

Instructions for Parts Books

The heading at the top of the page will be the same for the picture of the parts as it is for the page with the part numbers.

Definition of column headings on part number pages:

REF.No → The number referring to the part on the picture page of the parts book.

Part No. → The number assigned to this part at the time of printing the parts book.

Part Name → Description of part.

Q'ty → Quantity of part used on that page.

S.No. → Serial number range of the equipment that this part will fit.

>= Your serial number should be greater than or equal to the number shown.

<= Your serial number should be lesser than or equal to the serial number shown.

I/C → Interchangeability of part shown.

= The part shown will work for the older and later serial number.

NI The part shown is not interchangeable with the other serial number.

Remarks → Notes about this particular part. Sometimes this may say except [FR] or [CA]

Note about Country Codes:

The parts books we use in the United States of America may also contain information about a part that would be

different in another country. It is important that you are aware of the country codes in some instances.

Symbol Country

A United States of America

CA Canada

FR France

GR Greece

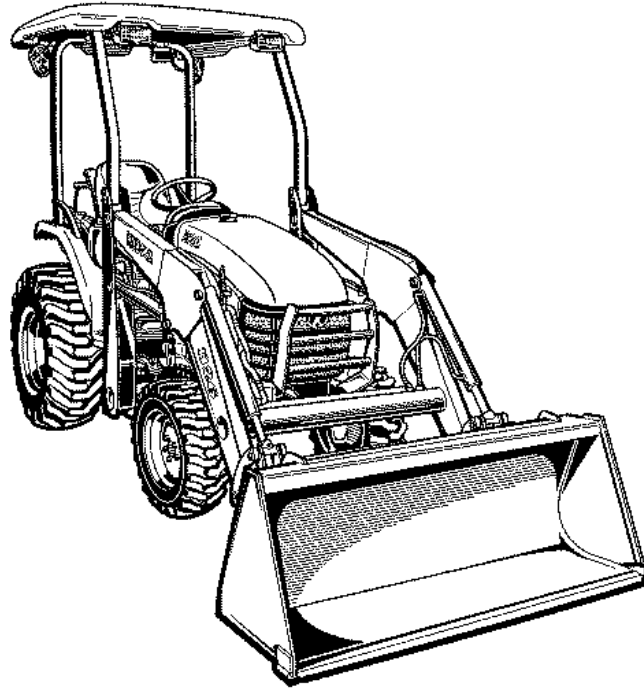
PO Portugal

AU Australia

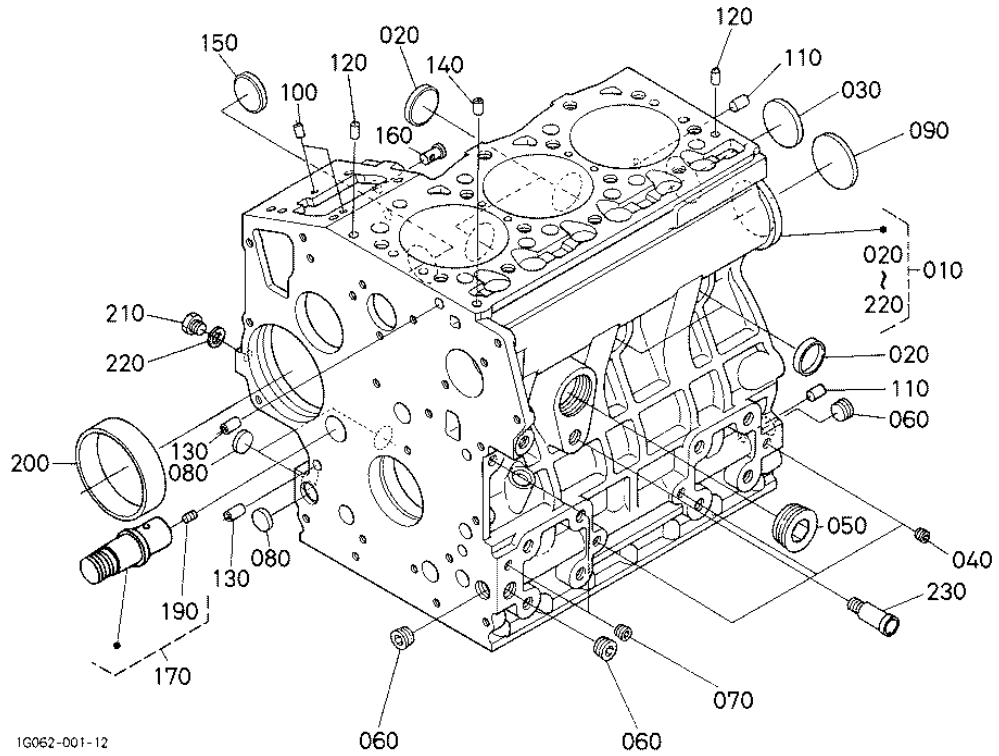
If the remarks column says for example EXCEPT [FR] this part works in all countries except France.

That means it will work here in the USA.

B26



CRANKCASE



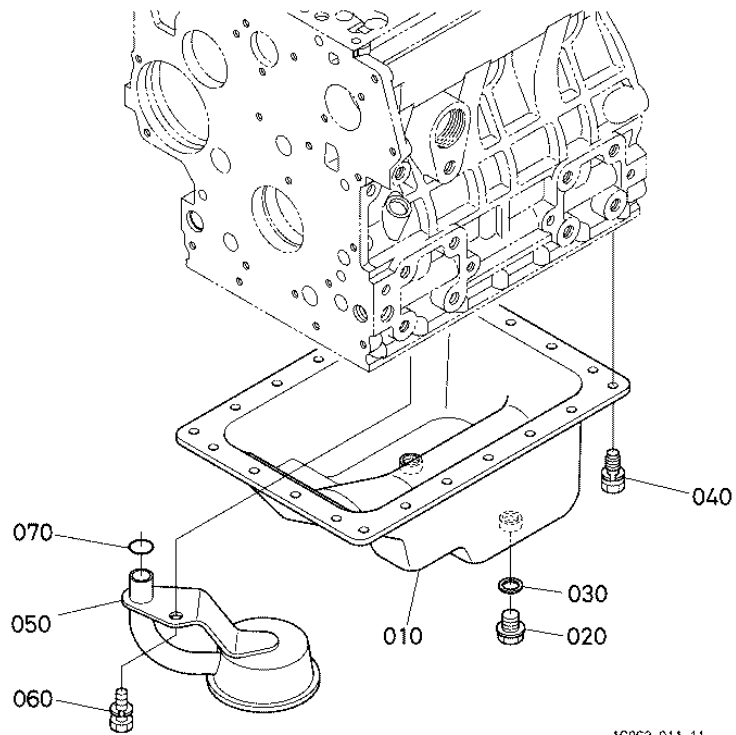
CRANKCASE

Ref	Part Number	Part Name	Qty	IC	S/N	Lbs	Remarks
010	1G062-01013	COMP.CRANKCASE	1			66	
020	15451-96270	CAP SEALING	4			0.002	
030	15221-03490	CAP SEALING	1			0.044	
040	15261-96010	PLUG	3			0.004	
050	16683-96020	PLUG	1			0.154	
060	16241-96010	PLUG	3			0.015	
070	15521-96020	PLUG	2			0.006	

CRANKCASE

Ref	Part Number	Part Name	Qty	IC	S/N	Lbs	Remarks
080	17391-96160	PLUG EXPANSION	3			0.006	
090	16271-96160	PLUG EXPANSION	1			0.055	
100	05012-00508	PIN STRAIGHT	2			0.002	
110	05012-00814	PIN STRAIGHT	2			0.013	
120	05012-00610	PIN STRAIGHT	2			0.006	
130	15231-33960	PIN PIPE	2			0.002	
140	16241-33650	PIN PIPE	1			0.004	
150	16241-96262	PLUG	1			0.015	
160	16261-56280	PIN START SPRING	1			0.008	
170	16251-24060	COMP SHAFT IDLE	1			0.396	
190	15521-93610	SCREW SET	1			0.004	
200	16271-55350	BUSH GOVERNOR GEAR	1			0.132	
210	15221-33610	PLUG	1			0.019	
220	15021-33660	GASKET	1			0.002	
230	15321-73340	PIPE WATER RETURN	1			0.035	

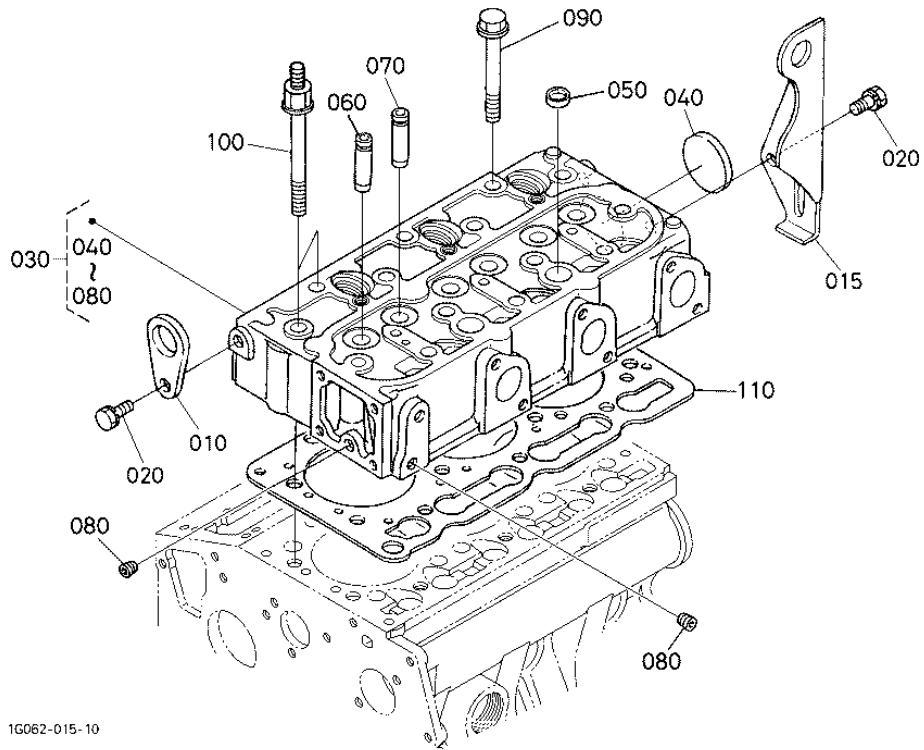
OIL PAN



OIL PAN

Ref	Part Number	Part Name	Qty	IC	S/N	Lbs	Remarks
010	16326-01502	COMP.OIL PAN	1			2.915	
020	13901-33750	PLUG DRAIN	2			0.066	
030	6C090-58960	GASKET	2			0.004	
040	16221-91122	BOLT	22			0.011	
050	16326-32110	FILTER OIL	1			0.206	
060	01123-60816	BOLT	1			0.022	
070	04814-00160	O RING	1			0.002	

CYLINDER HEAD



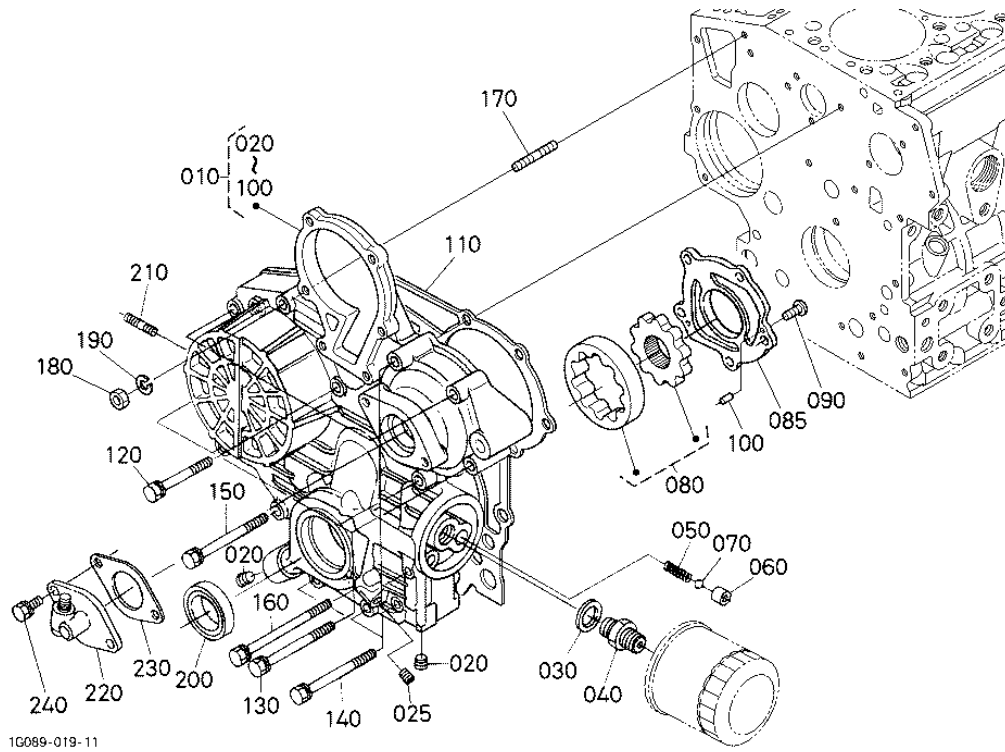
CYLINDER HEAD

Ref	Part Number	Part Name	Qty	IC	S/N	Lbs	Remarks
010	15221-01750	HOOK ENGINE	1			0.088	
015	16241-01770	HOOK ENGINE	1			0.385	
020	01123-60814	BOLT	2			0.022	
030	1G065-03043	COMP.CYLINDER HEAD	1	>>	>=7A0001	0	
030	1G065-03043	COMP.CYLINDER HEAD	1		<=6Z1449	0	
040	15321-96260	CAP SEALING	1			0.030	
050	15261-03370	CAP SEALING	2			0.011	

CYLINDER HEAD

Ref	Part Number	Part Name	Qty	IC	S/N	Lbs	Remarks
060	16261-13540	GUIDE INLET VALVE	3			0.044	
070	16261-13560	GUIDE EXHAUST VALVE	3			0.041	
080	15261-96010	PLUG	2			0.004	
090	16241-03450	BOLT CYLINDER HEAD	12			0.11	
100	16216-03450	BOLT CYLINDER HEAD	2			0.154	
110	1G063-03310	GASKET CYLINDER HEAD	1			0.352	

GEAR CASE



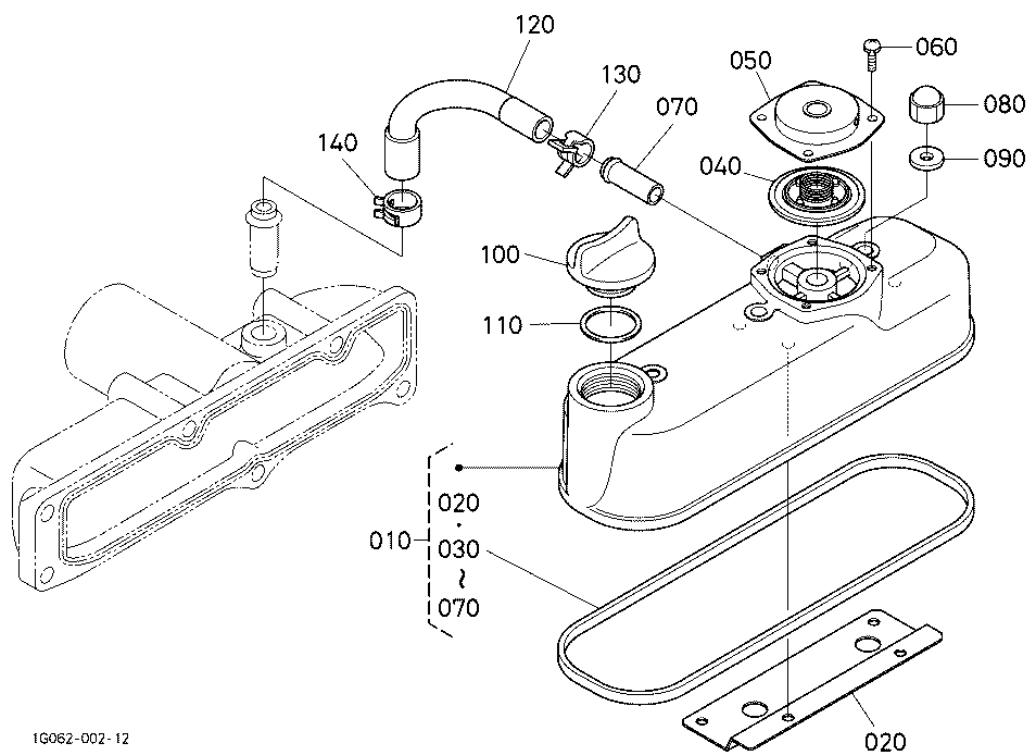
GEAR CASE

Ref	Part Number	Part Name	Qty	IC	S/N	Lbs	Remarks
010	16252-04022	COMP.CASE GEAR	1			5.412	
020	16241-96020	PLUG	2			0.033	
025	15521-96020	PLUG	1			0.006	
030	04011-50180	WASHER PLAIN	1			0.026	
040	15241-32290	JOINT PIPE	1			0.116	
050	16241-36950	SPRING	1			0.033	
060	16241-36930	SEAT VALVE	1			0.070	

GEAR CASE

Ref	Part Number	Part Name	Qty	IC	S/N	Lbs	Remarks
070	07715-00201	BALL	1			0.017	
080	16241-35070	ASSY ROTOR OIL PUMP	1			0.594	
085	16251-35130	COVER OIL PUMP	1			0.198	
090	03017-50620	SCREW CR-REC-BD-HD	5			0.011	
100	05012-00410	PIN STRAIGHT	2			0.002	
110	16264-04130	GASKET GEAR CASE	1			0	
120	01023-50645	BOLT	3			0.022	
130	01023-60650	BOLT	4			0.033	
140	01023-50655	BOLT	4			0.026	
150	01023-50665	BOLT	1			0.033	
160	16241-91040	BOLT	1			0.033	
170	16245-91530	STUD	1			0.022	
180	02056-50060	NUT	1			0.004	
190	04512-60060	WASHER SPRING	1			0.002	
200	16241-04212	SEAL OIL	1			0.026	
210	16245-91540	STUD	2			0.011	
220	58417-25950	ASSY GEAR CASE H/M	1			0.638	
230	16264-88130	GASKET H/METER UNIT	1			0.004	
240	01023-50618	BOLT	2			0.013	

HEAD COVER



1G062-002-12

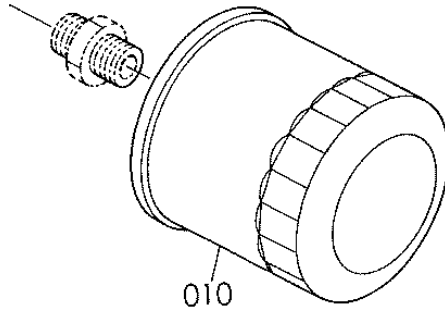
HEAD COVER

Ref	Part Number	Part Name	Qty	IC	S/N	Lbs	Remarks
010	1G032-14504	ASSY COVER CYL.HEAD	1			1.738	
020	1G032-05370	SHIELD OIL BREATHER	1			0.066	
030	16261-14520	GASKET HEAD COVER	1			0.022	
040	1G911-05203	COMP.VALVE BREATHER	1			0.022	
050	1G801-05120	COVER BREATHER	1			0.077	
060	03024-50510	SCREW WITH WASHER	4			0.004	
070	17331-73342	PIPE WATER RETURN	1			0.022	

HEAD COVER

Ref	Part Number	Part Name	Qty	IC	S/N	Lbs	Remarks
080	15952-92330	NUT	3			0.022	
090	15951-96660	GASKET	3			0.002	
100	E9151-33140	PLUG OIL FILLER	1			0.037	
110	04814-50300	O RING	1			0.002	
120	1G032-05510	TUBE BREATHER	1			0.037	
130	09318-88150	CLAMP HOSE	1			0.008	
140	16259-05580	CLAMP HOSE	1			0.066	

OIL FILTER

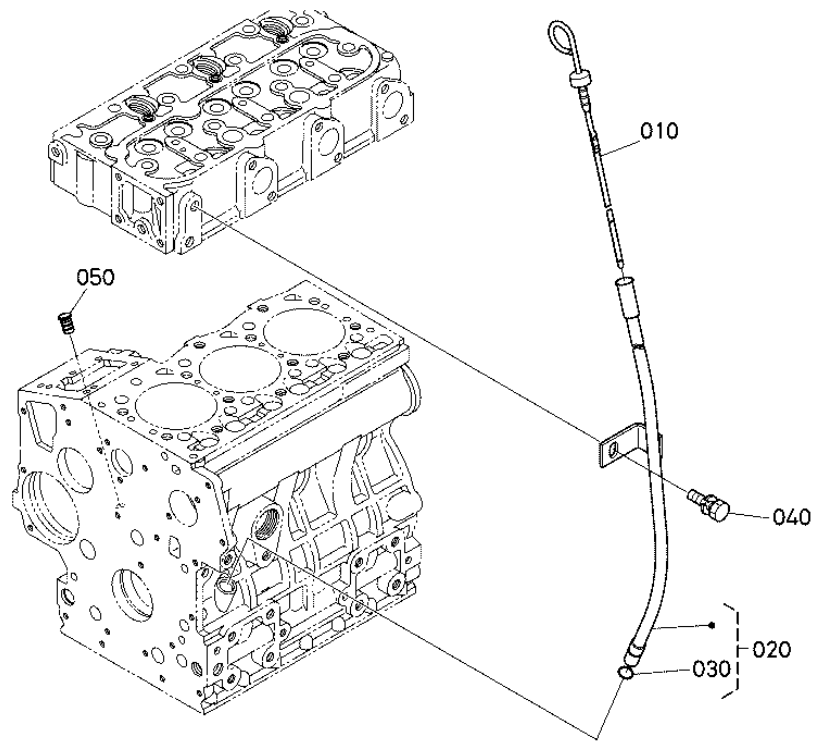


16615-003-10

OIL FILTER

Ref	Part Number	Part Name	Qty	IC	S/N	Lbs	Remarks
010	HH150-32094	CARTRIDGE OIL FILTER	1	>>		0.77	
010	15241-32094	CARTRIDGE OIL FILTER	1			0.77	

DIPSTICK AND GUIDE

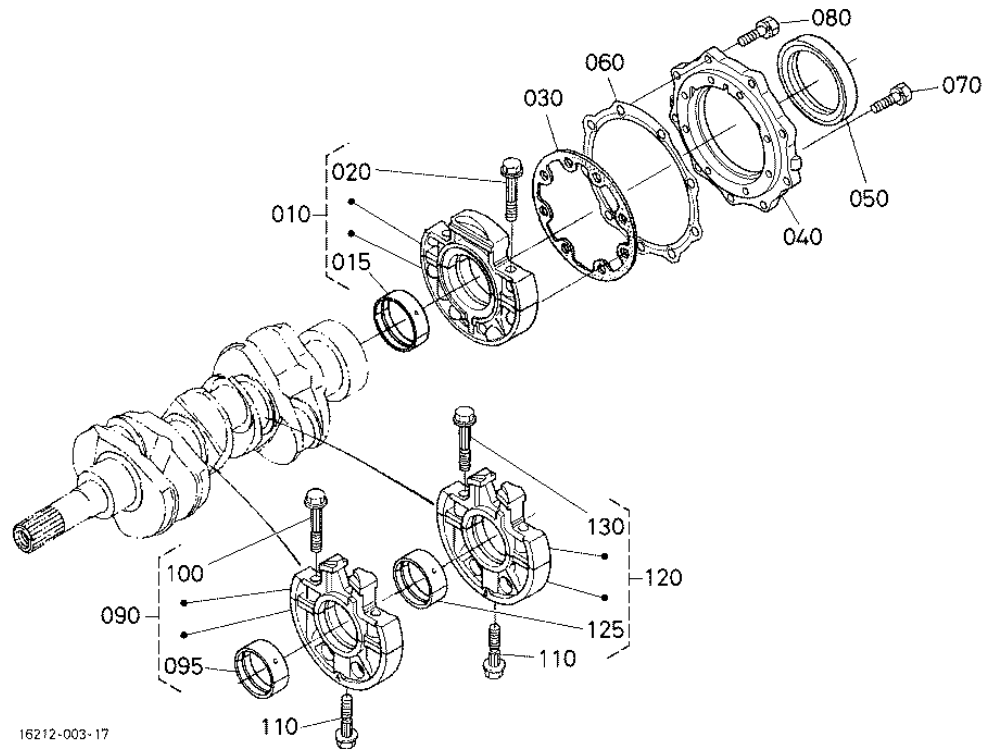


1G062-016-10

DIPSTICK AND GUIDE

Ref	Part Number	Part Name	Qty	IC	S/N	Lbs	Remarks
010	1G089-36410	GAUGE OIL	1			0.077	
020	1G089-36502	ASSY GUIDE OIL GAUGE	1			0.33	
030	04814-00090	O RING	1			0.002	
040	01123-60814	BOLT	1			0.022	
050	1G513-36550	PLUG OIL GAUGE	1			0.008	

MAIN BEARING CASE



16212-003-17

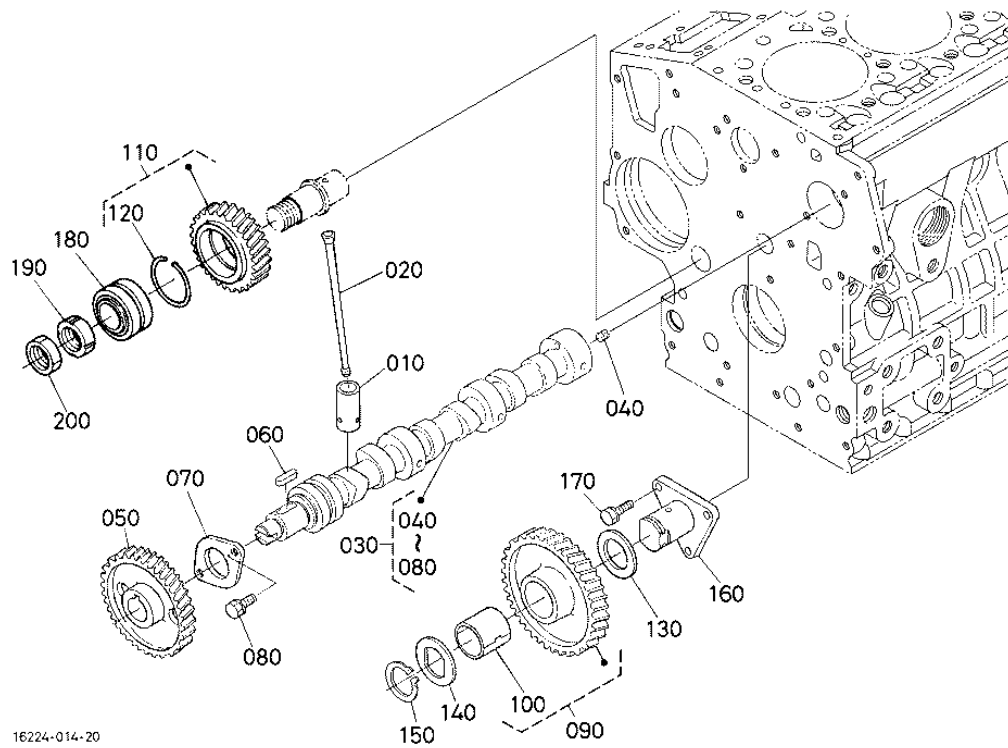
MAIN BEARING CASE

Ref	Part Number	Part Name	Qty	IC	S/N	Lbs	Remarks
010	16292-07095	ASSY BRG.CASE WHEEL	1			2.42	
015	16292-23494	METAL CRANKSHAFT	1			0.154	STD SET
020	16241-04540	BOLT BEARING CASE	2			0.044	
030	16264-04360	GASKET BRG.CASE	1			0.004	
040	16241-04815	COVER BEARING CASE	1			0.484	
050	16271-04460	SEAL OIL	1			0.088	
060	16264-04822	GASKET CASE COVER	1			0.017	

MAIN BEARING CASE

Ref	Part Number	Part Name	Qty	IC	S/N	Lbs	Remarks
070	01023-50625	BOLT	8			0.015	
080	01023-50620	BOLT	9			0.013	
090	16261-07045	ASSY BRG.CASE MAIN	1			1.892	
095	16241-23480	METAL CRANKSHAFT	1			0.11	STD SET
100	16241-04540	BOLT BEARING CASE	2			0.044	
110	16241-04560	BOLT BEARING CASE	2			0.066	
120	16261-07055	ASSY BRG.CASE MAIN	1			1.76	
125	16241-23480	METAL CRANKSHAFT	1			0.11	STD SET
130	16241-04540	BOLT BEARING CASE	2			0.044	

CAMSHAFT AND IDLE GEAR SHAFT



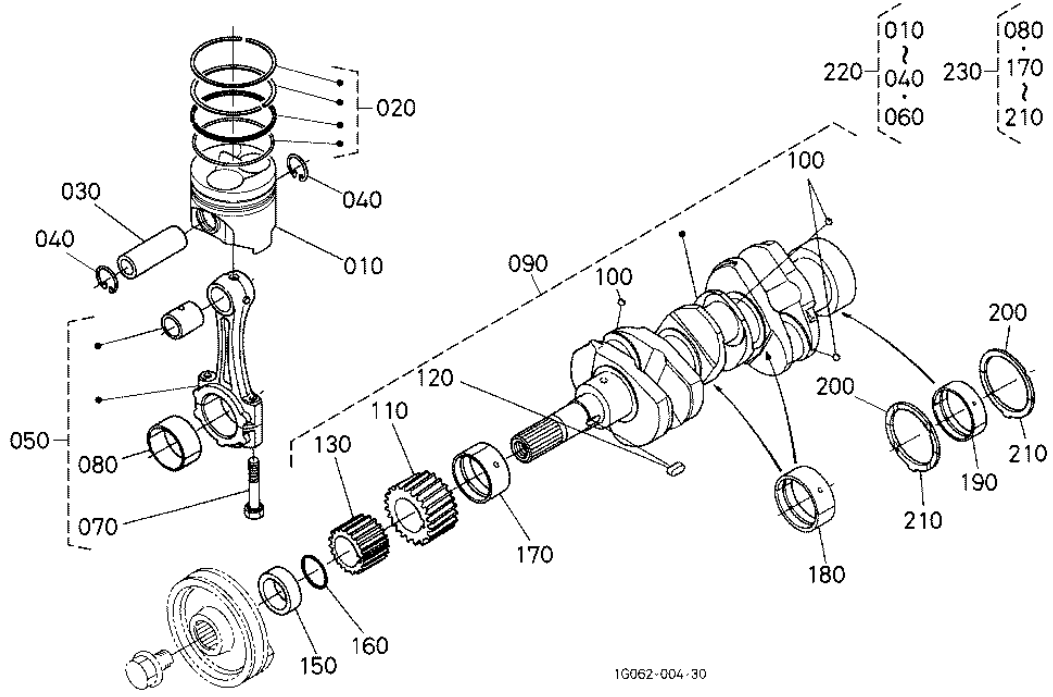
CAMSHAFT AND IDLE GEAR SHAFT

Ref	Part Number	Part Name	Qty	IC	S/N	Lbs	Remarks
010	1G673-15550	TAPPET	6			0.077	
020	16241-15110	PUSH ROD	6			0.066	
030	16261-16910	ASSY CAMSHAFT	1			3.74	
040	15521-93610	SCREW SET	1			0.004	
050	16241-16510	GEAR CAM	1			0.99	
060	05712-00518	KEY FEATHER	1			0.006	
070	16241-16270	STOPPER CAMSHAFT	1			0.088	

CAMSHAFT AND IDLE GEAR SHAFT

Ref	Part Number	Part Name	Qty	IC	S/N	Lbs	Remarks
080	01023-50616	BOLT	2			0.011	
090	16243-24010	COMP GEAR IDLE	1			1.32	
100	16251-24980	BUSH IDLE GEAR	1			0.077	ORDER BY REF.No.09
110	16251-24020	COMP GEAR IDLE	1			3.52	
120	16251-24320	CIR CLIP INTERNAL	1			0.022	
130	16251-24360	COLLAR IDLE GEAR	1			0.026	
140	15741-24370	COLLAR IDLE GEAR	1			0.033	
150	15741-24320	CIR CLIP IDLE GEAR	1			0.022	
160	16251-24250	SHAFT IDLE GEAR	1			0.792	
170	01023-50616	BOLT	3			0.011	
180	16251-24350	BEARING TAPER-ROLLER	1			0.462	
190	02410-00040	NUT BEARING	1			0.041	
200	16251-92210	NUT LOCK	1			0.022	

PISTON AND CRANKSHAFT



PISTON AND CRANKSHAFT

Ref	Part Number	Part Name	Qty	IC	S/N	Lbs	Remarks
010	16060-21914	PISTON	3			0.913	0.50mm
010	16060-21114	PISTON	3			0.88	STD
020	16292-21050	ASSY PISTON RING	3			0.002	STD
020	16292-21090	ASSY PISTON RING	3			0.030	0.50mm
030	16241-21310	PIN PISTON	3			0.297	
040	16241-21330	CIR CLIP PISTON PIN	6			0.004	
050	1G700-22010	ASSY ROD CONNECTING	3			1.144	

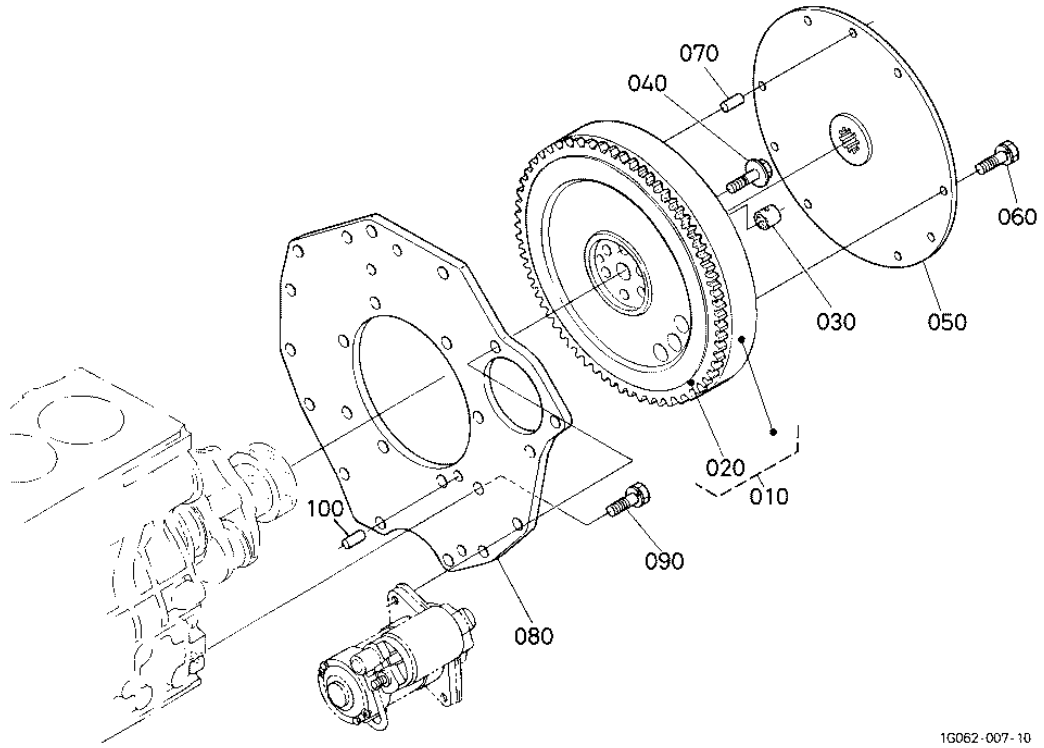
PISTON AND CRANKSHAFT

Ref	Part Number	Part Name	Qty	IC	S/N	Lbs	Remarks
070	16241-22142	BOLT CONNECTING ROD	6			0.052	
080	16241-22310	METAL CRANKPIN	6			0.083	STD SET
080	16241-22970	METAL CRANKPIN	3			0.176	-0.20mm SET
080	16241-22980	METAL CRANKPIN	3			0.22	-0.40mm SET
090	16261-23013	COMP.CRANKSHAFT	1			21.07	
100	07715-00401	BALL	3			0.002	
110	16241-24110	GEAR CRANK	1			0.33	
120	16271-95230	KEY	1			0.011	
130	16241-35630	GEAR OIL PUMP DRIVE	1			0.224	
150	16271-23250	COLLAR CRANKSHAFT	1			0.121	
160	04814-10280	RING	1			0.002	
170	16241-23910	METAL CRANKSHAFT	1			0.066	-0.20mm
170	16241-23920	METAL CRANKSHAFT	1			0.149	-0.40mm
170	16241-23470	METAL CRANKSHAFT	1			0.132	STD
180	16241-23480	METAL CRANKSHAFT	2			0.11	STD SET
180	16241-23930	METAL CRANKSHAFT	2			0.22	-0.20mm SET
180	16241-23940	METAL CRANKSHAFT	2			0.11	-0.40mm SET
190	16292-23494	METAL CRANKSHAFT	1			0.154	STD SET
190	16292-23864	METAL CRANKSHAFT	1			0.11	-0.20mm SET
190	16292-23874	METAL CRANKSHAFT	1			0.11	-0.40mm SET
200	15521-23530	METAL SIDE	2			0.022	STD
200	15521-23950	METAL SIDE	2			0.022	+0.20mm
200	15521-23960	METAL SIDE	2			0.022	+0.40mm
210	19202-23540	METAL SIDE	2			0.022	STD
210	19202-23970	METAL SIDE	2			0.022	+0.20mm
210	19202-23980	METAL SIDE	2			0.022	+0.40mm

PISTON AND CRANKSHAFT

Ref	Part Number	Part Name	Qty	IC	S/N	Lbs	Remarks
220	1G069-21775	KIT PISTON-RING	3			1.43	STD
220	1G069-21794	KIT PISTON-RING	3			0.143	+0.50mm
230	1G069-23776	KIT METAL ENGINE	1			0.761	-0.40mm/+0.40mm
230	1G069-23755	KIT METAL ENGINE	1			0.704	STD
230	1G069-23766	KIT METAL ENGINE	1			0.712	-0.20mm/+0.20mm

FLYWHEEL



1G062-007-10

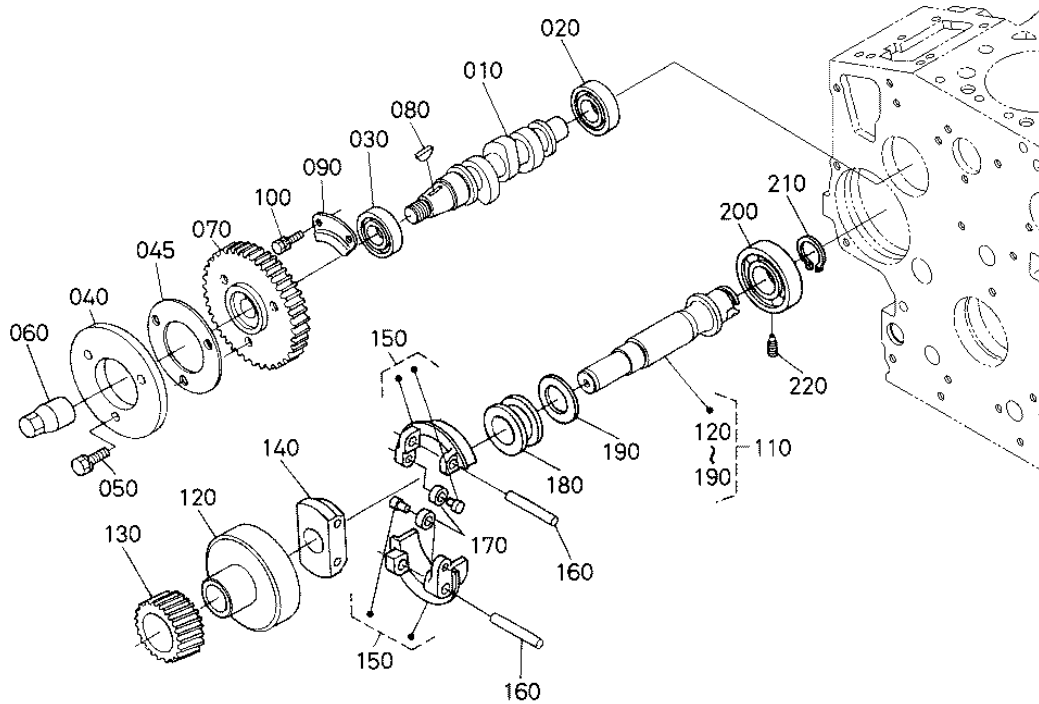
FLYWHEEL

Ref	Part Number	Part Name	Qty	IC	S/N	Lbs	Remarks
010	16261-25015	COMP.FLYWHEEL	1			37.84	
020	1G061-63820	GEAR RING	1			1.738	
030	66621-14120	BEARING DRY	1			0.013	
040	16271-25160	BOLT FLYWHEEL	6			0.079	
050	6C200-13412	PLATE	1			5.632	
060	01123-60816	BOLT	6			0.022	
070	05012-00814	PIN STRAIGHT	3			0.013	

FLYWHEEL

Ref	Part Number	Part Name	Qty	IC	S/N	Lbs	Remarks
080	6C040-58912	PLATE REAR END	1			8.008	
090	15261-91190	BOLT	8			0.066	
100	05012-00814	PIN STRAIGHT	1			0.013	

FUEL CAMSHAFT AND GOVERNOR SHAFT



1G043-017-11

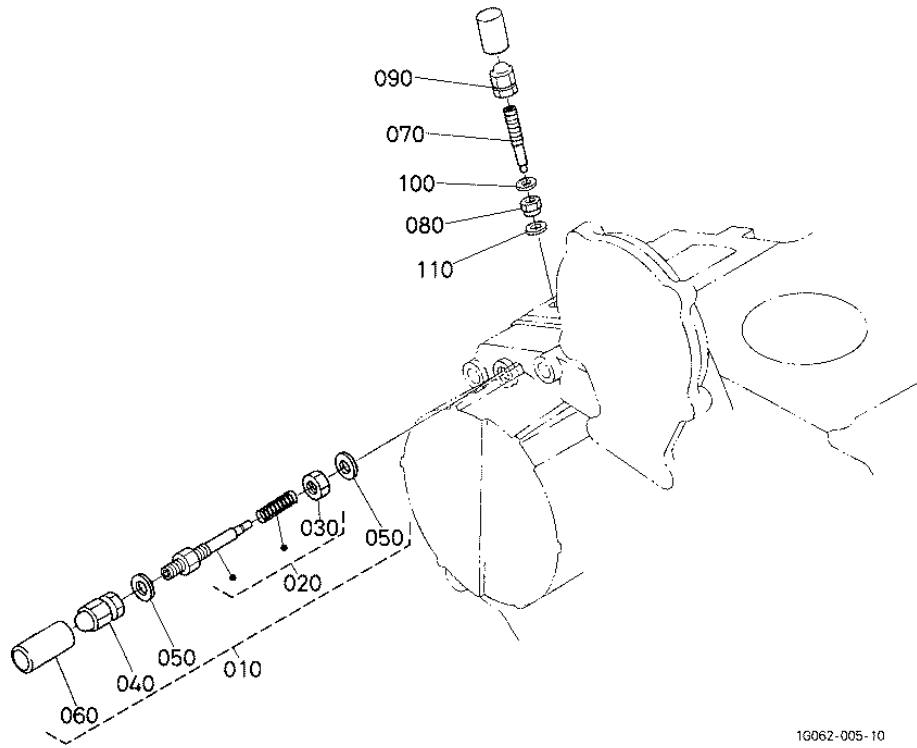
FUEL CAMSHAFT AND GOVERNOR SHAFT

Ref	Part Number	Part Name	Qty	IC	S/N	Lbs	Remarks
010	16020-16170	CAMSHAFT FUEL	1			0.836	
020	16261-97300	BEARING BALL	1			0.096	
030	08153-06204	BEARING BALL	1			0.242	
040	16241-51113	CAM FUEL	1			0.431	
045	16241-51190	WASHER	1			0.063	
050	01023-50618	BOLT	3			0.013	
060	16241-92330	NUT	1			0.077	

FUEL CAMSHAFT AND GOVERNOR SHAFT

Ref	Part Number	Part Name	Qty	IC	S/N	Lbs	Remarks
070	16272-51150	GEAR INJECTION PUMP	1			1.078	
080	16241-95230	KEY WOODRUFF	1			0.002	
090	16241-16320	STOPPER FUEL.C/SHAFT	1			0.088	
100	01023-50616	BOLT	2			0.011	
110	16261-55013	ASSY SHAFT GOVERNOR	1			2.42	
120	16241-55392	HOLDER GOVERNOR GEAR	1			0.748	
130	16271-55320	GEAR GOVERNOR	1			0.319	
140	16241-55270	HOLDER GOV.WEIGHT	1			0.187	
150	16271-55060	COMP.WEIGHT GOVERNOR	2			0.147	
160	16241-55260	SHAFT GOV. WEIGHT	2			0.028	
170	19484-55440	ROLLER	2			0.011	
180	16241-55450	SLEEVE GOVERNOR	1			0.088	
190	16241-55463	WASHER THRUST	1			0.011	
200	16261-97320	BEARING BALL	1			0.308	
210	16271-55410	CIR CLIP GOV.SHAFT	1			0.011	
220	16241-55554	SCREW SET	1			0.015	

IDLE APPARATUS



16062-005-10

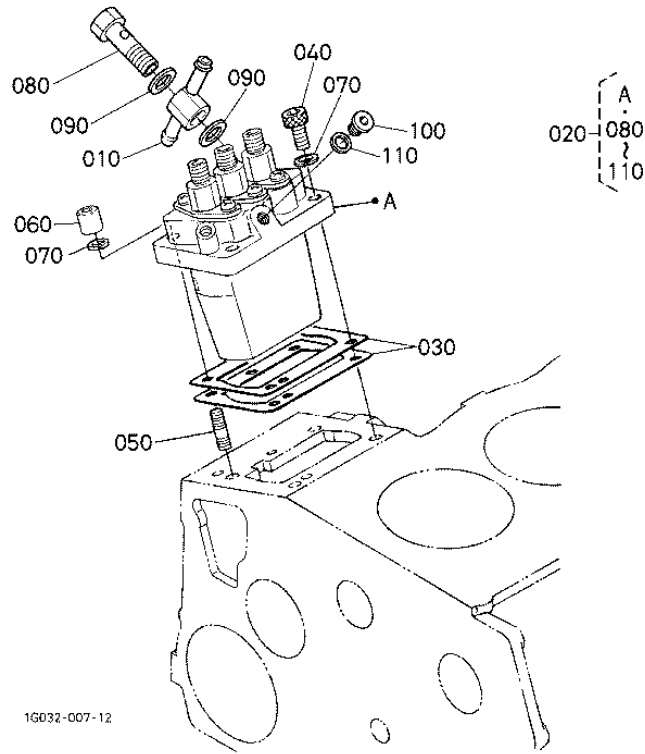
IDLE APPARATUS

Ref	Part Number	Part Name	Qty	IC	S/N	Lbs	Remarks
010	16271-54093	APPARATUS IDLING	1			0.063	
020	16241-54103	ASSY BOLT ADJUSTMENT	1			0.017	
030	15841-92020	NUT	1			0.008	
040	15852-92330	NUT	1			0.011	
050	15601-96650	GASKET	2			0.002	
060	16221-54420	CAP	1			0.002	
070	16241-54122	BOLT ADJUSTING	1			0.011	

IDLE APPARATUS

Ref	Part Number	Part Name	Qty	IC	S/N	Lbs	Remarks
080	1G031-54210	NUT LOCK	1			0.006	
090	15852-92330	NUT	1			0.011	
100	15601-96650	GASKET	1			0.002	
110	1G021-96650	GASKET	1			0.002	

INJECTION PUMP



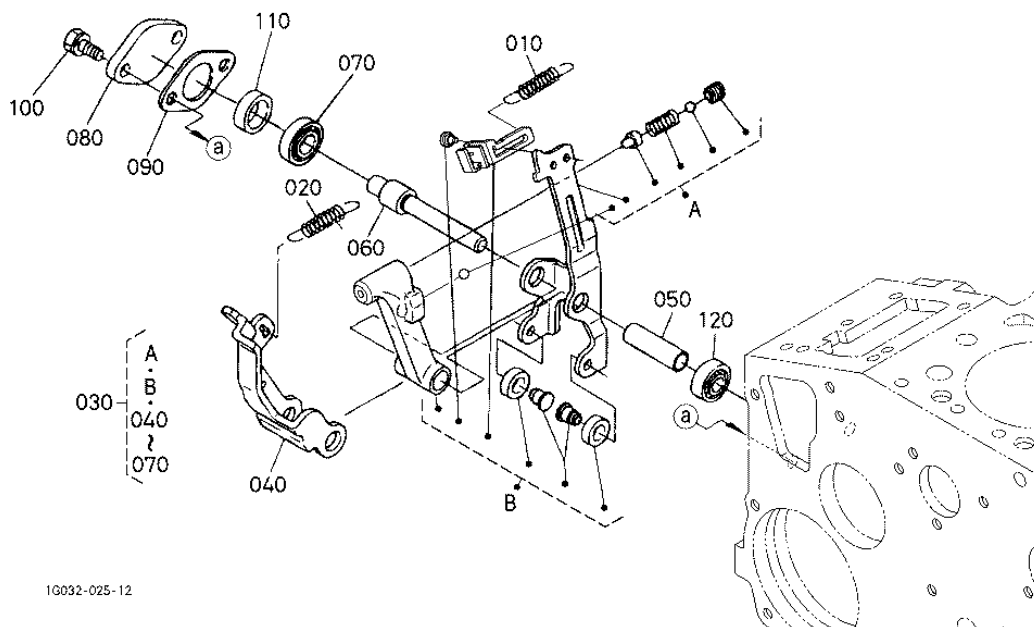
INJECTION PUMP

Ref	Part Number	Part Name	Qty	IC	S/N	Lbs	Remarks
010	16271-95690	JOINT EYE	1			0.101	
020	16032-51010	ASSY PUMP INJECTION	1			2.2	
030	16006-52122	SHIM INJECTION PUMP	1			0.013	0.300mm
030	16006-52112	SHIM INJECTION PUMP	1			0.008	0.250mm
030	16006-52092	SHIM INJECTION PUMP	1			0.008	0.200mm
030	1G700-52200	SHIM INJECTION PUMP	1			0.011	0.175mm
040	01311-10620	BOLT HEX-SOC-HD	2			0.026	

INJECTION PUMP

Ref	Part Number	Part Name	Qty	IC	S/N	Lbs	Remarks
050	15841-91500	STUD	2			0.044	
060	15841-92320	NUT	2			0.022	
070	04512-60060	WASHER SPRING	4			0.002	
080	16271-51320	SCREW HOLLOW	1			0.068	
090	15841-96650	GASKET	2			0.002	
100	16030-96010	PLUG	1			0.017	
110	15861-96650	GASKET	1			0.002	

GOVERNOR



1G032-025-12

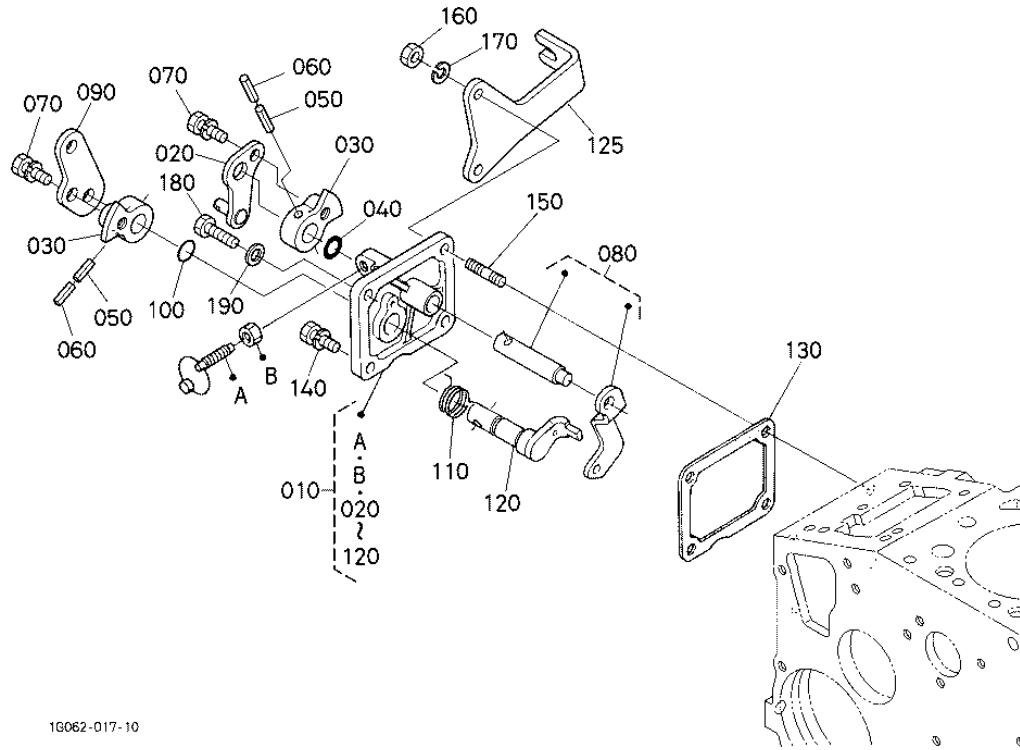
GOVERNOR

Ref	Part Number	Part Name	Qty	IC	S/N	Lbs	Remarks
010	17455-56480	SPRING START	1			0.002	
020	16285-56412	SPRING GOVERNOR	1			0.048	
030	1G062-56010	ASSY LEVER FORK	1			0.55	
040	1G032-56130	LEVER FORK	1			0.176	
050	1G032-56150	SHAFT FORK LEVER	1			0.015	
060	1G032-56470	SHAFT FORK LEVER	1			0.088	
070	16241-56330	BEARING MINIATURIZE	1			0.015	

GOVERNOR

Ref	Part Number	Part Name	Qty	IC	S/N	Lbs	Remarks
080	16241-56253	COVER FORK LEV.SHAFT	1			0.055	
090	16299-56260	GASKET	1			0.004	
100	01023-50612	BOLT	2			0.011	
110	16241-56210	COLLAR	1			0.017	
120	16241-56340	BEARING MINIATURIZE	1			0.015	

SPEED CONTROL PLATE



1G062-017-10

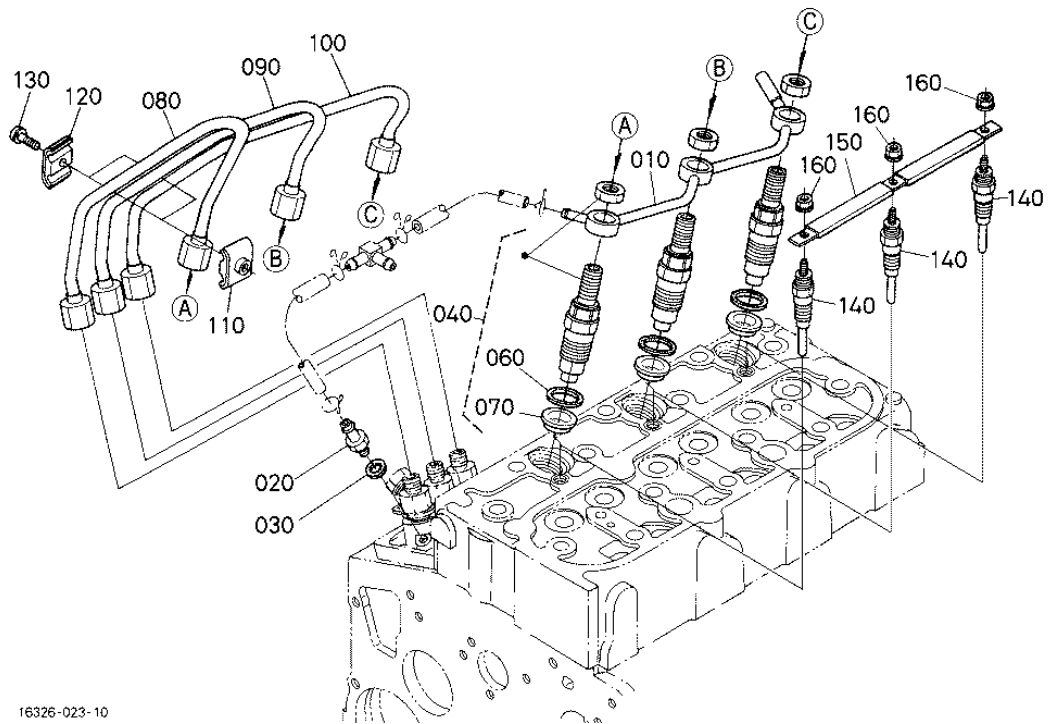
SPEED CONTROL PLATE

Ref	Part Number	Part Name	Qty	IC	S/N	Lbs	Remarks
010	1G062-57010	ASSY PLATE CONTROL	1			0.66	
020	1G062-57150	LEVER SPEED CONTROL	1			0.044	
030	16205-57162	LEVER SPEED CONTROL	2			0	
040	04814-00100	O RING	1			0.002	
050	05411-00420	PIN SPRING	2			0.002	
060	05411-02520	PIN SPRING	2			0.002	
070	01023-50612	BOLT	2			0.011	

SPEED CONTROL PLATE

Ref	Part Number	Part Name	Qty	IC	S/N	Lbs	Remarks
080	16205-56020	COMP.LEVER GOVERNOR	1			0.044	
090	16205-57720	LEVER ENGINE STOP	1			0.044	
100	04814-10070	O RING	1			0.002	
110	16205-57510	SPRING RETURN	1			0.004	
120	16205-57740	COMP.LEVER STOP	1			0.101	
125	32741-32140	STAY ACCEL WIRE	1			0	
130	16264-57210	GASKET	1			0.004	
140	01023-50616	BOLT	1			0.011	
150	16245-91540	STUD	2			0.011	
160	02056-50060	NUT	2			0.004	
170	04512-60060	WASHER SPRING	2			0.002	
180	01053-50618	BOLT	1			0.013	
190	15601-96650	GASKET	1			0.002	

NOZZLE HOLDER AND GLOW PLUG



16326-023-10

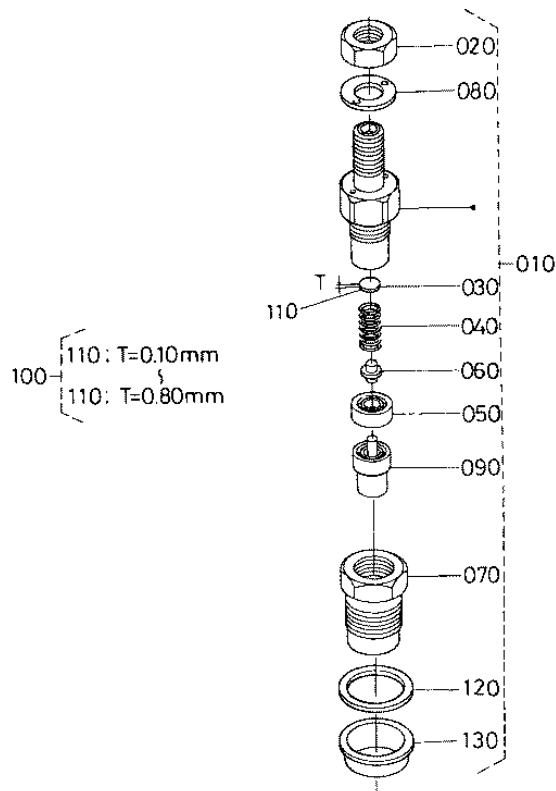
NOZZLE HOLDER AND GLOW PLUG

Ref	Part Number	Part Name	Qty	IC	S/N	Lbs	Remarks
010	16261-42502	ASSY PIPE OVER FLOW	1			0.088	
020	15841-51360	SCREW AIR BLEEDER	1			0.017	
030	15601-96650	GASKET	1			0.002	
040	1G065-53900	KIT HOLDER NOZZLE	3			0.332	
060	15841-53622	GASKET	3			0.004	
070	19077-53650	SEAL HEAT	3			0.011	
080	16231-53712	PIPE INJECTION	1			0.264	

NOZZLE HOLDER AND GLOW PLUG

Ref	Part Number	Part Name	Qty	IC	S/N	Lbs	Remarks
090	16231-53722	PIPE INJECTION	1			0.264	
100	16231-53732	PIPE INJECTION	1			0.264	
110	15841-53850	CLAMP PIPE	2			0.022	
120	15841-53860	CLAMP PIPE	2			0.019	
130	03024-50520	SCREW WITH WASHER	2			0.008	
140	16851-65512	GLOW PLUG	3			0.022	
150	16261-65560	CORD GLOW PLUG	1			0.022	
160	02761-50040	NUT FLANGE	3			0.004	

NOZZLE HOLDER [COMPONENT PARTS]



16347-015-10

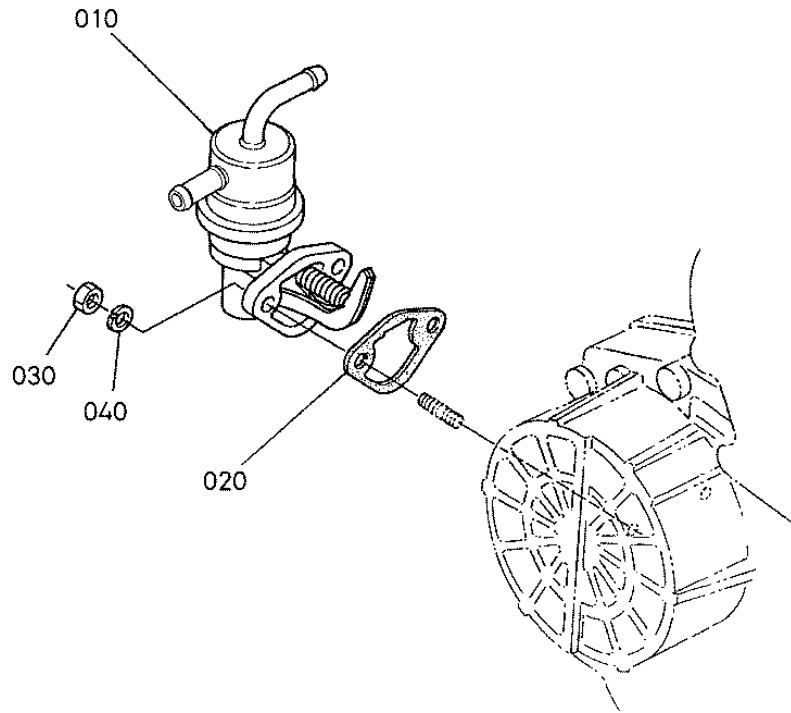
NOZZLE HOLDER [COMPONENT PARTS]

Ref	Part Number	Part Name	Qty	IC	S/N	Lbs	Remarks
010	1G065-53900	KIT HOLDER NOZZLE	3			0.332	
020	16032-92030	NUT	3			0.015	
030	16032-53230	WASHER ADJUSTING	3			0.002	
040	16032-53170	SPRING NOZZLE	3			0.015	
050	16032-53350	SPACER DISTANCE	3			0.044	
060	16032-53160	PUSH ROD	3			0.002	
070	16032-53280	NUT NOZZLE	3			0.081	

NOZZLE HOLDER [COMPONENT PARTS]

Ref	Part Number	Part Name	Qty	IC	S/N	Lbs	Remarks
080	16032-94040	WASHER PLAIN	3			0.004	
090	1G065-53610	PIECE NOZZLE	3			0.044	
100	16032-98100	ASSY WASHER ADJUST	3			0.035	OPTION
110	16032-98510	WASHER ADJUSTING	3			0.002	0.20mm
110	16032-98520	WASHER ADJUSTING	3			0.002	0.30mm
110	16032-98530	WASHER ADJUSTING	3			0.002	0.40mm
110	16032-98540	WASHER ADJUSTING	3			0.002	0.50mm
110	16032-98550	WASHER ADJUSTING	3			0.002	0.52mm
110	16032-98560	WASHER ADJUSTING	3			0.002	0.54mm
110	16032-98570	WASHER ADJUSTING	3			0.002	0.56mm
110	16032-98580	WASHER ADJUSTING	3			0.002	0.58mm
110	16032-98590	WASHER ADJUSTING	3			0.002	0.80mm
110	16032-98500	WASHER ADJUSTING	3			0.002	0.10mm
120	15841-53622	GASKET	3			0.004	
130	19077-53650	SEAL HEAT	3			0.011	

FUEL PUMP(MECHANICAL)

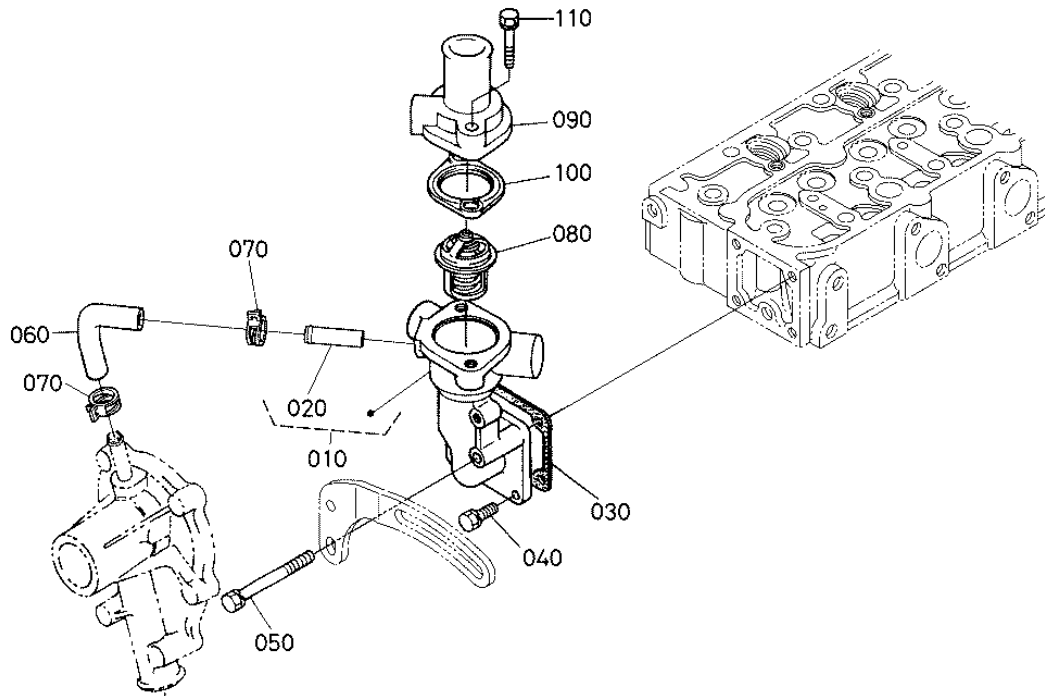


1G062-021-10

FUEL PUMP(MECHANICAL)

Ref	Part Number	Part Name	Qty	IC	S/N	Lbs	Remarks
010	16271-52032	ASSY PUMP FUEL	1			0.286	
020	16264-52140	GASKET FUEL PUMP	1			0.002	
030	02056-50060	NUT	2			0.004	
040	04512-60060	WASHER SPRING	2			0.002	

WATER FLANGE AND THERMOSTAT



1G062-020-10

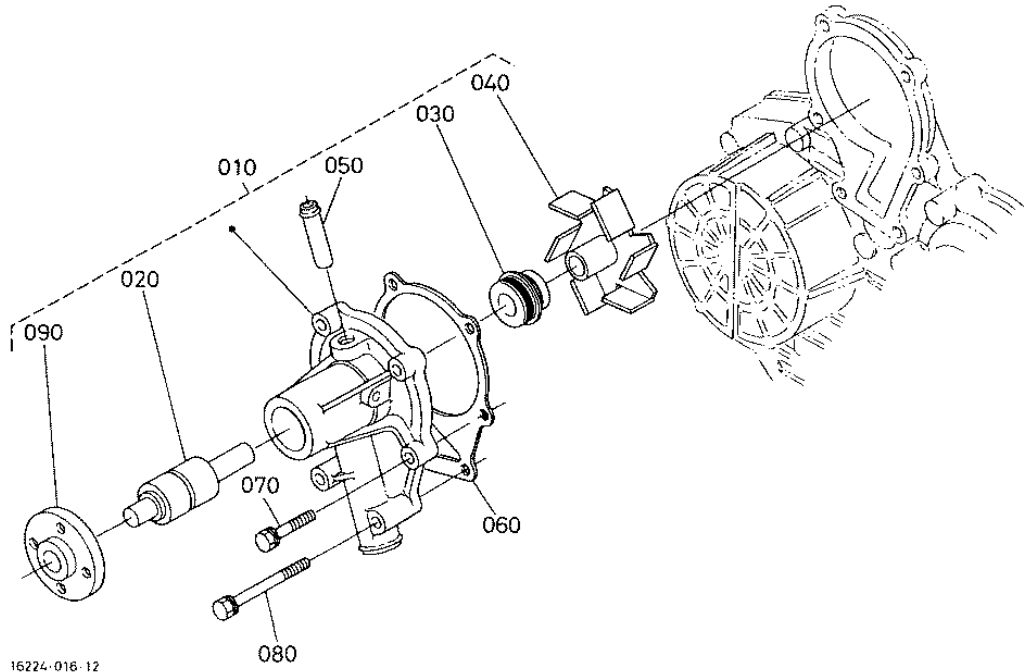
WATER FLANGE AND THERMOSTAT

Ref	Part Number	Part Name	Qty	IC	S/N	Lbs	Remarks
010	16203-72700	COMP.FLANGE WATER	1			0.55	
020	16241-73370	PIPE WATER RETURN	1			0.015	
030	16264-72920	GASKET WATER FLANGE	1			0.002	
040	01023-50616	BOLT	3			0.011	
050	01023-50655	BOLT	1			0.026	
060	16241-73350	PIPE WATER RETURN	1			0.033	
070	16241-73360	BAND PIPE	2			0.006	

WATER FLANGE AND THERMOSTAT

Ref	Part Number	Part Name	Qty	IC	S/N	Lbs	Remarks
080	15321-73014	ASSY THERMOSTAT	1			0.154	
090	16219-73260	COVER THERMOSTAT	1			0.217	
100	16221-73270	GASKET THERMOSTAT	1			0.002	
110	01123-50835	BOLT	2			0.044	

WATER PUMP



16224-018-12

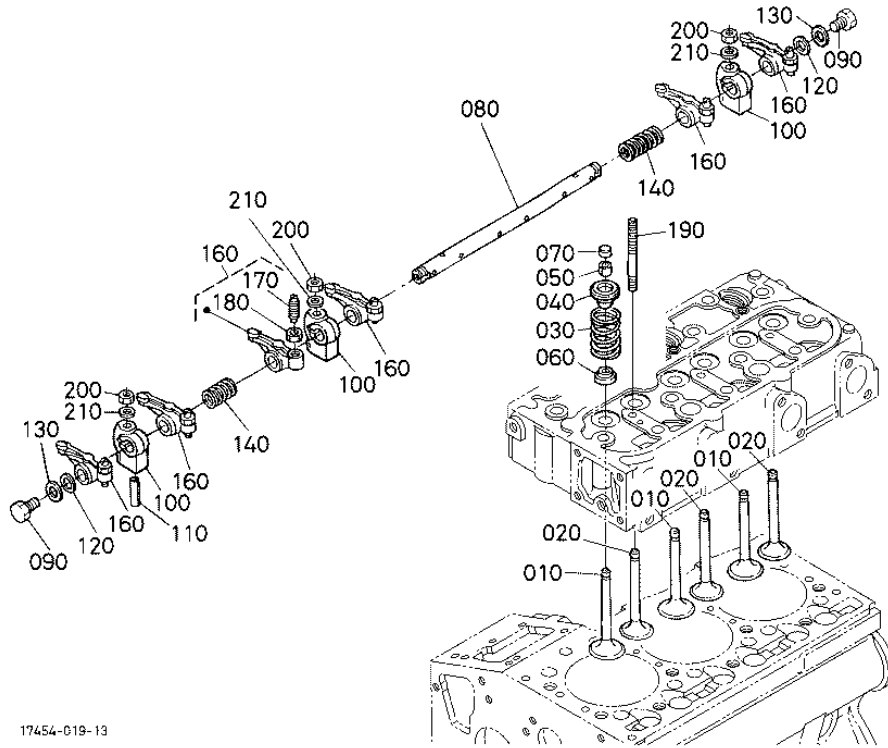
WATER PUMP

Ref	Part Number	Part Name	Qty	IC	S/N	Lbs	Remarks
010	16251-73034	ASSY PUMP WATER	1			1.76	
020	16259-73552	BEARING	1			0.462	
030	1G642-73050	ASSY SEAL MECHANICAL	1			0.066	
040	16259-73512	IMPELLER WATER PUMP	1			0.198	
050	16241-73370	PIPE WATER RETURN	1			0.015	
060	16239-73430	GASKET WATER PUMP	1			0.015	
070	01023-50630	BOLT	4			0.017	

WATER PUMP

Ref	Part Number	Part Name	Qty	IC	S/N	Lbs	Remarks
080	01023-50685	BOLT	2			0.039	
090	16259-73520	FLANGE WATER PUMP	1			0.33	

VALVE AND ROCKER ARM



17454-019-13

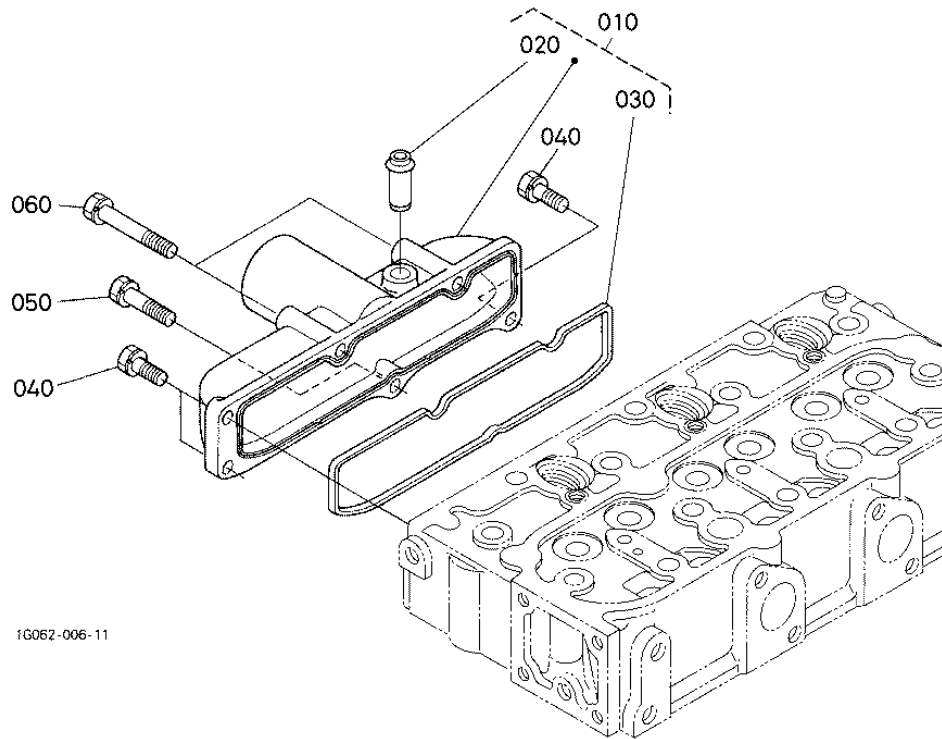
VALVE AND ROCKER ARM

Ref	Part Number	Part Name	Qty	IC	S/N	Lbs	Remarks
010	16241-13115	VALVE INLET	3			0.011	
020	16241-13126	VALVE EXHAUST	3			0.099	
030	16271-13240	SPRING VALVE	6			0.033	
040	16261-13330	RETAINER SPRING	6			0.035	
050	15261-13360	COLLET VALVE SPRING	6			0.002	SET
060	1C010-13150	SEAL VALVE STEM	6			0.004	
070	16241-13280	CAP VALVE	6			0.011	

VALVE AND ROCKER ARM

Ref	Part Number	Part Name	Qty	IC	S/N	Lbs	Remarks
080	16261-14264	SHAFT ROCKER ARM	1			0.352	
090	01023-50610	BOLT	2			0.011	
100	16241-14350	BRACKET ROCKER ARM	3			0.088	
110	05411-00428	PIN SPRING	1			0.004	
120	16241-14430	WASHER R-ARM.SHAFT	2			0.004	
130	15841-94022	WASHER PLAIN	2			0.011	
140	16241-14310	SPRING ROCKER ARM	2			0.008	
160	16241-14032	ASSY ROCKER ARM	6			0.114	
170	16241-14230	SCREW ADJUSTING	6			0.017	
180	16241-14240	NUT	6			0.008	
190	16241-14410	STUD	3			0.048	
200	15261-92010	NUT	3			0.011	
210	15261-94010	WASHER PLAIN	3			0.004	

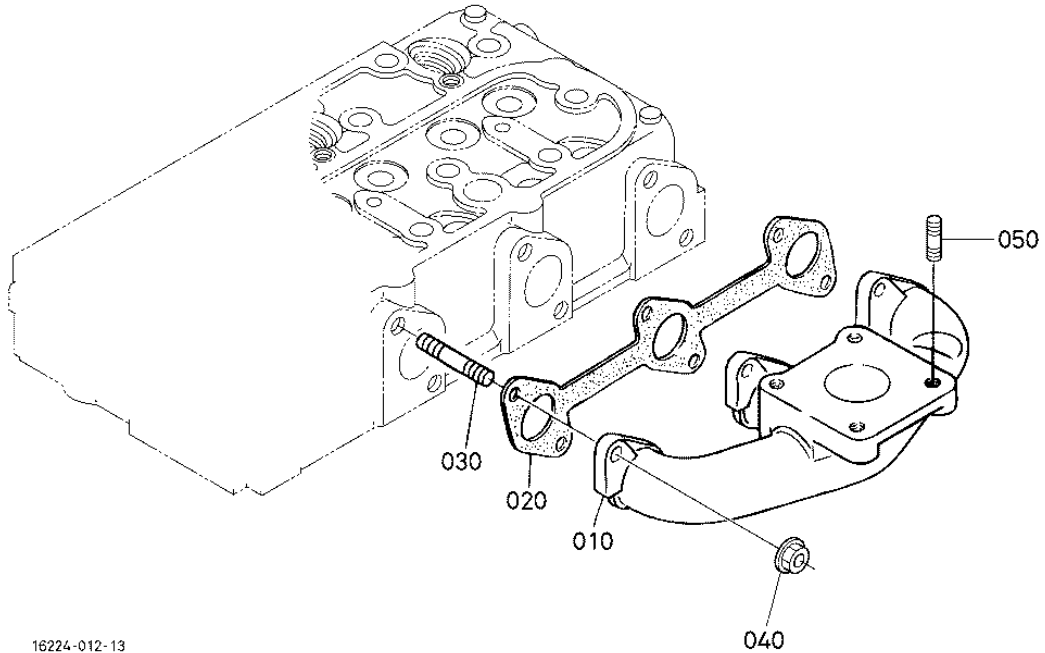
INLET MANIFOLD



INLET MANIFOLD

Ref	Part Number	Part Name	Qty	IC	S/N	Lbs	Remarks
010	17407-11770	ASSY MANIFOLD INLET	1			0.66	
020	16241-05550	JOINT BREATHER PIPE	1			0.044	
030	16261-11822	GASKET IN-MANIFOLD	1			0.022	
040	01023-50618	BOLT	3			0.013	
050	01023-50630	BOLT	1			0.017	
060	01023-60650	BOLT	2			0.033	

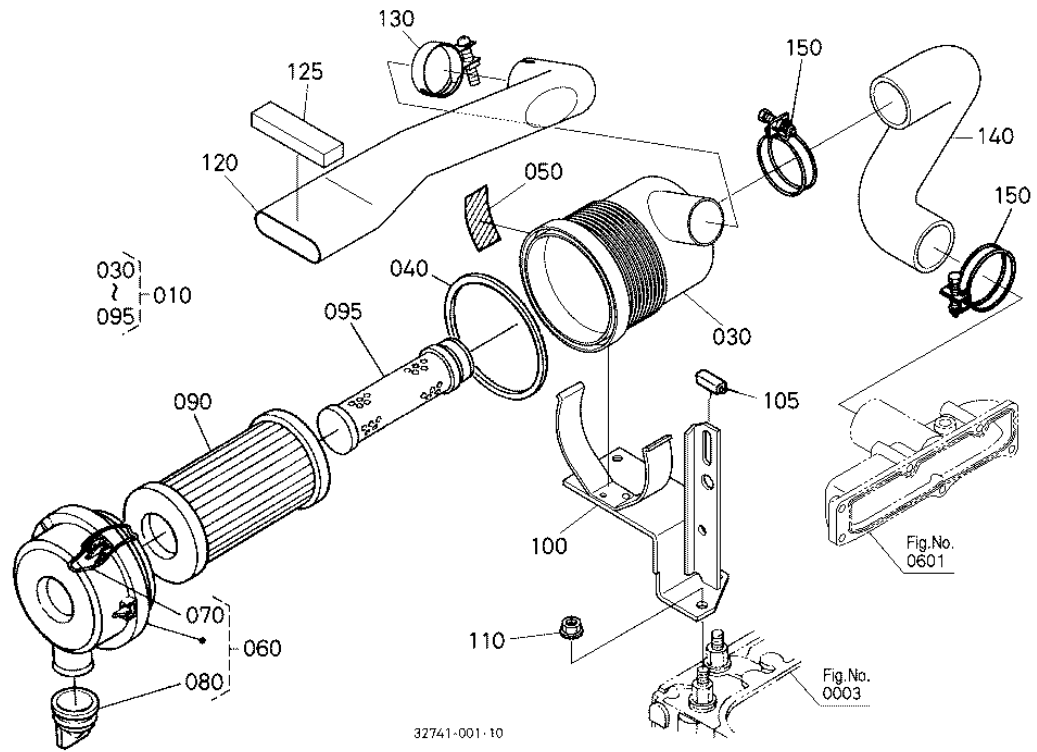
EXHAUST MANIFOLD



EXHAUST MANIFOLD

Ref	Part Number	Part Name	Qty	IC	S/N	Lbs	Remarks
010	16265-12312	MANIFOLD EXHAUST	1			2.97	
020	16261-12350	GASKET EX-MANIFOLD	1			0.041	
030	16241-91490	STUD	6			0.011	
040	16271-92010	NUT	6			0.008	
050	01513-50818	STUD	4			0.019	

AIR CLEANER



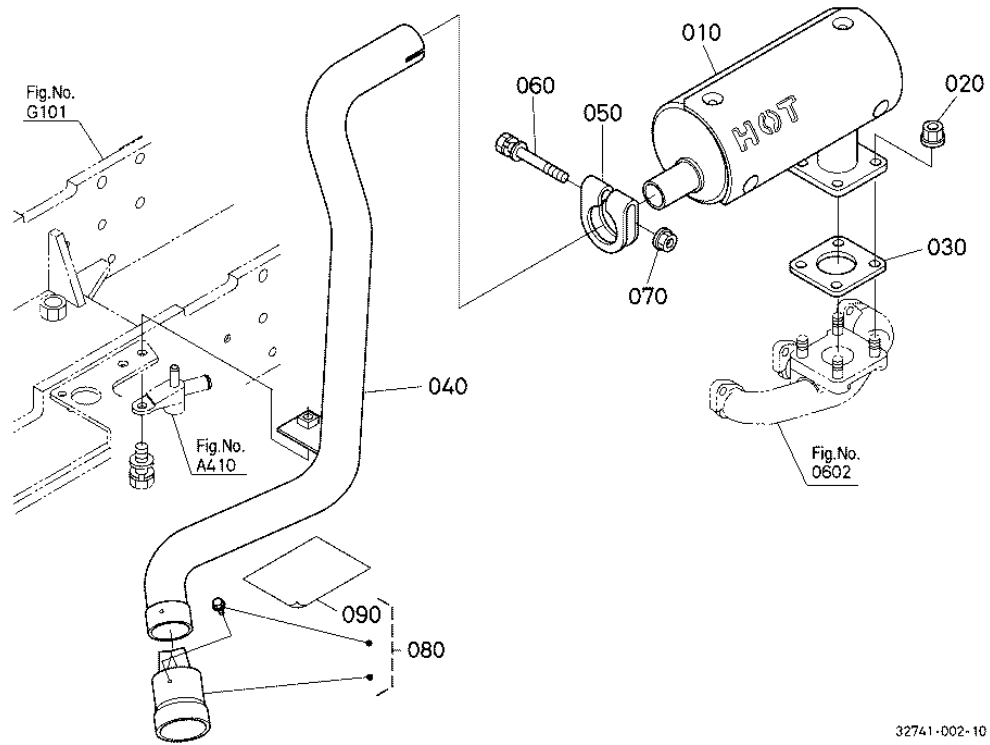
AIR CLEANER

Ref	Part Number	Part Name	Qty	IC	S/N	Lbs	Remarks
010	6C095-58200	ASSY CLEANER AIR	1			1.452	
030	6A100-82520	BODY AIR CLEANER	1			0.506	
040	6A100-82530	GASKET	1			0.066	
050	32721-58282	LABEL CAUTION	1			0.002	
060	6A100-82550	ASSY COVER A/C	1			0.393	
070	6A100-82570	SPRING	2			0.011	
080	67980-82580	VALVE UNLOADER	1			0.024	

AIR CLEANER

Ref	Part Number	Part Name	Qty	IC	S/N	Lbs	Remarks
090	6C060-99410	ASSY ELEMENT	1			0.66	
095	32721-58242	ELEMENT INNER	1			0.22	
100	32741-58230	BRACKET AIR CLEANER	1			0	
105	6C070-58240	CUSHION	1			0.002	
110	02783-50100	NUT FLANGE	2			0.022	
120	6C200-58250	HOSE INLET	1			0.198	
125	32741-58290	TAPE	1			0	
130	15261-11720	BAND PIPE	1			0.066	
140	32741-58260	HOSE INLET	1			0	
150	67955-58260	BAND AIR CLEANER	2			0.061	

MUFFLER



32741-002-10

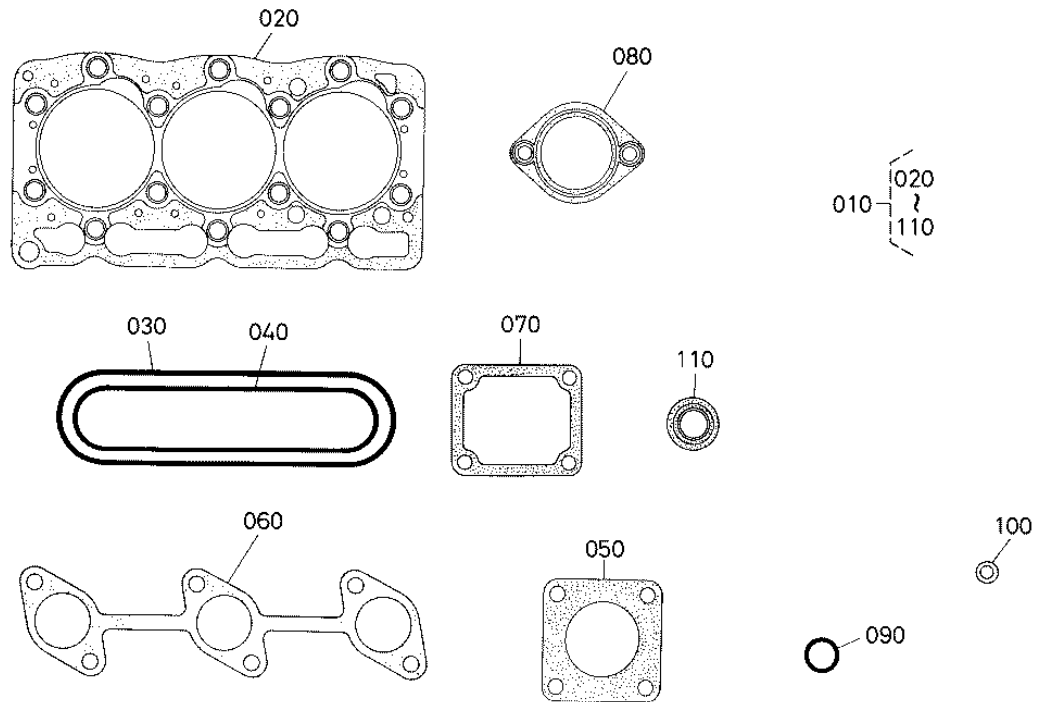
MUFFLER

Ref	Part Number	Part Name	Qty	IC	S/N	Lbs	Remarks
010	6A320-58406	COMP.MUFFLER	1			4.334	
020	02121-50080	NUT	4			0.022	
030	15263-12370	GASKET MUFFLER NA	1			0.033	
040	32741-58423	PIPE EXHAUST	1			0	
050	15221-12433	CLAMP MUFFLER PIPE	1			0.11	
060	01125-50855	BOLT	1			0.055	
070	02121-50080	NUT	1			0.022	

MUFFLER

Ref	Part Number	Part Name	Qty	IC	S/N	Lbs	Remarks
080	K7561-98300	KIT ADAPTER	1			0	
090	99999-99999	MANUAL INSTALLATION	1			0	

UPPER GASKET KIT



16054-001-10

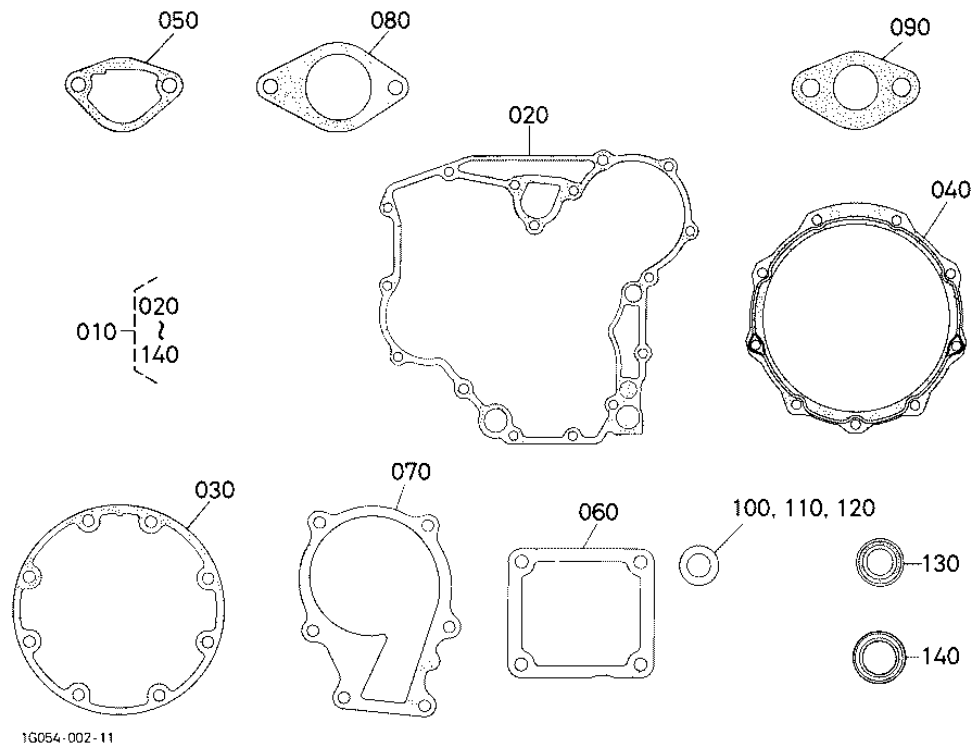
UPPER GASKET KIT

Ref	Part Number	Part Name	Qty	IC	S/N	Lbs	Remarks
010	1G062-99350	KIT GASKET UPPER	1			0.649	
020	1G063-03310	GASKET CYLINDER HEAD	1			0.352	
030	16261-14520	GASKET HEAD COVER	1			0.022	
040	16261-11822	GASKET IN-MANIFOLD	1			0.022	
050	15263-12370	GASKET MUFFLER NA	1			0.033	
060	16261-12350	GASKET EX-MANIFOLD	1			0.041	
070	16264-72920	GASKET WATER FLANGE	1			0.002	

UPPER GASKET KIT

Ref	Part Number	Part Name	Qty	IC	S/N	Lbs	Remarks
080	16221-73270	GASKET THERMOSTAT	1			0.002	
090	04814-50300	O RING	1			0.002	
100	15951-96660	GASKET	3			0.002	
110	1C010-13150	SEAL VALVE STEM	6			0.004	

LOWER GASKET KIT



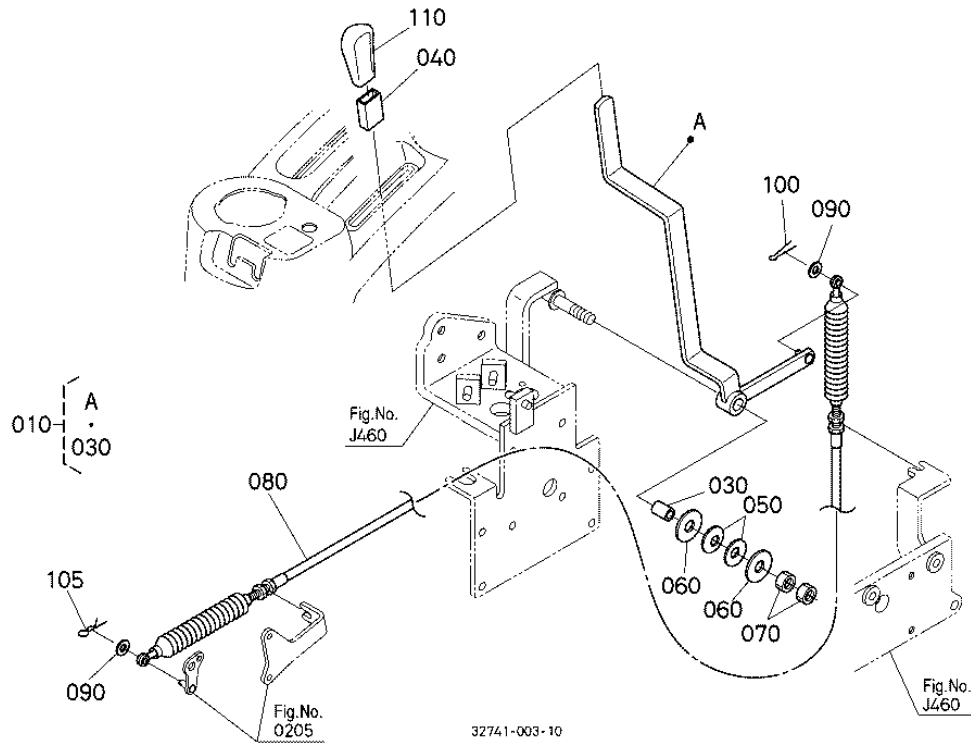
LOWER GASKET KIT

Ref	Part Number	Part Name	Qty	IC	S/N	Lbs	Remarks
010	1G062-99362	KIT GASKET LOWER	1			0.400	
020	16264-04130	GASKET GEAR CASE	1			0	
030	16264-04360	GASKET BRG.CASE	1			0.004	
040	16264-04822	GASKET CASE COVER	1			0.017	
050	16264-52140	GASKET FUEL PUMP	1			0.002	
060	16264-57210	GASKET	1			0.004	
070	16239-73430	GASKET WATER PUMP	1			0.015	

LOWER GASKET KIT

Ref	Part Number	Part Name	Qty	IC	S/N	Lbs	Remarks
080	16264-88130	GASKET H/METER UNIT	1			0.004	
090	16299-56260	GASKET	1			0.004	
100	15601-96650	GASKET	5			0.002	
110	6C090-58960	GASKET	2			0.004	
120	15841-53622	GASKET	3			0.004	
130	16241-04212	SEAL OIL	1			0.026	
140	16271-04460	SEAL OIL	1			0.088	

ACCELERATOR LEVER



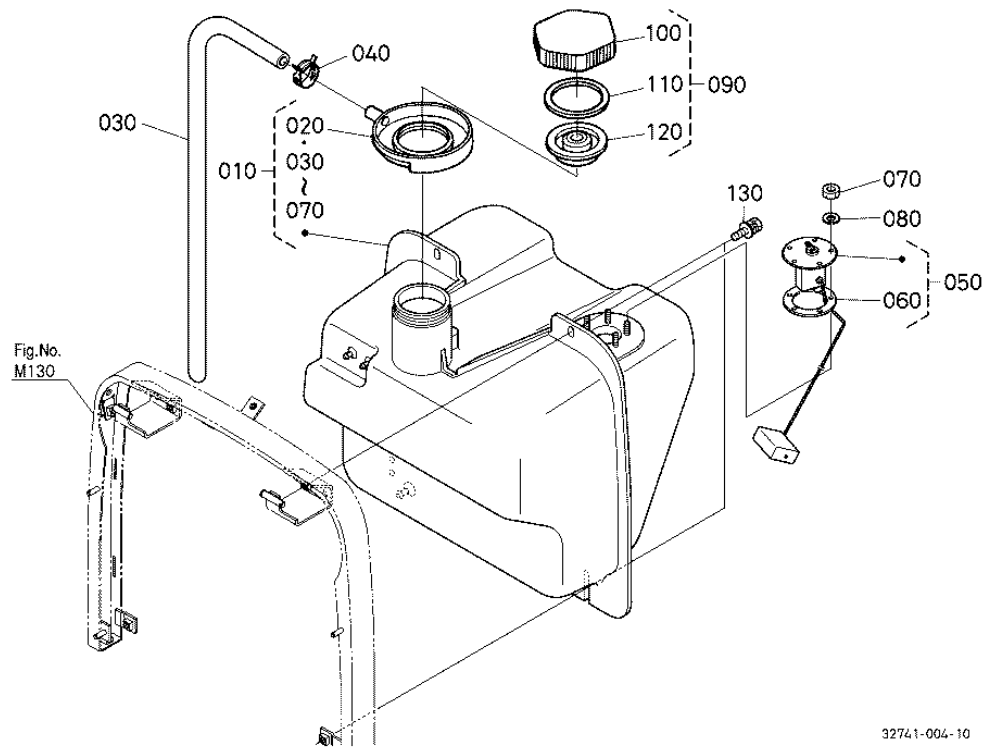
ACCELERATOR LEVER

Ref	Part Number	Part Name	Qty	IC	S/N	Lbs	Remarks
010	32741-43304	ASSY LEVER ACCEL.	1			0	
030	08511-01220	BUSH	1			0.008	
040	6C040-42760	CUSHION	1			0.006	
050	69191-65950	SPRING PLATE	2			0.011	
060	04015-60120	WASHER PLAIN	2			0.048	
070	02174-50120	NUT	2			0.022	
080	32771-44730	WIRE ACCEL.	1			1.1	

ACCELERATOR LEVER

Ref	Part Number	Part Name	Qty	IC	S/N	Lbs	Remarks
090	04013-60060	WASHER PLAIN	2			0.002	
100	52300-34110	PIN SNAP	1			0.004	
105	52300-34110	PIN SNAP	1			0.004	
110	6A700-18352	GRIP	1			0.114	

FUEL TANK



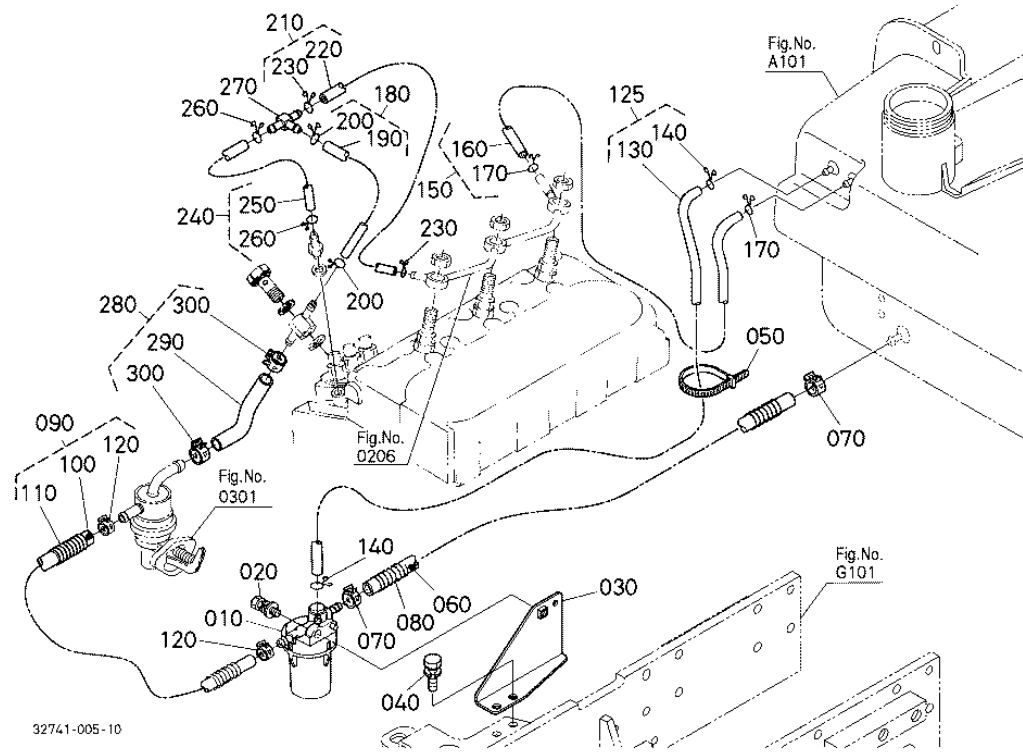
FUEL TANK

Ref	Part Number	Part Name	Qty	IC	S/N	Lbs	Remarks
010	32741-54700	ASSY TANK FUEL	1			7.436	
020	6C090-54740	TRAY FUEL	1			0.088	
030	32741-54760	PIPE	1			0	
040	09318-88185	CLAMP HOSE	1			0.008	
050	6C200-54750	GAUGE FUEL	1			0.308	
060	6A320-85812	GASKET GAUGE	1			0.011	
070	02054-50050	NUT	5			0.004	

FUEL TANK

Ref	Part Number	Part Name	Qty	IC	S/N	Lbs	Remarks
080	04512-60050	WASHER SPRING	5			0.004	
090	6A100-54910	ASSY CAP FUEL	1			0.231	
100	6A100-54920	CAP FUEL	1			0.090	
110	6A100-54942	SPACER	1			0.002	
120	6A100-54952	GASKET	1			0.044	
130	01127-50825	BOLT	4			0.022	

FUEL PIPE



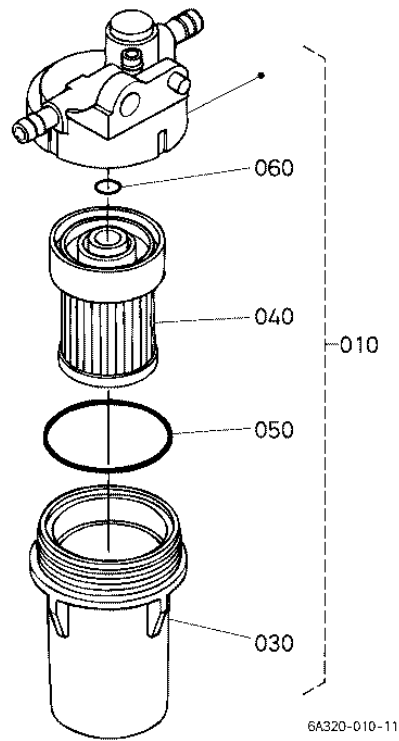
FUEL PIPE

Ref	Part Number	Part Name	Qty	IC	S/N	Lbs	Remarks
010	6A320-58862	ASSY FILTER FUEL	1			0.198	
020	01125-50825	BOLT	1			0.039	
030	32741-54880	STAY FUEL FILTER	1			0	
040	01123-60816	BOLT	2			0.022	
050	55311-41260	BAND CORD	1			0.015	
060	09661-70600	TUBE FUEL	1			0.154	
070	14911-42750	CLIP PIPE	2			0.004	

FUEL PIPE

Ref	Part Number	Part Name	Qty	IC	S/N	Lbs	Remarks
080	76630-53370	SPRING PIPE PROTECT.	1			0.037	
090	32741-59410	ASSY TUBE FUEL	1			0	
100	09661-70210	TUBE FUEL	1			0	
110	66591-54250	SPRING PIPE PROTECT.	1			0.022	
120	14911-42750	CLIP PIPE	2			0.004	
125	32741-59460	ASSY TUBE FUEL	1			0	
130	09661-40625	TUBE FUEL	1			0.066	
140	14971-42750	CLIP PIPE	2			0.002	
150	34670-35540	ASSY PIPE FUEL	1			0.055	
160	34670-35640	PIPE FUEL	1			0.044	
170	14971-42750	CLIP PIPE	2			0.002	
180	17208-42500	ASSY PIPE OVER FLOW	1			0.015	
190	15841-42520	PIPE FUEL OVER FLOW	1			0.013	
200	14971-42750	CLIP PIPE	2			0.002	
210	16282-42020	ASSY PIPE OVER FLOW	1			0.022	
220	09661-40040	TUBE FUEL	1			0.011	
230	14971-42750	CLIP PIPE	2			0.002	
240	17208-42030	ASSY PIPE OVER FLOW	1			0.013	
250	09661-40100	TUBE FUEL	1			0.013	
260	14971-42750	CLIP PIPE	2			0.002	
270	1G065-42360	JOINT T-PIPE	1			0.002	
280	16032-42010	ASSY TUBE FUEL	1			0.026	
290	09661-80075	TUBE FUEL	1			0.022	
300	14911-42750	CLIP PIPE	2			0.004	

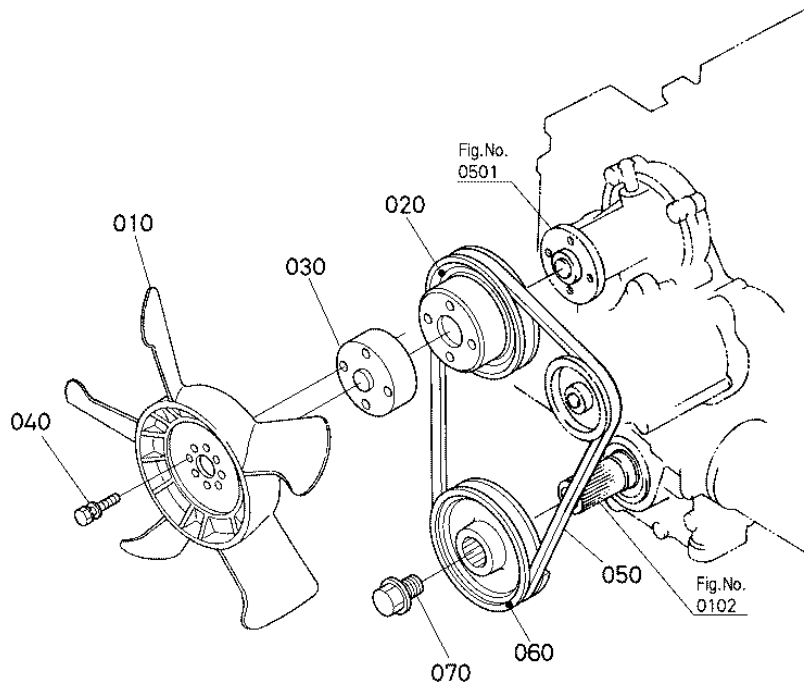
FUEL FILTER [COMPONENT PARTS]



FUEL FILTER [COMPONENT PARTS]

Ref	Part Number	Part Name	Qty	IC	S/N	Lbs	Remarks
010	6A320-58862	ASSY FILTER FUEL	1			0.198	
030	6A320-59920	CUP	1			0.066	
040	6A320-59930	FILTER	1			0.055	
050	6A320-59940	O-RING	1			0.002	
060	6A320-59950	O-RING	1			0.002	

FAN

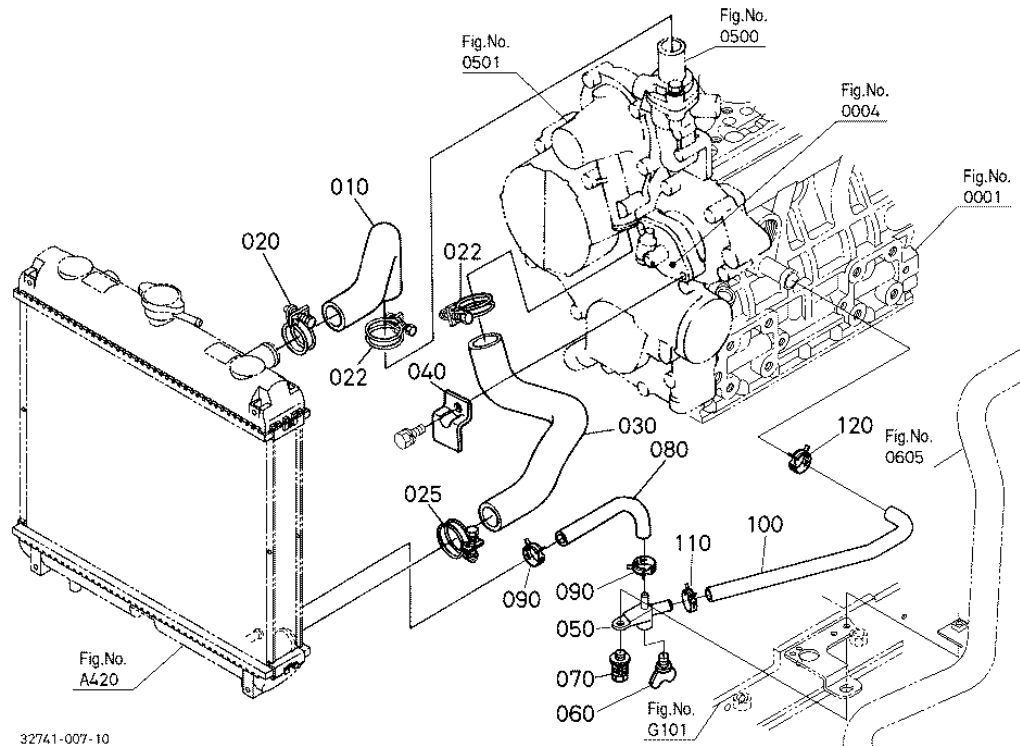


32741-006-10

FAN

Ref	Part Number	Part Name	Qty	IC	S/N	Lbs	Remarks
010	16264-74110	FAN	1			0.704	
020	16241-74250	PULLEY FAN	1			0.528	
030	17053-74150	COLLAR FAN	1			0.242	
040	01025-50635	BOLT	4			0.002	
050	16206-97010	BELT	1			0.154	
060	16261-74280	PULLEY FAN DRIVE	1			2.2	
070	16241-91020	BOLT FAN DRIVE	1			0.22	

WATER PIPE



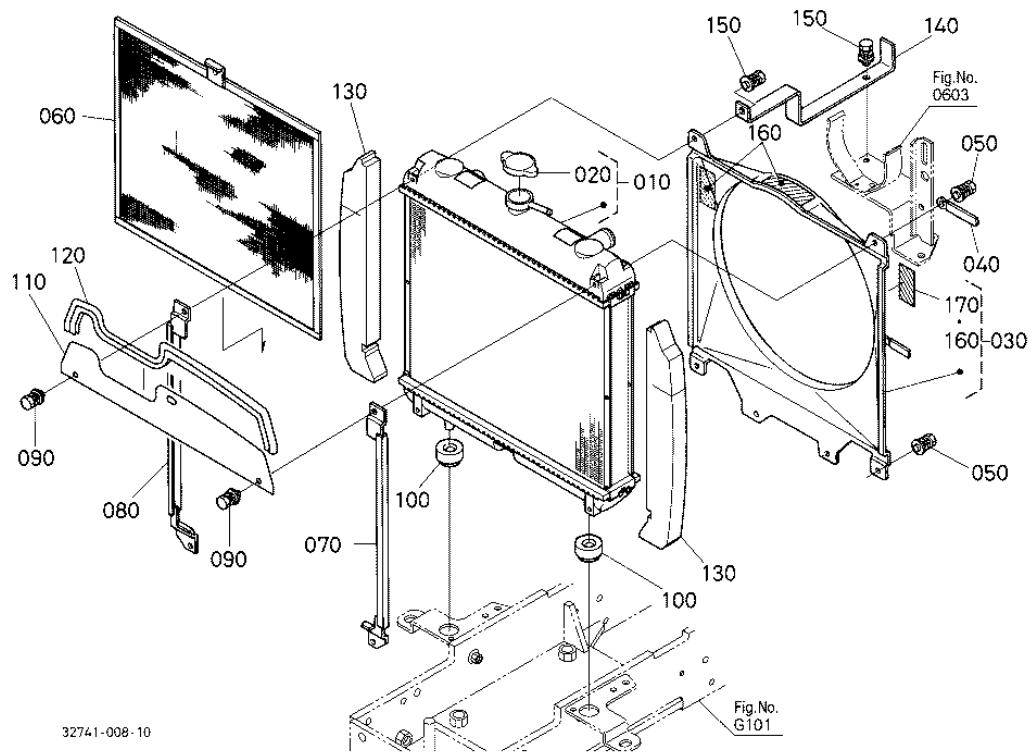
WATER PIPE

Ref	Part Number	Part Name	Qty	IC	S/N	Lbs	Remarks
010	6C070-58630	HOSE WATER	1			0.242	
020	67955-58630	CLAMP HOSE	1			0.055	
022	67955-58630	CLAMP HOSE	2			0.055	
025	67955-58630	CLAMP HOSE	1			0.055	
030	6C070-58570	HOSE WATER	1			0.385	
040	6C040-58640	CLAMP WATER HOSE	1			0.068	
050	6C040-58650	COCK	1			0.037	

WATER PIPE

Ref	Part Number	Part Name	Qty	IC	S/N	Lbs	Remarks
060	55364-82110	COCK DRAIN	1			0.011	
070	01125-50825	BOLT	1			0.039	
080	6C040-58680	HOSE DRAIN	1			0.050	
090	09318-88130	CLAMP HOSE	2			0.004	
100	6C070-58690	HOSE DRAIN	1			0.088	
110	6A671-58650	CLAMP HOSE	1			0.006	
120	6A671-58650	CLAMP HOSE	1			0.006	

RADIATOR



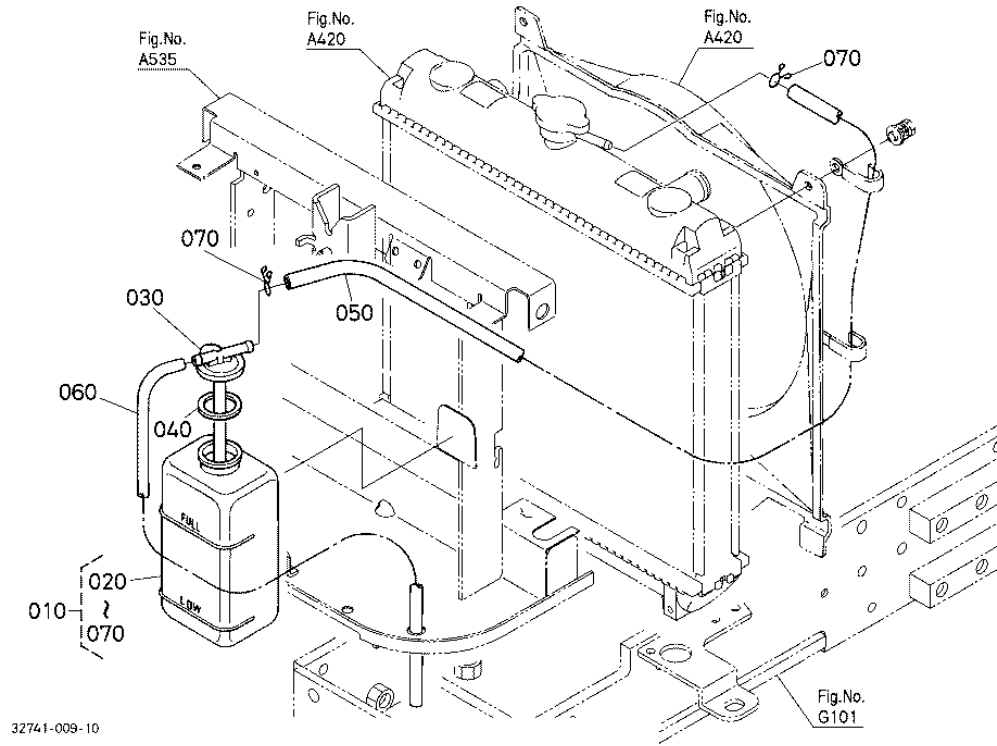
RADIATOR

Ref	Part Number	Part Name	Qty	IC	S/N	Lbs	Remarks
010	6C170-58520	ASSY RADIATOR	1			7.7	
020	17214-72020	ASSY CAP RADIATOR	1			0.11	
030	6C040-58602	KIT SHROUD FAN	1			1.54	
040	15272-67590	CLAMP CORD	1			0.008	
050	01025-50612	BOLT	3			0.011	
060	6C040-58530	NET RADIATOR	1			0.55	
070	6C040-58543	GUIDE RADIATOR NET L	1			0.250	

RADIATOR

Ref	Part Number	Part Name	Qty	IC	S/N	Lbs	Remarks
080	6C040-58553	GUIDE RADIATOR NET R	1			0.250	
090	01025-50612	BOLT	4			0.011	
100	6C040-58580	CUSHION RADIATOR	2			0.046	
110	32741-58560	PLATE SHUTTER	1			0	
120	6A671-58580	TRIM	1			0.22	
130	32741-54450	TAPE RADIATOR	2			0	
140	6C070-58592	STAY RADIATOR 2	1			0.44	
150	01025-50616	BOLT	2			0.011	
160	32751-49580	LABEL FAN BELT	2			0.002	
170	TA040-49580	LABEL MUFFLER	1			0.002	

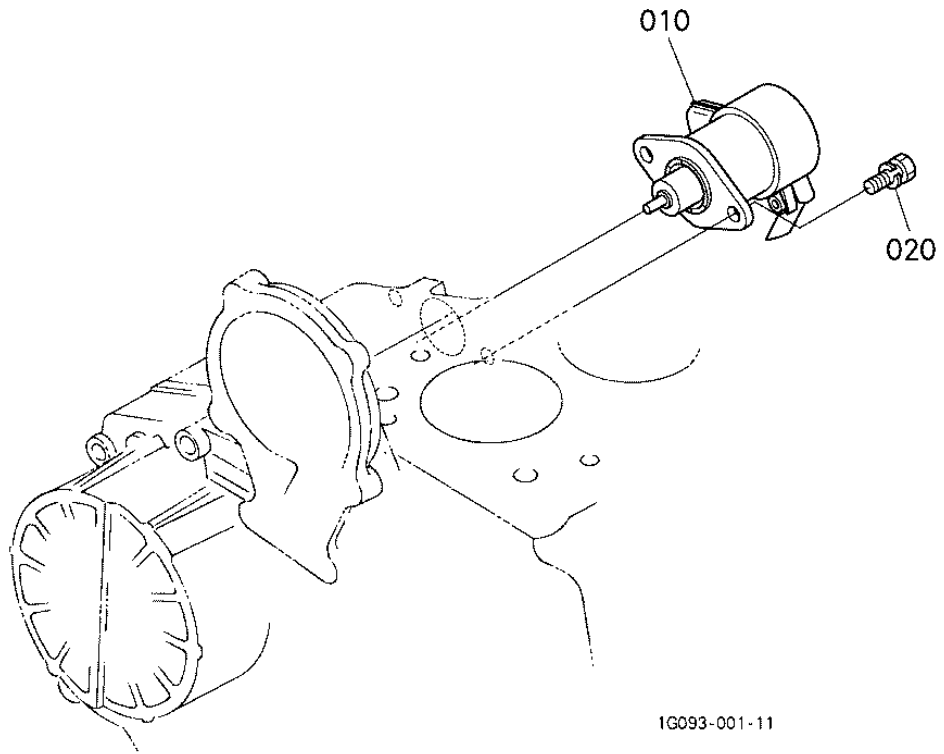
RESERVE TANK



RESERVE TANK

Ref	Part Number	Part Name	Qty	IC	S/N	Lbs	Remarks
010	6C070-58800	ASSY TANK RESERVE	1			0.594	
020	15531-72410	BODY TANK	1			0.88	
030	15531-72422	CAP	1			0.002	
040	15531-72432	GASKET	1			0.004	
050	15471-72440	PIPE WATER OVER FLOW	1			0.11	
060	6C070-58850	PIPE WATER OVER FLOW	1			0.055	
070	15501-72470	CLIP PIPE	2			0.011	

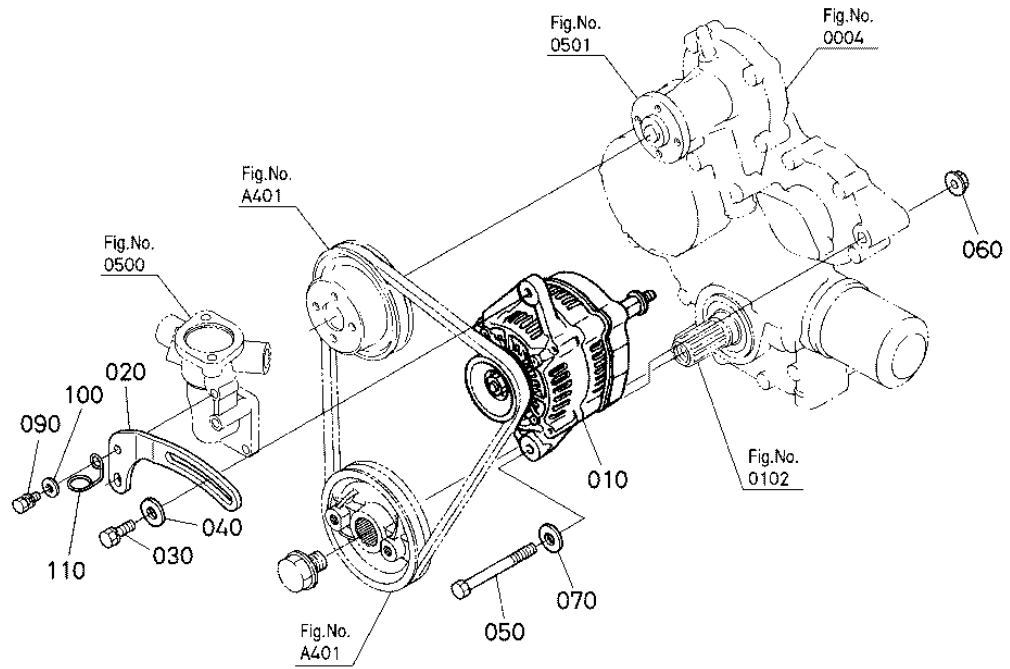
STOP SOLENOID



STOP SOLENOID

Ref	Part Number	Part Name	Qty	IC	S/N	Lbs	Remarks
010	32721-60012	SOLENOID STOP	1	>>	>=50033	0.616	
010	32721-60010	SOLENOID STOP	1		<=50032	0.616	
020	01202-50616	BOLT	2			0.013	

ALTERNATOR



32741-010-10

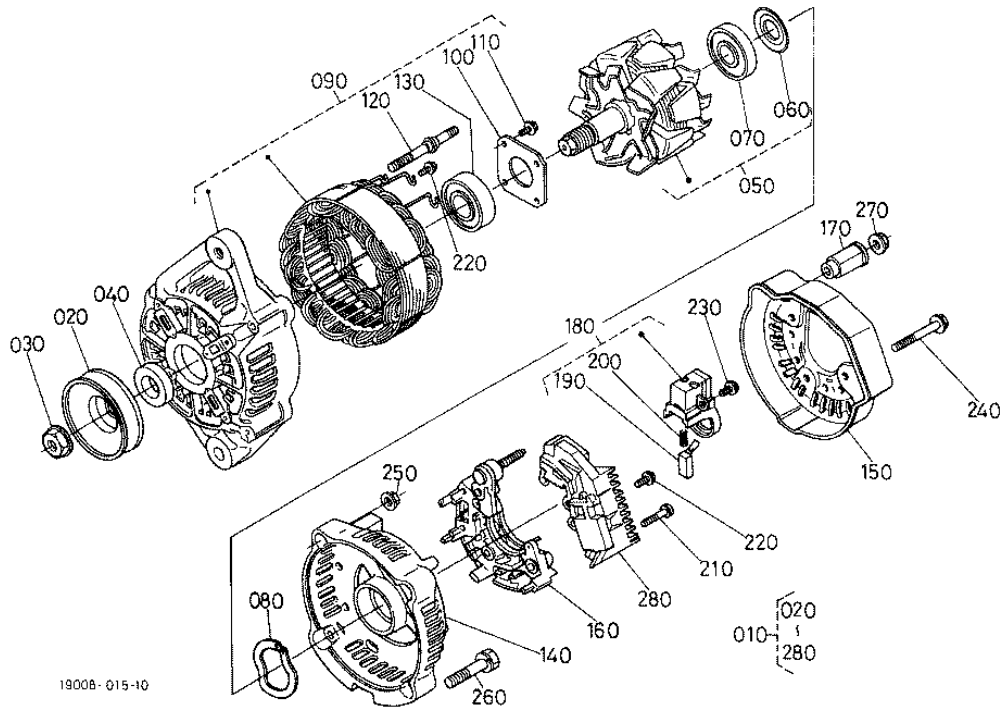
ALTERNATOR

Ref	Part Number	Part Name	Qty	IC	S/N	Lbs	Remarks
010	16241-64012	ASSY ALTERNATOR	1			6.6	
020	16241-64422	STAY DYNAMO	1			0.209	
030	01123-50825	BOLT	1			0.028	
040	04015-60080	WASHER PLAIN	1			0.022	
050	01173-51090	BOLT	1			0.121	
060	02131-50100	NUT	1			0.022	
070	04013-60100	WASHER PLAIN	1			0.006	

ALTERNATOR

Ref	Part Number	Part Name	Qty	IC	S/N	Lbs	Remarks
090	01023-50618	BOLT	1			0.013	
100	04012-50060	WASHER PLAIN	1			0.002	
110	16271-83370	CLAMP CORD	1			0.011	

ALTERNATOR [COMPONENT PARTS]



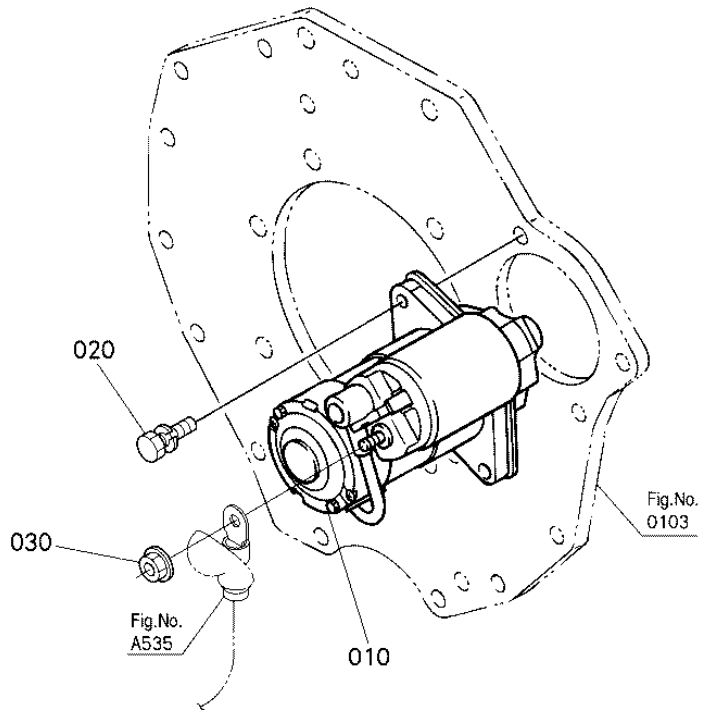
ALTERNATOR [COMPONENT PARTS]

Ref	Part Number	Part Name	Qty	IC	S/N	Lbs	Remarks
010	16241-64012	ASSY ALTERNATOR	1			6.6	
020	15881-64110	PULLEY DYNAMO	1			0.352	
030	15881-92010	NUT	1			0.044	
040	15881-64150	COLLAR	1			0.008	
050	66436-64040	ROTOR	1			2.64	
060	15881-64800	COVER BEARING	1			0.002	
070	16652-64770	BEARING BALL	1			0.099	

ALTERNATOR [COMPONENT PARTS]

Ref	Part Number	Part Name	Qty	IC	S/N	Lbs	Remarks
080	15881-64810	WASHER THRUST	1			0.004	
090	66436-64020	FRAME DRIVE END	1			2.442	
100	15881-64710	PLATE RETAINER	1			0.022	
110	15881-93010	SCREW ROUND HEAD	4			0.006	
120	15881-64260	BOLT THROUGH	2			0.022	
130	16652-64780	BEARING BALL	1			0.11	
140	16231-64060	FRAME END	1			0.374	
150	16231-64230	COVER END	1			0.077	
160	16231-64850	ASSY RECTIFIER	1			0.396	
170	16241-64900	BUSH INSULATION	1			0.015	
180	16652-64310	HOLDER BRUSH	1			0.055	
190	15881-64090	BRUSH	2			0.004	
200	15881-64330	SPRING BRUSH	2			0.004	
210	15881-93020	SCREW ROUND HEAD	2			0.011	
220	15881-93030	SCREW ROUND HEAD	6			0.006	
230	15881-93040	SCREW ROUND HEAD	1			0.006	
240	15881-91040	BOLT	3			0.011	
250	15881-92020	NUT	2			0.044	
260	15881-91050	BOLT	2			0.022	
270	14182-92030	NUT	1			0.006	
280	1K531-64602	ASSY REGULATOR	1			0.176	

STARTER

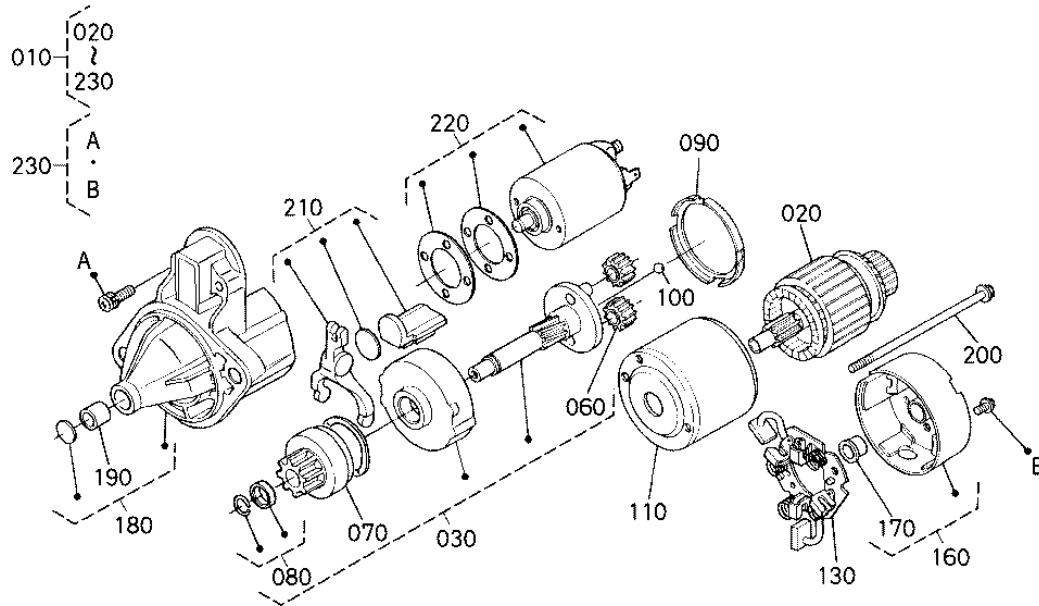


32741-011-10

STARTER

Ref	Part Number	Part Name	Qty	IC	S/N	Lbs	Remarks
010	6C070-59210	ASSY STARTER	1			7.04	
020	01123-50840	BOLT	2			0.039	
030	02121-50080	NUT	1			0.022	

STARTER [COMPONENT PARTS]



6C070-084-13

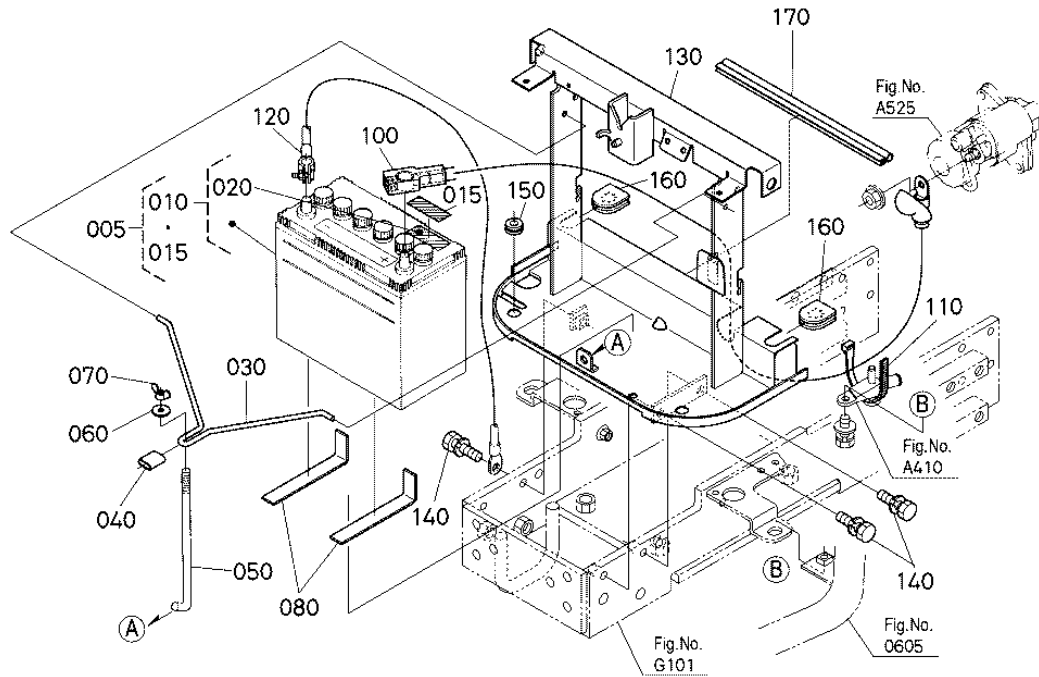
STARTER [COMPONENT PARTS]

Ref	Part Number	Part Name	Qty	IC	S/N	Lbs	Remarks
010	6C070-59210	ASSY STARTER	1			7.04	
020	6C070-82610	ARMATURE	1			1.76	
030	6C070-82620	ASSY SHAFT	1			1.144	
060	6C040-82650	GEAR PLANETARY	3			0.035	
070	16853-63040	CLUTCH OVER RUNNING	1			0.55	
080	6C040-82670	STOPPER	1			0.008	
090	6C070-82680	GASKET	1			0.008	

STARTER [COMPONENT PARTS]

Ref	Part Number	Part Name	Qty	IC	S/N	Lbs	Remarks
100	6C040-82690	BALL	1			0.002	
110	6C070-82700	YOKE	1			1.43	
130	6C070-82720	ASSY HOLDER BRUSH	1			0.154	
160	6C070-82750	ASSY BRACKET REAR	1			0.352	
170	6C040-82760	BUSH	1			0.011	
180	6C070-82770	ASSY BRACKET FRONT	1			1.254	
190	15852-63240	BUSH	1			0.013	
200	6C070-82780	BOLT	2			0.026	
210	6C070-82790	LEVER FORK	1			0.039	
220	6C040-82800	ASSY SWITCH MAGNETIC	1			1.386	
230	15852-93310	SCREW PAN-HEAD	1			0.044	

BATTERY



32741-012-10

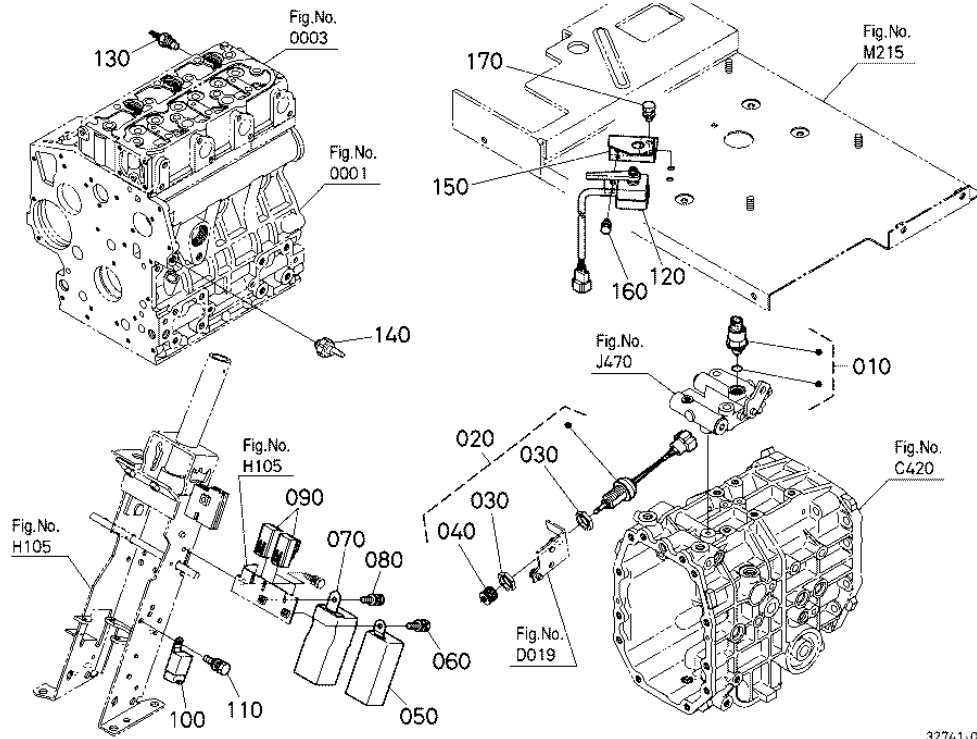
BATTERY

Ref	Part Number	Part Name	Qty	IC	S/N	Lbs	Remarks
005	99999-99999	KIT BATTERY (B)	1			0	FRENCH 55B24L
010	99999-99999	ASSY BATTERY	1			0	ENGLISH 55B24L
015	6C021-92120	LABEL BATTERY	1			0.002	FRENCH
020	6C040-55590	LABEL BATTERY	1			0.002	ENGLISH
030	32741-55553	RETAINER BATTERY	1			0	
040	6C040-55580	CUSHION	1			0.004	
050	6C040-55560	BOLT HOOK	1			0.083	

BATTERY

Ref	Part Number	Part Name	Qty	IC	S/N	Lbs	Remarks
060	04015-60060	WASHER PLAIN	1			0.011	
070	02810-50060	NUT WING	1			0.019	
080	34150-33220	CUSHION	2			0.033	
100	32721-55530	CORD BATTERY(+)	1			0.44	
110	53581-64150	BAND CORD	1			0.004	
120	6C040-55540	CORD BATTERY(-)	1			0.242	
130	32741-51223	BRACKET BATTERY	1			0	
140	01135-51030	BOLT	3			0.066	
150	17607-02950	GROMMET	2			0.006	
160	6C040-51290	RUBBER	2			0.006	
170	67980-51520	TRIM	1			0.088	

SWITCH



32741-013-10

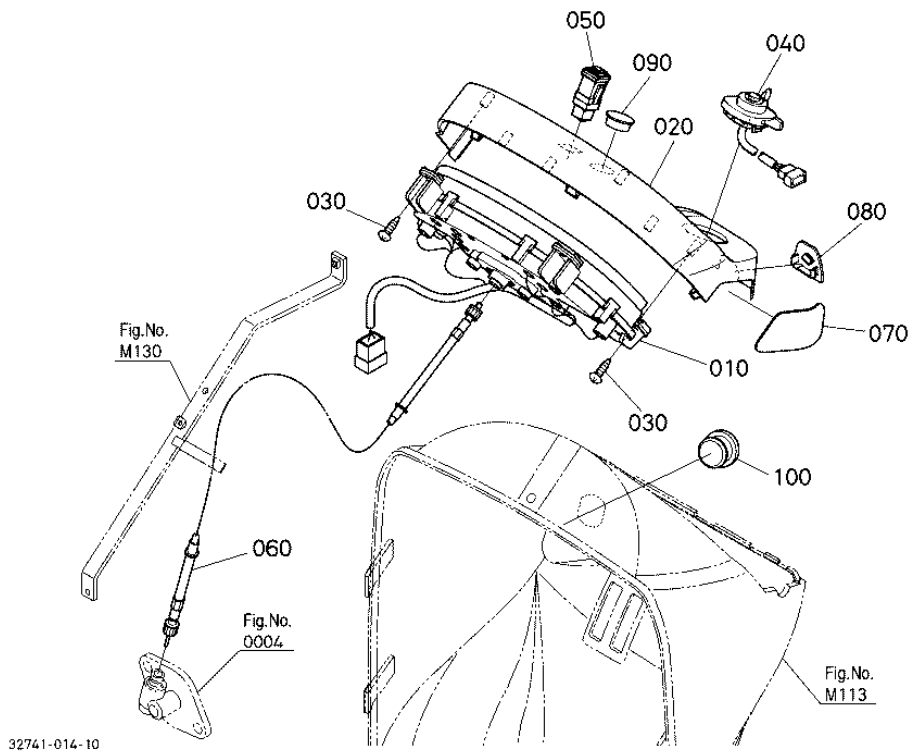
SWITCH

Ref	Part Number	Part Name	Qty	IC	S/N	Lbs	Remarks
010	6A700-18810	SWITCH SAFETY	1			0.114	
020	52320-42883	SWITCH SAFETY	1			0.264	
030	67111-55830	NUT SAFETY SWITCH	2			0.077	
040	67111-55840	CAP SAFETY SWITCH	1			0.004	
050	3F240-75430	UNIT FLASHER	1			0.132	
060	01025-50612	BOLT	1			0.011	
070	6C190-55510	CONTROLLER(OPC)	1			0.132	

SWITCH

Ref	Part Number	Part Name	Qty	IC	S/N	Lbs	Remarks
080	01025-50612	BOLT	1			0.011	
090	T1060-33720	RELAY STARTER	3			0.044	
100	68881-53540	COMP.RELAY	1			0.088	
110	01754-50612	BOLT FLANGE	1			0.011	
120	TD060-47902	SWITCH SEAT	1			0.066	
130	31351-32830	SENSOR THERMO	1			0.044	
140	1A024-39010	SWITCH OIL	1			0.077	
150	32741-47293	STAY SEAT SWITCH	1			0.22	
160	01025-50616	BOLT	1			0.011	
170	01123-60816	BOLT	2			0.022	

PANEL BOARD



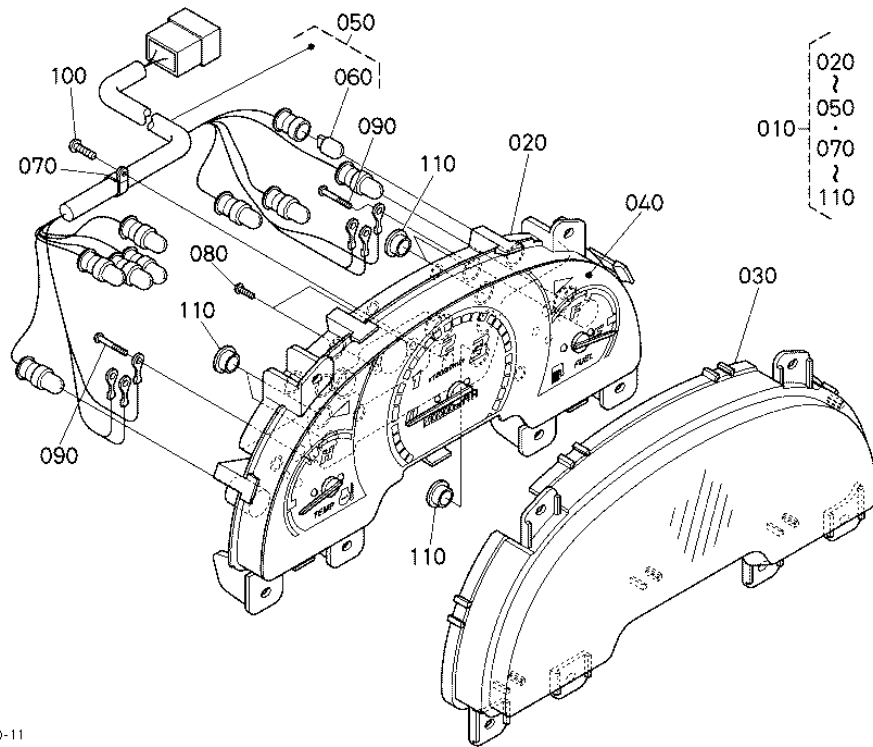
PANEL BOARD

Ref	Part Number	Part Name	Qty	IC	S/N	Lbs	Remarks
010	6C200-30200	ASSY PANEL METER	1			1.826	
020	6C200-53520	COVER METER PANEL	1			0.66	
030	03514-50416	SCREW TAPPING	6			0.004	
040	32741-55420	SWITCH COMBINATION	1			0	
050	6C070-55430	SWITCH HAZARD	1			0.041	
060	35300-99343	CABLE TRACTORMETER	1			0.484	
070	6C200-53562	COVER SHUTTLE	1			0.026	

PANEL BOARD

Ref	Part Number	Part Name	Qty	IC	S/N	Lbs	Remarks
080	6C200-53570	COVER TILT	1			0.008	
090	5H601-35270	CAP GUARD RH	1			0.015	
100	3A751-55790	PLUG	1			0.008	

PANEL BOARD [COMPONENT PARTS]



6C200-020-11

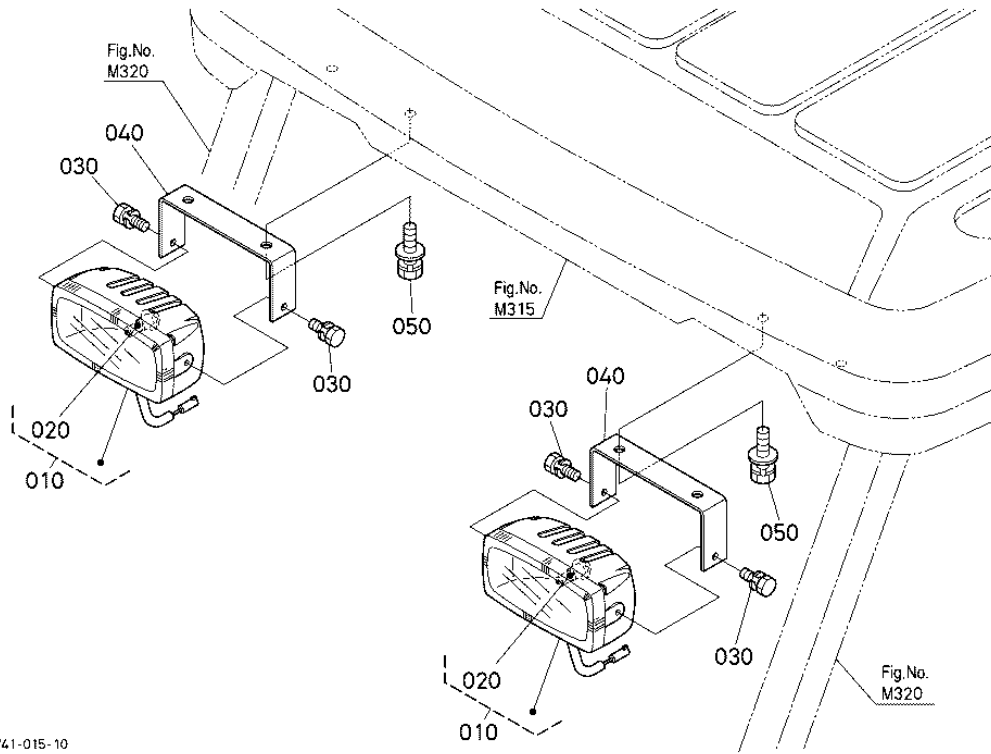
PANEL BOARD [COMPONENT PARTS]

Ref	Part Number	Part Name	Qty	IC	S/N	Lbs	Remarks
010	6C200-30200	ASSY PANEL METER	1			1.826	
020	6C200-30210	ASSY CASE	1			0.44	
030	6A700-30220	GLASS	1			0.44	
040	6C200-30230	CASE METER PANEL	1			0.704	
050	6C200-30250	ASSY WIRE HARNESS	1			0.242	
060	6A700-30270	LAMP	9			0.004	1.7W
070	6C200-30280	CLAMP	1			0.002	

PANEL BOARD [COMPONENT PARTS]

Ref	Part Number	Part Name	Qty	IC	S/N	Lbs	Remarks
080	6C040-55150	SCREW	2			0.004	
090	66101-55810	SCREW	6			0.002	
100	6A700-30240	SCREW TAPPING	1			0.004	
110	6C200-30270	PLUG	5			0.002	

HEAD LIGHT

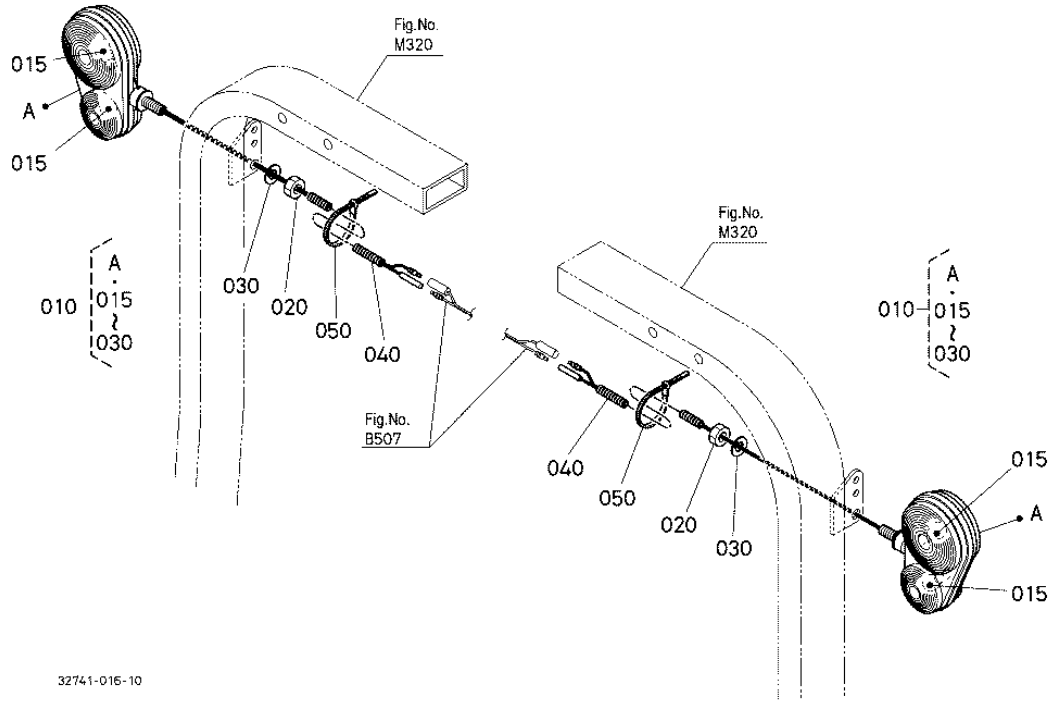


32741-015-10

HEAD LIGHT

Ref	Part Number	Part Name	Qty	IC	S/N	Lbs	Remarks
010	T1275-75302	LIGHT WORK	2			0.55	
020	T1275-91060	BULB	2			0.022	35W
030	T1275-91070	BOLT	4			0.015	
040	32781-75312	STAY	2			0	
050	01125-60816	BOLT	4			0.022	

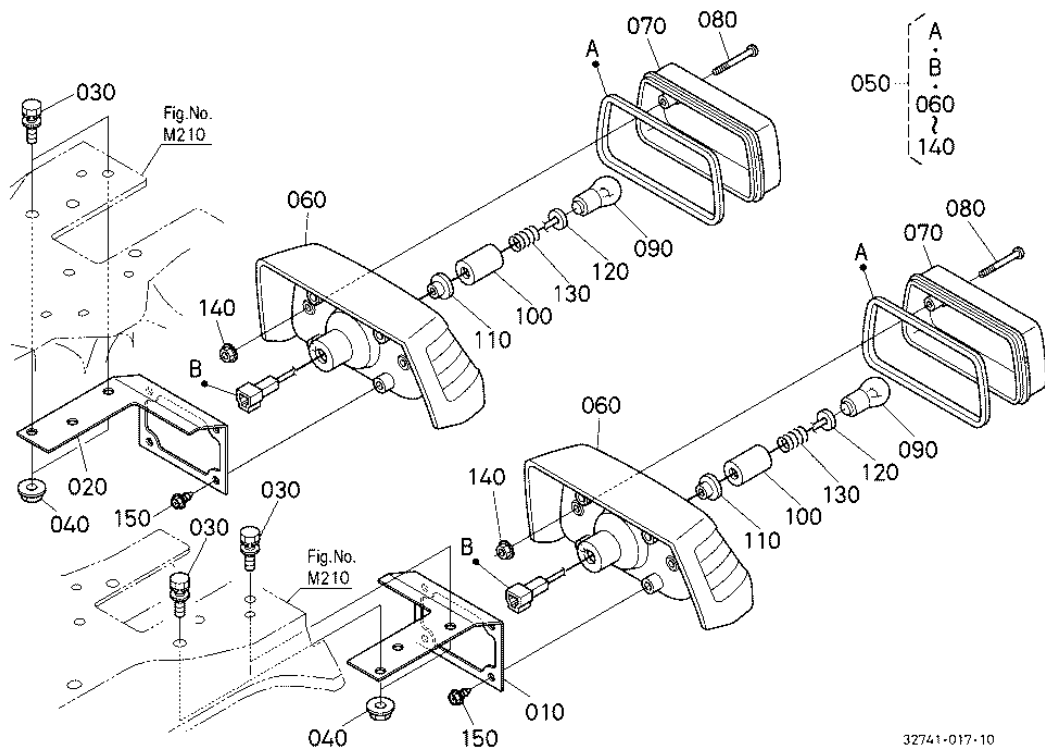
HAZARD LIGHT



HAZARD LIGHT

Ref	Part Number	Part Name	Qty	IC	S/N	Lbs	Remarks
010	K2581-62612	ASSY LAMP HAZARD	2			0	
015	K2561-62650	BULB LAMP	4			0	32W
020	75599-31025	HEX.NUT	2			0.033	
030	75599-33015	WASHER SPRING LOCK	2			0.013	
040	K2581-62620	TUBE GUARD HAZARD	2			0	
050	75590-64650	BAND CODE	2			0.022	

TAIL LIGHT



32741-017-10

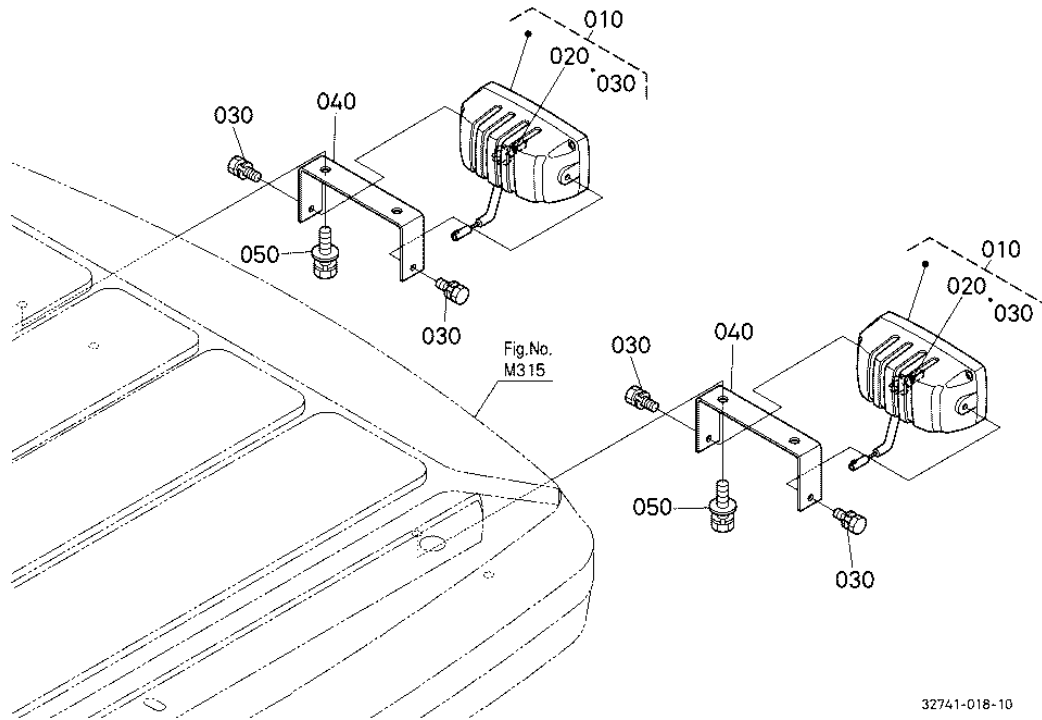
TAIL LIGHT

Ref	Part Number	Part Name	Qty	IC	S/N	Lbs	Remarks
010	6C200-52780	STAY LH COVER	1			0.44	
020	6C200-52790	STAY RH COVER	1			0.44	
030	01125-60816	BOLT	4			0.022	
040	02121-50080	NUT	4			0.022	
050	6C200-55472	ASSY LIGHT TAIL	2			0.66	
060	6C200-55480	BODY	2			0.44	
070	6C200-55490	LENS TAIL LIGHT	2			0.154	

TAIL LIGHT

Ref	Part Number	Part Name	Qty	IC	S/N	Lbs	Remarks
080	03054-50540	SCREW PAN-HEAD	4			0.006	
090	6C040-92150	BULB	2			0.013	8W
100	6C040-92160	SOCKET	2			0.015	
110	6C040-92170	BUSH RUBBER	2			0.002	
120	6C040-92180	INSULATOR	2			0.002	
130	6C040-92190	SPRING	2			0.002	
140	6C040-92230	NUT	4			0.004	
150	6A320-52152	SCREW	8			0.011	

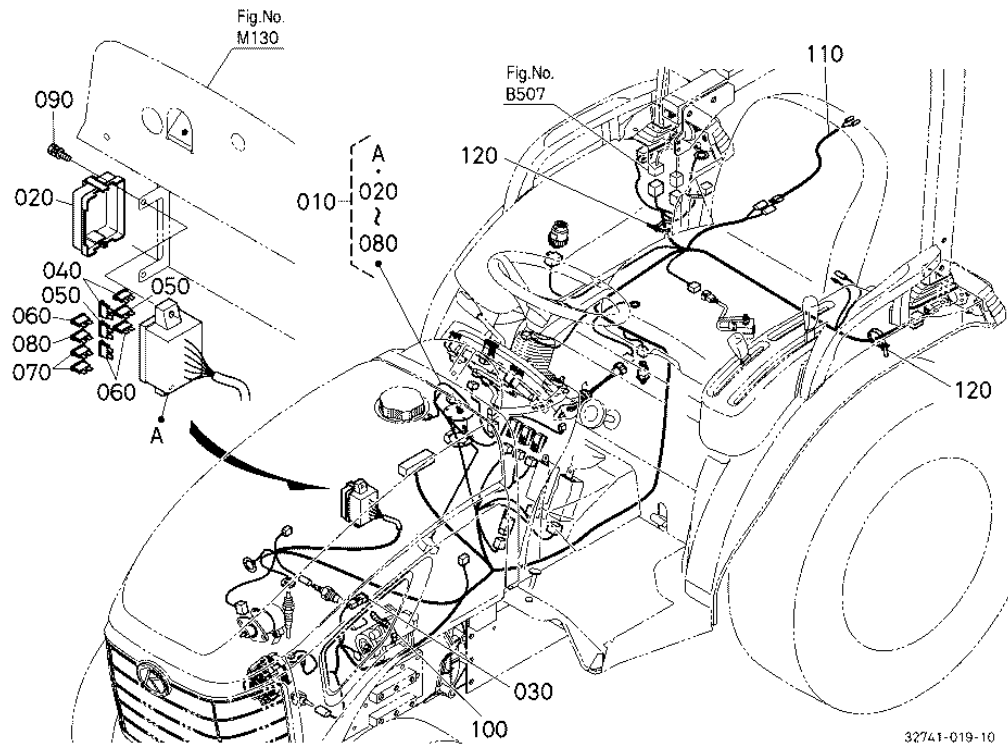
WORKING LIGHT



WORKING LIGHT

Ref	Part Number	Part Name	Qty	IC	S/N	Lbs	Remarks
010	T1275-75302	LIGHT WORK	2			0.55	
020	T1275-91060	BULB	2			0.022	35W
030	T1275-91070	BOLT	4			0.015	
040	32781-75312	STAY	2			0	
050	01125-60816	BOLT	4			0.022	

ELECTRICAL WIRING (BODY)



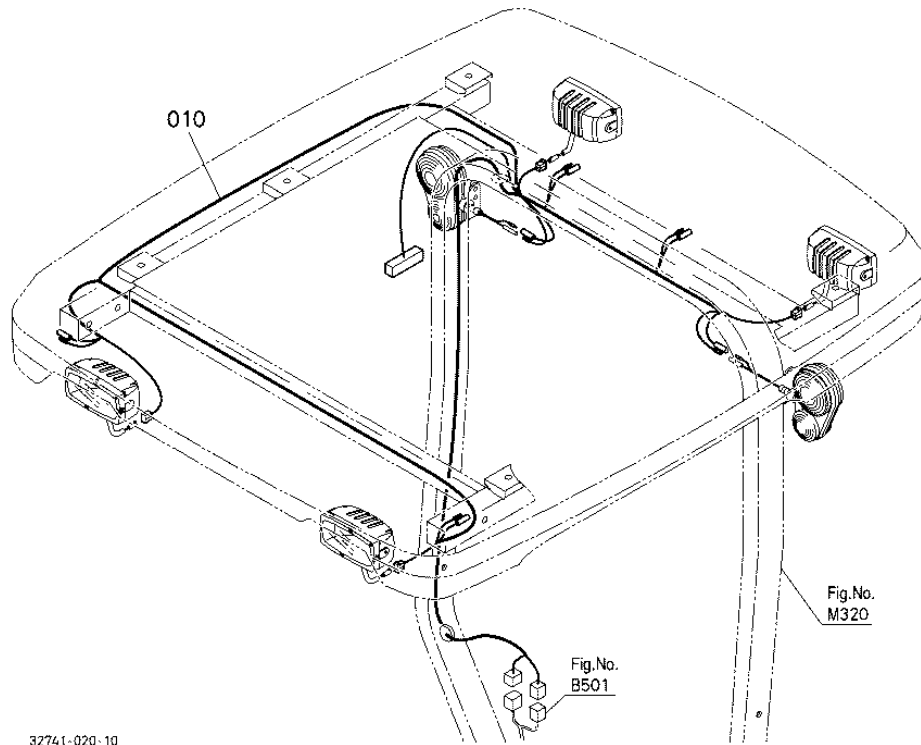
ELECTRICAL WIRING (BODY)

Ref	Part Number	Part Name	Qty	IC	S/N	Lbs	Remarks
010	32741-30402	ASSY WIRE HARNESS	1			0	
020	32741-30430	COVER FUSE CASE	1			0	
030	34670-34530	FUSE	1			0.006	40A
040	66426-80010	FUSE AUTO	2			0.022	5A
050	48100-55880	FUSE AUTO	2			0.022	10A
060	36919-56650	FUSE AUTO	3			0.004	20A
070	32741-30480	FUSE AUTO	2			0	25A

ELECTRICAL WIRING (BODY)

Ref	Part Number	Part Name	Qty	IC	S/N	Lbs	Remarks
080	52300-41630	FUSE AUTO	1			0.022	30A
090	01025-50620	BOLT	2			0.044	
100	55311-41260	BAND CORD	1			0.015	
110	32771-30564	WIRE HARNESS	1			0.055	
120	75546-66920	BAND CODE	2			0.019	

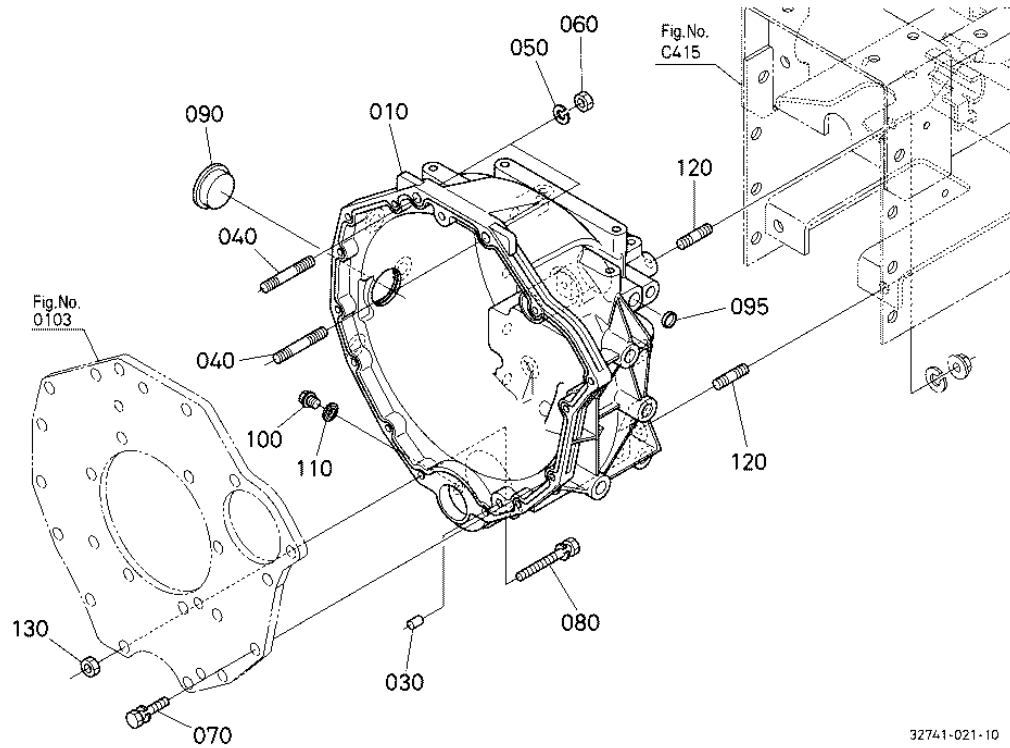
ELECTRICAL WIRING (CANOPY)



ELECTRICAL WIRING (CANOPY)

Ref	Part Number	Part Name	Qty	IC	S/N	Lbs	Remarks
010	32741-30332	WIRE HARNESS H/LIGHT	1			0	

CLUTCH HOUSING



32741-021-10

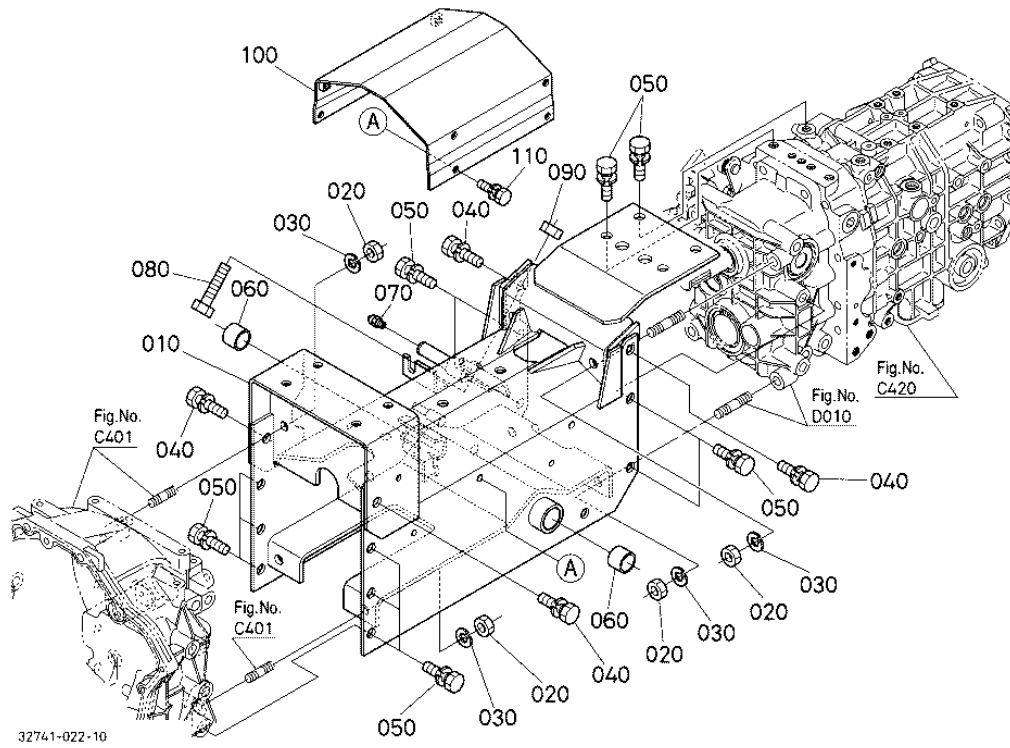
CLUTCH HOUSING

Ref	Part Number	Part Name	Qty	IC	S/N	Lbs	Remarks
010	6C200-13113	HOUSING CLUTCH	1			14.3	
030	66611-11160	PIN KNOCK	1			0.022	
040	01517-51045	STUD	2			0.070	
050	04512-60100	WASHER SPRING	2			0.004	
060	02118-50100	NUT	2			0.011	
070	01123-50830	BOLT	9			0.033	
080	01123-50870	BOLT	2			0.063	

CLUTCH HOUSING

Ref	Part Number	Part Name	Qty	IC	S/N	Lbs	Remarks
090	37410-13124	PLUG	1			0.044	
095	06311-85016	CAP SEALING	1			0.006	
100	01754-50812	BOLT FLANGE	1			0.022	
110	04717-00800	WASHER WITH RUBBER	1			0.002	
120	01555-51225	STUD	4			0.085	
130	02114-50080	NUT	2			0.011	

CENTER FRAME



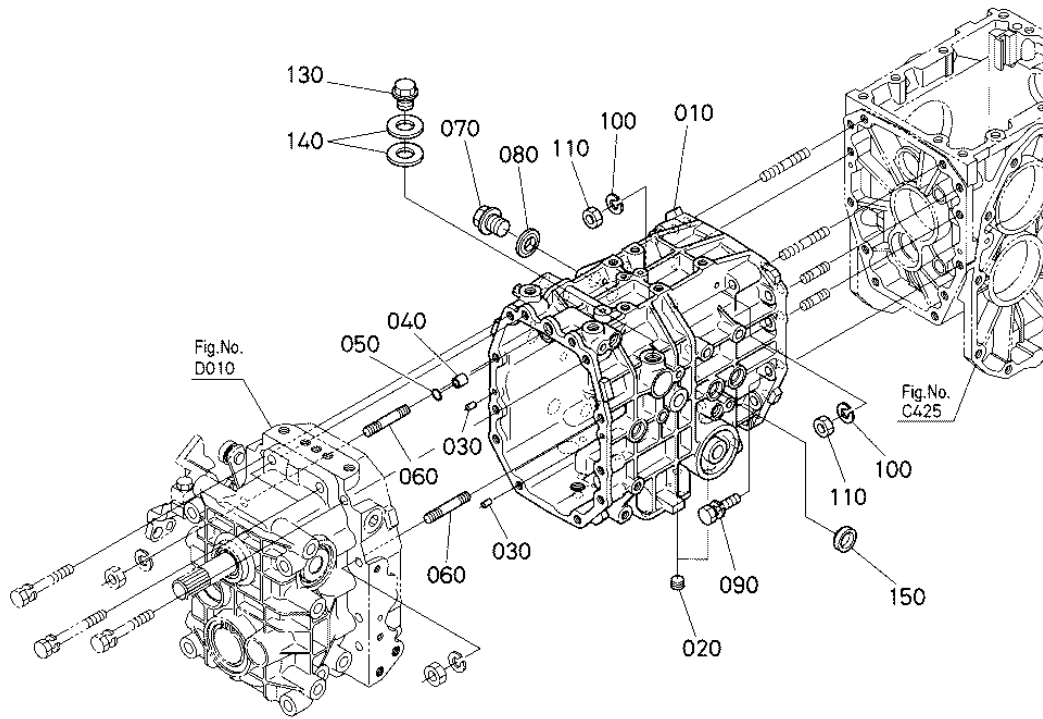
CENTER FRAME

Ref	Part Number	Part Name	Qty	IC	S/N	Lbs	Remarks
010	32741-51116	COMP.FRAME CENTER	1			42.28	
020	02174-50120	NUT	8			0.022	
030	04512-60120	WASHER SPRING	8			0.011	
040	01123-51240	BOLT	4			0.105	
050	01123-51230	BOLT	14			0.088	
060	08511-02515	BUSH	2			0.026	
070	06613-10675	NIPPLE GREASE	1			0.006	

CENTER FRAME

Ref	Part Number	Part Name	Qty	IC	S/N	Lbs	Remarks
080	66711-13320	BOLT ADJUSTING	1			0.061	
090	02118-50100	NUT	1			0.011	
100	32741-51150	PLATE CENTER	1			0	
110	01123-50820	BOLT	4			0.024	

TRANSMISSION CASE



32741-023-10

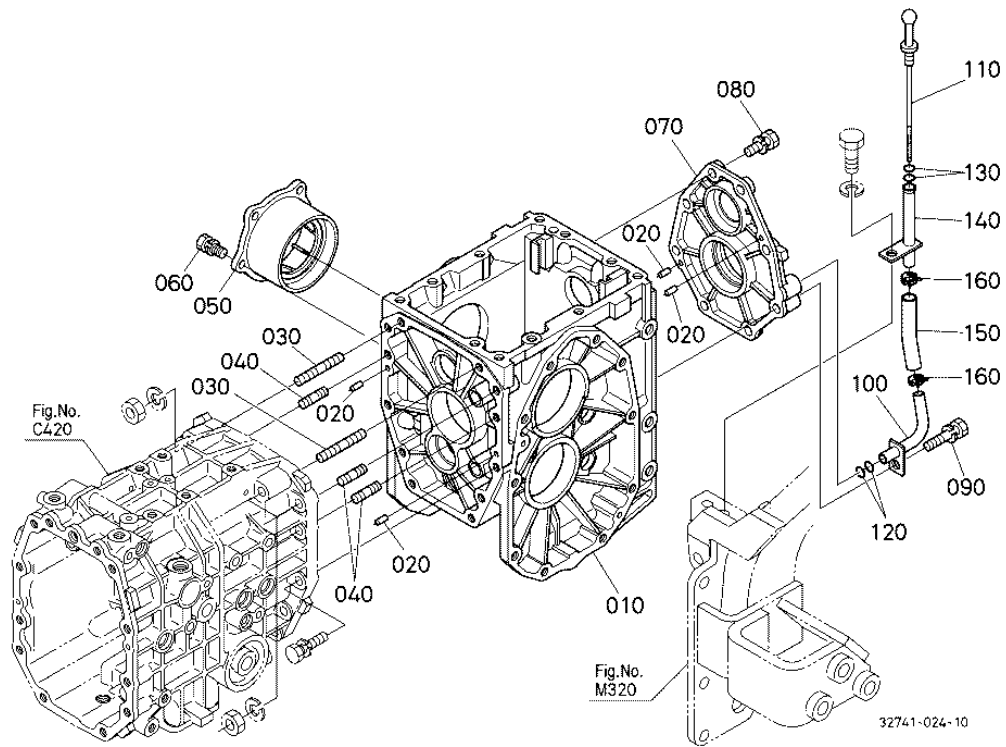
TRANSMISSION CASE

Ref	Part Number	Part Name	Qty	IC	S/N	Lbs	Remarks
010	6C200-11113	CASE TRANSMISSION	1			13.2	
020	RA111-62470	PLUG	2			0.006	
030	05012-00614	PIN STRAIGHT	2			0.008	
040	11420-94940	PIPE KNOCK	1			0.002	
050	04811-10100	O RING	1			0.002	
060	01555-51070	STUD	2			0.107	
070	06311-55030	PLUG	1			0.11	

TRANSMISSION CASE

Ref	Part Number	Part Name	Qty	IC	S/N	Lbs	Remarks
080	04717-01700	WASHER WITH RUBBER	1			0.006	
090	01123-51040	BOLT	7			0.066	
100	04512-60100	WASHER SPRING	5			0.004	
110	02118-50100	NUT	5			0.011	
130	06331-35014	PLUG	1			0.066	
140	04724-00140	GASKET	2			0.004	
150	06311-75020	PLUG EXPANSION	1			0.008	

DIFFERENTIAL GEAR CASE



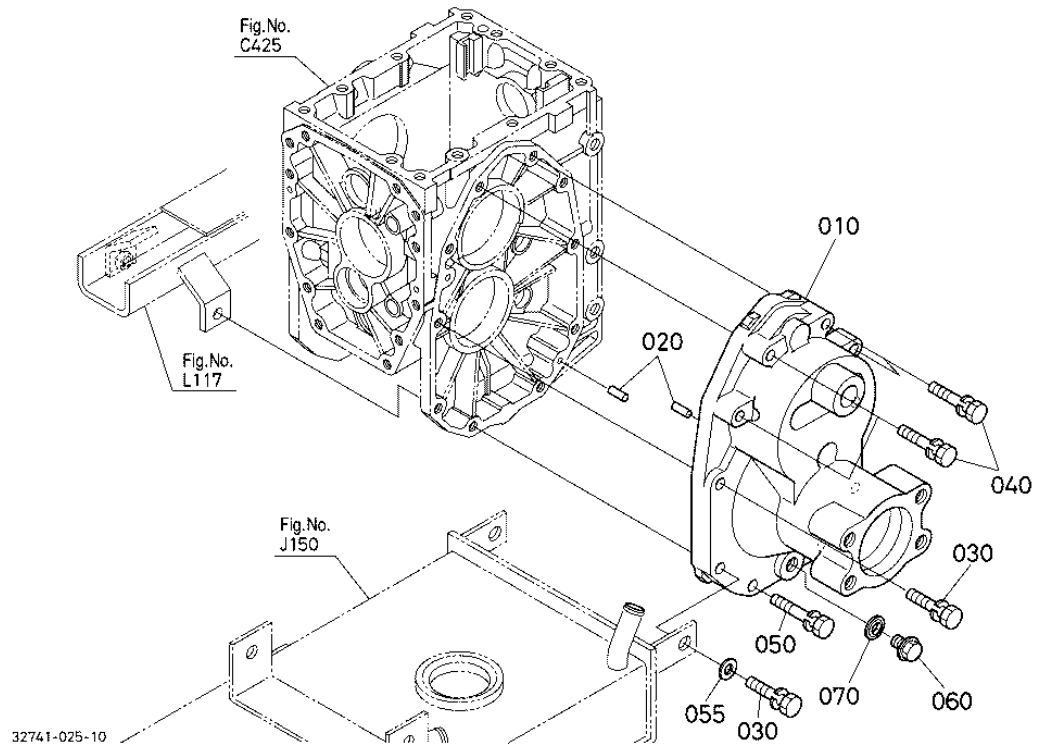
DIFFERENTIAL GEAR CASE

Ref	Part Number	Part Name	Qty	IC	S/N	Lbs	Remarks
010	6A700-11173	CASE DIFF.GEAR	1			14.3	
020	05012-00614	PIN STRAIGHT	4			0.008	
030	01555-51065	STUD	2			0.105	
040	01555-51035	STUD	3			0.063	
050	6A600-11810	HOLDER DIFF.BRG.	1			0.55	
060	01123-50825	BOLT	4			0.028	
070	6A700-12210	COVER PTO	1			1.188	

DIFFERENTIAL GEAR CASE

Ref	Part Number	Part Name	Qty	IC	S/N	Lbs	Remarks
080	01123-51030	BOLT	7			0.055	
090	01123-51050	BOLT	1			0.077	
100	6C200-11150	PIPE OIL GAUGE	1			0.088	
110	6C040-11160	GAUGE OIL	1			0.022	
120	04816-00120	O RING	2			0.002	
130	04816-00060	O RING	2			0.002	
140	6C200-11160	PIPE OIL GAUGE	1			0.11	
150	6C200-11190	HOSE	1			0.033	
160	09318-88155	CLAMP HOSE	2			0.011	

REAR AXLE CASE LH



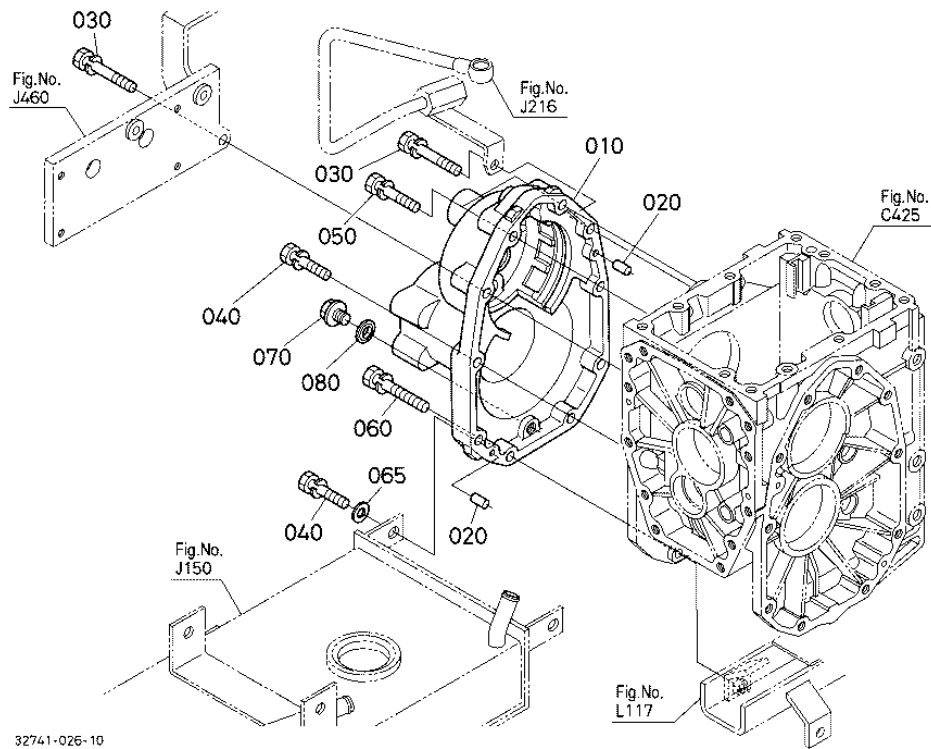
REAR AXLE CASE LH

Ref	Part Number	Part Name	Qty	IC	S/N	Lbs	Remarks
010	6C070-12610	CASE AXLE LH	1			16.72	
020	05012-00614	PIN STRAIGHT	2			0.008	
030	01123-51050	BOLT	5			0.077	
040	01123-51060	BOLT	4			0.11	
050	01133-51075	BOLT	1			0.066	
055	04013-60100	WASHER PLAIN	1			0.006	
060	01774-51212	BOLT FLANGE	1			0.061	

REAR AXLE CASE LH

Ref	Part Number	Part Name	Qty	IC	S/N	Lbs	Remarks
070	04717-01200	WASHER WITH RUBBER	1			0.004	

REAR AXLE CASE RH



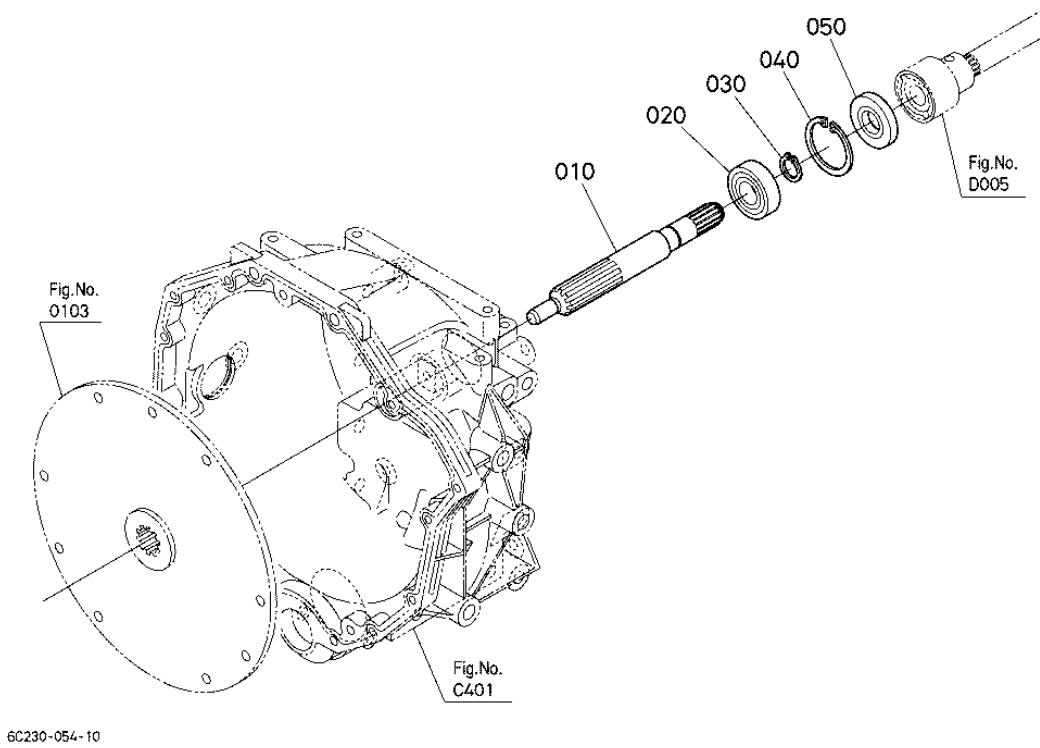
REAR AXLE CASE RH

Ref	Part Number	Part Name	Qty	IC	S/N	Lbs	Remarks
010	6C070-12620	CASE AXLE RH	1			16.5	
020	05012-00614	PIN STRAIGHT	2			0.008	
030	01123-51070	BOLT	2			0.11	
040	01123-51050	BOLT	5			0.077	
050	01123-51060	BOLT	2			0.11	
060	01133-51075	BOLT	1			0.066	
065	04013-60100	WASHER PLAIN	1			0.006	

REAR AXLE CASE RH

Ref	Part Number	Part Name	Qty	IC	S/N	Lbs	Remarks
070	01774-51212	BOLT FLANGE	1			0.061	
080	04717-01200	WASHER WITH RUBBER	1			0.004	

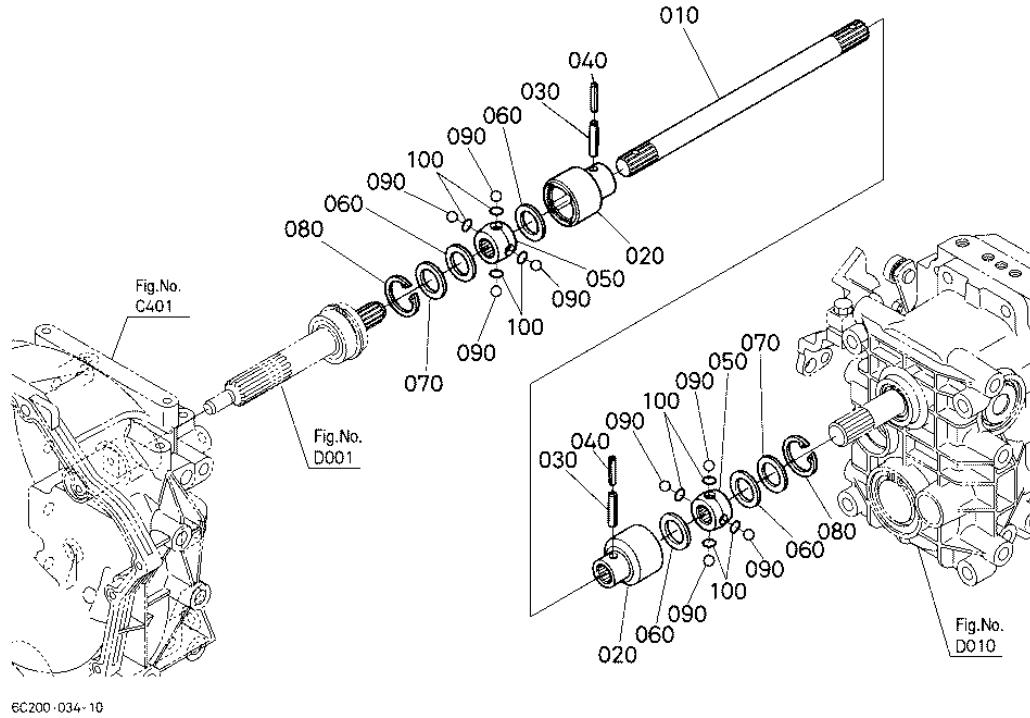
CLUTCH SHAFT



CLUTCH SHAFT

Ref	Part Number	Part Name	Qty	IC	S/N	Lbs	Remarks
010	6C200-13310	SHAFT CLUTCH	1			1.342	
020	08141-06204	BEARING BALL	1			0.222	
030	04612-00200	CIR CLIP EXTERNAL	1			0.002	
040	04611-00470	CIR CLIP INTERNAL	1			0.013	
050	09500-20477	SEAL OIL	1			0.039	

PROPELLER SHAFT



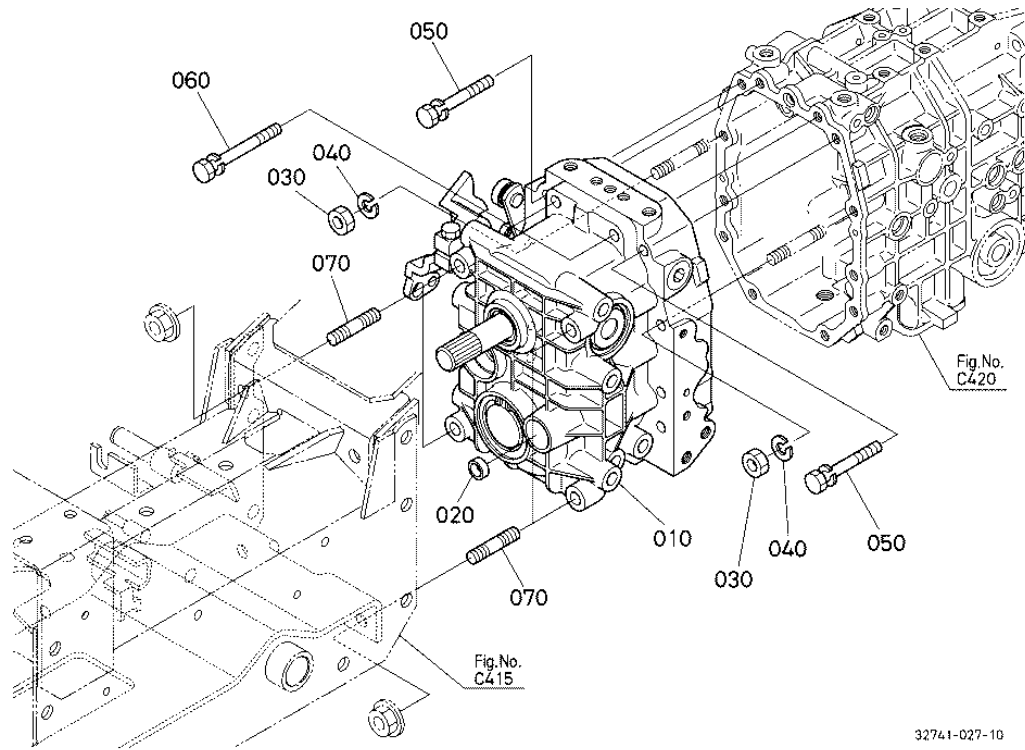
PROPELLER SHAFT

Ref	Part Number	Part Name	Qty	IC	S/N	Lbs	Remarks
010	6C200-13610	SHAFT PROPELLING	1			1.54	
020	67111-13710	COUPLING BALL OUTER	2			0.495	
030	05411-00630	PIN SPRING	2			0.008	
040	T0270-15310	PIN SPRING	2			0.004	
050	67211-14133	COUPLING BALL INNER	2			0.165	
060	67111-13730	GASKET BALL JOINT	4			0.004	
070	67111-13740	SUPPORT GASKET	2			0.008	

PROPELLER SHAFT

Ref	Part Number	Part Name	Qty	IC	S/N	Lbs	Remarks
080	04611-00350	CIR CLIP INTERNAL	2			0.006	
090	07715-00803	BALL	8			0.008	
100	04811-10060	O RING	8			0.002	

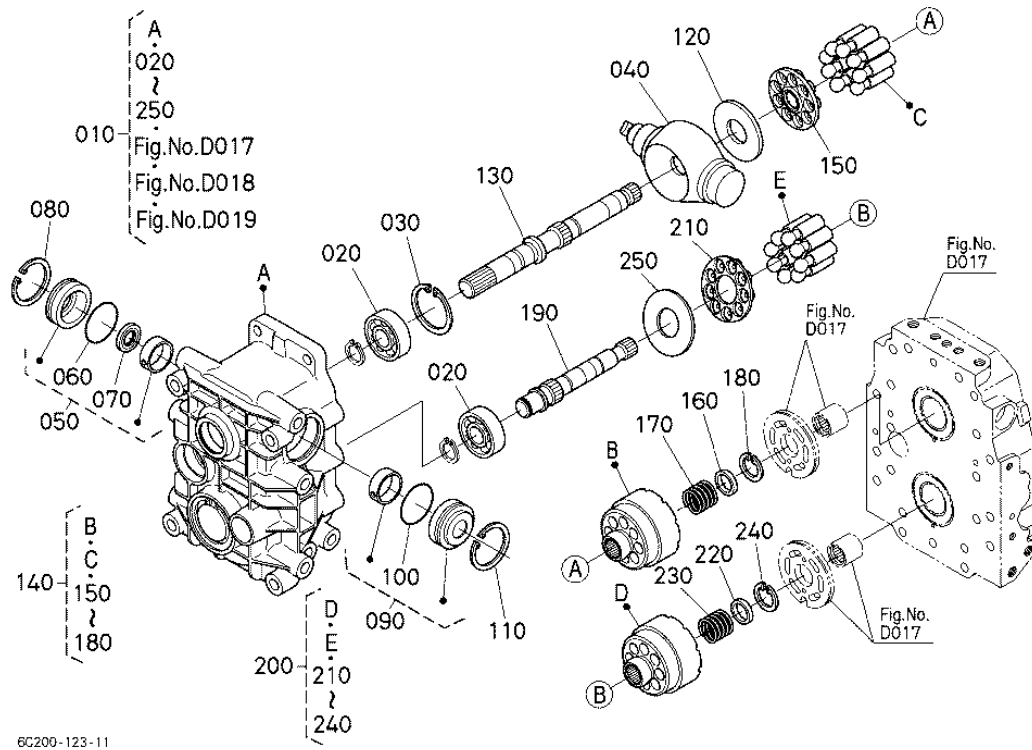
HST



HST

Ref	Part Number	Part Name	Qty	IC	S/N	Lbs	Remarks
010	6C200-11604	ASSY HST	1			46.77	
020	06311-85018	CAP SEALING	1			0.008	
030	02118-50100	NUT	2			0.011	
040	04512-60100	WASHER SPRING	2			0.004	
050	01123-51075	BOLT	8			0.11	
060	01123-51090	BOLT	2			0.121	
070	01555-51225	STUD	4			0.085	

HST [COMPONENT PARTS] 1



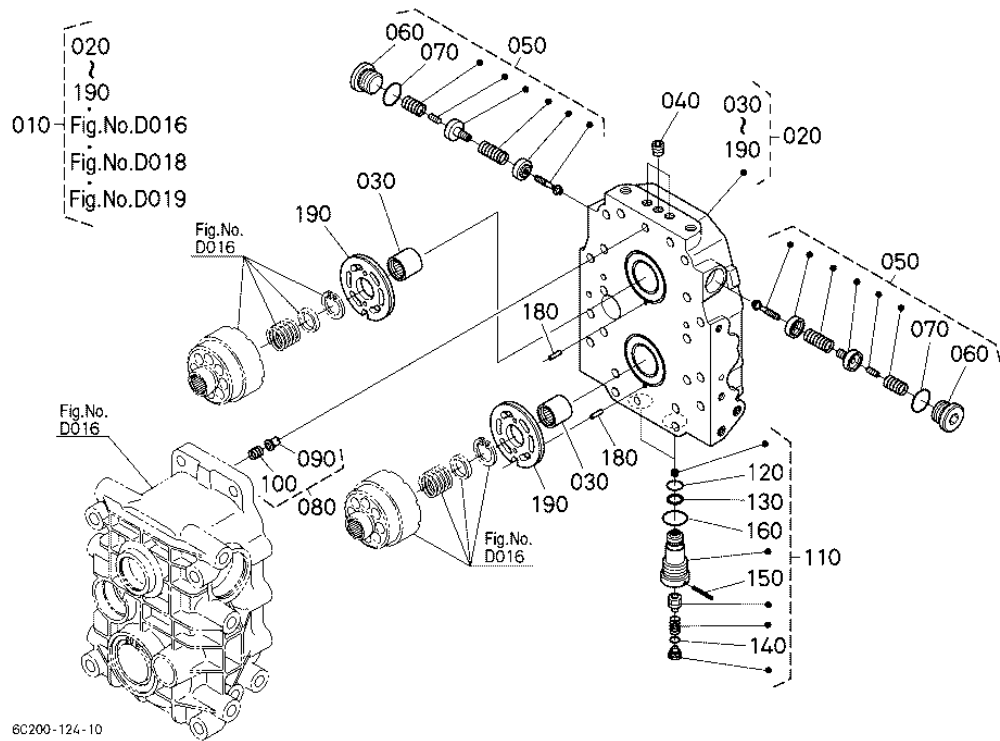
HST [COMPONENT PARTS] 1

Ref	Part Number	Part Name	Qty	IC	S/N	Lbs	Remarks
010	6C200-11604	ASSY HST	1			46.77	
020	37410-14320	BEARING BALL	2			0.319	
030	04611-00520	CIR CLIP INTERNAL	1			0.019	
040	6A710-11710	PLATE	1			2.2	
050	6A110-35020	ASSY COVER A	1			0.528	
060	04811-50550	O RING	1			0.004	
070	6A110-35140	SEAL OIL	1			0.019	

HST [COMPONENT PARTS] 1

Ref	Part Number	Part Name	Qty	IC	S/N	Lbs	Remarks
080	04611-00620	CIR CLIP INTERNAL	1			0.024	
090	6A110-35030	ASSY COVER B	1			0.528	
100	04811-50550	O RING	1			0.004	
110	04611-00620	CIR CLIP INTERNAL	1			0.024	
120	32721-35150	COLLAR THRUST	1			0.057	
130	6A710-11720	SHAFT	1			1.034	
140	32721-35040	ASSY BLOCK CYL.	1			2.398	
150	32721-35180	PLATE RETAINER	1			0.044	
160	66415-39240	HOLDER SPRING	1			0.008	
170	66415-39250	SPRING	1			0.011	
180	66415-39470	CIR CLIP INTERNAL	1			0.044	
190	6A710-11810	SHAFT	1			0.99	
200	32721-35070	ASSY BLOCK CYL.	1			2.398	
210	32721-35180	PLATE RETAINER	1			0.044	
220	66415-39240	HOLDER SPRING	1			0.008	
230	66415-39250	SPRING	1			0.011	
240	66415-39470	CIR CLIP INTERNAL	1			0.044	
250	32721-35150	COLLAR THRUST	1			0.057	

HST [COMPONENT PARTS] 2



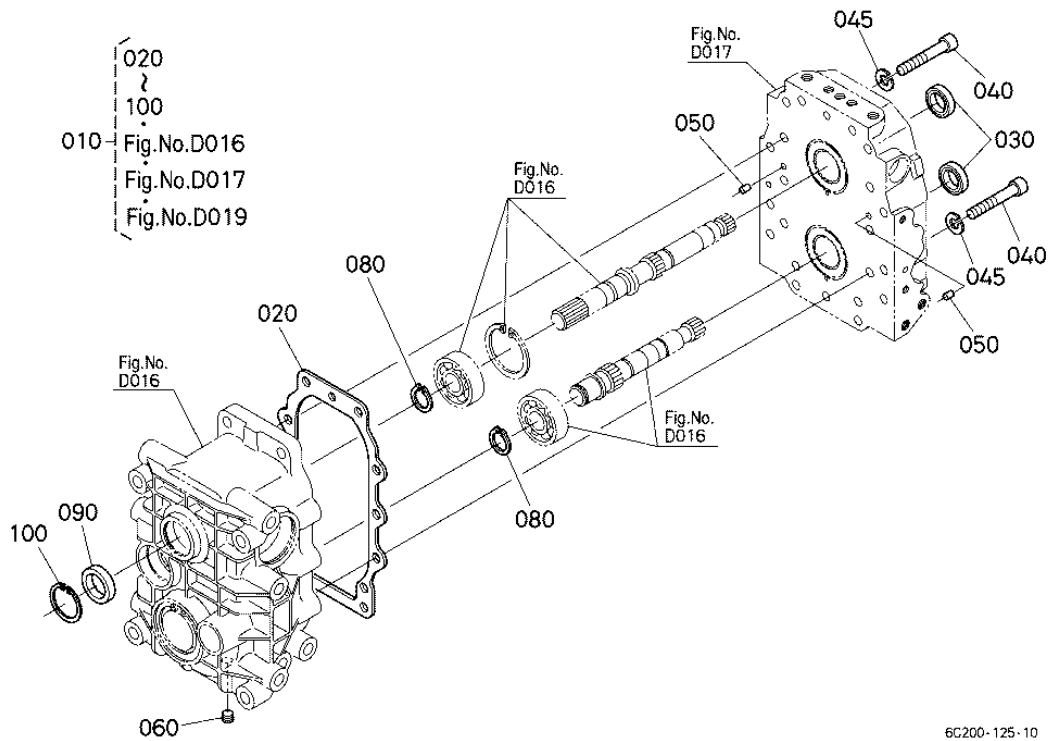
HST [COMPONENT PARTS] 2

Ref	Part Number	Part Name	Qty	IC	S/N	Lbs	Remarks
010	6C200-11604	ASSY HST	1			46.77	
020	6A710-11902	ASSY COVER PORTBLOCK	1			26.4	
030	6A610-35320	BEARING NEEDLE	2			0.055	
040	K7001-39620	PLUG	3			0.011	
050	6A710-11960	ASSY VALVE	2			0.182	
060	5H600-11820	PLUG	2			0.011	
070	04817-00180	O RING	2			0.006	

HST [COMPONENT PARTS] 2

Ref	Part Number	Part Name	Qty	IC	S/N	Lbs	Remarks
080	37590-39900	ASSY VALVE RELIEF	1			0.015	
090	66363-39710	POPPET L	1			0.013	
100	66363-39720	SPRING L	1			0.022	
110	6C070-11650	ASSY VALVE NUETRAL	2			0.22	
120	04817-00120	O RING	2			0.002	
130	66363-39630	RING BACK UP	2			0.002	
140	04817-00100	O RING	2			0.002	
150	05411-00325	PIN SPRING	2			0.002	
160	04817-00180	O RING	2			0.006	
180	05411-00414	PIN SPRING	2			0.002	
190	6A710-11740	PLATE VALVE	2			0.275	

HST [COMPONENT PARTS] 3



6C200-125-10

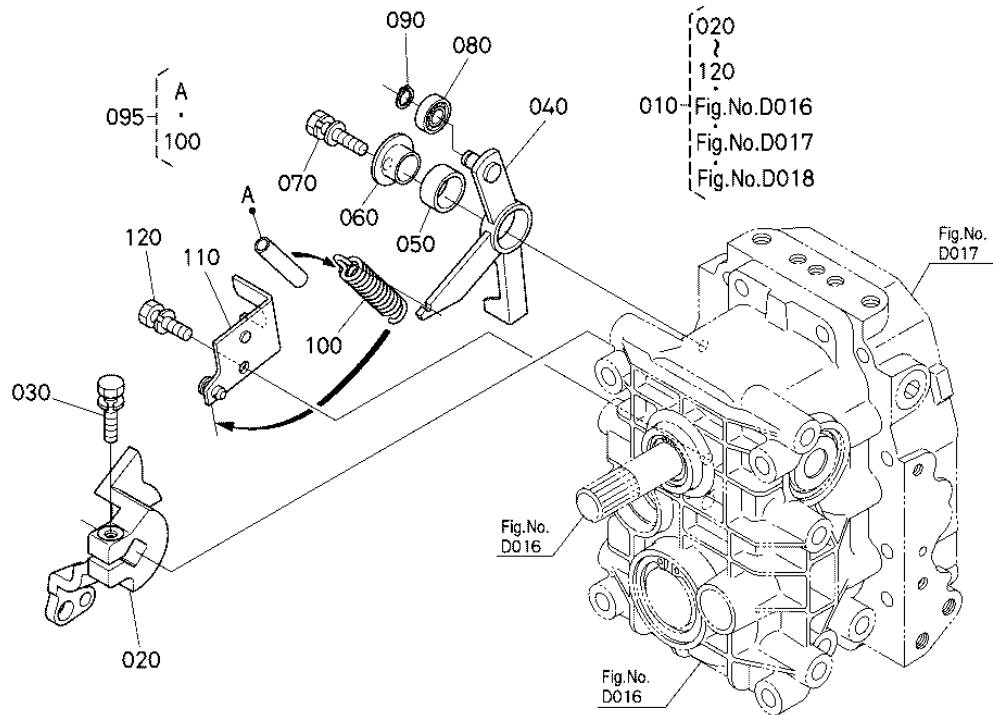
HST [COMPONENT PARTS] 3

Ref	Part Number	Part Name	Qty	IC	S/N	Lbs	Remarks
010	6C200-11604	ASSY HST	1			46.77	
020	6A710-11622	GASKET	1			0.033	
030	32721-35380	SEAL OIL	2			0.004	
040	01311-11060	BOLT HEX-SOC-HD	9			0.099	
045	66415-39560	WASHER SPRING	9			0.006	
050	K7561-11180	PIN STRAIGHT	2			0.011	
060	32721-35450	PLUG	1			0.004	

HST [COMPONENT PARTS] 3

Ref	Part Number	Part Name	Qty	IC	S/N	Lbs	Remarks
080	04612-00200	CIR CLIP EXTERNAL	2			0.002	
090	66363-39560	SEAL OIL	1			0.022	
100	04611-00350	CIR CLIP INTERNAL	1			0.006	

HST [COMPONENT PARTS] 4



6C200-036-12

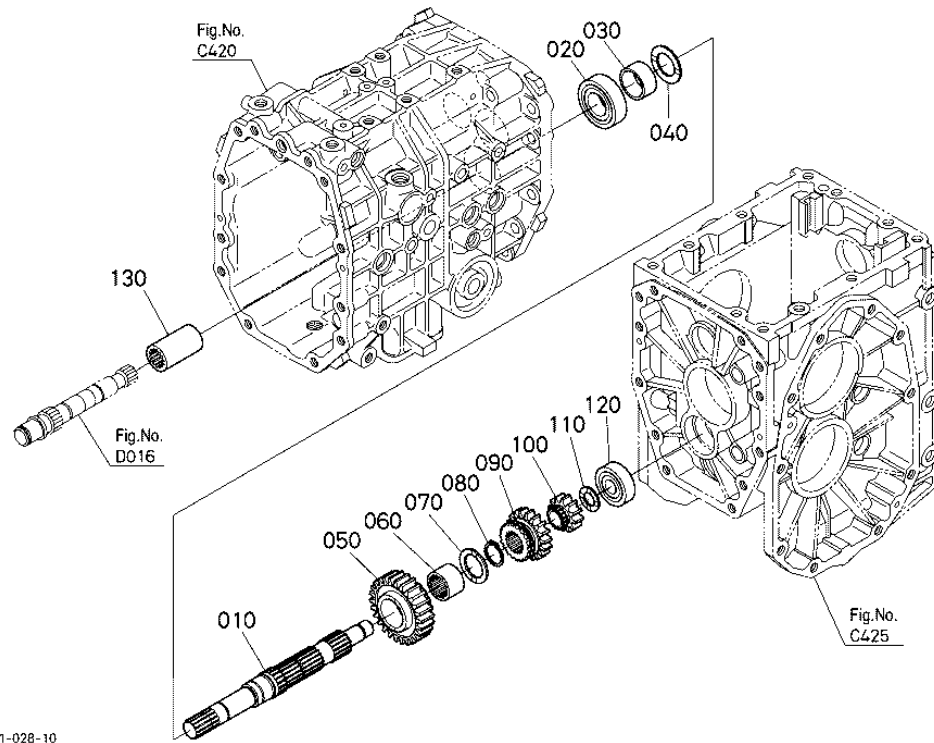
HST [COMPONENT PARTS] 4

Ref	Part Number	Part Name	Qty	IC	S/N	Lbs	Remarks
010	6C200-11604	ASSY HST	1			46.77	
020	6C200-18110	HOLDER NEUTRAL	1			1.276	
030	01123-50835	BOLT	1			0.044	
040	6C200-18153	ARM NEUTRAL	1			0.352	
050	66204-43572	BUSH	1			0.004	
060	66204-43352	SHAFT HOLDER	1			0.158	
070	01125-50835	BOLT	1			0.037	

HST [COMPONENT PARTS] 4

Ref	Part Number	Part Name	Qty	IC	S/N	Lbs	Remarks
080	08121-06000	BEARING BALL	1			0.044	
090	04612-00100	CIR CLIP EXTERNAL	1			0.002	
095	6C200-18160	ASSY SPRING	1			0.099	
100	6C050-43470	SPRING	1			0.103	
110	6C200-18340	STAY NEUTRAL SWITCH	1			0.198	
120	01123-50820	BOLT	1			0.024	

RANGE GEAR SHAFT



3274.1-028-10

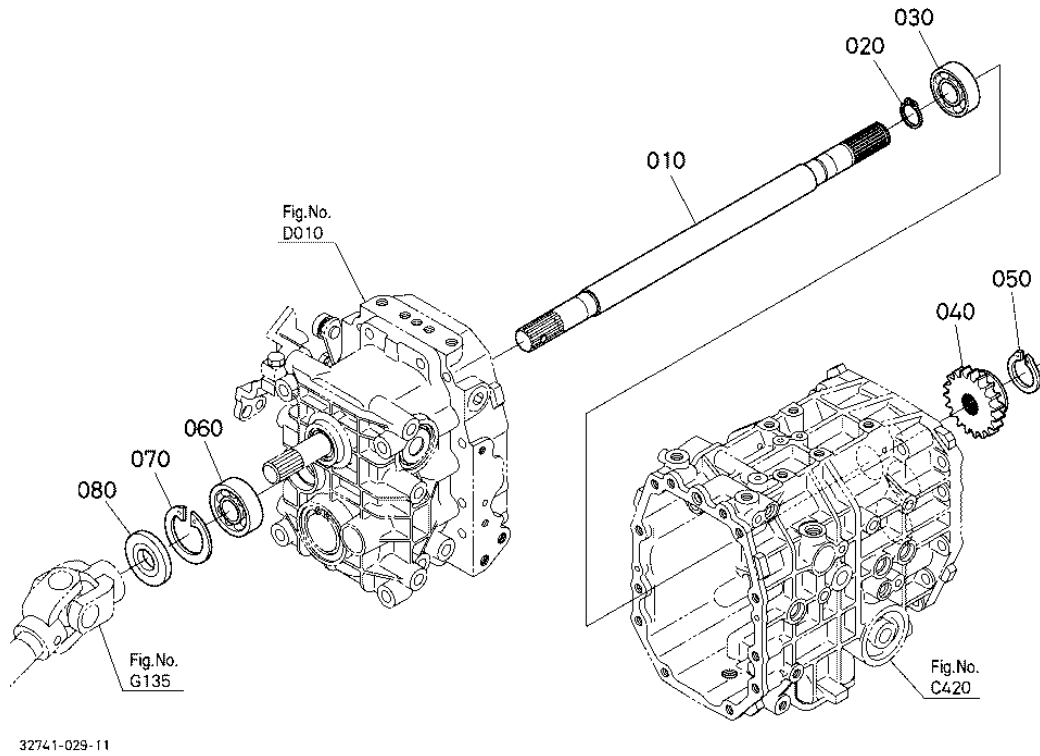
RANGE GEAR SHAFT

Ref	Part Number	Part Name	Qty	IC	S/N	Lbs	Remarks
010	6C200-14710	SHAFT RANGE GEAR	1			1.276	
020	6A700-16570	BEARING BALL	1			0.279	
030	6C200-14760	COLLAR	1			0.077	
040	67061-14380	COLLAR	1			0.022	
050	6C200-14720	GEAR	1			0.924	26T
060	6A700-14870	RING INNER	1			0.088	
070	6A700-14880	COLLAR THRUST	1			0.019	

RANGE GEAR SHAFT

Ref	Part Number	Part Name	Qty	IC	S/N	Lbs	Remarks
080	6C200-14860	CIR CLIP EXTERNAL	1			0.022	
090	6C200-14730	GEAR	1			0.347	18T
100	6C200-14740	GEAR	1			0.143	12T
110	67910-12330	COLLAR	1			0.013	
120	6A700-16610	BEARING BALL	1			0.176	
130	6C050-14520	COUPLING	1			0.217	

REVERSE SHAFT



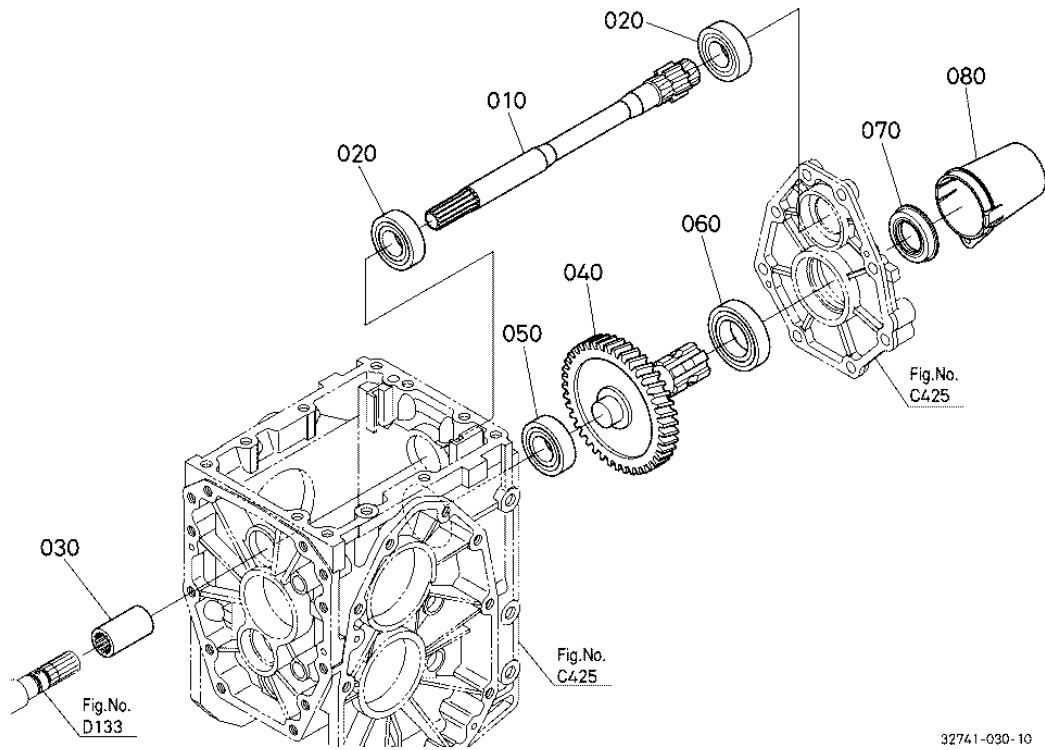
REVERSE SHAFT

Ref	Part Number	Part Name	Qty	IC	S/N	Lbs	Remarks
010	6C200-16110	SHAFT REVERSE	1			2.53	
020	15875-24320	RING SNAP	1			0.006	
030	52300-16180	BEARING	1			0.226	
040	6C040-14840	GEAR FWD	1			0.506	20T
050	04612-00190	CIR CLIP EXTERNAL	1			0.002	
060	52300-21660	BEARING	1			0.154	
070	04611-00420	CIR CLIP INTERNAL	1			0.013	

REVERSE SHAFT

Ref	Part Number	Part Name	Qty	IC	S/N	Lbs	Remarks
080	09500-20428	SEAL OIL	1			0.026	

PTO COUNTER SHAFT



32741-030-10

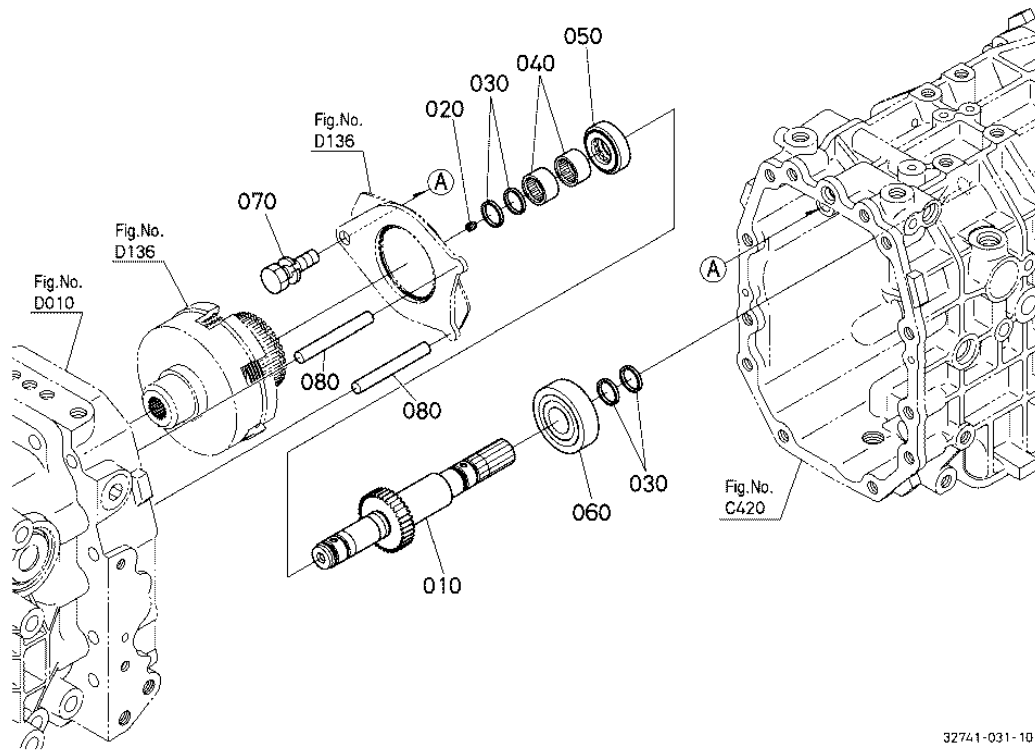
PTO COUNTER SHAFT

Ref	Part Number	Part Name	Qty	IC	S/N	Lbs	Remarks
010	6C200-14412	SHAFT PTO DRIVE	1			1.892	8T
020	08101-06205	BEARING BALL	2			0.002	
030	6C050-14520	COUPLING	1			0.217	
040	6C200-14510	SHAFT PTO GEAR	1			4.29	41T
050	08101-06205	BEARING BALL	1			0.002	
060	08101-06007	BEARING BALL	1			0.352	
070	37410-16550	SEAL OIL	1			0.066	

PTO COUNTER SHAFT

Ref	Part Number	Part Name	Qty	IC	S/N	Lbs	Remarks
080	37410-63112	CAP PTO SHAFT	1			0.121	

PTO CLUTCH SHAFT



32741-031-10

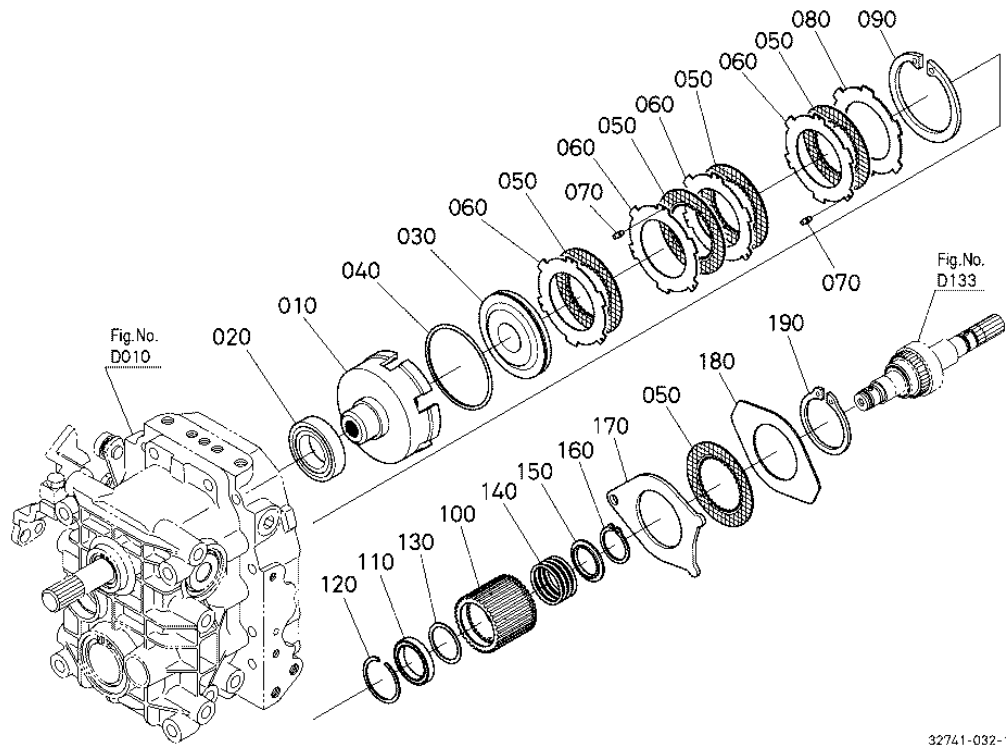
PTO CLUTCH SHAFT

Ref	Part Number	Part Name	Qty	IC	S/N	Lbs	Remarks
010	32741-14210	SHAFT PTO CLUTCH	1			0	
020	3F740-40330	PLUG	1			0.004	
030	59240-15850	RING SEAL	4			0.011	
040	08822-02413	BEARING NEEDLE	2			0.022	
050	6C200-14330	BEARING THRUST BALL	1			0.070	
060	08101-06304	BEARING BALL	1			0.321	
070	01123-51025	BOLT	1			0.044	

PTO CLUTCH SHAFT

Ref	Part Number	Part Name	Qty	IC	S/N	Lbs	Remarks
080	6C200-14290	SHAFT PLATE	2			0.077	

PTO CLUTCH



32741-032-10

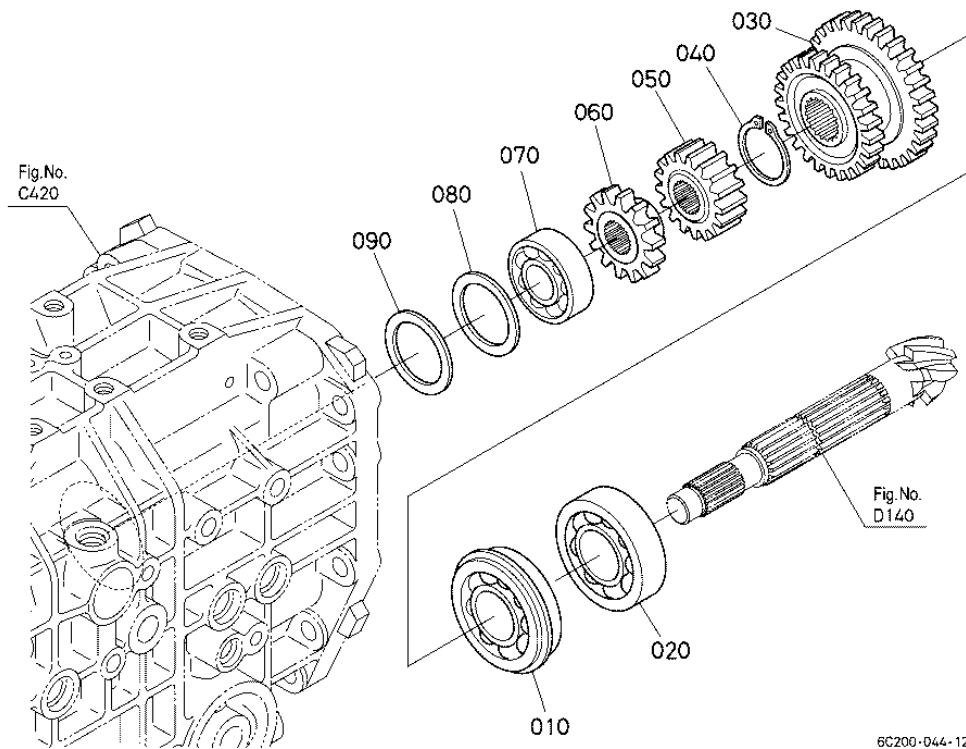
PTO CLUTCH

Ref	Part Number	Part Name	Qty	IC	S/N	Lbs	Remarks
010	6C200-14224	CASE PTO CLUTCH	1			1.826	
020	08101-06007	BEARING BALL	1			0.352	
030	6C200-14232	PISTON CLUTCH	1			0.572	
040	37410-75370	D RING	1			0.004	
050	6A700-13750	DISK CLUTCH	5			0.081	
060	6A700-13762	PLATE CLUTCH	4			0.081	
070	TA040-69090	RUBBER	6			0.002	

PTO CLUTCH

Ref	Part Number	Part Name	Qty	IC	S/N	Lbs	Remarks
080	6A700-13770	PLATE CLUTCH	1			0.002	
090	04611-00920	CIR CLIP INTERNAL	1			0.088	
100	6C200-14252	BOSS SPLINE	1			0.77	
110	08101-06807	BEARING BALL	1			0.066	
120	36280-41360	CIR-CLIP	1			0.006	
130	6C200-14350	COLLAR BEARING	1			0.004	
140	6C200-14340	SPRING CLUTCH	1			0.099	
150	6C200-14240	COLLAR SPRING	1			0.033	
160	04612-00300	CIR CLIP EXTERNAL	1			0.006	
170	6C200-14280	PLATE BRAKE	1			0.363	
180	6C200-14380	PLATE BRAKE	1			0.171	
190	04612-00600	CIR CLIP EXTERNAL	1			0.026	

BEVEL GEAR SHAFT/RANGE GEAR



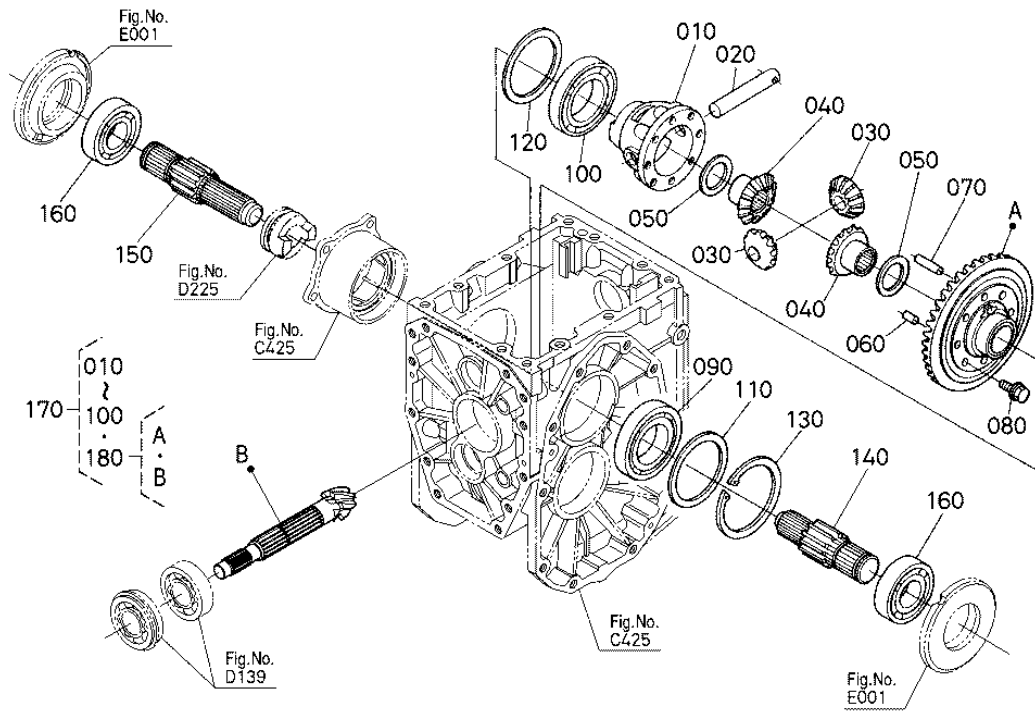
BEVEL GEAR SHAFT/RANGE GEAR

Ref	Part Number	Part Name	Qty	IC	S/N	Lbs	Remarks
010	38430-21590	BEARING BALL	1			0.55	
020	6A700-16640	BEARING BALL	1			0.506	
030	6C200-14830	GEAR	1			1.716	25-31T
040	6C200-14860	CIR CLIP EXTERNAL	1			0.022	
050	6C200-14840	GEAR	1			0.407	17T
060	6C200-14850	GEAR FWD	1			0.253	13T
070	08221-07303	BEARING BALL	1			0.255	

BEVEL GEAR SHAFT/RANGE GEAR

Ref	Part Number	Part Name	Qty	IC	S/N	Lbs	Remarks
080	66591-14720	SPACER	1			0.004	
090	66611-14690	SHIM	1			0.002	0.2mm
090	66611-14680	SHIM	1			0.022	1.8mm
090	66611-14670	SHIM	1			0.017	1.4mm

REAR DIFFERENTIAL



32741-033-10

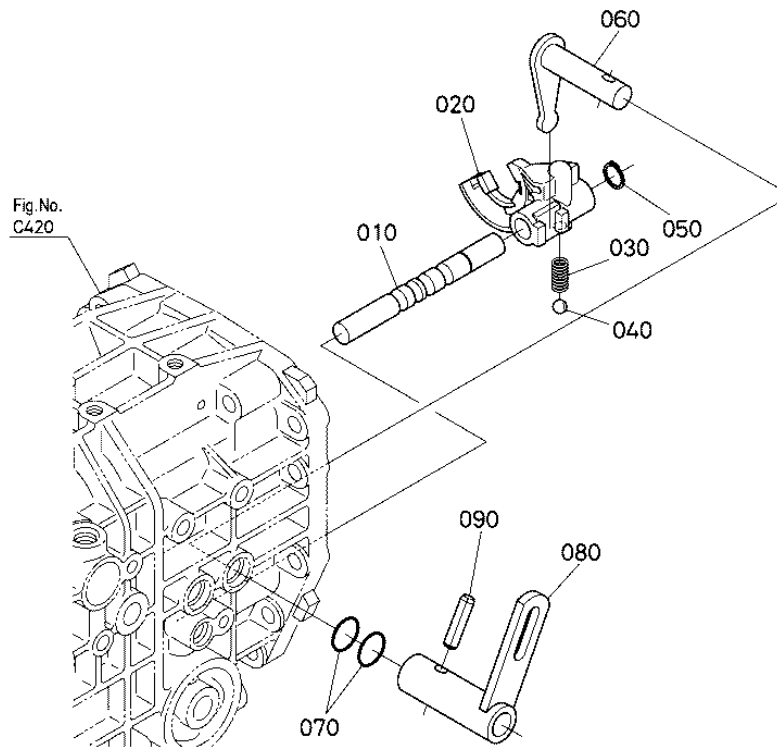
REAR DIFFERENTIAL

Ref	Part Number	Part Name	Qty	IC	S/N	Lbs	Remarks
010	6C040-14973	CASE DIFFERENTIAL	1			1.54	
020	67711-14912	SHAFT DIFF.PINION	1			0.308	
030	6C170-14923	GEAR BEVEL	2			0.242	12T
040	6C040-14930	GEAR DIFF.SIDE	2			0.363	14T
050	67211-15160	SHIM	2			0.022	1.0mm
050	67211-15170	SHIM	2			0.017	0.8mm
050	67211-15180	SHIM	2			0.022	1.2mm

REAR DIFFERENTIAL

Ref	Part Number	Part Name	Qty	IC	S/N	Lbs	Remarks
060	66591-14792	PIN KNOCK	1			0.006	
070	66591-14783	PIN STRAIGHT	1			0.022	
080	67810-56680	BOLT UBS	6			0.028	
090	08101-06009	BEARING BALL	1			0.484	
100	08101-06010	BEARING BALL	1			0.576	
110	66591-14980	SHIM DIFF.SIDE	1			0.011	0.5mm
110	66591-14990	SHIM DIFF.SIDE	1			0.004	0.2mm
120	66611-15140	SHIM DIFF.SIDE	1			0.013	0.5mm
120	66611-15150	SHIM DIFF.SIDE	1			0.004	0.2mm
130	04611-00750	CIR CLIP INTERNAL	1			0.041	
140	6A671-14940	SHAFT DIFF.GEAR LH	1			1.298	
150	6A671-14950	SHAFT DIFF.GEAR RH	1			1.496	
160	08101-06306	BEARING BALL	2			0.737	
170	6C200-97912	ASSY DIFFERENTIAL	1			9.24	
180	6C200-97920	ASSY GEAR BEVEL	1			4.598	

RANGE GEAR SHIFT FORK



6C200-046-12

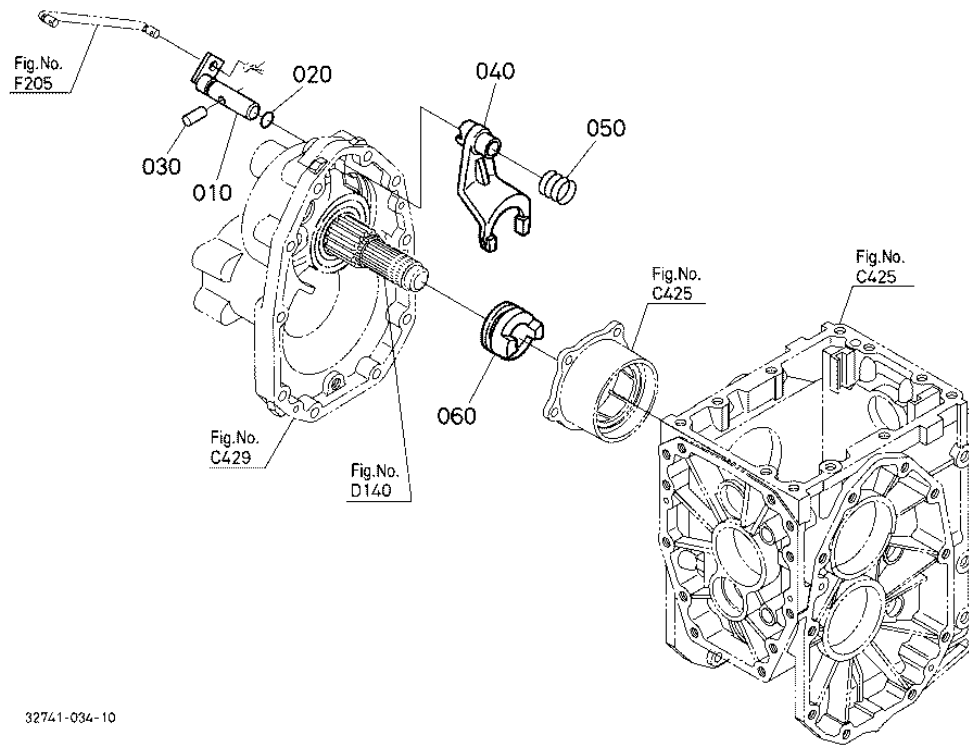
RANGE GEAR SHIFT FORK

Ref	Part Number	Part Name	Qty	IC	S/N	Lbs	Remarks
010	6A700-18410	ROD FORK	1			0.33	
020	6C200-18422	FORK RANGE SHIFT	1			0.209	
030	62061-18260	SPRING STOPPER	1			0.004	
040	07715-01605	BALL	1			0.006	
050	04612-00140	CIR CLIP EXTERNAL	1			0.002	
060	6A700-18510	ARM RANGE SHIFT	1			0.308	
070	04816-00160	O RING	2			0.006	

RANGE GEAR SHIFT FORK

Ref	Part Number	Part Name	Qty	IC	S/N	Lbs	Remarks
080	6C200-18522	LEVER SHIFT ARM	1			0.528	
090	05411-00832	PIN SPRING	1			0.077	

DIFFERENTIAL LOCK SHIFT FORK

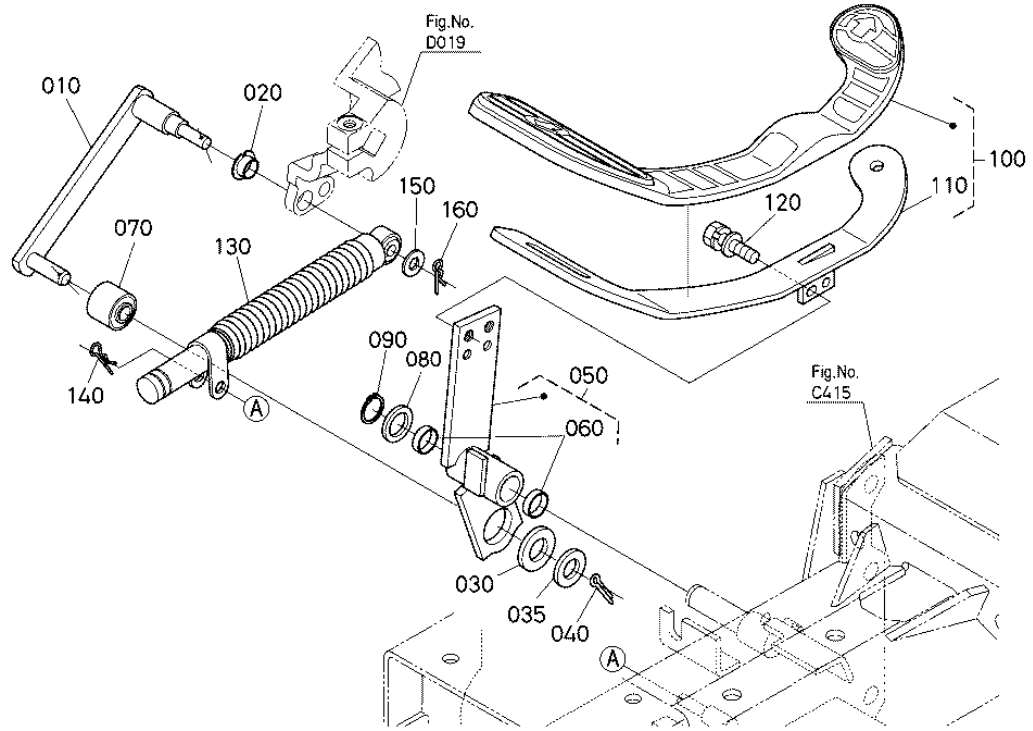


32741-034-10

DIFFERENTIAL LOCK SHIFT FORK

Ref	Part Number	Part Name	Qty	IC	S/N	Lbs	Remarks
010	32721-19120	ROD FORK	1			0.374	
020	04816-06120	O RING	1			0.004	
030	6A100-19130	PIN	1			0.037	
040	6C040-19110	FORK DIFF.LOCK SHIFT	1			0.484	
050	6A700-19130	SPRING	1			0.026	
060	66611-15130	CLUTCH DIFF.LOCK	1			0.44	

SPEED CONTROL PEDAL



32741-038-10

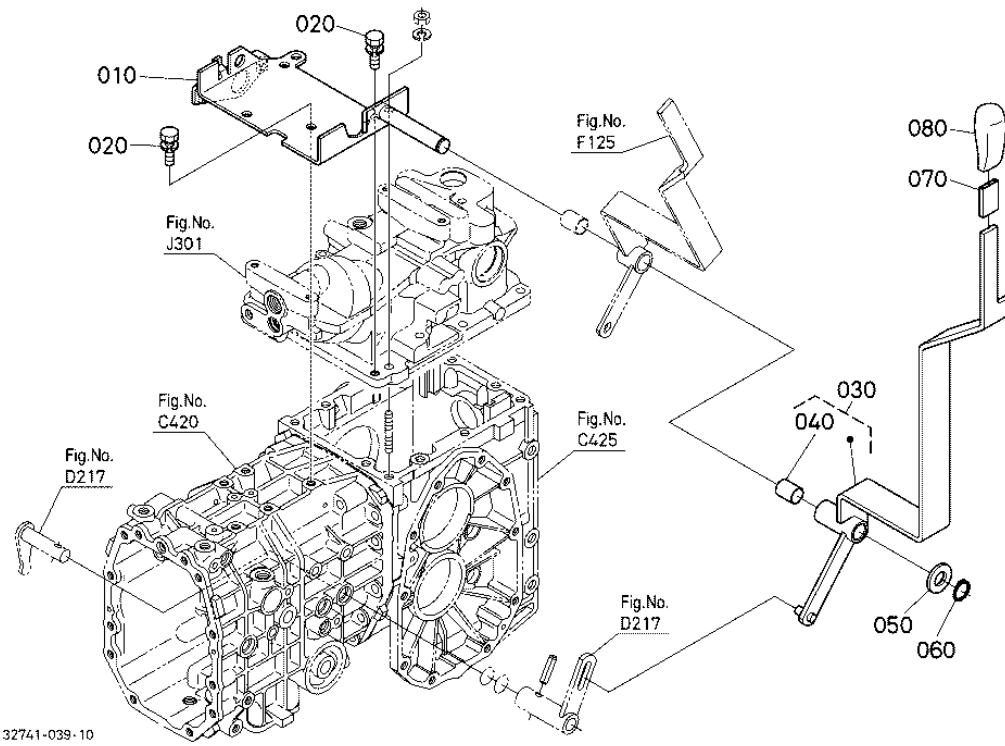
SPEED CONTROL PEDAL

Ref	Part Number	Part Name	Qty	IC	S/N	Lbs	Remarks
010	6C200-18220	PLATE HST	1			0.484	
020	6A100-44680	BUSH	1			0.006	
030	04013-60140	WASHER PLAIN	1			0.022	
035	04013-60100	WASHER PLAIN	1			0.006	
040	05511-50320	PIN SPLIT	1			0.004	
050	32741-18200	ASSY LEVER HST	1			0	
060	08511-01610	BUSH	2			0.011	

SPEED CONTROL PEDAL

Ref	Part Number	Part Name	Qty	IC	S/N	Lbs	Remarks
070	6A000-12180	CUSHION RUBBER	1			0.079	
080	45403-41330	COLLAR DISTANCE	1			0.022	
090	04612-00160	CIR CLIP EXTERNAL	1			0.002	
100	TD060-55543	PEDAL HST CONTROL	1			2.64	
110	TD060-55113	PEDAL HST	1			1.837	
120	01125-60820	BOLT	2			0.033	
130	32721-43350	DAMPER HST	1			0.572	
140	05525-50800	PIN SNAP	1			0.002	
150	04013-60080	WASHER PLAIN	1			0.004	
160	05525-50800	PIN SNAP	1			0.002	

RANGE GEAR SHIFT LEVER



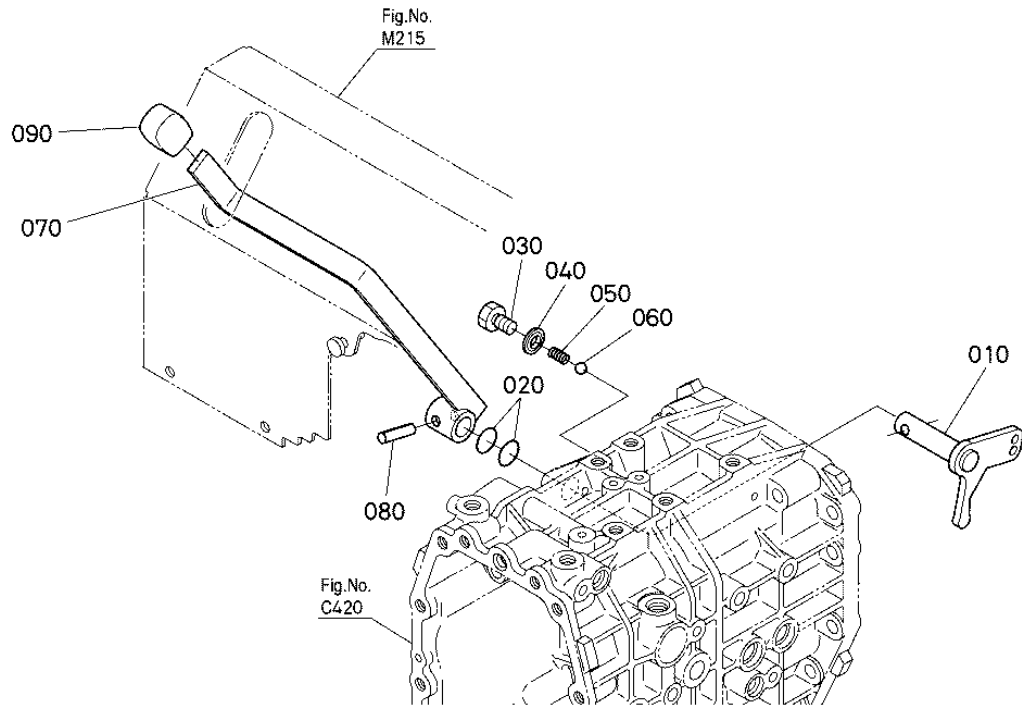
RANGE GEAR SHIFT LEVER

Ref	Part Number	Part Name	Qty	IC	S/N	Lbs	Remarks
010	6C200-11180	BRACKET	1			3.454	
020	01123-51025	BOLT	4			0.044	
030	32741-18502	LEVER RANGE SHIFT	1			0	
040	08511-01825	BUSH	1			0.022	
050	04013-50180	WASHER PLAIN	1			0.033	
060	04612-00180	CIR CLIP EXTERNAL	1			0.002	
070	6C040-42760	CUSHION	1			0.006	

RANGE GEAR SHIFT LEVER

Ref	Part Number	Part Name	Qty	IC	S/N	Lbs	Remarks
080	6A700-18352	GRIP	1			0.114	

FRONT WHEEL DRIVE LEVER



32741-040-10

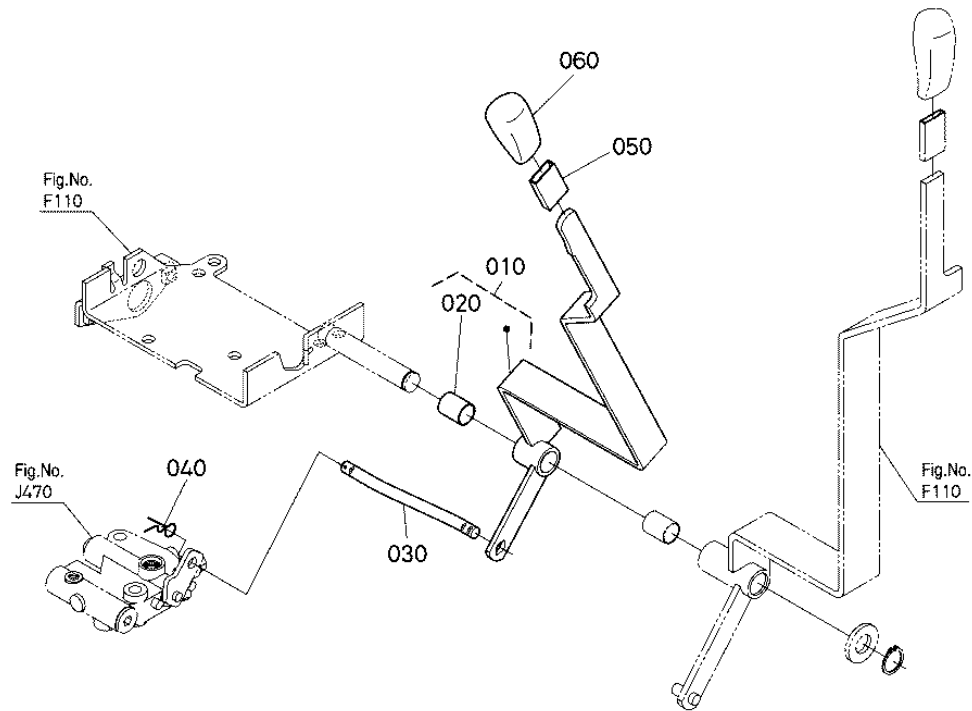
FRONT WHEEL DRIVE LEVER

Ref	Part Number	Part Name	Qty	IC	S/N	Lbs	Remarks
010	6A700-19210	ARM 4WD SHIFT	1			0.44	
020	04816-00160	O RING	2			0.006	
030	6C040-19222	BOLT	1			0.033	
040	04717-01000	WASHER WITH RUBBER	1			0.002	
050	62061-18260	SPRING STOPPER	1			0.004	
060	07715-01605	BALL	1			0.006	
070	32741-18910	LEVER FWD	1			0	

FRONT WHEEL DRIVE LEVER

Ref	Part Number	Part Name	Qty	IC	S/N	Lbs	Remarks
080	05411-00832	PIN SPRING	1			0.077	
090	6A320-42630	GRIP LEVER	1			0.041	

PTO GEAR SHIFT LEVER

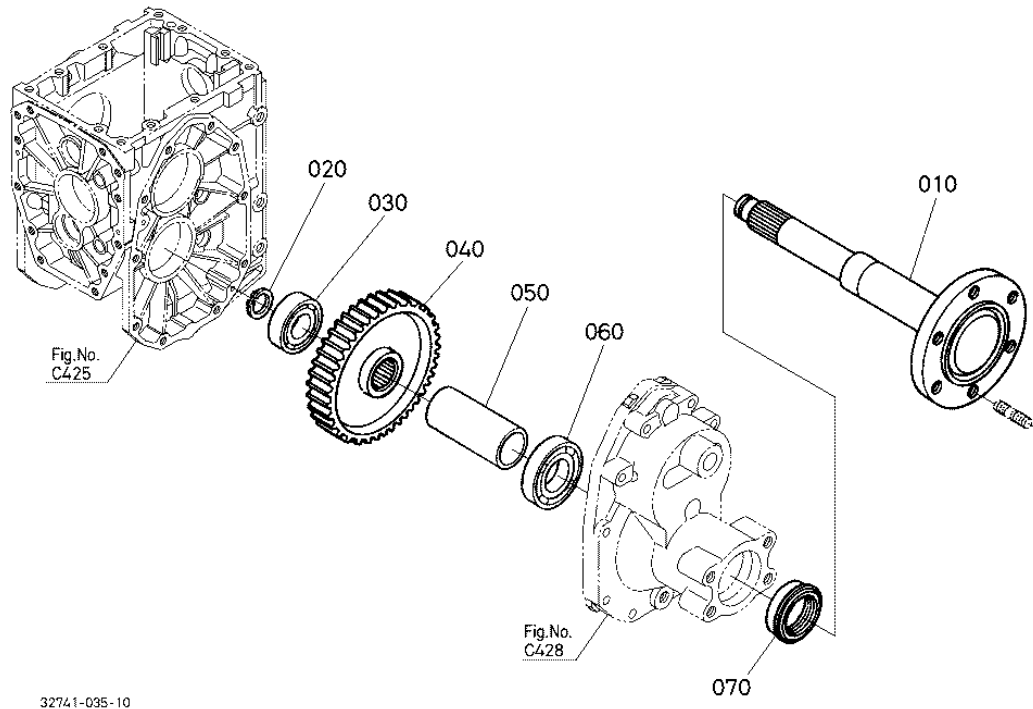


32741-041-10

PTO GEAR SHIFT LEVER

Ref	Part Number	Part Name	Qty	IC	S/N	Lbs	Remarks
010	32741-18800	ASSY LEVER PTO	1			0	
020	08511-01825	BUSH	1			0.022	
030	6C200-18830	ROD PTO	1			0.275	
040	05525-61000	PIN SNAP	1			0.004	
050	6C040-42760	CUSHION	1			0.006	
060	6C200-18790	GRIP	1			0.088	

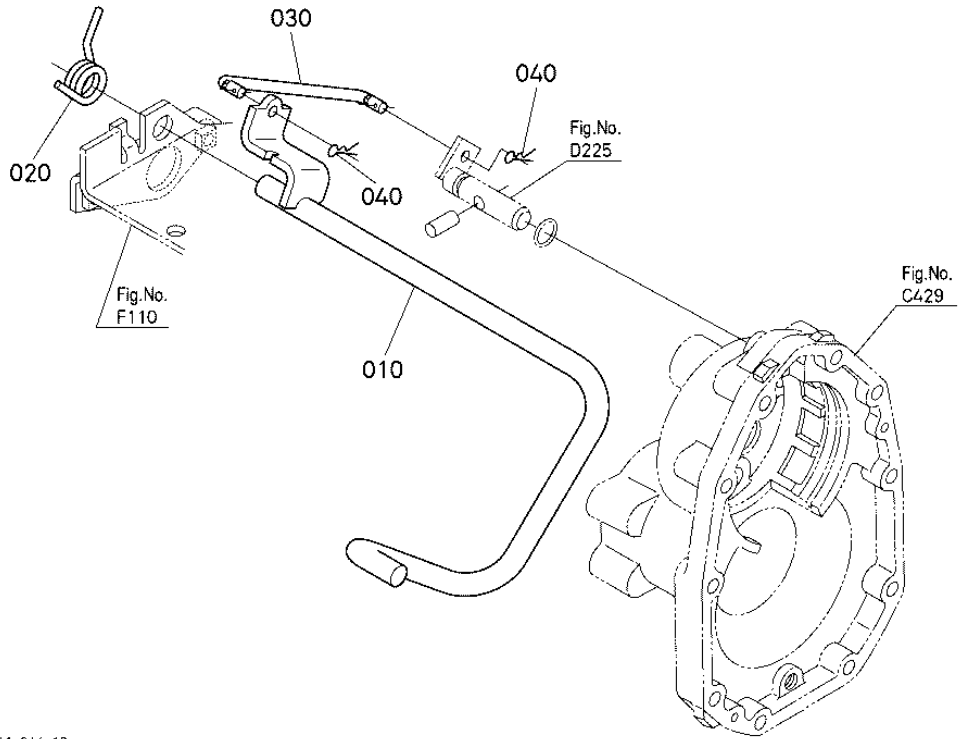
REAR AXLE



REAR AXLE

Ref	Part Number	Part Name	Qty	IC	S/N	Lbs	Remarks
010	32721-17113	SHAFT REAR AXLE	2			16.06	
020	04612-00300	CIR CLIP EXTERNAL	2			0.006	
030	08101-06306	BEARING BALL	2			0.737	
040	6A600-17130	GEAR	2			6.314	58T
050	6C040-17140	COLLAR	2			0.572	
060	6A700-16590	BEARING BALL	2			0.792	
070	32721-17150	SEAL OIL	2			0.154	

DIFFERENTIAL LOCK PEDAL

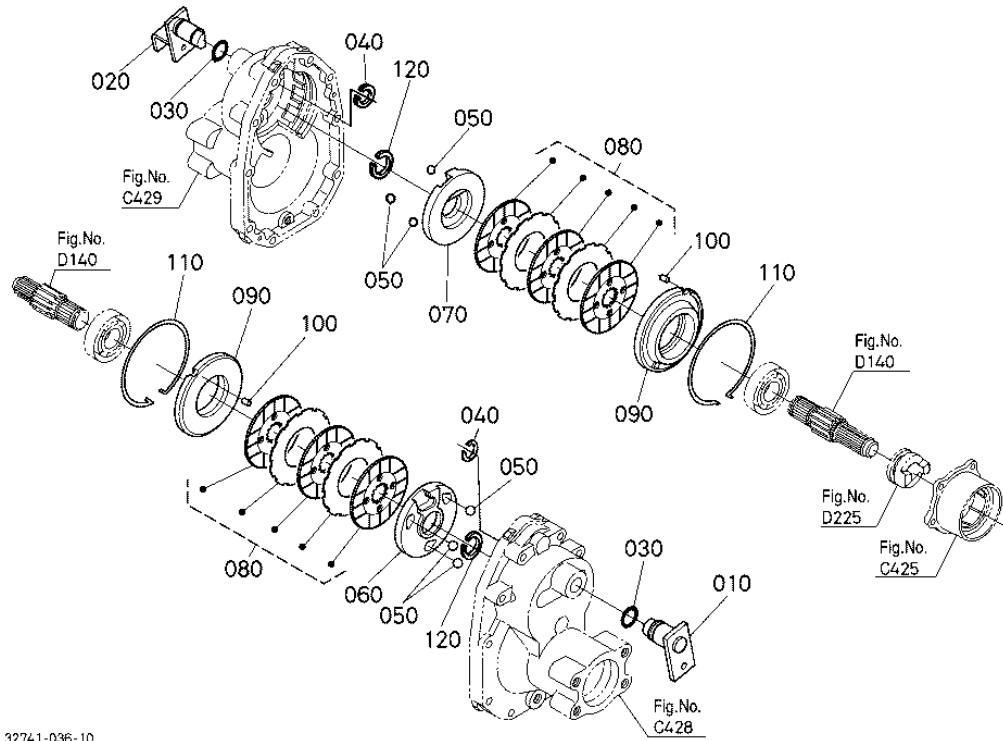


32741-044-10

DIFFERENTIAL LOCK PEDAL

Ref	Part Number	Part Name	Qty	IC	S/N	Lbs	Remarks
010	32741-42413	PEDAL DIFF.LOCK	1			0	
020	6C050-42890	SPRING	1			0.088	
030	6C200-42440	ROD DIFF.LOCK	1			0.176	
040	05525-50800	PIN SNAP	2			0.002	

BRAKE



32741-036-10

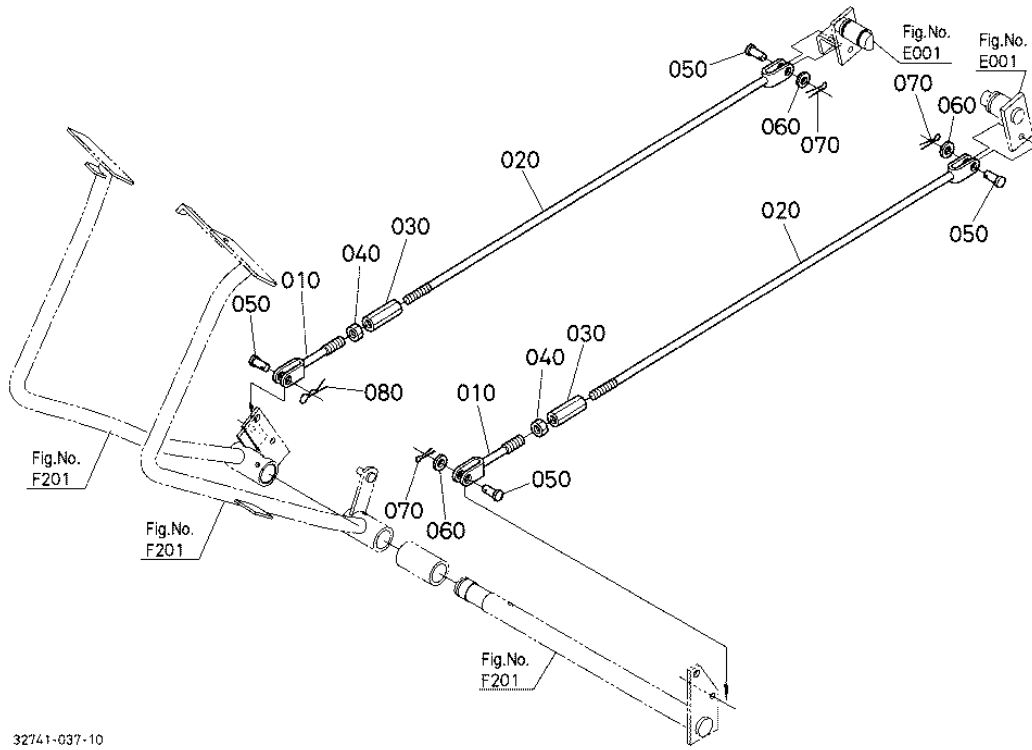
BRAKE

Ref	Part Number	Part Name	Qty	IC	S/N	Lbs	Remarks
010	6A600-22360	LEVER CAM LH	1			0.682	
020	32741-22460	LEVER CAM RH	1			0	
030	04816-00210	O RING	2			0.008	
040	67061-14370	CIR-CLIP	2			0.004	
050	07715-00805	BALL	6			0.035	
060	6A320-22320	ACTUATOR LH	1			1.408	
070	6A320-22420	ACTUATOR RH	1			1.386	

BRAKE

Ref	Part Number	Part Name	Qty	IC	S/N	Lbs	Remarks
080	6A700-22300	ASSY BRAKE	2			1.65	
090	6C170-22380	HOLDER BEARING	2			2.2	
100	6C040-22440	PIN	2			0.008	
110	6C070-22390	CIR-CLIP INTERNAL	2			0.088	
120	70435-51590	CIR-CLIP	2			0.004	

BRAKE ROD



32741-037-10

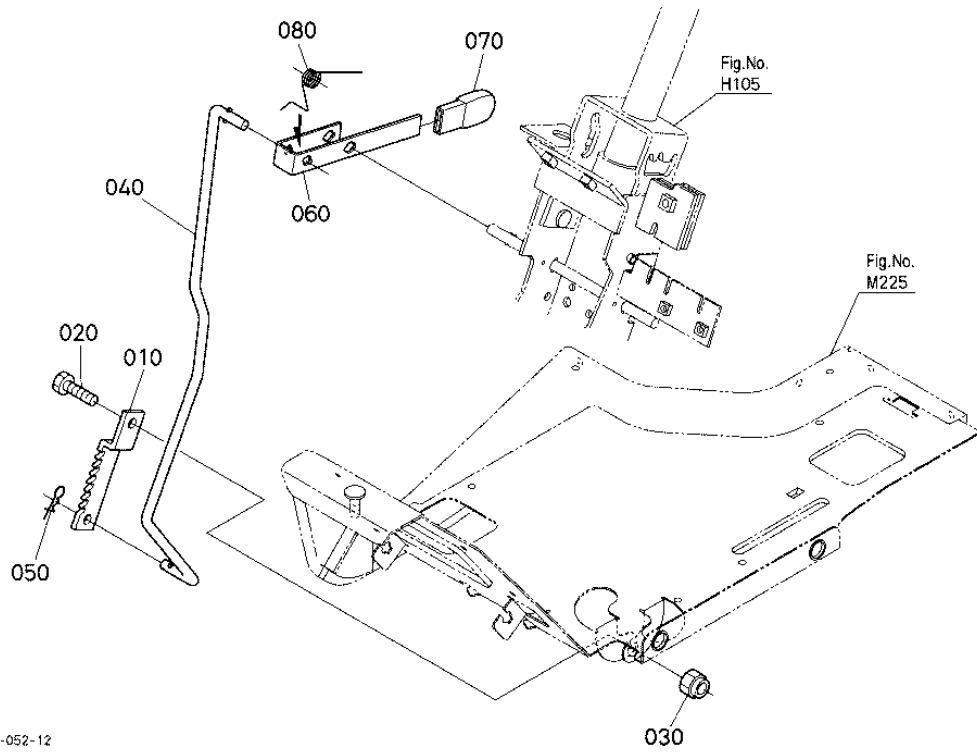
BRAKE ROD

Ref	Part Number	Part Name	Qty	IC	S/N	Lbs	Remarks
010	6C200-42370	ROD BRAKE FRONT	2			0.151	
020	6A600-42360	ROD BRAKE REAR	2			0.396	
030	66591-42410	TURNBUCKLE	2			0.101	
040	02114-50080	NUT	2			0.011	
050	05122-50822	PIN JOINT	4			0.022	
060	04013-60080	WASHER PLAIN	3			0.004	
070	05511-50218	PIN SPLIT	3			0.002	

BRAKE ROD

Ref	Part Number	Part Name	Qty	IC	S/N	Lbs	Remarks
080	05525-50800	PIN SNAP	1			0.002	

PARKING BRAKE LEVER



PARKING BRAKE LEVER

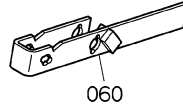
Ref	Part Number	Part Name	Qty	IC	S/N	Lbs	Remarks
010	6C200-42250	PLATE BRAKE LOCK	1			0.160	
020	01153-50816	BOLT	1			0.022	
030	50591-62370	NUT	1			0.011	
040	6C200-42263	ROD PARKING	1			0.484	
050	52300-34120	PIN SNAP	1			0.002	
060	6A700-42270	LEVER BRAKE	1	>>	>=50478	0.22	
060	6A700-42290	LEVER BRAKE	1		<=50477	0.242	ORDER BY REF.No.06

PARKING BRAKE LEVER

Ref	Part Number	Part Name	Qty	IC	S/N	Lbs	Remarks
070	6C040-41360	GRIP LEVER	1			0.026	
080	6C040-41380	SPRING RETURN	1			0.017	

PARKING BRAKE LEVER

OLD PARTS

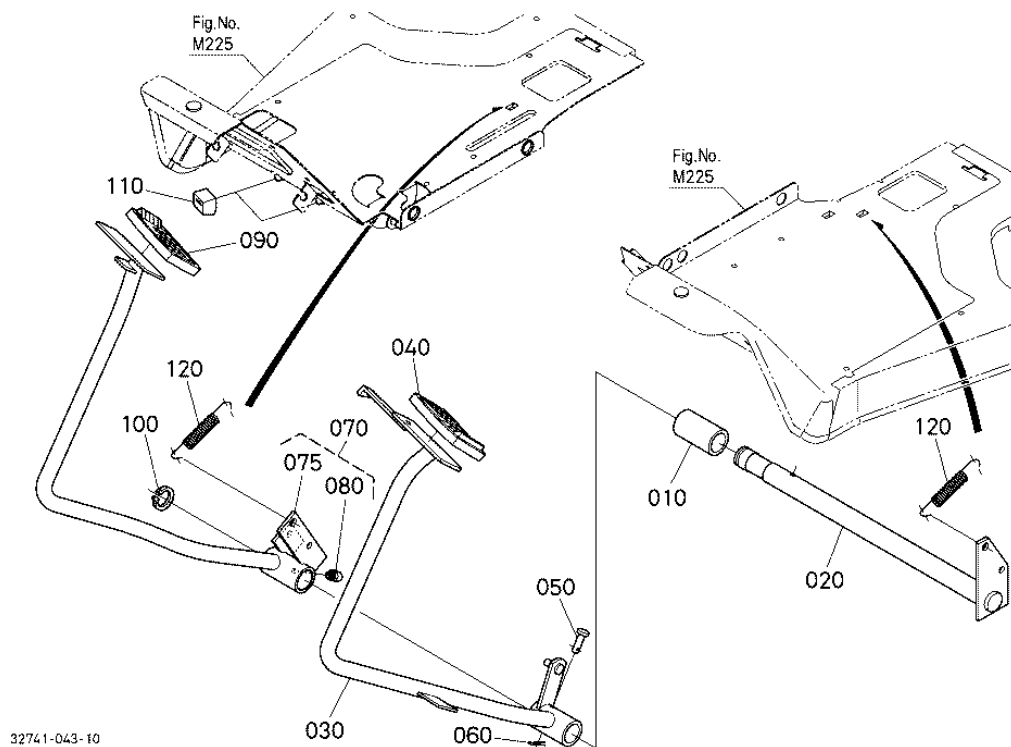


32741-804-10

PARKING BRAKE LEVER

Ref	Part Number	Part Name	Qty	IC	S/N	Lbs	Remarks
060	6A700-42270	LEVER BRAKE	1	>>	>=50478	0.22	
060	6A700-42290	LEVER BRAKE	1		<=50477	0.242	ORDER BY REF.No.06

BRAKE PEDAL



32741-043-10

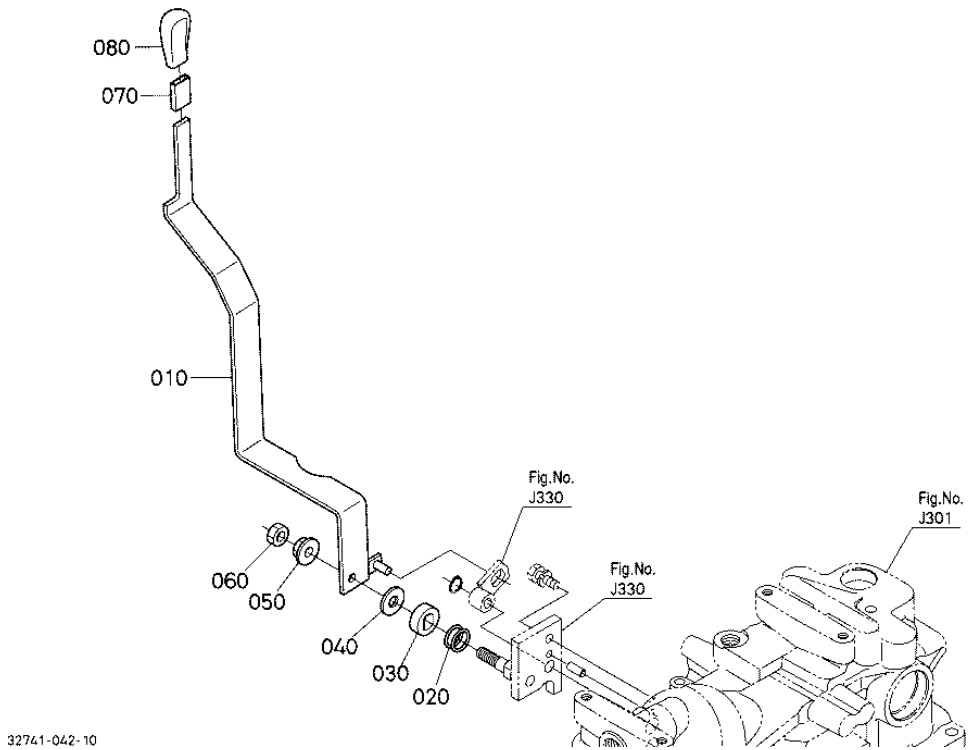
BRAKE PEDAL

Ref	Part Number	Part Name	Qty	IC	S/N	Lbs	Remarks
010	6C200-42130	PIPE PEDAL	1			0.44	
020	6C200-42310	SHAFT PEDAL	1			3.96	
030	6C200-42322	PEDAL BRAKE LH	1			3.96	
040	T2050-44120	COVER PEDAL	1			0.154	
050	05122-50840	PIN JOINT	1			0.037	
060	05511-50218	PIN SPLIT	1			0.002	
070	32741-42352	ASSY PEDAL BRAKE RH	1			0	

BRAKE PEDAL

Ref	Part Number	Part Name	Qty	IC	S/N	Lbs	Remarks
075	32741-42330	PEDAL BRAKE RH	1			0	ORDER BY REF.No.07
080	6A320-42170	NIPPLE GREASE	1			0.011	
090	T2050-44120	COVER PEDAL	1			0.154	
100	04612-00240	CIR CLIP EXTERNAL	1			0.004	
110	6A320-42160	CUSHION	2			0.026	
120	66621-43270	SPRING BRAKE RETURN	2			0.088	

POSITION CONTROL LEVER



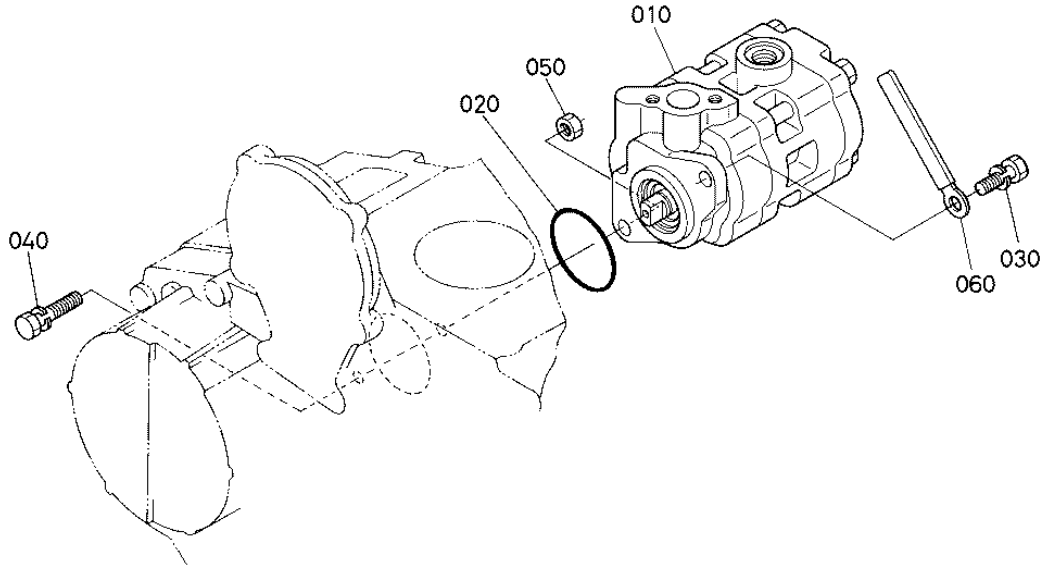
POSITION CONTROL LEVER

Ref	Part Number	Part Name	Qty	IC	S/N	Lbs	Remarks
010	32741-38210	LEVER POSITION	1			0	
020	6C200-38260	SPRING LEVER	1			0.026	
030	6C200-38250	COLLAR	1			0.077	
040	PA401-46640	PLATE FRICTION	1			0.055	
050	02131-50100	NUT	1			0.022	
060	02118-50100	NUT	1			0.011	
070	6C040-42760	CUSHION	1			0.006	

POSITION CONTROL LEVER

Ref	Part Number	Part Name	Qty	IC	S/N	Lbs	Remarks
080	6A700-38242	GRIP	1			0.121	

HYDRAULIC PUMP

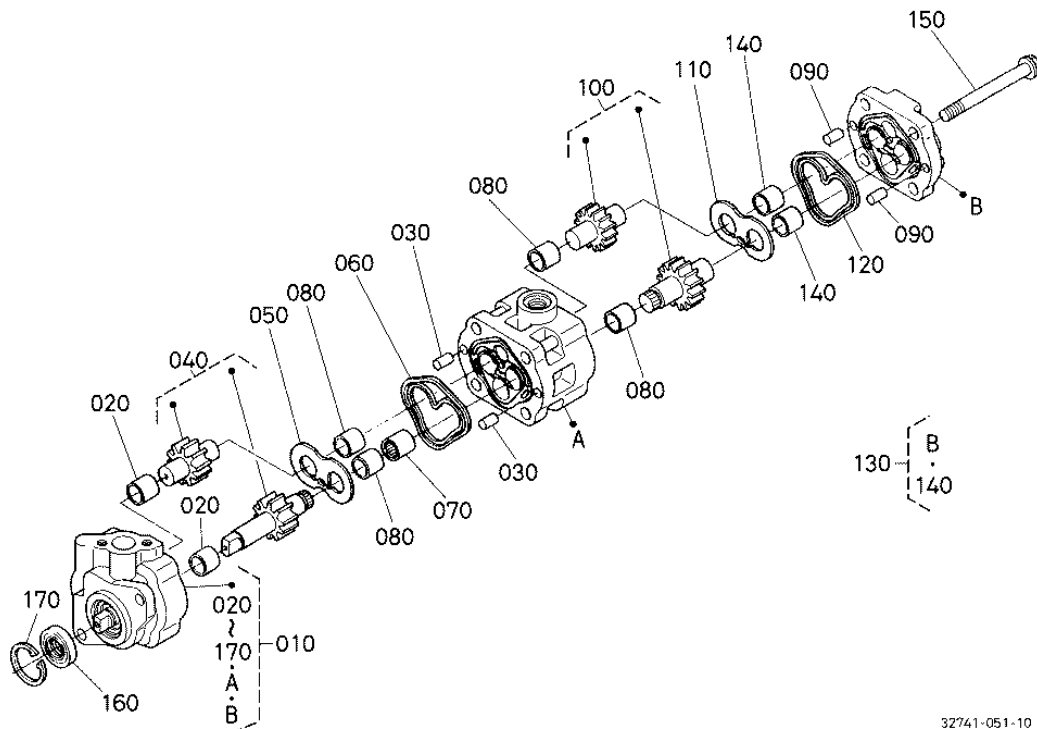


32741-050-10

HYDRAULIC PUMP

Ref	Part Number	Part Name	Qty	IC	S/N	Lbs	Remarks
010	32741-37300	ASSY PUMP HYDRAULIC	1			0	
020	04811-10460	O RING	1			0.004	
030	01123-50825	BOLT	1			0.028	
040	01123-50835	BOLT	1			0.044	
050	02056-50080	NUT	1			0.011	
060	13824-67590	CLAMP CORD	1			0.004	

HYDRAULIC PUMP [COMPONENT PARTS]



32741-051-10

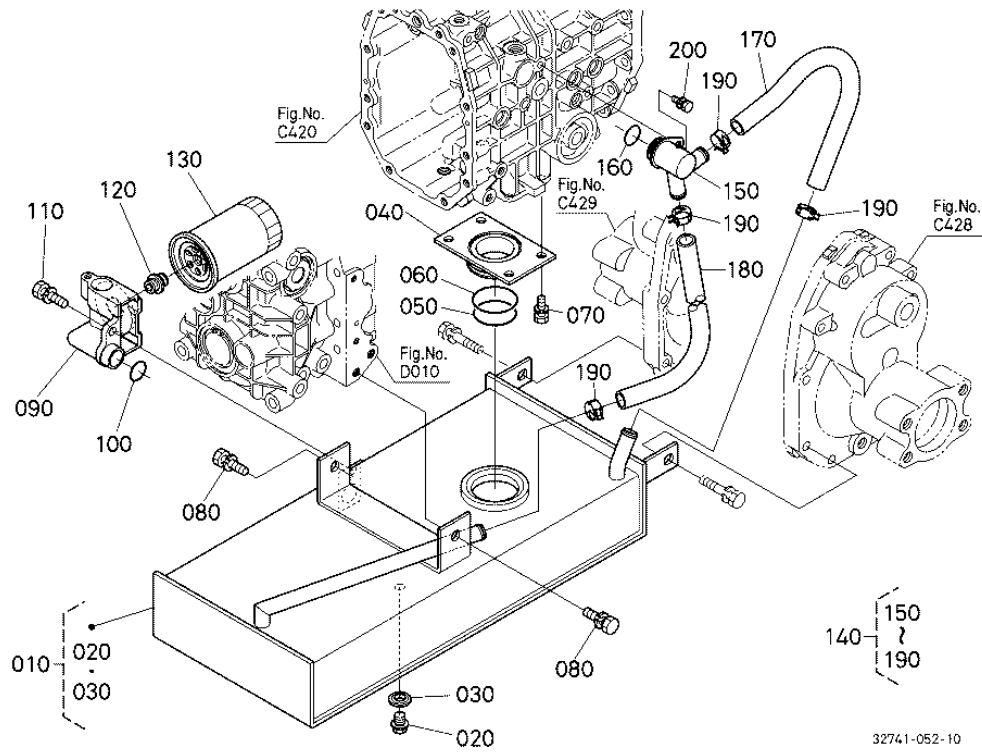
HYDRAULIC PUMP [COMPONENT PARTS]

Ref	Part Number	Part Name	Qty	IC	S/N	Lbs	Remarks
010	32741-37300	ASSY PUMP HYDRAULIC	1			0	
020	6A100-37232	BUSH	2			0.011	
030	05014-00816	PIN STRAIGHT	2			0.011	
040	6C070-36390	COMP.GEAR HYD.PUMP	1			0.66	
050	6C140-36350	PLATE SIDE	1			0.11	
060	6C040-36344	RING DOUBLE	1			0.006	
070	6A100-37430	COUPLING	1			0.022	

HYDRAULIC PUMP [COMPONENT PARTS]

Ref	Part Number	Part Name	Qty	IC	S/N	Lbs	Remarks
080	6A100-37232	BUSH	4			0.011	
090	05014-00816	PIN STRAIGHT	2			0.011	
100	T1060-36550	COMP.GEAR HYD.PUMP	1			0.44	
110	6C140-36350	PLATE SIDE	1			0.11	
120	6C040-36344	RING DOUBLE	1			0.006	
130	6C140-37400	COMP.COVER	1			0.506	
140	6A100-37232	BUSH	2			0.011	
150	01754-51090	BOLT FLANGE	4			0.11	
160	31381-76390	SEAL OIL	1			0.022	
170	04611-00300	CIR CLIP INTERNAL	1			0.008	

OIL TANK



32741-052-10

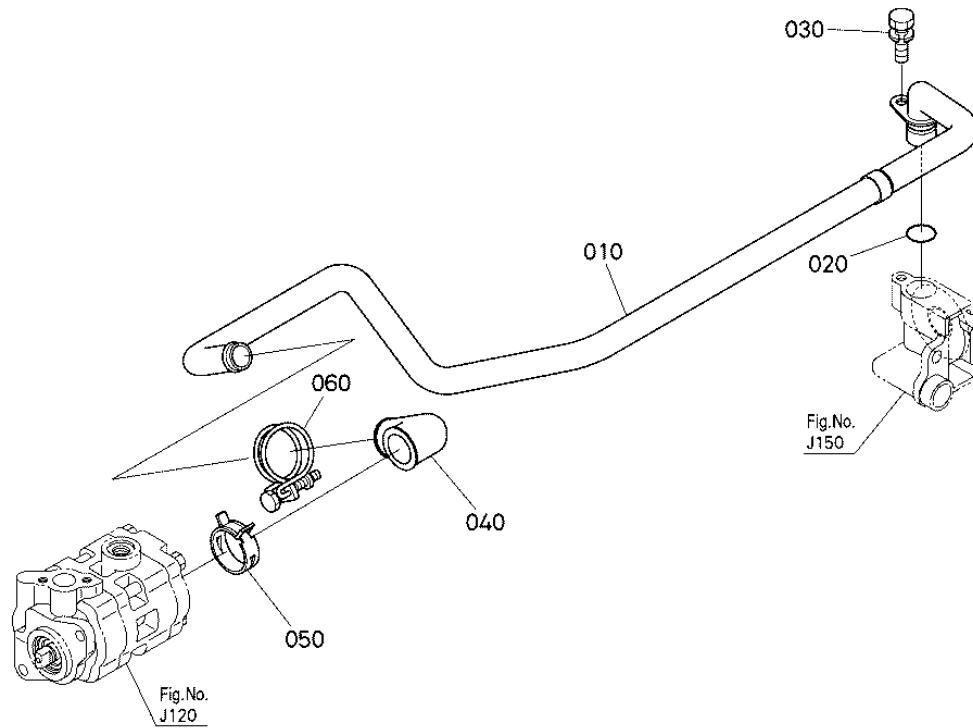
OIL TANK

Ref	Part Number	Part Name	Qty	IC	S/N	Lbs	Remarks
010	32741-39702	ASSY TANK OIL	1			0	
020	06331-45012	PLUG	1			0.061	
030	04717-01200	WASHER WITH RUBBER	1			0.004	
040	32741-39710	PLATE OIL TANK	1			0	
050	04816-00500	O RING	1			0.006	
060	04811-07530	O RING	1			0.002	
070	01123-51025	BOLT	4			0.044	

OIL TANK

Ref	Part Number	Part Name	Qty	IC	S/N	Lbs	Remarks
080	01123-51230	BOLT	2			0.088	
090	6C200-12630	BRACKET FILTER	1			0.572	
100	04811-10250	O RING	1			0.002	
110	01133-51020	BOLT	1			0.044	
120	38240-37780	JOINT SCREW	1			0.066	
130	67955-37710	CARTRIDGE OIL FILTER	1			0.858	
140	32741-39733	ASSY JOINT BREATHER	1			0	
150	32741-39770	JOINT BREATHER	1			0	
160	04816-50250	O RING	1			0.008	
170	32741-39743	HOSE BREATHER REAR	1			0	
180	32741-39753	HOSE BREATHER FRONT	1			0	
190	09318-88200	CLAMP HOSE	4			0.008	
200	01123-60816	BOLT	1			0.022	

HYDRAULIC OIL LINE(SUCTION)

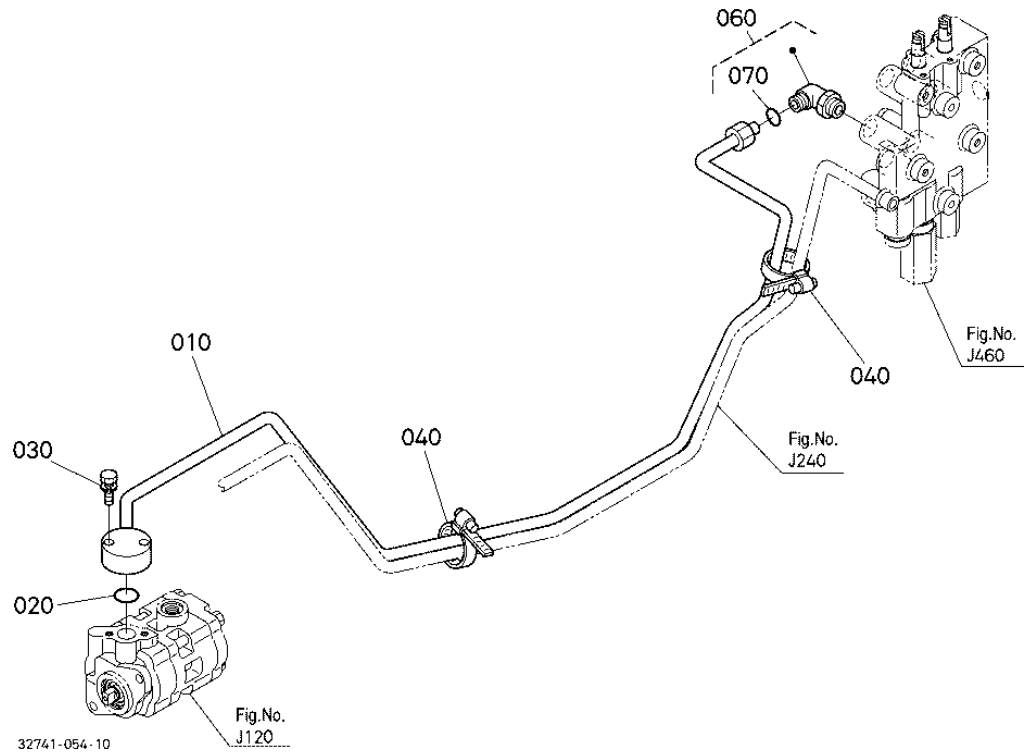


32741-053-10

HYDRAULIC OIL LINE(SUCTION)

Ref	Part Number	Part Name	Qty	IC	S/N	Lbs	Remarks
010	32741-39112	PIPE SUCTION	1			0	
020	04816-00200	O RING	1			0.006	
030	01123-60816	BOLT	1			0.022	
040	32741-39150	HOSE SUCTION	1			0	
050	16241-72970	BAND PIPE	1			0.033	
060	67980-58640	CLAMP HOSE	1			0.044	

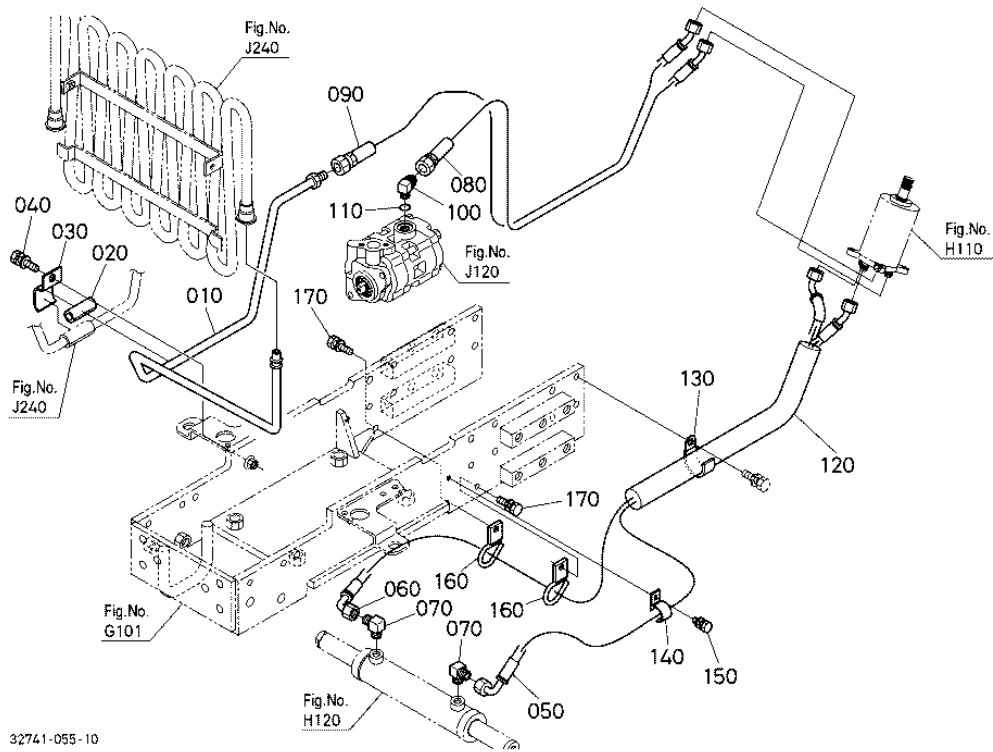
HYDRAULIC OIL LINE(DELIVERY)



HYDRAULIC OIL LINE(DELIVERY)

Ref	Part Number	Part Name	Qty	IC	S/N	Lbs	Remarks
010	32741-39210	PIPE	1			0	
020	04817-00200	O RING	1			0.024	
030	01123-50835	BOLT	2			0.044	
040	67955-36230	CLAMP	2			0.050	
060	32741-39232	JOINT	1			0	
070	68011-62220	O RING	1			0.002	

HYDRAULIC OIL LINE(STEERING)



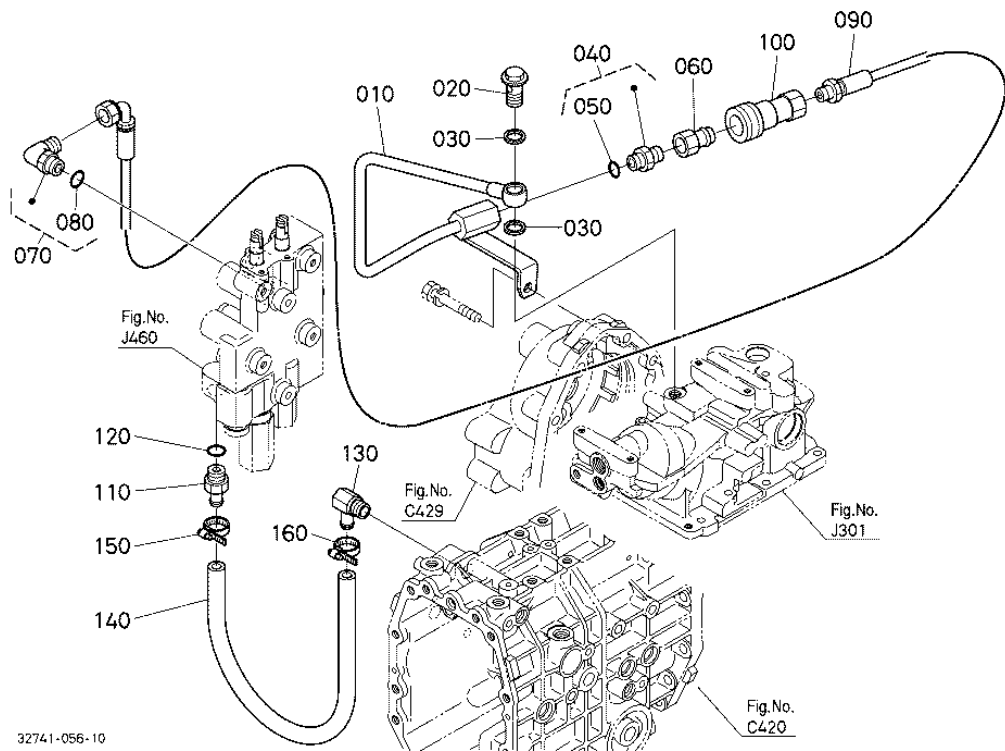
HYDRAULIC OIL LINE(STEERING)

Ref	Part Number	Part Name	Qty	IC	S/N	Lbs	Remarks
010	32741-39322	PIPE	1			0	
020	6C140-39250	CUSHION	1			0.030	
030	6C200-39240	CLAMP	1			0.165	
040	01135-51030	BOLT	1			0.066	
050	6C200-57512	HOSE HYDRAULIC	1			0.726	
060	6C200-57523	HOSE HYDRAULIC	1			0.99	
070	06114-52023	JOINT	2			0.11	

HYDRAULIC OIL LINE(STEERING)

Ref	Part Number	Part Name	Qty	IC	S/N	Lbs	Remarks
080	32741-57530	HOSE HYDRAULIC STEE.	1			0	
090	32741-57540	HOSE OUT STEERING	1			0	
100	06115-52023	JOINT	1			0.132	
110	04816-00110	O RING	1			0.002	
120	6C200-57552	TUBE GUARD	1			0.11	
130	12234-67580	CLAMP CORD	1			0.026	
140	52200-41160	CLAMP CORD	1			0.022	
150	01125-60816	BOLT	1			0.022	
160	6C200-57570	HOLDER HOSE	2			0.127	
170	01123-50820	BOLT	2			0.024	

HYDRAULIC OIL LINE(BACKHOE)



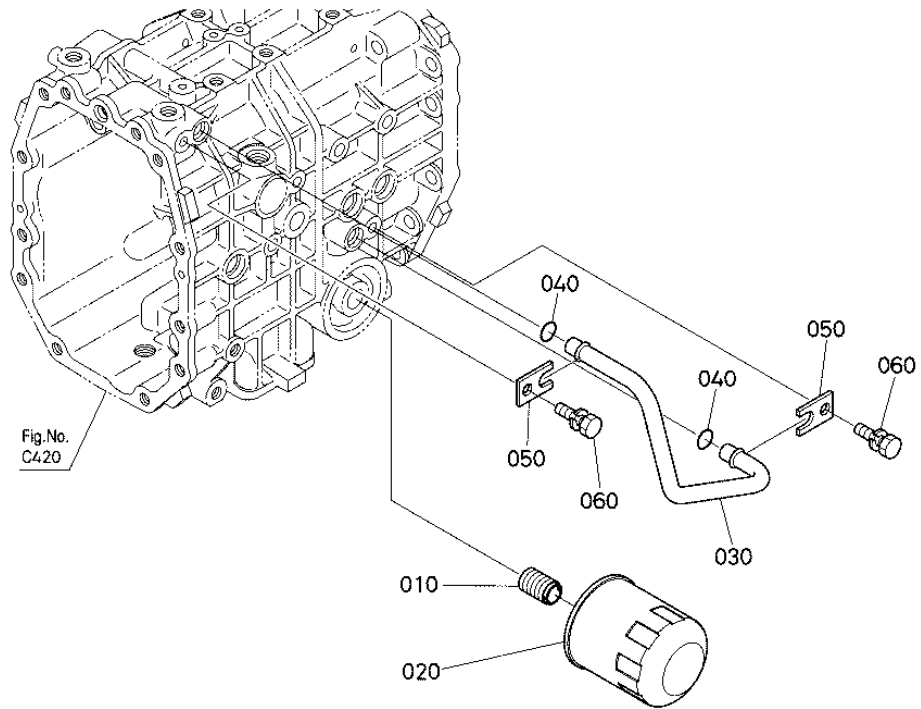
HYDRAULIC OIL LINE(BACKHOE)

Ref	Part Number	Part Name	Qty	IC	S/N	Lbs	Remarks
010	32741-39250	PIPE BH-HC	1			0	
020	6A320-39292	BOLT JOINT	1			0.132	
030	67111-37180	GASKET	2			0.006	
040	7J243-61850	ASSY ADAPTER	1			0.11	
050	75540-61820	O-RING	1			0.002	
060	75540-66220	NIPPLE	1			0.132	
070	75560-61950	ASSY ELBOW 2 ADJUSTA	1			0.308	

HYDRAULIC OIL LINE(BACKHOE)

Ref	Part Number	Part Name	Qty	IC	S/N	Lbs	Remarks
080	75540-61820	O-RING	1			0.002	
090	75565-66512	HOSE HYDRAULIC	1	>>	>=50033	0.682	
090	75565-66510	HOSE HYDRAULIC	1		<=50032	0.682	ORDER BY REF.No.09
100	75540-66320	COUPLER	1			0.506	
110	PP501-75540	PLUG	1			0.143	
120	68011-62220	O RING	1			0.002	
130	EG283-45850	JOINT	1			0.132	
140	45521-75580	PIPE RETURN	1			0.198	
150	6C050-58750	CLAMP HOSE	1			0.044	
160	6C050-58750	CLAMP HOSE	1			0.044	

HYDRAULIC OIL LINE (HST)

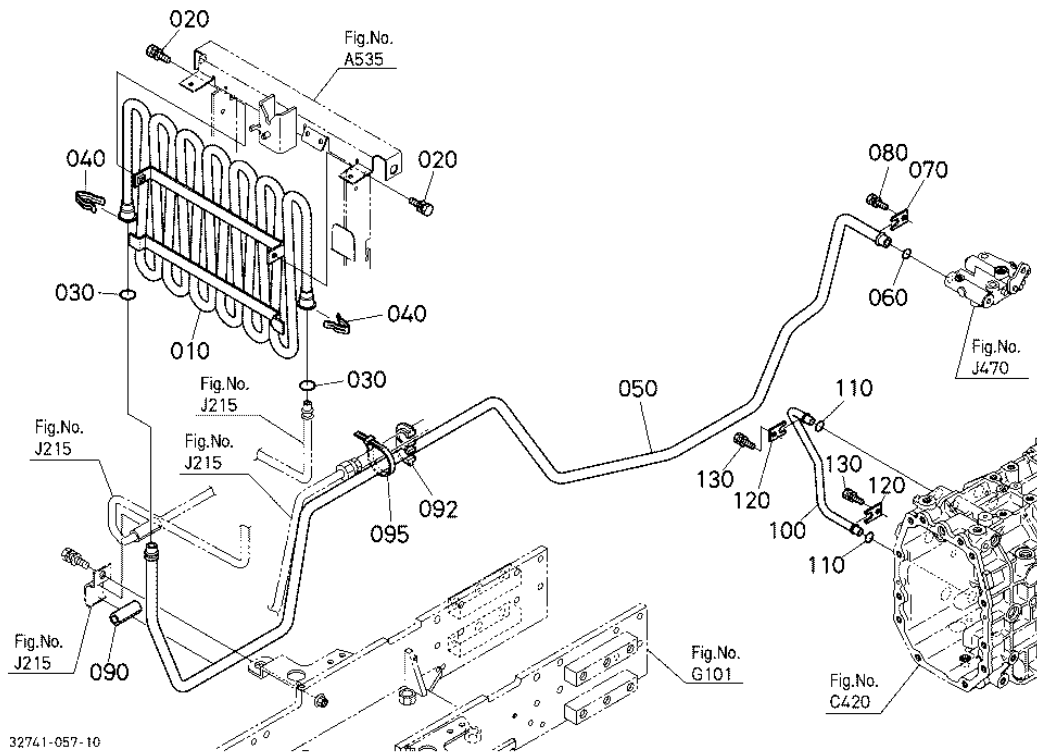


6C200-081-12

HYDRAULIC OIL LINE (HST)

Ref	Part Number	Part Name	Qty	IC	S/N	Lbs	Remarks
010	66204-36170	JOINT FILTER	1			0.039	
020	HH660-36060	CARTRIDGE OIL FILTER	1	>>		0.858	
020	66021-36060	CARTRIDGE OIL FILTER	1			0.858	
030	6C200-39640	PIPE	1			0.242	
040	04816-00120	O RING	2			0.002	
050	6A710-39670	STOPPER	2			0.044	
060	01123-60816	BOLT	2			0.022	

HYDRAULIC OIL LINE (OIL COOLER)



HYDRAULIC OIL LINE (OIL COOLER)

Ref	Part Number	Part Name	Qty	IC	S/N	Lbs	Remarks
010	6A710-39610	PIPE OIL COOLER	1			3.74	
020	01123-60816	BOLT	2			0.022	
030	04816-00120	O RING	2			0.002	
040	6A710-39660	SUPRING PLATE	2			0.022	
050	32741-39622	PIPE	1			0	
060	04816-00120	O RING	1			0.002	
070	6A710-39670	STOPPER	1			0.044	

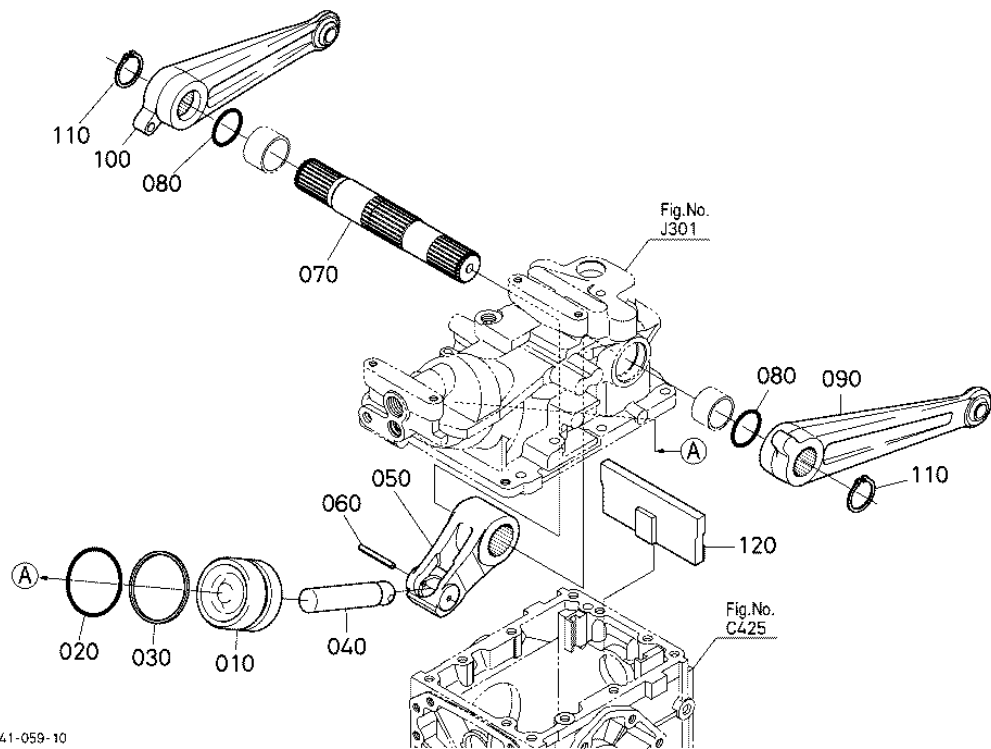
HYDRAULIC OIL LINE (OIL COOLER)

Ref	Part Number	Part Name	Qty	IC	S/N	Lbs	Remarks
080	01123-60816	BOLT	1			0.022	
090	6C140-39250	CUSHION	1			0.030	
092	3F740-63200	CLAMP	1			0.006	
095	53581-64150	BAND CORD	1			0.004	
100	6C200-39630	PIPE	1			0.264	
110	04816-00120	O RING	2			0.002	
120	6A710-39670	STOPPER	2			0.044	
130	01123-60816	BOLT	2			0.022	

HYDRAULIC CYLINDER

Ref	Part Number	Part Name	Qty	IC	S/N	Lbs	Remarks
080	37150-36730	PLUG	1			0.066	
090	37150-36720	GASKET	1			0.022	
100	TA040-36650	PLUG	1			0.011	
110	6A100-36410	BREATHER	1			0.013	
120	6C050-13190	JOINT PIPE	2			0.013	
130	6A100-36420	PLUG OIL FILLER	1			0.039	
140	6A700-36190	ASSY HOSE SAFETY	1			0.059	
150	14911-42750	CLIP PIPE	2			0.004	
160	01123-51045	BOLT	7			0.070	
170	01123-51055	BOLT	1			0.083	
180	01555-51035	STUD	2			0.063	
190	04512-60100	WASHER SPRING	2			0.004	
200	02176-50100	NUT	2			0.011	
210	05012-01025	PIN STRAIGHT	1			0.035	

HYDRAULIC PISTON/LIFT ARM



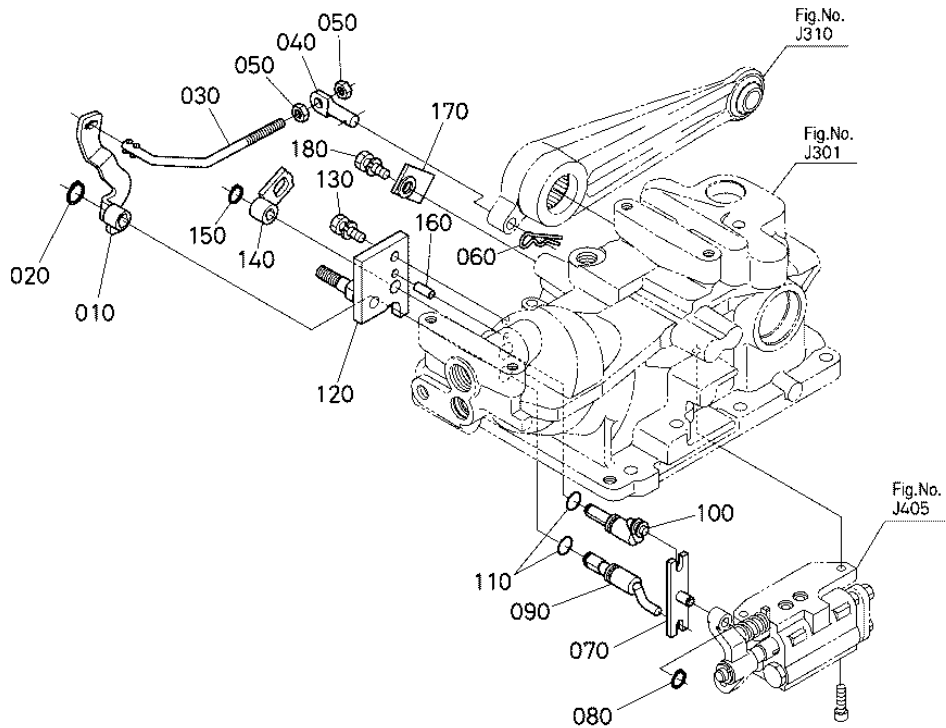
HYDRAULIC PISTON/LIFT ARM

Ref	Part Number	Part Name	Qty	IC	S/N	Lbs	Remarks
010	31321-37310	PISTON HYD.	1			2.376	
020	04811-00650	O RING	1			0.015	
030	6A671-36250	RING BACK UP	1			0.008	
040	6A700-36430	ROD HYD.PISTON	1			1.056	
050	6A700-36454	ARM HYDRAULIC	1			2.772	
060	05411-00650	PIN SPRING	1			0.013	
070	6C200-36470	SHAFT HYD.ARM	1			4.07	

HYDRAULIC PISTON/LIFT ARM

Ref	Part Number	Part Name	Qty	IC	S/N	Lbs	Remarks
080	37410-36340	O RING	2			0.011	
090	6A700-36510	ARM LIFT LH	1			4.84	
100	6A700-36520	ARM LIFT RH	1			4.84	
110	04612-00350	CIR CLIP EXTERNAL	2			0.022	
120	6C200-36750	STOPPER	1			0.88	

FEED BACK LEVER



32741-060-10

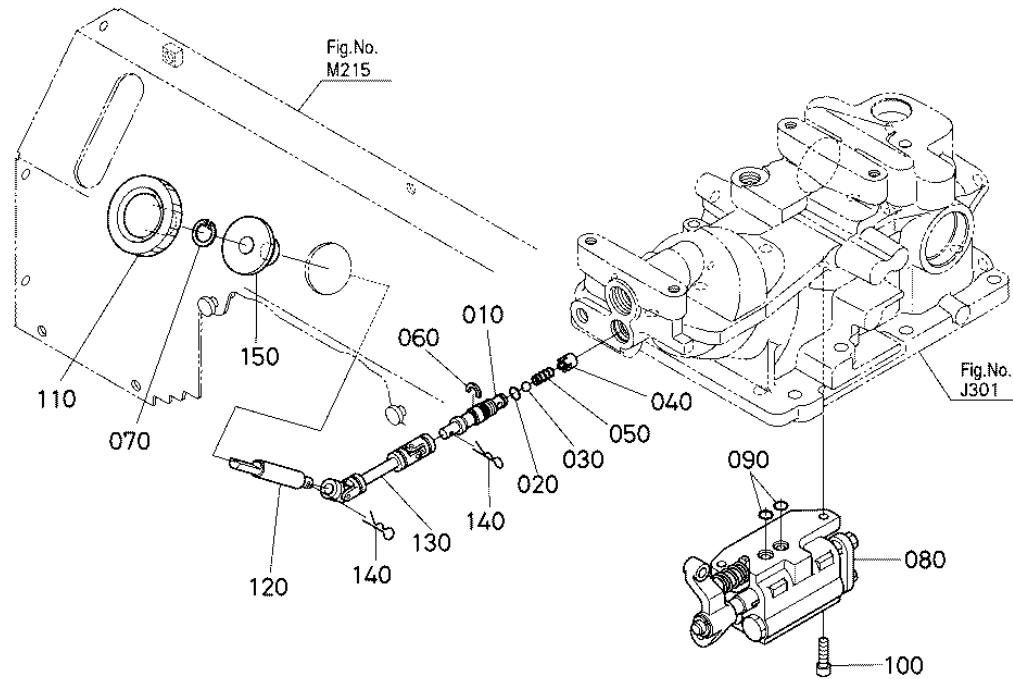
FEED BACK LEVER

Ref	Part Number	Part Name	Qty	IC	S/N	Lbs	Remarks
010	6C200-36250	ARM FEED BACK	1			0.242	
020	04612-00120	CIR CLIP EXTERNAL	1			0.002	
030	6C200-36230	ROD FEED BACK	1			0.099	
040	6A830-36720	PIN FEED BACK	1			0.099	
050	02114-50080	NUT	2			0.011	
060	05525-61000	PIN SNAP	1			0.004	
070	6C040-36940	LINK	1			0.11	

FEED BACK LEVER

Ref	Part Number	Part Name	Qty	IC	S/N	Lbs	Remarks
080	04613-50060	CIR CLIP EXTERNAL	1			0.002	
090	6C200-36270	SHAFT FEED BACK	1			0.132	
100	6C200-36290	SHAFT CONTROL LEVER	1			0.143	
110	04816-00110	O RING	2			0.002	
120	6C200-36210	PLATE	1			0.506	
130	01123-50820	BOLT	1			0.024	
140	6C200-36260	ARM CONTROL LEVER	1			0.072	
150	04612-00100	CIR CLIP EXTERNAL	1			0.002	
160	05012-00614	PIN STRAIGHT	1			0.008	
170	6C200-36410	STOPPER	1			0.044	
180	01123-50820	BOLT	1			0.024	

CONTROL VALVE



32741-061-10

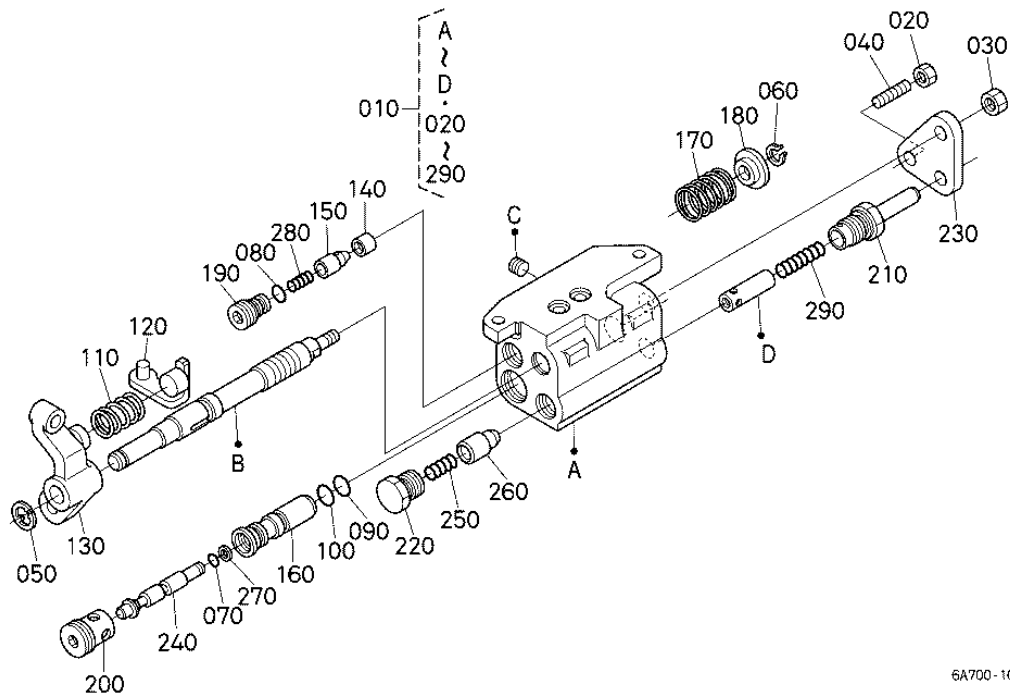
CONTROL VALVE

Ref	Part Number	Part Name	Qty	IC	S/N	Lbs	Remarks
010	32741-36280	SHAFT HYD.ADJUST	1			0	
020	04817-00100	O RING	1			0.002	
030	07715-03209	BALL	1			0.004	
040	6A600-36270	COLLAR	1			0.004	
050	6A600-93650	SPRING	1			0.002	
060	6A320-37410	STOPPER	1			0.004	
070	04611-00190	CIR CLIP INTERNAL	1			0.002	

CONTROL VALVE

Ref	Part Number	Part Name	Qty	IC	S/N	Lbs	Remarks
080	YR906-00106	ASSY VALVE CONTROL	1			3.366	
090	04817-00100	O RING	2			0.002	
100	01311-10820	BOLT HEX-SOC-HD	2			0.026	
110	37410-36643	GRIP	1			0.066	
120	32741-36260	SHAFT HYD.ADJUST	1			0	
130	32741-36290	ASSY CONNECTOR	1			0	
140	05525-51400	PIN SNAP	2			0.011	
150	32741-36272	CAP HYD.LEVER	1			0	

CONTROL VALVE [COMPONENT PARTS]



6A700-105-12

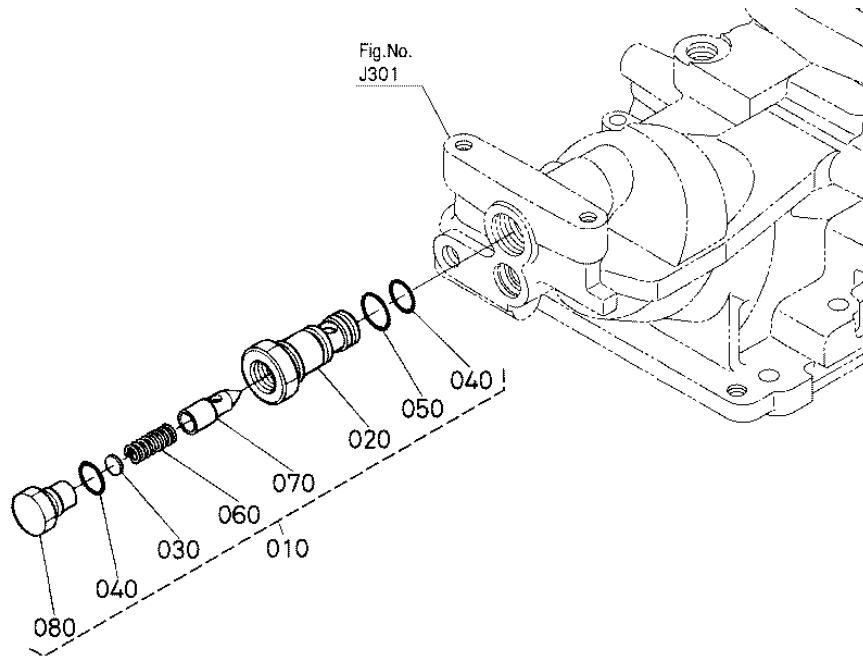
CONTROL VALVE [COMPONENT PARTS]

Ref	Part Number	Part Name	Qty	IC	S/N	Lbs	Remarks
010	YR906-00106	ASSY VALVE CONTROL	1			3.366	
020	02014-50060	NUT	1			0.004	
030	02114-50080	NUT	1			0.011	
040	03650-50622	SCREW SET	1			0.008	
050	04613-50090	CIR CLIP EXTERNAL	1			0.002	
060	04613-50060	CIR CLIP EXTERNAL	1			0.002	
070	04816-00050	O RING	1			0.002	

CONTROL VALVE [COMPONENT PARTS]

Ref	Part Number	Part Name	Qty	IC	S/N	Lbs	Remarks
080	04817-00090	O RING	1			0.002	
090	04817-05110	O RING	1			0.011	
100	04817-05120	O RING	1			0.002	
110	6A600-93960	SPRING RETURN	1			0.028	
120	YR689-00310	HOLDER SPRING	1			0.055	
130	YR689-00610	LEVER	1			0.088	
140	YR730-20130	SEAT CHECK VALVE	1			0.006	
150	YR730-20210	POPPET	1			0.022	
160	YR730-20250	SLEEVE	1			0.066	
170	YR730-20270	SPRING	1			0.022	
180	YR730-20410	HOLDER SPRING	1			0.013	
190	YR906-00310	PLUG	1			0.033	
200	YR906-00410	PLUG	1			0.066	
210	YR906-00510	PLUG	1			0.077	
220	YR906-00610	PLUG UNLOAD	1			0.048	
230	YR906-00710	PLATE	1			0.11	
240	YR906-20260	POPET	1			0.044	
250	YT104-00750	SPRING	1			0.002	
260	YT161-22250	POPPET	1			0.041	
270	YT161-22280	RING BACK UP	1			0.002	
280	YT509-00140	SPRING	1			0.004	
290	YT527-20180	SPRING	1			0.004	

SAFETY VALVE



6A700-388-20

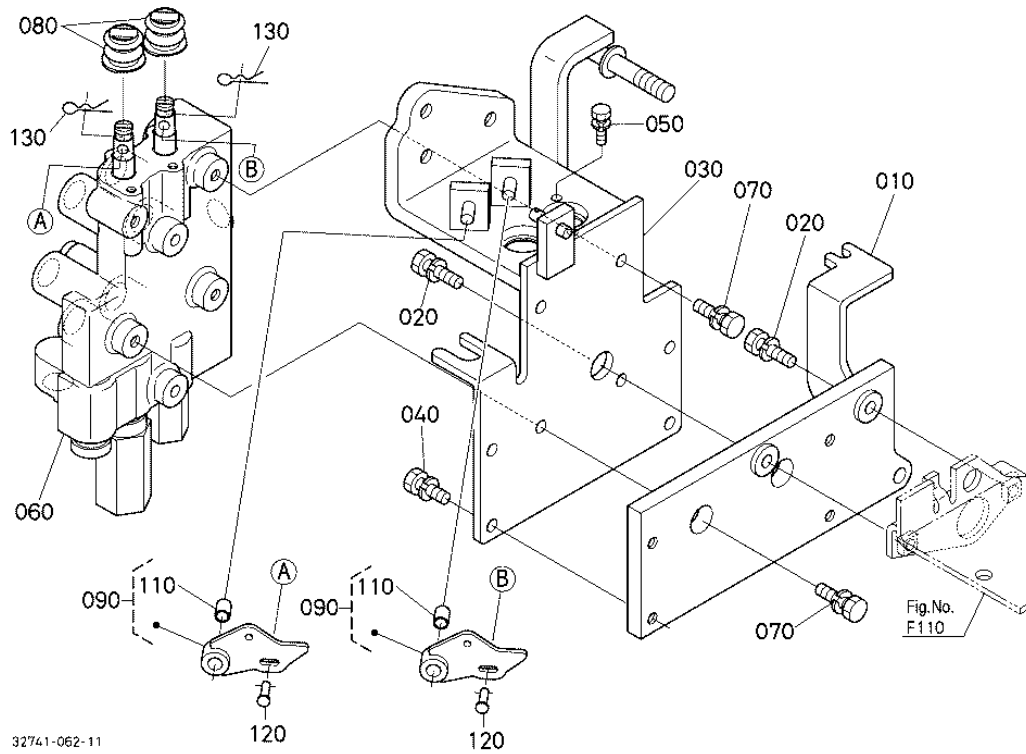
SAFETY VALVE

Ref	Part Number	Part Name	Qty	IC	S/N	Lbs	Remarks
010	6A100-36363	ASSY VALVE SAFETY	1			0.303	
020	6A100-36762	PLUG VALVE	1			0.176	
030	48100-36280	SHIM	1			0.002	0.2mm
030	48100-36270	SHIM	1			0.002	0.3mm
040	04817-00140	O RING	2			0.002	
050	04817-00160	O RING	1			0.002	
060	67955-36260	SPRING VALVE	1			0.011	

SAFETY VALVE

Ref	Part Number	Part Name	Qty	IC	S/N	Lbs	Remarks
070	67156-36390	VALVE	1			0.033	
080	6A100-36770	PLUG	1			0	

HYDRAULIC OUTLET



HYDRAULIC OUTLET

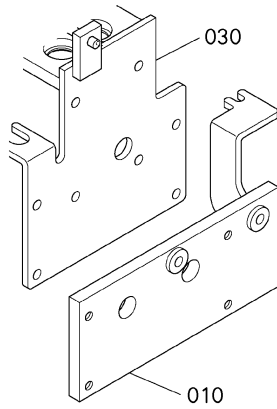
Ref	Part Number	Part Name	Qty	IC	S/N	Lbs	Remarks
010	32741-71212	SUPPORT VALVE	1	NI	>=50198	0	
010	32741-71210	SUPPORT VALVE	1		<=50197	0	
020	01123-50830	BOLT	2			0.033	
030	32741-61116	STAY VALVE	1	NI	>=50198	7.7	
030	32741-61115	STAY VALVE	1		<=50197	0	
040	01123-50820	BOLT	4			0.024	
050	01023-50625	BOLT	2			0.015	

HYDRAULIC OUTLET

Ref	Part Number	Part Name	Qty	IC	S/N	Lbs	Remarks
060	YW239-00102	ASSY VALVE CONTROL	1	>>	>=50478	15.51	
060	YW239-00100	ASSY VALVE CONTROL	1		<=50477	0	
070	01123-50820	BOLT	4			0.024	
080	TD170-37630	BOOT	2			0.006	
090	32741-62700	ASSY LINK SPOOL	2			0.132	
110	08511-00812	BUSH	2			0.004	
120	75540-62190	PIN	2			0.039	
130	05525-60500	PIN SNAP	2			0.002	

HYDRAULIC OUTLET

OLD PARTS

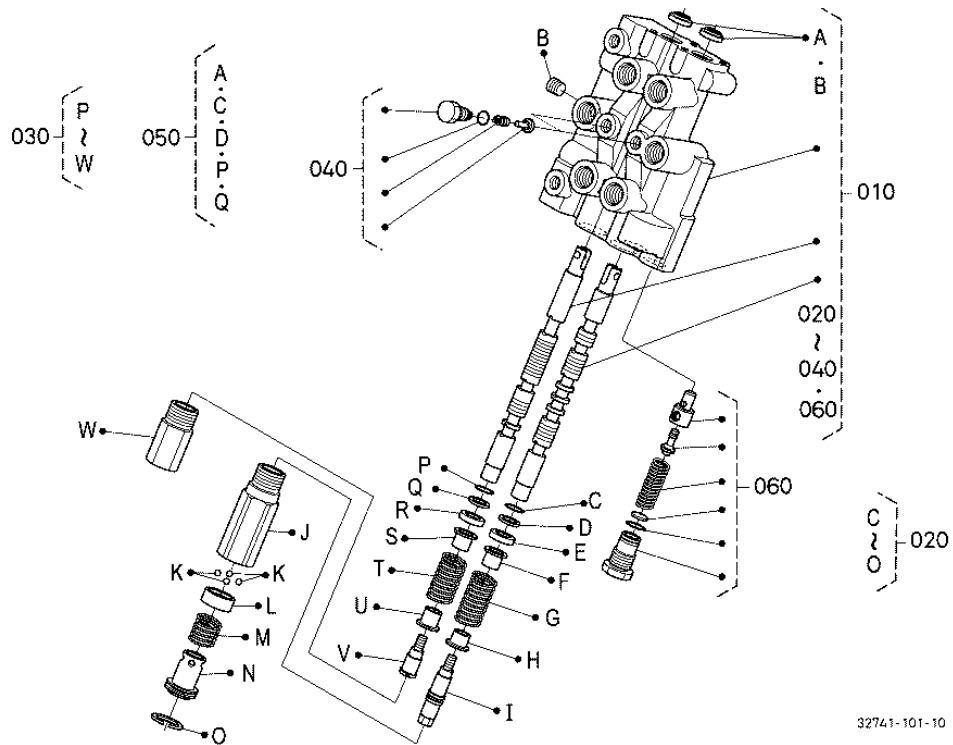


32741-801-10

HYDRAULIC OUTLET

Ref	Part Number	Part Name	Qty	IC	S/N	Lbs	Remarks
010	32741-71212	SUPPORT VALVE	1	NI	>=50198	0	
010	32741-71210	SUPPORT VALVE	1		<=50197	0	
030	32741-61116	STAY VALVE	1	NI	>=50198	7.7	
030	32741-61115	STAY VALVE	1		<=50197	0	

HYDRAULIC OUTLET [COMPONENT PARTS]

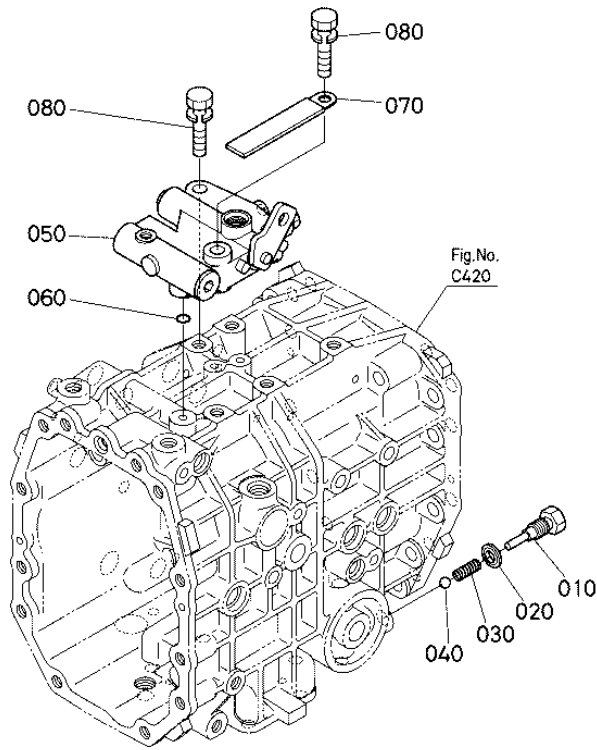


32741-101-10

HYDRAULIC OUTLET [COMPONENT PARTS]

Ref	Part Number	Part Name	Qty	IC	S/N	Lbs	Remarks
010	YW239-00102	ASSY VALVE CONTROL	1	>>	>=50478	15.51	
010	YW239-00100	ASSY VALVE CONTROL	1		<=50477	0	
020	YW232-91102	KIT PLUG DETENT	1			0.946	
030	YW232-92102	KIT PLUG	1			0.484	
040	YW232-93100	KIT VALVE LOAD CHECK	1			0.088	
050	YW232-94100	KIT SEAL	1			0.022	
060	YW239-95100	KIT VALVE RELIEF	1			0.22	

PTO VALVE



6C200-089-13

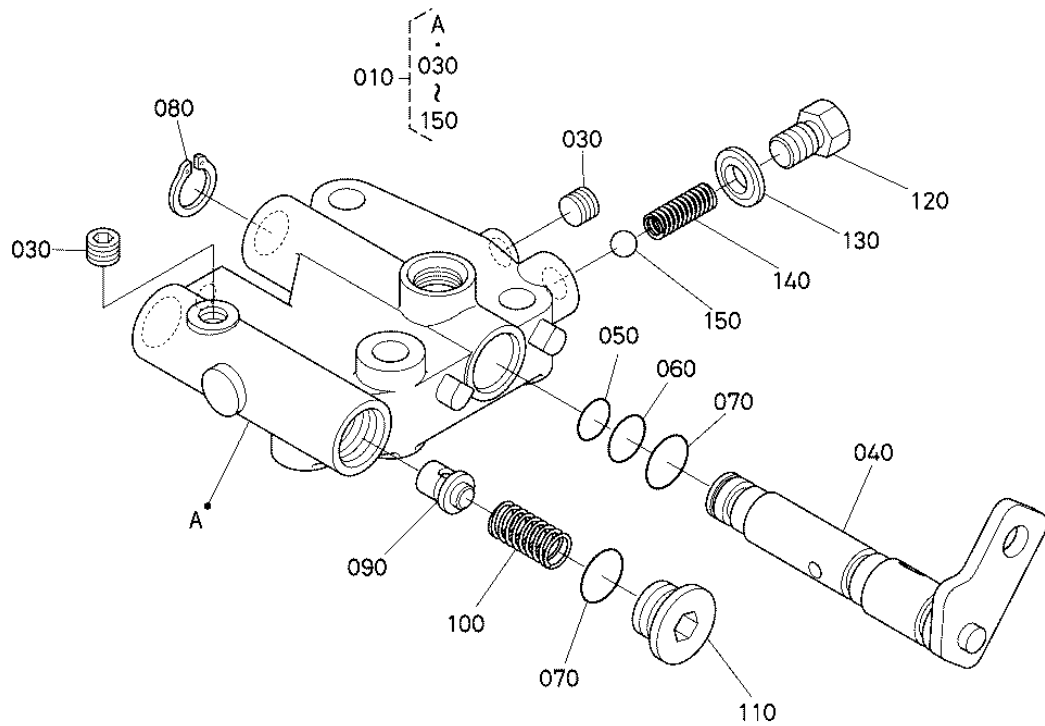
PTO VALVE

Ref	Part Number	Part Name	Qty	IC	S/N	Lbs	Remarks
010	6C050-39382	BOLT	1			0.066	
020	04717-01200	WASHER WITH RUBBER	1			0.004	
030	16851-36950	SPRING	1			0.044	
040	07715-00803	BALL	1			0.008	
050	6C200-11204	ASSY VALVE PTO	1			1.188	
060	04817-00100	O RING	3			0.002	
070	35340-29380	CLAMP CORD	1			0.022	

PTO VALVE

Ref	Part Number	Part Name	Qty	IC	S/N	Lbs	Remarks
080	01123-51045	BOLT	3			0.070	

PTO VALVE [COMPONENT PARTS]



6C200-090-12

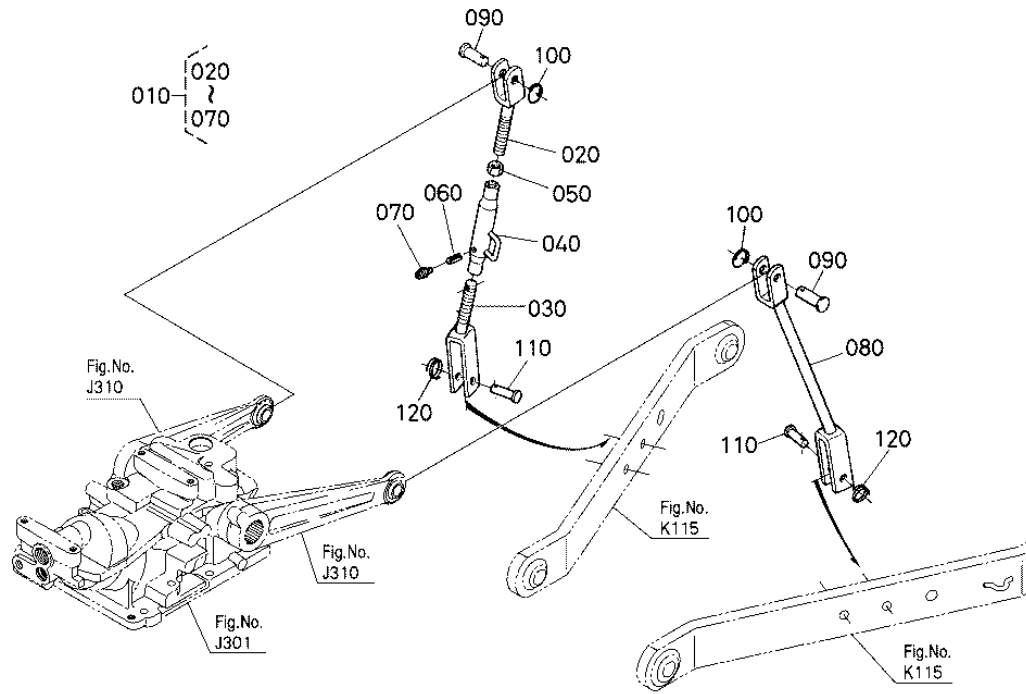
PTO VALVE [COMPONENT PARTS]

Ref	Part Number	Part Name	Qty	IC	S/N	Lbs	Remarks
010	6C200-11204	ASSY VALVE PTO	1			1.188	
030	RA111-62470	PLUG	2			0.006	
040	6C200-11130	ARM PTO	1			0.374	
050	04816-06100	O RING	1			0.002	
060	04816-00120	O RING	1			0.002	
070	04816-00140	O RING	2			0.004	
080	04612-00140	CIR CLIP EXTERNAL	1			0.002	

PTO VALVE [COMPONENT PARTS]

Ref	Part Number	Part Name	Qty	IC	S/N	Lbs	Remarks
090	66363-39710	POPPET L	1			0.013	
100	66363-39720	SPRING L	1			0.022	
110	5H600-12620	PLUG	1			0.046	
120	6C040-19222	BOLT	1			0.033	
130	04717-01000	WASHER WITH RUBBER	1			0.002	
140	62061-18260	SPRING STOPPER	1			0.004	
150	07715-01605	BALL	1			0.006	

3-POINT LINKAGE (LIFT ROD)



32741-064-10

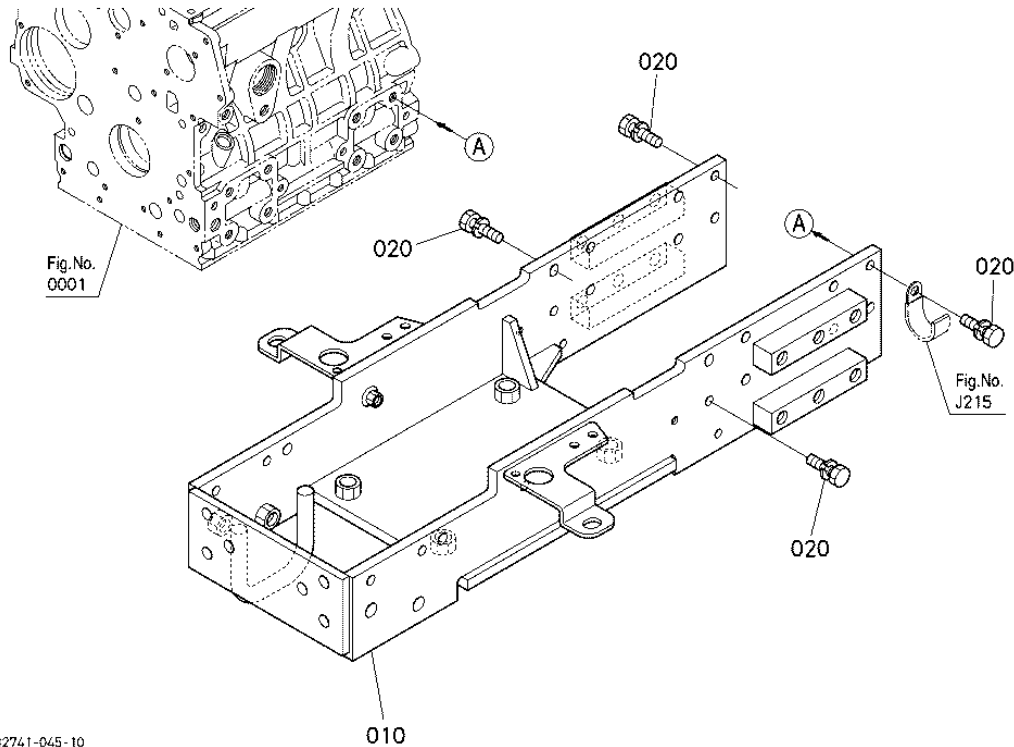
3-POINT LINKAGE (LIFT ROD)

Ref	Part Number	Part Name	Qty	IC	S/N	Lbs	Remarks
010	32721-65202	ASSY ROD LIFT RH	1			3.146	
020	32721-65232	ROD LIFT UPPER RH	1			0.871	
030	32721-65242	ROD LIFT LOWER RH	1			1.183	
040	32721-65250	ROD LIFT MIDDLE	1			1.045	
050	02172-50180	NUT	1			0.046	
060	05411-00320	PIN SPRING	1			0.002	
070	06613-10675	NIPPLE GREASE	1			0.006	

3-POINT LINKAGE (LIFT ROD)

Ref	Part Number	Part Name	Qty	IC	S/N	Lbs	Remarks
080	32721-65270	ROD LIFT LH	1			2.574	
090	05122-51645	PIN JOINT	2			0.165	
100	67156-34340	RING SNAP	2			0.022	
110	05122-51240	PIN JOINT	2			0.085	
120	67156-34340	RING SNAP	2			0.022	

FRONT AXLE FRAME

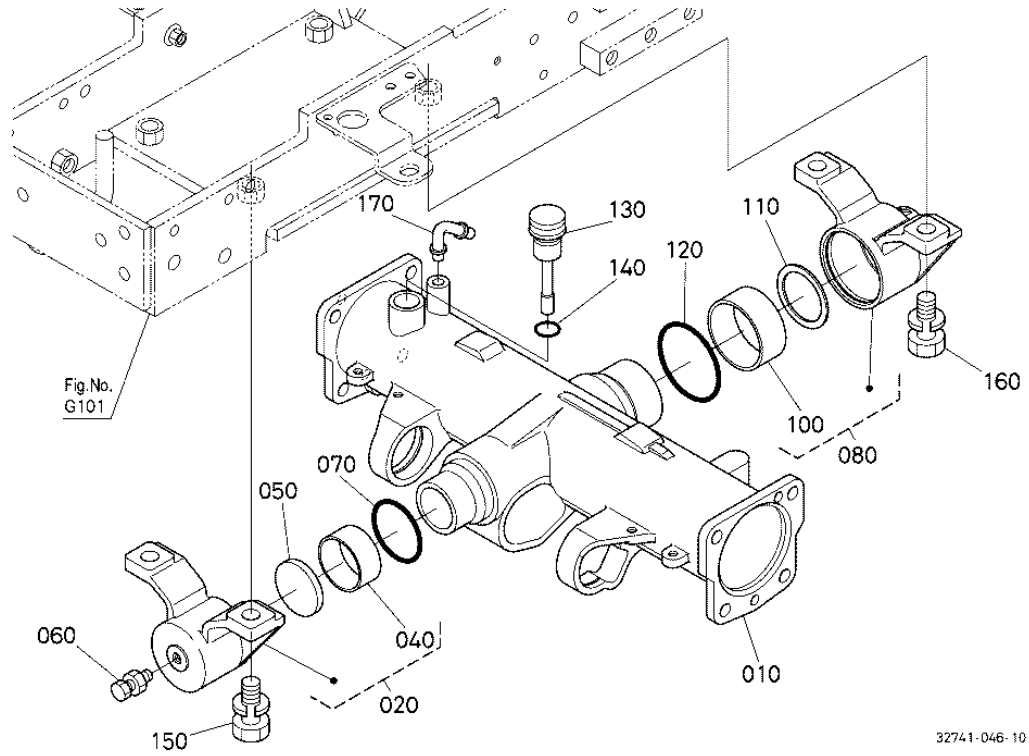


32741-045-10

FRONT AXLE FRAME

Ref	Part Number	Part Name	Qty	IC	S/N	Lbs	Remarks
010	32741-51214	COMP.FRAME FRONT	1			0	
020	01138-51030	BOLT	16			0.55	

FRONT AXLE CASE



32741-046-10

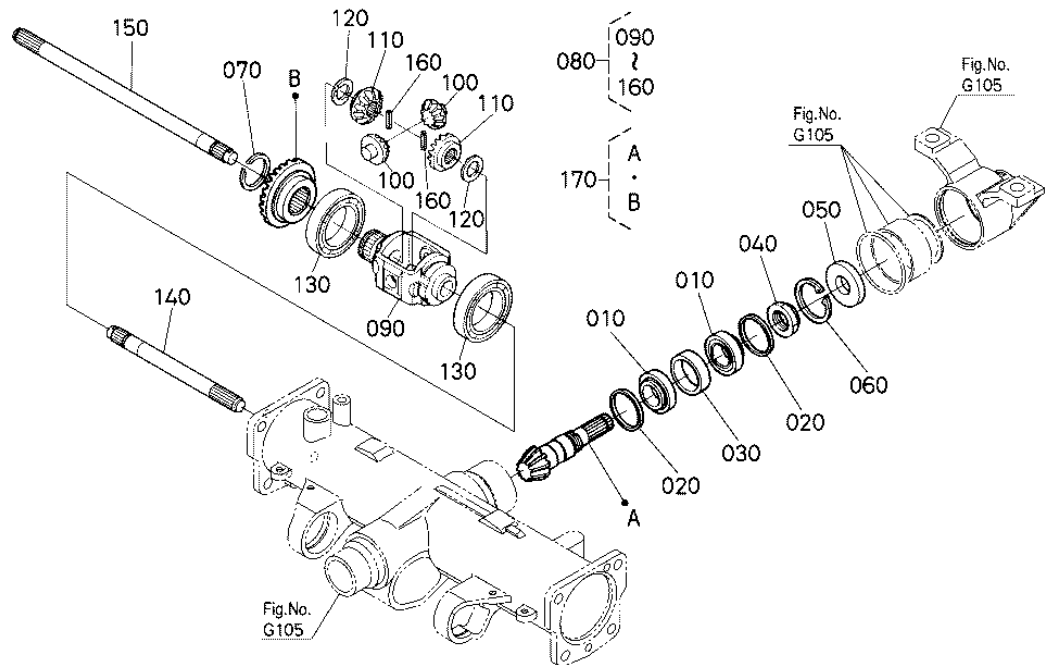
FRONT AXLE CASE

Ref	Part Number	Part Name	Qty	IC	S/N	Lbs	Remarks
010	32741-56910	CASE FRONT AXLE	1			0	
020	32741-56920	ASSY HOLDER	1			0	
040	08511-05025	BUSH	1			0.171	
050	37410-56180	COLLAR THRUST	1			0.132	
060	6C040-56170	COMP.BOLT FRONT AXLE	1			0.088	
070	04811-50600	O RING	1			0.004	
080	6C200-56180	ASSY HOLDER	1			3.564	

FRONT AXLE CASE

Ref	Part Number	Part Name	Qty	IC	S/N	Lbs	Remarks
100	08511-06530	BUSH	1			0.264	
110	6C040-56150	COLLAR THRUST	1			0.044	
120	04811-50700	O RING	1			0.004	
130	6C040-56123	GAUGE OIL	1			0.052	
140	04816-00180	O RING	1			0.004	
150	01133-51645	BOLT	2			0.224	
160	01133-51645	BOLT	2			0.224	
170	6C040-36070	PIPE BREATHER	1			0.039	

FRONT DIFFERENTIAL



6C200-065-11

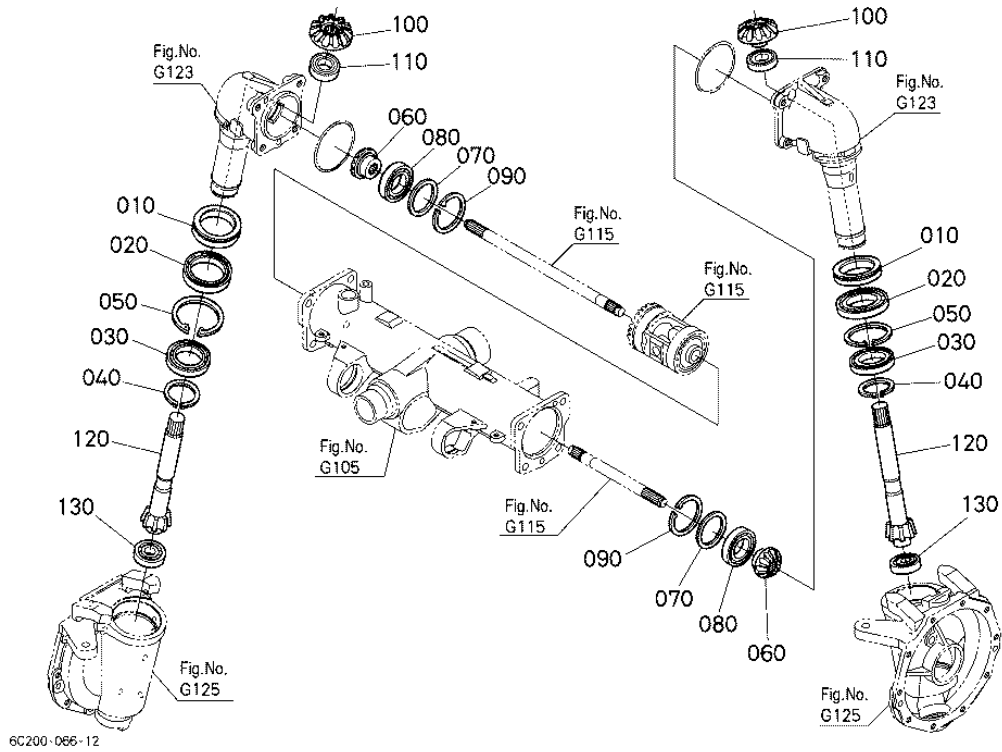
FRONT DIFFERENTIAL

Ref	Part Number	Part Name	Qty	IC	S/N	Lbs	Remarks
010	08711-30205	BEARING TAPER-ROLLER	2			0.325	
020	37410-58160	COLLAR	2			0.022	3.4mm
020	37410-58170	COLLAR	2			0.022	3.6mm
020	37410-58150	COLLAR	2			0.022	3.8mm
020	37410-58120	COLLAR	2			0.022	4.0mm
020	37410-58130	COLLAR	2			0.022	4.1mm
020	37410-58140	COLLAR	2			0.022	4.2mm

FRONT DIFFERENTIAL

Ref	Part Number	Part Name	Qty	IC	S/N	Lbs	Remarks
020	37410-56680	COLLAR	2			0.033	4.4mm
020	37410-56660	COLLAR	2			0.024	4.6mm
030	37410-56690	COLLAR	1			0.088	
040	37410-56710	NUT	1			0.066	
050	09500-20408	SEAL OIL	1			0.026	
060	04611-00520	CIR CLIP INTERNAL	1			0.019	
070	6C040-56820	CIR CLIP EXTERNAL	1			0.006	
080	6A600-56900	ASSY DIFF.FRONT	1			6.908	
090	6A600-56830	CASE DIFF.FRONT	1			1.606	
100	6A320-56860	PINION BEVEL GEAR	2			0.154	10T
110	6A320-56910	GEAR BEVEL	2			0.242	14T
120	61361-14330	COLLAR	2			0.015	
130	08101-06010	BEARING BALL	2			0.576	
140	6A600-56880	SHAFT YOKE LH	1			1.232	
150	6A600-56890	SHAFT YOKE RH	1			2.09	
160	05411-00520	PIN SPRING	2			0.004	
170	32741-97960	ASSY GEAR BEVEL	1			0	11-20T

DIFFERENTIAL GEAR SHAFT



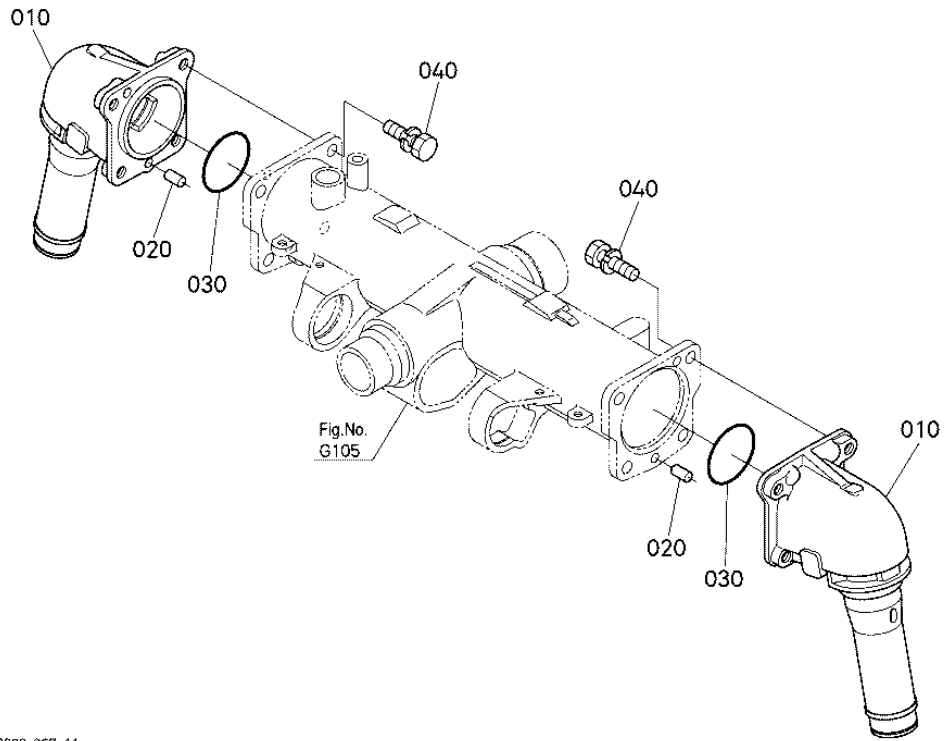
DIFFERENTIAL GEAR SHAFT

Ref	Part Number	Part Name	Qty	IC	S/N	Lbs	Remarks
010	32721-56223	SEAL OIL	2			0.151	
020	08101-06911	BEARING BALL	2			0.44	
030	08101-06009	BEARING BALL	2			0.484	
040	04612-00450	CIR CLIP EXTERNAL	2			0.015	
050	04611-00750	CIR CLIP INTERNAL	2			0.041	
060	37410-57130	GEAR BEVEL	2			0.55	11T
070	6C040-57150	SHIM	2			0.019	1.2mm

DIFFERENTIAL GEAR SHAFT

Ref	Part Number	Part Name	Qty	IC	S/N	Lbs	Remarks
070	6C040-57130	SHIM	2			0.017	1.0mm
070	6C040-57160	SHIM	2			0.024	1.4mm
070	6C040-57140	SHIM	2			0.013	0.8mm
080	08101-06007	BEARING BALL	2			0.352	
090	04611-00620	CIR CLIP INTERNAL	2			0.024	
100	37410-57180	GEAR BEVEL	2			0.704	16T
110	6C200-57190	BEARING BALL	2			0.167	
120	32741-57210	SHAFT GEAR	2			1.716	7T
130	08101-06304	BEARING BALL	2			0.321	

BEVEL GEAR CASE

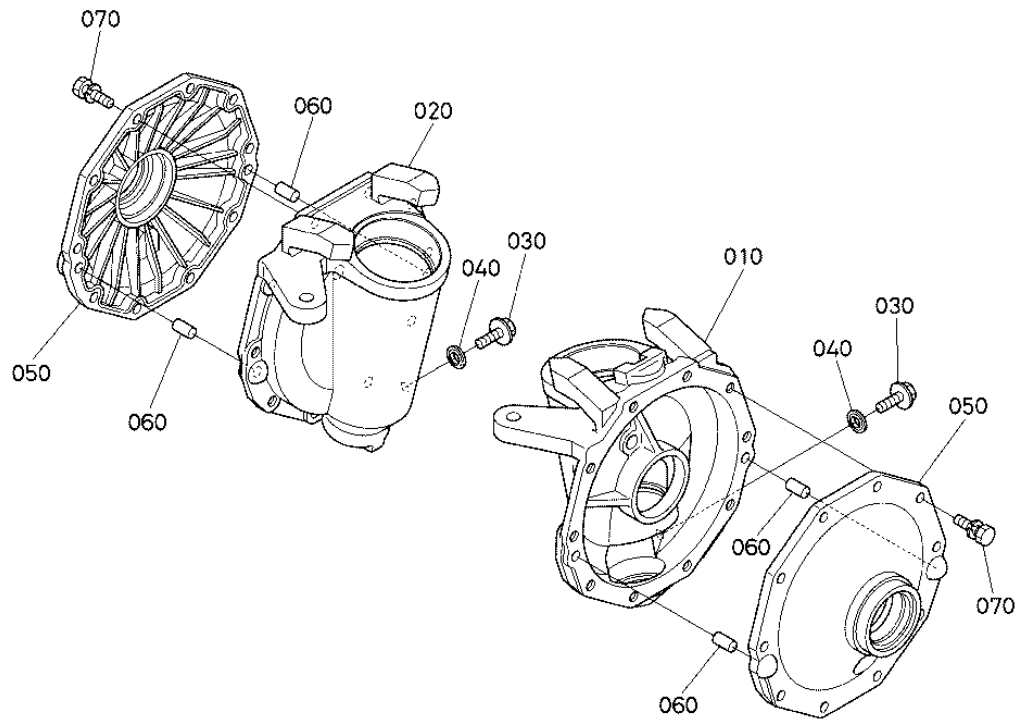


6C200-067-11

BEVEL GEAR CASE

Ref	Part Number	Part Name	Qty	IC	S/N	Lbs	Remarks
010	6C200-56215	CASE BEVEL GEAR	2			8.03	
020	05012-01020	PIN STRAIGHT	4			0.028	
030	04811-50850	O RING	2			0.006	
040	01133-51230	BOLT	8			0.088	

FRONT AXLE CASE

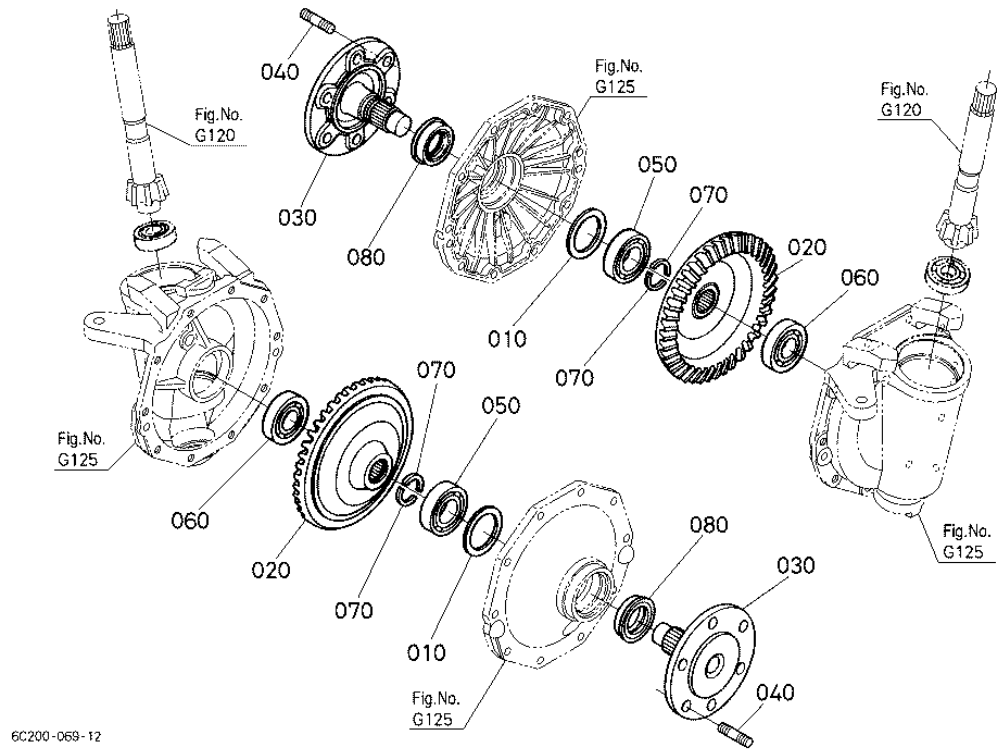


6C200-068-11

FRONT AXLE CASE

Ref	Part Number	Part Name	Qty	IC	S/N	Lbs	Remarks
010	6C200-56310	CASE GEAR LH	1			14.91	
020	6C200-56320	CASE GEAR RH	1			14.74	
030	01774-51010	BOLT FLANGE	2			0.176	
040	04717-01000	WASHER WITH RUBBER	2			0.002	
050	6C040-56345	COVER GEAR CASE	2			1.848	
060	05012-01020	PIN STRAIGHT	4			0.028	
070	01133-51028	BOLT	20			0.059	

FRONT AXLE



6C200-069-12

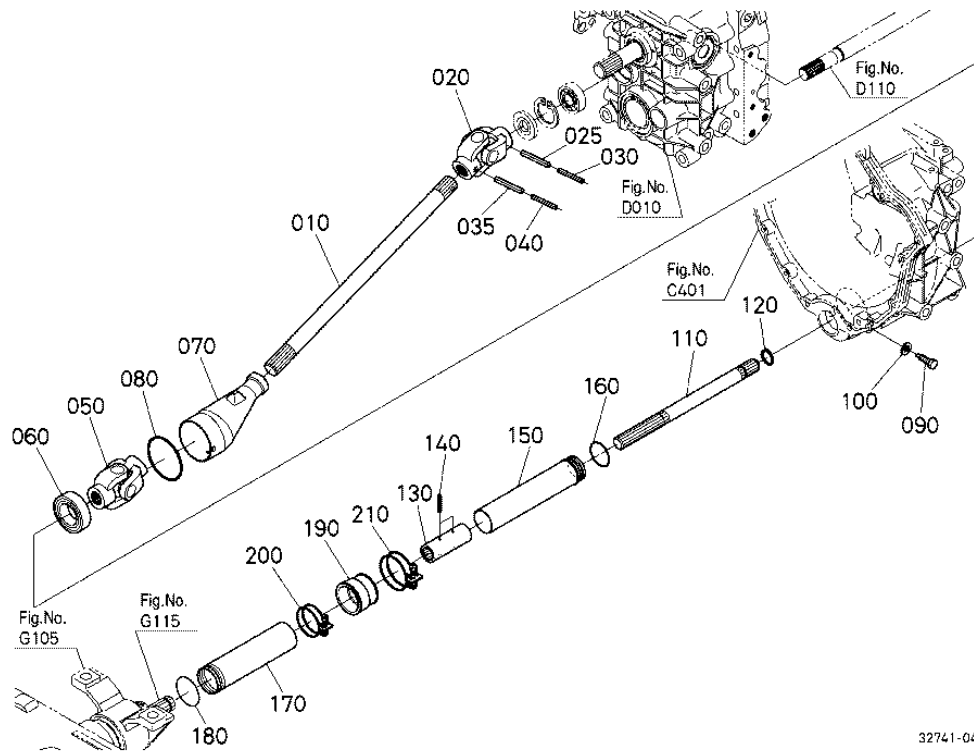
FRONT AXLE

Ref	Part Number	Part Name	Qty	IC	S/N	Lbs	Remarks
010	66621-15240	SHIM DIFF.GEAR SHAFT	2			0.002	0.2mm
010	67211-14990	SHIM DIFF.GEAR SHAFT	2			0.004	0.3mm
020	6C070-57310	GEAR BEVEL	2			6.556	41T
030	32721-57323	SHAFT FRONT AXLE	2			3.828	
040	66591-56564	BOLT STUD	12			0.061	
050	08101-06206	BEARING BALL	2			0.431	
060	08101-06305	BEARING BALL	2			0.506	

FRONT AXLE

Ref	Part Number	Part Name	Qty	IC	S/N	Lbs	Remarks
070	67156-56820	COLLAR SET	4			0.008	
080	37410-57340	SEAL OIL	2			0.099	

FRONT DRIVE SHAFT



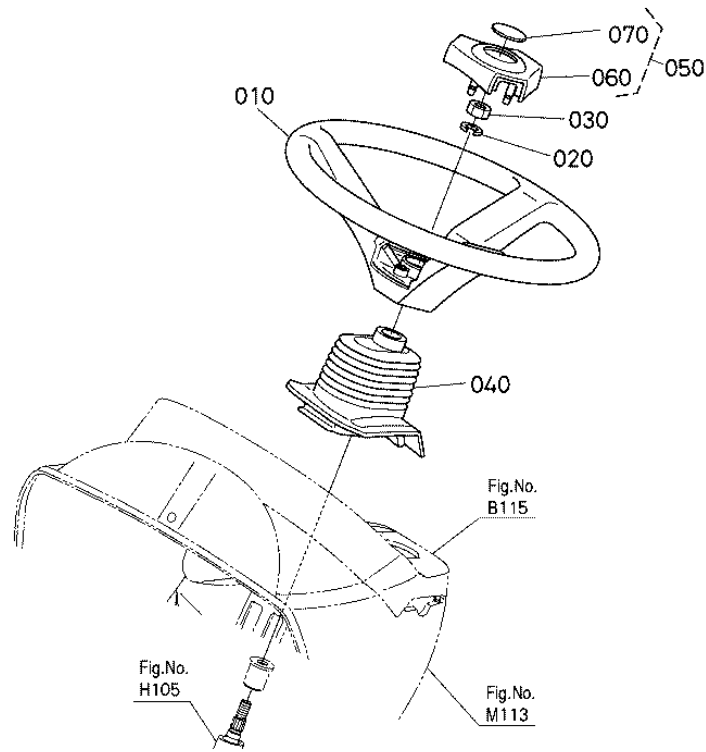
FRONT DRIVE SHAFT

Ref	Part Number	Part Name	Qty	IC	S/N	Lbs	Remarks
010	6C200-13910	SHAFT DRIVE	1			2.266	
020	6C040-57500	ASSY JOINT UNIVERSAL	1			1.32	
025	05411-00640	PIN SPRING	1			0.013	
030	32721-57680	PIN SPRING	1			0.004	
035	05411-00640	PIN SPRING	1			0.013	
040	32721-57680	PIN SPRING	1			0.004	
050	6C200-13920	ASSY JOINT UNIVERSAL	1			1.452	

FRONT DRIVE SHAFT

Ref	Part Number	Part Name	Qty	IC	S/N	Lbs	Remarks
060	08141-06007	BEARING BALL	1			0.323	
070	6C200-13940	COVER	1			0.099	
080	04811-10670	O RING	1			0.002	
090	6C200-13990	BOLT	1			0.028	
100	04512-60080	WASHER SPRING	1			0.004	
110	32741-13950	SHAFT FRONT DRIVE	1			1.43	
120	04612-00200	CIR CLIP EXTERNAL	1			0.002	
130	32741-13960	COUPLING SHAFT	1			0	
140	05411-00430	PIN SPRING	2			0.004	
150	32741-13970	COVER FRONT SHAFT	1			0	
160	04816-06330	O RING	1			0.004	
170	32721-57660	COVER FRONT SHAFT	1			0.343	
180	04816-06370	O RING	1			0.006	
190	37410-57630	JOINT PIPE	1			0.077	
200	67955-58270	CLAMP HOSE	1			0.055	
210	67955-58260	BAND AIR CLEANER	1			0.061	

STEERING HANDLE

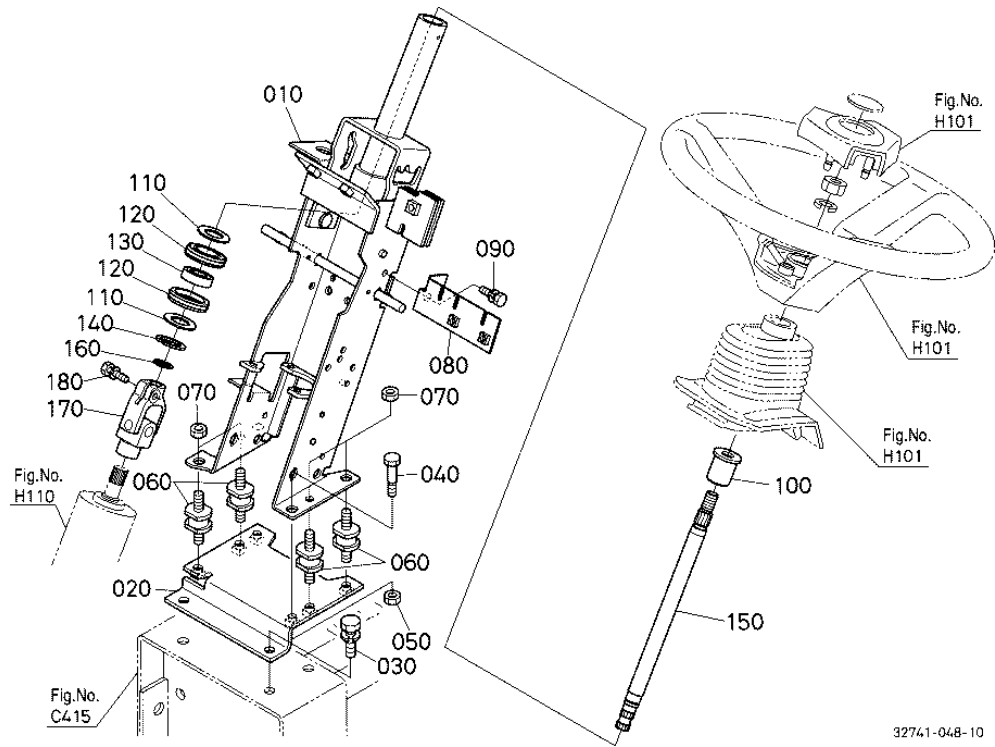


6C200-071-11

STEERING HANDLE

Ref	Part Number	Part Name	Qty	IC	S/N	Lbs	Remarks
010	6C170-41410	WHEEL STEERING	1			7.04	
020	04512-60120	WASHER SPRING	1			0.011	
030	02174-50120	NUT	1			0.022	
040	6C200-53550	BOOT STEERING	1			0.308	
050	6C200-41420	ASSY PAD STEERING	1			0.088	
060	6C170-41430	PAD STEERING	1			0.077	
070	6C200-41440	MARK STEERING WHEEL	1			0.011	

STEERING POST



32741-048-10

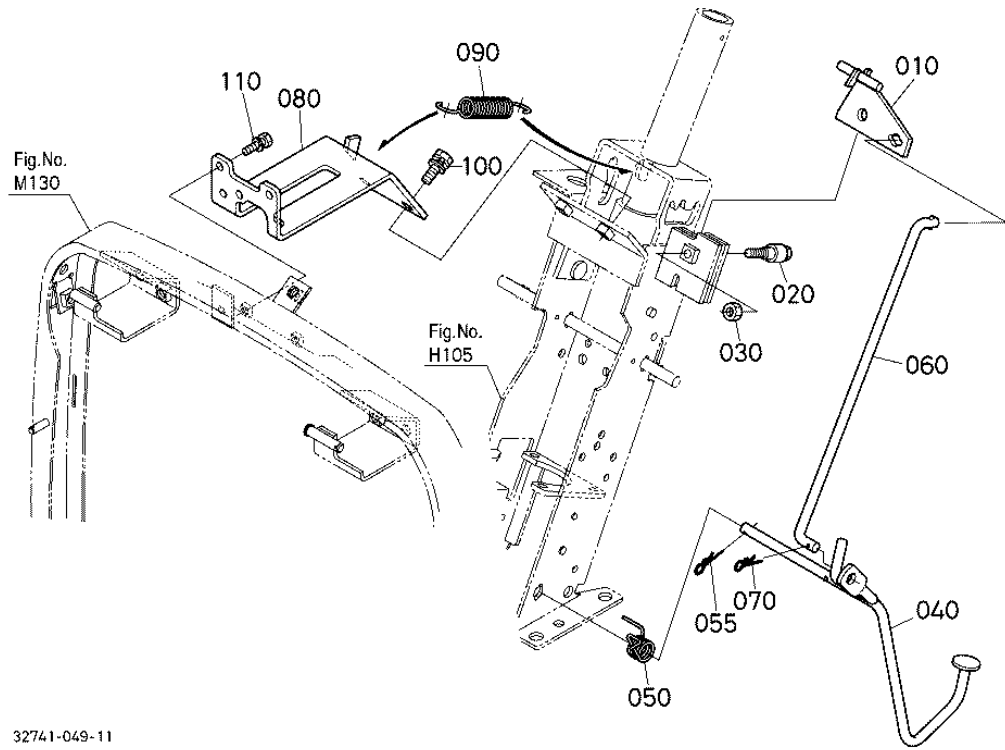
STEERING POST

Ref	Part Number	Part Name	Qty	IC	S/N	Lbs	Remarks
010	6C230-41304	POST STEERING	1			6.49	
020	6C200-41290	BASE STEERING POST	1			1.584	
030	01123-51025	BOLT	2			0.044	
040	6C200-41273	BOLT	2			0.055	
050	02114-50080	NUT	2			0.011	
060	14911-41410	CUSHION RUBBER	4			0.085	
070	02121-50080	NUT	4			0.022	

STEERING POST

Ref	Part Number	Part Name	Qty	IC	S/N	Lbs	Remarks
080	6C200-41390	BRACKET	1			0.143	
090	01123-60816	BOLT	1			0.022	
100	6A700-41512	BUSH	1			0.044	
110	6C040-41390	COLLAR	2			0.015	
120	6A100-41520	COVER BEARING	2			0.019	
130	08141-06002	BEARING BALL	1			0.063	
140	04611-00420	CIR CLIP INTERNAL	1			0.013	
150	6C200-41612	SHAFT STEERING	1			0.88	
160	04612-00150	CIR CLIP EXTERNAL	1			0.002	
170	6C200-41620	JOINT UNIVERSAL	1			0.594	
180	01123-50825	BOLT	1			0.028	

TILT PEDAL



32741-049-11

TILT PEDAL

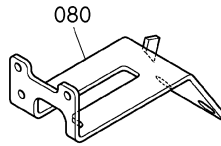
Ref	Part Number	Part Name	Qty	IC	S/N	Lbs	Remarks
010	6C200-41332	LEVER TILT	1			0.209	
020	6A700-41392	BOLT	1			0.088	
030	02114-50080	NUT	1			0.011	
040	6C200-41313	PEDAL TILT	1			0.77	
050	6C200-41340	SPRING	1			0.033	
055	05525-61000	PIN SNAP	1			0.004	
060	6C200-41320	ROD TILT	1			0.44	

TILT PEDAL

Ref	Part Number	Part Name	Qty	IC	S/N	Lbs	Remarks
070	05525-61000	PIN SNAP	1			0.004	
080	6C200-41363	STAY STEERING POST	1	>>	>=50033	1.188	
080	6C200-41362	STAY STEERING POST	1		<=50032	1.188	
090	T1270-47140	SPRING	1			0.099	
100	01125-60820	BOLT	2			0.033	
110	01023-50620	BOLT	2			0.013	

TILT PEDAL

OLD PARTS

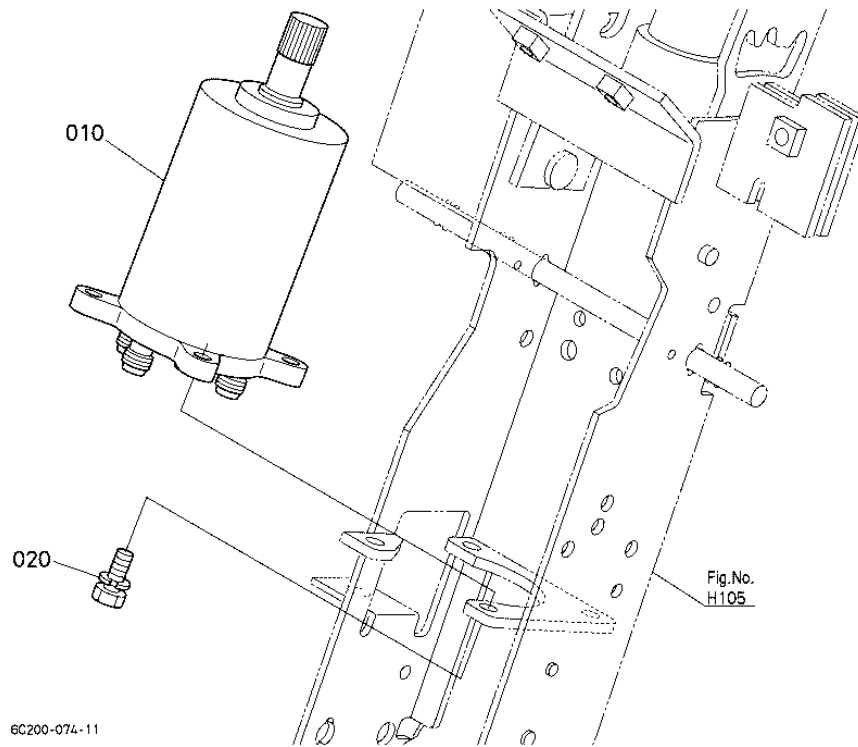


32741-800-10

TILT PEDAL

Ref	Part Number	Part Name	Qty	IC	S/N	Lbs	Remarks
080	6C200-41363	STAY STEERING POST	1	>>	>=50033	1.188	
080	6C200-41362	STAY STEERING POST	1		<=50032	1.188	

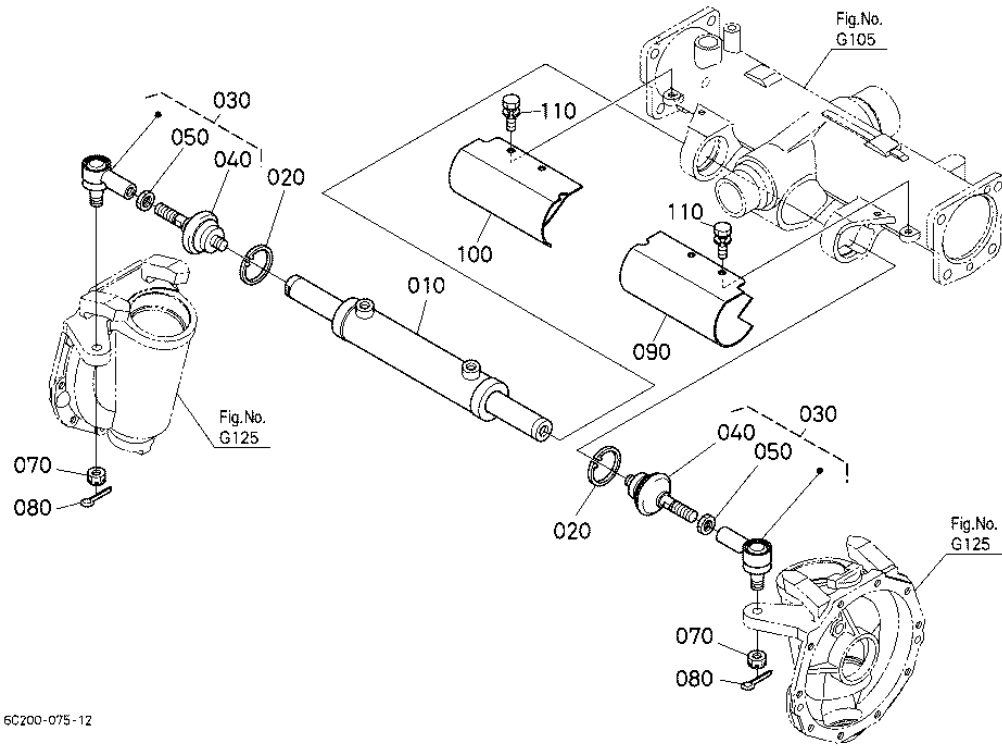
STEERING CONTROLLER



STEERING CONTROLLER

Ref	Part Number	Part Name	Qty	IC	S/N	Lbs	Remarks
010	6C200-41100	STEERING POWER	1			5.72	
020	01123-60816	BOLT	4			0.022	

STEERING LINKAGE



6C200-075-12

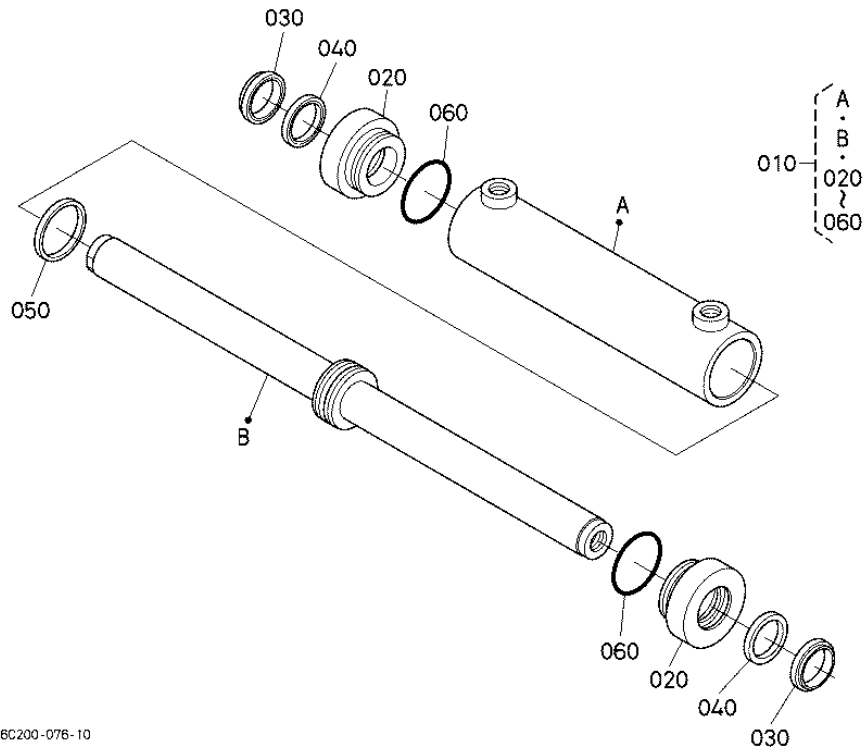
STEERING LINKAGE

Ref	Part Number	Part Name	Qty	IC	S/N	Lbs	Remarks
010	6C200-57302	ASSY CYLINDER STRG.	1			7.26	
020	04611-00520	CIR CLIP INTERNAL	2			0.019	
030	6C200-57410	ROD TIE STEERING	2			1.232	
040	K2561-01630	JOINT AXIAL BALL	2			0.688	
050	K2561-01640	NUT	2			0.039	
070	38240-12830	NUT	2			0.017	
080	05511-50330	PIN SPLIT	2			0.011	

STEERING LINKAGE

Ref	Part Number	Part Name	Qty	IC	S/N	Lbs	Remarks
090	6C200-57483	COVER LH STEERING	1			0.99	
100	6C200-57493	COVER RH STEERING	1			0.99	
110	01123-60816	BOLT	4			0.022	

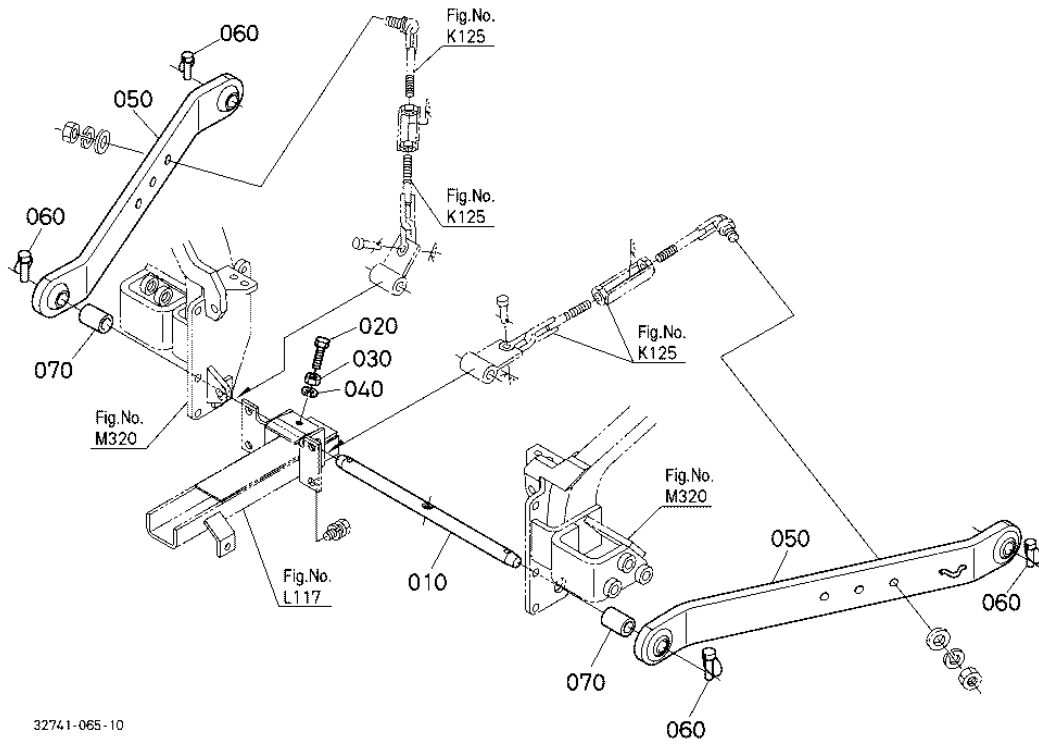
STEERING CYLINDER [COMPONENT PARTS]



STEERING CYLINDER [COMPONENT PARTS]

Ref	Part Number	Part Name	Qty	IC	S/N	Lbs	Remarks
010	6C200-57302	ASSY CYLINDER STRG.	1			7.26	
020	6C200-57320	COVER ROD	2			0.418	
030	6C200-57340	SEAL DUST	2			0.004	
040	6C200-57350	GASKET U	2			0.004	
050	6C200-57362	GASKET	1			0.006	
060	04817-50350	O RING	2			0.006	

LOWER LINK

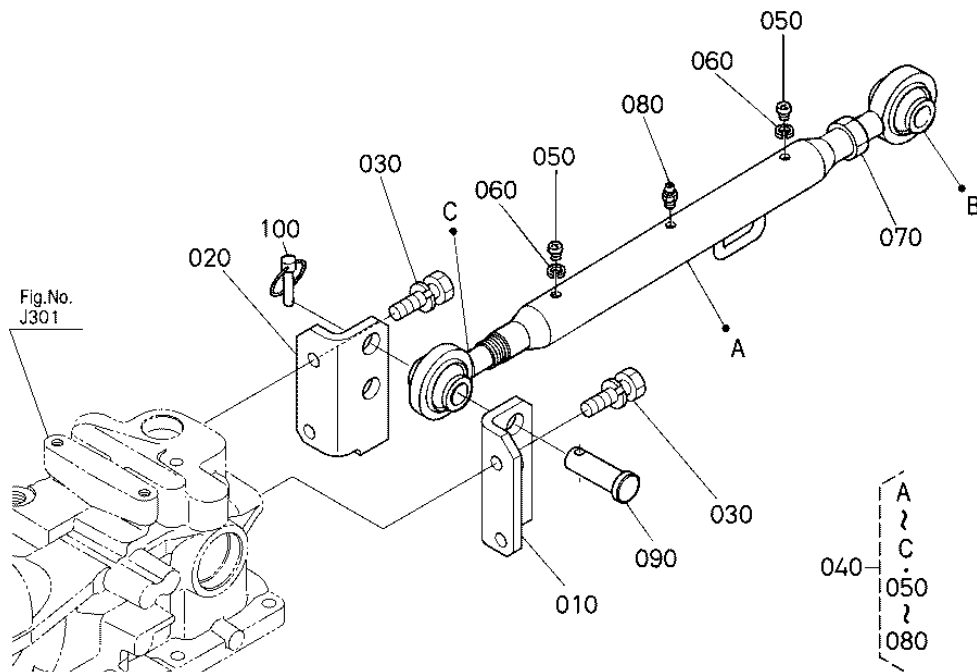


32741-065-10

LOWER LINK

Ref	Part Number	Part Name	Qty	IC	S/N	Lbs	Remarks
010	6C040-66010	PIN LOWER LINK	1			2.508	
020	6C040-65120	BOLT	1			0.044	
030	02118-50100	NUT	1			0.011	
040	04512-60100	WASHER SPRING	1			0.004	
050	6C040-65210	COMP.LINK LOWER	2			11.61	
060	34150-37640	PIN SET	4			0.132	
070	66204-65350	SPACER	2			0.264	

3-POINT LINKAGE (TOP LINK)



32741-066-10

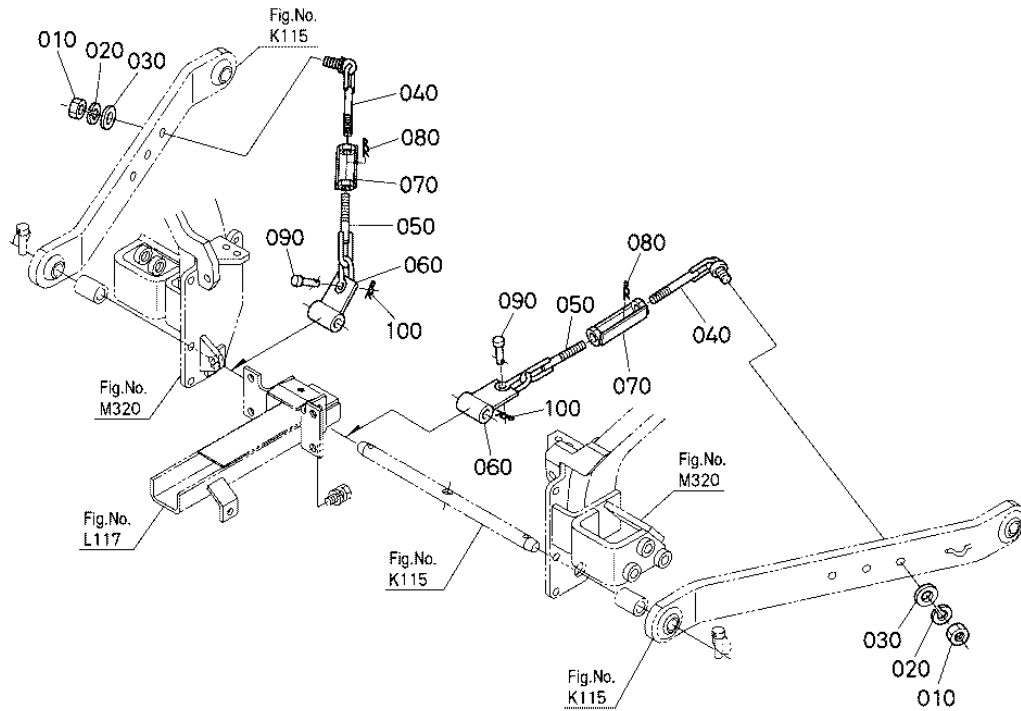
3-POINT LINKAGE (TOP LINK)

Ref	Part Number	Part Name	Qty	IC	S/N	Lbs	Remarks
010	6C200-65190	BRACKET TOP LINK LH	1			1.474	
020	6C200-65160	BRACKET TOP LINK RH	1			1.474	
030	01123-51230	BOLT	4			0.088	
040	6C070-65400	ASSY LINK TOP	1			4.664	
050	03014-50606	SCREW PAN-HEAD	2			0.059	
060	04512-60060	WASHER SPRING	2			0.002	
070	02152-50200	NUT	1			0.070	

3-POINT LINKAGE (TOP LINK)

Ref	Part Number	Part Name	Qty	IC	S/N	Lbs	Remarks
080	06613-10675	NIPPLE GREASE	1			0.006	
090	31150-71360	PIN JOINT	2			0.365	
100	34150-37640	PIN SET	2			0.132	

CHECK CHAIN



32741-067-10

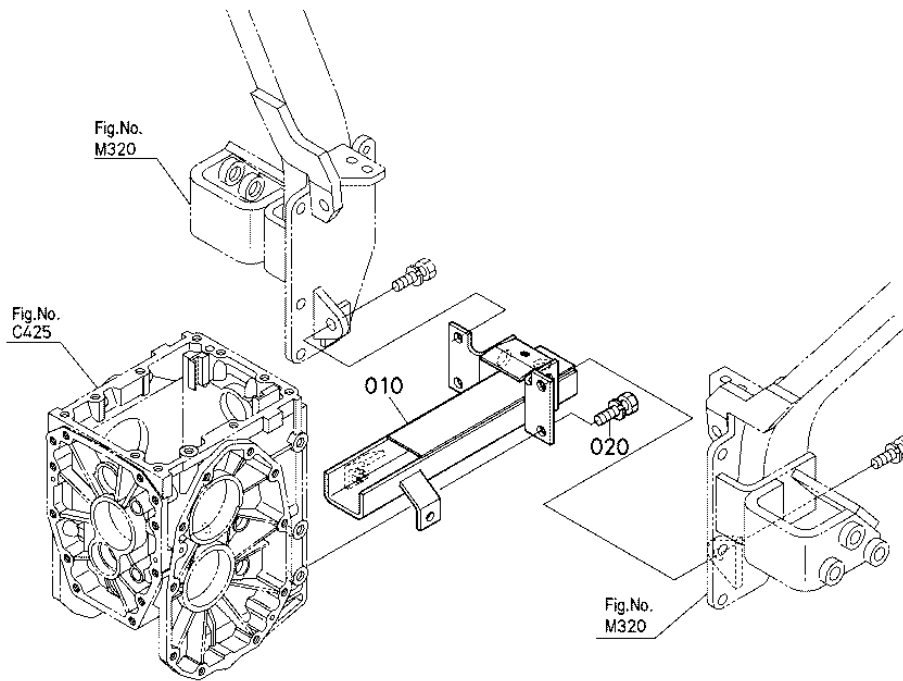
CHECK CHAIN

Ref	Part Number	Part Name	Qty	IC	S/N	Lbs	Remarks
010	02174-50160	NUT	2			0.048	
020	04512-60160	WASHER SPRING	2			0.022	
030	04015-60160	WASHER PLAIN	2			0.127	
040	6C040-65323	BOLT TURNBUCKLE	2			0.77	
050	67830-71510	JOINT CHAIN	2			0.484	
060	32721-65292	BRACKET CHECK CHAIN	2			0.792	
070	6C040-65390	TURNBUCKLE	2			0.44	

CHECK CHAIN

Ref	Part Number	Part Name	Qty	IC	S/N	Lbs	Remarks
080	05515-61200	PIN SNAP	2			0.011	
090	32721-65260	PIN JOINT	2			0.050	
100	6C040-42390	PIN SNAP	2			0.004	

HITCH

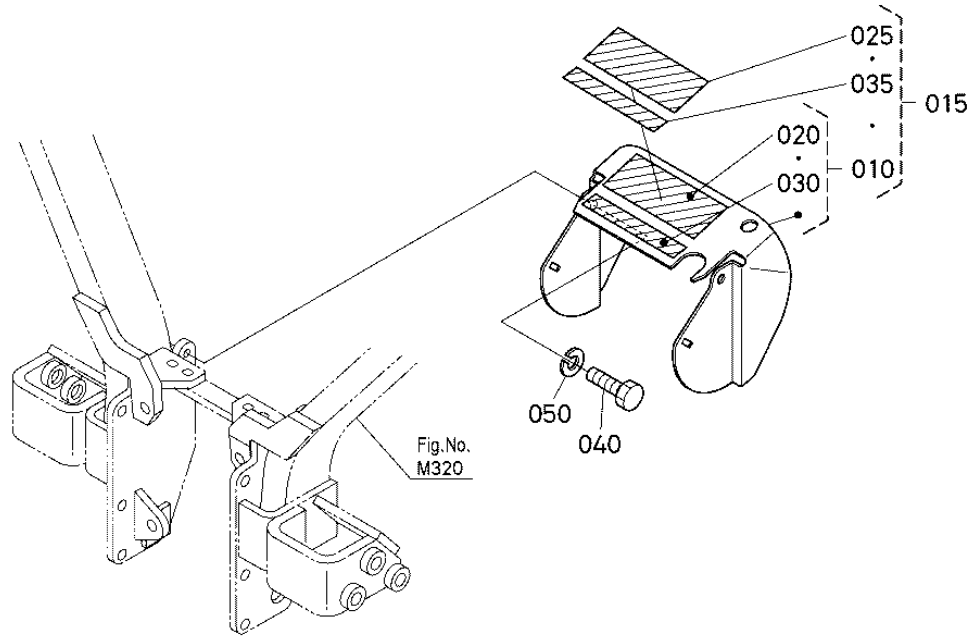


32741-068-10

HITCH

Ref	Part Number	Part Name	Qty	IC	S/N	Lbs	Remarks
010	32741-65600	COMP.HITCH	1			0	
020	01123-51230	BOLT	2			0.088	

PTO PROTECTOR



32741-069-10

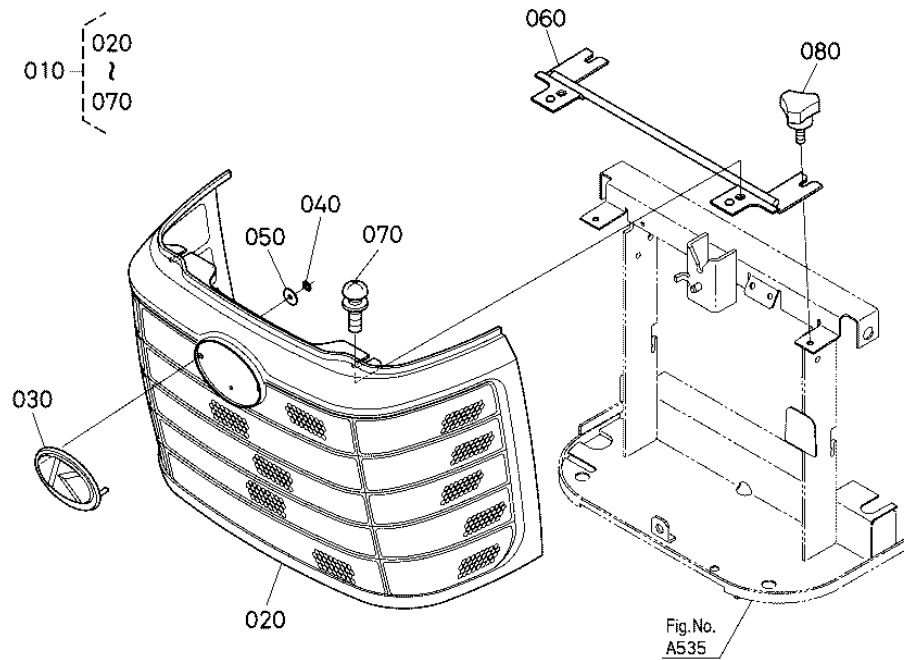
PTO PROTECTOR

Ref	Part Number	Part Name	Qty	IC	S/N	Lbs	Remarks
010	6C200-72100	KIT COVER PTO (A)	1			2.75	ENGLISH
015	6C200-72000	KIT COVER PTO (B)	1			2.886	FRENCH
020	TA040-49593	LABEL PTO WARNING	1			0.002	ENGLISH
025	TA041-49590	LABEL PTO WARNING	1			0.002	FRENCH
030	6C140-47440	LABEL DRAWBAR	1			0.002	ENGLISH
035	6C141-47440	LABEL DRAWBAR	1			0.002	FRENCH
040	01153-50820	BOLT	2			0.026	

PTO PROTECTOR

Ref	Part Number	Part Name	Qty	IC	S/N	Lbs	Remarks
050	04512-60080	WASHER SPRING	2			0.004	

FRONT GRILLE



32741-070-10

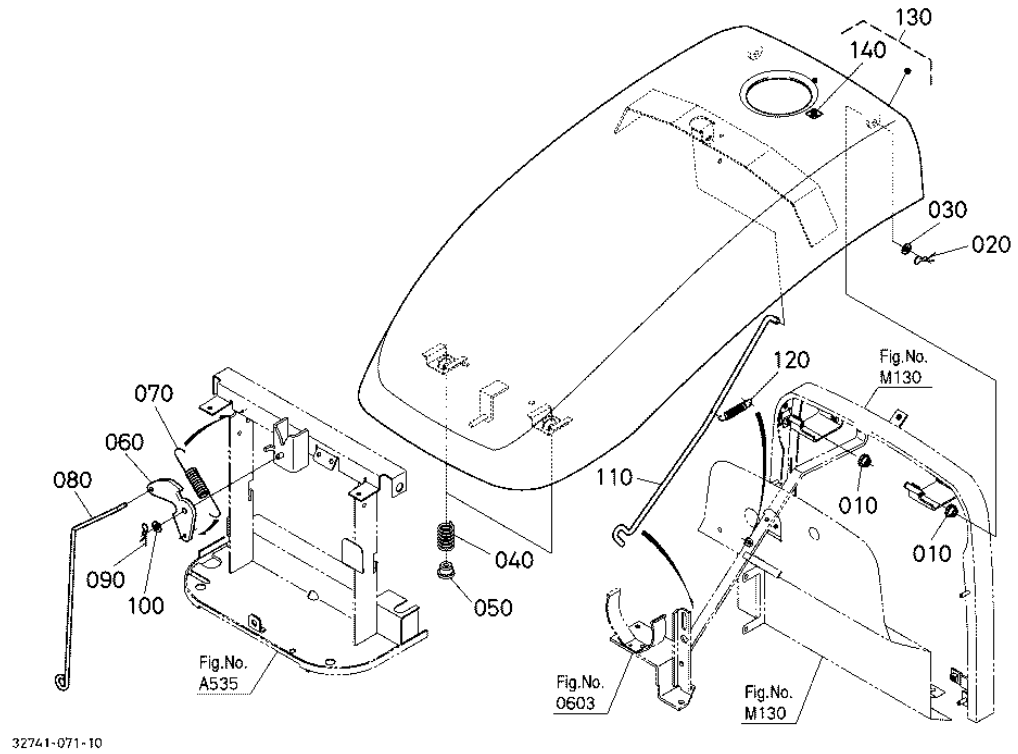
FRONT GRILLE

Ref	Part Number	Part Name	Qty	IC	S/N	Lbs	Remarks
010	32741-54402	ASSY GRILLE FRONT	1			2.64	
020	32741-54412	GRILLE FRONT	1			0	
030	RC411-57220	MARK EMBLEM K	1			0.033	
040	RA111-43690	NUT	2			0.002	
050	55611-44210	PLATE WASHER	2			0.015	
060	6C200-54500	STAY	1			0.572	
070	03034-50820	SCREW WITH WASHER	2			0.033	

FRONT GRILLE

Ref	Part Number	Part Name	Qty	IC	S/N	Lbs	Remarks
080	01820-50620	BOLT KNOB	2			0.033	

BONNET



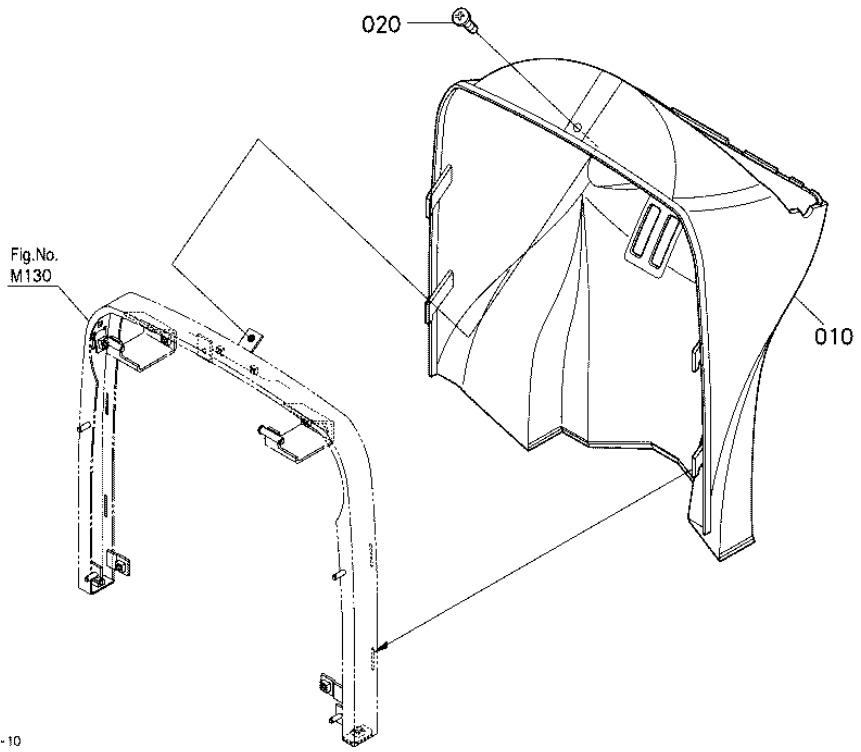
BONNET

Ref	Part Number	Part Name	Qty	IC	S/N	Lbs	Remarks
010	6A100-54192	BUSH	2			0.002	
020	05515-60800	PIN SNAP	1			0.004	
030	04013-60080	WASHER PLAIN	1			0.004	
040	6C040-54163	SPRING	2			0.048	
050	T1270-41140	CUSHION	2			0.015	
060	32781-41212	HOLDER BONNET	1			0.33	
070	32781-41122	SPRING	1			0.022	

BONNET

Ref	Part Number	Part Name	Qty	IC	S/N	Lbs	Remarks
080	32741-41560	LEVER BONNET	1			0	
090	05515-60800	PIN SNAP	1			0.004	
100	04013-60080	WASHER PLAIN	1			0.004	
110	32741-54512	ROD BONNET	1			0	
120	56811-31430	SPRING	1			0.039	
130	32741-99250	KIT BONNET	1			0	
140	6C040-47412	LABEL FILLER CAUTION	1			0.002	

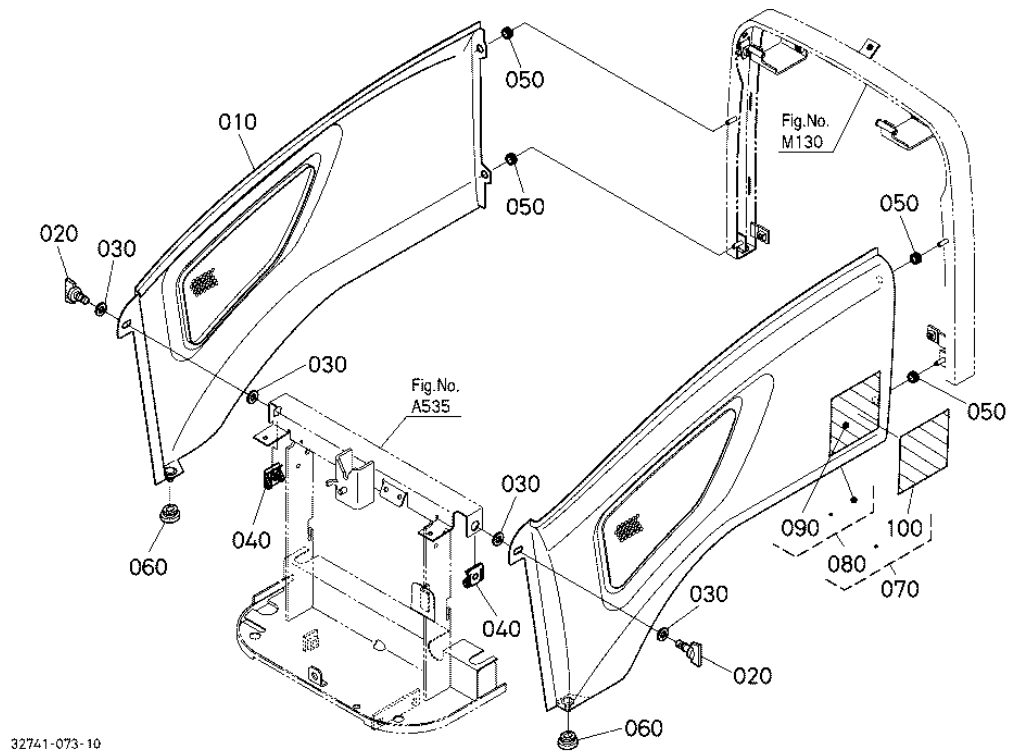
PANEL COVER



PANEL COVER

Ref	Part Number	Part Name	Qty	IC	S/N	Lbs	Remarks
010	6C200-53510	COVER LOWER PANEL	1			4.18	
020	37410-61720	SCREW	1			0.002	

SIDE COVER



32741-073-10

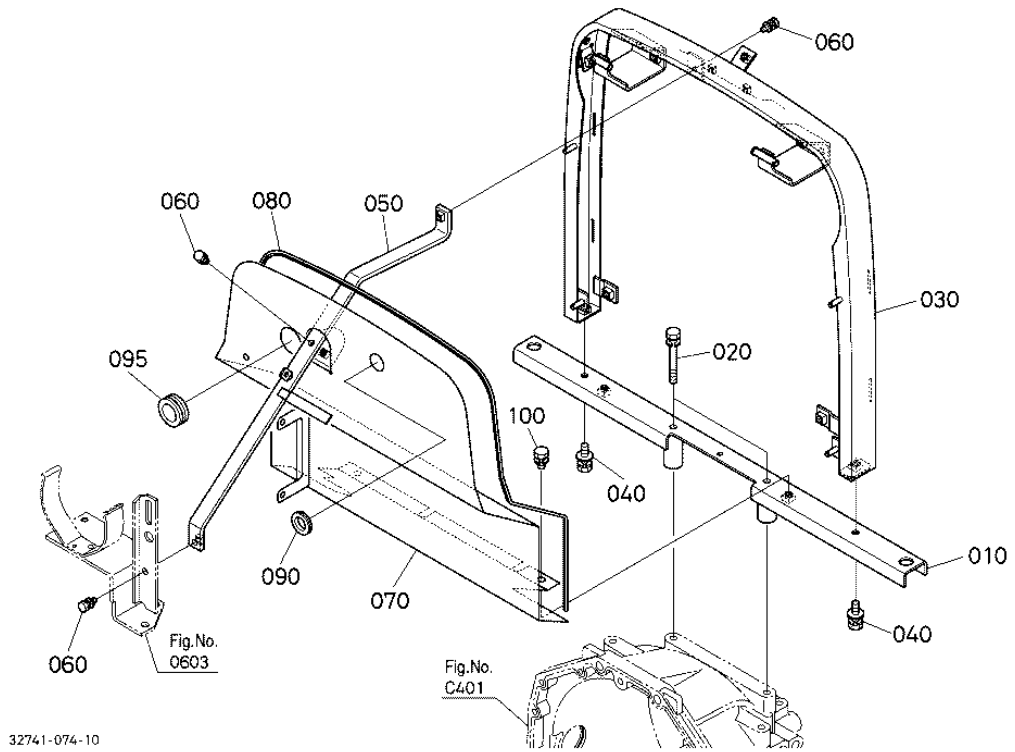
SIDE COVER

Ref	Part Number	Part Name	Qty	IC	S/N	Lbs	Remarks
010	32741-54352	COMP.SKIRT RH	1			0	
020	TD060-41380	HOLDER	2			0.039	
030	32771-41460	PLATE RETAINER	4			0.002	
040	TD060-41390	HOLDER RECEPTACLE	2			0.024	
050	66591-54580	RUBBER RELEASE ROD	4			0.004	
060	6A671-54390	GROMMET	2			0.013	
070	32741-99302	KIT COVER SIDE LH(B)	1			0	FRENCH

SIDE COVER

Ref	Part Number	Part Name	Qty	IC	S/N	Lbs	Remarks
080	32741-99352	KIT COVER SIDE LH(A)	1			0	ENGLISH
090	6C090-49650	LABEL START CAUTION	1			0.011	ENGLISH
100	6C091-49650	LABEL START CAUTION	1			0.022	FRENCH

SHUTTER PLATE



32741-074-10

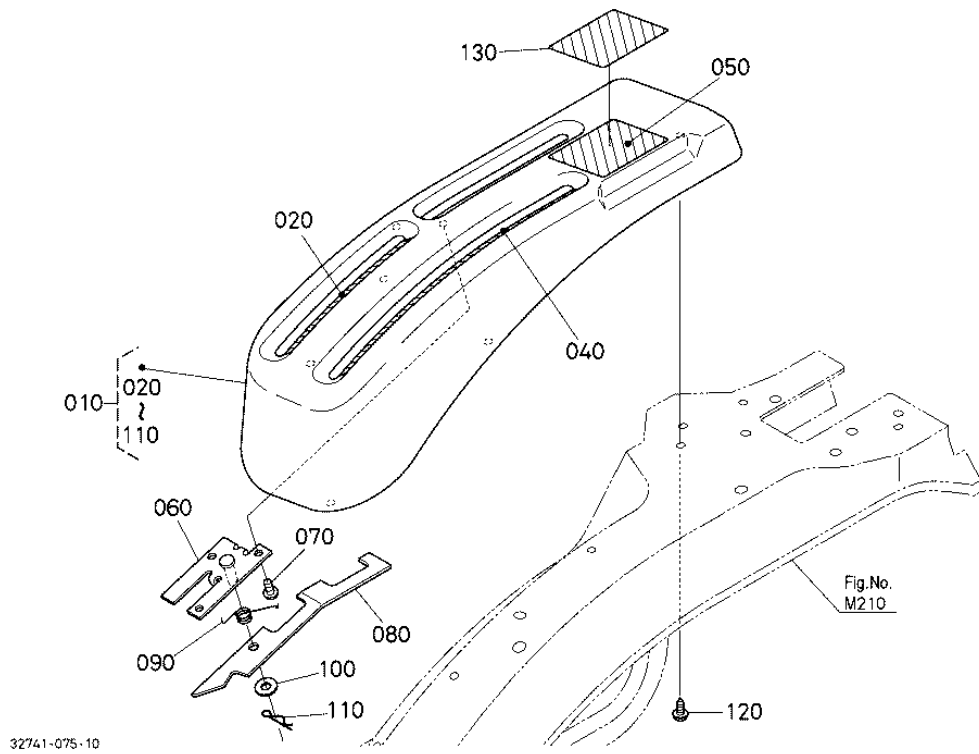
SHUTTER PLATE

Ref	Part Number	Part Name	Qty	IC	S/N	Lbs	Remarks
010	32741-54210	BEAM CENTER	1			0	
020	01123-50865	BOLT	2			0.061	
030	32741-54223	PILLAR CENTER UPPER	1			0	
040	6C040-54610	BOLT	2			0.030	
050	32741-54232	STAY PILLAR	1			0.99	
060	01025-50616	BOLT	3			0.011	
070	32741-54553	PLATE SHUTTER	1			0	

SHUTTER PLATE

Ref	Part Number	Part Name	Qty	IC	S/N	Lbs	Remarks
080	6A700-54560	TRIM	1			0.396	L=1380mm
090	54721-38340	GROMMET	1			0.006	
095	67061-54660	CUSHION	1			0.017	
100	01123-60816	BOLT	2			0.022	

LEVER GUIDE LH



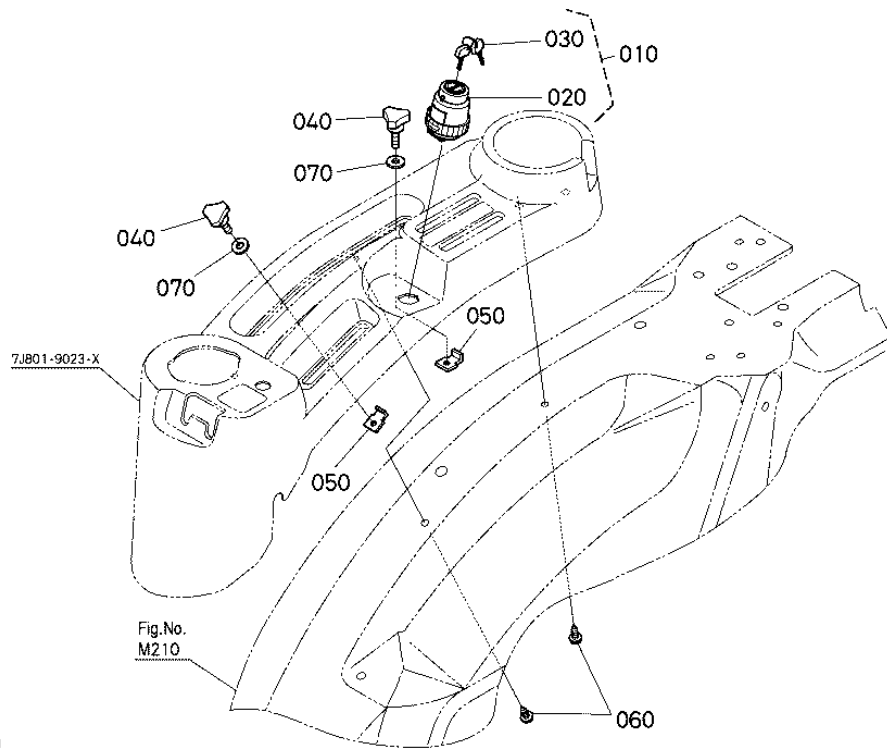
LEVER GUIDE LH

Ref	Part Number	Part Name	Qty	IC	S/N	Lbs	Remarks
010	32741-52102	ASSY GUIDE LEVER LH	1			1.386	
020	6C200-47470	LABEL	1			0.002	
040	6C200-47440	LABEL RANGE SHIFT	1			0.006	
050	6C200-47330	LABEL S-CHANGE	1			0.008	ENGLISH
060	6C200-52212	STAY PTO	1			0.165	
070	03514-50612	SCREW TAPPING	3			0.004	
080	6C200-52222	PLATE CHECK	1			0.187	

LEVER GUIDE LH

Ref	Part Number	Part Name	Qty	IC	S/N	Lbs	Remarks
090	6C200-52230	SPRING	1			0.006	
100	04013-60080	WASHER PLAIN	1			0.004	
110	05525-50800	PIN SNAP	1			0.002	
120	6A540-54140	SCREW	4			0.011	
130	6C201-47330	LABEL S-CHANGE	1			0.002	FRENCH

LEVER GUIDE RH

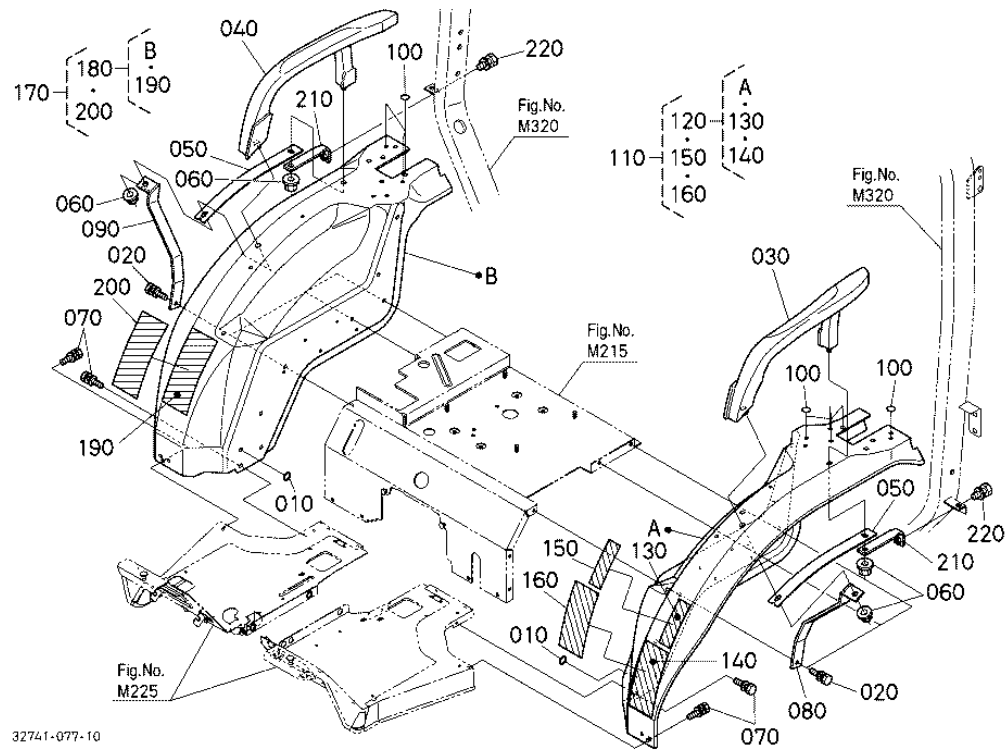


32741-076-11

LEVER GUIDE RH

Ref	Part Number	Part Name	Qty	IC	S/N	Lbs	Remarks
010	K7571-62100	ASSY SWITCH STARTER	1			0.198	
020	K7571-62110	SWITCH STARTER	1			0.165	
030	PL501-68920	KEY STARTER	1			0.039	2P/SET
040	37410-52610	SCREW KNOB	2			0.033	
050	6A320-52140	HOLDER	2			0.013	
060	6A540-54140	SCREW	2			0.011	
070	32741-52390	WASHER	2			0	

FENDER



32741-077-10

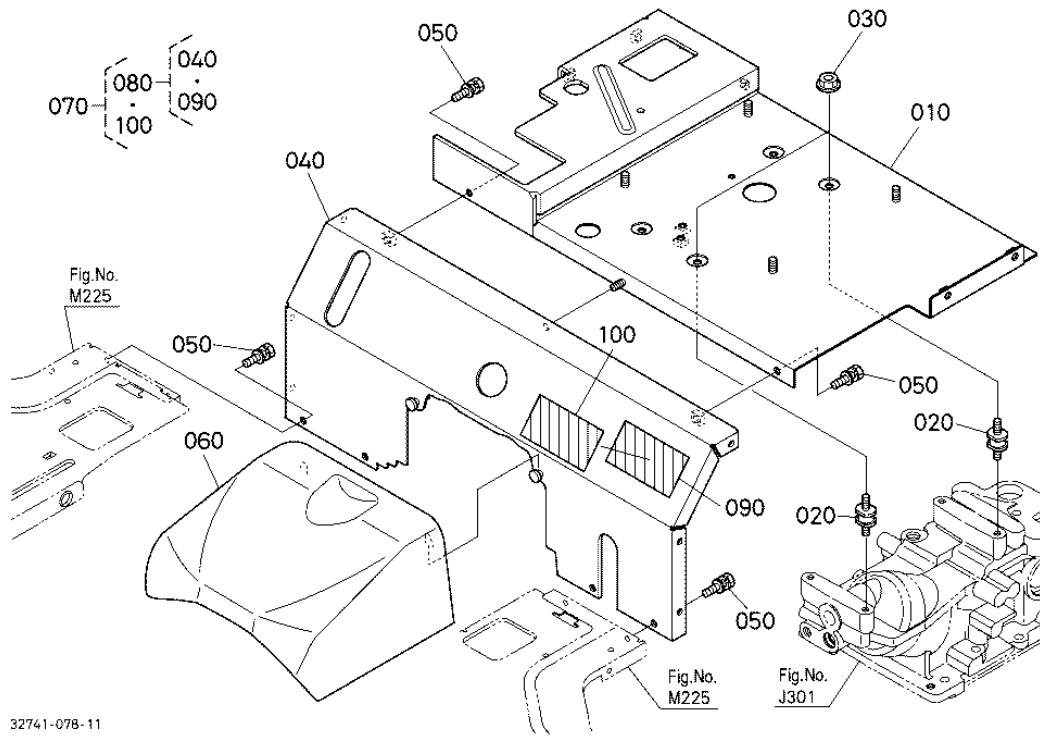
FENDER

Ref	Part Number	Part Name	Qty	IC	S/N	Lbs	Remarks
010	6A741-52740	SEAL	2			0.002	
020	01125-60820	BOLT	6			0.033	
030	6C200-52173	HANDRAIL LH	1			1.386	
040	6C200-52183	HANDRAIL RH	1			1.386	
050	6A700-52130	STAY	2			0.55	
060	02783-50100	NUT FLANGE	4			0.022	
070	01125-60820	BOLT	8			0.033	

FENDER

Ref	Part Number	Part Name	Qty	IC	S/N	Lbs	Remarks
080	32741-52830	PLATE FENDER LH	1			0	
090	32741-52840	PLATE FENDER RH	1			0	
100	6A741-52740	SEAL	8			0.002	
110	6C200-99100	KIT FENDER LH(A)	1			11	FRENCH
120	6C200-99130	KIT FENDER LH(A)	1			6.38	ENGLISH
130	6C070-47422	LABEL SAFETY	1			0.011	ENGLISH
140	6C150-47430	LABEL PARKING WARNI.	1			0.004	ENGLISH
150	6C071-47422	LABEL SAFETY	1			0.011	FRENCH
160	6C151-47430	LABEL PARKING WARNI.	1			0.004	FRENCH
170	6C200-99160	KIT FENDER RH(B)	1			13.2	FRENCH
180	6C200-99140	KIT FENDER RH(A)	1			6.38	ENGLISH
190	TA040-49320	LABEL ROPS WARNING	1			0.002	ENGLISH
200	TA040-49150	LABEL ROPS WARNING	1			0.006	FRENCH
210	32741-34790	STAY FENDER	2			0	
220	01133-51025	BOLT	2			0.050	

FLOOR SHEET



32741-078-11

FLOOR SHEET

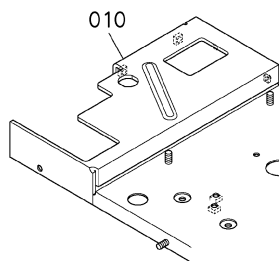
Ref	Part Number	Part Name	Qty	IC	S/N	Lbs	Remarks
010	32741-51347	COVER SEAT UNDER	1	>>	>=50198	13.77	
010	32741-51346	COVER SEAT UNDER	1		<=50197	0	
020	14911-41410	CUSHION RUBBER	4			0.085	
030	02121-50080	NUT	4			0.022	
040	32741-51370	COVER FRONT	1			4.884	
050	01125-60820	BOLT	6			0.033	
060	6C200-51353	COVER FRONT	1	>>	>=50033	0.572	

FLOOR SHEET

Ref	Part Number	Part Name	Qty	IC	S/N	Lbs	Remarks
060	6C200-51352	COVER FRONT	1		<=50032	0.572	
070	32741-99400	KIT COVER SEAT (B)	1			0	FRENCH
080	32741-99450	KIT COVER SEAT (A)	1			0	ENGLISH
090	32751-49210	LABEL SEAT WARNING	1			0.004	ENGLISH
100	32765-49210	LABEL SEAT WARNING	1			0.004	FRENCH

FLOOR SHEET

OLD PARTS

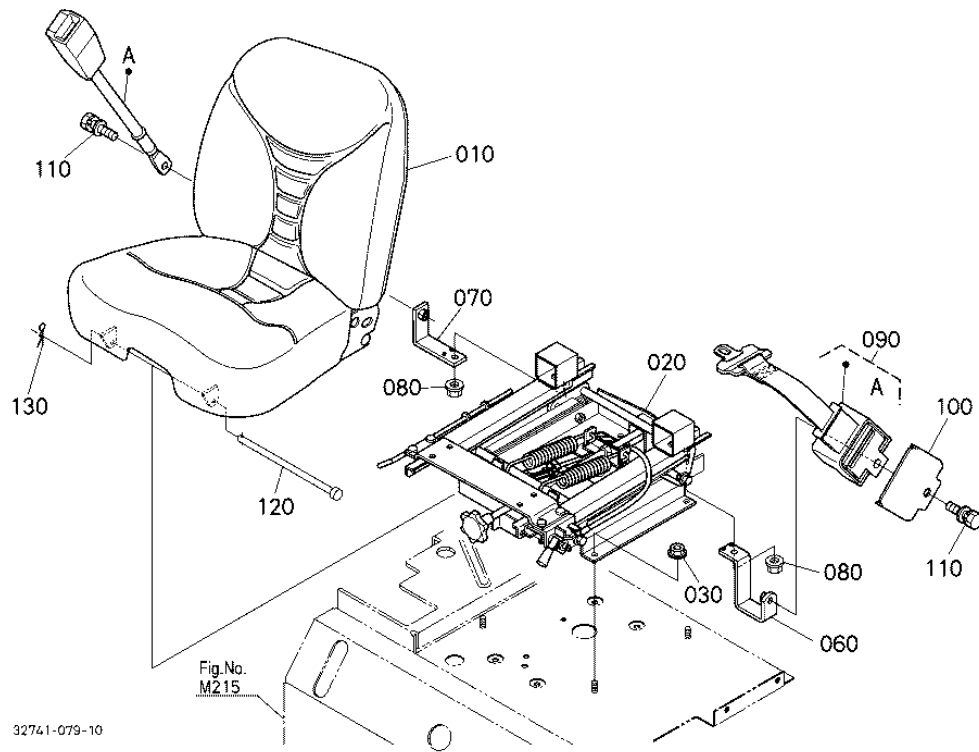


32741-802-10

FLOOR SHEET

Ref	Part Number	Part Name	Qty	IC	S/N	Lbs	Remarks
010	32741-51347	COVER SEAT UNDER	1	>>	>=50198	13.77	
010	32741-51346	COVER SEAT UNDER	1		<=50197	0	

SEAT SUPPORT



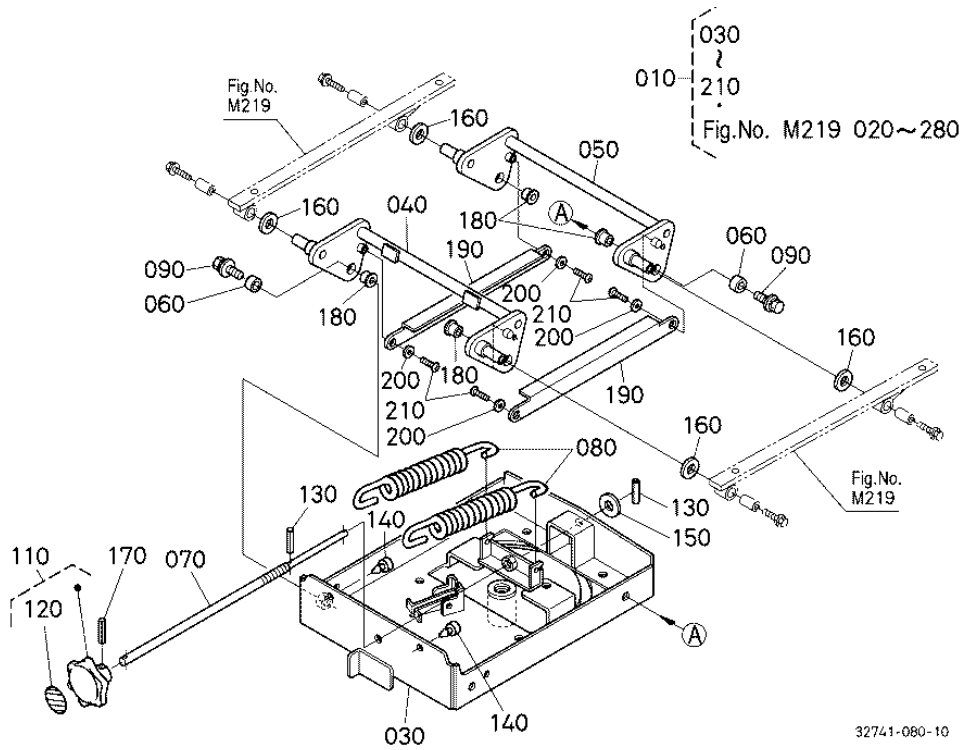
SEAT SUPPORT

Ref	Part Number	Part Name	Qty	IC	S/N	Lbs	Remarks
010	32781-47700	ASSY SEAT	1			0	
020	32741-47853	ASSY SUSPENSION SEAT	1			0	
030	02763-50080	NUT FLANGE	4			0.013	
060	32781-47784	STAY	1			0.484	
070	32781-47773	STAY SEAT BELT RH	1			0.33	
080	02763-50080	NUT FLANGE	2			0.013	
090	K2561-56850	ASSY BELT SEAT	1			1.782	

SEAT SUPPORT

Ref	Part Number	Part Name	Qty	IC	S/N	Lbs	Remarks
100	TC050-18472	COVER BELT SEAT	1			0.198	
110	01135-61025	BOLT	2			0.088	
120	56811-35462	PIN	1			0.22	
130	05525-50800	PIN SNAP	1			0.002	

SEAT SUSPENSION [COMPONENT PARTS] 1



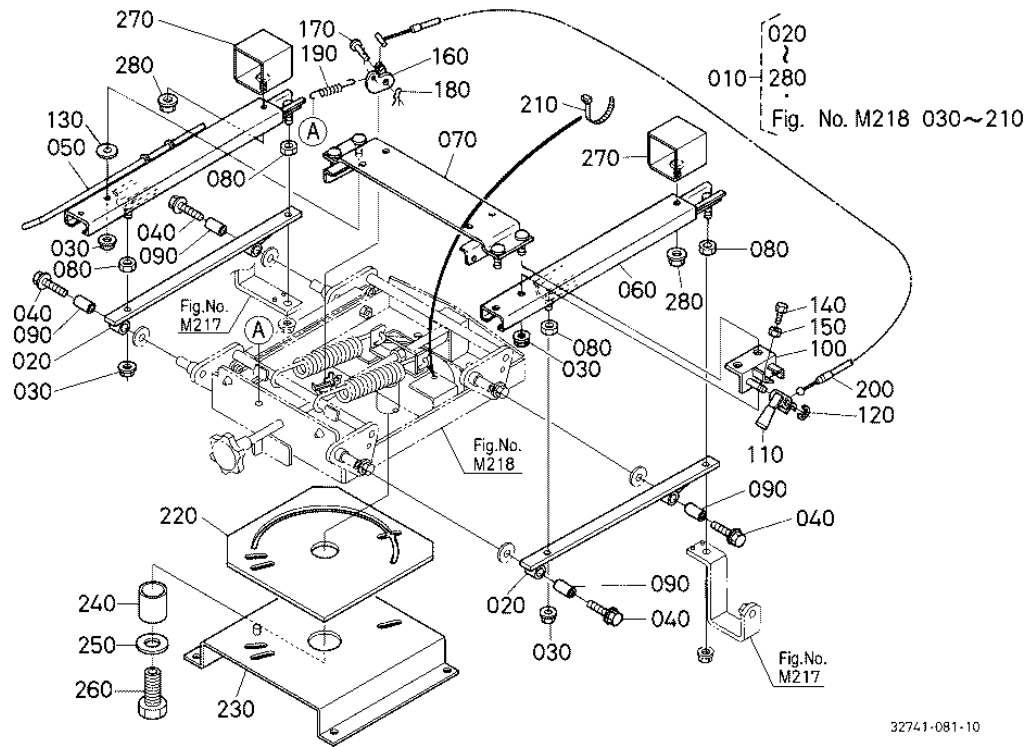
SEAT SUSPENSION [COMPONENT PARTS] 1

Ref	Part Number	Part Name	Qty	IC	S/N	Lbs	Remarks
010	32741-47853	ASSY SUSPENSION SEAT	1			0	
030	32781-11820	FRAME SUSPENSION	1			9.24	
040	32771-11830	COMP.LINK	1			1.474	
050	TA140-11830	COMP.LINK	1			1.364	
060	TA140-11840	SPACER SUSPENSION	4			0.011	
070	32741-11990	SHAFT	1			0	
080	TA140-11860	SPRING SUSPENSION	2			0.528	

SEAT SUSPENSION [COMPONENT PARTS] 1

Ref	Part Number	Part Name	Qty	IC	S/N	Lbs	Remarks
090	TA140-11870	BOLT	4			0.033	
110	TA140-11890	KNOB ADJUST	1			0.231	
120	TA140-11900	LABEL ADJUST	1			0.002	
130	TA140-11910	PIN SPRING	2			0.002	
140	TA140-11920	CUSHION	2			0.013	
150	TA140-11930	WASHER PLAIN	1			0.022	
160	TA140-11940	SHIM	4			0.002	
170	TA140-11950	PIN SPRING	1			0.004	
180	TA140-11960	BUSH SUSPENSION	4			0.006	
190	TA140-11980	PLATE	2			0.451	
200	TA140-11710	BUSH PLATE	4			0.006	
210	TA140-11720	SCREW	4			0.013	

SEAT SUSPENSION [COMPONENT PARTS] 2



32741-081-10

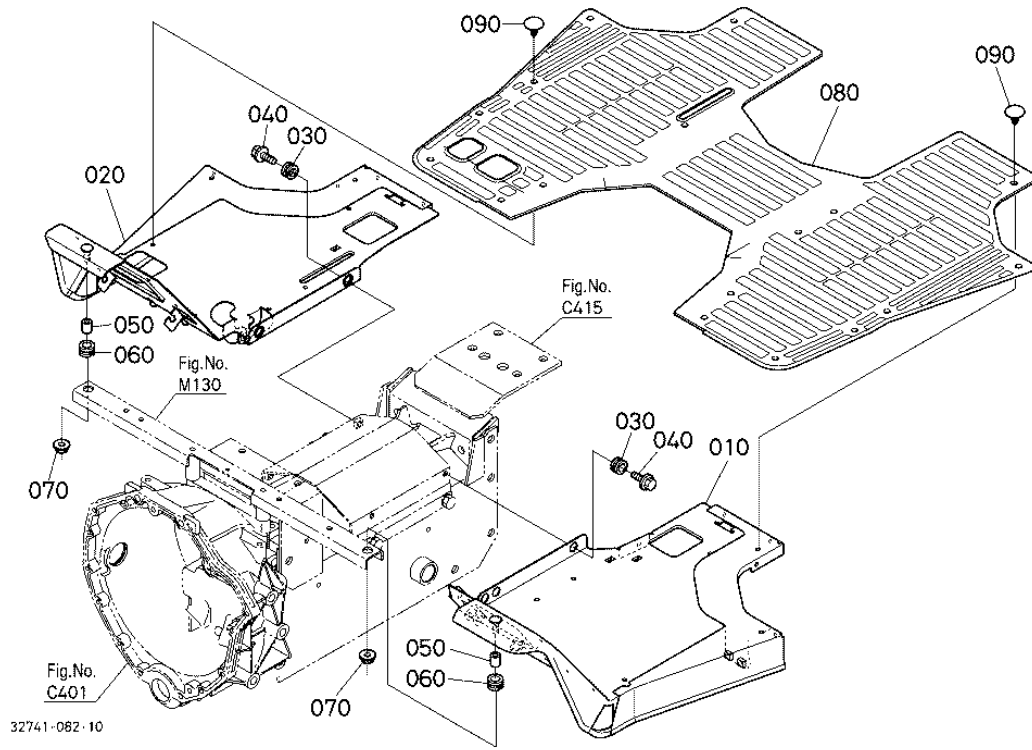
SEAT SUSPENSION [COMPONENT PARTS] 2

Ref	Part Number	Part Name	Qty	IC	S/N	Lbs	Remarks
010	32741-47853	ASSY SUSPENSION SEAT	1			0	
020	32771-18370	PLATE	2			0.891	
030	02751-50080	NUT FLANGE	6			0.013	
040	TA140-18320	BOLT FLANGE	4			0.026	
050	32741-18330	RAIL RH	1			0	
060	TA140-18340	RAIL LH	1			2.035	
070	TA140-18350	BRACKET	1			1.595	

SEAT SUSPENSION [COMPONENT PARTS] 2

Ref	Part Number	Part Name	Qty	IC	S/N	Lbs	Remarks
080	02114-50100	NUT	4			0.011	
090	TA140-18410	BUSH	4			0.013	
100	32771-18430	COMP.BRACKET KNOB	1			0.22	
110	32771-18440	COMP.PLATE KNOB	1			0.077	
120	32771-18450	CIR CLIP EXTERNAL	1			0.002	
130	32771-18460	WASHER PLAIN	2			0.022	
140	32771-18470	BOLT	1			0.013	
150	32771-18480	NUT	1			0.004	
160	32771-18490	COMP.PLATE LOCK	1			0.132	
170	32771-18510	PIN JOINT	1			0.041	
180	32771-18520	PIN SNAP	1			0.004	
190	32771-18530	SPRING	1			0.048	
200	32771-18540	WIRE	1			0.088	
210	32771-18550	CLAMP	1			0.004	
220	32771-18560	PLATE TURN	1			0.374	
230	32771-18570	COMP.BASE TURN	1			6.49	
240	32771-18580	BUSH	1			0.094	
250	32771-18592	WASHER PLAIN	1			0.044	
260	32771-18612	BOLT	1			0.033	
270	32781-11860	SPACER	2			0.517	
280	02751-50080	NUT FLANGE	2			0.013	

STEP



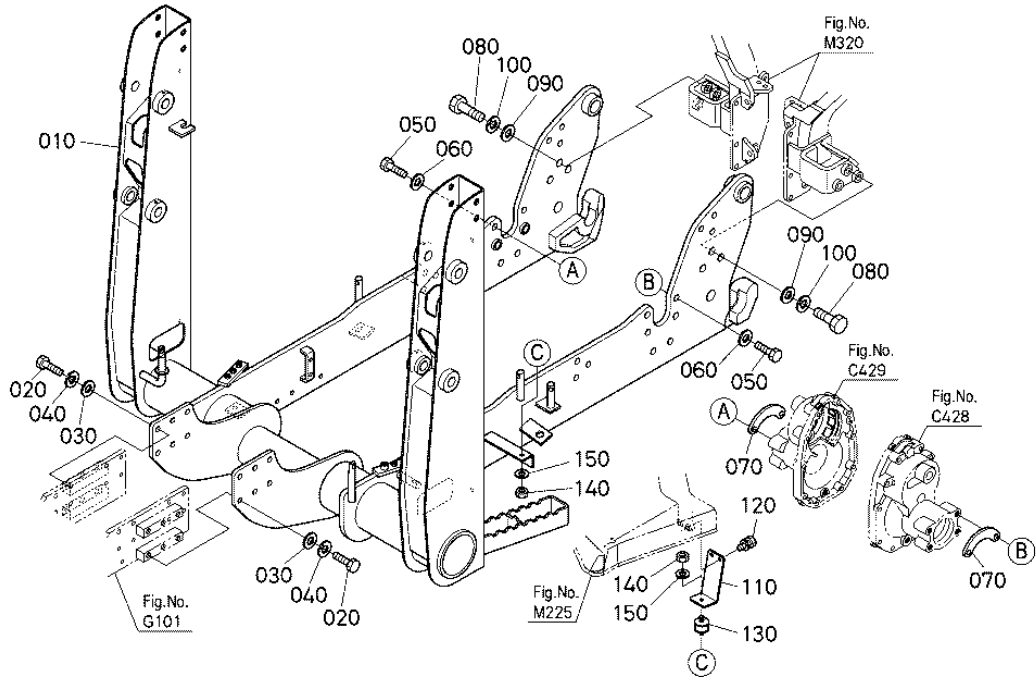
STEP

Ref	Part Number	Part Name	Qty	IC	S/N	Lbs	Remarks
010	6C200-51315	COMP.STEP LH	1			6.974	
020	6C200-51320	COMP.STEP RH	1			6.336	
030	6A700-51330	CUSHION	4			0.004	
040	6C040-51342	BOLT	4			0.037	
050	6C040-51390	COLLAR	2			0.006	
060	6A100-51380	CUSHION	2			0.006	
070	02121-50080	NUT	2			0.022	

STEP

Ref	Part Number	Part Name	Qty	IC	S/N	Lbs	Remarks
080	6C200-51362	MAT STEP	1			4.136	
090	67955-51340	STOPPER	17			0.002	

MAIN FLAME



32741-100-10

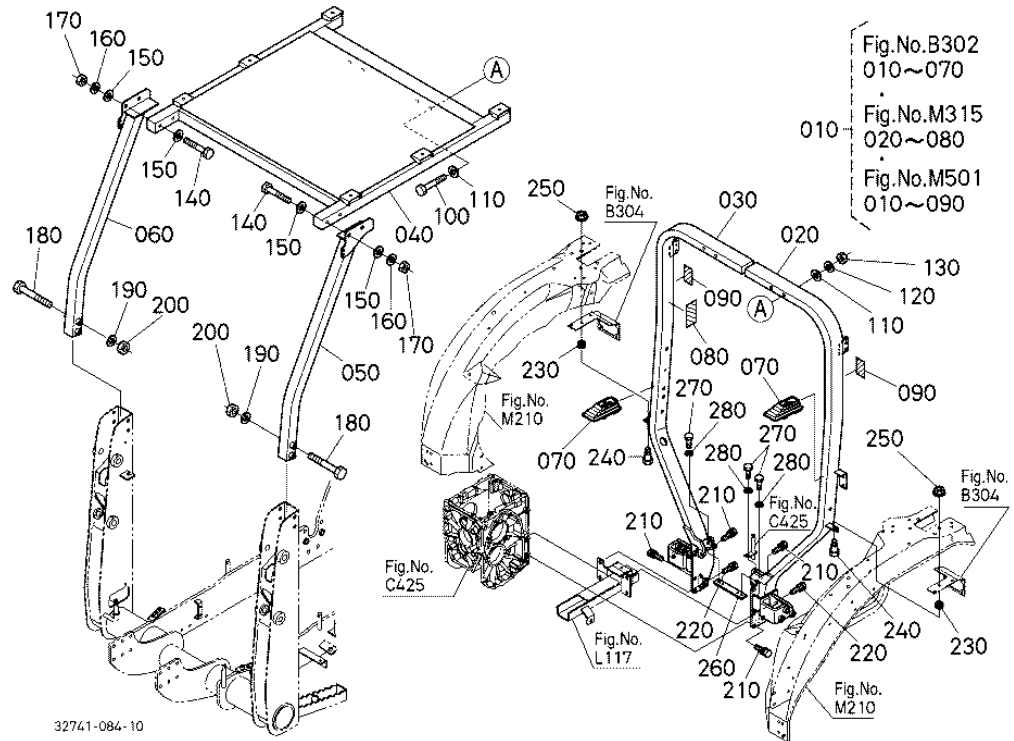
MAIN FLAME

Ref	Part Number	Part Name	Qty	IC	S/N	Lbs	Remarks
010	99999-99999	FRAME MAIN	1			0	
020	01176-51435	BOLT	12			0.123	
030	75599-32516	WASHER PLAIN	12			0.024	
040	04512-60140	WASHER SPRING	12			0.017	
050	01128-51245	BOLT	8			0	
060	75599-32515	WASHER PLAIN	8			0.022	
070	32741-29140	SPACER	2			0	

MAIN FLAME

Ref	Part Number	Part Name	Qty	IC	S/N	Lbs	Remarks
080	01073-51650	BOLT	6			0.231	
090	75599-32517	WASHER PLAIN	6			0.035	
100	04512-60160	WASHER SPRING	6			0.022	
110	32741-29160	STAY FENDER	1			0	
120	01123-60816	BOLT	2			0.022	
130	PN201-82240	CUSHION RUBBER	1			0.165	
140	02156-50080	NUT	2			0.008	
150	04512-60080	WASHER SPRING	2			0.004	

ROPS/FOPS



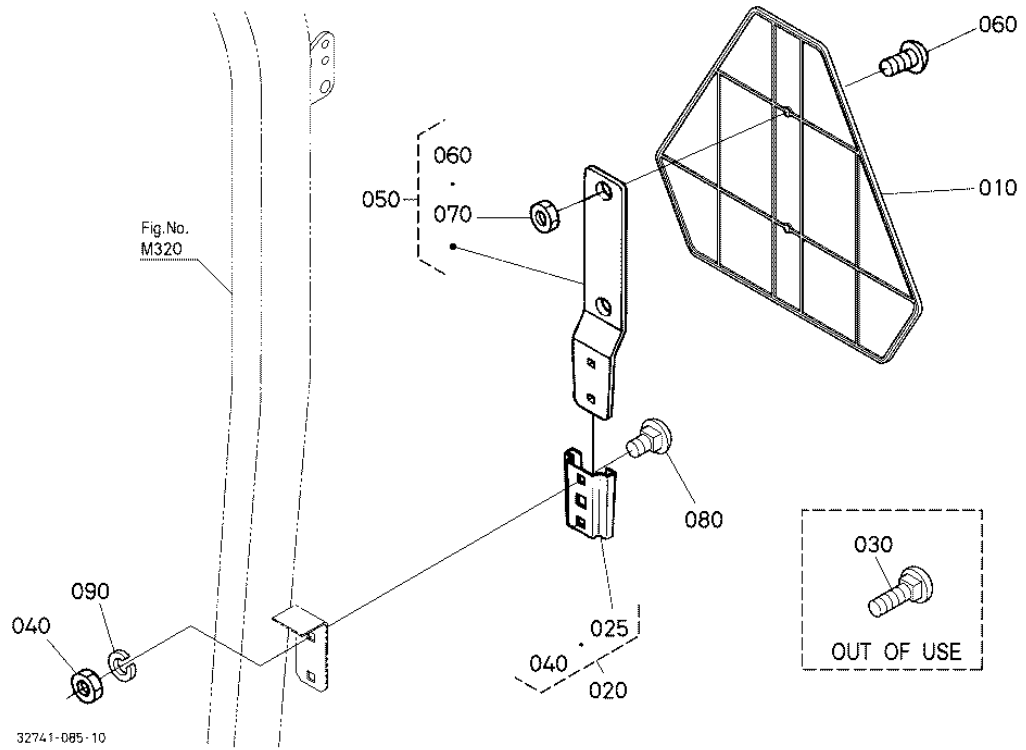
ROPS/FOPS

Ref	Part Number	Part Name	Qty	IC	S/N	Lbs	Remarks
010	32741-34700	ASSY ROPS FOPS	1			0	
020	99999-99999	COMP.FRAME LH	1			0	
030	99999-99999	COMP.FRAME RH	1			0	
040	99999-99999	COMP.FRAME UPPER	1			0	
050	99999-99999	COMP.FRAME FRONT LH	1			0	
060	99999-99999	COMP.FRAME FRONT RH	1			0	
070	32741-34862	GROMMET ROPS	2			0	

ROPS/FOPS

Ref	Part Number	Part Name	Qty	IC	S/N	Lbs	Remarks
080	6C140-47460	LABEL ROPS WARNING	1			0.002	ENGLISH
080	6C141-47460	LABEL ROPS WARNING	1			0.002	FRENCH
090	K2591-65410	LABEL REFLECTOR	2			0.022	
100	01173-51202	BOLT	4			0.22	
110	04015-60120	WASHER PLAIN	8			0.048	
120	04512-60120	WASHER SPRING	4			0.011	
130	02176-50120	NUT	4			0.022	
140	01173-51280	BOLT	4			0.22	
150	04015-60120	WASHER PLAIN	8			0.048	
160	04512-60120	WASHER SPRING	4			0.011	
170	02176-50120	NUT	4			0.022	
180	01176-51402	BOLT	4			0.297	
190	04512-60140	WASHER SPRING	4			0.017	
200	02076-50140	NUT	4			0.048	
210	01123-51235	BOLT	8			0.090	
220	01123-51240	BOLT	2			0.105	
230	6A100-51380	CUSHION	2			0.006	
240	6C040-51342	BOLT	2			0.037	
250	02121-50080	NUT	2			0.022	
260	99999-99999	PLATE CONNECTOR	1			0	
270	0Y109-50616	BOLT	4			0.44	
280	0Y450-50060	WASHER SPRING	4			0.006	

SMV EMBLEM



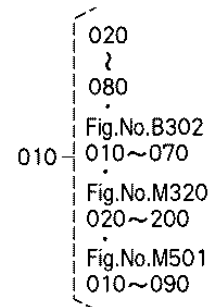
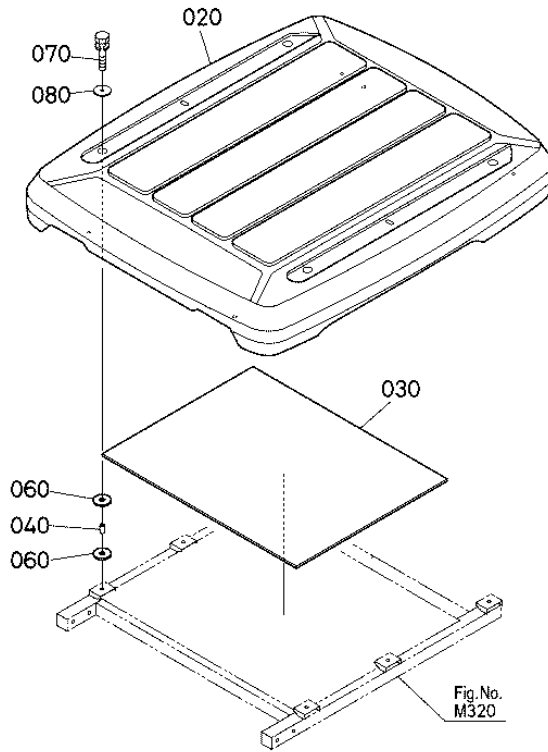
SMV EMBLEM

Ref	Part Number	Part Name	Qty	IC	S/N	Lbs	Remarks
010	7L500-89912	SIGN SMV	1			0.704	
020	7L500-89920	SOCKET SMV SIGN	1			0.22	
025	7L500-89930	SOCKET-MTG SMV	1			0.11	
030	7L500-89940	BOLT SQUARE NECK	2			0.022	OUT OF USE
040	7L500-89950	NUT	2			0.008	
050	7L500-89960	SPADE SMV SIGN	1			0.528	
060	7L500-89980	SCREW PAN HEAD	2			0.044	

SMV EMBLEM

Ref	Part Number	Part Name	Qty	IC	S/N	Lbs	Remarks
070	7L500-89990	NUT	2			0.002	
080	7L500-89810	BOLT SQUARE NECK	2			0.024	
090	04512-60080	WASHER SPRING	2			0.004	

CANOPY

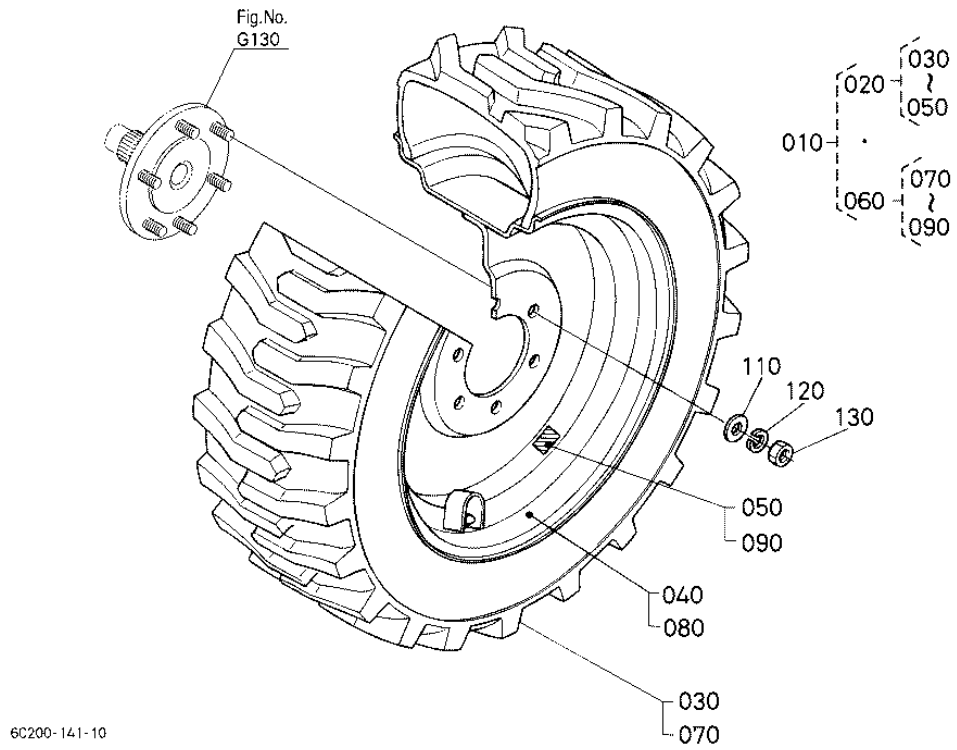


32741-083-11

CANOPY

Ref	Part Number	Part Name	Qty	IC	S/N	Lbs	Remarks
010	32741-34700	ASSY ROPS FOPS	1			0	
020	32781-34963	COMP.CANOPY	1			0	
030	32741-34990	ACOUSTICFORM	1			0	
040	32781-34880	COLLAR	6			0	
060	32781-34870	CUSHION(FOPS)	12			0	
070	01133-51055	BOLT	6			0.085	
080	32781-34890	WASHER PLAIN	6			0	

FRONT WHEEL (23*8.50-14R4)



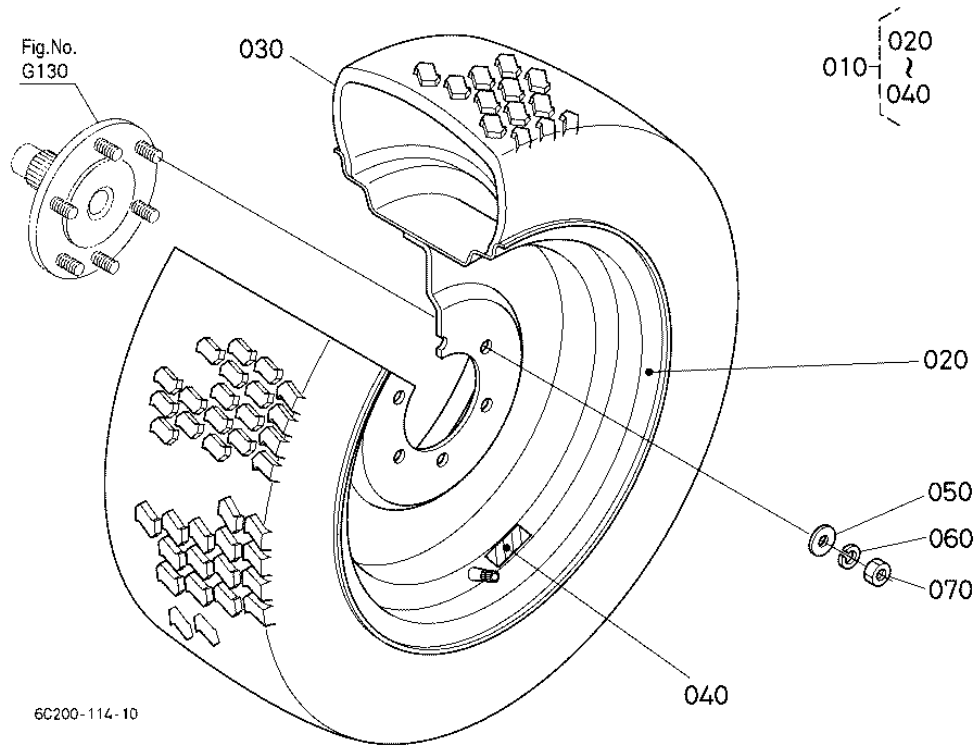
FRONT WHEEL (23*8.50-14R4)

Ref	Part Number	Part Name	Qty	IC	S/N	Lbs	Remarks
010	32721-50500	ASSY TIRE	1			0	
020	32721-50510	ASSY TIRE RH	1			0	
030	32721-50530	TIRE	1			24.2	
040	32721-50540	WHEEL	1			24.2	
050	99999-99999	LABEL RH	1			0	
060	32721-50520	ASSY TIRE LH	1			0	
070	32721-50530	TIRE	1			24.2	

FRONT WHEEL (23*8.50-14R4)

Ref	Part Number	Part Name	Qty	IC	S/N	Lbs	Remarks
080	32721-50540	WHEEL	1			24.2	
090	99999-99999	LABEL LH	1			0	
110	04013-60120	WASHER PLAIN	12			0.022	
120	04512-60120	WASHER SPRING	12			0.011	
130	02176-50120	NUT	12			0.022	

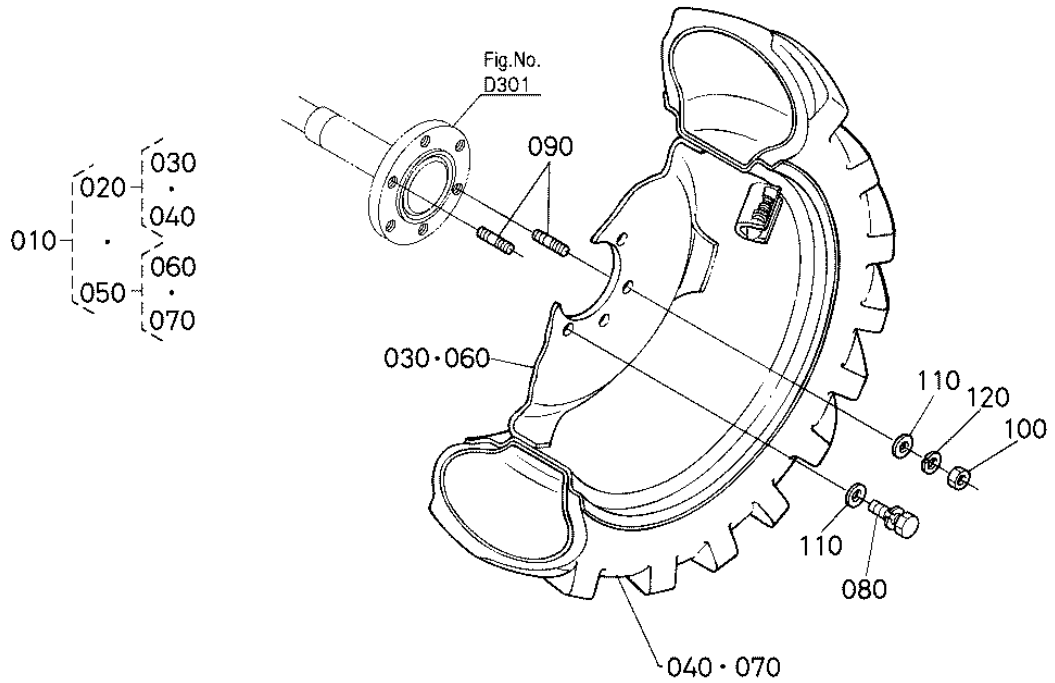
FRONT WHEEL (24*8.50-14)



FRONT WHEEL (24*8.50-14)

Ref	Part Number	Part Name	Qty	IC	S/N	Lbs	Remarks
010	6C070-50220	TIRE ASSY	2			0	
020	6C070-50230	WHEEL	2			0	
030	6C070-50240	TIRE	2			0	
040	99999-99999	LABEL TIRE	2			0	
050	04013-60120	WASHER PLAIN	12			0.022	
060	04512-60120	WASHER SPRING	12			0.011	
070	02176-50120	NUT	12			0.022	

REAR WHEEL (12.4-16R4)



6C200-117-10

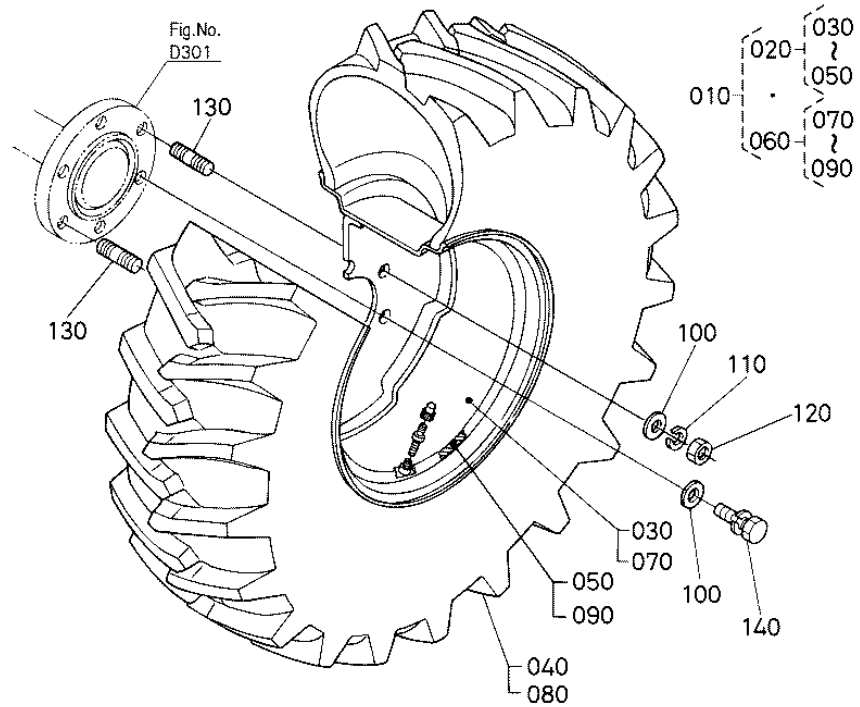
REAR WHEEL (12.4-16R4)

Ref	Part Number	Part Name	Qty	IC	S/N	Lbs	Remarks
010	32701-50010	ASSY REAR WHEEL	1			0	
020	32701-50110	ASSY TIRE LH	1			0	
030	32701-27950	WHEEL	1			0	
040	32701-50130	TIRE	1			33	
050	32701-50210	ASSY TIRE RH	1			0	
060	32701-27950	WHEEL	1			0	
070	32701-50130	TIRE	1			33	

REAR WHEEL (12.4-16R4)

Ref	Part Number	Part Name	Qty	IC	S/N	Lbs	Remarks
080	01133-51635	BOLT	8			0.198	
090	01517-51632	STUD	4			0.167	
100	02176-50160	NUT	4			0.046	
110	04013-60160	WASHER PLAIN	12			0.022	
120	04512-60160	WASHER SPRING	4			0.022	

REAR WHEEL (12.4-16)



6C200-115-10

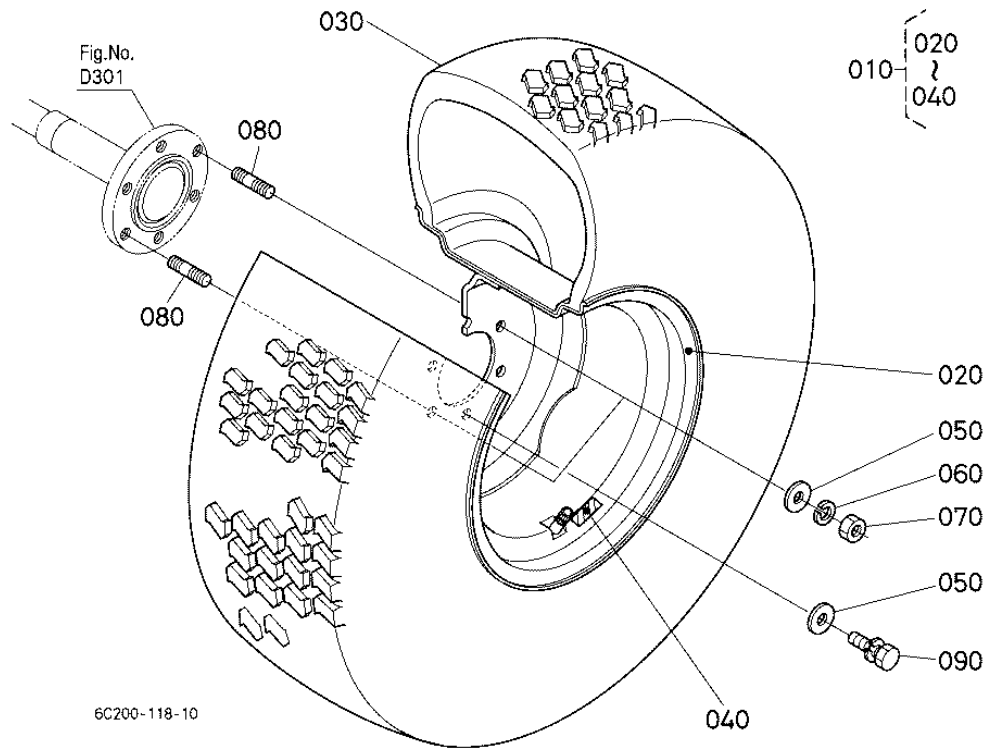
REAR WHEEL (12.4-16)

Ref	Part Number	Part Name	Qty	IC	S/N	Lbs	Remarks
010	66429-17610	ASSY TIRE	1			0	
020	66429-17620	ASSY TIRE LH	1			0	
030	32701-27950	WHEEL	1			0	
040	66429-17650	TIRE	1			0	
050	99999-99999	LABEL TIRE LH	1			0	
060	66429-17630	ASSY TIRE RH	1			0	
070	32701-27950	WHEEL	1			0	

REAR WHEEL (12.4-16)

Ref	Part Number	Part Name	Qty	IC	S/N	Lbs	Remarks
080	66429-17650	TIRE	1			0	
090	99999-99999	LABEL TIRE RH	1			0	
100	04013-60160	WASHER PLAIN	12			0.022	
110	04512-60160	WASHER SPRING	4			0.022	
120	02176-50160	NUT	4			0.046	
130	01517-51632	STUD	4			0.167	
140	01133-51635	BOLT	8			0.198	

REAR WHEEL (13.6-10)



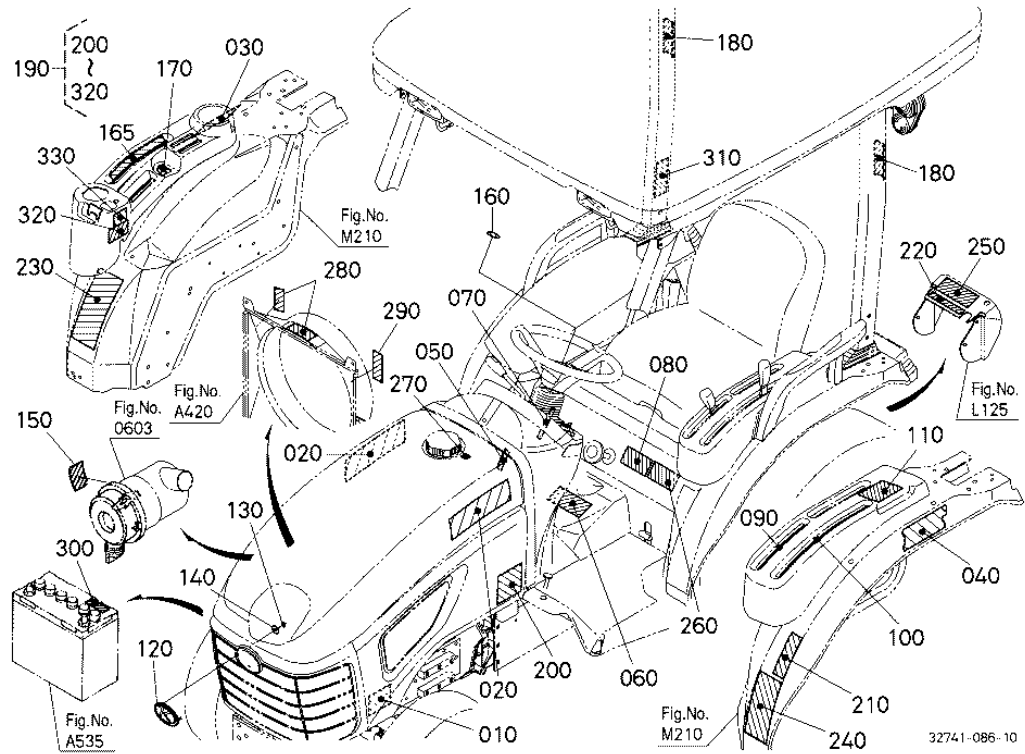
REAR WHEEL (13.6-10)

Ref	Part Number	Part Name	Qty	IC	S/N	Lbs	Remarks
010	6C070-50320	ASSY TIRE	2			0	
020	6C070-50330	WHEEL	2			0	
030	6C070-50340	TIRE	2			0	
040	99999-99999	LABEL TIRE	2			0	
050	04013-60160	WASHER PLAIN	12			0.022	
060	04512-60160	WASHER SPRING	4			0.022	
070	02176-50160	NUT	4			0.046	

REAR WHEEL (13.6-10)

Ref	Part Number	Part Name	Qty	IC	S/N	Lbs	Remarks
080	01517-51632	STUD	4			0.167	
090	01133-51635	BOLT	8			0.198	

LABEL [ENGLISH]



LABEL [ENGLISH]

Ref	Part Number	Part Name	Qty	IC	S/N	Lbs	Remarks
010	99999-99999	NAME PLATE	1			0	
020	32741-47250	LABEL	2			0.011	
030	K2571-65250	LABEL 4WD	1			0.004	
040	6C200-47550	MARK HST	1			0.002	
050	6C040-47512	LABEL PARKING	1			0.002	
060	6C200-47480	LABEL PEDAL	1			0.004	
070	6C042-47400	LABEL 4WD	1			0.002	

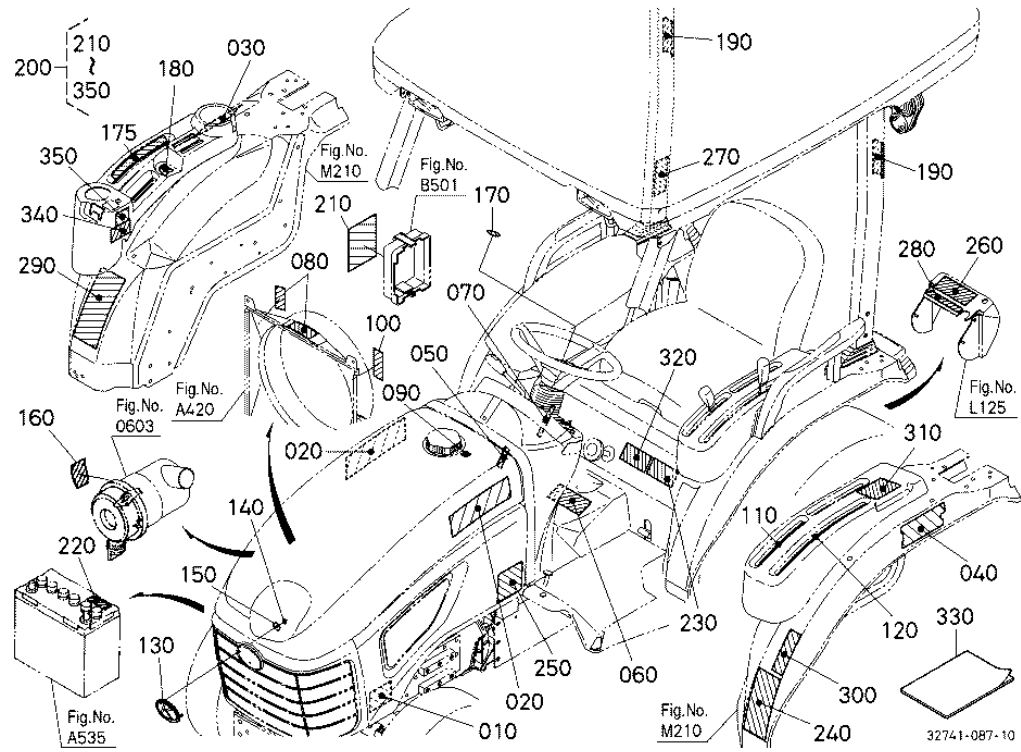
LABEL [ENGLISH]

Ref	Part Number	Part Name	Qty	IC	S/N	Lbs	Remarks
080	32771-49260	LABEL SEAT CHANGE	1			0.006	
090	6C200-47470	LABEL	1			0.002	
100	6C200-47440	LABEL RANGE SHIFT	1			0.006	
110	6C200-47330	LABEL S-CHANGE	1			0.008	
120	RC411-57220	MARK EMBLEM K	1			0.033	
130	RA111-43690	NUT	2			0.002	
140	55611-44210	PLATE WASHER	2			0.015	
150	32721-58282	LABEL CAUTION	1			0.002	
160	6C200-41440	MARK STEERING WHEEL	1			0.011	
165	6C200-47350	LABEL POSITION	1			0.006	
170	6C070-47212	MARK MAIN SWITCH	1			0.002	
180	K2591-65410	LABEL REFLECTOR	2			0.022	
190	32741-47400	KIT LABEL SAFETY	1			1.082	
200	6C090-49650	LABEL START CAUTION	1			0.011	
210	6C070-47422	LABEL SAFETY	1			0.011	
220	6C140-47440	LABEL DRAWBAR	1			0.002	
230	32771-49250	LABEL ROPS WARNING	1			0.002	
240	6C150-47430	LABEL PARKING WARNI.	1			0.004	
250	TA040-49593	LABEL PTO WARNING	1			0.002	
260	32751-49210	LABEL SEAT WARNING	1			0.004	
270	6C040-47412	LABEL FILLER CAUTION	1			0.002	
280	32751-49580	LABEL FAN BELT	2			0.002	
290	TA040-49580	LABEL MUFFLER	1			0.002	
300	6C040-55590	LABEL BATTERY	1			0.002	
310	6C140-47460	LABEL ROPS WARNING	1			0.002	
320	32741-47510	LABEL SAFETY START	1			0.002	ORDER BY REF.No.19

LABEL [ENGLISH]

Ref	Part Number	Part Name	Qty	IC	S/N	Lbs	Remarks
330	32741-47520	LABEL SEAT	1			0	

LABEL [FRENCH]



LABEL [FRENCH]

Ref	Part Number	Part Name	Qty	IC	S/N	Lbs	Remarks
010	99999-99999	NAME PLATE	1			0	
020	32741-47250	LABEL	2			0.011	
030	K2571-65250	LABEL 4WD	1			0.004	
040	6C200-47550	MARK HST	1			0.002	
050	6C040-47512	LABEL PARKING	1			0.002	
060	6C200-47480	LABEL PEDAL	1			0.004	
070	6C042-47400	LABEL 4WD	1			0.002	

LABEL [FRENCH]

Ref	Part Number	Part Name	Qty	IC	S/N	Lbs	Remarks
080	32751-49580	LABEL FAN BELT	2			0.002	
090	6C040-47412	LABEL FILLER CAUTION	1			0.002	
100	TA040-49580	LABEL MUFFLER	1			0.002	
110	6C200-47470	LABEL	1			0.002	
120	6C200-47440	LABEL RANGE SHIFT	1			0.006	
130	RC411-57220	MARK EMBLEM K	1			0.033	
140	RA111-43690	NUT	2			0.002	
150	55611-44210	PLATE WASHER	2			0.015	
160	32721-58282	LABEL CAUTION	1			0.002	
170	6C200-41440	MARK STEERING WHEEL	1			0.011	
175	6C200-47350	LABEL POSITION	1			0.006	
180	6C070-47212	MARK MAIN SWITCH	1			0.002	
190	K2591-65410	LABEL REFLECTOR	2			0.022	
200	32745-92100	KIT LABEL	1			0.572	
210	32745-92110	LABEL FUSE	1			0	
220	6C021-92120	LABEL BATTERY	1			0.002	
230	32765-49210	LABEL SEAT WARNING	1			0.004	
240	6C151-47430	LABEL PARKING WARNI.	1			0.004	
250	6C091-49650	LABEL START CAUTION	1			0.022	
260	TA041-49590	LABEL PTO WARNING	1			0.002	
270	6C141-47460	LABEL ROPS WARNING	1			0.002	
280	6C141-47440	LABEL DRAWBAR	1			0.002	
290	32775-49250	LABEL ROPS WARNING	1			0.008	
300	6C071-47422	LABEL SAFETY	1			0.011	
310	6C201-47330	LABEL S-CHANGE	1			0.002	
320	32775-49260	LABEL SEAT CHANGE	1			0.006	

LABEL [FRENCH]

Ref	Part Number	Part Name	Qty	IC	S/N	Lbs	Remarks
330	32745-92053	OPERATORS MANUAL	1			0	
340	32745-47510	LABEL SAFETY START	1			0	
350	32745-47520	LABEL SEAT	1			0	

ACCESSORIES AND SERVICE PARTS

ACCESSORIES AND SERVICE PARTS ACCESSOIRES ET PIECES DE SERVICE SONTIGES ZUBEHOER UND SERVICE-TEILE ACCESORIOS Y SERVICIO PIEZAS ACCESSORI E SERVIZIO PARTI

TITLE-001-11

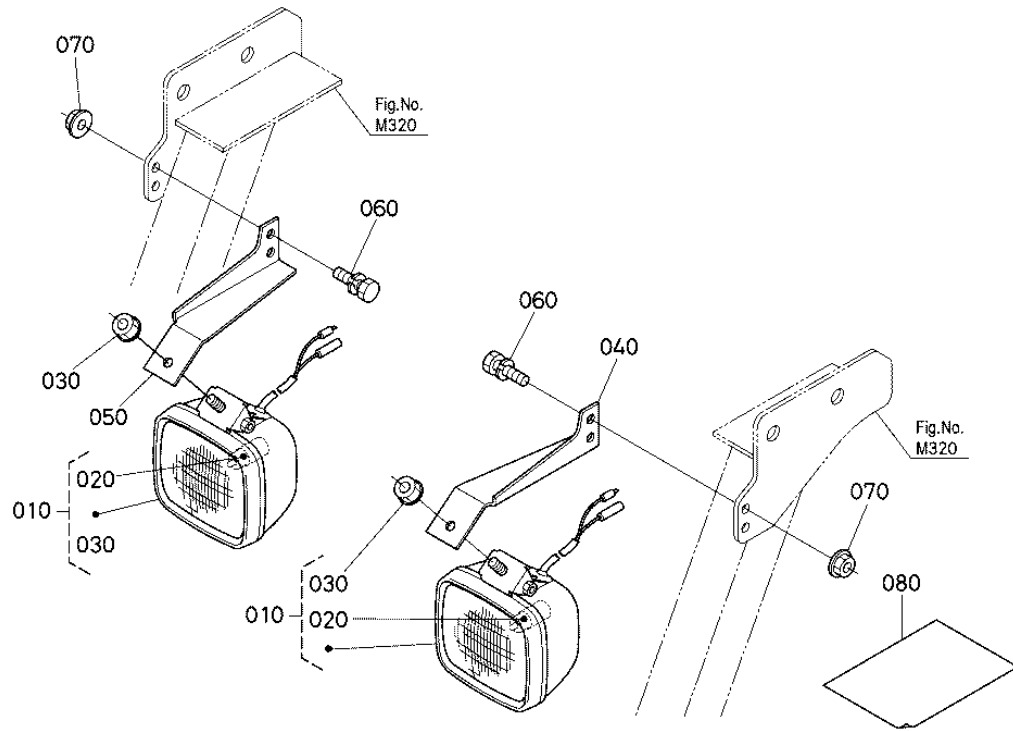
ACCESSORIES AND SERVICE PARTS

Ref	Part Number	Part Name	Qty	IC	S/N	Lbs	Remarks
010	1G511-89814	STATEMENT WARRANTY	1			0.077	
020	32745-92053	OPERATORS MANUAL	1			0	FRENCH
020	32741-63110	OPERATORS MANUAL	1			0	ENGLISH
030	15241-86612	WRENCH FILTER	1			0.253	
040	34670-34530	FUSE	1			0.006	40A
050	04013-60120	WASHER PLAIN	12			0.022	FOR FRONT WHEEL
060	04512-60120	WASHER SPRING	12			0.011	FOR FRONT WHEEL

ACCESSORIES AND SERVICE PARTS

Ref	Part Number	Part Name	Qty	IC	S/N	Lbs	Remarks
070	02176-50120	NUT	12			0.022	FOR FRONT WHEEL
080	04013-60160	WASHER PLAIN	12			0.022	FOR REAR WHEEL
090	04512-60160	WASHER SPRING	4			0.022	FOR REAR WHEEL
100	02176-50160	NUT	4			0.046	FOR REAR WHEEL
110	01517-51632	STUD	4			0.167	FOR REAR WHEEL
120	01133-51635	BOLT	8			0.198	FOR REAR WHEEL

WORKING LIGHT KIT (FRONT) (W/G No.L8045) [OPTION]



32741-088-10

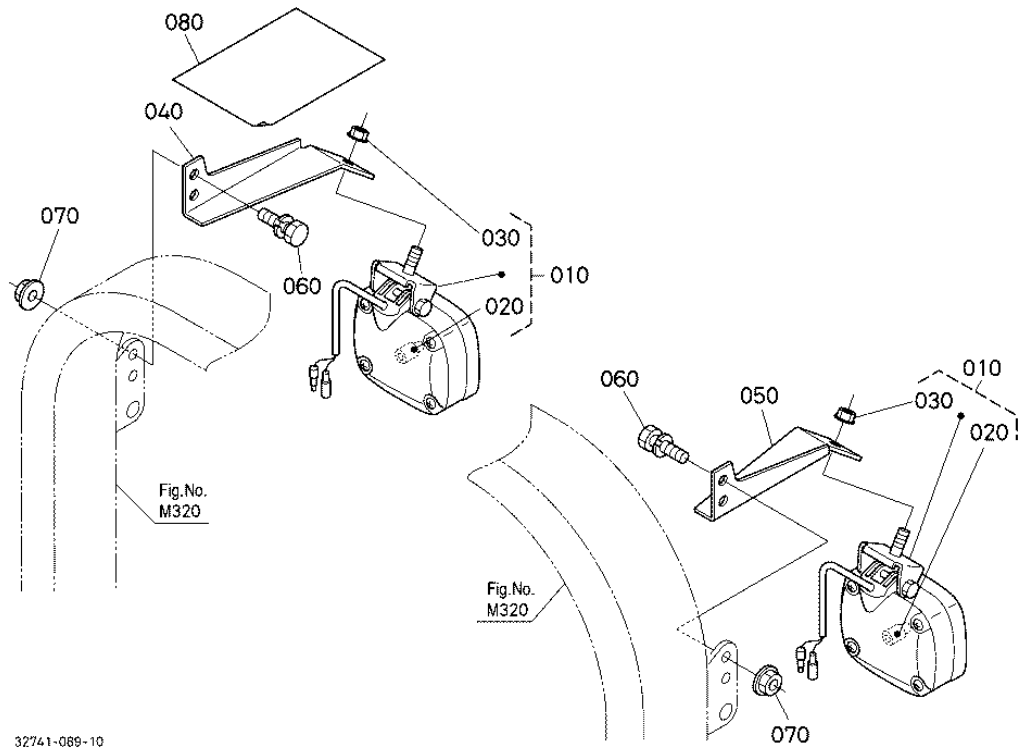
WORKING LIGHT KIT (FRONT) (W/G No.L8045) [OPTION]

Ref	Part Number	Part Name	Qty	IC	S/N	Lbs	Remarks
010	3F740-75910	LIGHT WORK	2			0.792	
020	3G710-75900	BULB	2			0.015	
030	02763-60080	NUT FLANGE	2			0.011	
040	32781-75350	STAY	1			0.462	
050	32781-75360	STAY	1			0.462	
060	01123-50818	BOLT	4			0.026	
070	02751-50080	NUT FLANGE	4			0.013	

WORKING LIGHT KIT (FRONT) (W/G No.L8045) [OPTION]

Ref	Part Number	Part Name	Qty	IC	S/N	Lbs	Remarks
080	99999-99999	MANUAL ASSEMBLY	1			0	

WORKING LIGHT KIT (REAR) (W/G No.L8045) [OPTION]



32741-089-10

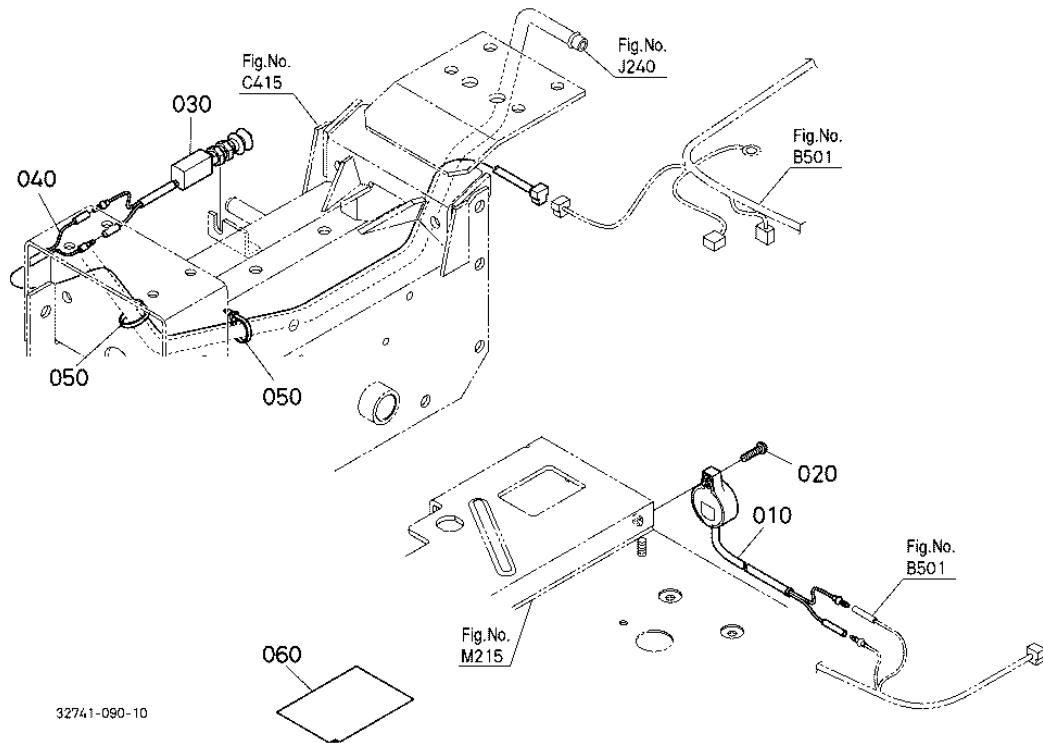
WORKING LIGHT KIT (REAR) (W/G No.L8045) [OPTION]

Ref	Part Number	Part Name	Qty	IC	S/N	Lbs	Remarks
010	3F740-75910	LIGHT WORK	2			0.792	
020	3G710-75900	BULB	2			0.015	
030	02763-60080	NUT FLANGE	2			0.011	
040	32781-75350	STAY	1			0.462	
050	32781-75360	STAY	1			0.462	
060	01123-50818	BOLT	4			0.026	
070	02751-50080	NUT FLANGE	4			0.013	

WORKING LIGHT KIT (REAR) (W/G No.L8045) [OPTION]

Ref	Part Number	Part Name	Qty	IC	S/N	Lbs	Remarks
080	99999-99999	MANUAL ASSEMBLY	1			0	

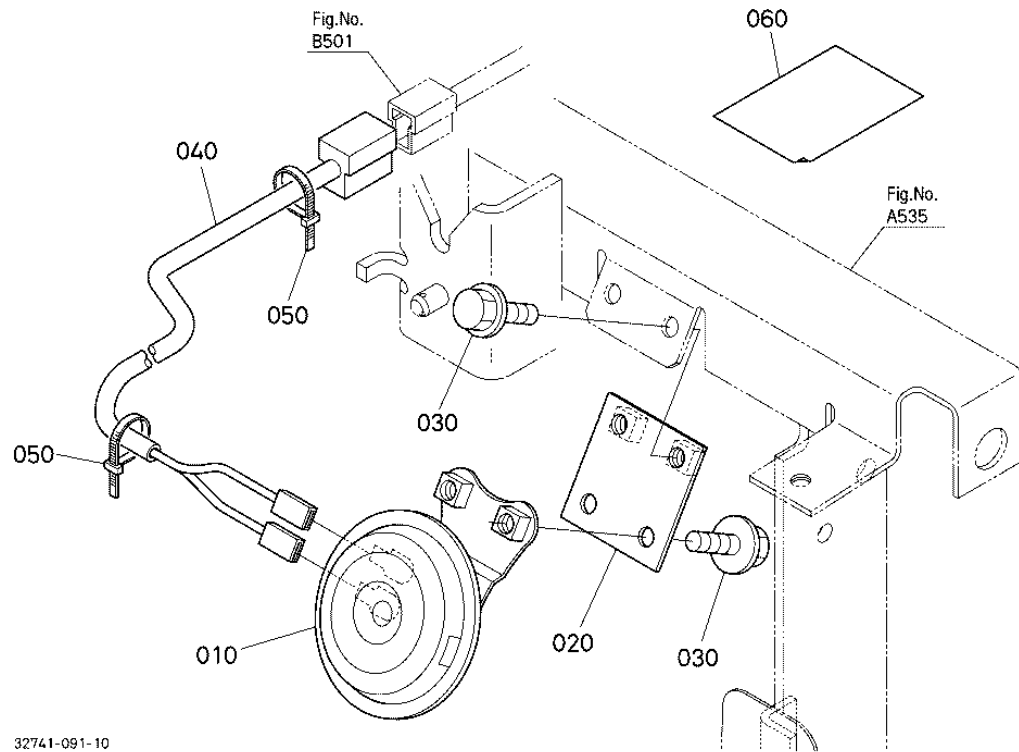
BACK BUZZER KIT (W/G No.B8011) [OPTION]



BACK BUZZER KIT (W/G No.B8011) [OPTION]

Ref	Part Number	Part Name	Qty	IC	S/N	Lbs	Remarks
010	32751-96860	BUZZER BACK	1			0.132	
020	03054-50520	SCREW PAN-HEAD	1			0.011	
030	6C080-31010	SWITCH BRAKE LIGHT	1			0.202	
040	32741-96390	WIRE HARNESS BUZZER	1			0.044	
050	53581-64150	BAND CORD	2			0.004	
060	99999-99999	MANUAL INSTRUCTION	1			0	

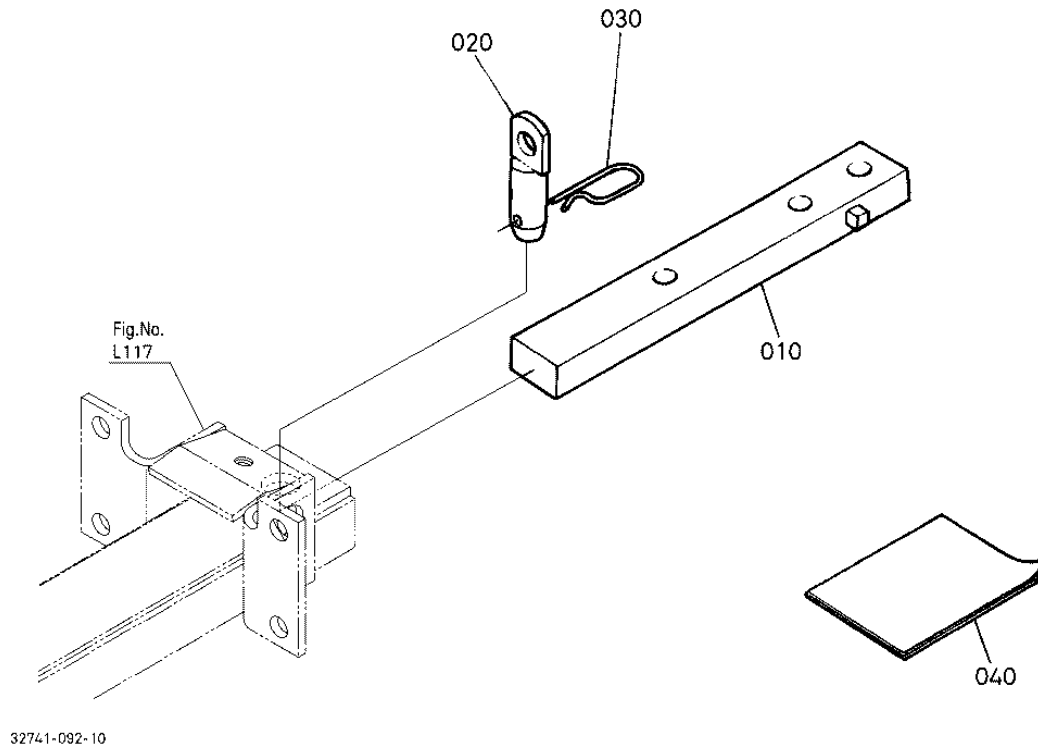
HORN KIT (W/G No.L8043) [OPTION]



HORN KIT (W/G No.L8043) [OPTION]

Ref	Part Number	Part Name	Qty	IC	S/N	Lbs	Remarks
010	6A100-30850	ASSY HORN	1			0.327	
020	32781-96550	STAY HORN	1			0.077	
030	01754-50616	BOLT FLANGE	4			0.013	
040	32781-96520	WIRE HARNESS	1			0.11	
050	53581-64150	BAND CORD	2			0.004	
060	99999-99999	MANUAL ASSEMBLY	1			0	

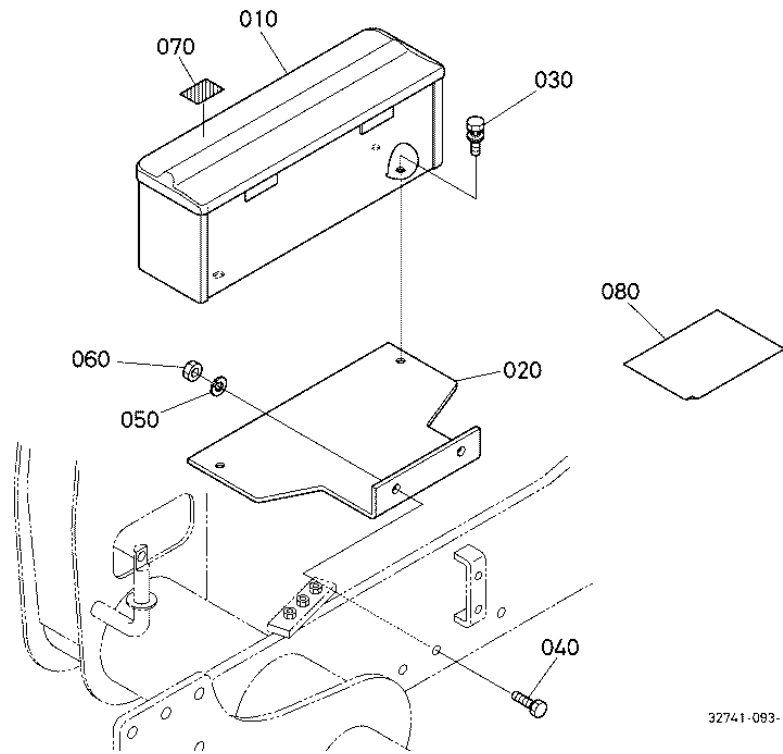
DRAWBER KIT (W/G No.B8036) [OPTION]



DRAWBER KIT (W/G No.B8036) [OPTION]

Ref	Part Number	Part Name	Qty	IC	S/N	Lbs	Remarks
010	6C040-67110	DRAWBAR	1			10.03	
020	6C040-65610	PIN HITCH	1			0.396	
030	31150-29730	PIN SPRING	1			0.096	
040	32721-96910	MANUAL INSTRUCTION	1			0.008	

TOOL BOX KIT (W/G No.B8012) [OPTION]



32741-093-10

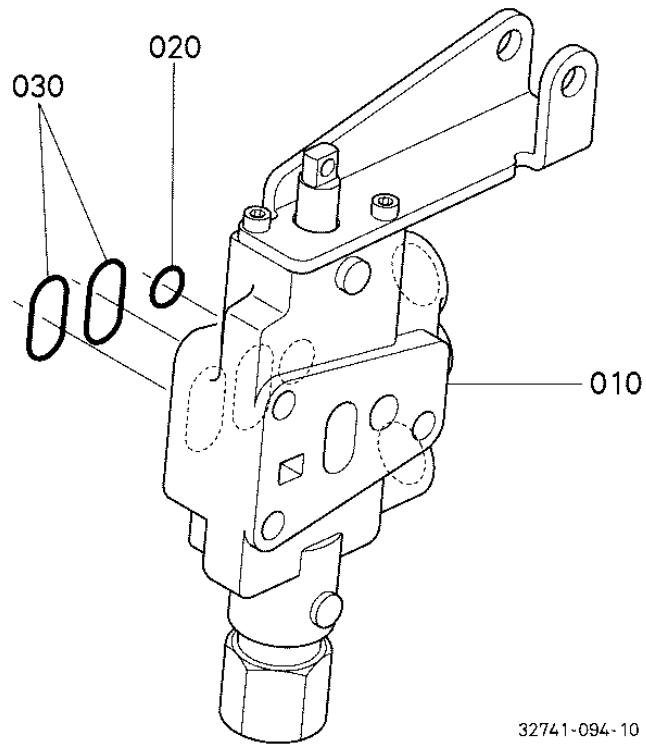
TOOL BOX KIT (W/G No.B8012) [OPTION]

Ref	Part Number	Part Name	Qty	IC	S/N	Lbs	Remarks
010	3A751-90232	CASE TOOLS	1			5.94	
020	32741-96370	STAY TOOL BOX	1			5.544	
030	01125-60820	BOLT	2			0.033	
040	01173-51030	BOLT	2			0.050	
050	04512-60100	WASHER SPRING	2			0.004	
060	02118-50100	NUT	2			0.011	
070	RD118-57650	LABEL	1			0.002	

TOOL BOX KIT (W/G No.B8012) [OPTION]

Ref	Part Number	Part Name	Qty	IC	S/N	Lbs	Remarks
080	99999-99999	MANUAL ASSEMBLY	1			0	

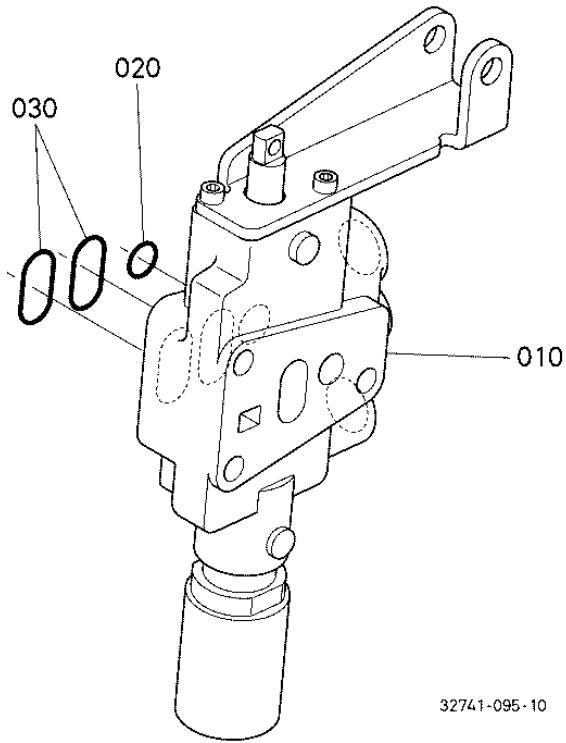
AUXILIARY CONTROL VALVE (W/G No.B8028) [OPTION]



AUXILIARY CONTROL VALVE (W/G No.B8028) [OPTION]

Ref	Part Number	Part Name	Qty	IC	S/N	Lbs	Remarks
010	YW378-00100	ASSY VALVE AUX.CON.	1			4.048	
020	04817-00100	O RING	1			0.002	
030	04817-05200	O RING	2			0.002	

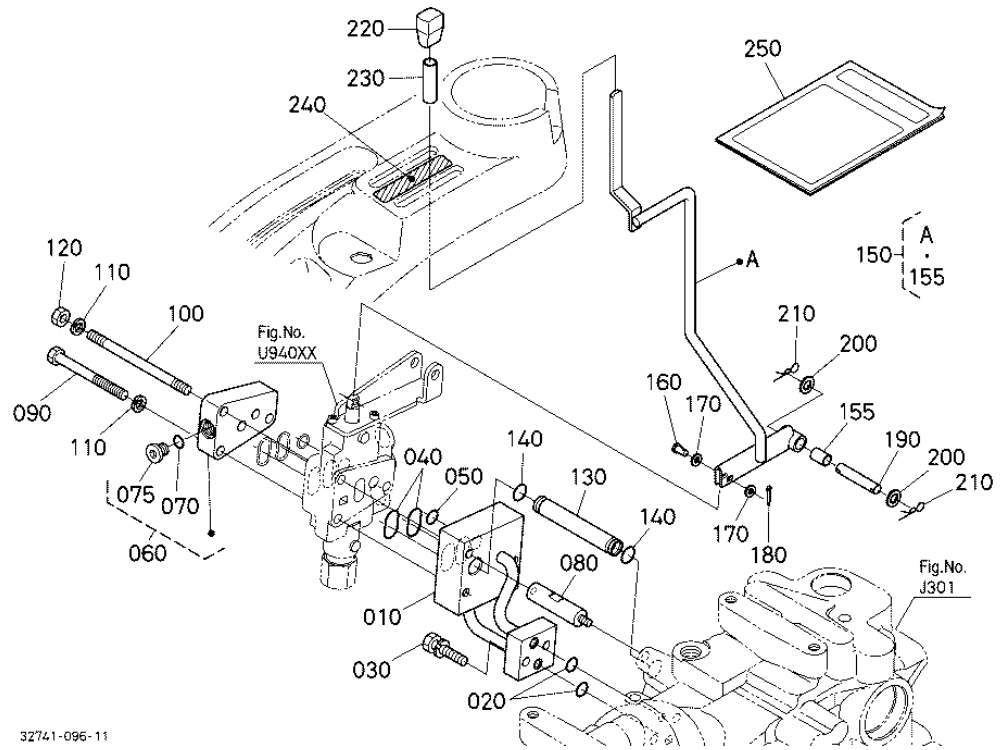
AUXILIARY CONTROL VALVE (FLOATING) (W/G No.B8029) [OPTION]



AUXILIARY CONTROL VALVE (FLOATING) (W/G No.B8029) [OPTION]

Ref	Part Number	Part Name	Qty	IC	S/N	Lbs	Remarks
010	YW377-00100	ASSY VALVE AUX.CON.	1			4.576	
020	04817-00100	O RING	1			0.002	
030	04817-05200	O RING	2			0.002	

AUXILIARY CONTROL VALVE LEVER (1ST) (W/G No.B8027) [OPTION]



AUXILIARY CONTROL VALVE LEVER (1ST) (W/G No.B8027) [OPTION]

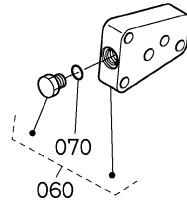
Ref	Part Number	Part Name	Qty	IC	S/N	Lbs	Remarks
010	6C200-93202	BRACKET AUX.CON.VALV	1			3.344	
020	04817-00070	O RING	2			0.002	
030	01123-50830	BOLT	2			0.033	
040	04817-05200	O RING	2			0.002	
050	04817-00100	O RING	1			0.002	
060	TD060-96122	COVER AUX.CON.VALVE	1		<=50032	0.924	
060	YW165-00100	ASSY COVER VALVE	1	>>	>=50033	1.012	

AUXILIARY CONTROL VALVE LEVER (1ST) (W/G No.B8027) [OPTION]

Ref	Part Number	Part Name	Qty	IC	S/N	Lbs	Remarks
070	04817-00080	O RING	1			0.002	
075	5H550-19830	PLUG	1		>=50033	0.011	
080	6C200-93112	BOLT	1			0.352	
090	01153-50875	BOLT	2			0.061	
100	6C200-93132	STUD	1			0.11	
110	04512-60080	WASHER SPRING	3			0.004	
120	02156-50080	NUT	1			0.008	
130	6C200-93120	PIPE RETURN	1			0.077	
140	04817-00110	O RING	2			0.002	
150	32741-93202	ASSY LEVER AUX.CON.	1			0	
155	08511-01020	BUSH	1			0.011	
160	68021-32790	PIN	1			0.008	
170	04012-50050	WASHER PLAIN	2			0.002	
180	05511-51210	PIN SPLIT	1			0.002	
190	TD170-96360	PIN FULCRUM	1			0.063	
200	04011-50100	WASHER PLAIN	2			0.004	
210	05515-61000	PIN SNAP	2			0.004	
220	TD060-96260	GRIP AUX.CONTR.LEVER	1			0.028	
230	32741-93190	TUBE LEVER	1			0.002	
240	TA040-49612	MARK AUX.CONT.VALVE	1			0.002	
250	99999-99999	MANUAL ASSEMBLY	1			0	

AUXILIARY CONTROL VALVE LEVER (1ST) (W/G No.B8027) [OPTION]

OLD PARTS

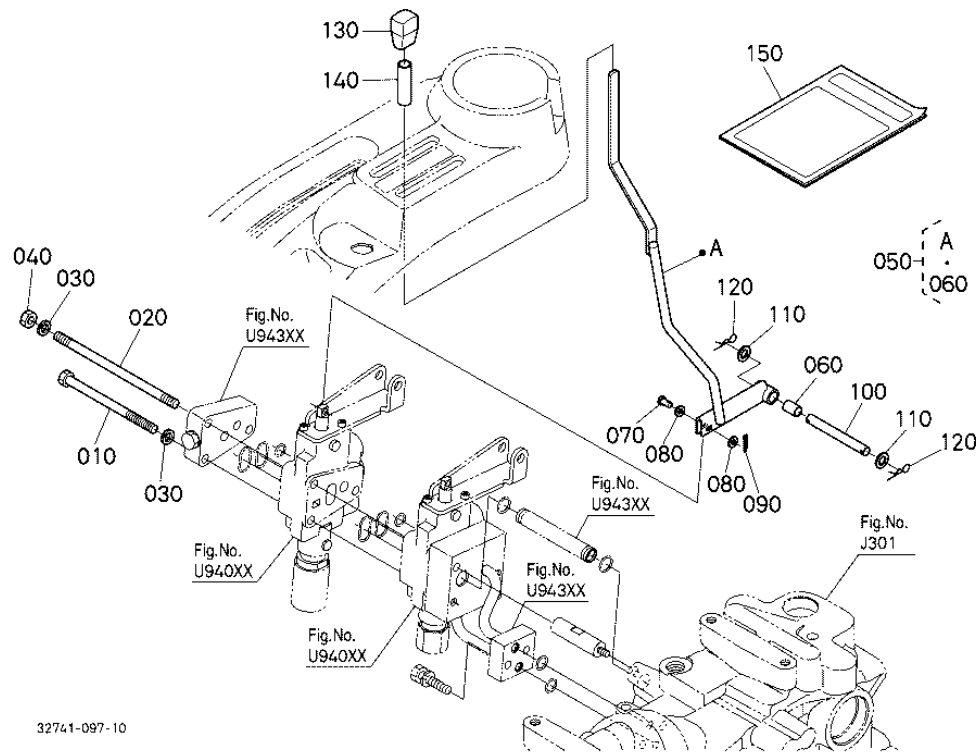


32741-803-10

AUXILIARY CONTROL VALVE LEVER (1ST) (W/G No.B8027) [OPTION]

Ref	Part Number	Part Name	Qty	IC	S/N	Lbs	Remarks
060	YW165-00100	ASSY COVER VALVE	1	>>	>=50033	1.012	
060	TD060-96122	COVER AUX.CON.VALVE	1		<=50032	0.924	
070	04817-00080	O RING	1			0.002	

AUXILIARY CONTROL VALVE LEVER (2ND) (W/G No.B8030) [OPTION]



32741-097-10

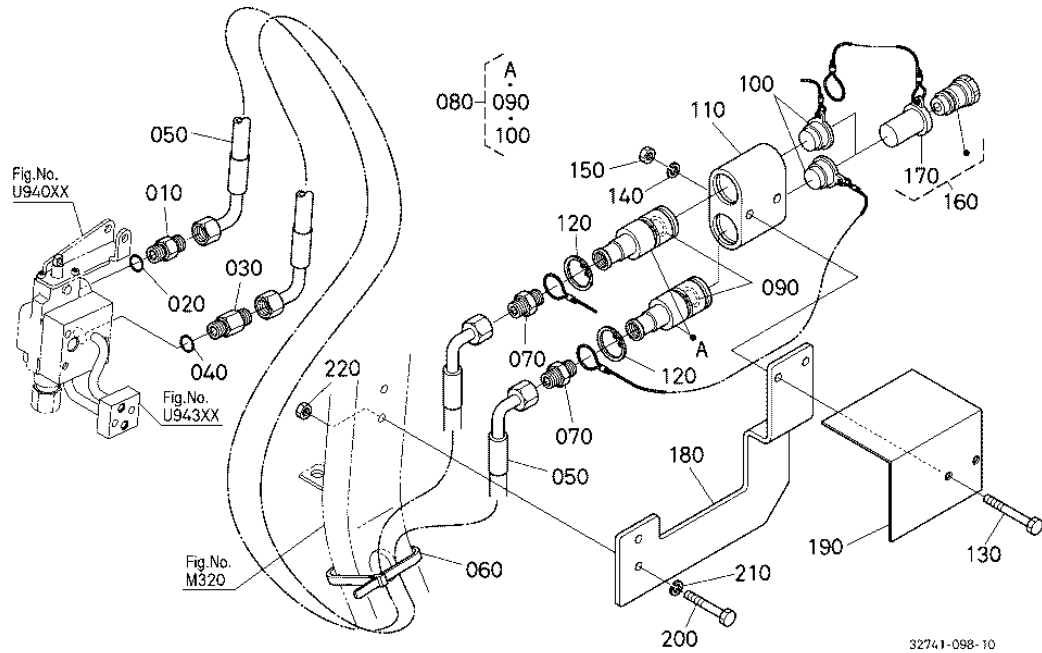
AUXILIARY CONTROL VALVE LEVER (2ND) (W/G No.B8030) [OPTION]

Ref	Part Number	Part Name	Qty	IC	S/N	Lbs	Remarks
010	01153-50802	BOLT	2			0.088	
020	6C200-93142	STUD	1			0.11	
030	04512-60080	WASHER SPRING	3			0.004	
040	02156-50080	NUT	1			0.008	
050	32741-93212	ASSY LEVER AUX.CON.	1			0	
060	08511-01020	BUSH	1			0.011	
070	68021-32790	PIN	1			0.008	

AUXILIARY CONTROL VALVE LEVER (2ND) (W/G No.B8030) [OPTION]

Ref	Part Number	Part Name	Qty	IC	S/N	Lbs	Remarks
080	04012-50050	WASHER PLAIN	2			0.002	
090	05511-51210	PIN SPLIT	1			0.002	
100	TD170-96370	PIN FULCRUM	1			0.11	
110	04011-50100	WASHER PLAIN	2			0.004	
120	05515-61000	PIN SNAP	2			0.004	
130	TD060-96260	GRIP AUX.CONTR.LEVER	1			0.028	
140	32741-93190	TUBE LEVER	1			0.002	
150	99999-99999	MANUAL ASSEMBLY	1			0	

AUXILIARY CONTROL VALVE COUPLER (1ST) (W/G No.B8027) [OPTION]



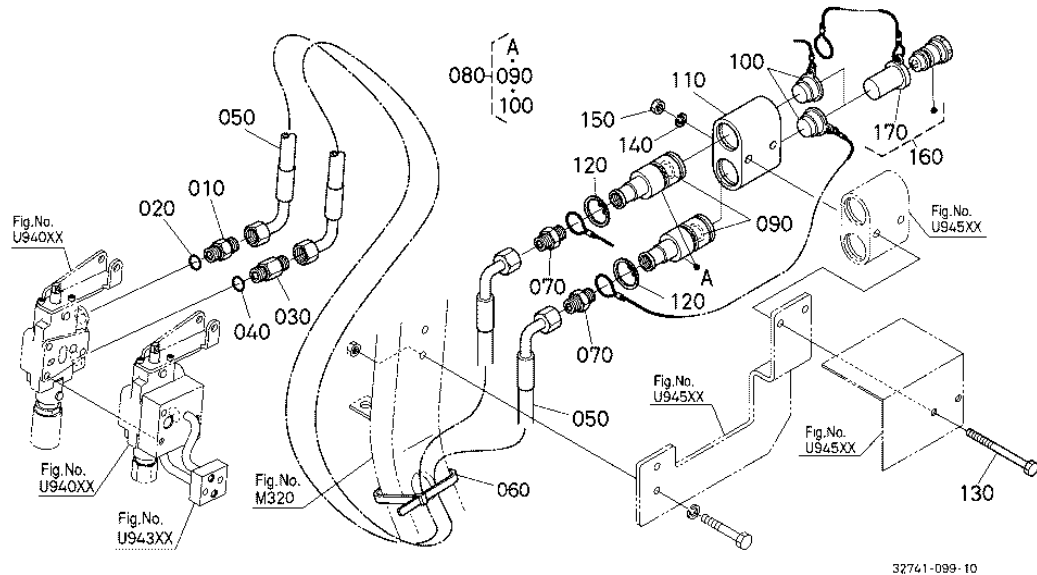
AUXILIARY CONTROL VALVE COUPLER (1ST) (W/G No.B8027) [OPTION]

Ref	Part Number	Part Name	Qty	IC	S/N	Lbs	Remarks
010	RP221-61410	JOINT PIPE	1			0.187	
020	04817-00140	O RING	1			0.002	
030	RB301-63810	JOINT PIPE(SF/-F/)	1			0.275	
040	04817-00140	O RING	1			0.002	
050	32741-93250	HOSE AUX.CONT.VALVE	2			0.814	
060	32751-96300	BAND WORK LIGHT	1			0.011	
070	99063-93410	ADAPTER	2			0.154	

AUXILIARY CONTROL VALVE COUPLER (1ST) (W/G No.B8027) [OPTION]

Ref	Part Number	Part Name	Qty	IC	S/N	Lbs	Remarks
080	35861-82032	ASSY COUPLER FEMALE	2			0.704	
090	35861-94510	O RING	2			0.004	
100	35861-94520	PLUG COUPLER	2			0.011	
110	35893-82610	SUPPORT COUPLER	1			1.606	
120	04611-00380	CIR CLIP INTERNAL	2			0.008	
130	01153-50865	BOLT	2			0.055	
140	04512-60080	WASHER SPRING	2			0.004	
150	02156-50080	NUT	2			0.008	
160	35861-82190	ASSY COUPLER MALE	2			0.189	
170	35861-94530	CAP	2			0.015	
180	32741-93170	STAY COUPLER	1			2.2	
190	32741-93290	COVER COUPLER	1			0.99	
200	01153-50855	BOLT	2			0.050	
210	04512-60080	WASHER SPRING	2			0.004	
220	02156-50080	NUT	2			0.008	

AUXILIARY CONTROL VALVE COUPLER (2ND) (W/G No.B8030) [OPTION]



32741-099-10

AUXILIARY CONTROL VALVE COUPLER (2ND) (W/G No.B8030) [OPTION]

Ref	Part Number	Part Name	Qty	IC	S/N	Lbs	Remarks
010	RP221-61410	JOINT PIPE	1			0.187	
020	04817-00140	O RING	1			0.002	
030	RB301-63810	JOINT PIPE(SF/-F/)	1			0.275	
040	04817-00140	O RING	1			0.002	
050	32741-93250	HOSE AUX.CONT.VALVE	2			0.814	
060	32751-96300	BAND WORK LIGHT	1			0.011	
070	99063-93410	ADAPTER	2			0.154	

AUXILIARY CONTROL VALVE COUPLER (2ND) (W/G No.B8030) [OPTION]

Ref	Part Number	Part Name	Qty	IC	S/N	Lbs	Remarks
080	35861-82032	ASSY COUPLER FEMALE	2			0.704	
090	35861-94510	O RING	2			0.004	
100	35861-94520	PLUG COUPLER	2			0.011	
110	35893-82610	SUPPORT COUPLER	1			1.606	
120	04611-00380	CIR CLIP INTERNAL	2			0.008	
130	01153-50802	BOLT	2			0.088	
140	04512-60080	WASHER SPRING	2			0.004	
150	02156-50080	NUT	2			0.008	
160	35861-82190	ASSY COUPLER MALE	2			0.189	
170	35861-94530	CAP	2			0.015	