

# Instructions for Parts Books

The heading at the top of the page will be the same for the picture of the parts as it is for the page with the part numbers.

Definition of column headings on part number pages:

**REF.No** → The number referring to the part on the picture page of the parts book.

**Part No.** → The number assigned to this part at the time of printing the parts book.

**Description** → Description of part.

**Q'ty** → Quantity of part used on that page.

**S.No.** → Serial number range of the equipment that this part will fit.

>= Your serial number should be greater than or equal to the number shown.

<= Your serial number should be lesser than or equal to the serial number shown.

**I/C** → Interchangeability of part shown.

↔ The part shown will work for the older and later serial number.

# The part shown is not interchangeable with the other serial number.

← new for old

→ old for new

**Remarks** → Notes about this particular part. Sometimes this may say except [FR] or [CA]

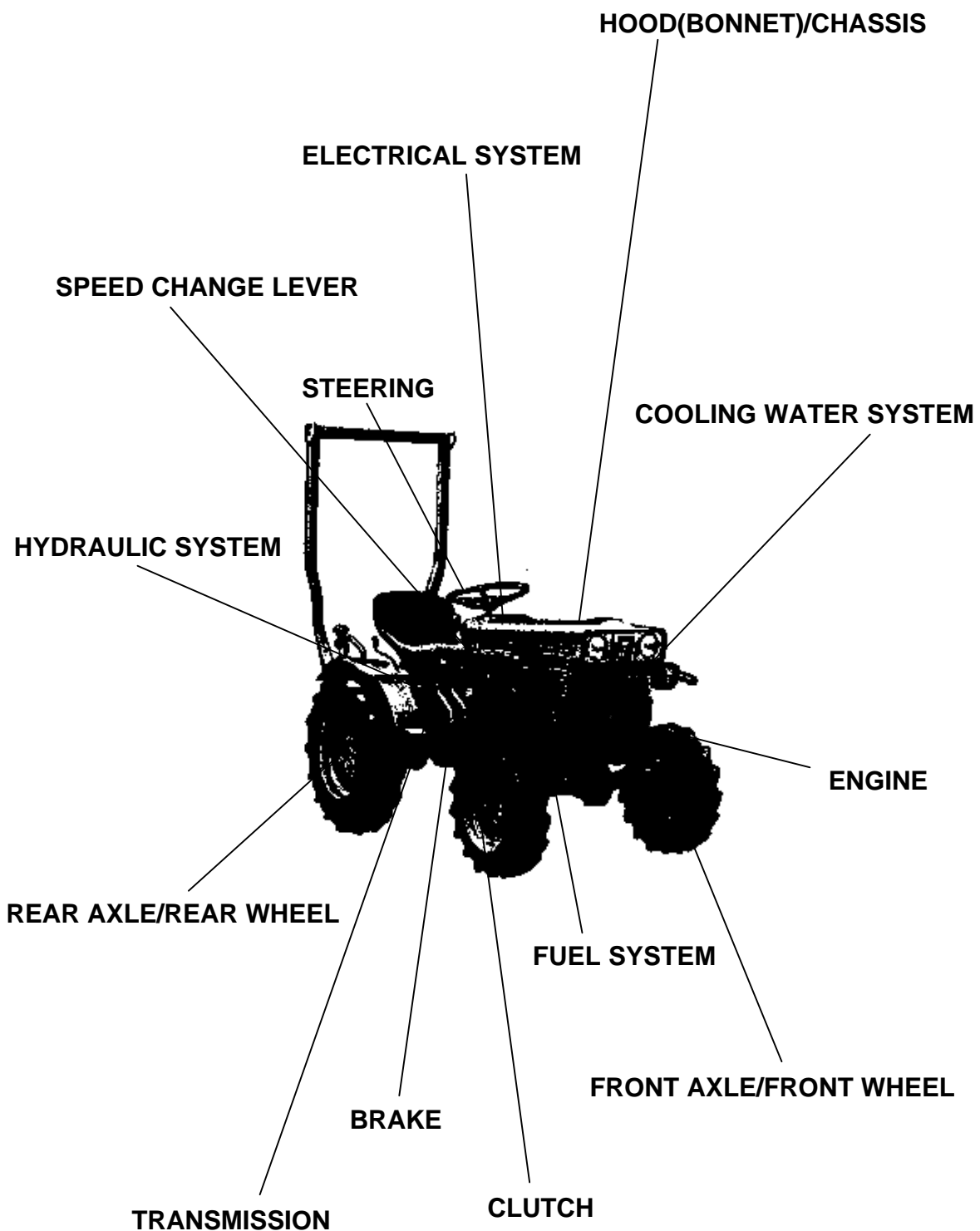
## Note about Country Codes:

The parts books we use in the United States of America may also contain information about a part that would be different in another country. It is important that you are aware of the country codes in some instances.

| Symbol | Country                  |
|--------|--------------------------|
| A      | United States of America |
| CA     | Canada                   |
| FR     | France                   |
| GR     | Greece                   |
| PO     | Portugal                 |
| AU     | Australia                |

If the remarks column says for example EXCEPT [FR] this part works in all countries except France. That means it will work here in the USA.

ALL PRODUCT INDEX  
B6100D-T

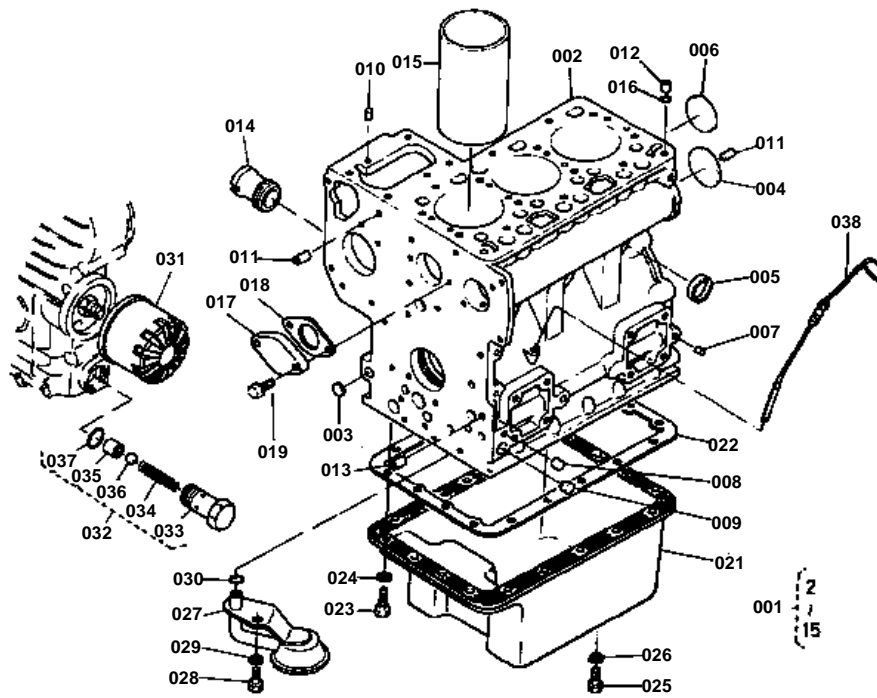


LABELS  
ACCESSORIES

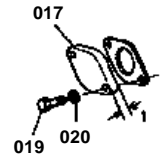
| Item                   | Part No. | Description                        | Book     |
|------------------------|----------|------------------------------------|----------|
| ENGINE                 | 01T001   | CRANKCASE GROUP                    | 100K0034 |
|                        | 01T002   | CYLINDER HEAD GROUP                | 100K0034 |
|                        | 01T003   | GEAR CASE GROUP                    | 100K0034 |
|                        | 01T004   | BEARING CASE GROUP                 | 100K0034 |
|                        | 01T005   | BREATHER GROUP                     | 100K0034 |
|                        | 01T006   | INLET MANIFOLD GROUP               | 100K0034 |
|                        | 01T007   | VALVE ROCKER ARM GROUP             | 100K0034 |
|                        | 01T008   | HEAD COVER GROUP                   | 100K0034 |
|                        | 01T009   | CAMSHAFT GROUP                     | 100K0034 |
|                        | 01T010   | PISTON CRANKSHAFT GROUP            | 100K0034 |
|                        | 01T011   | FLYWHEEL GROUP                     | 100K0034 |
|                        | 01T012   | NOZZLE HOLDER GROUP                | 100K0034 |
|                        | 01T013   | INJECTION PUMP GROUP               | 100K0034 |
|                        | 01T014   | SPEED CONTROL PLATE GROUP          | 100K0034 |
|                        | 01T015   | GOVERNOR GROUP                     | 100K0034 |
|                        | 01T016   | DYNAMO GROUP                       | 100K0034 |
|                        | 01T017   | CLUTCH GROUP                       | 100K0034 |
|                        | 01T018   | NAME PLATE GROUP                   | 100K0034 |
|                        | 01T019   | NOZZLE HOLDER GROUP                | 100K0034 |
|                        | 01T020   | INJECTION PUMP GROUP               | 100K0034 |
|                        | 01T021   | DYNAMO GROUP                       | 100K0034 |
|                        | 01T022   | STARTER GROUP                      | 100K0034 |
|                        | 01T023   | OIL PRESSURE PUMP GROUP            | 100K0034 |
| TRANSMISSION           | 01T024   | TRANSMISSION CASE GROUP            | 100K0034 |
|                        | 01T025   | CASE COVER GROUP                   | 100K0034 |
|                        | 01T026   | AXLE CASE GROUP                    | 100K0034 |
| REAR AXLE/REAR WHEEL   | 01T027   | REAR WHEEL GROUP [AMERICA]         | 100K0034 |
| CLUTCH                 | 01T028   | CLUTCH ROD GROUP                   | 100K0034 |
| TRANSMISSION           | 01T029   | 1ST SHAFT 4TH SHAFT GROUP          | 100K0034 |
|                        | 01T030   | 2ND SHAFT REVERSE SHAFT GROUP      | 100K0034 |
|                        | 01T031   | 3RD 5TH PTO SHAFT GROUP            | 100K0034 |
| REAR AXLE/REAR WHEEL   | 01T032   | DIFFERENTIAL GROUP                 | 100K0034 |
| SPEED CHANGE LEVER     | 01T033   | MAIN SPEED CHANGE GROUP            | 100K0034 |
|                        | 01T034   | AUX.SPEED CHANGE GROUP             | 100K0034 |
|                        | 01T035   | ROTARY SPEED CHANGE GROUP          | 100K0034 |
| BRAKE                  | 01T036   | BRAKE GROUP                        | 100K0034 |
|                        | 01T037   | OIL PRESSURE PIPE GROUP            | 100K0034 |
| SPEED CHANGE LEVER     | 01T038   | CONTROL VALVE GROUP                | 100K0034 |
| HYDRAULIC SYSTEM       | 01T039   | OIL PRESSURE GROUP 1               | 100K0034 |
|                        | 01T040   | OIL PRESSURE GROUP 2               | 100K0034 |
| STEERING               | 01T041   | STEERING GROUP                     | 100K0034 |
| BRAKE                  | 01T042   | BRAKE ROD GROUP                    | 100K0034 |
| ENGINE                 | 01T043   | ACCELERATOR PEDAL GROUP            | 100K0034 |
| HOOD(BONNET)/CHASSIS   | 01T044   | SEAT GROUP                         | 100K0034 |
| LABELS                 | 01T045   | NAME PLATE GROUP                   | 100K0034 |
| CLUTCH                 | 01T046   | CLUTCH HOUSING GROUP               | 100K0034 |
| FRONT AXLE/FRONT WHEEL | 01T047   | FRONT WHEEL SUPPORT GROUP          | 100K0034 |
| COOLING WATER SYSTEM   | 01T048   | RADIATOR GROUP                     | 100K0034 |
| HOOD(BONNET)/CHASSIS   | 01T049   | FENDER GROUP                       | 100K0034 |
|                        | 01T050   | BONNET GROUP                       | 100K0034 |
| ENGINE                 | 01T051   | MUFFLER GROUP                      | 100K0034 |
| FUEL SYSTEM            | 01T052   | FUEL TANK GROUP                    | 100K0034 |
| ELECTRICAL SYSTEM      | 01T053   | BATTERY GROUP                      | 100K0034 |
|                        | 01T054   | PANEL GROUP                        | 100K0034 |
| ENGINE                 | 01T055   | AIR CLEANER GROUP EXCEPT[OVERSEAS] | 100K0034 |
| FUEL SYSTEM            | 01T056   | FUEL FILTER GROUP                  | 100K0034 |
| FRONT AXLE/FRONT WHEEL | 01T057   | FRONT AXLE CASE GROUP              | 100K0034 |
|                        | 01T058   | FRONT WHEEL GEAR CASE GROUP        | 100K0034 |
| STEERING               | 01T059   | KNUCKLE ARM GROUP                  | 100K0034 |
| FRONT AXLE/FRONT WHEEL | 01T060   | FRONT DIFFERENTIAL GROUP           | 100K0034 |

| Item                   | Part No. | Description                       | Book     |
|------------------------|----------|-----------------------------------|----------|
| FRONT AXLE/FRONT WHEEL | 01T061   | FRONT WHEEL GROUP B6100D[AMERICA] | 100K0034 |
|                        | 01T062   | DRIVE SHAFT GROUP                 | 100K0034 |
| HYDRAULIC SYSTEM       | 01T064   | 3-POINT LINKAGE GROUP             | 100K0034 |
| ACCESSORIES            | 01T067   | ACCESSORY AND SERVICE PARTS GROUP | 100K0034 |

# CRANKCASE GROUP



REF.No. 017 15261-7391-3  
 019 01053-50618  
 020 04512-50060



REF.No. 007 15261-9601-0  
 008 15521-9602-0  
 009 15521-9603-0

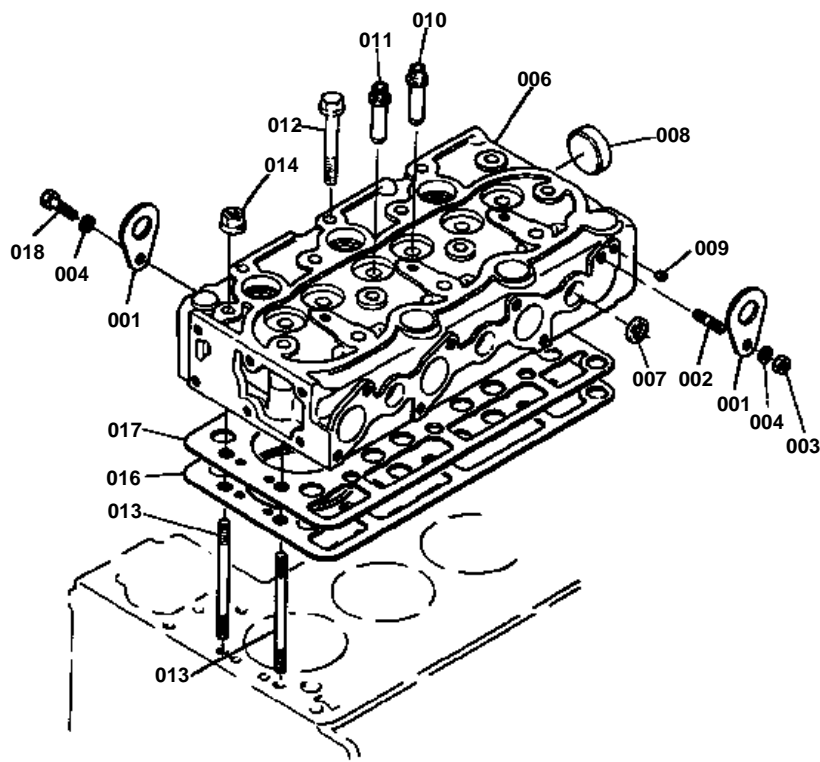


**CRANKCASE GROUP**

↔ Interchangeable; ≠ not interchangeable; ← new for old; → old for new

| REF.No | Part No.    | Description          | Q'ty | S.No.   | I/C | REMARKS             | Weight (kgf) | Weight (lb) |
|--------|-------------|----------------------|------|---------|-----|---------------------|--------------|-------------|
| 001    | 15361-01010 | ASSY CRANKCASE       | 1    |         |     | REF.No.002 TO 015   | 27           | 59.4        |
| 002    | 99999-99999 | BLANK                | 0    |         |     | ORDER BY REF.No.001 | 0            | 0           |
| 003    | 06311-75015 | PLUG EXPANSION       | 3    |         |     |                     | 0.002        | 0.0044      |
| 004    | 06311-75040 | PLUG EXPANSION       | 1    |         |     |                     | 0.02         | 0.044       |
| 005    | 15321-96260 | CAP SEALING          | 5    |         |     |                     | 0.014        | 0.0308      |
| 006    | 15221-03490 | CAP SEALING          | 1    |         |     |                     | 0.02         | 0.044       |
| 007    | 14301-33610 | PLUG                 | 6    | ≤123353 |     |                     | 0.001        | 0.0022      |
| 007    | 15261-96010 | PLUG                 | 6    | ≥123354 |     |                     | 0.002        | 0.0044      |
| 008    | 14301-33630 | PLUG                 | 3    | ≤123353 |     |                     | 0.001        | 0.0022      |
| 008    | 15521-96020 | PLUG                 | 3    | ≥123354 |     |                     | 0.003        | 0.0066      |
| 009    | 15221-33640 | PLUG                 | 1    | ≤123353 |     |                     | 0.003        | 0.0066      |
| 009    | 15521-96030 | PLUG                 | 1    | ≥123354 |     |                     | 0.007        | 0.0154      |
| 010    | 05012-00609 | PIN STRAIGHT         | 2    |         |     |                     | 0.003        | 0.0066      |
| 011    | 05012-00814 | PIN STRAIGHT         | 2    |         |     |                     | 0.006        | 0.0132      |
| 012    | 15221-33650 | PIN PIPE             | 1    |         |     |                     | 0.004        | 0.0088      |
| 013    | 15231-33960 | PIN PIPE             | 2    |         |     |                     | 0.001        | 0.0022      |
| 014    | 15221-72880 | PIPE WATER 2         | 1    |         |     |                     | 0.115        | 0.253       |
| 015    | 15281-02310 | LINER CYLINDER       | 3    |         |     |                     | 0.363        | 0.7986      |
| 016    | 15221-33700 | O RING               | 1    |         |     |                     | 0.001        | 0.0022      |
| 017    | 15261-73910 | COVER WATER          | 1    | ≤5060   |     |                     | 0.13         | 0.286       |
| 017    | 15261-73913 | COVER WATER          | 1    | ≥5061   |     |                     | 0            | 0           |
| 018    | 15261-73920 | GASKET WATER COVER   | 1    |         |     |                     | 0            | 0           |
| 019    | 01053-50620 | BOLT                 | 2    | ≤5060   |     |                     | 0.006        | 0.0132      |
| 019    | 01053-50618 | BOLT                 | 2    | ≥5061   |     |                     | 0.006        | 0.0132      |
| 019    | 01023-50618 | BOLT                 | 2    |         |     |                     | 0.006        | 0.0132      |
| 020    | 04512-50060 | WASHER SPRING        | 2    |         |     |                     | 0            | 0           |
| 021    | 15371-01614 | OIL PAN              | 1    |         |     |                     | 1.1          | 2.42        |
| 022    | 15381-01620 | GASKET OIL PAN       | 1    |         |     |                     | 0            | 0           |
| 023    | 15381-91090 | BOLT                 | 18   |         |     |                     | 0            | 0           |
| 024    | 04512-50060 | WASHER SPRING        | 18   |         |     |                     | 0            | 0           |
| 025    | 15221-33750 | PLUG                 | 1    |         |     |                     | 0.032        | 0.0704      |
| 026    | 15109-33660 | GASKET               | 1    |         |     |                     | 0.001        | 0.0022      |
| 027    | 15371-32110 | FILTER OIL 1         | 1    |         |     |                     | 0.4          | 0.88        |
| 028    | 01153-50816 | BOLT                 | 1    |         |     |                     | 0.01         | 0.022       |
| 029    | 04512-50080 | WASHER SPRING        | 1    |         |     |                     | 0.001        | 0.0022      |
| 030    | 04810-00140 | O RING               | 1    |         |     |                     | 0.001        | 0.0022      |
| 031    | 15241-32090 | CARTRIDGE OIL FILTER | 1    |         |     |                     | 0.35         | 0.77        |
| 032    | 15261-36070 | ASSY VALVE RELIEF    | 1    |         |     | REF.No.033 TO 037   | 0.078        | 0.1716      |
| 033    | 99999-99999 | BLANK                | 0    |         |     | ORDER BY REF.No.032 | 0            | 0           |
| 034    | 99999-99999 | BLANK                | 0    |         |     | ORDER BY REF.No.032 | 0            | 0           |
| 035    | 99999-99999 | BLANK                | 0    |         |     | ORDER BY REF.No.032 | 0            | 0           |
| 036    | 07715-03213 | BALL                 | 1    |         |     |                     | 0.004        | 0.0088      |
| 037    | 04810-00150 | O RING               | 1    |         |     |                     | 0.001        | 0.0022      |
| 038    | 15371-36410 | GAUGE OIL            | 1    |         |     |                     | 0.021        | 0.0462      |

CYLINDER HEAD GROUP



REF.No. 9 15261-9601-0



REF.No. 12 19231-0345-0

- 13 19231-0341-0
- 14 19231-0351-0
- 15 19231-0354-0



005 6  
11



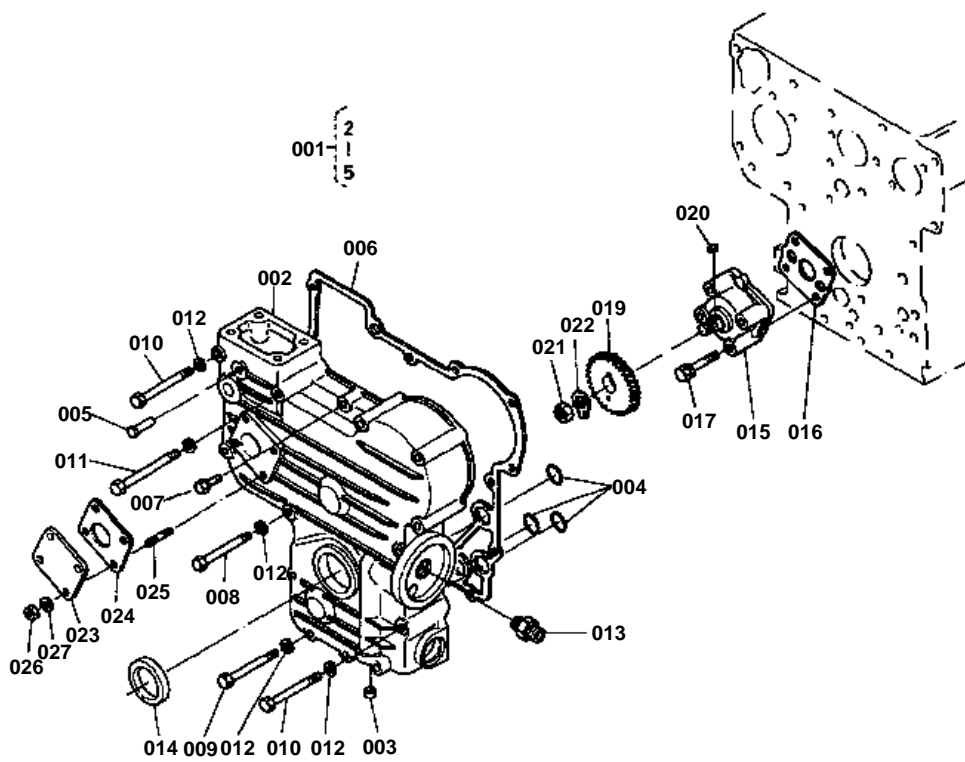
CYLINDER HEAD GROUP

↔ Interchangeable; ≠ not interchangeable; ← new for old; → old for new

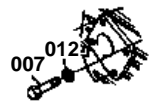
| REF.No | Part No.    | Description          | Q'ty | S.No.    | I/C | REMARKS             | Weight (kgf) | Weight (lb) |
|--------|-------------|----------------------|------|----------|-----|---------------------|--------------|-------------|
| 001    | 15221-01750 | HOOK ENGINE          | 2    |          |     |                     | 0.04         | 0.088       |
| 002    | 01513-50816 | STUD                 | 2    |          |     |                     | 0.009        | 0.0198      |
| 002    | 01513-50816 | STUD                 | 1    | >=1001   |     |                     | 0.009        | 0.0198      |
| 003    | 02156-50080 | NUT                  | 2    |          |     |                     | 0.004        | 0.0088      |
| 003    | 02156-50080 | NUT                  | 1    | >=1001   |     |                     | 0.004        | 0.0088      |
| 004    | 04512-50080 | WASHER SPRING        | 2    |          |     |                     | 0.001        | 0.0022      |
| 005    | 15361-03040 | ASSY CYLINDER HEAD   | 1    |          |     | REF.No.006 TO 011   | 9.5          | 20.9        |
| 006    | 99999-99999 | BLANK                | 0    |          |     | ORDER BY REF.No.005 | 0            | 0           |
| 007    | 15261-03370 | CAP SEALING          | 5    |          |     |                     | 0.005        | 0.011       |
| 008    | 15321-96260 | CAP SEALING          | 1    |          |     |                     | 0.014        | 0.0308      |
| 009    | 15131-01380 | PLUG                 | 2    | <=123353 |     |                     | 0.001        | 0.0022      |
| 009    | 15261-96010 | PLUG                 | 2    | >=123354 |     |                     | 0.002        | 0.0044      |
| 010    | 15261-13540 | GUIDE INLET VALVE    | 3    |          |     |                     | 0.02         | 0.044       |
| 011    | 15261-13560 | GUIDE EXHAUST VALVE  | 3    |          |     |                     | 0.02         | 0.044       |
| 012    | 15261-03450 | BOLT CYLINDER HEAD   | 12   | <=198785 |     |                     | 0            | 0           |
| 012    | 19231-03450 | BOLT CYLINDER HEAD   | 12   | >=198786 |     |                     | 0            | 0           |
| 012    | 19231-03452 | BOLT CYLINDER HEAD   | 12   | >=1001   |     |                     | 0.035        | 0.077       |
| 013    | 15261-03410 | STUD CYLINDER HEAD   | 2    | <=198785 |     |                     | 0            | 0           |
| 013    | 19231-03410 | STUD CYLINDER HEAD   | 2    | >=198786 |     |                     | 0            | 0           |
| 013    | 19231-03412 | STUD CYLINDER HEAD   | 2    | >=1001   |     |                     | 0.035        | 0.077       |
| 014    | 15261-03510 | NUT CYLINDER HEAD    | 2    | <=198785 |     |                     | 0.006        | 0.0132      |
| 014    | 19231-03510 | NUT CYLINDER HEAD    | 2    | >=198786 |     |                     | 0            | 0           |
| 014    | 19231-03512 | NUT CYLINDER HEAD    | 2    | >=1001   |     |                     | 0.01         | 0.022       |
| 015    | 15261-03540 | WASHER PLAIN         | 14   | <=198785 |     |                     | 0.002        | 0.0044      |
| 016    | 15361-03310 | GASKET CYLINDER HEAD | 1    |          |     |                     | 0.064        | 0.1408      |
| 017    | 15361-03320 | SHIM CYLINDER HEAD   | 1    |          |     |                     | 0.031        | 0.0682      |
| 018    | 01153-50816 | BOLT                 | 1    |          |     |                     | 0.01         | 0.022       |



GEAR CASE GROUP



REF.No. 7 01053-50630  
12 04512-50060

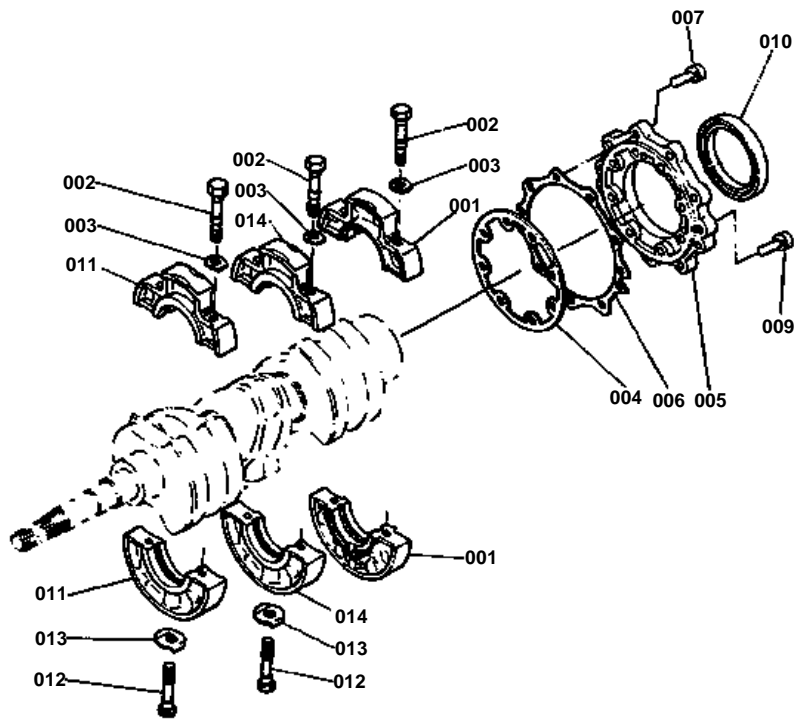


**GEAR CASE GROUP**

↔ Interchangeable; ≠ not interchangeable; ← new for old; → old for new

| REF.No | Part No.    | Description         | Q'ty | S.No.  | I/C | REMARKS                                  | Weight (kgf) | Weight (lb) |
|--------|-------------|---------------------|------|--------|-----|--|--------------|-------------|
| 001    | 15381-04020 | ASSY CASE GEAR      | 1    |        |     | REF.No.002 TO 005<br>ORDER BY REF.No.001 | 0            | 0           |
| 002    | 99999-99999 | BLANK               | 0    |        |     |  | 0            | 0           |
| 003    | 15221-33640 | PLUG PIN            | 2    |        |     |  | 0.003        | 0.0066      |
| 004    | 04810-06130 | O RING              | 3    |        |     |  | 0            | 0           |
| 004    | 04811-06130 | O RING              | 3    | >=1001 |     |  | 0.001        | 0.0022      |
| 005    | 15221-56280 | PIN START SPRING    | 1    |        |     |  | 0.006        | 0.0132      |
| 006    | 15261-04130 | GASKET GEAR CASE    | 1    |        |     |  | 0            | 0           |
| 007    | 01053-50630 | BOLT                | 1    |        |     |  | 0.009        | 0.0198      |
| 007    | 01023-50630 | BOLT                | 1    |        |     |  | 0.008        | 0.0176      |
| 008    | 01053-50660 | BOLT                | 3    |        |     |  | 0.014        | 0.0308      |
| 009    | 01053-50665 | BOLT                | 8    |        |     |  | 0.015        | 0.033       |
| 010    | 01053-50670 | BOLT                | 1    |        |     |  | 0.014        | 0.0308      |
| 011    | 14611-91060 | BOLT                | 1    |        |     |  | 0.015        | 0.033       |
| 012    | 04512-50060 | WASHER SPRING       | 14   |        |     |  | 0            | 0           |
| 012    | 04512-50060 | WASHER SPRING       | 13   |        |     |  | 0            | 0           |
| 013    | 15241-32290 | PIPE JOINT          | 1    |        |     |  | 0.053        | 0.1166      |
| 014    | 09550-00008 | SEAL OIL            | 1    |        |     |  | 0.01         | 0.022       |
| 015    | 15261-35010 | ASSY PUMP OIL       | 1    |        |     |  | 0.32         | 0.704       |
| 016    | 15261-35150 | GASKET OIL PUMP     | 1    |        |     |  | 0            | 0           |
| 017    | 15261-91022 | BOLT                | 4    |        |     |  | 0.012        | 0.0264      |
| 018    | 04512-50060 | WASHER SPRING       | 4    |        |     |  | 0            | 0           |
| 019    | 15261-35660 | GEAR OIL PUMP DRIVE | 1    |        |     |  | 0            | 0           |
| 019    | 15954-35660 | GEAR OIL PUMP DRIVE | 1    | >=1001 |     |  | 0.14         | 0.308       |
| 020    | 05712-00410 | KEY FEATHER         | 1    |        |     |  | 0.001        | 0.0022      |
| 021    | 02016-50100 | NUT                 | 1    |        |     |  | 0.009        | 0.0198      |
| 022    | 04211-50100 | WASHER CLAW         | 1    |        |     |  | 0.002        | 0.0044      |
| 023    | 15223-83340 | COVER               | 1    |        |     |  | 0.152        | 0.3344      |
| 024    | 15221-88130 | GASKET              | 1    |        |     |  | 0            | 0           |
| 025    | 15221-88210 | STUD                | 4    |        |     |  | 0.005        | 0.011       |
| 026    | 02056-50060 | NUT                 | 4    |        |     |  | 0.002        | 0.0044      |
| 027    | 04512-50060 | WASHER SPRING       | 4    |        |     |  | 0            | 0           |

BEARING CASE GROUP



REF.No. 7 01053-50620  
8 04512-50060  
9 01053-50625

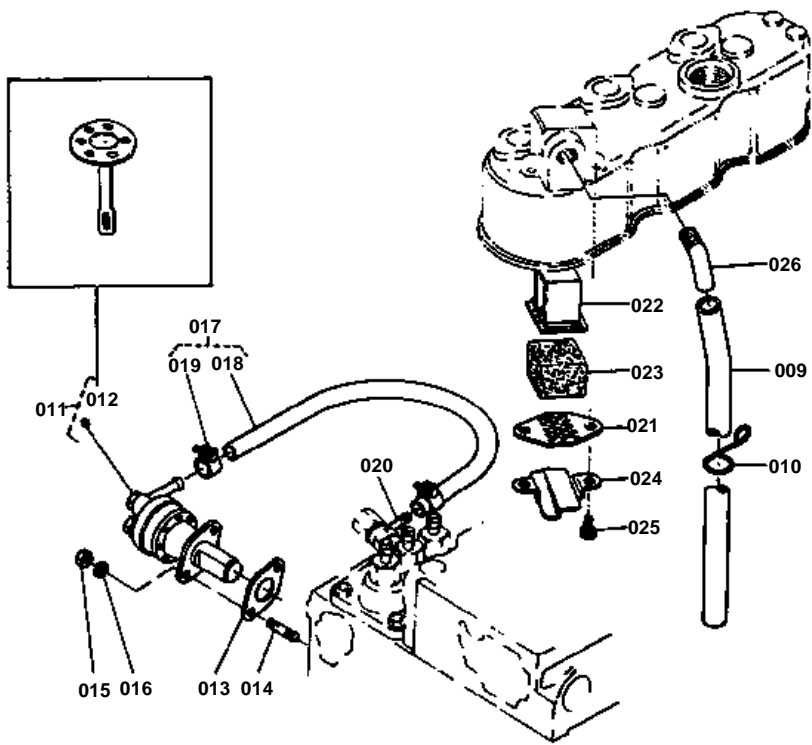


**BEARING CASE GROUP**

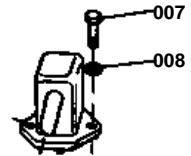
↔ Interchangeable; ≠ not interchangeable; ← new for old; → old for new

| REF.No | Part No.    | Description          | Q'ty | S.No.    | I/C | REMARKS | Weight (kgf) | Weight (lb) |
|--------|-------------|----------------------|------|----------|-----|---------|--------------|-------------|
| 001    | 15261-04090 | CASE MAIN BEARING 1  | 1    |          |     |         | 0.8          | 1.76        |
| 002    | 15261-04540 | BOLT BEARING CASE    | 6    |          |     |         | 0.02         | 0.044       |
| 003    | 15261-04570 | WASHER BEARING CASE  | 6    |          |     |         | 0.001        | 0.0022      |
| 004    | 15261-04360 | GASKET BEARING CASE  | 1    |          |     |         | 0            | 0           |
| 005    | 15261-04810 | COVER BEARING CASE   | 1    | <=188651 |     |         | 0.204        | 0.4488      |
| 005    | 15549-04810 | COVER BEARING CASE   | 1    | >=188652 |     |         | 0.2          | 0.44        |
| 006    | 15261-04820 | GASKET BRG.CASE COV. | 1    |          |     |         | 0            | 0           |
| 007    | 01053-50620 | BOLT                 | 9    |          |     |         | 0.006        | 0.0132      |
| 007    | 01023-50620 | BOLT                 | 9    |          |     |         | 0.006        | 0.0132      |
| 008    | 04512-50060 | WASHER SPRING        | 17   |          |     |         | 0            | 0           |
| 009    | 01053-50625 | BOLT                 | 8    |          |     |         | 0.007        | 0.0154      |
| 009    | 01023-50625 | BOLT                 | 8    |          |     |         | 0.007        | 0.0154      |
| 010    | 09560-00007 | SEAL OIL             | 1    | <=188651 |     |         | 0.029        | 0.0638      |
| 010    | 19215-04460 | SEAL OIL             | 1    | >=188652 |     |         | 0.03         | 0.066       |
| 011    | 15261-04040 | CASE MAIN BEARING 2  | 1    |          |     |         | 0.687        | 1.5114      |
| 012    | 15261-04560 | BOLT BEARING CASE    | 2    |          |     |         | 0.02         | 0.044       |
| 013    | 15261-04590 | WASHER BEARING CASE  | 2    |          |     |         | 0.004        | 0.0088      |
| 014    | 15381-04050 | CASE MAIN BEARING 3  | 1    |          |     |         | 0.688        | 1.5136      |

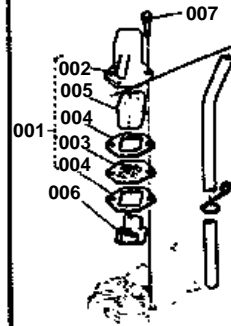
BREATHER GROUP



REF.No. 7 01053-50618  
8 04512-50060



REF.No. 1 15241-0601-0  
2 15241-0511-0  
3 15241-0514-0  
4 15321-0543-0  
5 15241-0667-0  
6 15261-0537-0  
7 01023-50618

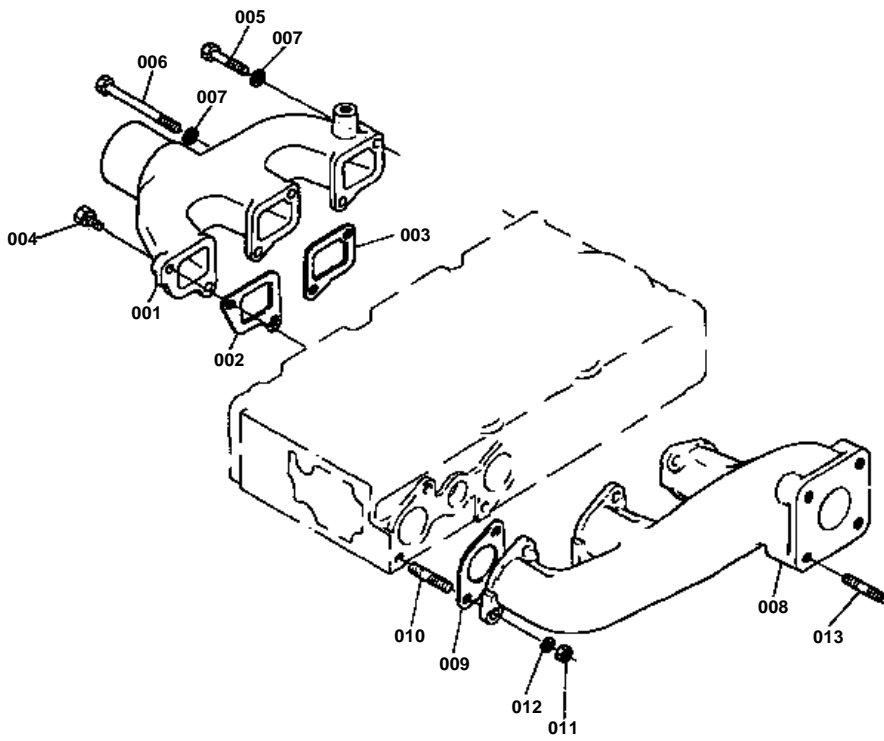


**BREATHER GROUP**

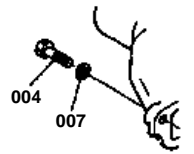
↔ Interchangeable; ≠ not interchangeable; ← new for old; → old for new

| REF.No | Part No.    | Description         | Q'ty | S.No.  | I/C | REMARKS             | Weight (kgf) | Weight (lb) |
|--------|-------------|---------------------|------|--------|-----|---------------------|--------------|-------------|
| 001    | 15241-05010 | ASSY BREATHER       | 1    | ≤57715 |     | REF.No.002 TO 005   | 0.15         | 0.33        |
| 002    | 15241-05110 | BREATHER            | 1    | ≤57715 |     |                     | 0.13         | 0.286       |
| 003    | 15241-05140 | PLATE ELEMENT       | 1    | ≤57715 |     |                     | 0.009        | 0.0198      |
| 004    | 15321-05430 | GASKET COV.BREATHER | 2    | ≤57715 |     |                     | 0            | 0           |
| 005    | 15241-05670 | ELEMENT BREATHER    | 1    | ≤57715 |     |                     | 0.008        | 0.0176      |
| 006    | 15261-05370 | OIL SHIELD BREATHER | 1    | ≤57715 |     |                     | 0.005        | 0.011       |
| 007    | 01053-50618 | BOLT                | 2    |        |     |                     | 0.006        | 0.0132      |
| 007    | 01023-50618 | BOLT                | 2    | ≤57715 |     |                     | 0.006        | 0.0132      |
| 008    | 04512-50060 | WASHER SPRING       | 2    | ≤57715 |     |                     | 0            | 0           |
| 009    | 15261-05510 | PIPE BREATHER       | 1    |        |     |                     | 0.069        | 0.1518      |
| 010    | 15261-05590 | CLAMP PIPE          | 1    | ≤57715 |     |                     | 0.004        | 0.0088      |
| 010    | 15951-05590 | CLAMP PIPE          | 1    | ≥57716 |     |                     | 0.003        | 0.0066      |
| 011    | 15381-52030 | PUMP FUEL           | 1    |        |     | REF.No.012          | 0            | 0           |
| 012    | 15381-52040 | COMP DIAPHRAGM      | 1    |        |     |                     | 0            | 0           |
| 013    | 15241-52140 | GASKET FUEL PUMP    | 1    |        |     |                     | 0            | 0           |
| 014    | 01513-50616 | STUD                | 2    |        |     |                     | 0.004        | 0.0088      |
| 015    | 02056-50060 | NUT                 | 2    |        |     |                     | 0.002        | 0.0044      |
| 016    | 04512-50060 | WASHER SPRING       | 2    |        |     |                     | 0            | 0           |
| 017    | 15261-42010 | ASSY PIPE FUEL      | 1    |        |     | REF.No.018 019      | 0.032        | 0.0704      |
| 018    | 99999-99999 | BLANK               | 0    |        |     | ORDER BY REF.No.017 | 0            | 0           |
| 019    | 14301-42750 | CLIP PIPE 2         | 2    |        |     |                     | 0.005        | 0.011       |
| 020    | 14111-42410 | JOINT               | 1    |        |     |                     | 0.025        | 0.055       |
| 021    | 15951-05140 | PLATE ELEMENT 1     | 1    | ≥57716 |     |                     | 0.005        | 0.011       |
| 022    | 15521-05150 | PLATE ELEMENT 2     | 1    | ≥57716 |     |                     | 0.01         | 0.022       |
| 023    | 15521-05670 | ELEMENT BREATHER    | 1    | ≥57716 |     |                     | 0.01         | 0.022       |
| 024    | 15951-05370 | OIL SHIELD BREATHER | 1    | ≥57716 |     |                     | 0.005        | 0.011       |
| 025    | 03024-50510 | SCREW               | 2    | ≥57716 |     |                     | 0.002        | 0.0044      |
| 026    | 15521-05550 | JOINT BREATHER PIPE | 1    | ≥57716 |     |                     | 0.04         | 0.088       |

# INLET MANIFOLD GROUP



REF.No. 4 01053-50620  
7 04512-50060



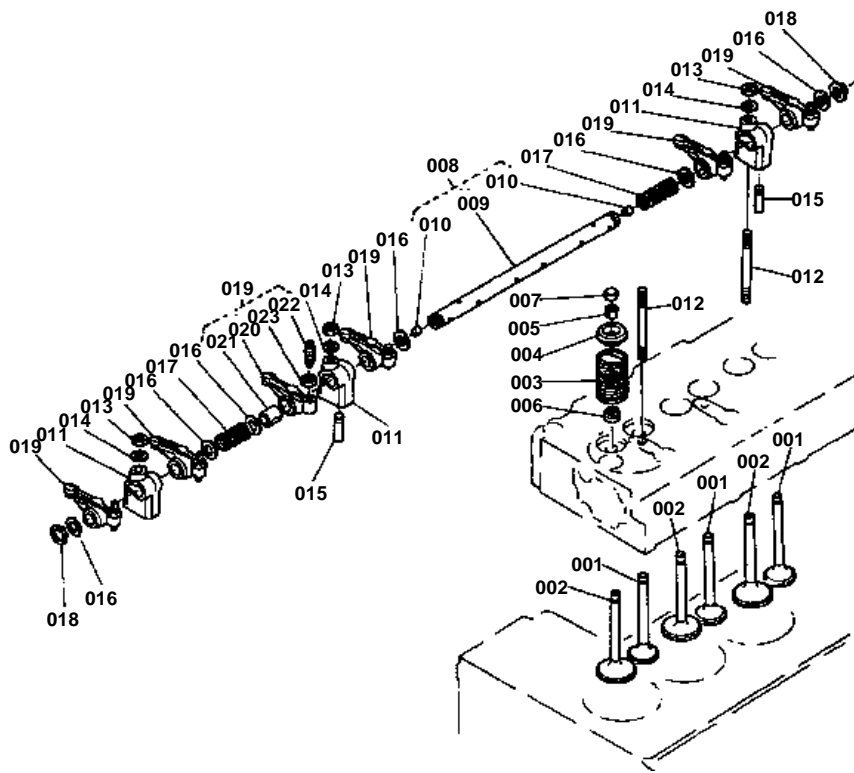
**INLET MANIFOLD GROUP**

↔ Interchangeable; ≠ not interchangeable; ← new for old; → old for new

| REF.No | Part No.    | Description          | Q'ty | S.No. | I/C | REMARKS | Weight (kgf) | Weight (lb) |
|--------|-------------|----------------------|------|-------|-----|---------|--------------|-------------|
| 001    | 15371-11760 | MANIFOLD INLET       | 1    |       |     |         | 0.45         | 0.99        |
| 002    | 15261-11820 | GASKET IN-MANIFOLD 1 | 1    |       |     |         | 0            | 0           |
| 003    | 15261-11830 | GASKET IN-MANIFOLD 2 | 2    |       |     |         | 0            | 0           |
| 004    | 01053-50620 | BOLT                 | 4    |       |     |         | 0.006        | 0.0132      |
| 004    | 01023-50620 | BOLT                 | 4    |       |     |         | 0.006        | 0.0132      |
| 005    | 01053-50660 | BOLT                 | 1    |       |     |         | 0.014        | 0.0308      |
| 006    | 15381-91070 | BOLT                 | 1    |       |     |         | 0.016        | 0.0352      |
| 007    | 04512-50060 | WASHER SPRING        | 6    |       |     |         | 0            | 0           |
| 007    | 04512-50060 | WASHER SPRING        | 2    |       |     |         | 0            | 0           |
| 008    | 15371-12310 | MANIFOLD EXHAUST     | 1    |       |     |         | 1.77         | 3.894       |
| 009    | 15261-12360 | GASKET EX-MANIFOLD   | 3    |       |     |         | 0            | 0           |
| 010    | 15381-91532 | STUD                 | 6    |       |     |         | 0.005        | 0.011       |
| 011    | 02056-50060 | NUT                  | 6    |       |     |         | 0.002        | 0.0044      |
| 012    | 04512-50060 | WASHER SPRING        | 6    |       |     |         | 0            | 0           |
| 013    | 01513-50822 | STUD                 | 4    |       |     |         | 0.01         | 0.022       |



# VALVE ROCKER ARM GROUP



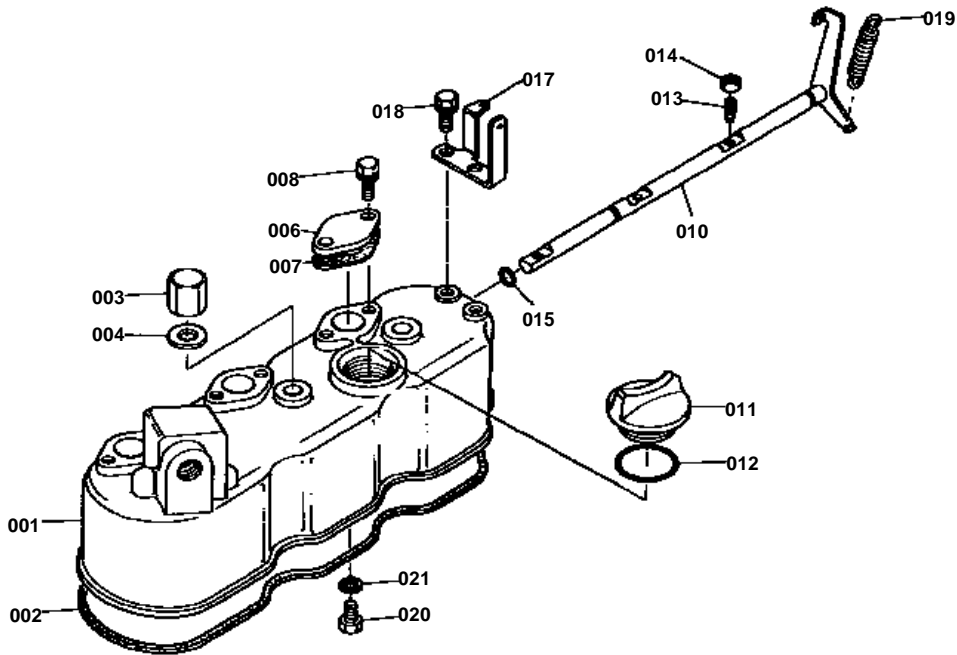


VALVE ROCKER ARM GROUP

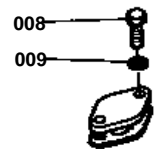
↔ Interchangeable; ≠ not interchangeable; ← new for old; → old for new

| REF.No | Part No.    | Description         | Q'ty | S.No.  | I/C | REMARKS             | Weight (kgf) | Weight (lb) |
|--------|-------------|---------------------|------|--------|-----|---------------------|--------------|-------------|
| 001    | 15261-13110 | VALVE INLET         | 3    |        |     |                     | 0.043        | 0.0946      |
| 002    | 15261-13120 | VALVE EXHAUST       | 3    |        |     |                     | 0.038        | 0.0836      |
| 003    | 15261-13240 | SPRING VALVE        | 6    |        |     |                     | 0.02         | 0.044       |
| 004    | 15261-13330 | RETAINER VALVE SP.  | 6    |        |     |                     | 0            | 0           |
| 005    | 15261-13360 | COLLET VALVE SPRING | 12   |        |     |                     | 0.004        | 0.0088      |
| 006    | 15261-13150 | SEAL VALVE STEM     | 6    |        |     |                     | 0.001        | 0.0022      |
| 007    | 15261-13280 | CAP VALVE           | 6    |        |     |                     | 0            | 0           |
| 008    | 15371-14050 | ASSY SHAFT ROCK.ARM | 1    |        |     | REF.No.009          | 0.133        | 0.2926      |
| 009    | 99999-99999 | BLANK               | 0    |        |     | ORDER BY REF.No.008 | 0            | 0           |
| 010    | 03410-50606 | SCREW SET           | 2    |        |     |                     | 0.001        | 0.0022      |
| 011    | 15261-14350 | BRACKET ROCKER ARM  | 3    |        |     |                     | 0.032        | 0.0704      |
| 012    | 15261-14410 | STUD                | 3    | ≤57715 |     |                     | 0.02         | 0.044       |
| 012    | 15951-14410 | STUD                | 3    | >57716 |     |                     | 0            | 0           |
| 013    | 15261-92010 | NUT                 | 3    |        |     |                     | 0.005        | 0.011       |
| 014    | 15261-94010 | WASHER PLAIN        | 3    |        |     |                     | 0.002        | 0.0044      |
| 015    | 15261-14420 | SCREW SET           | 1    |        |     |                     | 0.002        | 0.0044      |
| 016    | 15261-14430 | WASHER ROCKER ARM   | 6    |        |     |                     | 0.001        | 0.0022      |
| 017    | 15261-14310 | SPRING ROCKER ARM   | 2    |        |     |                     | 0.003        | 0.0066      |
| 018    | 04612-00110 | CIR-CLIP EXTERNAL   | 2    |        |     |                     | 0.001        | 0.0022      |
| 019    | 15261-14030 | ASSY ROCKER ARM     | 6    |        |     | REF.No.020 TO 023   | 0            | 0           |
| 020    | 99999-99999 | BLANK               | 0    |        |     | ORDER BY REF.No.019 | 0            | 0           |
| 021    | 15261-14180 | BUSH ROCKER ARM     | 6    |        |     |                     | 0            | 0           |
| 022    | 15261-14232 | SCREW ADJUSTING     | 6    |        |     |                     | 0.006        | 0.0132      |
| 023    | 15261-14240 | NUT                 | 6    |        |     |                     | 0.002        | 0.0044      |

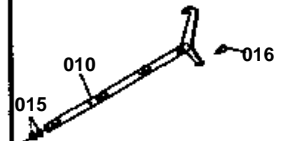
# HEAD COVER GROUP



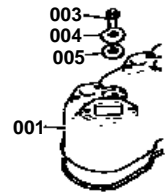
REF.No. 8 01053-50614  
9 04512-50060



REF.No. 10 15381-6604-0  
15 04811-00080  
16 15261-6655-0



REF.No. 1 15381-1461-0  
3 15261-1462-0  
4 15261-1464-0  
5 15261-1463-0

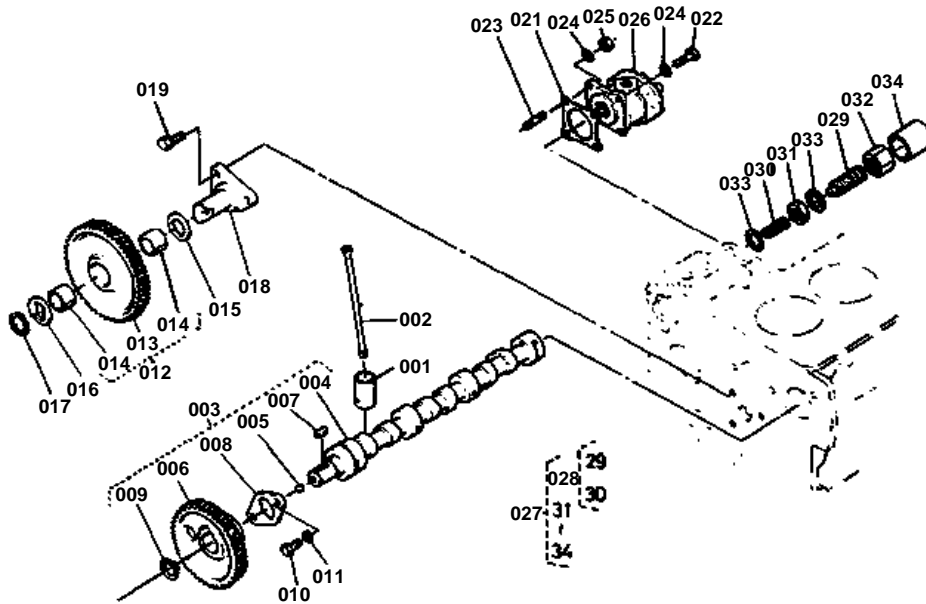


**HEAD COVER GROUP**

↔ Interchangeable; ≠ not interchangeable; ← new for old; → old for new

| REF.No | Part No.    | Description          | Q'ty | S.No.  | I/C | REMARKS | Weight (kgf) | Weight (lb) |
|--------|-------------|----------------------|------|--------|-----|---------|--------------|-------------|
| 001    | 15381-14510 | COVER CYLINDER HEAD  | 1    | ≤57715 |     |         | 0            | 0           |
| 001    | 15531-14510 | COVER CYLINDER HEAD  | 1    | ≥57716 |     |         | 0.66         | 1.452       |
| 002    | 15381-14520 | GASKET HEAD COVER    | 1    |        |     |         | 0.005        | 0.011       |
| 003    | 15261-14620 | NUT HEAD COVER       | 3    | ≤57715 |     |         | 0.014        | 0.0308      |
| 003    | 15951-92330 | NUT CAP              | 3    | ≥57716 |     |         | 0            | 0           |
| 004    | 15261-14640 | WASHER HEAD COVER    | 3    | ≤57715 |     |         | 0.006        | 0.0132      |
| 004    | 15951-96660 | GASKET               | 3    | ≥57716 |     |         | 0.001        | 0.0022      |
| 005    | 15261-14630 | GASKET NUT           | 3    | ≤57715 |     |         | 0.002        | 0.0044      |
| 006    | 15261-66630 | COVER DECOMP.HOLE    | 3    |        |     |         | 0.023        | 0.0506      |
| 007    | 15261-66640 | GASKET HOLE COVER    | 3    |        |     |         | 0            | 0           |
| 008    | 01053-50614 | BOLT                 | 6    |        |     |         | 0.005        | 0.011       |
| 008    | 01023-50614 | BOLT                 | 6    |        |     |         | 0.005        | 0.011       |
| 009    | 04512-50060 | WASHER SPRING        | 6    |        |     |         | 0            | 0           |
| 010    | 15381-66040 | SHAFT DECOMPRESS     | 1    |        |     |         | 0            | 0           |
| 010    | 15531-66040 | SHAFT DECOMPRESS     | 1    | ≥1001  |     |         | 0.2          | 0.44        |
| 011    | 15221-33140 | PLUG OIL FILLER      | 1    |        |     |         | 0.038        | 0.0836      |
| 012    | 04811-50300 | O RING               | 1    |        |     |         | 0.001        | 0.0022      |
| 013    | 15261-66350 | BOLT DECOMPRESS      | 3    |        |     |         | 0.002        | 0.0044      |
| 014    | 02056-50050 | NUT                  | 3    |        |     |         | 0.002        | 0.0044      |
| 015    | 04811-00080 | O RING               | 2    |        |     |         | 0.001        | 0.0022      |
| 015    | 04811-00080 | O RING               | 1    |        |     |         | 0.001        | 0.0022      |
| 016    | 15261-66550 | STOPPER DECOMP.SHAFT | 1    | ≤57715 |     |         | 0.01         | 0.022       |
| 017    | 15261-66190 | HOLDER DECOMP.WIRE   | 1    |        |     |         | 0.03         | 0.066       |
| 018    | 01023-50614 | BOLT                 | 2    |        |     |         | 0.005        | 0.011       |
| 019    | 15221-66280 | SPRING DECOMPRESS    | 1    |        |     |         | 0.008        | 0.0176      |
| 020    | 15221-66410 | BOLT                 | 1    |        |     |         | 0.005        | 0.011       |
| 021    | 04512-50060 | WASHER SPRING        | 1    |        |     |         | 0            | 0           |

CAMSHAFT GROUP



REF.No. 19 01053-50616  
20 04512-50060



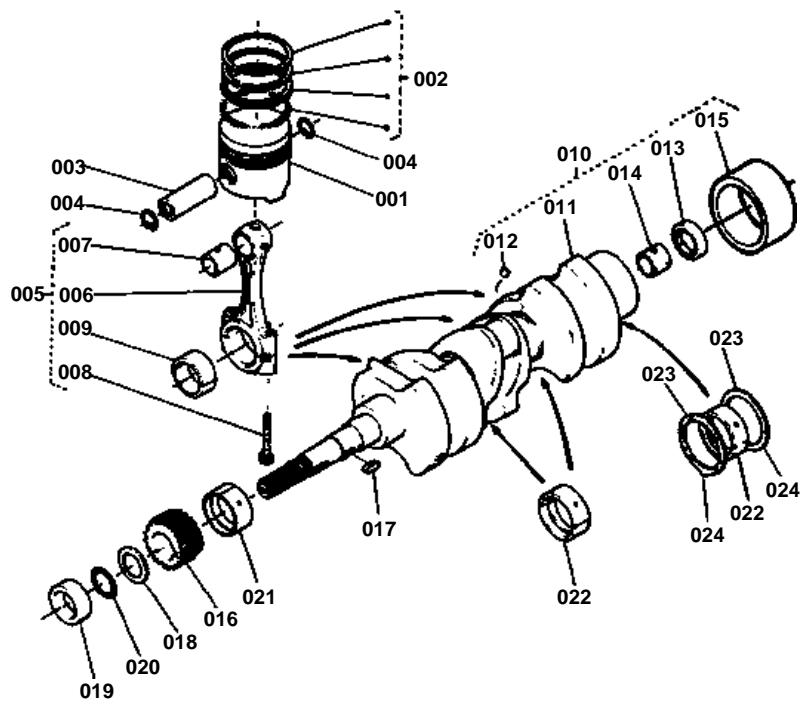


## CAMSHAFT GROUP

↔ Interchangeable; ≠ not interchangeable; ← new for old; → old for new

| REF.No | Part No.    | Description         | Q'ty | S.No.  | I/C | REMARKS               | Weight (kgf) | Weight (lb) |
|--------|-------------|---------------------|------|--------|-----|-----------------------|--------------|-------------|
| 001    | 15261-15550 | TAPPET              | 6    |        |     |                       | 0.03         | 0.066       |
| 002    | 15261-15110 | ROD PUSH            | 6    |        |     |                       | 0.022        | 0.0484      |
| 003    | 15381-16010 | ASSY CAMSHAFT       | 1    |        |     | REF.No.004 TO 009     | 1.045        | 2.299       |
| 004    | 15381-16150 | CAMSHAFT            | 1    |        |     |                       | 0.95         | 2.09        |
| 005    | 15261-96860 | PLUG                | 2    |        |     |                       | 0.001        | 0.0022      |
| 005    | 15261-96880 | PLUG                | 2    | >=1001 |     |                       | 0.002        | 0.0044      |
| 006    | 15261-16510 | GEAR CAMSHAFT       | 1    |        |     |                       | 0.354        | 0.7788      |
| 007    | 05712-00515 | KEY FEATHER         | 1    |        |     |                       | 0.003        | 0.0066      |
| 008    | 15261-16270 | STOPER CAMSHAFT     | 1    |        |     |                       | 0.034        | 0.0748      |
| 009    | 04612-00180 | CIR-CLIP EXTERNAL   | 1    |        |     |                       | 0.001        | 0.0022      |
| 010    | 01053-50614 | BOLT                | 2    |        |     |                       | 0.005        | 0.011       |
| 011    | 04512-50060 | WASHER SPRING       | 2    |        |     |                       | 0            | 0           |
| 012    | 15261-24010 | ASSY GEAR IDLE      | 1    |        |     | REF.No.013 014        | 0.59         | 1.298       |
| 013    | 99999-99999 | BLANK               | 0    |        |     | ORDER BY REF.No.012   | 0            | 0           |
| 014    | 15261-24980 | BUSH IDLE GEAR      | 2    |        |     |                       | 0.006        | 0.0132      |
| 015    | 15261-24360 | COLLAR IDLE GEAR    | 1    |        |     |                       | 0.008        | 0.0176      |
| 016    | 15261-24370 | COLLAR IDLE GEAR    | 1    |        |     |                       | 0.008        | 0.0176      |
| 017    | 15261-24320 | CIR-CLIP IDLE GEAR  | 1    |        |     |                       | 0.004        | 0.0088      |
| 018    | 15261-24250 | SHAFT IDLE GEAR     | 1    |        |     |                       | 0.2          | 0.44        |
| 019    | 01053-50616 | BOLT                | 3    |        |     |                       | 0.005        | 0.011       |
| 019    | 01023-50616 | BOLT                | 3    |        |     |                       | 0.005        | 0.011       |
| 020    | 04512-50060 | WASHER SPRING       | 3    |        |     |                       | 0            | 0           |
| 021    | 15231-87130 | GASKET O/P PUMP     | 1    |        |     |                       | 0            | 0           |
| 022    | 01153-50822 | BOLT                | 3    |        |     |                       | 0.011        | 0.0242      |
| 023    | 01513-50822 | STUD                | 1    |        |     |                       | 0.01         | 0.022       |
| 024    | 04512-50080 | WASHER SPRING       | 4    |        |     |                       | 0.001        | 0.0022      |
| 025    | 02156-50080 | NUT                 | 1    |        |     |                       | 0.004        | 0.0088      |
| 026    | 66621-36100 | ASSY GEAR PUMP      | 1    |        |     |                       | 0            | 0           |
| 026    | 67211-76100 | ASSY GEAR PUMP      | 1    | >=1001 |     |                       | 1.45         | 3.19        |
| 027    | 15261-54090 | ASSY APPARATUS IDL. | 1    |        |     | REF.No.028 031 TO 034 | 0.027        | 0.0594      |
| 028    | 15261-54100 | ASSY BOLT ADJUSTING | 1    |        |     | REF.No.029 030        | 0.008        | 0.0176      |
| 029    | 99999-99999 | BLANK               | 0    |        |     | ORDER BY REF.No.028   | 0            | 0           |
| 030    | 99999-99999 | BLANK               | 0    |        |     | ORDER BY REF.No.028   | 0            | 0           |
| 031    | 15261-92020 | NUT                 | 1    |        |     |                       | 0.004        | 0.0088      |
| 032    | 15261-92330 | NUT CAP             | 1    |        |     |                       | 0.01         | 0.022       |
| 033    | 15021-33660 | GASKET              | 2    |        |     |                       | 0.001        | 0.0022      |
| 034    | 15261-54270 | CAP                 | 1    |        |     |                       | 0.002        | 0.0044      |

PISTON CRANKSHAFT GROUP





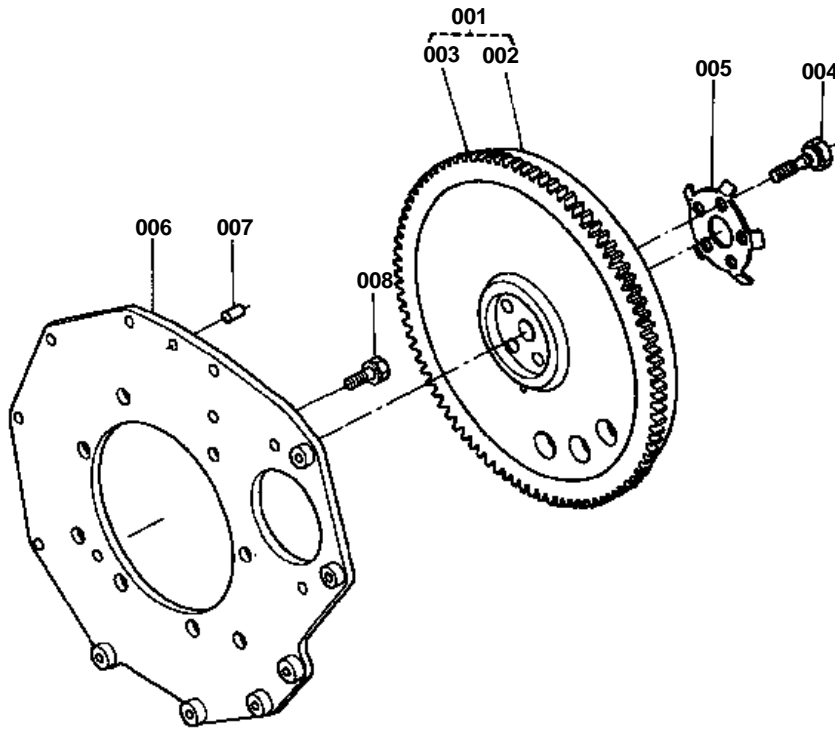
PISTON CRANKSHAFT GROUP

↔ Interchangeable; ≠ not interchangeable; ← new for old; → old for new

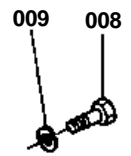
| REF.No | Part No.    | Description          | Q'ty | S.No.    | I/C | REMARKS             | Weight (kgf) | Weight (lb) |
|--------|-------------|----------------------|------|----------|-----|---------------------|--------------|-------------|
| 001    | 15281-21110 | PISTON               | 3    |          |     | STD                 | 0.266        | 0.5852      |
| 001    | 15281-21910 | PISTON               | 3    |          |     | +0.5MM              | 0.26         | 0.572       |
| 002    | 15361-21050 | ASSY RINGS PISTON    | 3    |          |     | STD                 | 0.022        | 0.0484      |
| 002    | 15361-21090 | ASSY RINGS PISTON    | 3    |          |     | +0.5MM              | 0.02         | 0.044       |
| 003    | 15261-21310 | PISTON PIN           | 3    |          |     |                     | 0.102        | 0.2244      |
| 004    | 15261-21330 | CIR-CLIP PISTON PIN  | 6    |          |     |                     | 0.001        | 0.0022      |
| 005    | 15261-22010 | ASSY CONNECTING ROD  | 3    |          |     | REF.No.006 TO 009   | 0            | 0           |
| 005    | 15531-22010 | ASSY CONNECTING ROD  | 3    | >=1001   |     | REF.No.006 TO 009   | 0            | 0           |
| 006    | 99999-99999 | BLANK                | 0    |          |     | ORDER BY REF.No.005 | 0            | 0           |
| 007    | 15261-21980 | BUSH PISTON PIN      | 3    |          |     |                     | 0.012        | 0.0264      |
| 008    | 15261-21440 | BOLT CONNECTING ROD  | 6    |          |     |                     | 0            | 0           |
| 009    | 15261-22310 | METAL CRANK PIN      | 3    |          |     | STD SET             | 0            | 0           |
| 009    | 15531-22310 | METAL CRANK PIN      | 3    | >=1001   |     | STD SET             | 0            | 0           |
| 009    | 15531-22970 | METAL CRANK PIN      | 3    |          |     | SET -0.2MM          | 0            | 0           |
| 009    | 15531-22980 | METAL CRANK PIN      | 3    |          |     | SET -0.4MM          | 0            | 0           |
| 010    | 15371-23010 | ASSY CRANKSHAFT      | 1    | <=188651 |     | REF.No.011 TO 014   | 0            | 0           |
| 010    | 15372-23010 | ASSY CRANKSHAFT      | 1    | >=188652 |     | REF.No.011 TO 015   | 8            | 17.6        |
| 011    | 99999-99999 | BLANK                | 0    |          |     | ORDER BY REF.No.010 | 0            | 0           |
| 012    | 15131-01380 | PLUG PIN             | 3    |          |     |                     | 0.001        | 0.0022      |
| 013    | 09400-14247 | SEAL OIL             | 1    |          |     |                     | 0.004        | 0.0088      |
| 014    | 66621-14120 | BEARING DRY          | 1    |          |     |                     | 0.006        | 0.0132      |
| 015    | 19215-23280 | SLEEVE CRANKSHAFT    | 1    | >=188652 |     |                     | 0.05         | 0.11        |
| 016    | 15261-24110 | GEAR CRANKSHAFT      | 1    |          |     |                     | 0.164        | 0.3608      |
| 017    | 05712-00515 | KEY FEATHER          | 1    |          |     |                     | 0.003        | 0.0066      |
| 018    | 15261-23310 | OIL SLING.CRANKSHAFT | 1    |          |     |                     | 0.008        | 0.0176      |
| 019    | 15261-23250 | COLLAR CRANKSHAFT    | 1    | <=188651 |     |                     | 0            | 0           |
| 019    | 15956-23250 | COLLAR CRANKSHAFT    | 1    | >=188652 |     |                     | 0            | 0           |
| 020    | 04811-10220 | O RING               | 1    |          |     |                     | 0.001        | 0.0022      |
| 021    | 15261-23470 | METAL CRANKSHAFT     | 1    |          |     | STD                 | 0            | 0           |
| 021    | 15261-23910 | METAL CRANKSHAFT     | 1    |          |     | -0.2MM              | 0            | 0           |
| 021    | 15261-23920 | METAL CRANKSHAFT     | 1    |          |     | -0.4MM              | 0            | 0           |
| 022    | 15261-23480 | METAL CRANKSHAFT     | 3    |          |     | STD SET             | 0            | 0           |
| 022    | 15261-23930 | METAL CRANKSHAFT     | 3    |          |     | SET -0.2MM          | 0            | 0           |
| 022    | 15261-23940 | METAL CRANKSHAFT     | 3    |          |     | SET -0.4MM          | 0            | 0           |
| 023    | 15261-23530 | METAL SIDE 1         | 2    |          |     | STD                 | 0.006        | 0.0132      |
| 023    | 15261-23950 | METAL SIDE 1         | 2    |          |     | +0.2MM              | 0.006        | 0.0132      |
| 023    | 15261-23960 | METAL SIDE 1         | 2    |          |     | +0.4MM              | 0.007        | 0.0154      |
| 024    | 15261-23540 | METAL SIDE 2         | 2    |          |     | STD                 | 0.007        | 0.0154      |
| 024    | 15261-23970 | METAL SIDE 2         | 2    |          |     | +0.2MM              | 0.006        | 0.0132      |
| 024    | 15261-23980 | METAL SIDE 2         | 2    |          |     | +0.4MM              | 0.007        | 0.0154      |



FLYWHEEL GROUP



REF.No. 8 01173-51025  
9 04512-50100

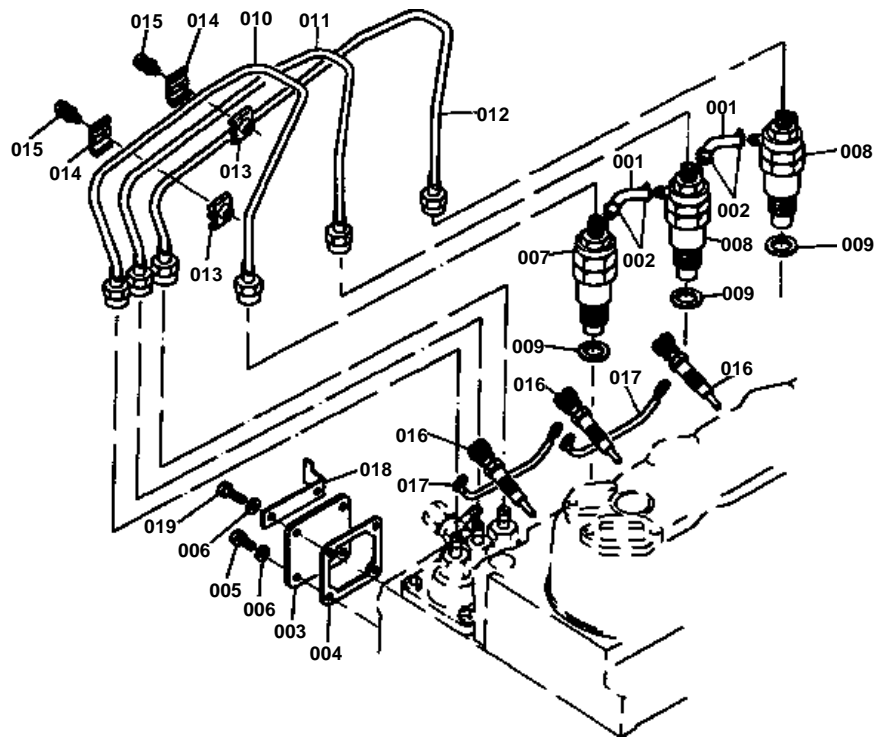




↔ Interchangeable; ≠ not interchangeable; ← new for old; → old for new

| REF.No | Part No.    | Description     | Q'ty | S.No.  | I/C | REMARKS             | Weight (kgf) | Weight (lb) |
|--------|-------------|-----------------|------|--------|-----|---------------------|--------------|-------------|
| 001    | 15371-25010 | ASSY FLYWHEEL   | 1    |        |     | REF.No.002 003      | 0            | 0           |
| 001    | 15375-25010 | ASSY FLYWHEEL   | 1    | >=1001 |     | REF.No.002 003      | 0            | 0           |
| 002    | 99999-99999 | BLANK           | 0    |        |     | ORDER BY REF.No.001 | 0            | 0           |
| 003    | 15261-63820 | GEAR RING       | 1    |        |     |                     | 0            | 0           |
| 004    | 15261-25160 | BOLT FLYWHEEL   | 5    |        |     |                     | 0.03         | 0.066       |
| 005    | 15261-25170 | WASHER FLYWHEEL | 1    |        |     |                     | 0.02         | 0.044       |
| 006    | 15261-04620 | PLATE REAR END  | 1    |        |     |                     | 2.71         | 5.962       |
| 007    | 05012-00814 | PIN STRAIGHT    | 1    |        |     |                     | 0.006        | 0.0132      |
| 008    | 01173-51025 | BOLT            | 8    |        |     |                     | 0.021        | 0.0462      |
| 008    | 15261-91190 | BOLT            | 8    | >=1001 |     |                     | 0.03         | 0.066       |
| 009    | 04512-50100 | WASHER SPRING   | 8    |        |     |                     | 0            | 0           |

# NOZZLE HOLDER GROUP

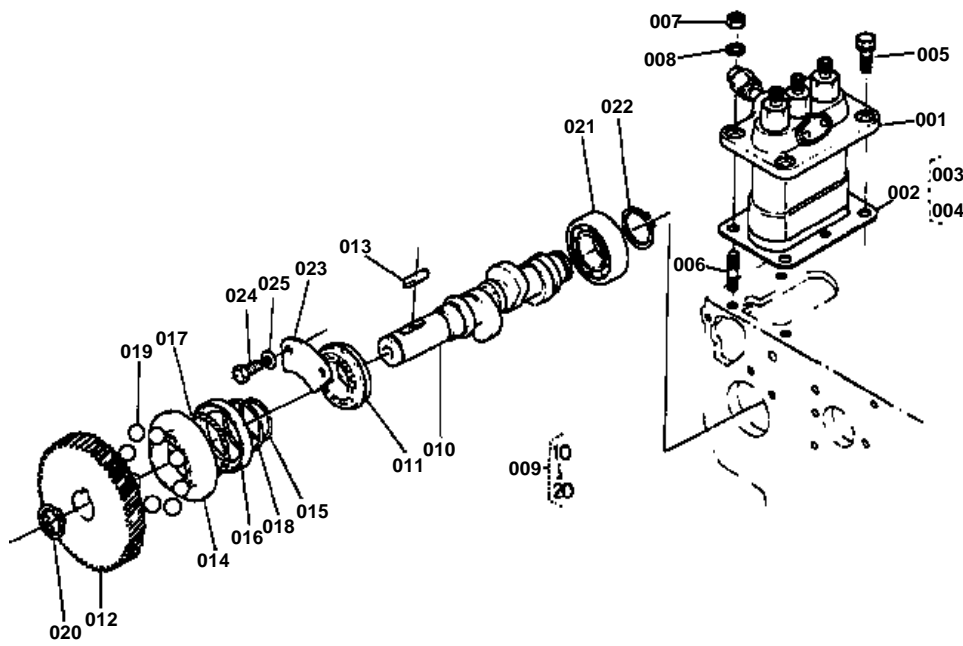


**NOZZLE HOLDER GROUP**

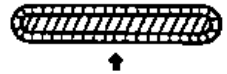
↔ Interchangeable; ≠ not interchangeable; ← new for old; → old for new

| REF.No | Part No.    | Description          | Q'ty | S.No.  | I/C | REMARKS | Weight (kgf) | Weight (lb) |
|--------|-------------|----------------------|------|--------|-----|---------|--------------|-------------|
| 001    | 15261-42510 | PIPE FUEL OVER FLOW  | 2    |        |     |         | 0.004        | 0.0088      |
| 002    | 15271-42710 | CLIP PIPE            | 4    |        |     |         | 0            | 0           |
| 002    | 14971-42750 | CLIP PIPE            | 4    | >=1001 |     |         | 0.001        | 0.0022      |
| 003    | 15241-51650 | COVER INJECTION PUMP | 1    |        |     |         | 0.082        | 0.1804      |
| 004    | 15231-05130 | GASKET BREATHER      | 1    |        |     |         | 0            | 0           |
| 005    | 01053-50614 | BOLT                 | 2    |        |     |         | 0.005        | 0.011       |
| 006    | 04512-50060 | WASHER SPRING        | 4    |        |     |         | 0            | 0           |
| 007    | 15271-53000 | ASSY HOLDER NOZZLE 1 | 1    |        |     |         | 0.26         | 0.572       |
| 008    | 15271-53020 | ASSY HOLDER NOZZLE 2 | 2    |        |     |         | 0.26         | 0.572       |
| 009    | 17011-53620 | GASKET               | 3    |        |     |         | 0.003        | 0.0066      |
| 010    | 15261-53710 | PIPE INJECTION 1     | 1    |        |     |         | 0.103        | 0.2266      |
| 011    | 15261-53720 | PIPE INJECTION 2     | 1    |        |     |         | 0.1          | 0.22        |
| 012    | 15381-53730 | PIPE INJECTION 3     | 1    |        |     |         | 0.102        | 0.2244      |
| 013    | 15121-53850 | CLAMP PIPE 1         | 2    |        |     |         | 0            | 0           |
| 014    | 15121-53860 | CLAMP PIPE 1         | 2    |        |     |         | 0            | 0           |
| 015    | 03024-50520 | SCREW WITH WASHER    | 2    |        |     |         | 0.004        | 0.0088      |
| 016    | 15261-65510 | GLOW PLUG            | 3    |        |     |         | 0.03         | 0.066       |
| 017    | 15261-65560 | CODE GLOW PLUG       | 2    |        |     |         | 0.005        | 0.011       |
| 018    | 66711-43290 | BRACKET              | 1    |        |     |         | 0.039        | 0.0858      |
| 019    | 01053-50616 | BOLT                 | 2    |        |     |         | 0.005        | 0.011       |

INJECTION PUMP GROUP

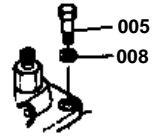


Additional parts.  
REF.No. 4 15381-5211-0



REF.No. 2 15381-5210-2  
4 15381-5211-2  
Changed thickness of  
bond.

REF.No. 5 01153-50822  
8 04512-50080



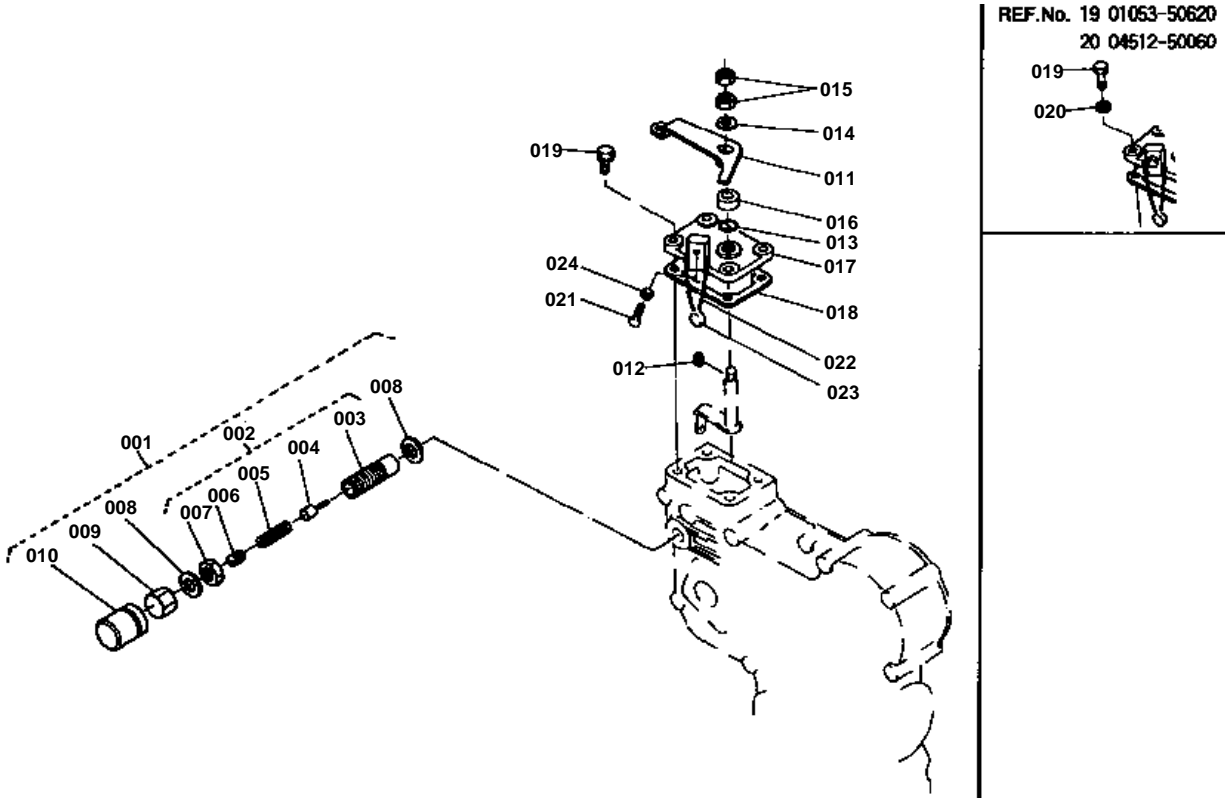


# INJECTION PUMP GROUP

↔ Interchangeable; ≠ not interchangeable; ← new for old; → old for new

| REF.No | Part No.    | Description          | Q'ty | S.No.  | I/C | REMARKS           | Weight (kgf) | Weight (lb) |
|--------|-------------|----------------------|------|--------|-----|-------------------|--------------|-------------|
| 001    | 15381-51010 | PUMP INJECTION       | 1    |        |     |                   | 2.16         | 4.752       |
| 002    | 15381-52100 | ASSY SHIM INJEC.PUMP | 1    | >=1401 |     | REF.No.003 004    | 0.022        | 0.0484      |
| 002    | 15381-52102 | ASSY SHIM INJEC.PUMP | 1    | >=3401 |     | REF.No.003 004    | 0            | 0           |
| 003    | 15321-52110 | SHIM INJECTION PUMP  | 5    | <=1400 |     |                   | 0            | 0           |
| 003    | 15321-52110 | SHIM INJECTION PUMP  | 2    | >=1401 |     |                   | 0            | 0           |
| 004    | 15381-52110 | SHIM INJECTION PUMP  | 3    | >=1401 |     |                   | 0            | 0           |
| 004    | 15381-52112 | SHIM INJECTION PUMP  | 3    | >=3401 |     |                   | 0.045        | 0.099       |
| 005    | 01153-50822 | BOLT                 | 2    |        |     |                   | 0.011        | 0.0242      |
| 005    | 01123-50822 | BOLT                 | 2    |        |     |                   | 0.012        | 0.0264      |
| 006    | 01513-50822 | STUD                 | 2    |        |     |                   | 0.01         | 0.022       |
| 006    | 15221-91530 | STUD                 | 2    | >=1001 |     |                   | 0.011        | 0.0242      |
| 007    | 02156-50080 | NUT                  | 2    |        |     |                   | 0.004        | 0.0088      |
| 008    | 04512-50080 | WASHER SPRING        | 4    |        |     |                   | 0.001        | 0.0022      |
| 008    | 04512-50080 | WASHER SPRING        | 2    |        |     |                   | 0.001        | 0.0022      |
| 009    | 15381-16020 | CAMSHAFT FUEL        | 1    |        |     | REF.No.010 TO 020 | 1.1          | 2.42        |
| 010    | 15381-16170 | CAMSHAFT FUEL        | 1    |        |     |                   | 0.42         | 0.924       |
| 011    | 08153-06004 | BEARING BALL         | 1    |        |     |                   | 0.07         | 0.154       |
| 012    | 15261-51150 | GEAR INJECTION PUMP  | 1    |        |     |                   | 0.463        | 1.0186      |
| 013    | 05712-00520 | KEY FEATHER          | 1    |        |     |                   | 0.004        | 0.0088      |
| 014    | 15261-55450 | SLEEVE GOVERNOR      | 1    |        |     |                   | 0.058        | 0.1276      |
| 015    | 15261-55470 | CIR-CLIP             | 1    |        |     |                   | 0.002        | 0.0044      |
| 016    | 15261-55690 | CASE GOVERNOR BALL   | 1    |        |     |                   | 0            | 0           |
| 017    | 07715-03205 | BALL                 | 30   |        |     |                   | 0.001        | 0.0022      |
| 018    | 15261-55740 | CIR-CLIP             | 1    |        |     |                   | 0.002        | 0.0044      |
| 019    | 07715-03217 | BALL                 | 8    |        |     |                   | 0.01         | 0.022       |
| 020    | 04612-00180 | CIR-CLIP EXTERNAL    | 1    |        |     |                   | 0.001        | 0.0022      |
| 021    | 08103-06004 | BEARING BALL         | 1    |        |     |                   | 0.066        | 0.1452      |
| 022    | 04612-00200 | CIR-CLIP EXTERNAL    | 1    |        |     |                   | 0.001        | 0.0022      |
| 023    | 15261-16320 | STOPPER FUEL CAM.    | 1    |        |     |                   | 0.037        | 0.0814      |
| 024    | 01053-50612 | BOLT                 | 2    |        |     |                   | 0.004        | 0.0088      |
| 025    | 04512-50060 | WASHER SPRING        | 2    |        |     |                   | 0            | 0           |

SPEED CONTROL PLATE GROUP



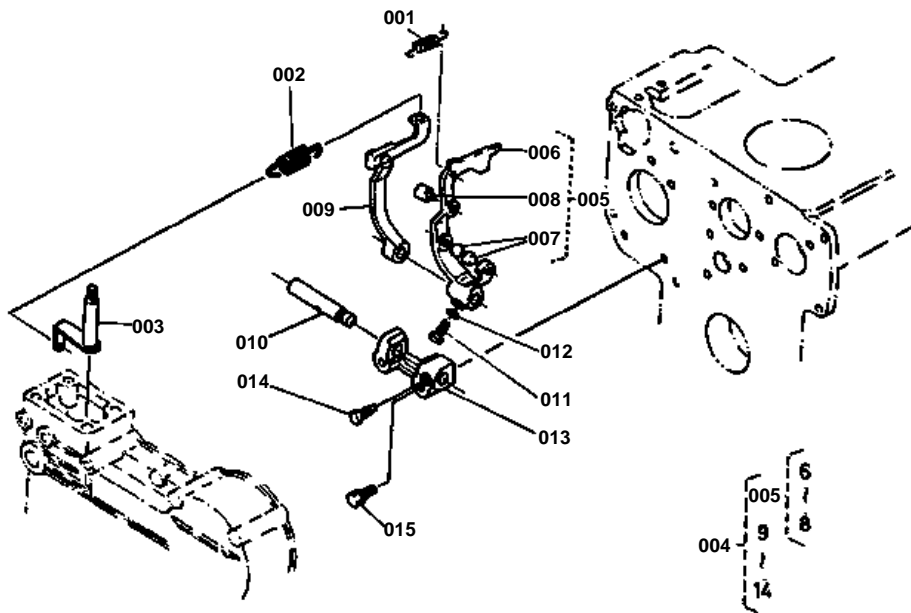


SPEED CONTROL PLATE GROUP

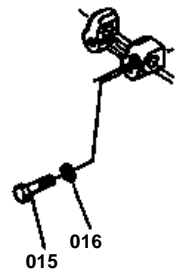
↔ Interchangeable; ≠ not interchangeable; ← new for old; → old for new

| REF.No | Part No.    | Description          | Q'ty | S.No. | I/C | REMARKS               | Weight (kgf) | Weight (lb) |
|--------|-------------|----------------------|------|-------|-----|-----------------------|--------------|-------------|
| 001    | 15371-54020 | ASSY APPARA.F-LIMIT  | 1    |       |     | REF.No.002 008 TO 010 | 0.055        | 0.121       |
| 002    | 15371-54030 | ASSY APPARA.F-LIMIT  | 1    |       |     | REF.No.003 TO 007     | 0.031        | 0.0682      |
| 003    | 99999-99999 | BLANK                | 0    |       |     | ORDER BY REF.No.002   | 0            | 0           |
| 004    | 99999-99999 | BLANK                | 0    |       |     | ORDER BY REF.No.002   | 0            | 0           |
| 005    | 15371-54230 | SPRING               | 1    |       |     |                       | 0.002        | 0.0044      |
| 006    | 14301-54430 | SCREW SET            | 1    |       |     |                       | 0.001        | 0.0022      |
| 007    | 15261-54370 | NUT LOCK             | 1    |       |     |                       | 0.007        | 0.0154      |
| 008    | 15109-33660 | GASKET               | 2    |       |     |                       | 0.001        | 0.0022      |
| 009    | 15261-54220 | NUT CAP              | 1    |       |     |                       | 0.02         | 0.044       |
| 010    | 14301-54420 | CAP                  | 1    |       |     |                       | 0.005        | 0.011       |
| 011    | 15371-57150 | LEVER SPEED CONTROL  | 1    |       |     |                       | 0.035        | 0.077       |
| 012    | 15261-95010 | KEY FEATHER          | 1    |       |     |                       | 0.001        | 0.0022      |
| 013    | 04811-00070 | O RING               | 1    |       |     |                       | 0.001        | 0.0022      |
| 014    | 04013-50060 | WASHER PLAIN         | 1    |       |     |                       | 0            | 0           |
| 015    | 02012-50060 | NUT                  | 2    |       |     |                       | 0            | 0           |
| 016    | 15261-57380 | PLATE COMPRESSION    | 1    |       |     |                       | 0            | 0           |
| 017    | 15261-57110 | PLATE SPEED CONTROL  | 1    |       |     |                       | 0.06         | 0.132       |
| 018    | 15261-57210 | GASKET CONTROL PLATE | 1    |       |     |                       | 0            | 0           |
| 019    | 01053-50620 | BOLT                 | 4    |       |     |                       | 0.006        | 0.0132      |
| 019    | 01023-50620 | BOLT                 | 4    |       |     |                       | 0.006        | 0.0132      |
| 020    | 04512-50060 | WASHER SPRING        | 4    |       |     |                       | 0            | 0           |
| 021    | 99999-99999 | BLANK                | 0    |       |     | NON SALE              | 0            | 0           |
| 022    | 99999-99999 | BLANK                | 0    |       |     | NON SALE              | 0            | 0           |
| 023    | 99999-99999 | BLANK                | 0    |       |     | NON SALE              | 0            | 0           |
| 024    | 99999-99999 | BLANK                | 0    |       |     | NON SALE              | 0            | 0           |





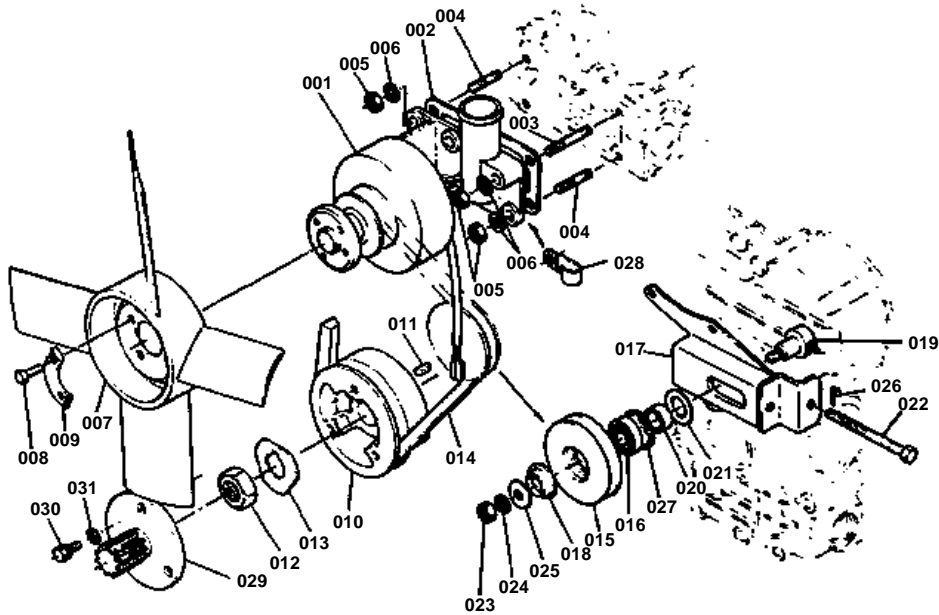
REF.No. 15 01053-50028  
16 04512-50060



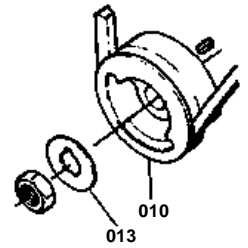


↔ Interchangeable; ≠ not interchangeable; ← new for old; → old for new

| REF.No | Part No.    | Description       | Q'ty | S.No. | I/C | REMARKS               | Weight (kgf) | Weight (lb) |
|--------|-------------|-------------------|------|-------|-----|-----------------------|--------------|-------------|
| 001    | 15221-56480 | SPRING START      | 1    |       |     |                       | 0.008        | 0.0176      |
| 002    | 15371-56410 | SPRING GOVERNOR   | 1    |       |     |                       | 0.006        | 0.0132      |
| 003    | 15261-56020 | LEVER GOVERNOR    | 1    |       |     |                       | 0.026        | 0.0572      |
| 004    | 15381-56050 | ASSY LEVER FORK   | 1    |       |     | REF.No.005 009 TO 014 | 0.254        | 0.5588      |
| 005    | 15381-56040 | ASSY LEVER FORK 1 | 1    |       |     | REF.No.006 TO 008     | 0.114        | 0.2508      |
| 006    | 99999-99999 | BLANK             | 0    |       |     | ORDER BY REF.No.005   | 0            | 0           |
| 007    | 99999-99999 | BLANK             | 0    |       |     | ORDER BY REF.No.005   | 0            | 0           |
| 008    | 99999-99999 | BLANK             | 0    |       |     | ORDER BY REF.No.005   | 0            | 0           |
| 009    | 15261-56130 | LEVER FORK 2      | 1    |       |     |                       | 0.063        | 0.1386      |
| 010    | 15261-56150 | SHAFT FORK        | 1    |       |     |                       | 0.032        | 0.0704      |
| 011    | 01053-50516 | BOLT              | 1    |       |     |                       | 0.003        | 0.0066      |
| 012    | 04512-50050 | WASHER SPRING     | 2    |       |     |                       | 0            | 0           |
| 013    | 15261-56230 | HOLDER FORK LEVER | 1    |       |     |                       | 0.038        | 0.0836      |
| 014    | 15261-66410 | BOLT              | 1    |       |     |                       | 0.003        | 0.0066      |
| 015    | 01053-50628 | BOLT              | 2    |       |     |                       | 0.008        | 0.0176      |
| 015    | 01023-50628 | BOLT              | 2    |       |     |                       | 0.015        | 0.033       |
| 016    | 04512-50060 | WASHER SPRING     | 2    |       |     |                       | 0            | 0           |



REF.No. 10 15381-7428-0  
13 15261-2338-0

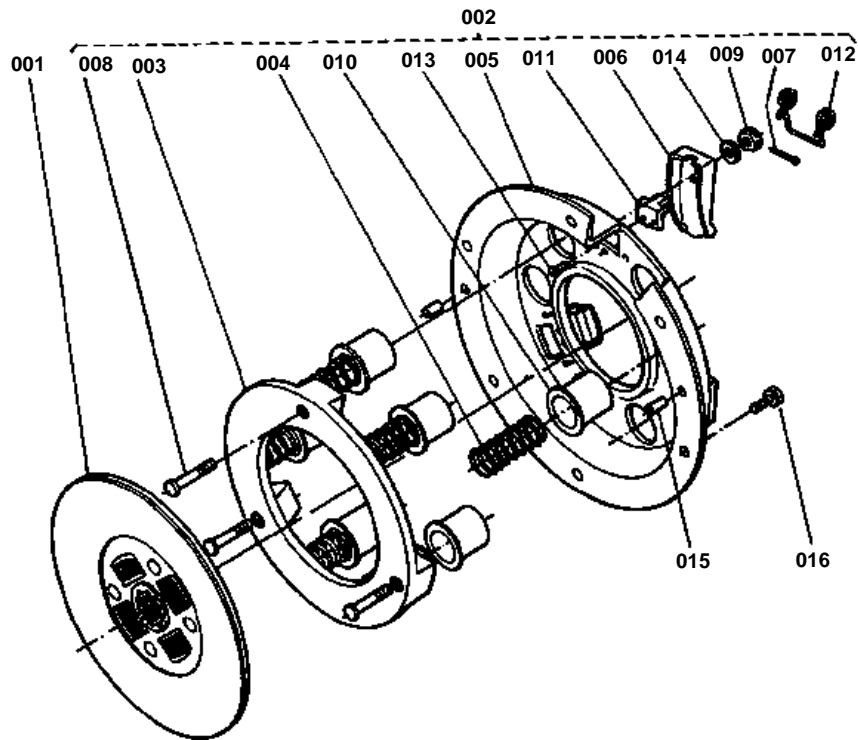




↔ Interchangeable; ≠ not interchangeable; ← new for old; → old for new

| REF.No | Part No.    | Description          | Q'ty | S.No.    | I/C | REMARKS          | Weight (kgf) | Weight (lb) |
|--------|-------------|----------------------|------|----------|-----|------------------|--------------|-------------|
| 001    | 15372-64010 | DYNAMO               | 1    |          |     |                  | 1.7          | 3.74        |
| 002    | 15261-72920 | GASKET WATER FLANGE  | 1    |          |     |                  | 0            | 0           |
| 003    | 01513-50645 | STUD                 | 1    |          |     |                  | 0.011        | 0.0242      |
| 004    | 01513-50616 | STUD                 | 5    |          |     |                  | 0.004        | 0.0088      |
| 005    | 02056-50060 | NUT                  | 6    |          |     |                  | 0.002        | 0.0044      |
| 006    | 04512-50060 | WASHER SPRING        | 6    |          |     |                  | 0            | 0           |
| 007    | 15371-74110 | FAN                  | 1    |          |     |                  | 0.16         | 0.352       |
| 008    | 01053-50616 | BOLT                 | 4    |          |     |                  | 0.005        | 0.011       |
| 009    | 15131-74230 | WASHER FAN           | 2    |          |     |                  | 0.005        | 0.011       |
| 010    | 15381-74280 | PULLEY FAN DRIVE     | 1    | <=106168 |     |                  | 0.84         | 1.848       |
| 010    | 15372-74280 | PULLEY FAN DRIVE     | 1    | >=106169 |     |                  | 0.9          | 1.98        |
| 010    | 15372-74282 | PULLEY FAN DRIVE     | 1    | >=112116 |     |                  | 0            | 0           |
| 010    | 15372-74283 | PULLEY FAN DRIVE     | 1    | >=135832 |     |                  | 0            | 0           |
| 011    | 05712-00515 | KEY FEATHER          | 1    |          |     |                  | 0.003        | 0.0066      |
| 012    | 15261-23360 | NUT CRANKSHAFT       | 1    |          |     |                  | 0.034        | 0.0748      |
| 013    | 15261-23380 | WASHER CRANKSHAFT    | 1    | <=106168 |     |                  | 0.009        | 0.0198      |
| 013    | 15372-23380 | WASHER CRANKSHAFT    | 1    | >=106169 |     |                  | 0.007        | 0.0154      |
| 014    | 15231-72530 | BELT FAN             | 1    |          |     |                  | 0.066        | 0.1452      |
| 015    | 14301-74320 | PULLEY TENSION       | 1    |          |     |                  | 0            | 0           |
| 016    | 15271-74190 | BEARING BALL         | 1    |          |     |                  | 0.065        | 0.143       |
| 017    | 15371-74410 | SUPP.TENSION PULLEY  | 1    |          |     |                  | 0.33         | 0.726       |
| 018    | 15231-74770 | COVER TENSION PULLEY | 1    |          |     |                  | 0.004        | 0.0088      |
| 019    | 15231-74330 | SHAFT TENSION PULLEY | 1    |          |     |                  | 0.093        | 0.2046      |
| 020    | 15261-74430 | COLL.TENSION PULLEY  | 1    |          |     |                  | 0.013        | 0.0286      |
| 021    | 14301-74780 | COVER TENSION PULLEY | 1    |          |     |                  | 0.005        | 0.011       |
| 022    | 15371-74970 | BOLT TENSION         | 1    |          |     |                  | 0.032        | 0.0704      |
| 023    | 02018-50100 | NUT                  | 1    |          |     |                  | 0.011        | 0.0242      |
| 024    | 04512-50100 | WASHER SPRING        | 1    |          |     |                  | 0            | 0           |
| 025    | 04013-50100 | WASHER PLAIN         | 1    |          |     |                  | 0            | 0           |
| 026    | 99999-99999 | BLANK                | 0    |          |     | OBTAINED LOCALLY | 0            | 0           |
| 027    | 04611-00400 | CIR-CLIP INTERNAL    | 1    |          |     |                  | 0.005        | 0.011       |
| 028    | 15272-67570 | CLAMP CORD           | 1    |          |     |                  | 0.003        | 0.0066      |
| 029    | 66704-88530 | FLANGE PTO           | 1    |          |     |                  | 0.4          | 0.88        |
| 030    | 01123-50825 | BOLT                 | 3    |          |     |                  | 0.013        | 0.0286      |
| 031    | 04013-50080 | WASHER PLAIN         | 3    |          |     |                  | 0            | 0           |

# CLUTCH GROUP



REF.No. 16 01153-50816  
17 04512-50080

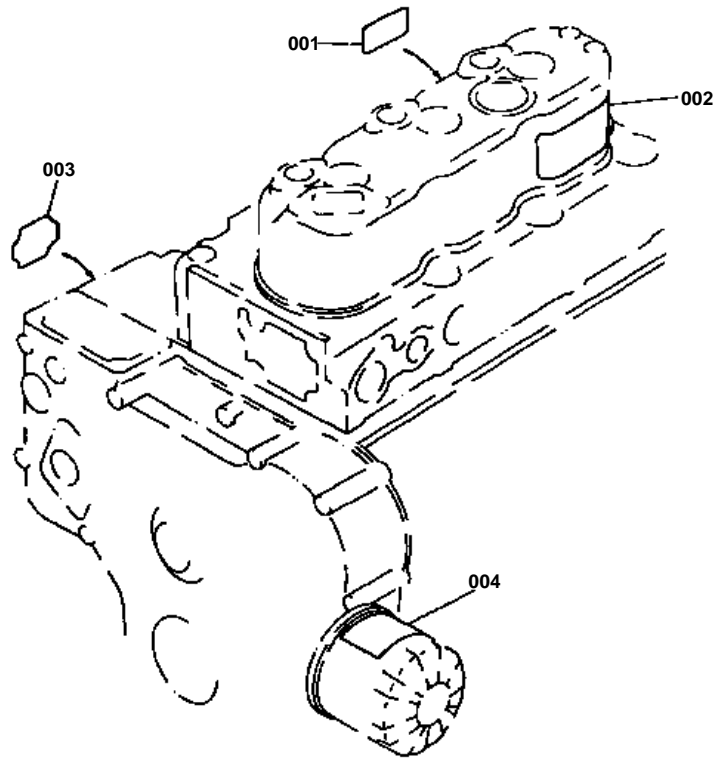


**CLUTCH GROUP**

↔ Interchangeable; ≠ not interchangeable; ← new for old; → old for new

| REF.No | Part No.    | Description         | Q'ty | S.No.  | I/C | REMARKS             | Weight (kgf) | Weight (lb) |
|--------|-------------|---------------------|------|--------|-----|---------------------|--------------|-------------|
| 001    | 66591-13300 | ASSY DISK CLUTCH    | 1    |        |     |                     | 0.9          | 1.98        |
| 002    | 66591-13400 | ASSY PLATE PRESSURE | 1    |        |     | REF.No.003 TO 014   | 3.1          | 6.82        |
| 003    | 99999-99999 | BLANK               | 0    |        |     | ORDER BY REF.No.002 | 0            | 0           |
| 004    | 66591-13310 | SPRING PRESSURE     | 6    |        |     |                     | 0.058        | 0.1276      |
| 005    | 99999-99999 | BLANK               | 0    |        |     | ORDER BY REF.No.002 | 0            | 0           |
| 006    | 32200-14540 | LEVER CLUTCH        | 3    |        |     |                     | 0.05         | 0.11        |
| 007    | 32130-14560 | PIN SPLIT           | 3    |        |     |                     | 0.001        | 0.0022      |
| 008    | 32200-14570 | BOLT                | 3    |        |     |                     | 0.009        | 0.0198      |
| 009    | 32130-14580 | NUT                 | 3    |        |     |                     | 0.003        | 0.0066      |
| 010    | 32130-14590 | CAP PRESSURE SPRING | 6    |        |     |                     | 0.024        | 0.0528      |
| 011    | 32130-14620 | SEAT LEVER          | 3    |        |     |                     | 0.017        | 0.0374      |
| 012    | 32130-14630 | SPRING RETURN       | 3    |        |     |                     | 0.006        | 0.0132      |
| 013    | 32130-14640 | RIVET               | 6    |        |     |                     | 0.001        | 0.0022      |
| 014    | 32130-14650 | WASHER RELEASE YOKE | 3    |        |     |                     | 0.002        | 0.0044      |
| 015    | 05012-00614 | PIN STRAIGHT        | 2    |        |     |                     | 0.004        | 0.0088      |
| 016    | 01153-50816 | BOLT                | 6    |        |     |                     | 0.01         | 0.022       |
| 016    | 01123-50816 | BOLT                | 6    | >=1001 |     |                     | 0.011        | 0.0242      |
| 017    | 04512-50080 | WASHER SPRING       | 6    |        |     |                     | 0.001        | 0.0022      |

NAME PLATE GROUP



| REF.No. 3    |              |
|--------------|--------------|
| 15222-8721-0 | 15372-8723-0 |
| English      | English      |
| X            | X            |
| Japanese     | French       |



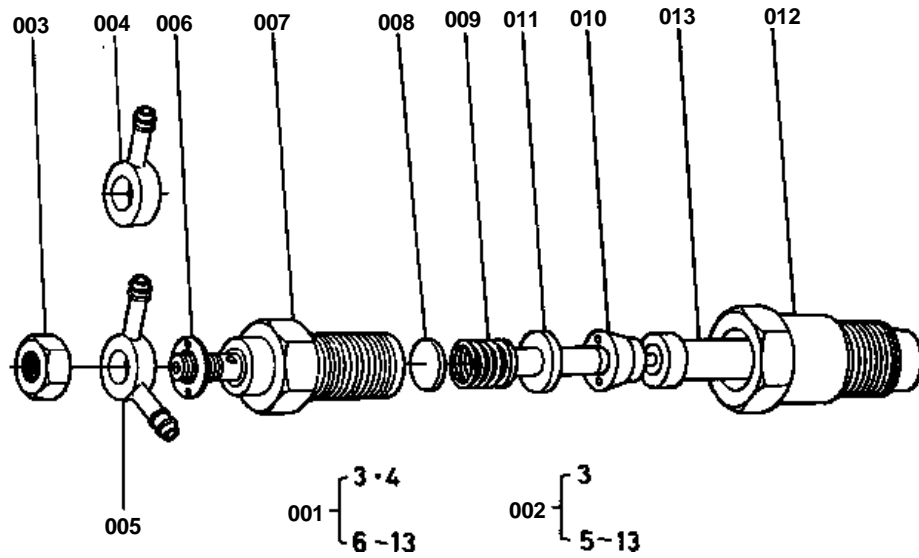
# NAME PLATE GROUP

↔ Interchangeable; ≠ not interchangeable; ← new for old; → old for new

| REF.No | Part No.    | Description     | Q'ty | S.No. | I/C | REMARKS | Weight (kgf) | Weight (lb) |
|--------|-------------|-----------------|------|-------|-----|---------|--------------|-------------|
| 001    | 15232-88210 | LABEL GLOW PLUG | 1    |       |     |         | 0.001        | 0.0022      |
| 002    | 15372-87310 | LABEL OIL       | 1    |       |     |         | 0.001        | 0.0022      |
| 003    | 15222-87210 | LABEL CAUTION   | 1    | ≤2200 |     |         | 0.001        | 0.0022      |
| 003    | 15372-87230 | LABEL CAUTION   | 1    | ≥1001 |     |         | 0.001        | 0.0022      |
| 004    | 15372-87210 | LABEL CAUTION   | 1    |       |     |         | 0.001        | 0.0022      |



# NOZZLE HOLDER GROUP

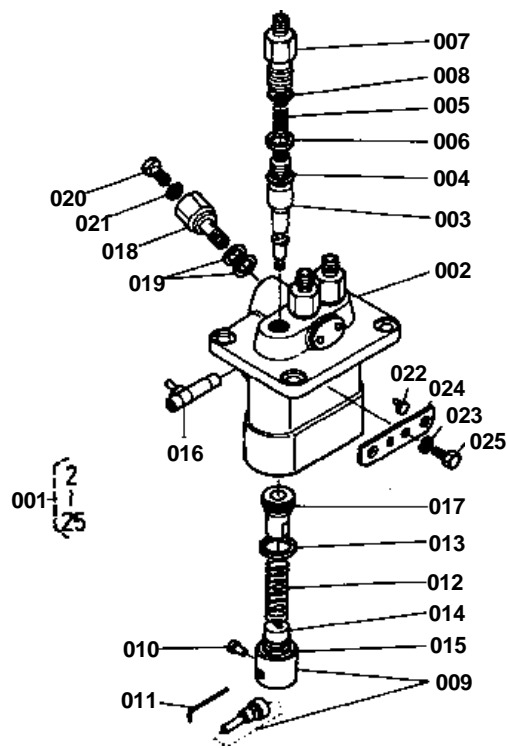


**NOZZLE HOLDER GROUP**

↔ Interchangeable; ≠ not interchangeable; ← new for old; → old for new

| REF.No | Part No.    | Description          | Q'ty | S.No. | I/C | REMARKS                    | Weight (kgf) | Weight (lb) |
|--------|-------------|----------------------|------|-------|-----|----------------------------|--------------|-------------|
| 001    | 15271-53000 | ASSY HOLDER NOZZLE 1 | 1    |       |     | REF.No.003 004 006 TO 013  | 0.26         | 0.572       |
| 002    | 15271-53020 | ASSY HOLDER NOZZLE 2 | 2    |       |     | REF.No.003 005 TO 013      | 0.26         | 0.572       |
| 003    | 15221-92020 | NUT                  | 3    |       |     |                            | 0.011        | 0.0242      |
| 004    | 15221-95680 | JOINT EYE 1          | 1    |       |     |                            | 0.021        | 0.0462      |
| 005    | 15221-95690 | JOINT EYE 2          | 2    |       |     |                            | 0.022        | 0.0484      |
| 006    | 15221-94020 | WASHER PLAIN         | 3    |       |     |                            | 0.002        | 0.0044      |
| 007    | 99999-99999 | BLANK                | 0    |       |     | ORDER BY REF.No.001 OR 002 | 0            | 0           |
| 008    | 15221-53230 | WASHER ADJUSTING     | 3    |       |     |                            | 0.001        | 0.0022      |
| 009    | 15221-53170 | SPRING NOZZLE        | 3    |       |     |                            | 0.01         | 0.022       |
| 010    | 15221-53350 | PIECE DISTANCE       | 3    |       |     |                            | 0.016        | 0.0352      |
| 011    | 15221-53160 | ROD PUSH             | 3    |       |     |                            | 0.003        | 0.0066      |
| 012    | 15221-53280 | NUT NOZZLE           | 3    |       |     |                            | 0.068        | 0.1496      |
| 013    | 15021-53610 | PIECE NOZZLE         | 3    |       |     |                            | 0            | 0           |

# INJECTION PUMP GROUP

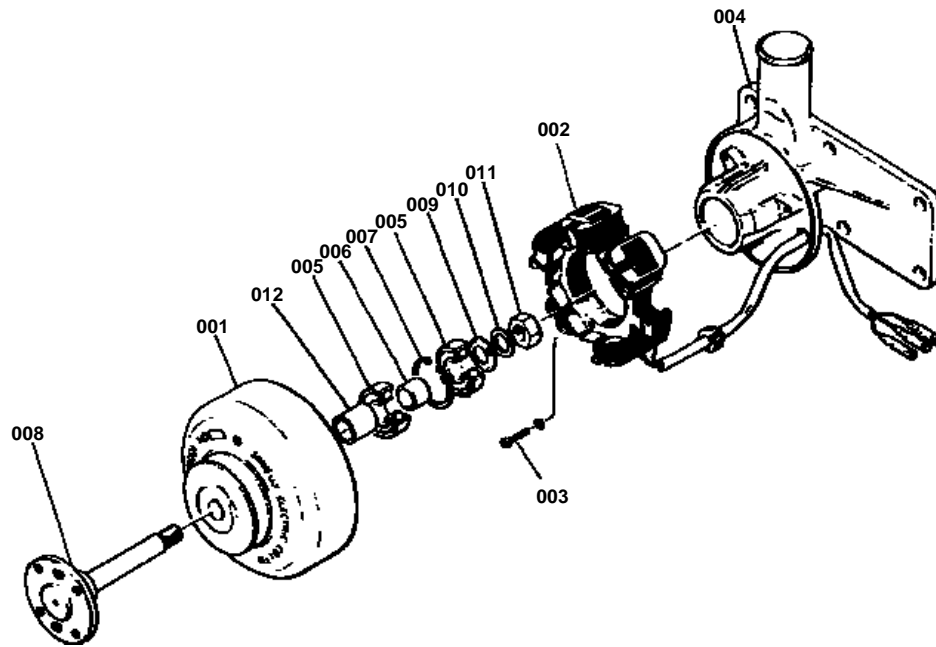




## INJECTION PUMP GROUP

↔ Interchangeable; ≠ not interchangeable; ← new for old; → old for new

| REF.No | Part No.    | Description          | Q'ty | S.No. | I/C | REMARKS                                  | Weight (kgf) | Weight (lb) |
|--------|-------------|----------------------|------|-------|-----|--|--------------|-------------|
| 001    | 15381-51010 | ASSY PUMP INJECTION  | 1    |       |     | REF.No.002 TO 025<br>ORDER BY REF.No.001 | 2.16         | 4.752       |
| 002    | 99999-99999 | BLANK                | 0    |       |     |  | 0            | 0           |
| 003    | 15261-51050 | ELEMENT PUMP         | 3    |       |     |  | 0.04         | 0.088       |
| 004    | 15261-51030 | VALVE DELIVERY VALVE | 3    |       |     |  | 0.011        | 0.0242      |
| 005    | 15331-51230 | SPRING DELIVE.VALVE  | 3    |       |     |  | 0.001        | 0.0022      |
| 006    | 15331-51240 | GASKET DELIVE.VALVE  | 3    |       |     |  | 0.001        | 0.0022      |
| 007    | 15331-51220 | HOLDER DELIVE.VALVE  | 3    |       |     |  | 0.053        | 0.1166      |
| 008    | 15331-96760 | O RING               | 3    |       |     |  | 0.001        | 0.0022      |
| 009    | 15331-51070 | ASSY TAPPET          | 3    |       |     |  | 0.036        | 0.0792      |
| 010    | 15331-51250 | PIN TAPPET GUIDE     | 3    |       |     |  | 0.001        | 0.0022      |
| 011    | 15331-51430 | PIN CLAMP            | 1    |       |     |  | 0.001        | 0.0022      |
| 012    | 15331-51280 | SPRING PLUNGER       | 3    |       |     |  | 0            | 0           |
| 013    | 15331-51270 | SEAT SPRING UPPER    | 3    |       |     |  | 0.001        | 0.0022      |
| 014    | 15331-51290 | SEAT SPRING UNDER    | 3    |       |     |  | 0.001        | 0.0022      |
| 015    | 15381-51490 | SHIM                 | 3    |       |     |  | 0.008        | 0.0176      |
| 016    | 15331-51060 | RACK CONTROL         | 1    |       |     |  | 0.036        | 0.0792      |
| 017    | 15331-51380 | SLEEVE CONTROL       | 3    |       |     |  | 0.012        | 0.0264      |
| 018    | 15241-51320 | SCREW                | 1    |       |     |  | 0.034        | 0.0748      |
| 019    | 15331-96650 | GASKET               | 2    |       |     |  | 0.001        | 0.0022      |
| 020    | 15331-51350 | SCREW AIR BREEDER    | 1    |       |     |  | 0            | 0           |
| 021    | 15331-96660 | GASKET               | 1    |       |     |  | 0.001        | 0.0022      |
| 022    | 15331-51480 | COLLAR               | 2    |       |     |  | 0.005        | 0.011       |
| 023    | 15381-94090 | WASHER SPRING        | 2    |       |     |  | 0.002        | 0.0044      |
| 024    | 15381-51390 | PLATE ADJUSTING      | 1    |       |     |  | 0.008        | 0.0176      |
| 025    | 15331-91010 | BOLT                 | 2    |       |     |  | 0.034        | 0.0748      |

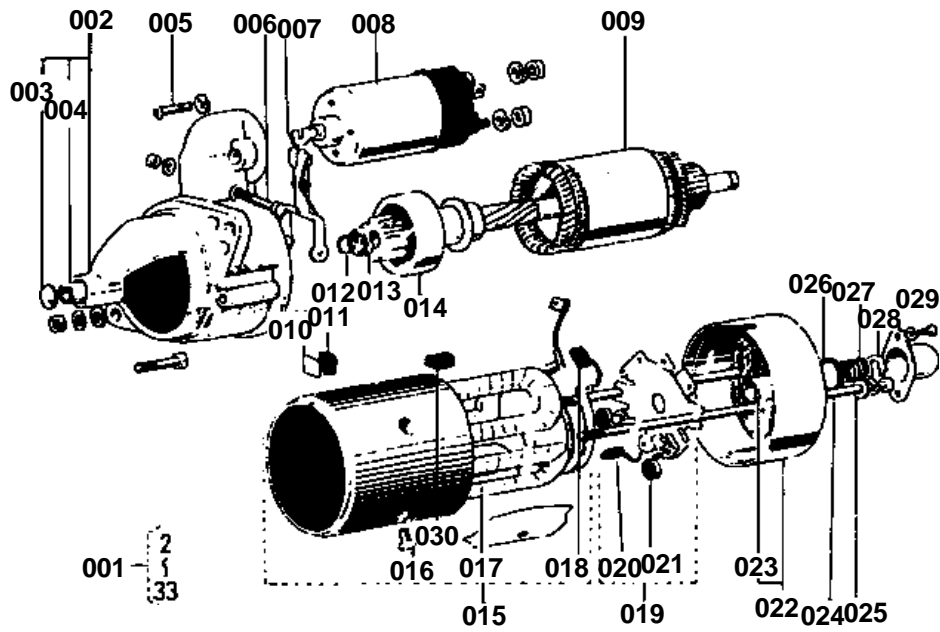




↔ Interchangeable; ≠ not interchangeable; ← new for old; → old for new

| REF.No | Part No.    | Description       | Q'ty | S.No. | I/C | REMARKS | Weight (kgf) | Weight (lb) |
|--------|-------------|-------------------|------|-------|-----|---------|--------------|-------------|
| 001    | 15372-64040 | ROTOR             | 1    |       |     |         | 0.95         | 2.09        |
| 002    | 15372-64290 | ASSY STATOR       | 1    |       |     |         | 0.23         | 0.506       |
| 003    | 15261-93010 | SCREW             | 2    |       |     |         | 0.003        | 0.0066      |
| 004    | 15372-64360 | BASE STATOR       | 1    |       |     |         | 0            | 0           |
| 005    | 15531-74180 | BEARING BALL      | 1    |       |     |         | 0.04         | 0.088       |
| 006    | 15261-64150 | COLLAR            | 1    |       |     |         | 0.02         | 0.044       |
| 007    | 15261-95470 | CIR-CLIP INTERNAL | 1    |       |     |         | 0.002        | 0.0044      |
| 008    | 15372-74140 | SHAFT FAN         | 1    |       |     |         | 0.22         | 0.484       |
| 009    | 15261-94020 | WASHER PLAIN      | 1    |       |     |         | 0.007        | 0.0154      |
| 010    | 15261-94070 | WASHER SPRING     | 1    |       |     |         | 0.003        | 0.0066      |
| 011    | 15261-92030 | NUT               | 1    |       |     |         | 0.01         | 0.022       |
| 012    | 15261-64140 | COLLAR            | 1    |       |     |         | 0.025        | 0.055       |

# STARTER GROUP

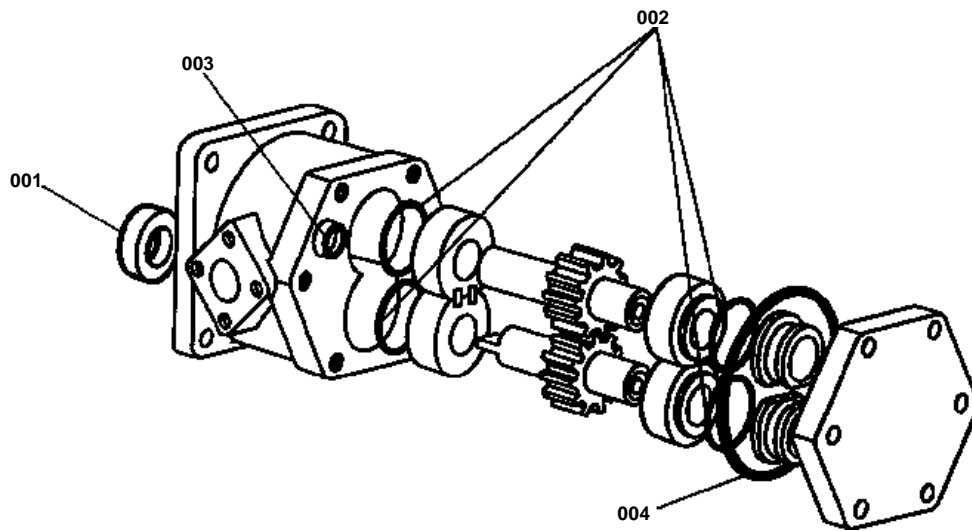


**STARTER GROUP**

↔ Interchangeable; ≠ not interchangeable; ← new for old; → old for new

| REF.No | Part No.    | Description       | Q'ty | S.No. | I/C | REMARKS           | Weight (kgf) | Weight (lb) |
|--------|-------------|-------------------|------|-------|-----|-------------------|--------------|-------------|
| 001    | 15231-63010 | ASSY STARTER      | 1    |       |     | REF.No.002 TO 033 | 0            | 0           |
| 002    | 15231-63030 | DRIVE END FRAME   | 1    |       |     |                   | 0.45         | 0.99        |
| 003    | 15231-63220 | CAP END FRAME     | 1    |       |     |                   | 0.001        | 0.0022      |
| 004    | 17016-63250 | BUSH              | 1    |       |     |                   | 0.006        | 0.0132      |
| 005    | 15221-91370 | SCREW             | 2    |       |     |                   | 0.01         | 0.022       |
| 006    | 15221-91020 | BOLT              | 1    |       |     |                   | 0.01         | 0.022       |
| 007    | 15221-63050 | LEVER DRIVE       | 1    |       |     |                   | 0.044        | 0.0968      |
| 008    | 15231-63020 | MAGNET SWITCH     | 1    |       |     |                   | 0.692        | 1.5224      |
| 009    | 15231-63072 | ARMATURE          | 1    |       |     |                   | 1.635        | 3.597       |
| 010    | 15231-63680 | PLATE INSULATOR   | 1    |       |     |                   | 0.007        | 0.0154      |
| 011    | 15231-63690 | WASHER INSULATOR  | 1    |       |     |                   | 0.004        | 0.0088      |
| 012    | 15221-94820 | CIR-CLIP EXTERNAL | 1    |       |     |                   | 0.001        | 0.0022      |
| 013    | 15321-63250 | COLLAR            | 1    |       |     |                   | 0.005        | 0.011       |
| 014    | 15231-63040 | CLUTCH            | 1    |       |     |                   | 0.28         | 0.616       |
| 015    | 15231-63080 | YOKE              | 1    |       |     |                   | 1.8          | 3.96        |
| 016    | 15221-91380 | SCREW             | 4    |       |     |                   | 0.008        | 0.0176      |
| 017    | 15221-63092 | COIL FIELD        | 1    |       |     |                   | 0.3          | 0.66        |
| 018    | 15221-63370 | BRUSH             | 1    |       |     |                   | 0.006        | 0.0132      |
| 019    | 15221-63380 | HOLDER BRUSH      | 1    |       |     |                   | 0.13         | 0.286       |
| 020    | 15221-63360 | BRUSH             | 1    |       |     |                   | 0.006        | 0.0132      |
| 021    | 15221-63390 | SPRING BRUSH      | 2    |       |     |                   | 0.003        | 0.0066      |
| 022    | 15221-63200 | END FRAME         | 1    |       |     |                   | 0.254        | 0.5588      |
| 023    | 15221-63250 | BUSH              | 1    |       |     |                   | 0.006        | 0.0132      |
| 024    | 15221-63320 | BOLT THROUGH      | 2    |       |     |                   | 0.017        | 0.0374      |
| 025    | 15231-94030 | WASHER PLAIN      | 2    |       |     |                   | 0.002        | 0.0044      |
| 026    | 15221-63520 | PACKING           | 1    |       |     |                   | 0.005        | 0.011       |
| 027    | 15221-63490 | SPRING RETURN     | 1    |       |     |                   | 0.004        | 0.0088      |
| 028    | 15221-94030 | HOLDER SPRING     | 1    |       |     |                   | 0.003        | 0.0066      |
| 029    | 15221-63510 | CAP END FRAME     | 1    |       |     |                   | 0.01         | 0.022       |
| 030    | 15221-96680 | BUSH INSULATOR    | 1    |       |     |                   | 0.002        | 0.0044      |
| 031    | 15231-94040 | WASHER PLAIN      | 1    |       |     | NOT SHOWN IN FIG. | 0.002        | 0.0044      |
| 032    | 15321-94010 | WASHER PLAIN      | 1    |       |     | NOT SHOWN IN FIG. | 0.001        | 0.0022      |
| 033    | 15231-94040 | WASHER PLAIN      | 1    |       |     | NOT SHOWN IN FIG. | 0.002        | 0.0044      |





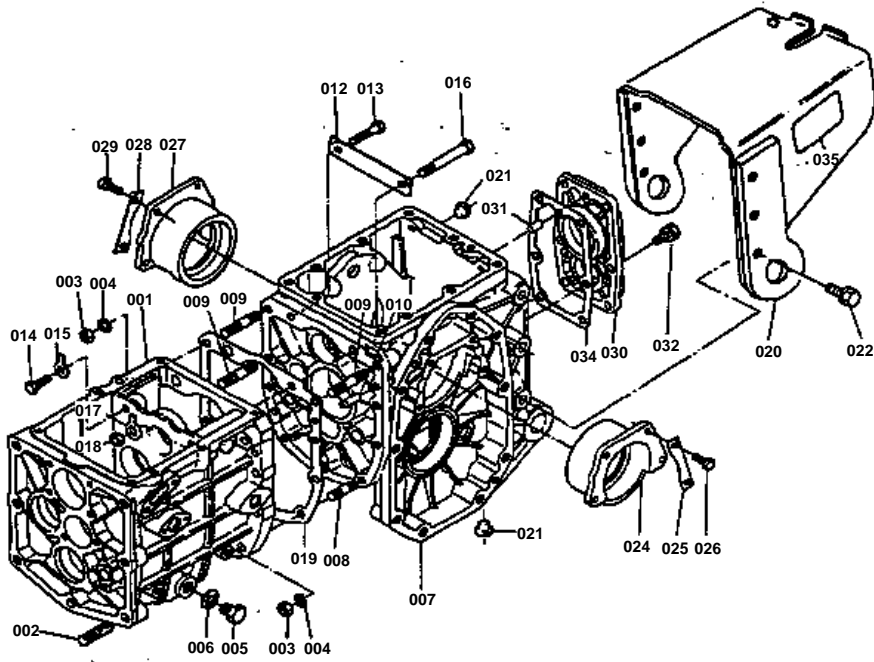


# OIL PRESSURE PUMP GROUP

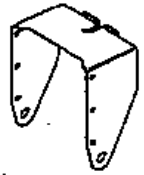
↔ Interchangeable; ≠ not interchangeable; ← new for old; → old for new

| REF.No | Part No.    | Description | Q'ty | S.No. | I/C | REMARKS | Weight (kgf) | Weight (lb) |
|--------|-------------|-------------|------|-------|-----|---------|--------------|-------------|
| 001    | 67211-76190 | SEAL OIL    | 1    |       |     |         | 0            | 0           |
| 002    | 04810-00220 | O RING      | 4    |       |     |         | 0.001        | 0.0022      |
| 003    | 04810-00050 | O RING      | 1    |       |     |         | 0.001        | 0.0022      |
| 004    | 04810-50500 | O RING      | 1    |       |     |         | 0.005        | 0.011       |

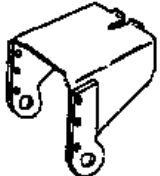
TRANSMISSION CASE GROUP



REF.No.20 66704-1121-0

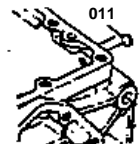


REF.No.20 66704-1121-3



REF.No.20 01153-51235  
Length 28→35mm

REF.No.11 06311-75012

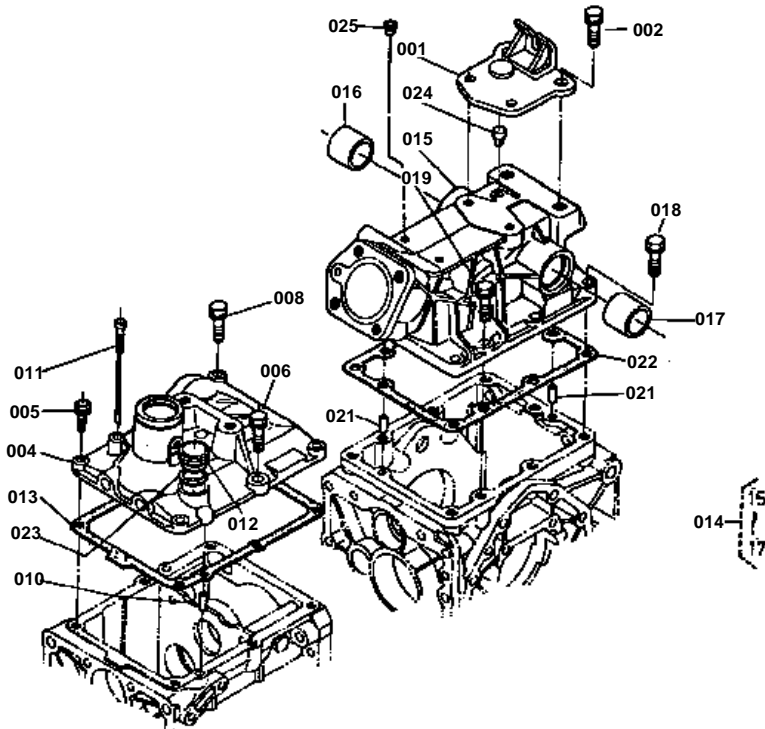




## TRANSMISSION CASE GROUP

↔ Interchangeable; ≠ not interchangeable; ← new for old; → old for new

| REF.No | Part No.    | Description        | Q'ty | S.No.  | I/C | REMARKS             | Weight (kgf) | Weight (lb) |
|--------|-------------|--------------------|------|--------|-----|---------------------|--------------|-------------|
| 001    | 66611-11110 | CASE TRANSMISSION  | 1    |        |     |                     | 0            | 0           |
| 002    | 01555-51225 | STUD               | 7    |        |     |                     | 0.039        | 0.0858      |
| 003    | 02118-50100 | NUT                | 9    |        |     |                     | 0.005        | 0.011       |
| 004    | 04512-50100 | WASHER SPRING      | 9    |        |     |                     | 0            | 0           |
| 005    | 06331-35016 | PLUG               | 1    |        |     |                     | 0.04         | 0.088       |
| 006    | 04717-01600 | WASHER SEAL        | 1    |        |     |                     | 0.003        | 0.0066      |
| 007    | 66611-11127 | CASE DIFFERENTIAL  | 1    | ≤33168 |     |                     | 8            | 17.6        |
| 007    | 66611-11129 | CASE DIFFERENTIAL  | 1    | ≥10001 |     |                     | 0            | 0           |
| 008    | 01555-51035 | STUD               | 6    |        |     |                     | 0.029        | 0.0638      |
| 009    | 01555-51050 | STUD               | 3    |        |     |                     | 0.038        | 0.0836      |
| 010    | 66611-11160 | PIN KNOCK          | 2    |        |     |                     | 0.01         | 0.022       |
| 011    | 06311-75012 | PLUG EXPANSION     | 2    | ≤33168 |     |                     | 0.002        | 0.0044      |
| 012    | 66591-11440 | PLATE LOCK         | 1    |        |     |                     | 0.014        | 0.0308      |
| 013    | 01153-50838 | BOLT               | 1    |        |     |                     | 0.017        | 0.0374      |
| 014    | 01153-50825 | BOLT               | 1    |        |     |                     | 0.012        | 0.0264      |
| 015    | 04111-50080 | WASHER TONGUED     | 1    |        |     |                     | 0.001        | 0.0022      |
| 016    | 66611-11140 | BOLT               | 1    |        |     |                     | 0            | 0           |
| 017    | 04111-50100 | WASHER TONGUED     | 1    |        |     |                     | 0.003        | 0.0066      |
| 018    | 02118-50100 | NUT                | 1    |        |     |                     | 0.005        | 0.011       |
| 019    | 66611-11130 | GASKET             | 1    |        |     |                     | 0            | 0           |
| 020    | 66704-11210 | COVER PTO          | 1    | ≤19630 |     |                     | 2.3          | 5.06        |
| 020    | 66704-11213 | COVER PTO          | 1    | ≤21330 |     |                     | 0            | 0           |
| 020    | 66704-11214 | COVER PTO          | 1    | ≥10001 |     |                     | 1.5          | 3.3         |
| 021    | 66591-11290 | PLUG 2             | 4    |        |     |                     | 0.001        | 0.0022      |
| 021    | 67111-11140 | PLUG M12           | 4    | ≥10001 |     |                     | 0            | 0           |
| 021    | 67211-11140 | PLUG M12           | 4    | ≥10001 |     |                     | 0.001        | 0.0022      |
| 022    | 01153-51228 | BOLT               | 6    | ≤21330 |     | OLD                 | 0.034        | 0.0748      |
| 022    | 01153-51235 | BOLT               | 6    |        |     | OLD                 | 0.039        | 0.0858      |
| 022    | 01123-51235 | BOLT               | 6    |        |     | NEW                 | 0.041        | 0.0902      |
| 023    | 04512-50120 | WASHER SPRING      | 6    |        |     | WITH REF.No.022 OLD | 0.003        | 0.0066      |
| 024    | 66611-11510 | HOLDER DIFF.BRG.LH | 1    |        |     |                     | 0.78         | 1.716       |
| 025    | 66611-11520 | PLATE LOCK         | 2    |        |     |                     | 0.01         | 0.022       |
| 026    | 01150-50820 | BOLT               | 4    |        |     |                     | 0.011        | 0.0242      |
| 027    | 66611-11812 | HOLDER DIFF BRG.RH | 1    |        |     |                     | 0.72         | 1.584       |
| 028    | 66611-11520 | PLATE LOCK         | 2    |        |     |                     | 0.01         | 0.022       |
| 029    | 01150-50820 | BOLT               | 4    |        |     |                     | 0.011        | 0.0242      |
| 030    | 66611-12216 | COVER REAR         | 1    | ≤21330 |     |                     | 1.02         | 2.244       |
| 030    | 66706-12210 | COVER REAR         | 1    | ≥21331 |     |                     | 1.21         | 2.662       |
| 031    | 05012-00816 | PIN STRAIGHT       | 1    |        |     |                     | 0.007        | 0.0154      |
| 032    | 01150-51025 | BOLT               | 6    |        |     | OLD                 | 0            | 0           |
| 032    | 01120-51025 | BOLT               | 6    |        |     | NEW                 | 0            | 0           |
| 033    | 04512-50100 | WASHER SPRING      | 6    |        |     | WITH REF.No.032 OLD | 0            | 0           |
| 034    | 66611-12220 | GASKET             | 1    |        |     |                     | 0            | 0           |
| 035    | 35110-21990 | LABEL              | 1    | ≥21331 |     |                     | 0.001        | 0.0022      |



REF.No. 2 01123-51230  
 6 01123-51035  
 8 01120-50845  
 18 01123-51045  
 19 01123-51035

Bolt with washer.

REF.No. 3 04512-50120  
 7 04512-50100  
 9 04512-50080  
 20 04512-50100

Discontinuance.

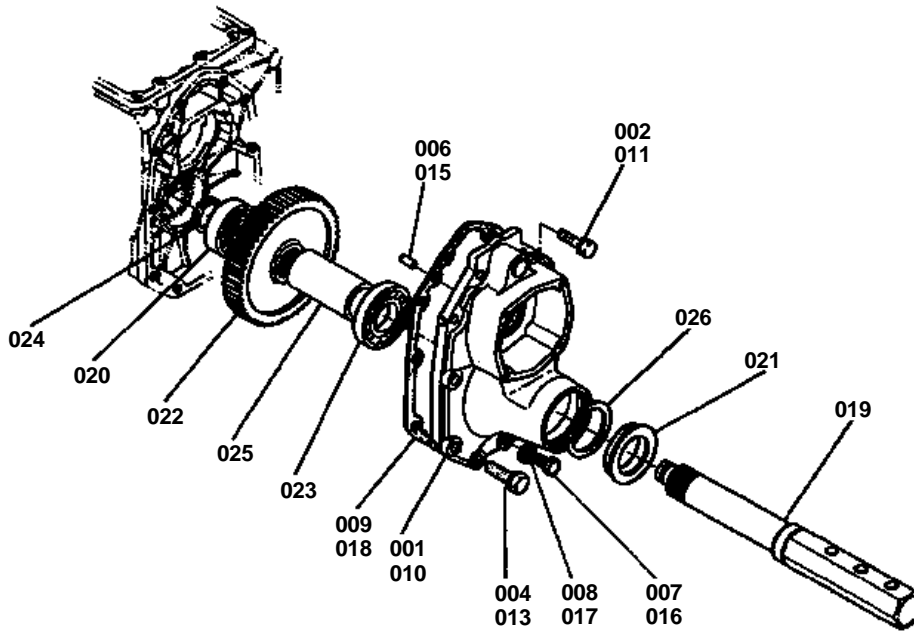


## CASE COVER GROUP

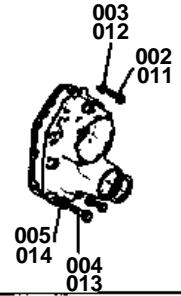
↔ Interchangeable; ≠ not interchangeable; ← new for old; → old for new

| REF.No | Part No.    | Description          | Q'ty | S.No.   | I/C | REMARKS                 | Weight (kgf) | Weight (lb) |
|--------|-------------|----------------------|------|---------|-----|-------------------------|--------------|-------------|
| 001    | 66611-11910 | BRACKET CHAIN        | 1    |         |     |                         | 0.607        | 1.3354      |
| 002    | 01153-51230 | BOLT                 | 2    |         |     | OLD                     | 0.036        | 0.0792      |
| 002    | 01123-51230 | BOLT                 | 2    |         |     | NEW                     | 0.04         | 0.088       |
| 003    | 04512-50120 | WASHER SPRING        | 2    |         |     | WITH REF.No.002 OLD     | 0.003        | 0.0066      |
| 004    | 66591-11138 | COVER CASE FRONT     | 1    |         |     |                         | 0.948        | 2.0856      |
| 005    | 01120-50828 | BOLT                 | 3    |         |     |                         | 0            | 0           |
| 006    | 01153-51035 | BOLT                 | 2    |         |     | OLD                     | 0.025        | 0.055       |
| 006    | 01123-51035 | BOLT                 | 2    |         |     | NEW                     | 0.025        | 0.055       |
| 007    | 04512-50100 | WASHER SPRING        | 2    |         |     | WITH REF.No.006 OLD     | 0            | 0           |
| 008    | 01150-50845 | BOLT                 | 1    |         |     | OLD                     | 0.019        | 0.0418      |
| 008    | 01120-50845 | BOLT                 | 1    |         |     | NEW                     | 0.02         | 0.044       |
| 009    | 04512-50080 | WASHER SPRING        | 1    |         |     | WITH REF.No.008 OLD     | 0.001        | 0.0022      |
| 010    | 05012-00816 | PIN STRAIGHT         | 2    |         |     |                         | 0.007        | 0.0154      |
| 011    | 66591-11380 | GAUGE OIL            | 1    |         |     |                         | 0.01         | 0.022       |
| 012    | 66591-11460 | CAP                  | 1    |         |     |                         | 0.016        | 0.0352      |
| 013    | 66591-11220 | GASKET               | 1    |         |     |                         | 0            | 0           |
| 014    | 66711-12500 | ASSY COVER CASE REAR | 1    |         |     | REF.No.015 TO 017       | 0            | 0           |
| 015    | 66611-12510 | COVER CASE REAR      | 1    |         |     |                         | 3.83         | 8.426       |
| 016    | 66591-36710 | BUSH                 | 1    |         |     |                         | 0.049        | 0.1078      |
| 017    | 66591-36720 | BUSH                 | 1    |         |     |                         | 0.044        | 0.0968      |
| 018    | 01153-51040 | BOLT                 | 3    |         |     | OLD                     | 0.03         | 0.066       |
| 018    | 01123-51040 | BOLT                 | 3    |         |     | NEW                     | 0.03         | 0.066       |
| 019    | 01153-51035 | BOLT                 | 6    |         |     | OLD                     | 0.025        | 0.055       |
| 019    | 01123-51035 | BOLT                 | 6    |         |     | NEW                     | 0.025        | 0.055       |
| 020    | 04512-50100 | WASHER SPRING        | 9    |         |     | WITH REF.No.018/019 OLD | 0            | 0           |
| 021    | 05012-00816 | PIN STRAIGHT         | 2    |         |     |                         | 0.007        | 0.0154      |
| 022    | 66611-12520 | GASKET               | 1    |         |     |                         | 0            | 0           |
| 023    | 04711-00400 | GASKET               | 1    |         |     |                         | 0.001        | 0.0022      |
| 023    | 04713-00400 | GASKET               | 1    | >=10001 |     |                         | 0.001        | 0.0022      |
| 024    | 66591-11350 | BREATHER             | 1    |         |     |                         | 0.002        | 0.0044      |
| 025    | 66591-54390 | PLUG 3               | 2    |         |     |                         | 0.001        | 0.0022      |

AXLE CASE GROUP



- REF.No. 2 01153-51035  
 3 04512-50100  
 4 01153-51250  
 5 04512-50120  
 11 01153-51035  
 12 04512-50100  
 13 01153-51250  
 14 04512-50120



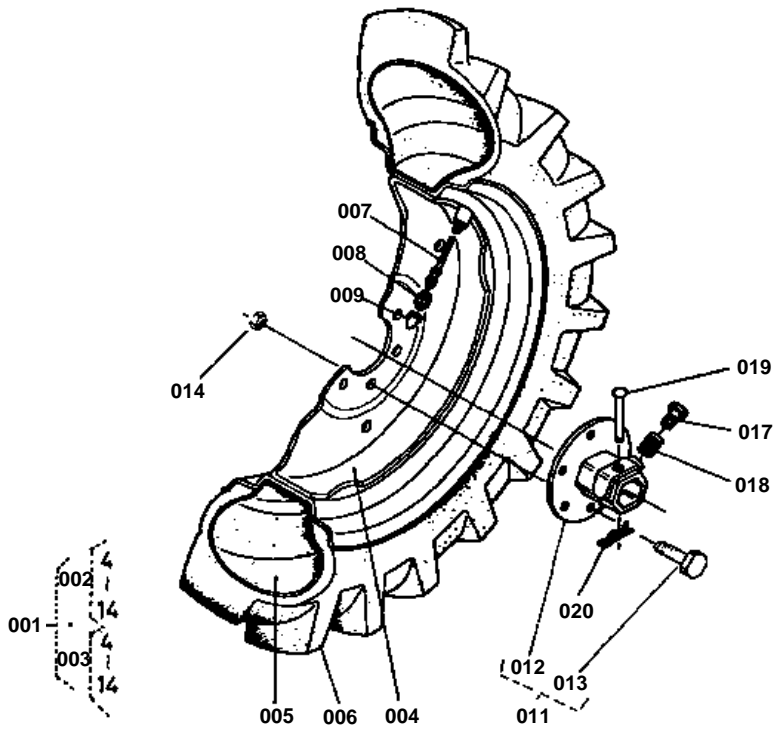


**AXLE CASE GROUP**

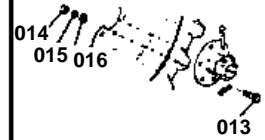
↔ Interchangeable; ≠ not interchangeable; ← new for old; → old for new

| REF.No | Part No.    | Description        | Q'ty | S.No. | I/C | REMARKS     | Weight (kgf) | Weight (lb) |
|--------|-------------|--------------------|------|-------|-----|-------------|--------------|-------------|
| 001    | 66611-12614 | CASE AXLE LH       | 1    |       |     |             | 0            | 0           |
| 002    | 01153-51035 | BOLT               | 4    |       |     |             | 0.025        | 0.055       |
| 002    | 01123-51035 | BOLT               | 4    |       |     |             | 0.025        | 0.055       |
| 003    | 04512-50100 | WASHER SPRING      | 4    |       |     |             | 0            | 0           |
| 004    | 01153-51250 | BOLT               | 6    |       |     |             | 0.05         | 0.11        |
| 004    | 01123-51250 | BOLT               | 6    |       |     |             | 0.055        | 0.121       |
| 005    | 04512-50120 | WASHER SPRING      | 6    |       |     |             | 0.003        | 0.0066      |
| 006    | 05012-00816 | PIN STRAIGHT       | 2    |       |     |             | 0.007        | 0.0154      |
| 007    | 06331-35012 | PLUG               | 1    |       |     |             | 0.022        | 0.0484      |
| 008    | 04717-01200 | WASHER SEAL        | 1    |       |     |             | 0.002        | 0.0044      |
| 009    | 66591-11240 | GASKET             | 1    |       |     |             | 0            | 0           |
| 010    | 66611-12710 | CASE AXLE RH       | 1    |       |     |             | 2            | 4.4         |
| 011    | 01153-51035 | BOLT               | 4    |       |     |             | 0.025        | 0.055       |
| 011    | 01123-51035 | BOLT               | 4    |       |     |             | 0.025        | 0.055       |
| 012    | 04512-50100 | WASHER SPRING      | 4    |       |     |             | 0            | 0           |
| 013    | 01153-51250 | BOLT               | 6    |       |     |             | 0.05         | 0.11        |
| 013    | 01123-51250 | BOLT               | 6    |       |     |             | 0.055        | 0.121       |
| 014    | 04512-50120 | WASHER SPRING      | 6    |       |     |             | 0.003        | 0.0066      |
| 015    | 05012-00816 | PIN STRAIGHT       | 2    |       |     |             | 0.007        | 0.0154      |
| 016    | 06331-35012 | PLUG               | 1    |       |     |             | 0.022        | 0.0484      |
| 017    | 04717-01200 | WASHER SEAL        | 1    |       |     |             | 0.002        | 0.0044      |
| 018    | 66591-11240 | GASKET             | 1    |       |     |             | 0            | 0           |
| 019    | 66611-17114 | AXLE REAR          | 2    |       |     |             | 4.64         | 10.208      |
| 020    | 08101-06306 | BEARING BALL(6306) | 2    |       |     |             | 0.335        | 0.737       |
| 021    | 66611-17120 | SEAL OIL           | 2    |       |     | EXCEPT IRAN | 0.09         | 0.198       |
| 021    | 66802-17120 | SEAL OIL           | 2    |       |     | ONLY IRAN   | 0.134        | 0.2948      |
| 022    | 66611-17130 | GEAE SPUR 55       | 2    |       |     |             | 2.4          | 5.28        |
| 023    | 08101-06208 | BEARING BALL(6208) | 2    |       |     |             | 0.355        | 0.781       |
| 024    | 04612-00300 | CIR-CLIP EXTERNAL  | 2    |       |     |             | 0.003        | 0.0066      |
| 025    | 66611-17143 | COLLAR             | 2    |       |     |             | 0.515        | 1.133       |
| 026    | 04611-00800 | CIR-CLLP INTERNAL  | 2    |       |     |             | 0.02         | 0.044       |





REF.No. 13 01073-51435  
14 02076-50140  
15 04512-50140  
16 04013-50140



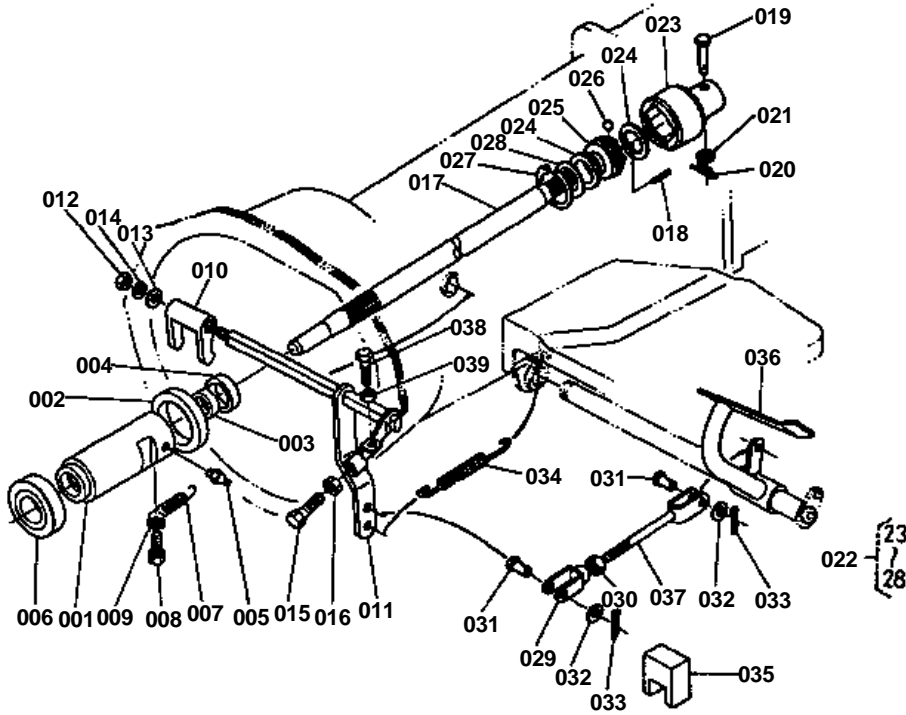


REAR WHEEL GROUP [AMERICA]

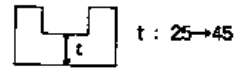
↔ Interchangeable; ≠ not interchangeable; ← new for old; → old for new

| REF.No | Part No.    | Description            | Q'ty | S.No.   | I/C | REMARKS   | Weight (kgf) | Weight (lb) |
|--------|-------------|------------------------|------|---------|-----|---|--------------|-------------|
| 001    | 99999-99999 | BLANK                  | 0    |         |     | ASSY REAR WHEEL 7-16                            | 0            | 0           |
| 002    | 99999-99999 | BLANK                  | 0    |         |     | REF.No.002 003 OBTA<br>ASSY REAR WHEEL LH       | 0            | 0           |
| 003    | 99999-99999 | BLANK                  | 0    |         |     | REF.No.004 TO 014 OBT<br>ASSY REAR WHEEL RH     | 0            | 0           |
| 004    | 99999-99999 | BLANK                  | 0    |         |     | REF.No.004 TO 014 OBT<br>WHEEL OBTAINED LOCALLY | 0            | 0           |
| 005    | 99999-99999 | BLANK                  | 0    |         |     | TUBE OBTAINED LOCALLY                           | 0            | 0           |
| 006    | 99999-99999 | BLANK                  | 0    |         |     | TIRE OBTAINED LOCALLY                           | 0            | 0           |
| 007    | 99999-99999 | BLANK                  | 0    |         |     | ASSY VALVE OBTAINED<br>LOCALLY                  | 0            | 0           |
| 008    | 99999-99999 | BLANK                  | 0    |         |     | CORE VALVE OBTAINED<br>LOCALLY                  | 0            | 0           |
| 009    | 99999-99999 | BLANK                  | 0    |         |     | CAP OBTAINED LOCALLY                            | 0            | 0           |
| 010    | 66704-17100 | ASSY HUB WHEEL         | 2    |         |     | REF.No.011 TO 015                               | 0            | 0           |
| 010    | 66704-17200 | ASSY HUB WHEEL         | 2    | >=10301 |     | REF.No.011 TO 014                               | 2.95         | 6.49        |
| 011    | 66704-17300 | ASSY WHEEL HUB<br>BOLT | 2    |         |     | REF.No.012 013                                  | 0            | 0           |
| 012    | 66704-17150 | HUB WHEEL              | 2    | >=10301 |     |   | 2.6          | 5.72        |
| 013    | 01073-51435 | BOLT                   | 12   |         |     |   | 0.063        | 0.1386      |
| 013    | 66704-17310 | BOLT                   | 12   | >=10301 |     |   | 0            | 0           |
| 014    | 02076-50140 | NUT                    | 12   |         |     |   | 0.022        | 0.0484      |
| 014    | 35340-11390 | NUT                    | 12   | >=10301 |     |   | 0.03         | 0.066       |
| 015    | 04512-50140 | WASHER SPRING          | 12   |         |     |   | 0            | 0           |
| 016    | 04013-50140 | WASHER PLAIN           | 12   |         |     |   | 0            | 0           |
| 017    | 63733-17250 | BOLT WHEEL HAB<br>SET  | 2    |         |     |   | 0.08         | 0.176       |
| 018    | 63512-17230 | SPRING SET BOLT        | 2    |         |     |   | 0.014        | 0.0308      |
| 019    | 66621-17160 | PIN AXLE               | 2    |         |     |   | 0.05         | 0.11        |
| 020    | 62131-17290 | PIN SNAP               | 2    |         |     |   | 0.004        | 0.0088      |

# CLUTCH ROD GROUP



REF.No. 35 66711-4215-0



REF.No. 35 66704-4325-0

Reinforced

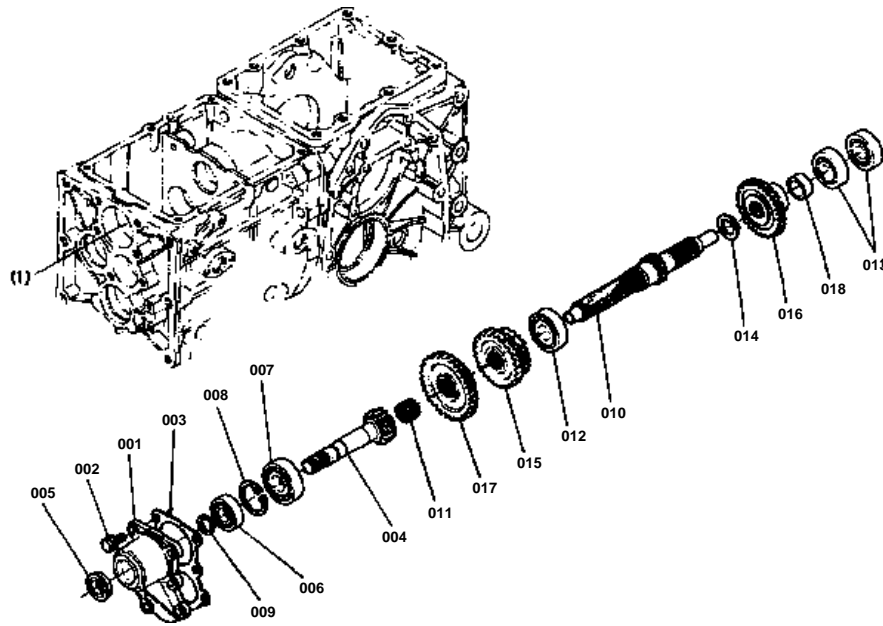


## CLUTCH ROD GROUP

↔ Interchangeable; ≠ not interchangeable; ← new for old; → old for new

| REF.No | Part No.    | Description         | Q'ty | S.No.  | I/C | REMARKS           | Weight (kgf) | Weight (lb) |
|--------|-------------|---------------------|------|--------|-----|-------------------|--------------|-------------|
| 001    | 66621-13314 | HOLDER RELEASE BRG. | 1    |        |     |                   | 0.63         | 1.386       |
| 002    | 66621-51420 | SEAL OIL            | 1    |        |     |                   | 0.011        | 0.0242      |
| 003    | 09030-20328 | SEAL OIL            | 1    |        |     |                   | 0.009        | 0.0198      |
| 004    | 09030-20357 | SEAL OIL            | 1    |        |     |                   | 0.009        | 0.0198      |
| 005    | 06613-10675 | NIPPLE GREASE       | 1    |        |     |                   | 0.003        | 0.0066      |
| 006    | 32150-14820 | BEARING THRUST BALL | 1    |        |     |                   | 0.2          | 0.44        |
| 007    | 66611-13340 | SRRING RELEASE      | 1    |        |     |                   | 0.006        | 0.0132      |
| 008    | 01202-50610 | BOLT                | 1    |        |     |                   | 0.004        | 0.0088      |
| 009    | 04013-50060 | WASHER PLAIN        | 1    |        |     |                   | 0            | 0           |
| 010    | 66621-13350 | FORK CLUTCH RELEASE | 1    |        |     |                   | 0.095        | 0.209       |
| 011    | 66704-13310 | ROD CLUTCH          | 1    |        |     |                   | 0.42         | 0.924       |
| 012    | 02114-50080 | NUT                 | 1    |        |     |                   | 0.005        | 0.011       |
| 013    | 04012-50080 | WASHER PLAIN        | 1    |        |     |                   | 0.001        | 0.0022      |
| 014    | 04512-50080 | WASHER SPRING       | 1    |        |     |                   | 0.001        | 0.0022      |
| 015    | 66711-13320 | BOLT CLUTCH ADJUST. | 1    |        |     |                   | 0.028        | 0.0616      |
| 016    | 02116-50100 | NUT                 | 1    |        |     |                   | 0.004        | 0.0088      |
| 017    | 66711-14110 | SHAFT PROPELLER     | 1    |        |     |                   | 1.192        | 2.6224      |
| 018    | 05411-00532 | PIN SPRING          | 1    |        |     |                   | 0.003        | 0.0066      |
| 019    | 66611-14120 | PIN JOINT           | 1    |        |     |                   | 0            | 0           |
| 020    | 66611-14130 | PIN SET             | 1    |        |     |                   | 0.001        | 0.0022      |
| 021    | 04717-00500 | WASHER SEAL         | 1    |        |     |                   | 0.001        | 0.0022      |
| 022    | 66611-14100 | ASSY BALL JOINT     | 1    |        |     | REF.No.023 TO 028 | 0.307        | 0.6754      |
| 023    | 66611-14140 | COUPLING BALL OUTER | 1    |        |     |                   | 0.2          | 0.44        |
| 024    | 66611-14150 | GASKET BALL JOINT   | 2    |        |     |                   | 0            | 0           |
| 025    | 66611-14160 | COUPLING INNER      | 1    |        |     |                   | 0.076        | 0.1672      |
| 026    | 07715-00803 | BALL                | 4    |        |     |                   | 0.004        | 0.0088      |
| 027    | 04611-00350 | CIR-CLIP INTERNAL   | 1    |        |     |                   | 0.003        | 0.0066      |
| 028    | 66611-14170 | RETAINER GASKET     | 1    |        |     |                   | 0            | 0           |
| 029    | 66621-43130 | U-JOINT             | 1    |        |     |                   | 0.06         | 0.132       |
| 030    | 02112-50080 | NUT                 | 1    |        |     |                   | 0.003        | 0.0066      |
| 031    | 05122-50825 | PIN JOINT           | 2    |        |     |                   | 0.011        | 0.0242      |
| 032    | 04012-50080 | WASHER PLAIN        | 2    |        |     |                   | 0.001        | 0.0022      |
| 033    | 05511-50215 | PIN SPLIT           | 2    |        |     |                   | 0.001        | 0.0022      |
| 034    | 66591-43250 | SPRING              | 1    |        |     | EXCEPT IRAN       | 0.026        | 0.0572      |
| 034    | 66704-43250 | SPRING              | 1    |        |     | EXCEPT IRAN       | 0.05         | 0.11        |
| 034    | 66807-43250 | SPRING              | 1    |        |     | ONLY IRAN         | 0.07         | 0.154       |
| 035    | 66591-43270 | SPACER PEDAL        | 1    | ≤20830 |     |                   | 0.02         | 0.044       |
| 035    | 66711-42150 | SPACER PEDAL        | 1    | ≥10001 |     |                   | 0.027        | 0.0594      |
| 036    | 66711-42120 | PEDAL CLUTCH        | 1    |        |     |                   | 0.926        | 2.0372      |
| 037    | 66711-42110 | ROD CLUTCH          | 1    |        |     |                   | 0.078        | 0.1716      |
| 038    | 66601-54750 | BOLT                | 1    |        |     |                   | 0.016        | 0.0352      |
| 039    | 02112-50080 | NUT                 | 1    |        |     |                   | 0.003        | 0.0066      |

# 1ST SHAFT 4TH SHAFT GROUP



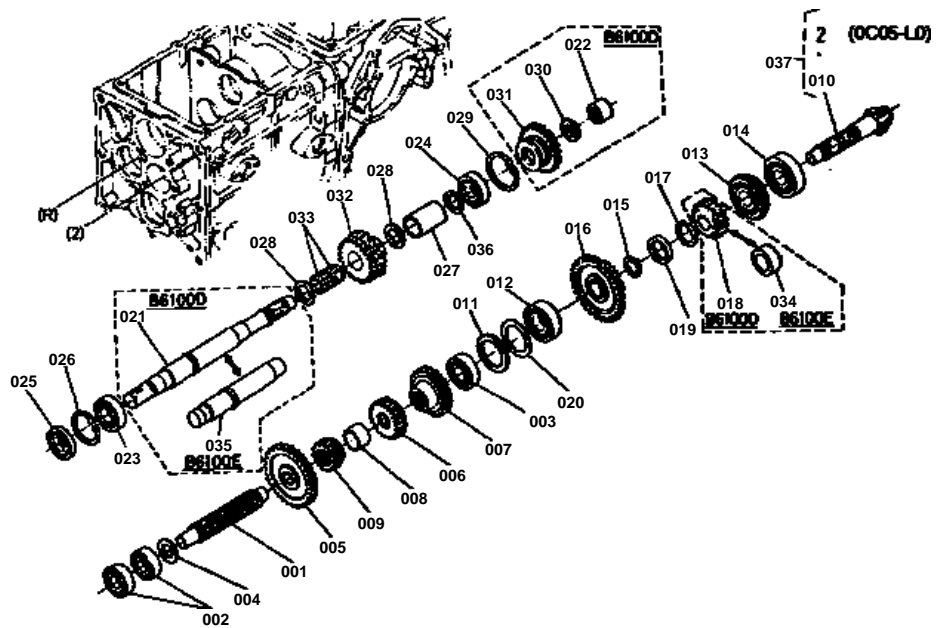


# 1ST SHAFT 4TH SHAFT GROUP

↔ Interchangeable; ≠ not interchangeable; ← new for old; → old for new

| REF.No | Part No.    | Description        | Q'ty | S.No. | I/C | REMARKS | Weight (kgf) | Weight (lb) |
|--------|-------------|--------------------|------|-------|-----|---------|--------------|-------------|
| 001    | 66591-11170 | COVER SHAFT        | 1    |       |     |         | 0.268        | 0.5896      |
| 002    | 01120-50822 | BOLT               | 6    |       |     |         | 0            | 0           |
| 003    | 66591-11250 | GASKET             | 1    |       |     |         | 0            | 0           |
| 004    | 66591-14115 | SHAFT 1            | 1    |       |     |         | 0.3          | 0.66        |
| 005    | 09180-17329 | SEAL OIL           | 1    |       |     |         | 0.012        | 0.0264      |
| 006    | 08101-06203 | BEARING BALL(6203) | 1    |       |     |         | 0.063        | 0.1386      |
| 007    | 08101-06304 | BEARING BALL(6304) | 1    |       |     |         | 0.146        | 0.3212      |
| 008    | 04611-00400 | CIR-CLIP INTERNAL  | 1    |       |     |         | 0.005        | 0.011       |
| 009    | 04612-00170 | CIR-CLIP EXTERNAL  | 1    |       |     |         | 0.001        | 0.0022      |
| 010    | 66751-14410 | SHAFT 4            | 1    |       |     |         | 0.65         | 1.43        |
| 011    | 08821-62017 | BEARING NEEDLE     | 1    |       |     |         | 0.01         | 0.022       |
| 012    | 08101-06005 | BEARING BALL(6005) | 1    |       |     |         | 0.08         | 0.176       |
| 013    | 08101-06202 | BEARING BALL(6202) | 2    |       |     |         | 0.044        | 0.0968      |
| 014    | 04612-00220 | CIR-CLIP EXTERNAL  | 1    |       |     |         | 0.001        | 0.0022      |
| 015    | 66704-14442 | GEAR SPUR 17-13    | 1    |       |     |         | 0.342        | 0.7524      |
| 016    | 66751-14450 | GEAR SPUR 23       | 1    |       |     |         | 0.287        | 0.6314      |
| 017    | 66704-14460 | GEAR SPUR 29       | 1    |       |     |         | 0.342        | 0.7524      |
| 018    | 66611-14470 | COLLAR             | 1    |       |     |         | 0.019        | 0.0418      |

# 2ND SHAFT REVERSE SHAFT GROUP





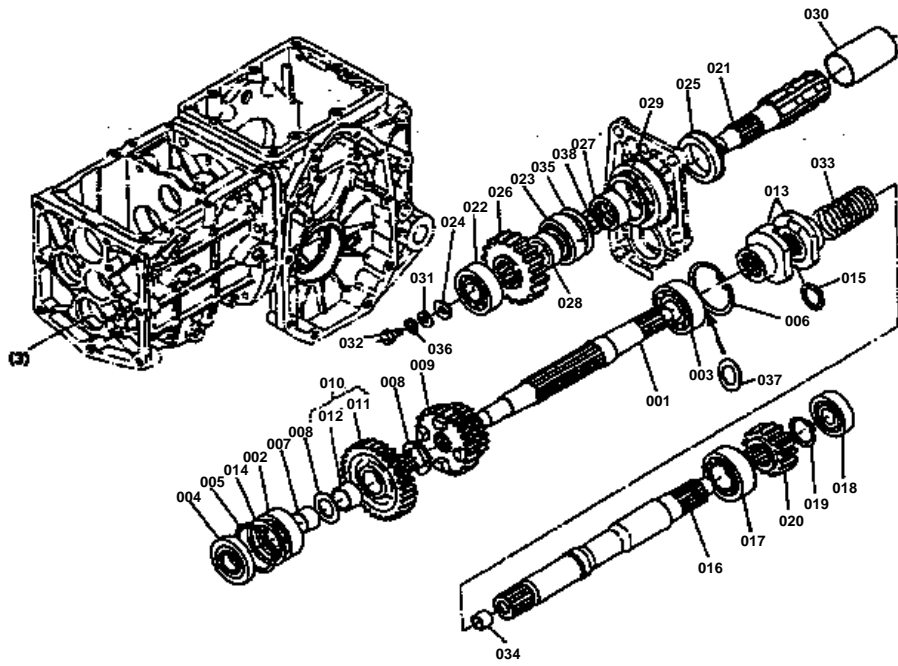
## 2ND SHAFT REVERSE SHAFT GROUP

↔ Interchangeable; ≠ not interchangeable; ← new for old; → old for new

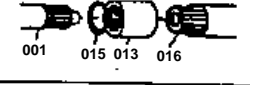
| REF.No | Part No.    | Description          | Q'ty | S.No.   | I/C | REMARKS                                 | Weight (kgf) | Weight (lb) |
|--------|-------------|----------------------|------|---------|-----|---|--------------|-------------|
| 001    | 66591-14210 | SHAFT 2              | 1    |         |     |   | 0.36         | 0.792       |
| 002    | 08101-06203 | BEARING BALL         | 2    |         |     |   | 0.063        | 0.1386      |
| 002    | 67211-14220 | BEARING BALL         | 2    | >=10001 |     |   | 0.07         | 0.154       |
| 003    | 08101-06302 | BEARING BALL(6302)   | 1    |         |     |   | 0.084        | 0.1848      |
| 004    | 66591-14220 | COLLAR               | 1    |         |     |   | 0.008        | 0.0176      |
| 005    | 66704-14210 | GEAR SPUR 30         | 1    |         |     |   | 0.291        | 0.6402      |
| 006    | 66704-14242 | GEAR SPUR 13         | 1    |         |     |   | 0.216        | 0.4752      |
| 007    | 66704-14272 | GEAR SPUR 17         | 1    |         |     |   | 0.264        | 0.5808      |
| 008    | 66591-14270 | COLLAR               | 1    |         |     |   | 0.032        | 0.0704      |
| 009    | 66704-14230 | GEAR SPUR 13         | 1    |         |     |   | 0.104        | 0.2288      |
| 010    | 99999-99999 | BLANK                | 0    |         |     | ORDER BY REF.No.037                     | 0            | 0           |
| 011    | 66591-14720 | SPACER               | 1    |         |     |   | 0.002        | 0.0044      |
| 012    | 08221-07204 | BEARING BALL(7204B)  | 1    |         |     |   | 0            | 0           |
| 013    | 08151-06305 | BEARING BALL         | 1    |         |     |   | 0.233        | 0.5126      |
| 013    | 67211-14620 | BEARING BALL         | 1    | >=10001 |     |   | 0.23         | 0.506       |
| 014    | 08101-06305 | BEARING BALL         | 1    |         |     |   | 0.23         | 0.506       |
| 014    | 37230-26740 | BEARING BALL         | 1    | >=10001 |     |   | 0            | 0           |
| 015    | 04612-00250 | CIR-CLIP EXTERNAL    | 1    |         |     |   | 0.002        | 0.0044      |
| 016    | 66751-14630 | GEAR SPUR 13-31      | 1    |         |     |   | 0.428        | 0.9416      |
| 017    | 66611-14640 | COLLAR STOP          | 2    |         |     |   | 0.003        | 0.0066      |
| 018    | 66751-14650 | GEAE SPUR 15         | 1    |         |     |   | 0.077        | 0.1694      |
| 019    | 66611-14660 | COLLAR               | 1    |         |     |   | 0.018        | 0.0396      |
| 020    | 66611-14670 | SHIM 1               | 1    |         |     |   | 0.008        | 0.0176      |
| 020    | 66611-14680 | SHIM 2               | 1    |         |     |   | 0.01         | 0.022       |
| 020    | 66611-14690 | SHIM 3               | 1    |         |     |   | 0.001        | 0.0022      |
| 021    | 66611-14814 | SHAFT REVERSE        | 1    |         |     |   | 0.7          | 1.54        |
| 022    | 66611-14820 | BEARING NEEDLE       | 1    |         |     |   | 0            | 0           |
| 023    | 08101-06004 | BEARING BALL(6004)   | 1    |         |     |   | 0.065        | 0.143       |
| 024    | 08101-06204 | BEARING BALL(6204)   | 1    |         |     |   | 0.102        | 0.2244      |
| 025    | 09500-20428 | SEAL OIL             | 1    |         |     |   | 0.012        | 0.0264      |
| 026    | 04611-00420 | CIR-CLIP INTERNAL    | 1    |         |     |   | 0.006        | 0.0132      |
| 027    | 66711-14870 | COLLAR               | 1    |         |     |   | 0            | 0           |
| 028    | 62231-14520 | COLLAR               | 2    |         |     |   | 0.005        | 0.011       |
| 029    | 04611-00470 | CIR-CLIP INTERNAL    | 1    |         |     |   | 0.006        | 0.0132      |
| 030    | 66611-14830 | COLLAR               | 1    |         |     |   | 0.016        | 0.0352      |
| 031    | 66751-14840 | GEAR SPUR 25         | 1    |         |     |   | 0.273        | 0.6006      |
| 032    | 66704-14452 | GEAR SPUR 15-22      | 1    |         |     |   | 0.362        | 0.7964      |
| 033    | 08822-22617 | BEARING NEEDLE       | 2    |         |     |   | 0.012        | 0.0264      |
| 036    | 66711-14880 | COLLAR               | 1    |         |     |   | 0            | 0           |
| 037    | 66711-82710 | ASSY BEVEL GEAR 6-37 | 1    |         |     | REF.No.002 ON PAGE L.No.0C05-L0 AND 010 | 0            | 0           |



3RD 5TH PTO SHAFT GROUP



REF.No.1 56611-1431-0  
 13 56611-1437-0  
 15 04612-00240  
 18 56611-1451-5



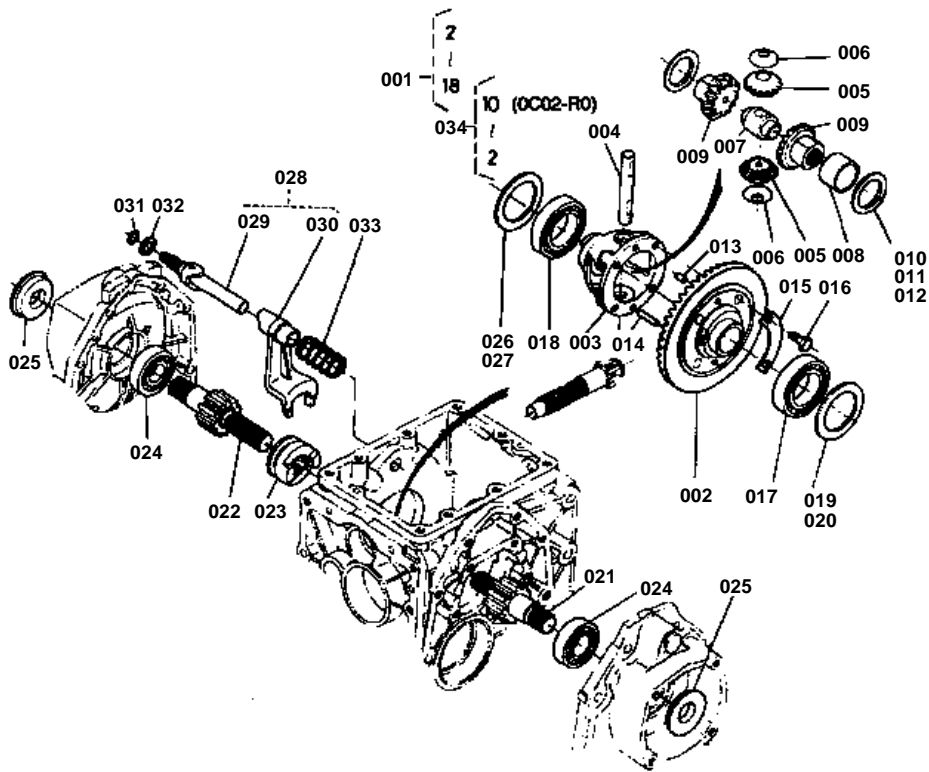


## 3RD 5TH PTO SHAFT GROUP

↔ Interchangeable; ≠ not interchangeable; ← new for old; → old for new

| REF.No | Part No.    | Description        | Q'ty | S.No.  | I/C | REMARKS             | Weight (kgf) | Weight (lb) |
|--------|-------------|--------------------|------|--------|-----|---------------------|--------------|-------------|
| 001    | 66611-14310 | SHAFT 3            | 1    | ≤21330 |     |                     | 0.707        | 1.5554      |
| 001    | 66706-14310 | SHAFT 3            | 1    | ≥21331 |     |                     | 0.702        | 1.5444      |
| 002    | 08101-06303 | BEARING BALL(6303) | 1    |        |     |                     | 0.112        | 0.2464      |
| 003    | 08101-06205 | BEARING BALL(6205) | 1    |        |     |                     | 0.14         | 0.308       |
| 004    | 09500-17478 | SEAL OIL           | 1    |        |     |                     | 0.018        | 0.0396      |
| 005    | 04611-00470 | CIR-CLIP INTERNAL  | 1    |        |     |                     | 0.006        | 0.0132      |
| 006    | 04611-00520 | CIR-CLIP INTERNAL  | 1    |        |     |                     | 0.009        | 0.0198      |
| 007    | 66591-14320 | COLLAR             | 1    |        |     |                     | 0.018        | 0.0396      |
| 008    | 62231-14770 | COLLAR THRUST      | 2    |        |     |                     | 0            | 0           |
| 009    | 66704-14852 | GEAR 17-13         | 1    |        |     |                     | 0.39         | 0.858       |
| 010    | 66704-14400 | ASSY GEAR BUSH     | 1    |        |     | REF.No.011 012      | 0.4          | 0.88        |
| 011    | 99999-99999 | BLANK              | 0    |        |     | ORDER BY REF.No.010 | 0            | 0           |
| 012    | 66611-14340 | BUSH               | 1    |        |     |                     | 0.01         | 0.022       |
| 013    | 66611-14370 | BOSS SPLINE        | 1    | ≤21330 |     |                     | 0.128        | 0.2816      |
| 013    | 66706-14380 | CAM                | 2    | ≥21331 |     |                     | 0.198        | 0.4356      |
| 014    | 62131-14170 | SHIM               | 1    |        |     |                     | 0.002        | 0.0044      |
| 015    | 04612-00240 | CIR-CLIP EXTERNAL  | 1    | ≤21330 |     |                     | 0.002        | 0.0044      |
| 015    | 04612-00220 | CIR-CLIP EXTERNAL  | 1    | ≥21331 |     |                     | 0.001        | 0.0022      |
| 016    | 66611-14515 | SHAFT 5            | 1    | ≤21330 |     |                     | 1.03         | 2.266       |
| 016    | 66706-14510 | SHAFT 5            | 1    | ≥21331 |     |                     | 0            | 0           |
| 017    | 08101-06205 | BEARING BALL(6205) | 1    |        |     |                     | 0.14         | 0.308       |
| 018    | 08101-06303 | BEARING BALL(6203) | 1    |        |     |                     | 0.112        | 0.2464      |
| 019    | 04612-00250 | CIR-CLIP EXTERNAL  | 1    |        |     |                     | 0.002        | 0.0044      |
| 020    | 66711-14530 | GEAR SPUR 17       | 1    | ≤21330 |     |                     | 0.241        | 0.5302      |
| 020    | 66706-14530 | GEAR SPUR 17       | 1    | ≥21331 |     |                     | 0.29         | 0.638       |
| 021    | 66704-14710 | SHAFT PTO          | 1    | ≤21330 |     |                     | 0.422        | 0.9284      |
| 021    | 66706-14710 | SHAFT PTO          | 1    | ≥21331 |     |                     | 0.61         | 1.342       |
| 022    | 08711-30204 | BEARING            | 1    |        |     |                     | 0.116        | 0.2552      |
| 023    | 08711-30205 | BEARING            | 1    |        |     |                     | 0.148        | 0.3256      |
| 024    | 66704-14720 | WASHER             | 1    |        |     |                     | 0.009        | 0.0198      |
| 025    | 09180-35488 | SEAL OIL           | 1    |        |     |                     | 0.019        | 0.0418      |
| 026    | 66711-14790 | GEAR SPUR 18       | 1    | ≤21330 |     |                     | 0.277        | 0.6094      |
| 026    | 66706-14790 | GEAR SPUR 18       | 1    | ≥21331 |     |                     | 0.32         | 0.704       |
| 027    | 66611-14730 | BUSH               | 1    |        |     |                     | 0.042        | 0.0924      |
| 028    | 66611-14740 | COLLAR             | 1    | ≤21330 |     |                     | 0.004        | 0.0088      |
| 028    | 66706-14740 | COLLAR             | 1    | ≥21331 |     |                     | 0.03         | 0.066       |
| 029    | 66611-14750 | SHIM 1             | 1    |        |     |                     | 0.002        | 0.0044      |
| 029    | 66611-14760 | SHIM 2             | 1    |        |     |                     | 0.002        | 0.0044      |
| 029    | 66611-14770 | SHIM 3             | 1    |        |     |                     | 0.001        | 0.0022      |
| 030    | 66704-14790 | VINYL COVER PTO    | 1    | ≤21330 |     |                     | 0.015        | 0.033       |
| 030    | 66706-14810 | VINYL COVER PTO    | 1    | ≥21331 |     |                     | 0.024        | 0.0528      |
| 031    | 63753-32430 | WASHER             | 1    |        |     |                     | 0.001        | 0.0022      |
| 032    | 66704-14730 | BOLT               | 1    |        |     |                     | 0.012        | 0.0264      |
| 033    | 66706-14390 | SPRING             | 1    |        |     |                     | 0.045        | 0.099       |
| 034    | 66706-14520 | BUSH               | 1    |        |     |                     | 0.004        | 0.0088      |
| 035    | 66706-14780 | COLLAR             | 1    | ≤22550 |     |                     | 0.008        | 0.0176      |
| 035    | 66706-14782 | COLLAR             | 1    | ≥22551 |     |                     | 0.006        | 0.0132      |
| 036    | 04012-50080 | WASHER PLAIN       | 1    |        |     |                     | 0.001        | 0.0022      |
| 037    | 66706-14350 | SHIM SHAFT 3       | 1    |        |     |                     | 0.004        | 0.0088      |
| 038    | 66611-14740 | COLLAR             | 1    |        |     |                     | 0.004        | 0.0088      |

DIFFERENTIAL GROUP



REF.No. 1 66704-8130-0

Adopted, Code No for

Service parts

REF.No. 9 67211-1494-0

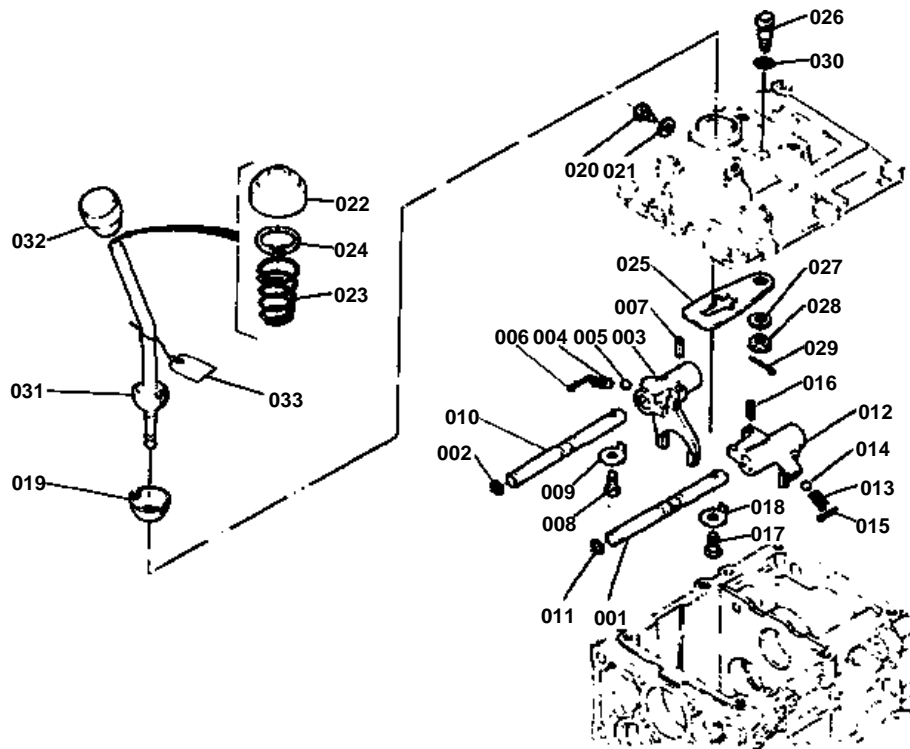
Diverted to other model.

**DIFFERENTIAL GROUP**

↔ Interchangeable; ≠ not interchangeable; ← new for old; → old for new

| REF.No | Part No.    | Description          | Q'ty | S.No.   | I/C | REMARKS                            | Weight (kgf) | Weight (lb) |
|--------|-------------|----------------------|------|---------|-----|------------------------------------|--------------|-------------|
| 001    | 66704-81300 | ASSY DIFFERENTIAL    | 1    |         |     | REF.No.001 TO 018                  | 0            | 0           |
| 002    | 99999-99999 | BLANK                | 0    |         |     | ORDER BY REF.NO.034                | 0            | 0           |
| 003    | 66611-14920 | CASE DIFFERENTIAL    | 1    |         |     |                                    | 0.68         | 1.496       |
| 004    | 66591-14830 | SHAFT DIFF PINION    | 1    |         |     |                                    | 0.1          | 0.22        |
| 005    | 66611-14930 | PINION DIFFERENTIAL  | 2    |         |     |                                    | 0.12         | 0.264       |
| 006    | 66591-14850 | COLLAR PINION THRUST | 2    |         |     |                                    | 0.006        | 0.0132      |
| 007    | 66591-14860 | COLLAR DIFF THRUST   | 1    |         |     |                                    | 0.102        | 0.2244      |
| 008    | 66611-14950 | BUSH                 | 1    |         |     |                                    | 0.032        | 0.0704      |
| 009    | 66611-14960 | GEAR DIFF SIDE       | 2    |         |     |                                    | 0            | 0           |
| 009    | 67211-14940 | GEAR DIFF SIDE       | 2    | <=32389 |     |                                    | 0            | 0           |
| 009    | 67211-15150 | GEAR DIFF SIDE       | 2    | >=32390 |     |                                    | 0.158        | 0.3476      |
| 010    | 67211-15160 | SHIM 1               | 1    |         |     |                                    | 0.01         | 0.022       |
| 011    | 67211-15170 | SHIM 2               | 1    |         |     |                                    | 0.008        | 0.0176      |
| 012    | 67211-15180 | SHIM 3               | 1    |         |     |                                    | 0.01         | 0.022       |
| 013    | 66591-14790 | PIN KNOCK            | 1    |         |     |                                    | 0.004        | 0.0088      |
| 014    | 66591-14783 | PIN STRAIGHT         | 1    |         |     |                                    | 0.01         | 0.022       |
| 015    | 66591-14910 | PLATE LOCK           | 2    |         |     |                                    | 0.006        | 0.0132      |
| 016    | 01156-50820 | BOLT                 | 4    |         |     |                                    | 0.01         | 0.022       |
| 017    | 08101-06009 | BEARING BALL(6009)   | 1    |         |     |                                    | 0.22         | 0.484       |
| 018    | 08101-06010 | BEARING BALL(6010)   | 1    |         |     |                                    | 0.262        | 0.5764      |
| 019    | 66591-14980 | SHIM DIFF SIDE 3     | 1    |         |     |                                    | 0.005        | 0.011       |
| 020    | 66591-14990 | SHIM DIFF SIDE 4     | 1    |         |     |                                    | 0.002        | 0.0044      |
| 021    | 66611-15110 | SHAFT DIFF GEAR LH   | 1    |         |     |                                    | 0.58         | 1.276       |
| 022    | 66611-15120 | SHAFT DIFF GEAR RH   | 1    |         |     |                                    | 0.68         | 1.496       |
| 023    | 66611-15130 | CLUTCH DIFF LOCK     | 1    |         |     |                                    | 0.2          | 0.44        |
| 024    | 08101-06305 | BEARING BALL(6305)   | 2    |         |     |                                    | 0.23         | 0.506       |
| 025    | 66611-14940 | SEAL OIL             | 2    |         |     |                                    | 0.02         | 0.044       |
| 026    | 66611-15140 | SHIM DIFF SIDE 5     | 1    |         |     |                                    | 0.006        | 0.0132      |
| 027    | 66611-15150 | SHIM DIFF SIDE 6     | 1    |         |     |                                    | 0.002        | 0.0044      |
| 028    | 66611-19100 | ASSY CAM FORK        | 1    |         |     | REF.No.029 030                     | 0.42         | 0.924       |
| 029    | 66591-18280 | ASSY ROD FORK        | 1    |         |     |                                    | 0.16         | 0.352       |
| 030    | 66611-19110 | FORK DIFF LOCK       | 1    |         |     |                                    | 0.24         | 0.528       |
| 031    | 04811-10120 | O RING               | 1    |         |     |                                    | 0.001        | 0.0022      |
| 032    | 66591-18340 | SHIM                 | 2    |         |     |                                    | 0.001        | 0.0022      |
| 033    | 66591-18320 | SPRING               | 1    |         |     |                                    | 0.02         | 0.044       |
| 034    | 66711-82710 | ASSY BEVEL GEAR 6-37 | 1    |         |     | REF.No.002 AND 010 ON L.No.0C02-R0 | 0            | 0           |

# MAIN SPEED CHANGE GROUP

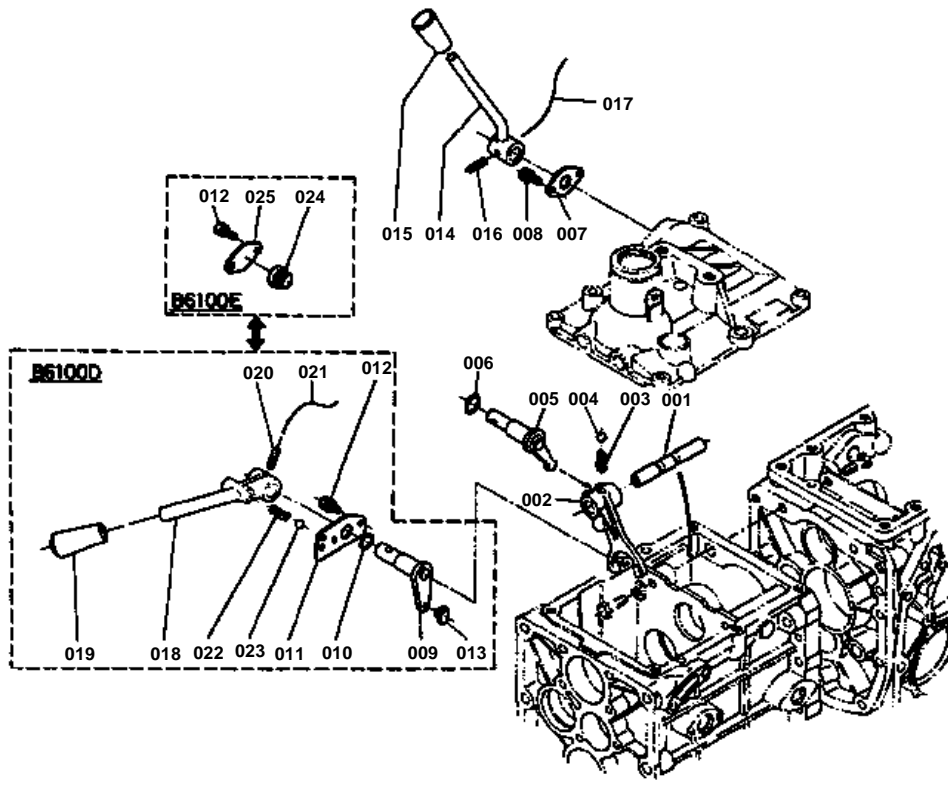




**MAIN SPEED CHANGE GROUP**

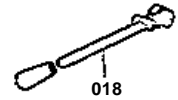
↔ Interchangeable; ≠ not interchangeable; ← new for old; → old for new

| REF.No | Part No.    | Description          | Q'ty | S.No.   | I/C | REMARKS | Weight (kgf) | Weight (lb) |
|--------|-------------|----------------------|------|---------|-----|---------|--------------|-------------|
| 001    | 66611-18110 | SHAFT FORK 2-3       | 1    |         |     |         | 0.15         | 0.33        |
| 002    | 04811-06100 | O RING               | 1    |         |     |         | 0.001        | 0.0022      |
| 003    | 66591-18140 | FORK SHIFT 1         | 1    |         |     |         | 0.242        | 0.5324      |
| 004    | 62061-18260 | SPRING               | 1    |         |     |         | 0.002        | 0.0044      |
| 005    | 07715-01605 | BALL                 | 1    |         |     |         | 0.003        | 0.0066      |
| 006    | 05511-50322 | PIN SPLIT            | 1    |         |     |         | 0.002        | 0.0044      |
| 007    | 05411-00520 | PIN SPRING           | 1    |         |     |         | 0.002        | 0.0044      |
| 008    | 01150-50816 | BOLT                 | 1    |         |     |         | 0.01         | 0.022       |
| 009    | 04111-50080 | WASHER TONGUED       | 1    |         |     |         | 0.001        | 0.0022      |
| 010    | 66704-18110 | SHAFT FORK 1         | 1    |         |     |         | 0.154        | 0.3388      |
| 011    | 04811-06100 | O RING               | 1    |         |     |         | 0.001        | 0.0022      |
| 012    | 66591-18130 | FORK SHIFT 2-3       | 1    |         |     |         | 0.248        | 0.5456      |
| 013    | 62061-18260 | SPRING               | 1    |         |     |         | 0.002        | 0.0044      |
| 014    | 07715-01605 | BALL                 | 1    |         |     |         | 0.003        | 0.0066      |
| 015    | 05511-50322 | PIN SPLIT            | 1    |         |     |         | 0.002        | 0.0044      |
| 016    | 05411-00520 | PIN SPRING           | 1    |         |     |         | 0.002        | 0.0044      |
| 017    | 01150-50816 | BOLT                 | 1    |         |     |         | 0.01         | 0.022       |
| 018    | 04111-50080 | WASHER TONGUED       | 1    |         |     |         | 0.001        | 0.0022      |
| 019    | 66591-18410 | BUSH                 | 1    |         |     |         | 0.004        | 0.0088      |
| 020    | 66515-18240 | PIN ROD GUIDE        | 2    |         |     |         | 0.01         | 0.022       |
| 021    | 04714-00080 | GASKET               | 2    |         |     |         | 0.001        | 0.0022      |
| 022    | 66591-18420 | COVER MAIN SP-CHANGE | 1    |         |     |         | 0.014        | 0.0308      |
| 023    | 66591-18430 | SPRING LEVER         | 1    |         |     |         | 0.024        | 0.0528      |
| 024    | 04611-00380 | CIR-CLIP INTERNAL    | 1    |         |     |         | 0.004        | 0.0088      |
| 025    | 66591-18443 | PLATE CHECK          | 1    |         |     |         | 0.06         | 0.132       |
| 026    | 66591-18450 | BOLT CHECK PLATE     | 1    |         |     |         | 0.024        | 0.0528      |
| 027    | 04011-50100 | WASHER PLAIN         | 1    |         |     |         | 0.002        | 0.0044      |
| 028    | 02372-50100 | NUT SLOTTED          | 1    |         |     |         | 0.005        | 0.011       |
| 029    | 05511-50218 | PIN SPLIT            | 1    |         |     |         | 0.001        | 0.0022      |
| 030    | 04811-10100 | O RING               | 1    |         |     |         | 0.001        | 0.0022      |
| 031    | 66711-42320 | LEVER MAIN SP-CHANGE | 1    |         |     |         | 0.295        | 0.649       |
| 032    | 66711-42310 | GRIP LEVER           | 1    |         |     |         | 0.033        | 0.0726      |
| 033    | 66706-47480 | CARD INSTRUCTION     | 1    | >=32310 |     |         | 0.001        | 0.0022      |



REF.No. 15 54201-2327-0  
19 54201-2327-0  
-Change of its colour.

REF.No. 18 66611-4261-0





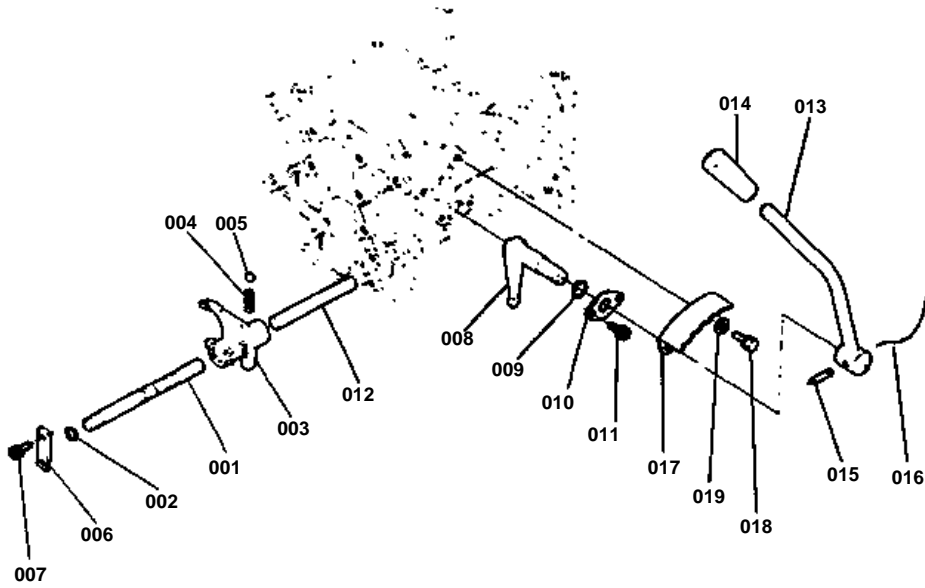
## AUX.SPEED CHANGE GROUP

↔ Interchangeable; ≠ not interchangeable; ← new for old; → old for new

| REF.No | Part No.    | Description          | Q'ty | S.No.   | I/C | REMARKS          | Weight (kgf) | Weight (lb) |
|--------|-------------|----------------------|------|---------|-----|------------------|--------------|-------------|
| 001    | 66611-18412 | SHAFT FORK           | 1    |         |     |                  | 0.088        | 0.1936      |
| 002    | 66611-18420 | FORK SHIFT           | 1    |         |     |                  | 0            | 0           |
| 003    | 62061-18260 | SPRING               | 1    |         |     |                  | 0.002        | 0.0044      |
| 004    | 07715-01605 | BALL                 | 1    |         |     |                  | 0.003        | 0.0066      |
| 005    | 66591-18170 | ARM AUX SPEED CHANGE | 1    |         |     |                  | 0.106        | 0.2332      |
| 006    | 04811-00160 | O RING               | 1    |         |     |                  | 0.001        | 0.0022      |
| 007    | 66591-18180 | HOLDER FORK ROD 1    | 1    |         |     |                  | 0.012        | 0.0264      |
| 008    | 01202-50614 | BOLT                 | 2    |         |     |                  | 0.006        | 0.0132      |
| 009    | 66611-19210 | LEVER FORK           | 1    |         |     |                  | 0.12         | 0.264       |
| 010    | 04811-00160 | O RING               | 1    |         |     |                  | 0.001        | 0.0022      |
| 011    | 66611-19220 | HOLDER FORK ROD 2    | 1    |         |     |                  | 0            | 0           |
| 011    | 66204-19220 | HOLDER FORK ROD 2    | 1    | >=10001 |     |                  | 0.03         | 0.066       |
| 012    | 01202-50614 | BOLT                 | 2    |         |     |                  | 0.006        | 0.0132      |
| 013    | 66611-19230 | SHIFTER              | 1    |         |     |                  | 0.012        | 0.0264      |
| 014    | 66711-42510 | LEVER AUX SP-CHANGE  | 1    |         |     |                  | 0.16         | 0.352       |
| 015    | 54201-23270 | GRIP LEVER           | 1    |         |     |                  | 0.02         | 0.044       |
| 016    | 05411-00622 | PIN SPRING           | 1    |         |     |                  | 0.003        | 0.0066      |
| 017    | 99999-99999 | BLANK                | 0    |         |     | OBTAINED LOCALLY | 0            | 0           |
| 018    | 66611-42610 | LEVER FRONT DRIVE    | 1    | <=32759 |     |                  | 0.254        | 0.5588      |
| 018    | 66204-42610 | LEVER FRONT DRIVE    | 1    | >=10001 |     |                  | 0.16         | 0.352       |
| 019    | 54201-23270 | GRIP LEVER           | 1    |         |     |                  | 0.02         | 0.044       |
| 020    | 05411-00622 | PIN SPRING           | 1    |         |     |                  | 0.003        | 0.0066      |
| 021    | 99999-99999 | BLANK                | 0    |         |     | OBTAINED LOCALLY | 0            | 0           |
| 022    | 62061-18260 | SPRING               | 1    |         |     |                  | 0.002        | 0.0044      |
| 023    | 07715-01605 | BALL                 | 1    |         |     |                  | 0.003        | 0.0066      |



ROTARY SPEED CHANGE GROUP



REF.No. 14 54201-2327-0  
•Change of its colour.

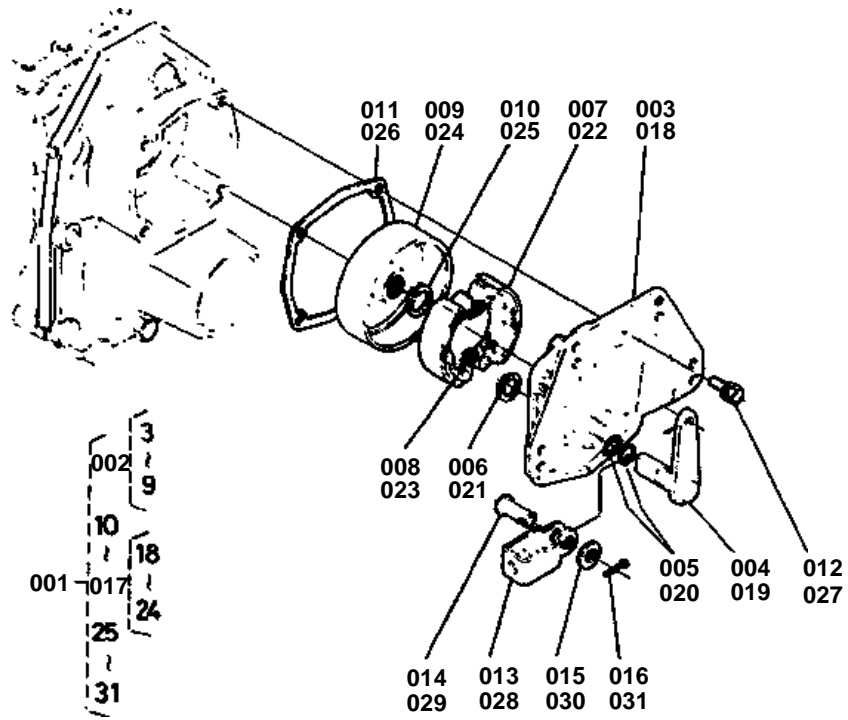


## ROTARY SPEED CHANGE GROUP

↔ Interchangeable; ≠ not interchangeable; ← new for old; → old for new

| REF.No | Part No.    | Description        | Q'ty | S.No. | I/C | REMARKS          | Weight (kgf) | Weight (lb) |
|--------|-------------|--------------------|------|-------|-----|------------------|--------------|-------------|
| 001    | 66611-18610 | FORK SHIFT         | 1    |       |     |                  | 0.16         | 0.352       |
| 002    | 04811-06100 | O RING             | 1    |       |     |                  | 0.001        | 0.0022      |
| 003    | 66591-18210 | FORK SHIFT         | 1    |       |     |                  | 0.2          | 0.44        |
| 004    | 62061-18260 | SPRING             | 1    |       |     |                  | 0.002        | 0.0044      |
| 005    | 07715-01605 | BALL               | 1    |       |     |                  | 0.003        | 0.0066      |
| 006    | 66591-18120 | STOPPER            | 1    |       |     |                  | 0.018        | 0.0396      |
| 007    | 01202-50614 | BOLT               | 2    |       |     |                  | 0.006        | 0.0132      |
| 008    | 66591-18220 | ARM                | 1    |       |     |                  | 0.12         | 0.264       |
| 009    | 04811-00160 | O RING             | 1    |       |     |                  | 0.001        | 0.0022      |
| 010    | 66591-18180 | HOLDER FORK ROD 1  | 1    |       |     |                  | 0.012        | 0.0264      |
| 011    | 01202-50614 | BOLT               | 2    |       |     |                  | 0.006        | 0.0132      |
| 012    | 66611-19310 | ROD                | 1    |       |     |                  | 0.129        | 0.2838      |
| 013    | 66611-42710 | LEVER              | 1    |       |     |                  | 0.237        | 0.5214      |
| 014    | 54201-23270 | GRIP LEVER         | 1    |       |     |                  | 0.02         | 0.044       |
| 015    | 05411-00622 | PIN SPRING         | 1    |       |     |                  | 0.003        | 0.0066      |
| 016    | 99999-99999 | BLANK              | 0    |       |     | OBTAINED LOCALLY | 0            | 0           |
| 017    | 66591-42170 | GUIDE CHANGE LEVER | 1    |       |     |                  | 0            | 0           |
| 018    | 01120-50816 | BOLT               | 2    |       |     |                  | 0            | 0           |
| 019    | 04013-50080 | WASHER PLAIN       | 2    |       |     |                  | 0            | 0           |

BRAKE GROUP



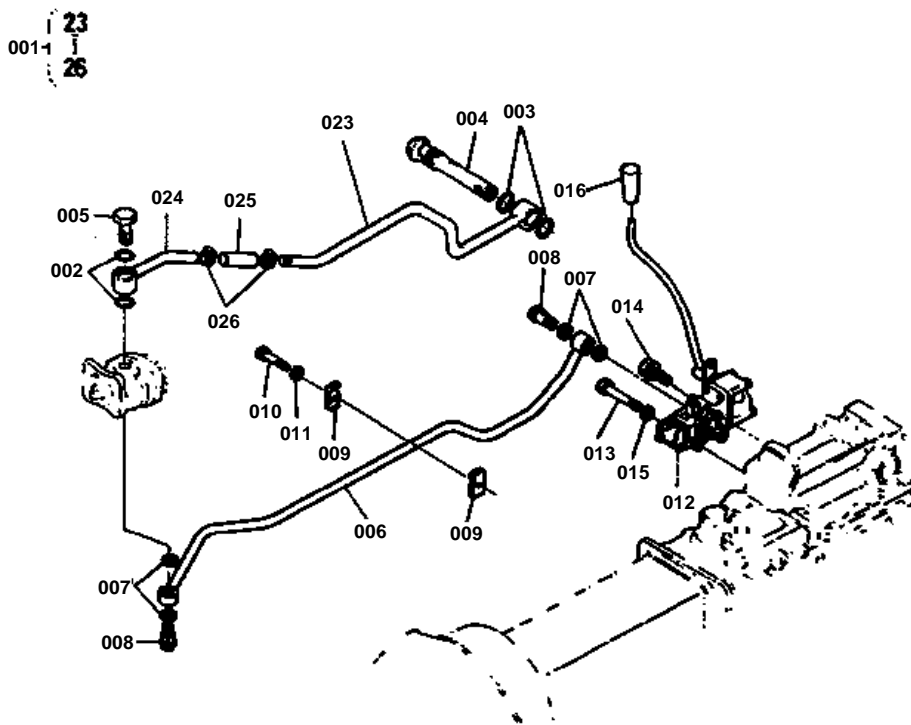


**BRAKE GROUP**

↔ Interchangeable; ≠ not interchangeable; ← new for old; → old for new

| REF.No | Part No.    | Description       | Q'ty | S.No. | I/C | REMARKS                              | Weight (kgf) | Weight (lb) |
|--------|-------------|-------------------|------|-------|-----|--------------------------------------|--------------|-------------|
| 001    | 66611-22102 | ASSY BRAKE        | 1    |       |     | REF.No.002 010 TO 017 AND 025 TO 031 | 5.14         | 11.308      |
| 002    | 66611-22303 | ASSY BRAKE LH     | 1    |       |     | REF.No.003 TO 009                    | 0            | 0           |
| 003    | 66611-22312 | COVER BRAKE LH    | 1    |       |     |                                      | 1.04         | 2.288       |
| 004    | 66591-22330 | CAM BRAKE LH      | 1    |       |     |                                      | 0.204        | 0.4488      |
| 005    | 04811-05170 | O RING            | 2    |       |     |                                      | 0.001        | 0.0022      |
| 006    | 04612-00200 | CIR-CLIP EXTERNAL | 1    |       |     |                                      | 0.001        | 0.0022      |
| 007    | 66611-88800 | SHOE BRAKE        | 2    |       |     |                                      | 0            | 0           |
| 008    | 66591-22350 | SPRING RETURN     | 2    |       |     |                                      | 0.003        | 0.0066      |
| 009    | 66611-22360 | DRUM BRAKE        | 1    |       |     |                                      | 0            | 0           |
| 010    | 04612-00220 | CIR-CLIP EXTERNAL | 1    |       |     |                                      | 0.001        | 0.0022      |
| 011    | 66591-22410 | GASKET            | 1    |       |     |                                      | 0            | 0           |
| 012    | 01120-50822 | BOLT              | 4    |       |     |                                      | 0            | 0           |
| 013    | 63753-42350 | METAL MAIN CLUTCH | 1    |       |     |                                      | 0.038        | 0.0836      |
| 014    | 05122-50820 | PIN JOINT         | 1    |       |     |                                      | 0.009        | 0.0198      |
| 015    | 04012-50080 | WASHER PLAIN      | 1    |       |     |                                      | 0.001        | 0.0022      |
| 016    | 05511-50215 | PIN SPLIT         | 1    |       |     |                                      | 0.001        | 0.0022      |
| 017    | 66611-22403 | ASSY BRAKE RH     | 1    |       |     | REF.No.018 TO 024                    | 0            | 0           |
| 018    | 66611-22412 | COVER BRAKE RH    | 1    |       |     |                                      | 1.05         | 2.31        |
| 019    | 66591-22370 | CAM BRAKE RH      | 1    |       |     |                                      | 0.204        | 0.4488      |
| 020    | 04811-05170 | O RING            | 2    |       |     |                                      | 0.001        | 0.0022      |
| 021    | 04612-00200 | CIR-CLIP EXTERNAL | 1    |       |     |                                      | 0.001        | 0.0022      |
| 022    | 66611-88800 | SHOE BRAKE        | 2    |       |     |                                      | 0            | 0           |
| 023    | 66591-22350 | SPRING RETURN     | 2    |       |     |                                      | 0.003        | 0.0066      |
| 024    | 66611-22360 | DRUM BRAKE        | 1    |       |     |                                      | 0            | 0           |
| 025    | 04612-00220 | CIR-CLIP EXTERNAL | 1    |       |     |                                      | 0.001        | 0.0022      |
| 026    | 66591-22410 | GASKET BRAKE      | 1    |       |     |                                      | 0            | 0           |
| 027    | 01120-50822 | BOLT              | 4    |       |     |                                      | 0            | 0           |
| 028    | 63753-42350 | METAL MAIN CLUTCH | 1    |       |     |                                      | 0.038        | 0.0836      |
| 029    | 05122-50820 | PIN JOINT         | 1    |       |     |                                      | 0.009        | 0.0198      |
| 030    | 04012-50080 | WASHER PLAIN      | 1    |       |     |                                      | 0.001        | 0.0022      |
| 031    | 05511-50215 | PIN SPLIT         | 1    |       |     |                                      | 0.001        | 0.0022      |

OIL PRESSURE PIPE GROUP

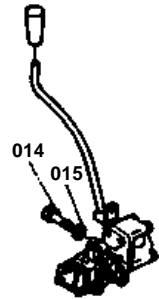


- REF.No. 6 66704-3613-0  
 17 66604-3616-0  
 18 04013-50080  
 19 04512-50080  
 20 01150-50836  
 21 04811-00200  
 22 06312-10020



- REF.No. 16 54201-2327-0  
 •Change of its colour.

- REF.No. 14 01150-50845  
 15 04512-50080



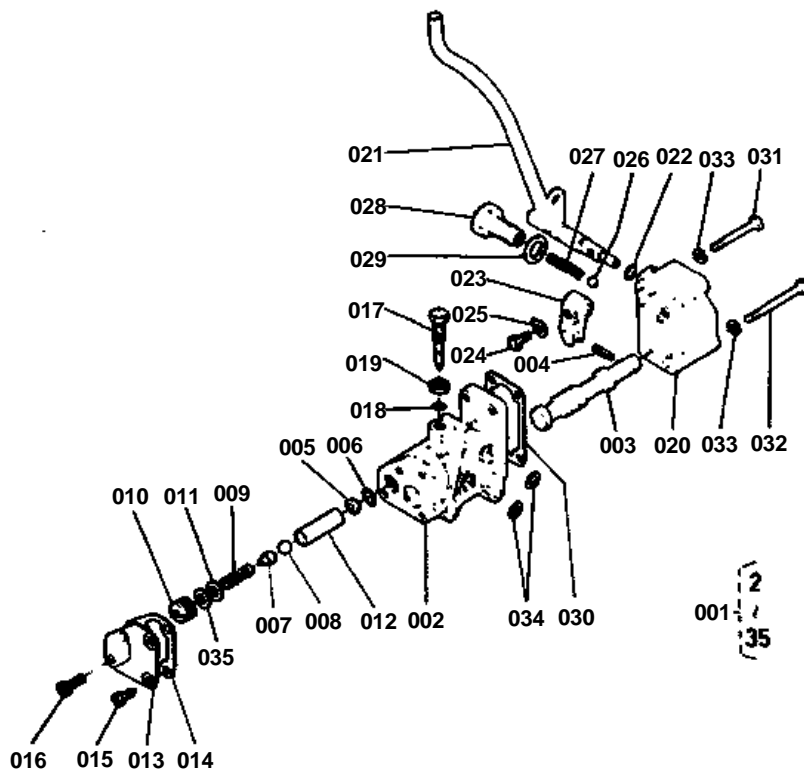


## OIL PRESSURE PIPE GROUP

↔ Interchangeable; ≠ not interchangeable; ← new for old; → old for new

| REF.No | Part No.    | Description        | Q'ty | S.No.   | I/C | REMARKS           | Weight (kgf) | Weight (lb) |
|--------|-------------|--------------------|------|---------|-----|-------------------|--------------|-------------|
| 001    | 66711-36110 | PIPE INLET         | 1    |         |     |                   | 0            | 0           |
| 001    | 66704-36100 | ASSY PIPE INLET    | 1    | >=10001 |     | REF.No.023 TO 026 | 0.6          | 1.32        |
| 002    | 04811-00220 | O RING             | 2    |         |     |                   | 0.001        | 0.0022      |
| 003    | 04811-10300 | O RING             | 2    |         |     |                   | 0.001        | 0.0022      |
| 004    | 66611-36120 | FILTER OIL         | 1    |         |     |                   | 0.2          | 0.44        |
| 005    | 32170-38170 | BOLT EYE JOINT     | 1    |         |     |                   | 0.09         | 0.198       |
| 006    | 66709-36130 | PIPE DELIVERY      | 1    | <=26673 |     | EXCEPT IRAN       | 1.2          | 2.64        |
| 006    | 66711-36130 | PIPE DELIVERY      | 1    | >=26674 |     | EXCEPT IRAN       | 0.56         | 1.232       |
| 006    | 66711-36130 | PIPE DELIVERY      | 1    |         |     | ONLY IRAN         | 0.56         | 1.232       |
| 007    | 04714-00300 | GASKET             | 4    |         |     |                   | 0.002        | 0.0044      |
| 007    | 67111-37180 | GASKET             | 4    | >=10001 |     |                   | 0.003        | 0.0066      |
| 008    | 54203-36150 | JOINT PIPE         | 2    |         |     |                   | 0.079        | 0.1738      |
| 009    | 66711-36140 | CLAMP PIPE         | 2    |         |     |                   | 0.007        | 0.0154      |
| 010    | 01050-50645 | BOLT               | 1    |         |     |                   | 0.011        | 0.0242      |
| 011    | 04015-50060 | WASHER PLAIN       | 1    |         |     |                   | 0            | 0           |
| 012    | 66711-36200 | ASSY VALVE CONTROL | 1    |         |     |                   | 2.665        | 5.863       |
| 013    | 01150-50875 | BOLT               | 2    |         |     |                   | 0            | 0           |
| 014    | 01150-50845 | BOLT               | 1    |         |     |                   | 0.019        | 0.0418      |
| 014    | 01120-50845 | BOLT               | 1    |         |     |                   | 0.02         | 0.044       |
| 015    | 04512-50080 | WASHER SPRING      | 3    |         |     |                   | 0.001        | 0.0022      |
| 015    | 04512-50080 | WASHER SPRING      | 2    |         |     |                   | 0.001        | 0.0022      |
| 016    | 54201-23270 | GRIP LEVER         | 1    |         |     |                   | 0.02         | 0.044       |
| 017    | 66604-36160 | COVER              | 1    | <=26673 |     | EXCEPT IRAN       | 0.23         | 0.506       |
| 018    | 04013-50080 | WASHER PLAIN       | 4    | <=26673 |     | EXCEPT IRAN       | 0            | 0           |
| 019    | 04512-50080 | WASHER SPRING      | 4    | <=26673 |     | EXCEPT IRAN       | 0.001        | 0.0022      |
| 020    | 01150-50838 | BOLT               | 4    | <=26673 |     | EXCEPT IRAN       | 0.017        | 0.0374      |
| 021    | 04811-00200 | O RING             | 2    | <=26673 |     | EXCEPT IRAN       | 0.001        | 0.0022      |
| 022    | 06312-10020 | PLUG               | 1    | <=26673 |     | EXCEPT IRAN       | 0.015        | 0.033       |
| 023    | 66704-36110 | PIPE INLET         | 1    |         |     |                   | 0.5          | 1.1         |
| 024    | 66704-36120 | PIPE INLET         | 1    |         |     |                   | 0.15         | 0.33        |
| 025    | 66204-36720 | HOSE               | 1    |         |     |                   | 0.04         | 0.088       |
| 026    | 66204-36230 | BAND               | 2    |         |     |                   | 0.02         | 0.044       |

# CONTROL VALVE GROUP



REF.No. 12 66591-3637-2



$\varnothing : 13 \rightarrow 13^{+0.5}_0$  mm

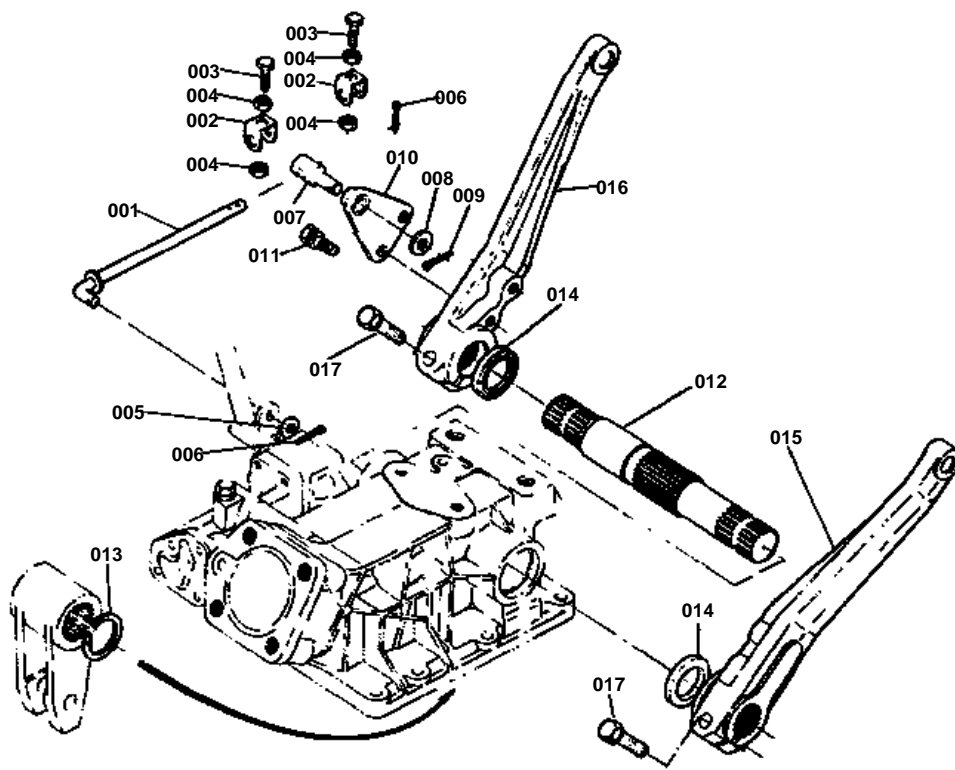
2  
/  
35

**CONTROL VALVE GROUP**

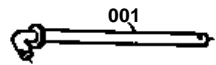
↔ Interchangeable; ≠ not interchangeable; ← new for old; → old for new

| REF.No | Part No.    | Description         | Q'ty | S.No.  | I/C | REMARKS             | Weight (kgf) | Weight (lb) |
|--------|-------------|---------------------|------|--------|-----|---------------------|--------------|-------------|
| 001    | 66711-36200 | ASSY VALVE CONTROL  | 1    |        |     | REF.No.002 TO 035   | 2.665        | 5.863       |
| 002    | 99999-99999 | BLANK               | 0    |        |     | ORDER BY REF.No.001 | 0            | 0           |
| 003    | 66611-36290 | SPOOL               | 1    |        |     |                     | 0.172        | 0.3784      |
| 004    | 05411-00620 | PIN SPRING          | 1    |        |     |                     | 0.002        | 0.0044      |
| 005    | 66591-36330 | SEAT VALVE          | 1    |        |     |                     | 0.008        | 0.0176      |
| 006    | 04811-15120 | O RING              | 1    |        |     |                     | 0.001        | 0.0022      |
| 007    | 66611-36222 | HOLDER SPRING       | 1    |        |     |                     | 0.008        | 0.0176      |
| 008    | 07715-03211 | BALL                | 1    |        |     |                     | 0.003        | 0.0066      |
| 009    | 66591-36350 | SPRING              | 1    |        |     |                     | 0.01         | 0.022       |
| 010    | 66591-36360 | SCREW ADJUSTING     | 1    |        |     |                     | 0.012        | 0.0264      |
| 011    | 04012-50060 | WASHER PLAIN        | 1    |        |     |                     | 0.001        | 0.0022      |
| 012    | 66591-36370 | COLLAR              | 1    | ≤26673 |     |                     | 0.016        | 0.0352      |
| 012    | 66591-36372 | COLLAR              | 1    | ≥10001 |     |                     | 0            | 0           |
| 013    | 66611-36260 | COVER RELIEF        | 1    |        |     |                     | 0.03         | 0.066       |
| 014    | 66591-36390 | GASKET              | 1    |        |     |                     | 0            | 0           |
| 015    | 01202-50618 | BOLT                | 2    |        |     |                     | 0.006        | 0.0132      |
| 016    | 01202-50622 | BOLT                | 2    |        |     |                     | 0.007        | 0.0154      |
| 017    | 66591-36413 | BOLT ADJUSTING      | 1    |        |     |                     | 0.028        | 0.0616      |
| 018    | 04811-10040 | O RING              | 1    |        |     |                     | 0.001        | 0.0022      |
| 019    | 02112-50100 | NUT                 | 1    |        |     |                     | 0.004        | 0.0088      |
| 020    | 66591-36430 | COVER VALVE         | 1    |        |     |                     | 0.18         | 0.396       |
| 021    | 66711-36250 | LEVER CONTROL       | 1    |        |     |                     | 0.392        | 0.8624      |
| 022    | 04811-00100 | O RING              | 1    |        |     |                     | 0.001        | 0.0022      |
| 023    | 66591-36450 | ARM VALVE GUIDE     | 1    |        |     |                     | 0.05         | 0.11        |
| 024    | 66591-36480 | BOLT                | 1    |        |     |                     | 0.004        | 0.0088      |
| 025    | 04111-50060 | WASHER TONGUED      | 1    |        |     |                     | 0.001        | 0.0022      |
| 026    | 07715-00803 | BALL                | 1    |        |     |                     | 0.004        | 0.0088      |
| 027    | 62061-18270 | SPRING BALL STOPPER | 1    |        |     |                     | 0.003        | 0.0066      |
| 028    | 66591-36460 | BOLT                | 1    |        |     |                     | 0.054        | 0.1188      |
| 029    | 04714-00300 | GASKET              | 1    |        |     |                     | 0.002        | 0.0044      |
| 030    | 66591-36470 | GASKET VALVE COVER  | 1    |        |     |                     | 0            | 0           |
| 031    | 01050-50650 | BOLT                | 2    |        |     |                     | 0.012        | 0.0264      |
| 032    | 01050-50665 | BOLT                | 2    |        |     |                     | 0.014        | 0.0308      |
| 033    | 04512-50060 | WASHER SPRING       | 4    |        |     |                     | 0            | 0           |
| 034    | 04811-00120 | O RING              | 2    |        |     |                     | 0.001        | 0.0022      |
| 035    | 66611-36330 | SHIM                | 1    |        |     |                     | 0.001        | 0.0022      |

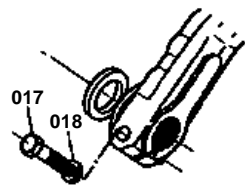




REF.No. 1 66611-3631-0



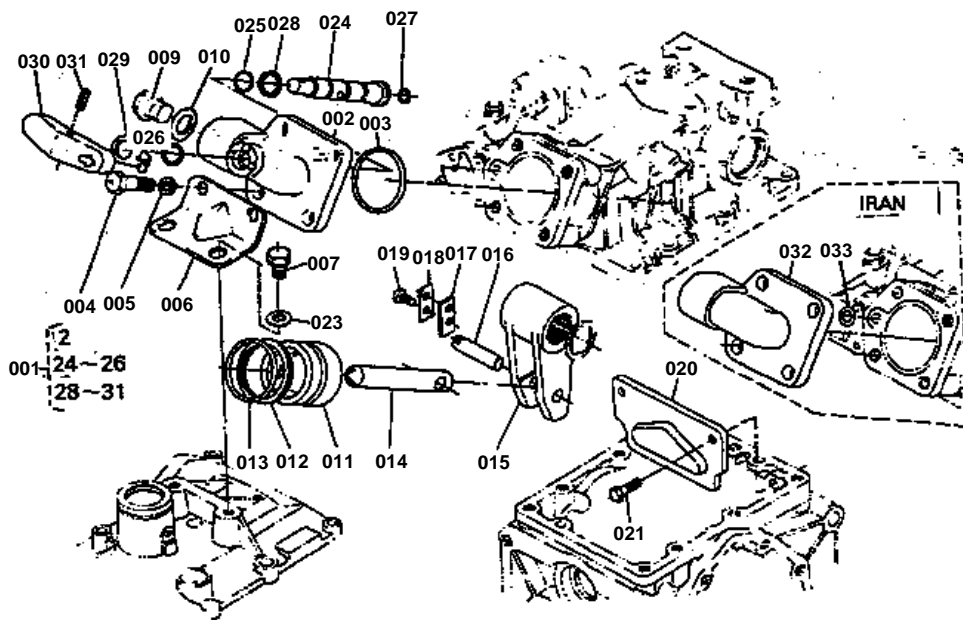
REF.No. 17 01153-51045  
18 04512-50100



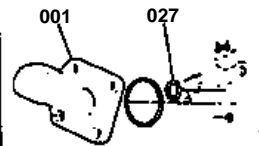
**OIL PRESSURE GROUP 1**

↔ Interchangeable; ≠ not interchangeable; ← new for old; → old for new

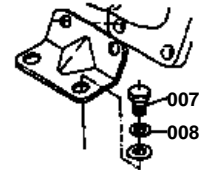
| REF.No | Part No.    | Description       | Q'ty | S.No.  | I/C | REMARKS | Weight (kgf) | Weight (lb) |
|--------|-------------|-------------------|------|--------|-----|---------|--------------|-------------|
| 001    | 66611-36310 | ROD CHECK         | 1    | ≤21330 |     |         | 0.064        | 0.1408      |
| 001    | 66704-36310 | ROD CHECK         | 1    | ≥10001 |     |         | 0.075        | 0.165       |
| 002    | 66611-36320 | INTERLOCKER       | 2    |        |     |         | 0.022        | 0.0484      |
| 003    | 01153-50822 | BOLT              | 2    |        |     |         | 0.011        | 0.0242      |
| 004    | 02112-50080 | NUT               | 4    |        |     |         | 0.003        | 0.0066      |
| 005    | 04012-50080 | WASHER PLAIN      | 1    |        |     |         | 0.001        | 0.0022      |
| 006    | 05511-50215 | PIN SPTIT         | 2    |        |     |         | 0.001        | 0.0022      |
| 007    | 66591-36540 | SHAFT             | 1    |        |     |         | 0.034        | 0.0748      |
| 008    | 04011-50100 | WASHER PLAIN      | 1    |        |     |         | 0.002        | 0.0044      |
| 009    | 05511-50318 | PIN SPLIT         | 1    |        |     |         | 0.001        | 0.0022      |
| 010    | 66591-36550 | HOLDER            | 1    |        |     |         | 0.072        | 0.1584      |
| 011    | 01120-50822 | BOLT              | 2    |        |     |         | 0            | 0           |
| 012    | 66591-36690 | SHAFT O/P ARM     | 1    |        |     |         | 0            | 0           |
| 013    | 04612-00320 | CIR-CLIP EXTERNAL | 1    |        |     |         | 0.004        | 0.0088      |
| 014    | 09230-28405 | SEAL OIL          | 2    |        |     |         | 0.006        | 0.0132      |
| 015    | 66611-36510 | ARM LIFT LH       | 1    |        |     |         | 0            | 0           |
| 016    | 66611-36520 | ARM LIFT RH       | 1    |        |     |         | 0            | 0           |
| 017    | 01153-51045 | BOLT              | 2    |        |     |         | 0.031        | 0.0682      |
| 017    | 01123-51045 | BOLT              | 2    |        |     |         | 0.032        | 0.0704      |
| 018    | 04512-50100 | WASHER SPRING     | 2    |        |     |         | 0            | 0           |



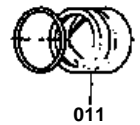
REF.No.1 66591-3661-0  
27 04811-00080



REF.No.7 01150-51025  
8 04512-50100



REF.No.11 66591-3663-0



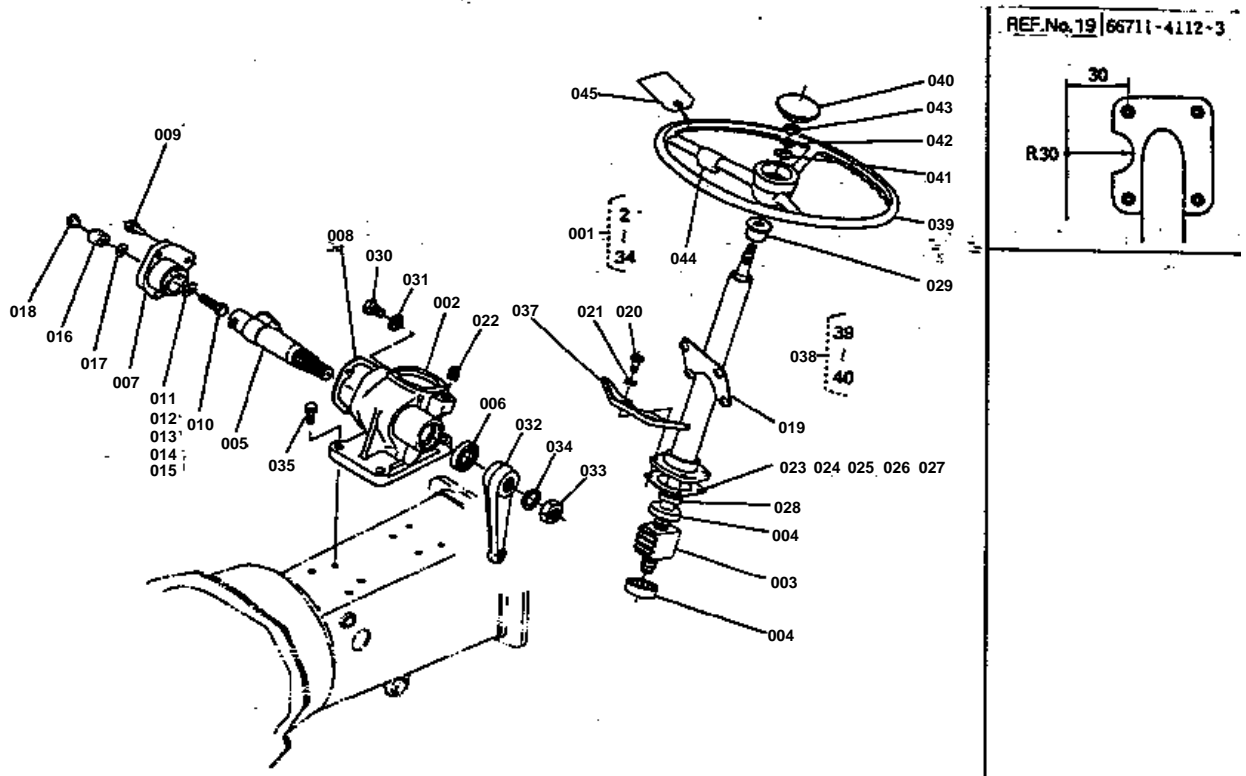


## OIL PRESSURE GROUP 2

↔ Interchangeable; ≠ not interchangeable; ← new for old; → old for new

| REF.No | Part No.    | Description         | Q'ty | S.No.  | I/C | REMARKS                                  | Weight (kgf) | Weight (lb) |
|--------|-------------|---------------------|------|--------|-----|--|--------------|-------------|
| 001    | 66591-36610 | CAP CYLINDER        | 1    | ≤26673 |     | EXCEPT IRAN                              | 1.268        | 2.7896      |
| 001    | 66404-36600 | ASSY CAP CYLINDER   | 1    | ≥26674 |     | REF.No.002 024 TO 026 AND 028 TO 031 EXC | 1.17         | 2.574       |
| 002    | 96319-01410 | CAP CYLINDER        | 1    |        |     | EXCEPT IRAN                              | 1.02         | 2.244       |
| 003    | 04811-50550 | O RING              | 1    |        |     |  | 0.002        | 0.0044      |
| 004    | 66711-36440 | BOLT                | 2    |        |     |  | 0.045        | 0.099       |
| 005    | 04512-50120 | WASHER SPRING       | 2    |        |     |  | 0.003        | 0.0066      |
| 006    | 66611-36413 | STAY                | 1    |        |     |  | 0.14         | 0.308       |
| 007    | 01150-51025 | BOLT                | 2    |        |     |  | 0            | 0           |
| 007    | 01120-51025 | BOLT                | 2    |        |     |  | 0            | 0           |
| 008    | 04512-50100 | WASHER SPRING       | 2    |        |     |  | 0            | 0           |
| 009    | 06311-25040 | PLUG                | 1    |        |     |  | 0.09         | 0.198       |
| 010    | 66611-36420 | GASKET              | 1    |        |     |  | 0.006        | 0.0132      |
| 011    | 66591-36630 | PISTON OIL PRESSURE | 1    | ≤32191 |     |  | 0.55         | 1.21        |
| 011    | 67211-36410 | PISTON OIL PRESSURE | 1    | ≥32192 |     |  | 0.55         | 1.21        |
| 012    | 67211-36420 | RING                | 1    | ≤32191 |     |  | 0.003        | 0.0066      |
| 013    | 04810-08500 | O RING              | 1    |        |     |  | 0.005        | 0.011       |
| 014    | 66591-36640 | ROD O/P PISTON      | 1    |        |     |  | 0.31         | 0.682       |
| 015    | 66591-36650 | ARM OIL PRESSURE    | 1    |        |     |  | 0.8          | 1.76        |
| 016    | 66591-36660 | PIN ARM             | 1    |        |     |  | 0.045        | 0.099       |
| 017    | 66591-36670 | PLATE LOCK          | 1    |        |     |  | 0.01         | 0.022       |
| 018    | 66591-36680 | WASHER LOCK         | 1    |        |     |  | 0.002        | 0.0044      |
| 019    | 01050-50612 | BOLT                | 2    |        |     |  | 0.005        | 0.011       |
| 020    | 66621-36750 | PLATE O/P ARM       | 1    |        |     |  | 0.34         | 0.748       |
| 021    | 01153-50822 | BOLT                | 2    | ≤33168 |     | OLD                                      | 0.011        | 0.0242      |
| 021    | 67211-36610 | BOLT                | 2    | ≥10001 |     | NEW                                      | 0.015        | 0.033       |
| 022    | 04111-50080 | WASHER TONGUED      | 2    | ≤33168 |     | WITH REF.No.021 OLD                      | 0.001        | 0.0022      |
| 023    | 04013-50100 | WASHER PLAIN        | 2    |        |     | EXCEPT IRAN                              | 0            | 0           |
| 024    | 96319-01422 | SPOOL SUB           | 1    | ≥26674 |     | EXCEPT IRAN                              | 0.07         | 0.154       |
| 025    | 04811-00120 | O RING              | 1    | ≥26674 |     | EXCEPT IRAN                              | 0.001        | 0.0022      |
| 026    | 04811-00160 | O RING              | 1    | ≥26674 |     | EXCEPT IRAN                              | 0.001        | 0.0022      |
| 027    | 04811-00080 | O RING              | 1    | ≤26673 |     | EXCEPT IRAN                              | 0.001        | 0.0022      |
| 027    | 04811-00100 | O RING              | 1    | ≥26674 |     | EXCEPT IRAN                              | 0.001        | 0.0022      |
| 027    | 04811-00100 | O RING              | 1    | ≤32305 |     | EXCEPT IRAN                              | 0.001        | 0.0022      |
| 027    | 04810-05110 | O RING              | 1    | ≥10001 |     | EXCEPT IRAN                              | 0.001        | 0.0022      |
| 028    | 96319-01430 | WASHER              | 1    | ≥26674 |     | EXCEPT IRAN                              | 0.002        | 0.0044      |
| 029    | 96319-01440 | SPRING              | 1    | ≥26674 |     | EXCEPT IRAN                              | 0.002        | 0.0044      |
| 030    | 96319-01450 | GRIP                | 1    | ≥26674 |     | EXCEPT IRAN                              | 0.04         | 0.088       |
| 031    | 05411-00520 | PIN SPRING          | 1    | ≥26674 |     | EXCEPT IRAN                              | 0.002        | 0.0044      |
| 032    | 66591-36610 | CAP CYLINDER        | 1    |        |     | ONLY IRAN                                | 1.268        | 2.7896      |
| 033    | 04811-00080 | O RING              | 1    |        |     | ONLY IRAN                                | 0.001        | 0.0022      |

# STEERING GROUP

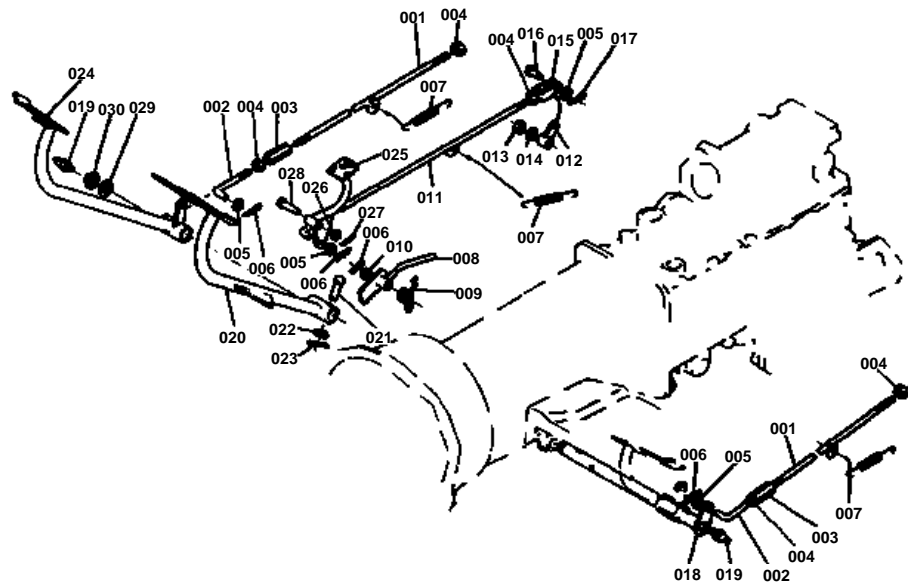


**STEERING GROUP**

↔ Interchangeable; ≠ not interchangeable; ← new for old; → old for new

| REF.No | Part No.    | Description         | Q'ty | S.No.   | I/C | REMARKS             | Weight (kgf) | Weight (lb) |
|--------|-------------|---------------------|------|---------|-----|---------------------|--------------|-------------|
| 001    | 66711-41100 | ASSY STEERING       | 1    | <=32410 |     | REF.No.002 TO 034   | 0            | 0           |
| 001    | 66711-41103 | ASSY STEERING       | 1    | >=10001 |     | REF.No.002 TO 034   | 6.3          | 13.86       |
| 002    | 66811-41110 | CASE STEERING GEAR  | 1    |         |     |                     | 0            | 0           |
| 003    | 66811-41200 | ASSY NUT BALL       | 1    |         |     |                     | 1.11         | 2.442       |
| 004    | 66811-41140 | BEARING THRUST BALL | 2    |         |     |                     | 0.045        | 0.099       |
| 005    | 66811-41150 | SHAFT SECTOR        | 1    |         |     |                     | 0.52         | 1.144       |
| 006    | 09500-22358 | SEAL OIL            | 1    |         |     |                     | 0.01         | 0.022       |
| 007    | 66811-41160 | COVER SIDE          | 1    |         |     |                     | 0.3          | 0.66        |
| 008    | 66811-41170 | GASKET              | 1    |         |     |                     | 0            | 0           |
| 009    | 01120-50822 | BOLT                | 3    |         |     |                     | 0            | 0           |
| 010    | 66811-41180 | SCREW ADJUSTING     | 1    |         |     |                     | 0.013        | 0.0286      |
| 011    | 66811-41190 | COLLAR ADJUSTING 1  | 1    |         |     |                     | 0.002        | 0.0044      |
| 012    | 66811-41210 | COLLAR ADJUSTING 2  | 1    |         |     |                     | 0.001        | 0.0022      |
| 013    | 66811-41220 | COLLAR ADJUSTING 3  | 1    |         |     |                     | 0.001        | 0.0022      |
| 014    | 66811-41230 | COLLAR ADJUSTING 4  | 1    |         |     |                     | 0.001        | 0.0022      |
| 015    | 66811-41240 | COLLAR ADJUSTING 5  | 1    |         |     |                     | 0.001        | 0.0022      |
| 016    | 66811-41250 | NUT                 | 1    |         |     |                     | 0.027        | 0.0594      |
| 017    | 04714-00080 | GASKET              | 1    |         |     |                     | 0.001        | 0.0022      |
| 018    | 61011-18140 | PLUG                | 1    |         |     |                     | 0.002        | 0.0044      |
| 019    | 66711-41122 | POST STEERING       | 1    | <=32410 |     |                     | 0            | 0           |
| 019    | 66711-41123 | POST STEERING       | 1    | >=10001 |     |                     | 1.05         | 2.31        |
| 020    | 01153-50825 | BOLT                | 4    |         |     |                     | 0.012        | 0.0264      |
| 021    | 04512-50080 | WASHER SPRING       | 4    |         |     |                     | 0.001        | 0.0022      |
| 022    | 34150-16640 | PLUG                | 1    |         |     |                     | 0.015        | 0.033       |
| 023    | 66811-41320 | SHIM 1              | 1    |         |     |                     | 0.001        | 0.0022      |
| 024    | 66811-41330 | SHIM 2              | 1    |         |     |                     | 0            | 0           |
| 025    | 66811-41340 | SHIM 3              | 1    |         |     |                     | 0.001        | 0.0022      |
| 026    | 66811-41350 | SHIM 4              | 1    |         |     |                     | 0.001        | 0.0022      |
| 027    | 66811-41360 | SHIM 5              | 1    |         |     |                     | 0.003        | 0.0066      |
| 028    | 09500-16287 | SEAL OIL            | 1    |         |     |                     | 0.01         | 0.022       |
| 029    | 66591-41250 | BUSH POST           | 1    |         |     |                     | 0.016        | 0.0352      |
| 030    | 06331-35010 | PLUG                | 1    |         |     |                     | 0.012        | 0.0264      |
| 031    | 04717-01000 | WASHER SEAL         | 1    |         |     |                     | 0.001        | 0.0022      |
| 032    | 66811-41410 | ARM PITMAN          | 1    |         |     |                     | 0.38         | 0.836       |
| 033    | 02172-50160 | NUT                 | 1    |         |     |                     | 0.017        | 0.0374      |
| 034    | 04512-50160 | WASHER SPRING       | 1    |         |     |                     | 0            | 0           |
| 035    | 01153-50828 | BOLT                | 4    |         |     | OLD                 | 0.014        | 0.0308      |
| 035    | 01123-50828 | BOLT                | 4    | >=10001 |     | NEW                 | 0.014        | 0.0308      |
| 036    | 04512-50080 | WASHER SPRING       | 4    |         |     | WITH REF.No.035 OLD | 0.001        | 0.0022      |
| 037    | 66711-41130 | HOOK SPRING         | 1    |         |     |                     | 0.11         | 0.242       |
| 038    | 66611-41400 | ASSY WHEEL STEERING | 1    |         |     | REF.No.039 040      | 0            | 0           |
| 039    | 99999-99999 | BLANK               | 0    |         |     | ORDER BY REF.NO.038 | 0            | 0           |
| 040    | 66611-41420 | CAP STEERING WHEEL  | 1    |         |     |                     | 0.026        | 0.0572      |
| 041    | 04013-50120 | WASHER PLAIN        | 1    |         |     |                     | 0            | 0           |
| 042    | 04512-50120 | WASHER SPRING       | 1    |         |     |                     | 0.003        | 0.0066      |
| 043    | 02172-50120 | NUT                 | 1    |         |     |                     | 0.01         | 0.022       |
| 044    | 34209-18370 | CARD INSTRUCTION    | 1    |         |     | AMERICA             | 0.001        | 0.0022      |
| 044    | 35217-18370 | CARD INSTRUCTION    | 1    | >=10001 |     | AMERICA             | 0.001        | 0.0022      |
| 045    | 35170-18370 | CARD INSTRUCTION    | 1    |         |     | EXCEPT AMERICA      | 0.001        | 0.0022      |

# BRAKE ROD GROUP



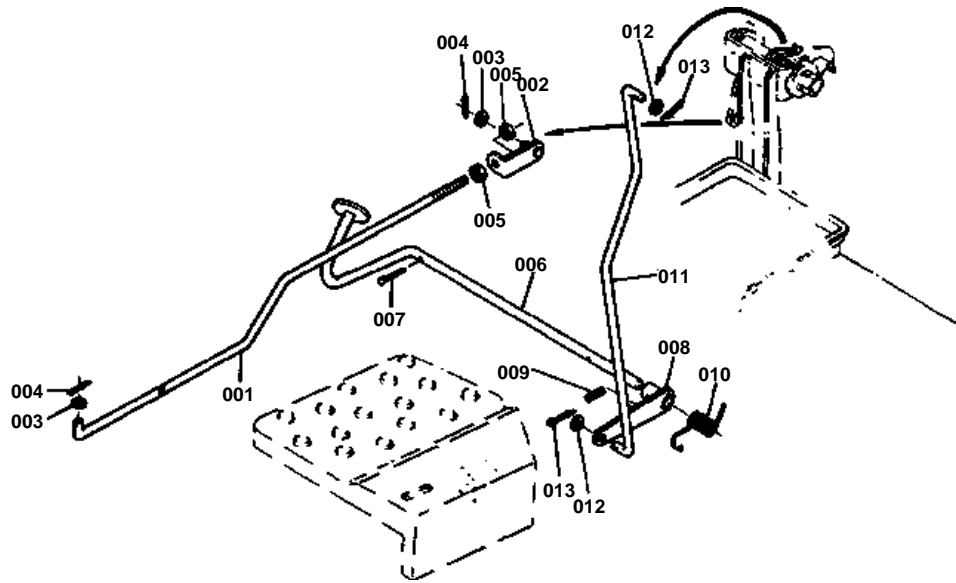
**BRAKE ROD GROUP**

↔ Interchangeable; ≠ not interchangeable; ← new for old; → old for new

| REF.No | Part No.    | Description       | Q'ty | S.No. | I/C | REMARKS | Weight (kgf) | Weight (lb) |
|--------|-------------|-------------------|------|-------|-----|---------|--------------|-------------|
| 001    | 66711-42810 | ROD BRAKE         | 2    |       |     |         | 0.212        | 0.4664      |
| 002    | 66621-43250 | ROD BRAKE FRONT   | 2    |       |     |         | 0.024        | 0.0528      |
| 003    | 66591-42410 | TURNBUCKLE        | 2    |       |     |         | 0.046        | 0.1012      |
| 004    | 02112-50080 | NUT               | 5    |       |     |         | 0.003        | 0.0066      |
| 005    | 04012-50080 | WASHER PLAIN      | 4    |       |     |         | 0.001        | 0.0022      |
| 006    | 05511-50318 | PIN SPLIT         | 4    |       |     |         | 0.001        | 0.0022      |
| 007    | 66591-43190 | SPRING            | 3    |       |     |         | 0.044        | 0.0968      |
| 008    | 66711-42850 | LEVER BRAKE LOCK  | 1    |       |     |         | 0.116        | 0.2552      |
| 009    | 66711-42860 | SPRING            | 1    |       |     |         | 0.005        | 0.011       |
| 010    | 04011-50100 | WASHER PLAIN      | 1    |       |     |         | 0.002        | 0.0044      |
| 011    | 66711-42870 | ROD DIFF LOCK     | 1    |       |     |         | 0.24         | 0.528       |
| 012    | 66591-43170 | LEVER DIFF LOCK   | 1    |       |     |         | 0.041        | 0.0902      |
| 013    | 02118-50100 | NUT               | 1    |       |     |         | 0.005        | 0.011       |
| 014    | 04512-50100 | WASHER SPRING     | 1    |       |     |         | 0            | 0           |
| 015    | 63753-42350 | METAL MAIN CLUTCH | 1    |       |     |         | 0.038        | 0.0836      |
| 016    | 05122-50820 | PIN JOINT         | 1    |       |     |         | 0.009        | 0.0198      |
| 017    | 05511-50215 | PIN SPLIT         | 1    |       |     |         | 0.001        | 0.0022      |
| 018    | 66711-42910 | SHAFT BRAKE PEDAL | 1    |       |     |         | 1.26         | 2.772       |
| 019    | 06613-10010 | NIPPLE GREASE     | 2    |       |     |         | 0.006        | 0.0132      |
| 020    | 66711-42920 | PEDAL BRAKE LH    | 1    |       |     |         | 0.938        | 2.0636      |
| 021    | 05112-50840 | PIN JOINT         | 1    |       |     |         | 0.017        | 0.0374      |
| 022    | 04012-50080 | WASHER PLAIN      | 1    |       |     |         | 0.001        | 0.0022      |
| 023    | 05511-50215 | PIN SPLIT         | 1    |       |     |         | 0.001        | 0.0022      |
| 024    | 66711-42930 | PEDAL BRAKE RH    | 1    |       |     |         | 0.89         | 1.958       |
| 025    | 66711-42950 | PEDAL DIFF LOCK   | 1    |       |     |         | 0.325        | 0.715       |
| 026    | 04011-50140 | WASHER PLAIN      | 1    |       |     |         | 0.007        | 0.0154      |
| 027    | 05511-50425 | PIN SPLIT         | 1    |       |     |         | 0.003        | 0.0066      |
| 028    | 05112-51450 | PIN JOINT         | 1    |       |     |         | 0.064        | 0.1408      |
| 029    | 66591-43230 | COLLAR            | 1    |       |     |         | 0            | 0           |
| 030    | 04612-00240 | CIR-CLIP EXTERNAL | 1    |       |     |         | 0.002        | 0.0044      |



# ACCELERATOR PEDAL GROUP

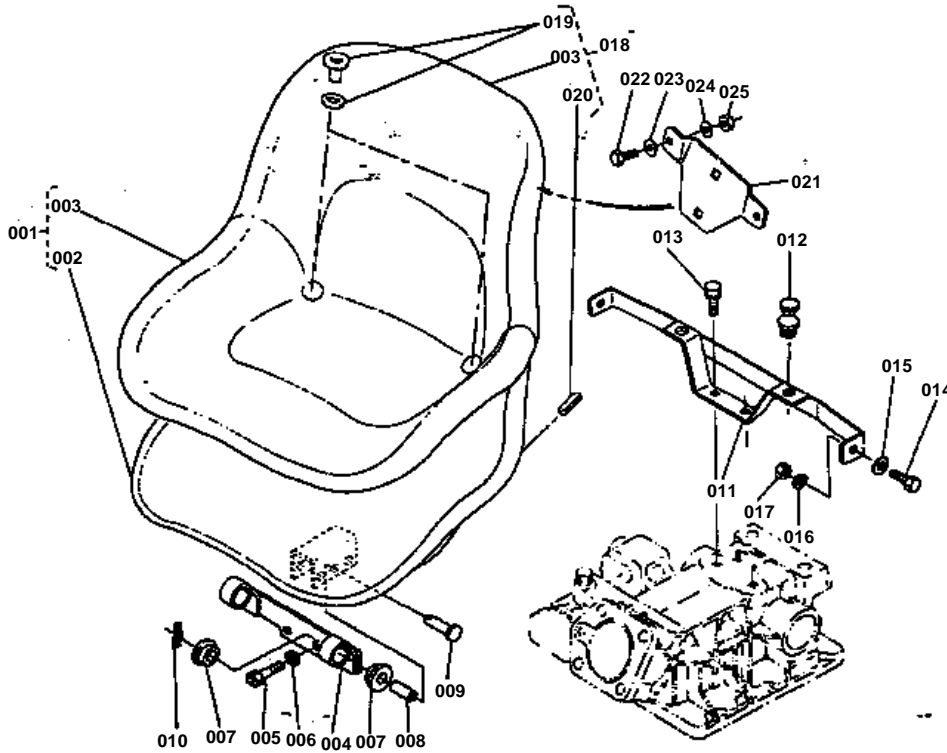


**ACCELERATOR PEDAL GROUP**

↔ Interchangeable; ≠ not interchangeable; ← new for old; → old for new

| REF.No | Part No.    | Description          | Q'ty | S.No.  | I/C | REMARKS | Weight (kgf) | Weight (lb) |
|--------|-------------|----------------------|------|--------|-----|---------|--------------|-------------|
| 001    | 66711-43210 | ROD RELEASE          | 1    |        |     |         | 0.136        | 0.2992      |
| 002    | 66711-43220 | METAL                | 1    |        |     |         | 0.023        | 0.0506      |
| 003    | 04013-50060 | WASHER PLAIN         | 2    |        |     |         | 0            | 0           |
| 004    | 05511-51612 | PIN SPLIT            | 2    |        |     |         | 0.001        | 0.0022      |
| 005    | 02014-50060 | NUT                  | 2    |        |     |         | 0.003        | 0.0066      |
| 006    | 66711-43410 | PEDAL ACCELERATOR    | 1    |        |     |         | 0.17         | 0.374       |
| 007    | 05511-50318 | PIN SPLIT            | 1    |        |     |         | 0.001        | 0.0022      |
| 008    | 66711-43420 | FULCRUM ACCELE.PEDAL | 1    |        |     |         | 0.048        | 0.1056      |
| 009    | 05411-00314 | PIN SPRING           | 1    |        |     |         | 0.001        | 0.0022      |
| 010    | 66711-43430 | SPRING ACCELE.PEDAL  | 1    |        |     |         | 0.005        | 0.011       |
| 011    | 66711-43440 | ROD ACCELE.PEDAL     | 1    | ≤32152 |     |         | 0.092        | 0.2024      |
| 011    | 66704-43440 | ROD ACCELE.PEDAL     | 1    | ≥32153 |     |         | 0.095        | 0.209       |
| 012    | 04013-50060 | WASHER PLAIN         | 2    |        |     |         | 0            | 0           |
| 013    | 05511-51612 | PIN SPLIT            | 2    |        |     |         | 0.001        | 0.0022      |

# SEAT GROUP



REF.No. 3 | 66704-8311-0  
18 | 66704-8350-0  
19 | 35110-8505-0  
20 | 35110-8506-0  
Adopted Code No. for  
service parts.

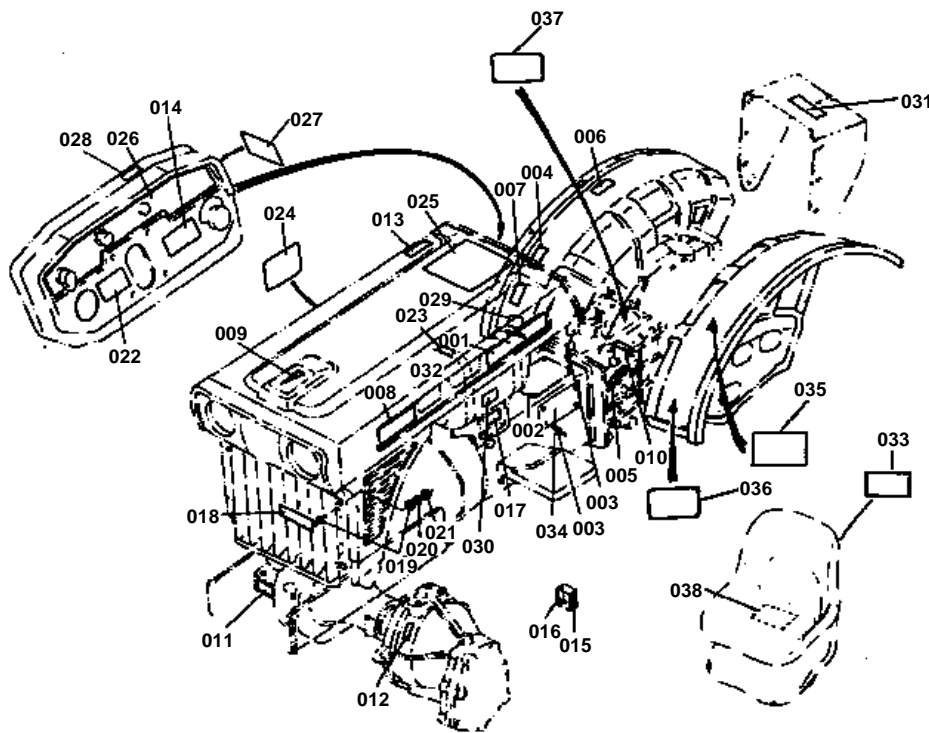


## SEAT GROUP

↔ Interchangeable; ≠ not interchangeable; ← new for old; → old for new

| REF.No | Part No.    | Description        | Q'ty | S.No. | I/C | REMARKS                    | Weight (kgf) | Weight (lb) |
|--------|-------------|--------------------|------|-------|-----|----------------------------|--------------|-------------|
| 001    | 66711-45900 | ASSY SEAT          | 1    |       |     | REF.No.002 003             | 4.8          | 10.56       |
| 002    | 99999-99999 | BLANK              | 0    |       |     | ORDER BY REF.No.001        | 0            | 0           |
| 003    | 99999-99999 | BLANK              | 0    |       |     | ORDER BY REF.No.001 OR 018 | 0            | 0           |
| 004    | 66711-45930 | SUPPORT SEAT FRONT | 1    |       |     |                            | 0.7          | 1.54        |
| 005    | 66711-36440 | BOLT               | 2    |       |     |                            | 0.045        | 0.099       |
| 006    | 04512-50120 | WASHER SPRING      | 2    |       |     |                            | 0.003        | 0.0066      |
| 007    | 66591-41540 | CUSHION            | 4    |       |     |                            | 0.01         | 0.022       |
| 008    | 66591-41550 | COLLAR             | 2    |       |     |                            | 0.02         | 0.044       |
| 009    | 05122-51045 | PIN JOINT          | 2    |       |     |                            | 0            | 0           |
| 010    | 05516-51000 | PIN SNAP           | 2    |       |     |                            | 0            | 0           |
| 011    | 66711-45940 | SUPPORT SEAT REAR  | 1    |       |     |                            | 0.527        | 1.1594      |
| 012    | 32240-18440 | CUSHION SEAT       | 2    |       |     |                            | 0.043        | 0.0946      |
| 013    | 01120-50820 | BOLT               | 2    |       |     |                            | 0            | 0           |
| 013    | 01123-50825 | BOLT               | 2    |       |     |                            | 0.013        | 0.0286      |
| 014    | 01150-50816 | BOLT               | 2    |       |     |                            | 0.01         | 0.022       |
| 015    | 04013-50080 | WASHER PLAIN       | 2    |       |     |                            | 0            | 0           |
| 016    | 04512-50080 | WASHER SPRING      | 2    |       |     |                            | 0.001        | 0.0022      |
| 017    | 02114-50080 | NUT                | 2    |       |     |                            | 0.005        | 0.011       |
| 018    | 66704-83500 | ASSY COVER SEAT    | 1    |       |     | REF.No.003 019 AND 020     | 0.4          | 0.88        |
| 019    | 35110-85050 | EYE-LET            | 4    |       |     | 2 PIECES ARE SPARE         | 0.005        | 0.011       |
| 020    | 35110-85060 | PROTECTOR          | 3    |       |     |                            | 0.01         | 0.022       |
| 021    | 66704-54950 | BRACKET SMV        | 1    |       |     | AMERICA CANADA             | 0            | 0           |
| 022    | 01050-50616 | BOLT               | 2    |       |     | AMERICA CANADA             | 0            | 0           |
| 023    | 04013-50060 | WASHER PLAIN       | 2    |       |     | AMERICA CANADA             | 0            | 0           |
| 024    | 04512-50060 | WASHER SPRING      | 2    |       |     | AMERICA CANADA             | 0            | 0           |
| 025    | 02014-50060 | NUT                | 2    |       |     | AMERICA CANADA             | 0.003        | 0.0066      |

NAME PLATE GROUP



REF.No. 2, 4~17,10~14  
16~17,22~29  
English→Both English  
and French

REF.No. 66706-4742-0  
Indicated, Fuel lower limit

REF.No. 30 66706-4746-0  
For caution of  
P.T.O.speed change

REF.No. 32,33  
Newly adopted

REF.No. 2 66706-4711-0  
English→Both English  
and French  
for B6100E-P



## NAME PLATE GROUP

↔ Interchangeable; ≠ not interchangeable; ← new for old; → old for new

| REF.No | Part No.    | Description        | Q'ty | S.No.   | I/C | REMARKS        | Weight (kgf) | Weight (lb) |
|--------|-------------|--------------------|------|---------|-----|----------------|--------------|-------------|
| 001    | 66621-47110 | LABEL KUBOTA       | 2    |         |     |                | 0.004        | 0.0088      |
| 002    | 66804-47120 | LABEL SPEED CHANGE | 1    | ≤=21330 |     |                | 0            | 0           |
| 002    | 66706-47110 | LABEL SPEED CHANGE | 1    | ≥=10001 |     |                | 0.02         | 0.044       |
| 003    | 54102-24410 | RIVET              | 8    |         |     |                | 0.001        | 0.0022      |
| 004    | 66601-48140 | NAME PLATE 4       | 1    | ≤=21330 |     |                | 0.001        | 0.0022      |
| 004    | 66706-47120 | NAME PLATE 4       | 1    | ≥=10001 |     |                | 0.001        | 0.0022      |
| 005    | 66601-48150 | NAME PLATE 5       | 1    | ≤=21330 |     |                | 0.001        | 0.0022      |
| 005    | 66706-47130 | NAME PLATE 5       | 1    | ≥=10001 |     |                | 0            | 0           |
| 006    | 66601-48160 | NAME PLATE 6       | 1    | ≤=21330 |     |                | 0.001        | 0.0022      |
| 006    | 66706-47140 | NAME PLATE 6       | 1    | ≥=10001 |     |                | 0            | 0           |
| 007    | 66601-48170 | NAME PLATE 7       | 1    | ≤=21330 |     |                | 0.001        | 0.0022      |
| 007    | 66706-47150 | NAME PLATE 7       | 1    | ≥=10001 |     |                | 0            | 0           |
| 008    | 66804-47180 | NAME PLATE B6100D  | 2    |         |     |                | 0.002        | 0.0044      |
| 009    | 66591-47190 | NAME PLATE 9       | 1    |         |     |                | 0.001        | 0.0022      |
| 010    | 66704-47220 | LABEL MISSION OIL  | 1    | ≤=21330 |     |                | 0            | 0           |
| 010    | 66706-47190 | LABEL MISSION OIL  | 1    | ≥=21331 |     |                | 0.001        | 0.0022      |
| 010    | 66706-47490 | LABEL MISSION OIL  | 1    | ≥=32310 |     |                | 0.001        | 0.0022      |
| 011    | 66704-47210 | LABEL FRONT AXLE   | 1    | ≤=21330 |     |                | 0            | 0           |
| 011    | 66706-47210 | LABEL FRONT AXLE   | 1    | ≥=10001 |     |                | 0.001        | 0.0022      |
| 012    | 66704-47240 | LABEL F/ GEAR CASE | 2    | ≤=21330 |     |                | 0            | 0           |
| 012    | 66706-47220 | LABEL F/ GEAR CASE | 2    | ≥=10001 |     |                | 0.001        | 0.0022      |
| 013    | 66601-47190 | LABEL RELEASE      | 1    | ≤=21330 |     |                | 0.001        | 0.0022      |
| 013    | 66706-47230 | LABEL RELEASE      | 1    | ≥=10001 |     |                | 0.001        | 0.0022      |
| 013    | 66706-47230 | LABEL RELEASE      | 1    | ≤=32152 |     |                | 0.001        | 0.0022      |
| 013    | 66704-47330 | LABEL RELEASE      | 1    | ≥=32153 |     |                | 0.001        | 0.0022      |
| 014    | 66704-47260 | LABEL GLOW PLUG    | 1    | ≤=21330 |     |                | 0            | 0           |
| 014    | 66706-47240 | LABEL GLOW PLUG    | 1    | ≥=10001 |     |                | 0.001        | 0.0022      |
| 015    | 31220-15970 | MARK SPACER        | 1    |         |     |                | 0.001        | 0.0022      |
| 016    | 32130-15930 | NAME PLATE SPACER  | 1    | ≤=21330 |     |                | 0.001        | 0.0022      |
| 016    | 66706-47250 | NAME PLATE SPACER  | 1    | ≥=10001 |     |                | 0.001        | 0.0022      |
| 017    | 66601-48270 | LABEL TOOLS BOX    | 1    | ≤=21330 |     |                | 0.001        | 0.0022      |
| 017    | 66706-47260 | LABEL TOOLS BOX    | 1    | ≥=10001 |     |                | 0.001        | 0.0022      |
| 018    | 66601-47230 | LABEL FRONT        | 1    |         |     |                | 0.02         | 0.044       |
| 019    | 04013-50040 | WASHER PLAIN       | 4    |         |     |                | 0            | 0           |
| 020    | 04512-50040 | WASHER SPRING      | 2    |         |     |                | 0            | 0           |
| 021    | 02054-50040 | NUT                | 2    |         |     |                | 0.001        | 0.0022      |
| 022    | 66704-47280 | LABEL DECOMPRESS   | 1    | ≤=21330 |     |                | 0            | 0           |
| 022    | 66706-47270 | LABEL DECOMPRESS   | 1    | ≥=10001 |     |                | 0.001        | 0.0022      |
| 023    | 66711-47442 | LABEL              | 1    | ≤=21330 |     |                | 0            | 0           |
| 023    | 66706-47340 | LABEL              | 1    | ≥=10001 |     |                | 0.001        | 0.0022      |
| 024    | 15232-88230 | LABEL BATTERY      | 1    | ≤=21330 |     |                | 0.002        | 0.0044      |
| 024    | 66706-47280 | LABEL BATTERY      | 1    | ≥=10001 |     |                | 0.003        | 0.0066      |
| 025    | 66704-47270 | LABEL              | 1    | ≤=21330 |     |                | 0            | 0           |
| 025    | 66706-47290 | LABEL              | 1    | ≥=10001 |     |                | 0.009        | 0.0198      |
| 025    | 66706-47290 | LABEL              | 1    | ≤=32152 |     |                | 0.009        | 0.0198      |
| 025    | 66706-47293 | LABEL              | 1    | ≥=32153 |     | IRAN OVERSEAS  | 0.009        | 0.0198      |
| 026    | 66704-47410 | LABEL              | 1    | ≤=21330 |     | AMERICA CANADA | 0.019        | 0.0418      |
| 026    | 66704-47412 | LABEL              | 1    | ≥=10001 |     | AMERICA CANADA | 0            | 0           |
| 026    | 66704-47412 | LABEL              | 1    | ≤=32152 |     | AMERICA CANADA | 0            | 0           |
| 026    | 66204-47410 | LABEL              | 1    | ≥=10001 |     | AMERICA CANADA | 0.02         | 0.044       |
| 026    | 66704-47410 | LABEL              | 1    | ≤=21330 |     | IRAN OVERSEAS  | 0.019        | 0.0418      |
| 026    | 66704-47412 | LABEL              | 1    | ≥=10001 |     | IRAN OVERSEAS  | 0            | 0           |
| 027    | 66601-47420 | LABEL              | 1    | ≤=21330 |     |                | 0.001        | 0.0022      |
| 027    | 66706-47320 | LABEL              | 1    | ≥=10001 |     |                | 0.001        | 0.0022      |
| 028    | 66601-47250 | LABEL              | 1    | ≤=21330 |     |                | 0.001        | 0.0022      |
| 028    | 66706-47370 | LABEL              | 1    | ≥=10001 |     |                | 0.001        | 0.0022      |
| 029    | 66601-48720 | LABEL DIFF.LOCK    | 1    | ≤=21330 |     |                | 0.001        | 0.0022      |
| 029    | 66706-47350 | LABEL DIFF.LOCK    | 1    | ≥=10001 |     |                | 0.001        | 0.0022      |
| 030    | 66706-47420 | LABEL FUEL TANK    | 1    | ≥=19431 |     |                | 0.001        | 0.0022      |

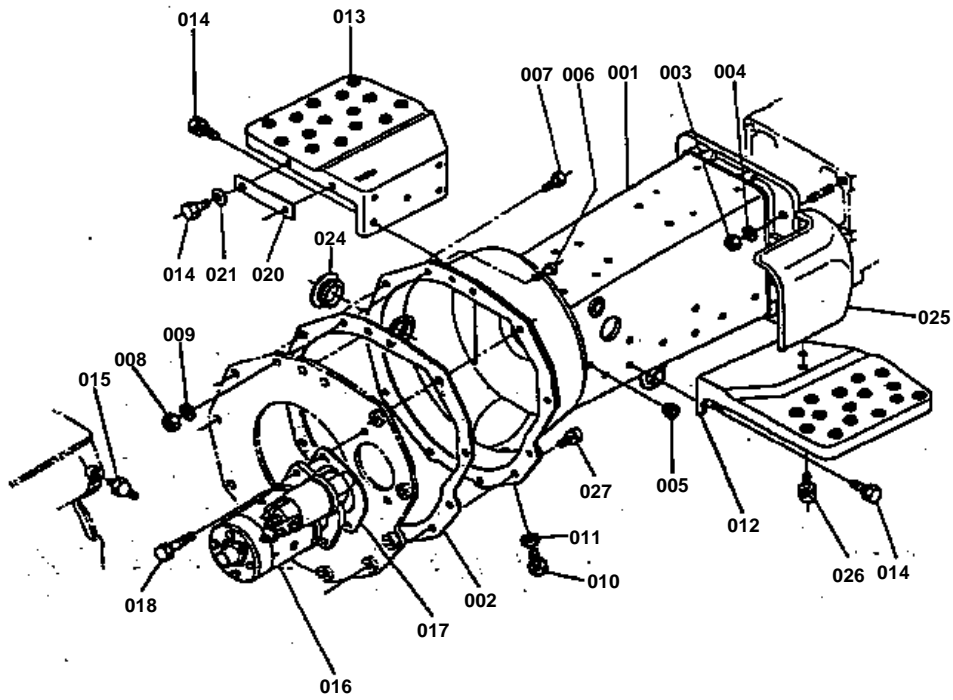


# NAME PLATE GROUP

↔ Interchangeable; ≠ not interchangeable; ← new for old; → old for new

| REF.No | Part No.    | Description   | Q'ty | S.No.   | I/C | REMARKS        | Weight (kgf) | Weight (lb) |
|--------|-------------|---------------|------|---------|-----|----------------|--------------|-------------|
| 031    | 66706-47460 | LABEL CAUTION | 1    | >=19431 |     | IRAN OVERSEAS  | 0.002        | 0.0044      |
| 032    | 35170-18290 | LABEL DIESEL  | 2    | >=21331 |     |                | 0.003        | 0.0066      |
| 033    | 32140-18470 | MARK KUBOTA   | 1    | >=21331 |     |                | 0.002        | 0.0044      |
| 034    | 66804-47460 | NAME PLATE    | 1    |         |     |                | 0            | 0           |
| 035    | 35200-25340 | LABEL         | 1    |         |     | AMERICA CANADA | 0.002        | 0.0044      |
| 036    | 35260-34910 | LABEL         | 1    |         |     | AMERICA CANADA | 0            | 0           |
| 037    | 35260-29780 | LABEL ROPS    | 1    |         |     | AMERICA CANADA | 0            | 0           |
| 038    | 35260-29790 | LABEL         | 1    |         |     | AMERICA CANADA | 0.002        | 0.0044      |

# CLUTCH HOUSING GROUP



REF.No. 66711-8261-0  
 REF.No. 66704-8261-0  
 A B  
 • 66711-8261-0 50mm 57mm  
 • 66704-8261-0 42mm 77mm

REF.No. 01153-50825  
 04512-50080

REF.No. 01153-50828  
 04512-50080

REF.No. 66704-3615-0  
 0120-50814

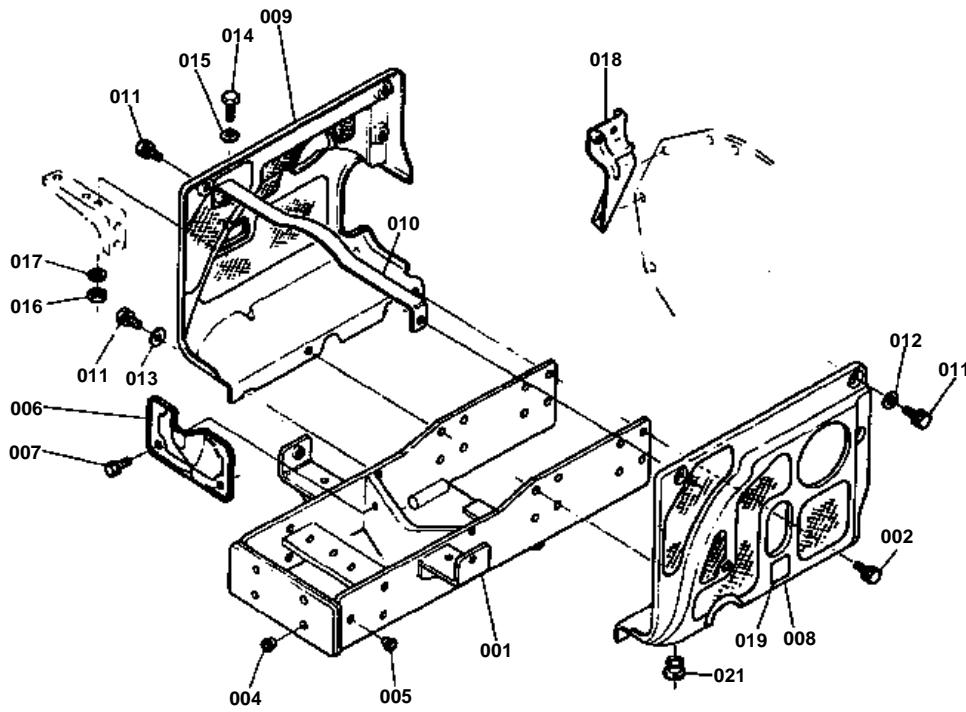


**CLUTCH HOUSING GROUP**

↔ Interchangeable; ≠ not interchangeable; ← new for old; → old for new

| REF.No | Part No.    | Description    | Q'ty | S.No.   | I/C | REMARKS     | Weight (kgf) | Weight (lb) |
|--------|-------------|----------------|------|---------|-----|-------------|--------------|-------------|
| 001    | 66704-51110 | HOUSING CLUTCH | 1    |         |     |             | 14.5         | 31.9        |
| 002    | 66621-51410 | GASKET         | 1    |         |     |             | 0            | 0           |
| 003    | 02174-50120 | NUT            | 7    |         |     |             | 0.01         | 0.022       |
| 004    | 04512-50120 | WASHER SPRING  | 7    |         |     |             | 0.003        | 0.0066      |
| 005    | 66591-54390 | PLUG           | 10   |         |     |             | 0.001        | 0.0022      |
| 006    | 01153-50825 | BOLT           | 9    |         |     |             | 0.012        | 0.0264      |
| 006    | 01153-50825 | BOLT           | 1    |         |     |             | 0.012        | 0.0264      |
| 007    | 01153-50828 | BOLT           | 2    |         |     |             | 0.014        | 0.0308      |
| 008    | 02114-50080 | NUT            | 3    |         |     |             | 0.005        | 0.011       |
| 009    | 04512-50080 | WASHER SPRING  | 11   |         |     |             | 0.001        | 0.0022      |
| 009    | 04512-50080 | WASHER SPRING  | 3    |         |     |             | 0.001        | 0.0022      |
| 010    | 06331-35010 | PLUG           | 1    |         |     |             | 0.012        | 0.0264      |
| 011    | 04717-01000 | WASHER SEAL    | 1    |         |     |             | 0.001        | 0.0022      |
| 012    | 66711-51130 | STEP LH        | 1    |         |     |             | 2.078        | 4.5716      |
| 013    | 66711-51140 | STEP RH        | 1    |         |     |             | 1.948        | 4.2856      |
| 014    | 01120-50818 | BOLT           | 12   |         |     |             | 0            | 0           |
| 015    | 15231-39010 | SWITCH OIL     | 1    |         |     |             | 0            | 0           |
| 016    | 15231-63010 | ASSY STARTER   | 1    |         |     |             | 0            | 0           |
| 017    | 66591-51160 | GASKET         | 1    |         |     |             | 0            | 0           |
| 018    | 01153-50828 | BOLT           | 2    |         |     |             | 0.014        | 0.0308      |
| 018    | 01123-50828 | BOLT           | 2    |         |     |             | 0.014        | 0.0308      |
| 019    | 04512-50080 | WASHER SPRING  | 2    |         |     |             | 0.001        | 0.0022      |
| 020    | 66711-51180 | PLATE          | 1    |         |     |             | 0.045        | 0.099       |
| 021    | 04013-50080 | WASHER PLAIN   | 2    |         |     |             | 0            | 0           |
| 022    | 66704-36150 | HOLDER         | 1    | <=26673 |     | EXCEPT IRAN | 0.06         | 0.132       |
| 023    | 01120-50814 | BOLT           | 1    | <=26673 |     | EXCEPT IRAN | 0            | 0           |
| 024    | 66704-51190 | CAP            | 1    |         |     |             | 0.009        | 0.0198      |
| 025    | 66711-82610 | COVER          | 1    | <=21330 |     |             | 0.24         | 0.528       |
| 025    | 66704-82610 | COVER          | 1    | >=10001 |     |             | 0.205        | 0.451       |
| 026    | 01120-50814 | BOLT           | 2    |         |     |             | 0            | 0           |
| 027    | 01123-50825 | BOLT           | 8    |         |     |             | 0.013        | 0.0286      |

# FRONT WHEEL SUPPORT GROUP



REF.No. 19 66706-4733-0  
English→Both English  
and French

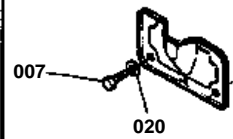
REF.No. 2 01134-51025  
3 04512-50100



REF.No. 8 66711-5132-0



REF.No. 7 01150-50816  
20 04512-50080

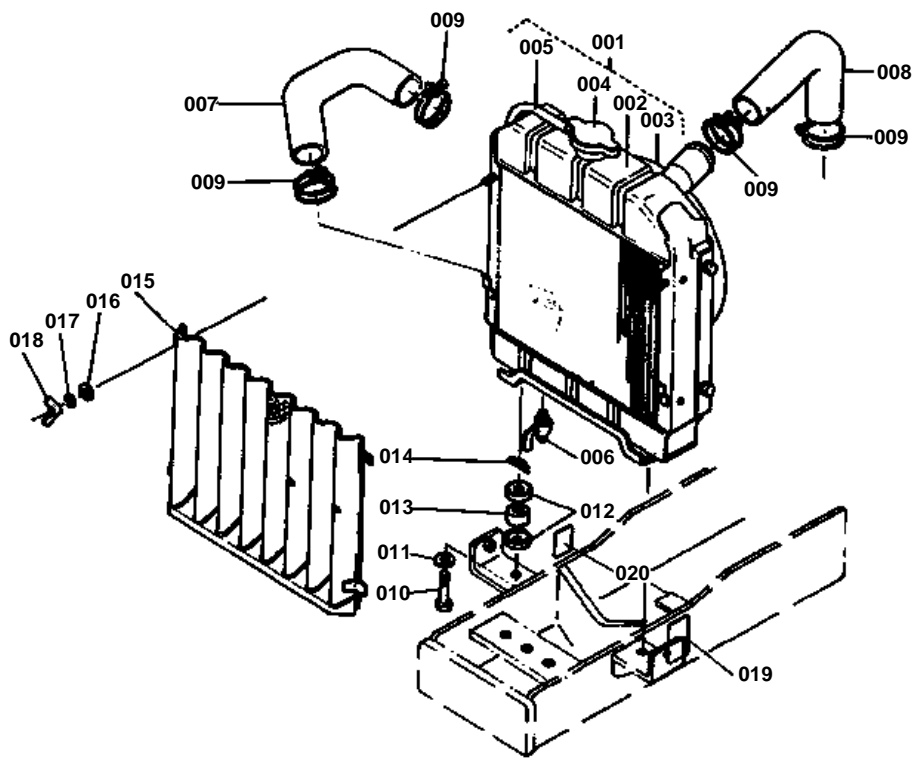


**FRONT WHEEL SUPPORT GROUP**

↔ Interchangeable; ≠ not interchangeable; ← new for old; → old for new

| REF.No | Part No.    | Description         | Q'ty | S.No.   | I/C | REMARKS | Weight (kgf) | Weight (lb) |
|--------|-------------|---------------------|------|---------|-----|---------|--------------|-------------|
| 001    | 66704-51210 | SUPPORT FRONT WHEEL | 1    |         |     |         | 17           | 37.4        |
| 002    | 01173-51025 | BOLT                | 16   |         |     |         | 0.021        | 0.0462      |
| 002    | 01133-51025 | BOLT                | 16   |         |     |         | 0.023        | 0.0506      |
| 003    | 04512-50100 | WASHER SPRING       | 16   |         |     |         | 0            | 0           |
| 004    | 66591-54390 | PLUG                | 8    |         |     |         | 0.001        | 0.0022      |
| 005    | 66591-11290 | PLUG 2              | 6    |         |     |         | 0.001        | 0.0022      |
| 005    | 67111-11140 | PLUG M12            | 6    | >=10001 |     |         | 0            | 0           |
| 005    | 67211-11140 | PLUG M12            | 6    | >=10001 |     |         | 0.001        | 0.0022      |
| 006    | 66711-51280 | COVER FRONT         | 1    |         |     |         | 0.081        | 0.1782      |
| 006    | 66704-51280 | COVER FRONT         | 1    | >=10001 |     |         | 0.11         | 0.242       |
| 007    | 01150-50816 | BOLT                | 2    |         |     |         | 0.01         | 0.022       |
| 007    | 01120-50825 | BOLT                | 2    | >=10001 |     |         | 0            | 0           |
| 008    | 66711-51320 | COVER SIDE LH       | 1    | <=26673 |     |         | 0.21         | 0.462       |
| 008    | 66709-51370 | COVER SIDE LH       | 1    | >=10001 |     |         | 0.97         | 2.134       |
| 009    | 66711-51330 | COVER SIDE RH       | 1    |         |     |         | 1            | 2.2         |
| 010    | 66711-51380 | STAY SIDE COVER     | 1    |         |     |         | 0.215        | 0.473       |
| 011    | 01202-50614 | BOLT                | 8    |         |     |         | 0.006        | 0.0132      |
| 012    | 04013-50060 | WASHER PLAIN        | 4    |         |     |         | 0            | 0           |
| 013    | 04015-50060 | WASHER PLAIN        | 2    |         |     |         | 0            | 0           |
| 014    | 01150-50818 | BOLT                | 1    |         |     |         | 0            | 0           |
| 015    | 04013-50080 | WASHER PLAIN        | 1    |         |     |         | 0            | 0           |
| 016    | 02114-50080 | NUT                 | 1    |         |     |         | 0.005        | 0.011       |
| 017    | 04512-50080 | WASHER SPRING       | 1    |         |     |         | 0.001        | 0.0022      |
| 018    | 66711-51350 | STAY FILTER         | 1    |         |     |         | 0.146        | 0.3212      |
| 019    | 66704-47430 | LABEL               | 1    | <=21330 |     |         | 0            | 0           |
| 019    | 66706-47330 | LABEL               | 1    | >=10001 |     |         | 0.001        | 0.0022      |
| 020    | 04512-50080 | WASHER SPRING       | 2    |         |     |         | 0.001        | 0.0022      |
| 021    | 66591-54580 | RUBBER              | 1    |         |     |         | 0.003        | 0.0066      |

# RADIATOR GROUP

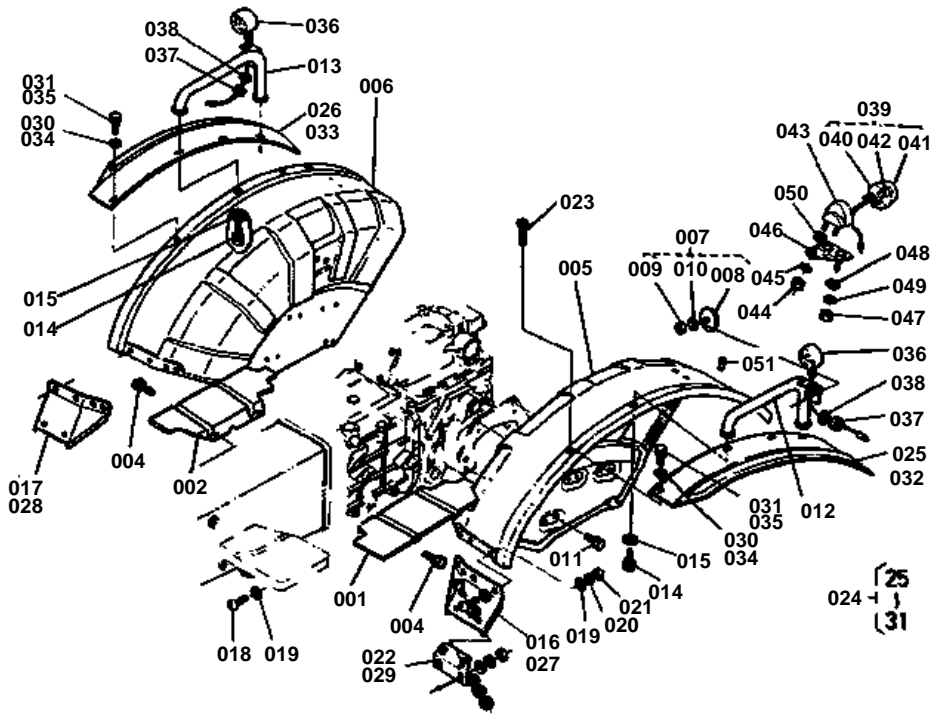


REF.No. 19 66706-5881-0  
20 66706-5882-0  
English—Both English  
and French

**RADIATOR GROUP**

↔ Interchangeable; ≠ not interchangeable; ← new for old; → old for new

| REF.No | Part No.    | Description          | Q'ty | S.No.   | I/C | REMARKS             | Weight (kgf) | Weight (lb) |
|--------|-------------|----------------------|------|---------|-----|---------------------|--------------|-------------|
| 001    | 15371-72060 | ASSY RADIATOR        | 1    |         |     | REF.No.002 TO 005   | 6            | 13.2        |
| 002    | 99999-99999 | BLANK                | 0    |         |     | ORDER BY REF.No.001 | 0            | 0           |
| 003    | 15371-74470 | COVER FAN            | 1    |         |     |                     | 0.4          | 0.88        |
| 004    | 15101-72030 | CAP RADIATOR         | 1    |         |     |                     | 0.075        | 0.165       |
| 005    | 15371-72710 | PIPE WATER OVER FLOW | 1    |         |     |                     | 0.048        | 0.1056      |
| 005    | 15401-72710 | PIPE WATER OVER FLOW | 1    | >=10001 |     |                     | 0.032        | 0.0704      |
| 006    | 14301-73110 | COCK DRAIN           | 1    |         |     |                     | 0.094        | 0.2068      |
| 007    | 15371-72850 | PIPE WATER 1         | 1    |         |     |                     | 0.21         | 0.462       |
| 008    | 15371-72940 | PIPE WATER 4         | 1    |         |     |                     | 0.164        | 0.3608      |
| 009    | 15108-72870 | BAND                 | 4    |         |     |                     | 0.027        | 0.0594      |
| 010    | 66711-51340 | BOLT RADIATOR STOP.  | 2    |         |     |                     | 0.032        | 0.0704      |
| 011    | 04013-50100 | WASHER PLAIN         | 2    |         |     |                     | 0            | 0           |
| 012    | 15111-72200 | WASHER               | 4    |         |     |                     | 0.013        | 0.0286      |
| 013    | 15111-72180 | CUSHION              | 2    |         |     |                     | 0.015        | 0.033       |
| 014    | 05515-51000 | PIN SNAP             | 2    |         |     |                     | 0            | 0           |
| 015    | 66711-51410 | NET RADIATOR         | 1    |         |     |                     | 0            | 0           |
| 016    | 04013-50060 | WASHER PLAIN         | 2    |         |     |                     | 0            | 0           |
| 017    | 04512-50060 | WASHER SPRING        | 2    |         |     |                     | 0            | 0           |
| 018    | 66621-55440 | NUT WING             | 2    |         |     |                     | 0.006        | 0.0132      |
| 019    | 15101-94610 | LABEL RADIATOR       | 1    | <=21330 |     |                     | 0.002        | 0.0044      |
| 019    | 66706-58810 | LABEL RADIATOR       | 1    | >=10001 |     |                     | 0.001        | 0.0022      |
| 020    | 15103-94590 | LABEL                | 1    | <=21330 |     |                     | 0.001        | 0.0022      |
| 020    | 66706-58820 | LABEL                | 1    | >=10001 |     |                     | 0.001        | 0.0022      |



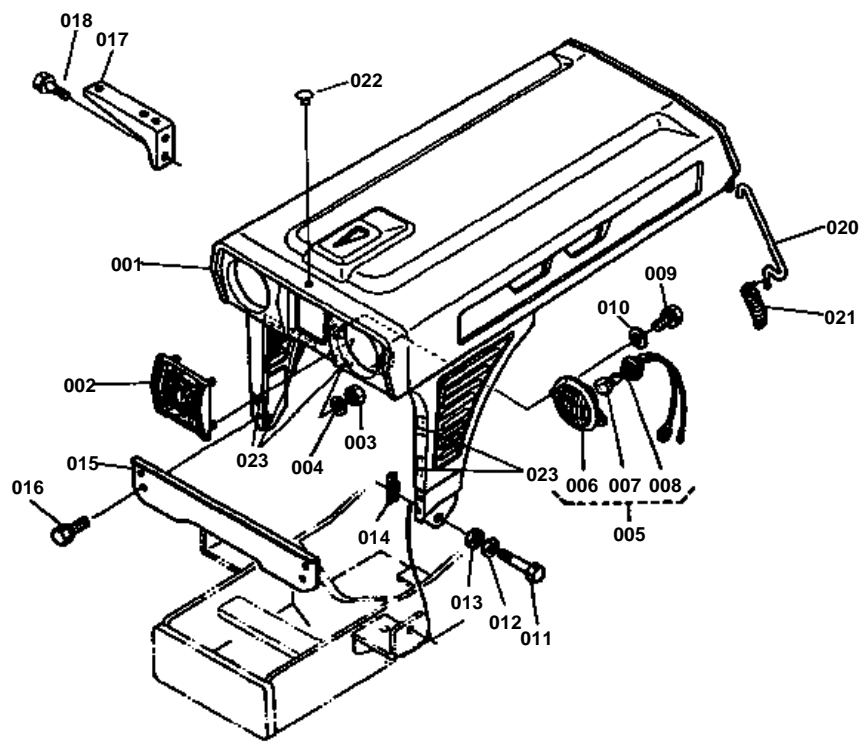
REF.No. 3 04013-50080



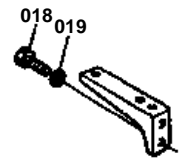
**FENDER GROUP**

↔ Interchangeable; ≠ not interchangeable; ← new for old; → old for new

| REF.No | Part No.    | Description       | Q'ty | S.No.   | I/C | REMARKS                          | Weight (kgf) | Weight (lb) |
|--------|-------------|-------------------|------|---------|-----|----------------------------------|--------------|-------------|
| 001    | 66611-52610 | COVER LH          | 1    |         |     |                                  | 0.45         | 0.99        |
| 002    | 66611-52623 | COVER RH          | 1    |         |     |                                  | 0.438        | 0.9636      |
| 003    | 04013-50080 | WASHER PLAIN      | 4    |         |     |                                  | 0            | 0           |
| 004    | 01120-50816 | BOLT              | 4    |         |     |                                  | 0            | 0           |
| 004    | 01120-50818 | BOLT              | 4    | >=10001 |     |                                  | 0            | 0           |
| 005    | 66711-52710 | FENDER LH         | 1    | <=32152 |     | AMERICA CANADA                   | 6.3          | 13.86       |
| 005    | 66706-52710 | FENDER LH         | 1    | >=10001 |     | AMERICA CANADA                   | 3.8          | 8.36        |
| 005    | 66711-52710 | FENDER LH         | 1    |         |     | IRAN OVERSEAS                    | 6.3          | 13.86       |
| 005    | 66706-52710 | FENDER LH         | 1    | >=10001 |     | IRAN OVERSEAS                    | 3.8          | 8.36        |
| 006    | 66711-52720 | FENDER RH         | 1    | <=32152 |     | AMERICA CANADA                   | 6.2          | 13.64       |
| 006    | 66706-52720 | FENDER RH         | 1    | >=10001 |     | AMERICA CANADA                   | 3.6          | 7.92        |
| 006    | 66711-52720 | FENDER RH         | 1    |         |     | IRAN OVERSEAS                    | 6.2          | 13.64       |
| 006    | 66706-52720 | FENDER RH         | 1    | >=10001 |     | IRAN OVERSEAS                    | 3.6          | 7.92        |
| 007    | 66591-52300 | ASSY REFLECTOR    | 2    |         |     | REF.No.008 TO 010                | 0.006        | 0.0132      |
| 008    | 53143-61240 | REFLECTOR         | 2    |         |     |                                  | 0.009        | 0.0198      |
| 009    | 02054-50050 | NUT               | 2    |         |     |                                  | 0.002        | 0.0044      |
| 010    | 04512-50050 | WASHER SPRING     | 2    |         |     |                                  | 0            | 0           |
| 011    | 01120-50818 | BOLT              | 8    |         |     |                                  | 0            | 0           |
| 012    | 66611-52750 | BALUSTRIDE LH     | 1    |         |     |                                  | 0.264        | 0.5808      |
| 013    | 66611-52760 | BALUSTRIDE RH     | 1    |         |     |                                  | 0.258        | 0.5676      |
| 014    | 01120-50820 | BOLT              | 4    |         |     |                                  | 0            | 0           |
| 015    | 04013-50080 | WASHER PLAIN      | 4    |         |     |                                  | 0            | 0           |
| 016    | 66751-51150 | PLATE SUB LH      | 1    |         |     | EXCEPT B6100E CANADA             | 0.147        | 0.3234      |
| 017    | 66751-51160 | PLATE SUB RH      | 1    |         |     | EXCEPT B6100E CANADA             | 0.147        | 0.3234      |
| 018    | 03014-50614 | SCREW             | 16   |         |     |                                  | 0.003        | 0.0066      |
| 019    | 04013-50060 | WASHER PLAIN      | 32   |         |     |                                  | 0            | 0           |
| 020    | 04512-50060 | WASHER SPRING     | 16   |         |     |                                  | 0            | 0           |
| 021    | 02014-50060 | NUT               | 16   |         |     |                                  | 0.003        | 0.0066      |
| 022    | 66751-51170 | STAY              | 2    |         |     | EXCEPT B6100E CANADA             | 0            | 0           |
| 023    | 03004-50610 | SCREW WITH WASHER | 6    |         |     |                                  | 0.004        | 0.0088      |
| 036    | 67111-55470 | ASSY LAMP FLASHER | 2    |         |     |                                  | 0            | 0           |
| 037    | 02114-50080 | NUT               | 2    |         |     | AMERICA CANADA                   | 0.005        | 0.011       |
| 038    | 04512-50080 | WASHER SPRING     | 2    |         |     | AMERICA CANADA                   | 0.001        | 0.0022      |
| 039    | 66704-55520 | ASSY LAMP TAIL    | 1    |         |     | REF.No.040 TO 042 AMERICA CANADA | 0.11         | 0.242       |
| 040    | 66704-55540 | BODY TAIL LAMP    | 1    |         |     | AMERICA CANADA                   | 0.06         | 0.132       |
| 041    | 66704-55550 | LENS TAIL LAMP    | 1    |         |     | AMERICA CANADA                   | 0.045        | 0.099       |
| 042    | 66704-55560 | BULB TAIL LAMP    | 1    |         |     | AMERICA CANADA                   | 0.007        | 0.0154      |
| 043    | 34350-34190 | BRACKET TAIL LAMP | 1    |         |     | AMERICA CANADA                   | 0.107        | 0.2354      |
| 044    | 02014-50060 | NUT               | 2    |         |     | AMERICA CANADA                   | 0.003        | 0.0066      |
| 045    | 04512-50060 | WASHER SPRING     | 2    |         |     | AMERICA CANADA                   | 0            | 0           |
| 046    | 66704-55530 | STAY TAIL LAMP    | 1    |         |     | AMERICA CANADA                   | 0            | 0           |
| 047    | 02014-50060 | NUT               | 2    |         |     | AMERICA CANADA                   | 0.003        | 0.0066      |
| 048    | 04015-50060 | WASHER PLAIN      | 2    |         |     | AMERICA CANADA                   | 0            | 0           |
| 049    | 04512-50060 | WASHER SPRING     | 2    |         |     | AMERICA CANADA                   | 0            | 0           |
| 050    | 66591-54580 | RUBBER            | 1    |         |     | AMERICA CANADA                   | 0.003        | 0.0066      |
| 051    | 63763-52580 | RUBBER            | 6    |         |     |                                  | 0.001        | 0.0022      |
| 051    | 63763-52580 | RUBBER            | 8    |         |     | IRAN OVERSEAS                    | 0.001        | 0.0022      |



REF.No. 18 01153-50820  
19 04512-50080



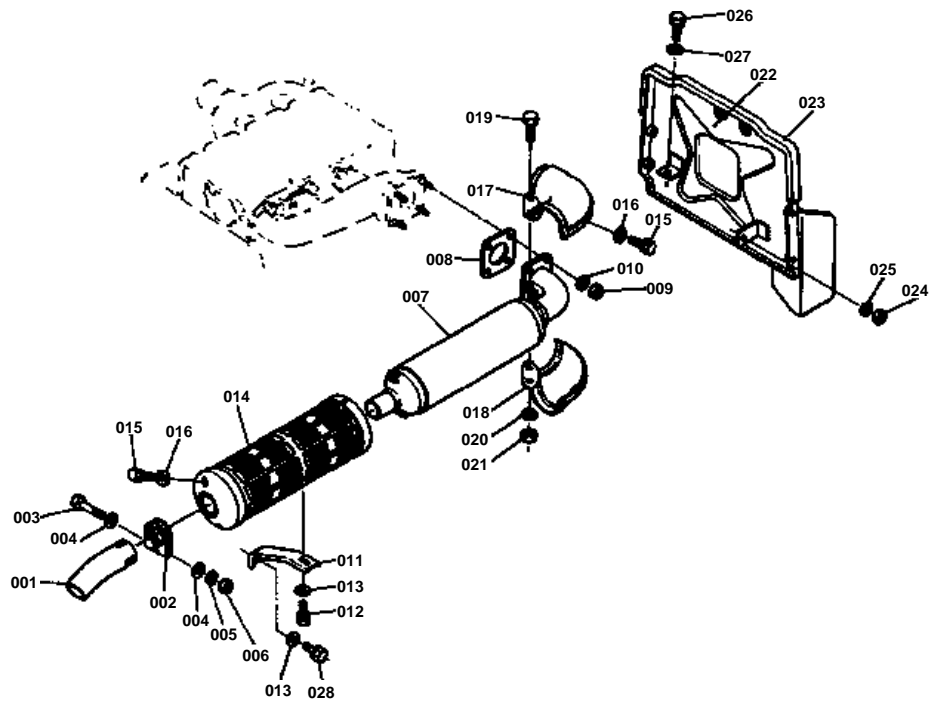


**BONNET GROUP**

↔ Interchangeable; ≠ not interchangeable; ← new for old; → old for new

| REF.No | Part No.    | Description         | Q'ty | S.No.   | I/C | REMARKS           | Weight (kgf) | Weight (lb) |
|--------|-------------|---------------------|------|---------|-----|-------------------|--------------|-------------|
| 001    | 66711-54110 | BONNET              | 1    |         |     |                   | 9.2          | 20.24       |
| 002    | 66711-54140 | MASCOT              | 1    |         |     |                   | 0.09         | 0.198       |
| 003    | 02014-50060 | NUT                 | 4    |         |     |                   | 0.003        | 0.0066      |
| 004    | 04512-50060 | WASHER SPRING       | 4    |         |     |                   | 0            | 0           |
| 005    | 66711-54120 | ASSY LAMP HEAD      | 2    |         |     | REF.No.006 TO 008 | 0.15         | 0.33        |
| 006    | 66591-55610 | LAMP HEAD           | 2    |         |     |                   | 0.15         | 0.33        |
| 007    | 66711-54130 | SOCKET              | 2    |         |     |                   | 0.016        | 0.0352      |
| 008    | 66591-55630 | BULB                | 2    |         |     |                   | 0.008        | 0.0176      |
| 009    | 01202-50612 | BOLT                | 4    |         |     |                   | 0.005        | 0.011       |
| 010    | 04013-50060 | WASHER PLAIN        | 4    |         |     |                   | 0            | 0           |
| 011    | 66711-54150 | BOLT BONNET STOPPER | 2    |         |     |                   | 0.026        | 0.0572      |
| 012    | 04015-50100 | WASHER PLAIN        | 2    |         |     |                   | 0.016        | 0.0352      |
| 013    | 34150-18180 | CUSHION             | 2    |         |     |                   | 0.003        | 0.0066      |
| 014    | 05515-51000 | PIN SNAP            | 2    |         |     |                   | 0            | 0           |
| 015    | 66711-54210 | STAY BONNET         | 1    |         |     |                   | 0.27         | 0.594       |
| 016    | 01120-50816 | BOLT                | 4    |         |     |                   | 0            | 0           |
| 017    | 66711-54310 | STAY AIR CLEANER    | 1    |         |     | EXCEPT OVERSEAS   | 0.306        | 0.6732      |
| 017    | 15000-36940 | STAY AIR CLEANER    | 1    |         |     | OVERSEAS          | 0.3          | 0.66        |
| 018    | 01153-50820 | BOLT                | 2    |         |     |                   | 0.012        | 0.0264      |
| 018    | 01123-50820 | BOLT                | 2    |         |     |                   | 0.011        | 0.0242      |
| 019    | 04512-50080 | WASHER SPRING       | 2    |         |     |                   | 0.001        | 0.0022      |
| 020    | 66751-55210 | HOOK BONNET         | 2    |         |     |                   | 0.04         | 0.088       |
| 021    | 66711-55220 | SPRING              | 2    |         |     |                   | 0.01         | 0.022       |
| 022    | 63763-52580 | RUBBER              | 1    |         |     |                   | 0.001        | 0.0022      |
| 023    | 66611-55190 | CLAMP CORD          | 5    | <=26219 |     |                   | 0.001        | 0.0022      |
| 023    | 66611-55190 | CLAMP CORD          | 6    | >=10001 |     |                   | 0.001        | 0.0022      |

# MUFFLER GROUP

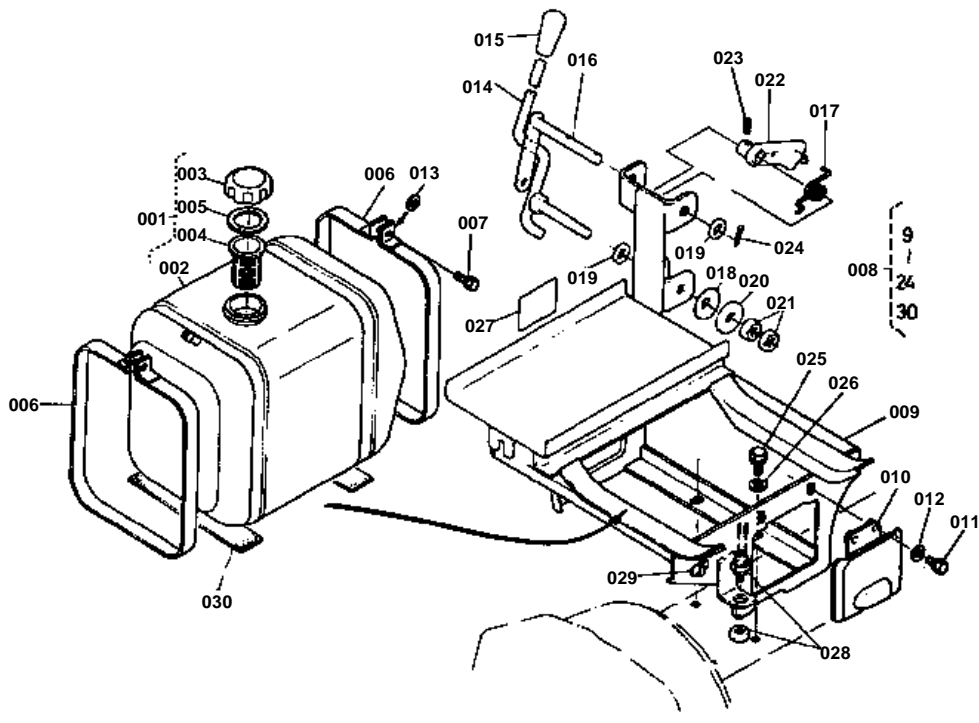


**MUFFLER GROUP**

↔ Interchangeable; ≠ not interchangeable; ← new for old; → old for new

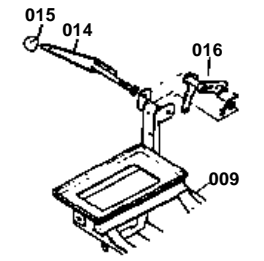
| REF.No | Part No.    | Description          | Q'ty | S.No.   | I/C | REMARKS             | Weight (kgf) | Weight (lb) |
|--------|-------------|----------------------|------|---------|-----|---------------------|--------------|-------------|
| 001    | 66711-54410 | PIPE MUFFLER         | 1    |         |     | EXCEPT IRAN<br>IRAN | 0.137        | 0.3014      |
| 001    | 66711-82510 | PIPE MUFFLER         | 1    |         |     |                     | 0.58         | 1.276       |
| 002    | 66711-54420 | BAND MUFFLER         | 1    |         |     |                     | 0.038        | 0.0836      |
| 003    | 01150-50865 | BOLT                 | 1    |         |     |                     | 0            | 0           |
| 004    | 04013-50080 | WASHER PLAIN         | 2    |         |     |                     | 0            | 0           |
| 005    | 04512-50080 | WASHER SPRING        | 1    |         |     |                     | 0.001        | 0.0022      |
| 006    | 02114-50080 | NUT                  | 1    |         |     |                     | 0.005        | 0.011       |
| 007    | 15371-12110 | MUFFLER              | 1    |         |     |                     | 0            | 0           |
| 007    | 66706-54510 | MUFFLER              | 1    | >=10001 |     |                     | 2.8          | 6.16        |
| 008    | 15371-12370 | GASKET MUFFLER       | 1    |         |     |                     | 0            | 0           |
| 009    | 02114-50080 | NUT                  | 4    |         |     |                     | 0.005        | 0.011       |
| 010    | 04512-50080 | WASHER SPRING        | 4    |         |     |                     | 0.001        | 0.0022      |
| 011    | 66711-54530 | STAY MUFFLER         | 1    |         |     |                     | 0.096        | 0.2112      |
| 012    | 01120-50814 | BOLT                 | 1    |         |     |                     | 0            | 0           |
| 013    | 04013-50080 | WASHER PLAIN         | 2    |         |     |                     | 0            | 0           |
| 014    | 66711-54520 | COVER MUFFLER        | 1    |         |     |                     | 0.878        | 1.9316      |
| 015    | 01202-50612 | BOLT                 | 4    |         |     |                     | 0.005        | 0.011       |
| 016    | 04013-50060 | WASHER PLAIN         | 4    |         |     |                     | 0            | 0           |
| 017    | 66711-54550 | COVER MUFF.FLANGE LH | 1    |         |     |                     | 0.137        | 0.3014      |
| 018    | 66711-54560 | COVER MUFF.FLANGE RH | 1    |         |     |                     | 0.135        | 0.297       |
| 019    | 01050-50628 | BOLT                 | 2    |         |     |                     | 0            | 0           |
| 020    | 04512-50060 | WASHER SPRING        | 2    |         |     |                     | 0            | 0           |
| 021    | 02014-50060 | NUT                  | 2    |         |     |                     | 0.003        | 0.0066      |
| 022    | 66711-54610 | COVER                | 1    |         |     |                     | 1.066        | 2.3452      |
| 023    | 66711-54620 | TAPE                 | 1    |         |     |                     | 0.005        | 0.011       |
| 024    | 02114-50080 | NUT                  | 1    |         |     |                     | 0.005        | 0.011       |
| 025    | 04512-50080 | WASHER SPRING        | 1    |         |     |                     | 0.001        | 0.0022      |
| 026    | 01120-50816 | BOLT                 | 1    |         |     |                     | 0            | 0           |
| 026    | 01120-50818 | BOLT                 | 1    | >=10001 |     |                     | 0            | 0           |
| 027    | 04013-50080 | WASHER PLAIN         | 1    |         |     |                     | 0            | 0           |
| 028    | 01120-50818 | BOLT                 | 1    |         |     |                     | 0            | 0           |

# FUEL TANK GROUP



REF.No. 27 66706-4736-0  
English→Both English  
and French

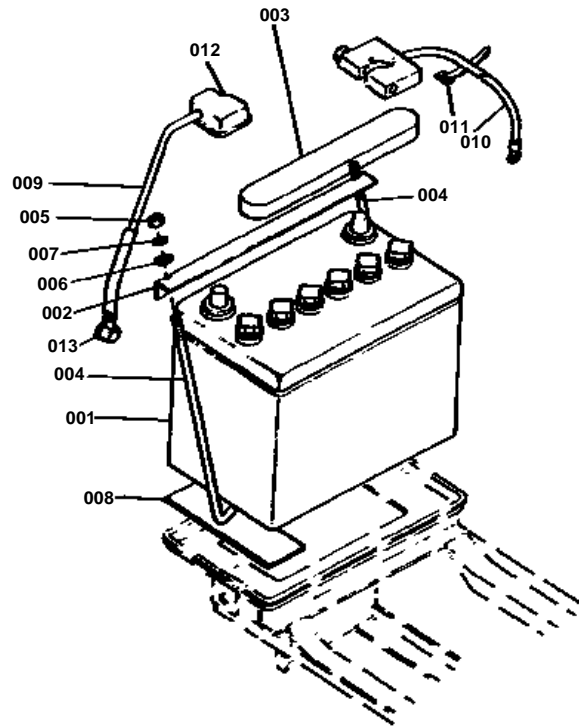
REF.No. 9 66704-5477-0  
14 66711-4331-0  
15 66611-4324-0  
16 66711-4332-0



**FUEL TANK GROUP**

↔ Interchangeable; ≠ not interchangeable; ← new for old; → old for new

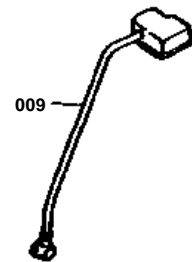
| REF.No | Part No.    | Description          | Q'ty | S.No.  | I/C | REMARKS                   | Weight (kgf) | Weight (lb) |
|--------|-------------|----------------------|------|--------|-----|---------------------------|--------------|-------------|
| 001    | 66711-54700 | ASSY TANK FUEL       | 1    |        |     | REF.No.002 TO 005         | 0            | 0           |
| 002    | 99999-99999 | BLANK                | 0    |        |     | ORDER BY REF.No.001       | 0            | 0           |
| 003    | 66621-54820 | ASSY CAP FUEL        | 1    |        |     |                           | 0.028        | 0.0616      |
| 004    | 13251-41060 | FILTER               | 1    |        |     |                           | 0.01         | 0.022       |
| 005    | 10211-41340 | GASKET               | 1    |        |     |                           | 0.003        | 0.0066      |
| 006    | 66711-54760 | BAND FUEL TANK       | 2    |        |     |                           | 0            | 0           |
| 007    | 01120-50830 | BOLT                 | 2    |        |     |                           | 0            | 0           |
| 008    | 66704-54800 | ASSY BRAC.TANK BATT. | 1    | ≤32152 |     | REF.No.009 TO 024 AND 030 | 5            | 11          |
| 008    | 66704-54700 | ASSY BRAC.TANK BATT. | 1    | ≥32153 |     | REF.No.009 TO 024 AND 030 | 4.5          | 9.9         |
| 009    | 66704-54770 | BLACKET TANK BATTERY | 1    | ≤32152 |     |                           | 3.5          | 7.7         |
| 009    | 66704-54710 | BLACKET TANK BATTERY | 1    | ≥32153 |     |                           | 4            | 8.8         |
| 010    | 66571-54520 | CAP SIDE             | 1    |        |     |                           | 0.085        | 0.187       |
| 011    | 01202-50612 | BOLT                 | 2    |        |     |                           | 0.005        | 0.011       |
| 012    | 04013-50060 | WASHER PLAIN         | 2    |        |     |                           | 0            | 0           |
| 013    | 04013-50080 | WASHER PLAIN         | 2    |        |     |                           | 0            | 0           |
| 014    | 66711-43310 | LEVER RELEASE        | 1    | ≤32152 |     |                           | 0.22         | 0.484       |
| 014    | 66704-43340 | LEVER RELEASE        | 1    | ≥32153 |     |                           | 0.2          | 0.44        |
| 015    | 66611-43240 | GRIP LEVER           | 1    | ≤32152 |     |                           | 0.018        | 0.0396      |
| 015    | 06914-00100 | GRIP LEVER           | 1    | ≥32153 |     |                           | 0.02         | 0.044       |
| 016    | 66711-43320 | ARM RELEASE          | 1    | ≤32152 |     |                           | 0.144        | 0.3168      |
| 016    | 66704-43320 | ARM RELEASE          | 1    | ≥32153 |     |                           | 0.1          | 0.22        |
| 017    | 66711-43330 | SPRING RELEASE       | 1    |        |     |                           | 0.01         | 0.022       |
| 018    | 32210-17190 | SPRING               | 1    |        |     |                           | 0.005        | 0.011       |
| 019    | 04011-50100 | WASHER PLAIN         | 1    | ≤32152 |     |                           | 0.002        | 0.0044      |
| 019    | 04011-50100 | WASHER PLAIN         | 2    | ≥32153 |     |                           | 0.002        | 0.0044      |
| 020    | 04015-50100 | WASHER PLAIN         | 1    |        |     |                           | 0.016        | 0.0352      |
| 021    | 02116-50100 | NUT                  | 2    |        |     |                           | 0.004        | 0.0088      |
| 022    | 66704-43350 | LEVER ENGINE STOP    | 1    | ≥32153 |     |                           | 0.07         | 0.154       |
| 023    | 05411-00314 | PIN SRPING           | 1    | ≥32153 |     |                           | 0.001        | 0.0022      |
| 023    | 66704-43360 | PIN SPRING           | 1    | ≥10001 |     |                           | 0.005        | 0.011       |
| 024    | 05511-50320 | PIN SPLIT            | 1    | ≥32153 |     |                           | 0.002        | 0.0044      |
| 025    | 01120-50816 | BOLT                 | 4    |        |     |                           | 0            | 0           |
| 026    | 04013-50080 | WASHER PLAIN         | 4    |        |     |                           | 0            | 0           |
| 027    | 66601-48640 | LABEL BRAKE          | 1    | ≤21330 |     |                           | 0.001        | 0.0022      |
| 027    | 66706-47360 | LABEL BRAKE          | 1    | ≥10001 |     |                           | 0.002        | 0.0044      |
| 028    | 37150-32240 | SWITCH SAFETY        | 1    |        |     |                           | 0.12         | 0.264       |
| 029    | 66611-55190 | CLAMP CORD 2         | 1    |        |     |                           | 0.001        | 0.0022      |
| 030    | 66641-54740 | CUSHION              | 2    |        |     |                           | 0.065        | 0.143       |



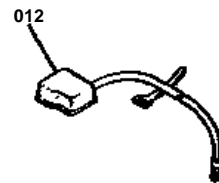
REF.No. 11 66711-5547-0  
Changed Material

REF.No. 12 66704-5527-0  
Reinforced

REF.No. 9 66704-5545-0



REF.No. 12 66704-5527-0  
Unit : 2→1

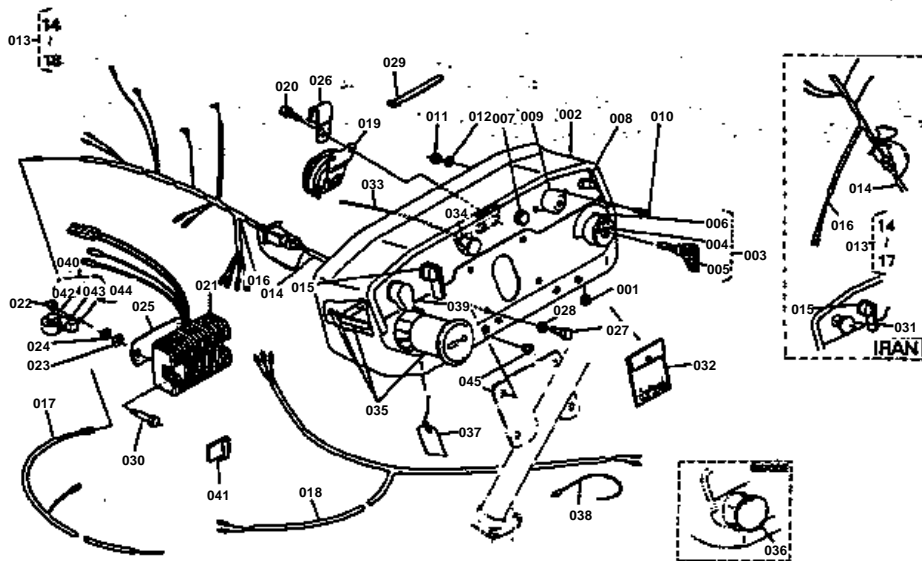


**BATTERY GROUP**

↔ Interchangeable; ≠ not interchangeable; ← new for old; → old for new

| REF.No | Part No.    | Description      | Q'ty | S.No.   | I/C | REMARKS | Weight (kgf) | Weight (lb) |
|--------|-------------|------------------|------|---------|-----|---------|--------------|-------------|
| 001    | 66704-55430 | BATTERY          | 1    |         |     |         | 9.3          | 20.46       |
| 002    | 66591-54480 | RETAINER BATTERY | 1    |         |     |         | 0            | 0           |
| 002    | 66704-54482 | RETAINER BATTERY | 1    | >=10001 |     |         | 0.14         | 0.308       |
| 003    | 66641-55430 | COVER BATTERY    | 1    |         |     |         | 0.07         | 0.154       |
| 004    | 66591-54490 | BOLT             | 2    |         |     |         | 0.048        | 0.1056      |
| 005    | 02014-50060 | NUT              | 2    |         |     |         | 0.003        | 0.0066      |
| 006    | 04013-50060 | WASHER PLAIN     | 2    |         |     |         | 0            | 0           |
| 007    | 04512-50060 | WASHER SPRING    | 2    |         |     |         | 0            | 0           |
| 008    | 66591-54510 | CUSHION BATTERY  | 2    |         |     |         | 0.02         | 0.044       |
| 009    | 66704-55450 | CORD BATTERY     | 1    |         |     |         | 0            | 0           |
| 009    | 66709-55450 | CORD BATTERY     | 1    | >=10001 |     |         | 0.25         | 0.55        |
| 010    | 66704-55460 | CORD BATTERY     | 1    |         |     |         | 0.165        | 0.363       |
| 011    | 14301-69290 | BAND PIPE        | 1    |         |     |         | 0.001        | 0.0022      |
| 011    | 34350-29380 | CLAP CORD        | 1    | >=10001 |     |         | 0.001        | 0.0022      |
| 012    | 66571-55170 | CAP TERMINAL     | 2    |         |     |         | 0            | 0           |
| 012    | 66704-55270 | CAP TERMINAL     | 2    | >=10001 |     |         | 0.015        | 0.033       |
| 012    | 66704-55270 | CAP TERMINAL     | 1    | >=10001 |     |         | 0.015        | 0.033       |
| 013    | 66591-55190 | CAP TERMINAL     | 1    |         |     |         | 0.012        | 0.0264      |

PANEL GROUP



REF.No.2 66704-5511-0  
Change in shape



REF.No.10 01050-5051-0  
Reinforced

REF.No.3 66706-5512-0  
Change of label

REF.No.6 66706-5515-0  
37 66706-4722-0

English → Both English  
and French

REF.No.13 66704-5516-5  
14 66704-5517-3



(terminal)





PANEL GROUP

↔ Interchangeable; ≠ not interchangeable; ← new for old; → old for new

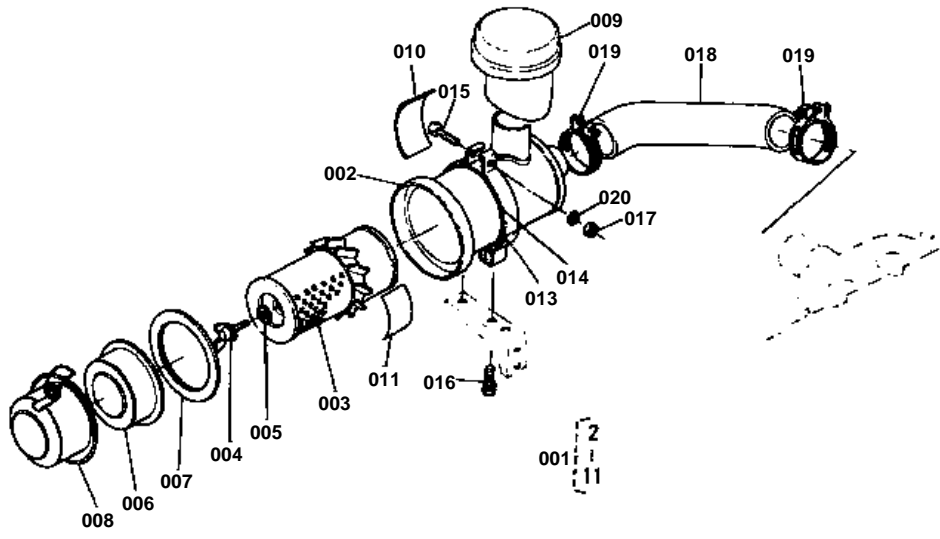
| REF.No | Part No.    | Description          | Q'ty | S.No.   | I/C | REMARKS                          | Weight (kgf) | Weight (lb) |
|--------|-------------|----------------------|------|---------|-----|----------------------------------|--------------|-------------|
| 001    | 35110-32420 | PLUG                 | 2    |         |     |                                  | 0.002        | 0.0044      |
| 002    | 66711-55114 | PANEL                | 1    | <=16380 |     |                                  | 0            | 0           |
| 002    | 66704-55112 | PANEL                | 1    | >=10001 |     |                                  | 0            | 0           |
| 003    | 66704-55120 | ASSY SWITCH STARTER  | 1    | <=21330 |     | REF.No.004 TO 006                | 0.25         | 0.55        |
| 003    | 66706-55120 | ASSY SWITCH STARTER  | 1    | >=10001 |     | REF.No.004 TO 006                | 0.256        | 0.5632      |
| 004    | 66711-55130 | SWITCH STARTER       | 1    |         |     |                                  | 0.241        | 0.5302      |
| 005    | 66711-55140 | KEY                  | 1    |         |     | SET                              | 0            | 0           |
| 006    | 66704-55150 | LABEL STARTER SWITCH | 1    | <=21330 |     |                                  | 0            | 0           |
| 006    | 66706-55150 | LABEL STARTER SWITCH | 1    | >=10001 |     |                                  | 0.001        | 0.0022      |
| 007    | 66711-55290 | ASSY LAMP OIL        | 1    |         |     |                                  | 0.016        | 0.0352      |
| 008    | 32150-32240 | SWITCH HORN          | 1    | <=26673 |     |                                  | 0.013        | 0.0286      |
| 008    | 54711-41830 | SWITCH HORN          | 1    | >=10001 |     |                                  | 0.014        | 0.0308      |
| 009    | 15231-65950 | LAMP GLOW            | 1    |         |     |                                  | 0.045        | 0.099       |
| 010    | 03054-50512 | SCREW                | 2    |         |     |                                  | 0.003        | 0.0066      |
| 010    | 01050-50512 | BOLT                 | 2    |         |     |                                  | 0.003        | 0.0066      |
| 011    | 02054-50050 | NUT                  | 2    |         |     |                                  | 0.002        | 0.0044      |
| 012    | 04512-50050 | WASHER SPRING        | 2    |         |     |                                  | 0            | 0           |
| 013    | 66704-55160 | ASSY WIRE HARNESS    | 1    | <=25188 |     | REF.No.014 TO 017 IRAN OVERSEAS  | 0.5          | 1.1         |
| 013    | 66704-55165 | ASSY WIRE HARNESS    | 1    | >=25189 |     | REF.No.014 TO 017 IRAN OVERSEAS  | 0.49         | 1.078       |
| 013    | 66704-55160 | ASSY WIRE HARNESS    | 1    | <=25188 |     | REF.No.014 TO 018 AMERICA CANADA | 0.5          | 1.1         |
| 013    | 66704-55165 | ASSY WIRE HARNESS    | 1    | >=25189 |     | REF.No.014 TO 018 AMERICA CANADA | 0.49         | 1.078       |
| 013    | 66704-55160 | ASSY WIRE HARNESS    | 1    | <=32152 |     | REF.No.014 TO 018 AMERICA CANADA | 0.5          | 1.1         |
| 013    | 66704-55660 | ASSY WIRE HARNESS    | 1    | >=10001 |     | REF.No.014 TO 018 AMERICA CANADA | 0.6          | 1.32        |
| 014    | 66704-55170 | WIRE HARNESS 1       | 1    | <=25188 |     | IRAN OVERSEAS                    | 0.266        | 0.5852      |
| 014    | 66704-55173 | WIRE HARNESS 1       | 1    | >=25189 |     | IRAN OVERSEAS                    | 0.266        | 0.5852      |
| 014    | 66704-55170 | WIRE HARNESS 1       | 1    | <=25188 |     | AMERICA CANADA                   | 0.266        | 0.5852      |
| 014    | 66704-55173 | WIRE HARNESS 1       | 1    | >=25189 |     | AMERICA CANADA                   | 0.266        | 0.5852      |
| 014    | 66704-55170 | WIRE HARNESS 1       | 1    | <=32152 |     | AMERICA CANADA                   | 0.266        | 0.5852      |
| 014    | 66204-55170 | WIRE HARNESS 1       | 1    | >=10001 |     | AMERICA CANADA                   | 0.285        | 0.627       |
| 015    | 66621-55190 | SWITCH LIGHTING      | 1    |         |     |                                  | 0.067        | 0.1474      |
| 016    | 66704-55180 | WIRE HARNESS 2       | 1    |         |     | IRAN OVERSEAS                    | 0.196        | 0.4312      |
| 016    | 66704-55180 | WIRE HARNESS 2       | 1    | <=32152 |     | AMERICA CANADA                   | 0.196        | 0.4312      |
| 016    | 66204-55182 | WIRE HARNESS 2       | 1    | >=10001 |     | AMERICA CANADA                   | 0.2          | 0.44        |
| 017    | 66711-55190 | WIRE HARNESS 3       | 1    |         |     |                                  | 0.017        | 0.0374      |
| 018    | 66704-55190 | WIRE HARNESS 4       | 1    | >=32153 |     | AMERICA CANADA                   | 0.075        | 0.165       |
| 019    | 66591-55300 | ASSY HORN            | 1    |         |     |                                  | 0.15         | 0.33        |
| 020    | 01202-50612 | BOLT                 | 2    |         |     |                                  | 0.005        | 0.011       |
| 021    | 15372-64600 | REGULATOR            | 1    |         |     |                                  | 0.22         | 0.484       |
| 022    | 02014-50060 | NUT                  | 2    |         |     |                                  | 0.003        | 0.0066      |
| 023    | 04013-50060 | WASHER PLAIN         | 2    |         |     |                                  | 0            | 0           |
| 024    | 04512-50060 | WASHER SPRING        | 2    |         |     |                                  | 0            | 0           |
| 025    | 66704-55260 | CUSHION              | 1    |         |     |                                  | 0.009        | 0.0198      |
| 026    | 13313-69750 | ASSY CLAMP CORD      | 1    |         |     |                                  | 0            | 0           |
| 027    | 01120-50818 | BOLT                 | 4    |         |     |                                  | 0            | 0           |
| 028    | 04013-50080 | WASHER PLAIN         | 4    |         |     |                                  | 0            | 0           |
| 029    | 14301-69290 | BAND                 | 2    |         |     |                                  | 0.001        | 0.0022      |
| 029    | 34350-29380 | CLAMP CORD           | 2    | >=10001 |     |                                  | 0.001        | 0.0022      |
| 029    | 34350-29380 | CLAMP CORD           | 1    |         |     |                                  | 0.001        | 0.0022      |
| 030    | 01050-50640 | BOLT                 | 2    |         |     |                                  | 0            | 0           |



PANEL GROUP

↔ Interchangeable; ≠ not interchangeable; ← new for old; → old for new

| REF.No | Part No.    | Description     | Q'ty | S.No.   | I/C | REMARKS                           | Weight (kgf) | Weight (lb) |
|--------|-------------|-----------------|------|---------|-----|-----------------------------------|--------------|-------------|
| 031    | 34159-34290 | CAP PANEL       | 1    |         |     | IRAN OVERSEAS                     | 0.004        | 0.0088      |
| 031    | 34159-34290 | CAP PANEL       | 1    |         |     | AMERICA CANADA                    | 0.004        | 0.0088      |
| 032    | 66591-55520 | ASSY FUSE       | 1    |         |     |                                   | 0.004        | 0.0088      |
| 033    | 66711-43510 | WIRE DECOMPRESS | 1    |         |     |                                   | 0.093        | 0.2046      |
| 034    | 04011-50100 | WASHER PLAIN    | 1    |         |     |                                   | 0.002        | 0.0044      |
| 035    | 66711-82910 | METER HOUR      | 1    | <=25188 |     |                                   | 0.2          | 0.44        |
| 035    | 66704-55310 | METER HOUR      | 1    | >=25189 |     |                                   | 0.22         | 0.484       |
| 037    | 66704-47450 | CARD CAUTION    | 1    | <=21330 |     |                                   | 0.001        | 0.0022      |
| 037    | 66706-47380 | CARD CAUTION    | 1    | >=10001 |     |                                   | 0.001        | 0.0022      |
| 038    | 66704-55510 | BAND            | 1    |         |     | AMERICA CANADA                    | 0.002        | 0.0044      |
| 039    | 55311-41120 | SWITCH          | 1    |         |     | AMERICA CANADA                    | 0.05         | 0.11        |
| 040    | 66204-55810 | UNIT            | 1    | >=32153 |     | AMERICA CANADA                    | 0            | 0           |
| 040    | 66204-55812 | UNIT            | 1    | >=10001 |     | REF.No.042 AND 043 AMERICA CANADA | 0.06         | 0.132       |
| 041    | 66706-55220 | CLAMP           | 10   |         |     | AMERICA CANADA                    | 0.002        | 0.0044      |
| 042    | 66204-55830 | BODY            | 1    |         |     | AMERICA CANADA                    | 0.5          | 1.1         |
| 043    | 66204-55840 | BAND            | 1    |         |     | AMERICA CANADA                    | 0.006        | 0.0132      |
| 044    | 66204-55820 | STAY            | 1    |         |     | AMERICA CANADA                    | 0.01         | 0.022       |
| 045    | 63763-52580 | RUBBER          | 2    | <=33682 |     |                                   | 0.001        | 0.0022      |
| 045    | 13151-67160 | PLUG            | 2    | >=33683 |     |                                   | 0.01         | 0.022       |

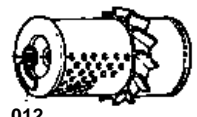


REF.No. 10 15372-8745-0  
English×Japanese



English×French

REF.No. 12 15221-8777-0



Discontinuance  
~19430 B6100D-P  
~10900 B6100E-P

REF.No. 1 15372-1101-4  
10 15372-8745-2

Change of LABEL

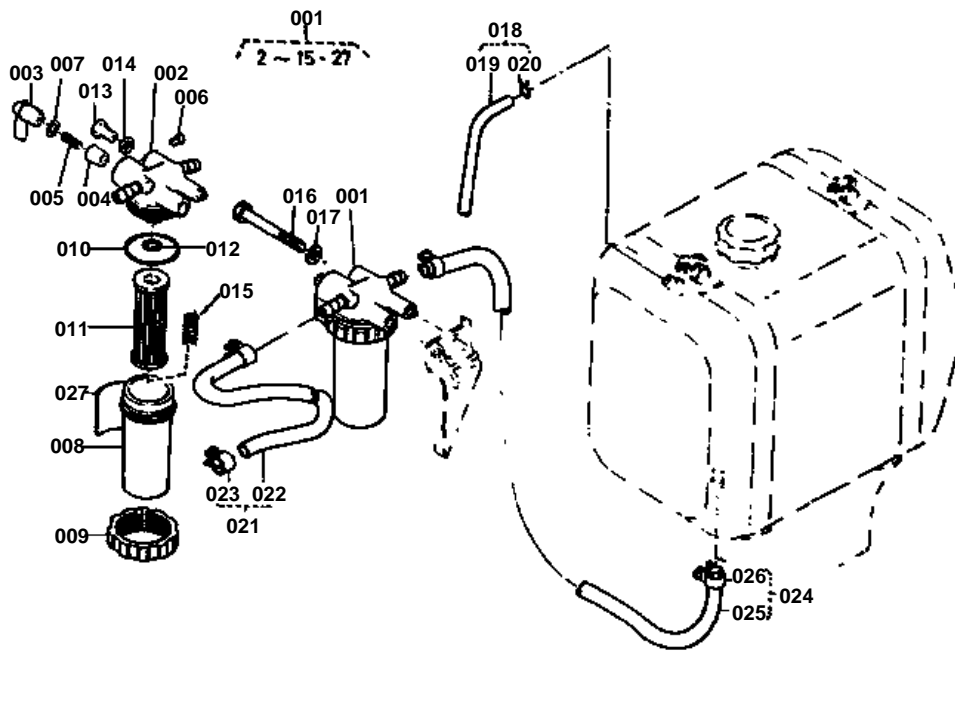


## AIR CLEANER GROUP EXCEPT[OVERSEAS]

↔ Interchangeable; ≠ not interchangeable; ← new for old; → old for new

| REF.No | Part No.    | Description         | Q'ty | S.No.  | I/C | REMARKS           | Weight (kgf) | Weight (lb) |
|--------|-------------|---------------------|------|--------|-----|-------------------|--------------|-------------|
| 001    | 15372-11010 | ASSY AIR CLEANER    | 1    | ≤19430 |     | REF.No.002 TO 012 | 0            | 0           |
| 001    | 15372-11013 | ASSY AIR CLEANER    | 1    | ≤24162 |     | REF.No.002 TO 011 | 0            | 0           |
| 001    | 15372-11014 | ASSY AIR CLEANER    | 1    | ≥10001 |     |                   | 0            | 0           |
| 002    | 15241-11150 | BODY AIR CLEANER    | 1    |        |     |                   | 0.69         | 1.518       |
| 003    | 15222-11220 | ELEMENT AIR CLEANER | 1    |        |     |                   | 0.344        | 0.7568      |
| 004    | 15221-92620 | BOLT WING           | 1    |        |     |                   | 0.04         | 0.088       |
| 005    | 15221-94430 | WASHER SEAL         | 1    |        |     |                   | 0.004        | 0.0088      |
| 006    | 15221-11410 | COVER BAFFLE        | 1    |        |     |                   | 0.104        | 0.2288      |
| 007    | 15221-11170 | GASKET COVER        | 1    |        |     |                   | 0.01         | 0.022       |
| 008    | 15241-11160 | COVER AIR CLEANER   | 1    |        |     |                   | 0.255        | 0.561       |
| 009    | 15241-11350 | CAP AIR CLEANER     | 1    |        |     |                   | 0.48         | 1.056       |
| 010    | 15221-87450 | LABEL AIR CLEANER   | 1    | ≤19430 |     |                   | 0.001        | 0.0022      |
| 010    | 15372-87450 | LABEL AIR CLEANER   | 1    | ≤24162 |     |                   | 0            | 0           |
| 010    | 15372-87452 | LABEL AIR CLEANER   | 1    | ≥10001 |     |                   | 0.001        | 0.0022      |
| 011    | 15227-87480 | LABEL A/C ELEMENT   | 1    |        |     |                   | 0.004        | 0.0088      |
| 012    | 15221-87770 | MARK                | 1    | ≤19430 |     |                   | 0            | 0           |
| 013    | 15371-11250 | BAND AIR CLEANER    | 1    |        |     |                   | 0            | 0           |
| 014    | 15371-11870 | CUSHION             | 1    |        |     |                   | 0.025        | 0.055       |
| 015    | 01222-50830 | BOLT                | 1    |        |     |                   | 0.013        | 0.0286      |
| 016    | 01120-50816 | BOLT                | 2    |        |     |                   | 0            | 0           |
| 017    | 02114-50080 | NUT                 | 1    |        |     |                   | 0.005        | 0.011       |
| 018    | 15371-11620 | PIPE INLET          | 1    |        |     |                   | 0.2          | 0.44        |
| 019    | 15221-11720 | BAND PIPE           | 2    |        |     |                   | 0.03         | 0.066       |
| 020    | 04512-50080 | WASHER SPRING       | 1    |        |     |                   | 0.001        | 0.0022      |

# FUEL FILTER GROUP



REF.No. 26 66706-5831-0  
English → Both English and  
French

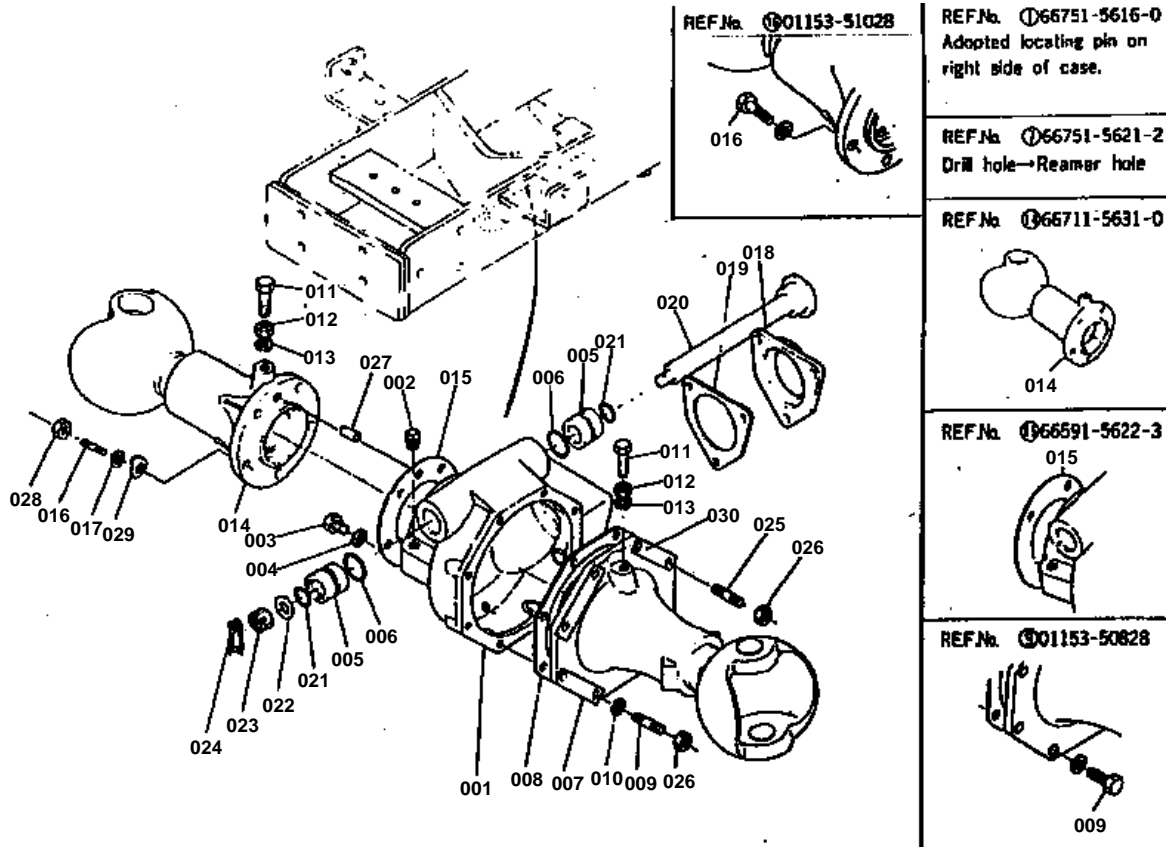


FUEL FILTER GROUP

↔ Interchangeable; ≠ not interchangeable; ← new for old; → old for new

| REF.No | Part No.    | Description        | Q'ty | S.No.   | I/C | REMARKS                   | Weight (kgf) | Weight (lb) |
|--------|-------------|--------------------|------|---------|-----|---------------------------|--------------|-------------|
| 001    | 15261-43010 | ASSY FILTER FUEL   | 1    |         |     | REF.No.002 TO 014         | 0            | 0           |
| 001    | 19204-43010 | ASSY FILTER FUEL   | 1    | >=10001 |     | REF.No.002 TO 014 AND 027 | 0.37         | 0.814       |
| 001    | 15372-43010 | ASSY FILTER FUEL   | 1    | >=10001 |     | REF.No.002 TO 015 AND 027 | 0            | 0           |
| 002    | 99999-99999 | BLANK              | 0    |         |     | ORDER BY REF.No.001       | 0            | 0           |
| 003    | 14301-43520 | LEVER COCK         | 1    |         |     |                           | 0            | 0           |
| 004    | 15231-43810 | VALVE TAPER        | 1    |         |     |                           | 0.002        | 0.0044      |
| 005    | 14301-43820 | SPRING VALVE       | 1    |         |     |                           | 0.001        | 0.0022      |
| 006    | 14301-43830 | SCREW LEVER        | 1    |         |     |                           | 0.001        | 0.0022      |
| 007    | 14301-43840 | O RING IEVER       | 1    |         |     |                           | 0.001        | 0.0022      |
| 008    | 15231-43580 | CUP FILTER         | 1    |         |     |                           | 0            | 0           |
| 008    | 15000-34830 | CUP FILTER         | 1    |         |     |                           | 0            | 0           |
| 009    | 14301-43590 | RETERING RING      | 1    |         |     |                           | 0.054        | 0.1188      |
| 010    | 14301-43650 | O RING FILTER      | 1    |         |     |                           | 0.001        | 0.0022      |
| 011    | 15231-43560 | ASSY ELEMENT       | 1    |         |     |                           | 0.03         | 0.066       |
| 012    | 04811-00100 | O RING FILTER      | 1    |         |     |                           | 0.001        | 0.0022      |
| 013    | 15231-43282 | PLUG BREATHER      | 2    |         |     |                           | 0.004        | 0.0088      |
| 014    | 04810-00060 | O RING             | 2    |         |     |                           | 0.001        | 0.0022      |
| 015    | 15000-34840 | SPRING             | 1    |         |     |                           | 0.003        | 0.0066      |
| 016    | 01150-50865 | BOLT               | 1    |         |     |                           | 0            | 0           |
| 017    | 04512-50080 | WASHER SPRING      | 1    |         |     |                           | 0.001        | 0.0022      |
| 018    | 15371-42050 | ASSY PIPE FUEL O/F | 1    |         |     | REF.No.019 AND 020        | 0.016        | 0.0352      |
| 019    | 99999-99999 | BLANK              | 0    |         |     | ORDER BY REF.No.018       | 0            | 0           |
| 020    | 10244-42320 | CLIP PIPE          | 2    |         |     |                           | 0.001        | 0.0022      |
| 021    | 15371-42020 | ASSY PIPE FUEL 1   | 1    |         |     | REF.No.022 AND 023        | 0.034        | 0.0748      |
| 022    | 99999-99999 | BLANK              | 0    |         |     | ORDER BY REF.No.021       | 0            | 0           |
| 023    | 14301-42750 | CLIP PIPE          | 2    |         |     |                           | 0.005        | 0.011       |
| 024    | 15371-42030 | ASSY PIPE FUEL 2   | 1    |         |     | REF.No.025 AND 026        | 0            | 0           |
| 025    | 99999-99999 | BLANK              | 0    |         |     | ORDER BY REF.No.024       | 0            | 0           |
| 026    | 14301-42750 | CLIP PIPE          | 2    |         |     |                           | 0.005        | 0.011       |
| 027    | 15567-87460 | LABEL              | 1    | <=21330 |     |                           | 0.001        | 0.0022      |
| 027    | 66706-58310 | LABEL              | 1    | >=10001 |     |                           | 0.001        | 0.0022      |

FRONT AXLE CASE GROUP





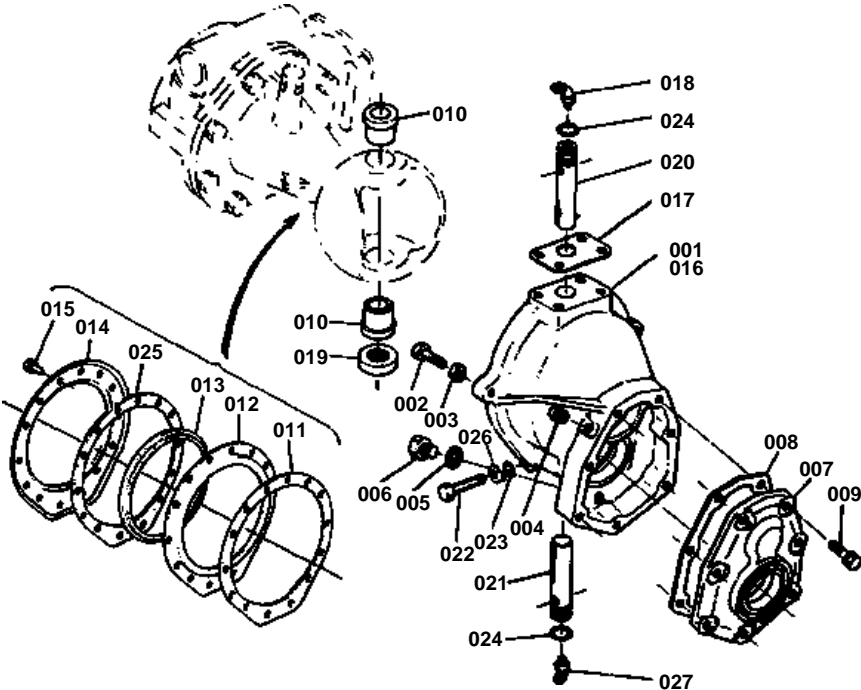
## FRONT AXLE CASE GROUP

↔ Interchangeable; ≠ not interchangeable; ← new for old; → old for new

| REF.No | Part No.    | Description        | Q'ty | S.No.  | I/C | REMARKS     | Weight (kgf) | Weight (lb) |
|--------|-------------|--------------------|------|--------|-----|-------------|--------------|-------------|
| 001    | 66591-56166 | CASE FRONT AXLE    | 1    | ≤11870 |     |             | 6.6          | 14.52       |
| 001    | 66751-56160 | CASE FRONT AXLE    | 1    | ≥11871 |     |             | 6.5          | 14.3        |
| 002    | 06312-10020 | PLUG               | 1    |        |     |             | 0.015        | 0.033       |
| 003    | 06331-35010 | PLUG               | 1    |        |     |             | 0.012        | 0.0264      |
| 004    | 04717-01000 | WASHER SEAL        | 1    |        |     |             | 0.001        | 0.0022      |
| 005    | 66591-56120 | BUSH               | 2    |        |     |             | 0.074        | 0.1628      |
| 006    | 04811-50250 | O RING             | 2    |        |     |             | 0.001        | 0.0022      |
| 007    | 66751-56210 | CASE FRONT AXLE LH | 1    | ≤11870 |     |             | 6.29         | 13.838      |
| 007    | 66751-56212 | CASE FRONT AXLE LH | 1    | ≥11871 |     |             | 0            | 0           |
| 008    | 66591-56190 | GASKET             | 1    |        |     |             | 0            | 0           |
| 009    | 01153-50828 | BOLT               | 8    | ≤11870 |     |             | 0.014        | 0.0308      |
| 009    | 01153-50828 | BOLT               | 7    | ≥11871 |     |             | 0.014        | 0.0308      |
| 009    | 01518-50820 | STUD               | 7    | ≥24347 |     |             | 0.012        | 0.0264      |
| 010    | 04512-50080 | WASHER SPRING      | 8    |        |     |             | 0.001        | 0.0022      |
| 011    | 66591-56280 | BOLT               | 2    |        |     |             | 0            | 0           |
| 012    | 02112-50120 | NUT                | 2    |        |     |             | 0.007        | 0.0154      |
| 013    | 04512-50120 | WASHER SPRING      | 2    |        |     |             | 0.003        | 0.0066      |
| 014    | 66711-56310 | CASE FRONT AXLE RH | 1    | ≤11870 |     |             | 5            | 11          |
| 014    | 66711-56312 | CASE FRONT AXLE RH | 1    | ≥11871 |     |             | 0            | 0           |
| 015    | 66591-56222 | GASKET             | 1    | ≤11870 |     |             | 0            | 0           |
| 015    | 66711-56320 | GASKET             | 1    | ≥11871 |     |             | 0            | 0           |
| 016    | 01153-51028 | BOLT               | 5    | ≤24346 |     |             | 0.02         | 0.044       |
| 016    | 01555-51022 | STUD               | 5    | ≥24347 |     |             | 0.021        | 0.0462      |
| 017    | 04512-50100 | WASHER SPRING      | 5    |        |     |             | 0            | 0           |
| 018    | 66591-56183 | COVER              | 1    |        |     |             | 0.415        | 0.913       |
| 019    | 66591-56172 | GASKET             | 1    |        |     |             | 0            | 0           |
| 020    | 66591-56115 | PIN CENTER         | 1    |        |     | EXCEPT IRAN | 0.56         | 1.232       |
| 020    | 66802-56110 | PIN CENTER         | 1    |        |     | IRAN        | 0.58         | 1.276       |
| 021    | 04811-00200 | O RING             | 2    |        |     |             | 0.001        | 0.0022      |
| 022    | 04011-50180 | WASHER PLAIN       | 1    |        |     |             | 0.012        | 0.0264      |
| 023    | 02372-50180 | NUT SLOTTED        | 1    |        |     |             | 0.019        | 0.0418      |
| 024    | 66611-57150 | PIN SET            | 1    |        |     |             | 0.02         | 0.044       |
| 025    | 66711-56220 | STUD               | 1    | ≥11871 |     |             | 0.014        | 0.0308      |
| 026    | 02114-50080 | NUT                | 1    | ≥11871 |     |             | 0.005        | 0.011       |
| 026    | 02114-50080 | NUT                | 8    | ≥24347 |     |             | 0.005        | 0.011       |
| 027    | 05012-01016 | PIN STRAIGHT       | 1    | ≥11871 |     |             | 0.01         | 0.022       |
| 028    | 02176-50100 | NUT                | 5    | ≥24347 |     |             | 0.005        | 0.011       |
| 029    | 66611-56610 | WASHER TONGUED     | 5    | ≥24347 |     |             | 0.003        | 0.0066      |
| 030    | 66711-56620 | STOPPER            | 4    | ≥24347 |     |             | 0.01         | 0.022       |



FRONT WHEEL GEAR CASE GROUP



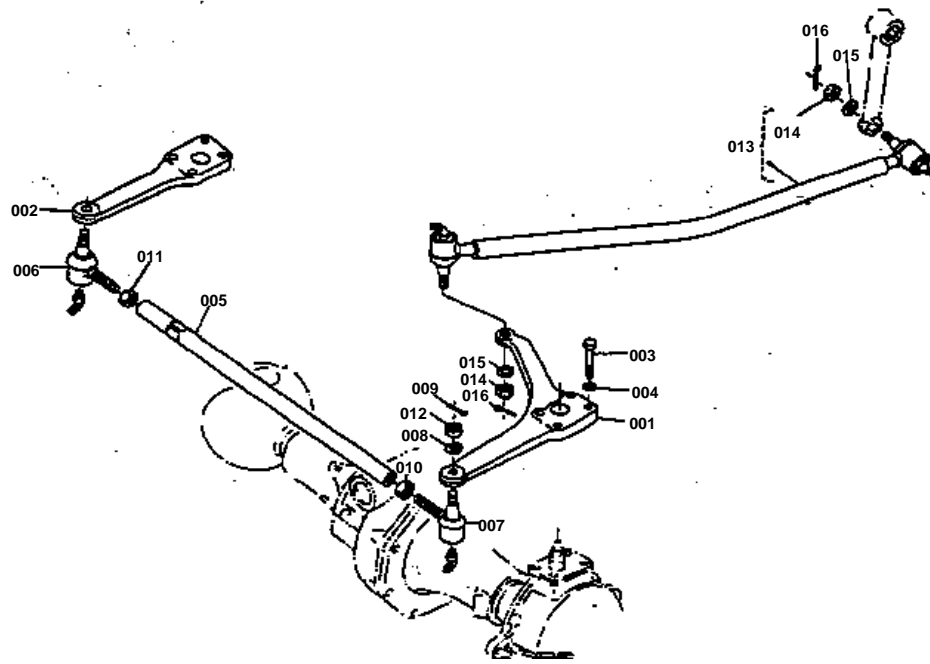


## FRONT WHEEL GEAR CASE GROUP

↔ Interchangeable; ≠ not interchangeable; ← new for old; → old for new

| REF.No | Part No.    | Description          | Q'ty | S.No.  | I/C | REMARKS     | Weight (kgf) | Weight (lb) |
|--------|-------------|----------------------|------|--------|-----|-------------|--------------|-------------|
| 001    | 66711-56410 | CASE GEAR LH         | 1    |        |     |             | 4.5          | 9.9         |
| 002    | 66591-56440 | BOLT                 | 2    |        |     |             | 0.02         | 0.044       |
| 003    | 02112-50100 | NUT                  | 2    |        |     |             | 0.004        | 0.0088      |
| 004    | 06312-10020 | PLUG                 | 2    |        |     |             | 0.015        | 0.033       |
| 005    | 04717-01000 | WASHER SEAL          | 2    |        |     |             | 0.001        | 0.0022      |
| 006    | 06331-35010 | PLUG                 | 2    |        |     |             | 0.012        | 0.0264      |
| 007    | 66711-56430 | COVER GEAR CASE      | 2    |        |     |             | 1.078        | 2.3716      |
| 008    | 66711-56440 | GASKET               | 2    |        |     |             | 0            | 0           |
| 009    | 01120-50828 | BOLT                 | 14   |        |     |             | 0            | 0           |
| 010    | 66711-56470 | BUSH KING PIN        | 4    |        |     |             | 0.064        | 0.1408      |
| 011    | 66711-56560 | GASKET DUST COVER    | 2    |        |     |             | 0            | 0           |
| 012    | 66711-56570 | HOLDER DUST SEAL     | 2    |        |     |             | 0.096        | 0.2112      |
| 013    | 66711-56580 | SEAL DUST            | 2    |        |     |             | 0.016        | 0.0352      |
| 014    | 66711-56590 | COVER DUST           | 2    |        |     |             | 0.19         | 0.418       |
| 015    | 01202-50614 | BOLT                 | 28   |        |     |             | 0.006        | 0.0132      |
| 016    | 66711-56420 | CASE GEAR RH         | 1    |        |     |             | 5.2          | 11.44       |
| 017    | 66711-56480 | GASKET KNUCKLE ARM   | 2    |        |     |             | 0            | 0           |
| 018    | 06613-20010 | NIPPLE GREASE        | 2    |        |     |             | 0.01         | 0.022       |
| 019    | 08400-00010 | BRG.THRUST BALL(NCC) | 2    |        |     |             | 0.046        | 0.1012      |
| 020    | 66711-56450 | PIN KING UPPER       | 2    |        |     |             | 0.15         | 0.33        |
| 021    | 66711-56460 | PIN KING UNDER       | 2    |        |     | EXCEPT IRAN | 0.151        | 0.3322      |
| 021    | 66802-56460 | PIN KING UNDER       | 2    |        |     | IRAN        | 0.15         | 0.33        |
| 022    | 66711-56630 | BOLT                 | 4    |        |     |             | 0            | 0           |
| 022    | 01173-51035 | BOLT                 | 4    | ≥10001 |     |             | 0.025        | 0.055       |
| 023    | 04717-01000 | WASHER SEAL          | 4    |        |     |             | 0.001        | 0.0022      |
| 024    | 04811-10180 | O RING               | 4    |        |     |             | 0.001        | 0.0022      |
| 025    | 66711-56490 | GASKET               | 2    |        |     |             | 0.011        | 0.0242      |
| 026    | 66611-56610 | WASHER               | 4    |        |     |             | 0.003        | 0.0066      |
| 027    | 06613-10010 | NIPPLE GREASE        | 2    |        |     | IRAN        | 0.006        | 0.0132      |

# KNUCKLE ARM GROUP

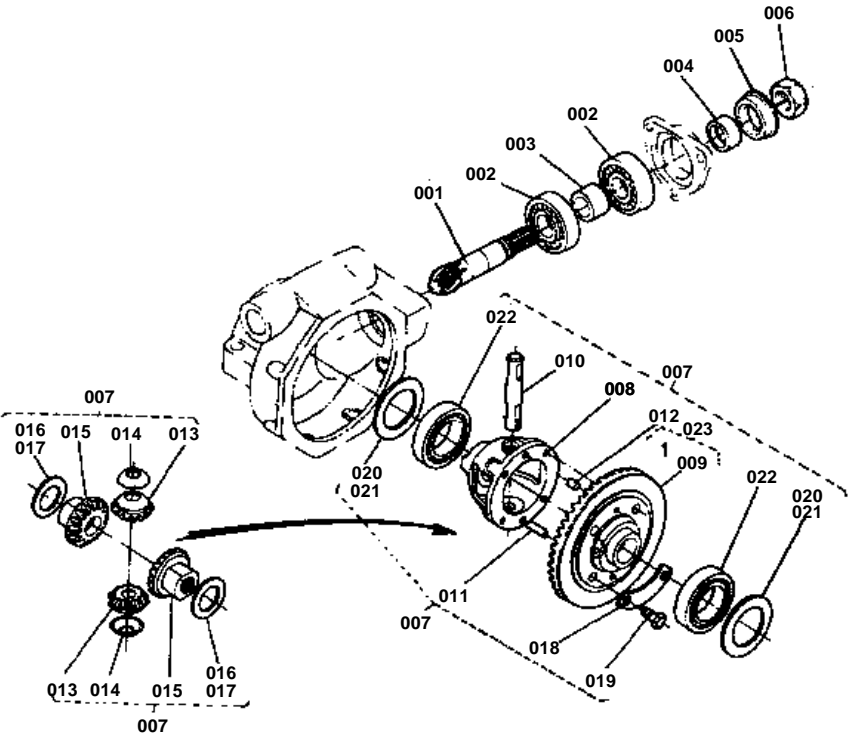


**KNUCKLE ARM GROUP**

↔ Interchangeable; ≠ not interchangeable; ← new for old; → old for new

| REF.No | Part No.    | Description    | Q'ty | S.No. | I/C | REMARKS    | Weight (kgf) | Weight (lb) |
|--------|-------------|----------------|------|-------|-----|------------|--------------|-------------|
| 001    | 66711-56510 | ARM KNUCKLE LH | 1    |       |     |            | 1.1          | 2.42        |
| 002    | 66711-56520 | ARM KNUCKLE RH | 1    |       |     |            | 0.808        | 1.7776      |
| 003    | 01153-51035 | BOLT           | 8    |       |     |            | 0.025        | 0.055       |
| 004    | 04512-50100 | WASHER SPRING  | 8    |       |     |            | 0            | 0           |
| 005    | 66751-56530 | ROD TIE        | 1    |       |     |            | 0.55         | 1.21        |
| 006    | 66711-56540 | ASSY END ROD 2 | 1    |       |     |            | 0.13         | 0.286       |
| 007    | 66711-56550 | ASSY END ROD 3 | 1    |       |     |            | 0.18         | 0.396       |
| 008    | 04512-50100 | WASHER SPRING  | 2    |       |     |            | 0            | 0           |
| 009    | 05511-52520 | PIN SPLIT      | 2    |       |     |            | 0.001        | 0.0022      |
| 010    | 66591-56880 | NUT LEFT       | 1    |       |     |            | 0.01         | 0.022       |
| 011    | 02172-50120 | NUT            | 1    |       |     |            | 0.01         | 0.022       |
| 012    | 66591-56780 | NUT SLOTTED    | 2    |       |     |            | 0.01         | 0.022       |
| 013    | 66711-57100 | ASSY LINK DRAG | 1    |       |     | REF.No.014 | 2            | 4.4         |
| 014    | 66591-56780 | NUT SLOTTED    | 2    |       |     |            | 0.01         | 0.022       |
| 015    | 04512-50100 | WASHER SPRING  | 2    |       |     |            | 0            | 0           |
| 016    | 05511-52528 | PIN SPLIT      | 2    |       |     |            | 0.001        | 0.0022      |

FRONT DIFFERENTIAL GROUP



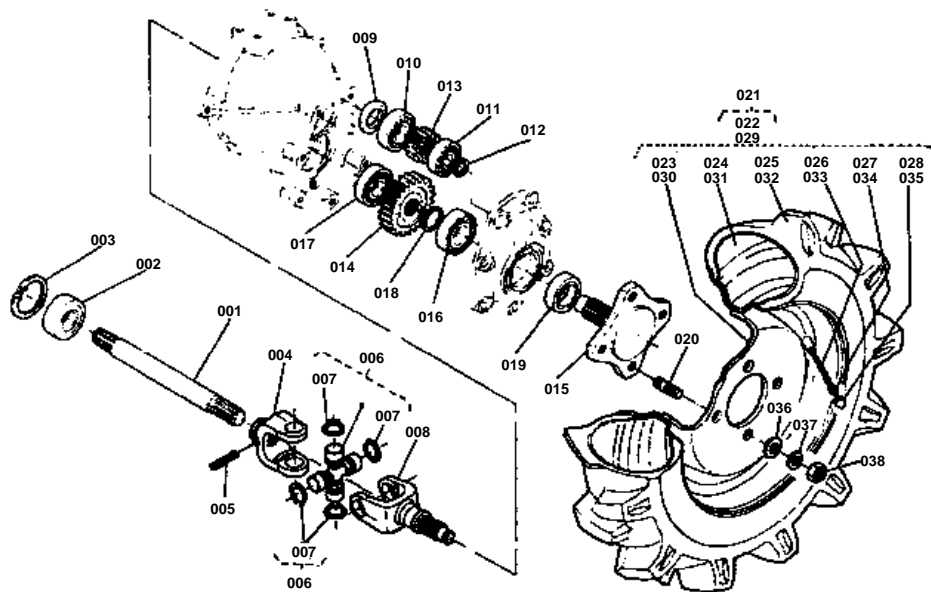
REF.No. 7 66704-8120-0  
Adopted, Code No. for  
service parts



**FRONT DIFFERENTIAL GROUP**

↔ Interchangeable; ≠ not interchangeable; ← new for old; → old for new

| REF.No | Part No.    | Description          | Q'ty | S.No. | I/C | REMARKS             | Weight (kgf) | Weight (lb) |
|--------|-------------|----------------------|------|-------|-----|---------------------|--------------|-------------|
| 001    | 99999-99999 | BLANK                | 0    |       |     | ORDER BY REF.No.023 | 0            | 0           |
| 002    | 08101-06305 | BEARING BALL(6305)   | 2    |       |     |                     | 0.23         | 0.506       |
| 003    | 66591-56460 | COLLAR               | 1    |       |     |                     | 0.049        | 0.1078      |
| 004    | 66591-56420 | BUSH                 | 1    |       |     |                     | 0.021        | 0.0462      |
| 005    | 66591-56430 | SEAL OIL             | 1    |       |     |                     | 0.019        | 0.0418      |
| 006    | 31220-22340 | NUT 22               | 1    |       |     |                     | 0.033        | 0.0726      |
| 007    | 66704-81200 | ASSY DIFF FRONT AXLE | 1    |       |     | REF.No.008 TO 022   | 3.7          | 8.14        |
| 008    | 66711-56710 | CASE DIFFERENTIAL    | 1    |       |     |                     | 0            | 0           |
| 009    | 99999-99999 | BLANK                | 0    |       |     | ORDER BY REF.No.023 | 0            | 0           |
| 010    | 66591-14830 | SHAFT DIFF PINION    | 1    |       |     |                     | 0.1          | 0.22        |
| 011    | 66591-14783 | PIN STRAIGHT         | 1    |       |     |                     | 0.01         | 0.022       |
| 012    | 66591-14790 | PIN KNOCK            | 1    |       |     |                     | 0.004        | 0.0088      |
| 013    | 66591-14840 | GEAR DIFF PINION     | 2    |       |     |                     | 0.082        | 0.1804      |
| 014    | 66591-14850 | COLLAR THRUST        | 2    |       |     |                     | 0.006        | 0.0132      |
| 015    | 66591-14870 | GEAR DIFF SIDE       | 2    |       |     |                     | 0.18         | 0.396       |
| 016    | 66591-14880 | SHIM 1               | 1    |       |     |                     | 0.008        | 0.0176      |
| 017    | 66591-14890 | SHIM 2               | 1    |       |     |                     | 0.01         | 0.022       |
| 018    | 66591-14910 | PLATE LOCK           | 2    |       |     |                     | 0.006        | 0.0132      |
| 019    | 01156-50820 | BOLT                 | 4    |       |     |                     | 0.01         | 0.022       |
| 020    | 66591-14920 | SHIM DIFF SIDE 1     | 1    |       |     |                     | 0.006        | 0.0132      |
| 021    | 66591-14930 | SHIM DIFF SIDE 2     | 1    |       |     |                     | 0.002        | 0.0044      |
| 022    | 08101-06008 | BEARING BALL(6008)   | 2    |       |     |                     | 0.19         | 0.418       |
| 023    | 66711-82810 | ASSY BEVEL GEAR 6-37 | 1    |       |     | REF.No.001 AND 009  | 1.73         | 3.806       |



REF.No. 13 66704-5695-0  
14 66704-5696-0  
- Reinforced change of  
coefficient of gear shift.



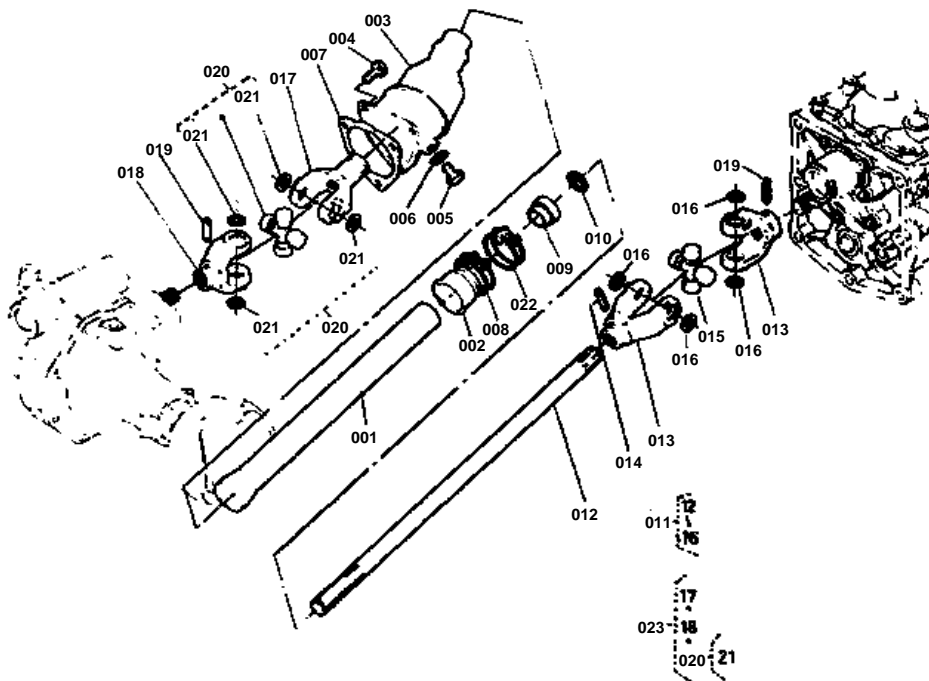
## FRONT WHEEL GROUP B6100D[AMERICA]

↔ Interchangeable; ≠ not interchangeable; ← new for old; → old for new

| REF.No | Part No.    | Description          | Q'ty | S.No.   | I/C | REMARKS                                  | Weight (kgf) | Weight (lb) |
|--------|-------------|----------------------|------|---------|-----|--|--------------|-------------|
| 001    | 66591-56510 | SHAFT                | 2    |         |     |  | 0.56         | 1.232       |
| 002    | 09400-21528 | SEAL OIL             | 2    |         |     |  | 0.019        | 0.0418      |
| 003    | 04611-00520 | CIR-CLIP INTERNAL    | 2    |         |     |  | 0.009        | 0.0198      |
| 004    | 66711-56920 | JOINT                | 2    |         |     |  | 0.428        | 0.9416      |
| 005    | 05411-00635 | PIN SPRING           | 2    |         |     |  | 0.005        | 0.011       |
| 006    | 66716-31160 | ASSY JOINT UNIVERSAL | 2    |         |     | REF.No.007                               | 0.32         | 0.704       |
| 007    | 66716-31170 | CIR-CLIP EXTERNAL    | 8    |         |     |  | 0.002        | 0.0044      |
| 008    | 66711-56930 | SHAFT JOINT          | 2    |         |     |  | 0.618        | 1.3596      |
| 009    | 09230-25405 | SEAL OIL             | 2    |         |     |  | 0.001        | 0.0022      |
| 010    | 08101-06204 | BEARING BALL(6204)   | 2    |         |     |  | 0.102        | 0.2244      |
| 011    | 08101-06303 | BEARING BALL(6303)   | 2    |         |     |  | 0.112        | 0.2464      |
| 012    | 04612-00170 | CIR-CLIP EXTERNAL    | 2    |         |     |  | 0.001        | 0.0022      |
| 013    | 66711-56950 | GEAR SPUR 12         | 2    | <=26219 |     |  | 0.148        | 0.3256      |
| 013    | 66704-56950 | GEAR SPUR 12         | 2    | >=26220 |     |  | 0.162        | 0.3564      |
| 014    | 66711-56960 | GEAR SPUR 25         | 2    | <=26219 |     |  | 0.6          | 1.32        |
| 014    | 66704-56960 | GEAR SPUR 25         | 2    | >=26220 |     |  | 0.58         | 1.276       |
| 015    | 66591-56555 | HUB FRONT WHEEL      | 2    |         |     |  | 0.85         | 1.87        |
| 016    | 08101-06206 | BEARING BALL(6206)   | 2    |         |     |  | 0.196        | 0.4312      |
| 017    | 08101-06205 | BEARING BALL(6205)   | 2    |         |     |  | 0.14         | 0.308       |
| 018    | 04612-00290 | CIR-CLIP EXTERNAL    | 2    |         |     |  | 0.003        | 0.0066      |
| 019    | 63733-17150 | SEAL OIL             | 2    |         |     |  | 0.04         | 0.088       |
| 020    | 66591-56564 | STUD                 | 8    |         |     |  | 0.028        | 0.0616      |
| 021    | 99999-99999 | BLANK                | 0    |         |     | ASSY FRONT WHEEL REF.No.022 AND 029 OBTA | 0            | 0           |
| 022    | 99999-99999 | BLANK                | 0    |         |     | TIRE 6-12LH REF.No.023 TO 028 OBTAINED L | 0            | 0           |
| 023    | 99999-99999 | BLANK                | 0    |         |     | WHEEL OBTAINED LOCALLY                   | 0            | 0           |
| 024    | 99999-99999 | BLANK                | 0    |         |     | TUBE OBTAINED LOCALLY                    | 0            | 0           |
| 025    | 99999-99999 | BLANK                | 0    |         |     | TIRE OBTAINED LOCALLY                    | 0            | 0           |
| 026    | 99999-99999 | BLANK                | 0    |         |     | ASSY VALVE OBTAINED LOCALLY              | 0            | 0           |
| 027    | 99999-99999 | BLANK                | 0    |         |     | CORE VALVE OBTAINED LOCALLY              | 0            | 0           |
| 028    | 99999-99999 | BLANK                | 0    |         |     | CAP OBTAINED LOCALLY                     | 0            | 0           |
| 029    | 99999-99999 | BLANK                | 0    |         |     | TIRE 6-12 RH REF.No.030 TO 035 OBTAINED  | 0            | 0           |
| 030    | 99999-99999 | BLANK                | 0    |         |     | WHEEL OBTAINED LOCALLY                   | 0            | 0           |
| 031    | 99999-99999 | BLANK                | 0    |         |     | TUBE OBTAINED LOCALLY                    | 0            | 0           |
| 032    | 99999-99999 | BLANK                | 0    |         |     | TIRE OBTAINED LOCALLY                    | 0            | 0           |
| 033    | 99999-99999 | BLANK                | 0    |         |     | ASSY VALVE OBTAINED LOCALLY              | 0            | 0           |
| 034    | 99999-99999 | BLANK                | 0    |         |     | CORE VALVE OBTAINED LOCALLY              | 0            | 0           |
| 035    | 99999-99999 | BLANK                | 0    |         |     | CAP OBTAINED LOCALLY                     | 0            | 0           |
| 036    | 04013-50120 | WASHER PLAIN         | 8    |         |     |  | 0            | 0           |
| 037    | 04512-50120 | WASHER SPRING        | 8    |         |     |  | 0.003        | 0.0066      |
| 038    | 02174-50120 | NUT                  | 8    |         |     |  | 0.01         | 0.022       |



DRIVE SHAFT GROUP



REF.No. 1 66591-5716-4



D : 41→43mm

REF.No. 3 66591-5727-3



d : 45→47mm

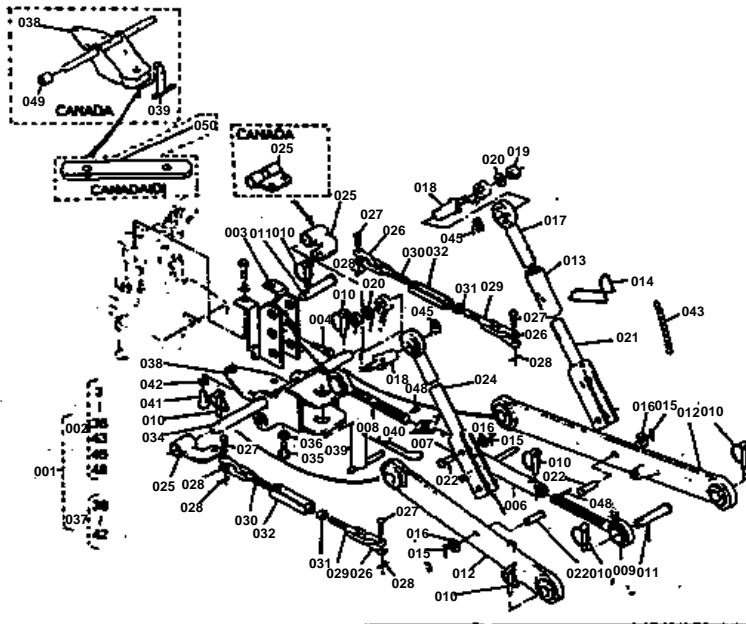


DRIVE SHAFT GROUP

↔ Interchangeable; ≠ not interchangeable; ← new for old; → old for new

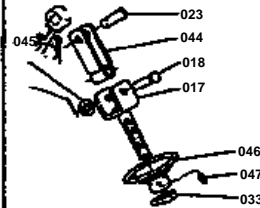
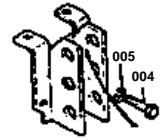
| REF.No | Part No.    | Description          | Q'ty | S.No.   | I/C | REMARKS                | Weight (kgf) | Weight (lb) |
|--------|-------------|----------------------|------|---------|-----|------------------------|--------------|-------------|
| 001    | 66591-57160 | PIPE 2               | 1    | <=27526 |     |                        | 0.429        | 0.9438      |
| 001    | 66591-57164 | PIPE 2               | 1    | >=27527 |     |                        | 0.429        | 0.9438      |
| 002    | 66591-57170 | PIPE 3               | 1    |         |     |                        | 0.046        | 0.1012      |
| 003    | 66591-57210 | CASE JOINT           | 1    | <=27526 |     |                        | 0.55         | 1.21        |
| 003    | 66591-57213 | CASE JOINT           | 1    | >=27527 |     |                        | 0            | 0           |
| 004    | 01120-50835 | BOLT                 | 3    |         |     |                        | 0            | 0           |
| 005    | 66591-56890 | BOLT                 | 2    |         |     |                        | 0.006        | 0.0132      |
| 006    | 04717-00600 | WASHER SEAL          | 2    |         |     |                        | 0.001        | 0.0022      |
| 007    | 66591-57220 | GASKET               | 1    |         |     |                        | 0            | 0           |
| 008    | 66591-57190 | BAND 3               | 1    |         |     |                        | 0.029        | 0.0638      |
| 009    | 66591-57120 | BUSH                 | 1    |         |     |                        | 0.014        | 0.0308      |
| 010    | 09230-20325 | SEAL OIL             | 1    |         |     |                        | 0.007        | 0.0154      |
| 011    | 66711-57200 | ASSY DRIVER SHAFT    | 1    |         |     | REF.No.012 TO 015      | 2.045        | 4.499       |
| 012    | 66711-57210 | SHAFT DRIVER         | 1    |         |     |                        | 1.32         | 2.904       |
| 013    | 66591-56410 | JOINT 1              | 2    |         |     |                        | 0.252        | 0.5544      |
| 014    | 05411-00628 | PIN SRPING           | 1    |         |     |                        | 0.004        | 0.0088      |
| 015    | 66591-56320 | ASSY JOINT UNIVERSAL | 1    |         |     | REF.No.016             | 0.185        | 0.407       |
| 016    | 04611-00200 | CIR-CLIP INTERNAL    | 4    |         |     |                        | 0.001        | 0.0022      |
| 017    | 66591-56340 | JOINT 2              | 1    |         |     |                        | 0.338        | 0.7436      |
| 018    | 66591-56410 | JOINT 1              | 1    |         |     |                        | 0.252        | 0.5544      |
| 019    | 05411-00628 | PIN SPRING           | 2    |         |     |                        | 0.004        | 0.0088      |
| 020    | 66591-56320 | ASSY JOINT UNIVERSAL | 1    |         |     | REF.No.021             | 0.185        | 0.407       |
| 021    | 04611-00200 | CIR-CLIP INTERNAL    | 4    |         |     |                        | 0.001        | 0.0022      |
| 022    | 66591-57150 | BAND 1               | 1    |         |     |                        | 0            | 0           |
| 022    | 67221-57120 | BAND 1               | 1    | >=10001 |     |                        | 0            | 0           |
| 022    | 15108-72870 | BAND 1               | 1    | >=10001 |     |                        | 0.027        | 0.0594      |
| 023    | 67121-57250 | ASSY JOINT FRONT     | 1    |         |     | REF.No.017 018 AND 020 | 0.77         | 1.694       |

3-POINT LINKAGE GROUP

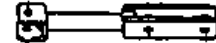


- REF.No.17 96316-0514 0
- 18 05112-5125-0
- 23 05112-5123-0
- 33 96316-0522-0
- 44 96316-0513-0
- 45 66592-3441-0
- 46 96316-0515-0
- 47 05411-00628

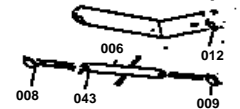
- REF.No.4 01150-51230
- 5 04512 50120



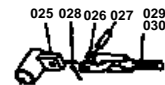
- REF.No.21 96316-0613-0



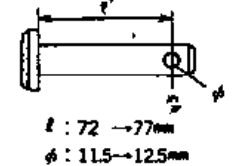
- REF.No.6 96316 0612 0
- 7 99261 2218 0
- 8 99261 2221 0
- 9 99261 2222 0
- 12 96316 0551 0
- 43 66616 3455 0



- REF.No.25 96316-0554-0
- 26 31150-7186-0
- 27 96316-0557-0
- 29 96316-0523-0
- 30 96316-0524-0



- REF.No.11 31150-7136-0



- REF.No.34 66704-8611-0
- Reinforced



### 3-POINT LINKAGE GROUP

↔ Interchangeable; ≠ not interchangeable; ← new for old; → old for new

| REF.No | Part No.    | Description         | Q'ty | S.No.  | I/C | REMARKS                                  | Weight (kgf) | Weight (lb) |
|--------|-------------|---------------------|------|--------|-----|--|--------------|-------------|
| 001    | 96316-06013 | ASSY 3-P.LINK.HITCH | 1    | ≤21330 |     | REF.No.002 037 EXCEPT CANADA             | 25.5         | 56.1        |
| 001    | 66706-65102 | ASSY 3-P.LINK.HITCH | 1    | ≥21331 |     | REF.No.002 037 EXCEPT CANADA             | 26.8         | 58.96       |
| 001    | 96316-06013 | ASSY 3-P.LINK.HITCH | 1    | ≤21330 |     | REF.No.002 037 CANADA                    | 25.5         | 56.1        |
| 001    | 66706-65102 | ASSY 3-P.LINK.HITCH | 1    | ≥21331 |     | REF.No.002 037 CANADA                    | 26.8         | 58.96       |
| 001    | 66204-65100 | ASSY 3-P.LINK.HITCH | 1    |        |     | REF.No.002 037 CANADA                    | 28           | 61.6        |
| 002    | 96316-00810 | ASSY LINK 3-P.LINK  | 1    | ≤21330 |     | REF.No.003 TO 036 043 045 AND 048 EXCEPT | 22.6         | 49.72       |
| 002    | 66706-65202 | ASSY LINK 3-P.LINK  | 1    | ≤30357 |     | REF.No.003 TO 036 043 045 AND 048 EXCEPT | 22           | 48.4        |
| 002    | 66706-65203 | ASSY LINK 3-P.LINK  | 1    | ≥10001 |     | REF.No.003 TO 036 043 045 AND 048 EXCEPT | 0            | 0           |
| 002    | 96316-00810 | ASSY LINK 3-P.LINK  | 1    | ≤21330 |     | REF.No.003 TO 036 043 045 048 AND 049 CA | 22.6         | 49.72       |
| 002    | 66706-65202 | ASSY LINK 3-P.LINK  | 1    | ≤30357 |     | REF.No.003 TO 036 043 045 048 AND 049 CA | 22           | 48.4        |
| 002    | 66706-65203 | ASSY LINK 3-P.LINK  | 1    | ≥10001 |     | REF.No.003 TO 036 043 045 048 AND 049 CA | 0            | 0           |
| 002    | 66204-65200 | ASSY LINK 3-P.LINK  | 1    |        |     | REF.No.003 TO 036 043 045 048 AND 049 CA | 22           | 48.4        |
| 003    | 96316-06110 | BRACKET             | 1    |        |     |  | 1.22         | 2.684       |
| 004    | 01150-51230 | BOLT                | 2    |        |     |  | 0.036        | 0.0792      |
| 004    | 01123-51230 | BOLT                | 2    |        |     |  | 0.04         | 0.088       |
| 005    | 04512-50120 | WASHER SPRING       | 2    |        |     |  | 0.003        | 0.0066      |
| 006    | 96316-06120 | LINK TOP            | 1    | ≤21330 |     |  | 0.64         | 1.408       |
| 006    | 66706-65330 | LINK TOP            | 1    | ≥21331 |     |  | 0            | 0           |
| 007    | 99261-22180 | NUT TOP LINK        | 1    | ≤21330 |     |  | 0.04         | 0.088       |
| 007    | 66706-65340 | NUT TOP LINK        | 1    | ≥21331 |     |  | 0.05         | 0.11        |
| 008    | 99261-22210 | JOINT TOP LINK RH   | 1    | ≤21330 |     |  | 0.7          | 1.54        |
| 008    | 66706-65360 | JOINT TOP LINK RH   | 1    | ≥21331 |     |  | 0            | 0           |
| 009    | 99261-22220 | JOINT TOP LINK LH   | 1    | ≤21330 |     |  | 0.7          | 1.54        |
| 009    | 66706-65350 | JOINT TOP LINK LH   | 1    | ≥21331 |     |  | 0            | 0           |
| 010    | 34150-37640 | PIN SET             | 7    |        |     |  | 0.06         | 0.132       |
| 011    | 96316-05560 | PIN                 | 2    | ≤29487 |     |  | 0            | 0           |
| 011    | 31150-71360 | PIN                 | 2    | ≥10001 |     |  | 0.166        | 0.3652      |
| 012    | 96316-05510 | LINK LOWER          | 2    | ≤21330 |     |  | 5.34         | 11.748      |
| 012    | 66706-65212 | LINK LOWER          | 2    | ≥21331 |     |  | 0            | 0           |
| 013    | 66706-65250 | NUT                 | 1    | ≥21331 |     |  | 0            | 0           |
| 014    | 66706-65260 | SPRING              | 1    | ≥21331 |     |  | 0.041        | 0.0902      |
| 015    | 05511-50325 | PIN SPLIT           | 5    | ≤21330 |     |  | 0.002        | 0.0044      |
| 015    | 05511-50425 | PIN SPLIT           | 3    | ≥21331 |     |  | 0.003        | 0.0066      |
| 016    | 04013-50120 | WASHER PLAIN        | 5    |        |     |  | 0            | 0           |
| 016    | 04013-50120 | WASHER PLAIN        | 3    |        |     |  | 0            | 0           |
| 017    | 96316-05140 | ROD LIFT RH         | 1    | ≤21330 |     |  | 0.324        | 0.7128      |
| 017    | 66706-65232 | ROD LIFT RH         | 1    | ≥21331 |     |  | 0.315        | 0.693       |
| 018    | 05112-51255 | PIN JOINT           | 2    | ≤21330 |     |  | 0.052        | 0.1144      |
| 018    | 66706-65280 | PIN JOINT           | 2    | ≥21331 |     |  | 0.082        | 0.1804      |
| 019    | 02174-50120 | NUT                 | 2    | ≥21331 |     |  | 0.01         | 0.022       |
| 020    | 04512-50120 | WASHER SPRING       | 2    | ≥21331 |     |  | 0.003        | 0.0066      |
| 021    | 96316-06130 | ROD LIFT LOWER      | 1    | ≤21330 |     |  | 0.704        | 1.5488      |
| 021    | 66706-65240 | ROD LIFT LOWER      | 1    | ≥21331 |     |  | 0.5          | 1.1         |
| 022    | 05122-51240 | PIN JOINT           | 2    |        |     |  | 0.039        | 0.0858      |
| 023    | 05112-51235 | PIN JOINT           | 2    | ≤21330 |     |  | 0.034        | 0.0748      |
| 024    | 96316-06140 | ROD LIFT LH         | 1    | ≤21330 |     |  | 1            | 2.2         |
| 024    | 66706-65272 | ROD LIFT LH         | 1    | ≥21331 |     |  | 0.9          | 1.98        |
| 025    | 96316-05540 | BRACKET             | 2    | ≤21330 |     | EXCEPT CANADA                            | 0.162        | 0.3564      |
| 025    | 66706-65290 | BRACKET             | 2    | ≥21331 |     | EXCEPT CANADA                            | 0.34         | 0.748       |
| 025    | 96316-05540 | BRACKET             | 2    | ≤21330 |     | CANADA                                   | 0.162        | 0.3564      |
| 025    | 66706-65290 | BRACKET             | 2    | ≥21331 |     | CANADA                                   | 0.34         | 0.748       |
| 025    | 66204-65290 | BRACKET             | 2    |        |     | CANADA                                   | 0            | 0           |

**3-POINT LINKAGE GROUP**

↔ Interchangeable; ≠ not interchangeable; ← new for old; → old for new

| REF.No | Part No.    | Description         | Q'ty | S.No.  | I/C | REMARKS                         | Weight (kgf) | Weight (lb) |
|--------|-------------|---------------------|------|--------|-----|---------------------------------|--------------|-------------|
| 026    | 31150-71860 | JOINT CHAIN         | 4    | ≤21330 |     |                                 | 0.064        | 0.1408      |
| 026    | 66706-65370 | JOINT CHAIN         | 4    | ≥21331 |     |                                 | 0.07         | 0.154       |
| 027    | 96316-05570 | PIN                 | 4    | ≤21330 |     |                                 | 0.012        | 0.0264      |
| 027    | 66706-65380 | PIN                 | 4    | ≥21331 |     |                                 | 0.021        | 0.0462      |
| 028    | 05511-50318 | PIN SPLIT           | 4    |        |     |                                 | 0.001        | 0.0022      |
| 029    | 96316-05230 | TURN BACKLE BOLT RH | 2    | ≤21330 |     |                                 | 0.12         | 0.264       |
| 029    | 66706-65310 | TURN BACKLE BOLT RH | 2    | ≥21331 |     |                                 | 0.153        | 0.3366      |
| 030    | 96316-05240 | TURN BACKLE BOLT LH | 2    | ≤21330 |     |                                 | 0.115        | 0.253       |
| 030    | 66706-65320 | TURN BACKLE BOLT LH | 2    | ≥21331 |     |                                 | 0.153        | 0.3366      |
| 031    | 02112-50120 | NUT                 | 2    |        |     |                                 | 0.007        | 0.0154      |
| 032    | 96316-05580 | TURN BACKLE         | 2    |        |     |                                 | 0.14         | 0.308       |
| 033    | 96316-05220 | NUT                 | 1    | ≤21330 |     |                                 | 0.03         | 0.066       |
| 034    | 66704-65110 | PIN LOWER LINK      | 1    |        |     |                                 | 0            | 0           |
| 034    | 66704-86110 | PIN LOWER LINK      | 1    |        |     |                                 | 1.19         | 2.618       |
| 035    | 66704-65120 | BOLT SET            | 1    |        |     | EXCEPT CANADA                   | 0.023        | 0.0506      |
| 035    | 66704-65120 | BOLT SET            | 1    |        |     | CANADA                          | 0.023        | 0.0506      |
| 035    | 66204-65120 | BOLT SET            | 1    |        |     | CANADA                          | 0.055        | 0.121       |
| 036    | 02118-50100 | NUT                 | 1    |        |     | EXCEPT CANADA                   | 0.005        | 0.011       |
| 036    | 02118-50100 | NUT                 | 1    |        |     | CANADA                          | 0.005        | 0.011       |
| 036    | 02174-50140 | NUT                 | 1    |        |     | CANADA                          | 0.014        | 0.0308      |
| 037    | 96316-06302 | ASSY HITCH          | 1    |        |     | REF.No.038 TO 042 EXCEPT CANADA | 3.8          | 8.36        |
| 037    | 96316-06302 | ASSY HITCH          | 1    |        |     | REF.No.038 TO 042 CANADA        | 3.8          | 8.36        |
| 037    | 66204-65500 | ASSY HITCH          | 1    |        |     | REF.No.038 TO 042 CANADA        | 0            | 0           |
| 038    | 96316-06312 | HITCH               | 1    |        |     | EXCEPT CANADA                   | 3.76         | 8.272       |
| 038    | 96316-06312 | HITCH               | 1    |        |     | CANADA                          | 3.76         | 8.272       |
| 038    | 66204-65600 | HITCH               | 1    |        |     | CANADA                          | 0            | 0           |
| 039    | 96316-06320 | PIN HITCH           | 1    |        |     | EXCEPT CANADA                   | 0.46         | 1.012       |
| 039    | 96316-06320 | PIN HITCH           | 1    |        |     |                                 | 0.46         | 1.012       |
| 039    | 66204-65610 | PIN HITCH           | 1    |        |     | CANADA                          | 0            | 0           |
| 040    | 31150-29730 | PIN SNAP            | 1    |        |     |                                 | 0.044        | 0.0968      |
| 041    | 01150-51235 | BOLT                | 3    |        |     |                                 | 0            | 0           |
| 042    | 04512-50120 | WASHER SPRING       | 3    |        |     |                                 | 0.003        | 0.0066      |
| 043    | 66616-34550 | CHAIN               | 1    |        |     |                                 | 0.66         | 1.452       |
| 044    | 96316-05130 | SUPPORT LIFT ROD    | 2    | ≤21330 |     |                                 | 0.24         | 0.528       |
| 045    | 66592-34410 | PIN SNAP            | 2    | ≤21330 |     |                                 | 0.01         | 0.022       |
| 045    | 66713-34340 | PIN SNAP            | 2    | ≥21331 |     |                                 | 0.013        | 0.0286      |
| 046    | 96316-05150 | HANDEL              | 1    | ≤21330 |     |                                 | 0.256        | 0.5632      |
| 047    | 05411-00628 | PIN SPRING          | 1    | ≤21330 |     |                                 | 0.004        | 0.0088      |
| 048    | 05411-00422 | PIN SPRING          | 2    |        |     |                                 | 0.001        | 0.0022      |
| 049    | 66204-65350 | SPACER              | 2    |        |     | CANADA                          | 0.12         | 0.264       |
| 050    | 66204-86510 | DRAWBAR             | 1    |        |     | B6100D CANADA                   | 3.06         | 6.732       |

**IMAGE NOT AVAILABLE**

**ACCESSORY AND SERVICE PARTS GROUP**

↔ Interchangeable; ≠ not interchangeable; ← new for old; → old for new

| REF.No | Part No.    | Description        | Q'ty | S.No.   | I/C | REMARKS        | Weight (kgf) | Weight (lb) |
|--------|-------------|--------------------|------|---------|-----|----------------|--------------|-------------|
| 001    | 66704-61200 | ASSY TOOLS         | 1    |         |     |                | 1.8          | 3.96        |
| 002    | 15241-86610 | WRENCH FILTER      | 1    |         |     |                | 0.133        | 0.2926      |
| 003    | 66701-62915 | INSTRUCTION MANUAL | 1    | ≤=33871 |     | AMERICA CANADA | 0            | 0           |
| 003    | 66701-62917 | INSTRUCTION MANUAL | 1    | ≥=10001 |     | AMERICA CANADA | 0            | 0           |
| 003    | 66701-62920 | INSTRUCTION MANUAL | 1    |         |     | IRAN OVERSEAS  | 0            | 0           |
| 004    | 66804-62924 | PARTS LIST         | 1    |         |     | AMERICA CANADA | 0.236        | 0.5192      |
| 004    | 66801-62920 | PARTS LIST         | 1    |         |     | IRAN OVERSEAS  | 0            | 0           |