

Instructions for Parts Books

The heading at the top of the page will be the same for the picture of the parts as it is for the page with the part numbers.

Definition of column headings on part number pages:

REF.No → The number referring to the part on the picture page of the parts book.

Part No. → The number assigned to this part at the time of printing the parts book.

Description → Description of part.

Q'ty → Quantity of part used on that page.

S.No. → Serial number range of the equipment that this part will fit.

>= Your serial number should be greater than or equal to the number shown.

<= Your serial number should be lesser than or equal to the serial number shown.

I/C → Interchangeability of part shown.

↔ The part shown will work for the older and later serial number.

The part shown is not interchangeable with the other serial number.

← new for old

→ old for new

Remarks → Notes about this particular part. Sometimes this may say except [FR] or [CA]

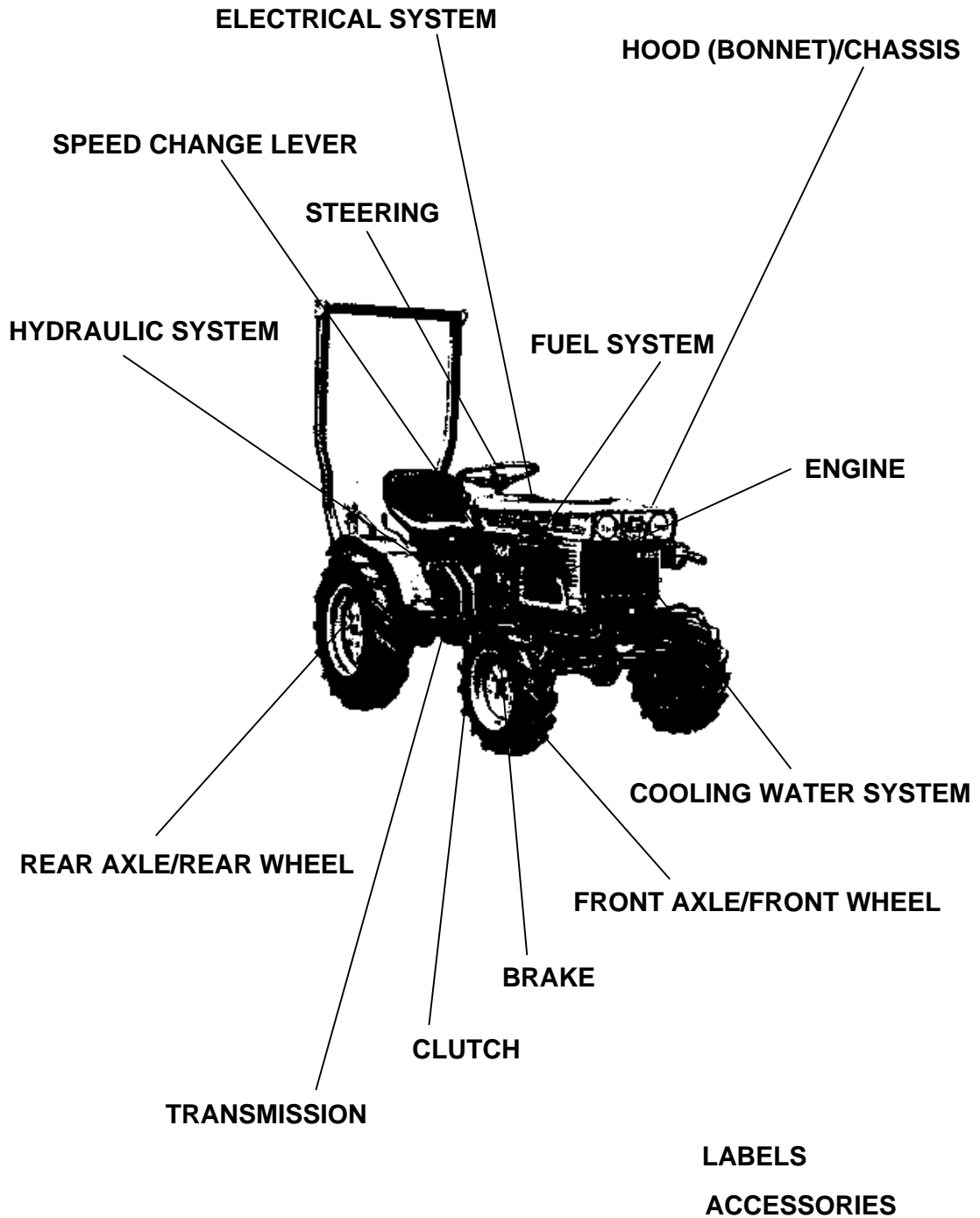
Note about Country Codes:

The parts books we use in the United States of America may also contain information about a part that would be different in another country. It is important that you are aware of the country codes in some instances.

Symbol	Country
A	United States of America
CA	Canada
FR	France
GR	Greece
PO	Portugal
AU	Australia

If the remarks column says for example EXCEPT [FR] this part works in all countries except France. That means it will work here in the USA.

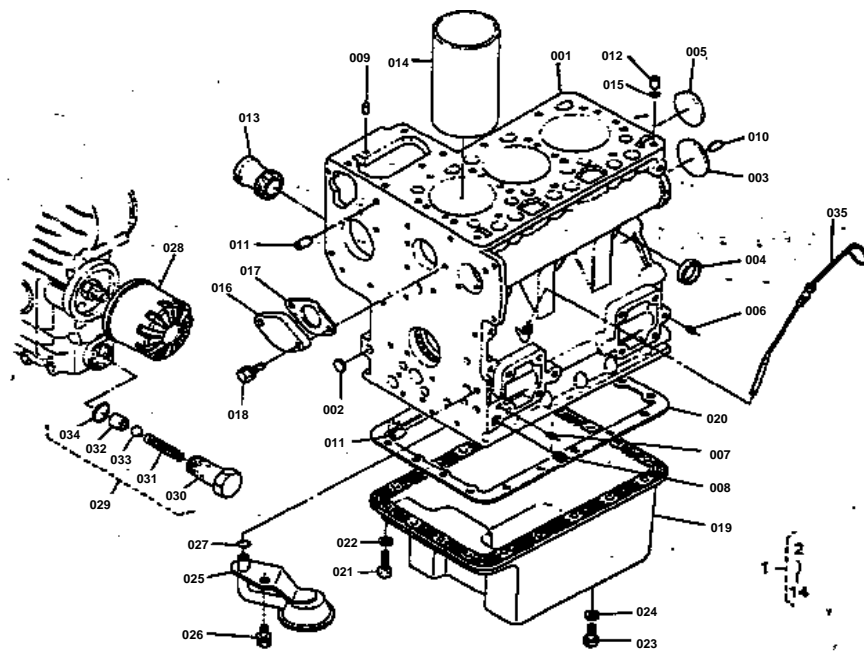
ALL PRODUCT INDEX
B7100HST-D OLD TYPE



Item	Part No.	Description	Book	
ENGINE	01T001	CRANKCASE TRACTOR S.No.:B7100HST-D <=60163,B7100HST-E <=20024	100K0096	
	01T002	CYLINDER HEAD TRACTOR S.No.:B7100HST-D <=60163,B7100HST-E <=20024	100K0096	
	01T003	GEAR CASE TRACTOR S.No.:B7100HST-D <=60163,B7100HST-E <=20024	100K0096	
	01T004	BEARING CASE TRACTOR S.No.:B7100HST-D <=60163,B7100HST-E <=20024	100K0096	
	01T005	BREATHER TRACTOR S.No.:B7100HST-D <=60163,B7100HST-E <=20024	100K0096	
	01T006	INLET MANIFOLD TRACTOR S.No.:B7100HST-D <=60163,B7100HST-E <=20024	100K0096	
	01T007	VALVE,ROCKER ARM TRACTOR S.No.:B7100HST-D <=60163,B7100HST-E <=20024	100K0096	
	01T008	HEAD COVER TRACTOR S.No.:B7100HST-D <=60163,B7100HST-E <=20024	100K0096	
	01T009	CAMSHAFT TRACTOR S.No.:B7100HST-D <=60163,B7100HST-E <=20024	100K0096	
	01T010	PISTON,CRANKSHAFT TRACTOR S.No.:B7100HST-D <=60163,B7100HST-E <=20024	100K0096	
	01T011	FLYWHEEL TRACTOR S.No.:B7100HST-D <=60163,B7100HST-E <=20024	100K0096	
	01T012	NOZZLE HOLDER TRACTOR S.No.:B7100HST-D <=60163,B7100HST-E <=20024	100K0096	
	01T013	INJECTION PUMP TRACTOR S.No.:B7100HST-D <=60163,B7100HST-E <=20024	100K0096	
	01T014	SPEED CONTROL PLATE TRACTOR S.No.:B7100HST-D <=60163,B7100HST-E <=20024	100K0096	
	01T015	GOVERNOR TRACTOR S.No.:B7100HST-D <=60163,B7100HST-E <=20024	100K0096	
	01T016	DYNAMO TRACTOR S.No.:B7100HST-D <=60163, B7100HST-E <=20024	100K0096	
	01T017	CLUTCH TRACTOR S.No.:B7100HST-D <=60163, B7100HST-E <=20024	100K0096	
	01T018	NAME PLATE TRACTOR S.No.:B7100HST-D <=60163,B7100HST-E <=20024	100K0096	
	01T019	NOZZLE HOLDER TRACTOR S.No.:B7100HST-D <=60163,B7100HST-E <=20024	100K0096	
	01T020	INJECTION PUMP TRACTOR S.No.:B7100HST-D <=60163,B7100HST-E <=20024	100K0096	
	01T021	DYNAMO TRACTOR S.No.:B7100HST-D <=60163, B7100HST-E <=20024	100K0096	
	01T022	STARTER TRACTOR S.No.:B7100HST-D <=60163, B7100HST-E <=20024	100K0096	
	01T023	OIL PRESSURE PUMP TRACTOR S.No.:B7100HST-D <=60163,B7100HST-E <=20024	100K0096	
	TRANSMISSION	01T024	TRANSMISSION CASE TRACTOR S.No.:B7100HST-D <=60163,B7100HST-E <=20024	100K0096
		01T025	DRIVE CASE TRACTOR S.No.:B7100HST-D <=60163,B7100HST-E <=20024	100K0096
		01T026	CASE COVER TRACTOR S.No.:B7100HST-D <=60163,B7100HST-E <=20024	100K0096
REAR AXLE/REAR WHEEL	01T027	AXLE CASE TRACTOR S.No.:B7100HST-D <=60163,B7100HST-E <=20024	100K0096	
FRONT AXLE/FRONT WHEEL	01T028	WHEEL HUB [AMERICA] TRACTOR S.No.:B7100HST-D <=60163,B7100HST-E <=20024	100K0096	

Item	Part No.	Description	Book
CLUTCH	01T029	CLUTCH ROD TRACTOR S.No.:B7100HST-D <=60163,B7100HST-E <=20024	100K0096
TRANSMISSION	01T030	1ST SHAFT,4TH SHAFT TRACTOR S.No.:B7100HST-D <=60163,B7100HST-E <=20024	100K0096
	01T031	2ND SHAFT,REVRSE SHAFT TRACTOR S.No.:B7100HST-D <=60163,B7100HST-E <=20024	100K0096
	01T032	3RD,5TH,PTO SHAFT TRACTOR S.No.:B7100HST-D <=60163,B7100HST-E <=20024	100K0096
REAR AXLE/REAR WHEEL	01T033	DIFFERENTIAL TRACTOR S.No.:B7100HST-D <=60163,B7100HST-E <=20024	100K0096
SPEED CHANGE LEVER	01T034	AUX.SPEED CHANGE TRACTOR S.No.:B7100HST-D <=60163,B7100HST-E <=20024	100K0096
	01T035	ROTARY SPEED CHANGE TRACTOR S.No.:B7100HST-D <=60163,B7100HST-E <=20024	100K0096
BRAKE	01T036	BRAKE TRACTOR S.No.:B7100HST-D <=60163, B7100HST-E <=20024	100K0096
HYDRAULIC SYSTEM	01T037	OIL PRESSURE PIPE TRACTOR S.No.:B7100HST-D <=60163,B7100HST-E <=20024	100K0096
	01T038	HYDRO STATIC TRANSMISSION TRACTOR S.No.:B7100HST-D <=60163,B7100HST-E <=20024	100K0096
	01T039	CONTROL VALVE TRACTOR S.No.:B7100HST-D <=60163,B7100HST-E <=20024	100K0096
	01T040	OIL PRESSURE 1 TRACTOR S.No.:B7100HST-D <=60163,B7100HST-E <=20024	100K0096
	01T041	OIL PRESSURE 2 TRACTOR S.No.:B7100HST-D <=60163,B7100HST-E <=20024	100K0096
STEERING	01T042	STEERING TRACTOR S.No.:B7100HST-D <=60163, B7100HST-E <=20024	100K0096
BRAKE	01T043	BRAKE ROD TRACTOR S.No.:B7100HST-D <=60163,B7100HST-E <=20024	100K0096
ENGINE	01T044	ACCELERATOR PEDAL TRACTOR S.No.:B7100HST-D <=60163,B7100HST-E <=20024	100K0096
SPEED CHANGE LEVER	01T045	SPEED CHANGE 1 TRACTOR S.No.:B7100HST-D <=60163,B7100HST-E <=20024	100K0096
	01T046	SPEED CHANGE 2 TRACTOR S.No.:B7100HST-D <=60163,B7100HST-E <=20024	100K0096
HOOD (BONNET)/CHASSIS	01T047	SEAT TRACTOR S.No.:B7100HST-D <=60163, B7100HST-E <=20024	100K0096
LABELS	01T048	NAME PLATE TRACTOR S.No.:B7100HST-D <=60163,B7100HST-E <=20024	100K0096
CLUTCH	01T049	CLUTCH HOUSING TRACTOR S.No.:B7100HST-D <=60163,B7100HST-E <=20024	100K0096
FRONT AXLE/FRONT WHEEL	01T050	FRONT WHEEL SUPPORT TRACTOR S.No.:B7100HST-D <=60163,B7100HST-E <=20024	100K0096
COOLING WATER SYSTEM	01T051	RADIATOR TRACTOR S.No.:B7100HST-D <=60163, B7100HST-E <=20024	100K0096
HOOD (BONNET)/CHASSIS	01T052	FENDER TRACTOR S.No.:B7100HST-D <=60163, B7100HST-E <=20024	100K0096
	01T053	BONNET TRACTOR S.No.:B7100HST-D <=60163, B7100HST-E <=20024	100K0096
ENGINE	01T054	MUFFLER TRACTOR S.No.:B7100HST-D <=60163, B7100HST-E <=20024	100K0096
FUEL SYSTEM	01T055	FUEL TANK TRACTOR S.No.:B7100HST-D <=60163,B7100HST-E <=20024	100K0096
ELECTRICAL SYSTEM	01T056	BATTELY TRACTOR S.No.:B7100HST-D <=60163, B7100HST-E <=20024	100K0096

Item	Part No.	Description	Book
ELECTRICAL SYSTEM	01T057	PANEL TRACTOR S.No.:B7100HST-D <=60163, B7100HST-E <=20024	100K0096
ENGINE	01T058	AIR CLEANER TRACTOR S.No.:B7100HST-D <=60163,B7100HST-E <=20024	100K0096
FUEL SYSTEM	01T059	FUEL FILTER TRACTOR S.No.:B7100HST-D <=60163,B7100HST-E <=20024	100K0096
FRONT AXLE/FRONT WHEEL	01T062	FRONT AXLE ARM [DP] OLD TYPE TRACTOR S.No.:B7100HST-D <=60163,B7100HST-E <=20024	100K0096
	01T063	BEVEL GEAR CASE [DP] OLD TYPE TRACTOR S.No.:B7100HST-D <=60163,B7100HST-E <=20024	100K0096
	01T064	FRONT AXLE CASE [DP] OLD TYPE TRACTOR S.No.:B7100HST-D <=60163,B7100HST-E <=20024	100K0096
STEERING	01T065	KNUCKLE ARM [DP] OLD TYPE TRACTOR S.No.:B7100HST-D <=60163,B7100HST-E <=20024	100K0096
FRONT AXLE/FRONT WHEEL	01T066	FRONT DIFFERENTIAL [DP] OLD TYPE TRACTOR S.No.:B7100HST-D <=60163,B7100HST-E <=20024	100K0096
	01T067	BEVEL GEAR [DP] OLD TYPE TRACTOR S.No.:B7100HST-D <=60163,B7100HST-E <=20024	100K0096
	01T068	DRIVE SHAFT [DP] OLD TYPE TRACTOR S.No.:B7100HST-D <=60163,B7100HST-E <=20024	100K0096
HYDRAULIC SYSTEM	01T069	3-POINT LINKAGE [EP,DP] OLD TYPE TRACTOR S.No.:B7100HST-D <=60163,B7100HST-E <=20024	100K0096
FRONT AXLE/FRONT WHEEL	01T073	FRONT WHEEL [DPT] TRACTOR S.No.:B7100HST-D <=60163,B7100HST-E <=20024	100K0096
REAR AXLE/REAR WHEEL	01T075	REAR WHEEL [DPT,EPT] TRACTOR S.No.:B7100HST-D <=60163,B7100HST-E <=20024	100K0096
ACCESSORIES	01T076	ACCESSORY AND SERVICE PARTS OLD TYPE TRACTOR S.No.:B7100HST-D <=60163,B7100HST-E <=20024	100K0096

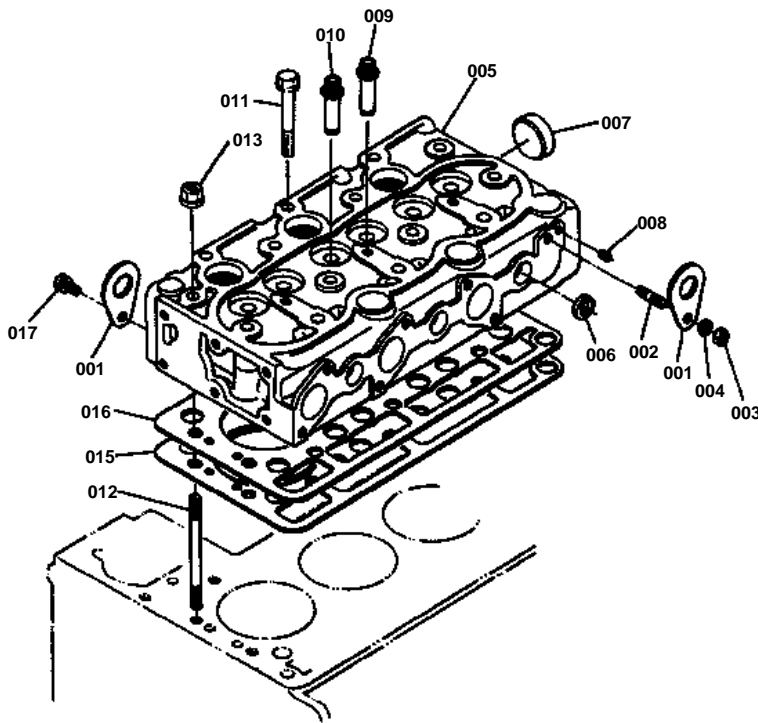




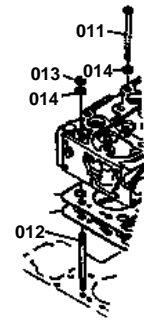
CRANKCASE TRACTOR S.No.:B7100HST-D <=60163,B7100HST-E <=20024

↔ Interchangeable; ≠ not interchangeable; ← new for old; → old for new

REF.No	Part No.	Description	Q'ty	S.No.	I/C	REMARKS	Weight (kgf)	Weight (lb)
001	15371-01010	ASSY CRANKCASE	1			REF.NO.002 TO 014	25.8	56.76
002	06311-75015	PLUG,EXPANSION	3				0.002	0.0044
003	06311-75040	PLUG,EXPANSION	1				0.02	0.044
004	15321-96260	CAP,SEALING	5				0.014	0.0308
005	15221-03490	CAP,SEALING	1				0.02	0.044
006	15261-96010	PLUG	6				0.002	0.0044
007	15521-96020	PLUG	3				0.003	0.0066
008	15521-96030	PLUG	1				0.007	0.0154
009	05012-00609	PIN,STRAIGHT	2				0.003	0.0066
010	05012-00814	PIN,STRAIGHT	2				0.006	0.0132
011	15231-33960	PIN,PIPE	2				0.001	0.0022
012	15221-33650	PIN,PIPE	1				0.004	0.0088
013	15221-72880	PIPE,WATER 2	1				0.115	0.253
014	15261-02310	LINER,CYLINDER	3				0.376	0.8272
015	15221-33700	O RING	1				0.001	0.0022
016	15261-73910	COVER,WATER	1				0.13	0.286
017	15261-73920	GASKET,WATER COVER	1				0	0
018	01023-50618	BOLT	2				0.006	0.0132
019	15371-01614	OIL PAN	1				1.1	2.42
020	15381-01620	GASKET,OIL PAN	1				0	0
021	15381-91090	BOLT	18				0	0
022	04512-50060	WASHER,SPRING	18				0	0
023	15221-33750	PLUG	1				0.032	0.0704
024	15109-33660	GASKET	1				0.001	0.0022
025	15371-32110	FILTER,OIL 1	1				0.4	0.88
026	01123-50816	BOLT	1				0.011	0.0242
027	04810-00140	O RING	1				0.001	0.0022
028	15241-32090	CARTRIDGE,OIL FILTER	1				0.35	0.77
029	15261-36070	ASSY VALUE,RELIEF	1			REF.NO.030 TO 034	0.078	0.1716
030	99999-99999	BLANK	0			ORDER BY REF.NO.029	0	0
031	99999-99999	BLANK	0			ORDER BY REF.NO.029	0	0
032	99999-99999	BLANK	0			ORDER BY REF.NO.029	0	0
033	07715-03213	BALL	1				0.004	0.0088
034	04810-00150	O RING	1				0.001	0.0022
035	15371-36410	GAUGE,OIL	1				0.021	0.0462



REF. No 11 15261-0345-0
12 15261-0341-0
13 15261-0351-0
14 15261-0354-0

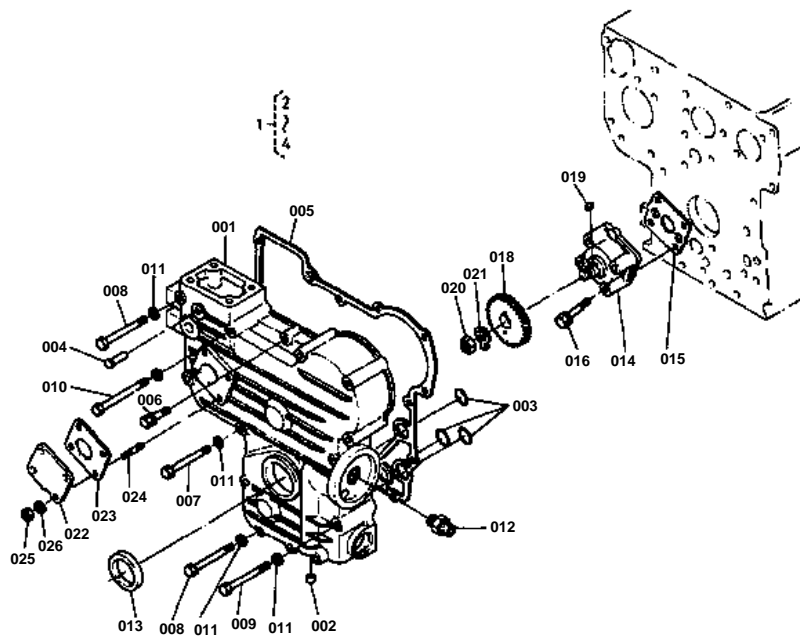




CYLINDER HEAD TRACTOR S.No.:B7100HST-D <=60163,B7100HST-E <=20024

↔ Interchangeable; ≠ not interchangeable; ← new for old; → old for new

REF.No	Part No.	Description	Q'ty	S.No.	I/C	REMARKS	Weight (kgf)	Weight (lb)
001	15221-01750	HOOK,ENGINE	2				0.04	0.088
002	01513-50816	STUD	1				0.009	0.0198
003	02156-50080	NUT	1				0.004	0.0088
004	04512-50080	WASHER,SPRING	1				0	0
005	15371-03040	ASSY CYLINDER HEAD	1			REF.NO.006 TO 010	8	17.6
006	15261-03370	CAP,SEALING	5				0.005	0.011
007	15321-96260	CAP,SEALING	1				0.014	0.0308
008	15261-96010	PLUG	2				0.002	0.0044
009	15261-13540	GUIDE,INLET VALVE	3				0.02	0.044
010	15261-13560	GUIDE,EXHAUST VALVE	3				0.02	0.044
011	15261-03450	BOLT,CYLINDER HEAD	12	≤198785			0	0
011	19231-03450	BOLT,CYLINDER HEAD	12	≥198786			0	0
011	19231-03452	BOLT,CYLINDER HEAD	12	≥1001			0.035	0.077
012	15261-03410	STUD,CYLINDER HEAD	2	≤198785			0	0
012	19231-03410	STUD,CYLINDER HEAD	2	≥198786			0	0
012	19231-03412	STUD,CYLINDER HEAD	2	≥1001			0.035	0.077
013	15261-03510	NUT,CYLINDER HEAD	2	≤198785			0.006	0.0132
013	19231-03510	NUT,CYLINDER HEAD	2	≥198786			0	0
013	19231-03512	NUT,CYLINDER HEAD	2	≥1001			0.01	0.022
014	15261-03540	WASHER PLAIN	14	≤198785			0.002	0.0044
015	15371-03310	GASKET,CYLINDER HEAD	1				0	0
016	15371-03320	SHIM,CYL.HEAD GASKET	1				0.03	0.066
017	01123-50816	BOLT	1				0.011	0.0242



REF. No.16 15261-9102-0
17 04512-50060

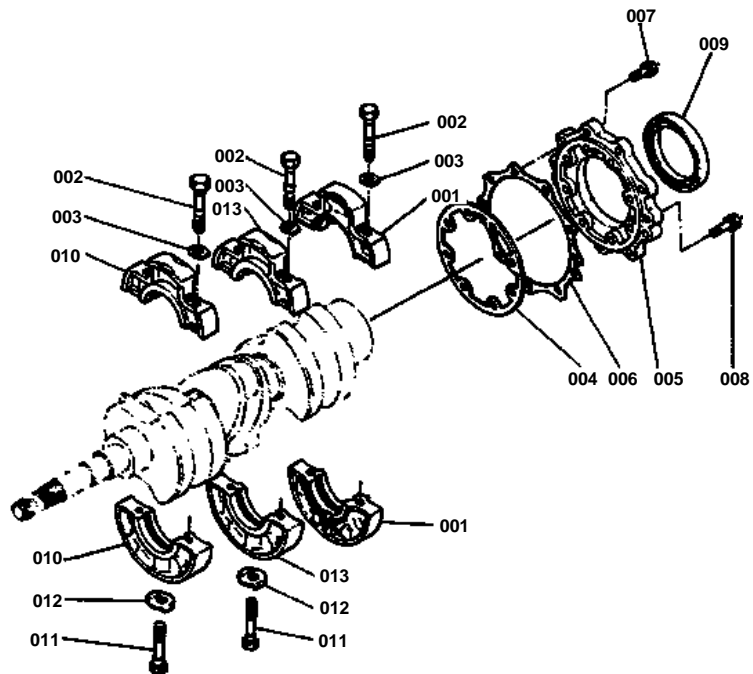




GEAR CASE TRACTOR S.No.:B7100HST-D <=60163,B7100HST-E <=20024

↔ Interchangeable; ≠ not interchangeable; ← new for old; → old for new

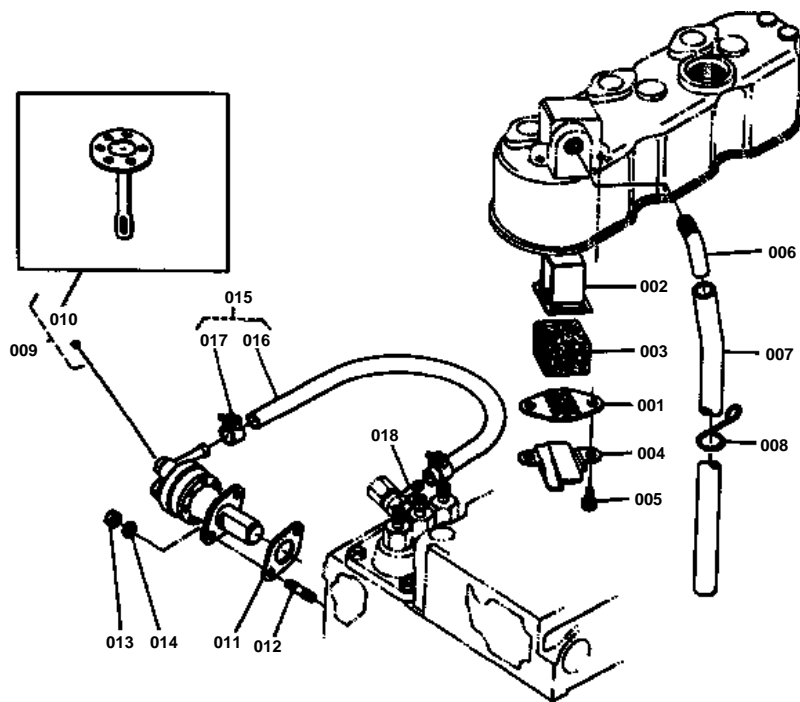
REF.No	Part No.	Description	Q'ty	S.No.	I/C	REMARKS	Weight (kgf)	Weight (lb)
001	15381-04020	ASSY CASE,GEAR	1			REF.NO.002 TO 004	0	0
002	15221-33640	PLUG,PIN	2				0.003	0.0066
003	04810-06130	O RING	3				0	0
003	04811-06130	O RING	3	>=1001			0.001	0.0022
004	15221-56280	PIN,START SPRING	1				0.006	0.0132
005	15261-04130	GASKET,GEAR CASE	1				0	0
006	01023-50630	BOLT	1				0.008	0.0176
007	01053-50660	BOLT	3				0.014	0.0308
008	01053-50665	BOLT	8				0.015	0.033
009	01053-50670	BOLT	1				0.014	0.0308
010	14611-91060	BOLT	1				0.015	0.033
011	04512-50060	WASHER,SPRING	13				0	0
012	15241-32290	PIPE,JOINT	1				0.053	0.1166
013	09550-00008	SEAL,OIL	1				0.01	0.022
014	15261-35010	ASSY PUMP,OIL	1				0.32	0.704
015	15261-35150	GASKET,OIL PUMP	1				0	0
016	15261-91022	BOLT	4				0.012	0.0264
017	04512-50060	WASHER,SPRING	4				0	0
018	15261-35660	GEAR,OIL PUMP DRIVE	1				0	0
018	15954-35660	GEAR,OIL PUMP DRIVE	1	>=1001			0.14	0.308
019	05712-00410	KEY,FEATHER	1				0.001	0.0022
020	02016-50100	NUT	1				0.009	0.0198
021	04211-50100	WASHER,CLAW	1				0.002	0.0044
022	15223-83340	COVER	1				0.152	0.3344
023	15221-88130	GASKET	1				0	0
024	15221-88210	STUD	4				0.005	0.011
025	02056-50060	NUT	4				0.002	0.0044
026	04512-50060	WASHER,SPRING	4				0	0



**BEARING CASE TRACTOR S.No.:B7100HST-D <=60163,B7100HST-E <=20024**

↔ Interchangeable; ≠ not interchangeable; ← new for old; → old for new

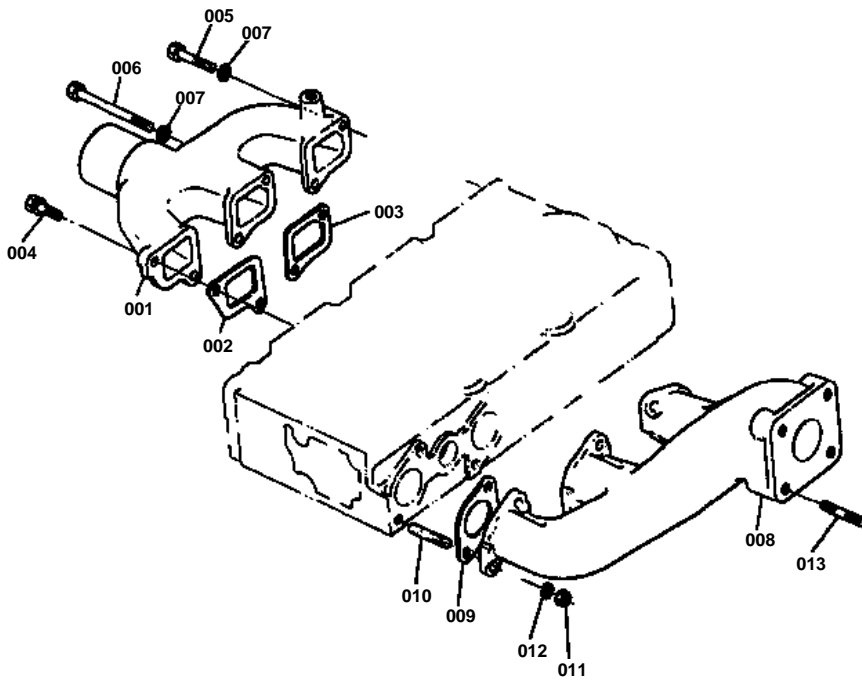
REF.No	Part No.	Description	Q'ty	S.No.	I/C	REMARKS	Weight (kgf)	Weight (lb)
001	15261-04090	CASE,MAIN BEARING 1	1				0.8	1.76
002	15261-04540	BOLT,BEARING CASE	6				0.02	0.044
003	15261-04570	WASHER,BEARING CASE	6				0.001	0.0022
004	15261-04360	GASKET,BEARING CASE	1				0	0
005	15261-04810	COVER,BEARING CASE	1	≤188651			0.204	0.4488
005	15549-04810	COVER,BEARING CASE	1	≥188652			0.2	0.44
006	15261-04820	GASKET,BRG.CASE COV.	1				0	0
007	01023-50620	BOLT	9				0.006	0.0132
008	01023-50625	BOLT	8				0.007	0.0154
009	09560-00007	SEAL OIL	1	≤188651			0.029	0.0638
009	19215-04460	SEAL OIL	1	≥188652			0.03	0.066
010	15261-04040	CASE,MAIN BEARING 2	1				0.687	1.5114
011	15261-04560	BOLT,BEARING CASE	2				0.02	0.044
012	15261-04590	WASHER,BEARING CASE	2				0.004	0.0088
013	15381-04050	CASE,MAIN BEARING 3	1				0.688	1.5136





↔ Interchangeable; ≠ not interchangeable; ← new for old; → old for new

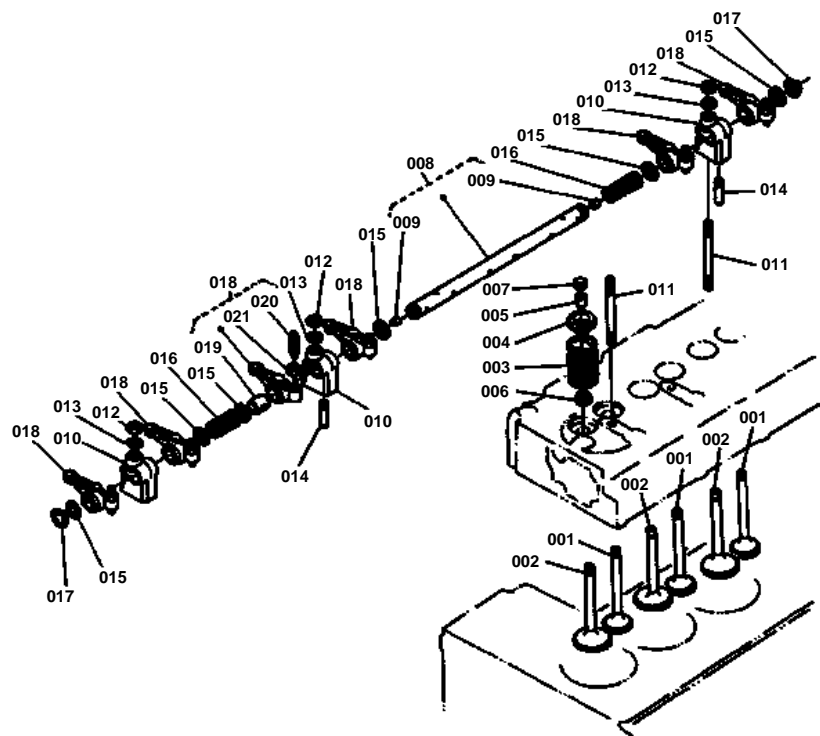
REF.No	Part No.	Description	Q'ty	S.No.	I/C	REMARKS	Weight (kgf)	Weight (lb)
001	15951-05140	PLATE,ELEMENT 1	1				0.005	0.011
002	15521-05150	PLATE,ELEMENT 2	1				0.01	0.022
003	15521-05670	ELEMENT,BREATHER	1				0.01	0.022
004	15951-05370	OIL SHIELD,BREATHER	1				0.005	0.011
005	03024-50510	SCREW	2				0.002	0.0044
006	15521-05550	JOINT,BREATHER PIPE	1				0.04	0.088
007	15261-05510	PIPE,BREATHER	1				0.069	0.1518
008	15951-05590	CLAMP,PIPE	1				0.003	0.0066
009	15381-52030	ASSY POMP,FUEL	1			REF.NO.010	0	0
010	15381-52040	COMP DIAPHRAGM	1				0	0
011	15241-52140	GASKET,FUEL PUMP	1				0	0
012	01513-50616	STUD	2				0.004	0.0088
013	02056-50060	NUT	2				0.002	0.0044
014	04512-50060	WASHER,SPRING	2				0	0
015	15261-42010	ASSY PIPE,FUEL	1			REF.NO.016,017	0.032	0.0704
016	99999-99999	BLANK	0			ORDER BY REF.NO.015	0	0
017	14301-42750	CLIP,PIPE	2				0.005	0.011
018	14111-42410	JOINT,EYE	1				0.025	0.055



**INLET MANIFOLD TRACTOR S.No.:B7100HST-D <=60163,B7100HST-E <=20024**

↔ Interchangeable; ≠ not interchangeable; ← new for old; → old for new

REF.No	Part No.	Description	Q'ty	S.No.	I/C	REMARKS	Weight (kgf)	Weight (lb)
001	15371-11760	MANIFOLD,INLET	1				0.45	0.99
002	15261-11820	GASKET,IN-MANIFOLD 1	1				0	0
003	15261-11830	GASKET,IN-MANIFOLD 2	2				0	0
004	01023-50620	BOLT	4				0.006	0.0132
005	01053-50660	BOLT	1				0.014	0.0308
006	15381-91070	BOLT	1				0.016	0.0352
007	04512-50060	WASHER,SPRING	2				0	0
008	15371-12310	MANIFOLD,EXHAUST	1				1.77	3.894
009	15261-12360	GASKET,EX-MANIFOLD	3				0	0
010	15381-91532	STUD	6				0.005	0.011
011	02056-50060	NUT	6				0.002	0.0044
012	04512-50060	WASHER,SPRING	6				0	0
013	01513-50822	STUD	4				0.01	0.022

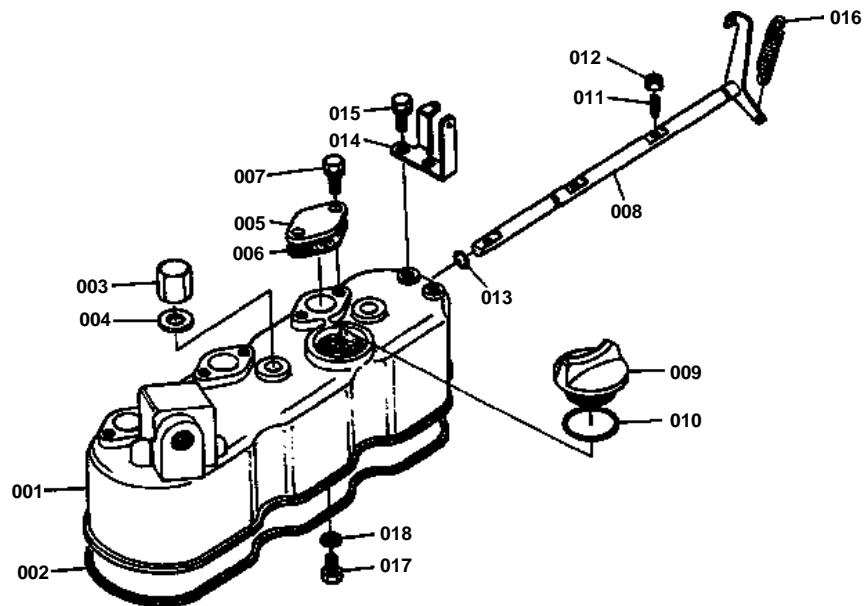




VALVE,ROCKER ARM TRACTOR S.No.:B7100HST-D <=60163,B7100HST-E
<=20024

↔ Interchangeable; ≠ not interchangeable; ← new for old; → old for new

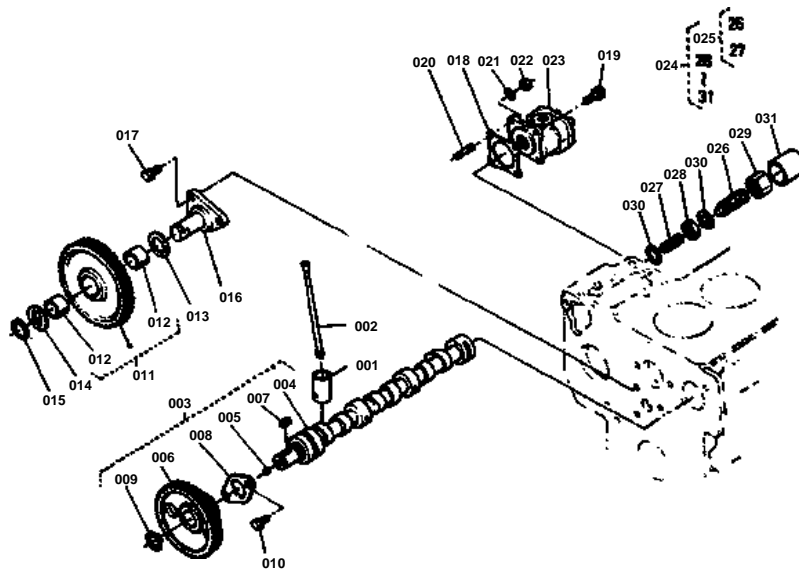
REF.No	Part No.	Description	Q'ty	S.No.	I/C	REMARKS	Weight (kgf)	Weight (lb)
001	15261-13110	VALVE,INLET	3				0.043	0.0946
002	15261-13120	VALVE,EXHAUST	3				0.038	0.0836
003	15261-13240	SPRING,VALVE	6				0.02	0.044
004	15261-13330	RETAINER,VALVE SP.	6				0	0
005	15261-13360	COLLET,VALVE SPRING	12				0.004	0.0088
006	15261-13150	SEAL,VALVE STEM	6				0.001	0.0022
007	15261-13280	CAP,VALVE	6				0	0
008	15371-14050	ASSY SHAFT,R-ARM	1			REF.NO.009	0.133	0.2926
009	03410-50606	SCREW,SET	2				0.001	0.0022
010	15261-14354	BRACKET,ROCKER ARM	3				0	0
011	15951-14410	STUD	3				0	0
012	15261-92010	NUT	3				0.005	0.011
013	15261-94010	WASHER,PLAIN	3				0.002	0.0044
014	15261-14420	SCREW,SET	1				0.002	0.0044
015	15261-14430	WASHER,ROCKER ARM	6				0.001	0.0022
016	15261-14311	SPRING,ROCKER ARM	2				0	0
017	04612-00110	CIR-CLIP,EXTERNAL	2				0.001	0.0022
018	15261-14030	ASSY ROCKER ARM	6			REF.NO.019 TO 021	0	0
019	15261-14180	BUSH,ROCKER ARM	6				0	0
020	15261-14232	SCREW,ADJUSTING	6				0.006	0.0132
021	15261-14240	NUT	6				0.002	0.0044



**HEAD COVER TRACTOR S.No.:B7100HST-D <=60163,B7100HST-E <=20024**

↔ Interchangeable; ≠ not interchangeable; ← new for old; → old for new

REF.No	Part No.	Description	Q'ty	S.No.	I/C	REMARKS	Weight (kgf)	Weight (lb)
001	15531-14510	COVER,CYLINDER HEAD	1				0.66	1.452
002	15381-14520	GASKET,HEAD COVER	1				0.005	0.011
003	15951-92330	NUT,CAP	3				0	0
004	15951-96660	GASKET	3				0.001	0.0022
005	15261-66630	COVER,DECOMP HOLE	3				0.023	0.0506
006	15261-66640	GASKET,HOLE COVER	3				0	0
007	01023-50614	BOLT	6				0.005	0.011
008	15531-66040	SHAFT,DECOMPRESS	1				0.2	0.44
009	15221-33140	PLUG,OIL FILTER	1				0.038	0.0836
010	04811-50300	O RING	1				0.001	0.0022
011	15261-66350	BOLT,DECOMPRESS	3				0.002	0.0044
012	02056-50050	NUT	3				0.002	0.0044
013	04811-00080	O RING	1				0.001	0.0022
014	15261-66190	HOLDER,DECOMP WIRE	1				0.03	0.066
015	01023-50614	BOLT	2				0.005	0.011
016	15221-66280	SPRING,DECOMPRESS	1				0.008	0.0176
017	15221-66410	BOLT	1				0.005	0.011
018	04512-50060	WASHER,SPRING	1				0	0

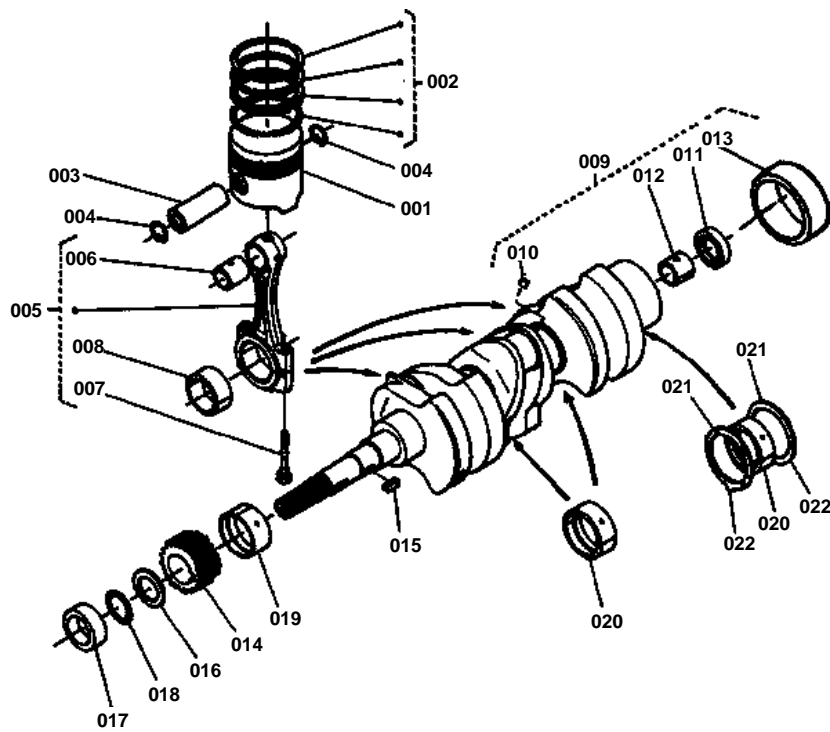




CAMSHAFT TRACTOR S.No.:B7100HST-D <=60163,B7100HST-E <=20024

↔ Interchangeable; ≠ not interchangeable; ← new for old; → old for new

REF.No	Part No.	Description	Q'ty	S.No.	I/C	REMARKS	Weight (kgf)	Weight (lb)
001	15261-15550	TAPPET	6				0.03	0.066
002	15261-15110	ROD,PUSH	6				0.022	0.0484
003	15381-16010	ASSY CAMSHAFT	1			REF.NO.004 TO 009	1.045	2.299
004	15381-16150	CAMSHAFT	1				0.95	2.09
005	15261-96880	PLUG,BLIND	2				0.002	0.0044
006	15261-16510	GEAR,CAMSHAFT	1				0.354	0.7788
007	05712-00515	KEY,FEATHER	1				0.003	0.0066
008	15261-16270	STOPPER,CAMSHAFT	1				0.034	0.0748
009	04612-00180	CIR-CLIP,EXTERNAL	1				0.001	0.0022
010	01023-50614	BOLT	2				0.005	0.011
011	15261-24010	ASSY GEAR,IDLE	1			REF.NO.012	0.59	1.298
012	15261-24980	BUSH,IDLE GEAR	2				0.006	0.0132
013	15261-24360	COLLAR,IDLE GEAR 1	1				0.008	0.0176
014	15261-24370	COLLAR,IDLE GEAR 2	1				0.008	0.0176
015	15261-24320	CIR-CLIP,IDLE GEAR	1				0.004	0.0088
016	15261-24250	SHAFT,IDLE GEAR	1				0.2	0.44
017	01023-50616	BOLT	3				0.005	0.011
018	15231-87130	GASKET,O/P PUMP	1				0	0
019	01123-50822	BOLT	3				0.012	0.0264
020	01513-50822	STUD	1				0.01	0.022
021	04512-50080	WASHER,SPRING	1				0	0
022	02156-50080	NUT	1				0.004	0.0088
023	66621-36100	ASSY GEAR,PUMP	1				0	0
023	67211-76100	ASSY GEAR,PUMP	1	>=1001			1.45	3.19
024	15261-54090	ASSY APPARATUS,I/D.	1			REF.NO.025,028 TO 031	0.027	0.0594
025	15261-54100	ASSY BOLT,ADJUSTING	1			REF.NO.026,027	0.008	0.0176
026	99999-99999	BLANK	0			ORDER BY REF.NO.025	0	0
027	99999-99999	BLANK	0			ORDER BY REF.NO.025	0	0
028	15261-92020	NUT	1				0.004	0.0088
029	15261-92330	NUT,CAP	1				0.01	0.022
030	15021-33660	GASKET	2				0.001	0.0022
031	15261-54270	CAP	1				0.002	0.0044

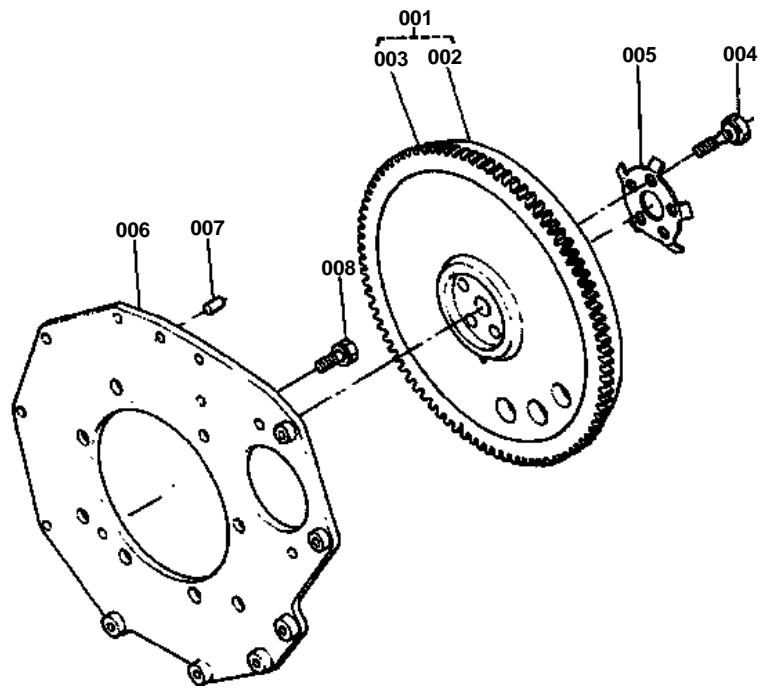




PISTON,CRANKSHAFT TRACTOR S.No.:B7100HST-D <=60163,B7100HST-E <=20024

↔ Interchangeable; ≠ not interchangeable; ← new for old; → old for new

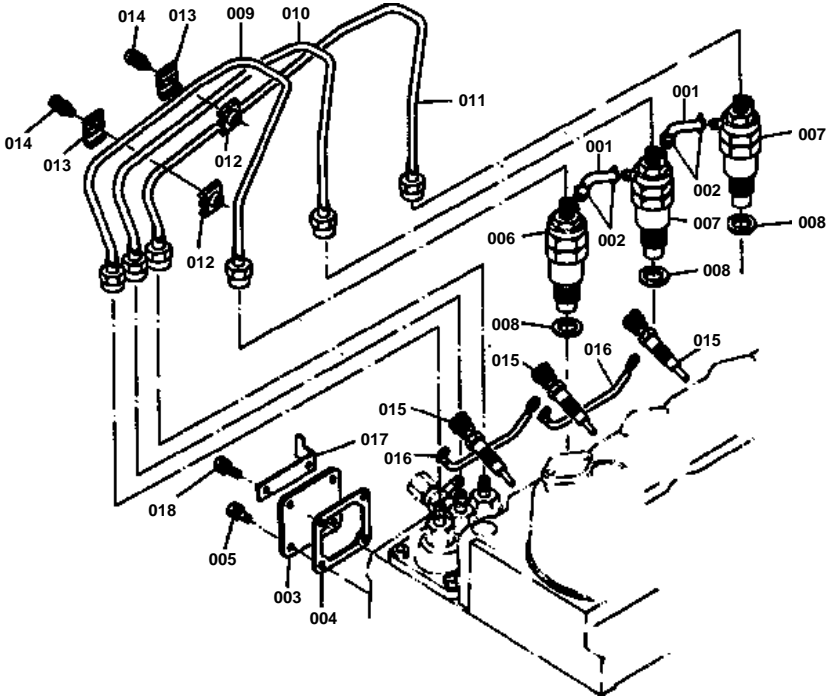
REF.No	Part No.	Description	Q'ty	S.No.	I/C	REMARKS	Weight (kgf)	Weight (lb)
001	15261-21110	PISTON	3			STD	0.304	0.6688
001	15261-21910	PISTON	3			+0.5MM	0.3	0.66
002	15271-21050	ASSY RINGS,PISTON	3			STD	0.026	0.0572
002	15271-21090	ASSY RINGS,PISTON	3			+0.5MM	0.04	0.088
003	15261-21310	PISTON PIN	3				0.102	0.2244
004	15261-21330	CIR-CLIP,PISTON PIN	6				0.001	0.0022
005	15261-22010	ASSY CONNECTING ROD	3			REF.NO.006 TO 008	0	0
005	15531-22010	ASSY CONNECTING ROD	3	>=1001		REF.NO.006 TO 008	0	0
006	15261-21980	BUSH,PISTON PIN	3				0.012	0.0264
007	15261-22140	BOLT,CONNECTING ROD	6				0	0
008	15261-22310	METAL,CRANKPIN	3			STD SET	0	0
008	15531-22310	METAL,CRANKPIN	3	>=1001		STD SET	0	0
008	15531-22970	METAL,CRANKPIN	3			-0.2MM SET	0	0
008	15531-22980	METAL,CRANKPIN	3			-0.4MM SET	0	0
009	15371-23010	ASSY CRANKSHAFT	1	<=188651		REF.NO.010 TO 012	0	0
009	15372-23010	ASSY CRANKSHAFT	1	>=188652		REF.NO.010 TO 013	8	17.6
010	15131-01380	PLUG,PIN	3				0.001	0.0022
011	09400-14247	SEAL,OIL	1				0.004	0.0088
012	66621-14120	BEARING,DRY	1				0.006	0.0132
013	19215-23280	SLEEVE,CRANKSHAFT	1	>=188652			0.05	0.11
014	15261-24110	GEAR,CRANKSHAFT	1				0.164	0.3608
015	05712-00515	KEY,FEATHER	1				0.003	0.0066
016	15261-23310	SLINGER.OIL	1				0.008	0.0176
017	15261-23250	COLLAR,CRANKSHAFT	1	<=188651			0	0
017	15956-23250	COLLAR,CRANKSHAFT	1	>=188652			0	0
018	04811-10220	O RING	1				0.001	0.0022
019	15261-23470	METAL,CRANKSHAFT 1	1			STD	0	0
019	15261-23910	METAL,CRANKSHAFT 1	1			-0.2MM	0	0
019	15261-23920	METAL,CRANKSHAFT 1	1			-0.4MM	0	0
020	15261-23480	METAL,CRANKSHAFT 2	3			STD SET	0	0
020	15261-23930	METAL,CRANKSHAFT 2	3			-0.2MM SET	0	0
020	15261-23940	METAL,CRANKSHAFT 2	3			-0.4MM SET	0	0
021	15261-23530	METAL,SIDE 1	2			STD	0.006	0.0132
021	15261-23950	METAL,SIDE 1	2			+0.2MM	0.006	0.0132
021	15261-23960	METAL,SIDE 1	2			+0.4MM	0.007	0.0154
022	15261-23540	METAL,SIDE 2	2			STD	0.007	0.0154
022	15261-23970	METAL,SIDE 2	2			+0.2MM	0.006	0.0132
022	15261-23980	METAL,SIDE 2	2			+0.4MM	0.007	0.0154





↔ Interchangeable; ≠ not interchangeable; ← new for old; → old for new

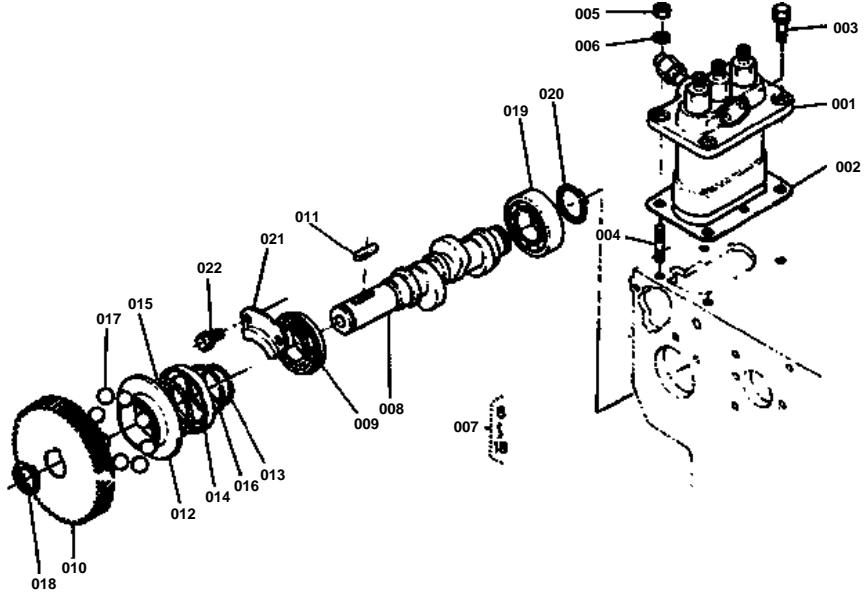
REF.No	Part No.	Description	Q'ty	S.No.	I/C	REMARKS	Weight (kgf)	Weight (lb)
001	15375-25010	ASSY FLYWHEEL	1			REF.NO.002,003	0	0
002	99999-99999	BLANK	0			ORDER BY REF.NO.001	0	0
003	15261-63820	GEAR,RING	1				0	0
004	15261-25160	BOLT,FLYWHEEL	5				0.03	0.066
005	15261-25170	WASHER,FLYWHEEL	1				0.02	0.044
006	15261-04620	PLATE,REAR END	1				2.71	5.962
007	05012-00814	PIN,STRAIGHT	1				0.006	0.0132
008	15261-91190	BOLT	8				0.03	0.066



**NOZZLE HOLDER TRACTOR S.No.:B7100HST-D <=60163,B7100HST-E <=20024**

↔ Interchangeable; ≠ not interchangeable; ← new for old; → old for new

REF.No	Part No.	Description	Q'ty	S.No.	I/C	REMARKS	Weight (kgf)	Weight (lb)
001	15261-42510	PIPE,FUEL OVER FLOW	2				0.004	0.0088
002	14971-42750	CLIP,PIPE	4				0.001	0.0022
003	15241-51650	COVER,INJECTION PUMP	1				0.082	0.1804
004	15231-05130	GASKET,BREATHER	1				0	0
005	01023-50614	BOLT	2				0.005	0.011
006	15271-53000	ASSY HOLDER,NOZZLE 1	1				0.26	0.572
007	15271-53020	ASSY HOLDER,NOZZLE 2	2				0.26	0.572
008	17011-53620	GASKET	3				0.003	0.0066
009	15261-53710	PIPE,INJECTION 1	1				0.103	0.2266
010	15261-53720	PIPE,INJECTION 2	1				0.1	0.22
011	15381-53730	PIPE,INJECTION 3	1				0.102	0.2244
012	15121-53850	CLAMP,PIPE 1	2				0	0
013	15121-53860	CLAMP,PIPE 2	2				0	0
014	03024-50520	SCREW,WITH WASHER	2				0.004	0.0088
015	15261-65510	GLOW PLUG	3				0.03	0.066
016	15261-65560	CODE,GLOW PLUG	2				0.005	0.011
017	66711-43290	BRACKET	1				0.039	0.0858
018	01023-50616	BOLT	2				0.005	0.011

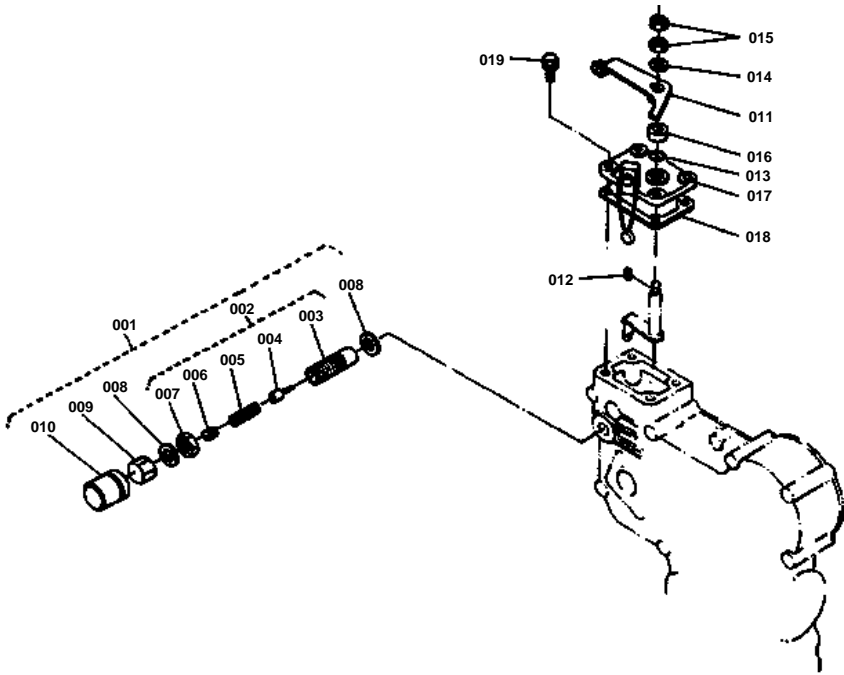




INJECTION PUMP TRACTOR S.No.:B7100HST-D <=60163,B7100HST-E <=20024

↔ Interchangeable; ≠ not interchangeable; ← new for old; → old for new

REF.No	Part No.	Description	Q'ty	S.No.	I/C	REMARKS	Weight (kgf)	Weight (lb)
001	15381-51010	PUMP,INJECITON	1				2.16	4.752
002	15381-52100	SHIM,INJECTION PUMP	1				0.022	0.0484
003	01123-50822	BOLT	2				0.012	0.0264
004	15221-91530	STUD	2				0.011	0.0242
005	02156-50080	NUT	2				0.004	0.0088
006	04512-50080	WASHER,SPRING	2				0	0
007	15381-16020	CAMSHAFT,FUEL	1			REF.NO.008 TO 018	1.1	2.42
008	15381-16170	CAMSHAFT,FUEL	1				0.42	0.924
009	08153-06004	BEARING,BALL	1				0.07	0.154
010	15261-51150	GEAR,INJECTION PUMP	1				0.463	1.0186
011	05712-00520	KEY,FEATHER	1				0.004	0.0088
012	15261-55450	SLEEVE,GOVERNOR	1				0.058	0.1276
013	15261-55470	CIR-CLIP	1				0.002	0.0044
014	15261-55690	CASE,GOVERNOR BALL	1				0	0
015	07715-03205	BALL	30				0.001	0.0022
016	15261-55740	CIR-CLIP	1				0.002	0.0044
017	07715-03217	BALL	8				0.01	0.022
018	04612-00180	CIR-CLIP,EXTERNAL	1				0.001	0.0022
019	08103-06004	BEARING,BALL	1				0.066	0.1452
020	04612-00200	CIR-CLIP,EXTERNAL	1				0.001	0.0022
021	15261-16320	STOPPER,FUEL C/SHAFT	1				0.037	0.0814
022	01023-50612	BOLT	2				0.005	0.011

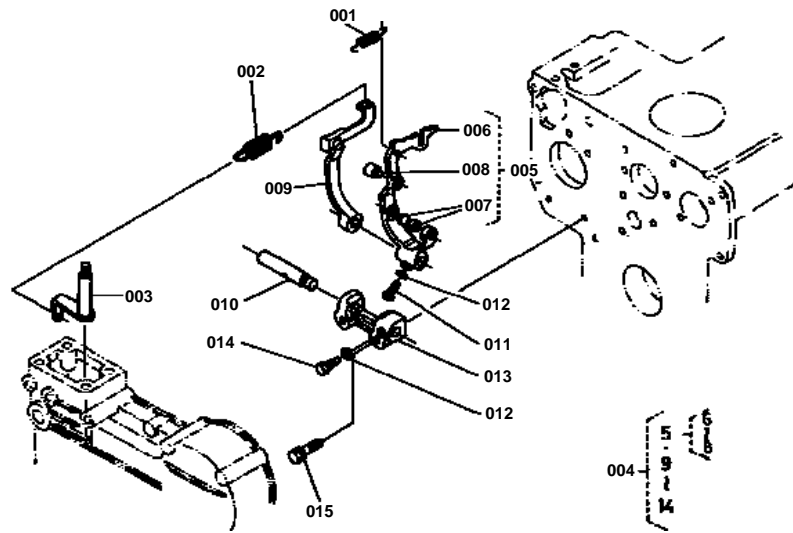




SPEED CONTROL PLATE TRACTOR S.No.:B7100HST-D <=60163,B7100HST-E
<=20024

↔ Interchangeable; ≠ not interchangeable; ← new for old; → old for new

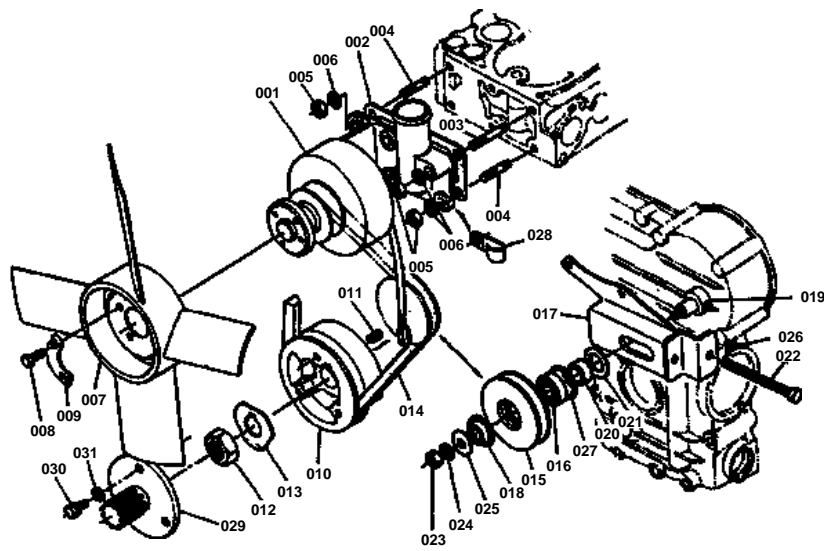
REF.No	Part No.	Description	Q'ty	S.No.	I/C	REMARKS	Weight (kgf)	Weight (lb)
001	15371-54020	ASSY APPARATUS	1			REF.NO.002,008 TO 010	0.055	0.121
002	15371-54030	ASSY APPARATUS,SUB	1			REF.NO.003 TO 007	0.031	0.0682
003	99999-99999	BLANK	0			ORDER BY REF.NO.002	0	0
004	99999-99999	BLANK	0			ORDER BY REF.NO.002	0	0
005	15371-54230	SPRING	1				0.002	0.0044
006	14301-54430	SCREW,SET	1				0.001	0.0022
007	15261-54370	NUT,LOCK	1				0.007	0.0154
008	15109-33660	GASKET	2				0.001	0.0022
009	15261-54220	NUT,CAP	1				0.02	0.044
010	14301-54420	CAP	1				0.005	0.011
011	15371-57150	LEVER,SPEED CONTROL	1				0.035	0.077
012	15261-95010	KEY,FEATHER	1				0.001	0.0022
013	04811-00070	O RING	1				0.001	0.0022
014	04013-50060	WASHER,PLAIN	1				0	0
015	02012-50060	NUT	2				0	0
016	15261-57380	PLATE,COMPRESSION	1				0	0
017	15261-57110	PLATE,SPEED CONTROL	1				0.06	0.132
018	15261-57210	GASKET,CONTROL PLATE	1				0	0
019	01023-50620	BOLT	4				0.006	0.0132





↔ Interchangeable; ≠ not interchangeable; ← new for old; → old for new

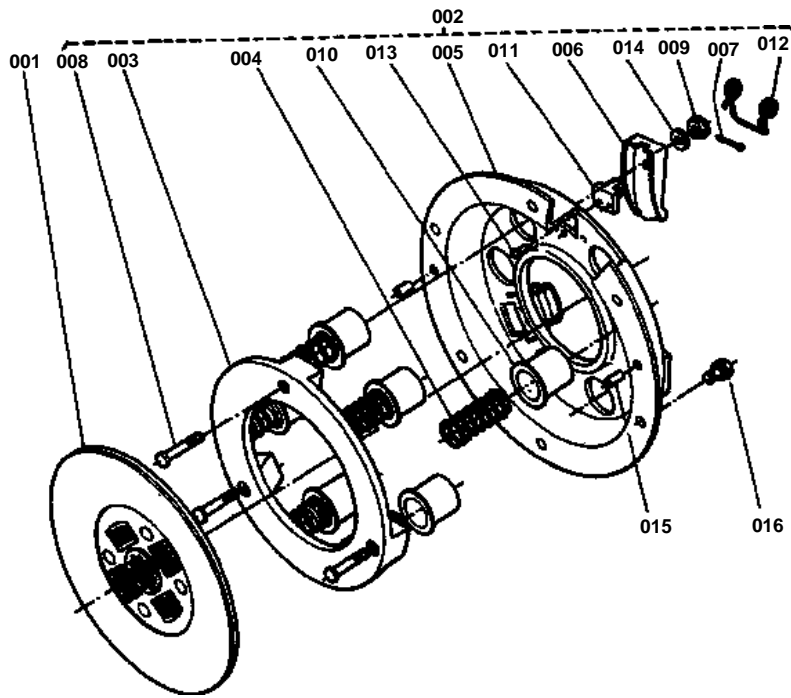
REF.No	Part No.	Description	Q'ty	S.No.	I/C	REMARKS	Weight (kgf)	Weight (lb)
001	15221-56480	SPRING,START	1				0.008	0.0176
002	15371-56410	SPRING,GOVERNOR	1				0.006	0.0132
003	15261-56020	LEVER,GOVERNOR	1				0.026	0.0572
004	15381-56050	ASSY LEVER,FORK	1			REF.NO.005,009 TO 014	0.254	0.5588
005	15381-56040	ASSY,FORK LEVER 1	1			REF.NO.006 TO 008	0.114	0.2508
006	99999-99999	BLANK	0			ORDER BY REF.NO.005	0	0
007	99999-99999	BLANK	0			ORDER BY REF.NO.005	0	0
008	99999-99999	BLANK	0			ORDER BY REF.NO.005	0	0
009	15261-56130	LEVER,FORK 2	1				0.063	0.1386
010	15261-56150	SHAFT,FORK LEVER	1				0.032	0.0704
011	01053-50516	BOLT	1				0.003	0.0066
012	04512-50050	WASHER,SPRING	2				0	0
013	15261-56230	HOLDER,FORK LEVER	1				0.038	0.0836
014	15261-66410	BOLT	1				0.003	0.0066
015	01023-50628	BOLT	2				0.015	0.033





↔ Interchangeable; ≠ not interchangeable; ← new for old; → old for new

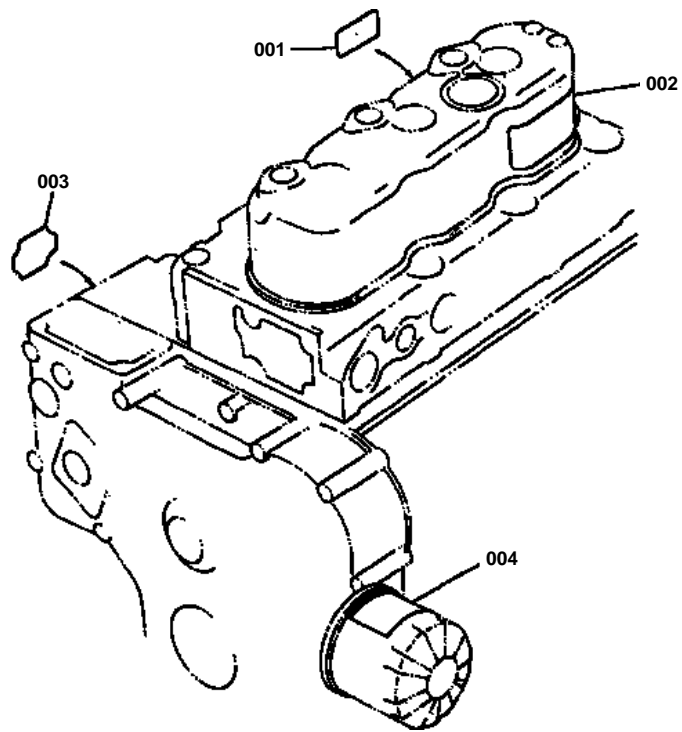
REF.No	Part No.	Description	Q'ty	S.No.	I/C	REMARKS	Weight (kgf)	Weight (lb)
001	15372-64010	DYNAMO	1				1.7	3.74
002	15261-72920	GASKET,WATER FLANGE	1				0	0
003	01513-50645	STUD	1				0.011	0.0242
004	01513-50616	STUD	5				0.004	0.0088
005	02056-50060	NUT	6				0.002	0.0044
006	04512-50060	WASHER,SPRING	6				0	0
007	15553-74110	FAN	1				0.3	0.66
008	01053-50610	BOLT	4				0.004	0.0088
009	15131-74230	WASHER,FAN	2				0.005	0.011
010	15372-74280	PULLEY,FAN DRIVE	1				0.9	1.98
011	05712-00515	KEY,FEATHER	1				0.003	0.0066
012	15261-23360	NUT,CRANKSHAFT	1				0.034	0.0748
013	15372-23380	WASHER,CRANKSHAFT	1				0.007	0.0154
014	15231-72530	BELT,FAN	1				0.066	0.1452
015	14301-74320	PULLEY,TENSION	1				0	0
016	15271-74190	BEARING,BALL	1				0.065	0.143
017	15371-74410	SUPPORT,TENSION PUL.	1				0.33	0.726
018	15231-74770	COVER,TENSION PUL.A	1				0.004	0.0088
019	15231-74330	SHAFT,TENSION PULLEY	1				0.093	0.2046
020	15261-74430	COLLAR,TENSION PUL.	1				0.013	0.0286
021	14301-74780	COVER,TENSION PUL.2	1				0.005	0.011
022	15371-74970	BOLT,TENSION	1				0.032	0.0704
023	02018-50100	NUT	1				0.011	0.0242
024	04512-50100	WASHER,SPRING	1				0	0
025	04013-50100	WASHER,PLAIN	1				0	0
026	99999-99999	BLANK	0			OBTAINED LOCALLY	0	0
027	04611-00400	CIR-CLIP,INTERNAL	1				0.005	0.011
028	15272-67570	CLAMP,CORD	1				0.003	0.0066
029	66704-88530	FLANGE,PTO	1				0.4	0.88
030	01123-50825	BOLT	3				0.013	0.0286
031	04013-50080	WASHER,PLAIN	3				0	0



**CLUTCH TRACTOR S.No.:B7100HST-D <=60163,B7100HST-E <=20024**

↔ Interchangeable; ≠ not interchangeable; ← new for old; → old for new

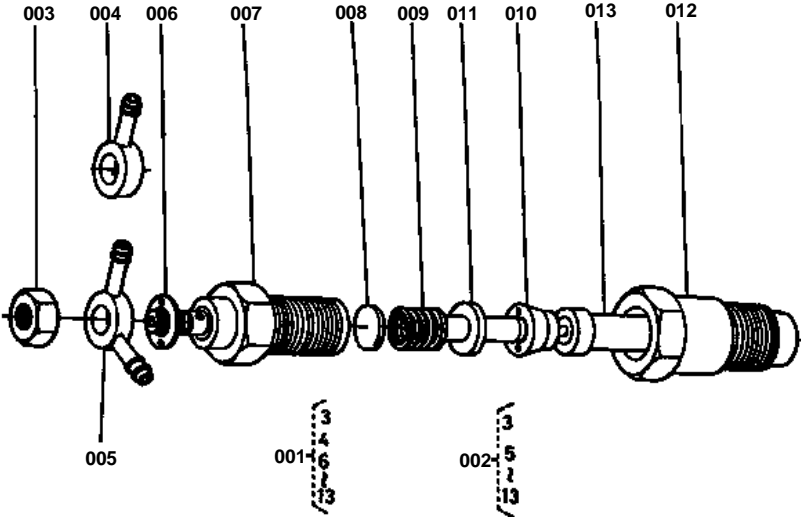
REF.No	Part No.	Description	Q'ty	S.No.	I/C	REMARKS	Weight (kgf)	Weight (lb)
001	66591-13300	ASSY DISK,CLUTCH	1				0.9	1.98
002	66591-13400	ASSY PLATE,PRESSURE	1			REF.NO.003 TO 014	3.1	6.82
003	99999-99999	BLANK	0			ORDER BY REF.NO.002	0	0
004	66591-13310	SPRING,PRESSURE	6				0.058	0.1276
005	99999-99999	BLANK	0			ORDER BY REF.NO.002	0	0
006	32200-14540	LEVER,CLUTCH	3				0.05	0.11
007	32200-14500	PIN,SPLIT	3				3.1	6.82
008	32200-14570	BOLT	3				0.009	0.0198
009	32130-14580	NUT	3				0.003	0.0066
010	32130-14590	CAP,PRESSURE SPRING	6				0.024	0.0528
011	32130-14620	SEAT,LEVER	3				0.017	0.0374
012	32130-14630	SPRING,RETURN	3				0.006	0.0132
013	32130-14640	RIVET	6				0.001	0.0022
014	32130-14650	WASHER,RELEASE YOKE	3				0.002	0.0044
015	05012-00614	PIN,STRAIGHT	2				0.004	0.0088
016	01123-50816	BOLT	6				0.011	0.0242





↔ Interchangeable; ≠ not interchangeable; ← new for old; → old for new

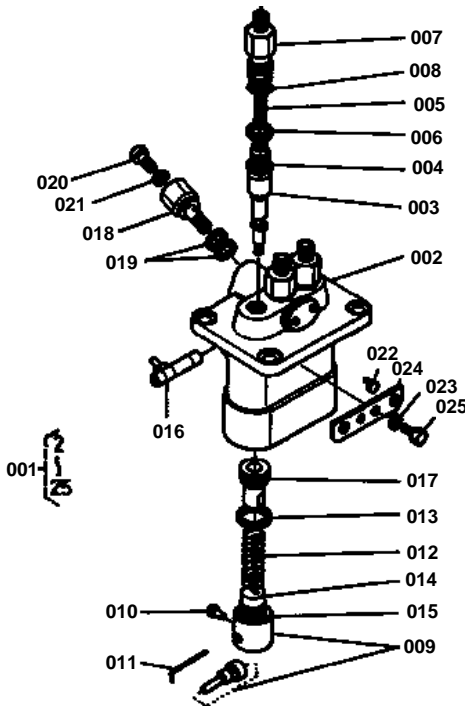
REF.No	Part No.	Description	Q'ty	S.No.	I/C	REMARKS	Weight (kgf)	Weight (lb)
001	15232-88210	LABEL,GLOW PLUG	1				0.001	0.0022
002	15372-87310	LABEL,OIL	1				0.001	0.0022
003	15372-87230	LABEL,INSTRUCTION	1				0.001	0.0022
004	15372-87210	LABEL,INSTRUCTION	1				0.001	0.0022



**NOZZLE HOLDER TRACTOR S.No.:B7100HST-D <=60163,B7100HST-E <=20024**

↔ Interchangeable; ≠ not interchangeable; ← new for old; → old for new

REF.No	Part No.	Description	Q'ty	S.No.	I/C	REMARKS	Weight (kgf)	Weight (lb)
001	15271-53000	ASSY HOLDER, NOZZLE 1	1			REF.NO.003,004 AND 006 TO 013	0.26	0.572
002	15271-53020	ASSY HOLDER, NOZZLE 2	2			REF.NO.003,005 TO 013	0.26	0.572
003	15221-92020	NUT	3				0.011	0.0242
004	15221-95680	JOINT,EYE 1	1				0.021	0.0462
005	15221-95690	JOINT,EYE 2	2				0.022	0.0484
006	15221-94020	WASHER,PLAIN	3				0.002	0.0044
007	99999-99999	BLANK	0			ORDER BY REF.NO.001 OR 002	0	0
008	15221-53230	WASHER,ADJUSTING	3				0.001	0.0022
009	15221-53170	SPRING,NOZZLE	3				0.01	0.022
010	15221-53350	PIECE,DISTANCE	3				0.016	0.0352
011	15221-53160	ROD,PUSH	3				0.003	0.0066
012	15221-53280	NUT,NOZZLE	3				0.068	0.1496
013	15021-53610	PIECE,NOZZLE	3				0	0

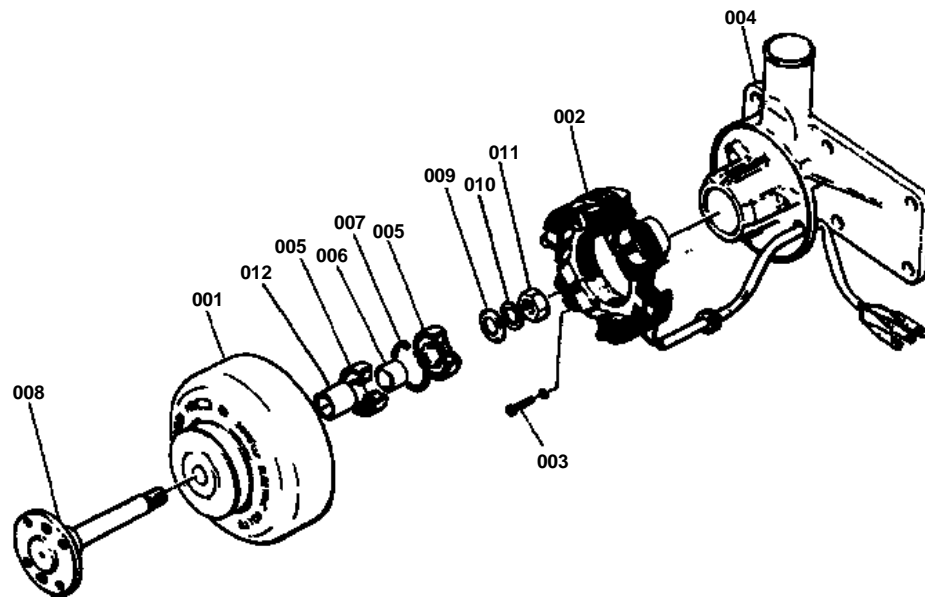




INJECTION PUMP TRACTOR S.No.:B7100HST-D <=60163,B7100HST-E <=20024

↔ Interchangeable; ≠ not interchangeable; ← new for old; → old for new

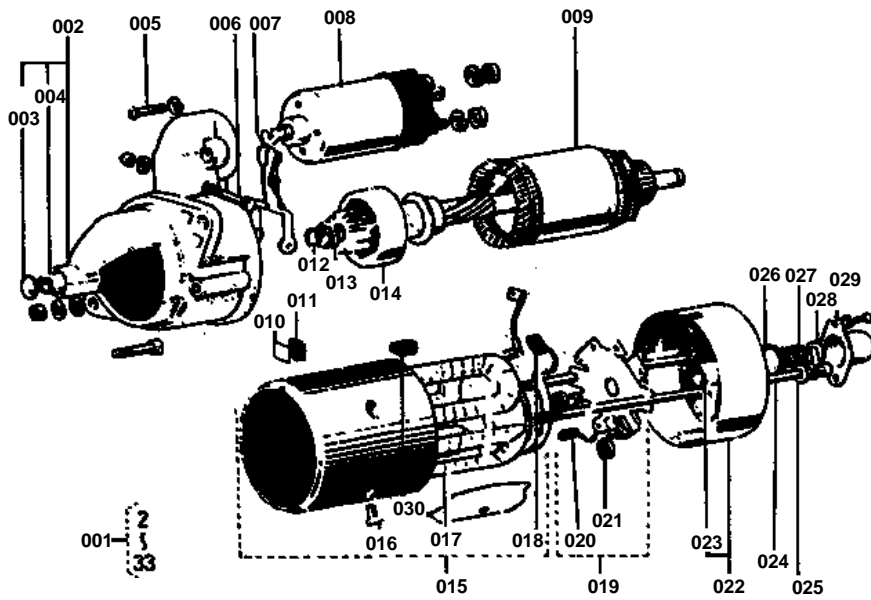
REF.No	Part No.	Description	Q'ty	S.No.	I/C	REMARKS	Weight (kgf)	Weight (lb)
001	15381-51010	ASSY PUMP,INJECTION	1			REF.NO.002 TO 025	2.16	4.752
002	99999-99999	BLANK	0			ORDER BY REF.NO.001	0	0
003	15261-51050	ELEMENT,PUMP	3				0.04	0.088
004	15261-51030	VALUE,DELIVERY VALVE	3				0.011	0.0242
005	15331-51230	SPRING,DELIV.VALVE	3				0.001	0.0022
006	15331-51240	GASKET,DELIV.VALVE	3				0.001	0.0022
007	15331-51220	HOLDER,DELIV.VALVE	3				0.053	0.1166
008	15331-96760	O RING	3				0.001	0.0022
009	15331-51070	ASSY TAPPET	3				0.036	0.0792
010	15331-51250	PIN,TAPPET GUIDE	3				0.001	0.0022
011	15331-51430	PIN,CLAMP	1				0.001	0.0022
012	15331-51280	SPRING,PLUNGER	3				0	0
013	15331-51270	SEAT,SPRING UPPER	3				0.001	0.0022
014	15331-51290	SEAT,SPRING UNDER	3				0.001	0.0022
015	15381-51490	SHIM	3				0.008	0.0176
016	15331-51060	RACK,CONTROL	1				0.036	0.0792
017	15331-51380	SLEEVE,CONTROL	3				0.012	0.0264
018	15241-51320	SCREW	1				0.034	0.0748
019	15331-96650	GASKET	2				0.001	0.0022
020	15331-51350	SCREW,AIR BREEDER	1				0	0
021	15331-96660	GASKET	1				0.001	0.0022
022	15331-51480	COLLAR	2				0.005	0.011
023	15381-94090	WASHER,SPRING	2				0.002	0.0044
024	15381-51390	PLATE,ADJUSTING	1				0.008	0.0176
025	15331-91010	BOLT	2				0.034	0.0748





↔ Interchangeable; ≠ not interchangeable; ← new for old; → old for new

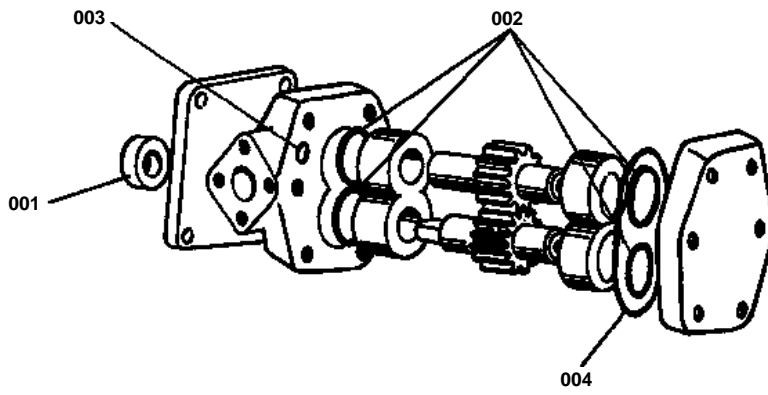
REF.No	Part No.	Description	Q'ty	S.No.	I/C	REMARKS	Weight (kgf)	Weight (lb)
001	15372-64040	ROTOR	1				0.95	2.09
002	15372-64290	ASSY STATOR	1				0.23	0.506
003	15261-93010	SCREW	2				0.003	0.0066
004	15372-64360	BASE,STATOR	1				0	0
005	15531-74180	BEARING,BALL	1				0.04	0.088
006	15261-64150	COLLAR	1				0.02	0.044
007	15261-95470	CIR-CLIP,INTERNAL	1				0.002	0.0044
008	15372-74140	SHAFT,FAN	1				0.22	0.484
009	15261-94020	WASHER,PLAIN	1				0.007	0.0154
010	15261-94070	WASHER,SPRING	1				0.003	0.0066
011	15261-92030	NUT	1				0.01	0.022
012	15261-64140	COLLAR	1				0.025	0.055



**STARTER TRACTOR S.No.:B7100HST-D <=60163,B7100HST-E <=20024**

↔ Interchangeable; ≠ not interchangeable; ← new for old; → old for new

REF.No	Part No.	Description	Q'ty	S.No.	I/C	REMARKS	Weight (kgf)	Weight (lb)
001	15231-63010	ASSY STARTER	1			REF.NO.002 TO 033	0	0
002	15231-63030	DRIVE END FRAME	1				0.45	0.99
003	15231-63220	CAP,END FRAME	1				0.001	0.0022
004	17016-63250	BUSH	1				0.006	0.0132
005	15221-91370	SCREW	2				0.01	0.022
006	15221-91020	BOLT	1				0.01	0.022
007	15221-63050	LEVER,DRIVE	1				0.044	0.0968
008	15231-63020	MAGNET,SWITCH	1				0.692	1.5224
009	15231-63072	ARMATURE	1				1.635	3.597
010	15231-63680	PLATE,INSULATOR	1				0.007	0.0154
011	15231-63690	WASHER,INSULATOR	1				0.004	0.0088
012	15221-94820	CIR-CLIP,EXTERNAL	1				0.001	0.0022
013	15321-63250	COLLAR	1				0.005	0.011
014	15231-63040	CLUTCH	1				0.28	0.616
015	15231-63080	YOKE	1				1.8	3.96
016	15221-91380	SCREW	4				0.008	0.0176
017	15221-63090	COIL,FIELD	1				0	0
018	15221-63370	BRUSH	1				0.006	0.0132
019	15221-63380	HOLDER,BRUSH	1				0.13	0.286
020	15221-63360	BRUSH	1				0.006	0.0132
021	15221-63390	SPRING,BRUSH	2				0.003	0.0066
022	15221-63200	END FRAME	1				0.254	0.5588
023	15221-63250	BUSH	1				0.006	0.0132
024	15221-63320	BOLT,THROUGH	2				0.017	0.0374
025	15231-94030	WASHER,PLAIN	2				0.002	0.0044
026	15221-63520	PACKING	1				0.005	0.011
027	15221-63490	SPRING,RETURN	1				0.004	0.0088
028	15221-94030	HOLDER,SPRING	1				0.003	0.0066
029	15221-63510	CAP,END FRAME	1				0.01	0.022
030	15221-96680	BUSH,INSULATOR	1				0.002	0.0044
031	15231-94040	WASHER,PLAIN	1				0.002	0.0044
032	15321-94010	WASHER,PLAIN	1				0.001	0.0022
033	15231-94040	WASHER,PLAIN	1				0.002	0.0044

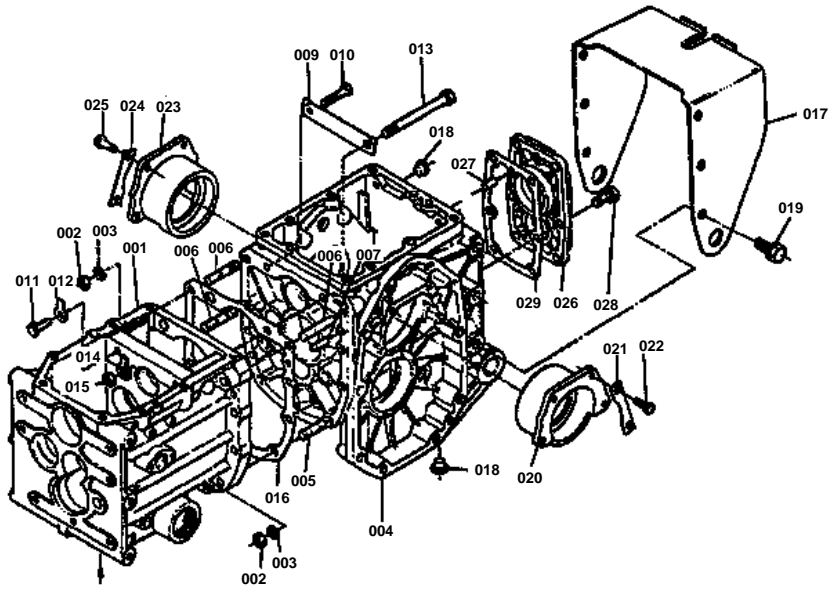




OIL PRESSURE PUMP TRACTOR S.No.:B7100HST-D <=60163,B7100HST-E
<=20024

↔ Interchangeable; ≠ not interchangeable; ← new for old; → old for new

REF.No	Part No.	Description	Q'ty	S.No.	I/C	REMARKS	Weight (kgf)	Weight (lb)
001	67211-76190	SEAL,OIL	1				0	0
002	04810-00220	O RING	4				0.001	0.0022
003	04810-00050	O RING	1				0.001	0.0022
004	04810-50500	O RING	1				0.005	0.011



REF. No. 8 06311-75012

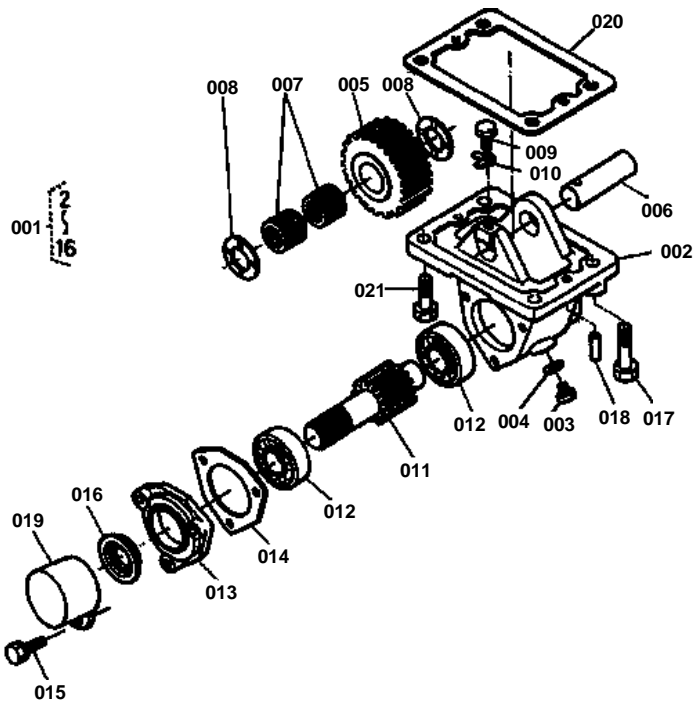




TRANSMISSION CASE TRACTOR S.No.:B7100HST-D <=60163,B7100HST-E
<=20024

↔ Interchangeable; ≠ not interchangeable; ← new for old; → old for new

REF.No	Part No.	Description	Q'ty	S.No.	I/C	REMARKS	Weight (kgf)	Weight (lb)
001	66204-11110	CASE TRANSMISSION	1				0	0
002	02118-50100	NUT	9				0.005	0.011
003	04512-50100	WASHER,SPRING	9				0	0
004	66611-11127	CASE,DIFFERENTIAL	1	<=11720			8	17.6
004	66611-11129	CASE,DIFFERENTIAL	1	>=10001			0	0
005	01555-51035	STUD	6				0.029	0.0638
006	01555-51050	STUD	3				0.038	0.0836
007	66611-11160	PIN,KNOCK	2				0.01	0.022
008	06311-75012	PLUG,EXPANSION	2	<=11720			0.002	0.0044
009	66591-11440	PLATE,LOCK	1				0.014	0.0308
010	01153-50838	BOLT	1				0.017	0.0374
011	01153-50825	BOLT	1				0.012	0.0264
012	04111-50080	WASHER,TONGUED	1				0.001	0.0022
013	66204-11140	BOLT	1				0.097	0.2134
014	04111-50100	WASHER,TONGUED	1				0.003	0.0066
015	02118-50100	NUT	1				0.005	0.011
016	66611-11130	GASKET	1				0	0
017	66704-11214	COVER,PTO	1				1.5	3.3
018	67111-11140	PLUG M12	4				0	0
018	67211-11140	PLUG M12	4	>=10001			0.001	0.0022
019	01123-51235	BOLT	6				0.041	0.0902
020	66611-11510	HOLDER,DIFF.BRG.LH	1				0.78	1.716
021	66611-11520	PLATE,LOCK	2				0.01	0.022
022	01150-50820	BOLT	4				0.011	0.0242
023	66611-11812	HODER,DIFF.BRG.RH	1				0.72	1.584
024	66611-11520	PLATE,LOCK	2				0.01	0.022
025	01150-50820	BOLT	4				0.011	0.0242
026	66706-12210	COVER,REAR	1				1.21	2.662
027	05012-00816	PIN,STRAIGHT	1				0.007	0.0154
028	01120-51025	BOLT	6				0	0
029	66611-12220	GASKET	1				0	0

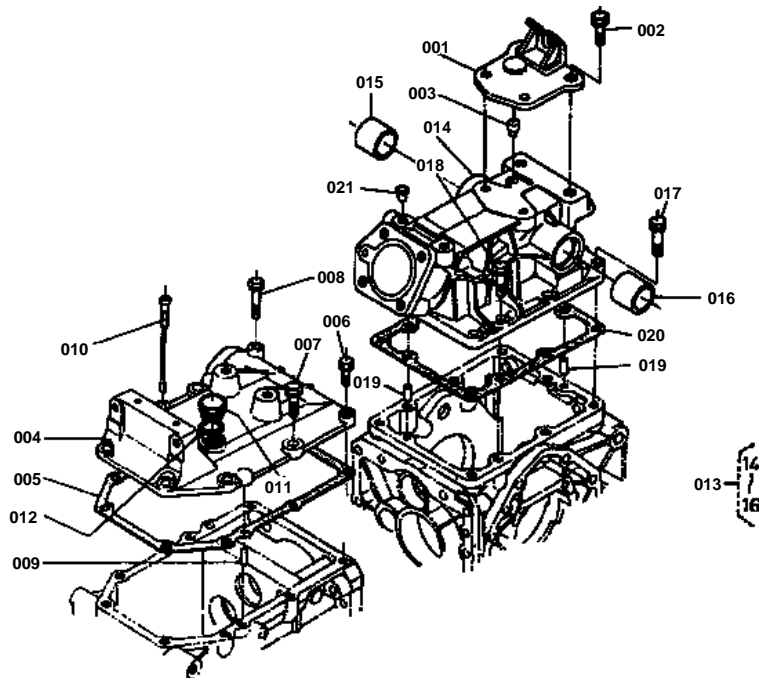




DRIVE CASE TRACTOR S.No.:B7100HST-D <=60163,B7100HST-E <=20024

↔ Interchangeable; ≠ not interchangeable; ← new for old; → old for new

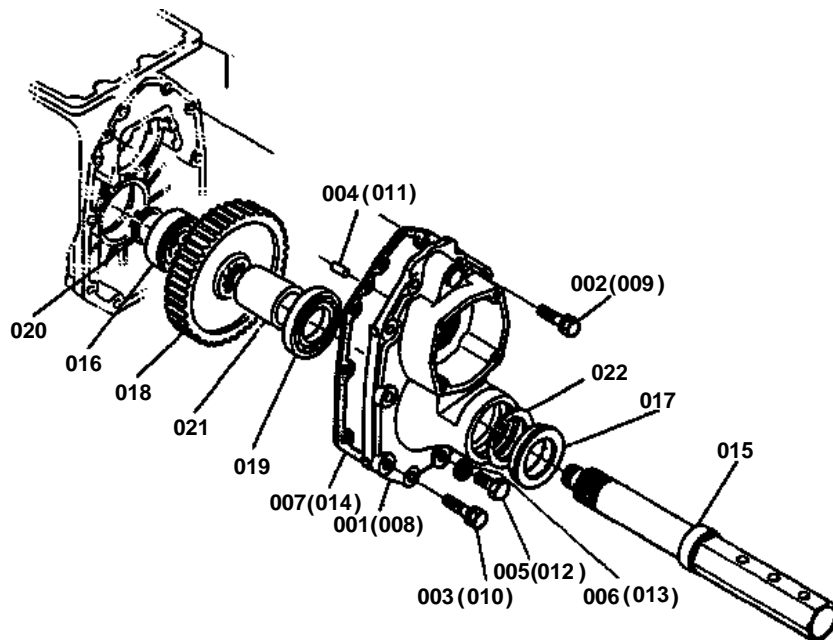
REF.No	Part No.	Description	Q'ty	S.No.	I/C	REMARKS	Weight (kgf)	Weight (lb)
001	66204-21200	KIT B7100HST MID-PTO	1	<=11219		REF.NO.002 TO 016	0	0
001	66204-21202	KIT B7100HST MID-PTO	1	>=10001		REF.NO.002 TO 016	3	6.6
002	96380-25110	CASE,DRIVE	1				1.8	3.96
003	06331-35016	PLUG	1				0.04	0.088
004	04717-01600	WASHER,SEAL	1				0.003	0.0066
005	96380-25120	GEAR 24T	1	<=11219			0	0
005	96380-25123	GEAR 24T	1	>=10001			0.69	1.518
006	96380-25130	SHAFT	1				0.166	0.3652
007	08822-23015	BEARING,NEEDLE	2				0.025	0.055
008	96380-25140	COLLAR	2				0.014	0.0308
009	01150-50814	BOLT	1				0.01	0.022
010	96380-25150	WASHER	1				0.003	0.0066
011	96380-25160	SHAFT	1				0.51	1.122
012	08101-06205	BEARING,BALL	2				0.14	0.308
013	96380-25170	COVER,CASE	1				0.195	0.429
014	96380-25180	GASKET	1				0.002	0.0044
015	01120-50825	BOLT	3				0	0
016	96380-25190	SEAL,OIL	1				0.013	0.0286
017	01123-51040	BOLT	2				0.03	0.066
018	05012-00814	PIN,STRAIGHT	2				0.006	0.0132
018	05012-00816	PIN,STRAIGHT	2	>=10001			0.007	0.0154
019	66204-21250	COVER,MID-PTO	1				0.07	0.154
020	66204-21220	GASKET	1				0	0
021	01123-51028	BOLT	2				0.025	0.055





↔ Interchangeable; ≠ not interchangeable; ← new for old; → old for new

REF.No	Part No.	Description	Q'ty	S.No.	I/C	REMARKS	Weight (kgf)	Weight (lb)
001	66611-11910	BRACKET,CHAIN	1				0.607	1.3354
002	01123-51230	BOLT	2				0.04	0.088
003	66591-11350	BREATHER	1				0.002	0.0044
004	66204-12410	COVER,CASE FRONT	1				3.6	7.92
005	66204-12450	GASKET	1				0	0
006	01120-50828	BOLT	1				0	0
007	01123-51035	BOLT	6				0.025	0.055
008	01120-50845	BOLT	1				0.02	0.044
009	05012-00816	PIN,STRAIGHT	2				0.007	0.0154
010	66591-11380	GAUGE,OIL	1				0.01	0.022
011	66591-11460	CAP	1				0.016	0.0352
012	04711-00400	GASKET	1				0.001	0.0022
012	04717-02150	GASKET	1	>=10001			0.004	0.0088
012	04713-00400	GASKET	1	>=10001			0.001	0.0022
013	66711-12500	ASSY COVER,CASE REAR	1			REF.NO.014 TO 016	0	0
014	66611-12510	COVER,CASE REAR	1				3.83	8.426
015	66591-36710	BUSH	1				0.049	0.1078
016	66591-36720	BUSH	1				0.044	0.0968
017	01123-51040	BOLT	3				0.03	0.066
018	01123-51035	BOLT	6				0.025	0.055
019	05012-00816	PIN,STRAIGHT	2				0.007	0.0154
020	66611-12520	GASKET	1				0	0
021	66591-54390	PLUG 3	2				0.001	0.0022

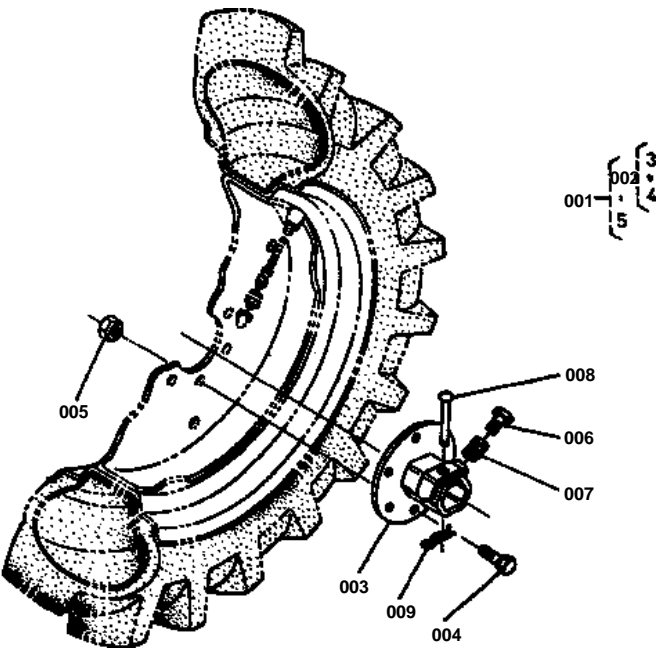




AXLE CASE TRACTOR S.No.:B7100HST-D <=60163,B7100HST-E <=20024

↔ Interchangeable; ≠ not interchangeable; ← new for old; → old for new

REF.No	Part No.	Description	Q'ty	S.No.	I/C	REMARKS	Weight (kgf)	Weight (lb)
001	66611-12614	CASE,AXLE LH	1				0	0
002	01123-51035	BOLT	4				0.025	0.055
003	01123-51250	BOLT	6				0.055	0.121
004	05012-00816	PIN,STRAIGHT	2				0.007	0.0154
005	06331-35012	PLUG	1				0.022	0.0484
006	04717-01200	WASHER,SEAL	1				0.002	0.0044
007	66591-11240	GASKET	1				0	0
008	66611-12714	CASE,AXLE RH	1				0	0
009	01123-51035	BOLT	4				0.025	0.055
010	01123-51250	BOLT	6				0.055	0.121
011	05012-00816	PIN,STRAIGHT	2				0.007	0.0154
012	06331-35012	PLUG	1				0.022	0.0484
013	04717-01200	WASHER,SEAL	1				0.002	0.0044
014	66591-11240	GASKET	1				0	0
015	66611-17114	AXLE,REAR	2				4.64	10.208
016	08101-06306	BEARING,BALL	2				0.335	0.737
017	66611-17120	SEAL,OIL	2				0.09	0.198
018	66611-17130	GEAR,SPUR 55	2				2.4	5.28
019	08101-06208	BEARING,BALL	2				0.355	0.781
020	04612-00300	CIR-CLIP,EXTERNAL	2				0.003	0.0066
021	66611-17143	COLLAR	2				0.515	1.133
022	04611-00800	CIR-CLIP,INTERNAL	2				0.02	0.044

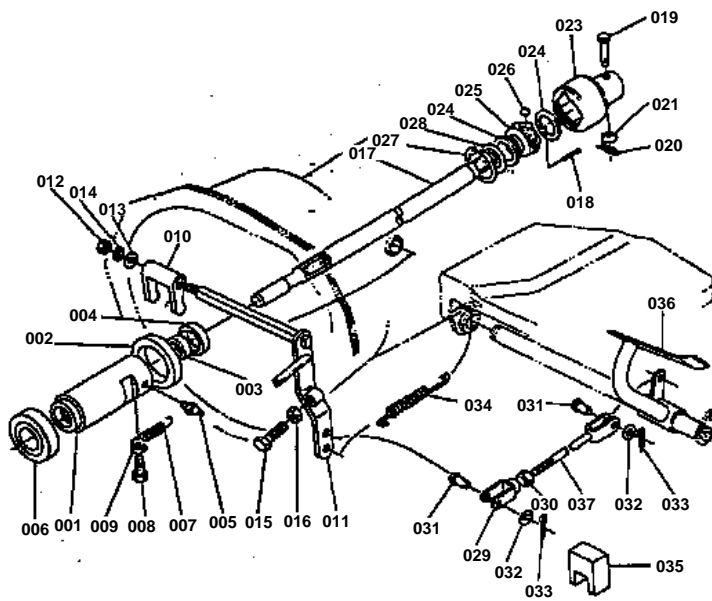




WHEEL HUB [AMERICA] TRACTOR S.No.:B7100HST-D <=60163,B7100HST-E
<=20024

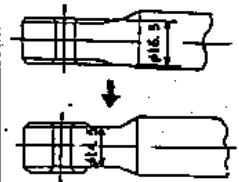
↔ Interchangeable; ≠ not interchangeable; ← new for old; → old for new

REF.No	Part No.	Description	Q'ty	S.No.	I/C	REMARKS	Weight (kgf)	Weight (lb)
001	66704-17200	ASSY HUB,WHEEL	2			REF.NO.002,005	2.95	6.49
002	66704-17300	ASSY BOLT,WHEEL HUB	2			REF.NO.003,004	0	0
003	66704-17150	HUB,WHEEL	2				2.6	5.72
004	66704-17310	BOLT	12				0	0
005	35340-11390	NUT	12				0.03	0.066
006	63733-17250	BOLT,WHEEL HUB SET	2				0.08	0.176
007	63512-17230	SPRING,SET BOLT	2				0.014	0.0308
008	66621-17160	PIN,AXLE	2				0.05	0.11
009	62131-17290	PIN,SNAP	2				0.004	0.0088



REF. No. 17 66204-1411-3

φ 16.5—14.5



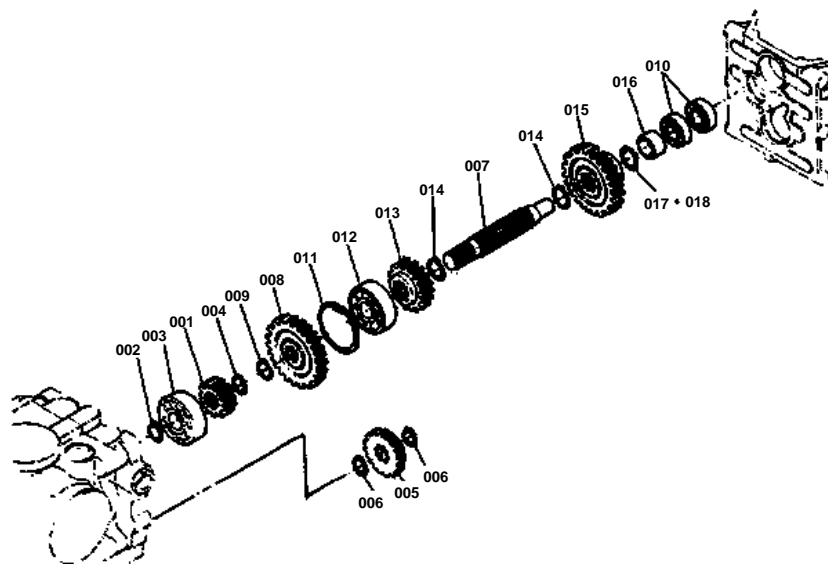
022 }
23 }
28 }



CLUTCH ROD TRACTOR S.No.:B7100HST-D <=60163,B7100HST-E <=20024

↔ Interchangeable; ≠ not interchangeable; ← new for old; → old for new

REF.No	Part No.	Description	Q'ty	S.No.	I/C	REMARKS	Weight (kgf)	Weight (lb)
001	66621-13314	HOLDER,RELEASE BRG.	1				0.63	1.386
002	66621-51420	SEAL,OIL	1				0.011	0.0242
003	09030-20328	SEAL,OIL	1				0.009	0.0198
004	09030-20357	SEAL,OIL	1				0.009	0.0198
005	06613-10675	NIPPLE,GREASE	1				0.003	0.0066
006	32150-14820	BEARING,THRUST BALL	1				0.2	0.44
007	66611-13340	SPRING,RELEASE	1				0.006	0.0132
008	01202-50610	BOLT	1				0.004	0.0088
009	04013-50060	WASHER,PLAIN	1				0	0
010	66621-13350	FORK,CLUTCH RELEASE	1				0.095	0.209
011	66204-13310	ROD,CLUTCH	1				0.42	0.924
012	02114-50080	NUT	1				0.005	0.011
013	04012-50080	WASHER,PLAIN	1				0.001	0.0022
014	04512-50080	WASHER,SPRING	1				0	0
015	66711-13320	BOLT,CLUTCH ADJUST.	1				0.028	0.0616
016	02116-50100	NUT	1				0.004	0.0088
017	66204-14110	SHAFT,PROPELLER	1	<=12448			0	0
017	66204-14113	SHAFT,PROPELLER	1	>=10001			1	2.2
018	05411-00532	PIN,SPRING	1				0.003	0.0066
019	66611-14120	PIN,JOINT	1				0	0
020	66611-14130	PIN,SET	1				0.001	0.0022
021	04717-00500	WASHER,SEAL	1				0.001	0.0022
022	66611-14100	ASSY BALL JOINT	1			REF.NO.023 TO 028	0.307	0.6754
023	66611-14140	COUPLING,BALL OUTER	1				0.2	0.44
024	66611-14150	GASKET,BALL JOINT	2				0	0
025	66611-14160	COUPLING,BALL INNER	1				0.076	0.1672
026	07715-00803	BALL	4				0.004	0.0088
027	04611-00350	CIR-CLIP,INTERNAL	1				0.003	0.0066
028	66611-14170	RETAINER,GASKET	1				0	0
029	66621-43130	U-JOINT	1				0.06	0.132
030	02112-50080	NUT	1				0.003	0.0066
031	05122-50825	PIN,JOINT	2				0.011	0.0242
032	04012-50080	WASHER,PLAIN	2				0.001	0.0022
033	05511-50215	PIN,SPLIT	2				0.001	0.0022
034	66204-43250	SPRING	1				0.13	0.286
035	66711-42150	SPACER,PEDAL	1				0.027	0.0594
036	66711-42120	PEDAL,CLUTCH	1				0.926	2.0372
037	66204-42110	ROD,CLUTCH	1				0.115	0.253

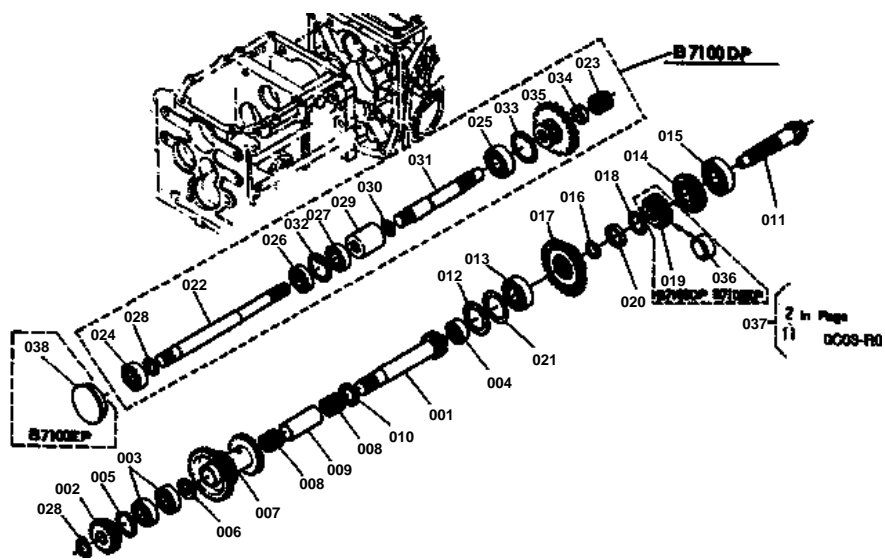




1ST SHAFT,4TH SHAFT TRACTOR S.No.:B7100HST-D <=60163,B7100HST-E
<=20024

↔ Interchangeable; ≠ not interchangeable; ← new for old; → old for new

REF.No	Part No.	Description	Q'ty	S.No.	I/C	REMARKS	Weight (kgf)	Weight (lb)
001	66204-14120	GEAR,SPUR 13	1				0.085	0.187
002	04612-00200	CIR-CLIP,EXTERNAL	1				0.001	0.0022
003	08101-06304	BEARING,BALL	1				0.146	0.3212
004	04612-00190	CIR-CLIP,EXTERNAL	1				0.001	0.0022
005	66204-14150	GEAR,SPUR 16	1				0	0
006	04612-00200	CIR-CLIP,EXTERNAL	2				0.001	0.0022
007	66204-14413	SHAFT,4	1				0	0
008	66204-14420	GEAR,SPUR 24	1				0.31	0.682
009	04612-00200	CIR-CLIP,EXTERNAL	1				0.001	0.0022
010	08101-06202	BEARING,BALL	2				0.044	0.0968
011	04611-00520	CIR-CLIP,INTERNAL	1				0.009	0.0198
012	08101-06304	BEARING,BALL	1				0.146	0.3212
013	66204-14430	GEAR,SPUR 15	1				0.145	0.319
014	04612-00200	CIR-CLIP,EXTERNAL	2				0.001	0.0022
015	66204-14440	GEAR,SPUR 23	1				0.35	0.77
016	66611-14470	COLLAR	1				0.019	0.0418
017	66204-81410	SHIM A	1				0.001	0.0022
018	66204-81420	SHIM B	1				0.001	0.0022

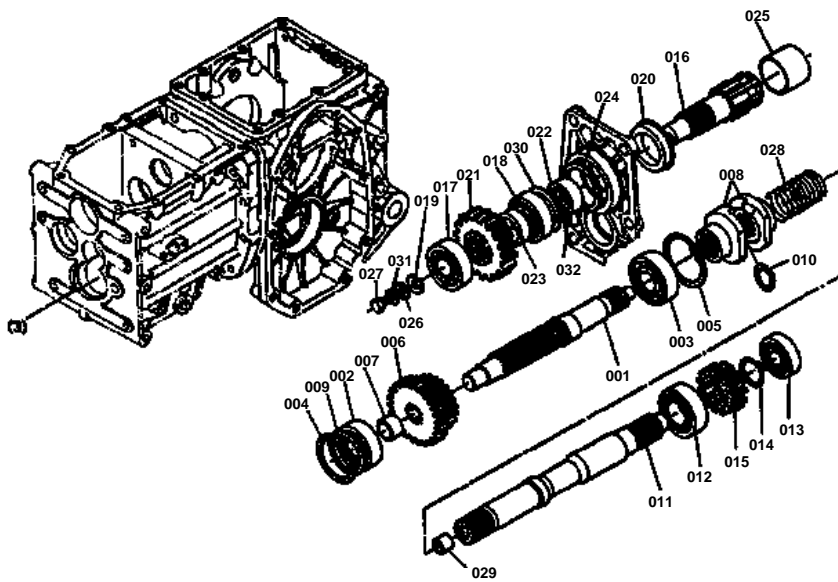




2ND SHAFT,REVRSE SHAFT TRACTOR S.No.:B7100HST-D <=60163,B7100HST-E
<=20024

↔ Interchangeable; ≠ not interchangeable; ← new for old; → old for new

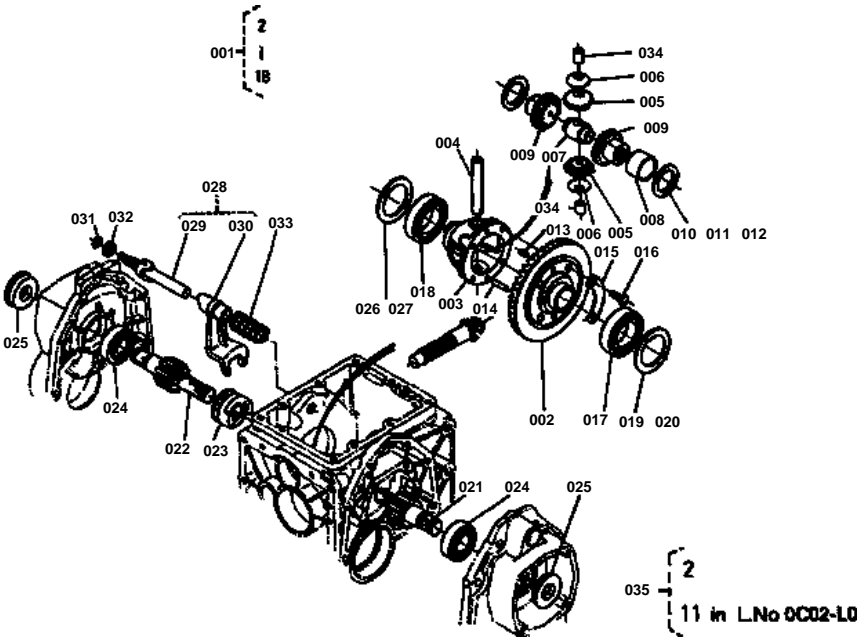
REF.No	Part No.	Description	Q'ty	S.No.	I/C	REMARKS	Weight (kgf)	Weight (lb)
001	66204-14210	SHAFT,2	1				0	0
002	66204-14220	GEAR,SPUR 14	1				0.13	0.286
003	08101-06204	BEARING,BALL	2				0.102	0.2244
004	08101-06302	BEARING,BALL	1				0.084	0.1848
005	04611-00470	CIR-CLIP, INTERNAL	1				0.006	0.0132
006	62231-14770	COLLAR	1				0	0
007	66204-14230	GEAR,SPUR 30-14-18	1				0	0
008	66204-14240	BEARING,NEEDLE	2				0.02	0.044
009	66204-14250	COLLAR	1				0.08	0.176
010	66204-14262	COLLAR	1				0	0
011	99999-99999	BLANK	0			ORDER BY REF.NO.037	0	0
012	66591-14720	SPACER	1				0.002	0.0044
013	08211-07204	BEARING,BALL	1				0.105	0.231
014	67211-14620	BEARING,BALL	1				0.23	0.506
015	37230-26740	BEARING,BALL	1				0	0
016	04612-00250	CIR-CRIP, EXTERNAL	1				0.002	0.0044
017	66204-14630	GEAR,SPUR 20-12	1				0.31	0.682
018	66611-14640	COLLAR,STOP	2				0.003	0.0066
019	66611-14650	GEAR,SPUR 16	1				0.104	0.2288
020	66611-14660	COLLAR	1				0.018	0.0396
021	66611-14670	SHIM 1	1				0.008	0.0176
021	66611-14680	SHIM 2	1				0.01	0.022
021	66611-14690	SHIM 3	1				0.001	0.0022
022	66204-14812	SHAFT,1	1				0	0
023	66611-14820	BEARING,NEEDLE	1				0	0
024	08101-06004	BEARING,BALL	1				0.065	0.143
025	08101-06204	BEARING,BALL	1				0.102	0.2244
026	09500-20428	SEAL,OIL	1				0.012	0.0264
027	08141-06004	BEARING,BALL	1				0.064	0.1408
028	04612-00200	CIR-CLIP, EXTERNAL	2				0.001	0.0022
029	66204-14820	JOINT	1				0.12	0.264
030	04611-00180	CIR-CLIP, INTERNAL	1				0.001	0.0022
031	66204-14830	SHAFT,2	1				0.46	1.012
032	04611-00420	CIR-CLIP, INTERNAL	1				0.006	0.0132
033	04611-00470	CIR-CLIP, INTERNAL	1				0.006	0.0132
034	66611-14830	COLLAR	1				0.016	0.0352
035	66611-14840	GEAR,SPUR 24	1				0.26	0.572
037	66204-82710	ASSY BEVEL GEAR 6-37	1			REF.NO.002 ON L.NO.0C03-R0 AND 011 ON L.	2.1	4.62





↔ Interchangeable; ≠ not interchangeable; ← new for old; → old for new

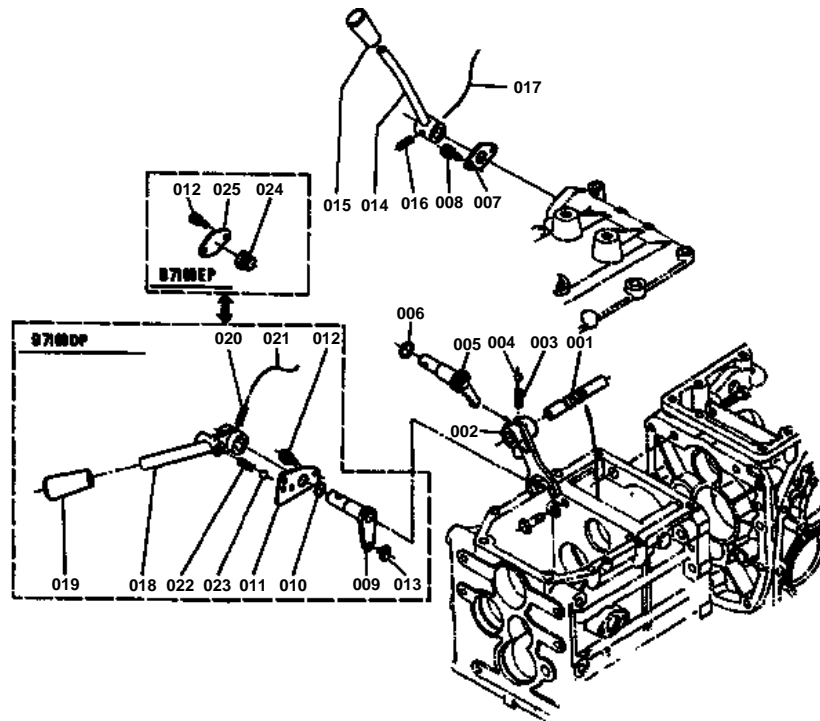
REF.No	Part No.	Description	Q'ty	S.No.	I/C	REMARKS	Weight (kgf)	Weight (lb)
001	66204-14310	SHAFT,3	1				0.7	1.54
002	08101-06303	BEARING,BALL	1				0.112	0.2464
003	08101-06205	BEARING,BALL	1				0.14	0.308
004	04611-00470	CIR-CLIP,INTERNAL	1				0.006	0.0132
005	04611-00520	CIR-CLIP,INTERNAL	1				0.009	0.0198
006	66204-14320	GEAR,21-17	1				0	0
007	66204-14330	COLLAR	1				0.03	0.066
008	66706-14380	CAM	2				0.198	0.4356
009	62131-14170	SHIM	1				0.002	0.0044
010	04612-00220	CIR-CLIP,EXTERNAL	1				0.001	0.0022
011	66706-14510	SHAFT,5	1				0	0
012	08101-06205	BEARING,BALL	1				0.14	0.308
013	08101-06303	BEARING,BALL	1				0.112	0.2464
014	04612-00250	CIR-CLIP,EXTERNAL	1				0.002	0.0044
015	66204-14510	GEAR,SPUR 14	1				0.135	0.297
016	66204-14710	SHAFT,PTO	1				0	0
017	08711-30204	BEARING	1				0.116	0.2552
018	08711-30205	BEARING	1				0.148	0.3256
019	66704-14720	WASHER	1				0.009	0.0198
020	09180-35488	SEAL,OIL	1				0.019	0.0418
021	66204-14790	GEAR,SPUR 21	1				0.465	1.023
022	66611-14730	BUSH	1				0.042	0.0924
023	66706-14740	COLLAR	1				0.03	0.066
024	66611-14750	SHIM 1	1				0.002	0.0044
024	66611-14760	SHIM 2	1				0.002	0.0044
024	66611-14770	SHIM 3	1				0.001	0.0022
025	66706-14810	VINYL COVER,PTO	1				0.024	0.0528
026	63753-32430	WASHER	1				0.001	0.0022
027	66704-14730	BOLT	1				0.012	0.0264
028	66706-14390	SPRING	1				0.045	0.099
029	66706-14520	BUSH	1				0.004	0.0088
030	66706-14782	COLLAR	1				0.006	0.0132
031	04012-50080	WASHER,PLAIN	1				0.001	0.0022
032	66611-14740	COLLAR	1				0.004	0.0088





↔ Interchangeable; ≠ not interchangeable; ← new for old; → old for new

REF.No	Part No.	Description	Q'ty	S.No.	I/C	REMARKS	Weight (kgf)	Weight (lb)
001	67211-14903	ASSY DIFFERENTIAL	1			REF.NO.002 TO 018	0	0
002	99999-99999	BLANK	0			ORDER BY REF.NO.035	0	0
003	67211-14974	CASE, DIFFERENTIAL	1				0.72	1.584
004	67211-14913	SHAFT,DIFF PINION	1				0.12	0.264
005	67211-14925	PINION, DIFFERENTIAL	2				0.114	0.2508
006	67211-14983	COLLAR,PINION THRUST	2				0.01	0.022
007	66591-14860	COLAR,DIFF THRUST	1				0.102	0.2244
008	66611-14950	BUSH	1				0.032	0.0704
009	67211-15150	GEAR,DIFF SIDE	2				0.158	0.3476
010	67211-15160	SHIM 1	1				0.01	0.022
011	67211-15170	SHIM 2	1				0.008	0.0176
012	67211-15180	SHIM 3	1				0.01	0.022
013	66591-14790	PIN,KNOCK	1				0.004	0.0088
014	66591-14783	PIN,STRAIGHT	1				0.01	0.022
015	67211-15190	PLATE,LOCK	2				0.008	0.0176
016	01156-50820	BOLT	6				0.01	0.022
017	08101-06009	BEARING,BALL	1				0.22	0.484
018	08101-06010	BEARING,BALL	1				0.262	0.5764
019	66591-14980	SHIM,DIFF SIDE 3	1				0.005	0.011
020	66591-14990	SHIM,DIFF SIDE 4	1				0.002	0.0044
021	66611-15110	SHAFT,DIFF GEAR LH	1				0.58	1.276
022	66611-15120	SHAFT,DIFF GEAR RH	1				0.68	1.496
023	66611-15130	CLUTCH,DIFF LOCK	1				0.2	0.44
024	08101-06305	BEARING,BALL	2				0.23	0.506
025	66611-14940	SEAL,OIL	2				0.02	0.044
026	66611-15140	SHI,,DIFF SIDE 5	1				0.006	0.0132
027	66611-15150	SHIM,DIFF SIDE 6	1				0.002	0.0044
028	66611-19100	ASSY CAM,FORK	1			REF.NO.029,030	0.42	0.924
029	66591-18280	ASSY R0D,FORK	1				0.16	0.352
030	66611-19110	FORK,DIFF LOCK	1				0.24	0.528
031	04811-10120	O RING	1				0.001	0.0022
032	66591-18340	SHIM	2				0.001	0.0022
033	66591-18320	SPRING	1				0.02	0.044
034	67211-14930	BUSH	2				0.01	0.022
035	66204-82710	ASSY BEVEL GEAR 6-37	1			REF.NO.002 ON L.NO.0C03-R0 AND 011 ON L.	2.1	4.62

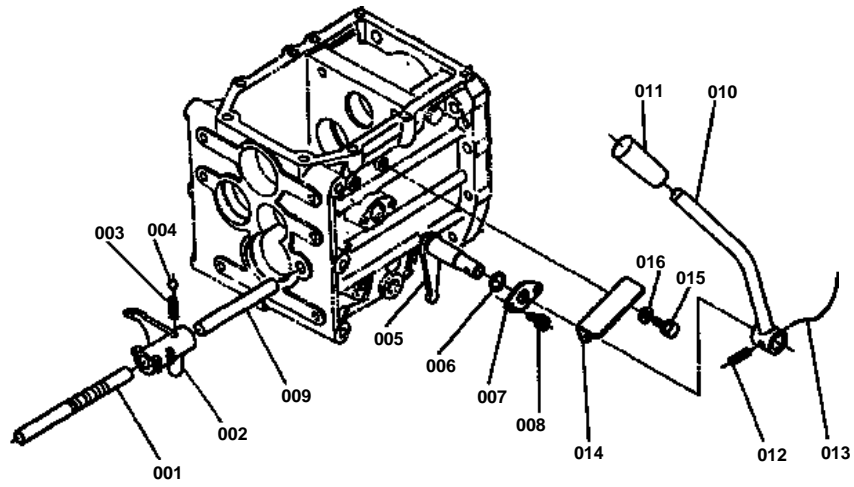




AUX.SPEED CHANGE TRACTOR S.No.:B7100HST-D <=60163,B7100HST-E
<=20024

↔ Interchangeable; ≠ not interchangeable; ← new for old; → old for new

REF.No	Part No.	Description	Q'ty	S.No.	I/C	REMARKS	Weight (kgf)	Weight (lb)
001	66204-18410	SHAFT,FORK	1				0.095	0.209
002	66204-18420	FORK,SHIFT	1				0.165	0.363
003	62061-18260	SPRING	1				0.002	0.0044
004	07715-01605	BALL	1				0.003	0.0066
005	66591-18170	ARM,AUX SP.-CHANGE	1				0.106	0.2332
006	04811-00160	O RING	1				0.001	0.0022
007	66591-18180	HOLDER,FORK ROD 1	1				0.012	0.0264
008	01202-50614	BOLT	2				0.006	0.0132
009	66611-19210	LEVER,FORK	1				0.12	0.264
010	04811-00160	O RING	1				0.001	0.0022
011	66204-19220	HOLDER,FORK ROD 2	1				0.03	0.066
012	01202-50614	BOLT	2				0.006	0.0132
013	66611-19230	SHIFTER	1				0.012	0.0264
014	66204-42510	LEVER,AUX SP-CHANGE	1				0.2	0.44
015	54201-23270	GRIP,LEVER	1				0.02	0.044
016	05411-00622	PIN,SPRING	1				0.003	0.0066
017	99999-99999	BLANK	0			OBTAINED LOCALLY	0	0
018	66204-42610	LEVER,FRONT DRIVE	1				0.16	0.352
019	54201-23270	GRIP,LEVER	1				0.02	0.044
020	05411-00622	PIN,SPRING	1				0.003	0.0066
021	99999-99999	BLANK	0			OBTAINED LOCALLY	0	0
022	62061-18260	SPRING	1				0.002	0.0044
023	07715-01605	BALL	1				0.003	0.0066

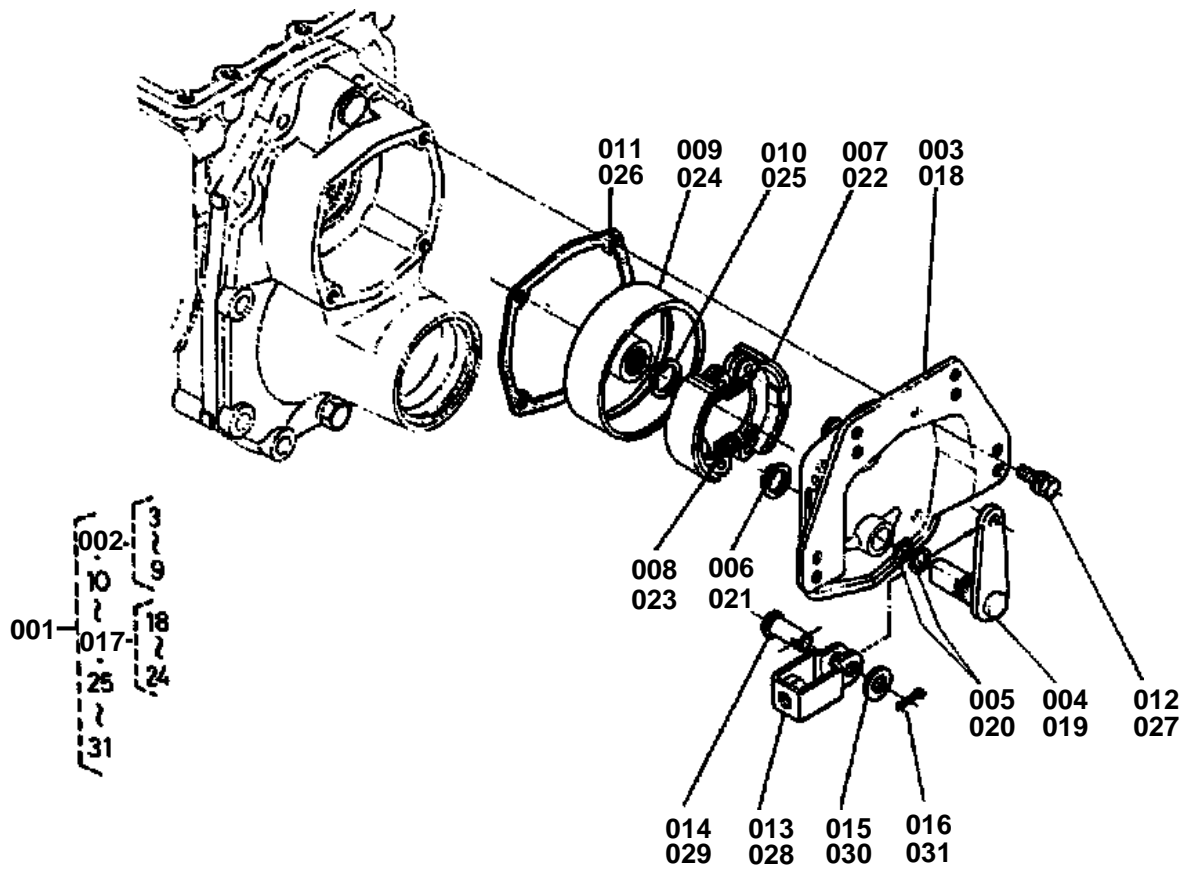




ROTARY SPEED CHANGE TRACTOR S.No.:B7100HST-D <=60163,B7100HST-E
<=20024

↔ Interchangeable; ≠ not interchangeable; ← new for old; → old for new

REF.No	Part No.	Description	Q'ty	S.No.	I/C	REMARKS	Weight (kgf)	Weight (lb)
001	66204-18610	FORK,SHIFT	1				0.21	0.462
002	66591-18210	FORK,SHIFT	1				0.2	0.44
003	62061-18260	SPRING	1				0.002	0.0044
004	07715-01605	BALL	1				0.003	0.0066
005	66591-18220	ARM	1				0.12	0.264
006	04811-00160	O RING	1				0.001	0.0022
007	66591-18180	HOLDER,FORK ROD 1	1				0.012	0.0264
008	01202-50614	BOLT	2				0.006	0.0132
009	66611-19310	ROD	1				0.129	0.2838
010	66611-42710	LEVER	1				0.237	0.5214
011	54201-23270	GRIP,LEVER	1				0.02	0.044
012	05411-00622	PIN,SPRING	1				0.003	0.0066
013	99999-99999	BLANK	0			OBTAINED LOCALLY	0	0
014	66204-42170	GUIDE,CHANGE LEVER	1				0.04	0.088
015	01202-50814	BOLT	2				0.011	0.0242
016	04013-50080	WASHER,PLAIN	2				0	0

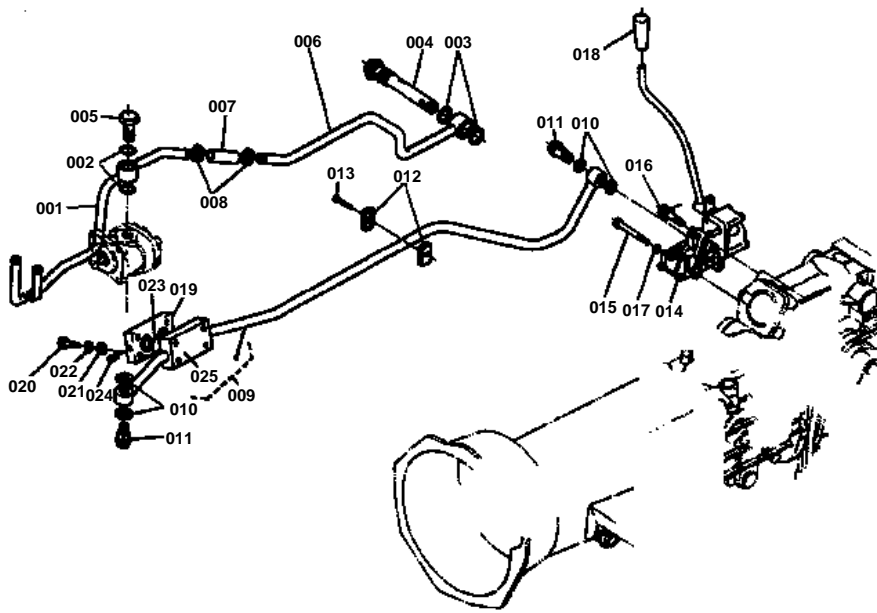




BRAKE TRACTOR S.No.:B7100HST-D <=60163,B7100HST-E <=20024

↔ Interchangeable; ≠ not interchangeable; ← new for old; → old for new

REF.No	Part No.	Description	Q'ty	S.No.	I/C	REMARKS	Weight (kgf)	Weight (lb)
001	66611-22102	ASSY BRAKE	1			REF.NO.002,010 TO 017 AND 025 TO 031	5.14	11.308
002	66611-22303	ASSY BRAKE,LH	1			REF.NO.003 TO 009	0	0
003	66611-22312	COVER,BRAKE LH	1				1.04	2.288
004	66591-22330	CAM,BRAKE LH	1				0.204	0.4488
005	04811-05170	O RING	2				0.001	0.0022
006	04612-00200	CIR-CLIP, EXTERNAL	1				0.001	0.0022
007	66611-88800	SHOE,BRAKE	2				0	0
008	66591-22350	SPRING,RETURN	2				0.003	0.0066
009	66611-22360	DRUM,BRAKE	1				0	0
010	04612-00220	CIR-CLIP, EXTERNAL	1				0.001	0.0022
011	66591-22410	GASKET	1				0	0
012	01120-50822	BOLT	4				0	0
013	63753-42350	METAL,MAIN CLUTCH	1				0.038	0.0836
014	05122-50820	PIN,JOINT	1				0.009	0.0198
015	04012-50080	WASHER,PLAIN	1				0.001	0.0022
016	05511-50215	PIN,SPLIT	1				0.001	0.0022
017	66611-22403	ASSY BRAKE,RH	1			REF.NO.018 TO 024	0	0
018	66611-22412	COVER,BRAKE RH	1				1.05	2.31
019	66591-22370	CAM,BRAKE RH	1				0.204	0.4488
020	04811-05170	O RING	2				0.001	0.0022
021	04612-00200	CIR-CLIP, EXTERNAL	1				0.001	0.0022
022	66611-88800	SHOE,BRAKE	2				0	0
023	66591-22350	SPRING,RETURN	2				0.003	0.0066
024	66611-22360	DRUM,BRAKE	1				0	0
025	04612-00220	CIR-CRIP, EXTERNAL	1				0.001	0.0022
026	66591-22410	GASKET,BRAKE	1				0	0
027	01120-50822	BOLT	4				0	0
028	63753-42350	METAL,MAIN CLUTCH	1				0.038	0.0836
029	05122-50820	PIN,JOINT	1				0.009	0.0198
030	04012-50080	WASHER,PLAIN	1				0.001	0.0022
031	05511-50215	PIN,SPLIT	1				0.001	0.0022



REF. No.7 67111-3718-0

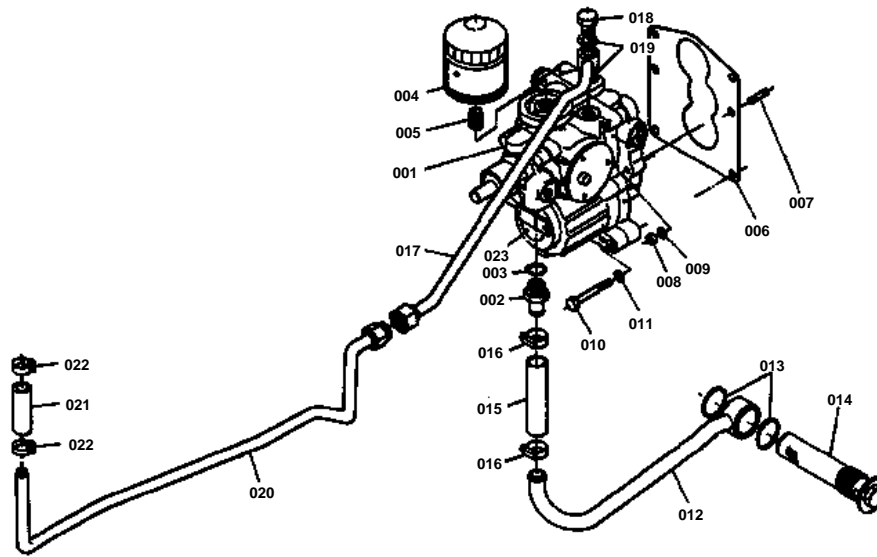


d : $\phi 16.8 \rightarrow 17.5$



↔ Interchangeable; ≠ not interchangeable; ← new for old; → old for new

REF.No	Part No.	Description	Q'ty	S.No.	I/C	REMARKS	Weight (kgf)	Weight (lb)
001	66204-36110	PIPE,INLET	1				0.6	1.32
002	04811-00220	O RING	2				0.001	0.0022
003	04811-10300	O RING	2				0.001	0.0022
004	66611-36120	FILTER,OIL	1				0.2	0.44
005	32170-38170	BOLT,EYE JOINT	1				0.09	0.198
006	66204-36710	PIPE,INLET	1				0.6	1.32
007	66204-36720	HOSE	1				0.04	0.088
008	66204-36230	BAND	2				0.02	0.044
009	66204-36130	PIPE,DELIVERY	1			REF.NO.025	1.2	2.64
010	04714-00300	GASKET	4				0.002	0.0044
010	67111-37180	GASKET	4	>=10001			0.003	0.0066
011	54203-36150	JOINT,PIPE	2				0.079	0.1738
012	66204-36120	CLAMP,PIPE	2				0.01	0.022
013	03016-50640	SCREW	1				0.008	0.0176
014	66711-36200	ASSY VALVE,CONTROL	1				2.665	5.863
015	01150-50875	BOLT	2				0	0
016	01120-50845	BOLT	1				0.02	0.044
017	04512-50080	WASHER,SPRING	2				0	0
018	54201-23270	GRIP,LEVER	1				0.02	0.044
019	66604-36160	COVER	1				0.23	0.506
020	01150-50838	BOLT	4				0.017	0.0374
021	04013-50080	WASHER,PLAIN	4				0	0
022	04512-50080	WASHER,SPRING	4				0	0
023	04811-00200	O RING	2				0.001	0.0022
024	06312-10020	PLUG	1				0.015	0.033
025	99999-99999	BLANK	0			ORDER BY REF.NO.009	0	0



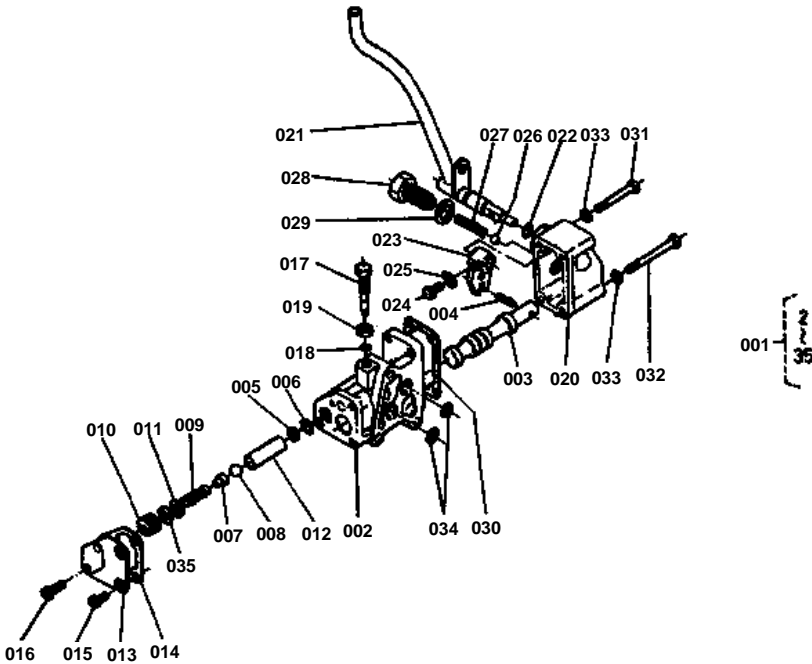
<p>REF. No.12 66204-3619-2</p> <p>$d_1: 2.7 +^{+0.2} \rightarrow 3.2\text{mm}$ $d_2: 24 \rightarrow 25\text{mm}$</p>
<p>REF. No.13 04811-06400</p> <p>$d_1: 39.5 \pm 0.25 \rightarrow 39.7 \pm 0.15\text{mm}$ $d_2: 42.0 \pm 0.15 \rightarrow 42.4 \pm 0.07\text{mm}$</p>
<p>REF. No.19 67111-3718-0</p> <p>$d: \phi 16.8 \rightarrow 17.5$</p>
<p>REF. No.20 66204-3626-4</p> <p>734.5 ± 1</p> <p>167 ± 1 735 ± 1 (178)</p>



HYDRO STATIC TRANSMISSION TRACTOR S.No.:B7100HST-D <=60163,
B7100HST-E <=20024

↔ Interchangeable; ≠ not interchangeable; ← new for old; → old for new

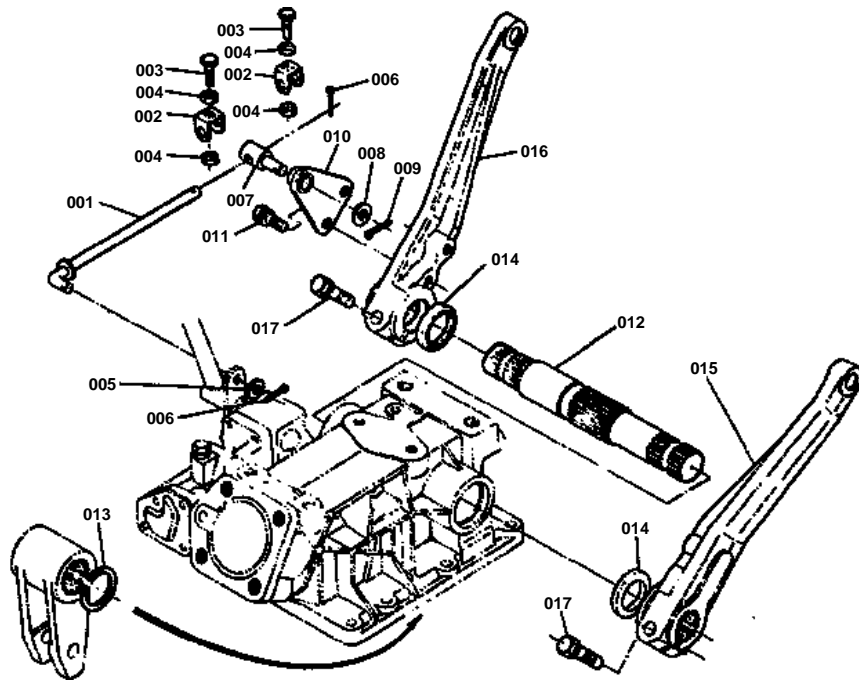
REF.No	Part No.	Description	Q'ty	S.No.	I/C	REMARKS	Weight (kgf)	Weight (lb)
001	66204-36142	ASSY HST	1				0	0
002	66204-36150	JOINT	1				0.07	0.154
003	04811-00180	O RING	1				0.001	0.0022
004	66204-36160	CARTRIDGE,OIL FILTER	1				0	0
005	66204-36170	JOINT	1				0.018	0.0396
006	66204-36180	GASKET	1				0	0
007	01555-51035	STUD	4				0.029	0.0638
008	02118-50100	NUT	4				0.005	0.011
009	04512-50100	WASHER,SPRING	4				0	0
010	01153-51075	BOLT	2				0.045	0.099
011	04512-50100	WASHER,SPRING	2				0	0
012	66204-36190	PIPE	1	<=10753			0.3	0.66
012	66204-36192	PIPE	1	>=10754			0.34	0.748
013	04811-10400	O RING	2	<=10753			0.001	0.0022
013	04811-06400	O RING	2	>=10754			0.001	0.0022
014	66204-36210	FILTER,OIL	1				0.367	0.8074
015	66204-36220	HOSE,31 X 19	1				0.07	0.154
016	66204-36230	BAND,27	2				0.02	0.044
017	66204-36240	PIPE	1				0.35	0.77
018	54203-36150	JOINT	1				0.079	0.1738
019	04714-00300	GASKET	2				0.002	0.0044
019	67111-37180	GASKET	2	>=10001			0.003	0.0066
020	66204-36260	PIPE,2	1	<=11916			0.6	1.32
020	66204-36264	PIPE,2	1	>=10001			0	0
021	66204-36270	HOSE,27 X 15	2				0.038	0.0836
022	66204-36280	BAND,23	4				0.02	0.044
023	66904-14880	CAP,BLIND	1				0.02	0.044



**CONTROL VALVE TRACTOR S.No.:B7100HST-D <=60163,B7100HST-E <=20024**

↔ Interchangeable; ≠ not interchangeable; ← new for old; → old for new

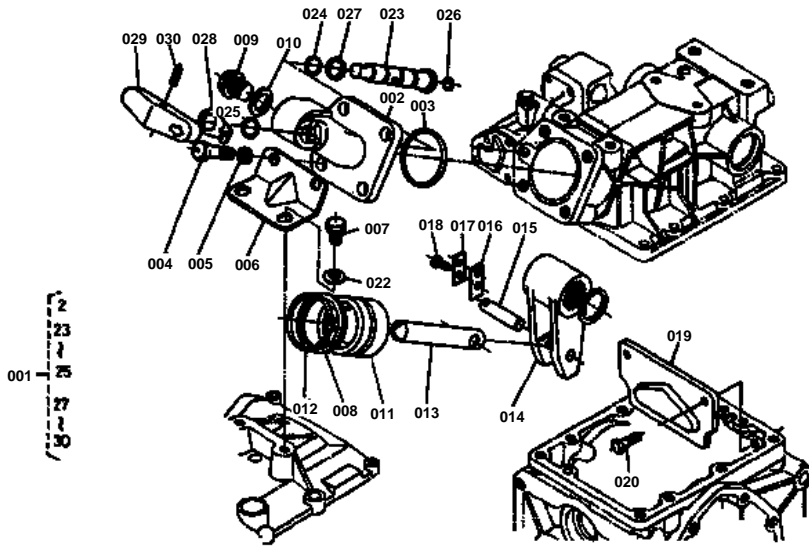
REF.No	Part No.	Description	Q'ty	S.No.	I/C	REMARKS	Weight (kgf)	Weight (lb)
001	66711-36200	ASSY VALVE,CONTROL	1			REF.NO.002 TO 035	2.665	5.863
002	99999-99999	BLANK	0			ORDER BY REF.NO.001	0	0
003	66611-36290	SPOOL	1				0.172	0.3784
004	05411-00620	PIN,SPRING	1				0.002	0.0044
005	66591-36330	HOLDER	1				0.008	0.0176
006	04811-15120	O RING	1				0.001	0.0022
007	66611-36222	HOLDER,SPRING	1				0.008	0.0176
008	07715-03211	BALL	1				0.003	0.0066
009	66591-36350	SPRING	1				0.01	0.022
010	66591-36360	SCREW,ADJUSTING	1				0.012	0.0264
011	04012-50060	WASHER,PLAIN	1				0.001	0.0022
012	66591-36370	COLLAR	1				0.016	0.0352
013	66611-36260	COVER,RELIEF	1				0.03	0.066
014	66591-36390	GASKET	1				0	0
015	01202-50618	BOLT	2				0.006	0.0132
016	01202-50622	BOLT	2				0.007	0.0154
017	66591-36413	BOLT,ADJUSTING	1				0.028	0.0616
018	04811-10040	O RING	1				0.001	0.0022
019	02112-50100	NUT	1				0.004	0.0088
020	66591-36430	COVER,VALVE	1				0.18	0.396
021	66711-36250	LEVER,CONTROL	1				0.392	0.8624
022	04811-00100	O RING	1				0.001	0.0022
023	66591-36450	ARM,VALVE GUIDE	1				0.05	0.11
024	66591-36480	BOLT	1				0.004	0.0088
025	04111-50060	WASHER,TONGUED	1				0.001	0.0022
026	07715-00803	BALL	1				0.004	0.0088
027	62061-18270	SPRING,BALL STOPPER	1				0.003	0.0066
028	66591-36460	BOLT	1				0.054	0.1188
029	04714-00300	GASKET	1				0.002	0.0044
030	66591-36470	GASKET,VALVE COVER	1				0	0
031	01050-50650	BOLT	2				0.012	0.0264
032	01050-50665	BOLT	2				0.014	0.0308
033	04512-50060	WASHER,SPRING	4				0	0
034	04811-00120	O RING	2				0.001	0.0022
035	66611-36330	SHIM	1				0.001	0.0022



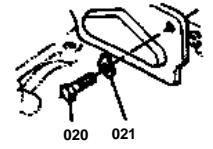


↔ Interchangeable; ≠ not interchangeable; ← new for old; → old for new

REF.No	Part No.	Description	Q'ty	S.No.	I/C	REMARKS	Weight (kgf)	Weight (lb)
001	66704-36310	R0D,CHECK	1				0.075	0.165
002	66611-36320	INTERLOCKER	2				0.022	0.0484
003	01153-50822	BOLT	2				0.011	0.0242
004	02112-50080	NUT	4				0.003	0.0066
005	04012-50080	WASHER,PLAIN	1				0.001	0.0022
006	05511-50215	PIN,SPLIT	2				0.001	0.0022
007	66591-36540	SHAFT	1				0.034	0.0748
008	04011-50100	WASHER,PLAIN	1				0.002	0.0044
009	05511-50318	PIN,SPLIT	1				0.001	0.0022
010	66591-36550	HOLDER	1				0.072	0.1584
011	01120-50822	BOLT	2				0	0
012	66591-36690	SHAFT,O/P ARM	1				0	0
013	04612-00320	CIR-CLIP,EXTERNAL	1				0.004	0.0088
014	09230-28405	SEAL,OIL	2				0.006	0.0132
015	66611-36510	ARM,LIFT LH	1				0	0
016	66611-36520	ARM,LIFT RH	1				0	0
017	01123-51045	BOLT	2				0.032	0.0704



REF. No.20 04153-50822
21 04111-50080



REF. No.26 04810-05110



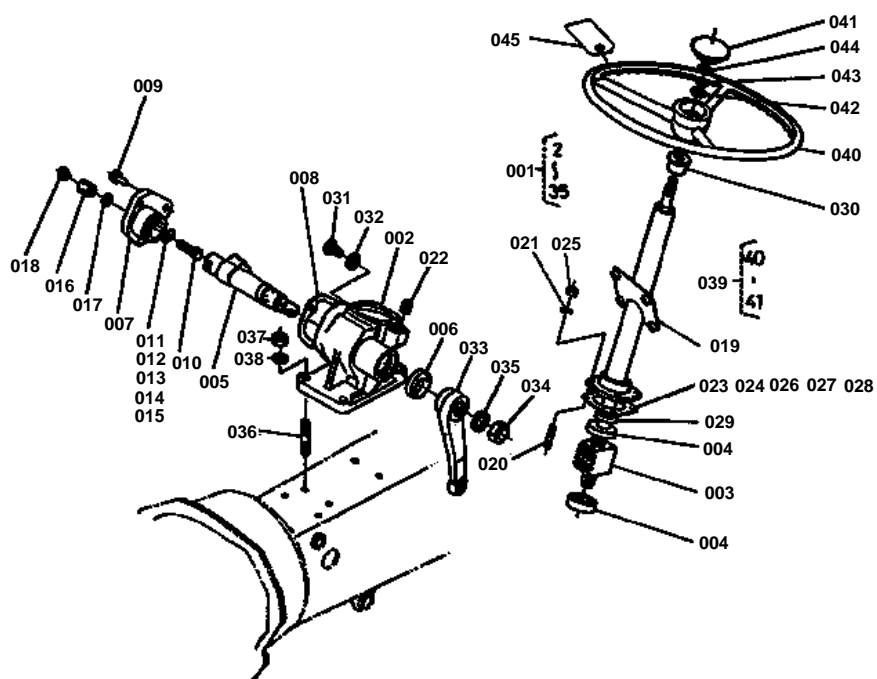
d : ϕ 9.8-11.0



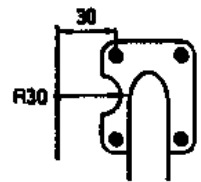
OIL PRESSURE 2 TRACTOR S.No.:B7100HST-D <=60163,B7100HST-E <=20024

↔ Interchangeable; ≠ not interchangeable; ← new for old; → old for new

REF.No	Part No.	Description	Q'ty	S.No.	I/C	REMARKS	Weight (kgf)	Weight (lb)
001	66404-36600	ASSY CAP, CYLINDER	1			REF.NO.002,023 TO 025 AND 027 TO 030	1.17	2.574
002	96319-01410	CAP,CYLINDER	1				1.02	2.244
003	04811-50550	O RING	1				0.002	0.0044
004	66711-36440	BOLT	2				0.045	0.099
005	04512-50120	WASHER,SPRING	2				0	0
006	66611-36413	STAY	1				0.14	0.308
007	01120-51025	BOLT	2				0	0
008	67211-36420	RING	1				0.003	0.0066
009	06311-25040	PLUG	1				0.09	0.198
010	66611-36420	GASKET	1				0.006	0.0132
011	67211-36410	PISTON,OIL PRESSURE	1				0.55	1.21
012	04810-08500	O RING	1				0.005	0.011
013	66591-36640	R0D,O/P PISTON	1				0.31	0.682
014	66591-36650	ARM,OIL PRESSURE	1				0.8	1.76
015	66591-36660	PIN,ARM	1				0.045	0.099
016	66591-36670	PLATE,LOCK	1				0.01	0.022
017	66591-36680	WASHER,LOCK	1				0.002	0.0044
018	01050-50612	BOLT	2				0.005	0.011
019	66621-36750	PLATE,O/P ARM	1				0.34	0.748
020	01153-50822	BOLT	2	<=11720			0.011	0.0242
020	67211-36610	BOLT	2	>=10001			0.015	0.033
021	04111-50080	WASHER, TONGUED	2	<=11720			0.001	0.0022
022	04013-50100	WASHER,PLAIN	2				0	0
023	96319-01422	SPOOL,SUB	1				0.07	0.154
024	04811-00120	O RING	1				0.001	0.0022
025	04811-00160	O RING	1				0.001	0.0022
026	04811-00100	O RING	1	<=10940			0.001	0.0022
026	04810-05110	O RING	1	>=10001			0.001	0.0022
027	96319-01430	WASHER	1				0.002	0.0044
028	96319-01440	SPRING	1				0.002	0.0044
029	96319-01450	GRIP	1				0.04	0.088
030	05411-00520	PIN,SPRING	1				0.002	0.0044



REF. No.19 66204-4112-2

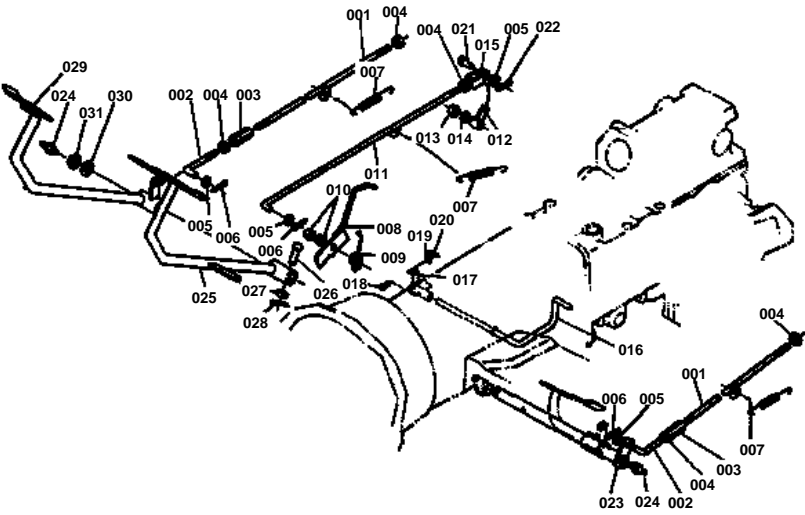




STEERING TRACTOR S.No.:B7100HST-D <=60163,B7100HST-E <=20024

↔ Interchangeable; ≠ not interchangeable; ← new for old; → old for new

REF.No	Part No.	Description	Q'ty	S.No.	I/C	REMARKS	Weight (kgf)	Weight (lb)
001	66204-41100	ASSY STEERING	1	<=10954		REF.NO.002 TO 035	0	0
001	66204-41102	ASSY STEERING	1	>=10001		REF.NO.002 TO 035	6.8	14.96
002	66204-41110	CASE,STEERING GEAR	1				0	0
003	66811-41200	ASSY NUT,BALL	1				1.11	2.442
004	66811-41140	BEARING,THRUST BALL	2				0.045	0.099
005	66811-41150	SHAFT,SECTOR	1				0.52	1.144
006	09500-22358	SEAL,OIL	1				0.01	0.022
007	66811-41160	COVER,SIDE	1				0.3	0.66
008	66811-41170	GASKET	1				0	0
009	01120-50822	BOLT	3				0	0
010	66811-41180	SCREW,ADJUSTING	1				0.013	0.0286
011	66811-41190	COLLAR,ADJUSTING 1	1				0.002	0.0044
012	66811-41210	COLLAR,ADJUSTING 2	1				0.001	0.0022
013	66811-41220	COLLAR,ADJUSTING 3	1				0.001	0.0022
014	66811-41230	COLLAR,ADJUSTING 4	1				0.001	0.0022
015	66811-41240	COLLAR,ADJUSTING 5	1				0.001	0.0022
016	66811-41250	NUT	1				0.027	0.0594
017	04714-00080	GASKET	1				0.001	0.0022
018	61011-18140	PLUG	1				0.002	0.0044
019	66204-41120	POST,STEERING	1	<=10954			0	0
019	66204-41122	POST,STEERING	1	>=10001			0.5	1.1
020	01513-50822	STUD	4				0.01	0.022
021	04512-50080	WASHER,SPRING	4				0	0
022	34150-16640	PLUG	1				0.015	0.033
023	66811-41320	SHIM 1	1				0.001	0.0022
024	66811-41330	SHIM 2	1				0	0
025	02114-50080	NUT	4				0.005	0.011
026	66811-41340	SHIM 3	1				0.001	0.0022
027	66811-41350	SHIM 4	1				0.001	0.0022
028	66811-41360	SHIM 5	1				0.003	0.0066
029	09500-16287	SEAL,OIL	1				0.01	0.022
030	66591-41250	BUSH,POST	1				0.016	0.0352
031	06331-35010	PLUG	1				0.012	0.0264
032	04717-01000	WASHER,SEAL	1				0.001	0.0022
033	66204-41410	ARM,PITMAN	1				0.4	0.88
034	02172-50160	NUT	1				0.017	0.0374
035	04512-50160	WASHER,SPRING	1				0	0
036	01517-51028	STUD	4				0.022	0.0484
037	02118-50100	NUT	4				0.005	0.011
038	04512-50100	WASHER,SPRING	4				0	0
039	66611-41400	ASSY WHEEL STEERING	1			REF.NO.040,041	0	0
040	99999-99999	BLANK	0			ORDER BY REF.NO.039	0	0
041	66611-41420	CAP,STEERING WHEEL	1				0.026	0.0572
042	04013-50120	WASHER,PLAIN	1				0	0
043	04512-50120	WASHER,SPRING	1				0	0
044	02172-50120	NUT	1				0.01	0.022
045	35217-18370	CARD,INSTRUCTION	1				0.001	0.0022

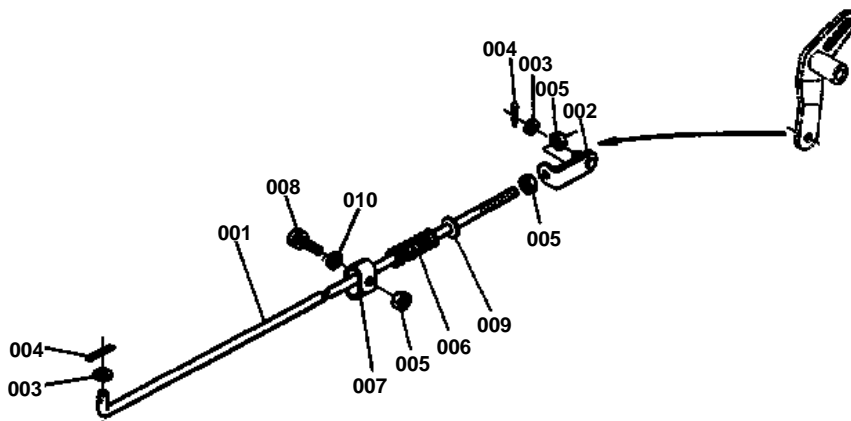




BRAKE ROD TRACTOR S.No.:B7100HST-D <=60163,B7100HST-E <=20024

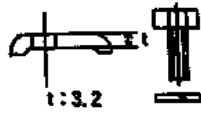
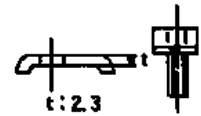
↔ Interchangeable; ≠ not interchangeable; ← new for old; → old for new

REF.No	Part No.	Description	Q'ty	S.No.	I/C	REMARKS	Weight (kgf)	Weight (lb)
001	66204-42810	ROD,BRAKE	2				0	0
002	66621-43250	ROD,BRAKE FRONT	2				0.024	0.0528
003	66591-42410	TURNBUCKLE	2				0.046	0.1012
004	02112-50080	NUT	5				0.003	0.0066
005	04012-50080	WASHER,PLAIN	4				0.001	0.0022
006	05511-50318	PIN,SPLIT	4				0.001	0.0022
007	66591-43190	SPRING	3				0.044	0.0968
008	66204-42850	LEVER,BRAKE LOCK	1				0.12	0.264
009	66204-42840	SPRING	1				0.006	0.0132
010	02172-50120	NUT	2				0.01	0.022
011	66204-42860	ROD,DIFF LOCK	1				0.29	0.638
012	66591-43170	LEVER,DIFF LOCK	1				0.041	0.0902
013	02118-50100	NUT	1				0.005	0.011
014	04512-50100	WASHER,SPRING	1				0	0
015	63753-42350	METAL,MAIN CLUTCH	1				0.038	0.0836
016	66204-42870	SHAFT,DIFF LOCK	1				0.715	1.573
017	66204-42880	LEVER,DIFF LOCK	1				0.12	0.264
018	66611-14120	PIN,JOINT	1				0	0
019	04012-50050	WASHER,PLAIN	1				0.001	0.0022
020	05511-50215	PIN,SPLIT	1				0.001	0.0022
021	05122-50820	PIN,JOINT	1				0.009	0.0198
022	05511-50215	PIN,SPLIT	1				0.001	0.0022
023	66204-42910	SHAFT,BRAKE PEDAL	1				1.6	3.52
024	06613-10010	NIPPLE,GREASE	2				0.006	0.0132
025	66204-42920	PEDAL,BRAKE LH	1				1.7	3.74
026	05112-50840	PIN,JOINT	1				0.017	0.0374
027	04012-50080	WASHER,PLAIN	1				0.001	0.0022
028	05511-50215	PIN,SPLIT	1				0.001	0.0022
029	66204-42930	PEDAL,BRAKE RH	1				1.63	3.586
030	66591-43233	COLLAR	1				0.004	0.0088
031	04612-00240	CIR-CLIP,EXTERNAL	1				0.002	0.0044



REF. No.7 06204-5465-0
8 01050-50620

t : 2.3→3.2

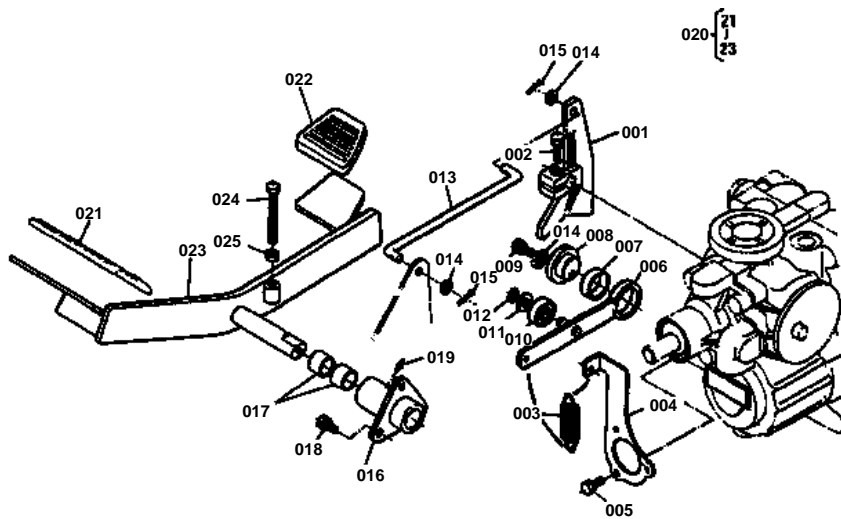




ACCELERATOR PEDAL TRACTOR S.No.:B7100HST-D <=60163,B7100HST-E
<=20024

↔ Interchangeable; ≠ not interchangeable; ← new for old; → old for new

REF.No	Part No.	Description	Q'ty	S.No.	I/C	REMARKS	Weight (kgf)	Weight (lb)
001	66204-43210	ROD,RELEASE	1				0.15	0.33
002	66711-43220	METAL	1				0.023	0.0506
003	04013-50060	WASHER,PLAIN	2				0	0
004	05511-51612	PIN,SPLIT	2				0.001	0.0022
005	02014-50060	NUT	3				0.003	0.0066
006	66204-43272	SPRING	1				0.014	0.0308
007	66591-54650	HOOK	2	<=11006			0.006	0.0132
007	66204-54650	HOOK	2	>=10001			0.007	0.0154
008	01020-50616	BOLT	1	<=11006			0.006	0.0132
008	01050-50620	BOLT	1	>=10001			0.006	0.0132
009	04015-50060	WASHER,PLAIN	1				0	0
010	04512-50060	WASHER,SPRING	1				0	0

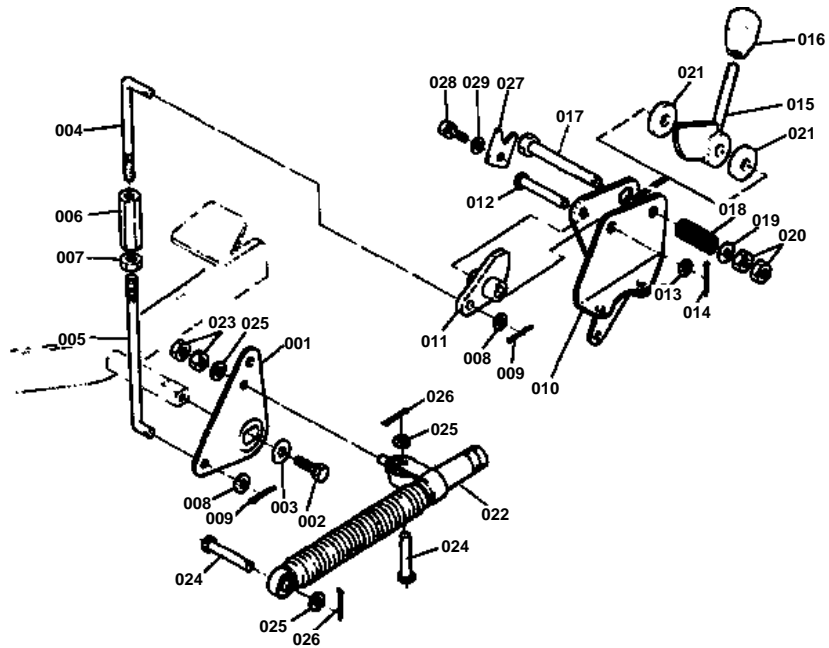




SPEED CHANGE 1 TRACTOR S.No.:B7100HST-D <=60163,B7100HST-E <=20024

↔ Interchangeable; ≠ not interchangeable; ← new for old; → old for new

REF.No	Part No.	Description	Q'ty	S.No.	I/C	REMARKS	Weight (kgf)	Weight (lb)
001	66204-43310	HOLDER	1				0.28	0.616
002	01120-50828	BOLT	1				0	0
003	66204-43320	SPRING	1				0	0
004	66204-43330	HOLDER,SPRING	1				0.095	0.209
005	01202-50614	BOLT	3				0.006	0.0132
006	66204-43343	ARM	1				0.13	0.286
007	66204-43572	BUSH	1				0.003	0.0066
008	66204-43352	SHAFT,HOLDER	1				0.072	0.1584
009	01123-50828	BOLT	1				0.014	0.0308
010	08121-06000	BEARING,BALL	1				0.02	0.044
011	04011-50100	WASHER,PLAIN	1				0.002	0.0044
012	04612-00100	CIR-CLIP,EXTERNAL	1				0.001	0.0022
013	66204-43362	ROD	1				0	0
014	04012-50080	WASHER,PLAIN	3				0.001	0.0022
015	05511-50215	PIN,SPLIT	2				0.001	0.0022
016	66204-43370	SUPPORT	1				0.25	0.55
017	66204-43550	BUSH	2				0	0
018	01120-50818	BOLT	3				0	0
019	67211-42940	NIPPLE,GREASE	1				0.001	0.0022
020	66204-43300	ASSY PEDAL,CHANGE	1			REF.NO.021 TO 023	1.2	2.64
021	66204-43390	COVER,FRONT	1				0.06	0.132
022	66204-43410	COVER,REAR	1				0.06	0.132
023	66204-43380	PEDAL,CHANGE	1				1.1	2.42
024	01155-50860	BOLT	1				0.025	0.055
025	02114-50080	NUT	1				0.005	0.011

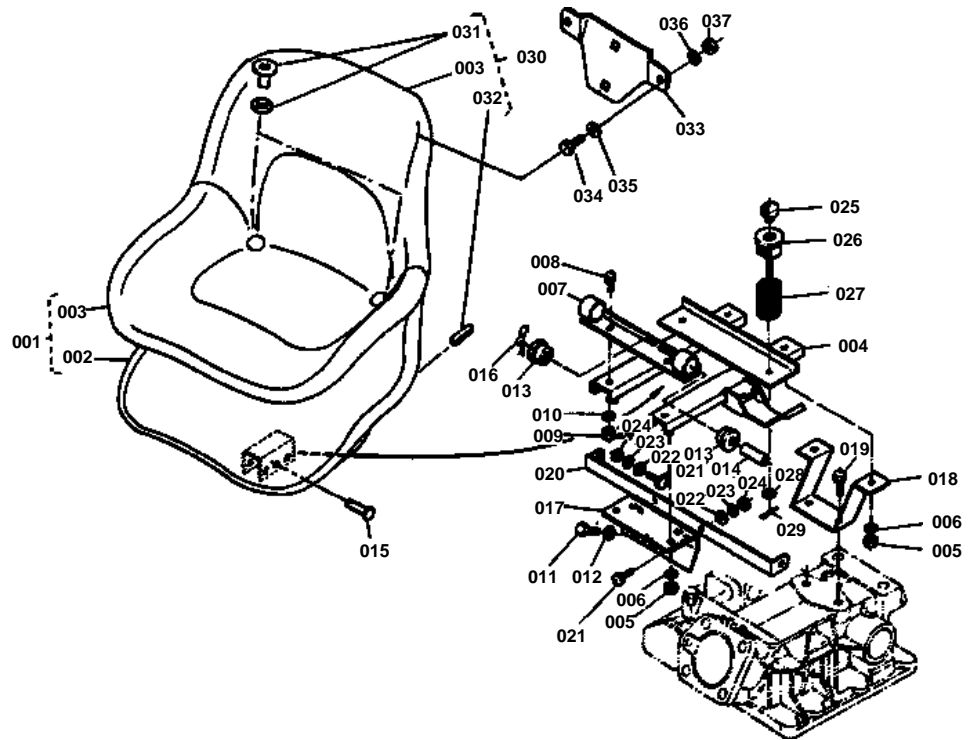




SPEED CHANGE 2 TRACTOR S.No.:B7100HST-D <=60163,B7100HST-E <=20024

↔ Interchangeable; ≠ not interchangeable; ← new for old; → old for new

REF.No	Part No.	Description	Q'ty	S.No.	I/C	REMARKS	Weight (kgf)	Weight (lb)
001	66204-43420	PLATE,CHANGE	1				0	0
002	01202-50816	BOLT	1				0.012	0.0264
002	01120-50816	BOLT	1	>=10001			0	0
003	04015-50080	WASHER,PLAIN	1				0	0
004	66204-43430	ROD,CHECK A	1				0.04	0.088
005	66204-43440	ROD,CHECK B	1				0.13	0.286
006	66591-42410	TURN BACKLE	1				0.046	0.1012
007	02112-50080	NUT	1				0.003	0.0066
008	04012-50080	WASHER,PLAIN	2				0.001	0.0022
009	05511-50215	PIN,SPLIT	2				0.001	0.0022
010	66204-43450	PLATE,CHECK	1				0.47	1.034
011	66204-43460	PLATE,CHECK	1				0.105	0.231
012	05122-51045	PIN,JOINT	1				0	0
013	04013-50100	WASHER,PLAIN	1				0	0
014	05511-50318	PIN,SPLIT	1				0.001	0.0022
015	66204-43470	LEVER	1				0.19	0.418
016	63763-42260	GRIP	1				0.021	0.0462
017	66204-43480	BOLT	1				0.06	0.132
018	66204-43510	SPRING	1				0.02	0.044
019	04013-50100	WASHER,PLAIN	1				0	0
020	02116-50100	NUT	2				0.004	0.0088
021	66204-43490	PLATE	2				0.004	0.0088
022	66204-43530	DAMPA	1				0.3	0.66
023	02112-50080	NUT	2				0.003	0.0066
024	05122-50830	PIN,JOINT	2				0.014	0.0308
025	04012-50080	WASHER,PLAIN	3				0.001	0.0022
026	05511-50215	PIN,SPLIT	2				0.001	0.0022
027	66204-43520	STOPPER	1				0.03	0.066
028	01023-50610	BOLT	1				0.005	0.011
029	04013-50060	WASHER,PLAIN	1				0	0

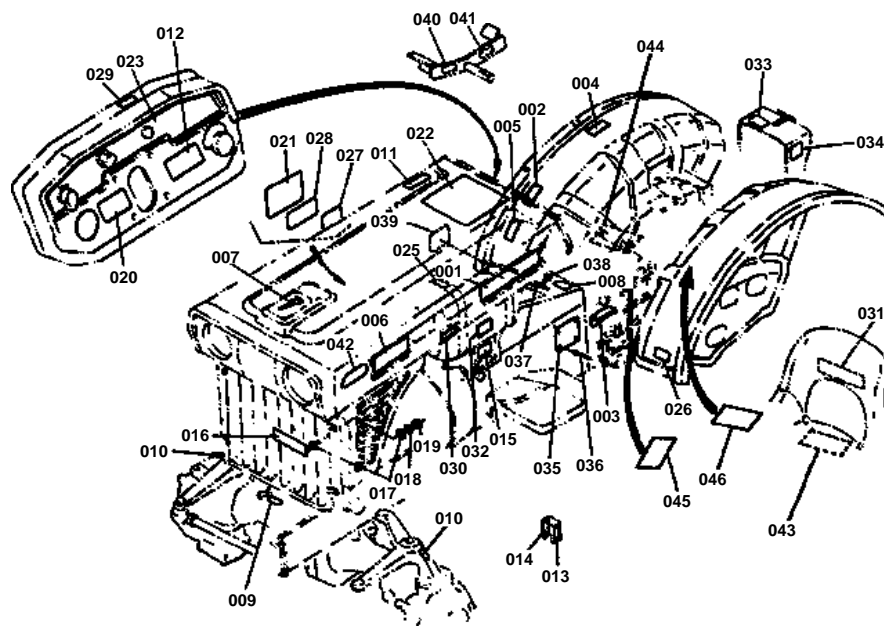




SEAT TRACTOR S.No.:B7100HST-D <=60163,B7100HST-E <=20024

↔ Interchangeable; ≠ not interchangeable; ← new for old; → old for new

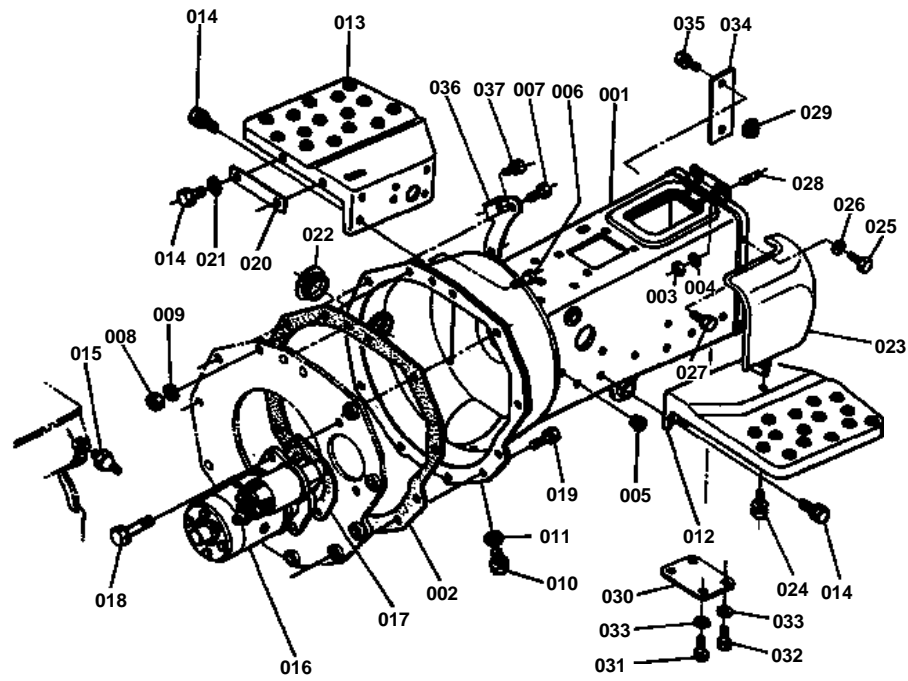
REF.No	Part No.	Description	Q'ty	S.No.	I/C	REMARKS	Weight (kgf)	Weight (lb)
001	66711-45900	ASSY SEAT	1			REF.NO.002,003	4.8	10.56
002	99999-99999	BLANK	0			ORDER BY REF.NO.001	0	0
003	99999-99999	BLANK	0			ORDER BY REF.NO.001 OR 030	0	0
004	66204-45930	ADJUSTER,SEAT	1				2.1	4.62
005	02118-50100	NUT	4				0.005	0.011
006	04512-50100	WASHER,SPRING	4				0	0
007	66204-45940	SUPPORT,SEAT FRONT	1				0.29	0.638
008	01150-50814	BOLT	2				0.01	0.022
009	02114-50080	NUT	2				0.005	0.011
010	04512-50080	WASHER,SPRING	2				0	0
011	66711-36440	BOLT	2				0.045	0.099
012	04512-50120	WASHER,SPRING	2				0	0
013	66591-41540	CUSHION	4				0.01	0.022
014	66591-41550	COLLAR	2				0.02	0.044
015	05122-51045	PIN,JOINT	2				0	0
016	05516-51000	PIN,SNAP	2				0	0
017	66204-45950	BRACKET,FRONT	1				0	0
018	66204-45960	BRACKET,REAR	1				0	0
019	01123-50825	BOLT	2				0.013	0.0286
020	66204-45990	STAY,FENDER	1				0	0
021	01150-50820	BOLT	4				0.011	0.0242
022	04013-50080	WASHER,PLAIN	4				0	0
023	04512-50080	WASHER,SPRING	4				0	0
024	02114-50080	NUT	4				0.005	0.011
025	32160-18440	CUSHION	2				0.013	0.0286
026	66204-45970	SUPPORT,SPRING	2				0.1	0.22
027	66204-45980	SPRING,SEAT	2				0.1	0.22
028	04012-50080	WASHER,PLAIN	2				0.001	0.0022
029	05511-50215	PIN,SPLIT	2				0.001	0.0022
030	66704-83500	ASSY COVER,SEAT	1			REF.NO.003,031 AND 032	0.4	0.88
031	35110-85050	EYE-LET	4				0.005	0.011
032	35110-85060	PROTECTOR	3				0.01	0.022
033	66704-54950	BRACKET,EMBLEM SMV	1			AMERICA,CANADA	0	0
034	01050-50616	BOLT	2			AMERICA,CANADA	0	0
035	04013-50060	WASHER,PLAIN	2			AMERICA,CANADA	0	0
036	04512-50060	WASHER,SPRING	2			AMERICA,CANADA	0	0
037	02014-50060	NUT	2			AMERICA,CANADA	0.003	0.0066





↔ Interchangeable; ≠ not interchangeable; ← new for old; → old for new

REF.No	Part No.	Description	Q'ty	S.No.	I/C	REMARKS	Weight (kgf)	Weight (lb)
001	66621-47110	LABEL,KUBOTA	2				0.004	0.0088
002	66204-47120	LABEL	1				0	0
003	66204-47133	LABEL	1				0.001	0.0022
004	66706-47140	NAME PLATE 6	1				0	0
005	66706-47150	NAME PLATE 7	1				0	0
006	66204-47180	NAME PLATE	2				0.002	0.0044
007	66591-47190	NAME PLATE 9	1				0.001	0.0022
008	66204-47190	LABEL,OIL	1				0.001	0.0022
009	66204-47210	LABEL,OIL	1				0	0
010	66204-47220	LABEL,OIL	2				0.001	0.0022
011	66204-47230	LABEL	1				0.001	0.0022
012	66706-47240	LABEL	1				0.001	0.0022
013	31220-15970	MARK	1				0.001	0.0022
014	66706-47250	NAME PLATE	1				0.001	0.0022
015	66706-47260	NAME PLATE	1				0.001	0.0022
016	66601-47230	NAME PLATE	1				0.02	0.044
017	04013-50040	WASHER,PLAIN	4				0	0
018	04512-50040	WASHER,SPRING	2				0	0
019	02054-50040	NUT	2				0.001	0.0022
020	66706-47270	LABEE	1				0.001	0.0022
021	66706-47280	LABEE	1				0.003	0.0066
022	66204-47290	LABEL	1			OVERSEAS	0.01	0.022
023	66204-47410	LABEL	1			AMERICA,CANADA	0.02	0.044
023	66704-47410	LABEL	1			OVERSEAS	0.019	0.0418
024	66706-47330	LABEL	1				0.001	0.0022
025	66706-47340	LABEL	1				0.001	0.0022
026	66204-47350	LABEL	1				0	0
027	66204-47360	LABEL	1				0.001	0.0022
028	66204-47370	LABEL	1				0.002	0.0044
029	66706-47370	LABEL	1				0.001	0.0022
030	35170-18290	LABEL	2				0.003	0.0066
031	32140-18470	MARK,KUBOTA	1				0.002	0.0044
032	66706-47420	LABEL	1				0.001	0.0022
033	66706-47460	NAME PLATE	1			OVERSEAS	0.002	0.0044
034	35110-21990	LABEL	1				0.001	0.0022
035	66204-47460	NAME PLATE	1				0.015	0.033
036	54102-24410	RIVET	4				0.001	0.0022
037	66204-47510	NAME PLATE	1				0.045	0.099
038	03004-50610	SCREW	4				0.004	0.0088
039	66204-47520	LABEL	1				0.001	0.0022
040	66204-47530	LABEL	1				0	0
041	66204-47540	LABEL	1				0	0
042	66204-47550	MARK	2				0.003	0.0066
043	35260-29790	LABEL	1			AMERICA,CANADA	0.002	0.0044
044	35260-29780	LABEL,ROPS	1			AMERICA,CANADA	0	0
045	35260-34910	LABEL	1			AMERICA,CANADA	0	0
046	35200-25340	LABEL,PTO	1			AMERICA,CANADA	0.002	0.0044

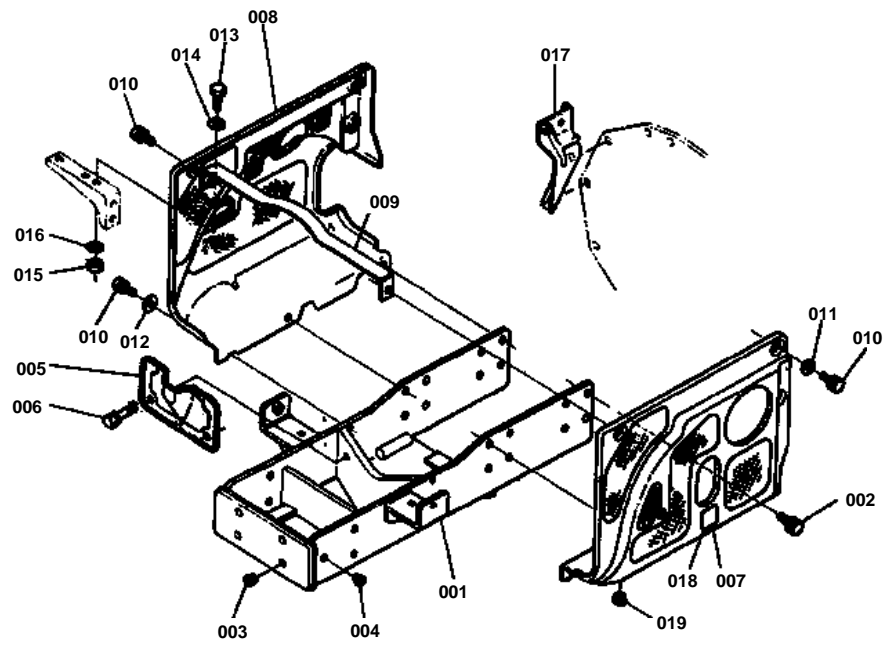




CLUTCH HOUSING TRACTOR S.No.:B7100HST-D <=60163,B7100HST-E <=20024

↔ Interchangeable; ≠ not interchangeable; ← new for old; → old for new

REF.No	Part No.	Description	Q'ty	S.No.	I/C	REMARKS	Weight (kgf)	Weight (lb)
001	66204-51110	HOUSING,CLUTCH	1				0	0
002	66621-51410	GASKET	1				0	0
003	02174-50120	NUT	2				0.01	0.022
004	04512-50120	WASHER,SPRING	4				0	0
005	66591-54390	PLUG	10				0.001	0.0022
006	01153-50825	BOLT	1				0.012	0.0264
007	01153-50828	BOLT	2				0.014	0.0308
008	02114-50080	NUT	3				0.005	0.011
009	04512-50080	WASHER,SPRING	3				0	0
010	06331-35010	PLUG	1				0.012	0.0264
011	04717-01000	WASHER,SEAL	1				0.001	0.0022
012	66711-51130	STEP,LH	1				2.078	4.5716
013	66204-51140	STEP,RH	1				1.85	4.07
014	01120-50818	BOLT	12				0	0
015	15231-39010	SWITCH,OIL	1				0	0
016	15231-63010	ASSY STARTER	1				0	0
017	66591-51160	GASKET	1				0	0
018	01123-50828	BOLT	2				0.014	0.0308
019	01123-50825	BOLT	8				0.013	0.0286
020	66711-51180	PLATE	1				0.045	0.099
021	04013-50080	WASHER,PLAIN	2				0	0
022	66704-51190	CAP	1				0.009	0.0198
023	66204-82610	COVER	1				0.25	0.55
024	01120-50814	BOLT	2				0	0
025	66204-51150	BOLT	4				0	0
026	04512-50140	WASHER,SPRING	4				0	0
027	01153-51230	BOLT	2				0.036	0.0792
028	01555-51220	STUD	2				0.034	0.0748
029	66204-51160	CAP	1				0.007	0.0154
030	66204-51180	PLATE	1				0.44	0.968
031	01173-51225	BOLT	2				0.033	0.0726
032	01153-51230	BOLT	2				0.036	0.0792
033	04512-50120	WASHER,SPRING	4				0	0
034	66204-51190	CAP	1				0.075	0.165
035	01120-50818	BOLT	2				0	0
036	66704-36150	HOLDER	1				0.06	0.132
037	01120-50814	BOLT	1				0	0

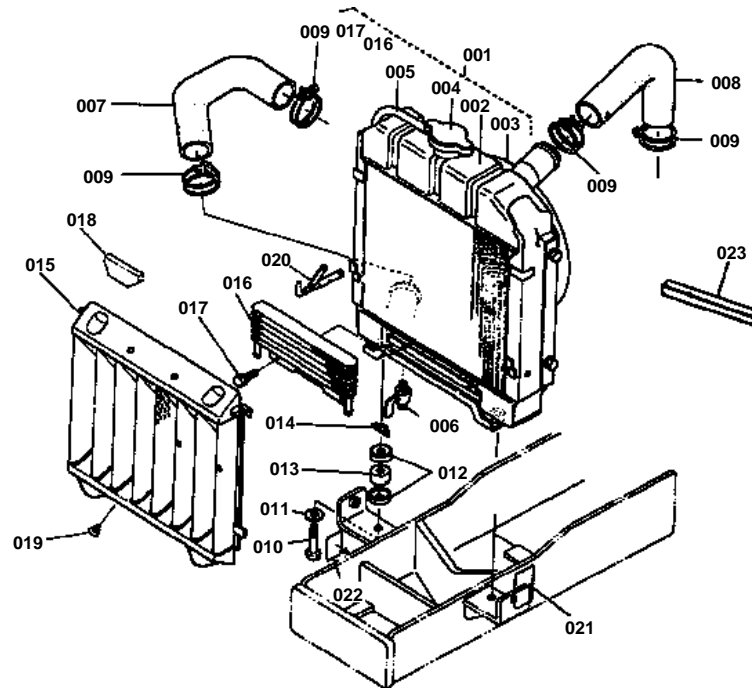




FRONT WHEEL SUPPORT TRACTOR S.No.:B7100HST-D <=60163,B7100HST-E
<=20024

↔ Interchangeable; ≠ not interchangeable; ← new for old; → old for new

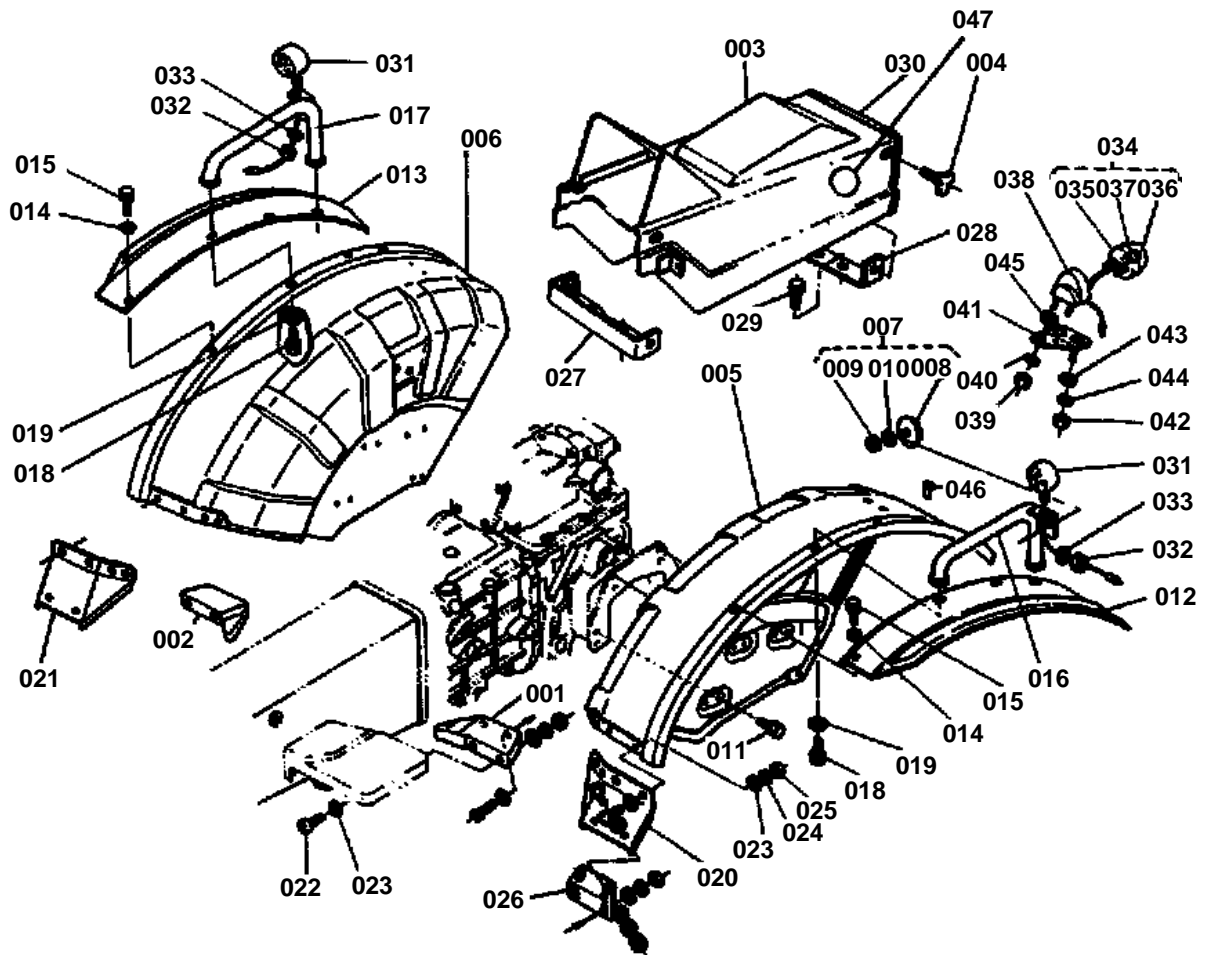
REF.No	Part No.	Description	Q'ty	S.No.	I/C	REMARKS	Weight (kgf)	Weight (lb)
001	66704-51210	SUPPORT,FRONT WHEEL	1				17	37.4
002	01133-51025	BOLT	16				0.023	0.0506
003	66591-54390	PLUG	8				0.001	0.0022
004	67111-11140	PLUG M12	6				0	0
004	67211-11140	PLUG M12	6	>=10001			0.001	0.0022
005	66704-51280	COVER,FRONT	1				0.11	0.242
006	01120-50825	BOLT	2				0	0
007	66709-51370	COVER,SIDE LH	1				0.97	2.134
008	66204-51330	COVER,SIDE RH	1				0.9	1.98
009	66711-51380	STAY,SIDE COVER	1				0.215	0.473
010	01202-50614	BOLT	8				0.006	0.0132
011	04013-50060	WASHER,PLAIN	4				0	0
012	04015-50060	WASHER,PLAIN	2				0	0
013	01150-50818	BOLT	1				0	0
014	04013-50080	WASHER,PLAIN	1				0	0
015	02114-50080	NUT	1				0.005	0.011
016	04512-50080	WASHER,SPRING	1				0	0
017	66711-51350	STAY,FILTER	1				0.146	0.3212
018	66706-47330	LABEL	1				0.001	0.0022
019	66591-54580	RUBBER	1				0.003	0.0066





↔ Interchangeable; ≠ not interchangeable; ← new for old; → old for new

REF.No	Part No.	Description	Q'ty	S.No.	I/C	REMARKS	Weight (kgf)	Weight (lb)
001	15553-72060	ASSY RADIATOR	1			REF.NO.002 TO 005,016 AND 017	6	13.2
002	99999-99999	BLANK	0			ORDER BY REF.NO.001	0	0
003	15371-74470	COVER,FAN	1				0.4	0.88
004	15101-72030	CAP,RADIATOR	1				0.075	0.165
005	15401-72710	PIPE,WATER OVER FLOW	1				0.032	0.0704
006	14301-73110	COCK,DRAIN	1				0.094	0.2068
007	15371-72850	PIPE,WATER 1	1				0.21	0.462
008	15371-72940	PIPE,WATER 4	1				0.164	0.3608
009	15108-72870	BAND	4				0.027	0.0594
010	66711-51340	BOLT,RADIATOR	2				0.032	0.0704
011	04013-50100	WASHER,PLAIN	2				0	0
012	15111-72200	WASHER,	4				0.013	0.0286
013	15111-72180	CUSHION	2				0.015	0.033
014	05515-51000	PIN,SNAP	2				0	0
015	66204-51410	NET,RADIATOR	1	<=11034			0	0
015	66204-51415	NET,RADIATOR	1	>=10001			0.8	1.76
016	66204-58710	COOLER,OIL	1				0.38	0.836
017	01202-50612	BOLT	2				0.005	0.011
018	66204-51420	TAPE	2				0.002	0.0044
019	63763-52580	RUBBER	4				0.001	0.0022
020	66204-58750	WHISTLE,STEEM	1				0.028	0.0616
021	66706-58810	LABEL,RADIATOR	1				0.001	0.0022
022	66706-58820	LABEL	1				0.001	0.0022
023	66204-58730	TAPE,RADIATOR	1				0.01	0.022





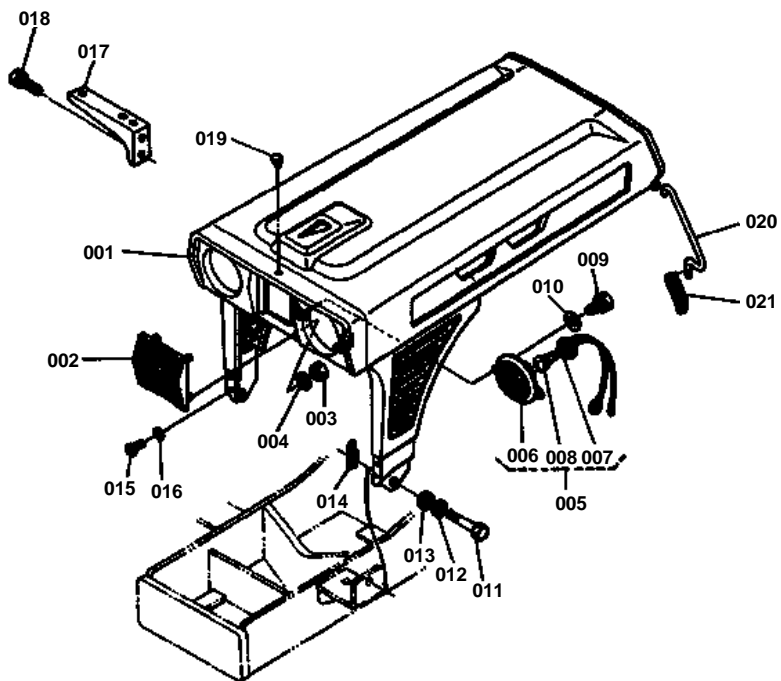
↔ Interchangeable; ≠ not interchangeable; ← new for old; → old for new

REF.No	Part No.	Description	Q'ty	S.No.	I/C	REMARKS	Weight (kgf)	Weight (lb)
001	66204-51050	STEP,LH	1				0.233	0.5126
002	66204-51060	STEP,RH	1				0.23	0.506
003	66204-53110	COVER	1				1.95	4.29
004	01820-50615	BOLT	4				0.017	0.0374
005	66706-52710	FENDER,LH	1				3.8	8.36
006	66706-52720	FENDER,RH	1				3.6	7.92
007	66591-52300	ASSY REFLECTOR	2			REF.NO.008 TO 010	0.006	0.0132
008	53143-61240	REFLECTOR	2				0.009	0.0198
009	02054-50050	NUT	2				0.002	0.0044
010	04512-50050	WASHER,SPRING	2				0	0
011	01120-50818	BOLT	8				0	0
012	66611-52732	FENDER,LH	1				0.626	1.3772
013	66611-52742	FENDER,RH	1				0.65	1.43
014	04013-50060	WASHER,PLAIN	6				0	0
015	01202-50614	BOLT	6				0.006	0.0132
016	66611-52750	BALUSTRAD,LH	1				0.264	0.5808
017	66611-52760	BALUSTRAD,RH	1				0.258	0.5676
018	01120-50820	BOLT	4				0	0
019	04013-50080	WASHER,PLAIN	4				0	0
020	66711-51150	PLATE,SUB LH	1				0.143	0.3146
021	66711-51160	PLATE,SUB RH	1				0.135	0.297
022	03014-50614	SCREW	20				0.003	0.0066
023	04013-50060	WASHER,PLAIN	40				0	0
024	04512-50060	WASHER,SPRING	20				0	0
025	02014-50060	NUT	20				0.003	0.0066
026	66711-51170	STAY	2				0.044	0.0968
027	66204-53130	STAY	1				0.165	0.363
028	66204-53140	STAY	1				0.09	0.198
029	01120-50820	BOLT	2				0	0
030	66204-53150	RUBBER	1				0.02	0.044
031	67111-55470	ASSY LAMP, FLASHER	2			AMERICA,CANADA	0	0
032	02114-50080	NUT	2			AMERICA,CANADA	0.005	0.011
033	04512-50080	WASHER	2			AMERICA,CANADA	0	0
034	66704-55520	ASSY TAIL LAMP	1			REF.NO.035 TO 037 AMERICA, CANADA,DPT-OVE	0.11	0.242
035	66704-55540	BODY,TAIL LAMP	1			AMERICA,CANADA, DPT-OVERSEAS	0.06	0.132
036	66704-55550	LENS TAIL LAMP	1			AMERICA,CANADA, DPT-OVERSEAS	0.045	0.099
037	66704-55560	BULB,TAIL LAMP	1			AMERICA,CANADA, DPT-OVERSEAS	0.007	0.0154
038	34350-34190	BASE	1			AMERICA,CANADA, DPT-OVERSEAS	0.107	0.2354
039	02014-50060	NUT	2			AMERICA,CANADA, DPT-OVERSEAS	0.003	0.0066
040	04512-50060	WASHER,SPRING	2			AMERICA,CANADA, DPT-OVERSEAS	0	0
041	66704-55530	STAY,TAIL LAMP	1			AMERICA,CANADA, DPT-OVERSEAS	0	0
042	02014-50060	NUT	2			AMERICA,CANADA, DPT-OVERSEAS	0.003	0.0066
043	04015-50060	WASHER,PLAIN	2			AMERICA,CANADA, DPT-OVERSEAS	0	0
044	04512-50060	WASHER,SPRING	2			AMERICA,CANADA, DPT-OVERSEAS	0	0



↔ Interchangeable; ≠ not interchangeable; ← new for old; → old for new

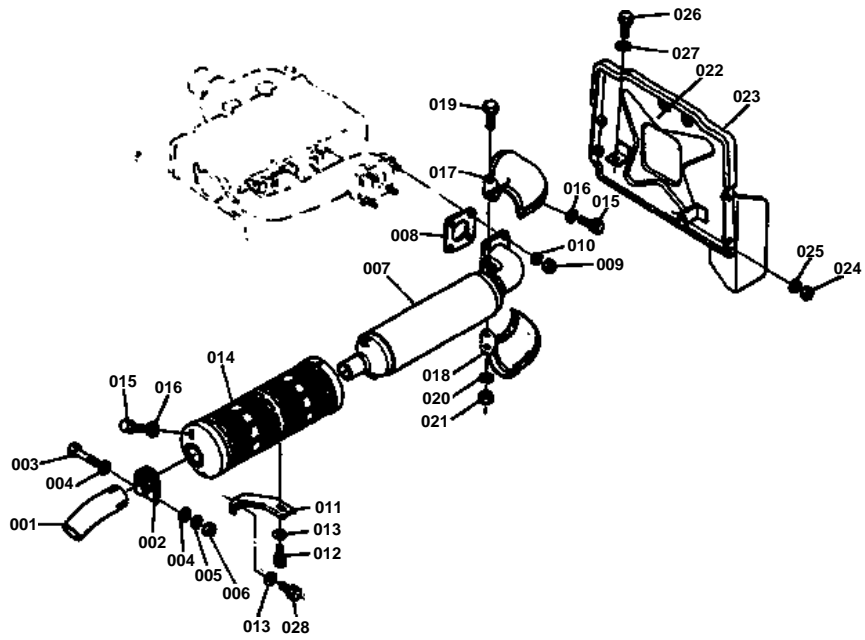
REF.No	Part No.	Description	Q'ty	S.No.	I/C	REMARKS	Weight (kgf)	Weight (lb)
045	66591-54580	RUBBER	1			AMERICA,CANADA, DPT-OVERSEAS	0.003	0.0066
046	63763-52580	RUBBER	6			AMERICA,CANADA	0.001	0.0022
046	63763-52580	RUBBER	8			OVERSEAS	0.001	0.0022
047	66204-47140	LABEL	1				0.001	0.0022





↔ Interchangeable; ≠ not interchangeable; ← new for old; → old for new

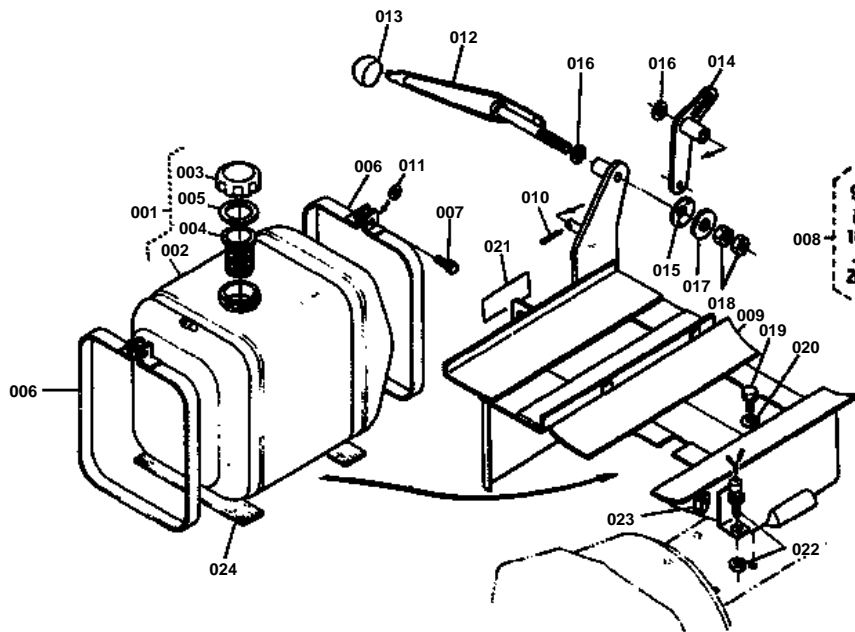
REF.No	Part No.	Description	Q'ty	S.No.	I/C	REMARKS	Weight (kgf)	Weight (lb)
001	66771-54110	BONNET	1				0	0
002	66711-54140	MASCOT	1				0.09	0.198
003	02014-50060	NUT	4				0.003	0.0066
004	04512-50060	WASHER,SPRING	4				0	0
005	66711-54120	ASSY LAMP,HEAD	2			REF.NO.006 TO 008	0.15	0.33
006	66591-55610	LAMP,HEAD	2				0.15	0.33
007	66711-54130	SOCKET	2				0.016	0.0352
008	66591-55630	BULB	2				0.008	0.0176
009	01202-50612	BOLT	4				0.005	0.011
010	04013-50060	WASHER,PLAIN	4				0	0
011	66711-54150	BOLT,BONNET STOPPER	2				0.026	0.0572
012	04015-50100	WASHER,PLAIN	2				0.016	0.0352
013	34150-18180	CUSHION	2				0.003	0.0066
014	05515-51000	PIN,SNAP	2				0	0
015	03004-50812	SCREW	4				0.008	0.0176
016	04012-50080	WASHER,PLAIN	4				0.001	0.0022
017	66711-54310	STAY,AIR CLEANER	1				0.306	0.6732
018	01123-50820	BOLT	2				0.011	0.0242
019	63763-52580	RUBBER	1				0.001	0.0022
020	66751-55210	HOOK,BONNET	2				0.04	0.088
021	66711-55220	SPRING	2				0.01	0.022



**MUFFLER TRACTOR S.No.:B7100HST-D <=60163,B7100HST-E <=20024**

↔ Interchangeable; ≠ not interchangeable; ← new for old; → old for new

REF.No	Part No.	Description	Q'ty	S.No.	I/C	REMARKS	Weight (kgf)	Weight (lb)
001	66711-54410	PIPE,MUFFLER	1				0.137	0.3014
002	66711-54420	BAND,MUFFLER	1				0.038	0.0836
003	01150-50865	BOLT	1				0	0
004	04013-50080	WASHER,PLAIN	2				0	0
005	04512-50080	WASHER,SPRING	1				0	0
006	02114-50080	NUT	1				0.005	0.011
007	15371-12110	MUFFLER	1				0	0
007	66706-54510	MUFFLER	1	>=10001			2.8	6.16
008	15371-12370	GASKET,MUFFLER	1				0	0
009	02114-50080	NUT	4				0.005	0.011
010	04512-50080	WASHER,SPRING	4				0	0
011	66711-54530	STAY,MUFFLER	1				0.096	0.2112
012	01120-50814	BOLT	1				0	0
013	04013-50080	WASHER,PLAIN	2				0	0
014	66711-54520	COVER,MUFFLER	1				0.878	1.9316
015	01202-50612	BOLT	4				0.005	0.011
016	04013-50060	WASHER,PLAIN	4				0	0
017	66711-54550	COVER,MUFFLER LH	1				0.137	0.3014
018	66711-54560	COVER,MUFFLER RH	1				0.135	0.297
019	01050-50628	BOLT	2				0	0
020	04512-50060	WASHER,SPRING	2				0	0
021	02014-50060	NUT	2				0.003	0.0066
022	66711-54610	COVER	1				1.066	2.3452
023	66711-54620	TAPE	1				0.005	0.011
024	02114-50080	NUT	1				0.005	0.011
025	04512-50080	WASHER,SPRING	1				0	0
026	01120-50816	BOLT	1				0	0
027	04013-50080	WASHER,PLAIN	1				0	0
028	01120-50818	BOLT	1				0	0

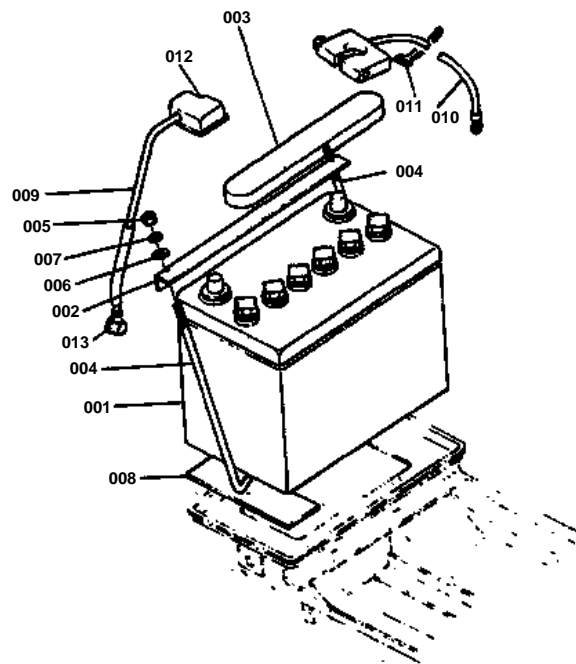




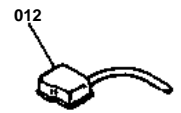
FUEL TANK TRACTOR S.No.:B7100HST-D <=60163,B7100HST-E <=20024

↔ Interchangeable; ≠ not interchangeable; ← new for old; → old for new

REF.No	Part No.	Description	Q'ty	S.No.	I/C	REMARKS	Weight (kgf)	Weight (lb)
001	66711-54700	ASSY TANK,FUEL	1			REF.NO.002 TO 005	0	0
002	99999-99999	BLANK	0			ORDER BY REF.NO.001	0	0
003	66621-54820	ASSY CAP,FUEL	1				0.028	0.0616
004	13251-41060	FILTER	1				0.01	0.022
005	10211-41340	GASKET	1				0.003	0.0066
006	66711-54760	BAND,FUEL TANK	2				0	0
007	01120-50830	BOLT	2				0	0
008	66204-54800	ASSY BRACKET	1			REF.NO.009 TO 018,024	3.5	7.7
009	66204-54770	BRACKET,TANK BATTERY	1				3.3	7.26
010	05511-52518	PIN,SPLIT	1				0.001	0.0022
011	04013-50080	WASHER,PLAIN	2				0	0
012	66204-43220	LEVER,RELEASE	1				0.185	0.407
013	66611-43240	GRIP,LEVER	1				0.018	0.0396
014	66204-43230	ARM,RELEASE	1				0.1	0.22
015	32210-17190	SPRING	1				0.005	0.011
016	04013-50100	WASHER,PLAIN	2				0	0
017	04015-50100	WASHER,PLAIN	1				0.016	0.0352
018	02116-50100	NUT	2				0.004	0.0088
019	01120-50816	BOLT	4				0	0
020	04013-50080	WASHER,PLAIN	4				0	0
021	66706-47360	LABEL,BRAKE	1				0.002	0.0044
022	66204-32240	SWITCH,SAFETY	1				0	0
023	66611-55190	CLAMP,CORD 2	1				0.001	0.0022
024	66641-54740	CUSHION	2				0.065	0.143



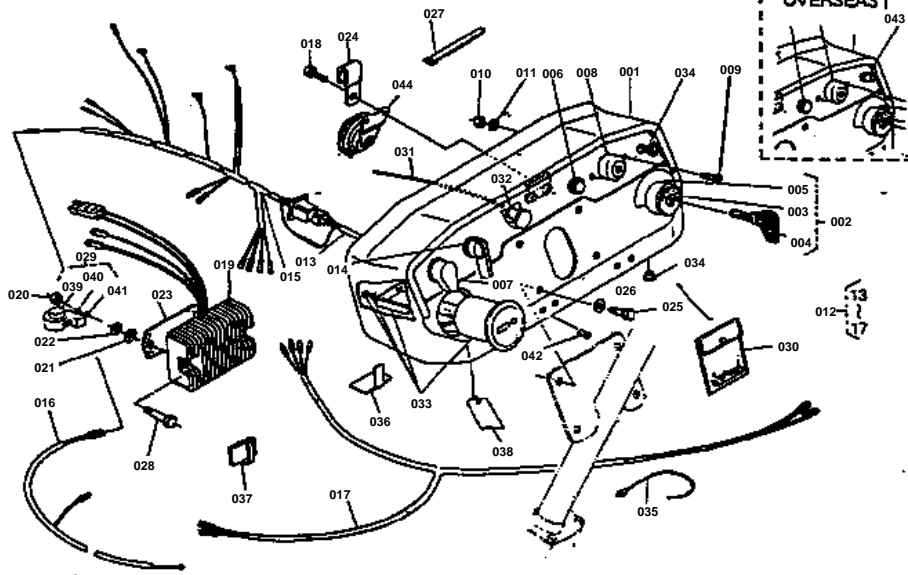
REF. No.12 66704-5527-0
Unk : 2→1





↔ Interchangeable; ≠ not interchangeable; ← new for old; → old for new

REF.No	Part No.	Description	Q'ty	S.No.	I/C	REMARKS	Weight (kgf)	Weight (lb)
001	66704-55430	BATTERY	1				9.3	20.46
002	66591-54480	RETAINER,BATTERY	1				0	0
002	66704-54482	RETAINER,BATTERY	1	>=10001			0.14	0.308
003	66641-55430	COVER,BATTERY	1				0.07	0.154
004	66591-54490	BOLT	2				0.048	0.1056
005	02014-50060	NUT	2				0.003	0.0066
006	04013-50060	WASHER,PLAIN	2				0	0
007	04512-50060	WASHER,SPRING	2				0	0
008	66591-54510	CUSHION,BATTERY	2				0.02	0.044
009	66709-55450	CORD,BATTERY	1				0.25	0.55
010	66704-55460	CORD,BATTERY	1				0.165	0.363
011	34350-29380	CLAMP	1				0.001	0.0022
012	66704-55270	CAP,TERMINAL	1				0.015	0.033
013	66591-55190	CAP,TERMINAL	1				0.012	0.0264



REF. No. 29 66204-5581-0



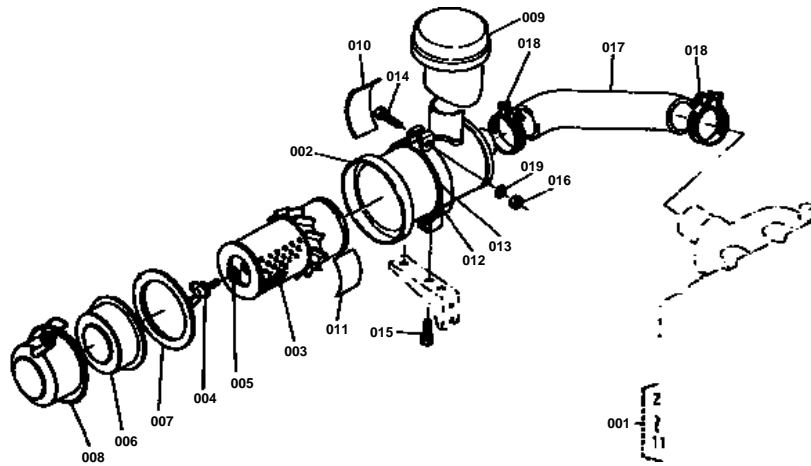
REF. No. 42 63763-5258-0





↔ Interchangeable; ≠ not interchangeable; ← new for old; → old for new

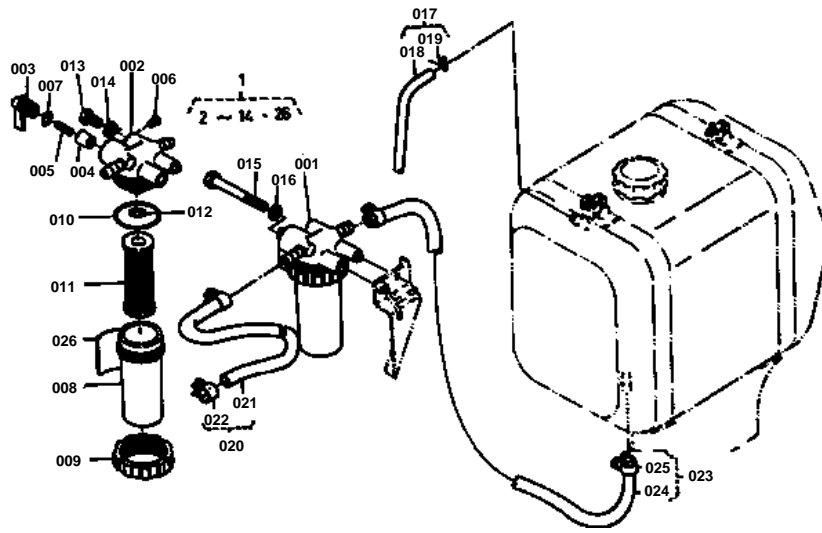
REF.No	Part No.	Description	Q'ty	S.No.	I/C	REMARKS	Weight (kgf)	Weight (lb)
001	66204-55112	PANEL	1				0	0
002	66706-55120	ASSY SWITCH, STARTER	1			REF.NO.003 TO 005	0.256	0.5632
003	66711-55130	SWITCH,STARTER	1				0.241	0.5302
004	66711-55140	KEY	2				0	0
005	66706-55150	LABEL,STARTER SWITCH	1				0.001	0.0022
006	66711-55290	ASSY LAMP,OIL	1				0.016	0.0352
007	55311-41120	SWITCH	1				0.05	0.11
008	15231-65950	LAMP,GLOW	1				0.045	0.099
009	01050-50512	BOLT	2				0.003	0.0066
010	02054-50050	NUT	2				0.002	0.0044
011	04512-50050	WASHER,SPRING	2				0	0
012	66204-55162	ASSY WIRE HARNESS	1			REF.NO.013 TO 017 AMERICA,CANADA	0.61	1.342
012	66201-55160	ASSY WIRE HARNESS	1			REF.NO.013 TO 016 OVERSEAS	1.09	2.398
013	66204-55170	WIRE HARNESS 1	1			AMERICA,CANADA	0.285	0.627
013	66704-55173	WIRE HARNESS 1	1			OVERSEAS	0.266	0.5852
014	66621-55190	SWITCH,LIGHTING	1				0.067	0.1474
015	66204-55182	WIRE HARNESS 2	1			AMERICA,CANADA	0.2	0.44
015	66704-55180	WIRE HARNESS 2	1			OVERSEAS	0.196	0.4312
016	66711-55190	WIRE HARNESS 3	1				0.017	0.0374
017	66204-55192	WIRE HARNESS 4	1			AMERICA,CANADA	0.095	0.209
018	01202-50612	BOLT	2				0.005	0.011
019	15372-64600	REGULATOR	1				0.22	0.484
020	02014-50060	NUT	2				0.003	0.0066
021	04013-50060	WASHER,PLAIN	2				0	0
022	04512-50060	WASHER,SPRING	2				0	0
023	66704-55260	CUSHION	1				0.009	0.0198
024	13313-69750	ASSY CLAMP,CORD	1				0	0
025	01120-50818	BOLT	4				0	0
026	04013-50080	WASHER,PLAIN	4				0	0
027	34350-29380	CLAMP	2				0.001	0.0022
028	01050-50640	BOLT	2			AMERICA,CANADA	0	0
029	66204-55810	UNIT	1	<=10744		AMERICA,CANADA	0	0
029	66204-55812	ASSY UNIT	1	>=10001		REF.NO.039,040 AMERICA,CANADA	0.06	0.132
030	66591-55520	ASSY FUSE	1				0.004	0.0088
031	66711-43510	WIRE,DECOMPRESS	1				0.093	0.2046
032	04011-50100	WASHER,PLAIN	1				0.002	0.0044
033	66704-55310	METER,HOUR	1				0.22	0.484
034	35110-32420	PLUG	3				0.002	0.0044
035	66704-55510	BAND	1				0.002	0.0044
036	66611-55190	CLAMP 2	6				0.001	0.0022
037	66706-55220	CLAMP	10			AMERICA,CANADA	0.002	0.0044
038	66706-47380	CARD,CAUTION	1				0.001	0.0022
039	66204-55830	BODY	1			AMERICA,CANADA	0.5	1.1
040	66204-55840	BAND	1			AMERICA,CANADA	0.006	0.0132
041	66204-55820	STAY	1			AMERICA,CANADA	0.01	0.022
042	63763-52580	RUBBER	2	<=10955		AMERICA,CANADA	0.001	0.0022
042	13151-67160	PLUG	2	>=12224		AMERICA,CANADA	0.01	0.022
042	34159-34290	PLUG	1			OVERSEAS	0.004	0.0088
043	54711-41830	SWITCH	1			OVERSEAS	0.014	0.0308
044	66591-55300	ASSY HORN	1			OVERSEAS	0.15	0.33





↔ Interchangeable; ≠ not interchangeable; ← new for old; → old for new

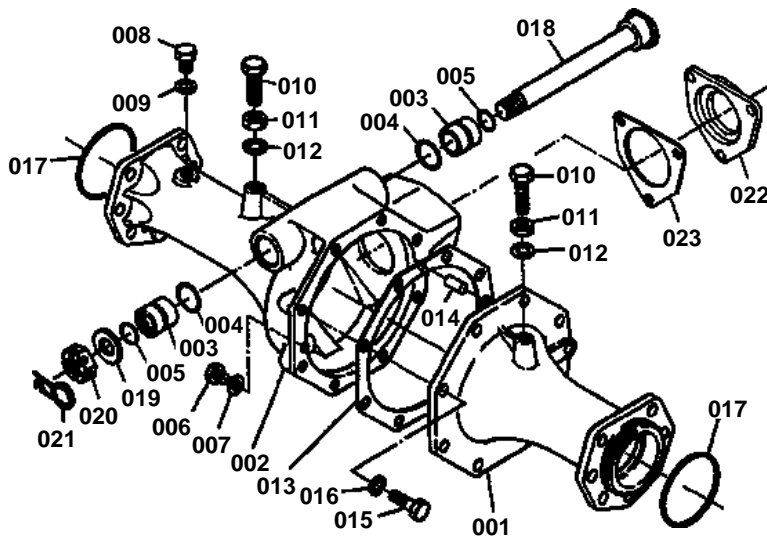
REF.No	Part No.	Description	Q'ty	S.No.	I/C	REMARKS	Weight (kgf)	Weight (lb)
001	15372-11010	ASSY AIR CLEANER	1			REF.NO.002 TO 011	0	0
002	15241-11150	BODY,AIR CLEANER	1				0.69	1.518
003	15222-11220	ELEMENT,AIR CLEANER	1				0.344	0.7568
004	15221-92620	BOLT,WING	1				0.04	0.088
005	15221-94430	WASHER,SEAL	1				0.004	0.0088
006	15221-11410	COVER,BAFFLE	1				0.104	0.2288
007	15221-11170	GASKET,COVER	1				0.01	0.022
008	15241-11160	COVER,AIR CLEANER	1				0.255	0.561
009	15241-11350	CAP,AIR CLEANER	1				0.48	1.056
010	15372-87452	LABEL,AIR CLEANER	1				0.001	0.0022
011	15227-87480	LABEL,ELMENT	1				0.004	0.0088
012	15371-11250	BAND,AIR CLEANER	1				0	0
013	15371-11870	CUSHION	1				0.025	0.055
014	01222-50830	BOLT	1				0.013	0.0286
015	01120-50816	BOLT	2				0	0
016	02114-50080	NUT	1				0.005	0.011
017	15371-11620	PIPE,INLET	1				0.2	0.44
018	15221-11720	BAND,PIPE	2				0.03	0.066
019	04512-50080	WASHER,SPRING	1				0	0



**FUEL FILTER TRACTOR S.No.:B7100HST-D <=60163,B7100HST-E <=20024**

↔ Interchangeable; ≠ not interchangeable; ← new for old; → old for new

REF.No	Part No.	Description	Q'ty	S.No.	I/C	REMARKS	Weight (kgf)	Weight (lb)
001	15261-43010	ASSY FILTER,FUEL	1			REF.NO.002 TO 014,026	0	0
002	99999-99999	BLANK	0			ORDER BY REF.NO.001	0	0
003	14301-43522	LEVER,COCK	1				0.024	0.0528
004	15231-43810	TAPER VALUE	1				0.002	0.0044
005	14301-43820	SPRING,VALUE	1				0.001	0.0022
006	14301-43830	SCREW,LEVER	1				0.001	0.0022
007	14301-43840	O RING,LEVER	1				0.001	0.0022
008	15231-43580	CUP,FILTER	1				0	0
009	14301-43590	RETERING RING	1				0.054	0.1188
010	14301-43650	O RING,FILTER	1				0.001	0.0022
011	15231-43560	ASSY ELEMENT	1				0.03	0.066
012	04811-00100	O RING,FILTER	1				0.001	0.0022
013	15231-43283	PLUG,BREATHER	2				0.003	0.0066
014	04810-00060	O RING	2				0.001	0.0022
015	01150-50865	BOLT	1				0	0
016	04512-50080	WASHER,SPRING	1				0	0
017	15371-42050	ASSY PIPE,FUEL OVER	1			REF.NO.018,019	0.016	0.0352
018	99999-99999	BLANK	0			ORDER BY REF.NO.017	0	0
019	10244-42320	CLIP,PIPE	2				0.001	0.0022
020	15371-42020	ASSY PIPE,FUEL 1	1			REF.NO.021,022	0.034	0.0748
021	99999-99999	BLANK	0			ORDER BY REF.NO.020	0	0
022	14301-42750	CLIP,PIPE	2				0.005	0.011
023	15371-42030	ASSY PIPE,FUEL 2	1			REF.NO.024,025	0	0
024	99999-99999	BLANK	0			ORDER BY REF.NO.023	0	0
025	14301-42750	CLIP,PIPE	2				0.005	0.011
026	66706-58310	LABEL	1				0.001	0.0022

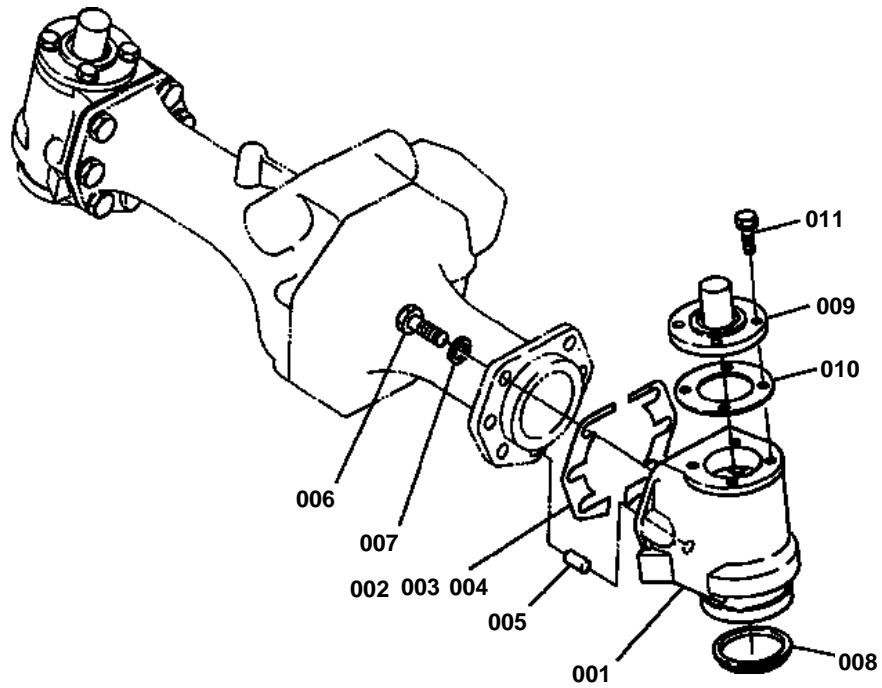




FRONT AXLE ARM [DP] OLD TYPE TRACTOR S.No.:B7100HST-D <=60163,
B7100HST-E <=20024

↔ Interchangeable; ≠ not interchangeable; ← new for old; → old for new

REF.No	Part No.	Description	Q'ty	S.No.	I/C	REMARKS	Weight (kgf)	Weight (lb)
001	67121-56110	ARM,FRONT AXLE LH	1				5.6	12.32
002	66204-56120	ARM,FRONT AXLE RH	1				9	19.8
003	66591-56120	BUSH	2				0.074	0.1628
004	04811-50250	O RING	2				0.001	0.0022
005	04811-00200	O RING	2				0.001	0.0022
006	06331-35010	PLUG	1				0.012	0.0264
007	04717-01000	WASHER,SEAL	1				0.001	0.0022
008	06331-35012	PLUG	1				0.022	0.0484
009	04717-01200	WASHER,SEAL	1				0.002	0.0044
010	66591-56280	BOLT	2				0	0
011	02112-50120	NUT	2				0.007	0.0154
012	04512-50120	WASHER,SPRING	2				0	0
013	67121-56130	GASKET	1				0	0
014	05012-01020	PIN,STRAIGHT	1				0.02	0.044
015	01153-51028	BOLT	8				0.02	0.044
016	04512-50100	WASHER,SPRING	8				0	0
017	04811-10750	O RING	2				0.001	0.0022
018	66802-56110	PIN,CENTER	1				0.58	1.276
019	04011-50180	WASHER,PLAIN	1				0.012	0.0264
020	02372-50180	NUT,SLOTTED	1				0.019	0.0418
021	66611-57150	SPRING,SET	1				0.02	0.044
022	66591-56183	COVER	1				0.415	0.913
023	66591-56172	GASKET	1				0	0

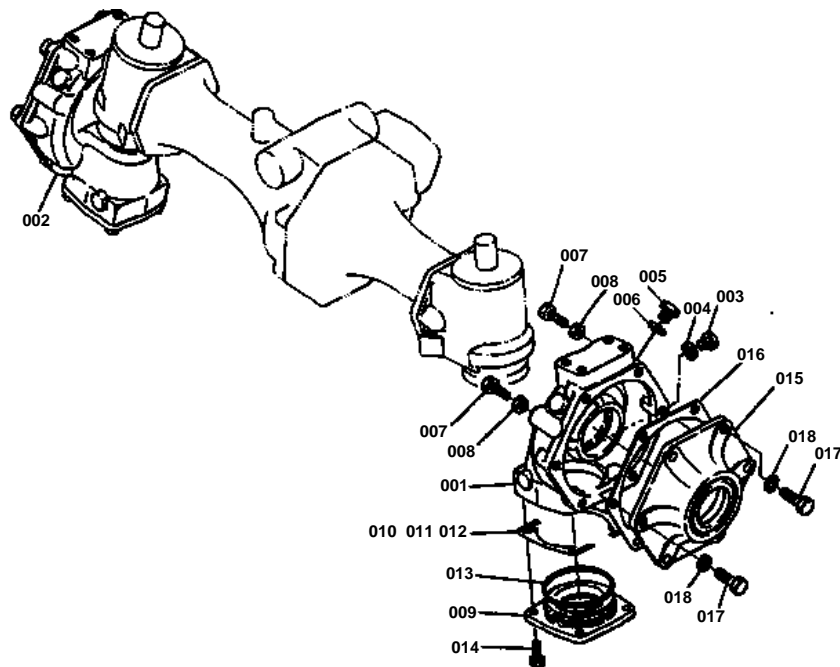




BEVEL GEAR CASE [DP] OLD TYPE TRACTOR S.No.:B7100HST-D <=60163,
B7100HST-E <=20024

↔ Interchangeable; ≠ not interchangeable; ← new for old; → old for new

REF.No	Part No.	Description	Q'ty	S.No.	I/C	REMARKS	Weight (kgf)	Weight (lb)
001	67121-56210	CASE,BEVEL GEAR	2				2.6	5.72
002	67121-56220	SHIM 1	4				0	0
003	67121-56230	SHIM 2	4				0.004	0.0088
004	67121-56240	SHIM 3	4				0.003	0.0066
005	05012-01020	PIN,STRAIGHT	2				0.02	0.044
006	01153-51228	BOLT	12				0.034	0.0748
007	04512-50120	WASHER,SPRING	12				0	0
008	67121-56250	SEAL,DUST	2				0.001	0.0022
009	67121-56260	SUPPORT,KNUCKLE ARM	2	<=11833			0.394	0.8668
009	67121-56263	SUPPORT,KNUCKLE ARM	2	>=11834			0.4	0.88
010	67121-56270	GASKET	2				0	0
011	01123-50822	BOLT	8				0.012	0.0264

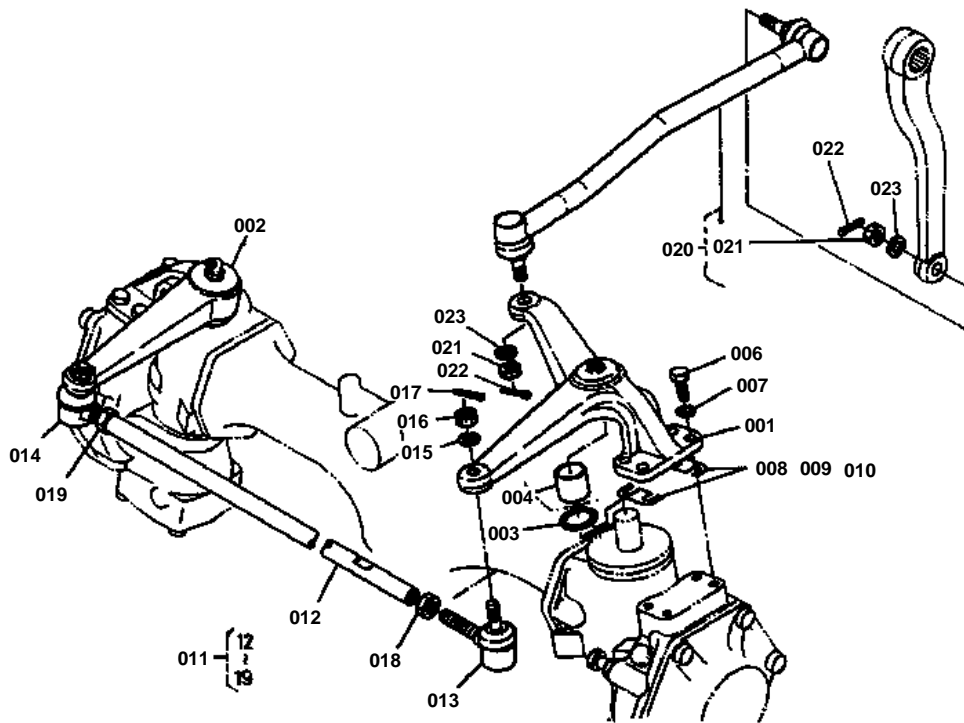




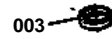
FRONT AXLE CASE [DP] OLD TYPE TRACTOR S.No.:B7100HST-D <=60163,
B7100HST-E <=20024

↔ Interchangeable; ≠ not interchangeable; ← new for old; → old for new

REF.No	Part No.	Description	Q'ty	S.No.	I/C	REMARKS	Weight (kgf)	Weight (lb)
001	67121-56310	CASE,FRONT AXLE LH	1				4.5	9.9
002	67121-56320	CASE,FRONT AXLE RH	1				0	0
003	06331-35010	PLUG	2				0.012	0.0264
004	04717-01000	WASHER,SEAL	2				0.001	0.0022
005	06331-35012	PLUG	2				0.022	0.0484
006	04717-01200	WASHER,SEAL	2				0.002	0.0044
007	66591-56440	BOLT	2				0.02	0.044
008	02112-50100	NUT	2				0.004	0.0088
009	67121-56330	COVER,BEVEL SUPPORT	2				0.64	1.408
010	67121-56340	SHIM 4	4				0.004	0.0088
011	67121-56350	SHIM 5	4				0	0
012	67121-56360	SHIM 6	4				0.001	0.0022
013	04811-50750	O RING	2				0.002	0.0044
014	01123-50825	BOLT	8				0.013	0.0286
015	66204-56370	COVER,FRONT AXLE	2				2	4.4
016	67121-56380	GASKET	2				0	0
017	01153-51028	BOLT	12				0.02	0.044
018	04512-50100	WASHER,SPRING	12				0	0



REF. No.3 67121-5643-0



REF. No.5 06613-20010

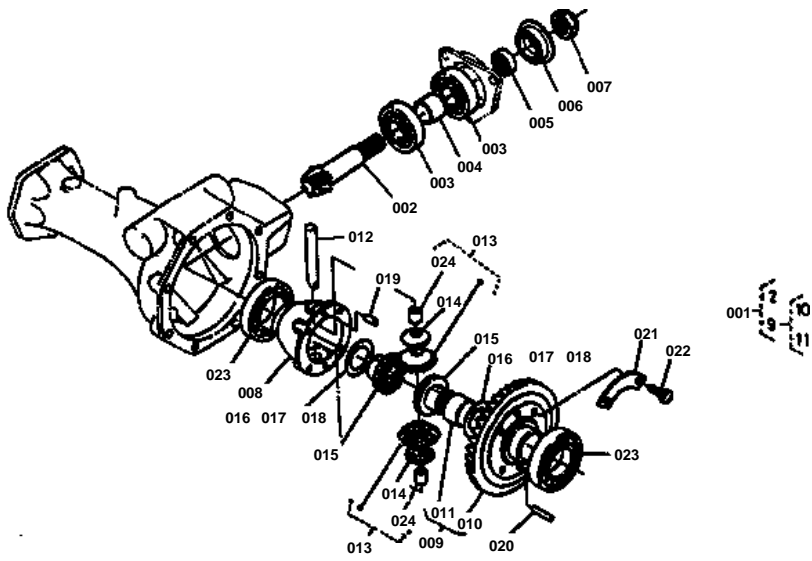




KNUCKLE ARM [DP] OLD TYPE TRACTOR S.No.:B7100HST-D <=60163,
B7100HST-E <=20024

↔ Interchangeable; ≠ not interchangeable; ← new for old; → old for new

REF.No	Part No.	Description	Q'ty	S.No.	I/C	REMARKS	Weight (kgf)	Weight (lb)
001	67221-56410	ARM,KNUCKLE LH	1	<=11833			2.04	4.488
001	67221-56412	ARM,KNUCKLE LH	1	>=11834			2.1	4.62
002	67121-56420	ARM,KNUCKLE RH	1	<=11833			1.55	3.41
002	67121-56423	ARM,KNUCKLE RH	1	>=11834			1.57	3.454
003	67121-56430	SEAL,DUST	2	<=11833			0.008	0.0176
003	04811-00250	O RING	2	>=11834			0.001	0.0022
004	67121-56440	BUSH	2				0.02	0.044
005	06613-20010	NIPPLE,GREASE	2	<=11833			0.01	0.022
006	01153-51028	BOLT	8				0.02	0.044
007	04512-50100	WASHER,SPRING	8				0	0
008	67121-56450	SHIM 1	4				0.002	0.0044
009	97121-56460	SHIM 2	4				0	0
010	67121-56470	SHIM 3	4				0.001	0.0022
011	97121-56500	ASSY ROD,TIE 2	1			REF.NO.012 TO 019	0	0
012	67121-56510	ROD,TIE 2	1				0.85	1.87
013	67121-56520	END,TIE ROD LH	1				0.24	0.528
014	67121-56530	END,TIE ROD RH	1				0.23	0.506
015	04512-50100	WASHER,SPRING	2				0	0
016	66591-56780	NUT,SLOTTED	2				0.01	0.022
017	05511-52520	PIN,SPLIT	2				0.001	0.0022
018	02172-50120	NUT	1				0.01	0.022
019	67121-56540	SCREW	1				0.007	0.0154
020	66204-57100	ASSY LINK,DRAG	1			REF.NO.021	2.22	4.884
021	66591-56780	NUT,SLOTTED	2				0.01	0.022
022	05511-52528	PIN,SLIT	2				0.001	0.0022
023	04512-50100	WASHER,SPRING	2				0	0

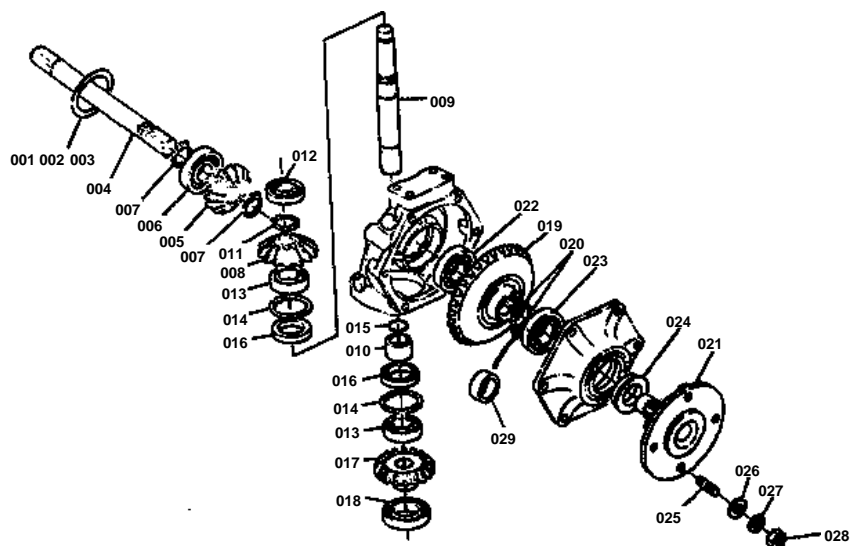




FRONT DIFFERENTIAL [DP] OLD TYPE TRACTOR S.No.:B7100HST-D <=60163,
B7100HST-E <=20024

↔ Interchangeable; ≠ not interchangeable; ← new for old; → old for new

REF.No	Part No.	Description	Q'ty	S.No.	I/C	REMARKS	Weight (kgf)	Weight (lb)
001	67121-99120	ASSY BEVEL GEAR 6-37	1			REF.NO.002,009	2	4.4
002	99999-99999	BLANK	0			ORDER BY REF.NO.001	0	0
003	08101-06305	BEARING, BALL	2				0.23	0.506
004	66591-56460	COLLAR	1				0.049	0.1078
005	66591-56420	BUSH	1				0.021	0.0462
006	66591-56430	SEAL,OIL	1				0.019	0.0418
007	31220-22340	NUT	1				0.033	0.0726
008	67221-56614	CASE,DIFFERENTIAL	1				0.64	1.408
009	99999-99999	BLANK	0			ORDER BY REF.NO.001 REF.NO.010,011	0	0
010	99999-99999	BLANK	0			ORDER BY REF.NO.001	0	0
011	66611-14950	BUSH	1				0.032	0.0704
012	67211-14913	SHAFT,DIFF PINION	1				0.12	0.264
013	67211-14925	PINION, DIFFERENTIAL	2			REF.NO.024	0.114	0.2508
014	67211-14983	COLLAR,PINION THRUST	2				0.01	0.022
015	67211-15150	GEAR,DIFF SIDE 1	2				0.158	0.3476
016	67211-15160	SHIM 1	2				0.01	0.022
017	67211-15170	SHIM 2	2				0.008	0.0176
018	67211-15180	SHIM 3	2				0.01	0.022
019	66591-14790	PIN,KNOCK	1				0.004	0.0088
020	66591-14783	PIN,STRAIGHT	1				0.01	0.022
021	67211-15190	PLATE,LOCK	2				0.008	0.0176
022	01156-50820	BOLT	6				0.01	0.022
023	08101-06009	BEARING,BALL	2				0.22	0.484
024	67211-14930	BUSH	2				0.01	0.022

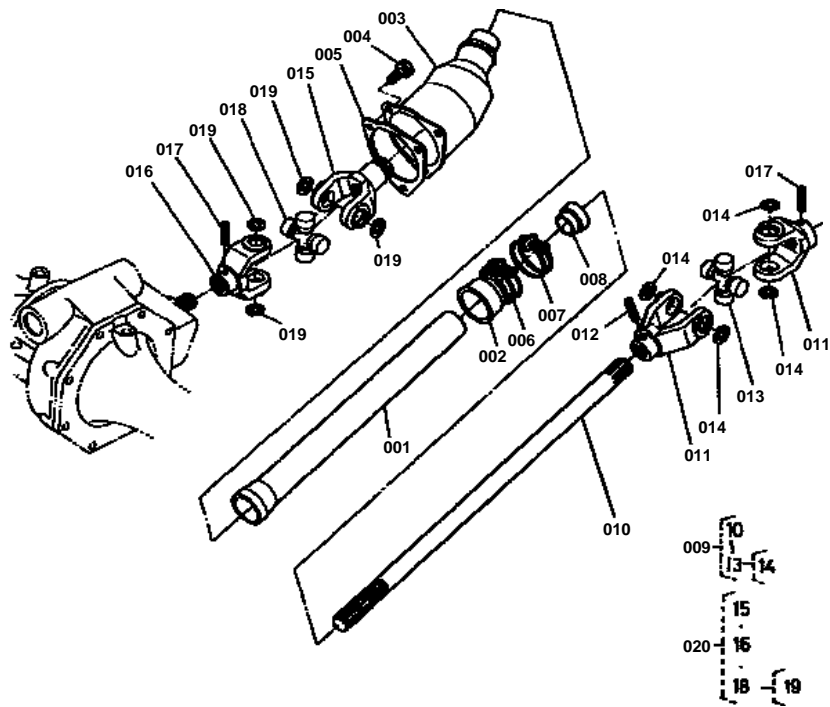




BEVEL GEAR [DP] OLD TYPE TRACTOR S.No.:B7100HST-D <=60163,
B7100HST-E <=20024

↔ Interchangeable; ≠ not interchangeable; ← new for old; → old for new

REF.No	Part No.	Description	Q'ty	S.No.	I/C	REMARKS	Weight (kgf)	Weight (lb)
001	66591-14980	SHIM,DIFF SIDE 3	2				0.005	0.011
002	66591-14990	SHIM,DIFF SIDE 4	2				0.002	0.0044
003	67121-56630	SHIM,DIFF SIDE	2				0.005	0.011
004	67121-56640	SHAFT	2				0.98	2.156
005	67121-56650	GEAR,STR BEVEL	2				0.38	0.836
006	08101-06305	BEARING,BALL	2				0.23	0.506
007	04612-00250	CIR-CLIP, EXTERNAL	4				0.002	0.0044
008	67121-56710	CEAR,STR BEVEL	2				0.35	0.77
009	67121-56720	SHAFT,BEVEL GEAR	2				0.73	1.606
010	67121-56730	COLLAR	2				0.075	0.165
011	04612-00250	CIR-CLIP, EXTERNAL	2				0.002	0.0044
012	08101-06303	BEARING,BALL	2				0.112	0.2464
013	67121-56760	BEARING,BALL	4				0	0
014	04611-00520	CIR-CLIP, INTERNAL	4				0.009	0.0198
015	04811-10250	O RING	2				0.001	0.0022
016	67121-56740	SEAL,OIL	4				0.016	0.0352
017	67221-56750	GEAR,STR BEVEL	2				0.58	1.276
018	08101-06007	BEARING,BALL	2				0.16	0.352
019	67121-56810	GEAR,STR BEVEL	2				2	4.4
020	67121-56820	COLLAR	4				0	0
021	66204-56830	HUB,FRONT WHEEL	2				1.2	2.64
022	08101-06305	BEARING,BALL	2				0.23	0.506
023	08101-06206	BEARING,BALL	2				0.196	0.4312
024	63733-17150	SEAL OIL	2				0.04	0.088
025	66591-56564	STUD	8			DP-AMERICA,DP-CANADA, DP-OVERSEAS	0.028	0.0616
025	66758-56970	STUD	8			DPT-CANADA,DPT-OVERSEAS	0.03	0.066
026	04013-50120	WASHER,PLAIN	8				0	0
027	04512-50120	WASHER,SPRING	8				0	0
028	02174-50120	NUT	8				0.01	0.022
029	66204-56840	COLLAR	2				0.02	0.044

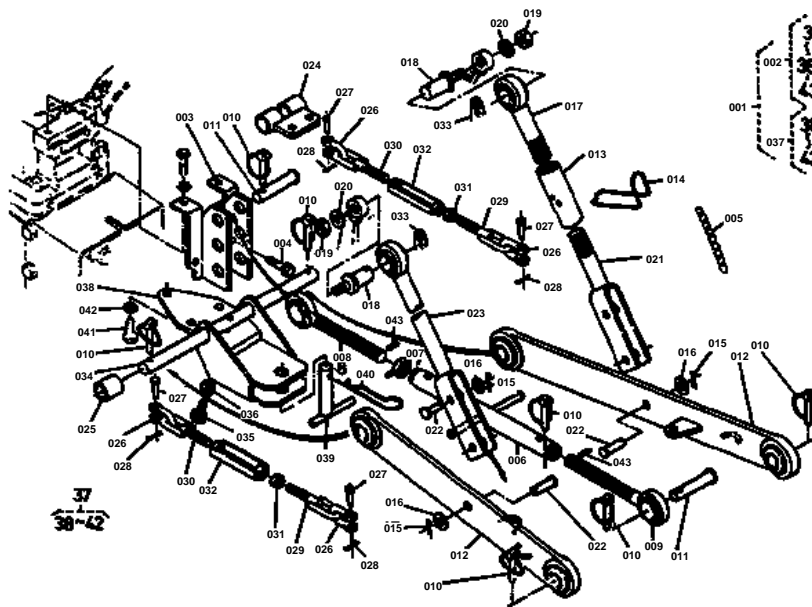




DRIVE SHAFT [DP] OLD TYPE TRACTOR S.No.:B7100HST-D <=60163,
B7100HST-E <=20024

↔ Interchangeable; ≠ not interchangeable; ← new for old; → old for new

REF.No	Part No.	Description	Q'ty	S.No.	I/C	REMARKS	Weight (kgf)	Weight (lb)
001	66591-57164	PIPE 2	1				0.429	0.9438
002	66591-57170	PIPE 3	1				0.046	0.1012
003	67221-57110	CASE,JOINT	1				0.56	1.232
004	01120-50835	BOLT	3				0	0
005	66591-57220	GASKET	1				0	0
006	66591-57190	BAND 3	1				0.029	0.0638
007	66591-57150	BAND 1	1				0	0
007	67221-57120	BAND 1	1	>=10001			0	0
007	15108-72870	BAND 1	1	>=10001			0.027	0.0594
008	67121-57150	SEAL,OIL	1				0.018	0.0396
009	66711-57200	ASSY DRIVER SHAFT	1			REF.NO.010 TO 013	2.045	4.499
010	66711-57210	SHAFT,DRIVER	1				1.32	2.904
011	66591-56410	JOINT 1	2				0.252	0.5544
012	05411-00628	PIN,SPRING	1				0.004	0.0088
013	66591-56320	ASSY JOINT,UNIVERSAL	1			REF.NO.014	0.185	0.407
014	04611-00200	CIR-CRIP,INTERNAL	4				0.001	0.0022
015	66591-56340	JOINT 2	1				0.338	0.7436
016	66591-56410	JOINT 1	1				0.252	0.5544
017	05411-00628	PIN,SPRING	2				0.004	0.0088
018	66591-56320	ASSY JOINT,UNIVERSAL	1			REF.NO.019	0.185	0.407
019	04611-00200	CIR-CLIP,INTERNAL	4				0.001	0.0022
020	67121-57250	ASSY JOINT,FRONT	1			REF.NO.015,016 AND 018	0.77	1.694

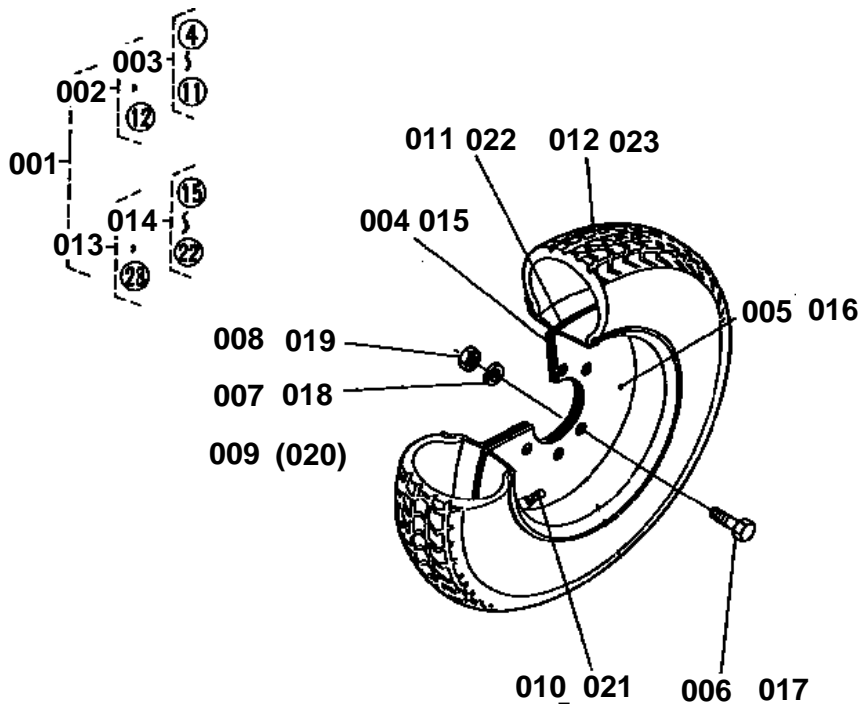




3-POINT LINKAGE [EP,DP] OLD TYPE TRACTOR S.No.:B7100HST-D <=60163,
B7100HST-E <=20024

↔ Interchangeable; ≠ not interchangeable; ← new for old; → old for new

REF.No	Part No.	Description	Q'ty	S.No.	I/C	REMARKS	Weight (kgf)	Weight (lb)
001	66204-65100	ASSY 3-POINT LINKAGE	1			REF.NO.002,037	28	61.6
002	66204-65200	ASSY LINK,3 POINT	1			REF.NO.003 TO 036,043	22	48.4
003	96316-06110	BRACKET	1				1.22	2.684
004	01123-51230	BOLT	2				0.04	0.088
005	66616-34550	CHAIN	1				0.66	1.452
006	66706-65330	LINK,TOP	1				0	0
007	66706-65340	NUT,TOP LINK	1				0.05	0.11
008	66706-65360	JOINT,TOP LINK RH	1				0	0
009	66706-65350	JOINT,TOP LINK LH	1				0	0
010	34150-37640	PIN,SET	7				0.06	0.132
011	31150-71360	PIN,JOINT	2				0.166	0.3652
012	66706-65212	LINK,LOWER	2				0	0
013	66706-65250	NUT	1				0	0
014	66706-65260	SPRING	1				0.041	0.0902
015	05511-50425	PIN,SPLIT	3				0.003	0.0066
016	04013-50120	WASHER,PLAIN	3				0	0
017	66706-65232	ROD,LIFT RH	1				0.315	0.693
018	66706-65280	PIN	2				0.082	0.1804
019	02174-50120	NUT	2				0.01	0.022
020	04512-50120	WASHER,SPRING	2				0	0
021	66706-65240	ROD,LIFT LH	1				0.5	1.1
022	05122-51240	PIN,JOINT	3				0.039	0.0858
023	66706-65272	ROD,JOINT LOWER	1				0.9	1.98
024	66204-65290	BRACKET	1				0	0
025	66204-65350	SPACER	2				0.12	0.264
026	66706-65370	JOINT,CHAIN	4				0.07	0.154
027	66706-65380	PIN	4				0.021	0.0462
028	05511-50318	PIN,SPLIT	4				0.001	0.0022
029	66706-65310	TURN BACKLE BOLT,RH	2				0.153	0.3366
030	66706-65320	TURN BACKLE BOLT,LH	2				0.153	0.3366
031	02112-50120	NUT	2				0.007	0.0154
032	96316-05580	TURN BACKLE	2				0.14	0.308
033	66713-34340	PIN,SNAP	2				0.013	0.0286
034	66704-86110	PIN,LOWER LINK	1				1.19	2.618
035	66204-65120	BOLT,SET	1				0.055	0.121
036	02174-50140	NUT	1				0.014	0.0308
037	66204-65500	ASSY HITCH	1			REF.NO.038 TO 042	0	0
038	66204-65600	HITCH	1				0	0
039	66204-65610	PIN,HITCH	1				0	0
040	31150-29730	PIN,SNAP	1				0.044	0.0968
041	01150-51235	BOLT	3				0	0
042	04512-50120	WASHER,SPRING	3				0	0
043	05411-00422	PIN,SPRING	2				0.001	0.0022

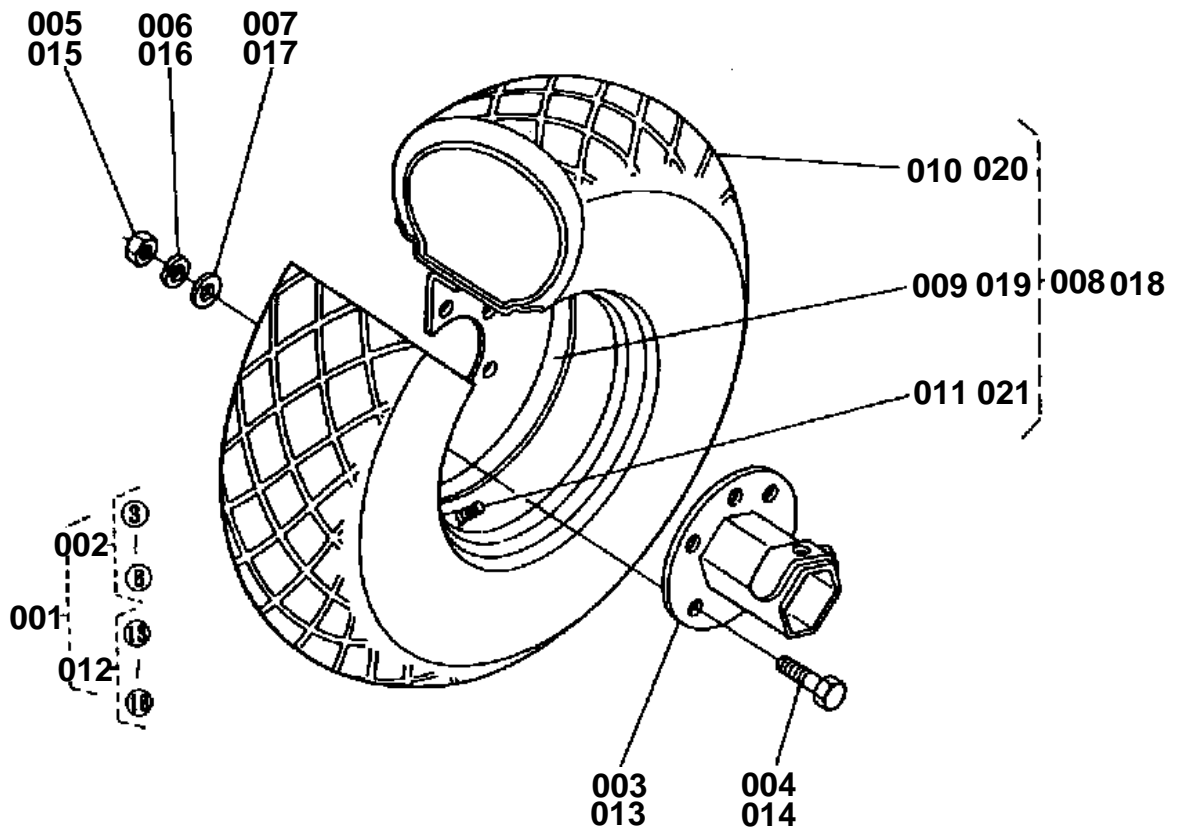




FRONT WHEEL [DPT] TRACTOR S.No.:B7100HST-D <=60163,B7100HST-E
<=20024

↔ Interchangeable; ≠ not interchangeable; ← new for old; → old for new

REF.No	Part No.	Description	Q'ty	S.No.	I/C	REMARKS	Weight (kgf)	Weight (lb)
001	96018-40320	ASSY WHEEL	1				25	55
002	96018-41300	ASSY WHEEL,LH	1				12	26.4
003	96015-16102	ASSY WHEEL	1				5.8	12.76
004	96015-16110	WHEEL	1				2.6	5.72
005	96015-16122	WHEEL	1				3	6.6
006	01170-51022	BOLT	6				0	0
007	04512-50100	WASHER,SPRING	6				0	0
008	02118-50100	NUT	6				0.005	0.011
009	34159-11840	RIM	1				5.2	11.44
010	34159-11850	VALVE,TIRE	1				0.013	0.0286
011	34159-11860	GASKET	1				0.05	0.11
012	96018-41130	TIRE	1				6.6	14.52
013	96018-41400	ASSY WHEEL,RH	1				12	26.4
014	96015-16102	ASSY WHEEL	1				5.8	12.76
015	96015-16110	WHEEL	1				2.6	5.72
016	96015-16122	WHEEL	1				3	6.6
017	01170-51022	BOLT	6				0	0
018	04512-50100	WASHER,SPRING	6				0	0
019	02118-50100	NUT	6				0.005	0.011
020	34159-11840	RIM	1				5.2	11.44
021	34159-11850	VALVE,TIRE	1				0.013	0.0286
022	34159-11860	GASKET	1				0.05	0.11
023	96018-41130	TIRE	1				6.6	14.52





REAR WHEEL [DPT,EPT] TRACTOR S.No.:B7100HST-D <=60163,B7100HST-E
<=20024

↔ Interchangeable; ≠ not interchangeable; ← new for old; → old for new

REF.No	Part No.	Description	Q'ty	S.No.	I/C	REMARKS	Weight (kgf)	Weight (lb)
001	96016-60120	ASSY WHEEL	1				62	136.4
002	96016-61020	ASSY WHEEL,LH	1				34	74.8
003	66704-17150	HUB,WHEEL	1				2.6	5.72
004	01073-51435	BOLT	6				0.063	0.1386
005	02076-50140	NUT	6				0.022	0.0484
006	04512-50140	WASHER,SPRING	6				0	0
007	04013-50140	WASHER,PLAIN	6				0	0
008	96016-61010	ASSY WHEEL,LH	1				0	0
009	96016-61110	WHEEL	1				14	30.8
010	96016-61130	TIRE	1				14.4	31.68
011	34159-11850	VALVE,TIRE	1				0.013	0.0286
012	96016-61200	ASSY WHEEL,RH	1				34.4	75.68
013	66704-17150	HUB,WHEEL	1				2.6	5.72
014	01073-51435	BOLT	6				0.063	0.1386
015	02076-50140	NUT	6				0.022	0.0484
016	04512-50140	WASHER,SPRING	6				0	0
017	04013-50140	WASHER,PLAIN	6				0	0
018	96016-61100	ASSY WHEEL,RH	1				0	0
019	96016-61110	WHEEL	1				14	30.8
020	96016-61130	TIRE	1				14.4	31.68
021	34159-11850	VALVE,TIRE	1				0.013	0.0286

IMAGE NOT AVAILABLE



ACCESSORY AND SERVICE PARTS OLD TYPE TRACTOR S.No.:B7100HST-D
<=60163,B7100HST-E <=20024

↔ Interchangeable; ≠ not interchangeable; ← new for old; → old for new

REF.No	Part No.	Description	Q'ty	S.No.	I/C	REMARKS	Weight (kgf)	Weight (lb)
001	66704-61200	ASSY TOOLS	1				1.8	3.96
002	15241-86610	WRENCH,FILTER	1				0.133	0.2926
003	66204-62912	MANUAL,INSTRUCTION	1	<=12448		AMERICA,CANADA	0	0
003	66204-62917	MANUAL,INSTRUCTION	1	>=10001		AMERICA,CANADA	0	0
003	66201-62910	MANUAL,INSTRUCTION	1			OVERSEAS	0	0
004	66204-62922	PARTS. LIST,FOR USER	1			AMERICA,CANADA	0.235	0.517
004	66201-62920	PARTS. LIST,FOR USER	1			OVERSEAS	0	0