

Instructions for Parts Books

The heading at the top of the page will be the same for the picture of the parts as it is for the page with the part numbers.

Definition of column headings on part number pages:

REF.No → The number referring to the part on the picture page of the parts book.

Part No. → The number assigned to this part at the time of printing the parts book.

Description → Description of part.

Q'ty → Quantity of part used on that page.

S.No. → Serial number range of the equipment that this part will fit.

>= Your serial number should be greater than or equal to the number shown.

<= Your serial number should be lesser than or equal to the serial number shown.

I/C → Interchangeability of part shown.

↔ The part shown will work for the older and later serial number.

The part shown is not interchangeable with the other serial number.

← new for old

→ old for new

Remarks → Notes about this particular part. Sometimes this may say except [FR] or [CA]

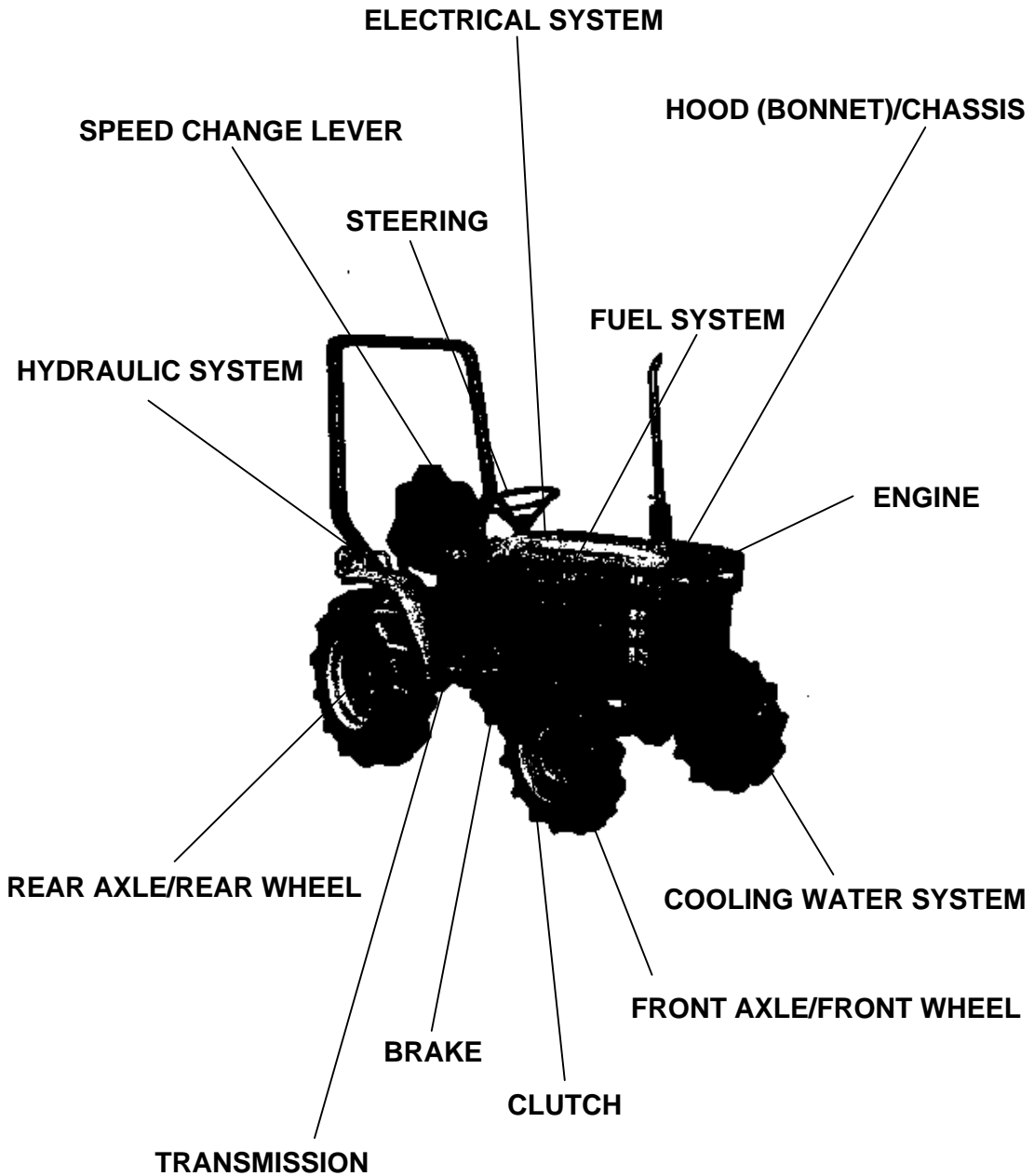
Note about Country Codes:

The parts books we use in the United States of America may also contain information about a part that would be different in another country. It is important that you are aware of the country codes in some instances.

Symbol	Country
A	United States of America
CA	Canada
FR	France
GR	Greece
PO	Portugal
AU	Australia

If the remarks column says for example EXCEPT [FR] this part works in all countries except France. That means it will work here in the USA.

ALL PRODUCT INDEX
B7200E

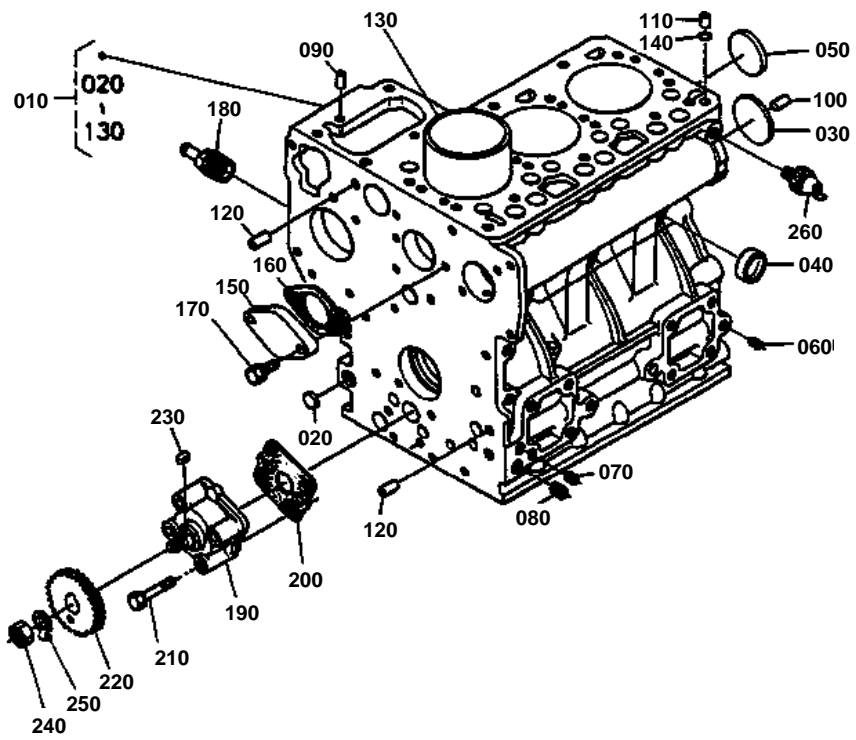


LABELS
ACCESSORIES

Item	Part No.	Description	Book	
ENGINE	01E002	CRANKCASE	100K0101	
	01E003	OIL PAN	100K0101	
	01E004	CYLINDER HEAD	100K0101	
	01E006	GEAR CASE	100K0101	
	01E007	MAIN BEARING CASE	100K0101	
	01E008	CYLINDER HEAD COVER	100K0101	
	01E009	MANIFOLD	100K0101	
	01E010	VALVE/ROCKER ARM	100K0101	
	01E011	CAMSHAFT	100K0101	
	01E012	PISTON/CRANKSHAFT	100K0101	
	01E013	FLYWHEEL	100K0101	
	01E014	INJECTION PUMP	100K0101	
	01E015	NOZZLE HOLDER	100K0101	
	01E016	ENGINE STOP LEVER	100K0101	
	01E017	SPEED CONTROL PLATE	100K0101	
	01E018	GOVERNOR	100K0101	
	01E019	HYDRAULIC PUMP	100K0101	
	01E021	DYNAMO	100K0101	
	01E022	WATER FLANGE	100K0101	
	01E023	WATER PUMP	100K0101	
	01E024	INJECTION PUMP [SECTION PARTS]	100K0101	
	01E025	NOZZLE HOLDER [SECTION PARTS]	100K0101	
	01E027	DYNAMO [SECTION PARTS]	100K0101	
	01E028	HYDRAULIC PUMP [SECTION PARTS]	100K0101	
	TRANSMISSION	01T001	TRANSMISSION CASE	100K0101
		01T002	PTO COVER	100K0101
		01T003	COVER	100K0101
		01T004	CASE COVER	100K0101
REAR AXLE/REAR WHEEL CLUTCH	01T005	REAR AXLE CASE	100K0101	
	01T006	CLUTCH ROD	100K0101	
TRANSMISSION	01T007	CLUTCH	100K0101	
	01T008	2ND SHAFT	100K0101	
	01T009	3RD SHAFT	100K0101	
	01T010	4TH SHAFT,5TH SHAFT	100K0101	
	01T011	SPIRAL BEVEL SHAFT	100K0101	
	01T012	PTO SHAFT	100K0101	
	01T013	REVERSE SHAFT	100K0101	
REAR AXLE/REAR WHEEL	01T014	REAR DIFFERENTIAL	100K0101	
	01T015	REAR AXLE	100K0101	
	01T016	REAR WHEEL (9.5-16)	100K0101	
	01T018	REAR WHEEL (8-16)	100K0101	
	01T019	REAR WHEEL (29 X 12.00-15)	100K0101	
	01T020	REAR WHEEL (31 X 13.5-15)	100K0101	
	01T021	REAR WHEEL HUB	100K0101	
SPEED CHANGE LEVER	01T022	SPEED CHANGE FORK	100K0101	
	01T023	MAIN SPEED CHANGE	100K0101	
	01T024	AUX. SPEED CHANGE	100K0101	
	01T025	ROTARY SPEED CHANGE FORK	100K0101	
BRAKE HYDRAULIC SYSTEM	01T026	BRAKE	100K0101	
	01T027	HYDRAULIC PIPE	100K0101	
	01T029	HYDRAULIC BLOCK	100K0101	
	01T030	HYDRAULIC 1	100K0101	
	01T031	HYDRAULIC 2	100K0101	
	01T032	STEERING	100K0101	
STEERING	01T032	STEERING	100K0101	
SPEED CHANGE LEVER	01T033	SPEED CHANGE LEVER	100K0101	
BRAKE	01T034	BRAKE ROD	100K0101	

Item	Part No.	Description	Book
BRAKE	01T035	PEDAL	100K0101
TRANSMISSION	01T036	RELEASE ROD	100K0101
HOOD (BONNET)/CHASSIS	01T037	SEAT	100K0101
LABELS	01T038	LABEL	100K0101
CLUTCH	01T039	CLUTCH HOUSING/STEP/STARTER	100K0101
HOOD (BONNET)/CHASSIS	01T040	FRONT AXLE FRAME	100K0101
COOLING WATER SYSTEM	01T041	RADIATOR	100K0101
HOOD (BONNET)/CHASSIS	01T042	FENDER	100K0101
	01T043	HOOD	100K0101
ELECTRICAL SYSTEM	01T044	BATTERY	100K0101
ENGINE	01T046	MUFFLER AND MUFFLER PIPE [A],[CA]	100K0101
FUEL SYSTEM	01T047	FUEL TANK	100K0101
	01T048	FUEL PIPE	100K0101
	01T049	FUEL FILTER	100K0101
ELECTRICAL SYSTEM	01T050	PANEL	100K0101
	01T051	PANEL SWITCH	100K0101
FUEL SYSTEM	01T052	DECOMPRESS WIRE AND ENGINE STOP WIRE	100K0101
ELECTRICAL SYSTEM	01T053	FLASHER LIGHT/TAIL LIGHT/HEAD LAMP	100K0101
FUEL SYSTEM	01T054	AIR CLEANER	100K0101
FRONT AXLE/FRONT WHEEL	01T055	FRONT AXLE	100K0101
	01T056	FRONT WHEEL HUB	100K0101
	01T057	FRONT WHEEL (5.00-10)	100K0101
	01T059	FRONT WHEEL (18 X 9.50-8)	100K0101
HYDRAULIC SYSTEM	01T080	3-POINT LINKAGE	100K0101
ELECTRICAL SYSTEM	01T081	DYNAMO 1 [OPTION]	100K0101
	01T082	DYNAMO 2 [OPTION]	100K0101
HYDRAULIC SYSTEM	01T083	POSITION CONTROL VALVE [OPTION]	100K0101
	01T084	HYDRAULIC OUTLET [OPTION]	100K0101
ENGINE	01T085	HORIZON MUFFLER [OPTION]	100K0101
ELECTRICAL SYSTEM	01T086	WORKING LIGHT [OPTION]	100K0101
TRANSMISSION	01T087	FLANGE F.PTO [OPTION]	100K0101
HYDRAULIC SYSTEM	01T089	CONTROL VALVE [SECTION PARTS]	100K0101
	01T090	CONTROL VALVE [SECTION PARTS]	100K0101
ELECTRICAL SYSTEM	01T091	STARTER [SECTION PARTS]	100K0101
	01T092	DYNAMO [SECTION PARTS]	100K0101
ACCESSORIES	01T095	ACCESSORIES AND SERVICE PARTS	100K0101

CRANKCASE



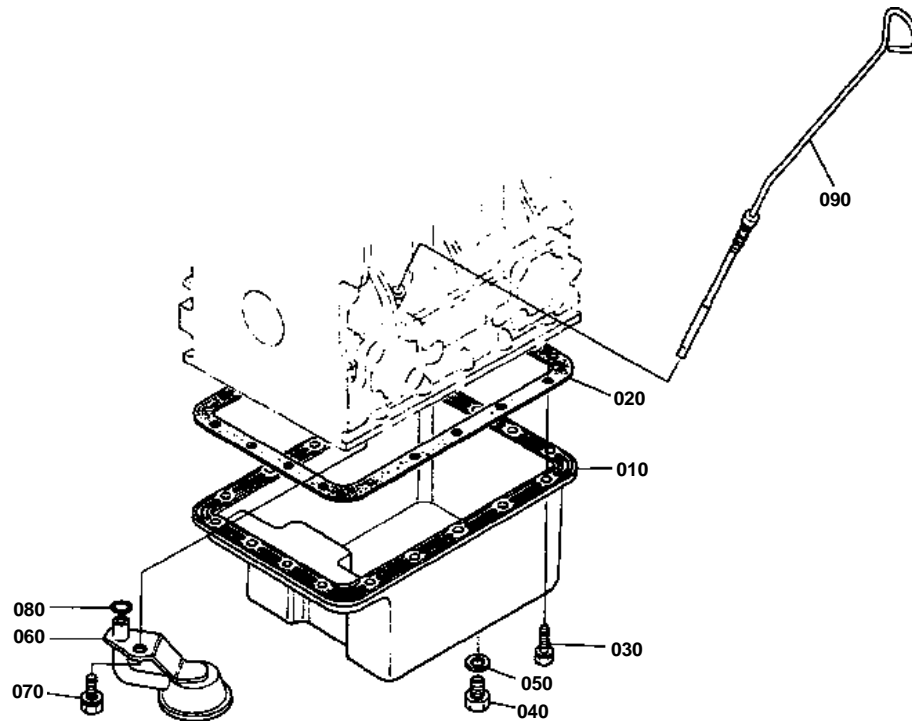


CRANKCASE

↔ Interchangeable; ≠ not interchangeable; ← new for old; → old for new

REF.No	Part No.	Description	Q'ty	S.No.	I/C	REMARKS	Weight (kgf)	Weight (lb)
010	15533-01010	COMP.CRANKCASE	1				26	57.2
020	06311-75015	PLUG	3				0.002	0.0044
030	06311-75040	PLUG	1				0.02	0.044
040	15321-96260	CAP,SEALING	5				0.014	0.0308
050	15221-03490	CAP,SEALING	1				0.02	0.044
060	15261-96010	PLUG	6				0.002	0.0044
070	15521-96020	PLUG	3				0.003	0.0066
080	15521-96030	PLUG	1				0.007	0.0154
090	05012-00609	PIN,STRAIGHT	2				0.003	0.0066
100	05012-00814	PIN,STRAIGHT	2				0.006	0.0132
110	15221-33650	PIN,PIPE	1				0.004	0.0088
120	15231-33960	PIN,PIPE	2				0.001	0.0022
130	15531-02310	LINER,CYLINDER	3				0.42	0.924
140	15221-33700	O RING	1				0.001	0.0022
150	15261-73910	COVER,WATER	1				0.13	0.286
160	15261-73920	GASKET,WATER COVER	1				0	0
170	01023-50618	BOLT	2				0.006	0.0132
180	15531-73170	JOINT,DRAIN PIPE	1				0.145	0.319
190	15261-35010	ASSY PUMP,OIL	1				0.32	0.704
200	15261-35150	GASKET,OIL PUMP	1				0	0
210	15261-91022	BOLT	4				0.012	0.0264
220	15954-35660	GEAR,OIL PUMP DRIVE	1				0.14	0.308
230	05712-00410	KEY,FEATHER	1				0.001	0.0022
240	02016-50100	NUT	1				0.009	0.0198
250	04211-50100	WASHER,CLAW	1				0.002	0.0044
260	15231-39010	SWITCH,OIL	1				0	0

OIL PAN



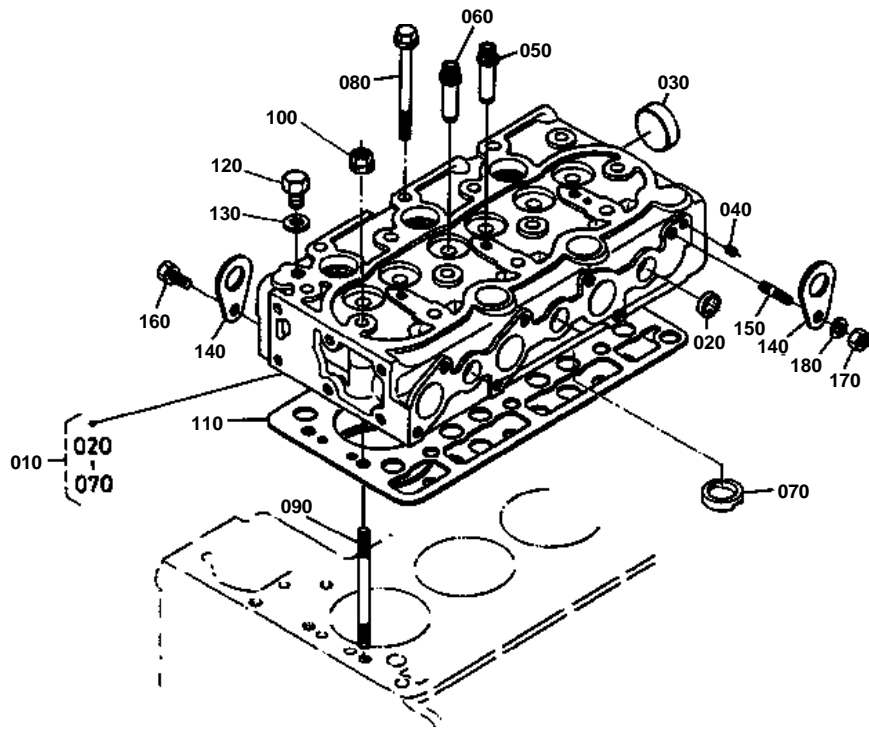


OIL PAN

↔ Interchangeable; ≠ not interchangeable; ← new for old; → old for new

REF.No	Part No.	Description	Q'ty	S.No.	I/C	REMARKS	Weight (kgf)	Weight (lb)
010	15371-01614	OIL PAN	1				1.1	2.42
020	15381-01620	GASKET	1				0	0
030	15381-91092	BOLT	18				0.002	0.0044
040	15221-33750	PLUG	1				0.032	0.0704
050	15109-33660	GASKET	1				0.001	0.0022
060	15531-32110	FILTER,OIL	1				0.185	0.407
070	01123-50816	BOLT	1				0.011	0.0242
080	04811-00140	RING	1				0.001	0.0022
090	15533-36410	GAUGE,OIL	1				0.03	0.066

CYLINDER HEAD



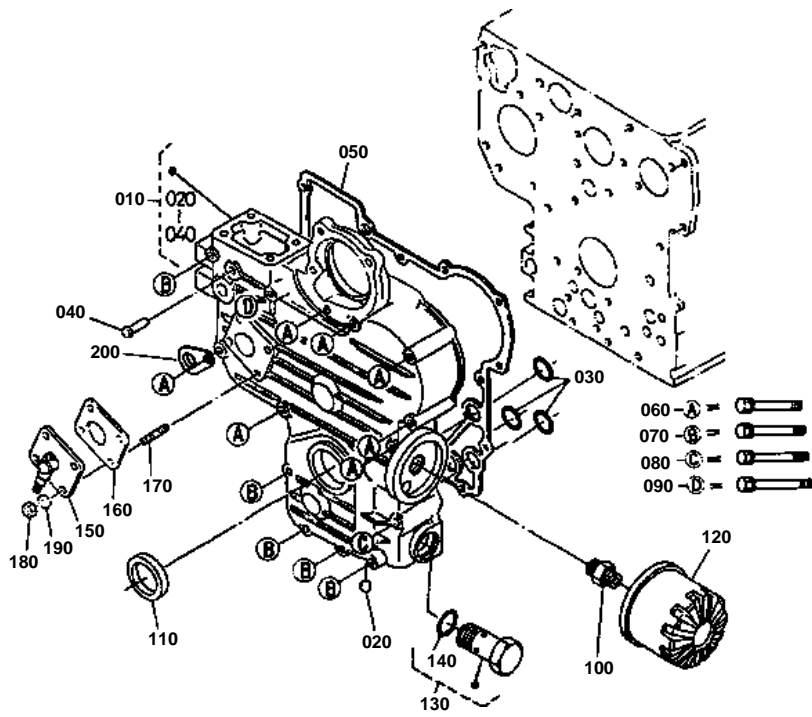


CYLINDER HEAD

↔ Interchangeable; ≠ not interchangeable; ← new for old; → old for new

REF.No	Part No.	Description	Q'ty	S.No.	I/C	REMARKS	Weight (kgf)	Weight (lb)
010	15532-03040	COMP.CYLINDER HEAD	1				9	19.8
020	15261-03370	CAP,SEALING	5				0.005	0.011
030	15321-96260	CAP,SEALING	1				0.014	0.0308
040	15261-96010	PLUG	2				0.002	0.0044
050	15261-13540	GUIDE,INLET VALVE	3				0.02	0.044
060	15261-13560	GUIDE,EXHAUST VALVE	3				0.02	0.044
070	15261-03140	ROOM,COMBUSTION	3				0.023	0.0506
080	19215-03450	BOLT,CYLINDER HEAD	12				0.047	0.1034
090	19215-03412	STUD,HEAD	2				0.044	0.0968
100	19215-03512	NUT,HEAD	2				0.009	0.0198
110	15531-03313	GASKET,CYLINDER HEAD	1				0	0
120	15000-36080	PLUG,HEAD	1				0.03	0.066
130	04717-01600	WASHER,WITH RUBBER	1				0.003	0.0066
140	15221-01750	HOOK,ENGINE	2				0.04	0.088
150	01513-50816	STUD	1				0.009	0.0198
160	01123-50816	BOLT	1				0.011	0.0242
170	02156-50080	NUT	1				0.004	0.0088
180	04512-50080	WASHER,SPRING	1				0	0

GEAR CASE



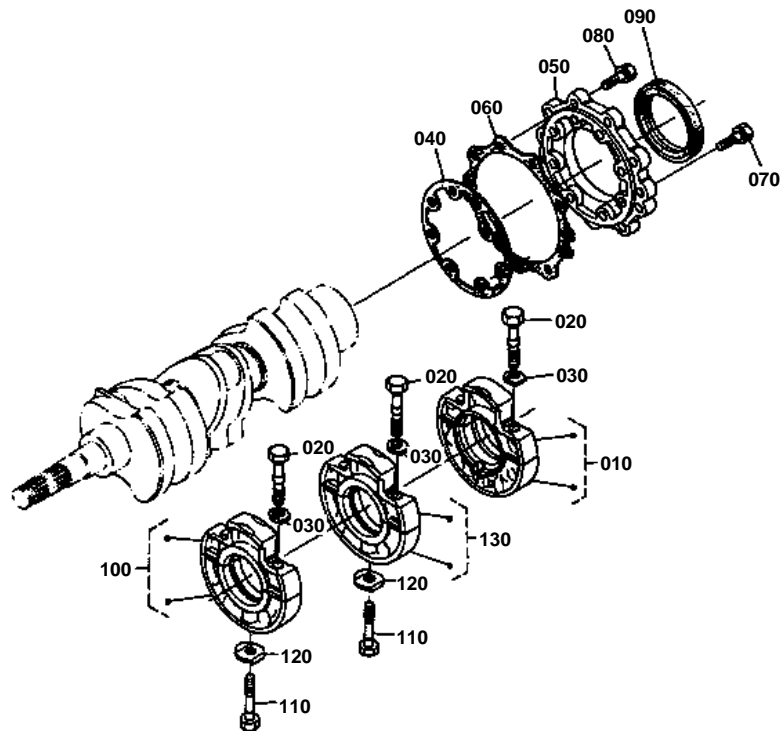


GEAR CASE

↔ Interchangeable; ≠ not interchangeable; ← new for old; → old for new

REF.No	Part No.	Description	Q'ty	S.No.	I/C	REMARKS	Weight (kgf)	Weight (lb)
010	19264-04020	COMP.CASE,GEAR	1	≤369054			0	0
010	15752-04020	COMP.CASE,GEAR	1	≥369055	≠		0	0
020	15261-96020	PLUG	2				0	0
030	04811-06130	RING	3				0.001	0.0022
040	15221-56280	PIN,START SPRING	1				0.006	0.0132
050	15531-04130	GASKET,GEAR CASE	1				0	0
060	01023-50660	BOLT	7				0.01	0.022
070	01023-50665	BOLT	5				0.015	0.033
080	01023-50670	BOLT	1				0	0
090	01023-50675	BOLT	1				0.01	0.022
100	15241-32290	PIPE,JOINT	1				0.053	0.1166
110	09550-00008	SEAL,OIL	1	≤369054			0.01	0.022
110	15841-04140	SEAL,OIL	1	≥369055	≠		0.012	0.0264
120	15241-32090	ASSY CARTRIDGE,OIL	1				0.35	0.77
130	15261-36070	ASSY VALVE,RELIEF	1				0.078	0.1716
140	04810-00150	RING	1				0.001	0.0022
150	67111-58810	ASSY CASE,GEAR	1				0.33	0.726
160	15221-88130	GASKET	1				0	0
170	15221-88210	STUD	4				0.005	0.011
180	02056-50060	NUT	4				0.002	0.0044
190	04512-50060	WASHER,SPRING	4				0	0
200	15531-72960	CLAMP,PIPE	1				0.005	0.011
200	15532-72960	CLAMP,PIPE	1			[CA]	0.01	0.022

MAIN BEARING CASE



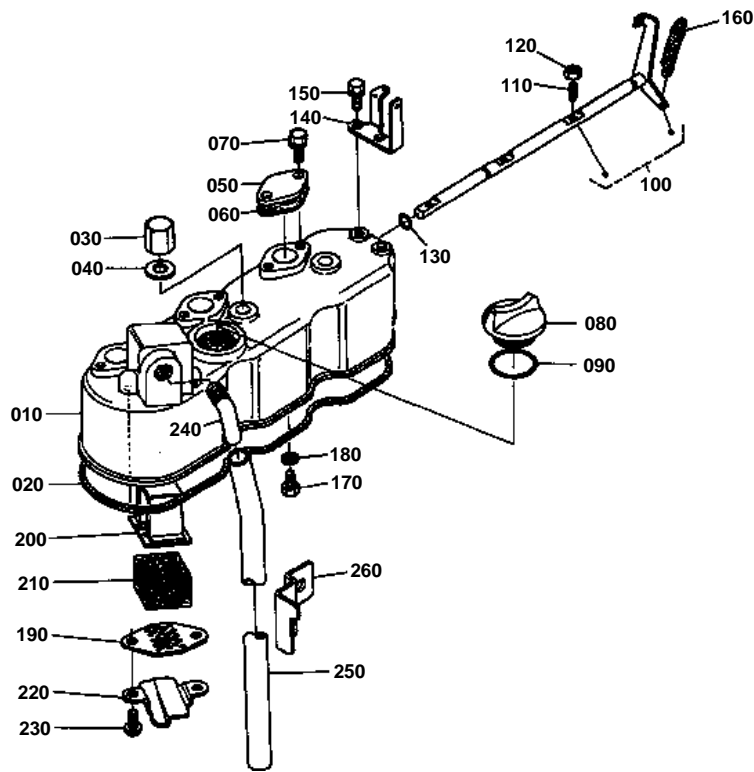


MAIN BEARING CASE

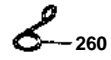
↔ Interchangeable; ≠ not interchangeable; ← new for old; → old for new

REF.No	Part No.	Description	Q'ty	S.No.	I/C	REMARKS	Weight (kgf)	Weight (lb)
010	15261-04090	ASSY CASE,MAIN BRG.	1				0.8	1.76
020	15261-04540	BOLT,BEARING CASE	6				0.02	0.044
030	15261-04570	WASHER,BEARING CASE	6				0.001	0.0022
040	15261-04360	GASKET,BEARING CASE	1				0	0
050	15549-04810	COVER,BEARING CASE	1				0.2	0.44
060	15261-04820	GASKET	1				0	0
070	01023-50620	BOLT	9				0.006	0.0132
080	01023-50625	BOLT	8				0.007	0.0154
090	19215-04460	SEAL,OIL	1				0.03	0.066
100	15261-04040	ASSY CASE,MAIN BRG.	1				0.687	1.5114
110	15261-04560	BOLT,BEARING CASE	2				0.02	0.044
120	15261-04590	WASHER,BEARING CASE	2				0.004	0.0088
130	15381-04050	ASSY CASE,MAIN BRG.	1				0.688	1.5136

CYLINDER HEAD COVER



REF.No.260 15951-0559-0



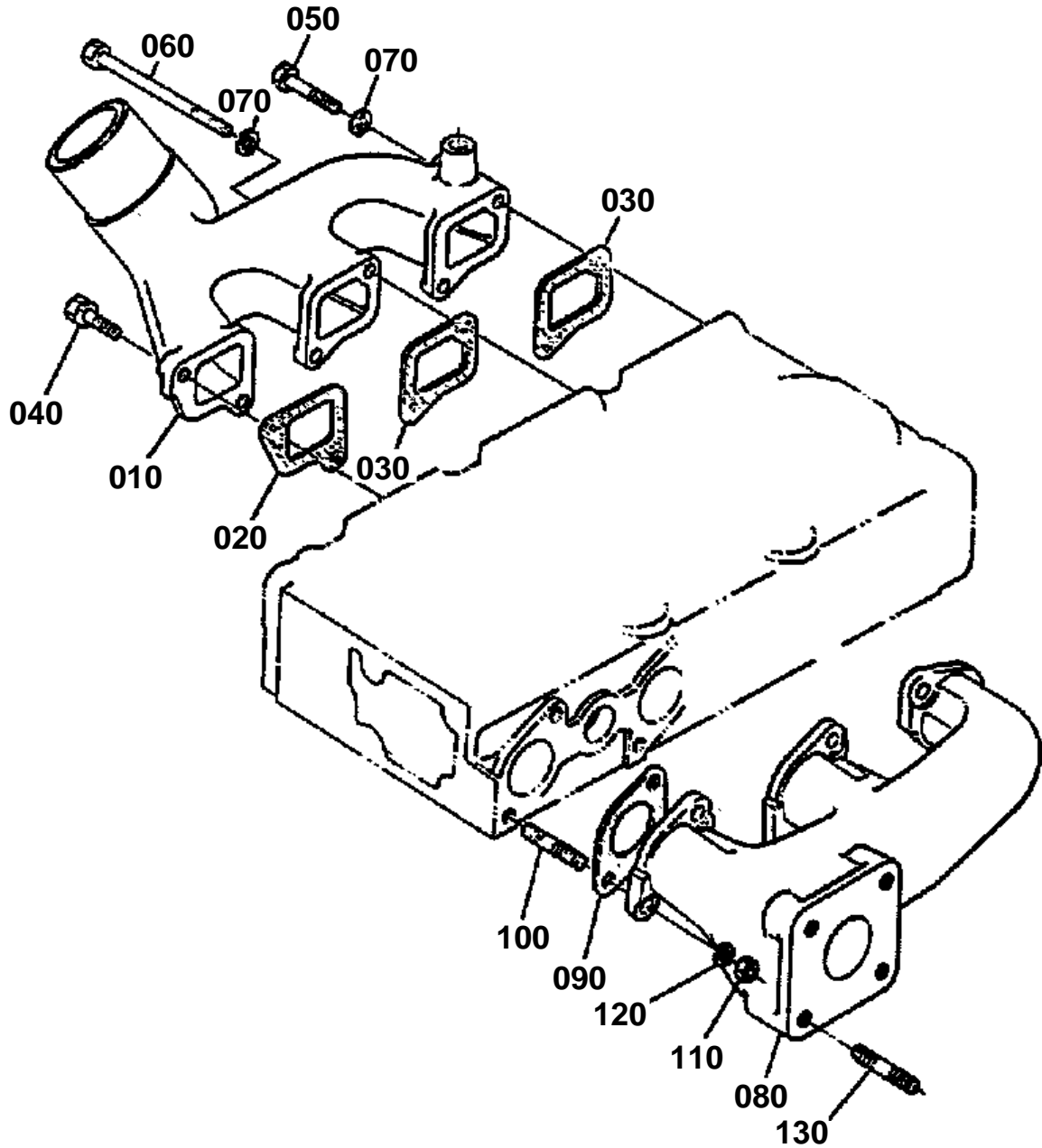


CYLINDER HEAD COVER

↔ Interchangeable; ≠ not interchangeable; ← new for old; → old for new

REF.No	Part No.	Description	Q'ty	S.No.	I/C	REMARKS	Weight (kgf)	Weight (lb)
010	15532-14510	COVER,CYL.HEAD	1	≤=348691			0	0
010	15532-14540	COVER,CYL.HEAD	1	≥=348692	←		0.75	1.65
020	15381-14520	GASKET,HEAD COVER	1				0.005	0.011
030	15951-92330	NUT,CAP	3				0	0
040	15951-96660	GASKET	3				0.001	0.0022
050	15261-66630	COVER	3				0.023	0.0506
060	15261-66640	GASKET	3				0	0
070	01023-50614	BOLT	6				0.005	0.011
080	15221-33140	PLUG,OIL FILLER	1				0.038	0.0836
090	04811-50300	RING	1				0.001	0.0022
100	15531-66040	COMP.SHAFT,DECOMP.	1	≤=348691			0.2	0.44
100	15532-66040	COMP.SHAFT,DECOMP.	1	≥=348692	≠		0.2	0.44
100	15531-66040	COMP.SHAFT,DECOMP.	1	≥=373347	≠		0.2	0.44
110	15261-66350	BOLT,DECOMPRESS	3				0.002	0.0044
120	02056-50050	NUT	3				0.002	0.0044
130	04811-00080	RING	1				0.001	0.0022
140	15261-66190	HOLDER,DECOMP.WIRE	1				0.03	0.066
150	01023-50614	BOLT	2				0.005	0.011
160	15221-66280	SPRING,DECOMPRESS	1				0.008	0.0176
170	15221-66410	BOLT	1				0.005	0.011
180	04512-50060	WASHER,SPRING	1				0	0
190	15951-05140	PLATE,ELEMENT	1				0.005	0.011
200	15521-05150	PLATE,ELEMENT	1				0.01	0.022
210	15521-05670	ELEMENT,BREATHER	1				0.01	0.022
220	15951-05370	OIL SHIELD,BREATHER	1				0.005	0.011
230	03024-50510	SCREW	2				0.002	0.0044
240	15521-05550	JOINT,BREATHER PIPE	1				0.04	0.088
250	15261-05510	PIPE,BREATHER	1				0.069	0.1518
260	15531-05580	CLAMP,PIPE	1				0.019	0.0418

MANIFOLD



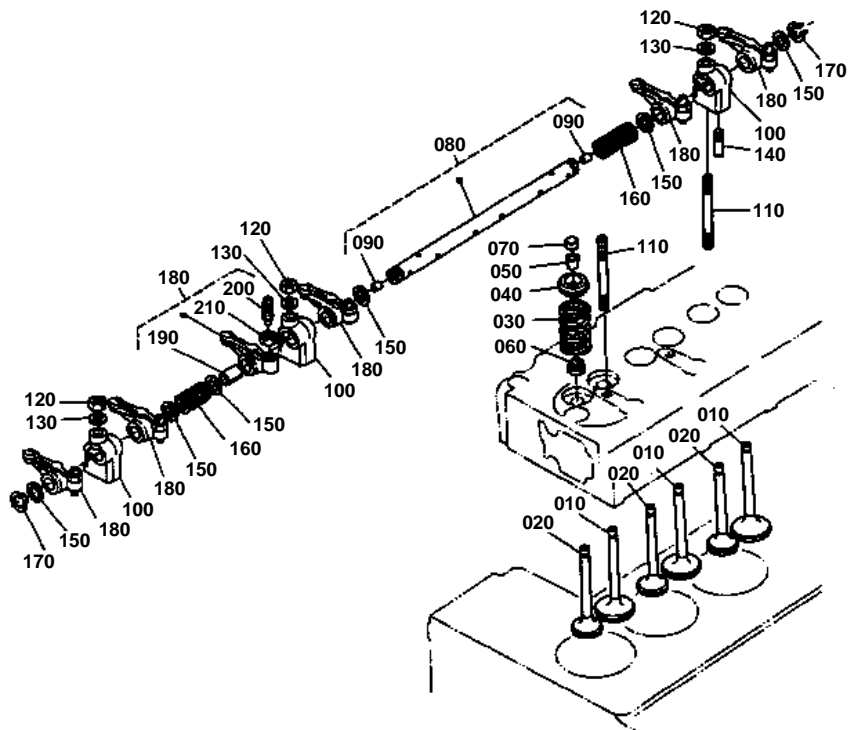


MANIFOLD

↔ Interchangeable; ≠ not interchangeable; ← new for old; → old for new

REF.No	Part No.	Description	Q'ty	S.No.	I/C	REMARKS	Weight (kgf)	Weight (lb)
010	15531-11760	MANIFOLD,INLET	1				0.5	1.1
020	15261-11820	GASKET	1				0	0
030	15261-11830	GASKET	2				0	0
040	01023-50620	BOLT	4				0.006	0.0132
050	01053-50660	BOLT	1				0.014	0.0308
060	15381-91070	BOLT	1				0.016	0.0352
070	04512-50060	WASHER,SPRING	2				0	0
080	15531-12310	MANIFOLD,EXHAUST	1				1.54	3.388
090	15261-12360	GASKET,EX-MANIFOLD	3				0	0
100	15381-91532	STUD	6				0.005	0.011
110	02056-50060	NUT	6				0.002	0.0044
120	04512-50060	WASHER,SPRING	6				0	0
130	01513-50822	STUD	4				0.01	0.022

VALVE/ROCKER ARM



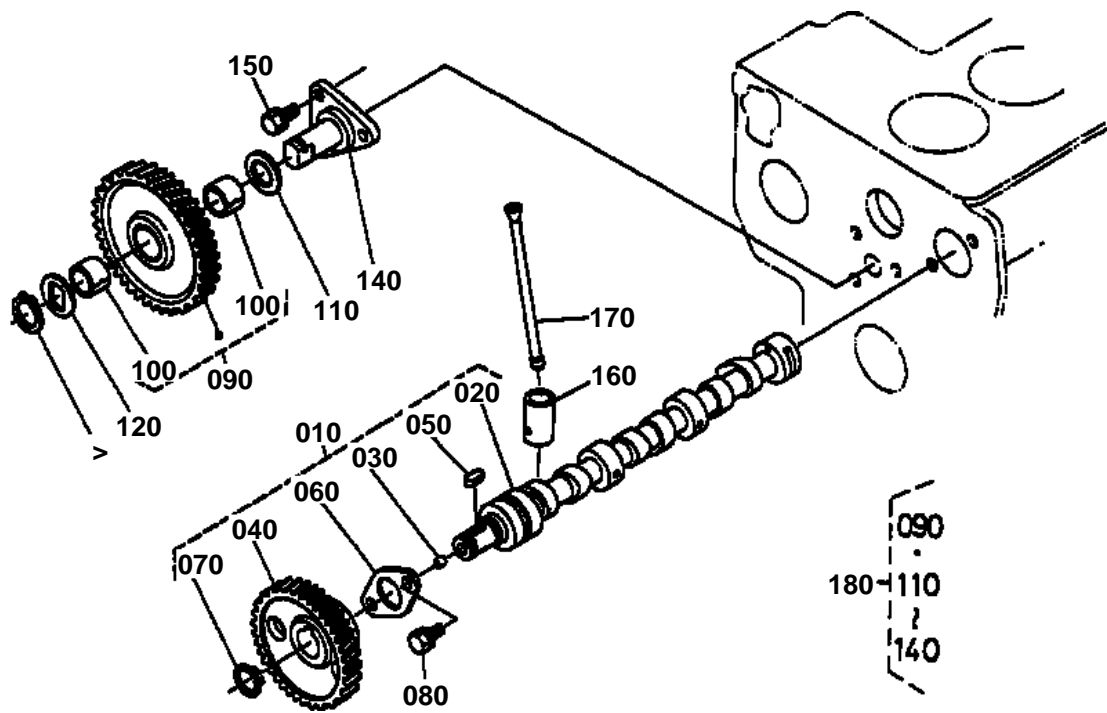


VALVE/ROCKER ARM

↔ Interchangeable; ≠ not interchangeable; ← new for old; → old for new

REF.No	Part No.	Description	Q'ty	S.No.	I/C	REMARKS	Weight (kgf)	Weight (lb)
010	15393-13110	VALVE,INLET	3				0.048	0.1056
020	15393-13120	VALVE,EXHAUST	3				0.048	0.1056
030	15261-13240	SPRING,VALVE	6				0.02	0.044
040	15261-13330	RETAINER,VALVE SP.	6				0	0
050	15261-13360	COLLET,VALVE SPRING	6				0.004	0.0088
060	15261-13150	SEAL,VALVE STEM	6				0.001	0.0022
070	15261-13280	CAP,VALVE	6				0	0
080	15381-14053	ASSY SHAFT,R-ARM	1				0.135	0.297
090	15381-93610	SCREW	2				0.001	0.0022
100	15381-14350	BRACKET,ROCKER ARM	3				0.05	0.11
110	15952-14410	STUD	3				0	0
120	15261-92010	NUT	3				0.005	0.011
130	15261-94010	WASHER,PLAIN	3				0.002	0.0044
140	15261-14420	SCREW,SET	1				0.002	0.0044
150	15261-14430	WASHER	6				0.001	0.0022
160	15261-14310	SPRING,ROCKER ARM	2				0.003	0.0066
170	04612-00110	CIR-CLIP,EXTERNAL	2				0.001	0.0022
180	19264-14030	ASSY ROCKER ARM	6				0	0
190	19264-14180	BUSH,ROCKER ARM	6				0.005	0.011
200	15261-14232	SCREW,ADJUSTING	6				0.006	0.0132
210	15261-14240	NUT	6				0.002	0.0044

CAMSHAFT



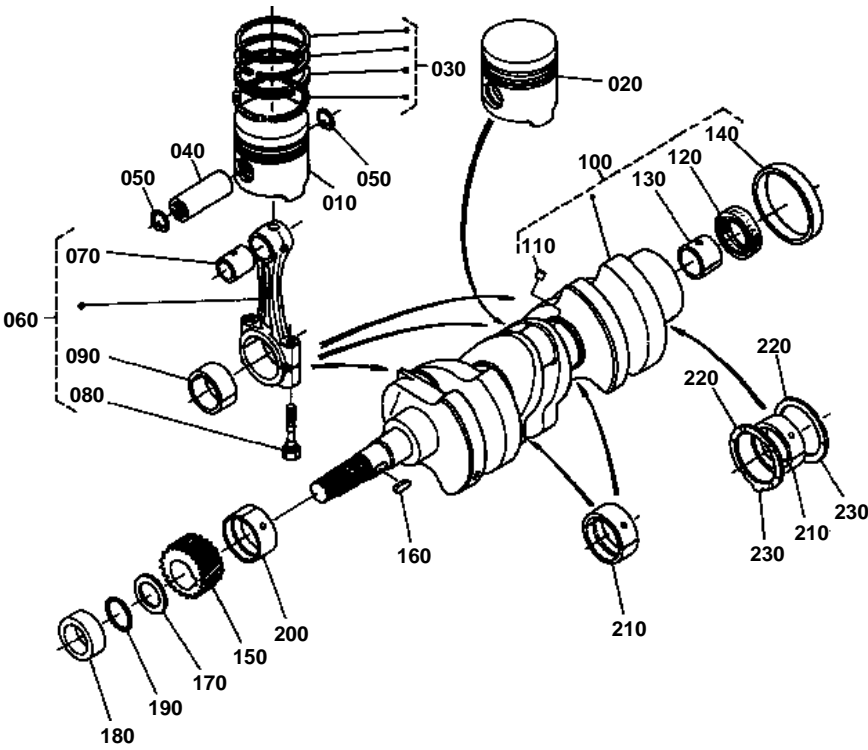


CAMSHAFT

↔ Interchangeable; ≠ not interchangeable; ← new for old; → old for new

REF.No	Part No.	Description	Q'ty	S.No.	I/C	REMARKS	Weight (kgf)	Weight (lb)
010	15381-16010	ASSY CAMSHAFT	1				1.045	2.299
020	15381-16110	COMP. CAMSHAFT	1				0.965	2.123
030	15261-96880	PLUG,BLIND	2				0.002	0.0044
040	15261-16510	GEAR,CAMSHAFT	1				0.354	0.7788
050	05712-00515	KEY,FEATHER	1				0.003	0.0066
060	15261-16270	STOPPER,CAMSHAFT	1				0.034	0.0748
070	04612-00180	CIR-CLIP,EXTERNAL	1				0.001	0.0022
080	01023-50614	BOLT	2				0.005	0.011
090	15261-24010	COMP.GEAR,IDLE	1	←=407506			0.59	1.298
090	15532-24010	COMP.GEAR,IDLE	1	>=407507	≠		0.63	1.386
100	15261-24980	BUSH,IDLE GEAR	2	←=407506			0.006	0.0132
100	15532-24980	BUSH,IDLE GEAR	2	>=407507	≠		0.011	0.0242
110	15261-24360	COLLAR,IDLE GEAR	1	←=407506			0.008	0.0176
110	15532-24360	COLLAR,IDLE GEAR	1	>=407507	≠		0.01	0.022
120	15261-24370	COLLAR,IDLE GEAR	1	←=407506			0.008	0.0176
120	15532-24370	COLLAR,IDLE GEAR	1	>=407507	≠		0.01	0.022
130	15261-24320	CIR-CLIP,IDLE GEAR	1	←=407506			0.004	0.0088
130	15532-24320	CIR-CLIP,IDLE GEAR	1	>=407507	≠		0.003	0.0066
140	15261-24250	SHAFT,IDLE GEAR	1	←=407506			0.2	0.44
140	15532-24250	SHAFT,IDLE GEAR	1	>=407507	≠		0.275	0.605
150	01023-50616	BOLT	3				0.005	0.011
160	15261-15550	TAPPET	6				0.03	0.066
170	15261-15110	ROD,PUSH	6				0.022	0.0484
180	15532-99340	ASSY GEAR,IDLE	1	>=1001			0.9	1.98

PISTON/CRANKSHAFT



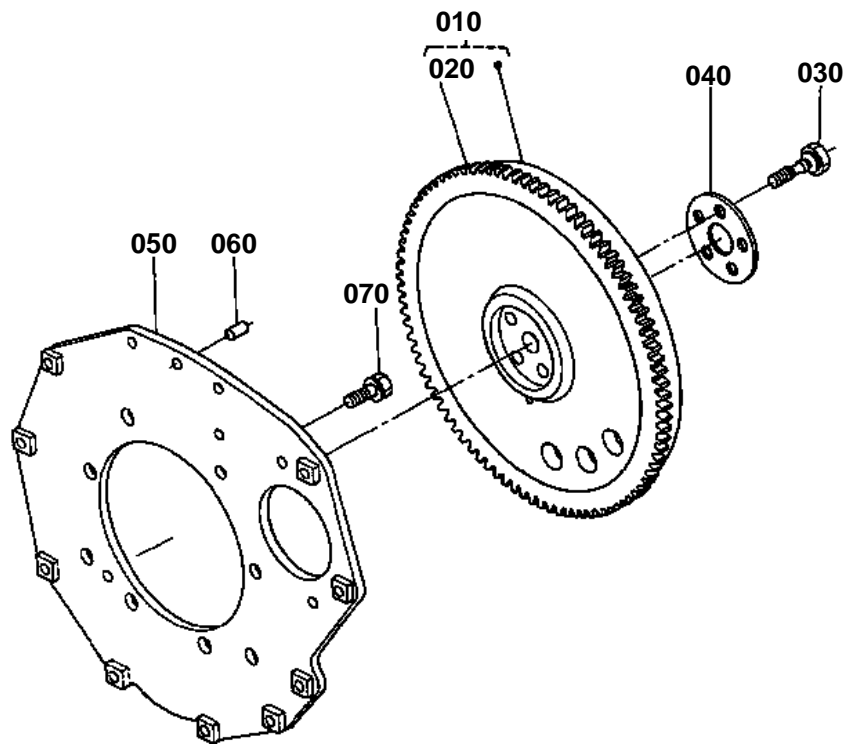


PISTON/CRANKSHAFT

↔ Interchangeable; ≠ not interchangeable; ← new for old; → old for new

REF.No	Part No.	Description	Q'ty	S.No.	I/C	REMARKS	Weight (kgf)	Weight (lb)
010	15532-21110	PISTON	2			STD	0.365	0.803
010	15532-21910	PISTON	2			+0.5	0.365	0.803
020	15531-21123	PISTON	1			STD	0.35	0.77
020	15531-21922	PISTON	1			+0.5	0.37	0.814
030	15531-21050	ASSY PISTON RING	3			STD	0.046	0.1012
030	15531-21090	ASSY PISTON RING	3			+0.5	0.03	0.066
040	15261-21310	PIN,PISTON	3				0.102	0.2244
050	15261-21330	CIR-CLIP,PISTON PIN	6				0.001	0.0022
060	15531-22010	ASSY CONNECTING ROD	3				0	0
070	15261-21980	BUSH,PISTON PIN	3				0.012	0.0264
080	15261-22140	BOLT,CONNECTING ROD	6				0	0
090	15531-22310	METAL,CRANKPIN	3			STD	0	0
090	15531-22970	METAL,CRANKPIN	3			-0.2	0	0
090	15531-22980	METAL,CRANKPIN	3			-0.4	0	0
100	15532-23010	COMP.CRANKSHAFT	1	<=369054			8	17.6
100	15752-23010	COMP.CRANKSHAFT	1	>=369055	≠		8	17.6
110	15131-01380	PLUG,PIN	3				0.001	0.0022
120	09400-14247	SEAL,OIL	1				0.004	0.0088
130	66621-14120	BEARING	1				0.006	0.0132
140	19215-23280	SLEEVE,CRANKSHAFT	1				0.05	0.11
150	15261-24110	GEAR,CRANKSHAFT	1	<=369054			0.164	0.3608
150	15752-24110	GEAR,CRANKSHAFT	1	>=369055	≠		0.046	0.1012
160	05712-00515	KEY,FEATHER	1				0.003	0.0066
170	15261-23310	SLINGER,OIL	1	<=369054			0.008	0.0176
170	15752-23310	SLINGER,OIL	1	>=369055	≠		0.002	0.0044
180	15532-23250	COLLAR,CRANKSHAFT	1	<=369054			0.029	0.0638
180	15752-23250	COLLAR,CRANKSHAFT	1	>=369055	≠		0.043	0.0946
190	04811-10220	RING	1	<=369054			0.001	0.0022
190	04811-05230	RING	1	>=369055	≠		0.001	0.0022
200	15261-23470	METAL,CRANKSHAFT	1			STD	0	0
200	15261-23910	METAL,CRANKSHAFT	1			-0.2	0	0
200	15261-23920	METAL,CRANKSHAFT	1			-0.4	0	0
210	15261-23480	METAL,CRANKSHAFT	3			STD	0	0
210	15261-23930	METAL,CRANKSHAFT	3			-0.2	0	0
210	15261-23940	METAL,CRANKSHAFT	3			-0.4	0	0
220	15261-23530	METAL,SIDE	2			STD	0.006	0.0132
220	15261-23950	METAL,SIDE	2			+0.2	0.006	0.0132
220	15261-23960	METAL,SIDE	2			+0.4	0.007	0.0154
230	15261-23540	METAL,SIDE	2			STD	0.007	0.0154
230	15261-23970	METAL,SIDE	2			+0.2	0.006	0.0132
230	15261-23980	METAL,SIDE	2			+0.4	0.007	0.0154

FLYWHEEL



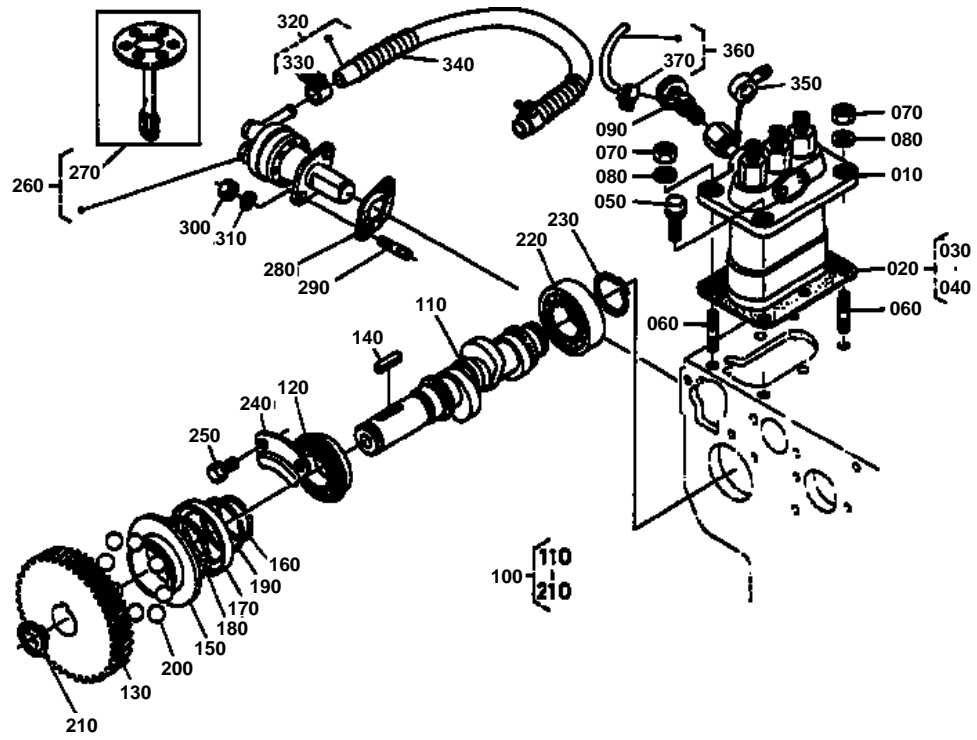


FLYWHEEL

↔ Interchangeable; ≠ not interchangeable; ← new for old; → old for new

REF.No	Part No.	Description	Q'ty	S.No.	I/C	REMARKS	Weight (kgf)	Weight (lb)
010	15541-25010	COMP.FLYWHEEL	1				0	0
020	15261-63820	GEAR,RING	1				0	0
030	15533-25160	BOLT,FLYWHEEL	5				0	0
040	15531-25170	WASHER,FLYWHEEL	1				0.04	0.088
050	15541-04620	PLATE,REAR END	1				2.76	6.072
060	05012-00814	PIN,STRAIGHT	1				0.006	0.0132
070	15261-91190	BOLT	8				0.03	0.066

INJECTION PUMP



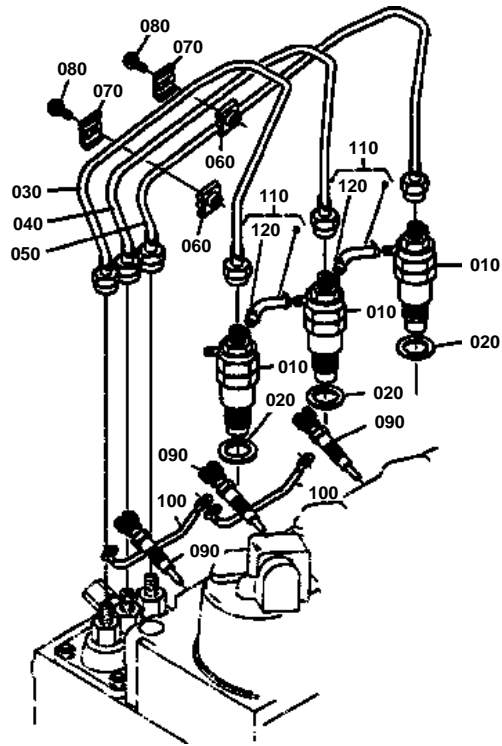


INJECTION PUMP

↔ Interchangeable; ≠ not interchangeable; ← new for old; → old for new

REF.No	Part No.	Description	Q'ty	S.No.	I/C	REMARKS	Weight (kgf)	Weight (lb)
010	15531-51010	ASSY PUMP, INJECTION	1			REFER TO L.No.0C04-R0 FOR COMPONENTS.	2.1	4.62
020	19491-52100	ASSY SHIM	1				0.035	0.077
030	15321-52110	SHIM,INJECTION PUMP	3				0	0
040	15381-52112	SHIM,INJECTION PUMP	4				0.045	0.099
050	01123-50822	BOLT	2				0.012	0.0264
060	15221-91530	STUD	2				0.011	0.0242
070	02156-50080	NUT	2				0.004	0.0088
080	04512-50080	WASHER,SPRING	2				0	0
090	14311-60504	ASSY COCK,JET START	1				0.034	0.0748
100	15381-16020	ASSY CAMSHAFT, FUEL	1				1.1	2.42
110	15381-16170	CAMSHAFT,FUEL	1				0.42	0.924
120	08153-06004	BEARING,BALL	1				0.07	0.154
130	15261-51150	GEAR,INJECTION PUMP	1				0.463	1.0186
140	05712-00520	KEY,FEATHER	1				0.004	0.0088
150	15261-55450	SLEEVE,GOVERNOR	1				0.058	0.1276
160	15261-55470	CIR-CLIP,GOV. SLEEVE	1				0.002	0.0044
170	15261-55690	CASE,GOVERNOR BALL	1				0	0
180	07715-03205	BALL	30				0.001	0.0022
190	15261-55740	CIR-CLIP	1				0.002	0.0044
200	07715-03217	BALL	8				0.01	0.022
210	04612-00180	CIR-CLIP,EXTERNAL	1				0.001	0.0022
220	08103-06004	BEARING,BALL	1				0.066	0.1452
230	04612-00200	CIR-CLIP,EXTERNAL	1				0.001	0.0022
240	15261-16320	STOPPER	1				0.037	0.0814
250	01023-50612	BOLT	2				0.005	0.011
260	15381-52030	ASSY PUMP,FUEL	1				0	0
270	15381-52040	COMP.DIAPHRAGM	1				0	0
280	15241-52140	GASKET,FUEL PUMP	1				0	0
290	01513-50616	STUD	2				0.004	0.0088
300	02056-50060	NUT	2				0.002	0.0044
310	04512-50060	WASHER,SPRING	2				0	0
320	15531-42010	ASSY PIPE,FUEL	1				0.056	0.1232
330	14301-42750	CLIP,PIPE	2				0.005	0.011
340	67111-58320	SPRING,PIPE PROTECT.	1				0.02	0.044
350	14111-42410	JOINT	1				0.025	0.055
360	15531-42870	ASSY PIPE,JET START	1				0.02	0.044
370	10244-42320	CLIP,PIPE	2				0.001	0.0022

NOZZLE HOLDER



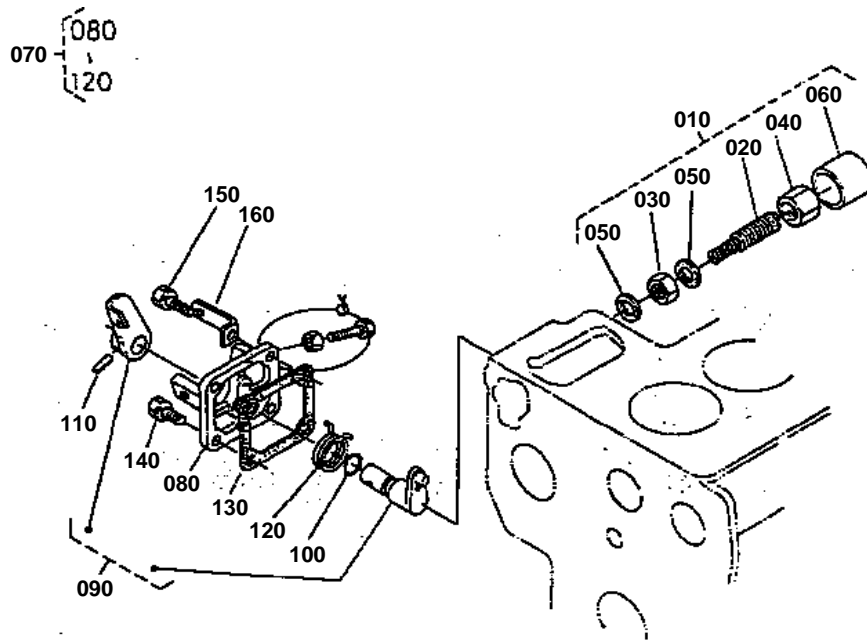


NOZZLE HOLDER

↔ Interchangeable; ≠ not interchangeable; ← new for old; → old for new

REF.No	Part No.	Description	Q'ty	S.No.	I/C	REMARKS	Weight (kgf)	Weight (lb)
010	15271-53020	ASSY HOLDER, NOZZLE	3			REFER TO L.No.0C05-R0 FOR COMPONENTS.	0.26	0.572
020	17011-53620	GASKET	3				0.003	0.0066
030	15261-53710	PIPE,INJECTION	1				0.103	0.2266
040	15261-53720	PIPE,INJECTION	1				0.1	0.22
050	15381-53730	PIPE,INJECTION	1				0.102	0.2244
060	15121-53850	CLAMP,PIPE	2				0	0
070	15121-53860	CLAMP,PIPE	2				0	0
080	03024-50520	SCREW	2				0.004	0.0088
090	15951-65510	PLUG,GLOW	3				0.03	0.066
100	15261-65560	CORD,GLOW PLUG	2				0.005	0.011
110	15261-42500	ASSY PIPE,OVER FLOW	2				0.02	0.044
120	10244-42320	CLIP,PIPE	4				0.001	0.0022

ENGINE STOP LEVER



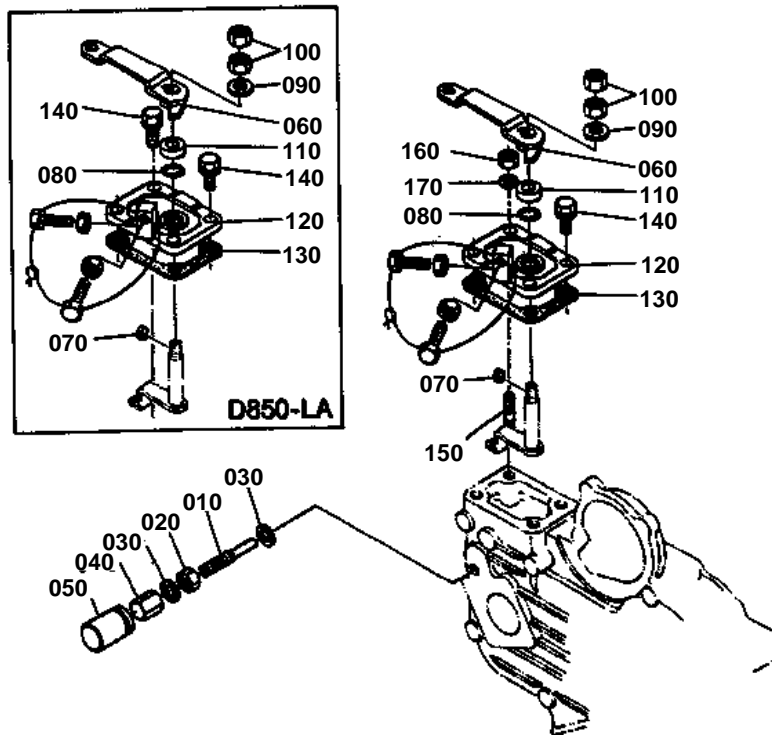


ENGINE STOP LEVER

↔ Interchangeable; ≠ not interchangeable; ← new for old; → old for new

REF.No	Part No.	Description	Q'ty	S.No.	I/C	REMARKS	Weight (kgf)	Weight (lb)
010	15531-54090	APPARATUS,IDLING	1	≤412095			0.023	0.0506
010	15752-54090	APPARATUS,IDLING	1	≥412096	←		0	0
020	15531-54100	ASSY BOLT,ADJUSTING	1	≤412095			0.005	0.011
020	15752-54100	ASSY BOLT,ADJUSTING	1	≥412096	←		0	0
030	15261-92020	NUT	1				0.004	0.0088
040	15261-92330	NUT,CAP	1				0.01	0.022
050	15021-33660	GASKET	2				0.001	0.0022
060	15261-54270	CAP	1				0.002	0.0044
070	15531-57700	ASSY LVR.ENGINE STOP	1				0	0
080	15531-51650	COVER,INJECTION PUMP	1				0	0
090	15531-57710	ASSY SHAFT,LEVER	1				0	0
100	04811-10070	RING	1				0.001	0.0022
110	05411-00420	PIN,SPRING	1				0.001	0.0022
120	15611-57510	SPRING,RETURN	1				0.003	0.0066
130	15231-05130	GASKET,BREATHER	1				0	0
140	01023-50618	BOLT	3				0.006	0.0132
150	01023-50620	BOLT	1				0.006	0.0132
160	15531-57480	HOLDER,WIRE	1				0.015	0.033

SPEED CONTROL PLATE



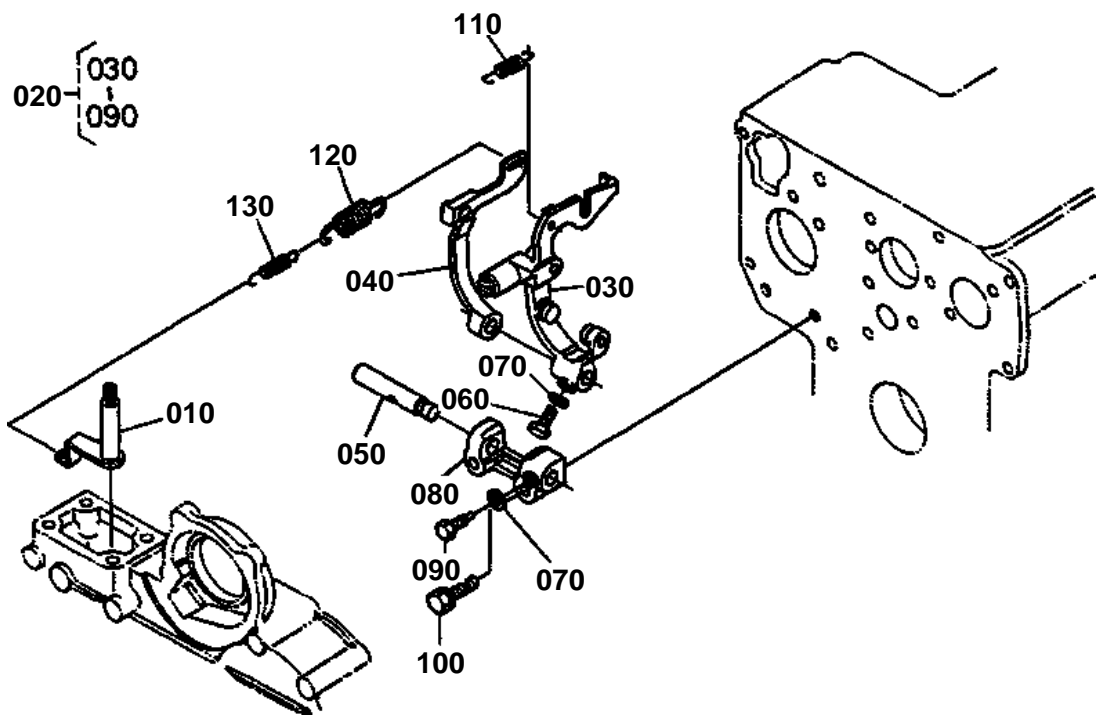


SPEED CONTROL PLATE

↔ Interchangeable; ≠ not interchangeable; ← new for old; → old for new

REF.No	Part No.	Description	Q'ty	S.No.	I/C	REMARKS	Weight (kgf)	Weight (lb)
010	15531-54120	BOLT,ADJUSTING	1				0.009	0.0198
020	15531-92030	NUT	1				0.005	0.011
030	15601-96650	GASKET	2				0.001	0.0022
040	15601-54220	NUT,CAP	1				0	0
050	15601-54420	CAP	1				0	0
060	15531-57150	LEVER,SPEED CONTROL	1				0.04	0.088
070	15261-95010	KEY,FEATHER	1				0.001	0.0022
080	04811-00070	RING	1				0.001	0.0022
090	04013-50060	WASHER,PLAIN	1				0	0
100	02012-50060	NUT	2				0	0
110	15261-57380	DISK,FRICTION	1				0	0
120	15531-57110	PLATE,SPEED CONTROL	1				0.06	0.132
130	15261-57210	GASKET	1				0	0
140	01023-50620	BOLT	3				0.006	0.0132
150	15221-88210	STUD	1				0.005	0.011
160	02056-50060	NUT	1				0.002	0.0044
170	04512-50060	WASHER,SPRING	1				0	0

GOVERNOR

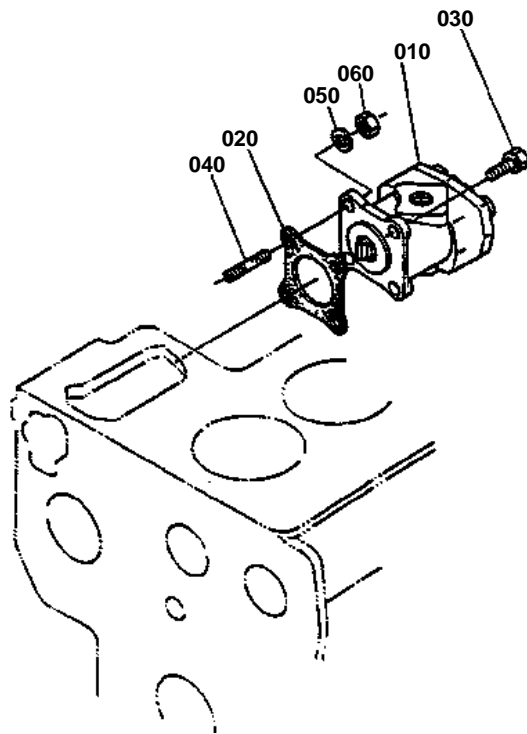


**GOVERNOR**

↔ Interchangeable; ≠ not interchangeable; ← new for old; → old for new

REF.No	Part No.	Description	Q'ty	S.No.	I/C	REMARKS	Weight (kgf)	Weight (lb)
010	15531-56020	COMP.LEVER,GOVERNOR	1				0.026	0.0572
020	15752-56050	ASSY LEVER,FORK	1				0.3	0.66
030	15752-56040	COMP.LEVER,FORK	1				0.15	0.33
040	15531-56130	LEVER,FORK	1				0.075	0.165
050	15261-56150	SHAFT,FORK LEVER	1				0.032	0.0704
060	01053-50516	BOLT	1				0.003	0.0066
070	04512-50050	WASHER,SPRING	2				0	0
080	15261-56230	HOLDER,FORK LEVER	1				0.038	0.0836
090	15261-66410	BOLT	1				0.003	0.0066
100	01023-50628	BOLT	2				0.015	0.033
110	15221-56480	SPRING,START	1				0.008	0.0176
120	15531-56410	SPRING,GOVERNOR	1				0.007	0.0154
130	15531-56420	SPRING,GOVERNOR	1				0.003	0.0066

HYDRAULIC PUMP

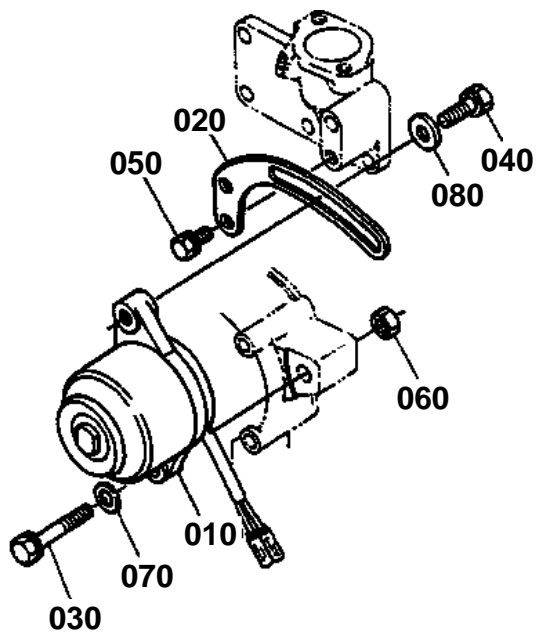




HYDRAULIC PUMP

↔ Interchangeable; ≠ not interchangeable; ← new for old; → old for new

REF.No	Part No.	Description	Q'ty	S.No.	I/C	REMARKS	Weight (kgf)	Weight (lb)
010	67111-76100	ASSY PUMP, HYDRAULIC	1			REFER TO L.No.0C08-L0 FOR COMPONENTS.	0	0
020	15231-87130	GASKET	1				0	0
030	01123-50825	BOLT	3				0.013	0.0286
040	01513-50825	STUD	1				0	0
050	04512-50080	WASHER,SPRING	1				0	0
060	02156-50080	NUT	1				0.004	0.0088

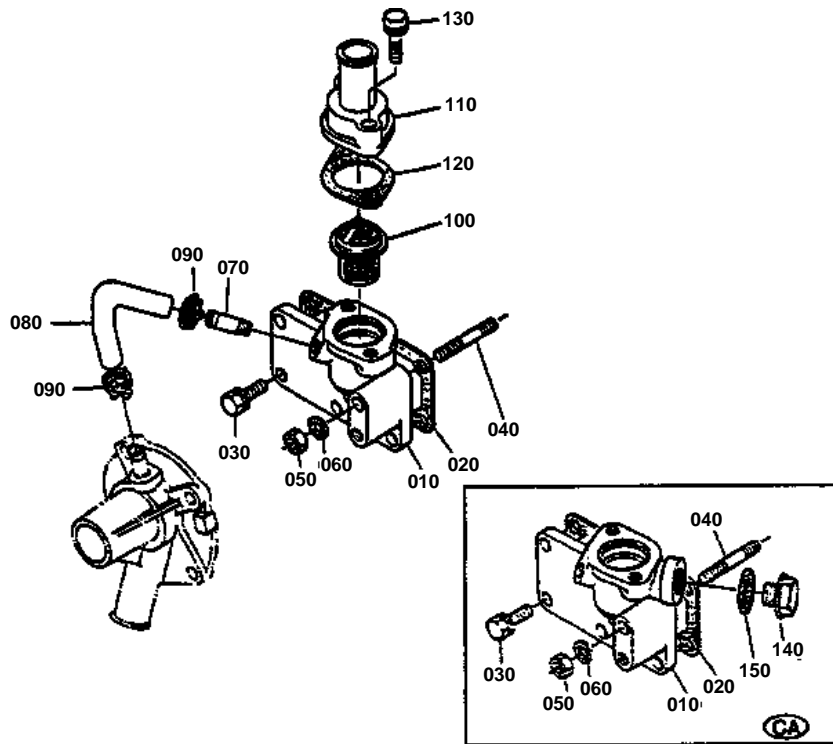


**DYNAMO**

↔ Interchangeable; ≠ not interchangeable; ← new for old; → old for new

REF.No	Part No.	Description	Q'ty	S.No.	I/C	REMARKS	Weight (kgf)	Weight (lb)
010	15531-64013	ASSY DYNAMO	1			REFER TO L.No.0C07-L0 FOR COMPONENTS.	0	0
020	15531-64420	STAY, DYNAMO	1				0.09	0.198
030	01023-50616	BOLT	1				0.005	0.011
040	01123-50825	BOLT	1				0.013	0.0286
050	01123-50860	BOLT	1				0.026	0.0572
060	02056-50080	NUT	1				0.005	0.011
070	04013-50080	WASHER, PLAIN	1				0	0
080	04015-50080	WASHER, PLAIN	1				0	0

WATER FLANGE



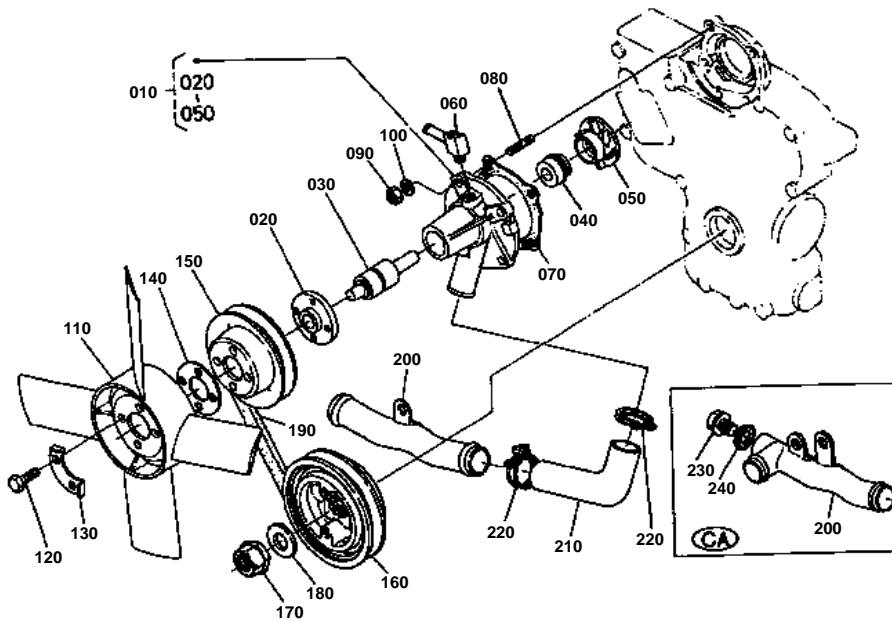


WATER FLANGE

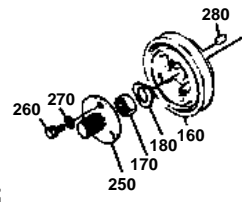
↔ Interchangeable; ≠ not interchangeable; ← new for old; → old for new

REF.No	Part No.	Description	Q'ty	S.No.	I/C	REMARKS	Weight (kgf)	Weight (lb)
010	15531-72910	FLANGE,WATER	1				0.21	0.462
010	15582-72910	FLANGE,WATER	1			[CA]	0.3	0.66
020	15261-72920	GASKET,WATER FLANGE	1				0	0
030	01023-50616	BOLT	5				0.005	0.011
040	01513-50655	STUD	1				0.013	0.0286
050	02056-50060	NUT	1				0.002	0.0044
060	04512-50060	WASHER,SPRING	1				0	0
070	15531-73340	PIPE,WATER RETURN	1				0.01	0.022
080	15531-73350	PIPE,WATER RETURN	1				0.02	0.044
090	15531-73360	BAND,PIPE	2				0.007	0.0154
100	15531-73010	ASSY THERMOSTAT	1				0.07	0.154
110	15531-73260	COVER,THERMOSTAT	1				0.068	0.1496
120	15531-73270	GASKET	1				0	0
130	01023-50635	BOLT	2				0.01	0.022
140	34150-36730	PLUG	1			[CA]	0.038	0.0836
150	04714-00300	GASKET	1			[CA]	0.002	0.0044

WATER PUMP



- REF.No.160 15531-7428-0
- REF.No.170 15261-2336-0
- REF.No.180 15372-2338-0
- REF.No.250 66704-8853-0
- REF.No.260 01123-50825
- REF.No.270 04013-50080
- REF.No.280 05712-00515



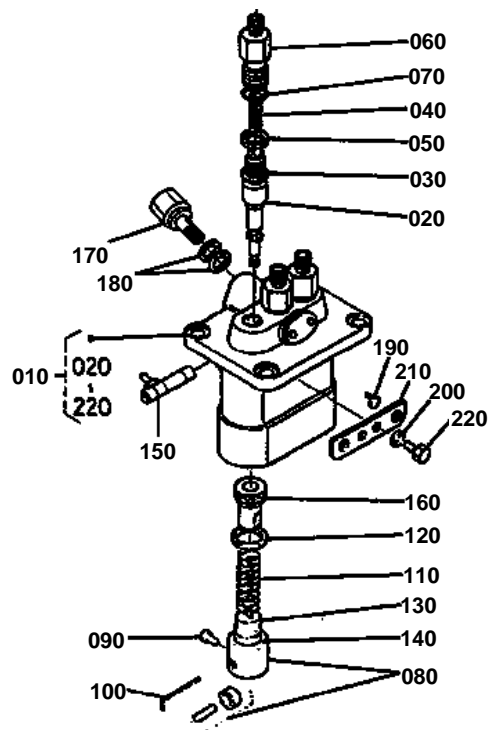


WATER PUMP

↔ Interchangeable; ≠ not interchangeable; ← new for old; → old for new

REF.No	Part No.	Description	Q'ty	S.No.	I/C	REMARKS	Weight (kgf)	Weight (lb)
010	15531-73030	ASSY PUMP,WATER	1	←=369054			0	0
010	15752-73030	ASSY PUMP,WATER	1	≥=369055	≠		0	0
020	15531-73520	FLANGE,WATER PUMP	1	←=369054			0.13	0.286
020	15752-73520	FLANGE,WATER PUMP	1	≥=369055	≠		0	0
030	15531-73550	BEARING	1	←=369054			0.16	0.352
030	15752-73550	BEARING	1	≥=369055	≠		0	0
040	15531-73050	ASSY SEAL,MECHANICAL	1				0	0
050	15531-73510	IMPELLER,WATER PUMP	1				0.112	0.2464
060	15531-73340	PIPE,WATER RETURN	1				0.01	0.022
070	15531-73430	GASKET,WATER PUMP	1				0	0
080	01518-50620	STUD	4				0.006	0.0132
090	02056-50060	NUT	4				0.002	0.0044
100	04512-50060	WASHER,SPRING	4				0	0
110	15531-74110	FAN	1				0.2	0.44
120	01053-50616	BOLT	4				0.005	0.011
130	15131-74230	WASHER,FAN	2				0.005	0.011
140	15752-74150	COLLAR,FAN	1	≥=369055			0.07	0.154
150	15531-74250	PULLEY,FAN	1				0.21	0.462
160	15532-74280	PULLEY,FAN DRIVE	1	←=369054			1.1	2.42
160	15752-74280	PULLEY,FAN DRIVE	1	≥=369055	≠		1.2	2.64
170	15261-23360	NUT,CRANKSHAFT	1	←=369054			0.034	0.0748
170	15752-23360	NUT,CRANKSHAFT	1	≥=369055	≠		0.04	0.088
180	15372-23380	WASHER,CRANKSHAFT	1	←=369054			0.007	0.0154
180	15752-23380	WASHER,CRANKSHAFT	1	≥=369055	≠		0.01	0.022
190	15531-72530	BELT,FAN	1				0.085	0.187
200	15531-72860	PIPE,WATER	1				0.11	0.242
200	15554-72860	PIPE,WATER	1			[CA]	0.215	0.473
210	15531-72870	PIPE,WATER	1				0.052	0.1144
220	15261-72780	BAND	2				0.024	0.0528
230	34150-36730	PLUG	1			[CA]	0.038	0.0836
240	04714-00300	GASKET	1			[CA]	0.002	0.0044
250	66704-88530	FLANGE,PTO	1	←=369054			0.4	0.88
260	01123-50825	BOLT	3	←=369054			0.013	0.0286
270	04013-50080	WASHER,PLAIN	3	←=369054			0	0
280	05712-00515	KEY,FEATHER	1	←=369054			0.003	0.0066

INJECTION PUMP [SECTION PARTS]



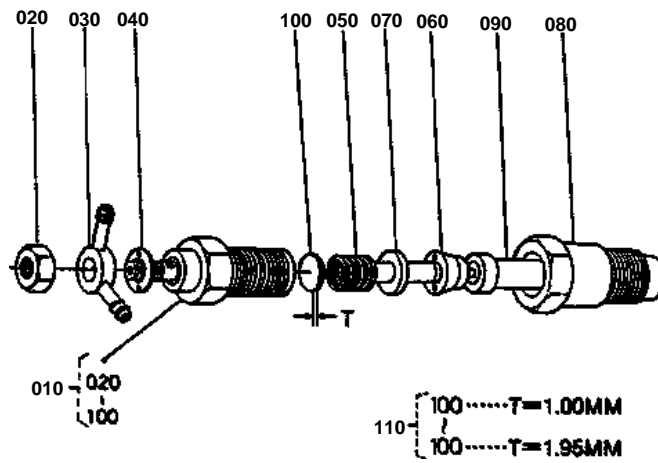


INJECTION PUMP [SECTION PARTS]

↔ Interchangeable; ≠ not interchangeable; ← new for old; → old for new

REF.No	Part No.	Description	Q'ty	S.No.	I/C	REMARKS	Weight (kgf)	Weight (lb)
010	15531-51010	ASSY PUMP,INJECTION	1				2.1	4.62
020	15261-51050	PLUNGER	3				0.04	0.088
030	15261-51030	VALVE,DELIVERY	3				0.011	0.0242
040	15331-51230	SPRING,DELIV.VALVE	3				0.001	0.0022
050	15331-51240	GASKET	3				0.001	0.0022
060	15331-51220	HOLDER,DELIV.VALVE	3				0.053	0.1166
070	15331-96760	O RING	3				0.001	0.0022
080	15331-51070	ASSY TAPPET	3				0.036	0.0792
090	15331-51250	PIN,TAPPET GUIDE	3				0.001	0.0022
100	15331-51430	PIN,CLAMP	1				0.001	0.0022
110	15331-51280	SPRING,PLUNGER	3				0	0
120	15331-51270	SEAT,SPRING UPPER	3				0.001	0.0022
130	15331-51290	SEAT,SPRING UNDER	3				0.001	0.0022
140	15381-51490	SHIM	1				0.008	0.0176
150	15331-51062	RACK,CONTROL	1				0.04	0.088
160	15331-51380	SLEEVE,CONTROL	3				0.012	0.0264
170	15531-51320	SCREW,FOLLOW	1				0.034	0.0748
180	15331-96650	GASKET	2				0.001	0.0022
190	15331-51480	COLLAR	2				0.005	0.011
200	15381-94090	WASHER,SPRING	2				0.002	0.0044
210	15381-51390	PLATE,ADJUSTING	1				0.008	0.0176
220	15331-91010	BOLT	2				0.034	0.0748

NOZZLE HOLDER [SECTION PARTS]



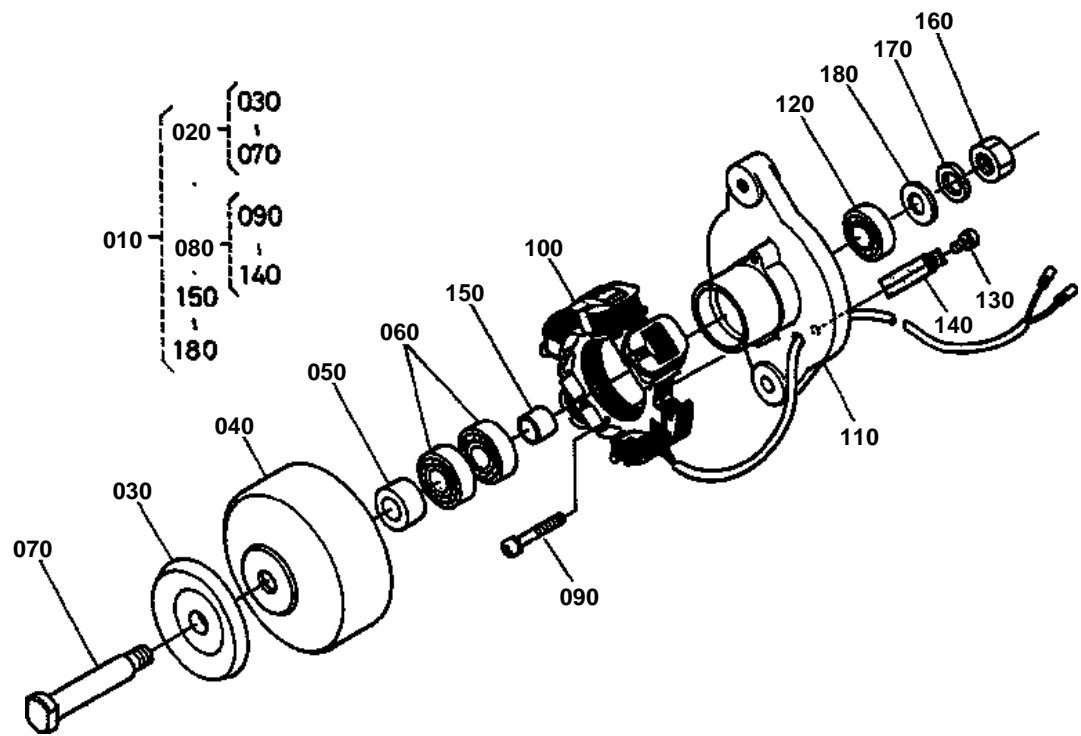


NOZZLE HOLDER [SECTION PARTS]

↔ Interchangeable; ≠ not interchangeable; ← new for old; → old for new

REF.No	Part No.	Description	Q'ty	S.No.	I/C	REMARKS	Weight (kgf)	Weight (lb)
010	15271-53020	ASSY HOLDER,NOZZLE	3				0.26	0.572
020	15221-92020	NUT	3				0.011	0.0242
030	15221-95690	JOINT,EYE	3				0.022	0.0484
040	15221-94020	WASHER,PLAIN	3				0.002	0.0044
050	15221-53170	SPRING,NOZZLE	3				0.01	0.022
060	15221-53350	PIECE,DISTANCE	3				0.016	0.0352
070	15221-53160	ROD,PUSH	3				0.003	0.0066
080	15221-53280	NUT,NOZZLE	3				0.068	0.1496
090	15021-53610	PIECE,NOZZLE	3				0	0
100	15221-98110	WASHER,ADJUSTING	3			1.00MM	0.001	0.0022
100	15221-98120	WASHER,ADJUSTING	3			1.05MM	0.001	0.0022
100	15221-98130	WASHER,ADJUSTING	3			1.10MM	0.001	0.0022
100	15221-98140	WASHER,ADJUSTING	3			1.15MM	0.001	0.0022
100	15221-98150	WASHER,ADJUSTING	3			1.20MM	0.001	0.0022
100	15221-98160	WASHER,ADJUSTING	3			1.25MM	0.001	0.0022
100	15221-98170	WASHER,ADJUSTING	3			1.30MM	0.001	0.0022
100	15221-98180	WASHER,ADJUSTING	3			1.35MM	0.001	0.0022
100	15221-98190	WASHER,ADJUSTING	3			1.40MM	0.002	0.0044
100	15221-98200	WASHER,ADJUSTING	3			1.45MM	0.001	0.0022
100	15221-98210	WASHER,ADJUSTING	3			1.50MM	0.001	0.0022
100	15221-98220	WASHER,ADJUSTING	3			1.55MM	0.003	0.0066
100	15221-98230	WASHER,ADJUSTING	3			1.60MM	0.003	0.0066
100	15221-98240	WASHER,ADJUSTING	3			1.65MM	0.002	0.0044
100	15221-98250	WASHER,ADJUSTING	3			1.70MM	0.002	0.0044
100	15221-98260	WASHER,ADJUSTING	3			1.75MM	0.002	0.0044
100	15221-98270	WASHER,ADJUSTING	3			1.80MM	0.002	0.0044
100	15221-98280	WASHER,ADJUSTING	3			1.85MM	0.002	0.0044
100	15221-98290	WASHER,ADJUSTING	3			1.90MM	0.002	0.0044
100	15221-98300	WASHER,ADJUSTING	3			1.95MM	0.003	0.0066
110	15221-98100	ASSY WASHER	3				0.03	0.066

DYNAMO [SECTION PARTS]

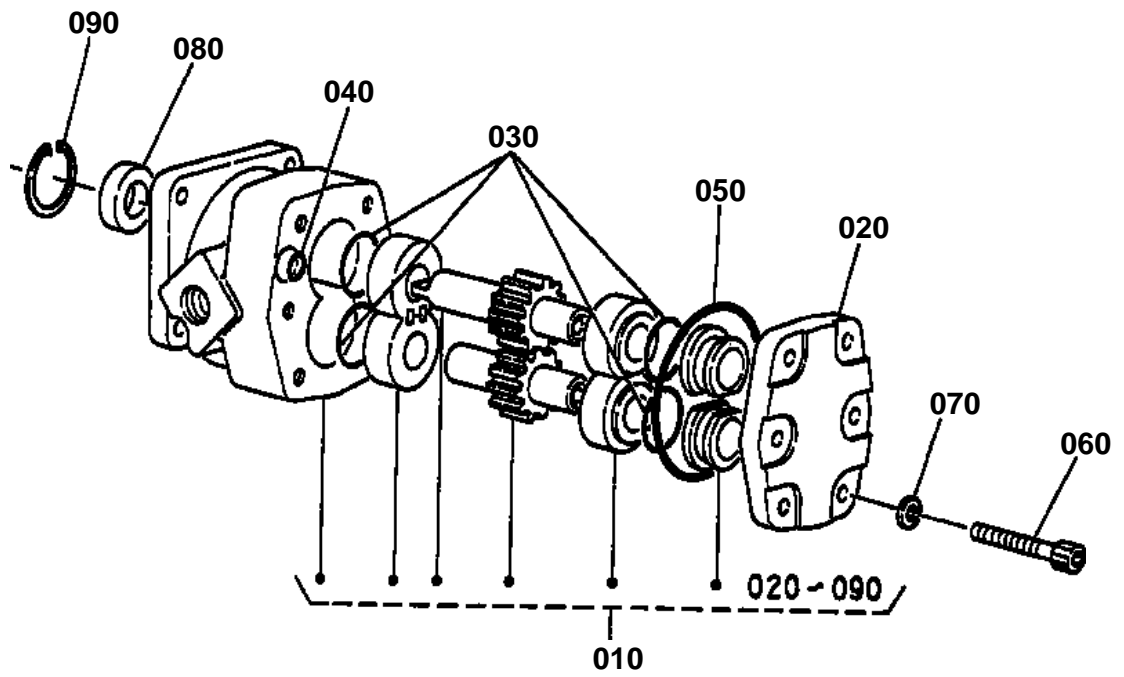


**DYNAMO [SECTION PARTS]**

↔ Interchangeable; ≠ not interchangeable; ← new for old; → old for new

REF.No	Part No.	Description	Q'ty	S.No.	I/C	REMARKS	Weight (kgf)	Weight (lb)
010	15531-64013	ASSY DYNAMO	1				0	0
020	15531-64122	COMP.ROTOR	1				0.76	1.672
030	15531-64110	PULLEY	1				0.15	0.33
040	15531-64040	ROTOR	1				0.5	1.1
050	15531-64140	COLLAR	1				0.025	0.055
060	15531-74180	BEARING,BALL	2				0.04	0.088
070	15531-74140	SHAFT,FAN	1				0.075	0.165
080	15531-64363	COMP STATOR	1				0.555	1.221
090	15261-93010	SCREW,ROUND HEAD	2				0.003	0.0066
100	15531-64292	STATOR	1				0.29	0.638
110	15531-64072	PLATE	1				0.3	0.66
120	15531-74180	BEARING,BALL	1				0.04	0.088
130	15531-93010	SCREW,ROUND HEAD	1				0.002	0.0044
140	15531-64190	CLAMP,CORD	1				0.005	0.011
150	15261-64150	COLLAR	1				0.02	0.044
160	15261-92030	NUT	1				0.01	0.022
170	15261-94070	WASHER,SPRING	1				0.003	0.0066
180	15261-94020	WASHER,PLAIN	1				0.007	0.0154

HYDRAULIC PUMP [SECTION PARTS]



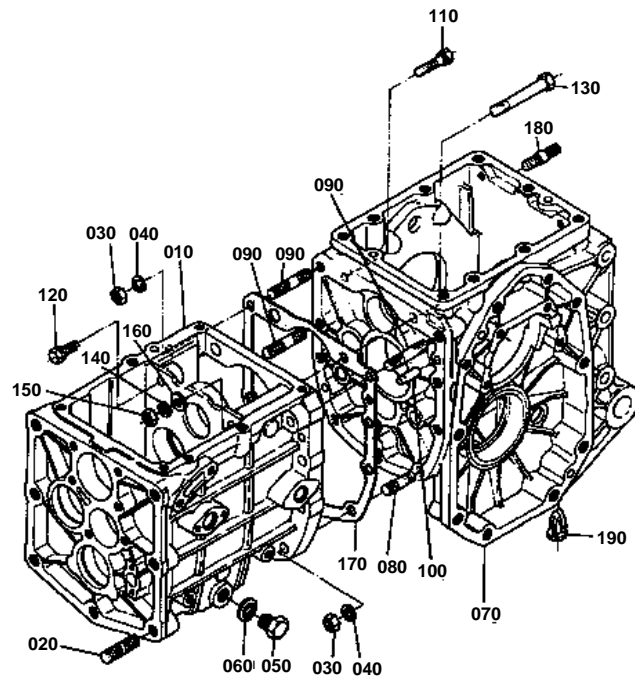


HYDRAULIC PUMP [SECTION PARTS]

↔ Interchangeable; ≠ not interchangeable; ← new for old; → old for new

REF.No	Part No.	Description	Q'ty	S.No.	I/C	REMARKS	Weight (kgf)	Weight (lb)
010	67111-76100	ASSY PUMP,HYDRAULIC	1				0	0
020	67211-76120	COVER	1				0.18	0.396
030	04810-00220	RING	4				0.001	0.0022
040	04810-00050	RING	1				0.001	0.0022
050	04810-50500	RING	1				0.005	0.011
060	67211-76240	BOLT	6				0.014	0.0308
070	04512-50080	WASHER,SPRING	6				0	0
080	67211-76190	SEAL,OIL	1				0	0
090	04611-00280	CIR-CLIP,INTERNAL	1				0.002	0.0044

TRANSMISSION CASE



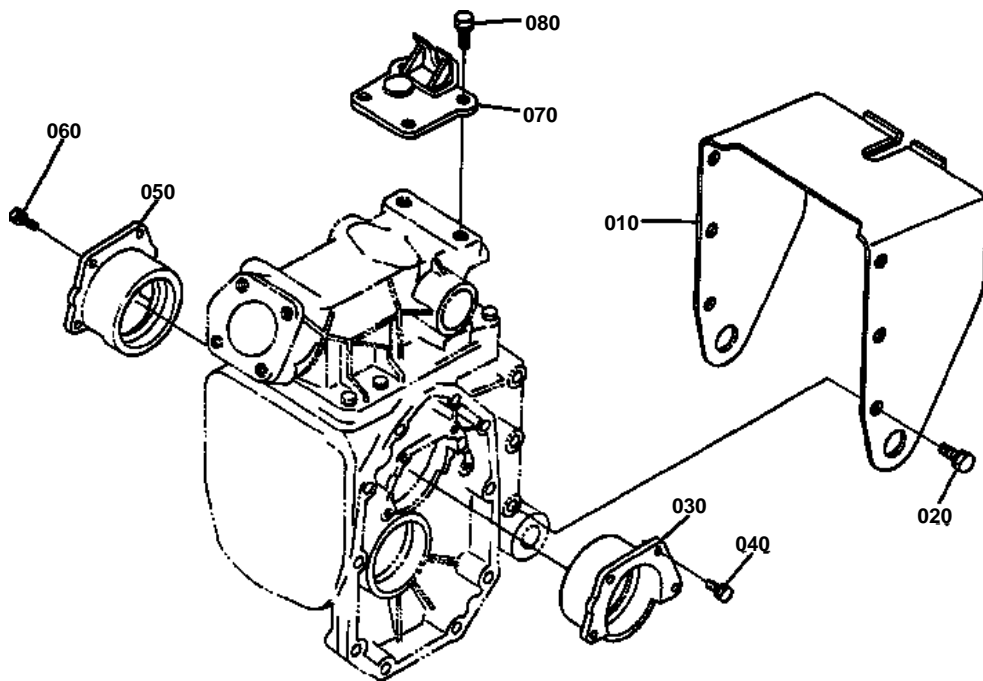


TRANSMISSION CASE

↔ Interchangeable; ≠ not interchangeable; ← new for old; → old for new

REF.No	Part No.	Description	Q'ty	S.No.	I/C	REMARKS	Weight (kgf)	Weight (lb)
010	66611-11110	CASE,TRANSMISSION	1				0	0
020	01555-51225	STUD	7				0.039	0.0858
030	02118-50100	NUT	9				0.005	0.011
040	04512-50100	WASHER,SPRING	9				0	0
050	06331-35016	PLUG	1				0.04	0.088
060	04717-01600	WASHER,WITH RUBBER	1				0.003	0.0066
070	66611-11170	CASE,GEAR	1				0	0
080	01555-51035	STUD	6				0.029	0.0638
090	01555-51050	STUD	3				0.038	0.0836
100	66611-11160	PIN,KNOCK	2				0.01	0.022
110	01123-50838	BOLT	1				0.02	0.044
120	01123-50825	BOLT	1				0.013	0.0286
130	66611-11140	BOLT	1				0	0
140	04512-50100	WASHER,SPRING	1				0	0
150	02118-50100	NUT	1				0.005	0.011
160	04013-50100	WASHER,PLAIN	1				0	0
170	66611-11130	GASKET	1				0	0
180	66611-11154	STUD	2				0.08	0.176
190	67211-11140	PLUG,BLIND	3				0.001	0.0022

PTO COVER



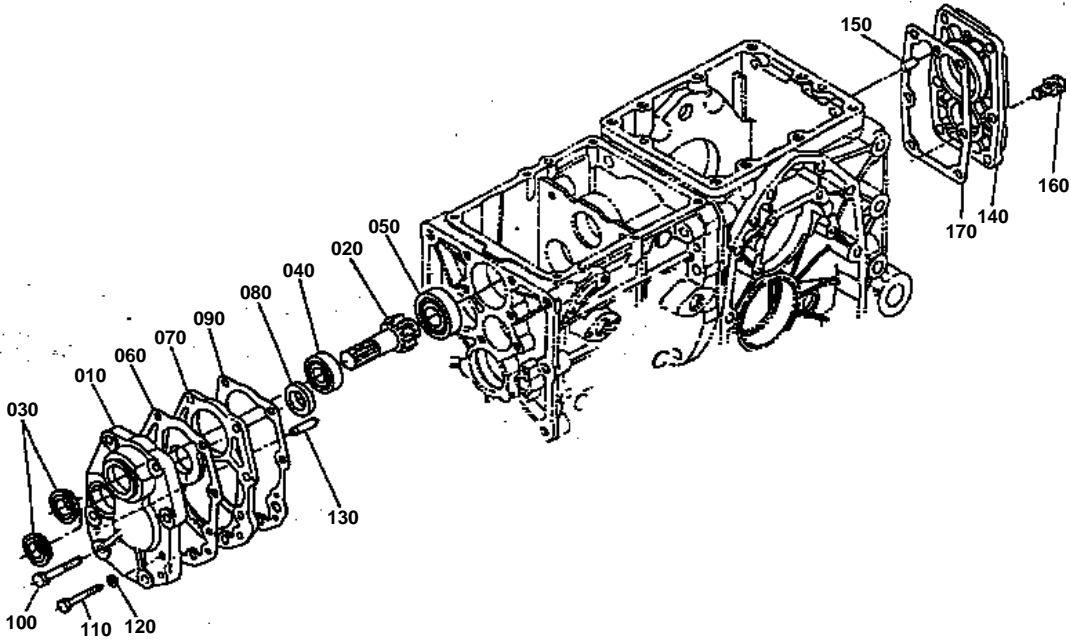


PTO COVER

↔ Interchangeable; ≠ not interchangeable; ← new for old; → old for new

REF.No	Part No.	Description	Q'ty	S.No.	I/C	REMARKS	Weight (kgf)	Weight (lb)
010	66704-11214	COVER,PTO	1				1.5	3.3
020	01123-51235	BOLT	6				0.041	0.0902
030	66611-11510	HOLDER,BEARING LH	1				0.78	1.716
040	01123-50822	BOLT	4				0.012	0.0264
050	66611-11812	HOLDER,BEARING RH	1				0.72	1.584
060	01123-50822	BOLT	4				0.012	0.0264
070	66611-11910	BRACKET,CHAIN	1				0.607	1.3354
080	01123-51230	BOLT	2				0.04	0.088

COVER

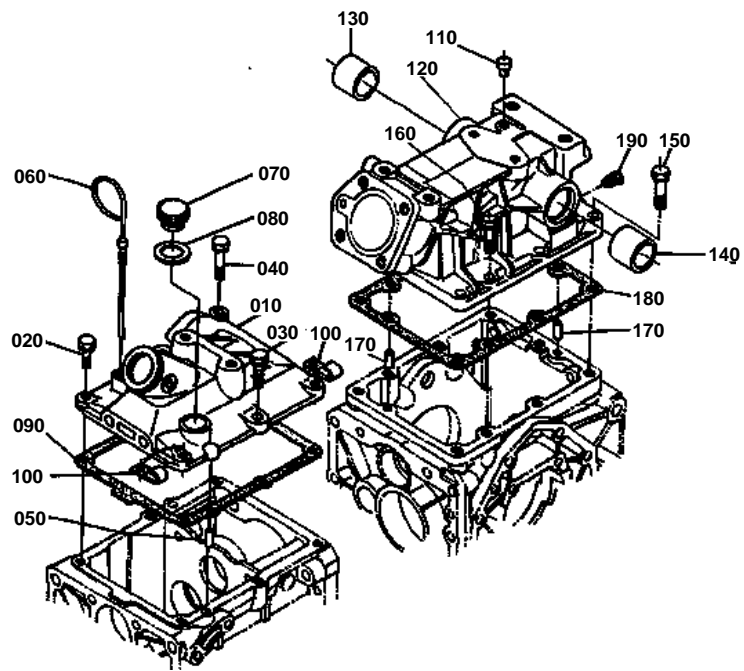


**COVER**

↔ Interchangeable; ≠ not interchangeable; ← new for old; → old for new

REF.No	Part No.	Description	Q'ty	S.No.	I/C	REMARKS	Weight (kgf)	Weight (lb)
010	67311-12110	COVER,SHAFT	1				1.47	3.234
020	67311-12120	SHAFT	1				0.3	0.66
030	67211-12130	SEAL,OIL	2				0.015	0.033
040	08101-06204	BEARING,BALL	1				0.102	0.2244
050	08101-06304	BEARING,BALL	1				0.146	0.3212
060	67311-12130	GASKET	1				0	0
070	67311-12140	SPACER,COVER	1				0.5	1.1
080	09500-20347	SEAL,OIL	1				0.01	0.022
090	67311-12150	GASKET,COVER SPACER	1				0	0
100	01123-50848	BOLT	7				0.02	0.044
110	01053-50645	BOLT	2				0.012	0.0264
120	04512-50060	WASHER,SPRING	2				0	0
130	67311-12160	PIN,STRAIGHT	1				0.01	0.022
140	66706-12210	COVER,REAR	1				1.21	2.662
150	05012-00816	PIN,STRAIGHT	1				0.007	0.0154
160	01123-51025	BOLT	6				0.02	0.044
170	66611-12220	GASKET	1				0	0

CASE COVER



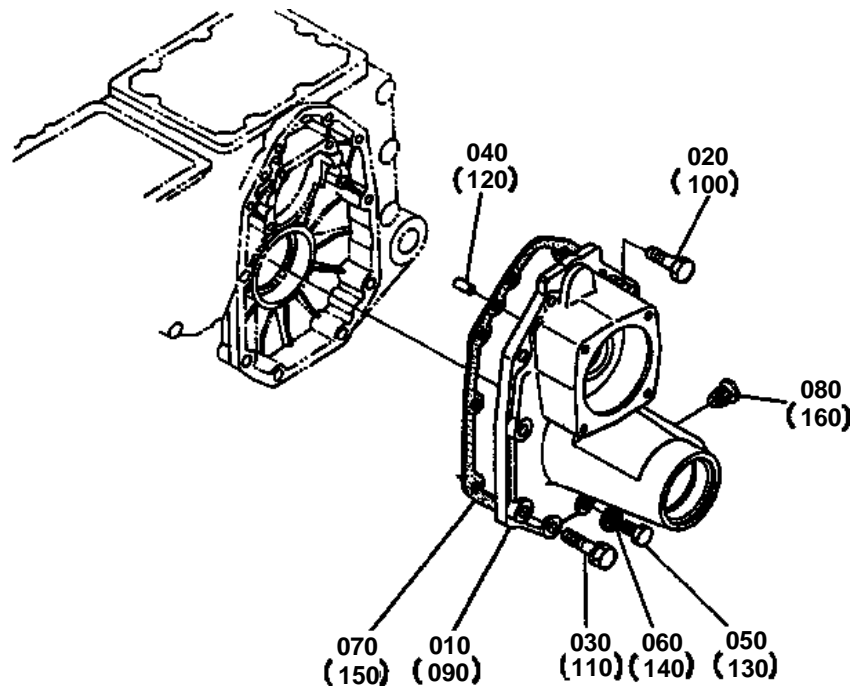


CASE COVER

↔ Interchangeable; ≠ not interchangeable; ← new for old; → old for new

REF.No	Part No.	Description	Q'ty	S.No.	I/C	REMARKS	Weight (kgf)	Weight (lb)
010	67211-12410	COVER,UPPER FRONT	1				0.97	2.134
020	01123-50828	BOLT	3				0.014	0.0308
030	01123-51035	BOLT	2				0.025	0.055
040	01123-50845	BOLT	1				0.02	0.044
050	05012-00816	PIN,STRAIGHT	2				0.007	0.0154
060	67711-12420	GAUGE,OIL	1				0.014	0.0308
070	66591-11460	CAP	1				0.016	0.0352
080	04713-00400	GASKET	1				0.001	0.0022
090	66591-11220	GASKET	1				0	0
100	32240-34490	CLAMP,CORD	2				0.003	0.0066
110	66591-11350	BREATHER	1				0.002	0.0044
120	66611-12510	COVER,UPPER REAR	1				3.83	8.426
130	66591-36710	BUSH	1				0.049	0.1078
140	66591-36720	BUSH	1				0.044	0.0968
150	01123-51040	BOLT	3				0.03	0.066
160	01123-51035	BOLT	6				0.025	0.055
170	05012-00816	PIN,STRAIGHT	2				0.007	0.0154
180	66611-12520	GASKET	1				0	0
190	67211-11140	PLUG,BLIND	2				0.001	0.0022

REAR AXLE CASE



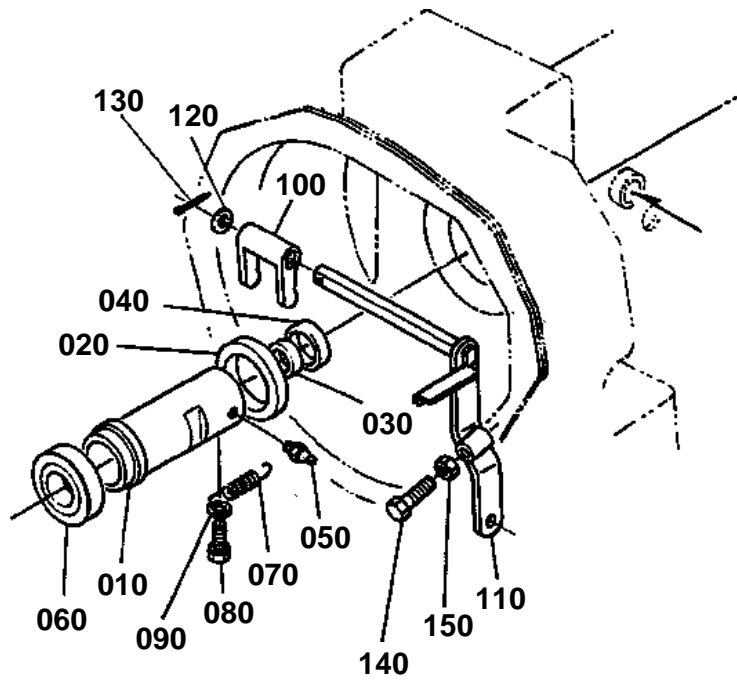


REAR AXLE CASE

↔ Interchangeable; ≠ not interchangeable; ← new for old; → old for new

REF.No	Part No.	Description	Q'ty	S.No.	I/C	REMARKS	Weight (kgf)	Weight (lb)
010	67401-12610	CASE,AXLE LH	1				0	0
020	01123-51035	BOLT	4				0.025	0.055
030	01123-51250	BOLT	6				0.055	0.121
040	05012-00816	PIN,STRAIGHT	2				0.007	0.0154
050	06331-35012	PLUG	1				0.022	0.0484
060	04717-01200	WASHER,WITH RUBBER	1				0.002	0.0044
070	66591-11240	GASKET	1				0	0
080	67211-11140	PLUG,BLIND	6				0.001	0.0022
090	67401-12710	CASE,AXLE RH	1				10	22
100	01123-51035	BOLT	4				0.025	0.055
110	01123-51250	BOLT	6				0.055	0.121
120	05012-00816	PIN,STRAIGHT	2				0.007	0.0154
130	06331-35012	PLUG	1				0.022	0.0484
140	04717-01200	WASHER,WITH RUBBER	1				0.002	0.0044
150	66591-11240	GASKET	1				0	0
160	67211-11140	PLUG,BLIND	6				0.001	0.0022

CLUTCH ROD



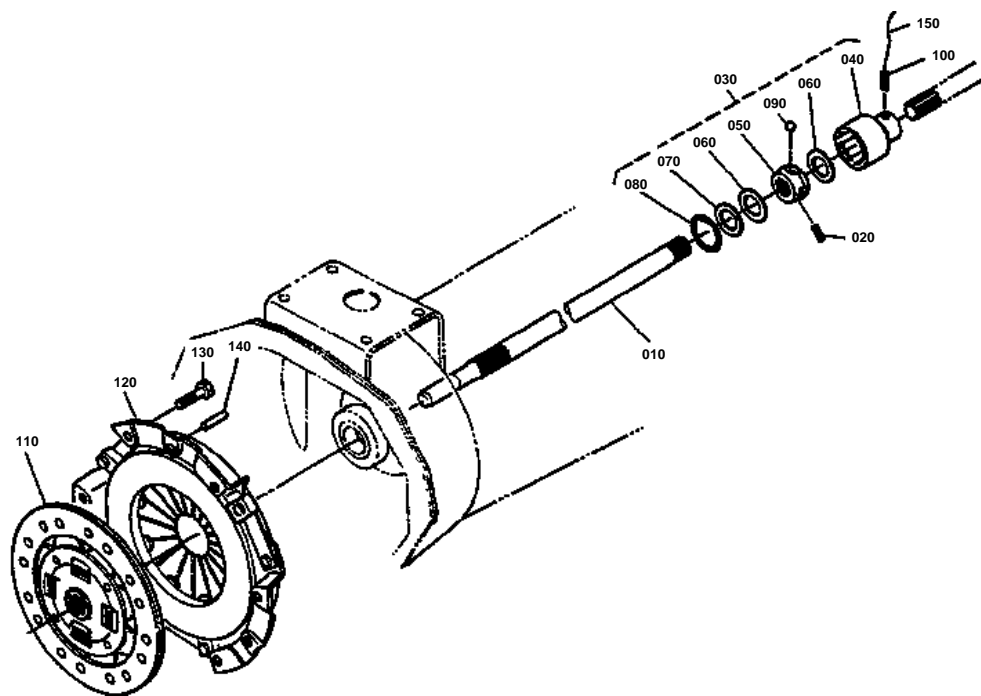


CLUTCH ROD

↔ Interchangeable; ≠ not interchangeable; ← new for old; → old for new

REF.No	Part No.	Description	Q'ty	S.No.	I/C	REMARKS	Weight (kgf)	Weight (lb)
010	67311-13310	HOLDER,RELEASE BRG	1				0.7	1.54
020	66621-51420	SEAL,OIL	1				0.011	0.0242
030	09030-20328	SEAL,OIL	1				0.009	0.0198
040	09030-20357	SEAL,OIL	1				0.009	0.0198
050	06613-10675	NIPPLE,GREASE	1				0.003	0.0066
060	67311-13320	BEARING,RELEASE	1				0.21	0.462
070	66611-13340	SPRING,RELEASE	1				0.006	0.0132
080	01202-50610	BOLT	1				0.004	0.0088
090	04013-50060	WASHER,PLAIN	1				0	0
100	66591-13250	FORK,CLUTCH RELEASE	1				0.098	0.2156
110	67401-13320	ROD,CLUTCH	1				0.34	0.748
120	04011-50140	WASHER,PLAIN	1				0.007	0.0154
130	05511-50320	PIN,SPLIT	1				0.002	0.0044
140	66711-13320	BOLT,ADJUSTING	1				0.028	0.0616
150	02116-50100	NUT	1				0.004	0.0088

CLUTCH



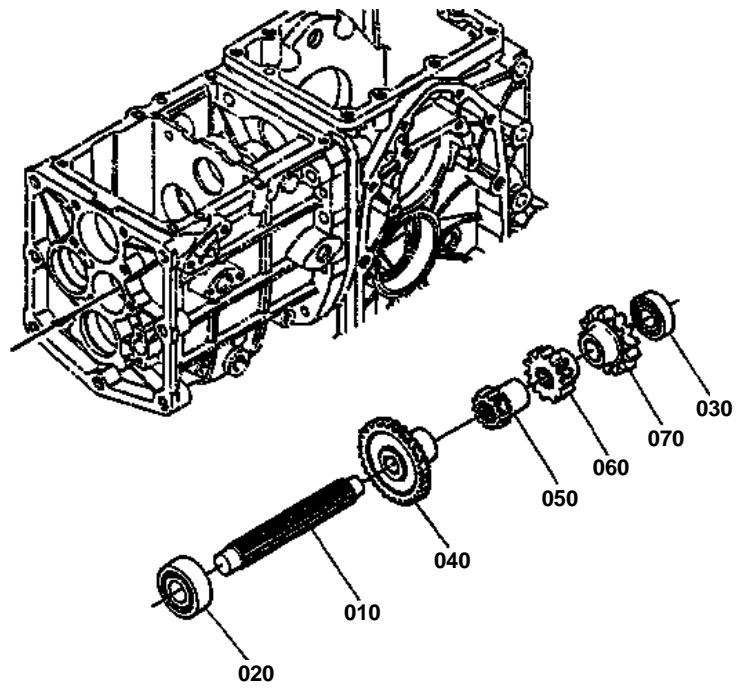


CLUTCH

↔ Interchangeable; ≠ not interchangeable; ← new for old; → old for new

REF.No	Part No.	Description	Q'ty	S.No.	I/C	REMARKS	Weight (kgf)	Weight (lb)
010	67211-14110	SHAFT,PROPELLER	1				1.2	2.64
020	05411-00628	PIN,SPRING	1				0.004	0.0088
030	67211-14120	ASSY JOINT,BALL	1	<=10797			0	0
030	67211-14122	ASSY JOINT,BALL	1	>=10798	←		0.3	0.66
040	67111-13710	COUPLING,BALL OUTER	1				0.225	0.495
050	67211-14130	COUPLING,BALL INNER	1	<=10797			0	0
050	67211-14133	COUPLING,BALL INNER	1	>=10798	←		0.075	0.165
060	67111-13730	GASKET,BALL JOINT	2				0.002	0.0044
070	67111-13740	SUPPORT,GASKET	1				0.004	0.0088
080	04611-00350	CIR-CLIP,INTERNAL	1				0.003	0.0066
090	07715-00803	BALL	4				0.004	0.0088
100	05411-00632	PIN,SPRING	1				0.004	0.0088
110	67401-13400	ASSY DISK,CLUTCH	1				0	0
120	67211-13300	ASSY PLATE,PRESSURE	1				2.7	5.94
130	01123-50816	BOLT	6				0.011	0.0242
140	05012-00814	PIN,STRAIGHT	3				0.006	0.0132
150	99999-99999	BLANK	1			OBTAINED LOCALLY	0	0

2ND SHAFT



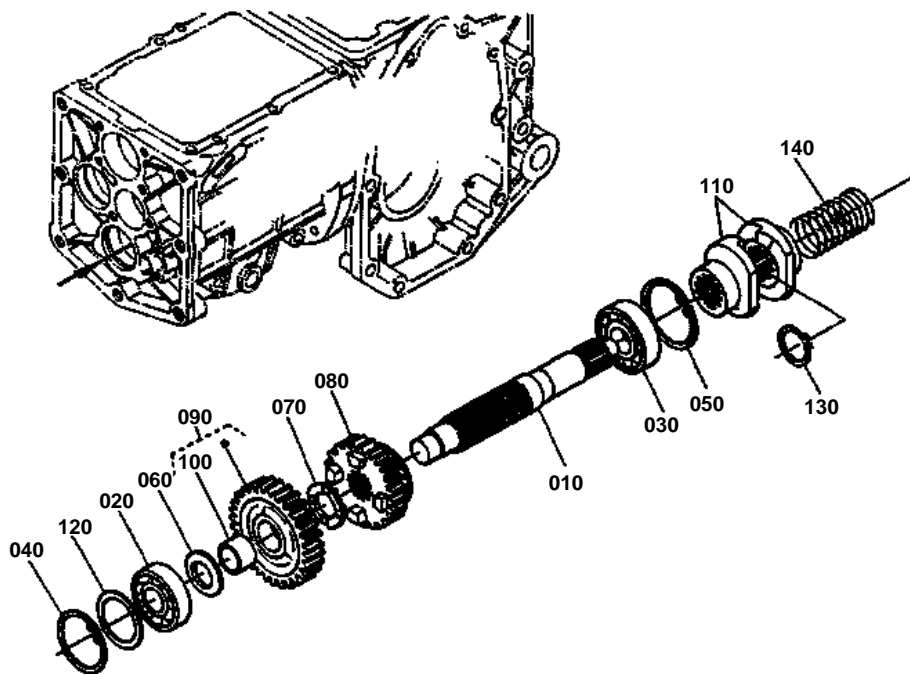


2ND SHAFT

↔ Interchangeable; ≠ not interchangeable; ← new for old; → old for new

REF.No	Part No.	Description	Q'ty	S.No.	I/C	REMARKS	Weight (kgf)	Weight (lb)
010	67401-14210	SHAFT	1				0.6	1.32
020	08101-06304	BEARING,BALL	1				0.146	0.3212
030	67311-14270	BEARING,BALL	1				0.09	0.198
040	67401-14230	GEAR	1			29T	0.4	0.88
050	67401-14250	GEAR	1			14T	0.18	0.396
060	67401-14260	GEAR	1			13T	0.23	0.506
070	67401-14270	GEAR	1			17T	0.3	0.66

3RD SHAFT



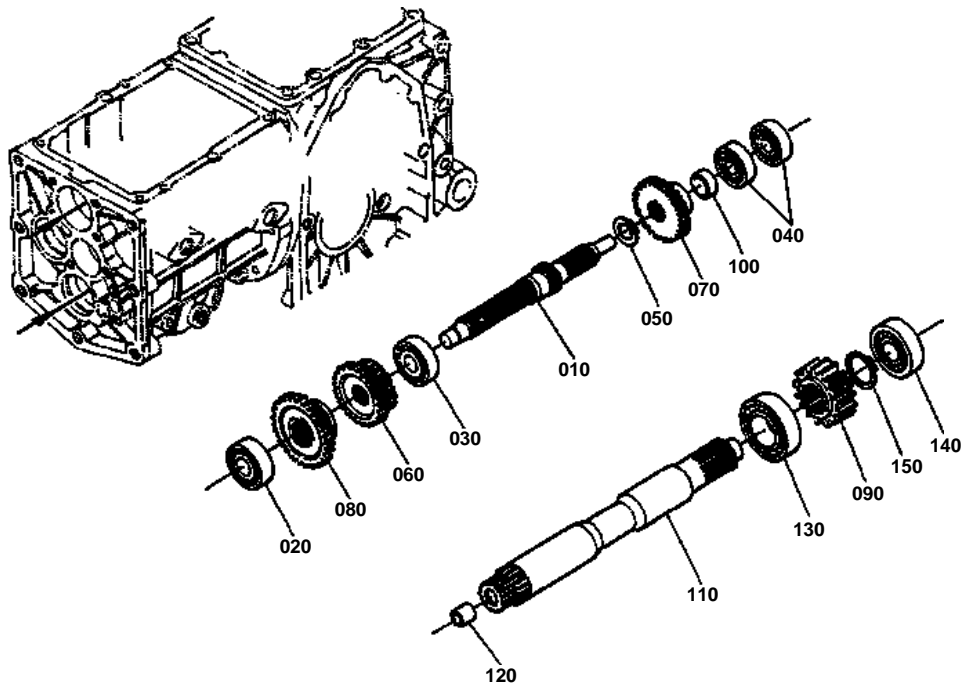


3RD SHAFT

↔ Interchangeable; ≠ not interchangeable; ← new for old; → old for new

REF.No	Part No.	Description	Q'ty	S.No.	I/C	REMARKS	Weight (kgf)	Weight (lb)
010	67401-14310	SHAFT	1				0.75	1.65
020	08101-06303	BEARING,BALL	1				0.112	0.2464
030	08101-06205	BEARING,BALL	1				0.14	0.308
040	04611-00470	CIR-CLIP,INTERNAL	1				0.006	0.0132
050	04611-00520	CIR-CLIP,INTERNAL	1				0.009	0.0198
060	62081-14150	COLLAR	1				0.013	0.0286
070	62231-14770	COLLAR	1				0	0
080	67401-14320	GEAR	1			17T	0.42	0.924
090	67401-14300	COMP.GEAR	1			28T	0.46	1.012
100	67401-14340	BUSH	1				0.016	0.0352
110	66706-14380	CAM,ONE WAY CLUTCH	2				0.198	0.4356
120	62131-14170	SHIM	1				0.002	0.0044
130	04612-00220	CIR-CLIP,EXTERNAL	1				0.001	0.0022
140	66706-14390	SPRING	1				0.045	0.099

4TH SHAFT,5TH SHAFT



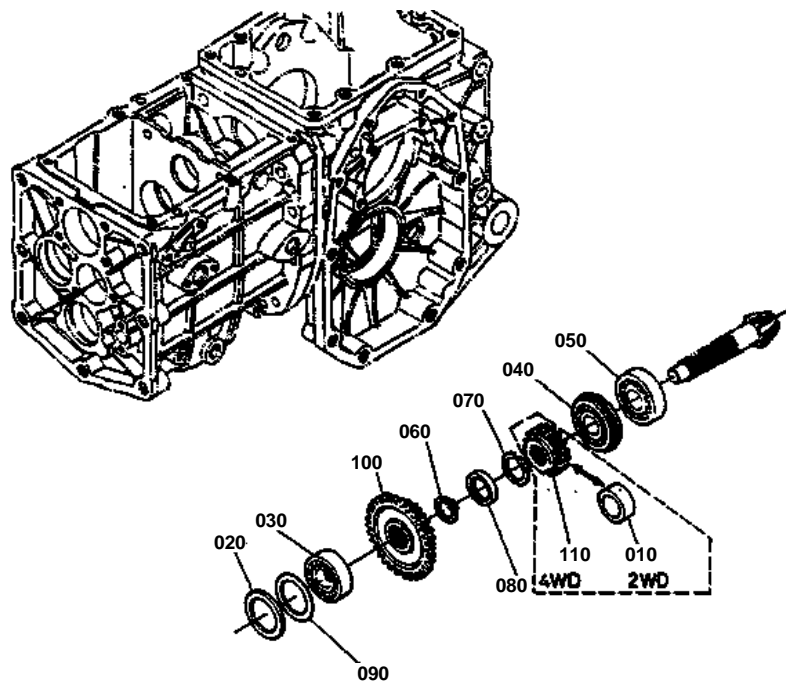


4TH SHAFT,5TH SHAFT

↔ Interchangeable; ≠ not interchangeable; ← new for old; → old for new

REF.No	Part No.	Description	Q'ty	S.No.	I/C	REMARKS	Weight (kgf)	Weight (lb)
010	67401-14410	SHAFT	1				0.77	1.694
020	08101-06304	BEARING,BALL	1				0.146	0.3212
030	08101-06005	BEARING,BALL	1				0.08	0.176
040	08101-06202	BEARING,BALL	2				0.044	0.0968
050	04612-00220	CIR-CLIP,EXTERNAL	1				0.001	0.0022
060	67401-14440	GEAR	1			13-17T	0.3	0.66
070	67401-14450	GEAR	1			20T	0.3	0.66
080	67401-14460	GEAR	1			29T	0.45	0.99
090	66706-14530	GEAR	1			17T	0.29	0.638
100	66611-14470	COLLAR	1				0.019	0.0418
110	66706-14510	SHAFT	1				0	0
120	66706-14520	BUSH	1				0.004	0.0088
130	67311-14520	BEARING,BALL	1				0.125	0.275
140	67311-14530	BEARING,BALL	1				0.11	0.242
150	04612-00250	CIR-CLIP,EXTERNAL	1				0.002	0.0044

SPIRAL BEVEL SHAFT



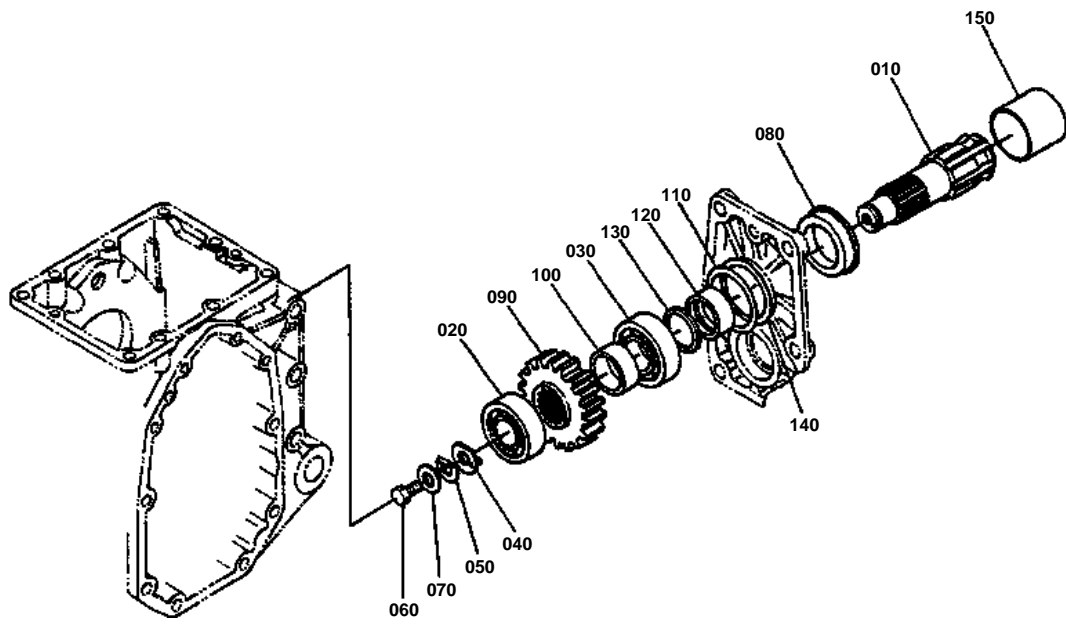


SPIRAL BEVEL SHAFT

↔ Interchangeable; ≠ not interchangeable; ← new for old; → old for new

REF.No	Part No.	Description	Q'ty	S.No.	I/C	REMARKS	Weight (kgf)	Weight (lb)
010	66681-14650	COLLAR	1				0.055	0.121
020	66591-14720	SPACER	1				0.002	0.0044
030	08221-07303	BEARING,BALL	1				0.116	0.2552
040	67211-14620	BEARING,BALL	1				0.23	0.506
050	38450-21980	BEARING,BALL	1				0.225	0.495
060	04612-00250	CIR-CLIP,EXTERNAL	1				0.002	0.0044
070	66611-14640	COLLAR,STOP	2				0.003	0.0066
080	66611-14660	COLLAR	1				0.018	0.0396
090	66611-14670	SHIM	1				0.008	0.0176
090	66611-14680	SHIM	1				0.01	0.022
090	66611-14690	SHIM	1				0.001	0.0022
100	67401-14530	GEAR	1			13-32T	0.42	0.924

PTO SHAFT



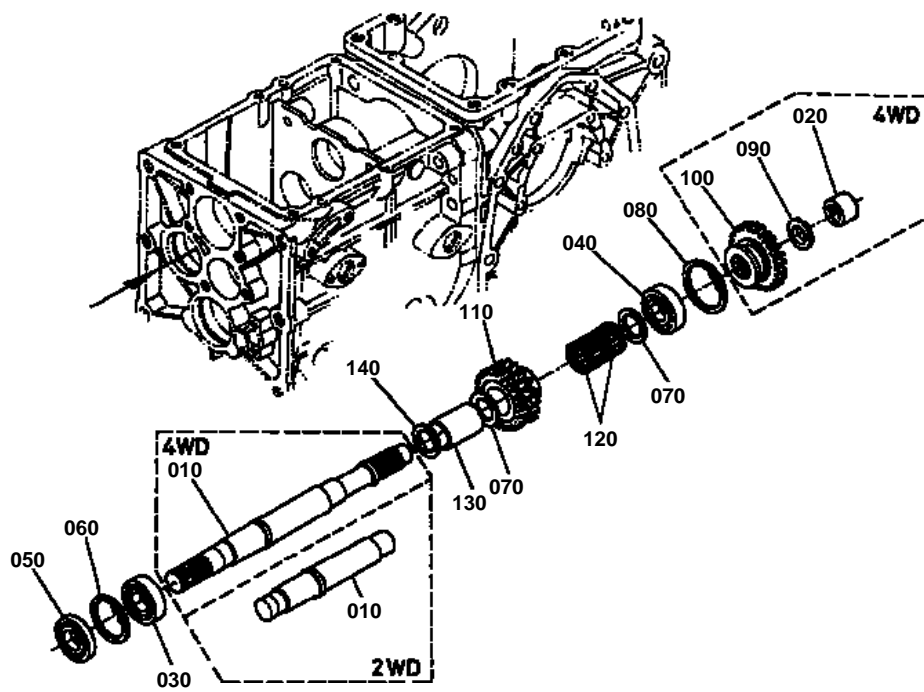


PTO SHAFT

↔ Interchangeable; ≠ not interchangeable; ← new for old; → old for new

REF.No	Part No.	Description	Q'ty	S.No.	I/C	REMARKS	Weight (kgf)	Weight (lb)
010	66204-14710	SHAFT,PTO	1				0	0
020	08711-30204	BEARING,TAPER-ROLLER	1				0.116	0.2552
030	08711-30205	BEARING,TAPER-ROLLER	1				0.148	0.3256
040	66704-14720	WASHER	1				0.009	0.0198
050	63753-32430	WASHER	1				0.001	0.0022
060	66704-14730	BOLT	1				0.012	0.0264
070	04012-50080	WASHER,PLAIN	1				0.001	0.0022
080	09180-35488	SEAL,OIL	1				0.019	0.0418
090	66706-14790	GEAR	1			18T	0.32	0.704
100	66706-14740	COLLAR,PTO	1				0.03	0.066
110	66706-14782	COLLAR	1				0.006	0.0132
120	66611-14730	BUSH	1				0.042	0.0924
130	66611-14740	COLLAR,PTO	1				0.004	0.0088
140	66611-14750	SHIM,PTO	1				0.002	0.0044
140	66611-14760	SHIM,PTO	1				0.002	0.0044
140	66611-14770	SHIM,PTO	1				0.001	0.0022
150	66706-14810	COVER,PTO	1				0.024	0.0528

REVERSE SHAFT



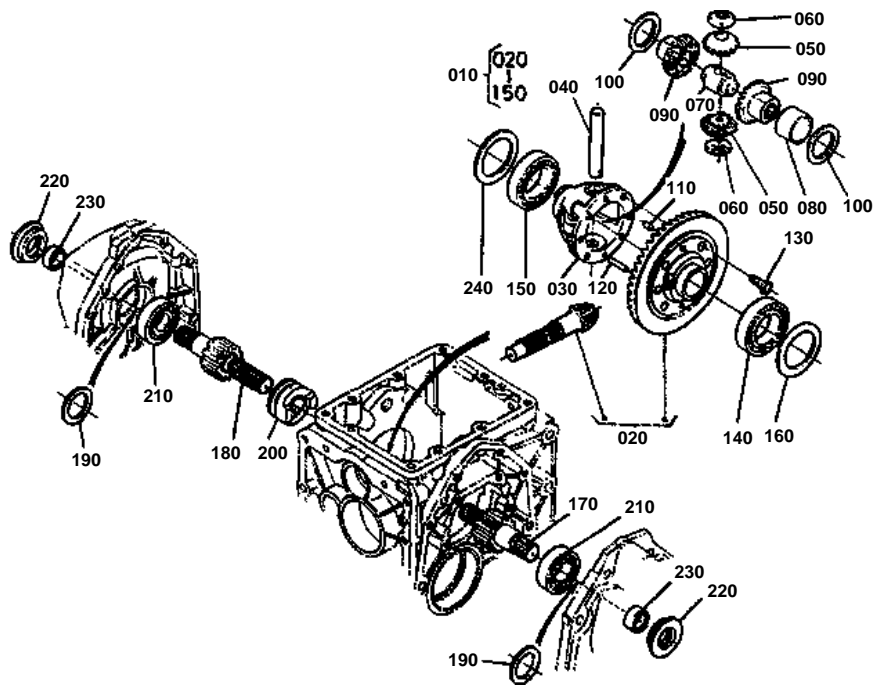


REVERSE SHAFT

↔ Interchangeable; ≠ not interchangeable; ← new for old; → old for new

REF.No	Part No.	Description	Q'ty	S.No.	I/C	REMARKS	Weight (kgf)	Weight (lb)
010	67311-14810	SHAFT,REVERSE	1				0.57	1.254
030	67311-14820	BEARING,BALL	1				0.07	0.154
040	08101-06204	BEARING,BALL	1				0.102	0.2244
050	09500-20428	SEAL,OIL	1				0.012	0.0264
060	04611-00420	CIR-CLIP,INTERNAL	1				0.006	0.0132
070	62231-14520	COLLAR,A	2				0.005	0.011
080	04611-00470	CIR-CLIP,INTERNAL	1				0.006	0.0132
110	67401-14850	GEAR	1			15-22T	0.4	0.88
120	08822-22617	BEARING,NEEDLE	2				0.012	0.0264
130	66711-14872	COLLAR	1				0.05	0.11
140	66711-14880	COLLAR	1				0	0

REAR DIFFERENTIAL



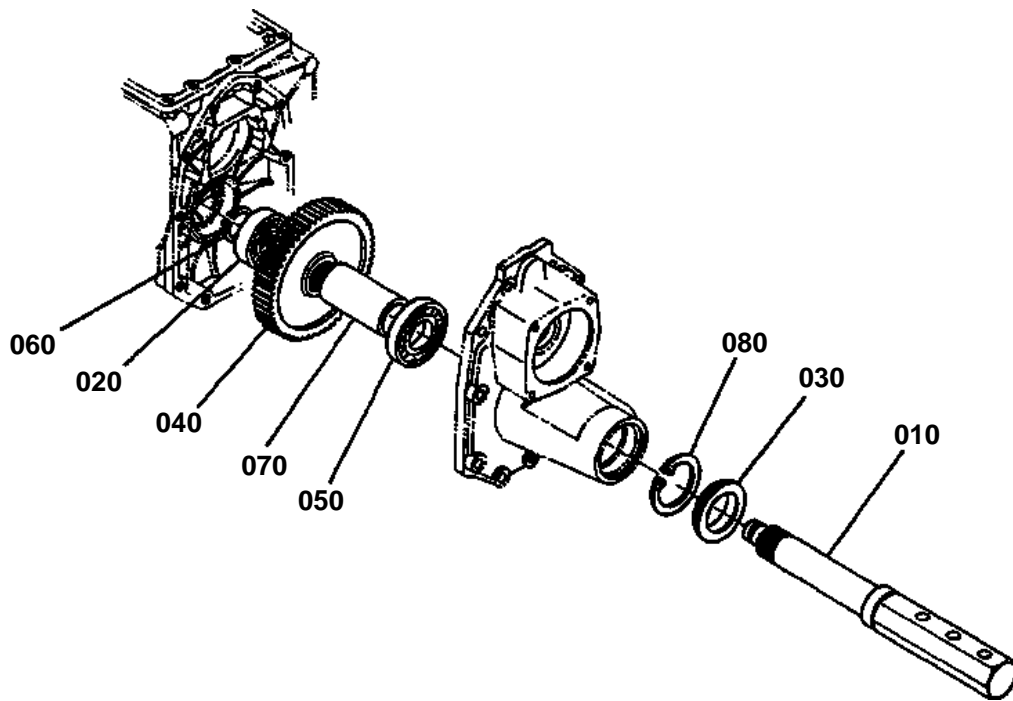


REAR DIFFERENTIAL

↔ Interchangeable; ≠ not interchangeable; ← new for old; → old for new

REF.No	Part No.	Description	Q'ty	S.No.	I/C	REMARKS	Weight (kgf)	Weight (lb)
010	67751-82600	ASSY DIFF,REAR	1				0	0
020	67311-82700	ASSY GEAR,BEVEL	1			6-37T	0	0
030	67311-14972	CASE,DIFFERENTIAL	1	<=10797			0	0
030	67311-14973	CASE,DIFFERENTIAL	1	>=10798	↔		0.7	1.54
040	67711-14910	SHAFT,DIFF PINION	1	<=10797			0	0
040	67711-14912	SHAFT,DIFF PINION	1	>=10798	↔		0.14	0.308
050	67711-14920	PINION,DIFF.	2				0.11	0.242
060	67311-14980	COLLAR,PINION THRUST	2				0.002	0.0044
070	66591-14860	COLLAR,THRUST	1				0.102	0.2244
080	66611-14950	BUSH	1				0.032	0.0704
090	67211-15150	GEAR,DIFF.SIDE	2				0.158	0.3476
100	67211-15160	SHIM	1				0.01	0.022
100	67211-15170	SHIM	1				0.008	0.0176
100	67211-15180	SHIM	1				0.01	0.022
110	66591-14792	PIN,KNOCK	1				0.003	0.0066
120	66591-14783	PIN,STRAIGHT	1				0.01	0.022
130	67810-56680	BOLT,UBS	6				0.013	0.0286
140	08101-06009	BEARING,BALL	1				0.22	0.484
150	08101-06010	BEARING,BALL	1				0.262	0.5764
160	66591-14980	SHIM,DIFF SIDE	1				0.005	0.011
160	66591-14990	SHIM,DIFF SIDE	1				0.002	0.0044
170	67401-14940	SHAFT,DIFF GEAR LH	1				0.6	1.32
180	67401-14950	SHAFT,DIFF GEAR RH	1				0.69	1.518
190	67211-14990	SHIM	1				0.002	0.0044
190	66621-15240	SHIM	1				0.001	0.0022
190	66621-15250	SHIM	1				0.003	0.0066
200	66611-15130	CLUTCH,DIFF LOCK	1				0.2	0.44
210	08101-06305	BEARING,BALL	2				0.23	0.506
220	67401-14960	SEAL,OIL	2				0.015	0.033
230	67401-14970	SLEEVE	2				0.015	0.033
240	66611-15140	SHIM,DIFF SIDE	1				0.006	0.0132
240	66611-15150	SHIM,DIFF SIDE	1				0.002	0.0044

REAR AXLE



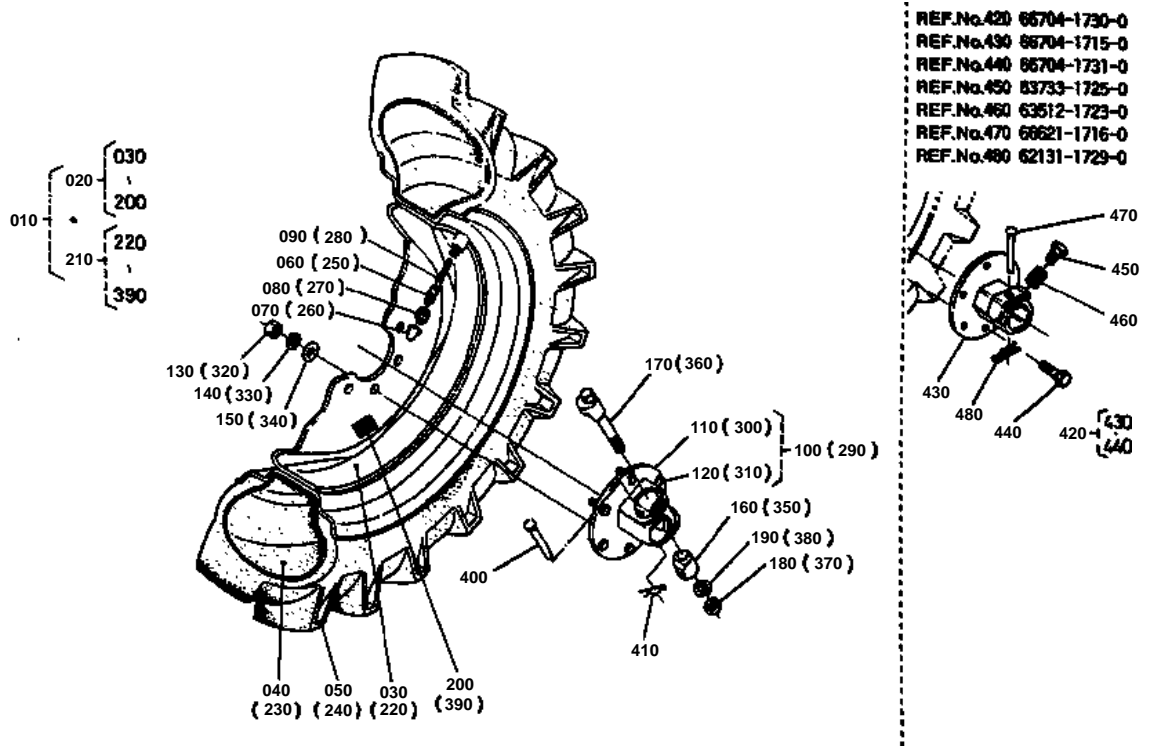


REAR AXLE

↔ Interchangeable; ≠ not interchangeable; ← new for old; → old for new

REF.No	Part No.	Description	Q'ty	S.No.	I/C	REMARKS	Weight (kgf)	Weight (lb)
010	66611-17114	AXLE,REAR	2				4.64	10.208
020	08101-06306	BEARING,BALL	2				0.335	0.737
030	66611-17120	SEAL,OIL	2				0.09	0.198
040	66611-17130	GEAR	2			55T	2.4	5.28
050	08101-06208	BEARING,BALL	2				0.355	0.781
060	04612-00300	CIR-CLIP,EXTERNAL	2				0.003	0.0066
070	66611-17143	COLLAR	2				0.515	1.133
080	04611-00800	CIR-CLIP,INTERNAL	2				0.02	0.044

REAR WHEEL (9.5-16)



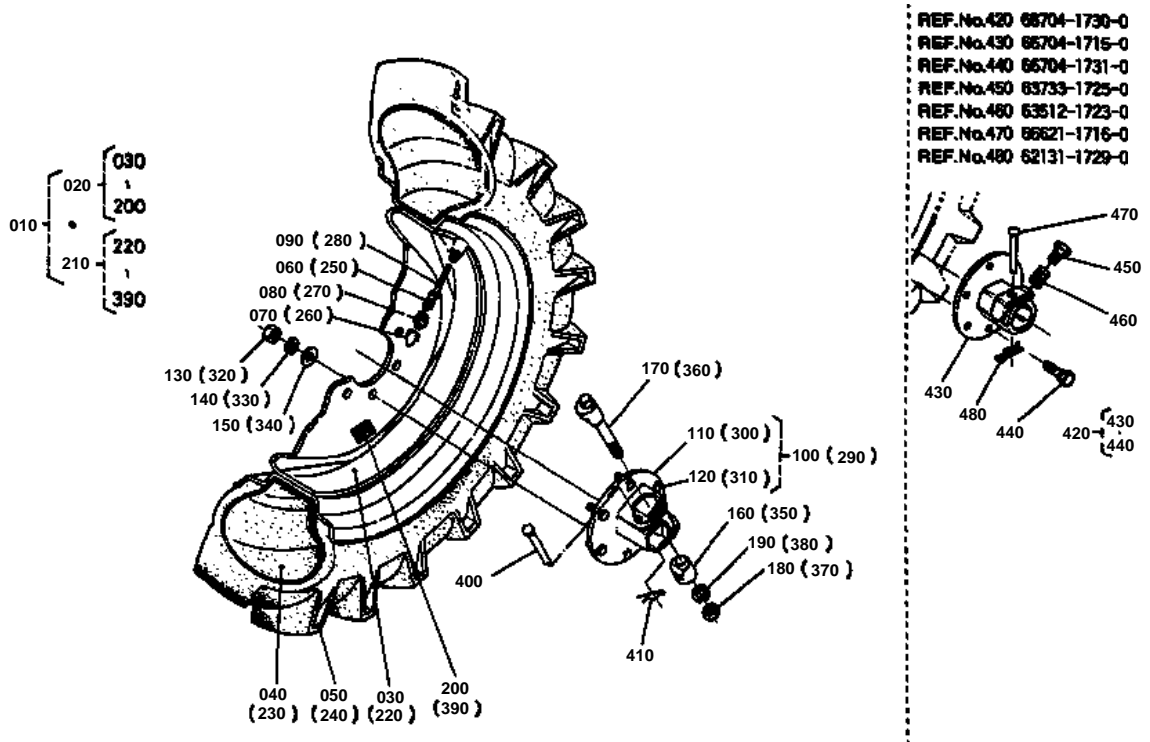


REAR WHEEL (9.5-16)

↔ Interchangeable; ≠ not interchangeable; ← new for old; → old for new

REF.No	Part No.	Description	Q'ty	S.No.	I/C	REMARKS	Weight (kgf)	Weight (lb)
010	96019-12010	ASSY REAR WHEEL	1				37.8	83.16
020	96019-12100	ASSY REAR WHEEL,LH	1				36	79.2
030	96019-12110	WHEEL	1				12.8	28.16
040	96019-12120	TUBE	1				2.5	5.5
050	96019-12130	TIRE	1				17.4	38.28
060	32150-27740	CORE,VALVE	1				0.003	0.0066
070	38240-11690	CAP,VALVE	1				0.001	0.0022
080	32270-27710	NUT,RIM	1				0.006	0.0132
090	32270-27730	HOUSING,VALVE CORE	1				0.014	0.0308
100	67401-17412	ASSY HUB,BOLT	1	>=10471			0	0
110	67401-17450	HUB,WHEEL	1	>=10471			0	0
120	66704-17313	BOLT	6	>=10471			0.049	0.1078
130	02074-50140	NUT	6	>=10471			0.021	0.0462
140	04512-50140	WASHER,SPRING	6	>=10471			0	0
150	04013-50140	WASHER,PLAIN	6	>=10471			0	0
160	67401-17460	COTTER	1	>=10471			0.256	0.5632
170	67401-17470	COTTER	1	>=10471			0.476	1.0472
180	02174-50160	NUT	1	>=10471			0.022	0.0484
190	04512-50160	WASHER,SPRING	1	>=10471			0	0
200	96019-12140	LABEL,LH	1	>=20001			0.001	0.0022
210	96019-12200	ASSY REAR WHEEL,RH	1				0	0
220	96019-12110	WHEEL	1				12.8	28.16
230	96019-12120	TUBE	1				2.5	5.5
240	96019-12130	TIRE	1				17.4	38.28
250	32150-27740	CORE,VALVE	1				0.003	0.0066
260	38240-11690	CAP,VALVE	1				0.001	0.0022
270	32270-27710	NUT,RIM	1				0.006	0.0132
280	32270-27730	HOUSING,VALVE CORE	1				0.014	0.0308
290	67401-17412	ASSY HUB,BOLT	1	>=10471			0	0
300	67401-17450	HUB,WHEEL	1	>=10471			0	0
310	66704-17313	BOLT	6	>=10471			0.049	0.1078
320	02074-50140	NUT	6	>=10471			0.021	0.0462
330	04512-50140	WASHER,SPRING	6	>=10471			0	0
340	04013-50140	WASHER,PLAIN	6	>=10471			0	0
350	67401-17460	COTTER	1	>=10471			0.256	0.5632
360	67401-17470	COTTER	1	>=10471			0.476	1.0472
370	02174-50160	NUT	1	>=10471			0.022	0.0484
380	04512-50160	WASHER,SPRING	1	>=10471			0	0
390	96019-12150	LABEL,RH	1	>=20001			0.001	0.0022
400	63733-17270	PIN,WHEEL TUBE	2				0.05	0.11
410	62131-17290	PIN	2				0.004	0.0088
420	66704-17303	ASSY HUB,BOLT	1	<=10470			0	0
430	66704-17150	HUB,WHEEL	1	<=10470			2.6	5.72
440	66704-17313	BOLT	12	<=10470			0.049	0.1078
450	63733-17250	BOLT	2	<=10470			0.08	0.176
460	63512-17230	SPRING,SET BOLT	2	<=10470			0.014	0.0308
470	66621-17160	PIN,AXLE	2	<=10470			0.05	0.11
480	62131-17290	PIN	2	<=10470			0.004	0.0088

REAR WHEEL (8-16)

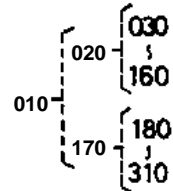
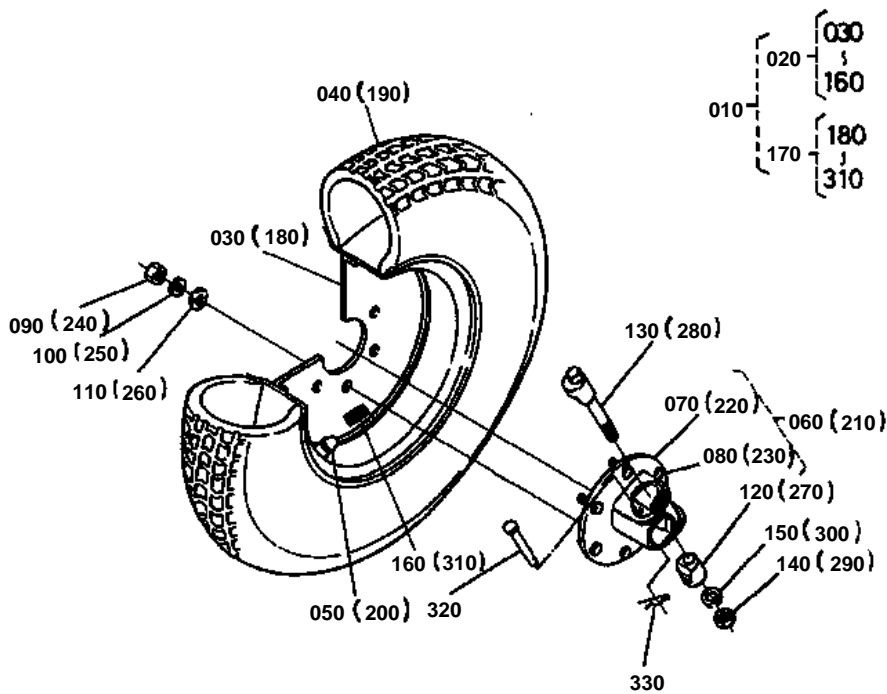


**REAR WHEEL (8-16)**

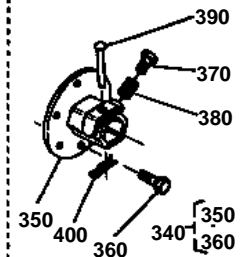
↔ Interchangeable; ≠ not interchangeable; ← new for old; → old for new

REF.No	Part No.	Description	Q'ty	S.No.	I/C	REMARKS	Weight (kgf)	Weight (lb)
010	96018-05010	ASSY REAR WHEEL	1				62	136.4
020	96018-05100	ASSY REAR WHEEL,LH	1				0	0
030	96018-05110	WHEEL	1				11	24.2
040	96018-05120	TUBE	1				1.6	3.52
050	96018-05130	TIRE	1				15.4	33.88
060	32150-27740	CORE,VALVE	1				0.003	0.0066
070	38240-11690	CAP,VALVE	1				0.001	0.0022
080	32270-27710	NUT,RIM	1				0.006	0.0132
090	32270-27730	HOUSING,VALVE CORE	1				0.014	0.0308
100	67401-17412	ASSY HUB,BOLT	1	>=10471			0	0
110	67401-17450	HUB,WHEEL	1	>=10471			0	0
120	66704-17313	BOLT	6	>=10471			0.049	0.1078
130	02074-50140	NUT	6	>=10471			0.021	0.0462
140	04512-50140	WASHER,SPRING	6	>=10471			0	0
150	04013-50140	WASHER,PLAIN	6	>=10471			0	0
160	67401-17460	COTTER	1	>=10471			0.256	0.5632
170	67401-17470	COTTER	1	>=10471			0.476	1.0472
180	02174-50160	NUT	1	>=10471			0.022	0.0484
190	04512-50160	WASHER,SPRING	1	>=10471			0	0
200	96018-05140	LABEL,LH	1	>=20001			0	0
210	96018-05200	ASSY REAR WHEEL,RH	1				0	0
220	96018-05110	WHEEL	1				11	24.2
230	96018-05120	TUBE	1				1.6	3.52
240	96018-05130	TIRE	1				15.4	33.88
250	32150-27740	CORE,VALVE	1				0.003	0.0066
260	38240-11690	CAP,VALVE	1				0.001	0.0022
270	32270-27710	NUT,RIM	1				0.006	0.0132
280	32270-27730	HOUSING,VALVE CORE	1				0.014	0.0308
290	67401-17412	ASSY HUB,BOLT	1	>=10471			0	0
300	67401-17450	HUB,WHEEL	1	>=10471			0	0
310	66704-17313	BOLT	6	>=10471			0.049	0.1078
320	02074-50140	NUT	6	>=10471			0.021	0.0462
330	04512-50140	WASHER,SPRING	6	>=10471			0	0
340	04013-50140	WASHER,PLAIN	6	>=10471			0	0
350	67401-17460	COTTER	1	>=10471			0.256	0.5632
360	67401-17470	COTTER	1	>=10471			0.476	1.0472
370	02174-50160	NUT	1	>=10471			0.022	0.0484
380	04512-50160	WASHER,SPRING	1	>=10471			0	0
390	96018-05150	LABEL,RH	1	>=20001			0	0
400	63733-17270	PIN,WHEEL TUBE	2				0.05	0.11
410	62131-17290	PIN	2				0.004	0.0088
420	66704-17303	ASSY HUB,BOLT	1	<=10470			0	0
430	66704-17150	HUB,WHEEL	1	<=10470			2.6	5.72
440	66704-17313	BOLT	12	<=10470			0.049	0.1078
450	63733-17250	BOLT	2	<=10470			0.08	0.176
460	63512-17230	SPRING,SET BOLT	2	<=10470			0.014	0.0308
470	66621-17160	PIN,AXLE	2	<=10470			0.05	0.11
480	62131-17290	PIN	2	<=10470			0.004	0.0088

REAR WHEEL (29 X 12.00-15)



- REF.No.340 66704-1730-0
- REF.No.350 66704-1715-0
- REF.No.360 66704-1731-0
- REF.No.370 63733-1725-0
- REF.No.380 63512-1723-0
- REF.No.390 68621-1716-0
- REF.No.400 62131-1729-0



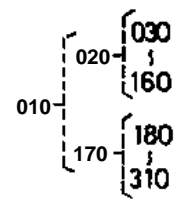
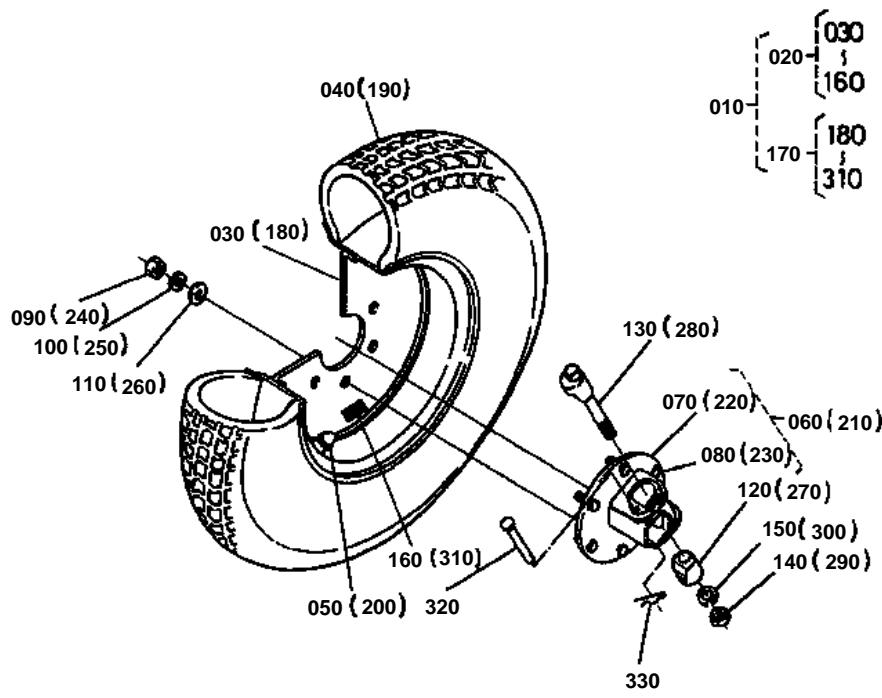


REAR WHEEL (29 X 12.00-15)

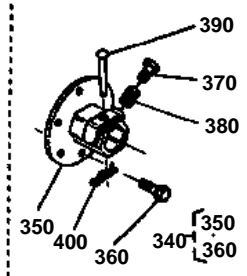
↔ Interchangeable; ≠ not interchangeable; ← new for old; → old for new

REF.No	Part No.	Description	Q'ty	S.No.	I/C	REMARKS	Weight (kgf)	Weight (lb)
010	96016-60310	ASSY REAR WHEEL	1				35.5	78.1
020	96016-63010	ASSY REAR WHEEL,LH	1				0	0
030	96016-63110	WHEEL	1				13	28.6
040	96016-61130	TIRE	1				14.4	31.68
050	34159-11850	VALVE,TIRE	1				0.013	0.0286
060	67401-17412	ASSY HUB,BOLT	1	>=10471			0	0
070	67401-17450	HUB,WHEEL	1	>=10471			0	0
080	66704-17313	BOLT	6	>=10471			0.049	0.1078
090	02074-50140	NUT	6	>=10471			0.021	0.0462
100	04512-50140	WASHER,SPRING	6	>=10471			0	0
110	04013-50140	WASHER,PLAIN	6	>=10471			0	0
120	67401-17460	COTTER	1	>=10471			0.256	0.5632
130	67401-17470	COTTER	1	>=10471			0.476	1.0472
140	02174-50160	NUT	1	>=10471			0.022	0.0484
150	04512-50160	WASHER,SPRING	1	>=10471			0	0
160	96016-63120	LABEL,TIRE LH	1	>=20001			0.001	0.0022
170	96016-63100	ASSY REAR WHEEL,RH	1				0	0
180	96016-63110	WHEEL	1				13	28.6
190	96016-61130	TIRE	1				14.4	31.68
200	34159-11850	VALVE,TIRE	1				0.013	0.0286
210	67401-17412	ASSY HUB,BOLT	1	>=10471			0	0
220	67401-17450	HUB,WHEEL	1	>=10471			0	0
230	66704-17313	BOLT	6	>=10471			0.049	0.1078
240	02074-50140	NUT	6	>=10471			0.021	0.0462
250	04512-50140	WASHER,SPRING	6	>=10471			0	0
260	04013-50140	WASHER,PLAIN	6	>=10471			0	0
270	67401-17460	COTTER	1	>=10471			0.256	0.5632
280	67401-17470	COTTER	1	>=10471			0.476	1.0472
290	02174-50160	NUT	1	>=10471			0.022	0.0484
300	04512-50160	WASHER,SPRING	1	>=10471			0	0
310	96016-63130	LABEL,TIRE RH	1	>=20001			0	0
320	63733-17270	PIN,WHEEL TUBE	2				0.05	0.11
330	62131-17290	PIN	2				0.004	0.0088
340	66704-17303	ASSY HUB,BOLT	1	<=10470			0	0
350	66704-17150	HUB,WHEEL	1	<=10470			2.6	5.72
360	66704-17313	BOLT	12	<=10470			0.049	0.1078
370	63733-17250	BOLT	2	<=10470			0.08	0.176
380	63512-17230	SPRING,SET BOLT	2	<=10470			0.014	0.0308
390	66621-17160	PIN,AXLE	2	<=10470			0.05	0.11
400	62131-17290	PIN	2	<=10470			0.004	0.0088

REAR WHEEL (31 X 13.5-15)



- REF.No.340 66704-1730-0
- REF.No.350 66704-1715-0
- REF.No.360 66704-1731-0
- REF.No.370 63733-1725-0
- REF.No.380 63612-1723-0
- REF.No.390 66621-1716-0
- REF.No.400 62131-1729-0



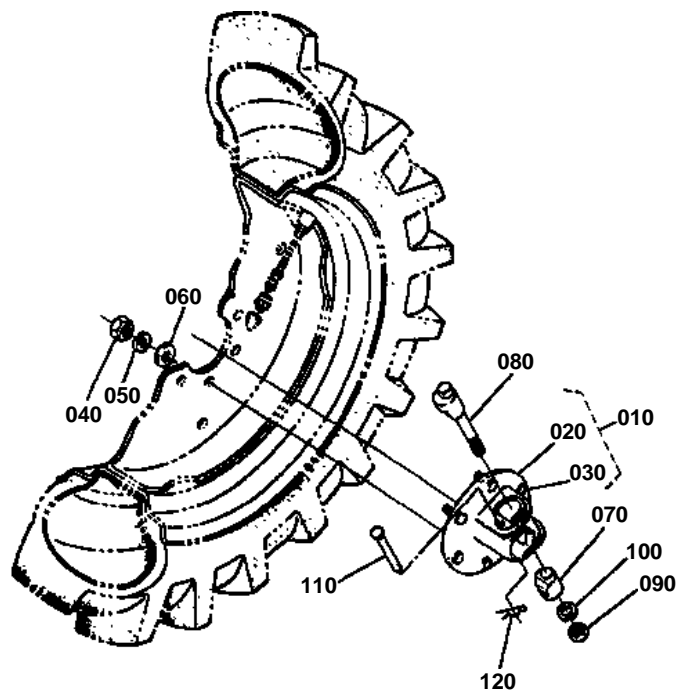


REAR WHEEL (31 X 13.5-15)

↔ Interchangeable; ≠ not interchangeable; ← new for old; → old for new

REF.No	Part No.	Description	Q'ty	S.No.	I/C	REMARKS	Weight (kgf)	Weight (lb)
010	96016-60410	ASSY WHEEL	1				71	156.2
020	96016-64010	ASSY REAR WHEEL,LH	1				0	0
030	96016-64110	WHEEL	1				12.8	28.16
040	96016-64130	TIRE	1				20	44
050	34159-11850	VALVE,TIRE	1				0.013	0.0286
060	67401-17412	ASSY HUB,BOLT	1	>=10471			0	0
070	67401-17450	HUB,WHEEL	1	>=10471			0	0
080	66704-17313	BOLT	6	>=10471			0.049	0.1078
090	02074-50140	NUT	6	>=10471			0.021	0.0462
100	04512-50140	WASHER,SPRING	6	>=10471			0	0
110	04013-50140	WASHER,PLAIN	6	>=10471			0	0
120	67401-17460	COTTER	1	>=10471			0.256	0.5632
130	67401-17470	COTTER	1	>=10471			0.476	1.0472
140	02174-50160	NUT	1	>=10471			0.022	0.0484
150	04512-50160	WASHER,SPRING	1	>=10471			0	0
160	96016-64140	LABEL,TIRE LH	1	>=20001			0	0
170	96016-64100	ASSY REAR WHEEL,RH	1				35.5	78.1
180	96016-64110	WHEEL	1				12.8	28.16
190	96016-64130	TIRE	1				20	44
200	34159-11850	VALVE,TIRE	1				0.013	0.0286
210	67401-17412	ASSY HUB,BOLT	1	>=10471			0	0
220	67401-17450	HUB,WHEEL	1	>=10471			0	0
230	66704-17313	BOLT	6	>=10471			0.049	0.1078
240	02074-50140	NUT	6	>=10471			0.021	0.0462
250	04512-50140	WASHER,SPRING	6	>=10471			0	0
260	04013-50140	WASHER,PLAIN	6	>=10471			0	0
270	67401-17460	COTTER	1	>=10471			0.256	0.5632
280	67401-17470	COTTER	1	>=10471			0.476	1.0472
290	02174-50160	NUT	1	>=10471			0.022	0.0484
300	04512-50160	WASHER,SPRING	1	>=10471			0	0
310	96016-64150	LABEL,TIRE RH	1	>=20001			0	0
320	63733-17270	PIN,WHEEL TUBE	2				0.05	0.11
330	62131-17290	PIN	2				0.004	0.0088
340	66704-17303	ASSY HUB,BOLT	1	<=10470			0	0
350	66704-17150	HUB,WHEEL	1	<=10470			2.6	5.72
360	66704-17313	BOLT	12	<=10470			0.049	0.1078
370	63733-17250	BOLT	2	<=10470			0.08	0.176
380	63512-17230	SPRING,SET BOLT	2	<=10470			0.014	0.0308
390	66621-17160	PIN,AXLE	2	<=10470			0.05	0.11
400	62131-17290	PIN	2	<=10470			0.004	0.0088

REAR WHEEL HUB



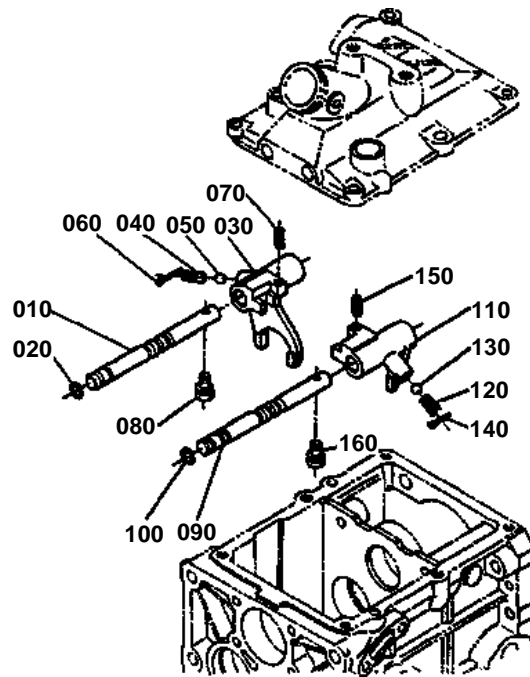


REAR WHEEL HUB

↔ Interchangeable; ≠ not interchangeable; ← new for old; → old for new

REF.No	Part No.	Description	Q'ty	S.No.	I/C	REMARKS	Weight (kgf)	Weight (lb)
010	67401-17412	ASSY HUB,BOLT	2				0	0
020	67401-17450	HUB,WHEEL	2				0	0
030	66704-17313	BOLT	12				0.049	0.1078
040	02074-50140	NUT	12				0.021	0.0462
050	04512-50140	WASHER,SPRING	12				0	0
060	04013-50140	WASHER,PLAIN	12				0	0
070	67401-17460	COTTER	2				0.256	0.5632
080	67401-17470	COTTER	2				0.476	1.0472
090	02174-50160	NUT	2				0.022	0.0484
100	04512-50160	WASHER,SPRING	2				0	0
110	63733-17270	PIN,WHEEL TUBE	2				0.05	0.11
120	62131-17290	PIN	2				0.004	0.0088

SPEED CHANGE FORK



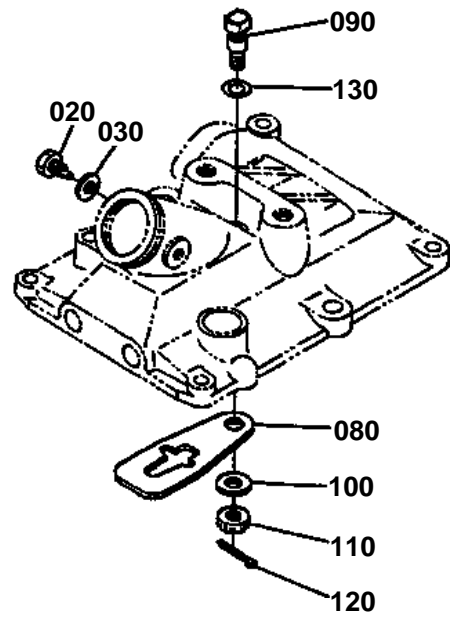
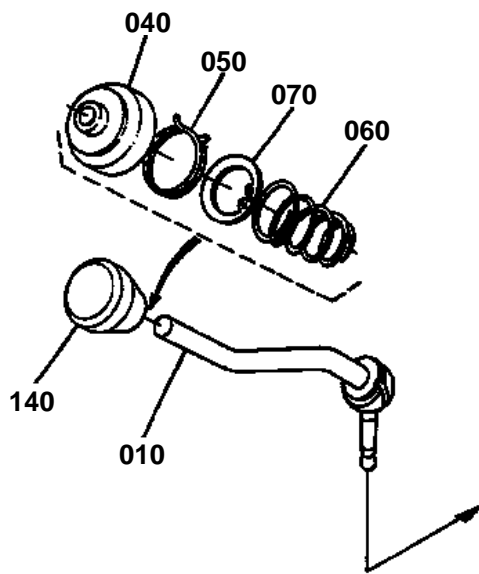


SPEED CHANGE FORK

↔ Interchangeable; ≠ not interchangeable; ← new for old; → old for new

REF.No	Part No.	Description	Q'ty	S.No.	I/C	REMARKS	Weight (kgf)	Weight (lb)
010	67401-18110	SHAFT,FORK	1				0.16	0.352
020	04811-06100	RING	1				0.001	0.0022
030	67311-18120	FORK,BACK SHIFT	1				0.25	0.55
040	62061-18260	SPRING,STOPPER	1				0.002	0.0044
050	07715-01605	BALL	1				0.003	0.0066
060	05511-50322	PIN,SPLIT	1				0.002	0.0044
070	05411-00520	PIN,SPRING	1				0.002	0.0044
080	01123-50816	BOLT	1				0.011	0.0242
090	67401-18120	SHAFT,FORK	1				0.16	0.352
100	04811-06100	RING	1				0.001	0.0022
110	67311-18140	FORK,SHIFT	1				0.27	0.594
120	62061-18260	SPRING,STOPPER	1				0.002	0.0044
130	07715-01605	BALL	1				0.003	0.0066
140	05511-50322	PIN,SPLIT	1				0.002	0.0044
150	05411-00520	PIN,SPRING	1				0.002	0.0044
160	01123-50816	BOLT	1				0.011	0.0242

MAIN SPEED CHANGE



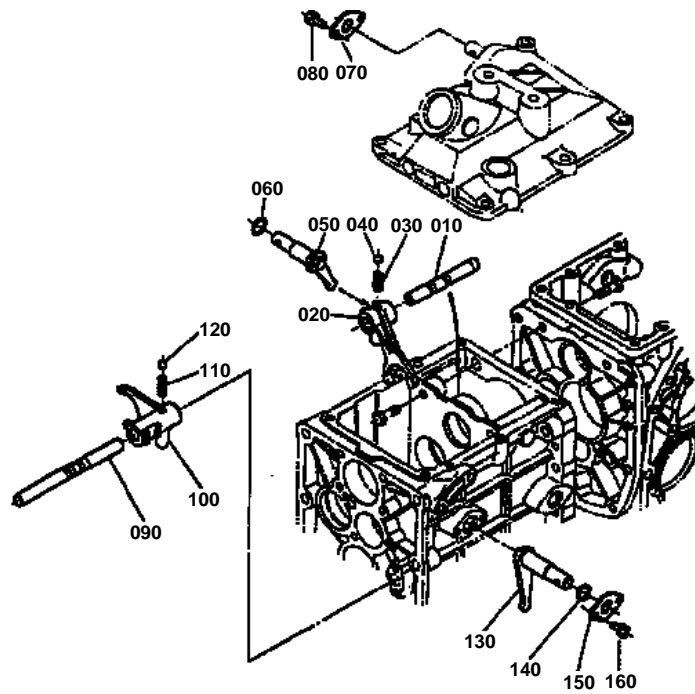


MAIN SPEED CHANGE

↔ Interchangeable; ≠ not interchangeable; ← new for old; → old for new

REF.No	Part No.	Description	Q'ty	S.No.	I/C	REMARKS	Weight (kgf)	Weight (lb)
010	67401-18310	LEVER,MAIN S-CHANGE	1				0.35	0.77
020	66515-18240	PIN,ROD GUIDE	2				0.01	0.022
030	04714-00080	GASKET	2				0.001	0.0022
040	66591-18420	COVER,MAIN S-CHANGE	1				0.014	0.0308
050	67111-18280	BAND	1				0.015	0.033
060	66591-18430	SPRING	1				0.024	0.0528
070	04611-00380	CIR-CLIP,INTERNAL	1				0.004	0.0088
080	66591-18443	INTERLOCKER	1				0.06	0.132
090	66591-18450	BOLT,INTERLOCKER SET	1				0.024	0.0528
100	04011-50100	WASHER,PLAIN	1				0.002	0.0044
110	02372-50100	NUT	1				0.005	0.011
120	05511-50218	PIN,SPLIT	1				0.001	0.0022
130	04811-10100	RING	1				0.001	0.0022
140	66711-42310	GRIP,LEVER	1				0.033	0.0726

AUX. SPEED CHANGE



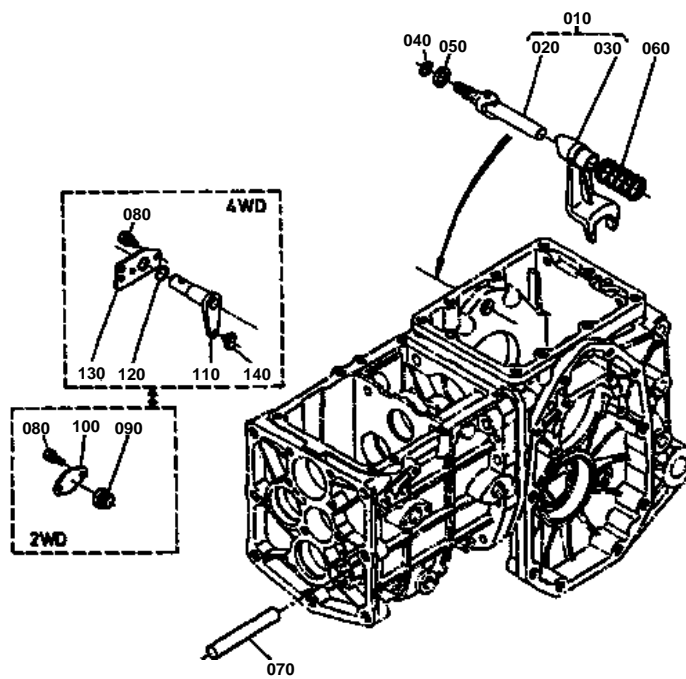


AUX. SPEED CHANGE

↔ Interchangeable; ≠ not interchangeable; ← new for old; → old for new

REF.No	Part No.	Description	Q'ty	S.No.	I/C	REMARKS	Weight (kgf)	Weight (lb)
010	67401-18410	SHAFT,FORK	1				0.094	0.2068
020	66611-18420	FORK,SHIFT	1				0	0
030	62061-18260	SPRING,STOPPER	1				0.002	0.0044
040	07715-01605	BALL	1				0.003	0.0066
050	66591-18170	ARM,S-CHANGE	1				0.106	0.2332
060	04811-00160	RING	1				0.001	0.0022
070	66591-18180	RETAINER,FORK ROD	1				0.012	0.0264
080	01202-50614	BOLT	2				0.006	0.0132
090	67401-18610	SHAFT	1				0.18	0.396
100	67311-18620	FORK,SHIFT	1				0.18	0.396
110	62061-18260	SPRING,STOPPER	1				0.002	0.0044
120	07715-01605	BALL	1				0.003	0.0066
130	66591-18220	ARM	1				0.12	0.264
140	04811-00160	RING	1				0.001	0.0022
150	66591-18180	RETAINER,FORK ROD	1				0.012	0.0264
160	01202-50614	BOLT	2				0.006	0.0132

ROTARY SPEED CHANGE FORK



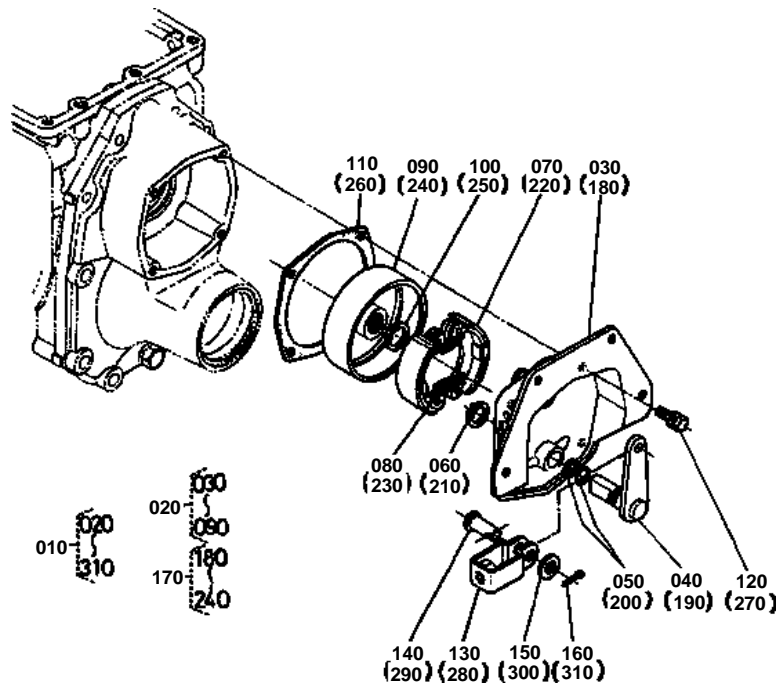


ROTARY SPEED CHANGE FORK

↔ Interchangeable; ≠ not interchangeable; ← new for old; → old for new

REF.No	Part No.	Description	Q'ty	S.No.	I/C	REMARKS	Weight (kgf)	Weight (lb)
010	66611-19100	ASSY CAM	1				0.42	0.924
020	66591-18280	COMP.ROD,FORK	1				0.16	0.352
030	66611-19110	FORK,SHIFT	1				0.24	0.528
040	04811-10120	RING	1				0.001	0.0022
050	66591-18340	SHIM	2				0.001	0.0022
060	66591-18320	SPRING	1				0.02	0.044
070	66611-19310	ROD	1				0.129	0.2838
080	01202-50614	BOLT	2				0.006	0.0132
090	66581-18120	PLUG,BLIND	1				0.004	0.0088
100	66581-18130	PLATE,PLUG	1				0.016	0.0352

BRAKE

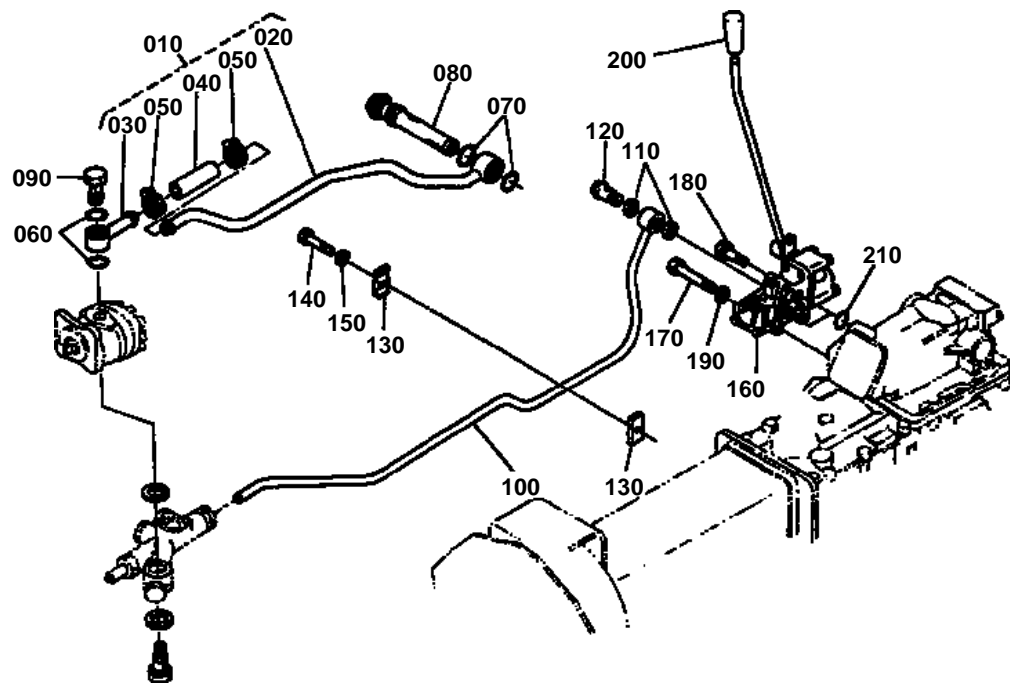


**BRAKE**

↔ Interchangeable; ≠ not interchangeable; ← new for old; → old for new

REF.No	Part No.	Description	Q'ty	S.No.	I/C	REMARKS	Weight (kgf)	Weight (lb)
010	66611-22102	ASSY BRAKE	1				5.14	11.308
020	66611-22303	ASSY BRAKE,LH	1				0	0
030	66611-22312	COVER,BRAKE LH	1				1.04	2.288
040	66591-22330	CAM,BRAKE LH	1				0.204	0.4488
050	04811-05170	RING	2				0.001	0.0022
060	04612-00200	CIR-CLIP,EXTERNAL	1				0.001	0.0022
070	66611-88800	SHOE,BRAKE	2				0	0
080	66591-22350	SPRING,RETURN	2				0.003	0.0066
090	66611-22360	DRUM,BRAKE	1				0	0
100	04612-00220	CIR-CLIP,EXTERNAL	1				0.001	0.0022
110	66591-22410	GASKET,BRAKE	1				0	0
120	01123-50822	BOLT	4				0.012	0.0264
130	63753-42350	YOKE	1				0.038	0.0836
140	05122-50820	PIN,JOINT	1				0.009	0.0198
150	04012-50080	WASHER,PLAIN	1				0.001	0.0022
160	05511-50215	PIN,SPLIT	1				0.001	0.0022
170	66611-22403	ASSY BRAKE,RH	1				0	0
180	66611-22412	COVER,BRAKE,RH	1				1.05	2.31
190	66591-22370	CAM,BRAKE RH	1				0.204	0.4488
200	04811-05170	RING	2				0.001	0.0022
210	04612-00200	CIR-CLIP,EXTERNAL	1				0.001	0.0022
220	66611-88800	SHOE,BRAKE	2				0	0
230	66591-22350	SPRING,RETURN	2				0.003	0.0066
240	66611-22360	DRUM,BRAKE	1				0	0
250	04612-00220	CIR-CLIP,EXTERNAL	1				0.001	0.0022
260	66591-22410	GASKET,BRAKE	1				0	0
270	01123-50822	BOLT	4				0.012	0.0264
280	63753-42350	YOKE	1				0.038	0.0836
290	05122-50820	PIN,JOINT	1				0.009	0.0198
300	04012-50080	WASHER,PLAIN	1				0.001	0.0022
310	05511-50215	PIN,SPLIT	1				0.001	0.0022

HYDRAULIC PIPE

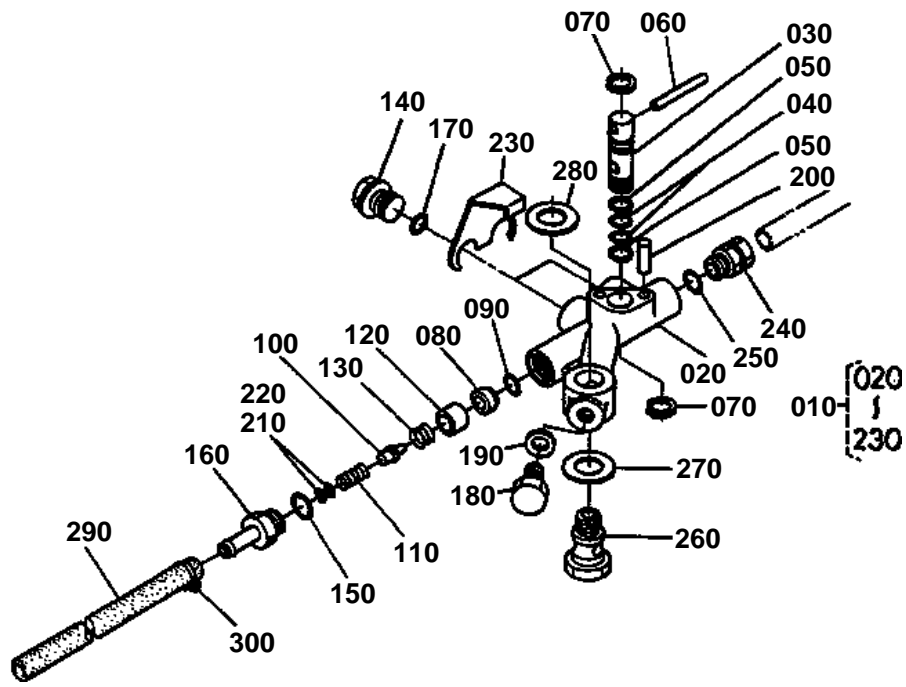


**HYDRAULIC PIPE**

↔ Interchangeable; ≠ not interchangeable; ← new for old; → old for new

REF.No	Part No.	Description	Q'ty	S.No.	I/C	REMARKS	Weight (kgf)	Weight (lb)
010	67401-36100	ASSY PIPE, SUCTION	1				0.8	1.76
020	66704-36110	PIPE,SUCTION REAR	1				0.5	1.1
030	67401-36120	PIPE,SUCTION FRONT	1				0.15	0.33
040	66204-36720	HOSE	1				0.04	0.088
050	66204-36280	BAND,PIPE	2				0.02	0.044
060	04811-00220	RING	2				0.001	0.0022
070	04811-10300	RING	2				0.001	0.0022
080	66611-36120	FILTER,OIL	1				0.2	0.44
090	32170-38170	BOLT,PIPE JOINT	1				0.09	0.198
100	67491-36130	PIPE,DELIVERY REAR	1				0.476	1.0472
110	67111-37180	GASKET	2				0.003	0.0066
120	54203-36150	JOINT	1				0.079	0.1738
130	66711-36140	CLAMP,PIPE	2				0.007	0.0154
140	01053-50645	BOLT	1				0.012	0.0264
150	04015-50060	WASHER,PLAIN	1				0	0
160	67491-36200	ASSY VALVE, CONTROL	1			REFER TO L.No.0H07-L0 FOR COMPONENTS.	0	0
170	01153-50875	BOLT	2				0.028	0.0616
180	01123-50845	BOLT	1				0.02	0.044
190	04512-50080	WASHER,SPRING	2				0	0
200	54201-23270	GRIP	1				0.02	0.044
210	04811-00120	RING	2				0.001	0.0022

HYDRAULIC BLOCK

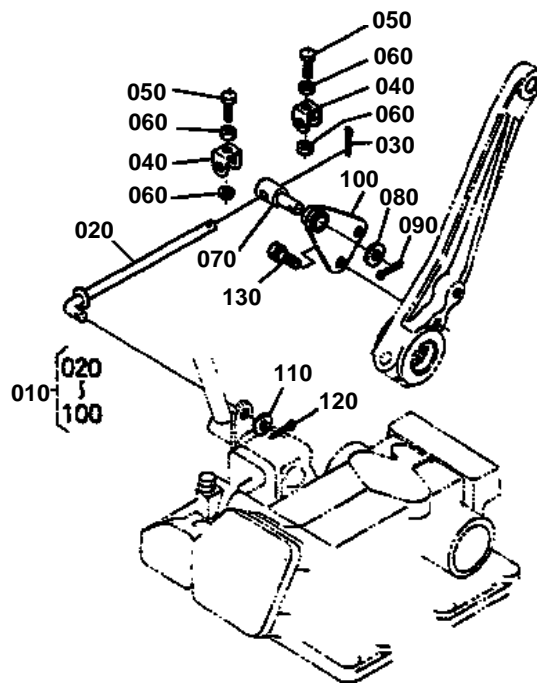




HYDRAULIC BLOCK

↔ Interchangeable; ≠ not interchangeable; ← new for old; → old for new

REF.No	Part No.	Description	Q'ty	S.No.	I/C	REMARKS	Weight (kgf)	Weight (lb)
010	67401-36300	ASSY CONNECTOR,O/P	1				1.2	2.64
020	67401-36310	BODY	1				0.8	1.76
030	67401-36320	VALVE,CHANGE	1				0.08	0.176
040	04811-00120	RING	2				0.001	0.0022
050	68551-61420	RING,BACK UP	2				0.001	0.0022
060	05012-00650	PIN,STRAIGHT	1				0.01	0.022
070	04612-00160	CIR-CLIP,EXTERNAL	2				0.001	0.0022
080	67111-37320	SEAT,VALVE	1				0.01	0.022
090	04811-00120	RING	1				0.001	0.0022
100	67111-37330	POPPET	1				0.008	0.0176
110	67111-37360	SPRING,RELIEF	1				0.01	0.022
120	67401-36340	COLLAR	1				0.01	0.022
130	67401-36350	SPRING	1				0.004	0.0088
140	67401-36360	PLUG	2				0.047	0.1034
150	04811-00180	RING	1				0.001	0.0022
160	67401-36370	PLUG	1				0.047	0.1034
170	04811-00140	RING	2				0.001	0.0022
180	06311-45010	PLUG	1				0.001	0.0022
190	04714-00100	GASKET	1				0.002	0.0044
200	05012-00620	PIN,STRAIGHT	2				0.005	0.011
210	67111-37530	SHIM,ADJUSTING	1				0.001	0.0022
220	67111-37580	SHIM,ADJUSTING	1				0.001	0.0022
230	67401-36380	INTERLOCKER	1				0.025	0.055
240	36330-63080	NIPPLE	1				0.07	0.154
250	04811-00140	RING	1				0.001	0.0022
260	67401-36710	BOLT,JOINT	1				0.087	0.1914
270	67401-36720	GASKET	1				0.005	0.011
280	04714-00400	GASKET	1				0.003	0.0066
290	67401-36750	HOSE	1				0.05	0.11
300	15109-73360	BAND,PIPE	2				0.01	0.022



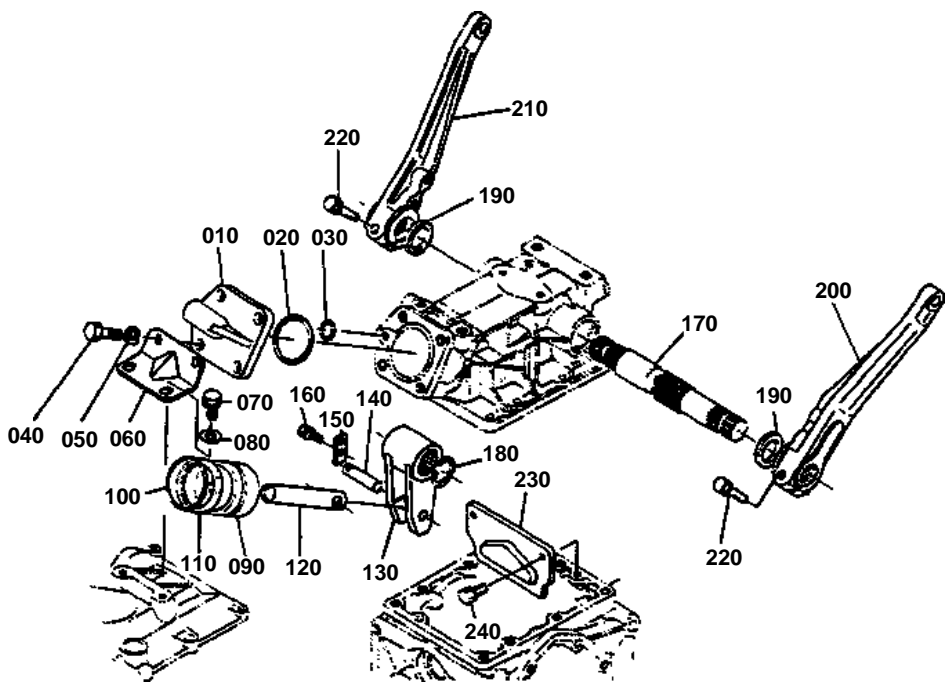


HYDRAULIC 1

↔ Interchangeable; ≠ not interchangeable; ← new for old; → old for new

REF.No	Part No.	Description	Q'ty	S.No.	I/C	REMARKS	Weight (kgf)	Weight (lb)
010	66704-36300	ASSY ROD,CHECK	1				0.25	0.55
020	66704-36310	ROD,INTERLOCKER	1				0.075	0.165
030	05511-50215	PIN,SPLIT	1				0.001	0.0022
040	66611-36320	INTERLOCKER	2				0.022	0.0484
050	01153-50822	BOLT	2				0.011	0.0242
060	02112-50080	NUT	4				0.003	0.0066
070	66591-36540	SHAFT,LOCK	1				0.034	0.0748
080	04011-50100	WASHER,PLAIN	1				0.002	0.0044
090	05511-50318	PIN,SPLIT	1				0.001	0.0022
100	66591-36550	SUPPORT,INTERLOCKER	1				0.072	0.1584
110	04012-50080	WASHER,PLAIN	1				0.001	0.0022
120	05511-50215	PIN,SPLIT	1				0.001	0.0022
130	01123-50822	BOLT	2				0.012	0.0264

HYDRAULIC 2

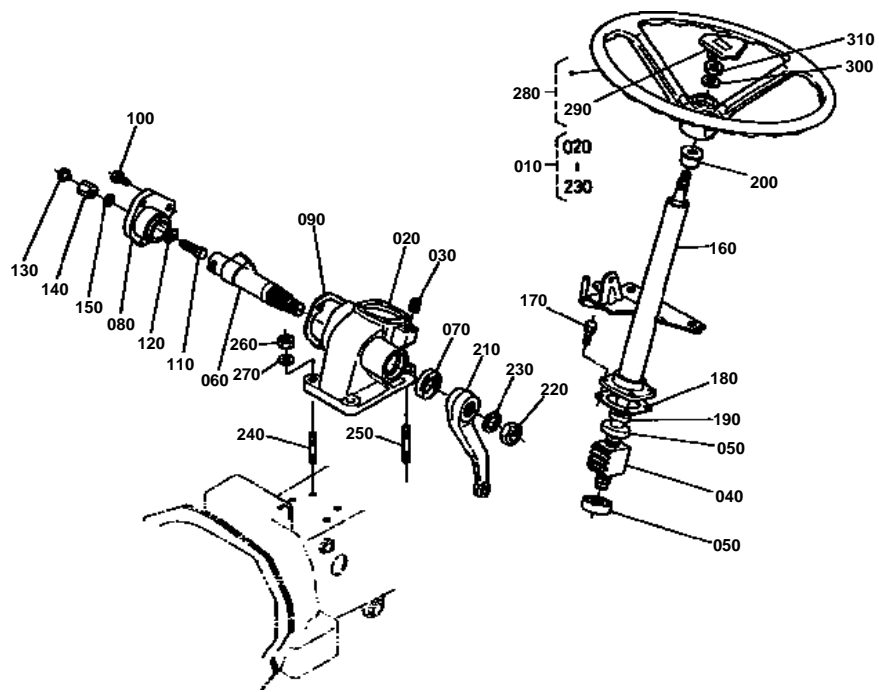


**HYDRAULIC 2**

↔ Interchangeable; ≠ not interchangeable; ← new for old; → old for new

REF.No	Part No.	Description	Q'ty	S.No.	I/C	REMARKS	Weight (kgf)	Weight (lb)
010	67311-36610	CAP,CYLINDER	1	<=20110			0.72	1.584
010	67311-36612	CAP,CYLINDER	1	>=20111	≠		6.7	14.74
020	04810-50550	RING	1				0.002	0.0044
030	04811-00080	RING	1	<=20110			0.001	0.0022
030	04810-05110	O RING	1	>=20111	≠		0.001	0.0022
040	66711-36440	BOLT	4				0.045	0.099
050	04512-50120	WASHER,SPRING	4				0	0
060	66611-36413	STAY	1				0.14	0.308
070	01123-51025	BOLT	2				0.02	0.044
080	04013-50100	WASHER,PLAIN	2				0	0
090	67211-36410	PISTON,HYD.	1				0.55	1.21
100	04810-08500	RING	1				0.005	0.011
110	67211-36420	RING,BACK UP	1				0.003	0.0066
120	66591-36640	ROD,HYD.PISTON	1				0.31	0.682
130	66591-36650	ARM,HYDRAULIC	1				0.8	1.76
140	66591-36660	PIN,ARM	1				0.045	0.099
150	66591-36670	STOPPER LH	1				0.01	0.022
160	01202-50614	BOLT	2				0.006	0.0132
170	66591-36694	SHAFT,HYD.ARM	1				0	0
180	04612-00320	CIR-CLIP,EXTERNAL	1				0.004	0.0088
190	09230-28405	SEAL,OIL	2				0.006	0.0132
200	66611-36512	ARM,LIFT LH	1				0	0
210	66611-36522	ARM,LIFT RH	1				0	0
220	01123-51050	BOLT	2				0.035	0.077
230	66621-36750	PLATE,O/P ARM	1				0.34	0.748
240	67211-36610	BOLT	2				0.015	0.033

STEERING



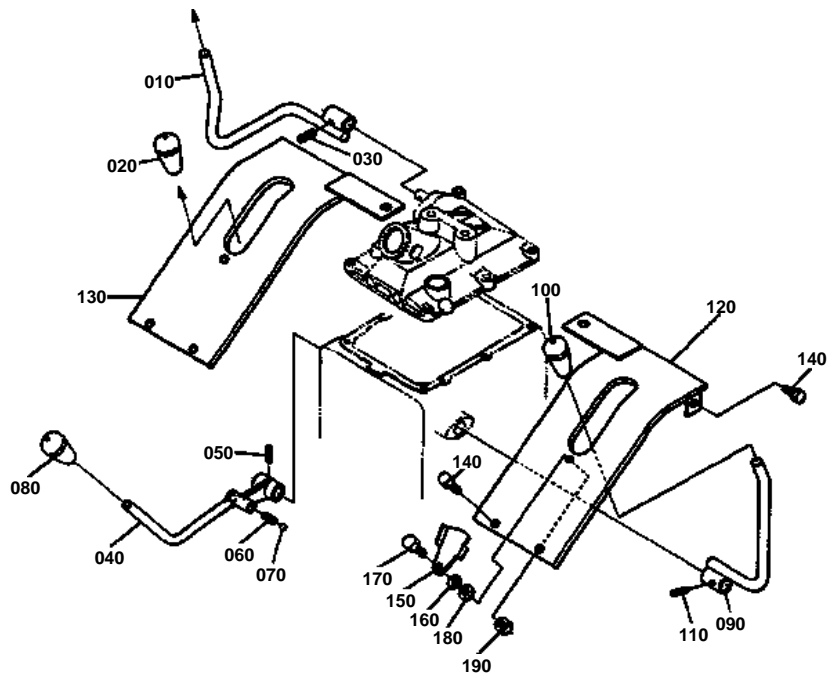


STEERING

↔ Interchangeable; ≠ not interchangeable; ← new for old; → old for new

REF.No	Part No.	Description	Q'ty	S.No.	I/C	REMARKS	Weight (kgf)	Weight (lb)
010	67401-41100	ASSY STEERING	1				7.5	16.5
020	67211-41110	GEARCASE,STEERING	1				2.82	6.204
030	34150-16640	PLUG	1				0.015	0.033
040	67211-41120	COMP.NUT,BALL	1				1.15	2.53
050	66811-41140	BEARING,THRUST BALL	2				0.045	0.099
060	66811-41150	SHAFT,SECTOR	1				0.52	1.144
070	09500-22358	SEAL,OIL	1				0.01	0.022
080	66811-41160	COVER,SIDE	1				0.3	0.66
090	66811-41170	GASKET	1				0	0
100	01123-50822	BOLT	3				0.012	0.0264
110	66811-41180	SCREW,ADJUSTING	1				0.013	0.0286
120	66811-41190	COLLAR,ADJUSTING	1				0.002	0.0044
120	66811-41210	COLLAR,ADJUSTING	1				0.001	0.0022
120	66811-41220	COLLAR,ADJUSTING	1				0.001	0.0022
120	66811-41230	COLLAR,ADJUSTING	1				0.001	0.0022
120	66811-41240	COLLAR,ADJUSTING	1				0.001	0.0022
130	61011-18140	PLUG,RUBBER	1				0.002	0.0044
140	66811-41250	NUT	1				0.027	0.0594
150	04714-00080	GASKET	1				0.001	0.0022
160	67401-41130	POST,STEERING	1				1.5	3.3
170	01123-50820	BOLT	4				0.011	0.0242
180	66811-41320	SHIM	1				0.001	0.0022
180	66811-41340	SHIM	1				0.001	0.0022
180	66811-41350	SHIM	1				0.001	0.0022
180	66811-41360	SHIM	1				0.003	0.0066
190	09500-16287	SEAL,OIL	1				0.01	0.022
200	67401-41150	BUSH,POST	1				0.03	0.066
210	67211-41140	ARM,PITMAN	1				0.48	1.056
220	02172-50160	NUT	1				0.017	0.0374
230	04512-50160	WASHER,SPRING	1				0	0
240	01517-51028	STUD	4	<=20000			0.022	0.0484
240	01517-51028	STUD	3	>=20001	≠		0.022	0.0484
250	01517-51035	STUD	1	>=20001			0.028	0.0616
260	02118-50100	NUT	4				0.005	0.011
270	04512-50100	WASHER,SPRING	4				0	0
280	67401-41400	ASSY WHEEL,STEERING	1				0	0
290	67401-41420	PAD,STEERING WHEEL	1				0.052	0.1144
300	04512-50120	WASHER,SPRING	1				0	0
310	02172-50120	NUT	1				0.01	0.022

SPEED CHANGE LEVER



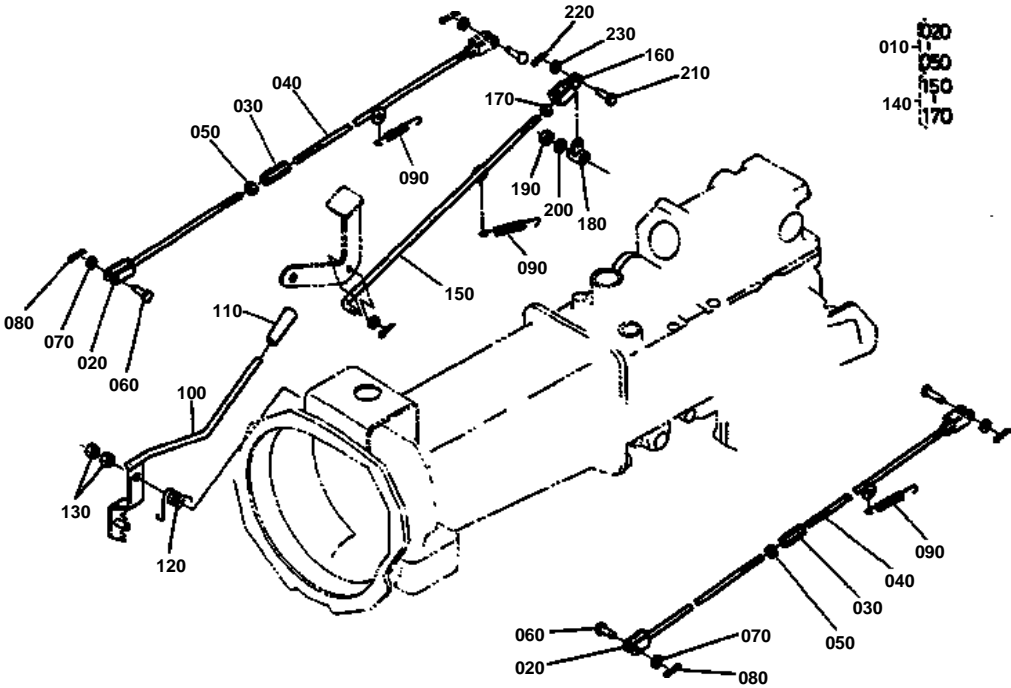


SPEED CHANGE LEVER

↔ Interchangeable; ≠ not interchangeable; ← new for old; → old for new

REF.No	Part No.	Description	Q'ty	S.No.	I/C	REMARKS	Weight (kgf)	Weight (lb)
010	67401-42510	LEVER,S-CHANGE	1				0.33	0.726
020	54201-23270	GRIP	1				0.02	0.044
030	05411-00630	PIN,SPRING	1				0.004	0.0088
090	67401-42710	LEVER	1				0.26	0.572
100	54201-23270	GRIP	1				0.02	0.044
110	05411-00630	PIN,SPRING	1				0.004	0.0088
120	67401-52760	COVER,S-CHANGE LH	1				0.26	0.572
130	67401-52770	COVER,S-CHANGE RH	1				0.26	0.572
140	01123-50818	BOLT	6				0.012	0.0264
150	67401-52780	METAL,CHECK	1				0.03	0.066
160	67401-52790	SPRING,PLATE	1				0.002	0.0044
170	01153-50822	BOLT	1				0.011	0.0242
180	04013-50080	WASHER,PLAIN	1				0	0
190	02114-50080	NUT	1				0.005	0.011

BRAKE ROD

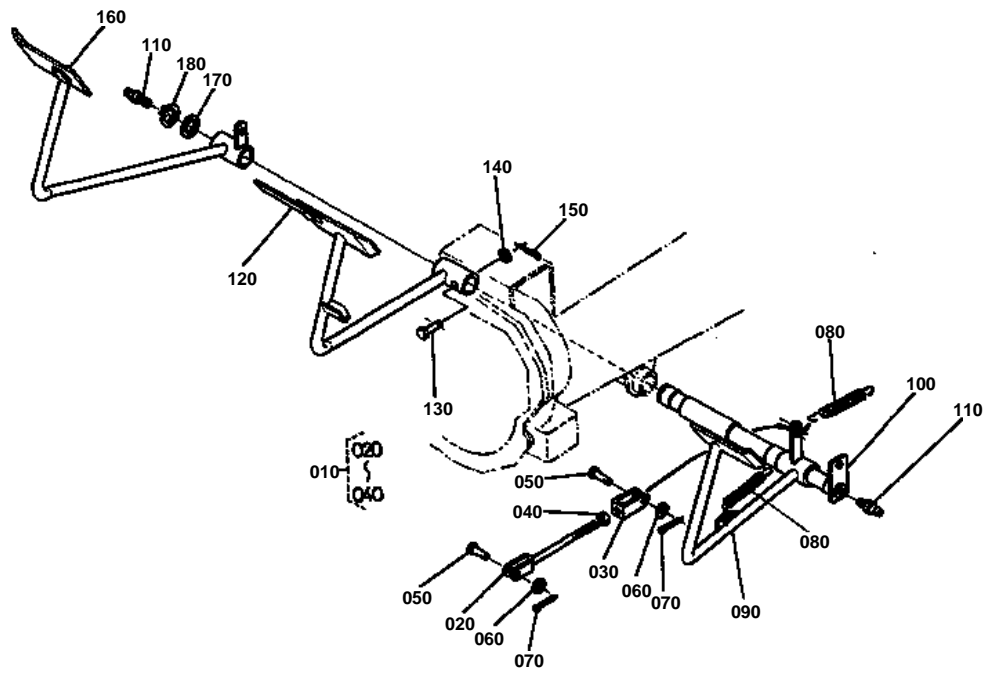


**BRAKE ROD**

↔ Interchangeable; ≠ not interchangeable; ← new for old; → old for new

REF.No	Part No.	Description	Q'ty	S.No.	I/C	REMARKS	Weight (kgf)	Weight (lb)
010	67401-42800	ASSY ROD,BRAKE	2				0.26	0.572
020	67401-42810	ROD,BRAKE FRONT	2				0.08	0.176
030	66591-42410	TURNBUCKLE	2				0.046	0.1012
040	67401-42820	ROD,BRAKE REAR	2				0.135	0.297
050	02112-50080	NUT	4				0.003	0.0066
060	05122-50822	PIN,JOINT	2				0.01	0.022
070	04012-50080	WASHER,PLAIN	2				0.001	0.0022
080	05511-50215	PIN,SPLIT	2				0.001	0.0022
090	66591-43190	SPRING,BRAKE RETURN	3				0.044	0.0968
100	67401-42830	LEVER,BRAKE LOCK	1				0	0
110	67401-42840	GRIP	1				0.02	0.044
120	67211-42840	SPRING,BRAKE LOCK	1				0.006	0.0132
130	02172-50120	NUT	2				0.01	0.022
140	67211-42860	ASSY ROD,DIFF LOCK	1				0.24	0.528
150	67211-42870	ROD,DIFF.LOCK	1				0.17	0.374
160	63753-42350	YOKE	1				0.038	0.0836
170	02112-50080	NUT	1				0.003	0.0066
180	66591-43170	LEVER,DIFF LOCK	1				0.041	0.0902
190	02118-50100	NUT	1				0.005	0.011
200	04512-50100	WASHER,SPRING	1				0	0
210	05122-50820	PIN,JOINT	1				0.009	0.0198
220	05511-50215	PIN,SPLIT	1				0.001	0.0022
230	04012-50080	WASHER,PLAIN	1				0.001	0.0022

PEDAL

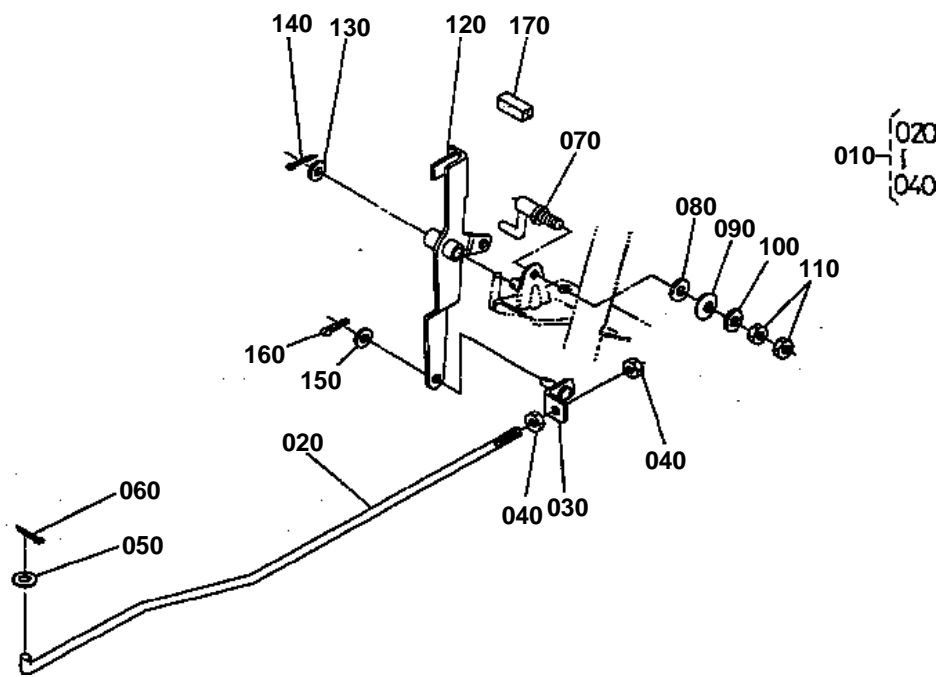


**PEDAL**

↔ Interchangeable; ≠ not interchangeable; ← new for old; → old for new

REF.No	Part No.	Description	Q'ty	S.No.	I/C	REMARKS	Weight (kgf)	Weight (lb)
010	67211-42100	ASSY ROD,CLUTCH	1				0.12	0.264
020	67211-42120	ROD,CLUTCH	1				0.07	0.154
030	67311-42830	JOINT	1				0.05	0.11
040	02112-50080	NUT	1				0.003	0.0066
050	05122-50822	PIN,JOINT	2				0.01	0.022
060	04012-50080	WASHER,PLAIN	2				0.001	0.0022
070	05511-50215	PIN,SPLIT	2				0.001	0.0022
080	66591-43190	SPRING,BRAKE RETURN	2				0.044	0.0968
090	67401-42130	PEDAL,CLUTCH	1				1.6	3.52
100	67211-42913	SHAFT,BRAKE PEDAL	1				1.32	2.904
110	06613-10010	NIPPLE,GREASE	2				0.006	0.0132
120	67401-42920	PEDAL,BRAKE LH	1				1.55	3.41
130	05112-50840	PIN,JOINT	1				0.017	0.0374
140	04012-50080	WASHER,PLAIN	1				0.001	0.0022
150	05511-50215	PIN,SPLIT	1				0.001	0.0022
160	67401-42930	PEDAL,BRAKE RH	1				1.6	3.52
170	66591-43233	COLLAR	1				0.004	0.0088
180	04612-00240	CIR-CLIP,EXTERNAL	1				0.002	0.0044

RELEASE ROD



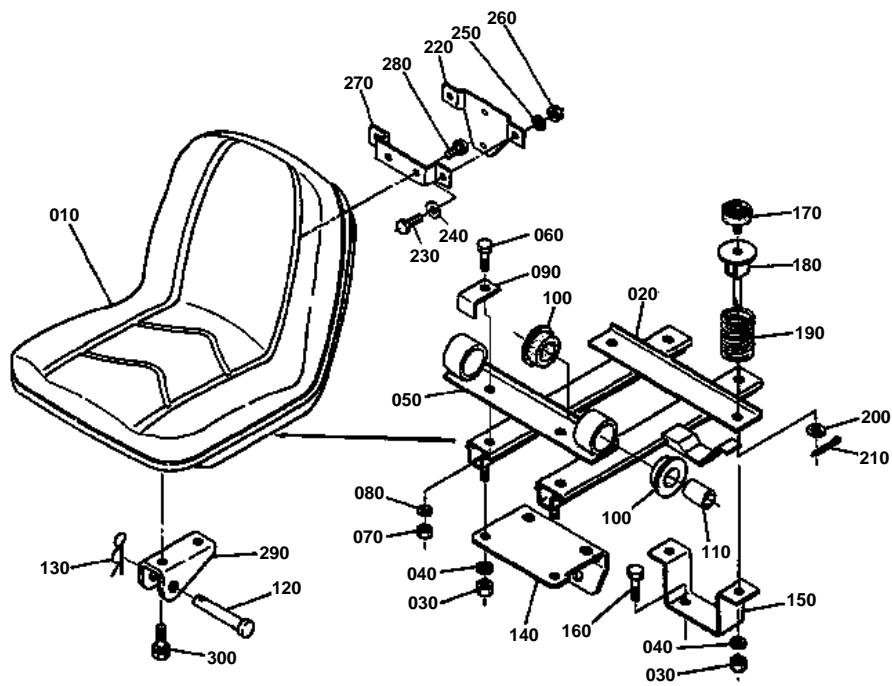


RELEASE ROD

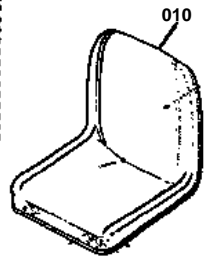
↔ Interchangeable; ≠ not interchangeable; ← new for old; → old for new

REF.No	Part No.	Description	Q'ty	S.No.	I/C	REMARKS	Weight (kgf)	Weight (lb)
010	67211-43200	ASSY ROD,RELEASE	1				0.21	0.462
020	67211-43210	ROD,RELEASE	1				0.18	0.396
030	67211-43220	STAY,L	1				0.02	0.044
040	02114-50080	NUT	2				0.005	0.011
050	04013-50060	WASHER,PLAIN	1				0	0
060	05511-50215	PIN,SPLIT	1				0.001	0.0022
070	67401-43320	FULCRUM,LEVER	1				0.08	0.176
080	04013-50100	WASHER,PLAIN	1				0	0
090	32210-17190	SPRING	1				0.005	0.011
100	04015-50100	WASHER,PLAIN	1				0.016	0.0352
110	02118-50100	NUT	2				0.005	0.011
120	67401-43330	ARM,RELEASE	1				0	0
130	04011-50100	WASHER,PLAIN	1				0.002	0.0044
140	05511-50320	PIN,SPLIT	1				0.002	0.0044
150	04012-50080	WASHER,PLAIN	1				0.001	0.0022
160	05511-50215	PIN,SPLIT	1				0.001	0.0022
170	67211-43410	RUBBER	1				0.001	0.0022

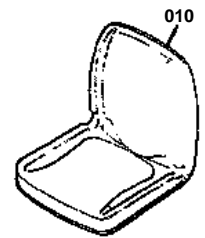
SEAT



REF.No.010 67401-4530-0



REF.No.010 67061-4591-0



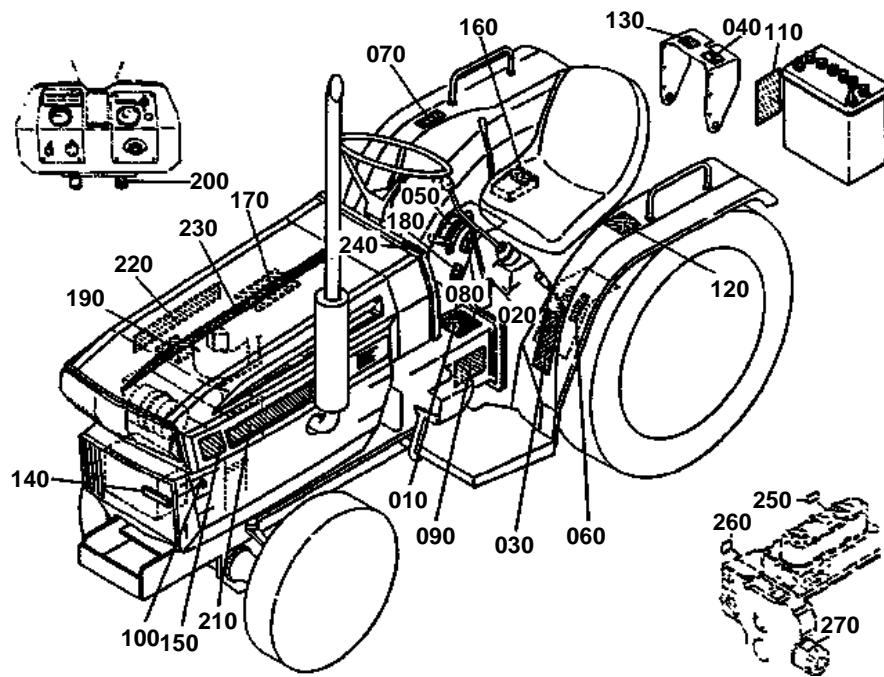


SEAT

↔ Interchangeable; ≠ not interchangeable; ← new for old; → old for new

REF.No	Part No.	Description	Q'ty	S.No.	I/C	REMARKS	Weight (kgf)	Weight (lb)
010	67401-45900	ASSY SEAT	1	<=20000			8	17.6
010	67061-45910	SEAT	1	>=20001	≠		7.3	16.06
010	32430-18410	SEAT	1	>=20112	←		0	0
020	66204-45930	ADJUSTER,SEAT	1				2.1	4.62
030	02118-50100	NUT	4				0.005	0.011
040	04512-50100	WASHER,SPRING	4				0	0
050	66204-45940	SUPPORT,SEAT FRONT	1				0.29	0.638
060	01153-50818	BOLT	2				0.01	0.022
070	02114-50080	NUT	2				0.005	0.011
080	04512-50080	WASHER,SPRING	2				0	0
090	67401-45940	STOPPER	1				0.03	0.066
100	66591-41540	RUBBER	4				0.01	0.022
110	66591-41550	COLLAR	2				0.02	0.044
120	05122-51045	PIN,JOINT	2				0	0
130	05516-51000	PIN,SNAP	2				0	0
140	67401-45950	SUPPORT,ADJUSTER	1				0.69	1.518
150	67401-45960	SUPPORT,ADJUSTER	1				0.25	0.55
160	01123-50825	BOLT	2				0.013	0.0286
170	32160-18440	CUSHION	2				0.013	0.0286
180	66204-45970	RETAINER,SPRING	2				0.1	0.22
190	66204-45980	SPRING,SEAT	2				0.1	0.22
200	04012-50080	WASHER,PLAIN	2				0.001	0.0022
210	05511-50215	PIN,SPLIT	2				0.001	0.0022
220	66704-54950	BRACKET,SMV	1			[A],[CA]	0	0
230	01053-50610	BOLT	2			[A],[CA]	0.004	0.0088
240	04013-50060	WASHER,PLAIN	2			[A],[CA]	0	0
250	04512-50060	WASHER,SPRING	2			[A],[CA]	0	0
260	02014-50060	NUT	2			[A],[CA]	0.003	0.0066
270	67401-45920	STAY	1				0	0
280	01123-50816	BOLT	2				0.011	0.0242
290	67061-45920	BRACKET	2	>=20001			0.18	0.396
300	01123-50816	BOLT	4	>=20001			0.011	0.0242

LABEL



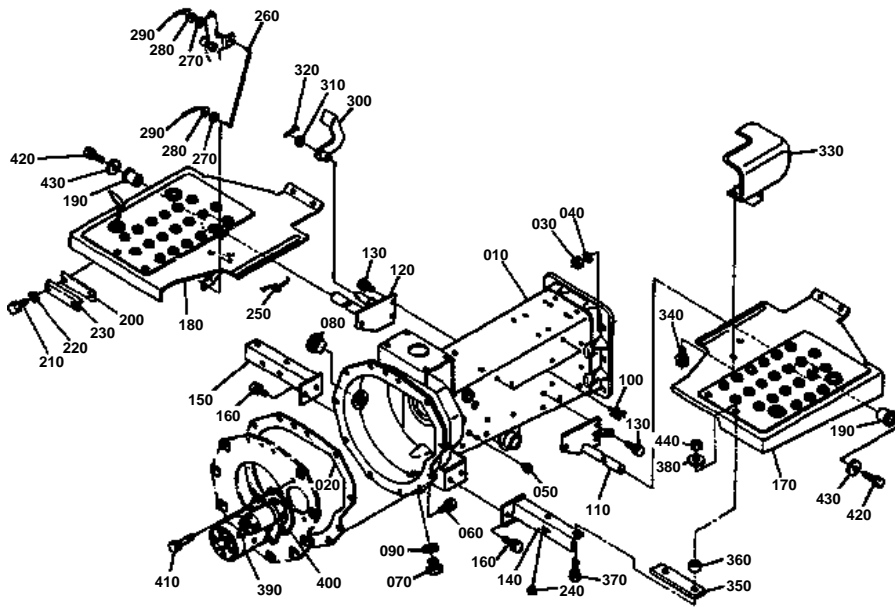


LABEL

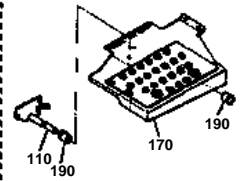
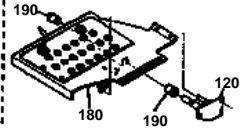
↔ Interchangeable; ≠ not interchangeable; ← new for old; → old for new

REF.No	Part No.	Description	Q'ty	S.No.	I/C	REMARKS	Weight (kgf)	Weight (lb)
010	66706-47110	LABEL	1				0.02	0.044
020	54102-24410	RIVET	4				0.001	0.0022
030	35260-34910	LABEL,SAFETY	1				0	0
040	35200-25340	LABEL,PTO	1				0.002	0.0044
050	66706-47120	LABEL	1				0.001	0.0022
060	67401-47210	LABEL,PTO S-CHANGE	1				0.002	0.0044
070	66706-47140	LABEL	1				0	0
090	67491-47220	NAME PLATE	1				0.01	0.022
100	54102-24410	RIVET	4				0.001	0.0022
110	66706-47280	LABEL,BATTERY	1				0.003	0.0066
120	35260-29780	LABEL,ROPS	1			[A],[CA]	0	0
130	35260-29790	LABEL,DRAWBAR	1				0.002	0.0044
140	67401-47230	NAME PLATE,FRONT	1				0.008	0.0176
170	15532-87220	LABEL,CAUTION	1				0.01	0.022
180	67401-47240	LABEL,DIFF.LOCK	1				0.002	0.0044
190	67401-47260	LABEL,CAUTION	1				0.002	0.0044
200	67800-47320	LABEL,ENGINE STOP	1	<=20110			0.001	0.0022
200	67401-47320	LABEL,ENGINE STOP	1	>=20111	←		0.001	0.0022
210	67401-54230	LABEL,BONNET LH	1				0.008	0.0176
220	67401-54240	LABEL,BONNET RH	1				0.008	0.0176
230	67800-47450	LABEL,CENTER LINE	1				0.016	0.0352
240	35820-98630	LABEL,START CAUTION	1				0	0
250	15232-88210	LABEL,GLOW PLUG	1				0.001	0.0022
260	15372-87230	LABEL,CAUTION	1				0.001	0.0022
270	15372-87210	LABEL,CAUTION	1				0.001	0.0022

CLUTCH HOUSING/STEP/STARTER



REF.No.170 67401-5116-0
REF.No.180 67401-5117-0
REF.No.190 67401-5118-0



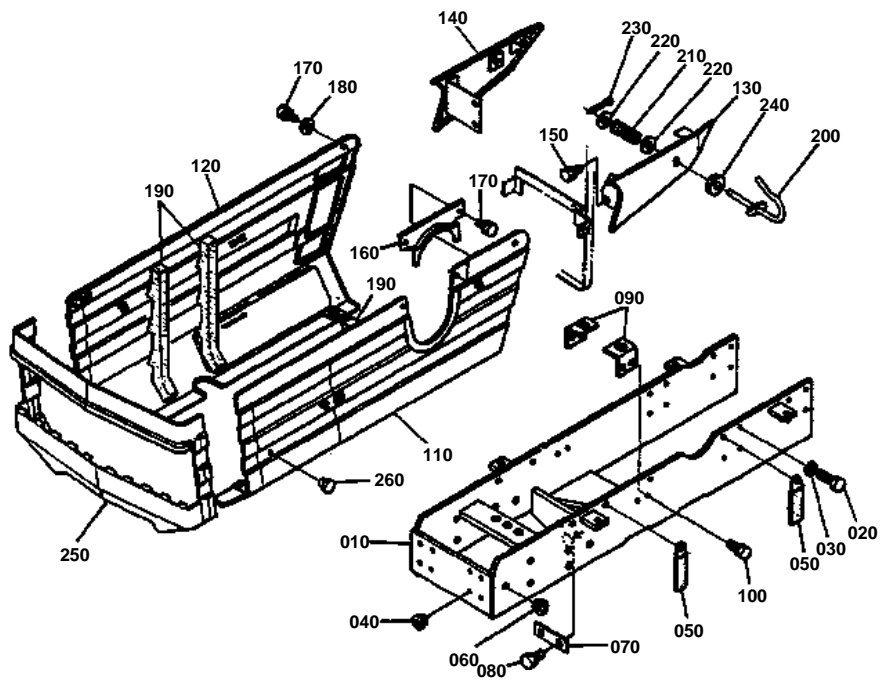


CLUTCH HOUSING/STEP/STARTER

↔ Interchangeable; ≠ not interchangeable; ← new for old; → old for new

REF.No	Part No.	Description	Q'ty	S.No.	I/C	REMARKS	Weight (kgf)	Weight (lb)
010	67401-51110	HOUSING,FRAME CLUTCH	1				0	0
020	66621-51410	GASKET	1				0	0
030	02174-50120	NUT	7				0.01	0.022
040	04512-50120	WASHER,SPRING	7				0	0
050	66591-54390	PLUG,BLIND	10				0.001	0.0022
060	01123-50825	BOLT	11				0.013	0.0286
070	06331-35010	PLUG	1				0.012	0.0264
080	66704-51190	COVER,TIMING HOLE	1				0.009	0.0198
090	04717-01000	WASHER,WITH RUBBER	1				0.001	0.0022
100	67211-52770	CLIP,WIRE	2			[A],[CA]	0.005	0.011
110	67401-51120	BRACKET,STEP LH	1	<=20110			0	0
110	67401-51122	BRACKET,STEP LH	1	>=20111	←		0.82	1.804
120	67401-51130	BRACKET,STEP RH	1	<=20110			0	0
120	67401-51133	BRACKET,STEP RH	1	>=20111	←		0.896	1.9712
130	01123-50818	BOLT	6				0.012	0.0264
140	67401-51140	SUPPORT,STEP LH	1				0.41	0.902
150	67401-51150	SUPPORT,STEP RH	1				0.4	0.88
160	01123-50818	BOLT	4				0.012	0.0264
170	67401-51160	STEP,LH	1	<=20110			0	0
170	67401-51163	STEP,LH	1	>=20111	←		3.1	6.82
180	67401-51170	COMP.STEP,RH	1	<=20110			0	0
180	67401-51173	COMP.STEP,RH	1	>=20111	←		3.5	7.7
190	67401-51180	BUSH,RUBBER	4	<=20110			0.01	0.022
190	67401-51180	BUSH,RUBBER	2	>=20111	←		0.01	0.022
200	67111-51560	PLATE,BRAKE	1				0.025	0.055
210	01123-50818	BOLT	2				0.012	0.0264
220	04013-50080	WASHER,PLAIN	2				0	0
230	67111-51570	HOLDER,BRAKE	1				0.025	0.055
240	38240-29870	CUSHION	1				0.004	0.0088
250	67401-51190	SPRING	1				0.006	0.0132
260	67211-51240	ROD,PEDAL	1				0.09	0.198
270	04717-00600	WASHER,WITH RUBBER	2				0.001	0.0022
280	04013-50060	WASHER,PLAIN	2				0	0
290	05511-51612	PIN,SPLIT	2				0.001	0.0022
300	67211-51250	PEDAL,DIFF LOCK	1				0.28	0.616
310	04013-50120	WASHER,PLAIN	1				0	0
320	05511-50425	PIN,SPLIT	1				0.003	0.0066
330	66204-82610	COVER,FOOT	1	<=10797			0.25	0.55
330	67401-82610	COVER,FOOT	1	>=10798	←		0.23	0.506
340	01123-50814	BOLT	2				0	0
350	67401-51250	CUSHION	2				0.018	0.0396
360	67401-51260	COLLAR	4				0.005	0.011
370	01123-50825	BOLT	4				0.013	0.0286
380	04013-50080	WASHER,PLAIN	4				0	0
390	15231-63010	ASSY STARTER	1			REFER TO L.No.0H10-L0 FOR COMPONENTS.	0	0
400	66591-51160	GASKET	1				0	0
410	01123-50828	BOLT	2				0.014	0.0308
420	01123-50814	BOLT	2	>=20111			0	0
430	04015-50080	WASHER,PLAIN	2	>=20111			0	0
440	02112-50080	NUT	4				0.003	0.0066

FRONT AXLE FRAME



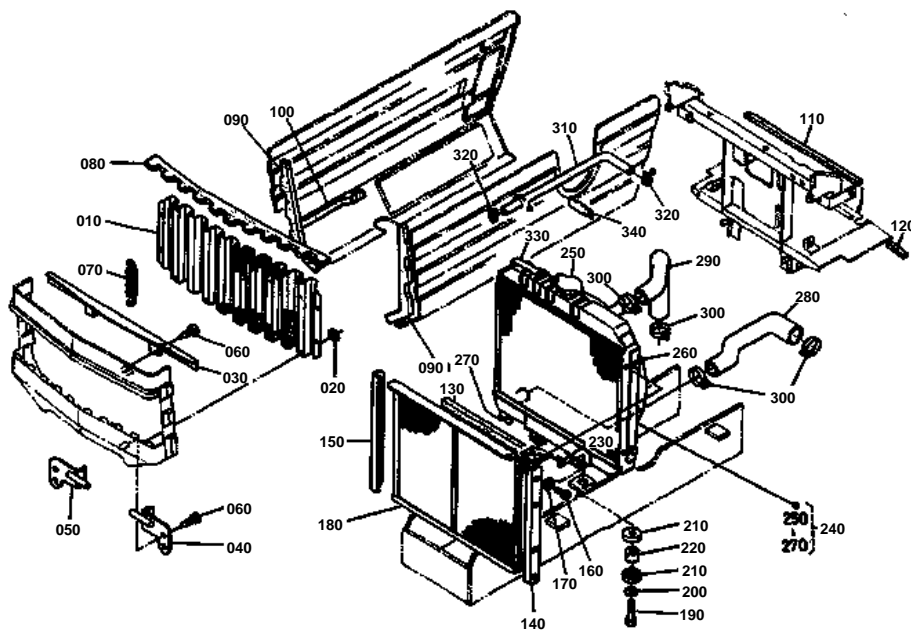


FRONT AXLE FRAME

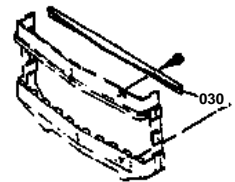
↔ Interchangeable; ≠ not interchangeable; ← new for old; → old for new

REF.No	Part No.	Description	Q'ty	S.No.	I/C	REMARKS	Weight (kgf)	Weight (lb)
010	67401-51210	FRAME,FRONT AXLE	1	<=20000			25	55
010	67401-51214	FRAME,FRONT AXLE	1	>=20001	≠		0	0
020	01173-51025	BOLT	16				0.021	0.0462
030	04512-50100	WASHER,SPRING	16				0	0
040	71585-23480	PLUG,BLIND	4				0.005	0.011
050	35340-29380	CLAMP,CORD	2				0.01	0.022
060	67211-11140	PLUG,BLIND	6				0.001	0.0022
070	67401-51220	WASHER,LOCK	1				0.08	0.176
080	01123-50825	BOLT	2				0.013	0.0286
090	67800-51990	SUPPORT,RADIATOR	2				0	0
100	01123-50825	BOLT	4				0.013	0.0286
110	67401-51310	SKIRT,LH	1				1.6	3.52
120	67401-51320	SKIRT,RH	1				1.6	3.52
130	67401-51330	AUX.SKIRT,LH	1				0.21	0.462
140	67401-51340	AUX.SKIRT,RH	1				0.21	0.462
150	01123-50818	BOLT	4				0.012	0.0264
160	67211-51450	COVER	1	<=10797			0.09	0.198
160	67401-51390	COVER	1	>=10798	←		0.1	0.22
170	01123-50818	BOLT	10				0.012	0.0264
180	04013-50080	WASHER,PLAIN	14				0	0
190	67511-54520	TAPE	3				0.004	0.0088
200	67401-51350	HOOK,BONNET	2				0.05	0.11
210	67800-54623	SPRING	2				0.005	0.011
220	04013-50060	WASHER,PLAIN	4				0	0
230	05511-52512	PIN,SPLIT	2				0.001	0.0022
240	67211-51360	SUPPORT	2				0.005	0.011
250	67401-51360	SKIRT,FRONT	1				0.35	0.77
260	38240-29570	PLUG	1				0.001	0.0022

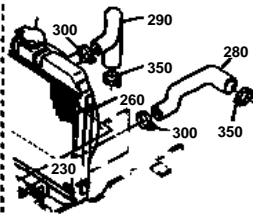
RADIATOR



REF.No.030 67401-5141-0



REF.No.300 15261-7278-0
REF.No.350 15541-7296-0

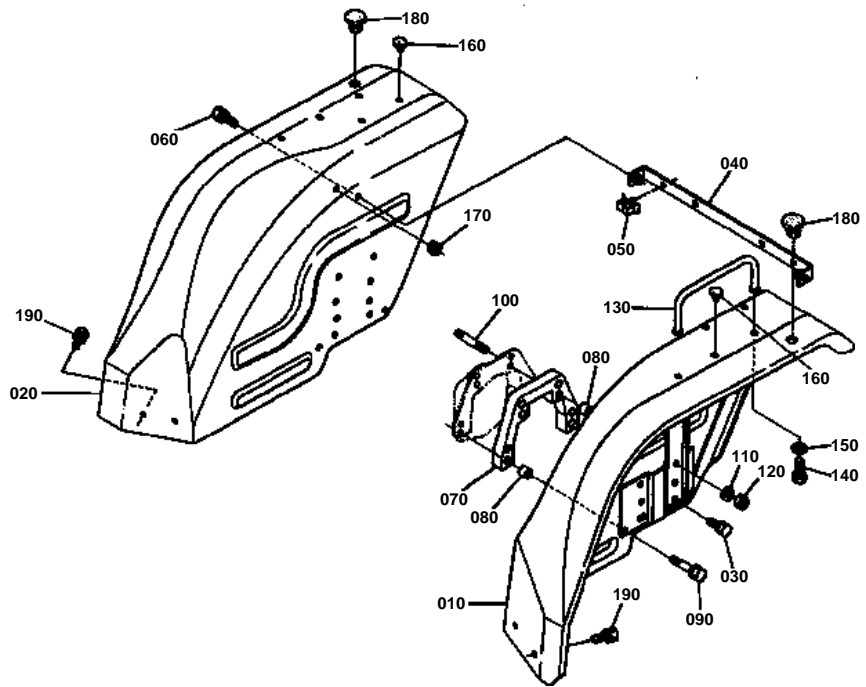


**RADIATOR**

↔ Interchangeable; ≠ not interchangeable; ← new for old; → old for new

REF.No	Part No.	Description	Q'ty	S.No.	I/C	REMARKS	Weight (kgf)	Weight (lb)
010	67401-51370	NET,RADIATOR	1				0	0
020	67401-51380	NUT	14				0.002	0.0044
030	67401-51410	STOPPER	1	≤20110			0	0
030	67401-51412	STOPPER	1	≥20111	←		0.2	0.44
040	67401-51420	STOPPER LH	1				0.034	0.0748
050	67401-51510	STOPPER RH	1				0.035	0.077
060	03514-50612	SCREW	8				0.002	0.0044
070	67401-51432	SPRING	1				0.03	0.066
080	67401-51440	BLOCK,DUST PROOF	1				0.01	0.022
090	67401-51450	BLOCK,DUST PROOF	2				0.003	0.0066
100	67401-51460	BLOCK,DUST PROOF	2				0.006	0.0132
110	67401-51470	BLOCK,DUST PROOF	1				0.005	0.011
120	67401-51480	BLOCK,DUST PROOF	1				0.001	0.0022
130	67401-51490	BLOCK,DUST PROOF	1				0.018	0.0396
140	67211-51410	SUPPORT,NET LH	1				0.09	0.198
150	67211-51420	SUPPORT,NET RH	1				0.09	0.198
160	03004-50612	SCREW	4				0.005	0.011
170	04013-50060	WASHER,PLAIN	4				0	0
180	67111-53520	NET,RADIATOR	1				0.8	1.76
190	66711-51340	BOLT	2	≤10797			0.032	0.0704
190	67111-58710	BOLT	2	≥10798	←		0.027	0.0594
200	04013-50100	WASHER,PLAIN	2				0	0
210	15111-72200	WASHER	4				0.013	0.0286
220	15111-72180	CUSHION	2				0.015	0.033
230	05515-51000	PIN,SNAP	2				0	0
240	15531-72060	ASSY RADIATOR	1				4.5	9.9
250	15272-72020	ASSY CAP	1				0.071	0.1562
260	15531-74470	SHROUD,FAN	1				0.63	1.386
270	15231-73110	COCK,DRAIN	1				0.006	0.0132
280	15531-72850	PIPE,WATER	1	≤20000			0.06	0.132
280	15752-72850	PIPE,WATER	1	≥20001	≠		0.04	0.088
290	15531-72940	PIPE,WATER	1	≤20000			0.105	0.231
290	15752-72940	PIPE,WATER	1	≥20001	≠		0.1	0.22
300	15261-72780	BAND	4				0.024	0.0528
310	15531-73130	PIPE,DRAIN	1				0.05	0.11
320	15109-73360	BAND,PIPE	2				0.01	0.022
330	15221-72710	PIPE,WATER OVER FLOW	1				0.05	0.11
340	15241-67570	CLAMP,CORD	1				0.003	0.0066

FENDER

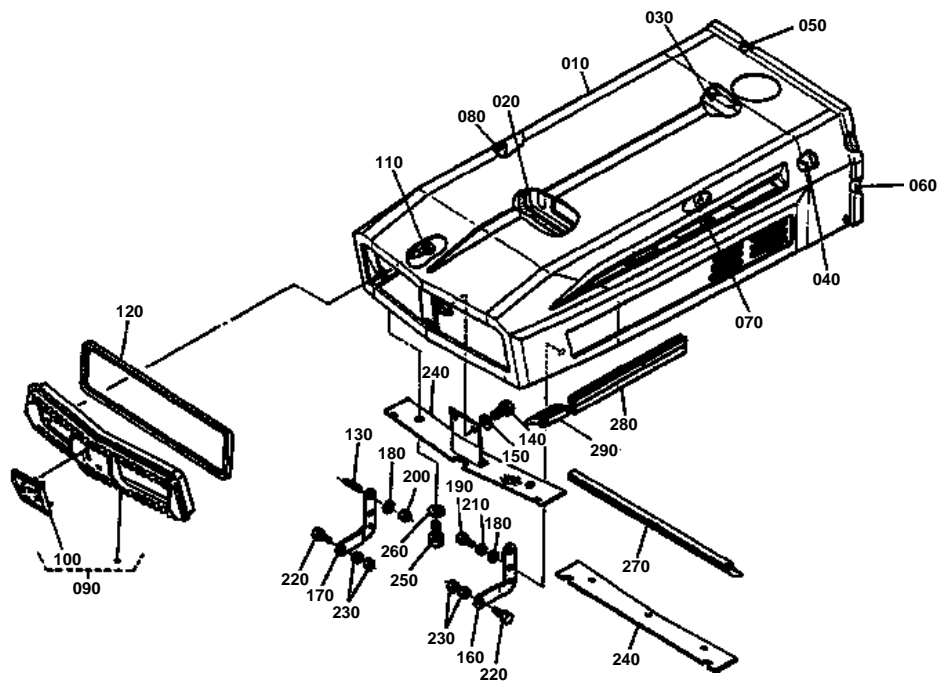


**FENDER**

↔ Interchangeable; ≠ not interchangeable; ← new for old; → old for new

REF.No	Part No.	Description	Q'ty	S.No.	I/C	REMARKS	Weight (kgf)	Weight (lb)
010	67401-52710	COMP.FENDER,LH	1	<=20110			0	0
010	67401-52714	COMP.FENDER,LH	1	>=20111	←		6	13.2
020	67401-52720	COMP.FENDER,RH	1	<=20000			0	0
020	67401-52723	COMP.FENDER,RH	1	>=20001	←		0	0
030	01123-50818	BOLT	4				0.012	0.0264
040	67401-52730	STAY,FENDER	1	<=20110			0	0
040	67401-52732	STAY,FENDER	1	>=20111	←		0	0
050	67211-52770	CLIP,WIRE	4				0.005	0.011
060	01123-50818	BOLT	2				0.012	0.0264
070	67401-52740	SPACER,FENDER	2				0.25	0.55
080	67401-52750	COLLAR,SPACER	8				0.015	0.033
090	01123-50840	BOLT	4				0.018	0.0396
100	01511-50845	STUD	4				0.02	0.044
110	04512-50080	WASHER,SPRING	4				0	0
120	02114-50080	NUT	4				0.005	0.011
130	67800-52210	BALUSTRIDE	2				0.2	0.44
140	01123-50818	BOLT	4				0.012	0.0264
150	04013-50080	WASHER,PLAIN	4				0	0
160	38240-29570	PLUG	9				0.001	0.0022
170	32150-29180	CAP,RUBBER	2				0.002	0.0044
190	01123-50818	BOLT	4				0.012	0.0264

HOOD

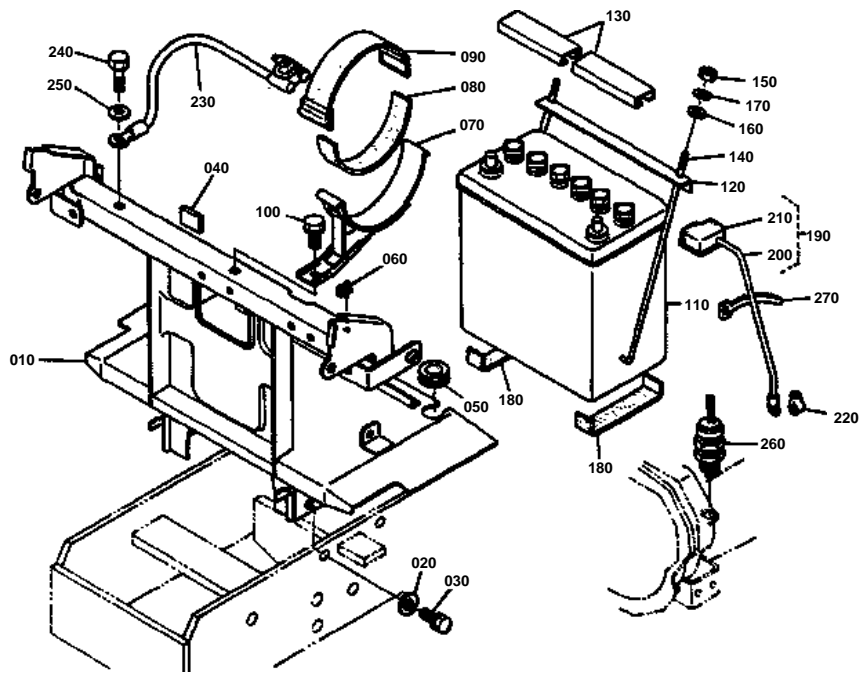


**HOOD**

↔ Interchangeable; ≠ not interchangeable; ← new for old; → old for new

REF.No	Part No.	Description	Q'ty	S.No.	I/C	REMARKS	Weight (kgf)	Weight (lb)
010	67401-54100	COMP.BONNET	1				6.8	14.96
020	67511-54170	TAPE	1				0.008	0.0176
030	67211-54120	TAPE	1				0.005	0.011
040	67211-54130	TAPE	2				0.01	0.022
050	67511-54150	TAPE,SOFT UPPER	1				0.01	0.022
060	67511-54160	TAPE,SOFT SIDE	2				0.01	0.022
070	67511-54110	TAPE	1				0.01	0.022
080	67511-54120	TAPE	1				0.003	0.0066
090	67401-54200	ASSY GRILLE,LIGHT	1				0.26	0.572
100	67111-54240	MASCOT	1				0.02	0.044
110	38240-18230	SCREW	6				0.005	0.011
120	67401-54220	GASKET	1				0.027	0.0594
130	01513-50818	STUD	2				0.009	0.0198
140	01023-50614	BOLT	4				0.005	0.011
150	04013-50060	WASHER,PLAIN	4				0	0
160	67111-54260	METAL,RH	1				0.1	0.22
170	67111-54270	METAL,LH	1				0.1	0.22
180	04013-50080	WASHER,PLAIN	4				0	0
190	01123-50818	BOLT	2				0.012	0.0264
200	02114-50080	NUT	2				0.005	0.011
210	04512-50080	WASHER,SPRING	2				0	0
220	01173-51025	BOLT	2				0.021	0.0462
230	02118-50100	NUT	4				0.005	0.011
240	67401-54310	NET,DUSTPROOF	1				0.24	0.528
250	01023-50614	BOLT	2				0.005	0.011
260	04013-50060	WASHER,PLAIN	2				0	0
270	67401-54320	TRIM	1				0.06	0.132
280	67401-54330	TRIM	2				0.04	0.088
290	67401-54340	TRIM	2				0.01	0.022

BATTERY

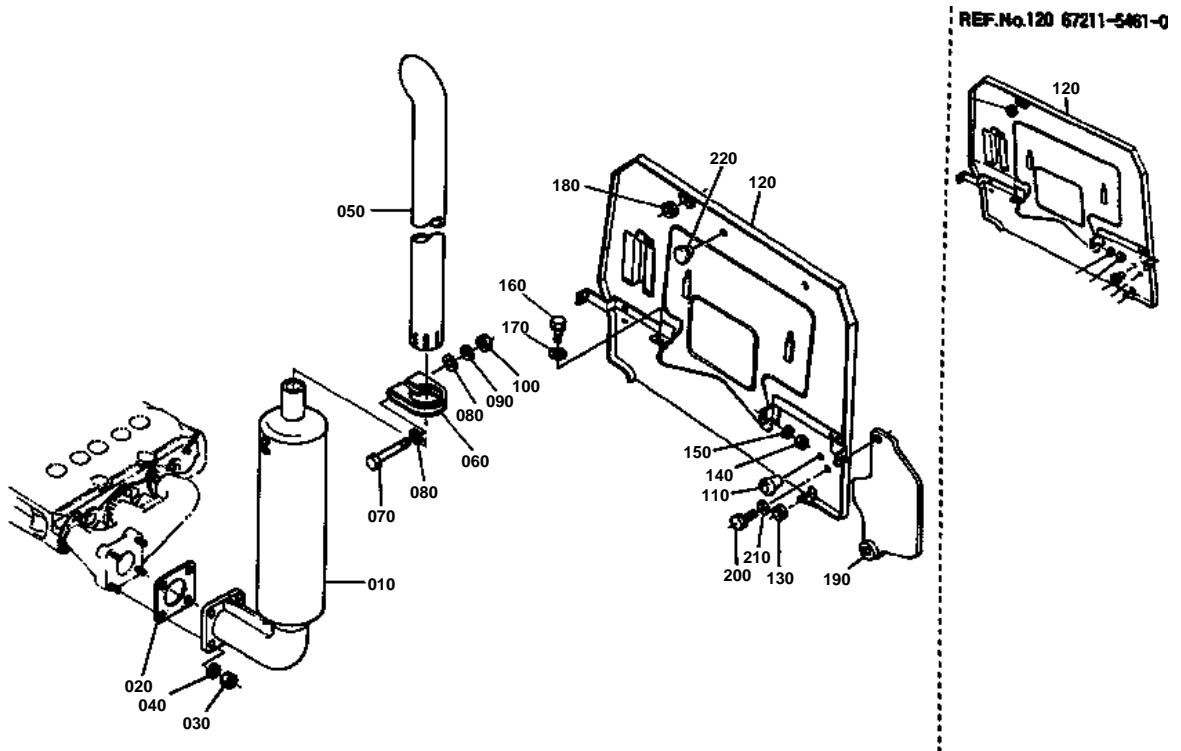


**BATTERY**

↔ Interchangeable; ≠ not interchangeable; ← new for old; → old for new

REF.No	Part No.	Description	Q'ty	S.No.	I/C	REMARKS	Weight (kgf)	Weight (lb)
010	67401-54260	SUPPORT,BATTERY	1	<=11022			6.2	13.64
010	67401-54263	SUPPORT,BATTERY	1	>=11023	≠		3.8	8.36
010	67401-54264	SUPPORT,BATTERY	1	>=20001	≠		0	0
010	67401-54265	SUPPORT,BATTERY	1	>=20111	←		4	8.8
020	04013-50100	WASHER,PLAIN	4				0	0
030	01133-51025	BOLT	4				0.023	0.0506
040	67211-54250	GASKET	2				0.006	0.0132
050	67211-54620	RUBBER,SUPPORT	1				0.01	0.022
060	67211-52770	CLIP,WIRE	1				0.005	0.011
070	67401-54270	SUPPORT,AIR CLEANER	1				0.2	0.44
080	67401-54280	RUBBER	1				0.01	0.022
090	67401-54290	BAND,A/C	1				0.06	0.132
100	01123-50818	BOLT	1				0.012	0.0264
110	66704-55430	ASSY BATTERY	1				9.3	20.46
120	67061-54480	RETAINER,BATTERY	1				0.18	0.396
130	67211-55460	COVER,BATTERY	2				0.01	0.022
140	66591-54490	BOLT,HOOK	2	<=11022			0.048	0.1056
140	67401-55390	BOLT,HOOK	2	>=11023	≠		0.038	0.0836
150	02014-50060	NUT	2				0.003	0.0066
160	04013-50060	WASHER,PLAIN	2				0	0
170	04512-50060	WASHER,SPRING	2				0	0
180	34150-33220	CUSHION	2				0.015	0.033
190	67401-55410	ASSY CORD,BATTERY	1				0.29	0.638
200	67401-55420	CORD,BATTERY	1				0.28	0.616
210	67111-55740	CAP	1				0.01	0.022
220	66591-55190	CAP,TERMINAL	1				0.012	0.0264
230	67401-55440	CORD,EARTH	1				0.16	0.352
240	01123-51025	BOLT	1				0.02	0.044
250	04013-50100	WASHER,PLAIN	1				0	0
260	67111-55810	ASSY SWITCH,SAFETY	1	<=10620			0.09	0.198
260	66204-32240	ASSY SWITCH,SAFETY	1	>=10621	≠		0	0
270	34350-29380	CLAMP,CORD	6				0.001	0.0022

MUFFLER AND MUFFLER PIPE [A],[CA]



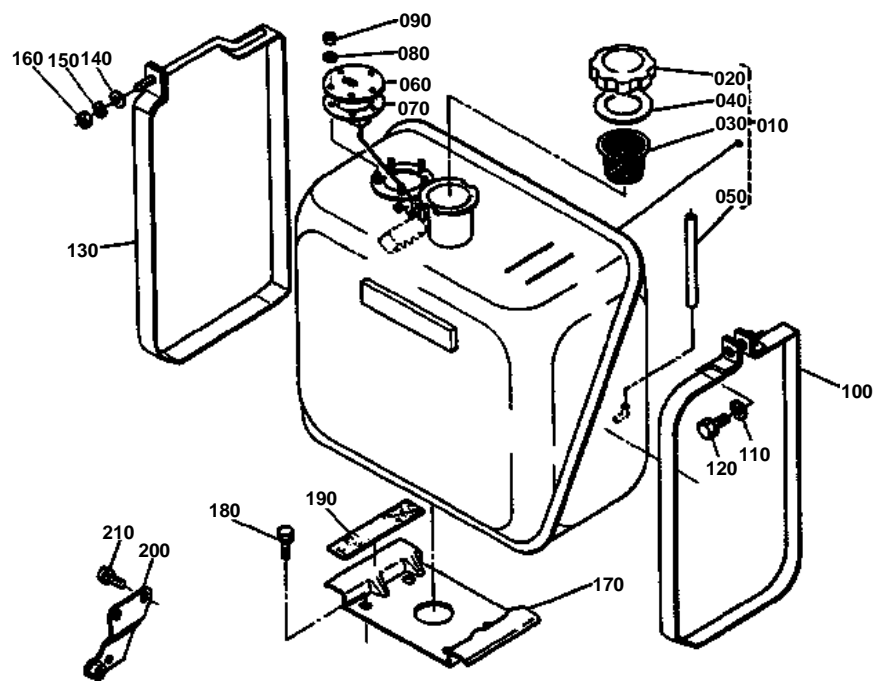


MUFFLER AND MUFFLER PIPE [A],[CA]

↔ Interchangeable; ≠ not interchangeable; ← new for old; → old for new

REF.No	Part No.	Description	Q'ty	S.No.	I/C	REMARKS	Weight (kgf)	Weight (lb)
010	15751-12010	COMP.MUFFLER	1				2.7	5.94
020	15371-12370	GASKET,MUFFLER	1				0	0
030	02156-50080	NUT	4				0.004	0.0088
040	04512-50080	WASHER,SPRING	4				0	0
050	67800-53410	PIPE,MUFFLER	1				0.57	1.254
060	67800-53420	BAND,PIPE	1				0.04	0.088
070	01153-50865	BOLT	1				0.025	0.055
080	04013-50080	WASHER,PLAIN	2				0	0
090	04512-50080	WASHER,SPRING	1				0	0
100	02114-50080	NUT	1				0.005	0.011
110	66591-51130	PLUG,BLIND	1				0.001	0.0022
120	67211-54610	PLATE	1	<=20110			1.4	3.08
120	67211-54615	PLATE	1	>=20111	←		1.35	2.97
130	67061-54650	RUBBER,SUPPORT	1				0.01	0.022
140	02114-50080	NUT	1				0.005	0.011
150	04512-50080	WASHER,SPRING	1				0	0
160	01123-50818	BOLT	3				0.012	0.0264
170	04013-50080	WASHER,PLAIN	3				0	0
180	63611-52330	RUBBER,SUPPORT	1				0.01	0.022
190	67401-54610	COVER	1				0.16	0.352
200	01123-50818	BOLT	1				0.012	0.0264
210	04013-50080	WASHER,PLAIN	1	>=20001			0	0
220	71585-23480	PLUG,BLIND	2	>=20111			0.005	0.011

FUEL TANK

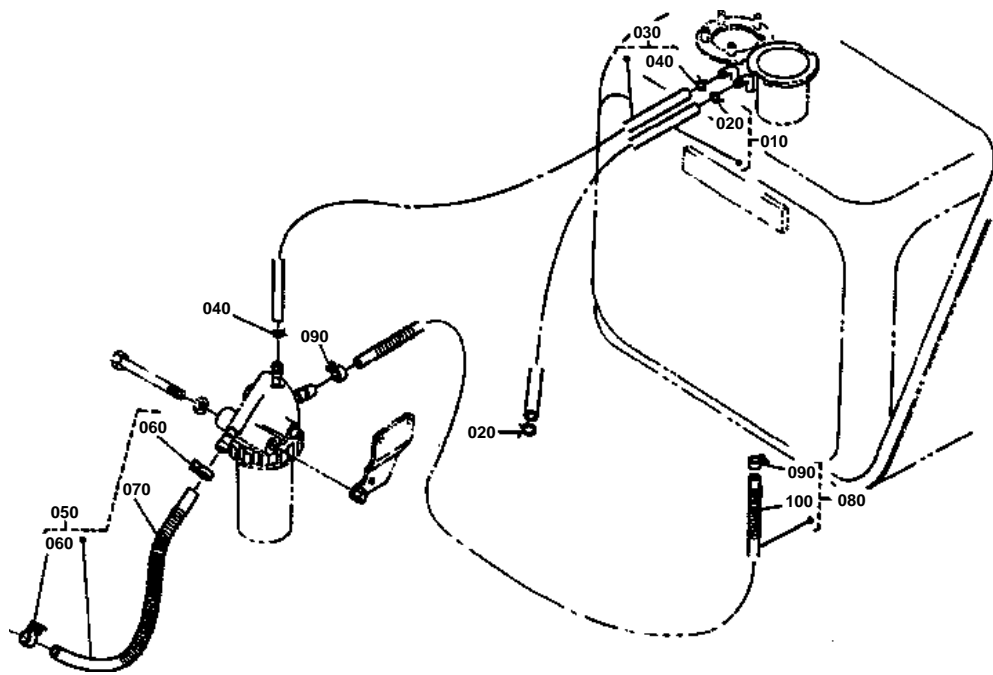


**FUEL TANK**

↔ Interchangeable; ≠ not interchangeable; ← new for old; → old for new

REF.No	Part No.	Description	Q'ty	S.No.	I/C	REMARKS	Weight (kgf)	Weight (lb)
010	67401-54700	ASSY TANK,FUEL	1				2.9	6.38
020	67211-54720	COMP.CAP,EUEL TANK	1				0.07	0.154
030	13251-41060	FILTER,FUEL	1	<=20000			0.01	0.022
030	35450-41350	FILTER,FUEL	1	>=20001	←		0	0
040	10211-41340	GASKET	1				0.003	0.0066
050	67211-54740	PIPE,GAUGE	1				0.01	0.022
060	67401-54730	UNIT,FUEL	1				0.14	0.308
070	38240-35120	GASKET	1	<=10797			0	0
070	67401-54740	GASKET	1	>=10798	←		0.001	0.0022
080	04013-50050	WASHER,PLAIN	5				0	0
090	02054-50050	NUT	5				0.002	0.0044
100	67211-54750	BAND,FUEL TANK	1				0.27	0.594
110	04013-50080	WASHER,PLAIN	1				0	0
120	01123-50830	BOLT	1				0.015	0.033
130	67401-54780	BAND,FUEL TANK	1				0.3	0.66
140	04013-50080	WASHER,PLAIN	1				0	0
150	04512-50080	WASHER,SPRING	1				0	0
160	02112-50080	NUT	1				0.003	0.0066
170	67211-54760	SUPPORT,FUEL TANK	1				0.41	0.902
180	01123-50818	BOLT	4				0.012	0.0264
190	67211-54770	CUSHION,TANK	2				0.01	0.022
200	67211-54310	SUPPORT, FILTER	1				0.1	0.22
210	01123-50818	BOLT	2				0.012	0.0264

FUEL PIPE



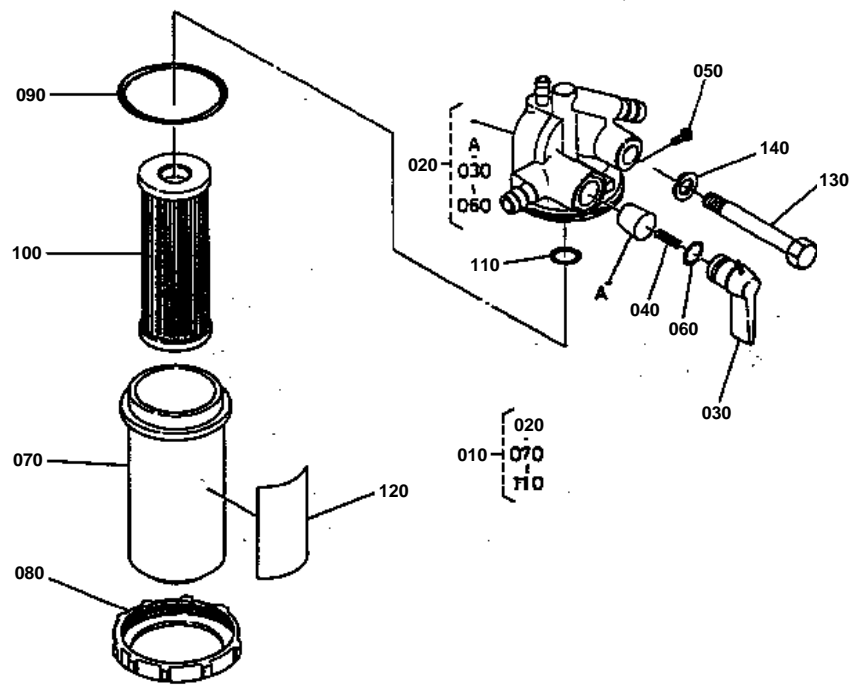


FUEL PIPE

↔ Interchangeable; ≠ not interchangeable; ← new for old; → old for new

REF.No	Part No.	Description	Q'ty	S.No.	I/C	REMARKS	Weight (kgf)	Weight (lb)
010	67211-58300	ASSY PIPE,OVER FLOW	1				0.02	0.044
020	10244-42320	CLIP,PIPE	2				0.001	0.0022
030	67211-58320	ASSY PIPE,OVER FLOW	1	<=20000			0	0
030	67211-58323	ASSY PIPE,OVER FLOW	1	>=20001	←		0.03	0.066
040	10244-42320	CLIP,PIPE	2				0.001	0.0022
050	67211-58340	ASSY PIPE,FUEL	1				0	0
060	14301-42750	CLIP,PIPE	2				0.005	0.011
070	67111-58320	SPRING,PIPE PROTECT.	1				0.02	0.044
080	67211-58350	ASSY PIPE,FUEL	1				0.03	0.066
090	14301-42750	CLIP,PIPE	2				0.005	0.011
100	67111-53790	SPRING,PIPE PROTECT.	1				0.01	0.022

FUEL FILTER



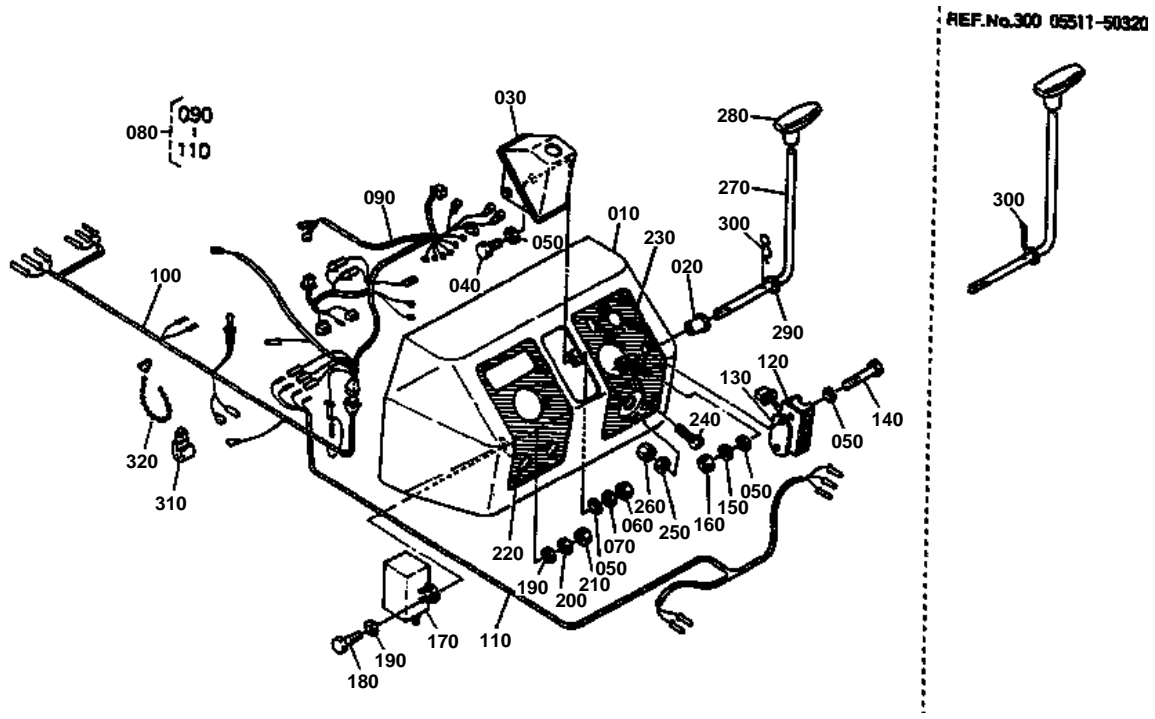


FUEL FILTER

↔ Interchangeable; ≠ not interchangeable; ← new for old; → old for new

REF.No	Part No.	Description	Q'ty	S.No.	I/C	REMARKS	Weight (kgf)	Weight (lb)
010	15751-43010	ASSY FILTER,FUEL	1				0.41	0.902
020	15531-43110	COMP.BODY,COCK	1				0.255	0.561
030	14301-43522	LEVER,COCK	1				0.024	0.0528
040	14301-43820	SPRING,VALVE	1				0.001	0.0022
050	14301-43830	SCREW	1				0.001	0.0022
060	14301-43840	O RING,LEVER	1				0.001	0.0022
070	15000-34830	CUP,FILTER	1				0	0
080	14301-43590	RING,RETAINING	1				0.054	0.1188
090	14301-43650	O RING,FILTER	1				0.001	0.0022
100	15231-43560	ASSY ELEMENT	1				0.03	0.066
110	04811-00100	O RING,FILTER	1				0.001	0.0022
120	66706-58310	LABEL,FUEL FILTER	1				0.001	0.0022
130	01153-50865	BOLT	1				0.025	0.055
140	04512-50080	WASHER,SPRING	1				0	0

PANEL



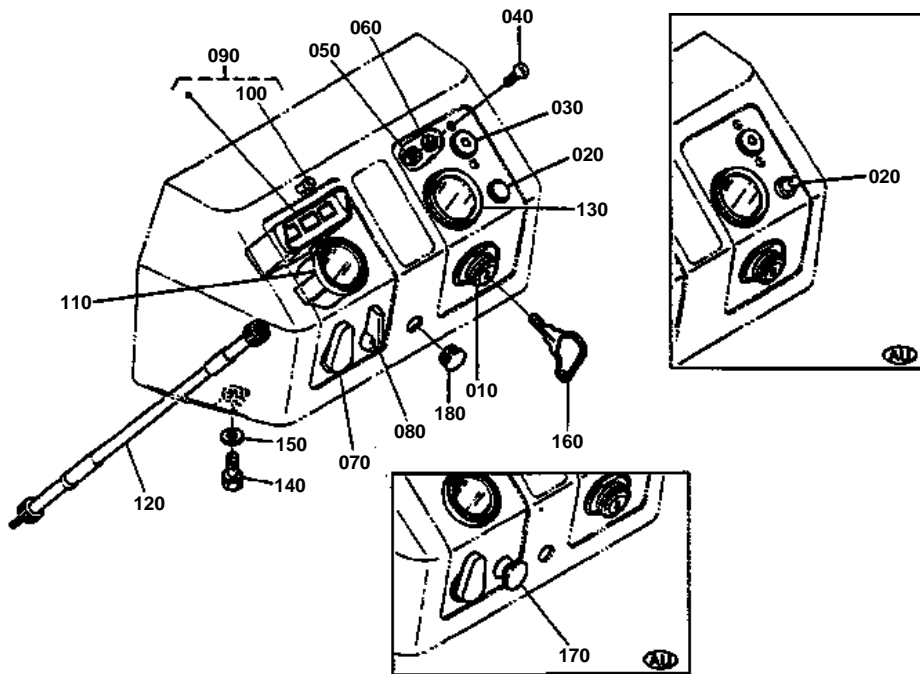


PANEL

↔ Interchangeable; ≠ not interchangeable; ← new for old; → old for new

REF.No	Part No.	Description	Q'ty	S.No.	I/C	REMARKS	Weight (kgf)	Weight (lb)
010	67401-55110	PANEL	1	<=20110			0	0
010	67401-55113	PANEL	1	>=20111	←		2.32	5.104
020	67111-54920	BUSH	1				0.01	0.022
030	67211-55160	COVER,STEERING POST	1				0.08	0.176
040	01153-50818	BOLT	2				0.01	0.022
050	04013-50080	WASHER,PLAIN	4				0	0
060	02114-50080	NUT	2				0.005	0.011
070	04512-50080	WASHER,SPRING	2				0	0
080	67401-55172	ASSY WIRE HARNESS	1	<=10620			0.58	1.276
080	67401-55173	ASSY WIRE HARNESS	1	>=10621	≠		0	0
080	67401-55174	ASSY WIRE HARNESS	1	>=20001	←		0.6	1.32
090	67401-55180	WIRE HARNESS	1	<=20000			0	0
090	67401-55183	WIRE HARNESS	1	>=20001	←		0	0
090	67401-55184	ASSY WIRE HARNESS	1	>=20001	←		0.34	0.748
100	67401-55190	WIRE HARNESS	1	<=10620			0.175	0.385
100	67401-55193	WIRE HARNESS	1	>=10621	≠		0	0
100	67401-55194	WIRE HARNESS	1	>=20001	←		0.18	0.396
110	67401-55210	WIRE HARNESS	1	<=20110		[A],[CA]	0	0
110	67401-55212	WIRE HARNESS	1	>=20111	←	[A],[CA]	0.12	0.264
120	15533-64600	COMP.REGULATOR	1				0.2	0.44
130	66704-55260	RUBBER	1				0.009	0.0198
140	01053-50640	BOLT	2				0.011	0.0242
150	04512-50060	WASHER,SPRING	2				0	0
160	02014-50060	NUT	2				0.003	0.0066
170	35170-33700	UNIT,FLASHER	1				0.06	0.132
180	01053-50620	BOLT	1				0.006	0.0132
190	04013-50060	WASHER,PLAIN	2				0	0
200	04512-50060	WASHER,SPRING	1				0	0
210	02014-50060	NUT	1				0.003	0.0066
220	67800-47150	LABEL,PANEL LH	1	<=20000		[A],[CA]	0.04	0.088
220	67061-55320	LABEL,PANEL LH	1	>=20001	≠	[A],[CA]	0.04	0.088
230	67401-55330	LABEL,PANEL RH	1				0.058	0.1276
240	03054-50510	SCREW,PAN HEAD	6				0.003	0.0066
250	04512-50050	WASHER,SPRING	6				0	0
260	02054-50050	NUT	6				0.002	0.0044
270	67401-55320	LEVER,RELEASE	1				0.24	0.528
280	35320-17170	GRIP,ACCEL.	1				0.018	0.0396
290	04011-50100	WASHER,PLAIN	1				0.002	0.0044
300	05511-50320	PIN,SPLIT	1	<=10907			0.002	0.0044
300	05515-51000	PIN,SNAP	1	>=10908	↔		0	0
310	13313-69750	ASSY CLAMP,CORD	1				0	0
320	66704-55510	BAND,CORD	2				0.002	0.0044

PANEL SWITCH



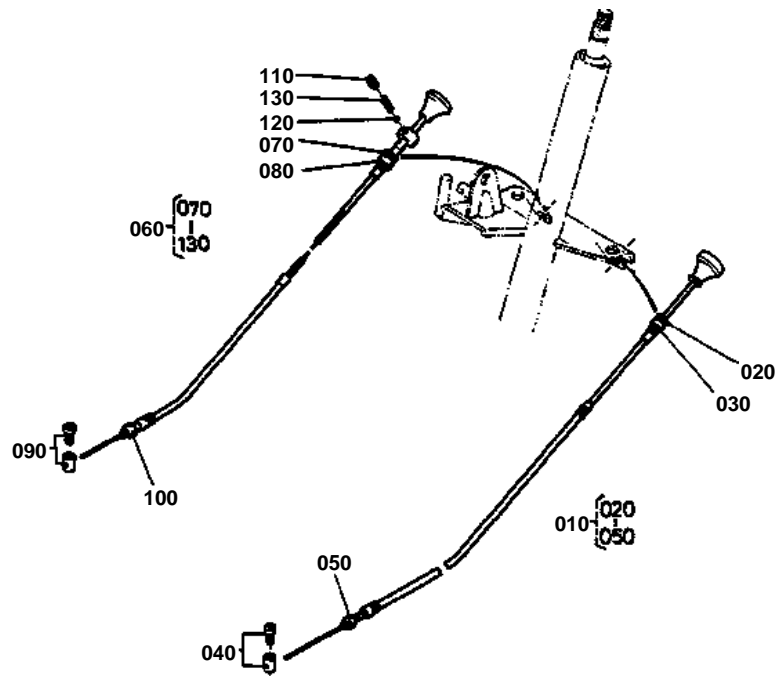


PANEL SWITCH

↔ Interchangeable; ≠ not interchangeable; ← new for old; → old for new

REF.No	Part No.	Description	Q'ty	S.No.	I/C	REMARKS	Weight (kgf)	Weight (lb)
010	66711-55130	SWITCH,STARTER	1				0.241	0.5302
020	35110-32420	PLUG	1			[A],[CA]	0.002	0.0044
030	15531-65950	INDICATOR,GLOW	1				0.05	0.11
040	03054-50512	SCREW,PAN HEAD	2				0.003	0.0066
050	02054-50050	NUT	2				0.002	0.0044
060	04512-50050	WASHER,SPRING	2				0	0
070	54617-41140	SWITCH,LIGHTING	1				0.08	0.176
080	55311-41120	SWITCH,LIGHT	1			[A],[CA]	0.05	0.11
090	67111-55450	ASSY OK MONITOR	1				0.2	0.44
100	67111-55460	BULB	2				0.005	0.011
110	67401-55310	ASSY METER,TRACTOR	1				0	0
120	67800-55410	CABLE,HOUR METER	1				0.25	0.55
130	66908-54750	METER,FUEL	1				0.15	0.33
140	01123-50818	BOLT	4				0.012	0.0264
150	04013-50080	WASHER,PLAIN	4				0	0
160	66711-55140	KEY,START	2				0	0
180	35110-32420	PLUG	1	>=20111			0.002	0.0044

DECOMPRESS WIRE AND ENGINE STOP WIRE



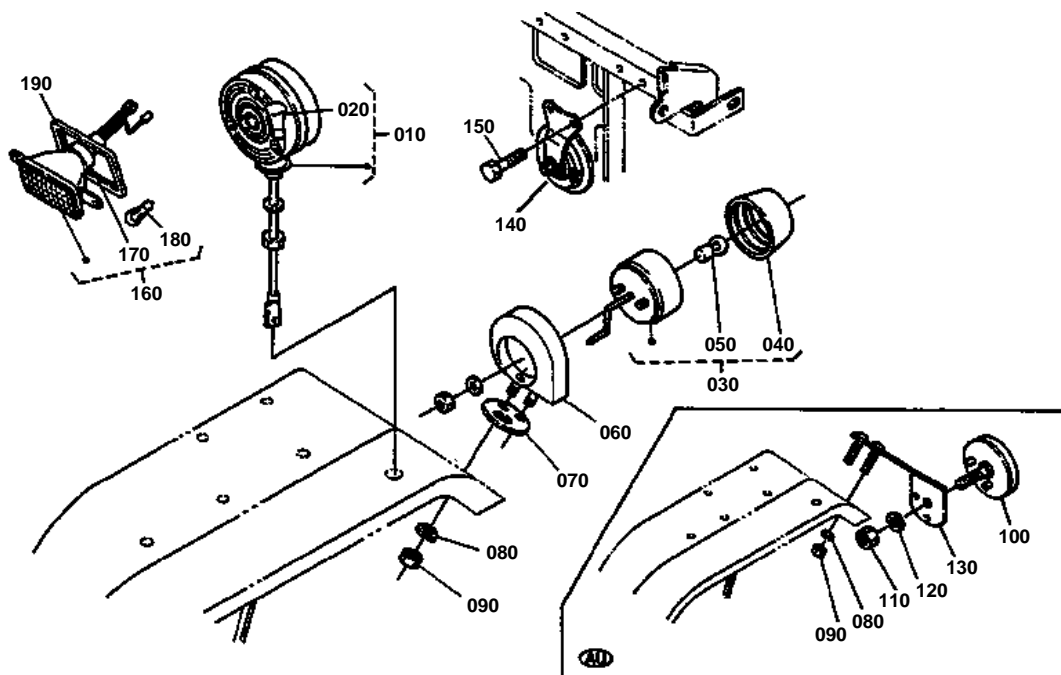


DECOMPRESS WIRE AND ENGINE STOP WIRE

↔ Interchangeable; ≠ not interchangeable; ← new for old; → old for new

REF.No	Part No.	Description	Q'ty	S.No.	I/C	REMARKS	Weight (kgf)	Weight (lb)
010	67800-53910	WIRE,DECOMPRESS	1				0.095	0.209
020	04512-50100	WASHER,SPRING	1				0	0
030	02118-50100	NUT	1				0.005	0.011
040	67111-53930	ASSY SCREW,SET	1				0.003	0.0066
050	02054-50050	NUT	1				0.002	0.0044
060	67800-53920	WIRE,ENGINE STOP	1				0.12	0.264
070	04512-50100	WASHER,SPRING	1				0	0
080	02118-50100	NUT	1				0.005	0.011
090	67111-53930	ASSY SCREW,SET	1				0.003	0.0066
100	02054-50050	NUT	1				0.002	0.0044
110	67111-53940	SCREW,ADJUSTING	1				0.003	0.0066
120	07715-01603	BALL	1				0.001	0.0022
130	67111-53950	SPRING	1				0.001	0.0022

FLASHER LIGHT/TAIL LIGHT/HEAD LAMP

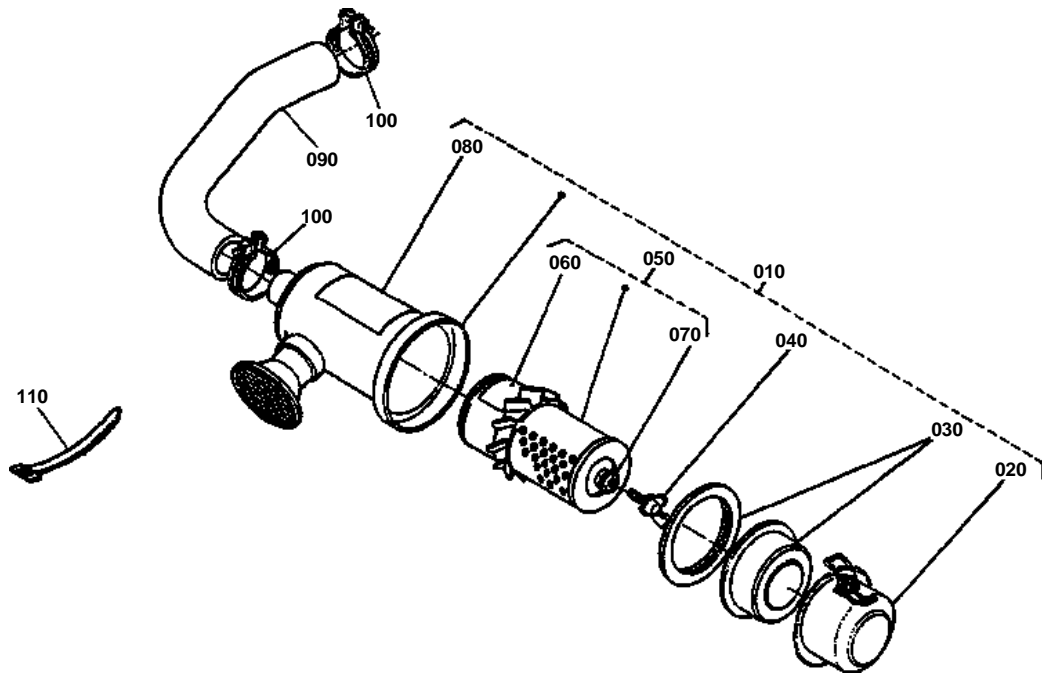


**FLASHER LIGHT/TAIL LIGHT/HEAD LAMP**

↔ Interchangeable; ≠ not interchangeable; ← new for old; → old for new

REF.No	Part No.	Description	Q'ty	S.No.	I/C	REMARKS	Weight (kgf)	Weight (lb)
010	35450-75010	ASSY LIGHT,FLASHER	2			[A],[CA]	0.3	0.66
020	35450-75022	BULB	2			[A],[CA]	0.008	0.0176
030	34350-34100	ASSY LIGHT,TAIL	2			[A],[CA]	0.13	0.286
040	34350-34120	LENS,TAIL LIGHT	2			[A],[CA]	0.05	0.11
050	34350-34140	BULB,TAIL LIGHT	2			[A],[CA]	0.008	0.0176
060	67800-55540	BRACKET,TAIL LIGHT	2			[A],[CA]	0.11	0.242
070	67800-55530	CUSHION	2			[A],[CA]	0.015	0.033
080	04512-50060	WASHER,SPRING	4				0	0
090	02014-50060	NUT	4				0.003	0.0066
160	67211-55700	ASSY LIGHT,HEAD	2				0.2	0.44
170	67111-55780	SOCKET,HEAD LIGHT	2				0.03	0.066
180	67211-55790	BULB,HEAD LIGHT	2				0.02	0.044
190	67401-54250	GASKET	2				0.01	0.022

AIR CLEANER



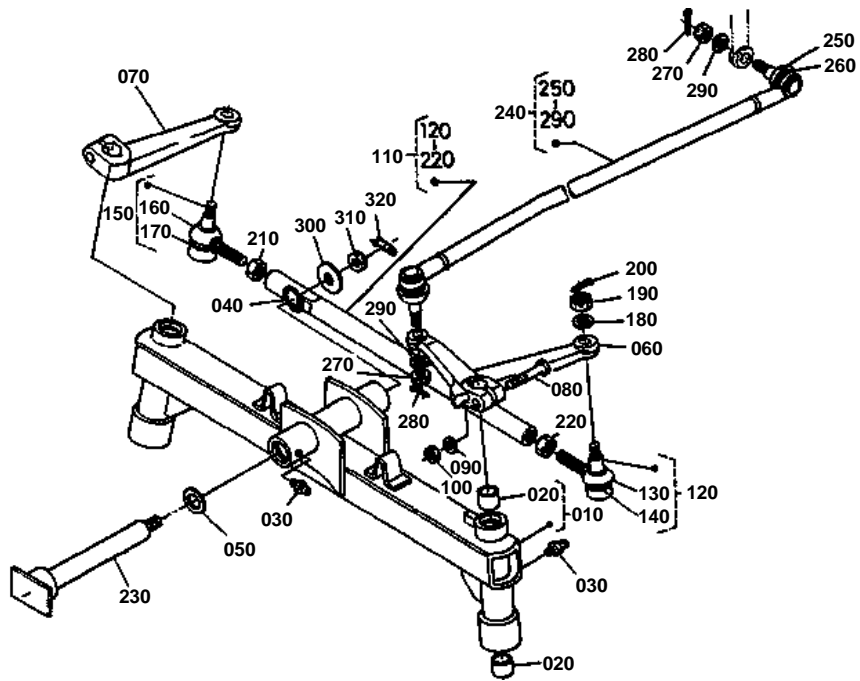


AIR CLEANER

↔ Interchangeable; ≠ not interchangeable; ← new for old; → old for new

REF.No	Part No.	Description	Q'ty	S.No.	I/C	REMARKS	Weight (kgf)	Weight (lb)
010	15751-11010	ASSY CLEANER,AIR	1				1.4	3.08
020	15221-11160	COVER,AIR CLEANER	1				0.2	0.44
030	15221-11410	COVER,BAFFLE	1				0.104	0.2288
040	15221-92620	BOLT,WING	1				0.04	0.088
050	67800-58300	ASSY ELEMENT,CLEANER	1				0.32	0.704
060	15227-87480	LABEL,ELEMENT A/C	1				0.004	0.0088
070	15221-94430	WASHER,WITH RUBBER	1				0.004	0.0088
080	15372-87452	LABEL,AIR CLEANER	1				0.001	0.0022
090	15531-11120	PIPE,INLET	1				0.6	1.32
100	15221-11720	BAND,PIPE	2				0.03	0.066
110	36200-77650	BAND,CORD	1				0.002	0.0044

FRONT AXLE



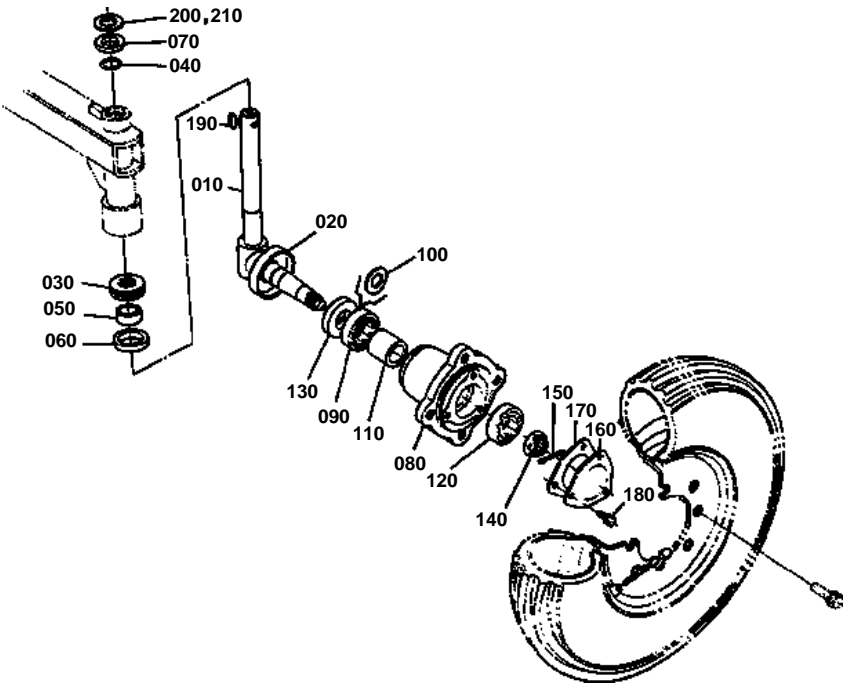


FRONT AXLE

↔ Interchangeable; ≠ not interchangeable; ← new for old; → old for new

REF.No	Part No.	Description	Q'ty	S.No.	I/C	REMARKS	Weight (kgf)	Weight (lb)
010	66721-56114	FRAME,FRONT AXLE	1				8.5	18.7
020	66581-56130	BUSH	4				0.019	0.0418
030	06613-10675	NIPPLE,GREASE	3				0.003	0.0066
040	04811-00200	RING	1				0.001	0.0022
050	09230-20264	SEAL,OIL	1				0.002	0.0044
060	67491-56510	ARM,KNUCKLE LH	1				1.21	2.662
070	67491-56520	ARM,KNUCKLE RH	1				0.81	1.782
080	01173-51055	BOLT	2				0.036	0.0792
090	04512-50100	WASHER,SPRING	4				0	0
100	02118-50100	NUT	2				0.005	0.011
110	67491-56500	ASSY ROD,TIE	1				1.08	2.376
120	67121-56520	END,TIE ROD LH	1				0.24	0.528
130	67121-56560	COVER,DUST	1				0.008	0.0176
140	67121-56570	CLIP	1				0.003	0.0066
150	67121-56530	END,TIE ROD RH	1				0.23	0.506
160	67121-56560	COVER,DUST	1				0.008	0.0176
170	67121-56570	CLIP	1				0.003	0.0066
180	04512-50100	WASHER,SPRING	2				0	0
190	66591-56780	NUT	2				0.01	0.022
200	05511-52520	PIN,SPLIT	2				0.001	0.0022
210	02172-50120	NUT	1				0.01	0.022
220	67121-56540	NUT	1				0.007	0.0154
230	66904-56110	PIN,CENTER	1				0.57	1.254
240	67401-56900	COMP.LINK,DRAG	1				2.3	5.06
250	67121-56560	COVER,DUST	2				0.008	0.0176
260	67121-56570	CLIP	2				0.003	0.0066
270	66591-56780	NUT	2				0.01	0.022
280	05511-52528	PIN,SPLIT	2				0.001	0.0022
290	04512-50100	WASHER,SPRING	2				0	0
300	04011-50180	WASHER,PLAIN	1				0.012	0.0264
310	02372-50180	NUT	1				0.019	0.0418
320	66611-57150	SPRING,SET	1				0.02	0.044

FRONT WHEEL HUB



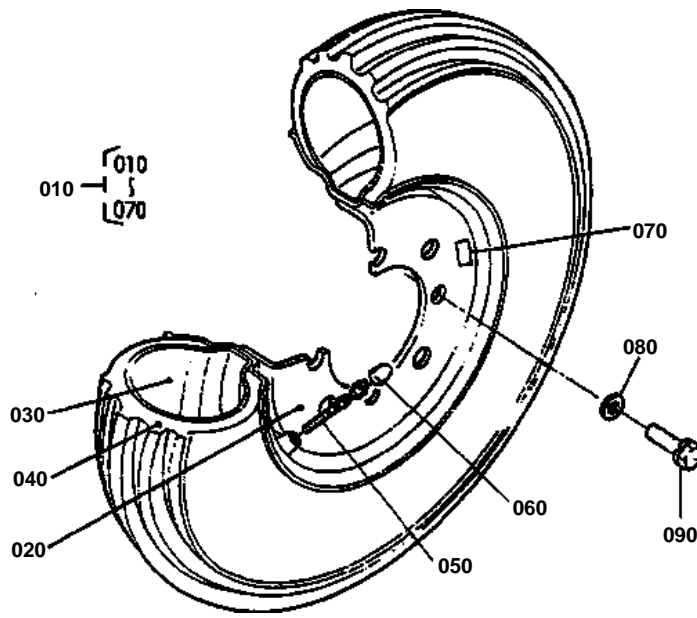


FRONT WHEEL HUB

↔ Interchangeable; ≠ not interchangeable; ← new for old; → old for new

REF.No	Part No.	Description	Q'ty	S.No.	I/C	REMARKS	Weight (kgf)	Weight (lb)
010	66681-56210	KINGPIN	2				1.32	2.904
020	34150-11480	COVER,DUST	2				0.055	0.121
030	08400-00010	BEARING,THRUST BALL	2				0.046	0.1012
040	04811-00200	RING	2				0.001	0.0022
050	66581-56180	COLLAR	2				0.021	0.0462
060	09160-28408	SEAL,OIL	2				0.01	0.022
070	66681-56220	COLLAR	2				0.026	0.0572
080	66681-56310	HUB,FRONT WHEEL	2				1.5	3.3
090	08101-06205	BEARING,BALL	2				0.14	0.308
100	34150-11440	WASHER	2				0.004	0.0088
110	34150-11420	COLLAR	2				0.125	0.275
120	08101-06204	BEARING,BALL	2				0.102	0.2244
130	34150-11150	SEAL,OIL	2				0.05	0.11
140	02372-50200	NUT	2				0.024	0.0528
150	05511-50435	PIN,SPLIT	2				0.004	0.0088
160	32130-11350	CAP,FRONTWHEEL	2				0.22	0.484
170	32130-11360	GASKET	2				0	0
180	01123-50814	BOLT	6				0	0
190	05712-00730	KEY,FEATHER	2				0.011	0.0242
200	63633-11860	SHIM,A	2				0.003	0.0066
210	63633-11870	SHIM,B	2				0.001	0.0022

FRONT WHEEL (5.00-10)

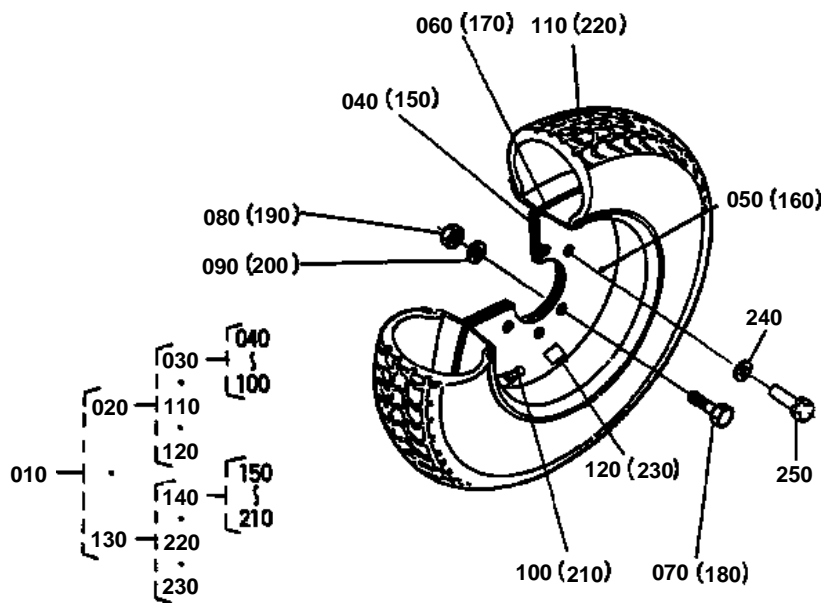


**FRONT WHEEL (5.00-10)**

↔ Interchangeable; ≠ not interchangeable; ← new for old; → old for new

REF.No	Part No.	Description	Q'ty	S.No.	I/C	REMARKS	Weight (kgf)	Weight (lb)
010	96015-11010	ASSY TIRE	2				10	22
020	96015-11140	WHEEL	2				3.5	7.7
030	96015-11120	TUBE	2				0.67	1.474
040	96015-11130	TIRE	2				4.9	10.78
050	32150-27740	CORE,VALVE	2				0.003	0.0066
060	38240-11690	CAP,VALVE	2				0.001	0.0022
070	96015-11150	LABEL	2	>=20001			0	0
080	04013-50120	WASHER,PLAIN	8				0	0
090	01123-51225	BOLT	8				0.04	0.088

FRONT WHEEL (18 X 9.50-8)

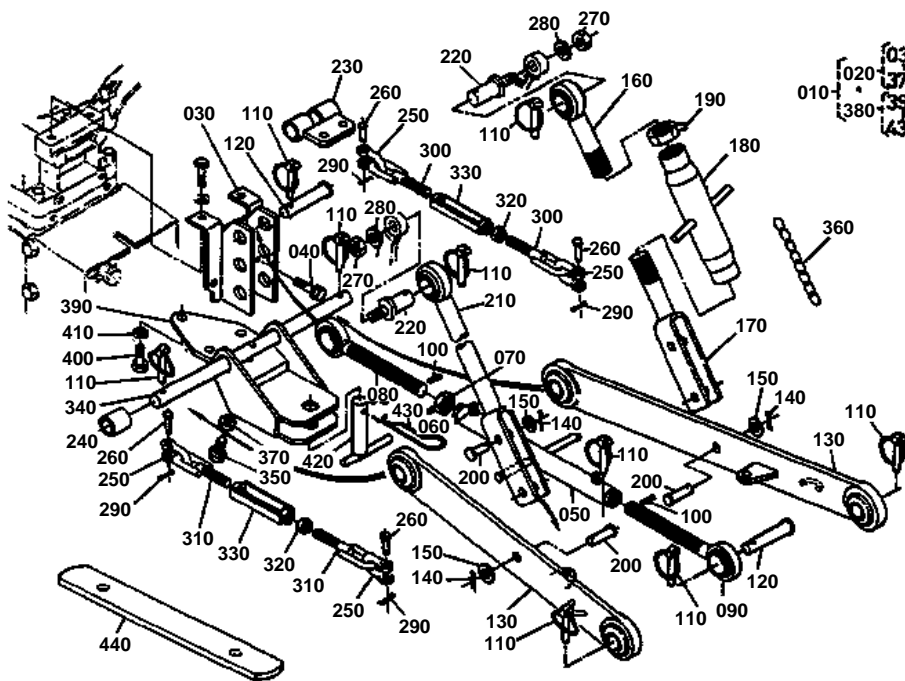


**FRONT WHEEL (18 X 9.50-8)**

↔ Interchangeable; ≠ not interchangeable; ← new for old; → old for new

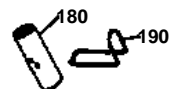
REF.No	Part No.	Description	Q'ty	S.No.	I/C	REMARKS	Weight (kgf)	Weight (lb)
010	96018-40510	ASSY WHEEL	1				18.6	40.92
020	96018-45010	ASSY WHEEL,LH	1				0	0
030	96018-45110	WHEEL	1				3.4	7.48
040	96018-45140	RIM	1				1.22	2.684
050	96018-45150	RIM	1				1.9	4.18
060	96018-45160	GASKET	1				0.02	0.044
070	01153-50820	BOLT	6				0.012	0.0264
080	02114-50080	NUT	6				0.005	0.011
090	04512-50080	WASHER,SPRING	6				0	0
100	34159-11850	VALVE,TIRE	1				0.013	0.0286
110	96018-45130	TIRE	1				6.2	13.64
120	96018-45170	LABEL,TIRE LH	1	>=20001			0	0
130	96018-45100	ASSY WHEEL,RH	1				9.5	20.9
140	96018-45110	WHEEL	1				3.4	7.48
150	96018-45140	RIM	1				1.22	2.684
160	96018-45150	RIM	1				1.9	4.18
170	96018-45160	GASKET	1				0.02	0.044
180	01153-50820	BOLT	6				0.012	0.0264
190	02114-50080	NUT	6				0.005	0.011
200	04512-50080	WASHER,SPRING	6				0	0
210	34159-11850	VALVE,TIRE	1				0.013	0.0286
220	96018-45130	TIRE	1				6.2	13.64
230	96018-45180	LABEL,TIRE RH	1	>=20001			0	0
240	04013-50120	WASHER,PLAIN	8				0	0
250	01123-51225	BOLT	8				0.04	0.088

3-POINT LINKAGE



REF.No.180 66706-6525-0
 REF.No.190 66706-6526-0

030
 020
 010
 370
 390
 380
 430



REF.No.450 66713-3434-0

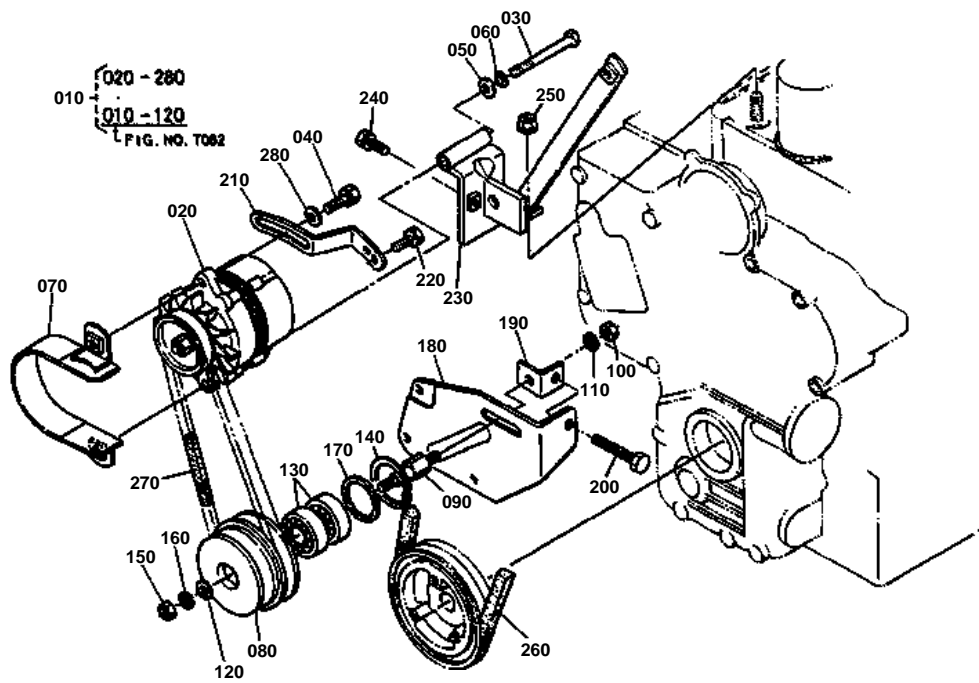




3-POINT LINKAGE

↔ Interchangeable; ≠ not interchangeable; ← new for old; → old for new

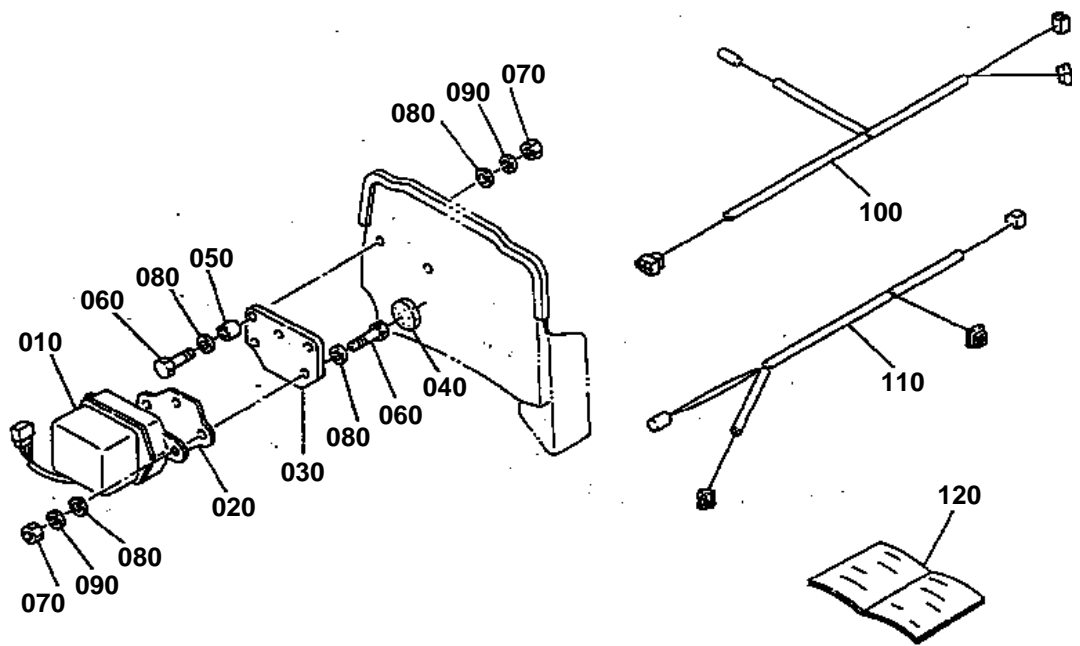
REF.No	Part No.	Description	Q'ty	S.No.	I/C	REMARKS	Weight (kgf)	Weight (lb)
010	66204-65100	ASSY 3-POINT LINKAGE	1	≤10578			28	61.6
010	67401-65100	ASSY 3-POINT LINKAGE	1	≥10579	←		26	57.2
020	66204-65200	ASSY ROD	1	≤10578			22	48.4
020	67401-65200	ASSY ROD	1	≥10579	←		23.7	52.14
030	96316-06110	BRACKET,TOP LINK	1				1.22	2.684
040	01123-51230	BOLT	2				0.04	0.088
050	66706-65332	LINK,TOP	1				1	2.2
060	67211-42940	NIPPLE,GREASE	2				0.001	0.0022
070	66706-65340	NUT,TOP LINK	1				0.05	0.11
080	66706-65352	JOINT,TOP LINK LH	1				0.73	1.606
090	66706-65362	JOINT,TOP LINK RH	1				0.77	1.694
100	05411-00422	PIN,SPRING	2				0.001	0.0022
110	34150-37640	PIN	7	≤10578			0.06	0.132
110	34150-37640	PIN	9	≥10579	≠		0.06	0.132
120	31150-71360	PIN,JOINT	2				0.166	0.3652
130	66706-65212	COMP.LINK,LOWER	2	≤10578			0	0
130	67401-65210	COMP.LINK,LOWER	2	≥10579	≠		0	0
140	05511-50425	PIN,SPLIT	3				0.003	0.0066
150	04013-50120	WASHER,PLAIN	3				0	0
160	66706-65232	ROD,LIFT RH	1	≤10578			0.315	0.693
160	67401-65230	ROD,LIFT UPPER RH	1	≥10579	≠		0.53	1.166
170	66706-65240	ROD,LIFT LOWER LH	1	≤10578			0.5	1.1
170	67401-65240	ROD,LIFT LOWER LH	1	≥10579	≠		0.5	1.1
180	66706-65250	NUT	1	≤10578			0	0
180	67401-65250	ROD,LIFT MIDDLE	1	≥10579	≠		0.44	0.968
190	66706-65260	SPRING	1	≤10578			0.041	0.0902
190	02172-50180	NUT	1	≥10579	≠		0.021	0.0462
200	05122-51240	PIN,JOINT	3				0.039	0.0858
210	66706-65272	ROD,LIFT LH	1	≤10578			0.9	1.98
210	67401-65270	ROD,LIFT LH	1	≥10579	≠		1.34	2.948
220	66706-65280	PIN,LIFT	2	≤10578			0.082	0.1804
220	96316-18250	PIN,LINK	2	≥10579	≠		0	0
230	66204-65290	BRACKET,CHECK CHAIN	1	≤10578			0	0
230	67401-65290	BRACKET,CHECK CHAIN	1	≥10579	←		0.63	1.386
240	66204-65350	SPACER	2				0.12	0.264
250	66706-65370	JOINT,CHAIN	4	≤10578			0.07	0.154
250	67401-65370	JOINT,CHAIN	4	≥10579	←		0.1	0.22
260	66706-65380	PIN,SET	4				0.021	0.0462
270	02174-50120	NUT	2				0.01	0.022
280	04512-50120	WASHER,SPRING	2				0	0
290	05511-50318	PIN,SPLIT	4				0.001	0.0022
300	66706-65310	BOLT,TURNBUCKLE RH	2				0.153	0.3366
310	66706-65320	BOLT,TURNBUCKLE LH	2				0.153	0.3366
320	02112-50120	NUT	2				0.007	0.0154
330	96316-05580	TURNBUCKLE	2				0.14	0.308
340	66704-86110	PIN,LOWER LINK	1				1.19	2.618
350	66204-65120	BOLT	1				0.055	0.121
360	66616-34550	CHAIN	1				0.66	1.452
370	02174-50140	NUT	1				0.014	0.0308
380	66204-65500	ASSY HITCH	1				0	0
390	66204-65600	COMP.HITCH	1				0	0
400	01153-51235	BOLT	3				0.039	0.0858
410	04512-50120	WASHER,SPRING	3				0	0
420	66204-65610	PIN,HITCH	1				0	0
430	31150-29730	PIN,SPRING	1				0.044	0.0968
450	66713-34340	PIN	2	≤10578			0.013	0.0286



**DYNAMO 1 [OPTION]**

↔ Interchangeable; ≠ not interchangeable; ← new for old; → old for new

REF.No	Part No.	Description	Q'ty	S.No.	I/C	REMARKS	Weight (kgf)	Weight (lb)
010	67501-82500	KIT DYNAMO	1				0.03	0.066
020	15253-64010	ASSY DYNAMO	1			REFER TO L.No.0H11-L0 FOR COMPONENTS.	3.2	7.04
030	15521-91030	BOLT	1				0	0
040	01123-50835	BOLT	1				0.02	0.044
050	04013-50080	WASHER,PLAIN	1				0	0
060	04512-50080	WASHER,SPRING	1				0	0
070	66704-82640	COVER,DYNAMO	1				0.17	0.374
080	67820-64113	PULLEY,TENSION	1				0.58	1.276
090	67820-64125	SHAFT, TENSION-PULLEY	1				0.109	0.2398
100	02118-50100	NUT	1				0.005	0.011
110	04512-50100	WASHER,SPRING	1				0	0
120	04013-50100	WASHER,PLAIN	1				0	0
130	14301-72460	BEARING,BALL	2				0.058	0.1276
140	04611-00370	CIR-CLIP,INTERNAL	1				0.004	0.0088
150	02118-50100	NUT	1				0.005	0.011
160	04512-50100	WASHER,SPRING	1				0	0
170	67820-64230	COLLAR	1				0.008	0.0176
180	67820-64133	STAY,PULLEY	1				0	0
190	67820-64140	RETAINER,SPRING 1	1				0.07	0.154
200	67820-64150	BOLT,ADJUSTING	1				0.035	0.077
210	67820-64170	STAY,DYNAMO	1				0.14	0.308
220	01123-50820	BOLT	1				0.011	0.0242
230	67820-64180	SUPPORT,DYNAMO	1				0	0
240	01123-50818	BOLT	2				0.012	0.0264
250	19215-03512	NUT,HEAD	1				0.009	0.0198
260	67820-64190	BELT,V	1				0.1	0.22
270	67820-64210	BELT,V	1				0.05	0.11
280	04015-50080	WASHER,PLAIN	1				0	0

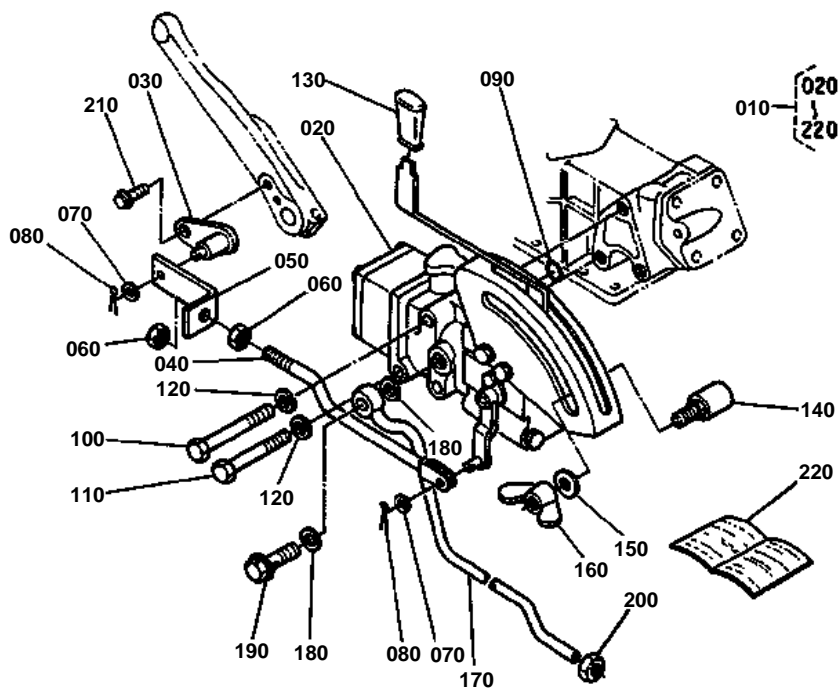


**DYNAMO 2 [OPTION]**

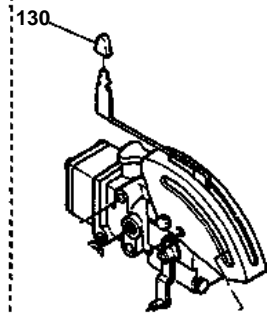
↔ Interchangeable; ≠ not interchangeable; ← new for old; → old for new

REF.No	Part No.	Description	Q'ty	S.No.	I/C	REMARKS	Weight (kgf)	Weight (lb)
010	33251-74010	ASSY REGULATOR	1				0.35	0.77
020	37300-33420	COVER,REGULATOR	1				0.07	0.154
030	37300-33430	CUSHION	1				0.1	0.22
040	37300-33440	CUSHION	3				0.001	0.0022
050	37300-33450	COLLAR	2				0.005	0.011
060	01053-50622	BOLT	5				0.007	0.0154
070	02014-50060	NUT	5				0.003	0.0066
080	04015-50060	WASHER,PLAIN	10				0	0
090	04512-50060	WASHER,SPRING	5				0	0
100	67820-55150	HARNESS,ALTERNATOR	1				0	0
110	67820-55160	HARNESS,ALTERNATOR	1				0.108	0.2376
120	67501-82530	MANUAL	1				0.03	0.066

POSITION CONTROL VALVE [OPTION]



REF.No.130 66611-4324-0



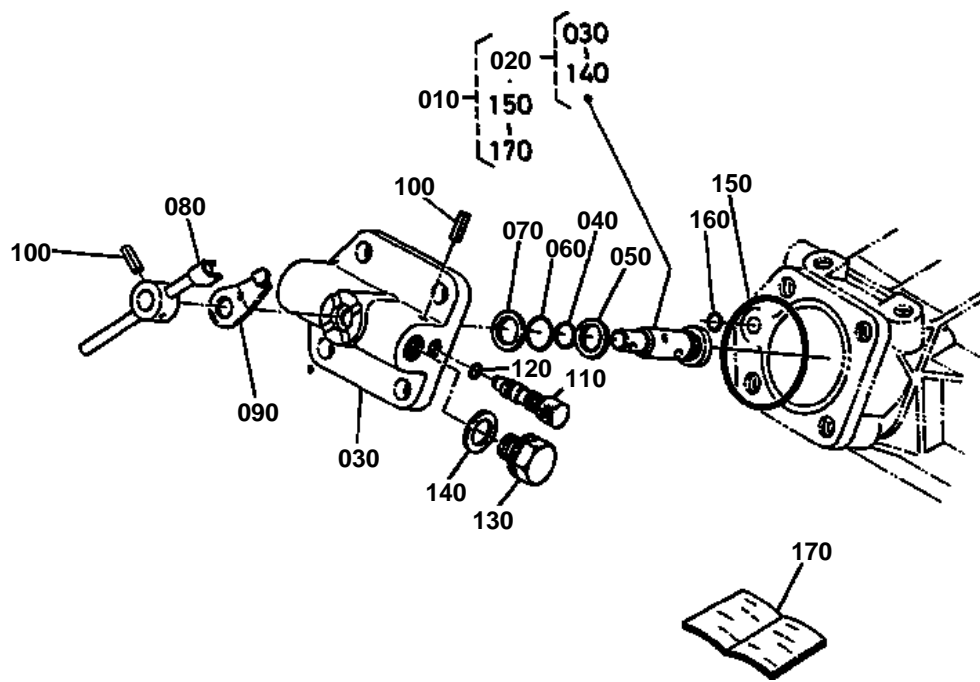


POSITION CONTROL VALVE [OPTION]

↔ Interchangeable; ≠ not interchangeable; ← new for old; → old for new

REF.No	Part No.	Description	Q'ty	S.No.	I/C	REMARKS	Weight (kgf)	Weight (lb)
010	67491-83600	KIT VALVE, CONTROL	1				0	0
020	67401-36200	ASSY VALVE, CONTROL	1			REFER TO L.No.0H08-L0 FOR COMPONENTS.	5	11
030	67401-36220	METAL,FEED BACK	1				0.11	0.242
040	67401-36230	ROD,FEED BACK	1				0.07	0.154
050	67401-36240	ROD,FEED BACK	1				0.025	0.055
060	02112-50080	NUT	2				0.003	0.0066
070	04012-50080	WASHER,PLAIN	2				0.001	0.0022
080	05511-50218	PIN,SPLIT	2				0.001	0.0022
090	04811-00120	RING	2				0.001	0.0022
100	01153-50890	BOLT	2				0.033	0.0726
110	01153-50800	BOLT	1				0.036	0.0792
120	04512-50080	WASHER,SPRING	3				0	0
130	66611-43240	GRIP,LEVER	1	<=20000			0.018	0.0396
130	34350-36890	GRIP,LEVER	1	>=20001	≠		0.016	0.0352
140	67401-36260	STOPPER,LEVER	2				0.06	0.132
150	04013-50100	WASHER,PLAIN	2				0	0
160	02870-50100	NUT,WING	2				0.015	0.033
170	67401-36130	PIPE,DELIVERY	1				2.39	5.258
180	67111-37180	GASKET	2				0.003	0.0066
190	54203-36150	JOINT	1				0.079	0.1738
200	67491-83610	ASSY NUT,CAP	1				0.03	0.066
210	01123-50822	BOLT	2				0.012	0.0264
220	67491-83620	MANUAL, CONSTRUCTION	1				0.001	0.0022

HYDRAULIC OUTLET [OPTION]



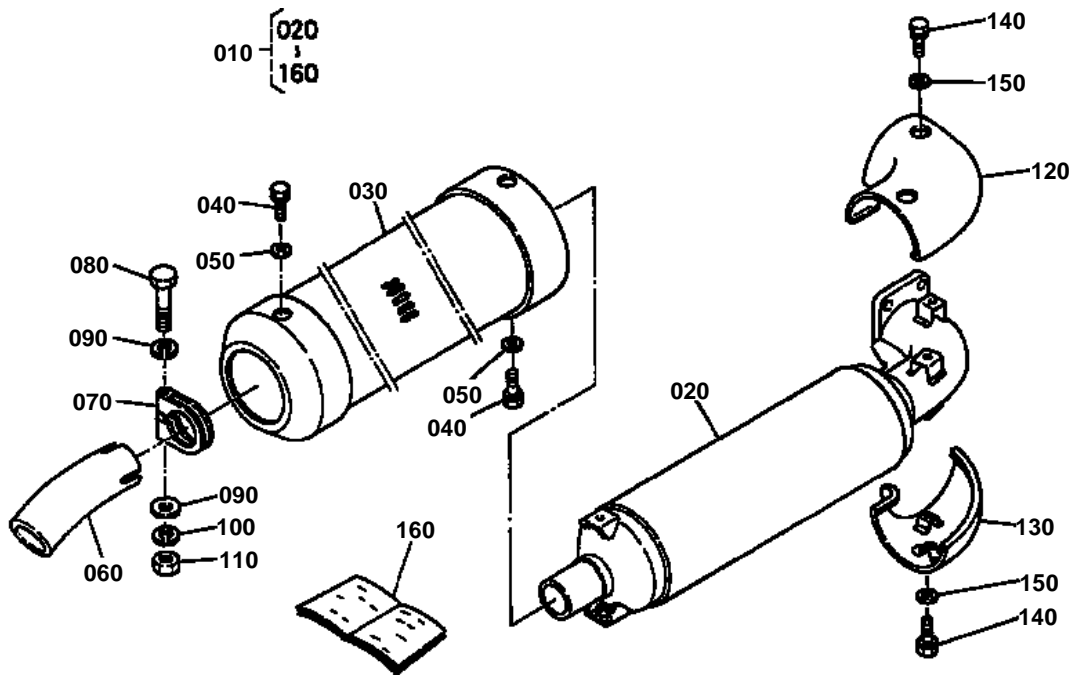


HYDRAULIC OUTLET [OPTION]

↔ Interchangeable; ≠ not interchangeable; ← new for old; → old for new

REF.No	Part No.	Description	Q'ty	S.No.	I/C	REMARKS	Weight (kgf)	Weight (lb)
010	67401-83600	KIT OUTLET,HYD.REAR	1				1.48	3.256
020	67911-36404	ASSY OUTLET,HYD.	1				1.5	3.3
030	67911-36415	CAP,CYLINDER	1				1.2	2.64
040	04811-00120	RING	1				0.001	0.0022
050	96319-01430	WASHER,THRUST	1				0.002	0.0044
060	04811-00160	RING	1				0.001	0.0022
070	67911-36430	RING,BACK UP	1				0.001	0.0022
080	67911-36440	ARM,CHANGE	1				0.07	0.154
090	96319-01440	SPRING	1				0.002	0.0044
100	05411-00522	PIN,SPRING	2				0.002	0.0044
110	67911-36480	POPPET,LOCK	1				0.03	0.066
120	04811-00070	RING	1				0.001	0.0022
130	06311-25030	PLUG	1				0.051	0.1122
140	04714-00300	GASKET	1				0.002	0.0044
150	04810-50550	RING	1				0.002	0.0044
160	04811-00080	RING	1	<=20110			0.001	0.0022
160	04810-05110	O RING	1	>=20111	≠		0.001	0.0022
170	67401-83610	MANUAL,INSTRUCTION	1				0	0

HORIZON MUFFLER [OPTION]



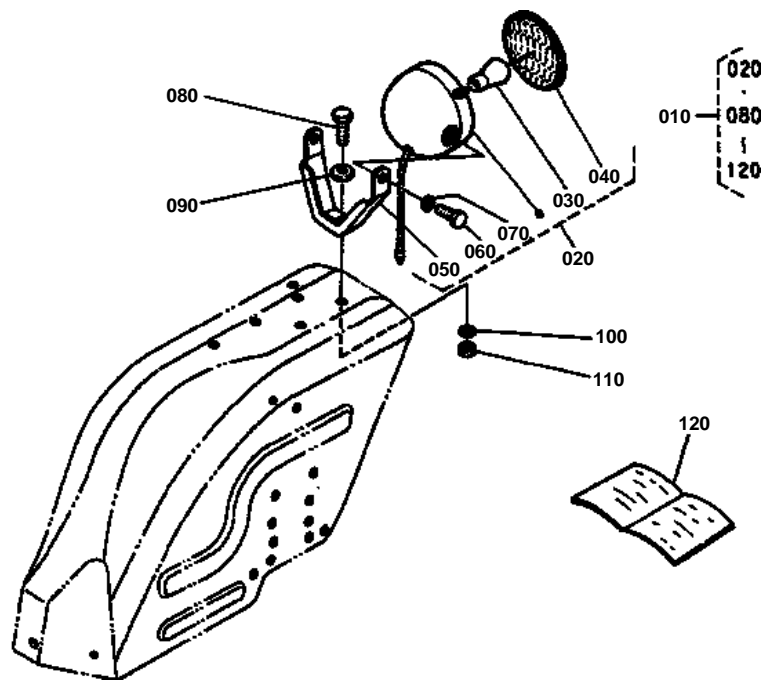


HORIZON MUFFLER [OPTION]

↔ Interchangeable; ≠ not interchangeable; ← new for old; → old for new

REF.No	Part No.	Description	Q'ty	S.No.	I/C	REMARKS	Weight (kgf)	Weight (lb)
010	67401-85400	ASSY MUFFLER,UNDER	1				0	0
020	15541-12110	MUFFLER	1				3	6.6
030	67211-54520	COVER,MUFFLER	1				0.69	1.518
040	01202-50612	BOLT	4				0.005	0.011
050	04013-50060	WASHER,PLAIN	4				0	0
060	66711-54410	PIPE,MUFFLER	1				0.137	0.3014
070	66711-54420	BAND,PIPE	1				0.038	0.0836
080	01153-50865	BOLT	1				0.025	0.055
090	04013-50080	WASHER,PLAIN	2				0	0
100	04512-50080	WASHER,SPRING	1				0	0
110	02114-50080	NUT	1				0.005	0.011
120	67111-53430	COVER,MUFFLER FLANGE	1				0.2	0.44
130	67111-53440	COVER,MUFFLER FLANGE	1				0.185	0.407
140	01202-50612	BOLT	4				0.005	0.011
150	04013-50060	WASHER,PLAIN	4				0	0
160	67401-85410	MANUAL	1				0	0

WORKING LIGHT [OPTION]

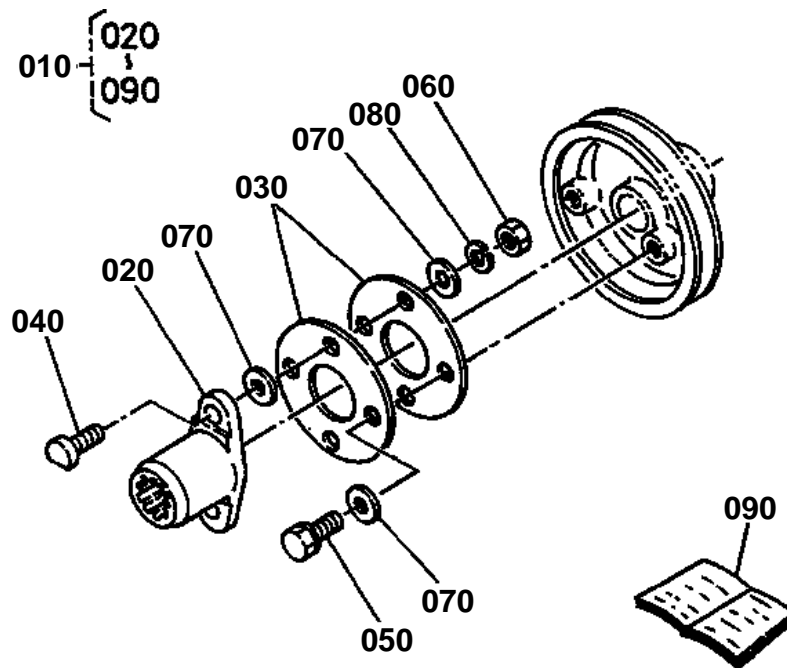


**WORKING LIGHT [OPTION]**

↔ Interchangeable; ≠ not interchangeable; ← new for old; → old for new

REF.No	Part No.	Description	Q'ty	S.No.	I/C	REMARKS	Weight (kgf)	Weight (lb)
010	67401-85500	KIT LIGHT,WORKING	1				0	0
020	35861-75900	ASSY LIGHT,WORKING	1				0.9	1.98
030	68331-53360	BULB,LAMP	1				0.015	0.033
040	68331-53310	LENS,LIGHT	1				0.15	0.33
050	35861-75910	STAY,LAMP HEAD	1				0.25	0.55
060	01153-50820	BOLT	2				0.012	0.0264
070	04512-50080	WASHER,SPRING	2				0	0
080	01153-50818	BOLT	1				0.01	0.022
090	04013-50080	WASHER,PLAIN	1				0	0
100	04512-50080	WASHER,SPRING	1				0	0
110	02114-50080	NUT	1				0.005	0.011
120	67401-85510	MANUAL,INSTRUCTION	1				0.001	0.0022

FLANGE F.PTO [OPTION]

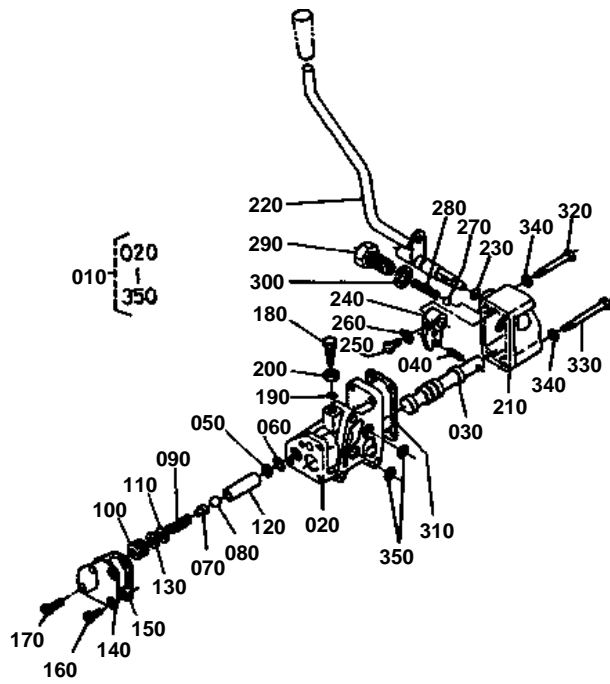


**FLANGE F.PTO [OPTION]**

↔ Interchangeable; ≠ not interchangeable; ← new for old; → old for new

REF.No	Part No.	Description	Q'ty	S.No.	I/C	REMARKS	Weight (kgf)	Weight (lb)
010	67401-88500	ASSY FLANGE,F-PTO	1				0.518	1.1396
020	76521-31550	SHAFT,COUPLING	1				0.35	0.77
030	76521-31510	PLATE,COUPLING	2				0.02	0.044
040	76521-31570	BOLT	2				0.02	0.044
050	01133-51022	BOLT	2				0.025	0.055
060	02118-50100	NUT	2				0.005	0.011
070	04013-50100	WASHER,PLAIN	6				0	0
080	04512-50100	WASHER,SPRING	2				0	0
090	67401-88510	MANUAL	1				0	0

CONTROL VALVE [SECTION PARTS]

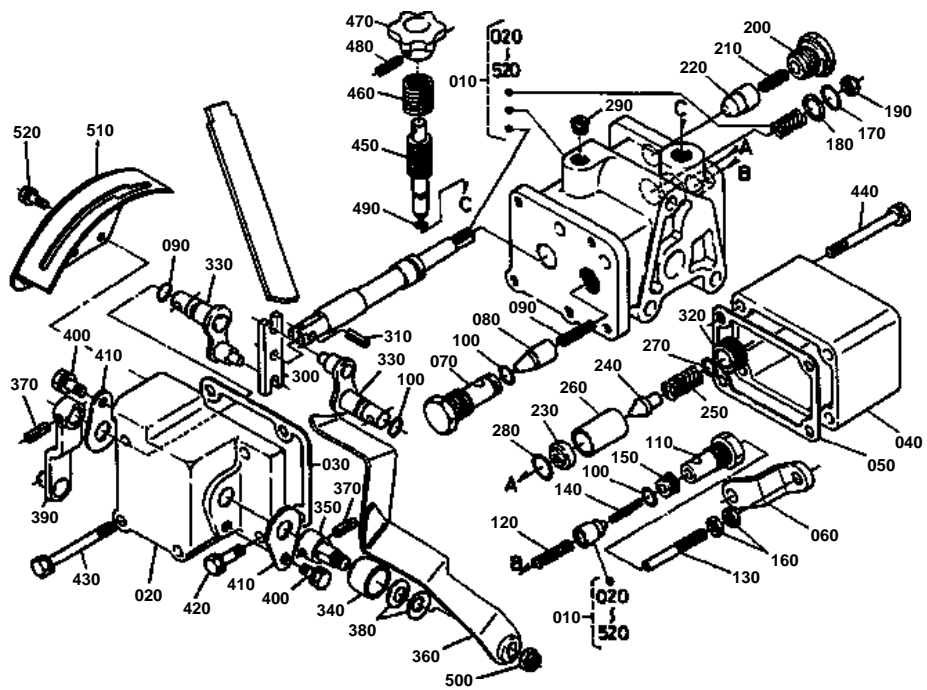


**CONTROL VALVE [SECTION PARTS]**

↔ Interchangeable; ≠ not interchangeable; ← new for old; → old for new

REF.No	Part No.	Description	Q'ty	S.No.	I/C	REMARKS	Weight (kgf)	Weight (lb)
010	67491-36200	ASSY VALVE,CONTROL	1				0	0
020	66611-36280	BODY,VALVE	1				1.59	3.498
030	66611-36290	SPOOL	1				0.172	0.3784
040	05411-00620	PIN,SPRING	1				0.002	0.0044
050	66591-36330	SEAT,VALVE	1				0.008	0.0176
060	04811-15120	RING	1				0.001	0.0022
070	66611-36222	STOPPER,SPRING	1				0.008	0.0176
080	07715-03211	BALL	1				0.003	0.0066
090	66591-36350	SPRING	1				0.01	0.022
100	66591-36360	SCREW,ADJUSTING	1				0.012	0.0264
110	04012-50060	WASHER,PLAIN	1				0.001	0.0022
120	66591-36370	COLLAR	1				0.016	0.0352
130	66611-36330	SHIM	1				0.001	0.0022
140	66611-36260	COVER,RELIEF	1				0.03	0.066
150	66591-36390	GASKET	1				0	0
160	01202-50618	BOLT	2				0.006	0.0132
170	01202-50622	BOLT	2				0.007	0.0154
180	66591-36413	BOLT,ADJUSTING	1				0.028	0.0616
190	04811-10040	RING	1				0.001	0.0022
200	02112-50100	NUT	1				0.004	0.0088
210	66591-36430	COVER,VALVE	1				0.18	0.396
220	67491-36250	LEVER,CONTROL	1				0.42	0.924
230	04811-00100	RING	1				0.001	0.0022
240	66591-36450	ARM,VALVE GUIDE	1				0.05	0.11
250	66591-36480	BOLT	1				0.004	0.0088
260	04111-50060	WASHER	1				0.001	0.0022
270	07715-00803	BALL	1				0.004	0.0088
280	62061-18270	SPRING,STOPPER	1				0.003	0.0066
290	66591-36460	BOLT	1				0.054	0.1188
300	04714-00300	GASKET	1				0.002	0.0044
310	66591-36470	GASKET	1				0	0
320	01053-50650	BOLT	2				0.011	0.0242
330	01053-50665	BOLT	2				0.015	0.033
340	04512-50060	WASHER,SPRING	4				0	0
350	04811-00120	RING	2				0.001	0.0022

CONTROL VALVE [SECTION PARTS]



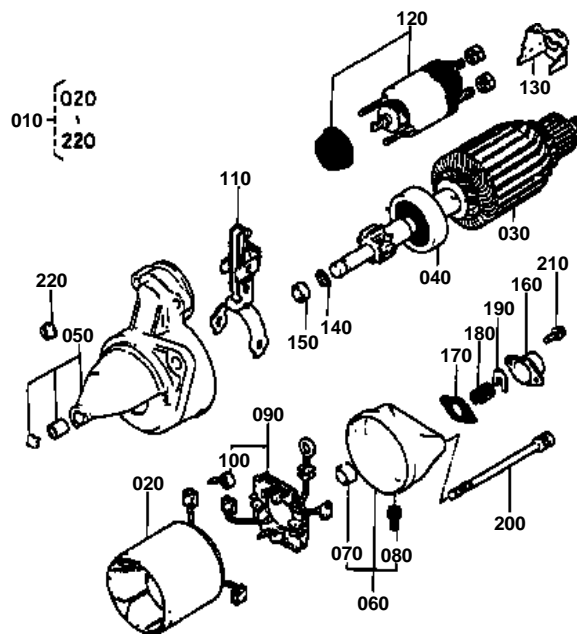


CONTROL VALVE [SECTION PARTS]

↔ Interchangeable; ≠ not interchangeable; ← new for old; → old for new

REF.No	Part No.	Description	Q'ty	S.No.	I/C	REMARKS	Weight (kgf)	Weight (lb)
010	67401-36200	ASSY VALVE,CONTROL	1				5	11
020	67401-03620	COVER,VALVE	1				0.98	2.156
030	67401-03630	GASKET	1				0	0
040	67401-03640	COVER,RELIEF	1				0.226	0.4972
050	67401-03650	GASKET,RELIEF COVER	1				0	0
060	67401-03670	PLATE,JOINT	1				0.044	0.0968
070	67531-38450	PLUG	1				0.05	0.11
080	67531-38430	POPPET	1				0.015	0.033
090	67531-38440	SPRING	1				0.001	0.0022
100	04810-00090	RING	4				0.001	0.0022
110	67401-03680	PLUG	1				0.03	0.066
120	31351-39230	SPRING	1				0.008	0.0176
130	67531-38350	RETAINER,ROD	1				0.01	0.022
140	05411-00328	PIN,SPRING	1				0.001	0.0022
150	31351-39280	VALVE SEAT,CHECK	1				0.01	0.022
160	02014-50060	NUT	2				0.003	0.0066
170	67401-03690	RING	1				0.001	0.0022
180	67401-03710	HOLDER,SPRING	1				0.001	0.0022
190	67531-38310	U-NUT	1				0.004	0.0088
200	31351-39150	POPPET	1				0.02	0.044
210	67531-38470	SPRING	1				0.001	0.0022
220	31351-39140	PLUG	1				0.05	0.11
230	67111-37320	SEAT,VALVE	1				0.01	0.022
240	67111-37330	POPPET	1				0.008	0.0176
250	67111-37370	SPRING,RELIEF	1				0.01	0.022
260	67111-37340	COLLAR	1				0.021	0.0462
270	67111-37530	SHIM,ADJUSTING	1				0.001	0.0022
270	67111-37580	SHIM,ADJUSTING	1				0.001	0.0022
280	04811-00120	RING	1				0.001	0.0022
290	67810-38382	PLUG	2				0.003	0.0066
300	67401-03720	LEVER,SPOOL DRIVE	1				0.02	0.044
310	05411-00616	PIN,SPRING	1				0.002	0.0044
320	67111-37350	SCREW,ADJUSTING	1				0.02	0.044
330	67401-03730	SHAFT,CONTROL LEVER	2				0.05	0.11
340	67401-03740	COLLAR	1				0.02	0.044
350	67401-03750	SHAFT,CONTROL ARM	1				0.02	0.044
360	67401-03760	LEVER,CONTROL	1	<=20000			0	0
360	67401-03762	LEVER,CONTROL	1	>=20001	≠		0.35	0.77
370	05411-00515	PIN,SPRING	2				0	0
380	67531-38630	WASHER,SPRING	2				0.002	0.0044
390	67401-03770	ARM,FEED BACK	1				0.05	0.11
400	01202-50610	BOLT	2				0.004	0.0088
410	67401-38610	STOPPER	2				0.005	0.011
420	01202-50620	BOLT	2				0.007	0.0154
430	01202-50655	BOLT	3				0	0
440	01202-50660	BOLT	4				0	0
450	67401-03780	BOLT,ADJUSTING	1				0.04	0.088
460	67401-03790	SPRING,SET	1				0.003	0.0066
470	34150-37230	GRIP	1				0.04	0.088
480	05411-00418	PIN,SPRING	1				0.001	0.0022
490	04811-00060	RING	1				0.001	0.0022
500	67401-03810	U-NUT	1				0.002	0.0044
510	67401-36250	GUIDE,LEVER	1	<=20000			0	0
510	67401-36253	GUIDE,LEVER	1	>=20001	≠		0.2	0.44
520	01123-50816	BOLT	2				0.011	0.0242

STARTER [SECTION PARTS]



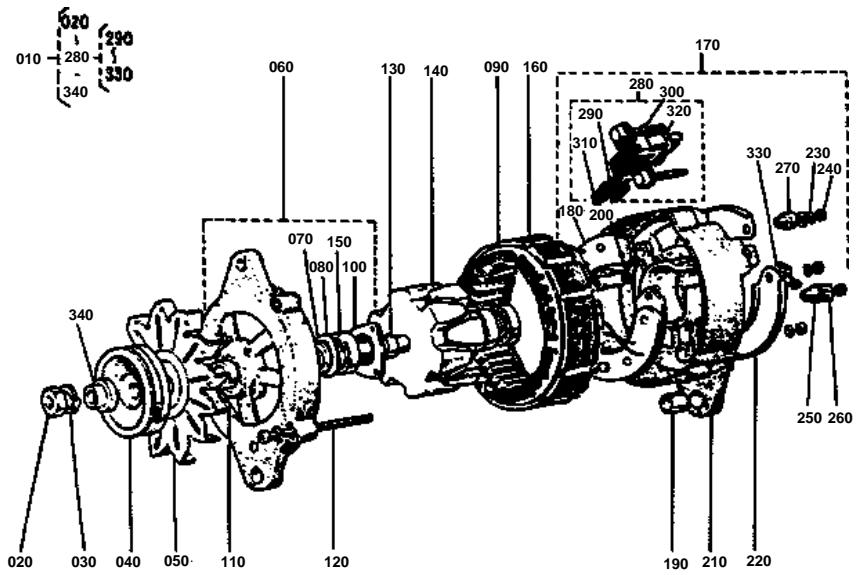


STARTER [SECTION PARTS]

↔ Interchangeable; ≠ not interchangeable; ← new for old; → old for new

REF.No	Part No.	Description	Q'ty	S.No.	I/C	REMARKS	Weight (kgf)	Weight (lb)
010	15231-63010	ASSY STARTER	1				0	0
020	14278-63080	YOKE	1				1.42	3.124
030	14278-63070	ARMATURE	1				1.25	2.75
040	14278-63040	CLUTCH,OVER RUNNING	1				0.32	0.704
050	15231-63032	ASSY HOUSING	1				0.39	0.858
060	14278-63200	ASSY FRAME,END	1				0.2	0.44
070	14278-63250	BUSH	1				0.002	0.0044
080	14601-63570	PIPE,BREATHER	1				0.002	0.0044
090	14278-63380	ASSY HOLDER,BRUSH	1				0.06	0.132
100	14278-63390	SPRING,BRUSH	4				0.003	0.0066
110	14278-63050	LEVER,DRIVE	1				0.06	0.132
120	15231-63022	SWITCH,MAGNETIC	1				0.65	1.43
130	14278-63120	COVER,CORD	1				0.003	0.0066
140	15221-94820	PIN,SNAP	1				0.001	0.0022
150	15321-63250	NUT,PINION STOP	1				0.005	0.011
160	14278-63510	CAP,END FRAME	1				0.015	0.033
170	14278-63520	GASKET	1				0.001	0.0022
180	14278-63190	SPRING,BRAKE	1				0.01	0.022
190	14278-63180	SHOE,BRAKE	1				0.005	0.011
200	14278-63320	BOLT	2				0.02	0.044
210	03024-50414	SCREW	2				0.002	0.0044
220	14278-92010	NUT	2				0.001	0.0022

DYNAMO [SECTION PARTS]



**DYNAMO [SECTION PARTS]**

↔ Interchangeable; ≠ not interchangeable; ← new for old; → old for new

REF.No	Part No.	Description	Q'ty	S.No.	I/C	REMARKS	Weight (kgf)	Weight (lb)
010	15253-64010	ASSY DYNAMO	1				3.2	7.04
020	15221-92010	NUT	1				0.012	0.0264
030	15221-94070	WASHER,SPRING	1				0.008	0.0176
040	15221-64110	PULLEY,DYNAMO	1				0.198	0.4356
050	15221-64130	FAN,DYNAMO	1				0	0
060	15253-64020	FRAME,DRIVE END	1				0.365	0.803
070	15221-64790	FELT,OIL	1				0.001	0.0022
080	15221-64830	COVER,FELT	1				0.003	0.0066
090	08121-06201	BEARING,BALL	1				0.036	0.0792
100	15221-64710	PLATE,RETAINER	1				0.018	0.0396
110	15221-64150	COLLAR	1				0.008	0.0176
120	15321-64260	BOLT	2				0.008	0.0176
130	15321-64170	SPACER	1				0.007	0.0154
140	15253-64030	ARMATURE	1				1.46	3.212
150	08141-06202	BEARING,BALL	1				0.043	0.0946
160	15321-64050	YOKE	1				0.75	1.65
170	15253-64070	ASSY FRAME,END	1				0.55	1.21
180	15321-64850	ASSY RECTIFIER	1				0.134	0.2948
190	15221-64210	BUSH	1				0.007	0.0154
200	15321-64880	WASHER,INSULATION	1				0.001	0.0022
210	15253-64060	FRAME,END	1				0.29	0.638
220	15253-64230	COVER,END	1				0.02	0.044
230	04512-50050	WASHER,SPRING	5				0	0
240	15221-92030	NUT	5				0.001	0.0022
250	15321-64920	BUSH,INSULATION	1				0.001	0.0022
260	04512-50060	WASHER	1				0	0
270	15221-64910	BUSH,INSULATION	1				0.001	0.0022
280	15321-64310	ASSY HOLDER,BRUSH	1				0.039	0.0858
290	15221-64330	SPRING,BRUSH	2				0.001	0.0022
300	15221-64880	WASHER,INSULATION	2				0.001	0.0022
310	15221-64090	BRUSH	2				0.002	0.0044
320	15321-64940	INSULATOR,TERMINAL	1				0.001	0.0022
330	15321-67570	CLAMP,CORD	1				0.04	0.088
340	15321-64170	SPACER	1				0.007	0.0154

IMAGE NOT AVAILABLE



ACCESSORIES AND SERVICE PARTS

↔ Interchangeable; ≠ not interchangeable; ← new for old; → old for new

REF.No	Part No.	Description	Q'ty	S.No.	I/C	REMARKS	Weight (kgf)	Weight (lb)
010	67401-62917	MANUAL,INSTRUCTION	1			[A],[CA]	0.15	0.33
020	10261-95320	INHIBITOR,FUR	1				0.05	0.11
030	15241-86610	WRENCH,FILTER	1				0.133	0.2926
040	67401-62930	ASSY SPACER,CLUTCH	1				0.03	0.066
050	67211-62940	PIECE,DISTANCE	1				0.08	0.176
060	67401-62950	LABEL,CLUTCH SPACER	1				0.002	0.0044
070	67111-55190	RING,FUSIBLE	1				0.005	0.011
080	67800-55750	ASSY FUSE,SPARE	1				0.005	0.011
090	67211-62940	PIECE,DISTANCE	1				0.08	0.176
100	66704-81700	KIT NUT,TAPER	1			REF.No.110	0	0
110	35340-11390	NUT	12				0.03	0.066