

# Instructions for Parts Books

The heading at the top of the page will be the same for the picture of the parts as it is for the page with the part numbers.

Definition of column headings on part number pages:

**REF.No** → The number referring to the part on the picture page of the parts book.

**Part No.** → The number assigned to this part at the time of printing the parts book.

**Description** → Description of part.

**Q'ty** → Quantity of part used on that page.

**S.No.** → Serial number range of the equipment that this part will fit.

>= Your serial number should be greater than or equal to the number shown.

<= Your serial number should be lesser than or equal to the serial number shown.

**I/C** → Interchangeability of part shown.

↔ The part shown will work for the older and later serial number.

# The part shown is not interchangeable with the other serial number.

← new for old

→ old for new

**Remarks** → Notes about this particular part. Sometimes this may say except [FR] or [CA]

## Note about Country Codes:

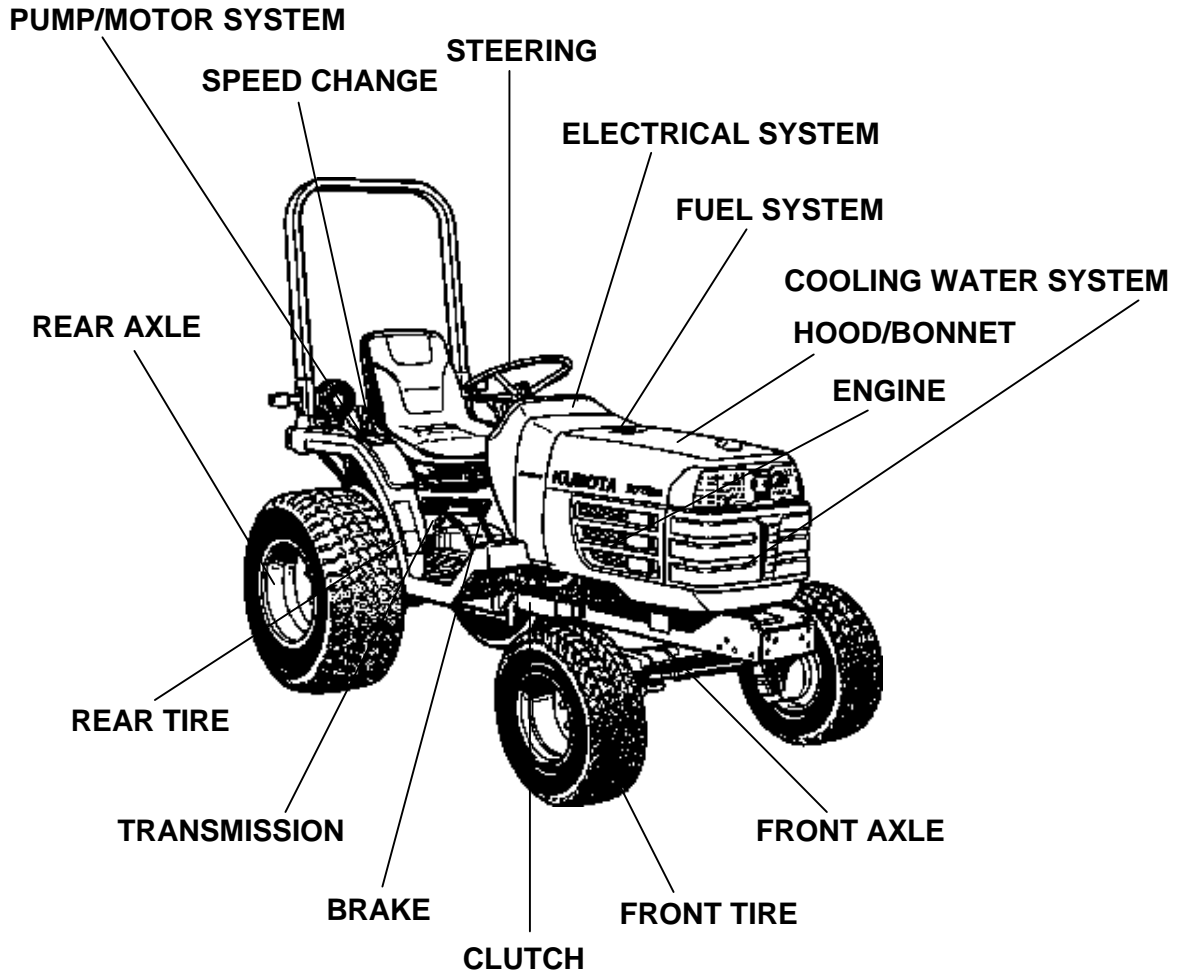
The parts books we use in the United States of America may also contain information about a part that would be different in another country. It is important that you are aware of the country codes in some instances.

| Symbol | Country                  |
|--------|--------------------------|
| A      | United States of America |
| CA     | Canada                   |
| FR     | France                   |
| GR     | Greece                   |
| PO     | Portugal                 |
| AU     | Australia                |

If the remarks column says for example EXCEPT [FR] this part works in all countries except France. That means it will work here in the USA.

ALL PRODUCT INDEX  
B7510D

---



TOP LINK/TOP LINK BRACKET/PTO PROTECTOR

LABELS

ACCESSORIES AND SERVICE PARTS

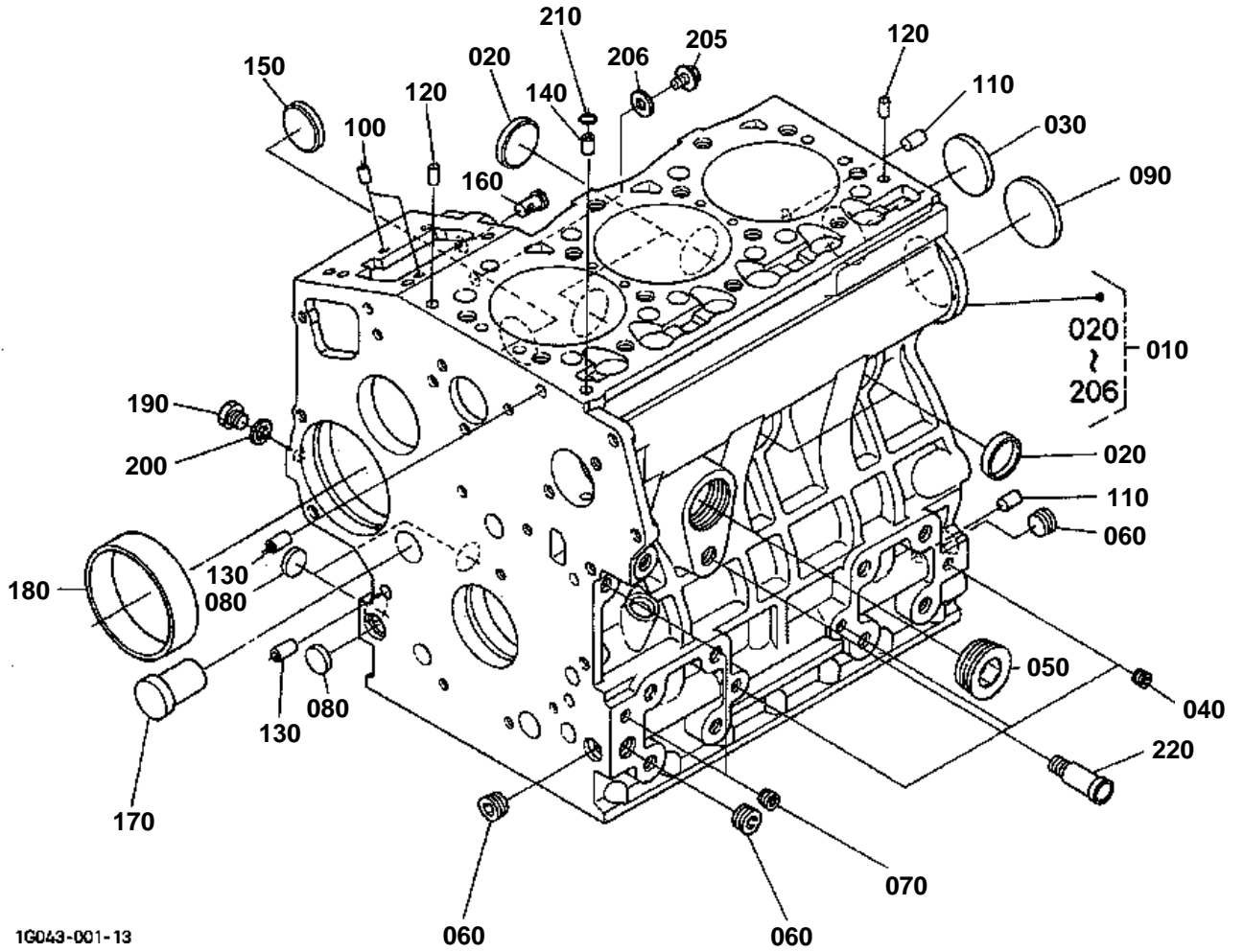
OPTION

| Item                 | Part No.          | Description                         | Book                                |          |
|----------------------|-------------------|-------------------------------------|-------------------------------------|----------|
| ENGINE               | 010001            | CRANKCASE                           | 100K0778                            |          |
|                      | 010002            | OIL PAN                             | 100K0778                            |          |
|                      | 010003            | CYLINDER HEAD                       | 100K0778                            |          |
|                      | 010004            | GEAR CASE                           | 100K0778                            |          |
|                      | 010005            | HEAD COVER                          | 100K0778                            |          |
|                      | 010006            | OIL FILTER                          | 100K0778                            |          |
|                      | 010007            | DIPSTICK AND GUIDE                  | 100K0778                            |          |
|                      | 010100            | MAIN BEARING CASE                   | 100K0778                            |          |
|                      | 010101            | CAMSHAFT AND IDLE GEAR SHAFT        | 100K0778                            |          |
|                      | 010102            | PISTON AND CRANKSHAFT               | 100K0778                            |          |
|                      | 010103            | FLYWHEEL                            | 100K0778                            |          |
|                      | 010105            | FUEL CAMSHAFT AND GOVERNOR<br>SHAFT | 100K0778                            |          |
|                      | 010200            | IDLE APPARATUS                      | 100K0778                            |          |
|                      | 010202            | INJECTION PUMP                      | 100K0778                            |          |
|                      | 010204            | GOVERNOR                            | 100K0778                            |          |
|                      | 010205            | SPEED CONTROL PLATE                 | 100K0778                            |          |
|                      | 010206            | NOZZLE HOLDER AND GLOW PLUG         | 100K0778                            |          |
|                      | 010207            | NOZZLE HOLDER [COMPONENT<br>PARTS]  | 100K0778                            |          |
|                      | 010301            | FUEL PUMP(MECHANICAL)               | 100K0778                            |          |
|                      | 010500            | WATER FLANGE AND<br>THERMOSTAT      | 100K0778                            |          |
|                      | 010501            | WATER PUMP                          | 100K0778                            |          |
|                      | 010600            | VALVE AND ROCKER ARM                | 100K0778                            |          |
|                      | 010601            | INLET MANIFOLD                      | 100K0778                            |          |
|                      | 010602            | EXHAUST MANIFOLD                    | 100K0778                            |          |
|                      | 010900            | UPPER GASKET KIT [OPTION]           | 100K0778                            |          |
|                      | 010901            | LOWER GASKET KIT [OPTION]           | 100K0778                            |          |
|                      | ELECTRICAL SYSTEM | 01A521                              | DYNAMO                              | 100K0778 |
|                      |                   | 01A523                              | DYNAMO [COMPONENT PARTS]            | 100K0778 |
|                      | CLUTCH            | 01C101                              | CLUTCH                              | 100K0778 |
|                      | PUMP/MOTOR SYSTEM | 01J120                              | HYDRAULIC PUMP                      | 100K0778 |
|                      |                   | 01J125                              | HYDRAULIC PUMP [COMPONENT<br>PARTS] | 100K0778 |
|                      | ENGINE            | 020603                              | AIR CLEANER                         | 100K0778 |
|                      |                   | 020605                              | MUFFLER                             | 100K0778 |
| 02A00101             |                   | ACCELERATOR LEVER                   | 100K0778                            |          |
| FUEL SYSTEM          | 02A101            | FUEL TANK                           | 100K0778                            |          |
|                      | 02A110            | FUEL PIPE                           | 100K0778                            |          |
|                      | 02A130            | FUEL FILTER [COMPONENT<br>PARTS]    | 100K0778                            |          |
| COOLING WATER SYSTEM | 02A401            | FAN                                 | 100K0778                            |          |
|                      | 02A410            | WATER PIPE                          | 100K0778                            |          |
|                      | 02A42001          | RADIATOR [A] [CA]                   | 100K0778                            |          |
|                      | 02A42002          | RADIATOR [EXCEPT [A] [CA]]          | 100K0778                            |          |
|                      | 02A430            | RESERVE TANK                        | 100K0778                            |          |
| ELECTRICAL SYSTEM    | 02A51001          | STOP SOLENOID                       | 100K0778                            |          |
|                      | 02A525            | STARTER                             | 100K0778                            |          |
|                      | 02A530            | STARTER [COMPONENT PARTS]           | 100K0778                            |          |
|                      | 02A535            | BATTERY                             | 100K0778                            |          |
|                      | 02B10101          | SWITCH                              | 100K0778                            |          |
|                      | 02B11501          | PANEL BOARD                         | 100K0778                            |          |
|                      | 02B120            | PANEL BOARD [COMPONENT<br>PARTS]    | 100K0778                            |          |
|                      | 02B301            | HEAD RIGHT                          | 100K0778                            |          |
|                      | 02B302            | HAZARD LIGHT                        | 100K0778                            |          |
|                      | 02B30401          | TAIL LIGHT                          | 100K0778                            |          |
|                      | 02B310            | WINKER LAMP                         | 100K0778                            |          |

| Item              | Part No.     | Description                               | Book                 |          |
|-------------------|--------------|---|----------------------|----------|
| ELECTRICAL SYSTEM | 02B50101     | ELECTRICAL WIRING                         | 100K0778             |          |
|                   | 02C110       | CLUTCH ROD                                | 100K0778             |          |
| CLUTCH            | 02C301       | CLUTCH PEDAL                              | 100K0778             |          |
|                   | 02C401       | CLUTCH HOUSING                            | 100K0778             |          |
| TRANSMISSION      | 02C41501     | CENTER FRAME                              | 100K0778             |          |
|                   | 02C42001     | TRANSMISSION CASE                         | 100K0778             |          |
|                   | 02C425       | DIFFERENTIAL GEAR CASE                    | 100K0778             |          |
|                   | 02C427       | REAR AXLE CASE                            | 100K0778             |          |
|                   | 02D001       | CLUTCH SHAFT                              | 100K0778             |          |
|                   | 02D00501     | PROPELLER SHAFT                           | 100K0778             |          |
|                   | 02D10301     | FRONT SHAFT                               | 100K0778             |          |
|                   | 02D13501     | PTO SHAFT                                 | 100K0778             |          |
|                   | 02D13701     | MID PTO                                   | 100K0778             |          |
|                   | 02D140       | REAR DIFFERENTIAL                         | 100K0778             |          |
|                   | 02D14301     | FRONT WHEEL PROPELLER SHAFT               | 100K0778             |          |
|                   | 02D14901     | 2ND SHAFT                                 | 100K0778             |          |
|                   | 02D15201     | 3RD SHAFT                                 | 100K0778             |          |
|                   | 02D15501     | 4TH SHAFT                                 | 100K0778             |          |
|                   | SPEED CHANGE | 02D201                                    | MAIN GEAR SHIFT FORK | 100K0778 |
| 02D21701          |              | RANGE GEAR SHIFT FORK                     | 100K0778             |          |
| 02D22001          |              | PTO GEAR SHIFT FORK                       | 100K0778             |          |
| 02D225            |              | DIFFERENTIAL LOCK SHIFT FORK              | 100K0778             |          |
| REAR AXLE         | 02D30101     | REAR AXLE                                 | 100K0778             |          |
|                   | 02E00101     | BRAKE                                     | 100K0778             |          |
| BRAKE             | 02E00501     | BRAKE ROD                                 | 100K0778             |          |
|                   | 02E01501     | PARKING BRAKE LEVER [EXCEPT<br>[AU] [NZ]] | 100K0778             |          |
| SPEED CHANGE      | 02E01502     | PARKING BRAKE LEVER [AU] [NZ]             | 100K0778             |          |
|                   | 02F101       | MAIN GEAR SHIFT LEVER                     | 100K0778             |          |
| PUMP/MOTOR SYSTEM | 02F11001     | RANGE GEAR SHIFT LEVER                    | 100K0778             |          |
|                   | 02F113       | FRONT WHEEL DRIVE LEVER                   | 100K0778             |          |
|                   | 02F12501     | PTO GEAR SHIFT LEVER                      | 100K0778             |          |
|                   | 02F14301     | HYDRAULIC CONTROL LEVER                   | 100K0778             |          |
| BRAKE             | 02F20101     | BRAKE PEDAL                               | 100K0778             |          |
|                   | 02F20501     | DIFFERENTIAL LOCK PEDAL                   | 100K0778             |          |
| REAR AXLE         | 02G10101     | FRONT AXLE FRAME                          | 100K0778             |          |
|                   | 02G10501     | FRONT AXLE CASE                           | 100K0778             |          |
| FRONT AXLE        | 02G11501     | FRONT DIFFERENTIAL                        | 100K0778             |          |
|                   | 02G120       | DIFFERENTIAL GEAR SHAFT                   | 100K0778             |          |
|                   | 02G123       | BEVEL GEAR CASE                           | 100K0778             |          |
|                   | 02G125       | FRONT AXLE CASE                           | 100K0778             |          |
|                   | 02G130       | FRONT AXLE                                | 100K0778             |          |
|                   | 02G13501     | FRONT DRIVE SHAFT                         | 100K0778             |          |
|                   | STEERING     | 02H00101                                  | KNUCKLE ARM          | 100K0778 |
|                   |              | 02H003                                    | DRAG LINK            | 100K0778 |
|                   |              | 02H00501                                  | TIE ROD              | 100K0778 |
|                   |              | 02H101                                    | STEERING HANDLE      | 100K0778 |
|                   | 02H105       | STEERING POST                             | 100K0778             |          |
|                   | 02J101       | HYDRAULIC PUMP(PS)                        | 100K0778             |          |
|                   | 02J105       | HYDRAULIC PUMP(PS)                        | 100K0778             |          |
| [COMPONENT PARTS] |              |   |                      |          |
| PUMP/MOTOR SYSTEM | 02J201       | HYDRAULIC OIL LINE(SUCTION)               | 100K0778             |          |
|                   | 02J21001     | HYDRAULIC OIL LINE(DELIVERY)              | 100K0778             |          |
|                   | 02J215       | HYDRAULIC OIL LINE(STEERING)              | 100K0778             |          |
|                   | 02J24501     | HYDRAULIC OIL LINE(F/M)                   | 100K0778             |          |
|                   | 02J30101     | HYDRAULIC CYLINDER                        | 100K0778             |          |
|                   | 02J31001     | HYDRAULIC PISTON/LIFT ARM                 | 100K0778             |          |
|                   | 02J33001     | FEED BACK LEVER                           | 100K0778             |          |
|                   | 02J40501     | CONTROL VALVE                             | 100K0778             |          |

| Item                                    | Part No.                                 | Description                                      | Book                            |          |
|---|--|--|---------------------------------|----------|
| PUMP/MOTOR SYSTEM                       | 02J41001                                 | CONTROL VALVE [COMPONENT PARTS]                  | 100K0778                        |          |
| TOP LINK/TOP LINK BRACKET/PTO PROTECTOR | 02K10101                                 | 3-POINT LINKAGE 2(LIFT ROD)                      | 100K0778                        |          |
|   | 02K11501                                 | LOWER LINK                                       | 100K0778                        |          |
|   | 02K12001                                 | 3-POINT LINKAGE 1(TOP LINK)                      | 100K0778                        |          |
|   | 02K125                                   | CHECK CHAIN                                      | 100K0778                        |          |
|   | 02L105                                   | DRAWBAR  | 100K0778                        |          |
|   | 02L116                                   | REAR HITCH                                       | 100K0778                        |          |
|   | 02L12501                                 | PTO PROTECTOR [A] [CA]                           | 100K0778                        |          |
|   | 02L12502                                 | PTO PROTECTOR [AU] [NZ]                          | 100K0778                        |          |
|   | HOOD/BONNET                              | 02M101   | FRONT GRILLE                    | 100K0778 |
|   |  | 02M105   | BONNET                          | 100K0778 |
|   |  | 02M11301   | PANEL COVER                     | 100K0778 |
|   |  | 02M120   | SIDE COVER                      | 100K0778 |
|   |  | 02M13001   | SHUTTER PLATE [A] [CA]          | 100K0778 |
| 02M13002                                |  | SHUTTER PLATE [AU] [NZ]                          | 100K0778                        |          |
| 02M20701                                |  | LEVER GUIDE                                      | 100K0778                        |          |
| 02M21001                                |  | FENDER [A] [CA]                                  | 100K0778                        |          |
| 02M21002                                |  | FENDER [AU] [NZ]                                 | 100K0778                        |          |
| 02M21201                                |  | FENDER STAY                                      | 100K0778                        |          |
| 02M215                                  |  | FLOOR SEAT                                       | 100K0778                        |          |
| 02M21701                                |  | SEAT SUPPORT                                     | 100K0778                        |          |
| 02M225                                  |  | STEP   | 100K0778                        |          |
| 02M30101                                |  | ROPS(RIGID TYPE) [EXCEPT [AU]]                   | 100K0778                        |          |
| 02M30102                                |  | ROPS(FOLDABLE TYPE) [EXCEPT [AU]]                | 100K0778                        |          |
| 02M30103                                |  | ROPS [AU]  | 100K0778                        |          |
| FRONT TIRE                              |  | 02M501   | SMV EMBLEM [EXCEPT [AU]]        | 100K0778 |
|   | 02R10101                                 | FRONT WHEEL(6-12) [A] [CA]<br>[B7510DN [OPTION]] | 100K0778                        |          |
|   | 02R10102                                 | FRONT WHEEL(23*8.50-12) [A] [CA]                 | 100K0778                        |          |
|   | 02R10103                                 | FRONT WHEEL(21*8.00-10) [A] [CA]                 | 100K0778                        |          |
|   | 02R10104                                 | FRONT WHEEL(23*8.50-12) [A] [CA]                 | 100K0778                        |          |
|   | 02R10105                                 | FRONT WHEEL(6-12) [EXCEPT [A] [CA]]              | 100K0778                        |          |
|   | 02R10106                                 | FRONT WHEEL(22*8.50-12)<br>[EXCEPT [A] [CA]]     | 100K0778                        |          |
|   | REAR TIRE                                | 02R11001   | REAR WHEEL(9.5-16) [A] [CA]     | 100K0778 |
|   |  | 02R11002   | REAR WHEEL(33*12.5-15) [A] [CA] | 100K0778 |
|   |  | 02R11003   | REAR WHEEL(31*15.5-15) [A] [CA] | 100K0778 |
| 02R11004                                |  | REAR WHEEL(12-16.5) [A] [CA]                     | 100K0778                        |          |
| 02R11005                                |  | REAR WHEEL(9.5-16) [EXCEPT [A] [CA]]             | 100K0778                        |          |
| 02R11006                                | REAR WHEEL(31*13.5-15) [EXCEPT [A] [CA]] | 100K0778   |                                 |          |
| LABELS                                  | 02S10101                                 | LABEL [A] [CA] [ENGLISH]                         | 100K0778                        |          |
|   | 02S10102                                 | LABEL [A] [CA] [FRENCH]                          | 100K0778                        |          |
|   | 02S10103                                 | LABEL [AU]                                       | 100K0778                        |          |
|   | 02S10104                                 | LABEL [NZ]                                       | 100K0778                        |          |
| ACCESSORIES AND SERVICE PARTS           | 02T10501                                 | ACCESSORIES AND SERVICE PARTS                    | 100K0778                        |          |
| OPTION                                  | 02U800                                   | ALTERNATOR KIT [OPTION]                          | 100K0778                        |          |
|   | 02U802                                   | ALTERNATOR [COMPONENT PARTS] [OPTION]            | 100K0778                        |          |
|   | 02U80501                                 | WARKING LIGHT KIT [OPTION]                       | 100K0778                        |          |

# CRANKCASE



1G043-001-13

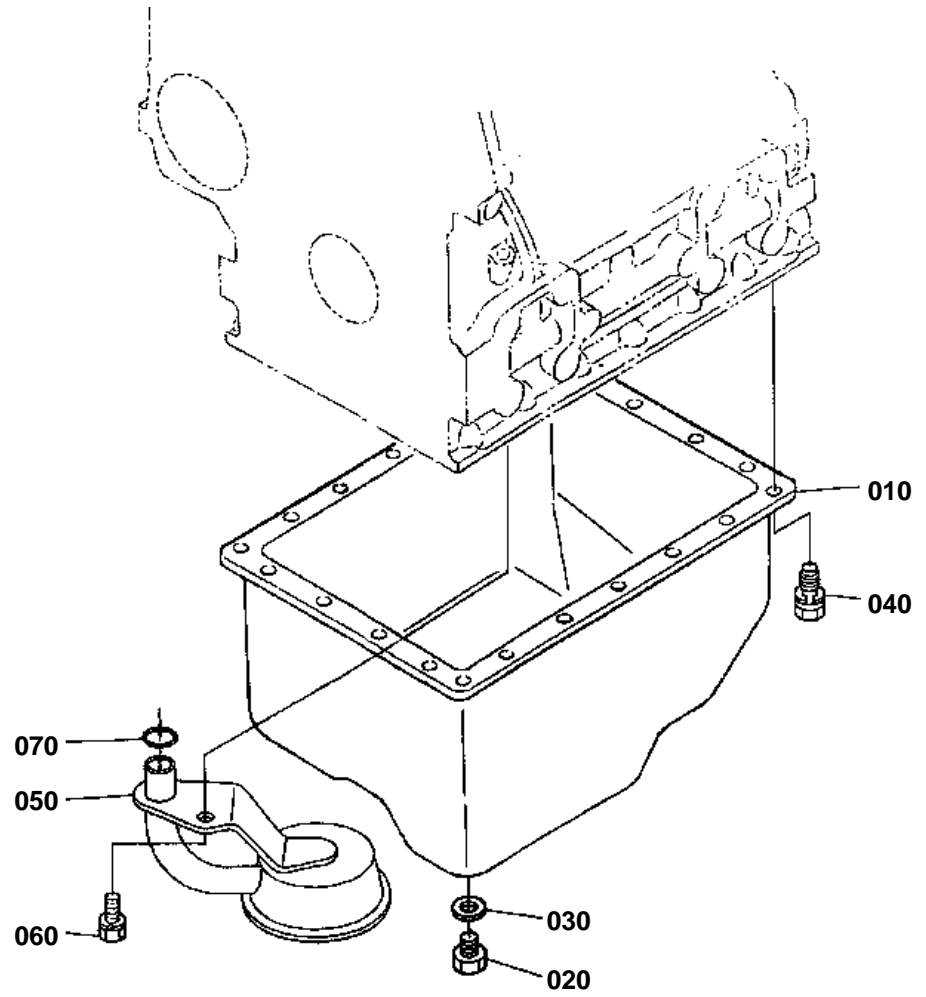


# CRANKCASE

↔ Interchangeable; ≠ not interchangeable; ← new for old; → old for new

| REF.No | Part No.    | Description        | Q'ty | S.No. | I/C | REMARKS | Weight (kgf) | Weight (lb) |
|--------|-------------|--------------------|------|-------|-----|---------|--------------|-------------|
| 010    | 16612-01017 | COMP.CRANKCASE     | 1    |       |     |         | 32.5         | 71.5        |
| 020    | 15451-96270 | CAP SEALING        | 4    |       |     |         | 0.001        | 0.0022      |
| 030    | 15221-03490 | CAP SEALING        | 1    |       |     |         | 0.02         | 0.044       |
| 040    | 15261-96010 | PLUG               | 3    |       |     |         | 0.002        | 0.0044      |
| 050    | 16683-96020 | PLUG               | 1    |       |     |         | 0.07         | 0.154       |
| 060    | 16241-96010 | PLUG               | 3    |       |     |         | 0.007        | 0.0154      |
| 070    | 15521-96020 | PLUG               | 2    |       |     |         | 0.003        | 0.0066      |
| 080    | 17391-96160 | PLUG EXPANSION     | 3    |       |     |         | 0.003        | 0.0066      |
| 090    | 16271-96160 | PLUG EXPANSION     | 1    |       |     |         | 0.025        | 0.055       |
| 100    | 05012-00508 | PIN STRAIGHT       | 2    |       |     |         | 0.001        | 0.0022      |
| 110    | 16221-94530 | PIN STRAIGHT       | 2    |       |     |         | 0.006        | 0.0132      |
| 120    | 16221-94520 | PIN STRAIGHT       | 2    |       |     |         | 0.005        | 0.011       |
| 130    | 15231-33960 | PIN PIPE           | 2    |       |     |         | 0.001        | 0.0022      |
| 140    | 16241-33650 | PIN PIPE           | 1    |       |     |         | 0.002        | 0.0044      |
| 150    | 16241-96262 | PLUG FUEL CAMSHAFT | 1    |       |     |         | 0.007        | 0.0154      |
| 160    | 16261-56280 | PIN START SPRING   | 1    |       |     |         | 0.004        | 0.0088      |
| 170    | 16282-96010 | PLUG               | 1    |       |     |         | 0.09         | 0.198       |
| 180    | 16271-55350 | BUSH GOVERNOR GEAR | 1    |       |     |         | 0.06         | 0.132       |
| 190    | 15221-33610 | PLUG               | 1    |       |     |         | 0.009        | 0.0198      |
| 200    | 15021-33660 | GASKET             | 1    |       |     |         | 0.001        | 0.0022      |
| 205    | 01754-50610 | BOLT FLANGE        | 1    |       |     |         | 0.006        | 0.0132      |
| 206    | 15601-96650 | GASKET             | 1    |       |     |         | 0.001        | 0.0022      |
| 210    | 15221-33700 | O RING             | 1    |       |     |         | 0.001        | 0.0022      |
| 220    | 15321-73340 | PIPE WATER RETURN  | 1    |       |     |         | 0.016        | 0.0352      |

# OIL PAN



1G043-002-11



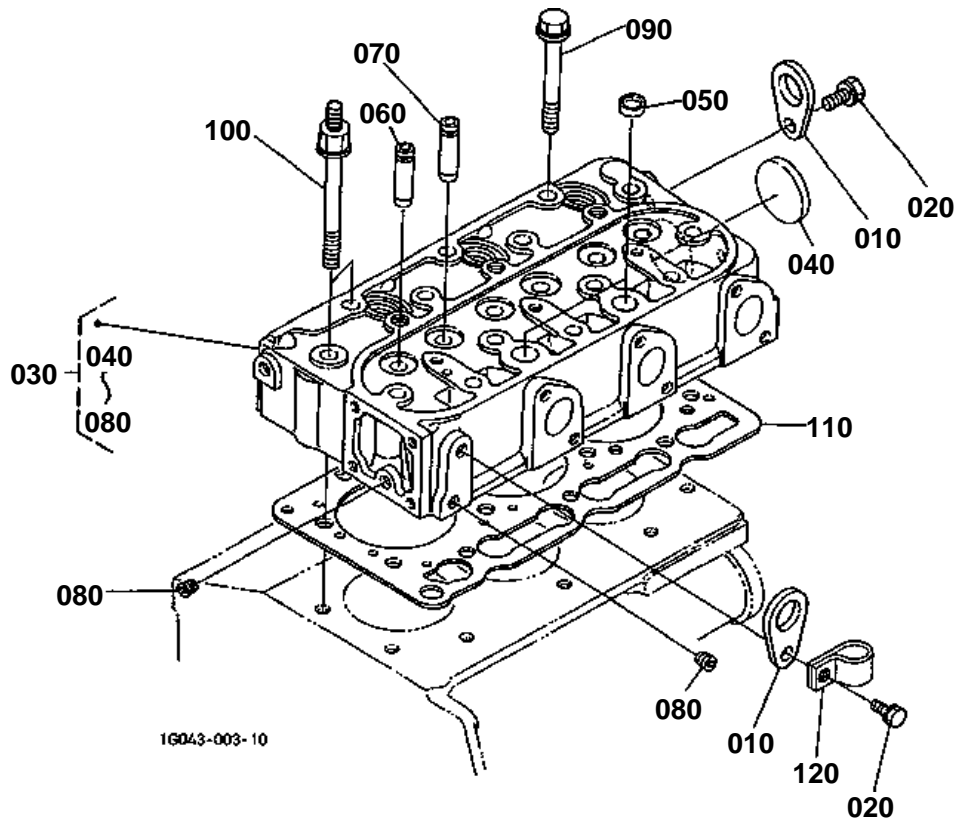


# OIL PAN

↔ Interchangeable; ≠ not interchangeable; ← new for old; → old for new

| REF.No | Part No.    | Description  | Q'ty | S.No. | I/C | REMARKS | Weight (kgf) | Weight (lb) |
|--------|-------------|--------------|------|-------|-----|---------|--------------|-------------|
| 010    | 6C040-58920 | COMP.OIL PAN | 1    |       |     |         | 1.2          | 2.64        |
| 020    | 15221-33750 | PLUG         | 1    |       |     |         | 0.032        | 0.0704      |
| 030    | 6C090-58960 | GASKET       | 1    |       |     |         | 0.002        | 0.0044      |
| 040    | 16221-91120 | BOLT         | 22   |       |     |         | 0.005        | 0.011       |
| 050    | 16261-32114 | FILTER OIL   | 1    |       |     |         | 0.21         | 0.462       |
| 060    | 01123-60816 | BOLT         | 1    |       |     |         | 0.01         | 0.022       |
| 070    | 04814-00160 | O RING       | 1    |       |     |         | 0.001        | 0.0022      |

# CYLINDER HEAD



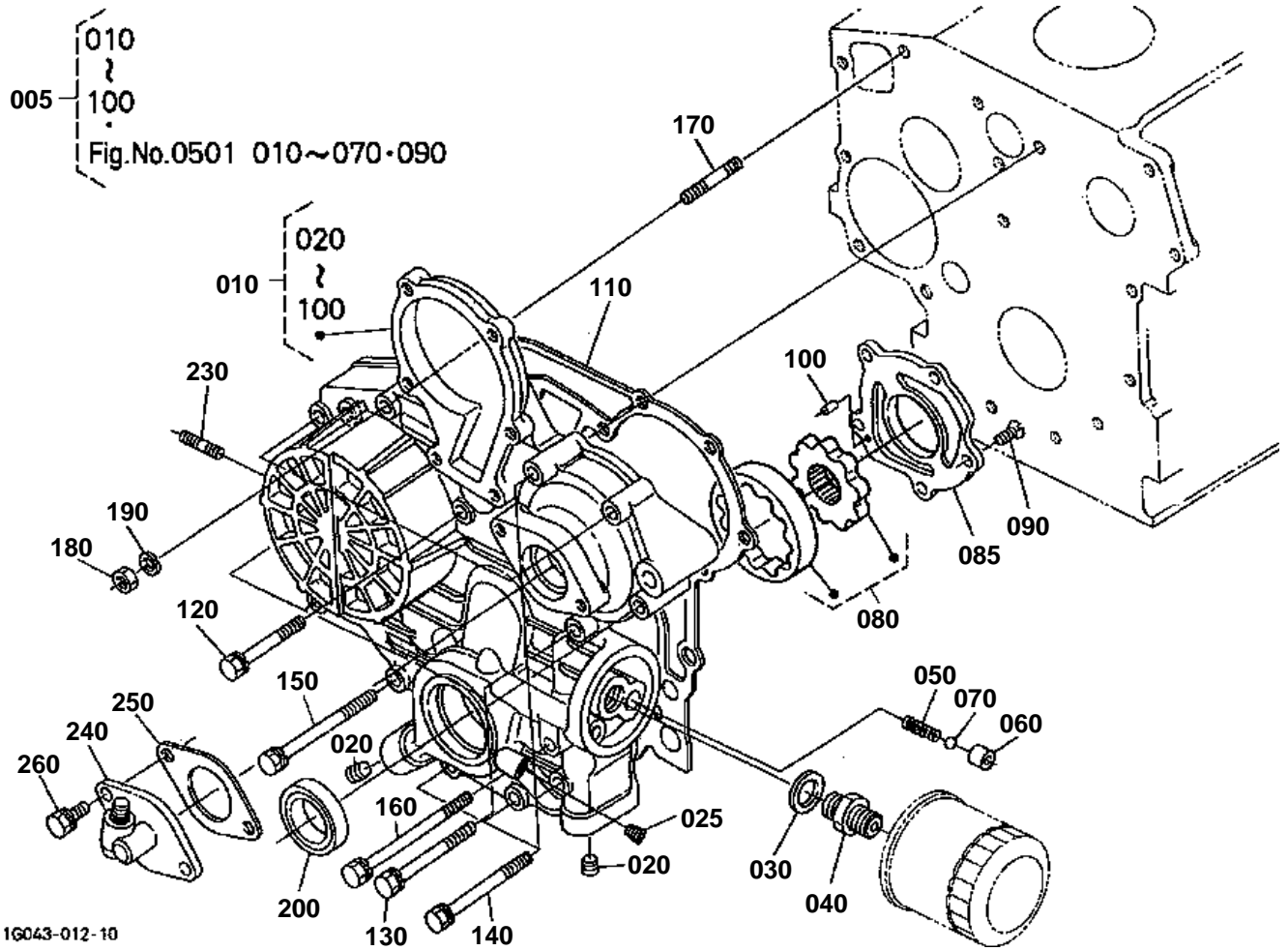


# CYLINDER HEAD

↔ Interchangeable; ≠ not interchangeable; ← new for old; → old for new

| REF.No | Part No.    | Description          | Q'ty | S.No. | I/C | REMARKS | Weight (kgf) | Weight (lb) |
|--------|-------------|----------------------|------|-------|-----|---------|--------------|-------------|
| 010    | 15221-01750 | HOOK ENGINE          | 2    |       |     |         | 0.04         | 0.088       |
| 020    | 01123-60814 | BOLT                 | 2    |       |     |         | 0.01         | 0.022       |
| 030    | 16027-03040 | COMP.CYLINDER HEAD   | 1    |       |     |         | 8.72         | 19.184      |
| 040    | 15321-96260 | CAP SEALING          | 1    |       |     |         | 0.001        | 0.0022      |
| 050    | 15261-03370 | CAP SEALING          | 2    |       |     |         | 0.005        | 0.011       |
| 060    | 16261-13540 | GUIDE INLET VALVE    | 3    |       |     |         | 0.02         | 0.044       |
| 070    | 16261-13560 | GUIDE EXHAUST VALVE  | 3    |       |     |         | 0.019        | 0.0418      |
| 080    | 15261-96010 | PLUG                 | 2    |       |     |         | 0.002        | 0.0044      |
| 090    | 16241-03450 | BOLT CYLINDER HEAD   | 12   |       |     |         | 0.07         | 0.154       |
| 100    | 16216-03450 | BOLT CYLINDER HEAD   | 2    |       |     |         | 0.07         | 0.154       |
| 110    | 16231-03310 | GASKET CYLINDER HEAD | 1    |       |     |         | 0.07         | 0.154       |
| 120    | 52200-41160 | CLAMP CORD           | 1    |       |     |         | 0.01         | 0.022       |

GEAR CASE



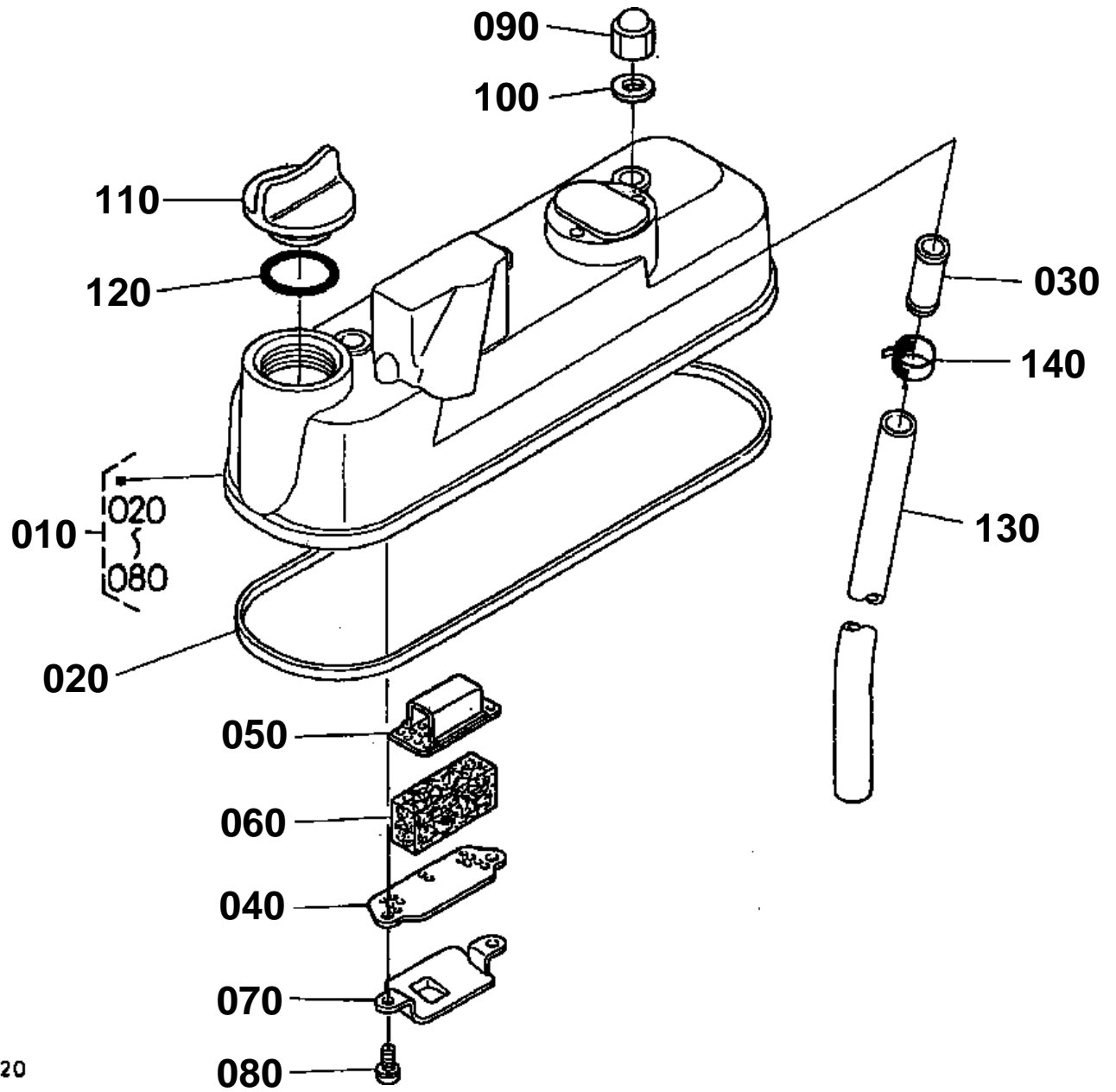


## GEAR CASE

↔ Interchangeable; ≠ not interchangeable; ← new for old; → old for new

| REF.No | Part No.    | Description         | Q'ty | S.No. | I/C | REMARKS | Weight (kgf) | Weight (lb) |
|--------|-------------|---------------------|------|-------|-----|---------|--------------|-------------|
| 005    | 16216-04017 | ASSY CASE GEAR      | 1    |       |     |         | 3.46         | 7.612       |
| 010    | 16216-04026 | COMP.CASE GEAR      | 1    |       |     |         | 2.45         | 5.39        |
| 020    | 16241-96020 | PLUG                | 2    |       |     |         | 0.015        | 0.033       |
| 025    | 15521-96020 | PLUG                | 1    |       |     |         | 0.003        | 0.0066      |
| 030    | 04011-50180 | WASHER PLAIN        | 1    |       |     |         | 0.012        | 0.0264      |
| 040    | 15241-32290 | JOINT PIPE          | 1    |       |     |         | 0.053        | 0.1166      |
| 050    | 16241-36950 | SPRING              | 1    |       |     |         | 0.015        | 0.033       |
| 060    | 16241-36930 | SEAT VALVE          | 1    |       |     |         | 0.032        | 0.0704      |
| 070    | 07715-00201 | BALL                | 1    |       |     |         | 0.008        | 0.0176      |
| 080    | 16241-35070 | ASSY ROTOR OIL PUMP | 1    |       |     |         | 0.27         | 0.594       |
| 085    | 16251-35130 | COVER OIL PUMP      | 1    |       |     |         | 0.09         | 0.198       |
| 090    | 03017-50620 | SCREW CR-REC-BD-HD  | 5    |       |     |         | 0.005        | 0.011       |
| 100    | 05012-00410 | PIN STRAIGHT        | 2    |       |     |         | 0.001        | 0.0022      |
| 110    | 16264-04130 | GASKET GEAR CASE    | 1    |       |     |         | 0.01         | 0.022       |
| 120    | 01023-50645 | BOLT                | 3    |       |     |         | 0.01         | 0.022       |
| 130    | 01023-60650 | BOLT                | 4    |       |     |         | 0.015        | 0.033       |
| 140    | 01023-50655 | BOLT                | 4    |       |     |         | 0.012        | 0.0264      |
| 150    | 01023-50665 | BOLT                | 1    |       |     |         | 0.015        | 0.033       |
| 160    | 16241-91040 | BOLT                | 1    |       |     |         | 0.015        | 0.033       |
| 170    | 16245-91530 | STUD                | 1    |       |     |         | 0.01         | 0.022       |
| 180    | 02056-50060 | NUT                 | 1    |       |     |         | 0.002        | 0.0044      |
| 190    | 04512-60060 | WASHER SPRING       | 1    |       |     |         | 0.001        | 0.0022      |
| 200    | 16241-04212 | SEAL OIL            | 1    |       |     |         | 0.012        | 0.0264      |
| 210    | 99999-99999 | BLANK               | 0    |       |     |         | 0            | 0           |
| 220    | 99999-99999 | BLANK               | 0    |       |     |         | 0            | 0           |
| 230    | 16245-91540 | STUD                | 2    |       |     |         | 0.005        | 0.011       |
| 240    | 58417-25950 | ASSY GEAR CASE H/M  | 1    |       |     |         | 0.29         | 0.638       |
| 250    | 16264-88130 | GASKET H/METER UNIT | 1    |       |     |         | 0.002        | 0.0044      |
| 260    | 01023-50618 | BOLT                | 2    |       |     |         | 0.006        | 0.0132      |

HEAD COVER



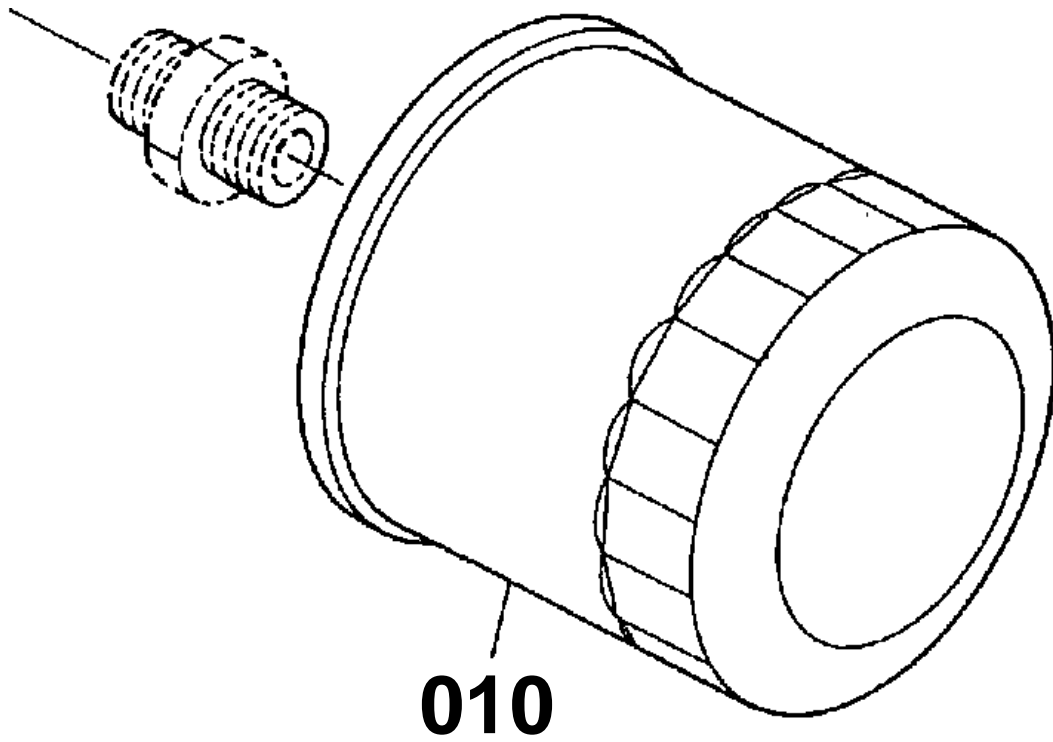
16216-006-20



# HEAD COVER

↔ Interchangeable; ≠ not interchangeable; ← new for old; → old for new

| REF.No | Part No.    | Description          | Q'ty | S.No. | I/C | REMARKS | Weight (kgf) | Weight (lb) |
|--------|-------------|----------------------|------|-------|-----|---------|--------------|-------------|
| 010    | 16261-14503 | ASSY COVER CYL.HEAD  | 1    |       |     |         | 0.78         | 1.716       |
| 020    | 16261-14520 | GASKET HEAD COVER    | 1    |       |     |         | 0.01         | 0.022       |
| 030    | 16241-05550 | JOINT BREATHER PIPE  | 1    |       |     |         | 0.02         | 0.044       |
| 040    | 16241-05140 | PLATE B/THER ELEMENT | 1    |       |     |         | 0.005        | 0.011       |
| 050    | 16241-05150 | PLATE B/THER ELEMENT | 1    |       |     |         | 0.01         | 0.022       |
| 060    | 16241-05670 | ELEMENT BREATHER     | 1    |       |     |         | 0.01         | 0.022       |
| 070    | 16241-05370 | OIL SHIELD BREATHER  | 1    |       |     |         | 0.01         | 0.022       |
| 080    | 03024-50510 | SCREW WITH WASHER    | 2    |       |     |         | 0.002        | 0.0044      |
| 090    | 15952-92330 | NUT                  | 3    |       |     |         | 0.01         | 0.022       |
| 100    | 15951-96660 | GASKET               | 3    |       |     |         | 0.001        | 0.0022      |
| 110    | E9151-33140 | PLUG OIL FILLER      | 1    |       |     |         | 0.017        | 0.0374      |
| 120    | 04814-50300 | O RING               | 1    |       |     |         | 0.001        | 0.0022      |
| 130    | 16271-05510 | PIPE BREATHER        | 1    |       |     |         | 0.06         | 0.132       |
| 140    | 16241-33510 | BAND PIPE            | 1    |       |     |         | 0.005        | 0.011       |



16615-003-10

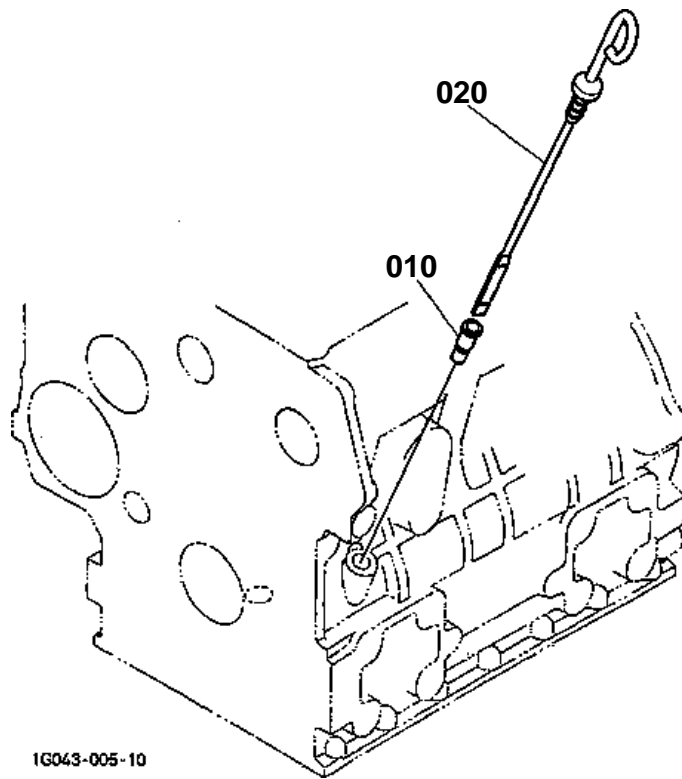




# OIL FILTER

↔ Interchangeable; ≠ not interchangeable; ← new for old; → old for new

| REF.No | Part No.    | Description        | Q'ty | S.No. | I/C | REMARKS | Weight (kgf) | Weight (lb) |
|--------|-------------|--------------------|------|-------|-----|---------|--------------|-------------|
| 010    | 15241-32090 | ASSY CARTRIDGE OIL | 1    |       |     |         | 0.35         | 0.77        |



1G043-005-10

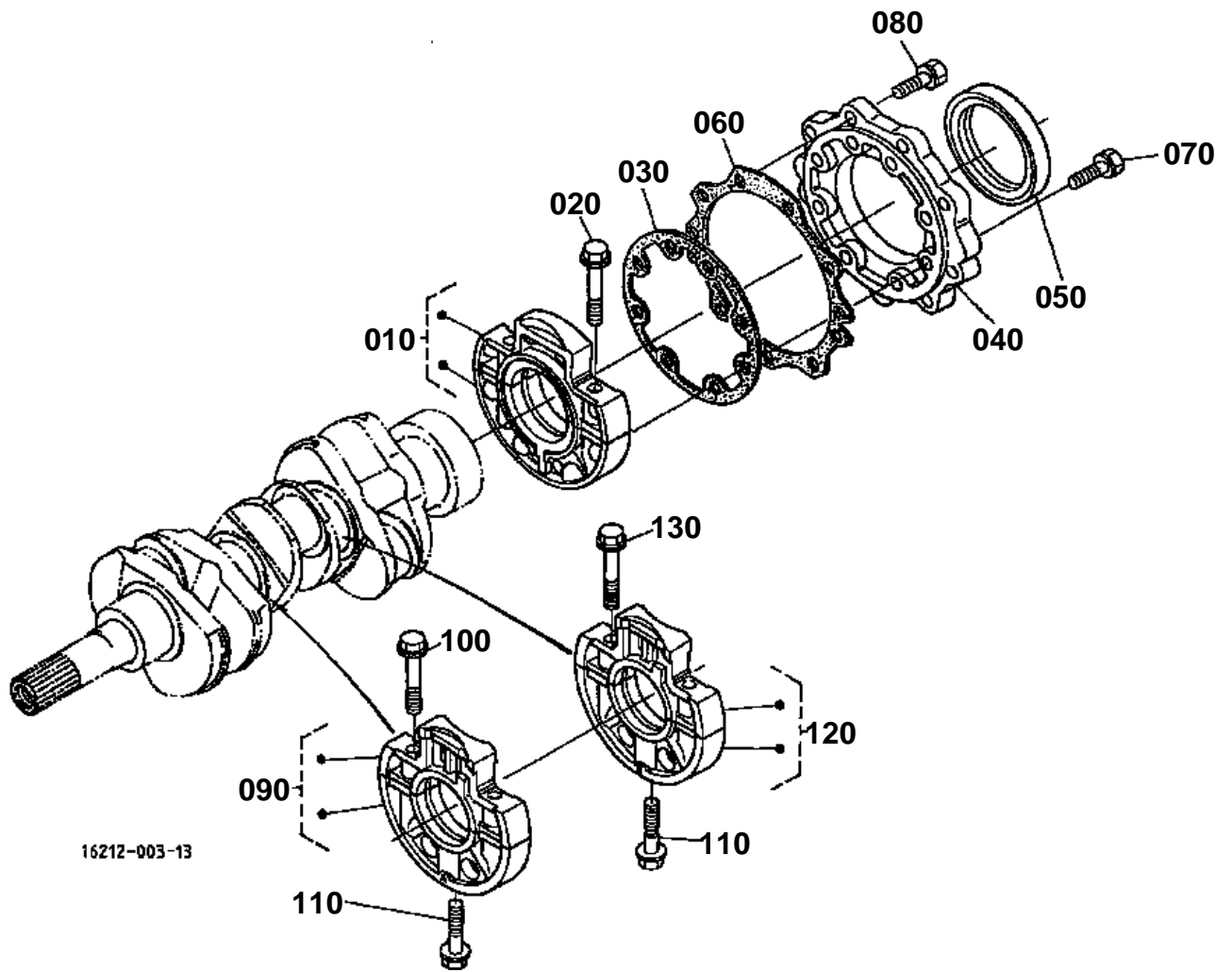


# DIPSTICK AND GUIDE

↔ Interchangeable; ≠ not interchangeable; ← new for old; → old for new

| REF.No | Part No.    | Description     | Q'ty | S.No. | I/C | REMARKS | Weight (kgf) | Weight (lb) |
|--------|-------------|-----------------|------|-------|-----|---------|--------------|-------------|
| 010    | 16809-36420 | GUIDE OIL GAUGE | 1    |       |     |         | 0.028        | 0.0616      |
| 020    | 17450-36410 | GAUGE OIL       | 1    |       |     |         | 0.001        | 0.0022      |

MAIN BEARING CASE



16212-003-13

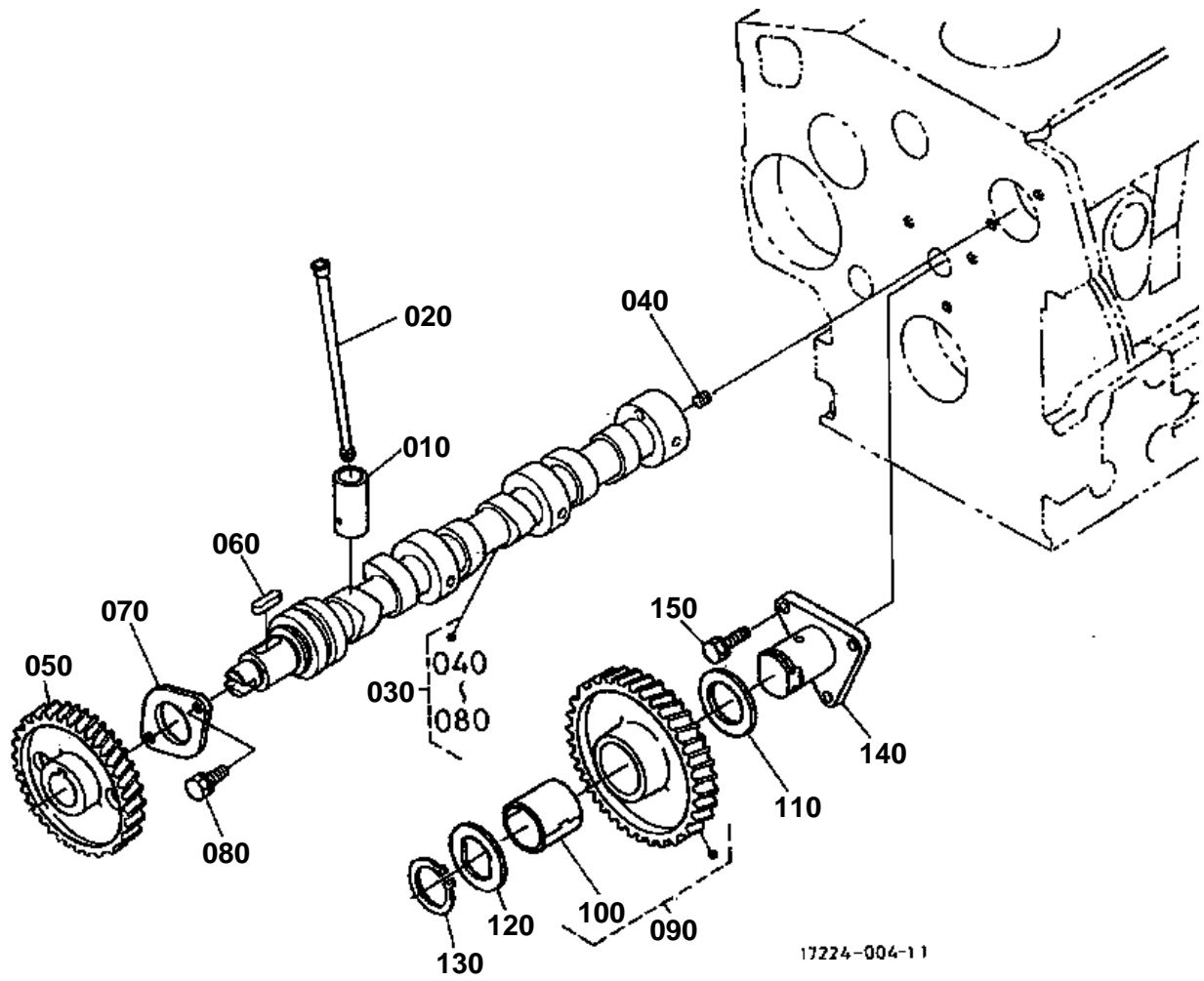


# MAIN BEARING CASE

↔ Interchangeable; ≠ not interchangeable; ← new for old; → old for new

| REF.No | Part No.    | Description         | Q'ty | S.No. | I/C | REMARKS | Weight (kgf) | Weight (lb) |
|--------|-------------|---------------------|------|-------|-----|---------|--------------|-------------|
| 010    | 16241-04092 | ASSY CASE MAIN BRG. | 1    |       |     |         | 1.13         | 2.486       |
| 020    | 16241-04540 | BOLT BEARING CASE   | 2    |       |     |         | 0.02         | 0.044       |
| 030    | 16264-04360 | GASKET BRG.CASE     | 1    |       |     |         | 0.002        | 0.0044      |
| 040    | 16241-04813 | COVER BEARING CASE  | 1    |       |     |         | 0.22         | 0.484       |
| 050    | 16271-04460 | SEAL OIL            | 1    |       |     |         | 0.04         | 0.088       |
| 060    | 16264-04820 | GASKET              | 1    |       |     |         | 0.008        | 0.0176      |
| 070    | 01023-50625 | BOLT                | 8    |       |     |         | 0.007        | 0.0154      |
| 080    | 01023-50620 | BOLT                | 9    |       |     |         | 0.006        | 0.0132      |
| 090    | 16261-04040 | ASSY CASE MAIN BRG. | 1    |       |     |         | 0.9          | 1.98        |
| 100    | 16241-04540 | BOLT BEARING CASE   | 2    |       |     |         | 0.02         | 0.044       |
| 110    | 16241-04560 | BOLT BEARING CASE   | 2    |       |     |         | 0.03         | 0.066       |
| 120    | 16261-04050 | ASSY CASE MAIN BRG. | 1    |       |     |         | 1.11         | 2.442       |
| 130    | 16241-04540 | BOLT BEARING CASE   | 2    |       |     |         | 0.02         | 0.044       |

CAMSHAFT AND IDLE GEAR SHAFT



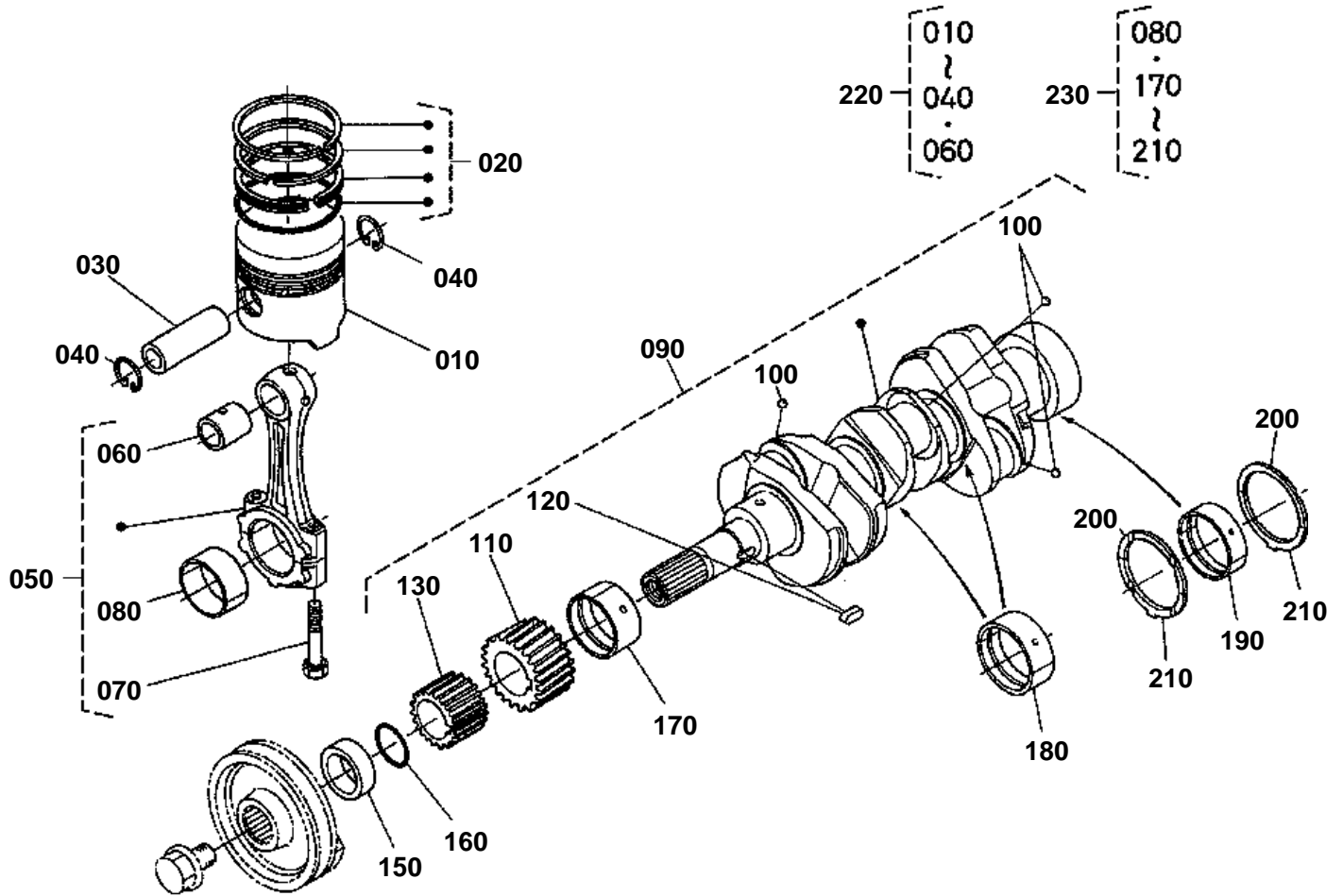


## CAMSHAFT AND IDLE GEAR SHAFT

↔ Interchangeable; ≠ not interchangeable; ← new for old; → old for new

| REF.No | Part No.    | Description        | Q'ty | S.No. | I/C | REMARKS | Weight (kgf) | Weight (lb) |
|--------|-------------|--------------------|------|-------|-----|---------|--------------|-------------|
| 010    | 16261-15550 | TAPPET             | 6    |       |     |         | 0.035        | 0.077       |
| 020    | 16241-15110 | PUSH ROD           | 6    |       |     |         | 0.03         | 0.066       |
| 030    | 16261-16010 | ASSY CAMSHAFT      | 1    |       |     |         | 1.7          | 3.74        |
| 040    | 15521-93610 | SCREW SET          | 1    |       |     |         | 0.002        | 0.0044      |
| 050    | 16241-16510 | GEAR CAM           | 1    |       |     |         | 0.45         | 0.99        |
| 060    | 05712-00518 | KEY FEATHER        | 1    |       |     |         | 0.003        | 0.0066      |
| 070    | 16241-16270 | STOPPER CAMSHAFT   | 1    |       |     |         | 0.04         | 0.088       |
| 080    | 01023-50616 | BOLT               | 2    |       |     |         | 0.005        | 0.011       |
| 090    | 16251-24010 | COMP GEAR IDLE     | 1    |       |     |         | 0.63         | 1.386       |
| 100    | 16251-24980 | BUSH IDLE GEAR     | 1    |       |     |         | 0.035        | 0.077       |
| 110    | 16251-24360 | COLLAR IDLE GEAR   | 1    |       |     |         | 0.012        | 0.0264      |
| 120    | 15741-24370 | COLLAR IDLE GEAR   | 1    |       |     |         | 0.015        | 0.033       |
| 130    | 15741-24320 | CIR CLIP IDLE GEAR | 1    |       |     |         | 0.01         | 0.022       |
| 140    | 16251-24250 | SHAFT IDLE GEAR    | 1    |       |     |         | 0.36         | 0.792       |
| 150    | 01023-50616 | BOLT               | 3    |       |     |         | 0.005        | 0.011       |

PISTON AND CRANKSHAFT



1G043-006-11



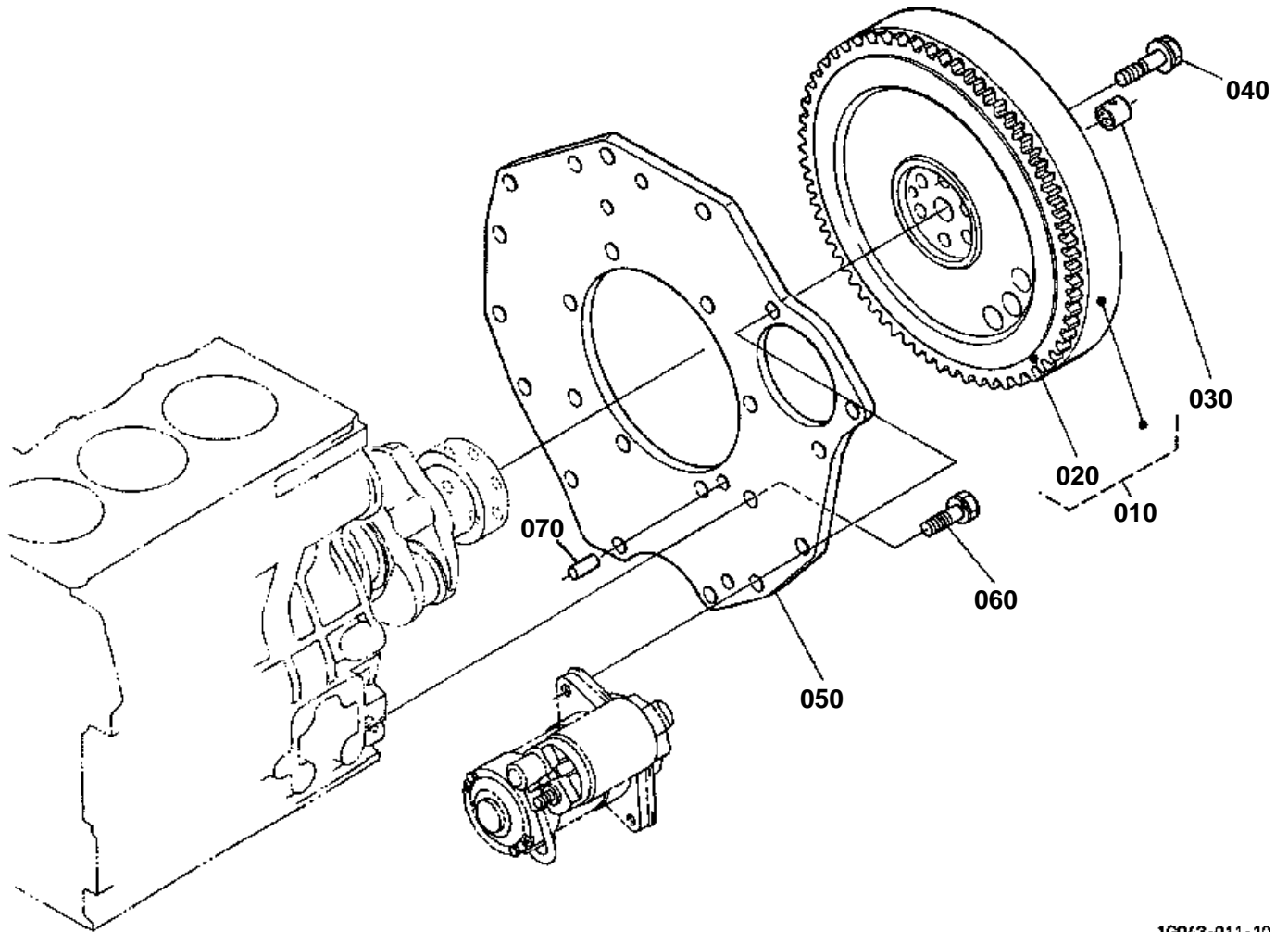


## PISTON AND CRANKSHAFT

↔ Interchangeable; ≠ not interchangeable; ← new for old; → old for new

| REF.No | Part No.    | Description         | Q'ty | S.No. | I/C | REMARKS       | Weight (kgf) | Weight (lb) |
|--------|-------------|---------------------|------|-------|-----|---------------|--------------|-------------|
| 010    | 16050-21110 | PISTON              | 3    |       |     | STD           | 0.4          | 0.88        |
| 010    | 16050-21910 | PISTON              | 3    |       |     | +0.5mm        | 0.4          | 0.88        |
| 020    | 16271-21050 | ASSY PISTON RING    | 3    |       |     | STD           | 0.05         | 0.11        |
| 020    | 16271-21090 | ASSY PISTON RING    | 3    |       |     | +0.5mm        | 0.15         | 0.33        |
| 030    | 16241-21310 | PIN PISTON          | 3    |       |     |               | 0.135        | 0.297       |
| 040    | 16241-21330 | CIR CLIP PISTON PIN | 6    |       |     |               | 0.002        | 0.0044      |
| 050    | 16241-22012 | ASSY ROD CONNECTING | 3    |       |     |               | 0.545        | 1.199       |
| 060    | 16241-21982 | BUSH PISTON PIN     | 3    |       |     |               | 0.03         | 0.066       |
| 070    | 16241-22142 | BOLT CONNECTING ROD | 6    |       |     |               | 0.024        | 0.0528      |
| 080    | 16241-22310 | METAL CRANKPIN      | 3    |       |     | STD SET       | 0.038        | 0.0836      |
| 080    | 16241-22970 | METAL CRANKPIN      | 3    |       |     | -0.2mm SET    | 0.08         | 0.176       |
| 080    | 16241-22980 | METAL CRANKPIN      | 3    |       |     | -0.4mm SET    | 0.1          | 0.22        |
| 090    | 16231-23013 | COMP.CRANKSHAFT     | 1    |       |     |               | 8.5          | 18.7        |
| 100    | 07715-00401 | BALL                | 3    |       |     |               | 0.001        | 0.0022      |
| 110    | 16241-24110 | GEAR CRANK          | 1    |       |     |               | 0.15         | 0.33        |
| 120    | 16271-95230 | KEY                 | 1    |       |     |               | 0.005        | 0.011       |
| 130    | 16241-35630 | GEAR OIL PUMP DRIVE | 1    |       |     |               | 0.102        | 0.2244      |
| 140    | 99999-99999 | BLANK               | 0    |       |     |               | 0            | 0           |
| 150    | 16271-23250 | COLLAR CRANKSHAFT   | 1    |       |     |               | 0.055        | 0.121       |
| 160    | 04814-10280 | O RING              | 1    |       |     |               | 0.001        | 0.0022      |
| 170    | 16241-23470 | METAL CRANKSHAFT    | 1    |       |     | STD           | 0.06         | 0.132       |
| 170    | 16241-23910 | METAL CRANKSHAFT    | 1    |       |     | -0.2mm        | 0.03         | 0.066       |
| 170    | 16241-23920 | METAL CRANKSHAFT    | 1    |       |     | -0.4mm        | 0.068        | 0.1496      |
| 180    | 16241-23480 | METAL CRANKSHAFT    | 2    |       |     | STD SET       | 0.05         | 0.11        |
| 180    | 16241-23930 | METAL CRANKSHAFT    | 2    |       |     | -0.2mm SET    | 0.1          | 0.22        |
| 180    | 16241-23940 | METAL CRANKSHAFT    | 2    |       |     | -0.4mm SET    | 0.05         | 0.11        |
| 190    | 16292-23490 | METAL CRANKSHAFT    | 1    |       |     | STD SET       | 0.07         | 0.154       |
| 190    | 16292-23860 | METAL CRANKSHAFT    | 1    |       |     | -0.2mm SET    | 0.05         | 0.11        |
| 190    | 16292-23870 | METAL CRANKSHAFT    | 1    |       |     | -0.4mm SET    | 0.05         | 0.11        |
| 200    | 15521-23530 | METAL SIDE          | 2    |       |     | STD           | 0.01         | 0.022       |
| 200    | 15521-23950 | METAL SIDE          | 2    |       |     | +0.2mm        | 0.01         | 0.022       |
| 200    | 15521-23960 | METAL SIDE          | 2    |       |     | +0.4mm        | 0.01         | 0.022       |
| 210    | 19202-23540 | METAL SIDE          | 2    |       |     | STD           | 0.01         | 0.022       |
| 210    | 19202-23970 | METAL SIDE          | 2    |       |     | +0.2mm        | 0.01         | 0.022       |
| 210    | 19202-23980 | METAL SIDE          | 2    |       |     | +0.4mm        | 0.01         | 0.022       |
| 220    | 07916-26840 | KIT RING PISTON     | 3    |       |     | STD           | 0.25         | 0.55        |
| 220    | 07916-26850 | KIT RING PISTON     | 3    |       |     | +0.5mm        | 0.62         | 1.364       |
| 230    | 07916-28240 | KIT METAL ENGINE    | 1    |       |     | STD           | 0.1          | 0.22        |
| 230    | 07916-28765 | KIT METAL ENGINE    | 1    |       |     | -0.2mm/+0.2mm | 0.348        | 0.7656      |
| 230    | 07916-28775 | KIT METAL ENGINE    | 1    |       |     | -0.4mm/+0.4mm | 0.348        | 0.7656      |

FLYWHEEL



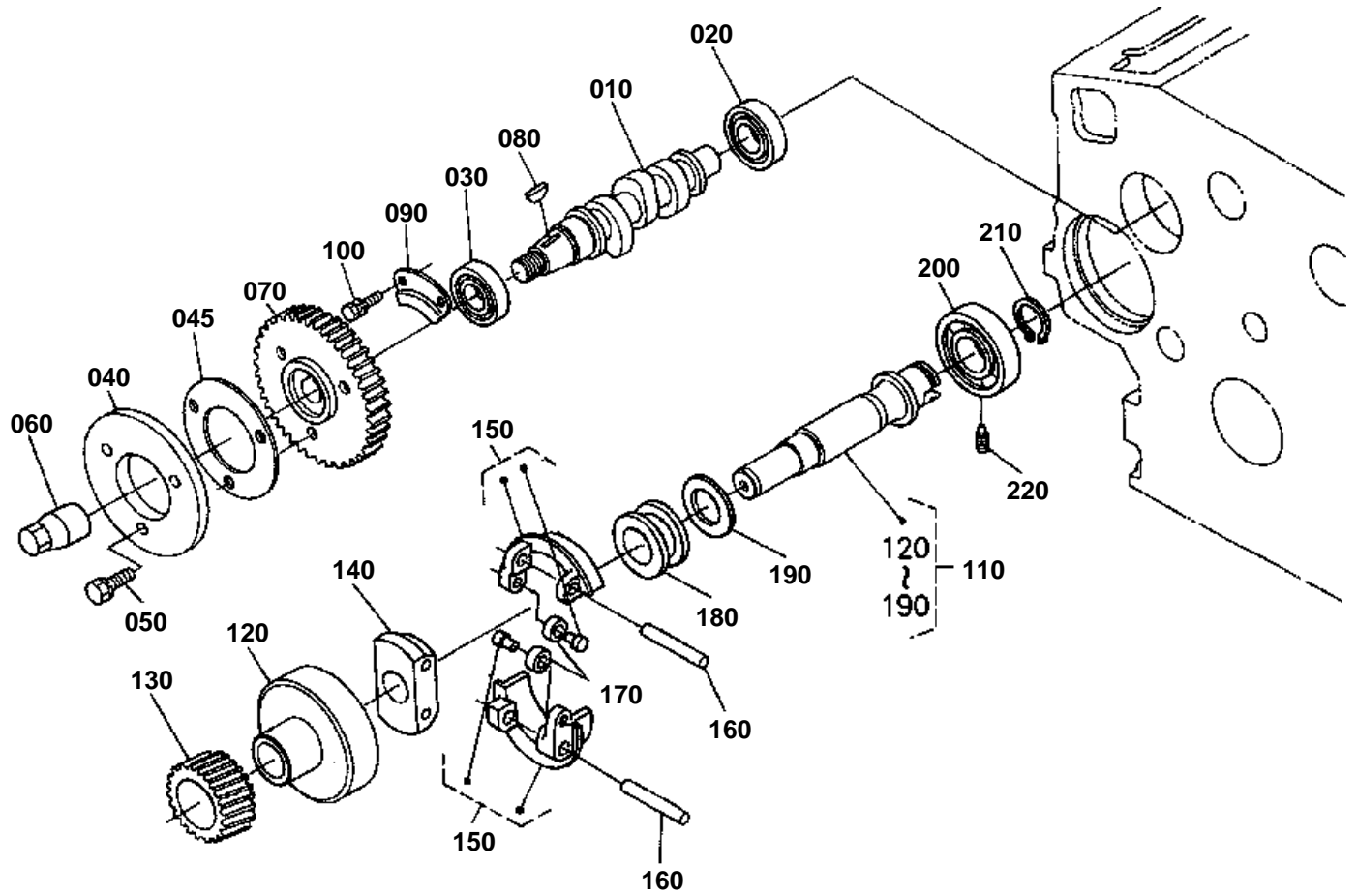
1G043-011-10

**FLYWHEEL**

↔ Interchangeable; ≠ not interchangeable; ← new for old; → old for new

| REF.No | Part No.    | Description    | Q'ty | S.No. | I/C | REMARKS | Weight (kgf) | Weight (lb) |
|--------|-------------|----------------|------|-------|-----|---------|--------------|-------------|
| 010    | 16261-25015 | COMP.FLYWHEEL  | 1    |       |     |         | 17.2         | 37.84       |
| 020    | 16261-63822 | GEAR RING      | 1    |       |     |         | 0.79         | 1.738       |
| 030    | 66621-14120 | BEARING DRY    | 1    |       |     |         | 0.006        | 0.0132      |
| 040    | 16271-25160 | BOLT FLYWHEEL  | 6    |       |     |         | 0.036        | 0.0792      |
| 050    | 6C040-58912 | PLATE REAR END | 1    |       |     |         | 3.64         | 8.008       |
| 060    | 15261-91190 | BOLT           | 8    |       |     |         | 0.03         | 0.066       |
| 070    | 16221-94530 | PIN STRAIGHT   | 1    |       |     |         | 0.006        | 0.0132      |

FUEL CAMSHAFT AND GOVERNOR SHAFT



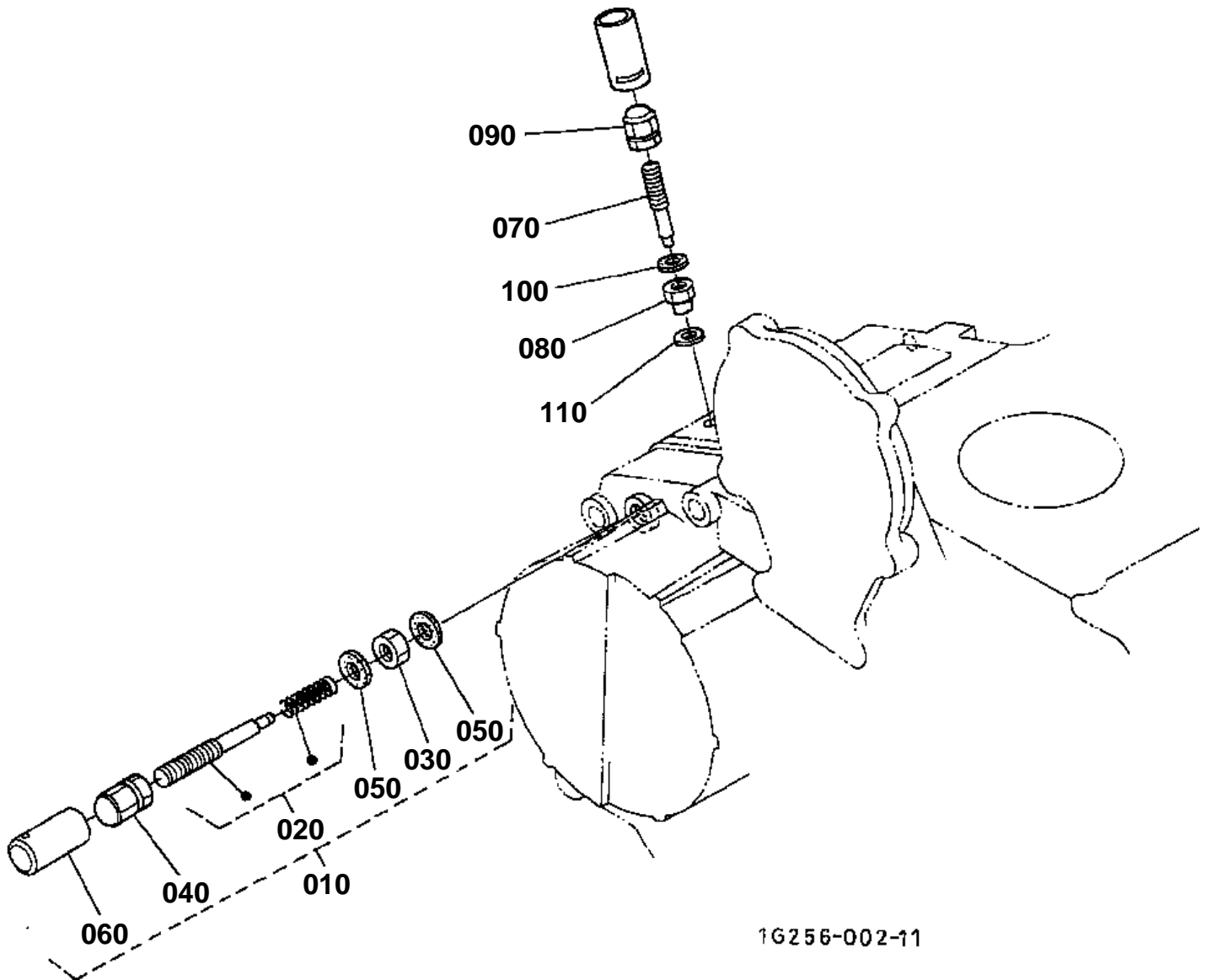
16304-011-10



## FUEL CAMSHAFT AND GOVERNOR SHAFT

↔ Interchangeable; ≠ not interchangeable; ← new for old; → old for new

| REF.No | Part No.    | Description          | Q'ty | S.No. | I/C | REMARKS | Weight (kgf) | Weight (lb) |
|--------|-------------|----------------------|------|-------|-----|---------|--------------|-------------|
| 010    | 16020-16170 | CAMSHAFT FUEL        | 1    |       |     |         | 0.38         | 0.836       |
| 020    | 16261-97300 | BEARING BALL         | 1    |       |     |         | 0.044        | 0.0968      |
| 030    | 08153-06204 | BEARING BALL         | 1    |       |     |         | 0.11         | 0.242       |
| 040    | 16241-51113 | CAM FUEL             | 1    |       |     |         | 0.196        | 0.4312      |
| 045    | 16241-51190 | WASHER               | 1    |       |     |         | 0.029        | 0.0638      |
| 050    | 01023-50618 | BOLT                 | 3    |       |     |         | 0.006        | 0.0132      |
| 060    | 16241-92330 | NUT                  | 1    |       |     |         | 0.035        | 0.077       |
| 070    | 16272-51150 | GEAR INJECTION PUMP  | 1    |       |     |         | 0.49         | 1.078       |
| 080    | 16241-95230 | KEY WOODRUFF         | 1    |       |     |         | 0.001        | 0.0022      |
| 090    | 16241-16320 | STOPPER FUEL.C/SHAFT | 1    |       |     |         | 0.04         | 0.088       |
| 100    | 01023-50616 | BOLT                 | 2    |       |     |         | 0.005        | 0.011       |
| 110    | 16265-55013 | ASSY SHAFT GOVERNOR  | 1    |       |     |         | 1.22         | 2.684       |
| 120    | 16241-55392 | HOLDER GOVERNOR GEAR | 1    |       |     |         | 0.34         | 0.748       |
| 130    | 16282-55320 | GEAR GOVERNOR        | 1    |       |     |         | 0.24         | 0.528       |
| 140    | 16241-55270 | HOLDER GOV.WEIGHT    | 1    |       |     |         | 0.085        | 0.187       |
| 150    | 16241-55062 | COMP.WEIGHT GOVERNOR | 2    |       |     |         | 0.085        | 0.187       |
| 160    | 16241-55260 | SHAFT GOV. WEIGHT    | 2    |       |     |         | 0.013        | 0.0286      |
| 170    | 19484-55440 | ROLLER               | 2    |       |     |         | 0.005        | 0.011       |
| 180    | 16241-55450 | SLEEVE GOVERNOR      | 1    |       |     |         | 0.04         | 0.088       |
| 190    | 16241-55463 | WASHER THRUST        | 1    |       |     |         | 0.005        | 0.011       |
| 200    | 16261-97320 | BEARING BALL         | 1    |       |     |         | 0.14         | 0.308       |
| 210    | 16271-55410 | CIR CLIP GOV.SHAFT   | 1    |       |     |         | 0.005        | 0.011       |
| 220    | 16241-55554 | SCREW SET            | 1    |       |     |         | 0.007        | 0.0154      |



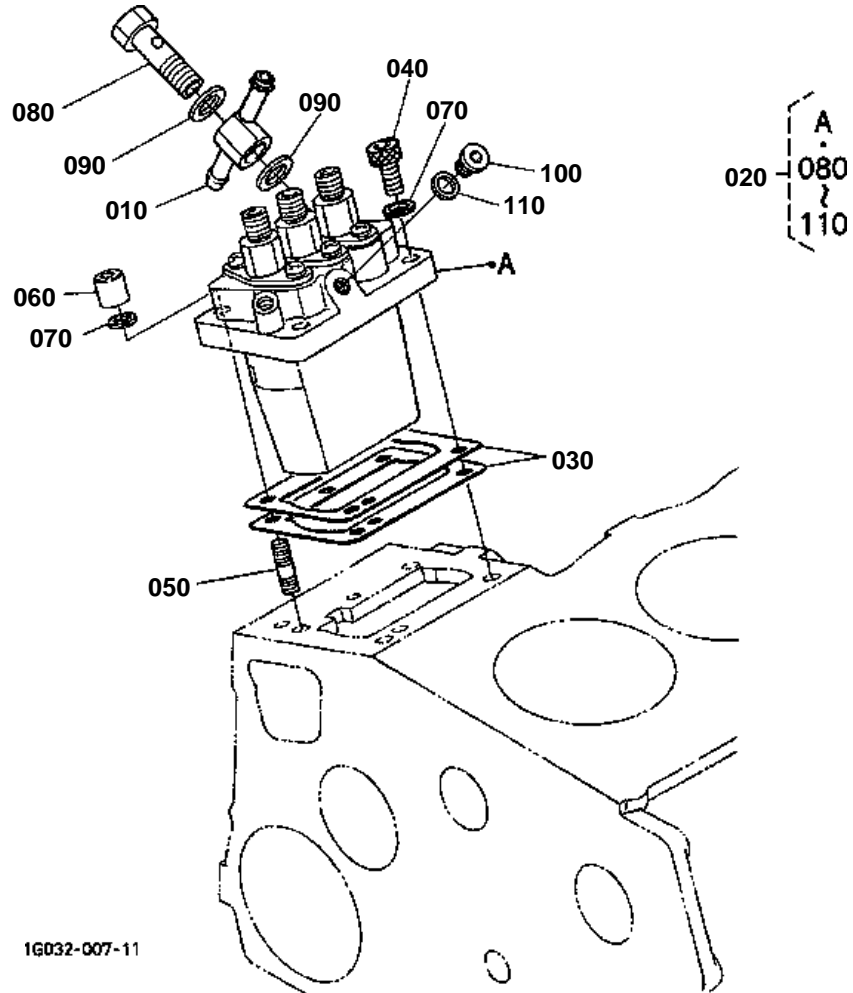


# IDLE APPARATUS

↔ Interchangeable; ≠ not interchangeable; ← new for old; → old for new

| REF.No | Part No.    | Description          | Q'ty | S.No. | I/C | REMARKS | Weight (kgf) | Weight (lb) |
|--------|-------------|----------------------|------|-------|-----|---------|--------------|-------------|
| 010    | 16271-54090 | APPARATUS FUEL LIMIT | 1    |       |     |         | 0.029        | 0.0638      |
| 020    | 16241-54102 | ASSY BOLT ADJUSTING  | 1    |       |     |         | 0.008        | 0.0176      |
| 030    | 15841-92020 | NUT                  | 1    |       |     |         | 0.004        | 0.0088      |
| 040    | 15852-92330 | NUT                  | 1    |       |     |         | 0.005        | 0.011       |
| 050    | 15601-96650 | GASKET               | 2    |       |     |         | 0.001        | 0.0022      |
| 060    | 16221-54420 | CAP                  | 1    |       |     |         | 0.001        | 0.0022      |
| 070    | 16241-54120 | BOLT ADJUSTING       | 1    |       |     |         | 0.005        | 0.011       |
| 080    | 1G031-54210 | NUT LOCK             | 1    |       |     |         | 0.003        | 0.0066      |
| 090    | 15852-92330 | NUT                  | 1    |       |     |         | 0.005        | 0.011       |
| 100    | 15601-96650 | GASKET               | 1    |       |     |         | 0.001        | 0.0022      |
| 110    | 1G021-96650 | GASKET               | 1    |       |     |         | 0.001        | 0.0022      |

# INJECTION PUMP



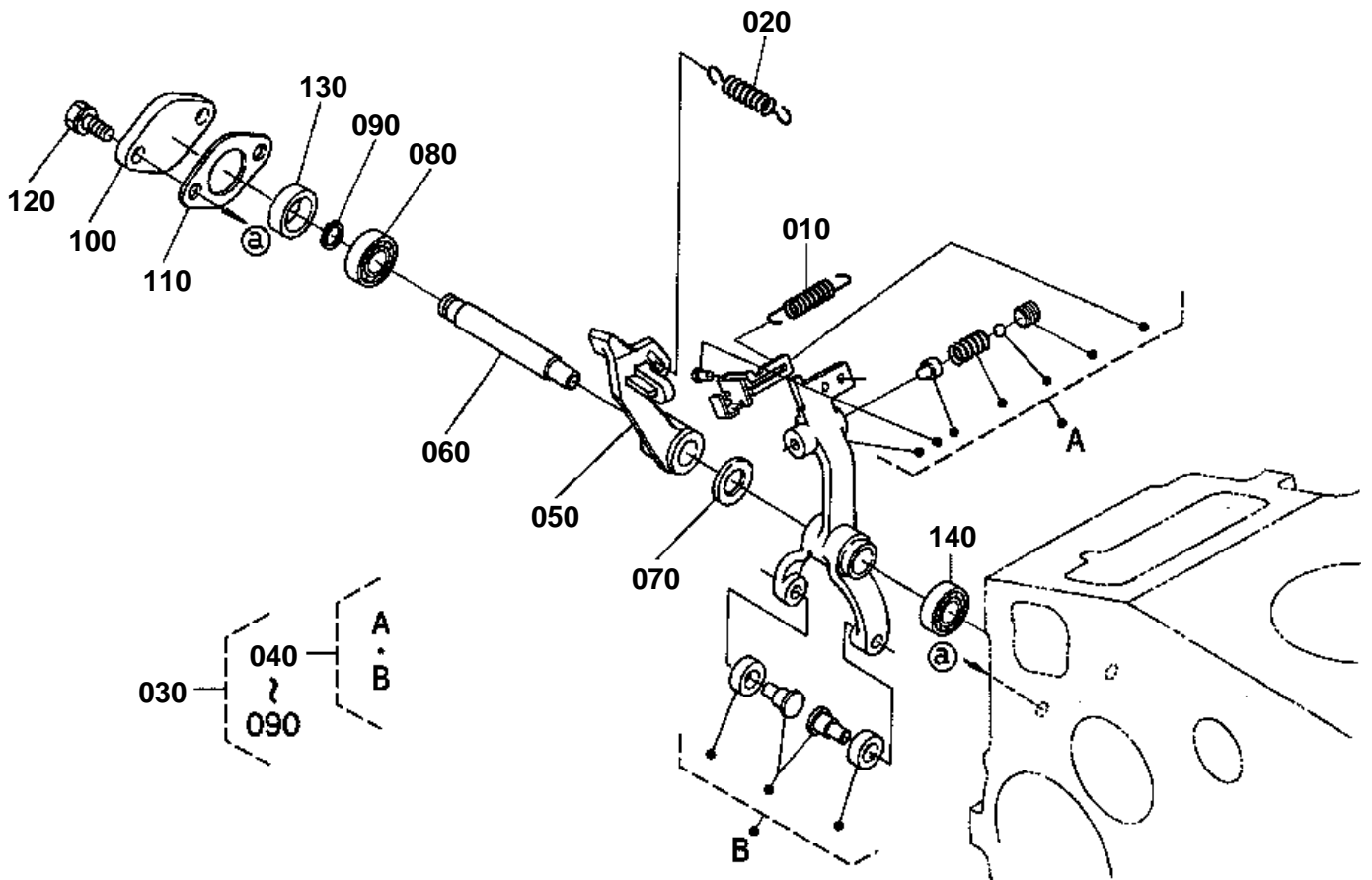




# INJECTION PUMP

↔ Interchangeable; ≠ not interchangeable; ← new for old; → old for new

| REF.No | Part No.    | Description         | Q'ty | S.No. | I/C | REMARKS | Weight (kgf) | Weight (lb) |
|--------|-------------|---------------------|------|-------|-----|---------|--------------|-------------|
| 010    | 16271-95690 | JOINT EYE           | 1    |       |     |         | 0.046        | 0.1012      |
| 020    | 16032-51010 | ASSY PUMP INJECTION | 1    |       |     |         | 1            | 2.2         |
| 030    | 16006-52092 | SHIM INJECTION PUMP | 1    |       |     | 0.20mm  | 0.004        | 0.0088      |
| 030    | 16006-52112 | SHIM INJECTION PUMP | 1    |       |     | 0.25mm  | 0.004        | 0.0088      |
| 030    | 16006-52122 | SHIM INJECTION PUMP | 1    |       |     | 0.30mm  | 0.006        | 0.0132      |
| 040    | 01311-10620 | BOLT HEX-SOC-HD     | 2    |       |     |         | 0.012        | 0.0264      |
| 050    | 15841-91500 | STUD                | 2    |       |     |         | 0.02         | 0.044       |
| 060    | 15841-92320 | NUT                 | 2    |       |     |         | 0.01         | 0.022       |
| 070    | 04512-60060 | WASHER SPRING       | 4    |       |     |         | 0.001        | 0.0022      |
| 080    | 16271-51320 | SCREW FOLLOW        | 1    |       |     |         | 0.031        | 0.0682      |
| 090    | 15841-96650 | GASKET              | 2    |       |     |         | 0.001        | 0.0022      |
| 100    | 16030-96010 | PLUG                | 1    |       |     |         | 0.008        | 0.0176      |
| 110    | 15861-96650 | GASKET              | 1    |       |     |         | 0.001        | 0.0022      |



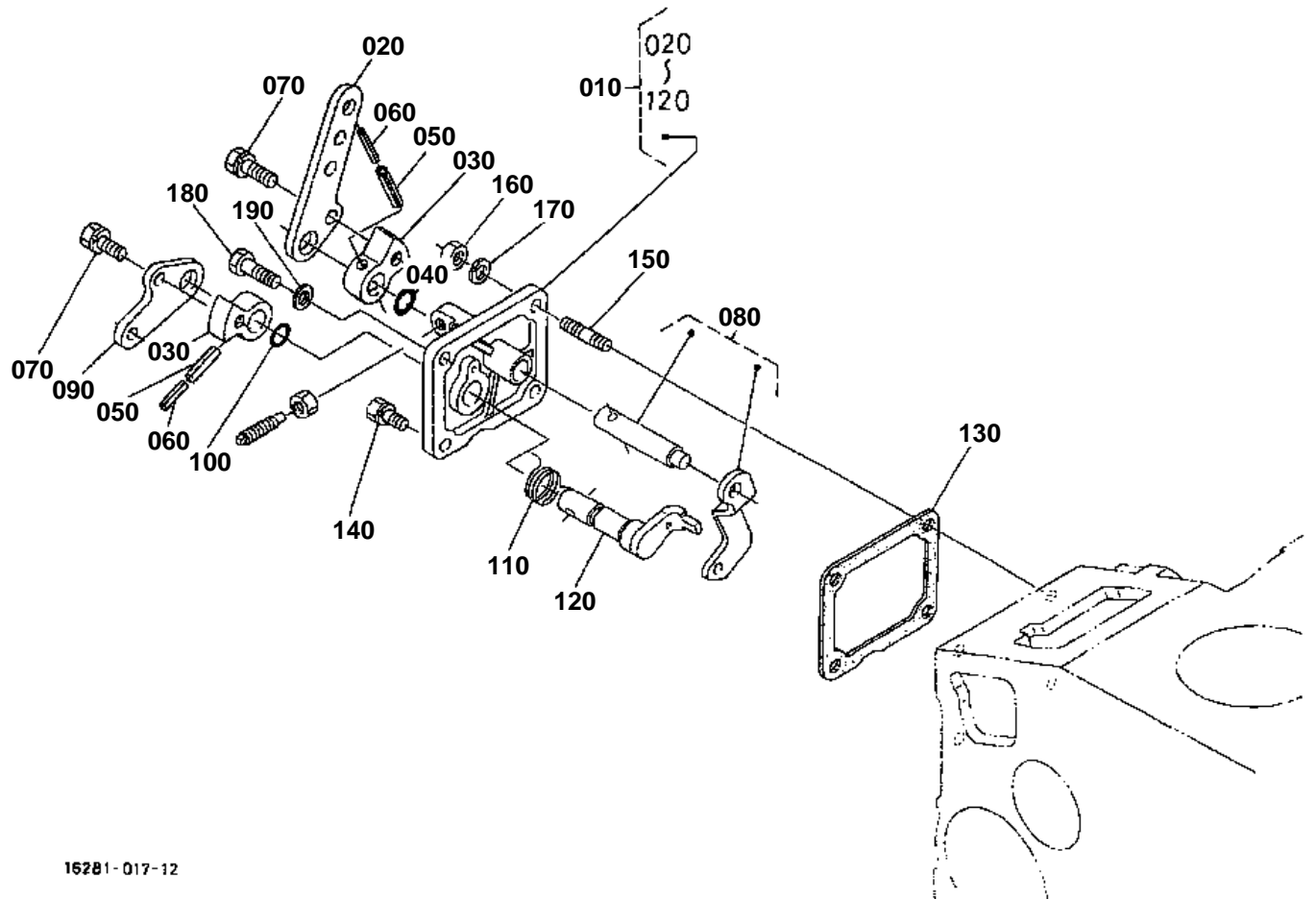
16304-013-11

**GOVERNOR**

↔ Interchangeable; ≠ not interchangeable; ← new for old; → old for new

| REF.No | Part No.    | Description          | Q'ty | S.No. | I/C | REMARKS | Weight (kgf) | Weight (lb) |
|--------|-------------|----------------------|------|-------|-----|---------|--------------|-------------|
| 010    | 16261-56480 | SPRING START         | 1    |       |     |         | 0.002        | 0.0044      |
| 020    | 1G043-56410 | SPRING GOVERNOR      | 1    |       |     |         | 0.019        | 0.0418      |
| 030    | 16216-56055 | ASSY LEVER FORK      | 1    |       |     |         | 0.25         | 0.55        |
| 040    | 16216-56045 | COMP.LEVER FORK      | 1    |       |     |         | 0.13         | 0.286       |
| 050    | 16222-56133 | LEVER FORK           | 1    |       |     |         | 0.06         | 0.132       |
| 060    | 16241-56153 | SHAFT FORK LEVER     | 1    |       |     |         | 0.04         | 0.088       |
| 070    | 16241-94010 | WASHER PLAIN         | 1    |       |     |         | 0.002        | 0.0044      |
| 080    | 16241-56330 | BEARING MINIATURIZE  | 1    |       |     |         | 0.007        | 0.0154      |
| 090    | 04612-00090 | CIR CLIP EXTERNAL    | 1    |       |     |         | 0.001        | 0.0022      |
| 100    | 16241-56250 | COVER FORK LEV.SHAFT | 1    |       |     |         | 0.013        | 0.0286      |
| 110    | 16299-56260 | GASKET               | 1    |       |     |         | 0.002        | 0.0044      |
| 120    | 01023-50614 | BOLT                 | 2    |       |     |         | 0.005        | 0.011       |
| 130    | 16241-56210 | COLLAR               | 1    |       |     |         | 0.008        | 0.0176      |
| 140    | 16241-56340 | BEARING MINIATURIZE  | 1    |       |     |         | 0.007        | 0.0154      |

SPEED CONTROL PLATE



16281-017-12

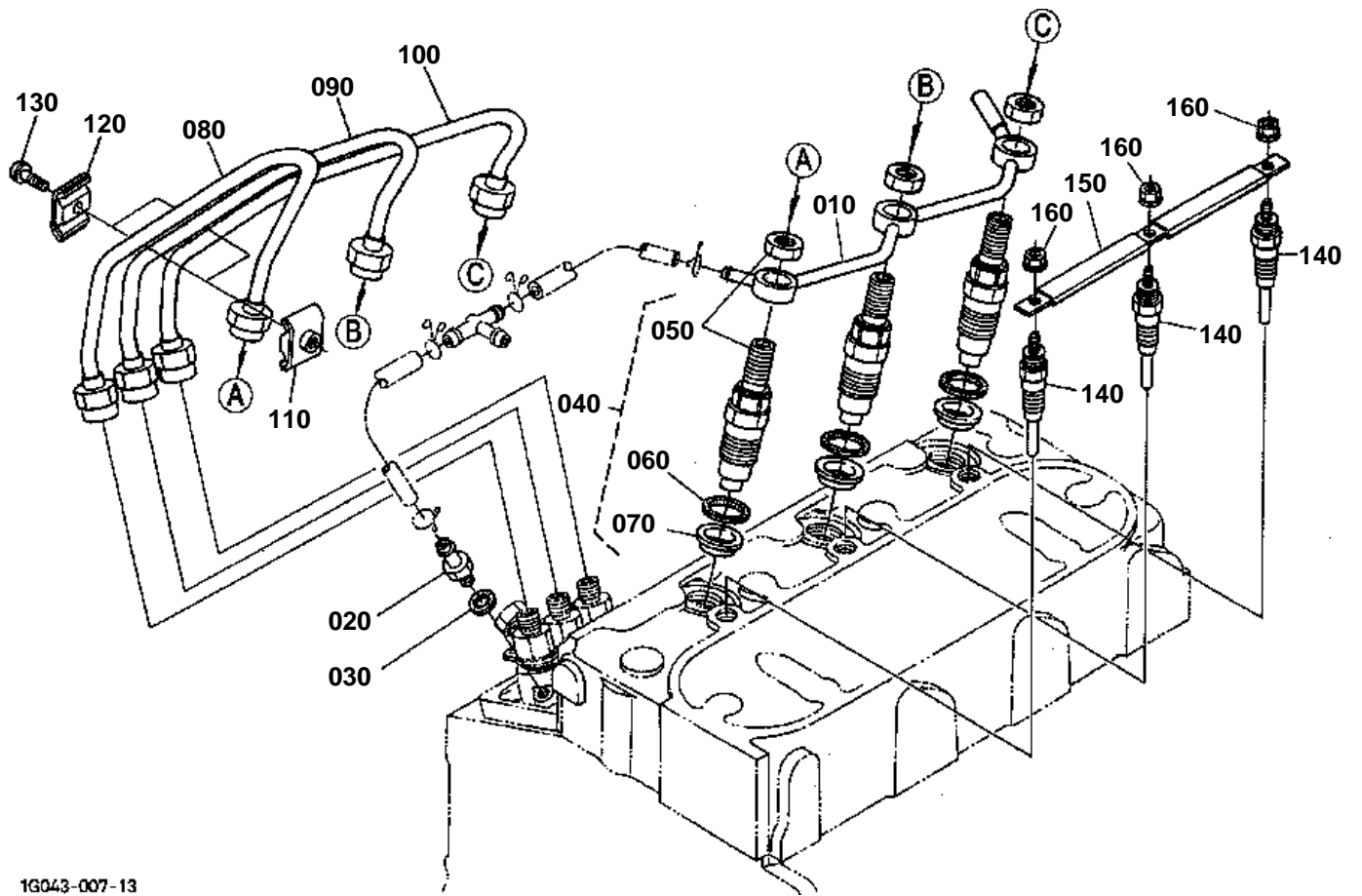


## SPEED CONTROL PLATE

↔ Interchangeable; ≠ not interchangeable; ← new for old; → old for new

| REF.No | Part No.    | Description         | Q'ty | S.No. | I/C | REMARKS | Weight (kgf) | Weight (lb) |
|--------|-------------|---------------------|------|-------|-----|---------|--------------|-------------|
| 010    | 16231-57016 | ASSY PLATE CONTROL  | 1    |       |     |         | 0.34         | 0.748       |
| 020    | 16205-57150 | LEVER SPEED CONTROL | 1    |       |     |         | 0.033        | 0.0726      |
| 030    | 16205-57160 | LEVER SPEED CONTROL | 2    |       |     |         | 0.03         | 0.066       |
| 040    | 04814-00100 | O RING              | 1    |       |     |         | 0.001        | 0.0022      |
| 050    | 05411-00420 | PIN SPRING          | 2    |       |     |         | 0.001        | 0.0022      |
| 060    | 05411-02520 | PIN SPRING          | 2    |       |     |         | 0.001        | 0.0022      |
| 070    | 01023-50612 | BOLT                | 2    |       |     |         | 0.005        | 0.011       |
| 080    | 16205-56020 | COMP.LEVER GOVERNOR | 1    |       |     |         | 0.02         | 0.044       |
| 090    | 16234-57720 | LEVER ENGINE STOP   | 1    |       |     |         | 0.03         | 0.066       |
| 100    | 04814-10070 | O RING              | 1    |       |     |         | 0.001        | 0.0022      |
| 110    | 16205-57510 | SPRING RETURN       | 1    |       |     |         | 0.002        | 0.0044      |
| 120    | 16205-57740 | COMP.LEVER STOP     | 1    |       |     |         | 0.046        | 0.1012      |
| 130    | 16264-57210 | GASKET              | 1    |       |     |         | 0.002        | 0.0044      |
| 140    | 01023-50616 | BOLT                | 1    |       |     |         | 0.005        | 0.011       |
| 150    | 16245-91540 | STUD                | 2    |       |     |         | 0.005        | 0.011       |
| 160    | 02056-50060 | NUT                 | 2    |       |     |         | 0.002        | 0.0044      |
| 170    | 04512-60060 | WASHER SPRING       | 2    |       |     |         | 0.001        | 0.0022      |
| 180    | 01053-50618 | BOLT                | 1    |       |     |         | 0.006        | 0.0132      |
| 190    | 15601-96650 | GASKET              | 1    |       |     |         | 0.001        | 0.0022      |

# NOZZLE HOLDER AND GLOW PLUG



1G043-007-13

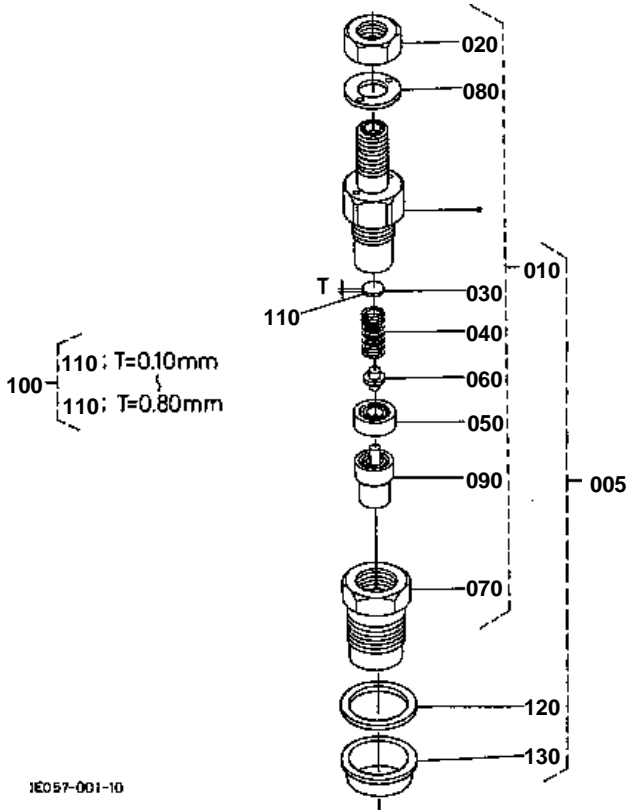


## NOZZLE HOLDER AND GLOW PLUG

↔ Interchangeable; ≠ not interchangeable; ← new for old; → old for new

| REF.No | Part No.    | Description         | Q'ty | S.No. | I/C | REMARKS | Weight (kgf) | Weight (lb) |
|--------|-------------|---------------------|------|-------|-----|---------|--------------|-------------|
| 010    | 16261-42502 | ASSY PIPE OVER FLOW | 1    |       |     |         | 0.04         | 0.088       |
| 020    | 15841-51360 | SCREW AIR BREEDER   | 1    |       |     |         | 0.008        | 0.0176      |
| 030    | 15601-96650 | GASKET              | 1    |       |     |         | 0.001        | 0.0022      |
| 040    | 16032-53900 | KIT HOLDER NOZZLE   | 3    |       |     |         | 0.16         | 0.352       |
| 050    | 16032-53000 | ASSY HOLDER NOZZLE  | 3    |       |     |         | 0.14         | 0.308       |
| 060    | 15841-53622 | GASKET              | 3    |       |     |         | 0.002        | 0.0044      |
| 070    | 19077-53650 | SEAL HEAT           | 3    |       |     |         | 0.005        | 0.011       |
| 080    | 16231-53712 | PIPE INJECTION      | 1    |       |     |         | 0.12         | 0.264       |
| 090    | 16231-53722 | PIPE INJECTION      | 1    |       |     |         | 0.12         | 0.264       |
| 100    | 16231-53732 | PIPE INJECTION      | 1    |       |     |         | 0.12         | 0.264       |
| 110    | 15841-53850 | CLAMP PIPE          | 2    |       |     |         | 0.01         | 0.022       |
| 120    | 15841-53860 | CLAMP PIPE          | 2    |       |     |         | 0.009        | 0.0198      |
| 130    | 03024-50520 | SCREW WITH WASHER   | 2    |       |     |         | 0.004        | 0.0088      |
| 140    | 16851-65510 | GLOW PLUG           | 3    |       |     |         | 0.02         | 0.044       |
| 150    | 16261-65560 | CORD GLOW PLUG      | 1    |       |     |         | 0.01         | 0.022       |
| 160    | 02761-50040 | NUT FLANGE          | 3    |       |     |         | 0.002        | 0.0044      |

NOZZLE HOLDER [COMPONENT PARTS]



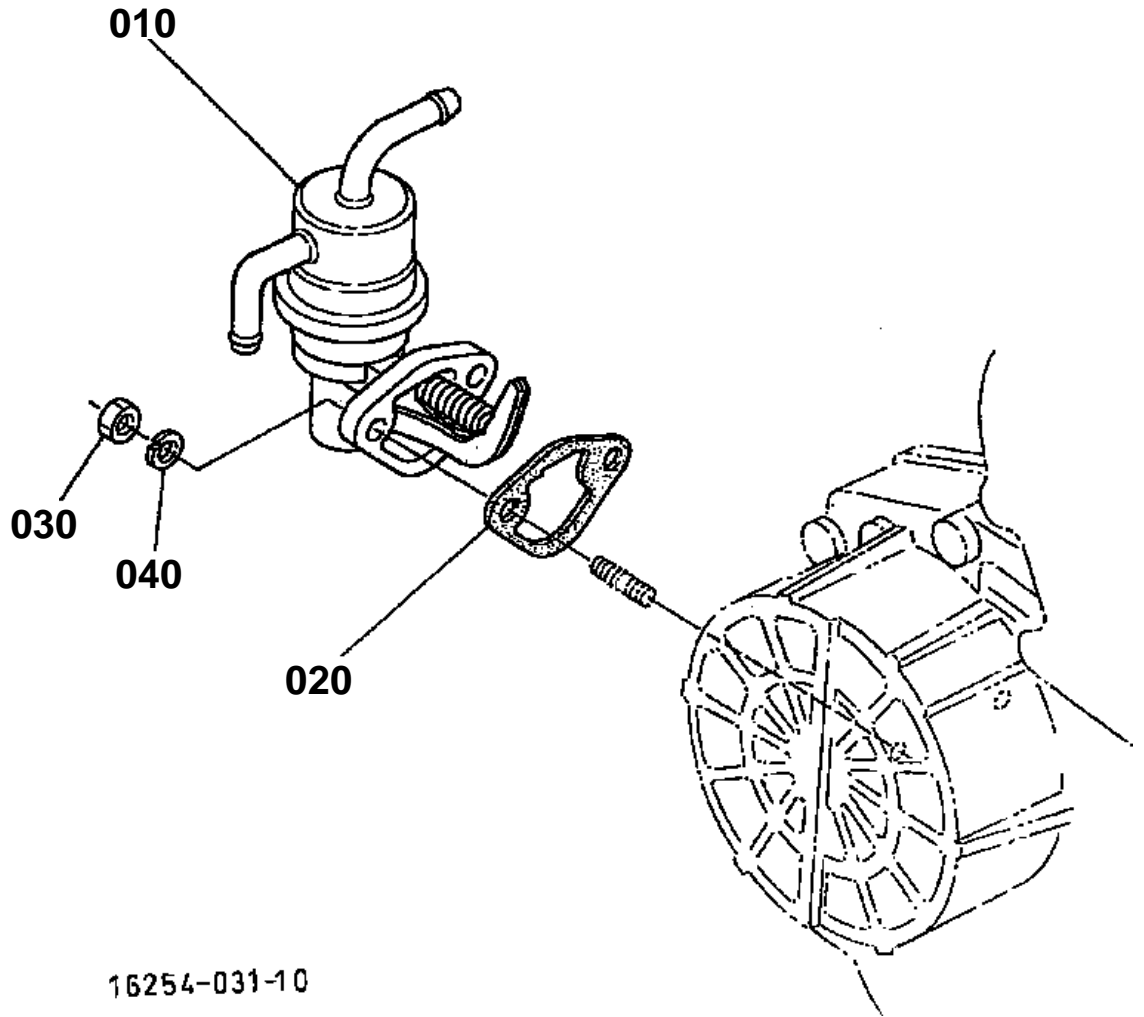




# NOZZLE HOLDER [COMPONENT PARTS]

↔ Interchangeable; ≠ not interchangeable; ← new for old; → old for new

| REF.No | Part No.    | Description        | Q'ty | S.No. | I/C | REMARKS | Weight (kgf) | Weight (lb) |
|--------|-------------|--------------------|------|-------|-----|---------|--------------|-------------|
| 005    | 16032-53900 | KIT HOLDER NOZZLE  | 3    |       |     |         | 0.16         | 0.352       |
| 010    | 16032-53000 | ASSY HOLDER NOZZLE | 3    |       |     |         | 0.14         | 0.308       |
| 020    | 16032-92030 | NUT                | 3    |       |     |         | 0.007        | 0.0154      |
| 030    | 16032-53230 | WASHER ADJUSTING   | 3    |       |     |         | 0.001        | 0.0022      |
| 040    | 16032-53170 | SPRING NOZZLE      | 3    |       |     |         | 0.007        | 0.0154      |
| 050    | 16032-53350 | SPACER DISTANCE    | 3    |       |     |         | 0.02         | 0.044       |
| 060    | 16032-53160 | PUSH ROD           | 3    |       |     |         | 0.001        | 0.0022      |
| 070    | 16032-53280 | NUT NOZZLE         | 3    |       |     |         | 0.037        | 0.0814      |
| 080    | 16032-94040 | WASHER PLAIN       | 3    |       |     |         | 0.002        | 0.0044      |
| 090    | 16032-53610 | PIECE NOZZLE       | 3    |       |     |         | 0.021        | 0.0462      |
| 100    | 16032-98100 | ASSY WASHER ADJUST | 3    |       |     | OPTION  | 0.016        | 0.0352      |
| 110    | 16032-98500 | WASHER ADJUSTING   | 3    |       |     | 0.10mm  | 0.001        | 0.0022      |
| 110    | 16032-98510 | WASHER ADJUSTING   | 3    |       |     | 0.20mm  | 0.001        | 0.0022      |
| 110    | 16032-98520 | WASHER ADJUSTING   | 3    |       |     | 0.30mm  | 0.001        | 0.0022      |
| 110    | 16032-98530 | WASHER ADJUSTING   | 3    |       |     | 0.40mm  | 0.001        | 0.0022      |
| 110    | 16032-98540 | WASHER ADJUSTING   | 3    |       |     | 0.50mm  | 0.001        | 0.0022      |
| 110    | 16032-98550 | WASHER ADJUSTING   | 3    |       |     | 0.52mm  | 0.001        | 0.0022      |
| 110    | 16032-98560 | WASHER ADJUSTING   | 3    |       |     | 0.54mm  | 0.001        | 0.0022      |
| 110    | 16032-98570 | WASHER ADJUSTING   | 3    |       |     | 0.56mm  | 0.001        | 0.0022      |
| 110    | 16032-98580 | WASHER ADJUSTING   | 3    |       |     | 0.58mm  | 0.001        | 0.0022      |
| 110    | 16032-98590 | WASHER ADJUSTING   | 3    |       |     | 0.80mm  | 0.001        | 0.0022      |
| 120    | 15841-53622 | GASKET             | 3    |       |     |         | 0.002        | 0.0044      |
| 130    | 19077-53650 | SEAL HEAT          | 3    |       |     |         | 0.005        | 0.011       |



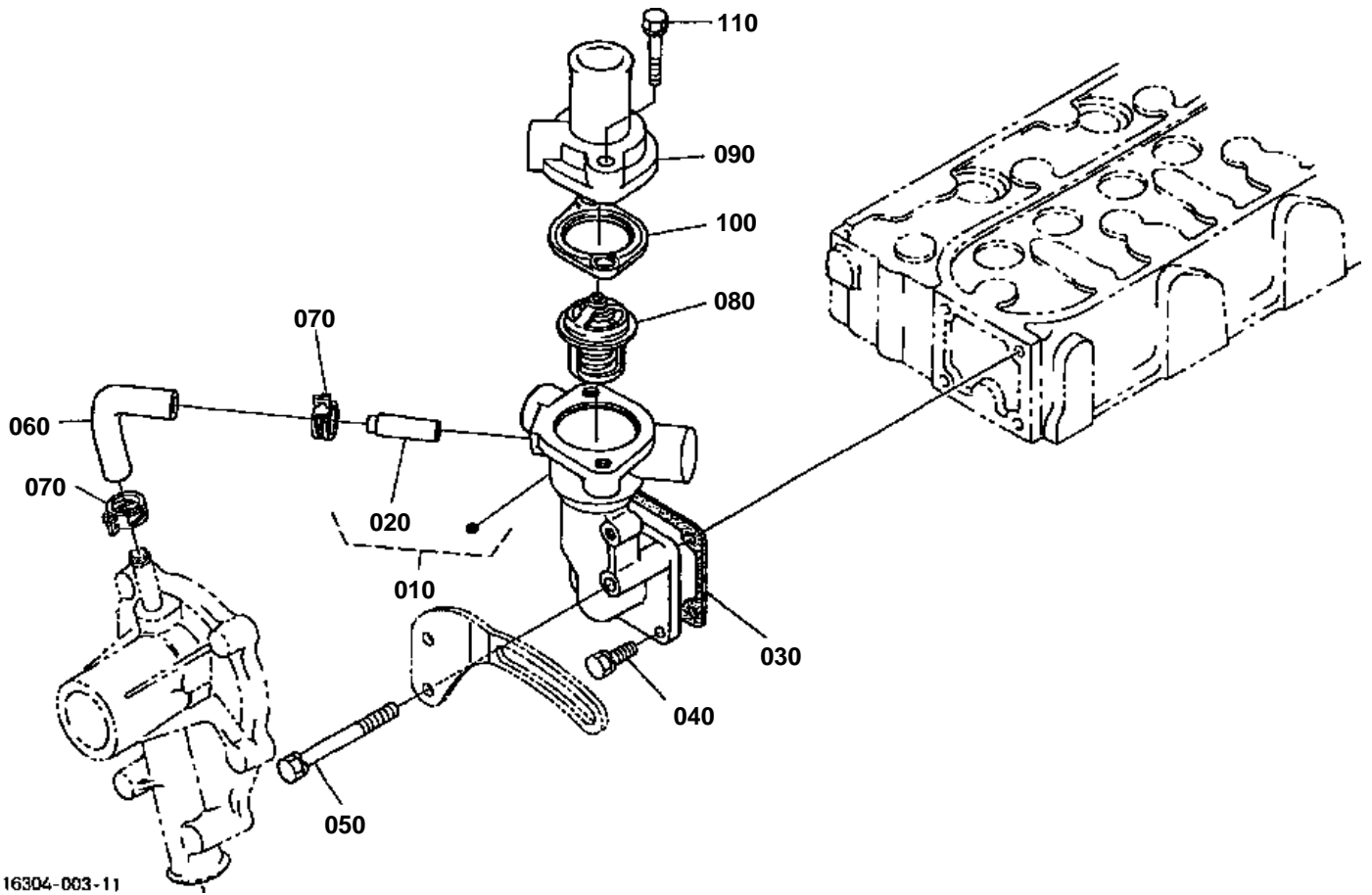


## FUEL PUMP(MECHANICAL)

↔ Interchangeable; ≠ not interchangeable; ← new for old; → old for new

| REF.No | Part No.    | Description      | Q'ty | S.No. | I/C | REMARKS | Weight (kgf) | Weight (lb) |
|--------|-------------|------------------|------|-------|-----|---------|--------------|-------------|
| 010    | 16241-52032 | ASSY PUMP FUEL   | 1    |       |     |         | 0.13         | 0.286       |
| 020    | 16264-52140 | GASKET FUEL PUMP | 1    |       |     |         | 0.001        | 0.0022      |
| 030    | 02056-50060 | NUT              | 2    |       |     |         | 0.002        | 0.0044      |
| 040    | 04512-60060 | WASHER SPRING    | 2    |       |     |         | 0.001        | 0.0022      |

WATER FLANGE AND THERMOSTAT



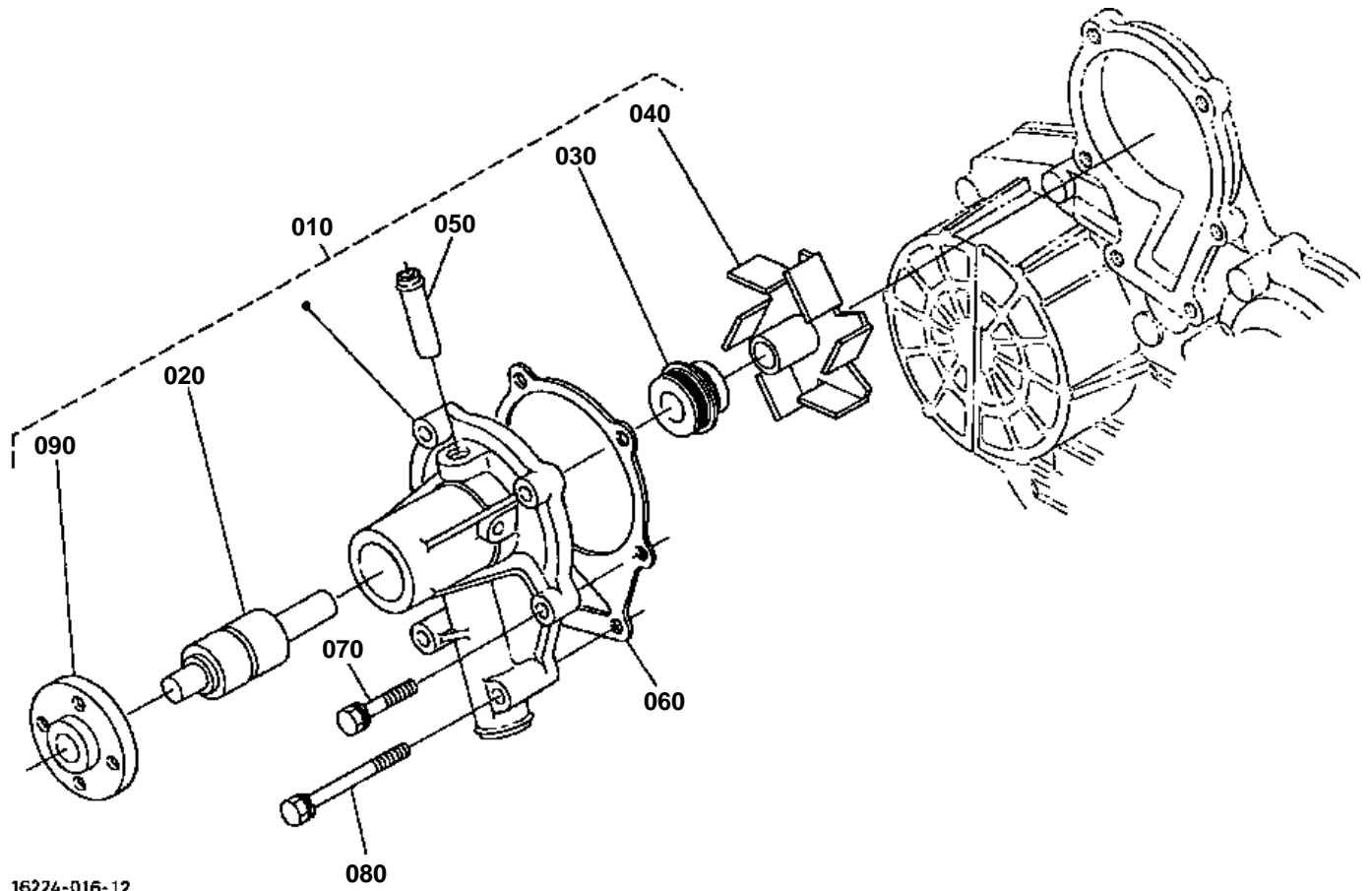


# WATER FLANGE AND THERMOSTAT

↔ Interchangeable; ≠ not interchangeable; ← new for old; → old for new

| REF.No | Part No.    | Description         | Q'ty | S.No. | I/C | REMARKS | Weight (kgf) | Weight (lb) |
|--------|-------------|---------------------|------|-------|-----|---------|--------------|-------------|
| 010    | 16203-72700 | COMP FLANGE WATER   | 1    |       |     |         | 0.25         | 0.55        |
| 020    | 16241-73370 | PIPE WATER RETURN   | 1    |       |     |         | 0.007        | 0.0154      |
| 030    | 16264-72920 | GASKET WATER FLANGE | 1    |       |     |         | 0.001        | 0.0022      |
| 040    | 01023-50616 | BOLT                | 3    |       |     |         | 0.005        | 0.011       |
| 050    | 01023-50655 | BOLT                | 1    |       |     |         | 0.012        | 0.0264      |
| 060    | 16241-73350 | PIPE WATER RETURN   | 1    |       |     |         | 0.015        | 0.033       |
| 070    | 16241-73360 | BAND PIPE           | 2    |       |     |         | 0.003        | 0.0066      |
| 080    | 15321-73014 | ASSY THERMOSTAT     | 1    |       |     |         | 0.07         | 0.154       |
| 090    | 16219-73260 | COVER THERMOSTAT    | 1    |       |     |         | 0.094        | 0.2068      |
| 100    | 16221-73270 | GASKET THERMOSTAT   | 1    |       |     |         | 0.01         | 0.022       |
| 110    | 01123-50835 | BOLT                | 2    |       |     |         | 0.02         | 0.044       |

# WATER PUMP



16224-016-12

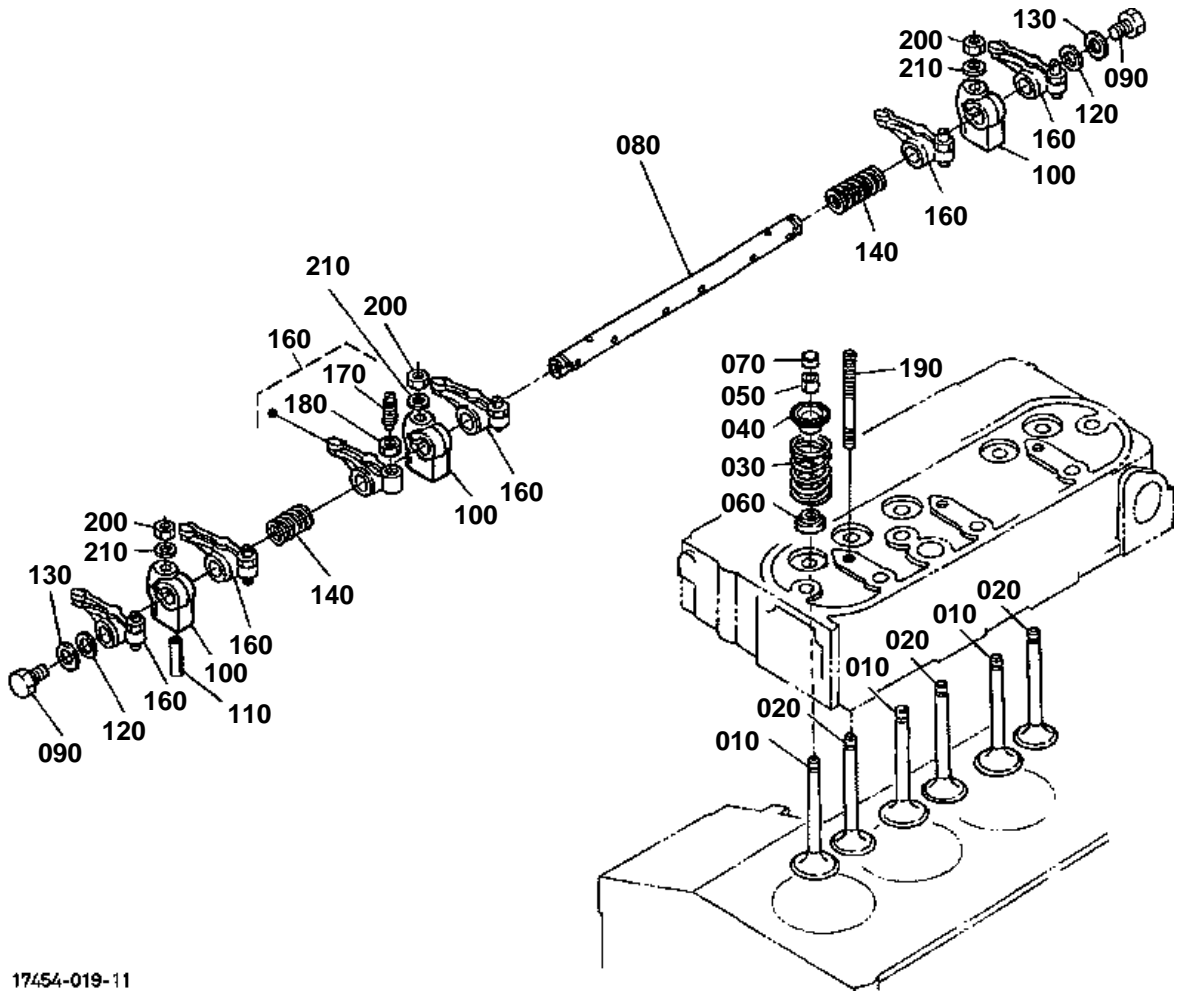


# WATER PUMP

↔ Interchangeable; ≠ not interchangeable; ← new for old; → old for new

| REF.No | Part No.    | Description          | Q'ty | S.No. | I/C | REMARKS | Weight (kgf) | Weight (lb) |
|--------|-------------|----------------------|------|-------|-----|---------|--------------|-------------|
| 010    | 16251-73034 | ASSY PUMP WATER      | 1    |       |     |         | 0.8          | 1.76        |
| 020    | 16259-73552 | BEARING              | 1    |       |     |         | 0.21         | 0.462       |
| 030    | 1G642-73050 | ASSY SEAL MECHANICAL | 1    |       |     |         | 0.03         | 0.066       |
| 040    | 16259-73512 | IMPELLER WATER PUMP  | 1    |       |     |         | 0.09         | 0.198       |
| 050    | 16241-73340 | PIPE WATER RETURN    | 1    |       |     |         | 0.006        | 0.0132      |
| 060    | 16239-73430 | GASKET WATER PUMP    | 1    |       |     |         | 0.007        | 0.0154      |
| 070    | 01023-50630 | BOLT                 | 4    |       |     |         | 0.008        | 0.0176      |
| 080    | 01023-50685 | BOLT                 | 2    |       |     |         | 0.018        | 0.0396      |
| 090    | 16259-73520 | FLANGE WATER PUMP    | 1    |       |     |         | 0.15         | 0.33        |

# VALVE AND ROCKER ARM



17454-019-11



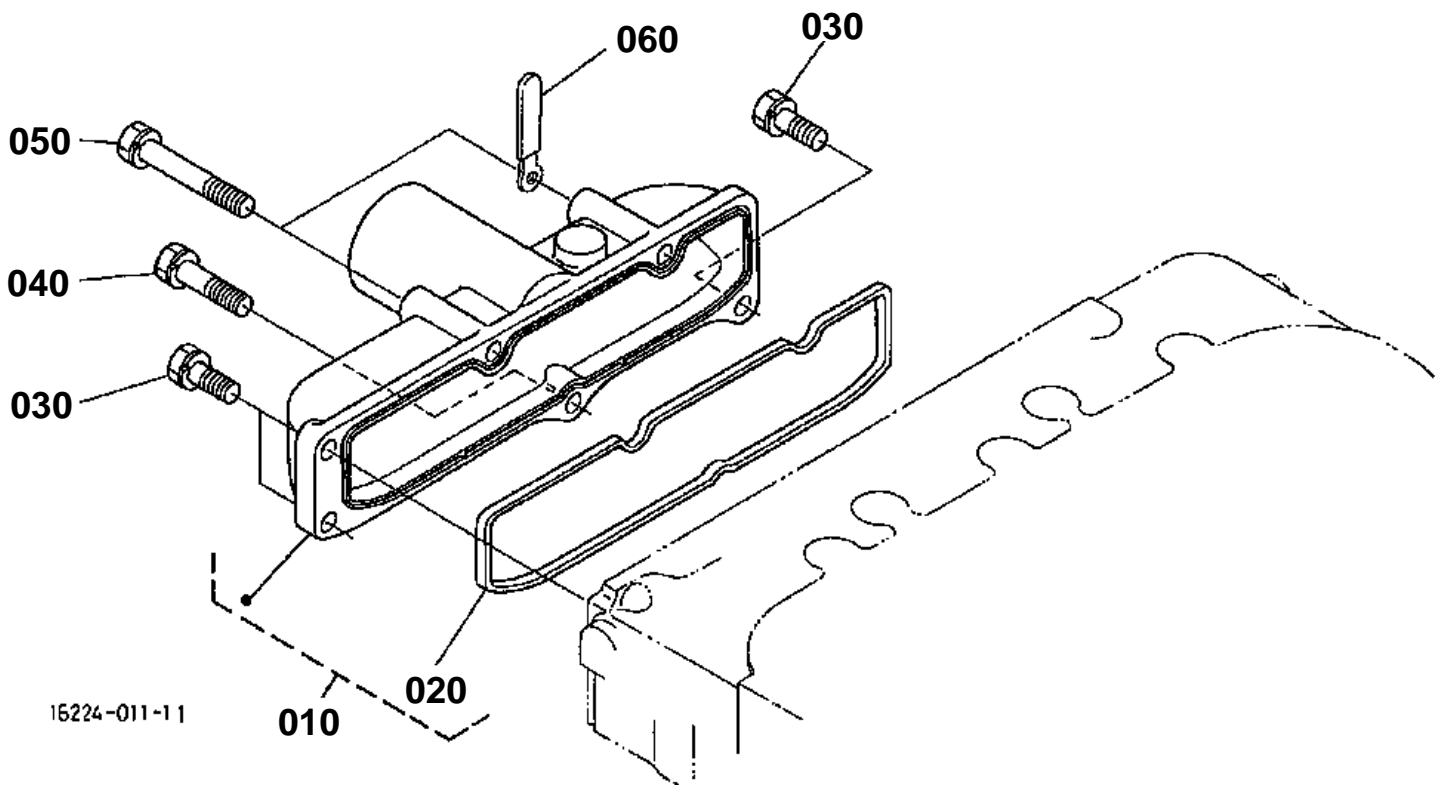


## VALVE AND ROCKER ARM

↔ Interchangeable; ≠ not interchangeable; ← new for old; → old for new

| REF.No | Part No.    | Description         | Q'ty | S.No. | I/C | REMARKS | Weight (kgf) | Weight (lb) |
|--------|-------------|---------------------|------|-------|-----|---------|--------------|-------------|
| 010    | 16241-13110 | VALVE INLET         | 3    |       |     |         | 0.05         | 0.11        |
| 020    | 16241-13120 | VALVE EXHAUST       | 3    |       |     |         | 0.045        | 0.099       |
| 030    | 16271-13240 | SPRING VALVE        | 6    |       |     |         | 0.015        | 0.033       |
| 040    | 16261-13330 | RETAINER SPRING     | 6    |       |     |         | 0.016        | 0.0352      |
| 050    | 15261-13360 | COLLET VALVE SPRING | 6    |       |     | SET     | 0.001        | 0.0022      |
| 060    | 1C010-13150 | SEAL VALVE STEM     | 6    |       |     |         | 0.002        | 0.0044      |
| 070    | 16241-13280 | CAP VALVE           | 6    |       |     |         | 0.005        | 0.011       |
| 080    | 16261-14264 | SHAFT ROCKER ARM    | 1    |       |     |         | 0.16         | 0.352       |
| 090    | 01023-50610 | BOLT                | 2    |       |     |         | 0.005        | 0.011       |
| 100    | 16241-14350 | BRACKET ROCKER ARM  | 3    |       |     |         | 0.04         | 0.088       |
| 110    | 05411-00428 | PIN SPRING          | 1    |       |     |         | 0.002        | 0.0044      |
| 120    | 16241-14430 | WASHER R-ARM.SHAFT  | 2    |       |     |         | 0.002        | 0.0044      |
| 130    | 15841-94022 | WASHER PLAIN        | 2    |       |     |         | 0.005        | 0.011       |
| 140    | 16241-14310 | SPRING ROCKER ARM   | 2    |       |     |         | 0.004        | 0.0088      |
| 150    | 99999-99999 | BLANK               | 0    |       |     |         | 0            | 0           |
| 160    | 16241-14032 | ASSY ROCKER ARM     | 6    |       |     |         | 0.052        | 0.1144      |
| 170    | 16241-14230 | SCREW ADJUSTING     | 6    |       |     |         | 0.008        | 0.0176      |
| 180    | 16241-14240 | NUT                 | 6    |       |     |         | 0.004        | 0.0088      |
| 190    | 16241-14410 | STUD                | 3    |       |     |         | 0.022        | 0.0484      |
| 200    | 15261-92010 | NUT                 | 3    |       |     |         | 0.005        | 0.011       |
| 210    | 15261-94010 | WASHER PLAIN        | 3    |       |     |         | 0.002        | 0.0044      |

INLET MANIFOLD



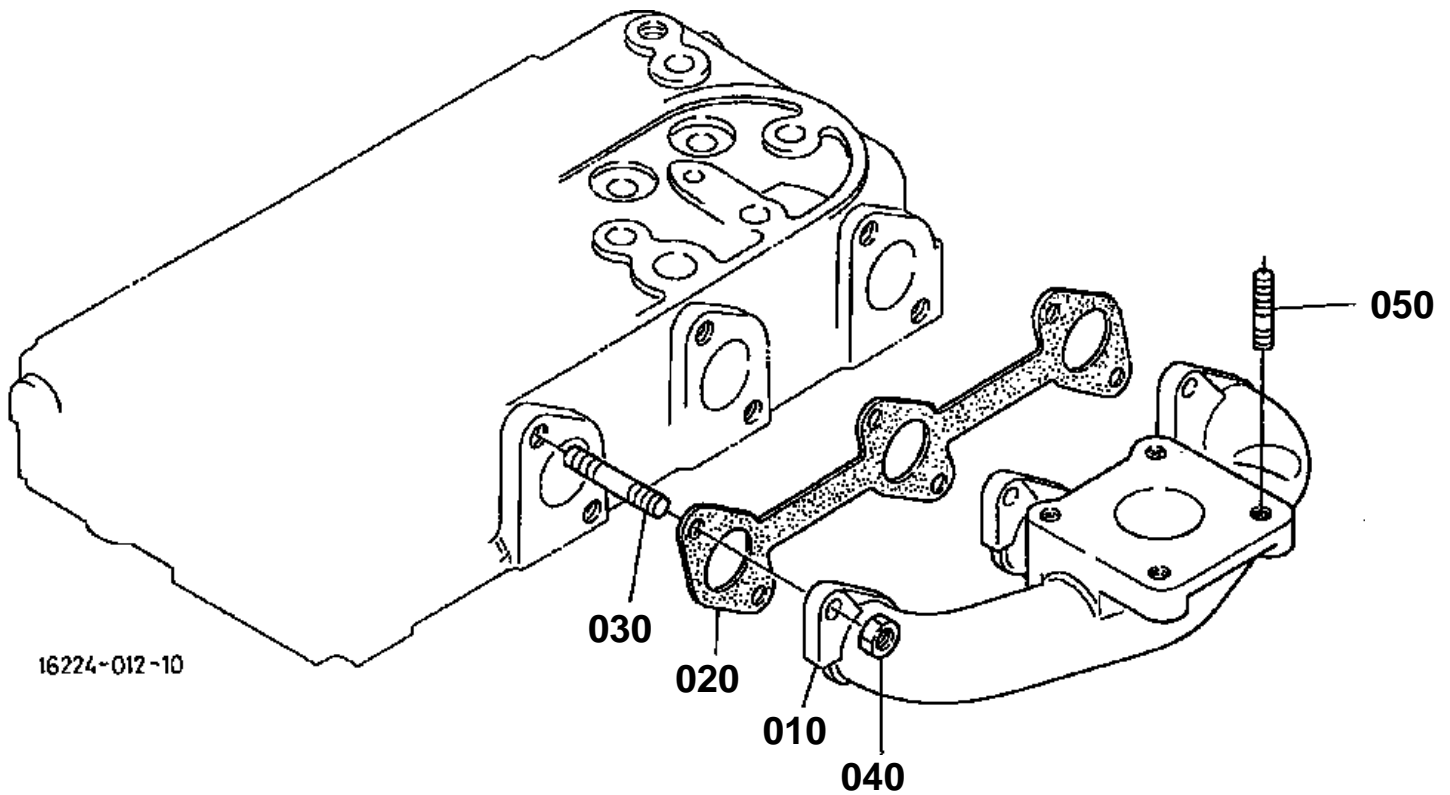


# INLET MANIFOLD

↔ Interchangeable; ≠ not interchangeable; ← new for old; → old for new

| REF.No | Part No.    | Description         | Q'ty | S.No. | I/C | REMARKS | Weight (kgf) | Weight (lb) |
|--------|-------------|---------------------|------|-------|-----|---------|--------------|-------------|
| 010    | 16261-11770 | ASSY MANIFOLD INLET | 1    |       |     |         | 0.3          | 0.66        |
| 020    | 16261-11822 | GASKET IN-MANIFOLD  | 1    |       |     |         | 0.01         | 0.022       |
| 030    | 01023-50618 | BOLT                | 3    |       |     |         | 0.006        | 0.0132      |
| 040    | 01023-50630 | BOLT                | 1    |       |     |         | 0.008        | 0.0176      |
| 050    | 01023-60650 | BOLT                | 2    |       |     |         | 0.015        | 0.033       |
| 060    | 15272-67590 | CLAMP CORD          | 1    |       |     |         | 0.004        | 0.0088      |

EXHAUST MANIFOLD



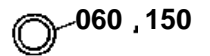
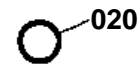
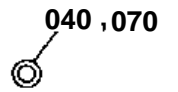
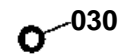
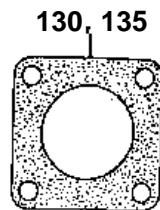
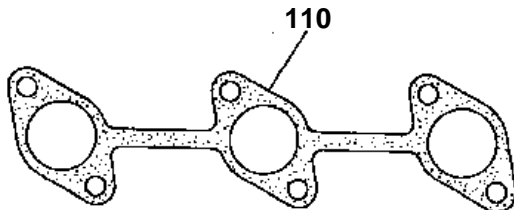
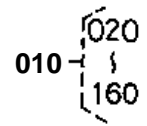
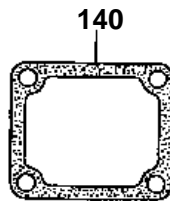
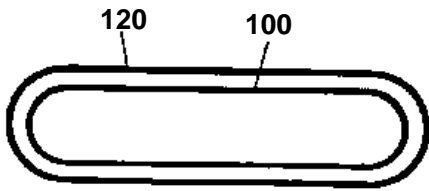
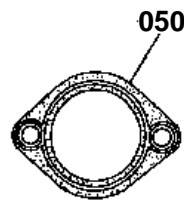
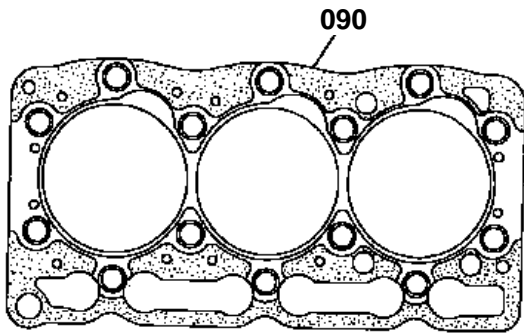


# EXHAUST MANIFOLD

↔ Interchangeable; ≠ not interchangeable; ← new for old; → old for new

| REF.No | Part No.    | Description        | Q'ty | S.No. | I/C | REMARKS | Weight (kgf) | Weight (lb) |
|--------|-------------|--------------------|------|-------|-----|---------|--------------|-------------|
| 010    | 16265-12312 | MANIFOLD EXHAUST   | 1    |       |     |         | 1.35         | 2.97        |
| 020    | 16261-12350 | GASKET EX-MANIFOLD | 1    |       |     |         | 0.019        | 0.0418      |
| 030    | 16241-91490 | STUD               | 6    |       |     |         | 0.005        | 0.011       |
| 040    | 16271-92010 | NUT                | 6    |       |     |         | 0.005        | 0.011       |
| 050    | 01513-50818 | STUD               | 4    |       |     |         | 0.009        | 0.0198      |

UPPER GASKET KIT [OPTION]



16216-007-23

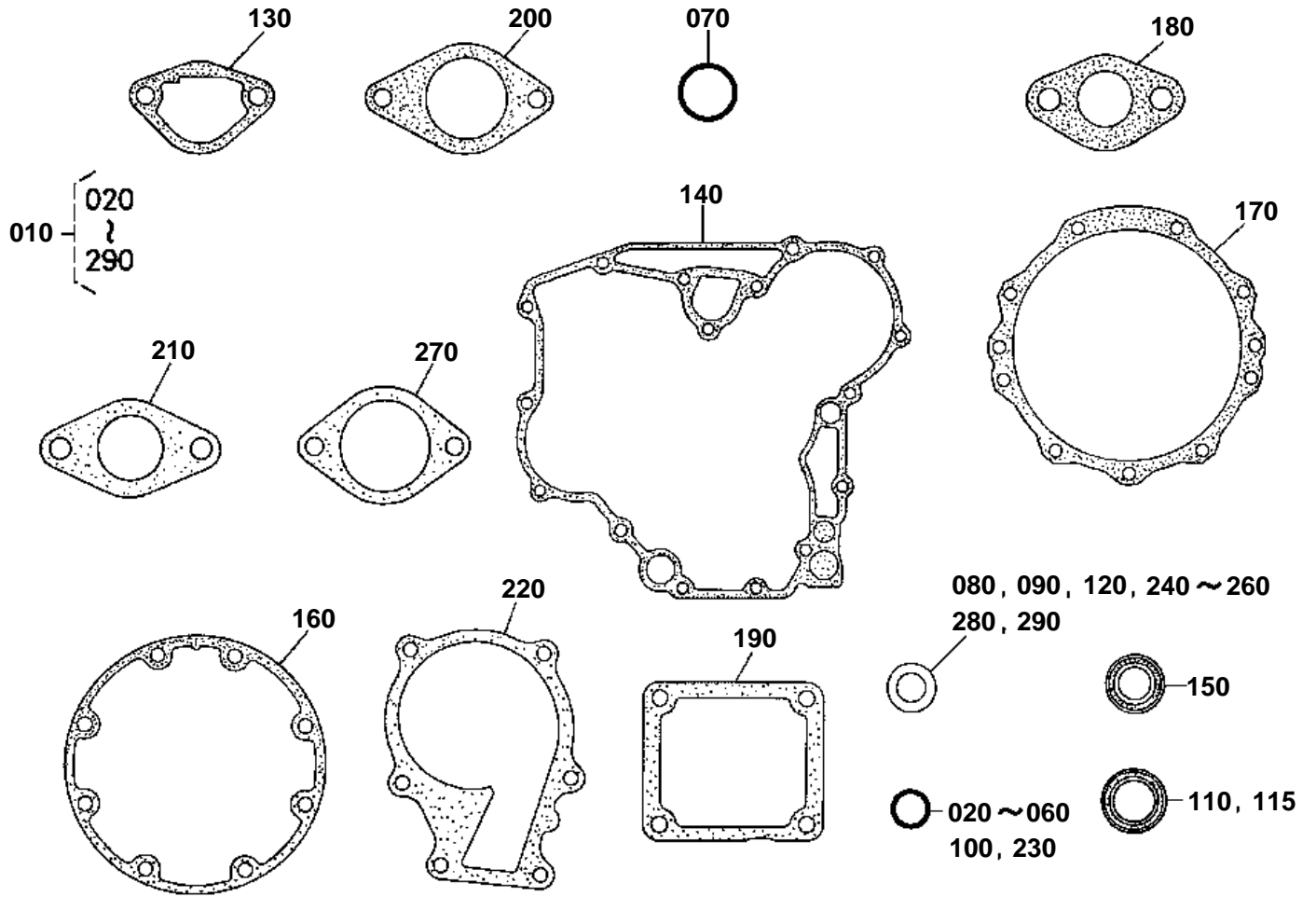


## UPPER GASKET KIT [OPTION]

↔ Interchangeable; ≠ not interchangeable; ← new for old; → old for new

| REF.No | Part No.    | Description          | Q'ty | S.No. | I/C | REMARKS    | Weight (kgf) | Weight (lb) |
|--------|-------------|----------------------|------|-------|-----|------------|--------------|-------------|
| 010    | 07916-27787 | KIT GASKET UPPER     | 1    |       |     |            | 0.24         | 0.528       |
| 020    | 04814-50300 | O RING               | 2    |       |     |            | 0.001        | 0.0022      |
| 030    | 15221-33700 | O RING               | 1    |       |     |            | 0.001        | 0.0022      |
| 040    | 15601-96650 | GASKET               | 1    |       |     |            | 0.001        | 0.0022      |
| 050    | 16221-73270 | GASKET THERMOSTAT    | 1    |       |     |            | 0.01         | 0.022       |
| 060    | 15841-53622 | GASKET               | 3    |       |     |            | 0.002        | 0.0044      |
| 070    | 15951-96660 | GASKET               | 3    |       |     |            | 0.001        | 0.0022      |
| 080    | 1C010-13150 | SEAL VALVE STEM      | 6    |       |     |            | 0.002        | 0.0044      |
| 090    | 16231-03310 | GASKET CYLINDER HEAD | 1    |       |     |            | 0.07         | 0.154       |
| 100    | 16261-11822 | GASKET IN-MANIFOLD   | 1    |       |     |            | 0.01         | 0.022       |
| 110    | 16261-12350 | GASKET EX-MANIFOLD   | 1    |       |     |            | 0.019        | 0.0418      |
| 120    | 16261-14520 | GASKET HEAD COVER    | 1    |       |     |            | 0.01         | 0.022       |
| 130    | 15263-12370 | GASKET MUFFLER NA    | 1    |       |     |            | 0.015        | 0.033       |
| 135    | 15313-12370 | GASKET NA            | 1    |       |     | OUT OF USE | 0.008        | 0.0176      |
| 140    | 16264-72920 | GASKET WATER FLANGE  | 1    |       |     |            | 0.001        | 0.0022      |
| 150    | 16261-96710 | GASKET               | 1    |       |     | OUT OF USE | 0.002        | 0.0044      |
| 160    | 19077-53650 | SEAL HEAT            | 3    |       |     |            | 0.005        | 0.011       |

LOWER GASKET KIT [OPTION]

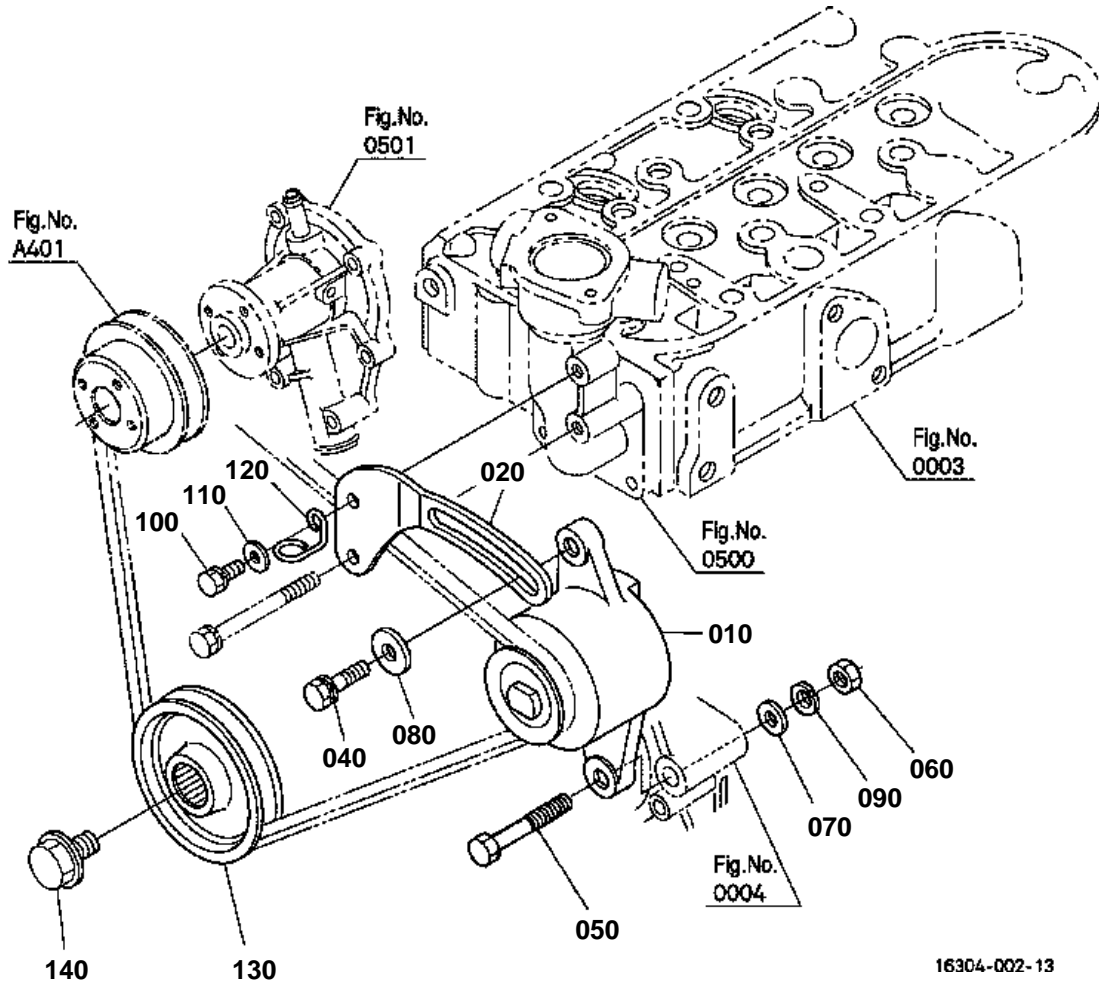




**LOWER GASKET KIT [OPTION]**

↔ Interchangeable; ≠ not interchangeable; ← new for old; → old for new

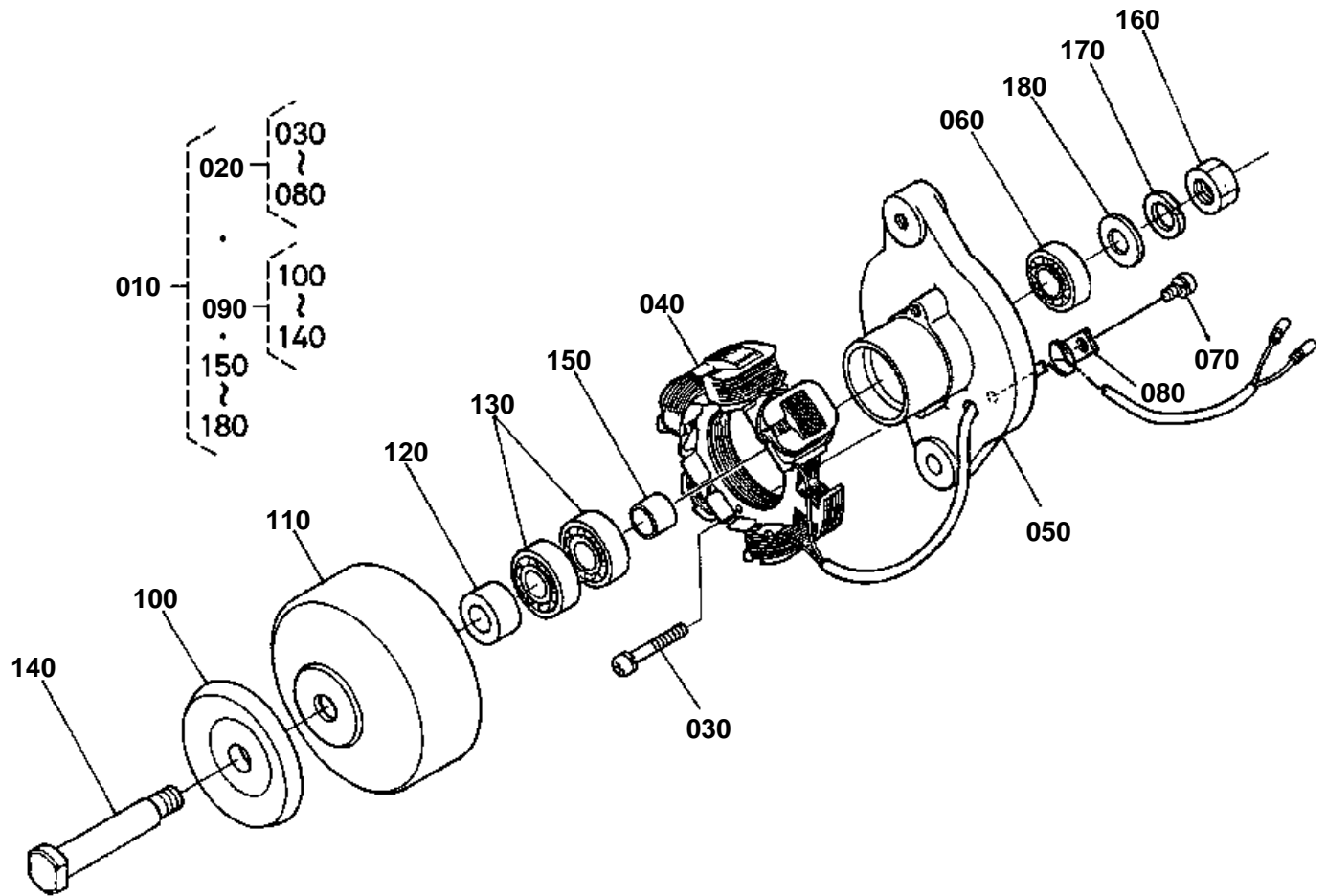
| REF.No | Part No.    | Description          | Q'ty | S.No. | I/C | REMARKS    | Weight (kgf) | Weight (lb) |
|--------|-------------|----------------------|------|-------|-----|------------|--------------|-------------|
| 010    | 07916-27798 | LOWER GASKET KIT     | 1    |       |     |            | 0.26         | 0.572       |
| 020    | 04814-00100 | O RING               | 1    |       |     |            | 0.001        | 0.0022      |
| 030    | 04814-00150 | O RING               | 2    |       |     | OUT OF USE | 0.001        | 0.0022      |
| 040    | 04814-00160 | O RING               | 1    |       |     |            | 0.001        | 0.0022      |
| 050    | 04814-06100 | O RING               | 2    |       |     | OUT OF USE | 0.003        | 0.0066      |
| 060    | 04814-10280 | O RING               | 1    |       |     |            | 0.001        | 0.0022      |
| 070    | 04811-10460 | O RING               | 1    |       |     |            | 0.002        | 0.0044      |
| 080    | 15021-33660 | GASKET               | 1    |       |     |            | 0.001        | 0.0022      |
| 090    | 6C090-58960 | GASKET               | 1    |       |     |            | 0.002        | 0.0044      |
| 100    | 04814-00090 | O RING               | 1    |       |     | OUT OF USE | 0.001        | 0.0022      |
| 110    | 16241-04460 | SEAL OIL             | 1    |       |     | OUT OF USE | 0.02         | 0.044       |
| 115    | 16271-04460 | SEAL OIL             | 1    |       |     |            | 0.04         | 0.088       |
| 120    | 15601-96650 | GASKET               | 5    |       |     |            | 0.001        | 0.0022      |
| 130    | 16264-52140 | GASKET FUEL PUMP     | 1    |       |     |            | 0.001        | 0.0022      |
| 140    | 16264-04130 | GASKET GEAR CASE     | 1    |       |     |            | 0.01         | 0.022       |
| 150    | 16241-04212 | SEAL OIL             | 1    |       |     |            | 0.012        | 0.0264      |
| 160    | 16264-04360 | GASKET BRG.CASE      | 1    |       |     |            | 0.002        | 0.0044      |
| 170    | 16264-04820 | GASKET               | 1    |       |     |            | 0.008        | 0.0176      |
| 180    | 16299-56260 | GASKET               | 1    |       |     |            | 0.002        | 0.0044      |
| 190    | 16264-57210 | GASKET               | 1    |       |     |            | 0.002        | 0.0044      |
| 200    | 16264-88130 | GASKET H/METER UNIT  | 1    |       |     |            | 0.002        | 0.0044      |
| 210    | 16299-60150 | GASKET               | 1    |       |     |            | 0.003        | 0.0066      |
| 220    | 16239-73430 | GASKET WATER PUMP    | 1    |       |     |            | 0.007        | 0.0154      |
| 230    | 04814-10070 | O RING               | 1    |       |     |            | 0.001        | 0.0022      |
| 240    | 04724-00100 | GASKET               | 1    |       |     | OUT OF USE | 0.001        | 0.0022      |
| 250    | 1G021-96650 | GASKET               | 1    |       |     |            | 0.001        | 0.0022      |
| 260    | 04714-00200 | GASKET               | 1    |       |     | OUT OF USE | 0.002        | 0.0044      |
| 270    | 16299-83110 | GASKET PUMP COVER NA | 1    |       |     | OUT OF USE | 0.005        | 0.011       |
| 280    | 15841-96650 | GASKET               | 2    |       |     |            | 0.001        | 0.0022      |
| 290    | 15861-96650 | GASKET               | 1    |       |     |            | 0.001        | 0.0022      |



**DYNAMO**

↔ Interchangeable; ≠ not interchangeable; ← new for old; → old for new

| REF.No | Part No.    | Description      | Q'ty | S.No. | I/C | REMARKS | Weight (kgf) | Weight (lb) |
|--------|-------------|------------------|------|-------|-----|---------|--------------|-------------|
| 010    | 6C040-59250 | ASSY DYNAMO      | 1    |       |     |         | 1.33         | 2.926       |
| 020    | 16225-64420 | STAY DYNAMO      | 1    |       |     |         | 0.084        | 0.1848      |
| 030    | 99999-99999 | BLANK            | 0    |       |     |         | 0            | 0           |
| 040    | 01123-50830 | BOLT             | 1    |       |     |         | 0.015        | 0.033       |
| 050    | 01153-50860 | BOLT             | 1    |       |     |         | 0.024        | 0.0528      |
| 060    | 02112-50080 | NUT              | 1    |       |     |         | 0.003        | 0.0066      |
| 070    | 04012-50080 | WASHER PLAIN     | 1    |       |     |         | 0.001        | 0.0022      |
| 080    | 04015-60080 | WASHER PLAIN     | 1    |       |     |         | 0.01         | 0.022       |
| 090    | 04512-60080 | WASHER SPRING    | 1    |       |     |         | 0.002        | 0.0044      |
| 100    | 01023-50618 | BOLT             | 1    |       |     |         | 0.006        | 0.0132      |
| 110    | 04012-50060 | WASHER PLAIN     | 1    |       |     |         | 0.001        | 0.0022      |
| 120    | 16271-83370 | CLAMP CORD       | 1    |       |     |         | 0.005        | 0.011       |
| 130    | 16261-74280 | PULLEY FAN DRIVE | 1    |       |     |         | 1.14         | 2.508       |
| 140    | 16241-91020 | BOLT FAN DRIVE   | 1    |       |     |         | 0.1          | 0.22        |

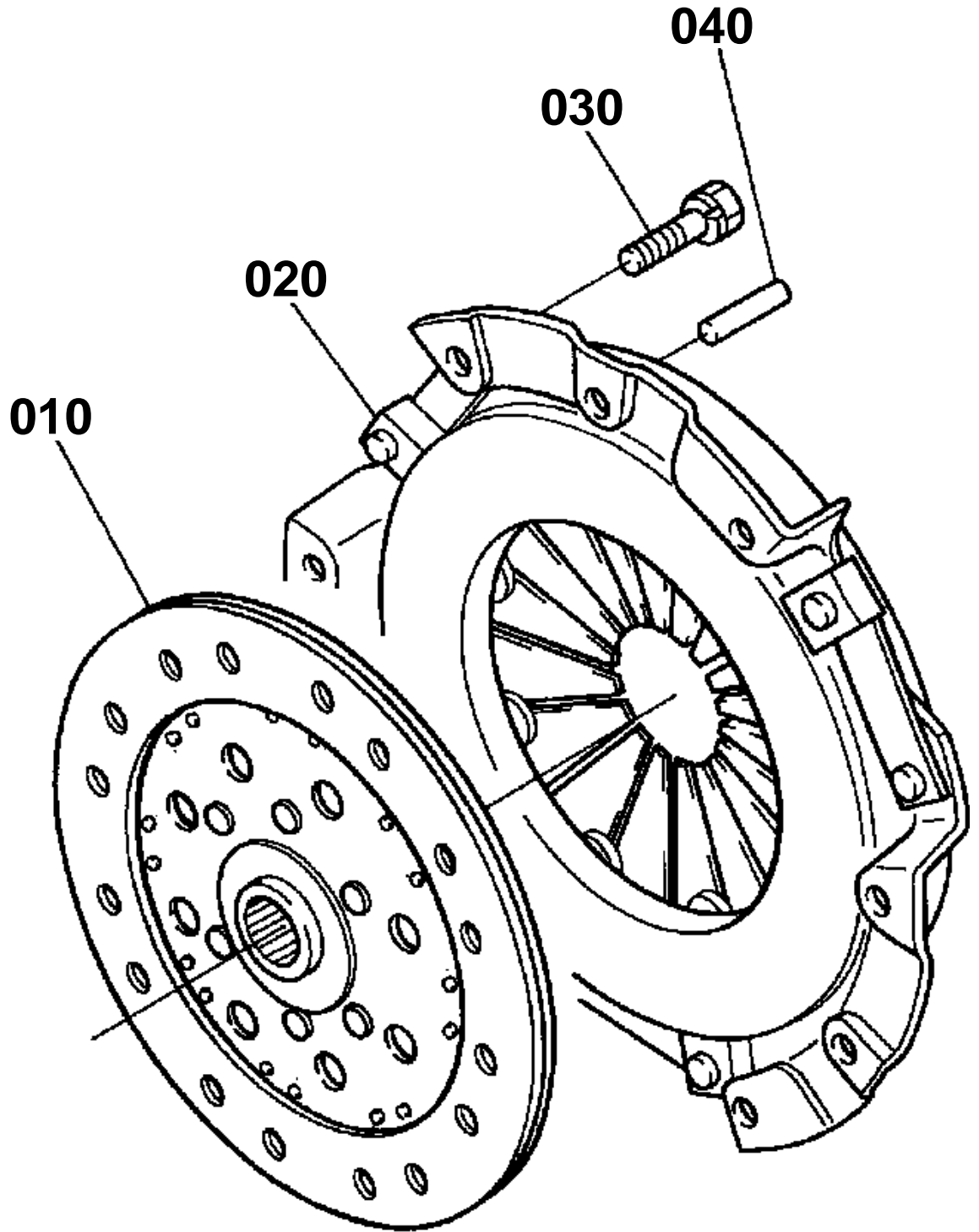


6C040-009-11

**DYNAMO [COMPONENT PARTS]**

↔ Interchangeable; ≠ not interchangeable; ← new for old; → old for new

| REF.No | Part No.    | Description      | Q'ty | S.No. | I/C | REMARKS | Weight (kgf) | Weight (lb) |
|--------|-------------|------------------|------|-------|-----|---------|--------------|-------------|
| 010    | 6C040-59250 | ASSY DYNAMO      | 1    |       |     |         | 1.33         | 2.926       |
| 020    | 6C040-59260 | COMP.STATOR      | 1    |       |     |         | 0.55         | 1.21        |
| 030    | 15261-93010 | SCREW ROUND HEAD | 2    |       |     |         | 0.003        | 0.0066      |
| 040    | 15531-64292 | STATOR           | 1    |       |     |         | 0.29         | 0.638       |
| 050    | 6C040-82880 | PLATE            | 1    |       |     |         | 0.267        | 0.5874      |
| 060    | 15531-74180 | BEARING BALL     | 1    |       |     |         | 0.04         | 0.088       |
| 070    | 15531-93010 | SCREW ROUND HEAD | 1    |       |     |         | 0.002        | 0.0044      |
| 080    | 15531-64190 | CLAMP CORD       | 1    |       |     |         | 0.005        | 0.011       |
| 090    | 6C040-59270 | COMP.FLYWHEEL    | 1    |       |     |         | 0.75         | 1.65        |
| 100    | 15531-64110 | PULLEY           | 1    |       |     |         | 0.15         | 0.33        |
| 110    | 6C040-82850 | FLYWHEEL DYNAMO  | 1    |       |     |         | 0.48         | 1.056       |
| 120    | 6C040-82860 | COLLAR           | 1    |       |     |         | 0.014        | 0.0308      |
| 130    | 15531-74180 | BEARING BALL     | 2    |       |     |         | 0.04         | 0.088       |
| 140    | 6C040-82870 | SHAFT            | 1    |       |     |         | 0.075        | 0.165       |
| 150    | 15261-64150 | COLLAR           | 1    |       |     |         | 0.02         | 0.044       |
| 160    | 15261-92030 | NUT              | 1    |       |     |         | 0.01         | 0.022       |
| 170    | 15261-94070 | WASHER SPRING    | 1    |       |     |         | 0.003        | 0.0066      |
| 180    | 15261-94020 | WASHER PLAIN     | 1    |       |     |         | 0.007        | 0.0154      |



16216-001-10

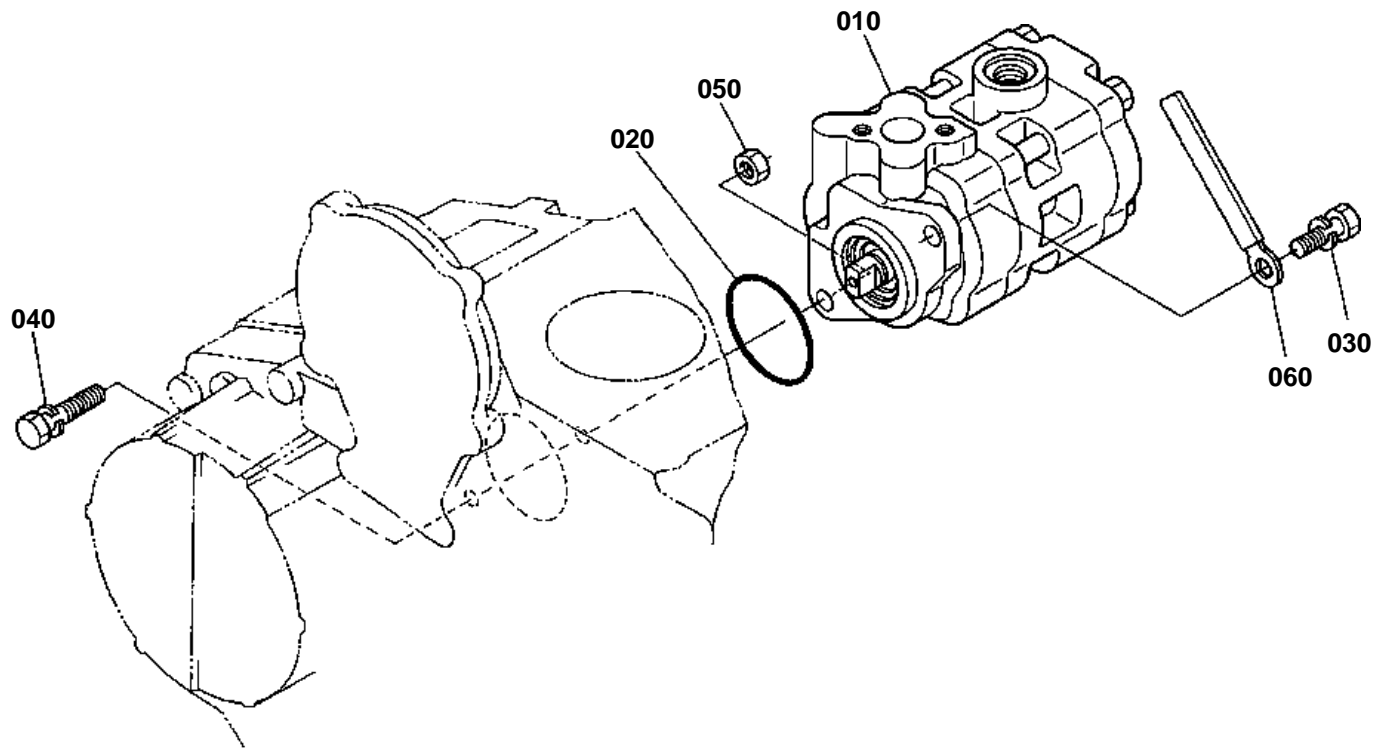


# CLUTCH

↔ Interchangeable; ≠ not interchangeable; ← new for old; → old for new

| REF.No | Part No.    | Description         | Q'ty | S.No. | I/C | REMARKS | Weight (kgf) | Weight (lb) |
|--------|-------------|---------------------|------|-------|-----|---------|--------------|-------------|
| 010    | 6C040-13402 | COMP.DISK CLUTCH    | 1    |       |     |         | 0.88         | 1.936       |
| 020    | 6C040-13300 | COMP.PLATE PRESSURE | 1    |       |     |         | 4.01         | 8.822       |
| 030    | 01123-60816 | BOLT                | 6    |       |     |         | 0.01         | 0.022       |
| 040    | 16221-94530 | PIN STRAIGHT        | 3    |       |     |         | 0.006        | 0.0132      |

# HYDRAULIC PUMP



60070-077-13



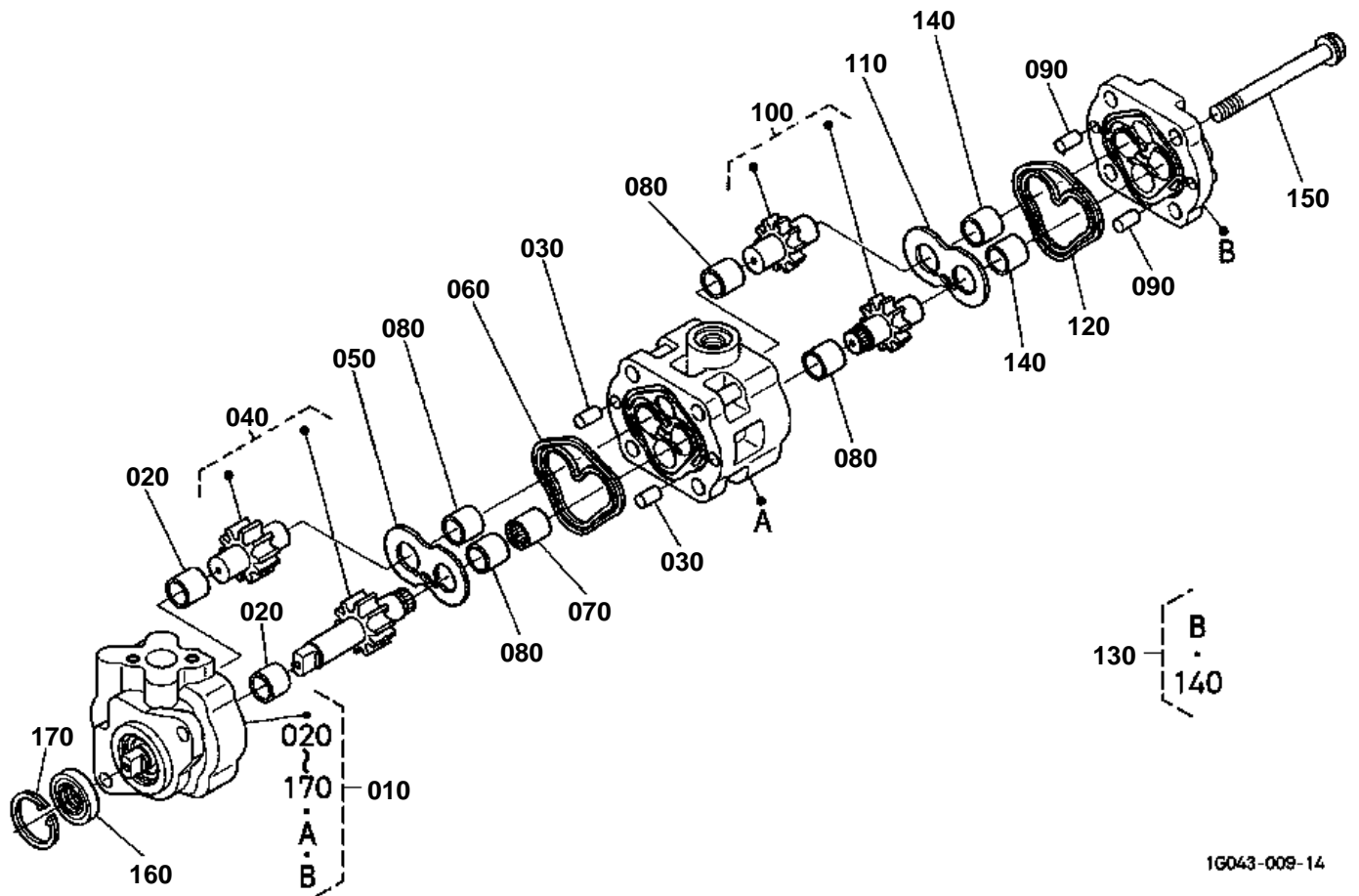


# HYDRAULIC PUMP

↔ Interchangeable; ≠ not interchangeable; ← new for old; → old for new

| REF.No | Part No.    | Description         | Q'ty | S.No. | I/C | REMARKS | Weight (kgf) | Weight (lb) |
|--------|-------------|---------------------|------|-------|-----|---------|--------------|-------------|
| 010    | 6C140-37304 | ASSY PUMP HYDRAULIC | 1    |       |     |         | 2.22         | 4.884       |
| 020    | 04811-10460 | O RING              | 1    |       |     |         | 0.002        | 0.0044      |
| 030    | 01123-50825 | BOLT                | 1    |       |     |         | 0.013        | 0.0286      |
| 040    | 01123-50835 | BOLT                | 1    |       |     |         | 0.02         | 0.044       |
| 050    | 02056-50080 | NUT                 | 1    |       |     |         | 0.005        | 0.011       |
| 060    | 13824-67590 | CLAMP CORD          | 1    |       |     |         | 0.002        | 0.0044      |

HYDRAULIC PUMP [COMPONENT PARTS]



16043-009-14

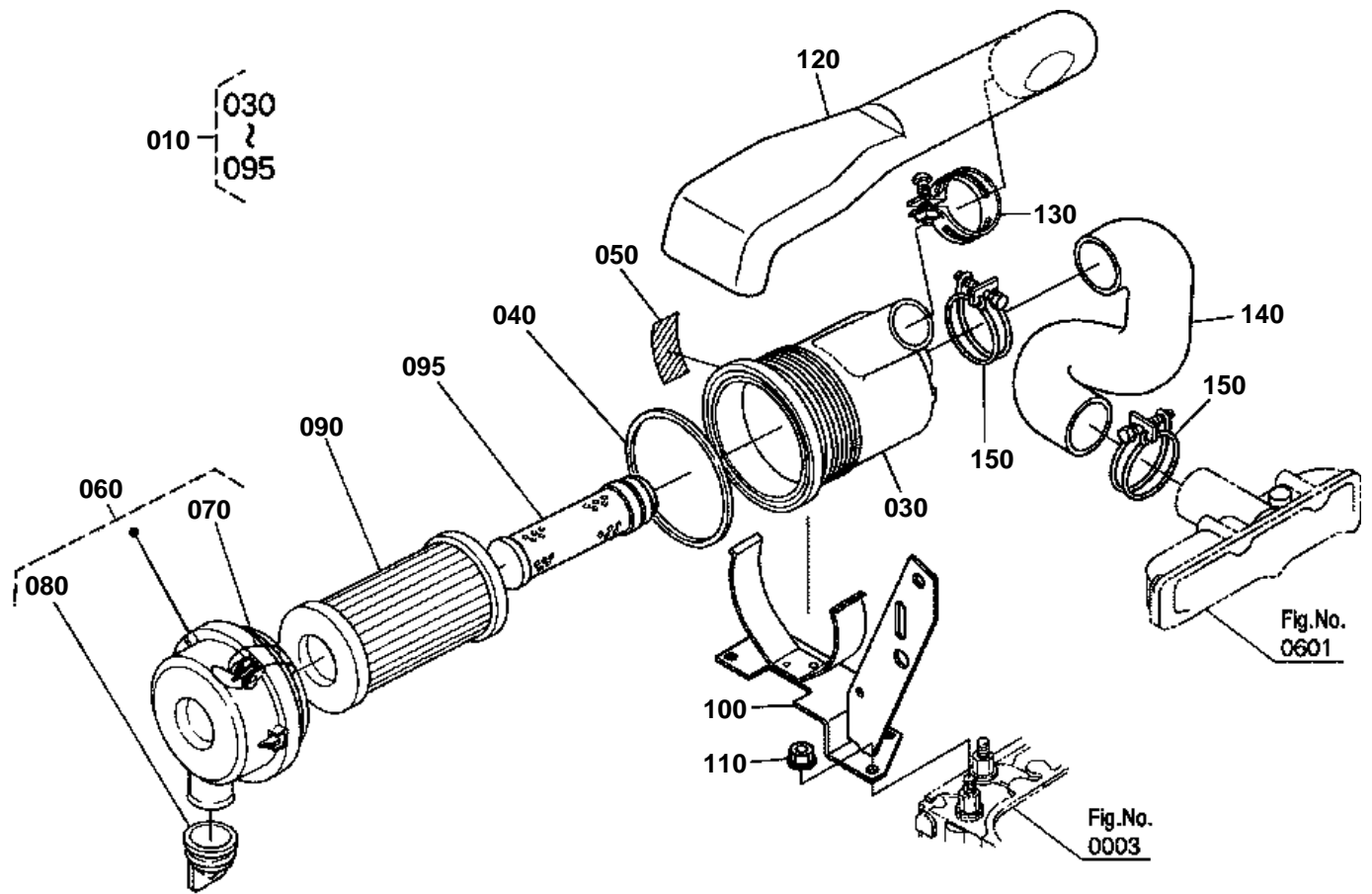


# HYDRAULIC PUMP [COMPONENT PARTS]

↔ Interchangeable; ≠ not interchangeable; ← new for old; → old for new

| REF.No | Part No.    | Description         | Q'ty | S.No. | I/C | REMARKS | Weight (kgf) | Weight (lb) |
|--------|-------------|---------------------|------|-------|-----|---------|--------------|-------------|
| 010    | 6C140-37304 | ASSY PUMP HYDRAULIC | 1    |       |     |         | 2.22         | 4.884       |
| 020    | 6A100-37232 | BUSH                | 2    |       |     |         | 0.005        | 0.011       |
| 030    | 05012-00814 | PIN STRAIGHT        | 2    |       |     |         | 0.006        | 0.0132      |
| 040    | 6A100-37342 | COMP.GEAR HYD.PUMP  | 1    |       |     |         | 0.27         | 0.594       |
| 050    | 6C140-36350 | PLATE SIDE          | 1    |       |     |         | 0.05         | 0.11        |
| 060    | 6C040-36344 | RING DOUBLE         | 1    |       |     |         | 0.003        | 0.0066      |
| 070    | 6A100-37430 | COUPLING            | 1    |       |     |         | 0.01         | 0.022       |
| 080    | 6A100-37232 | BUSH                | 4    |       |     |         | 0.005        | 0.011       |
| 090    | 05012-00814 | PIN STRAIGHT        | 2    |       |     |         | 0.006        | 0.0132      |
| 100    | 6A100-37442 | COMP.GEAR HYD.PUMP  | 1    |       |     |         | 0.18         | 0.396       |
| 110    | 6C140-36350 | PLATE SIDE          | 1    |       |     |         | 0.05         | 0.11        |
| 120    | 6C040-36344 | RING DOUBLE         | 1    |       |     |         | 0.003        | 0.0066      |
| 130    | 6C140-37400 | COMP.COVER          | 1    |       |     |         | 0.23         | 0.506       |
| 140    | 6A100-37232 | BUSH                | 2    |       |     |         | 0.005        | 0.011       |
| 150    | 01754-51090 | BOLT FLANGE         | 4    |       |     |         | 0.05         | 0.11        |
| 160    | 31381-76390 | SEAL OIL            | 1    |       |     |         | 0.01         | 0.022       |
| 170    | 04611-00300 | CIR CLIP INTERNAL   | 1    |       |     |         | 0.004        | 0.0088      |

AIR CLEANER



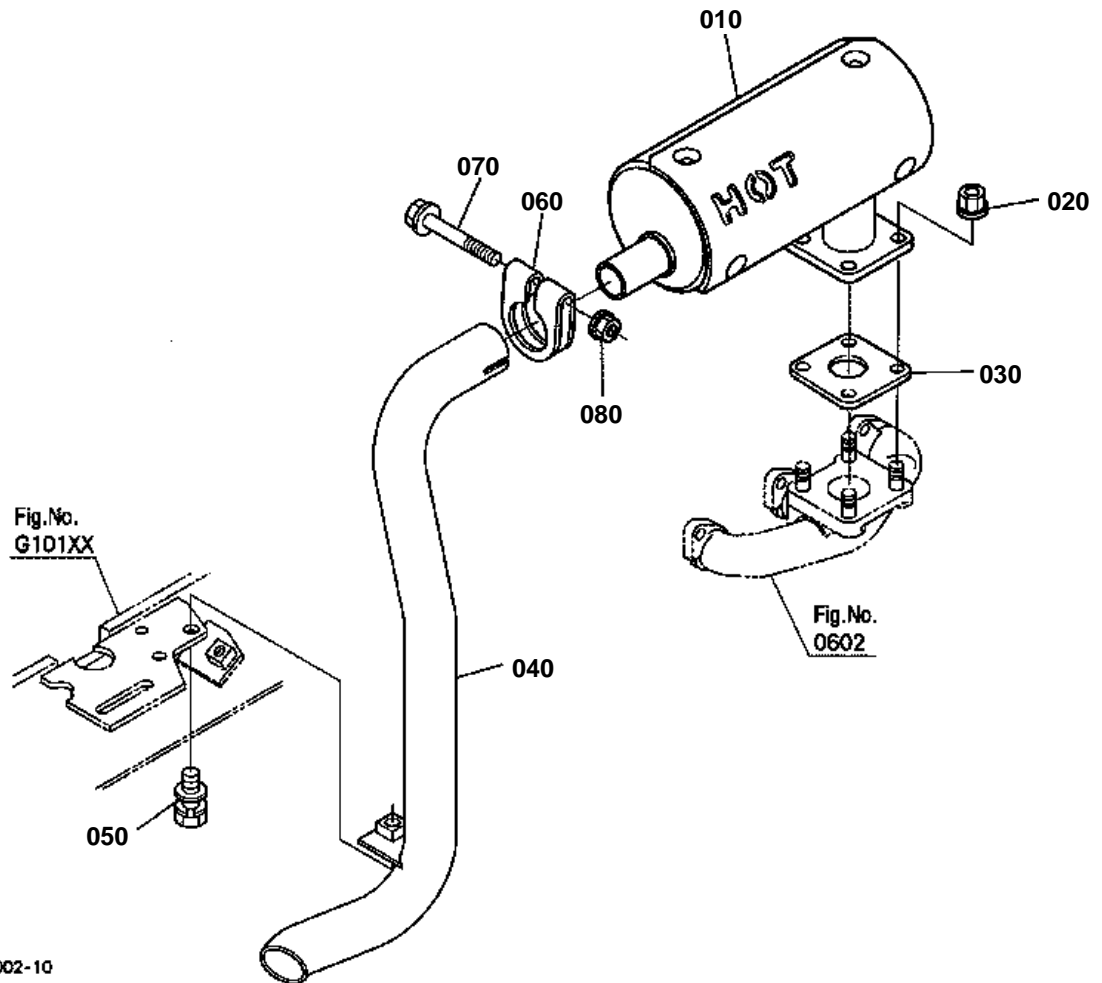
6C160-001-10

**AIR CLEANER**

↔ Interchangeable; ≠ not interchangeable; ← new for old; → old for new

| REF.No | Part No.    | Description         | Q'ty | S.No. | I/C | REMARKS | Weight (kgf) | Weight (lb) |
|--------|-------------|---------------------|------|-------|-----|---------|--------------|-------------|
| 010    | 6C095-58200 | ASSY CLEANER AIR    | 1    |       |     |         | 0.66         | 1.452       |
| 020    | 99999-99999 | BLANK               | 0    |       |     |         | 0            | 0           |
| 030    | 6A100-82520 | BODY AIR CLEANER    | 1    |       |     |         | 0.23         | 0.506       |
| 040    | 6A100-82530 | GASKET              | 1    |       |     |         | 0.03         | 0.066       |
| 050    | 32721-58282 | LABEL CAUTION       | 1    |       |     |         | 0.001        | 0.0022      |
| 060    | 6A100-82550 | ASSY COVER A/C      | 1    |       |     |         | 0.179        | 0.3938      |
| 070    | 6A100-82570 | SPRING              | 2    |       |     |         | 0.005        | 0.011       |
| 080    | 67980-82580 | VALVE UNLOADER      | 1    |       |     |         | 0.011        | 0.0242      |
| 090    | 6C060-99410 | ASSY ELEMENT        | 1    |       |     |         | 0.3          | 0.66        |
| 095    | 32721-58242 | ELEMENT INNER       | 1    |       |     |         | 0.1          | 0.22        |
| 100    | 6A320-58230 | BRACKET AIR CLEANER | 1    |       |     |         | 0.56         | 1.232       |
| 110    | 02783-50100 | NUT FLANGE          | 2    |       |     |         | 0.01         | 0.022       |
| 120    | 6C090-58250 | HOSE INLET          | 1    |       |     |         | 0.13         | 0.286       |
| 130    | 15261-11720 | BAND PIPE           | 1    |       |     |         | 0.03         | 0.066       |
| 140    | 6A320-58260 | HOSE INLET          | 1    |       |     |         | 0.29         | 0.638       |
| 150    | 67955-58260 | BAND AIR CLEANER    | 2    |       |     |         | 0.028        | 0.0616      |

# MUFFLER



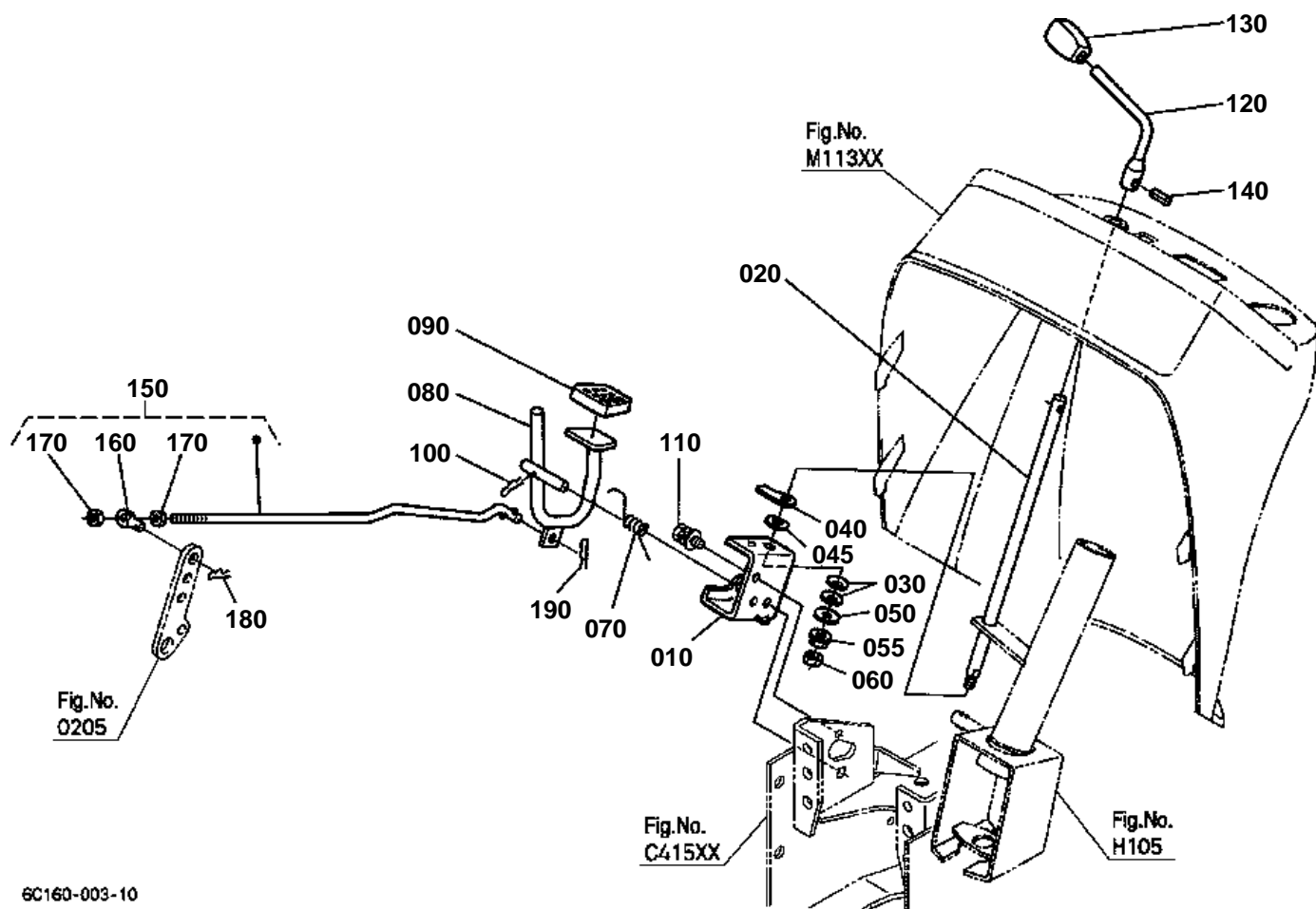


# MUFFLER

↔ Interchangeable; ≠ not interchangeable; ← new for old; → old for new

| REF.No | Part No.    | Description        | Q'ty | S.No. | I/C | REMARKS | Weight (kgf) | Weight (lb) |
|--------|-------------|--------------------|------|-------|-----|---------|--------------|-------------|
| 010    | 6A320-58403 | COMP.MUFFLER       | 1    |       |     |         | 1.97         | 4.334       |
| 020    | 02121-50080 | NUT                | 4    |       |     |         | 0.01         | 0.022       |
| 030    | 15263-12370 | GASKET MUFFLER NA  | 1    |       |     |         | 0.015        | 0.033       |
| 040    | 6C120-58430 | PIPE EXHAUST       | 1    |       |     |         | 0.5          | 1.1         |
| 050    | 01125-50822 | BOLT               | 1    |       |     |         | 0.015        | 0.033       |
| 060    | 15221-12433 | CLAMP MUFFLER PIPE | 1    |       |     |         | 0.05         | 0.11        |
| 070    | 01754-50855 | BOLT FLANGE        | 1    |       |     |         | 0.02         | 0.044       |
| 080    | 02121-50080 | NUT                | 1    |       |     |         | 0.01         | 0.022       |

ACCELERATOR LEVER



6C160-003-10



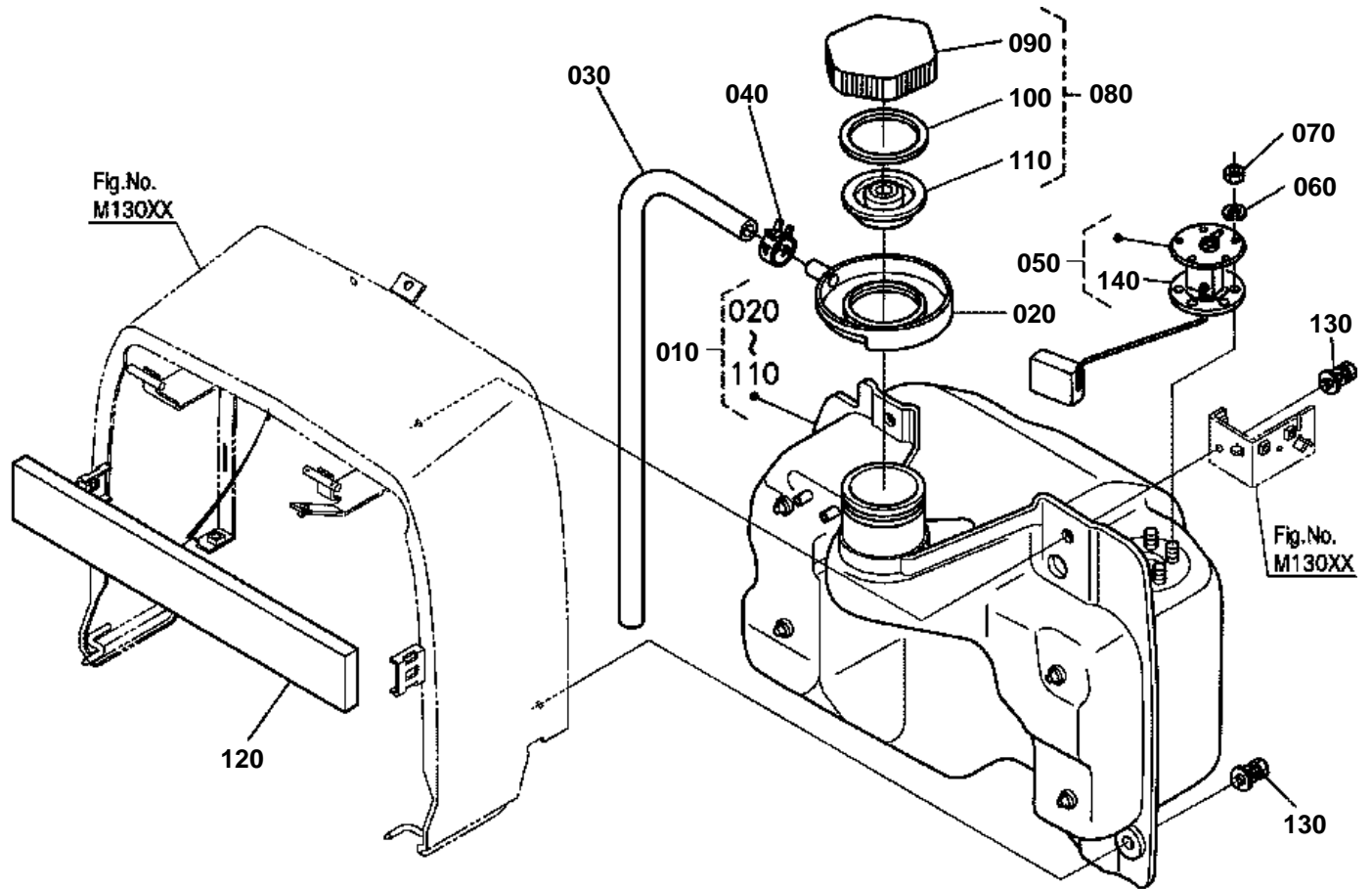


## ACCELERATOR LEVER

↔ Interchangeable; ≠ not interchangeable; ← new for old; → old for new

| REF.No | Part No.    | Description      | Q'ty | S.No. | I/C | REMARKS | Weight (kgf) | Weight (lb) |
|--------|-------------|------------------|------|-------|-----|---------|--------------|-------------|
| 010    | 6C040-43212 | BRACKET ACCEL.   | 1    |       |     |         | 0.163        | 0.3586      |
| 020    | 6C040-43220 | ROD ACCEL.       | 1    |       |     |         | 0.35         | 0.77        |
| 030    | 66116-51530 | SPRING PLATE     | 2    |       |     |         | 0.003        | 0.0066      |
| 040    | 6C040-43250 | ARM ACCELERATOR  | 1    |       |     |         | 0.04         | 0.088       |
| 045    | 6C040-43380 | WASHER ACCEL.    | 1    |       |     |         | 0.004        | 0.0088      |
| 050    | 04015-60080 | WASHER PLAIN     | 1    |       |     |         | 0.01         | 0.022       |
| 055    | 02751-50080 | NUT FLANGE       | 1    |       |     |         | 0.006        | 0.0132      |
| 060    | 02156-50080 | NUT              | 1    |       |     |         | 0.004        | 0.0088      |
| 070    | 6C040-43290 | SPRING           | 1    |       |     |         | 0.005        | 0.011       |
| 080    | 6C040-43230 | PEDAL ACCEL.     | 1    |       |     |         | 0.27         | 0.594       |
| 090    | 37410-42760 | COVER PEDAL      | 1    |       |     |         | 0.025        | 0.055       |
| 100    | 05525-61000 | PIN SNAP         | 1    |       |     |         | 0.002        | 0.0044      |
| 110    | 01125-60820 | BOLT             | 1    |       |     |         | 0.015        | 0.033       |
| 120    | 6C040-43244 | LEVER ACCEL.     | 1    |       |     |         | 0.115        | 0.253       |
| 130    | TA040-49873 | GRIP             | 1    |       |     |         | 0.024        | 0.0528      |
| 140    | 05411-00520 | PIN SPRING       | 1    |       |     |         | 0.002        | 0.0044      |
| 150    | 6C140-43302 | ASSY ROD RELEASE | 1    |       |     |         | 0.11         | 0.242       |
| 160    | 6C040-43280 | CONNECTOR        | 1    |       |     |         | 0.008        | 0.0176      |
| 170    | 02014-50060 | NUT              | 2    |       |     |         | 0.002        | 0.0044      |
| 180    | 05525-50800 | PIN SNAP         | 1    |       |     |         | 0.001        | 0.0022      |
| 190    | 05525-60600 | PIN SNAP         | 1    |       |     |         | 0.001        | 0.0022      |

# FUEL TANK



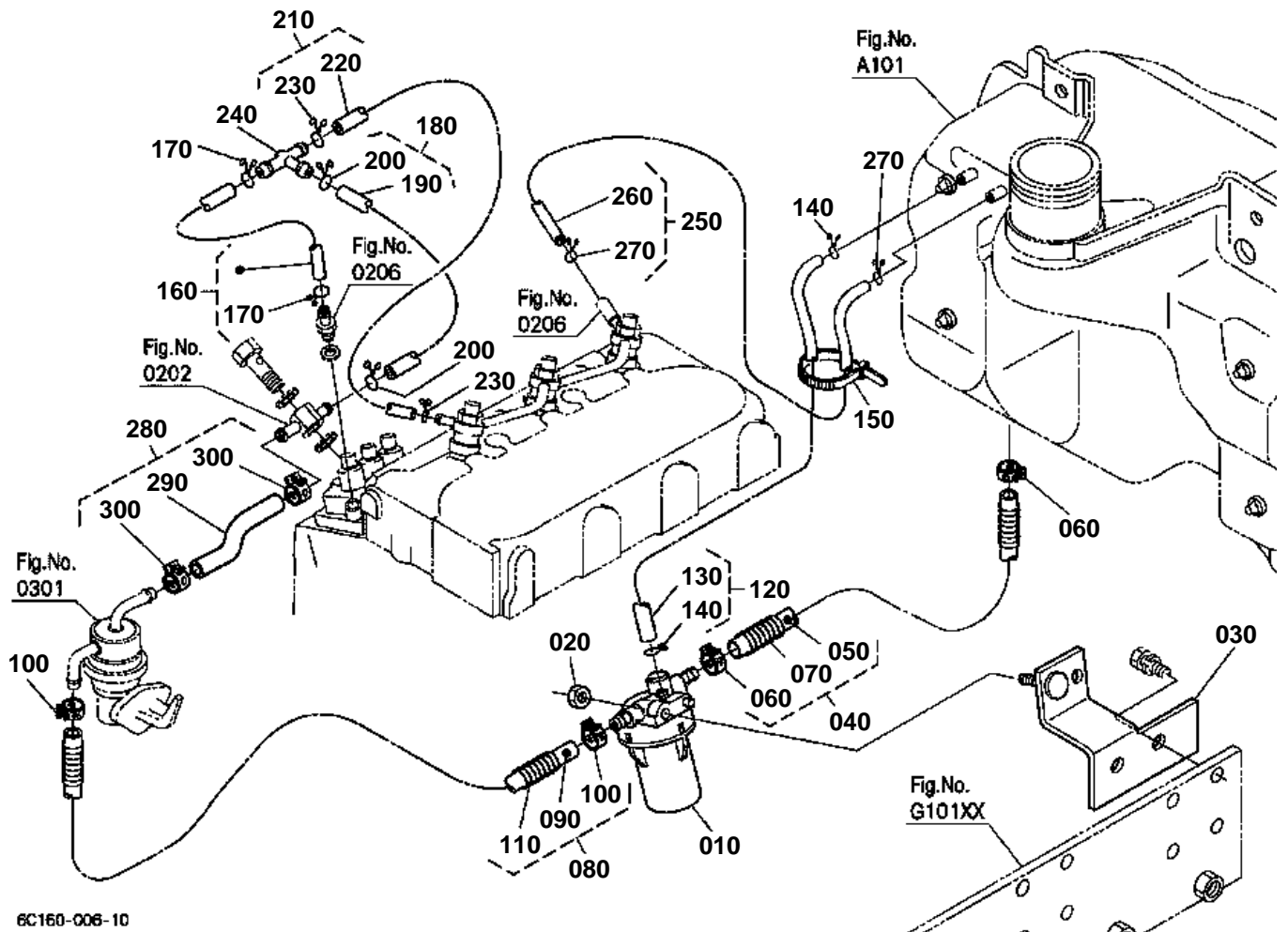
6C160-005-10

**FUEL TANK**

↔ Interchangeable; ≠ not interchangeable; ← new for old; → old for new

| REF.No | Part No.    | Description    | Q'ty | S.No. | I/C | REMARKS | Weight (kgf) | Weight (lb) |
|--------|-------------|----------------|------|-------|-----|---------|--------------|-------------|
| 010    | 6C120-54705 | ASSY TANK FUEL | 1    |       |     |         | 3.8          | 8.36        |
| 020    | 6C090-54740 | TRAY FUEL      | 1    |       |     |         | 0.04         | 0.088       |
| 030    | 6C120-54760 | PIPE           | 1    |       |     |         | 0.09         | 0.198       |
| 040    | 09318-88185 | CLAMP HOSE     | 1    |       |     |         | 0.004        | 0.0088      |
| 050    | 6C120-54750 | GAUGE FUEL     | 1    |       |     |         | 0.14         | 0.308       |
| 060    | 04512-60050 | WASHER SPRING  | 5    |       |     |         | 0.002        | 0.0044      |
| 070    | 02054-60050 | NUT            | 5    |       |     |         | 0.003        | 0.0066      |
| 080    | 6A100-54910 | ASSY CAP FUEL  | 1    |       |     |         | 0.105        | 0.231       |
| 090    | 6A100-54920 | CAP FUEL       | 1    |       |     |         | 0.041        | 0.0902      |
| 100    | 6A100-54942 | SPACER         | 1    |       |     |         | 0.001        | 0.0022      |
| 110    | 6A100-54952 | GASKET         | 1    |       |     |         | 0.02         | 0.044       |
| 120    | 6C090-54790 | SPONGE         | 1    |       |     |         | 0.018        | 0.0396      |
| 130    | 01127-50820 | BOLT           | 4    |       |     |         | 0.02         | 0.044       |
| 140    | 6A320-85812 | GASKET GAUGE   | 1    |       |     |         | 0.005        | 0.011       |

# FUEL PIPE

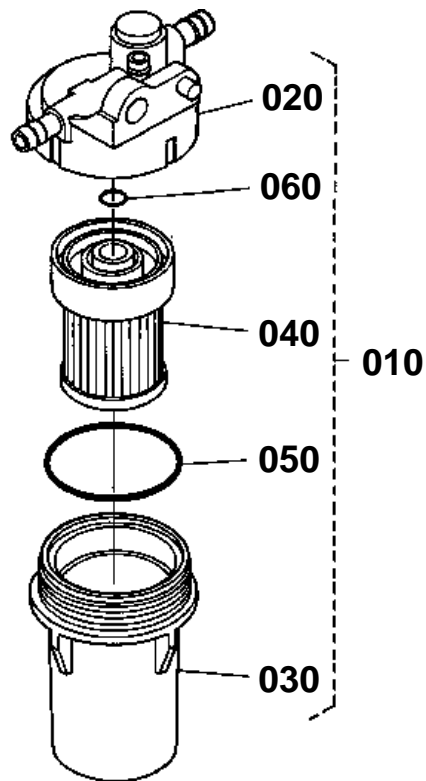


6C160-006-10

**FUEL PIPE**

↔ Interchangeable; ≠ not interchangeable; ← new for old; → old for new

| REF.No | Part No.    | Description          | Q'ty | S.No. | I/C | REMARKS | Weight (kgf) | Weight (lb) |
|--------|-------------|----------------------|------|-------|-----|---------|--------------|-------------|
| 010    | 6A320-58862 | ASSY FILTER FUEL     | 1    |       |     |         | 0.09         | 0.198       |
| 020    | 02121-50080 | NUT                  | 1    |       |     |         | 0.01         | 0.022       |
| 030    | 6C140-58312 | STAY FUEL FILTER     | 1    |       |     |         | 0.17         | 0.374       |
| 040    | 6C090-54812 | ASSY TUBE FUEL       | 1    |       |     |         | 0.04         | 0.088       |
| 050    | 09661-80260 | TUBE FUEL            | 1    |       |     |         | 0.03         | 0.066       |
| 060    | 14911-42750 | CLIP PIPE            | 2    |       |     |         | 0.002        | 0.0044      |
| 070    | 67111-58320 | SPRING PIPE PROTECT. | 1    |       |     |         | 0.02         | 0.044       |
| 080    | 6C040-59410 | ASSY TUBE FUEL       | 1    |       |     |         | 0.058        | 0.1276      |
| 090    | 09661-70380 | TUBE FUEL            | 1    |       |     |         | 0.04         | 0.088       |
| 100    | 14911-42750 | CLIP PIPE            | 2    |       |     |         | 0.002        | 0.0044      |
| 110    | 76611-53370 | SPRING PIPE PROTECT. | 1    |       |     |         | 0.01         | 0.022       |
| 120    | 6C090-54850 | ASSY PIPE AIR VENT   | 1    |       |     |         | 0.026        | 0.0572      |
| 130    | 09661-40460 | TUBE FUEL            | 1    |       |     |         | 0.024        | 0.0528      |
| 140    | 14971-42750 | CLIP PIPE            | 2    |       |     |         | 0.001        | 0.0022      |
| 150    | 55311-41260 | BAND CORD            | 1    |       |     |         | 0.007        | 0.0154      |
| 160    | 17208-42500 | ASSY PIPE OVER FLOW  | 1    |       |     |         | 0.007        | 0.0154      |
| 170    | 14971-42750 | CLIP PIPE            | 2    |       |     |         | 0.001        | 0.0022      |
| 180    | 16282-42020 | ASSY PIPE OVER FLOW  | 1    |       |     |         | 0.01         | 0.022       |
| 190    | 09661-40040 | TUBE FUEL            | 1    |       |     |         | 0.005        | 0.011       |
| 200    | 14971-42750 | CLIP PIPE            | 2    |       |     |         | 0.001        | 0.0022      |
| 210    | 17208-42030 | ASSY PIPE OVER FLOW  | 1    |       |     |         | 0.006        | 0.0132      |
| 220    | 09661-40100 | TUBE FUEL            | 1    |       |     |         | 0.006        | 0.0132      |
| 230    | 14971-42750 | CLIP PIPE            | 2    |       |     |         | 0.001        | 0.0022      |
| 240    | K3511-58390 | JOINT T-PIPE         | 1    |       |     |         | 0.001        | 0.0022      |
| 250    | 6C040-59450 | ASSY PIPE OVER FLOW  | 1    |       |     |         | 0.017        | 0.0374      |
| 260    | 09661-40300 | TUBE FUEL            | 1    |       |     |         | 0.016        | 0.0352      |
| 270    | 14971-42750 | CLIP PIPE            | 2    |       |     |         | 0.001        | 0.0022      |
| 280    | 16032-42010 | ASSY TUBE FUEL       | 1    |       |     |         | 0.012        | 0.0264      |
| 290    | 09661-80075 | TUBE FUEL            | 1    |       |     |         | 0.01         | 0.022       |
| 300    | 14911-42750 | CLIP PIPE            | 2    |       |     |         | 0.002        | 0.0044      |



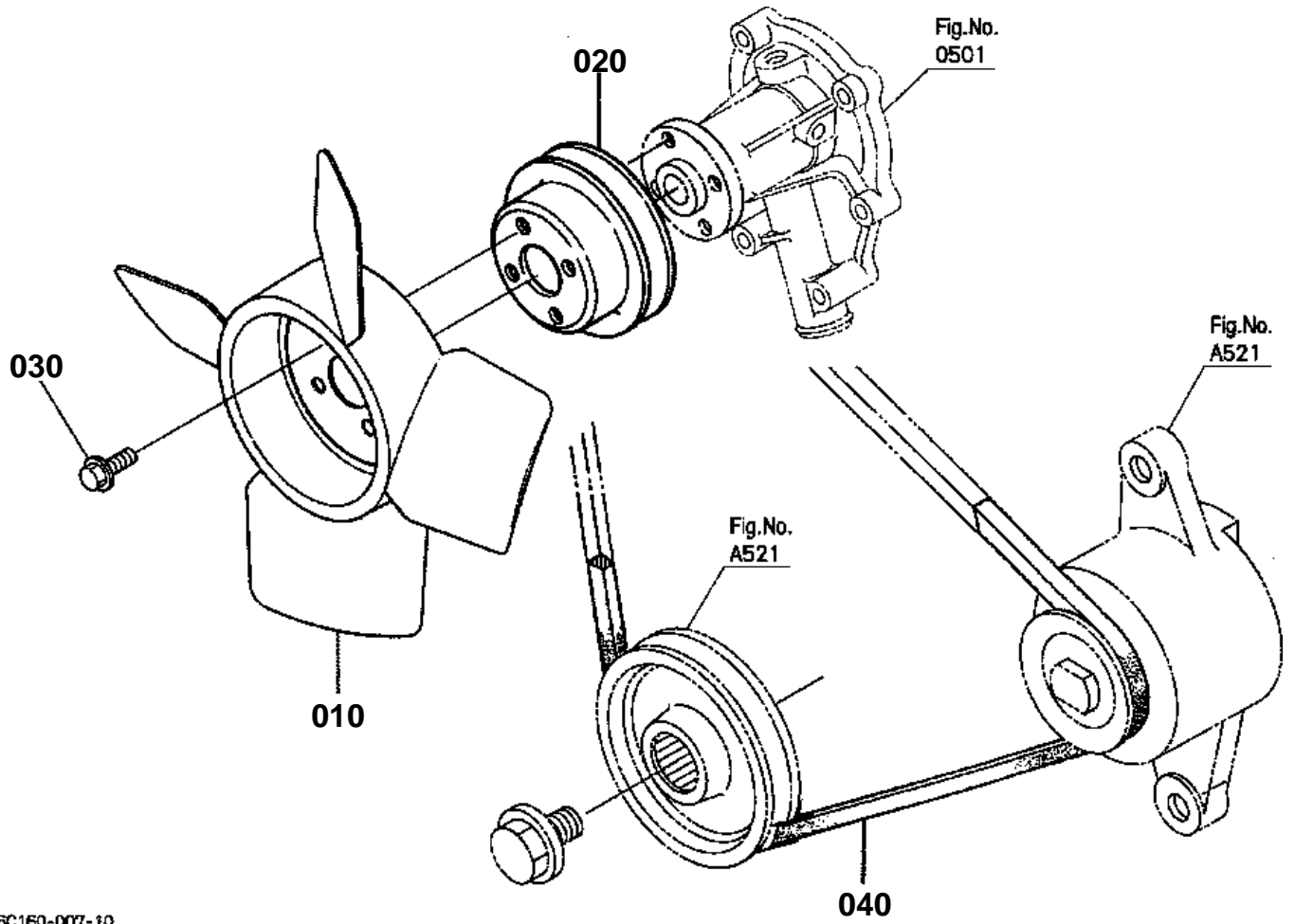
6A320-010-10



## FUEL FILTER [COMPONENT PARTS]

↔ Interchangeable; ≠ not interchangeable; ← new for old; → old for new

| REF.No | Part No.    | Description      | Q'ty | S.No. | I/C | REMARKS | Weight (kgf) | Weight (lb) |
|--------|-------------|------------------|------|-------|-----|---------|--------------|-------------|
| 010    | 6A320-58862 | ASSY FILTER FUEL | 1    |       |     |         | 0.09         | 0.198       |
| 020    | 6A320-59912 | BODY             | 1    |       |     |         | 0.035        | 0.077       |
| 030    | 6A320-59920 | CUP              | 1    |       |     |         | 0.03         | 0.066       |
| 040    | 6A320-59930 | FILTER           | 1    |       |     |         | 0.025        | 0.055       |
| 050    | 6A320-59940 | O-RING           | 1    |       |     |         | 0.001        | 0.0022      |
| 060    | 6A320-59950 | O-RING           | 1    |       |     |         | 0.001        | 0.0022      |



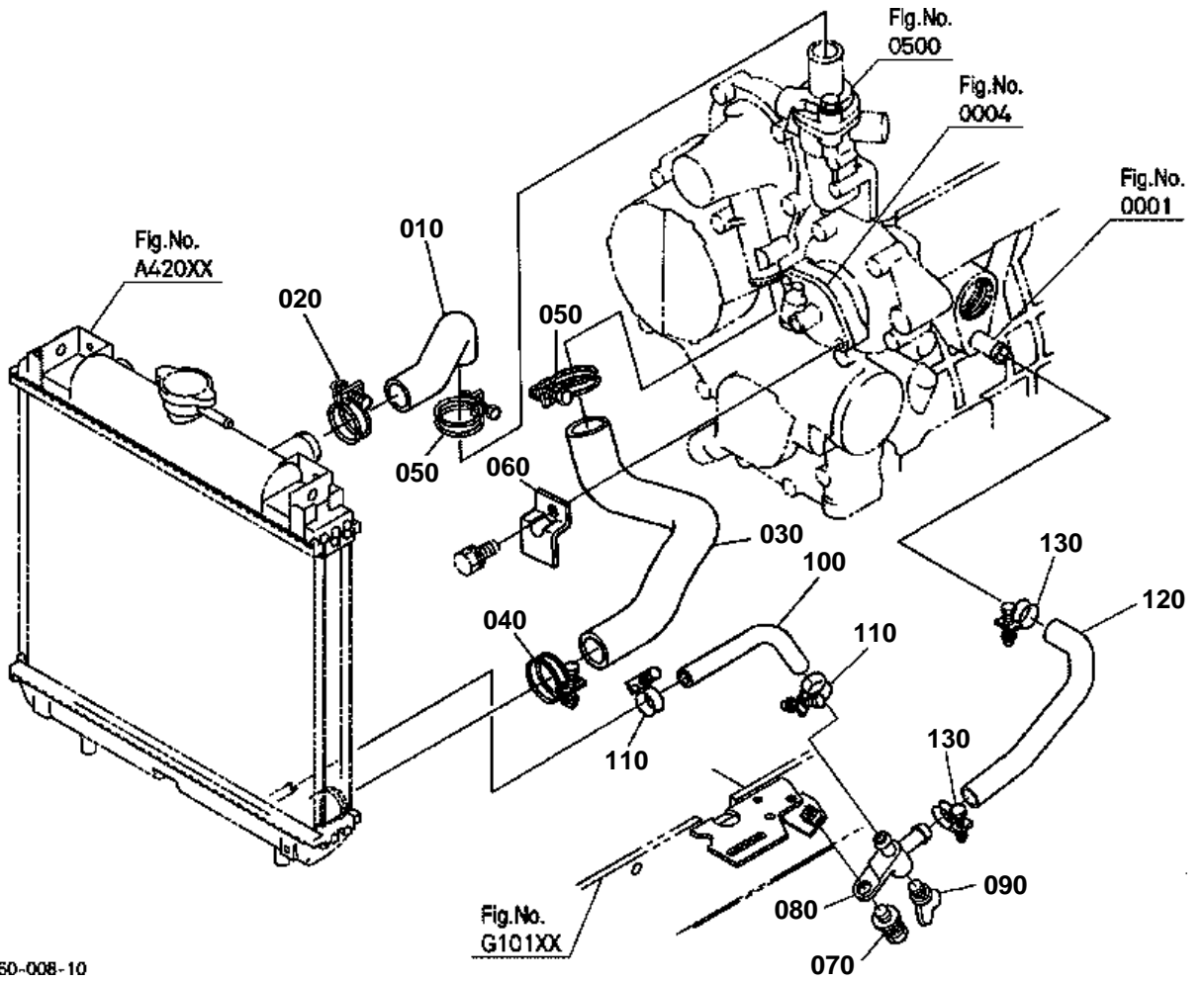
6C160-007-10



**FAN**

↔ Interchangeable; ≠ not interchangeable; ← new for old; → old for new

| REF.No | Part No.    | Description | Q'ty | S.No. | I/C | REMARKS | Weight (kgf) | Weight (lb) |
|--------|-------------|-------------|------|-------|-----|---------|--------------|-------------|
| 010    | 6A330-59230 | FAN         | 1    |       |     |         | 0.29         | 0.638       |
| 020    | 16263-74250 | PULLEY FAN  | 1    |       |     |         | 0.21         | 0.462       |
| 030    | 01754-50612 | BOLT FLANGE | 4    |       |     |         | 0.005        | 0.011       |
| 040    | 16241-97010 | V BELT      | 1    |       |     |         | 0.08         | 0.176       |



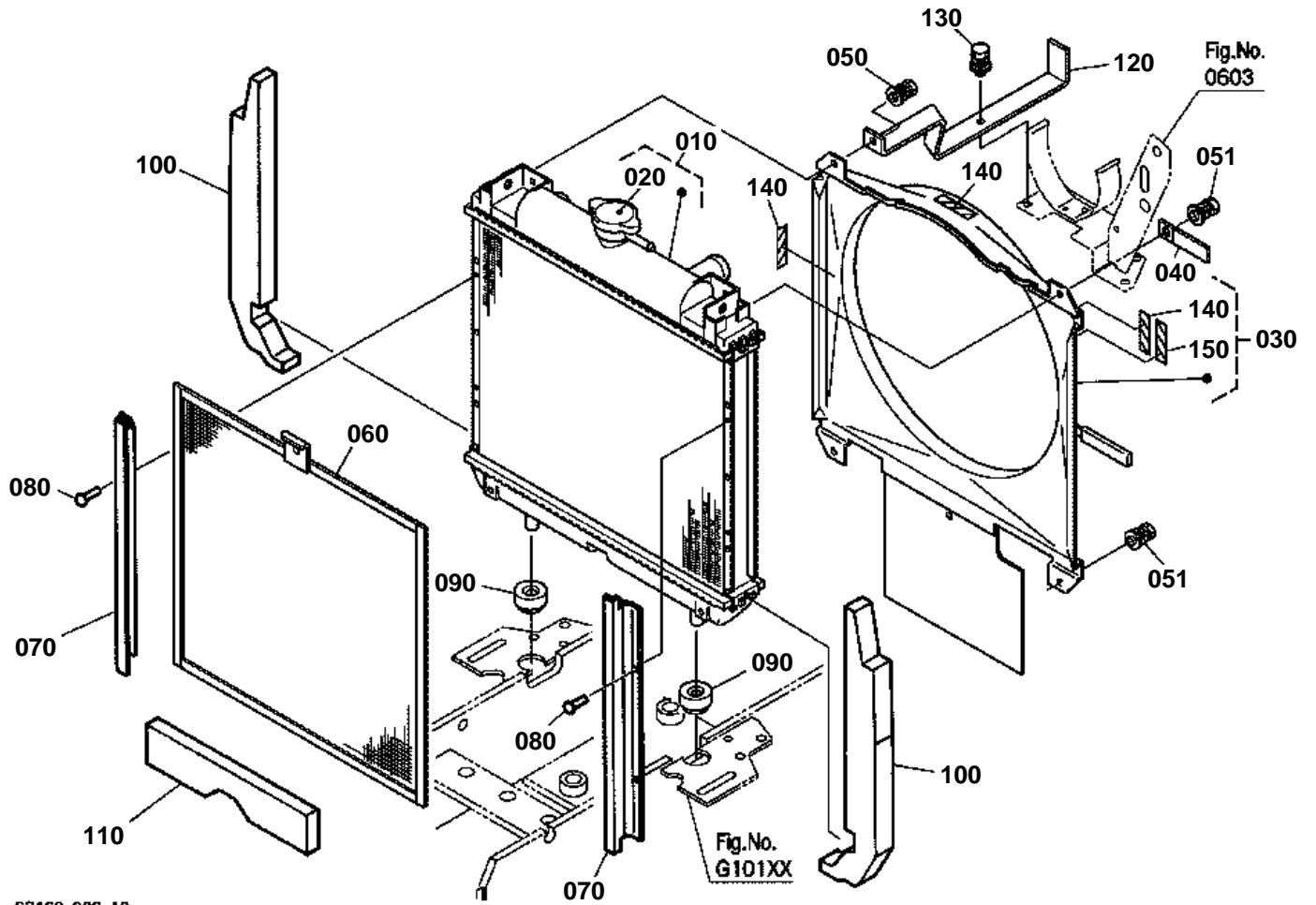
6C160-008-10

**WATER PIPE**

↔ Interchangeable; ≠ not interchangeable; ← new for old; → old for new

| REF.No | Part No.    | Description      | Q'ty | S.No. | I/C | REMARKS | Weight (kgf) | Weight (lb) |
|--------|-------------|------------------|------|-------|-----|---------|--------------|-------------|
| 010    | 6C120-58630 | HOSE WATER       | 1    |       |     |         | 0.1          | 0.22        |
| 020    | 67955-58630 | CLAMP HOSE       | 1    |       |     |         | 0.025        | 0.055       |
| 030    | 6A320-58570 | HOSE WATER       | 1    |       |     |         | 0.16         | 0.352       |
| 040    | 67955-58630 | CLAMP HOSE       | 1    |       |     |         | 0.025        | 0.055       |
| 050    | 67955-58630 | CLAMP HOSE       | 2    |       |     |         | 0.025        | 0.055       |
| 060    | 6C040-58640 | CLAMP WATER HOSE | 1    |       |     |         | 0.031        | 0.0682      |
| 070    | 01125-50822 | BOLT             | 1    |       |     |         | 0.015        | 0.033       |
| 080    | 6C040-58650 | COCK             | 1    |       |     |         | 0.017        | 0.0374      |
| 090    | 55364-82110 | COCK DRAIN       | 1    |       |     |         | 0.005        | 0.011       |
| 100    | 6C090-58680 | HOSE DRAIN       | 1    |       |     |         | 0.025        | 0.055       |
| 110    | 6C040-58720 | CLAMP HOSE       | 2    |       |     |         | 0.017        | 0.0374      |
| 120    | 6A320-58690 | HOSE DRAIN       | 1    |       |     |         | 0.04         | 0.088       |
| 130    | 6C040-58730 | CLAMP HOSE       | 2    |       |     |         | 0.017        | 0.0374      |

RADIATOR [A] [CA]



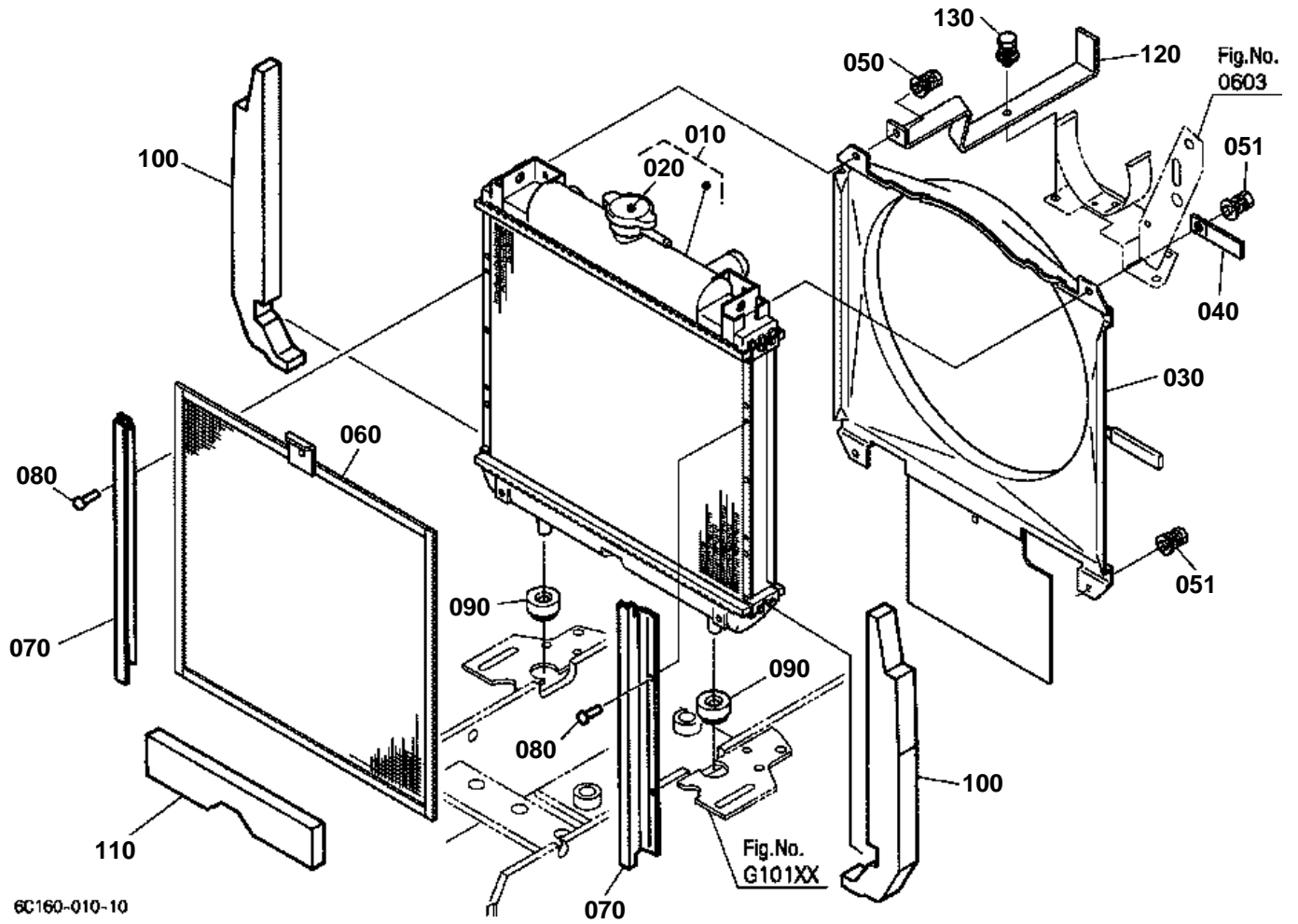
6C160-009-10

**RADIATOR [A] [CA]**

↔ Interchangeable; ≠ not interchangeable; ← new for old; → old for new

| REF.No | Part No.    | Description       | Q'ty | S.No. | I/C | REMARKS | Weight (kgf) | Weight (lb) |
|--------|-------------|-------------------|------|-------|-----|---------|--------------|-------------|
| 010    | 6C120-58500 | ASSY RADIATOR     | 1    |       |     |         | 2.5          | 5.5         |
| 020    | 17214-72020 | ASSY CAP RADIATOR | 1    |       |     |         | 0.05         | 0.11        |
| 030    | 6C120-99302 | KIT SHROUD FAN    | 1    |       |     |         | 0.56         | 1.232       |
| 040    | 15272-67590 | CLAMP CORD        | 1    |       |     |         | 0.004        | 0.0088      |
| 050    | 01025-50616 | BOLT              | 1    |       |     |         | 0.005        | 0.011       |
| 051    | 01025-50612 | BOLT              | 3    |       |     |         | 0.005        | 0.011       |
| 060    | 6C120-58530 | NET RADIATOR      | 1    |       |     |         | 0.24         | 0.528       |
| 070    | 6C090-58540 | GUIDE             | 2    |       |     |         | 0.107        | 0.2354      |
| 080    | 54102-24410 | RIVET             | 4    |       |     |         | 0.001        | 0.0022      |
| 090    | 6C040-58580 | CUSHION RADIATOR  | 2    |       |     |         | 0.021        | 0.0462      |
| 100    | 6C090-54453 | TAPE RADIATOR     | 2    |       |     |         | 0.03         | 0.066       |
| 110    | 6C090-54470 | TAPE RADIATOR     | 1    |       |     |         | 0.017        | 0.0374      |
| 120    | 6C120-58590 | STAY RADIATOR     | 1    |       |     |         | 0.21         | 0.462       |
| 130    | 01025-50616 | BOLT              | 1    |       |     |         | 0.005        | 0.011       |
| 140    | 6C090-49580 | LABEL FAN WARNING | 3    |       |     |         | 0.001        | 0.0022      |
| 150    | 6C090-49590 | LABEL MUFFLER     | 1    |       |     |         | 0.005        | 0.011       |

RADIATOR [EXCEPT [A] [CA]]



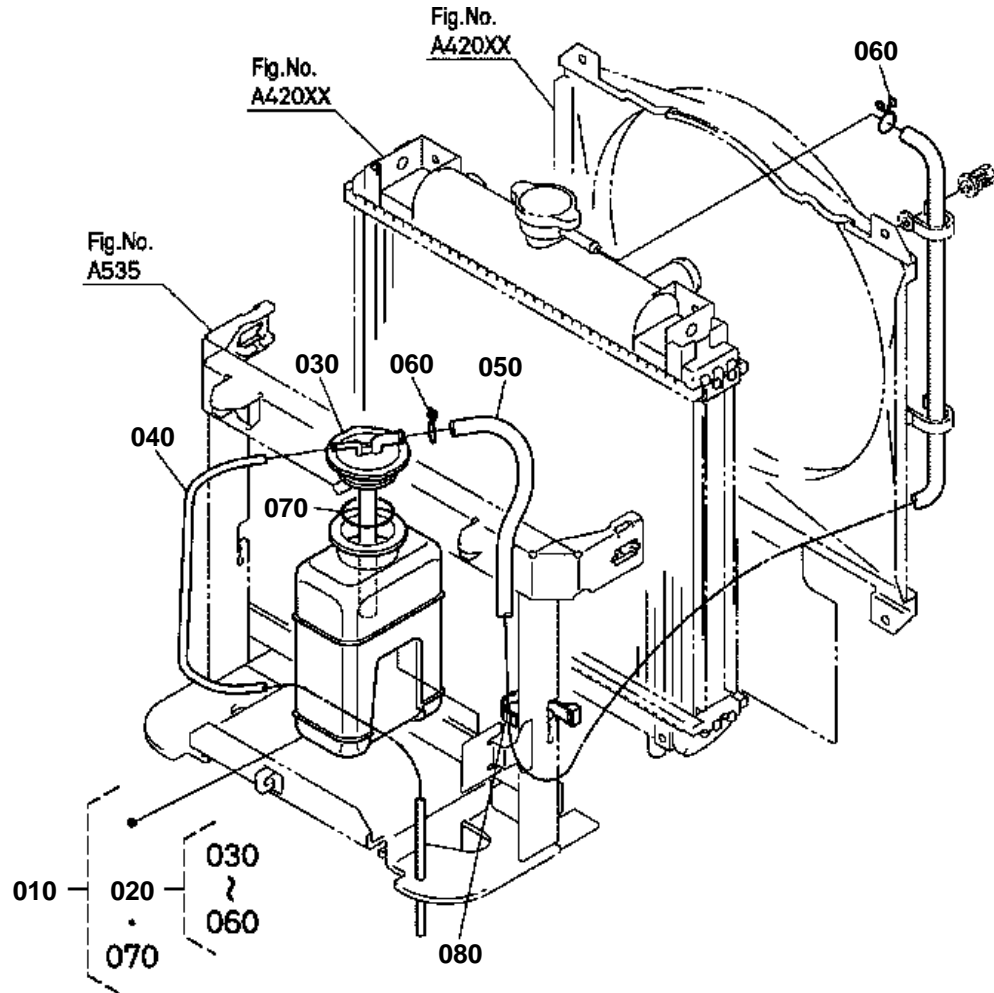


# RADIATOR [EXCEPT [A] [CA]]

↔ Interchangeable; ≠ not interchangeable; ← new for old; → old for new

| REF.No | Part No.    | Description       | Q'ty | S.No. | I/C | REMARKS | Weight (kgf) | Weight (lb) |
|--------|-------------|-------------------|------|-------|-----|---------|--------------|-------------|
| 010    | 6C120-58500 | ASSY RADIATOR     | 1    |       |     |         | 2.5          | 5.5         |
| 020    | 17214-72020 | ASSY CAP RADIATOR | 1    |       |     |         | 0.05         | 0.11        |
| 030    | 6C120-58613 | SHROUD FAN        | 1    |       |     |         | 0.001        | 0.0022      |
| 040    | 15272-67590 | CLAMP CORD        | 1    |       |     |         | 0.004        | 0.0088      |
| 050    | 01025-50616 | BOLT              | 1    |       |     |         | 0.005        | 0.011       |
| 051    | 01025-50612 | BOLT              | 3    |       |     |         | 0.005        | 0.011       |
| 060    | 6C120-58530 | NET RADIATOR      | 1    |       |     |         | 0.24         | 0.528       |
| 070    | 6C090-58540 | GUIDE             | 2    |       |     |         | 0.107        | 0.2354      |
| 080    | 54102-24410 | RIVET             | 4    |       |     |         | 0.001        | 0.0022      |
| 090    | 6C040-58580 | CUSHION RADIATOR  | 2    |       |     |         | 0.021        | 0.0462      |
| 100    | 6C090-54453 | TAPE RADIATOR     | 2    |       |     |         | 0.03         | 0.066       |
| 110    | 6C090-54470 | TAPE RADIATOR     | 1    |       |     |         | 0.017        | 0.0374      |
| 120    | 6C120-58590 | STAY RADIATOR     | 1    |       |     |         | 0.21         | 0.462       |
| 130    | 01025-50616 | BOLT              | 1    |       |     |         | 0.005        | 0.011       |

RESERVE TANK



6C160-011-10



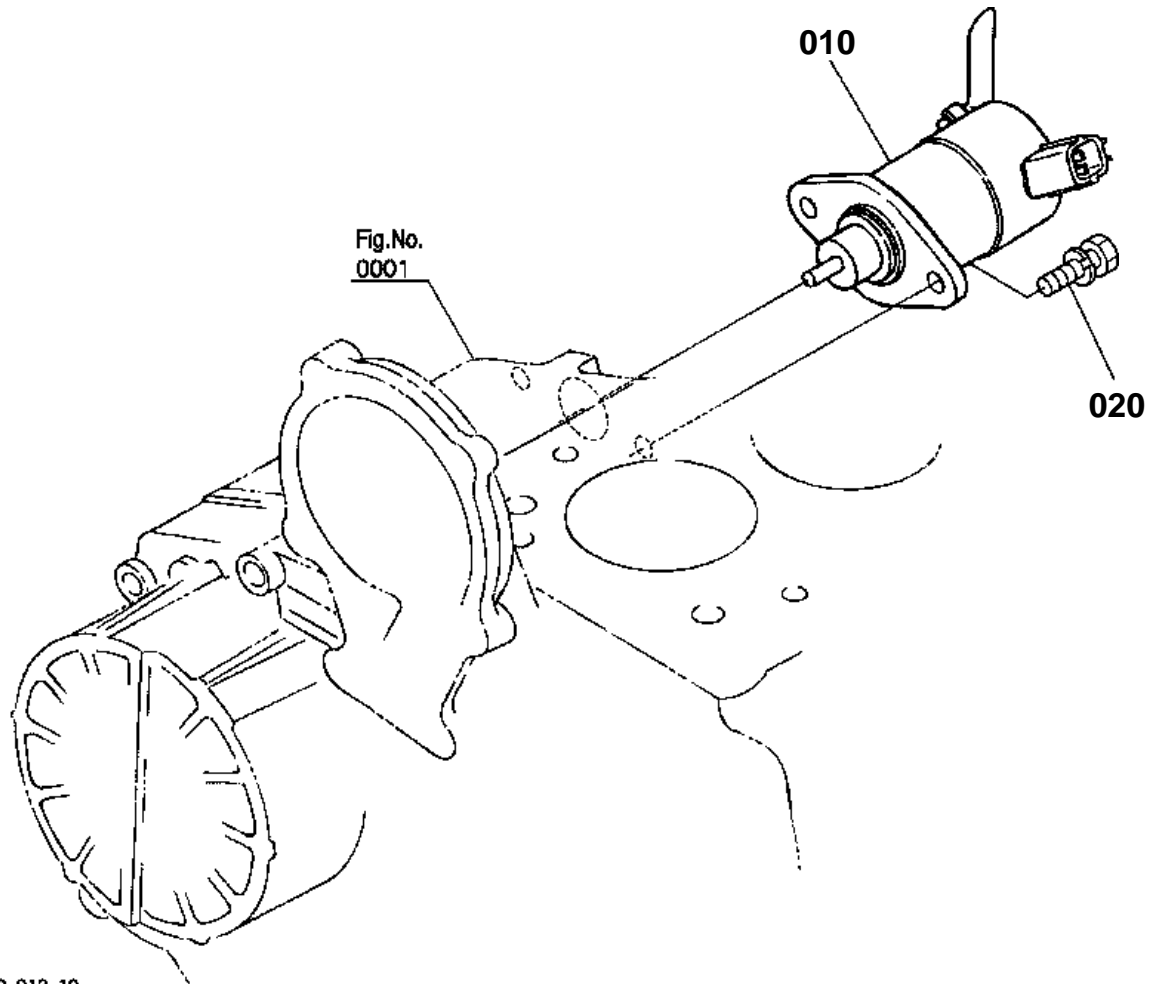


## RESERVE TANK

↔ Interchangeable; ≠ not interchangeable; ← new for old; → old for new

| REF.No | Part No.    | Description       | Q'ty | S.No. | I/C | REMARKS | Weight (kgf) | Weight (lb) |
|--------|-------------|-------------------|------|-------|-----|---------|--------------|-------------|
| 010    | 6A320-58812 | ASSY TANK RESERVE | 1    |       |     |         | 0.28         | 0.616       |
| 020    | 6A320-58822 | ASSY CAP          | 1    |       |     |         | 0.08         | 0.176       |
| 030    | 37410-88640 | CAP               | 1    |       |     |         | 0.01         | 0.022       |
| 040    | 6A320-58830 | TUBE              | 1    |       |     |         | 0.007        | 0.0154      |
| 050    | 6A320-58840 | TUBE              | 1    |       |     |         | 0.05         | 0.11        |
| 060    | 37410-88680 | CLIP              | 2    |       |     |         | 0.003        | 0.0066      |
| 070    | 37410-88630 | O RING            | 1    |       |     |         | 0.001        | 0.0022      |
| 080    | 53581-64150 | BAND CORD         | 1    |       |     |         | 0.002        | 0.0044      |

STOP SOLENOID



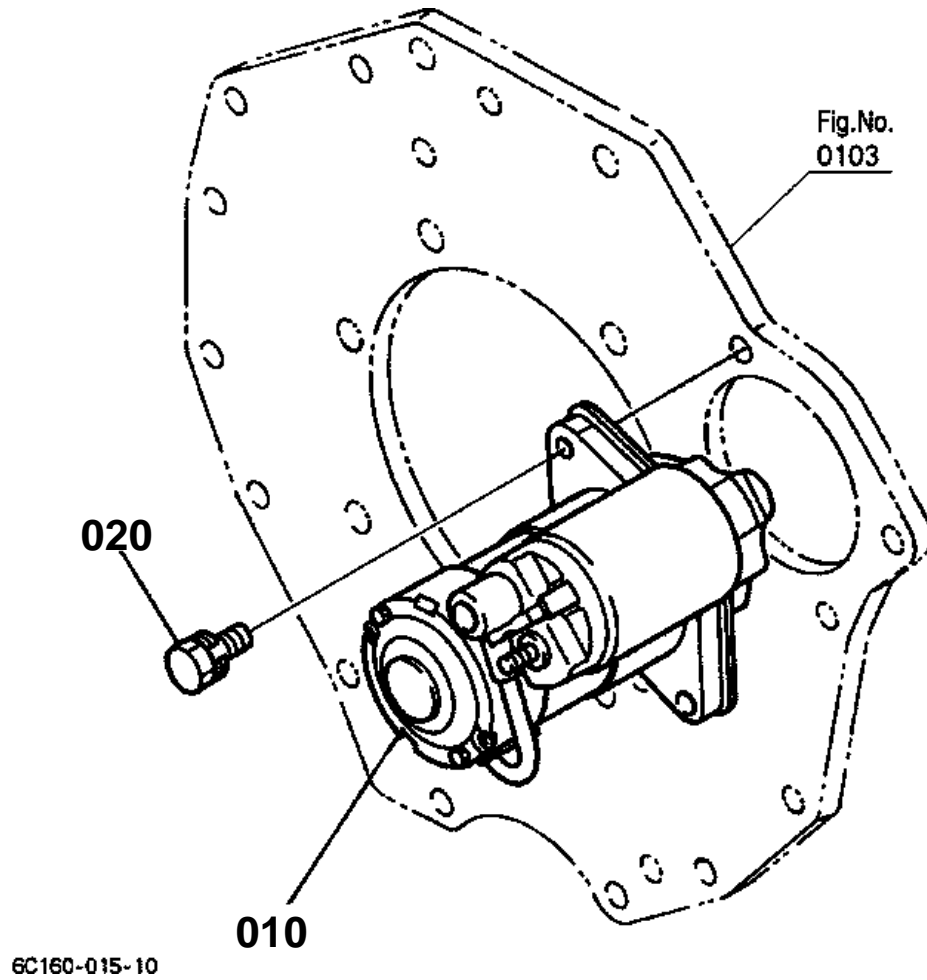
6C160-012-10



# STOP SOLENOID

↔ Interchangeable; ≠ not interchangeable; ← new for old; → old for new

| REF.No | Part No.    | Description        | Q'ty | S.No. | I/C | REMARKS | Weight (kgf) | Weight (lb) |
|--------|-------------|--------------------|------|-------|-----|---------|--------------|-------------|
| 010    | 17208-60010 | ASSY SOLENOID STOP | 1    |       |     |         | 0.28         | 0.616       |
| 020    | 01202-50614 | BOLT               | 2    |       |     |         | 0.006        | 0.0132      |



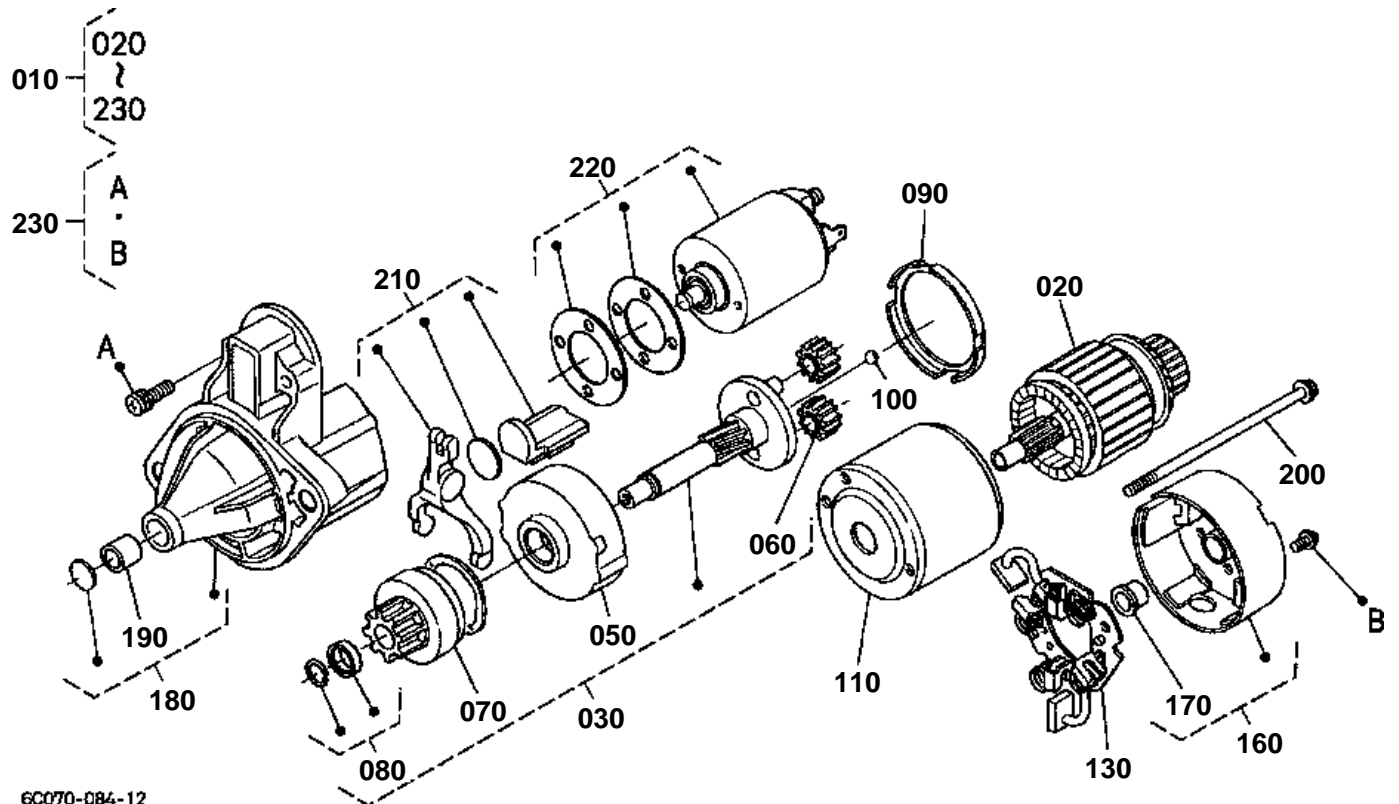


# STARTER

↔ Interchangeable; ≠ not interchangeable; ← new for old; → old for new

| REF.No | Part No.    | Description  | Q'ty | S.No. | I/C | REMARKS | Weight (kgf) | Weight (lb) |
|--------|-------------|--------------|------|-------|-----|---------|--------------|-------------|
| 010    | 6C140-59210 | ASSY STARTER | 1    |       |     |         | 2.75         | 6.05        |
| 020    | 01123-50840 | BOLT         | 2    |       |     |         | 0.018        | 0.0396      |

STARTER [COMPONENT PARTS]

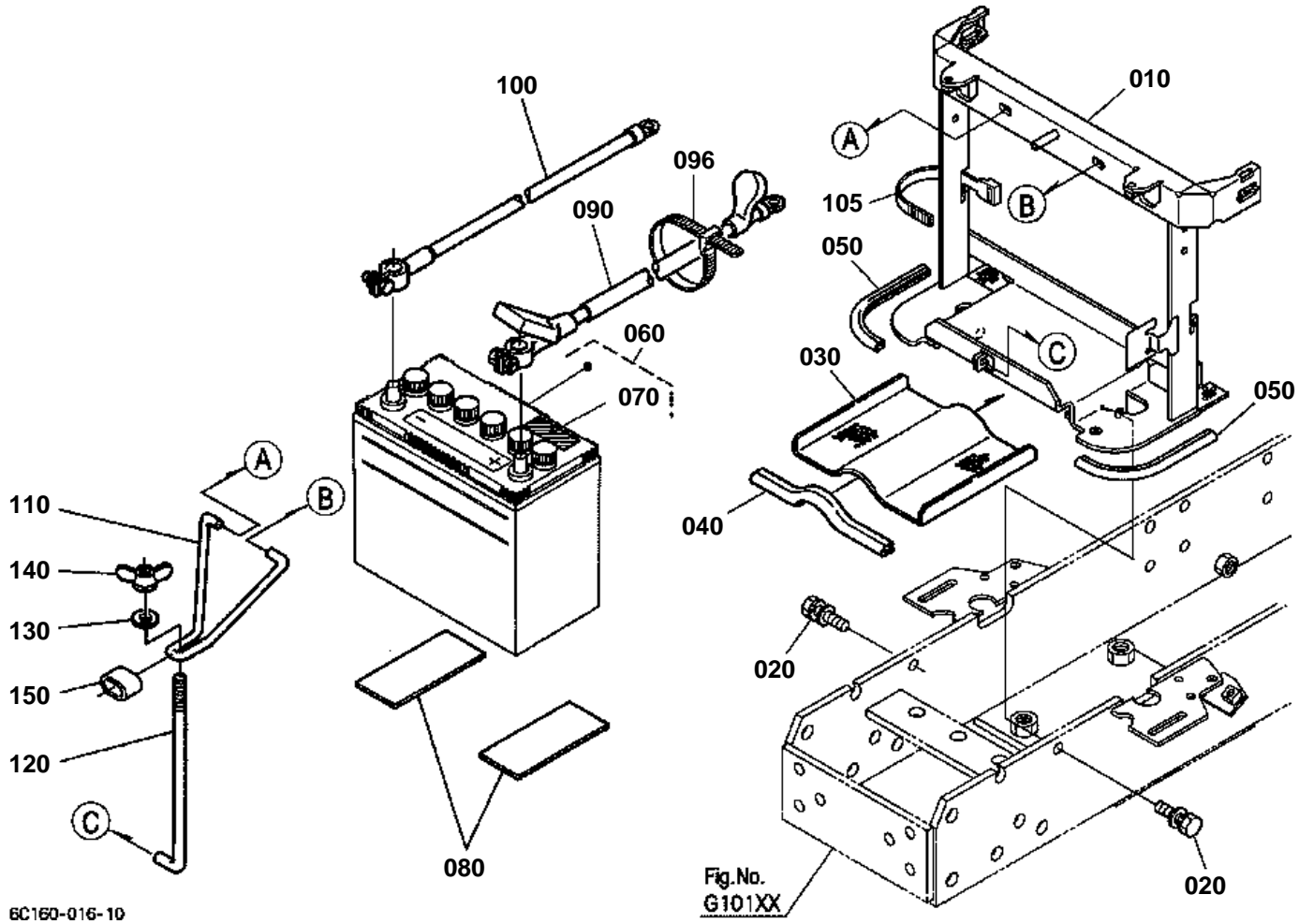


6C070-084-12

**STARTER [COMPONENT PARTS]**

↔ Interchangeable; ≠ not interchangeable; ← new for old; → old for new

| REF.No | Part No.    | Description          | Q'ty | S.No. | I/C | REMARKS | Weight (kgf) | Weight (lb) |
|--------|-------------|----------------------|------|-------|-----|---------|--------------|-------------|
| 010    | 6C140-59210 | ASSY STARTER         | 1    |       |     |         | 2.75         | 6.05        |
| 020    | 6C140-82610 | ARMATURE             | 1    |       |     |         | 0.52         | 1.144       |
| 030    | 6C140-82620 | ASSY SHAFT           | 1    |       |     |         | 0.53         | 1.166       |
| 040    | 99999-99999 | BLANK                | 0    |       |     |         | 0            | 0           |
| 050    | 6C140-82640 | GEAR.INTERNAL        | 1    |       |     |         | 0.05         | 0.11        |
| 060    | 6C040-82650 | GEAR PLANETARY       | 3    |       |     |         | 0.016        | 0.0352      |
| 070    | 6C040-82660 | CLUTCH OVER RUNNING  | 1    |       |     |         | 0.3          | 0.66        |
| 080    | 6C040-82670 | STOPPER              | 1    |       |     |         | 0.004        | 0.0088      |
| 090    | 6C040-82680 | GASKET               | 1    |       |     |         | 0.003        | 0.0066      |
| 100    | 6C040-82690 | BALL                 | 1    |       |     |         | 0.001        | 0.0022      |
| 110    | 6C140-82700 | ASSY YOKE            | 1    |       |     |         | 0.35         | 0.77        |
| 120    | 99999-99999 | BLANK                | 0    |       |     |         | 0            | 0           |
| 130    | 6C140-82720 | ASSY HOLDER BRUSH    | 1    |       |     |         | 0.07         | 0.154       |
| 140    | 99999-99999 | BLANK                | 0    |       |     |         | 0            | 0           |
| 150    | 99999-99999 | BLANK                | 0    |       |     |         | 0            | 0           |
| 160    | 6C140-82750 | ASSY BRACKET REAR    | 1    |       |     |         | 0.14         | 0.308       |
| 170    | 6C040-82760 | BUSH                 | 1    |       |     |         | 0.005        | 0.011       |
| 180    | 6C040-82770 | ASSY BRACKET FRONT   | 1    |       |     |         | 0.4          | 0.88        |
| 190    | 15852-63240 | BUSH                 | 1    |       |     |         | 0.006        | 0.0132      |
| 200    | 6C140-82780 | BOLT                 | 2    |       |     |         | 0.015        | 0.033       |
| 210    | 6C040-82790 | LEVER FORK           | 1    |       |     |         | 0.022        | 0.0484      |
| 220    | 6C040-82800 | ASSY SWITCH MAGNETIC | 1    |       |     |         | 0.63         | 1.386       |
| 230    | 15852-93310 | SCREW PAN-HEAD       | 1    |       |     |         | 0.02         | 0.044       |



6C160-016-10

Fig.No.  
G101XX

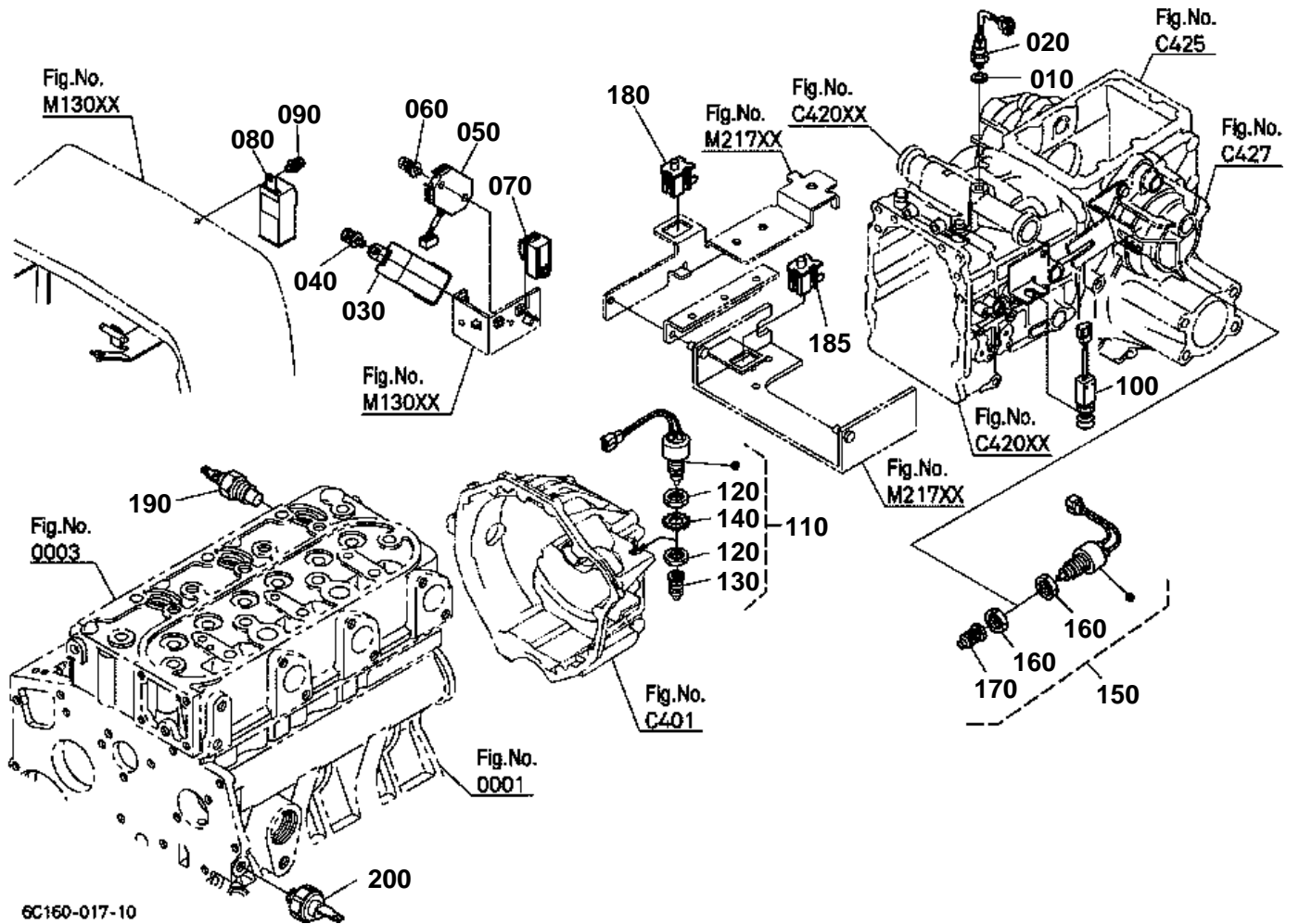


**BATTERY**

↔ Interchangeable; ≠ not interchangeable; ← new for old; → old for new

| REF.No | Part No.    | Description          | Q'ty | S.No. | I/C | REMARKS | Weight (kgf) | Weight (lb) |
|--------|-------------|----------------------|------|-------|-----|---------|--------------|-------------|
| 010    | 6C120-51220 | BRACKET BATTERY      | 1    |       |     |         | 2.6          | 5.72        |
| 020    | 01135-51030 | BOLT                 | 2    |       |     |         | 0.03         | 0.066       |
| 030    | 6C090-51260 | NET                  | 1    |       |     |         | 0.26         | 0.572       |
| 040    | 76650-42520 | TRIM DUSTPROOF       | 1    |       |     |         | 0.03         | 0.066       |
| 050    | 76611-56920 | TRIM DUSTPROOF PLATE | 2    |       |     |         | 0.025        | 0.055       |
| 060    | 6C021-55510 | ASSY BATTERY         | 1    |       |     | 55B24L  | 0            | 0           |
| 070    | 6C040-55590 | LABEL BATTERY        | 1    |       |     | ENGLISH | 0.001        | 0.0022      |
| 080    | 34150-33220 | CUSHION              | 2    |       |     |         | 0.015        | 0.033       |
| 090    | 6C090-55530 | CORD BATTERY(+)      | 1    |       |     |         | 0.22         | 0.484       |
| 096    | 55311-41260 | BAND CORD            | 1    |       |     |         | 0.007        | 0.0154      |
| 100    | 6C040-55540 | CORD BATTERY(-)      | 1    |       |     |         | 0.11         | 0.242       |
| 105    | 53581-64150 | BAND CORD            | 1    |       |     |         | 0.002        | 0.0044      |
| 110    | 6C090-55550 | RETAINER BATTERY     | 1    |       |     |         | 0.005        | 0.011       |
| 120    | 6C040-55560 | BOLT HOOK            | 1    |       |     |         | 0.038        | 0.0836      |
| 130    | 04015-60060 | WASHER PLAIN         | 1    |       |     |         | 0.005        | 0.011       |
| 140    | 02810-50060 | NUT WING             | 1    |       |     |         | 0.009        | 0.0198      |
| 150    | 6C040-55580 | CUSHION              | 1    |       |     |         | 0.002        | 0.0044      |

# SWITCH

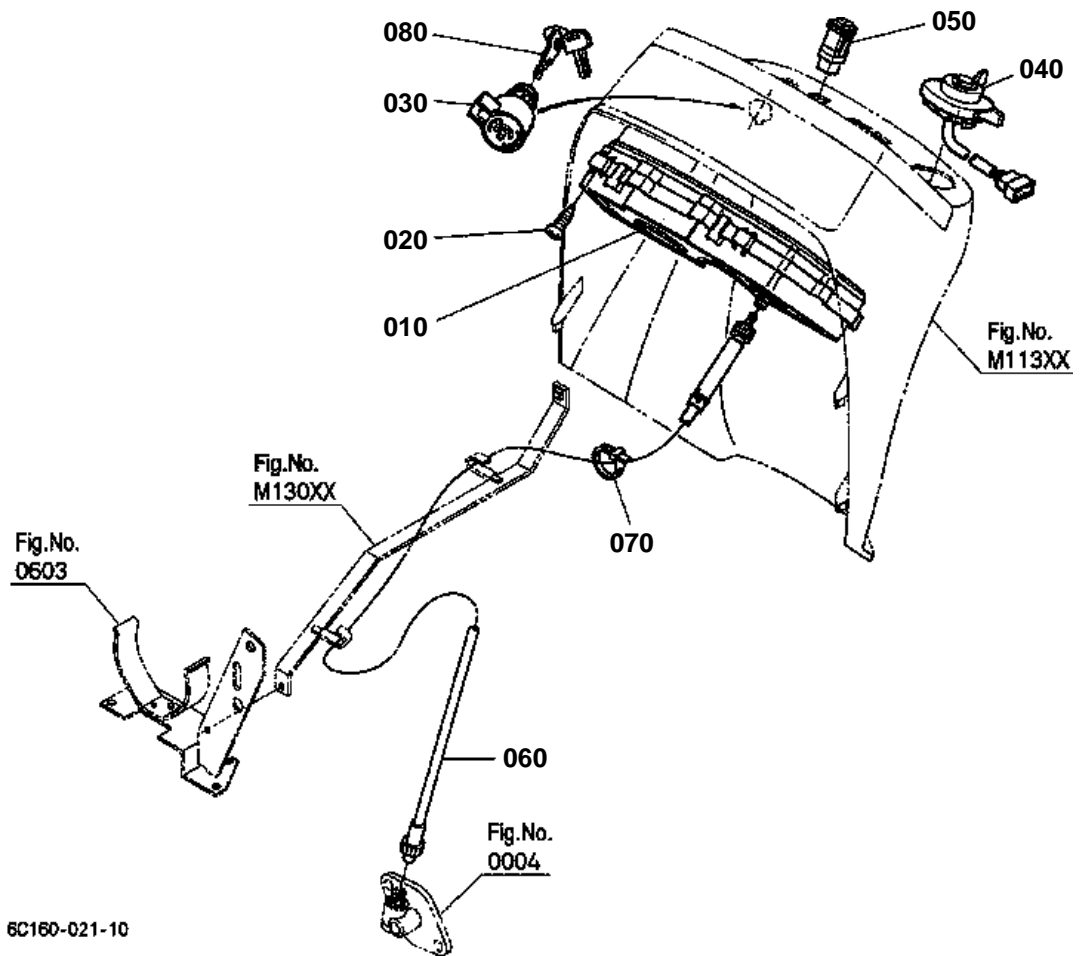


**SWITCH**

↔ Interchangeable; ≠ not interchangeable; ← new for old; → old for new

| REF.No | Part No.    | Description        | Q'ty | S.No. | I/C | REMARKS | Weight (kgf) | Weight (lb) |
|--------|-------------|--------------------|------|-------|-----|---------|--------------|-------------|
| 010    | 6A320-42760 | GASKET             | 1    |       |     | 0.3mm   | 0.001        | 0.0022      |
| 010    | 6A320-42750 | GASKET             | 1    |       |     | 1.0mm   | 0.001        | 0.0022      |
| 010    | 6A320-42790 | GASKET             | 1    |       |     | 1.2mm   | 0.001        | 0.0022      |
| 010    | 6A320-42810 | GASKET             | 1    |       |     | 1.4mm   | 0.002        | 0.0044      |
| 020    | 6A320-42770 | SWITCH SAFETY      | 1    |       |     |         | 0.046        | 0.1012      |
| 030    | 3F240-75430 | UNIT FLASHER       | 1    |       |     |         | 0.06         | 0.132       |
| 040    | 01205-50616 | BOLT               | 1    |       |     |         | 0.007        | 0.0154      |
| 050    | 5H215-41954 | ASSY REGULATOR     | 1    |       |     |         | 0.187        | 0.4114      |
| 060    | 01025-50620 | BOLT               | 1    |       |     |         | 0.02         | 0.044       |
| 070    | T1060-33720 | RELAY STARTER      | 1    |       |     |         | 0.02         | 0.044       |
| 080    | 6C190-55510 | CONTROLLER(OPC)    | 1    |       |     |         | 0.06         | 0.132       |
| 090    | 01025-50616 | BOLT               | 1    |       |     |         | 0.005        | 0.011       |
| 100    | T2050-33780 | SWITCH PTO         | 1    |       |     |         | 0.095        | 0.209       |
| 110    | 6C040-55852 | ASSY SWITCH SAFETY | 1    |       |     |         | 0.124        | 0.2728      |
| 120    | 67111-55830 | NUT SAFETY SWITCH  | 2    |       |     |         | 0.035        | 0.077       |
| 130    | 67111-55840 | CAP SAFETY SWITCH  | 1    |       |     |         | 0.002        | 0.0044      |
| 140    | 6C040-55862 | WASHER TOOTHED     | 1    |       |     |         | 0.004        | 0.0088      |
| 150    | 52320-42900 | SWITCH SAFETY      | 1    |       |     |         | 0.1          | 0.22        |
| 160    | 67111-55830 | NUT SAFETY SWITCH  | 2    |       |     |         | 0.035        | 0.077       |
| 170    | 67111-55840 | CAP SAFETY SWITCH  | 1    |       |     |         | 0.002        | 0.0044      |
| 180    | K1122-62280 | SWITCH SEAT        | 1    |       |     |         | 0.011        | 0.0242      |
| 185    | K1122-62280 | SWITCH SEAT        | 1    |       |     |         | 0.011        | 0.0242      |
| 190    | 31351-32830 | SENSOR THERMO      | 1    |       |     |         | 0.02         | 0.044       |
| 200    | 15531-39010 | SWITCH OIL         | 1    |       |     |         | 0.032        | 0.0704      |

PANEL BOARD

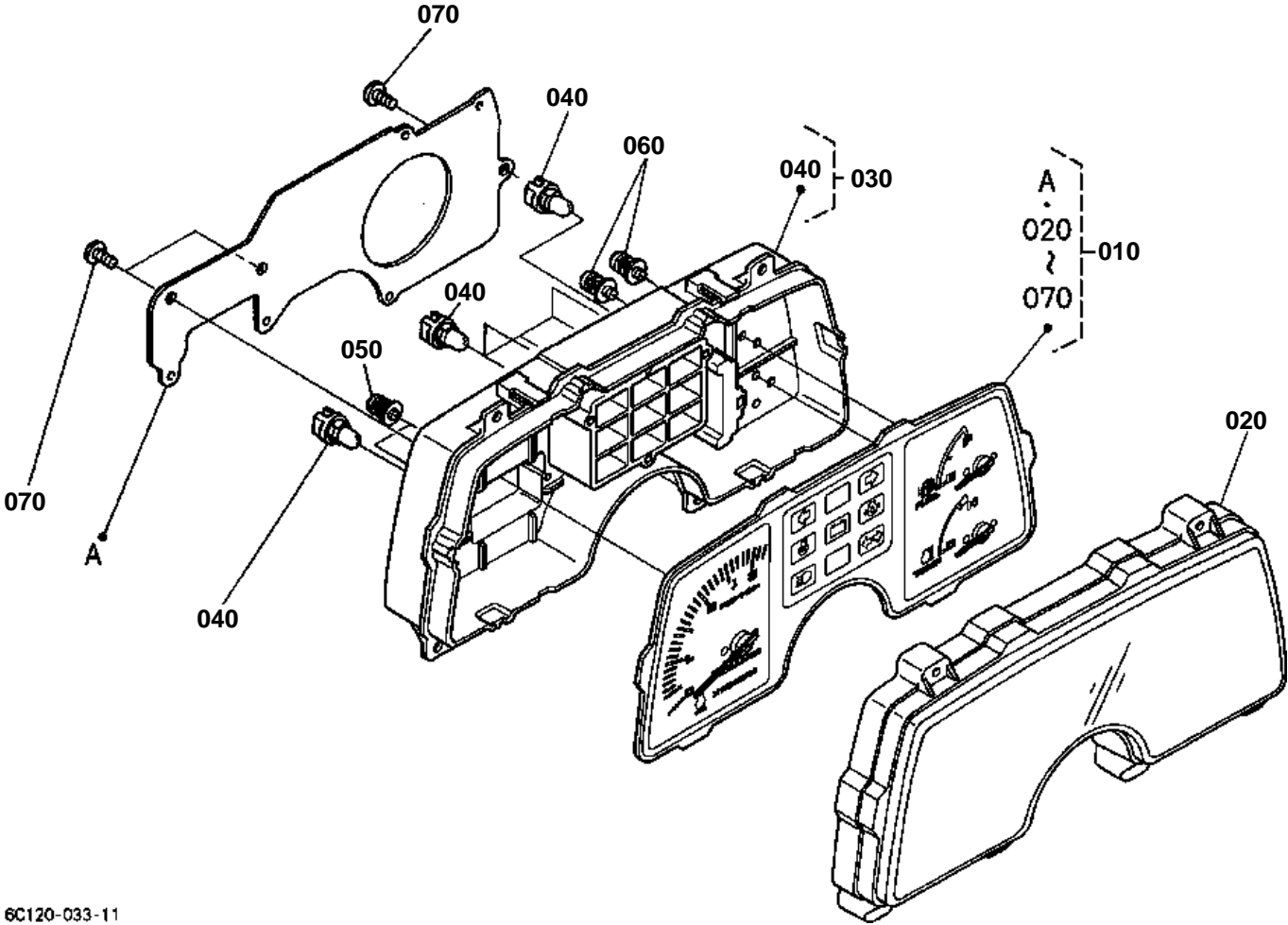




PANEL BOARD

↔ Interchangeable; ≠ not interchangeable; ← new for old; → old for new

| REF.No | Part No.    | Description        | Q'ty | S.No. | I/C | REMARKS | Weight (kgf) | Weight (lb) |
|--------|-------------|--------------------|------|-------|-----|---------|--------------|-------------|
| 010    | 6C140-55100 | ASSY METER         | 1    |       |     |         | 0.76         | 1.672       |
| 020    | 03514-50420 | SCREW TAPPING      | 6    |       |     |         | 0.002        | 0.0044      |
| 030    | 6C040-55452 | SWITCH STARTER     | 1    |       |     |         | 0.22         | 0.484       |
| 040    | 6C070-55420 | SWITCH COMBINATION | 1    |       |     |         | 0.08         | 0.176       |
| 050    | 6C070-55430 | SWITCH HAZARD      | 1    |       |     |         | 0.019        | 0.0418      |
| 060    | 6C040-55440 | CABLE HOUR METER   | 1    |       |     |         | 0.2          | 0.44        |
| 070    | 53581-64150 | BAND CORD          | 1    |       |     |         | 0.002        | 0.0044      |
| 080    | 15248-63700 | KEY STARTER        | 1    |       |     | 2P/SET  | 0.034        | 0.0748      |



6C120-033-11

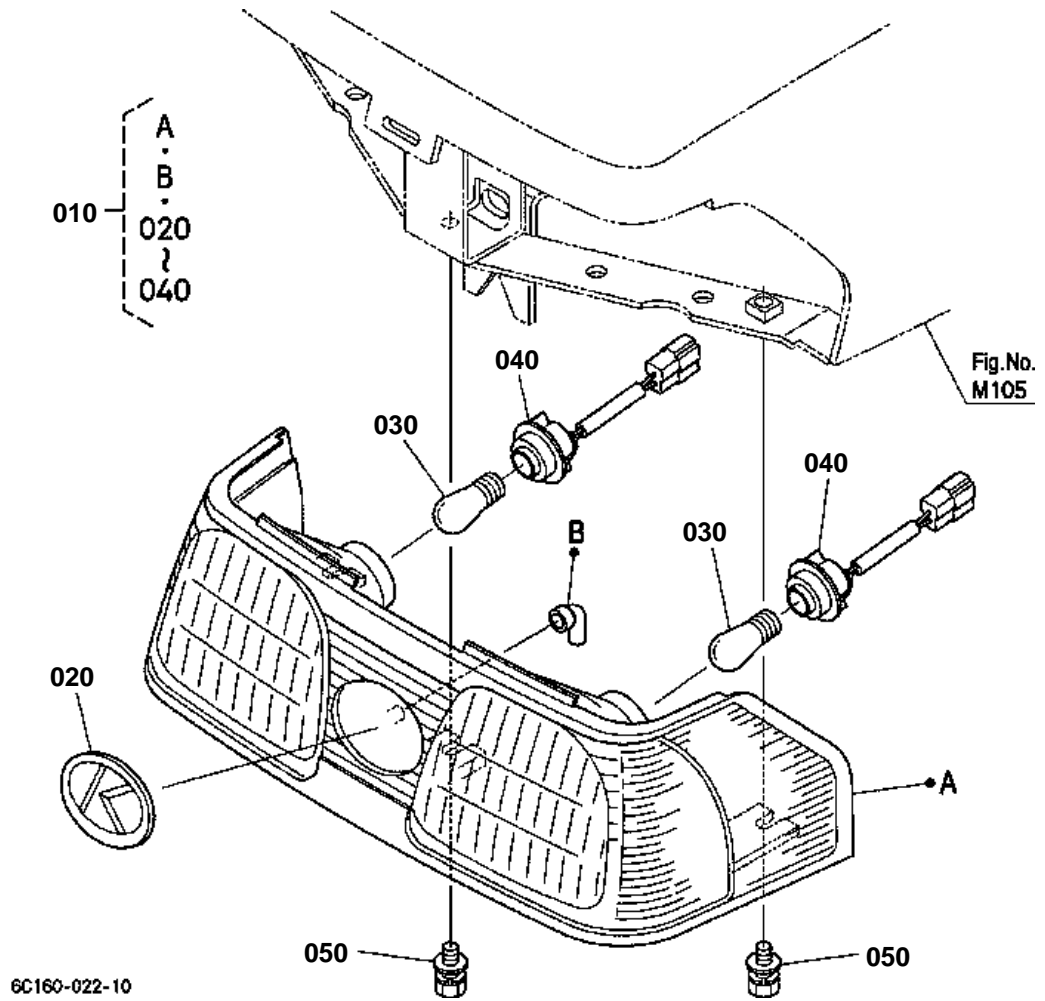


# PANEL BOARD [COMPONENT PARTS]

↔ Interchangeable; ≠ not interchangeable; ← new for old; → old for new

| REF.No | Part No.    | Description | Q'ty | S.No. | I/C | REMARKS | Weight (kgf) | Weight (lb) |
|--------|-------------|-------------|------|-------|-----|---------|--------------|-------------|
| 010    | 6C140-55100 | ASSY METER  | 1    |       |     |         | 0.76         | 1.672       |
| 020    | 6C040-55120 | GLASS       | 1    |       |     |         | 0.16         | 0.352       |
| 030    | 6C070-55130 | ASSY CASE   | 1    |       |     |         | 0.28         | 0.616       |
| 040    | 6C040-55140 | ASSY BULB   | 7    |       |     | 1.7W    | 0.003        | 0.0066      |
| 050    | 6C040-55150 | SCREW       | 2    |       |     |         | 0.002        | 0.0044      |
| 060    | 6C040-55160 | SCREW       | 6    |       |     |         | 0.002        | 0.0044      |
| 070    | 6C040-55180 | SCREW       | 3    |       |     |         | 0.003        | 0.0066      |

HEAD RIGHT



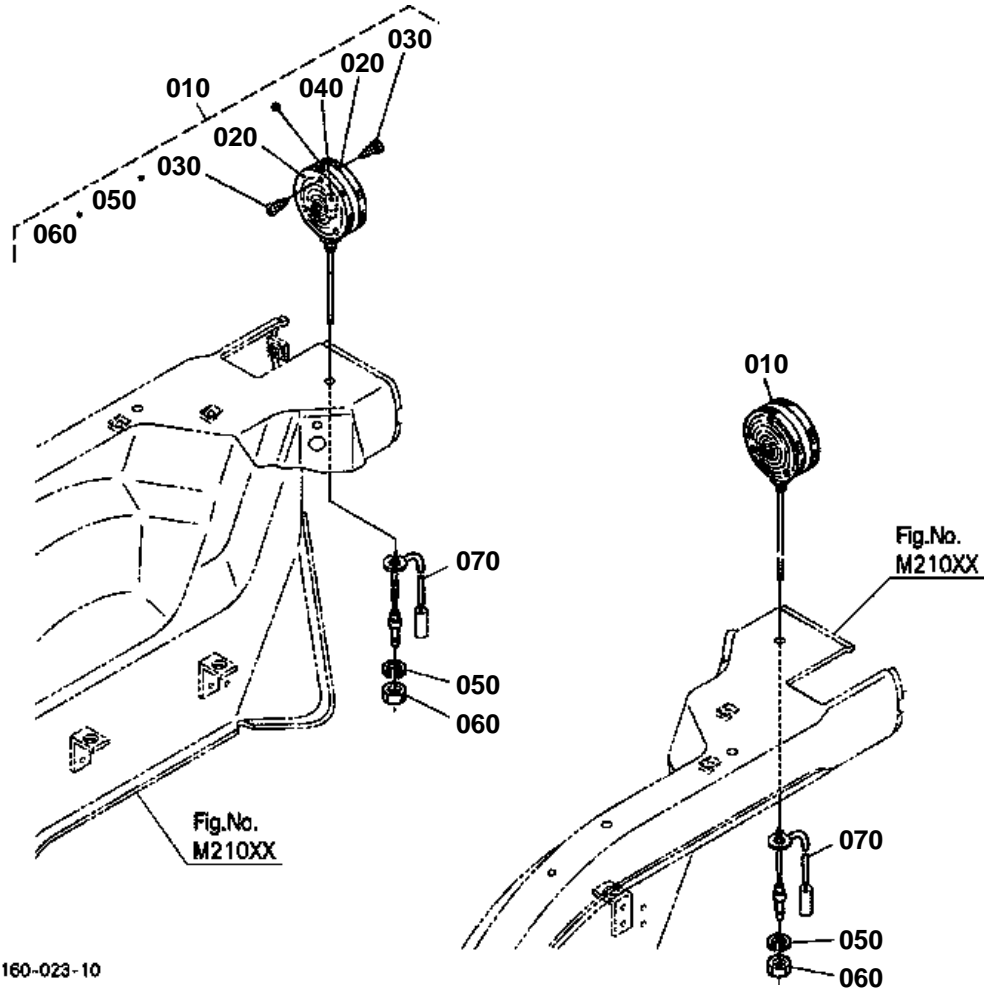




# HEAD RIGHT

↔ Interchangeable; ≠ not interchangeable; ← new for old; → old for new

| REF.No | Part No.    | Description     | Q'ty | S.No. | I/C | REMARKS | Weight (kgf) | Weight (lb) |
|--------|-------------|-----------------|------|-------|-----|---------|--------------|-------------|
| 010    | 6A370-54132 | ASSY LIGHT HEAD | 1    |       |     |         | 0.81         | 1.782       |
| 020    | 6A370-54180 | MARK SYMBOL     | 1    |       |     |         | 0.009        | 0.0198      |
| 030    | 31391-34360 | BULB            | 2    |       |     | 23W     | 0.018        | 0.0396      |
| 040    | 6A370-54150 | REED COMP.      | 2    |       |     |         | 0.2          | 0.44        |
| 050    | 01125-60820 | BOLT            | 3    |       |     |         | 0.015        | 0.033       |



6C160-023-10

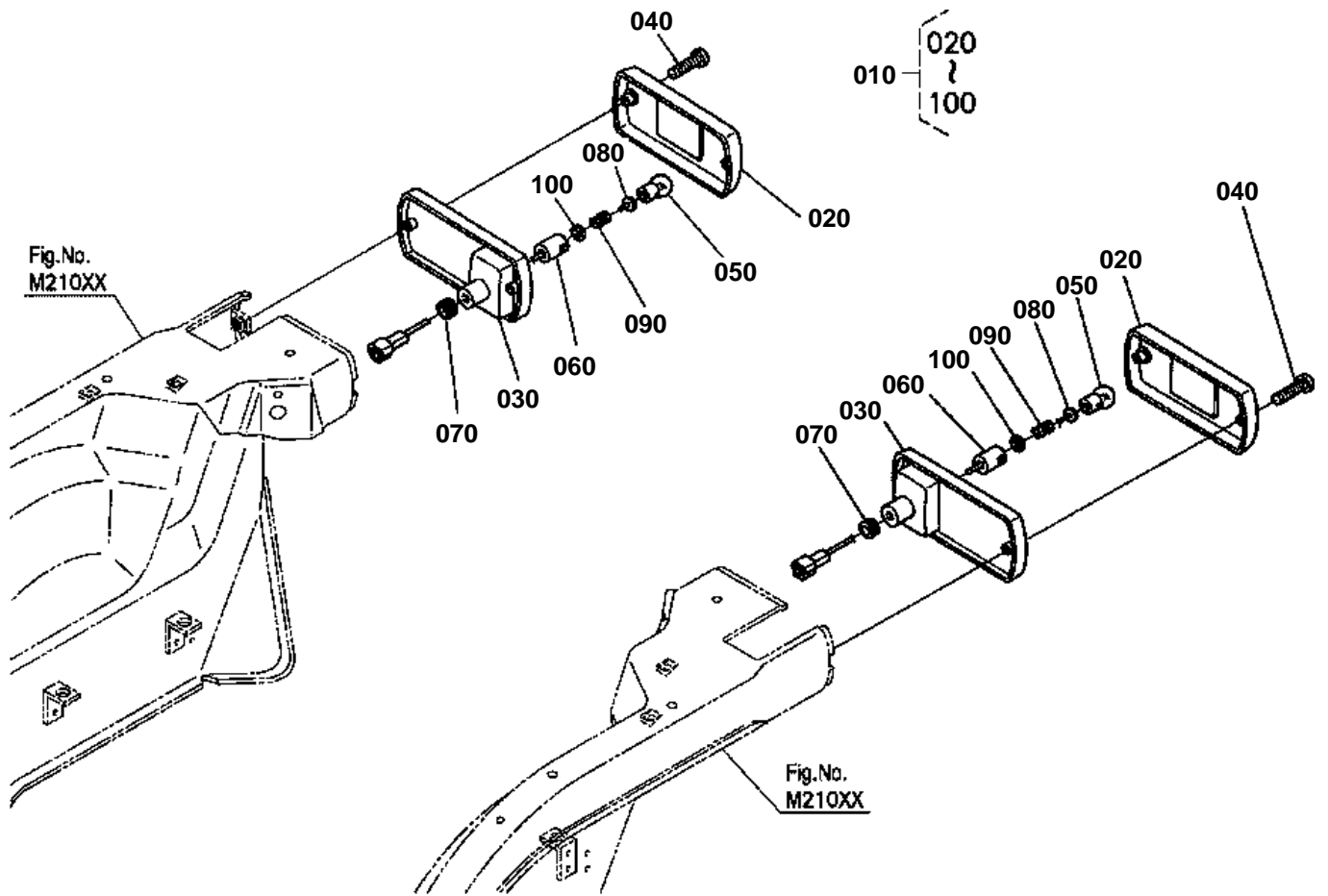


# HAZARD LIGHT

↔ Interchangeable; ≠ not interchangeable; ← new for old; → old for new

| REF.No | Part No.    | Description       | Q'ty | S.No. | I/C | REMARKS | Weight (kgf) | Weight (lb) |
|--------|-------------|-------------------|------|-------|-----|---------|--------------|-------------|
| 010    | 32530-33610 | ASSY LIGHT HAZARD | 2    |       |     |         | 0.38         | 0.836       |
| 020    | 32530-91510 | LENS HAZARD LIGHT | 4    |       |     |         | 0.085        | 0.187       |
| 030    | 32530-91520 | SCREW TAPPING     | 12   |       |     |         | 0.001        | 0.0022      |
| 040    | 32530-91530 | BULB LIGHT        | 2    |       |     | 27W     | 0.02         | 0.044       |
| 050    | 04411-50100 | WASHER TOOTHED    | 2    |       |     |         | 0.001        | 0.0022      |
| 060    | 02114-50100 | NUT               | 2    |       |     |         | 0.005        | 0.011       |
| 070    | 6C040-55480 | WIRE HARNESS      | 2    |       |     |         | 0.005        | 0.011       |

TAIL LIGHT



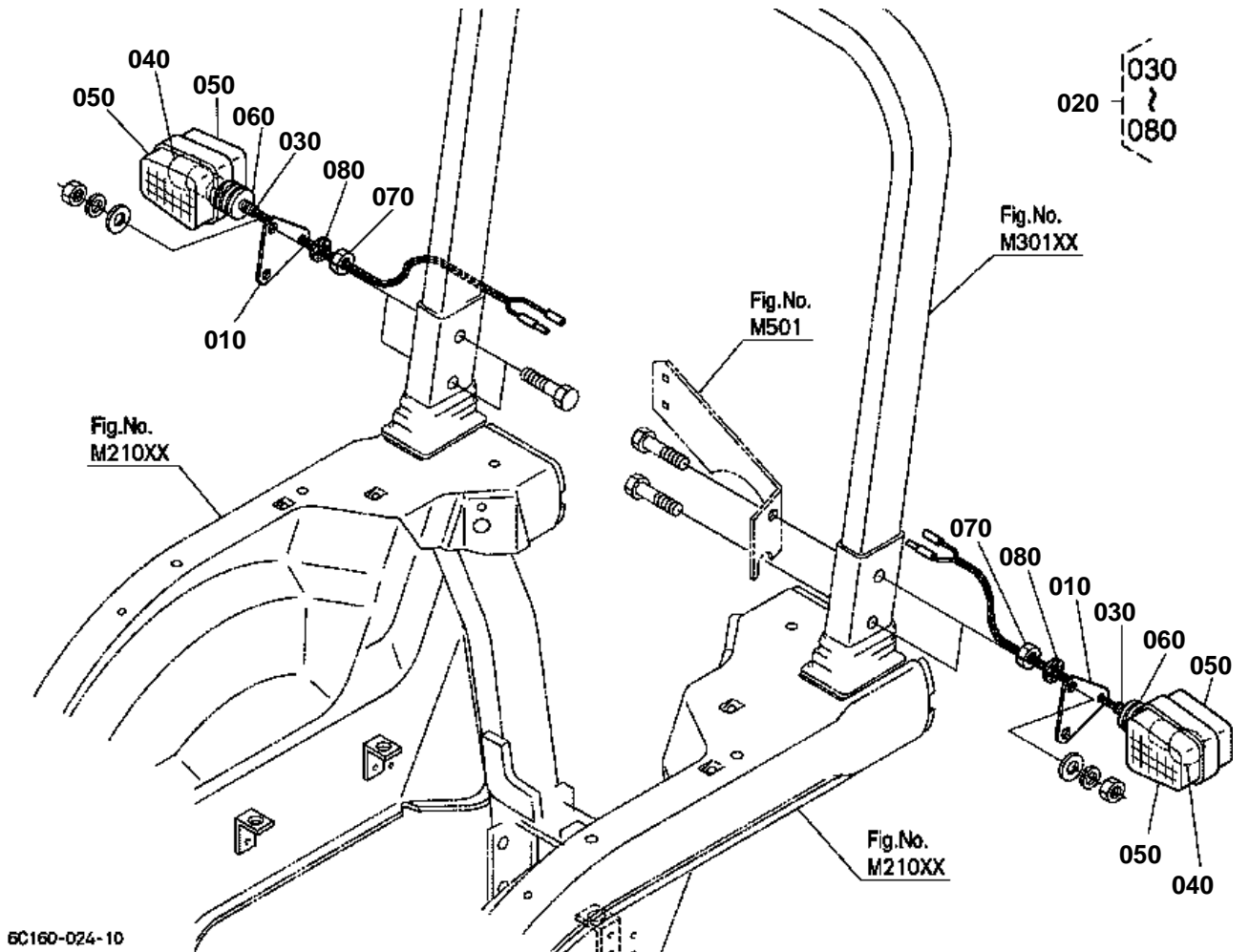
6C120-036-12

**TAIL LIGHT**

↔ Interchangeable; ≠ not interchangeable; ← new for old; → old for new

| REF.No | Part No.    | Description     | Q'ty | S.No. | I/C | REMARKS | Weight (kgf) | Weight (lb) |
|--------|-------------|-----------------|------|-------|-----|---------|--------------|-------------|
| 010    | 6C040-55490 | ASSY LIGHT TAIL | 2    |       |     |         | 0.21         | 0.462       |
| 020    | 6C040-92200 | ASSY LENS       | 2    |       |     |         | 0.1          | 0.22        |
| 030    | 6C040-92120 | BODY            | 2    |       |     |         | 0.065        | 0.143       |
| 040    | 6C040-92140 | SCREW           | 4    |       |     |         | 0.007        | 0.0154      |
| 050    | 6C040-92150 | BULB            | 2    |       |     | 8W      | 0.006        | 0.0132      |
| 060    | 6C040-92160 | SOCKET          | 2    |       |     |         | 0.007        | 0.0154      |
| 070    | 6C040-92170 | BUSH RUBBER     | 2    |       |     |         | 0.001        | 0.0022      |
| 080    | 6C040-92180 | INSULATOR       | 2    |       |     |         | 0.001        | 0.0022      |
| 090    | 6C040-92190 | SPRING          | 2    |       |     |         | 0.001        | 0.0022      |
| 100    | 6C040-92210 | WASHER          | 2    |       |     |         | 0.001        | 0.0022      |

# WINKER LAMP

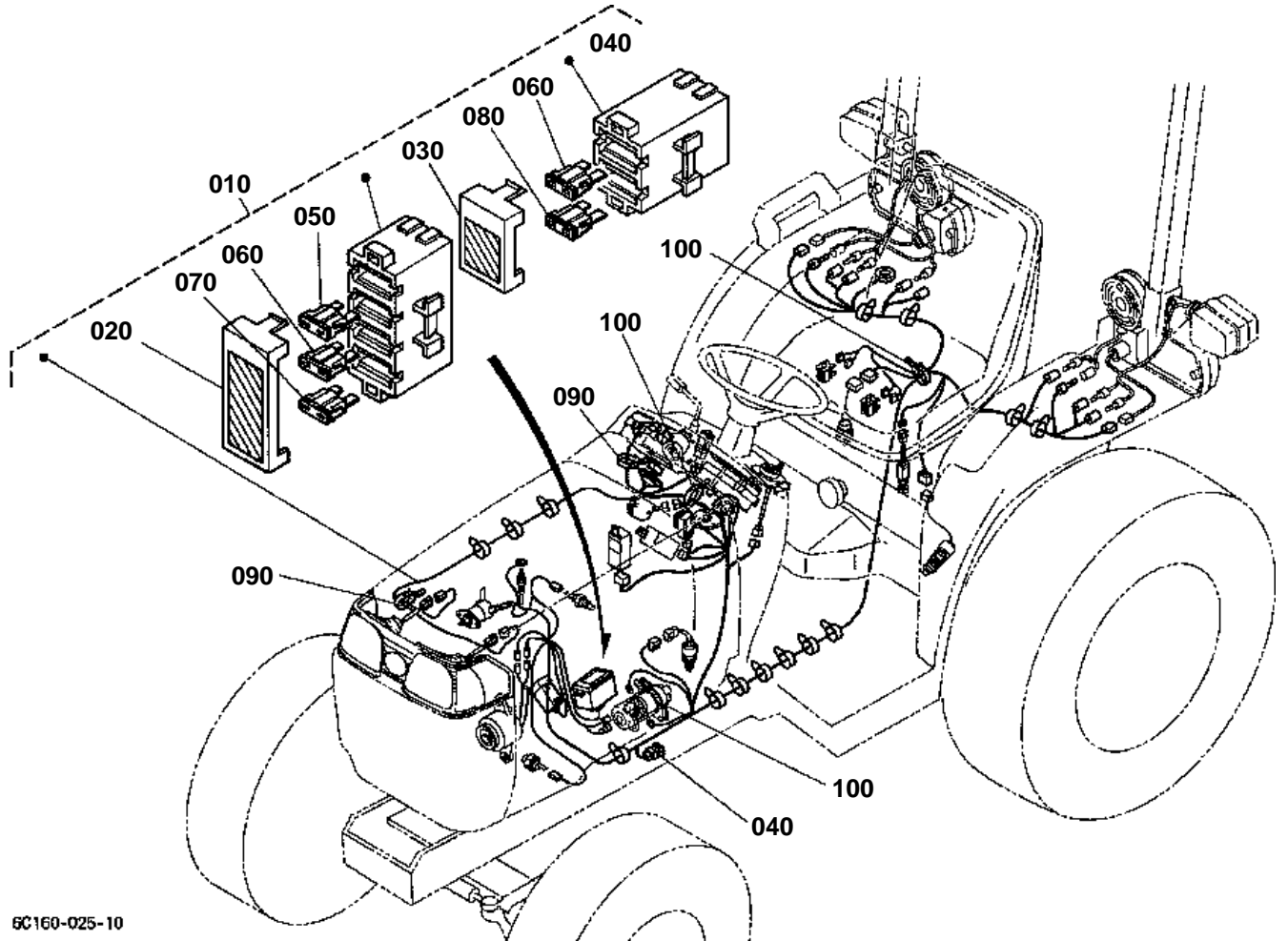




# WINKER LAMP

↔ Interchangeable; ≠ not interchangeable; ← new for old; → old for new

| REF.No | Part No.    | Description       | Q'ty | S.No. | I/C | REMARKS | Weight (kgf) | Weight (lb) |
|--------|-------------|-------------------|------|-------|-----|---------|--------------|-------------|
| 010    | 6C140-54980 | STAY HAZARD LIGHT | 2    |       |     |         | 0.15         | 0.33        |
| 020    | 37410-52290 | ASSY WINKER LAMP  | 2    |       |     |         | 0.145        | 0.319       |
| 030    | 37410-52710 | ASSY BODY         | 2    |       |     |         | 0.055        | 0.121       |
| 040    | 37410-52720 | BULB              | 2    |       |     | 20W     | 0.02         | 0.044       |
| 050    | 37410-52730 | LENS              | 4    |       |     |         | 0.025        | 0.055       |
| 060    | 37410-52740 | GASKET            | 2    |       |     |         | 0.025        | 0.055       |
| 070    | 02116-50100 | NUT               | 2    |       |     |         | 0.004        | 0.0088      |
| 080    | 04411-50100 | WASHER TOOTHED    | 2    |       |     |         | 0.001        | 0.0022      |



6C160-025-10



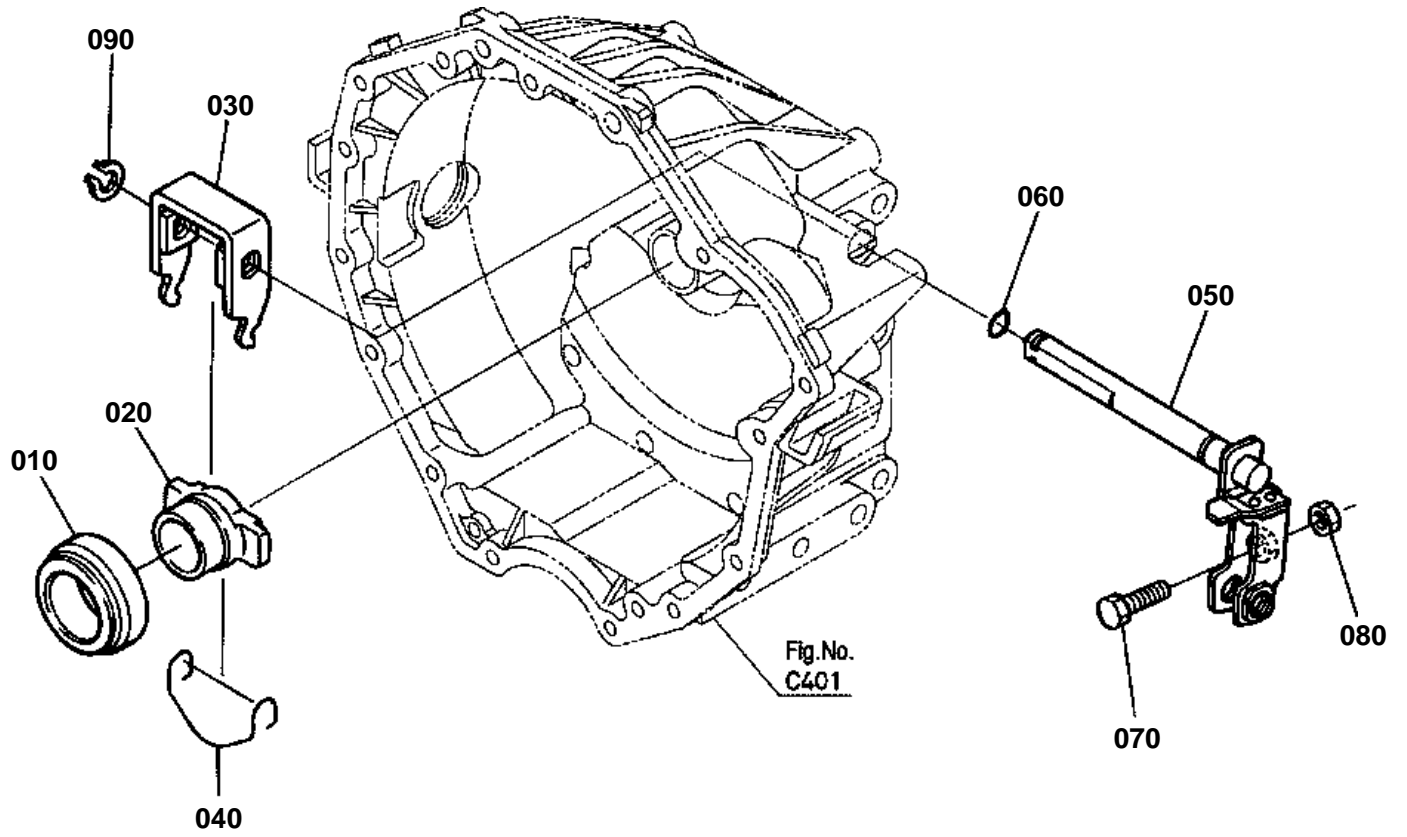


# ELECTRICAL WIRING

↔ Interchangeable; ≠ not interchangeable; ← new for old; → old for new

| REF.No | Part No.    | Description       | Q'ty | S.No. | I/C | REMARKS | Weight (kgf) | Weight (lb) |
|--------|-------------|-------------------|------|-------|-----|---------|--------------|-------------|
| 010    | 6C190-55460 | ASSY WIRE HARNESS | 1    |       |     |         | 1.34         | 2.948       |
| 020    | 6C190-55480 | CAP FUSE CASE     | 1    |       |     |         | 0.001        | 0.0022      |
| 030    | 6C190-55490 | CAP FUSE CASE     | 1    |       |     |         | 0.001        | 0.0022      |
| 040    | 1G111-65720 | FUSE              | 1    |       |     | 30A     | 0.009        | 0.0198      |
| 050    | 66426-80010 | FUSE AUTO         | 1    |       |     | 5A      | 0.01         | 0.022       |
| 060    | 48100-55880 | FUSE AUTO         | 2    |       |     | 10A     | 0.01         | 0.022       |
| 070    | 36919-56650 | FUSE AUTO         | 1    |       |     | 20A     | 0.002        | 0.0044      |
| 080    | 52300-41630 | FUSE AUTO         | 1    |       |     | 30A     | 0.01         | 0.022       |
| 090    | 53581-64150 | BAND CORD         | 2    |       |     |         | 0.002        | 0.0044      |
| 100    | 55311-41260 | BAND CORD         | 3    |       |     |         | 0.007        | 0.0154      |

CLUTCH ROD



6C160-029-10

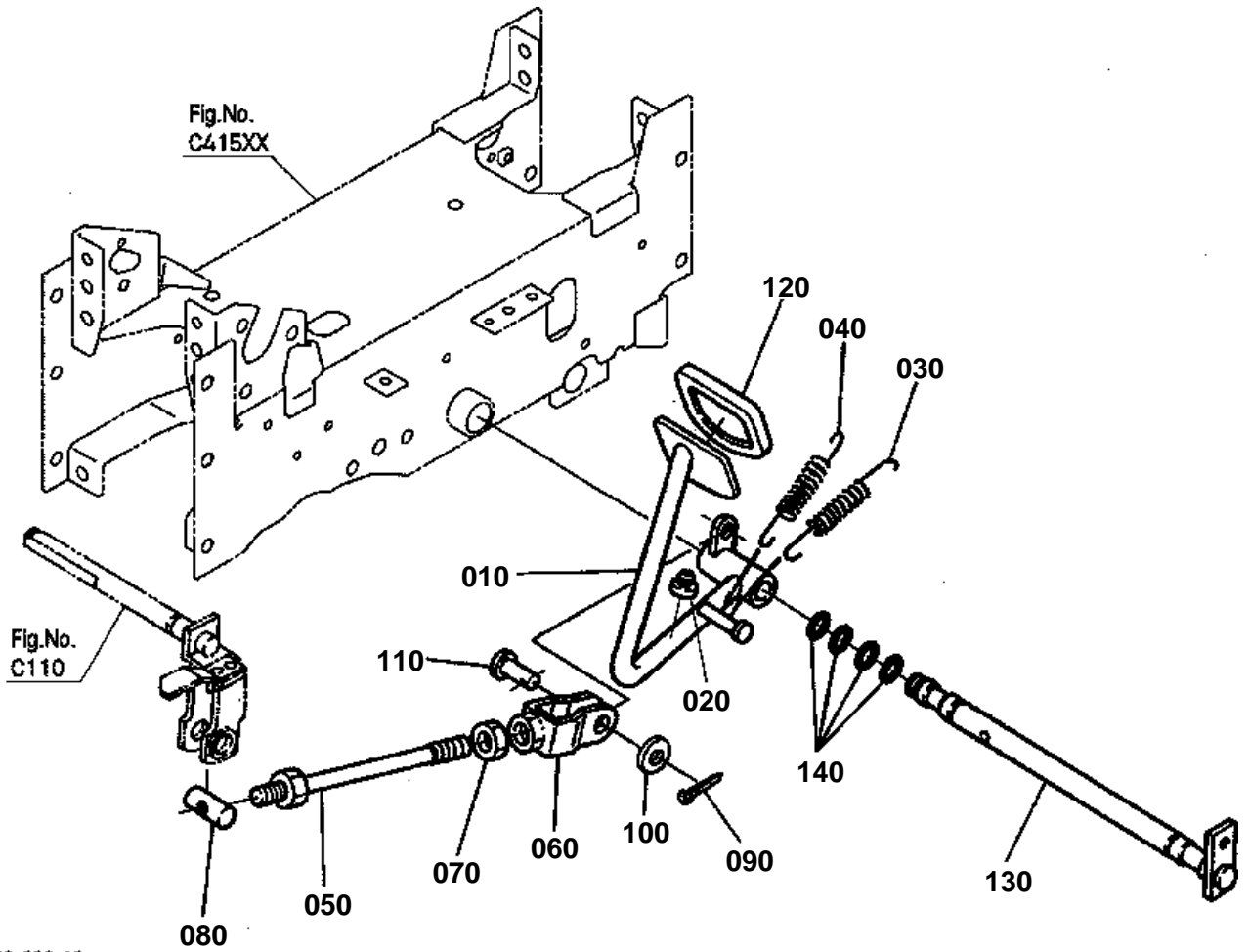


## CLUTCH ROD

↔ Interchangeable; ≠ not interchangeable; ← new for old; → old for new

| REF.No | Part No.    | Description         | Q'ty | S.No. | I/C | REMARKS | Weight (kgf) | Weight (lb) |
|--------|-------------|---------------------|------|-------|-----|---------|--------------|-------------|
| 010    | 6C040-13210 | BEARING RELEASE     | 1    |       |     |         | 0.157        | 0.3454      |
| 020    | 6C040-13220 | HOLDER BEARING      | 1    |       |     |         | 0.142        | 0.3124      |
| 030    | 6C040-13230 | FORK CLUTCH RELEASE | 1    |       |     |         | 0.22         | 0.484       |
| 040    | 6C040-13240 | SPRING              | 1    |       |     |         | 0.003        | 0.0066      |
| 050    | 6C040-13257 | SHAFT CLUTCH ROD    | 1    |       |     |         | 0.037        | 0.0814      |
| 060    | 04811-10140 | O RING              | 1    |       |     |         | 0.001        | 0.0022      |
| 070    | 66711-13320 | BOLT ADJUSTING      | 1    |       |     |         | 0.028        | 0.0616      |
| 080    | 02118-50100 | NUT                 | 1    |       |     |         | 0.005        | 0.011       |
| 090    | 04612-00160 | CIR CLIP EXTERNAL   | 1    |       |     |         | 0.001        | 0.0022      |

# CLUTCH PEDAL



6C160-030-10

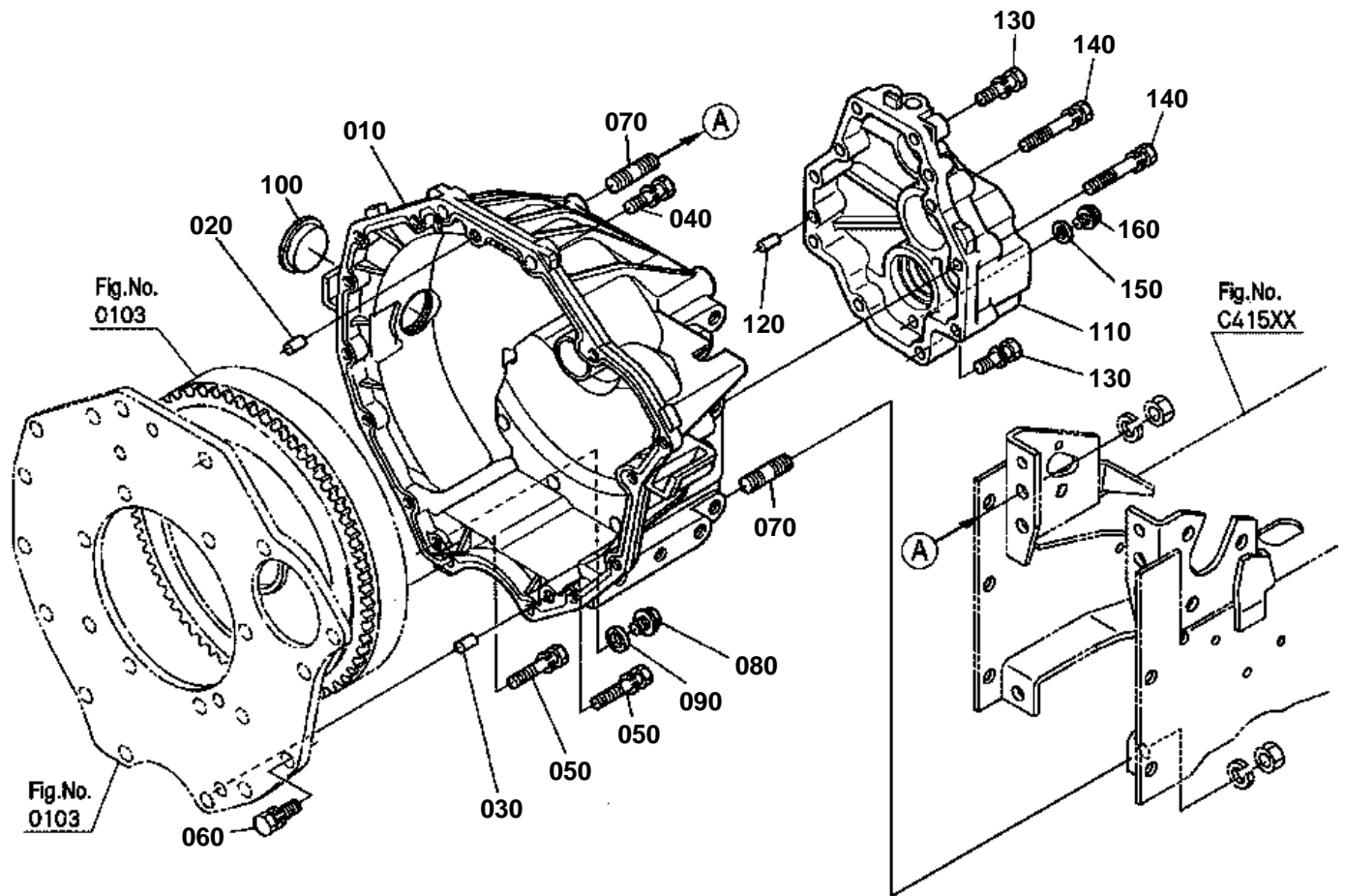


## CLUTCH PEDAL

↔ Interchangeable; ≠ not interchangeable; ← new for old; → old for new

| REF.No | Part No.    | Description    | Q'ty | S.No. | I/C | REMARKS | Weight (kgf) | Weight (lb) |
|--------|-------------|----------------|------|-------|-----|---------|--------------|-------------|
| 010    | 6C040-42135 | PEDAL CLUTCH   | 1    |       |     |         | 1.68         | 3.696       |
| 020    | 6C040-42342 | CUSHION        | 1    |       |     |         | 0.005        | 0.011       |
| 030    | 6C040-42150 | SPRING         | 1    |       |     |         | 0.157        | 0.3454      |
| 040    | 6C040-42160 | SPRING         | 1    |       |     |         | 0.05         | 0.11        |
| 050    | 6C040-42113 | ROD CLUTCH     | 1    |       |     |         | 0.255        | 0.561       |
| 060    | 6C040-42120 | U JOINT        | 1    |       |     |         | 0.118        | 0.2596      |
| 070    | 37720-28990 | NUT            | 1    |       |     |         | 0.008        | 0.0176      |
| 080    | 6C040-42142 | PIN CLUTCH ROD | 1    |       |     |         | 0.034        | 0.0748      |
| 090    | 05511-50322 | PIN SPLIT      | 1    |       |     |         | 0.002        | 0.0044      |
| 100    | 04013-60100 | WASHER PLAIN   | 1    |       |     |         | 0.003        | 0.0066      |
| 110    | 05122-51025 | PIN JOINT      | 1    |       |     |         | 0.017        | 0.0374      |
| 120    | 37410-44120 | COVER PEDAL    | 1    |       |     |         | 0.08         | 0.176       |
| 130    | 6C040-42310 | SHAFT PEDAL    | 1    |       |     |         | 1.68         | 3.696       |
| 140    | 04816-00210 | O RING         | 4    |       |     |         | 0.004        | 0.0088      |

# CLUTCH HOUSING



6C160-031-10

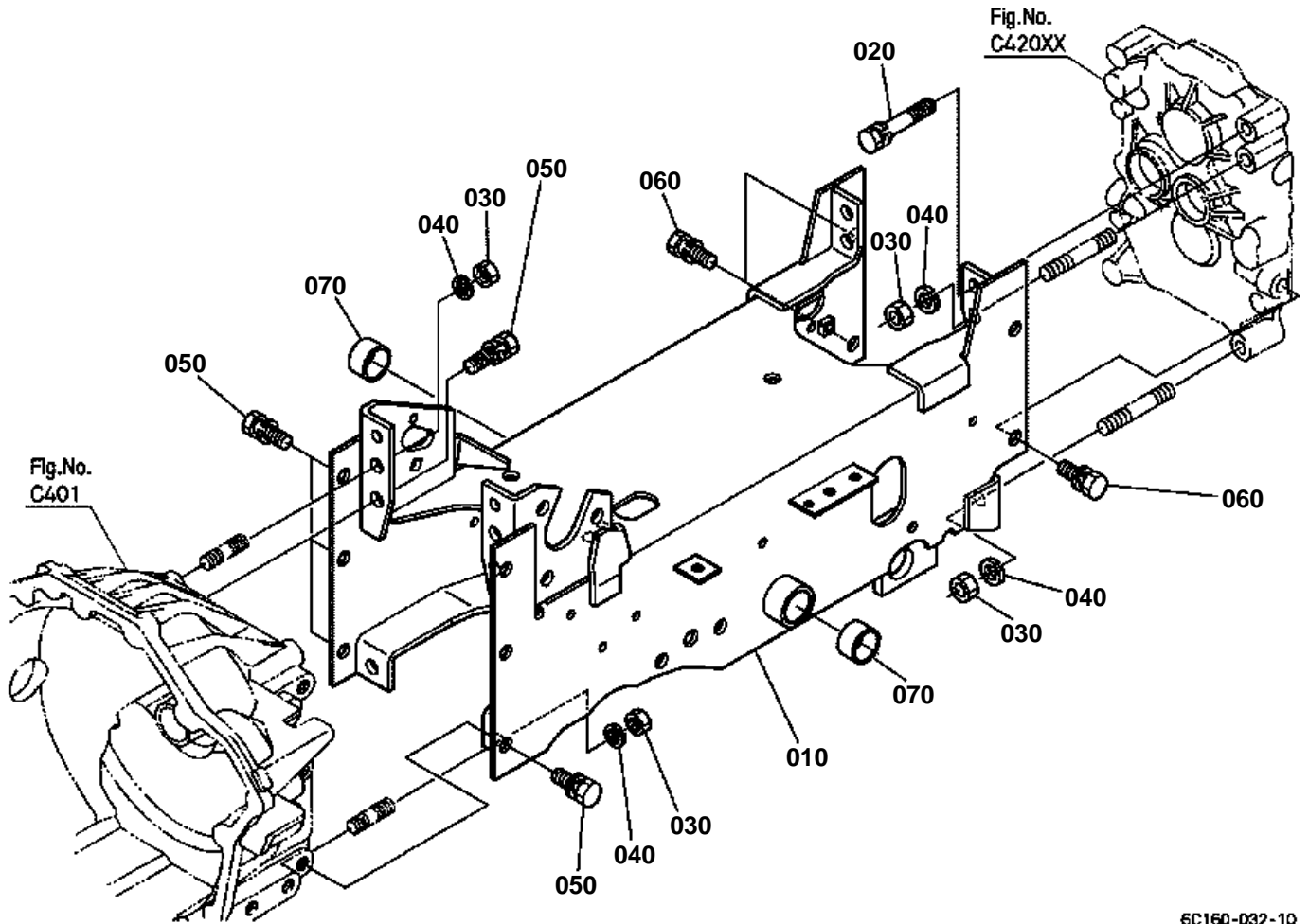


## CLUTCH HOUSING

↔ Interchangeable; ≠ not interchangeable; ← new for old; → old for new

| REF.No | Part No.    | Description          | Q'ty | S.No. | I/C | REMARKS | Weight (kgf) | Weight (lb) |
|--------|-------------|----------------------|------|-------|-----|---------|--------------|-------------|
| 010    | 6C040-13114 | HOUSING CLUTCH       | 1    |       |     |         | 5.2          | 11.44       |
| 020    | 05012-00814 | PIN STRAIGHT         | 1    |       |     |         | 0.006        | 0.0132      |
| 030    | 66611-11160 | PIN KNOCK            | 1    |       |     |         | 0.01         | 0.022       |
| 040    | 01133-51045 | BOLT                 | 2    |       |     |         | 0.034        | 0.0748      |
| 050    | 01123-50845 | BOLT                 | 2    |       |     |         | 0.02         | 0.044       |
| 060    | 01123-50830 | BOLT                 | 9    |       |     |         | 0.015        | 0.033       |
| 070    | 01555-51225 | STUD                 | 4    |       |     |         | 0.039        | 0.0858      |
| 080    | 01754-50812 | BOLT FLANGE          | 1    |       |     |         | 0.01         | 0.022       |
| 090    | 04717-00800 | WASHER WITH RUBBER   | 1    |       |     |         | 0.001        | 0.0022      |
| 100    | 37410-13124 | PLUG                 | 1    |       |     |         | 0.02         | 0.044       |
| 110    | 6C140-13120 | COVER CLUTCH HOUSING | 1    |       |     |         | 1.06         | 2.332       |
| 120    | 05012-00614 | PIN STRAIGHT         | 2    |       |     |         | 0.004        | 0.0088      |
| 130    | 01123-50835 | BOLT                 | 4    |       |     |         | 0.02         | 0.044       |
| 140    | 01123-50850 | BOLT                 | 6    |       |     |         | 0.02         | 0.044       |
| 150    | 04717-01000 | WASHER WITH RUBBER   | 1    |       |     |         | 0.001        | 0.0022      |
| 160    | 01774-51010 | BOLT FLANGE          | 1    |       |     |         | 0.08         | 0.176       |

CENTER FRAME



6C160-032-10



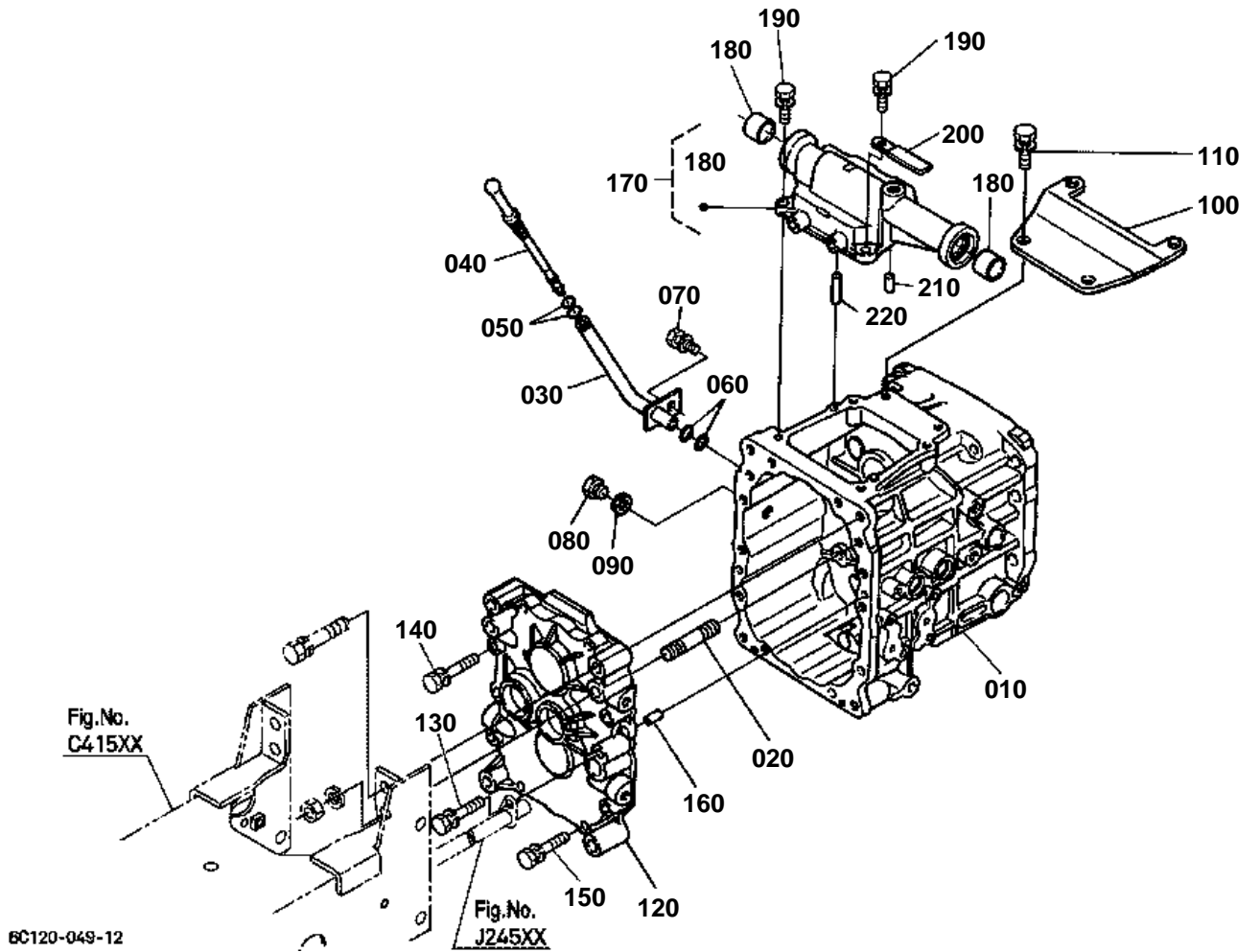


# CENTER FRAME

↔ Interchangeable; ≠ not interchangeable; ← new for old; → old for new

| REF.No | Part No.    | Description       | Q'ty | S.No. | I/C | REMARKS | Weight (kgf) | Weight (lb) |
|--------|-------------|-------------------|------|-------|-----|---------|--------------|-------------|
| 010    | 6C140-51113 | COMP.FRAME CENTER | 1    |       |     |         | 16           | 35.2        |
| 020    | 01123-51265 | BOLT              | 2    |       |     |         | 0.063        | 0.1386      |
| 030    | 02174-50120 | NUT               | 8    |       |     |         | 0.01         | 0.022       |
| 040    | 04512-60120 | WASHER SPRING     | 8    |       |     |         | 0.005        | 0.011       |
| 050    | 01123-51230 | BOLT              | 8    |       |     |         | 0.04         | 0.088       |
| 060    | 01123-61225 | BOLT              | 4    |       |     |         | 0.04         | 0.088       |
| 070    | 08511-02515 | BUSH              | 2    |       |     |         | 0.012        | 0.0264      |

TRANSMISSION CASE



6C120-049-12

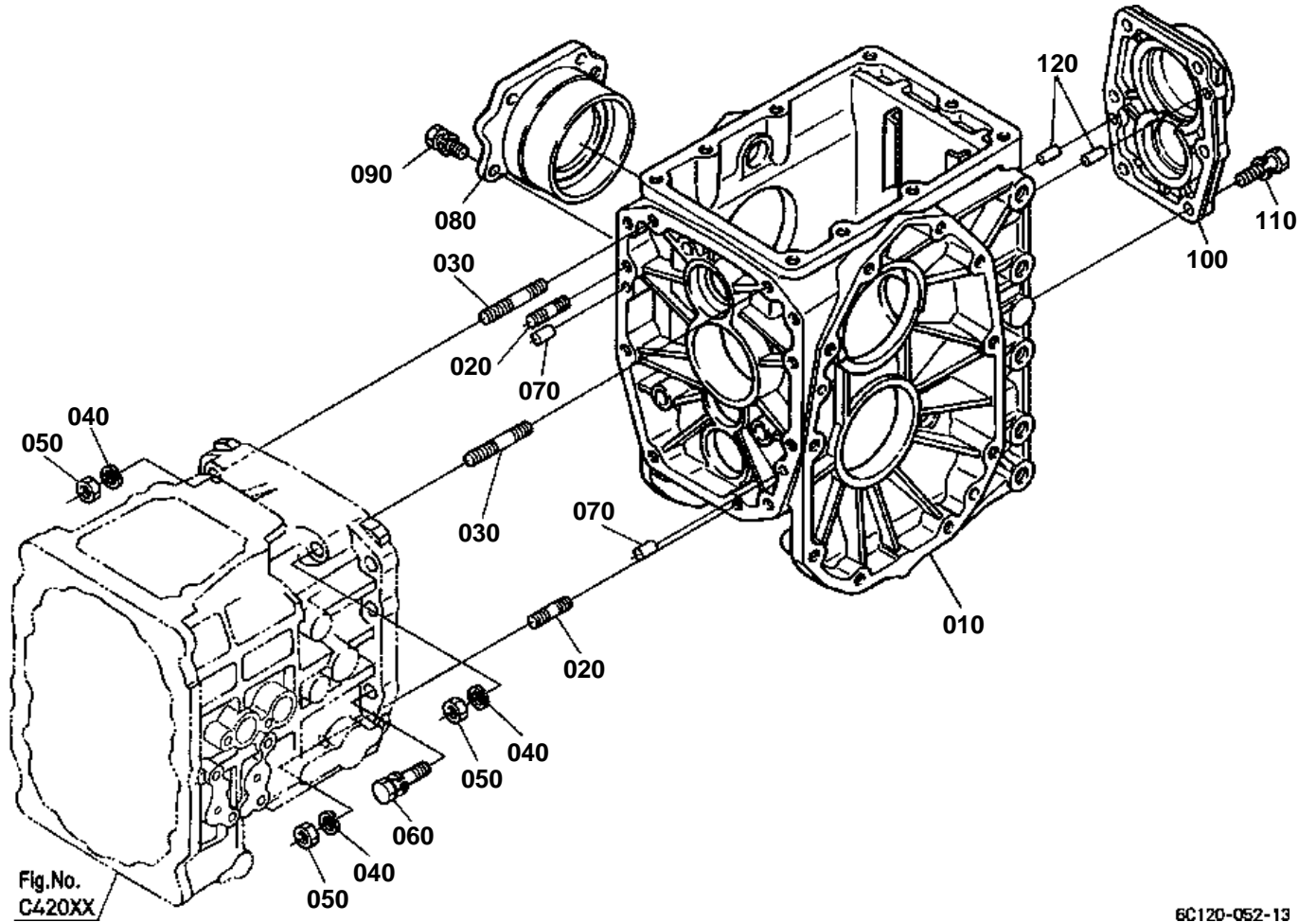


# TRANSMISSION CASE

↔ Interchangeable; ≠ not interchangeable; ← new for old; → old for new

| REF.No | Part No.    | Description        | Q'ty | S.No. | I/C | REMARKS | Weight (kgf) | Weight (lb) |
|--------|-------------|--------------------|------|-------|-----|---------|--------------|-------------|
| 010    | 6C040-11117 | CASE TRANSMISSION  | 1    |       |     |         | 4.87         | 10.714      |
| 020    | 01555-51260 | STUD               | 4    |       |     |         | 0.067        | 0.1474      |
| 030    | 6A320-11152 | PIPE OIL GAUGE     | 1    |       |     |         | 0.078        | 0.1716      |
| 040    | 6C040-11160 | GAUGE OIL          | 1    |       |     |         | 0.01         | 0.022       |
| 050    | 04816-00060 | O RING             | 2    |       |     |         | 0.001        | 0.0022      |
| 060    | 04816-00120 | O RING             | 2    |       |     |         | 0.001        | 0.0022      |
| 070    | 01123-60816 | BOLT               | 1    |       |     |         | 0.01         | 0.022       |
| 080    | 06311-55030 | PLUG               | 1    |       |     |         | 0.05         | 0.11        |
| 090    | 04717-01700 | WASHER WITH RUBBER | 1    |       |     |         | 0.003        | 0.0066      |
| 100    | 6C040-11180 | BRACKET            | 1    |       |     |         | 0.4          | 0.88        |
| 110    | 01123-51030 | BOLT               | 2    |       |     |         | 0.025        | 0.055       |
| 120    | 6C040-12110 | COVER FRONT        | 1    |       |     |         | 1            | 2.2         |
| 130    | 01123-51060 | BOLT               | 1    |       |     |         | 0.05         | 0.11        |
| 140    | 01123-51050 | BOLT               | 4    |       |     |         | 0.035        | 0.077       |
| 150    | 01123-51040 | BOLT               | 5    |       |     |         | 0.03         | 0.066       |
| 160    | 05012-00614 | PIN STRAIGHT       | 2    |       |     |         | 0.004        | 0.0088      |
| 170    | 6C120-12400 | ASSY COVER UPPER   | 1    |       |     |         | 0.6          | 1.32        |
| 180    | 08511-02020 | BUSH               | 2    |       |     |         | 0.01         | 0.022       |
| 190    | 01123-50830 | BOLT               | 4    |       |     |         | 0.015        | 0.033       |
| 200    | 13824-67590 | CLAMP CORD         | 1    |       |     |         | 0.002        | 0.0044      |
| 210    | 05012-00614 | PIN STRAIGHT       | 1    |       |     |         | 0.004        | 0.0088      |
| 220    | 05012-00632 | PIN STRAIGHT       | 1    |       |     |         | 0.009        | 0.0198      |

DIFFERENTIAL GEAR CASE



6C120-052-13

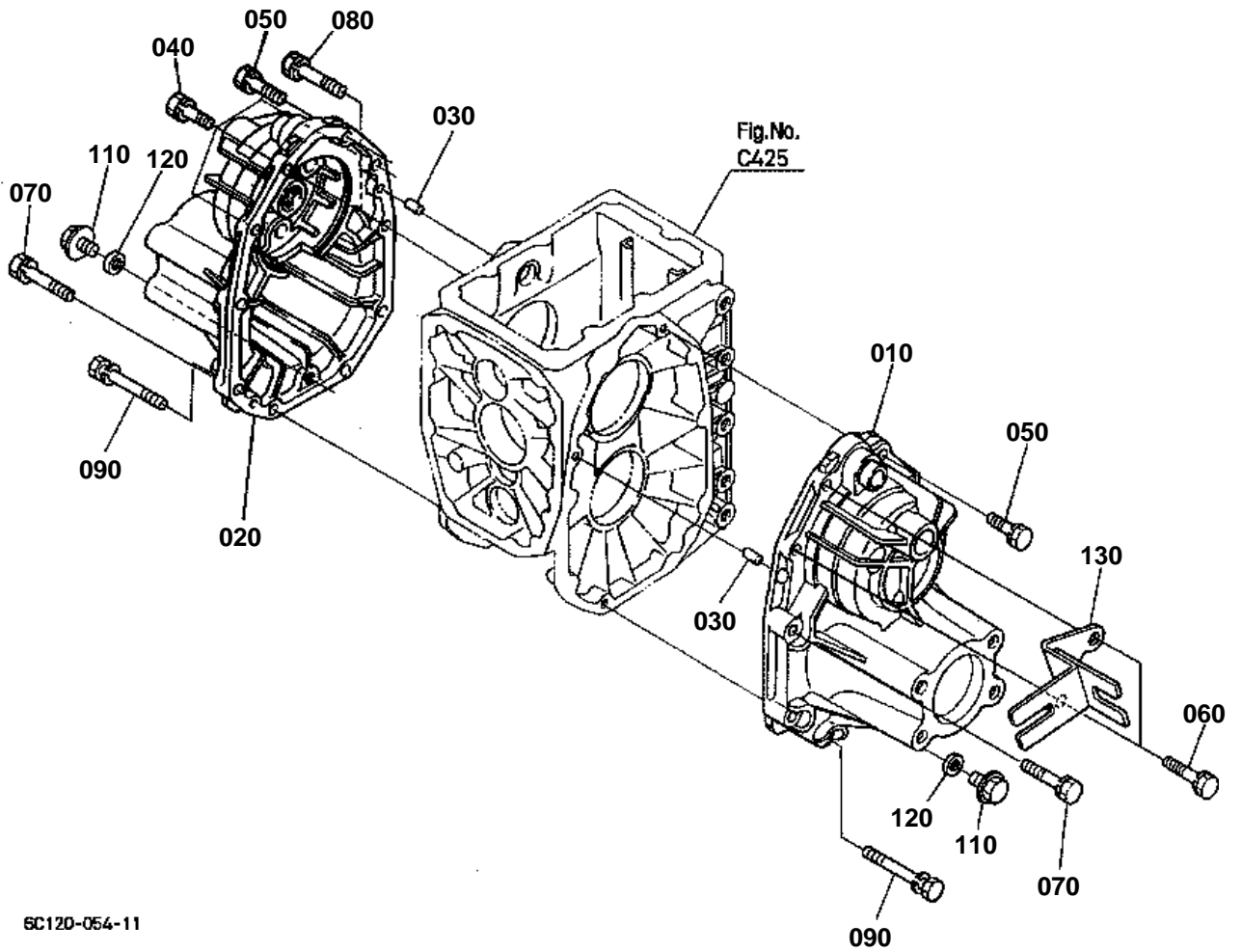


## DIFFERENTIAL GEAR CASE

↔ Interchangeable; ≠ not interchangeable; ← new for old; → old for new

| REF.No | Part No.    | Description        | Q'ty | S.No. | I/C | REMARKS | Weight (kgf) | Weight (lb) |
|--------|-------------|--------------------|------|-------|-----|---------|--------------|-------------|
| 010    | 6C040-11174 | CASE DIFF.GEAR     | 1    |       |     |         | 7.3          | 16.06       |
| 020    | 01555-51035 | STUD               | 2    |       |     |         | 0.029        | 0.0638      |
| 030    | 01555-51065 | STUD               | 2    |       |     |         | 0.048        | 0.1056      |
| 040    | 04512-60100 | WASHER SPRING      | 4    |       |     |         | 0.002        | 0.0044      |
| 050    | 02176-50100 | NUT                | 4    |       |     |         | 0.005        | 0.011       |
| 060    | 01123-51040 | BOLT               | 7    |       |     |         | 0.03         | 0.066       |
| 070    | 05012-00614 | PIN STRAIGHT       | 2    |       |     |         | 0.004        | 0.0088      |
| 080    | 66611-11812 | HOLDER DIFF.BRG.RH | 1    |       |     |         | 0.72         | 1.584       |
| 090    | 01123-50822 | BOLT               | 4    |       |     |         | 0.012        | 0.0264      |
| 100    | 6A100-12213 | COVER REAR         | 1    |       |     |         | 0.37         | 0.814       |
| 110    | 01123-51030 | BOLT               | 6    |       |     |         | 0.025        | 0.055       |
| 120    | 05012-00614 | PIN STRAIGHT       | 2    |       |     |         | 0.004        | 0.0088      |

REAR AXLE CASE



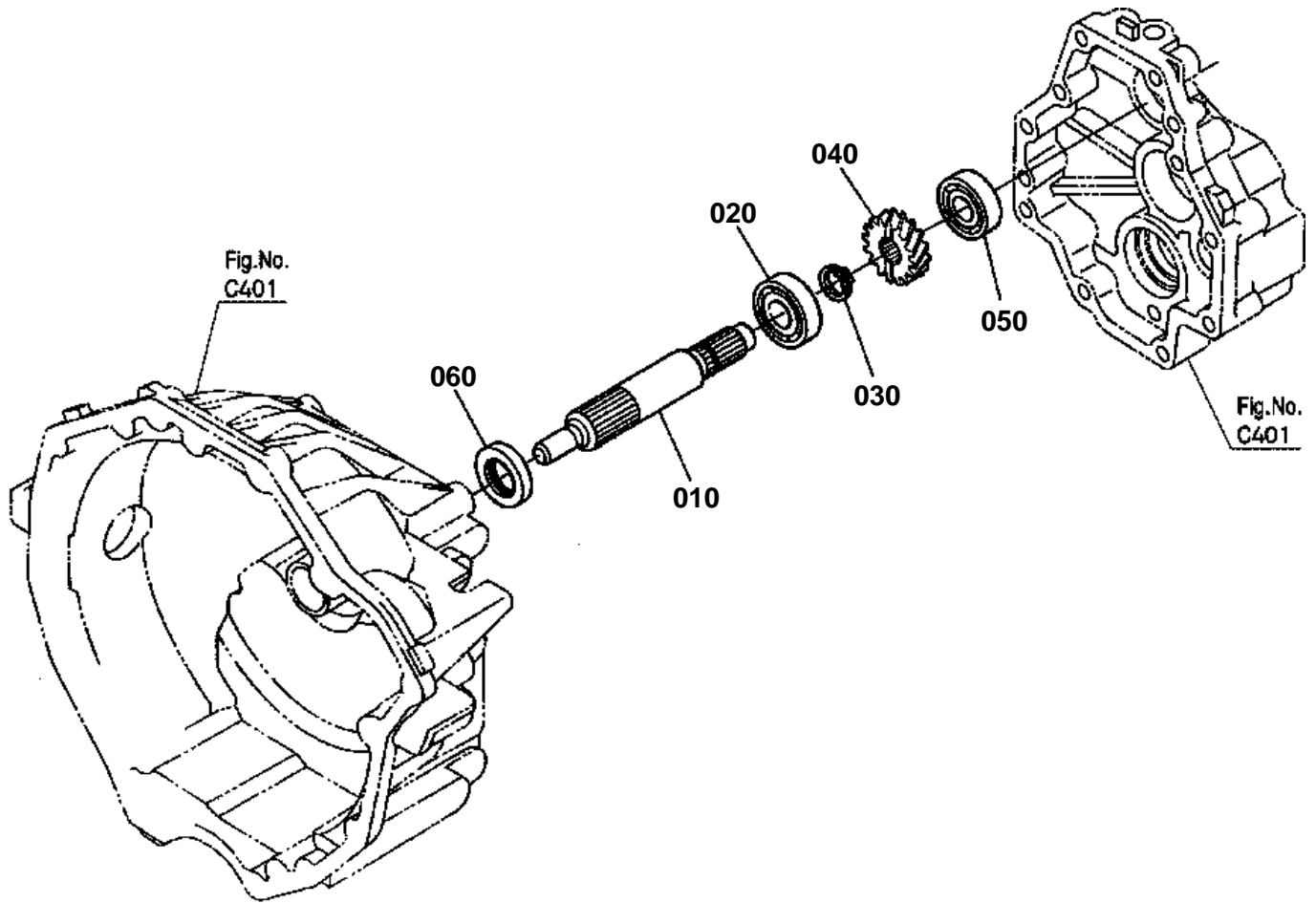
6C120-054-11

**REAR AXLE CASE**

↔ Interchangeable; ≠ not interchangeable; ← new for old; → old for new

| REF.No | Part No.    | Description         | Q'ty | S.No. | I/C | REMARKS | Weight (kgf) | Weight (lb) |
|--------|-------------|---------------------|------|-------|-----|---------|--------------|-------------|
| 010    | K3511-12620 | CASE AXLE RH        | 1    |       |     |         | 2.32         | 5.104       |
| 020    | K3511-12610 | CASE AXLE LH        | 1    |       |     |         | 2.42         | 5.324       |
| 030    | 05012-00614 | PIN STRAIGHT        | 4    |       |     |         | 0.004        | 0.0088      |
| 040    | 01123-51035 | BOLT                | 3    |       |     |         | 0.025        | 0.055       |
| 050    | 01123-51035 | BOLT                | 3    |       |     |         | 0.025        | 0.055       |
| 060    | 01123-51035 | BOLT                | 2    |       |     |         | 0.025        | 0.055       |
| 070    | 01123-51050 | BOLT                | 9    |       |     |         | 0.035        | 0.077       |
| 080    | 01123-51050 | BOLT                | 1    |       |     |         | 0.035        | 0.077       |
| 090    | 01133-51080 | BOLT                | 2    |       |     |         | 0.045        | 0.099       |
| 100    | 99999-99999 | BLANK               | 0    |       |     |         | 0            | 0           |
| 110    | 01774-51212 | BOLT FLANGE         | 2    |       |     |         | 0.028        | 0.0616      |
| 120    | 04717-01200 | WASHER WITH RUBBER  | 2    |       |     |         | 0.002        | 0.0044      |
| 130    | 6C120-42650 | STAY NEUTRAL SWITCH | 1    |       |     |         | 0.22         | 0.484       |

# CLUTCH SHAFT



6C160-035-10



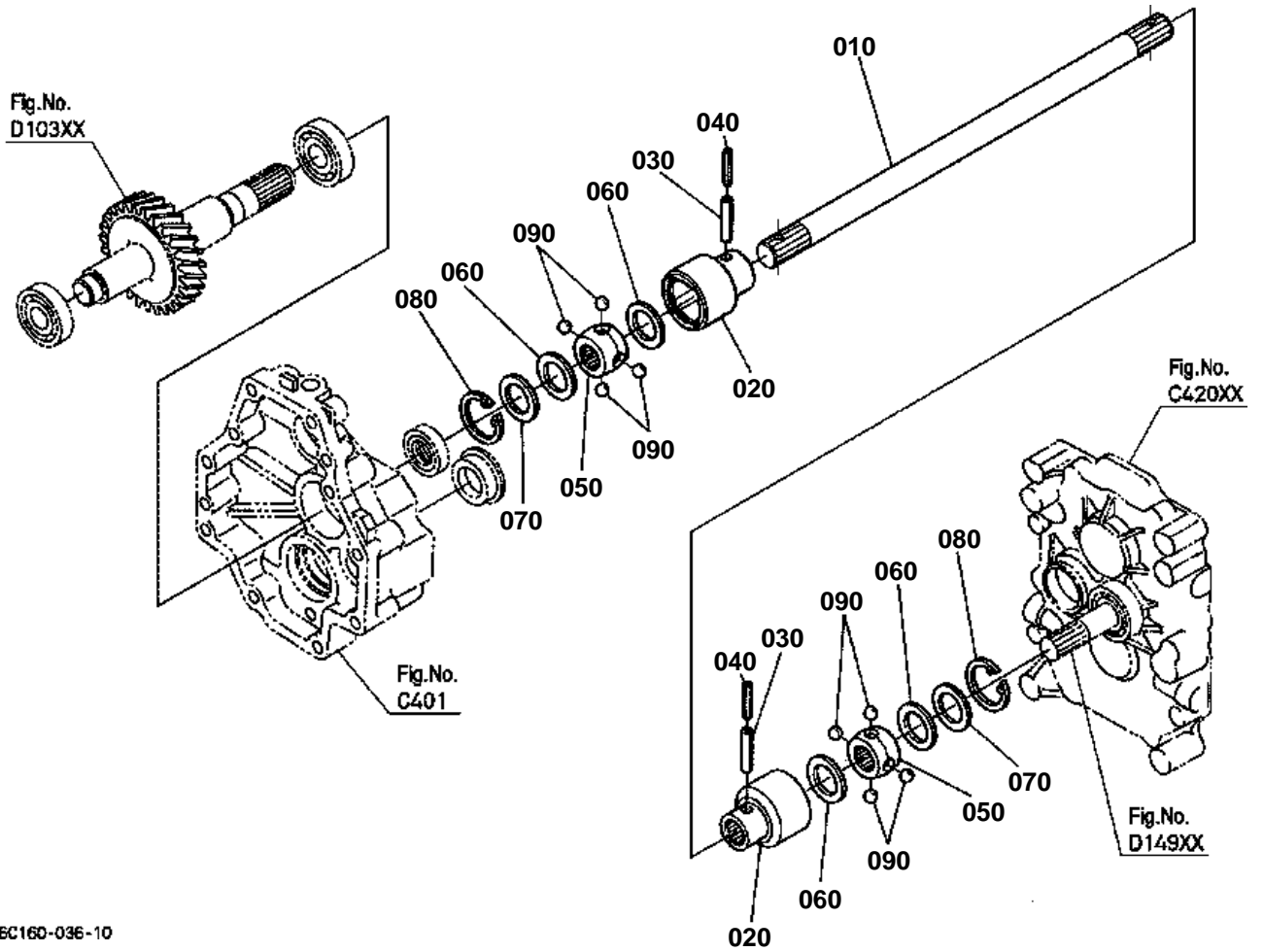


## CLUTCH SHAFT

↔ Interchangeable; ≠ not interchangeable; ← new for old; → old for new

| REF.No | Part No.    | Description       | Q'ty | S.No. | I/C | REMARKS | Weight (kgf) | Weight (lb) |
|--------|-------------|-------------------|------|-------|-----|---------|--------------|-------------|
| 010    | 6C040-13514 | SHAFT CLUTCH      | 1    |       |     |         | 0.5          | 1.1         |
| 020    | 52300-16180 | BEARING           | 1    |       |     |         | 0.103        | 0.2266      |
| 030    | 04612-00200 | CIR CLIP EXTERNAL | 1    |       |     |         | 0.001        | 0.0022      |
| 040    | 6C040-13520 | GEAR CLUTCH SHAFT | 1    |       |     | 16T     | 0.165        | 0.363       |
| 050    | 08101-06203 | BEARING BALL      | 1    |       |     |         | 0.063        | 0.1386      |
| 060    | 6C040-13530 | SEAL OIL          | 1    |       |     |         | 0.012        | 0.0264      |

# PROPELLER SHAFT



6C160-036-10

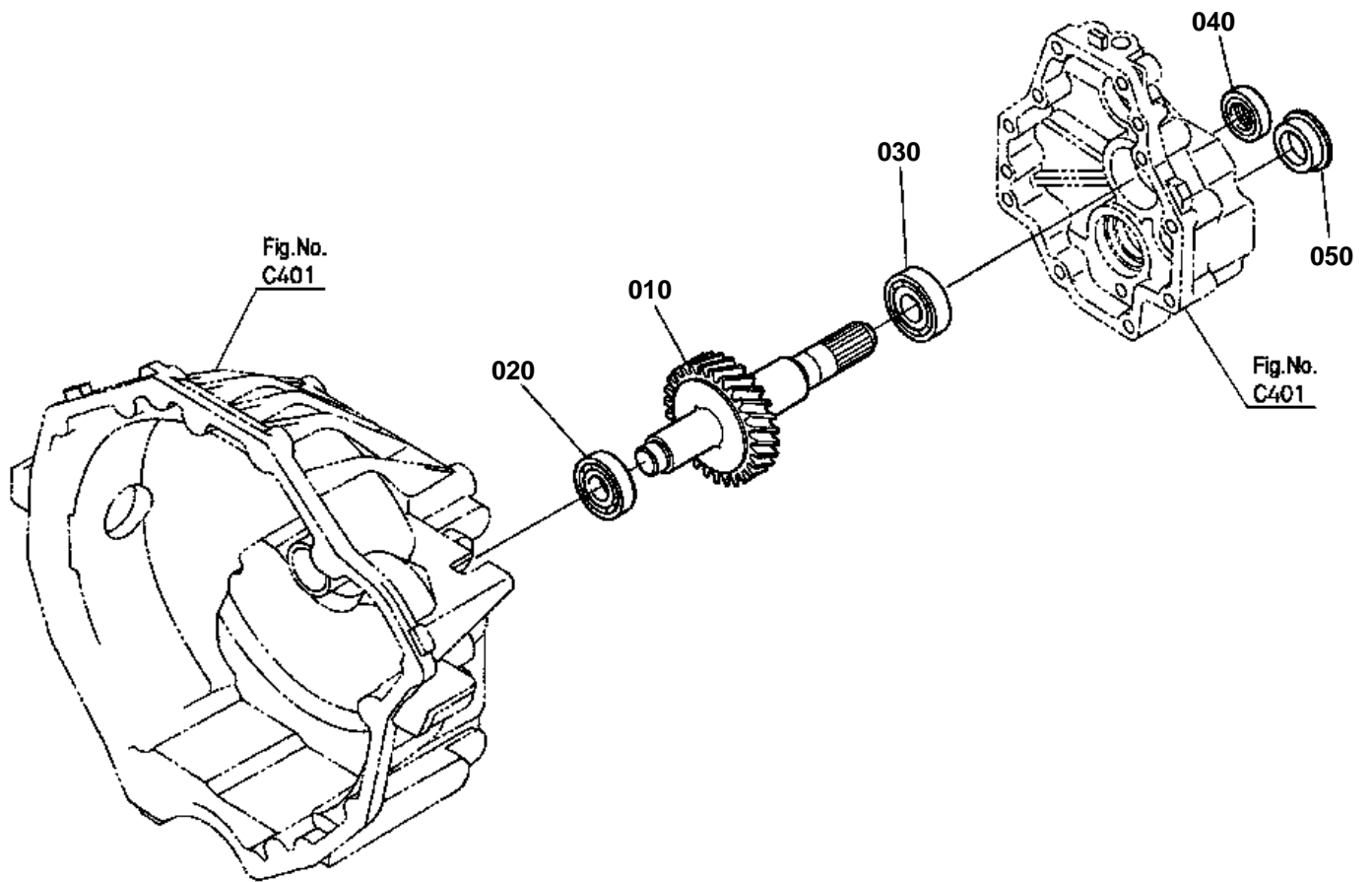


## PROPELLER SHAFT

↔ Interchangeable; ≠ not interchangeable; ← new for old; → old for new

| REF.No | Part No.    | Description         | Q'ty | S.No. | I/C | REMARKS | Weight (kgf) | Weight (lb) |
|--------|-------------|---------------------|------|-------|-----|---------|--------------|-------------|
| 010    | 6C140-13650 | SHAFT PROPELLER     | 1    |       |     |         | 0.935        | 2.057       |
| 020    | 67111-13710 | COUPLING BALL OUTER | 2    |       |     |         | 0.225        | 0.495       |
| 030    | 05411-00640 | PIN SPRING          | 2    |       |     |         | 0.006        | 0.0132      |
| 040    | 32721-57680 | PIN SPRING          | 2    |       |     |         | 0.002        | 0.0044      |
| 050    | 67211-14133 | COUPLING BALL INNER | 2    |       |     |         | 0.075        | 0.165       |
| 060    | 67111-13730 | GASKET BALL JOINT   | 4    |       |     |         | 0.002        | 0.0044      |
| 070    | 67111-13740 | SUPPORT GASKET      | 2    |       |     |         | 0.004        | 0.0088      |
| 080    | 04611-00350 | CIR CLIP INTERNAL   | 2    |       |     |         | 0.003        | 0.0066      |
| 090    | 07715-00803 | BALL                | 8    |       |     |         | 0.004        | 0.0088      |

FRONT SHAFT



6C160-041-10

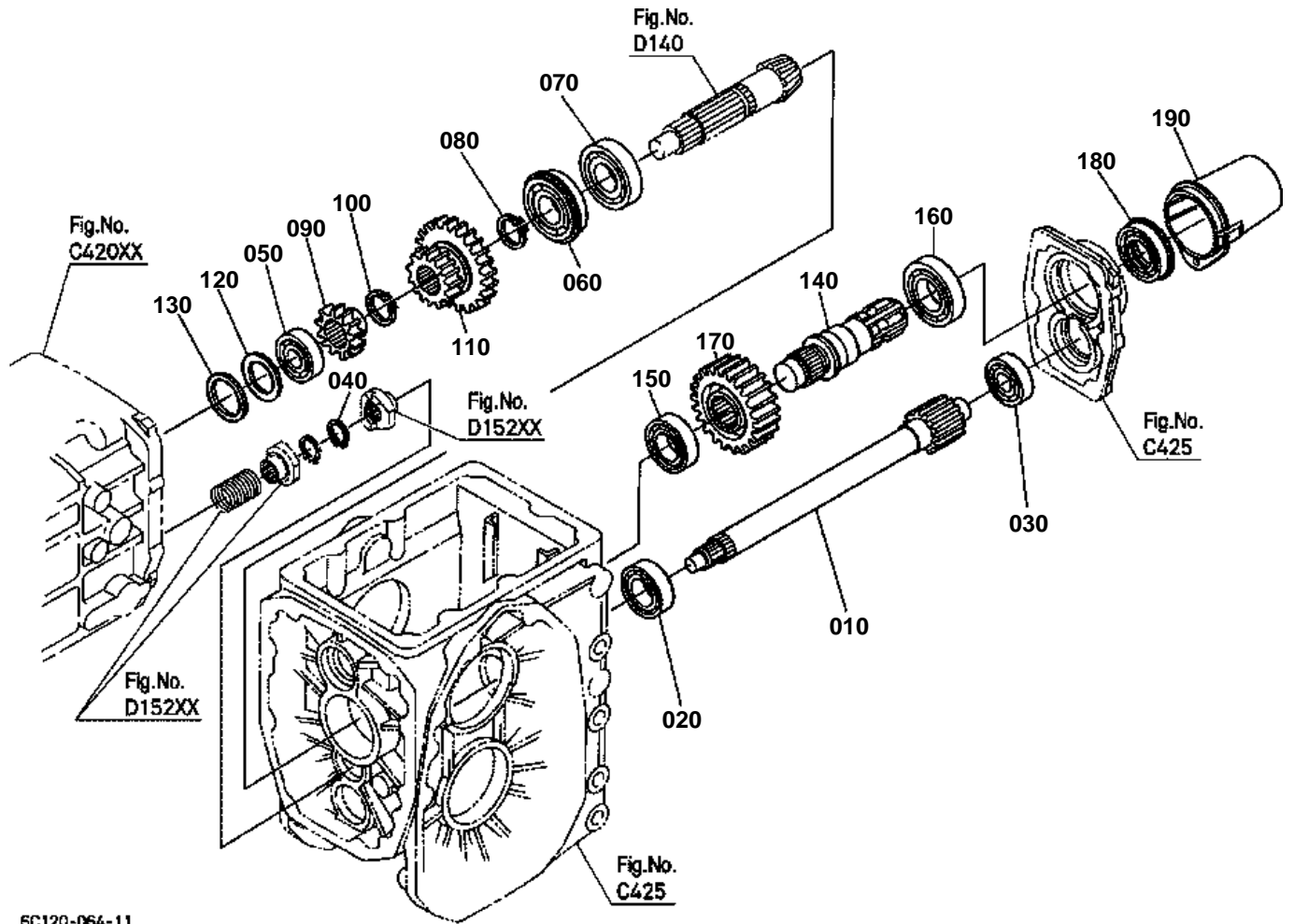


# FRONT SHAFT

↔ Interchangeable; ≠ not interchangeable; ← new for old; → old for new

| REF.No | Part No.    | Description  | Q'ty | S.No. | I/C | REMARKS | Weight (kgf) | Weight (lb) |
|--------|-------------|--------------|------|-------|-----|---------|--------------|-------------|
| 010    | 6C140-13610 | SHAFT FRONT  | 1    |       |     | 27T     | 1.03         | 2.266       |
| 020    | 67211-14220 | BEARING BALL | 1    |       |     |         | 0.07         | 0.154       |
| 030    | 08101-06204 | BEARING BALL | 1    |       |     |         | 0.102        | 0.2244      |
| 040    | 66363-39560 | SEAL OIL     | 1    |       |     |         | 0.01         | 0.022       |
| 050    | 6A100-12180 | PLUG         | 1    |       |     |         | 0.022        | 0.0484      |

# PTO SHAFT



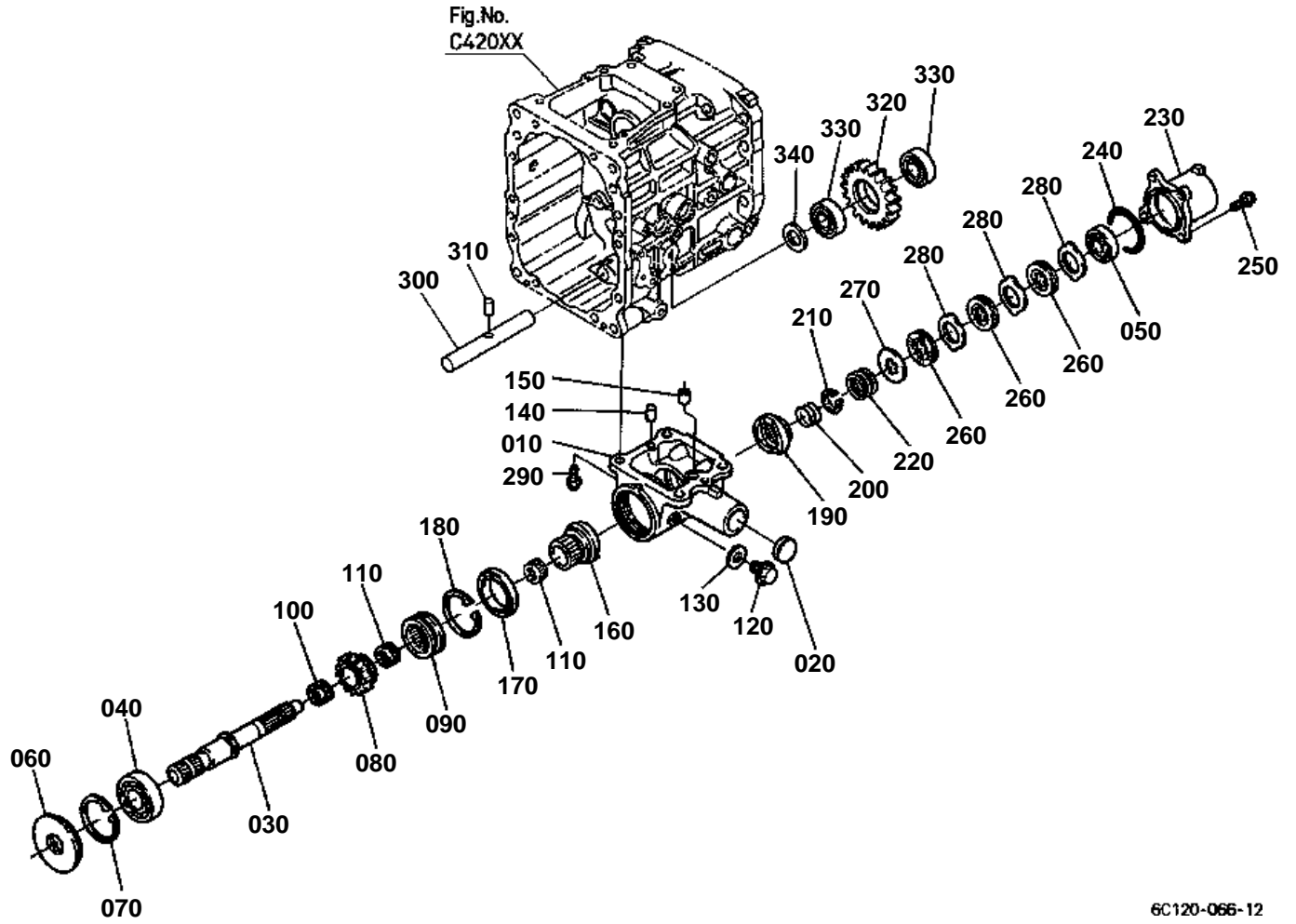
5C120-064-11



PTO SHAFT

↔ Interchangeable; ≠ not interchangeable; ← new for old; → old for new

| REF.No | Part No.    | Description       | Q'ty | S.No. | I/C | REMARKS | Weight (kgf) | Weight (lb) |
|--------|-------------|-------------------|------|-------|-----|---------|--------------|-------------|
| 010    | 6C040-14510 | GEAR-SHAFT        | 1    |       |     | 11T     | 0.5          | 1.1         |
| 020    | 67121-56770 | BEARING BALL      | 1    |       |     |         | 0.127        | 0.2794      |
| 030    | 67955-14170 | BEARING BALL      | 1    |       |     |         | 0.114        | 0.2508      |
| 040    | 04612-00190 | CIR CLIP EXTERNAL | 1    |       |     |         | 0.001        | 0.0022      |
| 050    | 08221-07303 | BEARING BALL      | 1    |       |     |         | 0.116        | 0.2552      |
| 060    | 38430-21590 | BEARING BALL      | 1    |       |     |         | 0.25         | 0.55        |
| 070    | 64441-22170 | BEARING BALL      | 1    |       |     |         | 0.24         | 0.528       |
| 080    | 32721-14660 | CIR CLIP EXTERNAL | 1    |       |     |         | 0.005        | 0.011       |
| 090    | 6C040-14650 | GEAR 4WD          | 1    |       |     | 13T     | 0.093        | 0.2046      |
| 100    | 04612-00250 | CIR CLIP EXTERNAL | 1    |       |     |         | 0.002        | 0.0044      |
| 110    | 6C040-14620 | GEAR              | 1    |       |     | 13-32T  | 0.452        | 0.9944      |
| 120    | 66591-14720 | SPACER            | 1    |       |     |         | 0.002        | 0.0044      |
| 130    | 66611-14670 | SHIM              | 1    |       |     | 1.4mm   | 0.008        | 0.0176      |
| 130    | 66611-14680 | SHIM              | 1    |       |     | 1.8mm   | 0.01         | 0.022       |
| 130    | 66611-14690 | SHIM              | 1    |       |     | 0.2mm   | 0.001        | 0.0022      |
| 140    | 37410-16510 | SHAFT PTO         | 1    |       |     |         | 0.79         | 1.738       |
| 150    | 67121-56770 | BEARING BALL      | 1    |       |     |         | 0.127        | 0.2794      |
| 160    | 6C040-14730 | BEARING BALL      | 1    |       |     |         | 0.15         | 0.33        |
| 170    | 6C040-14720 | GEAR              | 1    |       |     | 24T     | 0.68         | 1.496       |
| 180    | 37410-16550 | SEAL OIL          | 1    |       |     |         | 0.03         | 0.066       |
| 190    | 37410-63112 | CAP PTO SHAFT     | 1    |       |     |         | 0.055        | 0.121       |



6C120-066-12

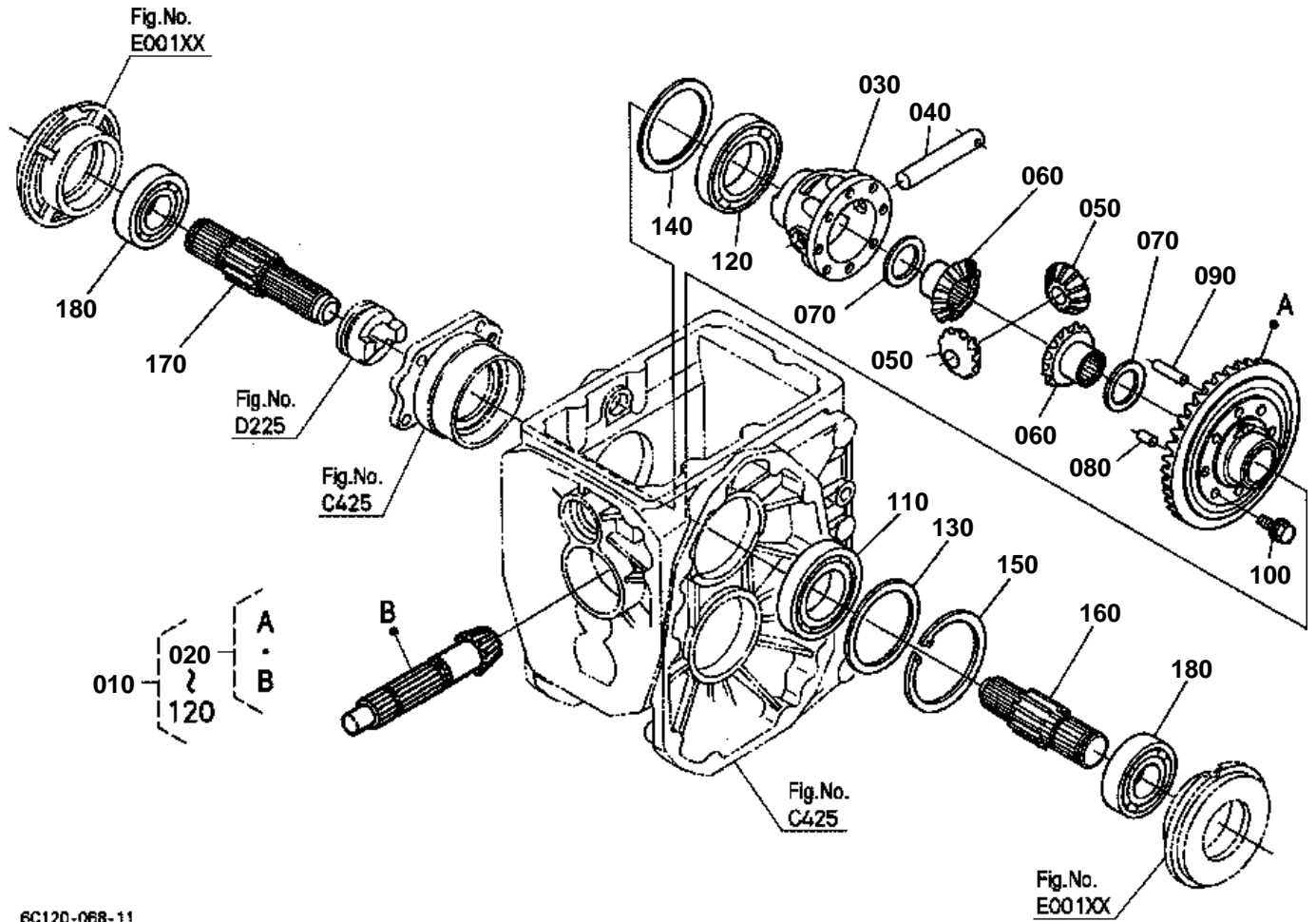


**MID PTO**

↔ Interchangeable; ≠ not interchangeable; ← new for old; → old for new

| REF.No | Part No.    | Description        | Q'ty | S.No. | I/C | REMARKS | Weight (kgf) | Weight (lb) |
|--------|-------------|--------------------|------|-------|-----|---------|--------------|-------------|
| 010    | 6C040-21210 | CASE MID PTO       | 1    |       |     |         | 0.46         | 1.012       |
| 020    | 16241-96262 | PLUG FUEL CAMSHAFT | 1    |       |     |         | 0.007        | 0.0154      |
| 030    | 6C040-21230 | SHAFT MID PTO      | 1    |       |     |         | 0.5          | 1.1         |
| 040    | 08101-06205 | BEARING BALL       | 1    |       |     |         | 0.14         | 0.308       |
| 050    | 08101-06203 | BEARING BALL       | 1    |       |     |         | 0.063        | 0.1386      |
| 060    | 32430-25540 | SEAL OIL MID PTO   | 1    |       |     |         | 0.04         | 0.088       |
| 070    | 04611-00520 | CIR CLIP INTERNAL  | 1    |       |     |         | 0.009        | 0.0198      |
| 080    | 6C040-21243 | GEAR MID PTO       | 1    |       |     | 11T     | 0.12         | 0.264       |
| 090    | 6C120-21270 | COUPLING MID PTO   | 1    |       |     |         | 0.14         | 0.308       |
| 100    | 08822-02413 | BEARING NEEDLE     | 1    |       |     |         | 0.01         | 0.022       |
| 110    | 08822-02410 | BEARING NEEDLE     | 2    |       |     |         | 0.015        | 0.033       |
| 120    | 01774-51212 | BOLT FLANGE        | 1    |       |     |         | 0.028        | 0.0616      |
| 130    | 04717-01200 | WASHER WITH RUBBER | 1    |       |     |         | 0.002        | 0.0044      |
| 140    | 05012-00614 | PIN STRAIGHT       | 1    |       |     |         | 0.004        | 0.0088      |
| 150    | 66116-11190 | PIPE KNOCK         | 1    |       |     |         | 0.002        | 0.0044      |
| 160    | 6C040-21312 | CAM ONE WAY CLUTCH | 1    |       |     |         | 0.189        | 0.4158      |
| 170    | 6C040-21330 | BEARING BALL       | 1    |       |     |         | 0.03         | 0.066       |
| 180    | 04611-00520 | CIR CLIP INTERNAL  | 1    |       |     |         | 0.009        | 0.0198      |
| 190    | 6C040-14520 | CAM ONE WAY CLUTCH | 1    |       |     |         | 0.144        | 0.3168      |
| 200    | 6C040-21360 | SPRING             | 1    |       |     |         | 0.003        | 0.0066      |
| 210    | 04612-00200 | CIR CLIP EXTERNAL  | 1    |       |     |         | 0.001        | 0.0022      |
| 220    | 6C040-21370 | SPRING             | 1    |       |     |         | 0.018        | 0.0396      |
| 230    | 6C040-21410 | CASE ONE WAY       | 1    |       |     |         | 0.15         | 0.33        |
| 240    | 04816-06500 | O RING             | 1    |       |     |         | 0.003        | 0.0066      |
| 250    | 01123-50830 | BOLT               | 4    |       |     |         | 0.015        | 0.033       |
| 260    | 6C040-21420 | DISK FRICTION      | 3    |       |     |         | 0.008        | 0.0176      |
| 270    | 6C040-21430 | PLATE FRICTION     | 1    |       |     |         | 0.006        | 0.0132      |
| 280    | 6C040-21440 | PLATE SEPARATOR    | 3    |       |     |         | 0.006        | 0.0132      |
| 290    | 01123-51035 | BOLT               | 4    |       |     |         | 0.025        | 0.055       |
| 300    | 6C090-21250 | SHAFT IDLE         | 1    |       |     |         | 0.22         | 0.484       |
| 310    | 05411-00616 | PIN SPRING         | 1    |       |     |         | 0.002        | 0.0044      |
| 320    | 6C120-21220 | GEAR M-PTO         | 1    |       |     | 19T     | 0.3          | 0.66        |
| 330    | 6C120-21230 | BEARING BALL       | 2    |       |     |         | 0.038        | 0.0836      |
| 340    | 41142-43470 | COLLAR THRUST      | 1    |       |     |         | 0.005        | 0.011       |

REAR DIFFERENTIAL



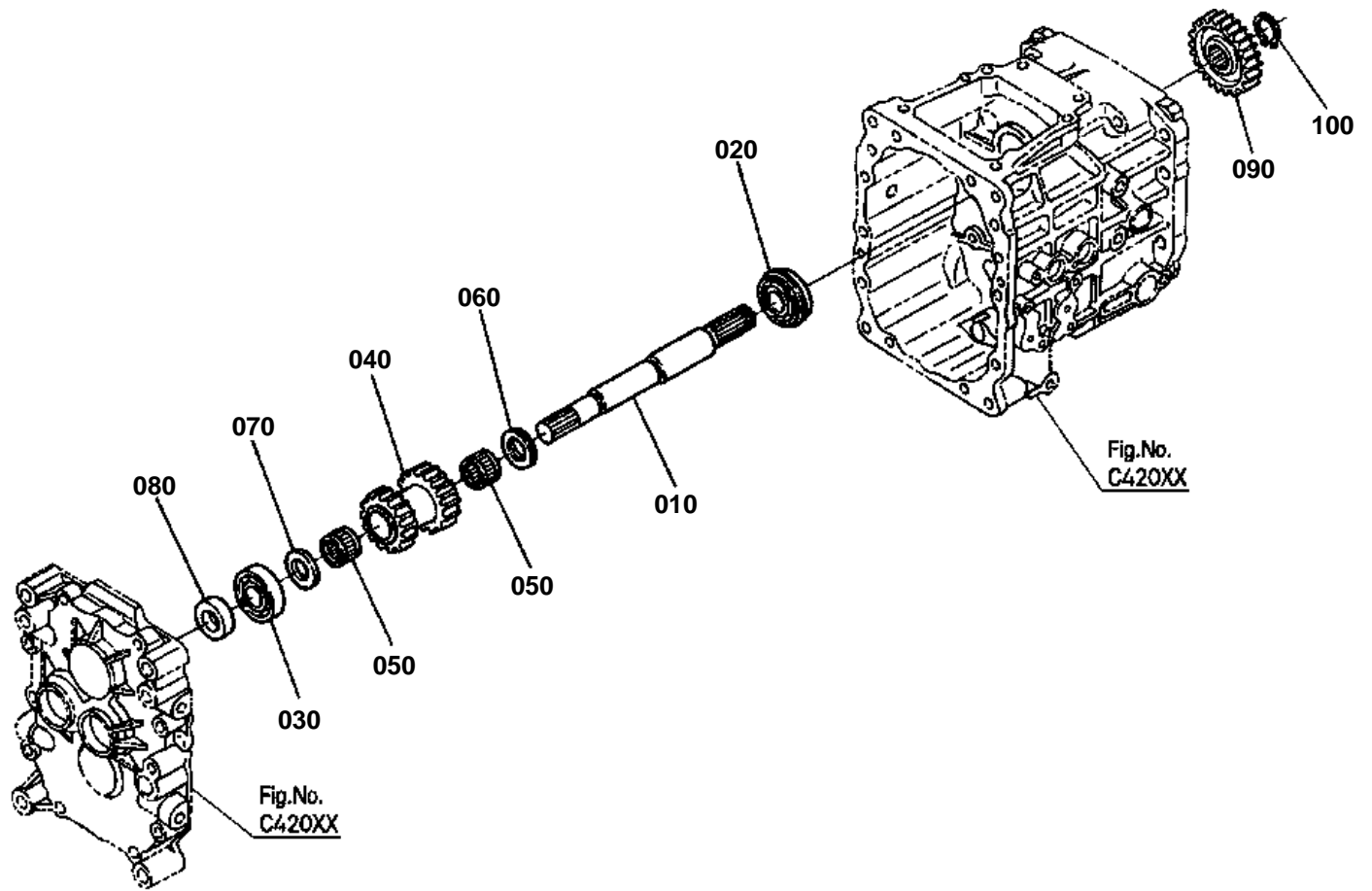
6C120-068-11

**REAR DIFFERENTIAL**

↔ Interchangeable; ≠ not interchangeable; ← new for old; → old for new

| REF.No | Part No.    | Description        | Q'ty | S.No. | I/C | REMARKS | Weight (kgf) | Weight (lb) |
|--------|-------------|--------------------|------|-------|-----|---------|--------------|-------------|
| 010    | 6C140-97910 | ASSY DIFFERENTIAL  | 1    |       |     |         | 3            | 6.6         |
| 020    | 6C040-97920 | ASSY GEAR BEVEL    | 1    |       |     | 6-37T   | 1.97         | 4.334       |
| 030    | 6C040-14970 | CASE DIFFERENTIAL  | 1    |       |     |         | 0.7          | 1.54        |
| 040    | 67711-14912 | SHAFT DIFF.PINION  | 1    |       |     |         | 0.14         | 0.308       |
| 050    | 67711-14920 | PINION DIFF.       | 2    |       |     | 12T     | 0.11         | 0.242       |
| 060    | 6C040-14930 | GEAR DIFF.SIDE     | 2    |       |     | 14T     | 0.165        | 0.363       |
| 070    | 67211-15160 | SHIM               | 2    |       |     | 1.0mm   | 0.01         | 0.022       |
| 070    | 67211-15170 | SHIM               | 2    |       |     | 0.8mm   | 0.008        | 0.0176      |
| 070    | 67211-15180 | SHIM               | 2    |       |     | 1.2mm   | 0.01         | 0.022       |
| 080    | 66591-14792 | PIN KNOCK          | 1    |       |     |         | 0.003        | 0.0066      |
| 090    | 66591-14783 | PIN STRAIGHT       | 1    |       |     |         | 0.01         | 0.022       |
| 100    | 67810-56680 | BOLT UBS           | 6    |       |     |         | 0.013        | 0.0286      |
| 110    | 08101-06009 | BEARING BALL       | 1    |       |     |         | 0.22         | 0.484       |
| 120    | 6C140-14980 | BEARING BALL       | 1    |       |     |         | 0.26         | 0.572       |
| 130    | 66591-14980 | SHIM DIFF.SIDE     | 1    |       |     | 0.5mm   | 0.005        | 0.011       |
| 130    | 66591-14990 | SHIM DIFF.SIDE     | 1    |       |     | 0.2mm   | 0.002        | 0.0044      |
| 140    | 66611-15140 | SHIM DIFF.SIDE     | 1    |       |     | 0.5mm   | 0.006        | 0.0132      |
| 140    | 66611-15150 | SHIM DIFF.SIDE     | 1    |       |     | 0.2mm   | 0.002        | 0.0044      |
| 150    | 04611-00750 | CIR CLIP INTERNAL  | 1    |       |     |         | 0.019        | 0.0418      |
| 160    | 6C040-14940 | SHAFT DIFF.GEAR LH | 1    |       |     |         | 0.62         | 1.364       |
| 170    | 6C040-14950 | SHAFT DIFF.GEAR RH | 1    |       |     |         | 0.72         | 1.584       |
| 180    | 08101-06306 | BEARING BALL       | 2    |       |     |         | 0.335        | 0.737       |

FRONT WHEEL PROPELLER SHAFT



6C12D-069-12

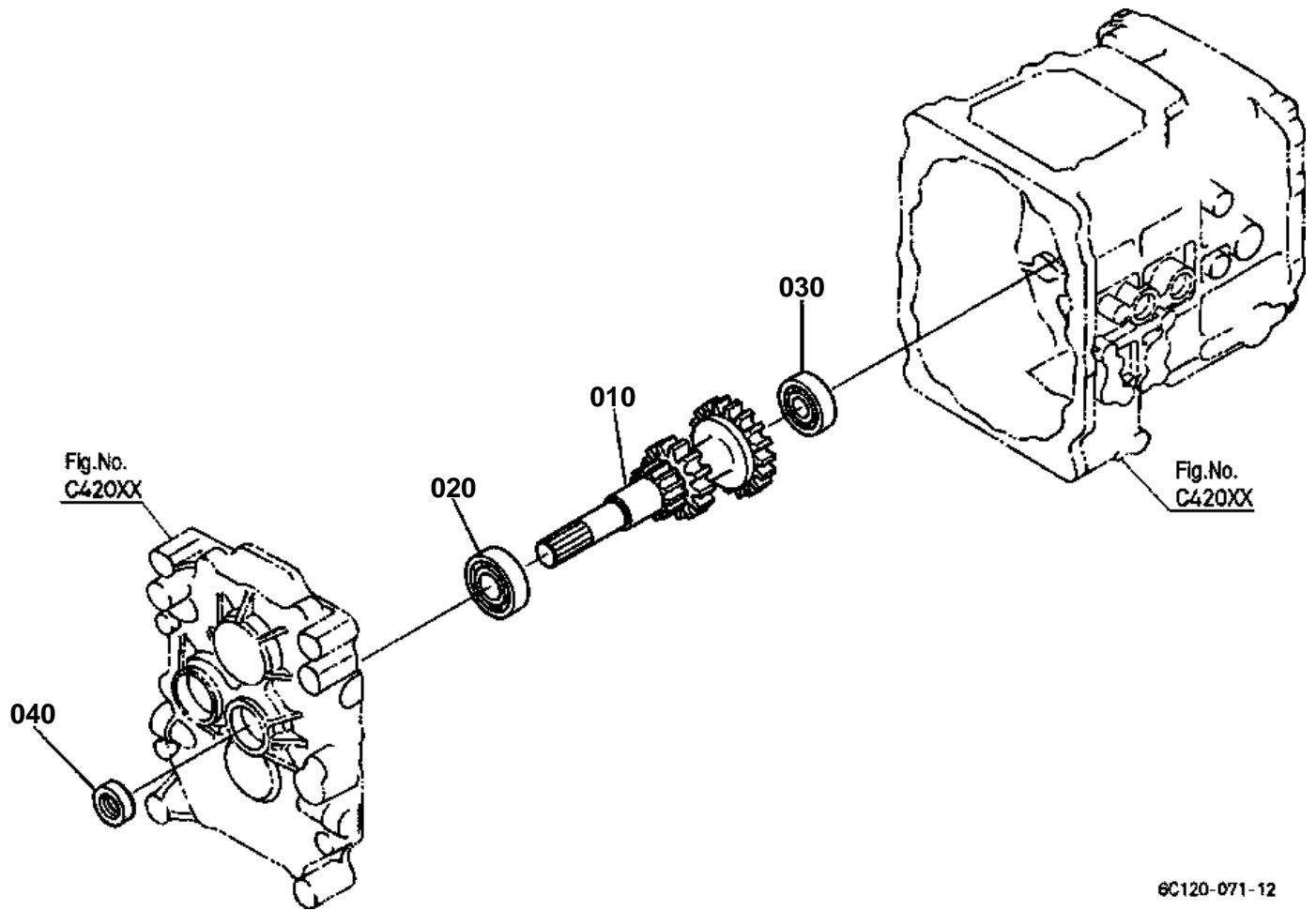


# FRONT WHEEL PROPELLER SHAFT

↔ Interchangeable; ≠ not interchangeable; ← new for old; → old for new

| REF.No | Part No.    | Description       | Q'ty | S.No. | I/C | REMARKS | Weight (kgf) | Weight (lb) |
|--------|-------------|-------------------|------|-------|-----|---------|--------------|-------------|
| 010    | 6C040-14810 | SHAFT 4WD         | 1    |       |     |         | 0.659        | 1.4498      |
| 020    | 08151-06204 | BEARING BALL      | 1    |       |     |         | 0.11         | 0.242       |
| 030    | 08101-06204 | BEARING BALL      | 1    |       |     |         | 0.102        | 0.2244      |
| 040    | 6C040-14820 | GEAR REVERSE      | 1    |       |     | 16-20T  | 0.5          | 1.1         |
| 050    | 67061-14240 | BEARING NEEDLE    | 2    |       |     |         | 0.03         | 0.066       |
| 060    | 62231-14520 | COLLAR            | 1    |       |     |         | 0.005        | 0.011       |
| 070    | 67950-14250 | COLLAR            | 1    |       |     |         | 0.01         | 0.022       |
| 080    | 09500-20358 | SEAL OIL          | 1    |       |     |         | 0.01         | 0.022       |
| 090    | 6C040-14840 | GEAR 4WD          | 1    |       |     | 20T     | 0.23         | 0.506       |
| 100    | 04612-00190 | CIR CLIP EXTERNAL | 1    |       |     |         | 0.001        | 0.0022      |

2ND SHAFT



6C120-071-12

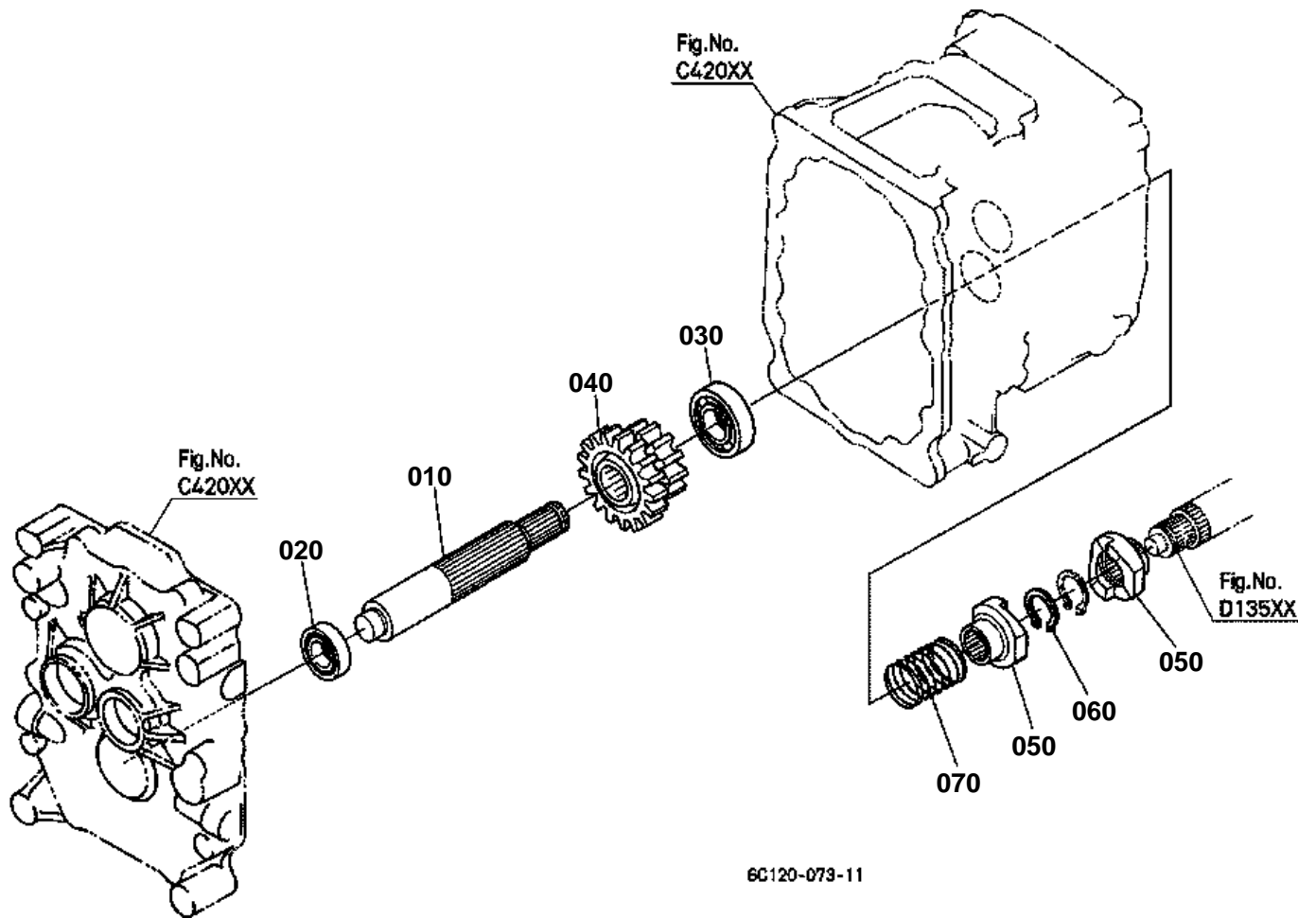


## 2ND SHAFT

↔ Interchangeable; ≠ not interchangeable; ← new for old; → old for new

| REF.No | Part No.    | Description  | Q'ty | S.No. | I/C | REMARKS   | Weight (kgf) | Weight (lb) |
|--------|-------------|--------------|------|-------|-----|-----------|--------------|-------------|
| 010    | 6C120-14210 | GEAR-SHAFT   | 1    |       |     | 13-13-18T | 1.18         | 2.596       |
| 020    | 08101-06204 | BEARING BALL | 1    |       |     |           | 0.102        | 0.2244      |
| 030    | 08101-06302 | BEARING BALL | 1    |       |     |           | 0.084        | 0.1848      |
| 040    | 09500-20358 | SEAL OIL     | 1    |       |     |           | 0.01         | 0.022       |

3RD SHAFT





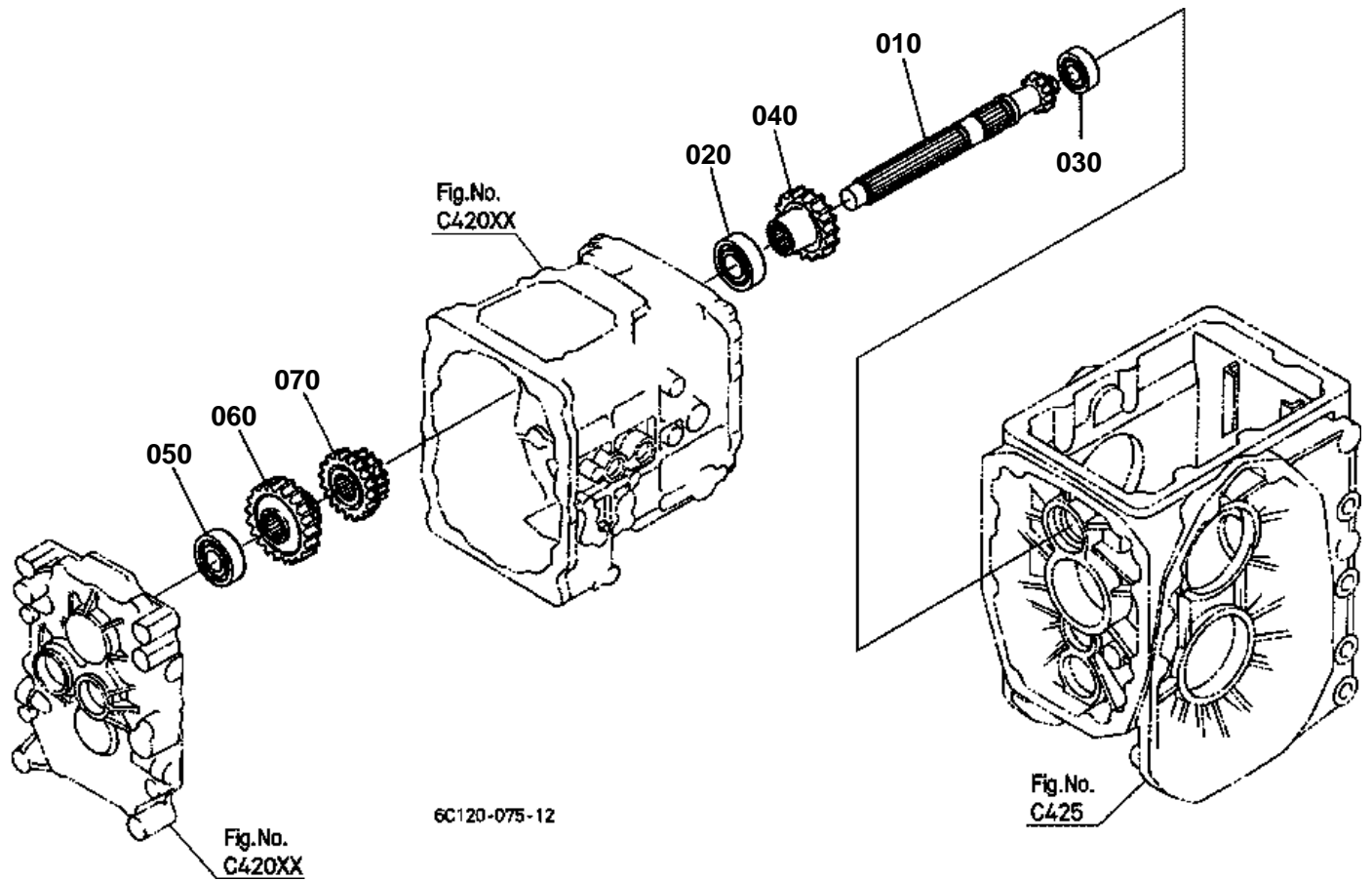


### 3RD SHAFT

↔ Interchangeable; ≠ not interchangeable; ← new for old; → old for new

| REF.No | Part No.    | Description        | Q'ty | S.No. | I/C | REMARKS | Weight (kgf) | Weight (lb) |
|--------|-------------|--------------------|------|-------|-----|---------|--------------|-------------|
| 010    | 6C120-14310 | SHAFT              | 1    |       |     |         | 0.5          | 1.1         |
| 020    | 08101-06303 | BEARING BALL       | 1    |       |     |         | 0.112        | 0.2464      |
| 030    | 08101-06304 | BEARING BALL       | 1    |       |     |         | 0.146        | 0.3212      |
| 040    | 6C090-14320 | GEAR               | 1    |       |     | 17-13T  | 0.44         | 0.968       |
| 050    | 6C040-14520 | CAM ONE WAY CLUTCH | 2    |       |     |         | 0.144        | 0.3168      |
| 060    | 04612-00190 | CIR CLIP EXTERNAL  | 1    |       |     |         | 0.001        | 0.0022      |
| 070    | 6C040-14530 | SPRING             | 1    |       |     |         | 0.009        | 0.0198      |

4TH SHAFT



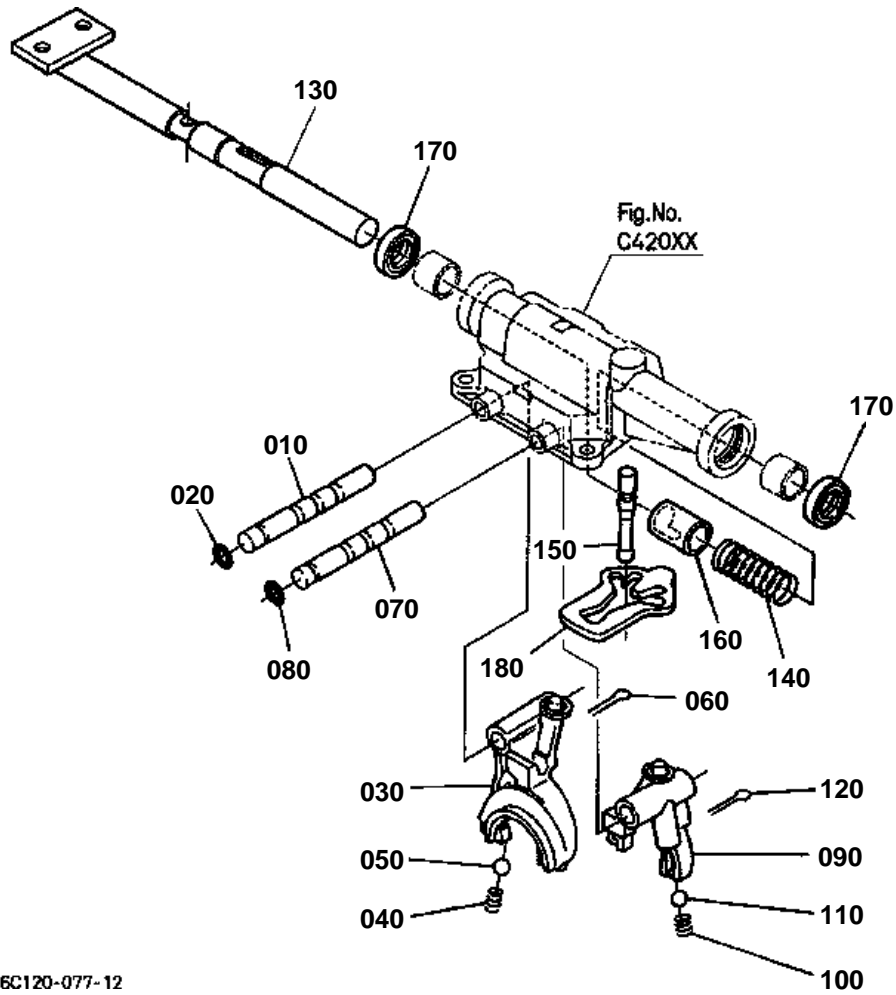


## 4TH SHAFT

↔ Interchangeable; ≠ not interchangeable; ← new for old; → old for new

| REF.No | Part No.    | Description  | Q'ty | S.No. | I/C | REMARKS | Weight (kgf) | Weight (lb) |
|--------|-------------|--------------|------|-------|-----|---------|--------------|-------------|
| 010    | 6C040-14410 | GEAR-SHAFT   | 1    |       |     | 11T     | 0.852        | 1.8744      |
| 020    | 08101-06205 | BEARING BALL | 1    |       |     |         | 0.14         | 0.308       |
| 030    | 61361-14280 | BEARING BALL | 1    |       |     |         | 0.09         | 0.198       |
| 040    | 6C040-14450 | GEAR         | 1    |       |     | 19T     | 0.335        | 0.737       |
| 050    | 08101-06304 | BEARING BALL | 1    |       |     |         | 0.146        | 0.3212      |
| 060    | 6C040-14460 | GEAR         | 1    |       |     | 30T     | 0.47         | 1.034       |
| 070    | 6C120-14440 | GEAR         | 1    |       |     | 13-17T  | 0.4          | 0.88        |

# MAIN GEAR SHIFT FORK



6C120-077-12

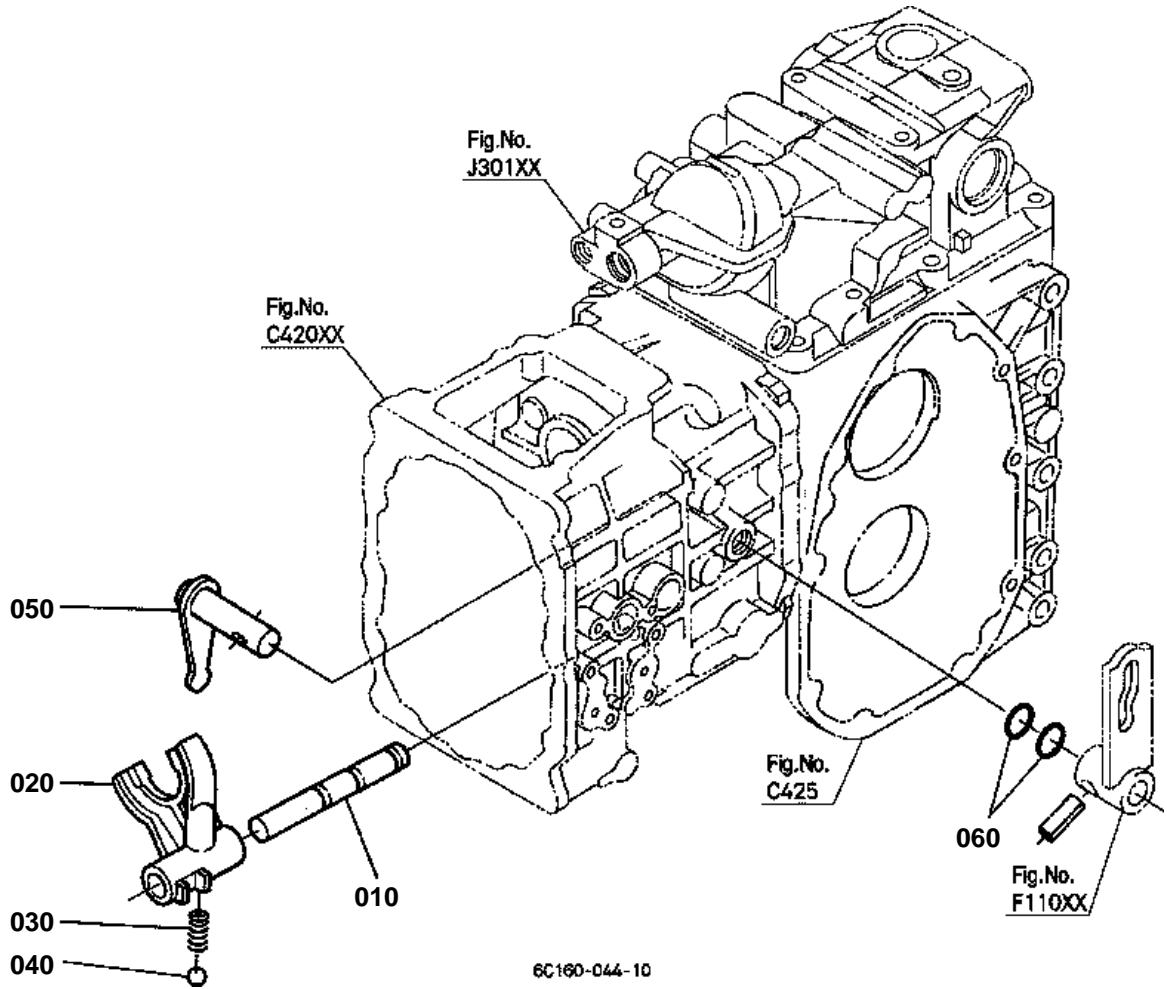


## MAIN GEAR SHIFT FORK

↔ Interchangeable; ≠ not interchangeable; ← new for old; → old for new

| REF.No | Part No.    | Description          | Q'ty | S.No. | I/C | REMARKS | Weight (kgf) | Weight (lb) |
|--------|-------------|----------------------|------|-------|-----|---------|--------------|-------------|
| 010    | 6C040-18110 | ROD FORK             | 1    |       |     |         | 0.118        | 0.2596      |
| 020    | 04816-06100 | O RING               | 1    |       |     |         | 0.001        | 0.0022      |
| 030    | 6C040-18120 | FORK BACK SHIFT      | 1    |       |     |         | 0.154        | 0.3388      |
| 040    | 67156-18150 | SPRING SHIFT FORK    | 1    |       |     |         | 0.003        | 0.0066      |
| 050    | 07715-00803 | BALL                 | 1    |       |     |         | 0.004        | 0.0088      |
| 060    | 05511-50322 | PIN SPLIT            | 1    |       |     |         | 0.002        | 0.0044      |
| 070    | 6C040-18110 | ROD FORK             | 1    |       |     |         | 0.118        | 0.2596      |
| 080    | 04816-06100 | O RING               | 1    |       |     |         | 0.001        | 0.0022      |
| 090    | 6C040-18140 | FORK MAIN SHIFT      | 1    |       |     |         | 0.135        | 0.297       |
| 100    | 67156-18150 | SPRING SHIFT FORK    | 1    |       |     |         | 0.003        | 0.0066      |
| 110    | 07715-00803 | BALL                 | 1    |       |     |         | 0.004        | 0.0088      |
| 120    | 05511-50322 | PIN SPLIT            | 1    |       |     |         | 0.002        | 0.0044      |
| 130    | 6C120-18212 | SHAFT MAIN SHIFT ARM | 1    |       |     |         | 0.78         | 1.716       |
| 140    | 6A100-18220 | SPRING               | 1    |       |     |         | 0.006        | 0.0132      |
| 150    | 6C040-18252 | ARM MAIN SHIFT       | 1    |       |     |         | 0.045        | 0.099       |
| 160    | 6C040-18230 | COLLAR               | 1    |       |     |         | 0.033        | 0.0726      |
| 170    | 6C040-18290 | SEAL OIL             | 2    |       |     |         | 0.009        | 0.0198      |
| 180    | 6A100-18260 | PLATE CHECK          | 1    |       |     |         | 0.05         | 0.11        |

RANGE GEAR SHIFT FORK



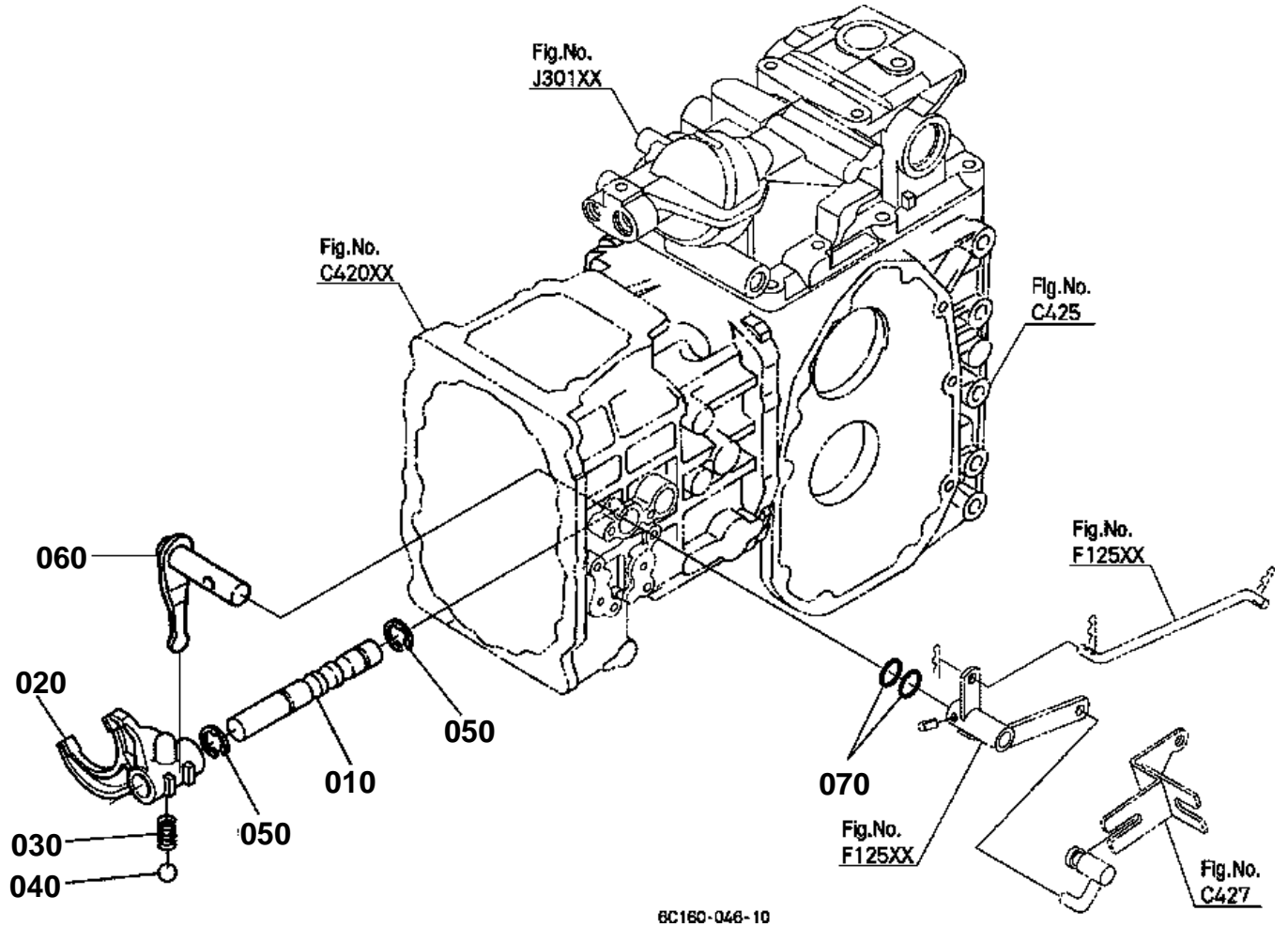


# RANGE GEAR SHIFT FORK

↔ Interchangeable; ≠ not interchangeable; ← new for old; → old for new

| REF.No | Part No.    | Description      | Q'ty | S.No. | I/C | REMARKS | Weight (kgf) | Weight (lb) |
|--------|-------------|------------------|------|-------|-----|---------|--------------|-------------|
| 010    | 6C040-18410 | ROD FORK         | 1    |       |     |         | 0.122        | 0.2684      |
| 020    | 6C040-18420 | FORK RANGE SHIFT | 1    |       |     |         | 0.079        | 0.1738      |
| 030    | 62061-18260 | SPRING STOPPER   | 1    |       |     |         | 0.002        | 0.0044      |
| 040    | 07715-01605 | BALL             | 1    |       |     |         | 0.003        | 0.0066      |
| 050    | 6C040-18510 | ARM RANGE SHIFT  | 1    |       |     |         | 0.075        | 0.165       |
| 060    | 04816-00160 | O RING           | 2    |       |     |         | 0.003        | 0.0066      |

PTO GEAR SHIFT FORK



6C160-046-10



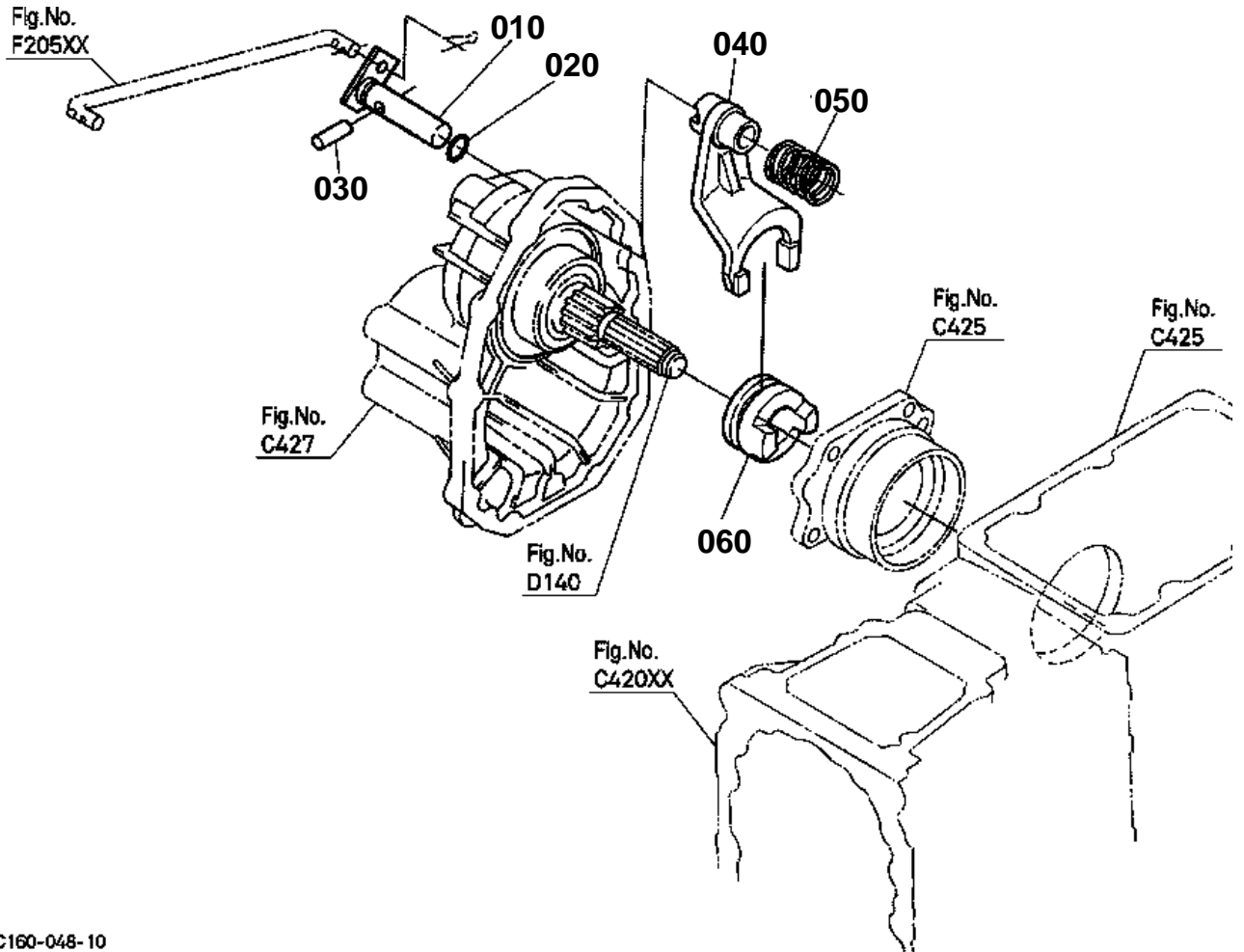


# PTO GEAR SHIFT FORK

↔ Interchangeable; ≠ not interchangeable; ← new for old; → old for new

| REF.No | Part No.    | Description       | Q'ty | S.No. | I/C | REMARKS | Weight (kgf) | Weight (lb) |
|--------|-------------|-------------------|------|-------|-----|---------|--------------|-------------|
| 010    | 6C120-18610 | ROD FORK          | 1    |       |     |         | 0.15         | 0.33        |
| 020    | 6C090-18620 | FORK PTO SHIFT    | 1    |       |     |         | 0.09         | 0.198       |
| 030    | 62061-18260 | SPRING STOPPER    | 1    |       |     |         | 0.002        | 0.0044      |
| 040    | 07715-01605 | BALL              | 1    |       |     |         | 0.003        | 0.0066      |
| 050    | 04613-50120 | CIR CLIP EXTERNAL | 2    |       |     |         | 0.001        | 0.0022      |
| 060    | 6C040-18712 | ARM PTO SHIFT     | 1    |       |     |         | 0.16         | 0.352       |
| 070    | 04816-00160 | O RING            | 2    |       |     |         | 0.003        | 0.0066      |

DIFFERENTIAL LOCK SHIFT FORK



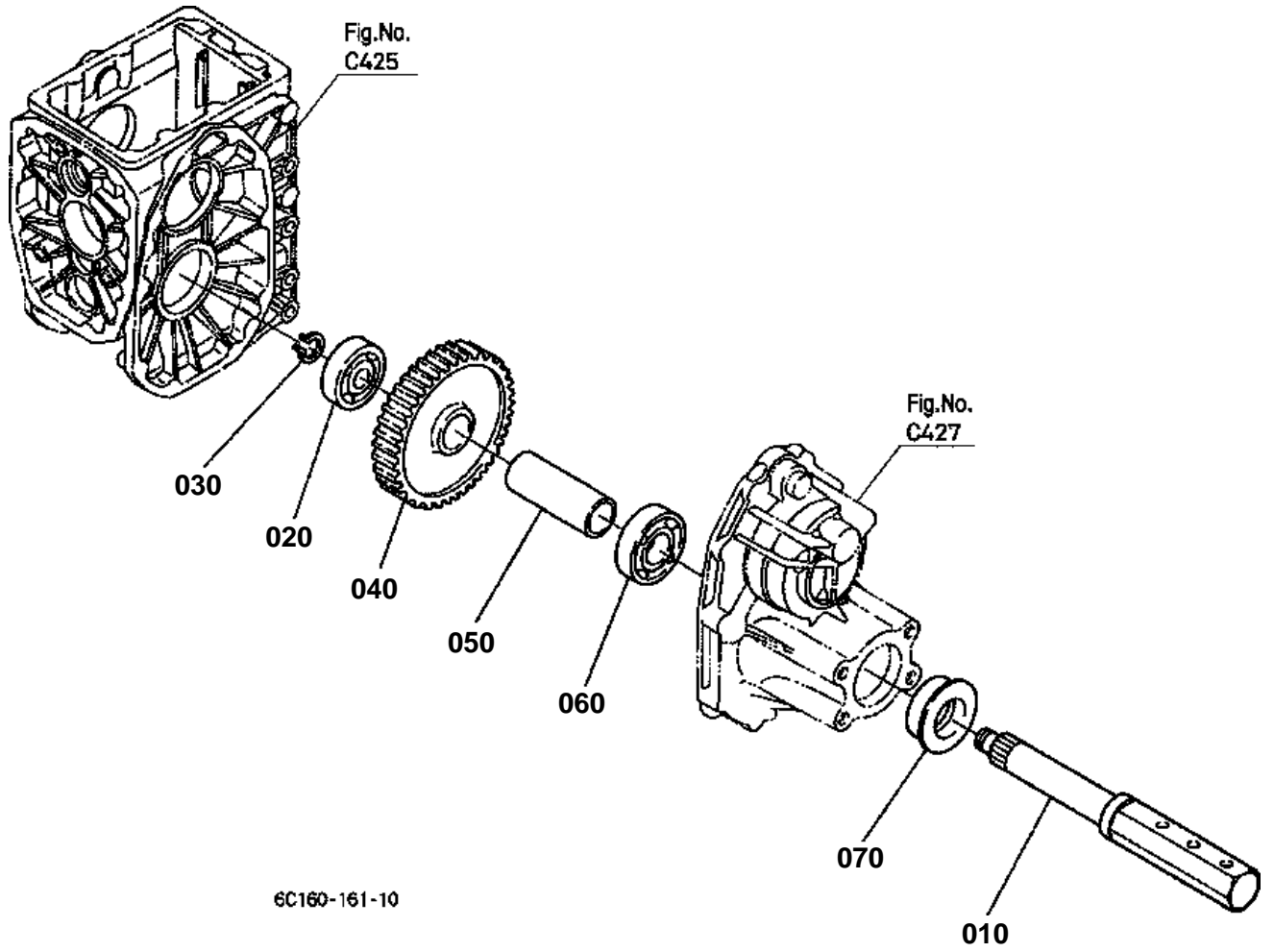
6C160-048-10



## DIFFERENTIAL LOCK SHIFT FORK

↔ Interchangeable; ≠ not interchangeable; ← new for old; → old for new

| REF.No | Part No.    | Description          | Q'ty | S.No. | I/C | REMARKS | Weight (kgf) | Weight (lb) |
|--------|-------------|----------------------|------|-------|-----|---------|--------------|-------------|
| 010    | 6C040-19120 | ROD FORK             | 1    |       |     |         | 0.17         | 0.374       |
| 020    | 04816-06120 | O RING               | 1    |       |     |         | 0.002        | 0.0044      |
| 030    | 6A100-19130 | PIN                  | 1    |       |     |         | 0.017        | 0.0374      |
| 040    | 6C040-19110 | FORK DIFF.LOCK SHIFT | 1    |       |     |         | 0.22         | 0.484       |
| 050    | 6C040-19130 | SPRING               | 1    |       |     |         | 0.014        | 0.0308      |
| 060    | 66611-15130 | CLUTCH DIFF.LOCK     | 1    |       |     |         | 0.2          | 0.44        |

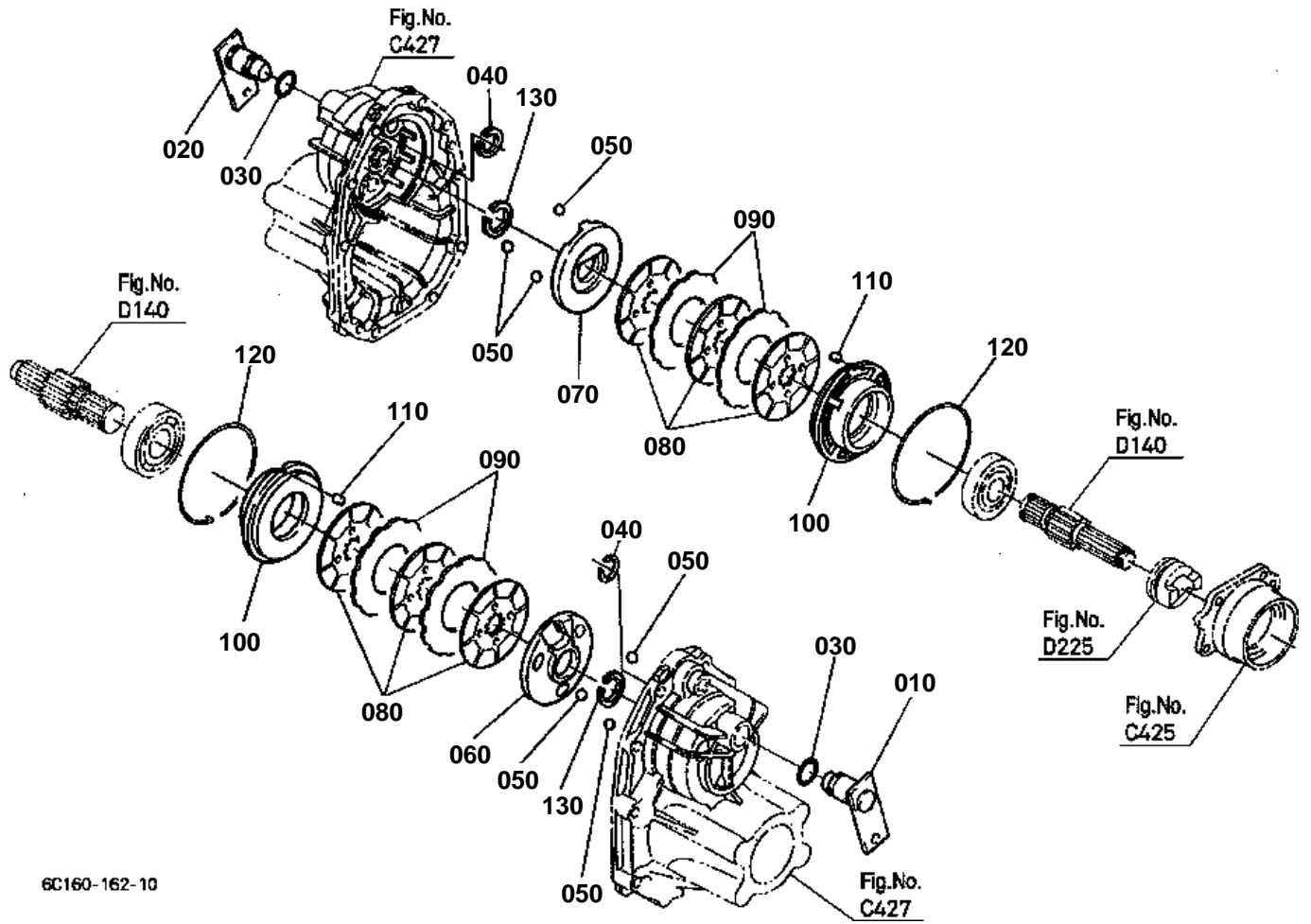




## REAR AXLE

↔ Interchangeable; ≠ not interchangeable; ← new for old; → old for new

| REF.No | Part No.    | Description       | Q'ty | S.No. | I/C | REMARKS | Weight (kgf) | Weight (lb) |
|--------|-------------|-------------------|------|-------|-----|---------|--------------|-------------|
| 010    | 66611-17114 | AXLE REAR         | 2    |       |     |         | 4.64         | 10.208      |
| 020    | 08101-06306 | BEARING BALL      | 2    |       |     |         | 0.335        | 0.737       |
| 030    | 04612-00300 | CIR CLIP EXTERNAL | 2    |       |     |         | 0.003        | 0.0066      |
| 040    | 6C040-17130 | GEAR              | 2    |       |     | 57T     | 2.55         | 5.61        |
| 050    | 6C040-17140 | COLLAR            | 2    |       |     |         | 0.26         | 0.572       |
| 060    | 08101-06208 | BEARING BALL      | 2    |       |     |         | 0.355        | 0.781       |
| 070    | 09500-00014 | SEAL OIL          | 2    |       |     |         | 0.06         | 0.132       |



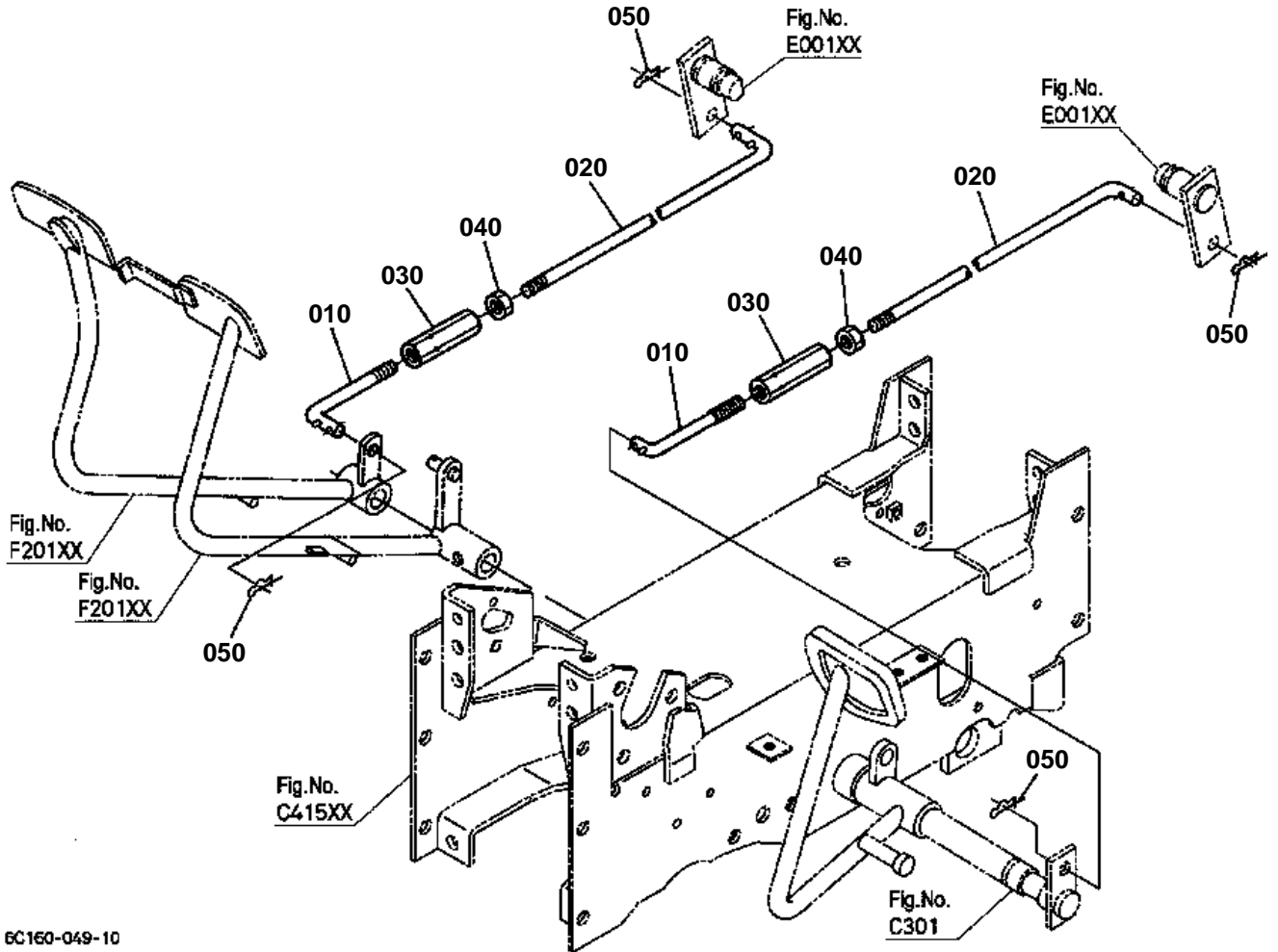
6C160-162-10

**BRAKE**

↔ Interchangeable; ≠ not interchangeable; ← new for old; → old for new

| REF.No | Part No.    | Description       | Q'ty | S.No. | I/C | REMARKS | Weight (kgf) | Weight (lb) |
|--------|-------------|-------------------|------|-------|-----|---------|--------------|-------------|
| 010    | 6C040-22360 | LEVER CAM LH      | 1    |       |     |         | 0.32         | 0.704       |
| 020    | 6C040-22460 | LEVER CAM RH      | 1    |       |     |         | 0.33         | 0.726       |
| 030    | 04816-00210 | O RING            | 2    |       |     |         | 0.004        | 0.0088      |
| 040    | 67061-14370 | CIR-CLIP          | 2    |       |     |         | 0.002        | 0.0044      |
| 050    | 07715-00805 | BALL              | 6    |       |     |         | 0.016        | 0.0352      |
| 060    | 6C090-22320 | ACTUATOR LH       | 1    |       |     |         | 0.63         | 1.386       |
| 070    | 6C090-22420 | ACTUATOR RH       | 1    |       |     |         | 0.63         | 1.386       |
| 080    | 6C140-22350 | DISK BRAKE        | 6    |       |     |         | 0.18         | 0.396       |
| 090    | 6C140-22340 | PLATE FRICTION    | 4    |       |     |         | 0.12         | 0.264       |
| 100    | 6C090-22380 | HOLDER BEARING    | 2    |       |     |         | 0.72         | 1.584       |
| 110    | 6C040-22440 | PIN               | 2    |       |     |         | 0.004        | 0.0088      |
| 120    | 6A320-22390 | CIR-CLIP INTERNAL | 2    |       |     |         | 0.038        | 0.0836      |
| 130    | 70435-51590 | CIR-CLIP          | 2    |       |     |         | 0.002        | 0.0044      |

BRAKE ROD



6C160-049-10



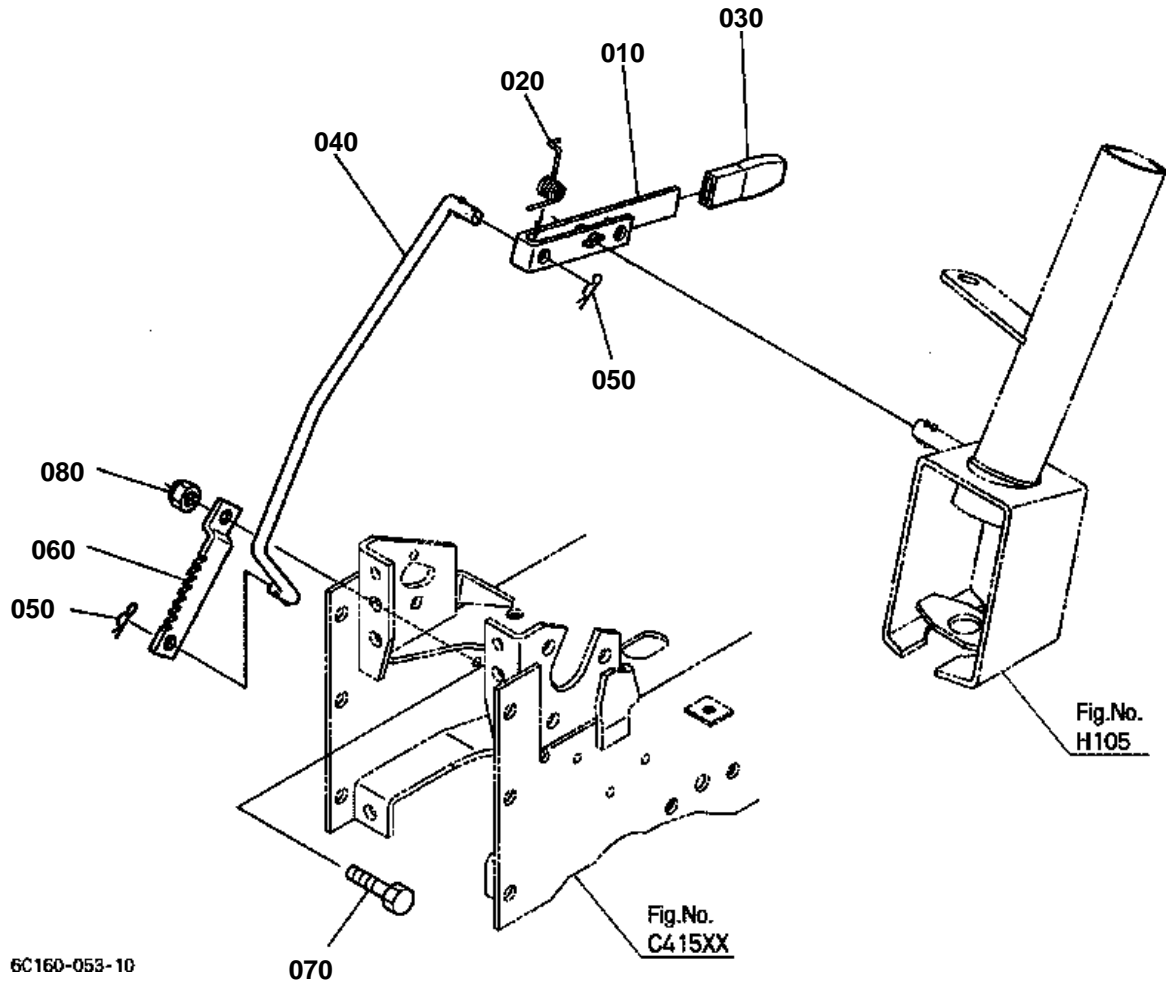


# BRAKE ROD

↔ Interchangeable; ≠ not interchangeable; ← new for old; → old for new

| REF.No | Part No.    | Description     | Q'ty | S.No. | I/C | REMARKS | Weight (kgf) | Weight (lb) |
|--------|-------------|-----------------|------|-------|-----|---------|--------------|-------------|
| 010    | 6C040-42350 | ROD BRAKE FRONT | 2    |       |     |         | 0.068        | 0.1496      |
| 020    | 6C040-42360 | ROD BRAKE REAR  | 2    |       |     |         | 0.23         | 0.506       |
| 030    | 6C040-42370 | TURNBUCKLE      | 2    |       |     |         | 0.06         | 0.132       |
| 040    | 02118-50100 | NUT             | 2    |       |     |         | 0.005        | 0.011       |
| 050    | 6C040-42390 | PIN SNAP        | 4    |       |     |         | 0.002        | 0.0044      |

PARKING BRAKE LEVER [EXCEPT [AU] [NZ]]

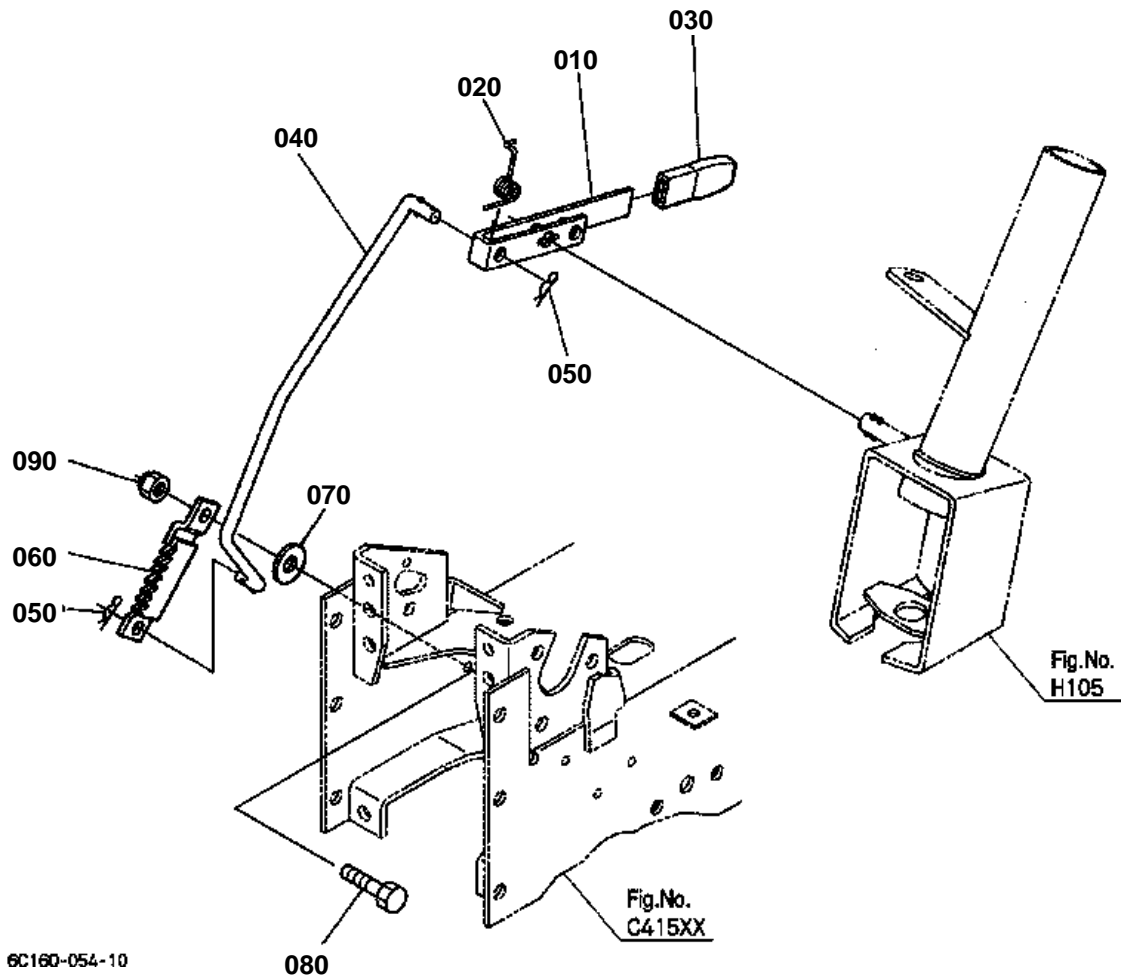




# PARKING BRAKE LEVER [EXCEPT [AU] [NZ]]

↔ Interchangeable; ≠ not interchangeable; ← new for old; → old for new

| REF.No | Part No.    | Description      | Q'ty | S.No. | I/C | REMARKS | Weight (kgf) | Weight (lb) |
|--------|-------------|------------------|------|-------|-----|---------|--------------|-------------|
| 010    | 6C040-41350 | LEVER            | 1    |       |     |         | 0.104        | 0.2288      |
| 020    | 6C040-41380 | SPRING RETURN    | 1    |       |     |         | 0.008        | 0.0176      |
| 030    | 6C040-41360 | GRIP LEVER       | 1    |       |     |         | 0.012        | 0.0264      |
| 040    | 6C040-41373 | ROD BRAKE        | 1    |       |     |         | 0.22         | 0.484       |
| 050    | 05525-50800 | PIN SNAP         | 2    |       |     |         | 0.001        | 0.0022      |
| 060    | 6C040-42250 | PLATE BRAKE LOCK | 1    |       |     |         | 0.07         | 0.154       |
| 070    | 01153-50822 | BOLT             | 1    |       |     |         | 0.011        | 0.0242      |
| 080    | 50591-62370 | NUT              | 1    |       |     |         | 0.005        | 0.011       |



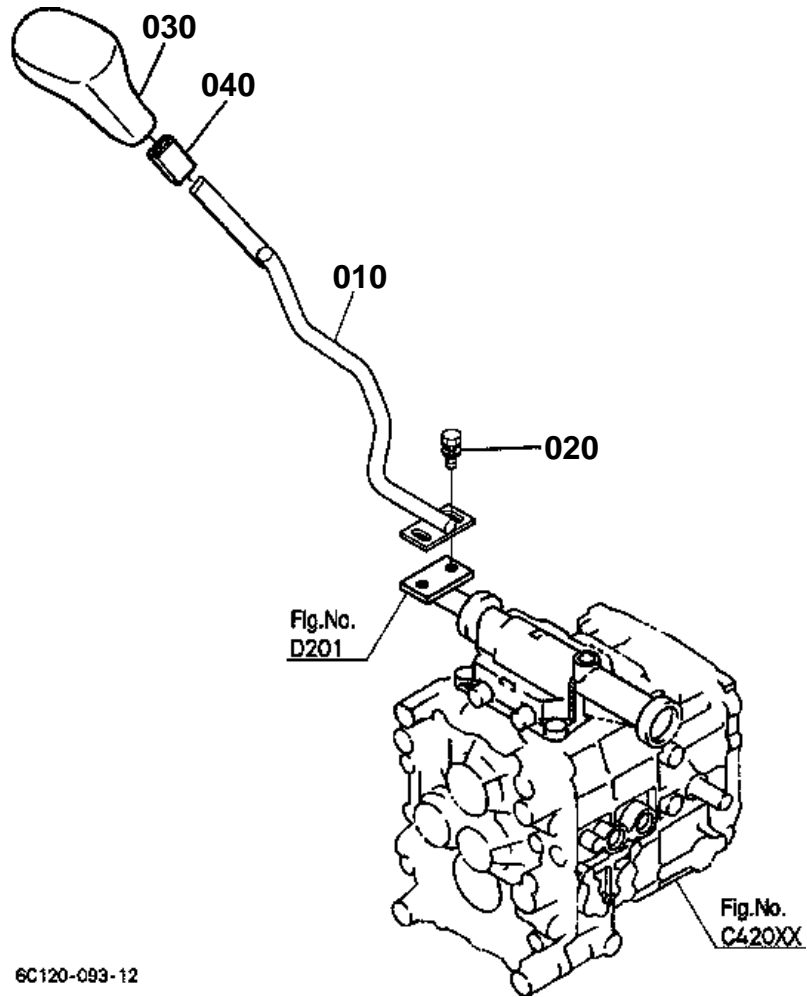


# PARKING BRAKE LEVER [AU] [NZ]

↔ Interchangeable; ≠ not interchangeable; ← new for old; → old for new

| REF.No | Part No.    | Description      | Q'ty | S.No. | I/C | REMARKS | Weight (kgf) | Weight (lb) |
|--------|-------------|------------------|------|-------|-----|---------|--------------|-------------|
| 010    | 6C040-41350 | LEVER            | 1    |       |     |         | 0.104        | 0.2288      |
| 020    | 6C040-41380 | SPRING RETURN    | 1    |       |     |         | 0.008        | 0.0176      |
| 030    | 6C040-41360 | GRIP LEVER       | 1    |       |     |         | 0.012        | 0.0264      |
| 040    | 6C040-41373 | ROD BRAKE        | 1    |       |     |         | 0.22         | 0.484       |
| 050    | 05525-50800 | PIN SNAP         | 2    |       |     |         | 0.001        | 0.0022      |
| 060    | 6C045-42250 | PLATE BRAKE LOCK | 1    |       |     |         | 0.108        | 0.2376      |
| 070    | 04015-60080 | WASHER PLAIN     | 1    |       |     |         | 0.01         | 0.022       |
| 080    | 01153-50822 | BOLT             | 1    |       |     |         | 0.011        | 0.0242      |
| 090    | 50591-62370 | NUT              | 1    |       |     |         | 0.005        | 0.011       |

MAIN GEAR SHIFT LEVER



6C120-093-12

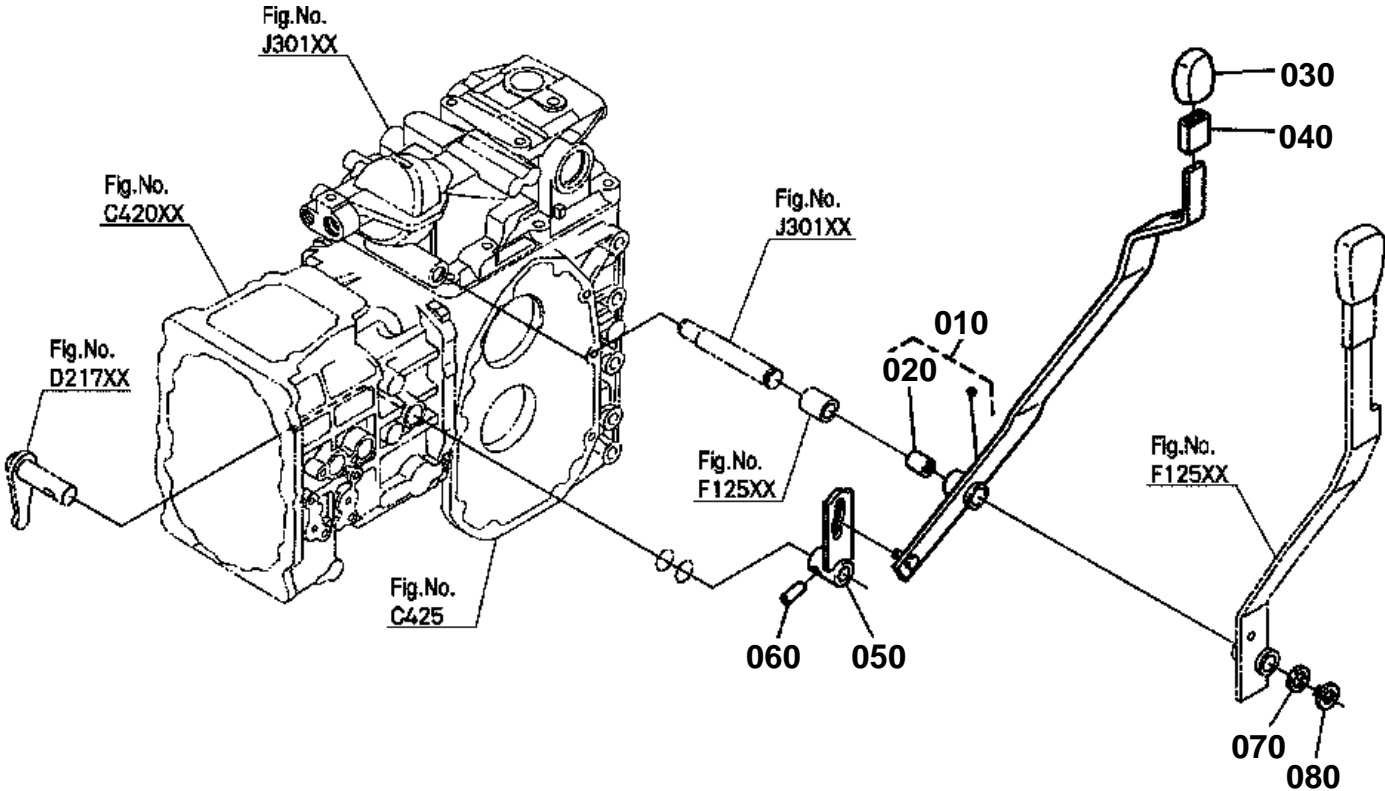


## MAIN GEAR SHIFT LEVER

↔ Interchangeable; ≠ not interchangeable; ← new for old; → old for new

| REF.No | Part No.    | Description      | Q'ty | S.No. | I/C | REMARKS | Weight (kgf) | Weight (lb) |
|--------|-------------|------------------|------|-------|-----|---------|--------------|-------------|
| 010    | 6C040-42514 | LEVER MAIN SHIFT | 1    |       |     |         | 0.6          | 1.32        |
| 020    | 01125-60820 | BOLT             | 2    |       |     |         | 0.015        | 0.033       |
| 030    | 6A320-42530 | GRIP LEVER       | 1    |       |     |         | 0.12         | 0.264       |
| 040    | 37560-42294 | CUSHION          | 1    |       |     |         | 0.005        | 0.011       |

RANGE GEAR SHIFT LEVER



6C160-059-10



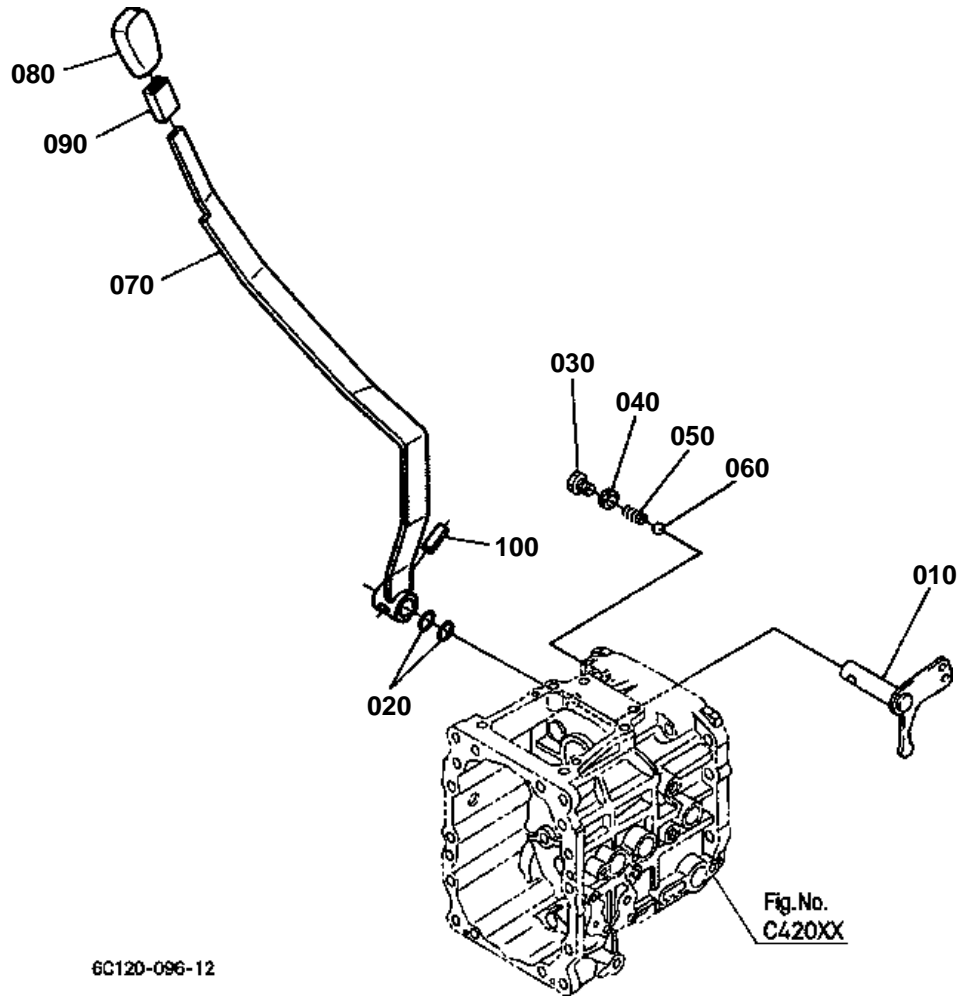


## RANGE GEAR SHIFT LEVER

↔ Interchangeable; ≠ not interchangeable; ← new for old; → old for new

| REF.No | Part No.    | Description       | Q'ty | S.No. | I/C | REMARKS | Weight (kgf) | Weight (lb) |
|--------|-------------|-------------------|------|-------|-----|---------|--------------|-------------|
| 010    | 6C040-42600 | LEVER RANGE SHIFT | 1    |       |     |         | 0.83         | 1.826       |
| 020    | 08511-01825 | BUSH              | 1    |       |     |         | 0.01         | 0.022       |
| 030    | 6A320-42630 | GRIP LEVER        | 1    |       |     |         | 0.019        | 0.0418      |
| 040    | 37410-43570 | PIPE              | 1    |       |     |         | 0.005        | 0.011       |
| 050    | 6C140-42620 | LEVER SHIFT ARM   | 1    |       |     |         | 0.17         | 0.374       |
| 060    | 05411-00832 | PIN SPRING        | 1    |       |     |         | 0.035        | 0.077       |
| 070    | 04011-50180 | WASHER PLAIN      | 1    |       |     |         | 0.012        | 0.0264      |
| 080    | 04612-00180 | CIR CLIP EXTERNAL | 1    |       |     |         | 0.001        | 0.0022      |

FRONT WHEEL DRIVE LEVER



6C120-096-12

Fig.No.  
C420XX

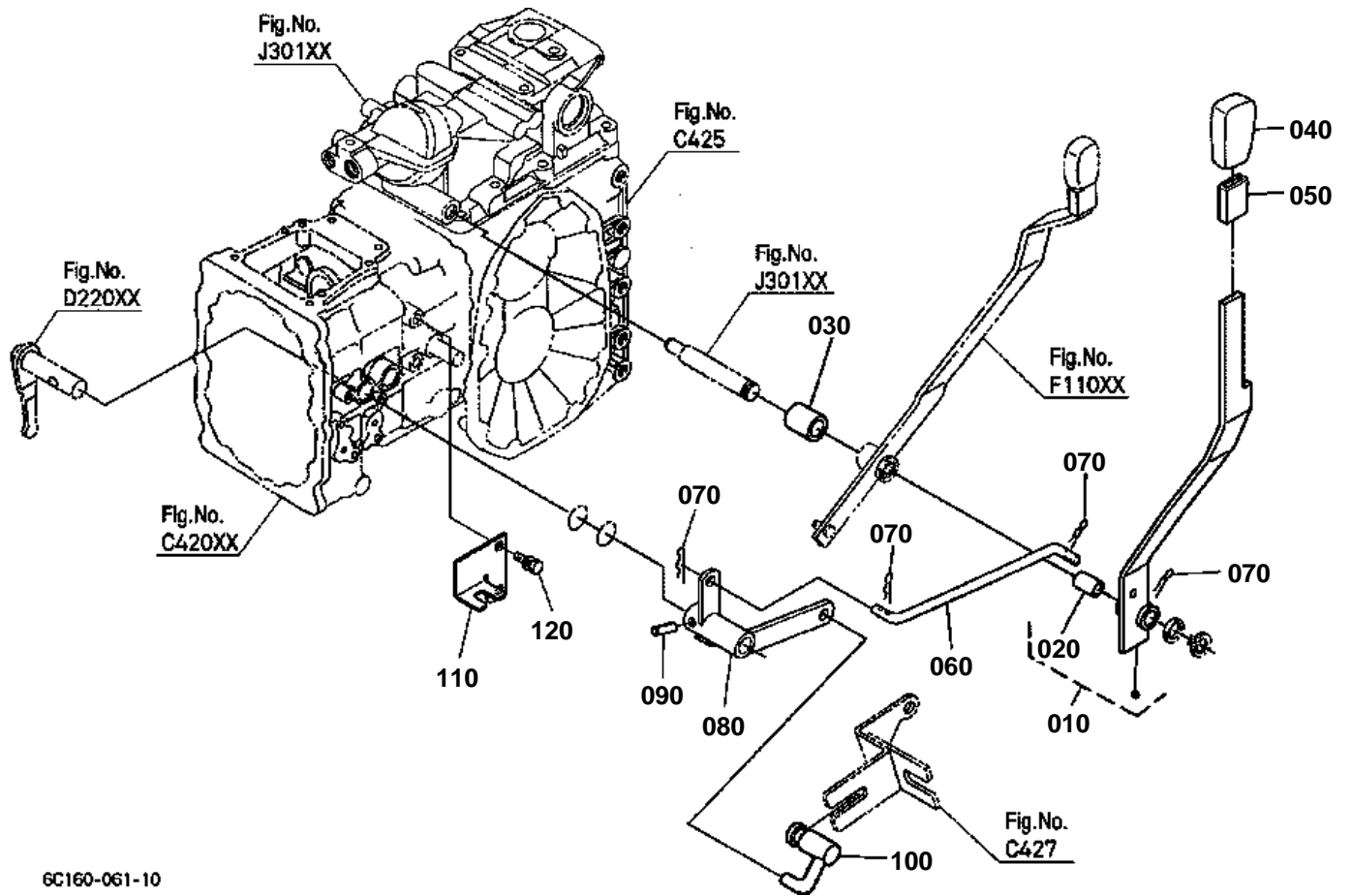


## FRONT WHEEL DRIVE LEVER

↔ Interchangeable; ≠ not interchangeable; ← new for old; → old for new

| REF.No | Part No.    | Description        | Q'ty | S.No. | I/C | REMARKS | Weight (kgf) | Weight (lb) |
|--------|-------------|--------------------|------|-------|-----|---------|--------------|-------------|
| 010    | 6C040-19210 | ARM 4WD SHIFT      | 1    |       |     |         | 0.19         | 0.418       |
| 020    | 04816-00160 | O RING             | 2    |       |     |         | 0.003        | 0.0066      |
| 030    | 6C040-19222 | BOLT               | 1    |       |     |         | 0.015        | 0.033       |
| 040    | 04717-01000 | WASHER WITH RUBBER | 1    |       |     |         | 0.001        | 0.0022      |
| 050    | 62061-18260 | SPRING STOPPER     | 1    |       |     |         | 0.002        | 0.0044      |
| 060    | 07715-01605 | BALL               | 1    |       |     |         | 0.003        | 0.0066      |
| 070    | 6C040-42913 | LEVER 4WD CHANGE   | 1    |       |     |         | 0.7          | 1.54        |
| 080    | 6A320-42630 | GRIP LEVER         | 1    |       |     |         | 0.019        | 0.0418      |
| 090    | 37410-43570 | PIPE               | 1    |       |     |         | 0.005        | 0.011       |
| 100    | 05411-00832 | PIN SPRING         | 1    |       |     |         | 0.035        | 0.077       |

PTO GEAR SHIFT LEVER



6C160-061-10

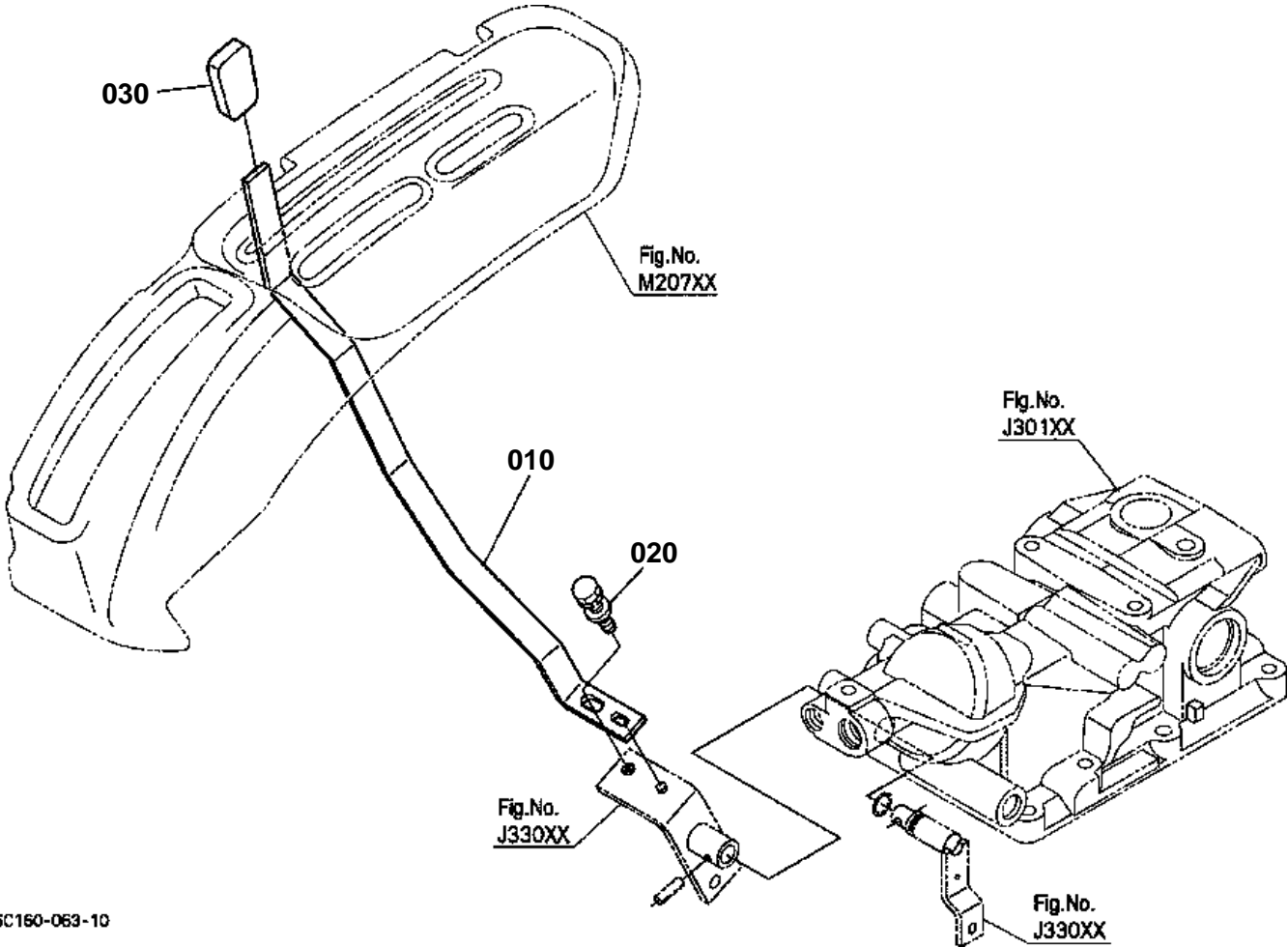


## PTO GEAR SHIFT LEVER

↔ Interchangeable; ≠ not interchangeable; ← new for old; → old for new

| REF.No | Part No.    | Description         | Q'ty | S.No. | I/C | REMARKS | Weight (kgf) | Weight (lb) |
|--------|-------------|---------------------|------|-------|-----|---------|--------------|-------------|
| 010    | 6C120-42702 | LEVER PTO SHIFT     | 1    |       |     |         | 0.72         | 1.584       |
| 020    | 08511-01825 | BUSH                | 1    |       |     |         | 0.01         | 0.022       |
| 030    | 6C120-42750 | COLLAR              | 1    |       |     |         | 0.055        | 0.121       |
| 040    | 6A320-42780 | GRIP LEVER          | 1    |       |     |         | 0.034        | 0.0748      |
| 050    | 6A100-18560 | CUSHION             | 1    |       |     |         | 0.005        | 0.011       |
| 060    | 6C040-42743 | ROD PTO             | 1    |       |     |         | 0.15         | 0.33        |
| 070    | 05525-61000 | PIN SNAP            | 4    |       |     |         | 0.002        | 0.0044      |
| 080    | 6C190-42720 | LEVER SHIFT ARM     | 1    |       |     |         | 0.3          | 0.66        |
| 090    | 05411-00832 | PIN SPRING          | 1    |       |     |         | 0.035        | 0.077       |
| 100    | 6C050-42642 | ROD NEUTRAL SWITCH  | 1    |       |     |         | 0.113        | 0.2486      |
| 110    | 6C190-42750 | STAY NEUTRAL SWITCH | 1    |       |     |         | 0.11         | 0.242       |
| 120    | 01123-51020 | BOLT                | 2    |       |     |         | 0.02         | 0.044       |

HYDRAULIC CONTROL LEVER



6C160-063-10

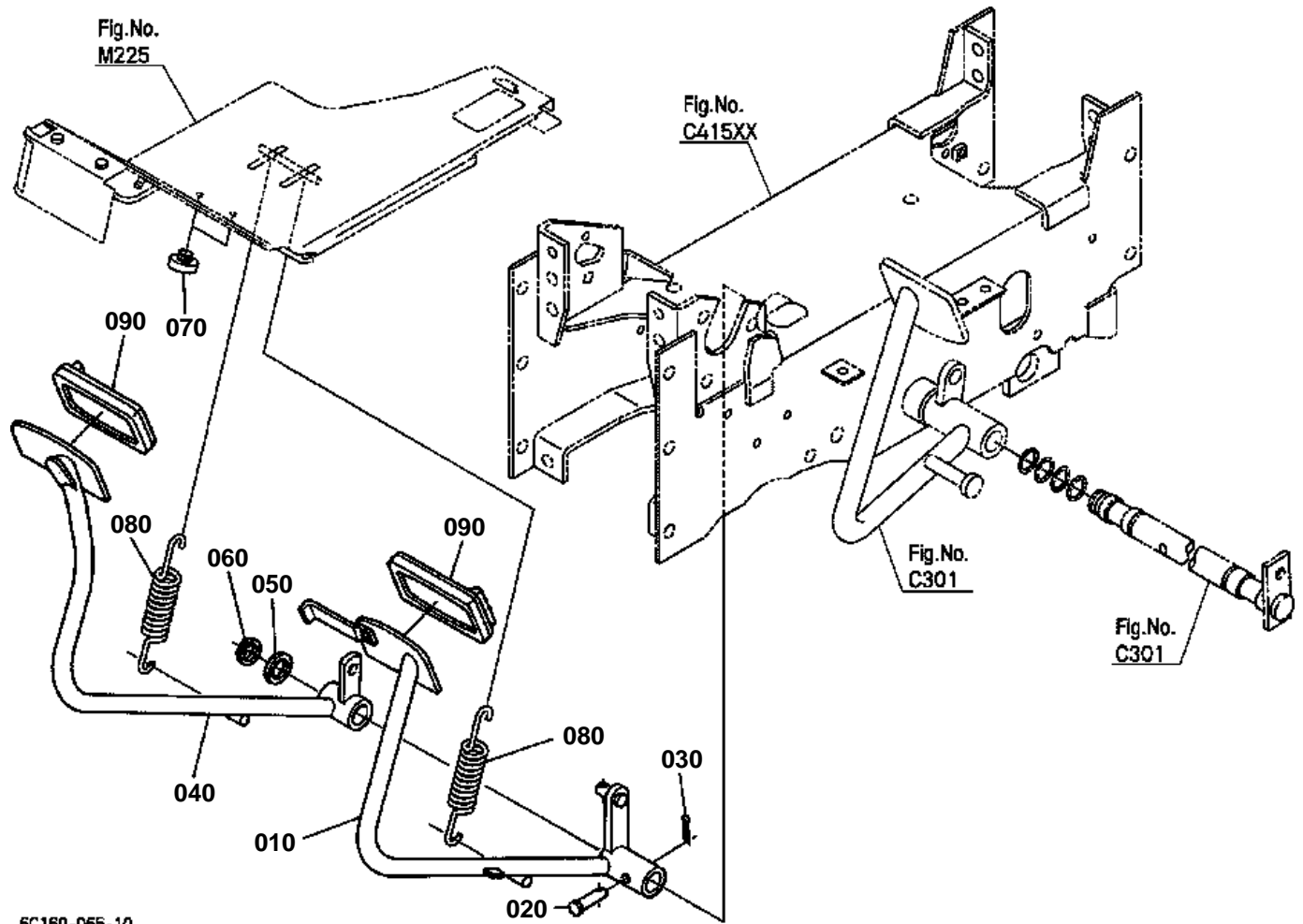


## HYDRAULIC CONTROL LEVER

↔ Interchangeable; ≠ not interchangeable; ← new for old; → old for new

| REF.No | Part No.    | Description       | Q'ty | S.No. | I/C | REMARKS | Weight (kgf) | Weight (lb) |
|--------|-------------|-------------------|------|-------|-----|---------|--------------|-------------|
| 010    | 6C190-36280 | LEVER HYD.CONTROL | 1    |       |     |         | 0.312        | 0.6864      |
| 020    | 01125-60820 | BOLT              | 1    |       |     |         | 0.015        | 0.033       |
| 030    | 31351-36880 | GRIP LEVER        | 1    |       |     |         | 0.04         | 0.088       |

# BRAKE PEDAL



6C160-065-10

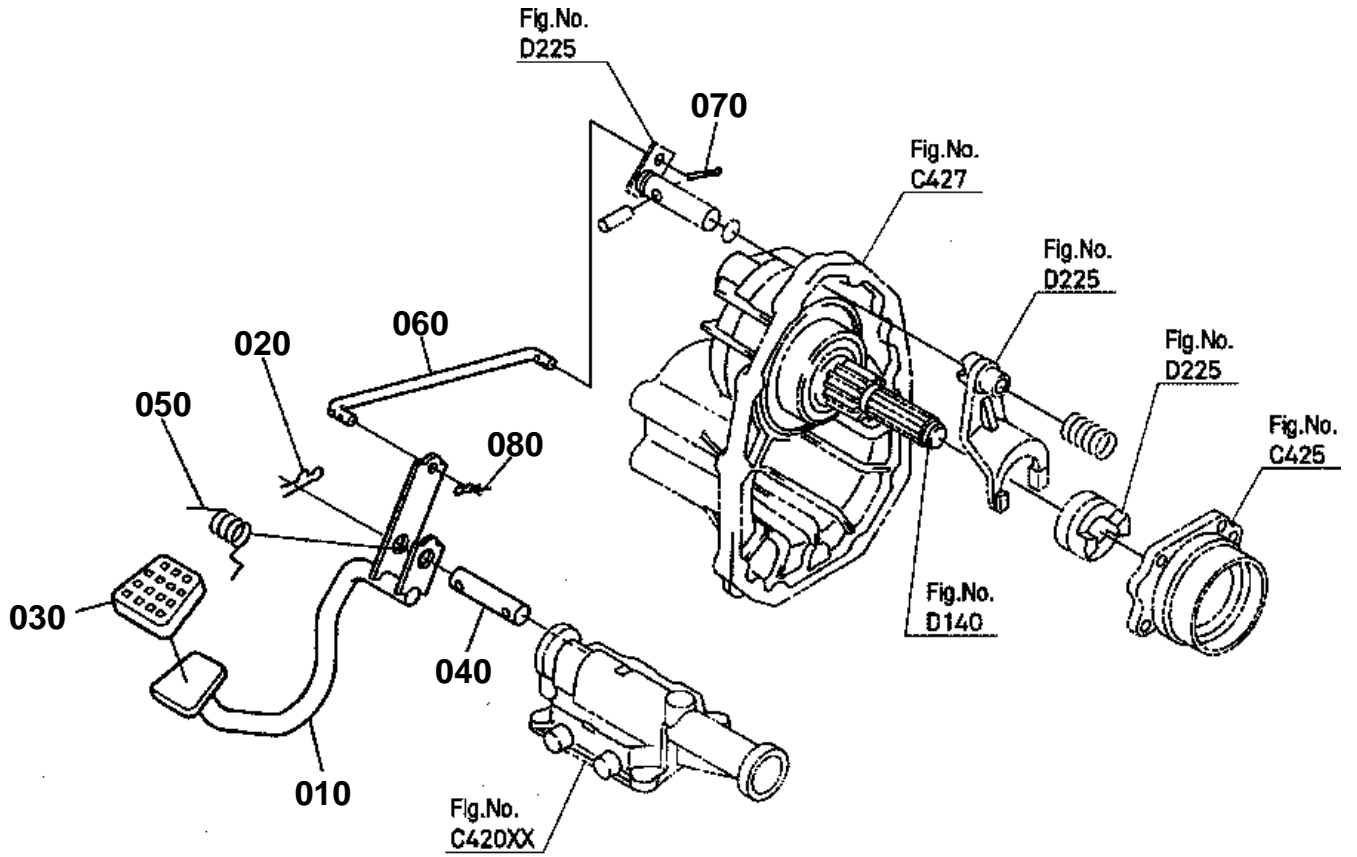


**BRAKE PEDAL**

↔ Interchangeable; ≠ not interchangeable; ← new for old; → old for new

| REF.No | Part No.    | Description         | Q'ty | S.No. | I/C | REMARKS | Weight (kgf) | Weight (lb) |
|--------|-------------|---------------------|------|-------|-----|---------|--------------|-------------|
| 010    | 6C040-42325 | PEDAL BRAKE LH      | 1    |       |     |         | 1.75         | 3.85        |
| 020    | 05122-50840 | PIN JOINT           | 1    |       |     |         | 0.017        | 0.0374      |
| 030    | 05511-50218 | PIN SPLIT           | 1    |       |     |         | 0.001        | 0.0022      |
| 040    | 6C040-42330 | PEDAL BRAKE RH      | 1    |       |     |         | 1.77         | 3.894       |
| 050    | 66591-43233 | COLLAR              | 1    |       |     |         | 0.004        | 0.0088      |
| 060    | 04612-00240 | CIR CLIP EXTERNAL   | 1    |       |     |         | 0.002        | 0.0044      |
| 070    | 6C040-42342 | CUSHION             | 2    |       |     |         | 0.005        | 0.011       |
| 080    | 66621-43270 | SPRING BRAKE RETURN | 2    |       |     |         | 0.04         | 0.088       |
| 090    | 37410-44120 | COVER PEDAL         | 2    |       |     |         | 0.08         | 0.176       |

DIFFERENTIAL LOCK PEDAL



6C160-164-10

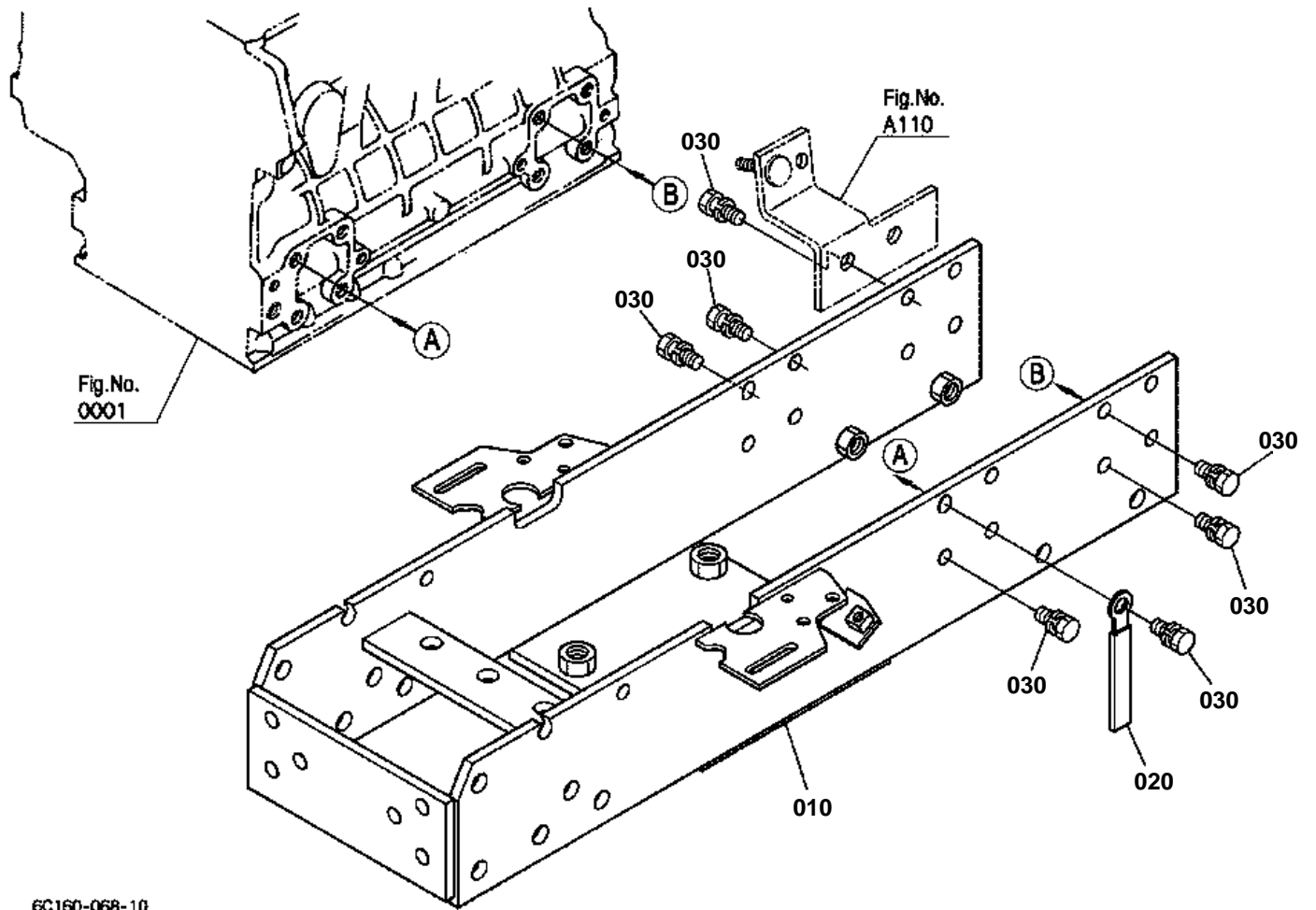


## DIFFERENTIAL LOCK PEDAL

↔ Interchangeable; ≠ not interchangeable; ← new for old; → old for new

| REF.No | Part No.    | Description     | Q'ty | S.No. | I/C | REMARKS | Weight (kgf) | Weight (lb) |
|--------|-------------|-----------------|------|-------|-----|---------|--------------|-------------|
| 010    | 6C040-42870 | PEDAL DIFF.LOCK | 1    |       |     |         | 0.82         | 1.804       |
| 020    | 05525-51600 | PIN SNAP        | 1    |       |     |         | 0.003        | 0.0066      |
| 030    | 37410-42760 | COVER PEDAL     | 1    |       |     |         | 0.025        | 0.055       |
| 040    | 6C040-42860 | SHAFT FULCRUM   | 1    |       |     |         | 0.107        | 0.2354      |
| 050    | 6C040-42890 | SPRING          | 1    |       |     |         | 0.043        | 0.0946      |
| 060    | 6C040-42880 | ROD DIFF.LOCK   | 1    |       |     |         | 0.1          | 0.22        |
| 070    | 05511-50215 | PIN SPLIT       | 1    |       |     |         | 0.001        | 0.0022      |
| 080    | 05525-50800 | PIN SNAP        | 1    |       |     |         | 0.001        | 0.0022      |

FRONT AXLE FRAME



6C160-068-10

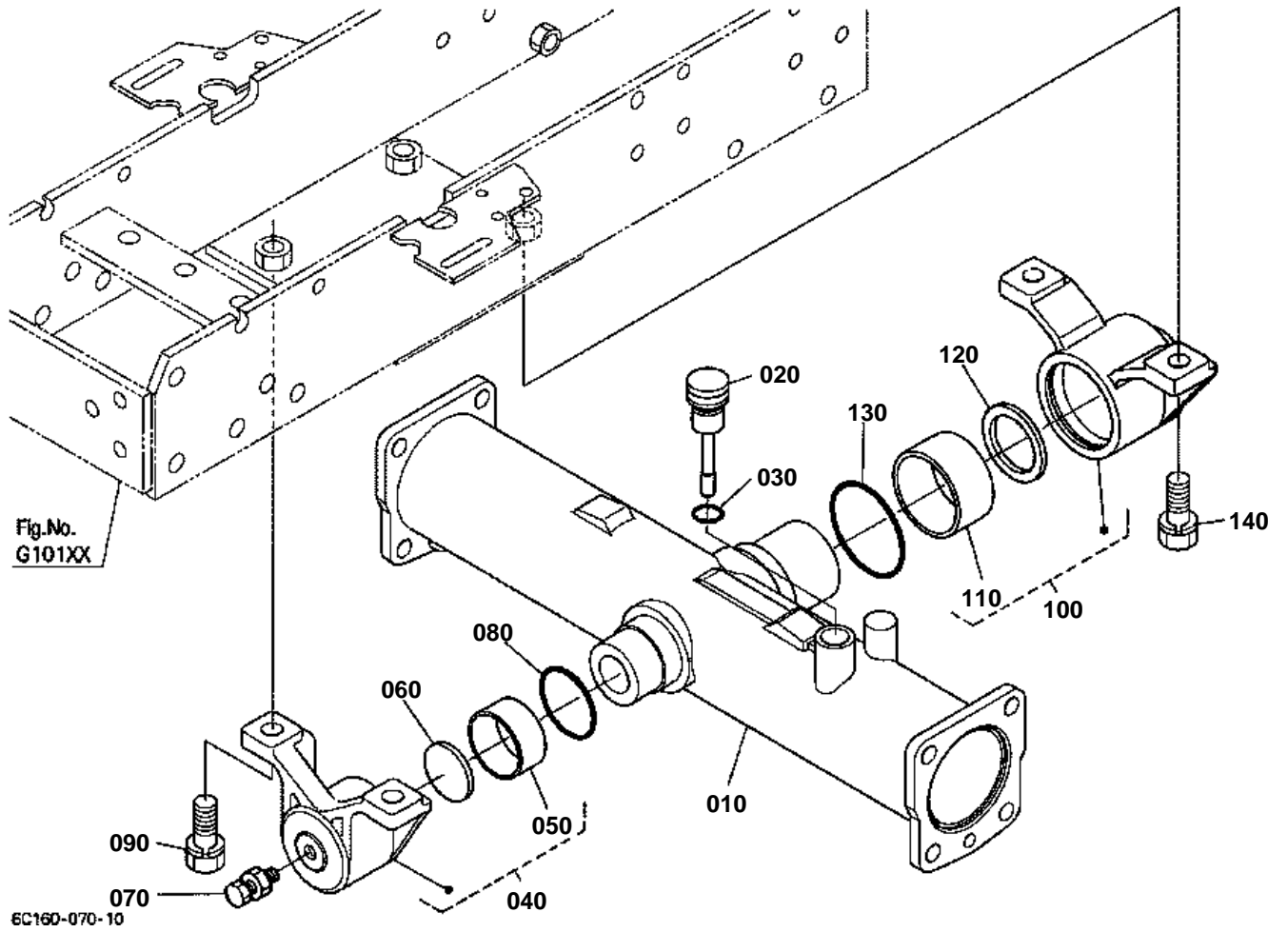


# FRONT AXLE FRAME

↔ Interchangeable; ≠ not interchangeable; ← new for old; → old for new

| REF.No | Part No.    | Description      | Q'ty | S.No. | I/C | REMARKS | Weight (kgf) | Weight (lb) |
|--------|-------------|------------------|------|-------|-----|---------|--------------|-------------|
| 010    | 6C120-51212 | COMP.FRAME FRONT | 1    |       |     |         | 18.3         | 40.26       |
| 020    | 35340-29380 | CLAMP CORD       | 1    |       |     |         | 0.01         | 0.022       |
| 030    | 01133-51025 | BOLT             | 16   |       |     |         | 0.023        | 0.0506      |

FRONT AXLE CASE



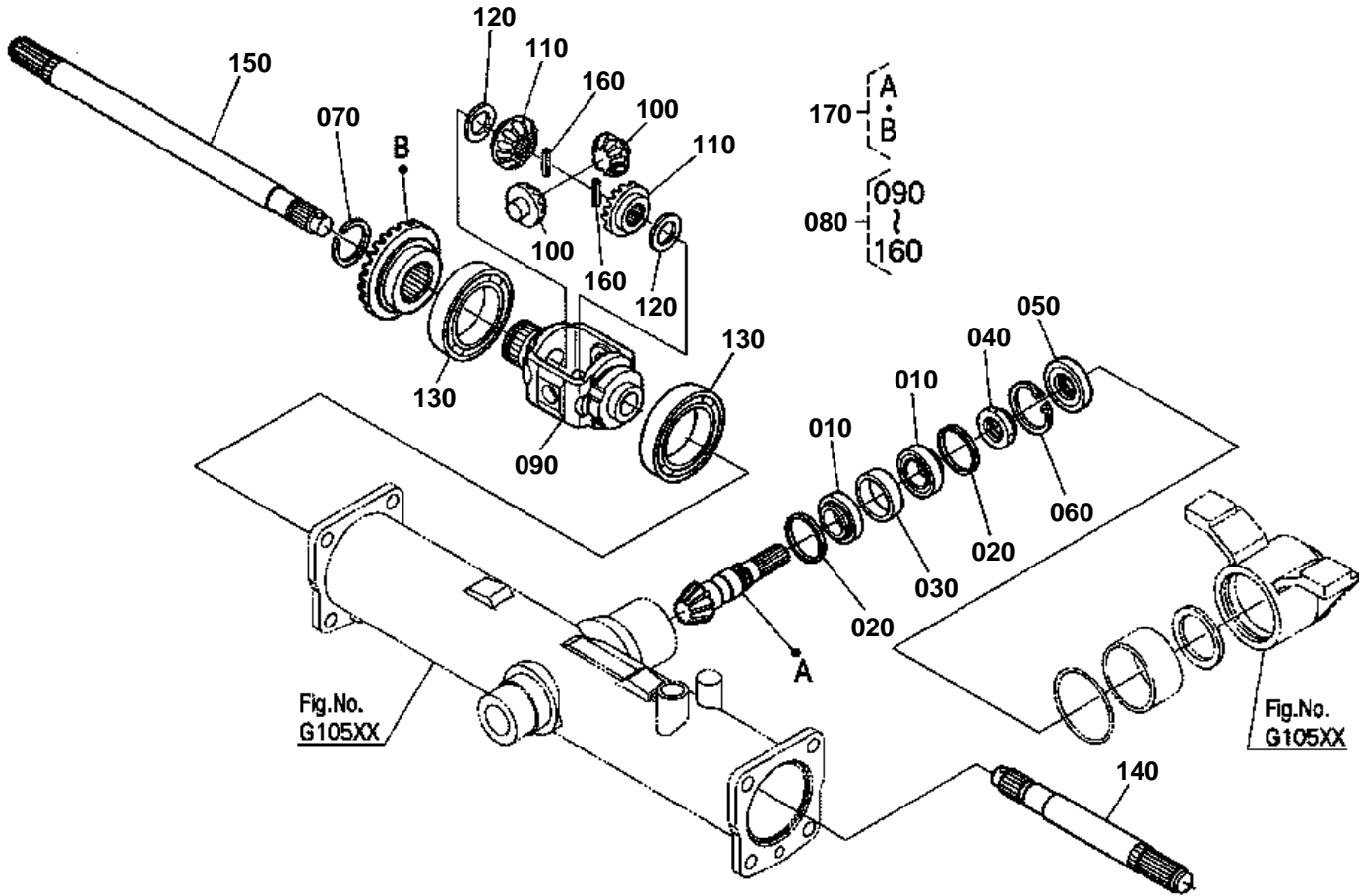


# FRONT AXLE CASE

↔ Interchangeable; ≠ not interchangeable; ← new for old; → old for new

| REF.No | Part No.    | Description          | Q'ty | S.No. | I/C | REMARKS | Weight (kgf) | Weight (lb) |
|--------|-------------|----------------------|------|-------|-----|---------|--------------|-------------|
| 010    | 6C140-56110 | CASE FRONT AXLE      | 1    |       |     |         | 7.6          | 16.72       |
| 020    | 6C040-56123 | GAUGE OIL            | 1    |       |     |         | 0.024        | 0.0528      |
| 030    | 04816-00180 | O RING               | 1    |       |     |         | 0.002        | 0.0044      |
| 040    | 6C140-56170 | ASSY HOLDER          | 1    |       |     |         | 1.28         | 2.816       |
| 050    | 08511-05020 | BUSH                 | 1    |       |     |         | 0.06         | 0.132       |
| 060    | 37410-56180 | COLLAR THRUST        | 1    |       |     |         | 0.06         | 0.132       |
| 070    | 6C040-56170 | COMP.BOLT FRONT AXLE | 1    |       |     |         | 0.04         | 0.088       |
| 080    | 04811-50550 | O RING               | 1    |       |     |         | 0.002        | 0.0044      |
| 090    | 01133-51440 | BOLT                 | 2    |       |     |         | 0.07         | 0.154       |
| 100    | 6C140-56180 | ASSY HOLDER          | 1    |       |     |         | 1.72         | 3.784       |
| 110    | 08511-06530 | BUSH                 | 1    |       |     |         | 0.12         | 0.264       |
| 120    | 6C040-56150 | COLLAR THRUST        | 1    |       |     |         | 0.02         | 0.044       |
| 130    | 04811-50700 | O RING               | 1    |       |     |         | 0.002        | 0.0044      |
| 140    | 01133-51440 | BOLT                 | 2    |       |     |         | 0.07         | 0.154       |

FRONT DIFFERENTIAL



6C160-072-10



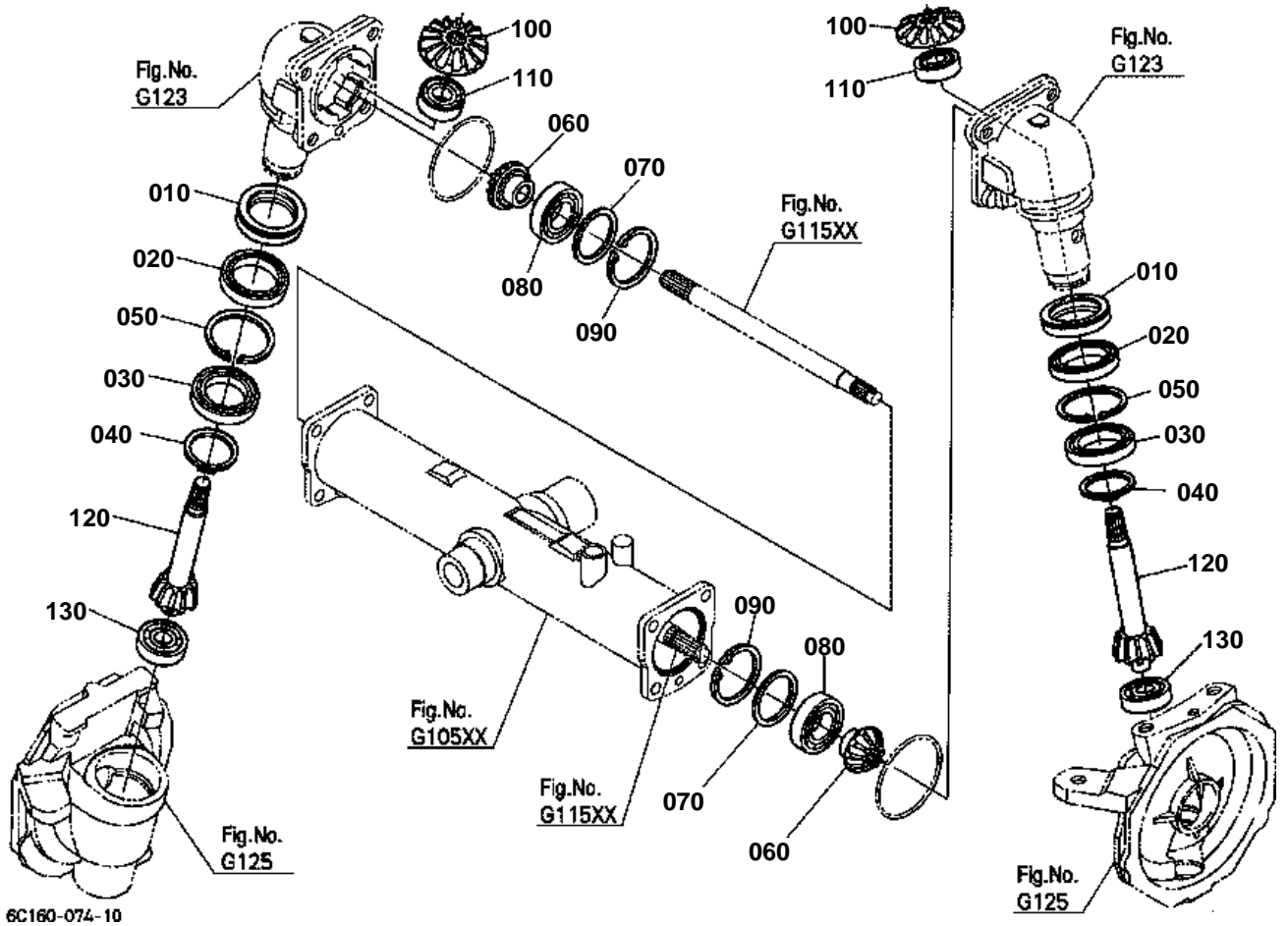


**FRONT DIFFERENTIAL**

↔ Interchangeable; ≠ not interchangeable; ← new for old; → old for new

| REF.No | Part No.    | Description          | Q'ty | S.No. | I/C | REMARKS | Weight (kgf) | Weight (lb) |
|--------|-------------|----------------------|------|-------|-----|---------|--------------|-------------|
| 010    | 08711-30205 | BEARING TAPER-ROLLER | 2    |       |     |         | 0.148        | 0.3256      |
| 020    | 37410-58160 | COLLAR               | 2    |       |     | 3.4mm   | 0.01         | 0.022       |
| 020    | 37410-58170 | COLLAR               | 2    |       |     | 3.6mm   | 0.01         | 0.022       |
| 020    | 37410-58150 | COLLAR               | 2    |       |     | 3.8mm   | 0.01         | 0.022       |
| 020    | 6C040-56630 | COLLAR               | 2    |       |     | 3.9mm   | 0.009        | 0.0198      |
| 020    | 37410-58120 | COLLAR               | 2    |       |     | 4.0mm   | 0.01         | 0.022       |
| 020    | 37410-58130 | COLLAR               | 2    |       |     | 4.1mm   | 0.01         | 0.022       |
| 020    | 37410-58140 | COLLAR               | 2    |       |     | 4.2mm   | 0.01         | 0.022       |
| 020    | 37410-56680 | COLLAR               | 2    |       |     | 4.4mm   | 0.015        | 0.033       |
| 020    | 6C040-56620 | COLLAR               | 2    |       |     | 4.5mm   | 0.01         | 0.022       |
| 020    | 37410-56660 | COLLAR               | 2    |       |     | 4.6mm   | 0.011        | 0.0242      |
| 030    | 37410-56690 | COLLAR               | 1    |       |     |         | 0.04         | 0.088       |
| 040    | 37410-56710 | NUT                  | 1    |       |     |         | 0.03         | 0.066       |
| 050    | 09500-20408 | SEAL OIL             | 1    |       |     |         | 0.012        | 0.0264      |
| 060    | 04611-00520 | CIR CLIP INTERNAL    | 1    |       |     |         | 0.009        | 0.0198      |
| 070    | 6C040-56820 | CIR CLIP EXTERNAL    | 1    |       |     |         | 0.003        | 0.0066      |
| 080    | 6A320-56902 | ASSY DIFF. FRONT     | 1    |       |     |         | 2.91         | 6.402       |
| 090    | 6A320-56830 | CASE DIFF.FRONT      | 1    |       |     |         | 0.71         | 1.562       |
| 100    | 6A320-56860 | PINION BEVEL GEAR    | 2    |       |     | 10T     | 0.07         | 0.154       |
| 110    | 6A320-56910 | GEAR BEVEL           | 2    |       |     | 14T     | 0.11         | 0.242       |
| 120    | 61361-14330 | COLLAR               | 2    |       |     |         | 0.007        | 0.0154      |
| 130    | 08101-06010 | BEARING BALL         | 2    |       |     |         | 0.262        | 0.5764      |
| 140    | 6A320-57112 | SHAFT YOKE LH        | 1    |       |     |         | 0.44         | 0.968       |
| 150    | 6A320-57122 | SHAFT YOKE RH        | 1    |       |     |         | 0.82         | 1.804       |
| 160    | 05411-00520 | PIN SPRING           | 2    |       |     |         | 0.002        | 0.0044      |
| 170    | 6C120-97962 | KIT GEAR BEVEL       | 1    |       |     | 10-23T  | 0.84         | 1.848       |

DIFFERENTIAL GEAR SHAFT



6C160-074-10

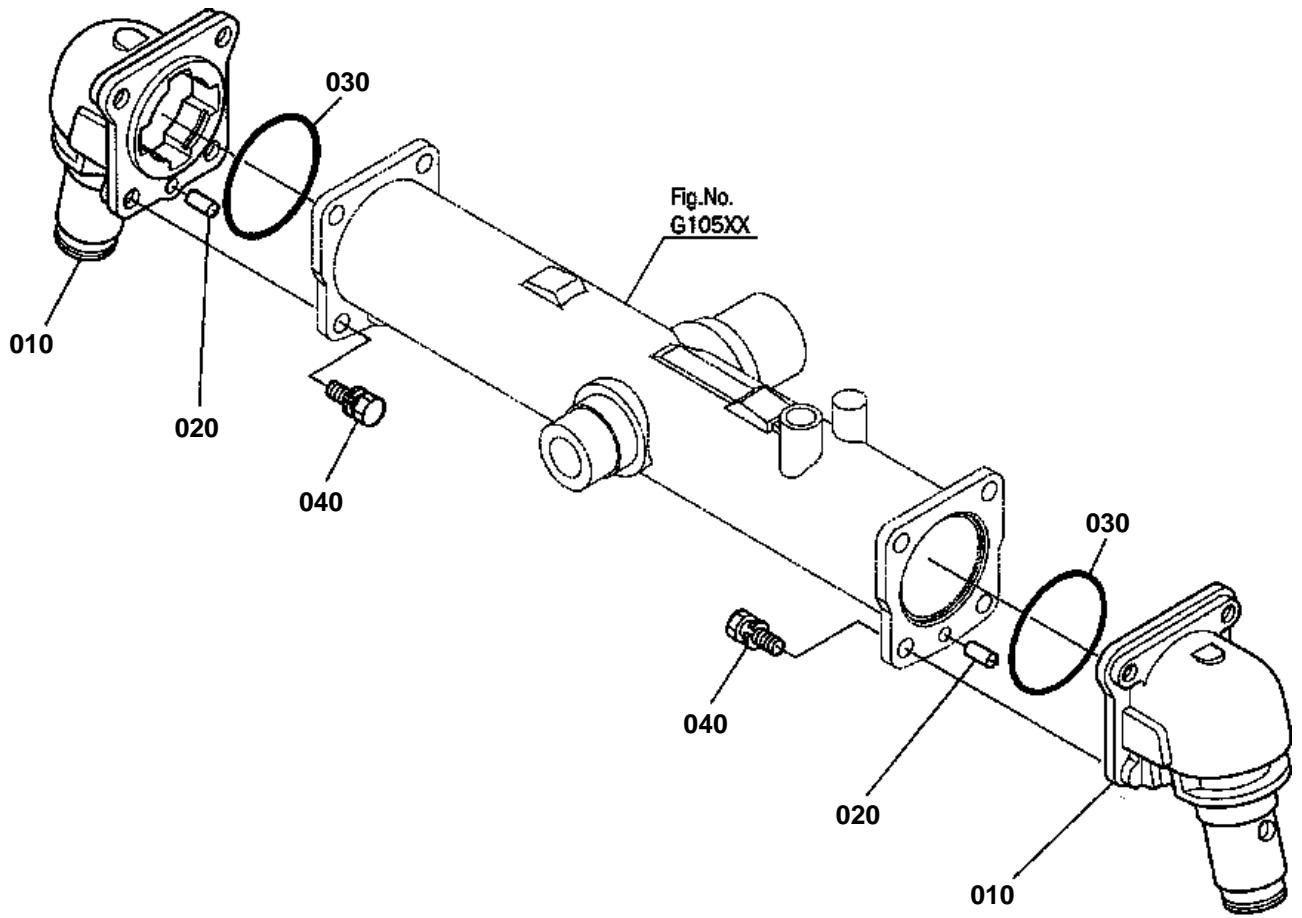


## DIFFERENTIAL GEAR SHAFT

↔ Interchangeable; ≠ not interchangeable; ← new for old; → old for new

| REF.No | Part No.    | Description       | Q'ty | S.No. | I/C | REMARKS | Weight (kgf) | Weight (lb) |
|--------|-------------|-------------------|------|-------|-----|---------|--------------|-------------|
| 010    | 6C190-56220 | SEAL OIL          | 2    |       |     |         | 0.056        | 0.1232      |
| 020    | 08101-06910 | BEARING BALL      | 2    |       |     |         | 0.14         | 0.308       |
| 030    | 08101-06909 | BEARING BALL      | 2    |       |     |         | 0.135        | 0.297       |
| 040    | 04612-00450 | CIR CLIP EXTERNAL | 2    |       |     |         | 0.007        | 0.0154      |
| 050    | 04611-00680 | CIR CLIP INTERNAL | 2    |       |     |         | 0.016        | 0.0352      |
| 060    | 6A320-57132 | GEAR BEVEL F      | 2    |       |     | 10T     | 0.16         | 0.352       |
| 070    | 6C040-57140 | SHIM              | 2    |       |     | 0.8mm   | 0.006        | 0.0132      |
| 070    | 6C040-57130 | SHIM              | 2    |       |     | 1.0mm   | 0.008        | 0.0176      |
| 070    | 6C040-57150 | SHIM              | 2    |       |     | 1.2mm   | 0.009        | 0.0198      |
| 070    | 6C040-57160 | SHIM              | 2    |       |     | 1.4mm   | 0.011        | 0.0242      |
| 080    | 08101-06206 | BEARING BALL      | 2    |       |     |         | 0.196        | 0.4312      |
| 090    | 04611-00620 | CIR CLIP INTERNAL | 2    |       |     |         | 0.011        | 0.0242      |
| 100    | 6A320-57180 | GEAR BEVEL F      | 2    |       |     | 16T     | 0.28         | 0.616       |
| 110    | 08101-06204 | BEARING BALL      | 2    |       |     |         | 0.102        | 0.2244      |
| 120    | 6A320-57210 | SHAFT BEVEL GEAR  | 2    |       |     | 9T      | 0.65         | 1.43        |
| 130    | 08101-06304 | BEARING BALL      | 2    |       |     |         | 0.146        | 0.3212      |

BEVEL GEAR CASE



6C160-075-10

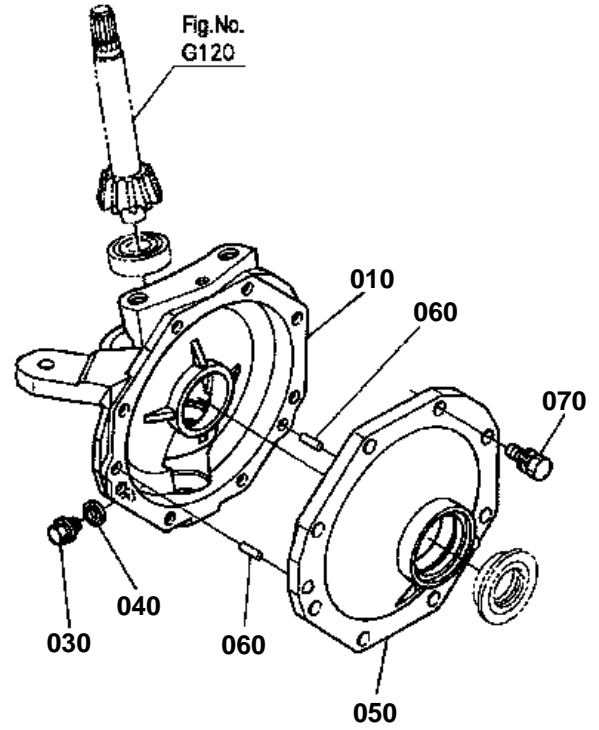
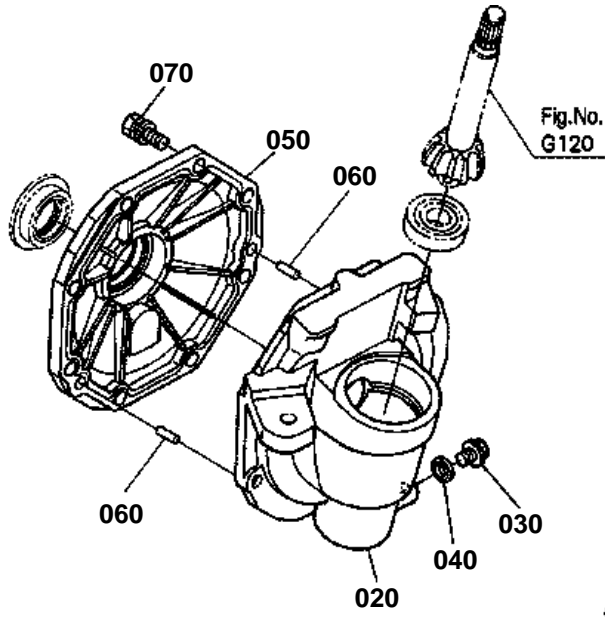


## BEVEL GEAR CASE

↔ Interchangeable; ≠ not interchangeable; ← new for old; → old for new

| REF.No | Part No.    | Description     | Q'ty | S.No. | I/C | REMARKS | Weight (kgf) | Weight (lb) |
|--------|-------------|-----------------|------|-------|-----|---------|--------------|-------------|
| 010    | 6C190-56210 | CASE BEVEL GEAR | 2    |       |     |         | 0            | 0           |
| 020    | 05012-01020 | PIN STRAIGHT    | 2    |       |     |         | 0.013        | 0.0286      |
| 030    | 04811-50850 | O RING          | 2    |       |     |         | 0.003        | 0.0066      |
| 040    | 01133-51230 | BOLT            | 8    |       |     |         | 0.04         | 0.088       |

FRONT AXLE CASE



6C142-004-10

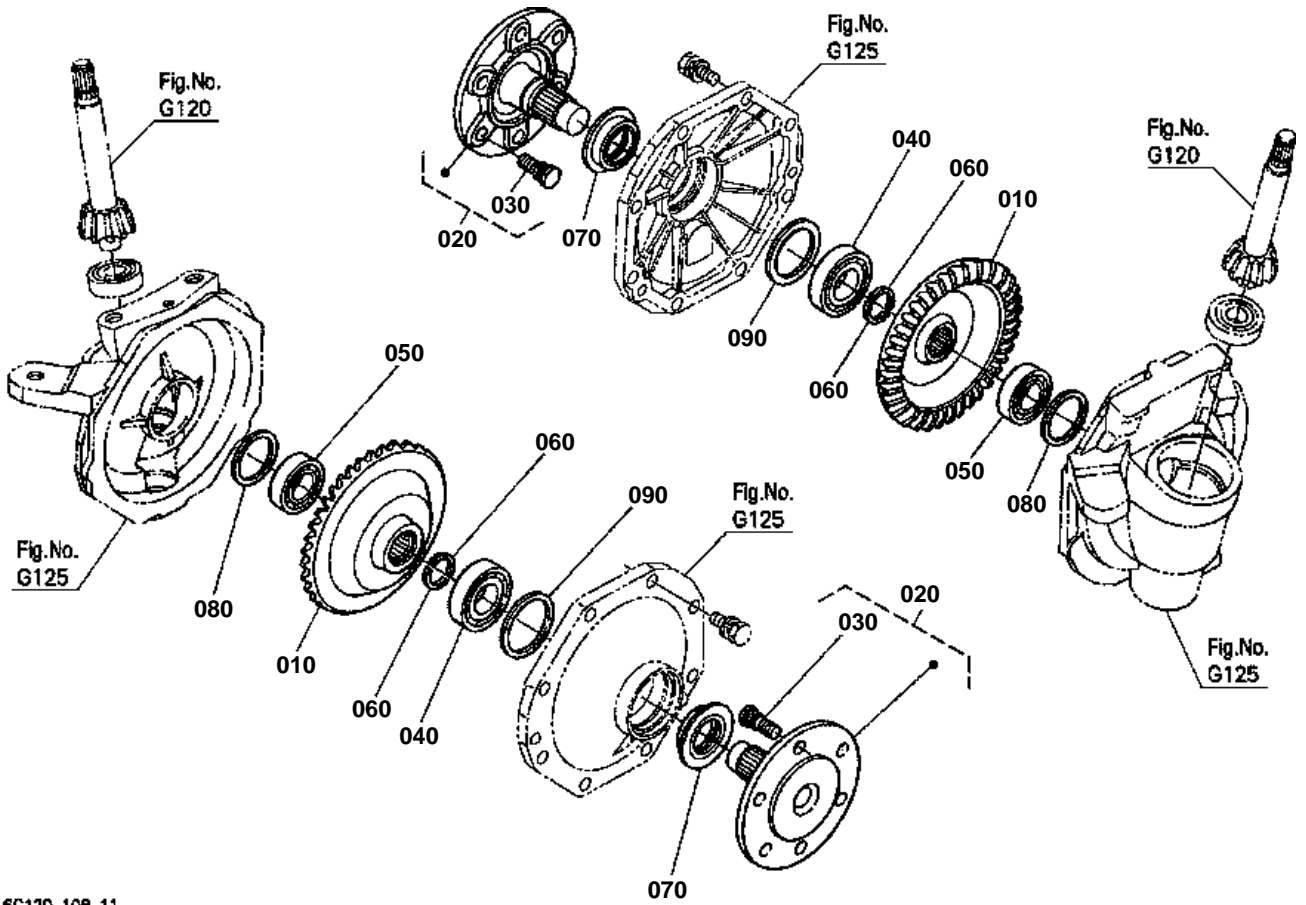


# FRONT AXLE CASE

↔ Interchangeable; ≠ not interchangeable; ← new for old; → old for new

| REF.No | Part No.    | Description        | Q'ty | S.No. | I/C | REMARKS | Weight (kgf) | Weight (lb) |
|--------|-------------|--------------------|------|-------|-----|---------|--------------|-------------|
| 010    | 6C120-56313 | CASE GEAR LH       | 1    |       |     |         | 4.54         | 9.988       |
| 020    | 6C120-56323 | CASE GEAR RH       | 1    |       |     |         | 4.45         | 9.79        |
| 030    | 01774-51010 | BOLT FLANGE        | 2    |       |     |         | 0.08         | 0.176       |
| 040    | 04717-01000 | WASHER WITH RUBBER | 2    |       |     |         | 0.001        | 0.0022      |
| 050    | 6A320-56343 | COVER GEAR CASE    | 2    |       |     |         | 0.7          | 1.54        |
| 060    | 05012-01020 | PIN STRAIGHT       | 4    |       |     |         | 0.013        | 0.0286      |
| 070    | 01133-51028 | BOLT               | 16   |       |     |         | 0.027        | 0.0594      |

FRONT AXLE



6C120-108-11

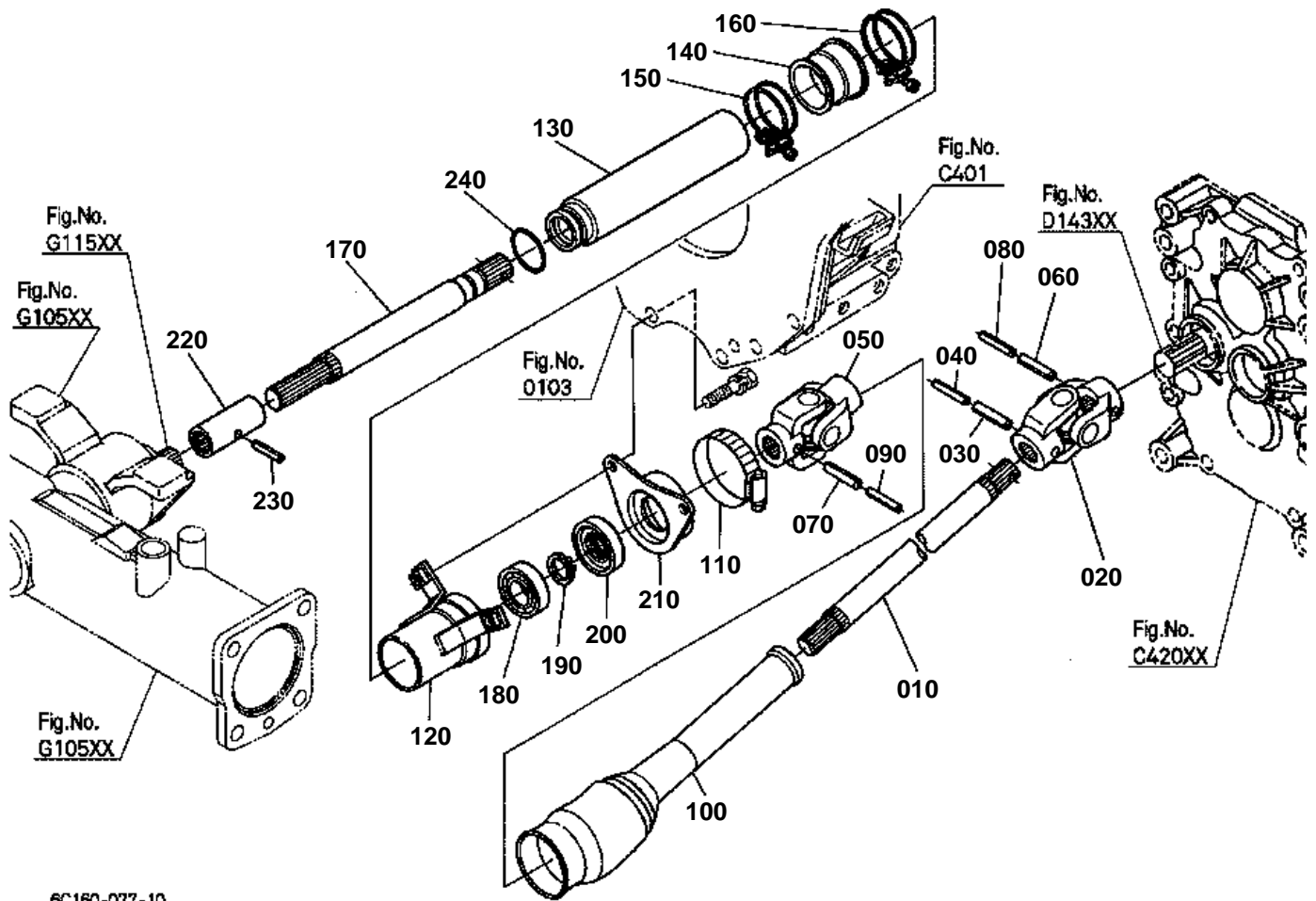


**FRONT AXLE**

↔ Interchangeable; ≠ not interchangeable; ← new for old; → old for new

| REF.No | Part No.    | Description       | Q'ty | S.No. | I/C | REMARKS | Weight (kgf) | Weight (lb) |
|--------|-------------|-------------------|------|-------|-----|---------|--------------|-------------|
| 010    | 6A320-57310 | GEAR BEVEL        | 2    |       |     | 38T     | 2.05         | 4.51        |
| 020    | 6A100-57300 | ASSY SHAFT F.AXLE | 2    |       |     |         | 1.5          | 3.3         |
| 030    | 6C040-57330 | BOLT              | 12   |       |     |         | 0.035        | 0.077       |
| 040    | 08101-06206 | BEARING BALL      | 2    |       |     |         | 0.196        | 0.4312      |
| 050    | 08101-06205 | BEARING BALL      | 2    |       |     |         | 0.14         | 0.308       |
| 060    | 67156-56820 | COLLAR SET        | 4    |       |     |         | 0.004        | 0.0088      |
| 070    | 37410-57340 | SEAL OIL          | 2    |       |     |         | 0.045        | 0.099       |
| 080    | 31353-43160 | SHIM              | 2    |       |     | 0.8mm   | 0.01         | 0.022       |
| 080    | 66706-14350 | SHIM SHAFT        | 2    |       |     | 1.0mm   | 0.004        | 0.0088      |
| 080    | 31353-43180 | SHIM              | 2    |       |     | 1.2mm   | 0.003        | 0.0066      |
| 090    | 6C040-57140 | SHIM              | 2    |       |     | 0.8mm   | 0.006        | 0.0132      |
| 090    | 6C040-57130 | SHIM              | 2    |       |     | 1.0mm   | 0.008        | 0.0176      |
| 090    | 6C040-57150 | SHIM              | 2    |       |     | 1.2mm   | 0.009        | 0.0198      |
| 090    | 6C040-57160 | SHIM              | 2    |       |     | 1.4mm   | 0.011        | 0.0242      |

FRONT DRIVE SHAFT



6C160-077-10

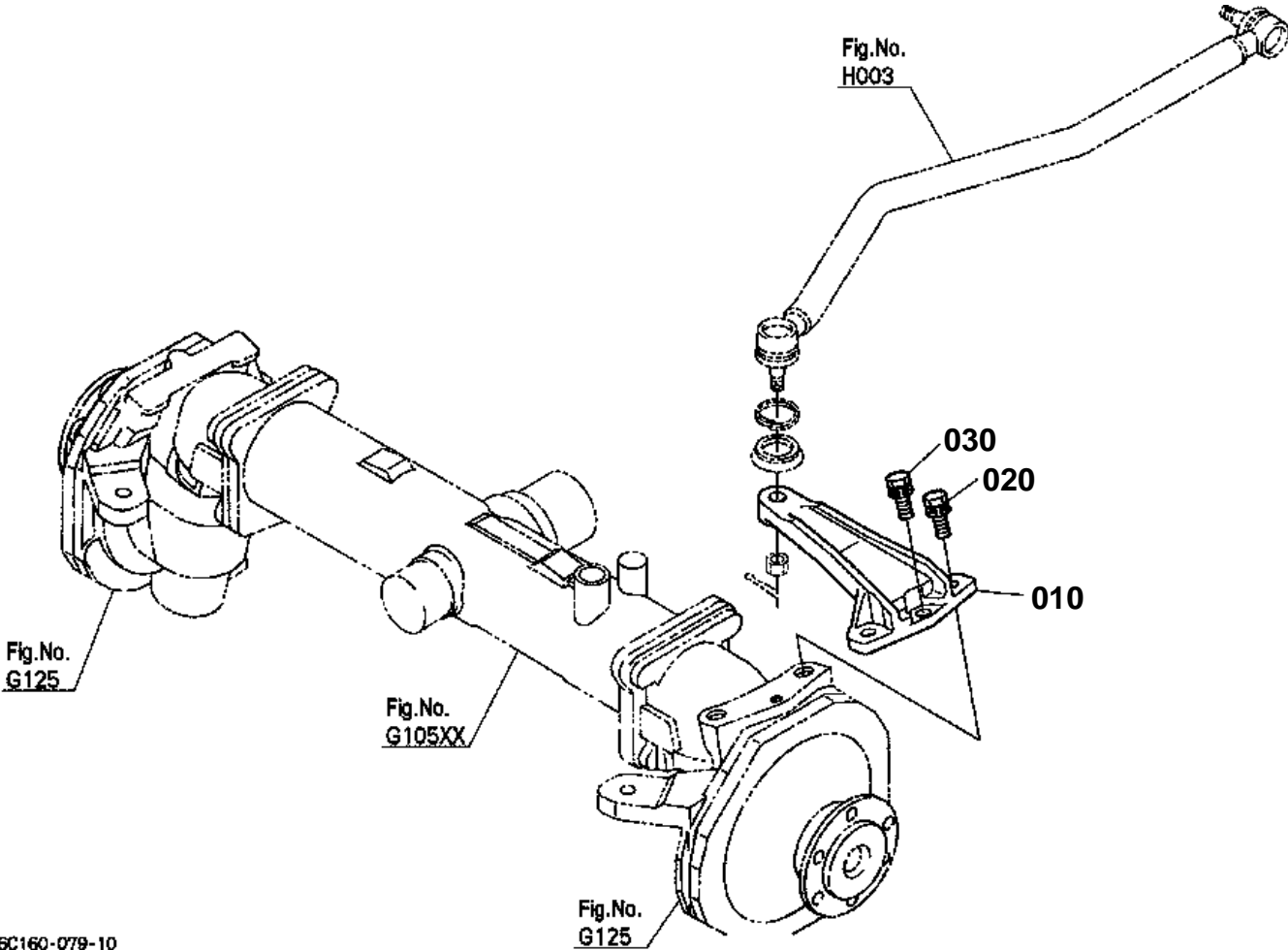


# FRONT DRIVE SHAFT

↔ Interchangeable; ≠ not interchangeable; ← new for old; → old for new

| REF.No | Part No.    | Description          | Q'ty | S.No. | I/C | REMARKS | Weight (kgf) | Weight (lb) |
|--------|-------------|----------------------|------|-------|-----|---------|--------------|-------------|
| 010    | 6C040-57512 | SHAFT DRIVE          | 1    |       |     |         | 1.43         | 3.146       |
| 020    | 6C040-57500 | ASSY JOINT UNIVERSAL | 1    |       |     |         | 0.6          | 1.32        |
| 030    | 05411-00640 | PIN SPRING           | 1    |       |     |         | 0.006        | 0.0132      |
| 040    | 32721-57680 | PIN SPRING           | 1    |       |     |         | 0.002        | 0.0044      |
| 050    | 6C040-57542 | ASSY JOINT UNIVERSAL | 1    |       |     |         | 0.69         | 1.518       |
| 060    | 05411-00640 | PIN SPRING           | 1    |       |     |         | 0.006        | 0.0132      |
| 070    | 05411-00640 | PIN SPRING           | 1    |       |     |         | 0.006        | 0.0132      |
| 080    | 32721-57680 | PIN SPRING           | 1    |       |     |         | 0.002        | 0.0044      |
| 090    | 32721-57680 | PIN SPRING           | 1    |       |     |         | 0.002        | 0.0044      |
| 100    | 6C040-57550 | COVER                | 1    |       |     |         | 0.04         | 0.088       |
| 110    | 66103-58310 | BAND                 | 1    |       |     |         | 0.02         | 0.044       |
| 120    | 6C040-57610 | COVER FRONT SHAFT    | 1    |       |     |         | 0.248        | 0.5456      |
| 130    | 6C040-57662 | COVER FRONT SHAFT    | 1    |       |     |         | 0.25         | 0.55        |
| 140    | 6C040-57650 | COVER FRONT SHAFT    | 1    |       |     |         | 0.035        | 0.077       |
| 150    | 09318-89052 | CLAMP HOSE           | 1    |       |     |         | 0.03         | 0.066       |
| 160    | 09318-89058 | CLAMP HOSE           | 1    |       |     |         | 0.028        | 0.0616      |
| 170    | 6C040-57622 | SHAFT FRONT DRIVE    | 1    |       |     |         | 0.73         | 1.606       |
| 180    | 08141-06204 | BEARING BALL         | 1    |       |     |         | 0.101        | 0.2222      |
| 190    | 04612-00200 | CIR CLIP EXTERNAL    | 1    |       |     |         | 0.001        | 0.0022      |
| 200    | 6C040-57630 | SEAL OIL             | 1    |       |     |         | 0.025        | 0.055       |
| 210    | 6C040-57640 | SUPPORT              | 1    |       |     |         | 0.14         | 0.308       |
| 220    | T0070-14710 | COUPLING             | 1    |       |     |         | 0.16         | 0.352       |
| 230    | 05411-00430 | PIN SPRING           | 1    |       |     |         | 0.002        | 0.0044      |
| 240    | 04816-06370 | O RING               | 1    |       |     |         | 0.003        | 0.0066      |

KNUCKLE ARM



6C160-079-10

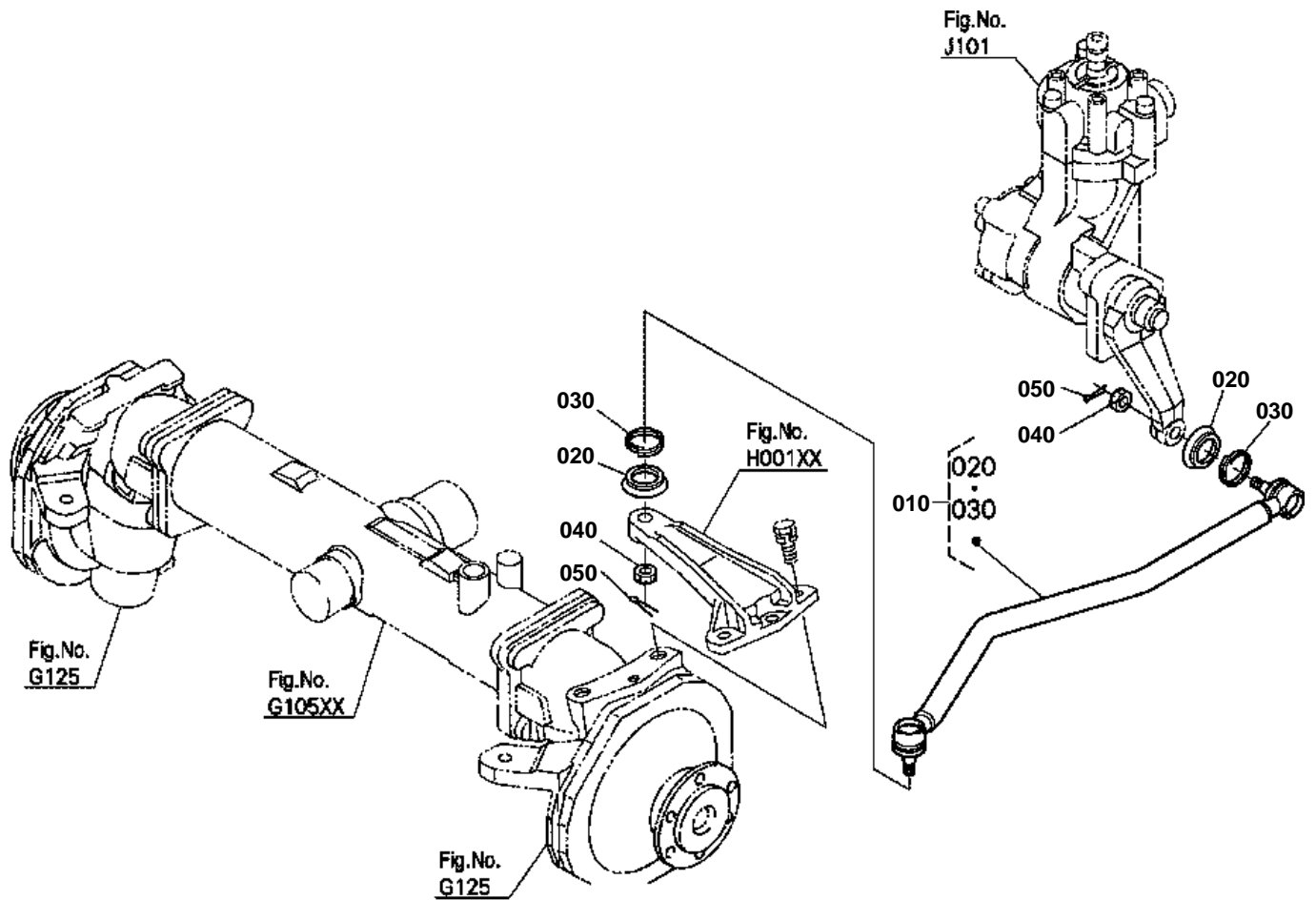


# KNUCKLE ARM

↔ Interchangeable; ≠ not interchangeable; ← new for old; → old for new

| REF.No | Part No.    | Description | Q'ty | S.No. | I/C | REMARKS | Weight (kgf) | Weight (lb) |
|--------|-------------|-------------|------|-------|-----|---------|--------------|-------------|
| 010    | 6C120-56410 | ARM KNUCKLE | 1    |       |     |         | 1.48         | 3.256       |
| 020    | 01138-61235 | BOLT        | 2    |       |     |         | 0.02         | 0.044       |
| 030    | 01133-51025 | BOLT        | 1    |       |     |         | 0.023        | 0.0506      |

# DRAG LINK



6C160-081-10

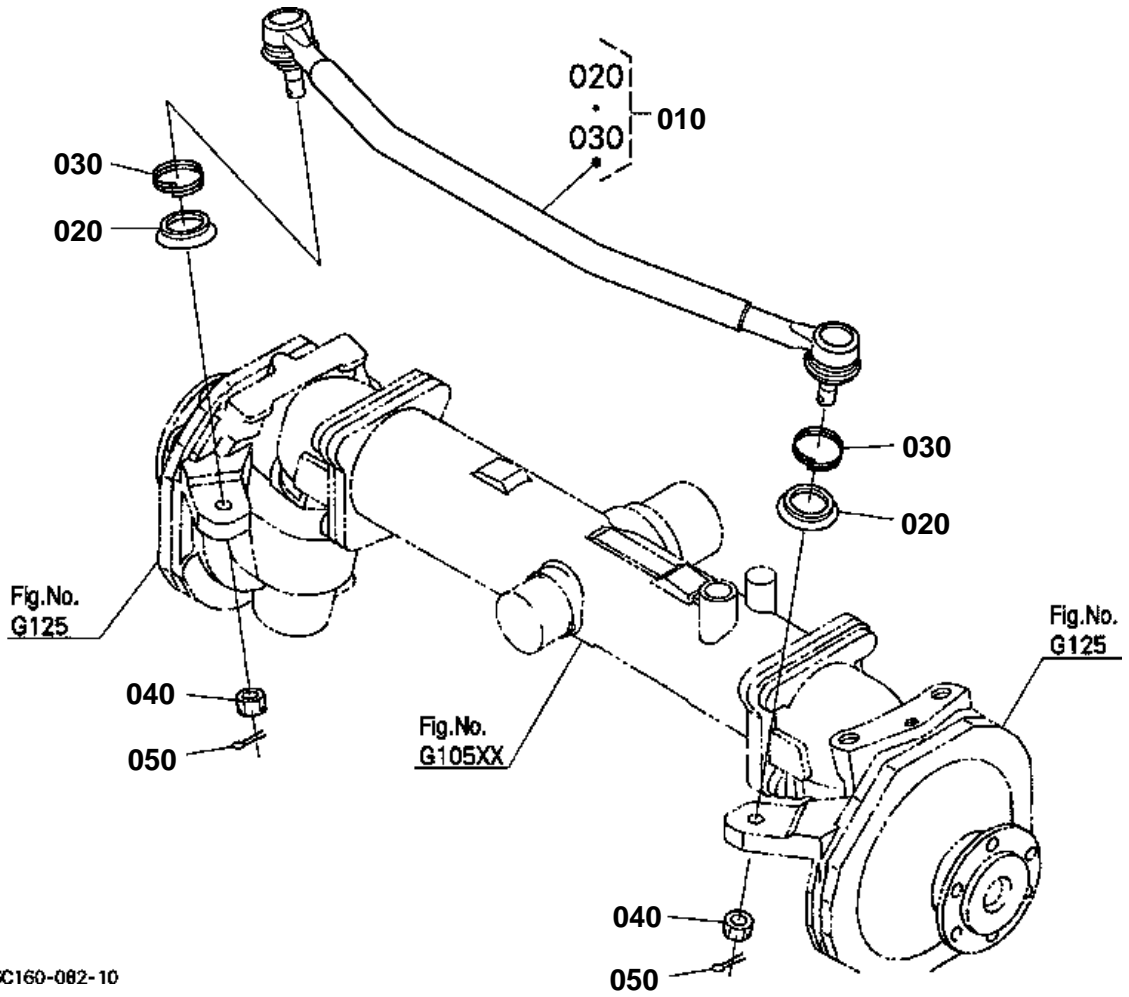


## DRAG LINK

↔ Interchangeable; ≠ not interchangeable; ← new for old; → old for new

| REF.No | Part No.    | Description    | Q'ty | S.No. | I/C | REMARKS | Weight (kgf) | Weight (lb) |
|--------|-------------|----------------|------|-------|-----|---------|--------------|-------------|
| 010    | 6C140-57712 | ASSY LINK DRAG | 1    |       |     |         | 2.55         | 5.61        |
| 020    | 67121-56560 | COVER DUST     | 2    |       |     |         | 0.008        | 0.0176      |
| 030    | 67121-56570 | CLIP           | 2    |       |     |         | 0.003        | 0.0066      |
| 040    | 66591-56780 | NUT            | 2    |       |     |         | 0.01         | 0.022       |
| 050    | 05511-52528 | PIN SPLIT      | 2    |       |     |         | 0.001        | 0.0022      |

TIE ROD



6C160-082-10



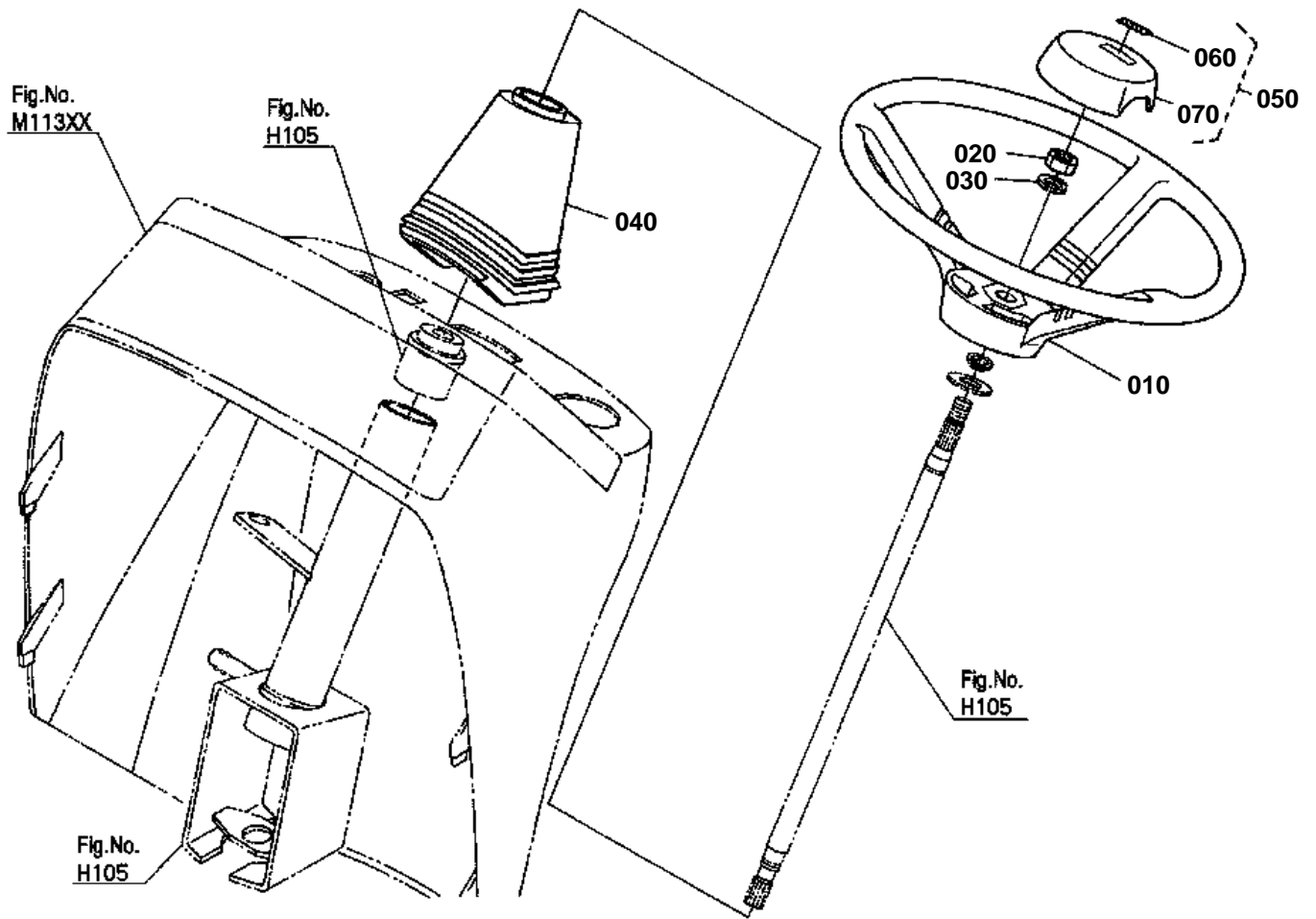


# TIE ROD

↔ Interchangeable; ≠ not interchangeable; ← new for old; → old for new

| REF.No | Part No.    | Description  | Q'ty | S.No. | I/C | REMARKS | Weight (kgf) | Weight (lb) |
|--------|-------------|--------------|------|-------|-----|---------|--------------|-------------|
| 010    | 6C120-56420 | ASSY ROD TIE | 1    |       |     |         | 2.41         | 5.302       |
| 020    | 67121-56560 | COVER DUST   | 2    |       |     |         | 0.008        | 0.0176      |
| 030    | 67121-56570 | CLIP         | 2    |       |     |         | 0.003        | 0.0066      |
| 040    | 66591-56780 | NUT          | 2    |       |     |         | 0.01         | 0.022       |
| 050    | 05511-52520 | PIN SPLIT    | 2    |       |     |         | 0.001        | 0.0022      |

STEERING HANDLE



6C160-084-10

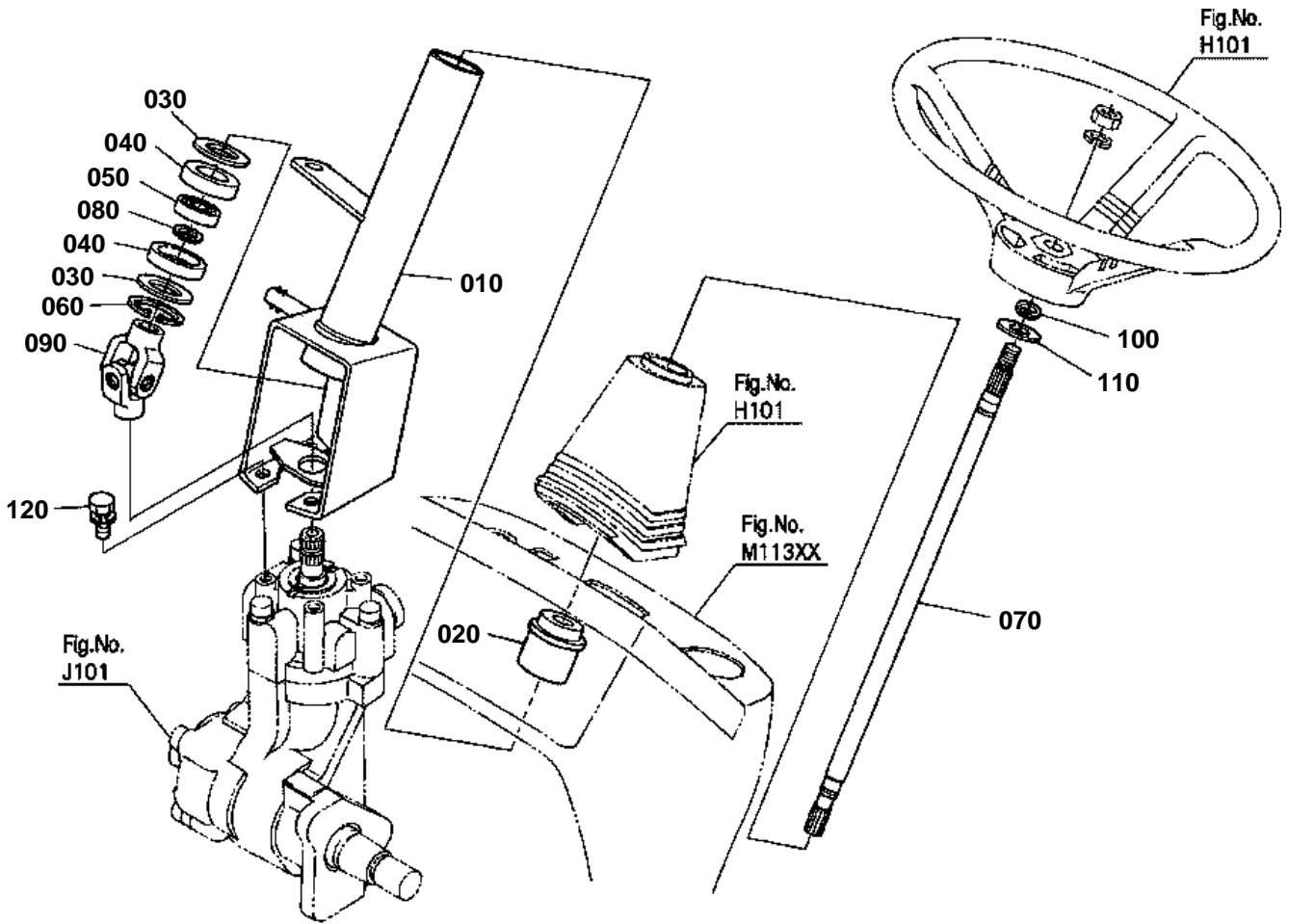


## STEERING HANDLE

↔ Interchangeable; ≠ not interchangeable; ← new for old; → old for new

| REF.No | Part No.    | Description    | Q'ty | S.No. | I/C | REMARKS | Weight (kgf) | Weight (lb) |
|--------|-------------|----------------|------|-------|-----|---------|--------------|-------------|
| 010    | 6C040-41410 | WHEEL STEERING | 1    |       |     |         | 1.41         | 3.102       |
| 020    | 02174-50120 | NUT            | 1    |       |     |         | 0.01         | 0.022       |
| 030    | 04512-60120 | WASHER SPRING  | 1    |       |     |         | 0.005        | 0.011       |
| 040    | 6C070-53550 | BOOT STEERING  | 1    |       |     |         | 0.093        | 0.2046      |
| 050    | 6C040-41420 | ASSY PAD       | 1    |       |     |         | 0.041        | 0.0902      |
| 060    | 6C040-41440 | MARK STEERING  | 1    |       |     |         | 0.001        | 0.0022      |
| 070    | 6C040-41430 | PAD STEERING   | 1    |       |     |         | 0.039        | 0.0858      |

# STEERING POST



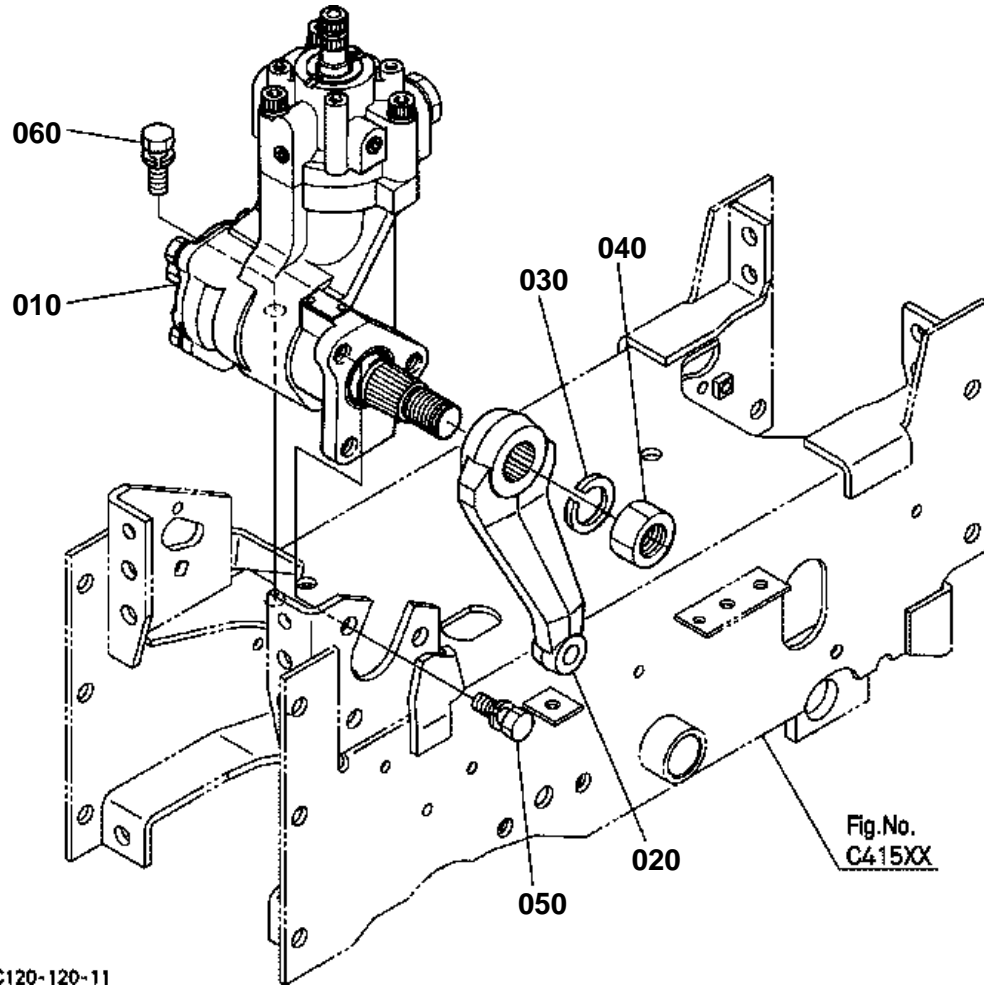
6C160-085-10



## STEERING POST

↔ Interchangeable; ≠ not interchangeable; ← new for old; → old for new

| REF.No | Part No.    | Description       | Q'ty | S.No. | I/C | REMARKS | Weight (kgf) | Weight (lb) |
|--------|-------------|-------------------|------|-------|-----|---------|--------------|-------------|
| 010    | 6C070-41320 | POST STEERING     | 1    |       |     |         | 1.57         | 3.454       |
| 020    | 6C040-41510 | BUSH              | 1    |       |     |         | 0.035        | 0.077       |
| 030    | 6C040-41390 | COLLAR            | 2    |       |     |         | 0.007        | 0.0154      |
| 040    | 6C040-41523 | COVER BEARING     | 2    |       |     |         | 0.007        | 0.0154      |
| 050    | 08121-06002 | BEARING BALL      | 1    |       |     |         | 0.03         | 0.066       |
| 060    | 04611-00420 | CIR CLIP INTERNAL | 1    |       |     |         | 0.006        | 0.0132      |
| 070    | 6C070-41340 | SHAFT STEERING    | 1    |       |     |         | 0.5          | 1.1         |
| 080    | 04612-00150 | CIR CLIP EXTERNAL | 1    |       |     |         | 0.001        | 0.0022      |
| 090    | 6C042-41330 | JOINT UNIVERSAL   | 1    |       |     |         | 0.27         | 0.594       |
| 100    | 04612-00160 | CIR CLIP EXTERNAL | 1    |       |     |         | 0.001        | 0.0022      |
| 110    | 04013-60160 | WASHER PLAIN      | 1    |       |     |         | 0.01         | 0.022       |
| 120    | 01123-50820 | BOLT              | 4    |       |     |         | 0.011        | 0.0242      |



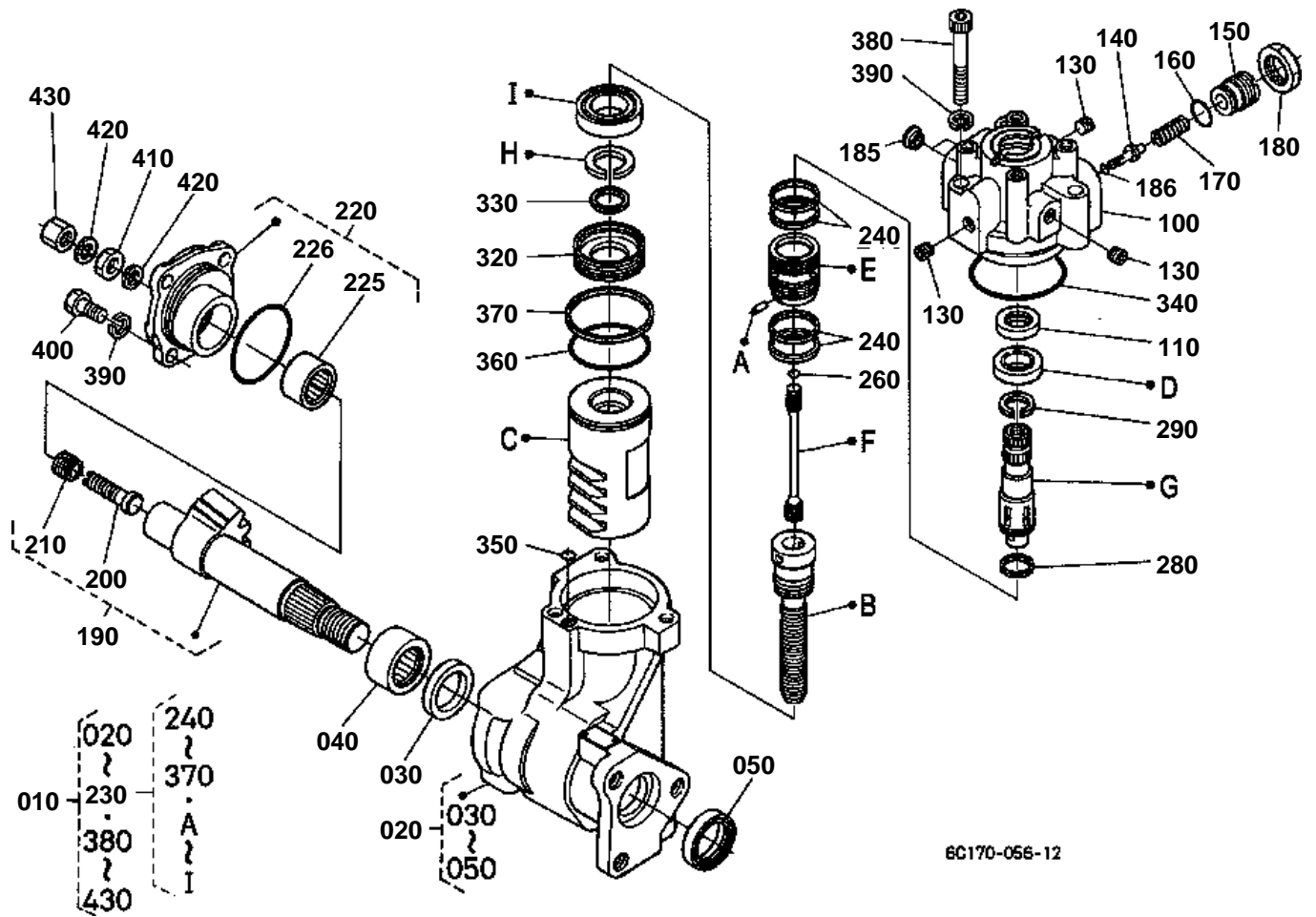


## HYDRAULIC PUMP(PS)

↔ Interchangeable; ≠ not interchangeable; ← new for old; → old for new

| REF.No | Part No.    | Description         | Q'ty | S.No. | I/C | REMARKS | Weight (kgf) | Weight (lb) |
|--------|-------------|---------------------|------|-------|-----|---------|--------------|-------------|
| 010    | 6C070-41105 | ASSY STEERING POWER | 1    |       |     |         | 11.1         | 24.42       |
| 020    | 6C140-41213 | ARM PITMAN          | 1    |       |     |         | 0.8          | 1.76        |
| 030    | 04512-60220 | WASHER SPRING       | 1    |       |     |         | 0.025        | 0.055       |
| 040    | 02176-50220 | NUT                 | 1    |       |     |         | 0.058        | 0.1276      |
| 050    | 01133-51230 | BOLT                | 3    |       |     |         | 0.04         | 0.088       |
| 060    | 01133-51235 | BOLT                | 2    |       |     |         | 0.043        | 0.0946      |

HYDRAULIC PUMP(PS) [COMPONENT PARTS]





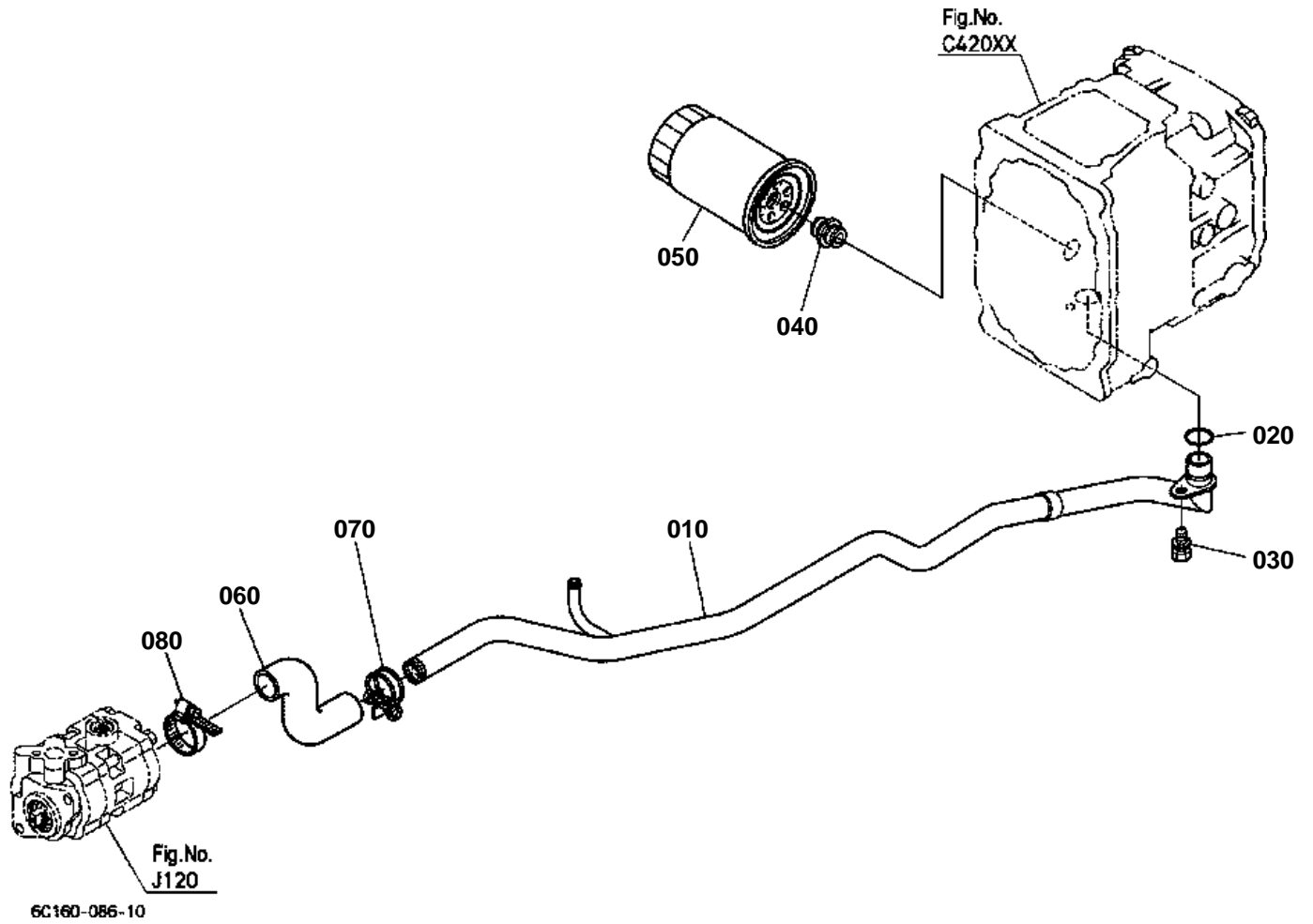


## HYDRAULIC PUMP(PS) [COMPONENT PARTS]

↔ Interchangeable; ≠ not interchangeable; ← new for old; → old for new

| REF.No | Part No.    | Description         | Q'ty | S.No. | I/C | REMARKS | Weight (kgf) | Weight (lb) |
|--------|-------------|---------------------|------|-------|-----|---------|--------------|-------------|
| 010    | 6C070-41105 | ASSY STEERING POWER | 1    |       |     |         | 11.1         | 24.42       |
| 020    | 6C070-92000 | ASSY CASE GEAR      | 1    |       |     |         | 5.23         | 11.506      |
| 030    | 35270-16140 | GASKET              | 1    |       |     |         | 0.005        | 0.011       |
| 040    | 31351-66130 | BEARING NEEDLE      | 1    |       |     |         | 0.03         | 0.066       |
| 050    | 35270-16150 | SEAL OIL            | 1    |       |     |         | 0.015        | 0.033       |
| 060    | 99999-99999 | BLANK               | 0    |       |     |         | 0            | 0           |
| 070    | 99999-99999 | BLANK               | 0    |       |     |         | 0            | 0           |
| 080    | 99999-99999 | BLANK               | 0    |       |     |         | 0            | 0           |
| 090    | 99999-99999 | BLANK               | 0    |       |     |         | 0            | 0           |
| 100    | 6C070-92214 | VALVE HOUSING       | 1    |       |     |         | 0.83         | 1.826       |
| 110    | 6A100-92220 | SEAL OIL            | 1    |       |     |         | 0.006        | 0.0132      |
| 120    | 99999-99999 | BLANK               | 0    |       |     |         | 0            | 0           |
| 130    | T0430-37090 | PLUG                | 3    |       |     |         | 0.003        | 0.0066      |
| 140    | 6C070-92230 | POPPET              | 1    |       |     |         | 0.005        | 0.011       |
| 150    | 31351-66370 | SCREW ADJUSTING     | 1    |       |     |         | 0.047        | 0.1034      |
| 160    | 31351-66390 | O RING              | 1    |       |     |         | 0.001        | 0.0022      |
| 170    | 38430-66380 | SPRING              | 1    |       |     |         | 0.015        | 0.033       |
| 180    | 31351-66380 | NUT                 | 1    |       |     |         | 0.022        | 0.0484      |
| 185    | 6C042-41540 | FERRULE             | 2    |       |     |         | 0.004        | 0.0088      |
| 186    | 6C070-92240 | O RING              | 1    |       |     |         | 0.001        | 0.0022      |
| 190    | 32721-92300 | ASSY SHAFT SECTOR   | 1    |       |     |         | 1.3          | 2.86        |
| 200    | 35270-16620 | SCREW ADJUSTING     | 1    |       |     |         | 0.028        | 0.0616      |
| 210    | 35270-16630 | BOLT                | 1    |       |     |         | 0.011        | 0.0242      |
| 220    | 6A320-92350 | ASSY COVER SIDE     | 1    |       |     |         | 0.73         | 1.606       |
| 225    | 35270-16420 | BEARING NEEDLE      | 1    |       |     |         | 0.045        | 0.099       |
| 226    | 04810-50600 | O RING              | 1    |       |     |         | 0.002        | 0.0044      |
| 230    | 6C070-92302 | ASSY SHAFT PISTON   | 1    |       |     |         | 2.57         | 5.654       |
| 240    | 6A100-92510 | SEAL                | 4    |       |     |         | 0.002        | 0.0044      |
| 250    | 99999-99999 | BLANK               | 0    |       |     |         | 0            | 0           |
| 260    | 04811-10060 | O RING              | 1    |       |     |         | 0.001        | 0.0022      |
| 270    | 99999-99999 | BLANK               | 0    |       |     |         | 0            | 0           |
| 280    | 6A100-92540 | SQUARE RING         | 1    |       |     |         | 0.001        | 0.0022      |
| 290    | 6A100-92550 | RING SNAP           | 1    |       |     |         | 0.002        | 0.0044      |
| 300    | 99999-99999 | BLANK               | 0    |       |     |         | 0            | 0           |
| 310    | 99999-99999 | BLANK               | 0    |       |     |         | 0            | 0           |
| 320    | 6A600-92030 | PLUG                | 1    |       |     |         | 0.09         | 0.198       |
| 330    | T0430-37170 | SEAL                | 1    |       |     |         | 0.001        | 0.0022      |
| 340    | 04811-50650 | O RING              | 1    |       |     |         | 0.002        | 0.0044      |
| 350    | 04817-00060 | O RING              | 1    |       |     |         | 0.002        | 0.0044      |
| 360    | 04817-50500 | O RING              | 1    |       |     |         | 0.003        | 0.0066      |
| 370    | 31351-66280 | RING                | 1    |       |     |         | 0.002        | 0.0044      |
| 380    | 6C042-41850 | BOLT                | 3    |       |     |         | 0.05         | 0.11        |
| 390    | 04512-60100 | WASHER SPRING       | 7    |       |     |         | 0.002        | 0.0044      |
| 400    | 35270-16650 | BOLT                | 4    |       |     |         | 0.02         | 0.044       |
| 410    | 66363-41250 | NUT                 | 1    |       |     |         | 0.01         | 0.022       |
| 420    | 35270-16690 | GASKET              | 2    |       |     |         | 0.001        | 0.0022      |
| 430    | 35270-16700 | NUT                 | 1    |       |     |         | 0.11         | 0.242       |

HYDRAULIC OIL LINE(SUCTION)



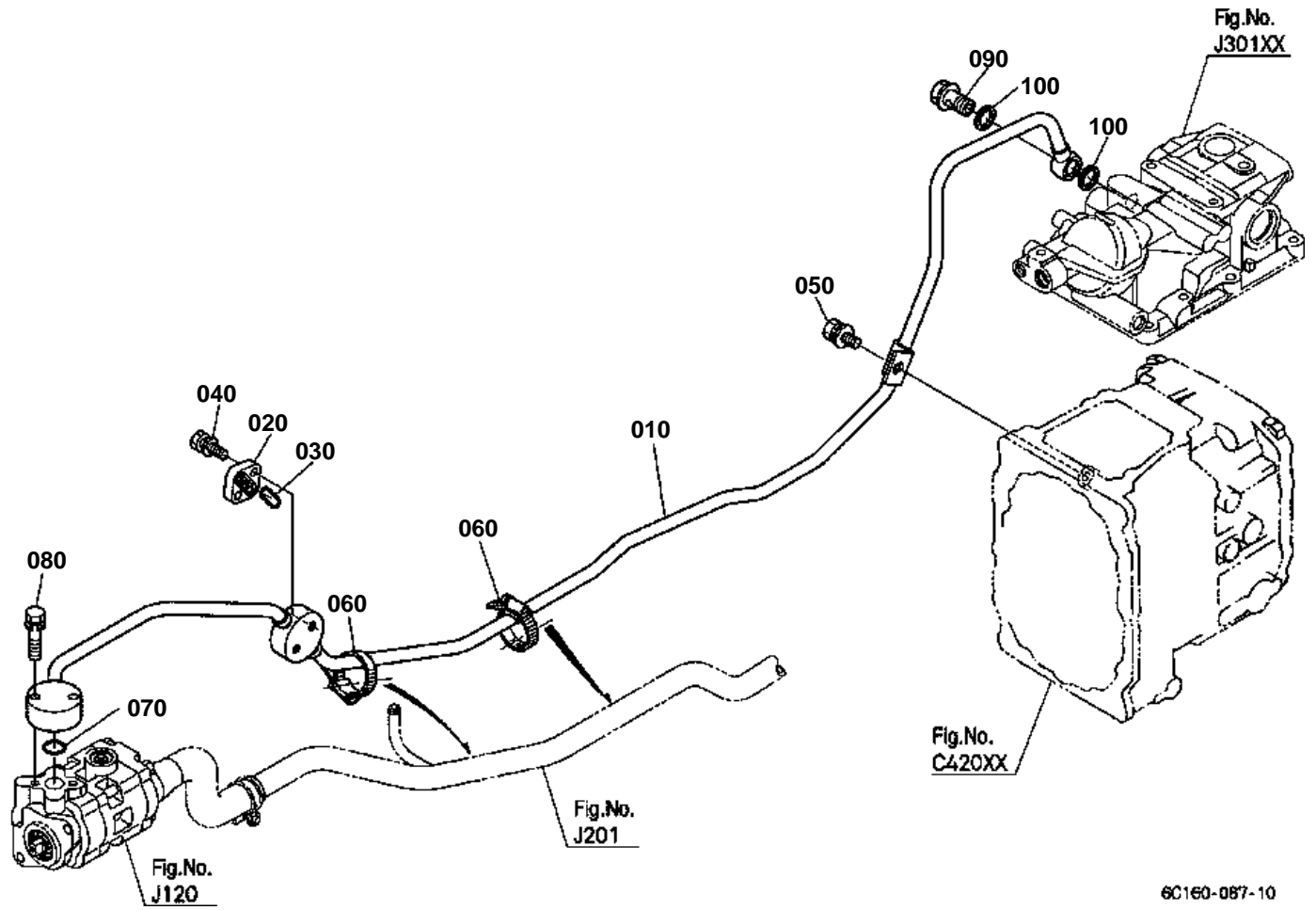


## HYDRAULIC OIL LINE(SUCTION)

↔ Interchangeable; ≠ not interchangeable; ← new for old; → old for new

| REF.No | Part No.    | Description          | Q'ty | S.No. | I/C | REMARKS | Weight (kgf) | Weight (lb) |
|--------|-------------|----------------------|------|-------|-----|---------|--------------|-------------|
| 010    | 6C140-39112 | PIPE SUCTION         | 1    |       |     |         | 0.62         | 1.364       |
| 020    | 04816-00200 | O RING               | 1    |       |     |         | 0.003        | 0.0066      |
| 030    | 01123-50818 | BOLT                 | 1    |       |     |         | 0.012        | 0.0264      |
| 040    | 38240-37780 | JOINT SCREW          | 1    |       |     |         | 0.03         | 0.066       |
| 050    | 67955-37710 | CARTRIDGE OIL FILTER | 1    |       |     |         | 0.39         | 0.858       |
| 060    | 6C140-39150 | HOSE INLET           | 1    |       |     |         | 0.09         | 0.198       |
| 070    | 67980-58640 | CLAMP HOSE           | 1    |       |     |         | 0.02         | 0.044       |
| 080    | 67955-36230 | CLAMP                | 1    |       |     |         | 0.023        | 0.0506      |

HYDRAULIC OIL LINE(DELIVERY)



6C160-087-10

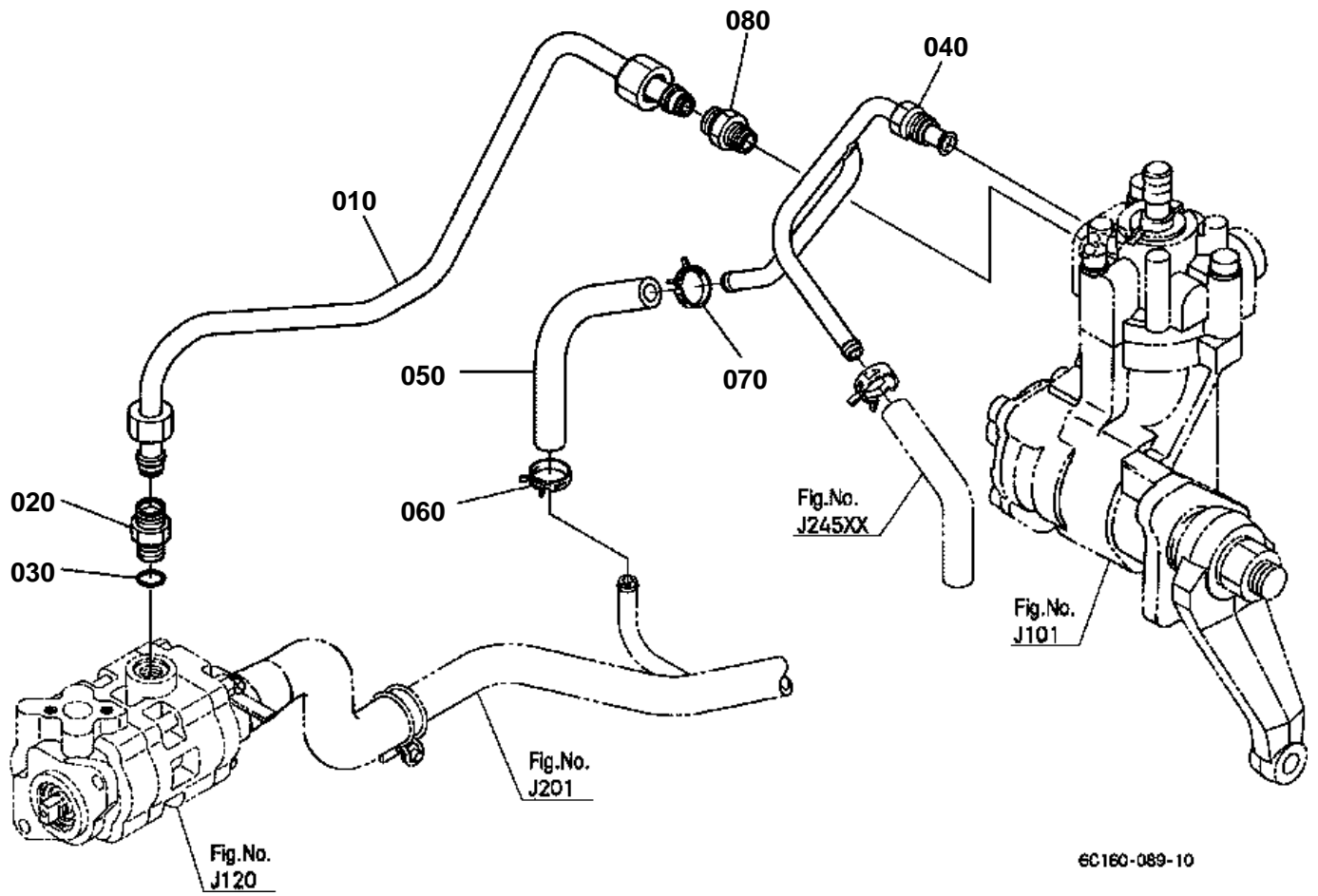


# HYDRAULIC OIL LINE(DELIVERY)

↔ Interchangeable; ≠ not interchangeable; ← new for old; → old for new

| REF.No | Part No.    | Description   | Q'ty | S.No. | I/C | REMARKS | Weight (kgf) | Weight (lb) |
|--------|-------------|---------------|------|-------|-----|---------|--------------|-------------|
| 010    | 6C120-39213 | PIPE DELIVERY | 1    |       |     |         | 1.05         | 2.31        |
| 020    | 6C040-36620 | CAP           | 1    |       |     |         | 0.022        | 0.0484      |
| 030    | 37410-36630 | O RING        | 1    |       |     |         | 0.001        | 0.0022      |
| 040    | 01123-50830 | BOLT          | 2    |       |     |         | 0.015        | 0.033       |
| 050    | 01125-50818 | BOLT          | 1    |       |     |         | 0.015        | 0.033       |
| 060    | 67955-36230 | CLAMP         | 2    |       |     |         | 0.023        | 0.0506      |
| 070    | 04817-00200 | O RING        | 1    |       |     |         | 0.011        | 0.0242      |
| 080    | 01123-50840 | BOLT          | 2    |       |     |         | 0.018        | 0.0396      |
| 090    | 6A320-39292 | BOLT JOINT    | 1    |       |     |         | 0.06         | 0.132       |
| 100    | 67111-37180 | GASKET        | 2    |       |     |         | 0.003        | 0.0066      |

HYDRAULIC OIL LINE(STEERING)



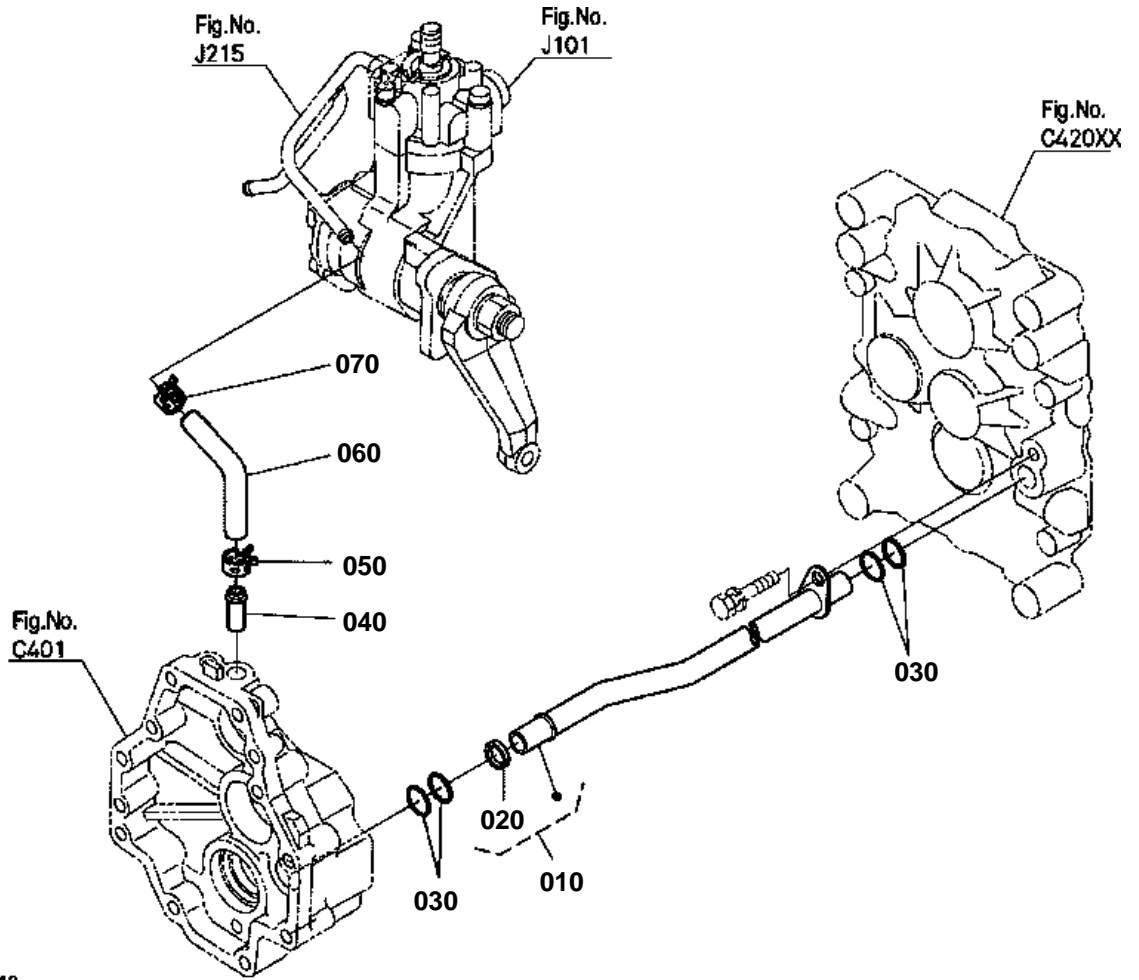


## HYDRAULIC OIL LINE(STEERING)

↔ Interchangeable; ≠ not interchangeable; ← new for old; → old for new

| REF.No | Part No.    | Description   | Q'ty | S.No. | I/C | REMARKS | Weight (kgf) | Weight (lb) |
|--------|-------------|---------------|------|-------|-----|---------|--------------|-------------|
| 010    | 6C140-39220 | PIPE DELIVERY | 1    |       |     |         | 0.28         | 0.616       |
| 020    | 06012-51223 | JOINT PIPE    | 1    |       |     |         | 0.04         | 0.088       |
| 030    | 04816-00110 | O RING        | 1    |       |     |         | 0.001        | 0.0022      |
| 040    | 6C140-39313 | PIPE          | 1    |       |     |         | 0.1          | 0.22        |
| 050    | 6C140-39330 | HOSE          | 1    |       |     |         | 0.032        | 0.0704      |
| 060    | 6A600-39330 | CLAMP HOSE    | 1    |       |     |         | 0.006        | 0.0132      |
| 070    | 6A600-39330 | CLAMP HOSE    | 1    |       |     |         | 0.006        | 0.0132      |
| 080    | 6C070-39430 | JOINT PIPE    | 1    |       |     |         | 0.038        | 0.0836      |

HYDRAULIC OIL LINE(F/M)



6C160-091-10



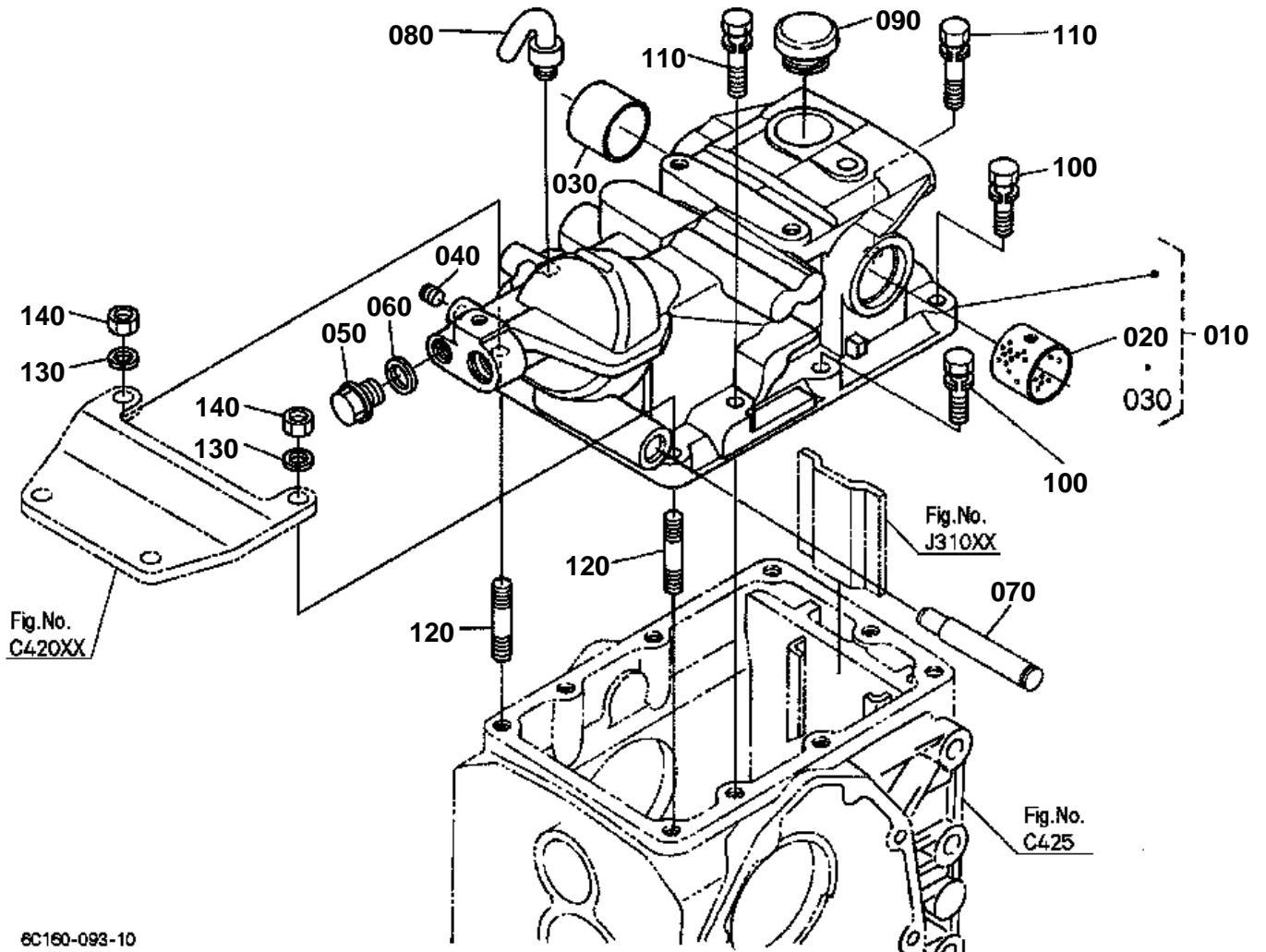


# HYDRAULIC OIL LINE(F/M)

↔ Interchangeable; ≠ not interchangeable; ← new for old; → old for new

| REF.No | Part No.    | Description    | Q'ty | S.No. | I/C | REMARKS | Weight (kgf) | Weight (lb) |
|--------|-------------|----------------|------|-------|-----|---------|--------------|-------------|
| 010    | 6C140-13150 | PIPE           | 1    |       |     |         | 0.25         | 0.55        |
| 020    | 6C040-13160 | RING           | 1    |       |     |         | 0.001        | 0.0022      |
| 030    | 04816-06170 | O RING         | 4    |       |     |         | 0.005        | 0.011       |
| 040    | 6C140-13190 | JOINT          | 1    |       |     |         | 0.008        | 0.0176      |
| 050    | 09318-88125 | CLAMP HOSE     | 1    |       |     |         | 0.001        | 0.0022      |
| 060    | 6C050-13140 | HOSE HYDRAULIC | 1    |       |     |         | 0.013        | 0.0286      |
| 070    | 09318-88125 | CLAMP HOSE     | 1    |       |     |         | 0.001        | 0.0022      |

# HYDRAULIC CYLINDER



6C160-093-10

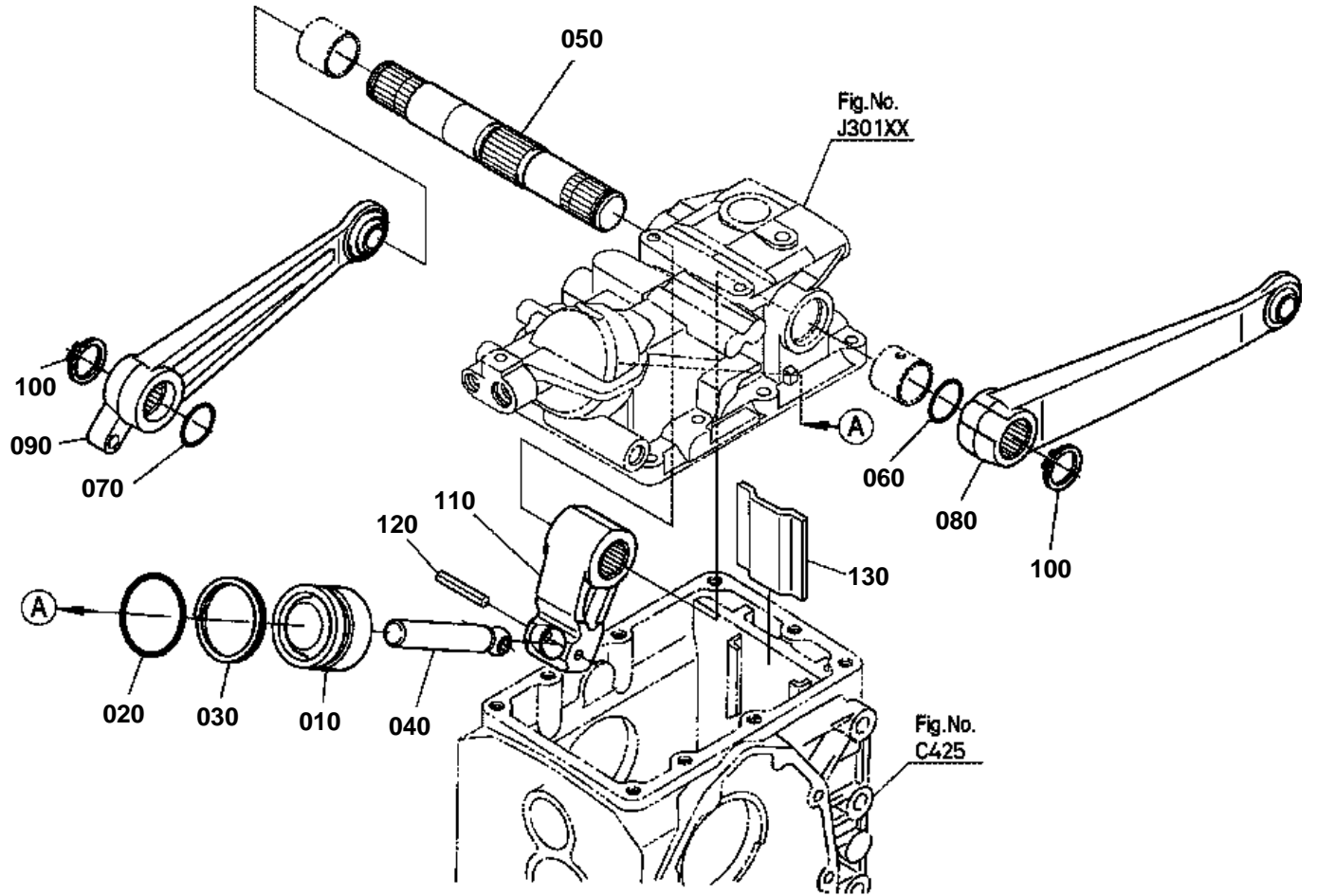


# HYDRAULIC CYLINDER

↔ Interchangeable; ≠ not interchangeable; ← new for old; → old for new

| REF.No | Part No.    | Description        | Q'ty | S.No. | I/C | REMARKS | Weight (kgf) | Weight (lb) |
|--------|-------------|--------------------|------|-------|-----|---------|--------------|-------------|
| 010    | 6C190-36030 | ASSY CASE CYLINDER | 1    |       |     |         | 0            | 0           |
| 020    | 6A320-36490 | BUSH               | 1    |       |     |         | 0.036        | 0.0792      |
| 030    | 6A320-36470 | BUSH               | 1    |       |     |         | 0.048        | 0.1056      |
| 040    | 32701-36150 | PLUG               | 1    |       |     |         | 0.005        | 0.011       |
| 050    | 37150-36730 | PLUG               | 1    |       |     |         | 0.03         | 0.066       |
| 060    | 37150-36720 | GASKET             | 1    |       |     |         | 0.01         | 0.022       |
| 070    | 6C120-42670 | SHAFT FULCRUM      | 1    |       |     |         | 0.22         | 0.484       |
| 080    | 6A100-36410 | BREATHER           | 1    |       |     |         | 0.006        | 0.0132      |
| 090    | 6A100-36420 | PLUG OIL FILLER    | 1    |       |     |         | 0.018        | 0.0396      |
| 100    | 01123-51035 | BOLT               | 5    |       |     |         | 0.025        | 0.055       |
| 110    | 01123-51045 | BOLT               | 2    |       |     |         | 0.032        | 0.0704      |
| 120    | 01555-51035 | STUD               | 2    |       |     |         | 0.029        | 0.0638      |
| 130    | 04512-60100 | WASHER SPRING      | 2    |       |     |         | 0.002        | 0.0044      |
| 140    | 02118-50100 | NUT                | 2    |       |     |         | 0.005        | 0.011       |

HYDRAULIC PISTON/LIFT ARM



6C160-085-10

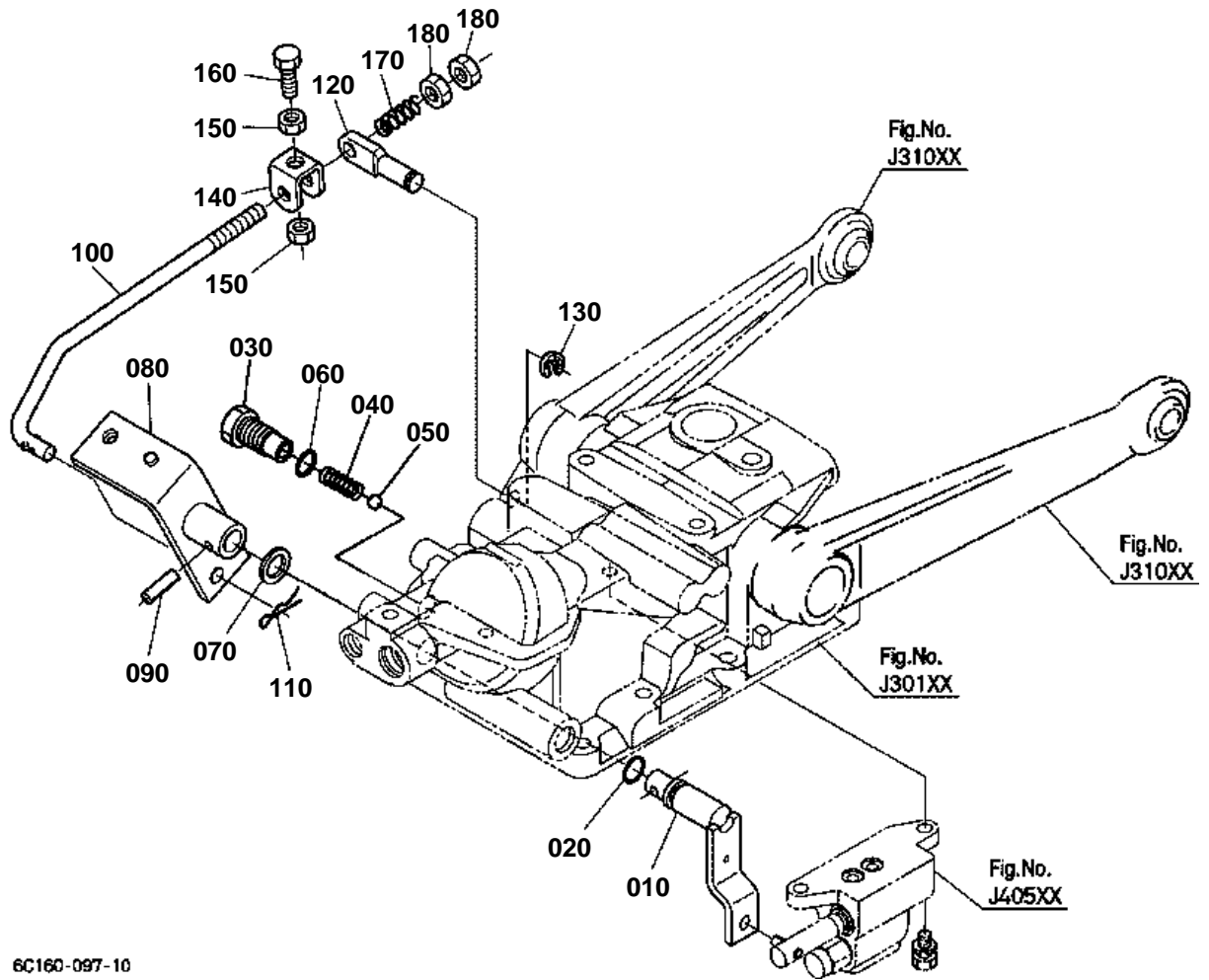


# HYDRAULIC PISTON/LIFT ARM

↔ Interchangeable; ≠ not interchangeable; ← new for old; → old for new

| REF.No | Part No.    | Description       | Q'ty | S.No. | I/C | REMARKS | Weight (kgf) | Weight (lb) |
|--------|-------------|-------------------|------|-------|-----|---------|--------------|-------------|
| 010    | 6A320-36410 | PISTON HYD.       | 1    |       |     |         | 0.61         | 1.342       |
| 020    | 04810-00550 | O RING            | 1    |       |     |         | 0.008        | 0.0176      |
| 030    | 68773-21560 | RING BACK UP      | 1    |       |     |         | 0.005        | 0.011       |
| 040    | 6A320-36430 | ROD HYD.PISTON    | 1    |       |     |         | 0.35         | 0.77        |
| 050    | 6C120-36580 | SHAFT HYD.ARM     | 1    |       |     |         | 1.29         | 2.838       |
| 060    | 04816-00300 | O RING            | 1    |       |     |         | 0.001        | 0.0022      |
| 070    | 04816-00320 | O RING            | 1    |       |     |         | 0.003        | 0.0066      |
| 080    | 6C120-36510 | ARM LIFT LH       | 1    |       |     |         | 1.66         | 3.652       |
| 090    | 6C120-36520 | ARM LIFT RH       | 1    |       |     |         | 1.6          | 3.52        |
| 100    | 04612-00300 | CIR CLIP EXTERNAL | 2    |       |     |         | 0.003        | 0.0066      |
| 110    | 6A320-36453 | ARM HYDRAULIC     | 1    |       |     |         | 0.85         | 1.87        |
| 120    | 05411-00640 | PIN SPRING        | 1    |       |     |         | 0.006        | 0.0132      |
| 130    | 6C040-36750 | STOPPER           | 1    |       |     |         | 0.222        | 0.4884      |

# FEED BACK LEVER



6C160-097-10

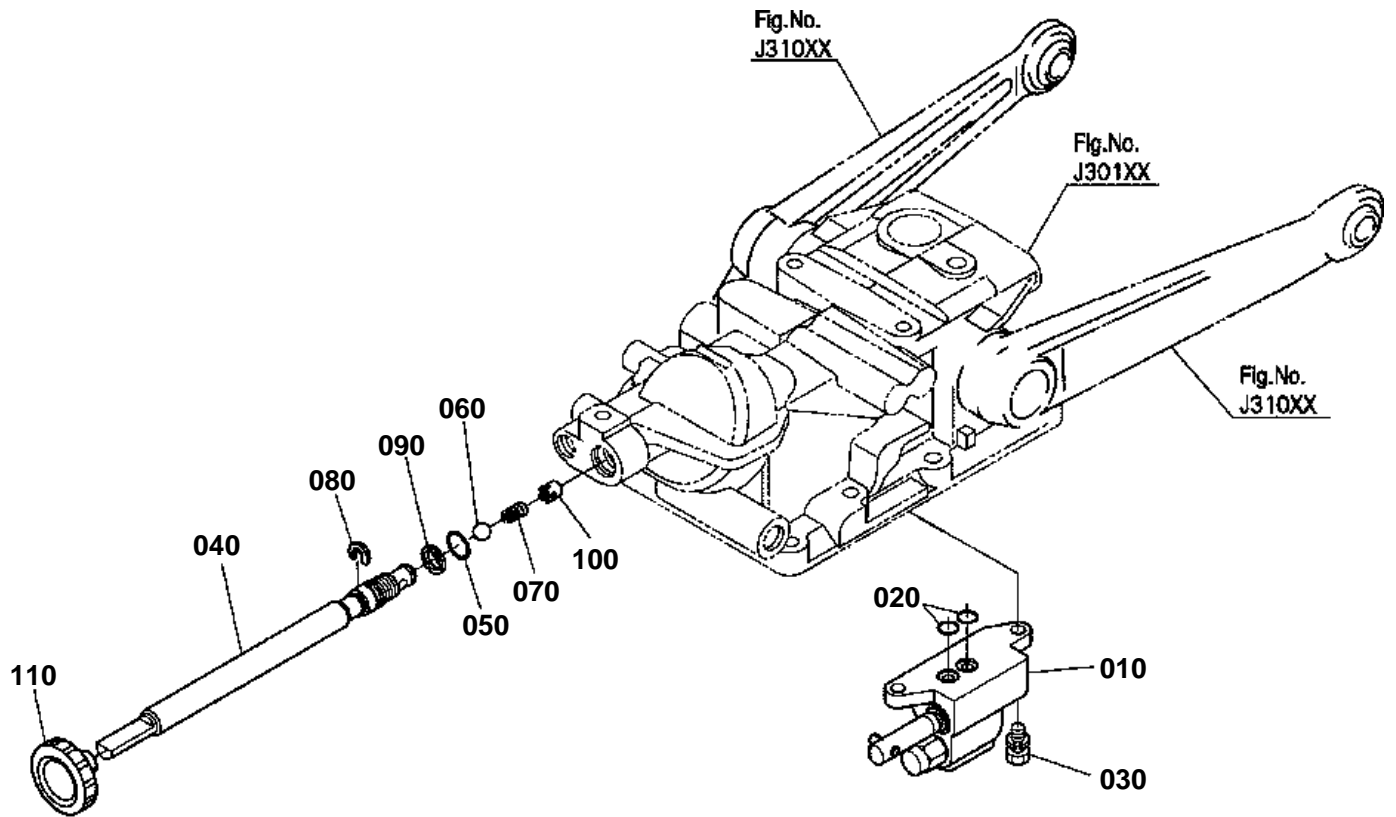


## FEED BACK LEVER

↔ Interchangeable; ≠ not interchangeable; ← new for old; → old for new

| REF.No | Part No.    | Description         | Q'ty | S.No. | I/C | REMARKS | Weight (kgf) | Weight (lb) |
|--------|-------------|---------------------|------|-------|-----|---------|--------------|-------------|
| 010    | 6C060-36934 | SHAFT CONTROL LEVER | 1    |       |     |         | 0.1          | 0.22        |
| 020    | 04816-00110 | O RING              | 1    |       |     |         | 0.001        | 0.0022      |
| 030    | 6C090-36060 | PLUG                | 1    |       |     |         | 0.045        | 0.099       |
| 040    | K3511-36080 | SPRING              | 1    |       |     |         | 0.005        | 0.011       |
| 050    | 07715-01605 | BALL                | 1    |       |     |         | 0.003        | 0.0066      |
| 060    | 04816-00140 | O RING              | 1    |       |     |         | 0.002        | 0.0044      |
| 070    | 6C060-36820 | COLLAR ARM HYD.     | 1    |       |     |         | 0.001        | 0.0022      |
| 080    | 6C060-36270 | ARM CONTROL LEVER   | 1    |       |     |         | 0.23         | 0.506       |
| 090    | 05411-00525 | PIN SPRING          | 1    |       |     |         | 0.002        | 0.0044      |
| 100    | 6C090-36233 | ROD FEED BACK       | 1    |       |     |         | 0.08         | 0.176       |
| 110    | 05525-50800 | PIN SNAP            | 1    |       |     |         | 0.001        | 0.0022      |
| 120    | 6C090-36220 | PIN FEED BACK       | 1    |       |     |         | 0.03         | 0.066       |
| 130    | 04613-50080 | CIR CLIP EXTERNAL   | 1    |       |     |         | 0.001        | 0.0022      |
| 140    | 66611-36320 | INTERLOCKER         | 1    |       |     |         | 0.022        | 0.0484      |
| 150    | 02112-50080 | NUT                 | 2    |       |     |         | 0.003        | 0.0066      |
| 160    | 01153-50822 | BOLT                | 1    |       |     |         | 0.011        | 0.0242      |
| 170    | 68001-63250 | SPRING              | 1    |       |     |         | 0.005        | 0.011       |
| 180    | 6C090-36460 | NUT                 | 2    |       |     |         | 0.006        | 0.0132      |

CONTROL VALVE



6C160-099-10



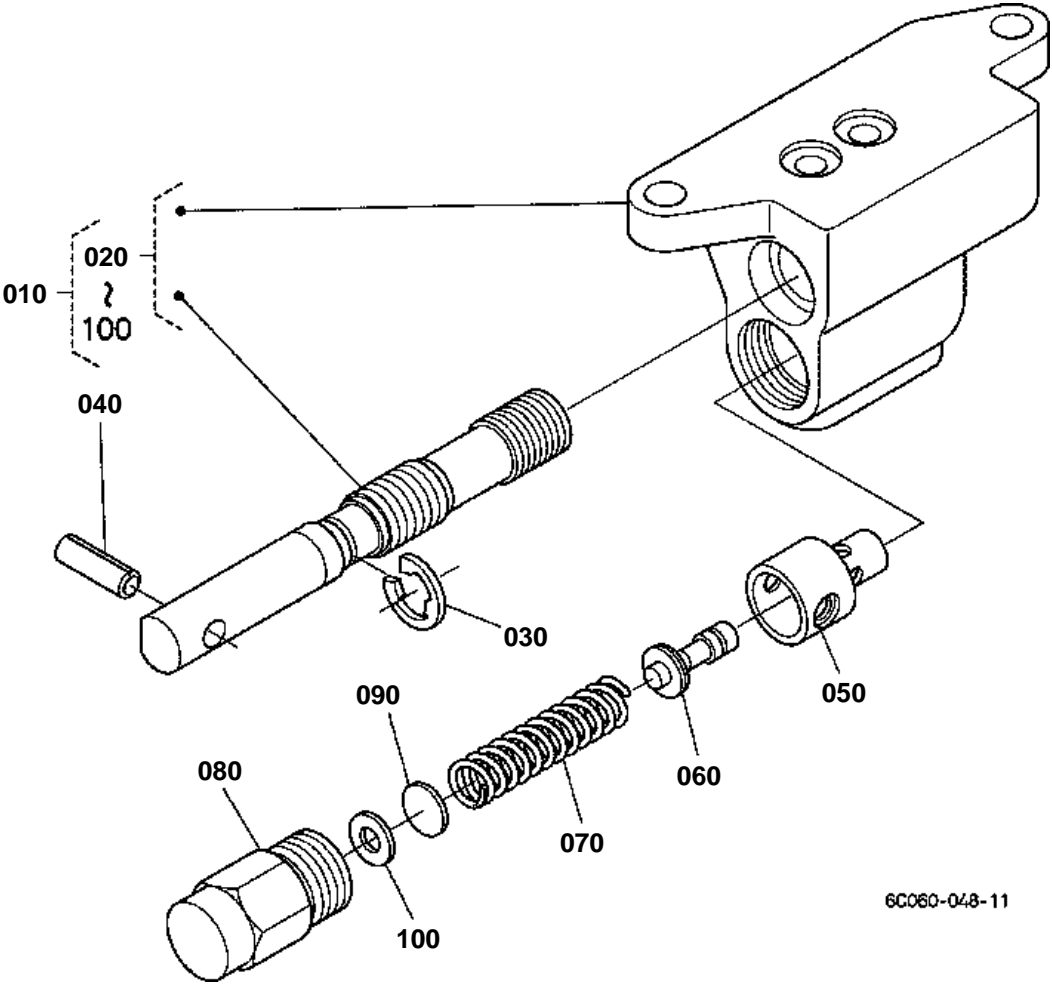


# CONTROL VALVE

↔ Interchangeable; ≠ not interchangeable; ← new for old; → old for new

| REF.No | Part No.    | Description        | Q'ty | S.No. | I/C | REMARKS | Weight (kgf) | Weight (lb) |
|--------|-------------|--------------------|------|-------|-----|---------|--------------|-------------|
| 010    | YW176-00100 | ASSY VALVE CONTROL | 1    |       |     |         | 0.9          | 1.98        |
| 020    | 04817-00100 | O RING             | 2    |       |     |         | 0.001        | 0.0022      |
| 030    | 01123-50825 | BOLT               | 2    |       |     |         | 0.013        | 0.0286      |
| 040    | 6C120-37220 | SHAFT HYD.ADJUST   | 1    |       |     |         | 0.17         | 0.374       |
| 050    | 04817-00100 | O RING             | 1    |       |     |         | 0.001        | 0.0022      |
| 060    | 07715-03209 | BALL               | 1    |       |     |         | 0.002        | 0.0044      |
| 070    | 6A600-93650 | SPRING             | 1    |       |     |         | 0.001        | 0.0022      |
| 080    | 6A320-37410 | STOPPER            | 1    |       |     |         | 0.002        | 0.0044      |
| 090    | 04611-00190 | CIR CLIP INTERNAL  | 1    |       |     |         | 0.001        | 0.0022      |
| 100    | 6A600-36270 | COLLAR             | 1    |       |     |         | 0.002        | 0.0044      |
| 110    | 37410-36643 | GRIP               | 1    |       |     |         | 0.03         | 0.066       |

CONTROL VALVE [COMPONENT PARTS]



6C060-048-11

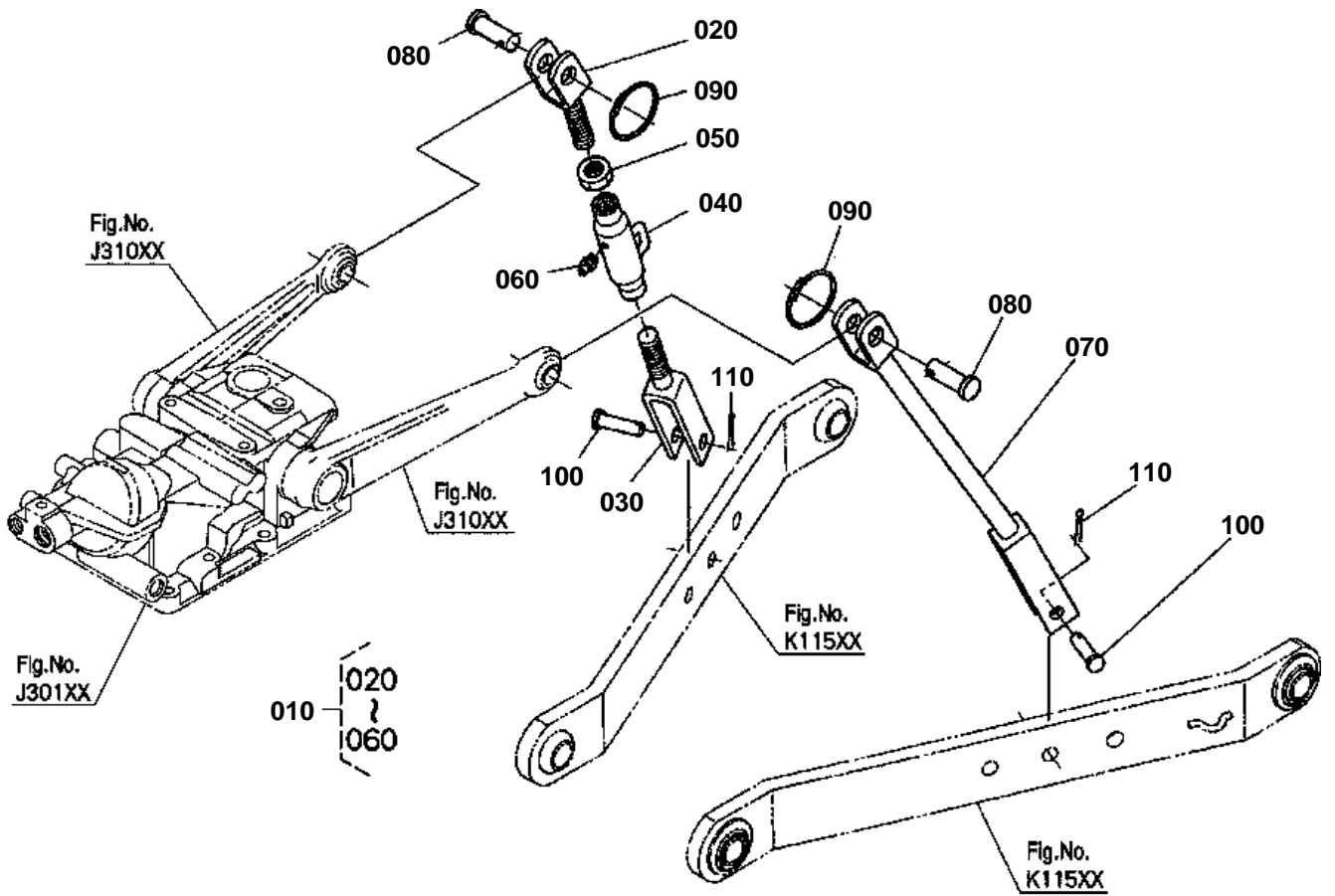


# CONTROL VALVE [COMPONENT PARTS]

↔ Interchangeable; ≠ not interchangeable; ← new for old; → old for new

| REF.No | Part No.    | Description        | Q'ty | S.No. | I/C | REMARKS | Weight (kgf) | Weight (lb) |
|--------|-------------|--------------------|------|-------|-----|---------|--------------|-------------|
| 010    | YW176-00100 | ASSY VALVE CONTROL | 1    |       |     |         | 0.9          | 1.98        |
| 020    | YW176-50100 | ASSY BODY-SPOOL    | 1    |       |     |         | 0.79         | 1.738       |
| 030    | 04613-50090 | CIR CLIP EXTERNAL  | 1    |       |     |         | 0.001        | 0.0022      |
| 040    | 05411-00620 | PIN SPRING         | 1    |       |     |         | 0.002        | 0.0044      |
| 050    | 31351-37930 | SEAT RELIEF VALVE  | 1    |       |     |         | 0.02         | 0.044       |
| 060    | 31351-37940 | POPPET             | 1    |       |     |         | 0.005        | 0.011       |
| 070    | 31351-37920 | SPRING RELIEF      | 1    |       |     |         | 0.02         | 0.044       |
| 080    | YW176-00310 | PLUG               | 1    |       |     |         | 0.05         | 0.11        |
| 090    | 31351-37970 | SHIM               | 2    |       |     | 0.1mm   | 0.001        | 0.0022      |
| 090    | 31351-37960 | SHIM               | 2    |       |     | 0.2mm   | 0.001        | 0.0022      |
| 090    | 31351-37950 | SHIM               | 2    |       |     | 0.4mm   | 0.001        | 0.0022      |
| 100    | 04013-60050 | WASHER PLAIN       | 2    |       |     |         | 0.001        | 0.0022      |

3-POINT LINKAGE 2(LIFT ROD)



6C160-102-10

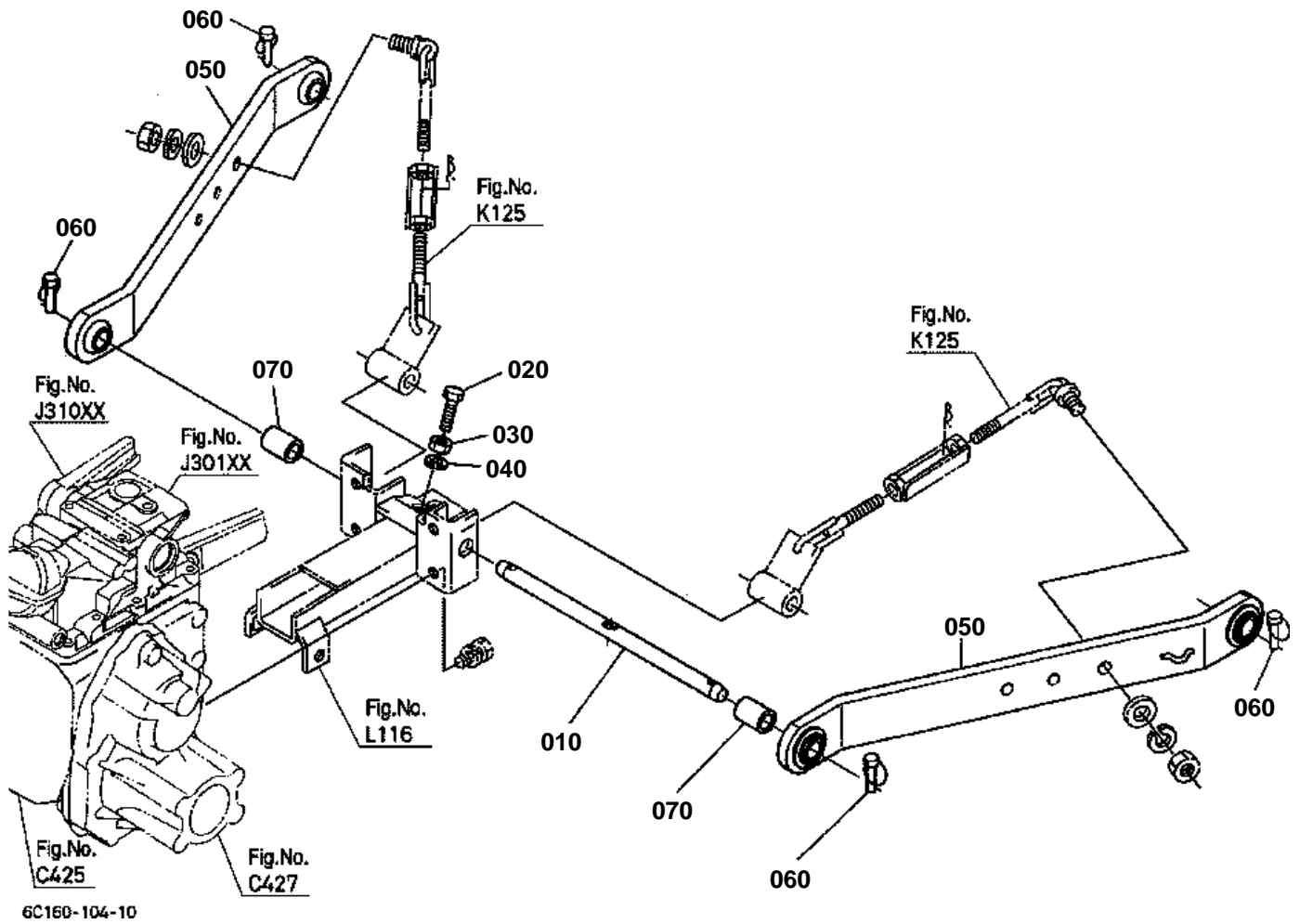


### 3-POINT LINKAGE 2(LIFT ROD)

↔ Interchangeable; ≠ not interchangeable; ← new for old; → old for new

| REF.No | Part No.    | Description       | Q'ty | S.No. | I/C | REMARKS | Weight (kgf) | Weight (lb) |
|--------|-------------|-------------------|------|-------|-----|---------|--------------|-------------|
| 010    | 6C140-65200 | ASSY ROD LIFT RH  | 1    |       |     |         | 1.45         | 3.19        |
| 020    | 6C040-65230 | ROD LIFT UPPER RH | 1    |       |     |         | 0.36         | 0.792       |
| 030    | 6C140-65240 | ROD LIFT LOWER RH | 1    |       |     |         | 0.62         | 1.364       |
| 040    | 6C070-65250 | ROD LIFT MIDDLE   | 1    |       |     |         | 0.45         | 0.99        |
| 050    | 02172-50180 | NUT               | 1    |       |     |         | 0.021        | 0.0462      |
| 060    | 06613-10675 | NIPPLE GREASE     | 1    |       |     |         | 0.003        | 0.0066      |
| 070    | 6C140-65270 | ROD LIFT LH       | 1    |       |     |         | 1.2          | 2.64        |
| 080    | 05122-51645 | PIN JOINT         | 2    |       |     |         | 0.075        | 0.165       |
| 090    | 67156-34340 | RING SNAP         | 2    |       |     |         | 0.01         | 0.022       |
| 100    | 05122-51240 | PIN JOINT         | 2    |       |     |         | 0.039        | 0.0858      |
| 110    | 05511-50425 | PIN SPLIT         | 2    |       |     |         | 0.003        | 0.0066      |

LOWER LINK



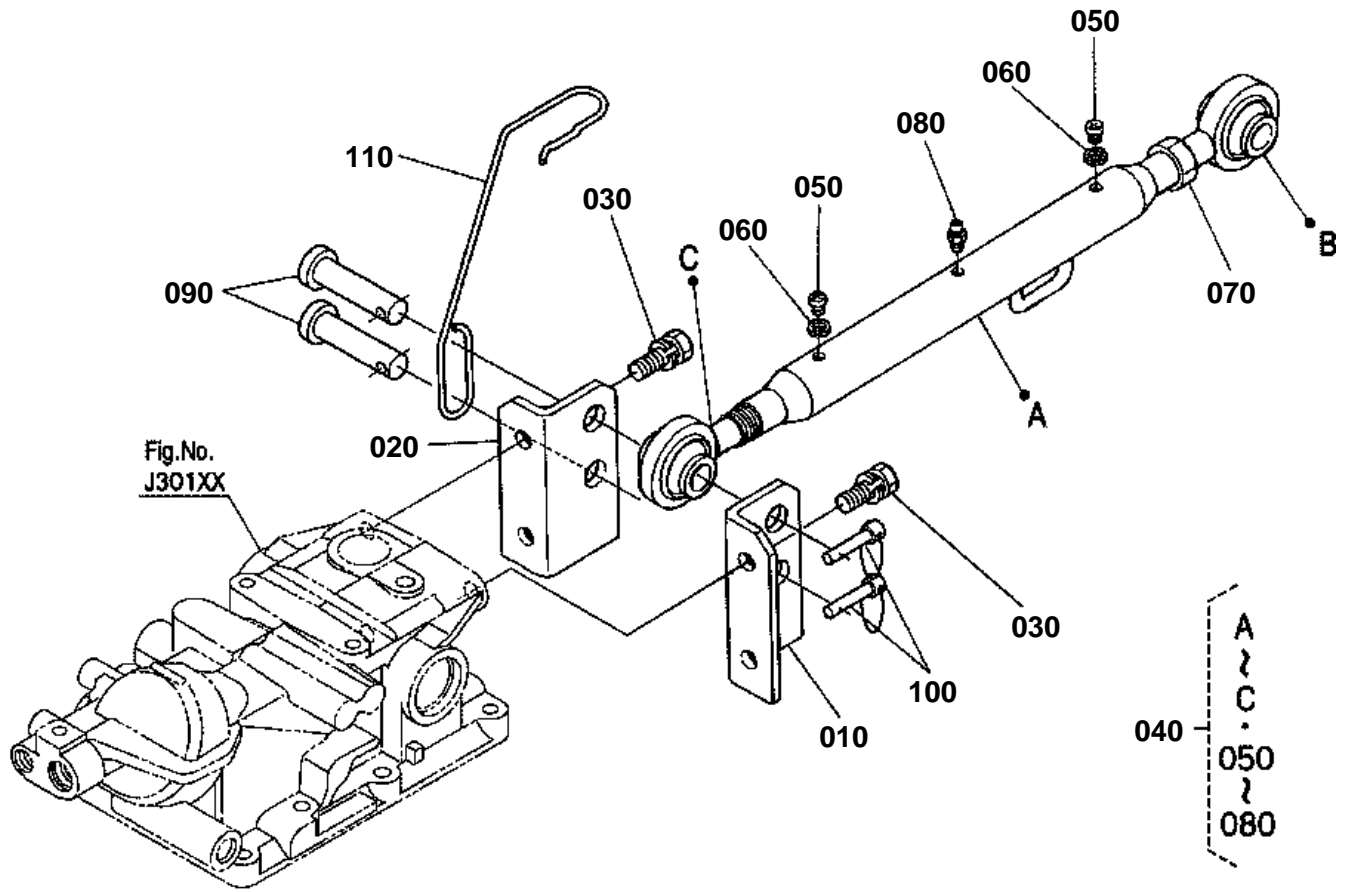


## LOWER LINK

↔ Interchangeable; ≠ not interchangeable; ← new for old; → old for new

| REF.No | Part No.    | Description     | Q'ty | S.No. | I/C | REMARKS | Weight (kgf) | Weight (lb) |
|--------|-------------|-----------------|------|-------|-----|---------|--------------|-------------|
| 010    | 6C040-66010 | PIN LOWER LINK  | 1    |       |     |         | 1.14         | 2.508       |
| 020    | 6C040-65120 | BOLT            | 1    |       |     |         | 0.02         | 0.044       |
| 030    | 02018-50100 | NUT             | 1    |       |     |         | 0.011        | 0.0242      |
| 040    | 04512-60100 | WASHER SPRING   | 1    |       |     |         | 0.002        | 0.0044      |
| 050    | 6C040-65210 | COMP.LINK LOWER | 2    |       |     |         | 5.28         | 11.616      |
| 060    | 34150-37640 | PIN SET         | 4    |       |     |         | 0.06         | 0.132       |
| 070    | 66204-65350 | SPACER          | 2    |       |     |         | 0.12         | 0.264       |

3-POINT LINKAGE 1(TOP LINK)



6C160-105-10



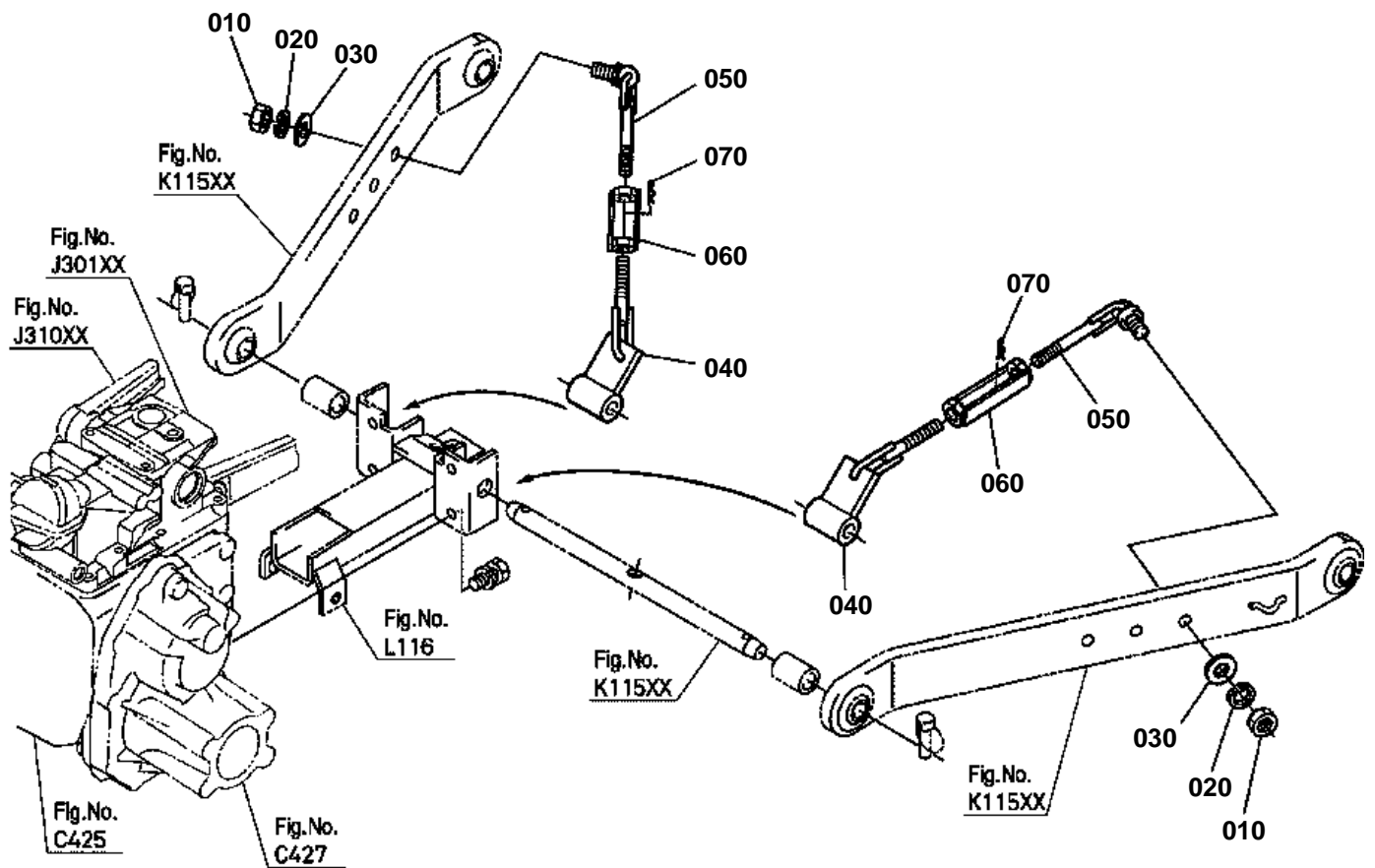


### 3-POINT LINKAGE 1(TOP LINK)

↔ Interchangeable; ≠ not interchangeable; ← new for old; → old for new

| REF.No | Part No.    | Description         | Q'ty | S.No. | I/C | REMARKS | Weight (kgf) | Weight (lb) |
|--------|-------------|---------------------|------|-------|-----|---------|--------------|-------------|
| 010    | 6C040-65190 | BRACKET TOP LINK LH | 1    |       |     |         | 0.65         | 1.43        |
| 020    | 6C040-65160 | BRACKET TOP LINK RH | 1    |       |     |         | 0.65         | 1.43        |
| 030    | 01123-51230 | BOLT                | 4    |       |     |         | 0.04         | 0.088       |
| 040    | 6C070-65400 | ASSY LINK TOP       | 1    |       |     |         | 2.12         | 4.664       |
| 050    | 03014-50606 | SCREW PAN-HEAD      | 2    |       |     |         | 0.027        | 0.0594      |
| 060    | 04512-60060 | WASHER SPRING       | 2    |       |     |         | 0.001        | 0.0022      |
| 070    | 02152-50200 | NUT                 | 1    |       |     |         | 0.032        | 0.0704      |
| 080    | 06613-10675 | NIPPLE GREASE       | 1    |       |     |         | 0.003        | 0.0066      |
| 090    | 31150-71360 | PIN JOINT           | 2    |       |     |         | 0.166        | 0.3652      |
| 100    | 34150-37640 | PIN SET             | 2    |       |     |         | 0.06         | 0.132       |
| 110    | 6C060-65450 | HOLDER TOP LINK     | 1    |       |     |         | 0.1          | 0.22        |

# CHECK CHAIN



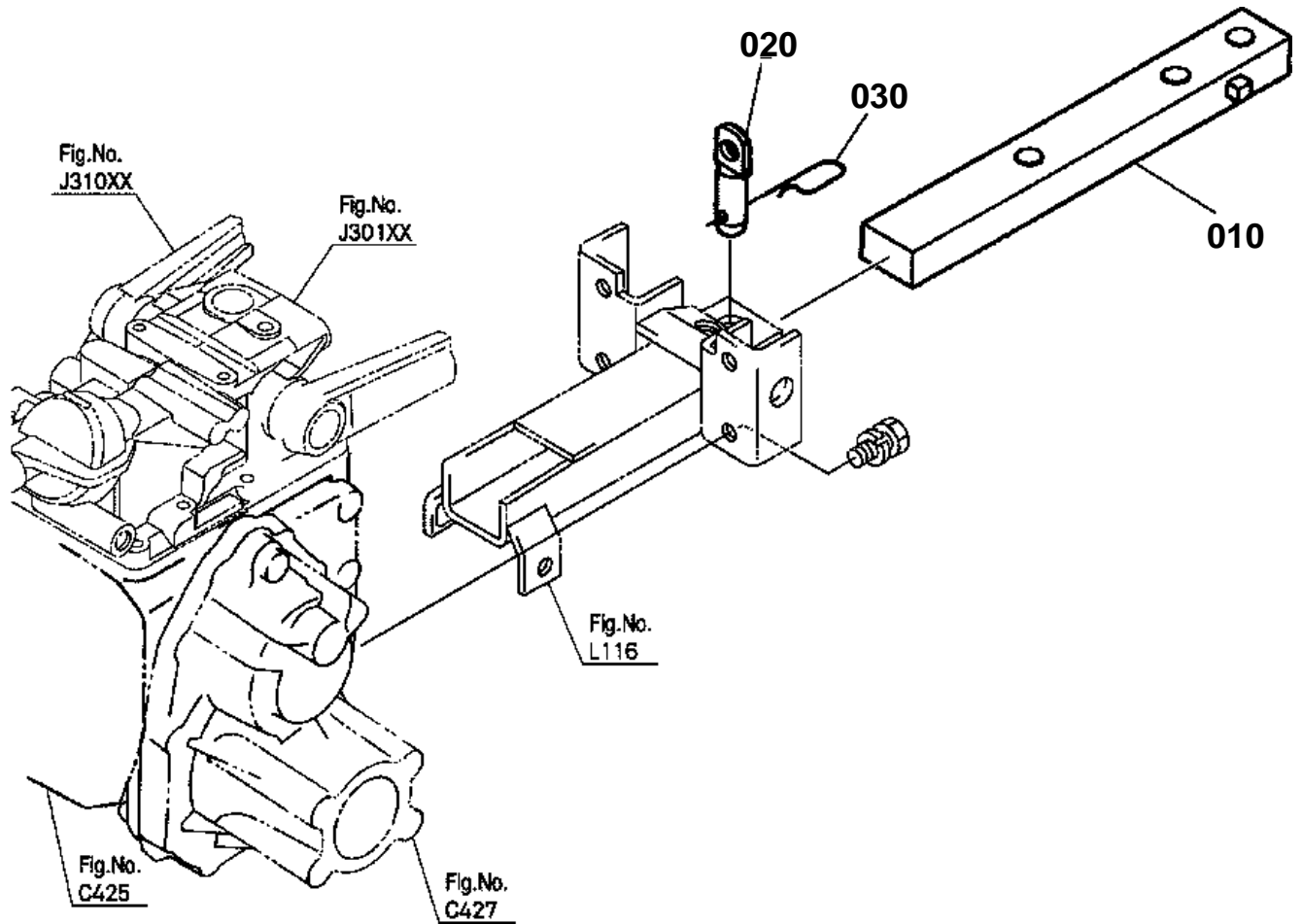
6C160-107-10



# CHECK CHAIN

↔ Interchangeable; ≠ not interchangeable; ← new for old; → old for new

| REF.No | Part No.    | Description         | Q'ty | S.No. | I/C | REMARKS | Weight (kgf) | Weight (lb) |
|--------|-------------|---------------------|------|-------|-----|---------|--------------|-------------|
| 010    | 02174-50160 | NUT                 | 2    |       |     |         | 0.022        | 0.0484      |
| 020    | 04512-60160 | WASHER SPRING       | 2    |       |     |         | 0.01         | 0.022       |
| 030    | 04015-60160 | WASHER PLAIN        | 2    |       |     |         | 0.058        | 0.1276      |
| 040    | 6C040-65294 | BRACKET CHECK CHAIN | 2    |       |     |         | 0.54         | 1.188       |
| 050    | 6C040-65323 | BOLT TURNBUCKLE     | 2    |       |     |         | 0.35         | 0.77        |
| 060    | 6C040-65390 | TURNBUCKLE          | 2    |       |     |         | 0.2          | 0.44        |
| 070    | 05515-61200 | PIN SNAP            | 2    |       |     |         | 0.005        | 0.011       |



6C160-108-10

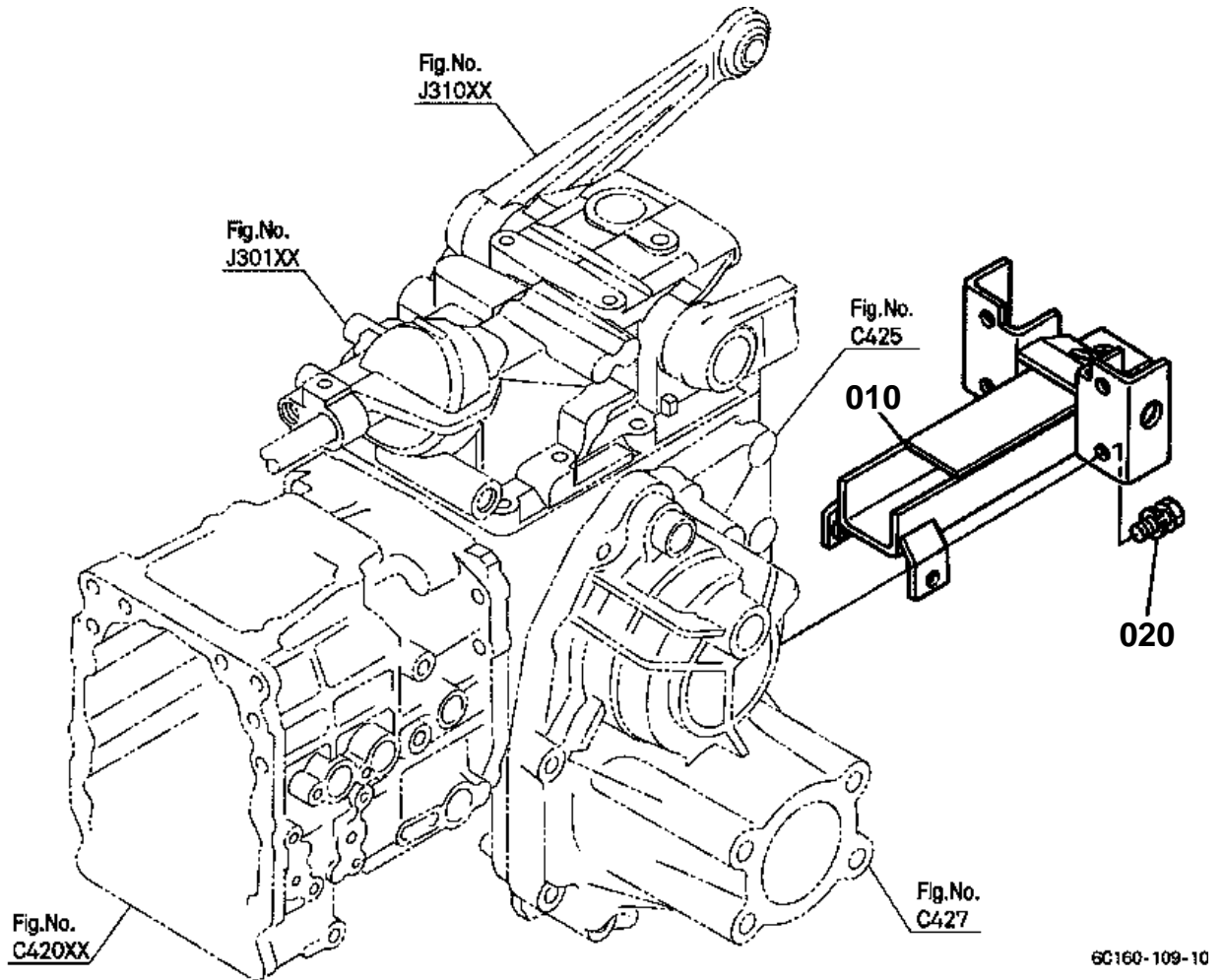


# DRAWBAR

↔ Interchangeable; ≠ not interchangeable; ← new for old; → old for new

| REF.No | Part No.    | Description | Q'ty | S.No. | I/C | REMARKS | Weight (kgf) | Weight (lb) |
|--------|-------------|-------------|------|-------|-----|---------|--------------|-------------|
| 010    | 6C040-67110 | DRAWBAR     | 1    |       |     |         | 4.56         | 10.032      |
| 020    | 6C040-65610 | PIN HITCH   | 1    |       |     |         | 0.18         | 0.396       |
| 030    | 31150-29730 | PIN SPRING  | 1    |       |     |         | 0.044        | 0.0968      |

# REAR HITCH

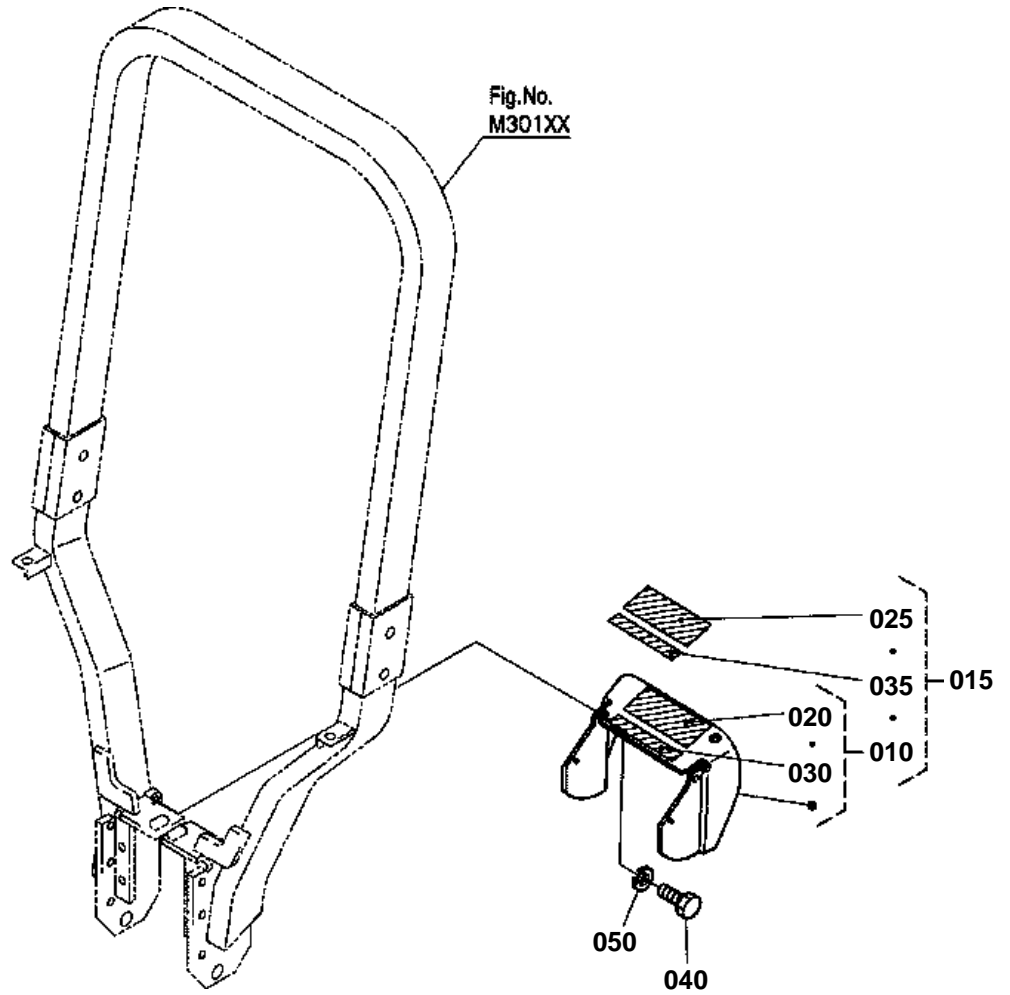




REAR HITCH

↔ Interchangeable; ≠ not interchangeable; ← new for old; → old for new

| REF.No | Part No.    | Description | Q'ty | S.No. | I/C | REMARKS | Weight (kgf) | Weight (lb) |
|--------|-------------|-------------|------|-------|-----|---------|--------------|-------------|
| 010    | 6C040-65604 | COMP.HITCH  | 1    |       |     |         | 3.35         | 7.37        |
| 020    | 01123-51230 | BOLT        | 4    |       |     |         | 0.04         | 0.088       |



6C160-110-10

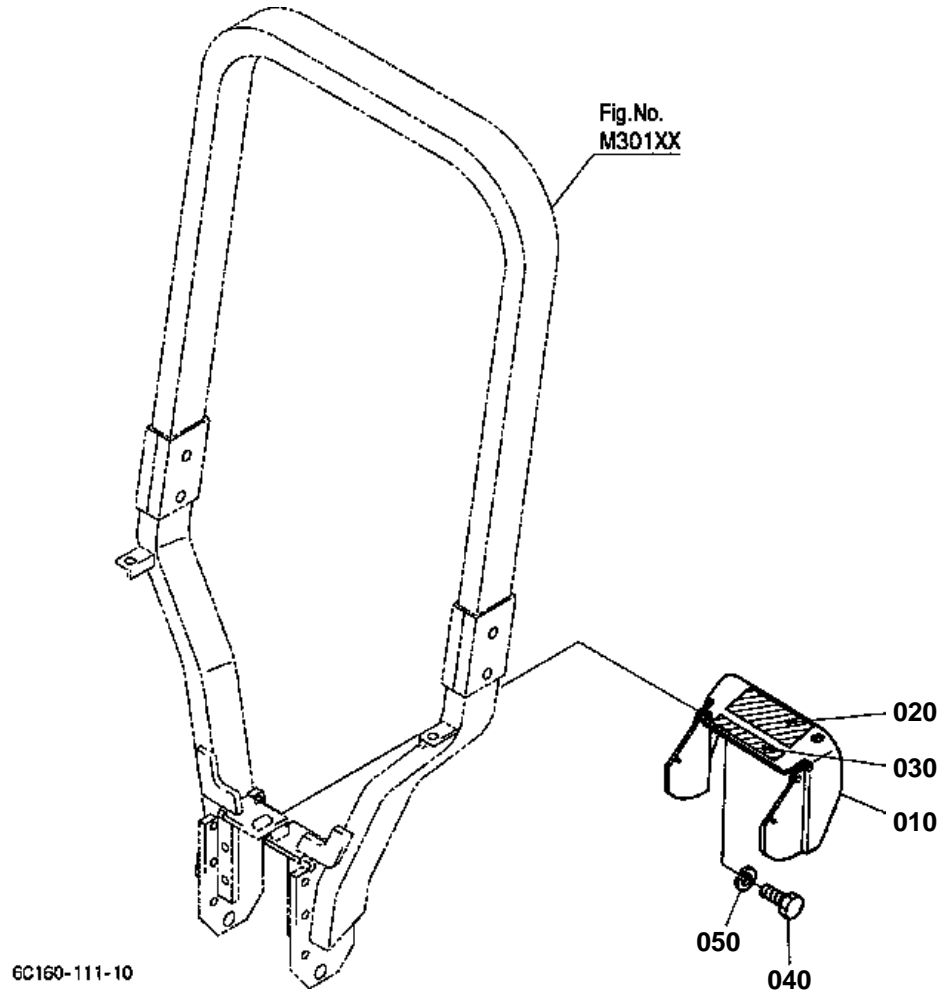




# PTO PROTECTOR [A] [CA]

↔ Interchangeable; ≠ not interchangeable; ← new for old; → old for new

| REF.No | Part No.    | Description       | Q'ty | S.No. | I/C | REMARKS | Weight (kgf) | Weight (lb) |
|--------|-------------|-------------------|------|-------|-----|---------|--------------|-------------|
| 010    | 6C140-72100 | KIT COVER PTO (A) | 1    |       |     | ENGLISH | 1.36         | 2.992       |
| 015    | 6C140-72000 | KIT COVER PTO (B) | 1    |       |     | FRENCH  | 1.38         | 3.036       |
| 020    | TA040-49590 | LABEL PTO WARNING | 1    |       |     | ENGLISH | 0.002        | 0.0044      |
| 025    | TA041-49590 | LABEL PTO WARNING | 1    |       |     | FRENCH  | 0.001        | 0.0022      |
| 030    | 6C140-47440 | LABEL DRAWBAR     | 1    |       |     | ENGLISH | 0.001        | 0.0022      |
| 035    | 6C141-47440 | LABEL DRAWBAR     | 1    |       |     | FRENCH  | 0.001        | 0.0022      |
| 040    | 01153-50820 | BOLT              | 2    |       |     |         | 0.012        | 0.0264      |
| 050    | 04512-60080 | WASHER SPRING     | 2    |       |     |         | 0.002        | 0.0044      |



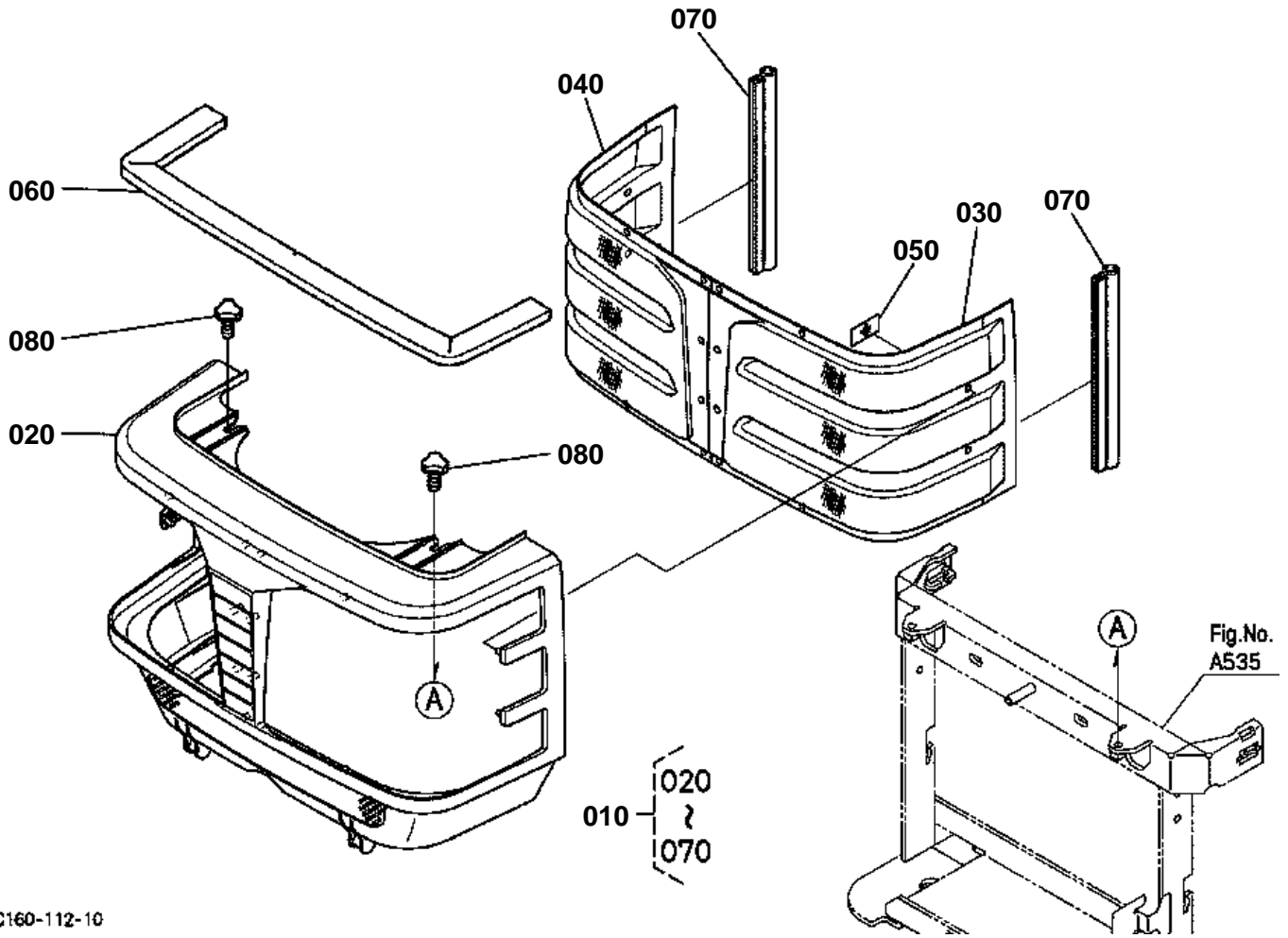


PTO PROTECTOR [AU] [NZ]

↔ Interchangeable; ≠ not interchangeable; ← new for old; → old for new

| REF.No | Part No.    | Description       | Q'ty | S.No. | I/C | REMARKS | Weight (kgf) | Weight (lb) |
|--------|-------------|-------------------|------|-------|-----|---------|--------------|-------------|
| 010    | 6C140-72150 | COVER PTO         | 1    |       |     |         | 1.3          | 2.86        |
| 020    | TA040-49590 | LABEL PTO WARNING | 1    |       |     |         | 0.002        | 0.0044      |
| 030    | 6C140-47440 | LABEL DRAWBAR     | 1    |       |     |         | 0.001        | 0.0022      |
| 040    | 01153-50820 | BOLT              | 2    |       |     |         | 0.012        | 0.0264      |
| 050    | 04512-60080 | WASHER SPRING     | 2    |       |     |         | 0.002        | 0.0044      |

FRONT GRILLE



6C160-112-10

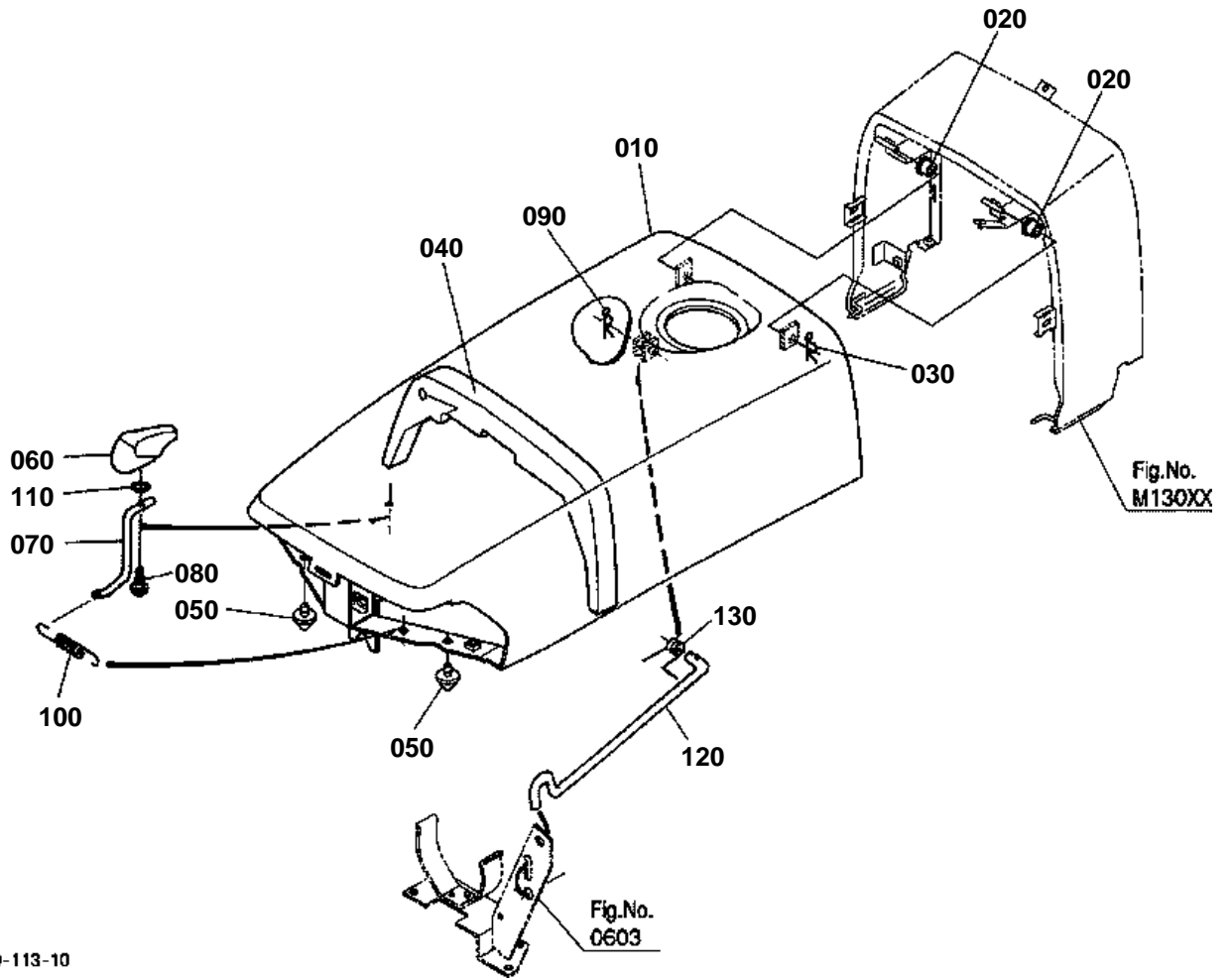


# FRONT GRILLE

↔ Interchangeable; ≠ not interchangeable; ← new for old; → old for new

| REF.No | Part No.    | Description        | Q'ty | S.No. | I/C | REMARKS | Weight (kgf) | Weight (lb) |
|--------|-------------|--------------------|------|-------|-----|---------|--------------|-------------|
| 010    | 6C190-54400 | COMP.COVER FRONT   | 1    |       |     |         | 1.9          | 4.18        |
| 020    | 6C190-54410 | COVER FRONT        | 1    |       |     |         | 1.3          | 2.86        |
| 030    | 6C190-54420 | NET FRONT SKIRT LH | 1    |       |     |         | 0.23         | 0.506       |
| 040    | 6C190-54430 | NET FRONT SKIRT RH | 1    |       |     |         | 0.23         | 0.506       |
| 050    | 55611-44190 | NUT                | 16   |       |     |         | 0.004        | 0.0088      |
| 060    | 6C090-54140 | SPONGE             | 1    |       |     |         | 0.02         | 0.044       |
| 070    | 6C090-51512 | SEAL RUBBER        | 2    |       |     |         | 0.03         | 0.066       |
| 080    | 37410-52610 | SCREW KNOB         | 2    |       |     |         | 0.015        | 0.033       |

BONNET



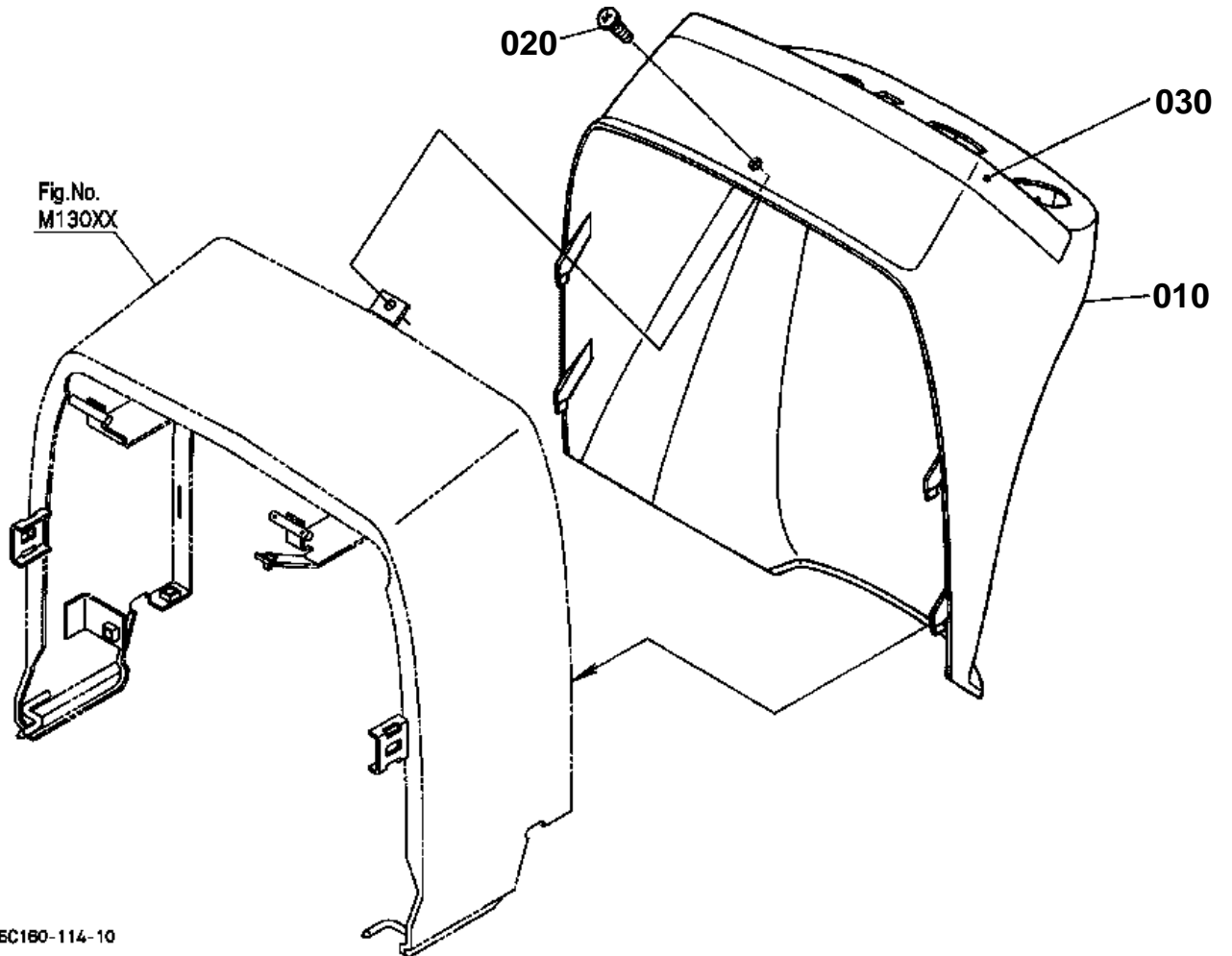
6C160-113-10

**BONNET**

↔ Interchangeable; ≠ not interchangeable; ← new for old; → old for new

| REF.No | Part No.    | Description   | Q'ty | S.No. | I/C | REMARKS | Weight (kgf) | Weight (lb) |
|--------|-------------|---------------|------|-------|-----|---------|--------------|-------------|
| 010    | 6A320-54010 | COMP.BONNET   | 1    |       |     |         | 4.26         | 9.372       |
| 020    | 6A100-54190 | BUSH          | 2    |       |     |         | 0.001        | 0.0022      |
| 030    | 05525-50800 | PIN SNAP      | 1    |       |     |         | 0.001        | 0.0022      |
| 040    | 6A320-54463 | CUSHION       | 1    |       |     |         | 0.08         | 0.176       |
| 050    | 6C090-54162 | CUSHION       | 2    |       |     |         | 0.013        | 0.0286      |
| 060    | 6C040-54260 | HANDLE MASCOT | 1    |       |     |         | 0.028        | 0.0616      |
| 070    | 6C090-54270 | LEVER HANDLE  | 1    |       |     |         | 0.09         | 0.198       |
| 080    | 03614-50416 | SCREW TAPPING | 1    |       |     |         | 0.002        | 0.0044      |
| 090    | 05525-50800 | PIN SNAP      | 1    |       |     |         | 0.001        | 0.0022      |
| 100    | 6C040-54150 | SPRING        | 1    |       |     |         | 0.006        | 0.0132      |
| 110    | 04811-10080 | O RING        | 1    |       |     |         | 0.001        | 0.0022      |
| 120    | 6C120-54250 | ROD BONNET    | 1    |       |     |         | 0.11         | 0.242       |
| 130    | 6C090-54510 | SPRING        | 1    |       |     |         | 0.007        | 0.0154      |

PANEL COVER





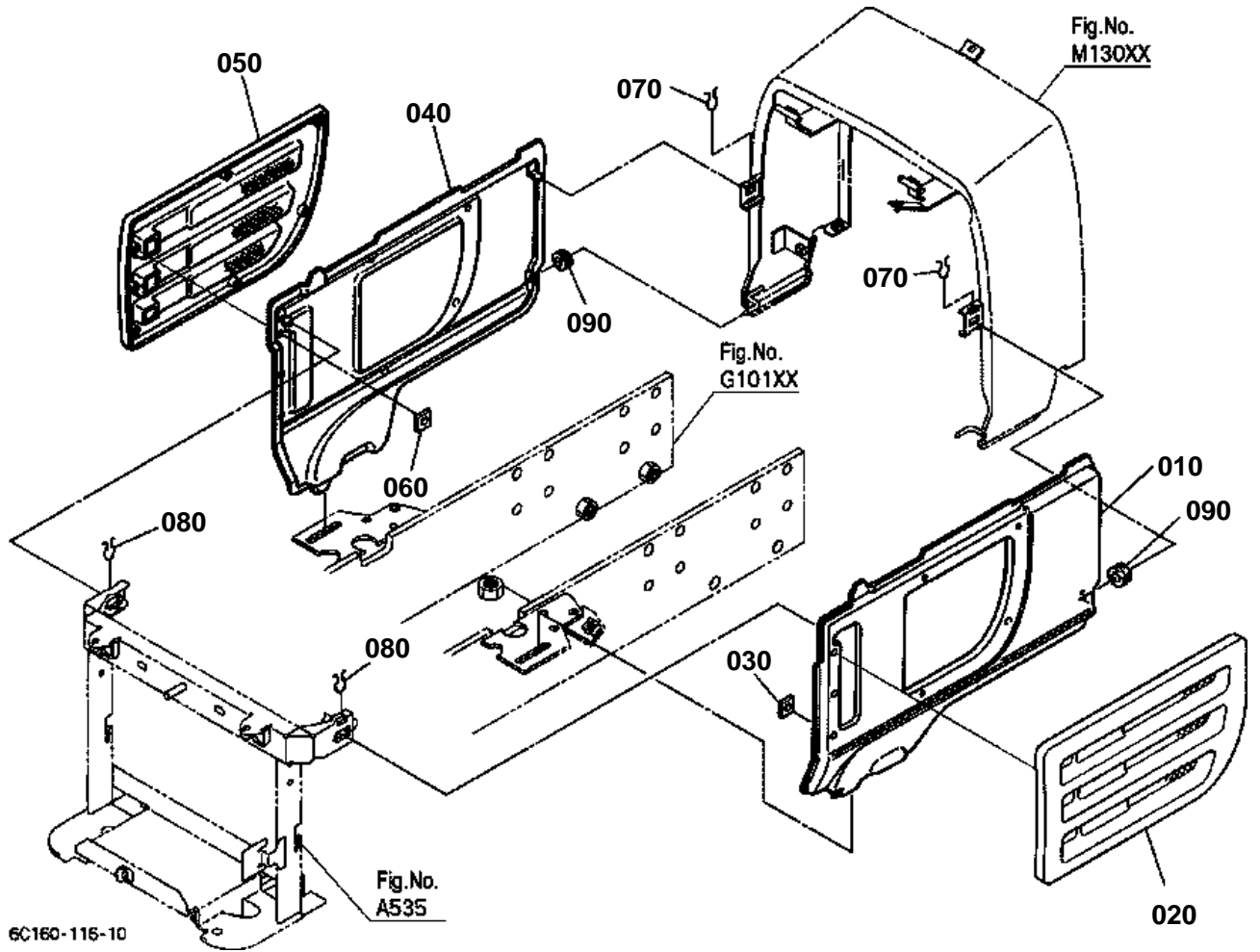


PANEL COVER

↔ Interchangeable; ≠ not interchangeable; ← new for old; → old for new

| REF.No | Part No.    | Description | Q'ty | S.No. | I/C | REMARKS | Weight (kgf) | Weight (lb) |
|--------|-------------|-------------|------|-------|-----|---------|--------------|-------------|
| 010    | 6C140-53510 | COVER PANEL | 1    |       |     |         | 4.25         | 9.35        |
| 020    | 37410-61720 | SCREW       | 1    |       |     |         | 0.001        | 0.0022      |
| 030    | 6C140-53520 | COVER FRAME | 1    |       |     |         | 0.13         | 0.286       |

# SIDE COVER

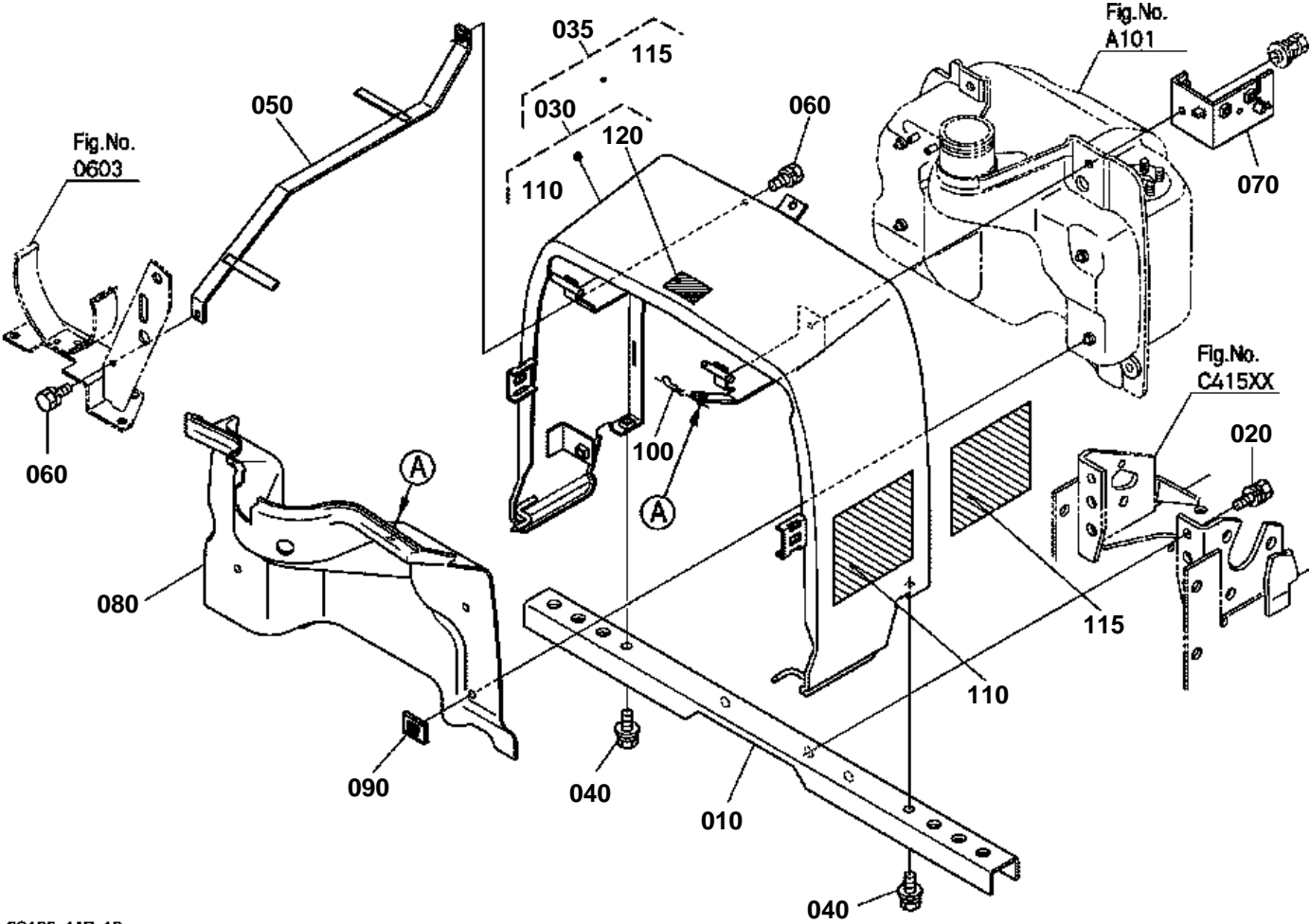


**SIDE COVER**

↔ Interchangeable; ≠ not interchangeable; ← new for old; → old for new

| REF.No | Part No.    | Description        | Q'ty | S.No. | I/C | REMARKS | Weight (kgf) | Weight (lb) |
|--------|-------------|--------------------|------|-------|-----|---------|--------------|-------------|
| 010    | 6C090-54324 | COMP.COVER SIDE    | 1    |       |     |         | 1.09         | 2.398       |
| 020    | 6C070-54330 | COVER              | 1    |       |     |         | 0.23         | 0.506       |
| 030    | 55611-44190 | NUT                | 7    |       |     |         | 0.004        | 0.0088      |
| 040    | 6C090-54354 | COMP.COVER SIDE    | 1    |       |     |         | 1.16         | 2.552       |
| 050    | 6C070-54380 | COVER              | 1    |       |     |         | 1.8          | 3.96        |
| 060    | 55611-44190 | NUT                | 7    |       |     |         | 0.004        | 0.0088      |
| 070    | 6C040-54364 | SPRING             | 2    |       |     |         | 0.004        | 0.0088      |
| 080    | 6C040-54364 | SPRING             | 2    |       |     |         | 0.004        | 0.0088      |
| 090    | 66591-54580 | RUBBER RELEASE ROD | 2    |       |     |         | 0.002        | 0.0044      |

SHUTTER PLATE [A] [CA]



6C160-117-10

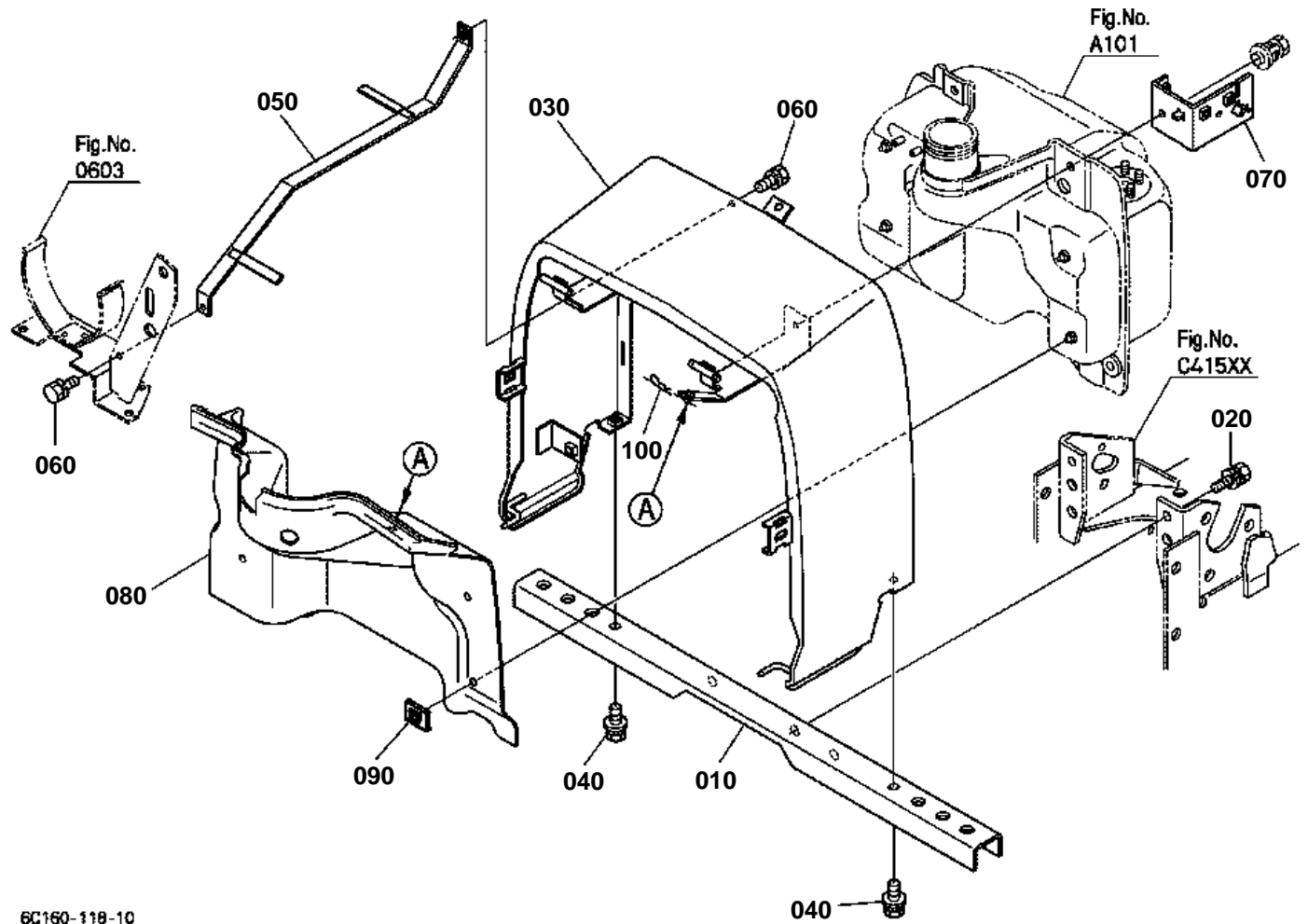


# SHUTTER PLATE [A] [CA]

↔ Interchangeable; ≠ not interchangeable; ← new for old; → old for new

| REF.No | Part No.    | Description          | Q'ty | S.No. | I/C | REMARKS | Weight (kgf) | Weight (lb) |
|--------|-------------|----------------------|------|-------|-----|---------|--------------|-------------|
| 010    | 6C040-54213 | PILLAR CENTER        | 1    |       |     |         | 1.4          | 3.08        |
| 020    | 01133-51020 | BOLT                 | 2    |       |     |         | 0.02         | 0.044       |
| 030    | 6C125-99252 | KIT A PILLAR CENTER  | 1    |       |     | ENGLISH | 5.75         | 12.65       |
| 035    | 6C120-99202 | KIT B PILLAR CENTER  | 1    |       |     | FRENCH  | 6            | 13.2        |
| 040    | 6C040-54610 | BOLT                 | 2    |       |     |         | 0.014        | 0.0308      |
| 050    | 6C120-54230 | STAY PILLAR          | 1    |       |     |         | 0.35         | 0.77        |
| 060    | 01023-50616 | BOLT                 | 2    |       |     |         | 0.005        | 0.011       |
| 070    | 6A370-54280 | BRACKET              | 1    |       |     |         | 0.11         | 0.242       |
| 080    | 6C120-54550 | COVER HEAT PROOF     | 1    |       |     |         | 0.2          | 0.44        |
| 090    | 52300-26210 | NUT                  | 4    |       |     |         | 0.002        | 0.0044      |
| 100    | 05525-60600 | PIN SNAP             | 1    |       |     |         | 0.001        | 0.0022      |
| 110    | 6C090-49650 | LABEL START CAUTION  | 1    |       |     | ENGLISH | 0.005        | 0.011       |
| 115    | 6C091-49650 | LABEL START CAUTION  | 1    |       |     | FRENCH  | 0.01         | 0.022       |
| 120    | 6C040-47412 | LABEL FILLER CAUTION | 1    |       |     |         | 0.001        | 0.0022      |

SHUTTER PLATE [AU] [NZ]



6C160-118-10



# SHUTTER PLATE [AU] [NZ]

↔ Interchangeable; ≠ not interchangeable; ← new for old; → old for new

| REF.No | Part No.    | Description      | Q'ty | S.No. | I/C | REMARKS | Weight (kgf) | Weight (lb) |
|--------|-------------|------------------|------|-------|-----|---------|--------------|-------------|
| 010    | 6C040-54213 | PILLAR CENTER    | 1    |       |     |         | 1.4          | 3.08        |
| 020    | 01133-51020 | BOLT             | 2    |       |     |         | 0.02         | 0.044       |
| 030    | 6C120-54222 | PILLAR CENTER    | 1    |       |     |         | 6            | 13.2        |
| 040    | 6C040-54610 | BOLT             | 2    |       |     |         | 0.014        | 0.0308      |
| 050    | 6C120-54230 | STAY PILLAR      | 1    |       |     |         | 0.35         | 0.77        |
| 060    | 01023-50616 | BOLT             | 2    |       |     |         | 0.005        | 0.011       |
| 070    | 6A370-54280 | BRACKET          | 1    |       |     |         | 0.11         | 0.242       |
| 080    | 6C120-54550 | COVER HEAT PROOF | 1    |       |     |         | 0.2          | 0.44        |
| 090    | 52300-26210 | NUT              | 4    |       |     |         | 0.002        | 0.0044      |
| 100    | 05525-60600 | PIN SNAP         | 1    |       |     |         | 0.001        | 0.0022      |

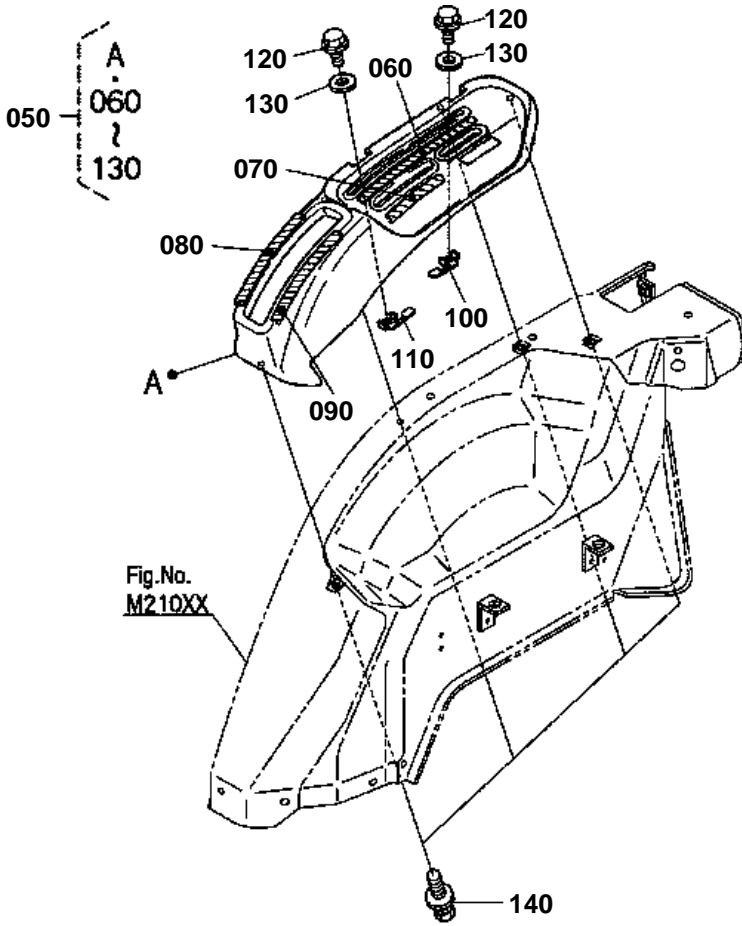


Fig.No.  
M210XX

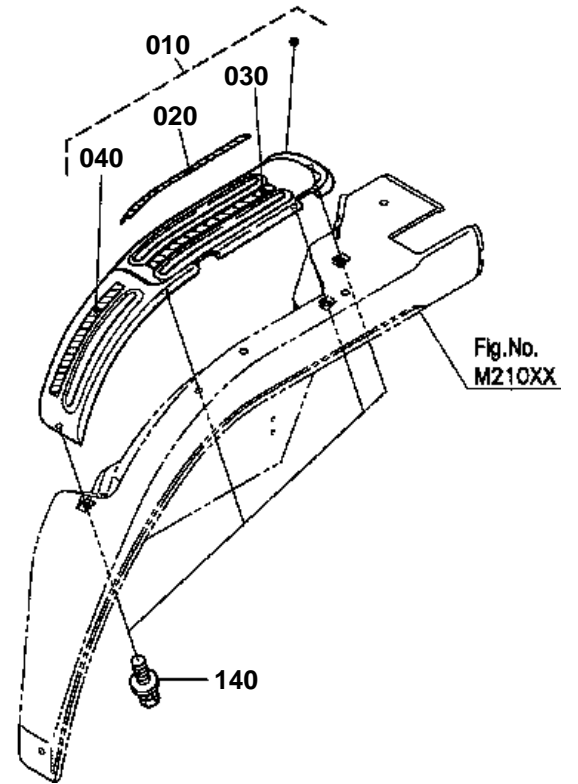


Fig.No.  
M210XX

6C160-120-10

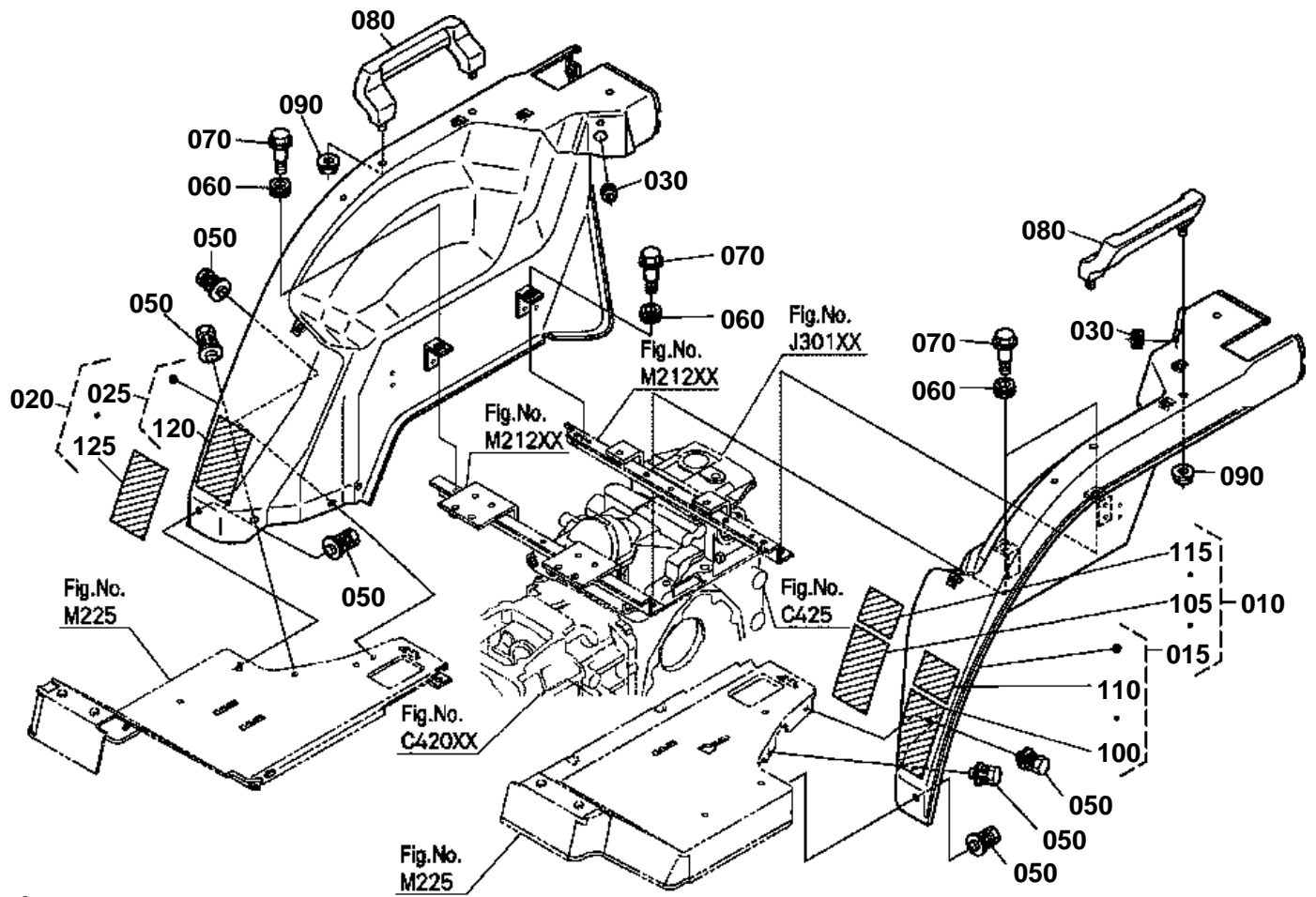




## LEVER GUIDE

↔ Interchangeable; ≠ not interchangeable; ← new for old; → old for new

| REF.No | Part No.    | Description          | Q'ty | S.No. | I/C | REMARKS | Weight (kgf) | Weight (lb) |
|--------|-------------|----------------------|------|-------|-----|---------|--------------|-------------|
| 010    | 6C120-52100 | ASSY GUIDE LEVER LH  | 1    |       |     |         | 0.37         | 0.814       |
| 020    | 6C120-47300 | LABEL MID PTO        | 1    |       |     |         | 0.001        | 0.0022      |
| 030    | 6C120-47320 | LABEL PTO            | 1    |       |     |         | 0.001        | 0.0022      |
| 040    | 6C120-47330 | LABEL RANGE SHIFT    | 1    |       |     |         | 0.001        | 0.0022      |
| 050    | 6C160-52190 | ASSY GUIDE LEVER RH  | 1    |       |     |         | 0.42         | 0.924       |
| 060    | 6C190-47350 | LABEL HYDRAULIC      | 1    |       |     |         | 0.001        | 0.0022      |
| 070    | 6C040-47362 | LABEL 4WD            | 1    |       |     |         | 0.001        | 0.0022      |
| 080    | 6C040-47382 | LABEL GUIDE          | 1    |       |     |         | 0.001        | 0.0022      |
| 090    | 6C040-47392 | LABEL GUIDE          | 1    |       |     |         | 0.001        | 0.0022      |
| 100    | 6C190-52140 | HOLDER HYD.LEVER UP  | 1    |       |     |         | 0.017        | 0.0374      |
| 110    | 6C190-52160 | HOLDER HYD.LEVER DO. | 1    |       |     |         | 0.017        | 0.0374      |
| 120    | 31351-18790 | BOLT FLANGE          | 2    |       |     |         | 0.007        | 0.0154      |
| 130    | 31351-18860 | WASHER               | 2    |       |     |         | 0.002        | 0.0044      |
| 140    | 01025-50612 | BOLT                 | 8    |       |     |         | 0.005        | 0.011       |

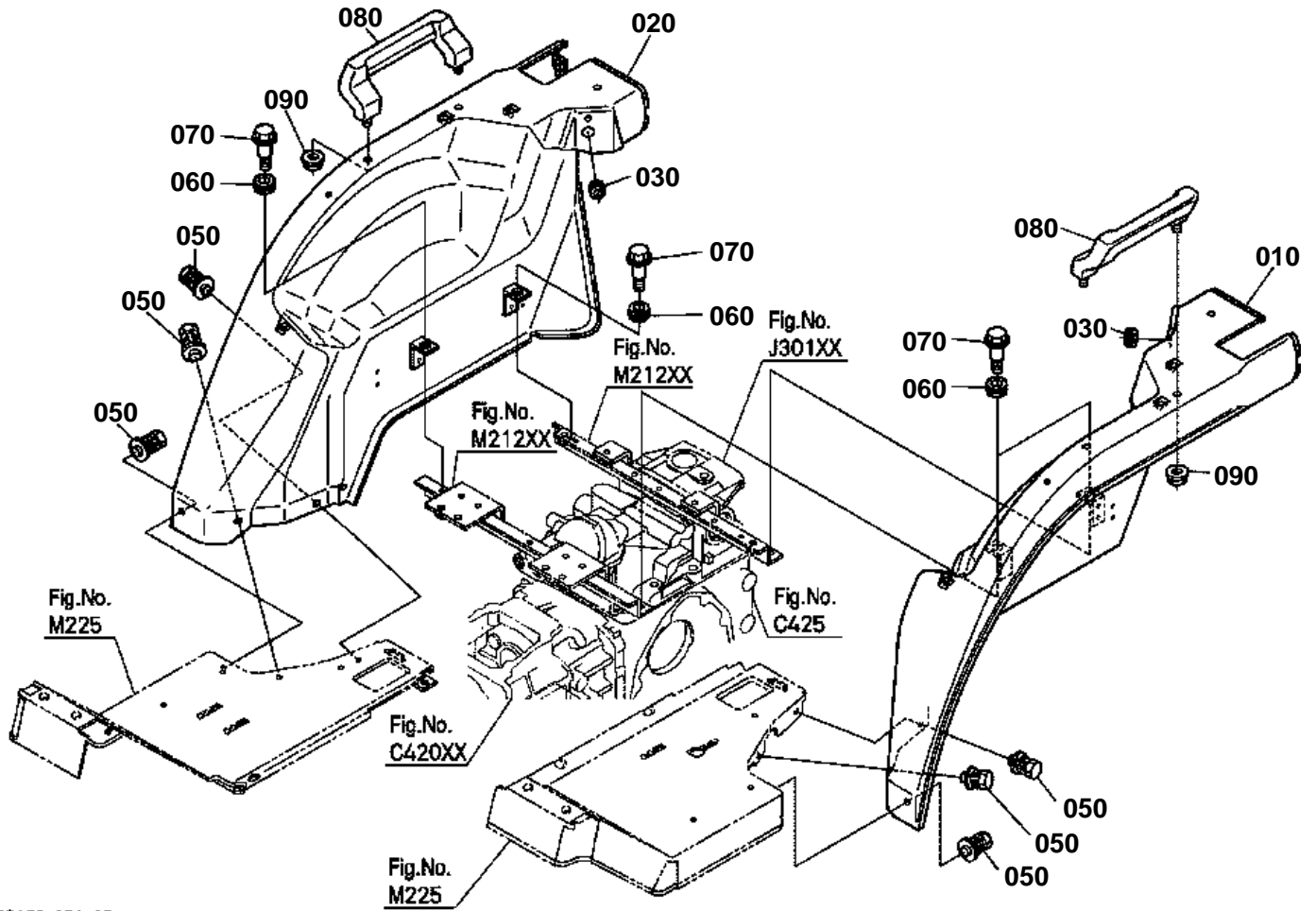


6C160-123-10

**FENDER [A] [CA]**

↔ Interchangeable; ≠ not interchangeable; ← new for old; → old for new

| REF.No | Part No.    | Description        | Q'ty | S.No. | I/C | REMARKS | Weight (kgf) | Weight (lb) |
|--------|-------------|--------------------|------|-------|-----|---------|--------------|-------------|
| 010    | 6C120-99132 | KIT FENDER LH (A)  | 1    |       |     | ENGLISH | 5.25         | 11.55       |
| 015    | 6C120-99102 | KIT FENDER LH (B)  | 1    |       |     | FRENCH  | 6            | 13.2        |
| 020    | 6C040-99140 | KIT FENDER RH (A)  | 1    |       |     | ENGLISH | 4.2          | 9.24        |
| 025    | 6C040-99160 | KIT FENDER RH (B)  | 1    |       |     | FRENCH  | 0            | 0           |
| 030    | 32150-29180 | CAP RUBBER         | 2    |       |     |         | 0.002        | 0.0044      |
| 040    | 99999-99999 | BLANK              | 0    |       |     |         | 0            | 0           |
| 050    | 01125-50818 | BOLT               | 6    |       |     |         | 0.015        | 0.033       |
| 060    | 6A100-51380 | CUSHION            | 4    |       |     |         | 0.003        | 0.0066      |
| 070    | 6C040-51342 | BOLT               | 4    |       |     |         | 0.017        | 0.0374      |
| 080    | 6C070-52170 | HANDRAIL           | 2    |       |     |         | 0.25         | 0.55        |
| 090    | 02131-50100 | NUT                | 4    |       |     |         | 0.01         | 0.022       |
| 100    | 6C070-47422 | LABEL SAFETY       | 1    |       |     | ENGLISH | 0.005        | 0.011       |
| 105    | 6C071-47422 | LABEL SAFETY       | 1    |       |     | FRENCH  | 0.005        | 0.011       |
| 110    | 6C120-47450 | LABEL PTO          | 1    |       |     | ENGLISH | 0.001        | 0.0022      |
| 115    | 6C121-47450 | LABEL PTO          | 1    |       |     | FRENCH  | 0.001        | 0.0022      |
| 120    | TA040-49320 | LABEL ROPS WARNING | 1    |       |     | ENGLISH | 0.001        | 0.0022      |
| 125    | TA040-49150 | LABEL ROPS WARNING | 1    |       |     | FRENCH  | 0.003        | 0.0066      |



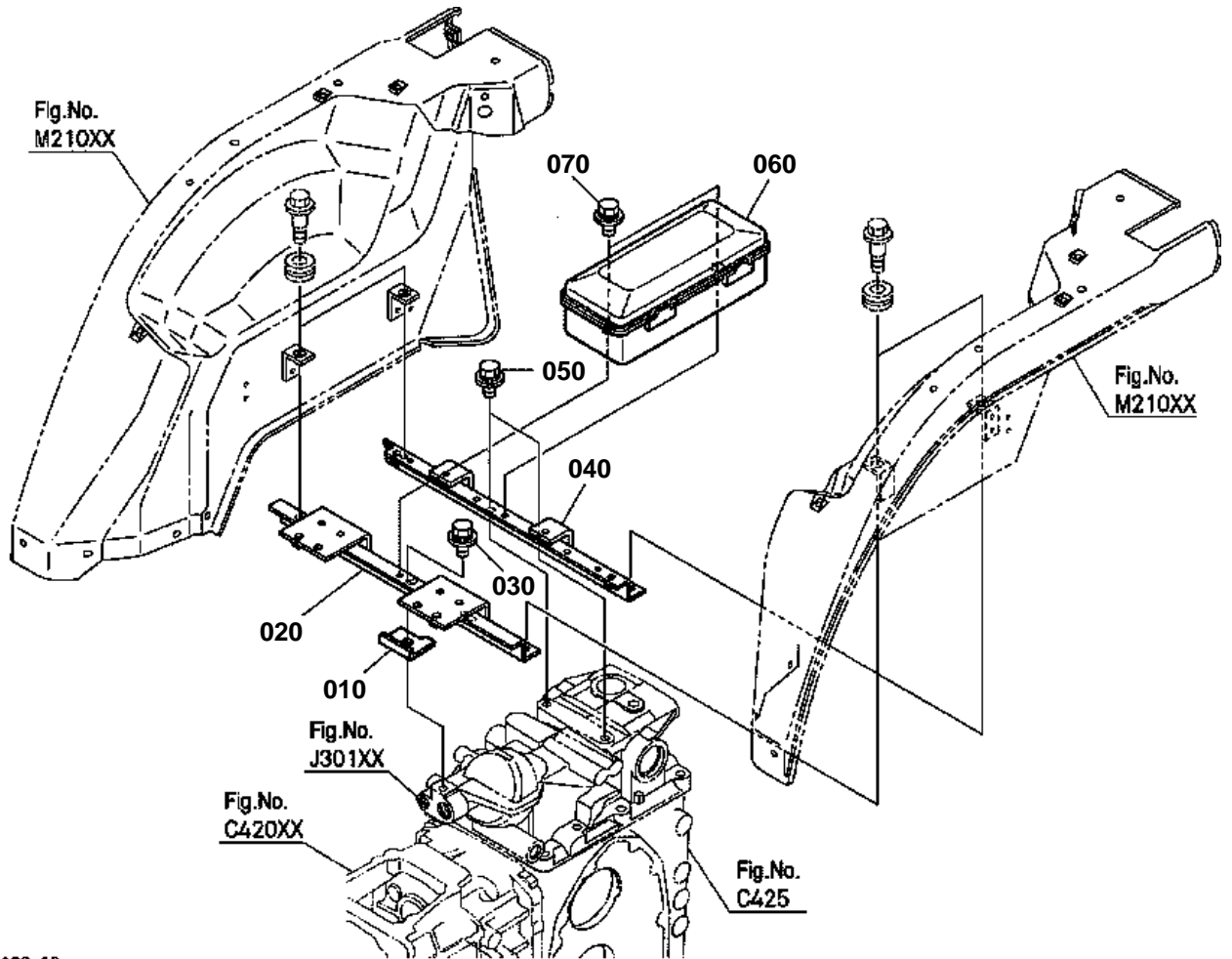
6C160-124-10

**FENDER [AU] [NZ]**

↔ Interchangeable; ≠ not interchangeable; ← new for old; → old for new

| REF.No | Part No.    | Description | Q'ty | S.No. | I/C | REMARKS | Weight (kgf) | Weight (lb) |
|--------|-------------|-------------|------|-------|-----|---------|--------------|-------------|
| 010    | 6C040-52714 | FENDER LH   | 1    |       |     |         | 6.8          | 14.96       |
| 020    | 6C040-52724 | FENDER RH   | 1    |       |     |         | 3.4          | 7.48        |
| 030    | 32150-29180 | CAP RUBBER  | 2    |       |     |         | 0.002        | 0.0044      |
| 040    | 99999-99999 | BLANK       | 0    |       |     |         | 0            | 0           |
| 050    | 01125-50818 | BOLT        | 6    |       |     |         | 0.015        | 0.033       |
| 060    | 6A100-51380 | CUSHION     | 4    |       |     |         | 0.003        | 0.0066      |
| 070    | 6C040-51342 | BOLT        | 4    |       |     |         | 0.017        | 0.0374      |
| 080    | 6C070-52170 | HANDRAIL    | 2    |       |     |         | 0.25         | 0.55        |
| 090    | 02131-50100 | NUT         | 4    |       |     |         | 0.01         | 0.022       |

FENDER STAY



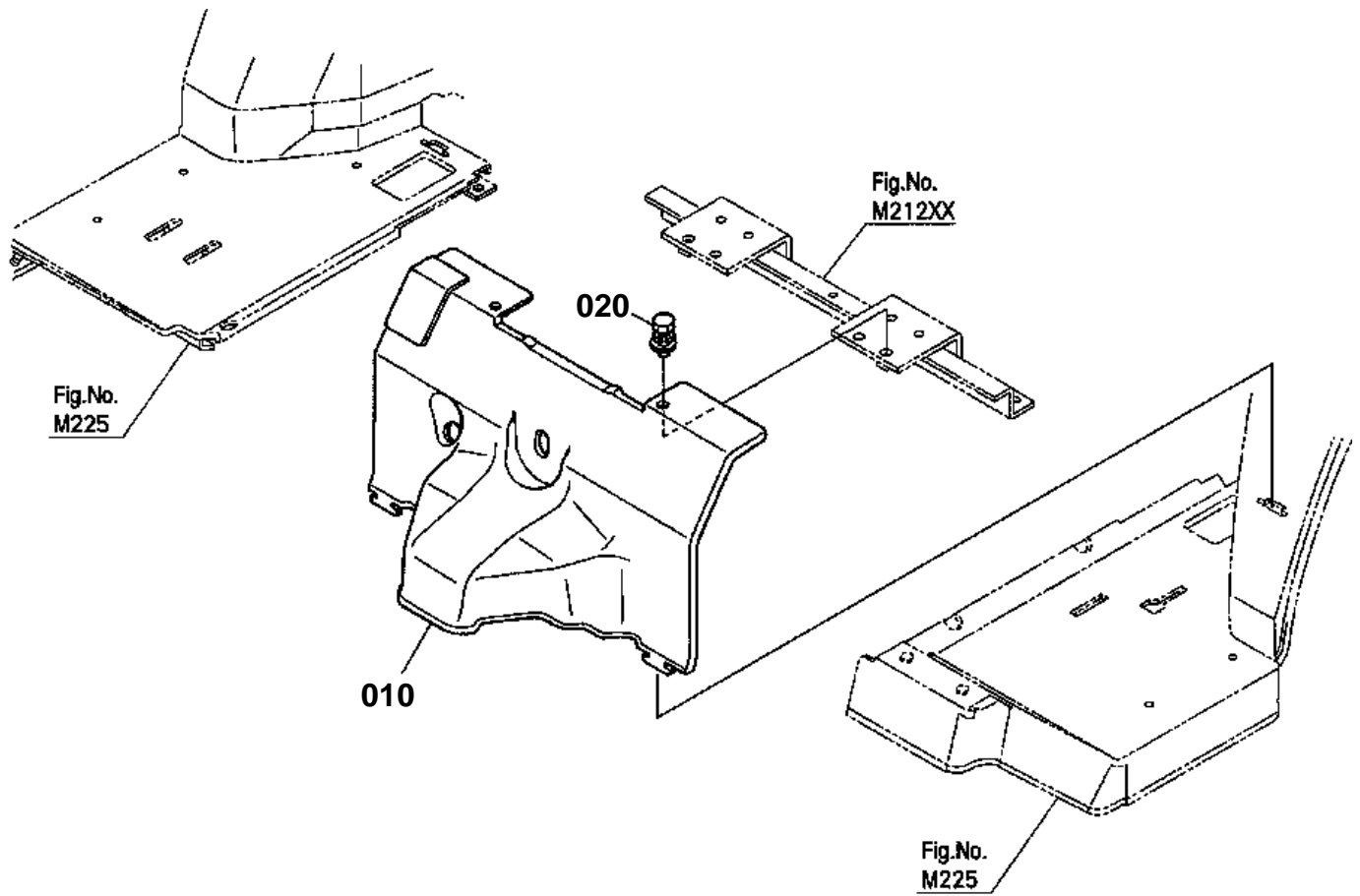
6C160-128-10



# FENDER STAY

↔ Interchangeable; ≠ not interchangeable; ← new for old; → old for new

| REF.No | Part No.    | Description | Q'ty | S.No. | I/C | REMARKS | Weight (kgf) | Weight (lb) |
|--------|-------------|-------------|------|-------|-----|---------|--------------|-------------|
| 010    | 6C090-52882 | PLATE       | 1    |       |     |         | 0.05         | 0.11        |
| 020    | 6C140-52730 | STAY FENDER | 1    |       |     |         | 1.1          | 2.42        |
| 030    | 01125-50818 | BOLT        | 1    |       |     |         | 0.015        | 0.033       |
| 040    | 6C140-52740 | STAY FENDER | 1    |       |     |         | 0.82         | 1.804       |
| 050    | 01125-51020 | BOLT        | 2    |       |     |         | 0.005        | 0.011       |
| 060    | 6C040-52790 | CASE TOOLS  | 1    |       |     |         | 0.23         | 0.506       |
| 070    | 01025-50616 | BOLT        | 2    |       |     |         | 0.005        | 0.011       |



6C160-130-10



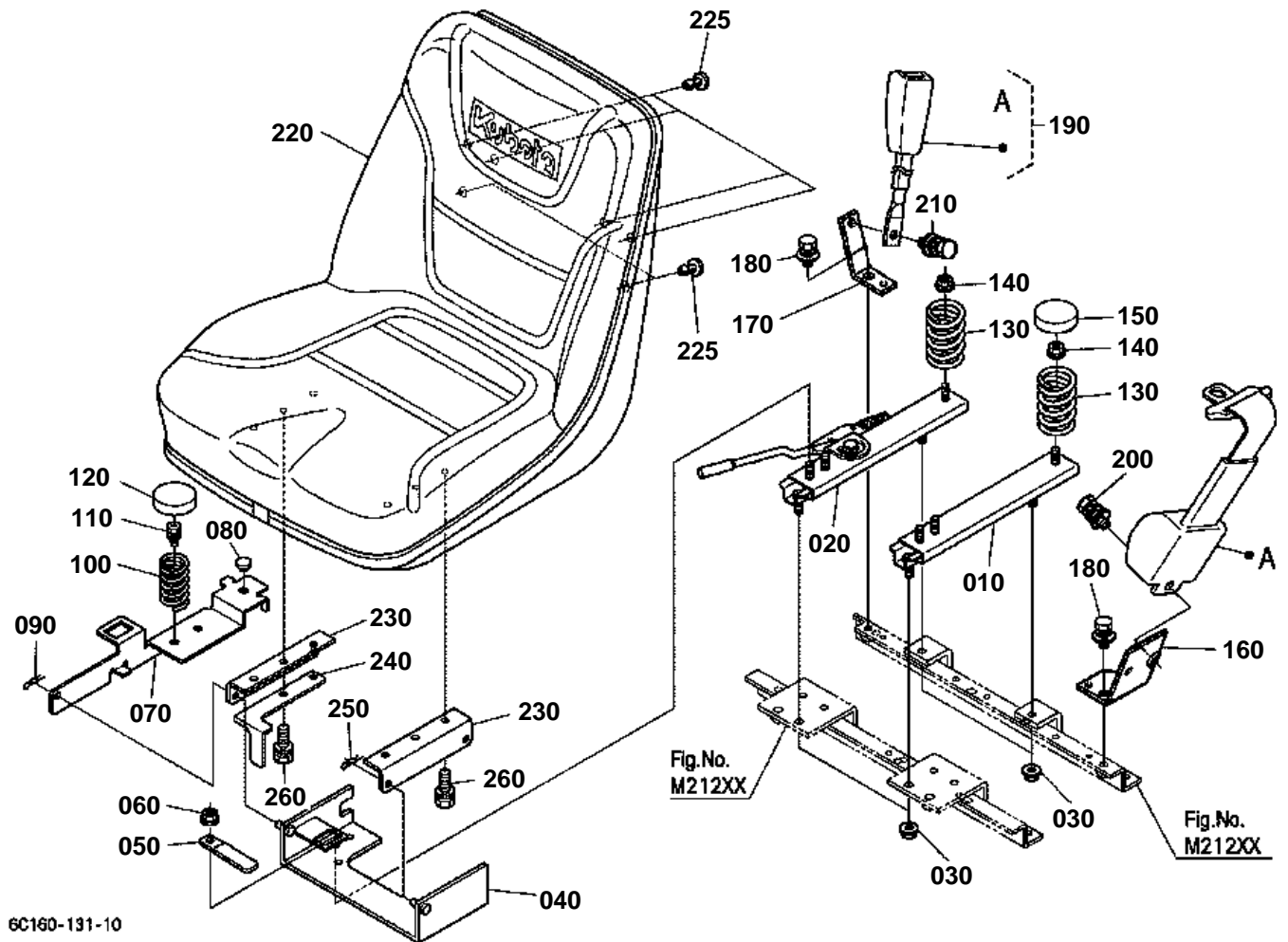


# FLOOR SEAT

↔ Interchangeable; ≠ not interchangeable; ← new for old; → old for new

| REF.No | Part No.    | Description      | Q'ty | S.No. | I/C | REMARKS | Weight (kgf) | Weight (lb) |
|--------|-------------|------------------|------|-------|-----|---------|--------------|-------------|
| 010    | 6C040-51370 | COVER SEAT UNDER | 1    |       |     |         | 0.38         | 0.836       |
| 020    | 01125-50818 | BOLT             | 2    |       |     |         | 0.015        | 0.033       |

# SEAT SUPPORT

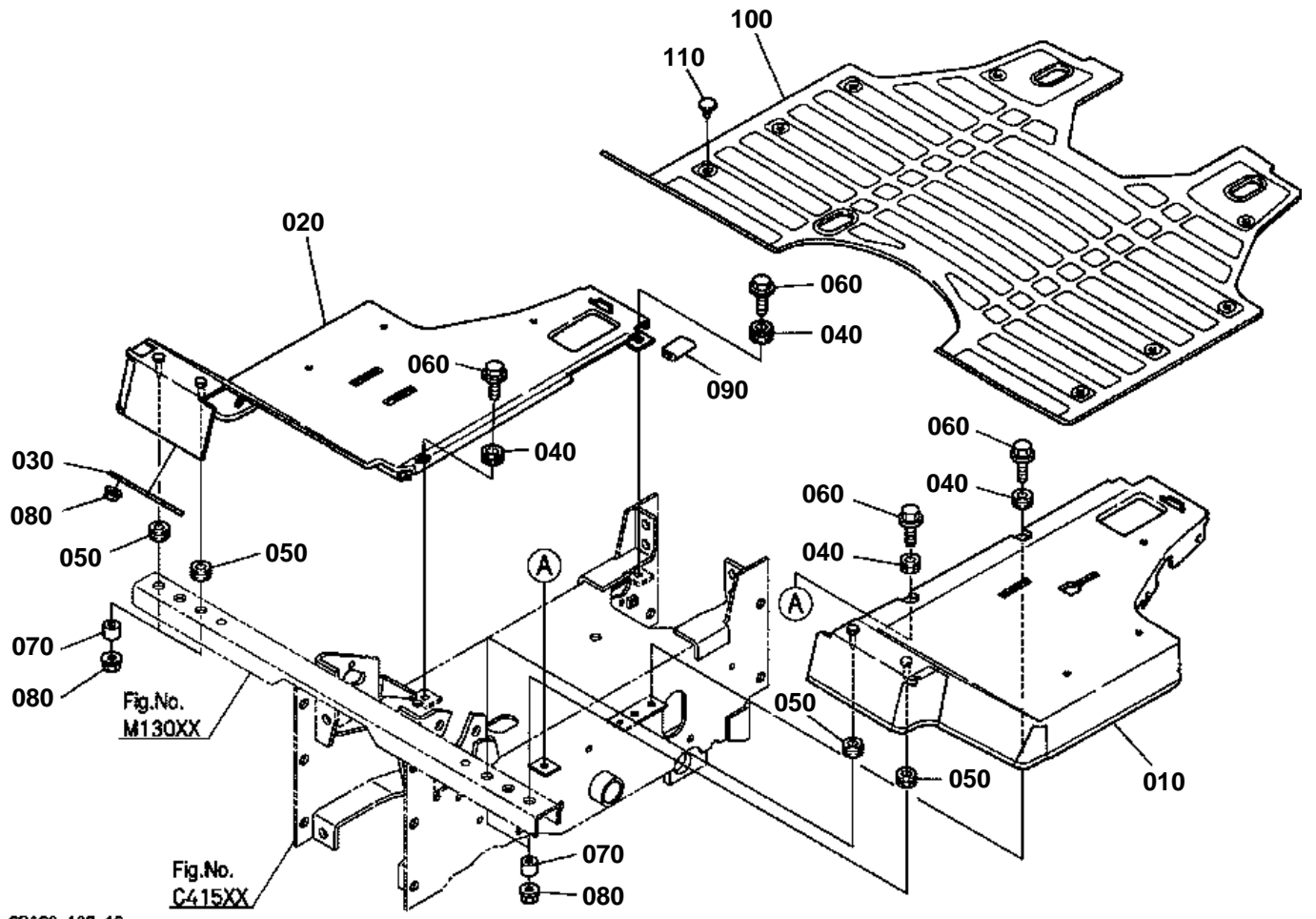


6C160-131-10

**SEAT SUPPORT**

↔ Interchangeable; ≠ not interchangeable; ← new for old; → old for new

| REF.No | Part No.    | Description        | Q'ty | S.No. | I/C | REMARKS | Weight (kgf) | Weight (lb) |
|--------|-------------|--------------------|------|-------|-----|---------|--------------|-------------|
| 010    | 6C140-45910 | ADJUSTER SEAT LH   | 1    |       |     |         | 0.65         | 1.43        |
| 020    | 6C140-45920 | ADJUSTER SEAT RH   | 1    |       |     |         | 0.85         | 1.87        |
| 030    | 02121-50080 | NUT                | 4    |       |     |         | 0.01         | 0.022       |
| 040    | 6C190-45950 | STAY SEAT RAIL     | 1    |       |     |         | 1.01         | 2.222       |
| 050    | 13824-67580 | CLAMP CORD         | 1    |       |     |         | 0.006        | 0.0132      |
| 060    | 02121-50080 | NUT                | 4    |       |     |         | 0.01         | 0.022       |
| 070    | 6C190-45970 | STAY SEAT SWITCH   | 1    |       |     |         | 0.45         | 0.99        |
| 080    | 38240-29870 | CUSHION            | 1    |       |     |         | 0.004        | 0.0088      |
| 090    | 05525-50800 | PIN SNAP           | 1    |       |     |         | 0.001        | 0.0022      |
| 100    | 6C060-45983 | SPRING SEAT SWITCH | 1    |       |     |         | 0.031        | 0.0682      |
| 110    | 01125-60820 | BOLT               | 1    |       |     |         | 0.015        | 0.033       |
| 120    | 6C060-45990 | CAP SPRING         | 1    |       |     |         | 0.011        | 0.0242      |
| 130    | 6C040-45990 | SPRING SEAT        | 2    |       |     |         | 0.2          | 0.44        |
| 140    | 02121-50080 | NUT                | 2    |       |     |         | 0.01         | 0.022       |
| 150    | 66301-52820 | CAP SPRING         | 1    |       |     |         | 0.04         | 0.088       |
| 160    | 6C040-52760 | STAY SEAT BELT LH  | 1    |       |     |         | 0.3          | 0.66        |
| 170    | 6C040-52770 | STAY SEAT BELT RH  | 1    |       |     |         | 0.1          | 0.22        |
| 180    | 01125-50818 | BOLT               | 2    |       |     |         | 0.015        | 0.033       |
| 190    | K2561-56850 | ASSY BELT SEAT     | 1    |       |     |         | 0.81         | 1.782       |
| 200    | 01135-61020 | BOLT               | 1    |       |     |         | 0.015        | 0.033       |
| 210    | 01135-61025 | BOLT               | 1    |       |     |         | 0.04         | 0.088       |
| 220    | K2571-56110 | SEAT               | 1    |       |     |         | 9            | 19.8        |
| 225    | K2571-56120 | PLUG               | 6    |       |     |         | 0.001        | 0.0022      |
| 230    | 6C190-45960 | STAY SEAT          | 2    |       |     |         | 0.29         | 0.638       |
| 240    | 6C190-45730 | SPRING PLATE       | 1    |       |     |         | 0.05         | 0.11        |
| 250    | 05525-50800 | PIN SNAP           | 1    |       |     |         | 0.001        | 0.0022      |
| 260    | 01123-50820 | BOLT               | 4    |       |     |         | 0.011        | 0.0242      |

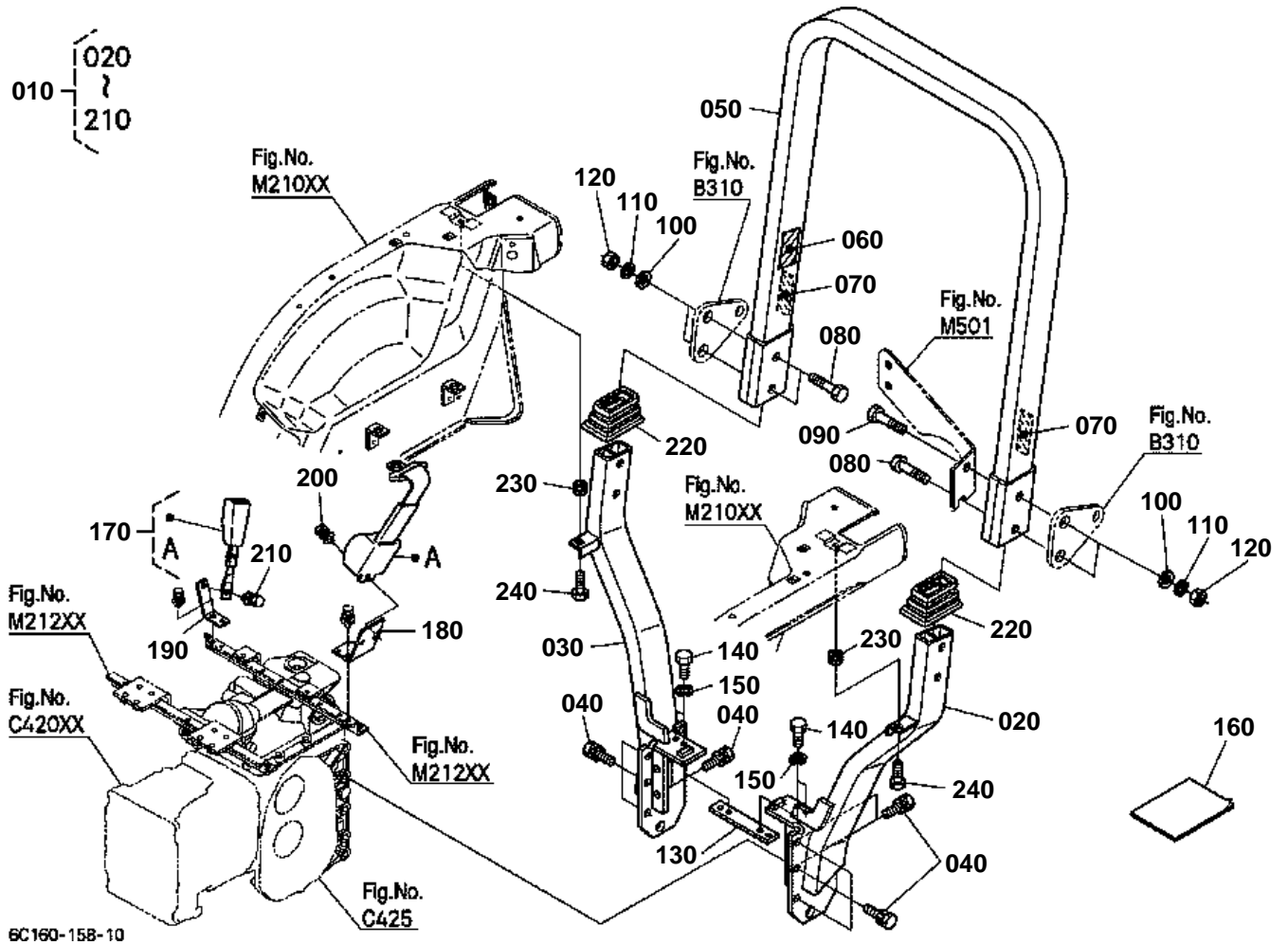


6C160-133-10

**STEP**

↔ Interchangeable; ≠ not interchangeable; ← new for old; → old for new

| REF.No | Part No.    | Description     | Q'ty | S.No. | I/C | REMARKS | Weight (kgf) | Weight (lb) |
|--------|-------------|-----------------|------|-------|-----|---------|--------------|-------------|
| 010    | 6C040-51319 | STEP LH         | 1    |       |     |         | 2.22         | 4.884       |
| 020    | 6C040-51326 | STEP RH         | 1    |       |     |         | 2.2          | 4.84        |
| 030    | 6C040-51330 | SUPPORT STEP RH | 1    |       |     |         | 0.073        | 0.1606      |
| 040    | 6A100-51380 | CUSHION         | 4    |       |     |         | 0.003        | 0.0066      |
| 050    | 6A100-51380 | CUSHION         | 4    |       |     |         | 0.003        | 0.0066      |
| 060    | 6C040-51342 | BOLT            | 4    |       |     |         | 0.017        | 0.0374      |
| 070    | 6C040-51390 | COLLAR          | 4    |       |     |         | 0.003        | 0.0066      |
| 080    | 02121-50080 | NUT             | 6    |       |     |         | 0.01         | 0.022       |
| 090    | 6C040-51350 | CUSHION         | 1    |       |     |         | 0.002        | 0.0044      |
| 100    | 6C040-51364 | MAT STEP        | 1    |       |     |         | 2.08         | 4.576       |
| 110    | 67955-51340 | STOPPER         | 12   |       |     |         | 0.001        | 0.0022      |



6C160-158-10



ROPS(RIGID TYPE) [EXCEPT [AU]]

↔ Interchangeable; ≠ not interchangeable; ← new for old; → old for new

| REF.No | Part No.    | Description         | Q'ty | S.No. | I/C | REMARKS | Weight (kgf) | Weight (lb) |
|--------|-------------|---------------------|------|-------|-----|---------|--------------|-------------|
| 010    | 6C140-88504 | ASSY ROPS           | 1    |       |     |         | 0            | 0           |
| 020    | 99999-99999 | FRAME LOWER LH      | 1    |       |     |         | 0            | 0           |
| 030    | 99999-99999 | ASSY FRAME LOWER RH | 1    |       |     |         | 0            | 0           |
| 040    | 01123-51235 | BOLT                | 10   |       |     |         | 0.041        | 0.0902      |
| 050    | 99999-99999 | FRAME UPPER         | 1    |       |     |         | 0            | 0           |
| 060    | 6C140-47460 | LABEL ROPS WARNING  | 1    |       |     | ENGLISH | 0.001        | 0.0022      |
| 060    | 6C141-47460 | LABEL ROPS WARNING  | 1    |       |     | FRENCH  | 0.001        | 0.0022      |
| 070    | 6C140-54990 | REFLECTOR LABEL     | 2    |       |     |         | 0.003        | 0.0066      |
| 080    | 0Y109-50944 | BOLT                | 3    |       |     |         | 0.1          | 0.22        |
| 090    | 0Y109-50948 | BOLT                | 1    |       |     |         | 0.11         | 0.242       |
| 100    | 04013-60140 | WASHER PLAIN        | 4    |       |     |         | 0.01         | 0.022       |
| 110    | 0Y450-50090 | WASHER SPRING       | 4    |       |     |         | 0.007        | 0.0154      |
| 120    | 0Y205-50090 | NUT                 | 4    |       |     |         | 0.03         | 0.066       |
| 130    | 99999-99999 | PLATE CONNECTOR     | 1    |       |     |         | 0            | 0           |
| 140    | 0Y109-50616 | BOLT                | 4    |       |     |         | 0.2          | 0.44        |
| 150    | 0Y450-50060 | WASHER SPRING       | 4    |       |     |         | 0.003        | 0.0066      |
| 160    | 99999-99999 | MANUAL ASSEMBLY     | 1    |       |     |         | 0            | 0           |
| 170    | K2561-56850 | ASSY BELT SEAT      | 1    |       |     |         | 0.81         | 1.782       |
| 180    | 6C040-52760 | STAY SEAT BELT LH   | 1    |       |     |         | 0.3          | 0.66        |
| 190    | 6C040-52770 | STAY SEAT BELT RH   | 1    |       |     |         | 0.1          | 0.22        |
| 200    | 01135-61020 | BOLT                | 1    |       |     |         | 0.015        | 0.033       |
| 210    | 01135-61025 | BOLT                | 1    |       |     |         | 0.04         | 0.088       |
| 220    | 6C040-72210 | COVER ROPS          | 2    |       |     |         | 0.066        | 0.1452      |
| 230    | 6A100-51380 | CUSHION             | 2    |       |     |         | 0.003        | 0.0066      |
| 240    | 6C040-51342 | BOLT                | 2    |       |     |         | 0.017        | 0.0374      |



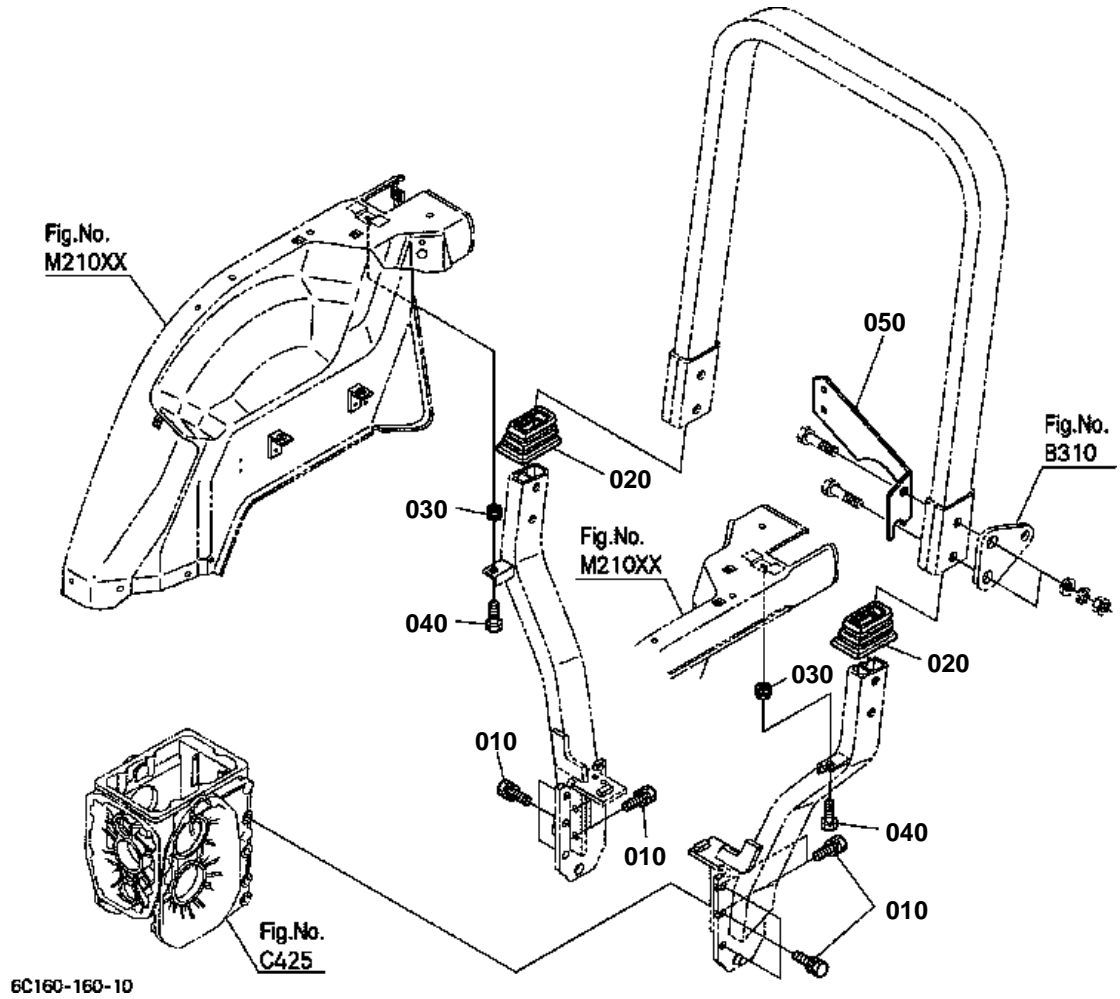




## ROPS(FOLDABLE TYPE) [EXCEPT [AU]]

↔ Interchangeable; ≠ not interchangeable; ← new for old; → old for new

| REF.No | Part No.    | Description         | Q'ty | S.No. | I/C | REMARKS | Weight (kgf) | Weight (lb) |
|--------|-------------|---------------------|------|-------|-----|---------|--------------|-------------|
| 010    | 6C140-89504 | ASSY ROPS           | 1    |       |     |         | 0            | 0           |
| 020    | 99999-99999 | FRAME LOWER LH      | 1    |       |     |         | 0            | 0           |
| 030    | 99999-99999 | ASSY FRAME LOWER RH | 1    |       |     |         | 0            | 0           |
| 040    | 01123-51235 | BOLT                | 10   |       |     |         | 0.041        | 0.0902      |
| 050    | 99999-99999 | FRAME MIDDLE LH     | 1    |       |     |         | 0            | 0           |
| 060    | 6C140-54990 | REFLECTOR LABEL     | 1    |       |     |         | 0.003        | 0.0066      |
| 070    | 99999-99999 | FRAME MIDDLE RH     | 1    |       |     |         | 0            | 0           |
| 080    | 3A111-95540 | LABEL ROPS CAUTION  | 1    |       |     | ENGLISH | 0.003        | 0.0066      |
| 080    | 3A112-95540 | LABEL ROPS CAUTION  | 1    |       |     | FRENCH  | 0.003        | 0.0066      |
| 090    | 6C140-54990 | REFLECTOR LABEL     | 1    |       |     |         | 0.003        | 0.0066      |
| 100    | 0Y109-50952 | BOLT                | 3    |       |     |         | 0.11         | 0.242       |
| 110    | 0Y109-50956 | BOLT                | 1    |       |     |         | 0.11         | 0.242       |
| 120    | 04013-60140 | WASHER PLAIN        | 4    |       |     |         | 0.01         | 0.022       |
| 130    | 0Y450-50090 | WASHER SPRING       | 4    |       |     |         | 0.007        | 0.0154      |
| 140    | 0Y205-50090 | NUT                 | 4    |       |     |         | 0.03         | 0.066       |
| 150    | 99999-99999 | FRAME UPPER         | 1    |       |     |         | 0            | 0           |
| 160    | TC050-48773 | COVER ROPS          | 2    |       |     |         | 0.03         | 0.066       |
| 170    | TA240-48752 | SET BOLT            | 2    |       |     |         | 0.435        | 0.957       |
| 180    | 04013-60160 | WASHER PLAIN        | 2    |       |     |         | 0.01         | 0.022       |
| 190    | 02254-50160 | NUT                 | 2    |       |     |         | 0.04         | 0.088       |
| 200    | 05511-50430 | PIN SPLIT           | 2    |       |     |         | 0.004        | 0.0088      |
| 210    | 04013-60160 | WASHER PLAIN        | 4    |       |     |         | 0.01         | 0.022       |
| 220    | 99999-99999 | PLATE CONNECTOR     | 1    |       |     |         | 0            | 0           |
| 230    | 0Y109-50616 | BOLT                | 4    |       |     |         | 0.2          | 0.44        |
| 240    | 0Y450-50060 | WASHER SPRING       | 4    |       |     |         | 0.003        | 0.0066      |
| 250    | TA240-98480 | LABEL ROPS WARNING  | 1    |       |     | ENGLISH | 0.005        | 0.011       |
| 250    | 3A112-98480 | LABEL ROPS WARNING  | 1    |       |     | FRENCH  | 0.004        | 0.0088      |
| 260    | 99999-99999 | MANUAL ASSEMBLY     | 1    |       |     |         | 0            | 0           |
| 270    | TA240-48680 | MANUAL INSTRUCTION  | 1    |       |     |         | 0.025        | 0.055       |
| 280    | K2561-56850 | ASSY BELT SEAT      | 1    |       |     |         | 0.81         | 1.782       |
| 290    | 6C040-52760 | STAY SEAT BELT LH   | 1    |       |     |         | 0.3          | 0.66        |
| 300    | 6C040-52770 | STAY SEAT BELT RH   | 1    |       |     |         | 0.1          | 0.22        |
| 310    | 01135-61020 | BOLT                | 1    |       |     |         | 0.015        | 0.033       |
| 320    | 01135-61025 | BOLT                | 1    |       |     |         | 0.04         | 0.088       |
| 330    | 6C040-72210 | COVER ROPS          | 2    |       |     |         | 0.066        | 0.1452      |
| 340    | 6A100-51380 | CUSHION             | 2    |       |     |         | 0.003        | 0.0066      |
| 350    | 6C040-51342 | BOLT                | 2    |       |     |         | 0.017        | 0.0374      |

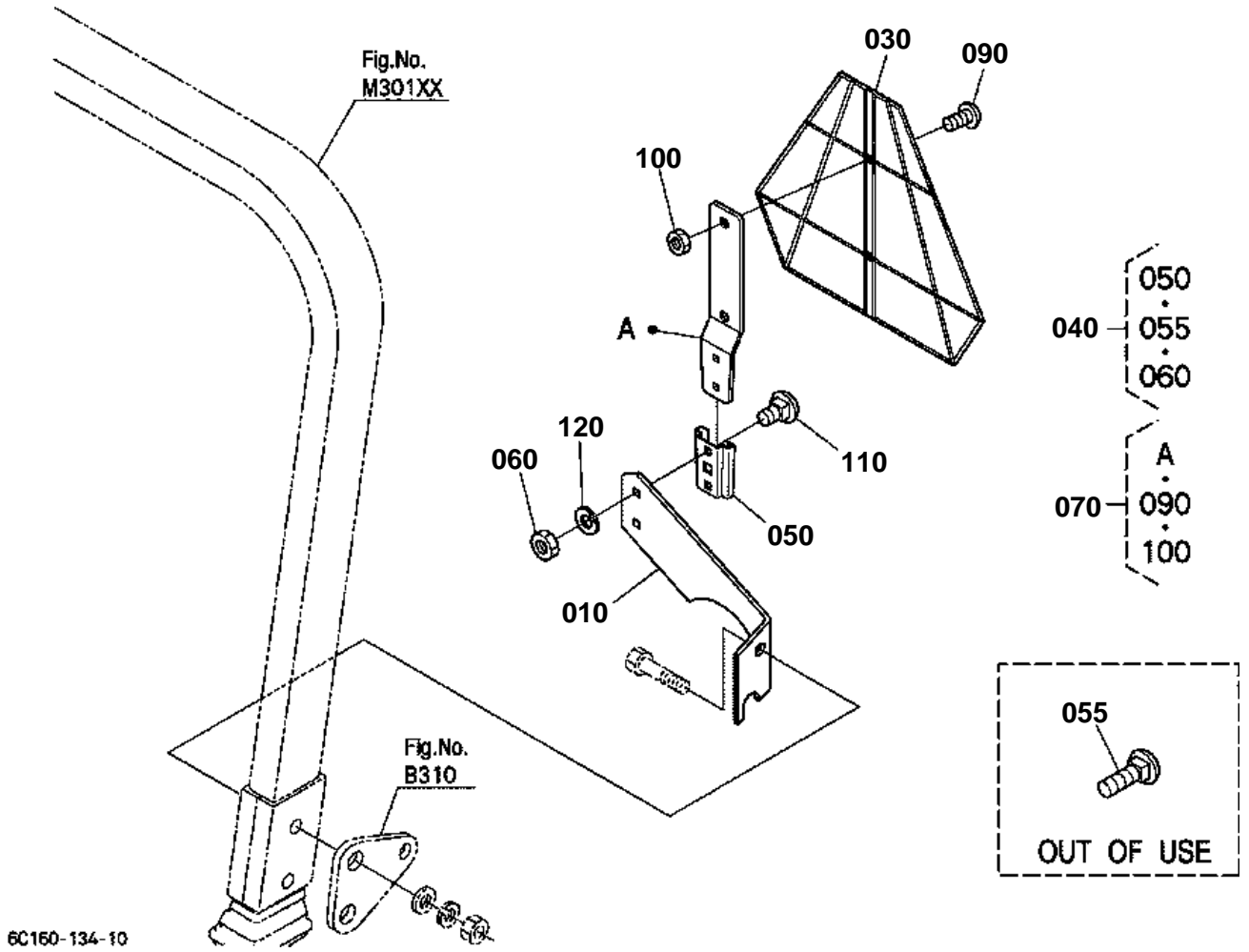




ROPS [AU]

↔ Interchangeable; ≠ not interchangeable; ← new for old; → old for new

| REF.No | Part No.    | Description | Q'ty | S.No. | I/C | REMARKS | Weight (kgf) | Weight (lb) |
|--------|-------------|-------------|------|-------|-----|---------|--------------|-------------|
| 010    | 01123-51235 | BOLT        | 10   |       |     |         | 0.041        | 0.0902      |
| 020    | 6C040-72210 | COVER ROPS  | 2    |       |     |         | 0.066        | 0.1452      |
| 030    | 6A100-51380 | CUSHION     | 2    |       |     |         | 0.003        | 0.0066      |
| 040    | 6C040-51342 | BOLT        | 2    |       |     |         | 0.017        | 0.0374      |
| 050    | 6C140-54950 | BRACKET SMV | 1    |       |     |         | 0.85         | 1.87        |

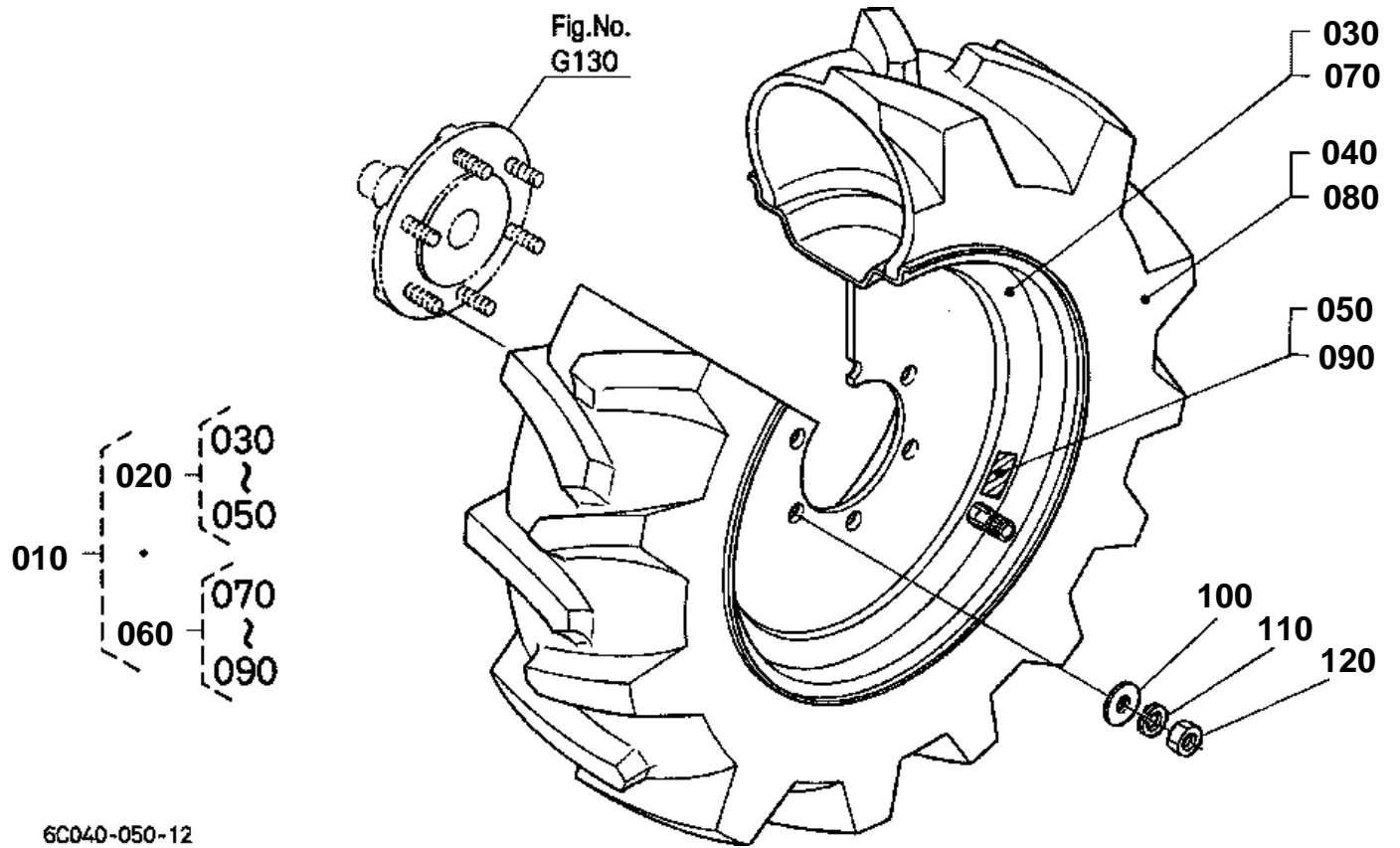


6C160-134-10

**SMV EMBLEM [EXCEPT [AU]]**

↔ Interchangeable; ≠ not interchangeable; ← new for old; → old for new

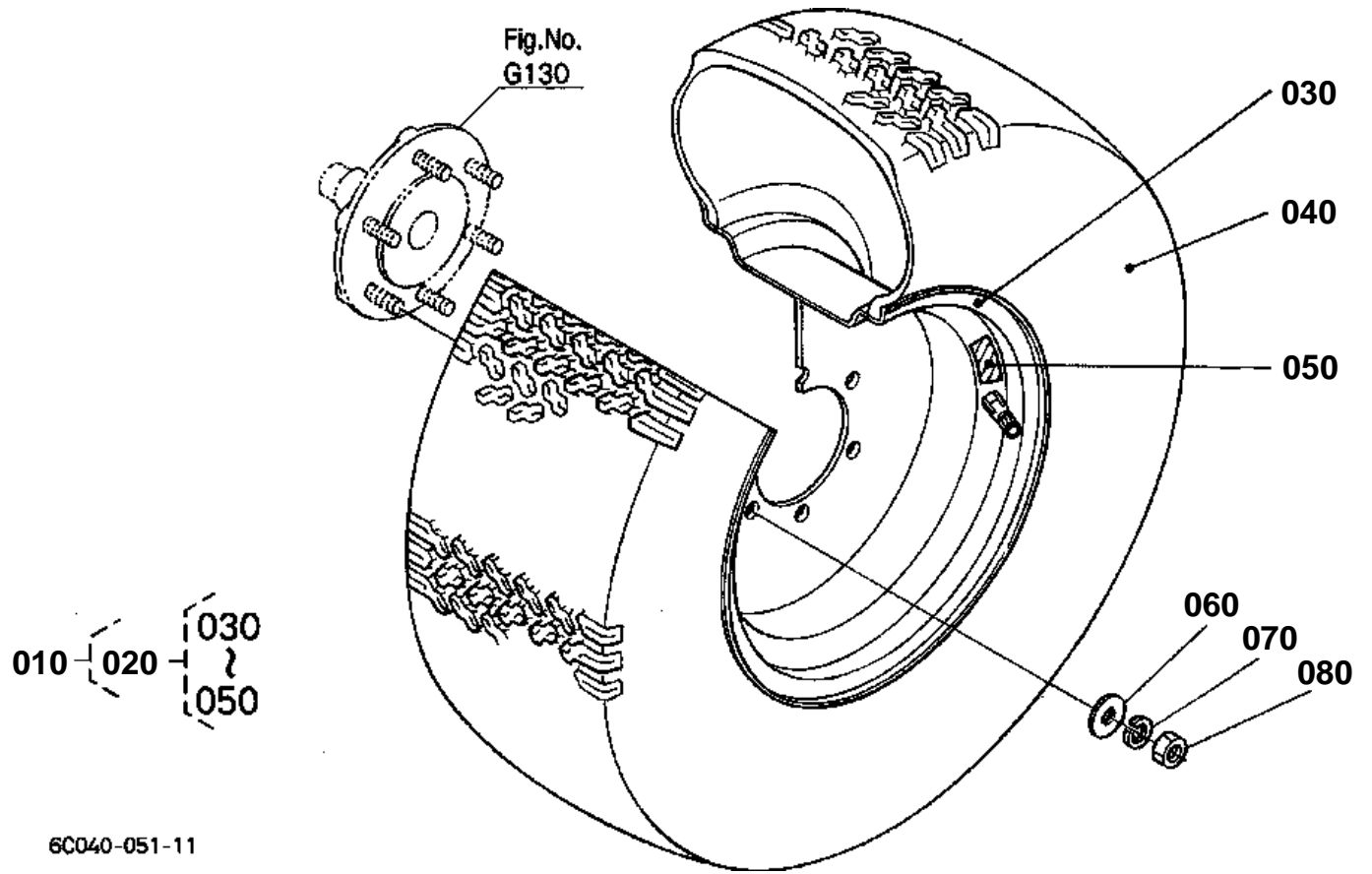
| REF.No | Part No.    | Description      | Q'ty | S.No. | I/C | REMARKS    | Weight (kgf) | Weight (lb) |
|--------|-------------|------------------|------|-------|-----|------------|--------------|-------------|
| 010    | 6C140-54950 | BRACKET SMV      | 1    |       |     |            | 0.85         | 1.87        |
| 020    | 99999-99999 | BLANK            | 0    |       |     |            | 0            | 0           |
| 030    | 7L500-89910 | SIGN SMV         | 1    |       |     |            | 0.32         | 0.704       |
| 040    | 7L500-89920 | SOCKET SMV SIGN  | 1    |       |     |            | 0.1          | 0.22        |
| 050    | 7L500-89930 | SOCKET-MTG SMV   | 1    |       |     |            | 0.05         | 0.11        |
| 055    | 7L500-89940 | BOLT SQUARE NECK | 2    |       |     | OUT OF USE | 0.01         | 0.022       |
| 060    | 7L500-89950 | NUT              | 2    |       |     |            | 0.004        | 0.0088      |
| 070    | 7L500-89960 | SPADE SMV SIGN   | 1    |       |     |            | 0.24         | 0.528       |
| 080    | 99999-99999 | BLANK            | 0    |       |     |            | 0            | 0           |
| 090    | 7L500-89980 | VIS              | 2    |       |     |            | 0.02         | 0.044       |
| 100    | 7L500-89990 | NUT              | 2    |       |     |            | 0.001        | 0.0022      |
| 110    | 7L500-89810 | BOLT SQUARE NECK | 2    |       |     |            | 0.011        | 0.0242      |
| 120    | 04512-60080 | WASHER SPRING    | 2    |       |     |            | 0.002        | 0.0044      |



**FRONT WHEEL(6-12) [A] [CA] [B7510DN [OPTION]]**

↔ Interchangeable; ≠ not interchangeable; ← new for old; → old for new

| REF.No | Part No.    | Description     | Q'ty | S.No. | I/C | REMARKS | Weight (kgf) | Weight (lb) |
|--------|-------------|-----------------|------|-------|-----|---------|--------------|-------------|
| 010    | 6C040-50210 | ASSY TIRE FRONT | 1    |       |     |         | 0            | 0           |
| 020    | 6C040-50220 | ASSY TIRE LH    | 1    |       |     |         | 0            | 0           |
| 030    | 6C040-50240 | WHEEL           | 1    |       |     |         | 0            | 0           |
| 040    | 66434-57140 | TIRE            | 1    |       |     |         | 0            | 0           |
| 050    | 6C040-50250 | LABEL TIRE LH   | 1    |       |     |         | 0            | 0           |
| 060    | 6C040-50230 | ASSY TIRE RH    | 1    |       |     |         | 0            | 0           |
| 070    | 6C040-50240 | WHEEL           | 1    |       |     |         | 0            | 0           |
| 080    | 66434-57140 | TIRE            | 1    |       |     |         | 0            | 0           |
| 090    | 6C040-50260 | LABEL TIRE RH   | 1    |       |     |         | 0            | 0           |
| 100    | 04013-60120 | WASHER PLAIN    | 12   |       |     |         | 0.01         | 0.022       |
| 110    | 04512-60120 | WASHER SPRING   | 12   |       |     |         | 0.005        | 0.011       |
| 120    | 02176-50120 | NUT             | 12   |       |     |         | 0.01         | 0.022       |



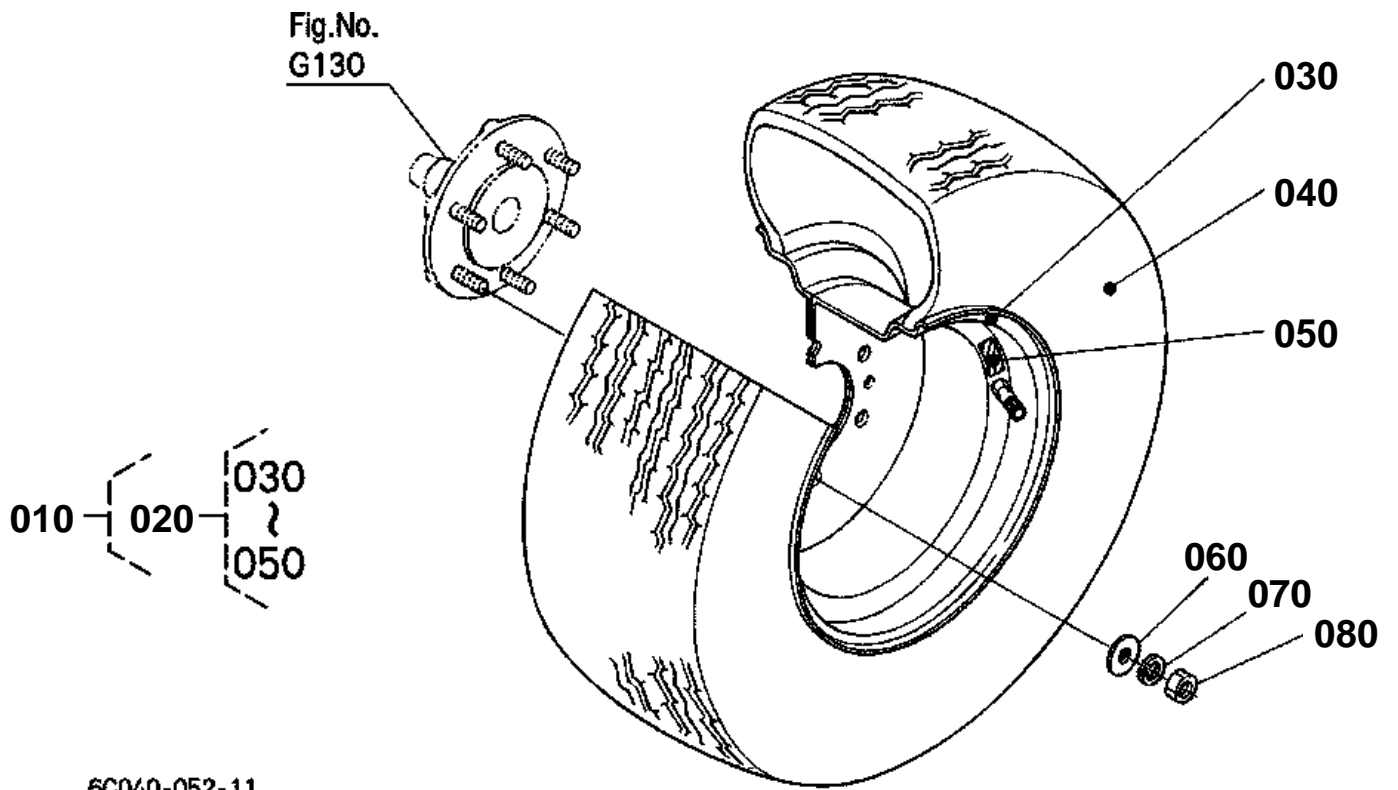




# FRONT WHEEL(23\*8.50-12) [A] [CA]

↔ Interchangeable; ≠ not interchangeable; ← new for old; → old for new

| REF.No | Part No.    | Description   | Q'ty | S.No. | I/C | REMARKS | Weight (kgf) | Weight (lb) |
|--------|-------------|---------------|------|-------|-----|---------|--------------|-------------|
| 010    | 6C040-50410 | ASSY TIRE     | 1    |       |     |         | 0            | 0           |
| 020    | 6C040-50420 | ASSY TIRE     | 2    |       |     |         | 0            | 0           |
| 030    | 6C040-50430 | WHEEL         | 2    |       |     |         | 0            | 0           |
| 040    | 6C040-50440 | TIRE          | 2    |       |     |         | 0            | 0           |
| 050    | 6C040-50450 | LABEL TIRE    | 2    |       |     |         | 0            | 0           |
| 060    | 04013-60120 | WASHER PLAIN  | 12   |       |     |         | 0.01         | 0.022       |
| 070    | 04512-60120 | WASHER SPRING | 12   |       |     |         | 0.005        | 0.011       |
| 080    | 02176-50120 | NUT           | 12   |       |     |         | 0.01         | 0.022       |



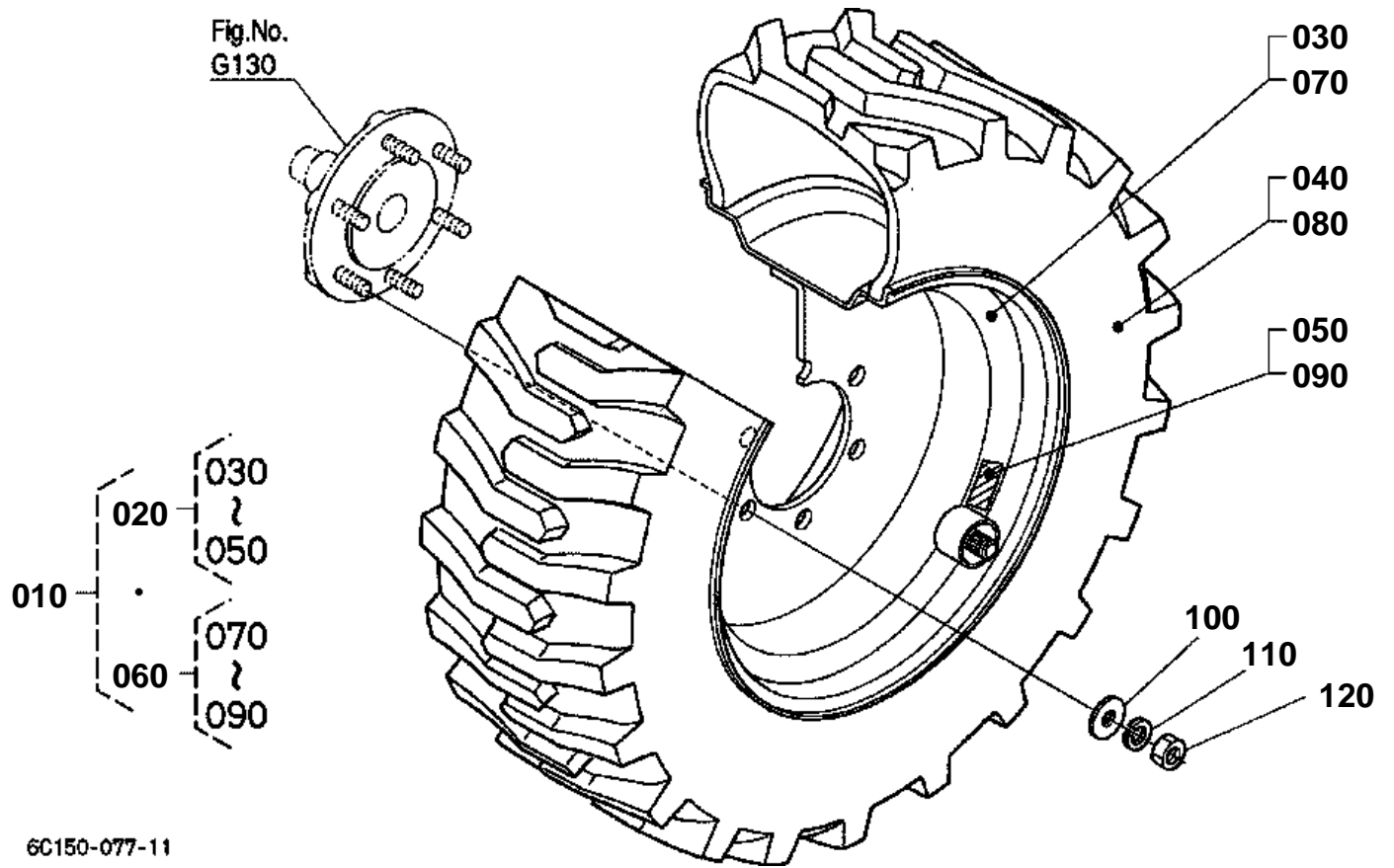
6C040-052-11



# FRONT WHEEL(21\*8.00-10) [A] [CA]

↔ Interchangeable; ≠ not interchangeable; ← new for old; → old for new

| REF.No | Part No.    | Description   | Q'ty | S.No. | I/C | REMARKS | Weight (kgf) | Weight (lb) |
|--------|-------------|---------------|------|-------|-----|---------|--------------|-------------|
| 010    | 6C040-50510 | ASSY TIRE     | 1    |       |     |         | 0            | 0           |
| 020    | 6C040-50520 | ASSY TIRE     | 2    |       |     |         | 0            | 0           |
| 030    | 6C040-50530 | WHEEL         | 2    |       |     |         | 0            | 0           |
| 040    | 67404-57130 | TIRE          | 2    |       |     |         | 0            | 0           |
| 050    | 6C040-50540 | LABEL TIRE    | 2    |       |     |         | 0            | 0           |
| 060    | 04013-60120 | WASHER PLAIN  | 12   |       |     |         | 0.01         | 0.022       |
| 070    | 04512-60120 | WASHER SPRING | 12   |       |     |         | 0.005        | 0.011       |
| 080    | 02176-50120 | NUT           | 12   |       |     |         | 0.01         | 0.022       |

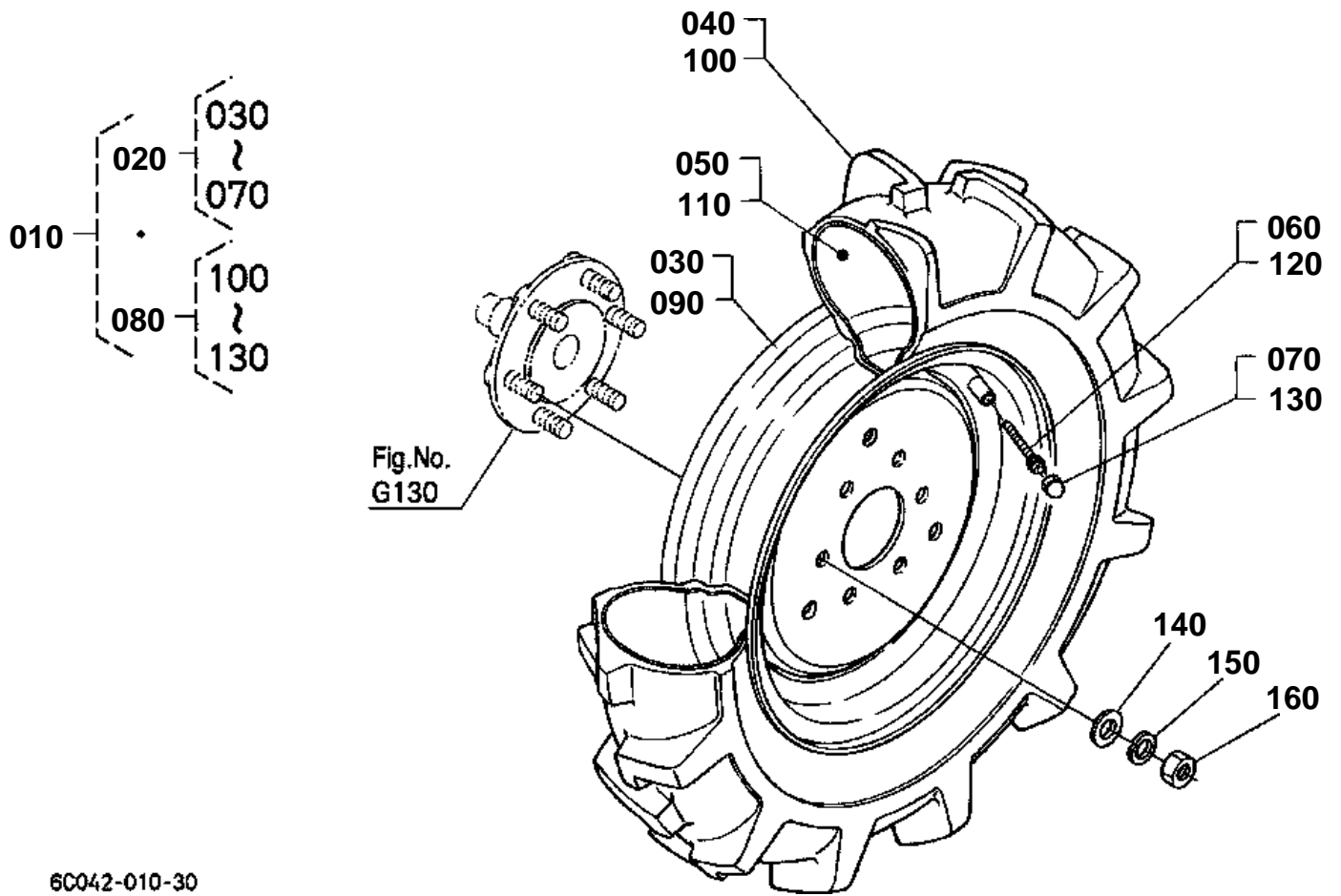




# FRONT WHEEL(23\*8.50-12) [A] [CA]

↔ Interchangeable; ≠ not interchangeable; ← new for old; → old for new

| REF.No | Part No.    | Description     | Q'ty | S.No. | I/C | REMARKS | Weight (kgf) | Weight (lb) |
|--------|-------------|-----------------|------|-------|-----|---------|--------------|-------------|
| 010    | 6C040-50610 | ASSY TIRE FRONT | 1    |       |     |         | 0            | 0           |
| 020    | 6C040-50620 | ASSY TIRE LH    | 1    |       |     |         | 0            | 0           |
| 030    | 6C040-50640 | WHEEL           | 1    |       |     |         | 0            | 0           |
| 040    | 6C040-50650 | TIRE            | 1    |       |     |         | 0            | 0           |
| 050    | 6C040-50660 | LABEL TIRE LH   | 1    |       |     |         | 0            | 0           |
| 060    | 6C040-50630 | ASSY TIRE RH    | 1    |       |     |         | 0            | 0           |
| 070    | 6C040-50640 | WHEEL           | 1    |       |     |         | 0            | 0           |
| 080    | 6C040-50650 | TIRE            | 1    |       |     |         | 0            | 0           |
| 090    | 6C040-50670 | LABEL TIRE RH   | 1    |       |     |         | 0            | 0           |
| 100    | 04013-60120 | WASHER PLAIN    | 12   |       |     |         | 0.01         | 0.022       |
| 110    | 04512-60120 | WASHER SPRING   | 12   |       |     |         | 0.005        | 0.011       |
| 120    | 02176-50120 | NUT             | 12   |       |     |         | 0.01         | 0.022       |

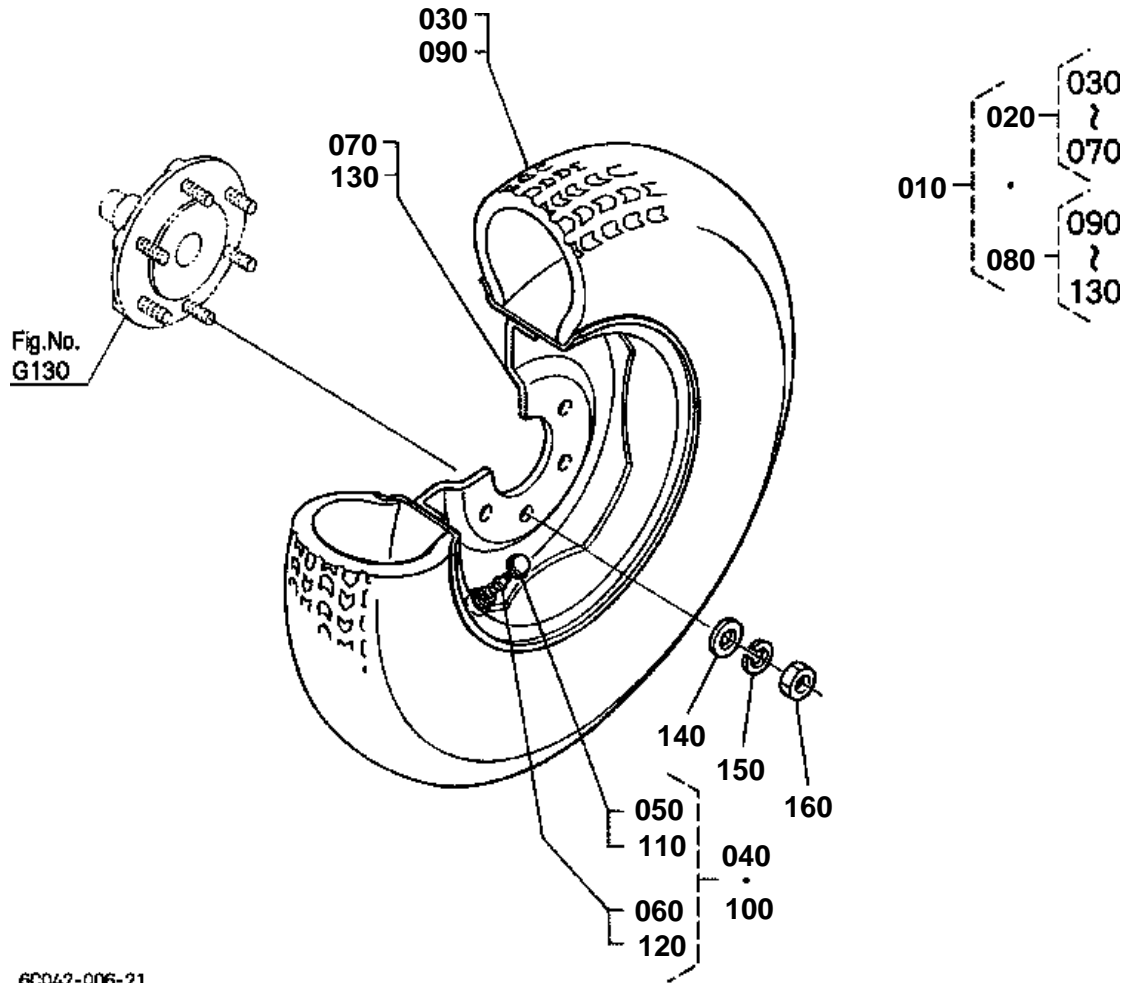


6C042-010-30

**FRONT WHEEL(6-12) [EXCEPT [A] [CA]]**

↔ Interchangeable; ≠ not interchangeable; ← new for old; → old for new

| REF.No | Part No.    | Description   | Q'ty | S.No. | I/C | REMARKS | Weight (kgf) | Weight (lb) |
|--------|-------------|---------------|------|-------|-----|---------|--------------|-------------|
| 010    | 6C042-50110 | ASSY WHEEL    | 1    |       |     |         | 27           | 59.4        |
| 020    | 6C042-50120 | ASSY WHEEL LH | 1    |       |     |         | 13.5         | 29.7        |
| 030    | 37500-57920 | WHEEL         | 1    |       |     |         | 5.8          | 12.76       |
| 040    | 67521-57330 | TIRE          | 1    |       |     |         | 7.4          | 16.28       |
| 050    | 93016-01120 | TUBE          | 1    |       |     |         | 0.7          | 1.54        |
| 060    | 32150-27740 | CORE VALVE    | 1    |       |     |         | 0.003        | 0.0066      |
| 070    | 38240-11690 | CAP VALVE     | 1    |       |     |         | 0.001        | 0.0022      |
| 080    | 6C042-50130 | ASSY WHEEL RH | 1    |       |     |         | 13.5         | 29.7        |
| 090    | 37500-57920 | WHEEL         | 1    |       |     |         | 5.8          | 12.76       |
| 100    | 67521-57330 | TIRE          | 1    |       |     |         | 7.4          | 16.28       |
| 110    | 93016-01120 | TUBE          | 1    |       |     |         | 0.7          | 1.54        |
| 120    | 32150-27740 | CORE VALVE    | 1    |       |     |         | 0.003        | 0.0066      |
| 130    | 38240-11690 | CAP VALVE     | 1    |       |     |         | 0.001        | 0.0022      |
| 140    | 04013-60120 | WASHER PLAIN  | 12   |       |     |         | 0.01         | 0.022       |
| 150    | 04512-60120 | WASHER SPRING | 12   |       |     |         | 0.005        | 0.011       |
| 160    | 02176-50120 | NUT           | 12   |       |     |         | 0.01         | 0.022       |



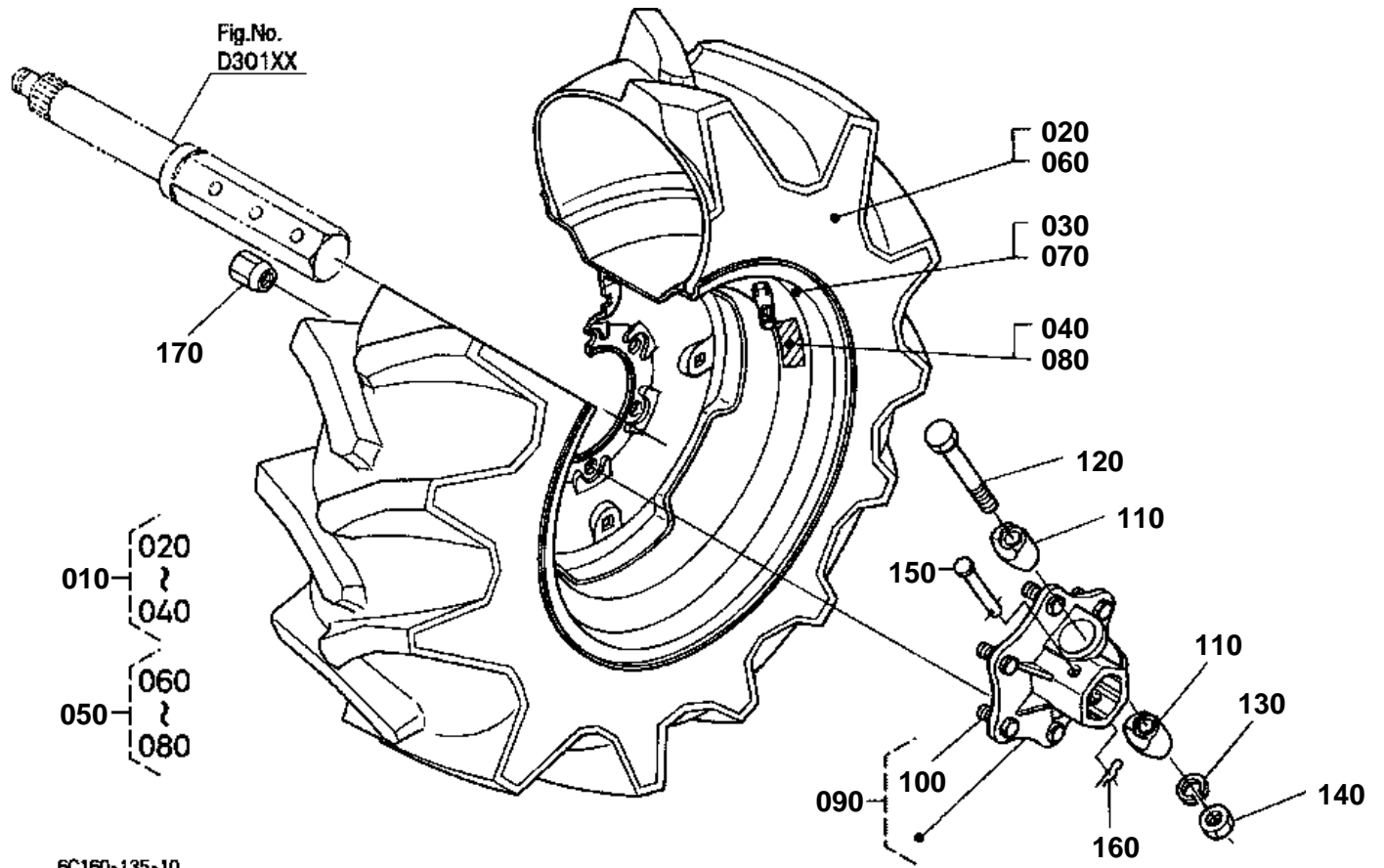
6C042-006-21



**FRONT WHEEL(22\*8.50-12) [EXCEPT [A] [CA]]**

↔ Interchangeable; ≠ not interchangeable; ← new for old; → old for new

| REF.No | Part No.    | Description   | Q'ty | S.No. | I/C | REMARKS | Weight (kgf) | Weight (lb) |
|--------|-------------|---------------|------|-------|-----|---------|--------------|-------------|
| 010    | 6C042-50510 | ASSY TIRE     | 1    |       |     |         | 28.4         | 62.48       |
| 020    | 6C042-50520 | TIRE ASSY     | 1    |       |     |         | 14.2         | 31.24       |
| 030    | 67950-59430 | TIRE          | 1    |       |     |         | 7.4          | 16.28       |
| 040    | 34159-11850 | VALVE TIRE    | 1    |       |     |         | 0.013        | 0.0286      |
| 050    | 38240-11690 | CAP VALVE     | 1    |       |     |         | 0.001        | 0.0022      |
| 060    | 32150-27740 | CORE VALVE    | 1    |       |     |         | 0.003        | 0.0066      |
| 070    | 6C042-50340 | WHEEL         | 1    |       |     |         | 7.21         | 15.862      |
| 080    | 6C042-50530 | ASSY TIRE RH  | 1    |       |     |         | 14.2         | 31.24       |
| 090    | 67950-59430 | TIRE          | 1    |       |     |         | 7.4          | 16.28       |
| 100    | 34159-11850 | VALVE TIRE    | 1    |       |     |         | 0.013        | 0.0286      |
| 110    | 38240-11690 | CAP VALVE     | 1    |       |     |         | 0.001        | 0.0022      |
| 120    | 32150-27740 | CORE VALVE    | 1    |       |     |         | 0.003        | 0.0066      |
| 130    | 6C042-50340 | WHEEL         | 1    |       |     |         | 7.21         | 15.862      |
| 140    | 04013-60120 | WASHER PLAIN  | 12   |       |     |         | 0.01         | 0.022       |
| 150    | 04512-60120 | WASHER SPRING | 12   |       |     |         | 0.005        | 0.011       |
| 160    | 02176-50120 | NUT           | 12   |       |     |         | 0.01         | 0.022       |

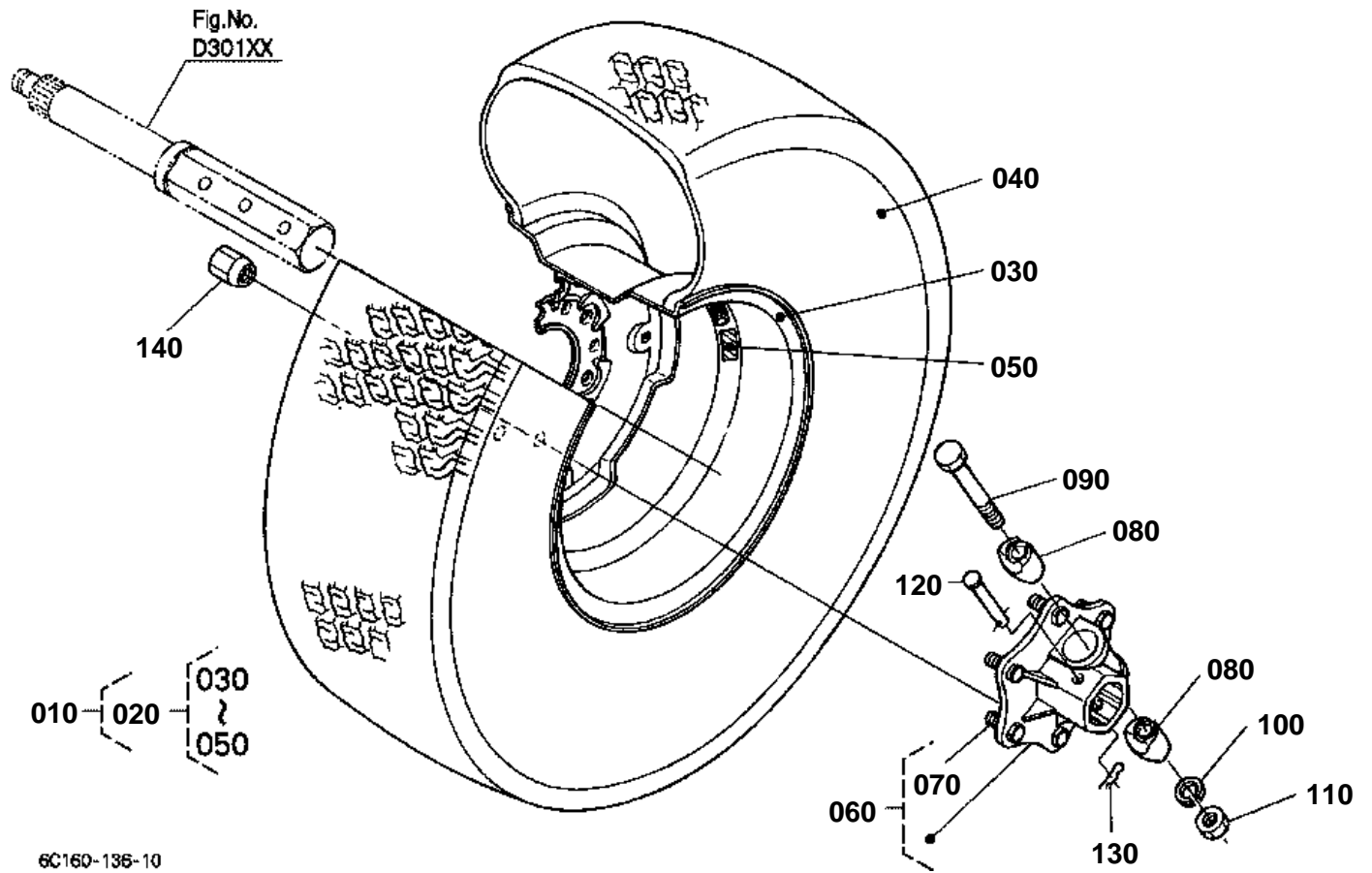


6C160-135-10

**REAR WHEEL(9.5-16) [A] [CA]**

↔ Interchangeable; ≠ not interchangeable; ← new for old; → old for new

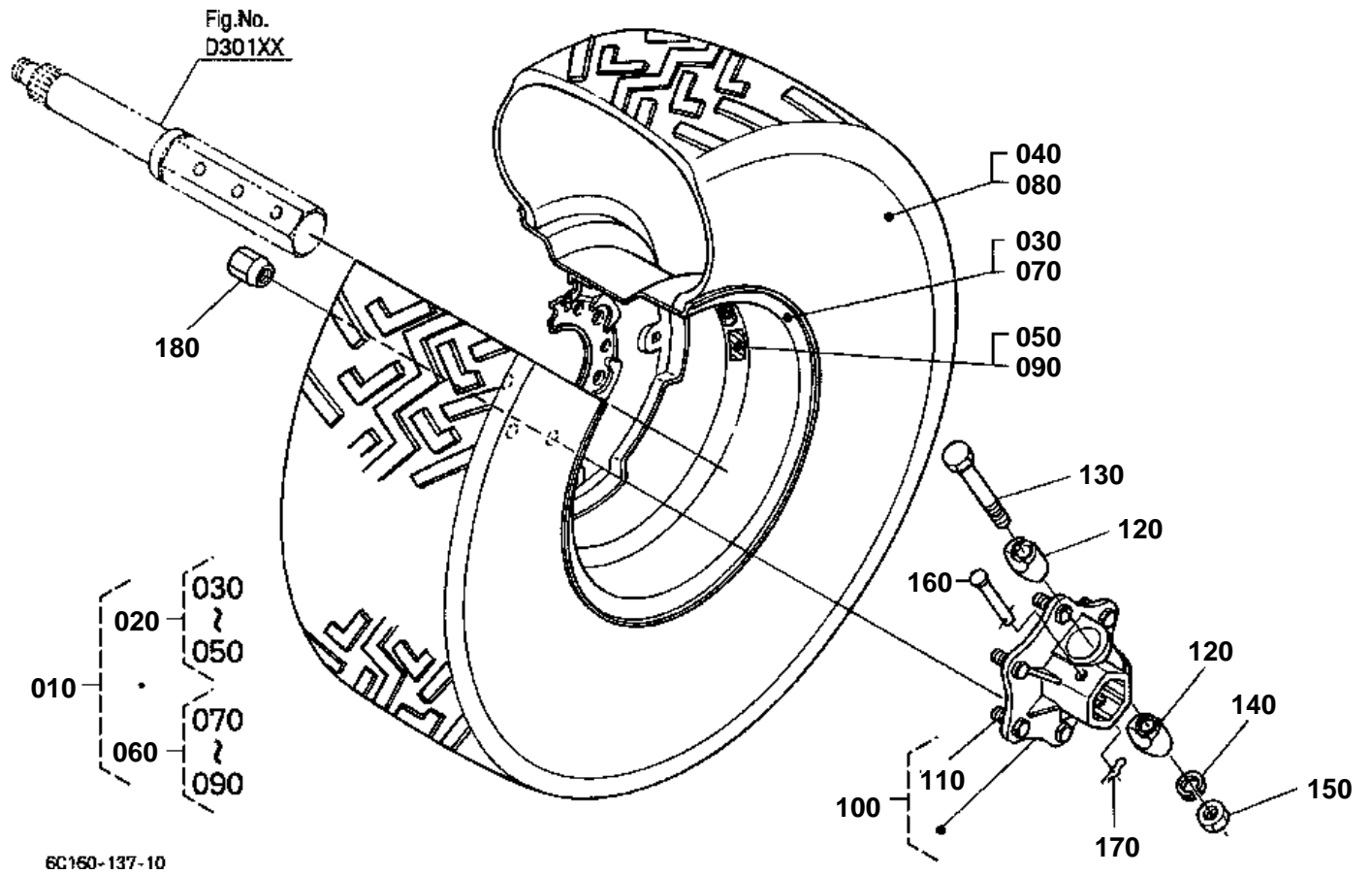
| REF.No | Part No.    | Description    | Q'ty | S.No. | I/C | REMARKS | Weight (kgf) | Weight (lb) |
|--------|-------------|----------------|------|-------|-----|---------|--------------|-------------|
| 010    | 6C120-50800 | ASSY TIRE LH   | 1    |       |     |         | 0            | 0           |
| 020    | TD060-44930 | TIRE           | 1    |       |     |         | 15           | 33          |
| 030    | 66436-17640 | WHEEL          | 1    |       |     |         | 19           | 41.8        |
| 040    | 99999-99999 | LABEL TIRE LH  | 1    |       |     |         | 0            | 0           |
| 050    | 6C120-50900 | ASSY TIRE RH   | 1    |       |     |         | 0            | 0           |
| 060    | TD060-44930 | TIRE           | 1    |       |     |         | 15           | 33          |
| 070    | 66436-17640 | WHEEL          | 1    |       |     |         | 19           | 41.8        |
| 080    | 6C120-50990 | LABEL TIRE RH  | 1    |       |     |         | 0            | 0           |
| 090    | 6C040-17413 | ASSY HUB WHEEL | 2    |       |     |         | 2.6          | 5.72        |
| 100    | 66704-17313 | BOLT           | 12   |       |     |         | 0.049        | 0.1078      |
| 110    | 6C040-17460 | COTTER         | 4    |       |     |         | 0.17         | 0.374       |
| 120    | 01173-61600 | BOLT           | 2    |       |     |         | 0.165        | 0.363       |
| 130    | 04512-60160 | WASHER SPRING  | 2    |       |     |         | 0.01         | 0.022       |
| 140    | 02174-50160 | NUT            | 2    |       |     |         | 0.022        | 0.0484      |
| 150    | 63733-17270 | PIN WHEEL TUBE | 2    |       |     |         | 0.05         | 0.11        |
| 160    | 62131-17290 | PIN            | 2    |       |     |         | 0.003        | 0.0066      |
| 170    | 35340-11390 | NUT            | 12   |       |     |         | 0.03         | 0.066       |



**REAR WHEEL(33\*12.5-15) [A] [CA]**

↔ Interchangeable; ≠ not interchangeable; ← new for old; → old for new

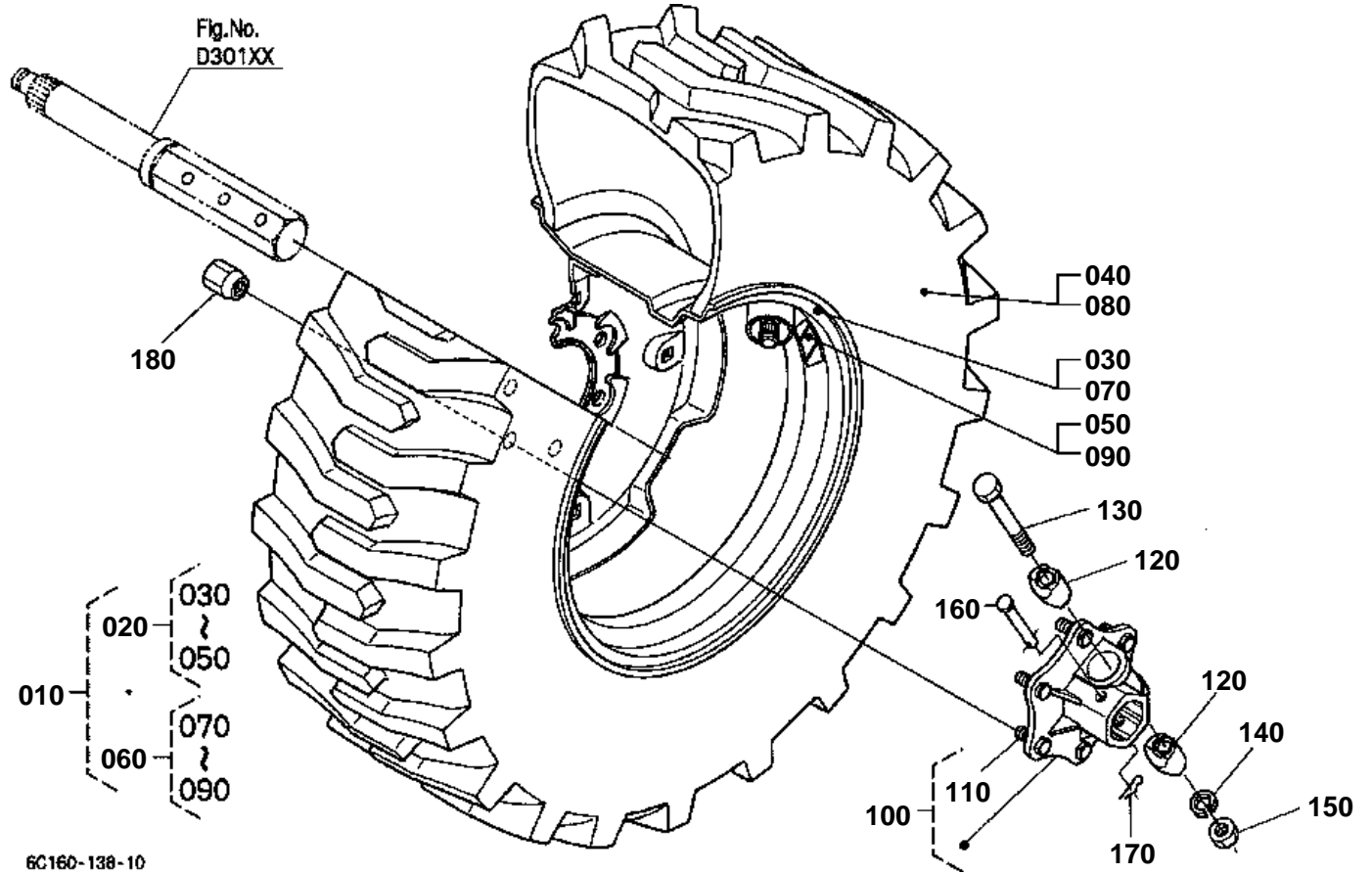
| REF.No | Part No.    | Description    | Q'ty | S.No. | I/C | REMARKS | Weight (kgf) | Weight (lb) |
|--------|-------------|----------------|------|-------|-----|---------|--------------|-------------|
| 010    | 6C040-50110 | ASSY TIRE      | 1    |       |     |         | 0            | 0           |
| 020    | 6C040-50120 | ASSY TIRE      | 2    |       |     |         | 0            | 0           |
| 030    | 6C040-50130 | WHEEL          | 2    |       |     |         | 0            | 0           |
| 040    | 32550-45710 | TIRE           | 2    |       |     |         | 0            | 0           |
| 050    | 6C040-50140 | LABEL TIRE     | 2    |       |     |         | 0            | 0           |
| 060    | 6C040-17413 | ASSY HUB WHEEL | 2    |       |     |         | 2.6          | 5.72        |
| 070    | 66704-17313 | BOLT           | 12   |       |     |         | 0.049        | 0.1078      |
| 080    | 6C040-17460 | COTTER         | 4    |       |     |         | 0.17         | 0.374       |
| 090    | 01173-61600 | BOLT           | 2    |       |     |         | 0.165        | 0.363       |
| 100    | 04512-60160 | WASHER SPRING  | 2    |       |     |         | 0.01         | 0.022       |
| 110    | 02174-50160 | NUT            | 2    |       |     |         | 0.022        | 0.0484      |
| 120    | 63733-17270 | PIN WHEEL TUBE | 2    |       |     |         | 0.05         | 0.11        |
| 130    | 62131-17290 | PIN            | 2    |       |     |         | 0.003        | 0.0066      |
| 140    | 35340-11390 | NUT            | 12   |       |     |         | 0.03         | 0.066       |



**REAR WHEEL(31\*15.5-15) [A] [CA]**

↔ Interchangeable; ≠ not interchangeable; ← new for old; → old for new

| REF.No | Part No.    | Description    | Q'ty | S.No. | I/C | REMARKS | Weight (kgf) | Weight (lb) |
|--------|-------------|----------------|------|-------|-----|---------|--------------|-------------|
| 010    | 66437-17610 | ASSY TIRE      | 1    |       |     |         | 0            | 0           |
| 020    | 66437-17620 | ASSY TIRE LH   | 1    |       |     |         | 0            | 0           |
| 030    | 35080-11540 | WHEEL          | 1    |       |     |         | 0            | 0           |
| 040    | 66437-17630 | TIRE           | 1    |       |     |         | 0            | 0           |
| 050    | 66437-17660 | LABEL TIRE LH  | 1    |       |     |         | 0            | 0           |
| 060    | 66437-17650 | ASSY TIRE RH   | 1    |       |     |         | 0            | 0           |
| 070    | 35080-11540 | WHEEL          | 1    |       |     |         | 0            | 0           |
| 080    | 66437-17630 | TIRE           | 1    |       |     |         | 0            | 0           |
| 090    | 66437-17670 | LABEL TIRE RH  | 1    |       |     |         | 0            | 0           |
| 100    | 6C040-17413 | ASSY HUB WHEEL | 2    |       |     |         | 2.6          | 5.72        |
| 110    | 66704-17313 | BOLT           | 12   |       |     |         | 0.049        | 0.1078      |
| 120    | 6C040-17460 | COTTER         | 4    |       |     |         | 0.17         | 0.374       |
| 130    | 01173-61600 | BOLT           | 2    |       |     |         | 0.165        | 0.363       |
| 140    | 04512-60160 | WASHER SPRING  | 2    |       |     |         | 0.01         | 0.022       |
| 150    | 02174-50160 | NUT            | 2    |       |     |         | 0.022        | 0.0484      |
| 160    | 63733-17270 | PIN WHEEL TUBE | 2    |       |     |         | 0.05         | 0.11        |
| 170    | 62131-17290 | PIN            | 2    |       |     |         | 0.003        | 0.0066      |
| 180    | 35340-11390 | NUT            | 12   |       |     |         | 0.03         | 0.066       |



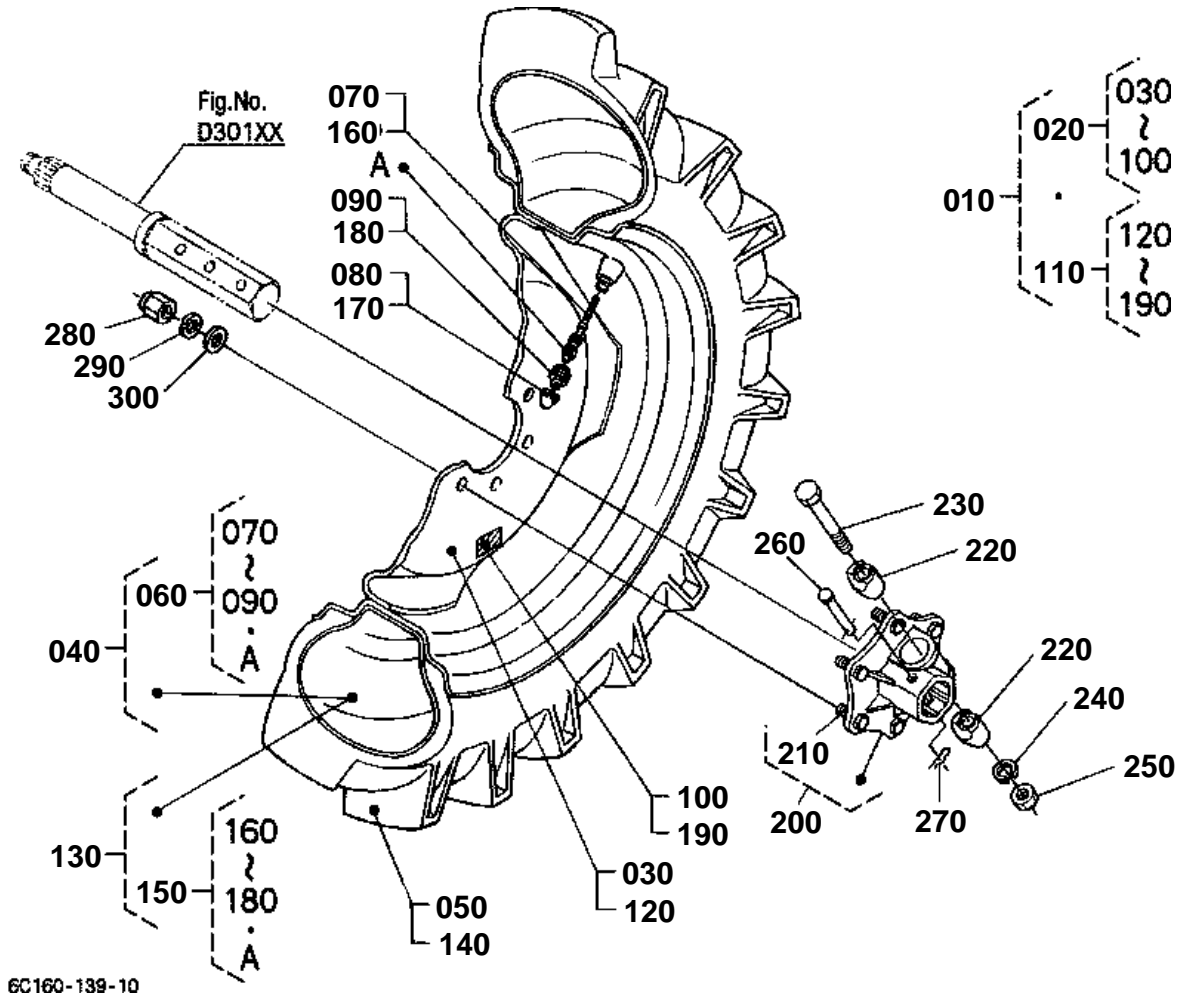


**REAR WHEEL(12-16.5) [A] [CA]**

↔ Interchangeable; ≠ not interchangeable; ← new for old; → old for new

| REF.No | Part No.    | Description    | Q'ty | S.No. | I/C | REMARKS | Weight (kgf) | Weight (lb) |
|--------|-------------|----------------|------|-------|-----|---------|--------------|-------------|
| 010    | 6C040-50710 | ASSY TIRE      | 1    |       |     |         | 0            | 0           |
| 020    | 6C040-50720 | ASSY TIRE LH   | 1    |       |     |         | 0            | 0           |
| 030    | 6C040-50740 | WHEEL          | 1    |       |     |         | 0            | 0           |
| 040    | 6C040-50750 | TIRE           | 1    |       |     |         | 0            | 0           |
| 050    | 6C040-50760 | LABEL TIRE LH  | 1    |       |     |         | 0            | 0           |
| 060    | 6C040-50730 | ASSY TIRE RH   | 1    |       |     |         | 0            | 0           |
| 070    | 6C040-50740 | WHEEL          | 1    |       |     |         | 0            | 0           |
| 080    | 6C040-50750 | TIRE           | 1    |       |     |         | 0            | 0           |
| 090    | 6C040-50770 | LABEL TIRE RH  | 1    |       |     |         | 0            | 0           |
| 100    | 6C040-17413 | ASSY HUB WHEEL | 2    |       |     |         | 2.6          | 5.72        |
| 110    | 66704-17313 | BOLT           | 12   |       |     |         | 0.049        | 0.1078      |
| 120    | 6C040-17460 | COTTER         | 4    |       |     |         | 0.17         | 0.374       |
| 130    | 01173-61600 | BOLT           | 2    |       |     |         | 0.165        | 0.363       |
| 140    | 04512-60160 | WASHER SPRING  | 2    |       |     |         | 0.01         | 0.022       |
| 150    | 02174-50160 | NUT            | 2    |       |     |         | 0.022        | 0.0484      |
| 160    | 63733-17270 | PIN WHEEL TUBE | 2    |       |     |         | 0.05         | 0.11        |
| 170    | 62131-17290 | PIN            | 2    |       |     |         | 0.003        | 0.0066      |
| 180    | 35340-11390 | NUT            | 12   |       |     |         | 0.03         | 0.066       |

REAR WHEEL(9.5-16) [EXCEPT [A] [CA]]

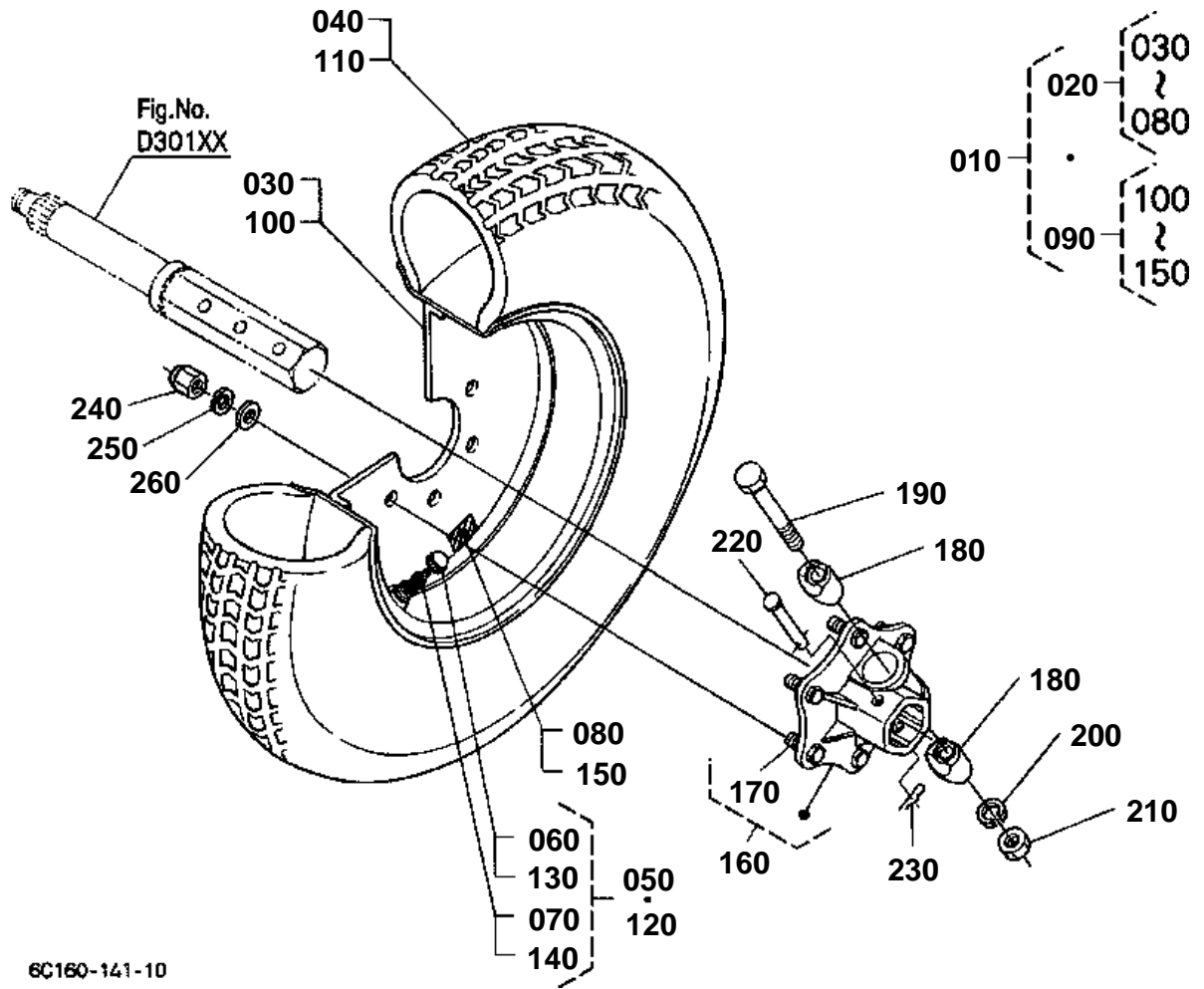




## REAR WHEEL(9.5-16) [EXCEPT [A] [CA]]

↔ Interchangeable; ≠ not interchangeable; ← new for old; → old for new

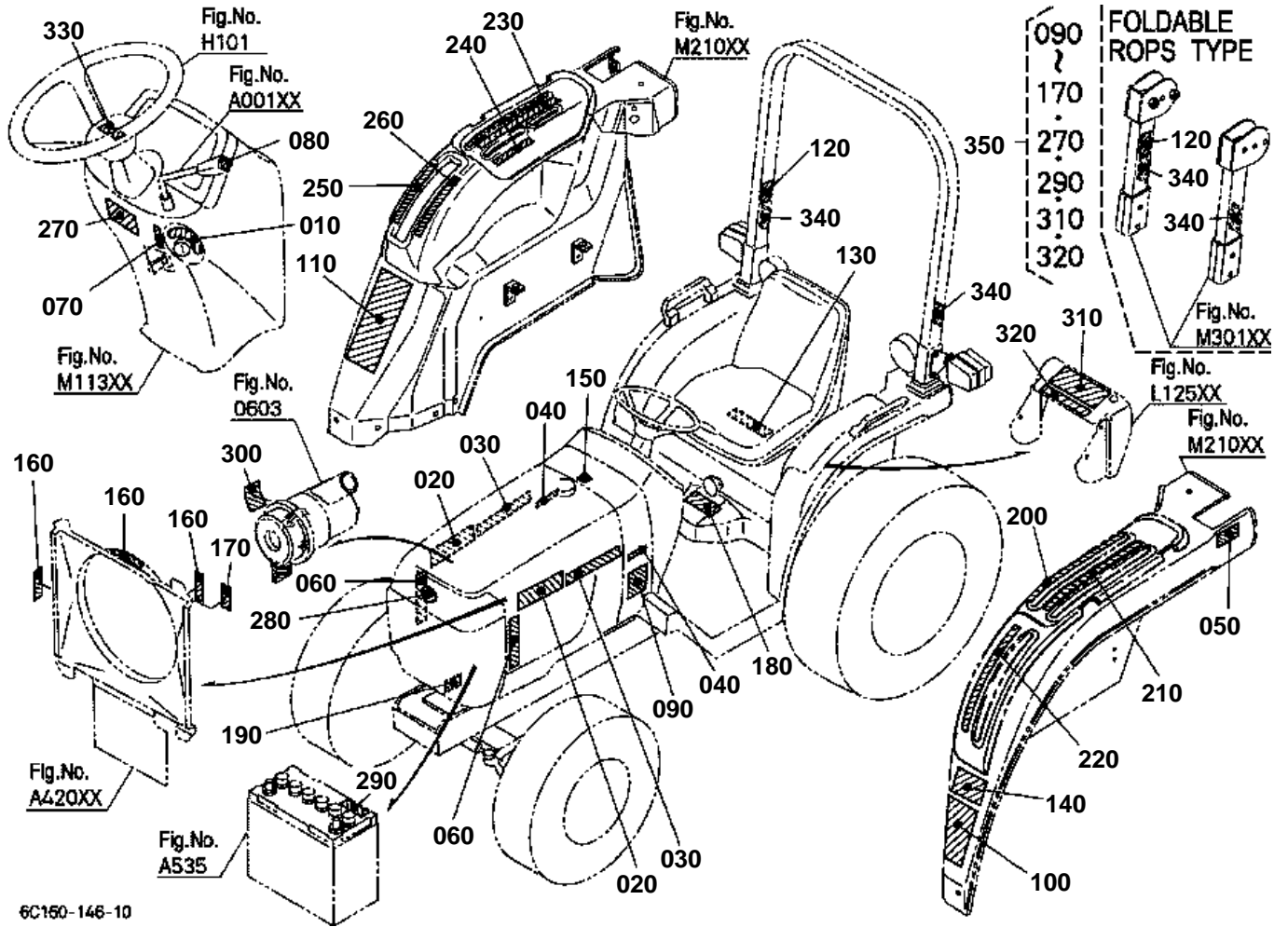
| REF.No | Part No.    | Description        | Q'ty | S.No. | I/C | REMARKS | Weight (kgf) | Weight (lb) |
|--------|-------------|--------------------|------|-------|-----|---------|--------------|-------------|
| 010    | 66416-17500 | ASSY REAR WHEEL    | 1    |       |     |         | 63           | 138.6       |
| 020    | 66416-17510 | ASSY REAR WHEEL LH | 1    |       |     |         | 32           | 70.4        |
| 030    | 66416-17520 | WHEEL              | 1    |       |     |         | 12.5         | 27.5        |
| 040    | 96019-12120 | TUBE               | 1    |       |     |         | 1.8          | 3.96        |
| 050    | 96019-12130 | TIRE               | 1    |       |     |         | 17.4         | 38.28       |
| 060    | 32150-27700 | HOUSING VALVE CORE | 1    |       |     |         | 0.001        | 0.0022      |
| 070    | 32150-27740 | CORE VALVE         | 1    |       |     |         | 0.003        | 0.0066      |
| 080    | 38240-11690 | CAP VALVE          | 1    |       |     |         | 0.001        | 0.0022      |
| 090    | 32270-27710 | NUT RIM            | 1    |       |     |         | 0.006        | 0.0132      |
| 100    | 66416-17530 | LABEL LH           | 1    |       |     |         | 0.001        | 0.0022      |
| 110    | 66416-17540 | ASSY REAR WHEEL RH | 1    |       |     |         | 32           | 70.4        |
| 120    | 66416-17520 | WHEEL              | 1    |       |     |         | 12.5         | 27.5        |
| 130    | 96019-12120 | TUBE               | 1    |       |     |         | 1.8          | 3.96        |
| 140    | 96019-12130 | TIRE               | 1    |       |     |         | 17.4         | 38.28       |
| 150    | 32150-27700 | HOUSING VALVE CORE | 1    |       |     |         | 0.001        | 0.0022      |
| 160    | 32150-27740 | CORE VALVE         | 1    |       |     |         | 0.003        | 0.0066      |
| 170    | 38240-11690 | CAP VALVE          | 1    |       |     |         | 0.001        | 0.0022      |
| 180    | 32270-27710 | NUT RIM            | 1    |       |     |         | 0.006        | 0.0132      |
| 190    | 66416-17550 | LABEL RH           | 1    |       |     |         | 0.001        | 0.0022      |
| 200    | 6C040-17413 | ASSY HUB WHEEL     | 2    |       |     |         | 2.6          | 5.72        |
| 210    | 66704-17313 | BOLT               | 12   |       |     |         | 0.049        | 0.1078      |
| 220    | 6C040-17460 | COTTER             | 4    |       |     |         | 0.17         | 0.374       |
| 230    | 01173-61600 | BOLT               | 2    |       |     |         | 0.165        | 0.363       |
| 240    | 04512-60160 | WASHER SPRING      | 2    |       |     |         | 0.01         | 0.022       |
| 250    | 02174-50160 | NUT                | 2    |       |     |         | 0.022        | 0.0484      |
| 260    | 63733-17270 | PIN WHEEL TUBE     | 2    |       |     |         | 0.05         | 0.11        |
| 270    | 62131-17290 | PIN                | 2    |       |     |         | 0.003        | 0.0066      |
| 280    | 35340-11390 | NUT                | 12   |       |     |         | 0.03         | 0.066       |
| 290    | 04512-60140 | WASHER SPRING      | 12   |       |     |         | 0.008        | 0.0176      |
| 300    | 04013-60140 | WASHER PLAIN       | 12   |       |     |         | 0.01         | 0.022       |



**REAR WHEEL(31\*13.5-15) [EXCEPT [A] [CA]]**

↔ Interchangeable; ≠ not interchangeable; ← new for old; → old for new

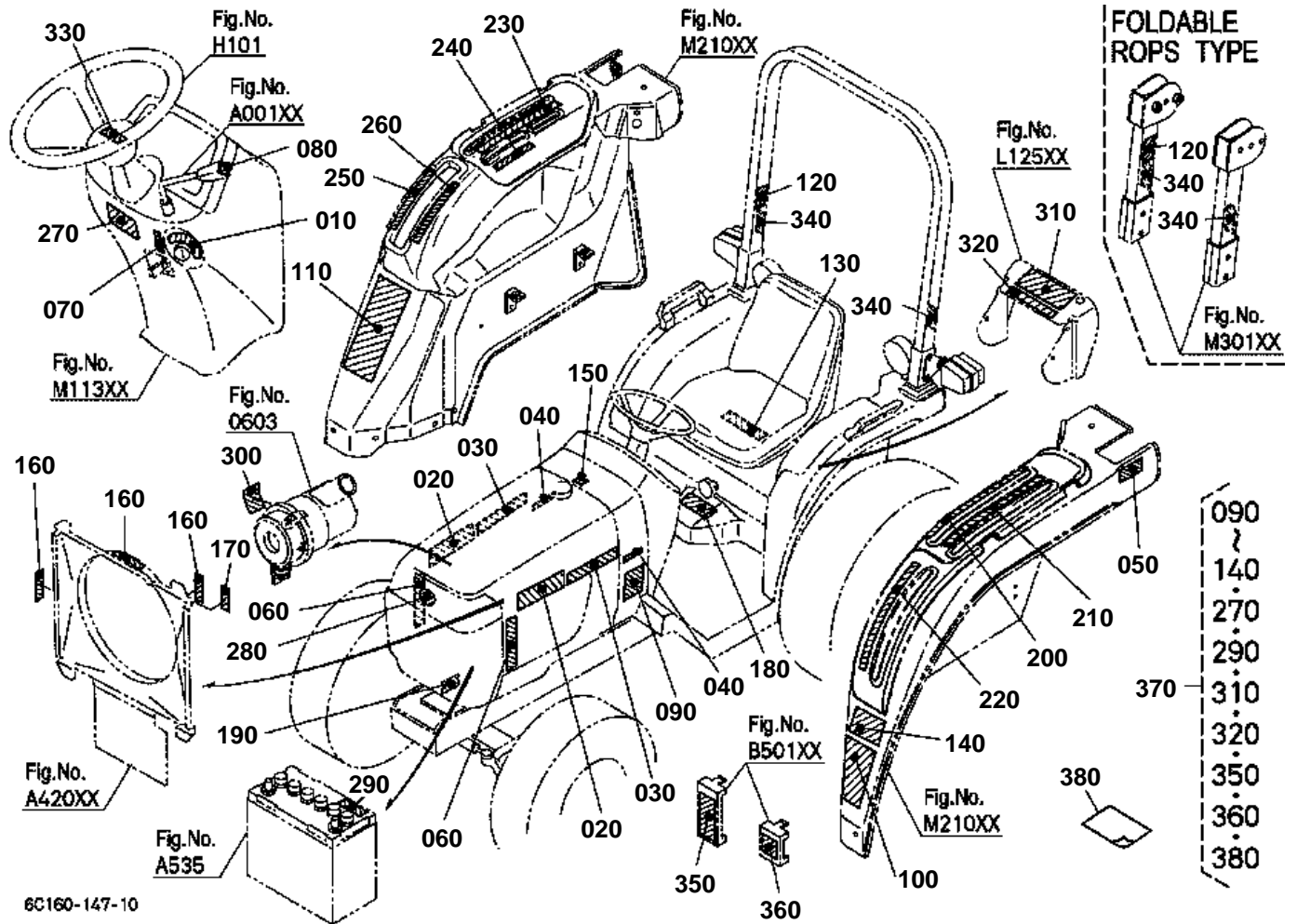
| REF.No | Part No.    | Description        | Q'ty | S.No. | I/C | REMARKS | Weight (kgf) | Weight (lb) |
|--------|-------------|--------------------|------|-------|-----|---------|--------------|-------------|
| 010    | 66426-17700 | ASSY REAR WHEEL    | 1    |       |     |         | 62           | 136.4       |
| 020    | 67405-17720 | ASSY REAR WHEEL LH | 1    |       |     |         | 31.5         | 69.3        |
| 030    | 66416-17720 | WHEEL              | 1    |       |     |         | 13.5         | 29.7        |
| 040    | 96016-64130 | TIRE               | 1    |       |     |         | 20           | 44          |
| 050    | 34159-11850 | VALVE TIRE         | 1    |       |     |         | 0.013        | 0.0286      |
| 060    | 38240-11690 | CAP VALVE          | 1    |       |     |         | 0.001        | 0.0022      |
| 070    | 32150-27740 | CORE VALVE         | 1    |       |     |         | 0.003        | 0.0066      |
| 080    | 96016-64160 | LABEL LH           | 1    |       |     |         | 0            | 0           |
| 090    | 67405-17750 | ASSY REAR WHEEL RH | 1    |       |     |         | 31.5         | 69.3        |
| 100    | 66416-17720 | WHEEL              | 1    |       |     |         | 13.5         | 29.7        |
| 110    | 96016-64130 | TIRE               | 1    |       |     |         | 20           | 44          |
| 120    | 34159-11850 | VALVE TIRE         | 1    |       |     |         | 0.013        | 0.0286      |
| 130    | 38240-11690 | CAP VALVE          | 1    |       |     |         | 0.001        | 0.0022      |
| 140    | 32150-27740 | CORE VALVE         | 1    |       |     |         | 0.003        | 0.0066      |
| 150    | 96016-64170 | LABEL RH           | 1    |       |     |         | 0            | 0           |
| 160    | 6C040-17413 | ASSY HUB WHEEL     | 2    |       |     |         | 2.6          | 5.72        |
| 170    | 66704-17313 | BOLT               | 12   |       |     |         | 0.049        | 0.1078      |
| 180    | 6C040-17460 | COTTER             | 4    |       |     |         | 0.17         | 0.374       |
| 190    | 01173-61600 | BOLT               | 2    |       |     |         | 0.165        | 0.363       |
| 200    | 04512-60160 | WASHER SPRING      | 2    |       |     |         | 0.01         | 0.022       |
| 210    | 02174-50160 | NUT                | 2    |       |     |         | 0.022        | 0.0484      |
| 220    | 63733-17270 | PIN WHEEL TUBE     | 2    |       |     |         | 0.05         | 0.11        |
| 230    | 62131-17290 | PIN                | 2    |       |     |         | 0.003        | 0.0066      |
| 240    | 35340-11390 | NUT                | 12   |       |     |         | 0.03         | 0.066       |
| 250    | 04512-60140 | WASHER SPRING      | 12   |       |     |         | 0.008        | 0.0176      |
| 260    | 04013-60140 | WASHER PLAIN       | 12   |       |     |         | 0.01         | 0.022       |





↔ Interchangeable; ≠ not interchangeable; ← new for old; → old for new

| REF.No | Part No.    | Description          | Q'ty | S.No. | I/C | REMARKS            | Weight (kgf) | Weight (lb) |
|--------|-------------|----------------------|------|-------|-----|--------------------|--------------|-------------|
| 010    | 6C070-47212 | MARK MAIN SWITCH     | 1    |       |     |                    | 0.001        | 0.0022      |
| 020    | 6C160-47270 | MARK                 | 2    |       |     |                    | 0.007        | 0.0154      |
| 030    | K2571-65120 | LABEL KUBOTA         | 2    |       |     |                    | 0.005        | 0.011       |
| 040    | 6C140-47520 | MARK PS              | 2    |       |     |                    | 0.001        | 0.0022      |
| 050    | 6C040-47530 | MARK 4WD             | 1    |       |     |                    | 0.001        | 0.0022      |
| 060    | 6A325-47380 | MARK SKIRT           | 2    |       |     |                    | 0.003        | 0.0066      |
| 070    | 6C040-47512 | LABEL PARKING        | 1    |       |     |                    | 0.001        | 0.0022      |
| 080    | TA040-49370 | MARK ACCEL.GRIP      | 1    |       |     |                    | 0.001        | 0.0022      |
| 090    | 6C090-49650 | LABEL START CAUTION  | 1    |       |     |                    | 0.005        | 0.011       |
| 100    | 6C070-47422 | LABEL SAFETY         | 1    |       |     |                    | 0.005        | 0.011       |
| 110    | TA040-49320 | LABEL ROPS WARNING   | 1    |       |     | RIGID ROPS TYPE    | 0.001        | 0.0022      |
| 110    | TA240-98480 | LABEL ROPS WARNING   | 1    |       |     | FOLDABLE ROPS TYPE | 0.005        | 0.011       |
| 120    | 6C140-47460 | LABEL ROPS WARNING   | 1    |       |     | RIGID ROPS TYPE    | 0.001        | 0.0022      |
| 120    | 3A111-95540 | LABEL ROPS CAUTION   | 1    |       |     | FOLDABLE ROPS TYPE | 0.003        | 0.0066      |
| 130    | 6C120-47460 | LABEL PTO            | 1    |       |     |                    | 0.001        | 0.0022      |
| 140    | 6C120-47450 | LABEL PTO            | 1    |       |     |                    | 0.001        | 0.0022      |
| 150    | 6C040-47412 | LABEL FILLER CAUTION | 1    |       |     |                    | 0.001        | 0.0022      |
| 160    | 6C090-49580 | LABEL FAN WARNING    | 3    |       |     |                    | 0.001        | 0.0022      |
| 170    | 6C090-49590 | LABEL MUFFLER        | 1    |       |     |                    | 0.005        | 0.011       |
| 180    | 6C040-47480 | LABEL PEDAL          | 1    |       |     |                    | 0.002        | 0.0044      |
| 190    | 99999-99999 | NAME PLATE           | 1    |       |     |                    | 0            | 0           |
| 200    | 6C120-47300 | LABEL MID PTO        | 1    |       |     |                    | 0.001        | 0.0022      |
| 210    | 6C120-47320 | LABEL PTO            | 1    |       |     |                    | 0.001        | 0.0022      |
| 220    | 6C120-47330 | LABEL RANGE SHIFT    | 1    |       |     |                    | 0.001        | 0.0022      |
| 230    | 6C190-47350 | LABEL HYDRAULIC      | 1    |       |     |                    | 0.001        | 0.0022      |
| 240    | 6C040-47362 | LABEL 4WD            | 1    |       |     |                    | 0.001        | 0.0022      |
| 250    | 6C040-47382 | LABEL GUIDE          | 1    |       |     |                    | 0.001        | 0.0022      |
| 260    | 6C040-47392 | LABEL GUIDE          | 1    |       |     |                    | 0.001        | 0.0022      |
| 270    | 6C140-47430 | LABEL PARKING        | 1    |       |     |                    | 0.001        | 0.0022      |
| 270    | 6C150-47430 | LABEL PARKING        | 1    |       |     | OUT OF USE         | 0.002        | 0.0044      |
| 280    | 6A370-54180 | MARK SYMBOL          | 1    |       |     |                    | 0.009        | 0.0198      |
| 290    | 6C040-55590 | LABEL BATTERY        | 1    |       |     |                    | 0.001        | 0.0022      |
| 300    | 32721-58282 | LABEL CAUTION        | 1    |       |     |                    | 0.001        | 0.0022      |
| 310    | TA040-49590 | LABEL PTO WARNING    | 1    |       |     |                    | 0.002        | 0.0044      |
| 320    | 6C140-47440 | LABEL DRAWBAR        | 1    |       |     |                    | 0.001        | 0.0022      |
| 330    | 6C040-41440 | MARK STEERING        | 1    |       |     |                    | 0.001        | 0.0022      |
| 340    | 6C140-54990 | REFLECTOR LABEL      | 2    |       |     |                    | 0.003        | 0.0066      |
| 350    | 6C120-47403 | KIT LABEL SAFETY     | 1    |       |     |                    | 0.01         | 0.022       |



6C160-147-10

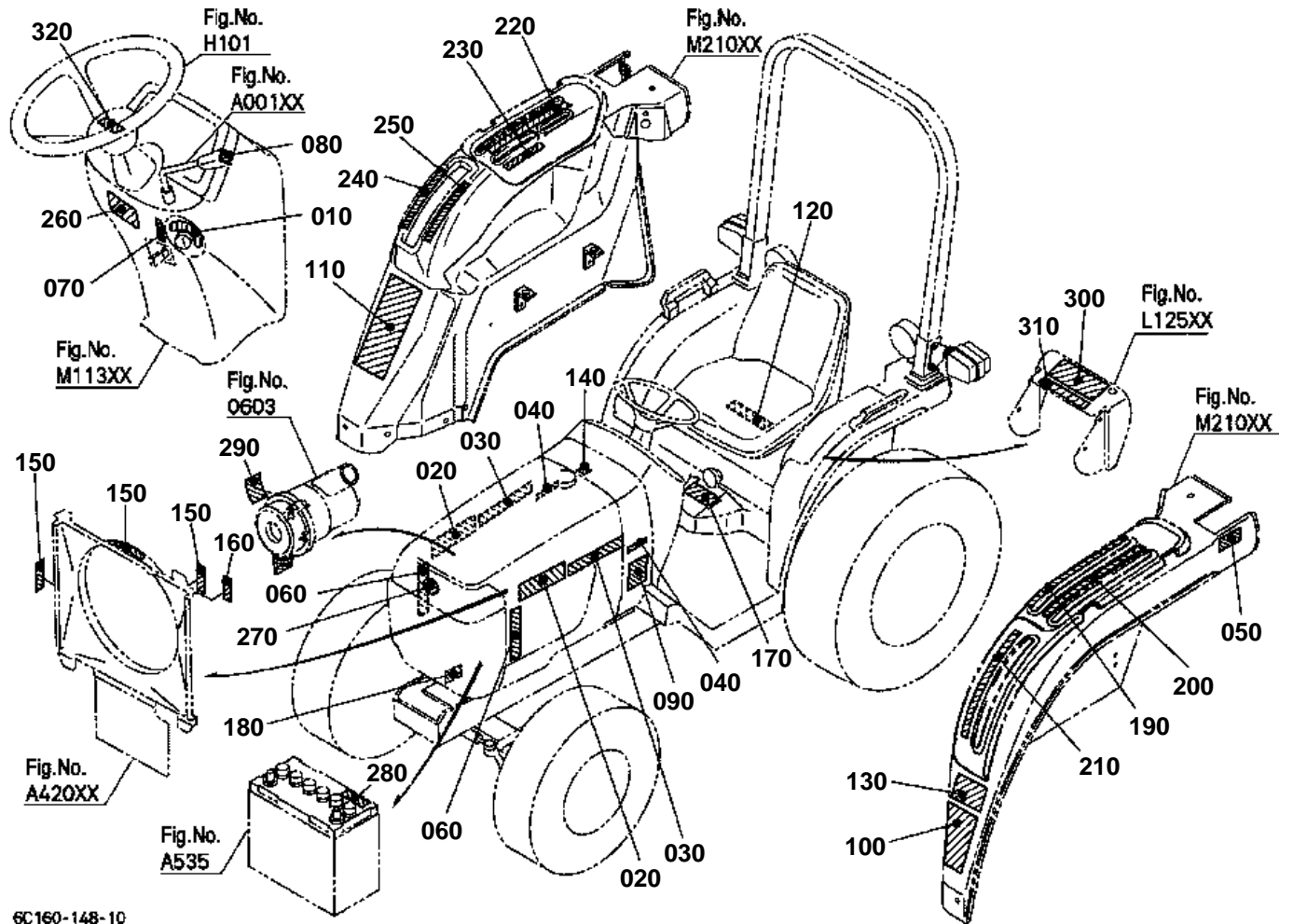




LABEL [A] [CA] [FRENCH]

↔ Interchangeable; ≠ not interchangeable; ← new for old; → old for new

| REF.No | Part No.    | Description          | Q'ty | S.No. | I/C | REMARKS            | Weight (kgf) | Weight (lb) |
|--------|-------------|----------------------|------|-------|-----|--------------------|--------------|-------------|
| 010    | 6C070-47212 | MARK MAIN SWITCH     | 1    |       |     |                    | 0.001        | 0.0022      |
| 020    | 6C160-47270 | MARK                 | 2    |       |     |                    | 0.007        | 0.0154      |
| 030    | K2571-65120 | LABEL KUBOTA         | 2    |       |     |                    | 0.005        | 0.011       |
| 040    | 6C140-47520 | MARK PS              | 2    |       |     |                    | 0.001        | 0.0022      |
| 050    | 6C040-47530 | MARK 4WD             | 1    |       |     |                    | 0.001        | 0.0022      |
| 060    | 6A325-47380 | MARK SKIRT           | 2    |       |     |                    | 0.003        | 0.0066      |
| 070    | 6C040-47512 | LABEL PARKING        | 1    |       |     |                    | 0.001        | 0.0022      |
| 080    | TA040-49370 | MARK ACCEL.GRIP      | 1    |       |     |                    | 0.001        | 0.0022      |
| 090    | 6C091-49650 | LABEL START CAUTION  | 1    |       |     |                    | 0.01         | 0.022       |
| 100    | 6C071-47422 | LABEL SAFETY         | 1    |       |     |                    | 0.005        | 0.011       |
| 110    | TA040-49150 | LABEL ROPS WARNING   | 1    |       |     | RIGID ROPS TYPE    | 0.003        | 0.0066      |
| 110    | 3A112-98480 | LABEL ROPS WARNING   | 1    |       |     | FOLDABLE ROPS TYPE | 0.004        | 0.0088      |
| 120    | 6C141-47460 | LABEL ROPS WARNING   | 1    |       |     | RIGID ROPS TYPE    | 0.001        | 0.0022      |
| 120    | 3A112-95540 | LABEL ROPS CAUTION   | 1    |       |     | FOLDABLE ROPS TYPE | 0.003        | 0.0066      |
| 130    | 6C121-47460 | LABEL PTO            | 1    |       |     |                    | 0.001        | 0.0022      |
| 140    | 6C121-47450 | LABEL PTO            | 1    |       |     |                    | 0.001        | 0.0022      |
| 150    | 6C040-47412 | LABEL FILLER CAUTION | 1    |       |     |                    | 0.001        | 0.0022      |
| 160    | 6C090-49580 | LABEL FAN WARNING    | 3    |       |     |                    | 0.001        | 0.0022      |
| 170    | 6C090-49590 | LABEL MUFFLER        | 1    |       |     |                    | 0.005        | 0.011       |
| 180    | 6C040-47480 | LABEL PEDAL          | 1    |       |     |                    | 0.002        | 0.0044      |
| 190    | 99999-99999 | NAME PLATE           | 1    |       |     |                    | 0            | 0           |
| 200    | 6C120-47300 | LABEL MID PTO        | 1    |       |     |                    | 0.001        | 0.0022      |
| 210    | 6C120-47320 | LABEL PTO            | 1    |       |     |                    | 0.001        | 0.0022      |
| 220    | 6C120-47330 | LABEL RANGE SHIFT    | 1    |       |     |                    | 0.001        | 0.0022      |
| 230    | 6C190-47350 | LABEL HYDRAULIC      | 1    |       |     |                    | 0.001        | 0.0022      |
| 240    | 6C040-47362 | LABEL 4WD            | 1    |       |     |                    | 0.001        | 0.0022      |
| 250    | 6C040-47382 | LABEL GUIDE          | 1    |       |     |                    | 0.001        | 0.0022      |
| 260    | 6C040-47392 | LABEL GUIDE          | 1    |       |     |                    | 0.001        | 0.0022      |
| 270    | 6C141-47430 | LABEL PARKING WARNIN | 1    |       |     |                    | 0.002        | 0.0044      |
| 270    | 6C151-47430 | LABEL PARKING WARNIN | 1    |       |     | OUT OF USE         | 0.002        | 0.0044      |
| 280    | 6A370-54180 | MARK SYMBOL          | 1    |       |     |                    | 0.009        | 0.0198      |
| 290    | 6C021-92120 | LABEL BATTERY        | 1    |       |     |                    | 0.001        | 0.0022      |
| 300    | 32721-58282 | LABEL CAUTION        | 1    |       |     |                    | 0.001        | 0.0022      |
| 310    | TA041-49590 | LABEL PTO WARNING    | 1    |       |     |                    | 0.001        | 0.0022      |
| 320    | 6C141-47440 | LABEL DRAWBAR        | 1    |       |     |                    | 0.001        | 0.0022      |
| 330    | 6C040-41440 | MARK STEERING        | 1    |       |     |                    | 0.001        | 0.0022      |
| 340    | 6C140-54990 | REFLECTOR LABEL      | 2    |       |     |                    | 0.003        | 0.0066      |
| 350    | 6C191-92110 | LABEL FUSE           | 1    |       |     |                    | 0.001        | 0.0022      |
| 360    | 6C191-92120 | LABEL FUSE           | 1    |       |     |                    | 0.001        | 0.0022      |
| 360    | 6C101-92120 | LABEL FUSE           | 1    |       |     | OUT OF USE         | 0.001        | 0.0022      |
| 370    | 6C191-92100 | KIT LABEL            | 1    |       |     |                    | 0            | 0           |
| 380    | 6C191-92050 | MANUAL INSTRUCTION   | 1    |       |     |                    | 0            | 0           |



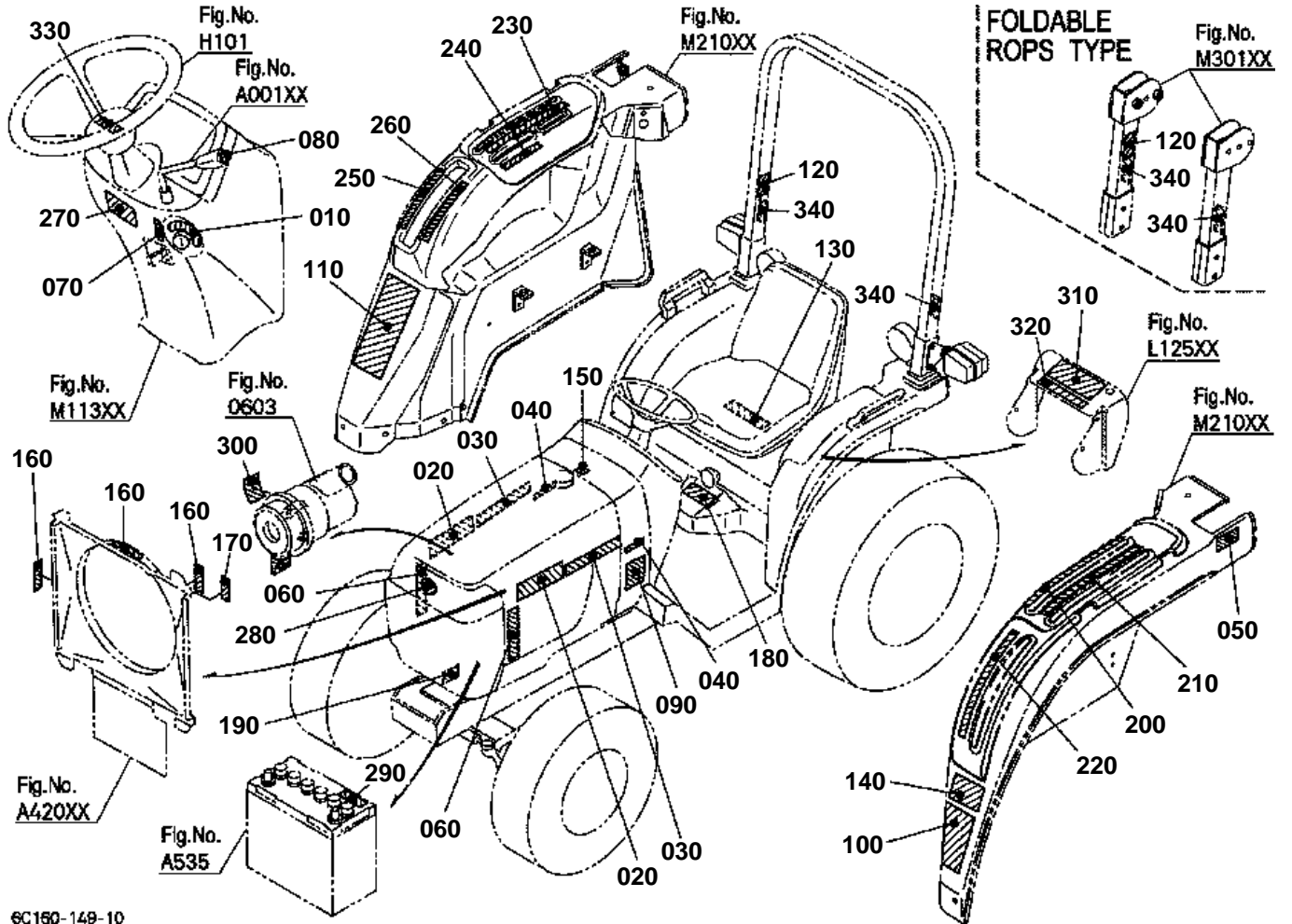
6C160-148-10



LABEL [AU]

↔ Interchangeable; ≠ not interchangeable; ← new for old; → old for new

| REF.No | Part No.    | Description          | Q'ty | S.No. | I/C | REMARKS | Weight (kgf) | Weight (lb) |
|--------|-------------|----------------------|------|-------|-----|---------|--------------|-------------|
| 010    | 6C070-47212 | MARK MAIN SWITCH     | 1    |       |     |         | 0.001        | 0.0022      |
| 020    | 6C160-47270 | MARK                 | 2    |       |     |         | 0.007        | 0.0154      |
| 030    | K2571-65120 | LABEL KUBOTA         | 2    |       |     |         | 0.005        | 0.011       |
| 040    | 6C140-47520 | MARK PS              | 2    |       |     |         | 0.001        | 0.0022      |
| 050    | 6C040-47530 | MARK 4WD             | 1    |       |     |         | 0.001        | 0.0022      |
| 060    | 6A325-47380 | MARK SKIRT           | 2    |       |     |         | 0.003        | 0.0066      |
| 070    | 6C040-47512 | LABEL PARKING        | 1    |       |     |         | 0.001        | 0.0022      |
| 080    | TA040-49370 | MARK ACCEL.GRIP      | 1    |       |     |         | 0.001        | 0.0022      |
| 090    | 6C090-49650 | LABEL START CAUTION  | 1    |       |     |         | 0.005        | 0.011       |
| 100    | 6C070-47422 | LABEL SAFETY         | 1    |       |     |         | 0.005        | 0.011       |
| 110    | TA040-49320 | LABEL ROPS WARNING   | 1    |       |     |         | 0.001        | 0.0022      |
| 120    | 6C120-47460 | LABEL PTO            | 1    |       |     |         | 0.001        | 0.0022      |
| 130    | 6C120-47450 | LABEL PTO            | 1    |       |     |         | 0.001        | 0.0022      |
| 140    | 6C040-47412 | LABEL FILLER CAUTION | 1    |       |     |         | 0.001        | 0.0022      |
| 150    | 6C090-49580 | LABEL FAN WARNING    | 3    |       |     |         | 0.001        | 0.0022      |
| 160    | 6C090-49590 | LABEL MUFFLER        | 1    |       |     |         | 0.005        | 0.011       |
| 170    | 6C040-47480 | LABEL PEDAL          | 1    |       |     |         | 0.002        | 0.0044      |
| 180    | 99999-99999 | NAME PLATE           | 1    |       |     |         | 0            | 0           |
| 190    | 6C120-47300 | LABEL MID PTO        | 1    |       |     |         | 0.001        | 0.0022      |
| 200    | 6C120-47320 | LABEL PTO            | 1    |       |     |         | 0.001        | 0.0022      |
| 210    | 6C120-47330 | LABEL RANGE SHIFT    | 1    |       |     |         | 0.001        | 0.0022      |
| 220    | 6C190-47350 | LABEL HYDRAULIC      | 1    |       |     |         | 0.001        | 0.0022      |
| 230    | 6C040-47362 | LABEL 4WD            | 1    |       |     |         | 0.001        | 0.0022      |
| 240    | 6C040-47382 | LABEL GUIDE          | 1    |       |     |         | 0.001        | 0.0022      |
| 250    | 6C040-47392 | LABEL GUIDE          | 1    |       |     |         | 0.001        | 0.0022      |
| 260    | 6C140-47430 | LABEL PARKING        | 1    |       |     |         | 0.001        | 0.0022      |
| 270    | 6A370-54180 | MARK SYMBOL          | 1    |       |     |         | 0.009        | 0.0198      |
| 280    | 6C040-55590 | LABEL BATTERY        | 1    |       |     |         | 0.001        | 0.0022      |
| 290    | 32721-58282 | LABEL CAUTION        | 1    |       |     |         | 0.001        | 0.0022      |
| 300    | TA040-49590 | LABEL PTO WARNING    | 1    |       |     |         | 0.002        | 0.0044      |
| 310    | 6C140-47440 | LABEL DRAWBAR        | 1    |       |     |         | 0.001        | 0.0022      |
| 320    | 6C040-41440 | MARK STEERING        | 1    |       |     |         | 0.001        | 0.0022      |



6C160-149-10



LABEL [NZ]

↔ Interchangeable; ≠ not interchangeable; ← new for old; → old for new

| REF.No | Part No.    | Description          | Q'ty | S.No. | I/C | REMARKS            | Weight (kgf) | Weight (lb) |
|--------|-------------|----------------------|------|-------|-----|--------------------|--------------|-------------|
| 010    | 6C070-47212 | MARK MAIN SWITCH     | 1    |       |     |                    | 0.001        | 0.0022      |
| 020    | 6C160-47270 | MARK                 | 2    |       |     |                    | 0.007        | 0.0154      |
| 030    | K2571-65120 | LABEL KUBOTA         | 2    |       |     |                    | 0.005        | 0.011       |
| 040    | 6C140-47520 | MARK PS              | 2    |       |     |                    | 0.001        | 0.0022      |
| 050    | 6C040-47530 | MARK 4WD             | 1    |       |     |                    | 0.001        | 0.0022      |
| 060    | 6A325-47380 | MARK SKIRT           | 2    |       |     |                    | 0.003        | 0.0066      |
| 070    | 6C040-47512 | LABEL PARKING        | 1    |       |     |                    | 0.001        | 0.0022      |
| 080    | TA040-49370 | MARK ACCEL.GRIP      | 1    |       |     |                    | 0.001        | 0.0022      |
| 090    | 6C090-49650 | LABEL START CAUTION  | 1    |       |     |                    | 0.005        | 0.011       |
| 100    | 6C070-47422 | LABEL SAFETY         | 1    |       |     |                    | 0.005        | 0.011       |
| 110    | TA040-49320 | LABEL ROPS WARNING   | 1    |       |     | RIGID ROPS TYPE    | 0.001        | 0.0022      |
| 110    | TA240-98480 | LABEL ROPS WARNING   | 1    |       |     | FOLDABLE ROPS TYPE | 0.005        | 0.011       |
| 120    | 6C140-47460 | LABEL ROPS WARNING   | 1    |       |     | RIGID ROPS TYPE    | 0.001        | 0.0022      |
| 120    | 3A111-95540 | LABEL ROPS CAUTION   | 1    |       |     | FOLDABLE ROPS TYPE | 0.003        | 0.0066      |
| 130    | 6C120-47460 | LABEL PTO            | 1    |       |     |                    | 0.001        | 0.0022      |
| 140    | 6C120-47450 | LABEL PTO            | 1    |       |     |                    | 0.001        | 0.0022      |
| 150    | 6C040-47412 | LABEL FILLER CAUTION | 1    |       |     |                    | 0.001        | 0.0022      |
| 160    | 6C090-49580 | LABEL FAN WARNING    | 3    |       |     |                    | 0.001        | 0.0022      |
| 170    | 6C090-49590 | LABEL MUFFLER        | 1    |       |     |                    | 0.005        | 0.011       |
| 180    | 6C040-47480 | LABEL PEDAL          | 1    |       |     |                    | 0.002        | 0.0044      |
| 190    | 99999-99999 | NAME PLATE           | 1    |       |     |                    | 0            | 0           |
| 200    | 6C120-47300 | LABEL MID PTO        | 1    |       |     |                    | 0.001        | 0.0022      |
| 210    | 6C120-47320 | LABEL PTO            | 1    |       |     |                    | 0.001        | 0.0022      |
| 220    | 6C120-47330 | LABEL RANGE SHIFT    | 1    |       |     |                    | 0.001        | 0.0022      |
| 230    | 6C190-47350 | LABEL HYDRAULIC      | 1    |       |     |                    | 0.001        | 0.0022      |
| 240    | 6C040-47362 | LABEL 4WD            | 1    |       |     |                    | 0.001        | 0.0022      |
| 250    | 6C040-47382 | LABEL GUIDE          | 1    |       |     |                    | 0.001        | 0.0022      |
| 260    | 6C040-47392 | LABEL GUIDE          | 1    |       |     |                    | 0.001        | 0.0022      |
| 270    | 6C140-47430 | LABEL PARKING        | 1    |       |     |                    | 0.001        | 0.0022      |
| 280    | 6A370-54180 | MARK SYMBOL          | 1    |       |     |                    | 0.009        | 0.0198      |
| 290    | 6C040-55590 | LABEL BATTERY        | 1    |       |     |                    | 0.001        | 0.0022      |
| 300    | 32721-58282 | LABEL CAUTION        | 1    |       |     |                    | 0.001        | 0.0022      |
| 310    | TA040-49590 | LABEL PTO WARNING    | 1    |       |     |                    | 0.002        | 0.0044      |
| 320    | 6C140-47440 | LABEL DRAWBAR        | 1    |       |     |                    | 0.001        | 0.0022      |
| 330    | 6C040-41440 | MARK STEERING        | 1    |       |     |                    | 0.001        | 0.0022      |
| 340    | 6C140-54990 | REFLECTOR LABEL      | 2    |       |     |                    | 0.003        | 0.0066      |

**ACCESSORIES AND SERVICE PARTS  
ACCESSOIRES ET PIECES DE SERVICE  
SONTIGES ZUBEHOER UND SERVICE-TEILE**

TITLE-001-10

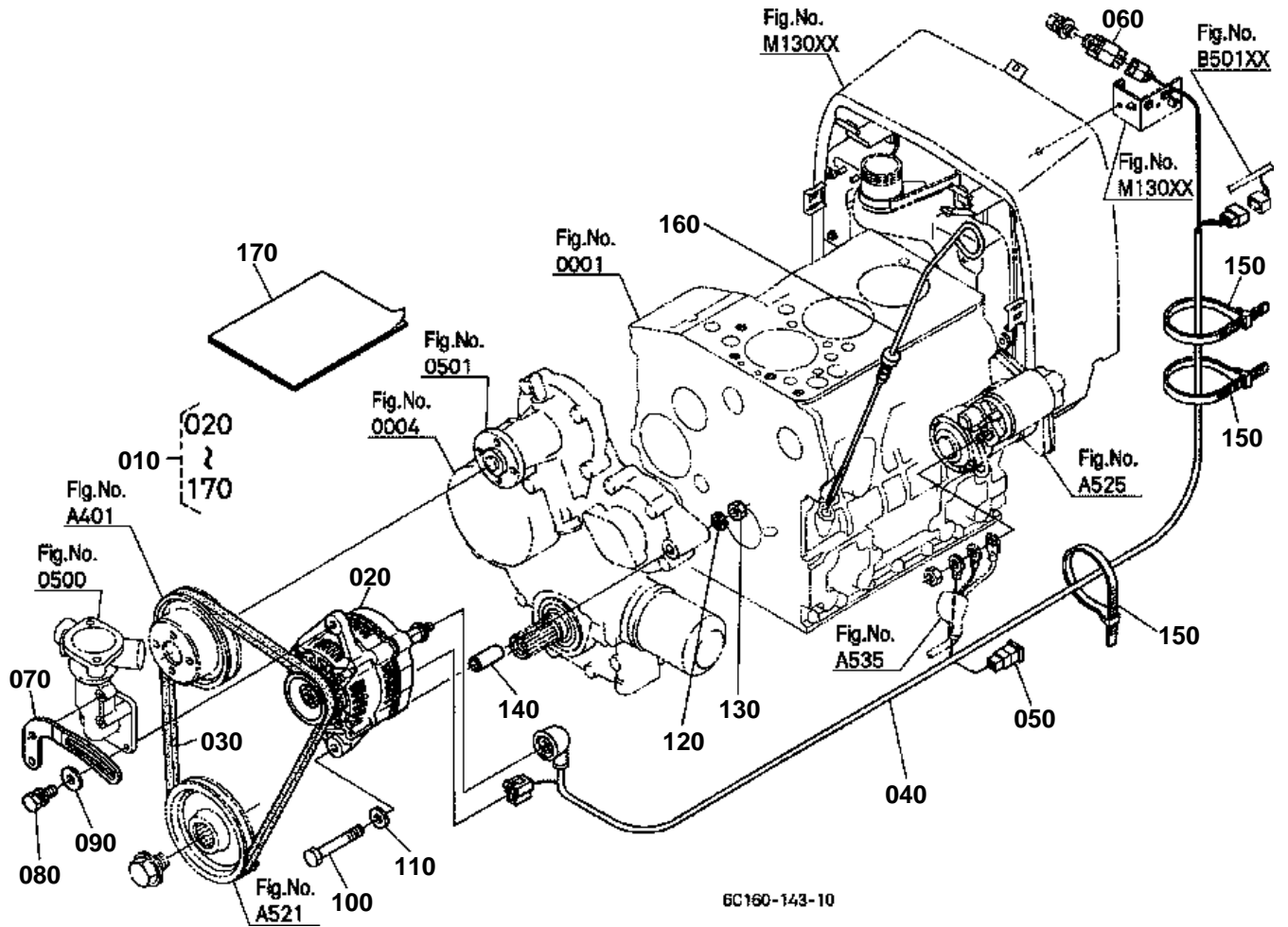


## ACCESSORIES AND SERVICE PARTS

↔ Interchangeable; ≠ not interchangeable; ← new for old; → old for new

| REF.No | Part No.    | Description            | Q'ty | S.No. | I/C | REMARKS  | Weight (kgf) | Weight (lb) |
|--------|-------------|------------------------|------|-------|-----|--|--------------|-------------|
| 010    | 6C190-63110 | MANUAL INSTRUCTION     | 1    |       |     | ENGLISH  | 0.19         | 0.418       |
| 010    | 6C191-92050 | MANUAL INSTRUCTION     | 1    |       |     | FRENCH   | 0            | 0           |
| 020    | 15241-86612 | WRENCH FILTER          | 1    |       |     |  | 0.115        | 0.253       |
| 030    | 1G111-65720 | FUSE                   | 1    |       |     | 30A  | 0.009        | 0.0198      |
| 040    | 67401-62930 | ASSY SPACER CLUTCH     | 1    |       |     |  | 0.03         | 0.066       |
| 050    | 67211-62940 | PIECE DISTANCE         | 1    |       |     |  | 0.08         | 0.176       |
| 060    | 67401-62950 | LABEL CLUTCH<br>SPACER | 1    |       |     |  | 0.002        | 0.0044      |
| 070    | 66416-62920 | ASSY BAG SPARE FUSE    | 1    |       |     |  | 0.01         | 0.022       |
| 080    | 66416-62930 | FUSE AUTO              | 2    |       |     | 15A  | 0            | 0           |
| 090    | 04013-60120 | WASHER PLAIN           | 12   |       |     | FOR FRONT WHEEL                                      | 0.01         | 0.022       |
| 100    | 04512-60120 | WASHER SPRING          | 12   |       |     | FOR FRONT WHEEL                                      | 0.005        | 0.011       |
| 110    | 02176-50120 | NUT                    | 12   |       |     | FOR FRONT WHEEL                                      | 0.01         | 0.022       |
| 120    | 35340-11390 | NUT                    | 12   |       |     | FOR REAR WHEEL                                       | 0.03         | 0.066       |
| 130    | 04512-60140 | WASHER SPRING          | 12   |       |     | FOR REAR WHEEL                                       | 0.008        | 0.0176      |
| 140    | 04013-60140 | WASHER PLAIN           | 12   |       |     | [EXCEPT[A][CA]]<br>FOR REAR WHEEL<br>[EXCEPT[A][CA]] | 0.01         | 0.022       |

ALTERNATOR KIT [OPTION]





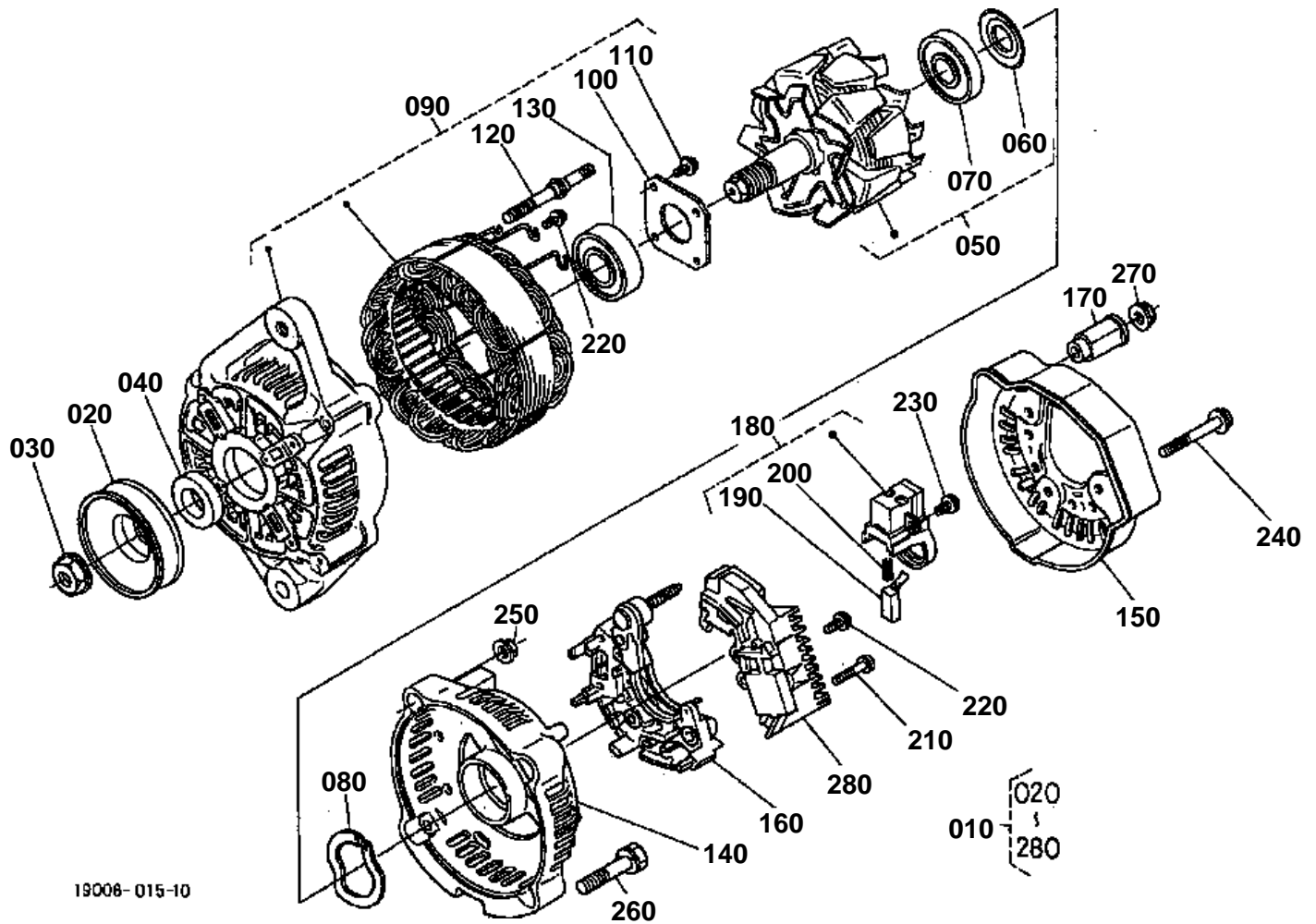


# ALTERNATOR KIT [OPTION]

↔ Interchangeable; ≠ not interchangeable; ← new for old; → old for new

| REF.No | Part No.    | Description          | Q'ty | S.No. | I/C | REMARKS | Weight (kgf) | Weight (lb) |
|--------|-------------|----------------------|------|-------|-----|---------|--------------|-------------|
| 010    | 6C040-95300 | KIT ALTERNATOR       | 1    |       |     |         | 0            | 0           |
| 020    | 16241-64012 | ASSY ALTERNATOR      | 1    |       |     |         | 3            | 6.6         |
| 030    | 14911-97010 | V BELT               | 1    |       |     |         | 0.084        | 0.1848      |
| 040    | 6C040-95310 | ASSY WIRE HARNESS    | 1    |       |     |         | 0.12         | 0.264       |
| 050    | 17478-60080 | FUSE                 | 1    |       |     | 50A     | 0.008        | 0.0176      |
| 060    | 68881-53540 | COMP.RELAY           | 1    |       |     |         | 0.04         | 0.088       |
| 070    | 16241-64420 | STAY DYNAMO          | 1    |       |     |         | 0.095        | 0.209       |
| 080    | 01123-50825 | BOLT                 | 1    |       |     |         | 0.013        | 0.0286      |
| 090    | 04015-60080 | WASHER PLAIN         | 1    |       |     |         | 0.01         | 0.022       |
| 100    | 01173-51085 | BOLT                 | 1    |       |     |         | 0.051        | 0.1122      |
| 110    | 04011-50100 | WASHER PLAIN         | 1    |       |     |         | 0.002        | 0.0044      |
| 120    | 04512-60100 | WASHER SPRING        | 1    |       |     |         | 0.002        | 0.0044      |
| 130    | 02176-50100 | NUT                  | 1    |       |     |         | 0.005        | 0.011       |
| 140    | 6C040-95330 | COLLAR ALTERNATOR    | 1    |       |     |         | 0.031        | 0.0682      |
| 150    | 53581-64150 | BAND CORD            | 3    |       |     |         | 0.002        | 0.0044      |
| 160    | 16224-36410 | GAUGE OIL            | 1    |       |     |         | 0.057        | 0.1254      |
| 170    | 6C040-95340 | MANUAL ALTERNATOR K. | 1    |       |     |         | 0.009        | 0.0198      |

ALTERNATOR [COMPONENT PARTS] [OPTION]



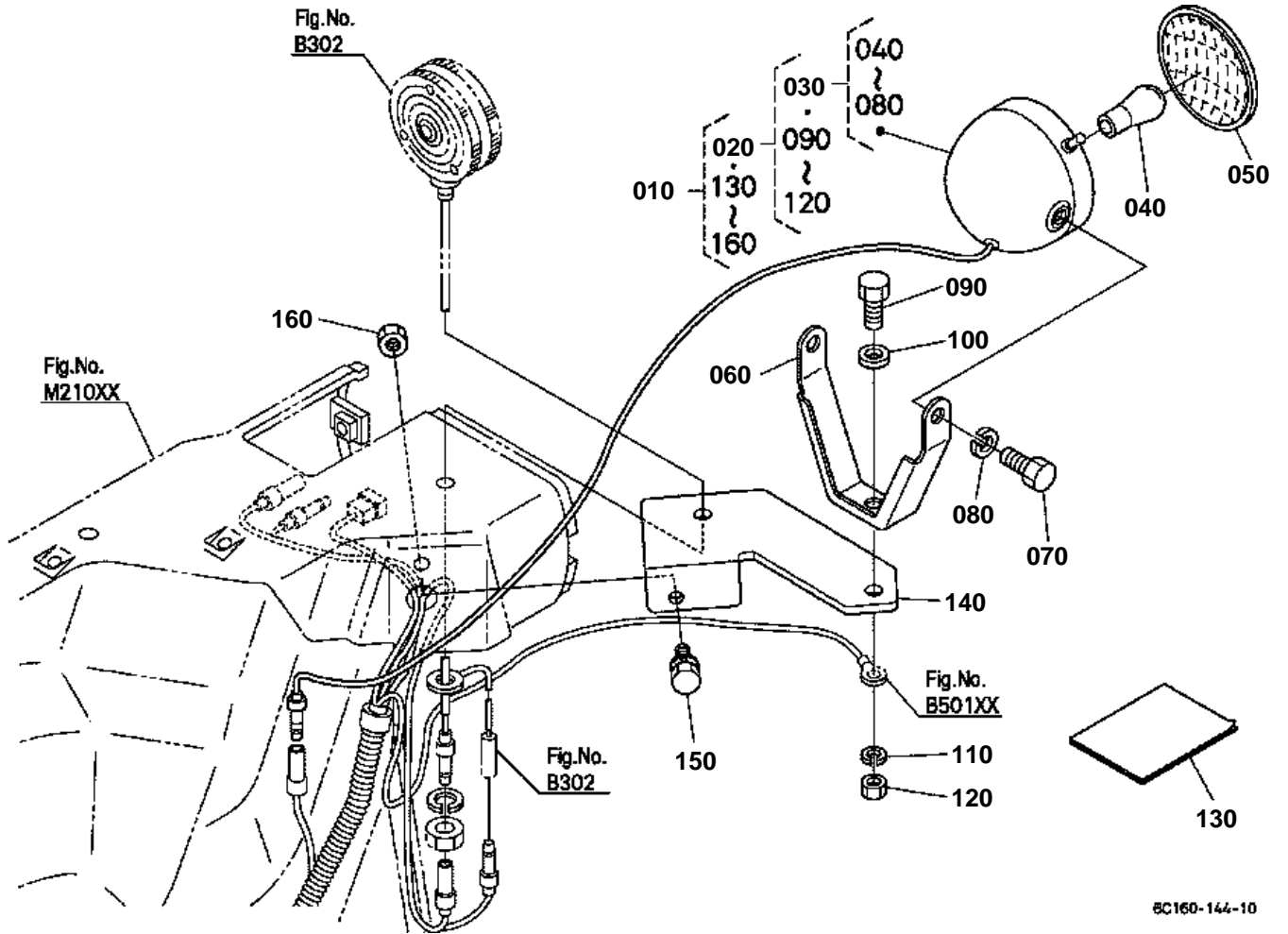


## ALTERNATOR [COMPONENT PARTS] [OPTION]

↔ Interchangeable; ≠ not interchangeable; ← new for old; → old for new

| REF.No | Part No.    | Description      | Q'ty | S.No. | I/C | REMARKS | Weight (kgf) | Weight (lb) |
|--------|-------------|------------------|------|-------|-----|---------|--------------|-------------|
| 010    | 16241-64012 | ASSY ALTERNATOR  | 1    |       |     |         | 3            | 6.6         |
| 020    | 15881-64110 | PULLEY DYNAMO    | 1    |       |     |         | 0.16         | 0.352       |
| 030    | 15881-92010 | NUT              | 1    |       |     |         | 0.02         | 0.044       |
| 040    | 15881-64150 | COLLAR           | 1    |       |     |         | 0.004        | 0.0088      |
| 050    | 66436-64040 | ROTOR            | 1    |       |     |         | 1.2          | 2.64        |
| 060    | 15881-64800 | COVER BEARING    | 1    |       |     |         | 0.001        | 0.0022      |
| 070    | 16652-64770 | BEARING BALL     | 1    |       |     |         | 0.045        | 0.099       |
| 080    | 15881-64810 | WASHER THRUST    | 1    |       |     |         | 0.002        | 0.0044      |
| 090    | 66436-64020 | FRAME DRIVE END  | 1    |       |     |         | 1.11         | 2.442       |
| 100    | 15881-64710 | PLATE RETAINER   | 1    |       |     |         | 0.01         | 0.022       |
| 110    | 15881-93010 | SCREW ROUND HEAD | 4    |       |     |         | 0.003        | 0.0066      |
| 120    | 15881-64260 | BOLT THROUGH     | 2    |       |     |         | 0.01         | 0.022       |
| 130    | 16652-64780 | BEARING BALL     | 1    |       |     |         | 0.05         | 0.11        |
| 140    | 16231-64060 | FRAME END        | 1    |       |     |         | 0.17         | 0.374       |
| 150    | 16231-64230 | COVER END        | 1    |       |     |         | 0.035        | 0.077       |
| 160    | 16231-64850 | ASSY RECTIFIER   | 1    |       |     |         | 0.18         | 0.396       |
| 170    | 16241-64900 | BUSH INSULATION  | 1    |       |     |         | 0.007        | 0.0154      |
| 180    | 16652-64310 | HOLDER BRUSH     | 1    |       |     |         | 0.025        | 0.055       |
| 190    | 15881-64090 | BRUSH            | 2    |       |     |         | 0.002        | 0.0044      |
| 200    | 15881-64330 | SPRING BRUSH     | 2    |       |     |         | 0.002        | 0.0044      |
| 210    | 15881-93020 | SCREW ROUND HEAD | 2    |       |     |         | 0.005        | 0.011       |
| 220    | 15881-93030 | SCREW ROUND HEAD | 6    |       |     |         | 0.003        | 0.0066      |
| 230    | 15881-93040 | SCREW ROUND HEAD | 1    |       |     |         | 0.003        | 0.0066      |
| 240    | 15881-91040 | BOLT             | 3    |       |     |         | 0.005        | 0.011       |
| 250    | 15881-92020 | NUT              | 2    |       |     |         | 0.02         | 0.044       |
| 260    | 15881-91050 | BOLT             | 2    |       |     |         | 0.01         | 0.022       |
| 270    | 14182-92030 | NUT              | 1    |       |     |         | 0.003        | 0.0066      |
| 280    | 1K531-64600 | ASSY REGULATOR   | 1    |       |     |         | 0.08         | 0.176       |

WORKING LIGHT KIT [OPTION]



8C160-144-10



## WORKING LIGHT KIT [OPTION]

↔ Interchangeable; ≠ not interchangeable; ← new for old; → old for new

| REF.No | Part No.    | Description         | Q'ty | S.No. | I/C | REMARKS | Weight (kgf) | Weight (lb) |
|--------|-------------|---------------------|------|-------|-----|---------|--------------|-------------|
| 010    | 6C040-95503 | KIT LIGHT WORKING   | 1    |       |     |         | 0.86         | 1.892       |
| 020    | 35871-97600 | ASSY LIGHT WORKING  | 1    |       |     |         | 0.88         | 1.936       |
| 030    | 35871-75900 | ASSY LIGHT WORKING  | 1    |       |     |         | 0.85         | 1.87        |
| 040    | 68331-53360 | BLUB                | 1    |       |     | 35W     | 0.015        | 0.033       |
| 050    | 68331-53310 | LENS                | 1    |       |     |         | 0.15         | 0.33        |
| 060    | 35861-75910 | STAY WORKING LAMP 4 | 1    |       |     |         | 0.25         | 0.55        |
| 070    | 01153-50820 | BOLT                | 2    |       |     |         | 0.012        | 0.0264      |
| 080    | 04512-60080 | WASHER SPRING       | 2    |       |     |         | 0.002        | 0.0044      |
| 090    | 01173-51020 | BOLT                | 1    |       |     |         | 0.017        | 0.0374      |
| 100    | 04013-60100 | WASHER PLAIN        | 1    |       |     |         | 0.003        | 0.0066      |
| 110    | 04512-60100 | WASHER SPRING       | 1    |       |     |         | 0.002        | 0.0044      |
| 120    | 02118-50100 | NUT                 | 1    |       |     |         | 0.005        | 0.011       |
| 130    | 6C040-95513 | MANUAL ASSEMBLY     | 1    |       |     |         | 0.004        | 0.0088      |
| 140    | 6C040-95530 | STAY WORKING LIGHT  | 1    |       |     |         | 0.44         | 0.968       |
| 150    | 01123-50820 | BOLT                | 1    |       |     |         | 0.011        | 0.0242      |
| 160    | 02114-50080 | NUT                 | 1    |       |     |         | 0.005        | 0.011       |