

# Instructions for Parts Books

The heading at the top of the page will be the same for the picture of the parts as it is for the page with the part numbers.

Definition of column headings on part number pages:

**REF.No** → The number referring to the part on the picture page of the parts book.

**Part No.** → The number assigned to this part at the time of printing the parts book.

**Description** → Description of part.

**Q'ty** → Quantity of part used on that page.

**S.No.** → Serial number range of the equipment that this part will fit.

>= Your serial number should be greater than or equal to the number shown.

<= Your serial number should be lesser than or equal to the serial number shown.

**I/C** → Interchangeability of part shown.

↔ The part shown will work for the older and later serial number.

# The part shown is not interchangeable with the other serial number.

← new for old

→ old for new

**Remarks** → Notes about this particular part. Sometimes this may say except [FR] or [CA]

## Note about Country Codes:

The parts books we use in the United States of America may also contain information about a part that would be different in another country. It is important that you are aware of the country codes in some instances.

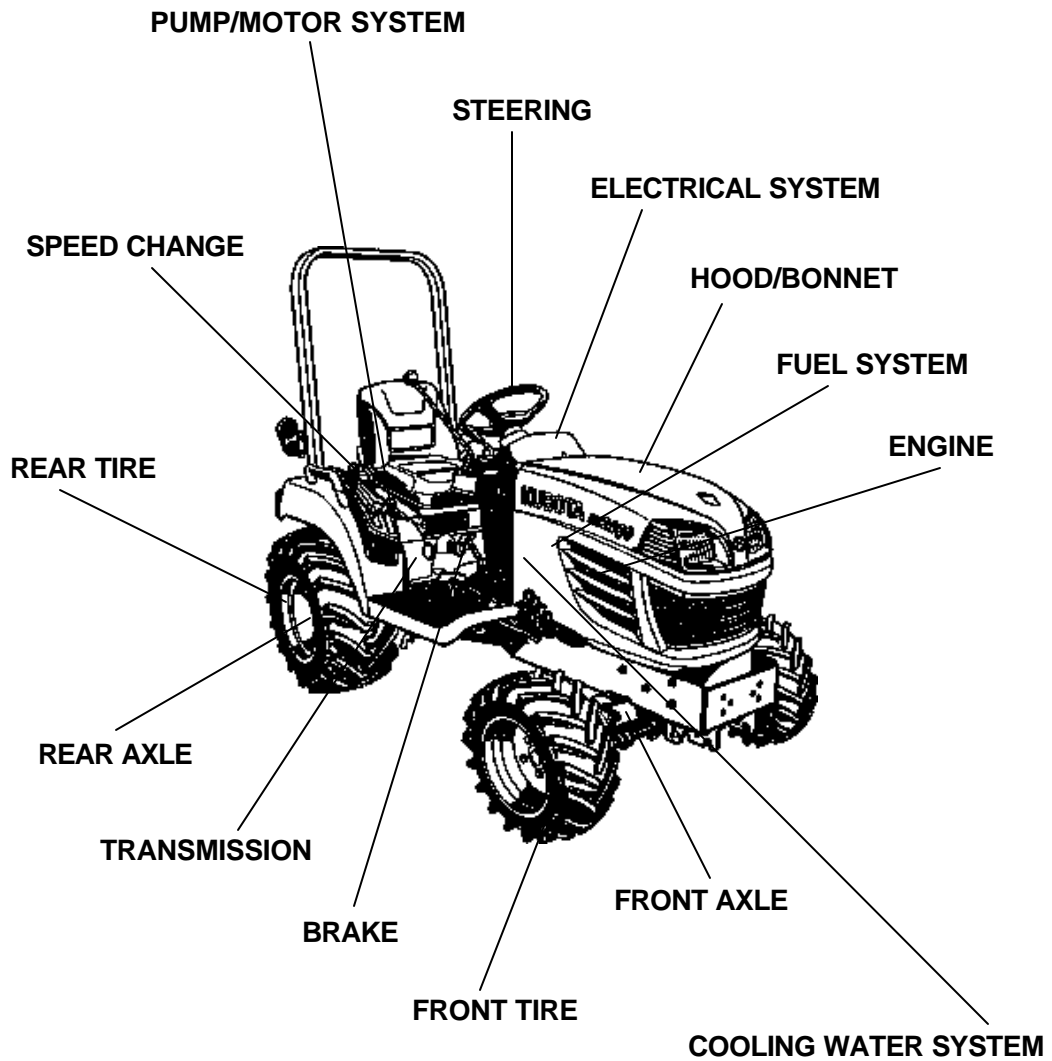
Symbol	Country
A	United States of America
CA	Canada
FR	France
GR	Greece
PO	Portugal
AU	Australia

If the remarks column says for example EXCEPT [FR] this part works in all countries except France. That means it will work here in the USA.

**ALL PRODUCT INDEX  
BX24D**

---

**FREQUENTLY USED ITEMS**



**TOP LINK/TOP LINK BRACKET/PTO PROTECTOR**

**LABELS**

**ACCESSORIES AND SERVICE PARTS**

**OPTION**

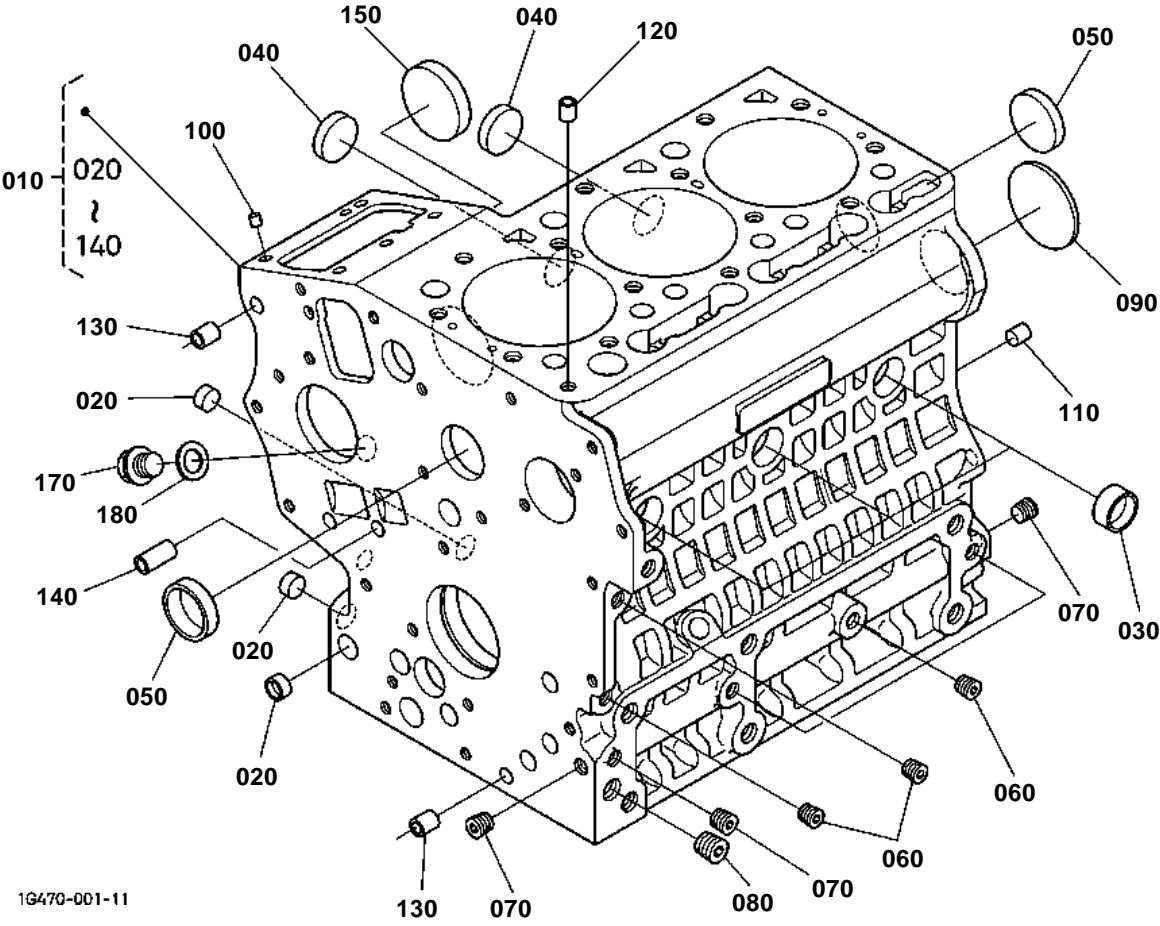
Item	Part No.	Description	Book
<b>FREQUENTLY USED ITEMS</b>	<b>0000003</b>	<b>FREQUENTLY USED ITEMS</b>	<b>100K0929</b>
<b>ENGINE</b>	021001	CRANKCASE	100K0929
	021002	OIL PAN	100K0929
	021003	CYLINDER HEAD	100K0929
	021004	GEAR CASE	100K0929
	021005	HEAD COVER	100K0929
	021006	OIL FILTER	100K0929
	021007	DIPSTICK AND GUIDE	100K0929
	021008	OIL PUMP	100K0929
	021100	MAIN BEARING CASE	100K0929
	021101	CAMSHAFT AND IDLE GEAR SHAFT	100K0929
	021102	PISTON AND CRANKSHAFT	100K0929
	021103	FLYWHEEL	100K0929
	021105	FUEL CAMSHAFT AND GOVERNOR SHAFT	100K0929
	021200	IDLE APPARATUS	100K0929
	021201	STOP SOLENOID	100K0929
	021202	INJECTION PUMP	100K0929
	021204	GOVERNOR	100K0929
	021205	SPEED CONTROL PLATE	100K0929
	021206	NOZZLE HOLDER AND GLOW PLUG	100K0929
	021207	NOZZLE HOLDER [COMPONENT PARTS]	100K0929
	021305	COVER	100K0929
	021402	ALTERNATOR AND PULLEY	100K0929
	021403	ALTERNATOR [COMPONENT PARTS]	100K0929
	021404	STARTER	100K0929
	021405	STARTER [COMPONENT PARTS]	100K0929
	021406	OIL SWITCH/THERMOMETER	100K0929
	021500	WATER FLANGE AND THERMOSTAT	100K0929
	021501	WATER PUMP	100K0929
	021504	FAN	100K0929
	021600	VALVE AND ROCKER ARM	100K0929
	021601	INLET MANIFOLD	100K0929
	021602	EXHAUST MANIFOLD	100K0929
	031603	AIR CLEANER	100K0929
	03160502	MUFFLER	100K0929
	021900	UPPER GASKET KIT	100K0929
	021901	LOWER GASKET KIT	100K0929
	021908	PISTON KIT	100K0929
	03A001	ACCELERATOR LEVER	100K0929
<b>FUEL SYSTEM</b>	03A101	FUEL TANK	100K0929
	03A110	FUEL PIPE	100K0929
<b>COOLING WATER SYSTEM</b>	03A410	WATER PIPE	100K0929
	03A420	RADIATOR	100K0929
<b>ELECTRICAL SYSTEM</b>	03A53502	BATTERY	100K0929
	03B11502	PANEL BOARD	100K0929
	03B21502	SWITCH/SENSOR	100K0929
	03B301	HEAD LIGHT	100K0929

Item	Part No.	Description	Book
ELECTRICAL SYSTEM	03B303	HAZARD LIGHT/TAIL LIGHT	100K0929
	03B50103	ELECTRICAL WIRING	100K0929
FRONT AXLE	03C41302	FRONT FRAME	100K0929
	03C41702	SUB FRAME	100K0929
	03C41902	ENGINE SUPPORT	100K0929
TRANSMISSION	03C420	TRANSMISSION CASE	100K0929
	03C427	REAR AXLE CASE	100K0929
	03D001	CLUTCH SHAFT/OUTPUT SHAFT	100K0929
	03D005	PROPELLER SHAFT	100K0929
	03D011	HST 1	100K0929
	03D012	HST 2	100K0929
	03D013	HST 3	100K0929
	03D014	HST 4	100K0929
	03D108	RANGE GEAR SHAFT	100K0929
	03D135	PTO SHAFT	100K0929
	03D137	MID PTO	100K0929
	03D140	REAR DIFFERENTIAL	100K0929
	03D141	FWD IDLE SHAFT	100K0929
	03D142	GP IDLE SHAFT	100K0929
	03D14302	FRONT WHEEL PROPELLER SHAFT	100K0929
SPEED CHANGE	03D217	RANGE GEAR SHIFT FORK	100K0929
	03D220	PTO GEAR SHIFT FORK	100K0929
	03D222	PTO GEAR SHIFT ARM	100K0929
	03D225	DIFFERENTIAL LOCK SHIFT FORK	100K0929
REAR AXLE	03D301	REAR AXLE	100K0929
BRAKE	03E001	BRAKE	100K0929
SPEED CHANGE	03F104	CRUISE CONTROL LEVER	100K0929
	03F10802	SPEED CONTROL PEDAL	100K0929
	03F110	RANGE GEAR SHIFT LEVER	100K0929
	03F113	FRONT WHEEL DRIVE LEVER	100K0929
	03F122	PTO SELECT LEVER	100K0929
	03F125	PTO GEAR SHIFT LEVER	100K0929
PUMP/MOTOR SYSTEM	03F143	HYDRAULIC CONTROL LEVER	100K0929
BRAKE	03F201	BRAKE PEDAL	100K0929
REAR AXLE	03F205	DIFFERENTIAL LOCK PEDAL	100K0929
FRONT AXLE	03G11002	FRONT DIFFERENTIAL CASE	100K0929
	03G11502	FRONT DIFFERENTIAL	100K0929
	03G12002	DIFFERENTIAL GEAR SHAFT	100K0929
	03G12502	FRONT AXLE CASE	100K0929
	03G13002	FRONT AXLE	100K0929
STEERING	03H101	STEERING HANDLE	100K0929
	03H110	STEERING CONTROLLER	100K0929
	03H12002	STEERING LINKAGE	100K0929
	03H122	STEERING CYLINDER [COMPONENT PARTS]	100K0929
PUMP/MOTOR SYSTEM	03J120	HYDRAULIC PUMP	100K0929
	03J125	HYDRAULIC PUMP [COMPONENT PARTS]	100K0929
	03J21002	HYDRAULIC OIL LINE(DELIVERY)	100K0929

Item	Part No.	Description	Book	
PUMP/MOTOR SYSTEM	03J21502	HYDRAULIC OIL LINE(STEERING)	100K0929	
	03J301	HYDRAULIC CYLINDER	100K0929	
	03J310	HYDRAULIC PISTON/LIFT ARM	100K0929	
	03J40502	CONTROL VALVE	100K0929	
	03J410	CONTROL VALVE [COMPONENT PARTS]	100K0929	
TOP LINK/TOP LINK BRACKET/PTO PROTECTOR	03K114	TOP LINK	100K0929	
	03K115	LOWER LINK	100K0929	
	03K116	LIFT ROD	100K0929	
	03K12302	TOP LINK BRACKET	100K0929	
	03K13002	MOWER REAR LINK RH	100K0929	
	03K131	MOWER REAR LINK LH	100K0929	
	03L125	PTO PROTECTOR	100K0929	
HOOD/BONNET	03M100	FRONT GUARD	100K0929	
	03M10202	FRONT GLILLE SUPPORT	100K0929	
	03M105	BONNET	100K0929	
	03M110	BONNET SIDE	100K0929	
	03M135	CENTER PILLAR	100K0929	
	03M20102	PANEL FRAME	100K0929	
	03M21003	FENDER	100K0929	
	03M21702	SEAT SUPPORT	100K0929	
	03M22002	SEAT	100K0929	
	03M22502	STEP	100K0929	
	03M25002	MANUAL HOLDER	100K0929	
	03M30102	ROPS	100K0929	
	03M50102	SMV EMBLEM	100K0929	
	FRONT TIRE	03R10103	FRONT WHEEL(18*8.5-10)	100K0929
		03R10104	FRONT WHEEL(18*8.5-10)	100K0929
03R10105		FRONT WHEEL(18*8.5-10)	100K0929	
REAR TIRE	03R11003	REAR WHEEL(26*12.00-12)	100K0929	
	03R11004	REAR WHEEL(26*12.00-12)	100K0929	
	03R11005	REAR WHEEL(26*12-12)	100K0929	
LABELS	03S10201	LABEL(FRONT) [ENGLISH]	100K0929	
	03S10202	LABEL(FRONT) [FRENCH]	100K0929	
	03S10303	LABEL(REAR) [ENGLISH]	100K0929	
	03S10304	LABEL(REAR) [FRENCH]	100K0929	
ACCESSORIES AND SERVICE PARTS	03T105	ACCESSORIES AND SERVICE PARTS	100K0929	
OPTION	03U95001	FRONT CONTROL VALVE KIT(VALVE) [OPTION]	100K0929	
	03U95002	FRONT CONTROL VALVE KIT(VALVE) [COMP.PARTS] [OPTION]	100K0929	
	03U95003	FRONT CONTROL VALVE KIT(ROD) [OPTION]	100K0929	
	03U95004	FRONT CONTROL VALVE KIT(ROD) [OPTION]	100K0929	
	03U95005	FRONT CONTROL VALVE KIT(LEVER) [OPTION]	100K0929	
	03U95006	FRONT CONTROL VALVE KIT(OIL LINE 1) [OPTION]	100K0929	

Item	Part No.	Description	Book
OPTION	03U95008	FRONT CONTROL VALVE KIT(OIL LINE 2) [OPTION]	100K0929

CRANKCASE



1G470-001-11



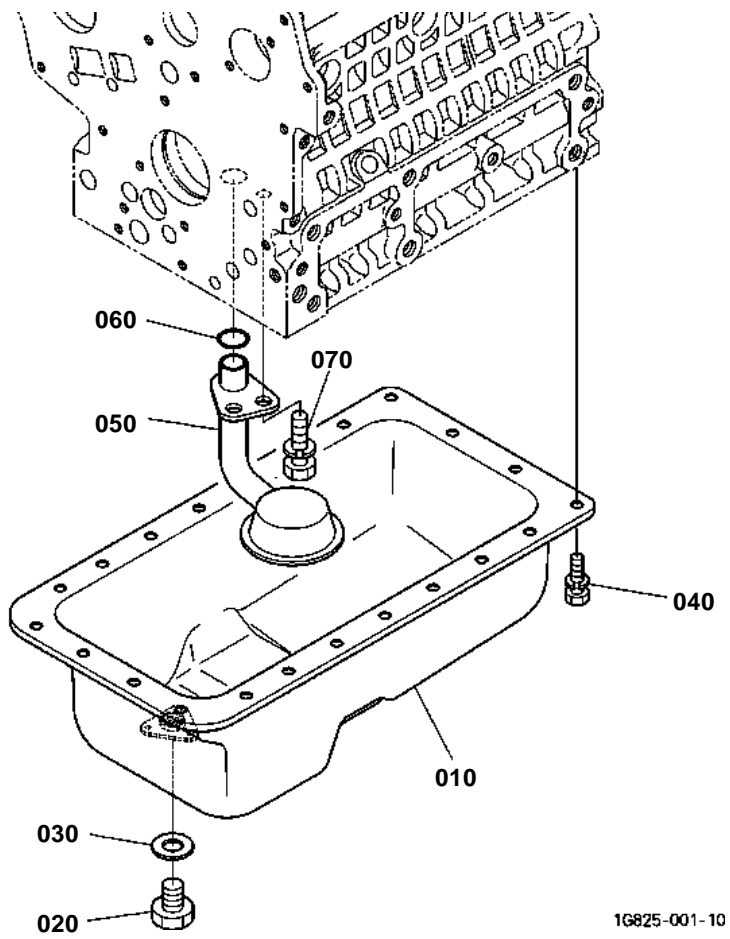
# CRANKCASE

↔ Interchangeable; ≠ not interchangeable; ← new for old; → old for new

REF.No	Part No.	Description	Q'ty	S.No.	I/C	REMARKS	Weight (kgf)	Weight (lb)
010	1G470-01017	COMP.CRANKCASE	1				23	50.6
020	16851-96260	CAP SEALING	3				0.005	0.011
030	16851-96270	CAP SEALING	3				0.005	0.011
040	06311-85025	CAP SEALING	2				0.01	0.022
050	15451-96270	CAP SEALING	2				0.001	0.0022
060	15261-96010	PLUG	5				0.002	0.0044
070	15521-96020	PLUG	3				0.003	0.0066
080	15521-96030	PLUG	1				0.007	0.0154
090	15261-96160	PLUG EXPANSION	1				0.02	0.044
100	05012-00508	PIN STRAIGHT	2				0.001	0.0022
110	05012-00814	PIN STRAIGHT	2				0.006	0.0132
120	15221-33650	PIN PIPE	1				0.004	0.0088
130	15231-33960	PIN PIPE	2				0.001	0.0022
140	17331-59190	PIN PIPE	2				0.02	0.044
150	16851-16212	COVER FUEL CAMSHAFT	1				0.03	0.066
160	99999-99999	BLANK	0				0	0
170	06311-55020	PLUG	1				0.031	0.0682
180	04724-00130	GASKET	1				0.003	0.0066



# OIL PAN



1G825-001-10

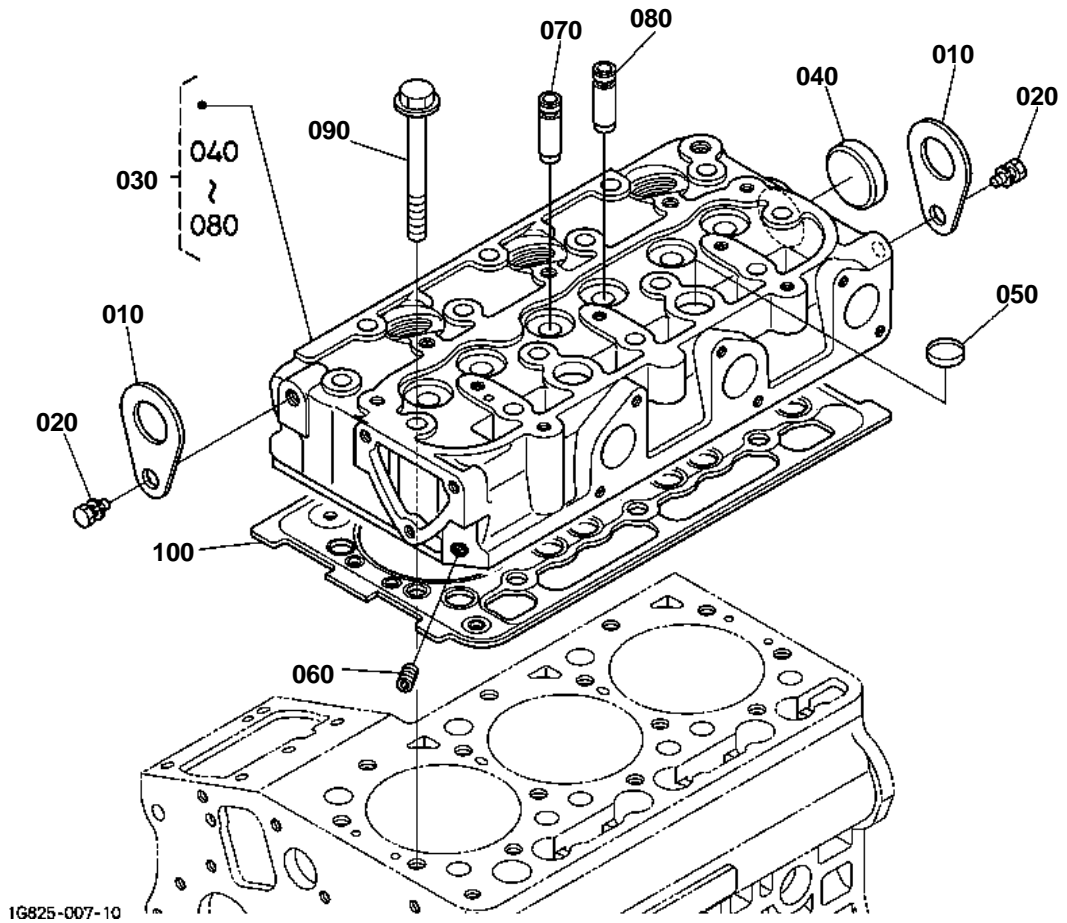


# OIL PAN

↔ Interchangeable; ≠ not interchangeable; ← new for old; → old for new

REF.No	Part No.	Description	Q'ty	S.No.	I/C	REMARKS	Weight (kgf)	Weight (lb)
010	1G825-01500	COMP.OIL PAN	1				1.05	2.31
020	16326-33750	PLUG DRAIN	1				0.025	0.055
030	6C090-58960	GASKET	1				0.002	0.0044
040	01023-50614	BOLT	22				0.005	0.011
050	16813-32110	FILTER OIL	1				0.11	0.242
060	04814-00160	O RING	1				0.001	0.0022
070	01123-60814	BOLT	1				0.01	0.022

# CYLINDER HEAD



1G825-007-10

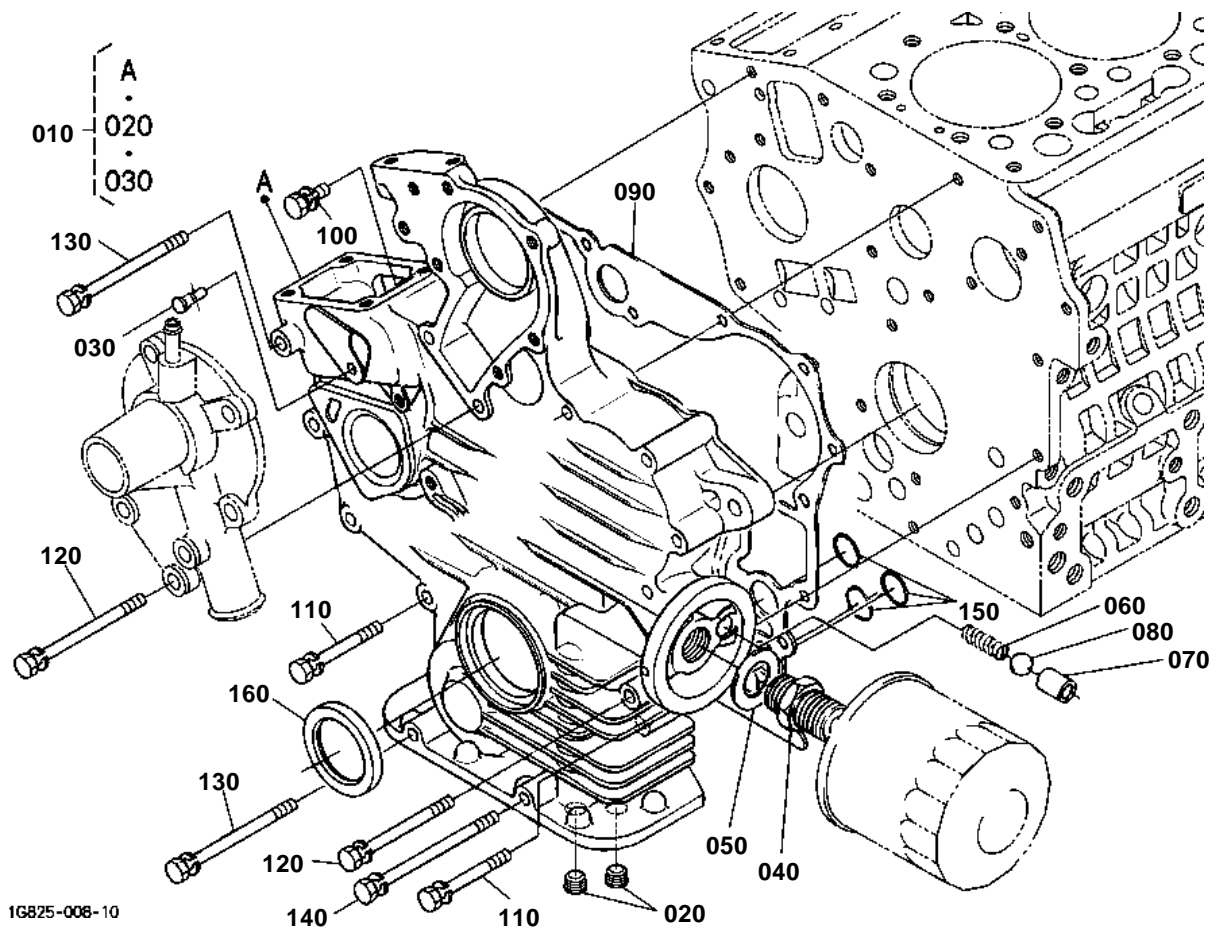


## CYLINDER HEAD

↔ Interchangeable; ≠ not interchangeable; ← new for old; → old for new

REF.No	Part No.	Description	Q'ty	S.No.	I/C	REMARKS	Weight (kgf)	Weight (lb)
010	15221-01750	HOOK ENGINE	2				0.04	0.088
020	01123-60816	BOLT	2				0.01	0.022
030	1G962-03045	COMP.CYLINDER HEAD	1				7	15.4
040	15321-96260	CAP SEALING	1				0.001	0.0022
050	15261-03370	CAP SEALING	2				0.005	0.011
060	15261-96010	PLUG	1				0.002	0.0044
070	15841-13540	GUIDE INLET VALVE	3				0.014	0.0308
080	15841-13560	GUIDE EXHAUST VALVE	3				0.014	0.0308
090	14601-03450	BOLT CYLINDER HEAD	14				0.035	0.077
100	1G962-03312	GASKET CYLINDER HEAD	1				0.06	0.132

GEAR CASE



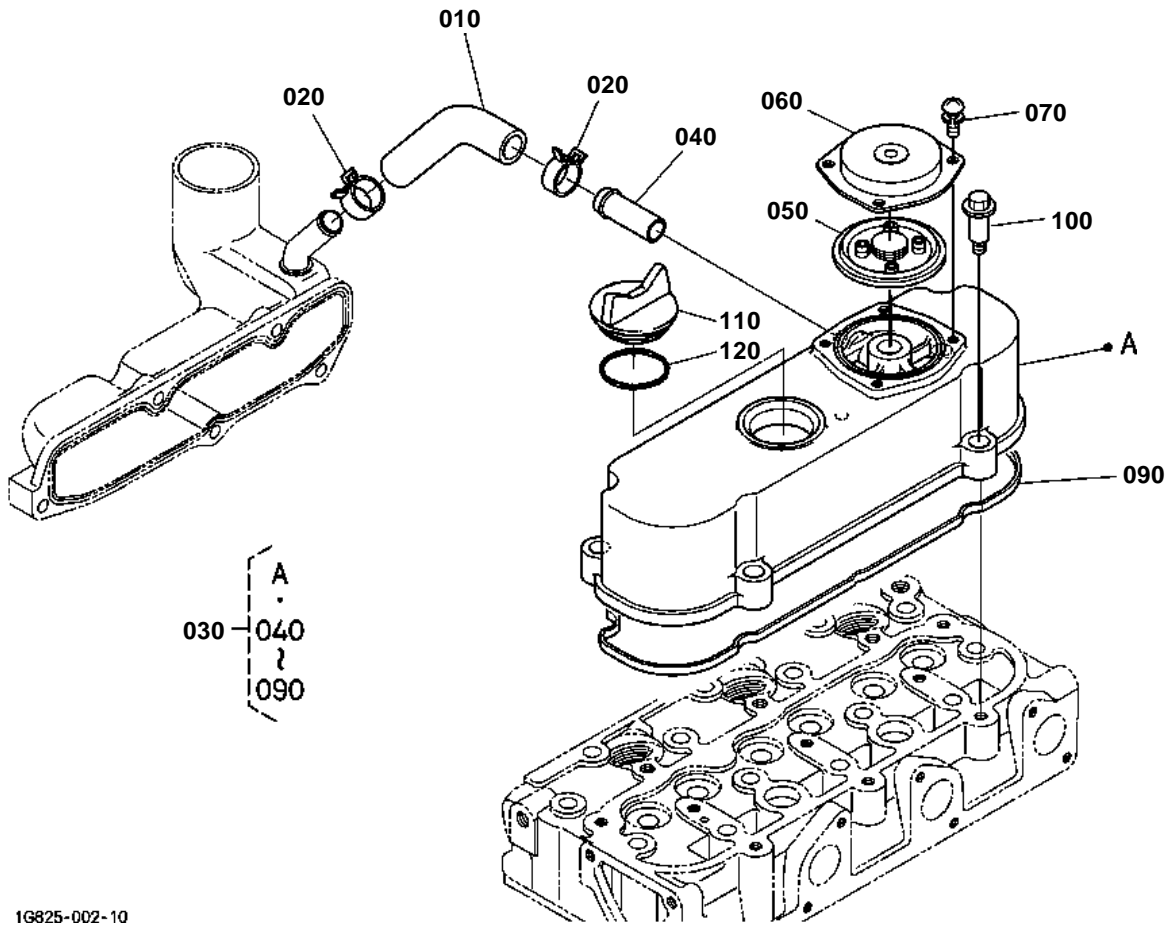


## GEAR CASE

↔ Interchangeable; ≠ not interchangeable; ← new for old; → old for new

REF.No	Part No.	Description	Q'ty	S.No.	I/C	REMARKS	Weight (kgf)	Weight (lb)
010	1G470-04020	COMP.CASE GEAR	1				2.13	4.686
020	15521-96030	PLUG	2				0.007	0.0154
030	15841-56280	PIN START SPRING	1				0.005	0.011
040	15241-32290	JOINT PIPE	1				0.053	0.1166
050	15841-94010	WASHER PLAIN	1				0.003	0.0066
060	16851-36950	SPRING	1				0.02	0.044
070	15841-36930	SEAT VALVE	1				0.01	0.022
080	07715-03211	BALL	1				0.003	0.0066
090	1E125-04130	GASKET GEAR CASE	1				0.009	0.0198
100	01023-50618	BOLT	1				0.006	0.0132
110	01023-60650	BOLT	8				0.015	0.033
120	15841-91010	BOLT	3				0.014	0.0308
130	01023-50680	BOLT	2				0.017	0.0374
140	01023-50690	BOLT	1				0.019	0.0418
150	04814-06130	O RING	3				0.01	0.022
160	15877-04140	SEAL OIL	1				0.011	0.0242

HEAD COVER



1G825-002-10



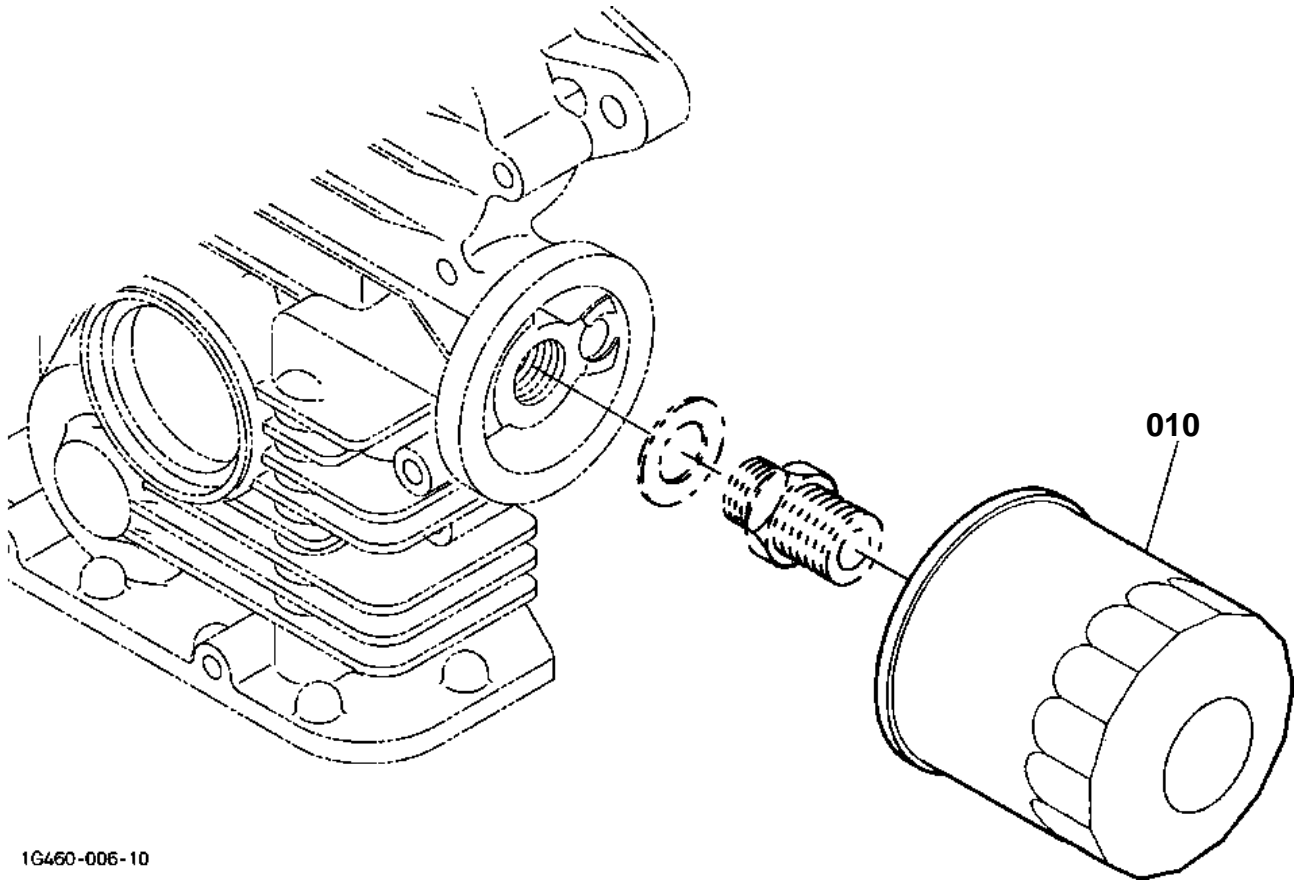
## HEAD COVER

↔ Interchangeable; ≠ not interchangeable; ← new for old; → old for new

REF.No	Part No.	Description	Q'ty	S.No.	I/C	REMARKS	Weight (kgf)	Weight (lb)
010	1G960-05512	TUBE BREATHER	1				0.008	0.0176
020	09318-88125	CLAMP HOSE	2				0.001	0.0022
030	1G960-14504	ASSY COVER CYL.HEAD	1				0	0
040	16241-73370	PIPE WATER RETURN	1				0.007	0.0154
050	1G911-05203	COMP.VALVE BREATHER	1				0.01	0.022
060	1G801-05120	COVER BREATHER	1				0.035	0.077
070	03024-50510	SCREW WITH WASHER	4				0.002	0.0044
080	99999-99999	BLANK	0				0	0
090	1G962-14522	GASKET HEAD COVER	1				0.007	0.0154
100	1G911-91022	BOLT	4				0.015	0.033
110	E9151-33140	PLUG OIL FILLER	1				0.017	0.0374
120	04814-50300	O RING	1				0.001	0.0022



OIL FILTER



1G460-006-10

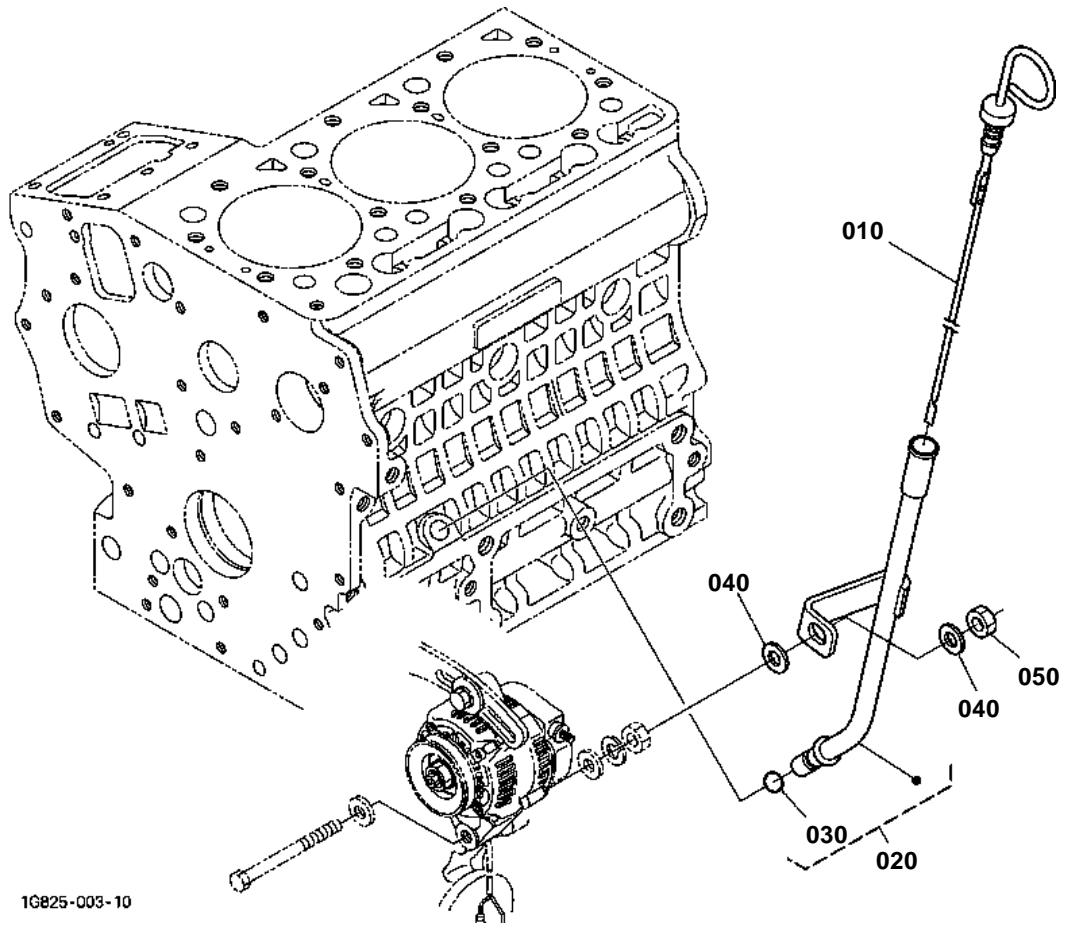


OIL FILTER

↔ Interchangeable; ≠ not interchangeable; ← new for old; → old for new

REF.No	Part No.	Description	Q'ty	S.No.	I/C	REMARKS	Weight (kgf)	Weight (lb)
010	15853-32430	CARTRIDGE OIL FILTER	1				0.195	0.429

DIPSTICK AND GUIDE



1G825-003-10

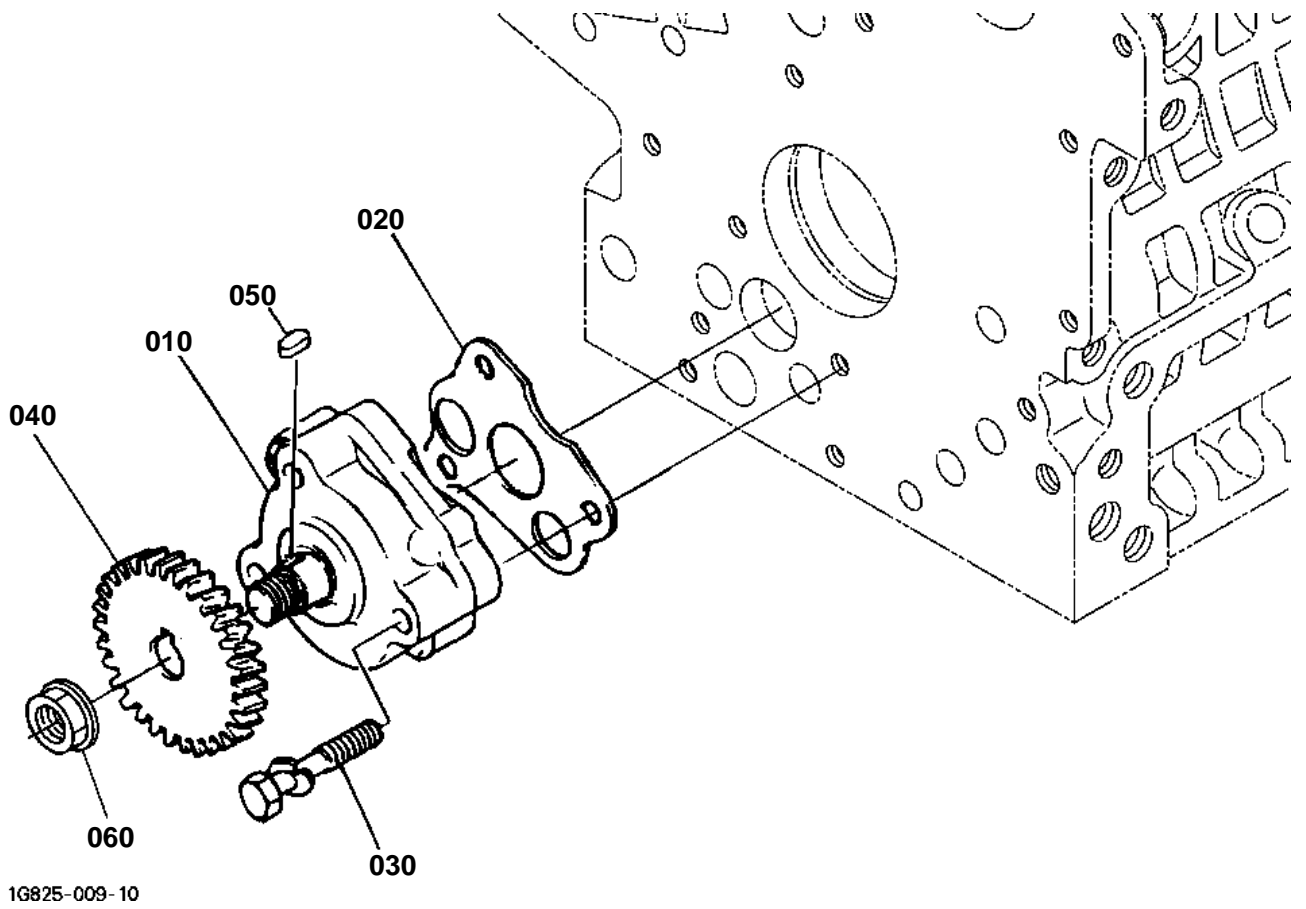


## DIPSTICK AND GUIDE

↔ Interchangeable; ≠ not interchangeable; ← new for old; → old for new

REF.No	Part No.	Description	Q'ty	S.No.	I/C	REMARKS	Weight (kgf)	Weight (lb)
010	1G470-36412	GAUGE OIL	1				0.03	0.066
020	1G470-36500	ASSY GUIDE OIL GAUGE	1				0.13	0.286
030	04814-00090	O RING	1				0.001	0.0022
040	04013-60080	WASHER PLAIN	2				0.002	0.0044
050	02156-50080	NUT	1				0.004	0.0088

OIL PUMP



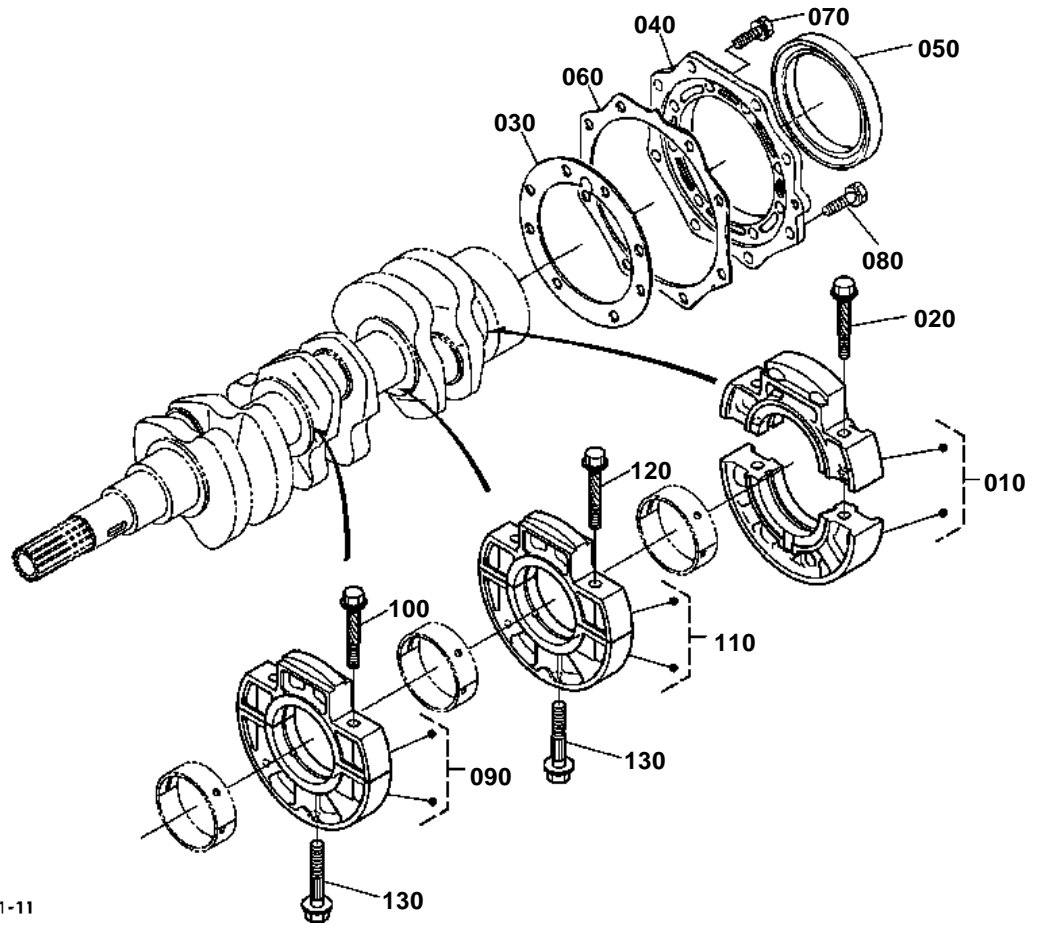


## OIL PUMP

↔ Interchangeable; ≠ not interchangeable; ← new for old; → old for new

REF.No	Part No.	Description	Q'ty	S.No.	I/C	REMARKS	Weight (kgf)	Weight (lb)
010	16851-35012	ASSY PUMP OIL	1				0.24	0.528
020	16851-35152	GASKET OIL PUMP NA	1				0.001	0.0022
030	15841-91050	BOLT	3				0.01	0.022
040	15841-35660	GEAR OIL PUMP DRIVE	1				0.113	0.2486
050	05712-00408	KEY FEATHER	1				0.001	0.0022
060	02783-50100	NUT FLANGE	1				0.01	0.022

# MAIN BEARING CASE



1G470-031-11



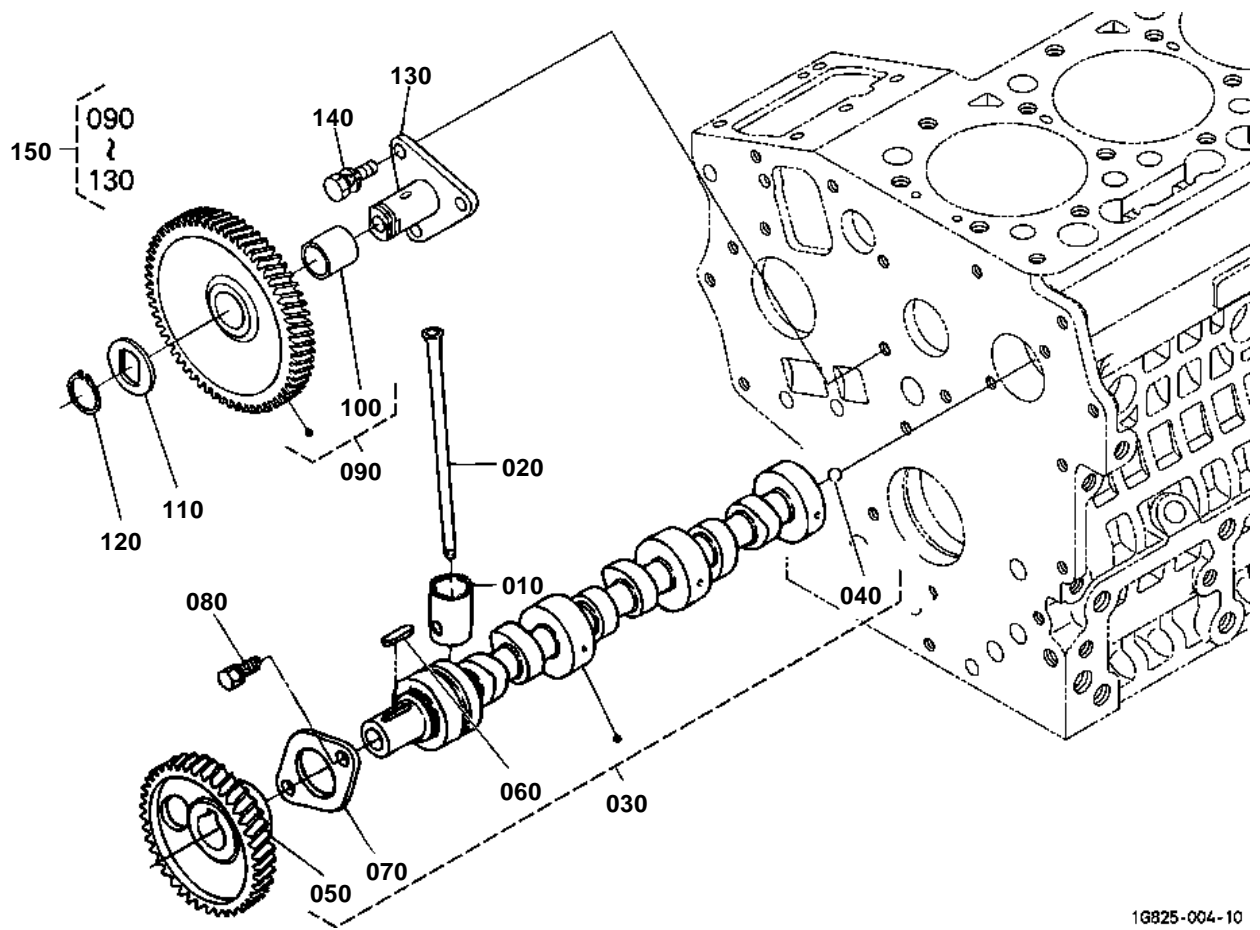
## MAIN BEARING CASE

↔ Interchangeable; ≠ not interchangeable; ← new for old; → old for new

REF.No	Part No.	Description	Q'ty	S.No.	I/C	REMARKS	Weight (kgf)	Weight (lb)
010	1G460-04090	ASSY CASE MAIN BRG.	1				0.7	1.54
020	1G460-04540	BOLT BEARING CASE	2				0.015	0.033
030	15852-04360	GASKET BEARING CASE	1				0.005	0.011
040	15841-04815	COVER BEARING CASE	1				0.16	0.352
050	1G460-04460	SEAL OIL	1				0.032	0.0704
060	15841-04822	GASKET	1				0.004	0.0088
070	01023-50620	BOLT	8				0.006	0.0132
080	01023-50622	BOLT	8				0.005	0.011
090	1G460-04040	ASSY CASE MAIN BRG.	1				0.55	1.21
100	1G460-04540	BOLT BEARING CASE	2				0.015	0.033
110	1G962-04050	ASSY CASE MAIN BRG.	1				0.57	1.254
120	1G460-04540	BOLT BEARING CASE	2				0.015	0.033
130	15841-04562	BOLT BEARING CASE	2				0.02	0.044



CAMSHAFT AND IDLE GEAR SHAFT



1G825-004-10

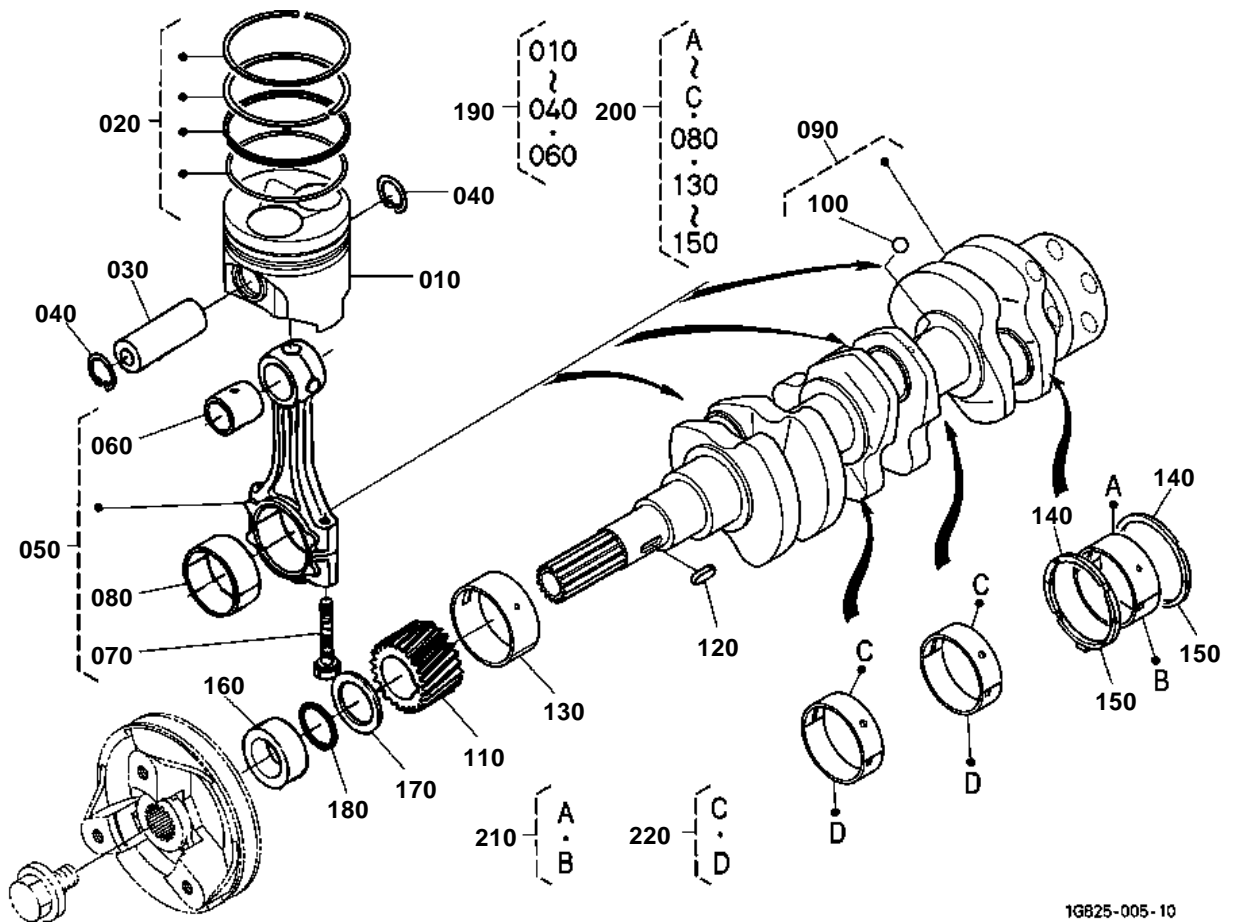


## CAMSHAFT AND IDLE GEAR SHAFT

↔ Interchangeable; ≠ not interchangeable; ← new for old; → old for new

REF.No	Part No.	Description	Q'ty	S.No.	I/C	REMARKS	Weight (kgf)	Weight (lb)
010	16851-15552	TAPPET	6				0.025	0.055
020	16851-15110	PUSH ROD	6				0.02	0.044
030	1G962-16010	ASSY CAMSHAFT	1				0	0
040	07715-00401	BALL	1				0.001	0.0022
050	16864-16510	GEAR CAM	1				0.262	0.5764
060	05712-00518	KEY FEATHER	1				0.003	0.0066
070	15841-16270	STOPPER CAMSHAFT	1				0.027	0.0594
080	01023-50612	BOLT	2				0.005	0.011
090	15875-24013	COMP.GEAR IDLE	1				0.38	0.836
100	15875-24282	BUSH	1				0.01	0.022
110	15875-24370	COLLAR IDLE GEAR	1				0.006	0.0132
120	15875-24320	RING SNAP	1				0.003	0.0066
130	15875-24250	SHAFT IDLE GEAR	1				0.13	0.286
140	01023-50614	BOLT	3				0.005	0.011
150	15875-99340	ASSY GEAR IDLE SER/V	1			OPTION	0.52	1.144

PISTON AND CRANKSHAFT



1G825-005-10

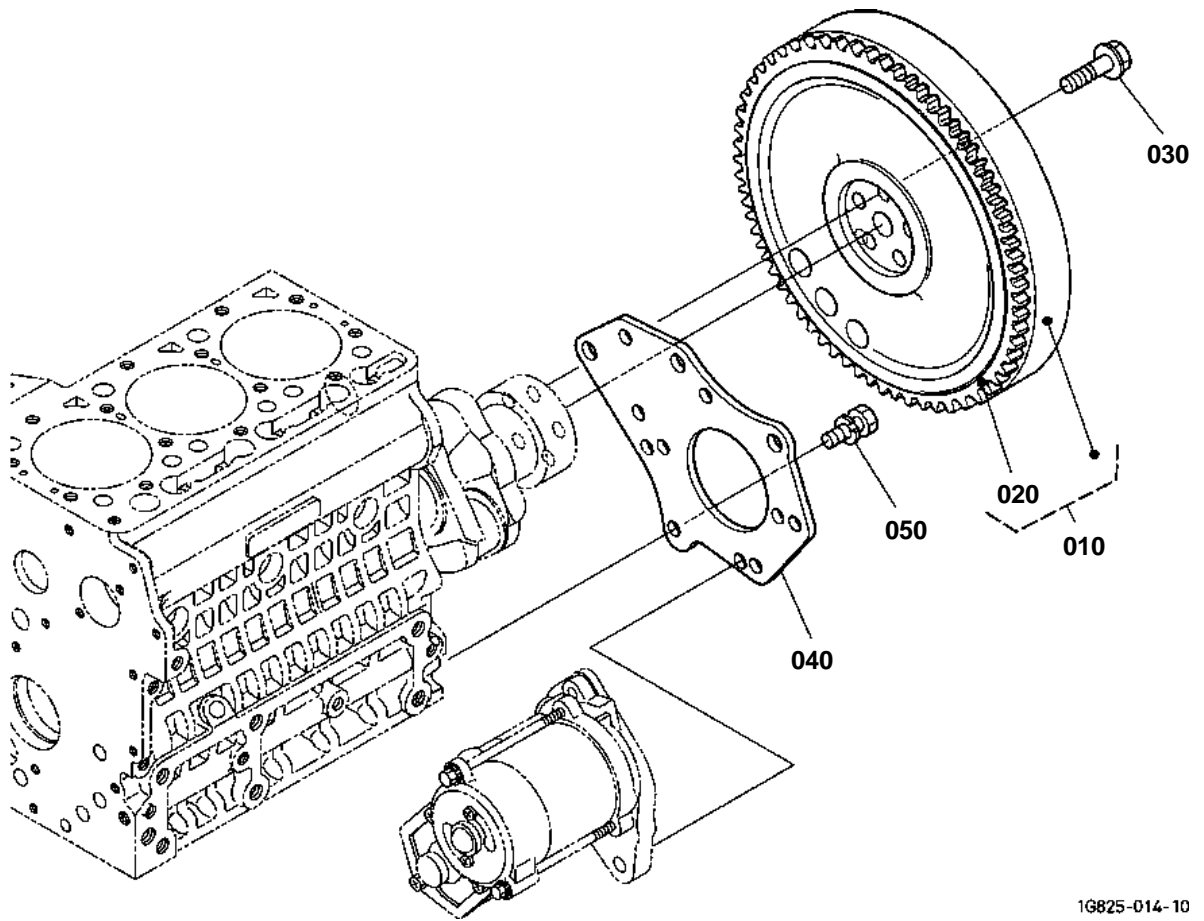


## PISTON AND CRANKSHAFT

↔ Interchangeable; ≠ not interchangeable; ← new for old; → old for new

REF.No	Part No.	Description	Q'ty	S.No.	I/C	REMARKS	Weight (kgf)	Weight (lb)
010	1G962-21112	PISTON	3			STD	0.27	0.594
010	1G962-21902	PISTON	3			+0.25mm	0.275	0.605
020	1G460-21050	ASSY PISTON RING	3			STD	0.037	0.0814
020	1G460-21090	ASSY PISTON RING	3			+0.25mm	0.001	0.0022
030	16871-21310	PIN PISTON	3				0.08	0.176
040	15261-21330	CIR CLIP PISTON PIN	6				0.001	0.0022
050	16851-22015	ASSY ROD CONNECTING	3				0.33	0.726
060	16851-21982	BUSH PISTON PIN	3				0.01	0.022
070	16851-22140	BOLT CONNECTING ROD	6				0.012	0.0264
080	16851-22320	METAL CRANKPIN M	3			STD SET	0.04	0.088
080	15861-22970	METAL CRANKPIN	3			-0.20mm SET	0.03	0.066
080	15861-22980	METAL CRANKPIN	3			-0.40mm SET	0.03	0.066
090	1G962-23010	COMP.CRANKSHAFT	1				7.8	17.16
100	07715-03207	BALL	3				0.001	0.0022
110	15841-24110	GEAR CRANK	1				0.14	0.308
120	05712-00515	KEY FEATHER	1				0.003	0.0066
130	1G460-23470	METAL CRANKSHAFT	1			STD	0.03	0.066
130	1G460-23910	METAL CRANKSHAFT	1			-0.20mm	0.04	0.088
130	1G460-23920	METAL CRANKSHAFT	1			-0.40mm	0.04	0.088
140	15261-23530	METAL SIDE	2			STD	0.006	0.0132
140	15261-23950	METAL SIDE	2			+0.20mm	0.006	0.0132
140	15261-23960	METAL SIDE	2			+0.40mm	0.007	0.0154
150	15261-23540	METAL SIDE	2			STD	0.007	0.0154
150	15261-23970	METAL SIDE	2			+0.20mm	0.006	0.0132
150	15261-23980	METAL SIDE	2			+0.40mm	0.007	0.0154
160	15841-23250	COLLAR CRANKSHAFT	1				0.05	0.11
170	15881-23310	SLINGER OIL	1				0.004	0.0088
180	04814-16220	O RING	1				0.001	0.0022
190	1G962-21773	KIT PISTON	3			STD	0	0
190	1G962-21783	KIT PISTON	3			+0.25mm	0	0
200	1G962-23752	KIT METAL ENGINE	1			STD	0.281	0.6182
200	1G962-23762	KIT METAL ENGINE	1			-0.20mm/+0.20mm	0.294	0.6468
200	1G962-23772	KIT METAL ENGINE	1			-0.40mm/+0.40mm	0.298	0.6556
210	1G460-23820	ASSY METAL CRANKSHA.	1			STD	0.04	0.088
210	1G460-23930	ASSY METAL CRANKSHA.	1			-0.20mm	0.04	0.088
210	1G460-23950	ASSY METAL CRANKSHA.	1			-0.40mm	0.04	0.088
220	1G460-23830	ASSY METAL CRANKSHA.	2			STD	0.04	0.088
220	1G460-23940	ASSY METAL CRANKSHA.	2			-0.20mm	0.022	0.0484
220	1G460-23960	ASSY METAL CRANKSHA.	2			-0.40mm	0.022	0.0484

FLYWHEEL



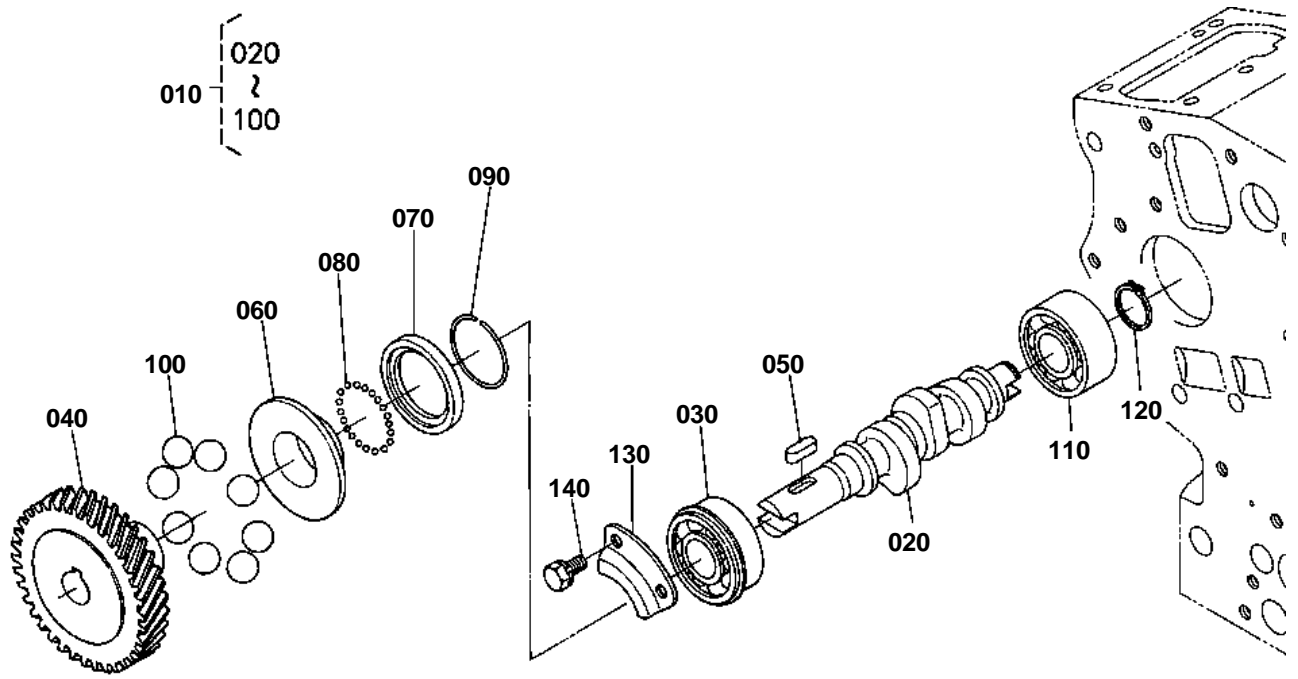
1G825-014-10

**FLYWHEEL**

↔ Interchangeable; ≠ not interchangeable; ← new for old; → old for new

REF.No	Part No.	Description	Q'ty	S.No.	I/C	REMARKS	Weight (kgf)	Weight (lb)
010	1E007-25010	COMP.FLYWHEEL	1				11.9	26.18
020	16813-63820	GEAR RING	1				0.62	1.364
030	15533-25162	BOLT FLYWHEEL	5				0.03	0.066
040	K2561-86310	PLATE STARTER	1				0.64	1.408
050	16871-91020	BOLT	3				0.013	0.0286

# FUEL CAMSHAFT AND GOVERNOR SHAFT



1G470-030-12



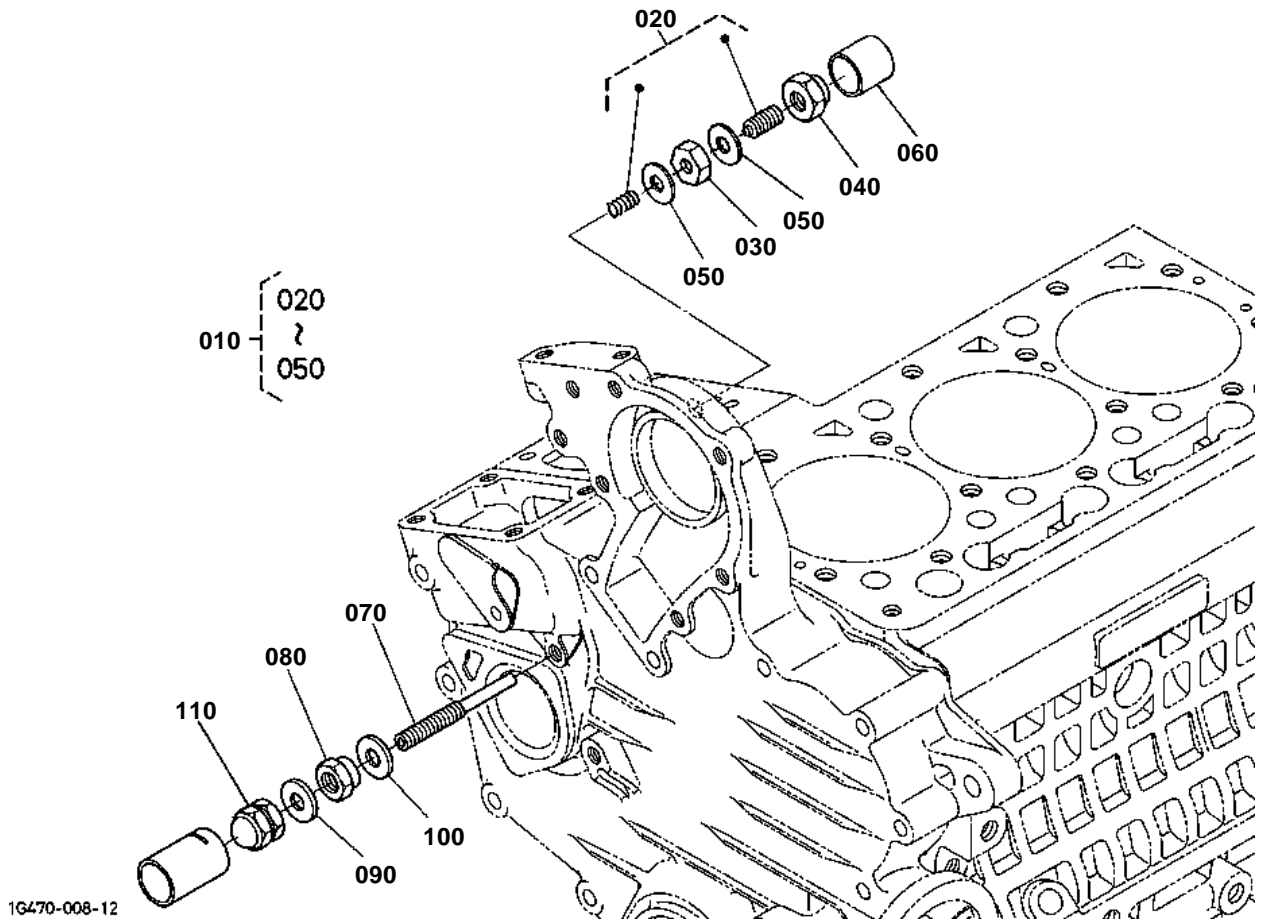
## FUEL CAMSHAFT AND GOVERNOR SHAFT

↔ Interchangeable; ≠ not interchangeable; ← new for old; → old for new

REF.No	Part No.	Description	Q'ty	S.No.	I/C	REMARKS	Weight (kgf)	Weight (lb)
010	16861-16023	ASSY CAMSHAFT FUEL	1				0.856	1.8832
020	15875-16173	CAMSHAFT FUEL	1				0.316	0.6952
030	08153-06203	BEARING BALL	1				0.08	0.176
040	16851-51150	GEAR INJECTION PUMP	1				0.2	0.44
050	05712-00515	KEY FEATHER	1				0.003	0.0066
060	15841-55450	SLEEVE GOVERNOR	1				0.05	0.11
070	15841-55690	CASE GOVERNOR BALL	1				0.02	0.044
080	07715-00801	BALL	32				0.001	0.0022
090	15261-55470	CIR-CLIP GOV. SLEEVE	1				0.002	0.0044
100	07715-03217	BALL	8				0.01	0.022
110	16871-97300	BEARING BALL	1				0.06	0.132
120	04612-00170	CIR CLIP EXTERNAL	1				0.001	0.0022
130	15841-16320	STOPPER FUEL.C/SHAFT	1				0.015	0.033
140	01023-50612	BOLT	2				0.005	0.011



IDLE APPARATUS



1G470-008-12

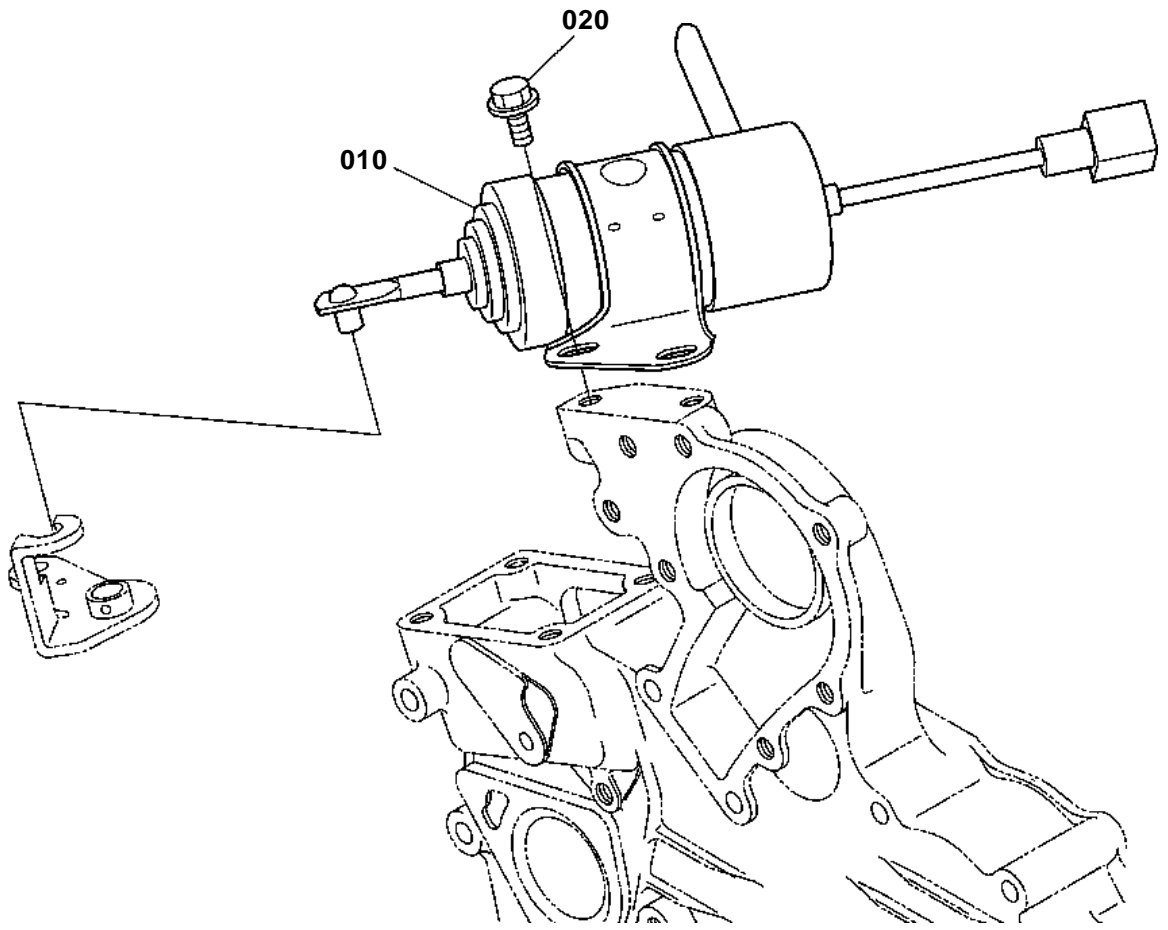


# IDLE APPARATUS

↔ Interchangeable; ≠ not interchangeable; ← new for old; → old for new

REF.No	Part No.	Description	Q'ty	S.No.	I/C	REMARKS	Weight (kgf)	Weight (lb)
010	15841-54092	ASSY APPARATUS IDLE	1				0.02	0.044
020	15841-54100	ASSY BOLT ADJUSTMENT	1				0.009	0.0198
030	15261-92020	NUT	1				0.004	0.0088
040	15841-54220	NUT	1				0.006	0.0132
050	15021-33660	GASKET	2				0.001	0.0022
060	15841-54270	CAP	1				0.001	0.0022
070	15841-54123	BOLT ADJUSTING	1				0.008	0.0176
080	1G031-54210	NUT LOCK	1				0.003	0.0066
090	15601-96650	GASKET	1				0.001	0.0022
100	1G021-96650	GASKET	1				0.001	0.0022
110	15841-92330	NUT	1				0.006	0.0132

# STOP SOLENOID



16470-025-11

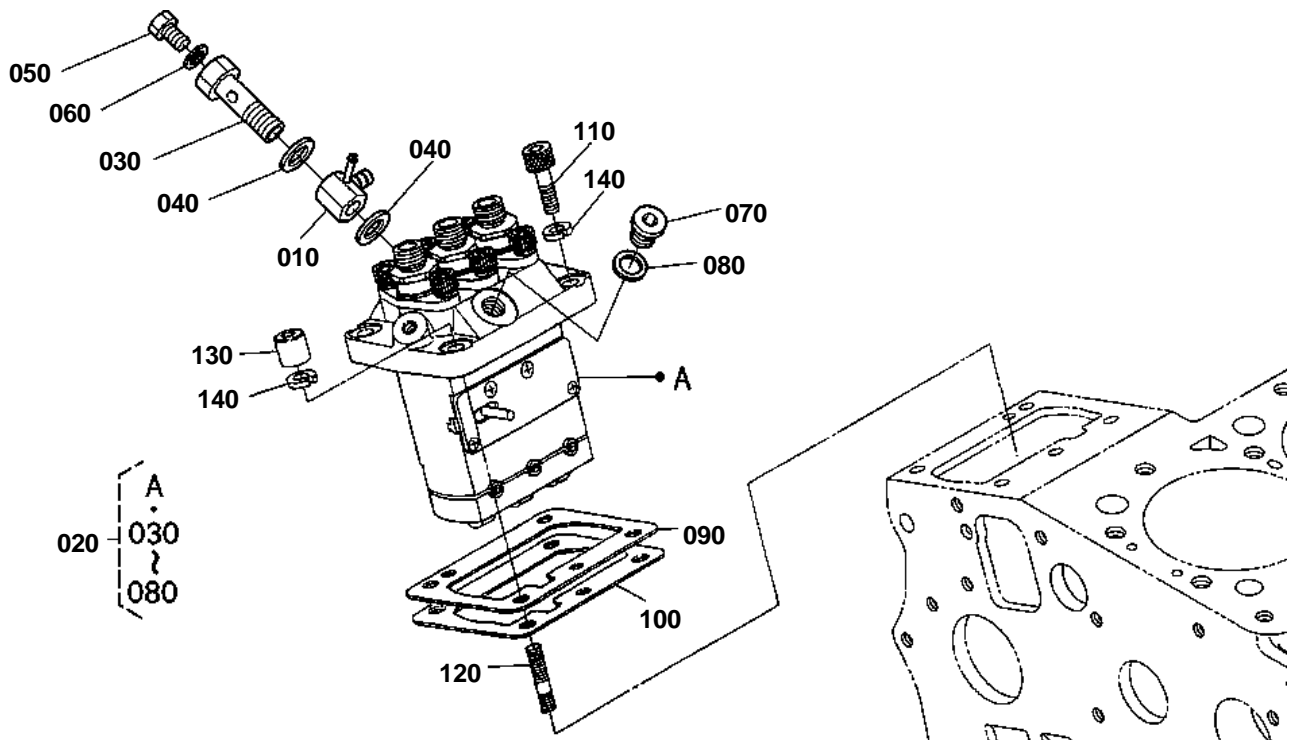


## STOP SOLENOID

↔ Interchangeable; ≠ not interchangeable; ← new for old; → old for new

REF.No	Part No.	Description	Q'ty	S.No.	I/C	REMARKS	Weight (kgf)	Weight (lb)
010	16851-60013	SOLENOID STOP	1				0.4	0.88
020	01754-50612	BOLT FLANGE	2				0.005	0.011

# INJECTION PUMP



16470-009-11

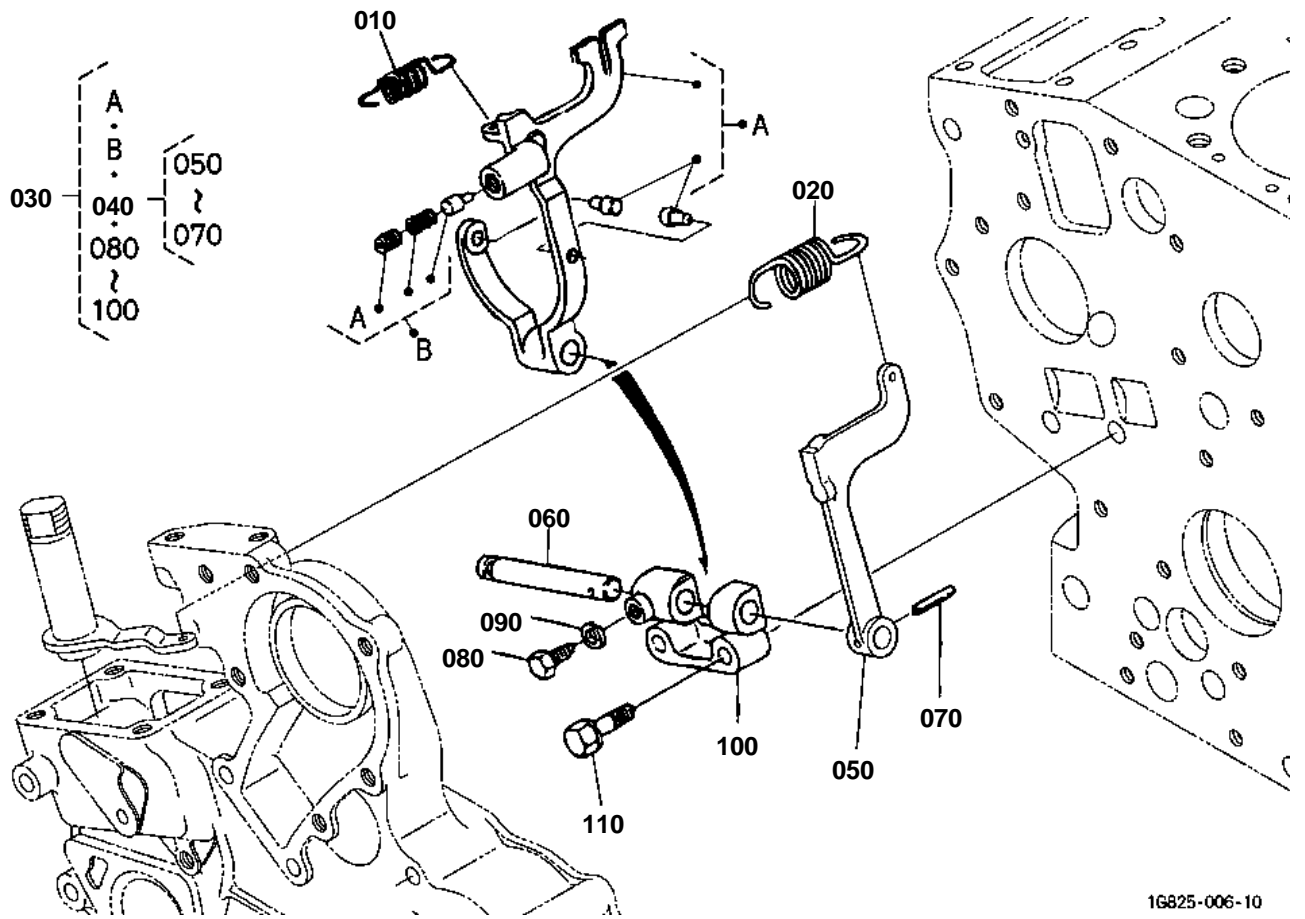


# INJECTION PUMP

↔ Interchangeable; ≠ not interchangeable; ← new for old; → old for new

REF.No	Part No.	Description	Q'ty	S.No.	I/C	REMARKS	Weight (kgf)	Weight (lb)
010	16809-95680	JOINT	1				0.04	0.088
020	16006-51010	ASSY PUMP INJECTION	1				1.1	2.42
030	15841-51320	SCREW HOLLOW	1				0.024	0.0528
040	15841-96650	GASKET	2				0.001	0.0022
050	15841-51350	SCREW	1				0.005	0.011
060	15841-96660	GASKET	1				0.001	0.0022
070	16030-96010	PLUG	1				0.008	0.0176
080	15861-96650	GASKET	1				0.001	0.0022
090	16006-52092	SHIM INJECTION PUMP	1			0.20mm	0.004	0.0088
090	16006-52112	SHIM INJECTION PUMP	1			0.25mm	0.004	0.0088
100	16006-52122	SHIM INJECTION PUMP	1			0.30mm	0.006	0.0132
110	01311-10620	BOLT HEX-SOC-HD	2				0.012	0.0264
120	15841-91500	STUD	2				0.02	0.044
130	15841-92320	NUT	2				0.01	0.022
140	04512-60060	WASHER SPRING	4				0.001	0.0022

GOVERNOR



16825-006-10

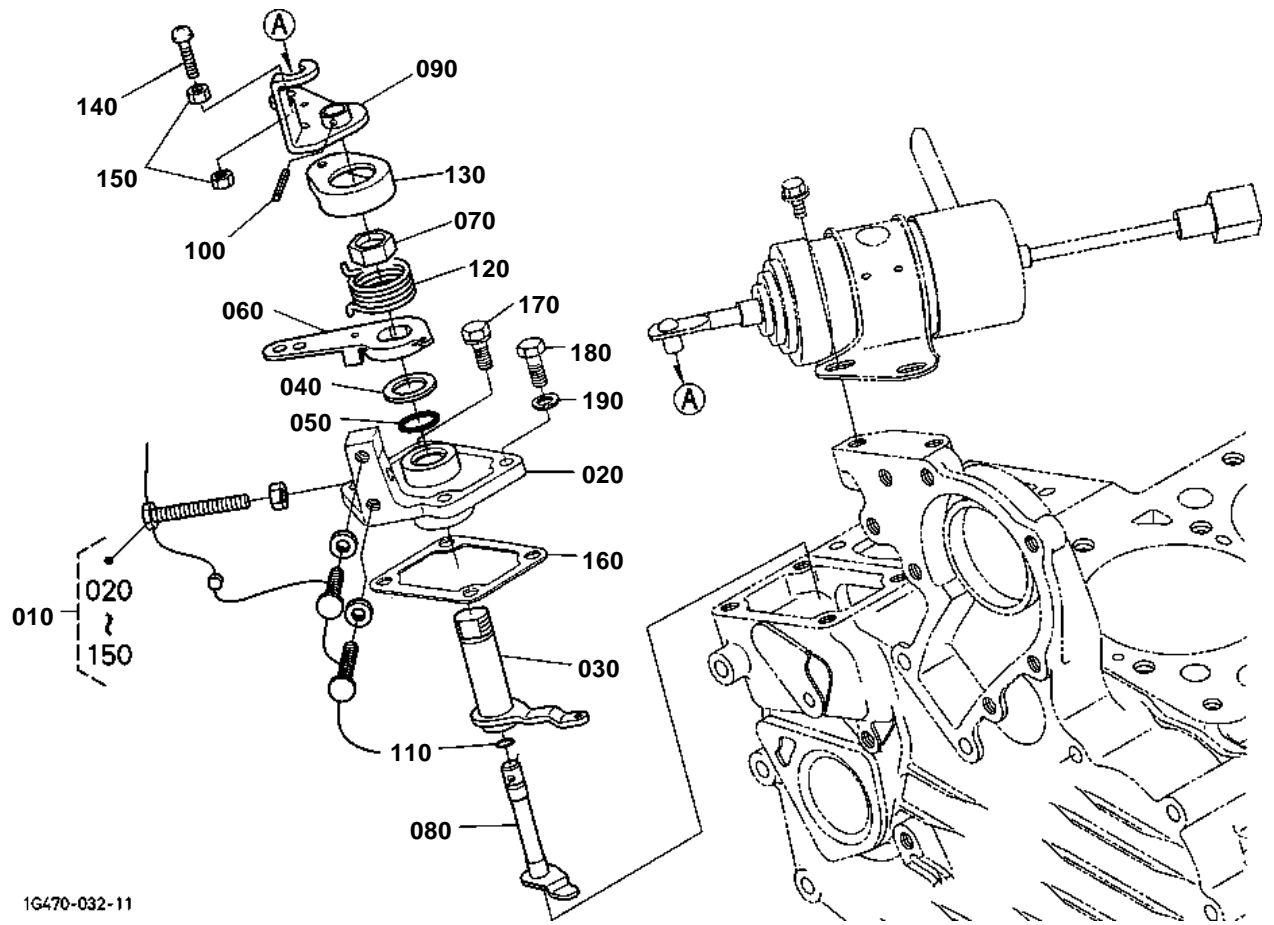
**GOVERNOR**

↔ Interchangeable; ≠ not interchangeable; ← new for old; → old for new

REF.No	Part No.	Description	Q'ty	S.No.	I/C	REMARKS	Weight (kgf)	Weight (lb)
010	16851-56480	SPRING START	1				0.02	0.044
020	16851-56410	SPRING GOVERNOR	1				0.008	0.0176
030	1G962-56052	ASSY LEVER FORK	1				0.23	0.506
040	15841-56060	ASSY LEVER FORK	1				0.095	0.209
050	15841-56130	LEVER FORK	1				0.06	0.132
060	15841-56150	SHAFT FORK LEVER	1				0.035	0.077
070	05411-00318	PIN SPRING	1				0.001	0.0022
080	15261-66410	BOLT	1				0.003	0.0066
090	04512-60050	WASHER SPRING	1				0.002	0.0044
100	15841-56230	HOLDER FORK LEVER	1				0.035	0.077
110	01023-50635	BOLT	2				0.01	0.022



SPEED CONTROL PLATE



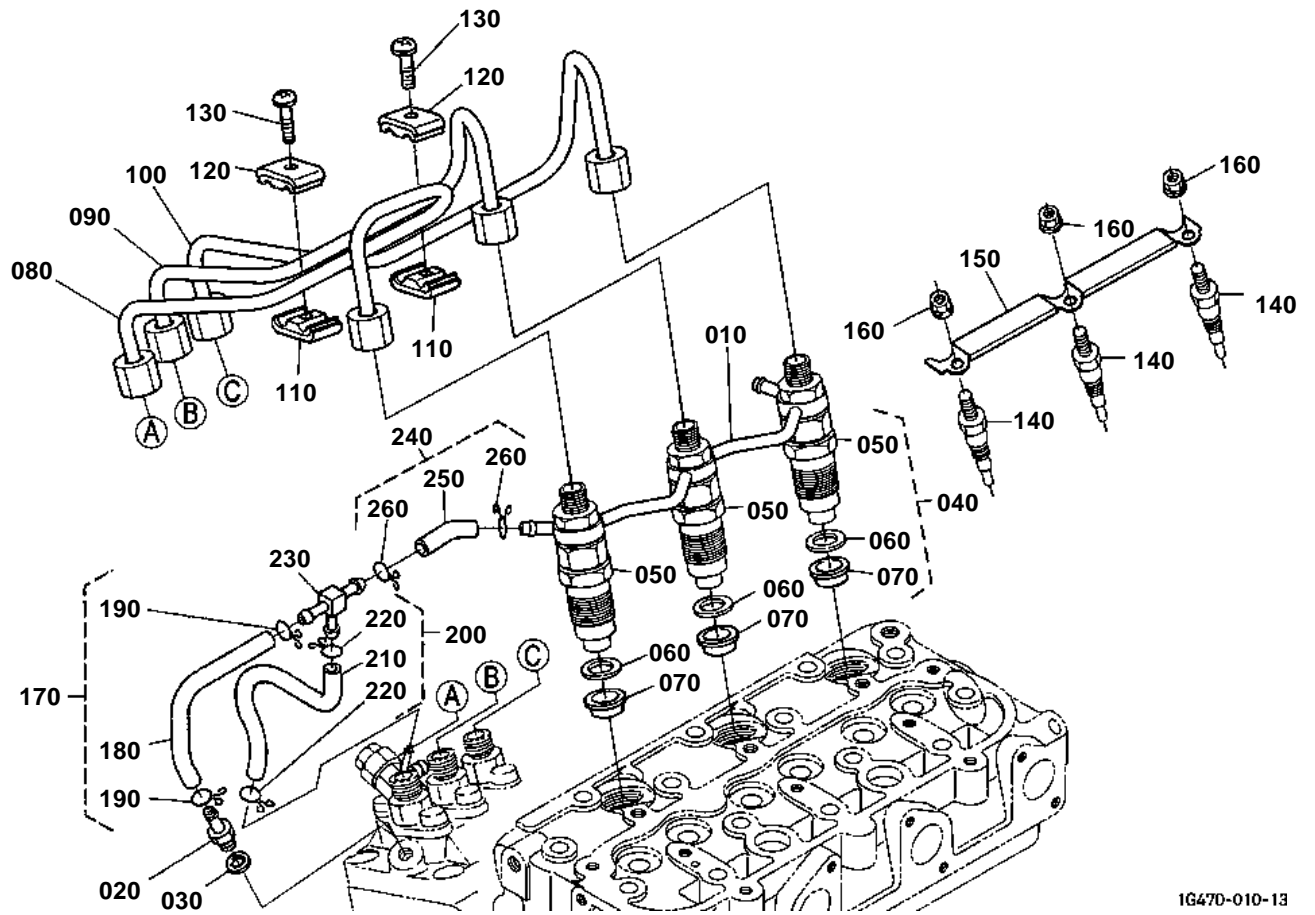


## SPEED CONTROL PLATE

↔ Interchangeable; ≠ not interchangeable; ← new for old; → old for new

REF.No	Part No.	Description	Q'ty	S.No.	I/C	REMARKS	Weight (kgf)	Weight (lb)
010	1G023-57005	COMP.PLATE SPEED CO.	1				0	0
020	15841-57112	PLATE SPEED CONTROL	1				0.08	0.176
030	15841-56112	LEVER GOVERNOR	1				0.07	0.154
040	19280-57240	COLLAR	1				0.006	0.0132
050	04814-10160	O RING	1				0.001	0.0022
060	1G639-57150	LEVER SPEED CONTROL	1				0.04	0.088
070	16866-92010	NUT SPEED CONTROL	1				0.01	0.022
080	16878-57742	SHAFT LEVER	1				0.041	0.0902
090	16851-57724	LEVER ENGINE STOP	1				0.05	0.11
100	05411-00314	PIN SPRING	1				0.001	0.0022
110	04814-10070	O RING	1				0.001	0.0022
120	16878-57920	SPRING RETURN	1				0.005	0.011
130	16866-57302	CAP	1				0.002	0.0044
140	03014-50635	SCREW PAN-HEAD	1				0.008	0.0176
150	02014-50060	NUT	2				0.002	0.0044
160	15841-57212	GASKET CONTROL PLATE	1				0.001	0.0022
170	01023-50618	BOLT	2				0.006	0.0132
180	01053-50618	BOLT	2				0.006	0.0132
190	15601-96650	GASKET	2				0.001	0.0022

NOZZLE HOLDER AND GLOW PLUG



1G470-010-13

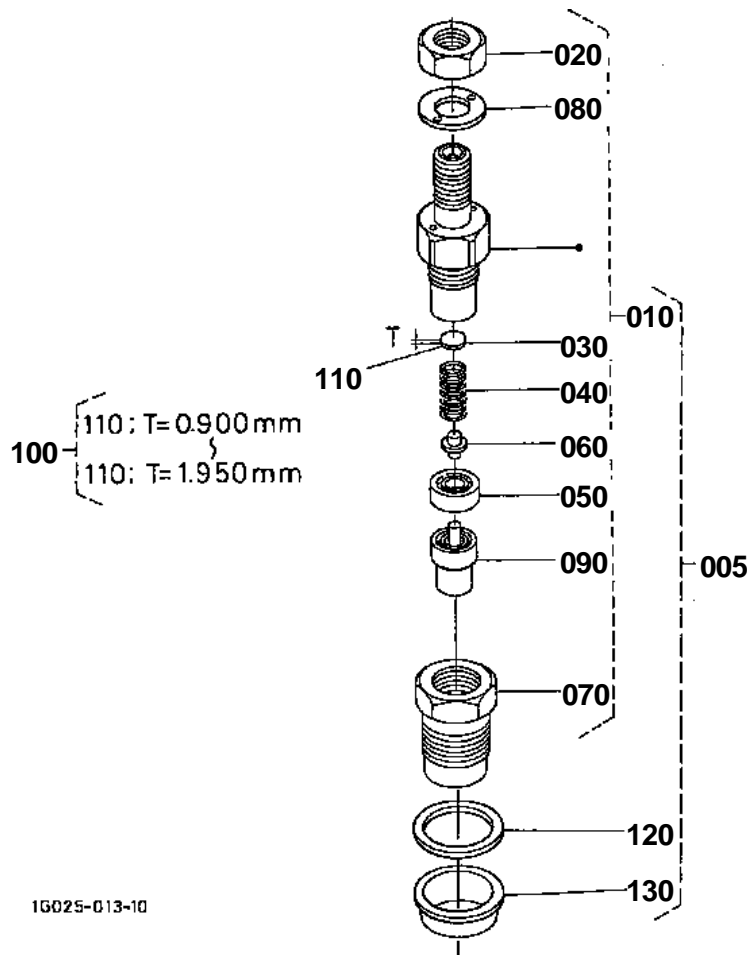


## NOZZLE HOLDER AND GLOW PLUG

↔ Interchangeable; ≠ not interchangeable; ← new for old; → old for new

REF.No	Part No.	Description	Q'ty	S.No.	I/C	REMARKS	Weight (kgf)	Weight (lb)
010	1G962-42500	ASSY PIPE OVER FLOW	1				0.049	0.1078
020	15841-51360	SCREW AIR BREEDER	1				0.008	0.0176
030	15601-96650	GASKET	1				0.001	0.0022
040	16001-53900	KIT HOLDER NOZZLE	3				0.13	0.286
050	16001-53000	ASSY HOLDER NOZZLE	3				0.13	0.286
060	15841-53622	GASKET	3				0.002	0.0044
070	19077-53650	SEAL HEAT	3				0.005	0.011
080	1G460-53712	PIPE INJECTION	1				0.107	0.2354
090	1G460-53723	PIPE INJECTION	1				0.108	0.2376
100	1G962-53732	PIPE INJECTION	1				0.107	0.2354
110	15841-53850	CLAMP PIPE	2				0.01	0.022
120	15841-53860	CLAMP PIPE	2				0.009	0.0198
130	03024-50520	SCREW WITH WASHER	2				0.004	0.0088
140	16851-65512	GLOW PLUG	3				0.01	0.022
150	1G962-65560	CORD GLOW PLUG	1				0.009	0.0198
160	02761-50040	NUT FLANGE	3				0.002	0.0044
170	16809-42030	ASSY TUBE FUEL	1				0.005	0.011
180	09661-40085	TUBE FUEL	1				0.001	0.0022
190	14971-42750	CLIP PIPE	2				0.001	0.0022
200	16809-42500	ASSY TUBE FUEL	1				0.007	0.0154
210	09661-40130	TUBE FUEL	1				0.001	0.0022
220	14971-42750	CLIP PIPE	2				0.001	0.0022
230	1G065-42360	JOINT T-PIPE	1				0	0
240	16809-42020	ASSY TUBE FUEL	1				0.002	0.0044
250	09661-40040	TUBE FUEL	1				0.005	0.011
260	14971-42750	CLIP PIPE	2				0.001	0.0022

# NOZZLE HOLDER [COMPONENT PARTS]





## NOZZLE HOLDER [COMPONENT PARTS]

↔ Interchangeable; ≠ not interchangeable; ← new for old; → old for new

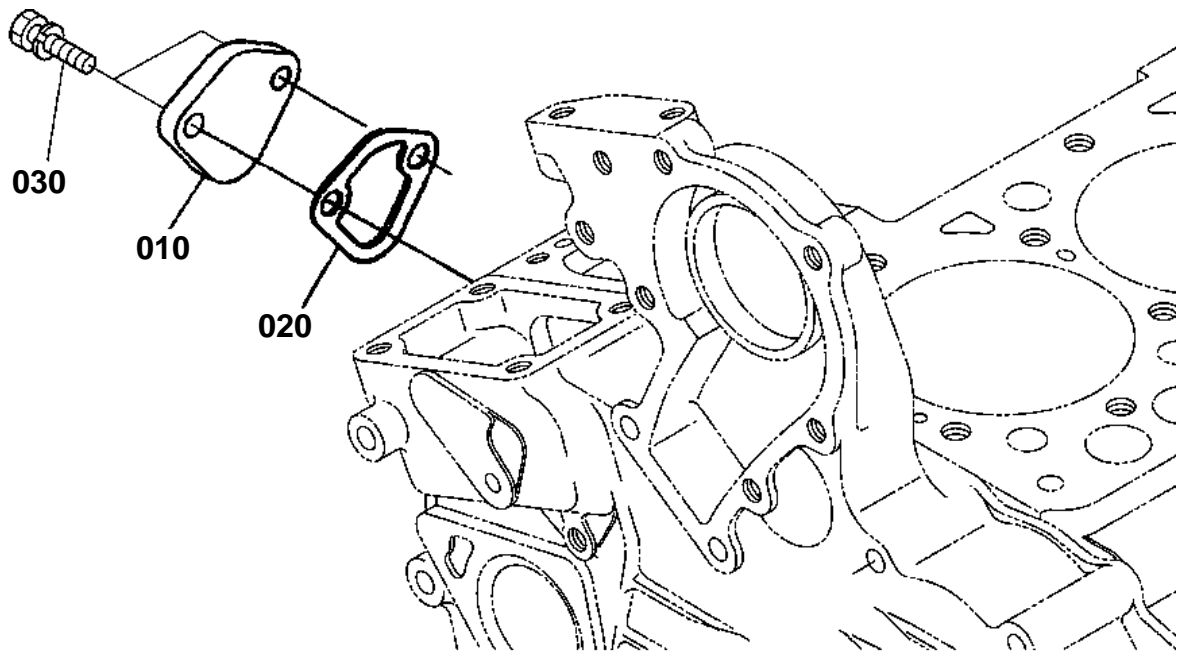
REF.No	Part No.	Description	Q'ty	S.No.	I/C	REMARKS	Weight (kgf)	Weight (lb)
005	16001-53900	KIT HOLDER NOZZLE	3				0.13	0.286
010	16001-53000	ASSY HOLDER NOZZLE	3				0.13	0.286
020	15841-92030	NUT	3				0.005	0.011
030	15841-53230	WASHER ADJUSTING	3			0.900mm	0.001	0.0022
040	15841-53170	SPRING NOZZLE	3				0.004	0.0088
050	15841-53350	PIECE DISTANCE	3				0.004	0.0088
060	15841-53160	PUSH ROD	3				0.001	0.0022
070	16475-53280	NUT NOZZLE	3				0.03	0.066
080	15841-94040	WASHER	3				0.001	0.0022
090	16851-53610	PIECE NOZZLE	3				0.03	0.066
100	15841-98100	ASSY WASHER ADJUST	3			OPTION	0.043	0.0946
110	15841-53230	WASHER ADJUSTING	3			0.900mm	0.001	0.0022
110	15841-98510	WASHER ADJUSTING	3			0.925mm	0.001	0.0022
110	15841-98520	WASHER ADJUSTING	3			0.950mm	0.001	0.0022
110	15841-98530	WASHER ADJUSTING	1			0.975mm	0.001	0.0022
110	15841-98540	WASHER ADJUSTING	3			1.000mm	0.001	0.0022
110	15841-98550	WASHER ADJUSTING	3			1.025mm	0.001	0.0022
110	15841-98560	WASHER ADJUSTING	3			1.050mm	0.001	0.0022
110	15841-98570	WASHER ADJUSTING	3			1.075mm	0.001	0.0022
110	15841-98580	WASHER ADJUSTING	3			1.100mm	0.001	0.0022
110	15841-98590	WASHER ADJUSTING	3			1.125mm	0.001	0.0022
110	15841-98600	WASHER ADJUSTING	3			1.150mm	0.001	0.0022
110	15841-98610	WASHER ADJUSTING	3			1.175mm	0.001	0.0022
110	15841-98620	WASHER ADJUSTING	3			1.200mm	0.001	0.0022
110	15841-98630	WASHER ADJUSTING	3			1.225mm	0.001	0.0022
110	15841-98640	WASHER ADJUSTING	3			1.250mm	0.001	0.0022
110	15841-98650	WASHER ADJUSTING	3			1.275mm	0.001	0.0022
110	15841-98660	WASHER ADJUSTING	3			1.300mm	0.001	0.0022
110	15841-98670	WASHER ADJUSTING	3			1.325mm	0.001	0.0022
110	15841-98680	WASHER ADJUSTING	3			1.350mm	0.001	0.0022
110	15841-98690	WASHER ADJUSTING	3			1.375mm	0.001	0.0022
110	15841-98700	WASHER ADJUSTING	3			1.400mm	0.001	0.0022
110	15841-98710	WASHER ADJUSTING	3			1.425mm	0.001	0.0022
110	15841-98720	WASHER ADJUSTING	3			1.450mm	0.001	0.0022
110	15841-98730	WASHER ADJUSTING	3			1.475mm	0.001	0.0022
110	15841-98740	WASHER ADJUSTING	3			1.500mm	0.001	0.0022
110	15841-98750	WASHER ADJUSTING	3			1.525mm	0.001	0.0022
110	15841-98760	WASHER ADJUSTING	3			1.550mm	0.001	0.0022
110	15841-98770	WASHER ADJUSTING	3			1.575mm	0.001	0.0022
110	15841-98780	WASHER ADJUSTING	3			1.600mm	0.002	0.0044
110	15841-98790	WASHER ADJUSTING	3			1.625mm	0.001	0.0022
110	15841-98800	WASHER ADJUSTING	3			1.650mm	0.001	0.0022
110	15841-98810	WASHER ADJUSTING	3			1.675mm	0.004	0.0088
110	15841-98820	WASHER ADJUSTING	3			1.700mm	0.001	0.0022
110	15841-98830	WASHER ADJUSTING	3			1.725mm	0.001	0.0022
110	15841-98840	WASHER ADJUSTING	3			1.750mm	0.001	0.0022
110	15841-98850	WASHER ADJUSTING	3			1.775mm	0.001	0.0022
110	15841-98860	WASHER ADJUSTING	3			1.800mm	0.001	0.0022
110	15841-98870	WASHER ADJUSTING	3			1.825mm	0.001	0.0022
110	15841-98880	WASHER ADJUSTING	3			1.850mm	0.001	0.0022
110	15841-98890	WASHER ADJUSTING	3			1.875mm	0.001	0.0022



## NOZZLE HOLDER [COMPONENT PARTS]

↔ Interchangeable; ≠ not interchangeable; ← new for old; → old for new

REF.No	Part No.	Description	Q'ty	S.No.	I/C	REMARKS	Weight (kgf)	Weight (lb)
110	15841-98900	WASHER ADJUSTING	3			1.900mm	0.001	0.0022
110	15841-98910	WASHER ADJUSTING	3			1.925mm	0.001	0.0022
110	15841-98920	WASHER ADJUSTING	3			1.950mm	0.001	0.0022
120	15841-53622	GASKET	3				0.002	0.0044
130	19077-53650	SEAL HEAT	3				0.005	0.011



1G825-015-10



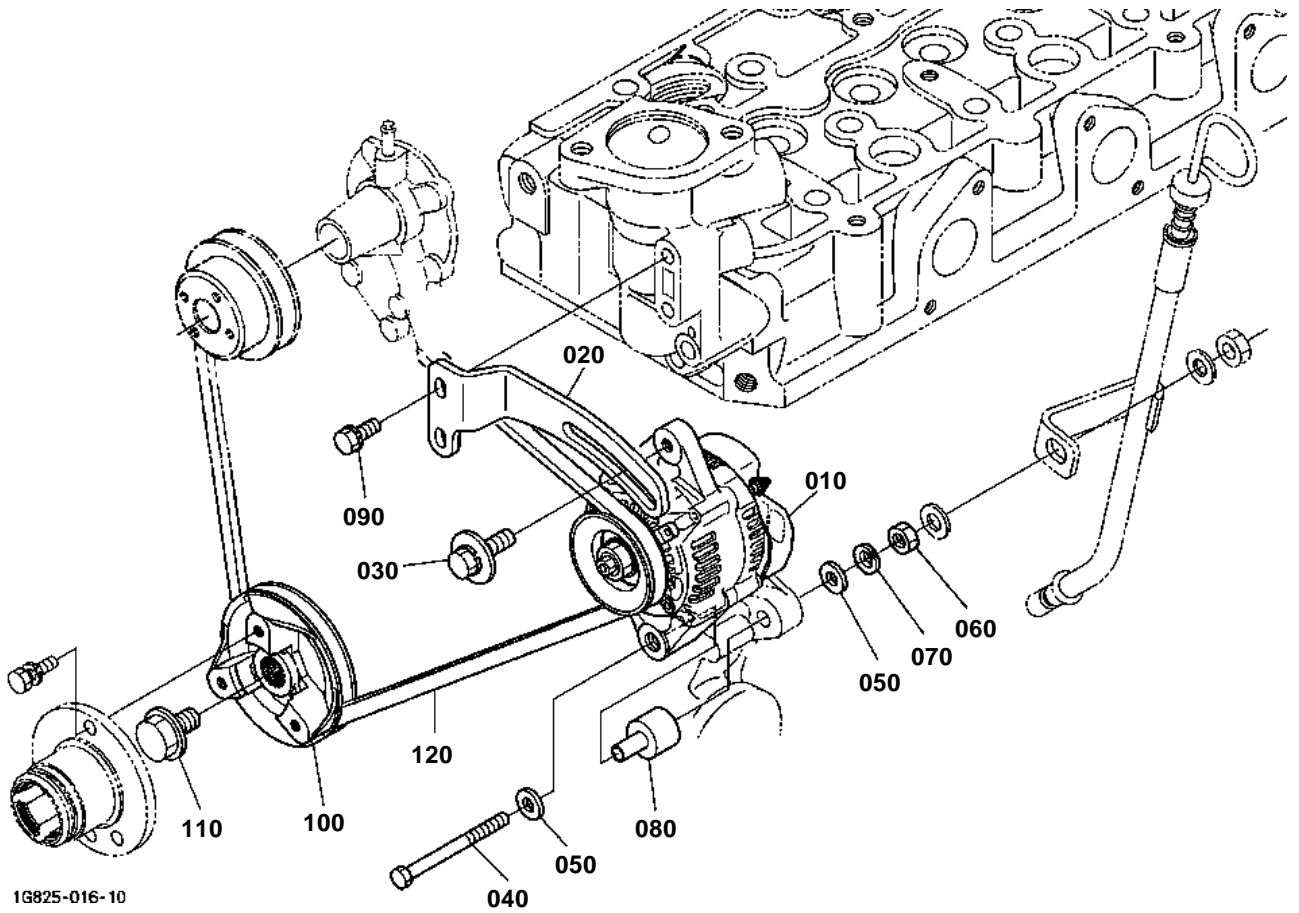


COVER

↔ Interchangeable; ≠ not interchangeable; ← new for old; → old for new

REF.No	Part No.	Description	Q'ty	S.No.	I/C	REMARKS	Weight (kgf)	Weight (lb)
010	15852-52850	COVER	1				0.058	0.1276
020	16264-52140	GASKET FUEL PUMP	1				0.001	0.0022
030	01023-50616	BOLT	2				0.005	0.011

ALTERNATOR AND PULLEY



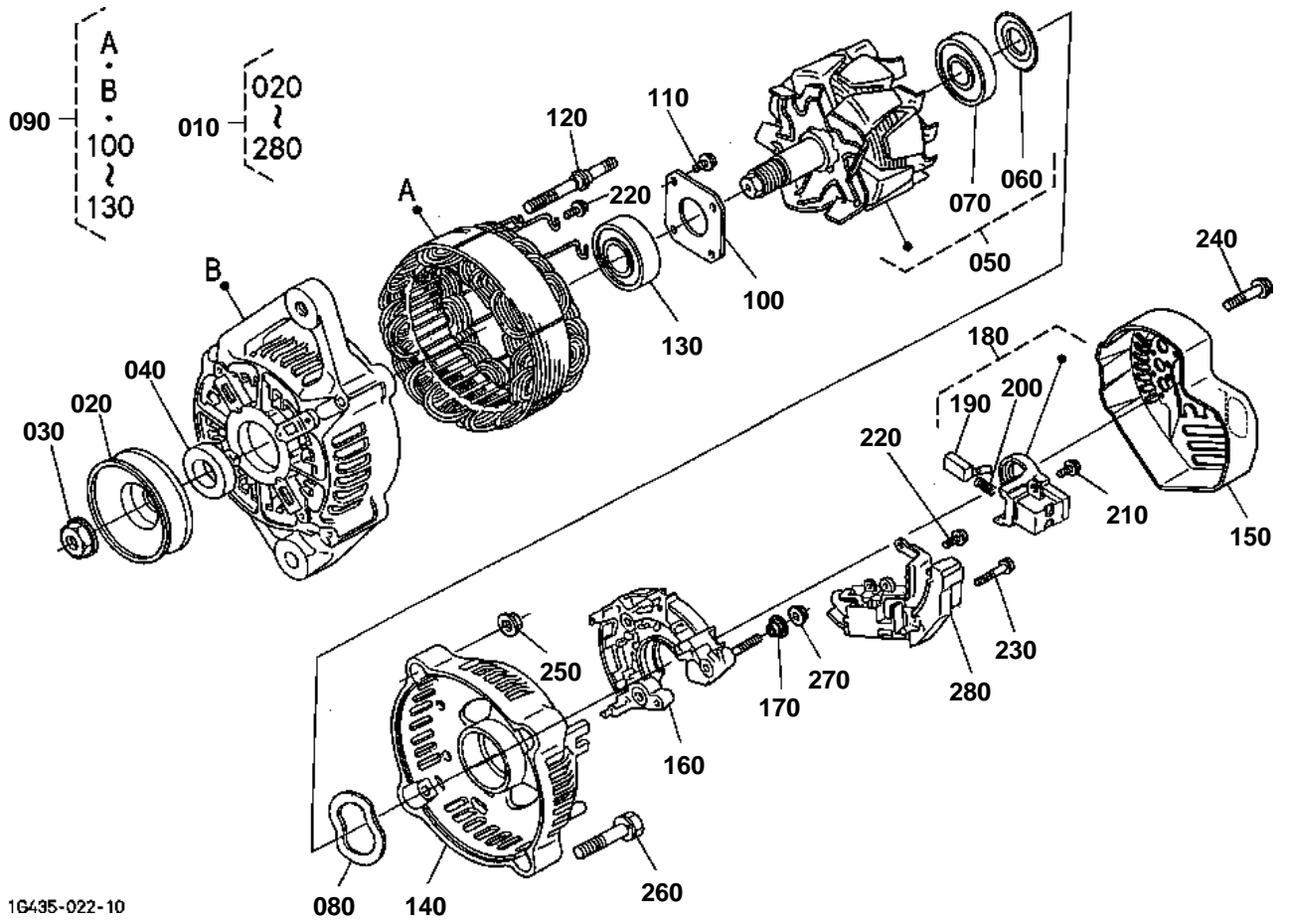


## ALTERNATOR AND PULLEY

↔ Interchangeable; ≠ not interchangeable; ← new for old; → old for new

REF.No	Part No.	Description	Q'ty	S.No.	I/C	REMARKS	Weight (kgf)	Weight (lb)
010	1G825-64010	ALTERNATOR	1				2.98	6.556
020	1G435-64420	STAY DYNAMO	1				0	0
030	16871-91030	BOLT	1				0	0
040	17559-91010	BOLT	1				0.03	0.066
050	04013-60080	WASHER PLAIN	2				0.002	0.0044
060	02156-50080	NUT	1				0.004	0.0088
070	04512-60080	WASHER SPRING	1				0.002	0.0044
080	19837-64374	COLLAR	1				0.06	0.132
090	01023-50616	BOLT	2				0.005	0.011
100	1G470-74283	PULLEY FAN DRIVE	1				1.25	2.75
110	15881-91030	BOLT	1				0.06	0.132
120	16883-97010	V BELT	1				0.08	0.176

ALTERNATOR [COMPONENT PARTS]



16435-022-10

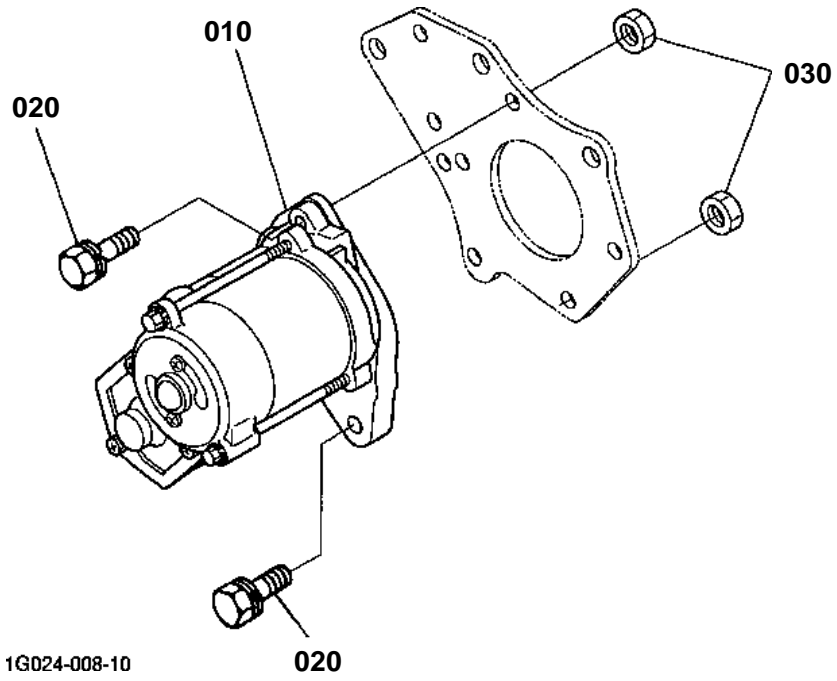


## ALTERNATOR [COMPONENT PARTS]

↔ Interchangeable; ≠ not interchangeable; ← new for old; → old for new

REF.No	Part No.	Description	Q'ty	S.No.	I/C	REMARKS	Weight (kgf)	Weight (lb)
010	1G825-64010	ALTERNATOR	1				2.98	6.556
020	15881-64110	PULLEY DYNAMO	1				0.16	0.352
030	15881-92010	NUT	1				0.02	0.044
040	15881-64150	COLLAR	1				0.004	0.0088
050	66436-64040	ROTOR	1				1.2	2.64
060	15881-64800	COVER BEARING	1				0.001	0.0022
070	16652-64770	BEARING BALL	1				0.045	0.099
080	15881-64810	WASHER THRUST	1				0.002	0.0044
090	66436-64020	ASSY FRAME DRIVE END	1				1.11	2.442
100	15881-64710	PLATE RETAINER	1				0.01	0.022
110	15881-93010	SCREW ROUND HEAD	4				0.003	0.0066
120	15881-64260	BOLT THROUGH	2				0.01	0.022
130	16652-64780	BEARING BALL	1				0.05	0.11
140	16231-64060	FRAME END	1				0.17	0.374
150	1G825-64230	COVER END	1				0	0
160	16241-64850	ASSY RECTIFIER	1				0	0
170	16241-64900	BUSH INSULATION	1				0.007	0.0154
180	16652-64310	HOLDER BRUSH	1				0.025	0.055
190	15881-64090	BRUSH	2				0.002	0.0044
200	15881-64330	SPRING BRUSH	2				0.002	0.0044
210	15881-93020	SCREW ROUND HEAD	2				0.005	0.011
220	15881-93030	SCREW ROUND HEAD	6				0.003	0.0066
230	15881-93040	SCREW ROUND HEAD	1				0.003	0.0066
240	15881-91040	BOLT	3				0.005	0.011
250	15881-92020	NUT	2				0.02	0.044
260	15881-91050	BOLT	2				0.01	0.022
270	14182-92030	NUT	1				0.003	0.0066
280	16652-64600	ASSY REGULATOR	1				0.08	0.176

STARTER



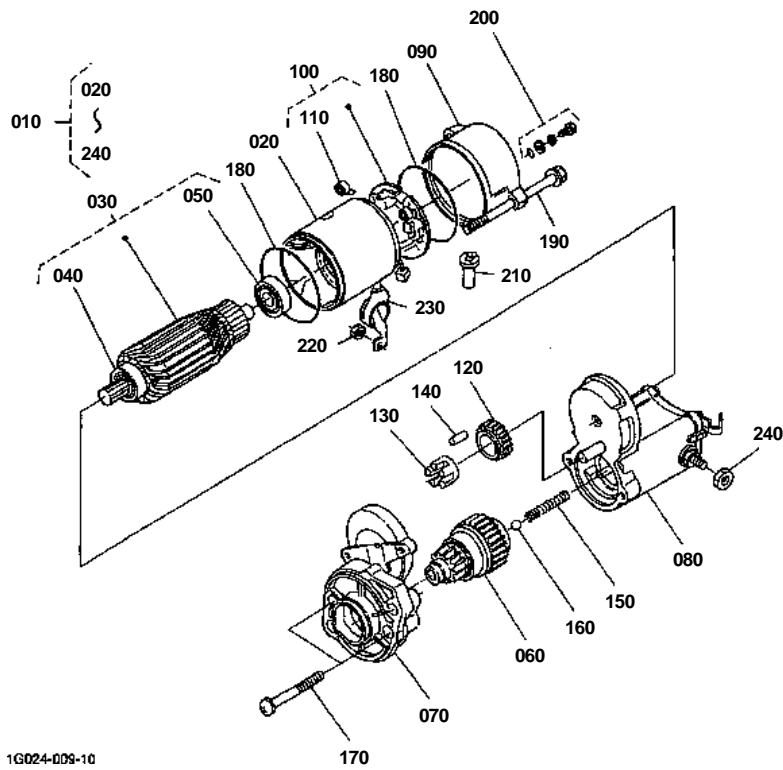


# STARTER

↔ Interchangeable; ≠ not interchangeable; ← new for old; → old for new

REF.No	Part No.	Description	Q'ty	S.No.	I/C	REMARKS	Weight (kgf)	Weight (lb)
010	19269-63010	ASSY STARTER	1				4	8.8
020	01123-50828	BOLT	2				0.014	0.0308
030	02156-50080	NUT	2				0.004	0.0088

STARTER [COMPONENT PARTS]





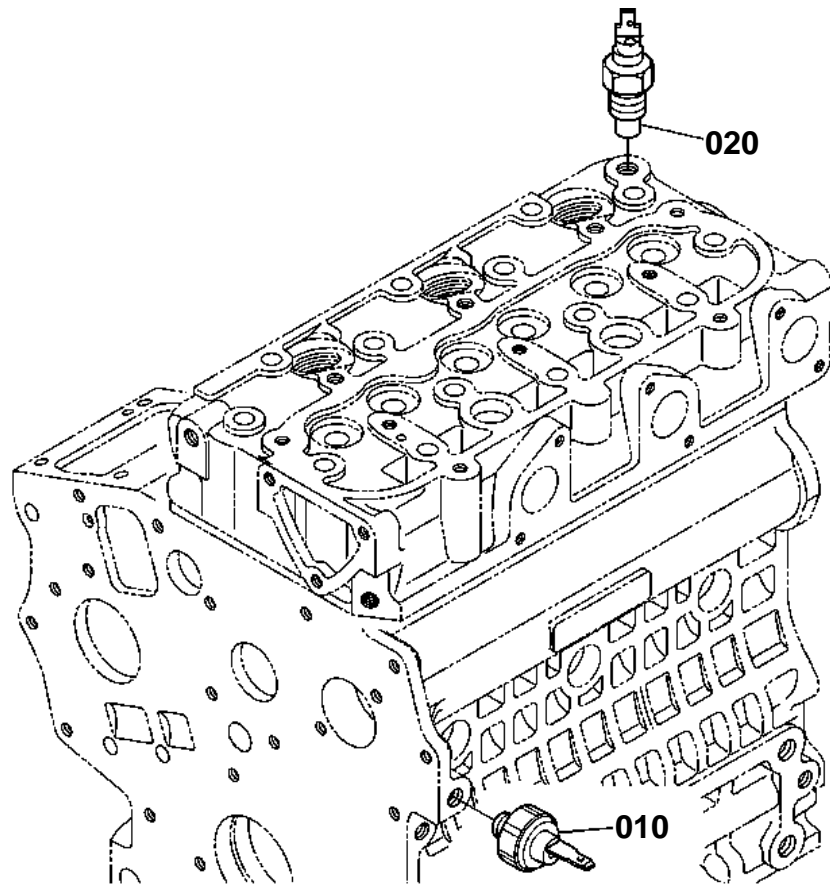


## STARTER [COMPONENT PARTS]

↔ Interchangeable; ≠ not interchangeable; ← new for old; → old for new

REF.No	Part No.	Description	Q'ty	S.No.	I/C	REMARKS	Weight (kgf)	Weight (lb)
010	19269-63010	ASSY STARTER	1				4	8.8
020	11197-63080	ASSY YOKE	1				0.92	2.024
030	11197-63070	ASSY ARMATURE	1				0.8	1.76
040	11460-63500	BEARING	1				0.03	0.066
050	11460-63530	BEARING	1				0.02	0.044
060	16611-63040	CLUTCH OVER RUNNING	1				0.08	0.176
070	16611-63030	FRAME DRIVE END	1				0.1	0.22
080	16285-63020	ASSY SWITCH MAGNETIC	1				0.95	2.09
090	17341-63200	FRAME END	1				0.13	0.286
100	11197-63380	ASSY HOLDER BRUSH	1				0.05	0.11
110	15401-63390	SPRING BRUSH	4				0.003	0.0066
120	11460-63270	GEAR	1				0.04	0.088
130	11460-63110	RETAINER	1				0.01	0.022
140	19212-63100	ROLLER	5				0.002	0.0044
150	11460-63120	SPRING	1				0.01	0.022
160	19212-97130	BALL	1				0.003	0.0066
170	11460-93310	BOLT	2				0.01	0.022
180	15511-96660	O RING	2				0.005	0.011
190	11197-63320	BOLT	2				0.02	0.044
200	15511-63760	ASSY BOLT	2				0.005	0.011
210	16285-63570	PIPE DRAIN	1				0.005	0.011
220	13963-92010	NUT HEXAGON	1				0.005	0.011
230	11173-63130	COVER TERMINAL	1				0.007	0.0154
240	16285-92010	NUT HEXAGON	1				0.005	0.011

OIL SWITCH/THERMOMETER



1G825-010-10

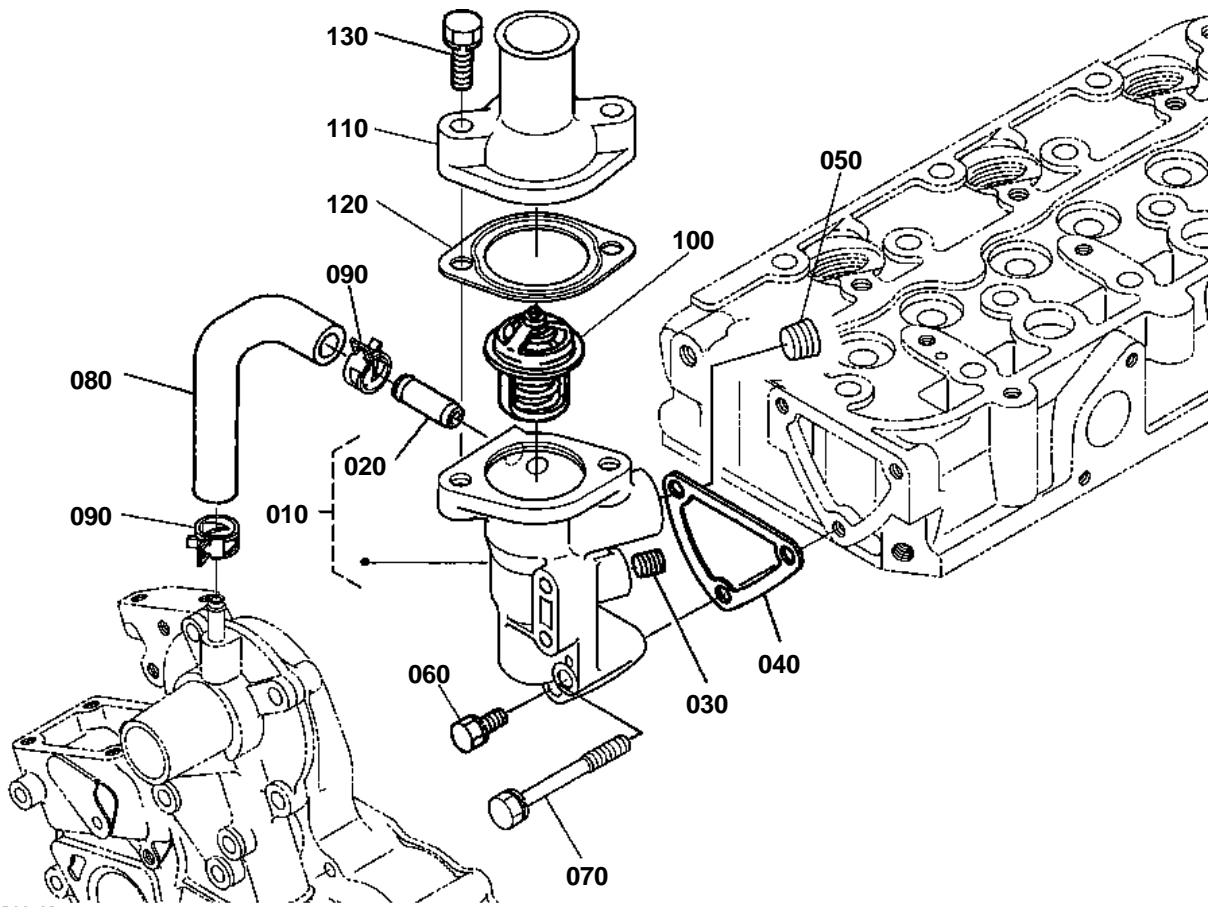


## OIL SWITCH/THERMOMETER

↔ Interchangeable; ≠ not interchangeable; ← new for old; → old for new

REF.No	Part No.	Description	Q'ty	S.No.	I/C	REMARKS	Weight (kgf)	Weight (lb)
010	15531-39010	SWITCH OIL	1				0.032	0.0704
020	31351-32830	SENSOR THERMO	1				0.02	0.044

WATER FLANGE AND THERMOSTAT



1G825-011-10

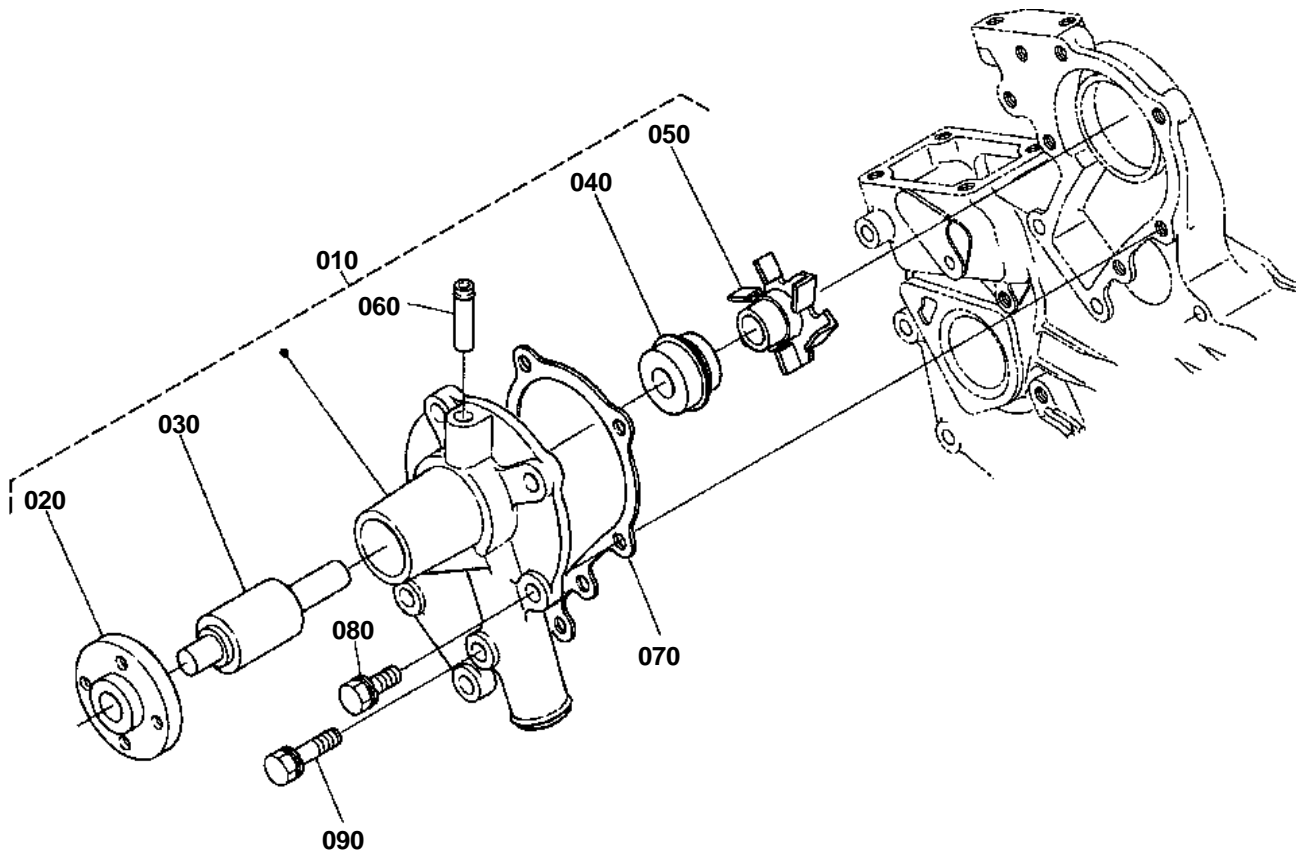


# WATER FLANGE AND THERMOSTAT

↔ Interchangeable; ≠ not interchangeable; ← new for old; → old for new

REF.No	Part No.	Description	Q'ty	S.No.	I/C	REMARKS	Weight (kgf)	Weight (lb)
010	1E051-72700	COMP.FLANGE WATER	1				0.268	0.5896
020	16241-73370	PIPE WATER RETURN	1				0.007	0.0154
030	15841-96020	PLUG	1				0.028	0.0616
040	15841-72923	GASKET WATER FLANGE	1				0.001	0.0022
050	1A021-96020	PLUG	1				0.015	0.033
060	01023-50616	BOLT	2				0.005	0.011
070	01023-60650	BOLT	1				0.015	0.033
080	16851-73350	PIPE WATER RETURN	1				0.018	0.0396
090	16241-73360	BAND PIPE	2				0.003	0.0066
100	15321-73014	ASSY THERMOSTAT	1				0.07	0.154
110	16219-73260	COVER THERMOSTAT	1				0.094	0.2068
120	16221-73270	GASKET THERMOSTAT	1				0.01	0.022
130	01123-50835	BOLT	2				0.02	0.044

WATER PUMP



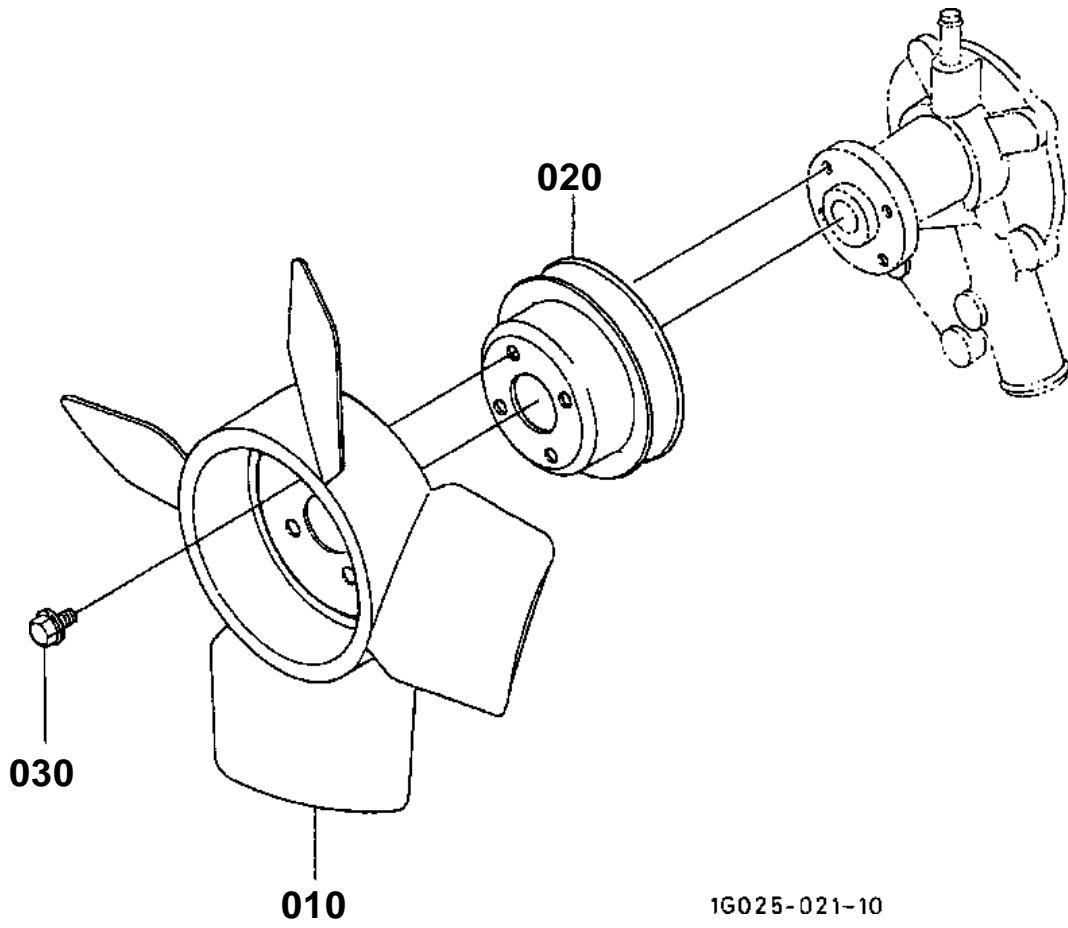
1G460-022-10



## WATER PUMP

↔ Interchangeable; ≠ not interchangeable; ← new for old; → old for new

REF.No	Part No.	Description	Q'ty	S.No.	I/C	REMARKS	Weight (kgf)	Weight (lb)
010	1G470-73030	PUMP WATER	1				0.57	1.254
020	15852-73520	FLANGE WATER PUMP	1				0.13	0.286
030	15852-73550	BEARING	1				0.18	0.396
040	15481-73050	ASSY SEAL MECHANICAL	1				0.02	0.044
050	1G470-73510	IMPELLER WATER PUMP	1				0.06	0.132
060	15852-73340	PIPE WATER RETURN	1				0.02	0.044
070	15881-73432	GASKET WATER PUMP NA	1				0.002	0.0044
080	01023-50622	BOLT	4				0.005	0.011
090	01023-50638	BOLT	1				0.01	0.022





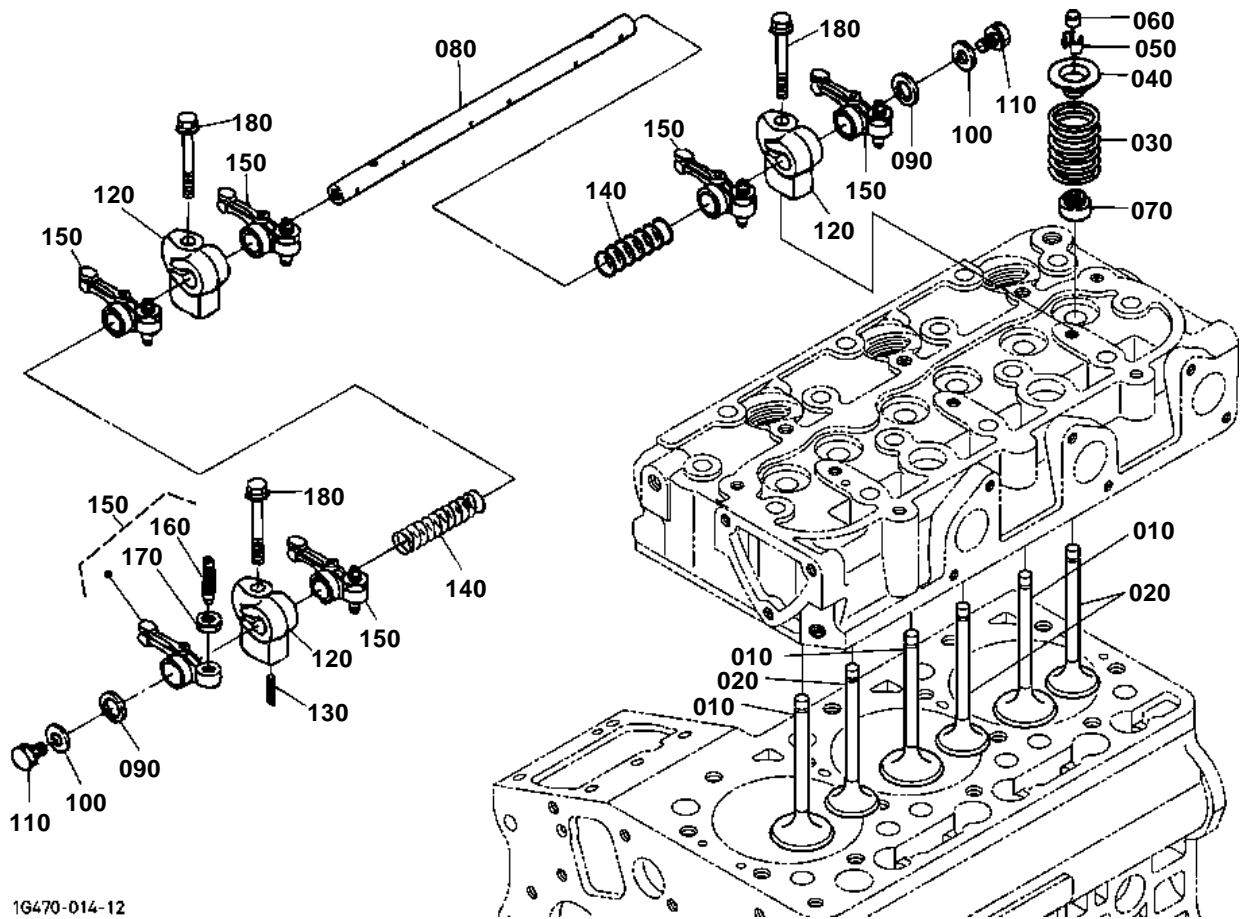


# FAN

↔ Interchangeable; ≠ not interchangeable; ← new for old; → old for new

REF.No	Part No.	Description	Q'ty	S.No.	I/C	REMARKS	Weight (kgf)	Weight (lb)
010	15872-74110	FAN	1				0.25	0.55
020	15841-74250	PULLEY FAN	1				0.19	0.418
030	01754-50610	BOLT FLANGE	4				0.006	0.0132

VALVE AND ROCKER ARM



1G470-014-12

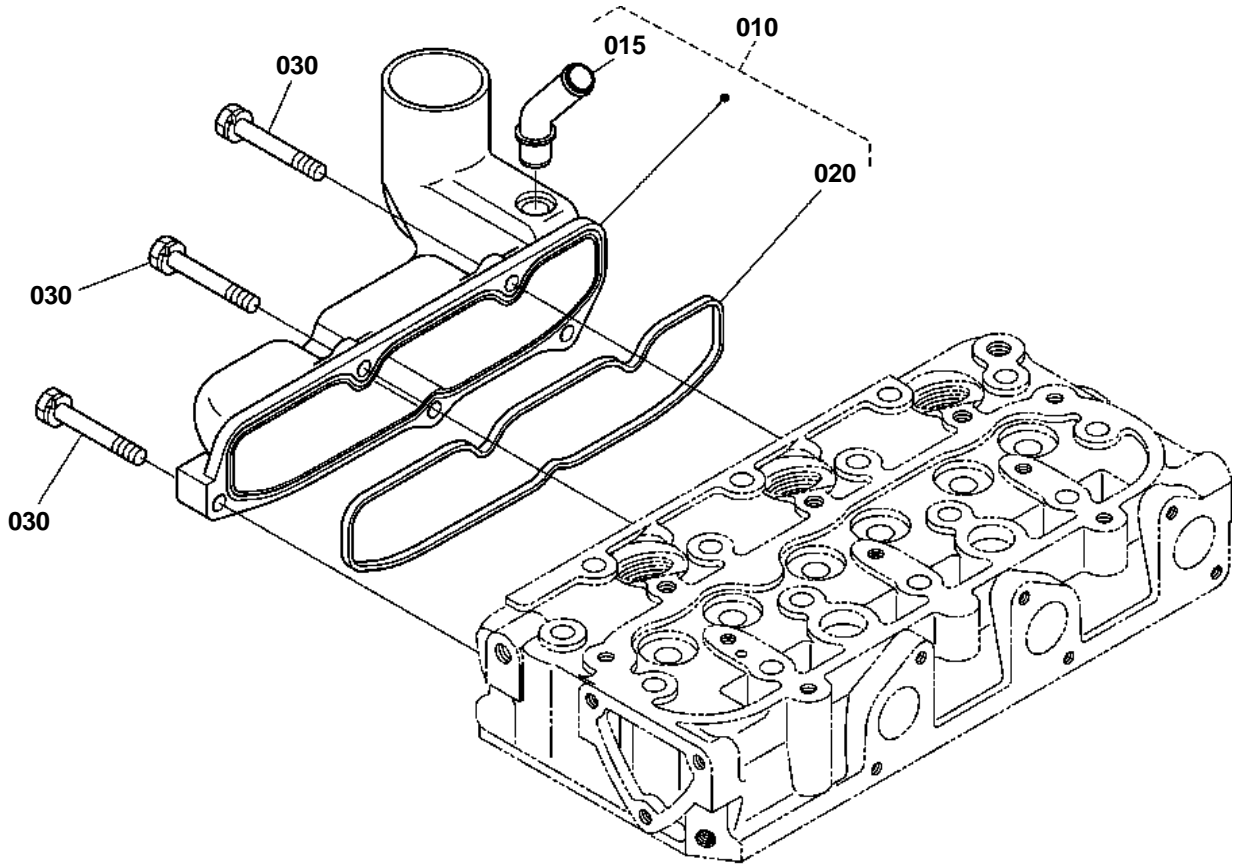


## VALVE AND ROCKER ARM

↔ Interchangeable; ≠ not interchangeable; ← new for old; → old for new

REF.No	Part No.	Description	Q'ty	S.No.	I/C	REMARKS	Weight (kgf)	Weight (lb)
010	1G460-13110	VALVE INLET	3				0.036	0.0792
020	1G460-13120	VALVE EXHAUST	3				0.029	0.0638
030	14601-13240	SPRING VALVE	6				0.015	0.033
040	14601-13330	RETAINER SPRING	6				0.01	0.022
050	14601-13360	COLLET VALVE SPRING	6			SET	0.001	0.0022
060	11420-13150	SEAL VALVE STEM	6				0.001	0.0022
070	16851-13280	CAP VALVE	6				0.005	0.011
080	1G962-14260	SHAFT ROCKER ARM	1				0.034	0.0748
090	16871-14430	WASHER	2				0.002	0.0044
100	15841-94022	WASHER PLAIN	2				0.005	0.011
110	01023-50610	BOLT	2				0.005	0.011
120	1G460-14350	BRACKET ROCKER ARM	3				0.026	0.0572
130	05411-00420	PIN SPRING	1				0.001	0.0022
140	1G460-14310	SPRING	2				0.002	0.0044
150	15841-14030	ASSY ROCKER ARM	6				0.04	0.088
160	15841-14230	SCREW ADJUSTING	6				0.003	0.0066
170	14601-14240	NUT	6				0.007	0.0154
180	01754-50640	BOLT FLANGE	3				0.009	0.0198

INLET MANIFOLD



1G470-034-11

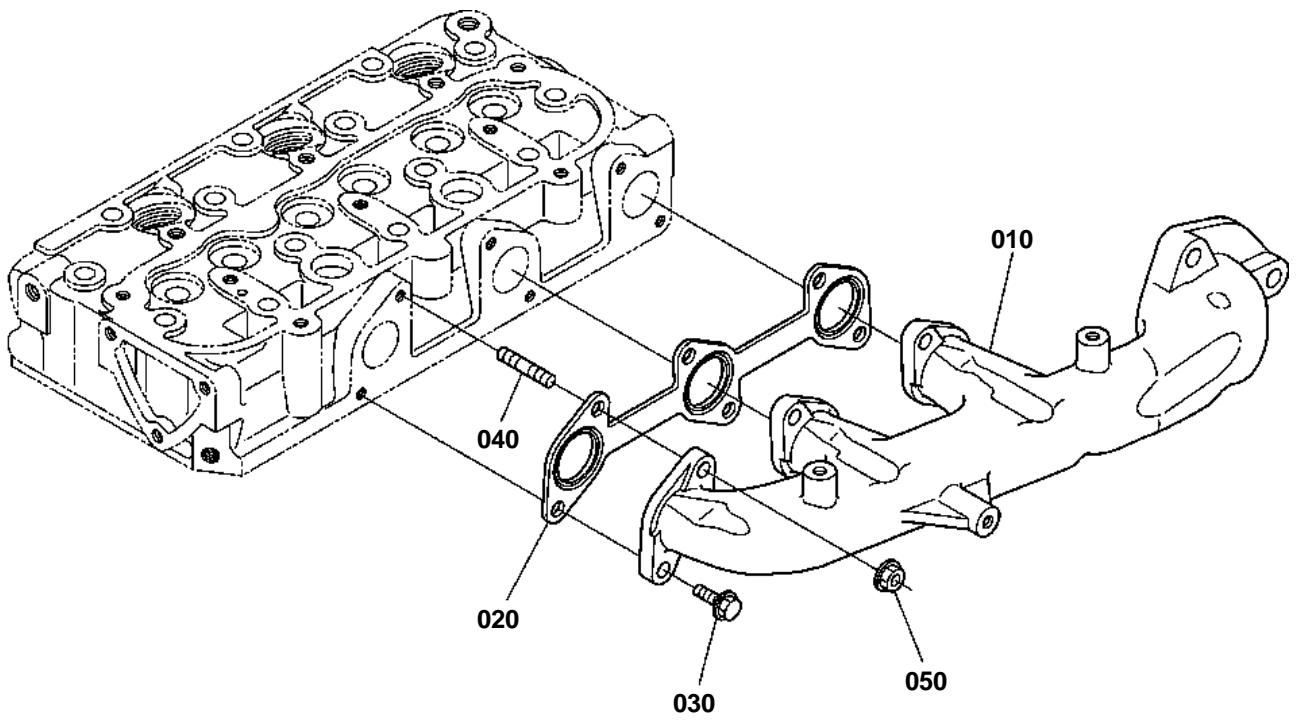


## INLET MANIFOLD

↔ Interchangeable; ≠ not interchangeable; ← new for old; → old for new

REF.No	Part No.	Description	Q'ty	S.No.	I/C	REMARKS	Weight (kgf)	Weight (lb)
010	1G445-11770	ASSY MANIFOLD INLET	1				0.3	0.66
015	1G960-05550	PIPE BREATHER	1				0.012	0.0264
020	1G962-11820	GASKET IN-MANIFOLD	1				0.001	0.0022
030	01023-50625	BOLT	5				0.007	0.0154

EXHAUST MANIFOLD



1G470-016-11

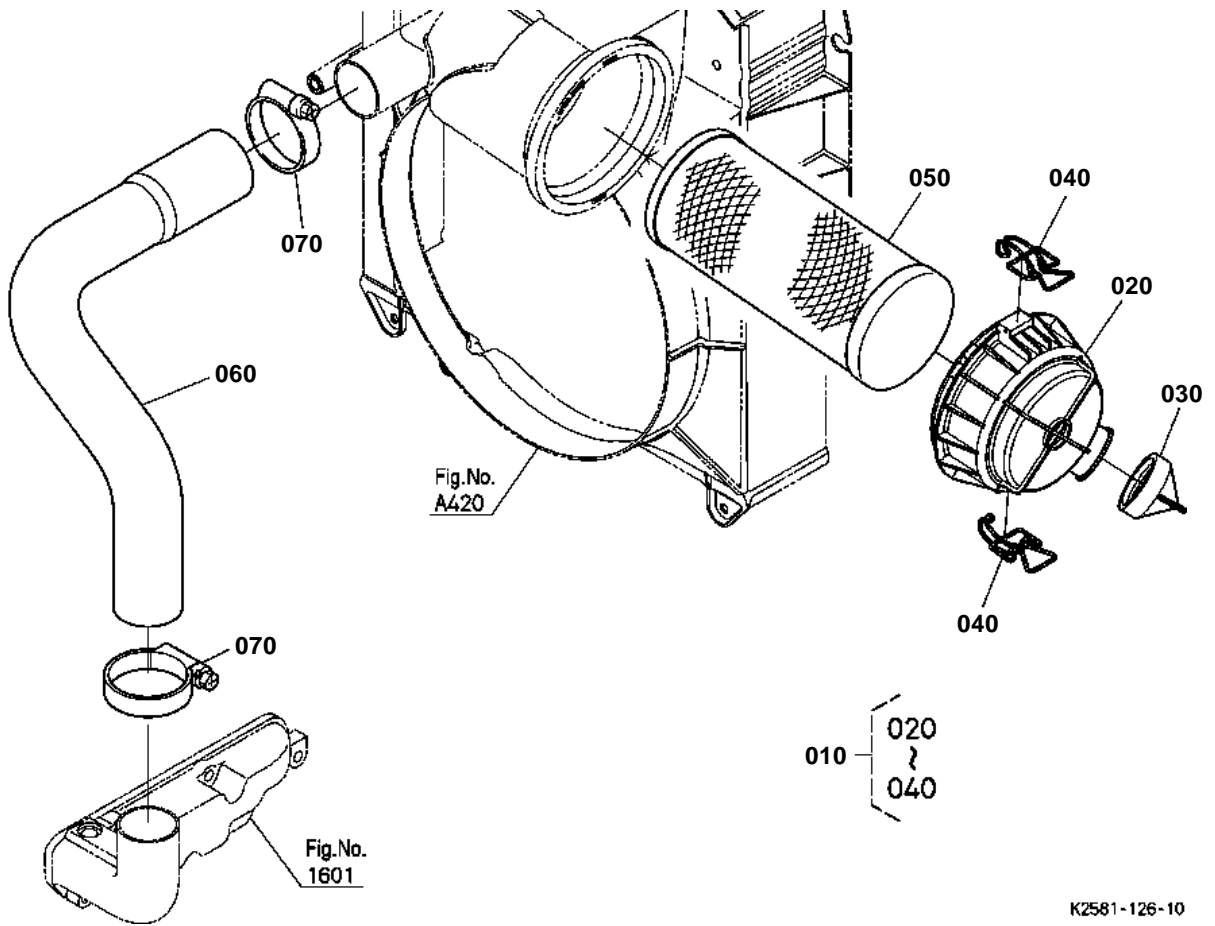


## EXHAUST MANIFOLD

↔ Interchangeable; ≠ not interchangeable; ← new for old; → old for new

REF.No	Part No.	Description	Q'ty	S.No.	I/C	REMARKS	Weight (kgf)	Weight (lb)
010	1G470-12310	MANIFOLD EXHAUST	1				1.92	4.224
020	1G962-12350	GASKET EX-MANIFOLD	1				0.007	0.0154
030	01759-50616	BOLT UBS	3				0.01	0.022
040	01513-50618	STUD	3				0.005	0.011
050	02756-50060	NUT UBS	3				0.001	0.0022

AIR CLEANER



K2581-126-10



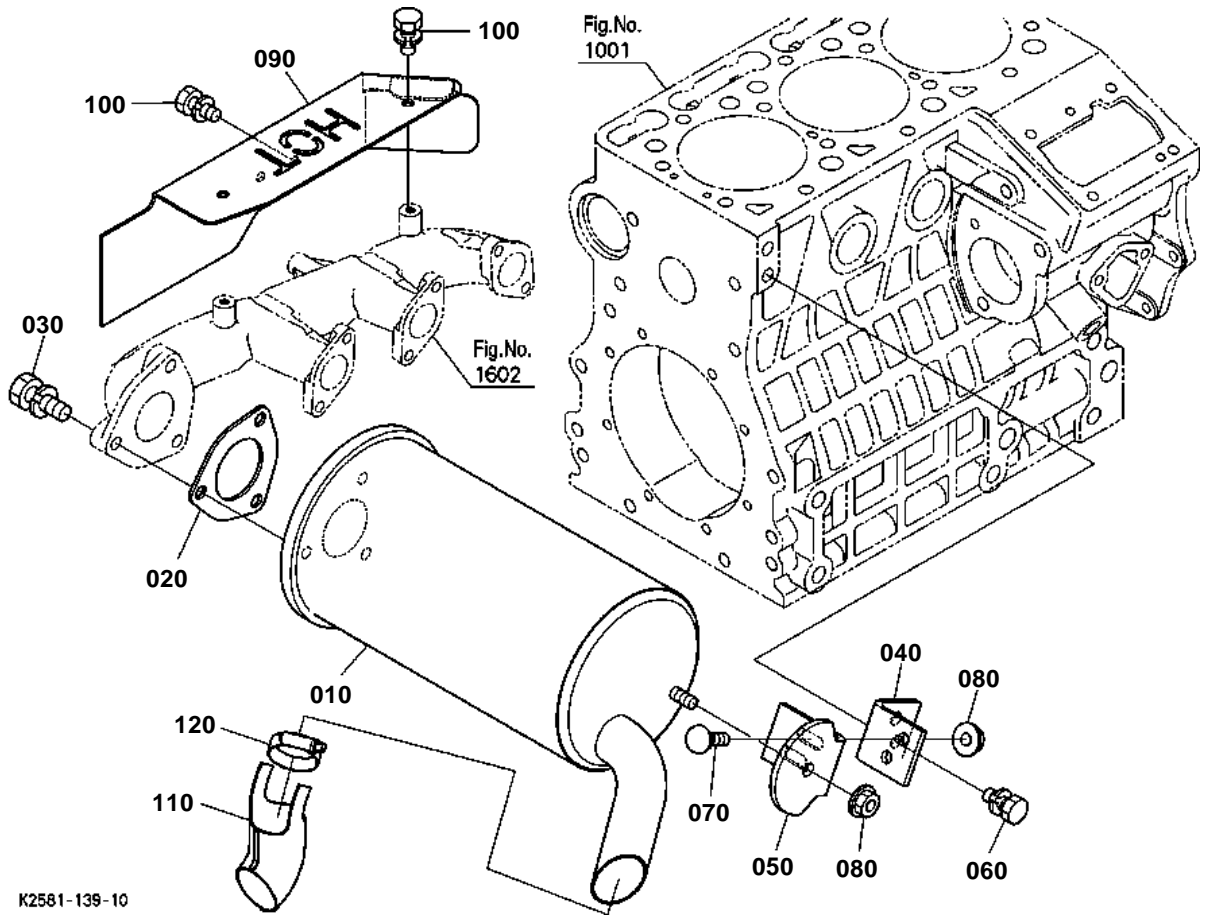


# AIR CLEANER

↔ Interchangeable; ≠ not interchangeable; ← new for old; → old for new

REF.No	Part No.	Description	Q'ty	S.No.	I/C	REMARKS	Weight (kgf)	Weight (lb)
010	K2581-82330	ASSY COVER A/C	1				0	0
020	K2581-82320	COVER AIR CLEANER	1				0	0
030	K2581-82340	CAP	1				0	0
040	K2581-82350	CLIP	2				0	0
050	K1211-82320	ELEMENT	1				0.26	0.572
060	K2581-82120	HOSE INLET	1				0	0
070	K1211-82170	BAND PIPE	2				0.03	0.066

MUFFLER



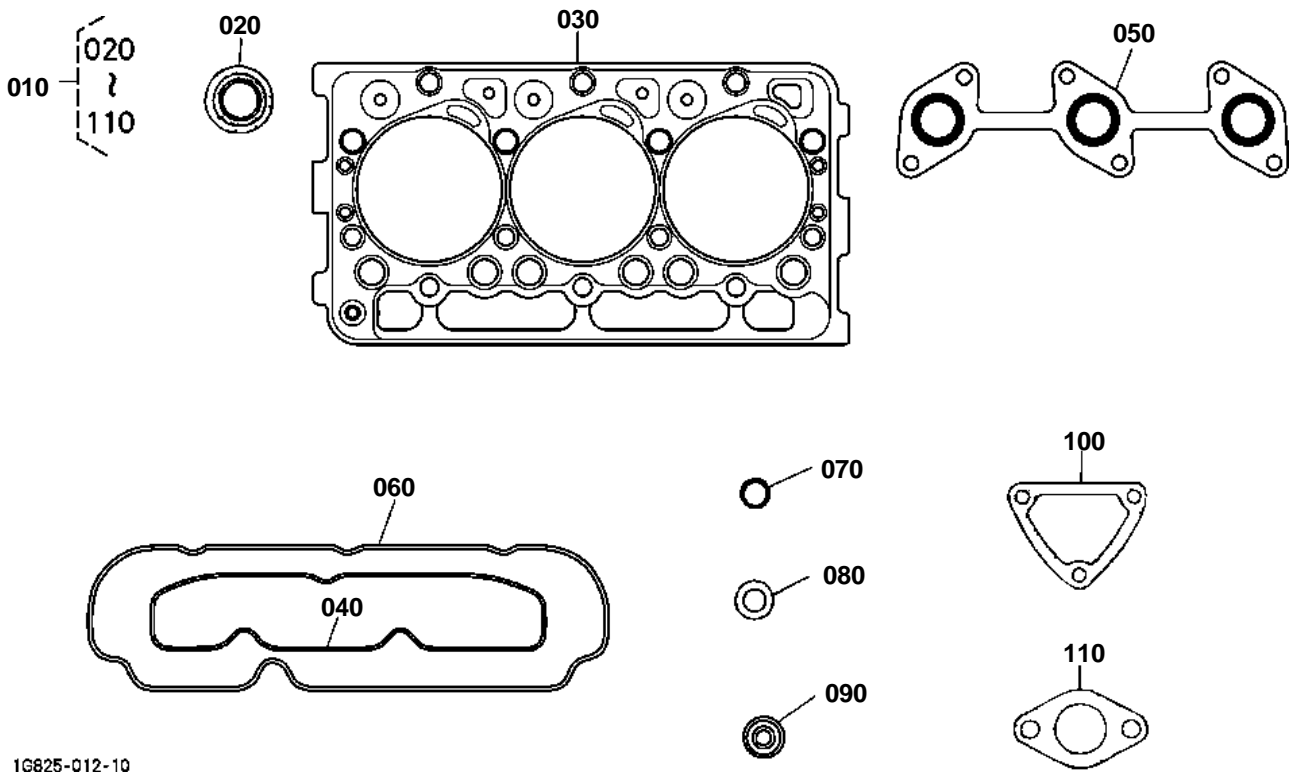
K2581-139-10

**MUFFLER**

↔ Interchangeable; ≠ not interchangeable; ← new for old; → old for new

REF.No	Part No.	Description	Q'ty	S.No.	I/C	REMARKS	Weight (kgf)	Weight (lb)
010	K2581-83110	COMP.MUFFLER	1				0	0
020	15862-12230	GASKET MUFFLER NA	1				0.015	0.033
030	01123-50830	BOLT	3				0.015	0.033
040	K2571-82132	STAY MUFFLER	1				0.1	0.22
050	K2571-82230	STAY MUFFLER	1				0.15	0.33
060	01123-60814	BOLT	2				0.01	0.022
070	K1122-91330	BOLT SHORT SQU.NECK	2				0	0
080	02751-50080	NUT FLANGE	3				0.006	0.0132
090	K2501-83220	COVER HEAT PROOF	1				0	0
100	01023-50610	BOLT	3				0.005	0.011
110	K2592-83120	PIPE EXHAUST	1				0	0
120	67955-36230	CLAMP	1				0.023	0.0506

UPPER GASKET KIT



1G825-012-10

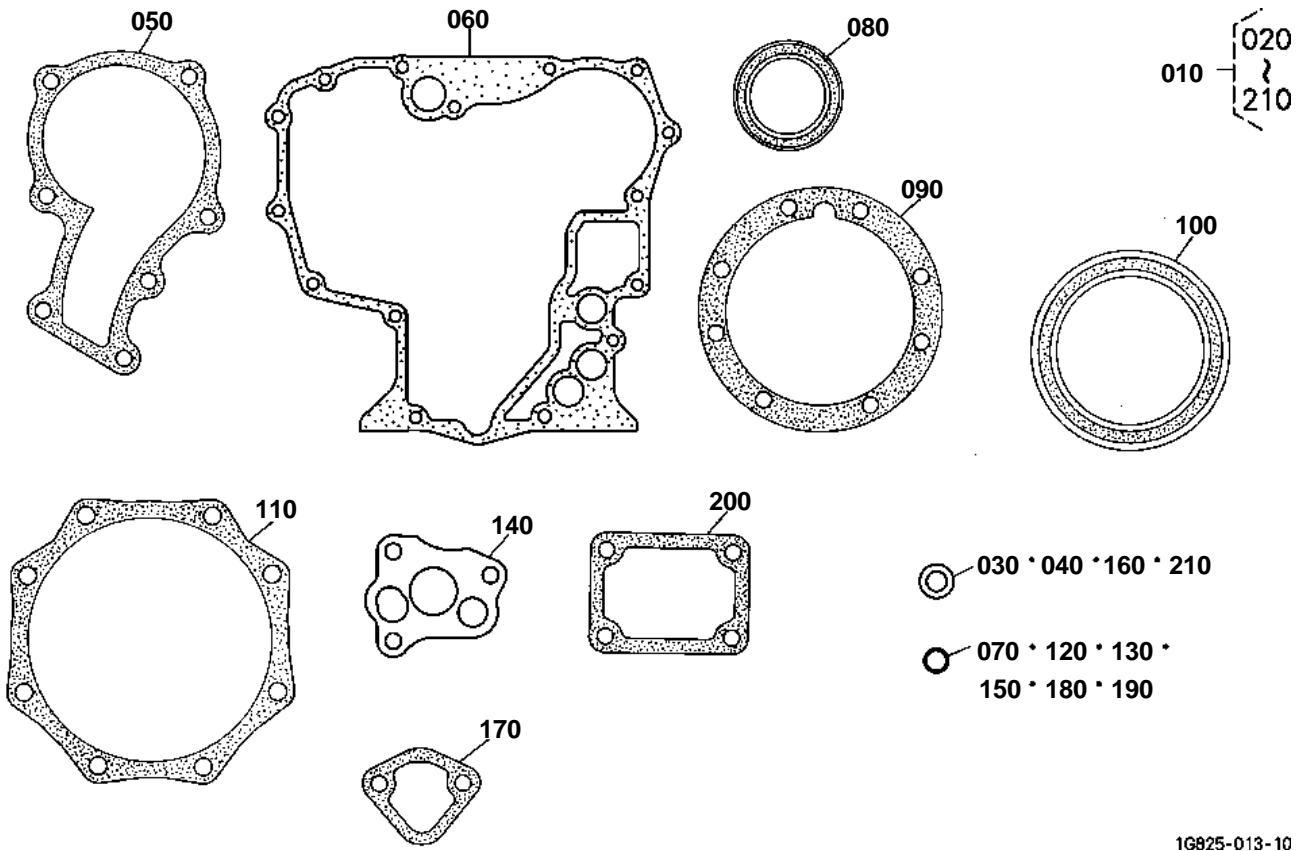


## UPPER GASKET KIT

↔ Interchangeable; ≠ not interchangeable; ← new for old; → old for new

REF.No	Part No.	Description	Q'ty	S.No.	I/C	REMARKS	Weight (kgf)	Weight (lb)
010	1G822-99353	KIT GASKET UPPER	1				0	0
020	11420-13150	SEAL VALVE STEM	6				0.001	0.0022
030	1G962-03312	GASKET CYLINDER HEAD	1				0.06	0.132
040	1G962-11820	GASKET IN-MANIFOLD	1				0.001	0.0022
050	1G962-12350	GASKET EX-MANIFOLD	1				0.007	0.0154
060	1G962-14522	GASKET HEAD COVER	1				0.007	0.0154
070	04814-50300	O RING	1				0.001	0.0022
080	15841-53622	GASKET	3				0.002	0.0044
090	19077-53650	SEAL HEAT	3				0.005	0.011
100	15841-72923	GASKET WATER FLANGE	1				0.001	0.0022
110	16221-73270	GASKET THERMOSTAT	1				0.01	0.022

LOWER GASKET KIT



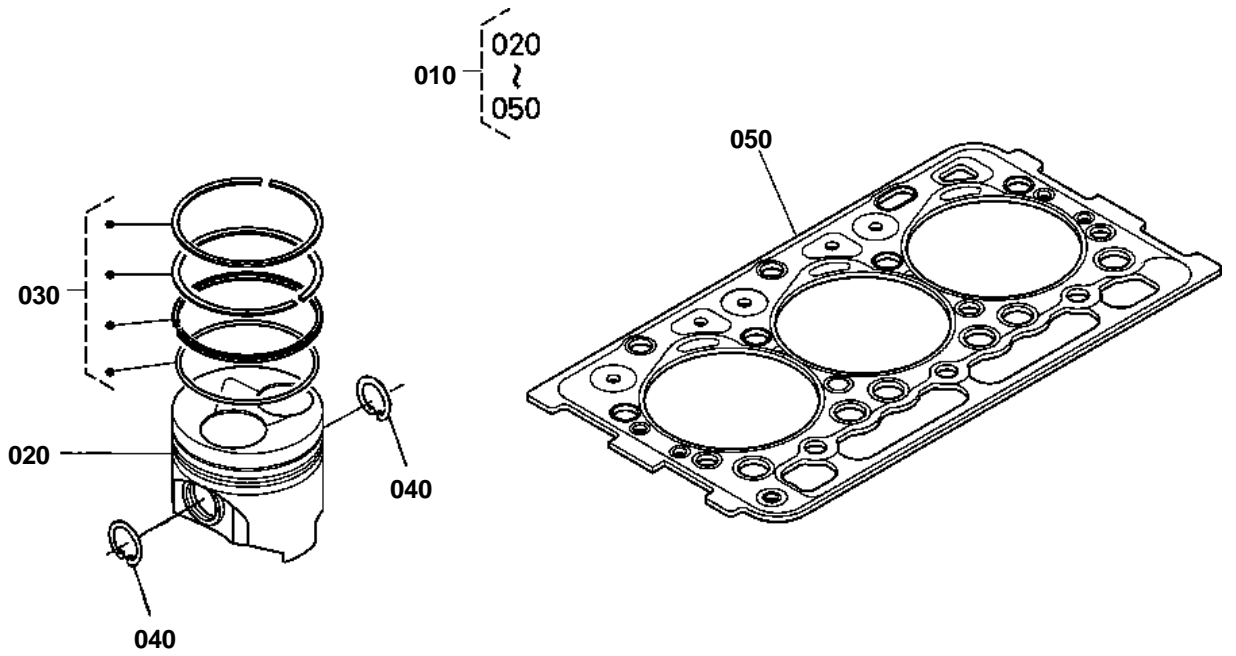


## LOWER GASKET KIT

↔ Interchangeable; ≠ not interchangeable; ← new for old; → old for new

REF.No	Part No.	Description	Q'ty	S.No.	I/C	REMARKS	Weight (kgf)	Weight (lb)
010	1G470-99363	KIT GASKET LOWER	1				1.5	3.3
020	99999-99999	BLANK	0				0	0
030	04724-00130	GASKET	1				0.003	0.0066
040	6C090-58960	GASKET	1				0.002	0.0044
050	15881-73432	GASKET WATER PUMP NA	1				0.002	0.0044
060	1E125-04130	GASKET GEAR CASE	1				0.009	0.0198
070	04814-06130	O RING	3				0.01	0.022
080	15877-04140	SEAL OIL	1				0.011	0.0242
090	15852-04360	GASKET BEARING CASE	1				0.005	0.011
100	1G460-04460	SEAL OIL	1				0.032	0.0704
110	15841-04822	GASKET	1				0.004	0.0088
120	04814-16220	O RING	1				0.001	0.0022
130	04814-00160	O RING	1				0.001	0.0022
140	16851-35152	GASKET OIL PUMP NA	1				0.001	0.0022
150	04814-00090	O RING	1				0.001	0.0022
160	15601-96650	GASKET	1				0.001	0.0022
170	16264-52140	GASKET FUEL PUMP	1				0.001	0.0022
180	04814-10160	O RING	1				0.001	0.0022
190	04814-10070	O RING	1				0.001	0.0022
200	15841-57212	GASKET CONTROL PLATE	1				0.001	0.0022
210	15601-96650	GASKET	2				0.001	0.0022

PISTON KIT



1G470-028-12



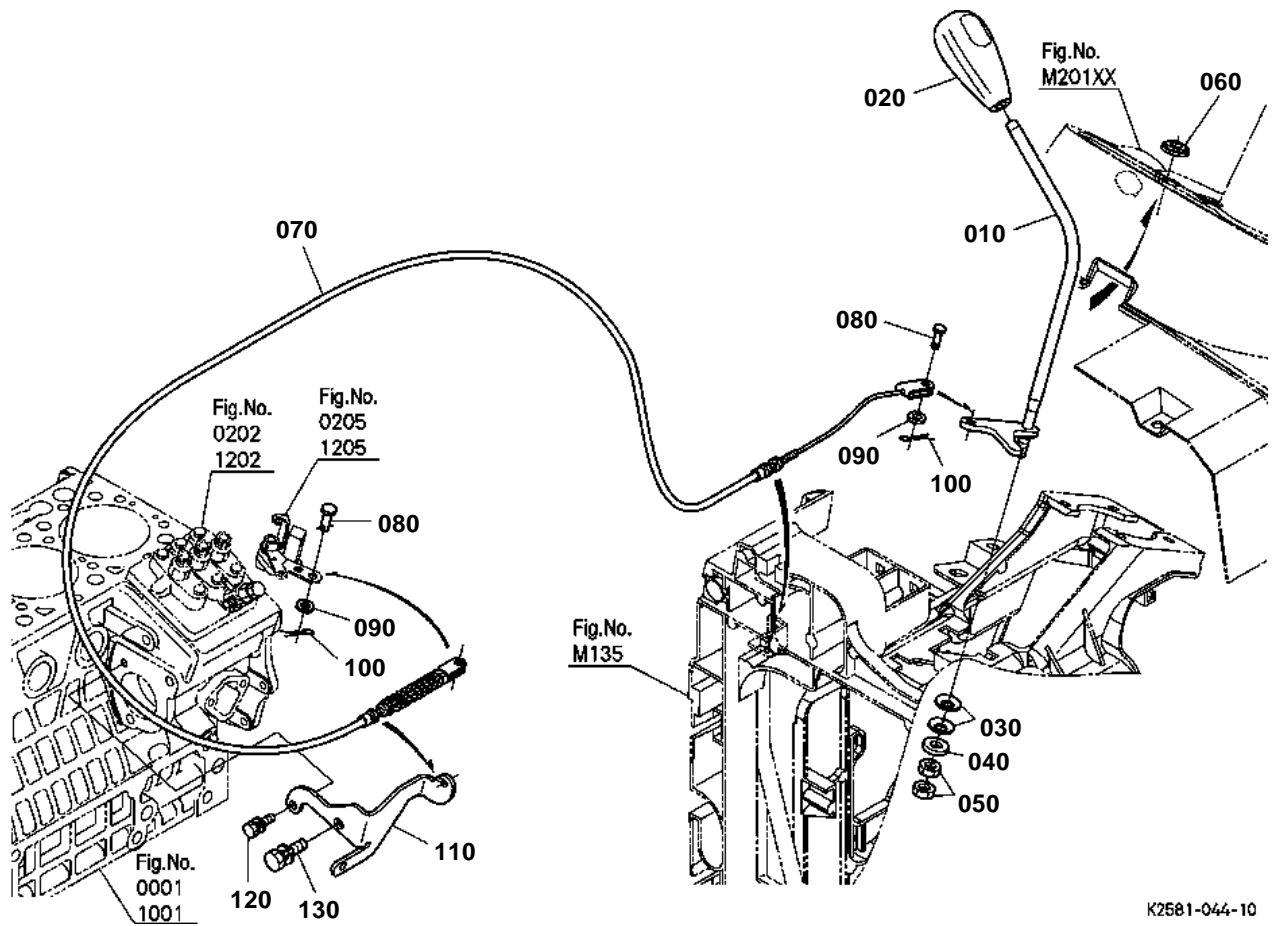


PISTON KIT

↔ Interchangeable; ≠ not interchangeable; ← new for old; → old for new

REF.No	Part No.	Description	Q'ty	S.No.	I/C	REMARKS	Weight (kgf)	Weight (lb)
010	1G962-21003	KIT PISTON	1				1.3	2.86
020	1G962-21112	PISTON	3				0.27	0.594
030	1G460-21050	ASSY PISTON RING	3				0.037	0.0814
040	15261-21330	CIR CLIP PISTON PIN	6				0.001	0.0022
050	1G962-03312	GASKET CYLINDER HEAD	1				0.06	0.132

ACCELERATOR LEVER



K2581-044-10

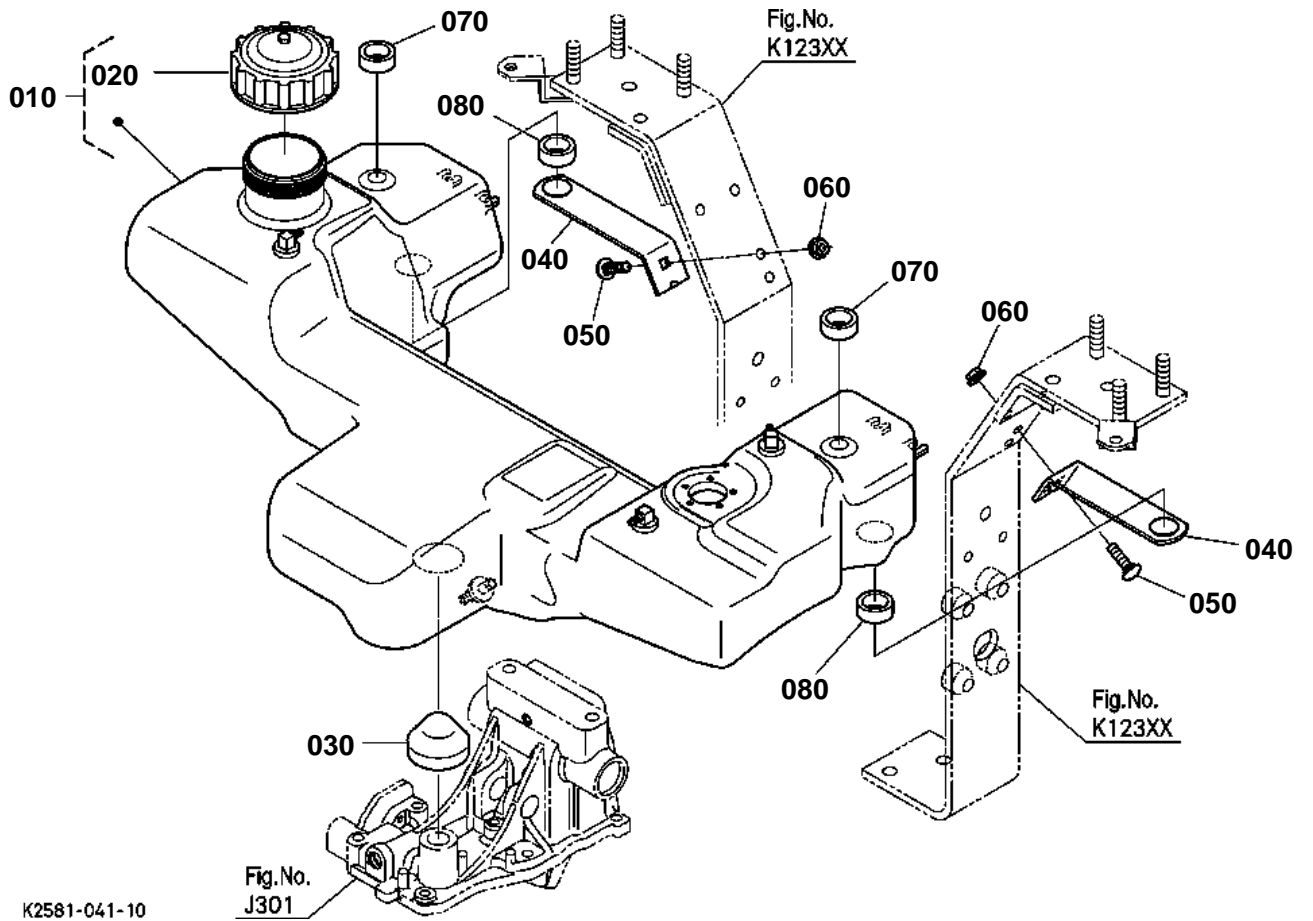


## ACCELERATOR LEVER

↔ Interchangeable; ≠ not interchangeable; ← new for old; → old for new

REF.No	Part No.	Description	Q'ty	S.No.	I/C	REMARKS	Weight (kgf)	Weight (lb)
010	K2581-45120	LEVER ACCEL.	1				0	0
020	K2581-45210	GRIP ACCEL.LEVER	1				0	0
030	66116-51530	SPRING PLATE	2				0.003	0.0066
040	04015-60080	WASHER PLAIN	1				0.01	0.022
050	02751-50080	NUT FLANGE	2				0.006	0.0132
060	K2561-45160	COVER ACCEL.LEVER	1				0.01	0.022
070	K2581-45150	WIRE ENGINE	1				0	0
080	05122-50616	PIN JOINT	2				0.004	0.0088
090	04013-60060	WASHER PLAIN	2				0.001	0.0022
100	05525-60600	PIN SNAP	2				0.001	0.0022
110	K2031-81510	BRACKET WIRE	1				0.12	0.264
120	01023-50612	BOLT	1				0.005	0.011
130	01123-60814	BOLT	1				0.01	0.022

FUEL TANK



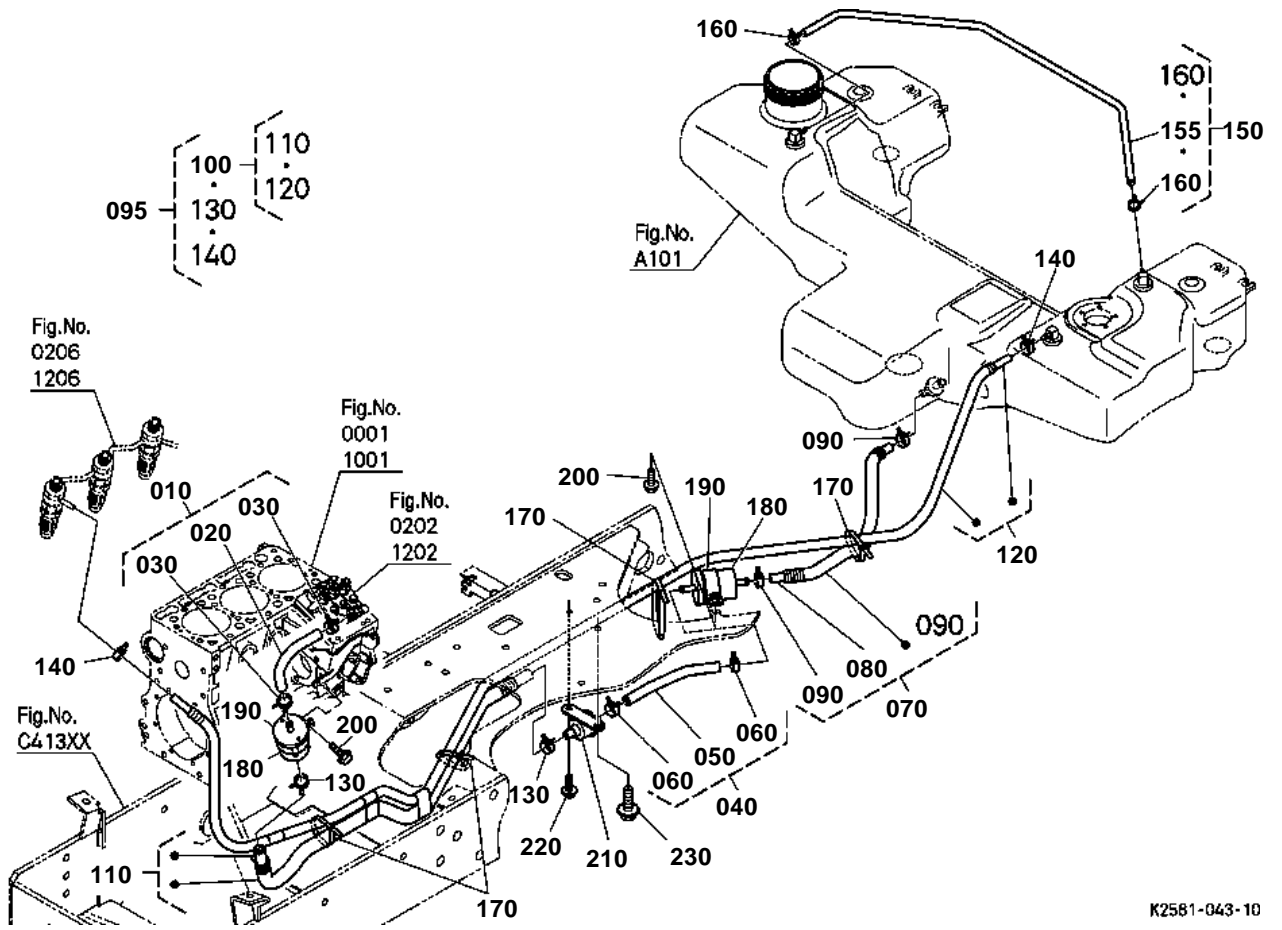


## FUEL TANK

↔ Interchangeable; ≠ not interchangeable; ← new for old; → old for new

REF.No	Part No.	Description	Q'ty	S.No.	I/C	REMARKS	Weight (kgf)	Weight (lb)
010	K2581-54700	ASSY TANK FUEL	1				0	0
020	K1211-24120	CAP FUEL	1				0.1	0.22
030	K2581-54782	CUSHION TANK FRONT	1				0	0
040	K2581-54810	STAY FUEL TANK	2				0	0
050	K2511-54890	BOLT	2				0.04	0.088
060	K1122-91960	NUT FLANGE	2				0.012	0.0264
070	K2561-54840	CUSHION TANK REAR UP	2				0.018	0.0396
080	K2561-54840	CUSHION TANK REAR UP	2				0.018	0.0396

FUEL PIPE



K2581-043-10

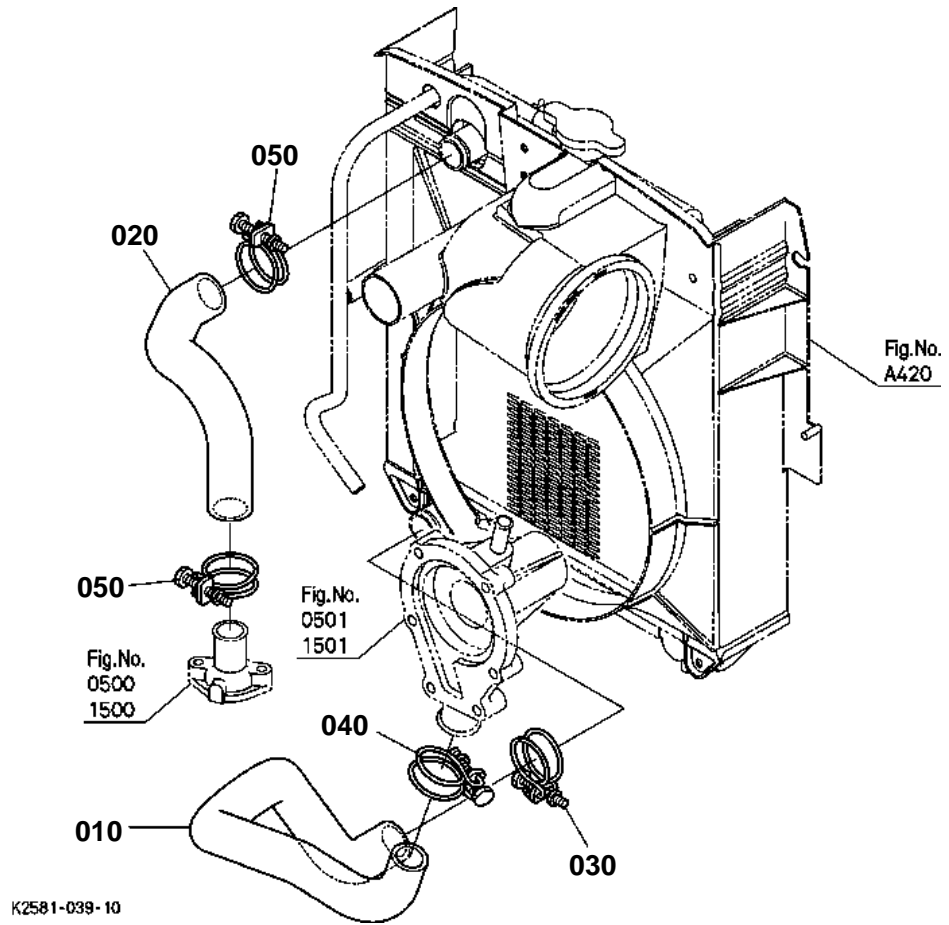


## FUEL PIPE

↔ Interchangeable; ≠ not interchangeable; ← new for old; → old for new

REF.No	Part No.	Description	Q'ty	S.No.	I/C	REMARKS	Weight (kgf)	Weight (lb)
010	K2581-25030	ASSY TUBE FUEL	1				0	0
020	K2581-24430	TUBE FUEL	1				0	0
030	09318-88125	CLAMP HOSE	2				0.001	0.0022
040	K2581-25030	ASSY TUBE FUEL	1				0	0
050	K2581-24430	TUBE FUEL	1				0	0
060	09318-88125	CLAMP HOSE	2				0.001	0.0022
070	K2581-25042	ASSY TUBE FUEL	1				0	0
080	K2561-24050	ASSY TUBE FUEL	1				0.155	0.341
090	09318-88125	CLAMP HOSE	2				0.001	0.0022
095	K2581-25010	ASSY TUBE FUEL R	1				0	0
100	K2581-24010	ASSY TUBE FUEL R	1				0	0
110	K2521-24050	ASSY HOSE FUEL 4	1				0.14	0.308
120	K2581-24080	ASSY TUBE FUEL RE.	1				0	0
130	09318-88125	CLAMP HOSE	2				0.001	0.0022
140	09318-88095	CLAMP HOSE	2				0.002	0.0044
150	K2581-25060	ASSY TUBE FUEL BR.	1				0	0
155	K2581-24460	TUBE FUEL	1				0	0
160	09318-88095	CLAMP HOSE	2				0.002	0.0044
170	K1122-61230	CLAMP CORD	4				0.001	0.0022
180	12581-43012	ASSY FILTER FUEL	2				0.035	0.077
190	66103-58330	BAND FILTER	2				0.01	0.022
200	01754-50620	BOLT FLANGE	2				0.007	0.0154
210	RC601-51350	ASSY PUMP FUEL	1				0.31	0.682
220	01754-50620	BOLT FLANGE	1				0.007	0.0154
230	01754-50820	BOLT FLANGE	1				0.015	0.033

WATER PIPE





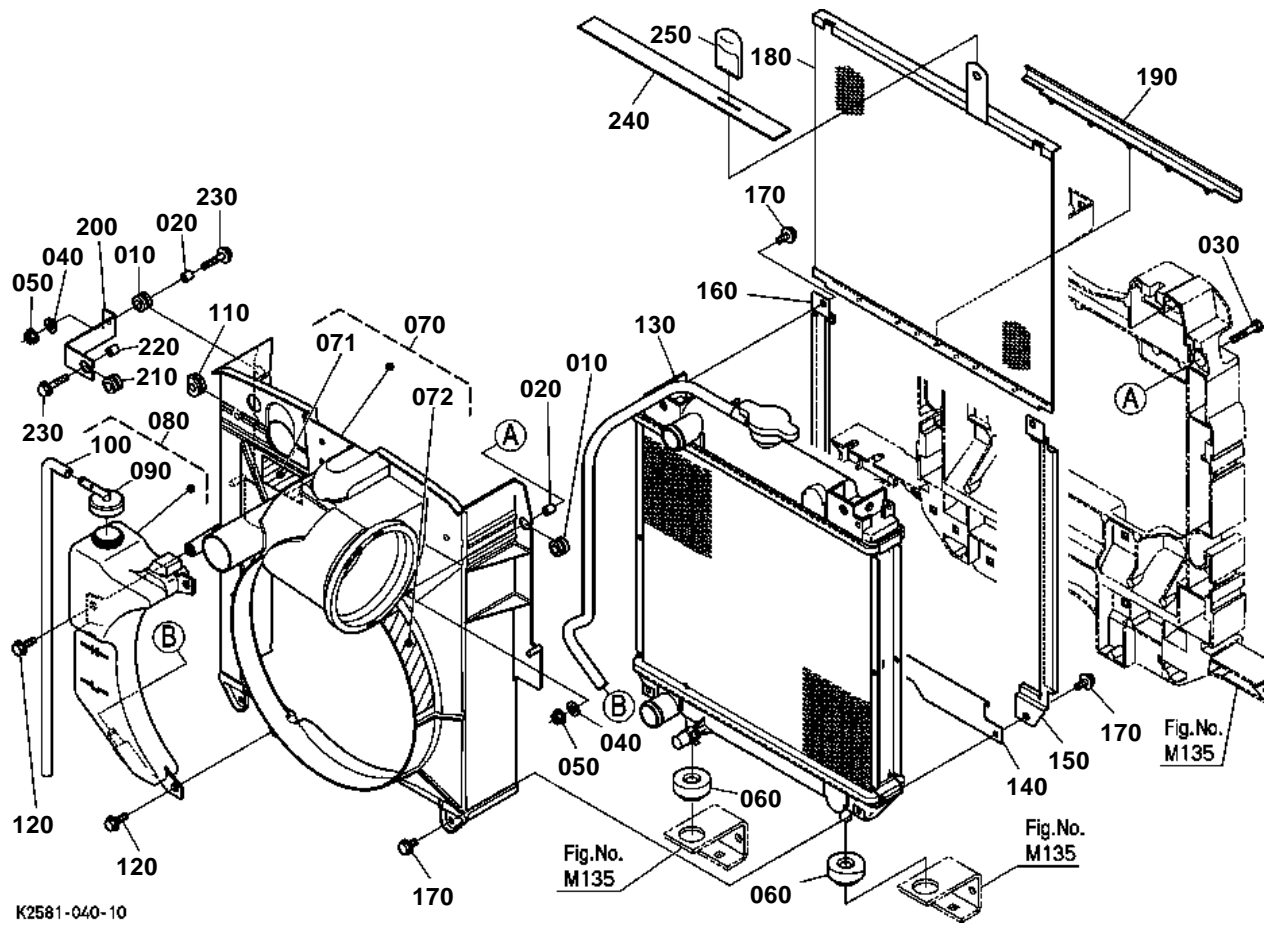


## WATER PIPE

↔ Interchangeable; ≠ not interchangeable; ← new for old; → old for new

REF.No	Part No.	Description	Q'ty	S.No.	I/C	REMARKS	Weight (kgf)	Weight (lb)
010	K2581-85150	HOSE WATER LOWER	1				0	0
020	K2581-85160	HOSE WATER UPPER	1				0	0
030	09318-89039	CLAMP HOSE	1				0.02	0.044
040	67980-58640	CLAMP HOSE	1				0.02	0.044
050	09318-89039	CLAMP HOSE	2				0.02	0.044

RADIATOR



K2581-040-10

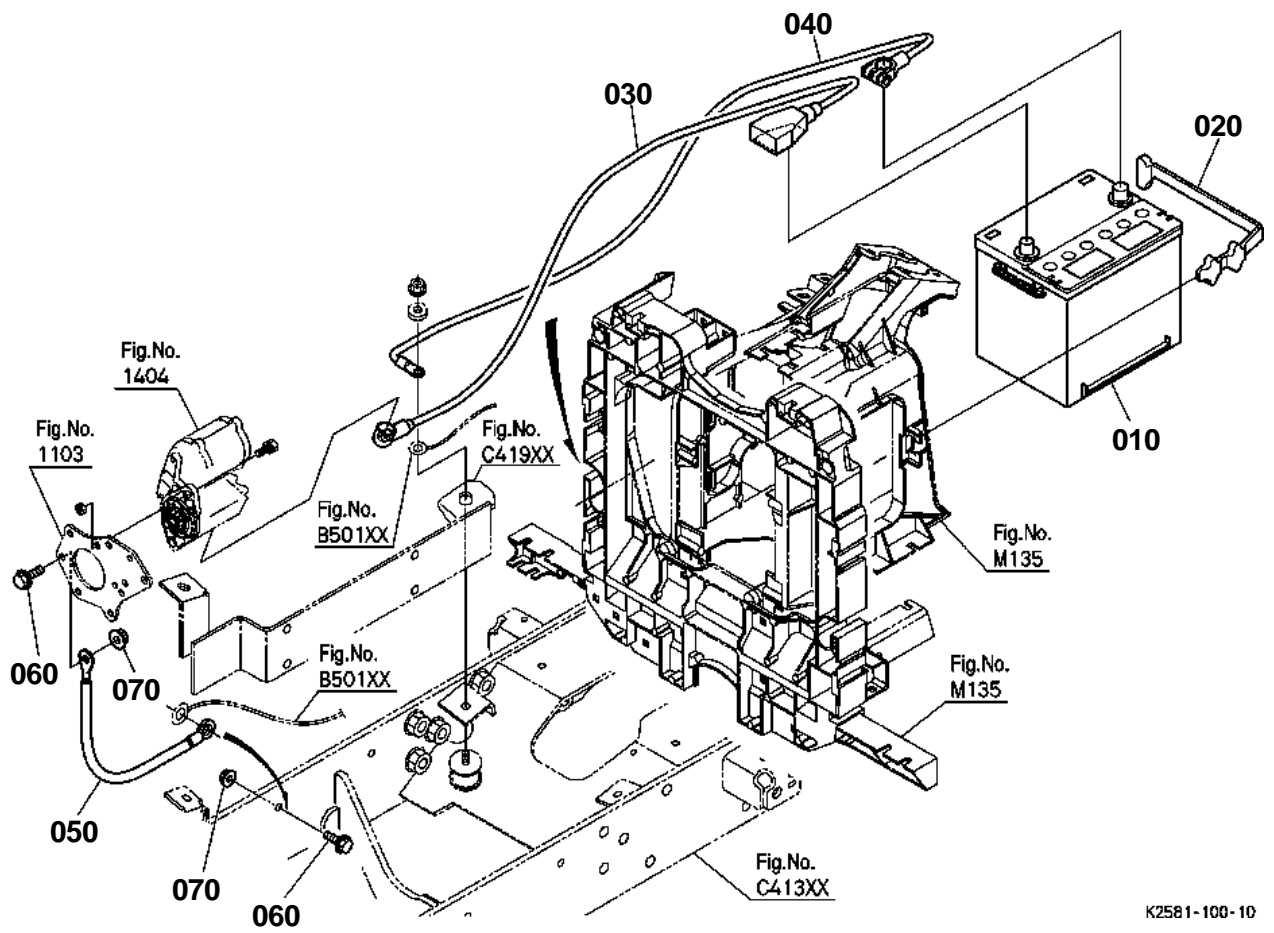


# RADIATOR

↔ Interchangeable; ≠ not interchangeable; ← new for old; → old for new

REF.No	Part No.	Description	Q'ty	S.No.	I/C	REMARKS	Weight (kgf)	Weight (lb)
010	K2561-85020	CUSHION UPPER	2				0.009	0.0198
020	K2561-85040	COLLAR	2				0.005	0.011
030	01053-50635	BOLT	2				0.009	0.0198
040	04015-60060	WASHER PLAIN	2				0.005	0.011
050	02751-50060	NUT FLANGE	2				0.005	0.011
060	K2110-85120	CUSHION RADIATOR	2				0.021	0.0462
070	K2581-98520	SHROUD FAN	1				0	0
071	K2581-65430	LABEL FAN CAUTION	1			NOT SALE	0	0
072	K2581-65470	LABEL FAN CAUTION	1			NOT SALE	0	0
080	K2581-85282	ASSY TANK RESERVE	1				0	0
090	K2581-85270	CAP	1				0	0
100	K2581-85292	HOSE OVER FLOW	1				0	0
110	K2581-57242	GROMMET WIRE	1				0	0
120	01754-50612	BOLT FLANGE	3				0.005	0.011
130	K2581-85010	COMP.RADIATOR	1				0	0
140	K2581-85350	STAY DUST COVER	1				0	0
150	K2581-85322	GUIDE NET LH	1				0	0
160	K2581-85312	GUIDE NET RH	1				0	0
170	01754-50612	BOLT FLANGE	6				0.005	0.011
180	K2581-85410	NET RADIATOR	1				0	0
190	K2581-85442	PLATE NET	1				0	0
200	K2581-85430	STAY RADIATOR 2	1				0	0
210	K2561-85020	CUSHION UPPER	1				0.009	0.0198
220	K2561-85040	COLLAR	1				0.005	0.011
230	01754-50630	BOLT FLANGE	2				0.01	0.022
240	K2581-85450	PLATE	1				0	0
250	K2581-85420	COVER	1				0	0

BATTERY



K2581-100-10

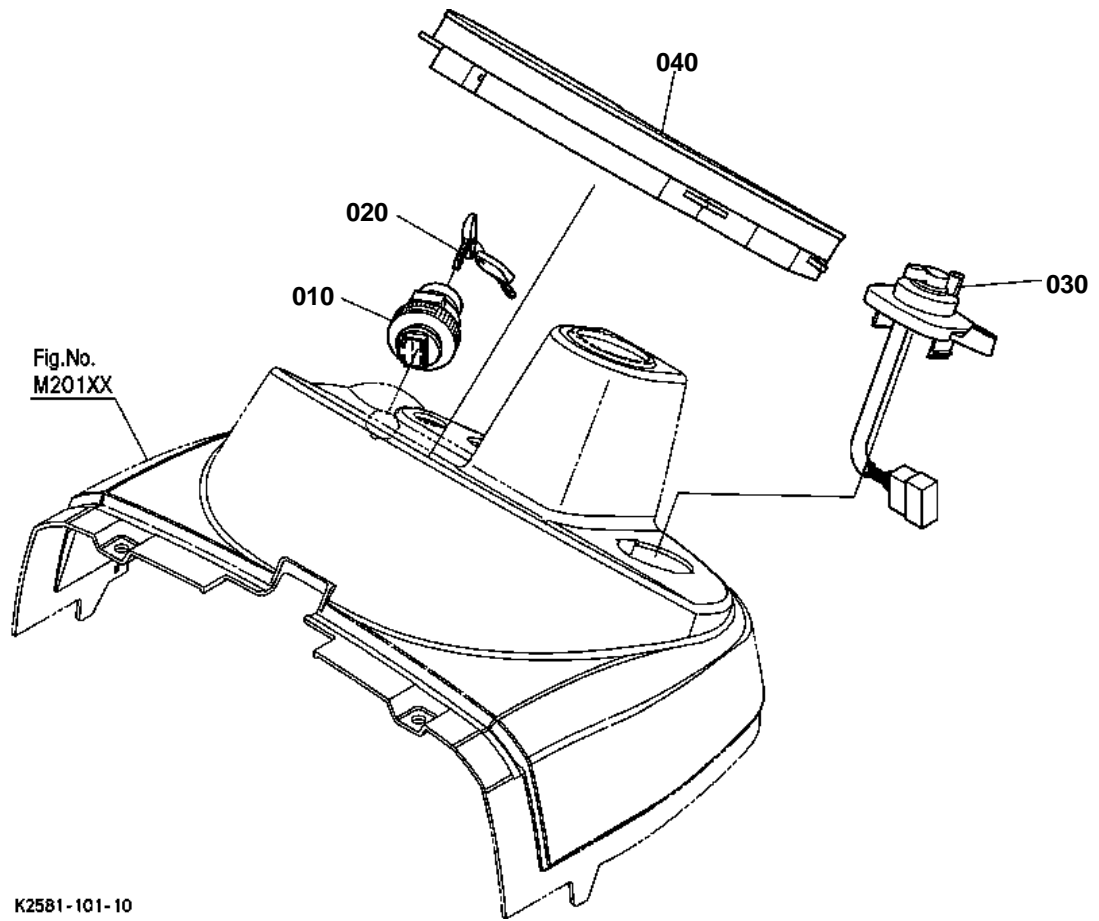


# BATTERY

↔ Interchangeable; ≠ not interchangeable; ← new for old; → old for new

REF.No	Part No.	Description	Q'ty	S.No.	I/C	REMARKS	Weight (kgf)	Weight (lb)
010	99999-99999	BATTERY F/FA	1			26RA	0	0
020	K2581-61120	HOOK BATTERY	1				0	0
030	K2581-61310	CABLE BATTERY(+)	1				0	0
040	K2581-61350	CABLE BATTERY(-)	1				0	0
050	K1211-61360	CABLE BATTERY(-)	1				0.05	0.11
060	01754-50820	BOLT FLANGE	2				0.015	0.033
070	02751-50080	NUT FLANGE	2				0.006	0.0132

PANEL BOARD



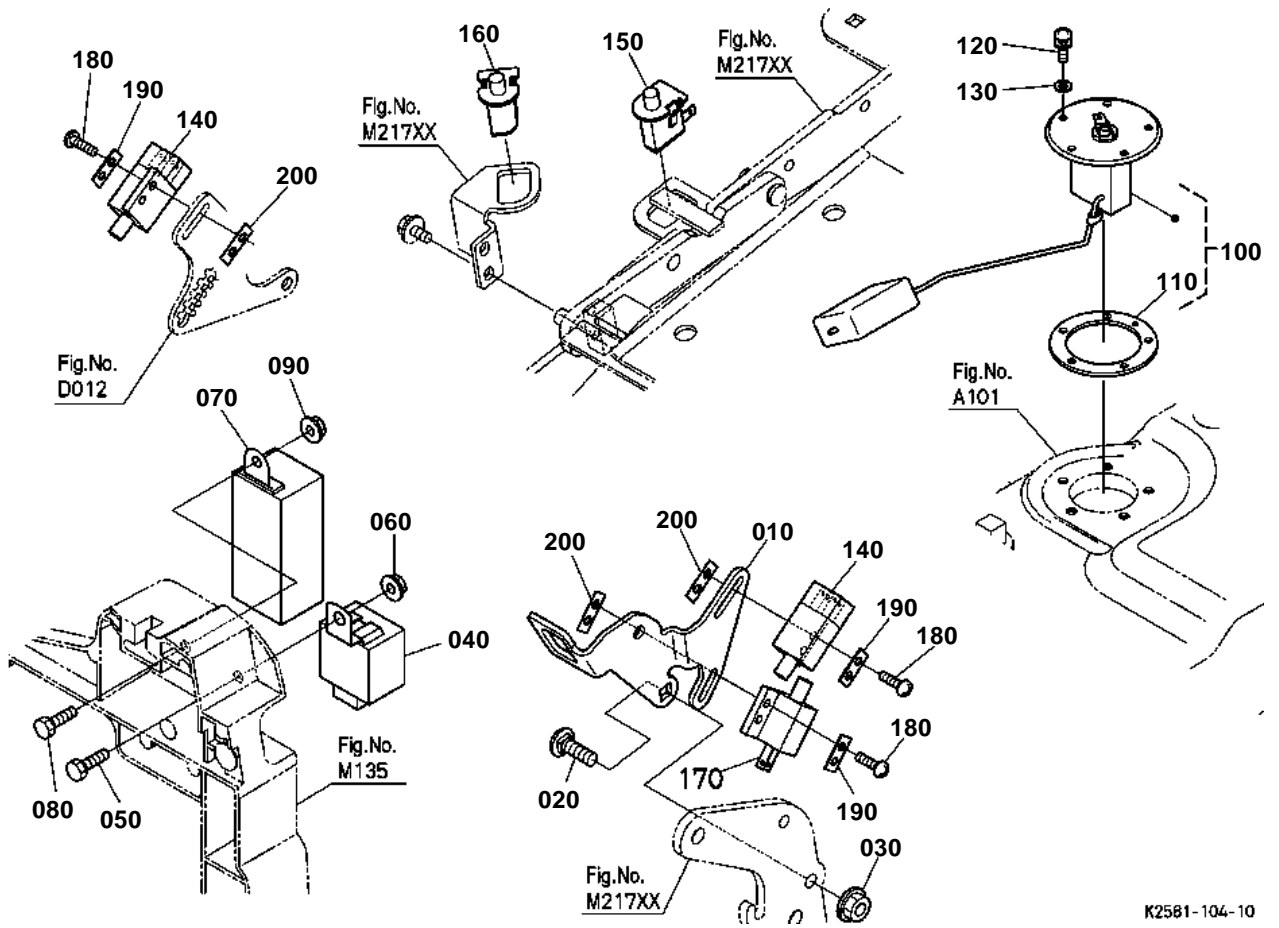


PANEL BOARD

↔ Interchangeable; ≠ not interchangeable; ← new for old; → old for new

REF.No	Part No.	Description	Q'ty	S.No.	I/C	REMARKS	Weight (kgf)	Weight (lb)
010	K7571-62110	SWITCH STARTER	1				0	0
020	PL501-68920	KEY STARTER	2				0.018	0.0396
030	K2581-62240	SWITCH COMBINATION	1				0	0
040	K2581-62500	PANEL CLUSTER	1				0	0

SWITCH/SENSOR



K2581-104-10

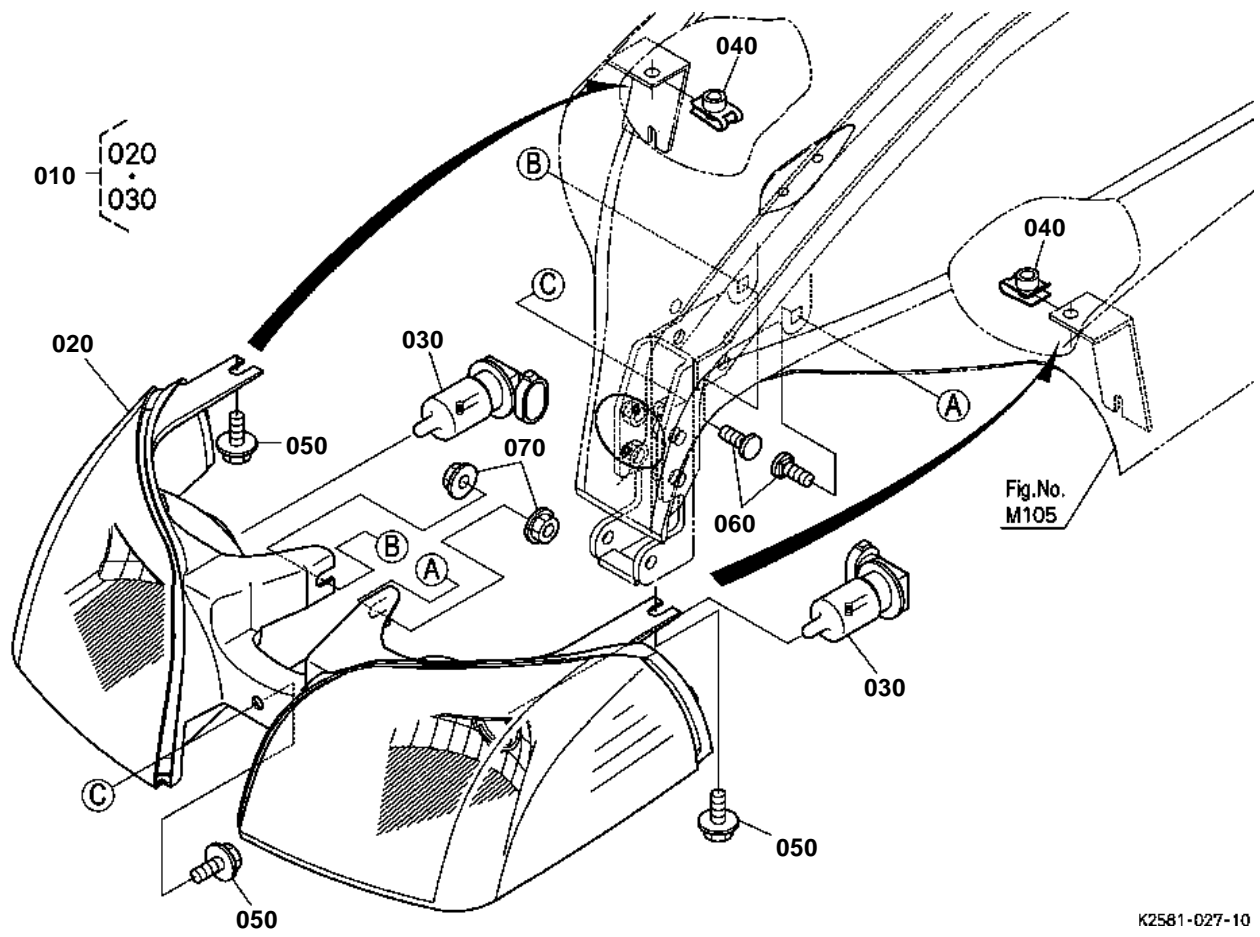


**SWITCH/SENSOR**

↔ Interchangeable; ≠ not interchangeable; ← new for old; → old for new

REF.No	Part No.	Description	Q'ty	S.No.	I/C	REMARKS	Weight (kgf)	Weight (lb)
010	K2581-42680	STAY	1				0	0
020	K1122-91320	BOLT SHORT SQU.NECK	1				0.01	0.022
030	02751-50080	NUT FLANGE	1				0.006	0.0132
040	T0070-31410	TIMER KEY STOP	1				0.065	0.143
050	01053-50620	BOLT	1				0.006	0.0132
060	02751-50060	NUT FLANGE	1				0.005	0.011
070	3F240-75430	UNIT FLASHER	1				0.06	0.132
080	01053-50620	BOLT	1				0.006	0.0132
090	02751-50060	NUT FLANGE	1				0.005	0.011
100	K2581-61370	SENSOR FUEL	1				0	0
110	6A100-54790	GASKET GAUGE	1				0.01	0.022
120	03024-50516	SCREW WITH WASHER	5				0.004	0.0088
130	04012-50050	WASHER PLAIN	1				0.001	0.0022
140	K1122-62250	SWITCH SAFETY	2				0.02	0.044
150	K2592-56770	SWITCH SEAT	1				0	0
160	K1122-62280	SWITCH SEAT	1				0.011	0.0242
170	K2561-62250	SWITCH SAFETY	1				0.017	0.0374
180	03714-50520	SCREW TAPPING	6				0.003	0.0066
190	K2561-62260	PLATE SWITCH	3				0.001	0.0022
200	K2581-62260	PLATE SWITCH NUT	3				0.002	0.0044

HEAD LIGHT



K2581-027-10

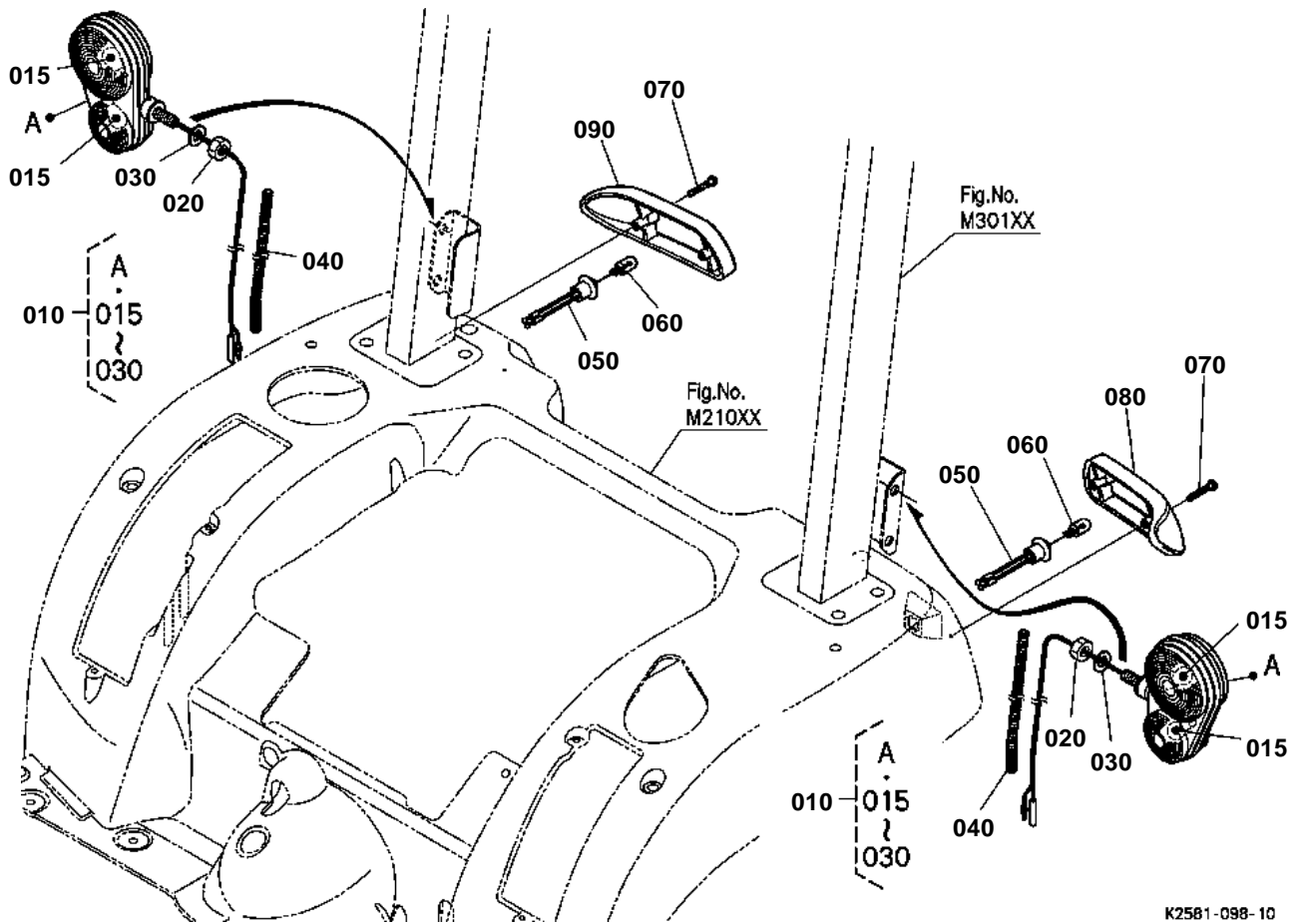


# HEAD LIGHT

↔ Interchangeable; ≠ not interchangeable; ← new for old; → old for new

REF.No	Part No.	Description	Q'ty	S.No.	I/C	REMARKS	Weight (kgf)	Weight (lb)
010	K2581-54310	ASSY LAMP HEAD	1				0	0
020	K2581-54330	COMP.LENS	1				0	0
030	K7561-54340	BULB	2			37.5W	0	0
040	K1122-91810	NUT(M)	2				0.01	0.022
050	01754-50820	BOLT FLANGE	3				0.015	0.033
060	K1122-91330	BOLT SHORT SQU.NECK	2				0	0
070	02751-50080	NUT FLANGE	2				0.006	0.0132

HAZARD LIGHT/TAIL LIGHT



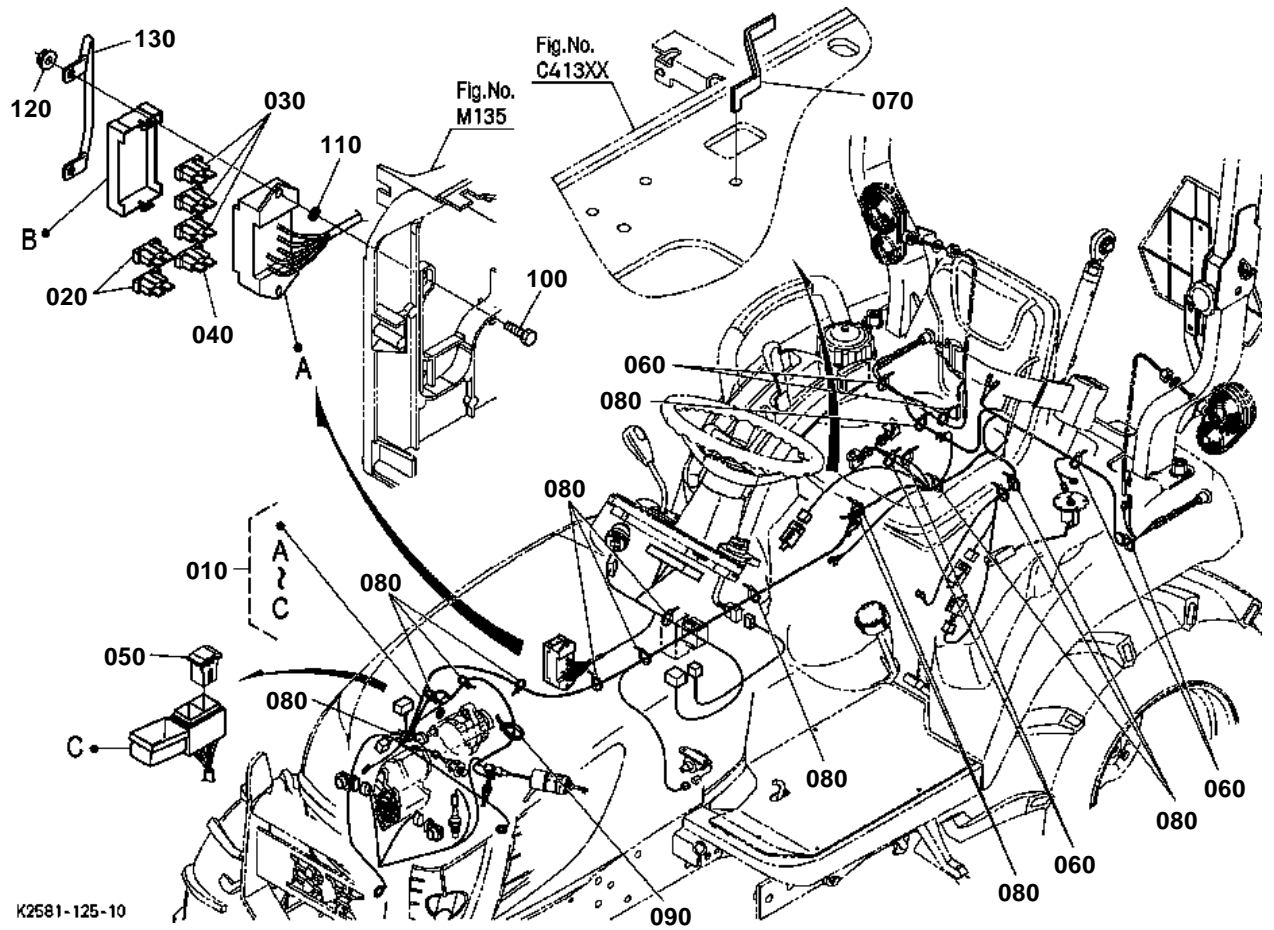
K2581-098-10



# HAZARD LIGHT/TAIL LIGHT

↔ Interchangeable; ≠ not interchangeable; ← new for old; → old for new

REF.No	Part No.	Description	Q'ty	S.No.	I/C	REMARKS	Weight (kgf)	Weight (lb)
010	K2581-62612	ASSY LAMP HAZARD	2				0	0
015	K2561-62650	BULB LAMP	4			32W	0	0
020	75599-31025	HEX.NUT	2				0.015	0.033
030	75599-33015	WASHER SPRING LOCK	2				0.006	0.0132
040	K2581-62620	TUBE GUARD HAZARD	2				0	0
050	K2561-62730	SOCKET TAIL LAMP	2				0	0
060	K2581-62740	BULB TAIL LAMP	2				0	0
070	K2581-62773	SCREW TAPPING	4				0	0
080	K2581-62712	ASSY TAIL LAMP LH	1				0	0
090	K2581-62722	ASSY TAIL LAMP RH	1				0	0



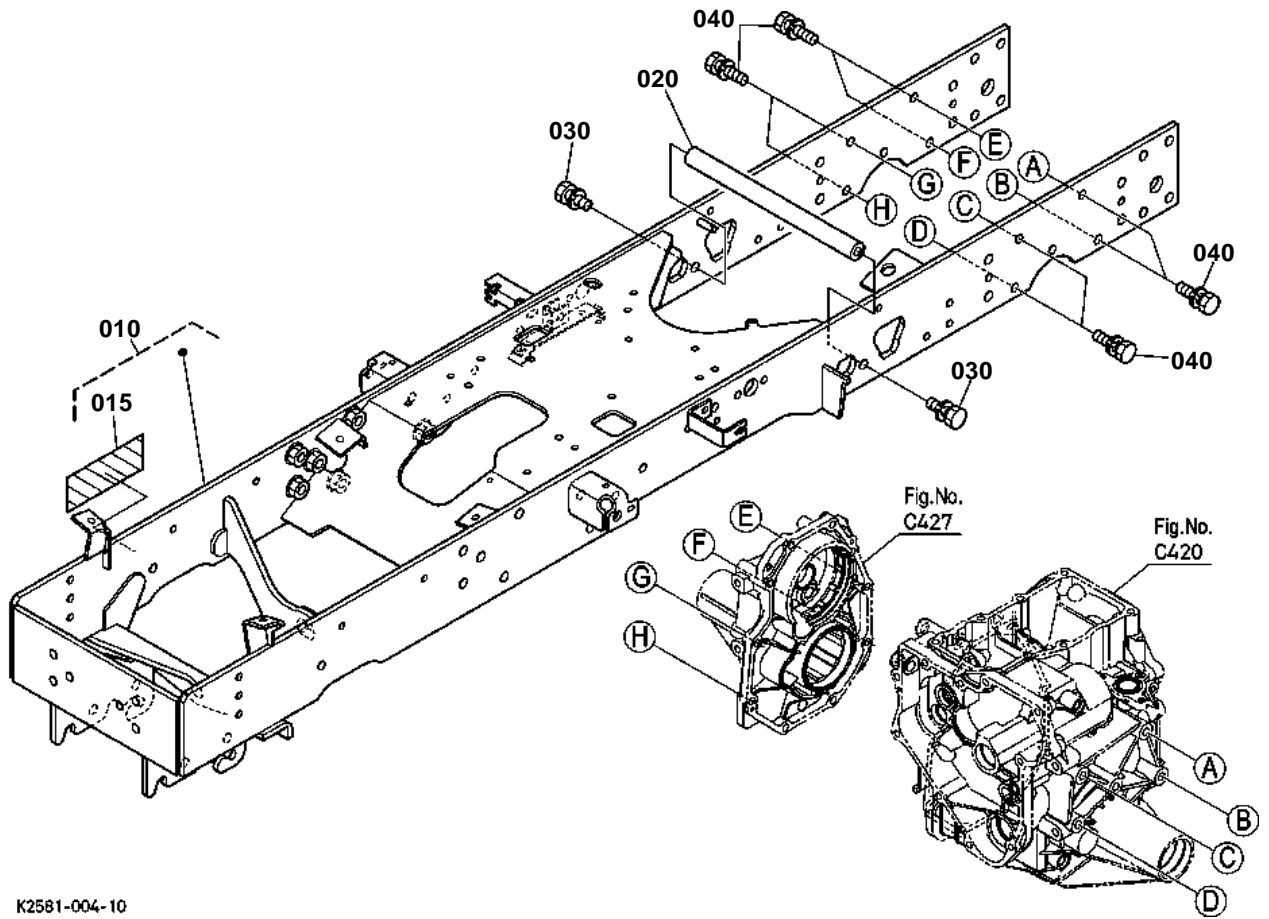


# ELECTRICAL WIRING

↔ Interchangeable; ≠ not interchangeable; ← new for old; → old for new

REF.No	Part No.	Description	Q'ty	S.No.	I/C	REMARKS	Weight (kgf)	Weight (lb)
010	K2581-63224	ASSY WIRE HARNESS	1				0	0
020	T1060-30440	FUSE	2			10A	0.005	0.011
030	T1060-30450	FUSE	3			15A	0.005	0.011
040	T1060-30460	FUSE	1			20A	0.005	0.011
050	T1060-30530	FUSE	1			50A	0.007	0.0154
060	K2581-61252	CLAMP WIRE HARNESS	6				0	0
070	K2581-61530	GUIDE HARNESS	1				0	0
080	K1122-61230	CLAMP CORD	14				0.001	0.0022
090	75546-66920	BAND CODE	1				0.009	0.0198
100	01053-50620	BOLT	2				0.006	0.0132
110	K7561-54190	NUT	2				0	0
120	02751-50060	NUT FLANGE	2				0.005	0.011
130	K2581-61260	ROD WIRE HARNESS	1				0	0

FRONT FRAME



K2581-004-10



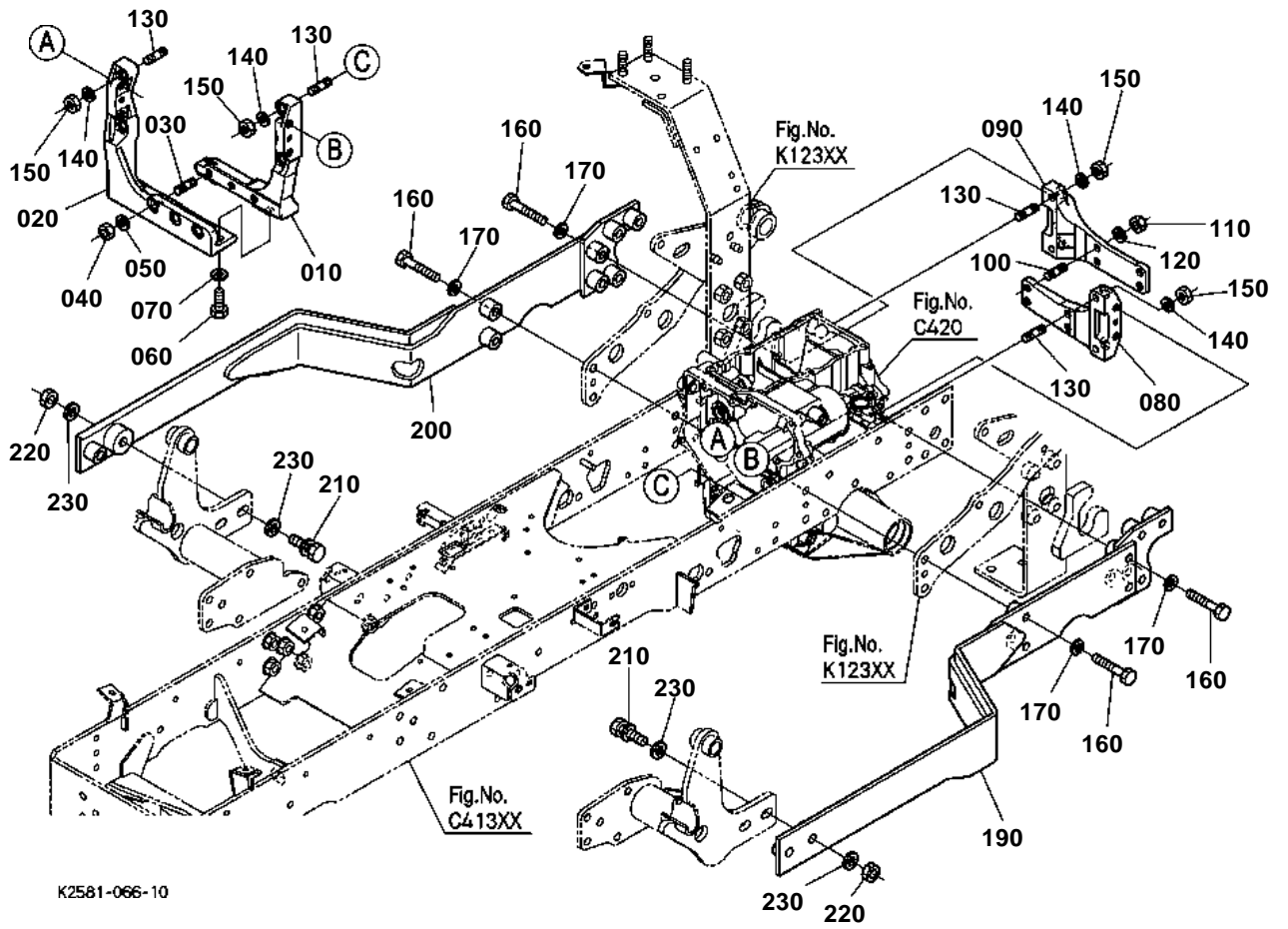


# FRONT FRAME

↔ Interchangeable; ≠ not interchangeable; ← new for old; → old for new

REF.No	Part No.	Description	Q'ty	S.No.	I/C	REMARKS	Weight (kgf)	Weight (lb)
010	K2581-92110	KIT FRAME COMP	1			ENGLISH	0	0
010	K2587-92110	KIT FRAME COMP	1			FRENCH	0	0
015	K2581-65410	LABEL START DANGER	1			ENGLISH NOT SALE	0	0
015	K2587-65410	LABEL START DANGER	1			FRENCH NOT SALE	0	0
020	K2561-21030	ROD TIE	1				1.2	2.64
030	01133-51440	BOLT	2				0.07	0.154
040	01123-51240	BOLT	8				0.048	0.1056

SUB FRAME



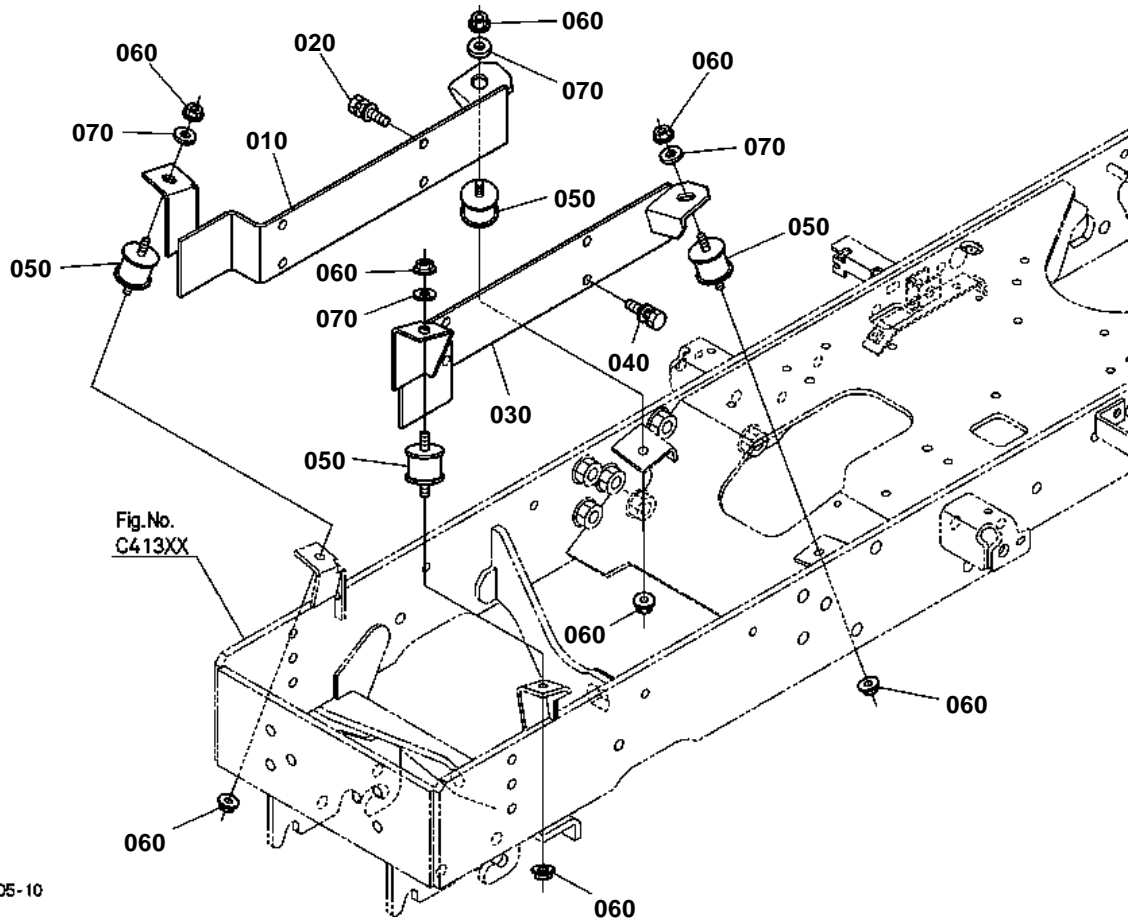
K2581-066-10

**SUB FRAME**

↔ Interchangeable; ≠ not interchangeable; ← new for old; → old for new

REF.No	Part No.	Description	Q'ty	S.No.	I/C	REMARKS	Weight (kgf)	Weight (lb)
010	K2592-21520	BRACKET FRONT LH	1				0	0
020	K2592-21620	BRACKET FRONT RH	1				0	0
030	K2591-21540	STUD	3				0.046	0.1012
040	02074-50140	NUT	3				0.021	0.0462
050	04512-60140	WASHER SPRING	3				0.008	0.0176
060	01073-51440	BOLT	2				0.069	0.1518
070	04512-60140	WASHER SPRING	2				0.008	0.0176
080	K2592-21530	BRACKET REAR LH	1				0	0
090	K2592-21630	BRACKET REAR RH	1				0	0
100	K2591-21540	STUD	4				0.046	0.1012
110	02074-50140	NUT	4				0.021	0.0462
120	04512-60140	WASHER SPRING	4				0.008	0.0176
130	01555-51245	STUD	8				0.26	0.572
140	04512-60120	WASHER SPRING	8				0.005	0.011
150	K2561-21550	NUT	8				0.013	0.0286
160	01133-51480	BOLT	8				0	0
170	75599-32516	WASHER PLAIN	8				0.011	0.0242
180	99999-99999	BLANK	0				0	0
190	K2592-26112	FRAME SUB L	1				0	0
200	K2592-26122	FRAME SUB R	1				0	0
210	01133-51675	BOLT	4				0	0
220	02174-50160	NUT	4				0.022	0.0484
230	75599-32517	WASHER PLAIN	8				0.016	0.0352

ENGINE SUPPORT



K2581-005-10

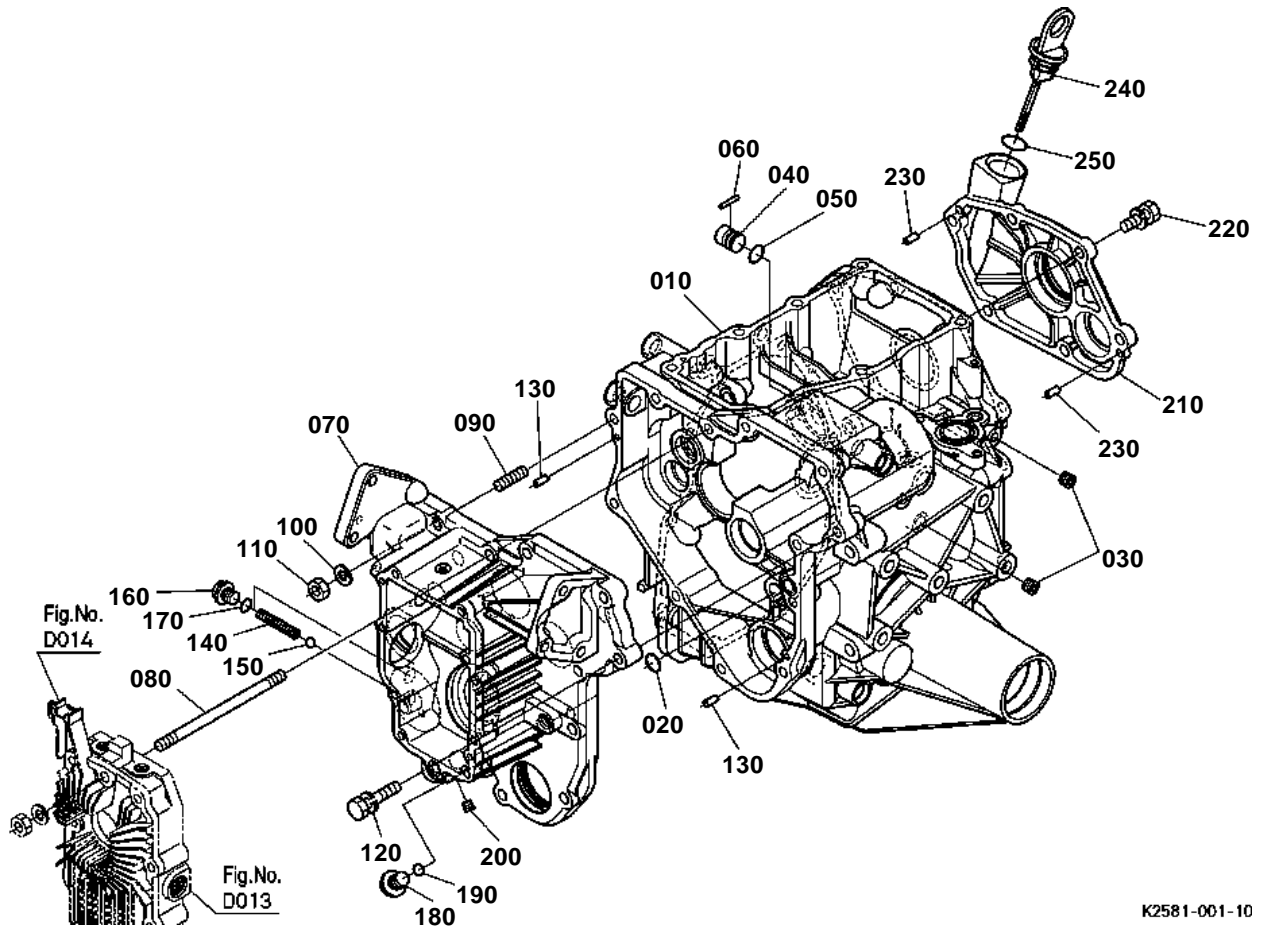


## ENGINE SUPPORT

↔ Interchangeable; ≠ not interchangeable; ← new for old; → old for new

REF.No	Part No.	Description	Q'ty	S.No.	I/C	REMARKS	Weight (kgf)	Weight (lb)
010	K2581-22120	SUPPORT ENGINE RH	1				0	0
020	01133-51022	BOLT	4				0.025	0.055
030	K2581-22110	SUPPORT ENGINE LH	1				0	0
040	01133-51022	BOLT	4				0.025	0.055
050	PJ451-82240	CUSHION	4				0.01	0.022
060	02751-50080	NUT FLANGE	8				0.006	0.0132
070	04015-60080	WASHER PLAIN	4				0.01	0.022

TRANSMISSION CASE



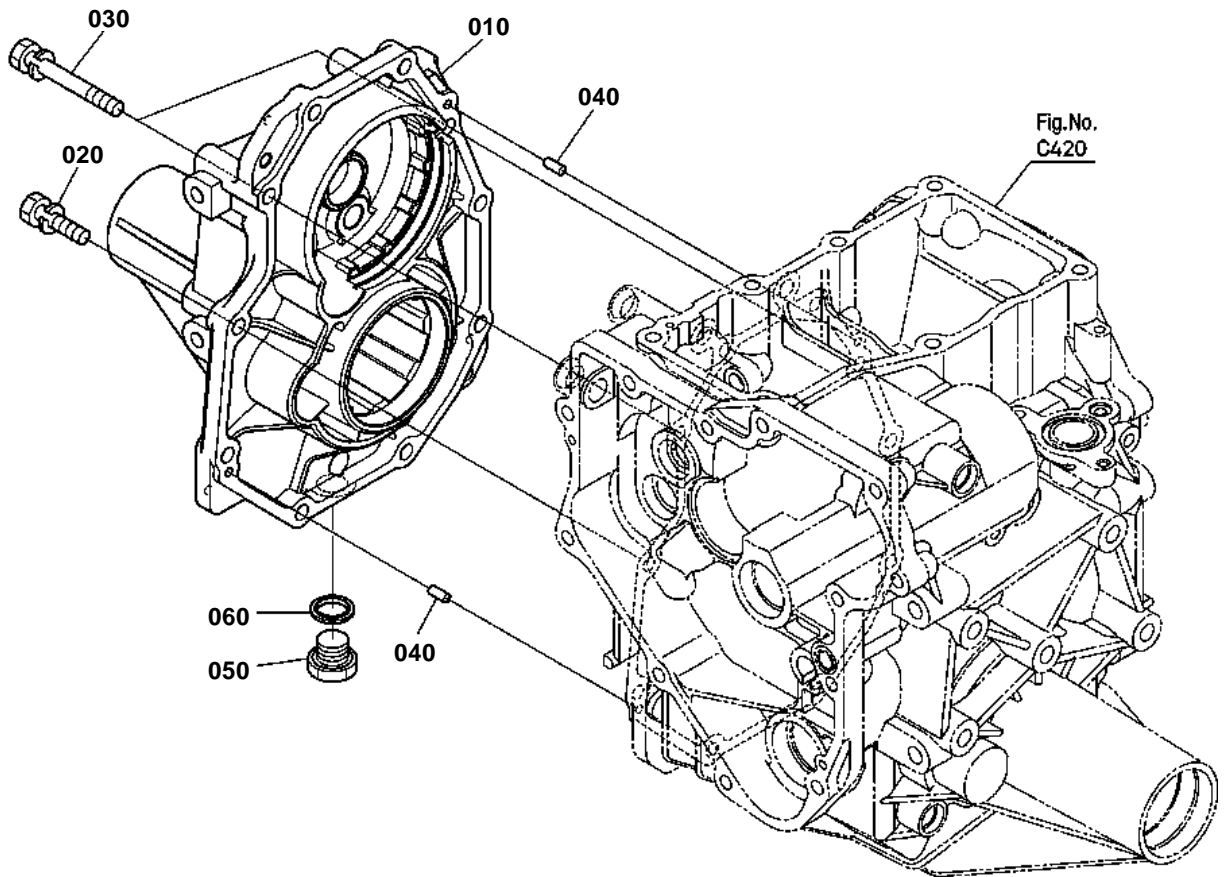


## TRANSMISSION CASE

↔ Interchangeable; ≠ not interchangeable; ← new for old; → old for new

REF.No	Part No.	Description	Q'ty	S.No.	I/C	REMARKS	Weight (kgf)	Weight (lb)
010	K2581-11012	CASE TRANSMISSION	1				12.5	27.5
020	04817-00160	O RING	1				0.001	0.0022
030	K7001-39620	PLUG	2				0.005	0.011
040	K2581-11140	PLUG	1				0.04	0.088
050	04811-10160	O RING	1				0.001	0.0022
060	05012-00422	PIN STRAIGHT	1				0	0
070	K2581-11110	COVER HST FRONT	1				4.55	10.01
080	K2581-11170	STUD	1				0.1	0.22
090	01555-51035	STUD	1				0.029	0.0638
100	04512-60100	WASHER SPRING	1				0.002	0.0044
110	02118-50100	NUT	1				0.005	0.011
120	01123-51045	BOLT	10				0.032	0.0704
130	05012-00614	PIN STRAIGHT	2				0.004	0.0088
140	K2581-11180	SPRING PTO	1				0.004	0.0088
150	07715-03211	BALL	1				0.003	0.0066
160	06311-25020	PLUG	2				0.032	0.0704
170	04817-00110	O RING	2				0.001	0.0022
180	06311-25030	PLUG	1				0.051	0.1122
190	04817-00140	O RING	1				0.001	0.0022
200	31351-37160	PLUG	1				0.003	0.0066
210	K2581-11210	COVER REAR	1				0.63	1.386
220	01123-51030	BOLT	6				0.025	0.055
230	05012-00614	PIN STRAIGHT	2				0.004	0.0088
240	K2581-11250	GAUGE OIL	1				0	0
250	04816-07220	O RING	1				0.001	0.0022

REAR AXLE CASE



K2581-002-10



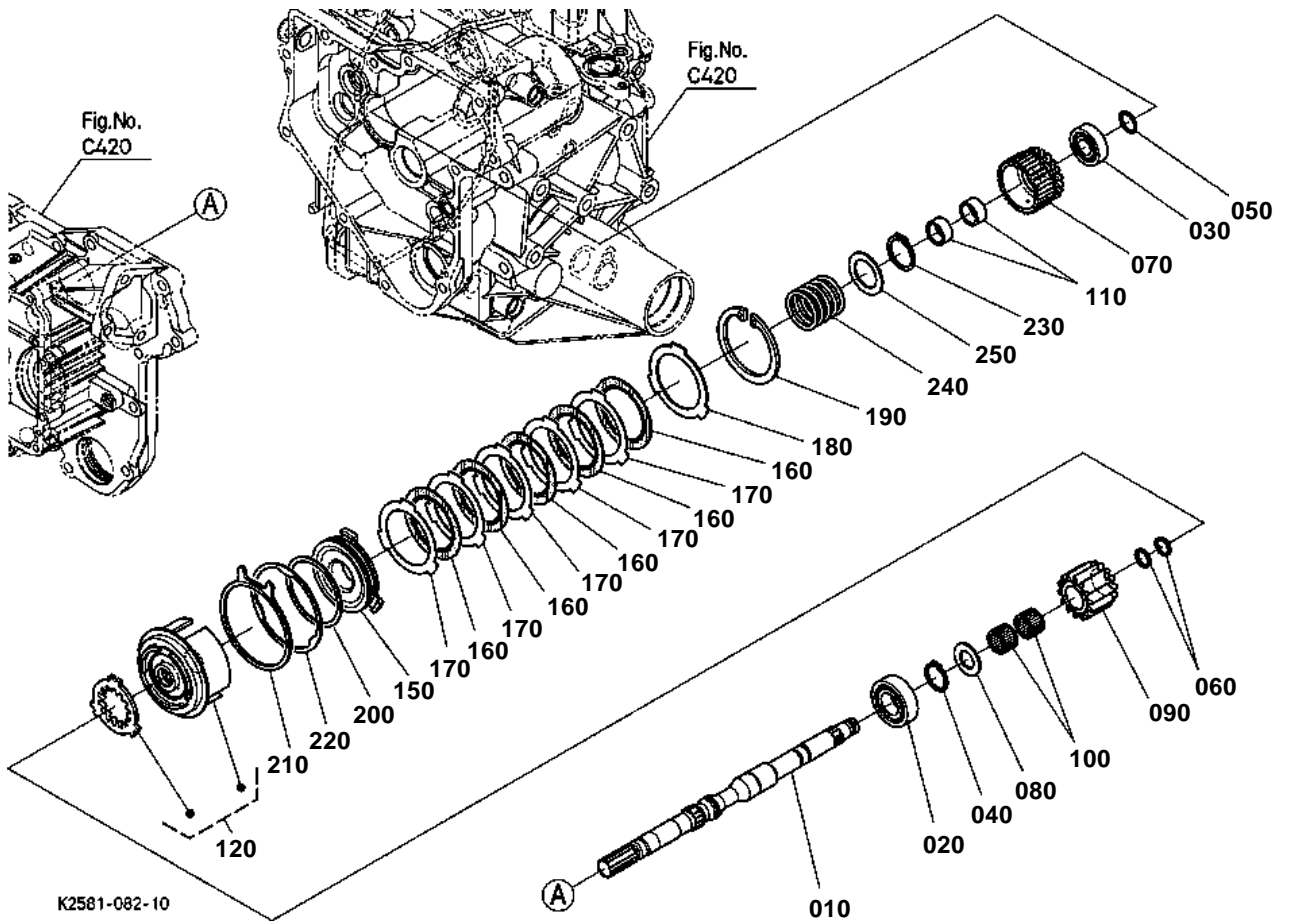


## REAR AXLE CASE

↔ Interchangeable; ≠ not interchangeable; ← new for old; → old for new

REF.No	Part No.	Description	Q'ty	S.No.	I/C	REMARKS	Weight (kgf)	Weight (lb)
010	K2581-11020	COVER AXLE R	1				4.82	10.604
020	01123-51045	BOLT	8				0.032	0.0704
030	01123-51080	BOLT	2				0.051	0.1122
040	05012-00614	PIN STRAIGHT	2				0.004	0.0088
050	06331-35020	PLUG	1				0.068	0.1496
060	04717-02000	WASHER WITH RUBBER	1				0.004	0.0088

CLUTCH SHAFT/OUTPUT SHAFT



K2581-082-10

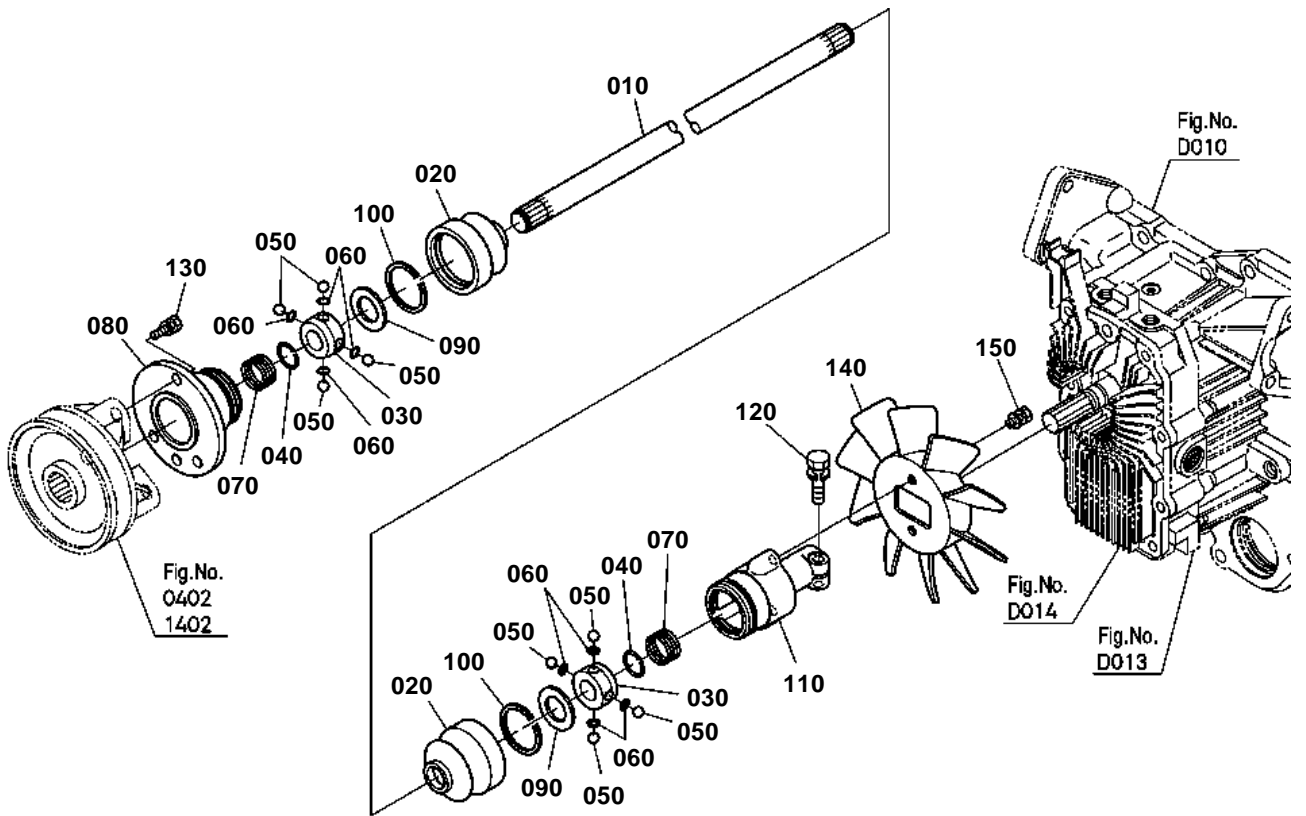


# CLUTCH SHAFT/OUTPUT SHAFT

↔ Interchangeable; ≠ not interchangeable; ← new for old; → old for new

REF.No	Part No.	Description	Q'ty	S.No.	I/C	REMARKS	Weight (kgf)	Weight (lb)
010	K2581-11310	SHAFT CLUTCH PUMP	1				0.87	1.914
020	K2581-12810	BEARING	1				0.12	0.264
030	PL501-12150	BEARING	1				0.112	0.2464
040	04612-00250	CIR CLIP EXTERNAL	1				0.002	0.0044
050	37410-75320	RING SEAL	1				0.01	0.022
060	5H522-15850	SEAL RING	2				0.001	0.0022
070	K2581-11320	GEAR BOSS	1			20T	0.34	0.748
080	59240-16130	WASHER CIRCULAR	1				0.015	0.033
090	K2581-11340	GEAR CLUTCH	1			14T	0.28	0.616
100	6C200-14770	BEARING NEEDLE	2				0.015	0.033
110	11460-16390	BEARING NEEDLE	2				0.015	0.033
120	K2581-13990	ASSY CASE CLUTCH	1				0	0
130	99999-99999	BLANK	0				0	0
140	99999-99999	BLANK	0				0	0
150	K2581-11360	PISTON CLUTCH	1				0.105	0.231
160	K2581-13930	PLATE DISK	5				0	0
170	K2581-13940	PLATE SEPARATE	5				0	0
180	K2581-13950	PLATE BACKING	1				0	0
190	K2581-13960	CIR CLIP INTERNAL	1				0.02	0.044
200	K2581-13970	SEAL RING	1				0.001	0.0022
210	K2581-13910	DISK BRAKE	1				0	0
220	K2581-13920	PLATE BRAKE	1				0	0
230	K2581-13980	CIR CLIP EXTERNAL	1				0.002	0.0044
240	K2581-11370	SPRING BRAKE	1				0	0
250	K2581-11380	WASHER	1				0.013	0.0286

PROPELLER SHAFT



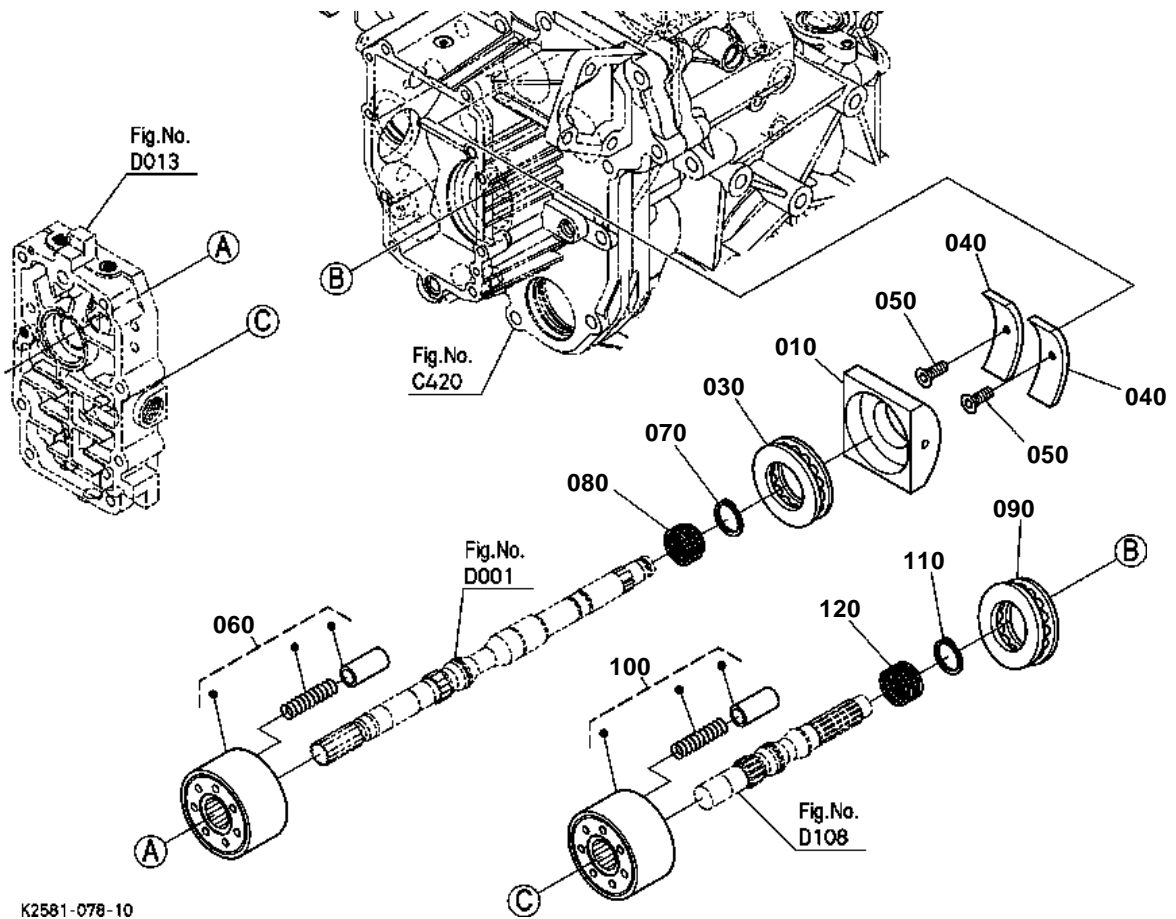
K2581-029-10



## PROPELLER SHAFT

↔ Interchangeable; ≠ not interchangeable; ← new for old; → old for new

REF.No	Part No.	Description	Q'ty	S.No.	I/C	REMARKS	Weight (kgf)	Weight (lb)
010	K2581-14210	SHAFT PROPELLER	1				0	0
020	K2561-14130	COVER JOINT	2				0.024	0.0528
030	67211-14133	COUPLING BALL INNER	2				0.075	0.165
040	K2561-14140	CIR CLIP EXTERNAL	2				0.001	0.0022
050	07715-00803	BALL	8				0.004	0.0088
060	K2581-14160	RING DAMPER	8				0	0
070	62271-14340	SPRING STRG.CLUTCH	2				0.008	0.0176
080	K2561-14110	COUPLING FRONT	1				0.86	1.892
090	K2561-14150	PLATE BALL JOINT	2				0.015	0.033
100	04611-00380	CIR CLIP INTERNAL	2				0.004	0.0088
110	K2581-14220	COUPLING REAR	1				0	0
120	01123-50830	BOLT	1				0.015	0.033
130	01123-50830	BOLT	3				0.015	0.033
140	K2561-14250	FAN HST	1				0.098	0.2156
150	01125-60816	BOLT	2				0.01	0.022



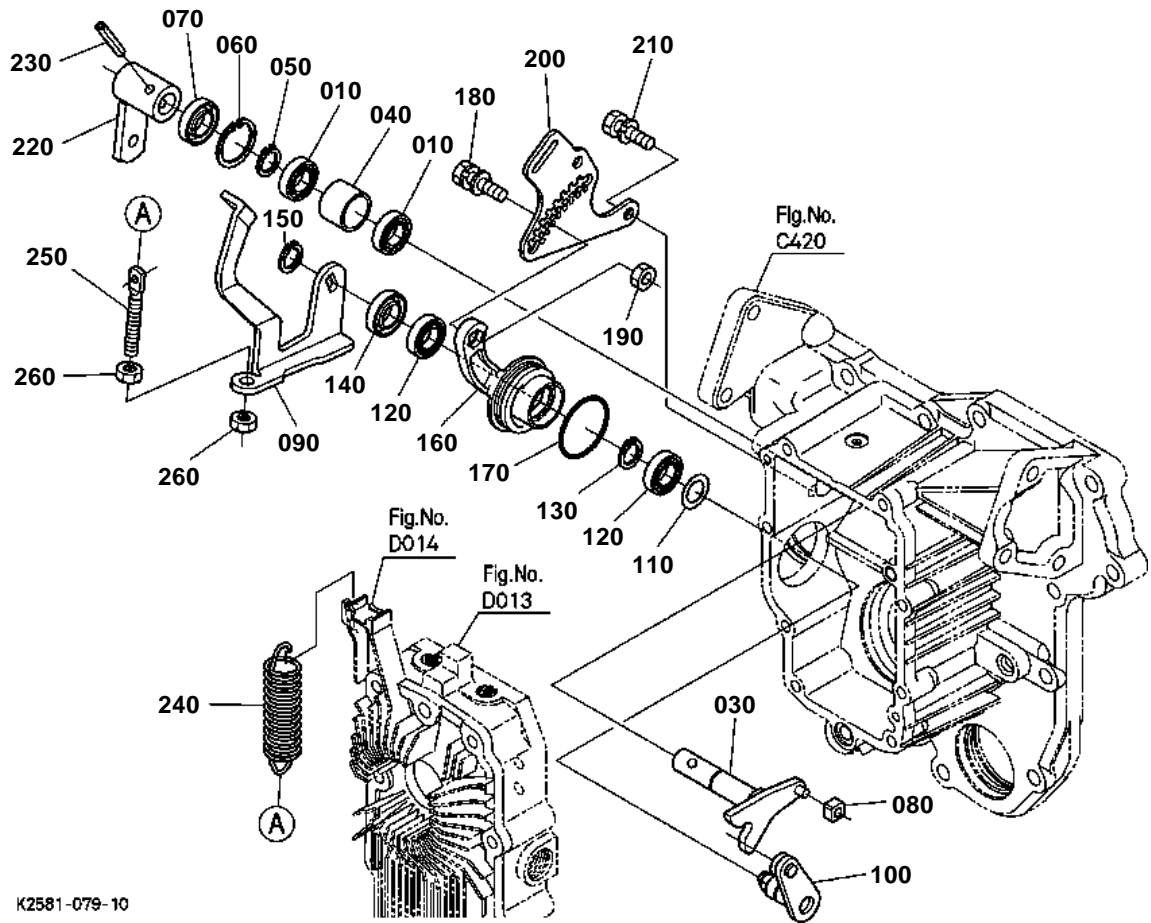
K2581-078-10



HST 1

↔ Interchangeable; ≠ not interchangeable; ← new for old; → old for new

REF.No	Part No.	Description	Q'ty	S.No.	I/C	REMARKS	Weight (kgf)	Weight (lb)
010	5H550-19110	SWASH PLATE	1				0.64	1.408
020	99999-99999	BLANK	0				0	0
030	5H550-19120	BEARING THRUST BALL	1				0.22	0.484
040	5H550-19130	BEARING CRADLE	2				0.033	0.0726
050	K2581-14240	SCREW CSK-HD	2				0.001	0.0022
060	5H550-19200	ASSY BLOCK CYL.(P)	1				0.93	2.046
070	5H550-19280	CIR CLIP EXTERNAL	1				0.002	0.0044
080	5H550-19250	SPRING	1				0.014	0.0308
090	5H550-19120	BEARING THRUST BALL	1				0.22	0.484
100	5H550-19400	ASSY BLOCK CYL.(M)	1				0.935	2.057
110	5H550-19280	CIR CLIP EXTERNAL	1				0.002	0.0044
120	5H550-19250	SPRING	1				0.014	0.0308



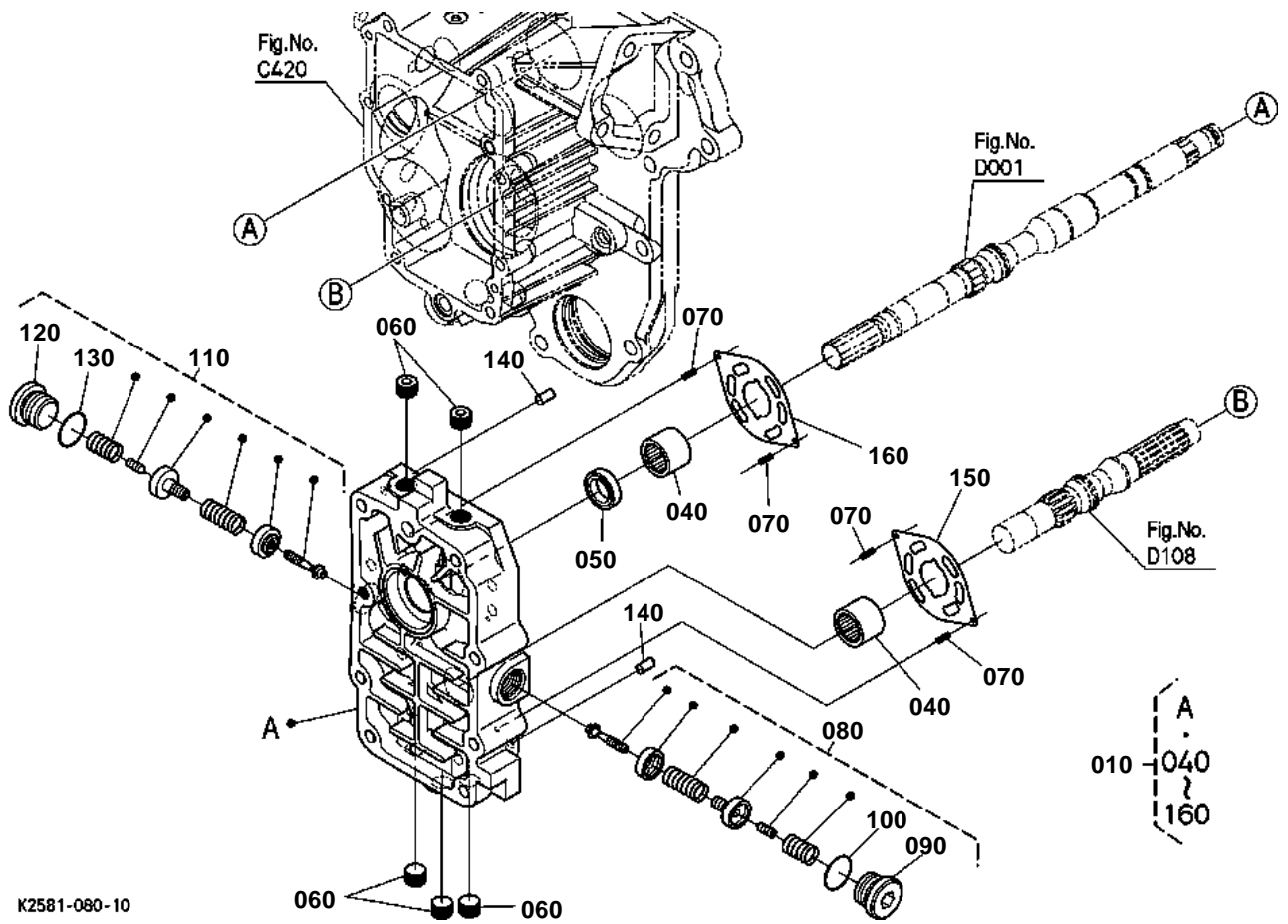
K2581-079-10



**HST 2**

↔ Interchangeable; ≠ not interchangeable; ← new for old; → old for new

REF.No	Part No.	Description	Q'ty	S.No.	I/C	REMARKS	Weight (kgf)	Weight (lb)
010	K2581-12860	BEARING	2				0.017	0.0374
020	99999-99999	BLANK	0				0	0
030	K2581-14520	SHAFT	1				0.155	0.341
040	K2581-14530	COLLAR HST ARM	1				0.025	0.055
050	K7021-39140	CIR CLIP EXTERNAL	1				0.001	0.0022
060	04611-00280	CIR CLIP INTERNAL	1				0.002	0.0044
070	31381-76390	SEAL OIL	1				0.01	0.022
080	K7021-38170	BLOCK SWASH PLATE	1				0.005	0.011
090	K2581-42542	PLATE HST SPRING	1				0	0
100	K2581-42510	ARM HST NEUTRAL	1				0.09	0.198
110	66116-42840	SHIM	1			0.5mm	0.002	0.0044
120	K2581-12860	BEARING	2				0.017	0.0374
130	K7021-39140	CIR CLIP EXTERNAL	1				0.001	0.0022
140	31381-76390	SEAL OIL	1				0.01	0.022
150	04612-00140	CIR CLIP EXTERNAL	1				0.001	0.0022
160	K2581-42472	LEVER NEUTRAL	1				0.065	0.143
170	04811-10420	O RING	1				0.001	0.0022
180	01125-60820	BOLT	1				0.015	0.033
190	02114-50080	NUT	1				0.005	0.011
200	K2581-42452	PLATE HST NEUTRAL	1				0.1	0.22
210	01123-50820	BOLT	2				0.011	0.0242
220	K2581-42410	ARM HST TRUNNION	1				0.14	0.308
230	05411-00630	PIN SPRING	1				0.004	0.0088
240	K2581-42560	SPRING	1				0.06	0.132
250	K2581-42570	ROD ADJUST	1				0.02	0.044
260	02114-50080	NUT	2				0.005	0.011

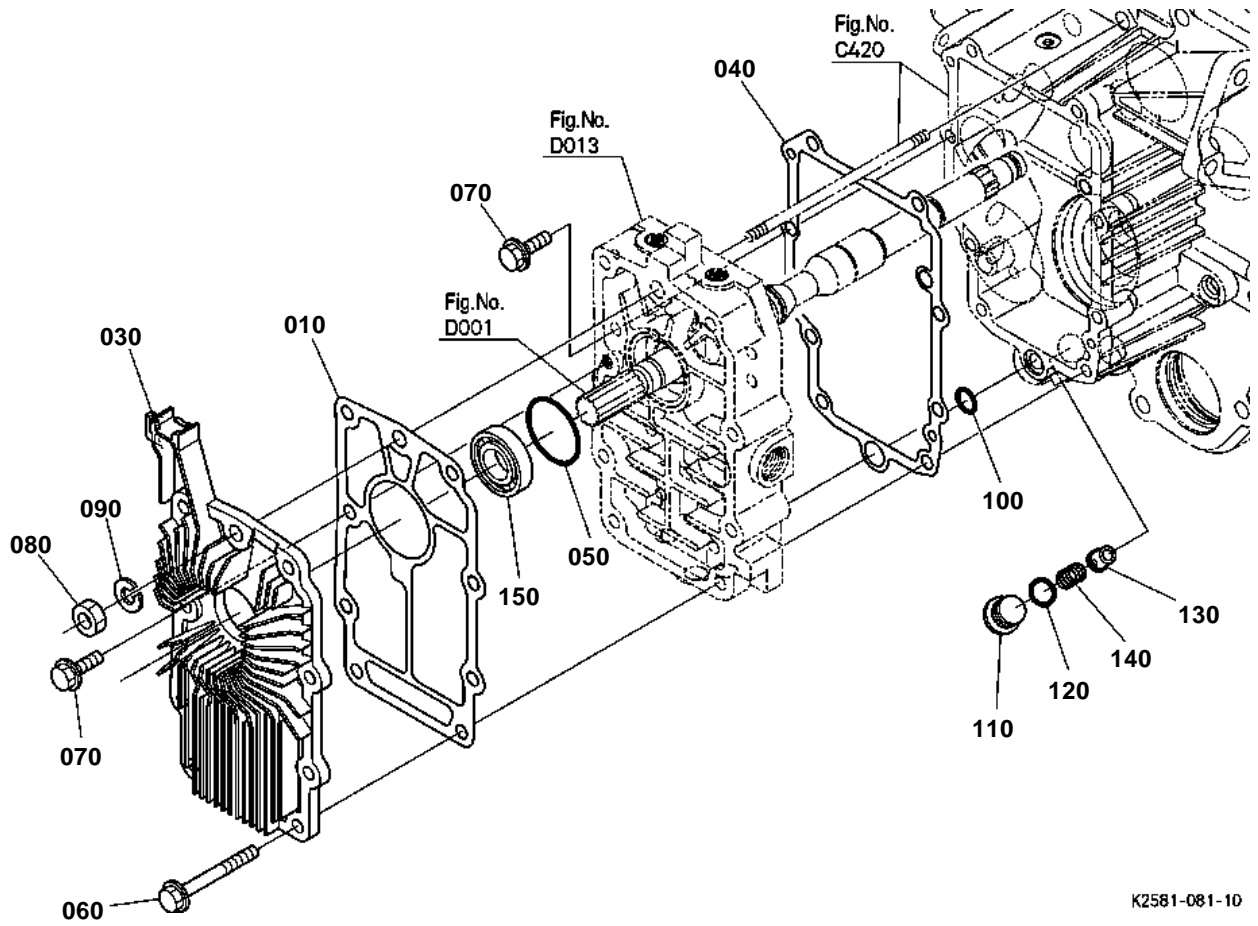




HST 3

↔ Interchangeable; ≠ not interchangeable; ← new for old; → old for new

REF.No	Part No.	Description	Q'ty	S.No.	I/C	REMARKS	Weight (kgf)	Weight (lb)
010	K2581-14700	ASSY COVER PORT BLO.	1				0	0
020	99999-99999	BLANK	0				0	0
030	99999-99999	BLANK	0				0	0
040	6A610-35320	BEARING NEEDLE	2				0.025	0.055
050	32721-35380	SEAL OIL	1				0.002	0.0044
060	K7001-39620	PLUG	5				0.005	0.011
070	05411-00310	PIN SPRING	4				0.001	0.0022
080	K2581-14720	ASSY VALVE RELIEF F	1				0.04	0.088
090	5H600-11820	PLUG	1				0.005	0.011
100	04817-00180	O RING	1				0.003	0.0066
110	K2581-14730	ASSY VALVE RELIEF R	1				0.04	0.088
120	5H600-11820	PLUG	1				0.005	0.011
130	04817-00180	O RING	1				0.003	0.0066
140	K7561-14090	PIN STRAIGHT	2				0.002	0.0044
150	K7561-14842	PLATE VALVE M	1				0.03	0.066
160	K7561-14852	PLATE VALVE P	1				0.03	0.066



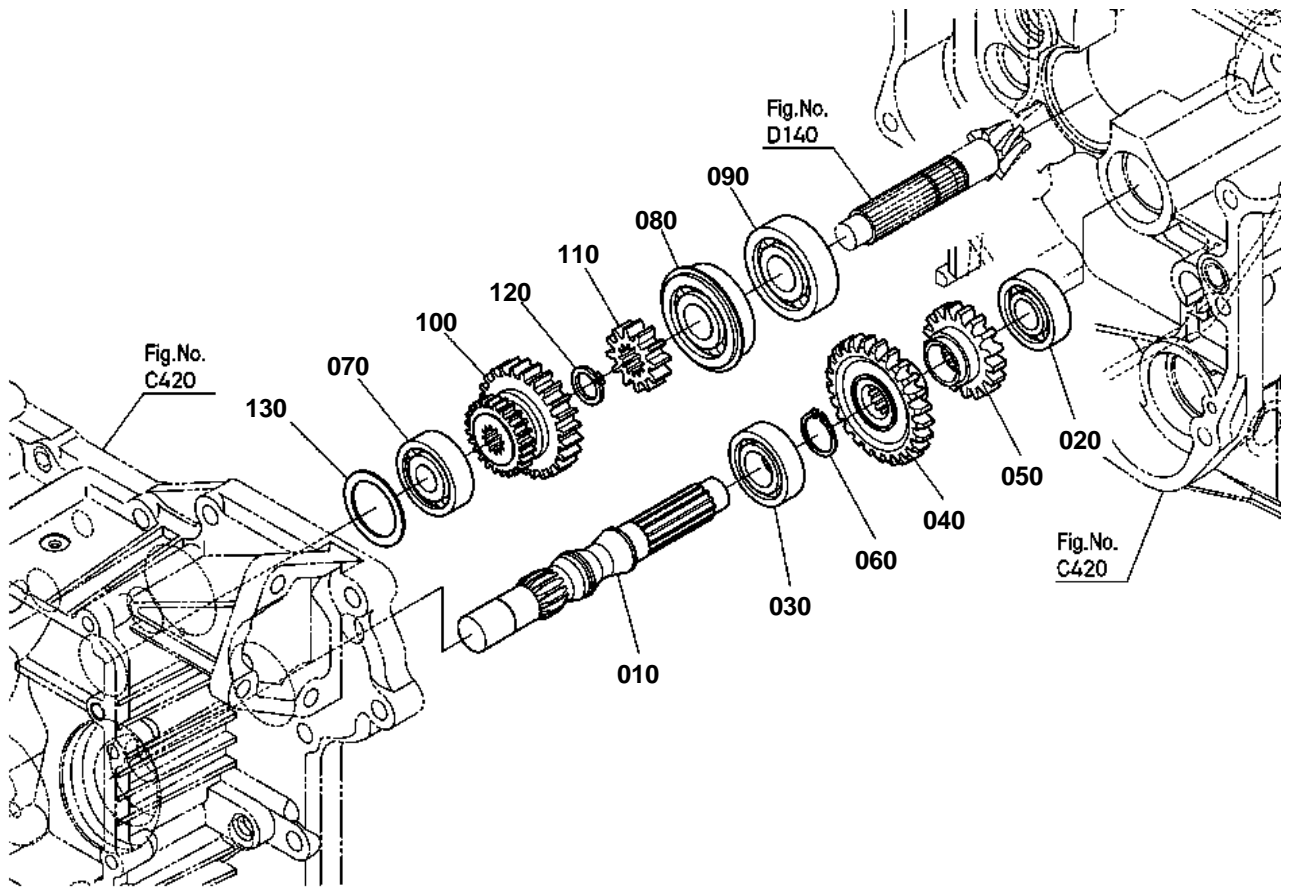
K2581-081-10



↔ Interchangeable; ≠ not interchangeable; ← new for old; → old for new

REF.No	Part No.	Description	Q'ty	S.No.	I/C	REMARKS	Weight (kgf)	Weight (lb)
010	K2581-14430	GASKET FRONT	1				0	0
020	99999-99999	BLANK	0				0	0
030	K2581-11050	COVER OIL COOLER	1				0.6	1.32
040	K2581-14420	GASKET	1				0	0
050	04817-06420	O RING	1				0.005	0.011
060	01754-50865	BOLT FLANGE	7				0.027	0.0594
070	01754-50825	BOLT FLANGE	2				0.01	0.022
080	02118-50100	NUT	1				0.005	0.011
090	04512-60100	WASHER SPRING	1				0.002	0.0044
100	04817-00120	O RING	1				0.001	0.0022
110	5H600-12620	PLUG	1				0.021	0.0462
120	04817-00140	O RING	1				0.001	0.0022
130	66363-39710	POPPET L	1				0.006	0.0132
140	66363-39720	SPRING	1				0.01	0.022
150	08141-06004	BEARING BALL	1				0.064	0.1408

RANGE GEAR SHAFT



K2581-032-10

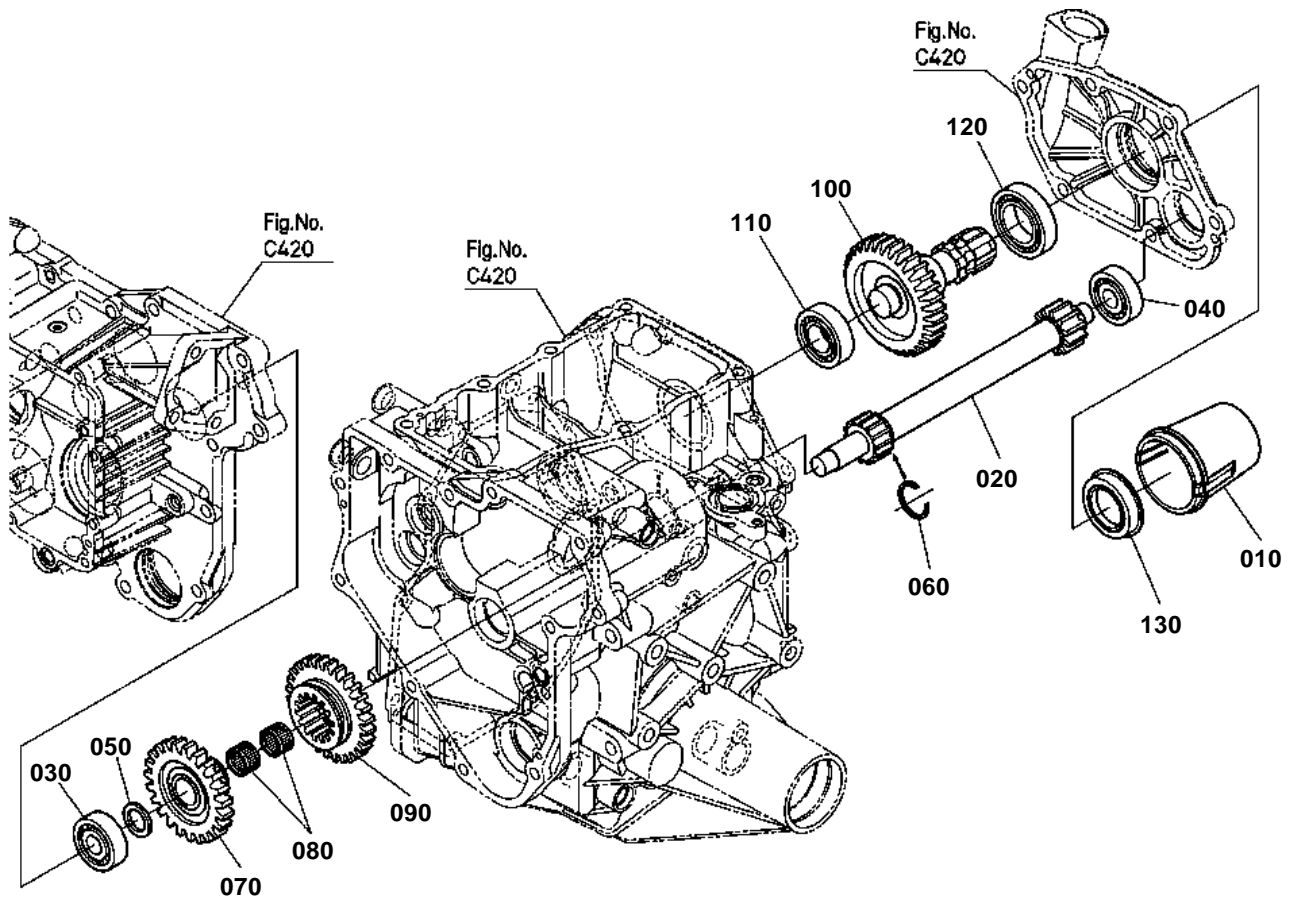


# RANGE GEAR SHAFT

↔ Interchangeable; ≠ not interchangeable; ← new for old; → old for new

REF.No	Part No.	Description	Q'ty	S.No.	I/C	REMARKS	Weight (kgf)	Weight (lb)
010	K2581-11830	SHAFT HST MOTOR	1				0.43	0.946
020	PL501-12140	BEARING	1				0.064	0.1408
030	K2581-12820	BEARING	1				0.06	0.132
040	K2581-11820	GEAR HIGH	1			25T	0.21	0.462
050	K2581-11810	GEAR LOWER	1			17T	0.12	0.264
060	04612-00200	CIR CLIP EXTERNAL	1				0.001	0.0022
070	08221-07302	BEARING BALL	1				0.09	0.198
080	K2581-12830	BEARING	1				0.155	0.341
090	37410-14320	BEARING BALL	1				0.145	0.319
100	K2561-11920	GEAR SUB	1			16-24T	0.28	0.616
110	K2561-11930	GEAR FWD	1			12T	0.05	0.11
120	K2561-11940	CIR CLIP EXTERNAL	1				0.003	0.0066
130	K2561-11950	SHIM	2			0.5mm	0.003	0.0066
130	K2561-11960	SHIM	1			0.2mm	0.001	0.0022

PTO SHAFT



K2581-030-10

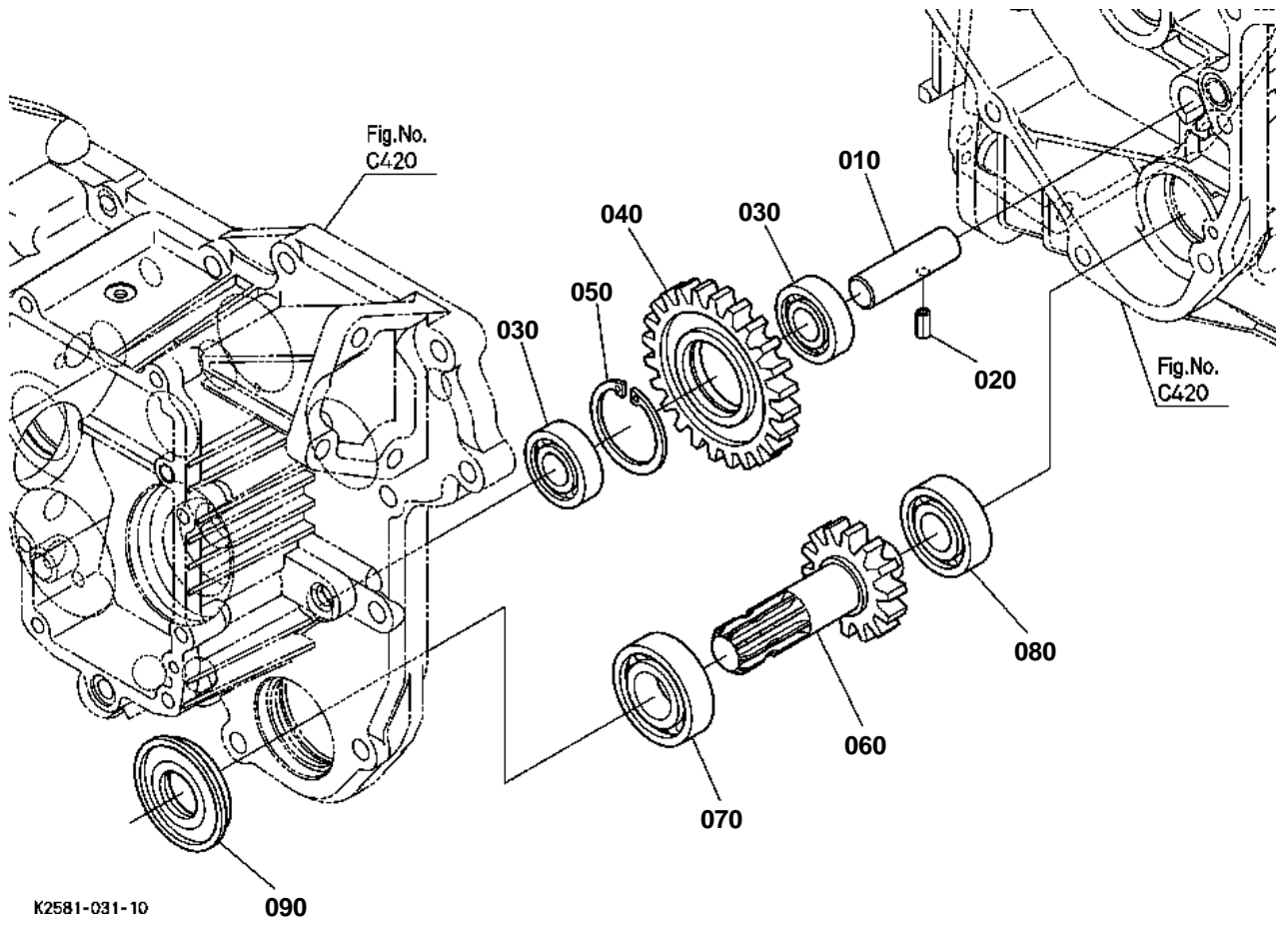




# PTO SHAFT

↔ Interchangeable; ≠ not interchangeable; ← new for old; → old for new

REF.No	Part No.	Description	Q'ty	S.No.	I/C	REMARKS	Weight (kgf)	Weight (lb)
010	37410-63112	CAP PTO SHAFT	1				0.055	0.121
020	K2581-11410	GEAR-SHAFT PTO SELE.	1			11T	1.27	2.794
030	PL501-12150	BEARING	1				0.112	0.2464
040	67955-14170	BEARING BALL	1				0.114	0.2508
050	54121-16260	WASHER	1				0.01	0.022
060	K2561-11450	CIR CLIP EXTERNAL	1				0.003	0.0066
070	K2581-11420	GEAR MID PTO	1			23T	0.51	1.122
080	08822-02417	BEARING NEEDLE	2				0.015	0.033
090	K2581-11440	GEAR PTO SELECT	1			28T	0	0
100	K2581-11510	GEAR SHAFT REAR PTO	1			32T	1.57	3.454
110	66415-39340	BEARING BALL	1				0.05	0.11
120	6C040-14730	BEARING BALL	1				0.15	0.33
130	37410-16550	SEAL OIL	1				0.03	0.066

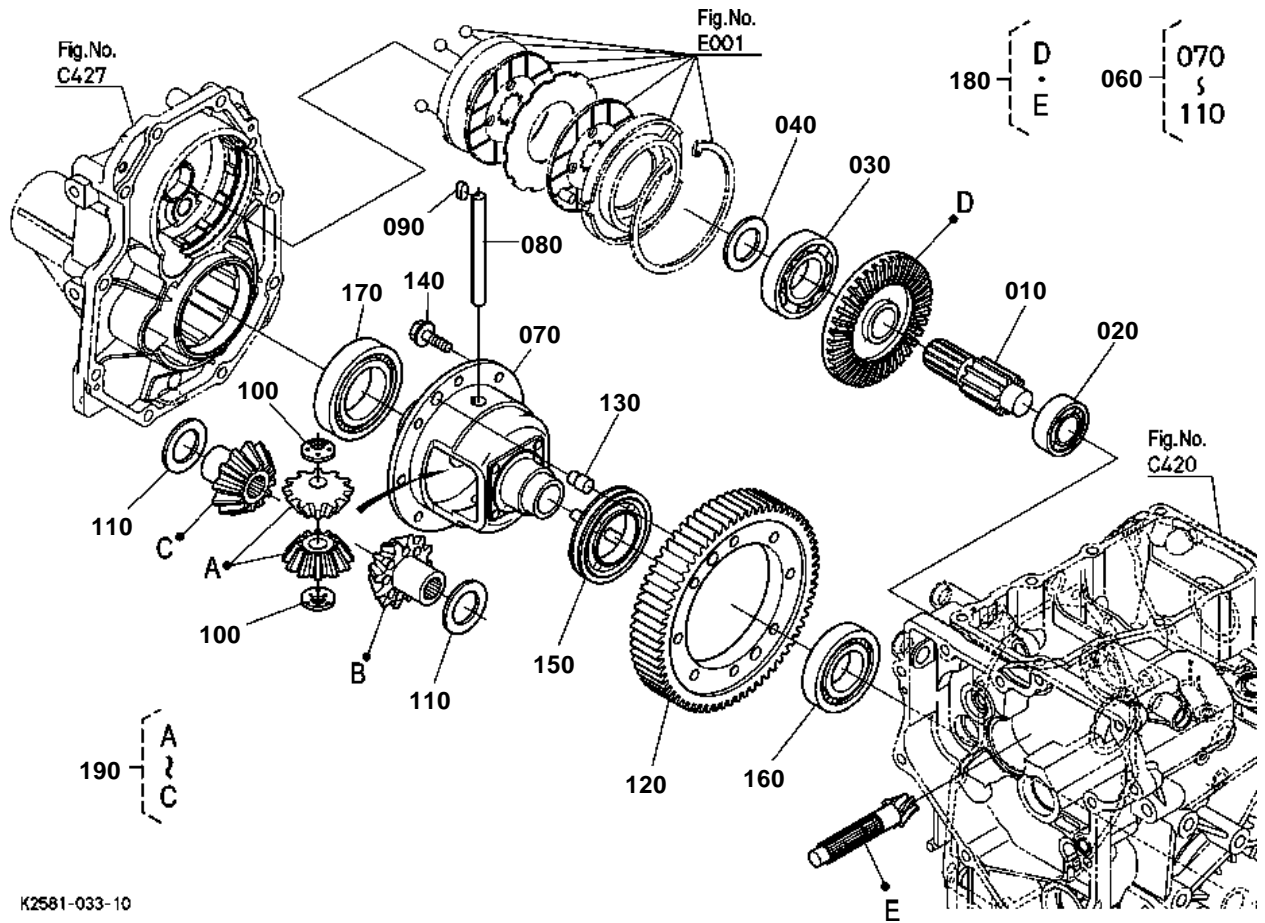


**MID PTO**

↔ Interchangeable; ≠ not interchangeable; ← new for old; → old for new

REF.No	Part No.	Description	Q'ty	S.No.	I/C	REMARKS	Weight (kgf)	Weight (lb)
010	K2581-11610	SHAFT MID PTO IDLE	1				0.1	0.22
020	05411-00616	PIN SPRING	1				0.002	0.0044
030	PL501-12140	BEARING	2				0.064	0.1408
040	K2581-11620	GEAR MID PTO IDLE	1			24T	0.43	0.946
050	04611-00400	CIR CLIP INTERNAL	1				0.005	0.011
060	K2581-11710	SHAFT GEAR	1			14T	0.54	1.188
070	PL501-12190	BEARING	1				0.131	0.2882
080	PL501-12160	BEARING	1				0.1	0.22
090	32430-25540	SEAL OIL MID PTO	1				0.04	0.088

REAR DIFFERENTIAL



K2581-033-10

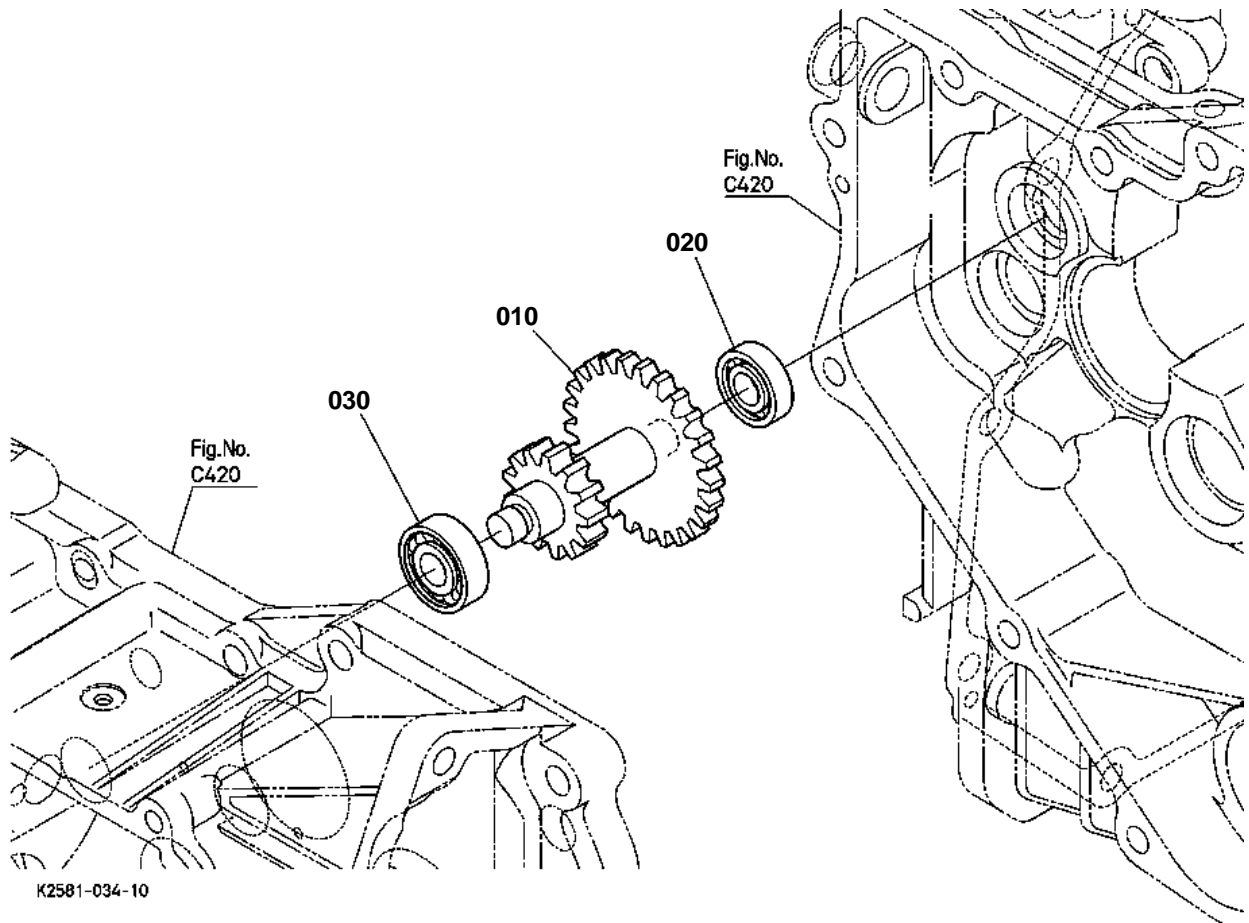


## REAR DIFFERENTIAL

↔ Interchangeable; ≠ not interchangeable; ← new for old; → old for new

REF.No	Part No.	Description	Q'ty	S.No.	I/C	REMARKS	Weight (kgf)	Weight (lb)
010	K2581-12412	GEAR SHAFT FINAL	1			10T	0.62	1.364
020	K2581-12870	BEARING ROLLER	1				0.16	0.352
030	K7561-12150	BEARING	1				0.36	0.792
040	31353-43760	SHIM	1			0.6mm	0.01	0.022
040	31353-43770	SHIM	1			0.8mm	0.015	0.033
040	31353-43780	SHIM	1			1.0mm	0.014	0.0308
040	31353-43790	SHIM	1			1.2mm	0.015	0.033
040	6A320-56880	SHIM	1			1.4mm	0.016	0.0352
040	31353-43860	SHIM	1			0.1mm	0.004	0.0088
050	99999-99999	BLANK	0				0	0
060	K2561-12510	ASSY DIFFERENTIAL	1				4.5	9.9
070	K2561-12490	CASE DIFFERENTIAL	1				2.5	5.5
080	K2561-12480	SHAFT DIFF.PINION	1				0.3	0.66
090	K2561-12470	KEY FEATHER	1				0.002	0.0044
100	31351-26390	WASHER DIFF.PINION	2				0.012	0.0264
110	31331-26470	WASHER SIDE GEAR	2			1.5mm	0.005	0.011
110	31331-26480	WASHER SIDE GEAR	2			1.6mm	0.017	0.0374
110	31331-26490	WASHER SIDE GEAR	2			1.7mm	0.02	0.044
120	K2581-12550	GEAR FINAL	1			66T	3.7	8.14
130	37300-28170	PIN STRAIGHT	2				0.025	0.055
140	37800-43870	BOLT	8				0.026	0.0572
150	K2561-12590	SHIFTER DIFF.LOCK	1				0.4	0.88
160	K7561-12150	BEARING	1				0.36	0.792
170	K7561-12160	BEARING	1				0.46	1.012
180	K2581-90100	ASSY GEAR BEVEL	1			6-37T	0	0
190	K2561-90120	ASSY GEAR BEVEL	1			12-20T	0.6	1.32

FWD IDLE SHAFT



K2581-034-10

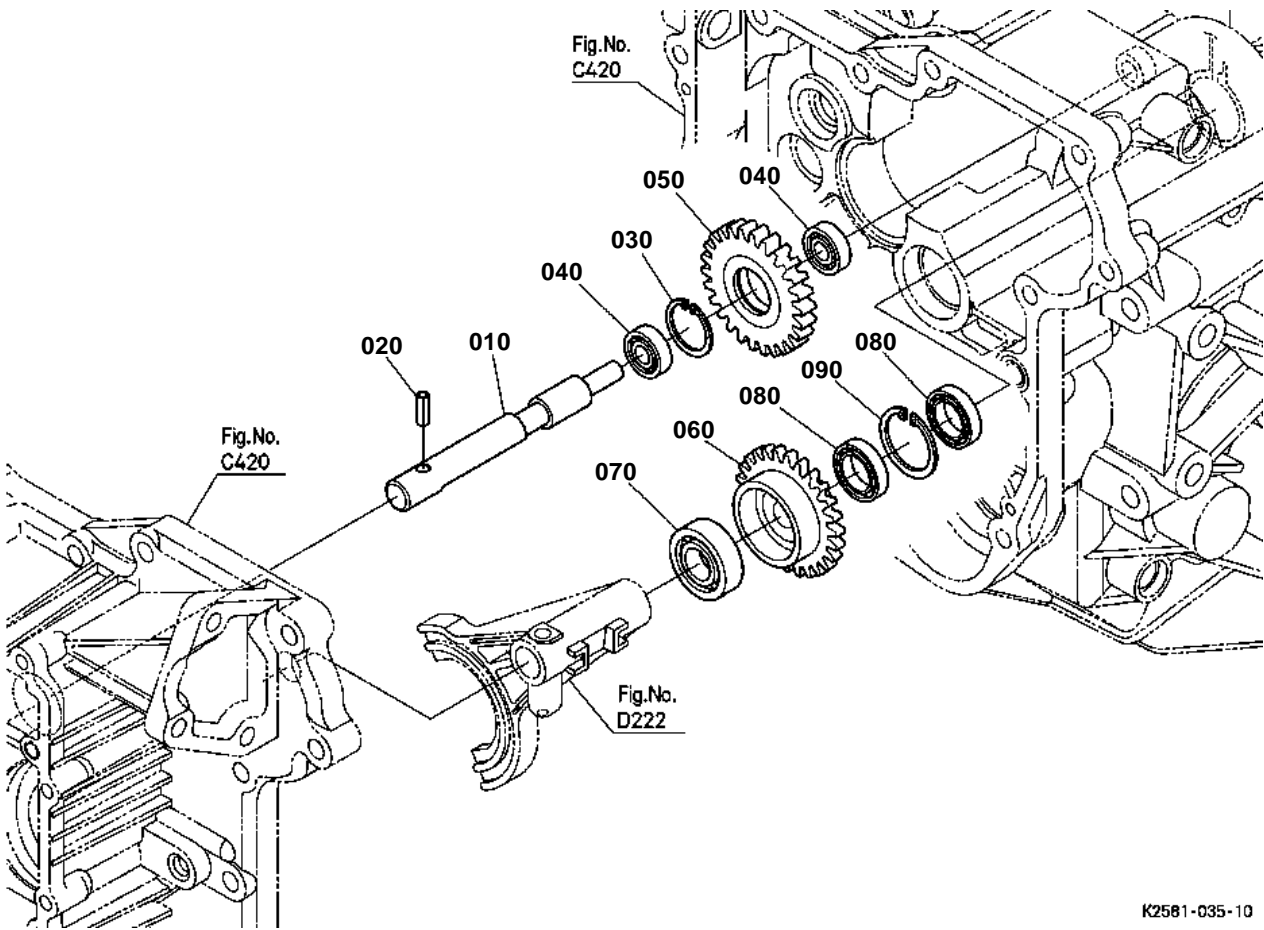


## FWD IDLE SHAFT

↔ Interchangeable; ≠ not interchangeable; ← new for old; → old for new

REF.No	Part No.	Description	Q'ty	S.No.	I/C	REMARKS	Weight (kgf)	Weight (lb)
010	K2581-12020	GEAR-SHAFT FWD	1			13-25T	0.34	0.748
020	K2581-12040	BEARING BALL	1				0.025	0.055
030	K2561-12050	BEARING BALL	1				0.04	0.088

GP IDLE SHAFT



K2581-035-10



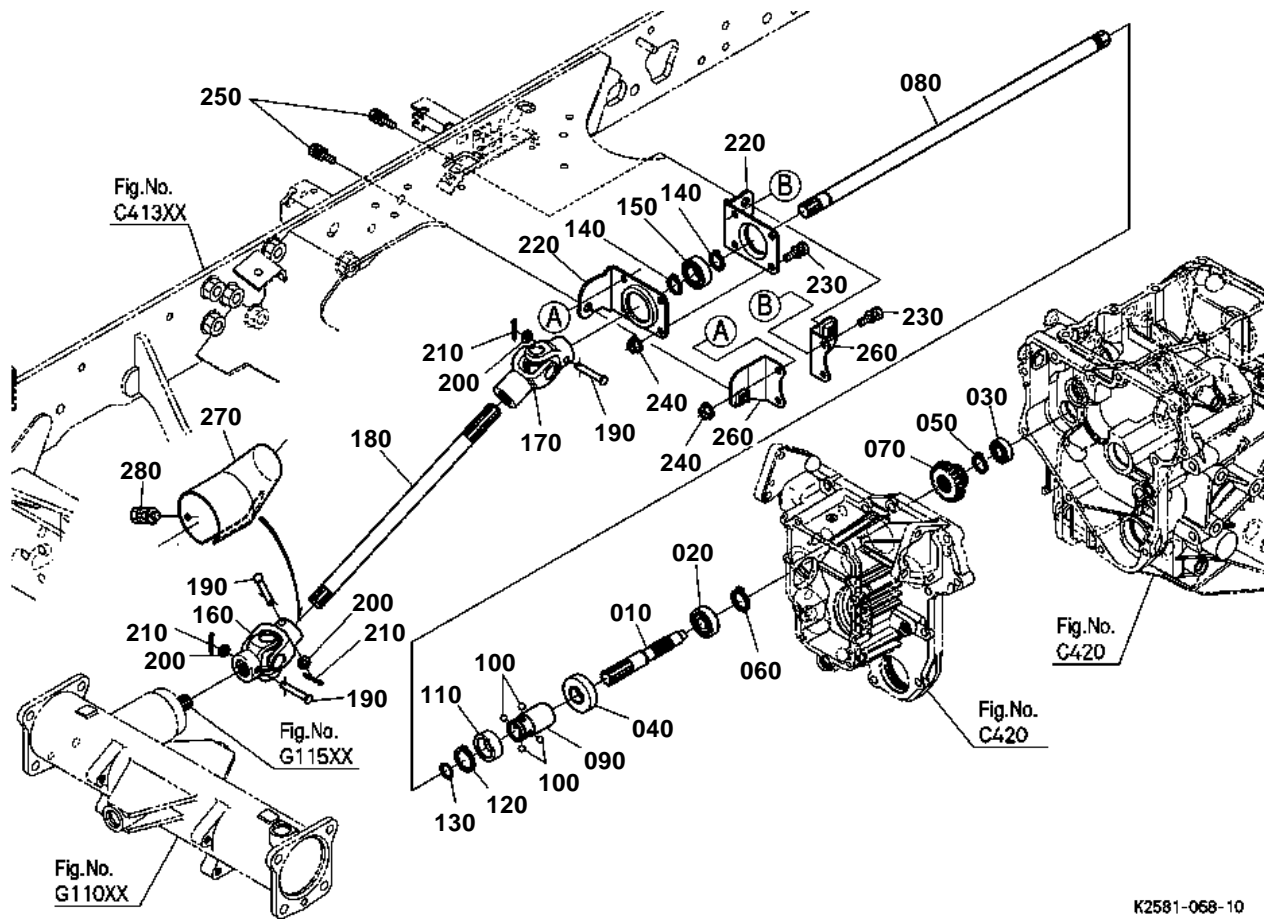


## GP IDLE SHAFT

↔ Interchangeable; ≠ not interchangeable; ← new for old; → old for new

REF.No	Part No.	Description	Q'ty	S.No.	I/C	REMARKS	Weight (kgf)	Weight (lb)
010	K2581-11130	SHAFT GP IDLE GEAR	1				0.19	0.418
020	05411-00616	PIN SPRING	1				0.002	0.0044
030	04611-00260	CIR CLIP INTERNAL	1				0.002	0.0044
040	K2581-12840	BEARING	2				0.015	0.033
050	K2581-12220	GEAR GP IDLE	1			26T	0.23	0.506
060	K2581-12310	GEAR	1			26T	0.25	0.55
070	PL501-12140	BEARING	1				0.064	0.1408
080	K2581-12850	BEARING	2				0.02	0.044
090	04611-00320	CIR CLIP INTERNAL	1				0.002	0.0044

FRONT WHEEL PROPELLER SHAFT



K2581-068-10

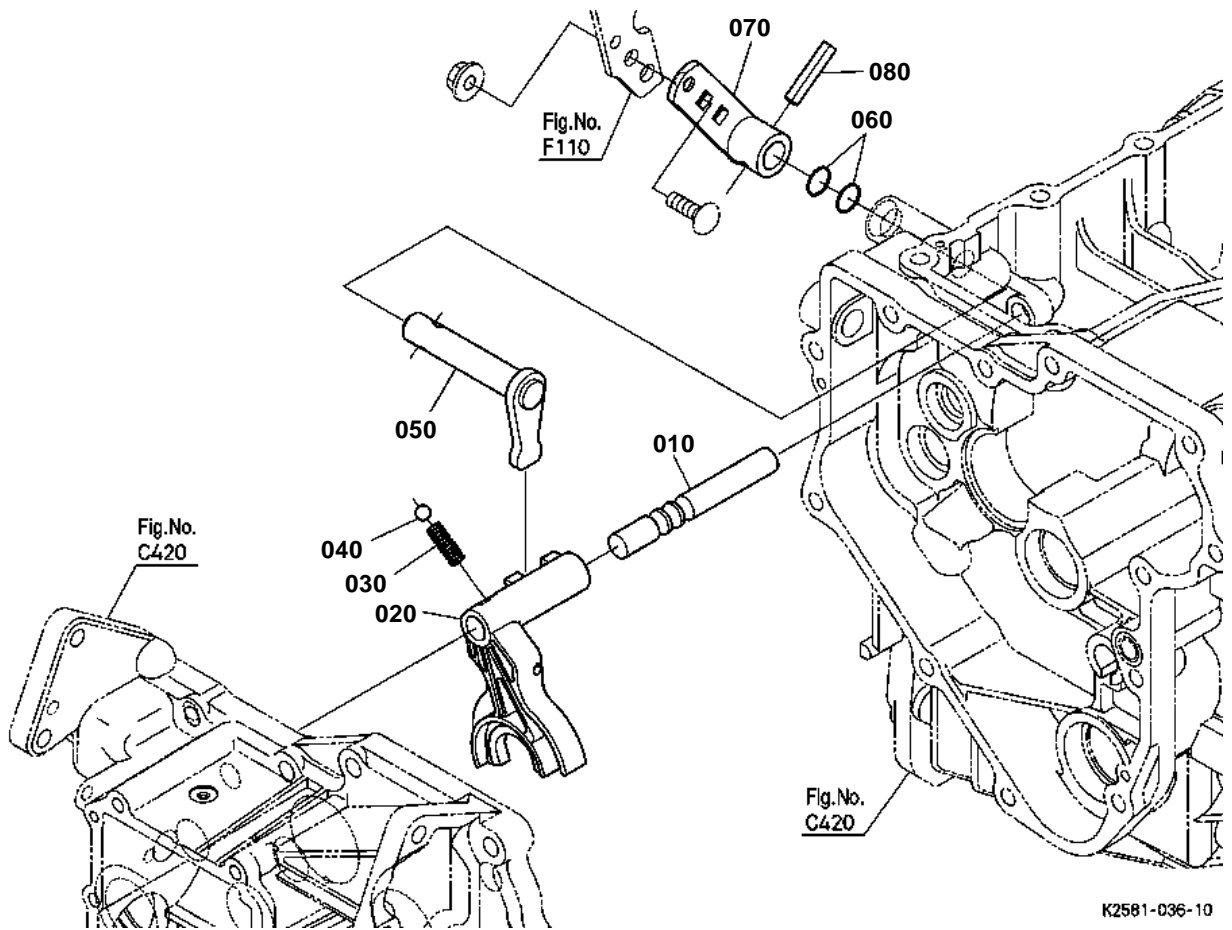


FRONT WHEEL PROPELLER SHAFT

↔ Interchangeable; ≠ not interchangeable; ← new for old; → old for new

REF.No	Part No.	Description	Q'ty	S.No.	I/C	REMARKS	Weight (kgf)	Weight (lb)
010	K2581-12110	SHAFT 4WD	1				0.28	0.616
020	PL501-12320	BEARING	1				0.068	0.1496
030	K2561-12050	BEARING BALL	1				0.04	0.088
040	09500-20428	SEAL OIL	1				0.012	0.0264
050	04612-00180	CIR CLIP EXTERNAL	1				0.001	0.0022
060	04612-00200	CIR CLIP EXTERNAL	1				0.001	0.0022
070	K2581-12130	GEAR FWD SELECT	1			19T	0.175	0.385
080	K2581-14310	SHAFT FWD DRIVE	1				0	0
090	K2561-14320	COUPLING FWD	1				0.15	0.33
100	07715-01605	BALL	4				0.003	0.0066
110	K2561-14330	COLLAR COUPLING	1				0.05	0.11
120	04612-00280	CIR CLIP EXTERNAL	1				0.003	0.0066
130	04817-00160	O RING	1				0.001	0.0022
140	15875-24320	RING SNAP	2				0.003	0.0066
150	08141-06304	BEARING BALL	1				0.142	0.3124
160	K2561-16810	ASSY JOINT UNIVERSAL	1				0.63	1.386
170	K2561-16820	ASSY JOINT UNIVERSAL	1				0.73	1.606
180	K2581-16830	SHAFT DRIVE FRONT	1				0	0
190	K2561-16780	PIN JOINT	3				0.01	0.022
200	04013-60060	WASHER PLAIN	3				0.001	0.0022
210	K2561-16790	PIN SPLIT	3				0.002	0.0044
220	K2581-16895	HOLDER BEARING	2				0	0
230	01123-50830	BOLT	4				0.015	0.033
240	02751-50080	NUT FLANGE	4				0.006	0.0132
250	01133-51235	BOLT	2				0.043	0.0946
260	K2581-16880	PLATE HOLDER	2				0	0
270	K2511-16850	COVER JOINT	1				0.05	0.11
280	01754-50612	BOLT FLANGE	1				0.005	0.011

RANGE GEAR SHIFT FORK



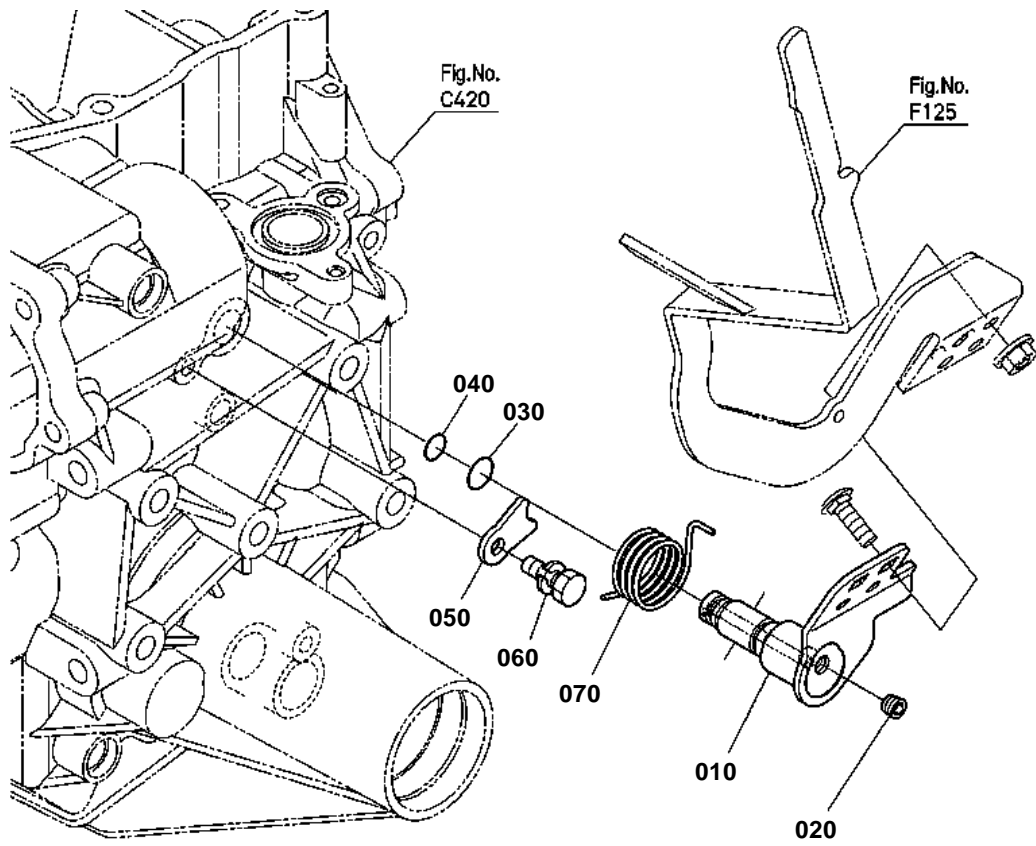


# RANGE GEAR SHIFT FORK

↔ Interchangeable; ≠ not interchangeable; ← new for old; → old for new

REF.No	Part No.	Description	Q'ty	S.No.	I/C	REMARKS	Weight (kgf)	Weight (lb)
010	K2581-13010	ROD FORK	1				0.125	0.275
020	K2581-13020	FORK RANGE SHIFT	1				0.14	0.308
030	62061-18260	SPRING STOPPER	1				0.002	0.0044
040	07715-01605	BALL	1				0.003	0.0066
050	K2581-13030	ARM RANGE SHIFT	1				0.18	0.396
060	04817-00160	O RING	2				0.001	0.0022
070	K2581-42980	ARM LEVER	1				0.12	0.264
080	05411-00836	PIN SPRING	1				0.008	0.0176

PTO GEAR SHIFT FORK



K2581-056-10

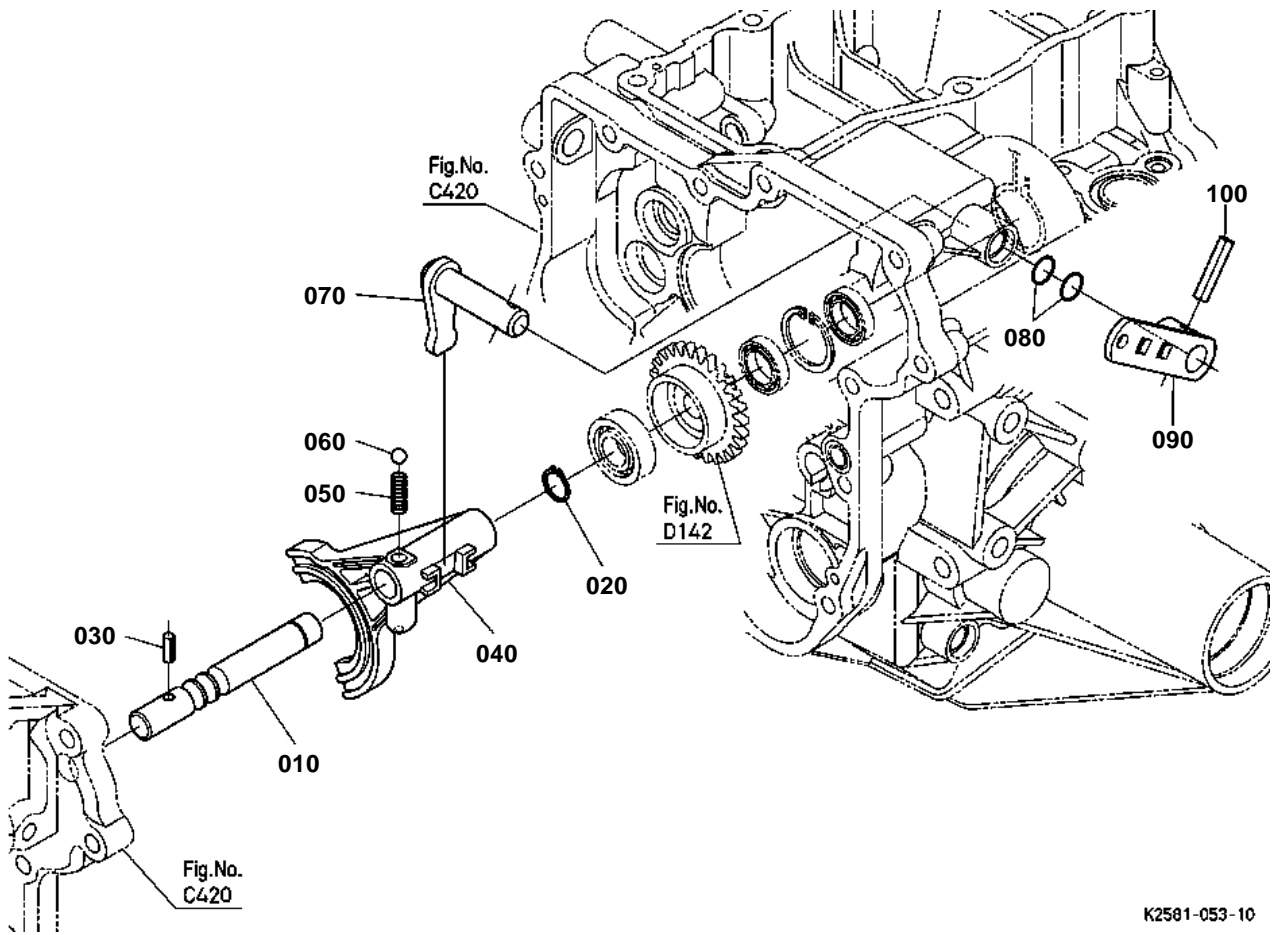


# PTO GEAR SHIFT FORK

↔ Interchangeable; ≠ not interchangeable; ← new for old; → old for new

REF.No	Part No.	Description	Q'ty	S.No.	I/C	REMARKS	Weight (kgf)	Weight (lb)
010	K2581-13450	ARM PTO CLUTCH	1				0.28	0.616
020	32721-35450	PLUG	1				0.002	0.0044
030	04816-00140	O RING	1				0.002	0.0044
040	04816-00110	O RING	1				0.001	0.0022
050	K2581-13440	PLATE PTO CLUTCH ARM	1				0.012	0.0264
060	01123-50820	BOLT	1				0.011	0.0242
070	K2581-42640	SPRING PTO LEVER	1				0.06	0.132

PTO GEAR SHIFT ARM



K2581-053-10



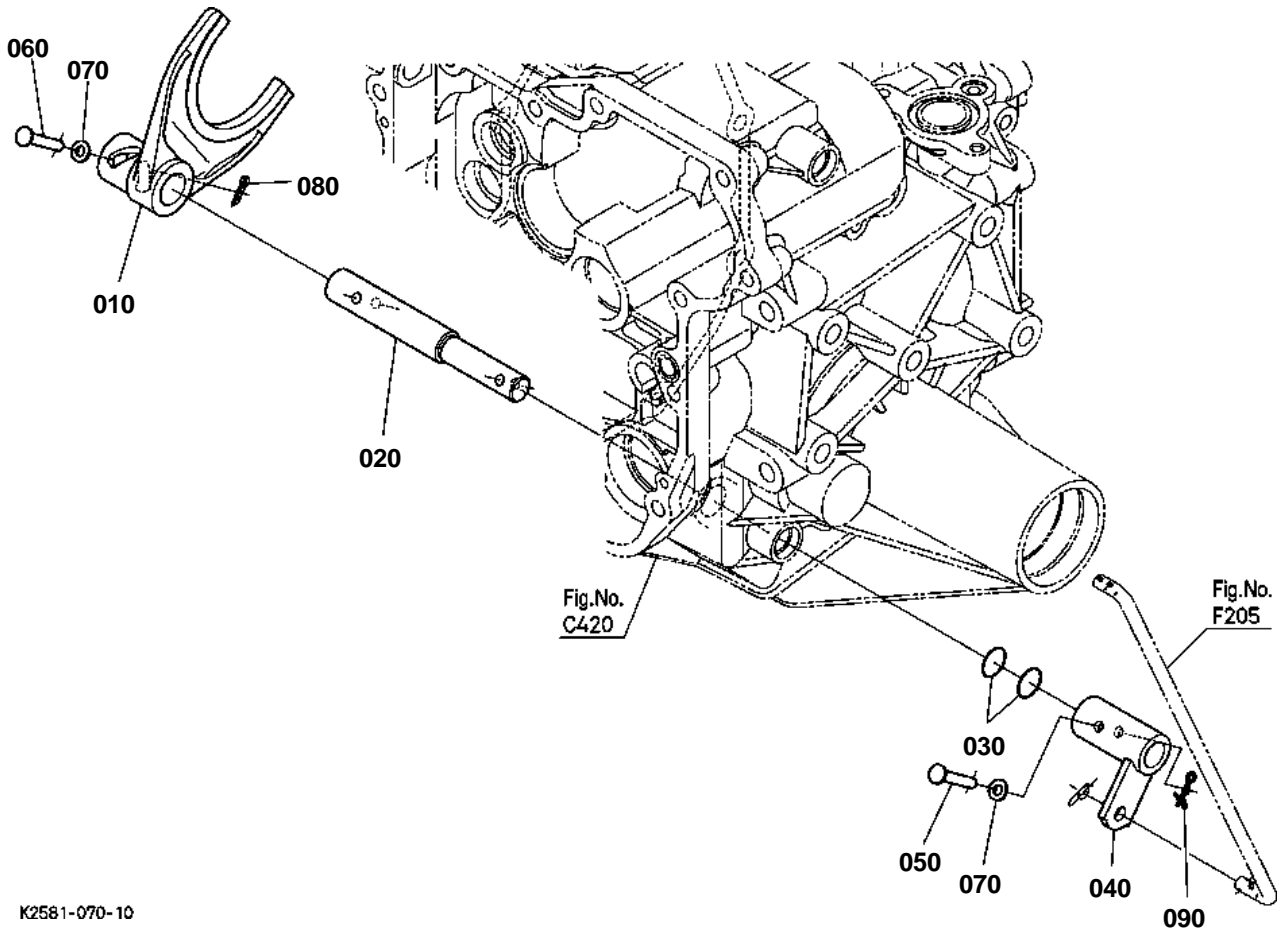


# PTO GEAR SHIFT ARM

↔ Interchangeable; ≠ not interchangeable; ← new for old; → old for new

REF.No	Part No.	Description	Q'ty	S.No.	I/C	REMARKS	Weight (kgf)	Weight (lb)
010	K2581-13110	ROD PTO FORK	1				0.22	0.484
020	04612-00170	CIR CLIP EXTERNAL	1				0.001	0.0022
030	05411-00616	PIN SPRING	1				0.002	0.0044
040	K2581-13120	FORK PTO SHIFT	1				0.18	0.396
050	62061-18260	SPRING STOPPER	1				0.002	0.0044
060	07715-01605	BALL	1				0.003	0.0066
070	K2581-13130	ARM PTO SELECT	1				0.145	0.319
080	04817-00160	O RING	2				0.001	0.0022
090	K2581-42980	ARM LEVER	1				0.12	0.264
100	05411-00836	PIN SPRING	1				0.008	0.0176

DIFFERENTIAL LOCK SHIFT FORK



K2581-070-10

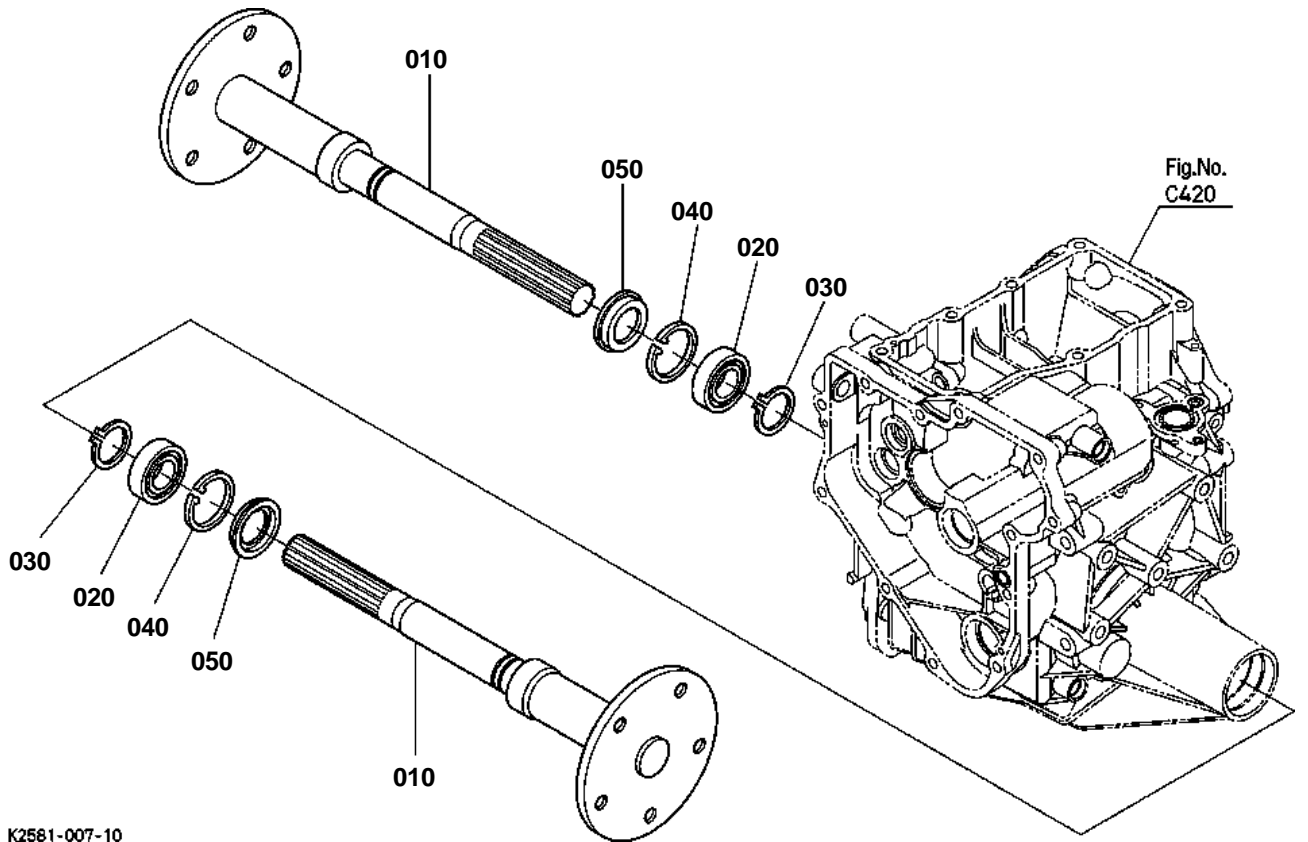


## DIFFERENTIAL LOCK SHIFT FORK

↔ Interchangeable; ≠ not interchangeable; ← new for old; → old for new

REF.No	Part No.	Description	Q'ty	S.No.	I/C	REMARKS	Weight (kgf)	Weight (lb)
010	K2581-13310	FORK DIFF.LOCK SHIFT	1				0.4	0.88
020	K2581-13320	SHAFT DIFF.LOCK	1				0	0
030	04817-00160	O RING	2				0.001	0.0022
040	K2581-13330	ARM DIFF.LOCK	1				0.16	0.352
050	31351-26620	PIN JOINT	1				0.008	0.0176
060	K2581-13340	PIN JOINT	1				0.008	0.0176
070	04013-60060	WASHER PLAIN	2				0.001	0.0022
080	05511-50212	PIN SPLIT	1				0.001	0.0022
090	50080-34110	PIN SNAP	1				0.001	0.0022

REAR AXLE



K2581-007-10

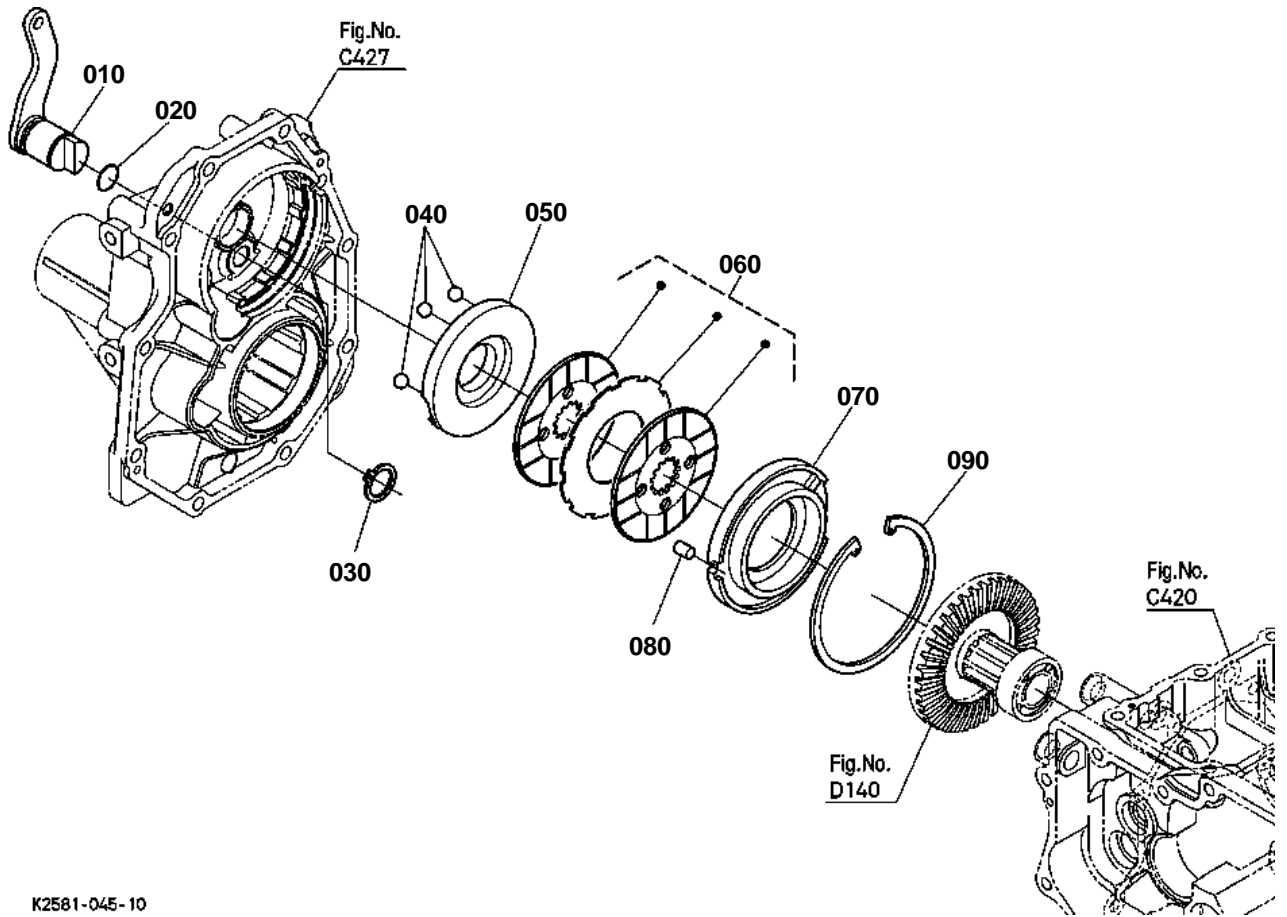


## REAR AXLE

↔ Interchangeable; ≠ not interchangeable; ← new for old; → old for new

REF.No	Part No.	Description	Q'ty	S.No.	I/C	REMARKS	Weight (kgf)	Weight (lb)
010	K2561-12613	AXLE REAR	2				4.18	9.196
020	PL501-12250	BEARING	2				0.154	0.3388
030	04612-00350	CIR CLIP EXTERNAL	2				0.01	0.022
040	04611-00620	CIR CLIP INTERNAL	2				0.011	0.0242
050	09500-00003	SEAL OIL	2				0.067	0.1474

BRAKE



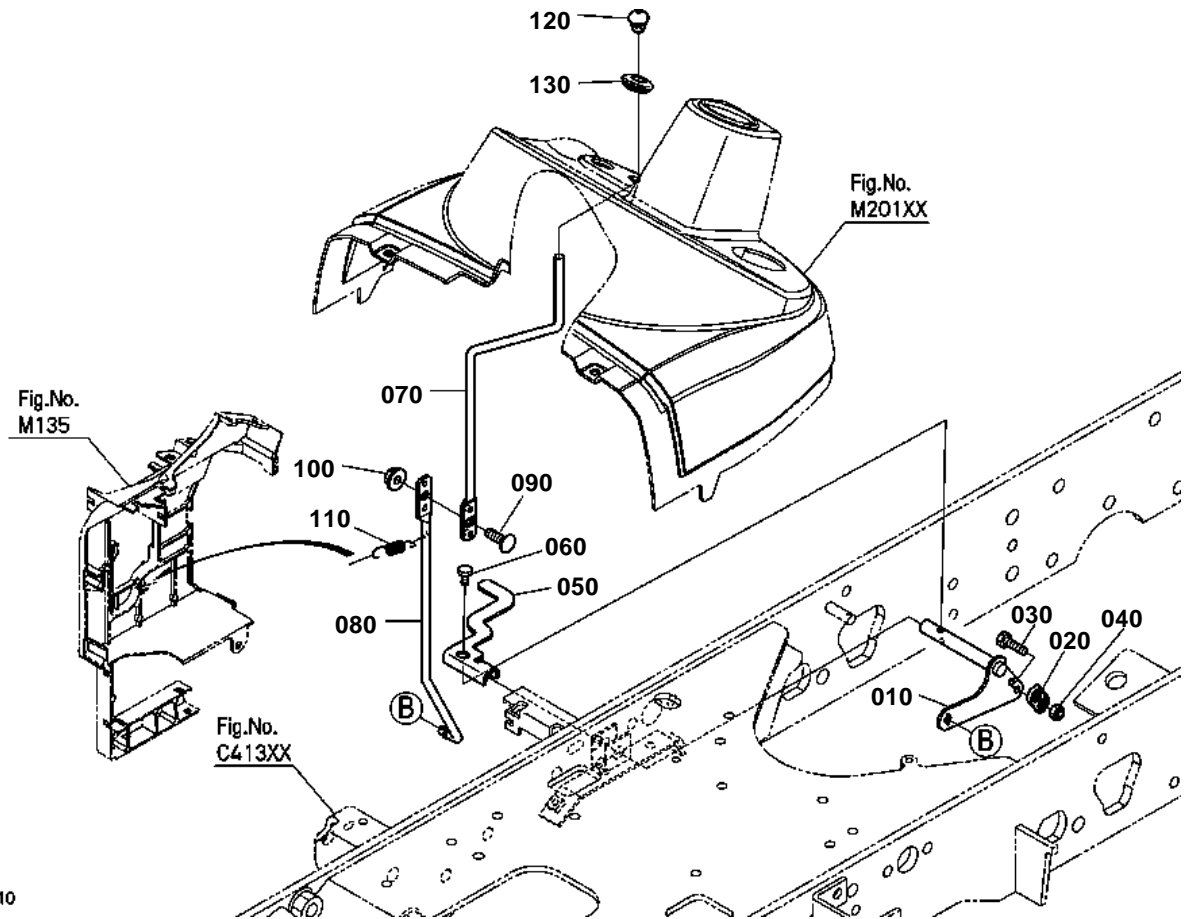
K2581-045-10

**BRAKE**

↔ Interchangeable; ≠ not interchangeable; ← new for old; → old for new

REF.No	Part No.	Description	Q'ty	S.No.	I/C	REMARKS	Weight (kgf)	Weight (lb)
010	K2581-13510	LEVER CAM	1				0.37	0.814
020	04816-00240	O RING	1				0.003	0.0066
030	04612-00300	CIR CLIP EXTERNAL	1				0.003	0.0066
040	07715-00805	BALL	3				0.016	0.0352
050	K2581-13540	ACTUATOR RH	1				0.55	1.21
060	K2581-13590	ASSY BRAKE	1				0	0
070	K2561-13550	HOLDER BEARING LH	1				0.59	1.298
080	K2561-13580	PIN	1				0.006	0.0132
090	K2561-13570	CIR-CLIP INTERNAL	1				0.04	0.088

CRUISE CONTROL LEVER



K2581-052-10



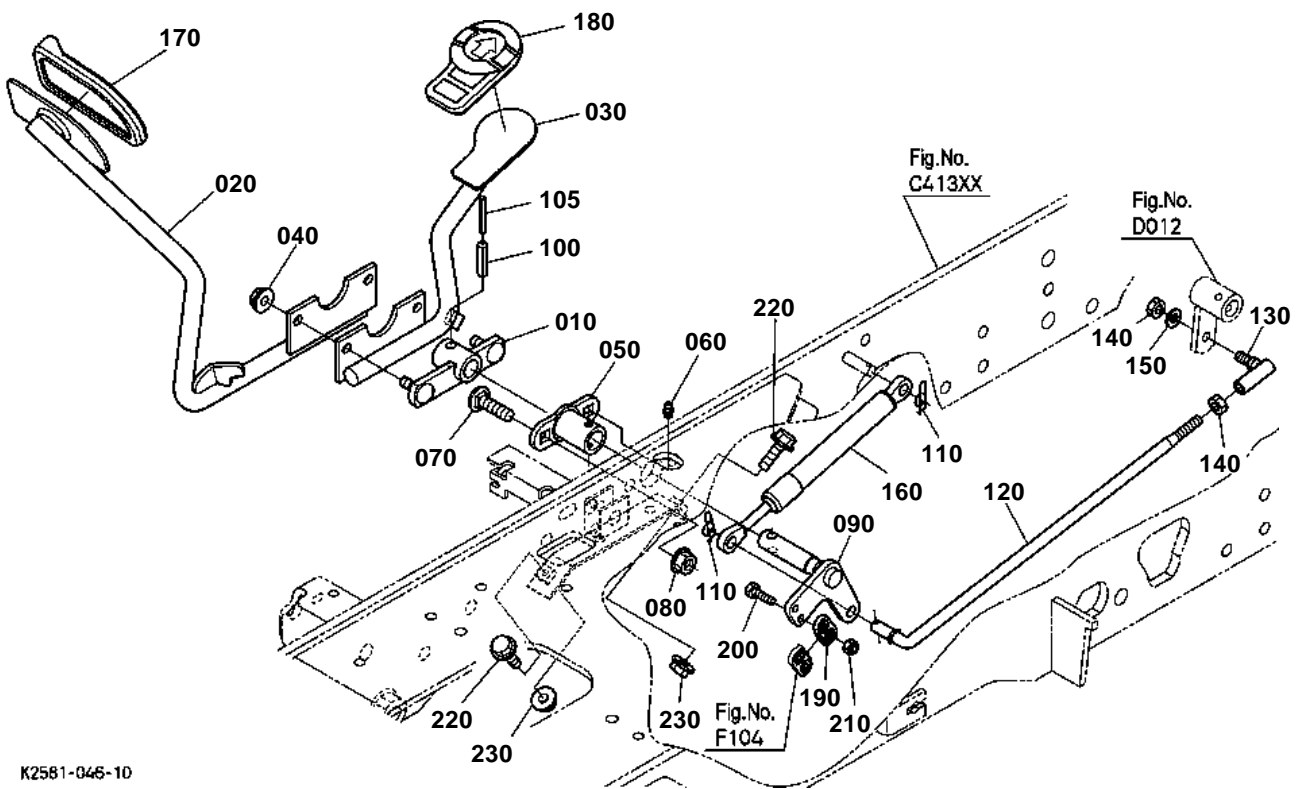


## CRUISE CONTROL LEVER

↔ Interchangeable; ≠ not interchangeable; ← new for old; → old for new

REF.No	Part No.	Description	Q'ty	S.No.	I/C	REMARKS	Weight (kgf)	Weight (lb)
010	K2581-43413	ARM CRUISE	1				0	0
020	K2571-43420	LOCK CRUISE	1				0.013	0.0286
030	01053-50620	BOLT	2				0.006	0.0132
040	02552-50060	NUT LOCK	2				0.002	0.0044
050	K2581-43430	ARM RELEASE	1				0	0
060	01754-50612	BOLT FLANGE	1				0.005	0.011
070	K2581-43530	ROD CRUISE UPPER	1				0	0
080	K2581-43520	ROD CRUISE UNDER	1				0	0
090	K1122-91330	BOLT SHORT SQU.NECK	1				0	0
100	02751-50080	NUT FLANGE	1				0.006	0.0132
110	K2581-43540	SPRING	1				0	0
120	K2581-43560	GRIP	1				0	0
130	K2581-43570	COVER ROD	1				0	0

SPEED CONTROL PEDAL



K2581-046-10

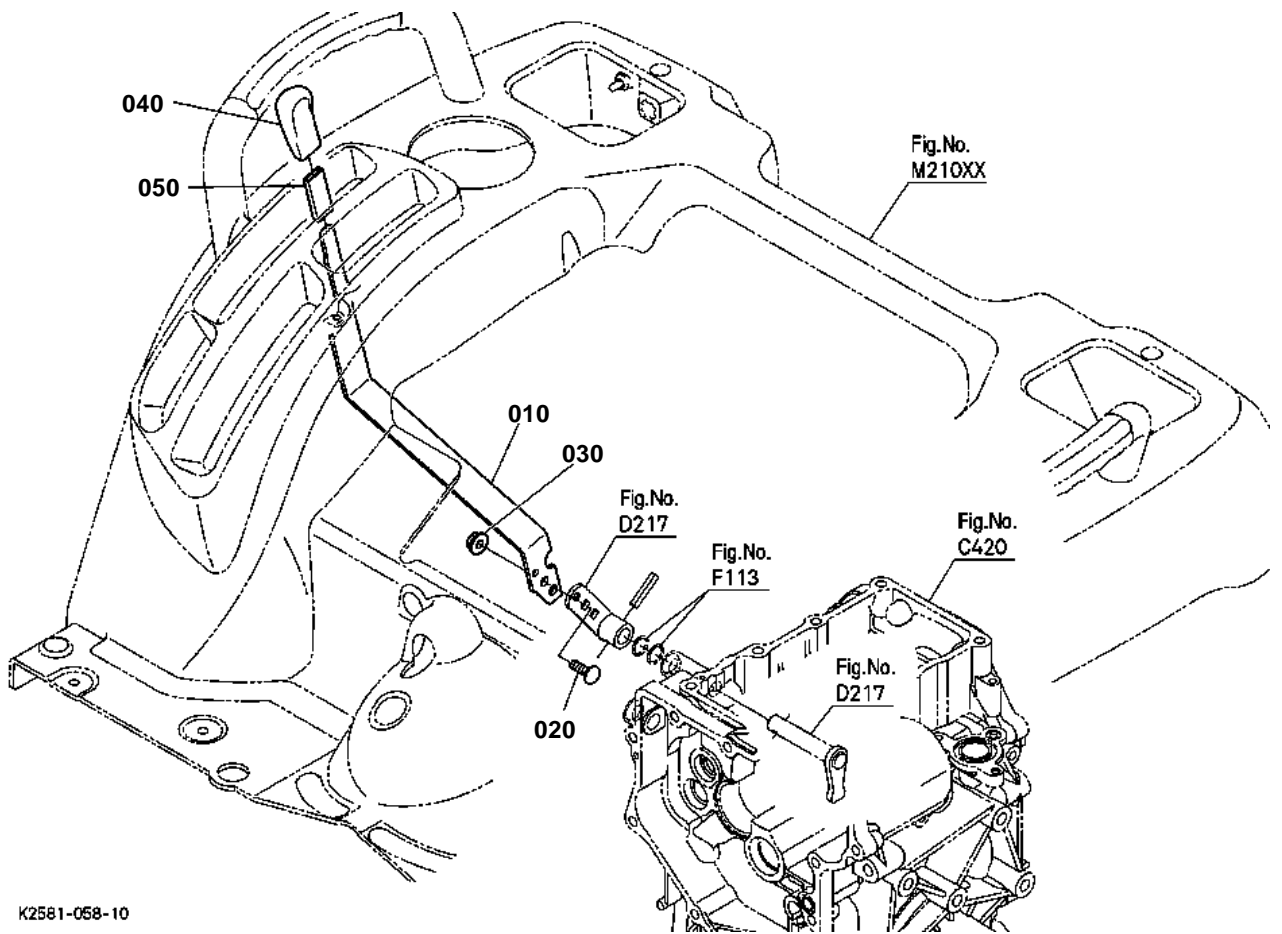


## SPEED CONTROL PEDAL

↔ Interchangeable; ≠ not interchangeable; ← new for old; → old for new

REF.No	Part No.	Description	Q'ty	S.No.	I/C	REMARKS	Weight (kgf)	Weight (lb)
010	K2581-42193	BOSS HST PEDAL CENT.	1				0	0
020	K2581-42113	PEDAL HST FRONT	1				0	0
030	K2581-42123	PEDAL HST REAR	1				0	0
040	02751-50080	NUT FLANGE	2				0.006	0.0132
050	K2581-42030	BOSS HST PEDAL	1				0	0
060	67211-42940	NIPPLE GREASE	1				0.001	0.0022
070	K2581-54860	BOLT SQUARE NECK	2				0	0
080	K1122-91960	NUT FLANGE	2				0.012	0.0264
090	K2581-42042	LINK PEDAL HST	1				0	0
100	05411-00836	PIN SPRING	1				0.008	0.0176
105	0Y540-50322	PIN SPRING	1				0	0
110	K1211-91130	RUE RING COTTER	2				0.01	0.022
120	K2581-42172	ROD SPEED CHANGE	1				0	0
130	K1122-42080	ROD END	1				0.03	0.066
140	75599-31022	NUT	2				0.015	0.033
150	04512-60080	WASHER SPRING	1				0.002	0.0044
160	K2581-42150	DAMPER HST	1				0	0
170	K2581-42310	COVER HST PEDAL	1				0	0
180	K2581-42320	COVER PEDAL REAR	1				0	0
190	K2571-43420	LOCK CRUISE	1				0.013	0.0286
200	01053-50620	BOLT	2				0.006	0.0132
210	02552-50060	NUT LOCK	2				0.002	0.0044
220	01754-50825	BOLT FLANGE	2				0.01	0.022
230	02751-50080	NUT FLANGE	2				0.006	0.0132

RANGE GEAR SHIFT LEVER



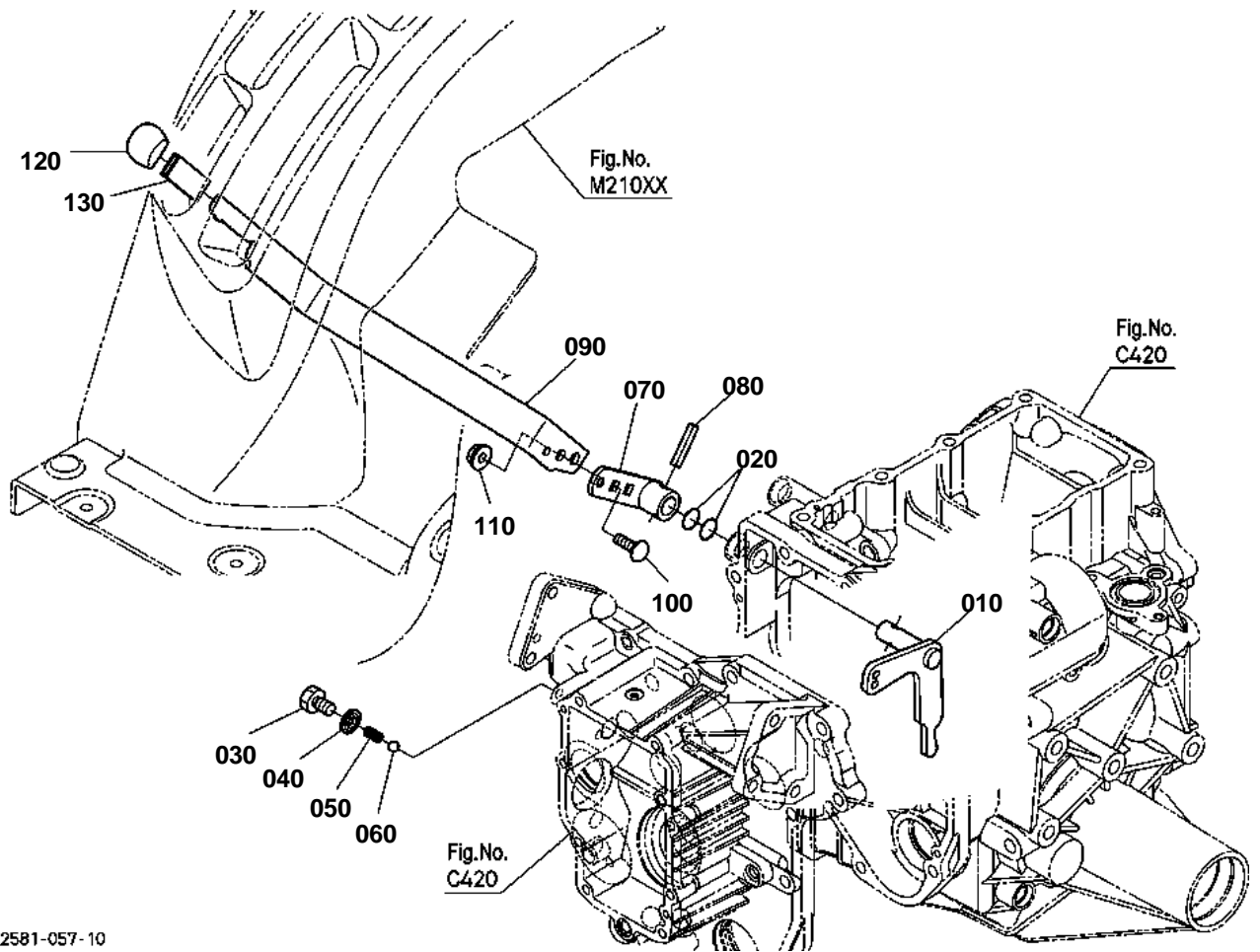


# RANGE GEAR SHIFT LEVER

↔ Interchangeable; ≠ not interchangeable; ← new for old; → old for new

REF.No	Part No.	Description	Q'ty	S.No.	I/C	REMARKS	Weight (kgf)	Weight (lb)
010	K2581-42930	LEVER RANGE SHIFT	1				0	0
020	K1122-91330	BOLT SHORT SQU.NECK	2				0	0
030	02751-50080	NUT FLANGE	2				0.006	0.0132
040	K2581-42740	GRIP	1				0	0
050	K2581-42630	CUSHION	1				0	0

FRONT WHEEL DRIVE LEVER



K2581-057-10

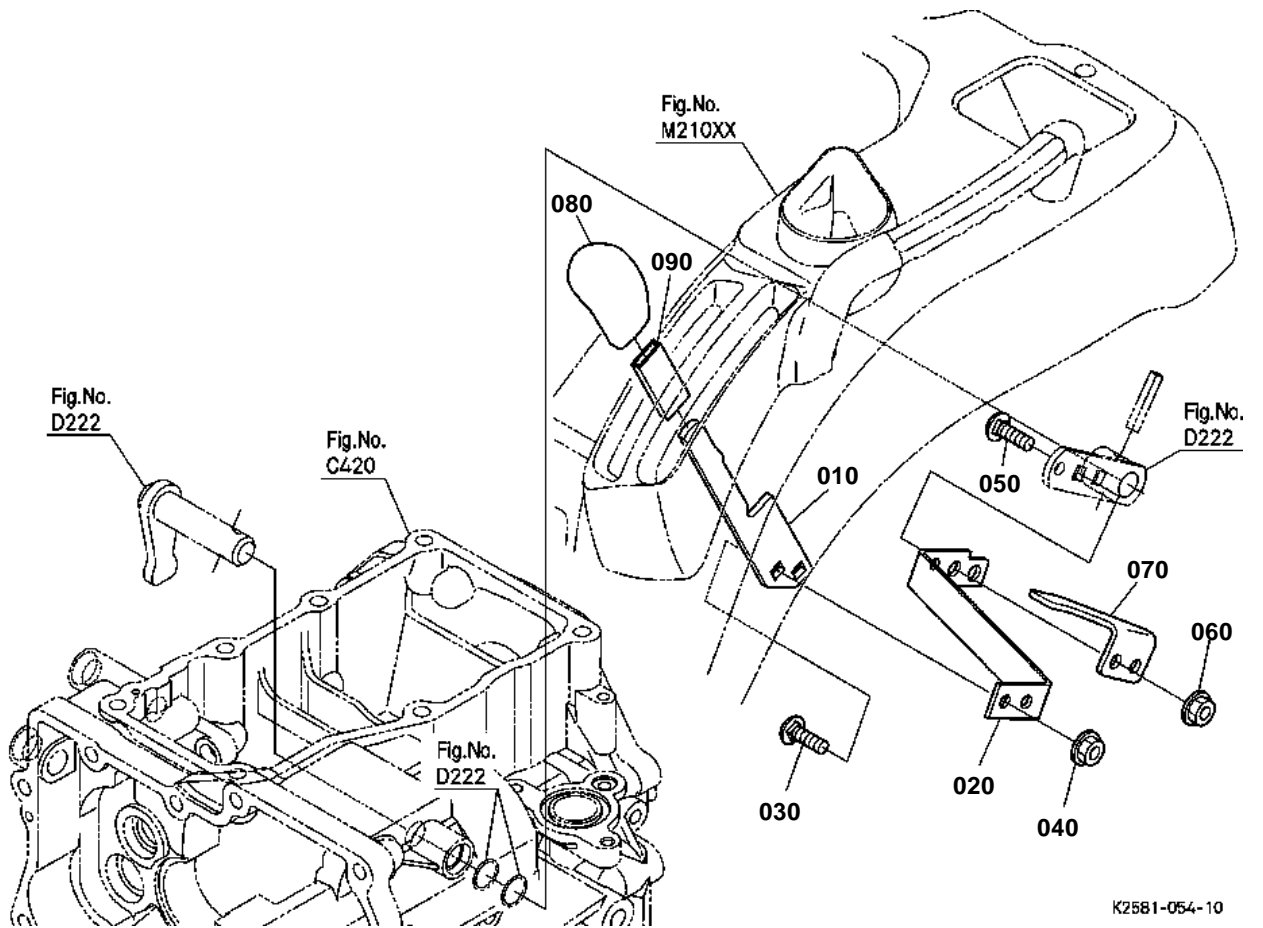


## FRONT WHEEL DRIVE LEVER

↔ Interchangeable; ≠ not interchangeable; ← new for old; → old for new

REF.No	Part No.	Description	Q'ty	S.No.	I/C	REMARKS	Weight (kgf)	Weight (lb)
010	K2581-13210	ARM 4WD SHIFT	1				0.25	0.55
020	04817-00160	O RING	2				0.001	0.0022
030	6C040-19222	BOLT	1				0.015	0.033
040	04717-01000	WASHER WITH RUBBER	1				0.001	0.0022
050	62061-18260	SPRING STOPPER	1				0.002	0.0044
060	07715-01605	BALL	1				0.003	0.0066
070	K2581-42980	ARM LEVER	1				0.12	0.264
080	05411-00836	PIN SPRING	1				0.008	0.0176
090	K2581-42750	LEVER 4WD SELECT	1				0	0
100	K1122-91330	BOLT SHORT SQU.NECK	2				0	0
110	02751-50080	NUT FLANGE	2				0.006	0.0132
120	K2581-42780	GRIP	1				0	0
130	K2581-42630	CUSHION	1				0	0

PTO SELECT LEVER





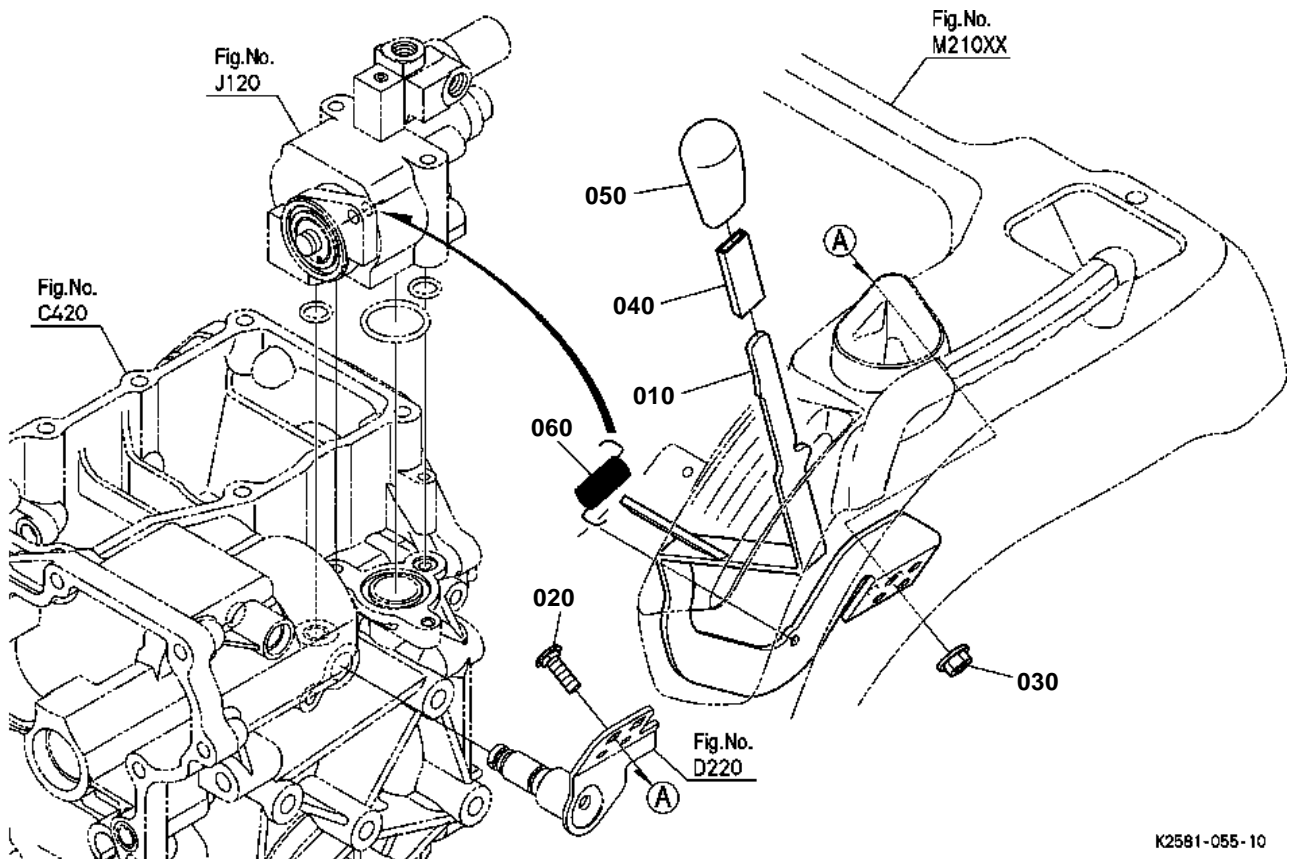


# PTO SELECT LEVER

↔ Interchangeable; ≠ not interchangeable; ← new for old; → old for new

REF.No	Part No.	Description	Q'ty	S.No.	I/C	REMARKS	Weight (kgf)	Weight (lb)
010	K2581-42960	LEVER PTO SELECT	1				0	0
020	K2581-42910	LEVER PTO SEL.MID	1				0	0
030	K1122-91330	BOLT SHORT SQU.NECK	2				0	0
040	02751-50080	NUT FLANGE	2				0.006	0.0132
050	K1122-91330	BOLT SHORT SQU.NECK	2				0	0
060	02751-50080	NUT FLANGE	2				0.006	0.0132
070	K2581-42880	PLATE PTO SWITCH	1				0	0
080	K2581-42660	GRIP	1				0	0
090	K2581-42630	CUSHION	1				0	0

PTO GEAR SHIFT LEVER



K2581-055-10

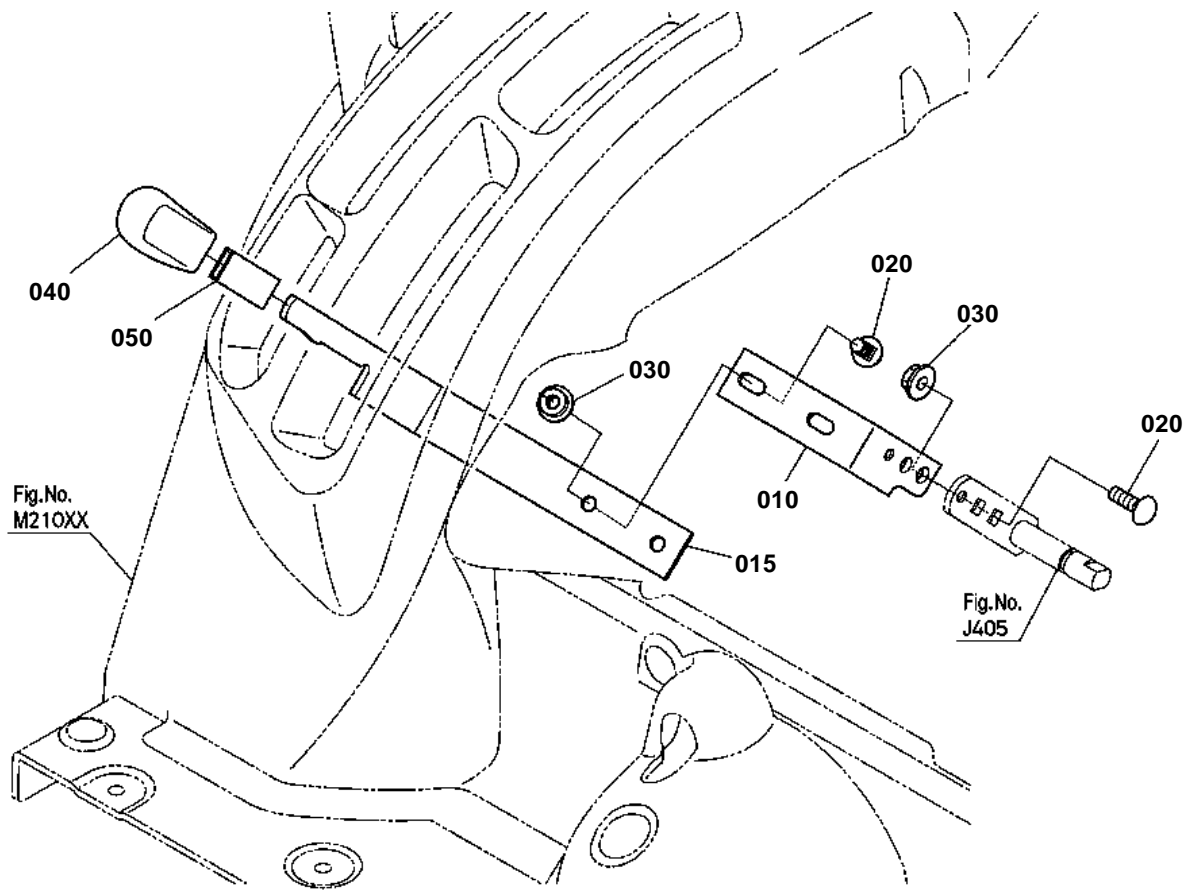


## PTO GEAR SHIFT LEVER

↔ Interchangeable; ≠ not interchangeable; ← new for old; → old for new

REF.No	Part No.	Description	Q'ty	S.No.	I/C	REMARKS	Weight (kgf)	Weight (lb)
010	K2581-42650	LEVER PTO CLUTCH	1				0	0
020	K1122-91320	BOLT SHORT SQU.NECK	2				0.01	0.022
030	02751-50080	NUT FLANGE	2				0.006	0.0132
040	K2581-42630	CUSHION	1				0	0
050	K2581-42660	GRIP	1				0	0
060	K2581-42670	SPRING PTO LEVER	1				0	0

HYDRAULIC CONTROL LEVER



K2581-059-10

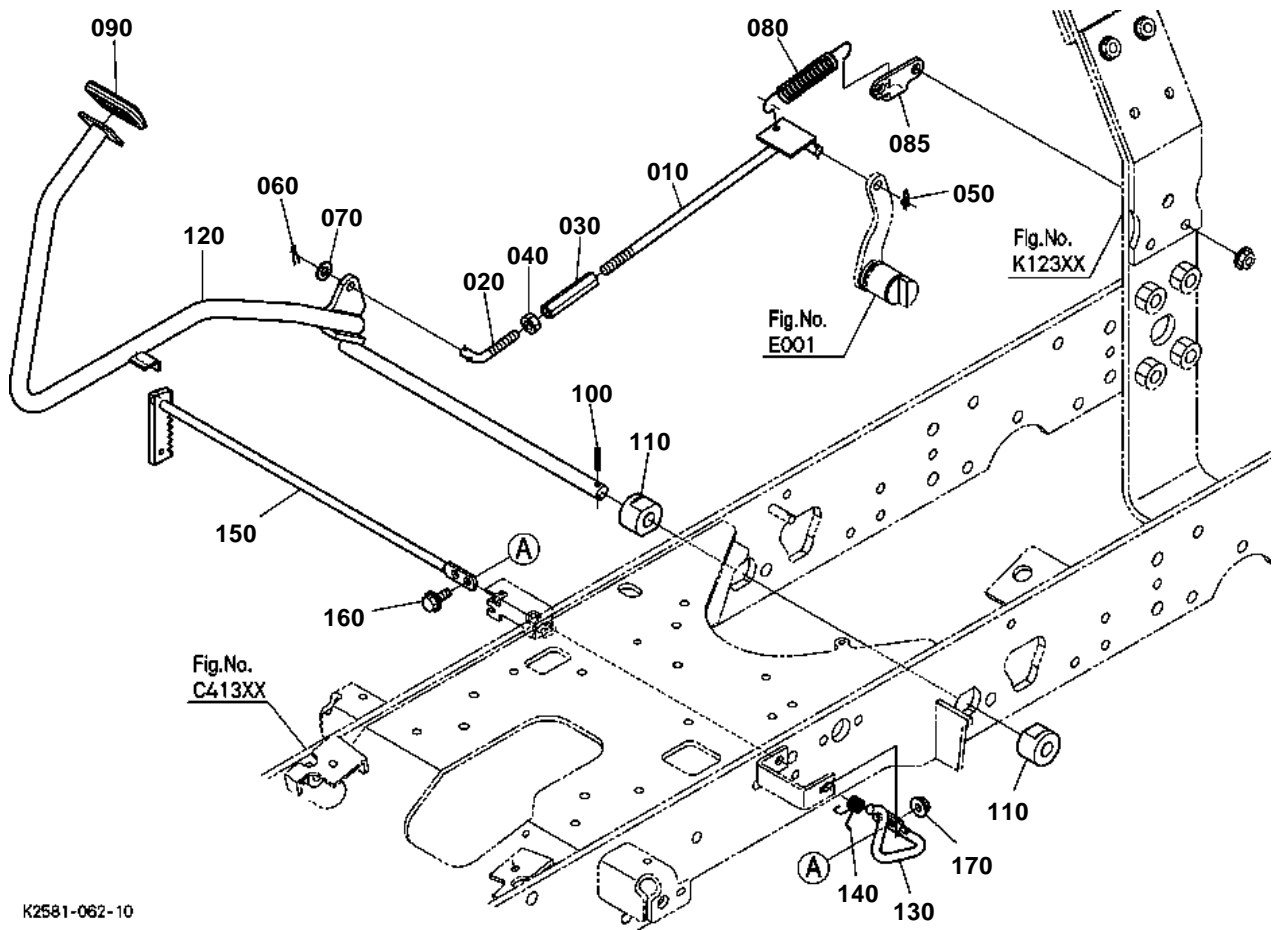


# HYDRAULIC CONTROL LEVER

↔ Interchangeable; ≠ not interchangeable; ← new for old; → old for new

REF.No	Part No.	Description	Q'ty	S.No.	I/C	REMARKS	Weight (kgf)	Weight (lb)
010	K2581-42813	LEVER HYD.CONTROL	1				0	0
015	K2581-42840	LEVER HYD.CON.UPPER	1				0	0
020	K1122-91320	BOLT SHORT SQU.NECK	4				0.01	0.022
030	02751-50080	NUT FLANGE	4				0.006	0.0132
040	K2581-42820	GRIP	1				0	0
050	K2581-42630	CUSHION	1				0	0

BRAKE PEDAL



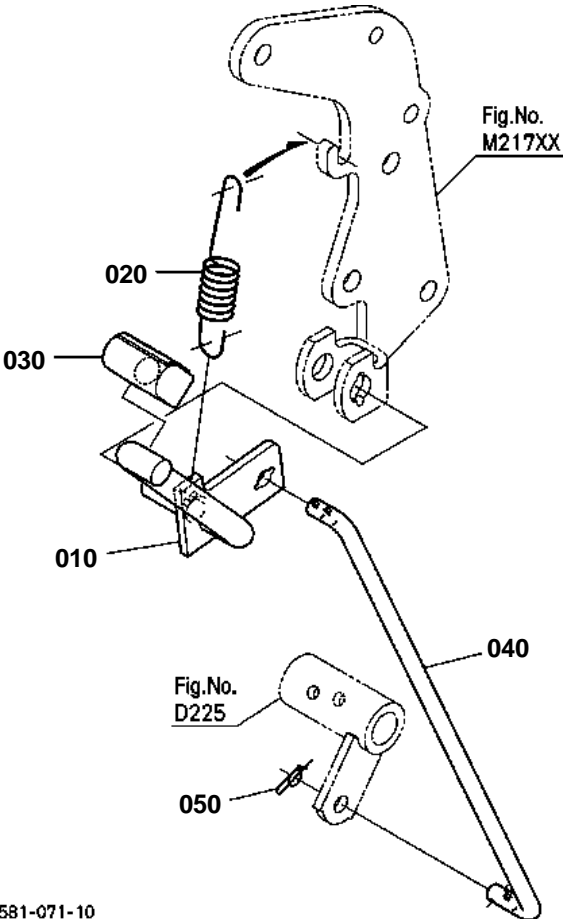
K2581-062-10

**BRAKE PEDAL**

↔ Interchangeable; ≠ not interchangeable; ← new for old; → old for new

REF.No	Part No.	Description	Q'ty	S.No.	I/C	REMARKS	Weight (kgf)	Weight (lb)
010	K2581-43124	ROD LEFT HAND THREAD	1				0	0
020	K2581-43110	ROD BRAKE	1				0	0
030	55311-31560	TURNBUCKLE	1				0.06	0.132
040	02118-50100	NUT	1				0.005	0.011
050	K1211-91130	RUE RING COTTER	1				0.01	0.022
060	05511-52520	PIN SPLIT	1				0.001	0.0022
070	04013-60100	WASHER PLAIN	1				0.003	0.0066
080	K5112-72740	SPRING TENSION	1				0.12	0.264
085	K2581-43160	BRACKET SPRING	1				0	0
090	K2581-43190	COVER BRAKE PEDAL	1				0	0
100	05411-00525	PIN SPRING	1				0.002	0.0044
110	K2581-43180	BUSH	2				0	0
120	K2581-43175	PEDAL BRAKE	1				0	0
130	K2581-43210	PLATE PARKING	1				0	0
140	K2581-43230	SPRING PARKING	1				0	0
150	K2581-45592	LOCK PARKING	1				0	0
160	01754-50820	BOLT FLANGE	2				0.015	0.033
170	02751-50080	NUT FLANGE	2				0.006	0.0132

DIFFERENTIAL LOCK PEDAL



K2581-071-10



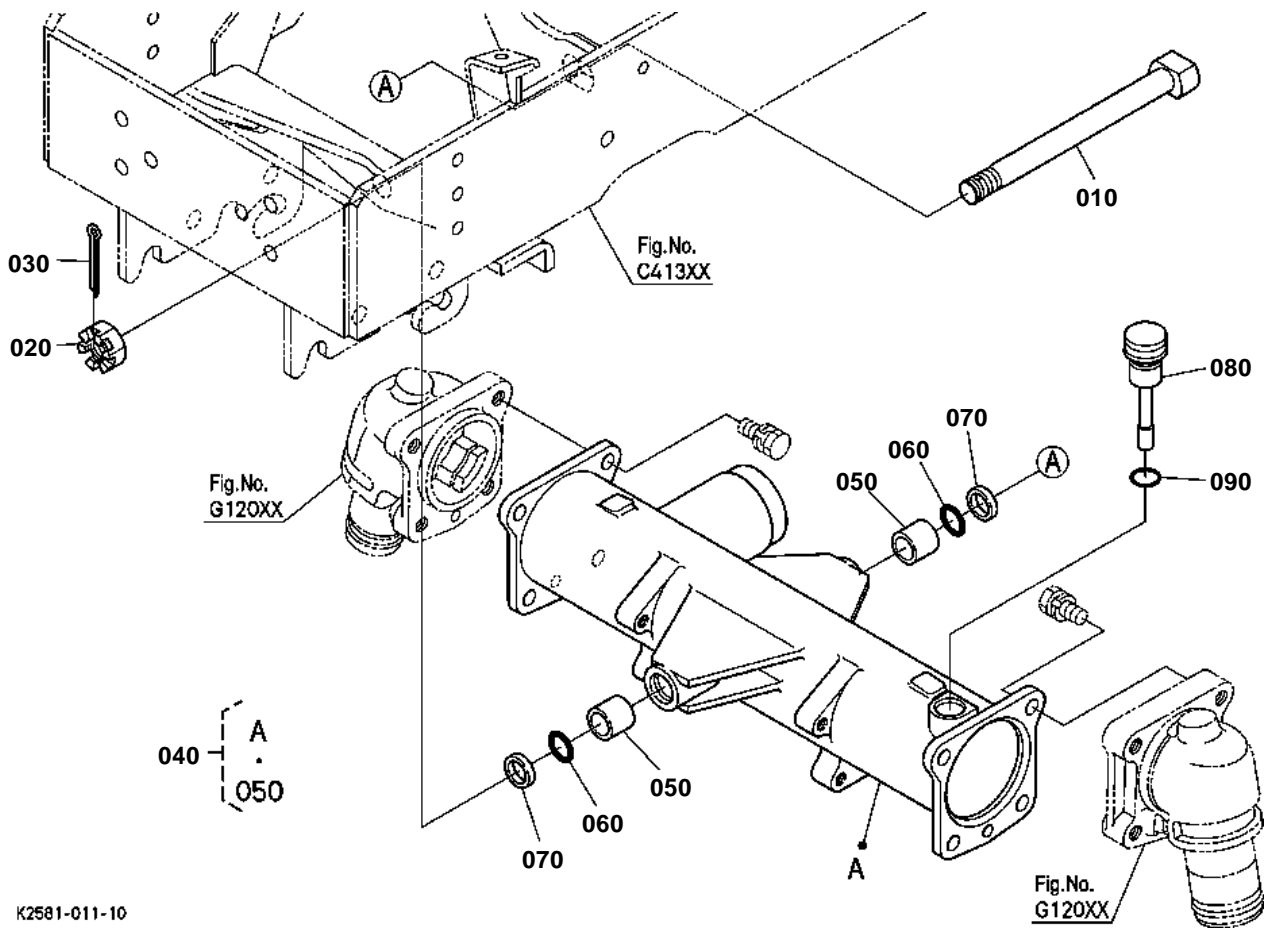


## DIFFERENTIAL LOCK PEDAL

↔ Interchangeable; ≠ not interchangeable; ← new for old; → old for new

REF.No	Part No.	Description	Q'ty	S.No.	I/C	REMARKS	Weight (kgf)	Weight (lb)
010	K2581-45512	PEDAL DIFF.LOCK	1				0	0
020	K2581-45520	SPRING	1				0	0
030	K2581-45540	COVER DIFF.LOCK PDL	1				0	0
040	K2581-45530	ROD DIFF.LOCK	1				0	0
050	K1211-91120	RUE RING COTTER	1				0.001	0.0022

FRONT DIFFERENTIAL CASE



K2581-011-10

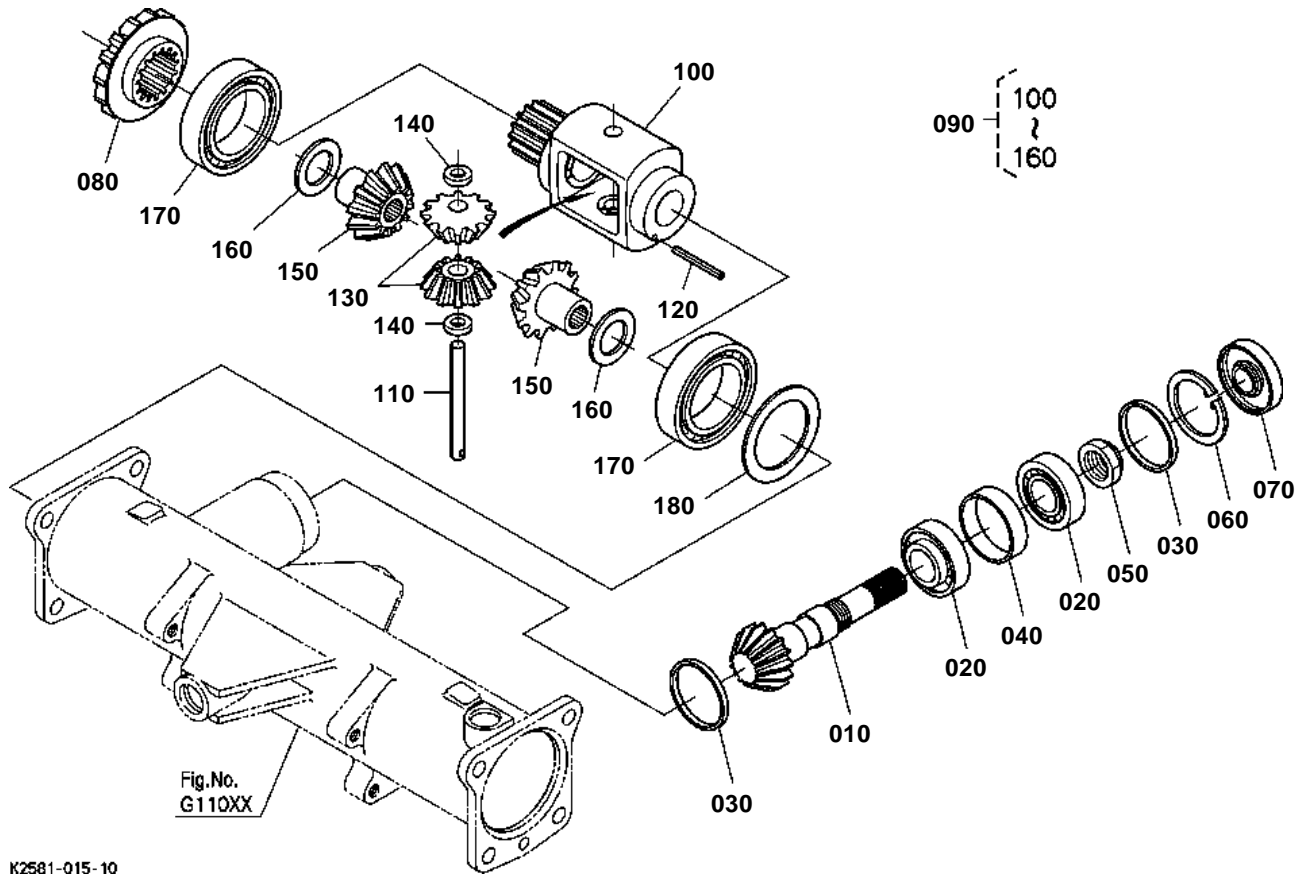


# FRONT DIFFERENTIAL CASE

↔ Interchangeable; ≠ not interchangeable; ← new for old; → old for new

REF.No	Part No.	Description	Q'ty	S.No.	I/C	REMARKS	Weight (kgf)	Weight (lb)
010	K2561-15133	SHAFT CENTER	1				0.66	1.452
020	K2511-15190	NUT	1				0.03	0.066
030	05511-50440	PIN SPLIT	1				0.004	0.0088
040	K2581-90200	ASSY CASE FRONT	1				0	0
050	08511-02025	BUSH	2				0.02	0.044
060	67817-37190	O RING	2				0.001	0.0022
070	K2561-15250	RING BACK UP	2				0.001	0.0022
080	K2581-15240	GAUGE OIL	1				0	0
090	04816-00180	O RING	1				0.002	0.0044

FRONT DIFFERENTIAL



K2581-015-10

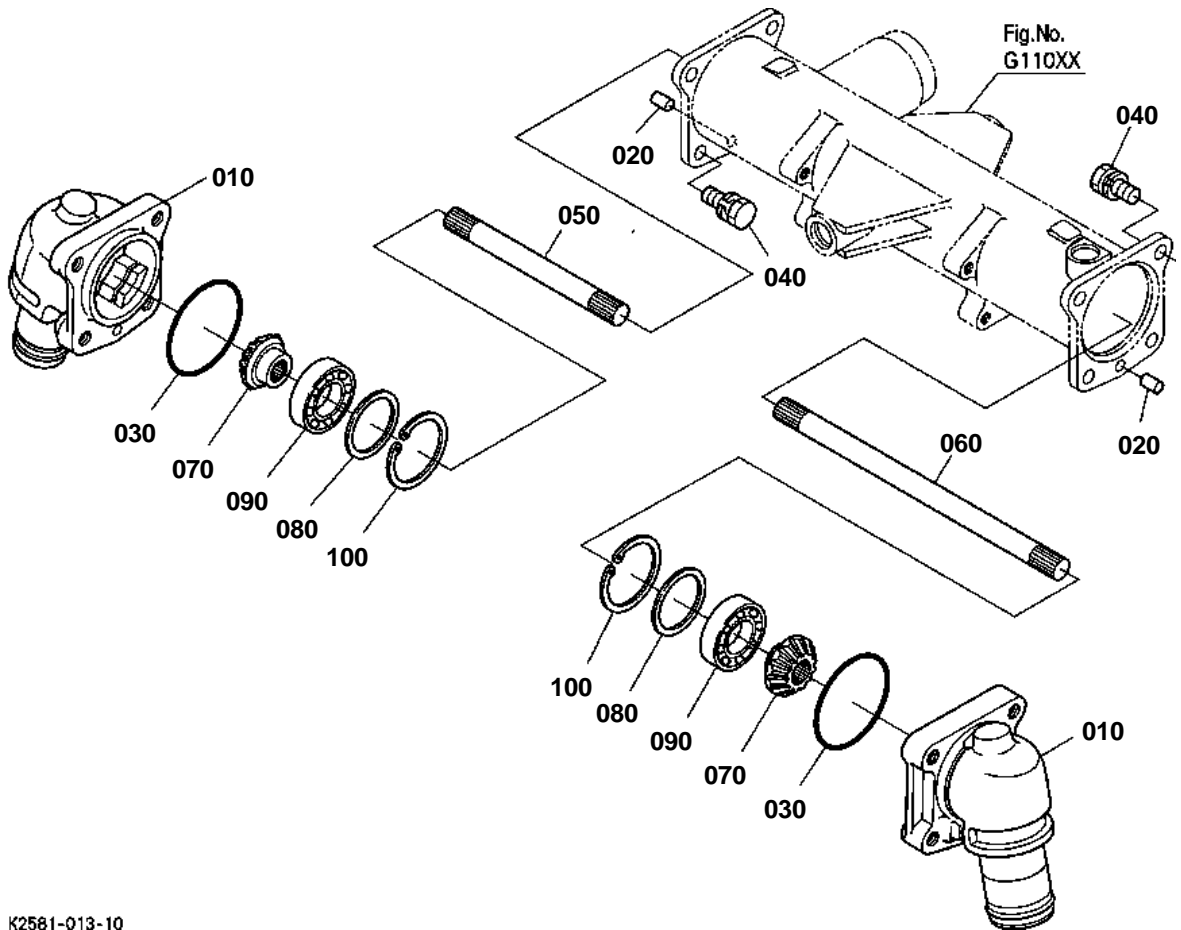


## FRONT DIFFERENTIAL

↔ Interchangeable; ≠ not interchangeable; ← new for old; → old for new

REF.No	Part No.	Description	Q'ty	S.No.	I/C	REMARKS	Weight (kgf)	Weight (lb)
010	K2561-15712	SHAFT GEAR	1			11T	0.5	1.1
020	08711-30205	BEARING TAPER-ROLLER	2				0.148	0.3256
030	6C040-56620	COLLAR	2			4.5mm	0.01	0.022
030	37410-58120	COLLAR	2			4.0mm	0.01	0.022
030	37410-58130	COLLAR	2			4.1mm	0.01	0.022
030	37410-58140	COLLAR	2			4.2mm	0.01	0.022
030	6C040-56630	COLLAR	2			3.9mm	0.009	0.0198
030	37410-58150	COLLAR	2			3.8mm	0.01	0.022
030	37410-58160	COLLAR	2			3.4mm	0.01	0.022
030	37410-56660	COLLAR	2			4.6mm	0.011	0.0242
030	37410-58170	COLLAR	2			3.6mm	0.01	0.022
030	37410-56680	COLLAR	2			4.4mm	0.015	0.033
040	37410-56690	COLLAR	1				0.04	0.088
050	37410-56710	NUT	1				0.03	0.066
060	04611-00520	CIR CLIP INTERNAL	1				0.009	0.0198
070	59700-45520	SEAL OIL	1				0.023	0.0506
080	K2561-15910	GEAR BEVEL	1			20T	0.37	0.814
090	K2561-16010	ASSY DIFF.FRONT	1				1.29	2.838
100	K2561-16020	CASE DIFF.FRONT	1				0.94	2.068
110	K2561-16120	SHAFT DIFF.PINION	1				0.045	0.099
120	05411-00440	PIN SPRING	1				0.002	0.0044
130	K2561-16130	GEAR BEVEL	2			10T	0.05	0.11
140	K2561-16050	SHIM	2			3.5mm	0.006	0.0132
140	K2561-16060	SHIM	2			3.3mm	0.005	0.011
140	K2561-16070	SHIM	2			3.7mm	0.006	0.0132
140	K2561-16080	SHIM	2			3.9mm	0.006	0.0132
150	K2561-16140	GEAR BEVEL	2			14T	0.11	0.242
160	37410-56930	SHIM	2			1.0mm	0.005	0.011
160	37410-56920	SHIM	2			0.8mm	0.005	0.011
160	37410-56940	SHIM	2			1.2mm	0.01	0.022
170	08101-06010	BEARING BALL	2				0.262	0.5764
180	66611-15150	SHIM DIFF.SIDE	1				0.002	0.0044

DIFFERENTIAL GEAR SHAFT



K2581-013-10

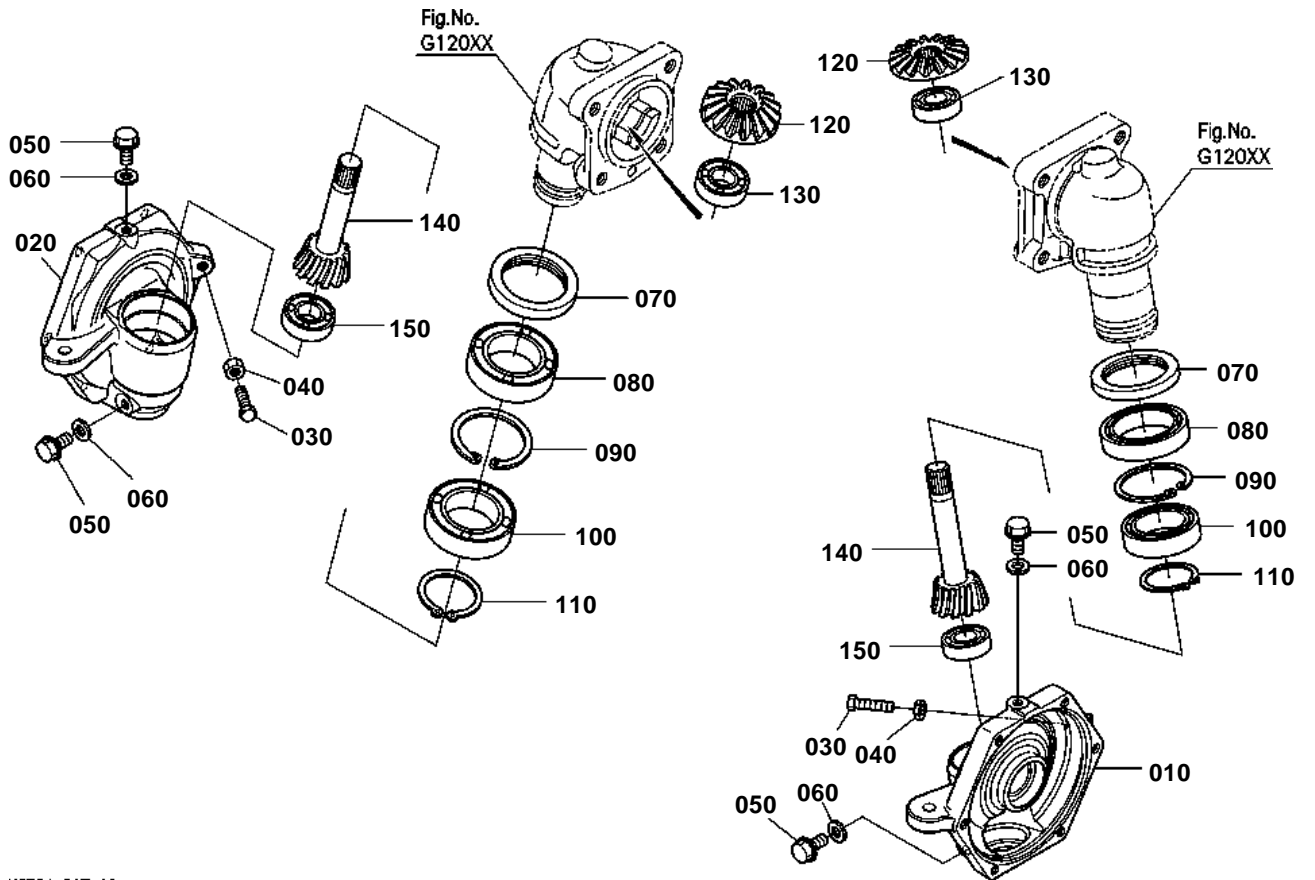


## DIFFERENTIAL GEAR SHAFT

↔ Interchangeable; ≠ not interchangeable; ← new for old; → old for new

REF.No	Part No.	Description	Q'ty	S.No.	I/C	REMARKS	Weight (kgf)	Weight (lb)
010	K2581-15220	CASE BEVEL GEAR	2				0	0
020	05012-01020	PIN STRAIGHT	2				0.013	0.0286
030	04811-50850	O RING	2				0.003	0.0066
040	01133-51230	BOLT	8				0.04	0.088
050	K2561-16220	SHAFT YOKE RH	1				0.42	0.924
060	K2561-16210	SHAFT YOKE LH	1				0.7	1.54
070	K2561-16230	GEAR BEVEL F	2			12T	0.2	0.44
080	6C040-57130	SHIM	2			1.0mm	0.008	0.0176
080	6C040-57140	SHIM	2			0.8mm	0.006	0.0132
080	6C040-57150	SHIM	2			1.2mm	0.009	0.0198
080	6C040-57160	SHIM	2			1.4mm	0.011	0.0242
090	08101-06206	BEARING BALL	2				0.196	0.4312
100	04611-00620	CIR CLIP INTERNAL	2				0.011	0.0242

FRONT AXLE CASE



K2581-017-10



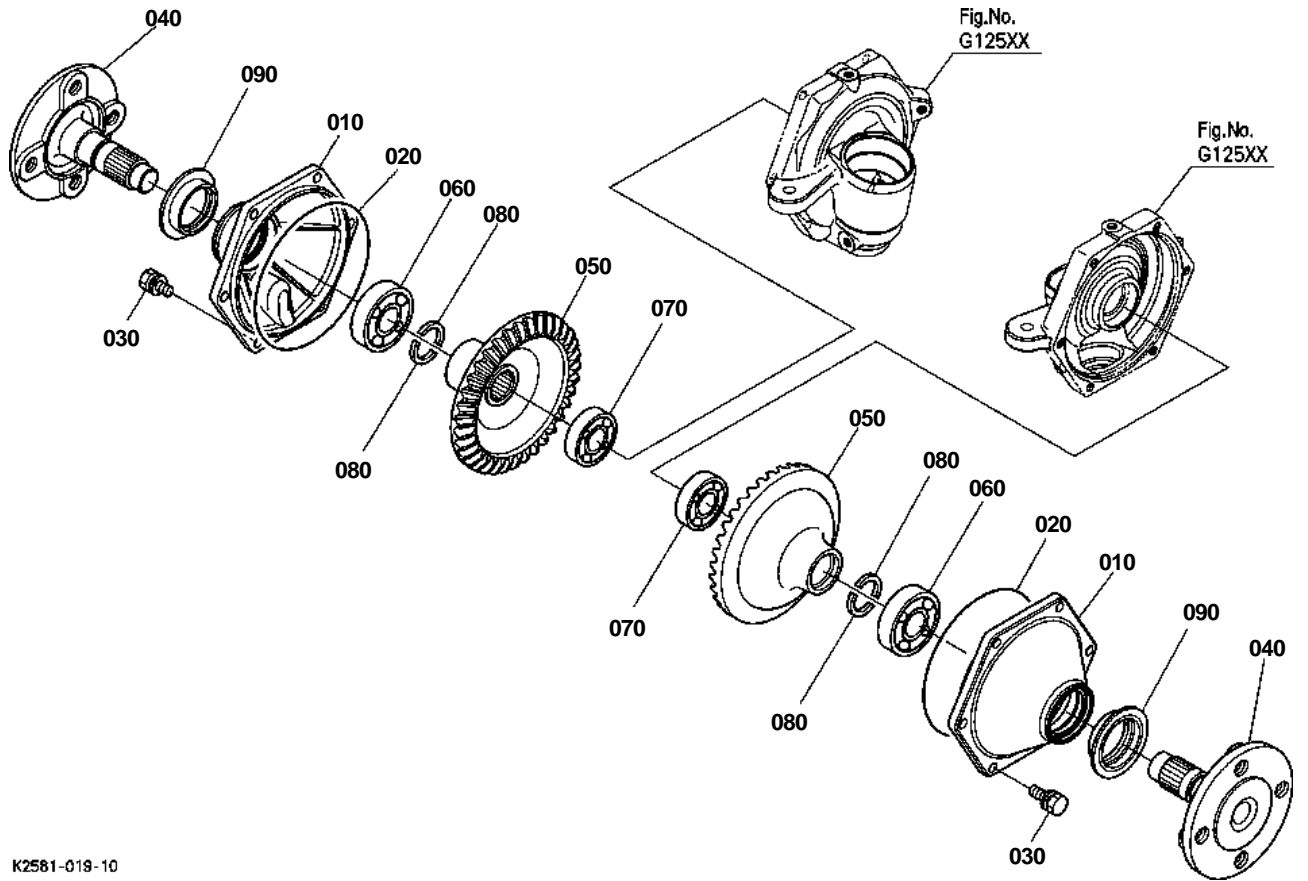


## FRONT AXLE CASE

↔ Interchangeable; ≠ not interchangeable; ← new for old; → old for new

REF.No	Part No.	Description	Q'ty	S.No.	I/C	REMARKS	Weight (kgf)	Weight (lb)
010	K2581-15410	CASE FRONT GEAR LH	1				4.3	9.46
020	K2581-15420	CASE FRONT GEAR RH	1				4.24	9.328
030	66711-13320	BOLT ADJUSTING	2				0.028	0.0616
040	02118-50100	NUT	2				0.005	0.011
050	01774-51010	BOLT FLANGE	4				0.08	0.176
060	04717-01000	WASHER WITH RUBBER	4				0.001	0.0022
070	6A320-56220	SEAL OIL	2				0.06	0.132
080	08101-06910	BEARING BALL	2				0.14	0.308
090	04611-00680	CIR CLIP INTERNAL	2				0.016	0.0352
100	08101-06909	BEARING BALL	2				0.135	0.297
110	04612-00450	CIR CLIP EXTERNAL	2				0.007	0.0154
120	K2561-16280	GEAR BEVEL F	2			15T	0.21	0.462
130	08101-06204	BEARING BALL	2				0.102	0.2244
140	K2561-16310	SHAFT BEVEL GEAR	2			9T	0.5	1.1
150	08101-06304	BEARING BALL	2				0.146	0.3212

FRONT AXLE



K2581-018-10

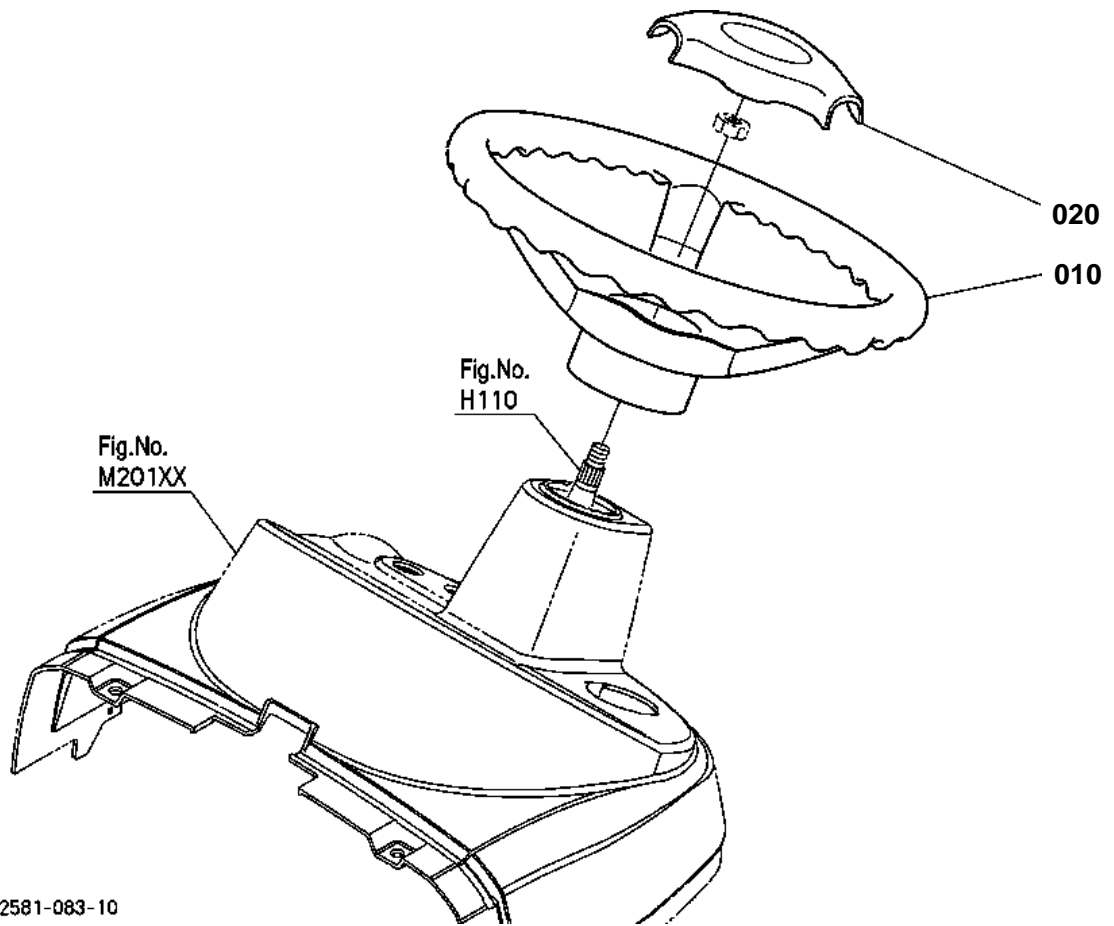


## FRONT AXLE

↔ Interchangeable; ≠ not interchangeable; ← new for old; → old for new

REF.No	Part No.	Description	Q'ty	S.No.	I/C	REMARKS	Weight (kgf)	Weight (lb)
010	K2581-15480	COVER GEAR CASE	2				0.76	1.672
020	K2581-15450	O RING FRONT AXLE	2				0.002	0.0044
030	01133-51030	BOLT	12				0.025	0.055
040	K2561-16410	SHAFT FRONT AXLE	2				1.62	3.564
050	K2561-16320	GEAR BEVEL	2			36T	2.16	4.752
060	08101-06206	BEARING BALL	2				0.196	0.4312
070	08101-06205	BEARING BALL	2				0.14	0.308
080	67156-56820	COLLAR SET	4				0.004	0.0088
090	37410-57340	SEAL OIL	2				0.045	0.099

STEERING HANDLE



K2581-083-10

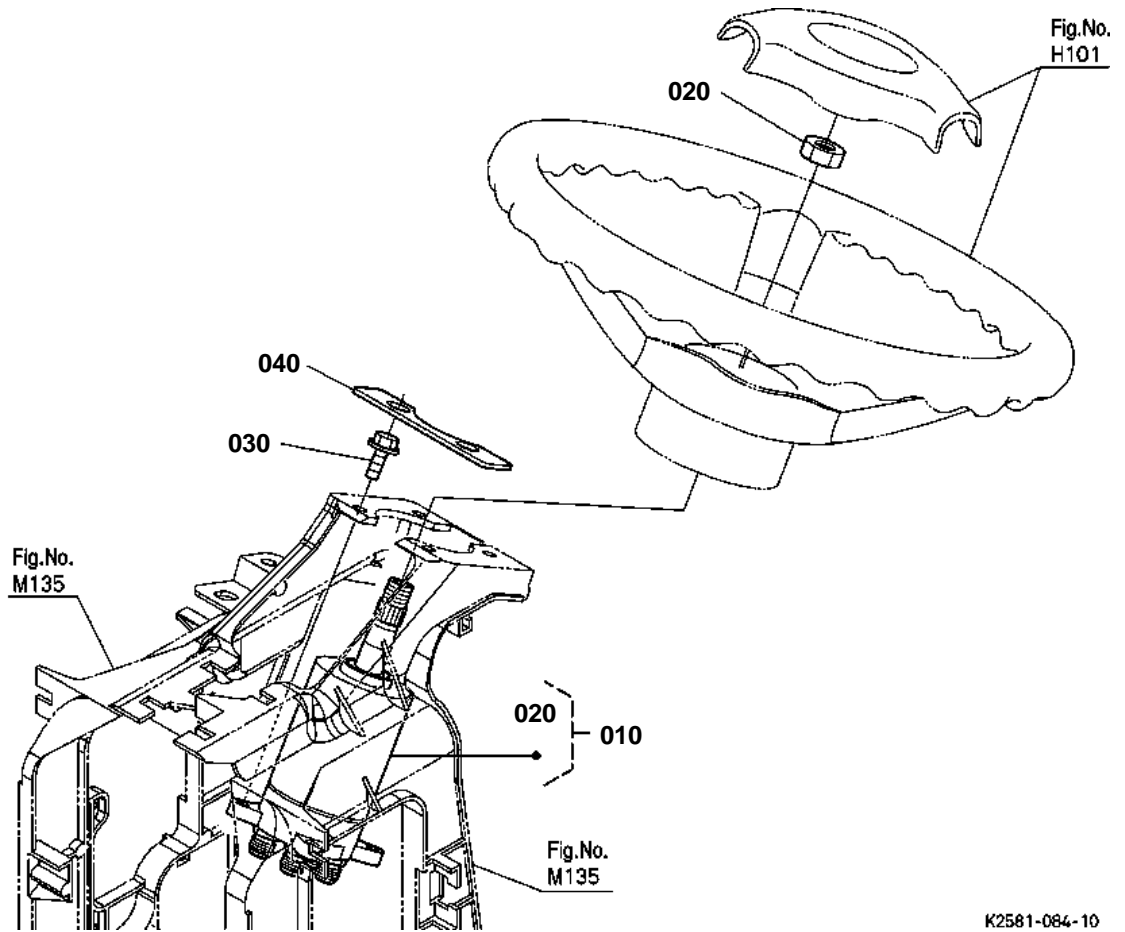


## STEERING HANDLE

↔ Interchangeable; ≠ not interchangeable; ← new for old; → old for new

REF.No	Part No.	Description	Q'ty	S.No.	I/C	REMARKS	Weight (kgf)	Weight (lb)
010	K2561-41120	WHEEL STEERING	1				1.4	3.08
020	K2561-41130	CAP STEERING WHEEL	1				0.06	0.132

STEERING CONTROLLER



K2581-084-10

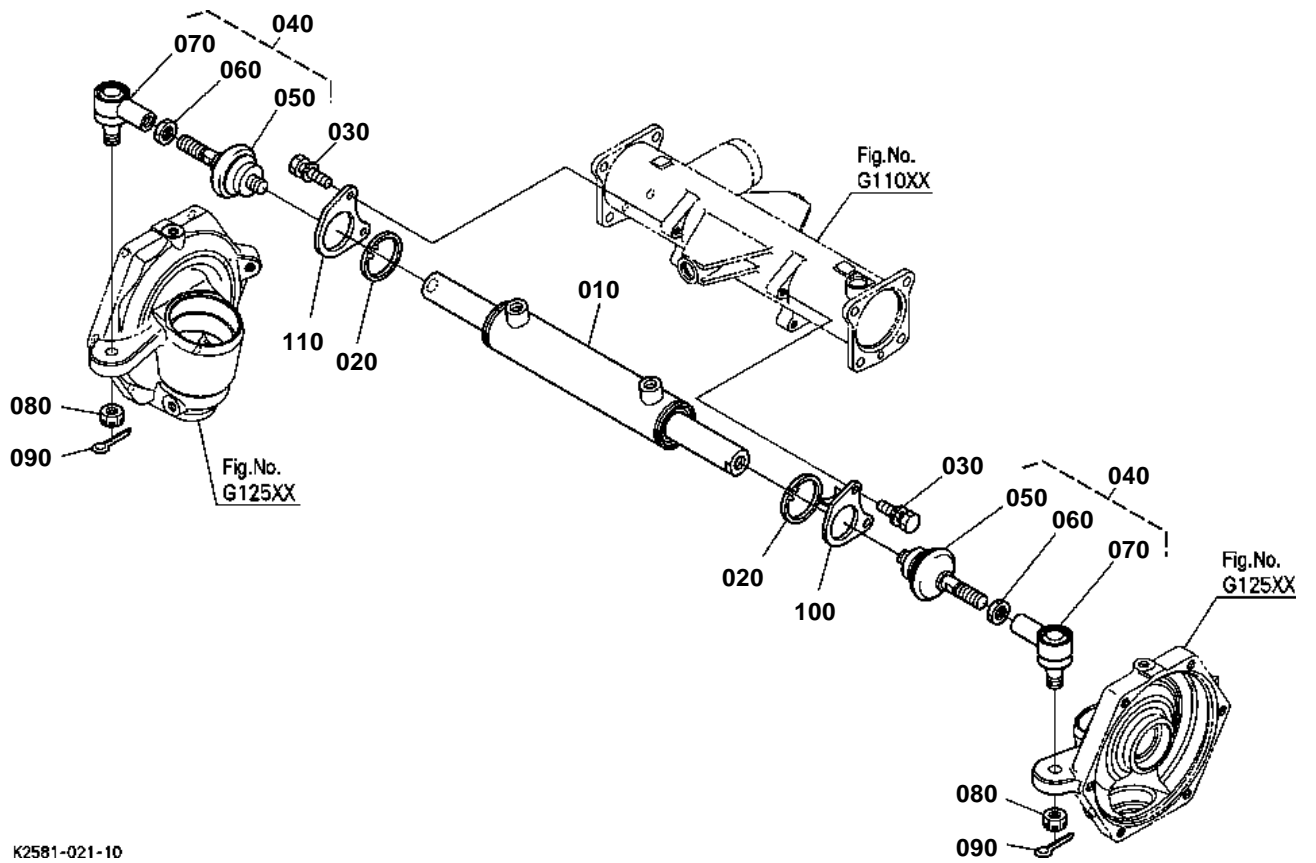


## STEERING CONTROLLER

↔ Interchangeable; ≠ not interchangeable; ← new for old; → old for new

REF.No	Part No.	Description	Q'ty	S.No.	I/C	REMARKS	Weight (kgf)	Weight (lb)
010	K2561-41510	ASSY STEERING POWER	1				2.62	5.764
020	75599-31047	HEX.JUM NUT	1				0.03	0.066
030	01754-50820	BOLT FLANGE	4				0.015	0.033
040	K2581-57160	STOPPER PANEL	1				0	0

STEERING LINKAGE



K2581-021-10



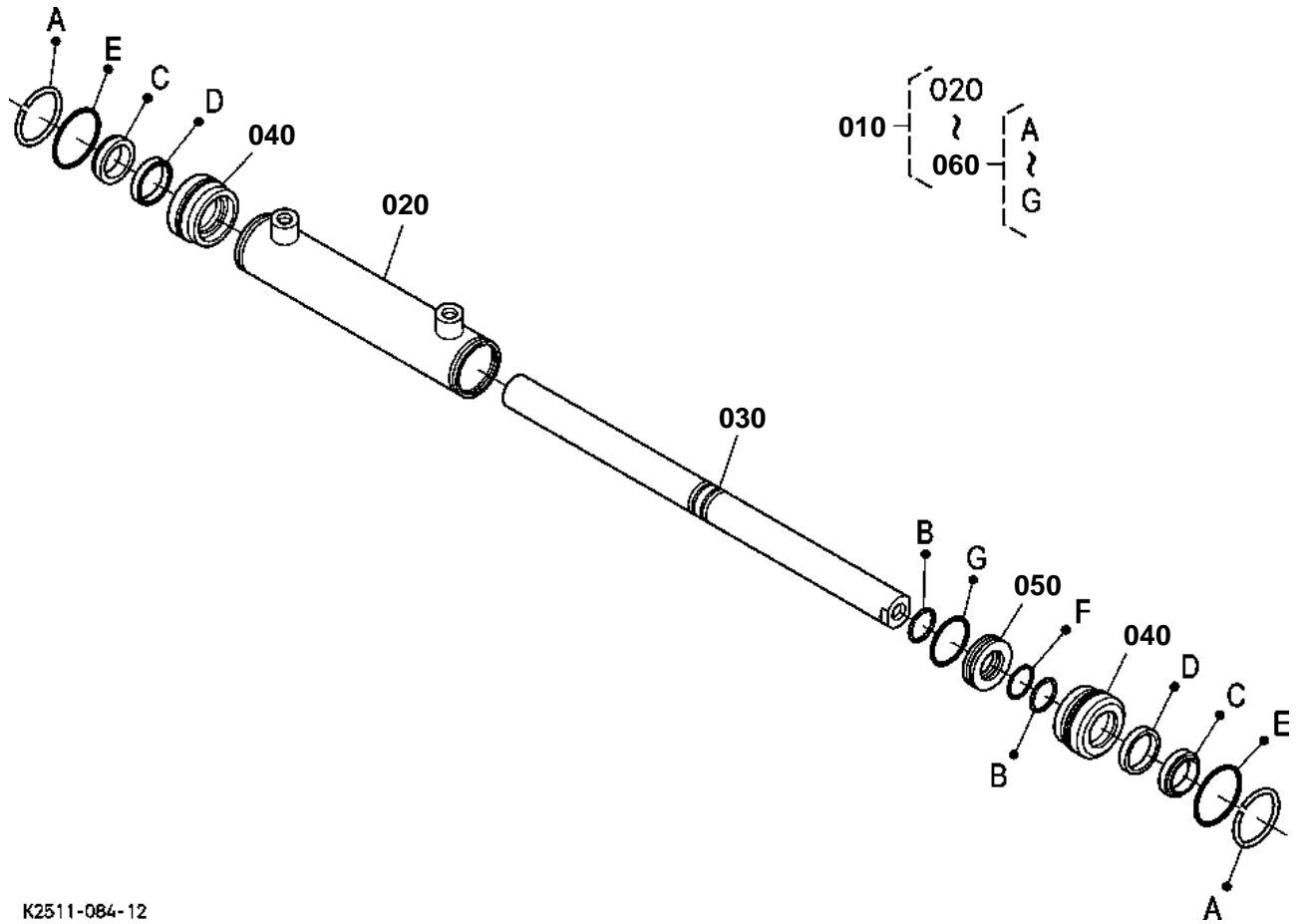


## STEERING LINKAGE

↔ Interchangeable; ≠ not interchangeable; ← new for old; → old for new

REF.No	Part No.	Description	Q'ty	S.No.	I/C	REMARKS	Weight (kgf)	Weight (lb)
010	K2511-16500	CYLINDER STEERING	1				3.32	7.304
020	04612-00500	CIR CLIP EXTERNAL	2				0.009	0.0198
030	01133-51030	BOLT	4				0.025	0.055
040	K2561-16610	ROD TIE STEERING	2				0.55	1.21
050	K2561-01630	JOINT AXIAL BALL	2				0.313	0.6886
060	K2561-01640	NUT	2				0.018	0.0396
070	K2561-01650	JOINT BALL DIRECTION	2				0.255	0.561
080	66591-56780	NUT	2				0.01	0.022
090	05511-52525	PIN SPLIT	2				0.001	0.0022
100	K2561-16620	HOLDER LH	1				0.154	0.3388
110	K2561-16630	HOLDER RH	1				0.146	0.3212

STEERING CYLINDER [COMPONENT PARTS]



K2511-084-12

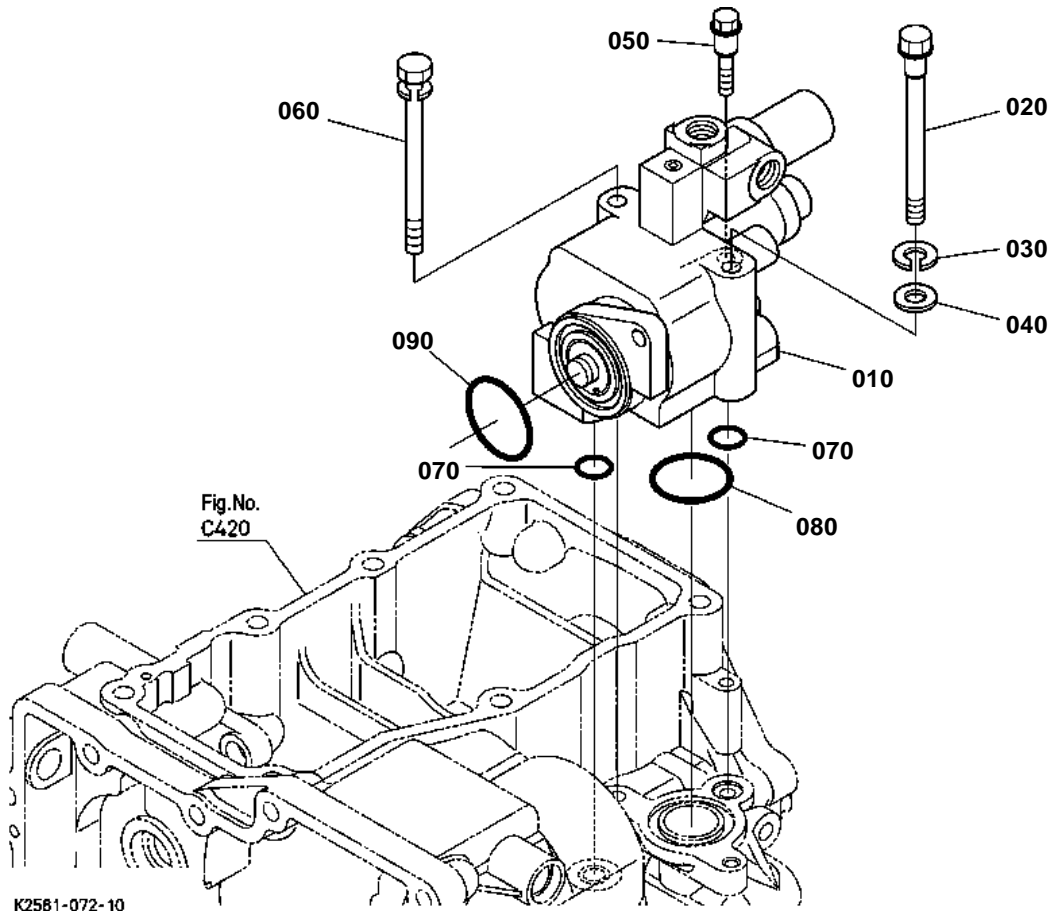


## STEERING CYLINDER [COMPONENT PARTS]

↔ Interchangeable; ≠ not interchangeable; ← new for old; → old for new

REF.No	Part No.	Description	Q'ty	S.No.	I/C	REMARKS	Weight (kgf)	Weight (lb)
010	K2511-16500	CYLINDER STEERING	1				3.32	7.304
020	K2511-16480	COMP.CYLINDER	1				1.5	3.3
030	K2511-16490	ROD PISTON	1				1.5	3.3
040	K2511-16510	CAP END	2				0.1	0.22
050	K2511-16520	PISTON CENTER	1				0.05	0.11
060	K2511-16600	KIT SEAL	1				0.02	0.044

# HYDRAULIC PUMP



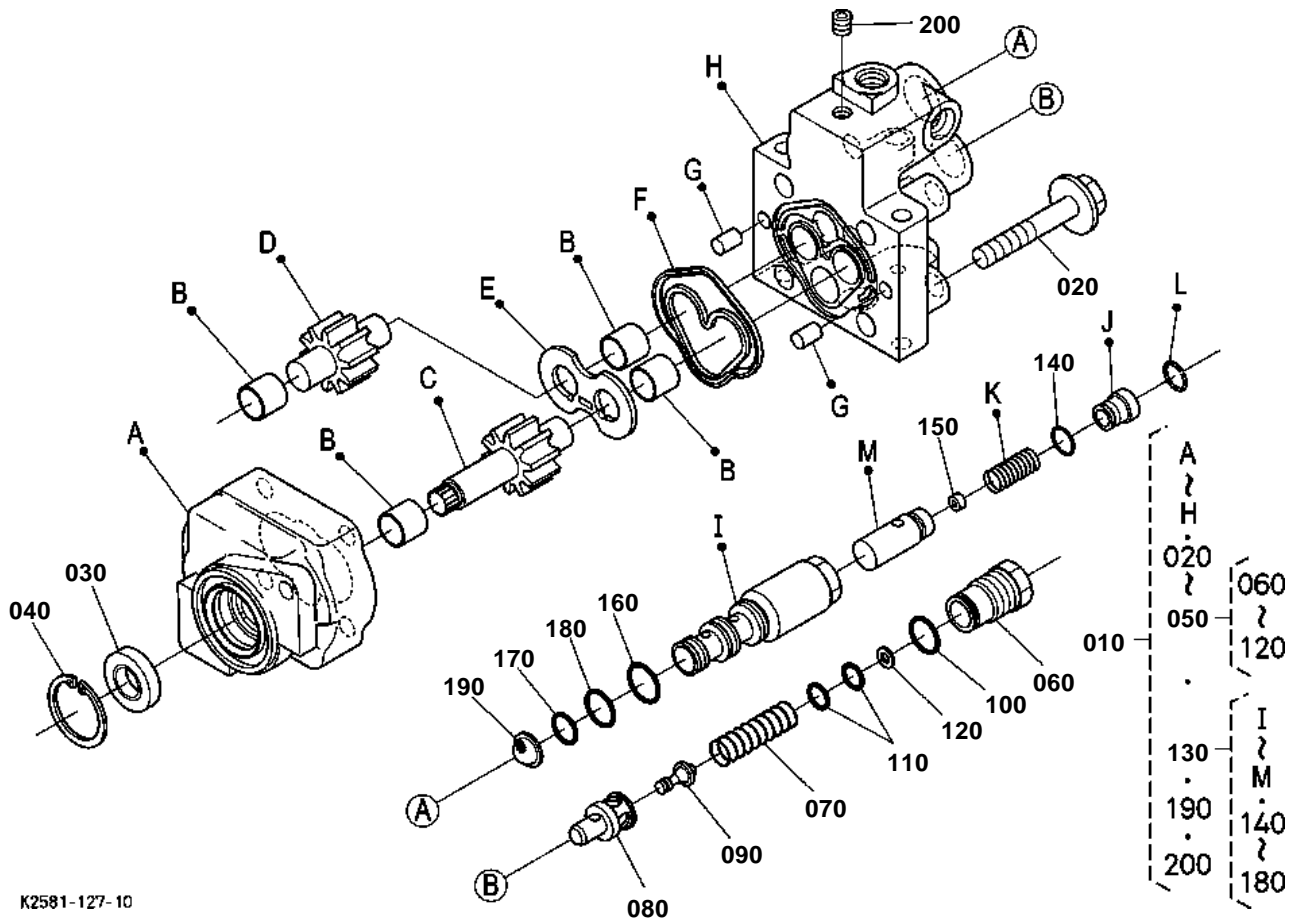


# HYDRAULIC PUMP

↔ Interchangeable; ≠ not interchangeable; ← new for old; → old for new

REF.No	Part No.	Description	Q'ty	S.No.	I/C	REMARKS	Weight (kgf)	Weight (lb)
010	K2581-36900	ASSY PUMP	1				0	0
020	K2581-13850	BOLT REAMER FRONT	1				0.05	0.11
030	04512-60100	WASHER SPRING	1				0.002	0.0044
040	04011-50100	WASHER PLAIN	1				0.002	0.0044
050	K2581-13860	BOLT REAMER REAR	1				0.02	0.044
060	5H601-53240	BOLT	1				0.034	0.0748
070	04816-00110	O RING	2				0.001	0.0022
080	04816-00320	O RING	1				0.003	0.0066
090	04816-00400	O RING	1				0.005	0.011

HYDRAULIC PUMP [COMPONENT PARTS]



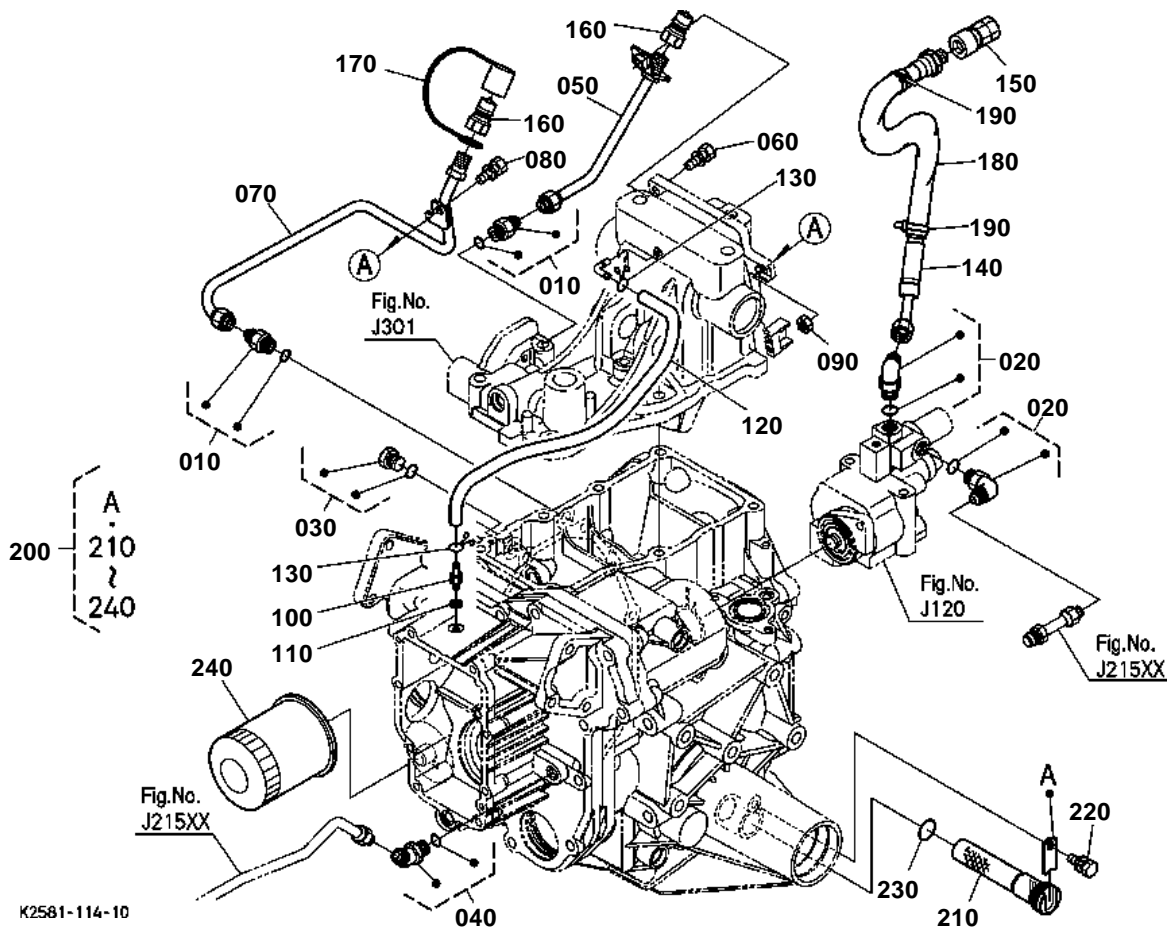


# HYDRAULIC PUMP [COMPONENT PARTS]

↔ Interchangeable; ≠ not interchangeable; ← new for old; → old for new

REF.No	Part No.	Description	Q'ty	S.No.	I/C	REMARKS	Weight (kgf)	Weight (lb)
010	K2581-36900	ASSY PUMP	1				0	0
020	01754-51060	BOLT FLANGE	4				0.042	0.0924
030	31381-76390	SEAL OIL	1				0.01	0.022
040	04611-00300	CIR CLIP INTERNAL	1				0.004	0.0088
050	K2561-36700	ASSY VALVE RELIEF	1				0.06	0.132
060	K2561-36710	PLUG	1				0.05	0.11
070	31351-37920	SPRING RELIEF	1				0.02	0.044
080	31351-37930	SEAT RELIEF VALVE	1				0.02	0.044
090	31351-37940	POPPET	1				0.005	0.011
100	04811-10160	O RING	1				0.001	0.0022
110	31351-37950	SHIM	2			0.4mm	0.001	0.0022
110	31351-37960	SHIM	2			0.2mm	0.001	0.0022
110	31351-37970	SHIM	2			0.1mm	0.001	0.0022
120	04013-60050	WASHER PLAIN	2				0.001	0.0022
130	YW318-00100	ASSY VALVE PRIORITY	1				0	0
140	04816-06100	O RING	1				0.001	0.0022
150	67810-38340	DAMPER	1				0.001	0.0022
160	04817-00220	O RING	1				0.001	0.0022
170	04817-00140	O RING	1				0.001	0.0022
180	04817-00160	O RING	1				0.001	0.0022
190	37560-36530	FILTER LINE	1				0.005	0.011
200	67156-36980	PLUG SCREW	1				0.004	0.0088

HYDRAULIC OIL LINE(DELIVERY)





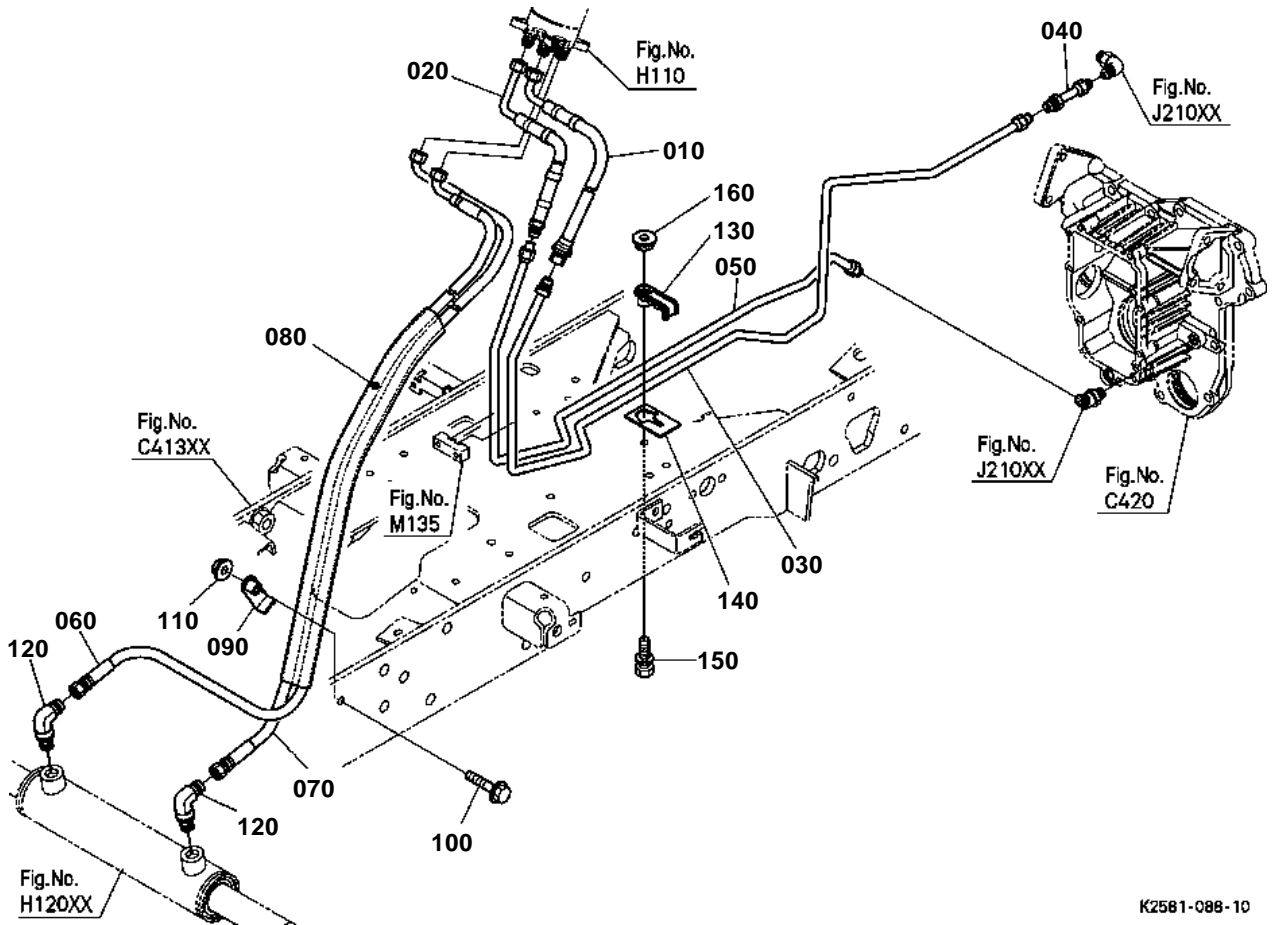


## HYDRAULIC OIL LINE(DELIVERY)

↔ Interchangeable; ≠ not interchangeable; ← new for old; → old for new

REF.No	Part No.	Description	Q'ty	S.No.	I/C	REMARKS	Weight (kgf)	Weight (lb)
010	K2561-36620	JOINT PIPE	2				0.035	0.077
020	K2561-36630	CONNECTOR	2				0.06	0.132
030	K2561-36640	PLUG	1				0.028	0.0616
040	K2581-36650	CONNECTER	1				0.05	0.11
050	K2592-37520	PIPE RETURN	1				0.12	0.264
060	01123-50820	BOLT	1				0.011	0.0242
070	K2592-37550	PIPE RETURN	1				0	0
080	01123-50820	BOLT	1				0.011	0.0242
090	02114-50080	NUT	1				0.005	0.011
100	K2581-11150	PIPE	1				0.008	0.0176
110	15601-96650	GASKET	1				0.001	0.0022
120	09661-40525	TUBE FUEL	1				0.03	0.066
130	14971-42750	CLIP PIPE	2				0.001	0.0022
140	K2592-37530	HOSE BH	1				0	0
150	75536-66320	COUPLER	1			(72C4-4F)	0.13	0.286
160	75536-66220	NIPPLE	2			(72N4-4F)	0.04	0.088
170	7J245-66440	CAP DUST	1			(72PDC-4W)	0.016	0.0352
180	75538-66250	SLEEVE	1				0.003	0.0066
190	K1122-61230	CLAMP CORD	2				0.001	0.0022
200	K2581-13820	ASSY FILTER	1				0	0
210	K2581-36520	FILTER OIL	1				0	0
220	01123-50820	BOLT	1				0.011	0.0242
230	04816-00200	O RING	1				0.003	0.0066
240	K2561-36990	CARTRIDGE OIL FILTER	1				0.38	0.836

HYDRAULIC OIL LINE(STEERING)



K2581-088-10

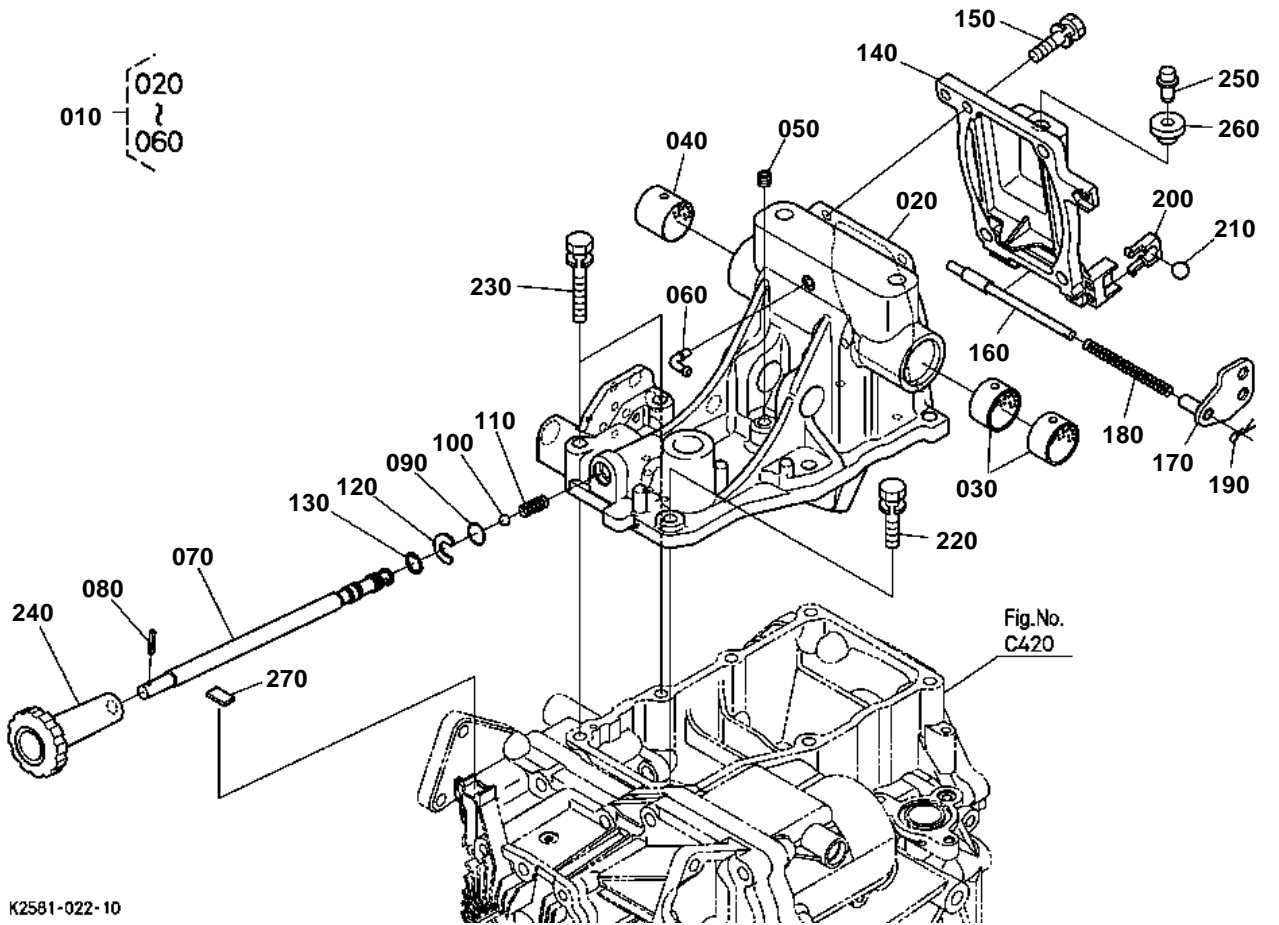


## HYDRAULIC OIL LINE(STEERING)

↔ Interchangeable; ≠ not interchangeable; ← new for old; → old for new

REF.No	Part No.	Description	Q'ty	S.No.	I/C	REMARKS	Weight (kgf)	Weight (lb)
010	K2581-41550	HOSE PS IN	1				0	0
020	K2581-41560	HOSE PS OUT	1				0	0
030	K2581-41533	TUBE PS IN	1				0	0
040	K2581-41522	TUBE PS EXT.	1				0	0
050	K2581-41540	TUBE PS OUT	1				0	0
060	K2561-41610	HOSE HYDRAULIC PS LH	1				0.37	0.814
070	K2561-41620	HOSE HYDRAULIC PS RH	1				0.35	0.77
080	K2561-41636	TUBE GUARD	1				0.06	0.132
090	K2511-41650	CLAMP HOSE	1				0.02	0.044
100	01754-50840	BOLT FLANGE	1				0.02	0.044
110	02751-50080	NUT FLANGE	1				0.006	0.0132
120	K2561-41580	JOINT	2				0.08	0.176
130	K2581-41650	CLAMP PIPE	1				0	0
140	K2581-41680	PLATE RUBBER	1				0	0
150	01123-50830	BOLT	1				0.015	0.033
160	02751-50080	NUT FLANGE	1				0.006	0.0132

HYDRAULIC CYLINDER



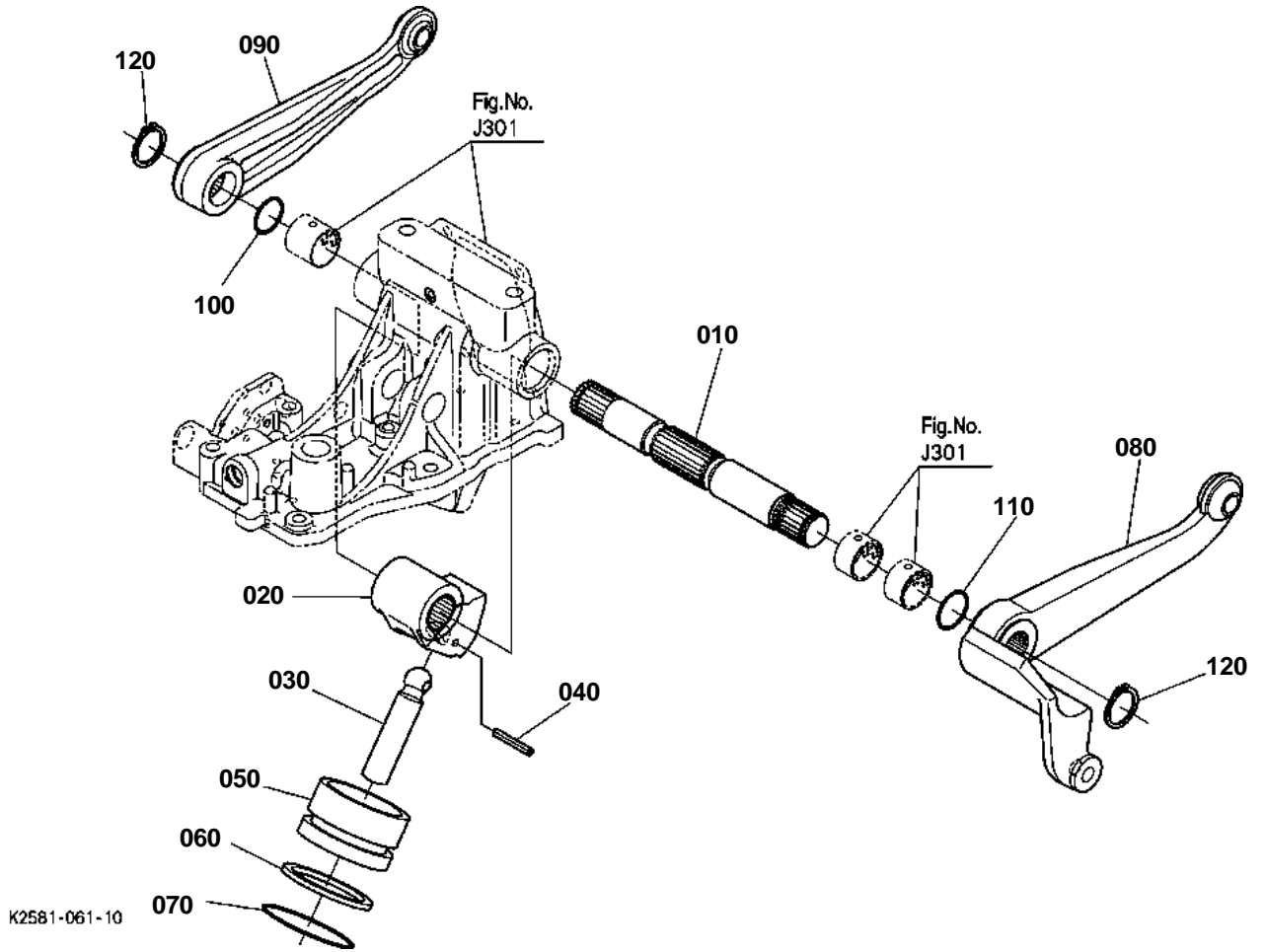


## HYDRAULIC CYLINDER

↔ Interchangeable; ≠ not interchangeable; ← new for old; → old for new

REF.No	Part No.	Description	Q'ty	S.No.	I/C	REMARKS	Weight (kgf)	Weight (lb)
010	K2581-36010	ASSY CASE CYLINDER	1				12.79	28.138
020	K2581-36020	CASE HYD.CYLINDER	1				12.5	27.5
030	K2561-36030	BUSH	2				0.03	0.066
040	52600-23190	BUSH	1				0.04	0.088
050	31351-37160	PLUG	1				0.003	0.0066
060	12182-45150	JOINT FUEL PUMP	1				0.01	0.022
070	K2581-36240	SHAFT HYD.ADJUST	1				0.25	0.55
080	05411-00414	PIN SPRING	1				0.001	0.0022
090	04817-00100	O RING	1				0.001	0.0022
100	07715-03209	BALL	1				0.002	0.0044
110	6C120-37440	SPRING	1				0.001	0.0022
120	6A320-37410	STOPPER	1				0.002	0.0044
130	04611-00190	CIR CLIP INTERNAL	1				0.001	0.0022
140	K2581-36092	COVER CYLINDER	1				0	0
150	01123-51030	BOLT	4				0.025	0.055
160	K2581-39580	SHAFT COVER	1				0.05	0.11
170	K2581-39592	ARM COVER	1				0.08	0.176
180	K2581-39560	SPRING PTO COVER	1				0.004	0.0088
190	05525-60600	PIN SNAP	1				0.001	0.0022
200	K2581-39550	HOLDER BALL	1				0.002	0.0044
210	07715-00201	BALL	1				0.008	0.0176
220	01123-51045	BOLT	5				0.032	0.0704
230	01123-51065	BOLT	2				0.04	0.088
240	K2561-36310	GRIP	1				0.04	0.088
250	K2561-36330	BREATHER	1				0.008	0.0176
260	K2561-36350	BUSH	1				0.01	0.022
270	K2581-36320	PLATE RUBBER	1				0.001	0.0022

HYDRAULIC PISTON/LIFT ARM



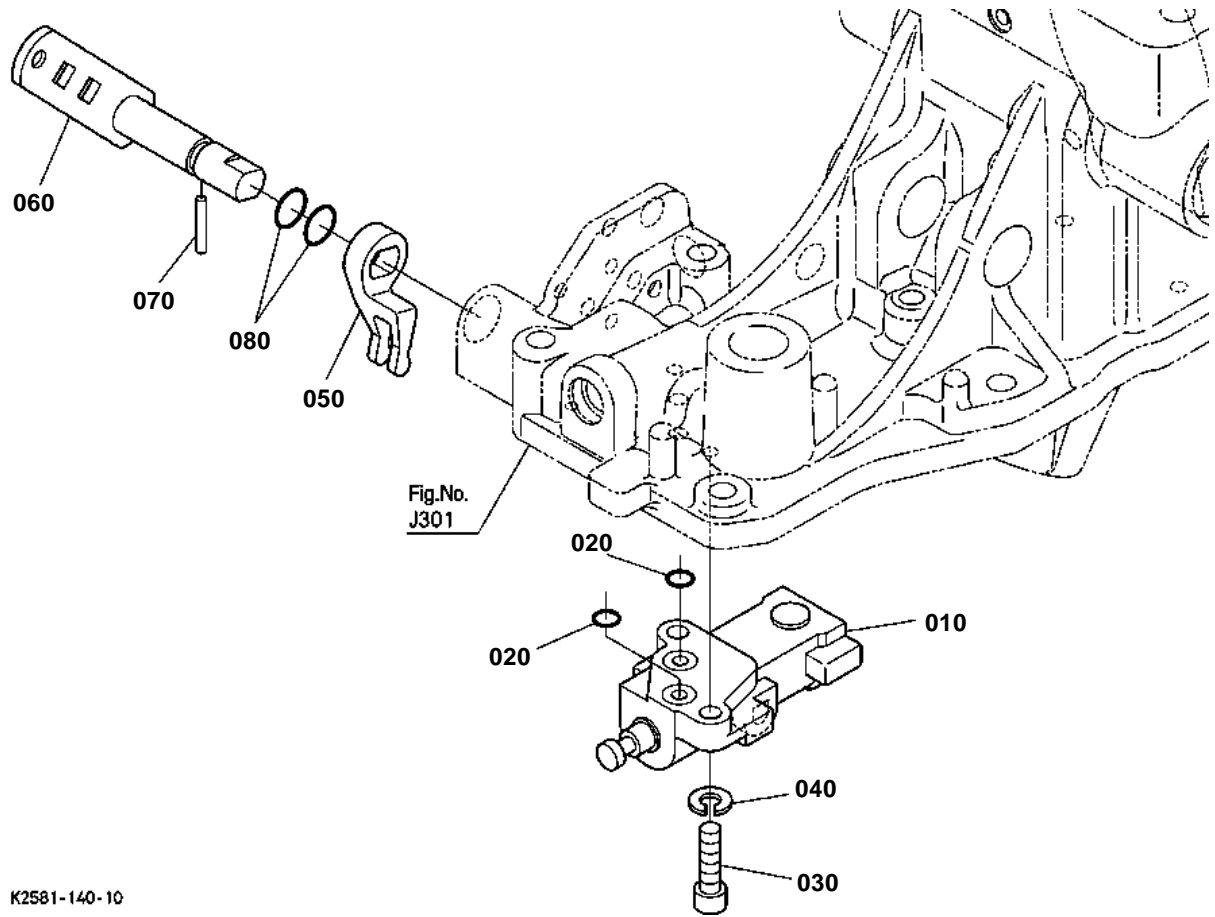


# HYDRAULIC PISTON/LIFT ARM

↔ Interchangeable; ≠ not interchangeable; ← new for old; → old for new

REF.No	Part No.	Description	Q'ty	S.No.	I/C	REMARKS	Weight (kgf)	Weight (lb)
010	K2581-36050	SHAFT HYD.ARM	1				1.51	3.322
020	K2581-36060	ARM HYDRAULIC	1				1.02	2.244
030	K2561-36122	ROD HYD.PISTON	1				0.27	0.594
040	05411-00640	PIN SPRING	1				0.006	0.0132
050	K2561-36110	PISTON HYD.	1				1.2	2.64
060	K2561-36140	RING BACK UP	1				0.005	0.011
070	04811-00700	O RING	1				0.008	0.0176
080	K2581-36070	ARM LIFT LH	1				2.3	5.06
090	K2581-36080	ARM LIFT RH	1				1.46	3.212
100	04816-00300	O RING	1				0.001	0.0022
110	04816-00320	O RING	1				0.003	0.0066
120	04612-00300	CIR CLIP EXTERNAL	2				0.003	0.0066

CONTROL VALVE



K2581-140-10



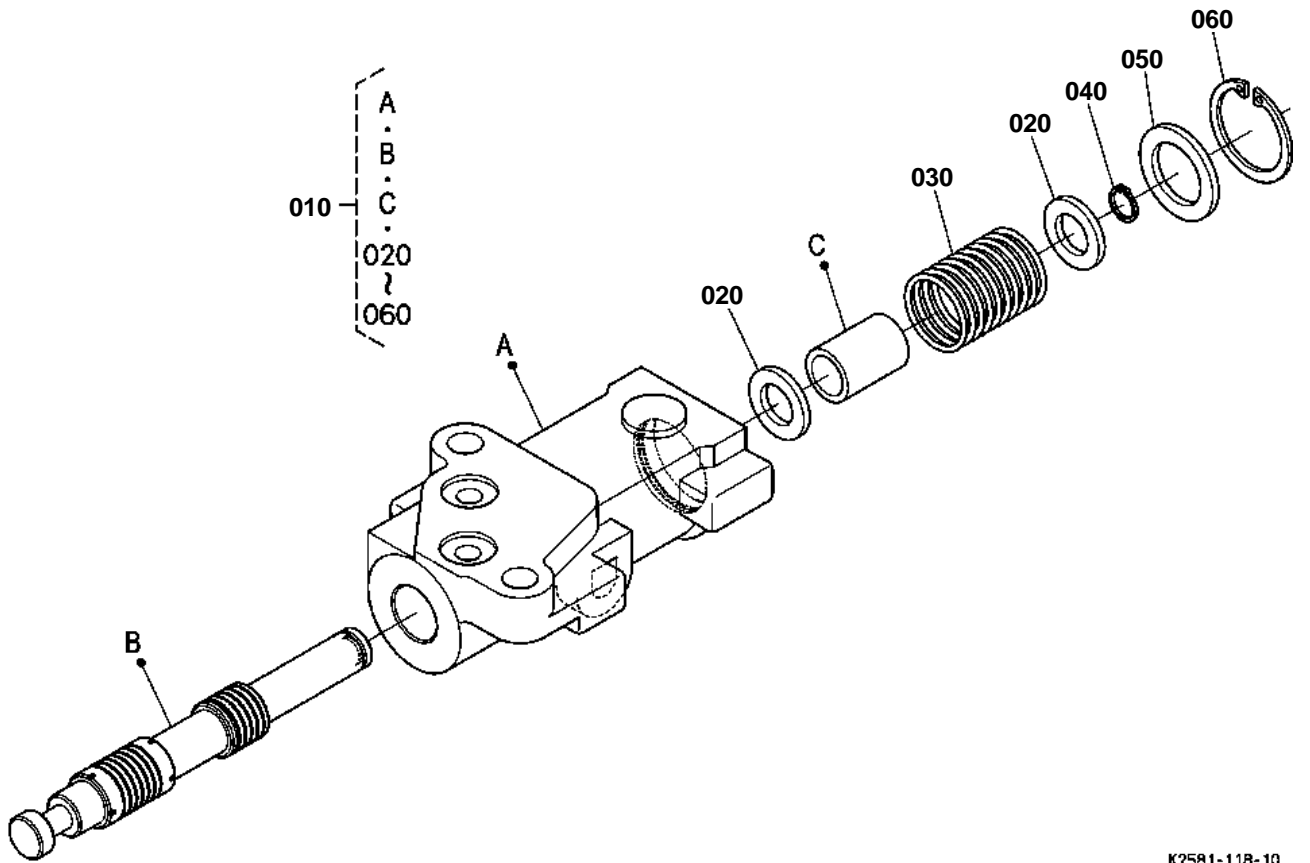


# CONTROL VALVE

↔ Interchangeable; ≠ not interchangeable; ← new for old; → old for new

REF.No	Part No.	Description	Q'ty	S.No.	I/C	REMARKS	Weight (kgf)	Weight (lb)
010	YW286-00100	ASSY VALVE CONTROL	1				0	0
020	04817-00100	O RING	2				0.001	0.0022
030	01311-10835	BOLT HEX-SOC-HD	2				0.02	0.044
040	04512-60080	WASHER SPRING	2				0.002	0.0044
050	K2581-36440	ARM SPOOL	1				0	0
060	K2581-36470	ARM CONTROL VALVE	1				0	0
070	05012-00425	PIN STRAIGHT	1				0.003	0.0066
080	04817-00160	O RING	2				0.001	0.0022

CONTROL VALVE [COMPONENT PARTS]



K2581-118-10

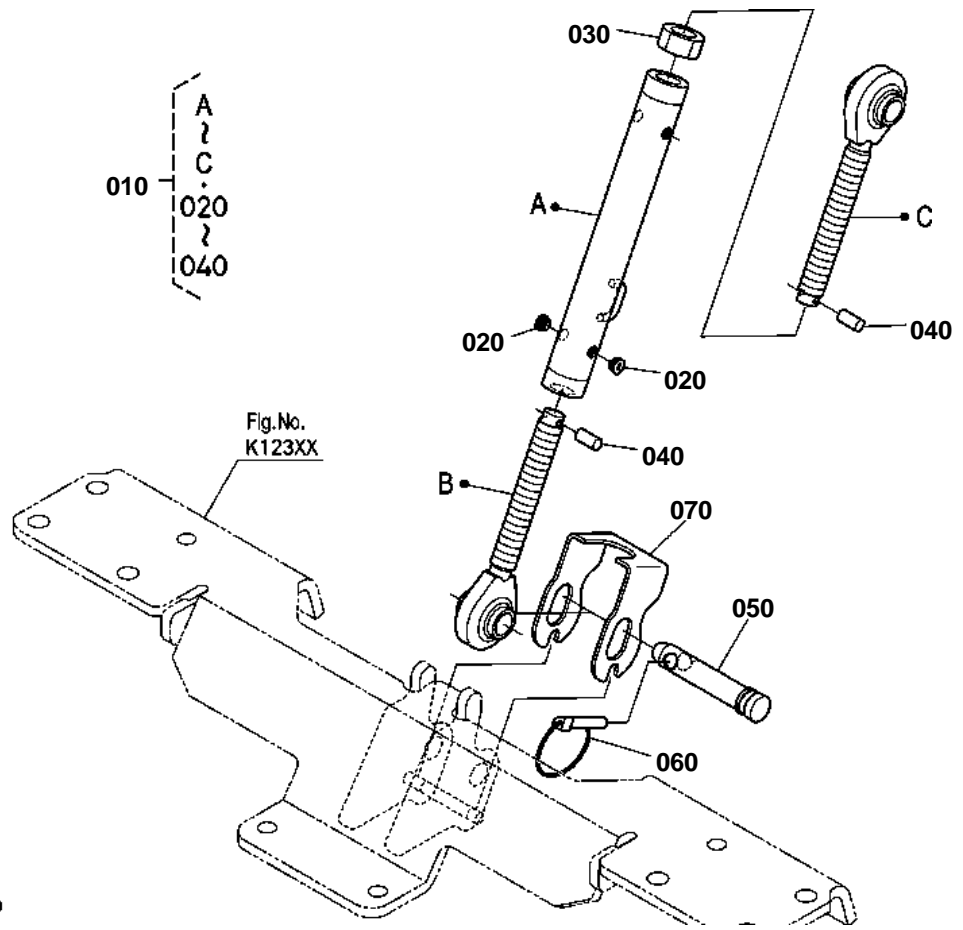


## CONTROL VALVE [COMPONENT PARTS]

↔ Interchangeable; ≠ not interchangeable; ← new for old; → old for new

REF.No	Part No.	Description	Q'ty	S.No.	I/C	REMARKS	Weight (kgf)	Weight (lb)
010	YW286-00100	ASSY VALVE CONTROL	1				0	0
020	04011-50100	WASHER PLAIN	2				0.002	0.0044
030	YR797-00410	SPRING RETURN	1				0	0
040	04613-50070	CIR CLIP EXTERNAL	1				0.001	0.0022
050	YW286-00310	WASHER PLAIN	1				0	0
060	04611-00240	CIR CLIP INTERNAL	1				0.001	0.0022

TOP LINK



010 { A  
C  
020  
040

Fig.No. K123XX

K2581-085-10

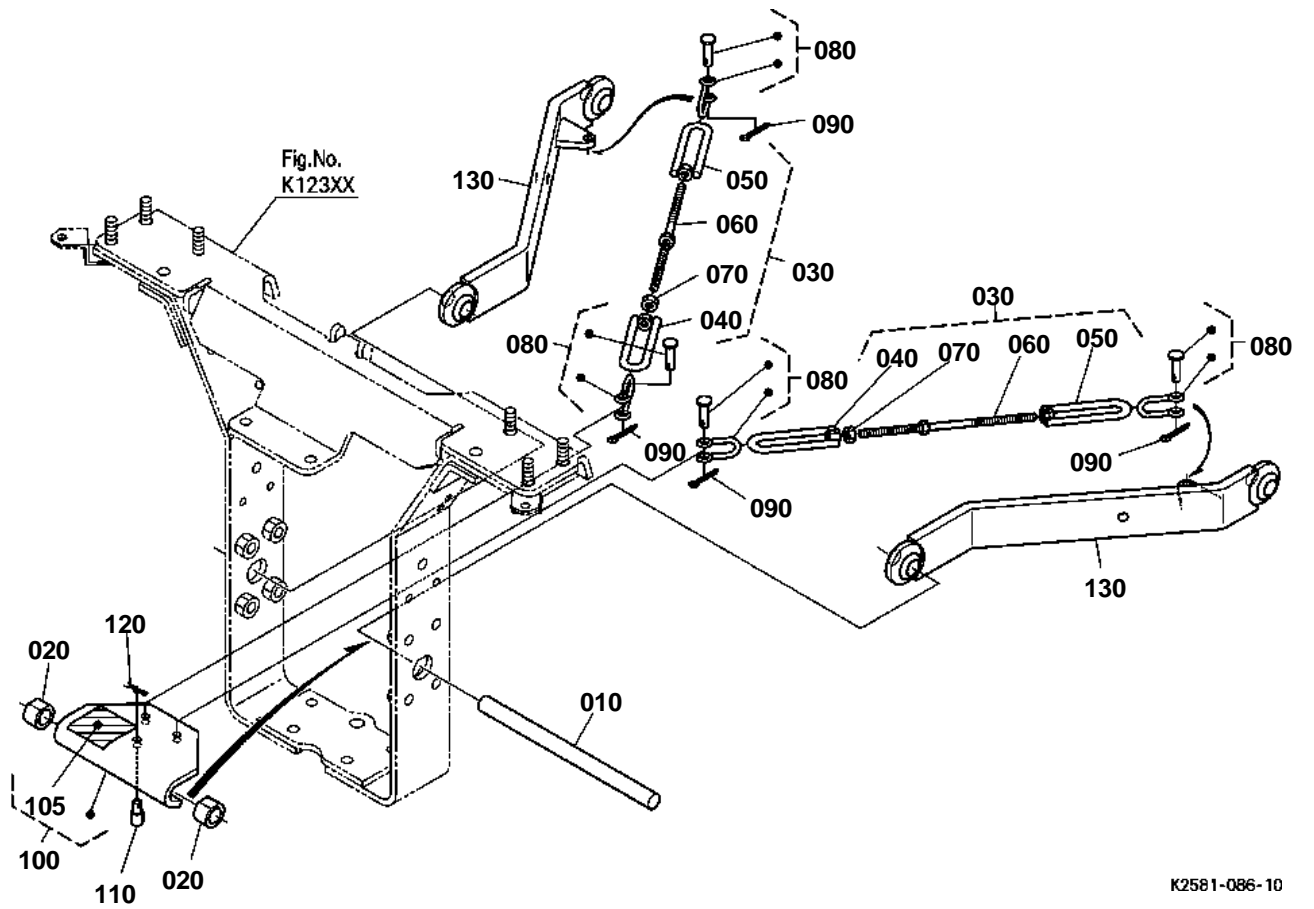


# TOP LINK

↔ Interchangeable; ≠ not interchangeable; ← new for old; → old for new

REF.No	Part No.	Description	Q'ty	S.No.	I/C	REMARKS	Weight (kgf)	Weight (lb)
010	K2581-38402	ASSY LINK TOP	1				0	0
020	K2581-38440	PLUG	4				0	0
030	02152-50200	NUT	1				0.032	0.0704
040	K2581-38450	PIN ROLL	2				0	0
050	K2561-38480	PIN TOP LINK	1				0.232	0.5104
060	K2561-38490	PIN LYNCH	1				0.04	0.088
070	K2581-38493	BRACKET TOP LINK	1				0	0

LOWER LINK



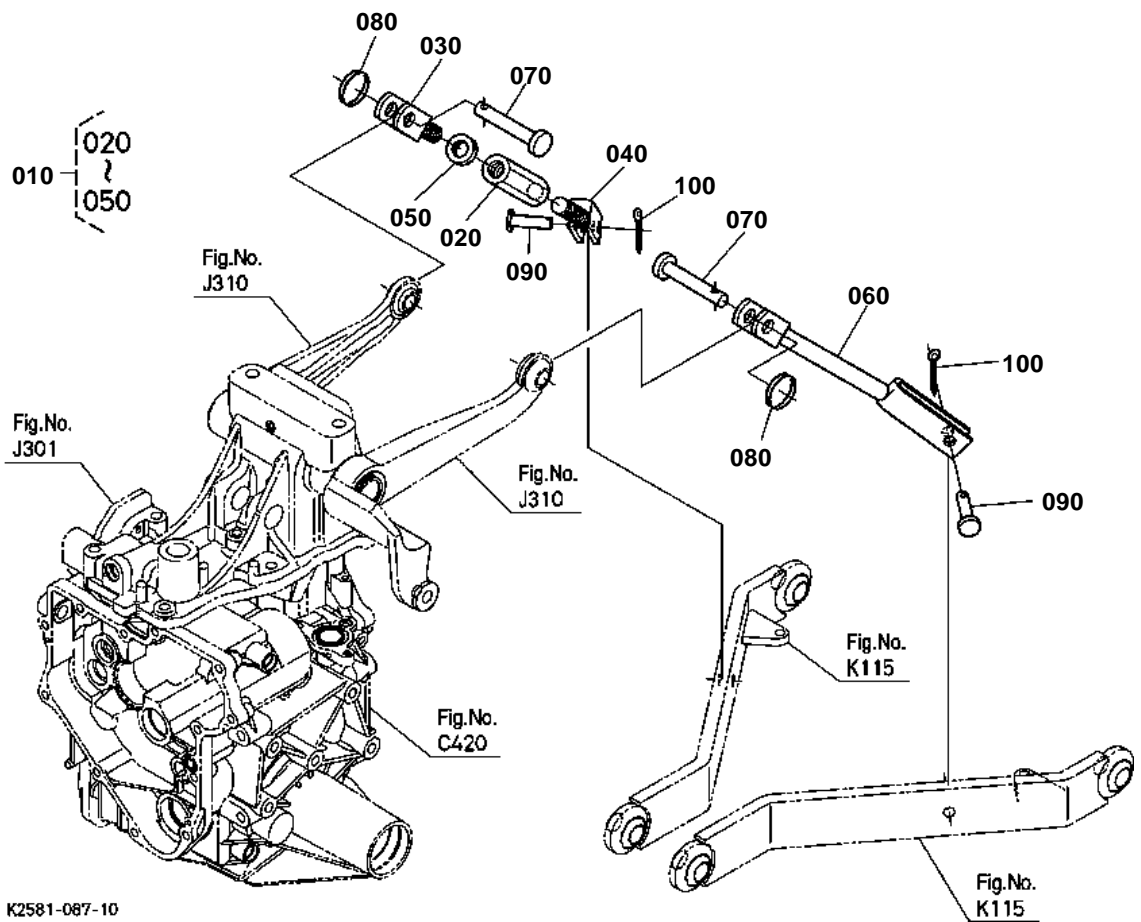
K2581-086-10

**LOWER LINK**

↔ Interchangeable; ≠ not interchangeable; ← new for old; → old for new

REF.No	Part No.	Description	Q'ty	S.No.	I/C	REMARKS	Weight (kgf)	Weight (lb)
010	K2581-38140	PIN LOWER LINK	1				0	0
020	K2581-38160	BUSH LOWER LINK PIN	2				0	0
030	K2561-38300	ASSY CHAIN CHECK	2				0.55	1.21
040	K2561-38310	NUT CHECK CHAIN RH	2				0.166	0.3652
050	K2561-38320	NUT CHECK CHAIN LH	2				0.18	0.396
060	K2561-38330	BOLT CHECK CHAIN	2				0.21	0.462
070	75599-31015	NUT	2				0.01	0.022
080	K2561-38340	CLEVIS ASSY	4				0.09	0.198
090	05511-50425	PIN SPLIT	4				0.003	0.0066
100	K2581-93980	KIT PLATE	1			ENGLISH	0	0
100	K2587-93980	KIT PLATE	1			FRENCH	0	0
105	K2581-65550	LABEL ADJUST CAUTION	1			ENGLISH NOT SALE	0	0
105	K2587-65550	LABEL ADJUST CAUTION	1			FRENCH NOT SALE	0	0
110	K2561-38180	PIN STOPPER	1				0.04	0.088
120	05515-60800	PIN SNAP	1				0.002	0.0044
130	K2561-38210	COMP.LINK LOWER	2				5.12	11.264

LIFT ROD



K2581-087-10



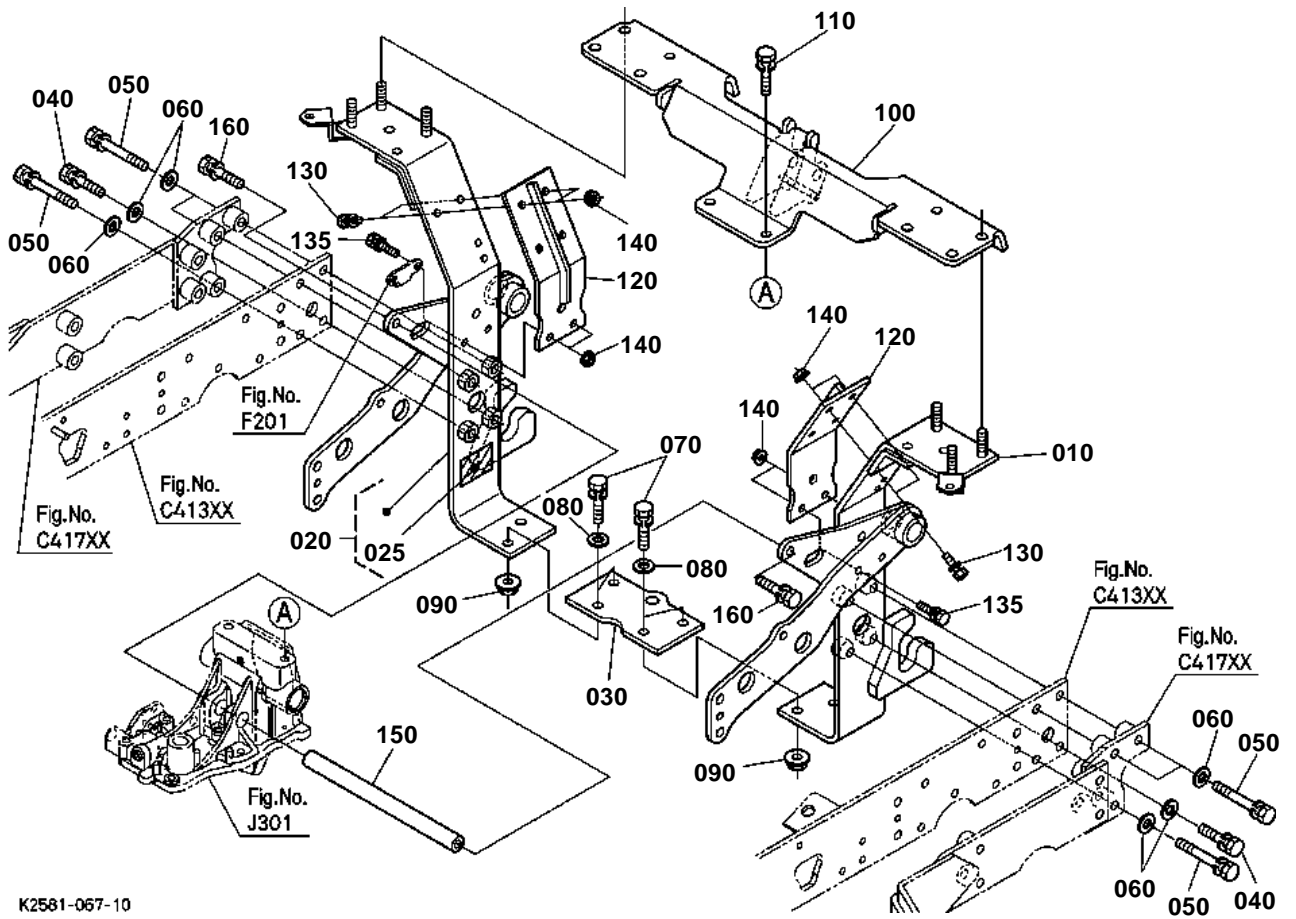


# LIFT ROD

↔ Interchangeable; ≠ not interchangeable; ← new for old; → old for new

REF.No	Part No.	Description	Q'ty	S.No.	I/C	REMARKS	Weight (kgf)	Weight (lb)
010	K2581-38220	ASSY ROD LIFT RH	1				0	0
020	K2581-38250	TURNBUCKLE	1				0	0
030	K2581-38230	ROD LIFT UPPER RH	1				0	0
040	K2581-38240	ROD LIFT RH UNDER	1				0	0
050	0Y201-50120	NUT	1				0	0
060	K2581-38270	ROD LIFT LH	1				0	0
070	K2581-38910	PIN JOINT	2				0	0
080	K5142-72730	RING SNAP	2				0.003	0.0066
090	05122-61245	PIN JOINT	2				0.045	0.099
100	05511-50435	PIN SPLIT	2				0.004	0.0088

TOP LINK BRACKET



K2581-067-10

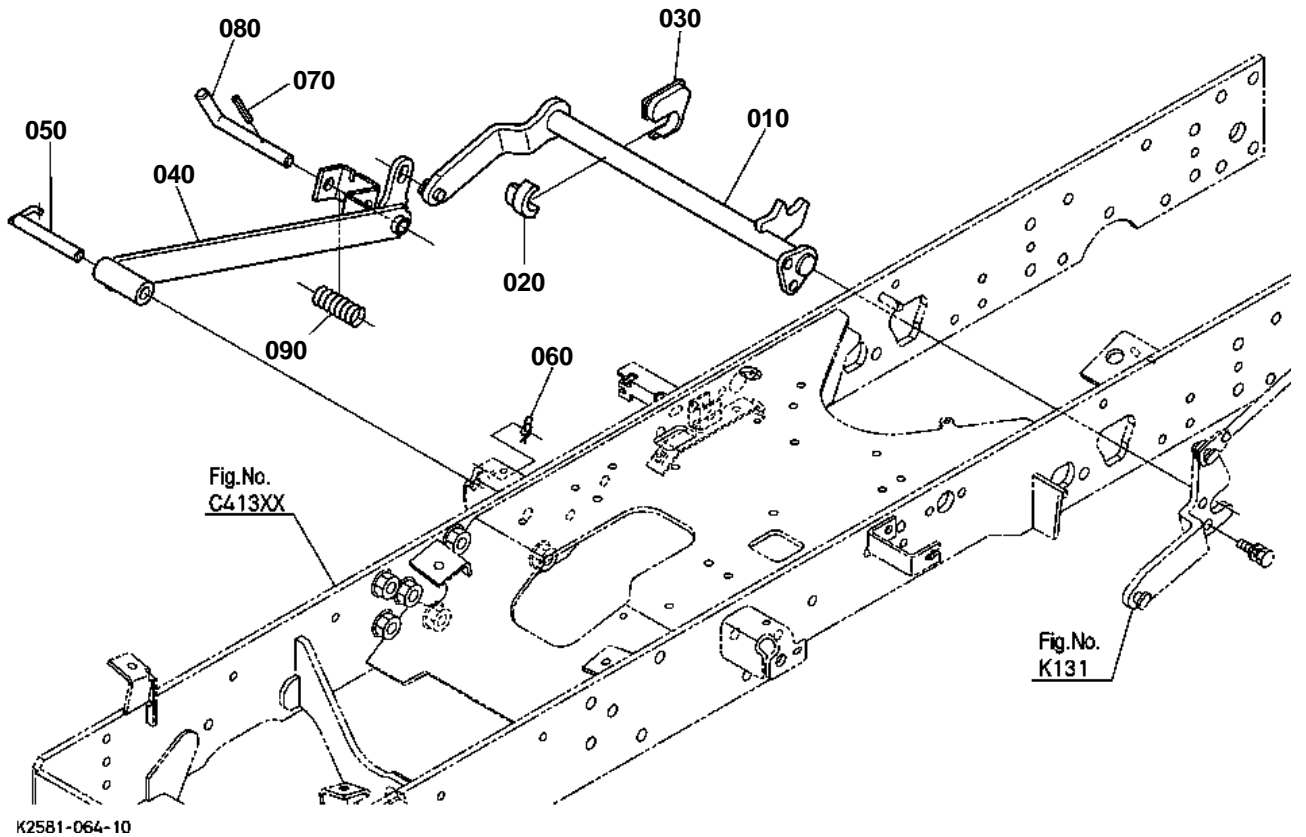


TOP LINK BRACKET

↔ Interchangeable; ≠ not interchangeable; ← new for old; → old for new

REF.No	Part No.	Description	Q'ty	S.No.	I/C	REMARKS	Weight (kgf)	Weight (lb)
010	K2592-39015	BRACKET FENDER LH	1				0	0
020	K2592-93920	KIT BRACKET FENDER R	1			ENGLISH	0	0
020	K2597-93920	KIT BRACKET FENDER R	1			FRENCH	0	0
025	K2581-65560	LABEL HITCH WARNING	1			ENGLISH NOT SALE	0	0
025	K2567-65560	LABEL HITCH WARNING	1			FRENCH NOT SALE	0	0
030	K2581-39180	PLATE HITCH	1				0	0
040	01133-51440	BOLT	2				0.07	0.154
050	01133-51480	BOLT	6				0	0
060	75599-32516	WASHER PLAIN	8				0.011	0.0242
070	01133-51440	BOLT	4				0.07	0.154
080	75599-32516	WASHER PLAIN	4				0.011	0.0242
090	02771-50140	NUT FLANGE	4				0	0
100	K2581-39130	STAY FENDER CENTER	1				0	0
110	01133-51440	BOLT	2				0.07	0.154
120	K2592-39172	PLATE BRACKET	2				0	0
130	01133-51040	BOLT	4				0.03	0.066
135	01133-51055	BOLT WITH WASHER	4				0.039	0.0858
140	02771-60100	NUT FLANGE	8				0.01	0.022
150	K2561-21033	ROD TIE	1				0	0
160	01133-51440	BOLT	2				0.07	0.154

MOWER REAR LINK RH



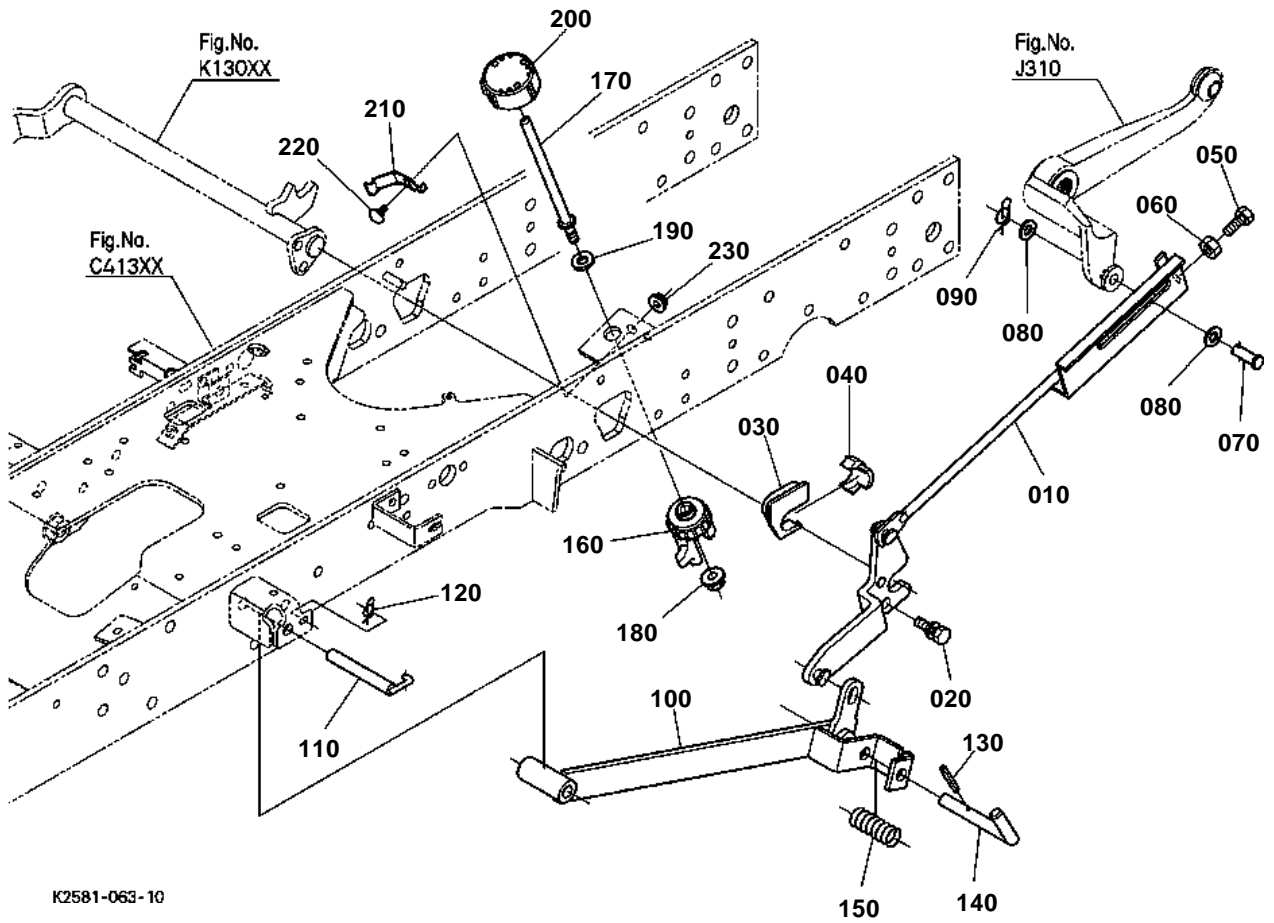


## MOWER REAR LINK RH

↔ Interchangeable; ≠ not interchangeable; ← new for old; → old for new

REF.No	Part No.	Description	Q'ty	S.No.	I/C	REMARKS	Weight (kgf)	Weight (lb)
010	K2581-44202	LINK REAR LIFT RH	1				0	0
020	K2581-44270	BOSS LIFT UPPER	1				0	0
030	K2581-44280	BOSS LIFT UNDER	1				0	0
040	K2581-44310	LINK REAR	1				0	0
050	K2581-44330	ROD MOWER LINK	1				0	0
060	K1211-91110	RUE RING COTTER	1				0.001	0.0022
070	75599-52532	PIN SPRING	1				0.005	0.011
080	K2581-44650	PIN LIFT	1				0	0
090	K5651-44670	SPRING PIN	1				0.21	0.462

MOWER REAR LINK LH



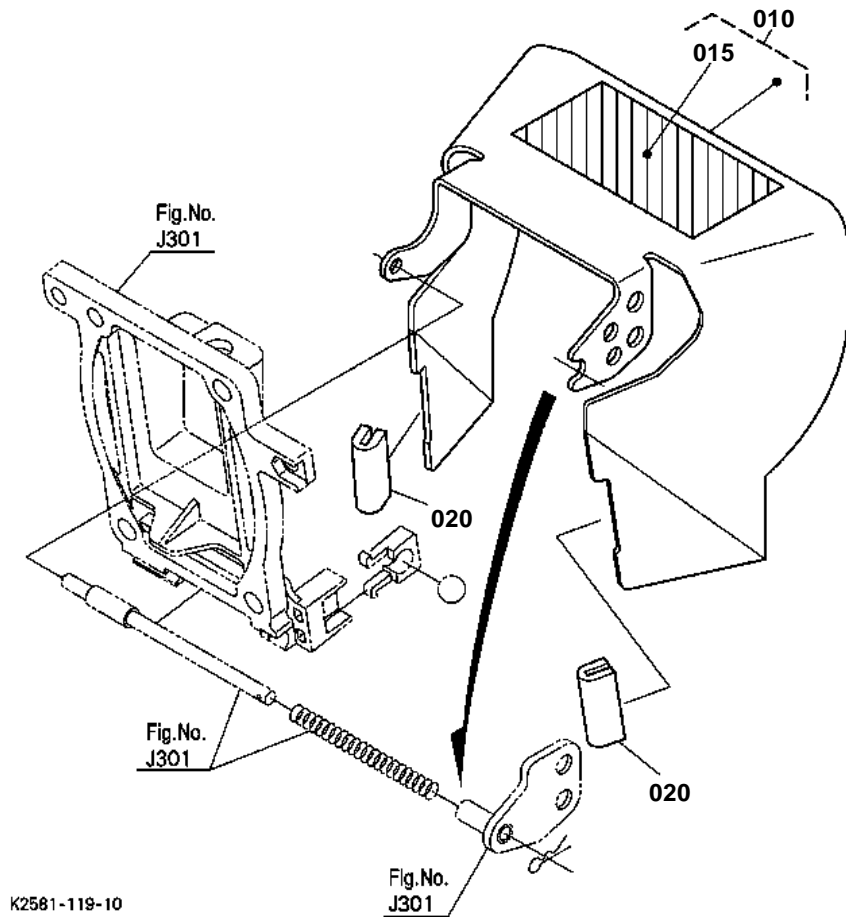
K2581-063-10



# MOWER REAR LINK LH

↔ Interchangeable; ≠ not interchangeable; ← new for old; → old for new

REF.No	Part No.	Description	Q'ty	S.No.	I/C	REMARKS	Weight (kgf)	Weight (lb)
010	K2581-44210	LINK REAR LIFT LH	1				0	0
020	01133-51230	BOLT	2				0.04	0.088
030	K2581-44270	BOSS LIFT UPPER	1				0	0
040	K2581-44280	BOSS LIFT UNDER	1				0	0
050	01175-51250	BOLT	1				0.05	0.11
060	02174-50120	NUT	1				0.01	0.022
070	05122-51235	PIN JOINT	1				0.034	0.0748
080	04013-60120	WASHER PLAIN	2				0.01	0.022
090	K1211-91140	RUE RING COTTER	1				0.002	0.0044
100	K2581-44310	LINK REAR	1				0	0
110	K2581-44330	ROD MOWER LINK	1				0	0
120	K1211-91110	RUE RING COTTER	1				0.001	0.0022
130	75599-52532	PIN SPRING	1				0.005	0.011
140	K2581-44650	PIN LIFT	1				0	0
150	K5651-44670	SPRING PIN	1				0.21	0.462
160	K2581-44410	CAM	1				0	0
170	K2581-44422	ROD CAM	1				0	0
180	02771-60100	NUT FLANGE	1				0.01	0.022
190	04013-60120	WASHER PLAIN	1				0.01	0.022
200	K2581-44430	DIAL CAM	1				0	0
210	K2581-44440	PLATE RETAINER	1				0	0
220	K1122-91330	BOLT SHORT SQU.NECK	1				0	0
230	02751-50080	NUT FLANGE	1				0.006	0.0132





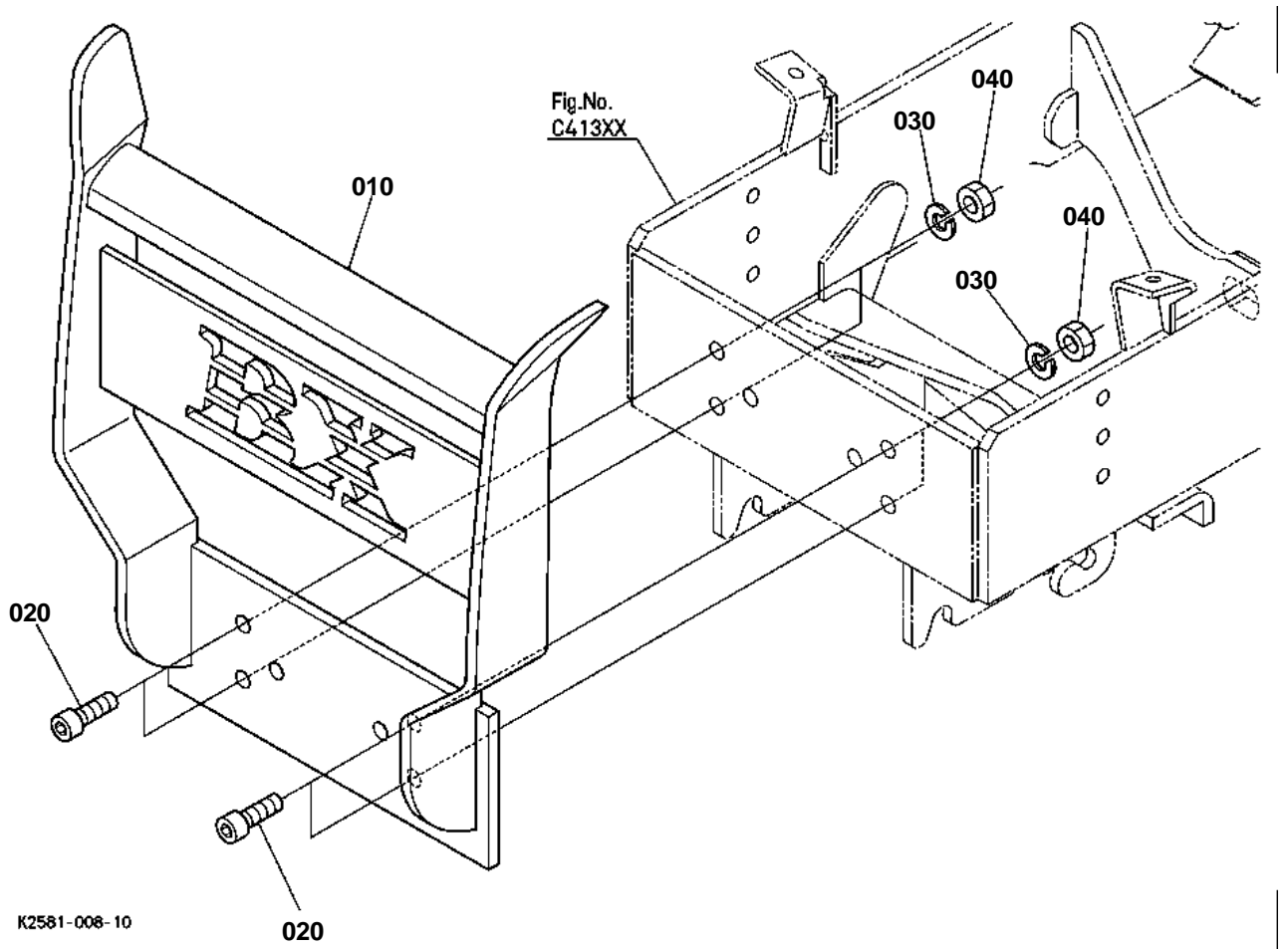


# PTO PROTECTOR

↔ Interchangeable; ≠ not interchangeable; ← new for old; → old for new

REF.No	Part No.	Description	Q'ty	S.No.	I/C	REMARKS	Weight (kgf)	Weight (lb)
010	K2581-93990	KIT COVER PTO	1			ENGLISH	0	0
010	K2587-93990	KIT COVER PTO	1			FRENCH	0	0
015	K2581-65540	LABEL PTO WARNING	1			ENGLISH NOT SALE	0	0
015	K2567-65540	LABEL PTO WARNING	1			FRENCH NOT SALE	0	0
020	K2581-39540	TRIM PTO COVER	2				0	0

FRONT GUARD



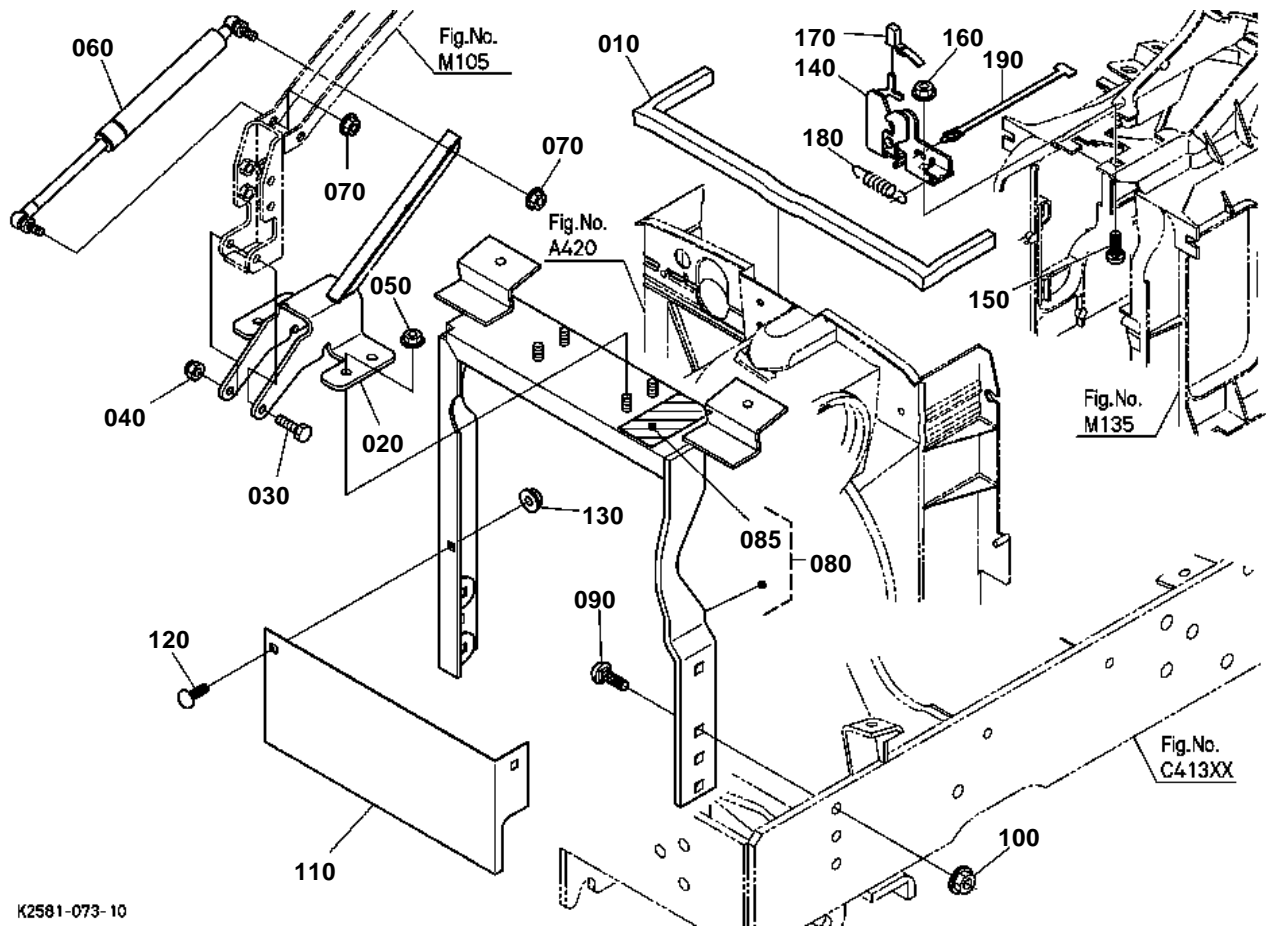


## FRONT GUARD

↔ Interchangeable; ≠ not interchangeable; ← new for old; → old for new

REF.No	Part No.	Description	Q'ty	S.No.	I/C	REMARKS	Weight (kgf)	Weight (lb)
010	K2592-21250	GUARD FRONT	1				0	0
020	68591-11170	BOLT HEX-SOC-HD	4				0.035	0.077
030	04512-60120	WASHER SPRING	4				0.005	0.011
040	02174-50120	NUT	4				0.01	0.022

FRONT GLILLE SUPPORT



K2581-073-10

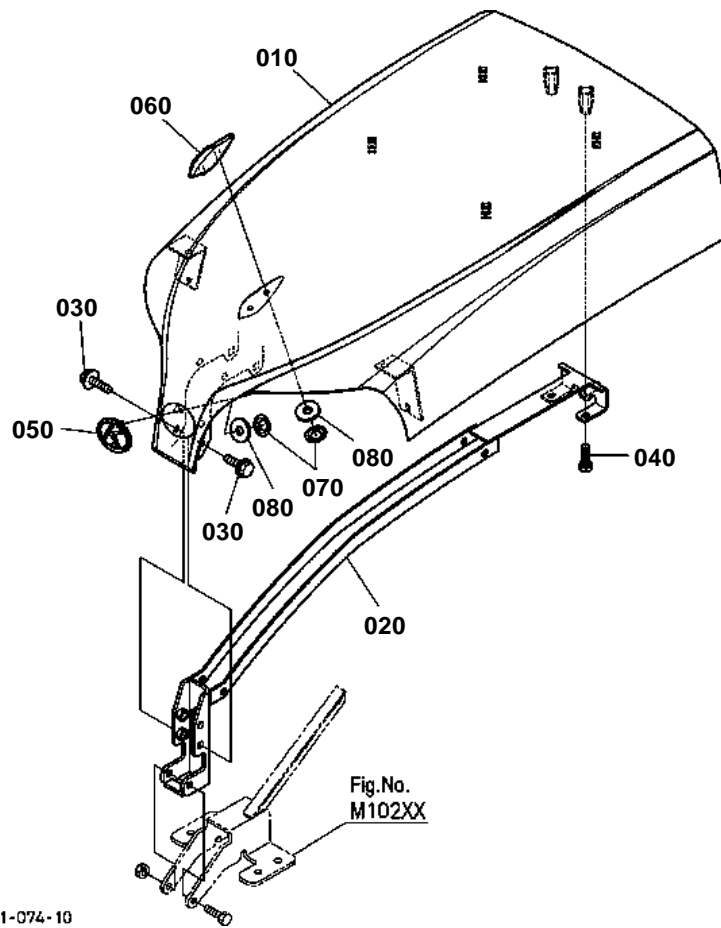


# FRONT GLILLE SUPPORT

↔ Interchangeable; ≠ not interchangeable; ← new for old; → old for new

REF.No	Part No.	Description	Q'ty	S.No.	I/C	REMARKS	Weight (kgf)	Weight (lb)
010	K2581-57273	SPONGE UPPER	1				0	0
020	K2581-54240	POST BONNET UPPER	1				0	0
030	01155-50860	BOLT	1				0.025	0.055
040	02552-50080	NUT LOCK	1				0.005	0.011
050	02751-50080	NUT FLANGE	4				0.006	0.0132
060	K2581-54270	DAMPER BONNET OPEN	1				0	0
070	02751-50080	NUT FLANGE	2				0.006	0.0132
080	K2581-95410	KIT POST BONNET	1				0	0
085	K2581-65420	LABEL HOT CAUTION	1			NOT SALE	0	0
090	K2581-54860	BOLT SQUARE NECK	4				0	0
100	K1122-91960	NUT FLANGE	4				0.012	0.0264
110	K2581-54450	COVER FLYWHEEL	1				0	0
120	K1122-91330	BOLT SHORT SQU.NECK	2				0	0
130	02751-50080	NUT FLANGE	2				0.006	0.0132
140	K2581-54302	COMP.LOCK BONNET	1				0	0
150	K1122-91330	BOLT SHORT SQU.NECK	2				0	0
160	02751-50080	NUT FLANGE	2				0.006	0.0132
170	K2581-54390	GRIP BONNET OPEN	1				0	0
180	6C040-54150	SPRING	1				0.006	0.0132
190	K2581-54350	HOOK BONNET OPEN	1				0	0

BONNET



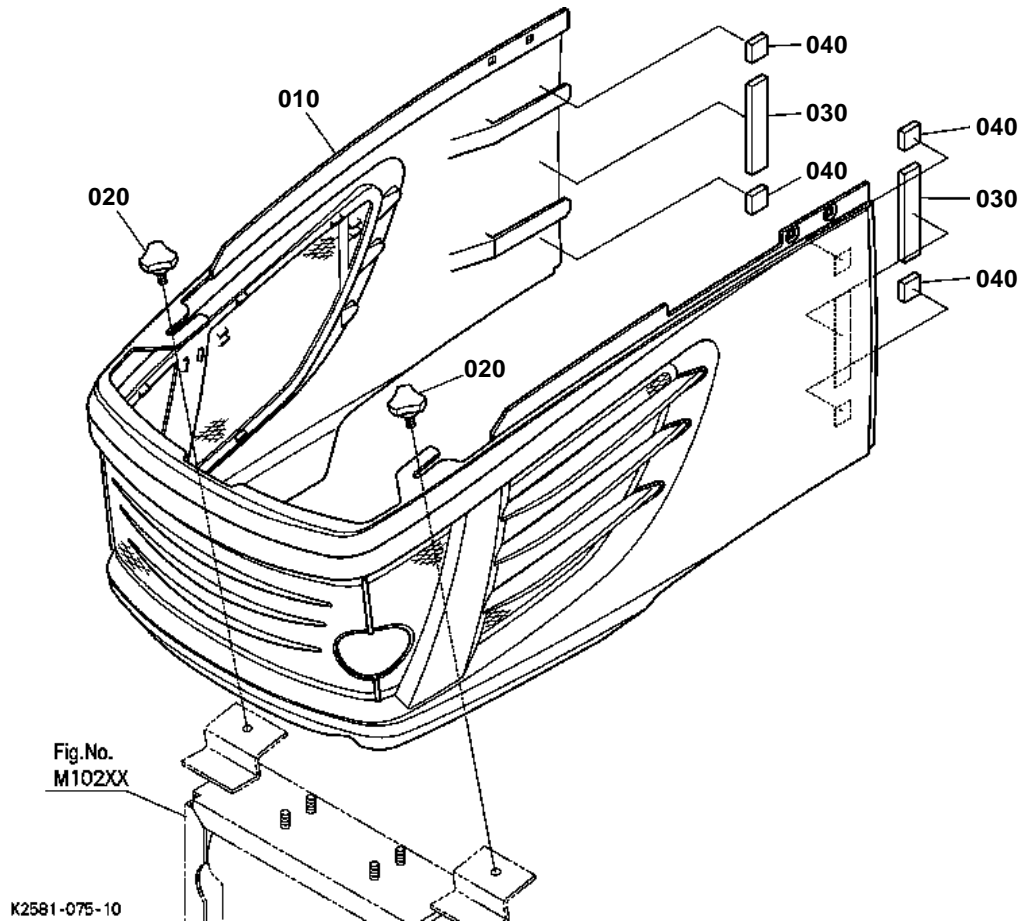
K2581-074-10

**BONNET**

↔ Interchangeable; ≠ not interchangeable; ← new for old; → old for new

REF.No	Part No.	Description	Q'ty	S.No.	I/C	REMARKS	Weight (kgf)	Weight (lb)
010	K2581-54110	BONNET UPPER	1				0	0
020	K2581-54322	BRACKET BONNET	1				0	0
030	01754-50820	BOLT FLANGE	4				0.015	0.033
040	K1253-54510	SCREW TAPPING	2				0	0
050	K2581-54200	MARK SYMBOL	1				0	0
060	K2581-54130	MARK SYMBOL	1				0	0
070	K7561-54190	NUT	4				0	0
080	55611-44210	PLATE WASHER	4				0.007	0.0154

BONNET SIDE





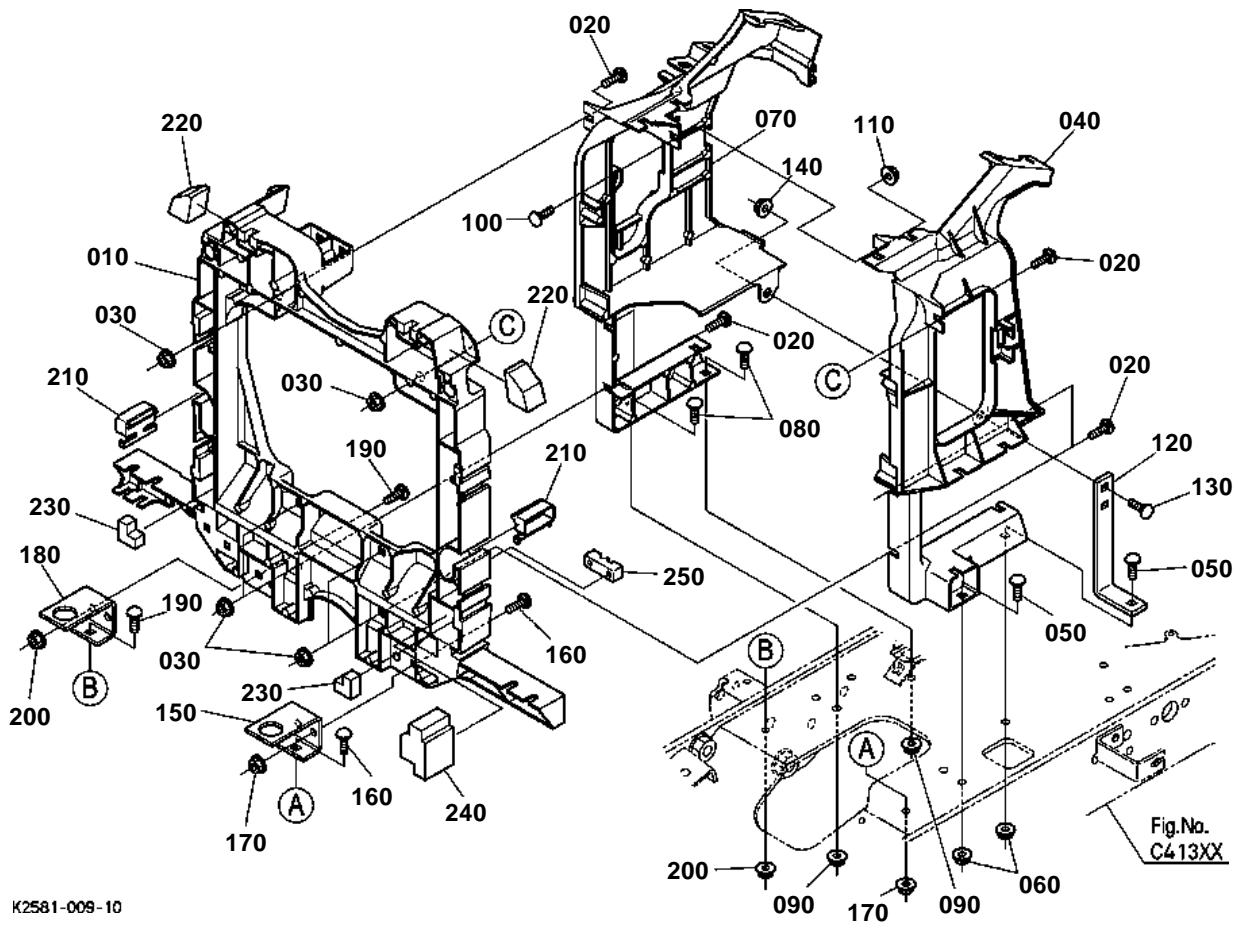


## BONNET SIDE

↔ Interchangeable; ≠ not interchangeable; ← new for old; → old for new

REF.No	Part No.	Description	Q'ty	S.No.	I/C	REMARKS	Weight (kgf)	Weight (lb)
010	K2581-54040	ASSY BONNET UNDER	1				0	0
020	01820-50825	BOLT KNOB	2				0.028	0.0616
030	K2581-54280	SPONGE BONNET	2				0	0
040	K2581-54180	SPONGE BONNET	4				0	0

CENTER PILLAR



K2581-009-10

Fig.No.  
C413XX

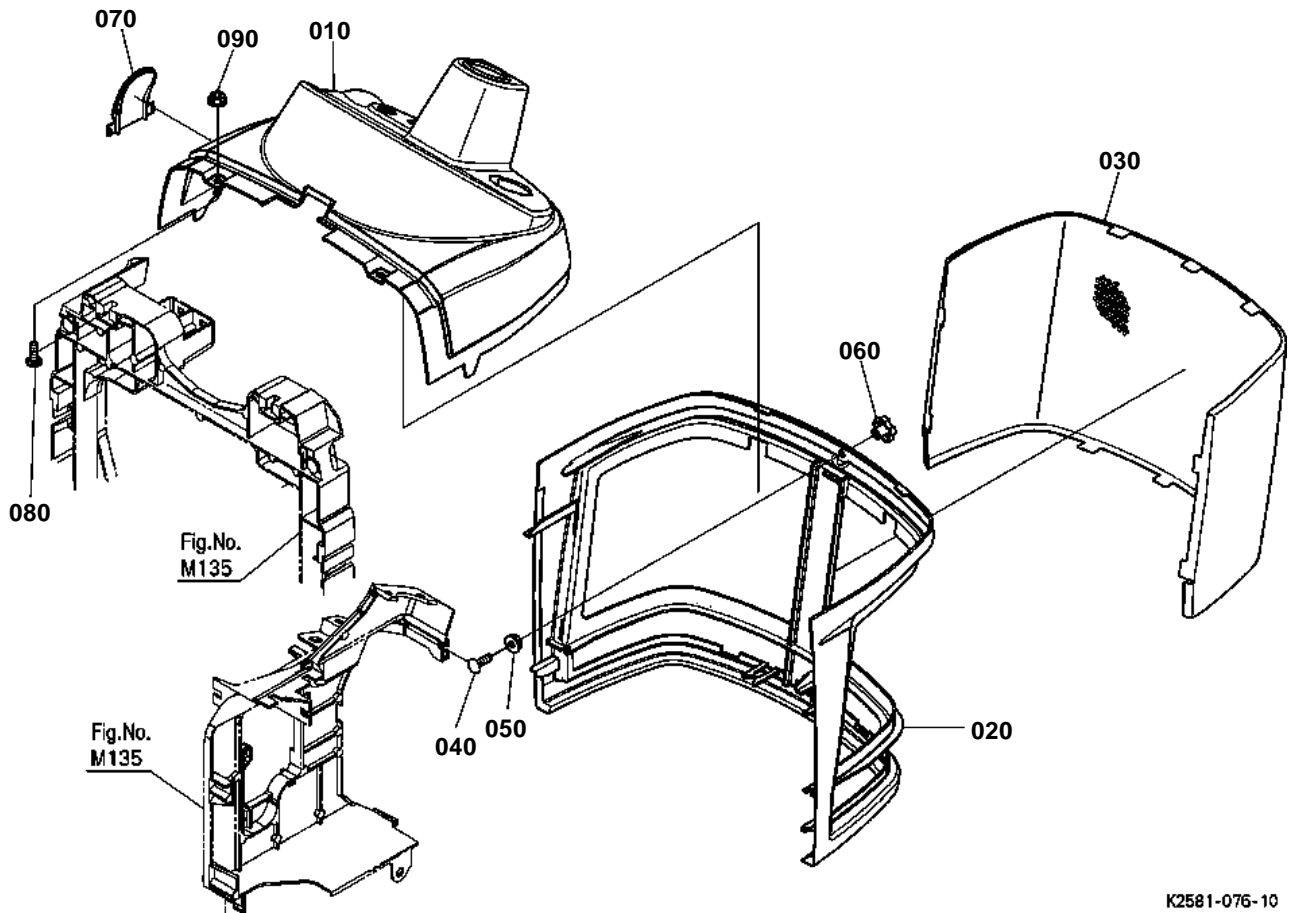


# CENTER PILLAR

↔ Interchangeable; ≠ not interchangeable; ← new for old; → old for new

REF.No	Part No.	Description	Q'ty	S.No.	I/C	REMARKS	Weight (kgf)	Weight (lb)
010	K2581-57213	PILLAR CENTER	1				0	0
020	K1122-91330	BOLT SHORT SQU.NECK	6				0	0
030	02751-50080	NUT FLANGE	6				0.006	0.0132
040	K2581-57202	PILLAR CENTER LH	1				0	0
050	K1122-91330	BOLT SHORT SQU.NECK	2				0	0
060	02751-50080	NUT FLANGE	2				0.006	0.0132
070	K2581-57222	PILLAR CENTER RH	1				0	0
080	K1122-91330	BOLT SHORT SQU.NECK	2				0	0
090	02751-50080	NUT FLANGE	2				0.006	0.0132
100	K1122-91330	BOLT SHORT SQU.NECK	1				0	0
110	02751-50080	NUT FLANGE	1				0.006	0.0132
120	K2581-57290	STAY PILLAR	1				0	0
130	K1122-91330	BOLT SHORT SQU.NECK	1				0	0
140	02751-50080	NUT FLANGE	1				0.006	0.0132
150	K2581-57380	STAY RADIATOR 2	1				0	0
160	K1122-91330	BOLT SHORT SQU.NECK	2				0	0
170	02751-50080	NUT FLANGE	2				0.006	0.0132
180	K2581-57380	STAY RADIATOR 2	1				0	0
190	K1122-91330	BOLT SHORT SQU.NECK	2				0	0
200	02751-50080	NUT FLANGE	2				0.006	0.0132
210	K2581-57280	CAP PILLAR	2				0	0
220	K2581-57250	SPONGE PILLAR UPPER	2				0	0
230	K2581-85332	SPONGE PILLAR UNDER	2				0	0
240	K2581-85340	SPONGE PILLAR LH	1				0	0
250	K2581-41660	CLAMP PIPE	1				0	0

PANEL FRAME



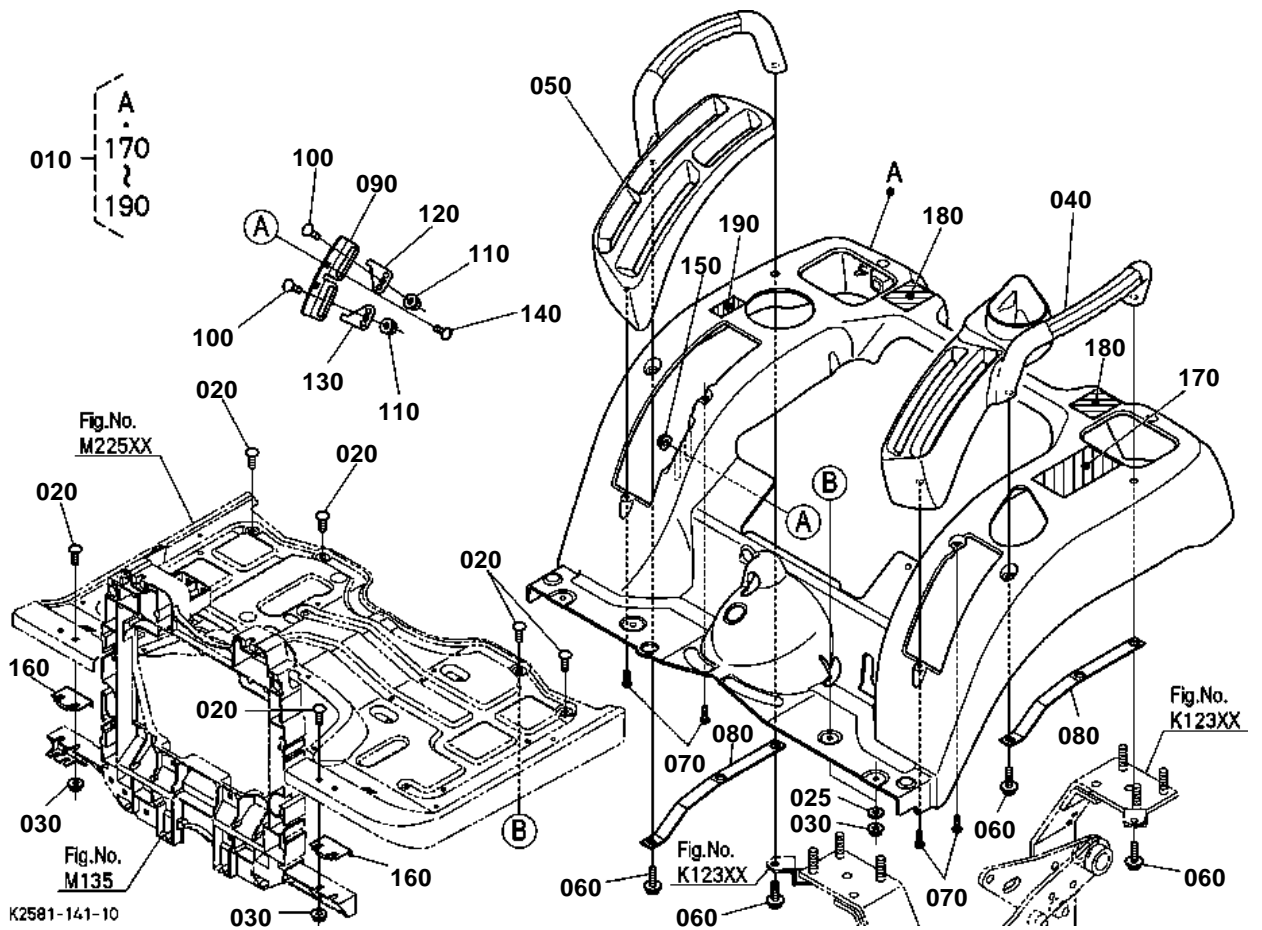
K2581-076-10



PANEL FRAME

↔ Interchangeable; ≠ not interchangeable; ← new for old; → old for new

REF.No	Part No.	Description	Q'ty	S.No.	I/C	REMARKS	Weight (kgf)	Weight (lb)
010	K2581-57113	PANEL UPPER	1				0	0
020	K2581-57130	PANEL UNDER	1				0	0
030	K2581-57140	PLATE AIR SCREEN U.	1				0	0
040	K1122-91330	BOLT SHORT SQU.NECK	1				0	0
050	02751-50080	NUT FLANGE	1				0.006	0.0132
060	K2561-57170	NUT KNOB	1				0.015	0.033
070	K2581-57910	COVER PANEL MOWER	1				0	0
080	K1122-91330	BOLT SHORT SQU.NECK	2				0	0
090	02751-50080	NUT FLANGE	2				0.006	0.0132

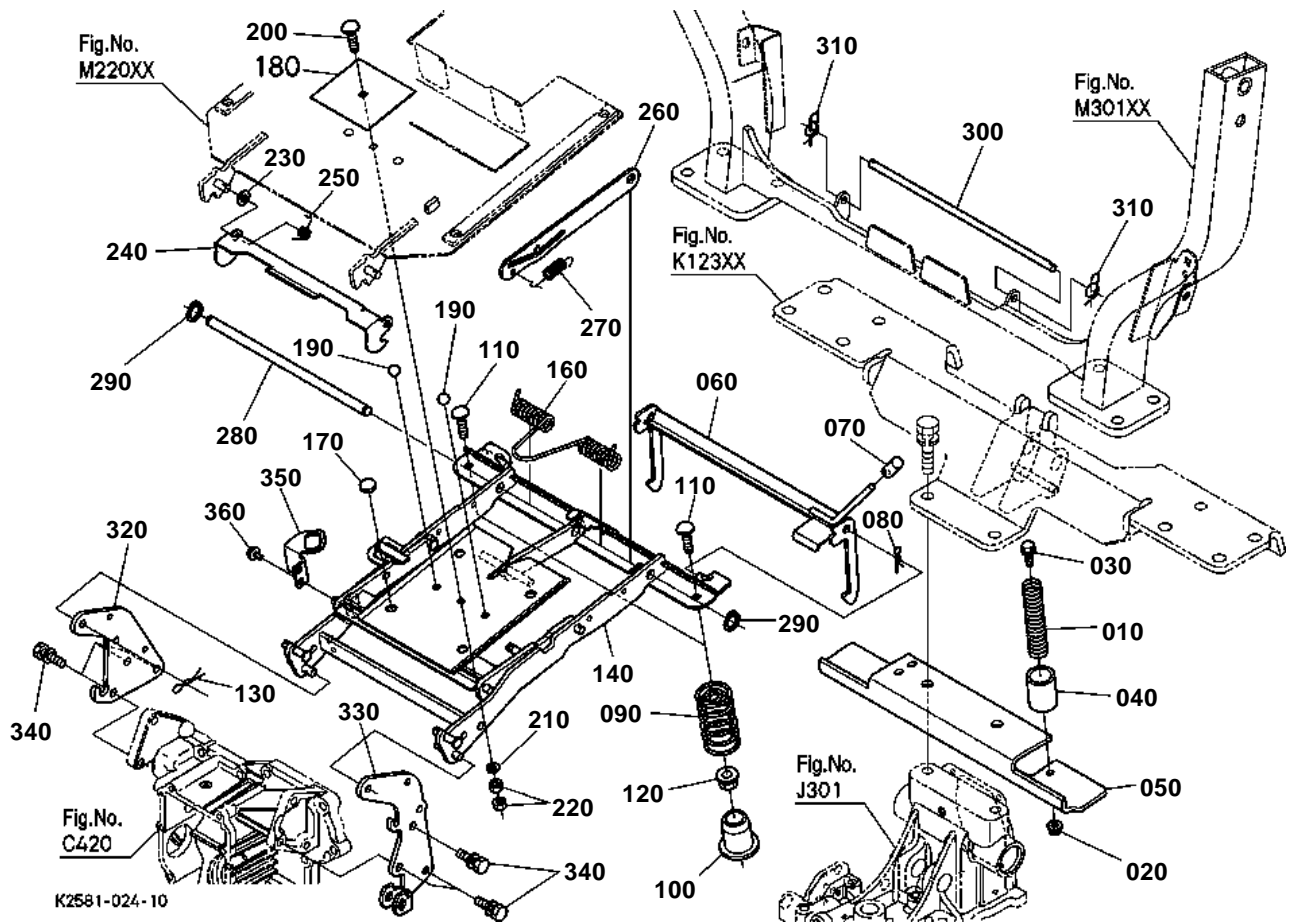


**FENDER**

↔ Interchangeable; ≠ not interchangeable; ← new for old; → old for new

REF.No	Part No.	Description	Q'ty	S.No.	I/C	REMARKS	Weight (kgf)	Weight (lb)
010	K2592-95520	KIT FENDER	1			ENGLISH	0	0
010	K2597-95520	KIT FENDER	1			FRENCH	0	0
020	K1122-91330	BOLT SHORT SQU.NECK	6				0	0
025	04015-60080	WASHER PLAIN	4				0.01	0.022
030	02751-50080	NUT FLANGE	6				0.006	0.0132
040	K2581-55210	GUIDE LEVER LH	1				0	0
050	K2581-55220	GUIDE LEVER RH	1				0	0
060	01774-51025	BOLT FLANGE	4				0.02	0.044
070	03017-50620	SCREW CR-REC-BD-HD	4				0.005	0.011
080	K2581-55230	STAY LEVER GUIDE	2				0	0
090	K2581-55240	STAY INCHING STOPPER	1				0	0
100	K1122-91310	BOLT SHORT	2				0.01	0.022
110	02751-50080	NUT FLANGE	2				0.006	0.0132
120	K2581-55250	STOPPER INCHING UP	1				0	0
130	K2581-55260	STOPPER INCHING DOWN	1				0	0
140	K1122-91310	BOLT SHORT	2				0.01	0.022
150	02751-50080	NUT FLANGE	2				0.006	0.0132
160	K2581-55140	STAY STEP	2				0	0
170	K2581-65480	LABEL SAFETY	1			ENGLISH NOT SALE	0	0
170	K2587-65480	LABEL SAFETY	1			FRENCH NOT SALE	0	0
180	K2581-65520	LABEL SPACE WARNING	2			ENGLISH NOT SALE	0	0
180	K2587-65520	LABEL SPACE WARNING	2			FRENCH NOT SALE	0	0
190	K2581-65490	LABEL FUEL	1			NOT SALE	0	0

SEAT SUPPORT





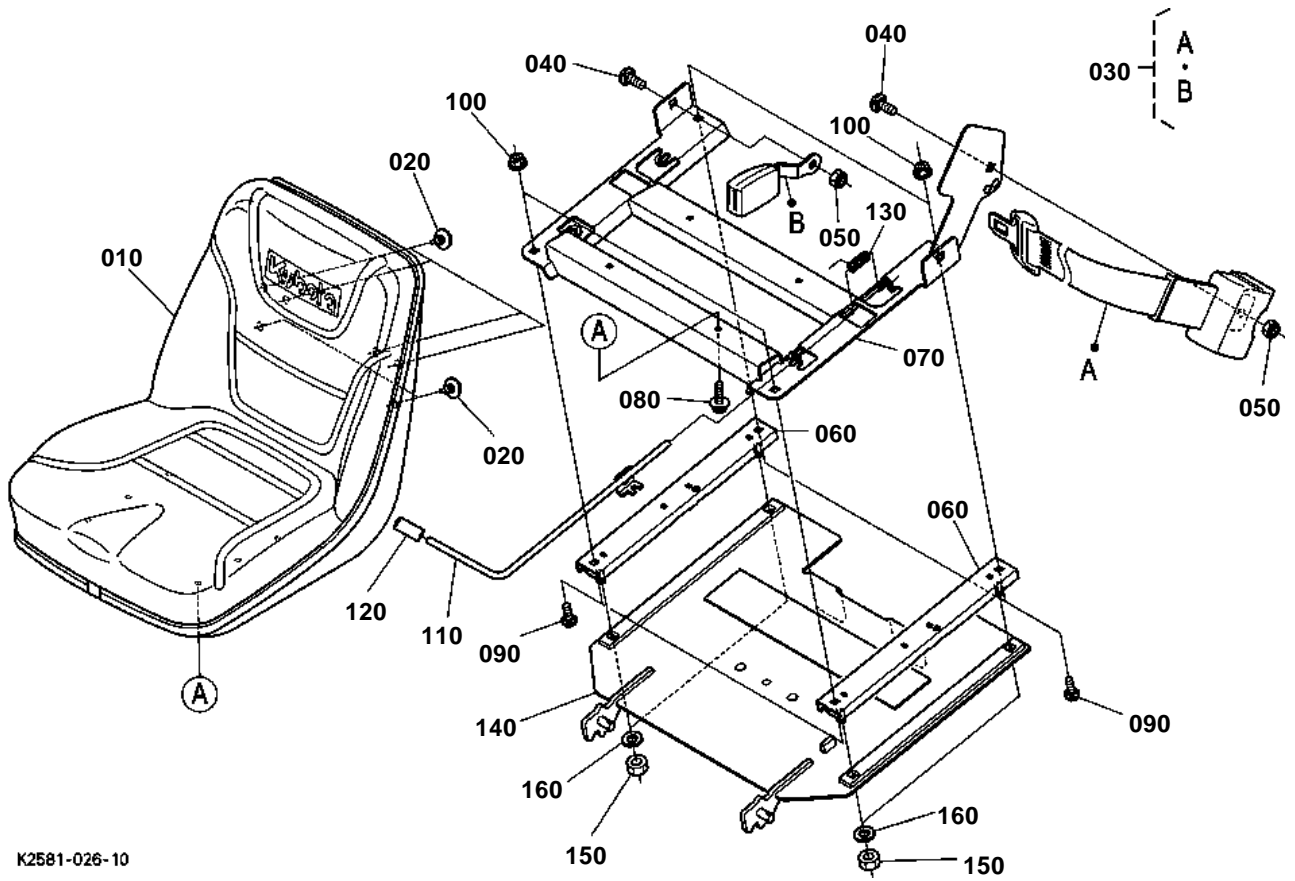


# SEAT SUPPORT

↔ Interchangeable; ≠ not interchangeable; ← new for old; → old for new

REF.No	Part No.	Description	Q'ty	S.No.	I/C	REMARKS	Weight (kgf)	Weight (lb)
010	K2581-55592	SPRING OPC	1				0	0
020	K2511-55580	NUT	1				0.007	0.0154
030	01754-50820	BOLT FLANGE	1				0.015	0.033
040	K2581-55570	HOSE SPRING	1				0	0
050	K2581-56390	STOPPER SEAT	1				0	0
060	K2581-56370	HOOK SEAT	1				0	0
070	K1211-56140	COVER LEVER	1				0.008	0.0176
080	05515-60800	PIN SNAP	1				0.002	0.0044
090	K2571-56780	SPRING SEAT	2				0.23	0.506
100	K2561-56790	CAP SPRING	2				0.075	0.165
110	K1122-91330	BOLT SHORT SQU.NECK	2				0	0
120	02751-50080	NUT FLANGE	2				0.006	0.0132
130	05515-60800	PIN SNAP	1				0.002	0.0044
140	K2592-56617	SUPPORT SEAT	1				0	0
150	99999-99999	BLANK	0				0	0
160	K2592-56640	SPRING ASSIST	1				0	0
170	K2591-56670	SPACER TURN SEAT	4				0.004	0.0088
180	K2591-56682	SPRING	1				0.11	0.242
190	07715-01607	BALL	2				0.005	0.011
200	K2591-56750	BOLT SQUARE NECK	1				0	0
210	04015-60080	WASHER PLAIN	1				0.01	0.022
220	02156-50080	NUT	2				0.004	0.0088
230	04011-50100	WASHER PLAIN	1				0.002	0.0044
240	K2592-56622	HOOK SEAT	1				0	0
250	K2592-56630	SPRING SEAT HOOK	1				0	0
260	K2592-56664	PLATE STOPPER	1				0	0
270	K2591-56652	SPRING	1				0.01	0.022
280	K2592-56760	ROD LINK	1				0	0
290	75599-41519	CIR-CLIP EXTERNAL	2				0.001	0.0022
300	K2591-56693	ROD SEAT HOOK	1				0.2	0.44
310	K1211-91130	RUE RING COTTER	2				0.01	0.022
320	K2581-56723	STAY SEAT RAIL FRONT	1				0	0
330	K2581-56730	STAY SEAT RAIL FRONT	1				0	0
340	01123-51025	BOLT	6				0.02	0.044
350	K2592-56893	STAY SWITCH	1				0	0
360	01754-50612	BOLT FLANGE	2				0.005	0.011

SEAT

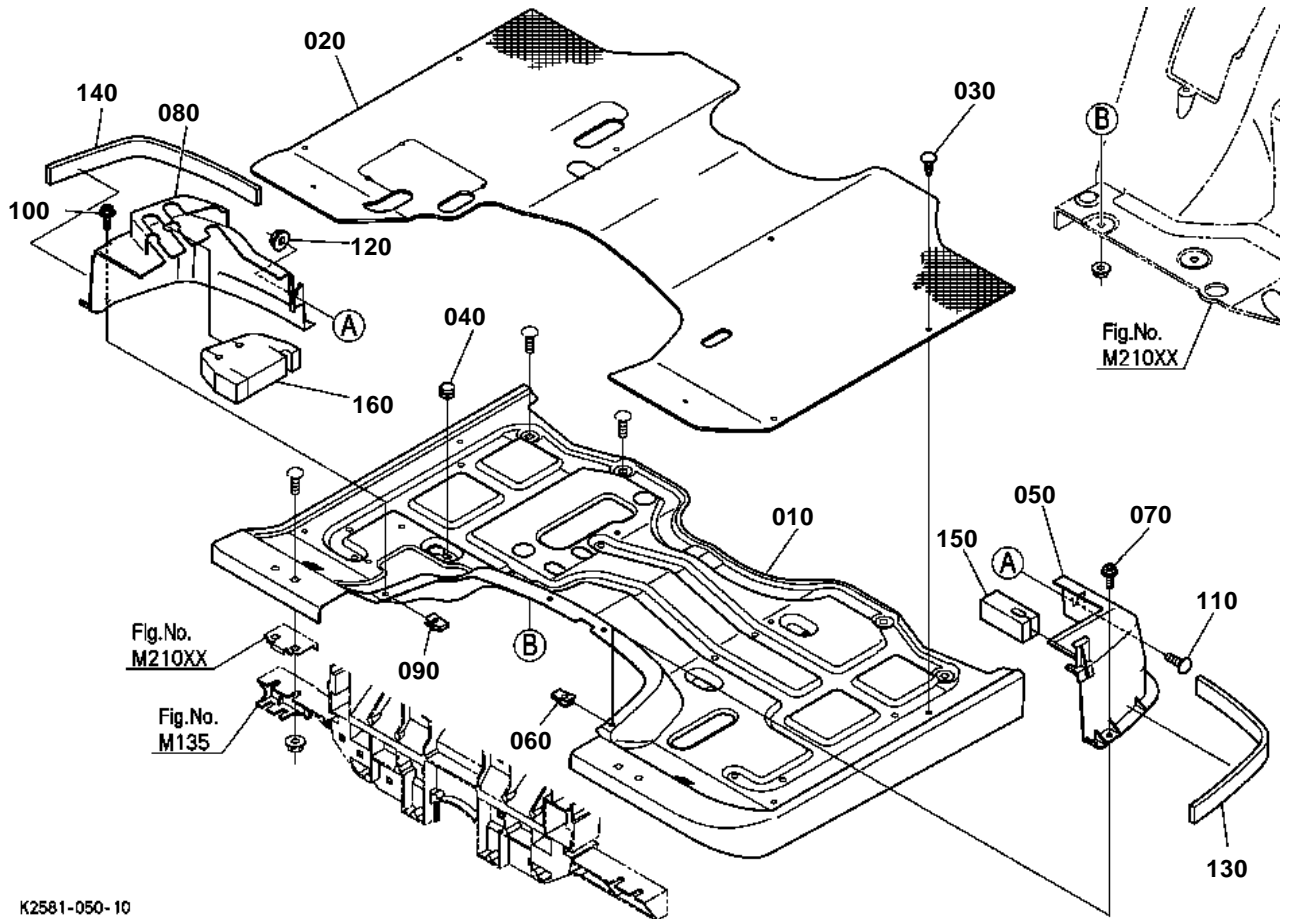


K2581-026-10

**SEAT**

↔ Interchangeable; ≠ not interchangeable; ← new for old; → old for new

REF.No	Part No.	Description	Q'ty	S.No.	I/C	REMARKS	Weight (kgf)	Weight (lb)
010	K2571-56110	SEAT	1				9	19.8
020	K1211-84560	PUSH RIVET	6				0.002	0.0044
030	K3211-56850	ASSY BELT SEAT	1				0	0
040	K3151-82520	BOLT	2				0.026	0.0572
050	02574-50100	NUT LOCK	2				0.007	0.0154
060	K2561-56710	RAIL SEAT	2				0.665	1.463
070	K2581-56750	STAY UPPER RAIL	1				0	0
080	01754-50820	BOLT FLANGE	4				0.015	0.033
090	K1122-91320	BOLT SHORT SQU.NECK	4				0.01	0.022
100	02751-50080	NUT FLANGE	4				0.006	0.0132
110	K3211-56280	LEVER SEAT SLIDE	1				0.18	0.396
120	K1211-56140	COVER LEVER	1				0.008	0.0176
130	K2581-56820	SPRING ADJUST	1				0	0
140	K2592-56740	STAY LOWER RAIL	1				0	0
150	75599-31012	NUT	4				0.007	0.0154
160	04512-60080	WASHER SPRING	4				0.002	0.0044



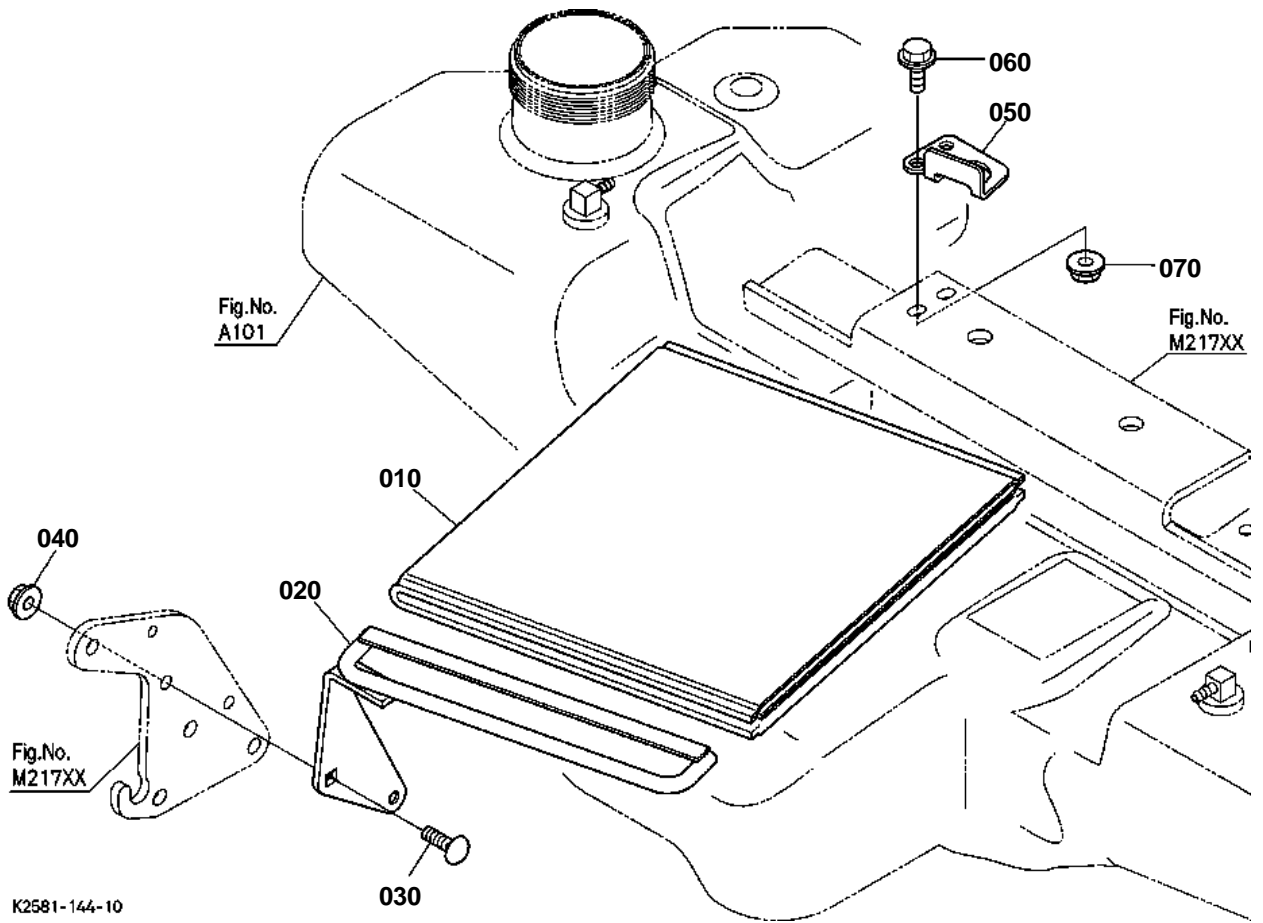
K2581-050-10

**STEP**

↔ Interchangeable; ≠ not interchangeable; ← new for old; → old for new

REF.No	Part No.	Description	Q'ty	S.No.	I/C	REMARKS	Weight (kgf)	Weight (lb)
010	K2581-55150	STEP	1				0	0
020	K2581-55312	MAT STEP	1				0	0
030	K1211-84560	PUSH RIVET	11				0.002	0.0044
040	K2581-55350	STOPPER BRAKE PEDAL	1				0	0
050	K2581-57330	COVER VALVE LH	1				0	0
060	K1122-91800	NUT(M)	1				0.004	0.0088
070	01754-50620	BOLT FLANGE	1				0.007	0.0154
080	K2581-57340	COVER VALVE RH	1				0	0
090	K1122-91800	NUT(M)	1				0.004	0.0088
100	01754-50620	BOLT FLANGE	1				0.007	0.0154
110	K1122-91330	BOLT SHORT SQU.NECK	1				0	0
120	02751-50080	NUT FLANGE	1				0.006	0.0132
130	K2581-57353	SPONGE LOWER	1				0	0
140	K2581-57363	SPONGE UNDER RH	1				0	0
150	K2581-57310	SPONGE LH	1				0	0
160	K2581-57323	SPONGE RH	1				0	0

MANUAL HOLDER

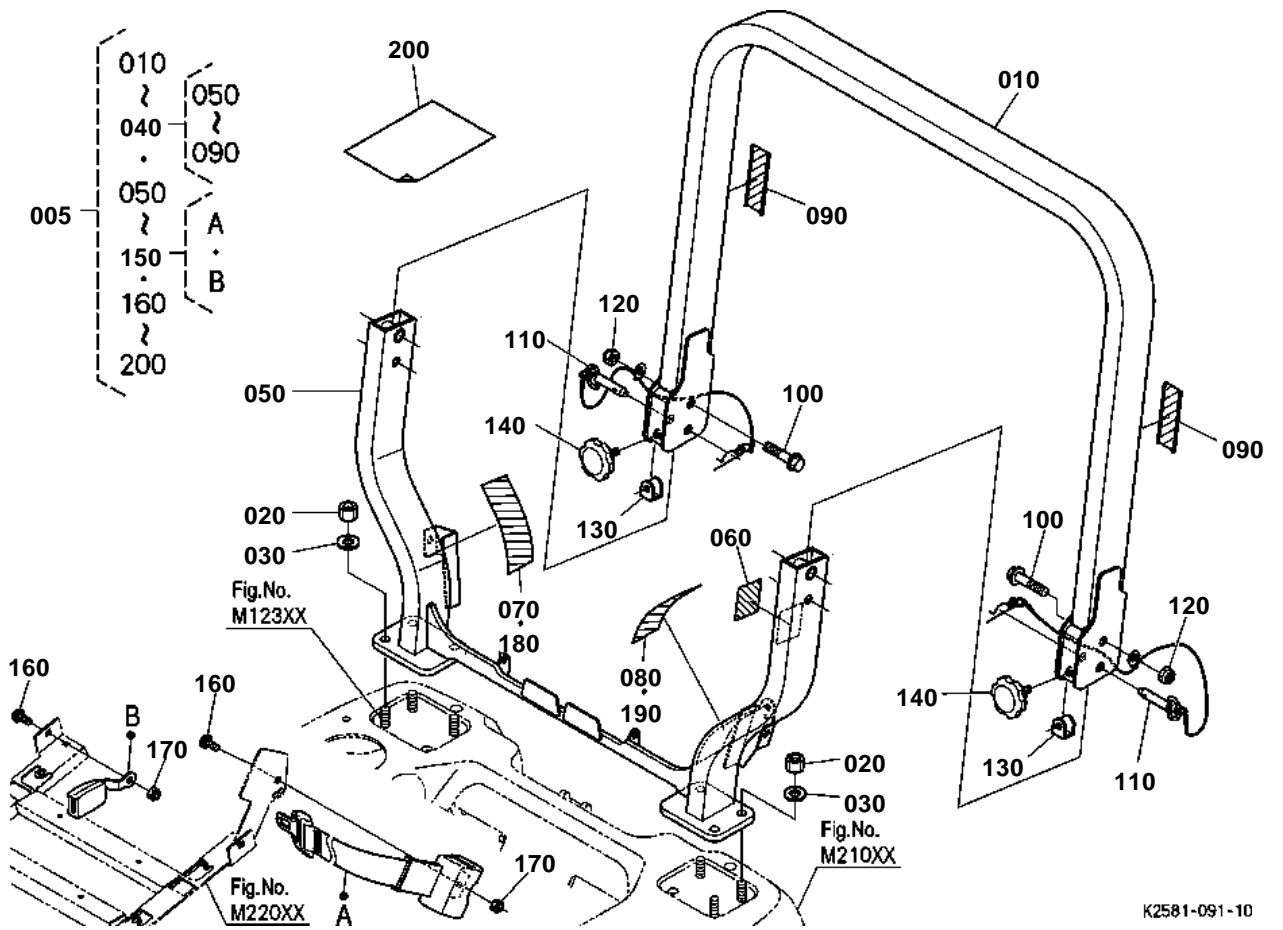




# MANUAL HOLDER

↔ Interchangeable; ≠ not interchangeable; ← new for old; → old for new

REF.No	Part No.	Description	Q'ty	S.No.	I/C	REMARKS	Weight (kgf)	Weight (lb)
010	K2581-72170	BAG MANUAL	1				0	0
020	K2581-72150	HOLDER MANUAL	1				0	0
030	K1122-91330	BOLT SHORT SQU.NECK	1				0	0
040	02751-50080	NUT FLANGE	1				0.006	0.0132
050	K2581-72162	STOPPER MANUAL	1				0	0
060	01754-50820	BOLT FLANGE	2				0.015	0.033
070	02751-50080	NUT FLANGE	2				0.006	0.0132



K2581-091-10

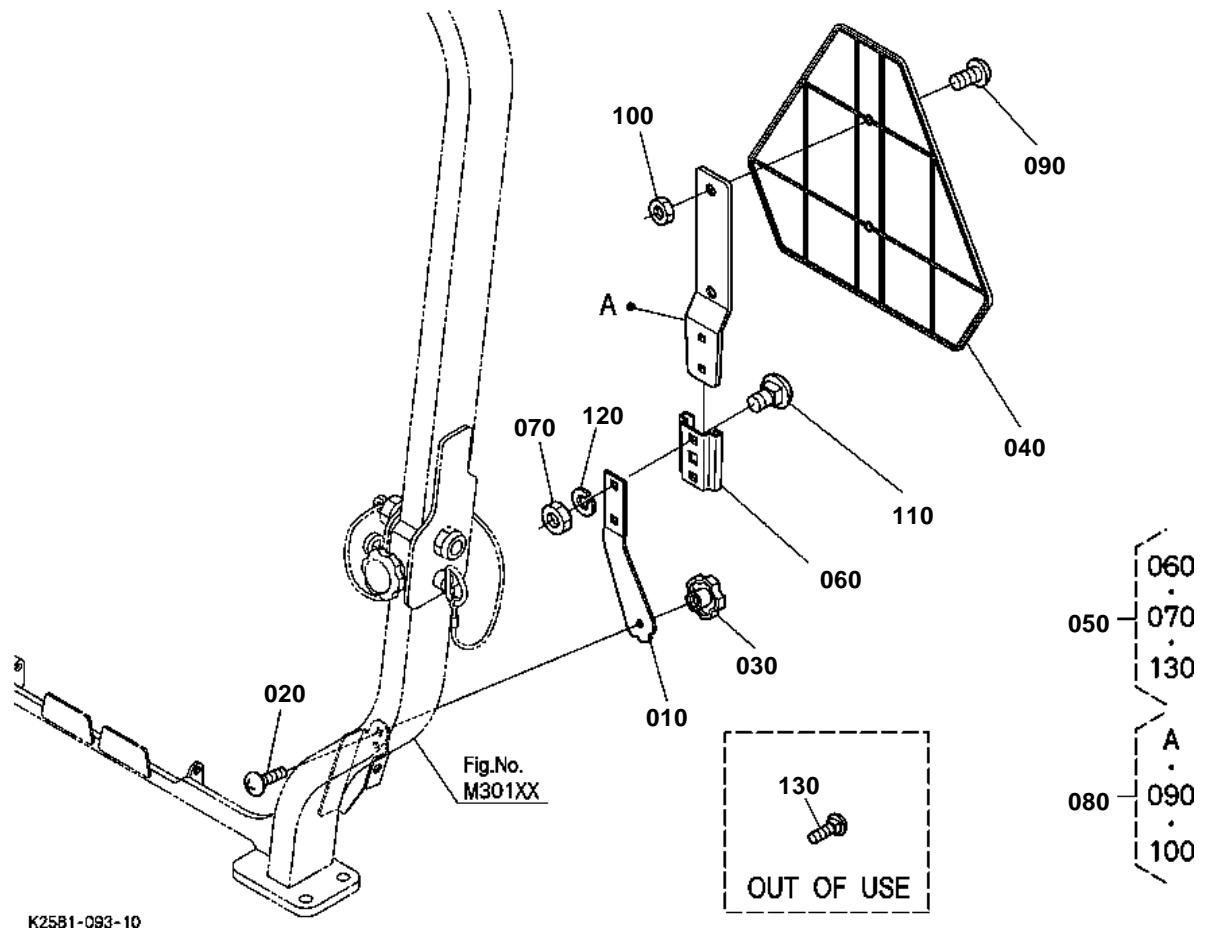


**ROPS**

↔ Interchangeable; ≠ not interchangeable; ← new for old; → old for new

REF.No	Part No.	Description	Q'ty	S.No.	I/C	REMARKS	Weight (kgf)	Weight (lb)
005	K2592-93940	SFBX-F24	1				0	0
010	99999-99999	FRAME ROPS UPPER	1				0	0
020	K2592-39450	NUT	6				0	0
030	04512-60140	WASHER SPRING	6				0.008	0.0176
040	99999-99999	FRAME ROPS UNDER	1				0	0
050	99999-99999	FRAME ROPS UNDER	1				0	0
060	99999-99999	NAME PLATE ROPS	1				0	0
070	K2591-65572	LABEL WARNING(ROPS)	1			ENGLISH	0	0
080	K2591-65642	LABEL CAUTION(ROPS)	1			ENGLISH	0.01	0.022
090	K2591-65410	LABEL REFLECTOR	2				0.01	0.022
100	K3211-82540	BOLT	2				0	0
110	K3211-82400	ASSY PIN SET	2				0	0
120	K3211-82560	NUT	2				0	0
130	K2591-39560	BRACKET RETAINER	2				0.02	0.044
140	53721-61533	CLAMP RAIL COVER	2				0.06	0.132
150	K3211-56850	ASSY BELT SEAT	1				0	0
160	K3151-82520	BOLT	2				0.026	0.0572
170	02574-50100	NUT LOCK	2				0.007	0.0154
180	K2597-65570	LABEL WARNING(ROPS)	1			FRENCH	0.008	0.0176
190	K2597-65640	LABEL CAUTION(ROPS)	1			FRENCH	0.01	0.022
200	99999-99999	MANUAL ROPS	1				0	0

SMV EMBLEM



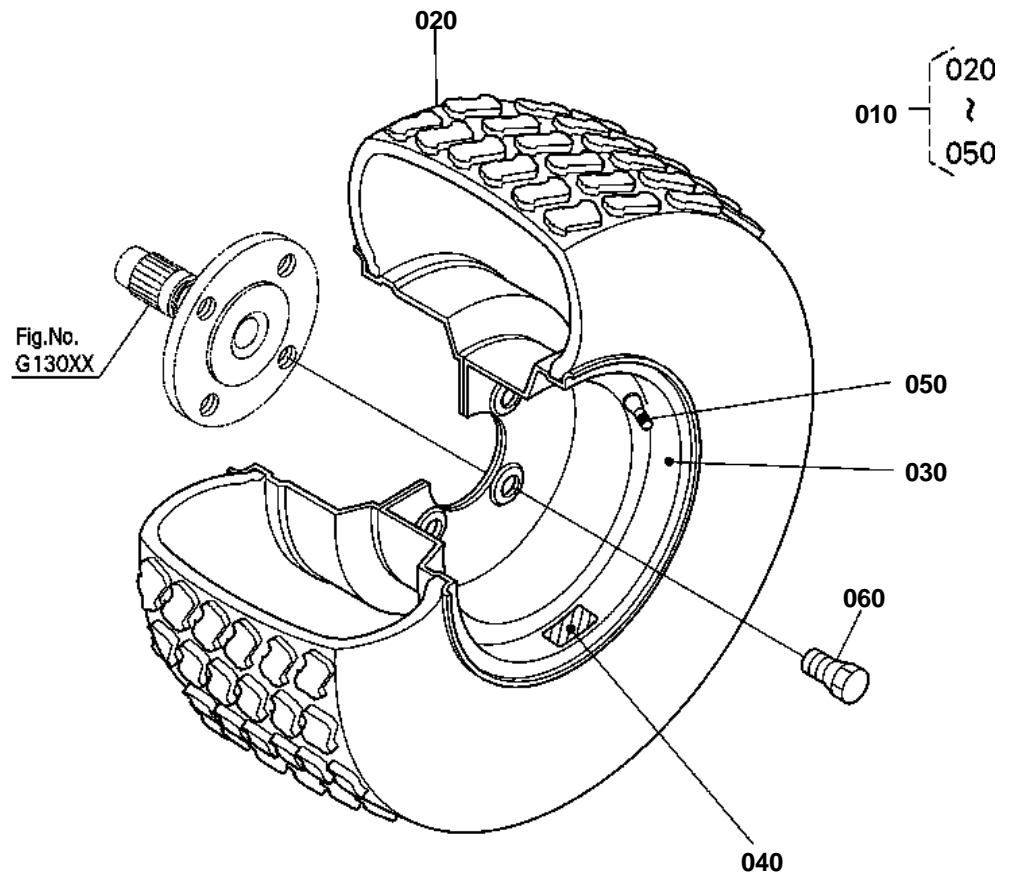
K2581-093-10

**SMV EMBLEM**

↔ Interchangeable; ≠ not interchangeable; ← new for old; → old for new

REF.No	Part No.	Description	Q'ty	S.No.	I/C	REMARKS	Weight (kgf)	Weight (lb)
010	K2592-39540	BRACKET SMV	1				0	0
020	K1122-91320	BOLT SHORT SQU.NECK	1				0.01	0.022
030	K2561-57170	NUT KNOB	1				0.015	0.033
040	7L500-89912	SIGN SMV	1				0.32	0.704
050	7L500-89920	SOCKET SMV SIGN	1				0.1	0.22
060	7L500-89930	SOCKET-MTG SMV	1				0.05	0.11
070	7L500-89950	NUT	2				0.004	0.0088
080	7L500-89960	SPADE SMV SIGN	1				0.24	0.528
090	7L500-89980	SCREW PAN HEAD	2				0.02	0.044
100	7L500-89990	NUT	2				0.001	0.0022
110	7L500-89810	BOLT SQUARE NECK	2				0.011	0.0242
120	04512-60080	WASHER SPRING	2				0.002	0.0044
130	7L500-89940	BOLT SQUARE NECK	2			OUT OF USE	0.01	0.022

FRONT WHEEL(18\*8.5-10)



K2581-096-10

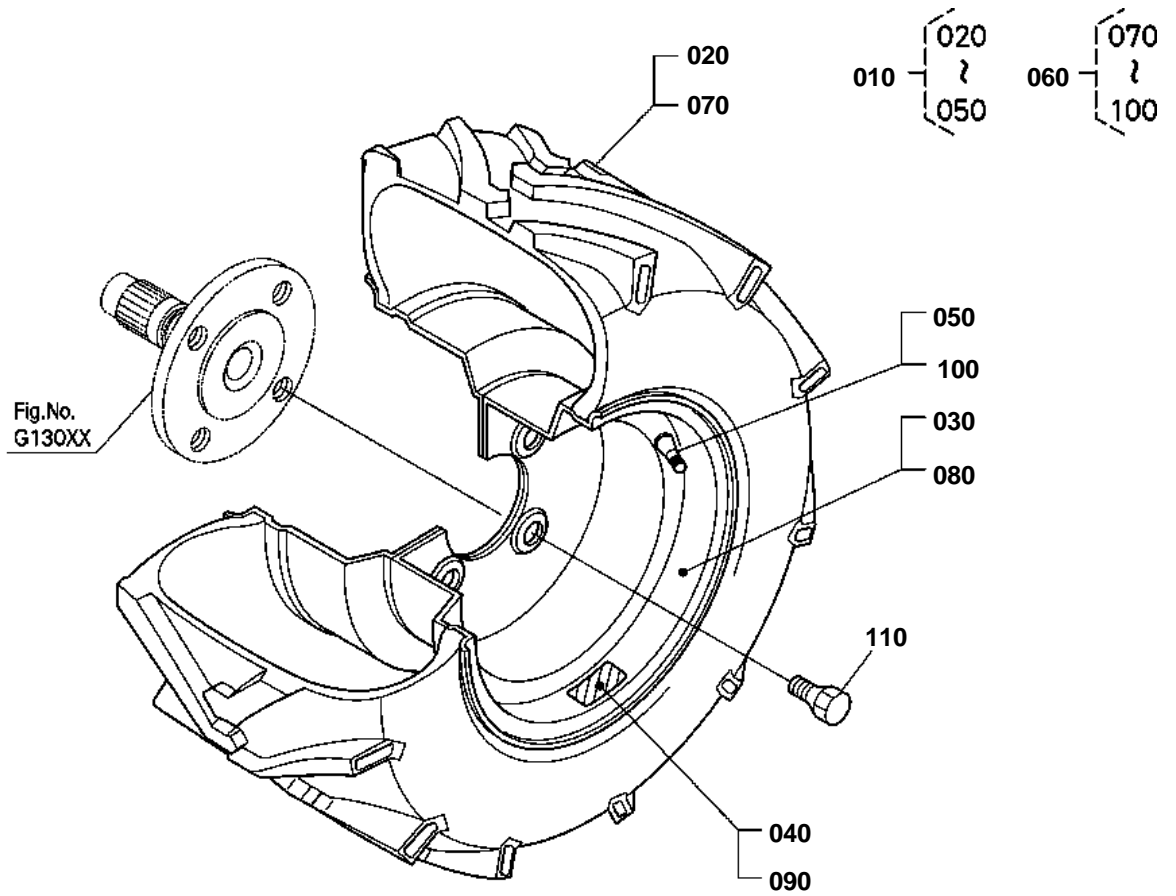


## FRONT WHEEL(18\*8.5-10)

↔ Interchangeable; ≠ not interchangeable; ← new for old; → old for new

REF.No	Part No.	Description	Q'ty	S.No.	I/C	REMARKS	Weight (kgf)	Weight (lb)
010	K2581-18100	TIRE ASSY T	2				0	0
020	K2581-18140	TIRE T	2				0	0
030	K2581-18180	WHEEL	2				0	0
040	99999-99999	LABEL T	2				0	0
050	K2561-17220	CORE VALVE	2				0.01	0.022
060	K2561-18210	BOLT WHEEL	8				0.06	0.132

FRONT WHEEL(18\*8.5-10)



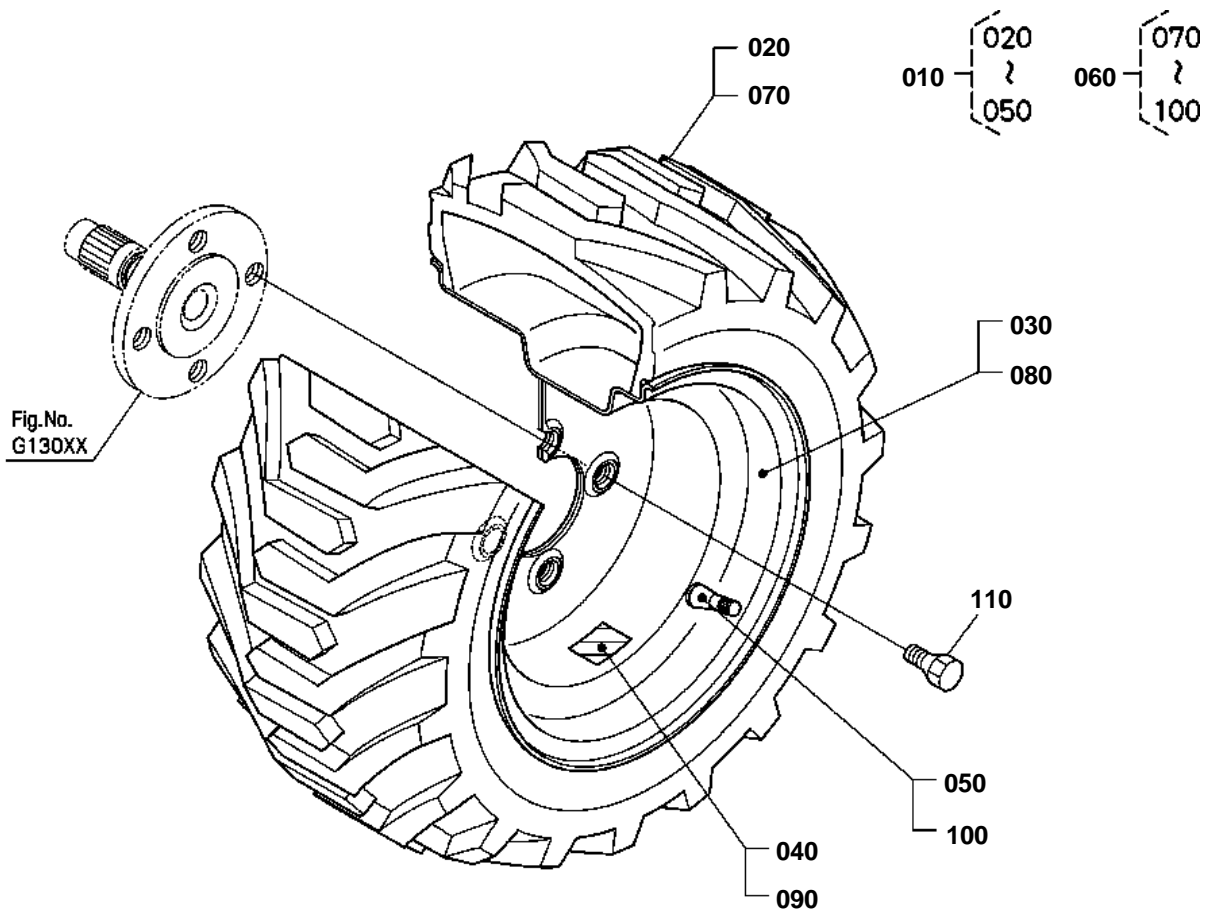
K2581-097-10

**FRONT WHEEL(18\*8.5-10)**

↔ Interchangeable; ≠ not interchangeable; ← new for old; → old for new

REF.No	Part No.	Description	Q'ty	S.No.	I/C	REMARKS	Weight (kgf)	Weight (lb)
010	K2581-18410	TIRE ASSY BL	1				0	0
020	K2581-18150	TIRE B	1				0	0
030	K2581-18180	WHEEL	1				0	0
040	99999-99999	LABEL BL	1				0	0
050	K2561-17220	CORE VALVE	1				0.01	0.022
060	K2581-18420	TIRE ASSY BR	1				0	0
070	K2581-18150	TIRE B	1				0	0
080	K2581-18180	WHEEL	1				0	0
090	99999-99999	LABEL BR	1				0	0
100	K2561-17220	CORE VALVE	1				0.01	0.022
110	K2561-18210	BOLT WHEEL	8				0.06	0.132

FRONT WHEEL(18\*8.5-10)



K2581-137-10

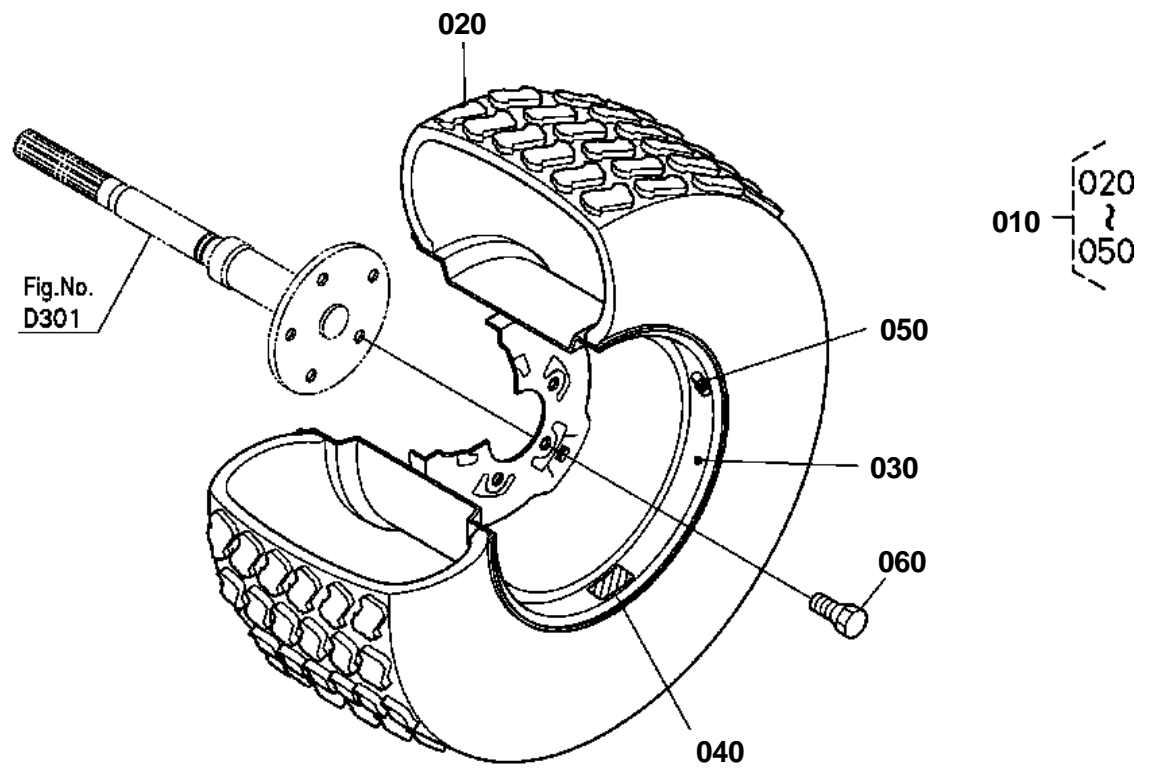




# FRONT WHEEL(18\*8.5-10)

↔ Interchangeable; ≠ not interchangeable; ← new for old; → old for new

REF.No	Part No.	Description	Q'ty	S.No.	I/C	REMARKS	Weight (kgf)	Weight (lb)
010	K2581-18610	ASSY TIRE	1				0	0
020	K2581-18160	TIRE	1				0	0
030	K2581-18180	WHEEL	1				0	0
040	99999-99999	LABEL	1				0	0
050	K2561-17220	CORE VALVE	1				0.01	0.022
060	K2581-18620	ASSY TIRE	1				0	0
070	K2581-18160	TIRE	1				0	0
080	K2581-18180	WHEEL	1				0	0
090	99999-99999	LABEL	1				0	0
100	K2561-17220	CORE VALVE	1				0.01	0.022
110	K2561-18210	BOLT WHEEL	8				0.06	0.132

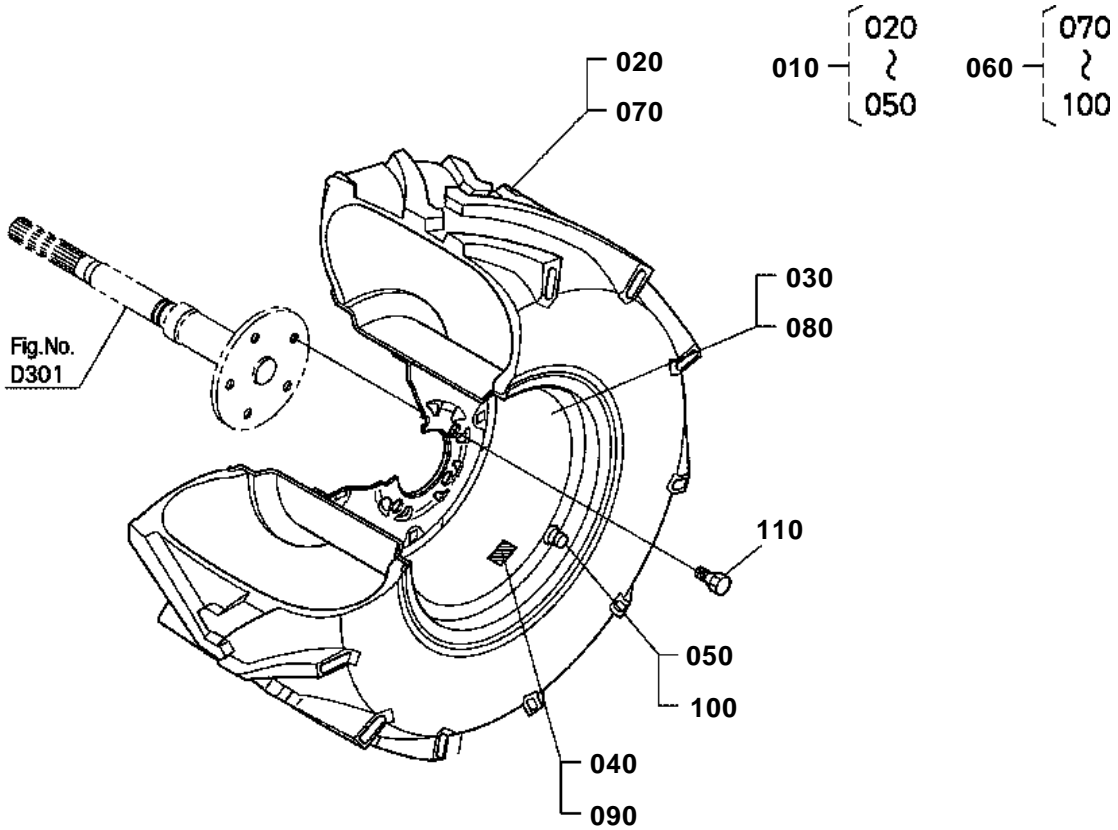


K2571-073-10

**REAR WHEEL(26\*12.00-12)**

↔ Interchangeable; ≠ not interchangeable; ← new for old; → old for new

REF.No	Part No.	Description	Q'ty	S.No.	I/C	REMARKS	Weight (kgf)	Weight (lb)
010	K2561-17100	TIRE ASSY T	2				19.8	43.56
020	K2561-17140	TIRE T	2				12.1	26.62
030	K2561-17180	WHEEL	2				6.2	13.64
040	99999-99999	LABEL T	2				0	0
050	66120-17190	VALVE TIRE	2				0.012	0.0264
060	K2561-17210	BOLT WHEEL	10				0.06	0.132



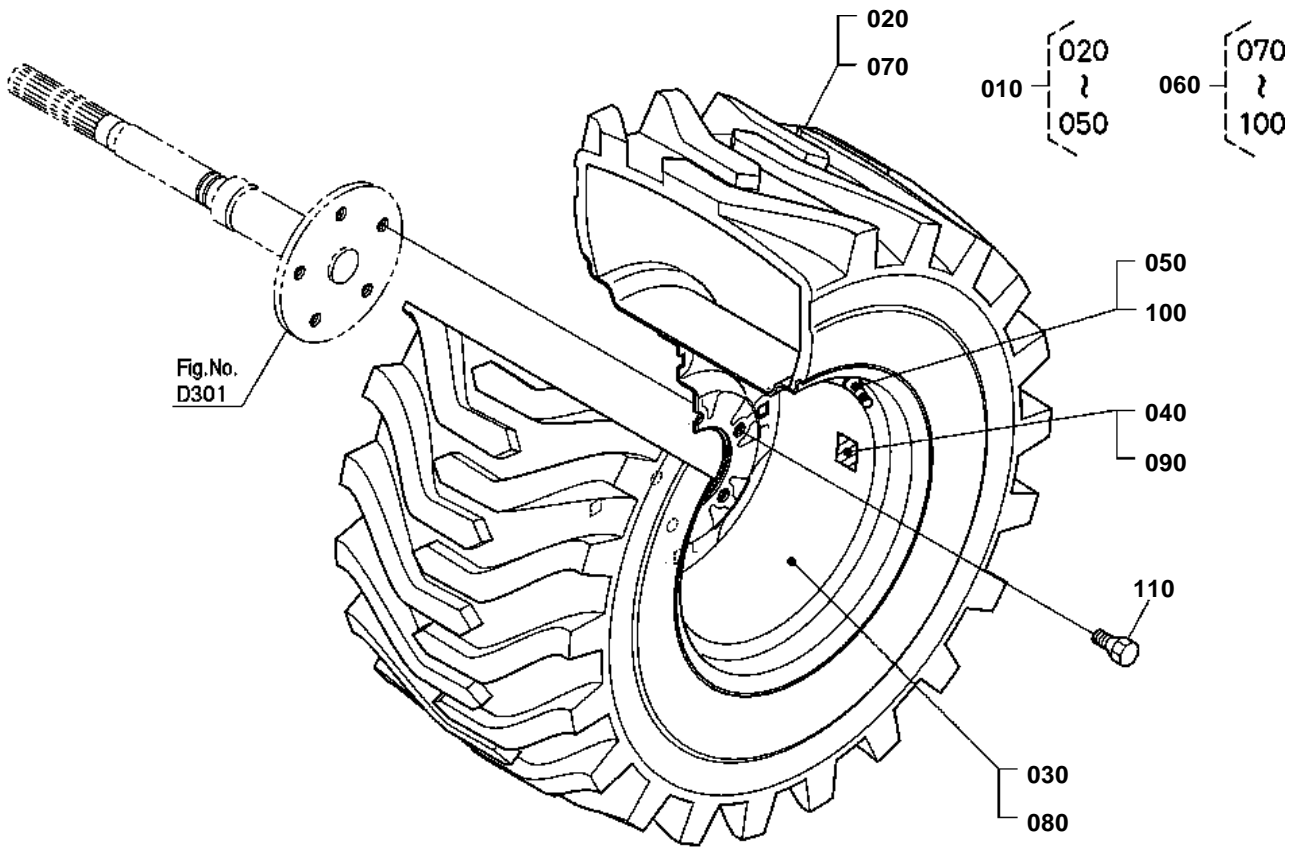
K2571-074-10

**REAR WHEEL(26\*12.00-12)**

↔ Interchangeable; ≠ not interchangeable; ← new for old; → old for new

REF.No	Part No.	Description	Q'ty	S.No.	I/C	REMARKS	Weight (kgf)	Weight (lb)
010	K2561-17410	TIRE ASSY BL	1				20.9	45.98
020	K2561-17150	TIRE B	1				13.485	29.667
030	K2561-17190	WHEEL B	1				7.4	16.28
040	99999-99999	LABEL BL	1				0	0
050	K2561-17220	CORE VALVE	1				0.01	0.022
060	K2561-17420	TIRE ASSY BR	1				20.4	44.88
070	K2561-17150	TIRE B	1				13.485	29.667
080	K2561-17190	WHEEL B	1				7.4	16.28
090	99999-99999	LABEL BR	1				0	0
100	K2561-17220	CORE VALVE	1				0.01	0.022
110	K2561-17210	BOLT WHEEL	10				0.06	0.132

REAR WHEEL(26\*12-12)

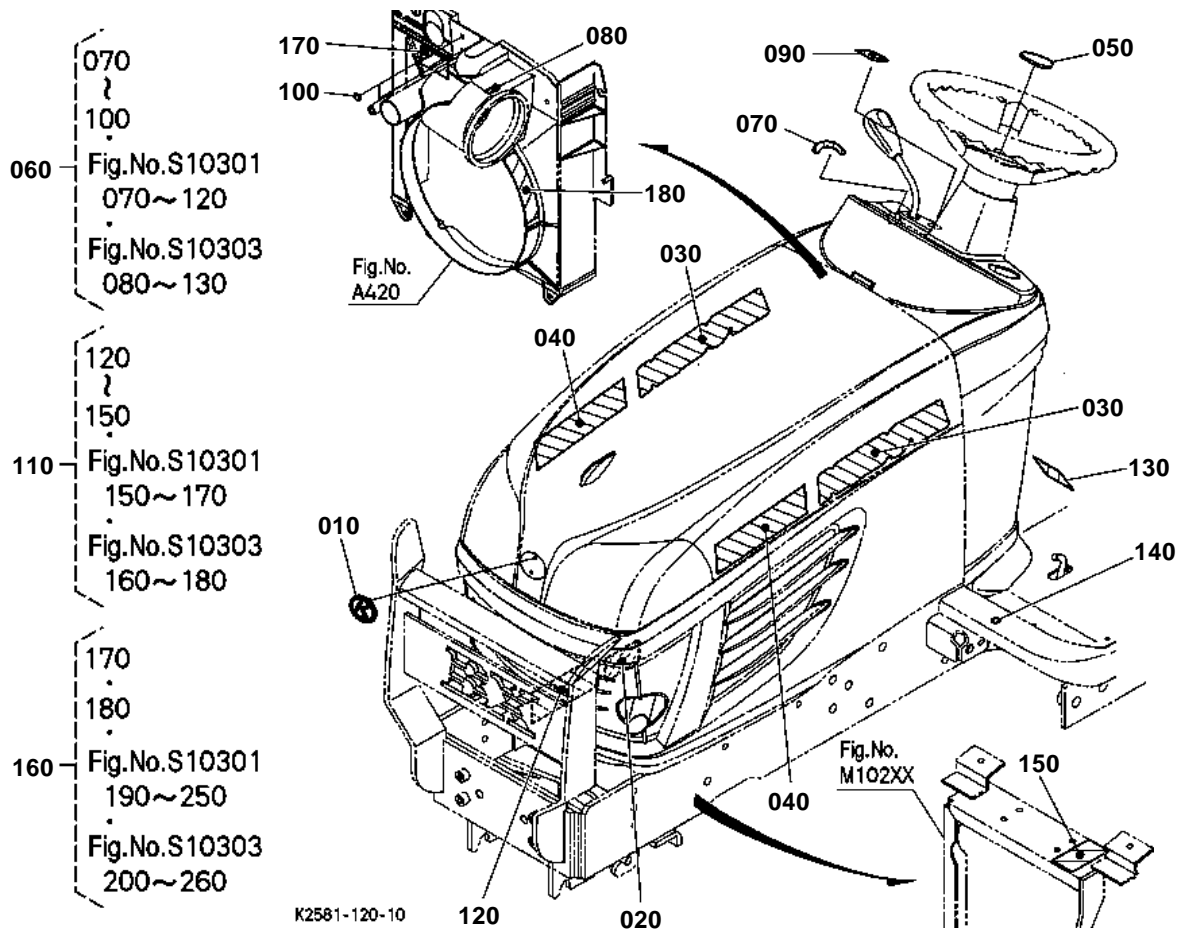


K2581-138-10

**REAR WHEEL(26\*12-12)**

↔ Interchangeable; ≠ not interchangeable; ← new for old; → old for new

REF.No	Part No.	Description	Q'ty	S.No.	I/C	REMARKS	Weight (kgf)	Weight (lb)
010	K2581-17610	ASSY TIRE	1				0	0
020	K2581-17160	TIRE	1				0	0
030	K2561-17190	WHEEL B	1				7.4	16.28
040	99999-99999	LABEL	1				0	0
050	K2561-17220	CORE VALVE	1				0.01	0.022
060	K2581-17620	ASSY TIRE	1				0	0
070	K2581-17160	TIRE	1				0	0
080	K2561-17190	WHEEL B	1				7.4	16.28
090	99999-99999	LABEL	1				0	0
100	K2561-17220	CORE VALVE	1				0.01	0.022
110	K2561-17210	BOLT WHEEL	10				0.06	0.132



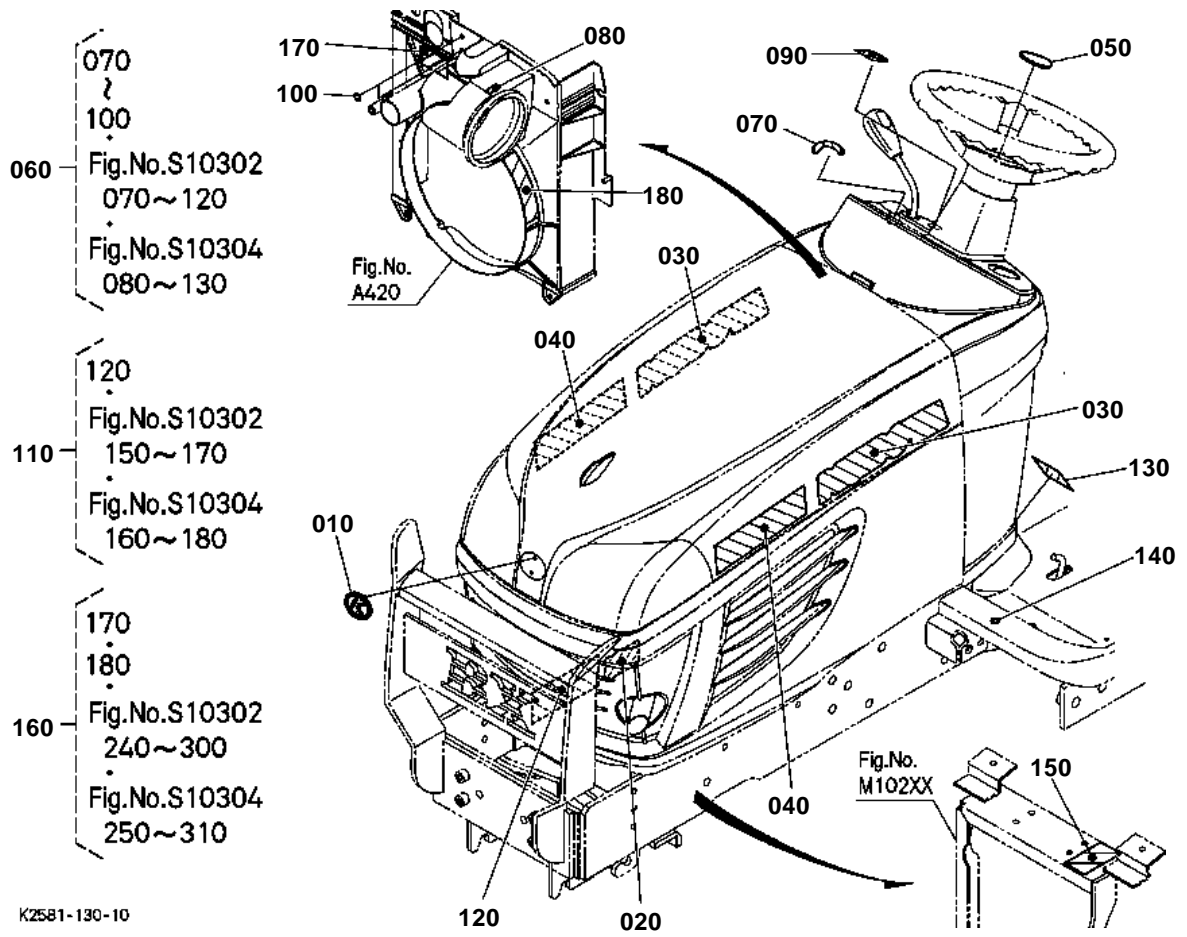




## LABEL(FRONT) [ENGLISH]

↔ Interchangeable; ≠ not interchangeable; ← new for old; → old for new

REF.No	Part No.	Description	Q'ty	S.No.	I/C	REMARKS	Weight (kgf)	Weight (lb)
010	K2581-54200	MARK SYMBOL	1				0	0
020	99999-99999	NAME PLATE	1				0	0
030	K2581-65120	LABEL KUBOTA	2				0	0
040	K2592-65130	MARK MODEL	2				0	0
050	K2561-65240	MARK STEERING WHEEL	1				0.01	0.022
060	K2581-65204	LABEL SET	1				0	0
070	K2581-65230	LABEL SWITCH	1			NOT SALE	0	0
080	K2581-65330	LABEL CLEANER TOP	1			NOT SALE	0	0
090	K2581-65353	LABEL CRUISE CONTROL	1			NOT SALE	0	0
100	K2581-65320	LABEL SHROUD	3			NOT SALE ONE FOR SPARE	0	0
110	K2581-65400	LABEL SET	1				0	0
120	K2581-65410	LABEL START DANGER	1			NOT SALE	0	0
130	K2581-65450	LABEL	1			NOT SALE	0	0
140	K2581-65640	LABEL PLUG	1			NOT SALE	0	0
150	K2581-65420	LABEL HOT CAUTION	1			NOT SALE	0	0
160	K2581-65502	LABEL SET	1				0	0
170	K2581-65430	LABEL FAN CAUTION	1			NOT SALE	0	0
180	K2581-65470	LABEL FAN CAUTION	1			NOT SALE	0	0

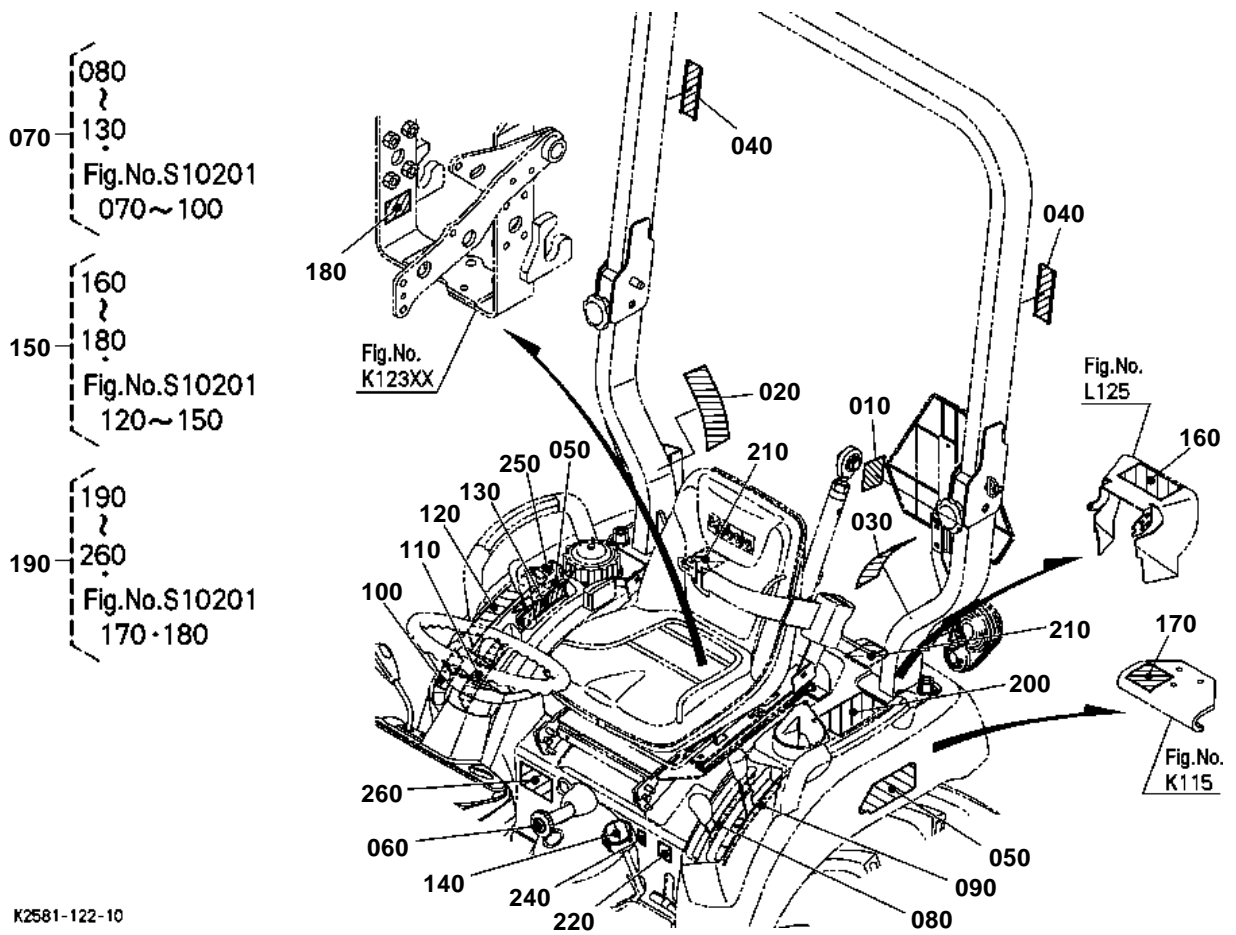




## LABEL(FRONT) [FRENCH]

↔ Interchangeable; ≠ not interchangeable; ← new for old; → old for new

REF.No	Part No.	Description	Q'ty	S.No.	I/C	REMARKS	Weight (kgf)	Weight (lb)
010	K2581-54200	MARK SYMBOL	1				0	0
020	99999-99999	NAME PLATE	1				0	0
030	K2581-65120	LABEL KUBOTA	2				0	0
040	K2592-65130	MARK MODEL	2				0	0
050	K2561-65240	MARK STEERING WHEEL	1				0.01	0.022
060	K2581-65204	LABEL SET	1				0	0
070	K2581-65230	LABEL SWITCH	1			NOT SALE	0	0
080	K2581-65330	LABEL CLEANER TOP	1			NOT SALE	0	0
090	K2581-65353	LABEL CRUISE CONTROL	1			NOT SALE	0	0
100	K2581-65320	LABEL SHROUD	3			NOT SALE ONE FOR SPARE	0	0
110	K2587-65400	LABEL SET CA	1				0	0
130	K2581-65450	LABEL	1			NOT SALE	0	0
140	K2581-65640	LABEL PLUG	1			NOT SALE	0	0
150	K2581-65420	LABEL HOT CAUTION	1			NOT SALE	0	0
160	K2581-65502	LABEL SET	1				0	0
170	K2581-65430	LABEL FAN CAUTION	1			NOT SALE	0	0
180	K2581-65470	LABEL FAN CAUTION	1			NOT SALE	0	0

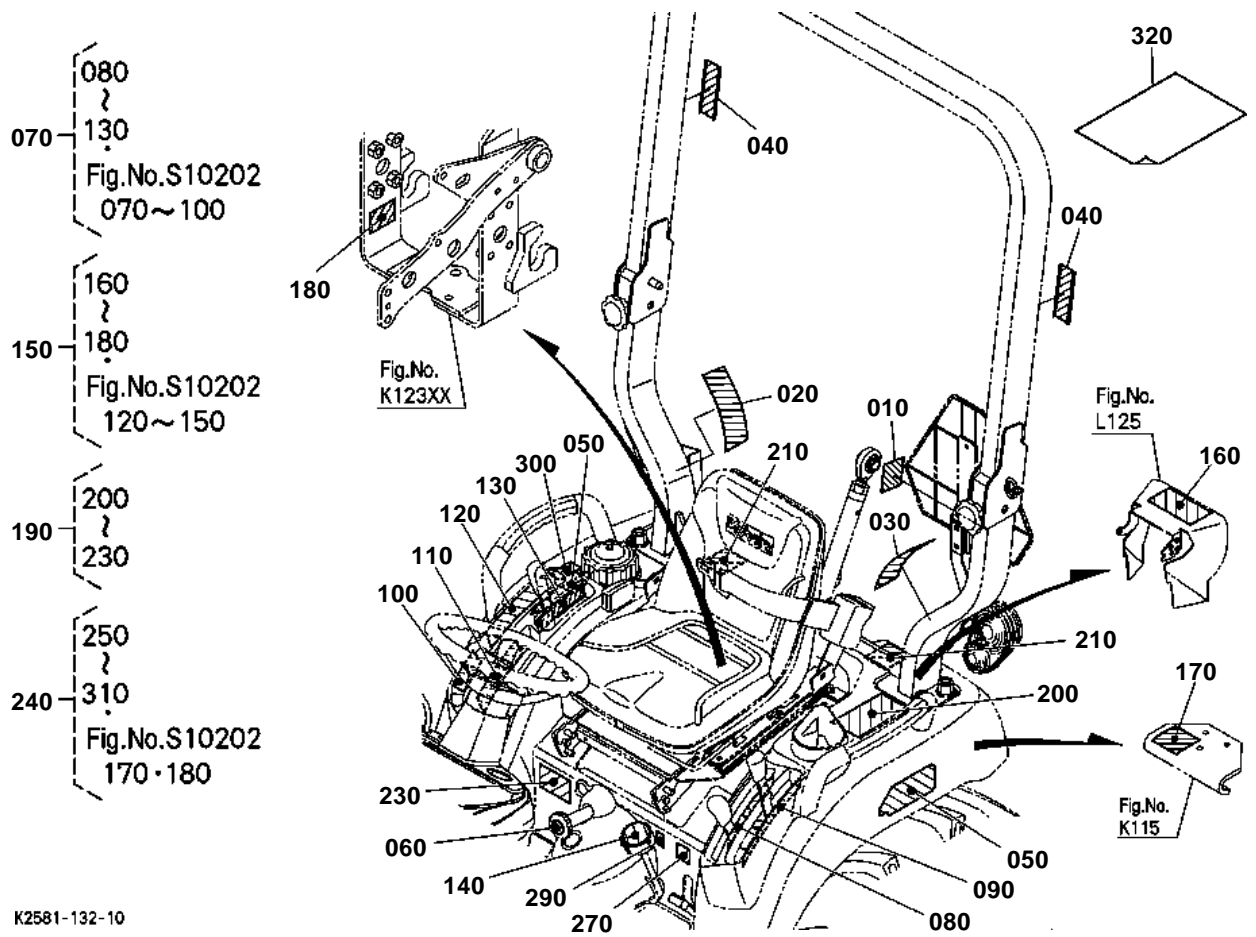




## LABEL(REAR) [ENGLISH]

↔ Interchangeable; ≠ not interchangeable; ← new for old; → old for new

REF.No	Part No.	Description	Q'ty	S.No.	I/C	REMARKS	Weight (kgf)	Weight (lb)
010	99999-99999	NAME PLATE ROPS	1				0	0
020	K2591-65572	LABEL WARNING(ROPS)	1				0	0
030	K2591-65642	LABEL CAUTION(ROPS)	1				0.01	0.022
040	K2591-65410	LABEL REFLECTOR	2				0.01	0.022
050	K2581-65250	LABEL 4WD	2				0	0
060	K2561-65263	LABEL HYD ADJUST	1				0.001	0.0022
070	K2581-65204	LABEL SET	1				0	0
080	K2581-65360	LABEL GUIDE CLUTCH	1			NOT SALE	0	0
090	K2581-65370	LABEL GUIDE SELECT	1			NOT SALE	0	0
100	K2581-65380	LABEL GUIDE	1			NOT SALE	0	0
110	K2581-65392	LABEL GUIDE HYD.	1			NOT SALE	0	0
120	K2581-65340	LABEL RANGE SHIFT	1			NOT SALE	0	0
130	K2581-65530	LABEL GUIDE CON.-VAL	1			NOT SALE OUT OF USE	0	0
140	K2581-65280	LABEL DIAL	1				0	0
150	K2581-65400	LABEL SET	1				0	0
160	K2581-65540	LABEL PTO WARNING	1			NOT SALE	0	0
170	K2581-65550	LABEL ADJUST CAUTION	1			NOT SALE	0	0
180	K2581-65560	LABEL HITCH WARNING	1			NOT SALE	0	0
190	K2581-65502	LABEL SET	1				0	0
200	K2581-65480	LABEL SAFETY	1			NOT SALE	0	0
210	K2581-65520	LABEL SPACE WARNING	2			NOT SALE	0	0
220	K2581-65440	LABEL DIFF.LOCK	1			NOT SALE	0	0
230	K2581-65570	LABEL ROPS WARNING	1			NOT SALE OUT OF USE	0	0
240	K2581-65460	LABEL ADJUSTPOSITION	1			NOT SALE	0	0
250	K2581-65490	LABEL FUEL	1			NOT SALE	0	0
260	K2581-65622	LABEL SHIFT LEVER	1			NOT SALE	0	0



K2581-132-10



## LABEL(REAR) [FRENCH]

↔ Interchangeable; ≠ not interchangeable; ← new for old; → old for new

REF.No	Part No.	Description	Q'ty	S.No.	I/C	REMARKS	Weight (kgf)	Weight (lb)
010	99999-99999	NAME PLATE ROPS	1				0	0
020	K2597-65570	LABEL WARNING(ROPS)	1				0.008	0.0176
030	K2597-65640	LABEL CAUTION(ROPS)	1				0.01	0.022
040	K2591-65410	LABEL REFLECTOR	2				0.01	0.022
050	K2581-65250	LABEL 4WD	2				0	0
060	K2561-65263	LABEL HYD ADJUST	1				0.001	0.0022
070	K2581-65204	LABEL SET	1				0	0
080	K2581-65360	LABEL GUIDE CLUTCH	1			NOT SALE	0	0
090	K2581-65370	LABEL GUIDE SELECT	1			NOT SALE	0	0
100	K2581-65380	LABEL GUIDE	1			NOT SALE	0	0
110	K2581-65392	LABEL GUIDE HYD.	1			NOT SALE	0	0
120	K2581-65340	LABEL RANGE SHIFT	1			NOT SALE	0	0
130	K2581-65530	LABEL GUIDE CON.-VAL	1			NOT SALE OUT OF USE	0	0
140	K2581-65280	LABEL DIAL	1				0	0
150	K2587-65400	LABEL SET CA	1				0	0
160	K2567-65540	LABEL PTO WARNING	1			NOT SALE	0	0
170	K2587-65550	LABEL ADJUST CAUTION	1			NOT SALE	0	0
180	K2567-65560	LABEL HITCH WARNING	1			NOT SALE	0	0
190	K2587-65500	LABEL SET CA	1				0	0
200	K2587-65480	LABEL SAFETY	1			NOT SALE	0	0
210	K2587-65520	LABEL SPACE WARNING	2			NOT SALE	0	0
220	K2587-65570	LABEL ROPS WARNING	1			NOT SALE OUT OF USE	0	0
230	K2587-65620	LABEL SHIFT LEVER	1			NOT SALE	0	0
240	K2581-65502	LABEL SET	1				0	0
250	K2581-65480	LABEL SAFETY	1			NOT SALE OUT OF USE	0	0
260	K2581-65520	LABEL SPACE WARNING	2			NOT SALE OUT OF USE	0	0
270	K2581-65440	LABEL DIFF.LOCK	1			NOT SALE	0	0
280	K2581-65570	LABEL ROPS WARNING	1			NOT SALE OUT OF USE	0	0
290	K2581-65460	LABEL ADJUSTPOSITION	1			NOT SALE	0	0
300	K2581-65490	LABEL FUEL	1			NOT SALE	0	0
310	K2581-65622	LABEL SHIFT LEVER	1			NOT SALE OUT OF USE	0	0
320	K2597-71230	OPERATOR'S MANUAL	1				0	0

**ACCESSORIES AND SERVICE PARTS  
ACCESSOIRES ET PIECES DE SERVICE  
SONTIGES ZUBEHOER UND SERVICE-TEILE**

TITLE-001-10



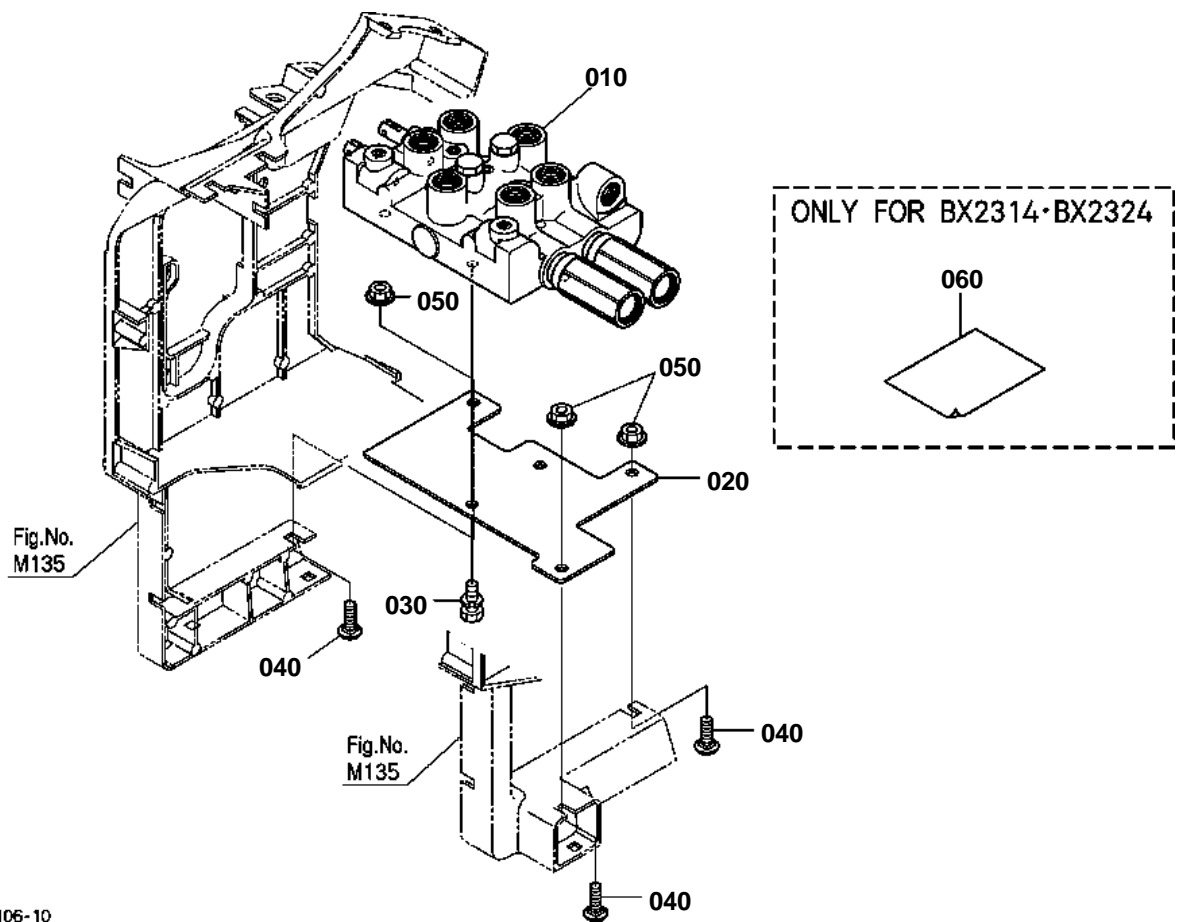


## ACCESSORIES AND SERVICE PARTS

↔ Interchangeable; ≠ not interchangeable; ← new for old; → old for new

REF.No	Part No.	Description	Q'ty	S.No.	I/C	REMARKS	Weight (kgf)	Weight (lb)
020	K2592-71210	OPERATOR'S MANUAL	1				0	0
030	1G511-89814	STATEMENT WARRANTY	1				0.01	0.022
040	K2581-72110	CASE MANUAL	1				0	0
050	K2581-72120	COVER MANUAL	1				0	0
060	K2581-72130	BAND MANUAL	1				0	0

FRONT CONTROL VALVE KIT(VALVE) [OPTION]



K2581-106-10

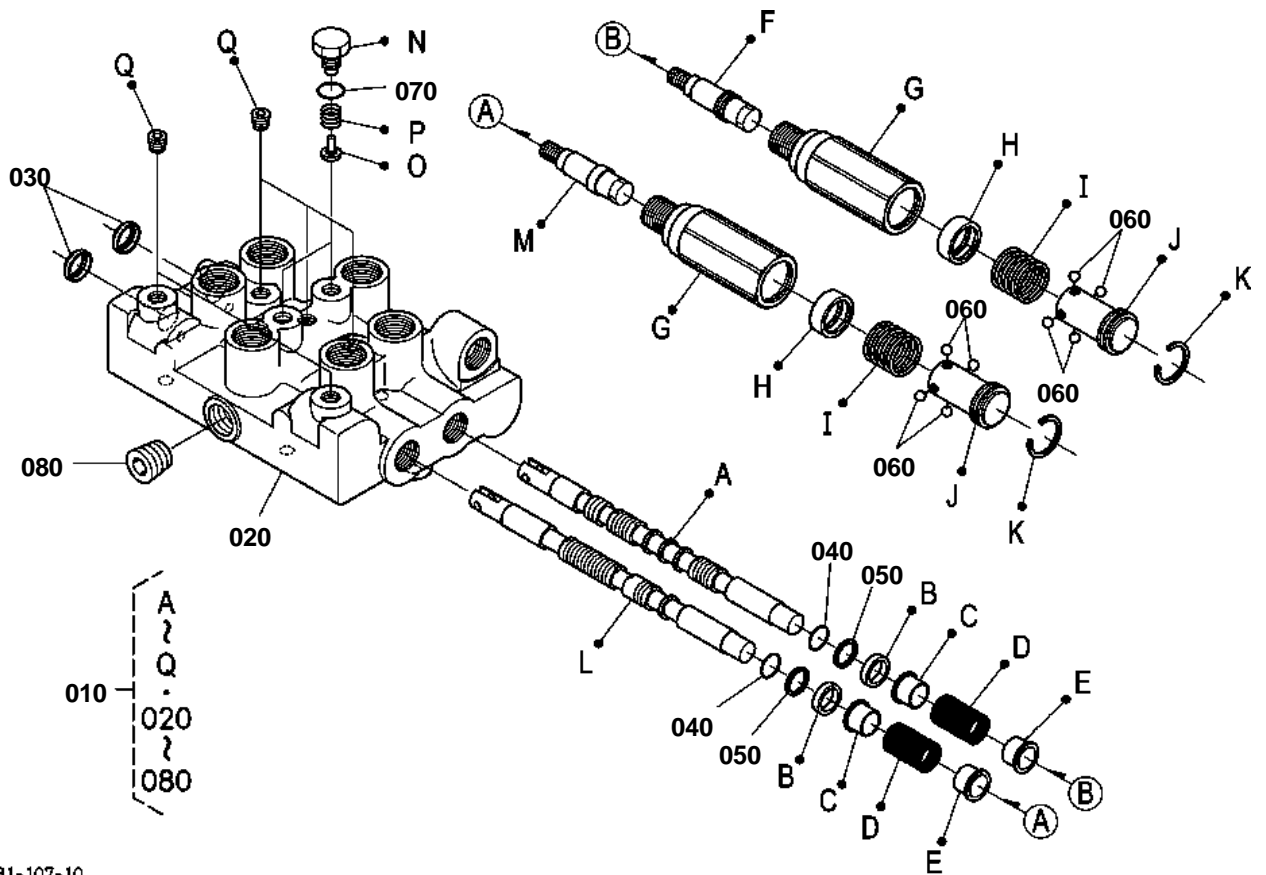


# FRONT CONTROL VALVE KIT(VALVE) [OPTION]

↔ Interchangeable; ≠ not interchangeable; ← new for old; → old for new

REF.No	Part No.	Description	Q'ty	S.No.	I/C	REMARKS	Weight (kgf)	Weight (lb)
010	YW247-00100	ASSY VALVE CONTROL	1				0	0
020	7J612-61110	STAY VALVE	1				0	0
030	01123-50820	BOLT	2				0.011	0.0242
040	K1122-91330	BOLT SHORT SQU.NECK	3				0	0
050	02751-50080	NUT FLANGE	3				0.006	0.0132
060	7J612-96390	MANUAL INSTRUCTION	1			ONLY FOR BX2314 BX2324	0	0

FRONT CONTROL VALVE KIT(VALVE) [COMP.PARTS] [OPTION]



K2581-107-10

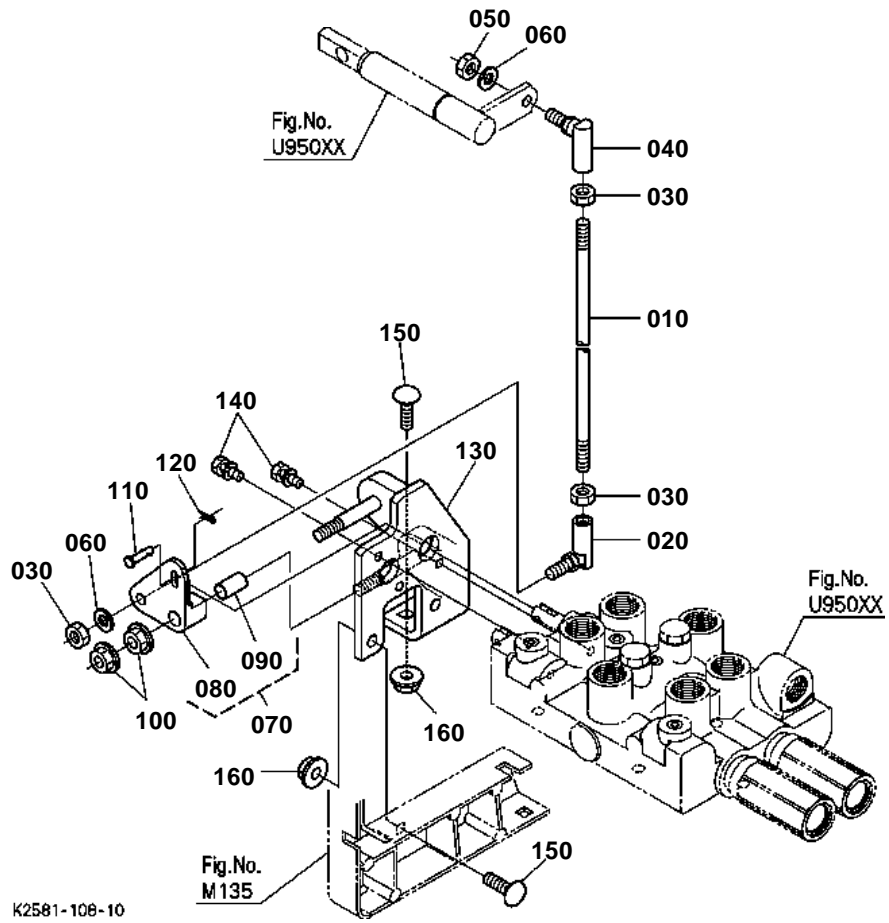


# FRONT CONTROL VALVE KIT(VALVE) [COMP.PARTS] [OPTION]

↔ Interchangeable; ≠ not interchangeable; ← new for old; → old for new

REF.No	Part No.	Description	Q'ty	S.No.	I/C	REMARKS	Weight (kgf)	Weight (lb)
010	YW247-00100	ASSY VALVE CONTROL	1				0	0
020	YW247-00110	BODY	1				0	0
030	YW077-00610	SEAL DUST	2				0.001	0.0022
040	04817-00140	O RING	2				0.001	0.0022
050	34076-66250	RING BACK UP	2				0.005	0.011
060	07715-01603	BALL	8				0.001	0.0022
070	04817-00100	O RING	2				0.001	0.0022
080	YT232-00720	PLUG	1				0.007	0.0154

FRONT CONTROL VALVE KIT(ROD) [OPTION]

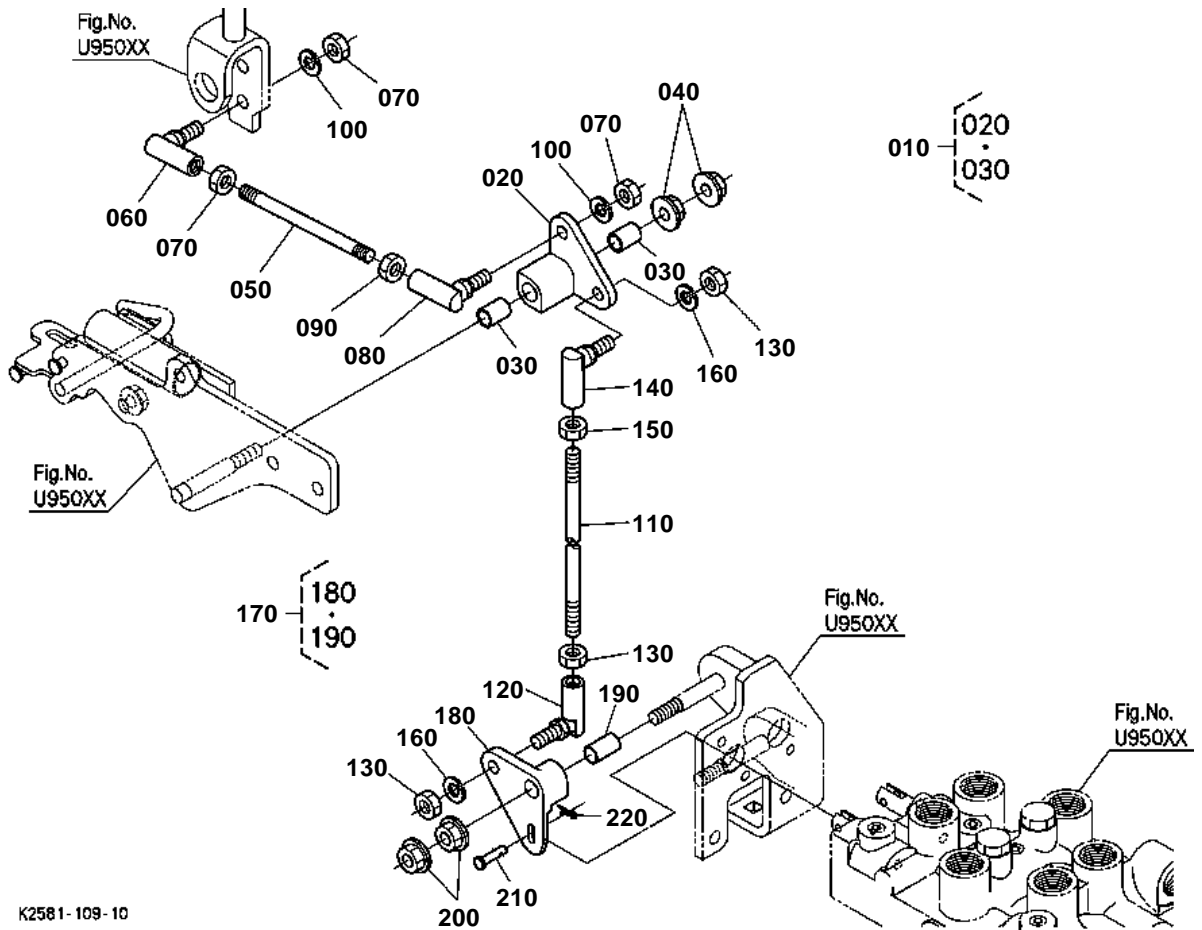


**FRONT CONTROL VALVE KIT(ROD) [OPTION]**

↔ Interchangeable; ≠ not interchangeable; ← new for old; → old for new

REF.No	Part No.	Description	Q'ty	S.No.	I/C	REMARKS	Weight (kgf)	Weight (lb)
010	7J612-62730	ROD	1				0	0
020	K1122-42080	ROD END	1				0.03	0.066
030	75599-31022	NUT	3				0.015	0.033
040	K3211-42080	ROD END LH	1				0	0
050	K3211-42380	NUT UNF-LH	1				0	0
060	04512-60080	WASHER SPRING	2				0.002	0.0044
070	7J612-62880	ASSY ARM SPOOL	1				0	0
080	7J612-62780	ARM SPOOL	1				0	0
090	7J612-62150	BUSH DU	1				0	0
100	02751-50080	NUT FLANGE	2				0.006	0.0132
110	7J612-62190	PIN	1				0	0
120	05525-60500	PIN SNAP	1				0.001	0.0022
130	7J612-61210	STAY VALVE	1				0	0
140	01023-50616	BOLT	3				0.005	0.011
150	K1122-91330	BOLT SHORT SQU.NECK	2				0	0
160	02751-50080	NUT FLANGE	2				0.006	0.0132

FRONT CONTROL VALVE KIT(ROD) [OPTION]



K2581-109-10

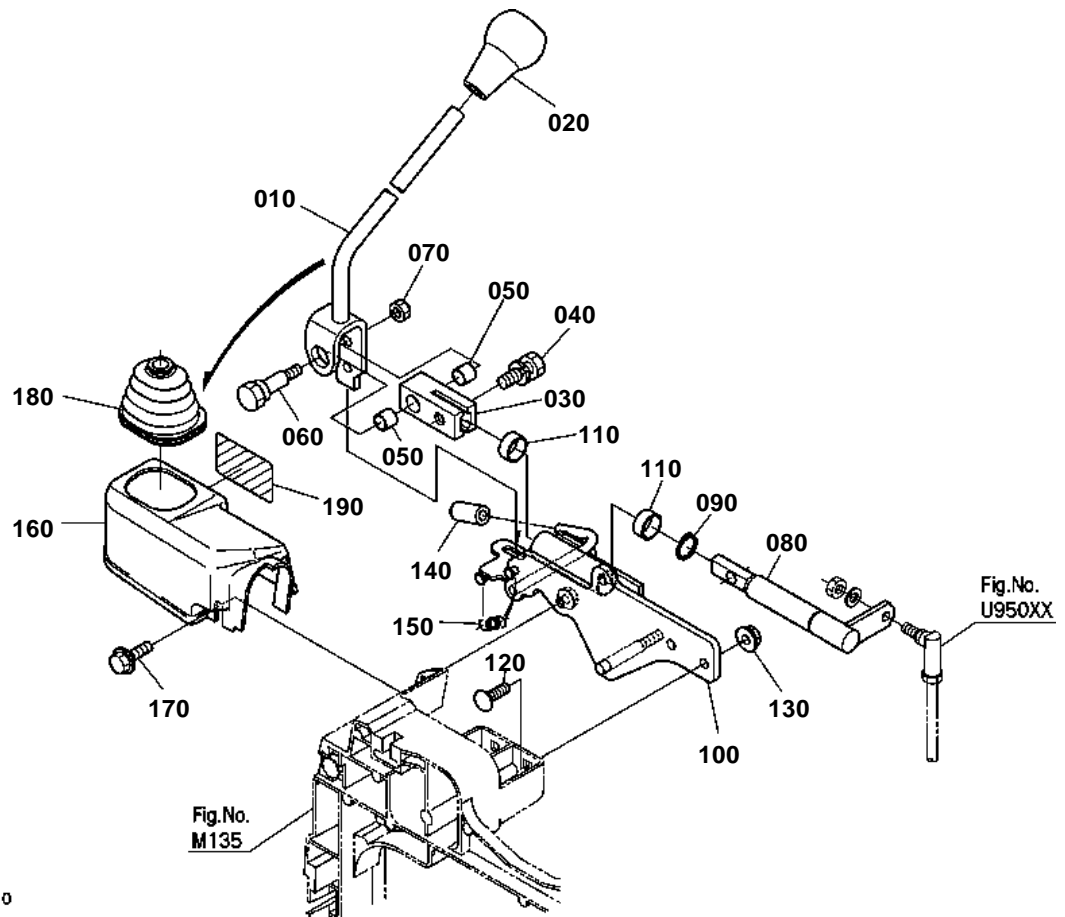


**FRONT CONTROL VALVE KIT(ROD) [OPTION]**

↔ Interchangeable; ≠ not interchangeable; ← new for old; → old for new

REF.No	Part No.	Description	Q'ty	S.No.	I/C	REMARKS	Weight (kgf)	Weight (lb)
010	7J612-62870	ASSY ARM SPOOL	1				0	0
020	7J612-62770	ARM SPOOL	1				0	0
030	7J612-62140	BUSH DU	2				0	0
040	02751-50080	NUT FLANGE	2				0.006	0.0132
050	7J612-62740	ROD	1				0	0
060	K1122-42080	ROD END	1				0.03	0.066
070	75599-31022	NUT	3				0.015	0.033
080	K3211-42080	ROD END LH	1				0	0
090	K3211-42380	NUT UNF-LH	1				0	0
100	04512-60080	WASHER SPRING	2				0.002	0.0044
110	7J612-62750	ROD	1				0	0
120	K1122-42080	ROD END	1				0.03	0.066
130	75599-31022	NUT	3				0.015	0.033
140	K3211-42080	ROD END LH	1				0	0
150	K3211-42380	NUT UNF-LH	1				0	0
160	04512-60080	WASHER SPRING	2				0.002	0.0044
170	7J612-62860	ASSY ARM SPOOL	1				0	0
180	7J612-62760	ARM SPOOL	1				0	0
190	7J612-62150	BUSH DU	1				0	0
200	02751-50080	NUT FLANGE	2				0.006	0.0132
210	7J612-62190	PIN	1				0	0
220	05525-60500	PIN SNAP	1				0.001	0.0022

FRONT CONTROL VALVE KIT(LEVER) [OPTION]



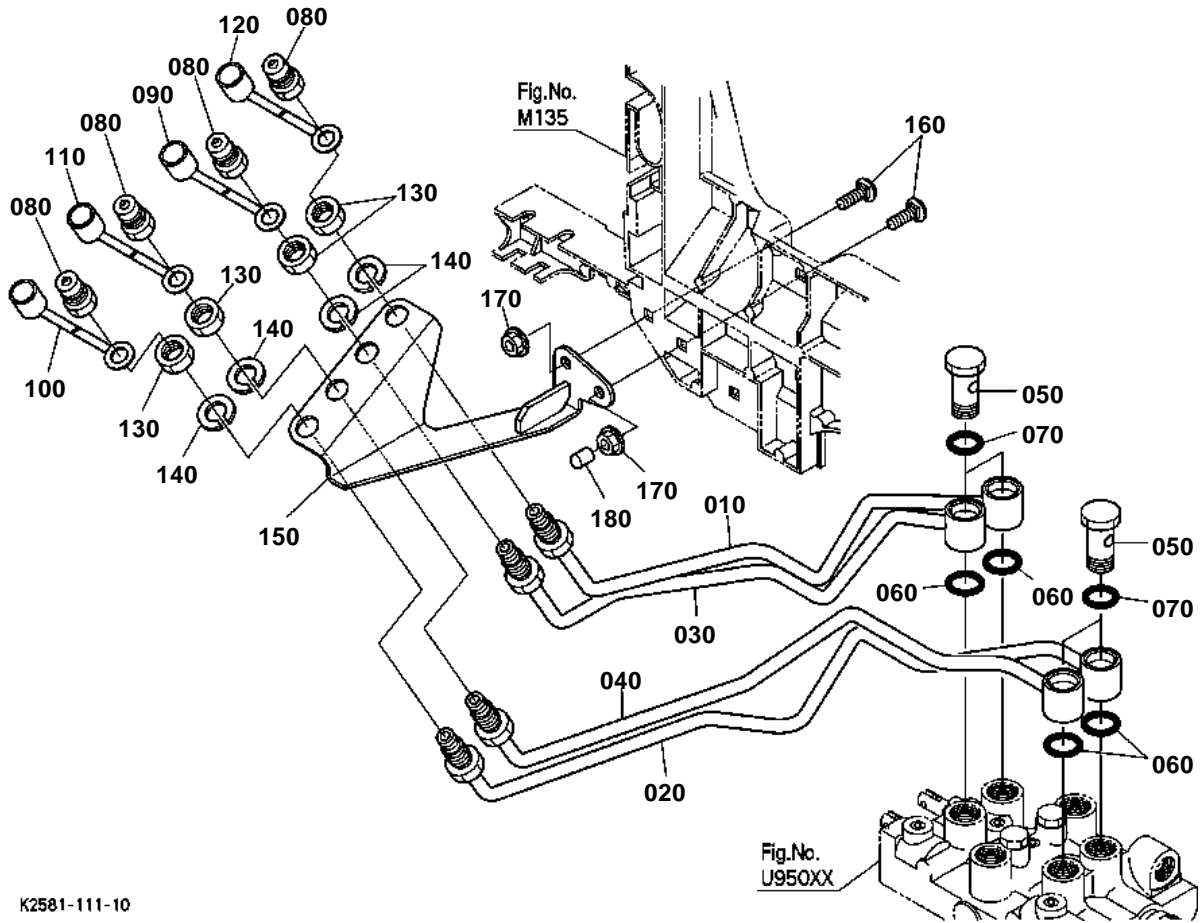
K2581-110-10

**FRONT CONTROL VALVE KIT(LEVER) [OPTION]**

↔ Interchangeable; ≠ not interchangeable; ← new for old; → old for new

REF.No	Part No.	Description	Q'ty	S.No.	I/C	REMARKS	Weight (kgf)	Weight (lb)
010	7J612-62212	LEVER CONTROL	1				0	0
020	7J612-62240	GRIP LEVER	1				0	0
030	7J612-62130	BLOCK LEVER	1				0	0
040	01133-51030	BOLT	1				0.025	0.055
050	08511-01212	BUSH	2				0.005	0.011
060	7J612-62230	BOLT REAMER	1				0	0
070	02552-50080	NUT LOCK	1				0.005	0.011
080	7J612-62250	LINK	1				0	0
090	04612-00190	CIR CLIP EXTERNAL	1				0.001	0.0022
100	7J612-62600	COMP.STAY LEVER	1				0	0
110	7J612-62170	BUSH DU	2				0	0
120	K1122-91330	BOLT SHORT SQU.NECK	3				0	0
130	02751-50080	NUT FLANGE	3				0.006	0.0132
140	K1211-56140	COVER LEVER	1				0.008	0.0176
150	7J612-62810	SPRING	1				0	0
160	7J612-62353	COVER LEVER	1				0	0
170	K1122-91050	BOLT FLANGE BLACK	1				0.013	0.0286
180	7J612-62712	BOOT CONTROL LEVER	1				0	0
190	7J612-62910	LABEL LOCK	1				0	0

FRONT CONTROL VALVE KIT(OIL LINE 1) [OPTION]



K2581-111-10

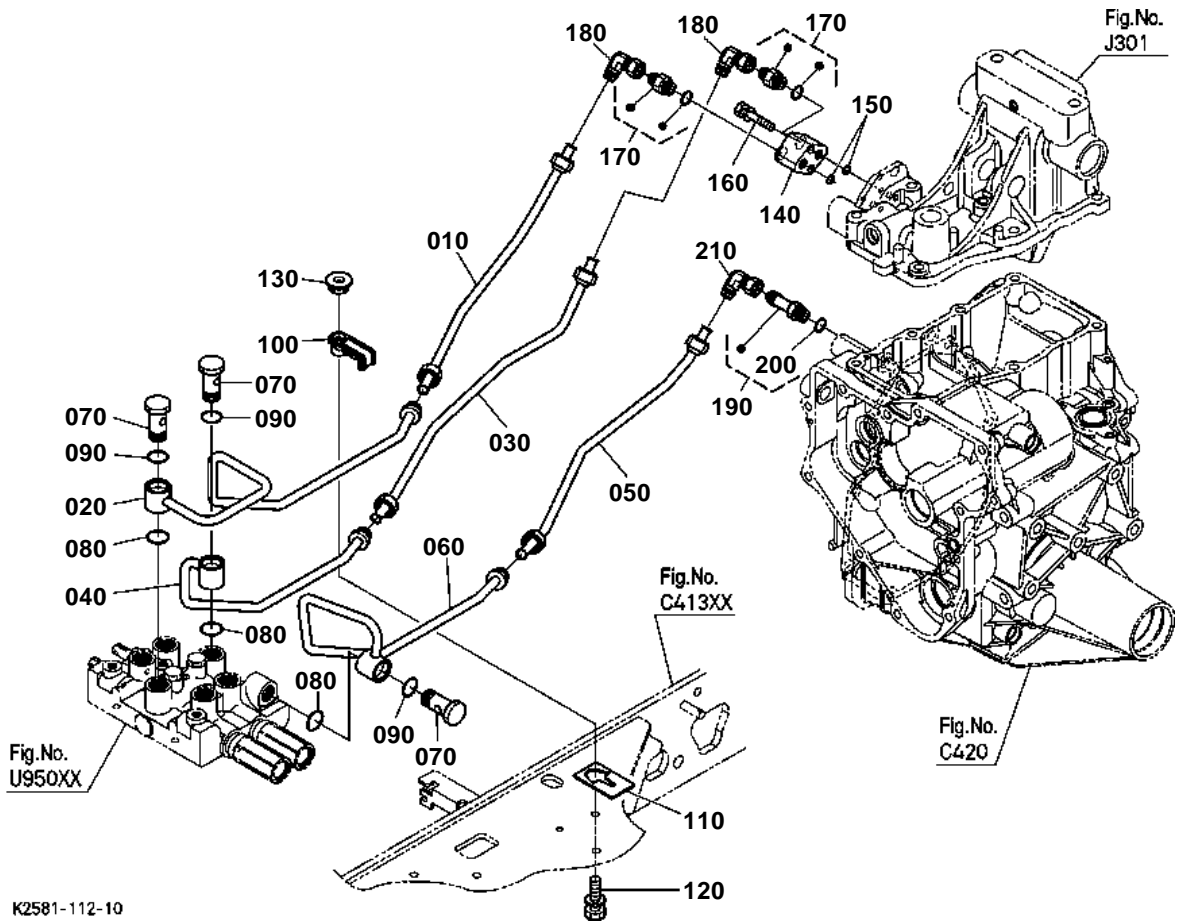


## FRONT CONTROL VALVE KIT(OIL LINE 1) [OPTION]

↔ Interchangeable; ≠ not interchangeable; ← new for old; → old for new

REF.No	Part No.	Description	Q'ty	S.No.	I/C	REMARKS	Weight (kgf)	Weight (lb)
010	7J612-68710	PIPE	1				0	0
020	7J612-68720	PIPE	1				0	0
030	7J612-68730	PIPE	1				0	0
040	7J612-68740	PIPE	1				0	0
050	75538-61320	BOLT JOINT	4				0	0
060	04817-00210	O RING	4				0.002	0.0044
070	75540-61820	O-RING	4				0.001	0.0022
080	75536-66220	NIPPLE	4			(72N4-4F)	0.04	0.088
090	7J245-66410	CAP DUST	1			(72PDC-4B)	0.01	0.022
100	7J245-66420	CAP DUST	1			(72PDC-4YY)	0.017	0.0374
110	7J245-66430	CAP DUST	1			(72PDC-4R)	0.005	0.011
120	7J245-66440	CAP DUST	1			(72PDC-4W)	0.016	0.0352
130	02174-50160	NUT	4				0.022	0.0484
140	04512-60160	WASHER SPRING	4				0.01	0.022
150	7J612-68613	STAY PIPE	1				0	0
160	K1122-91330	BOLT SHORT SQU.NECK	2				0	0
170	02751-50080	NUT FLANGE	2				0.006	0.0132
180	7J612-68670	BOLT COVER	1				0	0

FRONT CONTROL VALVE KIT(OIL LINE 2) [OPTION]



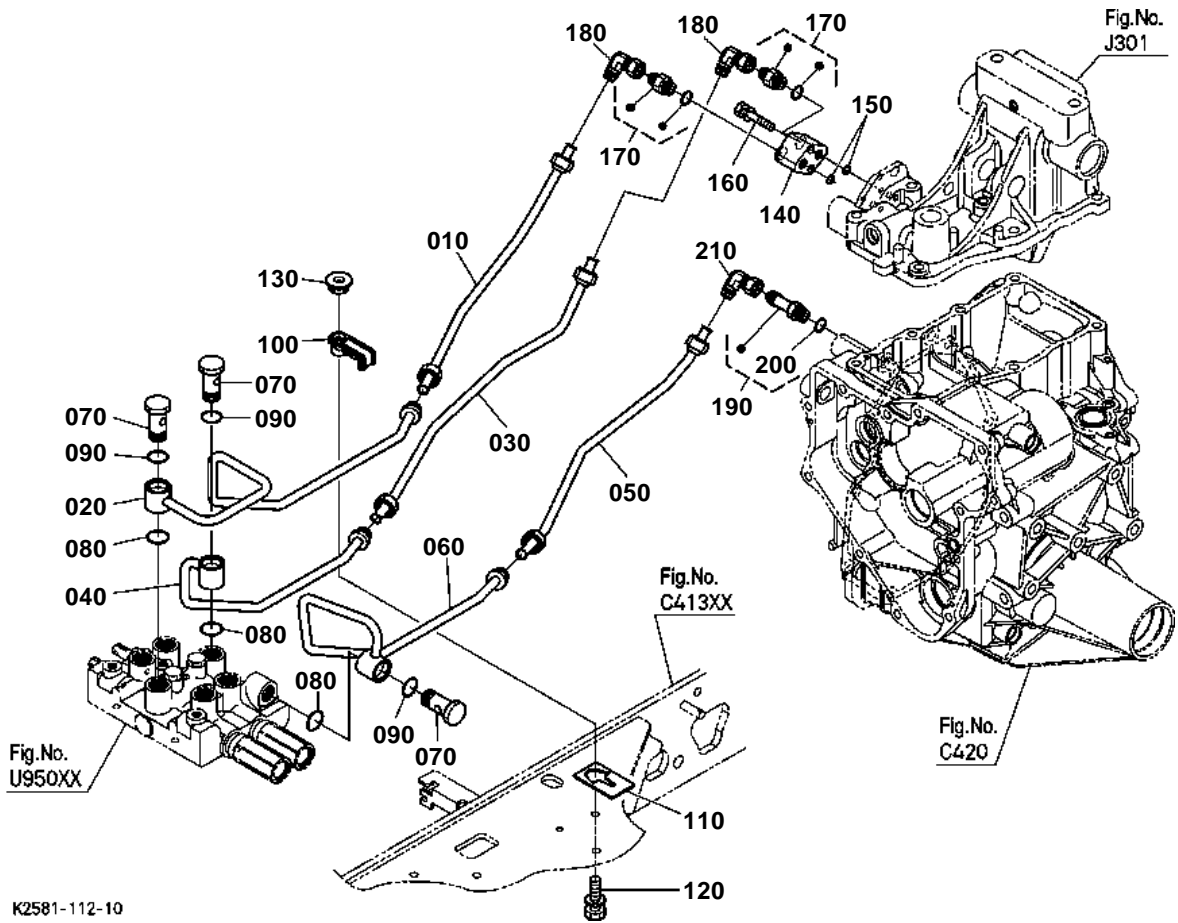
K2581-112-10

**FRONT CONTROL VALVE KIT(OIL LINE 2) [OPTION]**

↔ Interchangeable; ≠ not interchangeable; ← new for old; → old for new

REF.No	Part No.	Description	Q'ty	S.No.	I/C	REMARKS	Weight (kgf)	Weight (lb)
010	7J612-68300	PIPE PB	1				0	0
020	7J612-68370	PIPE PB	1				0	0
030	7J612-68402	PIPE PUMP	1				0	0
040	7J612-68470	PIPE PUMP	1				0	0
050	7J612-68500	PIPE TANK	1				0	0
060	7J612-68570	PIPE TANK	1				0	0
070	75538-61320	BOLT JOINT	3				0	0
080	04817-00210	O RING	3				0.002	0.0044
090	75540-61820	O-RING	3				0.001	0.0022
100	K2581-41650	CLAMP PIPE	1				0	0
110	K2581-41680	PLATE RUBBER	1				0	0
120	01123-50830	BOLT	1				0.015	0.033
130	02751-50080	NUT FLANGE	1				0.006	0.0132
140	7J612-68110	BLOCK HYDRAULIC	1				0	0
150	04817-00080	O RING	2				0.001	0.0022
160	01123-50845	BOLT	2				0.02	0.044
170	K2561-36620	JOINT PIPE	2				0.035	0.077
180	K2561-41590	JOINT	2				0.059	0.1298
190	7K500-63900	ASSY JOINT STRAIGHT	1				0.056	0.1232
200	75595-64220	O-RING	1				0.001	0.0022
210	K2561-41590	JOINT	1				0.059	0.1298

FRONT CONTROL VALVE KIT(OIL LINE 2) [OPTION]



K2581-112-10



**FRONT CONTROL VALVE KIT(OIL LINE 2) [OPTION]**

↔ Interchangeable; ≠ not interchangeable; ← new for old; → old for new

REF.No	Part No.	Description	Q'ty	S.No.	I/C	REMARKS	Weight (kgf)	Weight (lb)
010	7J612-68300	PIPE PB	1				0	0
020	7J612-68370	PIPE PB	1				0	0
030	7J612-68402	PIPE PUMP	1				0	0
040	7J612-68470	PIPE PUMP	1				0	0
050	7J612-68500	PIPE TANK	1				0	0
060	7J612-68570	PIPE TANK	1				0	0
070	75538-61320	BOLT JOINT	3				0	0
080	04817-00210	O RING	3				0.002	0.0044
090	75540-61820	O-RING	3				0.001	0.0022
100	K2581-41650	CLAMP PIPE	1				0	0
110	K2581-41680	PLATE RUBBER	1				0	0
120	01123-50830	BOLT	1				0.015	0.033
130	02751-50080	NUT FLANGE	1				0.006	0.0132
140	7J612-68110	BLOCK HYDRAULIC	1				0	0
150	04817-00080	O RING	2				0.001	0.0022
160	01123-50845	BOLT	2				0.02	0.044
170	K2561-36620	JOINT PIPE	2				0.035	0.077
180	K2561-41590	JOINT	2				0.059	0.1298
190	7K500-63900	ASSY JOINT STRAIGHT	1				0.056	0.1232
200	75595-64220	O-RING	1				0.001	0.0022
210	K2561-41590	JOINT	1				0.059	0.1298