

Instructions for Parts Books

The heading at the top of the page will be the same for the picture of the parts as it is for the page with the part numbers.

Definition of column headings on part number pages:

REF.No → The number referring to the part on the picture page of the parts book.

Part No. → The number assigned to this part at the time of printing the parts book.

Description → Description of part.

Q'ty → Quantity of part used on that page.

S.No. → Serial number range of the equipment that this part will fit.

>= Your serial number should be greater than or equal to the number shown.

<= Your serial number should be lesser than or equal to the serial number shown.

I/C → Interchangeability of part shown.

↔ The part shown will work for the older and later serial number.

The part shown is not interchangeable with the other serial number.

← new for old

→ old for new

Remarks → Notes about this particular part. Sometimes this may say except [FR] or [CA]

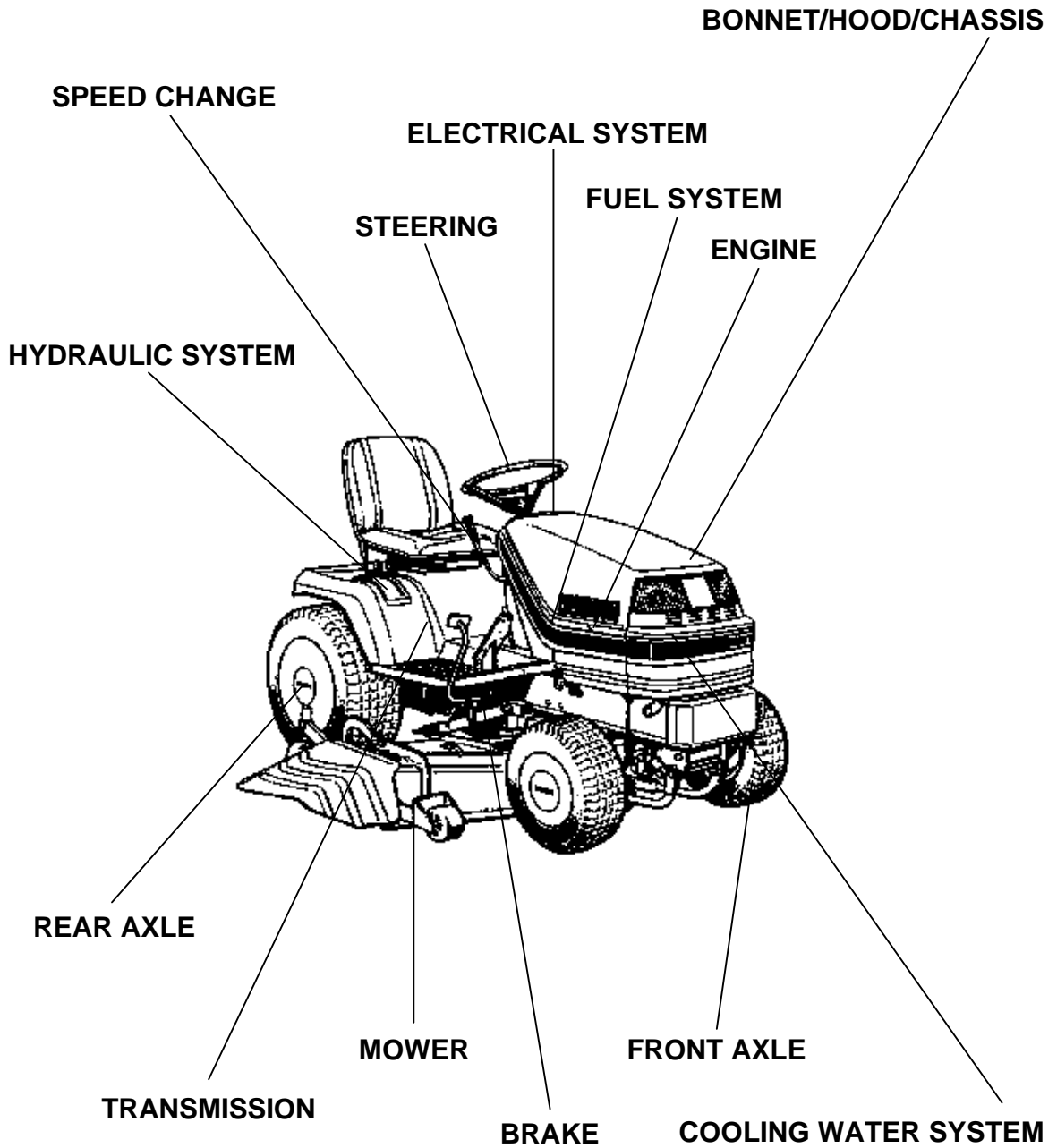
Note about Country Codes:

The parts books we use in the United States of America may also contain information about a part that would be different in another country. It is important that you are aware of the country codes in some instances.

Symbol	Country
A	United States of America
CA	Canada
FR	France
GR	Greece
PO	Portugal
AU	Australia

If the remarks column says for example EXCEPT [FR] this part works in all countries except France. That means it will work here in the USA.

ALL PRODUCT INDEX
G1800

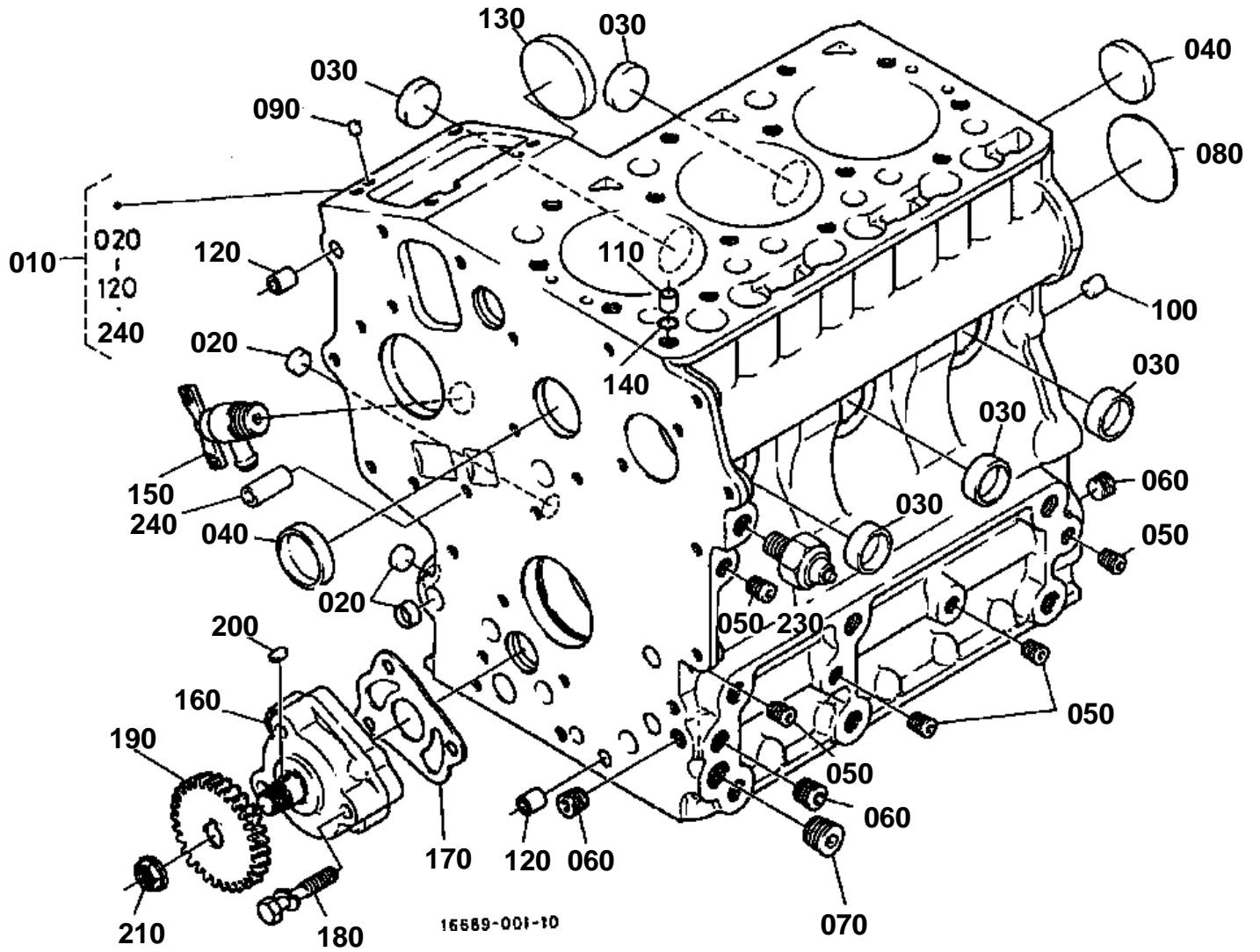


**LABELS
ACCESSORIES**

Item	Part No.	Description	Book	
ENGINE	01G001	CRANKCASE	100K0179	
	01G002	OIL PAN	100K0179	
	01G003	PISTON/CRANKSHAFT	100K0179	
	01G004	MAIN BEARING CASE	100K0179	
	01G005	FLYWHEEL	100K0179	
	01G006	CYLINDER HEAD	100K0179	
	01G007	VALVE/ROCKER ARM	100K0179	
	01G008	NOZZLE HOLDER/GLOW PLUG	100K0179	
	01G009	NOZZLE HOLDER [COMPONENT PARTS]	100K0179	
	01G010	HEAD COVER	100K0179	
	01G011	INLET MANIFOLD	100K0179	
	01G013	EXHAUST MANIFOLD	100K0179	
	01G015	CAMSHAFT	100K0179	
	01G016	GEAR CASE	100K0179	
	01G017	WATER PUMP	100K0179	
	01G018	WATER FLANGE/THERMOSTAT	100K0179	
	01G019	INJECTION PUMP	100K0179	
	01G020	INJECTION PUMP [COMPONENT PARTS]	100K0179	
	01G021	SPEED CONTROL PLATE	100K0179	
	01G022	GOVERNOR	100K0179	
	01G023	STOP SOLENOID	100K0179	
	01G024	UPPER GASKET KIT	100K0179	
	01G025	LOWER GASKET KIT	100K0179	
	FUEL SYSTEM	02G012	AIR CLEANER	100K0179
		02G014	MUFFLER	100K0179
		02G026	ACCELERATOR LEVER	100K0179
	COOLING WATER SYSTEM	02G052	FUEL TANK	100K0179
		02G053	FUEL PIPE	100K0179
	ELECTRICAL SYSTEM	02G055	RADIATOR	100K0179
		02G056	FAN	100K0179
		02G057	DYNAMO	100K0179
02G058		DYNAMO [COMPONENT PARTS]	100K0179	
02G059		STARTER [COMPONENT PARTS]	100K0179	
02G060		STARTER [COMPONENT PARTS]	100K0179	
02G062		BATTERY	100K0179	
02G064		LIGHT	100K0179	
02G065		DASHBOARD	100K0179	
02G066		DASHBOARD	100K0179	
TRANSMISSION	02G068	WIRE HARNESS	100K0179	
	02G070	TRANSMISSION CASE	100K0179	
	02G071	HST	100K0179	
	02G072	HST [COMPONENT PARTS]	100K0179	
	02G073	UNIVERSAL JOINT/HST FAN	100K0179	
	02G074	UNIVERSAL JOINT/HST FAN	100K0179	
	02G075	PTO SHAFT	100K0179	
	02G076	TENSION PULLEY	100K0179	
	02G077	BELT RETAINER	100K0179	
	02G078	REAR PTO	100K0179	
	02G079	REAR PTO [COMPONENT PARTS]	100K0179	
SPEED CHANGE	02G080	CRUISE CONTROL PLATE	100K0179	
	02G081	CRUISE CONTROL LEVER	100K0179	
	02G082	SPEED CONTROL PEDAL	100K0179	
REAR AXLE	02G083	REAR DIFFERENTIAL	100K0179	
	02G084	REAR AXLE CASE	100K0179	
	02G085	REAR AXLE [2WS]	100K0179	
BRAKE	02G086	REAR WHEEL (23 X 10.5-12) [2WS]	100K0179	
	02G093	PTO BRAKE	100K0179	
	02G094	BRAKE SHAFT	100K0179	
	02G095	BRAKE	100K0179	
	02G096	BRAKE ROD	100K0179	

Item	Part No.	Description	Book
BRAKE	02G097	BRAKE PEDAL	100K0179
	02G098	FRONT AXLE/KNUCKLE ARM	100K0179
FRONT AXLE	02G099	TIE ROD/DRAG LINK	100K0179
	02G100	FRONT WHEEL (16 X 6.50-8)	100K0179
STEERING	02G101	FRAME	100K0179
	02G102	STEERING GEAR CASE	100K0179
	02G103	STEERING WHEEL	100K0179
HYDRAULIC SYSTEM	02G104	CONTROL VALVE	100K0179
	02G105	CONTROL VALVE [COMPONENT PARTS]	100K0179
	02G106	HYDRAULIC PIPE 1	100K0179
	02G107	HYDRAULIC PIPE 2	100K0179
	02G108	LIFT CYLINDER	100K0179
	02G109	HYDRAULIC OUTLET [OLD TYPE] [OPTION]	100K0179
	02G110	HYDRAULIC OUTLET [NEW TYPE] [OPTION]	100K0179
	02G111	3-POINT LINKAGE [OPTION]	100K0179
	02G112	MOWER ASSIST SPRING [OPTION]	100K0179
	02G113	MOWER SWING STOPPER [OPTION]	100K0179
BONNET/HOOD/CHASSIS	02G114	HOOD (BONNET)	100K0179
	02G115	PANEL	100K0179
	02G116	FENDER	100K0179
	02G117	SEAT [A] [CA]	100K0179
LABELS	02G118	SEAT [AU] [NZ]	100K0179
	02G119	LABEL	100K0179
ACCESSORIES	02G145	ACCESSORIES AND SERVICE PARTS	100K0179

CRANKCASE



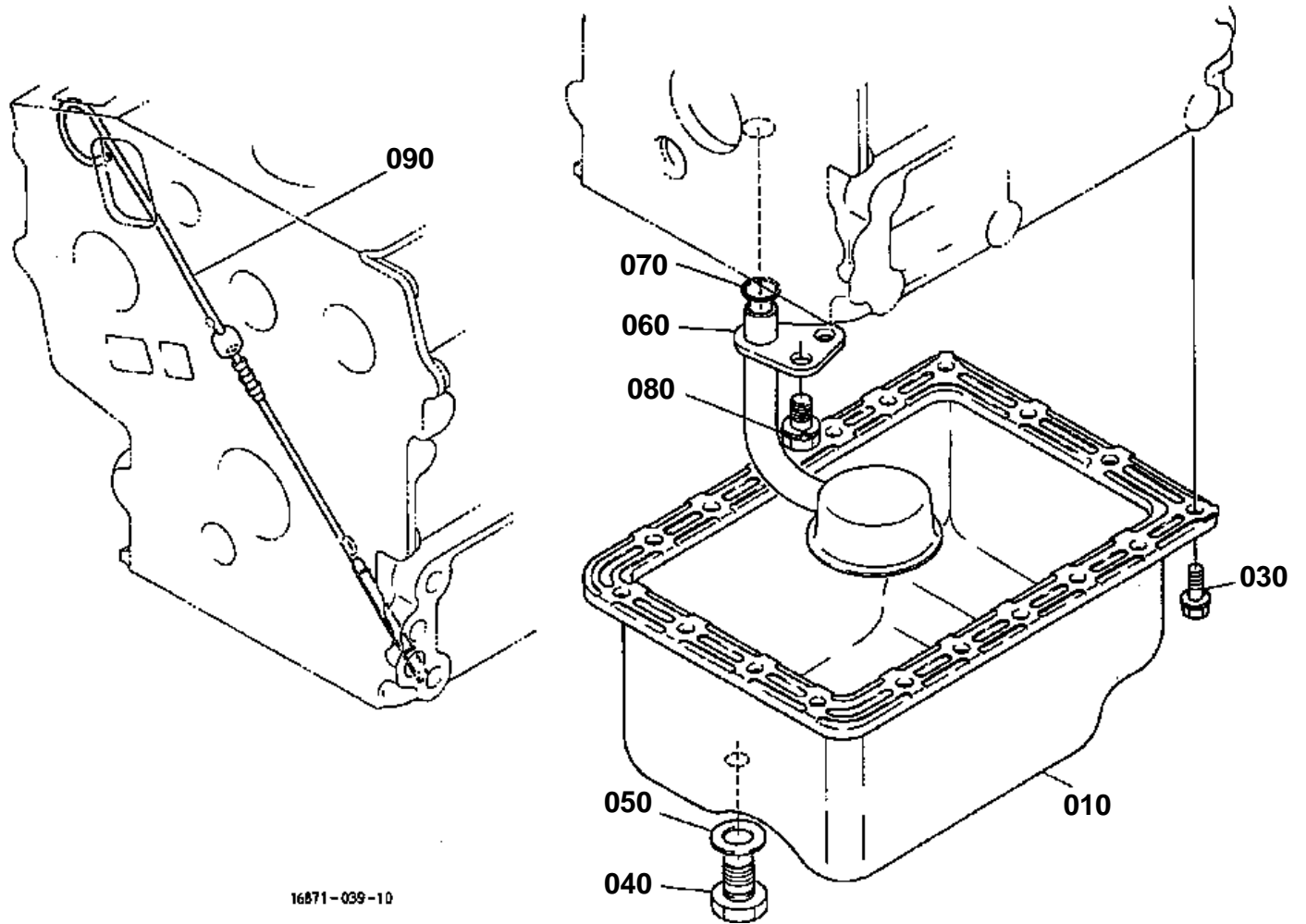
16589-001-10

**CRANKCASE**

↔ Interchangeable; ≠ not interchangeable; ← new for old; → old for new

REF.No	Part No.	Description	Q'ty	S.No.	I/C	REMARKS	Weight (kgf)	Weight (lb)
010	16861-01010	COMP.CRANKCASE	1	<=183560			0	0
010	16861-01012	COMP.CRANKCASE	1	>=183561	←		22.8	50.16
020	16851-96260	CAP SEALING	3				0.005	0.011
030	16851-96270	CAP SEALING	5				0.005	0.011
040	15451-96270	CAP SEALING	2				0.012	0.0264
050	15261-96010	PLUG	5				0.002	0.0044
060	15521-96020	PLUG	3				0.003	0.0066
070	15521-96030	PLUG	1				0.007	0.0154
080	15261-96160	PLUG EXPANSION	1				0.02	0.044
090	05012-00508	PIN STRAIGHT	2				0.001	0.0022
100	05012-00814	PIN STRAIGHT	2				0.006	0.0132
110	15221-33650	PIN PIPE	1				0.004	0.0088
120	15231-33960	PIN PIPE	2				0.001	0.0022
130	16851-16210	COVER FUEL CAMSHAFT	1	<=746723			0	0
130	16851-16212	COVER FUEL CAMSHAFT	1	>=746724	←		0.03	0.066
140	15221-33700	O RING	1				0.001	0.0022
150	15841-73020	ASSY COCK DRAIN	1				0.03	0.066
160	16851-35010	ASSY PUMP OIL	1				0.24	0.528
170	15862-35152	GASKET OIL PUMP	1	<=752018			0	0
170	16851-35152	GASKET OIL PUMP	1	>=752019	←		0.001	0.0022
180	15841-91050	BOLT	3				0.01	0.022
190	15841-35660	GEAR OIL PUMP DRIVE	1				0.113	0.2486
200	05712-00408	KEY FEATHER	1				0.001	0.0022
210	02783-50100	NUT FLANGE	1				0.01	0.022
230	15531-39010	SWITCH OIL	1				0.032	0.0704
240	17331-59190	PIN PIPE	2				0.02	0.044

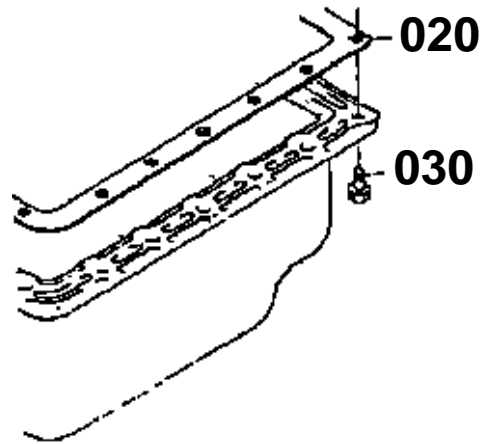
OIL PAN



16871-039-10

020 15861-0162-0

030 01023-50612

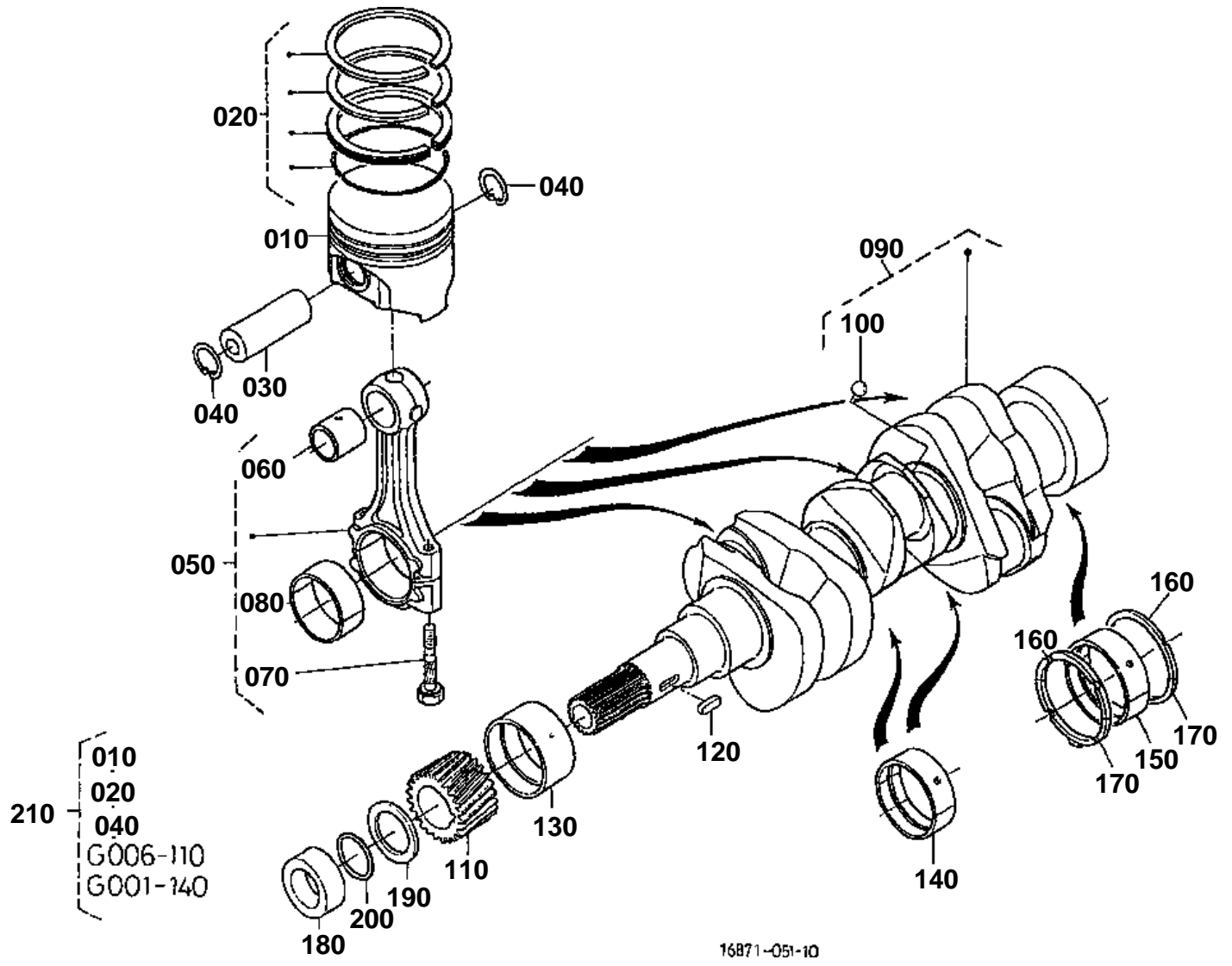


12692-801-10

**OIL PAN**

↔ Interchangeable; ≠ not interchangeable; ← new for old; → old for new

REF.No	Part No.	Description	Q'ty	S.No.	I/C	REMARKS	Weight (kgf)	Weight (lb)
010	15862-01500	COMP.OIL PAN	1				1.11	2.442
020	15861-01620	GASKET OIL PAN	1	≤169246			0	0
030	01023-50612	BOLT	18	≤169246			0.005	0.011
030	01754-50610	BOLT FLANGE	18	≥169247	≠		0.006	0.0132
040	15221-33750	PLUG	1				0.032	0.0704
050	15109-33660	GASKET	1				0.001	0.0022
060	16851-32110	FILTER OIL	1				0.11	0.242
070	04811-00160	O RING	1				0.001	0.0022
080	01123-60814	BOLT	1				0.008	0.0176
090	16851-36410	GAUGE OIL	1				0.03	0.066



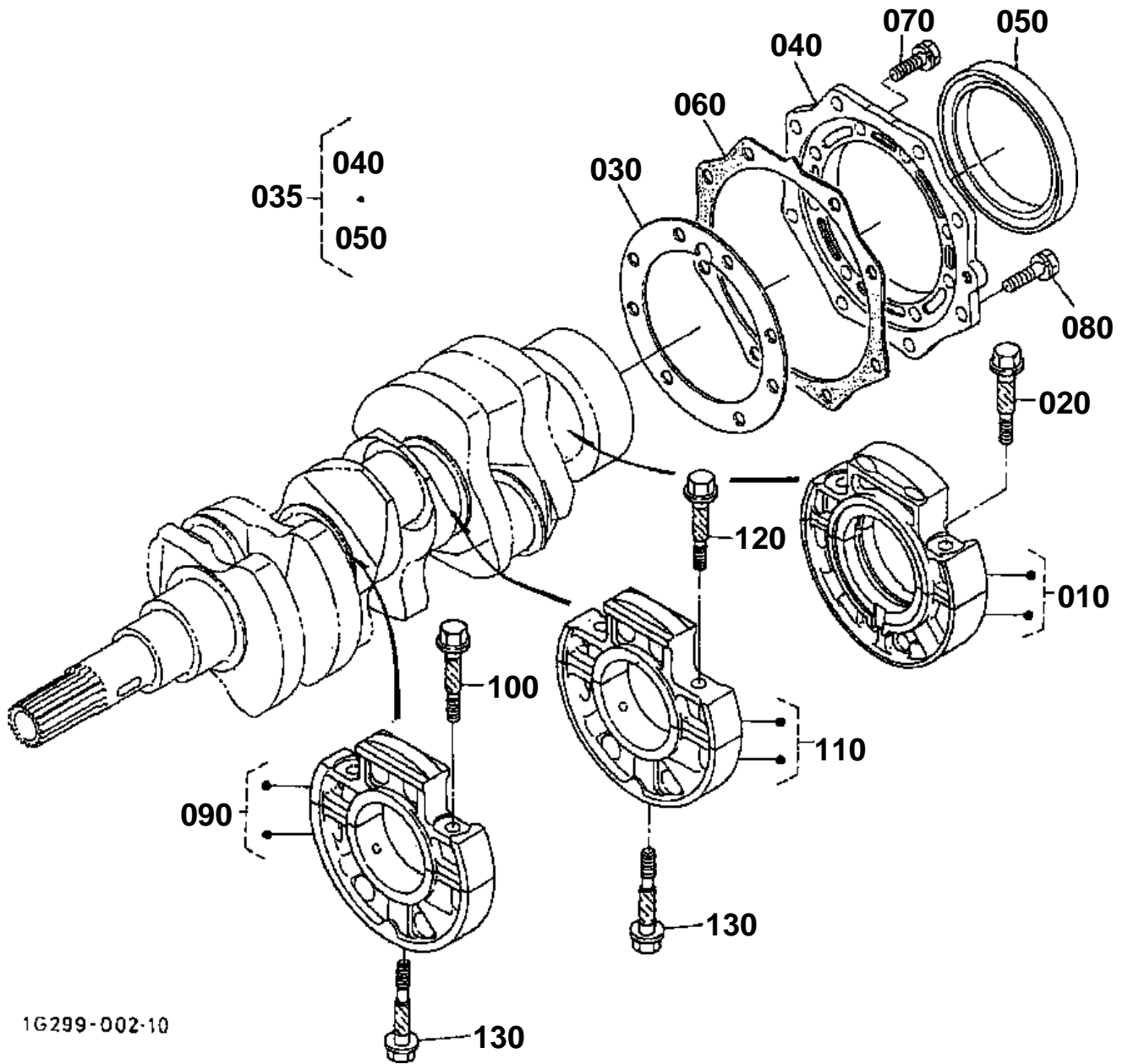


PISTON/CRANKSHAFT

↔ Interchangeable; ≠ not interchangeable; ← new for old; → old for new

REF.No	Part No.	Description	Q'ty	S.No.	I/C	REMARKS	Weight (kgf)	Weight (lb)
010	16861-21110	PISTON	3	<=197819		STD	0	0
010	16861-21113	PISTON	3	>=197820	←	STD	0.22	0.484
010	16861-21910	PISTON	3	<=197819		+0.5MM	0	0
010	16861-21900	PISTON	3	>=197820	←	+0.25MM	0.17	0.374
020	16861-21050	ASSY PISTON RING	3	<=197819		STD	0.1	0.22
020	16861-21052	ASSY PISTON RING	3	>=197820	←	STD	0.03	0.066
020	16861-21090	ASSY PISTON RING	3	<=197819		+0.5MM	0.03	0.066
020	16861-21093	ASSY PISTON RING	3	>=197820	←	+0.25MM	0	0
030	16851-21310	PIN PISTON	3				0.1	0.22
040	15261-21330	CIRCLIP PISTON PIN	6				0.001	0.0022
050	16851-22010	ASSY CONNECTING ROD	3				0.47	1.034
060	16851-21980	BUSH PISTON PIN	3				0.01	0.022
070	16851-22140	BOLT CONNECTING ROD	6				0.012	0.0264
080	16851-22320	METAL CRANKPIN M	3			SET STD	0.04	0.088
080	15861-22970	METAL CRANKPIN	3			SET -0.2MM	0.03	0.066
080	15861-22980	METAL CRANKPIN	3			SET -0.4MM	0.03	0.066
090	16861-23010	COMP.CRANKSHAFT	1				5.56	12.232
100	07715-03207	BALL	3				0.001	0.0022
110	15841-24110	GEAR CRANK	1				0.14	0.308
120	05712-00515	KEY FEATHER	1				0.003	0.0066
130	15861-23470	METAL CRANKSHAFT	1			STD	0.03	0.066
130	15861-23910	METAL CRANKSHAFT	1			-0.2MM	0.04	0.088
130	15861-23920	METAL CRANKSHAFT	1			-0.4MM	0.04	0.088
140	16861-23490	METAL CRANKSHAFT	2			SET STD	0.02	0.044
140	15861-23860	METAL CRANKSHAFT	2			SET -0.2MM	0.03	0.066
140	15861-23870	METAL CRANKSHAFT	2			SET -0.4MM	0.03	0.066
150	16861-23480	METAL CRANKSHAFT	1			SET STD	0.03	0.066
150	15694-23930	METAL CRANKSHAFT	1			SET -0.2MM	0.05	0.11
150	15694-23940	METAL CRANKSHAFT	1			SET -0.4MM	0.046	0.1012
160	15261-23530	METAL SIDE	2			STD	0.006	0.0132
160	15261-23950	METAL SIDE	2			+0.2MM	0.006	0.0132
160	15261-23960	METAL SIDE	2			+0.4MM	0.007	0.0154
170	15261-23540	METAL SIDE	2			STD	0.007	0.0154
170	15261-23970	METAL SIDE	2			+0.2MM	0.006	0.0132
170	15261-23980	METAL SIDE	2			+0.4MM	0.007	0.0154
180	15841-23250	COLLAR CRANKSHAFT	1				0.05	0.11
190	15881-23310	SLINGER OIL	1				0.004	0.0088
200	04811-16220	O RING	1				0.001	0.0022
210	16861-21000	KIT PISTON	1				1.05	2.31

MAIN BEARING CASE



1G299-002-10

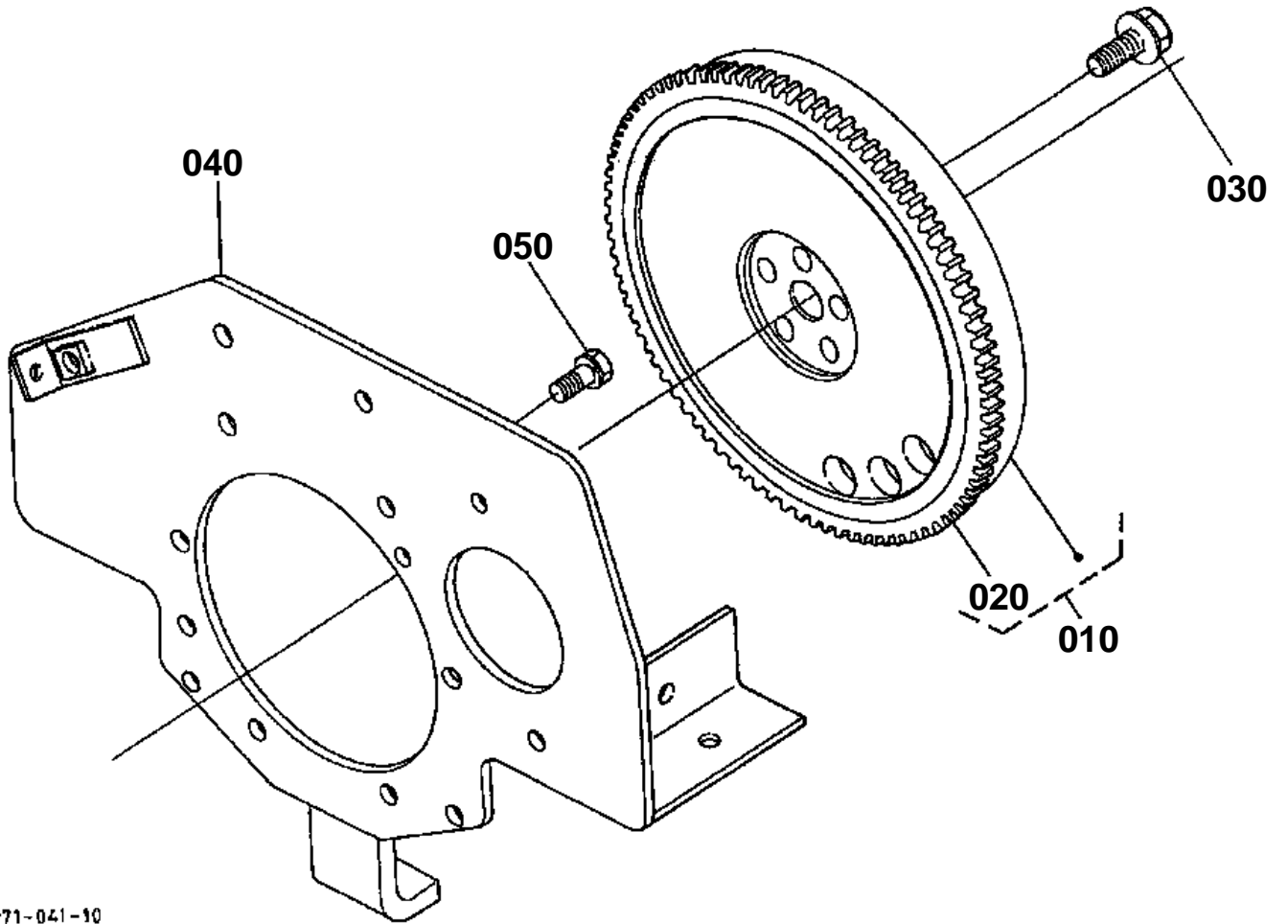


MAIN BEARING CASE

↔ Interchangeable; ≠ not interchangeable; ← new for old; → old for new

REF.No	Part No.	Description	Q'ty	S.No.	I/C	REMARKS	Weight (kgf)	Weight (lb)
010	16851-04090	ASSY CASE MAIN BRG.	1				0	0
020	15841-04540	BOLT BEARING CASE	2				0.012	0.0264
030	15852-04360	GASKET BRG.CASE	1				0.005	0.011
040	15841-04810	COVER BEARING CASE	1				0.16	0.352
050	09560-00007	SEAL OIL	1				0.029	0.0638
060	15862-04820	GASKET BRG.CASE COV.	1				0	0
070	01023-50620	BOLT	8				0.006	0.0132
080	01023-50622	BOLT	8				0.005	0.011
090	16851-04040	ASSY CASE MAIN BRG.	1				0.58	1.276
100	15841-04540	BOLT BEARING CASE	2				0.012	0.0264
110	16861-04050	ASSY CASE MAIN BRG.	1				0.58	1.276
120	15841-04540	BOLT BEARING CASE	2				0.012	0.0264
130	15841-04562	BOLT BEARING CASE	2				0.02	0.044

FLYWHEEL



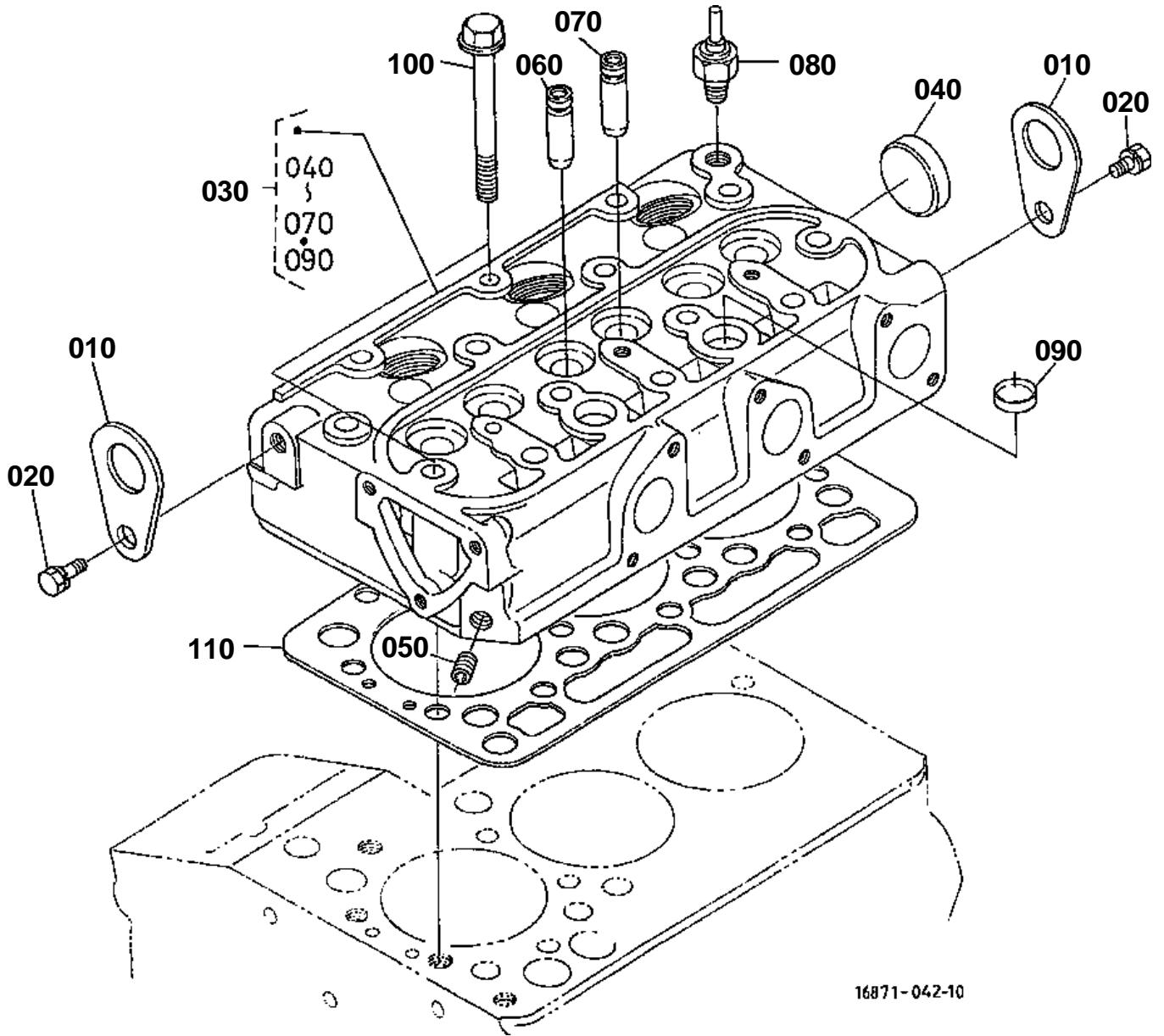
16871-041-10

**FLYWHEEL**

↔ Interchangeable; ≠ not interchangeable; ← new for old; → old for new

REF.No	Part No.	Description	Q'ty	S.No.	I/C	REMARKS	Weight (kgf)	Weight (lb)
010	16861-25010	COMP.FLYWHEEL	1				0	0
020	15841-63820	GEAR RING	1	≤258038			0	0
020	16851-63820	GEAR RING	1	≥258039	↔		0	0
030	15852-25160	BOLT FLYWHEEL	5				0.025	0.055
040	66101-58020	PLATE REAR END	1				2.32	5.104
050	01123-60816	BOLT	10				0.01	0.022

CYLINDER HEAD



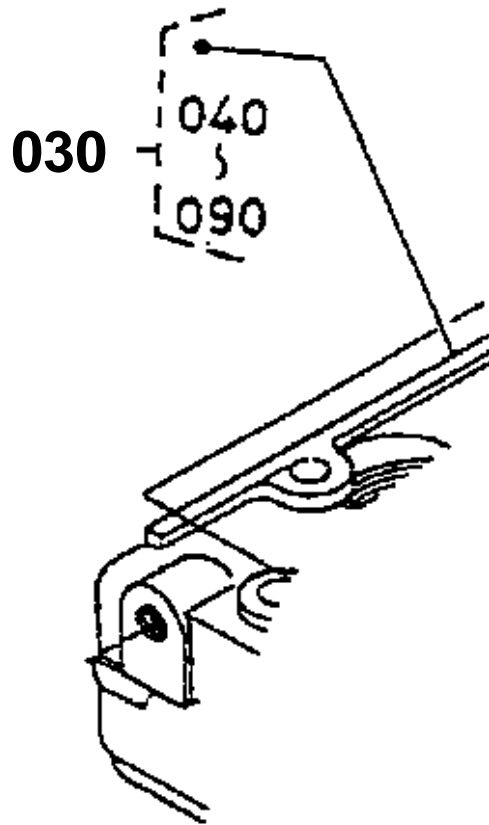
16871-042-10

030 16861-0304-0

030 16861-0304-2

030 16871-0304-0

030 16871-0304-2



16871-807-10

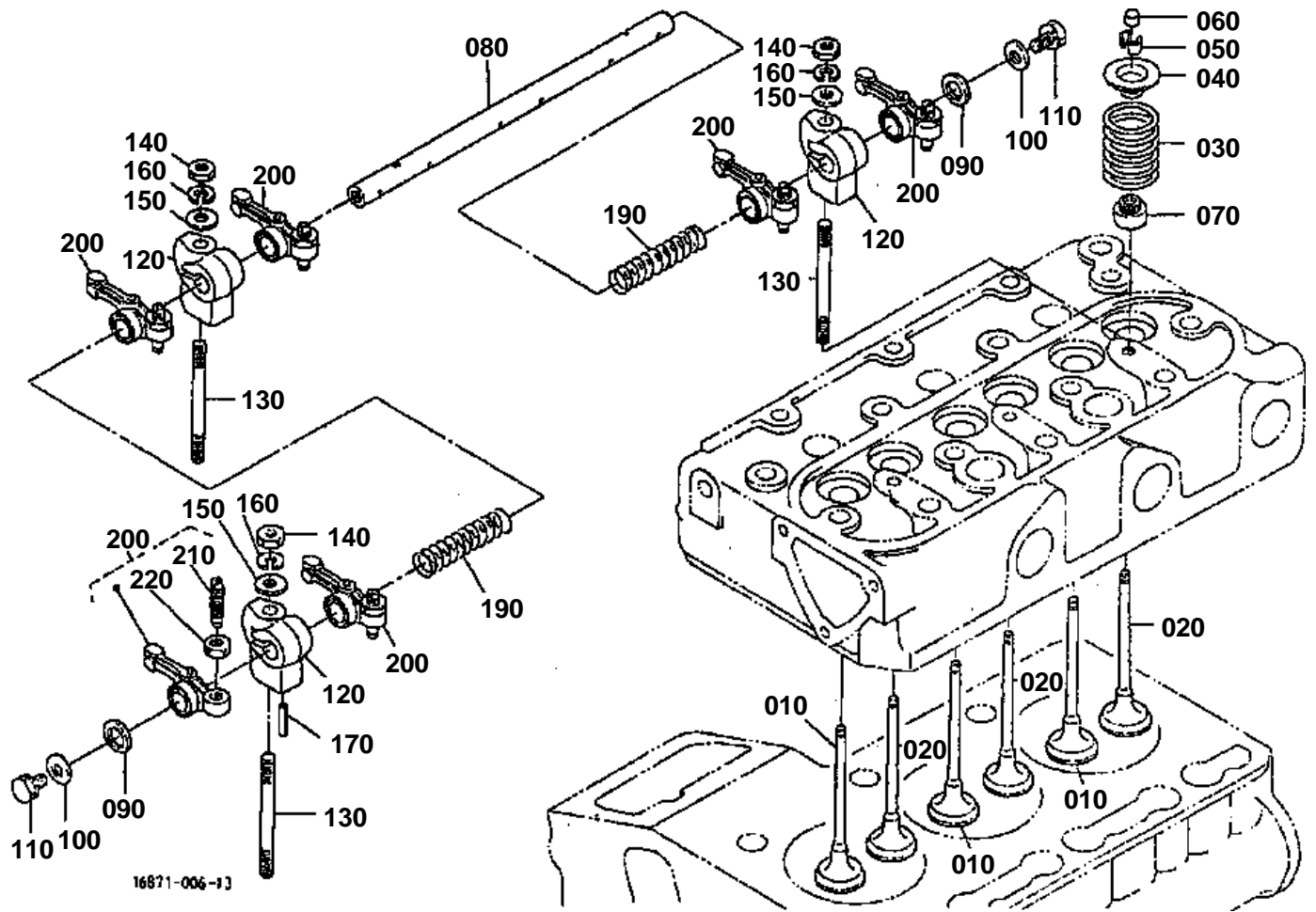


CYLINDER HEAD

↔ Interchangeable; ≠ not interchangeable; ← new for old; → old for new

REF.No	Part No.	Description	Q'ty	S.No.	I/C	REMARKS	Weight (kgf)	Weight (lb)
010	15841-01750	HOOK ENGINE	2				0	0
020	01123-60814	BOLT	2				0.008	0.0176
030	16861-03040	COMP.CYLINDER HEAD	1	≤233416			0	0
030	16861-03042	COMP.CYLINDER HEAD	1	≥233417	←		0	0
030	16862-03040	COMP.CYLINDER HEAD	1	≥370694	↔		6.7	14.74
030	16862-03042	COMP.CYLINDER HEAD	1	≥489916	≠		7.35	16.17
040	15321-96260	CAP SEALING	1				0.014	0.0308
050	15261-96010	PLUG	1				0.002	0.0044
060	15841-13540	GUIDE INLET VALVE	3				0.014	0.0308
070	15841-13560	GUIDE EXHAUST VALVE	3				0.014	0.0308
080	66021-55330	SENSOR THERMO	1				0.01	0.022
090	15261-03370	CAP SEALING	2				0.005	0.011
100	14601-03450	BOLT CYLINDER HEAD	14				0.035	0.077
110	16861-03310	GASKET CYLINDER HEAD	1				0.083	0.1826

VALVE/ROCKER ARM



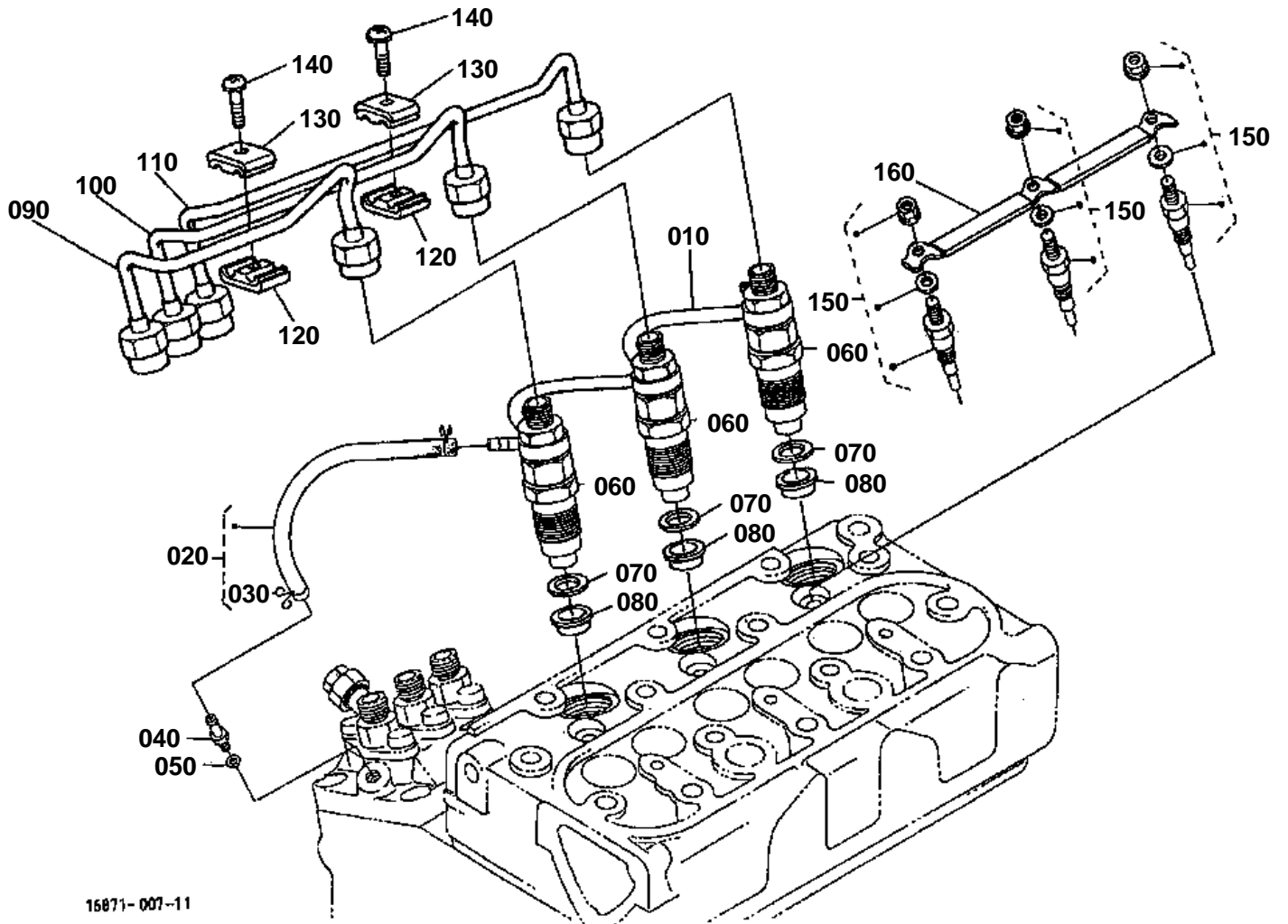


VALVE/ROCKER ARM

↔ Interchangeable; ≠ not interchangeable; ← new for old; → old for new

REF.No	Part No.	Description	Q'ty	S.No.	I/C	REMARKS	Weight (kgf)	Weight (lb)
010	14601-13110	VALVE INLET	3				0.03	0.066
020	14601-13120	VALVE EXHAUSET	3				0.028	0.0616
030	14601-13240	SPRING VALVE	6				0.015	0.033
040	14601-13330	RETAINER SPRING	6				0.01	0.022
050	14601-13360	COLLET VALVE SPRING	6			SET	0.001	0.0022
060	14601-13280	CAP VALVE	6	<=302306			0	0
060	16851-13280	CAP VALVE	6	>=302307	↔		0.005	0.011
070	15841-13150	SEAL VALVE STEM	6				0.015	0.033
080	15861-14260	SHAFT ROCKER ARM	1				0.1	0.22
090	15841-14320	SPRING THRUST	6	<=445506			0	0
090	16871-14430	WASHER	6	>=445507	↔		0.002	0.0044
090	16871-14430	WASHER	2	>=741871			0.002	0.0044
100	15841-94020	WASHER PLAIN	2				0.003	0.0066
110	01023-50610	BOLT	2				0.005	0.011
120	15841-14350	BRACKET ROCKER ARM	3				0.026	0.0572
130	14601-14410	STUD	3				0.015	0.033
140	02056-50060	NUT	3				0.002	0.0044
150	04012-50060	WASHER PLAIN	3				0.001	0.0022
160	04512-60060	WASHER SPRING	3				0.001	0.0022
170	14601-14420	SCREW SET.ROCKER ARM	1				0.006	0.0132
180	14601-14430	WASHER R-ARM.SHAFT	2	<=445506		NOT SHOWN IN FIG.	0.004	0.0088
190	14601-14310	SPRING ROCKER ARM	2				0.005	0.011
200	15841-14030	ASSY ROCKER ARM	6				0.04	0.088
210	15841-14230	SCREW ADJUSTING	6				0.003	0.0066
220	14601-14240	NUT	6				0.007	0.0154

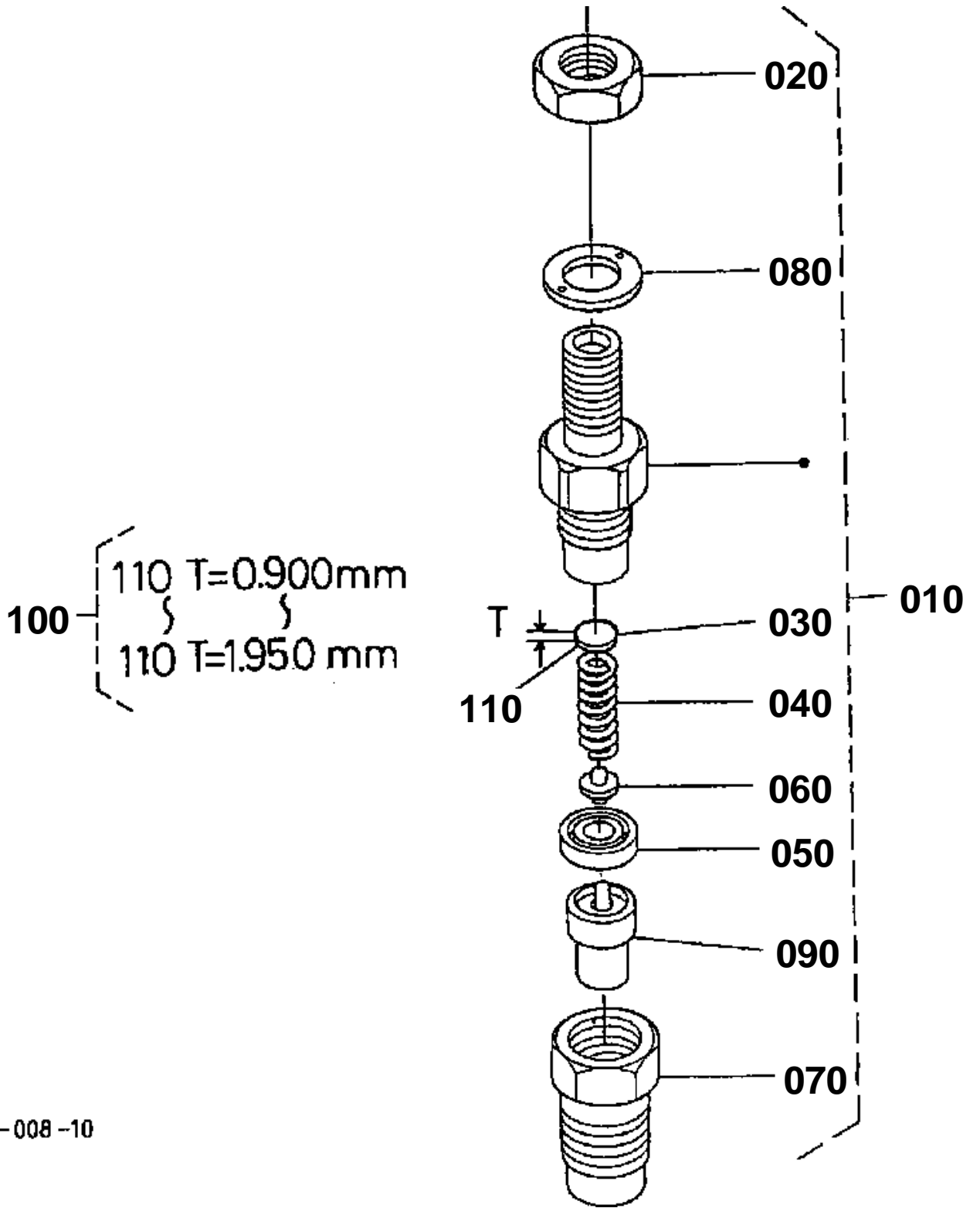
NOZZLE HOLDER/GLOW PLUG



**NOZZLE HOLDER/GLOW PLUG**

↔ Interchangeable; ≠ not interchangeable; ← new for old; → old for new

REF.No	Part No.	Description	Q'ty	S.No.	I/C	REMARKS	Weight (kgf)	Weight (lb)
010	15862-42500	ASSY PIPE OVER FLOW	1	<=497380			0	0
010	15862-42502	ASSY PIPE OVER FLOW	1	>=497381	←		0.042	0.0924
020	15841-42500	ASSY PIPE OVER FLOW	1			ID4 X OD8 X 135L	0.015	0.033
030	14971-42750	CLIP PIPE	2				0.001	0.0022
040	15841-51360	SCREW AIR BREEDER	1				0.008	0.0176
050	15601-96650	GASKET	1				0.001	0.0022
060	16851-53000	ASSY HOLDER NOZZLE	3	<=489915		REFER TO L.NO. 0B05-R0 FOR COMPONENTS.	0	0
060	16001-53000	ASSY HOLDER NOZZLE	3	>=489916	←	REFER TO L.NO. 0B05-R0 FOR COMPONENTS.	0.13	0.286
070	15841-53620	GASKET	3				0	0
080	19077-53650	SEAL HEAT	3	>=489916			0.005	0.011
090	16851-53710	PIPE INJECTION	1	<=489915			0	0
090	16851-53712	PIPE INJECTION	1	>=489916	←		0.1	0.22
100	16851-53720	PIPE INJECTION	1	<=489915			0	0
100	16851-53722	PIPE INJECTION	1	>=489916	←		0.1	0.22
110	16861-53730	PIPE INJECTION	1	<=489915			0	0
110	16861-53732	PIPE INJECTION	1	>=489916	←		0.1	0.22
120	15841-53850	CLAMP PIPE	2				0.01	0.022
130	15841-53860	CLAMP PIPE	2				0.009	0.0198
140	03024-50520	SCREW WITH WASHER	2				0.004	0.0088
150	16851-65510	PLUG GLOW	3				0.02	0.044
160	16861-65560	CORD GLOW PLUG	1				0.02	0.044



16871-008-10

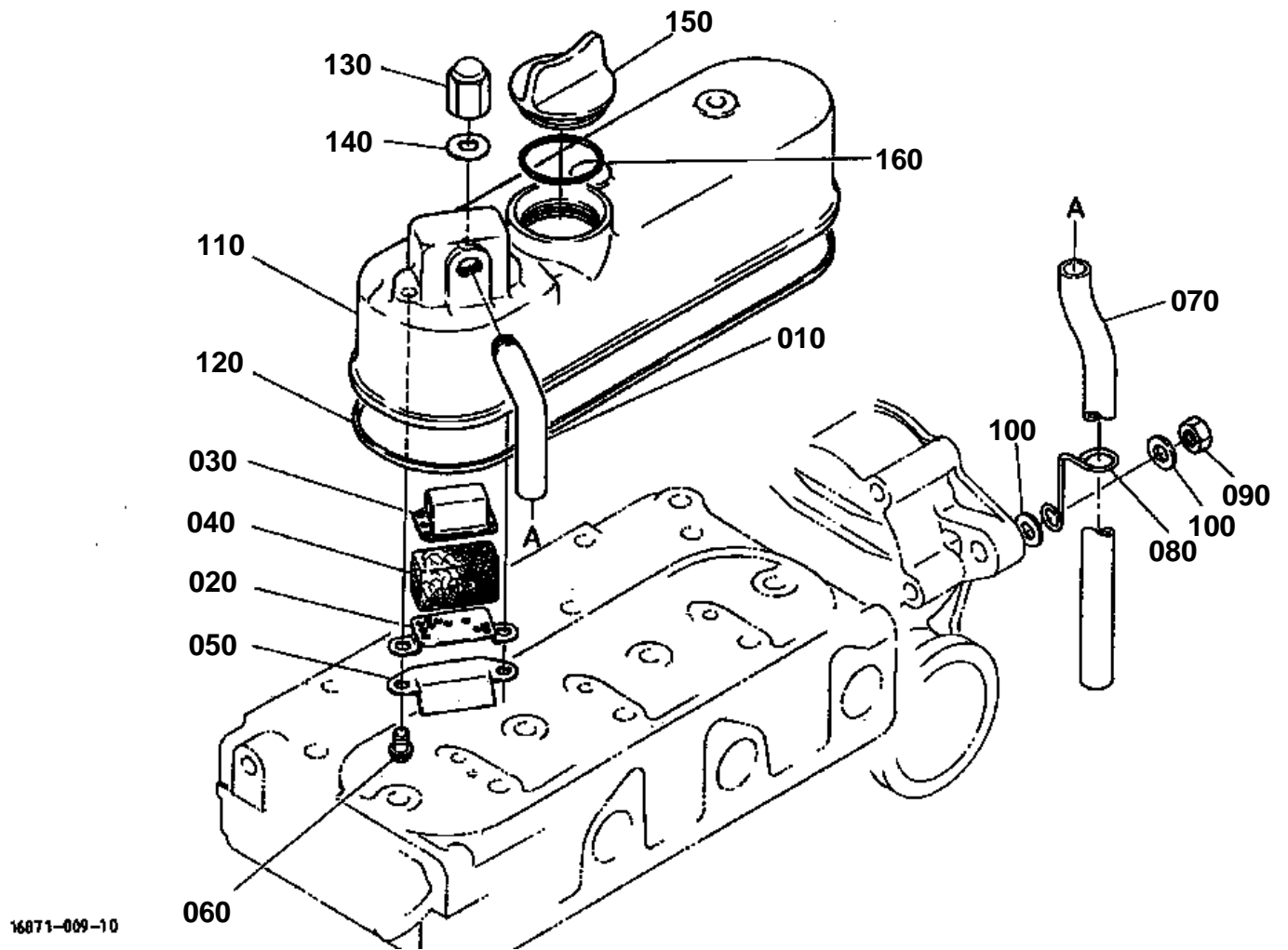


NOZZLE HOLDER [COMPONENT PARTS]

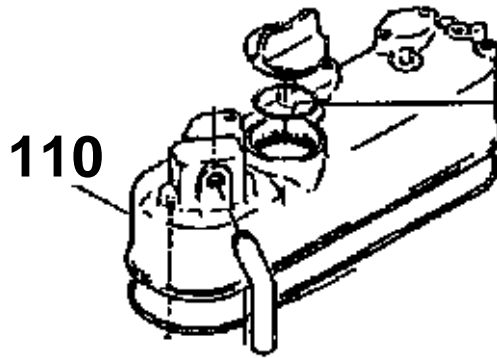
↔ Interchangeable; ≠ not interchangeable; ← new for old; → old for new

REF.No	Part No.	Description	Q'ty	S.No.	I/C	REMARKS	Weight (kgf)	Weight (lb)
010	16851-53000	ASSY HOLDER NOZZLE	3	≤489915			0	0
010	16001-53000	ASSY HOLDER NOZZLE	3	≥489916	←		0.13	0.286
020	15841-92030	NUT	3				0.005	0.011
030	15841-53230	WASHER ADJUSTING	3				0.001	0.0022
040	15841-53170	SPRING NOZZLE	3				0.004	0.0088
050	15841-53350	PIECE DISTANCE	3				0.004	0.0088
060	15841-53160	PUSH ROD	3				0.001	0.0022
070	15841-53280	NUT NOZZLE	3	≤183560			0.03	0.066
070	16851-53280	NUT NOZZLE	3	≥183561	↔		0	0
080	15841-94040	WASHER	3				0.001	0.0022
090	16851-53610	PIECE NOZZLE	3				0.03	0.066
100	15841-98100	ASSY WASHER ADJUST	3			OPTION	0.043	0.0946
110	15841-53230	WASHER ADJUSTING	3			0.900MM	0.001	0.0022
110	15841-98510	WASHER ADJUSTING	3			0.925MM	0.001	0.0022
110	15841-98520	WASHER ADJUSTING	3			0.950MM	0.001	0.0022
110	15841-98530	WASHER ADJUSTING	3			0.975MM	0.001	0.0022
110	15841-98540	WASHER ADJUSTING	3			1.000MM	0.001	0.0022
110	15841-98550	WASHER ADJUSTING	3			1.025MM	0.001	0.0022
110	15841-98560	WASHER ADJUSTING	3			1.050MM	0.001	0.0022
110	15841-98570	WASHER ADJUSTING	3			1.075MM	0.001	0.0022
110	15841-98580	WASHER ADJUSTING	3			1.100MM	0.001	0.0022
110	15841-98590	WASHER ADJUSTING	3			1.125MM	0.001	0.0022
110	15841-98600	WASHER ADJUSTING	3			1.150MM	0.001	0.0022
110	15841-98610	WASHER ADJUSTING	3			1.175MM	0.001	0.0022
110	15841-98620	WASHER ADJUSTING	3			1.200MM	0.001	0.0022
110	15841-98630	WASHER ADJUSTING	3			1.225MM	0.001	0.0022
110	15841-98640	WASHER ADJUSTING	3			1.250MM	0.001	0.0022
110	15841-98650	WASHER ADJUSTING	3			1.275MM	0.001	0.0022
110	15841-98660	WASHER ADJUSTING	3			1.300MM	0.001	0.0022
110	15841-98670	WASHER ADJUSTING	3			1.325MM	0.001	0.0022
110	15841-98680	WASHER ADJUSTING	3			1.350MM	0.001	0.0022
110	15841-98690	WASHER ADJUSTING	3			1.375MM	0.001	0.0022
110	15841-98700	WASHER ADJUSTING	3			1.400MM	0.001	0.0022
110	15841-98710	WASHER ADJUSTING	3			1.425MM	0.001	0.0022
110	15841-98720	WASHER ADJUSTING	3			1.450MM	0.001	0.0022
110	15841-98730	WASHER ADJUSTING	3			1.475MM	0.001	0.0022
110	15841-98740	WASHER ADJUSTING	3			1.500MM	0.001	0.0022
110	15841-98750	WASHER ADJUSTING	3			1.525MM	0.001	0.0022
110	15841-98760	WASHER ADJUSTING	3			1.550MM	0.001	0.0022
110	15841-98770	WASHER ADJUSTING	3			1.575MM	0.001	0.0022
110	15841-98780	WASHER ADJUSTING	3			1.600MM	0.002	0.0044
110	15841-98790	WASHER ADJUSTING	3			1.625MM	0.001	0.0022
110	15841-98800	WASHER ADJUSTING	3			1.650MM	0.001	0.0022
110	15841-98810	WASHER ADJUSTING	3			1.675MM	0.004	0.0088
110	15841-98820	WASHER ADJUSTING	3			1.700MM	0.001	0.0022
110	15841-98830	WASHER ADJUSTING	3			1.725MM	0.001	0.0022
110	15841-98840	WASHER ADJUSTING	3			1.750MM	0.001	0.0022
110	15841-98850	WASHER ADJUSTING	3			1.775MM	0.001	0.0022
110	15841-98860	WASHER ADJUSTING	3			1.800MM	0.001	0.0022
110	15841-98870	WASHER ADJUSTING	3			1.825MM	0.001	0.0022
110	15841-98880	WASHER ADJUSTING	3			1.850MM	0.001	0.0022
110	15841-98890	WASHER ADJUSTING	3			1.875MM	0.001	0.0022
110	15841-98900	WASHER ADJUSTING	3			1.900MM	0.001	0.0022
110	15841-98910	WASHER ADJUSTING	3			1.925MM	0.001	0.0022
110	15841-98920	WASHER ADJUSTING	3			1.950MM	0.001	0.0022

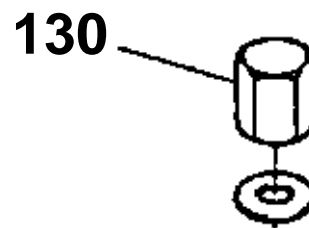
HEAD COVER



110 16861-1451-0



130 14601-1462-0



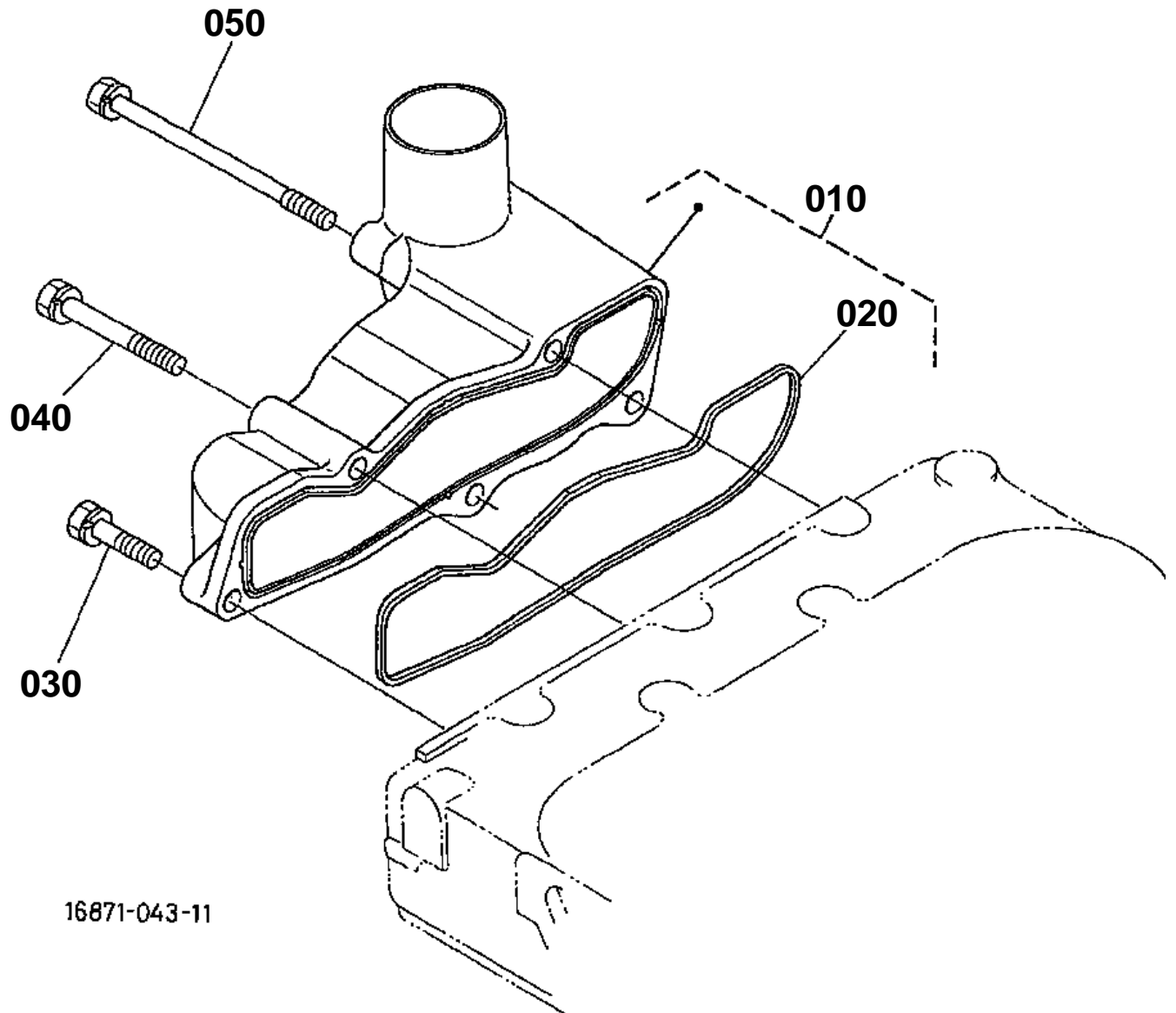
16871-810-10

**HEAD COVER**

↔ Interchangeable; ≠ not interchangeable; ← new for old; → old for new

REF.No	Part No.	Description	Q'ty	S.No.	I/C	REMARKS	Weight (kgf)	Weight (lb)
010	15841-05550	JOINT BREATHER PIPE	1				0.025	0.055
020	15841-05140	PLATE B/THER ELEMENT	1				0.005	0.011
030	15841-05150	PLATE B/THER ELEMENT	1				0.005	0.011
040	15841-05670	ELEMENT BREATHER	1				0.01	0.022
050	15841-05370	OIL SHIELD BREATHER	1				0.003	0.0066
060	03024-50510	SCREW WITH WASHER	2	≤384779			0.002	0.0044
060	16861-93310	SCREW	2	≥384780	≠		0.001	0.0022
070	15841-05510	PIPE BREATHER	1				0.04	0.088
080	15841-05590	CLAMP PIPE	1				0.005	0.011
090	02114-50080	NUT	1				0.005	0.011
100	04013-50080	WASHER PLAIN	2				0	0
110	16861-14510	COVER CYL.HEAD	1	≤384799			0.47	1.034
110	16861-14513	COVER CYL.HEAD	1	≥384780	≠		0.38	0.836
120	16861-14520	GASKET HEAD COVER	1				0	0
130	14601-14620	NUT CAP	3	≤173620			0	0
130	15841-14620	NUT CAP	3	≥173621	↔		0.01	0.022
140	15601-96650	GASKET	3				0.001	0.0022
150	15852-33140	PLUG OIL FILLER	1				0.038	0.0836
160	04811-50300	O RING	1				0.001	0.0022

INLET MANIFOLD



16871-043-11

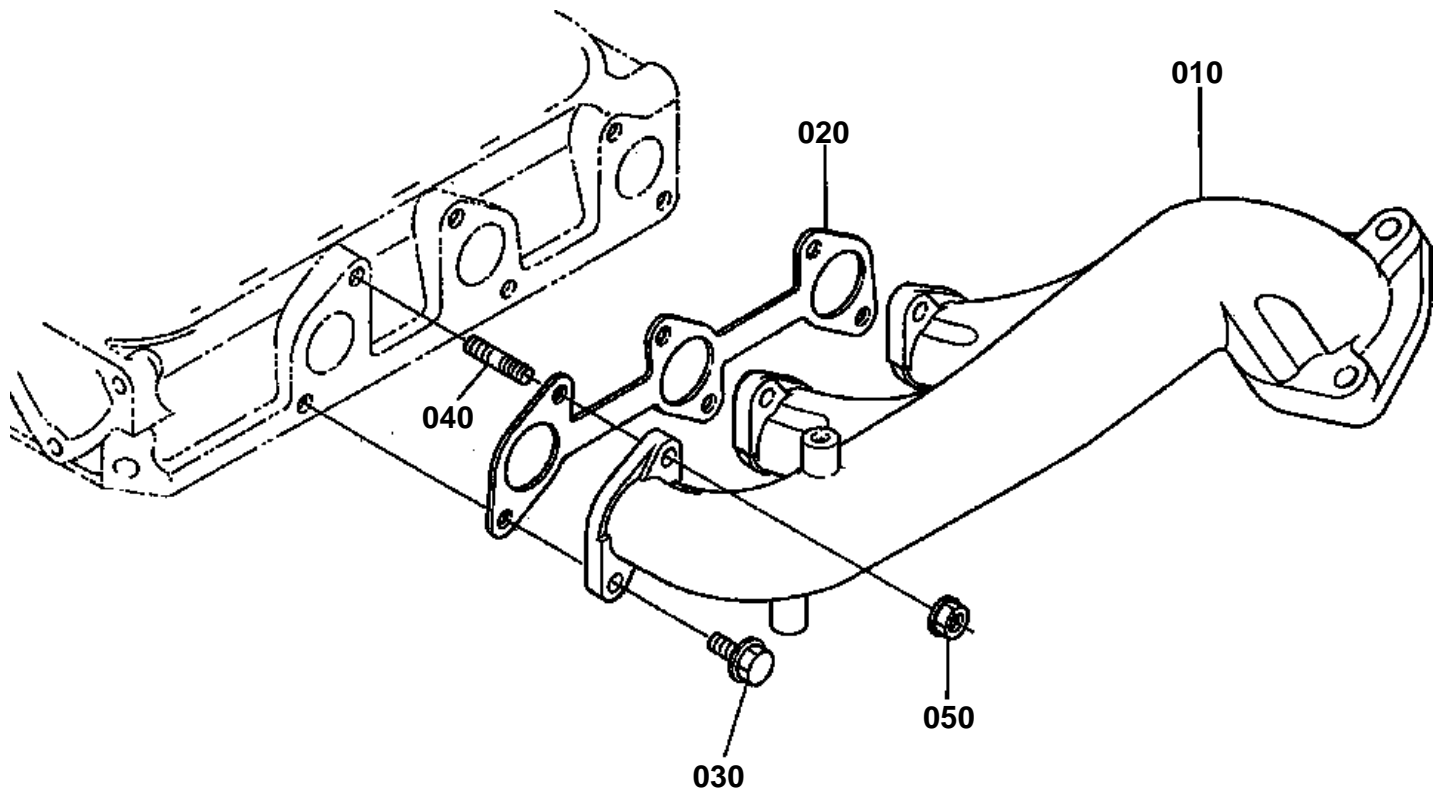


INLET MANIFOLD

↔ Interchangeable; ≠ not interchangeable; ← new for old; → old for new

REF.No	Part No.	Description	Q'ty	S.No.	I/C	REMARKS	Weight (kgf)	Weight (lb)
010	15862-11770	ASSY MANIFOLD INLET	1				0.35	0.77
020	15861-11820	GASKET IN-MANIFOLD	1				0.001	0.0022
030	01023-50625	BOLT	2				0.007	0.0154
040	01023-60650	BOLT	2				0.015	0.033
050	15862-91010	BOLT	1				0.02	0.044

EXHAUST MANIFOLD



16871-044-10

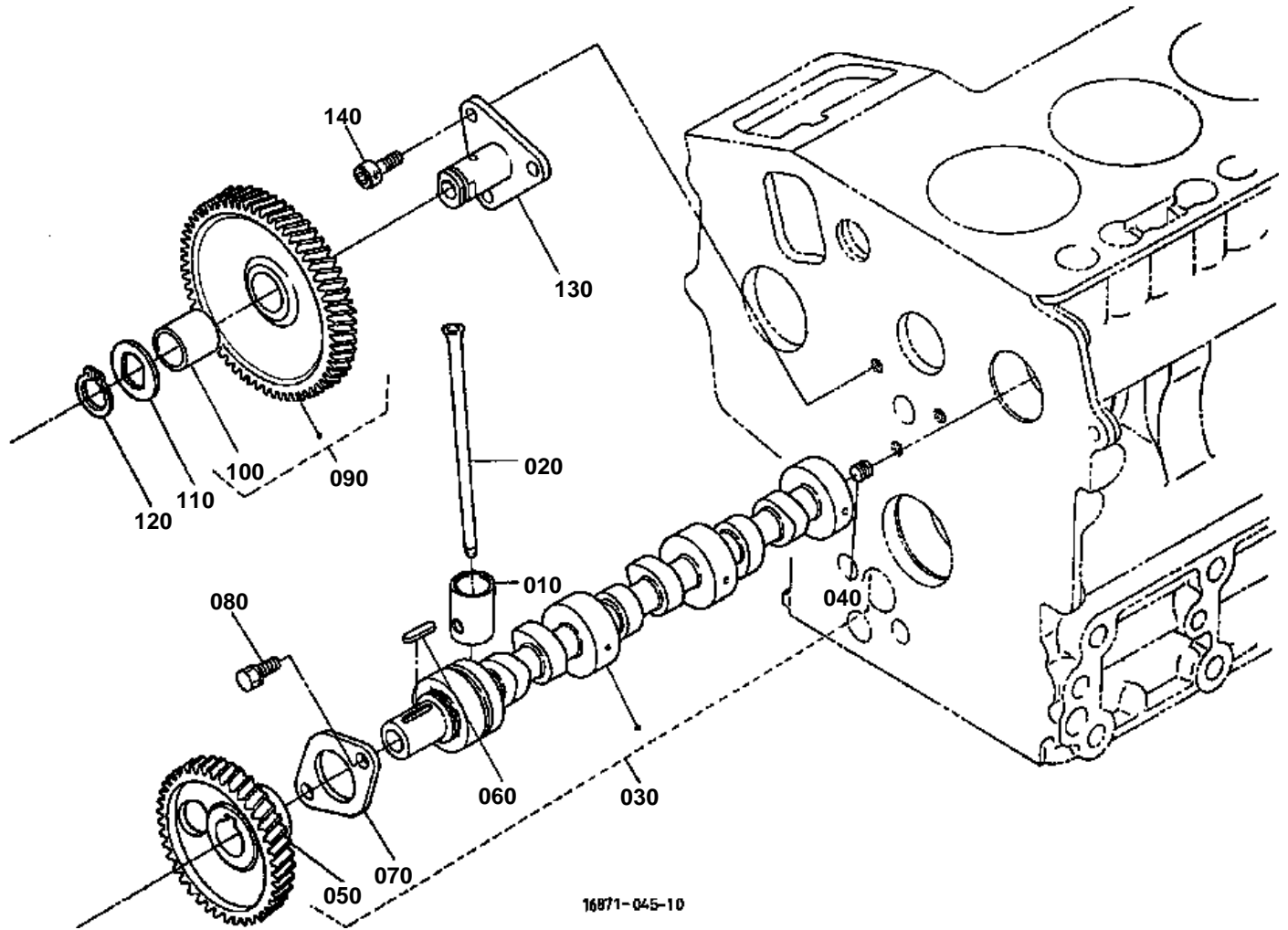


EXHAUST MANIFOLD

↔ Interchangeable; ≠ not interchangeable; ← new for old; → old for new

REF.No	Part No.	Description	Q'ty	S.No.	I/C	REMARKS	Weight (kgf)	Weight (lb)
010	16861-12310	MANIFOLD EXHAUST	1	<=586327			0	0
010	16861-12312	MANIFOLD EXHAUST	1	>=586328	←		1.89	4.158
020	15862-12350	GASKET	1				0.01	0.022
030	01759-50616	BOLT UBS	3				0.01	0.022
040	16851-91490	STUD	3				0	0
050	02756-50060	NUT UBS	3				0.001	0.0022

CAMSHAFT



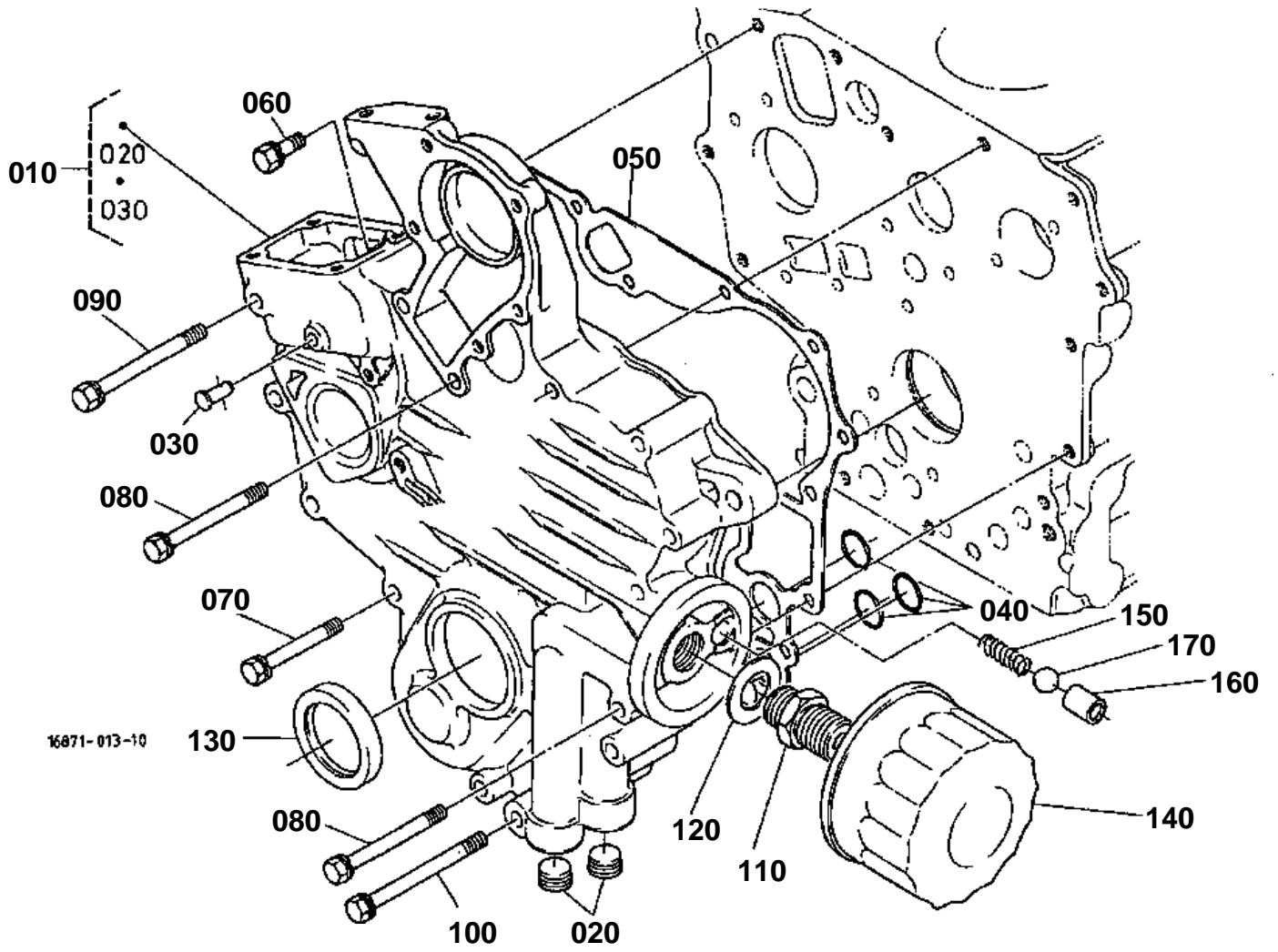
16871-045-10

**CAMSHAFT**

↔ Interchangeable; ≠ not interchangeable; ← new for old; → old for new

REF.No	Part No.	Description	Q'ty	S.No.	I/C	REMARKS	Weight (kgf)	Weight (lb)
010	16851-15550	TAPPET	6				0.025	0.055
020	16851-15110	PUSH ROD	6				0.02	0.044
030	15861-16010	ASSY CAMSHAFT	1	≤604086			0.9	1.98
030	16864-16010	ASSY CAMSHAFT	1	≥604087	↔		1.05	2.31
040	03410-50608	SCREW SET	1	≤203090			0.001	0.0022
040	15521-93610	SCREW SET	1	≥203091	≠		0.002	0.0044
050	15841-16510	GEAR CAM	1	≤604086			0.27	0.594
050	16864-16510	GEAR CAM	1	≥604087	↔		0.262	0.5764
060	05712-00518	KEY FEATHER	1				0.003	0.0066
070	15841-16270	STOPPER CAMSHAFT	1				0.027	0.0594
080	01023-50612	BOLT	2				0.005	0.011
090	15875-24013	COMP GEAR IDLE	1				0.38	0.836
100	15875-24282	BUSH	1				0.01	0.022
110	15875-24370	COLLAR IDLE GEAR	1				0.006	0.0132
120	15875-24320	RING SNAP	1				0.003	0.0066
130	15875-24250	SHAFT IDLE GEAR	1				0.13	0.286
140	01023-50614	BOLT	3				0.005	0.011

GEAR CASE

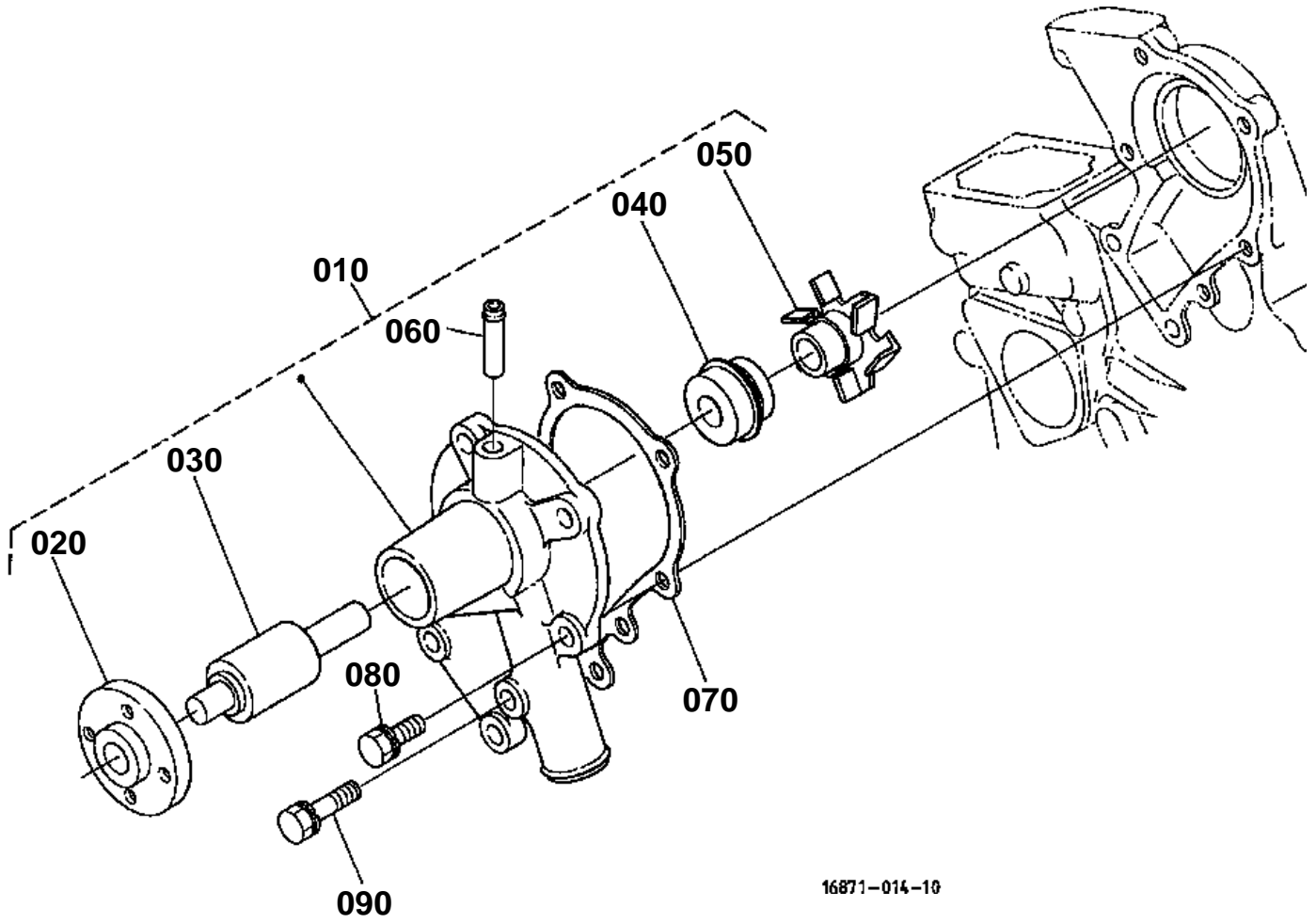


**GEAR CASE**

↔ Interchangeable; ≠ not interchangeable; ← new for old; → old for new

REF.No	Part No.	Description	Q'ty	S.No.	I/C	REMARKS	Weight (kgf)	Weight (lb)
010	16851-04020	COMP.CASE GEAR	1	<=243640			0	0
010	16851-04024	COMP.CASE GEAR	1	>=243641	←		1.73	3.806
020	16851-96010	PLUG	2				0.015	0.033
030	15841-56280	PIN START SPRING	1				0.005	0.011
040	04811-06130	O RING	3				0.001	0.0022
050	15862-04170	GASKET GEAR CASE	1				0	0
060	01023-50618	BOLT	1				0.006	0.0132
070	01023-60650	BOLT	8				0.015	0.033
080	15841-91010	BOLT	5				0.014	0.0308
090	01023-60670	BOLT	1				0.015	0.033
100	01023-50675	BOLT	1				0.01	0.022
110	15241-32290	JOINT PIPE	1				0.053	0.1166
120	15841-94010	WASHER PLAIN	1				0.003	0.0066
130	15841-04140	SEAL OIL	1				0.012	0.0264
140	15841-32430	CARTRIDGE OIL FILTER	1	<=338135			0.31	0.682
140	15853-99170	CARTRIDGE OIL FILTER	1	>=338136	↔		0	0
150	16851-36950	SPRING	1				0.02	0.044
160	15841-36930	SEAT VALVE	1				0.01	0.022
170	07715-03211	BALL	1				0.003	0.0066

WATER PUMP

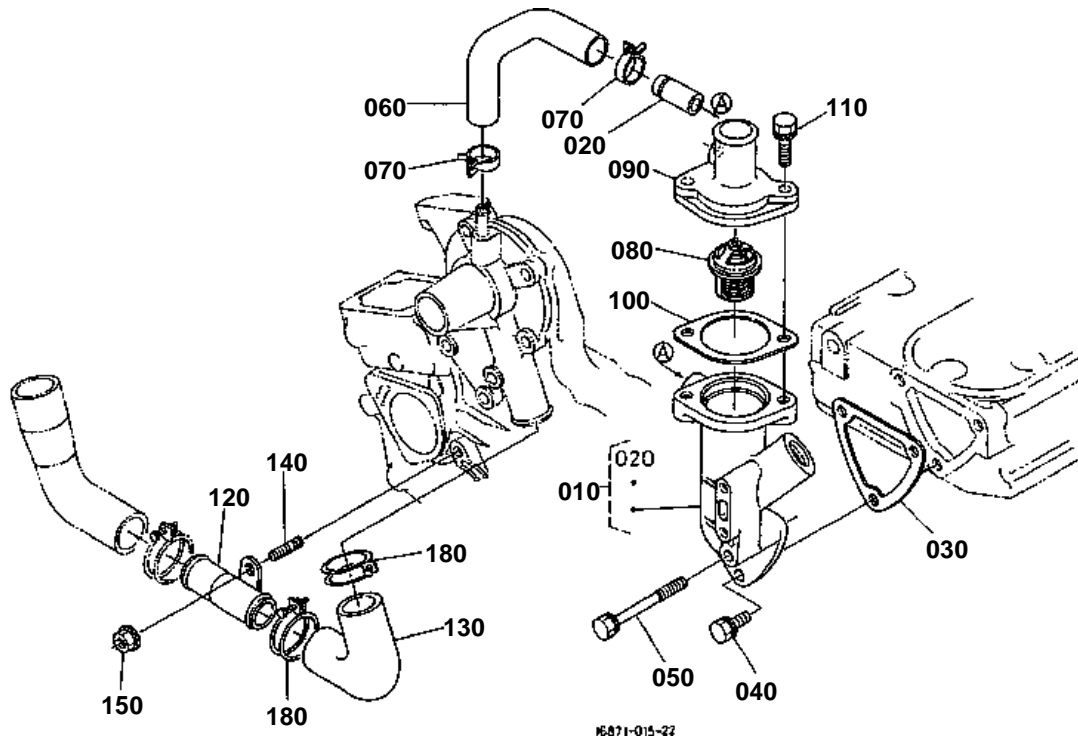




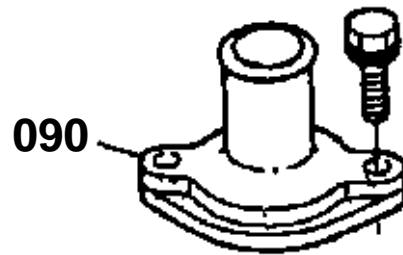
WATER PUMP

↔ Interchangeable; ≠ not interchangeable; ← new for old; → old for new

REF.No	Part No.	Description	Q'ty	S.No.	I/C	REMARKS	Weight (kgf)	Weight (lb)
010	19883-73030	ASSY PUMP WATER	1				0.65	1.43
020	15852-73520	FLANGE WATER PUMP	1				0.13	0.286
030	15852-73550	BEARING	1				0.18	0.396
040	15481-73050	ASSY SEAL MECHANICAL	1				0.02	0.044
050	19883-73510	IMPELLER WATER PUMP	1				0.05	0.11
060	15852-73340	PIPE WATER RETURN	1				0.02	0.044
070	19883-73430	GASKET WATER PUMP	1	<=746723			0	0
070	15881-73432	GASKET WATER PUMP	1	>=746724	←		0.002	0.0044
080	01023-50622	BOLT	4				0.005	0.011
090	01023-50638	BOLT	1				0.01	0.022



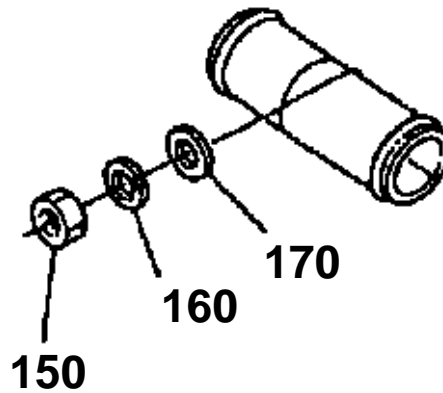
090 15841-7326-0



150 02056-50060

160 04512-60060

170 04012-50060



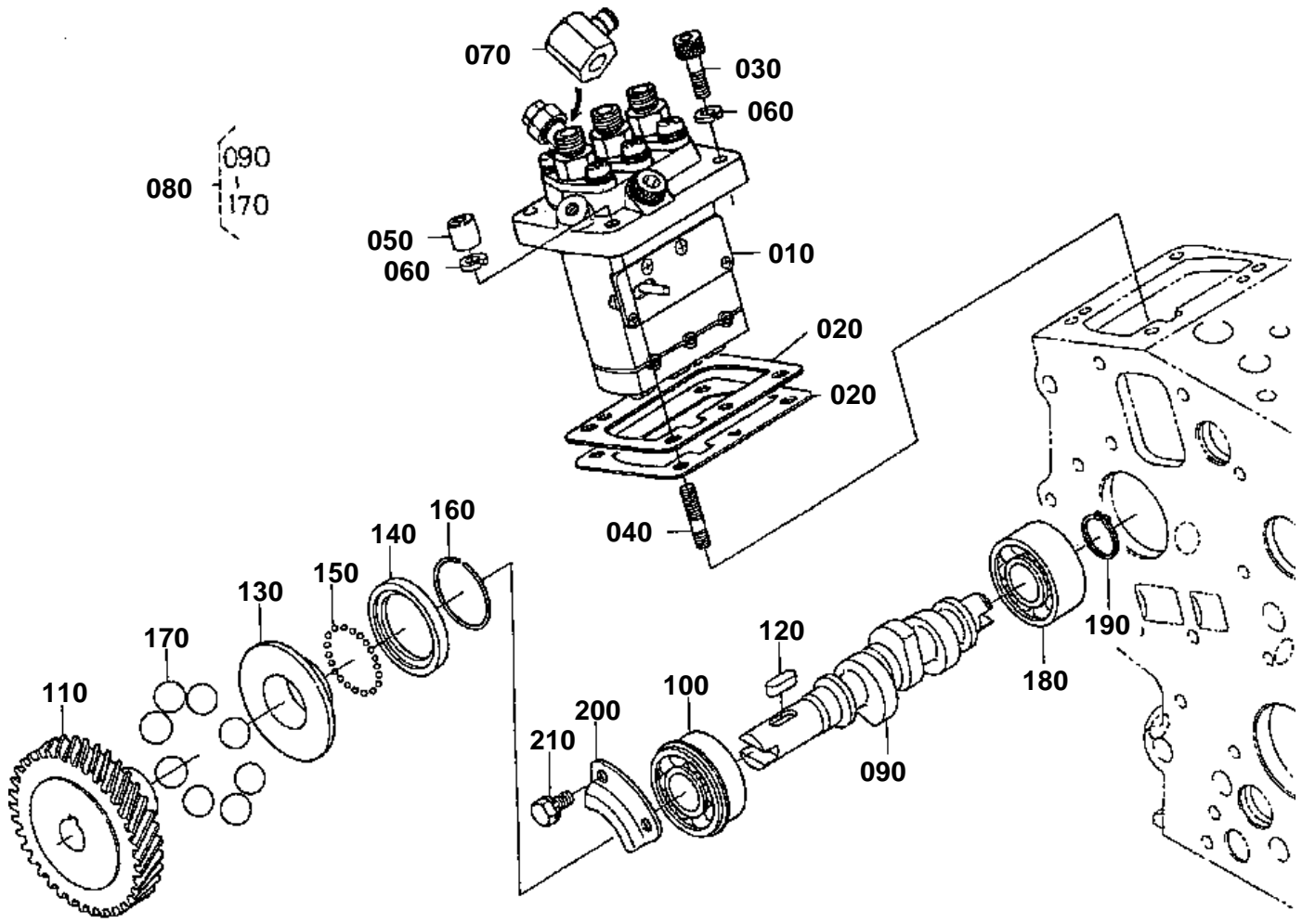
16871-802-11

**WATER FLANGE/THERMOSTAT**

↔ Interchangeable; ≠ not interchangeable; ← new for old; → old for new

REF.No	Part No.	Description	Q'ty	S.No.	I/C	REMARKS	Weight (kgf)	Weight (lb)
010	16851-72700	COMP.FLANGE WATER	1				0	0
020	16241-73340	PIPE WATER RETURN	1	<=302306			0.006	0.0132
020	16241-73370	PIPE WATER RETURN	1	>=302307	≠		0.007	0.0154
030	15862-72920	GASKET WATER FLANGE	1	<=771520			0	0
030	15841-72922	GASKET WATER FLANGE	1	>=771521	←		0.001	0.0022
040	01023-50616	BOLT	2				0.005	0.011
050	15881-91020	BOLT	1				0.01	0.022
060	16851-73350	PIPE WATER RETURN	1				0.15	0.33
070	16241-73360	BAND PIPE	2				0.003	0.0066
080	15531-73010	ASSY THERMOSTAT	1				0.07	0.154
090	15841-73260	COVER THERMOSTAT	1	<=208209			0.04	0.088
090	16851-73260	COVER THERMOSTAT	1	>=208210	≠		0.06	0.132
100	15676-73270	GASKET THERMOSTAT	1				0.005	0.011
110	01023-50622	BOLT	2				0.005	0.011
120	15841-72860	PIPE WATER	1				0.09	0.198
130	15881-72870	PIPE WATER	1				0.03	0.066
140	15841-91510	STUD	1				0.007	0.0154
150	02056-50060	NUT	1	<=746723			0.002	0.0044
150	02751-50060	NUT FLANGE	1	>=746724	≠		0.005	0.011
160	04512-60060	WASHER SPRING	1	<=746723			0.001	0.0022
170	04012-50060	WASHER PLAIN	1	<=746723			0.001	0.0022
180	09318-89030	CLAMP HOSE	2				0.02	0.044

INJECTION PUMP

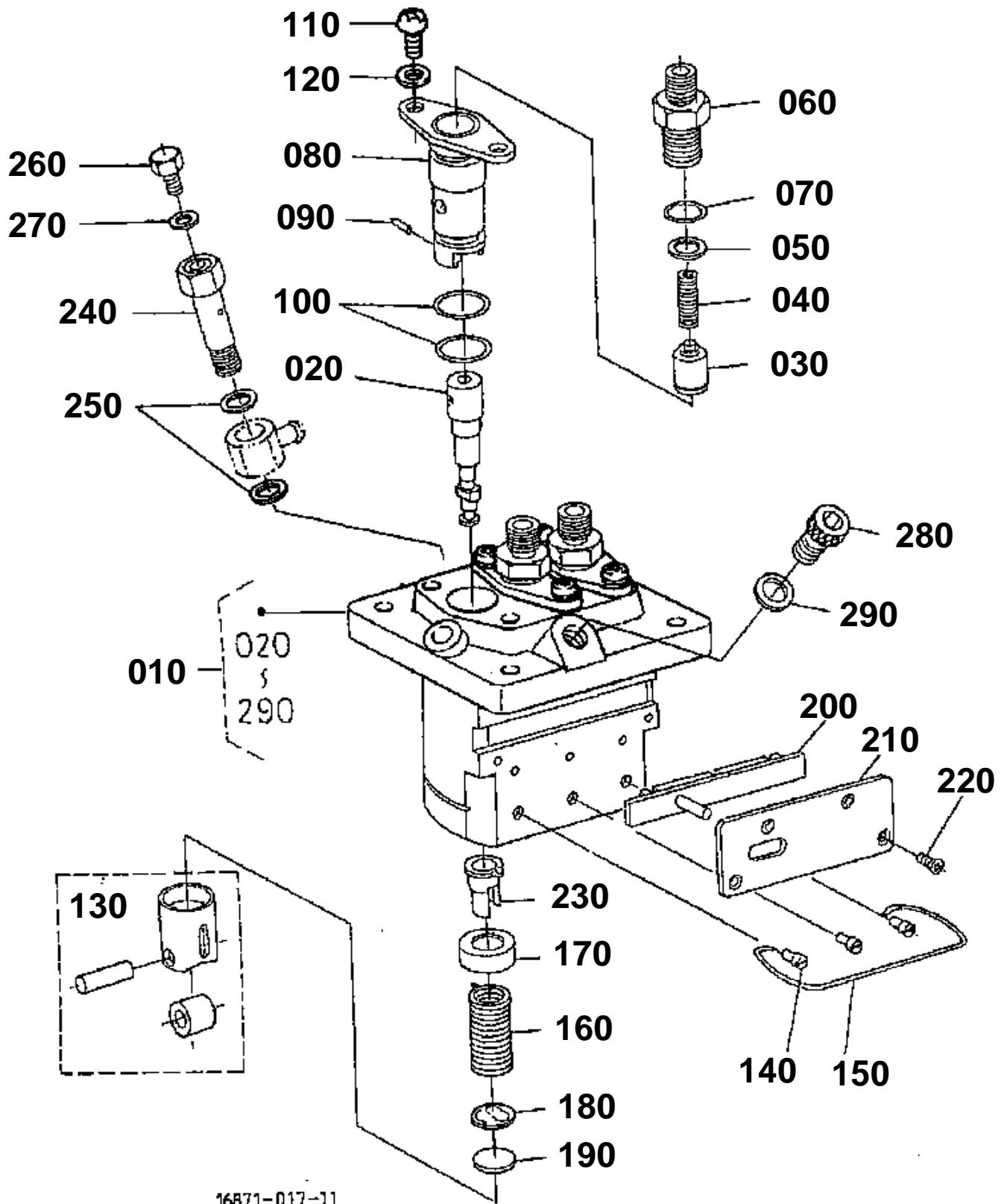


16871-016-11

**INJECTION PUMP**

↔ Interchangeable; ≠ not interchangeable; ← new for old; → old for new

REF.No	Part No.	Description	Q'ty	S.No.	I/C	REMARKS	Weight (kgf)	Weight (lb)
010	16861-51010	ASSY PUMP INJECTION	1	<=489915		REFER TO L.No. 0B11-R0 FOR COMPONENTS.	0	0
010	16006-51010	ASSY PUMP INJECTION	1	>=489916	≠	REFER TO L.No. 0B11-R0 FOR COMPONENTS.	1.1	2.42
020	15861-52110	SHIM INJECTION PUMP	1	<=489915		0.15MM	0	0
020	16006-52092	SHIM INJECTION	1	>=489916	←	0.20MM	0.004	0.0088
020	15861-52120	SHIM INJECTION PUMP	2	<=489915		0.30MM	0	0
020	16006-52112	SHIM INJECTION	1	>=489916	←	0.25MM	0.004	0.0088
020	16006-52122	SHIM INJECTION	1	>=489916		0.30MM	0.006	0.0132
030	01311-10620	BOLT HEX-SOC-HD	2				0.012	0.0264
040	15841-91500	STUD	2				0.04	0.088
050	15841-92320	NUT CAP	2				0.01	0.022
060	04512-60060	WASHER SPRING	4				0.001	0.0022
070	15841-95680	JOINT EYE	1				0.03	0.066
080	16861-16020	ASSY CAMSHAFT FUEL	1				0.856	1.8832
090	15875-16170	CAMSHAFT FUEL	1				0.316	0.6952
100	08153-06203	BEARING BALL	1				0.08	0.176
110	16851-51150	GEAR INJECTION PUMP	1				0.2	0.44
120	05712-00515	KEY FEATHER	1				0.003	0.0066
130	15841-55450	SLEEVE GOVERNOR	1				0.05	0.11
140	15841-55690	CASE GOVERNOR BALL	1				0.02	0.044
150	07715-00801	BALL	32				0.001	0.0022
160	15261-55470	CIR-CLIP GOV. SLEEVE	1				0.002	0.0044
170	07715-03217	BALL	8				0.01	0.022
180	08103-06203	BEARING BALL	1				0.065	0.143
190	04612-00170	CIRCLIP EXTERNAL	1				0.001	0.0022
200	15841-16320	STOPPER FUEL.C/SHAFT	1				0.015	0.033
210	01023-50612	BOLT	2				0.005	0.011



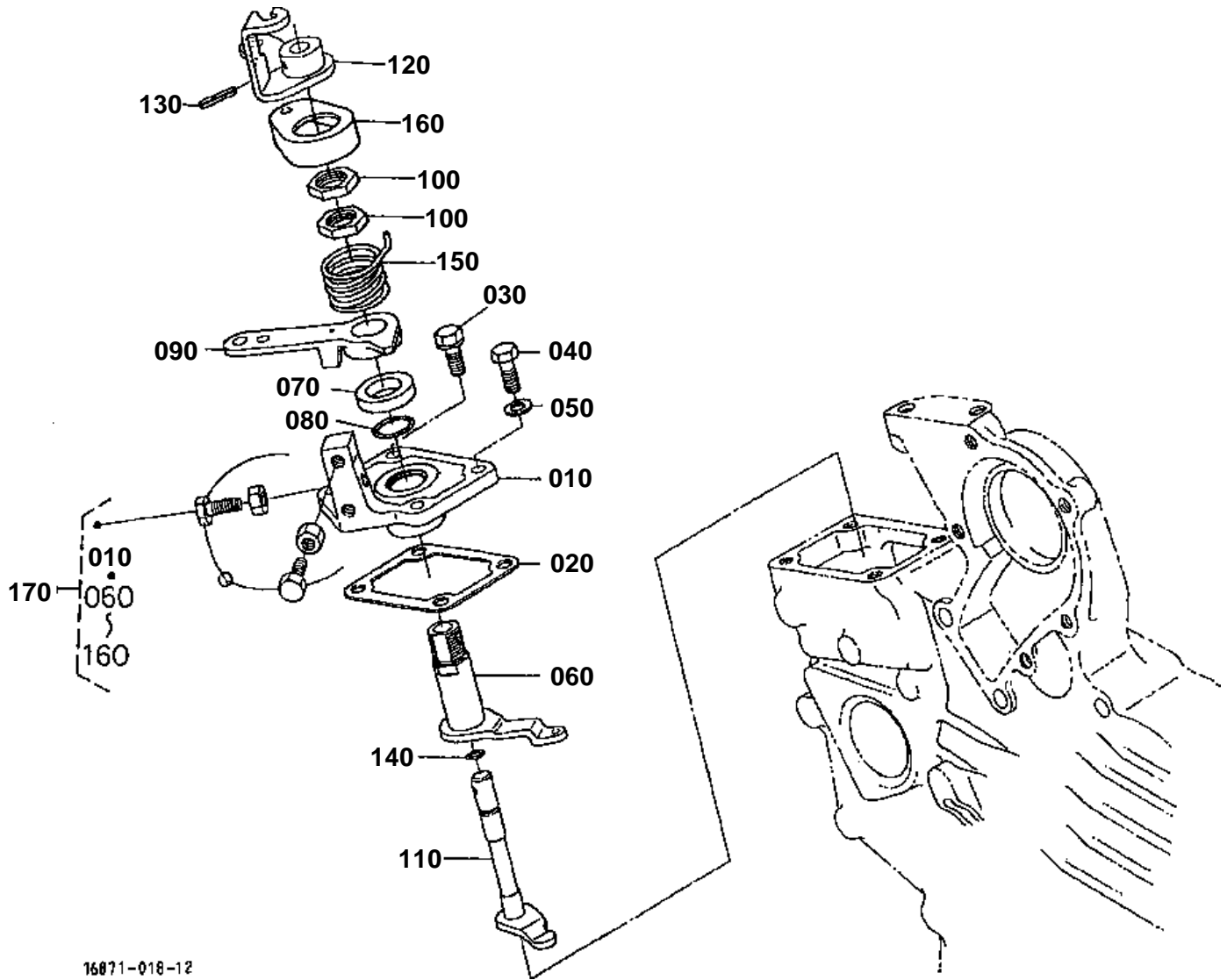
16871-017-11

**INJECTION PUMP [COMPONENT PARTS]**

↔ Interchangeable; ≠ not interchangeable; ← new for old; → old for new

REF.No	Part No.	Description	Q'ty	S.No.	I/C	REMARKS	Weight (kgf)	Weight (lb)
010	16861-51010	ASSY PUMP INJECTION	1	≤489915			0	0
010	16006-51010	ASSY PUMP INJECTION	1	≥489916	≠		1.1	2.42
020	16851-51050	PLUNGER PUMP	3				0.035	0.077
030	15841-51030	VALVE DELIVERY	3				0.015	0.033
040	15841-51230	SPRING DELIV.VALVE	3				0.004	0.0088
050	15841-51240	GASKET DELIV.VALVE	3				0.001	0.0022
060	16851-51220	HOLDER DELIVE.VALVE	3				0.045	0.099
070	15841-96760	O RING	3				0.001	0.0022
080	15841-51560	FLANGE SLEEVE	3				0.06	0.132
090	15841-94570	PIN JOINT	3				0.001	0.0022
100	15841-51200	O RING	6				0.001	0.0022
110	15862-91430	SCREW	6				0.01	0.022
120	15852-51470	WASHER	6				0.002	0.0044
130	15841-51070	ASSY TAPPET	3				0.03	0.066
140	15841-51250	PIN TAPPET GUIDE	3				0.001	0.0022
150	15861-51430	PIN CLAMP	1				0.002	0.0044
160	15841-51280	SPRING PLUNGER	3				0.015	0.033
170	15841-51270	SEAT SPRING UPPER	3				0.005	0.011
180	15841-51290	SEAT SPRING LOWER	3				0.005	0.011
190	15841-51490	SHIM	3				0.005	0.011
200	15861-51060	RACK CONTROL	1				0.02	0.044
210	15861-51540	PLATE	1				0.02	0.044
220	15841-93110	SCREW CSK-HD	4				0.001	0.0022
230	15841-51380	SLEEVE CONTROL	3				0.006	0.0132
240	15841-51320	SCREW FOLLOW	1				0.024	0.0528
250	15841-96650	GASKET	2				0.001	0.0022
260	15841-51350	SCREW	1				0.005	0.011
270	15841-96660	GASKET	1				0.001	0.0022
280	15861-91010	BOLT	1				0.013	0.0286
280	16030-96010	PLUG	1			↔	0.008	0.0176
290	15861-96650	GASKET	1				0.001	0.0022

SPEED CONTROL PLATE

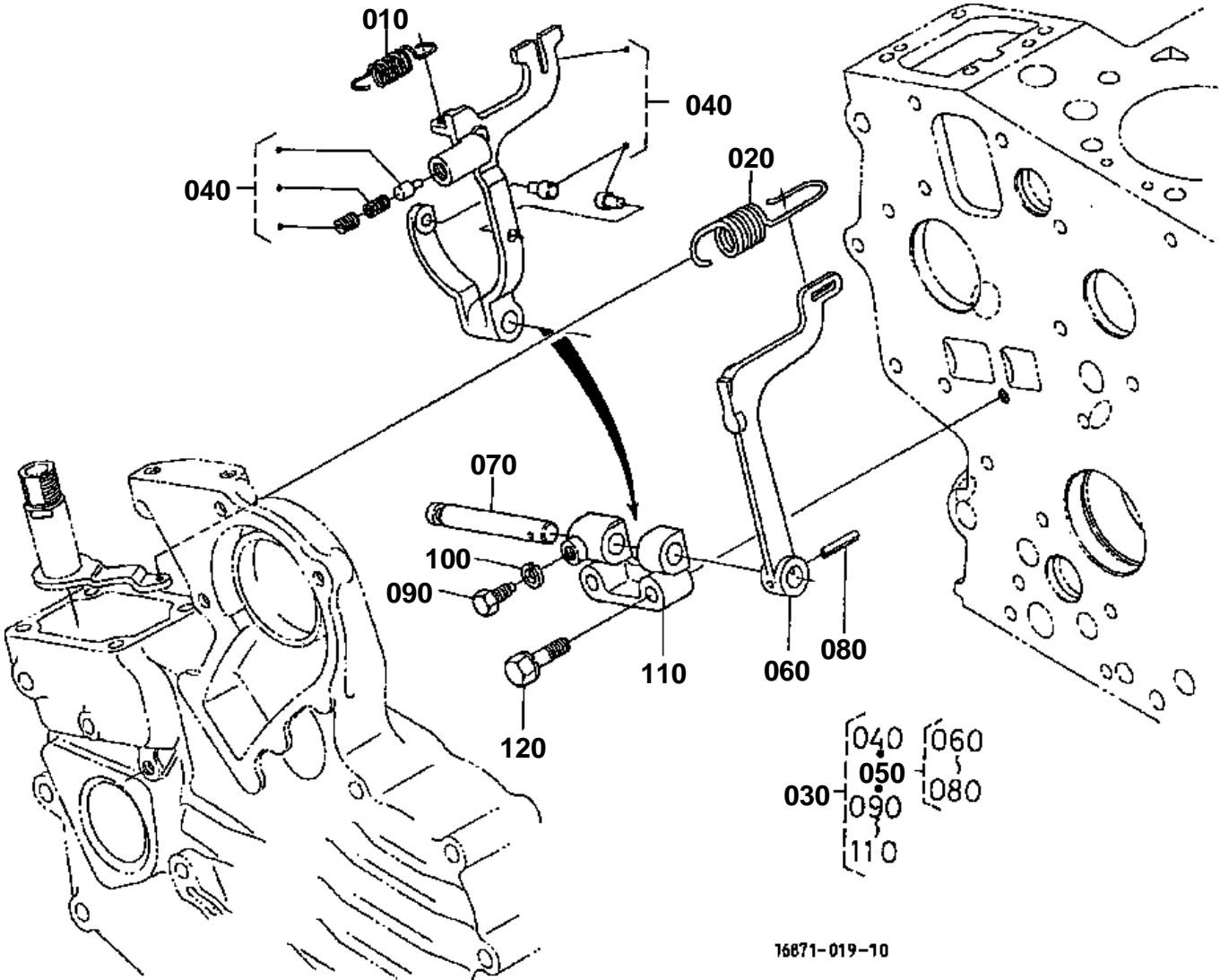


16871-018-12

**SPEED CONTROL PLATE**

↔ Interchangeable; ≠ not interchangeable; ← new for old; → old for new

REF.No	Part No.	Description	Q'ty	S.No.	I/C	REMARKS	Weight (kgf)	Weight (lb)
010	15841-57110	PLATE SPEED CONTROL	1				0.12	0.264
020	15862-57210	GASKET	1	≤752018			0	0
020	15841-57212	GASKET	1	≥752019	←		0.001	0.0022
030	01023-50618	BOLT	2				0.006	0.0132
040	01053-50618	BOLT	2				0.006	0.0132
050	15601-96650	GASKET	2				0.001	0.0022
060	15841-56110	LEVER GOVERNOR	1				0.06	0.132
070	15841-57240	COLLAR	1				0.01	0.022
080	04811-10160	RING	1				0.001	0.0022
090	15841-57150	LEVER SPEED CONTROL	1	≤445081			0.042	0.0924
090	16667-57150	LEVER SPEED CONTROL	1	≥445082	↔		0.045	0.099
100	15841-92010	NUT SPEED CONTROL	2				0.007	0.0154
110	15841-57740	SHAFT LEVER	1	≤338135			0	0
110	19643-57740	SHAFT LEVER	1	≥338136	↔		0	0
110	16878-57740	SHAFT LEVER	1	≥445082	↔		0.041	0.0902
120	16851-57720	LEVER ENGINE STOP	1	≤761958			0.06	0.132
120	17580-57720	LEVER ENGINE STOP	1	≥761959	↔		0.055	0.121
130	05411-00318	PIN SPRING	1				0.001	0.0022
140	04811-10070	RING	1				0.001	0.0022
150	15841-57920	SPRING RETURN	1	≤404632			0.008	0.0176
150	16866-57920	SPRING RETURN	1	≥404633	←		0	0
150	16878-57920	SPRING RETURN	1	≥445082	↔		0.005	0.011
160	16866-57300	CAP	1				0.003	0.0066
170	16851-57000	PLATE SPEED CONTROL	1	≤404632			0	0
170	16866-57000	PLATE SPEED CONTROL	1	≥404633	↔		0	0

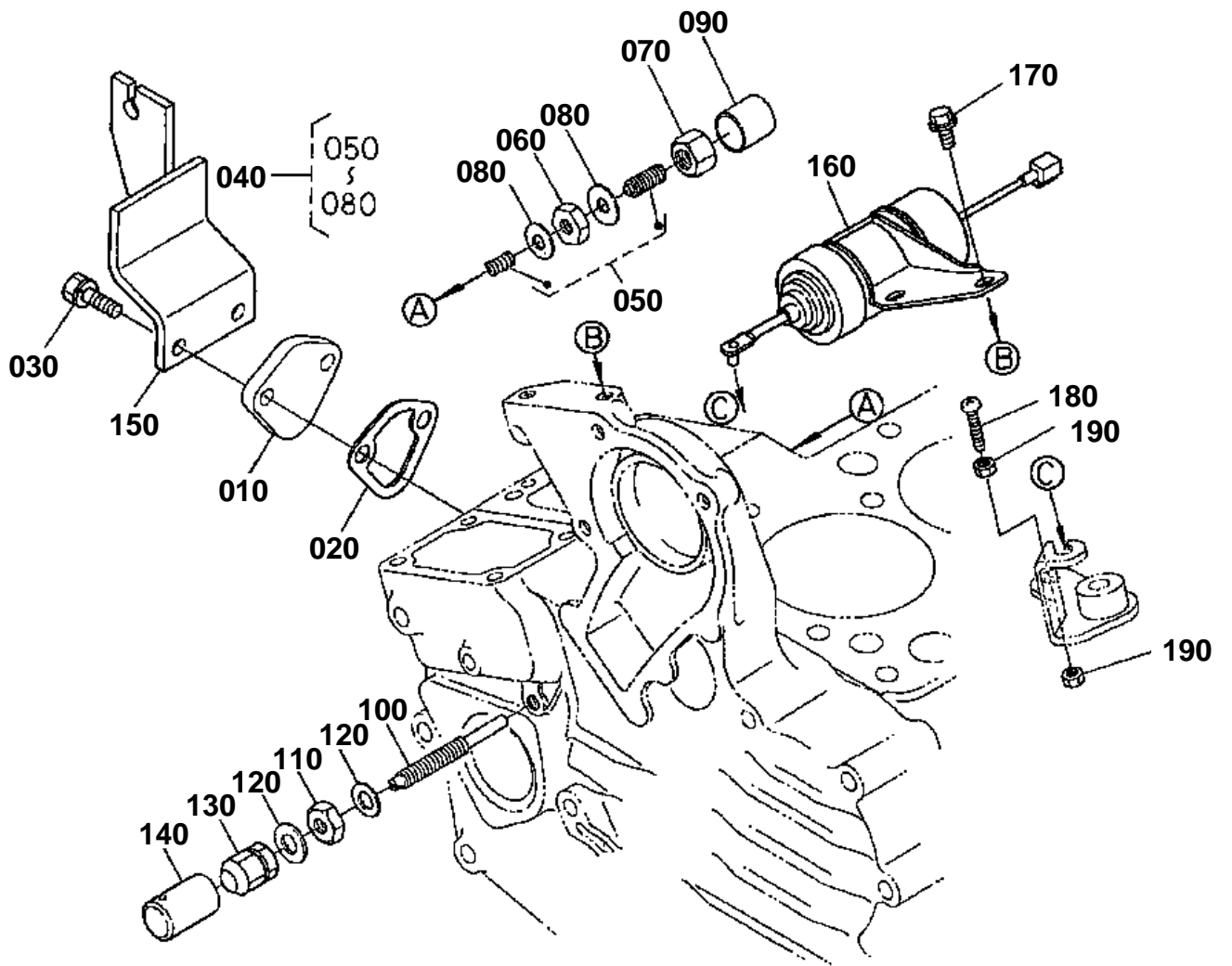


**GOVERNOR**

↔ Interchangeable; ≠ not interchangeable; ← new for old; → old for new

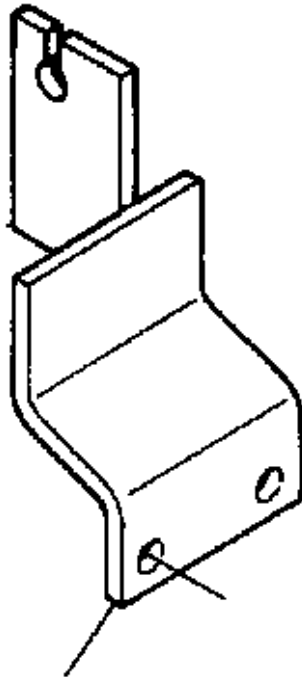
REF.No	Part No.	Description	Q'ty	S.No.	I/C	REMARKS	Weight (kgf)	Weight (lb)
010	16851-56480	SPRING START	1				0.02	0.044
020	16851-56410	SPRING GOVERNOR	1				0.02	0.044
030	16851-56050	ASSY LEVER FORK	1				0.25	0.55
040	16851-56040	COMP.LEVER FORK	1				0.12	0.264
050	15841-56060	ASSY LEVER FORK	1				0.095	0.209
060	15841-56130	LEVER FORK	1				0.06	0.132
070	15841-56150	SHAFT FORK LEVER	1				0.035	0.077
080	05411-00318	PIN SPRING	1				0.001	0.0022
090	15261-66410	BOLT	1				0.003	0.0066
100	04512-50050	WASHER SPRING	1				0	0
110	15841-56230	HOLDER FORK LEVER	1				0.035	0.077
120	01023-50635	BOLT	2				0.01	0.022

STOP SOLENOID



16871-020-11

150 66101-5805-0



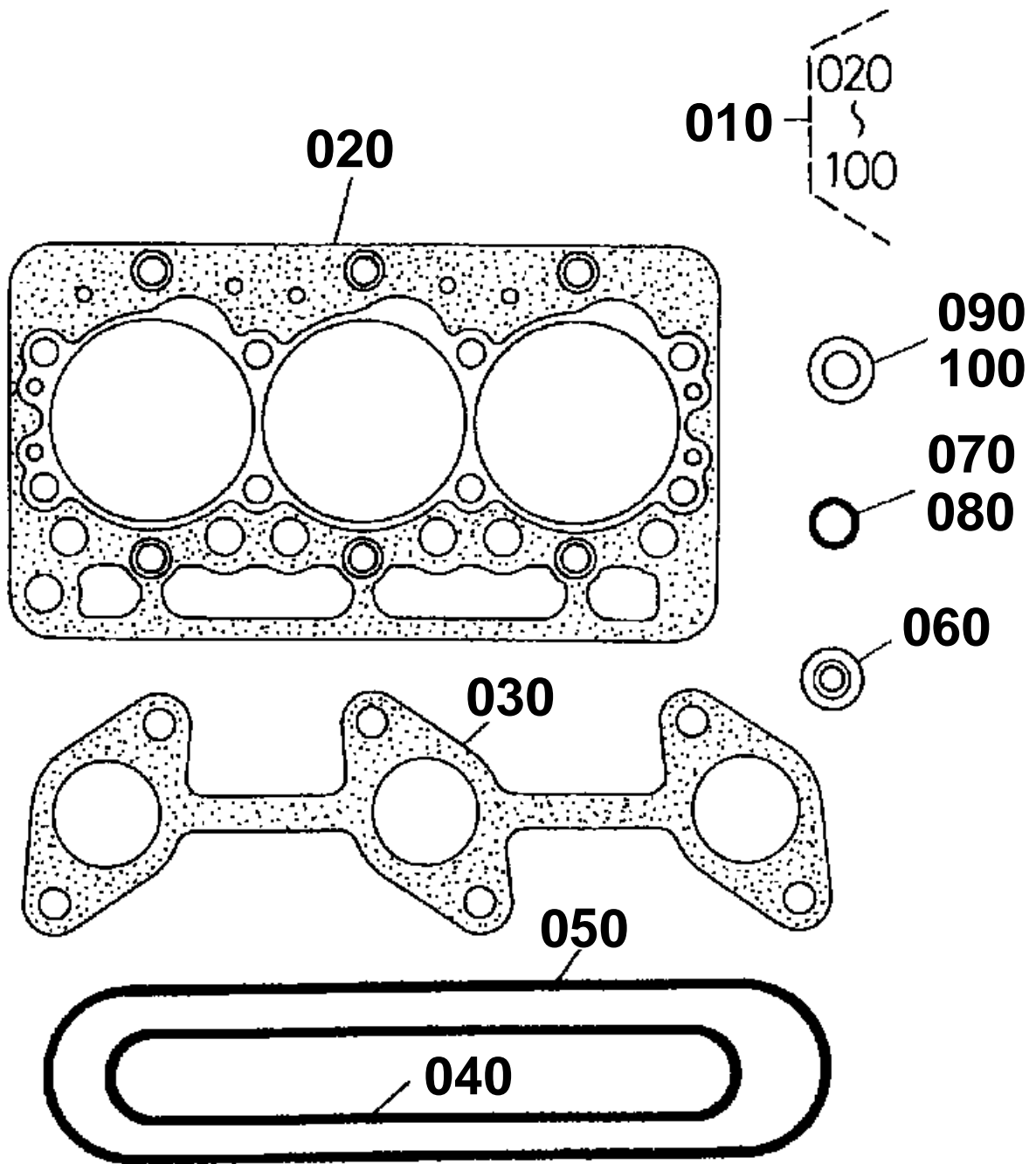
150

16871-803-10

**STOP SOLENOID**

↔ Interchangeable; ≠ not interchangeable; ← new for old; → old for new

REF.No	Part No.	Description	Q'ty	S.No.	I/C	REMARKS	Weight (kgf)	Weight (lb)
010	15852-52850	COVER	1				0.06	0.132
020	16264-52140	GASKET FUEL PUMP	1				0.001	0.0022
030	01023-50618	BOLT	2				0.006	0.0132
040	15841-54092	ASSY APPARATUS IDLE	1				0.02	0.044
050	15841-54100	ASSY BOLT ADJUSTING	1				0.009	0.0198
060	15261-92020	NUT	1				0.004	0.0088
070	15841-54220	NUT CAP	1				0.006	0.0132
080	15021-33660	GASKET	2				0.001	0.0022
090	15841-54270	CAP	1				0.001	0.0022
100	15841-54122	BOLT ADJUSTING	1				0.008	0.0176
110	15841-92020	NUT	1				0.004	0.0088
120	15601-96650	GASKET	2				0.001	0.0022
130	15841-92330	NUT CAP	1	≤193249			0.006	0.0132
130	15852-92330	NUT CAP	1	≥193250	↔		0	0
140	16241-54420	CAP	1	≤193249			0.004	0.0088
140	15841-54420	CAP	1	≥193250	↔		0	0
150	66101-58050	CLAMP WIRE	1	≤370693			0	0
150	66101-58053	CLAMP WIRE	1	≥370694	←		0.2	0.44
160	16851-60010	SOLENOID STOP	1				0.44	0.968
170	01754-50612	BOLT FLANGE	2				0.005	0.011
180	03014-50635	SCREW PAN-HEAD	1				0.008	0.0176
190	02014-50060	NUT	2				0.003	0.0066



16871-001-20

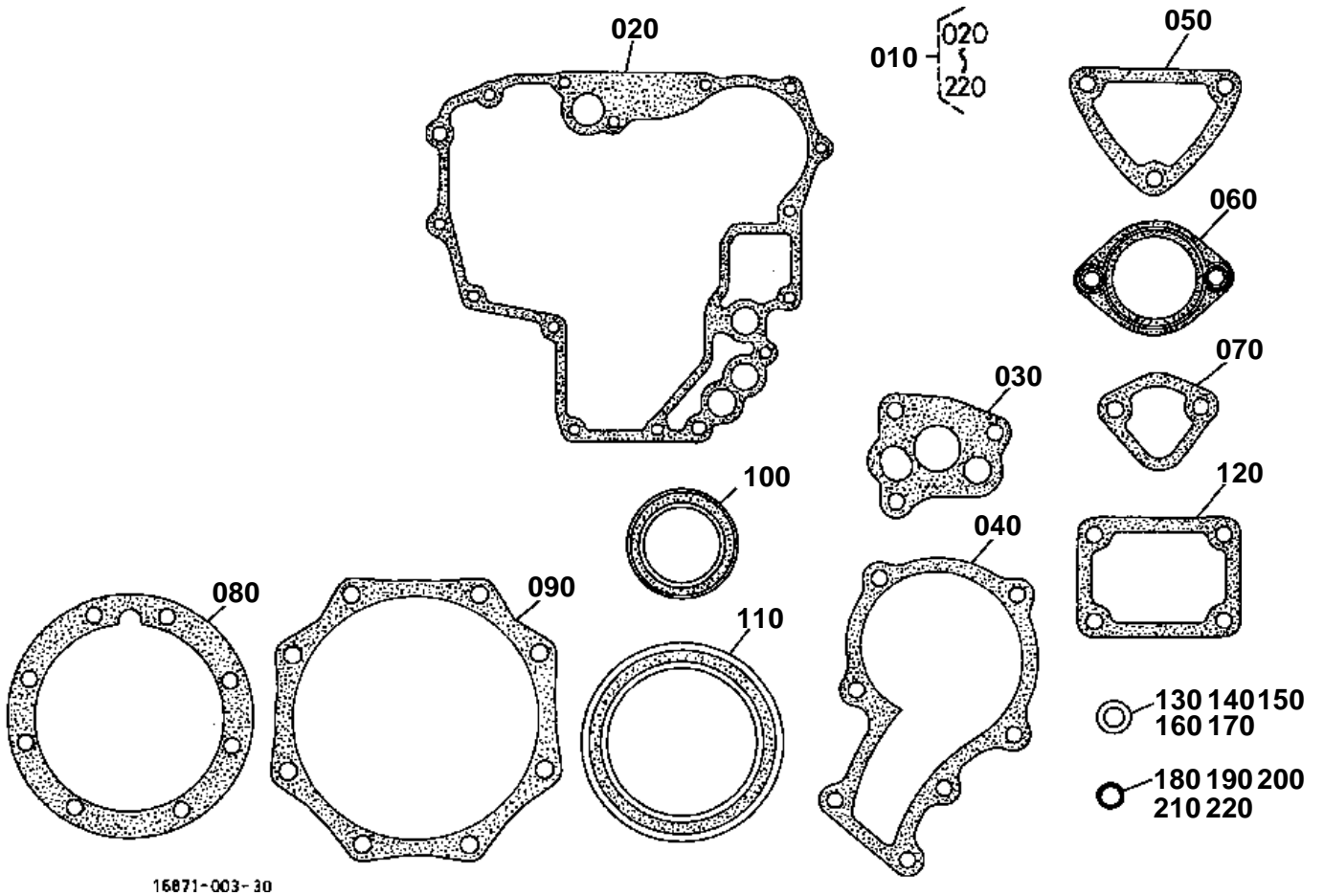


UPPER GASKET KIT

↔ Interchangeable; ≠ not interchangeable; ← new for old; → old for new

REF.No	Part No.	Description	Q'ty	S.No.	I/C	REMARKS	Weight (kgf)	Weight (lb)
010	07916-29465	KIT GASKET UPPER	1				0	0
020	16861-03310	GASKET CYLINDER HEAD	1				0.083	0.1826
030	15862-12350	GASKET	1				0.01	0.022
040	15861-11820	GASKET IN-MANIFOLD	1				0.001	0.0022
050	16861-14520	GASKET HEAD COVER	1				0	0
060	15841-13150	SEAL VALVE STEM	1				0.015	0.033
070	15221-33700	O RING	1				0.001	0.0022
080	04811-50300	O RING	1				0.001	0.0022
090	15601-96650	GASKET	3				0.001	0.0022
100	15841-53620	GASKET	3				0	0

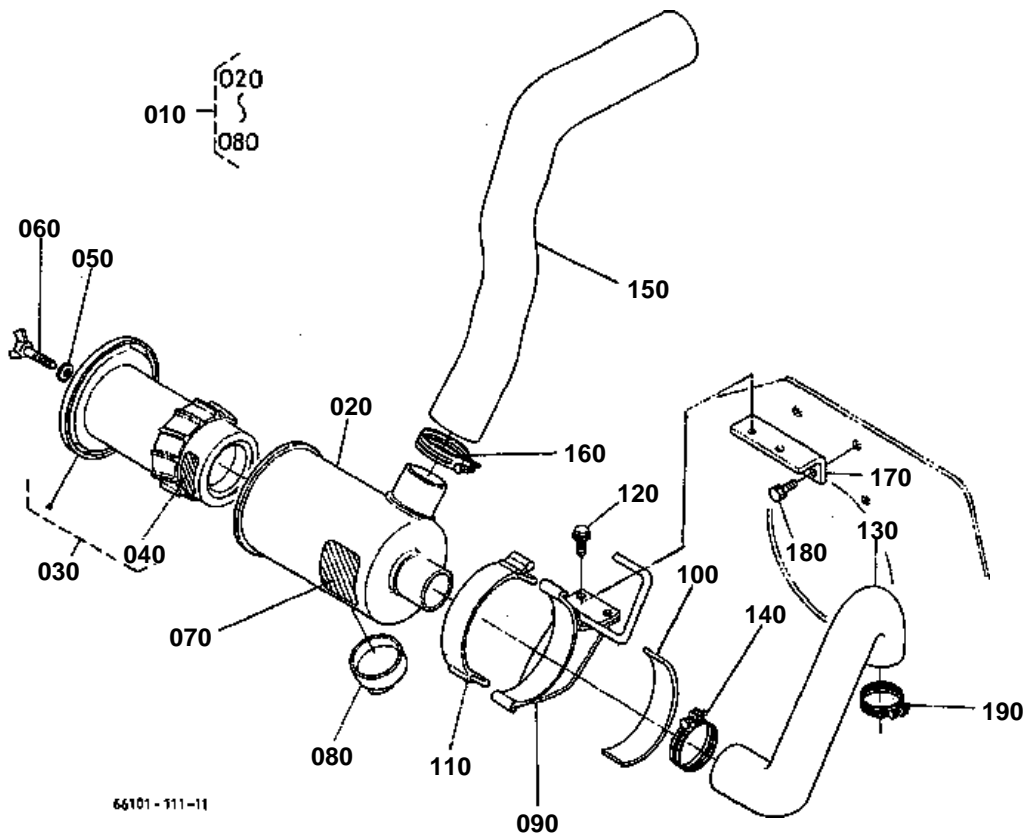
LOWER GASKET KIT



**LOWER GASKET KIT**

↔ Interchangeable; ≠ not interchangeable; ← new for old; → old for new

REF.No	Part No.	Description	Q'ty	S.No.	I/C	REMARKS	Weight (kgf)	Weight (lb)
010	07916-29485	KIT GASKET LOWER	1				0.22	0.484
020	15862-04170	GASKET GEAR CASE	1				0	0
030	15862-35152	GASKET OIL PUMP	1	≤752018			0	0
030	16851-35152	GASKET OIL PUMP	1	≥752019	←		0.001	0.0022
040	19883-73430	GASKET WATER PUMP	1	≤746723			0	0
040	15881-73432	GASKET WATER PUMP	1	≥746724	←		0.002	0.0044
050	15862-72920	GASKET WATER FLANGE	1	≤771520			0	0
050	15841-72922	GASKET WATER FLANGE	1	≥771521	←		0.001	0.0022
060	15676-73270	GASKET THERMOSTAT	1				0.005	0.011
070	16264-52140	GASKET FUEL PUMP	1				0.001	0.0022
080	15862-04360	GASKET BRG.CASE	1				0	0
090	15862-04820	GASKET BRG.CASE COV.	1				0	0
100	15841-04140	SEAL OIL	1				0.012	0.0264
110	09560-00007	SEAL OIL	1				0.029	0.0638
120	15862-57210	GASKET	1	≤752018			0	0
120	15841-57212	GASKET	1	≥752019	←		0.001	0.0022
130	15109-33660	GASKET	1				0.001	0.0022
140	15841-96650	GASKET	2				0.001	0.0022
150	15841-96660	GASKET	1				0.001	0.0022
160	15021-33660	GASKET	2				0.001	0.0022
170	15601-96650	GASKET	2				0.001	0.0022
180	04811-06130	O RING	3				0.001	0.0022
190	04811-16220	O RING	1				0.001	0.0022
200	04811-00160	O RING	1				0.001	0.0022
210	04811-10160	O RING	1				0.001	0.0022
220	04811-10070	O RING	1				0.001	0.0022

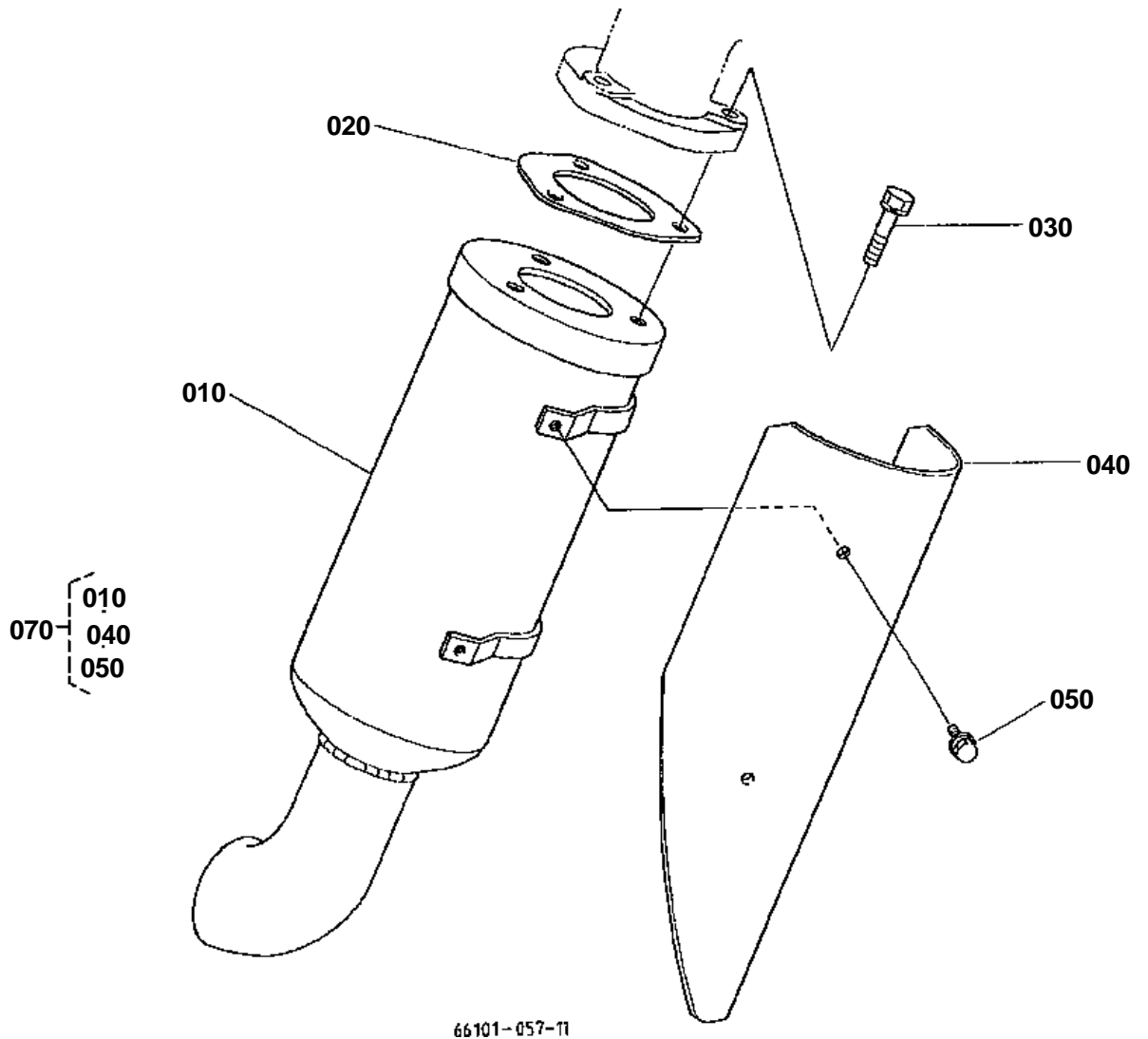


**AIR CLEANER**

↔ Interchangeable; ≠ not interchangeable; ← new for old; → old for new

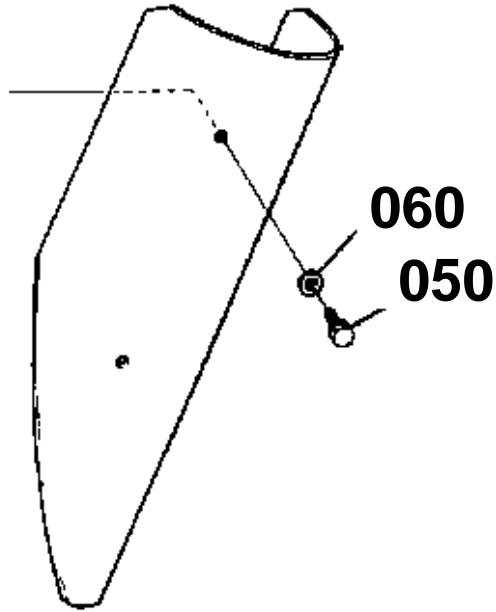
REF.No	Part No.	Description	Q'ty	S.No.	I/C	REMARKS	Weight (kgf)	Weight (lb)
010	16861-11010	ASSY CLEANER AIR	1				1.1	2.42
020	16861-11150	BODY AIR CLEANER	1				0.76	1.672
030	15852-11080	ASSY ELEMENT CLEANER	1				0.45	0.99
040	15227-87480	LABEL ELEMENT A/C	1				0.004	0.0088
050	15221-94430	WASHER WITH RUBBER	1				0.004	0.0088
060	15221-92620	BOLT WING	1				0.04	0.088
070	15372-87452	LABEL AIR CLEANER	1				0.001	0.0022
080	15852-11470	VALVE	1				0.03	0.066
090	66101-58222	STAY AIR CLEANER	1				0.37	0.814
100	67401-54280	CUSHION	1				0.01	0.022
110	67401-54290	BAND AIR CLEANER	1				0.06	0.132
120	01123-50820	BOLT	2	≤16446			0.011	0.0242
120	01754-50816	BOLT FLANGE	2	≥16447	↔		0.011	0.0242
130	66101-58250	PIPE INLET	1				0.3	0.66
140	15221-11720	BAND PIPE	1				0.03	0.066
150	66101-58260	PIPE INLET	1	≤10252			0	0
150	66101-58262	PIPE INLET	1	≥10253	←		0.8	1.76
160	15221-11720	BAND PIPE	1				0.03	0.066
170	66101-58030	STAY AIR CLEANER	1				0.2	0.44
180	01123-50822	BOLT	2				0.012	0.0264
190	15261-11720	BAND PIPE	1				0.03	0.066

MUFFLER



050 01202-50610

060 04013-50060



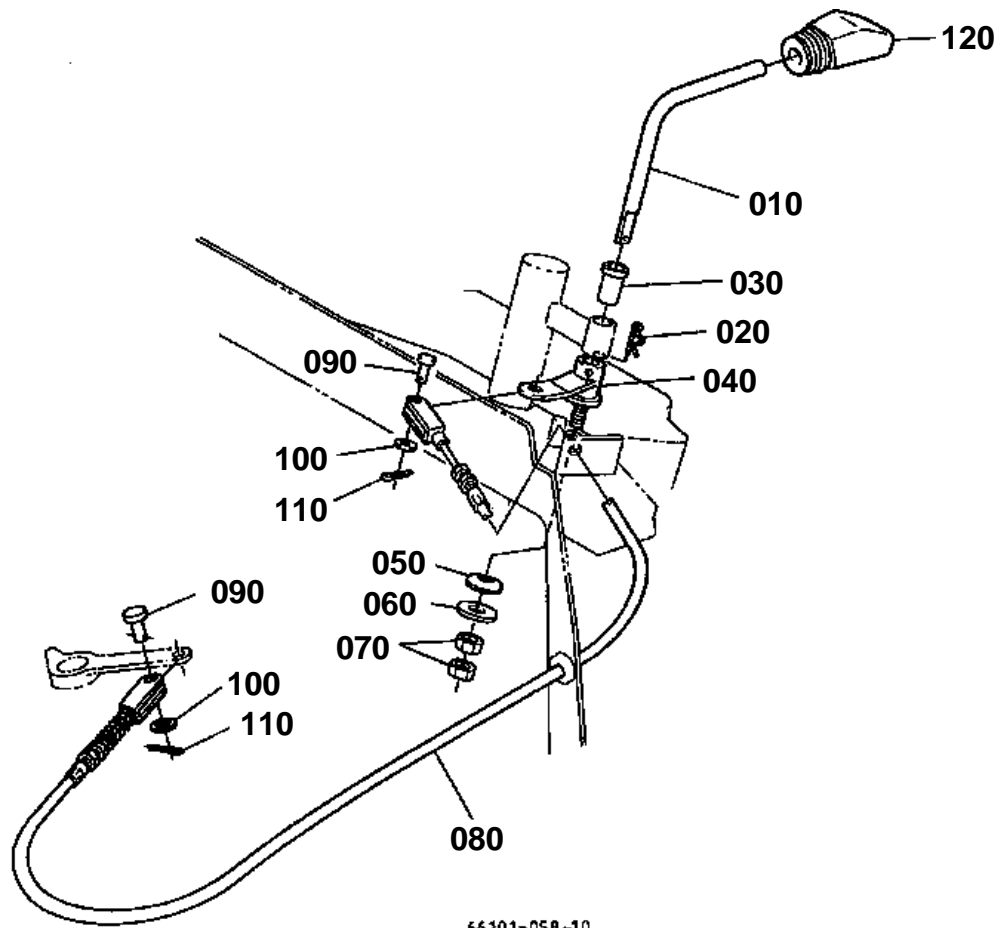
66101-800-10

**MUFFLER**

↔ Interchangeable; ≠ not interchangeable; ← new for old; → old for new

REF.No	Part No.	Description	Q'ty	S.No.	I/C	REMARKS	Weight (kgf)	Weight (lb)
010	16861-12112	MUFFLER	1				1.46	3.212
020	15852-12230	GASKET MUFFLER	1	≤10762			0.01	0.022
020	15862-12230	GASKET MUFFLER NA	1	≥10763	←		0.015	0.033
030	01123-50830	BOLT	3				0.015	0.033
040	66101-58132	MARK	1				0.22	0.484
050	01202-50610	BOLT	4	≤10683			0.004	0.0088
050	01754-50610	BOLT FLANGE	4	≥10684	←		0.006	0.0132
060	04013-50060	WASHER PLAIN	4	≤10683			0	0
070	66101-58100	ASSY MUFFLER	1				2	4.4

ACCELERATOR LEVER



66101-058-10

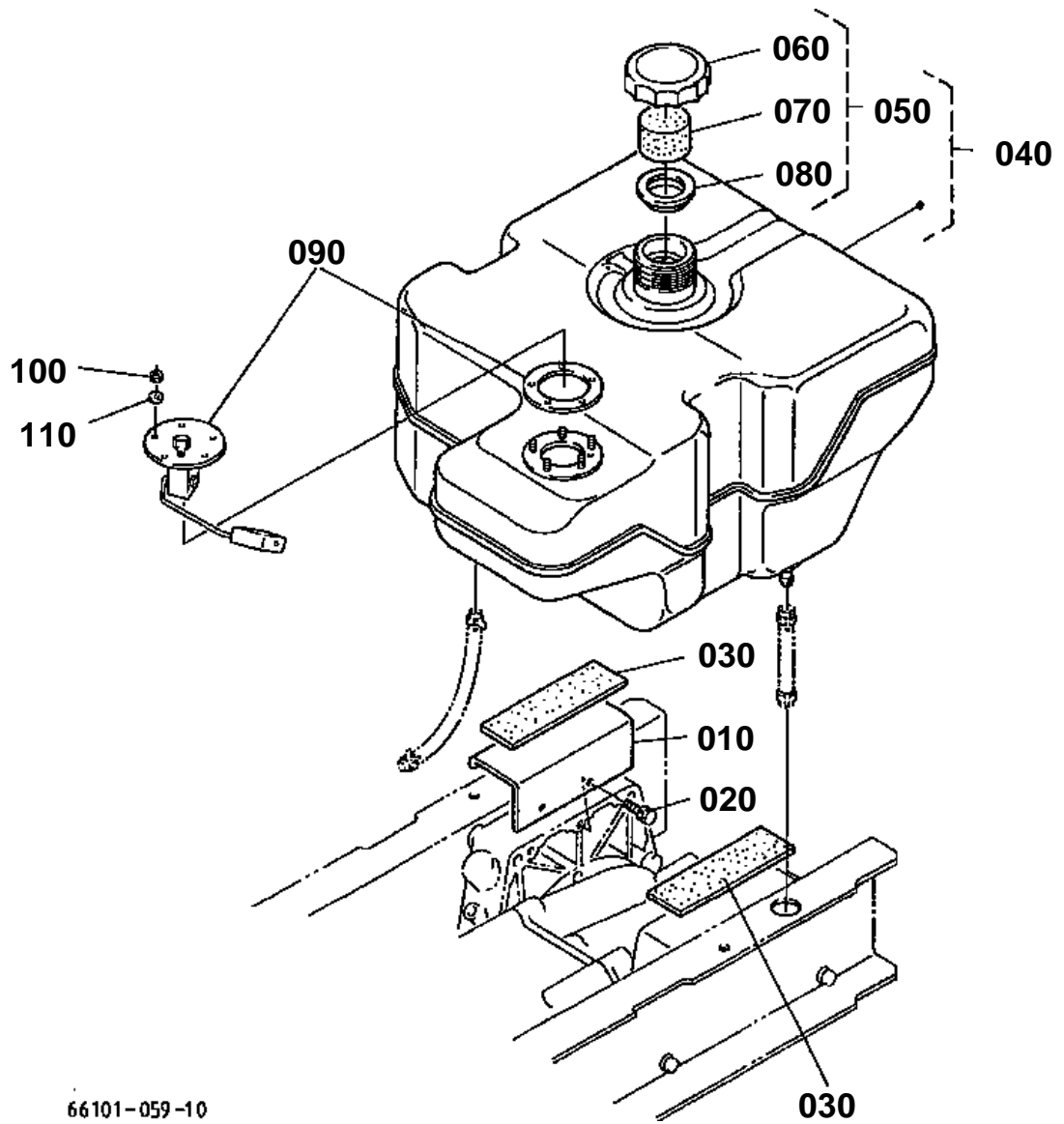


ACCELERATOR LEVER

↔ Interchangeable; ≠ not interchangeable; ← new for old; → old for new

REF.No	Part No.	Description	Q'ty	S.No.	I/C	REMARKS	Weight (kgf)	Weight (lb)
010	66101-43210	LEVER ACCEL	1				0.14	0.308
020	66101-43220	PIN SNAP	1				0.015	0.033
030	67111-54920	BUSH	1				0.01	0.022
040	66101-43230	ARM ACCELERATOR	1				0.1	0.22
050	32210-17190	SPRING	1				0.005	0.011
060	04015-50100	WASHER PLAIN	1				0.016	0.0352
070	02118-50100	NUT	2				0.005	0.011
080	66101-43240	WIRE ACCELERATOR	1	≤11091			0	0
080	66101-43243	WIRE ACCELERATOR	1	≥11092	←		0.14	0.308
090	05122-50618	PIN JOINT	2				0	0
100	04012-50060	WASHER PLAIN	2				0.001	0.0022
110	05511-51612	PIN SPLIT	2				0.001	0.0022
120	67156-43320	GRIP	1				0.026	0.0572

FUEL TANK



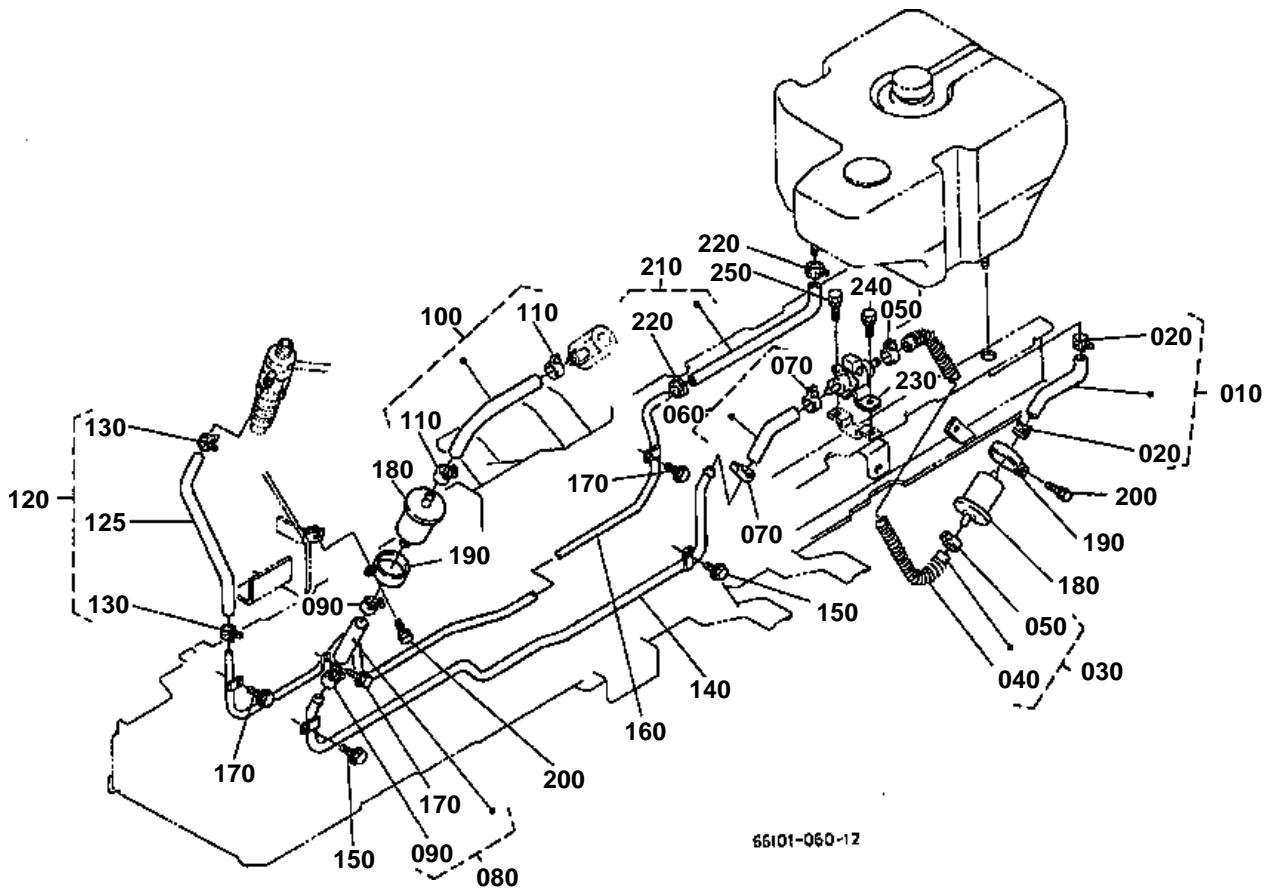
66101-059-10

**FUEL TANK**

↔ Interchangeable; ≠ not interchangeable; ← new for old; → old for new

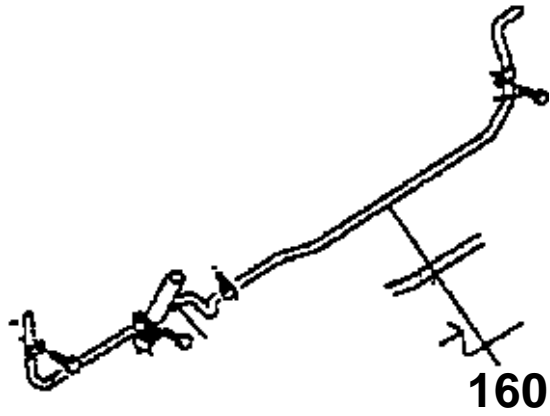
REF.No	Part No.	Description	Q'ty	S.No.	I/C	REMARKS	Weight (kgf)	Weight (lb)
010	66101-17210	STAY FUEL TANK	1				0.3	0.66
020	01123-50820	BOLT	2				0.011	0.0242
030	66101-51150	PLATE FUEL TANK	2				0.015	0.033
040	66101-57810	TANK FUEL	1				2.6	5.72
050	66071-54860	ASSY CAP FUEL TANK	1				0.051	0.1122
060	54821-21620	CAP	1				0.045	0.099
070	54821-21630	SPONGE	1				0.002	0.0044
080	54821-21640	COVER RUBBER	1				0.004	0.0088
090	66101-57830	UNIT FUEL	1				0.1	0.22
100	02054-50050	NUT	5				0.002	0.0044
110	04013-60050	WASHER PLAIN	5				0.001	0.0022

FUEL PIPE



65101-060-12

160 66101-5835-0



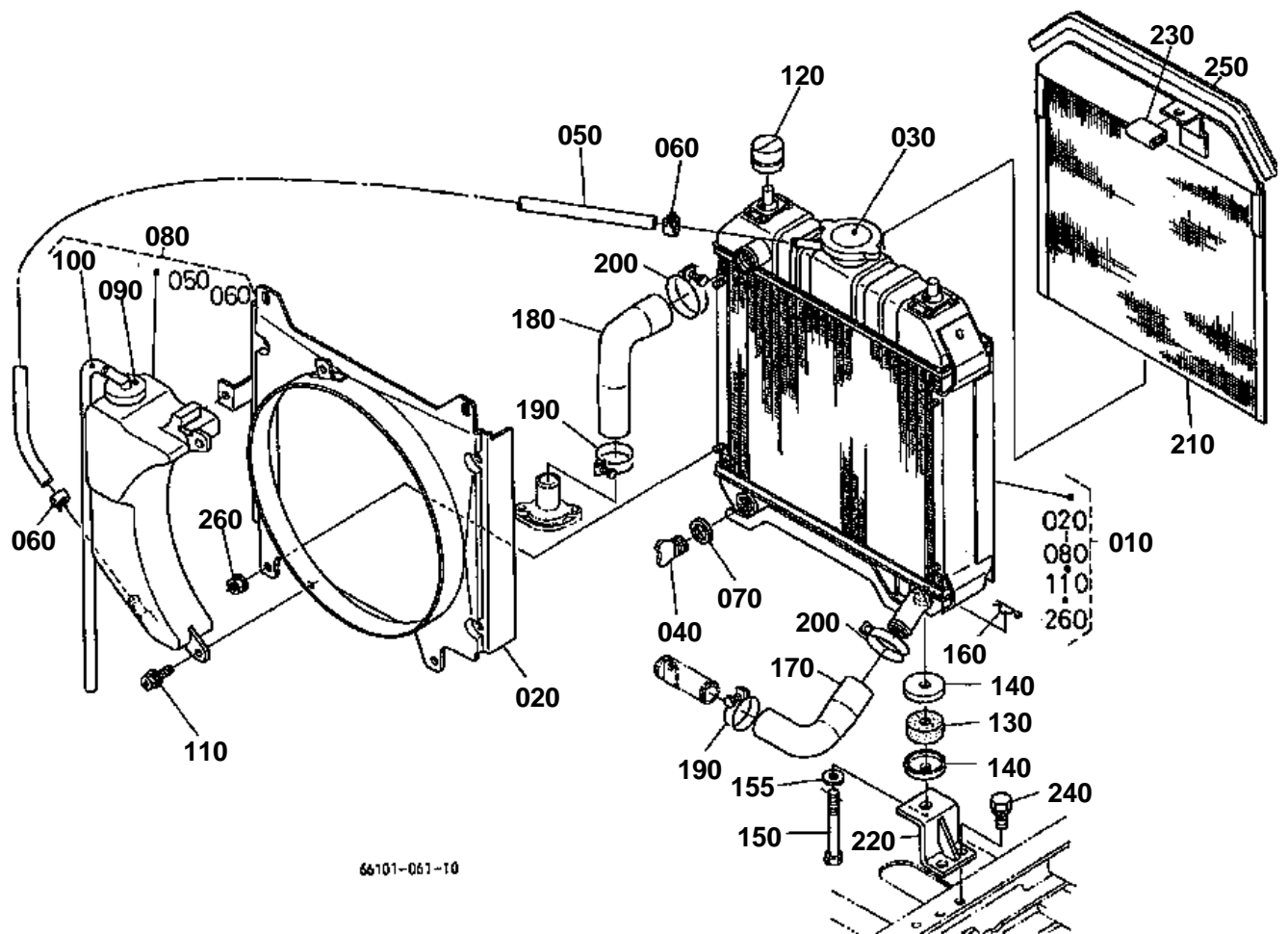
6G101-826-10

**FUEL PIPE**

↔ Interchangeable; ≠ not interchangeable; ← new for old; → old for new

REF.No	Part No.	Description	Q'ty	S.No.	I/C	REMARKS	Weight (kgf)	Weight (lb)
010	66101-58310	ASSY PIPE FUEL	1				0.015	0.033
020	14911-42750	CLIP PIPE	2				0.002	0.0044
030	17365-42020	ASSY PIPE FUEL	1	≤10683			0.045	0.099
030	66101-58520	ASSY PIPE FUEL	1	≥10684	↔		0.06	0.132
040	66021-58340	SPRING PIPE PROTECT.	1	≤10683			0.025	0.055
040	32510-10990	SPRING PIPE PROTECT.	1	≥10684	↔		0.024	0.0528
050	14301-42750	CLIP PIPE	2				0.005	0.011
060	14612-42010	ASSY PIPE FUEL	1	≤10683			0.021	0.0462
060	66101-58530	ASSY PIPE FUEL	1	≥10684	↔		0.023	0.0506
070	14301-42750	CLIP PIPE	2				0.005	0.011
080	66101-58380	ASSY PIPE FUEL	1				0.015	0.033
090	14301-42750	CLIP PIPE	2				0.005	0.011
100	15371-42020	ASSY PIPE FUEL	1	≤10683			0.034	0.0748
100	66101-58510	ASSY PIPE FUEL	1	≥10684	↔		0.04	0.088
110	14301-42750	CLIP PIPE	2				0.005	0.011
120	66101-58470	ASSY PIPE OVER FLOW	1				0.02	0.044
125	09661-50200	TUBE FUEL	1				0.013	0.0286
130	10244-42320	CLIP PIPE	2				0.001	0.0022
140	66101-58340	PIPE FUEL	1				0.15	0.33
150	01202-50616	BOLT	2	≤16446			0.006	0.0132
150	01754-50616	BOLT FLANGE	2	≥16447	↔		0.006	0.0132
160	66101-58350	PIPE FUEL RETURN	1	≤10369			0.14	0.308
160	66101-58353	PIPE FUEL RETURN	1	≥10370	≠		0	0
160	66101-58354	PIPE FUEL RETURN	1	≥10902	←		0.15	0.33
170	01202-50616	BOLT	3	≤16446			0.006	0.0132
170	01754-50616	BOLT FLANGE	3	≥16447	↔		0.006	0.0132
180	13351-43010	ASSY FILTER FUEL	2	≤14778			0	0
180	12581-43010	ASSY FILTER FUEL	2	≥14779	↔		0	0
180	12581-43012	ASSY FILTER FUEL	2	≥15344	←		0.035	0.077
190	66103-58330	BAND FILTER	2	≤16446			0.01	0.022
190	66021-58330	BAND FILTER	2	≥16447	↔		0.037	0.0814
200	01202-50618	BOLT	2				0.006	0.0132
210	66101-58400	ASSY PIPE OVER FLOW	1	≤10735			0	0
210	66101-58402	ASSY PIPE OVER FLOW	1	≥10736	←		0.015	0.033
220	10244-42320	CLIP PIPE	2	≤10735			0.001	0.0022
220	14971-42750	CLIP PIPE	2	≥10736	≠		0.001	0.0022
230	16851-52030	ASSY PUMP FUEL	1				0.2	0.44
240	01202-50616	BOLT	1				0.006	0.0132
250	01123-60816	BOLT	1				0.01	0.022

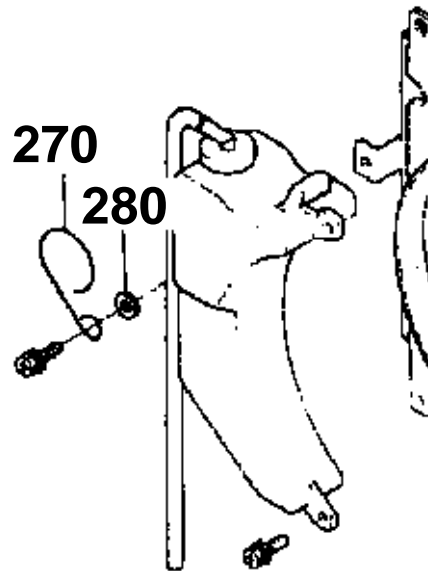
RADIATOR



66101-061-10

270 66091-5827-0

280 04013-50060

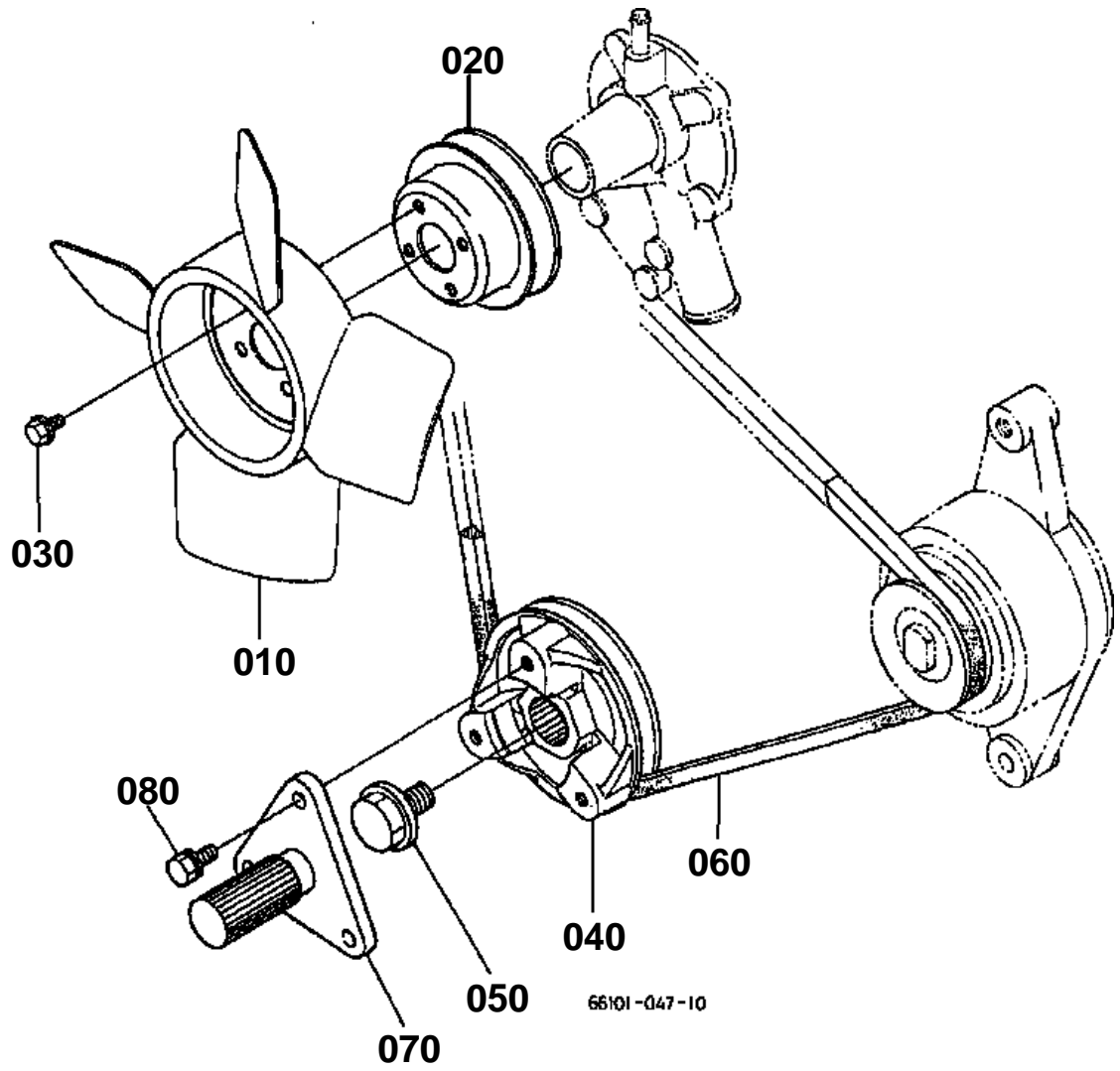


66101-822-10

**RADIATOR**

↔ Interchangeable; ≠ not interchangeable; ← new for old; → old for new

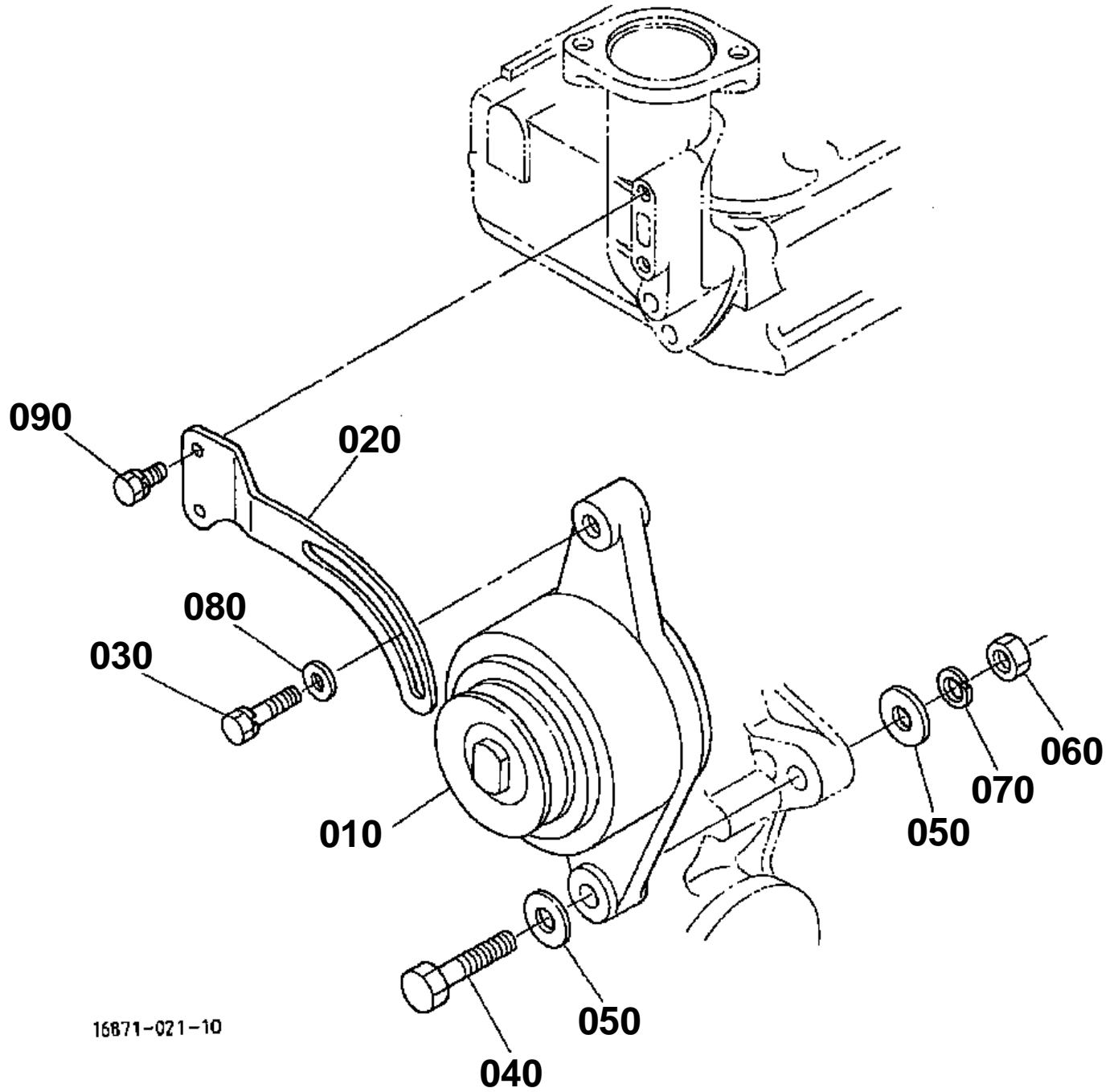
REF.No	Part No.	Description	Q'ty	S.No.	I/C	REMARKS	Weight (kgf)	Weight (lb)
010	16861-72060	ASSY RADIATOR	1				5.5	12.1
020	16861-72330	SHROUD FAN	1				0.65	1.43
030	16861-72020	ASSY CAP	1				0.08	0.176
040	16851-73110	COCK DRAIN	1				0.01	0.022
050	16851-72712	PIPE WATER OVERFLOW	1				0.05	0.11
060	16851-72470	CLAMP PIPE	2				0.003	0.0066
070	16851-96690	GASKET	1				0.002	0.0044
080	16851-72400	ASSY TANK RESERVE	1				0.22	0.484
090	16851-72420	CAP	1				0.05	0.11
100	16851-72440	PIPE OVER FLOW	1				0.04	0.088
110	01205-50614	BOLT	3				0.006	0.0132
120	16851-72180	CUSHION UPPER	2				0.025	0.055
130	15111-72180	CUSHION	2				0.015	0.033
140	15111-72200	WASHER	4				0.013	0.0286
150	66021-52430	BOLT RADIATOR	2	<=12756			0.027	0.0594
150	67111-58710	BOLT RADIATOR	2	>=12757	↔		0.027	0.0594
155	04013-50100	WASHER PLAIN	2	>=12708			0	0
160	05515-61000	PIN SNAP	2				0.003	0.0066
170	16861-72850	PIPE WATER	1				0.06	0.132
180	16861-72940	PIPE WATER	1	<=11581			0.1	0.22
180	16871-72940	PIPE WATER	1	>=11582	≠		0.075	0.165
190	09318-89030	CLAMP HOSE	2	<=10002			0.02	0.044
190	15841-72960	BAND PIPE	2	>=10003	≠		0.025	0.055
190	67980-58640	CLAMP HOSE	2	>=15344	↔		0.02	0.044
200	09318-89036	CLAMP HOSE	1				0.025	0.055
210	66101-58413	NET DUSTPROOF	1				0.5	1.1
220	66101-51160	SUPPORT RADIATOR	2				0.2	0.44
230	66101-53230	COVER	1				0.005	0.011
240	01123-50820	BOLT	4				0.011	0.0242
250	66101-53240	TRIM SASH	1	<=10803			0	0
250	66101-53242	TRIM SASH	1	>=10804	≠		0.08	0.176
260	02054-50050	NUT	4				0.002	0.0044
270	66091-58270	SUPPORT PIPE	1	<=10072			0.01	0.022
280	04013-50060	WASHER PLAIN	1	<=10072			0	0



**FAN**

↔ Interchangeable; ≠ not interchangeable; ← new for old; → old for new

REF.No	Part No.	Description	Q'ty	S.No.	I/C	REMARKS	Weight (kgf)	Weight (lb)
010	15872-74110	FAN	1				0.25	0.55
020	15841-74250	PULLEY FAN	1				0.19	0.418
030	01754-50612	BOLT FLANGE	4				0.005	0.011
040	16861-74280	PULLEY FAN DRIVE	1				1.1	2.42
050	15881-91030	BOLT	1				0.06	0.132
060	15881-97010	V BELT	1				0.08	0.176
070	66101-58010	SHAFT	1				0.44	0.968
080	01123-50822	BOLT	3				0.012	0.0264

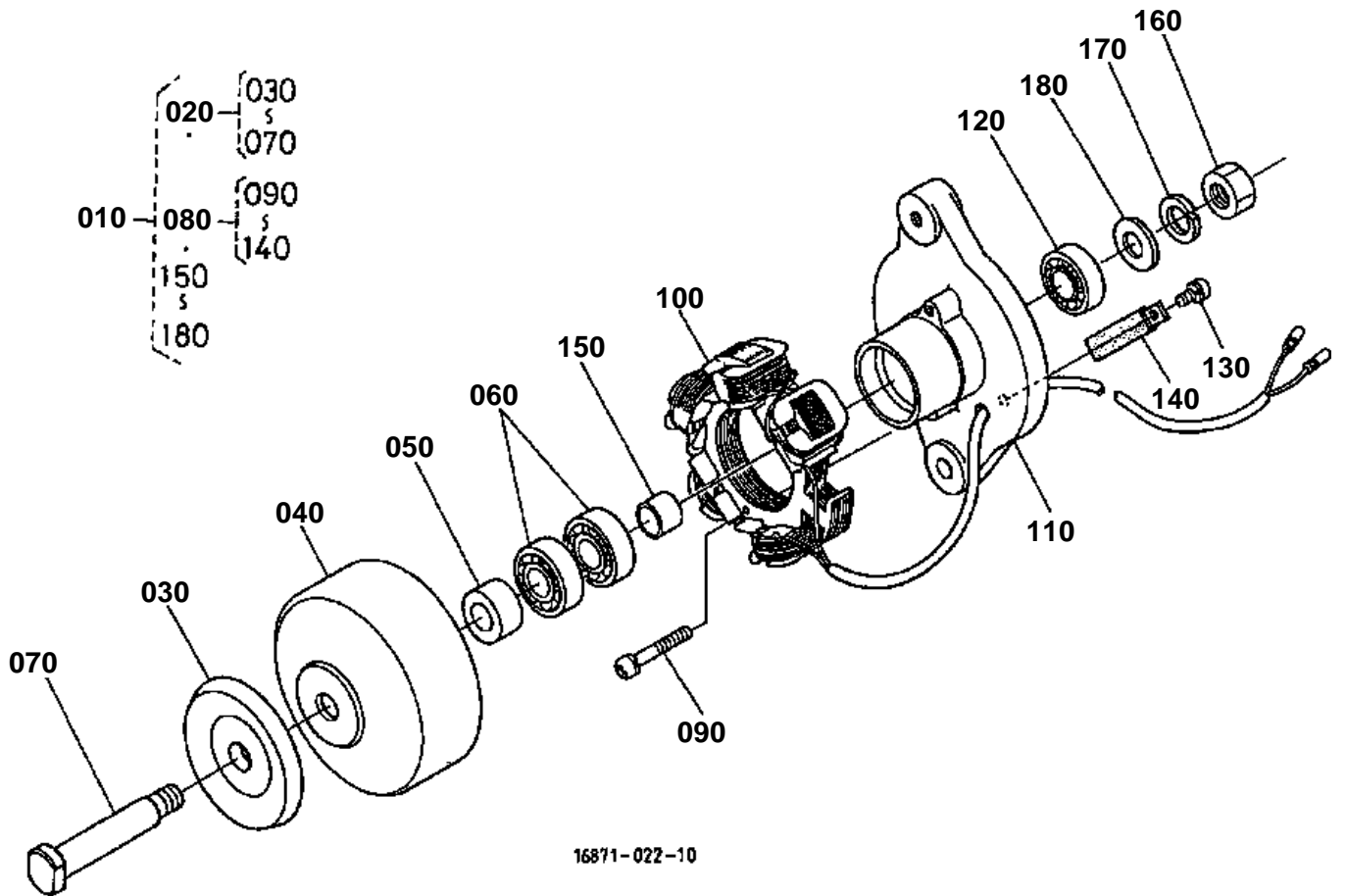


16871-021-10

**DYNAMO**

↔ Interchangeable; ≠ not interchangeable; ← new for old; → old for new

REF.No	Part No.	Description	Q'ty	S.No.	I/C	REMARKS	Weight (kgf)	Weight (lb)
010	15531-64010	ASSY DYNAMO	1			REFER TO L.NO. 0D01-L0 FOR COMPONENTS.	0	0
020	15872-64420	STAY DYNAMO	1				0	0
030	01123-50825	BOLT	1				0.013	0.0286
040	01153-50855	BOLT	1				0.023	0.0506
050	04013-50080	WASHER PLAIN	2				0	0
060	02114-50080	NUT	1				0.005	0.011
070	04512-60080	WASHER SPRING	1				0.002	0.0044
080	04015-60080	WASHER PLAIN	1				0.01	0.022
090	01023-50616	BOLT	2				0.005	0.011

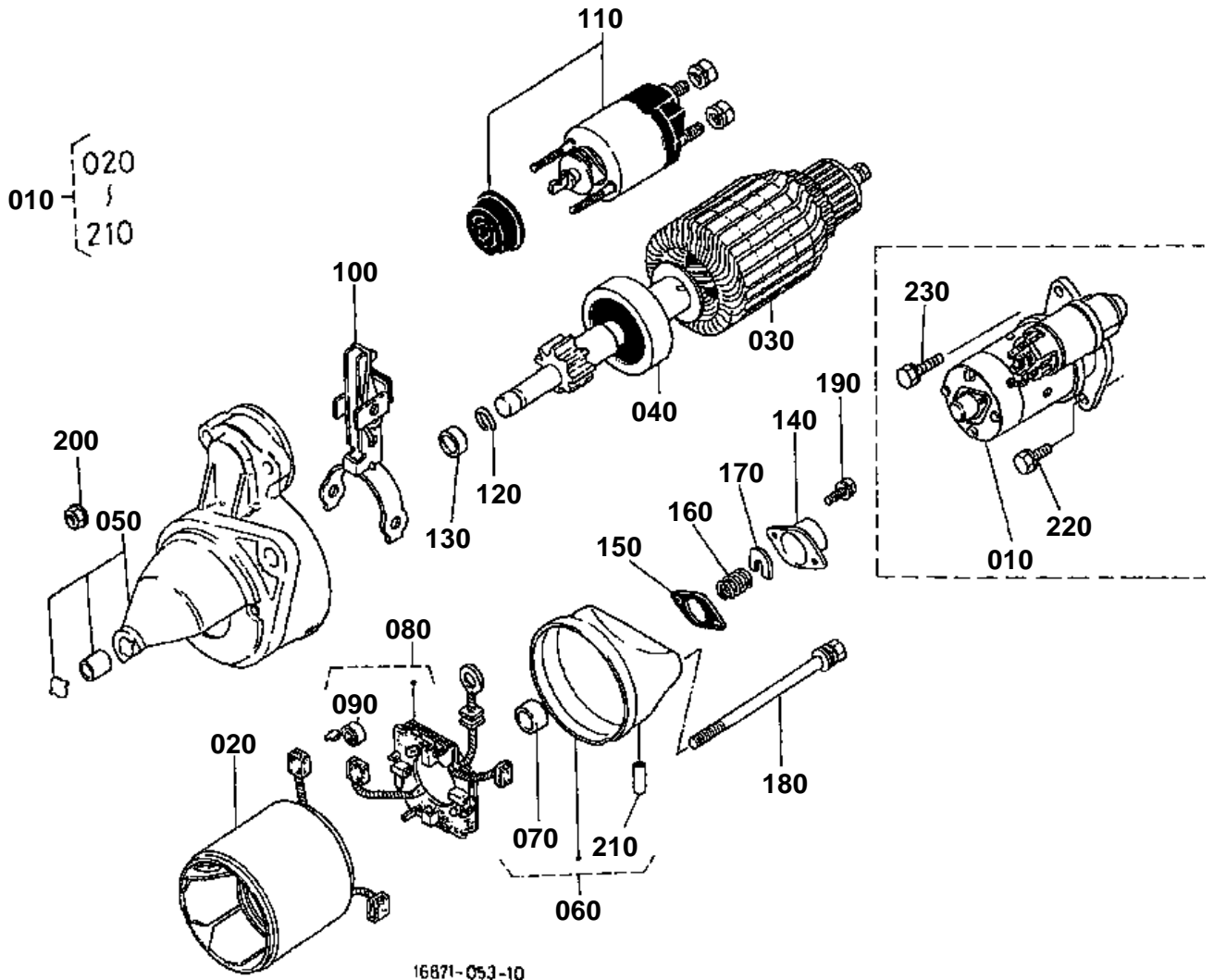


**DYNAMO [COMPONENT PARTS]**

↔ Interchangeable; ≠ not interchangeable; ← new for old; → old for new

REF.No	Part No.	Description	Q'ty	S.No.	I/C	REMARKS	Weight (kgf)	Weight (lb)
010	15531-64010	ASSY DYNAMO	1				0	0
020	15531-64122	COMP.STATOR	1	≤20754			0.76	1.672
020	15381-64120	COMP.STATOR	1	≥20755	≠		0.67	1.474
030	15531-64110	PULLEY	1				0.15	0.33
040	15531-64040	ROTOR	1	≤20754			0.5	1.1
040	15381-64040	ROTOR	1	≥20755	≠		0.48	1.056
050	6C040-82860	COLLAR	1				0.014	0.0308
060	15531-74180	BEARING BALL	2	≤20754			0.04	0.088
060	15531-74180	BEARING BALL	1	≥20755			0.04	0.088
070	15531-74140	SHAFT FAN	1	≤20754			0.075	0.165
070	15381-74140	SHAFT FAN	1	≥20755	≠		0.07	0.154
080	15531-64363	COMP.STATOR	1	≤20754			0.555	1.221
080	15381-64360	COMP.STATOR	1	≥20755	≠		0.59	1.298
090	15261-93010	SCREW ROUND HEAD	2				0.003	0.0066
100	15531-64292	STATOR	1	≤20754			0.29	0.638
100	15381-64290	STATOR	1	≥20755	≠		0.24	0.528
110	15531-64072	PLATE	1	≤20754			0.3	0.66
110	15381-64070	PLATE	1	≥20755	≠		0.26	0.572
120	15531-74180	BEARING BALL	1				0.04	0.088
130	15531-93010	SCREW ROUND HEAD	1				0.002	0.0044
140	15531-64190	CLAMP CORD	1	≤20754			0.005	0.011
140	15381-64190	CLAMP CORD	1	≥20755	≠		0.001	0.0022
150	15261-64150	COLLAR	1	≤20754			0.02	0.044
150	15381-64150	COLLAR	1	≥20755	≠		0.025	0.055
160	15261-92030	NUT	1				0.01	0.022
170	15261-94070	WASHER SPRING	1				0.003	0.0066
180	15261-94020	WASHER PLAIN	1				0.007	0.0154

STARTER [COMPONENT PARTS]



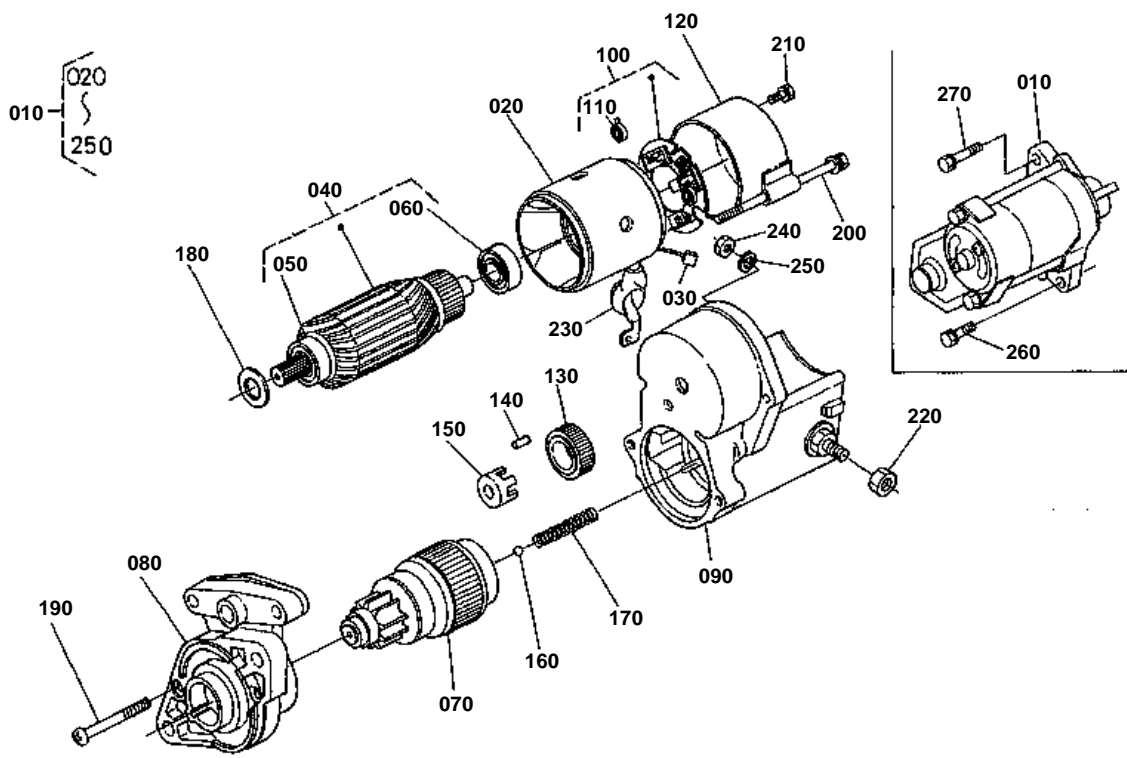
**STARTER [COMPONENT PARTS]**

S.No.:G1800;<=12699, G1800-S;<=13011, G1900;<=11410, G1900-S;<=12487

↔ Interchangeable; ≠ not interchangeable; ← new for old; → old for new

REF.No	Part No.	Description	Q'ty	S.No.	I/C	REMARKS	Weight (kgf)	Weight (lb)
010	15231-63015	ASSY STARTER	1				4.7	10.34
020	14278-63080	YOKE	1				1.42	3.124
030	14278-63070	ARMATURE	1				1.25	2.75
040	14278-63040	CLUTCH OVER RUNNING	1				0.32	0.704
050	15231-63032	ASSY HOUSING	1				0.39	0.858
060	14278-63200	ASSY FRAME END	1				0.2	0.44
070	14278-63250	BUSH	1				0.002	0.0044
080	14278-63380	ASSY HOLDER BRUSH	1				0.06	0.132
090	14278-63390	SPRING BRUSH	4				0.003	0.0066
100	14278-63050	LEVER DRIVE	1				0.06	0.132
110	15231-63022	SWITCH MAGNETIC	1				0.65	1.43
120	15221-94820	PIN SNAP	1				0.001	0.0022
130	15321-63250	NUT PINION STOP	1				0.005	0.011
140	14278-63510	CAP END FRAME	1				0.015	0.033
150	14278-63520	GASKET	1				0.001	0.0022
160	14278-63190	SPRING BRAKE	1				0.01	0.022
170	14278-63180	SHOE BRAKE	1				0.005	0.011
180	14278-63320	BOLT THROUGH	2				0.02	0.044
190	03024-50414	SCREW WITH WASHER	2				0.002	0.0044
200	14278-92010	NUT	2				0.001	0.0022
210	14278-63570	PIPE BREATHER	1				0.001	0.0022
220	01123-50828	BOLT	1				0.014	0.0308
230	01123-50835	BOLT	1				0.02	0.044

STARTER [COMPONENT PARTS]



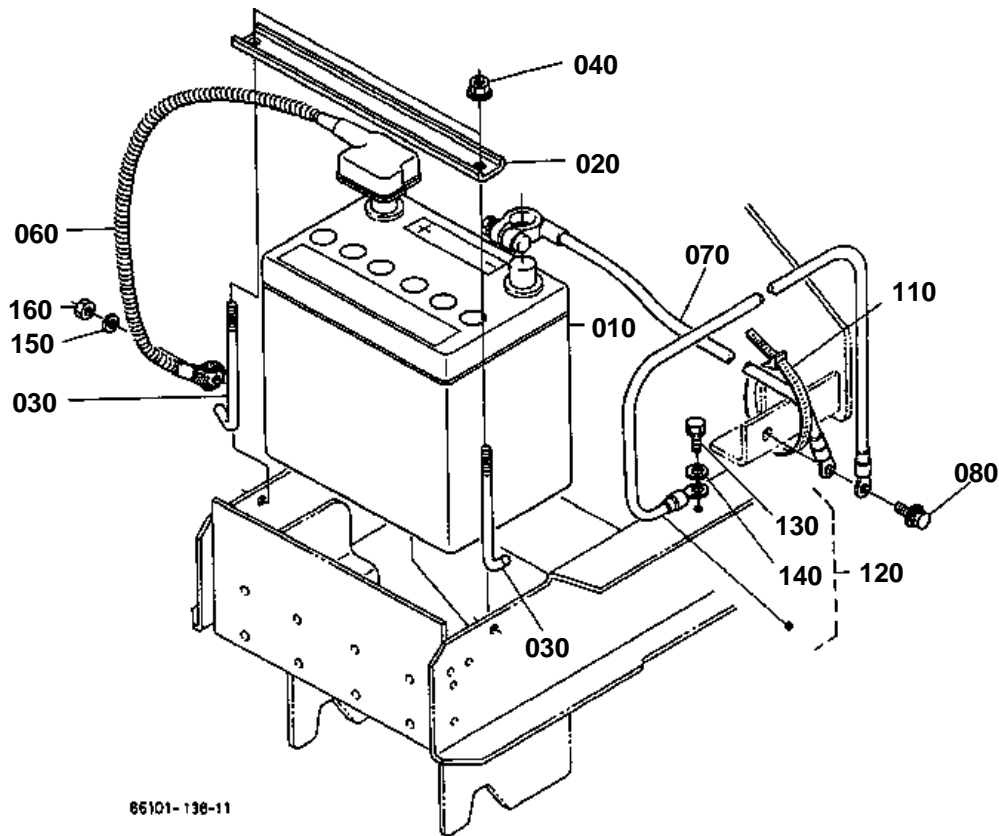
**STARTER [COMPONENT PARTS]**

S.No.:G1800;>=12700, G1800-S;>=13012, G1900;>=11448, G1900-S;>=12618

↔ Interchangeable; ≠ not interchangeable; ← new for old; → old for new

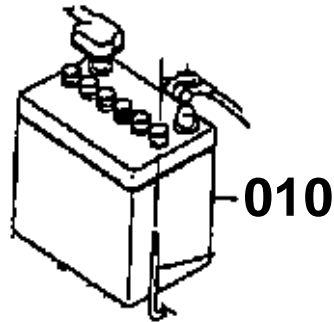
REF.No	Part No.	Description	Q'ty	S.No.	I/C	REMARKS	Weight (kgf)	Weight (lb)
010	16871-63010	ASSY STARTER	1				4.2	9.24
020	15501-63080	YOKE	1				0.675	1.485
030	15501-63370	BRUSH	2				0.01	0.022
040	15501-63070	ARMATURE	1				0.78	1.716
050	15504-63500	BEARING BALL	1				0.02	0.044
060	15504-63530	BEARING BALL	1				0.04	0.088
070	16871-63040	CLUTCH OVER RUNNING	1				0.72	1.584
080	15504-63030	HOUSING	1				0.385	0.847
090	16871-63020	SWITCH MAGNETIC	1				1.2	2.64
100	15501-63380	HOLDER BRUSH	1				0.075	0.165
110	15401-63390	SPRING BRUSH	4				0.003	0.0066
120	15501-63200	FRAME END	1				0.08	0.176
130	11233-63280	GEAR PISTON	1				0.1	0.22
140	19212-63100	ROLLER	5				0.002	0.0044
150	19212-63110	RETAINER	1				0.002	0.0044
160	19212-97130	BALL	1				0.003	0.0066
170	19212-63120	SPRING	1				0.004	0.0088
180	15501-96670	WASHER FELT	1				0.005	0.011
190	15501-93310	SCREW	2				0.01	0.022
200	15501-63320	BOLT THROUGH	2				0.03	0.066
210	15501-91020	BOLT	2				0.01	0.022
220	13963-92010	NUT HEXAGON	1				0.005	0.011
230	15504-63120	COVER CORD	1				0.06	0.132
240	19616-92010	NUT HEXAGON	1				0.04	0.088
250	04512-60080	WASHER SPRING	1				0.002	0.0044
260	01123-50828	BOLT	1				0.014	0.0308
270	01123-50835	BOLT	1				0.02	0.044

BATTERY



66101-136-11

010 66704-5543-0



020 66101-5542-2

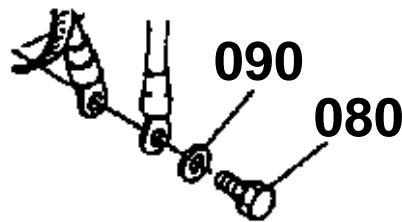
040 02014-50060

050 04512-50060

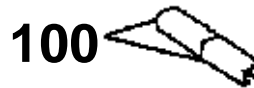


080 01123-50820

090 04013-50080



100 67211-5546-0



100 66641-5543-0



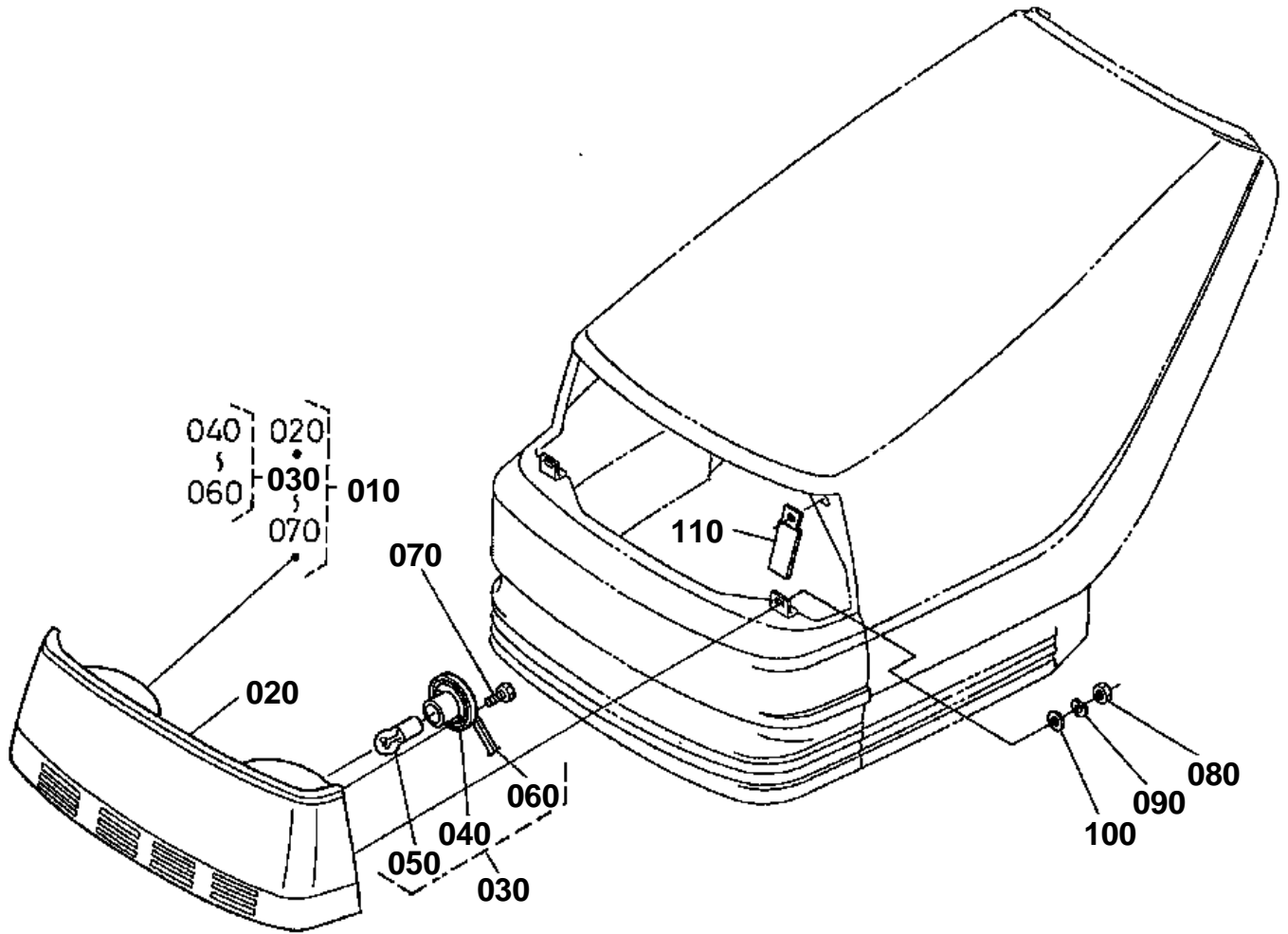
66101-840-11

**BATTERY**

↔ Interchangeable; ≠ not interchangeable; ← new for old; → old for new

REF.No	Part No.	Description	Q'ty	S.No.	I/C	REMARKS	Weight (kgf)	Weight (lb)
010	66704-55430	ASSY BATTERY	1	<=13282		[A] [CA]	9.3	20.46
010	66101-55520	ASSY BATTERY	1	>=13283	↔	[A] [CA]	0	0
010	66704-55430	ASSY BATTERY	1	<=11794		[AU] [NZ]	9.3	20.46
010	66120-55520	ASSY BATTERY	1	>=11795	←	[AU] [NZ]	0	0
010	66101-55520	ASSY BATTERY	1	>=13283	↔	[AU] [NZ]	0	0
020	66101-55422	RETAINER BATTERY	1	<=11013		[A] [CA]	0.16	0.352
020	66101-55410	RETAINER BATTERY	1	>=11014	↔	[A] [CA]	0.15	0.33
020	66101-55422	RETAINER BATTERY	1	<=11794		[AU] [NZ]	0.16	0.352
020	66101-55410	RETAINER BATTERY	1	>=11795	↔	[AU] [NZ]	0.15	0.33
030	66101-55440	BOLT BATTERY	2				0.02	0.044
040	02014-50060	NUT	2	<=11794			0.003	0.0066
040	02751-50060	NUT FLANGE	2	>=11795	←		0.005	0.011
050	04512-60060	WASHER SPRING	2	<=11794			0.001	0.0022
060	66101-55450	ASSY CORD BATTERY(+)	1	<=17317			0	0
060	66101-55452	ASSY CORD BATTERY(+)	1	>=17318	←		0.25	0.55
070	66101-55470	CORD BATTERY(-)	1				0.03	0.066
080	01123-50820	BOLT	1	<=16446			0.011	0.0242
080	01125-50822	BOLT	1	>=16447	←		0.015	0.033
090	04013-50080	WASHER PLAIN	1	<=16402			0	0
100	67211-55460	COVER BATTERY	2	>=10804			0.01	0.022
100	67211-55460	COVER BATTERY	2	<=11613			0.01	0.022
100	66641-55430	COVER BATTERY	1	>=11014		[A] [CA] [AU] [NZ]	0.07	0.154
100	66641-55430	COVER BATTERY	1	<=11794		[A] [CA] [AU] [NZ]	0.07	0.154
110	55311-41260	BAND CORD	1	>=10902			0.007	0.0154
120	66101-85900	KIT CORD(-)	1	>=15931			0.058	0.1276
130	01123-50820	BOLT	1	>=15931			0.011	0.0242
140	04013-50080	WASHER PLAIN	1	>=15931			0	0
150	04512-50080	WASHER SPRING	1	>=16647			0	0
160	02114-50080	NUT	1	>=16647			0.005	0.011

LIGHT

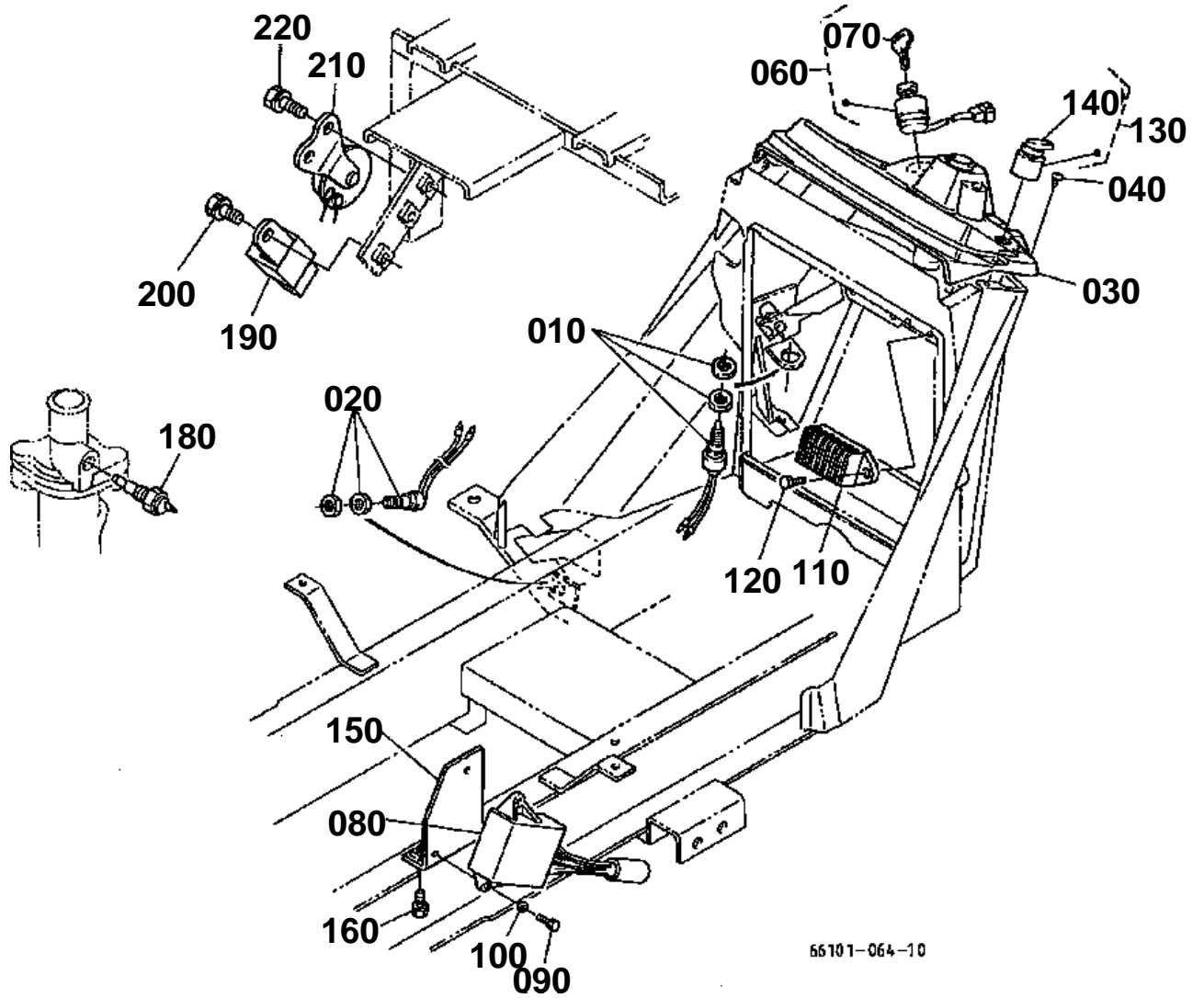


66101-063-10

**LIGHT**

↔ Interchangeable; ≠ not interchangeable; ← new for old; → old for new

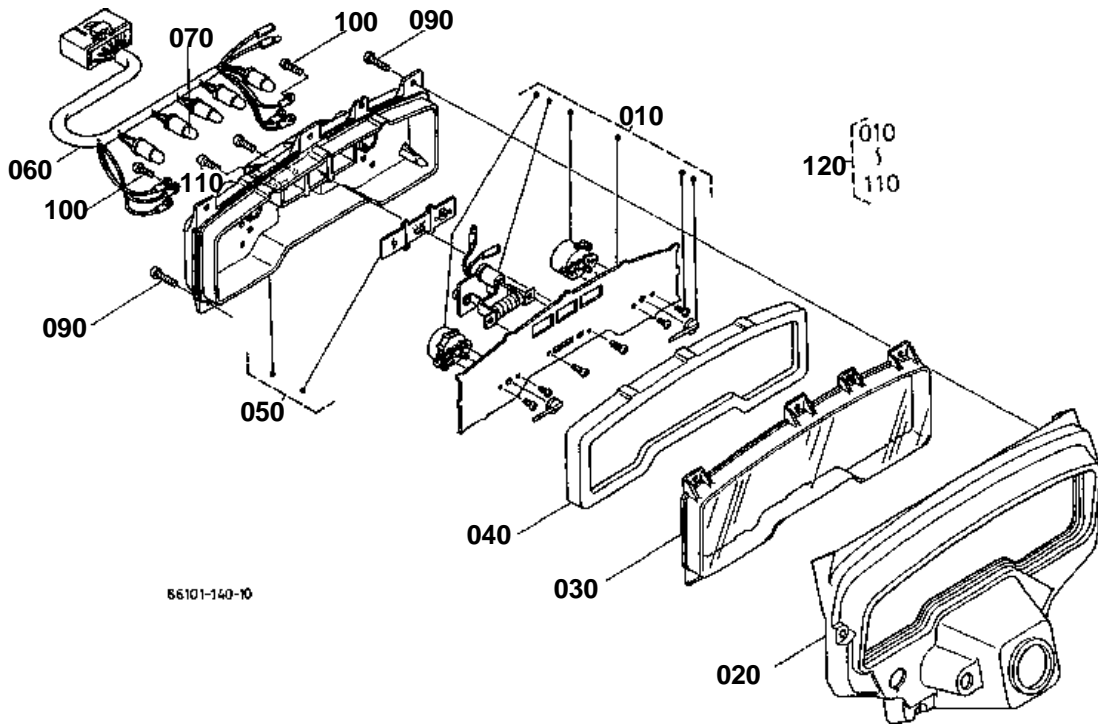
REF.No	Part No.	Description	Q'ty	S.No.	I/C	REMARKS	Weight (kgf)	Weight (lb)
010	66071-55300	ASSY LIGHT HEAD	1				0.56	1.232
020	66071-55310	COMP.LENS	1				0.5	1.1
030	66071-55320	ASSY SOCKET BULB	2				0.04	0.088
040	66071-55340	SOCKET	2				0.026	0.0572
050	66071-55350	BULB	2				0.008	0.0176
060	66071-55360	WIRE LEAD(+)	2				0.006	0.0132
070	66071-55330	SCREW TAPPING	4				0.002	0.0044
080	02014-50060	NUT	4				0.003	0.0066
090	04512-60060	WASHER SPRING	4				0.001	0.0022
100	04013-60060	WASHER PLAIN	4				0.001	0.0022
110	34150-34480	CLAMP CORD	2				0.002	0.0044



66101-064-10

↔ Interchangeable; ≠ not interchangeable; ← new for old; → old for new

REF.No	Part No.	Description	Q'ty	S.No.	I/C	REMARKS	Weight (kgf)	Weight (lb)
010	66416-55810	ASSY SWITCH SAFETY	1				0.11	0.242
020	66101-42770	SWITCH SAFETY	1	←=15082			0	0
020	66101-42772	SWITCH SAFETY	1	≥=15083	←		0.095	0.209
030	66101-55120	ASSY DASHBOARD	1	←=12365		REFER TO L. No. 0D05-L0 FOR COMPONENTS.	0	0
030	66101-55122	ASSY DASHBOARD	1	≥=12366	←	REFER TO L. No. 0D05-L0 FOR COMPONENTS.	0.93	2.046
040	66021-55230	SCREW PAN-HEAD	4	←=11689			0.005	0.011
040	66071-55130	SCREW	4	≥=11690	≠		0.01	0.022
050	66021-55260	WASHER PLAIN	4	←=11689		NOT SHOWN IN FIG.	0.001	0.0022
060	66101-55200	ASSY SWITCH STARTER	1				0.3	0.66
070	37410-55150	KEY STARTER	1				0.025	0.055
080	66101-55220	BOX COMBINATION	1	←=20703			0	0
080	66101-55920	BOX COMBINATION	1	≥=20704	↔		0.22	0.484
090	01023-50622	BOLT	2				0.005	0.011
100	04013-60060	WASHER PLAIN	2				0.001	0.0022
110	19267-64600	COMP.REGULATOR	1	←=11325			0	0
110	19267-64602	ASSY REGULATOR	1	≥=11326	←		0.188	0.4136
110	RP201-53710	ASSY REGULATOR	1	≥=16447	↔		0.185	0.407
120	01023-50632	BOLT	2				0.01	0.022
130	55311-41120	SWITCH LIGHT	1				0.05	0.11
140	67401-99120	ASSY KNOB LIGHT SW.	1				0.005	0.011
150	66101-55530	BRACKET	1				0.2	0.44
160	01123-60816	BOLT	2				0.01	0.022
170	66021-55280	WASHER SPRING	4	←=11689		NOT SHOWN IN FIG.	0.001	0.0022
180	16851-83040	SENSOR THERMO-SWITCH	1	≥=11582			0.03	0.066
190	36530-55630	RELAY	1	≥=11582			0.06	0.132
200	01025-50616	BOLT	1	≥=11582			0.005	0.011
210	54711-41550	HORN	1	≥=11582			0.18	0.396
220	01023-50612	BOLT	2	≥=11582			0.005	0.011



56101-140-10

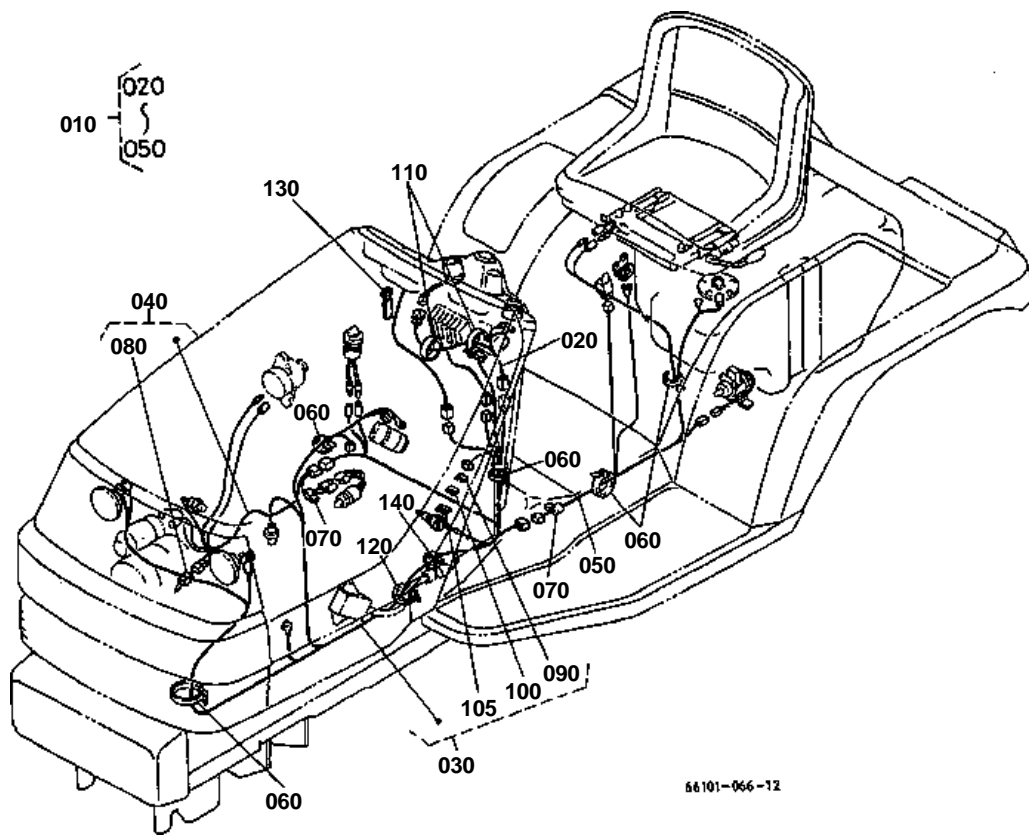


DASHBOARD

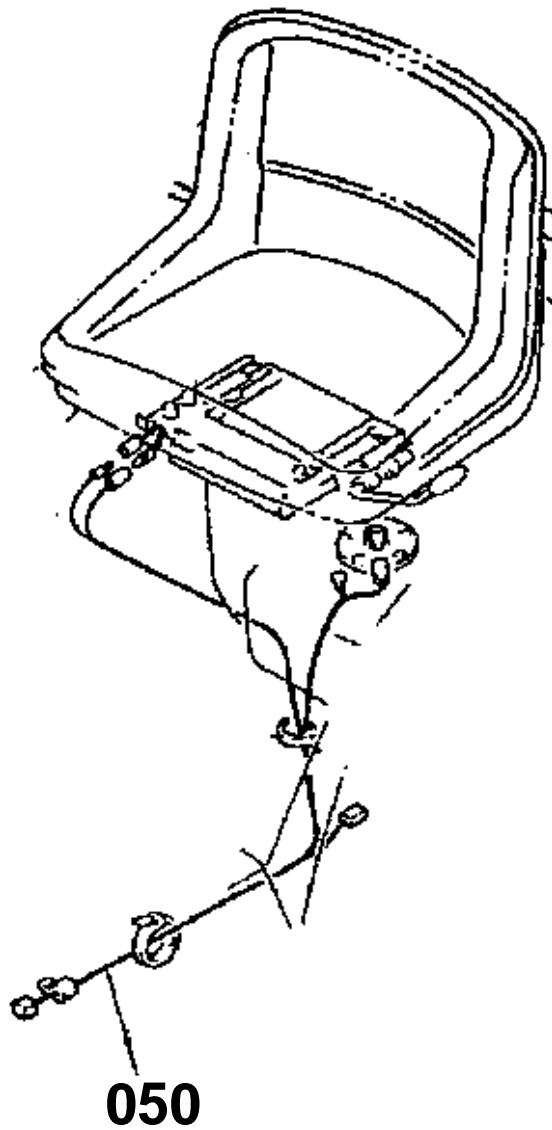
↔ Interchangeable; ≠ not interchangeable; ← new for old; → old for new

REF.No	Part No.	Description	Q'ty	S.No.	I/C	REMARKS	Weight (kgf)	Weight (lb)
010	66101-55710	ASSY METER HOUR	1				0.05	0.11
020	66101-55720	VISOR	1				0.255	0.561
030	66101-55730	GLASS	1				0.12	0.264
040	66101-55740	ASSY FRAME INSIDE	1				0.04	0.088
050	66101-55750	ASSY CASE	1				0.22	0.484
060	66101-55760	WIRE HARNESS	1				0.07	0.154
070	66101-55770	LIGHT	5				0.001	0.0022
080	66101-55780	STOPPER	1	≤14949		NOT SHOWN IN FIG.	0.001	0.0022
090	66101-55790	SCREW	6				0.002	0.0044
100	66101-55810	SCREW	6				0.001	0.0022
110	66101-55820	SCREW	2				0.003	0.0066
120	66101-55120	ASSY DASHBOARD	1	≤12365			0	0
120	66101-55122	ASSY DASHBOARD	1	≥12366	←		0.93	2.046

WIRE HARNESS



050 66101-5529-0



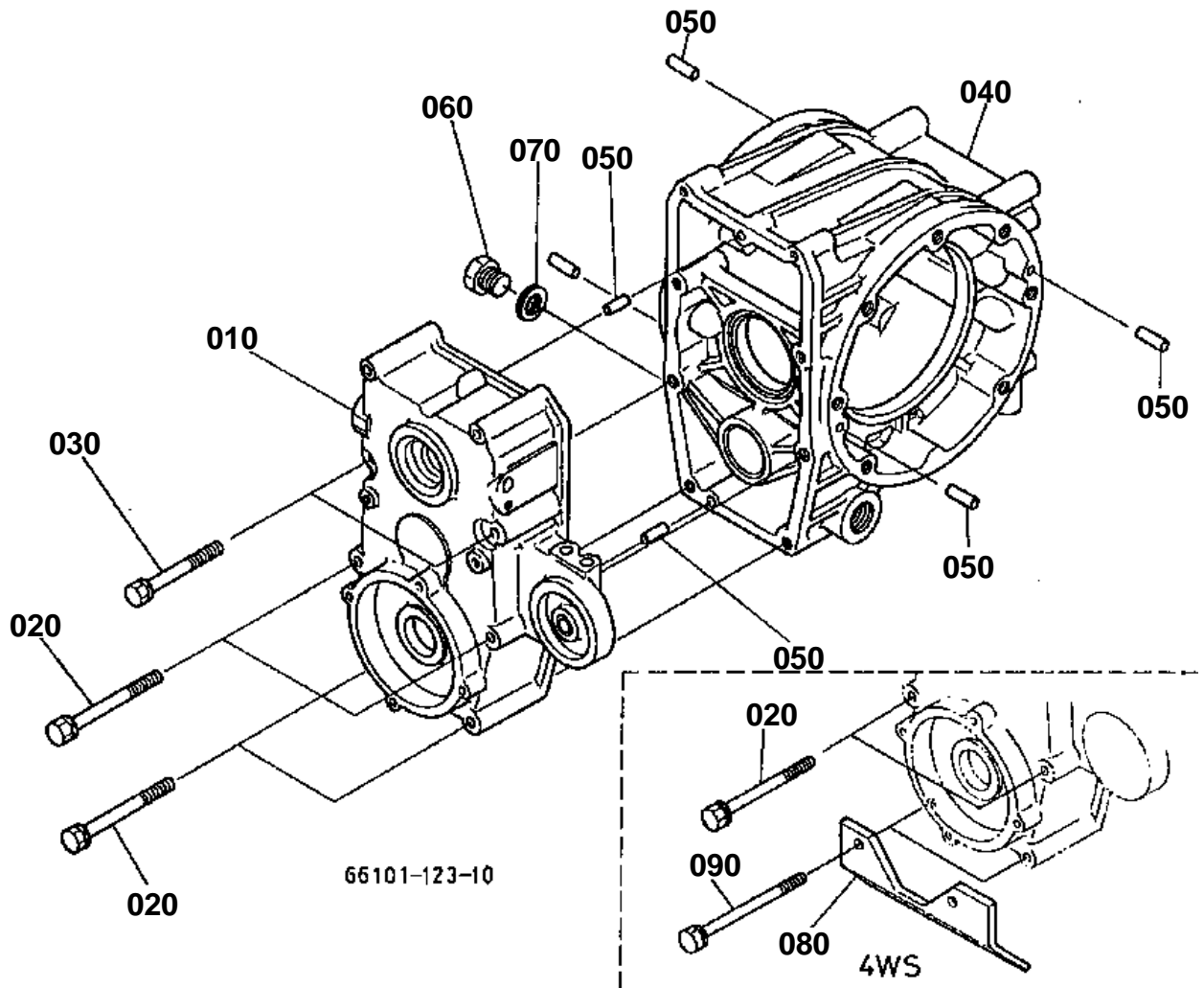
66101-820-10

**WIRE HARNESS**

↔ Interchangeable; ≠ not interchangeable; ← new for old; → old for new

REF.No	Part No.	Description	Q'ty	S.No.	I/C	REMARKS	Weight (kgf)	Weight (lb)
010	66101-55232	ASSY WIRE HARNESS	1	≤10252			0	0
010	66101-55233	ASSY WIRE HARNESS	1	≥10253	←		0	0
010	66101-55234	ASSY WIRE HARNESS	1	≥10684	←		0.83	1.826
010	66101-56530	ASSY WIRE HARNESS	1	≥11582	≠		0.9	1.98
020	66101-55260	WIRE HARNESS	1				0.09	0.198
030	66101-55270	WIRE HARNESS	1	≤11581			0.55	1.21
030	66101-56570	WIRE HARNESS	1	≥11582	≠		0.5	1.1
040	66101-55282	WIRE HARNESS	1				0.13	0.286
050	66101-55290	WIRE HARNESS	1	≤11581			0.13	0.286
050	66101-56590	WIRE HARNESS	1	≥11582	≠		0.11	0.242
060	53581-64150	BAND CORD	6	≤17147			0.002	0.0044
060	53581-64150	BAND CORD	7	≥17148			0.002	0.0044
070	66101-55250	CLAMP CORD	3				0.01	0.022
080	67111-55190	RING FUSIBLE	1	≤14778			0.005	0.011
080	55611-41620	RING FUSE	1	≥14779	←		0.007	0.0154
090	52200-41620	FUSE AUTO	1			15A	0.003	0.0066
100	36919-56650	FUSE AUTO	1			20A	0.002	0.0044
105	36730-75550	FUSE AUTO	1			10A	0.001	0.0022
110	53581-64150	BAND CORD	3	≤10252			0.002	0.0044
110	53581-64150	BAND CORD	2	≥10253			0.002	0.0044
120	44366-68770	BAND CORD	1	≤13506			0.002	0.0044
120	53581-64150	BAND CORD	1	≥13507	↔		0.002	0.0044
130	15272-67590	CLAMP CORD	1	≥10253			0.004	0.0088
140	55311-41260	BAND CORD	1	≥17148			0.007	0.0154

TRANSMISSION CASE

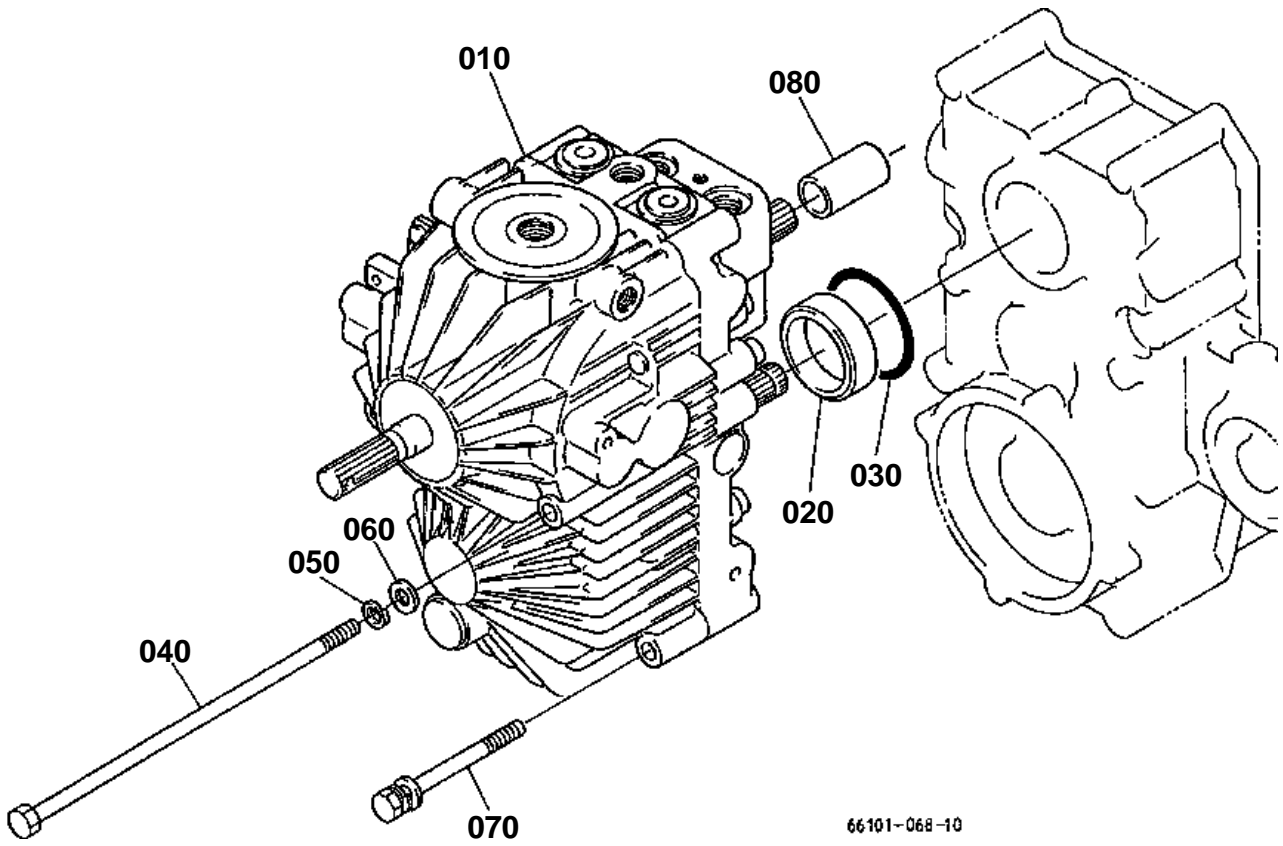




TRANSMISSION CASE

↔ Interchangeable; ≠ not interchangeable; ← new for old; → old for new

REF.No	Part No.	Description	Q'ty	S.No.	I/C	REMARKS	Weight (kgf)	Weight (lb)
010	66101-11110	COVER FRONT	1				1.6	3.52
020	01123-51085	BOLT	4				0.055	0.121
030	01123-51075	BOLT	2				0.05	0.11
040	66101-11213	CASE TRANSMISSION	1				3.81	8.382
050	05012-00816	PIN STRAIGHT	6				0.007	0.0154
060	06331-35016	PLUG	1				0.04	0.088
070	04717-01600	WASHER WITH RUBBER	1				0.003	0.0066



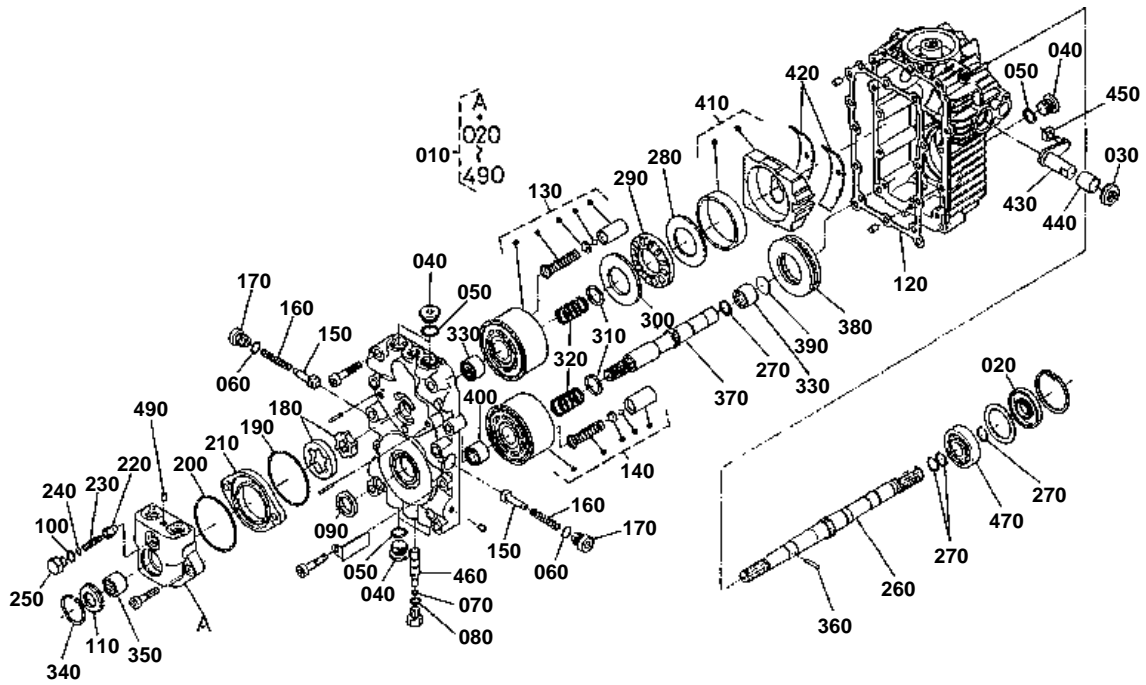
66101-068-10



HST

↔ Interchangeable; ≠ not interchangeable; ← new for old; → old for new

REF.No	Part No.	Description	Q'ty	S.No.	I/C	REMARKS	Weight (kgf)	Weight (lb)
010	66101-36010	ASSY HST	1	<=13838		REFER TO L.NO. 0D08-L0 FOR COMPONENTS.	0	0
010	66101-36015	ASSY HST	1	>=13839	←	REFER TO L.NO. 0D08-L0 FOR COMPONENTS.	12	26.4
020	66101-36020	COLLAR	1				0.06	0.132
030	04811-06470	RING	1				0.001	0.0022
040	66101-11220	BOLT	2				0.01	0.022
050	04512-60080	WASHER SPRING	2				0.002	0.0044
060	04013-50080	WASHER PLAIN	2				0	0
070	66101-11230	BOLT	2				0.02	0.044
080	66101-36030	COVER PTO	1				0.005	0.011



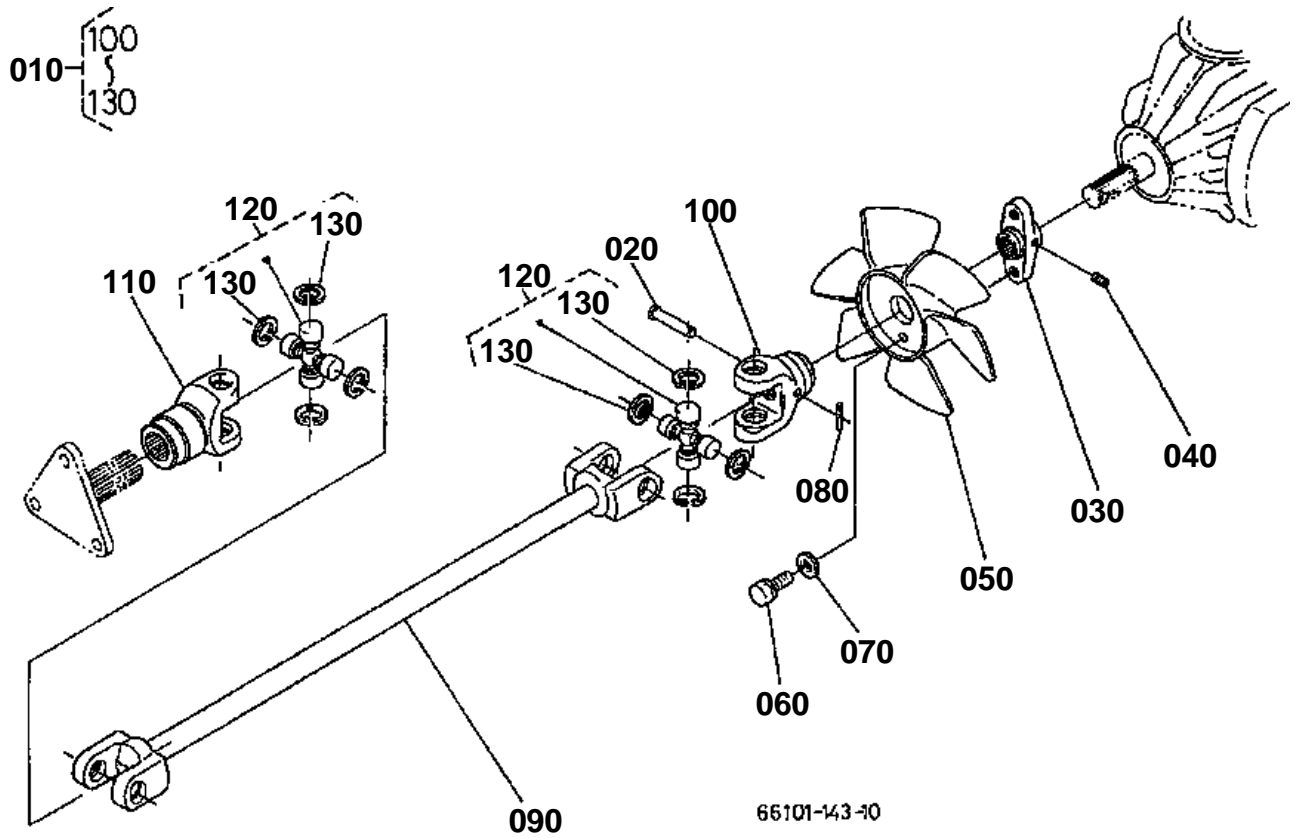
66701-013-11



HST [COMPONENT PARTS]

↔ Interchangeable; ≠ not interchangeable; ← new for old; → old for new

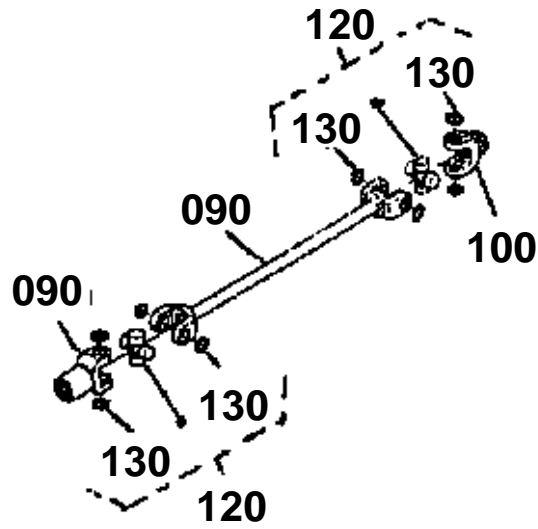
REF.No	Part No.	Description	Q'ty	S.No.	I/C	REMARKS	Weight (kgf)	Weight (lb)
010	66101-36010	ASSY HST	1	≤13838			0	0
010	66101-36015	ASSY HST	1	≥13839	←		12	26.4
020	66101-36710	SEAL OIL	1				0.02	0.044
030	66101-36720	SEAL OIL	1				0.007	0.0154
040	66101-36730	PLUG SOCKET HEAD	6				0.025	0.055
050	66101-36740	O RING	6				0.002	0.0044
060	66101-36750	O RING	2				0.002	0.0044
070	66071-83750	O RING	1				0.001	0.0022
080	66101-36770	O RING	1	≤16670			0.002	0.0044
080	66071-83760	O RING	1	≥16671	↔		0.001	0.0022
090	66101-36780	SEAL OIL	1				0.01	0.022
100	66101-36790	O RING	1				0.002	0.0044
110	66101-36810	SEAL OIL	2				0.008	0.0176
120	66101-36820	GASKET	1				0.005	0.011
130	66101-36830	KIT CYL-BLOCK PUMP	1				0.94	2.068
140	66101-36840	KIT CYL-BLOCK MOTOR	1				0.2	0.44
150	66101-36850	ORIFICE CHECK	2				0.01	0.022
160	66101-36860	SPRING CHECK	2				0.005	0.011
170	66101-36870	PLUG	2				0.02	0.044
180	66101-36880	ASSY GEROTOR	1				0.065	0.143
190	66101-36890	O RING	1				0.003	0.0066
200	66101-36910	O RING	1				0.003	0.0066
210	66101-36920	PLATE SPACER	1				0.135	0.297
220	66101-36930	CONE RELIEF VALVE	1				0.007	0.0154
230	66101-36940	SPRING RELIEF	1	≤13838			0.003	0.0066
230	66101-37450	SPRING RELIEF	1	≥13839	←		0.001	0.0022
240	66101-36950	SHIM	1				0.002	0.0044
250	66101-36960	PLUG	1				0.015	0.033
260	66101-37010	SHAFT PUMP	1				0.47	1.034
270	66101-37020	CLIP	4				0.001	0.0022
280	66101-37030	COLLAR THRUST	1				0.035	0.077
290	66101-37040	BRG THRUST ROLLER	1				0.07	0.154
300	66101-37050	COLLAR THRUST	1				0.08	0.176
310	66101-37060	WASHER PLAIN	2				0.001	0.0022
320	66101-37070	SPRING	2				0.005	0.011
330	66101-37080	BEARING NEEDLE	2				0.015	0.033
340	66101-37110	CIR CLIP INTERNAL	1				0.002	0.0044
350	66101-37120	BEARING NEEDLE	1				0.015	0.033
360	66101-37130	PIN	1				0.002	0.0044
370	66101-37210	SHAFT MOTOR	1				0.3	0.66
380	66101-37220	BEARING THRUST BALL	1				0.25	0.55
390	66101-37230	PLATE	1				0.003	0.0066
400	66101-37240	BEARING NEEDLE	1				0.017	0.0374
410	66101-37310	ASSY SWASHPLATE	1				0.75	1.65
420	66101-37320	BEARING CRADLE	2				0.02	0.044
430	66101-37330	ARM TRUNNION	1				0.075	0.165
440	66101-37340	BEARING JOURNAL	1				0.02	0.044
450	66071-36250	GUIDE THROTTLE	1				0.005	0.011
460	66101-37410	SPOOL	1				0.02	0.044
470	08101-06303	BEARING BALL	1				0.112	0.2464
480	66101-36970	HOUSING	1				0.94	2.068
490	66101-37430	PLUG	1	≤16589			0.001	0.0022
490	66101-37430	PLUG	2	≥16590			0.001	0.0022
500	66101-37510	CIR-CLIP	1				0.006	0.0132
510	66101-37520	SPACER	1				0.005	0.011
520	66071-36580	PIN STRAIGHT	2				0.002	0.0044
530	66071-36610	PLUG	1				0.013	0.0286
540	66071-36640	SCREW	10				0.017	0.0374
550	66101-37540	PIN	2				0.002	0.0044



66101-143-10

REF.NO.140 KIT JOINT, UNIVERSAL (NEW TYPE)... SEE FIG.NO.G042-2 REF.NO.150

- 090 66101-1355-0
- 100 66101-1356-0
- 110 66101-1357-0
- 120 66101-1358-0
- 130 66101-1366-0



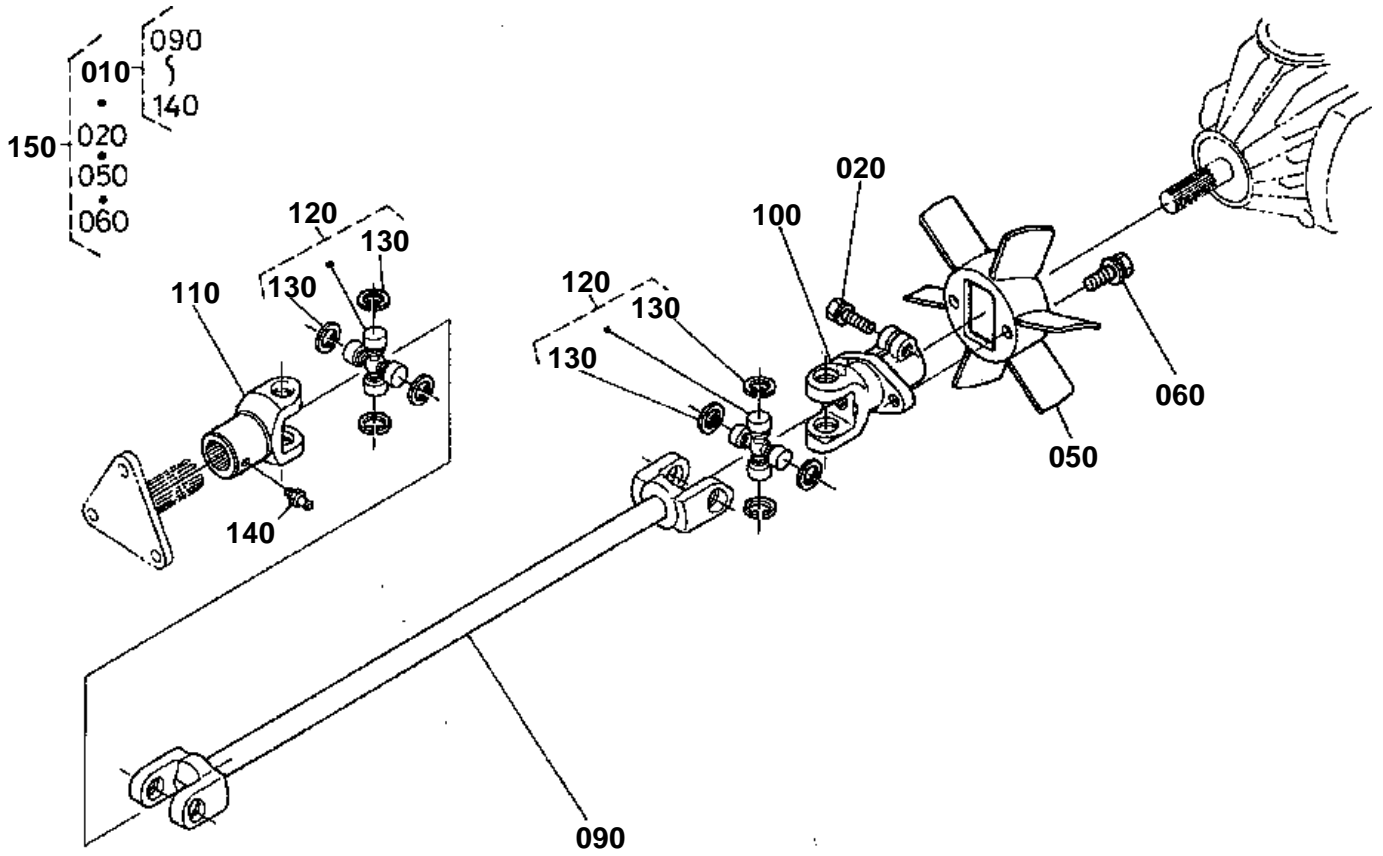
66101-843-11



UNIVERSAL JOINT/HST FAN
TO DECEMBER,1991

↔ Interchangeable; ≠ not interchangeable; ← new for old; → old for new

REF.No	Part No.	Description	Q'ty	S.No.	I/C	REMARKS	Weight (kgf)	Weight (lb)
010	66101-13510	KIT JOINT UNIVERSAL	1				1.8	3.96
020	66101-13530	PIN JOINT	1				0.015	0.033
030	66101-13520	FLANGE	1				0.08	0.176
040	03650-50608	SCREW SET	1				0.001	0.0022
050	66021-13550	FAN HST	1				0.015	0.033
060	01123-50820	BOLT	2				0.011	0.0242
070	04013-50080	WASHER PLAIN	2				0	0
080	66611-14130	PIN SET	1				0.001	0.0022
090	66101-13550	ROD	1	≤11794			0.94	2.068
090	66101-81550	ROD	1	≥11795	≠		0.96	2.112
100	66101-13560	YOKE CLAMP	1	≤11744			0.28	0.616
100	66101-81530	YOKE CLAMP	1	≥11795	≠		0.26	0.572
110	66101-13570	YOKE CLAMP	1	≥11794			0.3	0.66
110	66101-81540	YOKE SLEEVE	1	≥11795	≠		0.3	0.66
120	66101-13580	ASSY JOINT CROSS	2	≤11794			0	0
120	37410-13722	KIT JOINT	2	≥11795	≠		0.18	0.396
130	66101-13660	RING SNAP	8	≤11794			0	0
130	37410-13760	CIRCLIP EXTERNAL	8	≥11795	≠		0.002	0.0044



66101-069-10

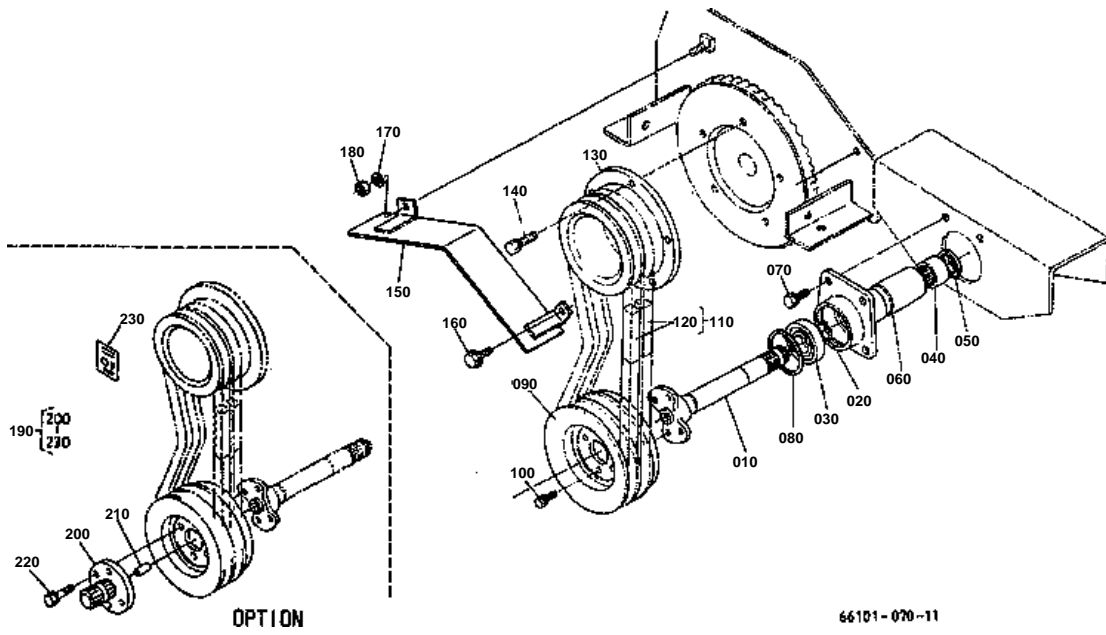


UNIVERSAL JOINT/HST FAN
FROM JANUARY,1992

↔ Interchangeable; ≠ not interchangeable; ← new for old; → old for new

REF.No	Part No.	Description	Q'ty	S.No.	I/C	REMARKS	Weight (kgf)	Weight (lb)
010	66101-13600	ASSY JOINT UNIVERSAL	1				1.98	4.356
020	01123-50830	BOLT	1				0.015	0.033
050	66101-13540	FAN HST	1				0.07	0.154
060	01125-50818	BOLT	2				0.015	0.033
090	66101-81550	ROD	1				0.96	2.112
100	66101-81630	YOKE CLAMP	1				0.385	0.847
110	66101-81640	YOKE SLEEVE	1				0.285	0.627
120	37410-13722	KIT JOINT	2				0.18	0.396
130	37410-13760	CIRCLIP EXTERNAL	8				0.002	0.0044
140	67211-42940	NIPPLE GREASE	1				0.001	0.0022
150	66101-81810	KIT JOINT UNIVERSAL	1			S.No. >=10001	2.1	4.62

PTO SHAFT



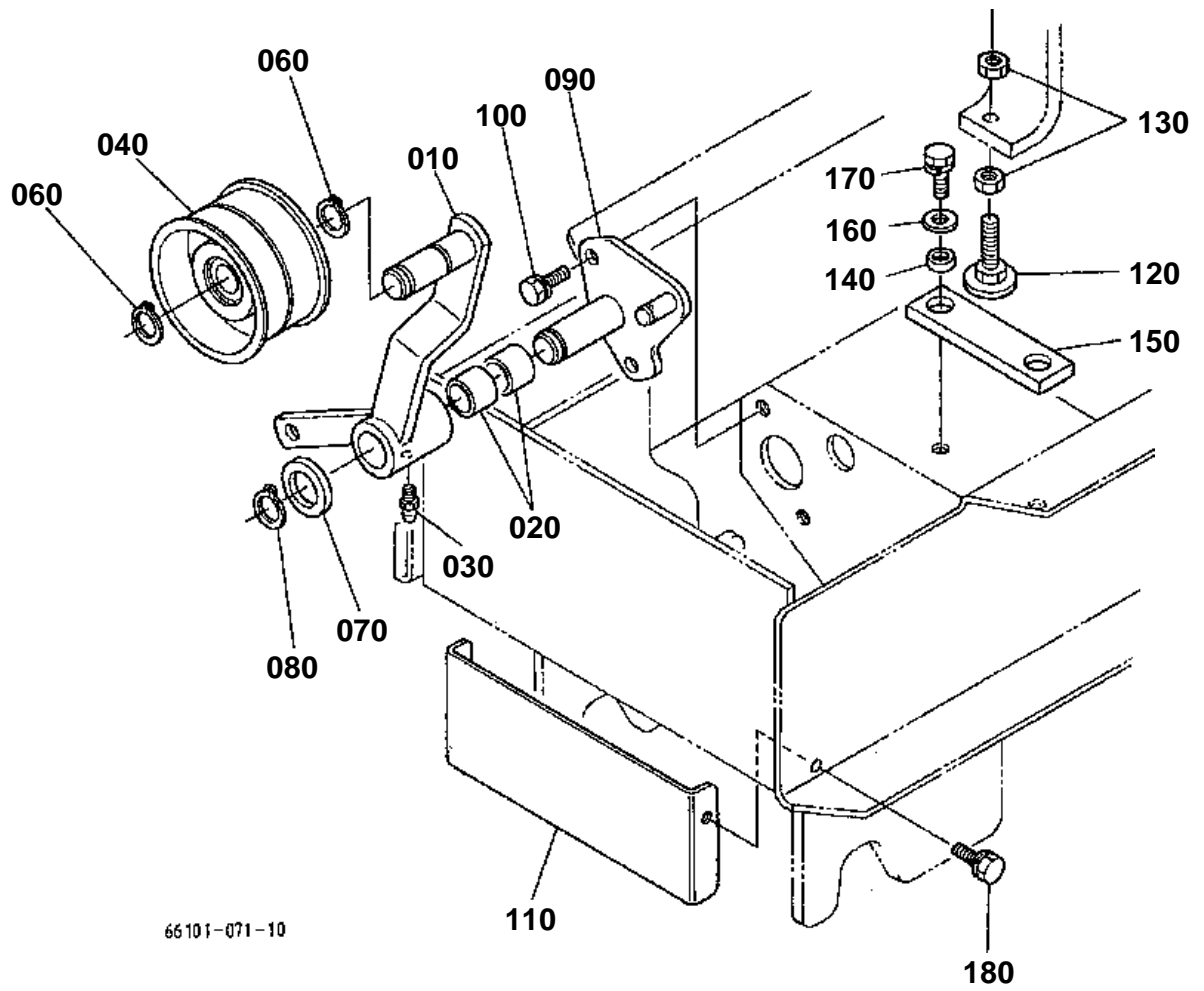


PTO SHAFT

↔ Interchangeable; ≠ not interchangeable; ← new for old; → old for new

REF.No	Part No.	Description	Q'ty	S.No.	I/C	REMARKS	Weight (kgf)	Weight (lb)
010	66101-25010	SHAFT PTO	1				0.84	1.848
020	04612-00250	CIRCLIP EXTERNAL	1				0.002	0.0044
030	08131-06205	BEARING BALL	1				0.13	0.286
040	08812-53220	BEARING NEEDLE	1				0.03	0.066
050	66101-25030	SEAL OIL	1				0.01	0.022
060	66021-25042	SUPPORT FRONT AXLE	1				0.85	1.87
070	01133-51020	BOLT	4				0.02	0.044
080	04611-00520	CIR CLIP INTERNAL	1				0.009	0.0198
090	66101-25050	PULLEY	1				1.6	3.52
100	01123-60816	BOLT	4				0.01	0.022
110	66101-25000	ASSY BELT V(W)	1				0.3	0.66
120	66101-25080	BELT V(W)	2				0.15	0.33
130	66101-58060	PULLEY DRIVE	1				2.34	5.148
140	01123-50822	BOLT	5				0.012	0.0264
150	66021-25070	COVER FLYWHEEL	1	<=13838			0	0
150	66021-25076	COVER FLYWHEEL	1	>=13839	←		0.2	0.44
160	01123-50820	BOLT	1	<=16646			0.011	0.0242
160	01754-50816	BOLT FLANGE	1	>=16647	↔		0.011	0.0242
170	04512-60080	WASHER SPRING	1				0.002	0.0044
180	02114-50080	NUT	1				0.005	0.011
190	66101-82500	KIT PTO FRONT	1			OPTION	0.45	0.99
200	66101-82510	SHAFT PTO	1			OPITON	0.26	0.572
210	05012-00820	PIN STRAIGHT	1			OPITON	0.008	0.0176
220	01123-50828	BOLT	4			OPTION	0.014	0.0308
230	66101-82520	MANUAL ASSEMBLY	1			OPTION	0.01	0.022

TENSION PULLEY



66101-071-10

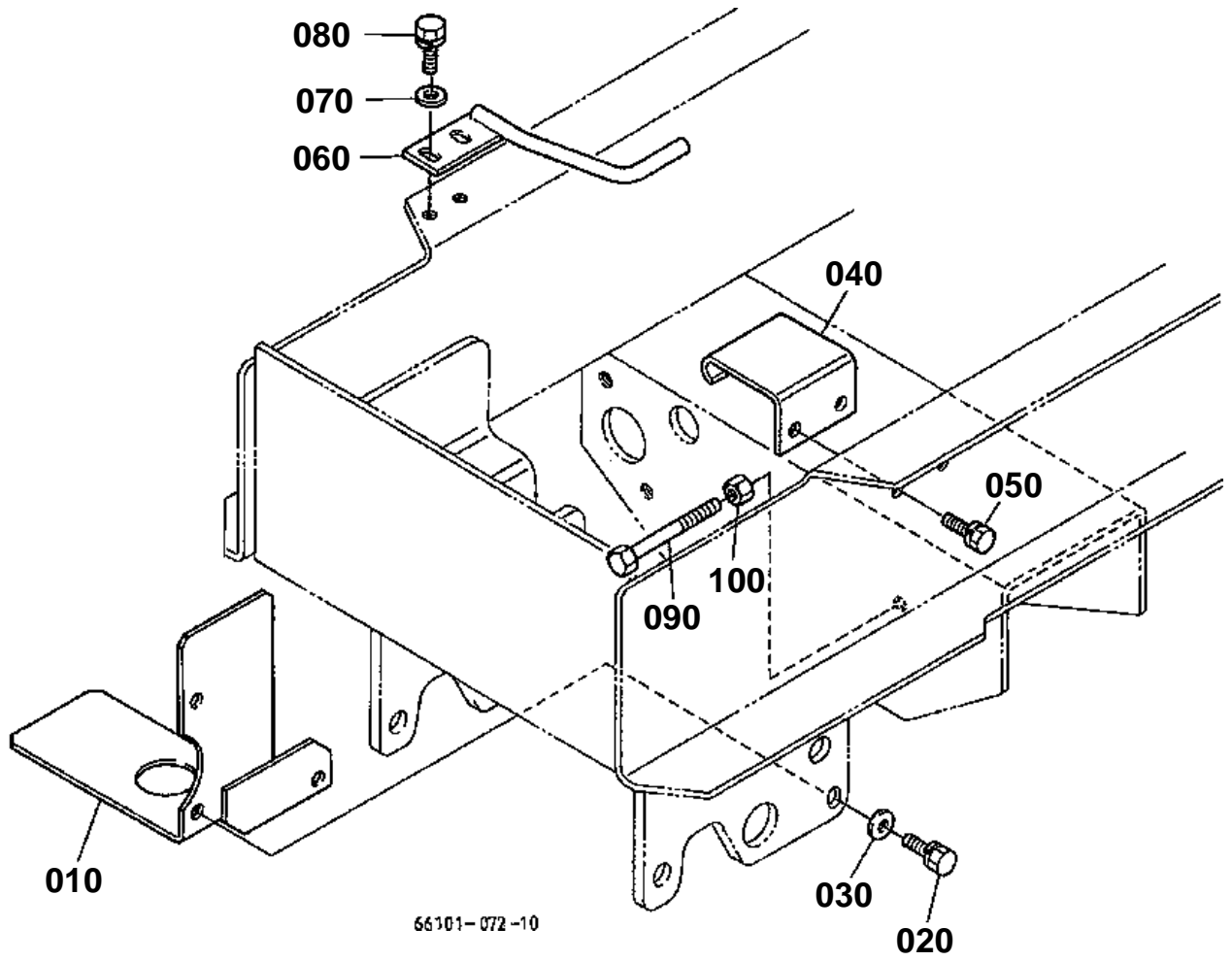


TENSION PULLEY

↔ Interchangeable; ≠ not interchangeable; ← new for old; → old for new

REF.No	Part No.	Description	Q'ty	S.No.	I/C	REMARKS	Weight (kgf)	Weight (lb)
010	66101-25120	ARM TENSION	1				0.4	0.88
020	08511-01815	BUSH	2				0.007	0.0154
030	67211-42940	NIPPLE GREASE	1				0.001	0.0022
040	66021-25190	ASSY PULLEY TENSION	1	<=15424			0	0
040	52500-11152	PULLEY TENSION	1	>=15425	←		0.3	0.66
060	04612-00170	CIRCLIP EXTERNAL	2				0.001	0.0022
070	66591-14220	COLLAR	1				0.008	0.0176
080	04612-00180	CIRCLIP EXTERNAL	1				0.001	0.0022
090	66101-25130	SHAFT TENSION ARM	1				0.24	0.528
100	01123-60816	BOLT	2				0.01	0.022
110	66101-25140	COVER PULLEY	1				0.1	0.22
120	66021-25160	BOLT SET	1				0.034	0.0748
130	02116-50100	NUT	2				0.004	0.0088
140	66021-25180	COLLAR	2				0.002	0.0044
150	66021-25170	STOPPER	1				0.01	0.022
160	04013-50080	WASHER PLAIN	2				0	0
170	01123-60816	BOLT	2				0.01	0.022
180	01023-50616	BOLT	2				0.005	0.011

BELT RETAINER

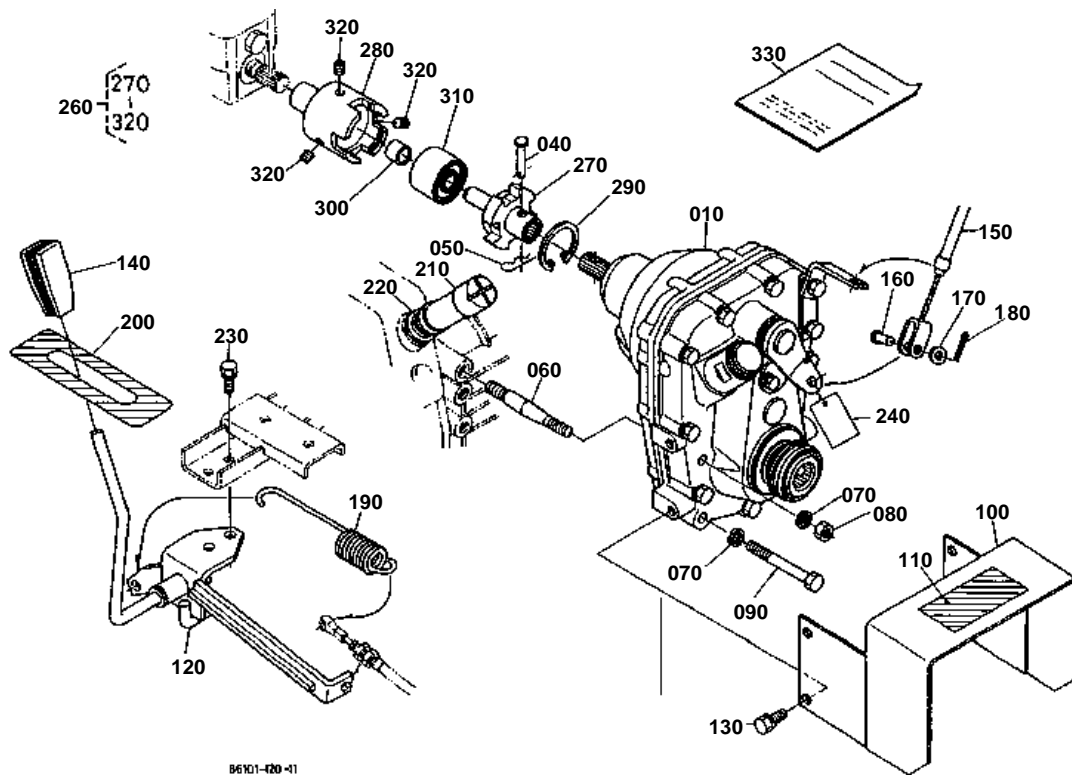


**BELT RETAINER**

↔ Interchangeable; ≠ not interchangeable; ← new for old; → old for new

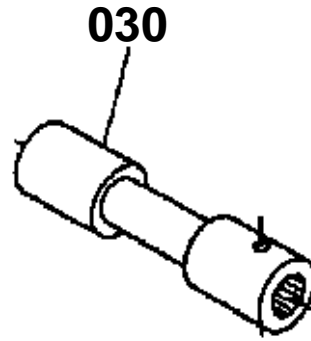
REF.No	Part No.	Description	Q'ty	S.No.	I/C	REMARKS	Weight (kgf)	Weight (lb)
010	66101-25110	STAY BELT	1				0.3	0.66
020	01123-50820	BOLT	2				0.011	0.0242
030	04013-50080	WASHER PLAIN	2				0	0
040	66101-25210	RETAINER BELT	1				0.1	0.22
050	01123-60816	BOLT	2	≤16646			0.01	0.022
050	01123-50818	BOLT	2	≥16647	↔		0.012	0.0264
060	66101-25220	RETAINER BELT	1				0.1	0.22
070	04013-50080	WASHER PLAIN	2				0	0
080	01123-50820	BOLT	2				0.011	0.0242
090	01153-50880	BOLT	1				0.03	0.066
100	02114-50080	NUT	1				0.005	0.011

REAR PTO



66101-120-11

030 79840-2241-0



66101-823-10

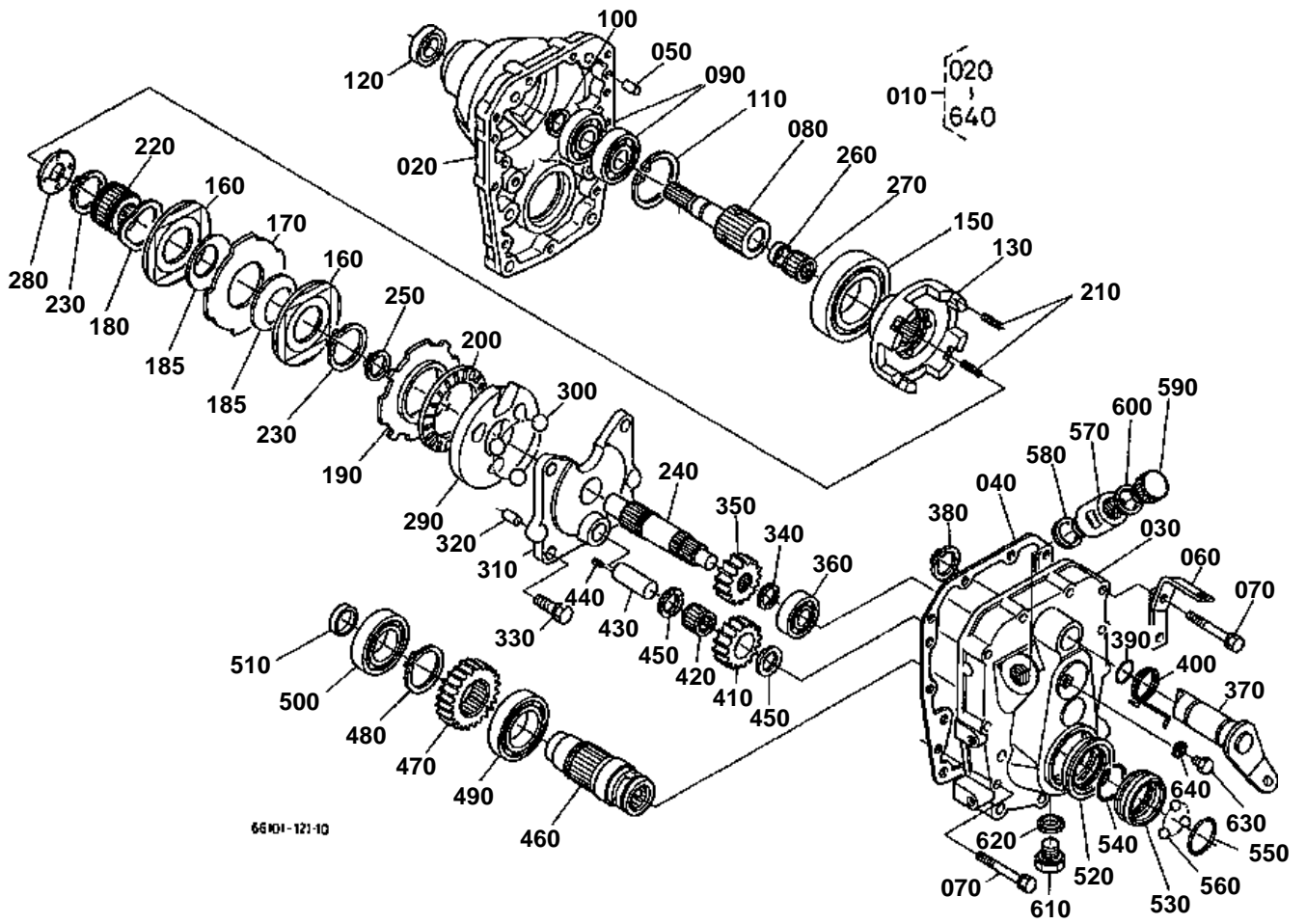


REAR PTO

↔ Interchangeable; ≠ not interchangeable; ← new for old; → old for new

REF.No	Part No.	Description	Q'ty	S.No.	I/C	REMARKS	Weight (kgf)	Weight (lb)
010	79840-22200	ASSY PTO REAR	1	≤13508		REFER TO L.No. 0D12-R0 FOR COMPONENTS.	0	0
010	79840-22203	ASSY PTO REAR	1	≥13509	←	REFER TO L.No. 0D12-R0 FOR COMPONENTS.	17.7	38.94
030	79840-22410	SHAFT DRIVE	1	≤13507			0.27	0.594
040	66611-14120	PIN JOINT	1				0	0
050	66611-14130	PIN SET	1				0.001	0.0022
060	79840-22420	BOLT STUD	2				0.067	0.1474
070	04512-60100	WASHER SPRING	4				0.002	0.0044
080	02118-50100	NUT	2				0.005	0.011
090	01153-51075	BOLT	2				0.045	0.099
100	79840-22430	COVER PTO SHAFT	1				1	2.2
110	35200-25340	LABEL PTO WARNING	1				0.002	0.0044
120	79840-22440	LEVER CLUTCH	1	≤13508			0.6	1.32
120	79840-22443	LEVER CLUTCH	1	≥13509	≠		0.75	1.65
130	01123-50820	BOLT	2				0.011	0.0242
140	55611-31460	GRIP LEVER	1				0.03	0.066
150	79840-22450	WIRE CLUTCH	1	≤13508			0.3	0.66
150	79840-22453	WIRE CLUTCH	1	≥13509	≠		0.18	0.396
160	05122-50818	PIN JOINT	1				0.008	0.0176
170	04012-50080	WASHER PLAIN	1				0.001	0.0022
180	05511-50215	PIN SPLIT	1				0.001	0.0022
190	79840-22460	SPRING LUTCH	1	≤13508			0.055	0.121
190	79840-22462	SPRING LUTCH	1	≥13509	≠		0.074	0.1628
200	79840-22470	LABEL REAR PTO	1				0.012	0.0264
210	79840-22480	PLUG	1				0.39	0.858
220	04717-02150	WASHER WITH RUBBER	1				0.004	0.0088
230	01123-50820	BOLT	2				0.011	0.0242
240	79840-22490	CARD CAUTION	1	≤13508			0.001	0.0022
240	79840-22493	CARD CAUTION	1	≥13509	≠		0.001	0.0022
260	79840-22610	ASSY COUPLING	1	≥13509			0.84	1.848
270	79840-22620	BOSS DAMPER	1	≥13509			0.29	0.638
280	79840-22630	HOUSING	1	≥13509			0.46	1.012
290	04611-00450	CIR CLIP INTERNAL	1	≥13509			0.01	0.022
300	08511-01410	BUSH	1	≥13509			0.005	0.011
310	79840-22650	BUSH	1	≥13509			0.07	0.154
320	03650-50606	SCREW SET	3	≥13509			0.002	0.0044
330	79840-22513	MANUAL ASSEMBLY	1			OPTION	0	0

REAR PTO [COMPONENT PARTS]



080 79840-2215-0

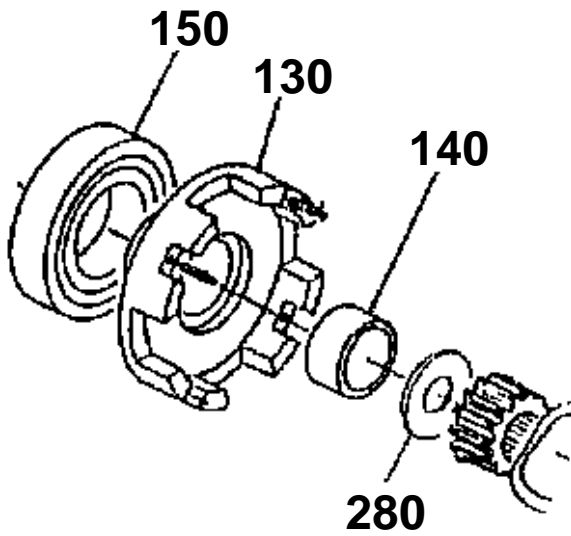
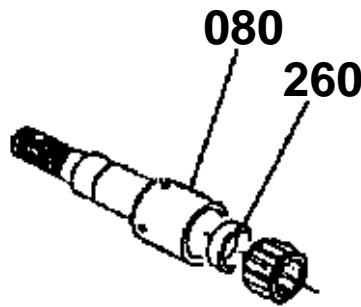
130 79840-2216-0

140 79840-2217-0

150 08101-06010

260 96387-1153-0

280 79840-2223-0



66101-824-10



REAR PTO [COMPONENT PARTS]

↔ Interchangeable; ≠ not interchangeable; ← new for old; → old for new

REF.No	Part No.	Description	Q'ty	S.No.	I/C	REMARKS	Weight (kgf)	Weight (lb)
010	79840-22200	ASSY PTO	1	≤13508			0	0
010	79840-22203	ASSY PTO	1	≥13509	←		17.7	38.94
020	79840-22110	CASE REAR PTO	1	≤13508			4.2	9.24
020	79840-22113	CASE REAR PTO	1	≥13509	≠		4.89	10.758
030	79840-22120	CASE REAR PTO	1				4.3	9.46
040	79840-22130	GASKET PTO CASE	1				0.007	0.0154
050	05012-00818	PIN STRAIGHT	2				0.008	0.0176
060	79840-22140	SUPPORT WIRE	1	≤13508			0	0
060	79840-22142	SUPPORT WIRE	1	≥13509	←		0.1	0.22
070	01123-50855	BOLT	10				0.02	0.044
080	79840-22150	SHAFT DRIVE	1	≤13508			0.29	0.638
080	79840-22154	SHAFT DRIVE	1	≥13509	≠		0.37	0.814
090	08101-06204	BEARING BALL	2				0.102	0.2244
100	04612-00200	CIRCLIP EXTERNAL	1				0.001	0.0022
110	04611-00470	CIRCLIP EXTERNAL	1				0.006	0.0132
120	09500-20358	SEAL OIL	1				0.01	0.022
130	79840-22160	WHEEL CLUTCH	1	≤13508			0.64	1.408
130	79840-22164	WHEEL CLUTCH	1	≥13509	≠		0.86	1.892
140	79840-22170	CLUTCH ONEWAY	1	≤13508			0.04	0.088
150	08101-06010	BEARING BALL	1	≤13508			0.262	0.5764
150	08101-06210	BEARING BALL	1	≥13509	≠		0.45	0.99
160	67711-22352	DISK	2				0.14	0.308
170	96387-11350	PLATE FRICTION	1				0.12	0.264
180	79840-22190	SPRING RETURN	1				0.005	0.011
185	79840-22520	SPRING PLATE	2				0.001	0.0022
190	96387-11330	PLATE BEARING	1				0.2	0.44
200	96387-11340	BRG THRUST ROLLER	1				0.08	0.176
210	96387-11370	SPRING	4				0.001	0.0022
220	79840-22210	BOSS SPLINE	1	≤11782			0.12	0.264
220	79840-22212	BOSS SPLINE	1	≥11783	≠		0.12	0.264
230	04612-00400	CIR-CRIP EXTERNAL	1	≤11782			0.005	0.011
230	04612-00400	CIR-CRIP EXTERNAL	2	≥11783	≠		0.005	0.011
240	79840-22220	SHAFT SPROCKET	1	≤11782			0	0
240	79840-22222	SHAFT SPROCKET	1	≥11783	←		0.34	0.748
250	04612-00250	CIRCLIP EXTERNAL	1				0.002	0.0044
260	96387-11530	COLLAR DISTANCE	1	≤13508			0.01	0.022
260	79840-22550	COLLAR	1	≥13509	≠		0.01	0.022
270	08821-82420	BEARING NEEDLE	1				0.02	0.044
280	79840-22230	COLLAR	1	≤13508			0.025	0.055
280	79840-22234	COLLAR	1	≥13509	←		0.022	0.0484
290	96387-11360	ACTUATOR	1				0.75	1.65
300	07715-00805	BALL	3				0.016	0.0352
310	79840-22240	SUPPORT ACTUATOR	1				1.1	2.42
320	05012-00818	PIN STRAIGHT	2				0.008	0.0176
330	01123-51030	BOLT	4				0.025	0.055
340	79840-22540	COLLAR	1				0.005	0.011
350	79840-22250	GEAR	1			15T	0.13	0.286
360	67311-14270	BEARING BALL	1				0.09	0.198
370	79840-22260	LEVER CAM	1				0.44	0.968
380	04612-00250	CIRCLIP EXTERNAL	1				0.002	0.0044
390	04811-00210	O RING	1				0.001	0.0022
400	79840-22270	SPRING	1	≤13508			0.015	0.033
400	79840-22273	SPRING	1	≥13509	≠		0.016	0.0352
410	79840-22280	GEAR	1			16T	0.12	0.264
420	79840-22290	BEARING NEEDLE	1				0.02	0.044
430	79840-22310	SHAFT IDLE	1	≤11782			0	0
430	79840-22312	SHAFT IDLE	1	≥11783	←		0.08	0.176
440	05411-00412	PIN SPRING	1				0.001	0.0022

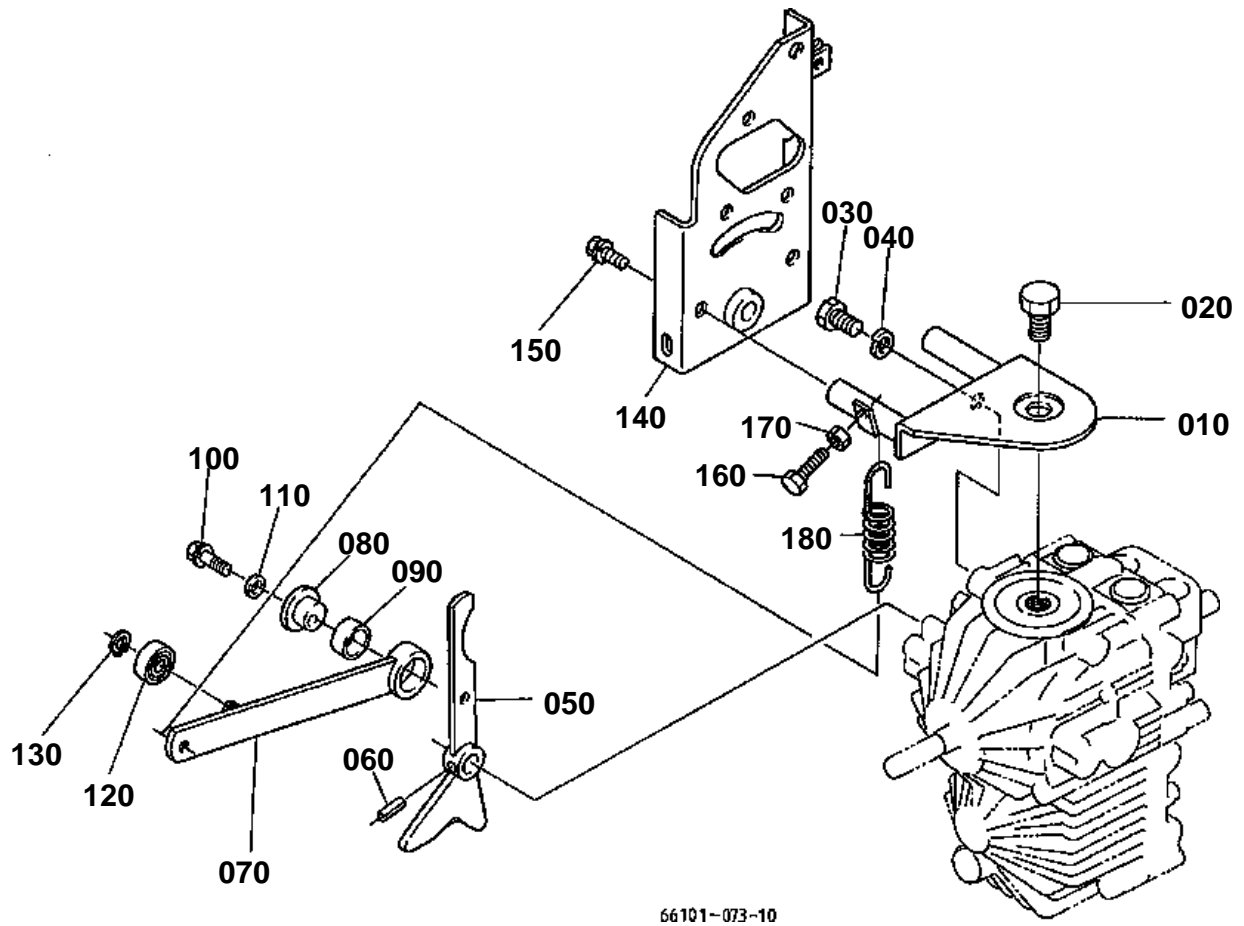


REAR PTO [COMPONENT PARTS]

↔ Interchangeable; ≠ not interchangeable; ← new for old; → old for new

REF.No	Part No.	Description	Q'ty	S.No.	I/C	REMARKS	Weight (kgf)	Weight (lb)
450	67111-14970	COLLAR	2				0.007	0.0154
460	79840-22320	SHAFT REAR PTO	1				0.52	1.144
470	79840-22330	GEAR	1				0.26	0.572
480	04612-00400	CIRCLIP EXTERNAL	1				0.005	0.011
490	08101-06008	BEARING BALL	1				0.19	0.418
500	79840-22340	BEARING BALL	1				0.14	0.308
510	16241-96260	PLUG	1				0	0
520	37300-11430	SEAL OIL	1				0.05	0.11
530	79840-21140	COLLAR STOP	1				0.06	0.132
540	79840-21150	STOPPER	1				0.003	0.0066
550	79840-21160	STOPPER	1				0.005	0.011
560	07715-00803	BALL	3				0.004	0.0088
570	79840-22350	FILLER OIL	1				0.2	0.44
580	04714-00400	GASKET	1				0.003	0.0066
590	06314-50040	PLUG OIL FILLER	1				0.016	0.0352
600	04713-00400	GASKET	1				0.001	0.0022
610	06331-35016	PLUG	1				0.04	0.088
620	04717-01600	WASHER WITH RUBBER	1				0.003	0.0066
630	01053-50610	BOLT	1				0.004	0.0088
640	04717-00600	WASHER WITH RUBBER	1				0.001	0.0022

CRUISE CONTROL PLATE



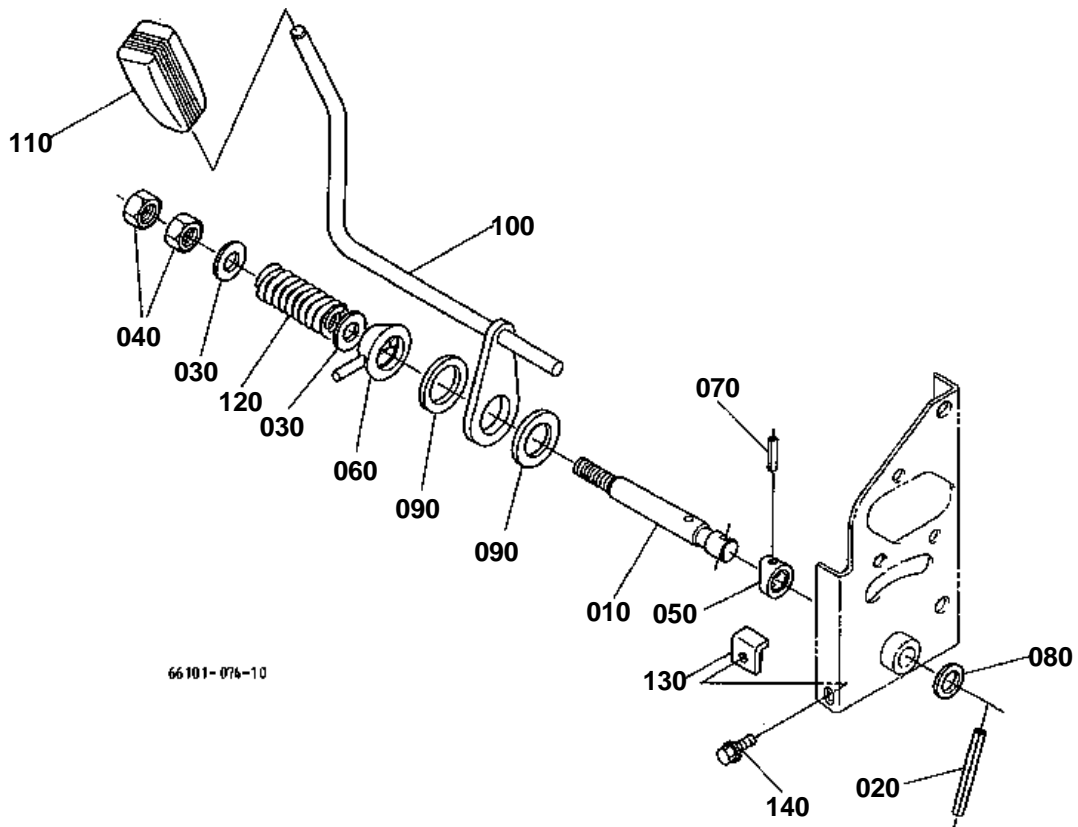
66101-073-10

**CRUISE CONTROL PLATE**

↔ Interchangeable; ≠ not interchangeable; ← new for old; → old for new

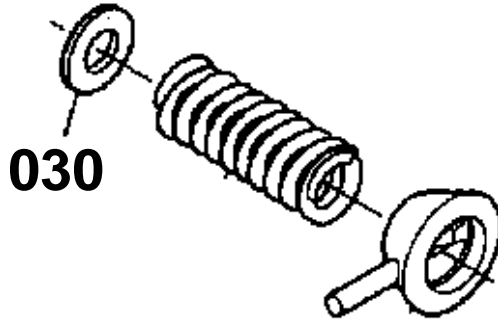
REF.No	Part No.	Description	Q'ty	S.No.	I/C	REMARKS	Weight (kgf)	Weight (lb)
010	66101-36110	PLATE CONTROL PANEL	1				0.44	0.968
020	66101-36120	PLUG OIL FILLER	1				0.07	0.154
030	66101-36140	BOLT	1				0.04	0.088
040	04512-60140	WASHER SPRING	1				0.006	0.0132
050	66101-36150	ARM SPEED CHANGE	1	≤10369			0	0
050	66101-36153	ARM SPEED CHANGE	1	≥10370	←		0.185	0.407
060	05411-00630	PIN SPRING	1				0.004	0.0088
070	66101-36160	ARM NEUTRAL	1				0.2	0.44
080	66204-43352	SHAFT HOLDER	1				0.072	0.1584
090	66204-43572	BUSH	1				0.003	0.0066
100	01123-50832	BOLT	1				0.016	0.0352
110	04012-50080	WASHER PLAIN	1				0.001	0.0022
120	08121-06000	BEARING BALL	1				0.02	0.044
130	04612-00100	CIRCLIP EXTERNAL	1				0.001	0.0022
140	66101-36170	PLATE CRUISE CONTROL	1				0.66	1.452
150	01123-51020	BOLT	2				0.02	0.044
160	01155-60835	BOLT	1				0.015	0.033
170	02112-50080	NUT	1				0.003	0.0066
180	66101-36183	SPRING NEUTRAL ARM	1				0.025	0.055

CRUISE CONTROL LEVER



66101-076-10

030 04013-50120



66101-808-10

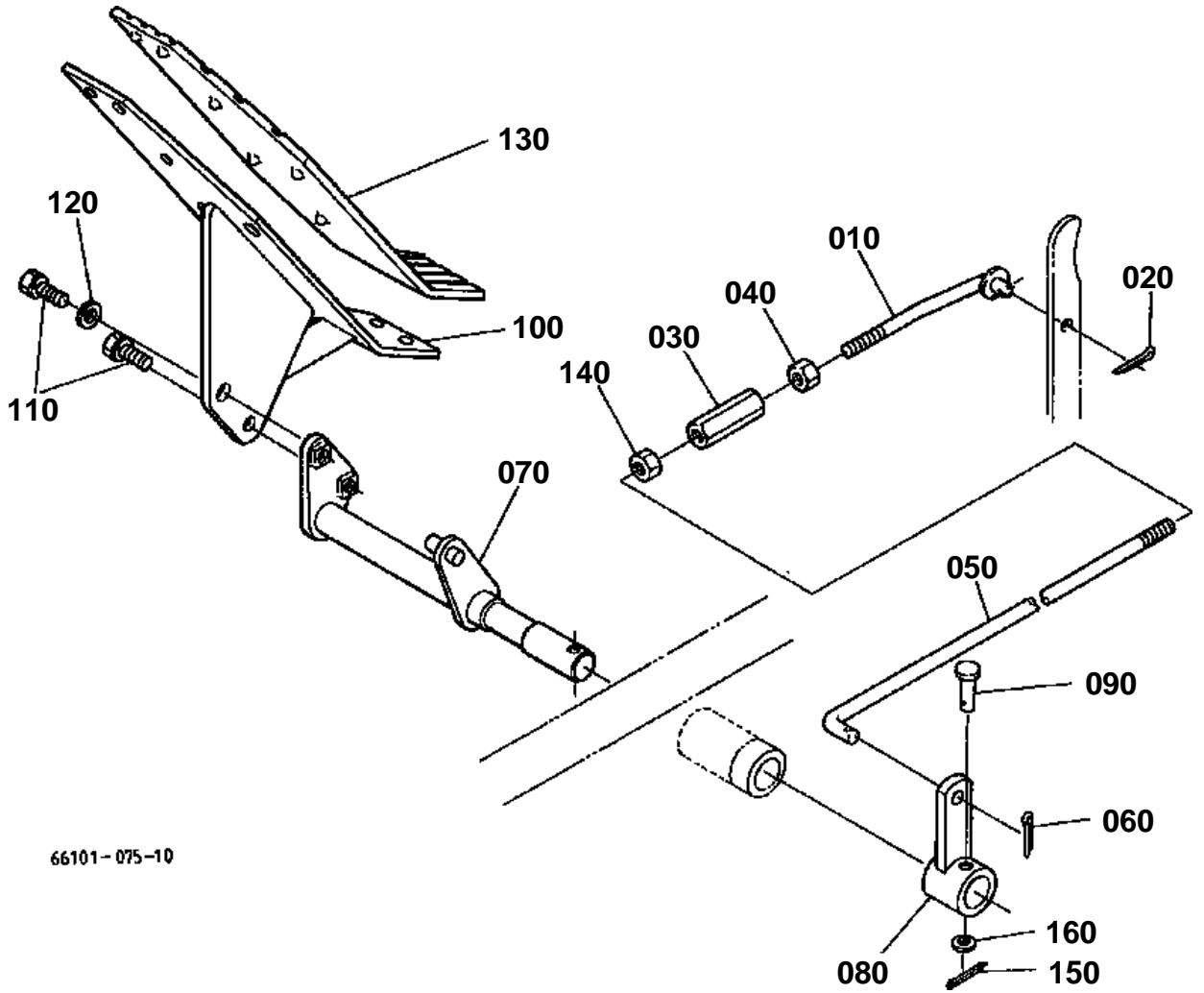


CRUISE CONTROL LEVER

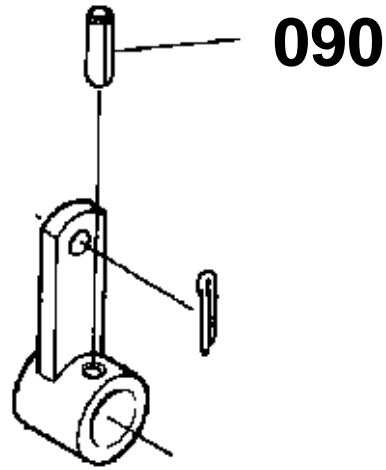
↔ Interchangeable; ≠ not interchangeable; ← new for old; → old for new

REF.No	Part No.	Description	Q'ty	S.No.	I/C	REMARKS	Weight (kgf)	Weight (lb)
010	66101-42312	SHAFT CRUISE CONTROL	1				0.15	0.33
020	05411-00880	PIN SPRING	1				0.019	0.0418
030	04013-50120	WASHER PLAIN	1	≤13506			0	0
030	04013-50120	WASHER PLAIN	2	≥13507			0	0
040	02174-50120	NUT	2				0.01	0.022
050	66101-42320	CAM	1				0.01	0.022
060	66101-42330	CAM	1				0.1	0.22
070	05411-00622	PIN SPRING	1				0.003	0.0066
080	66101-42340	WASHER	1				0.01	0.022
090	66101-42350	DISK FRICTION	2	≤10683			0	0
090	66101-42352	DISK FRICTION	2	≥10684	←		0.002	0.0044
100	66101-42360	LEVER CRUISE CONTROL	1				0.34	0.748
110	55611-31460	GRIP LEVER	1				0.03	0.066
120	66101-42370	SPRING CRUISE CONTRL	1				0.1	0.22
130	66101-42380	PLATE	1				0.003	0.0066
140	01759-50816	BOLT UBS	1	≤15343			0.01	0.022
140	01125-50820	BOLT	1	≥15344	←		0	0

SPEED CONTROL PEDAL



090 05411-00630



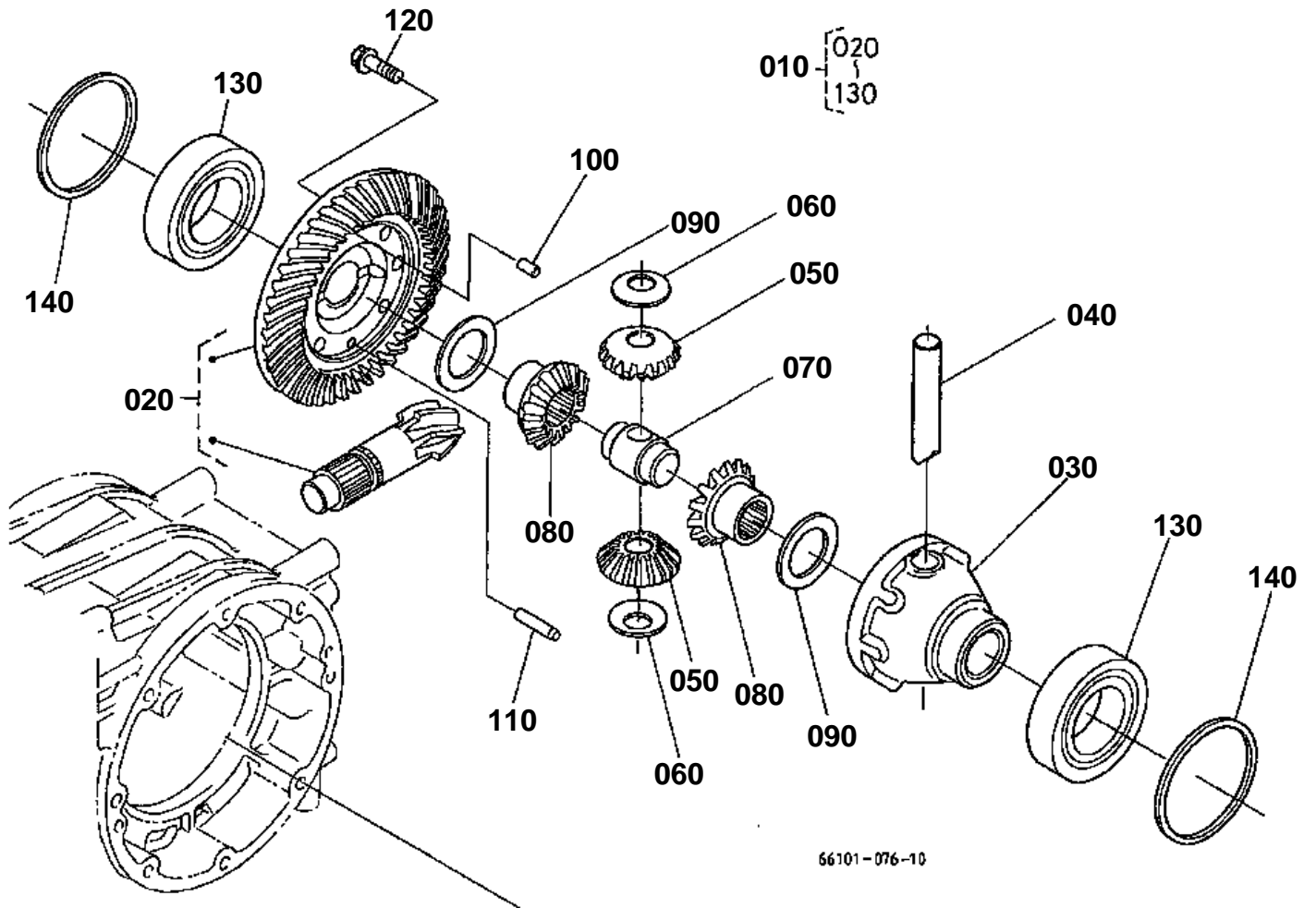
66101-817-10

**SPEED CONTROL PEDAL**

↔ Interchangeable; ≠ not interchangeable; ← new for old; → old for new

REF.No	Part No.	Description	Q'ty	S.No.	I/C	REMARKS	Weight (kgf)	Weight (lb)
010	66101-42510	ROD SPEED CHANGE	1				0.04	0.088
020	05511-50315	PIN SPLIT	1				0.002	0.0044
030	66591-42410	TURNBUCKLE	1				0.046	0.1012
040	02114-50080	NUT	1				0.005	0.011
050	66101-42520	ROD SPEED CHANGE	1				0.16	0.352
060	05511-50315	PIN SPLIT	1				0.002	0.0044
070	66101-42530	SHAFT PEDAL	1				0.42	0.924
080	66101-42540	ARM SPEED CHANGE	1				0.1	0.22
090	05411-00630	PIN SPRING	1	≤10901			0.004	0.0088
090	66071-51920	PIN JOINT	1	≥10902	←		0.01	0.022
100	66101-42550	PEDAL SPEED CHANGE	1				0.2	0.44
110	01123-50820	BOLT	2				0.011	0.0242
120	04013-50080	WASHER PLAIN	1				0	0
130	66021-43320	COVER PEDAL	1				0.16	0.352
140	66021-43440	NUT	1	≤13280			0.004	0.0088
140	37300-41330	NUT	1	≥13281	↔		0.005	0.011
150	05511-50212	PIN SPLIT	1	≥10902			0.001	0.0022
160	04015-50100	WASHER PLAIN	1	≥10902			0.016	0.0352

REAR DIFFERENTIAL



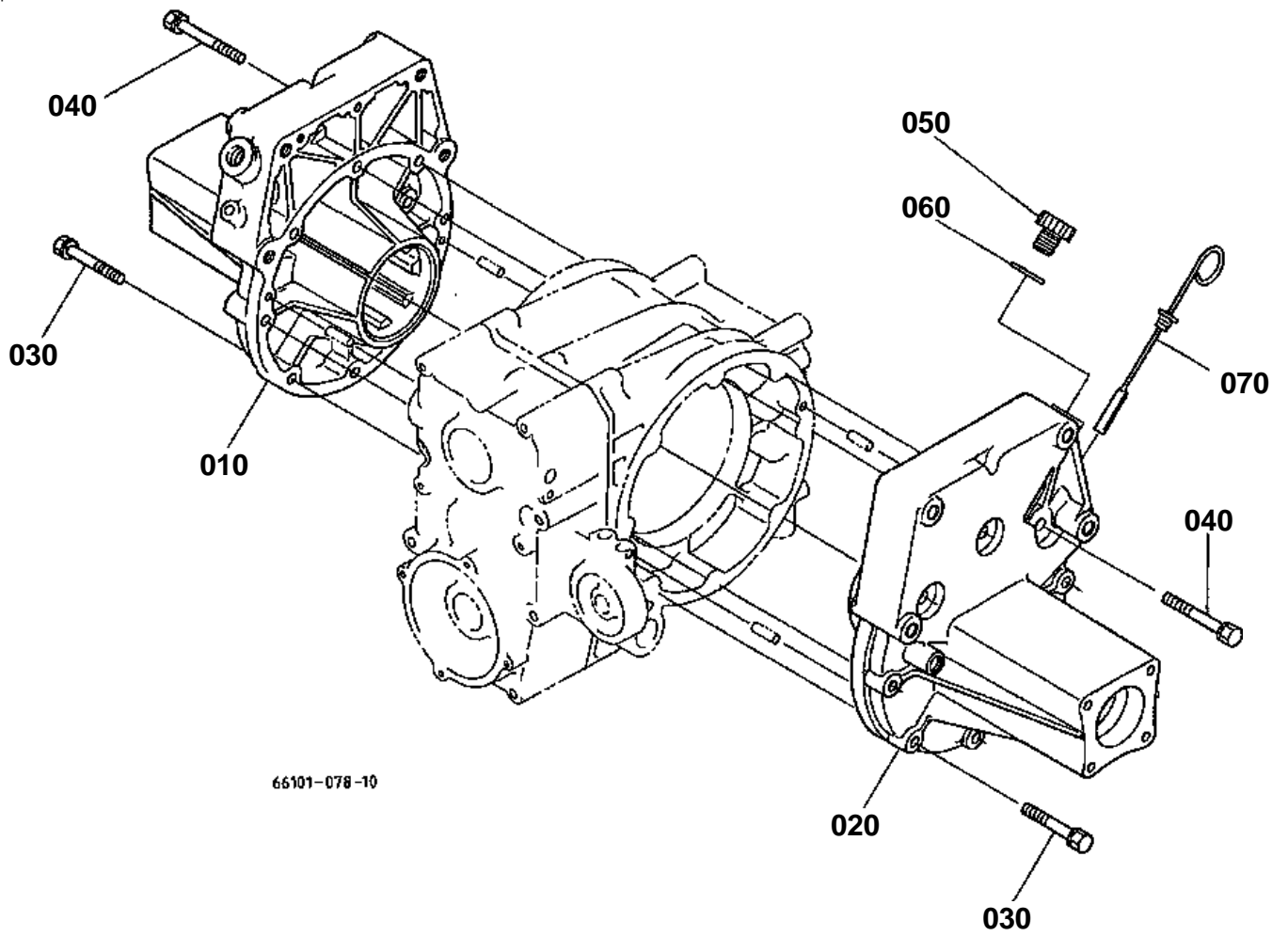
66101-076-10

**REAR DIFFERENTIAL**

↔ Interchangeable; ≠ not interchangeable; ← new for old; → old for new

REF.No	Part No.	Description	Q'ty	S.No.	I/C	REMARKS	Weight (kgf)	Weight (lb)
010	66101-81490	ASSY DIFFERENTIAL	1				4.5	9.9
020	66101-81470	ASSY GEAR BEVEL	1				1.9	4.18
030	67321-56612	CASE FRONT DIFF.	1				0.61	1.342
040	67711-14912	SHAFT DIFF.PINION	1				0.14	0.308
050	66101-14930	PINION DIFF.	2				0.12	0.264
060	67311-14980	COLLAR PINION THRUST	2				0.002	0.0044
070	66591-14860	COLLAR THRUST	1				0.102	0.2244
080	66101-14940	GEAR DIFF.SIDE	2				0.18	0.396
090	67211-15160	SHIM	2			1.0MM	0.01	0.022
090	67211-15170	SHIM	2			0.8MM	0.008	0.0176
090	67211-15180	SHIM	2			1.2MM	0.01	0.022
100	66591-14792	PIN KNOCK	1				0.003	0.0066
110	67910-14940	PIN STRAIGHT	1				0.005	0.011
120	67810-56680	BOLT UBS	6				0.013	0.0286
130	08101-06209	BEARING BALL	2				0.42	0.924
140	66101-14970	SHIM DIFFERENTIAL	2			0.5MM	0.003	0.0066
140	66101-14980	SHIM DIFFERENTIAL	2			0.2MM	0.002	0.0044
140	66101-14990	SHIM DIFFERENTIAL	2			0.2MM	0.002	0.0044

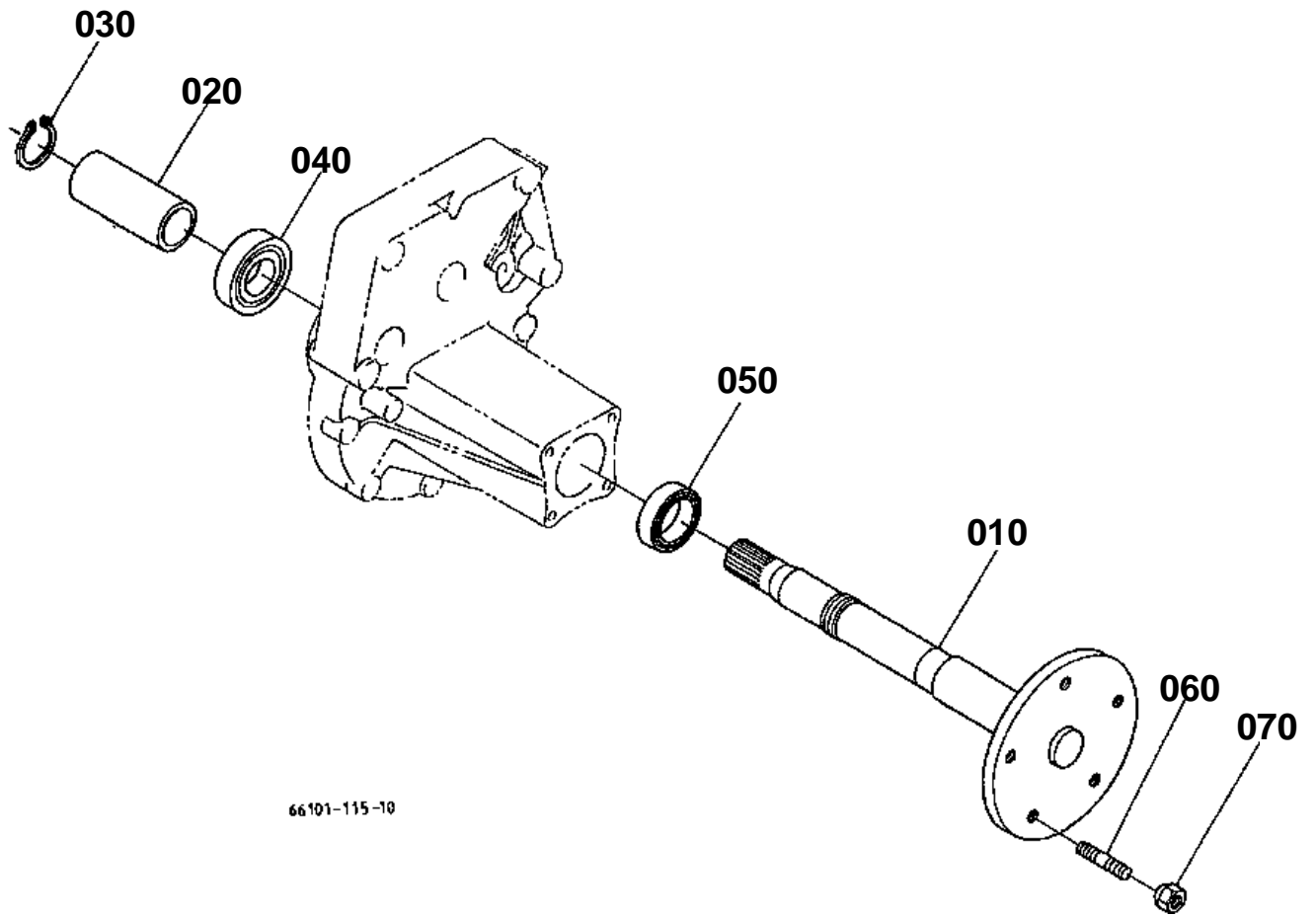
REAR AXLE CASE



**REAR AXLE CASE**

↔ Interchangeable; ≠ not interchangeable; ← new for old; → old for new

REF.No	Part No.	Description	Q'ty	S.No.	I/C	REMARKS	Weight (kgf)	Weight (lb)
010	66101-11313	CASE AXLE RH	1	≤14949			0	0
010	66101-11314	CASE AXLE RH	1	≥14950	←		3.1	6.82
020	66101-11320	CASE AXLE LH	1	≤14949			0	0
020	66101-11323	CASE AXLE LH	1	≥14950	←		3.1	6.82
030	01123-51055	BOLT	10				0.038	0.0836
040	01123-51065	BOLT	6				0.04	0.088
050	06314-50040	PLUG OIL FILLER	1				0.016	0.0352
060	04713-00400	GASKET	1				0.001	0.0022
070	67711-12420	GAUGE OIL	1				0.014	0.0308

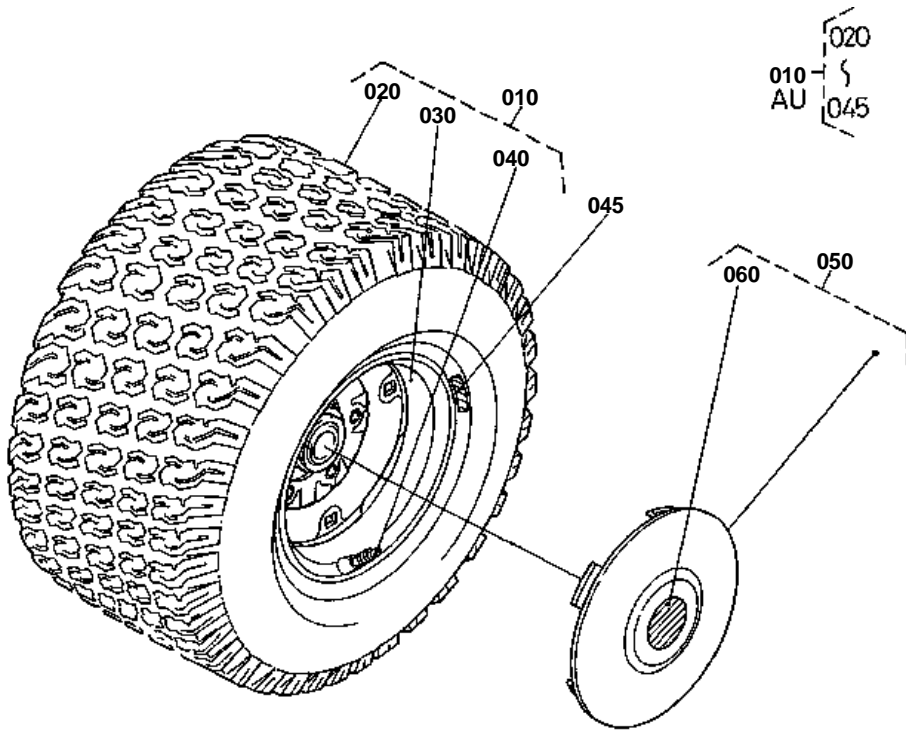


66101-115-10

**REAR AXLE [2WS]**

↔ Interchangeable; ≠ not interchangeable; ← new for old; → old for new

REF.No	Part No.	Description	Q'ty	S.No.	I/C	REMARKS	Weight (kgf)	Weight (lb)
010	66101-17150	AXLE REAR	2	<=14613			0	0
010	K3311-17150	AXLE	2	>=14614	←		3	6.6
020	66021-17170	COLLAR	2				0.33	0.726
030	04612-00300	CIRCLIP EXTERNAL	2				0.003	0.0066
040	08101-06206	BEARING BALL	2				0.196	0.4312
050	09503-55511	SEAL OIL	2				0.023	0.0506
060	01517-61025	STUD	10				0.02	0.044
070	66021-17120	NUT TAPER	10				0.017	0.0374



66101-144-10

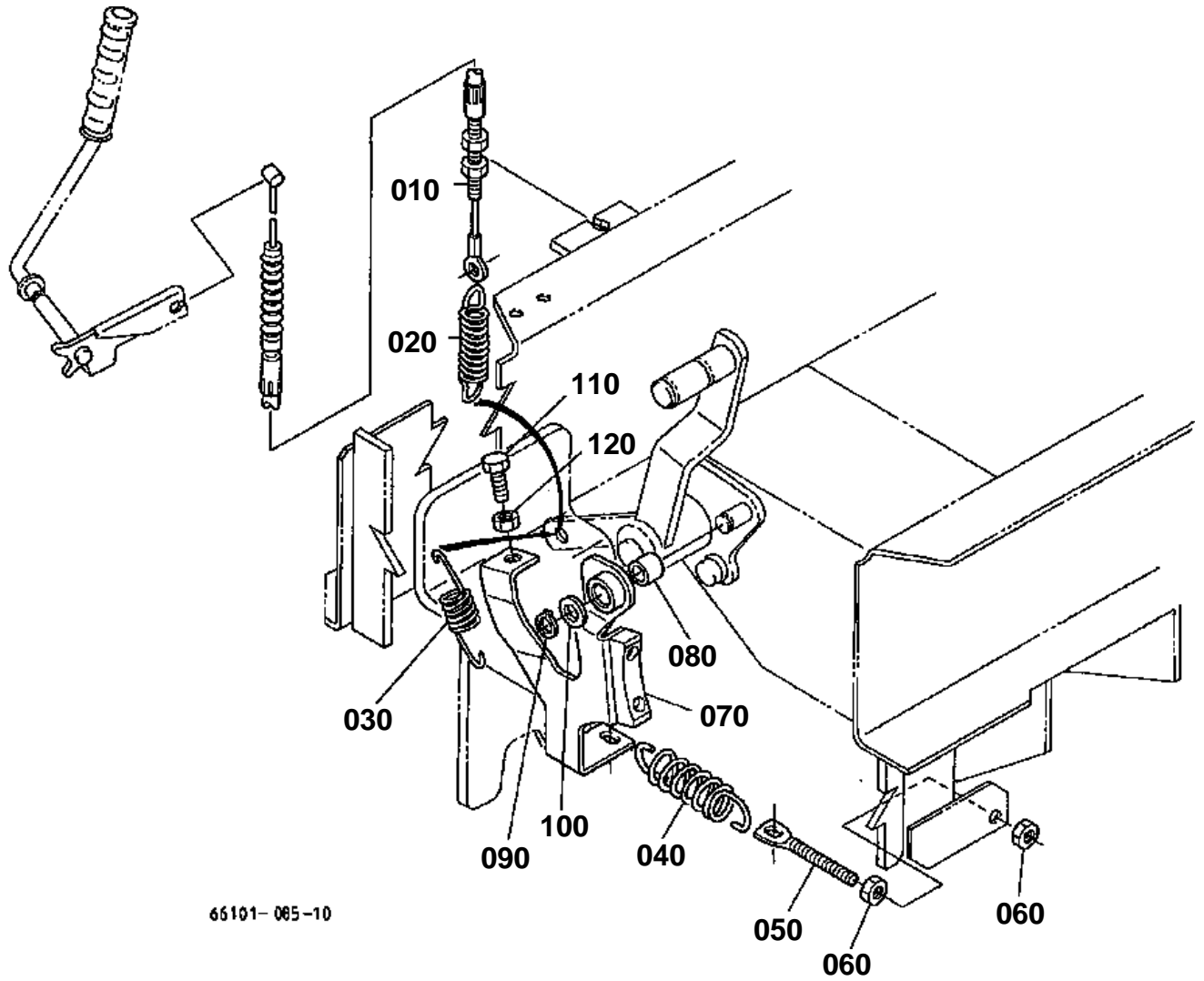


REAR WHEEL (23 X 10.5-12) [2WS]

↔ Interchangeable; ≠ not interchangeable; ← new for old; → old for new

REF.No	Part No.	Description	Q'ty	S.No.	I/C	REMARKS	Weight (kgf)	Weight (lb)
010	66120-17100	ASSY TIRE REAR	2	<=13280		[AU]	0	0
010	66120-17700	ASSY TIRE REAR	2	>=13281	↔	[AU]	15	33
020	66120-17140	TIRE	2	<=13280		[AU]	9	19.8
020	66120-17740	TIRE	2	>=13281	↔	[AU]	5.2	11.44
020	70000-00866	TIRE	2			[A] RESERVED PARTS BY KTC	0	0
020	70000-00870	TIRE	2			[A] OPTION RESERVED PARTS BY KTC	0	0
030	66120-17180	WHEEL	2			[AU]	4	8.8
030	70000-00867	WHEEL	2			[A] RESERVED PARTS BY KTC	0	0
040	66120-17190	VALVE TIRE	2			[AU]	0.012	0.0264
045	66120-17360	LABEL TIRE	2				0	0
050	66101-17460	CAP WHEEL	2	<=11689		[A] [CA]	0.33	0.726
050	66190-17460	CAP WHEEL	2	>=11690	≠	[A] [CA]	0.35	0.77
060	66071-17480	LABEL	2	<=11689		[A] [CA]	0.002	0.0044
060	66190-17480	LABEL	2	>=11690	≠	[A] [CA]	0.005	0.011

PTO BRAKE



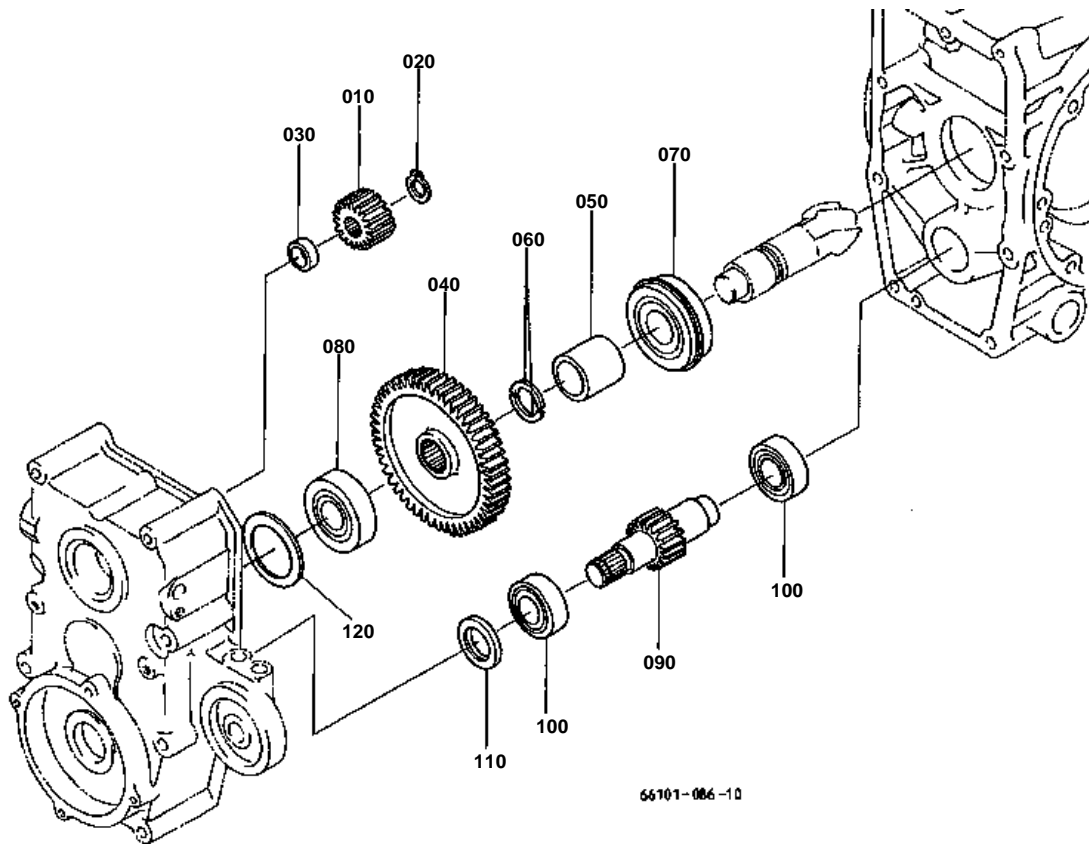
66101-085-10

**PTO BRAKE**

↔ Interchangeable; ≠ not interchangeable; ← new for old; → old for new

REF.No	Part No.	Description	Q'ty	S.No.	I/C	REMARKS	Weight (kgf)	Weight (lb)
010	66101-25330	WIRE PTO CLUTCH	1	≤10683			0	0
010	66101-25333	WIRE PTO CLUTCH	1	≥10684	≠		0.25	0.55
020	66101-25340	SPRING PTO CLUTCH	1				0.06	0.132
030	66101-25350	SPRING	1				0.02	0.044
040	66101-25412	SPRING	1				0.06	0.132
050	66101-25420	BOLT TENSION	1				0.02	0.044
060	02112-50080	NUT	2				0.003	0.0066
070	66101-25433	BRAKE PTO	1				0.2	0.44
080	08511-01012	BUSH	1				0.003	0.0066
090	04612-00100	CIRCLIP EXTERNAL	1				0.001	0.0022
100	66101-25440	WASHER	1				0.003	0.0066
110	01153-50825	BOLT	1				0.012	0.0264
120	02112-50080	NUT	1				0.003	0.0066

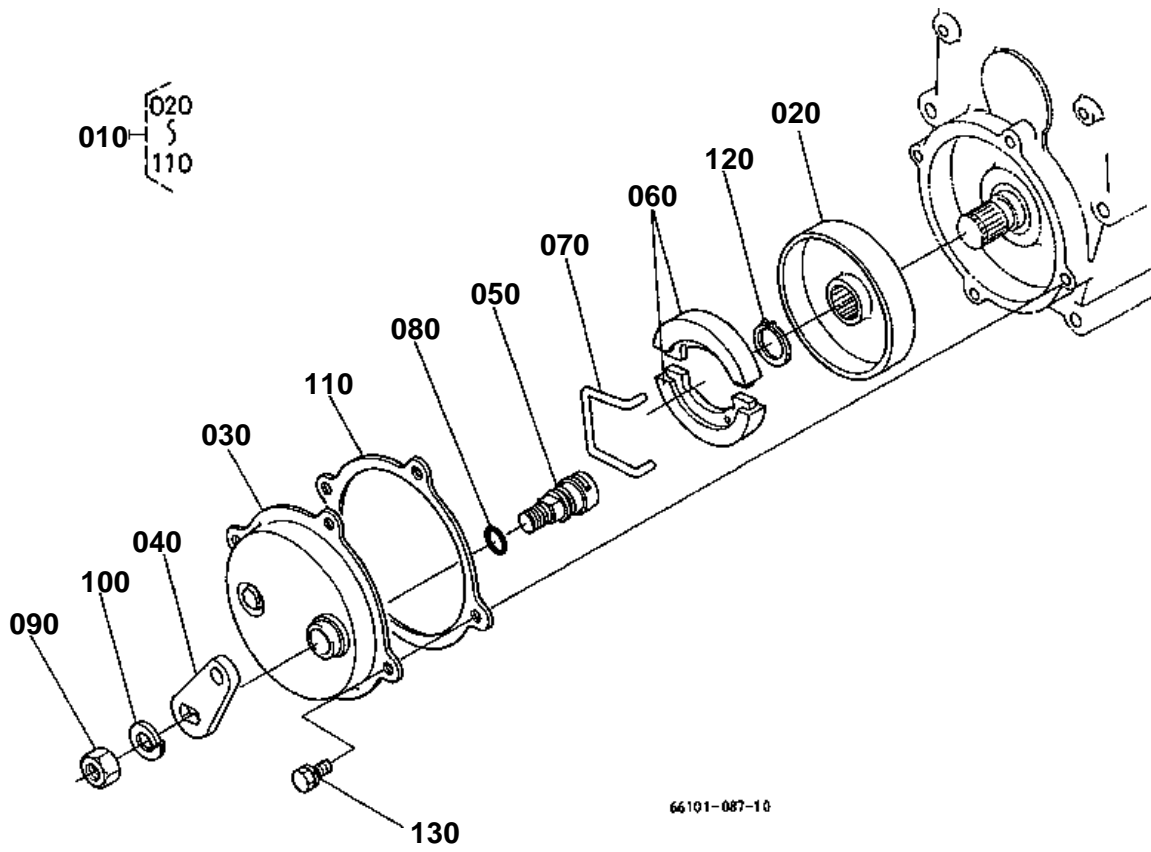
BRAKE SHAFT



**BRAKE SHAFT**

↔ Interchangeable; ≠ not interchangeable; ← new for old; → old for new

REF.No	Part No.	Description	Q'ty	S.No.	I/C	REMARKS	Weight (kgf)	Weight (lb)
010	66101-14722	GEAR	1	≤20696		16T	0.1	0.22
010	66101-14723	GEAR	1	≥20697	≠	16T	0.12	0.264
020	04612-00150	CIRCLIP EXTERNAL	1				0.001	0.0022
030	66101-14740	COLLAR HST SHAFT	1	≤20696			0.01	0.022
040	66101-14773	GEAR	1			53T	0.74	1.628
050	66101-14780	COLLAR	1				0.1	0.22
060	67156-14640	COLLAR STOP	2				0.005	0.011
070	67211-14620	BEARING BALL	1	≤20696			0.23	0.506
070	K4010-14430	BEARING BALL	1	≥20697	←		0.24	0.528
080	08101-06304	BEARING BALL	1				0.146	0.3212
090	66101-14790	SHAFT BRAKE PEDAL	1				0.24	0.528
100	08101-06004	BEARING BALL	2				0.065	0.143
110	09500-20357	SEAL OIL	1				0.01	0.022
120	66611-14750	SHIM PTO	1			0.5MM	0.002	0.0044
120	66611-14770	SHIM PTO	1			0.3MM	0.001	0.0022



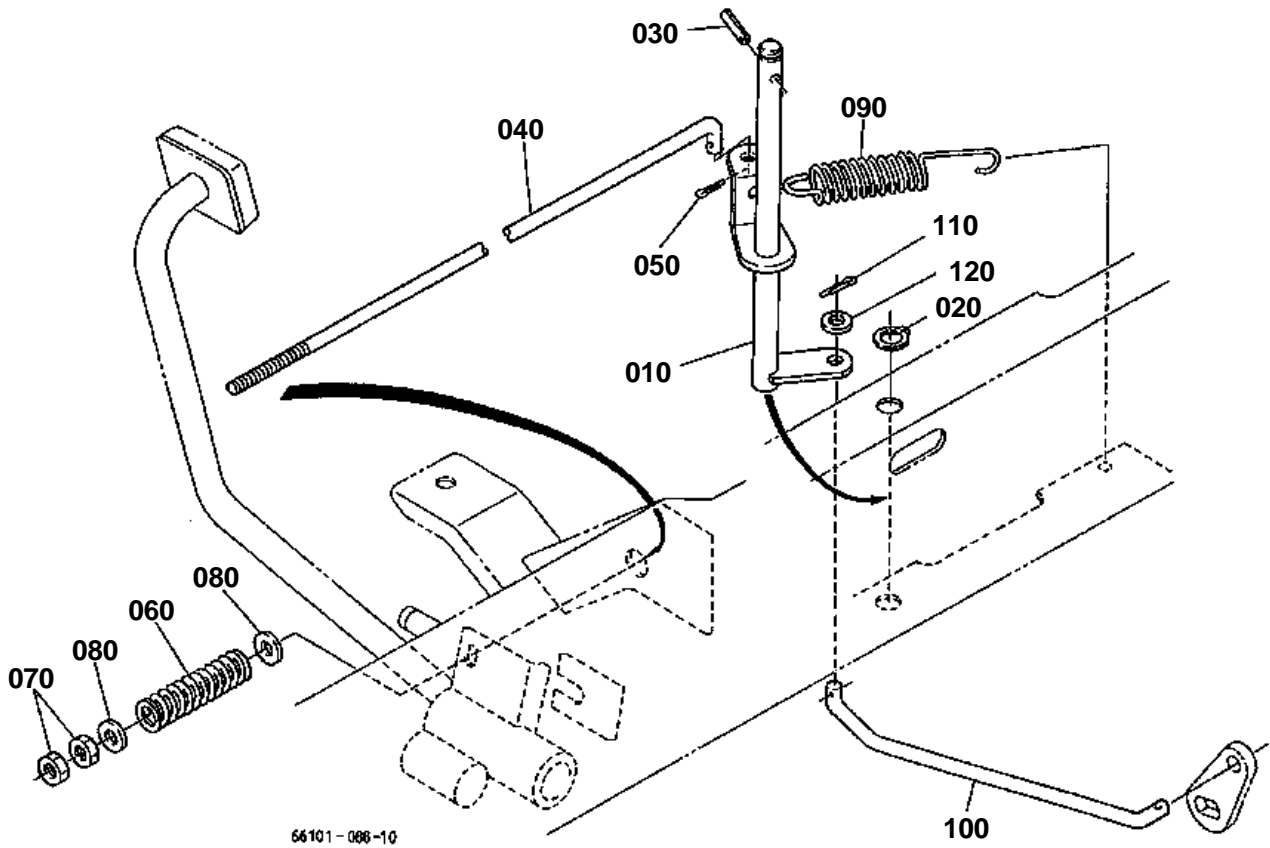
66101-087-10

**BRAKE**

↔ Interchangeable; ≠ not interchangeable; ← new for old; → old for new

REF.No	Part No.	Description	Q'ty	S.No.	I/C	REMARKS	Weight (kgf)	Weight (lb)
010	66101-22230	ASSY BRAKE	1				0.82	1.804
020	66101-22310	DRUM BRAKE	1				0.18	0.396
030	66021-22320	COVER BRAKE	1				0.24	0.528
040	66101-22330	LEVER BRAKE	1				0.045	0.099
050	66021-22340	SHAFT BRAKE CAM	1				0.048	0.1056
060	66071-22390	KIT SHOE BRAKE	1			SET	0.03	0.066
070	66021-22360	SPRING SHOE RETURN	1				0.005	0.011
080	63611-22140	O RING	1				0.001	0.0022
090	02014-50100	NUT	1				0.011	0.0242
100	04512-60100	WASHER SPRING	1				0.002	0.0044
110	66048-22420	GASKET	1				0.005	0.011
120	04612-00180	CIRCLIP EXTERNAL	1				0.001	0.0022
130	01023-50612	BOLT	4				0.005	0.011

BRAKE ROD

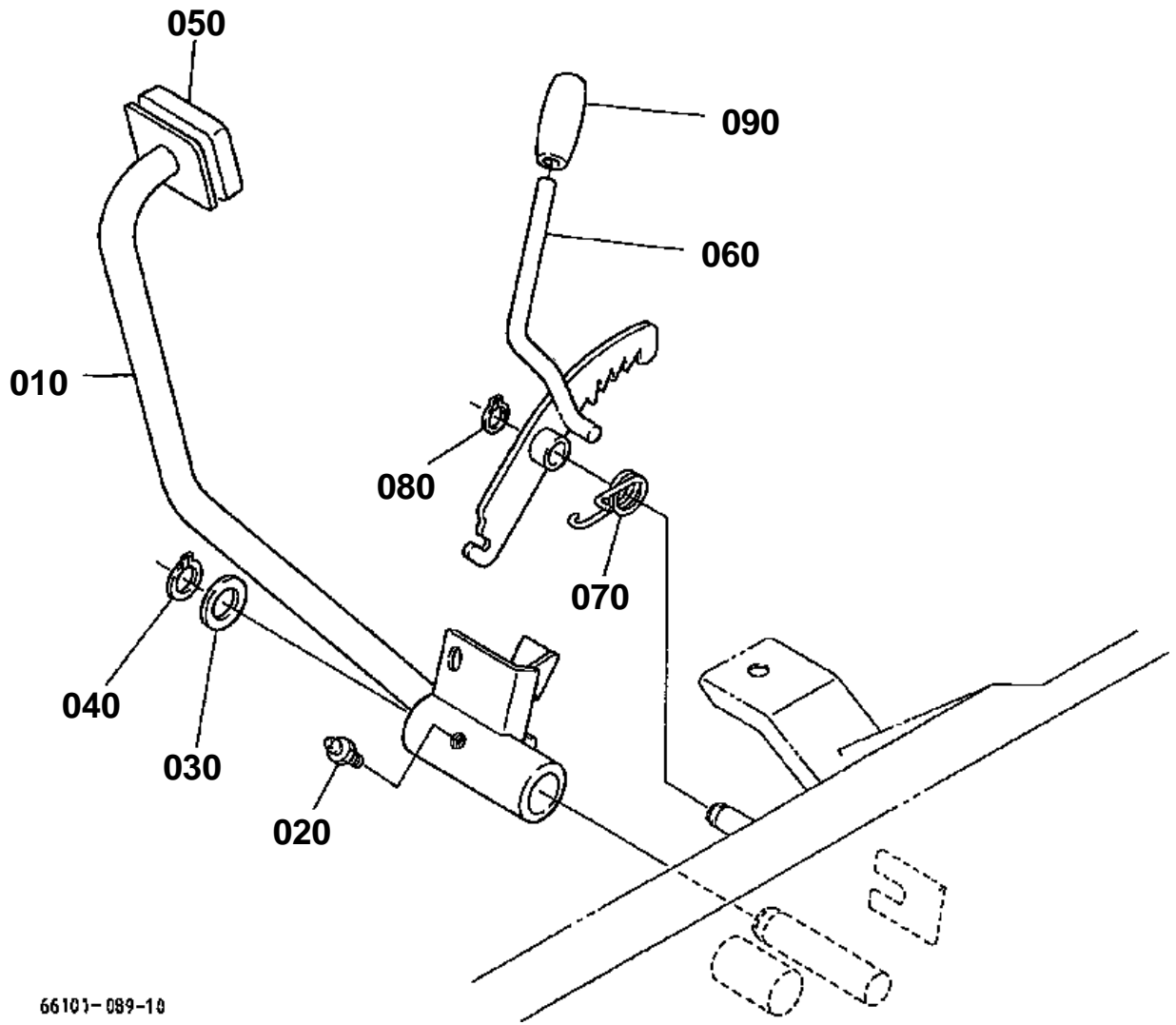


**BRAKE ROD**

↔ Interchangeable; ≠ not interchangeable; ← new for old; → old for new

REF.No	Part No.	Description	Q'ty	S.No.	I/C	REMARKS	Weight (kgf)	Weight (lb)
010	66101-42712	SHAFT FULCRUM BRAKE	1				0.05	0.11
020	04612-00140	CIRCLIP EXTERNAL	1				0.001	0.0022
030	05411-00850	PIN SPRING	1				0.012	0.0264
040	66101-42720	ROD BRAKE	1				0.18	0.396
050	05511-50315	PIN SPLIT	1				0.002	0.0044
060	66021-42850	SPRING	1				0.03	0.066
070	02156-50080	NUT	2				0.004	0.0088
080	04012-50080	WASHER PLAIN	2				0.001	0.0022
090	66704-43250	SPRING RETURN	1				0.05	0.11
100	66101-42732	ROD BRAKE	1				0.09	0.198
110	05511-50315	PIN SPLIT	2				0.002	0.0044
120	04013-50080	WASHER PLAIN	1				0	0

BRAKE PEDAL



66101-089-10

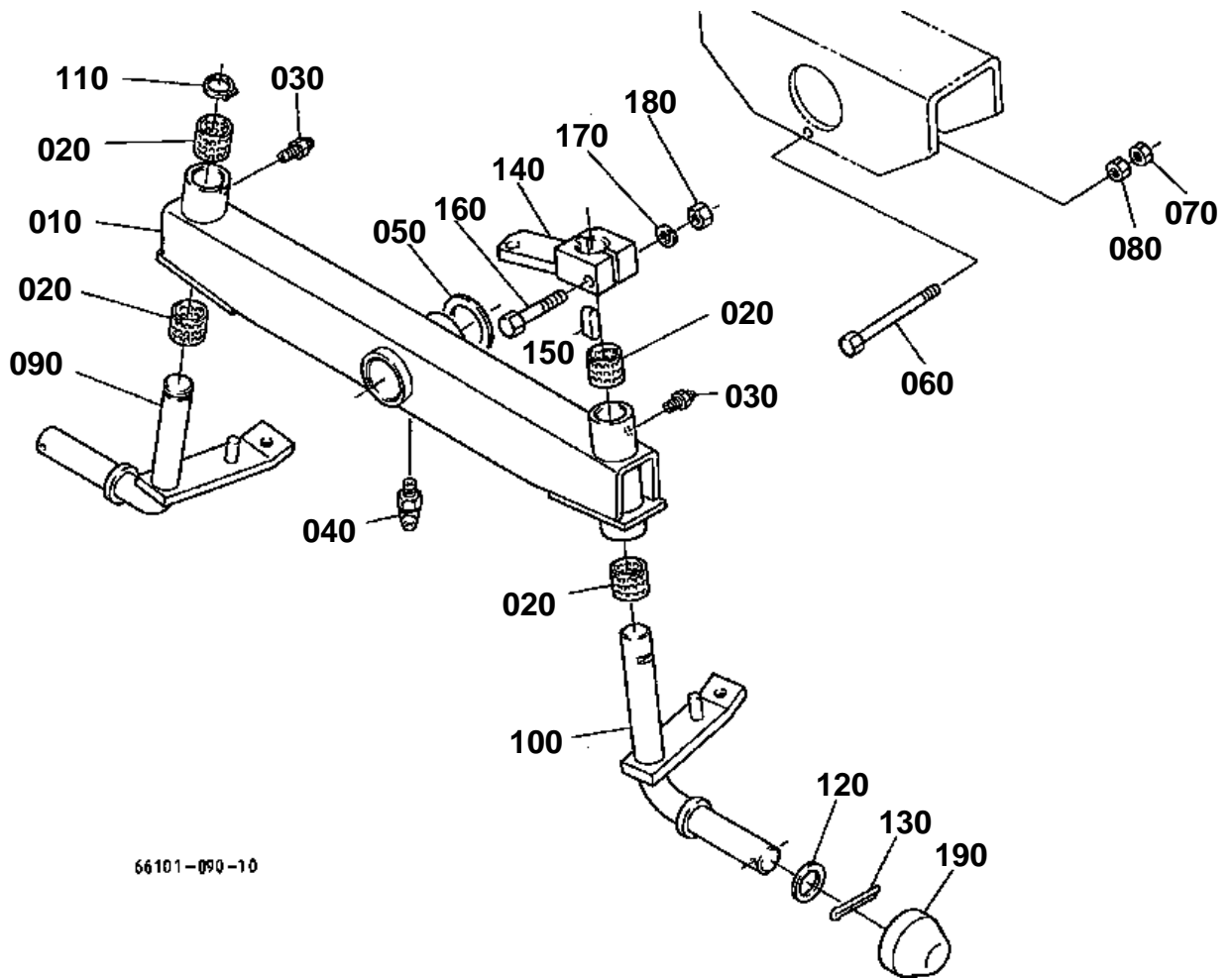


BRAKE PEDAL

↔ Interchangeable; ≠ not interchangeable; ← new for old; → old for new

REF.No	Part No.	Description	Q'ty	S.No.	I/C	REMARKS	Weight (kgf)	Weight (lb)
010	66101-42740	PEDAL BRAKE	1				1.35	2.97
020	67111-44250	NIPPLE GREASE	1				0.005	0.011
030	66021-42820	WASHER	1				0.003	0.0066
040	04612-00200	CIRCLIP EXTERNAL	1				0.001	0.0022
050	66021-42830	COVER PEDAL	1				0.025	0.055
060	66101-42752	LOCK BRAKE	1				0.2	0.44
070	66101-42760	SPRING BRAKE LOCK	1				0.03	0.066
080	04612-00120	CIRCLIP EXTERNAL	1				0.001	0.0022
090	31391-18560	GRIP LEVER	1				0.01	0.022

FRONT AXLE/KNUCKLE ARM



66101-090-10

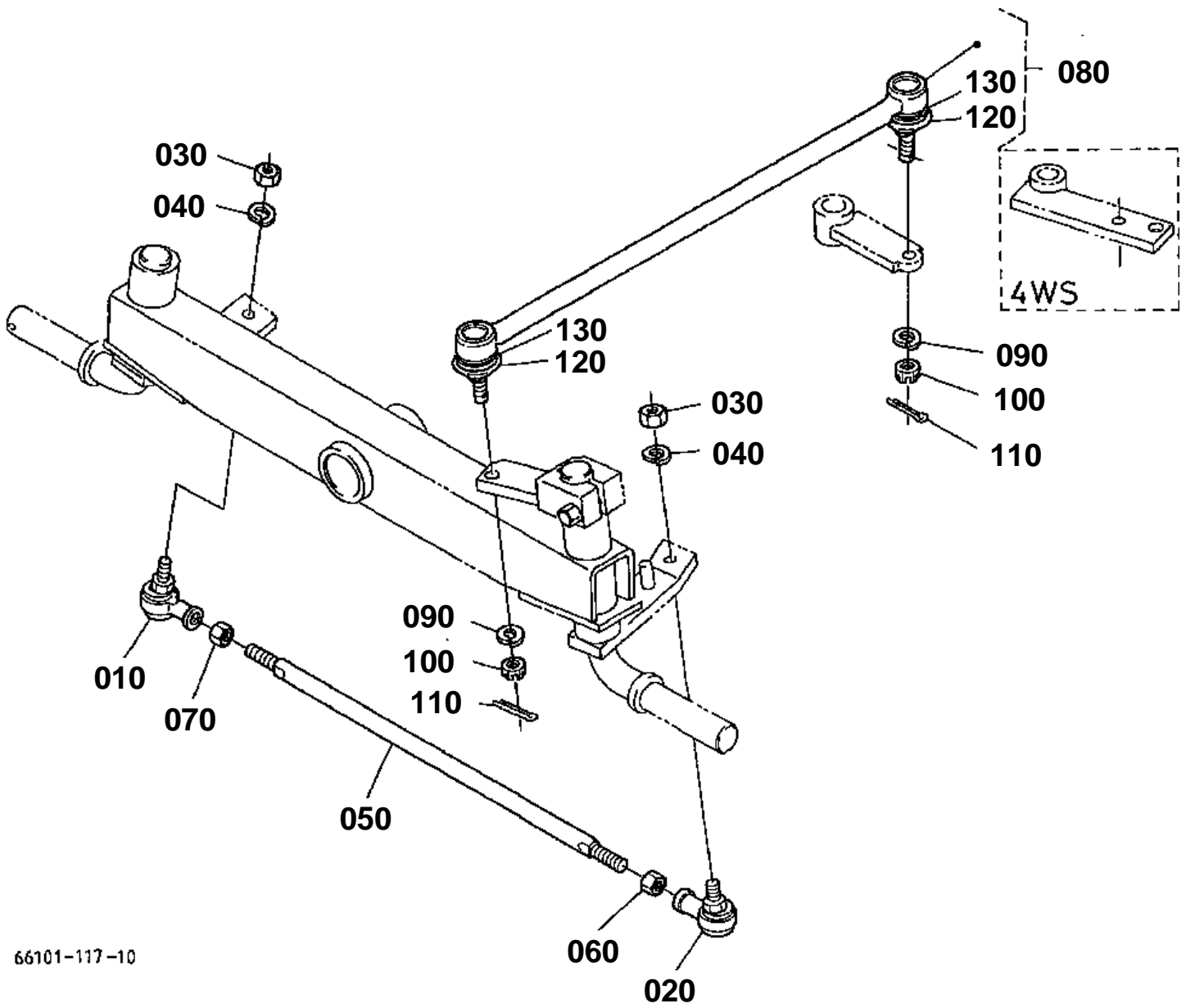


FRONT AXLE/KNUCKLE ARM

↔ Interchangeable; ≠ not interchangeable; ← new for old; → old for new

REF.No	Part No.	Description	Q'ty	S.No.	I/C	REMARKS	Weight (kgf)	Weight (lb)
010	66101-56120	COMP.AXLE FRONT	1				6	13.2
020	66021-56130	BEARING DRY	4				0.017	0.0374
030	06613-10675	NIPPLE GREASE	2				0.003	0.0066
040	67111-44250	NIPPLE GREASE	1				0.005	0.011
050	66021-56320	SHIM	1			1.6MM	0.012	0.0264
050	66021-56330	SHIM	1			2.0MM	0.015	0.033
050	66021-56340	SHIM	1			2.9MM	0.02	0.044
050	66021-56350	SHIM	1			2.3MM	0.02	0.044
060	01153-50802	BOLT	1				0.045	0.099
070	02112-50080	NUT	1				0.003	0.0066
080	02114-50080	NUT	1				0.005	0.011
090	66101-56180	KING PIN RH	1				1.46	3.212
100	66101-56160	KING PIN LH	1				1.62	3.564
110	04612-00250	CIRCLIP EXTERNAL	1				0.002	0.0044
120	66021-56240	WASHER	2				0.01	0.022
130	05511-50545	PIN SPLIT	2				0.01	0.022
140	66101-56190	ARM KNUCKLE FRONT	1				0.62	1.364
150	05712-00730	KEY FEATHER	1				0.011	0.0242
160	01173-51065	BOLT	1				0.04	0.088
170	04512-60100	WASHER SPRING	1				0.002	0.0044
180	02118-50100	NUT	1				0.005	0.011
190	66021-56310	CAP FRONT WHEEL	2			[AU] [NZ]	0.06	0.132

TIE ROD/DRAW LINK



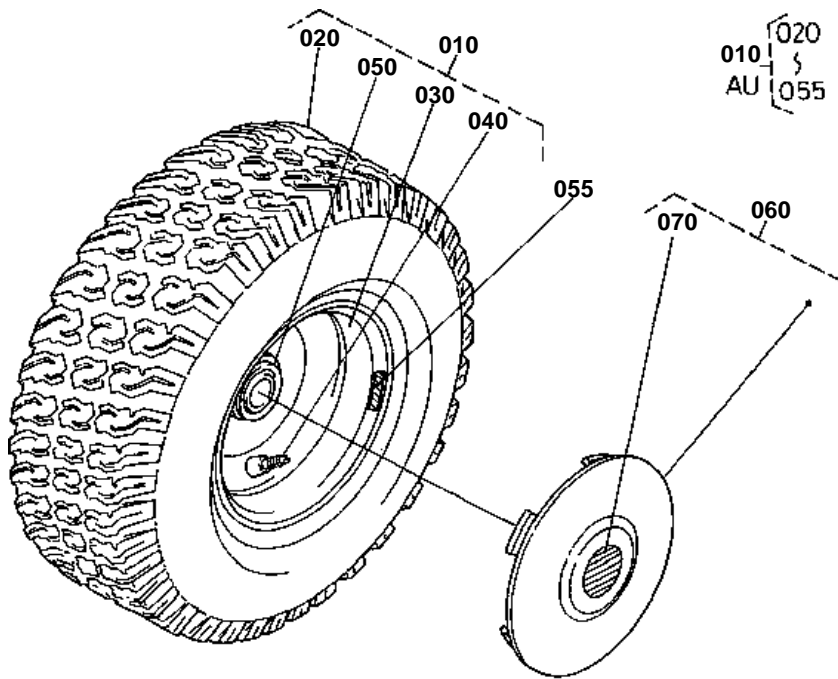
66101-117-10



TIE ROD/DRAG LINK

↔ Interchangeable; ≠ not interchangeable; ← new for old; → old for new

REF.No	Part No.	Description	Q'ty	S.No.	I/C	REMARKS	Weight (kgf)	Weight (lb)
010	66021-56210	END ROD RH	1				0.055	0.121
020	66021-56220	END ROD LH	1				0.11	0.242
030	02118-50100	NUT	2				0.005	0.011
040	04512-60100	WASHER SPRING	2				0.002	0.0044
050	66101-56230	ROD TIE	1				0.3	0.66
060	55311-31550	NUT	1				0.007	0.0154
070	02118-50100	NUT	1				0.005	0.011
080	66101-56320	COMP.LINK DRAG FRONT	1				1.07	2.354
090	04512-50120	WASHER SPRING	2				0	0
100	02372-50120	NUT	2				0.008	0.0176
110	05511-50325	PIN SPLIT	2				0.002	0.0044
120	67121-56560	COVER DUST	2				0.008	0.0176
130	67121-56570	CLIP	2				0.003	0.0066



66101-145-10

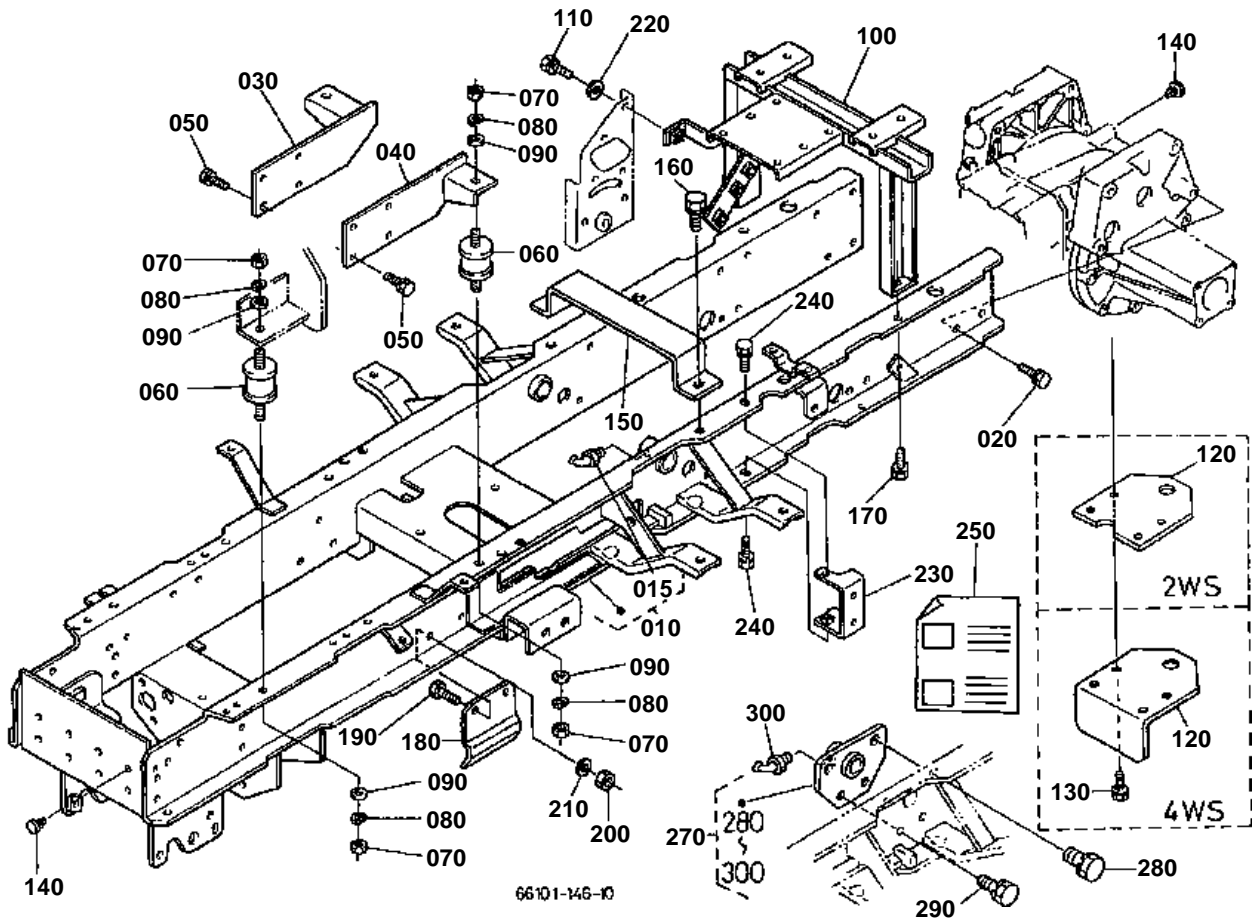


FRONT WHEEL (16 X 6.50-8)

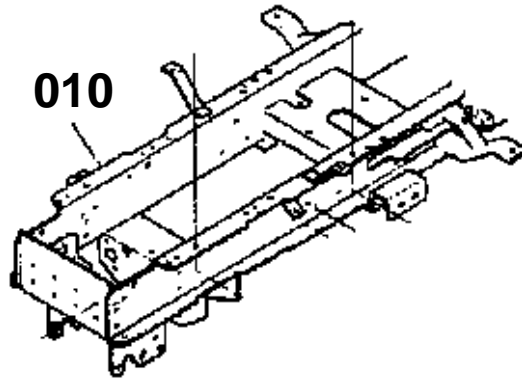
↔ Interchangeable; ≠ not interchangeable; ← new for old; → old for new

REF.No	Part No.	Description	Q'ty	S.No.	I/C	REMARKS	Weight (kgf)	Weight (lb)
010	66120-56400	ASSY TIRE FRONT	2	<=13280		[AU]	0	0
010	66120-56600	ASSY TIRE FRONT	2	>=13281	↔	[AU]	5	11
020	66120-56420	TIRE	2	<=13280		[AU]	0	0
020	66120-56610	TIRE	2	>=13281	↔	[AU]	2.6	5.72
020	70000-00864	TIRE	2			[A] RESERVED PARTS BY KTC	0	0
030	70000-00865	WHEEL	2			[A] RESERVED PARTS BY KTC	0	0
030	66120-56430	WHEEL	2			[AU]	3	6.6
040	66120-17190	VALVE TIRE	2			[AU]	0.012	0.0264
050	08141-06205	BEARING BALL	4	<=10683		[AU]	0.118	0.2596
050	66120-56440	BEARING BALL	4	>=10684	←	[AU]	0.13	0.286
055	66120-57160	LABEL TIRE	2	>=13282		[AU]	0	0
060	66101-56470	CAP WHEEL	2	<=11689		[A] [CA]	0	0
060	66190-56470	CAP WHEEL	2	>=11690	≠	[A] [CA]	0.2	0.44
070	66071-17480	LABEL	2	<=11689		[A] [CA]	0.002	0.0044
070	66190-17480	LABEL	2	>=11690	≠	[A] [CA]	0.005	0.011

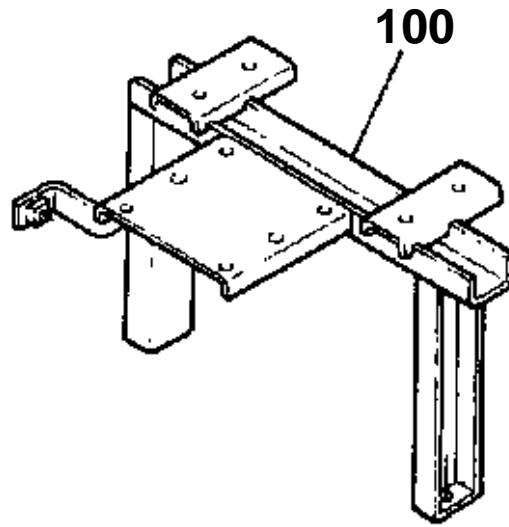
FRAME



010 66101-5111-6



100 66101-5114-0



66101-844-10

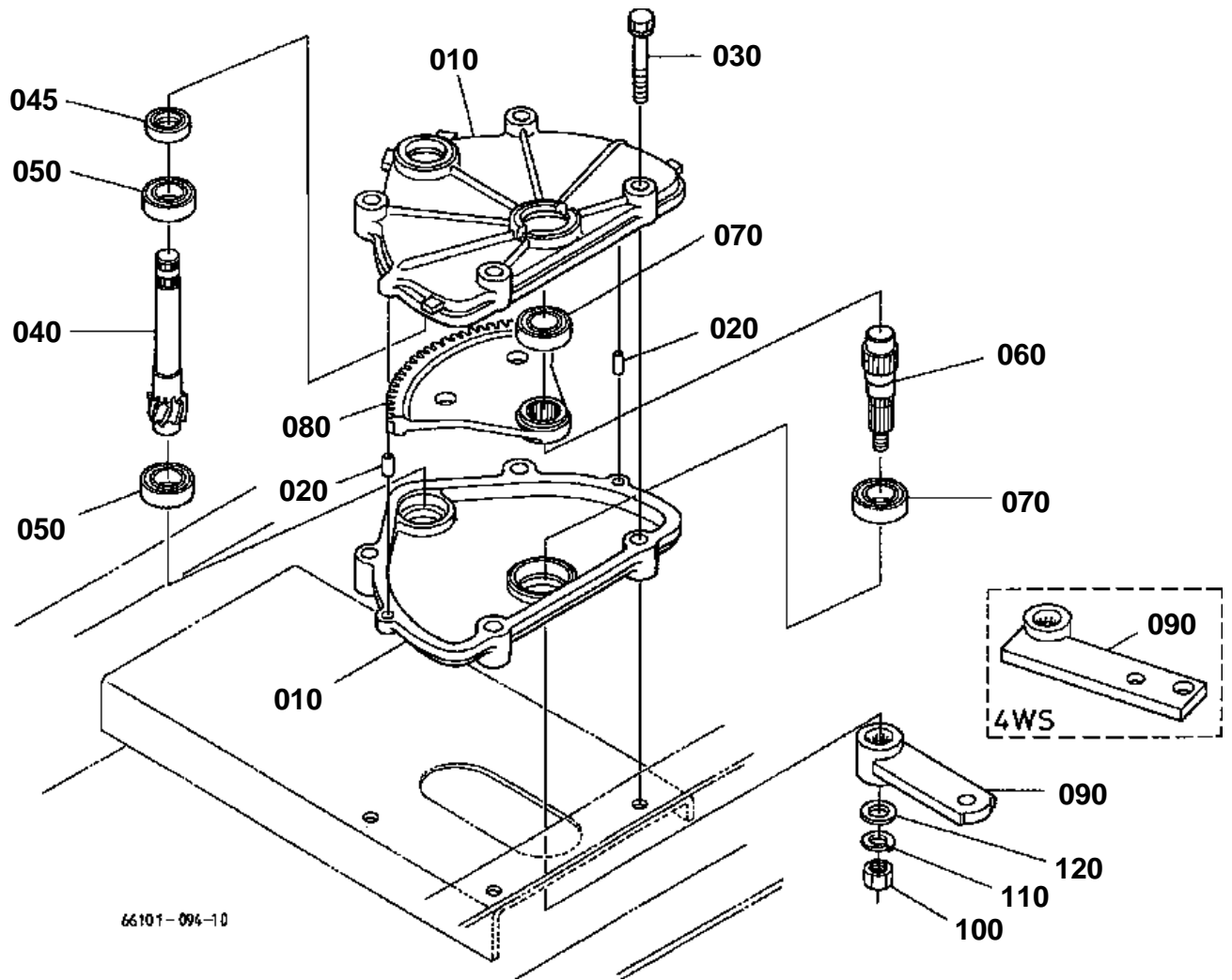


FRAME

↔ Interchangeable; ≠ not interchangeable; ← new for old; → old for new

REF.No	Part No.	Description	Q'ty	S.No.	I/C	REMARKS	Weight (kgf)	Weight (lb)
010	66101-51116	ASSY FRAME	1	≤12248			0	0
010	66101-51220	FRAME	1	≥12249	←		23	50.6
010	66101-85120	ASSY FRAME	1	≥12695	←		45	99
010	66101-85122	ASSY FRAME	1	≥16460	←		52	114.4
015	67111-44250	NIPPLE GREASE	1	≥12695			0.005	0.011
020	01123-51235	BOLT	8				0.041	0.0902
030	66101-51120	SUPPORT ENGINE RH	1				0.78	1.716
040	66101-51130	SUPPORT ENGINE LH	1				0.68	1.496
050	01133-51022	BOLT	8				0.025	0.055
060	66021-52310	CUSHION RUBBER	4				0.106	0.2332
070	02114-50080	NUT	8				0.005	0.011
080	04512-60080	WASHER SPRING	8				0.002	0.0044
090	04013-50080	WASHER PLAIN	8				0	0
100	66101-51143	SUPPORT SEAT	1	≥11581			0	0
100	66101-51146	SUPPORT SEAT	1	≥11582	←		2.7	5.94
110	01135-61025	BOLT	1				0.04	0.088
120	66021-51210	HITCH	1				0.7	1.54
130	01123-51025	BOLT	4				0.02	0.044
140	67211-51120	PLUG BLIND	10				0.001	0.0022
150	66101-51170	SUPPORT STEP	1				0.4	0.88
160	01123-50820	BOLT	2				0.011	0.0242
170	01133-51035	BOLT	2				0.03	0.066
180	76507-51200	SUPPORTER	2	≥10804		RC54 RC60	0.38	0.836
190	01173-51025	BOLT	4	≥10804		RC54 RC60	0.021	0.0462
200	02118-50100	NUT	4	≥10804		RC54 RC60	0.005	0.011
210	04512-60100	WASHER SPRING	4	≥10804		RC54 RC60	0.002	0.0044
220	04013-50100	WASHER PLAIN	1				0	0
230	66101-59120	STAY	2	≥12366			0.33	0.726
240	01123-60816	BOLT	4	≥12366			0.01	0.022
240	01125-50822	BOLT	4	≥16460			0.015	0.033
250	66101-88710	MANUAL ASSEMBLY	1			OPTION	0.001	0.0022
260	66101-88700	KIT STAY SPRING	1			OPTION	0.76	1.672
270	66101-83650	ASSY SUPPORT SHAFT	1			OPTION	0.27	0.594
280	01123-60816	BOLT	2			OPTION	0.01	0.022
290	01023-50614	BOLT	2			OPTION	0.005	0.011
300	67111-44250	NIPPLE GREASE	1			OPTION	0.005	0.011

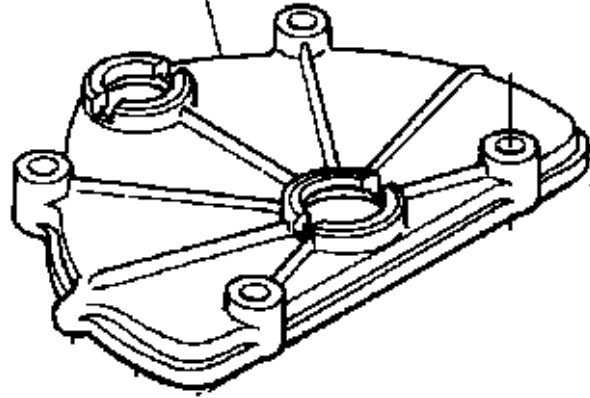
STEERING GEAR CASE



66101-094-10

010 66101-4111-0

010



040 66101-4112-0

040



66101-811-10

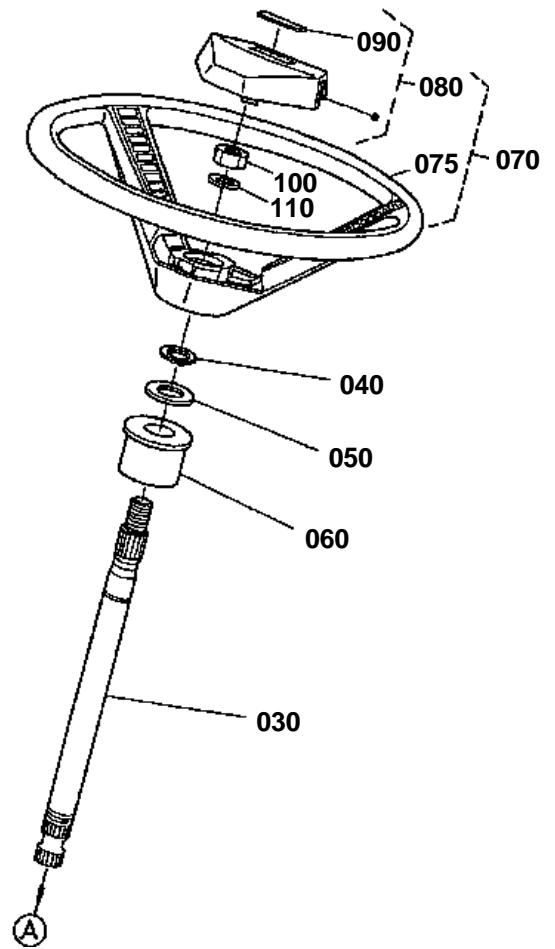
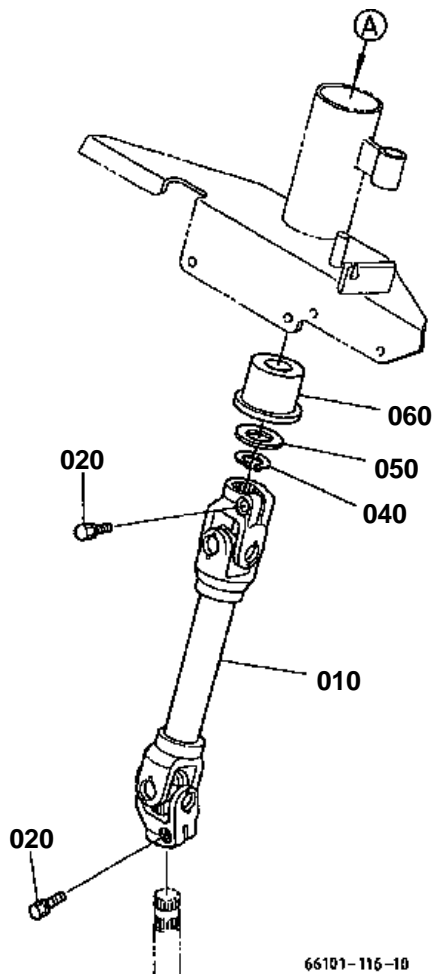


STEERING GEAR CASE

↔ Interchangeable; ≠ not interchangeable; ← new for old; → old for new

REF.No	Part No.	Description	Q'ty	S.No.	I/C	REMARKS	Weight (kgf)	Weight (lb)
010	66101-41110	CASE STEERING GEAR	2	≤13881			0.6	1.32
010	66101-41112	CASE STEERING GEAR	2	≥13882	≠		0.56	1.232
020	05012-00612	PIN STRAIGHT	2				0.003	0.0066
030	01123-51070	BOLT	4				0.05	0.11
040	66101-41120	SHAFT PINION	1	≤13881			0.24	0.528
040	66101-41123	SHAFT PINION	1	≥13882	≠		0.25	0.55
045	09500-17307	SEAL OIL	1	≥13882			0.07	0.154
050	08141-06003	BEARING BALL	2				0.037	0.0814
060	66101-41130	SHAFT SECTOR	1				0.22	0.484
070	08141-06004	BEARING BALL	2				0.064	0.1408
080	66101-41140	GEAR SECTOR	1				0.7	1.54
090	66101-41153	ARM PITMAN	1				0.35	0.77
100	02176-50120	NUT	1				0.01	0.022
110	04512-50120	WASHER SPRING	1				0	0
120	04013-60120	WASHER PLAIN	1				0.01	0.022

STEERING WHEEL

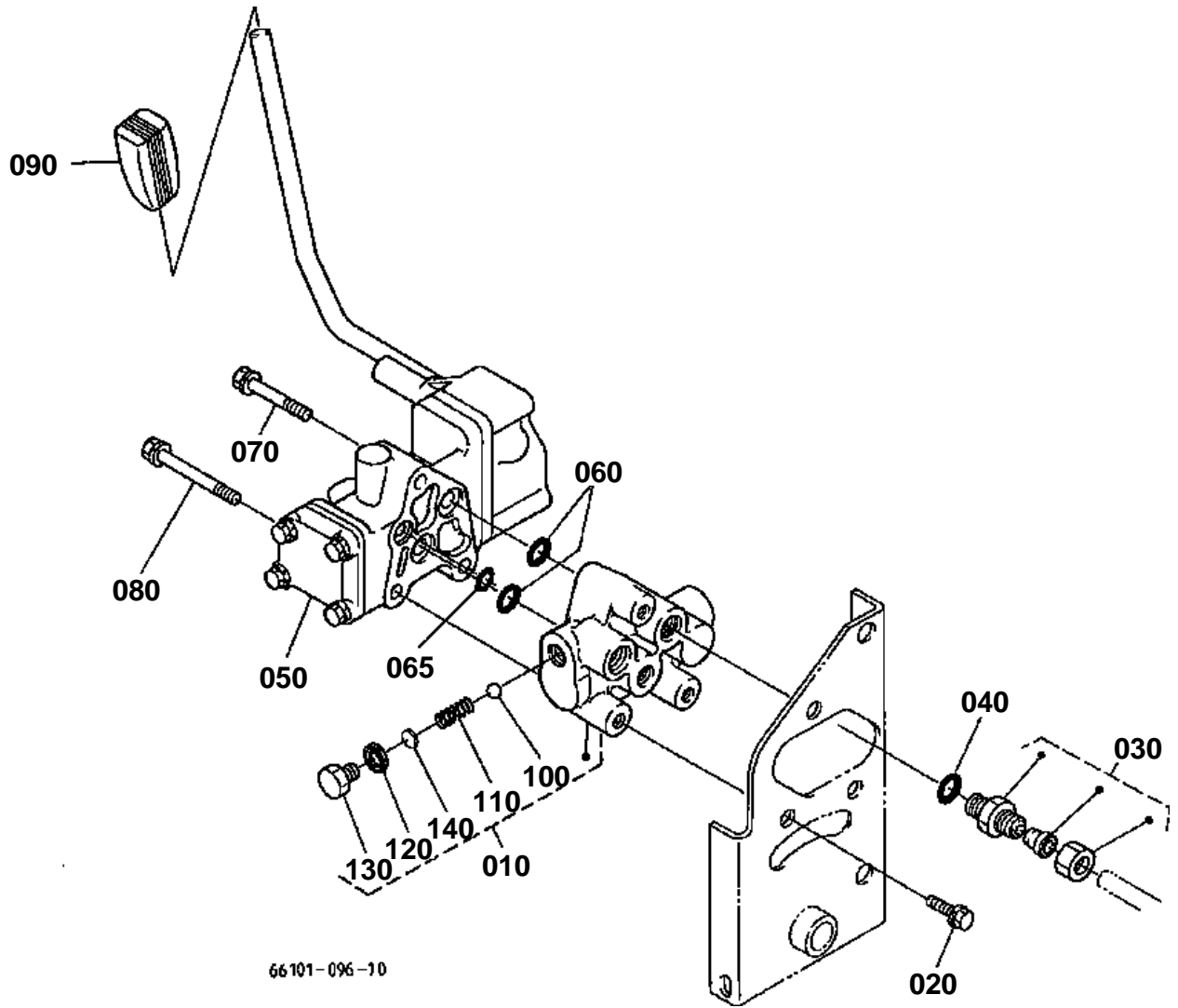


**STEERING WHEEL**

↔ Interchangeable; ≠ not interchangeable; ← new for old; → old for new

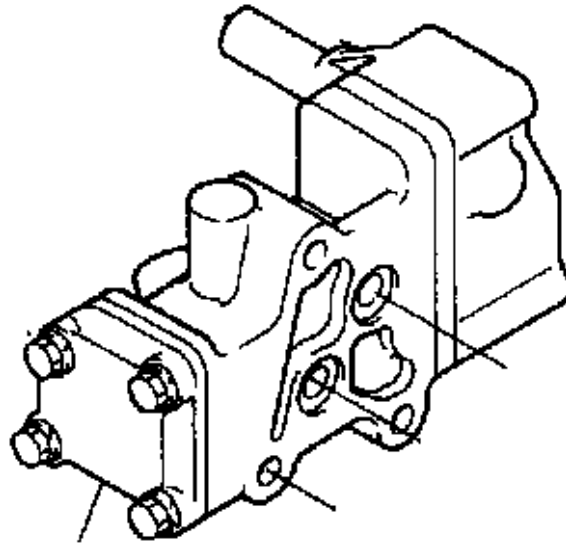
REF.No	Part No.	Description	Q'ty	S.No.	I/C	REMARKS	Weight (kgf)	Weight (lb)
010	66101-41312	ASSY SHAFT JOINT	1				0.8	1.76
020	01123-50825	BOLT	2				0.013	0.0286
030	66101-41320	SHAFT STEERING	1	≤15127			0	0
030	66101-41323	SHAFT STEERING	1	≥15128	←		0.315	0.693
040	04612-00160	CIRCLIP EXTERNAL	2				0.001	0.0022
050	04013-60160	WASHER PLAIN	2				0.01	0.022
060	66591-41250	BUSH POST	2				0.016	0.0352
070	66150-41450	ASSY WHEEL STEERING	1	≥11690			2.7	5.94
075	37410-41460	WHEEL STEERING	1				2	4.4
080	37410-41470	ASSY PAD	1	≤11689			0	0
080	67148-41470	ASSY PAD	1	≥11690	≠		0.06	0.132
090	37410-41490	MARK	1	≤11689			0.005	0.011
090	67148-41490	MARK	1	≥11690	≠		0.005	0.011
100	02174-50120	NUT	1				0.01	0.022
110	04512-50120	WASHER SPRING	1				0	0

CONTROL VALVE



66101-096-10

050 66101-3631-3



050

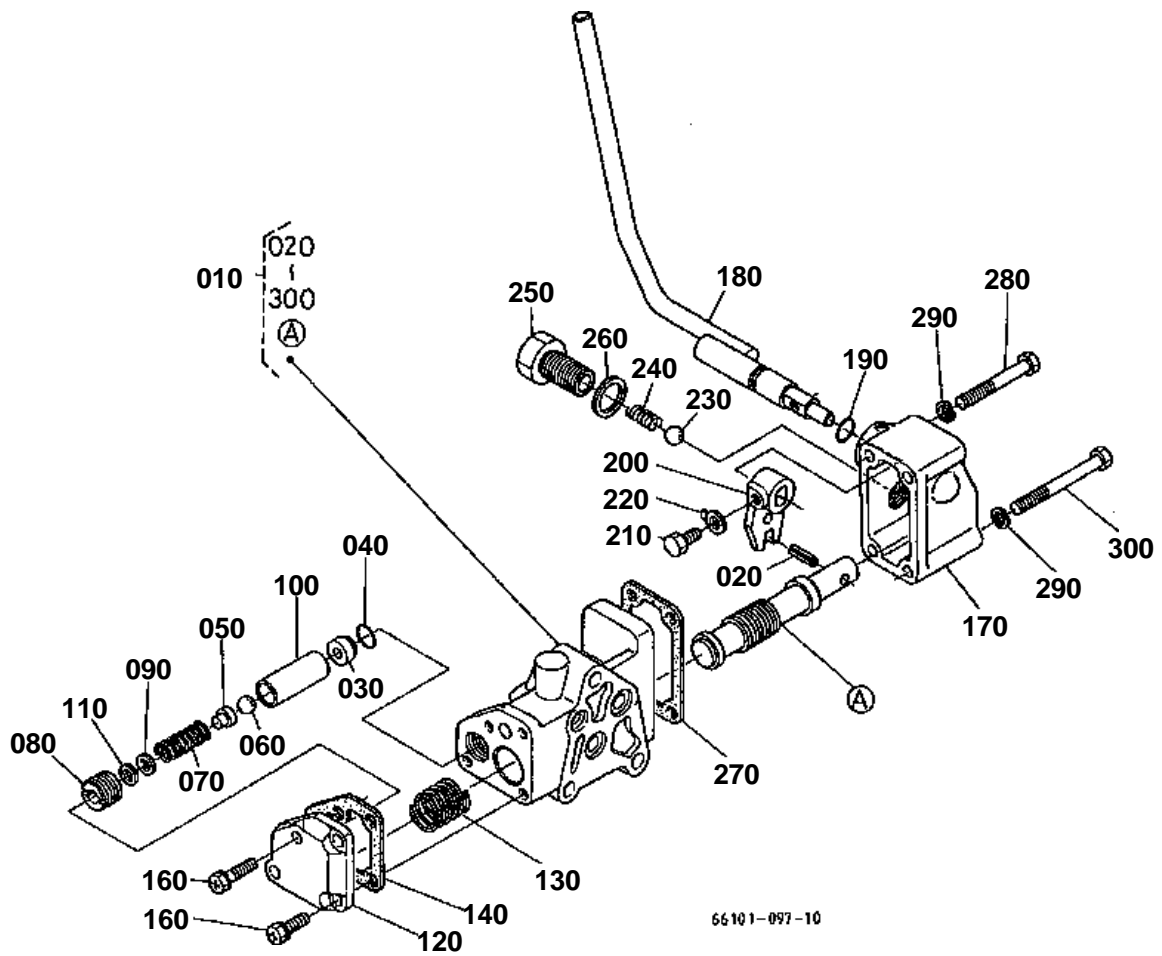
66101-812-10

**CONTROL VALVE**

↔ Interchangeable; ≠ not interchangeable; ← new for old; → old for new

REF.No	Part No.	Description	Q'ty	S.No.	I/C	REMARKS	Weight (kgf)	Weight (lb)
010	66101-36200	ADAPTER CONTRL VALVE	1	≤13881			1.3	2.86
010	66101-36203	ASSY ADAPTOR	1	≥13882	≠		1.45	3.19
020	01123-50820	BOLT	3				0.011	0.0242
030	36330-63080	NIPPLE	2				0.07	0.154
040	04811-00140	RING	1				0.001	0.0022
050	66101-36313	ASSY VALVE CONTROL	1	≤13881		REFER TO L.No. 0E11-L0 FOR COMPONENTS.	2.76	6.072
050	66101-36314	ASSY VALVE CONTROL	1	≥13882	≠	REFER TO L.No. 0E11-L0 FOR COMPONENTS.	2.7	5.94
060	04811-00120	RING	2	≤14826			0.001	0.0022
060	04810-00120	O RING	2	≥14827	↔		0.001	0.0022
065	04811-00090	O RING	1	≥13882			0.001	0.0022
070	01123-50845	BOLT	1				0.02	0.044
080	01123-50875	BOLT	2				0.04	0.088
090	55611-31460	GRIP LEVER	1				0.03	0.066
100	07715-01605	BALL	1				0.003	0.0066
110	66101-36220	SPRING	1				0.005	0.011
120	04717-01200	WASHER WITH RUBBER	1				0.002	0.0044
130	06331-35012	PLUG	1				0.022	0.0484
140	66101-36230	SHIM	1			0.5MM	0.003	0.0066
140	66101-36240	SHIM	1			0.3MM	0.003	0.0066

CONTROL VALVE [COMPONENT PARTS]



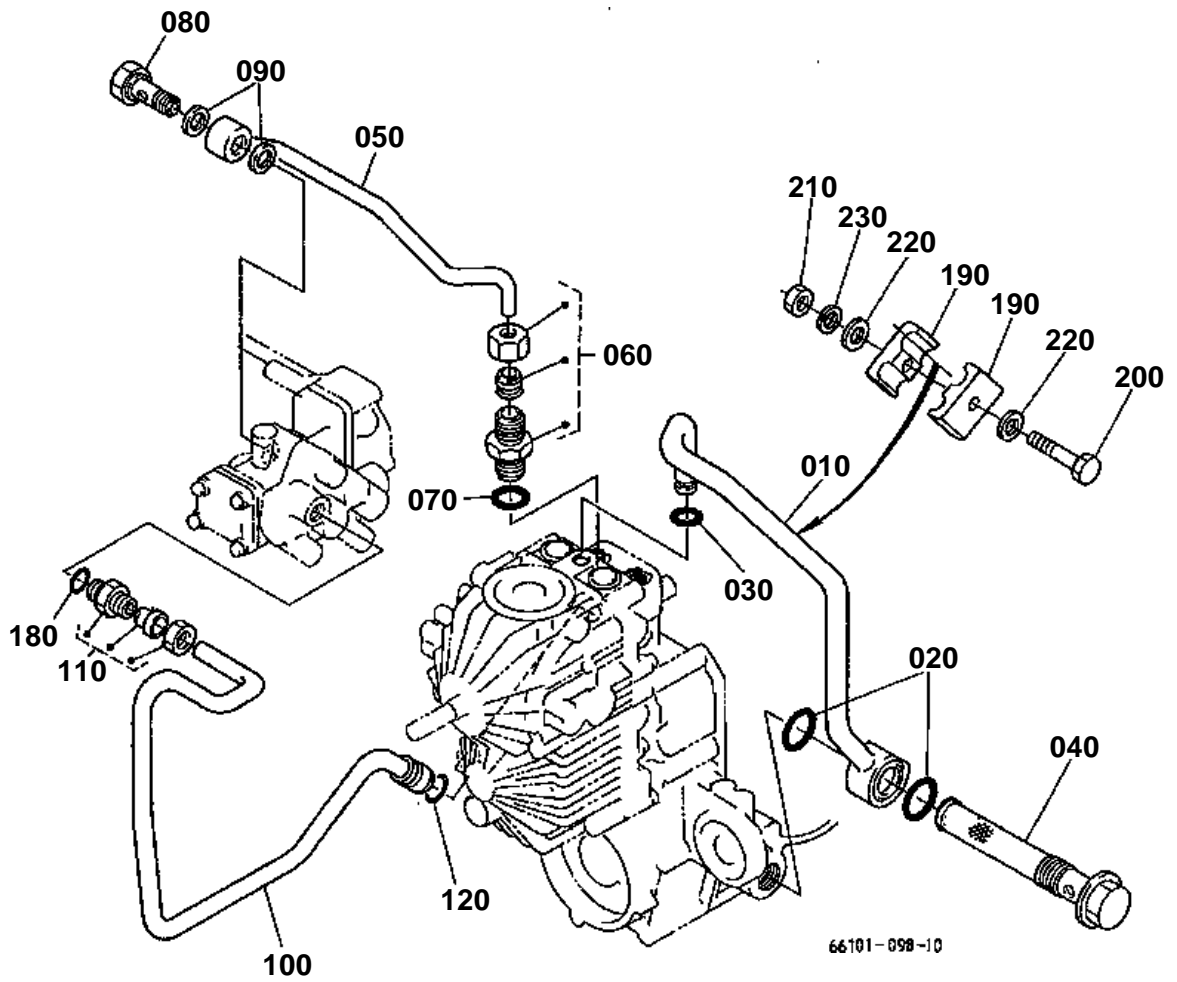
66101-097-10

**CONTROL VALVE [COMPONENT PARTS]**

↔ Interchangeable; ≠ not interchangeable; ← new for old; → old for new

REF.No	Part No.	Description	Q'ty	S.No.	I/C	REMARKS	Weight (kgf)	Weight (lb)
010	66101-36313	ASSY VALVE CONTROL	1	≤13881			2.76	6.072
010	66101-36314	ASSY VALVE CONTROL	1	≥13882	≠		2.7	5.94
020	05411-00620	PIN SPRING	1				0.002	0.0044
030	66591-36330	SEAT VALVE	1				0.008	0.0176
040	04811-15120	RING	1				0.001	0.0022
050	66611-36222	RETAINER SPRING	1				0.008	0.0176
060	07715-03211	BALL	1				0.003	0.0066
070	66101-36350	SPRING	1				0.03	0.066
080	66591-36360	SCREW ADJUSTING	1				0.012	0.0264
090	04012-50060	WASHER PLAIN	1				0.001	0.0022
100	66591-36370	COLLAR	1				0.016	0.0352
110	66611-36330	SHIM ADJUSTING	1				0.001	0.0022
120	66101-36360	COVER RELIEF	1				0.06	0.132
130	66101-36370	SPRING SPOOL RETURN	1				0.01	0.022
140	66905-36390	GASKET	1				0.005	0.011
160	01202-50622	BOLT	4				0.007	0.0154
170	66591-36430	COVER VALVE	1				0.18	0.396
180	66101-36390	LEVER CONTROL	1				0.26	0.572
190	04811-00100	RING	1				0.001	0.0022
200	66591-36450	ARM VALVE GUIDE	1				0.05	0.11
210	66591-36480	BOLT	1				0.004	0.0088
220	04111-50060	WASHER	1				0.001	0.0022
230	07715-00803	BALL	1				0.004	0.0088
240	62061-18270	SPRING STOPPER	1				0.003	0.0066
250	66591-36460	BOLT	1				0.054	0.1188
260	04714-00300	GASKET	1				0.002	0.0044
270	66905-36470	GASKET	1				0.002	0.0044
280	01053-50650	BOLT	2				0.011	0.0242
290	04512-60060	WASHER SPRING	4				0.001	0.0022
300	01053-50665	BOLT	2				0.015	0.033

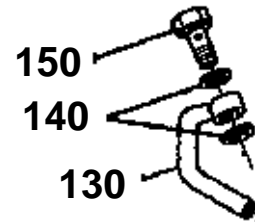
HYDRAULIC PIPE 1



130 66101-3666-0

140 04714-00120

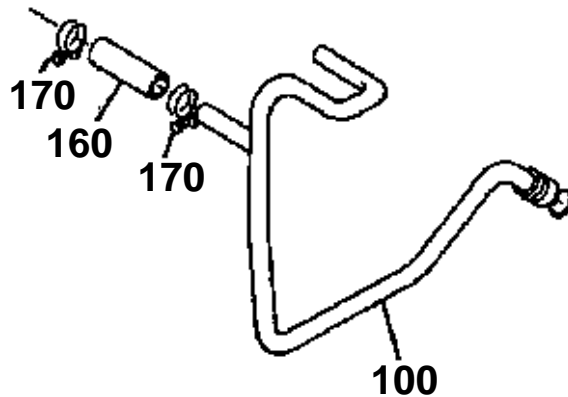
150 67810-3788-0



100 66101-3665-0

160 67810-3768-0

170 67810-3769-0

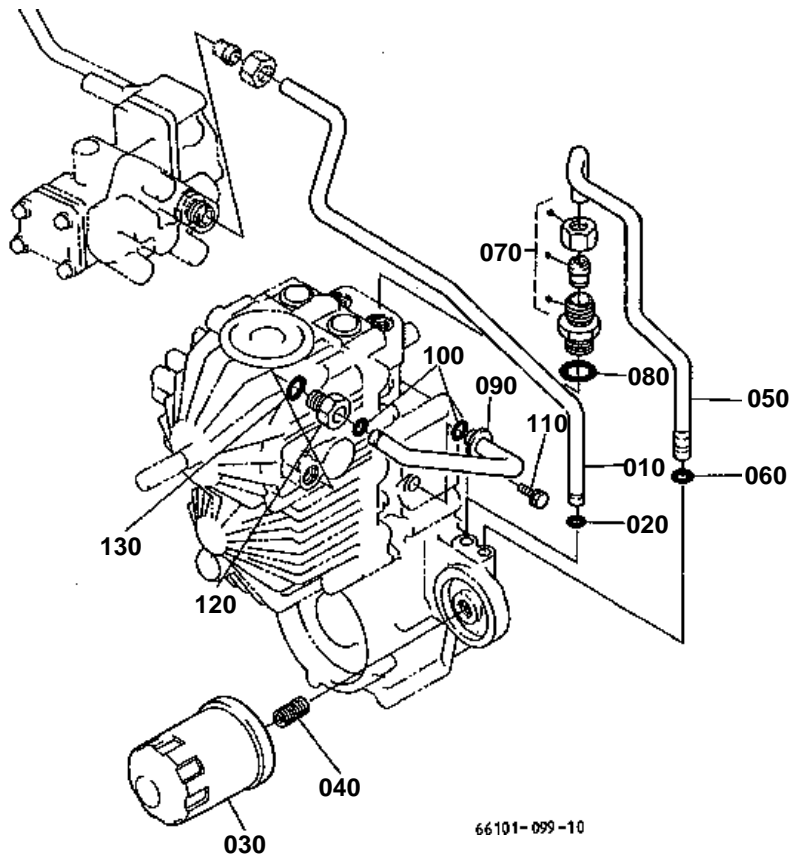


66101-813-10

**HYDRAULIC PIPE 1**

↔ Interchangeable; ≠ not interchangeable; ← new for old; → old for new

REF.No	Part No.	Description	Q'ty	S.No.	I/C	REMARKS	Weight (kgf)	Weight (lb)
010	66101-36410	PIPE SUCTION	1				0.05	0.11
020	04811-10300	RING	2				0.001	0.0022
030	04811-00110	RING	1				0.001	0.0022
040	66021-36390	FILTER OIL	1				0.185	0.407
050	66101-36423	PIPE DELIVERY	1				0.14	0.308
060	36330-63080	NIPPLE	1				0.07	0.154
070	04811-00140	O RING	1				0.001	0.0022
080	66591-36250	JOINT	1				0.08	0.176
090	67111-37180	GASKET	2				0.003	0.0066
100	66101-36650	PIPE RETURN	1	←=13881			0.2	0.44
100	66101-36653	PIPE RETURN	1	≧=13882	≠		0.185	0.407
110	36330-63080	NIPPLE	1				0.07	0.154
120	04811-00150	O RING	1				0.001	0.0022
130	66101-36660	PIPE RETURN	1	←=13838			0.06	0.132
140	04714-00120	GASKET	2	←=13838			0.001	0.0022
150	67810-37880	FILTER OIL	1	←=13838			0.033	0.0726
160	67810-37680	HOSE	1	←=13838			0.015	0.033
170	67810-37690	BAND HOSE	1	←=13838			0.02	0.044
180	04811-00140	O RING	1				0.001	0.0022
190	66711-36140	CLAMP PIPE	2	≧=13115			0.007	0.0154
200	01053-50640	BOLT	1	≧=13115			0.011	0.0242
210	02014-50060	NUT	1	≧=13115			0.003	0.0066
220	04015-60060	WASHER PLAIN	2	≧=13115			0.005	0.011
230	04512-60060	WASHER SPRING	1	≧=13115			0.001	0.0022



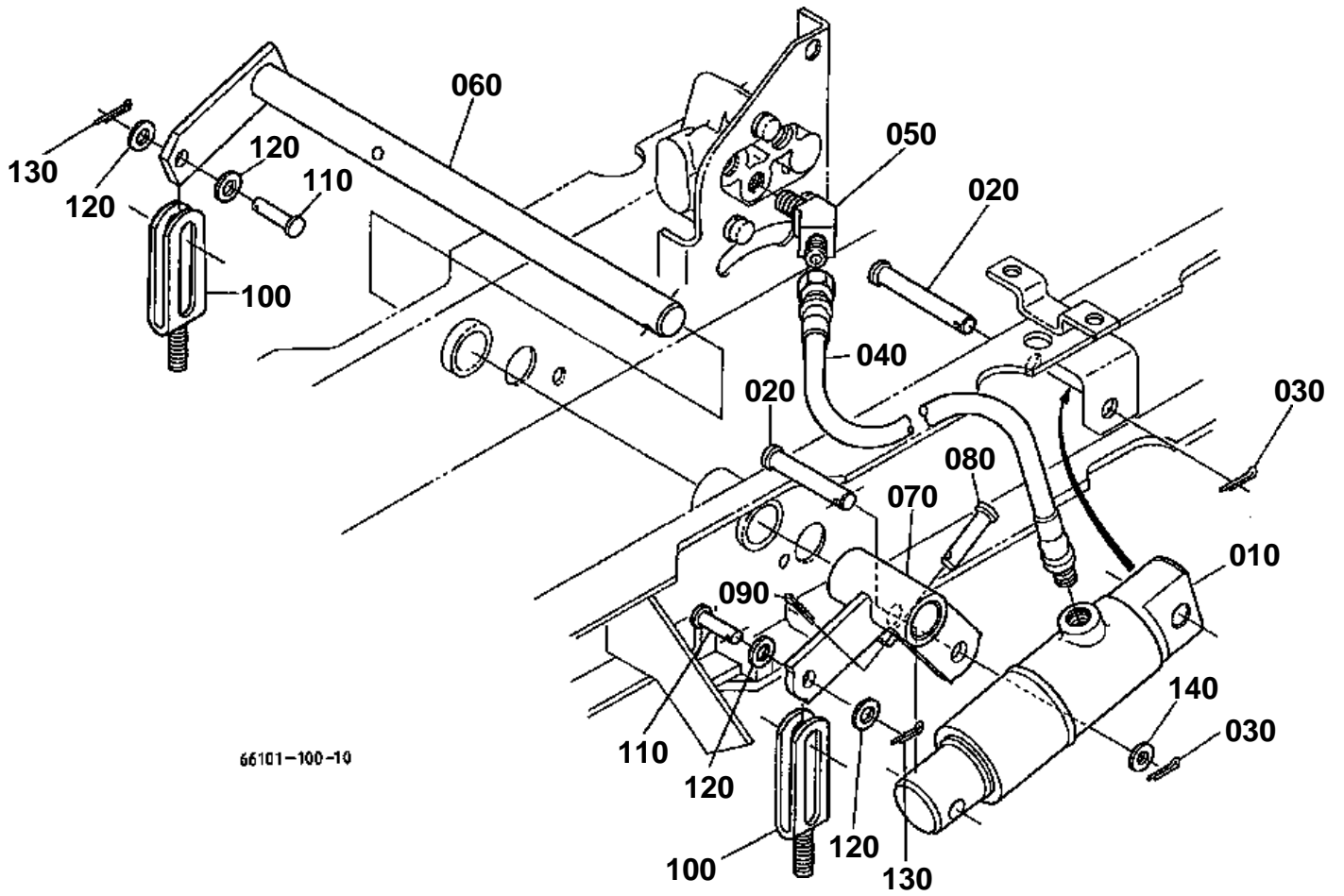


HYDRAULIC PIPE 2

↔ Interchangeable; ≠ not interchangeable; ← new for old; → old for new

REF.No	Part No.	Description	Q'ty	S.No.	I/C	REMARKS	Weight (kgf)	Weight (lb)
010	66101-36430	PIPE HST	1				0.15	0.33
020	04811-10090	RING	1				0.001	0.0022
030	66021-36060	CARTRIDGE OIL FILTER	1				0.34	0.748
040	66204-36170	JOINT FILTER	1				0.018	0.0396
050	66101-36444	PIPE HST	1				0.11	0.242
060	04811-10090	RING	1				0.001	0.0022
070	36330-63080	NIPPLE	1				0.07	0.154
080	04811-00140	O RING	1				0.001	0.0022
090	66101-36450	PIPE DRAIN	1				0.05	0.11
100	04811-10090	RING	2				0.001	0.0022
110	01123-60814	BOLT	1				0.008	0.0176
120	66101-36460	PLUG DRAIN	1	≤13759			0	0
120	66101-36463	PLUG DRAIN	1	≥13760	←		0.046	0.1012
130	68011-62220	O RING	1				0.001	0.0022

LIFT CYLINDER



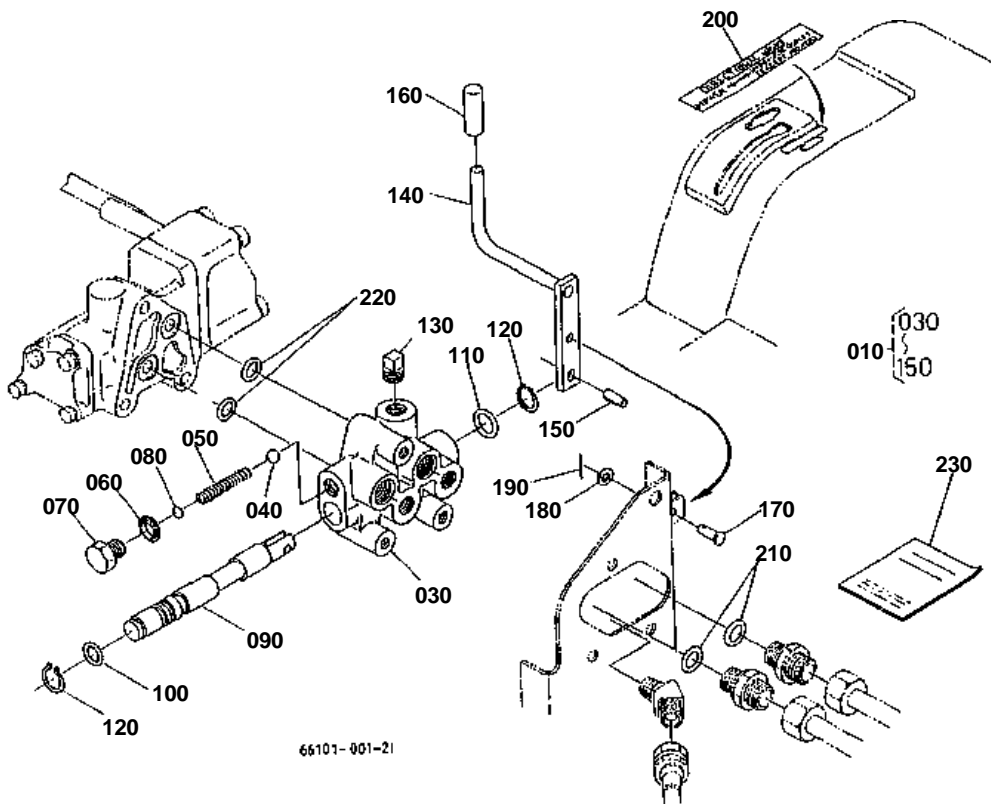


LIFT CYLINDER

↔ Interchangeable; ≠ not interchangeable; ← new for old; → old for new

REF.No	Part No.	Description	Q'ty	S.No.	I/C	REMARKS	Weight (kgf)	Weight (lb)
010	66101-36512	ASSY CYLINDER	1				2.84	6.248
020	05122-51465	PIN JOINT	2				0.08	0.176
030	05511-50425	PIN SPLIT	2				0.003	0.0066
040	66101-36520	HOSE CYLINDER	1				0.15	0.33
050	56811-27380	ADAPTER	1				0.04	0.088
060	66101-36530	SHAFT LIFT	1				1.6	3.52
070	66101-36542	ARM LIFT	1				0.76	1.672
080	05122-61245	PIN JOINT	1				0.04	0.088
090	05511-50425	PIN SPLIT	1				0.003	0.0066
100	76505-51170	ROD LIFT	2				0.14	0.308
110	05122-51230	PIN JOINT	2				0.029	0.0638
120	04013-60120	WASHER PLAIN	4				0.01	0.022
130	05511-50425	PIN SPLIT	2				0.003	0.0066
140	04011-50140	WASHER PLAIN	1				0.007	0.0154

HYDRAULIC OUTLET [OLD TYPE] [OPTION]



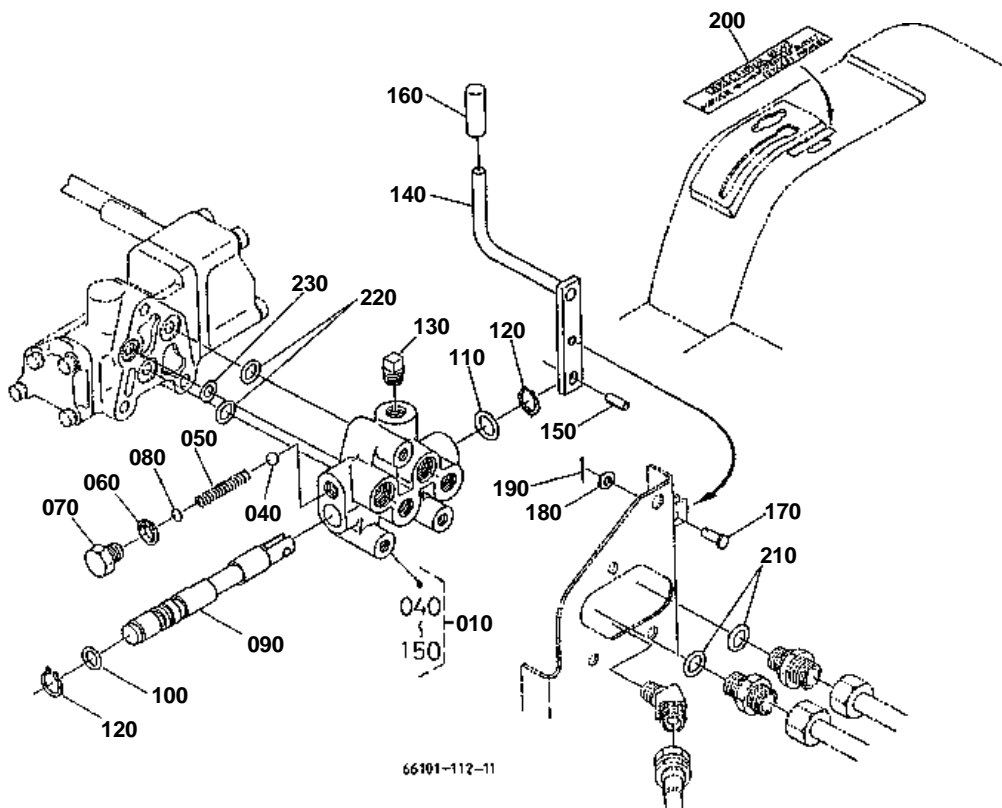


HYDRAULIC OUTLET [OLD TYPE] [OPTION]
S.No.:G1800<=13881,G1800-S<=14060,G1900<=11802,G1900-S<=13053

↔ Interchangeable; ≠ not interchangeable; ← new for old; → old for new

REF.No	Part No.	Description	Q'ty	S.No.	I/C	REMARKS	Weight (kgf)	Weight (lb)
010	79840-13200	ASSY ADAPTER	1				1.5	3.3
030	79840-13210	ADAPTER CONT.VALVE	1				1.18	2.596
040	07715-01605	BALL	1				0.003	0.0066
050	66101-36220	SPRING	1				0.005	0.011
060	04717-01200	WASHER WITH RUBBER	1				0.002	0.0044
070	06331-35012	PLUG	1				0.022	0.0484
080	66101-36230	SHIM	1			0.5MM	0.003	0.0066
080	66101-36240	SHIM	1			0.3MM	0.003	0.0066
090	79840-13220	SPOOL	1				0.19	0.418
100	04811-00120	O RING	1				0.001	0.0022
110	04811-00160	O RING	1				0.001	0.0022
120	04612-00150	CIRCLIP EXTERNAL	2				0.001	0.0022
130	06312-10020	PLUG	1				0.015	0.033
140	79840-13230	LEVER CHANGE	1				0.1	0.22
150	05411-00616	PIN SPRING	1				0.002	0.0044
160	66071-43480	BUTTON	1				0.042	0.0924
170	05122-50616	PIN JOINT	1				0.004	0.0088
180	04013-60060	WASHER PLAIN	1				0.001	0.0022
190	05511-51612	PIN SPLIT	1				0.001	0.0022
200	79840-13240	LABEL	1				0.002	0.0044
210	04811-00140	O RING	2				0.001	0.0022
220	04811-00120	O RING	2				0.001	0.0022
230	79840-13910	MANUAL CONSTRUCTION	1				0.001	0.0022

HYDRAULIC OUTLET [NEW TYPE] [OPTION]



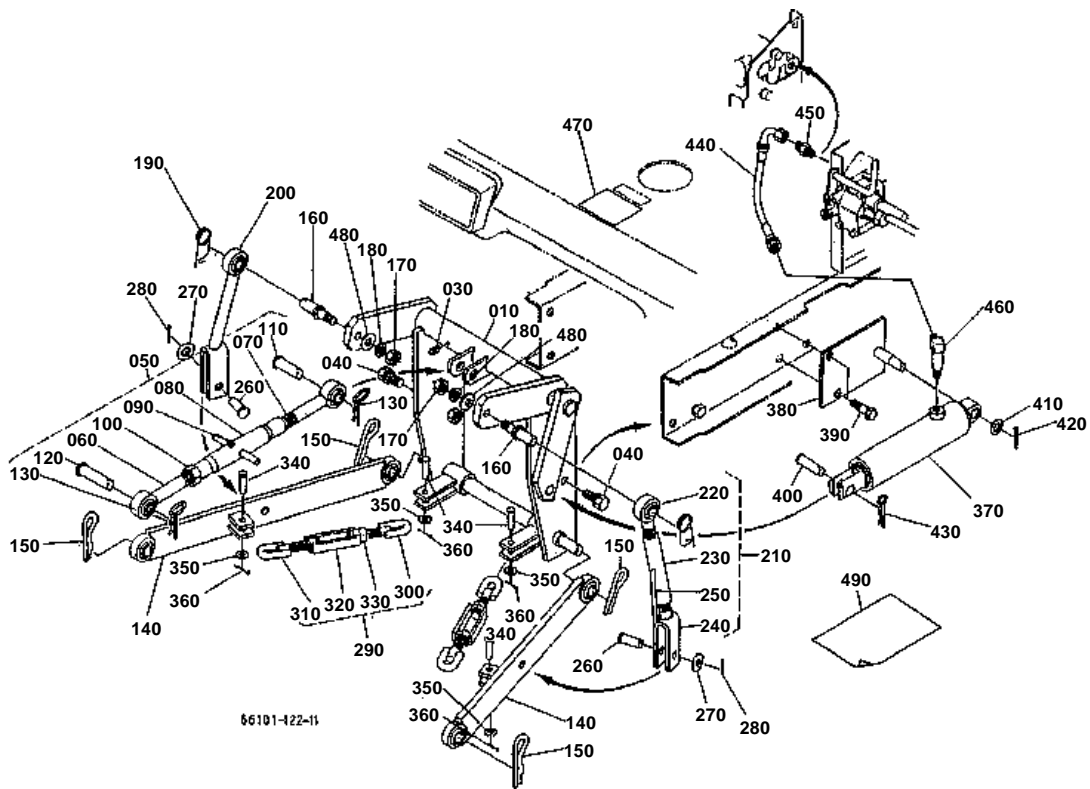
**HYDRAULIC OUTLET [NEW TYPE] [OPTION]**

S.No.:G01800>=13882,G1800-S>=14061,G1900>=11803,G1900-S>=13054

↔ Interchangeable; ≠ not interchangeable; ← new for old; → old for new

REF.No	Part No.	Description	Q'ty	S.No.	I/C	REMARKS	Weight (kgf)	Weight (lb)
010	79840-13120	ASSY ADAPTER	1				1.5	3.3
040	07715-01605	BALL	1				0.003	0.0066
050	66101-36220	SPRING	1				0.005	0.011
060	04717-01200	WASHER WITH RUBBER	1				0.002	0.0044
070	06331-35012	PLUG	1				0.022	0.0484
080	66101-36230	SHIM	1			0.5MM	0.003	0.0066
080	66101-36240	SHIM	1			0.3MM	0.003	0.0066
090	79840-13220	SPOOL	1				0.19	0.418
100	04811-00120	O RING	1				0.001	0.0022
110	04811-00160	O RING	1				0.001	0.0022
120	04612-00150	CIRCLIP EXTERNAL	2				0.001	0.0022
130	06312-10020	PLUG	1				0.015	0.033
140	79840-13230	LEVER CHANGE	1				0.1	0.22
150	05411-00616	PIN SPRING	1				0.002	0.0044
160	66071-43480	BUTTON	1				0.042	0.0924
170	05122-50616	PIN JOINT	1				0.004	0.0088
180	04013-60060	WASHER PLAIN	1				0.001	0.0022
190	05511-51612	PIN SPLIT	1				0.001	0.0022
200	79840-13240	LABEL	1				0.002	0.0044
210	04811-00140	O RING	2				0.001	0.0022
220	04811-00120	O RING	2				0.001	0.0022
230	04811-00090	O RING	1				0.001	0.0022

3-POINT LINKAGE [OPTION]



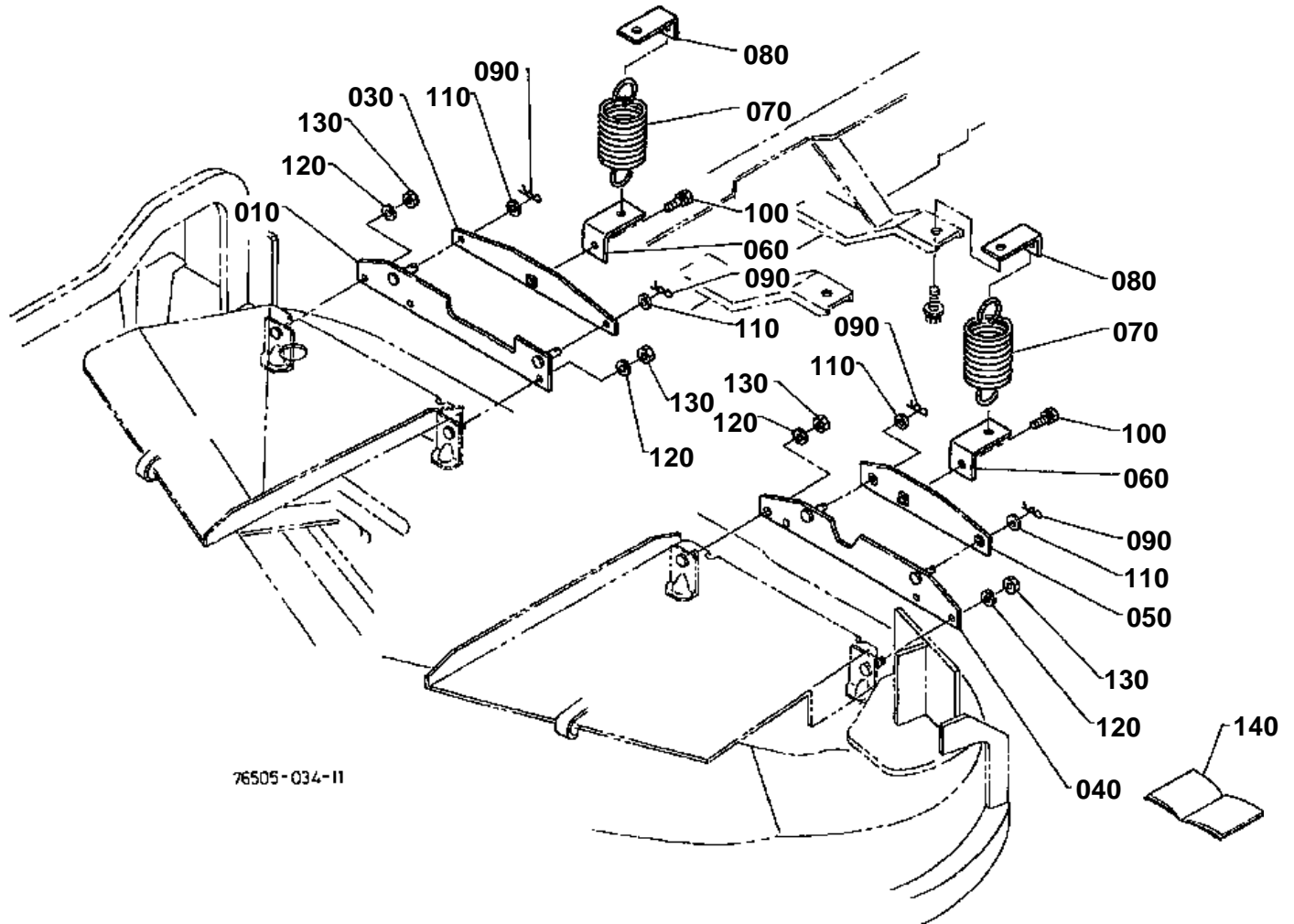


3-POINT LINKAGE [OPTION]

↔ Interchangeable; ≠ not interchangeable; ← new for old; → old for new

REF.No	Part No.	Description	Q'ty	S.No.	I/C	REMARKS	Weight (kgf)	Weight (lb)
010	79840-13310	BRACKET	1				10	22
030	06613-10675	NIPPLE GREASE	1				0.003	0.0066
040	01133-51228	BOLT	4				0.04	0.088
050	79840-12200	ASSY LINK TOP	1				1.2	2.64
060	79840-12210	JOINT TOP LINK RH	1				0.32	0.704
070	79840-12220	JOINT TOP LINK LH	1				0.32	0.704
080	79840-12232	TURNBUCKLE	1				0.44	0.968
090	06613-10675	NIPPLE GREASE	1				0.003	0.0066
100	02152-50180	NUT	1				0.024	0.0528
110	05122-51650	PIN JOINT	1				0.09	0.198
120	05122-51660	PIN JOINT	1				0.098	0.2156
130	66592-35190	PIN SET	2				0.014	0.0308
140	79840-13320	COMP.LINK LOWER	2				2.1	4.62
150	70451-56320	PIN SNAP	4				0.025	0.055
160	66706-65280	PIN LIFT	2				0.082	0.1804
170	02174-50120	NUT	2				0.01	0.022
180	04512-50120	WASHER SPRING	2				0	0
190	66713-34340	PIN SET	2				0.013	0.0286
200	79840-13330	COMP.ROD LIFT LH	1				0.6	1.32
210	79840-13400	ASSY ROD LIFT RH	1				0.74	1.628
220	79840-13340	ROD LIFT UPPER RH	1				0.2	0.44
230	66706-65253	NUT	1				0.003	0.0066
240	79840-13350	ROD LIFT LOWER RH	1				0.3	0.66
250	79840-13360	SPRING	1				0.035	0.077
260	05122-51235	PIN JOINT	2				0.034	0.0748
270	04013-60120	WASHER PLAIN	2				0.01	0.022
280	05511-50425	PIN SPLIT	2				0.003	0.0066
290	79840-13500	ASSY CHAIN CHECK	2				0.3	0.66
300	79840-12520	BOLT TURNBUCKLE RH	2				0.08	0.176
310	79840-12530	BOLT TURNBUCKLE LH	2				0.08	0.176
320	96316-05580	TURNBUCKLE	2				0.14	0.308
330	02112-50120	NUT	2				0.007	0.0154
340	66706-65380	PIN SET	4				0.021	0.0462
350	04011-50100	WASHER PLAIN	4				0.002	0.0044
360	05511-50318	PIN SPLIT	4				0.001	0.0022
370	79840-13370	COMP.CYLINDER	1				3.94	8.668
380	79840-13380	HOLDER CYLINDER	1				0.7	1.54
390	01123-51240	BOLT	2				0.048	0.1056
400	05122-51445	PIN JOINT	1				0.058	0.1276
410	04011-50140	WASHER PLAIN	1				0.007	0.0154
420	05511-50430	PIN SPLIT	1				0.004	0.0088
430	05515-51600	PIN SNAP	1				0.007	0.0154
440	79840-13410	HOSE CYLINDER	1				0.13	0.286
450	56713-28140	ADAPTER CYLINDER	1				0.03	0.066
460	58745-27250	ADAPTER	1				0.1	0.22
470	35260-29790	LABEL DRAWBAR	1				0.002	0.0044
480	04013-60120	WASHER PLAIN	2				0.01	0.022
490	79840-13450	MANUAL ASSEMBLY	1				0.001	0.0022

MOWER ASSIST SPRING [OPTION]

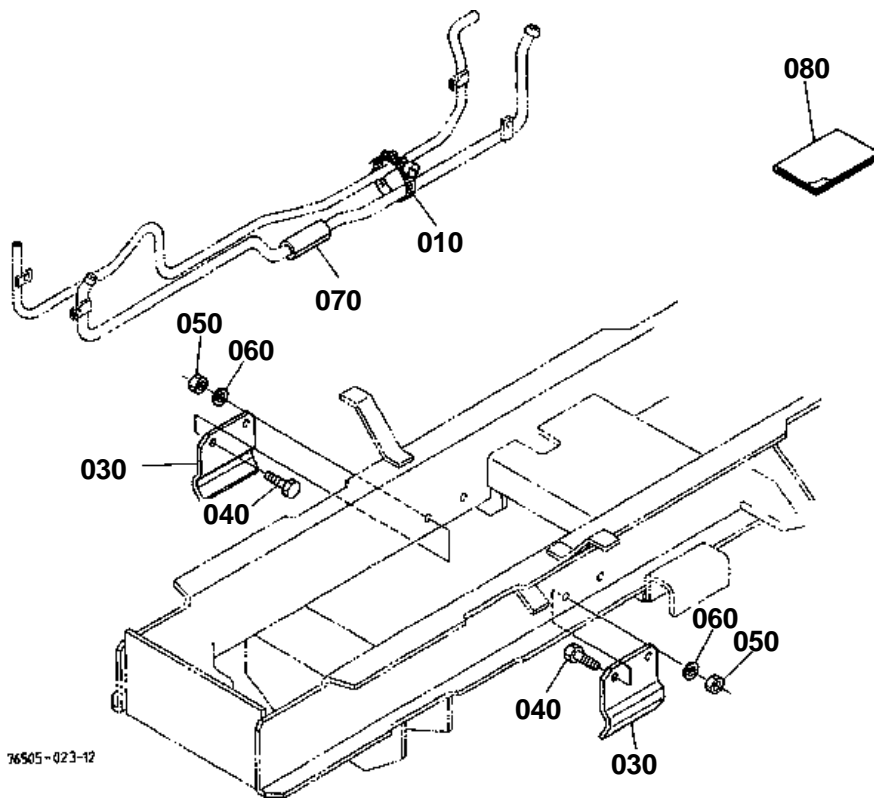




MOWER ASSIST SPRING [OPTION]

↔ Interchangeable; ≠ not interchangeable; ← new for old; → old for new

REF.No	Part No.	Description	Q'ty	S.No.	I/C	REMARKS	Weight (kgf)	Weight (lb)
010	66111-88520	STAY LOWER RH	1				0.38	0.836
030	66111-88510	STAY UPPER RH	1				0.27	0.594
040	66111-88540	STAY LOWER LH	1				0.41	0.902
050	66111-88530	STAY UPPER LH	1				0.23	0.506
060	66111-88620	HOOK SPRING	2				0.08	0.176
070	66111-88570	SPRING	2				0.31	0.682
080	66111-88610	HOOK SPRING	2				0.08	0.176
090	05516-61000	PIN SNAP	4				0.003	0.0066
100	01123-50820	BOLT	2				0.011	0.0242
110	04011-50100	WASHER PLAIN	4				0.002	0.0044
120	04512-60080	WASHER SPRING	4				0.002	0.0044
130	02114-50080	NUT	4				0.005	0.011
140	66111-88592	MANUAL ASSEMBLY	1				0.009	0.0198



76505-023-12

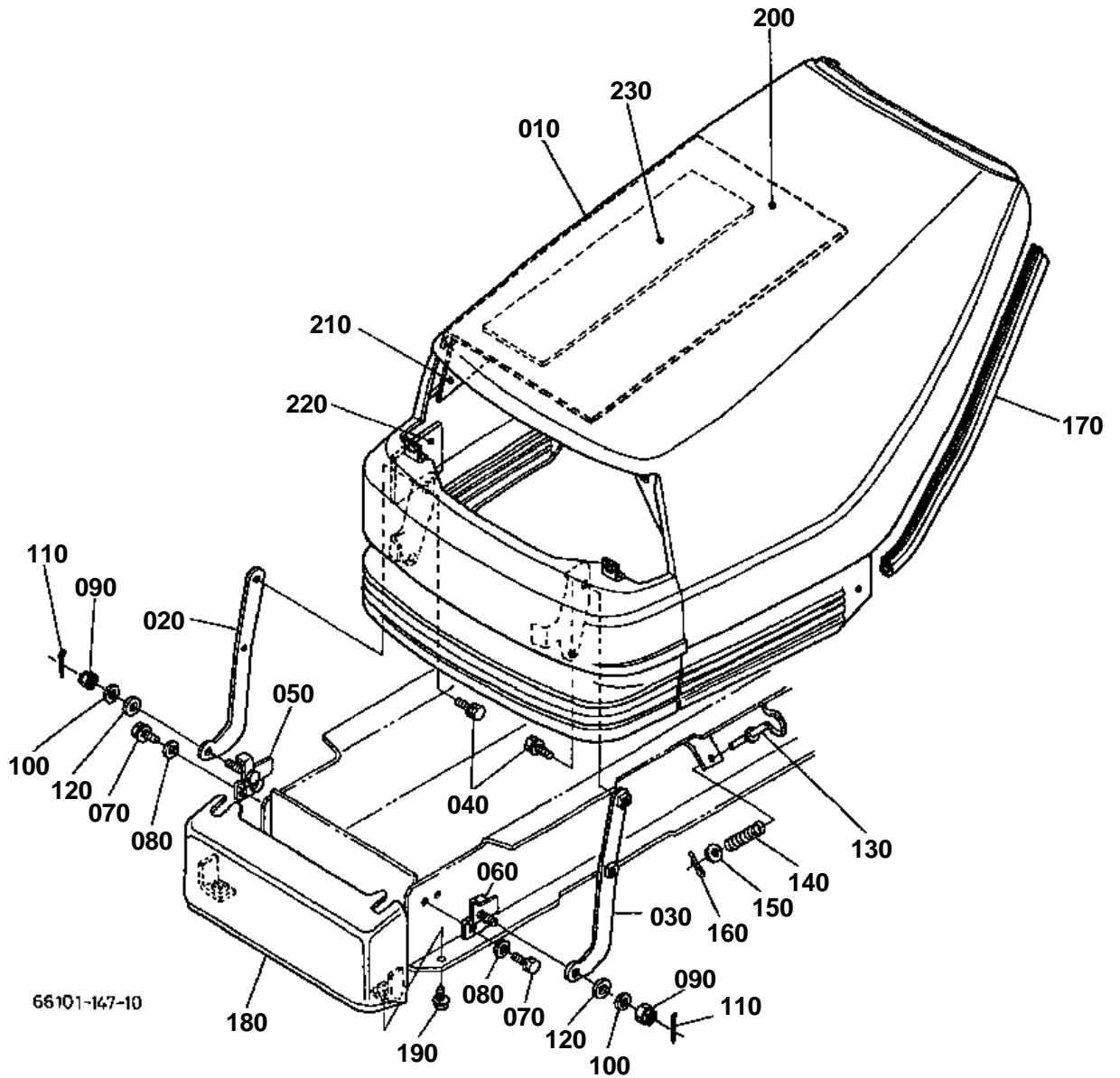


MOWER SWING STOPPER [OPTION]

↔ Interchangeable; ≠ not interchangeable; ← new for old; → old for new

REF.No	Part No.	Description	Q'ty	S.No.	I/C	REMARKS	Weight (kgf)	Weight (lb)
010	66704-58250	BAND	1				0.025	0.055
030	76507-51200	SUPPORTER	2				0.38	0.836
040	01173-51025	BOLT	4				0.021	0.0462
050	02118-50100	NUT	4				0.005	0.011
060	04512-60100	WASHER SPRING	4				0.002	0.0044
070	66101-58600	TUBE ENCLOSING	1				0.002	0.0044
080	66101-85860	MANUAL ASSEMBLY	1				0.001	0.0022

HOOD (BONNET)

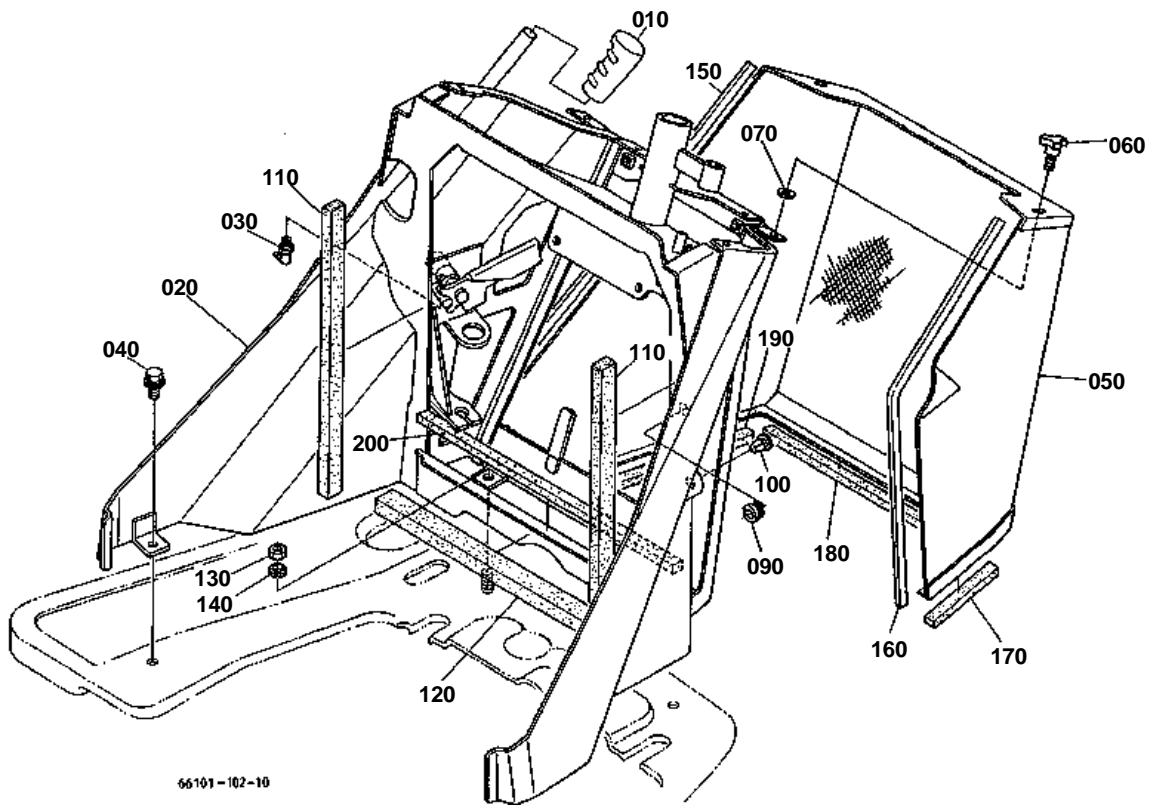


**HOOD (BONNET)**

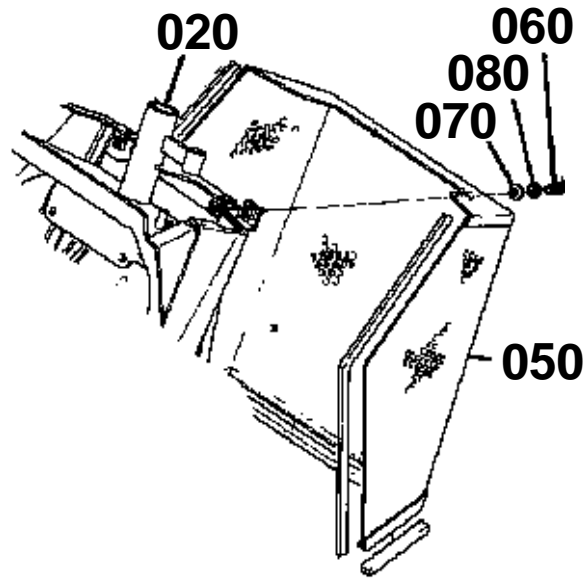
↔ Interchangeable; ≠ not interchangeable; ← new for old; → old for new

REF.No	Part No.	Description	Q'ty	S.No.	I/C	REMARKS	Weight (kgf)	Weight (lb)
010	66101-54120	COMP.BONNET	1				10.4	22.88
020	66101-54130	STAY BONNET RH	1				0.21	0.462
030	66101-54140	STAY BONNET LH	1				0.24	0.528
040	01123-50820	BOLT	4				0.011	0.0242
050	66101-54150	HOLDER BONNET RH	1				0.06	0.132
060	66101-54160	HOLDER BONNET LH	1				0.09	0.198
070	01123-50820	BOLT	4				0.011	0.0242
080	04013-50080	WASHER PLAIN	4				0	0
090	02372-50100	NUT	2				0.005	0.011
100	44512-46650	COLLAR	2				0.005	0.011
110	05511-52520	PIN SPLIT	2				0.001	0.0022
120	34150-18180	CUSHION	2				0.003	0.0066
130	66101-54170	HOOK BONNET	2	<=10072			0	0
130	66101-54172	HOOK BONNET	2	>=10073	←		0	0
130	66101-54174	HOOK BONNET	2	>=11612	←		0.055	0.121
140	67800-54623	SPRING	2				0.005	0.011
150	04015-60060	WASHER PLAIN	2				0.005	0.011
160	05511-50315	PIN SPLIT	2				0.002	0.0044
170	66101-53150	TRIM SASH	2	<=14778			0	0
170	67401-54330	TRIM SASH	2	>=14779	↔		0.04	0.088
180	66101-54310	COVER FRONT	1				0.64	1.408
190	01123-50820	BOLT	2				0.011	0.0242

PANEL



020 66101-5311-4
050 66101-5316-0
060 66021-5523-0
070 66021-5526-0
080 66021-5528-0



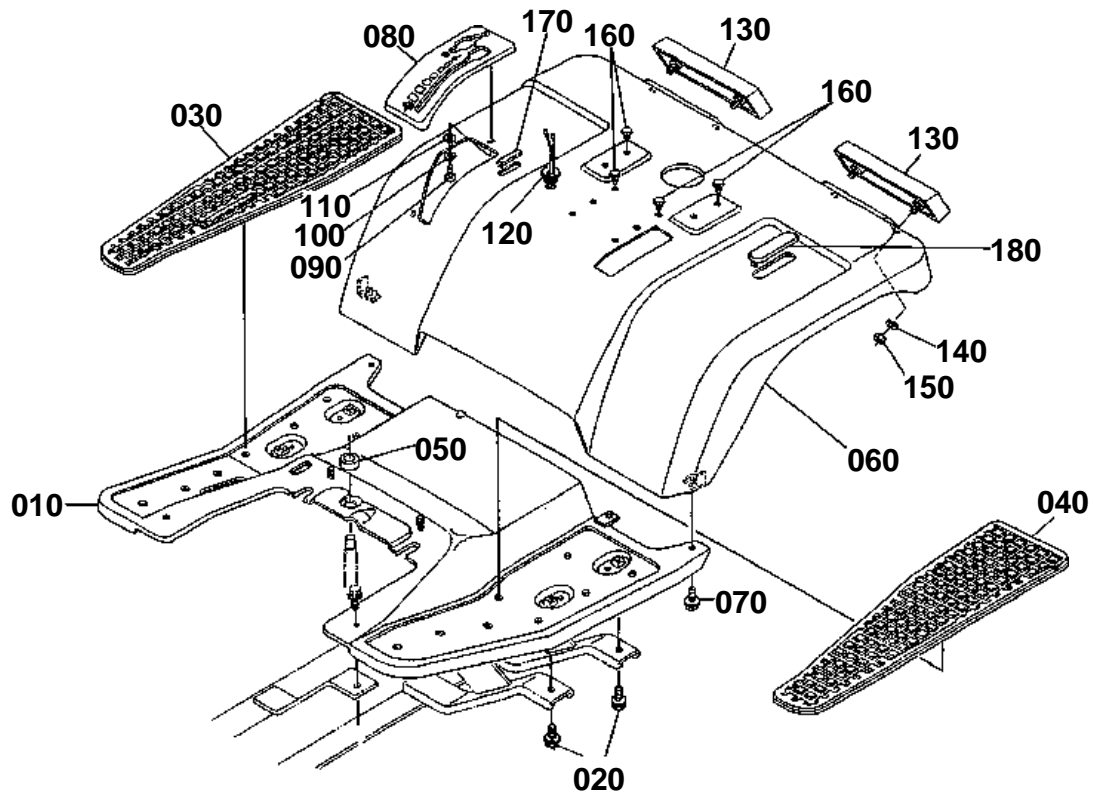
66101-814-10



PANEL

↔ Interchangeable; ≠ not interchangeable; ← new for old; → old for new

REF.No	Part No.	Description	Q'ty	S.No.	I/C	REMARKS	Weight (kgf)	Weight (lb)
010	54911-32330	GRIP LEVER	1				0.055	0.121
020	66101-53114	COMP.PANEL	1	<=11611			6.8	14.96
020	66101-53116	COMP.PANEL	1	>=11612	≠		0	0
020	66101-53118	COMP.PANEL	1	>=16345	←		4.52	9.944
030	67111-44250	NIPPLE GREASE	1				0.005	0.011
040	01125-50818	BOLT	2	<=16646			0.015	0.033
040	01125-50822	BOLT	2	>=16647	↔		0.015	0.033
050	66101-53160	COVER PANEL REAR	1	<=11611			4	8.8
050	66101-53163	COVER PANEL REAR	1	>=11612	≠		0.85	1.87
060	66021-55230	SCREW PAN-HEAD	4	<=11611			0.005	0.011
060	01820-50615	BOLT KNOB	2	>=11612	≠		0.017	0.0374
070	66021-55260	WASHER PLAIN	4	<=11611			0.001	0.0022
070	67156-54480	RUBBER KNOB	2	>=11612	≠		0.001	0.0022
080	66021-55280	WASHER SPRING	4	<=11611			0.001	0.0022
090	66101-53250	CUSHION	1				0.001	0.0022
100	38240-29570	PLUG	1				0.001	0.0022
110	66101-53212	BLOCK DUSTPROOF	2				0.01	0.022
120	66101-53220	BLOCK DUSTPROOF	1				0.01	0.022
130	02114-50080	NUT	2				0.005	0.011
140	04512-60080	WASHER SPRING	2				0.002	0.0044
150	66101-53170	TRIM REAR COVER RH	1				0.002	0.0044
160	66101-53180	TRIM REAR COVER LH	1				0.01	0.022
170	66101-53260	BLOCK DUSTPROOF	1				0.005	0.011
180	66101-53270	BLOCK DUSTPROOF	1				0.01	0.022
190	66101-53280	BLOCK DUSTPROOF	1				0.01	0.022
200	66101-53310	TAPE	1	>=10902			0.003	0.0066

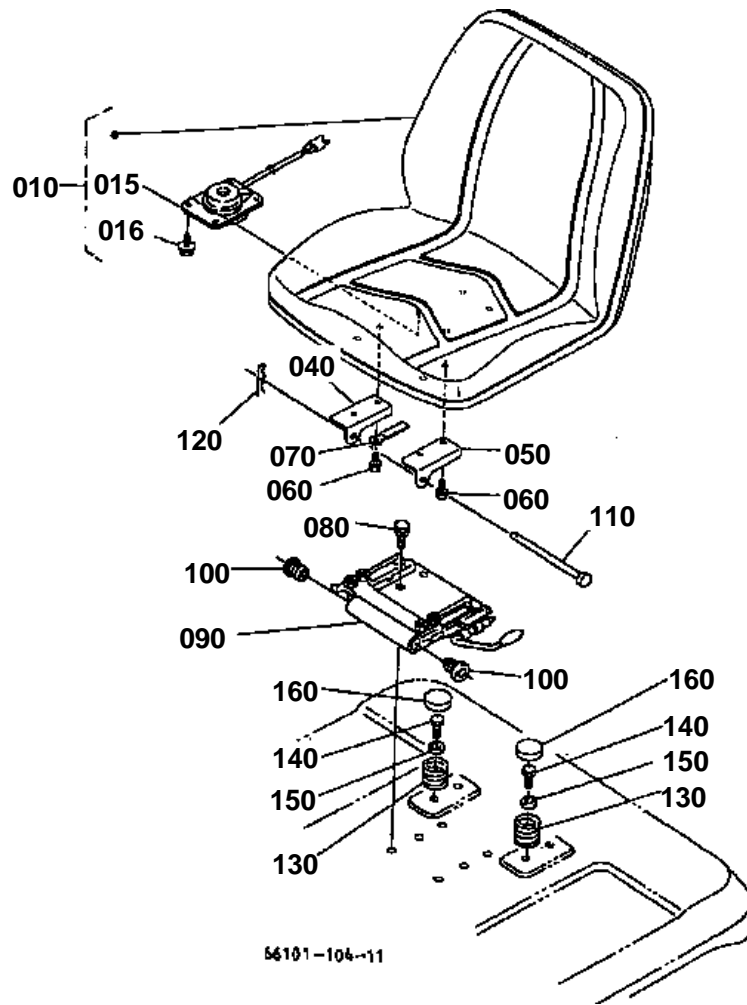


66101-103-10

**FENDER**

↔ Interchangeable; ≠ not interchangeable; ← new for old; → old for new

REF.No	Part No.	Description	Q'ty	S.No.	I/C	REMARKS	Weight (kgf)	Weight (lb)
010	66101-52112	STEP	1				7.5	16.5
020	01125-50818	BOLT	4				0.015	0.033
030	66101-52120	SEAT STEP RH	1				0.52	1.144
040	66101-52130	SEAT STEP LH	1				0.52	1.144
050	66101-52140	BLOCK DUSTPROOF	1				0.1	0.22
060	66101-52210	FENDER	1	<=14778			0	0
060	66101-52213	FENDER	1	>=14779	↔		6	13.2
070	01123-60816	BOLT	4	<=10002			0.01	0.022
070	01125-50818	BOLT	4	>=10003	←		0.015	0.033
080	66101-52220	GUIDE S-CHANGE	1				0.1	0.22
090	01222-50610	BOLT	2				0.004	0.0088
100	04512-60060	WASHER SPRING	2				0.001	0.0022
110	04013-60060	WASHER PLAIN	2				0.001	0.0022
120	32150-29180	CAP RUBBER	1				0.002	0.0044
130	37410-52240	REFLECTOR	2				0.065	0.143
140	04512-60060	WASHER SPRING	4				0.001	0.0022
150	02014-50060	NUT	4				0.003	0.0066
160	38240-29570	PLUG	4	<=14778			0.001	0.0022
160	38240-29570	PLUG	5	>=14779			0.001	0.0022
170	66101-52230	CAP	1				0.01	0.022
180	66101-52240	CAP	1				0.01	0.022

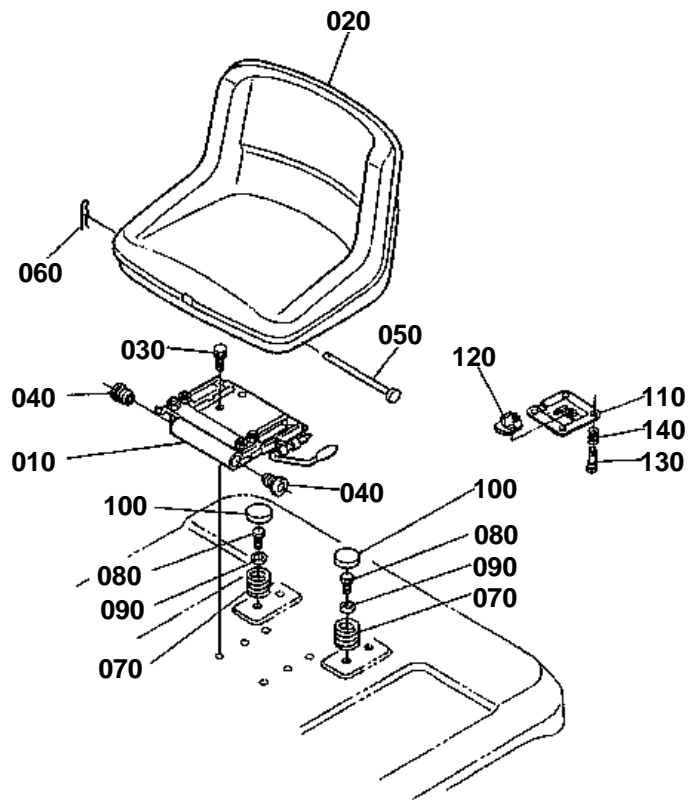




SEAT [A] [CA]

↔ Interchangeable; ≠ not interchangeable; ← new for old; → old for new

REF.No	Part No.	Description	Q'ty	S.No.	I/C	REMARKS	Weight (kgf)	Weight (lb)
010	66103-45930	SEAT	1	<=10901			0	0
010	66103-45935	SEAT	1	>=10902	←		0	0
010	K3311-45930	ASSY SEAT	1	>=21209	←		6.8	14.96
015	K3311-45940	ASSY SWITCH SEAT	1	>=21209			0.17	0.374
016	01754-50612	BOLT FRANGE	4	>=21209			0.005	0.011
040	66103-45940	BRACKET SEAT RH	1				0.088	0.1936
050	66103-45950	BRACKET SEAT LH	1				0.16	0.352
060	01123-50820	BOLT	4				0.011	0.0242
070	13824-67580	CLAMP CORD	1				0.006	0.0132
080	01123-60816	BOLT	4				0.01	0.022
090	66101-45910	ASSY ADJUSTER SEAT	1				1.5	3.3
100	66021-45980	CUSHION SEAT	2				0.012	0.0264
110	38240-18470	PIN SEAT	1				0.085	0.187
120	05515-61000	PIN SNAP	1				0.003	0.0066
130	67061-45970	SPRING SEAT	2				0.13	0.286
140	01123-50820	BOLT	2				0.011	0.0242
150	04015-60080	WASHER PLAIN	2				0.01	0.022
160	66301-52820	CAP SPRING	1				0.04	0.088



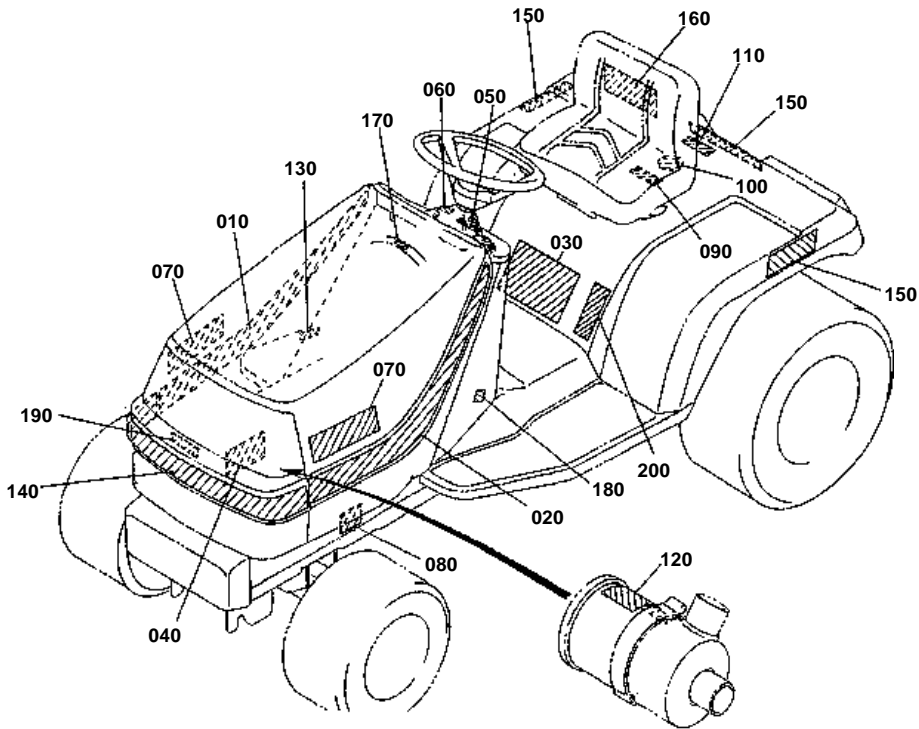
65101-11B-10



SEAT [AU] [NZ]

↔ Interchangeable; ≠ not interchangeable; ← new for old; → old for new

REF.No	Part No.	Description	Q'ty	S.No.	I/C	REMARKS	Weight (kgf)	Weight (lb)
010	66101-45910	ASSY ADJUSTER SEAT	1				1.5	3.3
020	66101-45920	ASSY SEAT	1	<=10683			0	0
020	66101-45922	ASSY SEAT	1	>=10684	←		6	13.2
030	01123-60816	BOLT	4	<=16446			0.01	0.022
030	01123-50820	BOLT	4	>=16447	↔		0.011	0.0242
040	66021-45980	CUSHION SEAT	2				0.012	0.0264
050	38240-18470	PIN SEAT	1				0.085	0.187
060	05515-61000	PIN SNAP	1				0.003	0.0066
070	67061-45970	SPRING SEAT	2				0.13	0.286
080	01123-50820	BOLT	2				0.011	0.0242
090	04015-60080	WASHER PLAIN	2				0.01	0.022
100	66301-52820	CAP SPRING	2				0.04	0.088
110	66071-45940	ASSY STAY SEATSWITCH	1				0.13	0.286
120	66071-45950	ASSY SWITCH SEAT	1				0.07	0.154
130	66071-45970	BOLT	4				0.01	0.022
140	66071-45980	SPRING	4				0.002	0.0044



66101-149-10



LABEL

↔ Interchangeable; ≠ not interchangeable; ← new for old; → old for new

REF.No	Part No.	Description	Q'ty	S.No.	I/C	REMARKS	Weight (kgf)	Weight (lb)
010	66101-47110	MARK KUBOTA RH 2	1				0.001	0.0022
020	66101-47120	MARK KUBOTA LH	1				0.015	0.033
030	66101-47130	LABEL CAUTION	1	<=13282		[A] [AU] [NZ]	0.003	0.0066
030	66001-47193	LABEL CAUTION	1	>=13283	≠	[A] [AU] [NZ]	0.013	0.0286
030	66120-47130	LABEL CAUTION	1	<=10513		[CA]	0	0
030	66120-47132	LABEL CAUTION	1	>=10514	←	[CA]	0.005	0.011
040	66101-47150	LABEL WIRE ADJUST.	1			[A] [AU] [NZ]	0.001	0.0022
040	66120-47150	LABEL WIRE ADJUST.	1			[CA]	0.001	0.0022
050	66101-47170	LABEL OPERATION	1			[A] [AU] [NZ]	0.002	0.0044
050	66120-47170	LABEL OPERATION	1			[CA]	0.005	0.011
060	66101-47190	LABEL MAIN SWITCH	1				0.002	0.0044
070	66101-47210	LABEL KUBOTA	2	<=11689			0	0
070	66101-47212	MARK KUBOTA	2	>=11690	≠		0.02	0.044
090	66041-47260	LABEL INSTRUCTION	1			[A] [AU] [NZ]	0.001	0.0022
090	66021-47260	LABEL INSTRUCTION	1			[CA]	0.001	0.0022
100	66101-47240	LABEL FUEL	1				0.003	0.0066
110	66041-47280	LABEL CAUTION	1			[A] [AU] [NZ]	0.001	0.0022
110	66706-47340	LABEL CAUTION	1			[CA]	0.001	0.0022
120	35820-98632	LABEL START CAUTION	1	<=15595		[A] [AU] [NZ]	0.003	0.0066
120	76611-47230	LABEL START CAUTION	1	>=15596	←	[A] [AU] [NZ]	0.001	0.0022
120	66027-47270	LABEL START CAUTION	1			[CA]	0.002	0.0044
130	66101-47290	LABEL BRAKE	1			[A] [AU] [NZ]	0.001	0.0022
130	66161-47290	LABEL BRAKE	1			[CA]	0.002	0.0044
140	66101-47310	LACE FRONT LINE	1	<=11689			0	0
140	66101-47314	LACE FRONT LINE	1	>=11690	≠		0.2	0.44
160	66103-47320	LABEL KUBOTA	1	<=11689		[A] [CA]	0	0
160	66103-47322	MARK KUBOTA	1	>=11690	≠	[A] [CA]	0.001	0.0022
160	67001-47110	LABEL KUBOTA	1	<=11689		[AU] [NZ]	0.002	0.0044
160	67001-47112	LABEL KUBOTA	1	>=11690	≠	[AU] [NZ]	0.01	0.022
170	66101-47330	LABEL RADIATOR	1	<=20696		[A]	0	0
170	66101-47332	LABEL RADIATOR	1	>=20697	←	[A]	0.001	0.0022
180	66093-47340	LABEL NOISE	1	>=11562		[AU] [NZ]	0.003	0.0066
190	66101-47510	LABEL	1	>=10902		[A]	0.001	0.0022
200	66101-47160	LABEL ENGINE START	1	<=17317			0.002	0.0044
200	K3311-47160	LABEL ENGINE START	1	>=17318	←		0.02	0.044



ACCESSORIES AND SERVICE PARTS

↔ Interchangeable; ≠ not interchangeable; ← new for old; → old for new

REF.No	Part No.	Description	Q'ty	S.No.	I/C	REMARKS	Weight (kgf)	Weight (lb)
010	66101-86290	MANUAL INSTRUCTION	1	>=11783		[A] REF.NO.020 030	0	0
020	66101-62912	MANUAL INSTRUCTION	1	<=17361		[A]	0.05	0.11
020	66101-62917	MANUAL INSTRUCTION	1	>=20001	←	[A]	0	0
030	66101-62920	MANUAL INSTRUCTION	1				0	0
040	66160-86290	MANUAL INSTRUCTION	1			[CA] [AU] [NZ] REF.NO.030 050	0	0
050	66160-62910	MANUAL INSTRUCTION	1	<=11726		[CA] [AU] [NZ]	0	0
050	66160-62912	MANUAL INSTRUCTION	1	>=11727	←	[CA] [AU] [NZ]	0	0
050	66160-62914	MANUAL INSTRUCTION	1	>=11795	≠	[CA] [AU] [NZ]	0	0
050	66160-62915	MANUAL INSTRUCTION	1	>=13283	≠	[CA] [AU] [NZ]	0	0
060	66161-86290	MANUAL INSTRUCTION	1			[CA] REF.NO.030 070	0	0
070	66161-62912	MANUAL INSTRUCTION	1	<=11689		[CA]	0	0
070	66161-62914	MANUAL INSTRUCTION	1	>=11690	←	[CA]	0	0
070	66161-62916	MANUAL INSTRUCTION	1	>=15132	≠	[CA]	0	0
080	37410-55150	KEY STARTER	1				0.025	0.055
090	05511-50545	PIN SPLIT	2				0.01	0.022
100	66021-56240	WASHER	2				0.01	0.022
110	66021-17120	NUT TAPER	10				0.017	0.0374
120	66101-55510	ASSY BAG SPARE FUSE	1				0.01	0.022
130	52200-41620	FUSE AUTO	1				0.003	0.0066
140	36919-56650	FUSE AUTO	1				0.002	0.0044
160	66704-55420	MANUAL BATTERY	1	>=13030		[A] [CA]	0.002	0.0044
160	66704-55420	MANUAL BATTERY	1	<=13282		[A] [CA]	0.002	0.0044
170	67111-55190	RING FUSIBLE	1	<=14778			0.005	0.011
170	55611-41620	RING FUSE	1	>=14779	←		0.007	0.0154

Blank Page Inserted