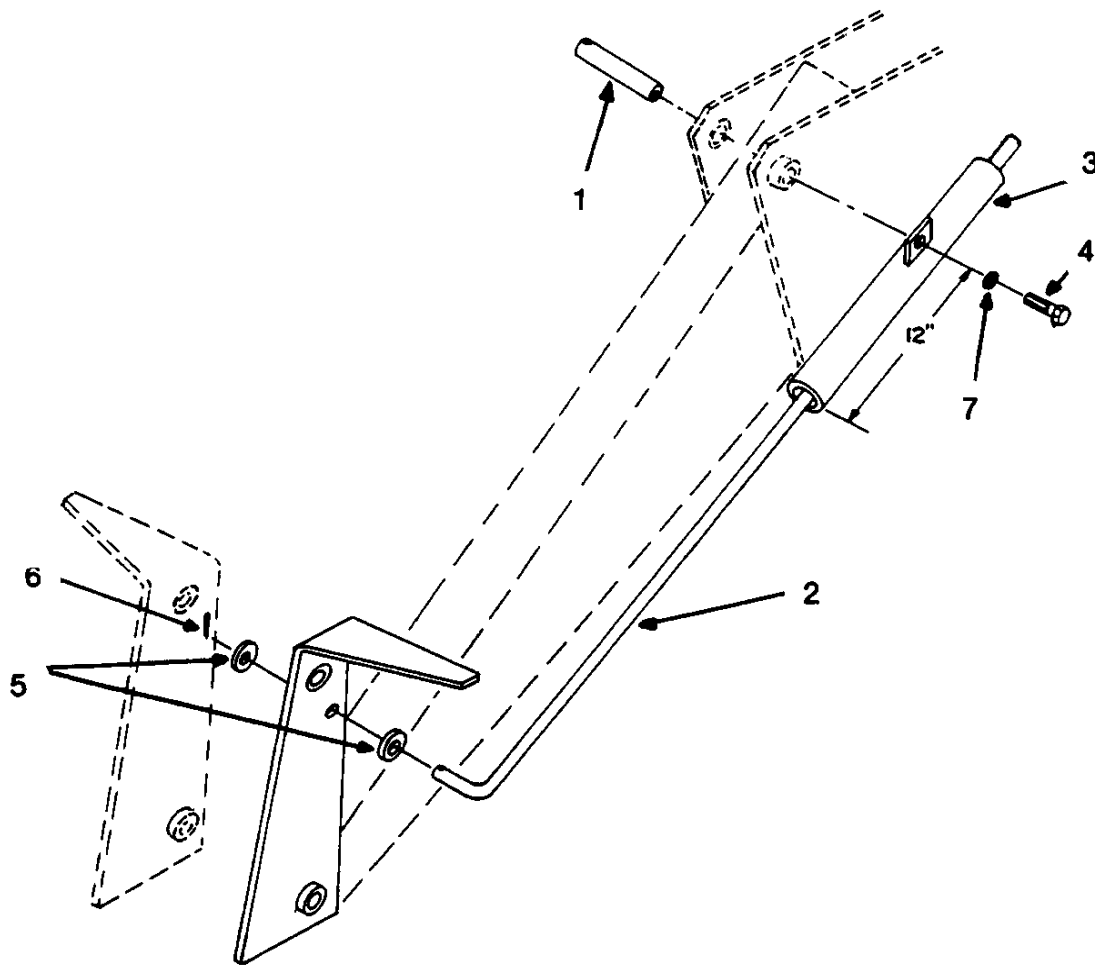


L1720 -> L1720 -> I00100 BUCKET LEVEL INDICATOR ## L1720

Update Date: 05/26/2006, Printing Date: 08/16/2018



L1720 -> L1720 -> I00100 BUCKET LEVEL INDICATOR ## L1720

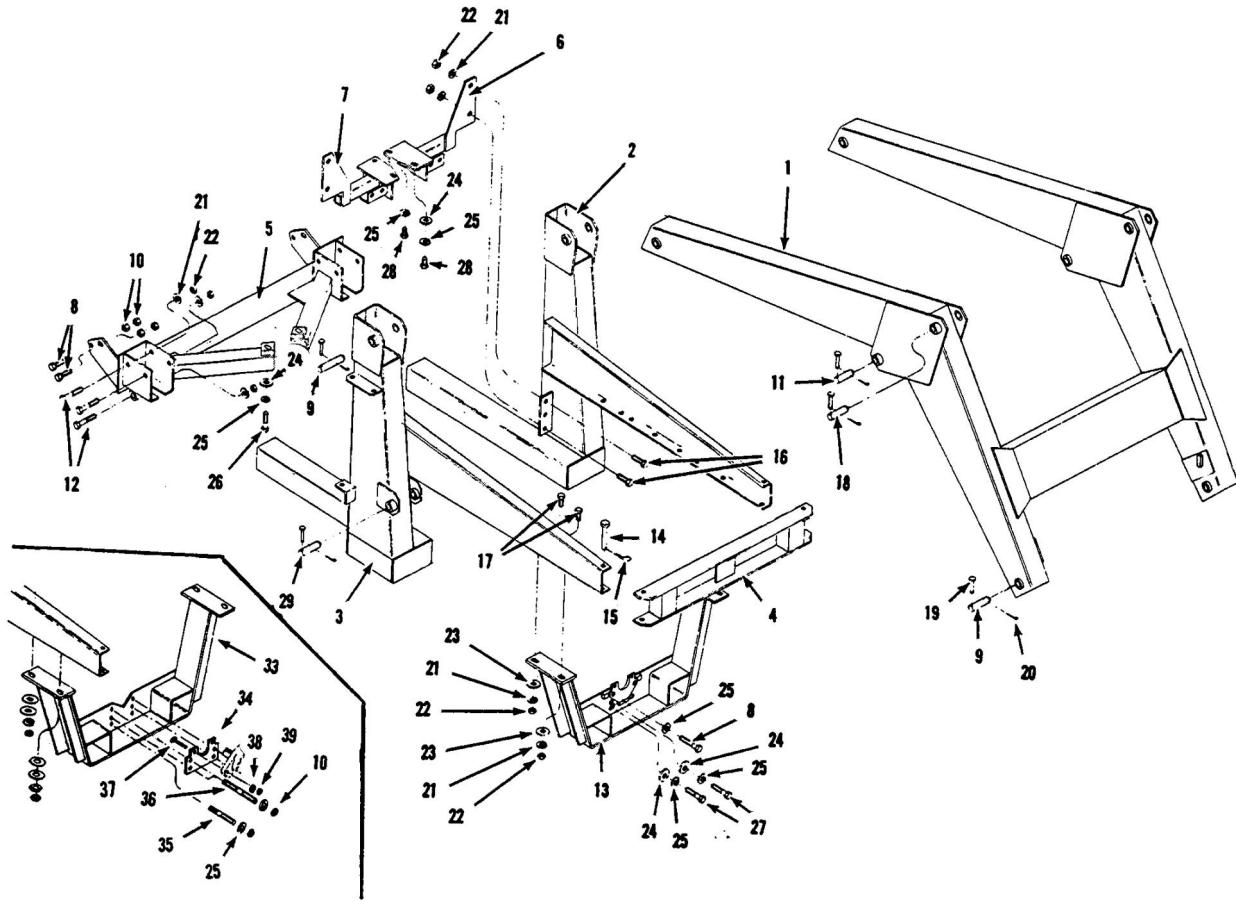
Update Date: 05/26/2006, Printing Date: 08/16/2018

Interchangeable =, Not Interchangeable NI, New for Old >>, Old for New <<

No	Part Number	Part Name	Qty	RoundUp	IC	S/N	Remarks	Kg
001	70050-01142	PIN	1					0.0
002	70050-01143	ROD	1					0.0
003	70050-01144	ROD GUIDE TUBE	1					0.0
004	----	BLANK	1				3/8-16NC X 1 OBTAIN LOCALLY	0.0
005	----	BLANK	2				1/2 OBTAIN LOCALLY	0.0
006	----	BLANK	1				1/8 X 1 OBTAIN LOCALLY	0.0
007	----	BLANK	1				3/8 OBTAIN LOCALLY	0.0

L1720 -> L1720 -> I00200 MAIN FRAME/SUB-FRAMES/MOUNTING BRACKETS ## L1720

Update Date: 05/26/2006, Printing Date: 08/16/2018



CAUTION

- BEFORE OPERATING STUDY OPERATOR MANUAL SAFETY MESSAGES AND SAFE OPERATING PROCEDURES.
- ANY LOADS AFFECTS TRACTOR STABILITY AND HANDLING AND INCREASES POSSIBILITY OF UPSET.
- ADD RECOMMENDED WHEEL BALLAST OR REAR WEIGHT FOR STABILITY.
- MOVE WHEELS TO WIDEST RECOMMENDED SETBACK FOR STABILITY.
- MOVE AND TURN TRACTOR AT LOW SPEEDS.
- CARRY LOADER ARMS AT LOW POSITION DURING TRANSPORT.
- BEFORE LEAVING OPERATOR SEAT LOWER LOADER TO GROUND. STOP ENGINE AND LOCK BRAKES.
- SUPPORT RAISED LOADER BEFORE STANDING OR WORKING UNDER IT.
- DO NOT USE LOADER TO CARRY OR LIFT PEOPLE.

WARNING

LOAD ON RAISED BUCKET OR FORK CAN FALL OR ROLLOVER ONTO OPERATOR, CAUSING SERIOUS INJURY OR DEATH. USE RECOMMENDED CLAMPING AND/OR GUARD ATTACHMENTS FOR HANDLING LARGE LOADS SUCH AS BALES, POSTS, ETC. CARRY LOAD LOW TO AVOID UPSET. USE RECOMMENDED ROPS ON TRACTOR.

L1720 -> L1720 -> I00200 MAIN FRAME/SUB-FRAMES/MOUNTING BRACKETS ## L1720

Update Date: 05/26/2006, Printing Date: 08/16/2018

Interchangeable =, Not Interchangeable NI, New for Old >>, Old for New <<

L1720 > L1720 -> I00200 MAIN FRAME/SUB-FRAMES/MOUNTING BRACKETS ##
 No Part Number Part Name Qty RoundUp IC S/N Remarks Kg
 L1720

Update Date: 05/26/2006, Printing Date: 08/16/2018

Interchangeable =, Not Interchangeable NI, New for Old >>, Old for New <<

No	Part Number	Part Name	Qty	RoundUp	IC	S/N	Remarks	Kg
001	70050-01000	MAINFRAME ASSEMBLY	1					0.0
002	70050-01019	SUBFRAME L.H.ASSEMBL	1					0.0
003	70050-01020	SUBFRAME R.H.ASSEMBL	1					0.0
004	70050-01021	BUMPER ASSEMBLY	1					0.0
005	70050-01050	BRACKET REAR ASSEMBL	1					0.0
006	70050-01047	CROSSBRACE ASSEMBLY	1					0.0
007	70050-01051	CROSSBRACE ASSEMBLY	1					0.0
008	01173-51250	HEX.BOLT	6				12MM X 1.25PITCH X 50MM	0.11
009	70050-01003	PIN-ALSO USED TO ATT	6					0.0
010	02174-50120	HEX.NUT	14				12MM X 1.25PITCH	0.022
011	70050-01001	PIN	2					0.0
012	---	BLANK	6				5/8-11NC X 5-1/2 (GRADE 5) OBTAIN LOCALL	0.0
013	70050-01049	BRACKET FRONT ASSEMB	1					0.0
014	70050-01022	PIN CLEVIS	2					0.0
015	70050-01023	HAIRPIN COTTER	2					0.0
016	---	BLANK	4				5/8-11NC X 1-1/2 (GRADE 5) OBTAIN LOCALL	0.0
017	---	BLANK	4				5/8-11NC X 2 (GRADE 5) OBTAIN LOCALLY	0.0
018	70050-01142	PIN	1					0.0
019	70050-01004	CLEVIS PIN	12					0.0
020	---	BLANK	12				1/8 X 1 OBTAIN LOCALLY	0.0
021	---	BLANK	14				5/8 OBTAIN LOCALLY	0.0
022	---	BLANK	14				5/8-11NC OBTAIN LOCALLY	0.0
023	---	BLANK	4				5/8 OBTAIN LOCALLY	0.0
024	---	BLANK	8				1/2 OBTAIN LOCALLY	0.0
025	---	BLANK	12				1/2 OBTAIN LOCALLY	0.0

L1720 -> L1720 -> I00200 MAIN FRAME/SUB-FRAMES/MOUNTING BRACKETS ## L1720

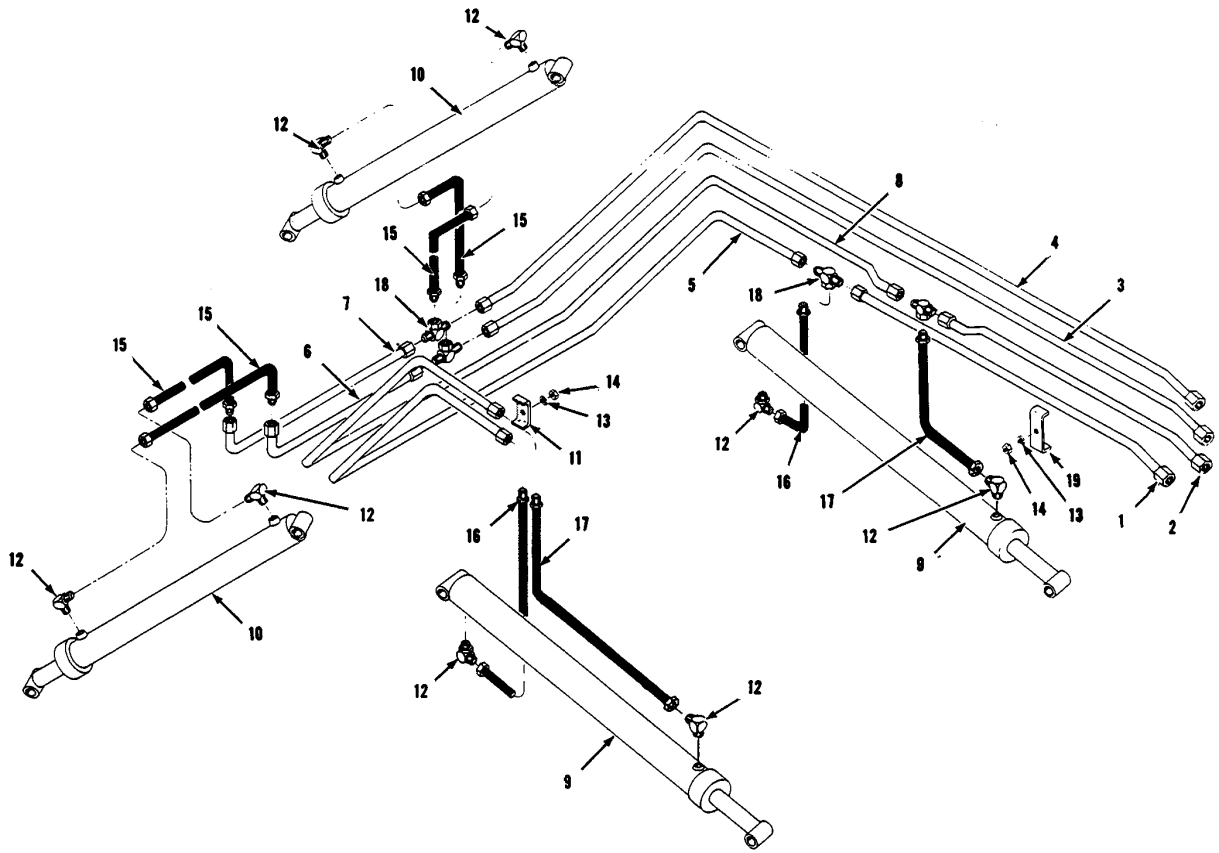
Update Date: 05/26/2006, Printing Date: 08/16/2018

Interchangeable =, Not Interchangeable NI, New for Old >>, Old for New <<

No	Part Number	Part Name	Qty	RoundUp	IC	S/N	Remarks	Kg
026	01173-51260	HEX.BOLT	2				12MM X 1.25PITCH X 60MM	0.132
027	01173-51235	HEX.BOLT	4				12MM X 1.25PITCH X 35MM	0.088
028	01173-51230	HEX.BOLT	4				12MM X 1.25PITCH X 30MM	0.0814
029	70050-01002	PIN	3					0.0
030	70050-01046	KUBOTA DECAL	3					0.0
031	70050-01045	DECAL CAUTION	1					0.0
032	70050-01044	DECAL WARNING	1					0.0
033	70050-00814	BRACKET FRONT ASSEMB	1				AFTER LOADER S/N 51604	0.0
034	70050-00815	PUMP MOUNT ASSEMBLY	1				AFTER LOADER S/N 51604	0.0
035	70050-00816	STUD	6				12MM X 60.8MM AFTER LOADER S/N 51604	0.0
035	70050-00816	STUD	2				12MM X 60.8MM AFTER LOADER S/N 51604	0.0
036	70050-00817	STUD	4				12MM X 79.5MM AFTER LOADER S/N 51604	0.0
037	---	BLANK	2				3/8-16NC X 1-1/4 (GRADE 5) AFTER LOADER	0.0
038	---	BLANK	2				3/8 AFTER LOADER S/N 51604 OBTAIN LOCALL	0.0
039	---	BLANK	2				5/8-16NC AFTER LOADER S/N 51604 OBTAIN L	0.0

L1720 -> L1720 -> I00300 HYDRAULIC TUBES AND HOSE ASSEMBLIES ## L1720

Update Date: 05/26/2006, Printing Date: 08/16/2018



L1720 -> L1720 -> I00300 HYDRAULIC TUBES AND HOSE ASSEMBLIES ## L1720

Update Date: 05/26/2006, Printing Date: 08/16/2018

Interchangeable =, Not Interchangeable NI, New for Old >>, Old for New <<

No	Part Number	Part Name	Qty	RoundUp	IC	S/N	Remarks	Kg
001	70050-01009	TUBE HYDRAULIC	1					0.0
002	70050-01013	TUBE HYDRAULIC	1					0.0
003	70050-01008	TUBE HYDRAULIC	1					0.0
004	70050-01006	TUBE HYDRAULIC	1					0.0
005	70050-01012	TUBE HYDRAULIC	1					0.0
006	70050-01007	TUBE HYDRAULIC	1					0.0
007	70050-01010	TUBE HYDRAULIC	1					0.0
008	70050-01011	TUBE HYDRAULIC	1					0.0
009	70050-01035	CYLINDER LIFT ASSEMB	2				(SEE PAGE 40-41)	0.0
010	70050-01026	CYLINDER ATTACHMENT	2				(SEE PAGE 42-43)	0.0

L1720 -> L1720 -> I00300 HYDRAULIC TUBES AND HOSE ASSEMBLIES ## L1720

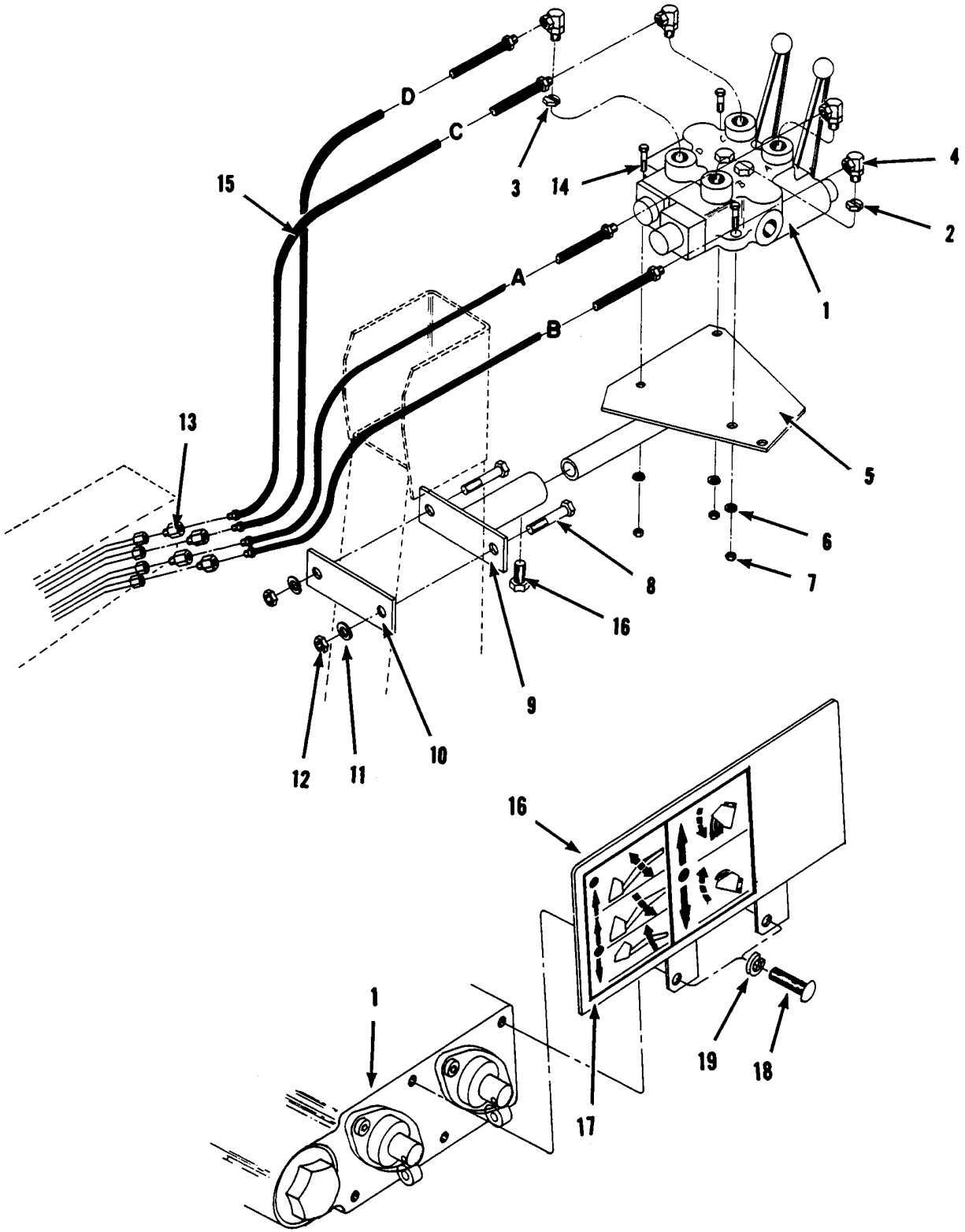
Update Date: 05/26/2006, Printing Date: 08/16/2018

Interchangeable =, Not Interchangeable NI, New for Old >>, Old for New <<

No	Part Number	Part Name	Qty	RoundUp	IC	S/N	Remarks	Kg
011	70050-01014	CLAMP TUBE	1					0.0
012	70050-01025	FITTING 90 O-RING	8				90	0.0
013	----	BLANK	5				3/8 OBTAIN LOCALLY	0.0
014	----	BLANK	5				3/8-16NC OBTAIN LOCALLY	0.0
015	70050-01017	HOSE	4				1/2 X 26	0.0
016	70050-01016	HOSE	2				1/2 X 18	0.0
017	70050-01018	HOSE	2				1/2 X 27	0.0
018	70050-01005	FITTING T	4					0.0
019	70050-01015	CLAMP TUBE	4					0.0

L1720 -> L1720 -> I00400 2 SPOOL CONTROL VALVE VALVE DECAL AND HOSES ## L1720

Update Date: 05/26/2006, Printing Date: 08/16/2018



L1720 -> L1720 -> I00400 2 SPOOL CONTROL VALVE VALVE DECAL AND HOSES ## L1720

L1720 -> L1720 -> I00400 2 SPOOL CONTROL VALVE VALVE DECAL AND HOSES ##
 Update Date: 03/26/2006, Printing Date: 08/16/2018
 L1720

Interchangeable =, Not Interchangeable NI, New for Old >>, Old for New <<

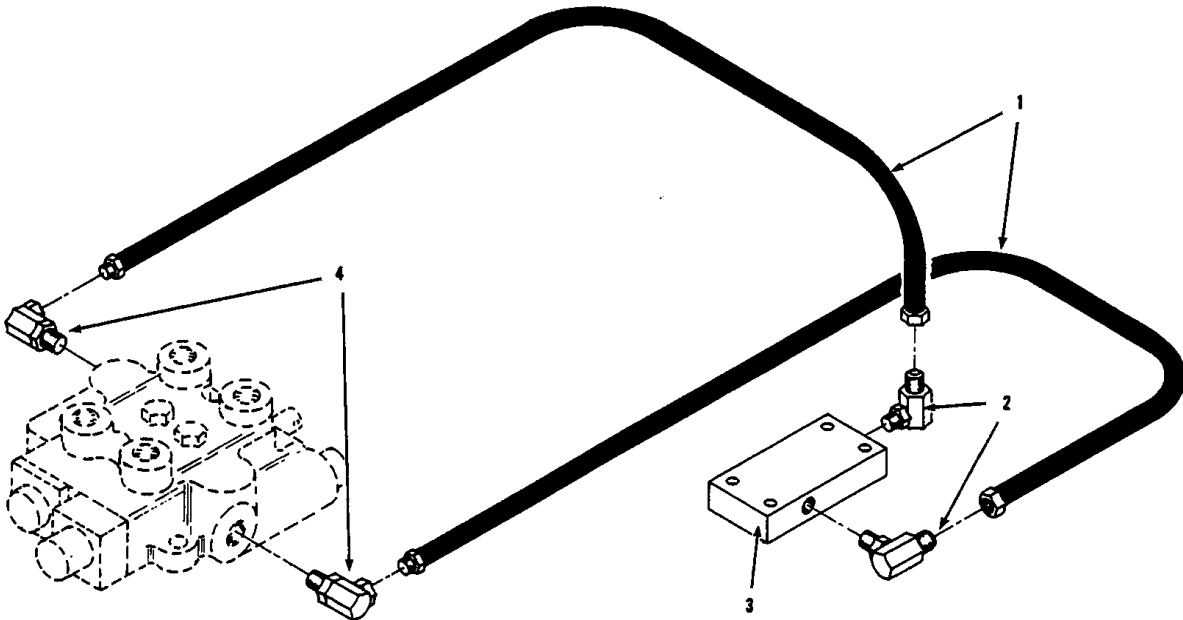
No Part Number Part Name Date: 05/26/2006, Printing Date: 08/16/2018 Remarks Kg

Interchangeable =, Not Interchangeable NI, New for Old >>, Old for New <<

No	Part Number	Part Name	Qty	RoundUp	IC	S/N	Remarks	Kg
001	70050-01063	VALVE 2 SPOOL	1				(REFER PAGE 44-45)	0.0
002	70050-01266	ORIFICE LIFT CIRCUIT	1					0.0
003	70050-01267	ORIFICE ATTACHMENT C	1					0.0
004	70050-01092	FITTING	4				90 7/8 O-RING TO 1/2 PIPE	0.0
005	70050-01059	VALVE MOUNT UPPER AS	1					0.0
006	----	BLANK	3				3/8 OBTAIN LOCALLY	0.0
007	----	BLANK	3				3/8-16NC OBTAIN LOCALLY	0.0
008	----	BLANK	2				5/8-11NC X 7 (GRADE 5) OBTAIN LOCALLY	0.0
009	70050-01060	VALVE MOUNT LOWER AS	1					0.0
010	70050-01061	CLAMP PLATE	1					0.0
011	----	BLANK	2				5/8 OBTAIN LOCALLY	0.0
012	----	BLANK	2				5/8-11NC OBTAIN LOCALLY	0.0
013	70050-01057	FITTING STRAIGHT ADA	4					0.0
014	----	BLANK	3				3/8-16NC X 2 (GRADE 5) OBTAIN LOCALLY	0.0
015	70050-01093	HOSE	4				3/8 X 28	0.0
016	70050-00820	VALVE DECAL MOUNT	1					0.0
017	70050-00819	DECAL OPERATION	1					0.0
018	----	BLANK	2				1/4-20NC X 1/2 OBTAIN LOCALLY	0.0
019	----	BLANK	2				1/4 OBTAIN LOCALLY	0.0

L1720 -> L1720 -> I00500 TRACTOR HYDRAULIC KIT ## L1720

Update Date: 05/26/2006, Printing Date: 08/16/2018



L1720 -> L1720 -> I00500 TRACTOR HYDRAULIC KIT ## L1720

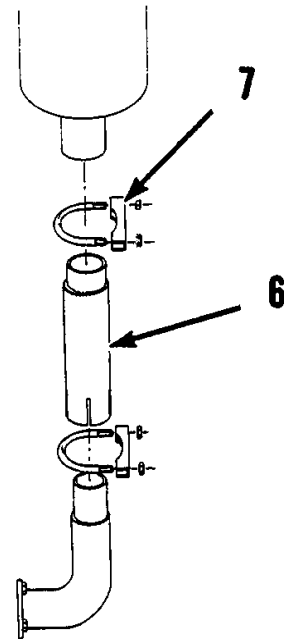
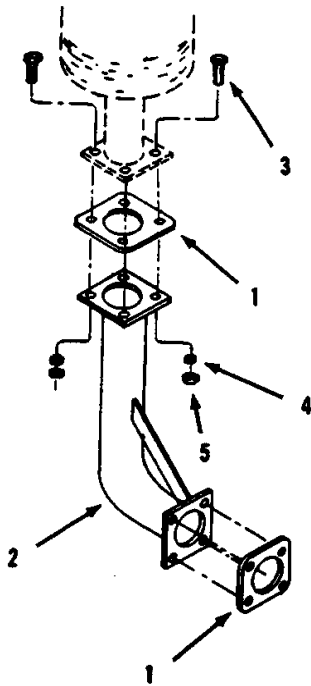
Update Date: 05/26/2006, Printing Date: 08/16/2018

Interchangeable =, Not Interchangeable NI, New for Old >>, Old for New <<

No	Part Number	Part Name	Qty	RoundUp	IC	S/N	Remarks	Kg
001	70050-01135	HOSE	2				72	0.0
002	70050-01134	FITTING	2				90	0.0
003	70050-01133	HYDRAULIC BLOCK	1					0.0
004	70050-01092	FITTING	2				90	0.0

L1720 -> L1720 -> I00600 MUFFLER RELOCATOR ## L1720

Update Date: 05/26/2006, Printing Date: 08/16/2018



L1720 -> L1720 -> I00600 MUFFLER RELOCATOR ## L1720

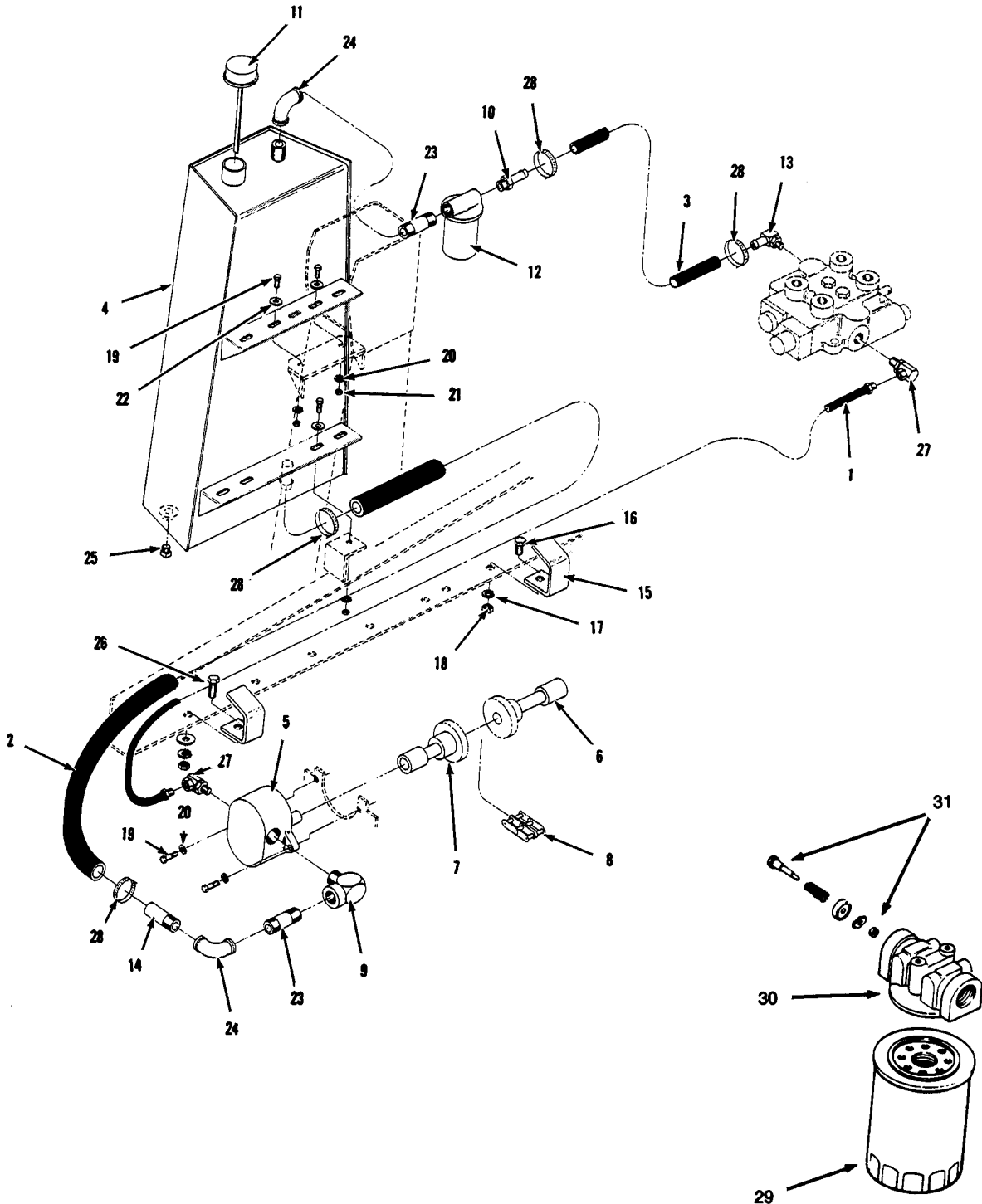
Update Date: 05/26/2006, Printing Date: 08/16/2018

Interchangeable =, Not Interchangeable NI, New for Old >>, Old for New <<

No	Part Number	Part Name	Qty	RoundUp	IC	S/N	Remarks	Kg
001	70050-01055	GASKET	2				L345-L345DT-L355SS	0.0
002	70050-01094	MUFFLER RELOCATOR	1				L345-L345DT-L355SS	0.0
003	----	BLANK	4				5/16-18NC X 1 (GRADE 5) L345-L345DT-L355	0.0
004	----	BLANK	4				5/16 L345-L345DT-L355SS OBTAIN LOCALLY	0.0
005	----	BLANK	4				5/16-18NC L345-L345DT-L355SS OBTAIN LOCA	0.0
006	70050-01268	MUFFLER RELOCATOR	6				L305-L305DT	0.0
007	70050-01212	EXHAUST CLAMP	2				L305-L305DT	0.0

L1720 -> L1720 -> I00700 EXTERNAL HYDRAULIC KIT FRONT MOUNTED PUMP OIL FILTER ## L1720

Update Date: 05/26/2006, Printing Date: 08/16/2018



L1720 -> L1720 -> I00700 EXTERNAL HYDRAULIC KIT FRONT MOUNTED PUMP OIL FILTER ## L1720

Update Date: 05/26/2006, Printing Date: 08/16/2018

L1720 -> L1720 -> I00700 EXTERNAL HYDRAULIC KIT FRONT MOUNTED PUMP OIL

No Part Number Part Name FILTER #1 L1720 S/N Remarks Kg

Update Date: 05/26/2006, Printing Date: 08/16/2018

Interchangeable =, Not Interchangeable NI, New for Old >>, Old for New <<

No	Part Number	Part Name	Qty	RoundUp	IC	S/N	Remarks	Kg
001	70050-01116	HOSE	1				3/8 X 96 (PRESSURE)	0.0
002	70050-01127	HOSE	1				1 X 103 (SUCTION)	0.0
003	70050-01115	HOSE	1				3/4 X 12 (RETURN)	0.0
004	70050011001	RESERVOIR ASSEMBLY	1					0.0
005	70050-01117	PUMP FRONT	1				(SEE PAGE 46-47)	0.0
006	70050-01113	SHAFT ASSEMBLY	1					0.0
006	70050-00818	SHAFT ASSEMBLY	1				L355SS	0.0
007	70050-01112	SHAFT ASSEMBLY	1					0.0
008	70050-01114	CHAIN DOUBLE	1					0.0
009	70050-01104	FITTING	1				1-1/16 O-RING TO 3/4 PIPE	0.0
010	70050-01108	HOSE BARB	1				3/4 PIPE TO 3/4 STEM	0.0
011	70050-01102	CAP RESERVOIR	1					0.0
012	70050-01110	FILTER ASSEMBLY	1					0.0
013	70050-01109	FITTING	1				7/8 O-RING TO 1/2 PIPE	0.0
014	70050-01107	NIPPLE	1				3/4 X 2-1/2 SPECIAL	0.0
015	70050-01111	BAR HOSE CLAMP	2					0.0
016	----	BLANK	1				5/8-11NC X 1-1/2 (GRADE 5) OBTAIN LOCALL	0.0
017	----	BLANK	1				5/8 OBTAIN LOCALLY	0.0
018	----	BLANK	1				5/8-11NC OBTAIN LOCALLY	0.0
019	----	BLANK	5				3/8-16NC X 1-1/4 (GRADE 5) OBTAIN LOCALL	0.0
020	----	BLANK	5				3/8 OBTAIN LOCALLY	0.0
021	----	BLANK	5				3/8-16NC OBTAIN LOCALLY	0.0
022	----	BLANK	3				3/8 OBTAIN LOCALLY	0.0
023	70050-01105	NIPPLE	2				3/4 X 3	0.0
024	70050-01106	ELBOW	2				3/4 X 90	0.0
025	----	BLANK	1				1/2 OBTAIN LOCALLY	0.0
026	----	BLANK	1				(SEE PAGE 30) OBTAIN LOCALLY	0.0
027	70050-01092	FITTING	2				7/8 O-RING TO 1/2 PIPE	0.0
028	70050-01126	HOSE CLAMP	4					0.0
029	70050-01132	FILTER ELEMENT	1					0.0

**L1720 -> L1720 -> I00700 EXTERNAL HYDRAULIC KIT FRONT MOUNTED PUMP OIL
FILTER ## L1720**

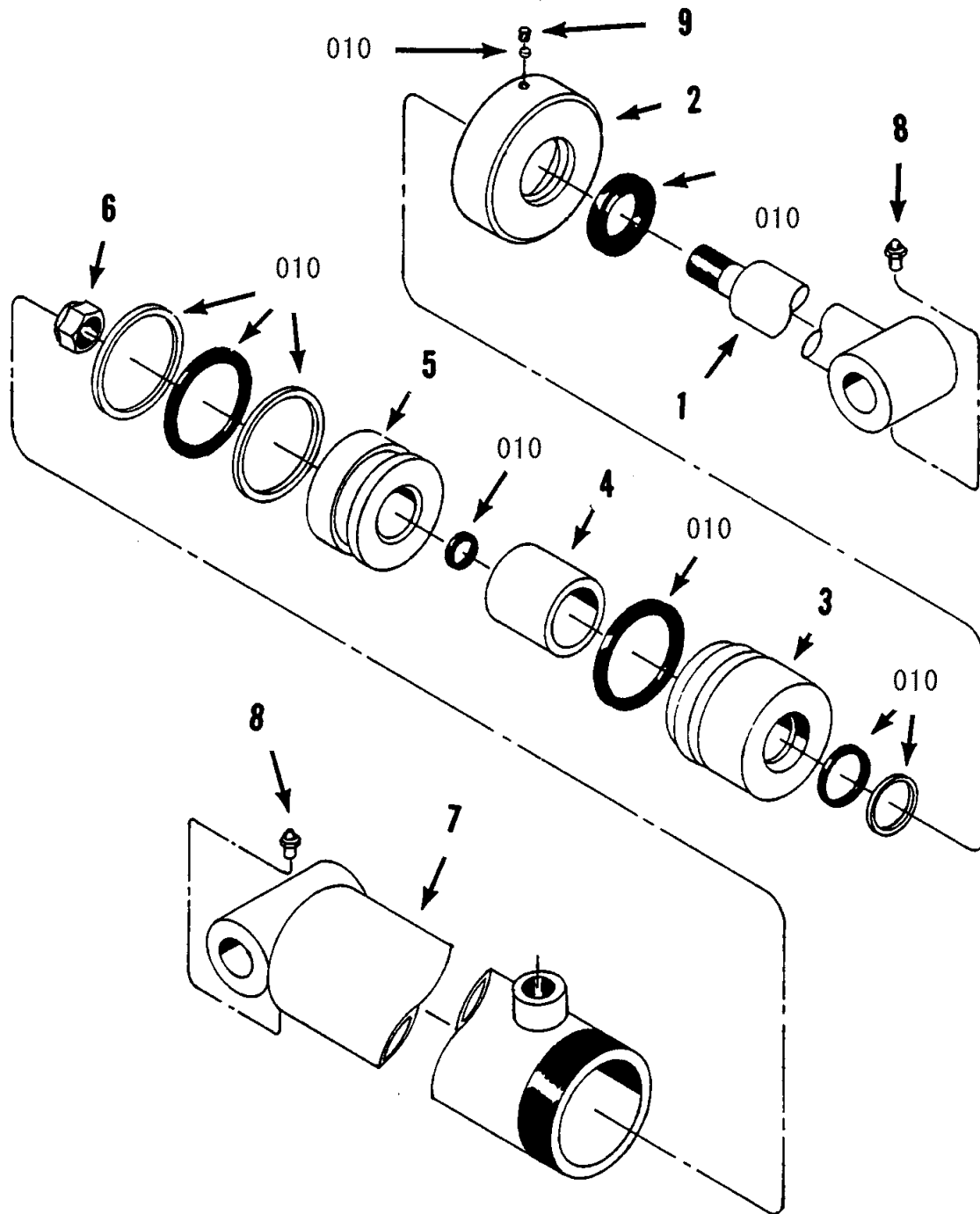
Update Date: 05/26/2006, Printing Date: 08/16/2018

Interchangeable =, Not Interchangeable NI, New for Old >>, Old for New <<

No	Part Number	Part Name	Qty	RoundUp	IC	S/N	Remarks	Kg
030	70050-01130	HEAD BODY	1					0.0
031	70050-01131	POPPET ASSEMBLY	1					0.0

L1720 -> L1720 -> I00800 LIFT CYLINDER ## L1720

Update Date: 05/26/2006, Printing Date: 08/16/2018



L1720 -> L1720 -> I00800 LIFT CYLINDER ## L1720

Update Date: 05/26/2006, Printing Date: 08/16/2018

Interchangeable =, Not Interchangeable NI, New for Old >>, Old for New <<

No Part Number L1720 -> L1720 -> I00800 LIFT CYLINDER ## L1720 Remarks Kg

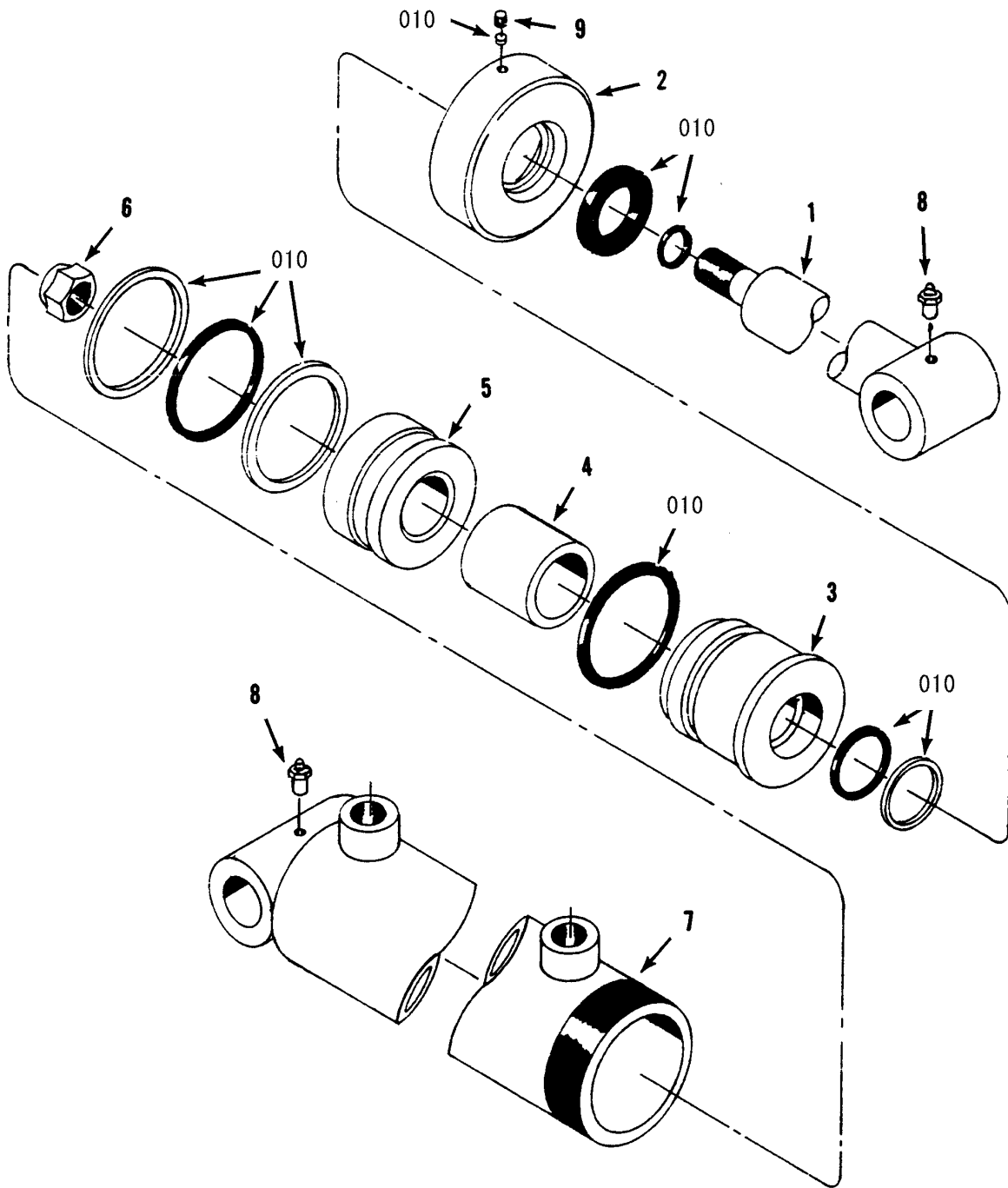
Update Date: 05/26/2006, Printing Date: 08/16/2018

Interchangeable =, Not Interchangeable NI, New for Old >>, Old for New <<

No	Part Number	Part Name	Qty	RoundUp	IC	S/N	Remarks	Kg
000	70050-01035	CYLINDER LIFT ASSEMB	2				NOT SHOWN IN FIG.	0.0
001	70050-01036	ROD ASSEMBLY	1					0.0
002	70050-01040	HEAD CAP	1					0.0
003	70050-01039	HEAD	1					0.0
004	70050-01038	SPACER	1					0.0
005	70050-01043	PISTON	1					0.0
006	70050-01041	NUT	1					0.0
007	70050-01037	TUBE ASSEMBLY	1					0.0
008	----	BLANK	2				(DRIVE) OBTAIN LOCALLY	0.0
009	70050-01042	SET SCREW	1					0.0
010	70050-01138	SEAL KIT	1				(INCLUDED PARTS ARE IDENTIFIED BY SK)	0.0

L1720 -> L1720 -> I00900 ATTACHMENT CYLINDER ## L1720

Update Date: 05/26/2006, Printing Date: 08/16/2018



L1720 -> L1720 -> I00900 ATTACHMENT CYLINDER ## L1720

Update Date: 05/26/2006, Printing Date: 08/16/2018

Interchangeable =, Not Interchangeable NI, New for Old >>, Old for New <<

No	Part Number	Part Name	Qty	RoundUp	IC	S/N	Remarks	Kg
000	70050-01026	CYLINDER ATTACHMENT	2				NOT SHOWN IN FIG.	0.0

L1720 -> L1720 -> I00900 ATTACHMENT CYLINDER ## L1720

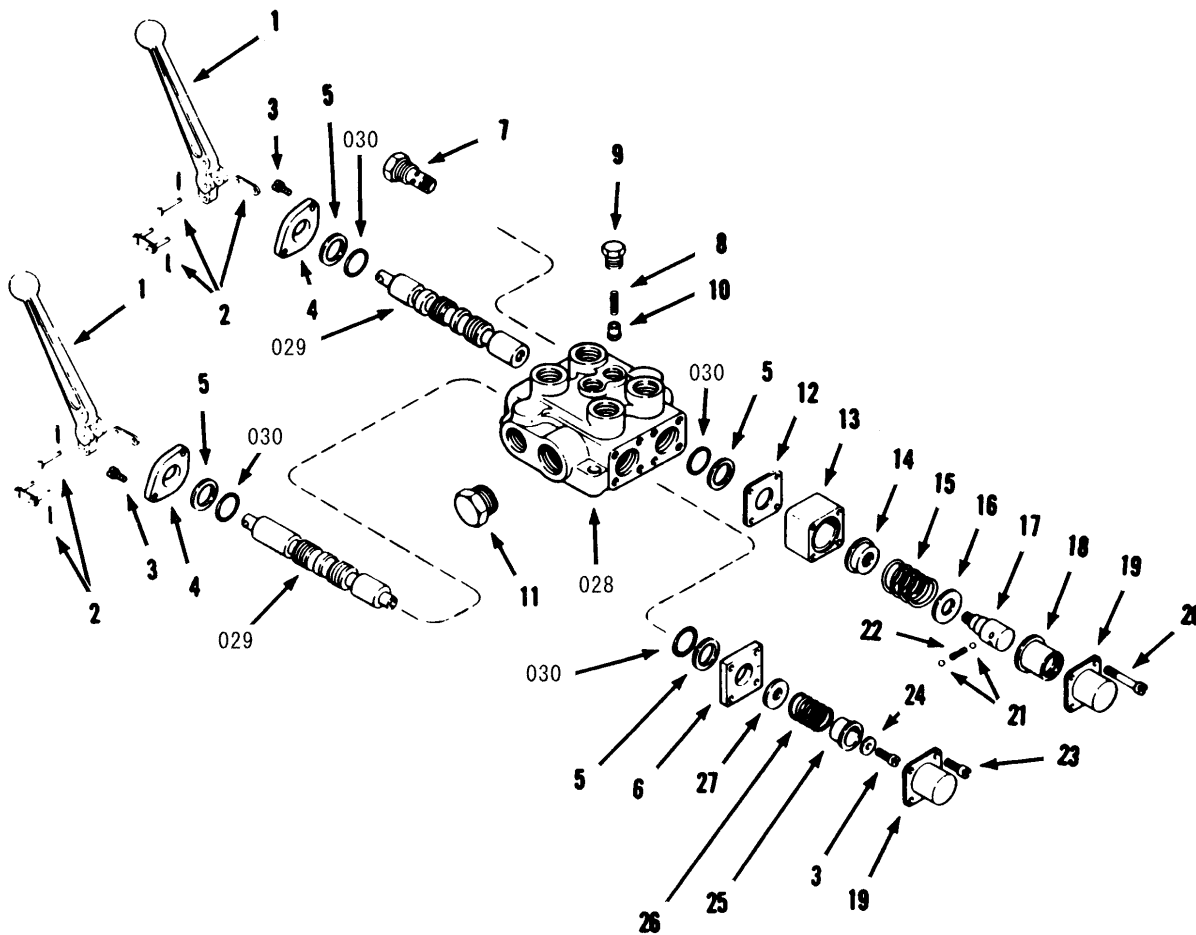
Update Date: 05/26/2006, Printing Date: 08/16/2018

Interchangeable =, Not Interchangeable NI, New for Old >>, Old for New <<

No	Part Number	Part Name	Qty	RoundUp	IC	S/N	Remarks	Kg
001	70050-01027	ROD ASSEMBLY	1					0.0
002	70050-01031	HEAD CAP	1					0.0
003	70050-01030	HEAD	1					0.0
004	70050-01029	SPACER	1					0.0
005	70050-01032	PISTON	1					0.0
006	70050-01033	NUT	1					0.0
007	70050-01028	TUBE ASSEMBLY	1					0.0
008	----	BLANK	2				(DRIVE) OBTAIN LOCALLY	0.0
009	70050-01042	SET SCREW	1					0.0
010	70050-01139	SEAL KIT	1				(INCLUDED PARTS ARE IDENTIFIED BY SK)	0.0

L1720 -> L1720 -> I01000 2 SPOOL CONTROL VALVE ## L1720

Update Date: 05/26/2006, Printing Date: 08/16/2018



L1720 -> L1720 -> I01000 2 SPOOL CONTROL VALVE ## L1720

Update Date: 05/26/2006, Printing Date: 08/16/2018

Interchangeable =, Not Interchangeable NI, New for Old >>, Old for New <<

No	Part Number	Part Name	Qty	RoundUp	IC	S/N	Remarks	Kg
000	70050-01063	VALVE 2 SPOOL	1				NOT SHOWN IN FIG.	0.0
001	70050-01085	HANDLE ASSEMBLY	2					0.0
002	70050-01088	PIN KIT	2					0.0
003	70050-01069	SCREW MACHINE	4					0.0
004	70050-01084	HANDLE BRACKET	2					0.0
005	70050-01077	WASHER	4					0.0
006	70050-01078	SPACER	1					0.0
007	70050-01089	RELIEF VALVE ASSEMBL	1				L345 L345DT & L355SS	0.0
007	70050-01248	RELIEF VALVE ASSEMBL	1				L305 & L305DT	0.0
008	70050-01070	SPRING LOAD CHECK	1					0.0

L1720 -> L1720 -> I01000 2 SPOOL CONTROL VALVE ## L1720

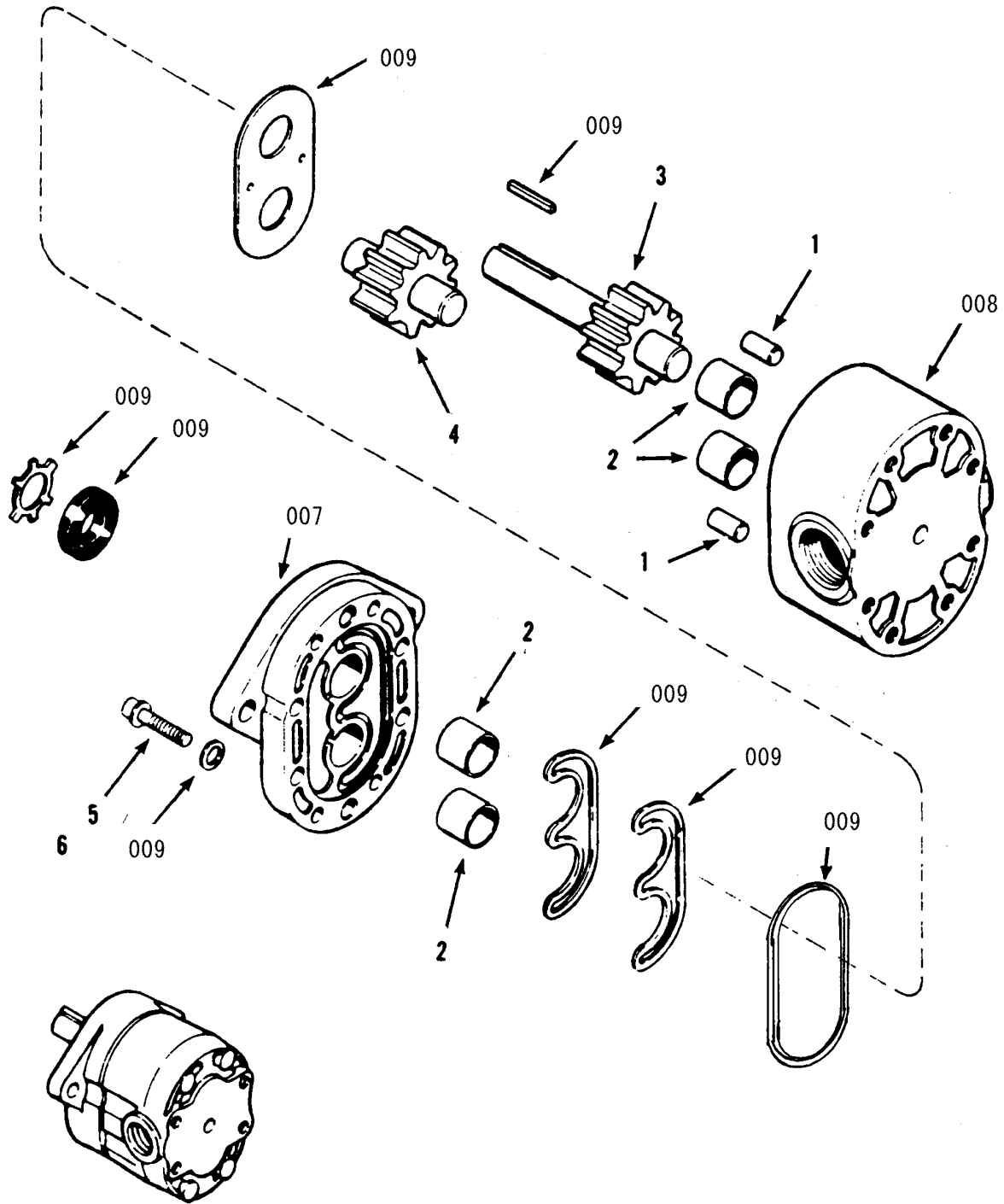
Update Date: 05/26/2006, Printing Date: 08/16/2018

Interchangeable =, Not Interchangeable NI, New for Old >>, Old for New <<

No	Part Number	Part Name	Qty	RoundUp	IC	S/N	Remarks	Kg
009	70050-01086	PLUG LOAD CHECK	2					0.0
010	70050-01087	PLUG CHECK	2					0.0
011	70050-01090	PLUG CONVERSION ASSE	1					0.0
012	70050-01068	PLATE END STOP	1					0.0
013	70050-01065	SPACER FLOAT	1					0.0
014	70050-01066	COLLAR SPOOL	1					0.0
015	70050-01064	SPRING FLOAT	1					0.0
016	70050-01079	SPACER	1					0.0
017	70050-01082	RETAINER	1					0.0
018	70050-01083	SLEEVE	1					0.0
019	70050-01073	CAP END	2					0.0
020	70050-01067	SCREW	4					0.0
021	70050-01080	BALL	4					0.0
022	70050-01081	SPRING	2					0.0
023	70050-01076	SCREW	4					0.0
024	70050-01074	WASHER	1					0.0
025	70050-01072	COLLAR SPOOL	1					0.0
026	70050-01071	SPRING	1					0.0
027	70050-01075	WASHER	1					0.0
028	----	BLANK	1					0.0
029	----	BLANK	2					0.0
030	70050-01140	SEAL KIT	1				(INCLUDED PARTS ARE IDENTIFIED BY SK)	0.0

L1720 -> L1720 -> I01100 HYDRAULIC PUMP ## L1720

Update Date: 05/26/2006, Printing Date: 08/16/2018



L1720 -> L1720 -> I01100 HYDRAULIC PUMP ## L1720

Update Date: 05/26/2006, Printing Date: 08/16/2018

Interchangeable =, Not Interchangeable NI, New for Old >>, Old for New <<

No Part Number L1720 Part Name L1720 -> IC1100 HYDRAULIC PUMP # L1720 Remarks Kg

Update Date: 05/26/2006, Printing Date: 08/16/2018

Interchangeable =, Not Interchangeable NI, New for Old >>, Old for New <<

No	Part Number	Part Name	Qty	RoundUp	IC	S/N	Remarks	Kg
000	70050-01117	PUMP FRONT	1				NOT SHOWN IN FIG.	0.0
001	70050-01120	DOWEL PIN	2					0.0
002	70050-01095	BEARING SLEEVES	4					0.0
003	70050-01123	SHAFT DRIVE ASSEMBLY	1					0.0
004	70050-01124	SHAFT IDLER ASSEMBLY	1					0.0
005	70050-01118	SCREW	4				3/8 X 1-1/2	0.0
006	70050-01119	SCREW	4				5/16 X 1-1/4	0.0
007	----	BLANK	1					0.0
008	----	BLANK	1					0.0
009	70050-01125	SEAL KIT	1				(INCLUDED PARTS ARE IDENTIFIED BY SK)	0.0