

Instructions for Parts Books

The heading at the top of the page will be the same for the picture of the parts as it is for the page with the part numbers.

Definition of column headings on part number pages:

REF.No → The number referring to the part on the picture page of the parts book.

Part No. → The number assigned to this part at the time of printing the parts book.

Description → Description of part.

Q'ty → Quantity of part used on that page.

S.No. → Serial number range of the equipment that this part will fit.

>= Your serial number should be greater than or equal to the number shown.

<= Your serial number should be lesser than or equal to the serial number shown.

I/C → Interchangeability of part shown.

↔ The part shown will work for the older and later serial number.

The part shown is not interchangeable with the other serial number.

← new for old

→ old for new

Remarks → Notes about this particular part. Sometimes this may say except [FR] or [CA]

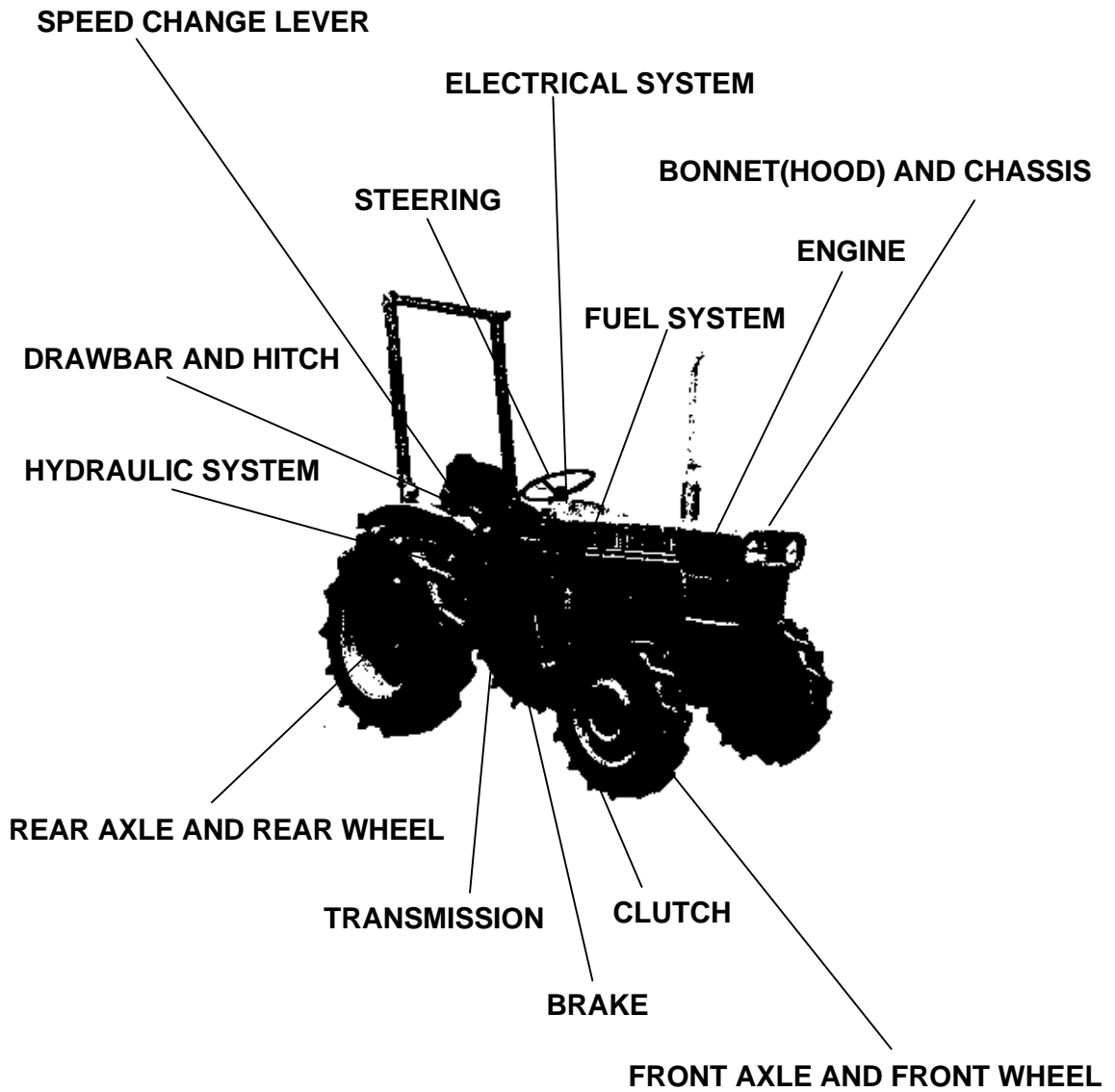
Note about Country Codes:

The parts books we use in the United States of America may also contain information about a part that would be different in another country. It is important that you are aware of the country codes in some instances.

Symbol	Country
A	United States of America
CA	Canada
FR	France
GR	Greece
PO	Portugal
AU	Australia

If the remarks column says for example EXCEPT [FR] this part works in all countries except France. That means it will work here in the USA.

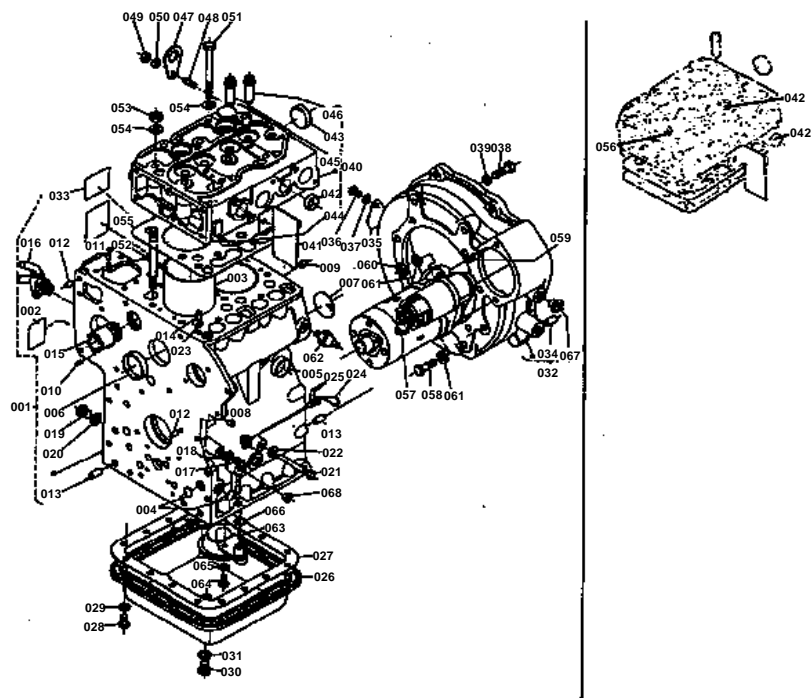
ALL PRODUCT INDEX
L175



ACCESSORIES

Item	Part No.	Description	Book	
ENGINE	0101	CRANK CASE	100K0133	
	0102	GEAR CASE [A]	100K0133	
	0104	VALVE HEAD COVER ROCKER ARM	100K0133	
	0105	CRANK SHAFT	100K0133	
	0106	CAM SHAFT	100K0133	
	0107	FUEL CAMSHAFT	100K0133	
	0108	BREATHER INJECTION PUMP	100K0133	
	0109	COOLING FAN RADIATOR [A]	100K0133	
	0112	AIR CLEANER MUFFLER [A]	100K0133	
	0133	STARTER	100K0133	
	0134	FUEL INJECTION PUMP	100K0133	
	0135	GENERATOR	100K0133	
	0136	OIL FILTER	100K0133	
	0137	NOZZLE	100K0133	
	FRONT AXLE AND FRONT WHEEL	0114	FRONT WHEEL	100K0133
		0115	FRONT AXLE	100K0133
	CLUTCH	0116	CLUTCH HOUSING MISSION CASE	100K0133
0117		CLUTCH PEDAL	100K0133	
STEERING	0118	STEERING	100K0133	
SPEED CHANGE LEVER	0119	HAND ACCEL	100K0133	
BONNET(HOOD) AND CHASSIS AND CANOPY	0120	HOOD	100K0133	
	0121	SEAT FENDER [A]	100K0133	
TRANSMISSION	0123	TRANSMISSION GEAR	100K0133	
	0124	DIFFERENTIAL [A]	100K0133	
SPEED CHANGE LEVER	0126	SPEED CHANGE	100K0133	
REAR AXLE AND REAR WHEEL	0127	REAR WHEEL SHAFT	100K0133	
BRAKE	0128	BRAKE	100K0133	
FUEL SYSTEM	0129	FUEL TANK	100K0133	
HYDRAULIC SYSTEM	0130	HYDRAULIC	100K0133	
	0131	HYDRAULIC	100K0133	
DRAWBAR AND HITCH	0132	3-POINT LINKAGE	100K0133	
ELECTRICAL SYSTEM	0138	ELECTRICAL	100K0133	
ACCESSORIES	0139	ACCESSORIES AND SERVICE PARTS	100K0133	

CRANK CASE





CRANK CASE

↔ Interchangeable; ≠ not interchangeable; ← new for old; → old for new

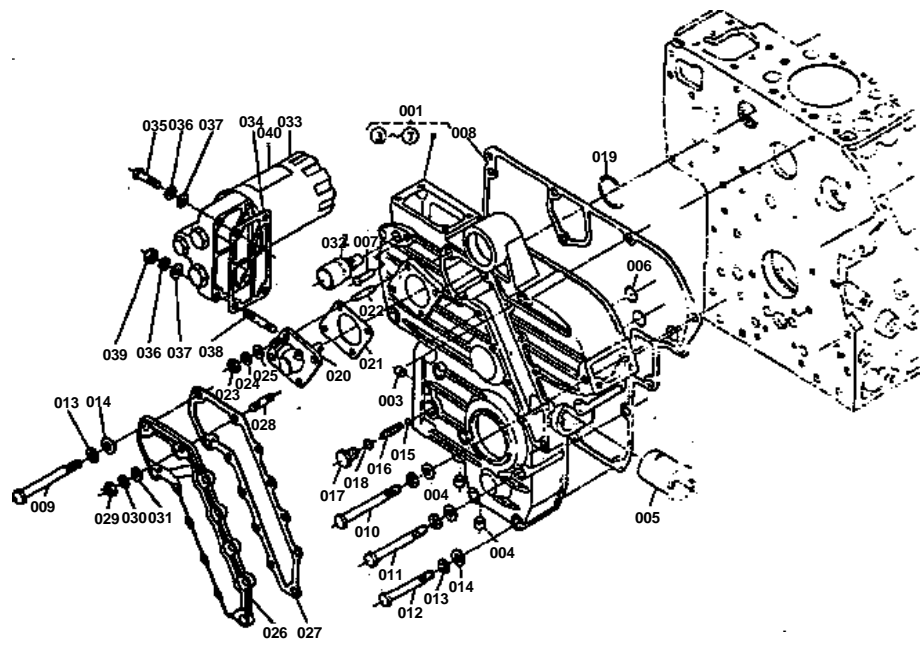
REF.No	Part No.	Description	Q'ty	S.No.	I/C	REMARKS	Weight (kgf)	Weight (lb)
001	15222-01010	ASSY CRANK CASE	1				0	0
002	15103-94590	LABEL DRAIN	1				0.001	0.0022
003	15221-02314	LINER CYLINDER	2			HONE IINER AFTER INSERTING IN CRANKCASE	0	0
004	06311-75015	PLUG BELCH	3				0.002	0.0044
005	15221-03383	PLUG	3				0	0
006	15221-03392	PLUG	2				0	0
007	06311-75045	PLAG BELCH	1				0.026	0.0572
008	15221-33630	PLUG PIN	2				0.001	0.0022
009	15221-33640	PLUG	1				0.003	0.0066
010	05012-00408	PIN	2				0.001	0.0022
011	05012-00609	PIN	2				0.003	0.0066
012	05012-00612	PIN	2				0.003	0.0066
013	05012-01018	PIN	3				0.012	0.0264
014	15221-33650	PIN PIPE	1				0.004	0.0088
015	15221-72842	PIPE WATER 3	1				0	0
016	14412-73110	ASSY COCK DRAIN	1				0.09	0.198
017	15221-33610	PLUG	3				0.009	0.0198
018	15021-33660	GASKET	3				0.001	0.0022
019	15221-33752	PLAG	1				0	0
020	15109-33660	GASKET	1				0.001	0.0022
021	15221-04552	BOLT KNOCK	1				0	0
022	15021-33660	GASKET	1				0.001	0.0022
023	15221-33700	O-RING	1				0.001	0.0022
024	15221-36413	GAUGE OIL	1				0	0
025	04811-00050	O-RING	2				0.001	0.0022
026	15221-01613	COVER OIL	1				0	0
027	15221-01622	GASKET OIL COVER	1				0	0
028	01053-50816	BOLT	16				0.011	0.0242
029	04512-00080	WASHER LOCK	16				0	0
030	15221-33752	PLUG	1				0	0
031	15109-33660	GASKET	1				0.001	0.0022
032	34159-14183	ASSY HOUSING FLYWHEEL	1				0	0
033	15103-94590	LABEL	1				0.001	0.0022
034	05012-01018	PIN	2				0.012	0.0264
035	31220-14172	COVER	1				0	0
036	01053-50812	BOLT	1				0.009	0.0198
037	04512-00080	WASHER LOCK	1				0	0
038	01073-51030	BOLT	11				0.028	0.0616
039	04512-00100	WASHER LOCK	11				0	0
040	15221-03024	ASSY HEAD CYLINDER	1				0	0
041	34150-18070	PLATE BAFFLE 2	1				0.045	0.099
042	15221-03373	PLUG	6	≤#3439			0	0
042	15221-03373	PLUG	2	≥#3440			0	0
043	15221-03493	PLUG	1				0	0
044	15131-01380	PLUG	2				0.001	0.0022
045	15221-13585	GUIDE INLET VALVE	2			REAM QUIDE AFTER INSERTING IN HEAD	0	0
046	15601-13560	GUIDE EXHAUST VALVE	2	≥#10584			0	0
047	15221-01750	HOOK ENGINE	2				0.04	0.088

**CRANK CASE**

↔ Interchangeable; ≠ not interchangeable; ← new for old; → old for new

REF.No	Part No.	Description	Q'ty	S.No.	I/C	REMARKS	Weight (kgf)	Weight (lb)
048	01513-50816	STUD	2				0.009	0.0198
049	02056-00080	NUT	2				0	0
050	04512-00080	WASHER LOCK	2				0	0
051	15221-03450	BOLT CYLINDER HEAD	8				0	0
052	15221-03412	STUD CYLINDER HEAD	2				0	0
053	15221-03510	NUT CYLINDER HEAD	2				0.008	0.0176
054	15221-03540	WASHER FLAT	10				0.003	0.0066
055	15221-03310	GASKET CYLINDER HEAD	1				0	0
056	15221-03323	SHIM HEAD GASKET	1	≤1304			0	0
057	15221-63012	ASSY STARTER	1	≤1659		TO REFERENCE FIG.No.33	0	0
057	15221-63014	ASSY STARTER	1	≥1660		TO REFERENCE FIG.No.33	0	0
058	01173-51030	BOLT	1				0.023	0.0506
059	01517-51025	STUD	1				0	0
060	02176-50100	NUT	1				0.005	0.011
061	04512-50100	WASHER LOCK	2				0	0
062	15221-39012	SWITCH OIL	1				0	0
063	15221-32112	FILTER OIL 1	1				0	0
064	01053-50816	BOLT	1				0.011	0.0242
065	04512-00080	WASHER LOCK	1				0	0
066	04811-00140	O-RING	1				0.001	0.0022
067	31220-14293	PLUG 3	4				0	0
068	34150-27580	PLUG	3				0.001	0.0022

GEAR CASE [A]



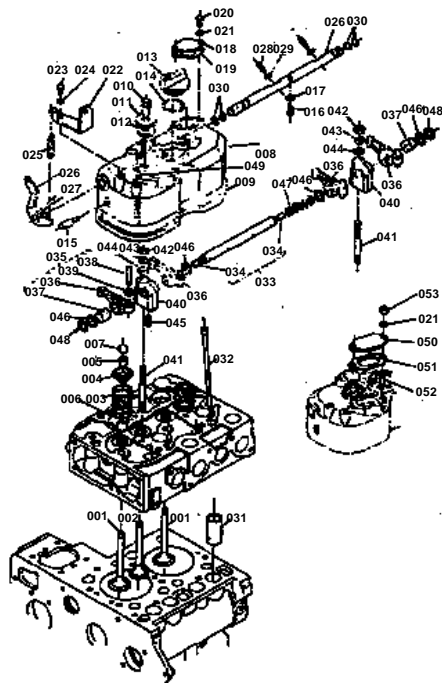


GEAR CASE [A]

↔ Interchangeable; ≠ not interchangeable; ← new for old; → old for new

REF.No	Part No.	Description	Q'ty	S.No.	I/C	REMARKS	Weight (kgf)	Weight (lb)
001	15221-04022	ASSY CASE GEAR	1				0	0
002	15101-94880	CARD	1				0	0
003	15221-33620	PLUG PIN	2	<=10583			0.002	0.0044
003	15221-33620	PLUG PIN	1	>=10584			0.002	0.0044
004	15221-33640	PLUG PIN	1				0.003	0.0066
004	15221-33660	PLUG PIN	2				0.004	0.0088
005	15221-72880	PIPE WATER 2	1				0.115	0.253
006	04810-00150	O-RING	3				0.001	0.0022
007	15221-56280	PIN SPRING	1				0.006	0.0132
008	15221-04130	GASKET GEAR CASE	1	<=1004			0	0
008	15221-04133	GASKET GEAR CASE	1	>=1005			0	0
009	01053-50885	BOLT	3				0.031	0.0682
010	01053-50885	BOLT	1				0.031	0.0682
011	15221-91040	BOLT	6				0	0
012	01053-50870	BOLT	4				0.027	0.0594
013	04512-00080	WASHER LOCK	14				0	0
014	04012-00080	WASHER FLAT	14				0	0
015	07715-00803	BALL STEEL	1				0.004	0.0088
016	15221-38440	SPRING	1				0.004	0.0088
017	15221-38420	CAP	1				0.025	0.055
018	04810-00100	O-RING	1				0.001	0.0022
019	04811-40240	O-RING	1				0.002	0.0044
020	34150-34665	ASSY UNIT HOUR METER	1	<=15683		L175	0	0
020	34150-34666	ASSY UNIT HOUR METER	1	>=15684		L175	0	0
021	15221-88131	GASKET HOUR METER UN	1				0	0
022	15221-88210	STUD	4				0.005	0.011
023	02056-50060	NUT	4				0.002	0.0044
024	04512-50060	WASHER LOCK	4				0	0
025	04012-50060	WASHER FLAT	4				0.001	0.0022
026	15221-73914	COVER WATER	1				0	0
027	15221-73924	GASKET WATER COVER	1				0	0
028	01518-00618	STUD	8	<=1015			0	0
028	15221-88210	STUD	8	>=1016			0.005	0.011
029	02056-50060	NUT	9				0.002	0.0044
030	04512-50060	WASHER LOCK	9				0	0
031	04012-50060	WASHER FLAT	9				0.001	0.0022
032	15221-54020	ASSY APPARATUS FUEL	1				0	0
033	15108-32067	ASSY FILTER OIL	1	<=1304		TO REFERENCE FIG.No.36	0	0
033	15213-32024	ASSY FILTER OIL	1	>=1305		TO REFERENCE FIG.No.36	0	0
034	15101-32320	GASKET OIL FILTER	1	<=1304			0	0
034	15213-32320	GASKET OIL FILTER	1	>=1305			0	0
035	01053-00842	BOLT	4	<=2289			0	0
035	01053-50842	BOLT	3	>=2290			0.019	0.0418
036	04512-00080	WASHER LOCK	4				0	0
037	04012-00080	WASHER FLAT	4				0	0
038	01518-50835	STUD	1	>=2290			0.017	0.0374
039	02056-50080	NUT	1	>=2290			0.005	0.011
040	15213-94400	LABEL INSTRUC TION	1				0.001	0.0022

VALVE HEAD COVER ROCKER ARM





VALVE HEAD COVER ROCKER ARM

↔ Interchangeable; ≠ not interchangeable; ← new for old; → old for new

REF.No	Part No.	Description	Q'ty	S.No.	I/C	REMARKS	Weight (kgf)	Weight (lb)
001	15221-13114	VALVE INTAKE	2				0	0
002	15221-13124	VALVE EXHAUST	2				0	0
003	15221-13242	SPRING VALVE	4				0	0
004	15221-13332	RETAINER VALVE SPRIN	4				0	0
005	15221-13360	COLLET VALVE SPRING	8				0	0
006	15221-13352	STEM-SEAL VALVE	4				0	0
007	15221-13282	CAP VALVE	4				0	0
008	15222-14010	ASSY COVER CYLINDER	1				0	0
009	15221-14520	GASKET HEAD COVER	1				0.033	0.0726
010	15221-14622	NUT HEAD COVER	2				0	0
011	15221-14640	WASHER HEAD	2				0.017	0.0374
012	15221-14630	GASKET HEAD COVER NU	2				0.003	0.0066
013	15221-33142	PLUG OIL FILTER	1				0	0
014	04811-50300	ORING	1				0.001	0.0022
015	15221-66550	STOPPER DECOMP.STOPP	1				0.02	0.044
016	15221-66410	BOLT	1				0.005	0.011
017	04512-50060	WASHER LOCK	1				0	0
018	15221-66633	COVER DECOMP HOLE	2				0	0
019	15221-66640	GASKET	2				0	0
020	01053-50614	BOLT	4				0.005	0.011
021	04512-50060	WASHER LOCK	4	<=8704		Z750-A	0	0
021	04512-50060	WASHER LOCK	4	<=1065		Z750-AW	0	0
021	04512-50060	WASHER LOCK	6	>=8705		Z750-A	0	0
021	04512-50060	WASHER LOCK	6	>=1066		Z750-AW	0	0
022	15221-66192	HOLDER DECOMP.WIRE	1				0	0
023	01053-50614	BOLT	2				0.005	0.011
024	04512-50060	WASHER LOCK	2				0	0
025	15221-66282	SPRING DECOMP.	1	<=1004		Z750-A	0	0
025	15221-66283	SPRING DECOMP.	1	>=1005		Z750-A(AW)	0	0
026	15221-66040	ASSY SHAFT DECOMP.	1				0.55	1.21
027	05412-00425	PIN SPRING	1				0.001	0.0022
028	15221-66350	BOLT DECOMP.	2				0.005	0.011
029	15221-66360	NUT DECOMP.	2				0.003	0.0066
030	04811-06100	O RING	4				0.001	0.0022
031	15221-15550	TAPPET	4				0	0
032	15221-15112	PUSH ROD	4				0	0
033	15221-14050	ASSY SHAFT ROCKER AR	1				0.15	0.33
034	03410-00808	SCREW SET	2				0.002	0.0044
035	15221-14030	ASSY ROCKER ARM	4				0	0
036	15222-14040	ROCKER ARM	4				0	0
037	99999-99999	BLANK	0			ORDER BY REF.No.035	0	0
038	15221-14232	SCREW ADJUSTING	4				0	0
039	15021-14240	NUT ADJUSTING	4				0.003	0.0066
040	15221-14350	BRACKET ROCKER ARM	2				0.044	0.0968
041	15221-14412	STUD	2				0	0
042	02056-50080	NUT	2				0.005	0.011
043	04512-50080	WASHER LOCK	2				0.001	0.0022
044	04012-50080	WASHER FLAT	2				0.001	0.0022
045	15221-14420	SCREW ROCKER ARM SHA	1				0.003	0.0066
046	15221-14430	WASHER ROCKER ARM SH	4				0.002	0.0044
047	15221-14312	SPRING ROCKER ARM	1				0	0
048	04612-00140	CIR-CLIP EXTERNAL	2				0.001	0.0022
049	15222-94313	LABEL OIL	1				0	0
050	15321-05992	COVER	1	>=8705		Z750-A	0.075	0.165
050	15321-05992	COVER	1	>=1066		Z750-AW	0.075	0.165

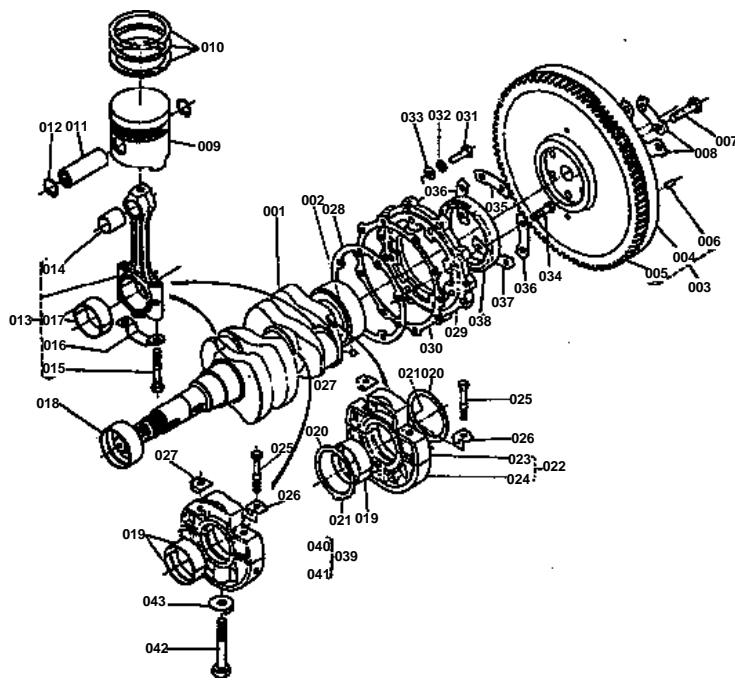


VALVE HEAD COVER ROCKER ARM

↔ Interchangeable; ≠ not interchangeable; ← new for old; → old for new

REF.No	Part No.	Description	Q'ty	S.No.	I/C	REMARKS	Weight (kgf)	Weight (lb)
051	15321-05430	GASKET COVER	1	>=8705		Z750-A	0	0
051	15321-05430	GASKET COVER	1	>=1066		Z750-AW	0	0
052	01518-50616	STUD	2	>=8705		Z750-A	0.005	0.011
052	01518-50616	STUD	2	>=1066		Z750-AW	0.005	0.011
053	02056-50060	NUT	2	>=8705		Z750-A	0.002	0.0044
053	02056-50060	NUT	2	>=1066		Z750-AW	0.002	0.0044

CRANK SHAFT



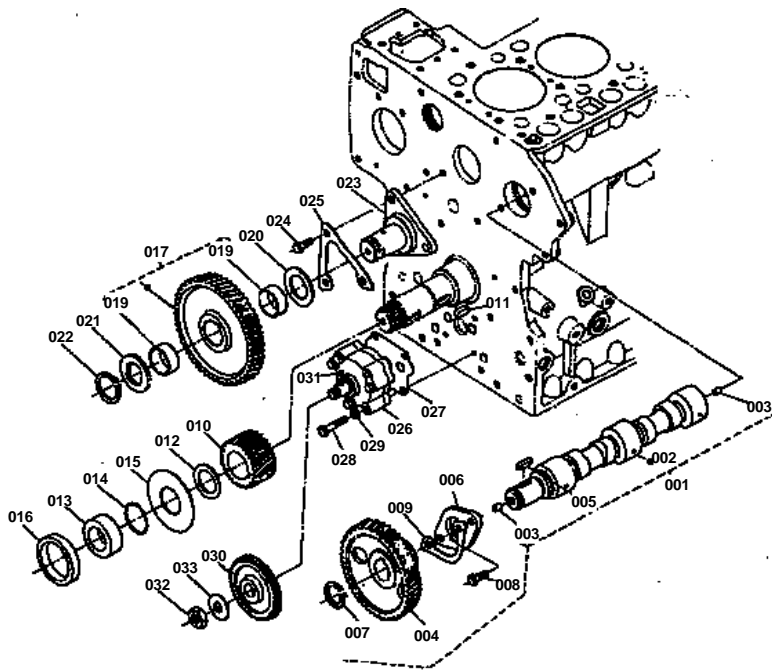


CRANK SHAFT

↔ Interchangeable; ≠ not interchangeable; ← new for old; → old for new

REF.No	Part No.	Description	Q'ty	S.No.	I/C	REMARKS	Weight (kgf)	Weight (lb)
001	15222-23010	ASSY CRANK SHAFT	1				0	0
002	15131-01380	PLUG PIN	2				0.001	0.0022
003	15221-25010	ASSY FLYWHEEL	1				0	0
004	99999-99999	BLANK	0			ORDER BY REF.No.003	0	0
005	15221-63823	GEAR RING	1				0	0
006	05012-00612	PIN	2				0.003	0.0066
007	15221-25160	BOLT FLYWHEEL	6				0.024	0.0528
008	15221-25172	WASHER FLYWHEEL	3				0	0
009	15221-21110	PISTON	2				0.45	0.99
010	15221-21050	ASSY RING PISTON	2				0.05	0.11
011	15221-21310	PIN PISTON	2				0	0
012	15221-21330	CIR-CLIP PISTON PIN	4				0.002	0.0044
013	15221-22010	ASSY CONNECTING ROD	2				0	0
014	15221-21980	BUSH PISTON PIN	2				0	0
015	15221-22142	BOLT CONNECTING ROD	4				0	0
016	15221-22170	WASHER ROD BOLT	2				0.01	0.022
017	15221-22310	METAL CRANK PIN	4				0	0
018	15221-23470	METAL CRANK PIN 1	1				0	0
019	15221-23480	METAL CRANK PIN 2	4				0	0
020	15221-23530	METAL SIDE 1	2				0	0
021	15221-23540	METAL SIDE 2	2				0	0
022	15222-07020	ASSY CASE MAIN BEARI	1				0	0
023	99999-99999	BLANK	0			ORDER BY REF.No.020	0	0
024	99999-99999	BLANK	0			ORDER BY REF.No.020	0	0
025	15221-04542	BOLT 1	4				0	0
026	15221-04573	WASHER 1	2				0	0
027	15221-04583	WASHER 2	2				0	0
028	15221-04360	GASKET	1				0	0
029	15221-04812	COVER BEARING	1				0	0
030	15221-04820	GASKET BEARING COVER	1				0	0
031	01053-50825	BOLT 1	8				0.014	0.0308
032	04512-50080	WASHER LOCK	8				0.001	0.0022
033	04012-50080	WASHER FLAT	8				0.001	0.0022
034	01053-50828	BOLT	8				0.014	0.0308
035	15221-04642	WASHER LOCK 1	1				0	0
036	15221-04652	WASHER LOCK 2	2				0	0
037	15221-04662	WASHER LOCK 3	1				0	0
038	15221-04460	SEAL OIL	1				0.06	0.132
039	15222-07010	ASSY CASE MAIN BEARI	1				0	0
040	99999-99999	BLANK	0			ORDER BY REF.No.033	0	0
041	99999-99999	BLANK	0			ORDER BY REF.No.033	0	0
042	15221-04562	BOLT 2	1				0	0
043	15221-04590	WASHER 3	1				0.005	0.011

CAM SHAFT



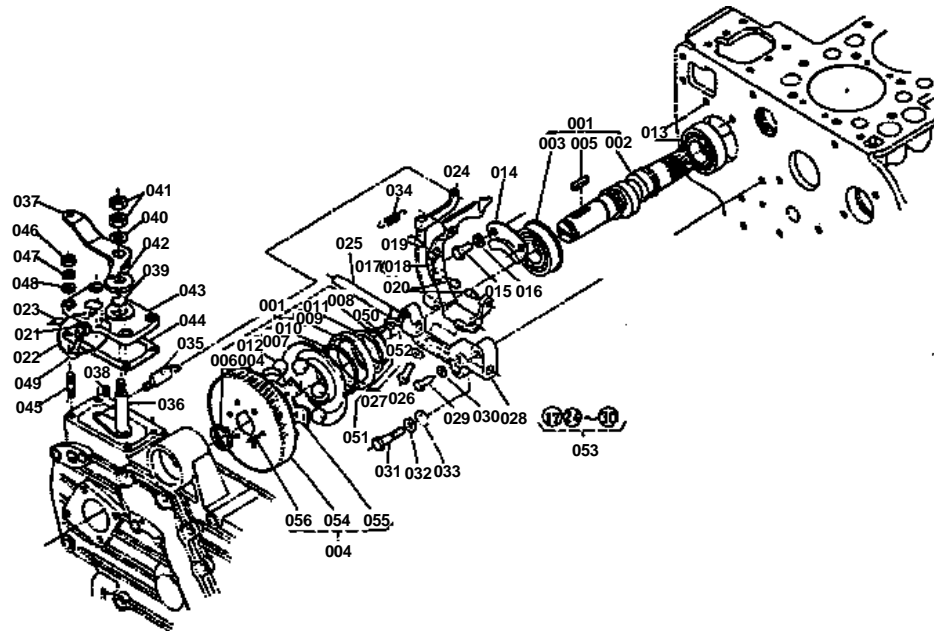


CAM SHAFT

↔ Interchangeable; ≠ not interchangeable; ← new for old; → old for new

REF.No	Part No.	Description	Q'ty	S.No.	I/C	REMARKS	Weight (kgf)	Weight (lb)
001	15221-16010	ASSY CAMSHAFT	1				0	0
002	15222-16040	ASSY COMSHAFT SUB	1				0	0
003	15221-33630	PLUG PIN	2				0.001	0.0022
004	15221-16515	GEAR CAM	1				0	0
005	05712-00720	KEY	1				0.008	0.0176
006	15221-16273	STOPPER CAMSHAFT	1				0	0
007	04612-00240	CIR-CLIP EXTERNAL	1				0.002	0.0044
008	01053-50816	BOLT	2				0.011	0.0242
009	15221-16250	WASHER	1				0.01	0.022
010	15221-24114	GEAR CRANK	1				0	0
011	05712-00720	KEY	1				0.008	0.0176
012	15221-24130	COLLAR CRANK GEAR	1				0.015	0.033
013	15221-23250	COLLAR CRANK SHAFT	1				0	0
014	04811-10300	O RING	1				0.001	0.0022
015	15221-23312	OIL CUT CRANK SHAFT	1				0	0
016	09550-00000	SEAL OIL	1				0	0
017	15221-24010	ASSY GEAR IDLE	1				0.5	1.1
018	99999-99999	BLANK	0				0	0
019	15221-24280	BUSHING IDLE GEAR	2				0	0
020	15221-24362	COLLAR IDLE GEAR 1	1				0	0
021	15221-24370	COLLAR IDLE GEAR 2	1				0.018	0.0396
022	15221-24320	CIR-CLIP IDLE GEAR	1				0.01	0.022
023	15221-24255	SHAFT IDLE GEAR	1				0	0
024	01053-50818	BOLT	3				0.011	0.0242
025	15221-24310	WASHER IDLE GEAR SHA	1				0.01	0.022
026	15221-35010	ASSY PUMP OIL	1				0.43	0.946
027	15221-35152	GASKET OIL PUMP	1				0	0
028	01053-50640	BOLT	4				0.011	0.0242
029	04512-50060	WASHER LOCK	4				0	0
030	15221-35660	GEAR	1				0	0
031	05712-00410	KEY	1				0.001	0.0022
032	15221-35680	NUT	1				0	0
033	15221-35670	WASHER	1				0.005	0.011

FUEL CAMSHAFT





FUEL CAMSHAFT

↔ Interchangeable; ≠ not interchangeable; ← new for old; → old for new

REF.No	Part No.	Description	Q'ty	S.No.	I/C	REMARKS	Weight (kgf)	Weight (lb)
001	15221-16022	ASSY CAMSHAFT FUEL	1	≤8663		(Z750-A)	0	0
001	15221-16022	ASSY CAMSHAFT FUEL	1	≤1065		(Z750-AW)	0	0
001	15221-16023	ASSY CAMSHAFT FUEL	1	≥8664		(Z750-A)	0	0
001	15221-16023	ASSY CAMSHAFT FUEL	1	≥1066		(Z750-AW)	0	0
002	15221-16174	CAMSHAFT FUEL	1	≤8663		(Z750-A)	0	0
002	15221-16174	CAMSHAFT FUEL	1	≤1065		(Z750-AW)	0	0
002	15221-16175	CAMSHAFT FUEL	1	≥8664		(Z750-A)	0	0
002	15221-16175	CAMSHAFT FUEL	1	≥1066		(Z750-AW)	0	0
003	08153-06205	BEARING BALL	1				0.13	0.286
004	15222-51100	ASSY GEAR INJECTION	1				0.89	1.958
005	05712-00525	KEY	1				0.005	0.011
006	04612-00240	CIR-CLIP EXTERNAL	1				0.002	0.0044
007	15221-55453	SLEEVE GOVERNOR	1				0	0
008	15221-55470	CIR-CLIP GOVERNOR SL	1				0.003	0.0066
009	15221-55692	CASE GOVERNOR BALL	1				0	0
010	07715-03205	BALL	39				0.001	0.0022
011	15221-55740	CIR-CLIP BALL CASE	1				0.002	0.0044
012	07715-03219	BALL GOVERNOR	6				0.014	0.0308
013	08103-06205	BEARING BALL	1				0.12	0.264
014	15221-16320	STOPPER FUEL	1				0.02	0.044
015	01053-50814	BOLT	2				0.01	0.022
016	04512-00080	WASHER LOCK	2				0	0
017	15221-56040	ASSY LEVER FORK 1	1				0.144	0.3168
018	99999-99999	BLANK	0			ORDER BY REF.No.017	0	0
019	99999-99999	BLANK	0			ORDER BY REF.No.017	0	0
020	99999-99999	BLANK	0			ORDER BY REF.No.017	0	0
021	02056-00060	NUT	1				0	0
022	99999-99999	BLANK	0			YOUR SUPPLY	0	0
023	99999-99999	BLANK	0			YOUR SUPPLY	0	0
024	15221-56134	LEVER FORK 2	1				0	0
025	15221-56150	SHAFT FORK LEVER	1				0.1	0.22
026	15021-56243	BOLT FORK LEVER SHAF	1				0	0
027	04512-50060	WASHER SPRING	1				0	0
028	15221-56232	HOLDER FORK LEVER	1	≥1001		(Z750-A)	0	0
028	15221-56234	HOLDER FORK LEVER	1	≥1205		(Z750-A)	0	0
029	15221-66410	BOLT	1				0.005	0.011
030	04512-50060	WASHER LOCK	1				0	0
031	15221-91060	BOLT	2				0.155	0.341
032	04512-50080	WASHER LOCK	2				0.001	0.0022
033	04012-50080	WASHER FLAT	2				0.001	0.0022
034	15221-56482	SPRING START	1				0	0
035	15221-56413	SPRING GOVERNOR	1				0	0
036	15221-56020	ASSY LEVER GOVERNOR	1				0.06	0.132
037	15221-57150	LEVER SPEED CONTROL	1				0.07	0.154
038	05712-00408	KEY	1				0.001	0.0022
039	04811-00120	O RING	1				0.001	0.0022
040	04013-00080	WASHER FLAT	1				0	0
041	02052-50080	NUT	2				0.004	0.0088
042	17011-57382	PLATE FRICTION	1				0	0
043	15221-57110	PLATE SPEED CONTROL	1				0	0
044	15221-57210	GASKET SPEED CONTROL	1				0	0
045	15221-88210	STUD	4				0.005	0.011
046	02056-50060	NUT	4				0.002	0.0044
047	04512-50060	WASHER LOCK	4				0	0
048	04012-50060	WASHER FLAT	4				0.001	0.0022

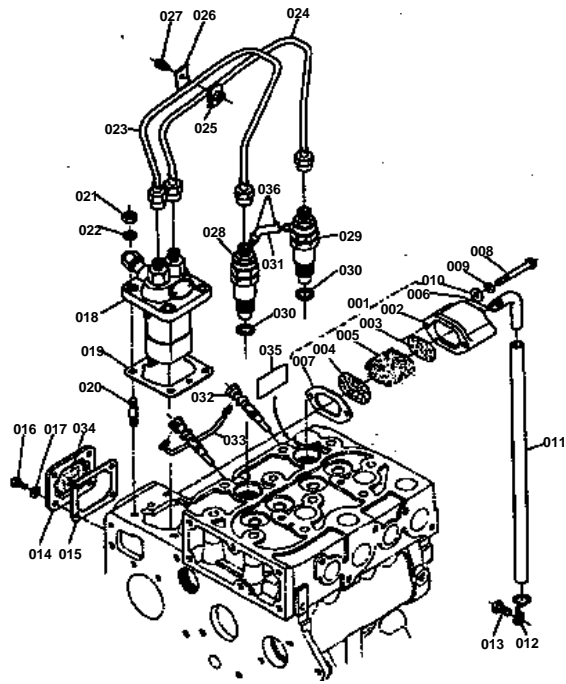


FUEL CAMSHAFT

↔ Interchangeable; ≠ not interchangeable; ← new for old; → old for new

REF.No	Part No.	Description	Q'ty	S.No.	I/C	REMARKS	Weight (kgf)	Weight (lb)
049	15108-57283	STOPPER	1				0	0
050	01053-50628	BOLT	1	>=1205		(Z750-A)	0.008	0.0176
050	01053-50628	BOLT	1	>=1001		(Z750-AW)	0.008	0.0176
051	04512-50060	WASHER LOCK	1	>=1205		(Z750-A)	0	0
051	04512-50060	WASHER LOCK	1	>=1001		(Z750-AW)	0	0
052	04012-00060	WASHER FLAT	1	>=1205		(Z750-A)	0	0
052	04012-00060	WASHER FLAT	1	>=1001		(Z750-AW)	0	0
053	15221-56053	ASSY LEVER FORK	1				0	0
054	15221-51150	GEAR INJECTION PUMP	1	<=1004		(Z750-A)	0.82	1.804
054	15221-51155	GEAR INJECTION PUMP	1	>=1005		(Z750-A)	0	0
054	15221-51155	GEAR INJECTION PUMP	1	>=1005		(Z750-AW)	0	0
055	15221-55652	GUIDE GOVERNOR BALL	1				0	0
056	05611-10310	RIVET	6				0.001	0.0022

BREATHER INJECTION PUMP



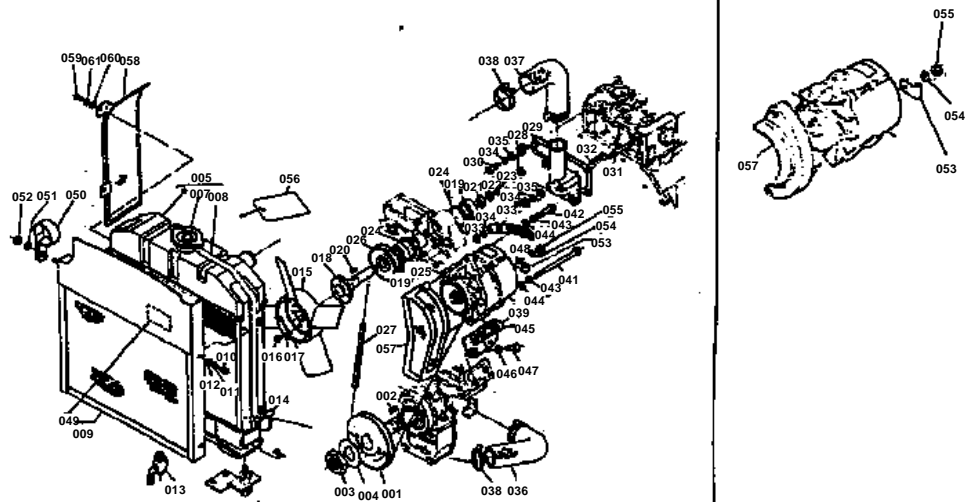


BREATHER INJECTION PUMP

↔ Interchangeable; ≠ not interchangeable; ← new for old; → old for new

REF.No	Part No.	Description	Q'ty	S.No.	I/C	REMARKS	Weight (kgf)	Weight (lb)
001	15221-05012	ASSY BREATHER	1				0	0
002	15221-05420	COVER BREATHER	1				0.068	0.1496
003	15221-05140	PLATE BREATHER ELEME	1				0.001	0.0022
004	15221-05150	PLATE BREATHER ELEME	1				0.003	0.0066
005	15221-05670	ELEMENT BREATHER	1				0.02	0.044
006	15221-05552	COUPLING BREATHER PI	1				0	0
007	15221-05430	GASKET BREATHER COVE	1				0	0
008	15221-91050	BOLT	2				0.015	0.033
009	04512-50060	WASHER LOCK	2				0	0
010	04012-50060	WASHER FLAT	2				0.001	0.0022
011	15221-05510	PIPE BREATHER	1				0.035	0.077
012	15221-05592	STAY BREATHER PIPE	1				0	0
013	01053-50812	BOLT	1				0.009	0.0198
014	15222-51600	ASSY COVER INJECTION	1				0.005	0.011
015	15221-51660	GASKET PUMP COVER	1				0	0
016	01053-50612	BOLT	4				0.004	0.0088
017	04512-50060	WASHER LOCK	4				0	0
018	15221-51012	ASSY PUMP INJECTION	1				0	0
019	15221-52113	SHIM INJECTION PUMP	5				0	0
020	01513-50822	STUD	4				0.01	0.022
021	02056-50080	NUT	4				0.005	0.011
022	04512-50080	WASHER LOCK	4				0.001	0.0022
023	15221-53710	PIPE INJECTION 1	1				0	0
024	15221-53720	PIPE INJECTION 2	1				0	0
025	15121-53850	CLAMP PIPE 1	1	≤1020		(Z750-A)	0	0
025	15121-53852	CLAMP PIPE 1	1	≥1021		(Z750-A)	0	0
025	15121-53852	CLAMP PIPE 1	1	≥1001		(Z750-AW)	0	0
026	15121-53860	CLAMP PIPE 2	1				0	0
027	03024-50520	BOLT	1				0.004	0.0088
028	15271-53000	ASSY HOLDER NOZZLE 1	1				0.26	0.572
029	15271-53020	ASSY HOLDER NOZZLE 2	1				0.26	0.572
030	17011-53620	GASKET	2				0.003	0.0066
031	15221-42510	PIPE OVER FLOW	1	≤8704		(Z750-A)	0.005	0.011
031	15221-42510	PIPE OVER FLOW	1	≤1065		(Z750-AW)	0.005	0.011
031	15221-42512	PIPE OVER FLOW	1	≥8705		(Z750-A)	0	0
031	15221-42512	PIPE OVER FLOW	1	≥1066		(Z750-AW)	0	0
032	15221-65512	PLUG GLOW	2				0	0
033	15401-65560	CABLE GLOW PLUG	1				0.005	0.011
034	15222-87212	LABEL	1				0	0
035	15232-88210	LABEL	1	≤4838		(Z750-A)	0.001	0.0022
035	15222-88210	LABEL	1	≥4839		(Z750-A)	0.003	0.0066
035	15222-88210	LABEL	1	≥1001		(Z750-AW)	0.003	0.0066
036	15271-42710	CLIP PIPE	2	≥9234		(Z750-A)	0	0
036	15271-42710	CLIP PIPE	2	≥1131		(Z750-AW)	0	0

COOLING FAN RADIATOR [A]





COOLING FAN RADIATOR [A]

↔ Interchangeable; ≠ not interchangeable; ← new for old; → old for new

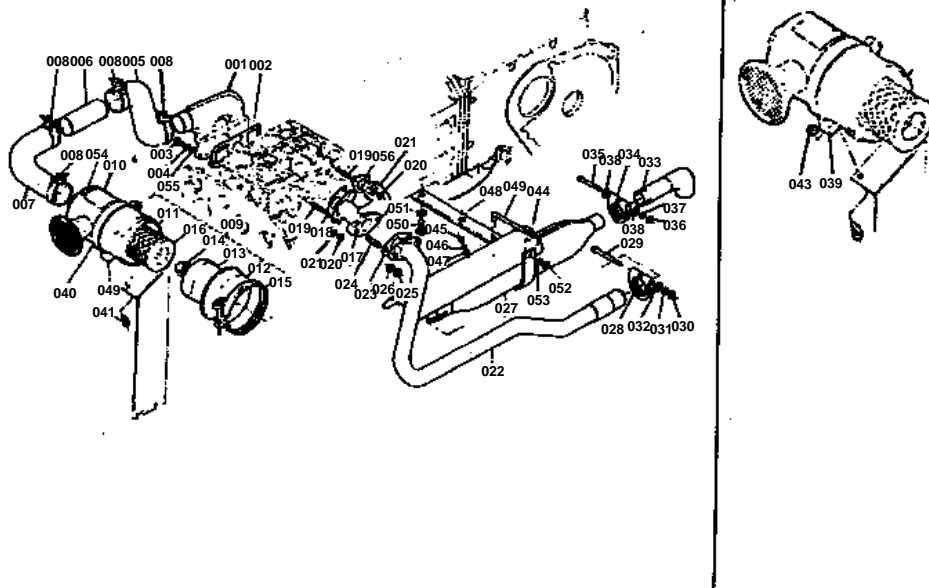
REF.No	Part No.	Description	Q'ty	S.No.	I/C	REMARKS	Weight (kgf)	Weight (lb)
001	15221-74283	PULLEY FAN DRIVE	1				0	0
002	05712-00720	KEY FEATHER	1				0.008	0.0176
003	15221-23360	NUT CRANK SHAFT	1				0.11	0.242
004	15221-23380	WASHER CRANK SHAFT	1				0.02	0.044
005	15221-72060	ASSY RADIATOR	1	≤8663			5.6	12.32
005	15221-72063	ASSY RADIATOR	1	≥8664			0	0
006	99999-99999	BLANK	0				0	0
007	15021-72632	CAP RADIATOR	1				0	0
008	15221-72710	PIPE WATER OVERFLOW	1				0.05	0.11
009	15222-72200	ASSY NET RADIATOR	1				0.094	0.2068
010	01053-50612	BOLT	4				0.004	0.0088
011	04512-50060	WASHER LOCK	4				0	0
012	04013-50060	WASHER FLAT	3				0	0
013	14301-73114	ASSY COCK DRAIN	1				0	0
014	15021-72042	WHISTLE	1				0	0
015	15221-74112	FAN BLADE	1				0	0
016	01053-50610	BOLT	4				0.004	0.0088
017	15131-74234	WASHER FAN	2				0	0
018	15221-74142	SHAFT FAN	1				0	0
019	08143-06203	BEARING BALL	2				0.064	0.1408
020	05712-00515	KEY FEATHER	1				0.003	0.0066
021	04013-50120	WASHER FLAT	1				0	0
022	04512-50120	WASHER LOCK	1				0	0
023	02076-50120	NUT	1				0.015	0.033
024	04611-00400	CIR-CLIP INTERNAL	2				0.005	0.011
025	15221-74190	COLLAR FAN SHAFT	1				0.04	0.088
026	15221-74252	PULLEY FAN	1				0	0
027	15221-72530	BELT FAN	1	≤1015			0.086	0.1892
027	15221-72532	BELT FAN	1	≥1016			0	0
027	15221-72533	BELT FAN	1	≥8664			0	0
028	15221-72910	FLANGE WATER	1				0.28	0.616
029	15221-72920	GASKET WATER FLANGE	1				0	0
030	01053-50822	BOLT	4				0.013	0.0286
031	01513-00858	STUD	1	≤8663			0	0
031	01513-50860	STUD	1	≥8664			0.024	0.0528
032	01513-50822	STUD	1				0.01	0.022
033	02056-50080	NUT	2				0.005	0.011
034	04512-50080	WASHER LOCK	6				0.001	0.0022
035	04012-50080	WASHER FLAT	5				0.001	0.0022
036	15221-72850	PIPE WATER 1	1	≤8663			0.14	0.308
036	15221-72852	PIPE WATER 1	1	≥8664			0	0
037	15221-72940	PIPE WATER 4	1				0.136	0.2992
038	15108-72873	CLAMP	4				0	0
039	15221-64012	ASSY GENERATOR	1	≤8663		TO REFERENCE FIG.No.35	0	0
039	15321-64012	ASSY GENERATOR	1	≥8664		TO REFERENCE FIG.No.35	0	0
040	99999-99999	BLANK	0				0	0
041	01053-50830	BOLT	1	≤1015			0.015	0.033
041	15221-91010	BOLT	1	≥1016			0	0
042	01053-50835	BOLT	1				0.016	0.0352
043	04512-50080	WASHER LOCK	1				0.001	0.0022
044	04012-50080	WASHER FLAT	2				0.001	0.0022

**COOLING FAN RADIATOR [A]**

↔ Interchangeable; ≠ not interchangeable; ← new for old; → old for new

REF.No	Part No.	Description	Q'ty	S.No.	I/C	REMARKS	Weight (kgf)	Weight (lb)
045	15221-64353	SUPPORT ALTERNATOR	1	≤1014			0	0
045	15221-64354	SUPPORT ALTERNATOR	1	≥1015			0	0
045	15221-64355	SUPPORT ALTERNATOR	1	≥8664			0.398	0.8756
046	01053-50825	BOLT	2				0.014	0.0308
047	04512-50080	WASHER LOCK	2				0.001	0.0022
048	15221-64423	STAY ALTERNATOR	1	≤8663			0	0
048	15221-64424	STAY ALTERNATOR	1	≥8664			0	0
049	15101-94612	LABEL RADIATOR	1				0	0
050	15221-11710	HOLDER INTAKE PIPE	1				0.045	0.099
051	04512-50080	WASHER SPRING	1				0.001	0.0022
052	02056-50080	NUT	1				0.005	0.011
053	34150-34480	CLAMP CORD	1	≤2508			0.002	0.0044
053	34150-34482	CLAMP CORD	1	≥2509			0	0
053	15321-67572	CLAMP CABLE	1	≥8664			0	0
054	04512-10050	WASHER LOCK	1	≤8663			0	0
054	04512-50060	WASHER LOCK	1	≥8664			0	0
055	02056-50050	NUT	1	≤8663			0.002	0.0044
055	02056-50060	NUT	1	≥8664			0.002	0.0044
056	10242-94883	CARD INSTRUCTION	1				0	0
057	15221-64690	OVER GENERATOR	1	≤1015		(Z750-A)	0	0
057	15221-64692	OVER GENERATOR	1	≥1016		(Z750-A)	0	0
057	34155-13862	COVER BELT	1	≥15924			0	0
057	34155-13864	COVER BELT	1	≥17524			0	0
057	34155-13865	COVER BELT	1	≥18024			0	0
058	34155-13853	COVER RADIATOR FAN	1	≥15924		(L175)	0	0
059	01222-50612	BOLT	2	≥15924			0.004	0.0088
060	04012-50060	WASHER FLAT	2	≥15924			0.001	0.0022
061	04612-50140	WASHER LOCK	2	≥15924			0	0

AIR CLEANER MUFFLER [A]





AIR CLEANER MUFFLER [A]

↔ Interchangeable; ≠ not interchangeable; ← new for old; → old for new

REF.No	Part No.	Description	Q'ty	S.No.	I/C	REMARKS	Weight (kgf)	Weight (lb)
001	15221-11764	MANIFOLD INTAKE	1				0.466	1.0252
002	15221-11820	GASKET INTAKE MANIFO	1				0.008	0.0176
003	01053-00818	BOLT	3	<=2509		(Z750-A)	0	0
003	01053-50822	BOLT	3	>=2510		(Z750-A)	0.013	0.0286
004	04512-50080	WASHER LOCK	3				0.001	0.0022
005	15221-11622	PIPE INTAKE 1	1				0	0
006	15221-11630	PIPE INTAKE 2	1				0.22	0.484
007	15221-11642	PIPE INTAKE 3	1				0	0
008	15221-11722	CLAMP PIPE	4				0	0
009	15222-11004	ASSY AIR CLEANER(ALL	1				0	0
010	15222-93450	LABEL AIR CLEANER	1	<=1204		(Z750-A)	0.001	0.0022
010	15222-93452	LABEL AIR CLEANER	1	>=1205		(Z750-A)	0	0
011	15222-11150	BODY AIR CLEANER	1				0.708	1.5576
012	15222-11160	COVER AIR CLEANER	1				0.202	0.4444
013	15222-11410	COVER BAFFLE	1				0.043	0.0946
014	15222-92620	NUT WING	1				0.02	0.044
015	15222-11070	CLAMP AIR CLEANER	1				0.098	0.2156
016	15222-11224	ELEMENT AIR CLEANER	1				0	0
017	15221-12313	MANIFOLD EXHAUST	1				0	0
018	15221-12360	GASKET EXHAUST MANIF	2	<=8704		(Z750-A)	0	0
018	15221-12362	GASKET EXHAUST MANIF	1	>=8705		(Z750-A)	0	0
019	01513-50822	STUD	4	<=9983		(Z750-A)	0.01	0.022
019	15221-91530	STUD	4	>=9984		(Z750-A)	0.011	0.0242
020	02056-50080	NUT	4				0.005	0.011
021	04512-50080	WASHER SPRING	4				0.001	0.0022
022	34159-62113	FLANGE MUFFLER	1	<=12303		(L750)	0	0
022	34208-62110	FLANGE MUFFLER	1	>=12304		(L750)	2	4.4
023	15221-12370	GASKET MUFFLER FLANG	1				0	0
024	01517-01024	STUD	2	<=8664			0	0
024	01517-51025	STUD	2	>=8665			0	0
025	15021-12260	NUT	2				0.013	0.0286
026	04512-50100	WASHER LOCK	2				0	0
027	34159-62193	MUFFLER	1				0	0
028	15221-12132	CLAMP MUFFLER	1				0	0
029	01153-50878	BOLT	1	<=8664			0.029	0.0638
029	01053-50880	BOLT	1	>=8665			0.03	0.066
030	02156-50080	NUT	1				0.004	0.0088
031	04512-50080	WASHER LOCK	1				0.001	0.0022
032	04012-50080	WASHER FLAT	2				0.001	0.0022
033	34159-62133	PIPE EXHAUST	1				0	0
034	15221-12432	CLAMP EXHAUST PIPE	1				0	0
035	01153-50860	BOLT	1				0.024	0.0528
036	02156-50080	NUT	1				0.004	0.0088
037	04512-50080	WASHER LOCK	1				0.001	0.0022
038	04012-50080	WASHER FLAT	2				0.001	0.0022
039	34150-13964	CLAMP AIR CLEANER	1				0	0
040	34150-13970	CUSHION AIR CLEANER	1				0.02	0.044
041	01222-50842	BOLT	1				0.017	0.0374
042	01120-50816	BOLT	2				0	0
043	02113-50080	NUT	2	<=10303		(L175)	0	0
044	34159-62150	COVER MUFFLER	1				0.47	1.034
045	01153-50812	BOLT	2				0.008	0.0176
046	04512-50080	WASHER LOCK	2				0.001	0.0022
047	04012-50080	WASHER FLAT	2				0.001	0.0022
048	34159-62163	SUPPORT MUFFLER	1				0	0

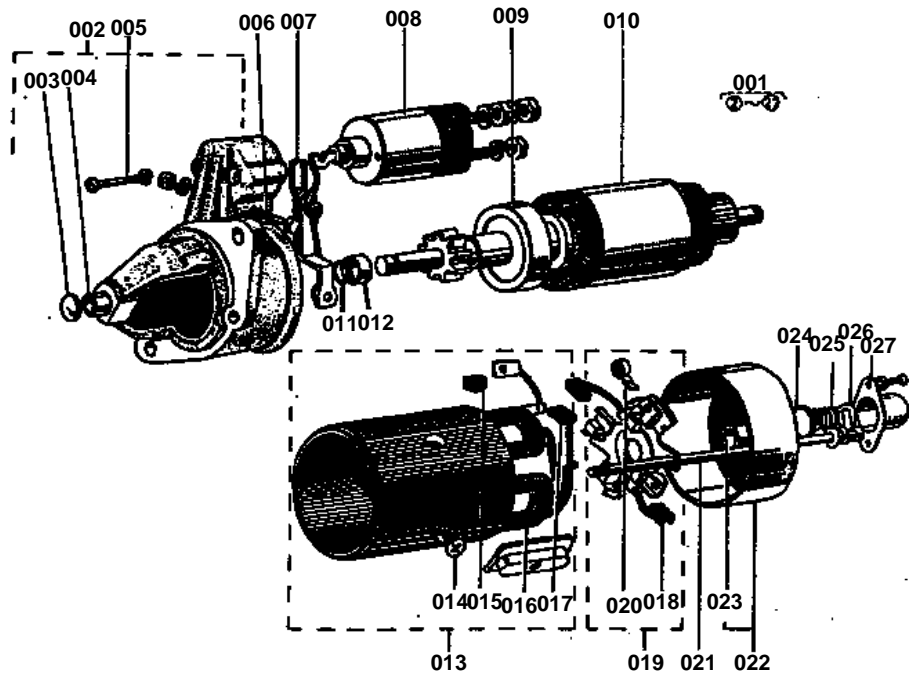


AIR CLEANER MUFFLER [A]

↔ Interchangeable; ≠ not interchangeable; ← new for old; → old for new

REF.No	Part No.	Description	Q'ty	S.No.	I/C	REMARKS	Weight (kgf)	Weight (lb)
049	34159-62172	BOLT MUFFLER	1				0	0
050	01173-51225	BOLT	2				0.033	0.0726
051	04512-50120	WASHER LOCK	2				0	0
052	02156-50080	NUT	1				0.004	0.0088
053	04512-50080	WASHER LACK	1				0.001	0.0022
054	15222-87753	LABEL	1				0	0
055	04012-50080	WASHER FLAT	3	>=2510			0.001	0.0022
056	15221-12350	GASKET EXHAUST MANIF	1	>=8705			0	0

STARTER



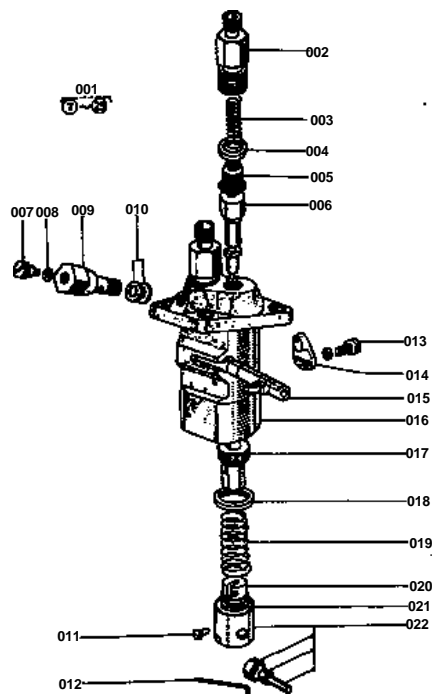


STARTER

↔ Interchangeable; ≠ not interchangeable; ← new for old; → old for new

REF.No	Part No.	Description	Q'ty	S.No.	I/C	REMARKS	Weight (kgf)	Weight (lb)
001	15221-63014	ASSY STARTER	1				0	0
002	15221-63030	DRIVE END FRAME	1				1.4	3.08
003	15221-96160	PLUG BELCH	1				0	0
004	15221-63240	BUSH	1				0	0
005	15221-91370	BOLT SET	1				0.01	0.022
006	15221-91020	BOLT	2				0.01	0.022
007	15221-63050	LEVER DRIVE	1				0.044	0.0968
008	15221-63020	CLUTCH MAGNET	1				0	0
009	15221-63040	CLUTCH	1				0.342	0.7524
010	15221-63070	ARMATURE	1				1.8	3.96
011	15221-94820	PIN SNAP	1				0.001	0.0022
012	15221-63230	COLLAR	1				0	0
013	15221-63080	YOKE	1				1.7	3.74
014	15221-91380	BOLT SET	4				0.008	0.0176
015	15221-96680	GASKET	1				0.002	0.0044
016	15221-63090	COIL FIELD	1				0	0
017	15221-63370	BRUSH	2				0.006	0.0132
018	15221-63360	BRUSH	2				0.006	0.0132
019	15221-63380	HOLDER BRUSH	1				0.13	0.286
020	15221-63390	SPRING BRUSH	1				0.003	0.0066
021	15221-63320	BOLT THROUGH	2				0.017	0.0374
022	15221-63200	END FRAME	1				0.254	0.5588
023	15221-63250	BUSH	1				0.006	0.0132
024	15221-96670	GASKET	1				0.001	0.0022
025	15221-63490	SPRING RETURN	1				0.004	0.0088
026	15221-94030	WASHER	1				0.003	0.0066
027	15221-63510	CAP END FRAME	1				0.01	0.022

FUEL INJECTION PUMP



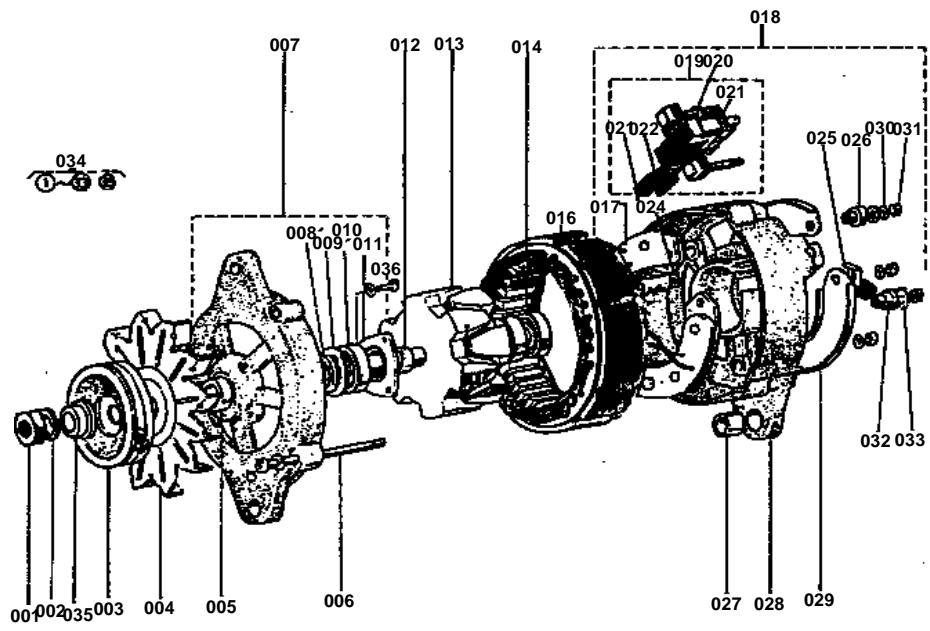


FUEL INJECTION PUMP

↔ Interchangeable; ≠ not interchangeable; ← new for old; → old for new

REF.No	Part No.	Description	Q'ty	S.No.	I/C	REMARKS	Weight (kgf)	Weight (lb)
001	15221-51010	ASSY PUMP FUEL INJEC	1				1.5	3.3
002	15221-51220	HOLDER DELIVERY VALV	2				0	0
003	15221-51230	SPRING DELIVERY VALV	2				0.002	0.0044
004	15221-51240	GASKET DELIVERY VALV	2				0.001	0.0022
005	15221-51030	VALVE DELIVERY	2				0.012	0.0264
006	15221-51050	ELEMENT PUMP	2				0.053	0.1166
007	15221-51350	SCREW	1				0.008	0.0176
008	15221-96660	GASKET	1				0.002	0.0044
009	15221-51320	SCREW	1				0.032	0.0704
010	15221-96650	GASKET	2				0.001	0.0022
011	15221-51250	PIN TAPPET GUIDE	2				0.001	0.0022
012	15221-51430	PIN CRANK	1				0.001	0.0022
013	15221-91010	BOLT	1	<=2509		Z750-A	0	0
013	15221-91030	BOLT	1	>=2510		Z750-A	0	0
014	15221-51390	PLATE ADJUSTING	1				0	0
015	15221-51060	RACK CONTROL	1				0	0
016	99999-99999	BLANK	0			ORDER BY REF.No.001	0	0
017	15221-51380	SLEEVE CONTROL	2				0	0
018	15221-51270	SEAT SPRING UPPER	2				0.004	0.0088
019	15221-51280	SPRING PLUNGER	2				0.015	0.033
020	15221-51290	SEAT SPRING LOWER	2				0.01	0.022
021	15221-51490	SHIM	2				0.002	0.0044
022	15221-51070	ASSY TAPPET	2				0.039	0.0858

GENERATOR



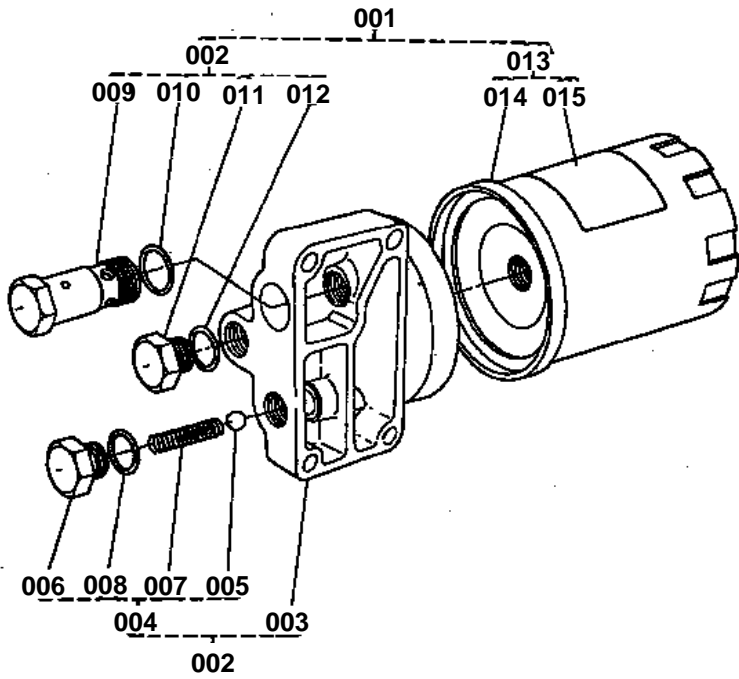


GENERATOR

↔ Interchangeable; ≠ not interchangeable; ← new for old; → old for new

REF.No	Part No.	Description	Q'ty	S.No.	I/C	REMARKS	Weight (kgf)	Weight (lb)
001	15221-92010	NUT	1				0.012	0.0264
002	15221-94070	WASHER SPRING	1				0.008	0.0176
003	15221-64112	PULLEY ALTERNATOR	1	>=8664		(Z750-A)	0	0
004	15221-64132	FAN ALTERNATOR	1	>=8664		(Z750-A)	0	0
005	15221-64152	COLLAR	1	>=8664		(Z750-A)	0	0
006	15321-64260	BOLT THROUGH	2	>=8664		(Z750-A)	0.008	0.0176
007	15321-64022	DRIVE END FRAME	1	>=8664		(Z750-A)	0	0
008	15221-64790	FELT OIL	1				0.001	0.0022
009	15221-64830	COVER FELT	1				0.003	0.0066
010	08141-06202	BEARING BALL	1				0.043	0.0946
011	15221-64710	PLATE RETAINER	1				0.018	0.0396
012	15221-64160	SPACER	1				0.006	0.0132
013	15321-64032	ARMATURE	1	>=8664		(Z750-A)	0	0
015	99999-99999	BLANK	0				0	0
016	15321-64050	YOKE	1	>=8664		(Z750-A)	0.75	1.65
017	15321-64850	ASSY RECTIFIER	1	>=8664		(Z750-A)	0.134	0.2948
018	15321-64072	END FRAME	1	>=8664		(Z750-A)	0	0
019	15321-64310	ASSY HOLDER BRUSH	1	>=8664		(Z750-A)	0.039	0.0858
020	99999-99999	BLANK	0			ORDER BY REF.No.019	0	0
021	15221-64090	BRUSH	2				0.002	0.0044
022	15221-64330	SPRING BRUSH	2				0.001	0.0022
023	99999-99999	BLANK	0			ORDER BY REF.No.019	0	0
024	15321-64880	WASHER INSULATER	1	>=8664		(Z750-A)	0.001	0.0022
025	15321-67572	CLAMP CORD	1	>=8664		(Z750-A)	0	0
026	15221-64910	BUSH INSULATER	1				0.001	0.0022
027	15221-64210	BUSH	1				0.007	0.0154
029	15321-64230	COVER END	1	>=8664		(Z750-A)	0.029	0.0638
030	15221-94080	WASHER SPRING	5				0	0
031	15221-92030	NUT	5				0.001	0.0022
032	15321-64920	BUSH INSULATER	1	>=8664		(Z750-A)	0.001	0.0022
033	15321-94080	WASHER	1	>=8664		(Z750-A)	0	0
034	15221-64012	ASSY GENERATOR	1	<=8663		(Z750-A)	0	0
034	15321-64012	ASSY GENERATOR	1	>=8664		(Z750-A)	0	0
035	15321-64170	SPACER	1	>=8664		(Z750-A)	0.007	0.0154
036	15321-93310	BOLT	3	>=8664		(Z750-A)	0	0

OIL FILTER



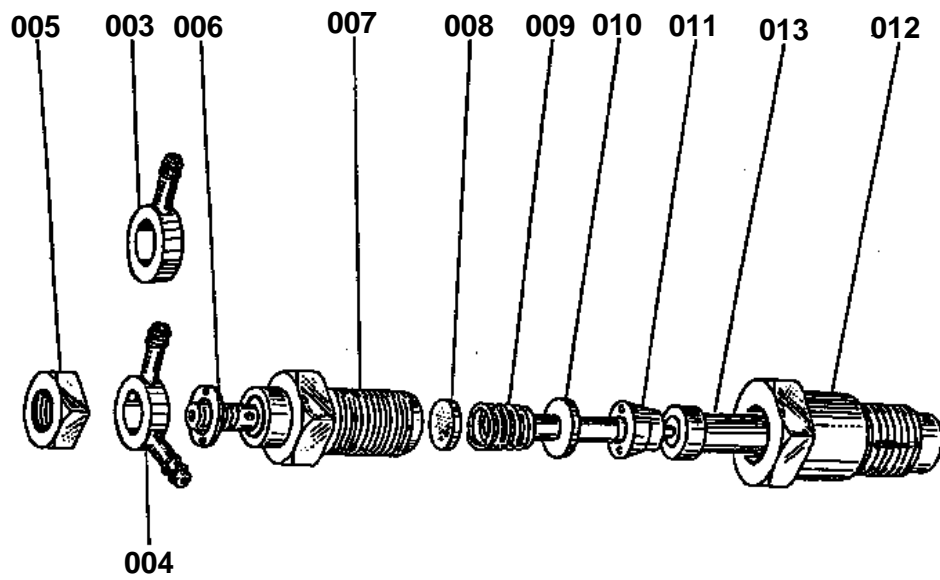


OIL FILTER

↔ Interchangeable; ≠ not interchangeable; ← new for old; → old for new

REF.No	Part No.	Description	Q'ty	S.No.	I/C	REMARKS	Weight (kgf)	Weight (lb)
001	15108-32067	ASSY FILTER OIL 2	1	≤1304		(Z750-A)	0	0
001	15213-32024	ASSY OIL FILTER	1	≥1305		(Z750-A)	0	0
002	15213-32070	ASSY COVER OIL FILTE	1	≥1305		(Z750-A)	0.52	1.144
003	15108-32353	COVER OIL FILTER	1	≤1304		(Z750-A)	0	0
003	15213-32350	COVER	1	≥1305		(Z750-A)	0.34	0.748
004	15101-32700	ASSY SAFETY VALVE	1	≥1305		(Z750-A)	0.036	0.0792
005	15101-36970	SAFETY VALVE	1				0.004	0.0088
006	15101-36910	PLUG RELIEF VALVE	1	≤1304		(Z750-A)	0	0
006	15101-32940	PLUG	1	≥1305		(Z750-A)	0.03	0.066
007	15101-36950	SPRING	1				0.002	0.0044
008	15101-36920	O RING	1				0.001	0.0022
009	15108-36070	ASSY VALVE PRESSURE	1	≤1304		(Z750-A)	0	0
009	15213-36072	ASSY RELEAF VALVE	1	≥1305		(Z750-A)	0	0
010	15101-36370	GASKET PRESSURE REGU	1	≤1304		(Z750-A)	0	0
010	04811-40140	O RING	1	≥1305		(Z750-A)	0.001	0.0022
011	15101-32940	PLUG	1	≤1304		(Z750-A)	0.03	0.066
011	15213-32940	PLUG	1	≥1305		(Z750-A)	0.017	0.0374
012	15101-36920	GASKET RELIEF VALVE	2	≤1304		(Z750-A)	0.001	0.0022
012	15213-36920	O RING	1	≥1305		(Z750-A)	0.002	0.0044
013	15213-32090	ASSY CARTRIDGE OIL F	1	≥1305		(Z750-A)	0.358	0.7876
014	15213-32430	FILTER CARTRIDGE	1	≥1305		(Z750-A)	0.355	0.781
015	15108-93392	LABEL OIL FILTER 2	1	≤1304		(Z750-A)	0	0
015	15213-94400	LABEL OIL FILTER	1	≥1305		(Z750-A)	0.001	0.0022
016	15108-32410	ELEMENT OIL FILTER	1	≤1304		(Z750-A)	0	0
017	15108-34220	O RING.OIL FILTER CO	1	≤1304		(Z750-A)	0.002	0.0044
018	15108-32580	GASKET CENTER BOLT	1	≤1304		(Z750-A)	0	0
019	15108-32530	GASKET ELEMENT	1	≤1304		(Z750-A)	0.002	0.0044
020	15108-32560	BOLT CENTER	1	≤1304		(Z750-A)	0.069	0.1518
021	15108-32250	BODY	1	≤1304		(Z750-A)	0.41	0.902
022	15108-32520	WASHER	2	≤1304		(Z750-A)	0	0
023	15108-32550	SPRING ELEMENT	1	≤1304		(Z750-A)	0.003	0.0066

NOZZLE



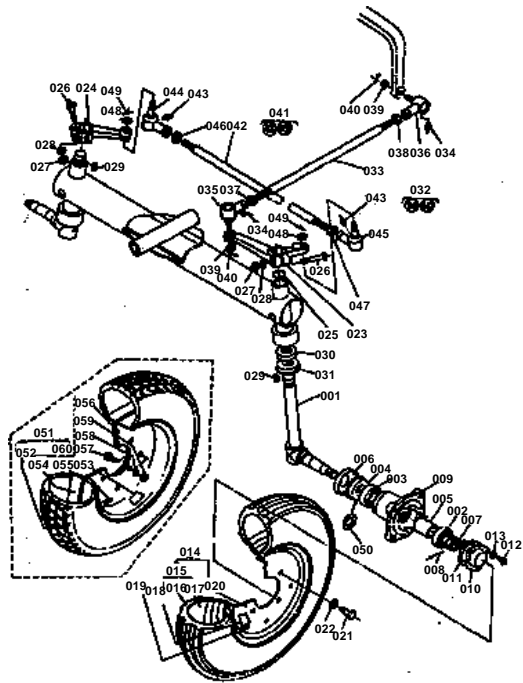


NOZZLE

↔ Interchangeable; ≠ not interchangeable; ← new for old; → old for new

REF.No	Part No.	Description	Q'ty	S.No.	I/C	REMARKS	Weight (kgf)	Weight (lb)
001	15221-53000	ASSY HOLDER NOZZLE 1	1				0	0
001	15221-53020	ASSY HOLDER NOZZLE 2	1				0	0
002	99999-99999	BLANK	0				0	0
003	15221-95680	JOINT 1	1				0.021	0.0462
004	15221-95690	JOINT 2	1				0.022	0.0484
005	15221-92020	NUT	2				0.011	0.0242
006	15221-94020	WASHER FLAT	2				0.002	0.0044
007	15271-53140	BODY NOZZLE HOLDER	2				0	0
008	15221-53230	WASHER ADJUSTING	2				0.001	0.0022
009	15221-53170	SPRING NOZZLE	2				0.01	0.022
010	15221-53160	ROD BUSH	2				0.003	0.0066
011	15221-53350	PIECE DISTANCE	2				0.016	0.0352
012	15221-53280	NUT NOZZLE	2				0.068	0.1496
013	15021-53610	NOZZLE PIECE	2				0	0

FRONT WHEEL





FRONT WHEEL

↔ Interchangeable; ≠ not interchangeable; ← new for old; → old for new

REF.No	Part No.	Description	Q'ty	S.No.	I/C	REMARKS	Weight (kgf)	Weight (lb)
001	34150-11115	ASSY KNUCKLE	2				0	0
002	08101-06204	BEARING	2				0.102	0.2244
003	08101-06205	BEARING	2				0.14	0.308
004	34150-11152	SEAL OIL	2				0	0
005	34150-11422	COLLAR	2				0	0
006	34150-11480	COVER DUST	2				0.055	0.121
007	02372-50200	NUT	2				0.024	0.0528
008	05511-50435	PIN SPLIT	2				0.004	0.0088
009	34150-11312	HUB FRONT WHEEL	2				0	0
010	32130-11350	CAP FRONT WHEEL	2				0.22	0.484
011	32130-11360	GASKET	2				0	0
012	01150-50814	BOLT	6				0.01	0.022
013	04512-50080	WASHER LOCK	6				0.001	0.0022
014	34159-11600	ASSY WHEEL FRONT	2			[A] L175F	9	19.8
014	99424-27200	ASSY WHEEL FRONT	2			[EXCEPT A] L175F	0	0
015	32150-11612	ASSY TIRE	2			[A]	0	0
016	32150-11620	TIRE	2			[A]	3.8	8.36
016	99424-27210	TIRE	2			[EXCEPT A]	0	0
017	32150-11630	TUBE	2			[A]	0.45	0.99
017	99424-27220	TUBE	2			[EXCEPT A]	0	0
018	34159-11710	LABEL	2				0.001	0.0022
019	34159-11850	VALVE	2				0.013	0.0286
020	32150-11644	WHEEL	2				0	0
021	01173-51225	BOLT	8				0.033	0.0726
022	04512-50120	WASHER LOCK	8				0	0
023	34159-11214	ARM KNUCKLE LH	1				0	0
024	34150-11225	ARM KNUCKLE RH	1				0	0
025	04811-50250	O RING	2				0.001	0.0022
026	01114-51050	BOLT	2	<=14023			0	0
026	01173-51055	BOLT	2	>=14024			0.036	0.0792
027	02173-50100	NUT	2	<=14023			0	0
027	02118-50100	NUT	2	>=14024			0.005	0.011
028	04512-50100	WASHER LOCK	2				0	0
029	05712-00722	KEY	2				0.009	0.0198
030	34150-11252	BEARING	2				0	0
031	34150-11280	SEAL OIL	2				0.048	0.1056
032	34159-12202	ASSY RINK DRAG	1				0	0
033	99999-99999	BLANK	0			ORDER BY REF.No.039	0	0
034	34150-12840	NIPPLE GREASE	2				0.003	0.0066
035	34150-12603	ASSY END TIE ROD RH	1				0	0
036	34150-12703	ASSY END TIE ROD LH	1				0	0
037	02172-50140	NUT	1				0.01	0.022
038	34150-12282	NUT	1				0	0
039	34150-12832	NUT	2				0	0
040	05511-12520	PIN SPLIT	2				0	0
041	34159-12400	ASSY ROD TIE	1				1.6	3.52
042	34159-12412	ROD TIE	1				0	0
043	34150-12840	NIPPLE GREASE	2				0.003	0.0066
044	34150-12603	ASSY END TIE ROD RH	1				0	0
045	34150-12703	ASSY END TIE ROD LH	1				0	0
046	02172-50140	NUT	1				0.01	0.022
047	34150-12282	NUT	1				0	0
048	34150-12832	NUT	2				0	0
049	05511-12520	PIN SPLIT	2				0	0
050	34150-11440	SPACER	2	>=11200			0.004	0.0088

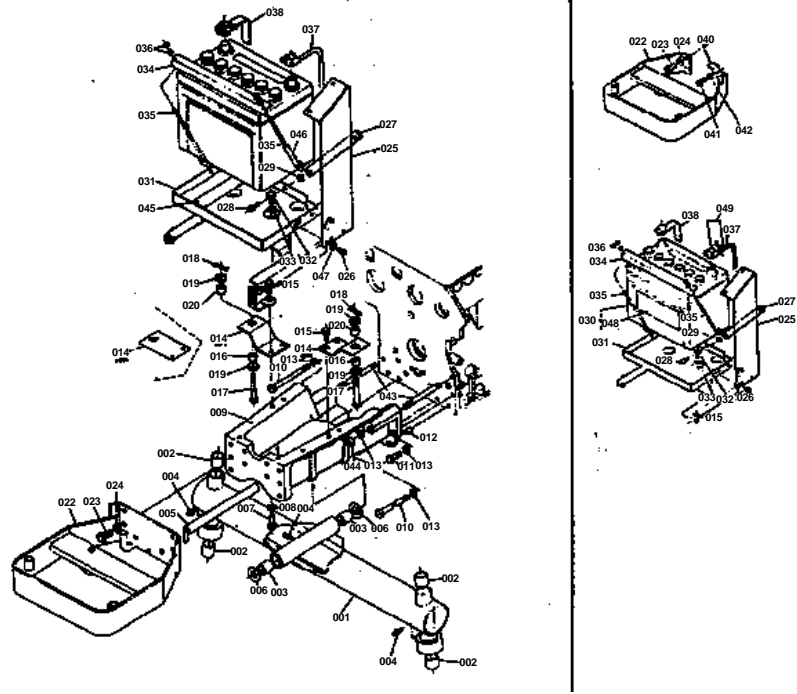


FRONT WHEEL

↔ Interchangeable; ≠ not interchangeable; ← new for old; → old for new

REF.No	Part No.	Description	Q'ty	S.No.	I/C	REMARKS	Weight (kgf)	Weight (lb)
051	34159-11800	ASSY WHEEL FRONT	2			L175T	10.6	23.32
052	34159-11810	TIRE	2			20X8.00-10 TURF TIRE	5.6	12.32
053	34159-11910	LABEL	2				0.001	0.0022
054	34159-11840	RIM	2				5.2	11.44
055	34159-11850	VALVE	2				0.013	0.0286
056	34159-11860	GASKET RIM	2				0.05	0.11
057	01170-51022	BOLT	12				0	0
058	04512-50100	WASHER LOCK	12				0	0
059	02117-50100	NUT	12				0	0
060	34159-11890	WHEEL	2				5.06	11.132
061	32270-11650	CORE VALVE	2				0.002	0.0044
062	32270-11690	CAP	2				0	0

FRONT AXLE





FRONT AXLE

↔ Interchangeable; ≠ not interchangeable; ← new for old; → old for new

REF.No	Part No.	Description	Q'ty	S.No.	I/C	REMARKS	Weight (kgf)	Weight (lb)
001	34159-13112	ASSY AXLE FRONT	1	≤10303			0	0
001	34159-13115	ASSY AXLE FRONT	1	≥10304			0	0
002	34150-11532	BUSHING	4	≤12303			0	0
002	32120-14753	BUSHING	4	≥12304			0	0
003	34150-13430	BUSHING	2				0.027	0.0594
004	06613-10675	NIPPLE GREASE	3				0.003	0.0066
005	34150-13416	PIN CENTER	1				0	0
006	64135-35510	COLLAR	2				0.01	0.022
007	34150-13562	BOLT	1				0.026	0.0572
008	02016-50100	NUT	1				0.009	0.0198
009	34159-13616	BRACKET FRONT AXLE	1				0	0
010	34150-13630	BOLT	4	≤12043			0.072	0.1584
010	34150-13630	BOLT	1	≥12044			0.072	0.1584
011	01173-51032	BOLT	1				0.024	0.0528
012	05012-01022	PIN	2				0.014	0.0308
013	04512-50100	WASHER LOCK	5				0	0
014	34150-13750	SUPPORT RADIATOR	2			[A]	0.2	0.44
014	34200-13750	SUPPORT RADIATOR	2			[EXCEPT A]	0.232	0.5104
015	01130-51020	BOLT	4				0	0
016	15111-72180	CUSHION	2				0.015	0.033
017	15108-72382	BOLT	2				0	0
018	05515-51000	PIN SNAP	2				0	0
019	15111-72200	WASHER	4	≤13260			0.013	0.0286
019	15111-72202	WASHER	4	≥13261			0	0
020	15111-72190	CUSHION	2				0.016	0.0352
021	99999-99999	BLANK	0				0	0
022	34150-13812	BUMPER	1	≤10303			0	0
022	34150-13813	BUMPER	1	≥10304			0	0
022	34150-13814	BUMPER	1	≥13261			0	0
023	01173-51225	BOLT	4				0.033	0.0726
024	04512-50120	WASHER LOCK	4				0	0
025	34159-13913	SUPPORT AIR-CLEANER	1				0	0
026	01150-50812	BOLT	2				0.009	0.0198
027	34159-13920	STAY AIR-CLEANER SUP	1				0.13	0.286
028	01120-50816	BOLT	4				0	0
029	02114-50080	NUT	2				0.005	0.011
030	34159-33103	ASSY BATTERY	1	≤17523			0	0
031	34159-33212	SUPPORT BATTERY	1			[A]	0	0
031	34119-33212	SUPPORT BATTERY	1			[EXCEPT A]	0	0
032	01170-51018	BOLT	4				0.017	0.0374
033	04512-50100	WASHER LOCK	4				0	0
034	34150-33270	RETAINER BATTERY	1				0	0
035	32350-33292	BOLT	2	≤12043			0	0
035	34150-33290	BOLT	2	≥12044			0.055	0.121
036	02014-50060	NUT	4				0.003	0.0066
037	34150-33333	CABLE BATTERY	1				0	0
038	34159-33382	CABLE EARTH	1				0	0
040	34150-13420	STOPPER CENTER PIN	1	≤13260			0.068	0.1496
041	01153-50818	BOLT	1	≤13260			0.01	0.022
042	04512-10080	WASHER LOCK	1	≤13260			0	0
043	34150-13640	STUD	2	≥12044			0.07	0.154
044	15221-03510	NUT HEAD	2	≥12044			0.008	0.0176
045	34150-33220	CUSHION BATTERY	2	≥12044			0.015	0.033
046	34150-33280	PIPE RUBBER	2	≥11494			0.004	0.0088
047	04411-50080	WASHER LOCK	2	≥12044			0.001	0.0022

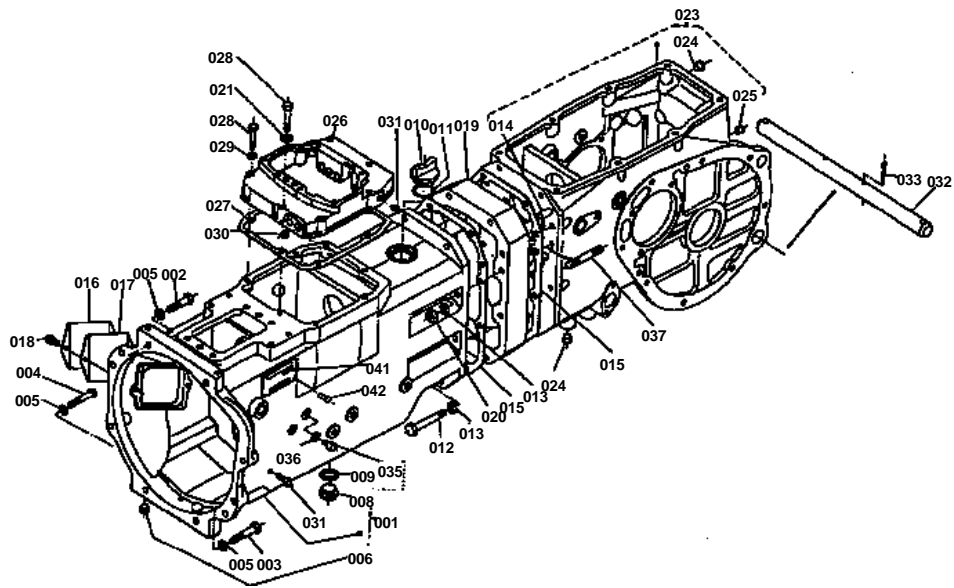


FRONT AXLE

↔ Interchangeable; ≠ not interchangeable; ← new for old; → old for new

REF.No	Part No.	Description	Q'ty	S.No.	I/C	REMARKS	Weight (kgf)	Weight (lb)
048	31210-33133	LABEL BATTERY	1	≤17523			0	0
049	31210-33140	TAG BATTERY	1	≤17523			0.005	0.011
050	34150-33393	COVER BATTERY	2	≤17523			0.02	0.044

CLUTCH HOUSING MISSION CASE



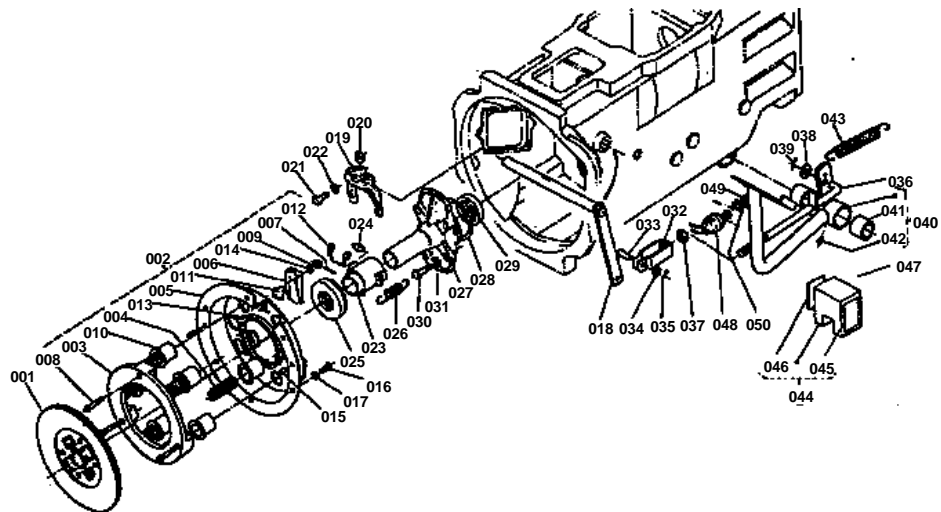


CLUTCH HOUSING MISSION CASE

↔ Interchangeable; ≠ not interchangeable; ← new for old; → old for new

REF.No	Part No.	Description	Q'ty	S.No.	I/C	REMARKS	Weight (kgf)	Weight (lb)
001	34159-14100	ASSY HOUSING CLUTCH	1	<=15923			49.5	108.9
001	34150-14210	ASSY HOUSING CLUTCH	1	>=15924			0	0
002	01173-51040	BOLT	6				0.028	0.0616
003	01173-51050	BOLT	1				0.035	0.077
004	01173-51070	BOLT	1				0.044	0.0968
005	04512-50100	WASHER LOCK	8				0	0
006	32210-27580	PLUG	6				0.001	0.0022
007	06311-21010	PLUG	1	<=14483			0	0
008	34150-14260	PLUG	1	<=15683			0	0
008	06311-25010	PLUG	1	>=15684			0.014	0.0308
009	04717-02150	WASHER SEAL	1	<=15683			0.004	0.0088
009	04717-01000	WASHER SEAL	1	>=15684			0.001	0.0022
010	34150-21422	PLUG	1				0	0
011	04811-50300	O RING	1				0.001	0.0022
012	01173-51080	BOLT	6				0.049	0.1078
013	04512-50100	WASHER LOCK	8				0	0
014	05012-01020	PIN STRAIGHT	4				0.02	0.044
015	34150-14142	GASKET	2				0	0
016	34150-14162	COVER HOUSING	1				0	0
017	34150-14170	GASKET HOUSING	1				0.03	0.066
018	01120-50816	BOLT	2				0	0
019	34159-14154	SPACER	1				0	0
020	02118-50100	NUT	2				0.005	0.011
021	04717-00800	WASHER SEAL	1	>=10004			0.001	0.0022
022	07715-01605	BALL	1	<=10303			0.003	0.0066
023	34159-21100	ASSY CASE TRANSMISSI	1				32	70.4
024	32210-27580	PLUG	18				0.001	0.0022
025	34150-27580	PLUG	5				0.001	0.0022
026	34159-21213	COVER GEAR SHIFT	1	<=10453			0	0
026	34159-21217	COVER GEAR SHIFT	1	>=10454			0	0
027	34150-21220	GASKET	1				0.006	0.0132
028	01153-10842	BOLT	7	<=10003			0	0
028	01153-50840	BOLT	7	>=10004			0.018	0.0396
029	04512-10080	WASHER LOCK	7	<=10003			0	0
029	04512-50080	WASHER LOCK	6	>=10004			0.001	0.0022
030	34150-21250	PLUG BLIND	7	<=10810			0.002	0.0044
030	34150-21252	PLUG BLIND	7	>=10811			0	0
031	34150-23960	PLUG	2				0	0
032	34150-29752	PIN	1				0	0
033	05511-50435	PIN SPLIT	2				0.004	0.0088
034	01222-50812	BOLT	1				0.009	0.0198
035	06311-20010	PLUG	1				0	0
036	04717-01000	WASHER SEAL	3				0.001	0.0022
037	01517-51080	STUD	2				0.053	0.1166
038	04717-01000	WASHER SEAL	1	<=14483			0.001	0.0022
039	34159-24990	LABEL P.T.O.	1	<=11254			0.001	0.0022
040	34159-24160	SPRING	1	<=10303			0	0
041	34159-19833	NAME PLATE BODY	1				0	0
042	05614-10205	RIVET	4				0.001	0.0022

CLUTCH PEDAL



**CLUTCH PEDAL**

↔ Interchangeable; ≠ not interchangeable; ← new for old; → old for new

REF.No	Part No.	Description	Q'ty	S.No.	I/C	REMARKS	Weight (kgf)	Weight (lb)
001	32130-14302	ASSY DISK CLUTCH	1				0	0
002	32200-14509	ASSY PLATE PRESSURE	1				0	0
003	99999-99999	BLANK	0			ORDER BY REF.No.002	0	0
004	32200-14520	SPRING PRESSURE	6				0.066	0.1452
005	99999-99999	BLANK	0			ORDER BY REF.No.002	0	0
006	32200-14540	LEVER RELEASE	3				0.05	0.11
007	32130-14560	PIN SPLIT	3				0.001	0.0022
008	32200-14570	BOLT LEVER	3				0.009	0.0198
009	32130-14580	NUT	3				0.003	0.0066
010	32130-14590	CAP PRESSURE SPRING	6				0.024	0.0528
011	32130-14622	SEAT LEVER	3				0	0
012	32130-14630	SPRING RETURN	3				0.006	0.0132
013	32130-14640	RIVET	6				0.001	0.0022
014	32130-14650	WASHER RELEASE YOKE	3				0.002	0.0044
015	05012-00614	RIN STRAIGHT	2				0.004	0.0088
016	01153-50816	BOLT	6				0.01	0.022
017	04512-50080	WASHER LOCK	6				0.001	0.0022
018	34150-14712	LEVER CLUTCH	1				0	0
019	31150-14727	FORK	1				0	0
020	31150-14784	KEY FORK	1				0	0
021	01153-50822	BOLT	1				0.011	0.0242
022	04512-50080	WASHER LOCK	1				0.001	0.0022
023	34150-14810	HUB CLUTCH RELEASE	1				0.28	0.616
024	06613-10010	NIPPLE GREASE	1				0.006	0.0132
025	32150-14820	BEARING THRUST BALL	1				0.2	0.44
026	34150-14842	SPRING	1				0	0
027	34150-15413	CASE PROPELLER SHAFT	1	≤12603			0	0
027	34150-15416	CASE PROPELLER SHAFT	1	≥12604			0	0
027	34150-15419	CASE PROPELLER SHAFT	1	≥15684			0	0
028	04811-50650	O RING	1				0.002	0.0044
029	09502-55210	SEAL OIL	1				0.025	0.055
030	01153-50830	BOLT	4				0	0
031	04512-50080	WASHER LOCK	4				0.001	0.0022
032	34150-15632	JOINT CLUTCH	1				0	0
033	05112-50822	PIN	1				0.01	0.022
034	04012-50080	WASHER FLAT	1				0.001	0.0022
035	05511-50215	PIN SPLIT	1	≤10553			0.001	0.0022
035	05511-50220	PIN SPLIT	1	≥10554			0.001	0.0022
036	34159-15643	ROD CLUTCH	1	≤12303			0	0
036	34209-15642	ROD CLUTCH	1	≥12304			0	0
036	34159-15644	ROD CLUTCH	1	≥14034			0	0
037	02172-50120	NUT	1				0.01	0.022
038	04013-50120	WASHER FLAT	1				0	0
039	05511-50425	PIN SPLIT	1				0.003	0.0066
040	34159-15700	ASSY PEDAL CLUTCH	1				1.3	2.86
041	32120-14752	BUSHING	2				0	0
042	06613-10675	NIPPLE GREASE	1				0.003	0.0066
043	34150-15843	SPRING	1				0	0
044	34159-15902	ASSY SPACER PEDAL	1				0	0
045	32240-15952	SPACER PEDAL	1				0	0
046	31220-15972	MARK SPACER	1				0	0
047	32170-15934	LABEL PEDAL A	1				0	0
048	33251-75104	SWITCH SAFETY	1	≤17523			0	0
048	34150-32240	SWITCH SAFETY	1	≥17524			0	0
049	34159-34590	NUT	1				0.011	0.0242

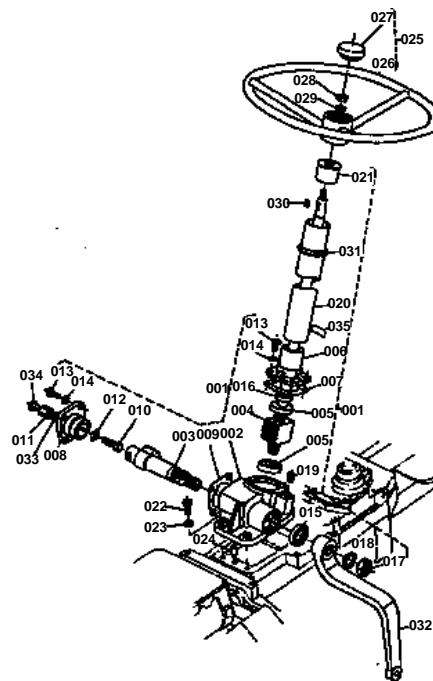


CLUTCH PEDAL

↔ Interchangeable; ≠ not interchangeable; ← new for old; → old for new

REF.No	Part No.	Description	Q'ty	S.No.	I/C	REMARKS	Weight (kgf)	Weight (lb)
050	04111-50500	WASHER LOCK	1	>=10304			0.01	0.022

STEERING

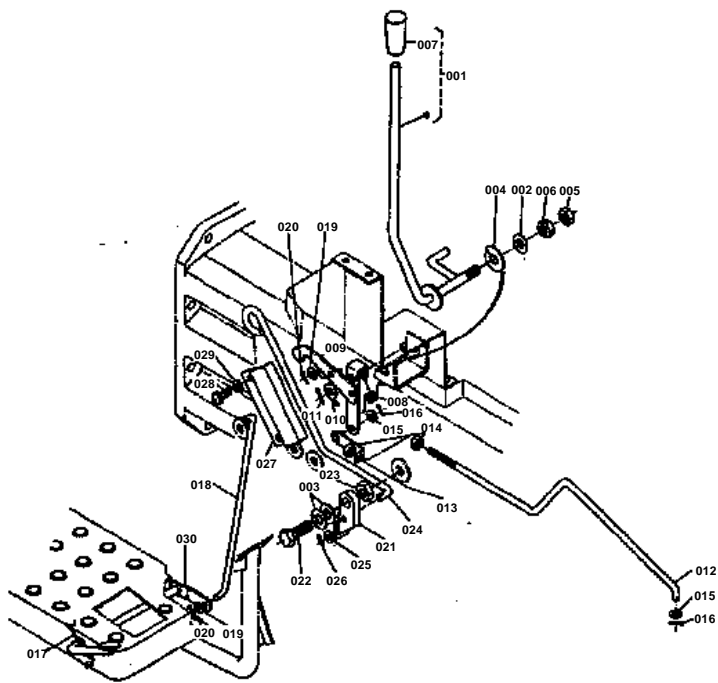


**STEERING**

↔ Interchangeable; ≠ not interchangeable; ← new for old; → old for new

REF.No	Part No.	Description	Q'ty	S.No.	I/C	REMARKS	Weight (kgf)	Weight (lb)
001	34159-16090	ASSY STEERING	1				8	17.6
002	34150-16113	BOX GEAR	1				0	0
003	34150-16123	SHAFT SECTOR	1				0	0
004	34150-16200	ASSY BALL NUT	1				1.62	3.564
005	34150-16220	BEARING	2				0.05	0.11
006	34150-16313	COVER REAR	1				0	0
007	34150-16320	SHIM 1 (0.05)	2				0.001	0.0022
007	34150-16330	SHIM 2 (0.07)	2				0.001	0.0022
007	34150-16340	SHIM 3 (0.08)	2				0.001	0.0022
007	34150-16350	SHIM 4 (0.1)	2				0.001	0.0022
007	34150-16360	SHIM 5 (0.2)	2				0.003	0.0066
008	34150-16412	COVER SIDE	1				0	0
009	34150-16420	GASKET	1				0.001	0.0022
010	34150-16430	SCREW ADJUSTING	1				0.026	0.0572
011	02176-50100	NUT	1	<=10453			0.005	0.011
011	34150-16490	NUT	1	>=10454			0.024	0.0528
012	34150-16440	SHIM ADJUSTING SCREW	1				0.002	0.0044
012	34150-16450	SHIM ADJUSTING SCREW	1				0.002	0.0044
012	34150-16460	SHIM ADJUSTING SCREW	1				0.002	0.0044
012	34150-16470	SHIM ADJUSTING SCREW	1				0.002	0.0044
012	34150-16480	SHIM ADJUSTING SCREW	1				0.002	0.0044
013	01153-50822	BOLT	8				0.011	0.0242
014	04512-50080	WASHER LOCK	8				0.001	0.0022
015	09500-26387	SEAL OIL	1				0.008	0.0176
016	09500-19328	SEAL OIL	1				0.015	0.033
017	02172-50200	NUT	1				0.03	0.066
018	04512-50200	WASHER LOCK	1				0	0
019	34150-16640	PLUG	1				0.015	0.033
020	34150-16513	COLUMN	1				0	0
021	34150-16523	BUSHING COLUMN	1				0	0
022	01173-51025	BOLT	4				0.021	0.0462
023	04512-50100	WASHER LOCK	4				0	0
024	05012-01016	PIN KNOCK	2				0.01	0.022
025	32150-16803	ASSY HANDLE STEERING	1				0	0
026	99999-99999	BLANK	0			ORDER BY REF.No.025	0	0
027	32150-16823	CAP HANDLE	1				0	0
028	02116-50120	NUT	1	<=18023			0.007	0.0154
028	02172-501200	NUT	1	>=18024			0	0
029	04512-50120	WASHER LOCK	1				0	0
030	05811-00519	KEY	1				0.004	0.0088
031	34150-16850	RING RUBBER	1	<=17523			0.02	0.044
031	34150-16852	RING RUBBER	1	>=17524			0.019	0.0418
032	34150-16913	ARM PITMAN'S	1	<=10003			0	0
032	34159-16912	ARM PITMAN'S	1	>=10004			0	0
033	04714-00100	GASKET	1	>=10454			0.002	0.0044
034	61011-18142	PLUG RUBBER	1	>=10454			0	0
035	34150-16540	LABEL	1	>=17524			0.001	0.0022

HAND ACCEL

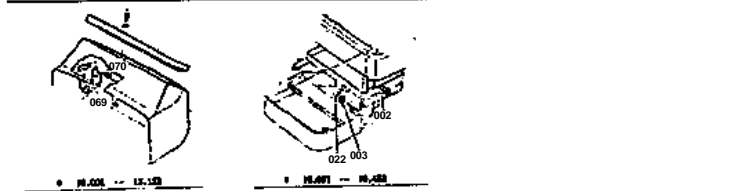
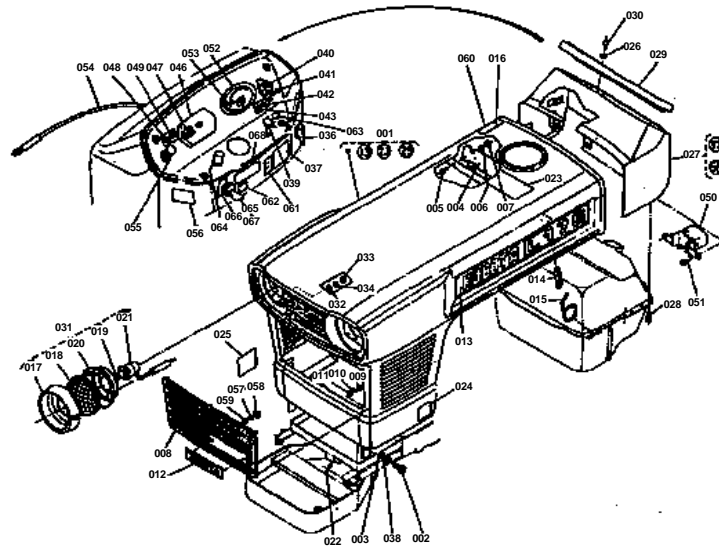


**HAND ACCEL**

↔ Interchangeable; ≠ not interchangeable; ← new for old; → old for new

REF.No	Part No.	Description	Q'ty	S.No.	I/C	REMARKS	Weight (kgf)	Weight (lb)
001	34150-17123	LEVER HAND ACCEL	1	<=15923			0	0
001	34150-17125	LEVER HAND ACCEL	1	>=15924			0	0
002	04015-50100	WASHER PLAIN	1	>=15924			0.016	0.0352
003	04011-50120	WASHER PLAIN	2	>=17524			0.005	0.011
004	32210-17190	SPRING	1				0.005	0.011
005	02118-50100	NUT	1				0.005	0.011
006	02116-50100	NUT	1				0.004	0.0088
007	34150-24560	GRIP LEVER	1				0	0
008	34150-17263	SPRING	1				0	0
009	34150-17322	LINK ACCEL	1				0	0
010	04012-50080	WASHER FLAT	1				0.001	0.0022
011	05511-50212	PIN SPLIT	3				0.001	0.0022
012	34150-17362	ROD ACCEL	1				0	0
013	34150-17392	JOINT ROD	1				0	0
014	02012-50060	NUT	2				0	0
015	04012-50060	WASHER FLAT	2				0.001	0.0022
016	05511-50212	PIN SPLIT	2				0.001	0.0022
017	99999-99999	BLANK	0			TO REFERENCE FIG.No.21 ORDER BY REF.No.0	0	0
018	34150-17570	ROD ACCEL	1				0.06	0.132
019	04012-50060	WASHER FLAT	2				0.001	0.0022
020	05511-50212	PIN SPLIT	2				0.001	0.0022
021	34150-28812	RATCHET	1	<=17523			0	0
021	34150-28813	RATCHET	1	>=17524			0	0
021	34150-28814	RATCHET	1	>=18024			0	0
022	34150-28822	BOLT	1				0	0
023	02174-50120	NUT	1				0.01	0.022
024	34150-28870	ROD RATCHET	1				0.09	0.198
025	04012-50060	WASHER FLAT	1				0.001	0.0022
026	05511-50212	PIN SPLIT	1				0.001	0.0022
027	34150-28882	COVER RATCHET	1				0	0
028	01150-50812	BOLT	2				0.009	0.0198
029	04512-50080	WASHER LOCK	2				0.001	0.0022
030	99999-99999	BLANK	0			TO REFERENCE FIG.No.21 ORDER BY REF.No.0	0	0
031	34150-17223	LINK HAND ACCEL	1	<=15923			0	0
032	05411-10418	PIN SPRING	1	<=15923			0	0

HOOD





HOOD

↔ Interchangeable; ≠ not interchangeable; ← new for old; → old for new

REF.No	Part No.	Description	Q'ty	S.No.	I/C	REMARKS	Weight (kgf)	Weight (lb)
001	34159-18100	ASSY HOOD	1				14.5	31.9
002	34150-18172	BOLT	2				0	0
003	04013-50120	WASHER FLAT	2				0	0
004	34150-18060	PLATE BAFFLE 1	1				0.335	0.737
005	01050-50612	BOLT	2				0.005	0.011
006	04512-50060	WASHER FLAT	2				0	0
007	02014-50060	NUT	2				0.003	0.0066
008	34150-18192	GRILLE HOOD	1				0	0
009	02054-50050	NUT	6				0.002	0.0044
010	04512-50050	WASHER LOCK	6				0	0
011	04013-50050	WASHER FLAT	6				0	0
012	32240-18265	KUBOTA MARK FRONT	1				0	0
013	34159-18280	KUBOTA MARK SIDE	2				0.013	0.0286
014	34150-18164	SPRING	2				0	0
015	34150-18143	HOOK HOOD	2				0	0
016	34150-18133	CUSHION HOOD	1				0	0
017	99999-99999	BLANK	0			ORDER BY REF.No.031	0	0
018	32280-33830	LENS	2				0.098	0.2156
019	32120-33840	LAMP	2				0.011	0.0242
020	99999-99999	BLANK	0			ORDER BY REF.No.031	0	0
021	32280-33850	RUBBER	2				0.005	0.011
022	05511-50425	PIN SPLIT	2				0.003	0.0066
023	31210-35150	LABEL	1	≤17523			0.003	0.0066
023	34150-35250	LABEL	1	≥17524			0.001	0.0022
024	32150-94590	LABEL INSTRUCTION	1				0	0
025	35150-18250	LABEL	1				0	0
026	04013-50080	WASHER FLOAT	4				0	0
027	34159-31100	ASSY PANEL INSTRUMEN	1			[A]	0.53	1.166
027	34209-31100	ASSY PANEL INSTRUMEN	1			[EXCEPT A]	1.77	3.894
028	01120-50816	BOLT	4				0	0
029	34150-31122	BOARD PANEL	1	≤13153			0	0
029	34150-31124	BOARD PANEL	1	≥13154			0.6	1.32
030	03017-20820	SCREW	4	≤15923			0	0
030	34150-31140	SCREW	4	≥15924			0.009	0.0198
031	32240-33804	ASSY LAMP HEAD	2				0	0
032	04512-50050	WASHER LOCK	6				0	0
033	02054-50050	NUT	6				0.002	0.0044
034	04013-50050	WASHER FLAT	6				0	0
035	31220-31803	SWITCH MAIN	1				0	0
036	32210-32204	SWITCH STARTER	1				0	0
037	32210-32292	LABEL STARTER SWITCH	1				0	0
038	34150-18180	GASKET	2	≥10454			0.003	0.0066
039	32150-32603	ASSY SWITCH FLASHER	1	≤13653		OPTION	0	0
039	34159-34290	PLUG RUBBER	1	≥13654			0.004	0.0088
040	15221-65954	LAMP GLOW	1				0	0
041	03054-20510	SCREW	2				0	0
042	04512-50050	WASHER LOCK	2				0	0
043	02054-50050	NUT	2				0.002	0.0044
044	34150-34610	BULB PRESSURE INDICA	1			NOT SHOWN IN FIG.	0	0
045	34150-34620	BULB	1			NOT SHOWN IN FIG.	0.001	0.0022
046	34150-33600	BOX FUSE	1				0.125	0.275
047	03024-50514	SCREW	2				0.003	0.0066
048	02054-50050	NUT	2				0.002	0.0044
049	04512-50050	WASHER LOCK	2				0	0
050	15221-64600	ASSY REGULATOR	1	≤10454			0.263	0.5786

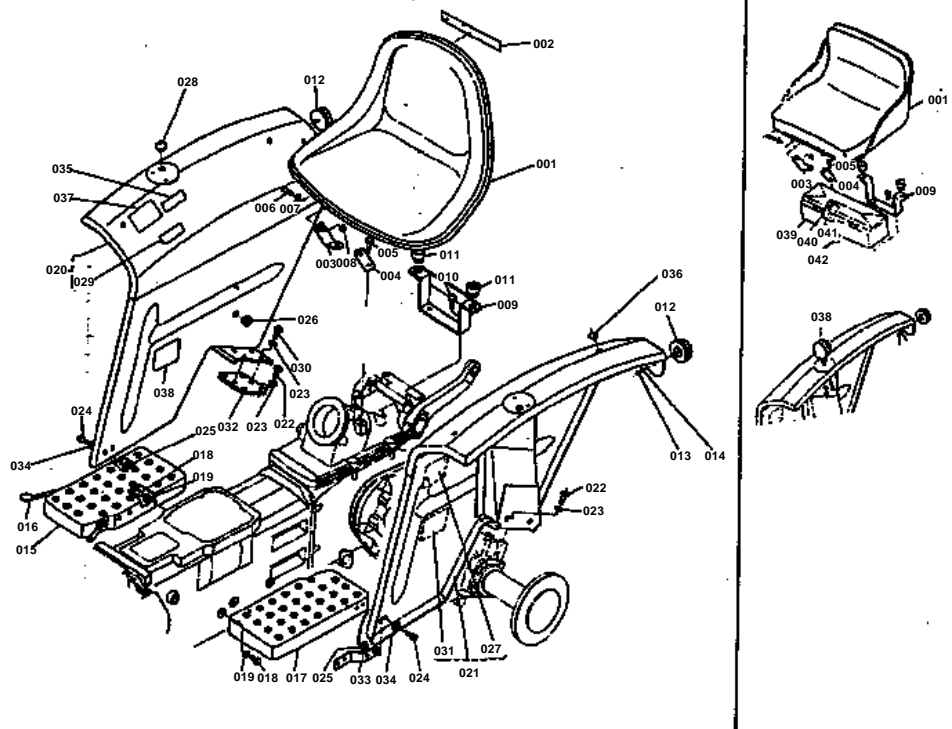


HOOD

↔ Interchangeable; ≠ not interchangeable; ← new for old; → old for new

REF.No	Part No.	Description	Q'ty	S.No.	I/C	REMARKS	Weight (kgf)	Weight (lb)
050	33251-74012	ASSY REGULATOR	1	>=10455			0	0
051	01020-50618	BOLT	2				0.006	0.0132
052	34150-34602	METER TRACTOR	1	<=10454			0	0
052	34200-34603	METER TRACTOR	1	>=10455			0	0
053	34150-33610	LABEL FUSE	2				0.001	0.0022
054	34150-34650	CABLE TRACTOR METER	1				0.181	0.3982
055	34150-34703	WIRE DECOMP.	1				0	0
056	32210-34792	LABEL DECOMP.	1	<=17453			0	0
056	34159-34790	LABEL DECOMP.	1	>=17454			0.002	0.0044
057	04512-50050	WASHER LOCK	2				0	0
058	02054-50050	NUT	2				0.002	0.0044
059	04013-50050	WASHER FLAT	2				0	0
060	34150-17590	LABEL	1	>=13004			0.001	0.0022
061	34150-17610	LABEL	1	>=13004			0	0
062	34159-31840	LABEL	1	>=13004			0.001	0.0022
063	34159-32610	PLUG RUBBER	1	>=13154			0	0
064	32150-32413	SWITCH HOWN	1	>=15674		[EXCEPT A]	0	0
065	32130-31812	ASSY KEY MAIN SWITCH	1				0	0
066	34150-31830	MARK SWITCH	1	>=15924			0.001	0.0022
067	34150-31810	GASKET	1	>=12994			0.001	0.0022
068	34150-34920	LABEL	1	<=17523			0.001	0.0022
068	34159-34920	LABEL	1	>=17524			0.002	0.0044
069	34150-33700	FLASHER	1	<=13143		OPTION	0.023	0.0506
069	34220-33700	FLASHER	1	<=13153		OPTION	0.035	0.077
070	01020-50616	BOLT	1	<=13153		OPTION	0.006	0.0132

SEAT FENDER [A]



**SEAT FENDER [A]**

↔ Interchangeable; ≠ not interchangeable; ← new for old; → old for new

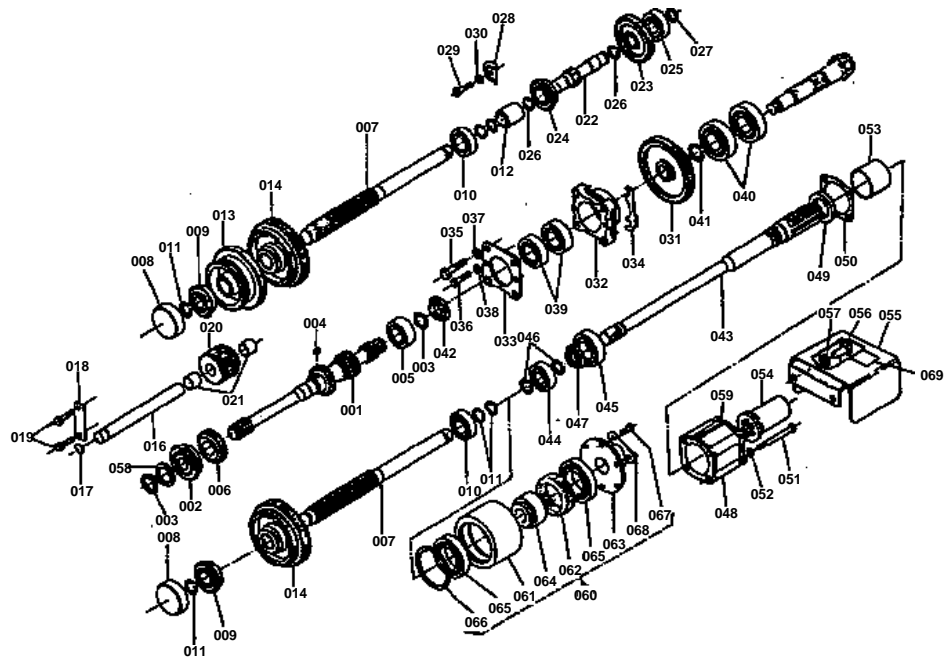
REF.No	Part No.	Description	Q'ty	S.No.	I/C	REMARKS	Weight (kgf)	Weight (lb)
001	34159-18400	ASSY SEAT	1	<=11253			0	0
001	34200-18403	ASSY SEAT	1	>=11254			0	0
002	32140-18470	MARK KUBOTA	1				0.002	0.0044
003	34150-18410	SUPPORT SEAT RH	1	<=10303			0.093	0.2046
003	34159-18422	SUPPORT SEAT RH	1	>=10304			0	0
004	34150-18420	SUPPORT SEAT LH	1	<=10303			0.092	0.2024
004	34159-18432	SUPPORT SEAT LH	1	>=10304			0	0
005	01130-11035	BOLT	2	<=10303			0	0
005	01130-51020	BOLT	2	>=10304			0	0
006	34150-18430	BOLT	2				0.014	0.0308
007	04014-50080	WASHER FLAT	2				0.003	0.0066
008	02112-50080	NUT	2				0.003	0.0066
009	34150-18482	HOLDER CUSHION	1	<=18023			0	0
009	34159-18480	HOLDER CUSHION	1	>=18024			0.64	1.408
010	01130-51020	BOLT	2				0	0
011	32160-18442	CUSHON SEAT	2				0	0
012	53143-61242	ASSY REFLECTOR	2				0	0
013	02013-50050	NUT	2				0.001	0.0022
014	04512-10050	WASHER LOCK	2				0	0
015	34159-29915	ASSY STEP RH	1			TO REFERENCE FIG.No.19 REF.No.018 TO 031 ORDER BY REF No.014	0	0
016	99999-99999	BLANK	0				0	0
017	34159-29926	STEP LH	1	<=11953			1.7	3.74
017	34159-29927	STEP LH	1	>=11954			0	0
017	34209-29924	STEP LH	1	>=12304			0	0
018	01170-51016	BOLT	6				0.016	0.0352
019	04512-50100	WASHER LOCK	6				0	0
020	34159-29100	ASSY FENDER RH	1				12	26.4
021	34159-29200	ASSY FENDER LH	1				12	26.4
022	01173-51022	BOLT	4				0.019	0.0418
023	04512-50100	WASHER LOCK	12				0	0
024	01120-50820	BOLT	8				0	0
025	02113-50080	NUT	8				0	0
026	32150-29180	CAP RUBBER	2				0.002	0.0044
027	34159-21480	LABEL OIL	1				0.001	0.0022
028	34159-29190	PLUG RUBBER	2	>=13654			0.002	0.0044
029	32150-37390	MARK CONTROL	1	<=15033			0.001	0.0022
029	34159-37390	MARK CONTROL	1	>=15034			0.001	0.0022
030	01173-51030	BOLT	8				0.023	0.0506
031	34159-37773	LABEL OIL FILTER	1				0	0
032	34159-29152	SPACER FENDER 1	2				0	0
033	34159-29182	SPACER FENDER 2	2				0	0

**SEAT FENDER [A]**

↔ Interchangeable; ≠ not interchangeable; ← new for old; → old for new

REF.No	Part No.	Description	Q'ty	S.No.	I/C	REMARKS	Weight (kgf)	Weight (lb)
034	04015-50080	WASHER FLAT	4	>=11044			0	0
035	34159-34892	LABEL	1	>=13654			0	0
036	34159-34290	CAP RUBBER	4	>=13154			0.004	0.0088
037	34159-34910	LABEL	1	>=15184			0.005	0.011
038	34159-34200	ASSY FLASHER	1	<=13653		OPTION	0.13	0.286
039	34150-18512	BOX TOOL	1	<=10004		OPTION	0	0
040	01150-10814	BOLT	2	<=10004		OPTION	0	0
041	04512-10080	WASHER LOCK	2	<=10004		OPTION	0	0
042	34159-18490	SPACER SUPPORT	2	<=10303		OPTION	0.015	0.033

TRANSMISSION GEAR





TRANSMISSION GEAR

↔ Interchangeable; ≠ not interchangeable; ← new for old; → old for new

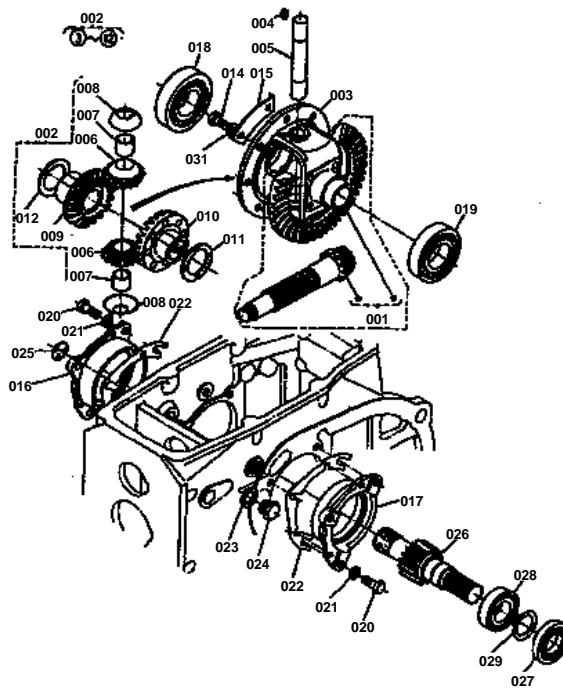
REF.No	Part No.	Description	Q'ty	S.No.	I/C	REMARKS	Weight (kgf)	Weight (lb)
001	34150-21516	SHAFT MAIN	1	≤12063			0	0
001	34150-21517	SHAFT MAIN	1	≥12604			0	0
002	08151-06305	BEARING(6305NR)	1				0.233	0.5126
003	04612-00250	CIR-CLIP EXTERNAL	2				0.002	0.0044
004	05712-00715	KEY	1				0.005	0.011
005	08101-06305	BEARING(6305)	1				0.23	0.506
006	34150-21523	GEAR 28	1				0	0
007	34150-21610	SHAFT	2	≤18023			1.56	3.432
007	34150-21612	SHAFT	2	≥18024			0	0
008	34150-21650	COVER BEARING	2				0.07	0.154
009	08151-06205	BEARING	2				0.131	0.2882
010	08101-06205	BEARING	2				0.14	0.308
011	04612-50250	CIR-CLIP EXTERNAL	6				0	0
012	34159-21680	COUPLING	2	≤15923			0.315	0.693
012	34159-21682	COUPLING	1	≥15924			0	0
013	34150-21714	GEAR 45-56	1				0	0
014	34150-21723	GEAR 52-61	2				0	0
015	99999-99999	BLANK	0				0	0
016	34150-23110	SHAFT REVERSE	1				0.493	1.0846
017	04811-00160	O RING	1				0.001	0.0022
018	34150-23120	PLATE SET	1				0.04	0.088
019	01120-50816	BOLT	2				0	0
020	34159-23100	ASSY GEAR 28	1				0.72	1.584
021	31220-26366	BUSHING	2				0	0
022	34150-21912	SHAFT GEAR 13	1	≤14033			0	0
022	34159-21910	SHAFT GEAR 14	1	≥14034			0.48	1.056
023	34150-21920	GEAR 32	1	≤14033			0.4	0.88
023	34159-21920	GEAR 34	1	≥14034			0.42	0.924
024	08151-06205	BEARING	1				0.131	0.2882
025	08101-06304	BEARING	1				0.146	0.3212
026	04612-00250	CIR-CLIP EXTERNAL	2				0.002	0.0044
027	04612-00200	CIR-CLIP EXTERNAL	1				0.001	0.0022
028	34150-21940	RETAINER BEARING	1				0	0
029	01153-50820	BOLT	1				0.012	0.0264
030	04512-50080	WASHER LOCK	1				0.001	0.0022
031	34150-21953	GEAR 61-27	1	≤14033			0	0
031	34159-21952	GEAR 61-26	1	≥14034			0	0
032	34150-22152	CASE BEARING	1				0	0
033	34150-22172	COVER BEARING	1				0	0
034	34150-22610	SHIM	2				0.01	0.022
034	34150-22620	SHIM	4				0.005	0.011
034	34150-22630	SHIM	2				0.005	0.011
035	01173-51040	BOLT	4				0.028	0.0616
036	01153-50816	BOLT	2				0.01	0.022
037	04512-50100	WASHER LOCK	4				0	0
038	04512-50080	WASHER LOCK	2				0.001	0.0022
039	08101-06305	BEARING(6305)	2				0.23	0.506
040	08101-06306	BEARING(6306)	2				0.335	0.737
041	04612-00300	CIR-CLIP EXTERNAL	1				0.003	0.0066
042	31220-22342	NUT	1				0	0
043	34159-25316	SHAFT PTO	1				0	0
044	08101-06205	BEARING(6205)	1				0.14	0.308
045	08101-06206	BEARING(6206)	1				0.196	0.4312
046	04612-00250	CIR-CLIP EXTERNAL	2				0.002	0.0044
047	34150-25320	NUT	1				0.03	0.066

**TRANSMISSION GEAR**

↔ Interchangeable; ≠ not interchangeable; ← new for old; → old for new

REF.No	Part No.	Description	Q'ty	S.No.	I/C	REMARKS	Weight (kgf)	Weight (lb)
048	34159-25410	CASE BEARING	1	≤10303			1.16	2.552
048	34159-25413	CASE BEARING	1	≥10304			0	0
049	09500-35558	SEAL OIL	1				0.02	0.044
050	34150-25420	GASKET	1				0.002	0.0044
051	01153-50890	BOLT	4				0.033	0.0726
052	04512-50080	WASHER SPRING	4				0.001	0.0022
053	34159-25440	COLLAR	1				0.272	0.5984
054	31220-25822	COVER SPLINE	1				0	0
055	34159-25333	GUARD PTO	1				0	0
056	01153-51225	BOLT	2				0.032	0.0704
057	04512-50120	WASHER LOCK	2				0	0
058	34150-21560	WASHER	1	≥12604			0.01	0.022
059	34159-25432	COVER BEARING CASE	1	≥15034			0	0
060	34209-21800	ASSY CLUTCH	1	≥15924			3.51	7.722
061	34209-21830	CASE CLUTCH	1	≥15924			1.7	3.74
062	34209-21850	CLUTCH	1	≥15924			0.18	0.396
063	34209-21860	COUPLING 1	1	≥15924			0.54	1.188
064	34209-21870	COUPLING 2	1	≥15924			0.13	0.286
065	08101-06009	BEARING(6009)	2	≥15924			0.22	0.484
066	04611-00750	CIR-CLIP INTERNAL	1	≥15924			0.019	0.0418
067	01153-50818	BOLT	6	≥15924			0.01	0.022
068	34209-21890	WASHER LOCK	3	≥15924			0.006	0.0132
069	34159-21990	LABEL CLUTCH	1	≥17524			0.001	0.0022

DIFFERENTIAL [A]



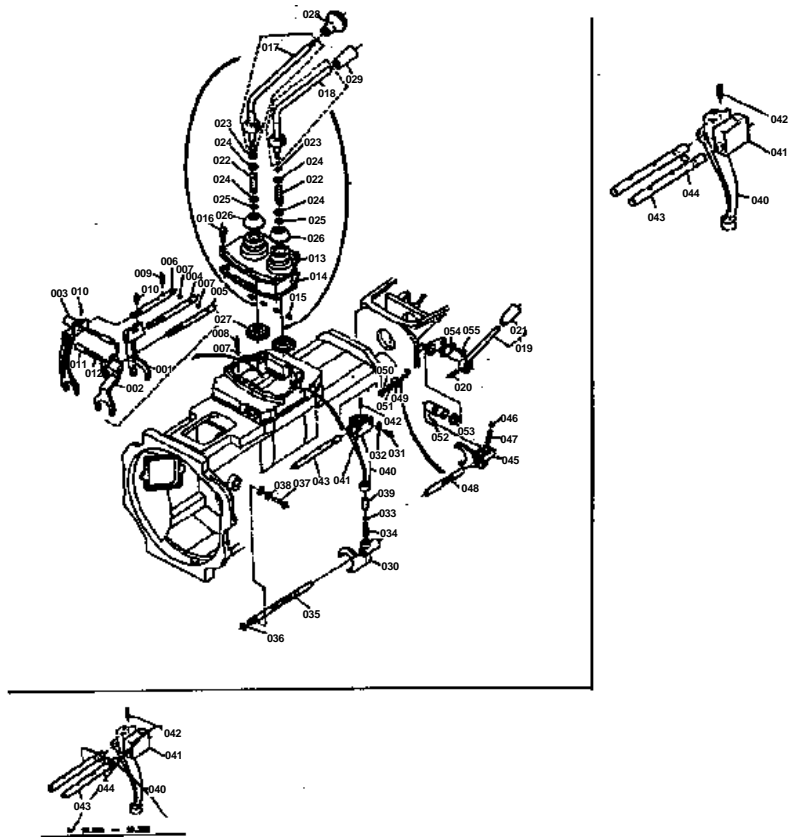


DIFFERENTIAL [A]

↔ Interchangeable; ≠ not interchangeable; ← new for old; → old for new

REF.No	Part No.	Description	Q'ty	S.No.	I/C	REMARKS	Weight (kgf)	Weight (lb)
001	34150-22100	SPIRAL BEVEL GEAR SE	1	≤14033			2	4.4
001	34200-22100	SPIRAL BEVEL GEAR SE	1	≥14034			2.8	6.16
002	34150-26100	ASSY DIFF	1	≤15683			0	0
002	34200-26100	ASSY DIFF	1	≥15684			0	0
003	34150-26518	CASE DIFF	1	≤15683			0	0
003	34200-26518	CASE DIFF	1	≥15684			0	0
004	31220-26280	KEY FEATHER	1				0.005	0.011
005	31220-26346	SHAFT DIFF PINION	1				0	0
006	31220-26300	ASSY PINION DIFF	2				0.155	0.341
007	99999-99999	BLANK	0				0	0
008	31220-26392	WASHER DIFF PINION	2				0	0
009	34150-26435	GEAR DIFF SIDE R	1				0	0
010	34150-26445	GEAR DIFF SIDE L	1				0	0
011	31220-26483	WASHER 1	2				0	0
012	31220-26493	WASHER 2	2				0	0
013	99999-99999	BLANK	0				0	0
014	01173-11018	BOLT	8	≤11403			0	0
014	01176-51022	BOLT	8	≥11404			0.019	0.0418
014	34260-26263	BOLT	8	≥18024			0	0
015	32150-26270	WASHER LOCK	4	≤18023			0.009	0.0198
015	37150-26270	WASHER LOCK	4	≥18024			0.015	0.033
016	34150-26552	CASE DIFF BEARING R	1				0	0
017	34150-26560	CASE DIFF BEARING L	1				0.647	1.4234
018	08101-06210	BEARING(6210)	1				0.45	0.99
019	08101-06208	BEARING(6208)	1				0.355	0.781
020	01173-51025	BOLT	6				0.021	0.0462
021	04512-50100	WASHER LOCK	6				0	0
022	34150-26150	SHIM 0.5	2				0.01	0.022
022	34150-26162	SHIM 0.2	2				0	0
022	34150-26172	SHIM 0.1	4				0	0
023	04715-00400	GASKET	1				0.001	0.0022
024	32240-26640	PLUG	1				0.088	0.1936
025	06311-75028	PLUG	1				0.01	0.022
026	34159-26710	SHAFT DIFF GEAR	2	≤14033			1.37	3.014
026	34150-26712	SHAFT DIFF GEAR	2	≥14034			0	0
027	34150-28160	SEAL OIL	2				0.035	0.077
028	08101-06206	BEARING	2				0.196	0.4312
029	04612-00300	CIR-CLIP EXTERNAL	2				0.003	0.0066
030	99999-99999	BLANK	0				0	0
031	04011-00100	WASHER FLAT	8	≤11743			0	0
031	34150-26520	WASHER FLAT	8	≥11744			0.005	0.011

SPEED CHANGE





SPEED CHANGE

↔ Interchangeable; ≠ not interchangeable; ← new for old; → old for new

REF.No	Part No.	Description	Q'ty	S.No.	I/C	REMARKS	Weight (kgf)	Weight (lb)
001	34150-23513	FORK SHIFT	1				0	0
002	34150-23523	FORK SHIFT	1				0	0
003	34150-23534	FORK SHIFT	1				0	0
004	34150-23543	ROD FORK	1				0	0
005	34150-23553	ROD FORK	1				0	0
006	34150-23573	ROD FORK	1				0	0
007	07715-01605	BALL	5				0.003	0.0066
008	62231-18532	SPRING	3				0	0
009	05411-10420	PIN SPRING	3				0	0
010	05411-10432	PIN SPRING	1				0	0
011	34150-23613	PIECE	2				0	0
012	34150-23620	SPRING	2				0.003	0.0066
013	34150-23710	MOUNTING CHANGE LEVE	1	≤11493			1.238	2.7236
013	34150-23713	MOUNTING CHANGE LEVE	1	≥11494			0	0
014	34150-23720	GASKET	1				0	0
015	34150-23742	PIN SET	4				0	0
016	01120-50822	BOLT	5	≤11493			0	0
016	01120-50828	BOLT	5	≥11494			0	0
017	34150-23813	LEVER MAIN CHANGE	1	≤10203			0	0
017	34150-23815	LEVER MAIN CHANGE	1	≥10204			0	0
018	34150-24853	LEVER PTO CHANGE	1	≤10203			0	0
018	34150-24854	LEVER PTO CHANGE	1	≥10204			0	0
019	34159-24400	ASSY LEVER SUB CHANG	1				0.135	0.297
020	05411-10628	PIN SPRING	1				0	0
021	34150-24560	GRIP LEVER	1				0	0
022	32240-23920	SPRING	2				0.007	0.0154
023	31220-23932	CIR-CLIP EXTERNAL	2				0	0
024	32240-23950	WASHER	4				0.002	0.0044
025	04811-00120	O RING	2				0.001	0.0022
026	34150-23940	SEAL LEVER	2				0.025	0.055
027	34150-23870	SEAL CHANGE LEVER MO	2				0	0
028	32150-23862	GRIP LEVER	1				0	0
029	34150-24920	GRIP LEVER	1				0	0
030	34150-24612	FORK SHIFT	1				0	0
031	01053-50508	BOLT	2	≥10304			0.002	0.0044
032	04111-50050	WASHER LOCK	2	≥10304			0.001	0.0022
033	07715-01605	BALL	1	≤10004			0.003	0.0066
033	07715-01605	BALL	2	≥10005			0.003	0.0066
033	07715-01605	BALL	1	≥10304			0.003	0.0066
034	62231-18532	SPRING	1				0	0
035	34150-24634	SHAFT FORK	1				0	0
036	04811-00090	O RING	1				0.001	0.0022
037	34150-24680	SCREW SET	1				0.015	0.033
038	04717-00800	WASHER SEAL	1				0.001	0.0022
039	34150-24690	PIN	1				0.02	0.044
040	34150-24710	LEVER PTO CHANGE	1	≤10303			0.237	0.5214
040	34159-24712	LEVER PTO CHANGE	1	≥10304			0	0
041	34159-24730	LEVER PTO CHANGE	1	≤10303			0	0
041	34159-24752	PLATE PTO CHANGE	1	≥10304			0	0
042	05411-10430	PIN SPRING	2	≤10303			0	0
042	05411-00430	PIN SPRING	1	≥10304			0.002	0.0044
043	34150-24762	ROD FORK	2	≤10303			0	0
043	34150-24762	ROD FORK	1	≥10304			0	0
044	07715-01605	BALL	1	≤10303			0.003	0.0066
045	34150-24116	FORK SHIFT	1				0	0

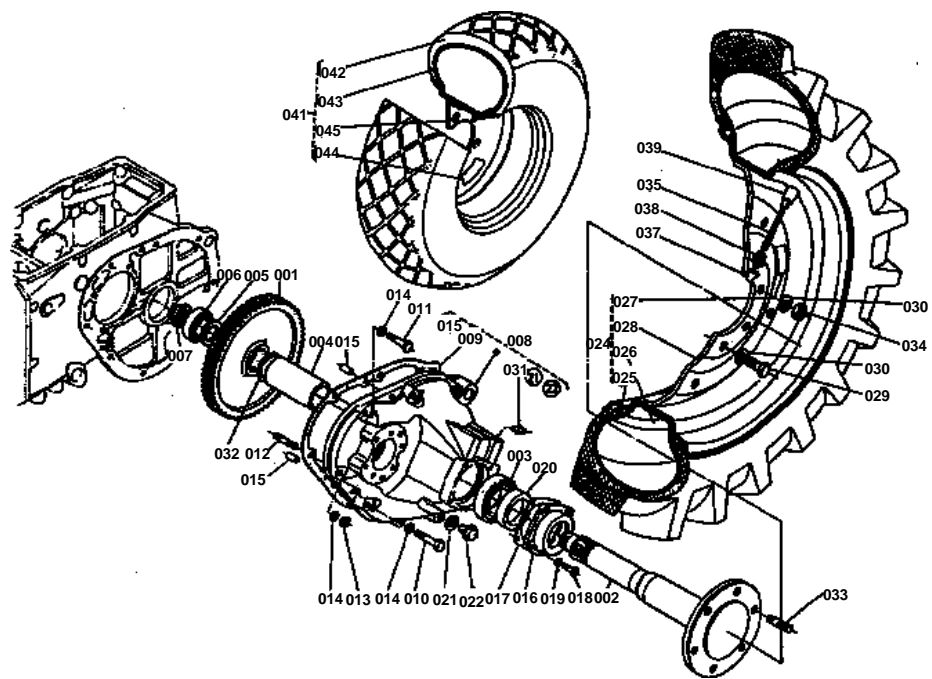


SPEED CHANGE

↔ Interchangeable; ≠ not interchangeable; ← new for old; → old for new

REF.No	Part No.	Description	Q'ty	S.No.	I/C	REMARKS	Weight (kgf)	Weight (lb)
046	07715-01605	BALL	1				0.003	0.0066
047	62231-18532	SPRING	1				0	0
048	34150-24133	SHAFT FORK	1				0	0
049	34150-24180	PLATE SET	1				0.01	0.022
050	01153-50816	BOLT	1				0.01	0.022
051	04512-50080	WASHER LOCK	1				0.001	0.0022
052	34150-24312	LEVER SHIFT	1				0	0
053	04811-00150	O RING	1				0.001	0.0022
054	34150-24350	STOPPER LEVER	1				0.015	0.033
055	01120-50816	BOLT	1				0	0

REAR WHEEL SHAFT





REAR WHEEL SHAFT

↔ Interchangeable; ≠ not interchangeable; ← new for old; → old for new

REF.No	Part No.	Description	Q'ty	S.No.	I/C	REMARKS	Weight (kgf)	Weight (lb)
001	34159-26833	GEAR 62	2	≤14033			0	0
001	34150-26833	GEAR 65	2	≥14034			0	0
002	34150-27116	ASSY SHAFT REAR WHEE	2				0	0
003	08101-06209	BEARING(6209)	2				0.42	0.924
004	34150-27140	COLLAR	2				0.55	1.21
005	34150-27150	COLLAR	2				0.035	0.077
006	08101-06206	BEARING(6206)	2				0.196	0.4312
007	34150-25320	NUT	2	≤15923			0.03	0.066
007	34150-25333	NUT	2	≥15924			0	0
008	34150-27317	CASE WHEEL SHAFT R	1	≤16923			0	0
008	34150-27318	CASE WHEEL SHAFT R	1	≥16924			0	0
008	34159-27310	ASSY CASE REAR WHEEL	1	≥17524			11	24.2
008	34150-27337	CASE WHEEL SHAFT L	1	≤16923			0	0
008	34150-27338	CASE WHEEL SHAFT L	1	≥16924			0	0
008	34159-27330	ASSY CASE REAR WHEEL	1	≥17524			11	24.2
009	34150-27322	GASKET	2				0	0
010	01173-51050	BOLT	12	≤16923			0.035	0.077
010	01173-51055	BOLT	12	≥16924			0.036	0.0792
011	01173-51042	BOLT	2				0.03	0.066
012	34150-27440	STUD	2				0.025	0.055
013	02118-50100	NUT	2				0.005	0.011
014	04512-50100	WASHER LOCK	16				0	0
015	05012-01020	PIN	4				0.02	0.044
016	34150-27510	COVER REAR WHEEL SHA	2	≤13003			0.47	1.034
016	34150-27514	COVER REAR WHEEL SHA	2	≥13004			0	0
016	34150-27910	COVER REAR WHEEL SHA	2	≥15684			0	0
016	34150-27515	COVER REAR WHEEL SHA	2	≥15924			0	0
017	34150-27520	GASKET	2	≥15684			0	0
018	01153-10822	BOLT	8	≤15923			0	0
018	01153-50835	BOLT	8	≥15924			0.016	0.0352
019	04512-50080	WASHER LOCK	8				0.001	0.0022
020	09505-27010	SEAL OIL	2	≤13003			0	0
020	09500-52709	SEAL OIL	2	≥13004			0.028	0.0616
020	34150-27560	SEAL OIL	2	≥15684			0.092	0.2024
021	04717-01700	WASHER SEAL	2				0.003	0.0066
022	06311-25030	PLUG	2				0.051	0.1122
023	34159-27900	ASSY WHEEL REAR	1			8.3/8-24(R-1) L175-F	88	193.6
024	34159-27910	WHEEL REAR LH	1				0	0
024	34159-27990	WHEEL REAR RH	1				0	0
025	32200-27620	TIRE	2			8.3/8-24(R-1)	20	44
026	32200-27630	TUBE	2				1.9	4.18
027	32140-27830	LABEL	2				0.002	0.0044
028	34159-27950	WHEEL	2				0	0
029	01073-51628	BOLT	12	≤13153			0.076	0.1672
029	01073-51630	BOLT	8	≥13154			0.079	0.1738
030	04512-50500	WASHER LOCK	12				0	0
031	06613-10675	NIPPLE GREASE	2	≥10454			0.003	0.0066
032	34150-27160	SHIM	2	≥10844			0.01	0.022
033	34150-27710	STUD	4	≥13154			0.062	0.1364
034	02074-50160	NUT	4	≥13154			0.029	0.0638
035	32150-27700	ASSY VALVE	2				0.001	0.0022
036	99999-99999	BLANK	0				0	0
037	32150-27750	CAP	2				0	0
038	32270-27730	HOUSING CORE	2				0.014	0.0308
039	32150-27710	NUT RIM	2				0.006	0.0132

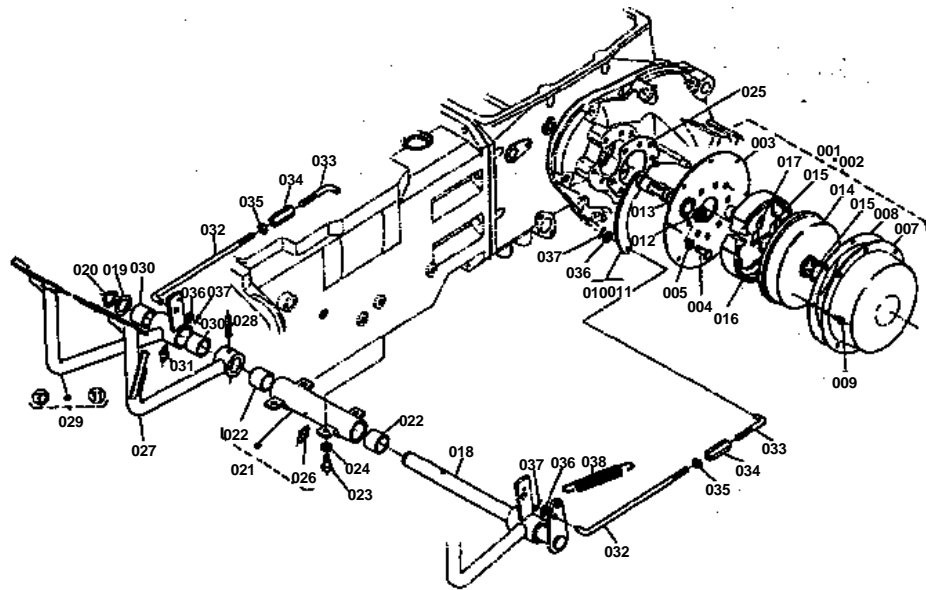


REAR WHEEL SHAFT

↔ Interchangeable; ≠ not interchangeable; ← new for old; → old for new

REF.No	Part No.	Description	Q'ty	S.No.	I/C	REMARKS	Weight (kgf)	Weight (lb)
040	34159-27600	ASSY WHEEL REAR	1				0	0
041	34159-27610	WHEEL REAR LH	1				55	121
041	34159-27690	WHEEL REAR RH	1				0	0
042	99424-27110	TIRE	2			13.6-16(R-3)	30	66
043	99424-27120	TUBE	2				3.8	8.36
044	34159-27830	LABEL	2				0.001	0.0022
045	34159-27650	WHEEL	2				15	33
046	09230-52707	OIL SEAL	2	≤15683			0.02	0.044
047	06611-15010	NIPPLE GREASE	2	≤15683			0.01	0.022
048	34150-27532	COLLAR	2	≤15923			0	0

BRAKE

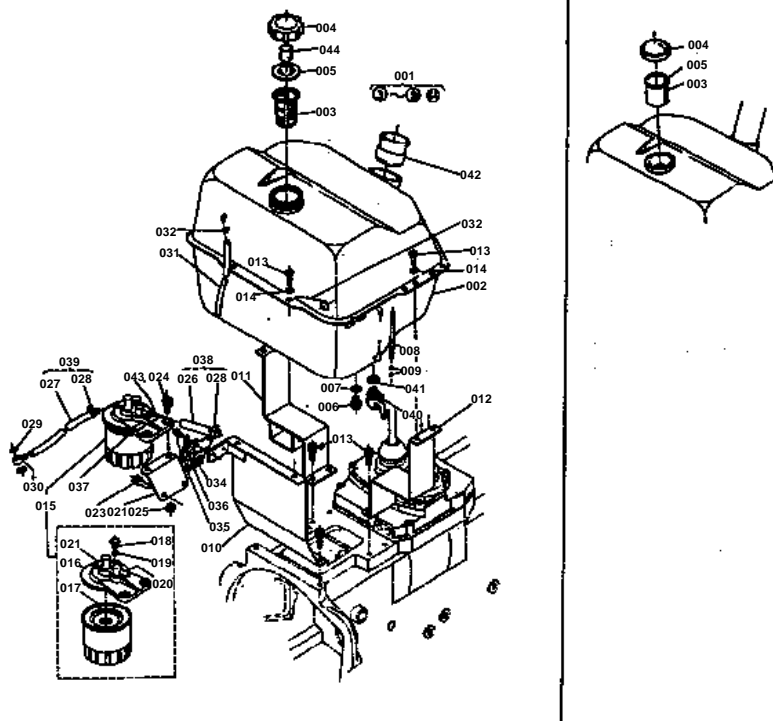


**BRAKE**

↔ Interchangeable; ≠ not interchangeable; ← new for old; → old for new

REF.No	Part No.	Description	Q'ty	S.No.	I/C	REMARKS	Weight (kgf)	Weight (lb)
001	34150-28100	ASSY BRAKE R	1				0	0
002	34150-28300	ASSY BRAKE L	1				4	8.8
003	34150-28150	PLATE ANCHOR	2				1.54	3.388
004	01173-51022	BOLT	12				0.019	0.0418
005	04512-50100	WASHER LOCK	12				0	0
006	05012-01016	PIN STRAIGHT	4				0.01	0.022
007	34150-28210	COVER BRAKE	2				0.64	1.408
008	34150-28220	GASKET	2				0.016	0.0352
009	01202-50612	BOLT	16				0.005	0.011
010	34150-28269	LEVER BRAKE CAM L	1				0	0
011	34150-28278	LEVER BRAKE CAM R	1				0	0
012	04612-10220	CIR-CLIP EXTERNAL	2				0	0
013	04811-00180	O RING	2				0.001	0.0022
014	34150-28119	DRUM BRAKE	2	≤15033			0	0
014	34150-28142	DRUM BRAKE	2	≥15034			0	0
015	04612-10280	CIR-CLIP EXTERNAL	4				0	0
016	34159-28200	ASSY SHOE BRAKE	4	≤12403			0	0
016	34150-28202	ASSY SHOE BRAKE	4	≥12404			0	0
017	31220-28134	SPRING	4				0	0
018	34150-28412	SHAFT BRAKE PEDAL	1				0	0
019	32150-28460	COLLAR	1				0.007	0.0154
020	04612-10250	CIR-CLIP EXTERNAL	1				0	0
021	34159-28400	SUPPORT PEDAL SHAFT	1				0.96	2.112
022	32120-14752	BUSHING	2	≤12303			0	0
022	34150-28430	BUSHING	2	≥12304			0.04	0.088
023	01173-51022	BOLT	4				0.019	0.0418
024	04512-50100	WASHER LOCK	4				0	0
025	34150-28170	GASKET	2	≥10304			0.003	0.0066
026	06613-10675	NIPPLE GREASE	1				0.003	0.0066
027	34150-28610	PEDAL BRAKE L	1	≤10303			1.24	2.728
027	34150-28613	PEDAL BRAKE L	1	≥10304			0	0
028	05411-10840	PIN SPRING	1				0	0
029	34159-28600	ASSY PEDAL BRAKE	1				1.34	2.948
030	32120-14753	BUSHING	2				0	0
031	06613-10675	NIPPLE GREASE	1				0.003	0.0066
032	34159-28930	ROD BRAKE 1	2				0.116	0.2552
033	34150-28942	ROD BRAKE 2	2				0	0
034	63733-42412	BUCKLE TURN	2	≤11343			0	0
034	66591-42413	BUCKLE TURN	2	≥11344			0	0
035	02112-50080	NUT	2				0.003	0.0066
036	04012-50080	WASHER FLAT	4				0.001	0.0022
037	05511-50315	PIN SPLIT	4				0.002	0.0044
038	34150-15842	SPRING	2	≤10628			0	0
038	34150-28950	SPRING	2	≥10629			0.058	0.1276

FUEL TANK



**FUEL TANK**

↔ Interchangeable; ≠ not interchangeable; ← new for old; → old for new

REF.No	Part No.	Description	Q'ty	S.No.	I/C	REMARKS	Weight (kgf)	Weight (lb)
001	34150-35107	ASSY TANK FUEL	1	<=18523			0	0
001	34150-35109	ASSY TANK FUEL	1	>=18524			0	0
001	34159-35100	ASSY TANK FUEL	1	>=18524			5.6	12.32
002	99999-99999	BLANK	0			ORDER BY REF.No.001	0	0
003	10242-41353	FILTER	1	<=18523			0	0
003	13251-41352	FILTER	1	>=18524			0	0
004	31180-35230	CAP	1	<=11343			0	0
004	66591-54420	CAP	1	>=11344			0	0
004	34150-35223	CAP	1	>=18524			0	0
005	10211-41340	GASKET	1	<=18523			0.003	0.0066
005	34150-35230	GASKET	1	>=18524			0.01	0.022
006	34150-35260	PLUG	1	<=11343			0	0
006	34150-27590	PLUG	1	>=11344			0.04	0.088
006	06312-10010	PLUG	1	>=11494			0.007	0.0154
006	06311-21010	PLUG	1	>=11654			0	0
007	04714-00300	GASKET	1	<=11653			0.002	0.0044
007	04717-01000	WASHER SEAL	1	>=11654			0.001	0.0022
008	34150-35470	GAUGE FUEL	1				0	0
009	10013-41770	CLIP PIPE	2				0.005	0.011
010	34150-35276	SUPPORT FUEL TANK	1				0	0
011	34150-35284	STAY FUEL TANK RH	1	<=15923			0	0
011	34150-35286	STAY FUEL TANK RH	1	>=15924			0	0
012	34150-35290	STAY FUEL TANK LH	1				0.46	1.012
013	01222-50814	BOLT	13				0.009	0.0198
014	04512-50080	WASHER LOCK	13				0.001	0.0022
015	15221-43015	ASSY FILTER FUEL	1				0	0
016	15221-43210	COVER	1				0.25	0.55
017	15221-43080	ELEMENT	1	<=12043			0	0
017	15221-43170	CARTRIDGE FILTER	1	>=12044			0.3	0.66
018	14102-43283	PLUG DRAN	1				0	0
019	15108-43290	O RING	1				0.001	0.0022
020	99999-99999	BLANK	0			ORDER BY REF.No.015	0	0
021	99999-99999	BLANK	0			ORDER BY REF.No.015	0	0
022	34150-35810	SUPPORT FILTER	1				0.16	0.352
023	01120-50816	BOLT	2				0	0
024	01120-50820	BOLT	2				0	0
025	02114-50080	NUT	2				0.005	0.011
026	99999-99999	BLANK	0			ORDER BY REF.No.038	0	0
027	99999-99999	BLANK	0			ORDER BY REF.No.039	0	0
028	14301-42753	CLIP PIPE	4				0	0
029	17105-33682	GASKET	2				0	0
030	14111-42413	JOINT EYE	1				0	0
031	34150-35543	PIPE FUEL 3	1				0	0
032	10244-42320	CLAMP PIPE	2				0.001	0.0022
033	34150-34770	HOLDER DECOMP.WIRE	1				0.001	0.0022
034	66591-55300	HORN	1	>=15674			0.15	0.33
035	01050-50612	BOLT	2	>=15674			0.005	0.011
036	04512-50060	WASHER LOCK	2	>=15674			0	0
037	15221-87762	LABEL	1	>=10544			0	0
038	34150-35502	ASSY PIPE FUEL 1	1	>=10455			0	0
039	34150-35532	ASSY PIPE FUEL 2	1	>=10455			0	0
040	14121-41400	ASSY COCK FUEL	1	<=11653			0.09	0.198
040	31220-35403	ASSY COCK FUEL	1	>=11494			0	0
041	04711-00100	GASKET	3	>=11494			0.001	0.0022
042	34150-35554	BUSH FUEL TANK	1	>=14034			0	0

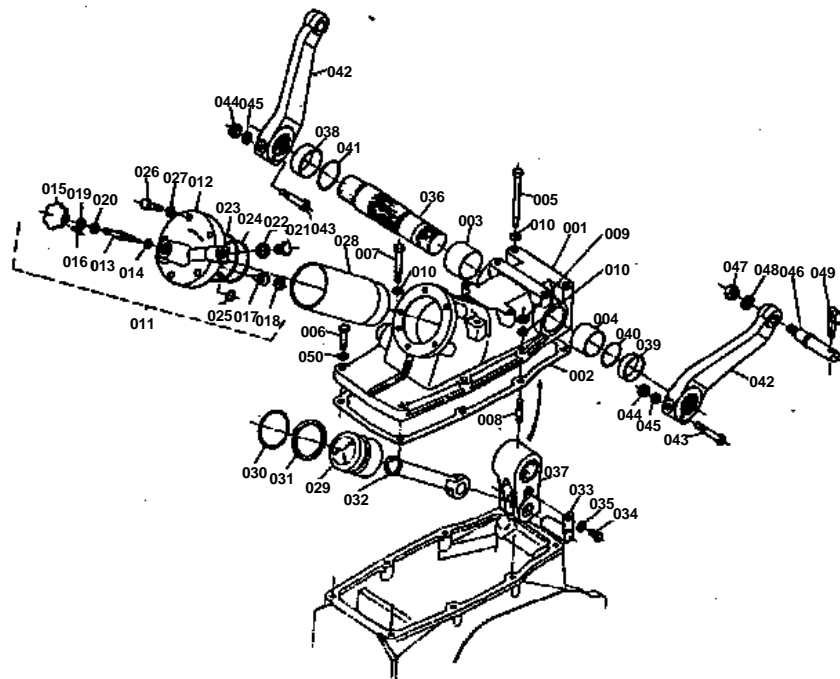


FUEL TANK

↔ Interchangeable; ≠ not interchangeable; ← new for old; → old for new

REF.No	Part No.	Description	Q'ty	S.No.	I/C	REMARKS	Weight (kgf)	Weight (lb)
043	15221-87790	LABEL	1	>=10844			0.001	0.0022
044	34150-35240	SPONGE	1	>=18524			0.001	0.0022

HYDRAULIC



**HYDRAULIC**

↔ Interchangeable; ≠ not interchangeable; ← new for old; → old for new

REF.No	Part No.	Description	Q'ty	S.No.	I/C	REMARKS	Weight (kgf)	Weight (lb)
001	34150-37113	CYLINDER HYDRAULIC	1	≤10303			0	0
001	34150-37114	CYLINDER HYDRAULIC	1	≥10304			0	0
002	34150-37123	GASKET	1				0	0
003	34150-37450	BUSHING	1				0.104	0.2288
004	34150-37460	BUSHING	1				0.062	0.1364
005	34150-37510	BUSHING	2				0.07	0.154
006	01173-11040	BOLT	3	≤10303			0	0
006	34150-37530	BOLT	3	≥10304			0.047	0.1034
007	01173-51070	BOLT	1				0.044	0.0968
008	34150-37520	STUD	2	≤10303			0.04	0.088
008	34150-37523	STUD	2	≥10304			0	0
009	02118-50100	NUT	2				0.005	0.011
010	04512-10100	WASHER LOCK	8	≤10303			0	0
010	04512-50100	WASHER LOCK	6	≥10304			0	0
011	34150-37202	ASSY COVER CYLINDER	1				0	0
012	99999-99999	BLANK	0			ORDER BY REF.No.011	0	0
013	34150-37224	SHAFT HYDRAULIC ADJU	1				0	0
014	04810-00100	O RING	1				0.001	0.0022
015	34150-37232	GLIP LEVER	1				0	0
016	05411-10418	PIN SPRING	1				0	0
017	34150-37252	COLLAR ADJUSTING	1				0	0
018	04611-10180	CIR-CRIP INTERNAL	1				0	0
019	04611-10160	CIR-CRIP INTERNAL	1	≤10303			0	0
019	34150-37260	CIR-CRIP INTERNAL	1	≥10304			0.001	0.0022
020	04012-50080	WASHER FLAT	1				0.001	0.0022
021	34150-27590	PLUG	1				0.04	0.088
022	04714-00300	GASKET	1				0.002	0.0044
023	04811-50750	O RING	1				0.002	0.0044
025	04811-00120	O RING	1	≤15033			0.001	0.0022
025	04810-00140	O RING	1	≥15034			0.001	0.0022
026	01173-51038	BOLT	5				0.028	0.0616
027	04512-50100	WASHER LOCK	5				0	0
028	34150-37134	LINER CYLINDER	1				0	0
029	34150-37312	PISTON HYDRAULIC	1				0	0
030	04811-00550	O RING	1				0.006	0.0132
031	32200-37380	RING	1				0.003	0.0066
032	34150-37320	ROD HYDRAULIC	1				0.48	1.056
033	34150-37340	PIN SET	1				0.18	0.396
034	01150-51018	BOLT	1				0	0
035	04512-50100	WASHER LOCK	1				0	0
036	34150-37433	SHAFT OIL PRESSURE A	1				0	0
037	34150-37443	ARM HYDRAULIC	1				0	0
038	34150-37480	COLLAR	1				0.005	0.011
039	34150-37490	COLLAR	1				0.002	0.0044
040	04811-06400	O RING	1				0.001	0.0022
041	04811-50450	O RING	1				0.002	0.0044
042	34150-37613	ARM LIFT	2	≤18023			0	0
042	34150-37617	ARM LIFT	2	≥18024			0	0
043	01173-51070	BOLT	2	≤18023			0.044	0.0968
043	01173-51075	BOLT	2	≥18024			0.047	0.1034
044	02118-50100	NUT	2				0.005	0.011
045	04512-50100	WASHER LOCK	2				0	0
046	99261-22582	PIN LIFT ROD	2				0	0
047	02174-50160	NUT	2				0.022	0.0484
048	04512-50160	WASHER LOCK	2				0	0

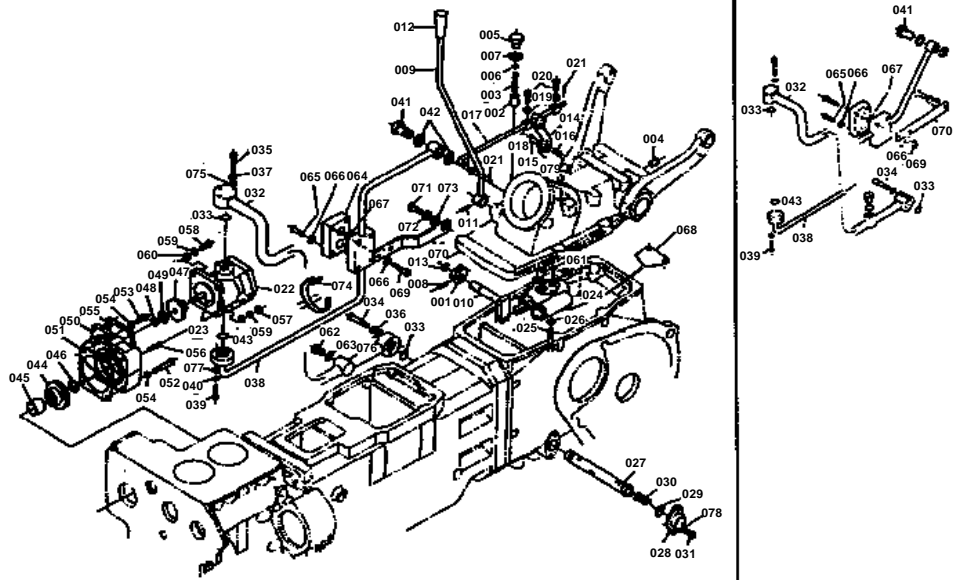


HYDRAULIC

↔ Interchangeable; ≠ not interchangeable; ← new for old; → old for new

REF.No	Part No.	Description	Q'ty	S.No.	I/C	REMARKS	Weight (kgf)	Weight (lb)
049	34150-37643	ASSY PIN SET	2	≤15923			0	0
049	34150-37644	ASSY PIN SET	2	≥15924			0	0
050	04512-50120	WASHER LOCK	3	≥10304			0	0

HYDRAULIC





HYDRAULIC

↔ Interchangeable; ≠ not interchangeable; ← new for old; → old for new

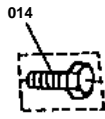
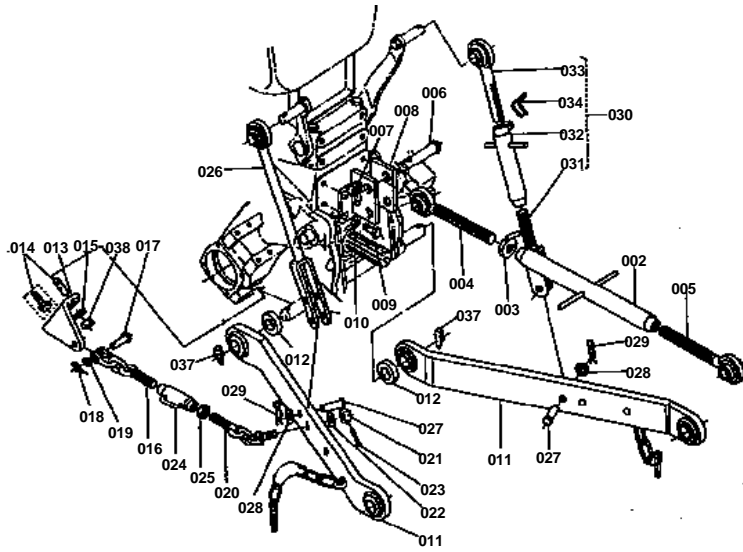
REF.No	Part No.	Description	Q'ty	S.No.	I/C	REMARKS	Weight (kgf)	Weight (lb)
001	34150-36622	CAM KNOCH	1				0	0
002	34150-36660	SHOE	1				0.008	0.0176
003	34150-36670	SPRNG	1				0.012	0.0264
004	32210-27580	PLUG BLIND	4				0.001	0.0022
005	34150-36730	PLUG	1				0.038	0.0836
006	04012-50050	WASHER FLAT	3				0.001	0.0022
007	04714-00300	GASKET	1				0.002	0.0044
008	05411-10632	PIN SPRING	1				0	0
009	34159-36802	ASSY LEVER CONTROL	1	≧10004			0	0
010	34150-36874	SHAFT CONTROL LEVER	1				0	0
011	05411-10625	PIN SPRING	1				0	0
012	34150-24560	GLIP LEVER	1	≧10004			0	0
013	04811-00120	O RING	1				0.001	0.0022
014	34150-37652	ARM CONTROL	1	≦10103			0	0
014	34150-37653	ARM CONTROL	1	≧10104			0	0
015	01222-10814	BOLT	1	≦10103			0	0
015	01222-50816	BOLT	1	≧10104			0.01	0.022
016	05411-10412	PIN SPRING	1				0	0
017	34150-37672	ROD CONTROL	1	≦10653			0	0
017	34150-37673	ROD CONTROL	1	≧10654			0	0
019	02052-50080	NUT	2				0.004	0.0088
020	01150-50822	BOLT	2				0.012	0.0264
021	05511-50315	PIN SPLIT	1	≦10653			0.002	0.0044
021	05511-50315	PIN SPLIT	2	≧10654			0.002	0.0044
022	34150-36102	ASSY PUMP HYDRAULIC	1				0	0
023	32270-36210	KEY WOODRUFF	1				0.001	0.0022
024	34150-36402	ASSY VALVE CONTROL	1				0	0
025	01153-50848	BOLT	2				0.021	0.0462
026	04512-50080	WASHER SPRING	2				0.001	0.0022
027	34150-37713	FILTER OIL	1				0	0
028	34150-37720	RETAINER	1	≦11343			0.1	0.22
028	34150-37722	RETAINER	1	≧11344			0	0
029	34150-37730	GASKET	1	≦11343			0.002	0.0044
029	04811-10320	O RING	1	≧11344			0.001	0.0022
030	34150-37740	SPRING	1				0.003	0.0066
031	01222-50814	BOLT	2	≦11343			0.009	0.0198
031	01222-50816	BOLT	2	≧11344			0.01	0.022
032	34159-38113	COMP PIPE INTAKE	1	≦11403			0	0
032	34159-38114	COMP PIPE INTAKE	1	≧11404			0	0
033	04811-00210	O RING	2	≦11403			0.001	0.0022
033	04811-00200	O RING	2	≧11404			0.001	0.0022
034	01153-10842	BOLT	2	≦11403			0	0
034	01153-50845	BOLT	2	≧11404			0.018	0.0396
035	01053-50645	BOLT	3				0.012	0.0264
036	04512-50080	WASHER LOCK	2				0.001	0.0022
037	04512-50060	WASHER LOCK	3				0	0
038	34150-38210	COMP PIPE DELIVERY	1	≦10004			0.65	1.43
038	34159-38215	COMP PIPE DELIVERY	1	≧10005			0	0
038	34159-38217	COMP PIPE DELIVERY	1	≧11404			0	0
039	01153-10625	BOLT	3	≦11403			0	0
039	01053-50628	BOLT	3	≧11404			0.008	0.0176
040	04512-50060	WASHER LOCK	3				0	0
041	06211-15012	JOINT EYE	1	≦10454			0.058	0.1276
041	34150-38272	JOINT EYE	1	≧10455			0	0
042	04714-00300	GASKET	2				0.002	0.0044

**HYDRAULIC**

↔ Interchangeable; ≠ not interchangeable; ← new for old; → old for new

REF.No	Part No.	Description	Q'ty	S.No.	I/C	REMARKS	Weight (kgf)	Weight (lb)
043	04811-00210	O RING	1	≤11403			0.001	0.0022
043	04811-10200	O RING	1	≥11404			0.001	0.0022
044	34150-37812	GEAR 38	1				0	0
045	34150-37820	COLLAR	1				0.05	0.11
046	04612-10250	CIR-CLIP EXTERNAL	1				0	0
047	34150-37830	GEAR 30	1				0.165	0.363
048	02054-50080	NUT	1				0.005	0.011
049	32270-37892	WASHER	1				0	0
050	34150-37853	BASE OIL PRESSURE PU	1	≤15923			0	0
050	34260-37852	BASE HYDRAULIC	1	≥15924			0	0
051	34150-37862	GASKET	1				0	0
052	01153-50855	BOLT	2				0.023	0.0506
053	01153-50822	BOLT	2				0.011	0.0242
054	04512-50080	WASHER LOCK	4				0.001	0.0022
055	34150-37870	GASKET	1				0	0
056	01513-50820	STUD	2				0	0
057	02113-50080	NUT	2				0	0
058	01153-50822	BOLT	2				0.011	0.0242
059	04512-10080	WASHER LOCK	4				0	0
060	04012-50080	WASHER FLAT	4				0.001	0.0022
061	04810-00090	O RING	2				0.001	0.0022
062	99473-95130	PLUG O RING	1				0.014	0.0308
063	04811-00090	O RING	1				0.001	0.0022
064	99473-95232	COVER FLANGE	1				0	0
065	01053-50832	BOLT	2	≤10303			0.015	0.033
065	01053-50832	BOLT	4	≥10304			0.015	0.033
066	04512-10080	WASHER	4	≤10303			0	0
066	04512-50080	WASHER	6	≥10304			0.001	0.0022
067	04810-00160	O RING	2	≤15923			0.001	0.0022
067	04811-00200	O RING	2	≥15924			0.001	0.0022
068	34150-36410	PLATE BAFFLE	1	≥15211			0.022	0.0484
069	01055-50860	BOLT	2	≤10303			0.01	0.022
069	01053-50820	BOLT	2	≥10304			0.012	0.0264
070	34159-38220	SPACER FLANGE	1	≤10303			0.2	0.44
070	34159-38223	SPACER FLANGE	1	≥10304			0	0
071	01170-51022	BOLT	1				0	0
072	04512-50100	WASHER LOCK	1				0	0
073	04014-50100	WASHER FLAT	1				0.004	0.0088
074	33251-82762	CLAMP	1	≥10455			0	0
075	04013-50060	WASHER FLAT	3	≥11404			0	0
076	04013-50080	WASHER FLAT	2	≥11404			0	0
077	04013-50060	WASHER FLAT	3	≥11404			0	0
078	04512-50080	WASHER LOCK	1	≥11344			0.001	0.0022
079	04512-50080	WASHER LOCK	1	≥10104			0.001	0.0022

3-POINT LINKAGE

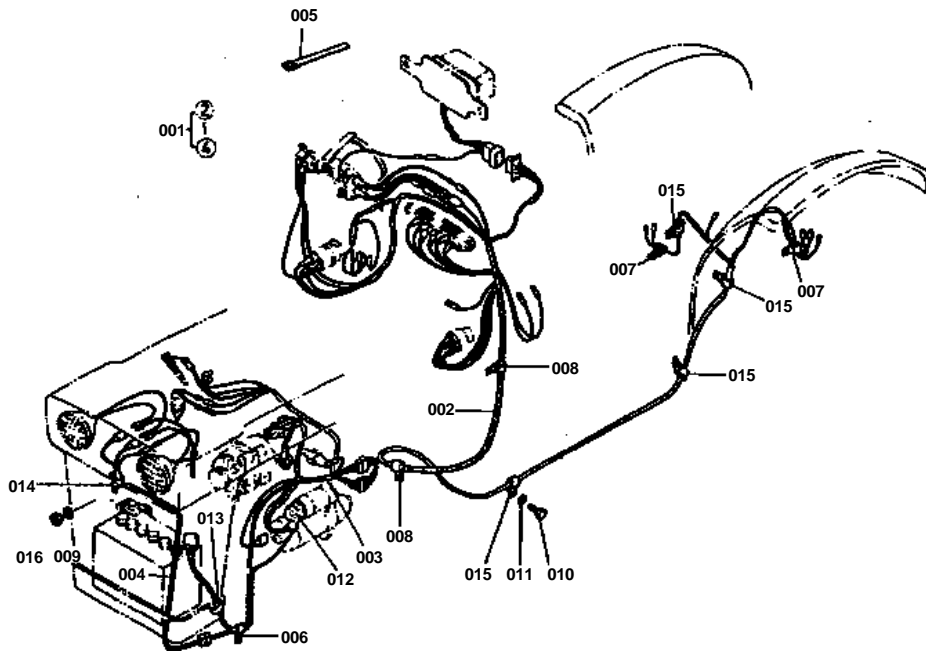




3-POINT LINKAGE

↔ Interchangeable; ≠ not interchangeable; ← new for old; → old for new

REF.No	Part No.	Description	Q'ty	S.No.	I/C	REMARKS	Weight (kgf)	Weight (lb)
001	99511-22000	ASSY LINKAGE 3-POINT	1	<=18023			23	50.6
001	99521-22005	ASSY LINKAGE 3-POINT	1	>=18024			0	0
002	99511-22112	LINK TOP	1				0	0
003	99261-22183	NUT TOP LINK	1				0	0
004	99261-22213	JOINT TOP LINK RH	1				0	0
005	99261-22223	JOINT TOP LINK LH	1				0	0
006	31150-71364	PIN TOP LINK	2				0	0
007	34150-37643	ASSY PIN SET	2	<=15683			0	0
007	34150-37644	ASSY PIN SET	2	>=15684			0	0
008	99511-22140	HOLDER TOP LINK	1				1.4	3.08
009	01173-51228	BOLT	4				0.036	0.0792
010	04512-10120	WASHER LOCK	4				0	0
011	99511-22318	ASSY LINK LOWER	2				0	0
012	99511-22320	COLLAR	2				0.11	0.242
013	99511-22913	HOLDER CHECK CHAIN	2				0	0
014	01173-51432	BOLT	4	<=18023			0.053	0.1166
014	99511-22920	STUD	4	>=18024			0.05	0.11
015	04512-10140	WASHER LOCK	4				0	0
016	99511-22812	CHAIN CHECK FRONT	2				0	0
017	31220-71884	PIN	2				0	0
018	05515-11000	PIN	2				0	0
019	04011-50100	WASHER FLAT	2				0.002	0.0044
020	99511-22822	CHAIN CHECK REAR	2				0	0
021	02374-50140	NUT SLOTTED	2				0.015	0.033
022	04512-50140	WASHER LOCK	2				0	0
023	05511-00335	PIN SPLIT	2				0	0
024	99511-22840	TURN BUCKLE	2				0.178	0.3916
025	02052-50140	NUT	2				0.018	0.0396
026	99511-22543	ROD LIFT LH	1				0	0
027	05112-51440	PIN JOINT	2				0.053	0.1166
028	04011-50140	WASHER FLAT	2				0.007	0.0154
029	05516-01600	PIN SNAP	2				0	0
030	99511-22512	ASSY ROD LIFT RH	2				0	0
031	99511-22522	ROD LIFT UNDER	1				0	0
032	99511-22532	ROD LIFT INNER	1	<=11043			0	0
032	99511-22533	ROD LIFT INNER	1	>=11044			0	0
033	99511-22553	ROD LIFT UPPER	1				0	0
034	99511-22562	SPRING	1				0	0
035	99511-22200	ASSY LIFTRD LOWER L	1				20.5	45.1
036	99511-22100	ASSY LINK TOP	1				0	0
037	34150-37643	ASSY PIN SET	2	<=15683			0	0
037	34150-37644	ASSY PIN SET	2	>=15684			0	0
038	02176-50140	NUT	2	>=18024			0.014	0.0308



**ELECTRICAL**

↔ Interchangeable; ≠ not interchangeable; ← new for old; → old for new

REF.No	Part No.	Description	Q'ty	S.No.	I/C	REMARKS	Weight (kgf)	Weight (lb)
001	34159-34300	ASSY WIRE HARNESS	1				0.54	1.188
002	34209-34313	WIRE HARNESS 1	1				0	0
003	34150-34320	WIRE HARNESS 2	1				0.005	0.011
004	34159-34330	WIRE HARNESS 3	1				0.05	0.11
005	32360-29380	BAND	1				0.001	0.0022
006	34150-29390	CLAMP CORD	1				0.004	0.0088
007	34150-29370	CLAMP CORD	2				0.005	0.011
008	34150-29382	CLAMP CORD	2				0	0
009	04512-50050	WASHER SPRING	1				0	0
010	01222-50812	BOLT	6				0.009	0.0198
011	04512-50080	WASHER SPRING	6				0.001	0.0022
012	34150-33350	WASHER	1				0.01	0.022
013	34150-33370	CUSHION	2				0.003	0.0066
014	32240-34482	CLAMP CORD	1				0.008	0.0176
015	32240-34492	CLAMP CORD	5				0	0
016	02053-50050	NUT	1				0.001	0.0022
017	34150-29130	TUBE VINYL	7			NOT SHOWN IN FIG.	0.001	0.0022