

# Instructions for Parts Books

The heading at the top of the page will be the same for the picture of the parts as it is for the page with the part numbers.

Definition of column headings on part number pages:

**REF.No** → The number referring to the part on the picture page of the parts book.

**Part No.** → The number assigned to this part at the time of printing the parts book.

**Description** → Description of part.

**Q'ty** → Quantity of part used on that page.

**S.No.** → Serial number range of the equipment that this part will fit.

>= Your serial number should be greater than or equal to the number shown.

<= Your serial number should be lesser than or equal to the serial number shown.

**I/C** → Interchangeability of part shown.

↔ The part shown will work for the older and later serial number.

# The part shown is not interchangeable with the other serial number.

← new for old

→ old for new

**Remarks** → Notes about this particular part. Sometimes this may say except [FR] or [CA]

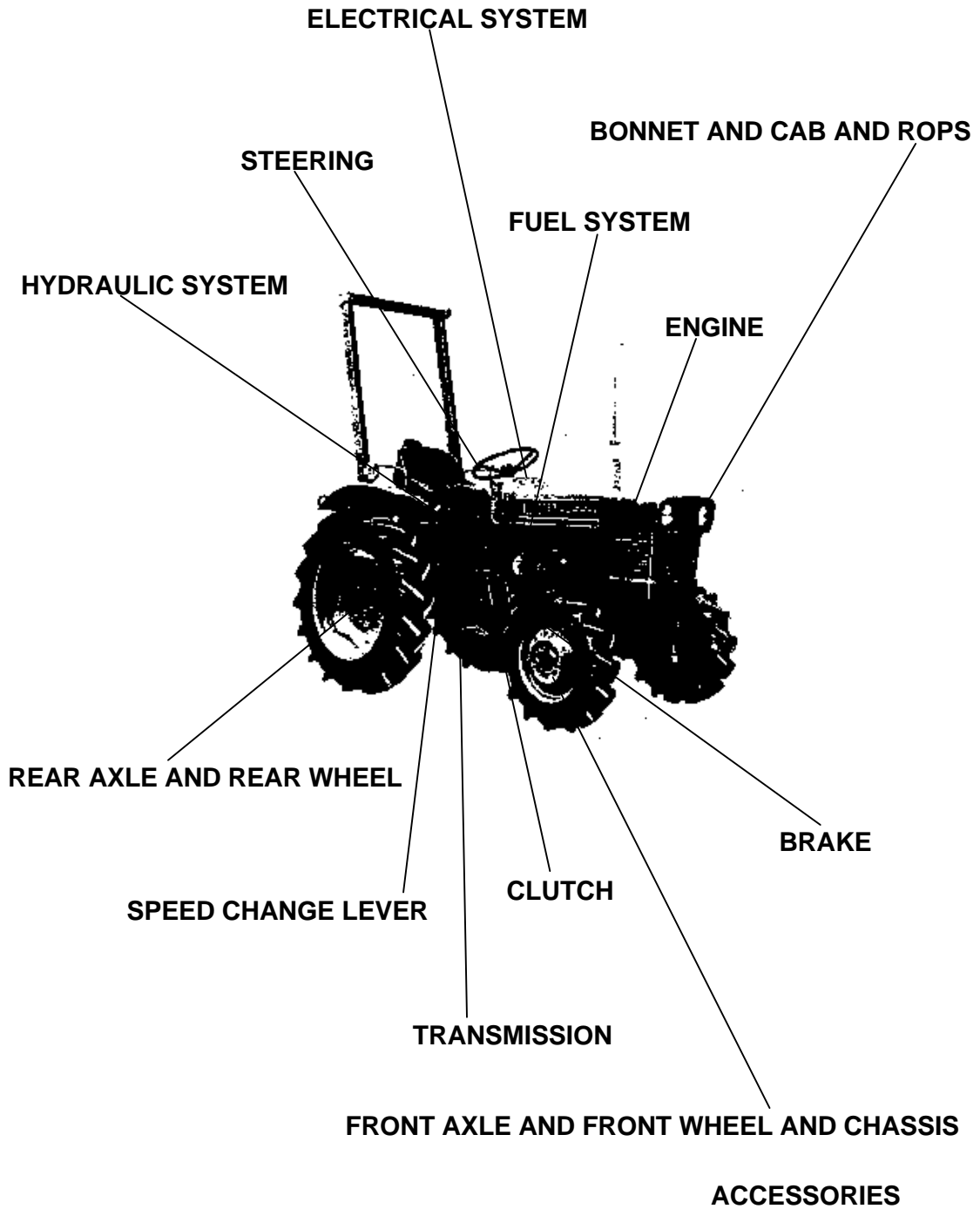
## Note about Country Codes:

The parts books we use in the United States of America may also contain information about a part that would be different in another country. It is important that you are aware of the country codes in some instances.

Symbol	Country
A	United States of America
CA	Canada
FR	France
GR	Greece
PO	Portugal
AU	Australia

If the remarks column says for example EXCEPT [FR] this part works in all countries except France. That means it will work here in the USA.

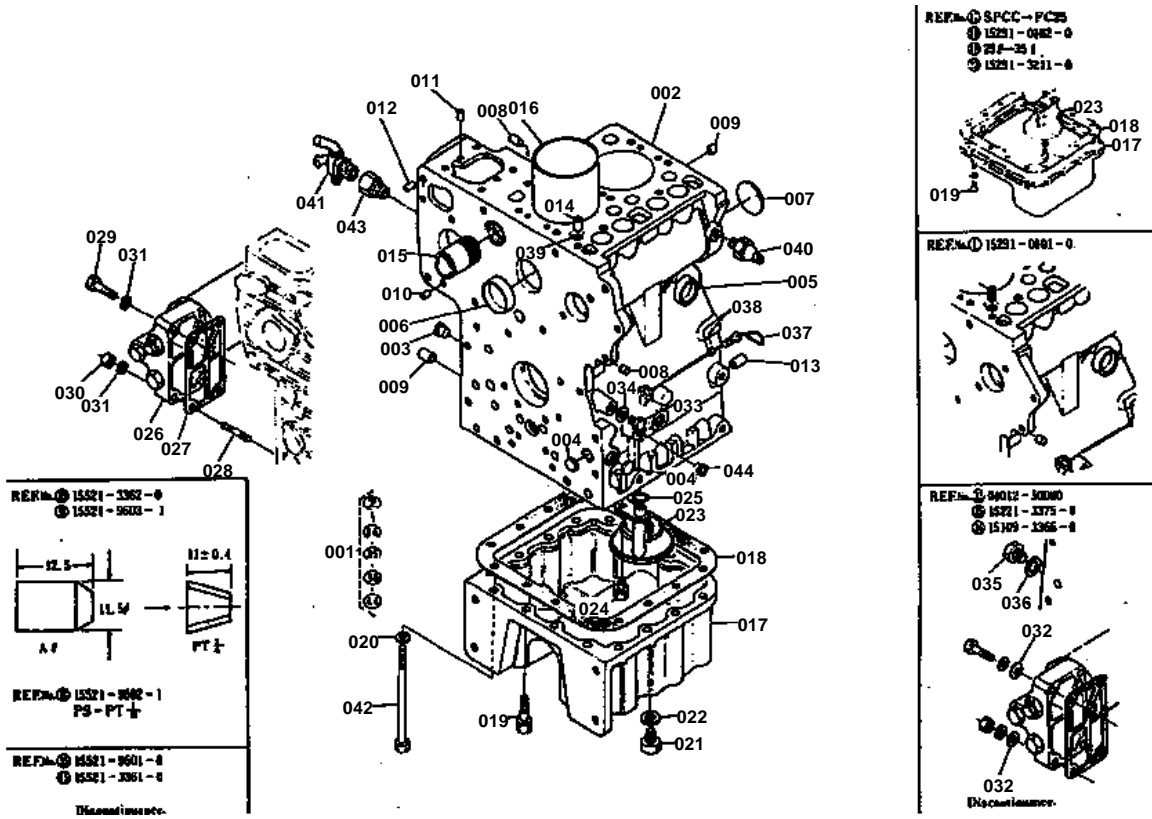
ALL PRODUCT INDEX  
L185DT



Item	Part No.	Description	Book
ENGINE	01001	CRANKCASE	100K0127
	01002	CYLINDER HEAD	100K0127
	01003	GEAR CASE	100K0127
	01004	BEARING CASE	100K0127
	01005	BREATHER	100K0127
	01006	AIR CLEANER	100K0127
	0100701	MUFFLER [L185]	100K0127
	0100702	MUFFLER [L185DT]	100K0127
	01008	VALVE,ROCKER ARM	100K0127
	01009	HEAD COVER	100K0127
	01010	CAMSHAFT	100K0127
	01011	PISTON,CRANKSHAFT	100K0127
	01012	FLYWHEEL	100K0127
	01013	NOZZLE HOLDER	100K0127
	01014	FUEL CAMSHAFT	100K0127
	01015	SPEED CONTROL PLATE	100K0127
	01016	GOVERNOR	100K0127
	01017	DYNAMO	100K0127
	01018	RADIATOR	100K0127
	01019	NAME PLATE	100K0127
	01063	STARTER	100K0127
	01064	NOZZLE HOLDER	100K0127
	01065	INJECTION PUMP	100K0127
01066	DYNAMO	100K0127	
ELECTRICAL SYSTEM	01023	BATTERY	100K0127
CLUTCH	01024	CLUTCH HOUSING	100K0127
	01025	CLUTCH	100K0127
	01026	CLUTCH PEDAL	100K0127
STEERING	01027	STEERING	100K0127
SPEED CHANGE LEVER	01028	HAND ACCEL	100K0127
BONNET AND CAB AND ROPS	01029	BONNET	100K0127
ELECTRICAL SYSTEM	01030	MIRROR,LAMP	100K0127
BONNET AND CAB AND ROPS	01031	SEAT	100K0127
TRANSMISSION	01032	TRANSMISSION CASE	100K0127
	01033	GEAR DRIVE SYSTEM 1	100K0127
	01034	GEAR DRIVE SYSTEM 2	100K0127
	01035	GEAR DRIVE SYSTER 3	100K0127
SPEED CHANGE LEVER	01036	SPEED CHANGE SYSTEM 1	100K0127
	01037	SPEED CHANGE SYSTEM 2	100K0127
	01038	CHANGE LEVER	100K0127
FRONT AXLE AND FRONT WHEEL AND CHASSIS	01039	DIFFERENTIAL SYSTEM 1	100K0127
	01040	DIFFERENTIAL SYSTEM 2	100K0127
REAR AXLE AND REAR WHEEL	01041	REAR AXLE	100K0127
	01042	AXLE CASE	100K0127
BRAKE	01043	BRAKE	100K0127
	01044	BRAKE PEDAL	100K0127
BONNET AND CAB AND ROPS	0104502	FENDER [U.S.A]	100K0127
ELECTRICAL SYSTEM	01046	ELECTICAL 1	100K0127
	01047	ELECTICAL 2	100K0127
	01048	ELECTICAL 3	100K0127
FUEL SYSTEM	01049	FUEL TANK	100K0127
	01050	FUEL FILTER	100K0127
HYDRAULIC SYSTEM	01051	OIL PRESSURE 1	100K0127
	01052	OIL PRESSURE 2	100K0127
	01053	O/P CYLINDER	100K0127
	01054	O/P LIFT ARM SYSTEM	100K0127
FRONT AXLE AND FRONT WHEEL AND CHASSIS	01055	FRONT WHEEL [L185DT]	100K0127

Item	Part No.	Description	Book
FRONT AXLE AND FRONT WHEEL AND CHASSIS	01056	FRONT WHEEL DRIVE [L185DT]	100K0127
	01057	DIFF GEAR CASE [L185DT]	100K0127
	01058	FRONT AXLE SUPPORT [L185DT]	100K0127
	01059	DRIVE CASE [L185DT]	100K0127
	01060	PROPELLER SHAFT [L185DT]	100K0127
	01061	FRONT AXLE BRACKET [L185DT]	100K0127
ENGINE	01062	OIL FILTER 2 [SECTION PARTS]	100K0127
HYDRAULIC SYSTEM	01067	OIL PRESSURE PUMP	100K0127
	01068	CONTROL VALVE	100K0127
	01069	RELIEF VALVE	100K0127
FRONT AXLE AND FRONT WHEEL AND CHASSIS	01071	FRONT WHEEL DRIVE [L185DT]	100K0127
STEERING	01072	POWER STEERING	100K0127
	01073	FLOW PRIORITY VALVE	100K0127
FUEL SYSTEM	01074	FUEL TANK	100K0127
HYDRAULIC SYSTEM	01075	OIL PRESSURE	100K0127
STEERING	01076	STEERING JOINT	100K0127
BONNET AND CAB AND ROPS	01077	3-POINT LINKAGE [3P]	100K0127
ACCESSORIES	01078	ACCESSORIES AND SERVICE PARTS	100K0127

# CRANKCASE





# CRANKCASE

↔ Interchangeable; ≠ not interchangeable; ← new for old; → old for new

REF.No	Part No.	Description	Q'ty	S.No.	I/C	REMARKS	Weight (kgf)	Weight (lb)
001	15291-01010	ASSY CRANKCASE	1	<=8948			0	0
001	15291-01010	ASSY CRANKCASE	1	>=8949			0	0
002	99999-99999	BLANK	0			ORDER BY REF.No.001	0	0
003	34150-27580	PLUG	6	<=8948			0.001	0.0022
003	34150-27580	PLUG	1	>=8949			0.001	0.0022
004	06311-75015	PLUG,EXPANSION	3				0.002	0.0044
005	15221-03380	CAP,SEALING	3				0.017	0.0374
006	15221-03390	CAP,SEALING	2				0.03	0.066
007	06311-75045	PLUG,EXPANSION	1				0.026	0.0572
008	15221-33630	PLUG,PIN	4	<=8948			0.001	0.0022
008	15221-33630	PLUG,PIN	3	>=8949			0.001	0.0022
008	15521-96020	PLUG,PIN	4				0.003	0.0066
009	15221-33640	PLUG,PIN	1				0.003	0.0066
009	15521-96030	PLUG	2				0.007	0.0154
010	05012-00408	PIN,STRAIGHT	2				0.001	0.0022
011	05012-00609	PIN,STRAIGHT	2				0.003	0.0066
012	05012-00612	PIN,STRAIGHT	2				0.003	0.0066
013	05012-01018	PIN,STRAIGHT	3				0.012	0.0264
014	15221-33650	PIN,PIPE	1				0.004	0.0088
015	15221-72840	PIPE,WATER	1				0.078	0.1716
016	15221-02310	LINER,CYLINDER	2				0.58	1.276
017	15291-01610	OIL,PAN	1	<=3659			0	0
017	15296-01610	OIL,PAN	1	>=3660			9.1	20.02
018	15291-01620	GASKET,OIL PAN	1	<=3659			0	0
018	15296-01620	GASKET,OIL PAN	1	>=3660			0.02	0.044
019	01173-51025	BOLT	16				0.021	0.0462
019	01173-51035	BOLT	12				0.025	0.055
019	01133-51035	BOLT	12				0.03	0.066
020	04512-50100	WASHER,SPRING	16				0	0
020	04512-50100	WASHER,SPRING	4				0	0
021	15221-33750	PLUG	1	<=3659			0.032	0.0704
021	15221-33750	PLUG	2	>=3660			0.032	0.0704
022	15109-33660	GASKET	1	<=3659			0.001	0.0022
022	15109-33660	GASKET	2	>=3660			0.001	0.0022
023	15291-32110	FILTER,OIL	1	<=3659			0.17	0.374
023	15296-32110	FILTER,OIL	1	>=3660			0.21	0.462
024	01053-50816	BOLT	1				0.011	0.0242
024	01123-50816	BOLT	1	>=1001			0.011	0.0242
025	04811-00140	O RING	1				0.001	0.0022
026	15213-32020	ASSY FILTER,OIL 2	1				0.89	1.958
027	15213-32320	GASKET	1				0	0
028	01518-50835	STUD	1				0.017	0.0374
029	01053-50842	BOLT	2				0.019	0.0418
029	01153-50842	BOLT	3	>=1001			0.018	0.0396
030	02056-50080	NUT	2				0.005	0.011
030	02156-50080	NUT	2	>=1001			0.004	0.0088
031	04512-50080	WASHER,SPRING	5				0.001	0.0022
031	04512-50080	WASHER,SPRING	4	>=1001			0.001	0.0022
032	04012-50080	WASHER,PLAIN	4				0.001	0.0022
033	15221-33610	PLUG	1				0.009	0.0198
034	15021-33660	GASKET	1				0.001	0.0022
035	15221-33750	PLUG	1	<=3659			0.032	0.0704
035	15521-33630	PLUG	1	>=3660			0.003	0.0066
035	15521-33620	PLUG	1	<=10139			0.004	0.0088
035	15521-96010	PLUG	1	<=10179			0.01	0.022

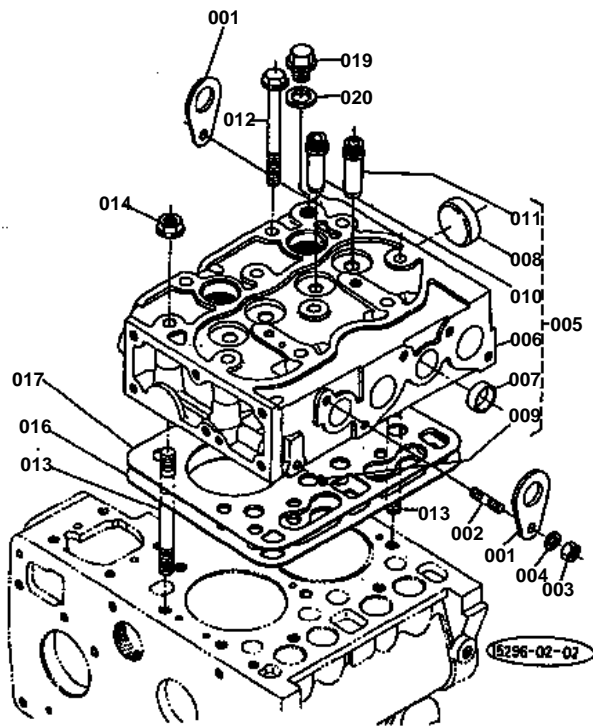


# CRANKCASE

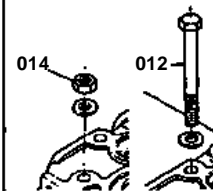
↔ Interchangeable; ≠ not interchangeable; ← new for old; → old for new

REF.No	Part No.	Description	Q'ty	S.No.	I/C	REMARKS	Weight (kgf)	Weight (lb)
036	15109-33660	GASKET	1	≤8948			0.001	0.0022
037	15221-36410	GAUGE,OIL	1				0.028	0.0616
038	04811-00050	O RING	2				0.001	0.0022
039	15221-33700	O RING	1				0.001	0.0022
040	15221-39010	SWITCH,OIL	1				0	0
041	14412-73110	COCK,DRAIN	1				0.09	0.198
042	15201-94010	WASHER,PLAIN	16	≤3659			0.007	0.0154
042	15411-91010	BOLT	4	≥3660			0	0
043	15291-73160	JOINT	1				0.04	0.088
044	32210-27580	PLUG	6				0.001	0.0022
045	15521-33610	PLUG	1				0.002	0.0044

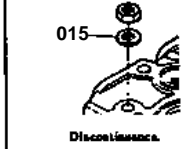
# CYLINDER HEAD



REF. No. 15221-0045-0  
15221-0051-0



REF. No. 15221-0054-0



Discontinua.



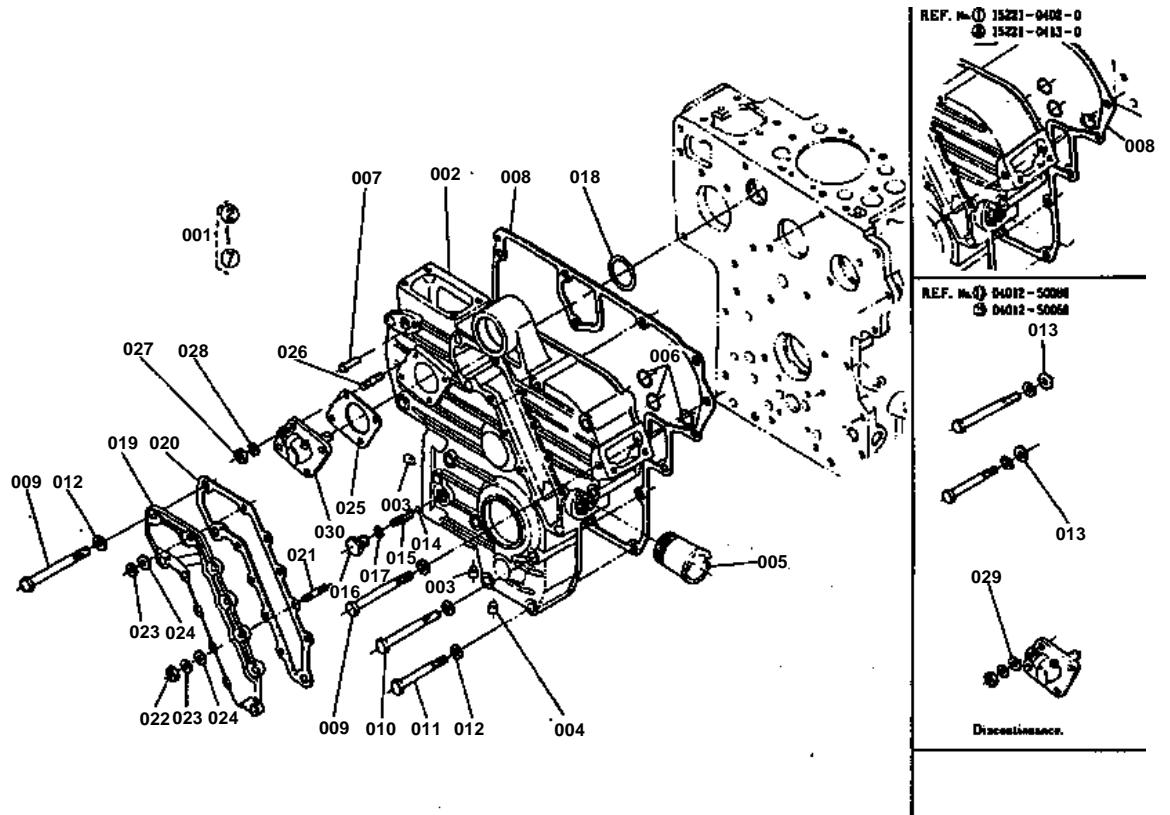


# CYLINDER HEAD

↔ Interchangeable; ≠ not interchangeable; ← new for old; → old for new

REF.No	Part No.	Description	Q'ty	S.No.	I/C	REMARKS	Weight (kgf)	Weight (lb)
001	15221-01750	HOOK,ENGINE	2				0.04	0.088
002	01513-50816	STUD	2				0.009	0.0198
002	15521-91490	STUD	1				0	0
003	02056-50080	NUT	2				0.005	0.011
003	02156-50080	NUT	1				0.004	0.0088
004	04512-50080	WASHER,SPRING	2				0.001	0.0022
004	04512-50080	WASHER,SPRING	1				0.001	0.0022
005	15221-03020	ASSY CYLINDER HEAD	1				10	22
006	99999-99999	BLANK	0			ORDER BY REF.No.005	0	0
007	15221-03370	CAP,SEALING	2				0.01	0.022
008	15221-03490	CAP,SEALING	1				0.02	0.044
009	15131-01380	PLUG,PIN	2				0.001	0.0022
010	15221-13580	GUIDE,VALVE	4	<=2286			0	0
010	15221-13580	GUIDE,VALVE	2	>=1021			0	0
011	15601-13560	GUIDE,VALVE	2	>=1021			0	0
012	15221-03450	BOLT,CYLINDER HEAD	8	<=13363			0	0
012	19202-03450	BOLT,CYLINDER HEAD	8	>=13364			0.065	0.143
013	15221-03410	STUD,CYLINDER HEAD	2	<=13363			0	0
013	19202-03410	STUD,CYLINDER HEAD	2	>=13364			0.065	0.143
014	15221-03510	NUT,CYLINDER HEAD	2	<=13363			0.008	0.0176
014	19202-03510	NUT,CYLINDER HEAD	2	>=13364			0.012	0.0264
015	15221-03540	WASHER,PLAIN	10				0.003	0.0066
016	15221-03310	GASKET,CYLINDER HEAD	1	<=1600			0	0
016	15241-03310	GASKET,CYLINDER HEAD	1	>=1601			0	0
017	15221-03320	SHIM,CYL.HEAD GASKET	1				0.032	0.0704
018	01123-50816	BOLT	1				0.011	0.0242
019	15000-36080	PLUG	1				0.03	0.066
020	04717-01600	WASHER,SEAL	1				0.003	0.0066

# GEAR CASE

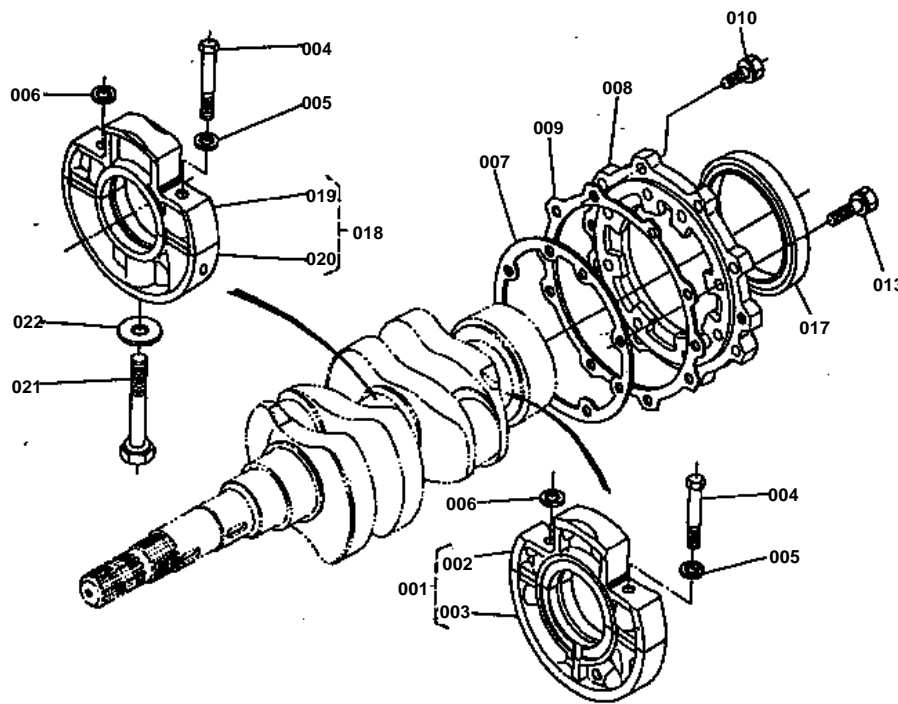


**GEAR CASE**

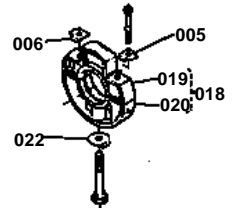
↔ Interchangeable; ≠ not interchangeable; ← new for old; → old for new

REF.No	Part No.	Description	Q'ty	S.No.	I/C	REMARKS	Weight (kgf)	Weight (lb)
001	15221-04020	ASSY CASE,GEAR	1	<=8948			0	0
001	15221-04023	ASSY CASE,GEAR	1	>=8949			4.25	9.35
002	99999-99999	BLANK	0			ORDER BY REF.No.001	0	0
003	15221-33620	PLUG,PIN	2				0.002	0.0044
003	15221-33620	PLUG,PIN	1				0.002	0.0044
004	15221-33640	PLUG,PIN	1				0.003	0.0066
004	15221-33660	PLUG,PIN	2	>=1001			0.004	0.0088
005	15221-72880	PIPE,WATER	1				0.115	0.253
006	04811-00150	O RING	3				0.001	0.0022
007	15221-56280	PIN,START SPRING	1				0.006	0.0132
008	15221-04130	GASKET,GEAR CASE	1	<=8948			0	0
008	15601-04130	GASKET,GEAR CASE	1	>=8949			0	0
009	01053-50885	BOLT	4	<=8948			0.031	0.0682
009	01153-50885	BOLT	4	>=8949			0.031	0.0682
010	15221-91040	BOLT	6	<=8948			0	0
010	15521-91010	BOLT	7	>=8949			0	0
011	01053-50870	BOLT	4	<=8948			0.027	0.0594
011	01153-50870	BOLT	4	>=8949			0.026	0.0572
012	04512-50080	WASHER,SPRING	14	<=8948			0.001	0.0022
012	04512-50080	WASHER,SPRING	15	>=8949			0.001	0.0022
013	04012-50080	WASHER,PLAIN	14	<=8948			0.001	0.0022
014	07715-00803	BALL	1				0.004	0.0088
015	15221-38440	SPRING	1				0.004	0.0088
016	15221-38420	CAP	1				0.025	0.055
017	04811-00100	O RING	1				0.001	0.0022
018	04811-40240	O RING	1				0.002	0.0044
019	15221-73910	COVER,WATER	1				0.21	0.462
020	15221-73920	GASKET,WATER COVER	1				0.01	0.022
021	15221-88210	STUD	9				0.005	0.011
022	02056-50060	NUT	9				0.002	0.0044
023	04512-50060	WASHER,SPRING	9				0	0
024	04012-50060	WASHER,PLAIN	9				0.001	0.0022
025	15221-88130	PACKING,HOUR METER	1				0	0
026	15221-88210	STUD	4				0.005	0.011
027	02056-50060	NUT	4				0.002	0.0044
028	04512-50060	WASHER,SPRING	4				0	0
029	04012-50060	WASHER,PLAIN	4	<=8948			0.001	0.0022
030	37150-34660	ASSY UNIT,HOUR METER	1				0.32	0.704

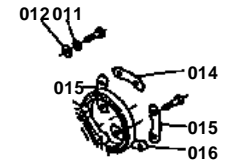
BEARING CASE



REF. No. ① 15221-0404-0  
 ② 15221-0457-0  
 ③ 15221-0458-0  
 ④ 15221-0405-0  
 ⑤ 15221-0459-0



REF. No. ① 04332-50080  
 ② 04912-50080  
 ③ 13221-0454-0  
 ④ 15221-0465-0  
 ⑤ 15221-0466-0



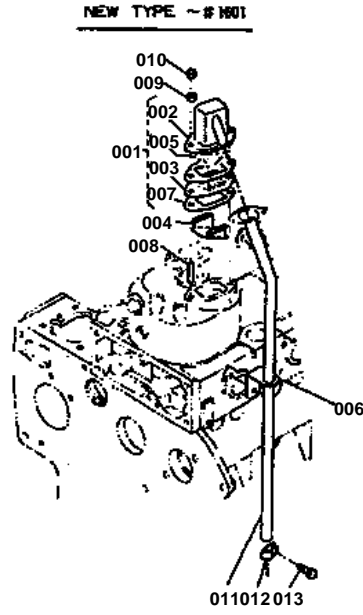
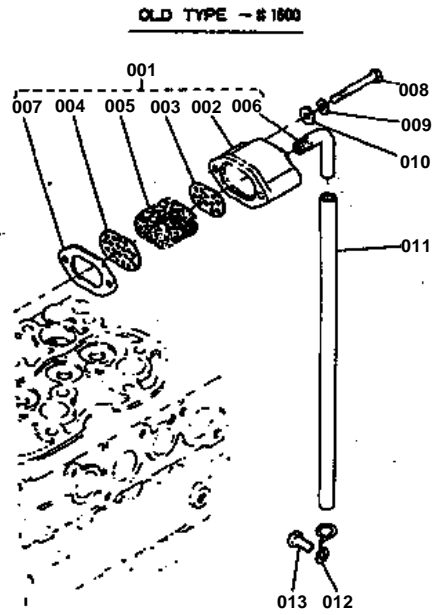
Discontinues.

**BEARING CASE**

↔ Interchangeable; ≠ not interchangeable; ← new for old; → old for new

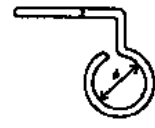
REF.No	Part No.	Description	Q'ty	S.No.	I/C	REMARKS	Weight (kgf)	Weight (lb)
001	15221-04040	ASSY CASE,BEARING	1				0	0
001	15521-04040	ASSY CASE,BEARING	1	>=1001			0	0
002	99999-99999	BLANK	0			ORDER BY REF.No.003	0	0
003	99999-99999	BLANK	0			ORDER BY REF.No.003	0	0
004	15221-04540	BOLT 1	4				0	0
004	15521-04540	BOLT 1	4	>=1001			0	0
005	15221-04570	WASHER 1	2				0.002	0.0044
005	15521-94010	WASHER 1	4	>=1001			0.001	0.0022
006	15221-04580	WASHER 2	2	<=8948			0.003	0.0066
007	15221-04360	GASKET	1				0	0
008	15221-04810	COVER,BEARING	1				0.3	0.66
009	15221-04820	GASKET,COVER	1				0	0
010	01053-50825	BOLT	8				0.014	0.0308
010	01123-50825	BOLT	8	>=1001			0.013	0.0286
011	04512-50080	WASHER,SPRING	8	<=8948			0.001	0.0022
012	04012-50080	WASHER,PLAIN	8	<=8948			0.001	0.0022
013	01053-50828	BOLT	8				0.014	0.0308
013	01123-50828	BOLT	8	>=1001			0.014	0.0308
014	15221-04640	WASHER,COVER 1	1	<=8948			0.005	0.011
015	15221-04650	WASHER,COVER 2	2	<=8948			0.005	0.011
016	15221-04660	WASHER,COVER 3	1	<=8948			0.006	0.0132
017	15221-04460	SEAL,OIL	1				0.06	0.132
018	15221-04050	ASSY CASE,BEARING 1	1				0	0
018	15521-04050	ASSY CASE,BEARING 1	1	>=1001			0	0
019	99999-99999	BLANK	0			ORDER BY REF.No.020	0	0
020	99999-99999	BLANK	0			ORDER BY REF.No.020	0	0
021	15291-04560	BOLT	1				0.06	0.132
022	15291-04590	WASHER,PLAIN	1				0.005	0.011
022	15521-94020	WASHER,PLAIN	1	>=1001			0.004	0.0088

# BREATHER

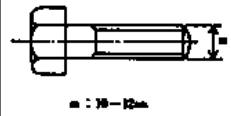


REF.No. 15241-0501-0  
Changed in shape.

REF.No. 15341-0659-0



REF.No. 01173-51216



REF.No. 15401-0193-0  
① 15221-0543-0  
② 14653-50616  
③ 14512-50060

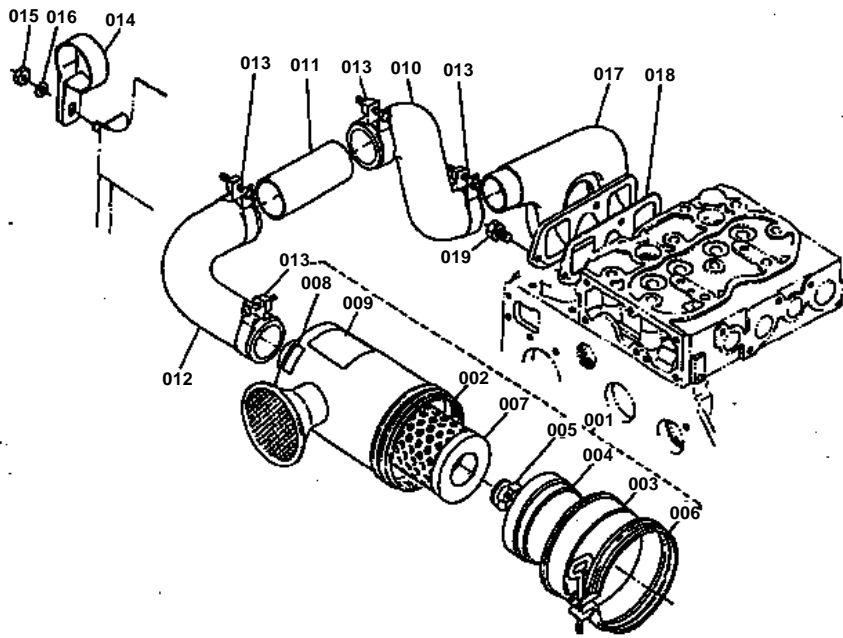


**BREATHER**

↔ Interchangeable; ≠ not interchangeable; ← new for old; → old for new

REF.No	Part No.	Description	Q'ty	S.No.	I/C	REMARKS	Weight (kgf)	Weight (lb)
001	15221-05010	ASSY BREATHER	1	≤1600			0.14	0.308
001	15241-05010	ASSY BREATHER	1	≥1601			0.15	0.33
002	99999-99999	BLANK	0			ORDER BY REF.No.001	0	0
002	99999-99999	BLANK	0			ORDER BY REF.No.001	0	0
003	15221-05140	PLATE,ELEMENT	1	≤1600			0.001	0.0022
003	15241-05140	PLATE,ELEMENT	1	≥1601			0.009	0.0198
004	15221-05150	PLATE,ELEMENT	1	≤1600			0.003	0.0066
004	15241-05370	OIL SHIELD,ELEMENT	1	≥1601			0.005	0.011
005	15221-05670	ELEMENT,BREATHER	1	≤1600			0.02	0.044
005	15241-05670	ELEMENT,BREATHER	1	≥1601			0.008	0.0176
006	15221-05550	JOINT,BREATHER PIPE	1	≤1600			0.03	0.066
006	15201-05580	CLAMP,PIPE	1	≥1601			0.015	0.033
007	15221-05430	GASKET,COVER	1	≤1600			0	0
007	15321-05430	GASKET,COVER	2	≥1601			0	0
008	01053-50653	BOLT	2	≤1600			0.012	0.0264
008	15221-88210	STUD	2	≥1601			0.005	0.011
009	04512-50060	WASHER,SPRING	2				0	0
010	04012-50060	WASHER,PLAIN	2	≤1600			0.001	0.0022
010	02056-50060	NUT	2	≥1601			0.002	0.0044
011	15221-05510	PIPE,BREATHER	1	≤1600			0.035	0.077
011	15244-05510	PIPE,BREATHER	1	≥1601			0	0
012	15221-05590	CLAMP,PIPE	1	≤1600			0.01	0.022
012	15401-05590	CLAMP,PIPE	1	≥1601			0.003	0.0066
012	15341-05590	CLAMP,PIPE	1				0.003	0.0066
013	01053-50812	BOLT	1	≤1600			0.009	0.0198
013	01173-51018	BOLT	1	≥1601			0.018	0.0396
013	01173-51218	BOLT	1				0.028	0.0616
014	15401-01930	COVER	1	≤8948			0.09	0.198
015	15221-05430	PACKING,COVER	1	≤8948			0	0
016	01053-50616	BOLT	2	≤8948			0.005	0.011
017	04512-50060	WASHER,SPRING	2	≤8948			0	0

# AIR CLEANER



REF. No. ①-③  
Changed the code number  
according to adopted  
15222-1M12  
ASSY CLEANER, air.

REF. No. ④ 04512-5000  
⑤ 04012-5000



Discontinued.





# AIR CLEANER

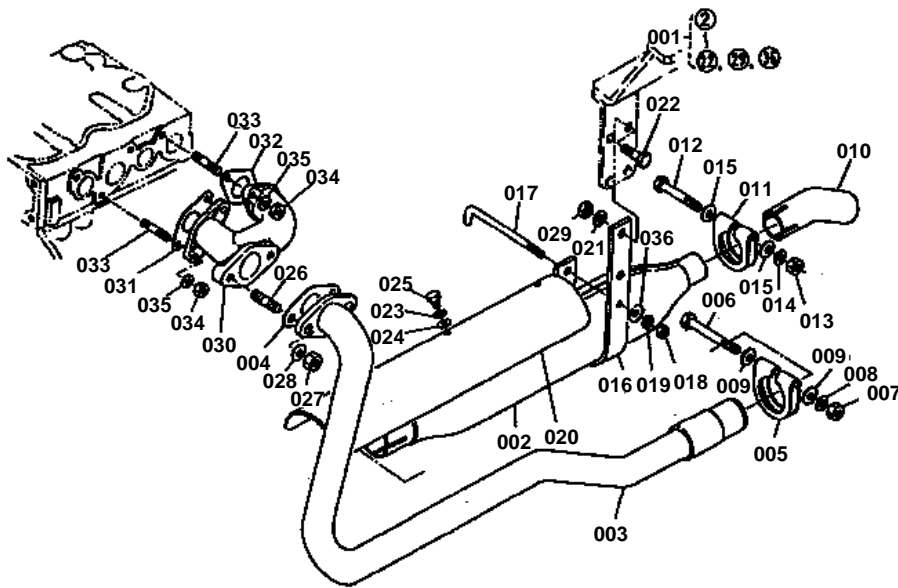
↔ Interchangeable; ≠ not interchangeable; ← new for old; → old for new

REF.No	Part No.	Description	Q'ty	S.No.	I/C	REMARKS	Weight (kgf)	Weight (lb)
001	15222-11012	ASSY CLEANER,AIR	1	>=1001			1.4	3.08
002	15222-11150	BODY,AIR CLEANER	1	>=1001			0.708	1.5576
003	15222-11160	COVER,AIR CLEANER	1				0.202	0.4444
004	15222-11410	COVER,BAFFLE	1				0.043	0.0946
005	15222-92620	NUT,WING	1				0.02	0.044
006	15222-11070	ASSY BAND,AIR CLEANER	1				0.098	0.2156
007	15222-11220	ELEMENT,AIR CLEANER	1				0.344	0.7568
008	15222-87750	MARK,FORM	1				0.001	0.0022
009	15222-93450	LABEL,AIR CLEANER	1				0.001	0.0022
010	15221-11620	PIPE,INLET	1				0.24	0.528
011	15221-11630	PIPE,INLET	1				0.22	0.484
012	15221-11640	PIPE,INLET	1				0.32	0.704
013	15221-11720	BAND,PIPE	4				0.03	0.066
014	15221-11710	HOLDER,INLET PIPE	1				0.045	0.099
015	02056-50080	NUT	1				0.005	0.011
015	02156-50080	NUT	1	>=1001			0.004	0.0088
016	04512-50080	WASHER,SPRING	1				0.001	0.0022
017	15221-11764	MANIFOLD,INLET	1				0.466	1.0252
018	15221-11820	GASKET,IN-MANIFOLD	1				0.008	0.0176
019	01053-50822	BOLT	3				0.013	0.0286
019	01123-50822	BOLT	3	>=1001			0.012	0.0264
020	04512-50080	WASHER,SPRING	3	<=8948			0.001	0.0022
021	04012-50080	WASHER,PLAIN	3	<=8948			0.001	0.0022

MUFFLER [L185]

REF. No. 15221-1236-9

Discontinua.



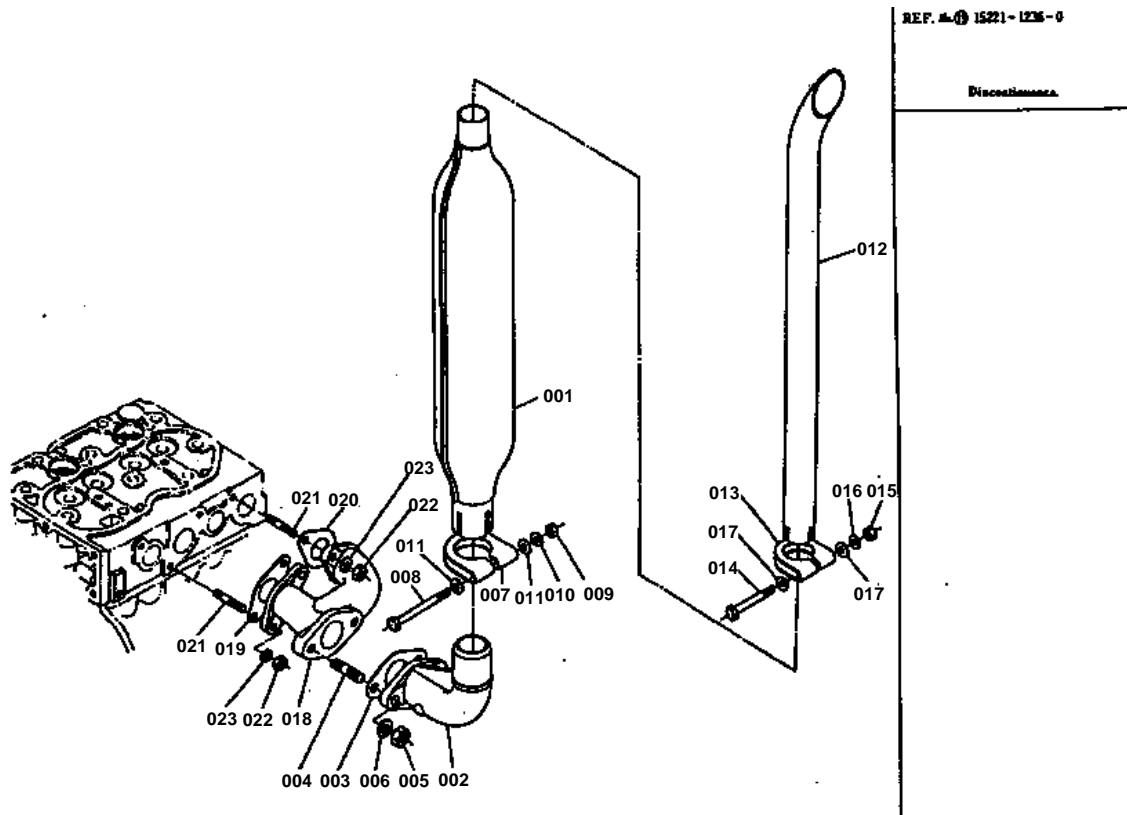


MUFFLER [L185]

↔ Interchangeable; ≠ not interchangeable; ← new for old; → old for new

REF.No	Part No.	Description	Q'ty	S.No.	I/C	REMARKS	Weight (kgf)	Weight (lb)
001	35110-62100	ASSY MUFFLER	1				9	19.8
002	34159-62190	MUFFLER	1				2.29	5.038
003	35110-62110	PIPE,MUFFLER 1	1				2	4.4
004	15221-12370	GASKET,M-FLANGE	1				0	0
005	15221-12130	BAND,MUFFLER	1				0	0
006	01153-50878	BOLT	1				0.029	0.0638
007	02156-50080	NUT	1				0.004	0.0088
008	04512-50080	WASHER,SPRING	1				0.001	0.0022
009	04012-50080	WASHER,PLAIN	2				0.001	0.0022
010	35110-62130	PIPE,MUFFLER 2	1				0.16	0.352
011	15221-12430	BAND,PIPE	1				0	0
012	01153-50865	BOLT	1				0.025	0.055
013	02156-50080	NUT	1				0.004	0.0088
014	04512-50080	WASHER,SPRING	1				0.001	0.0022
015	04012-50080	WASHER,PLAIN	2				0.001	0.0022
016	35110-62160	SUPPORT,MUFFLER	1	<=10005			0	0
016	35110-62160	SUPPORT,MUFFLER	1	>=10006			0	0
016	35110-62160	SUPPORT,MUFFLER	1	>=50001			0	0
017	35110-62170	BOLT,MUFFLER	1				0.05	0.11
018	02054-50080	NUT	1				0.005	0.011
019	04512-50080	WASHER,SPRING	1				0.001	0.0022
020	34159-62150	COVER,MUFFLER	1				0.47	1.034
021	04512-50100	WASHER,SPRING	2				0	0
022	01173-51022	BOLT	2				0.019	0.0418
023	04512-50080	WASHER,SPRING	2				0.001	0.0022
024	04012-50080	WASHER,PLAIN	2				0.001	0.0022
025	01153-50812	BOLT	2				0.008	0.0176
026	01517-51025	STUD	2				0	0
027	15021-12260	NUT	2				0.013	0.0286
028	04512-50100	WASHER,SPRING	2				0	0
029	02176-50100	NUT	2				0.005	0.011
030	15221-12310	MANIFOLD,EXHAUST	1				0	0
031	15221-12360	GASKET,EX-MANIFOLD	1				0	0
032	15221-12350	GASKET,EX-MANIFOLD	2				0	0
032	15521-12350	GASKET,EX-MANIFOLD	2				0	0
033	15221-91530	STUD	4				0.011	0.0242
034	02056-50080	NUT	4				0.005	0.011
034	02156-50080	NUT	4				0.004	0.0088
035	04512-50080	WASHER,SPRING	4				0.001	0.0022
036	04013-50080	WASHER,PLAIN	1	<=11895		FP,TP	0	0
036	04013-50080	WASHER,PLAIN	1	<=10865		DTP	0	0
036	04013-50080	WASHER,PLAIN	1	>=50001		FP,TP,DTP	0	0

MUFFLER [L185DT]

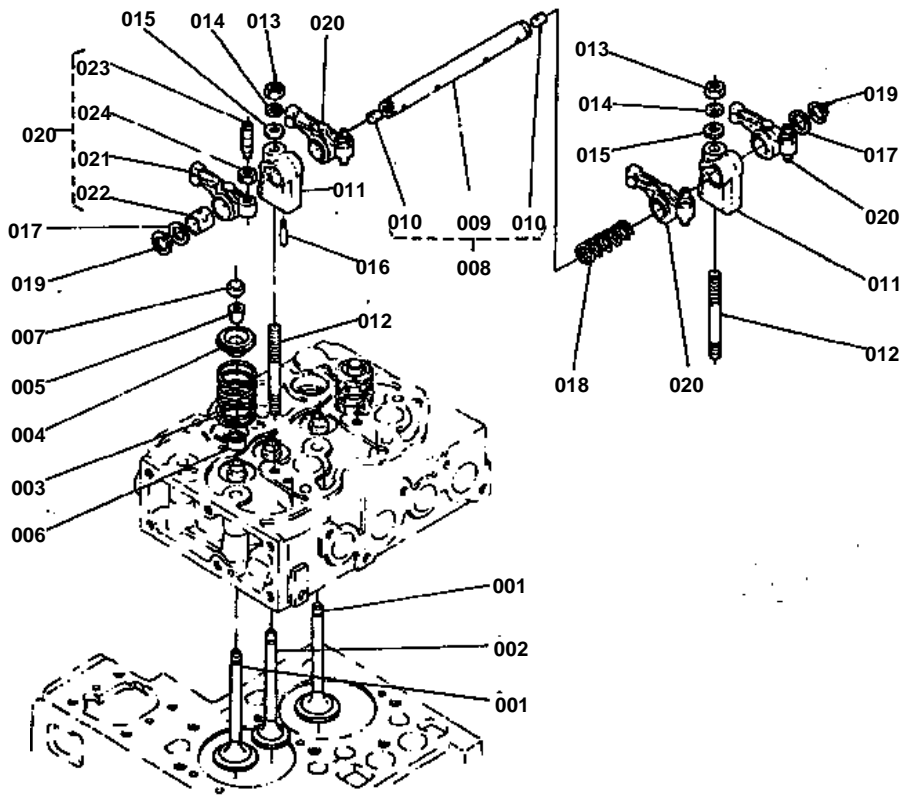


**MUFFLER [L185DT]**

↔ Interchangeable; ≠ not interchangeable; ← new for old; → old for new

REF.No	Part No.	Description	Q'ty	S.No.	I/C	REMARKS	Weight (kgf)	Weight (lb)
001	15221-12110	MUFFLER	1				0	0
002	15221-12320	FLANGE,MUFFLER	1				0	0
003	15221-12370	GASKET,M-FLANGE	1				0	0
004	01517-51025	STUD	2				0	0
005	15021-12260	NUT	2				0.013	0.0286
006	04512-50100	WASHER,SPRING	2				0	0
007	15221-12130	BAND,MUFFLER	1				0	0
008	01153-50878	BOLT	1				0.029	0.0638
009	02156-50080	NUT	1				0.004	0.0088
010	04512-50080	WASHER,SPRING	1				0.001	0.0022
011	04012-50080	WASHER,PLAIN	2				0.001	0.0022
012	34219-12410	PIPE,EXHAUST	1				0.54	1.188
013	15221-12430	BAND,PIPE	1				0	0
014	01153-50860	BOLT	1				0.024	0.0528
015	02156-50080	NUT	1				0.004	0.0088
016	04512-50080	WASHER,SPRING	1				0.001	0.0022
017	04012-50080	WASHER,PLAIN	2				0.001	0.0022
018	15221-12310	MANIFOLD,EXHAUST	1				0	0
019	15221-12360	GASKET,EX-MANIFOLD	1	<=8948			0	0
020	15221-12350	GASKET,EX-MANIFOLD	2				0	0
020	15521-12350	GASKET,EX-MANIFOLD	2	>=1001			0	0
021	15221-91530	STUD	4				0.011	0.0242
022	02056-50080	NUT	4				0.005	0.011
023	04512-50080	WASHER,SPRING	4				0.001	0.0022

VALVE,ROCKER ARM



REF. No. 15221-1315-0  
With spring

REF. No. 15221-1403-0

020

REF. No. 15221-1441-0

020

φ : 84-97

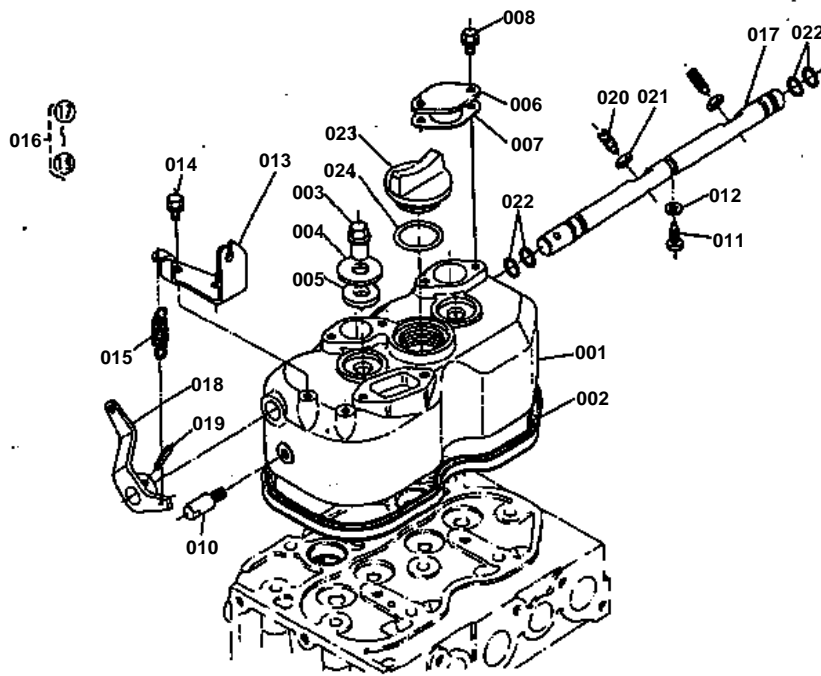


VALVE,ROCKER ARM

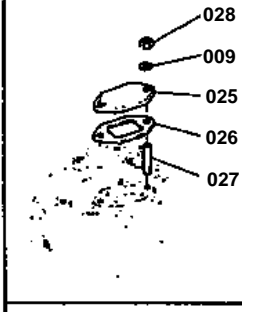
↔ Interchangeable; ≠ not interchangeable; ← new for old; → old for new

REF.No	Part No.	Description	Q'ty	S.No.	I/C	REMARKS	Weight (kgf)	Weight (lb)
001	15221-13110	VALVE,INLET	2				0.062	0.1364
002	15221-13120	VALVE,EXHAUST	2				0.054	0.1188
003	15221-13240	SPRING,VALVE	4				0.036	0.0792
004	15221-13330	RETAINER,VALVE SPRIN	4				0.03	0.066
005	15221-13360	COLLET,VALVE SPRING	8				0	0
006	15221-13150	SEAL,VALVE STEM	4				0.001	0.0022
007	15221-13280	CAP,VALVE	4				0.006	0.0132
008	15221-14050	ASSY SHAFT,ROCKER AR	1				0.15	0.33
009	99999-99999	BLANK	0			ORDER BY REF.No.008	0	0
010	03410-50808	SCREW,SET	2				0	0
011	15221-14350	BRACKET,ROCKER ARM	2				0.044	0.0968
012	15221-14410	STUD	2				0.028	0.0616
013	02056-50080	NUT	2				0.005	0.011
013	02156-50080	NUT	2	>=1001			0.004	0.0088
014	04512-50080	WASHER,SPRING	2				0.001	0.0022
015	04012-50080	WASHER,PLAIN	2				0.001	0.0022
016	15221-14420	SCREW,SET	1				0.003	0.0066
017	15221-14430	WASHER	4				0.002	0.0044
017	15221-14430	WASHER	2	>=1001			0.002	0.0044
018	15221-14310	SPRING,ROCKER ARM	1				0.005	0.011
019	04612-00140	CIR-CLIP,EXTERNAL	2				0.001	0.0022
020	15221-14030	ASSY ROCKER ARM	4				0	0
020	15521-14030	ASSY ROCKER ARM	4	>=1001			0	0
020	15601-14030	ASSY ROCKER ARM	4				0	0
021	99999-99999	BLANK	0			ORDER BY REF.No.020	0	0
022	15221-14180	BUSH	1				0.007	0.0154
023	15221-14230	SCREW,ADJUSTING	1				0.01	0.022
023	15521-14230	SCREW,ADJUSTING	1	>=1001			0.009	0.0198
024	15021-14240	NUT	1				0.003	0.0066

# HEAD COVER



REF. A-10-10  
Discontinuation  
- 2 1800





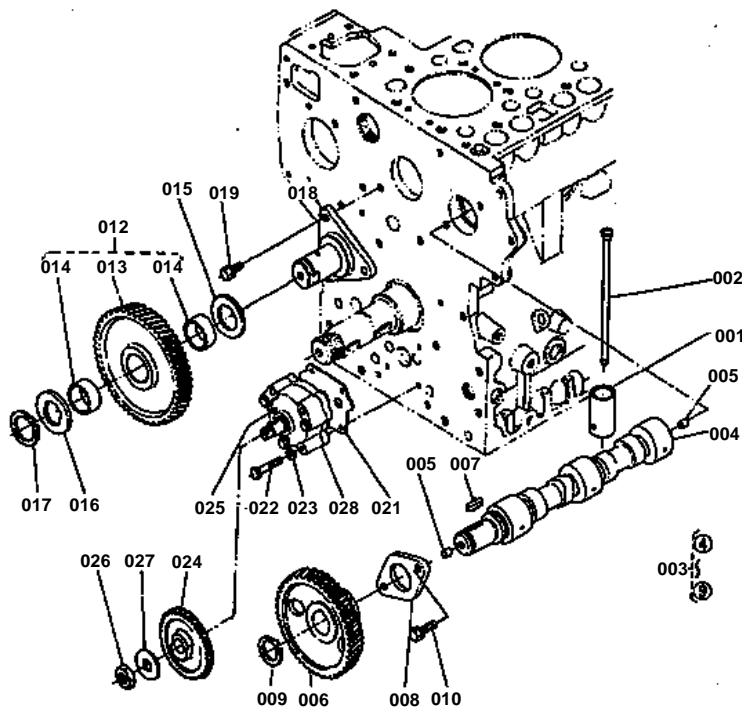


# HEAD COVER

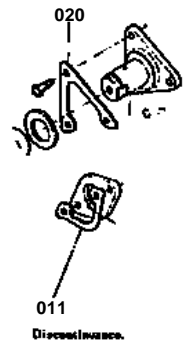
↔ Interchangeable; ≠ not interchangeable; ← new for old; → old for new

REF.No	Part No.	Description	Q'ty	S.No.	I/C	REMARKS	Weight (kgf)	Weight (lb)
001	15221-14510	COVER,CYLINDER HEAD	1				0.72	1.584
002	15221-14520	GASKET,HEAD COVER	1				0.033	0.0726
003	15221-14620	NUT,HEAD COVER	2				0.02	0.044
004	15221-14640	WASHER,HEAD COVER	2				0.017	0.0374
005	15221-14630	GASKET,NUT	2				0.003	0.0066
006	15221-66630	COVER,DECOMP HOLE	2				0.035	0.077
007	15221-66640	GASKET,COVER	2				0	0
008	01053-50614	BOLT	4				0.005	0.011
008	01023-50614	BOLT	4	>=1001			0.005	0.011
009	04512-50060	WASHER,SPRING	4				0	0
010	15221-66550	STOPPER,DECOMP SHAFT	1				0.02	0.044
011	15221-66410	BOLT	1				0.005	0.011
012	04512-50060	WASHER,SPRING	1				0	0
013	15221-66190	HOLDER,DECOMP WIRE	1				0.055	0.121
014	01053-50614	BOLT	2				0.005	0.011
014	01023-50614	BOLT	2	>=1001			0.005	0.011
015	15221-66280	SPRING,DECOMPRESS	1				0.008	0.0176
016	15221-66040	ASSY SHAFT,DECOMPRES	1				0.55	1.21
017	99999-99999	BLANK	0			ORDER BY REF.No.016	0	0
018	99999-99999	BLANK	0			ORDER BY REF.No.016	0	0
019	05411-00425	PIN,SPRING	1				0.001	0.0022
020	15221-66350	BOLT,DECOMPRESS	2				0.005	0.011
021	15221-66360	NUT,DECOMPRESS	2				0.003	0.0066
022	04811-06100	O RING	4				0.001	0.0022
023	15221-33140	PLUG,OIL FILLER	1				0.038	0.0836
024	04811-50300	O RING	1				0.001	0.0022
025	15321-05992	COVER	1	<=1600			0.075	0.165
026	15321-05430	GASKET,COVER	1	<=1600			0	0
027	01518-50616	STUD	2	<=1600			0.005	0.011
028	02056-50060	NUT	2	<=1600			0.002	0.0044

CAMSHAFT



REF. No. ① 15221-025-0  
② 15221-2431-0



Discontinued.

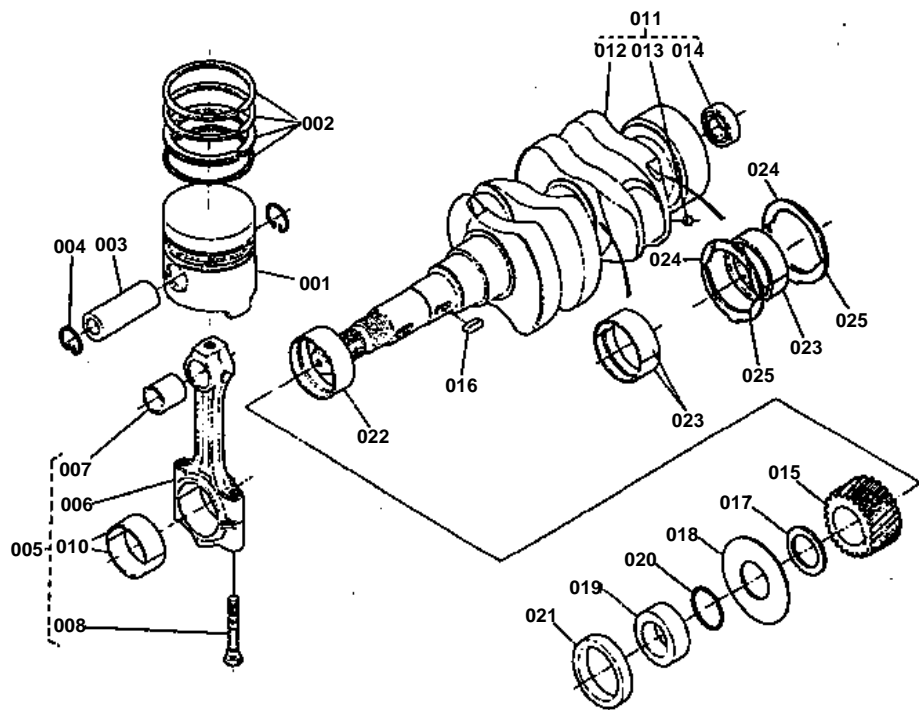


# CAMSHAFT

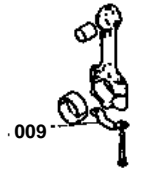
↔ Interchangeable; ≠ not interchangeable; ← new for old; → old for new

REF.No	Part No.	Description	Q'ty	S.No.	I/C	REMARKS	Weight (kgf)	Weight (lb)
001	15221-15550	TAPPET	4				0	0
002	15221-15110	ROD,PUSH	4				0.05	0.11
003	15221-16012	ASSY CAMSHAFT	1				2.7	5.94
004	15221-16150	CAMSHAFT	1				1.26	2.772
005	15221-33630	PLUG,PIN	2				0.001	0.0022
005	15401-33630	PLUG,PIN	2	>=1001			0.001	0.0022
006	15221-16510	GEAR,CAMSHAFT	1				0.85	1.87
007	05712-00720	KEY,FEATHER	1				0.008	0.0176
008	15221-16270	STOPPER,CAMSHAFT	1				0.073	0.1606
009	04612-00240	CIR-CLIP,EXTERNAL	1				0.002	0.0044
010	01053-50816	BOLT	2				0.011	0.0242
010	01123-50818	BOLT	2	>=1001			0.012	0.0264
011	15221-16250	WASHER,STOPPER	1	<=8948			0.01	0.022
012	15221-24010	ASSY GEAR,IDLE	1				0.5	1.1
013	99999-99999	BLANK	0			ORDER BY REF.No.012	0	0
014	15221-24980	BUSH,IDLE GEAR	2				0.02	0.044
015	15221-24360	COLLAR 1,IDLE GEAR	1				0.02	0.044
015	15521-24360	COLLAR 1,IDLE GEAR	1	>=1001			0.015	0.033
016	15221-24370	COLLAR 2,IDLE GEAR	1				0.018	0.0396
016	15521-24370	COLLAR 2,IDLE GEAR	1	>=1001			0.015	0.033
017	15221-24320	CIR-CLIP,IDLE GEAR	1				0.01	0.022
018	15221-24250	SHAFT,IDLE GEAR	1				0.48	1.056
019	01053-50818	BOLT	3				0.011	0.0242
019	01123-50818	BOLT	3	>=1001			0.012	0.0264
020	15221-24310	WASHER,IDLE G.SHAFT	1	<=8948			0.01	0.022
021	15221-35150	GASKET,OIL PUMP	1				0	0
022	01053-50640	BOLT	4				0.011	0.0242
023	04512-50060	WASHER,SPRING	4				0	0
024	15221-35660	GEAR,OIL PUMP DRIVE	1				0	0
024	15521-35660	GEAR,OIL PUMP DRIVE	1				0	0
024	19202-35660	GEAR,OIL PUMP DRIVE	1	>=1001			0.23	0.506
025	05712-00410	KEY,FEATHER	1				0.001	0.0022
026	15221-35680	NUT	1				0	0
027	15221-35670	WASHER	1				0.005	0.011
028	15221-35010	ASSY PUMP,OIL	1				0.43	0.946

PISTON,CRANKSHAFT



REF. 1321-217-0



Discontinua.

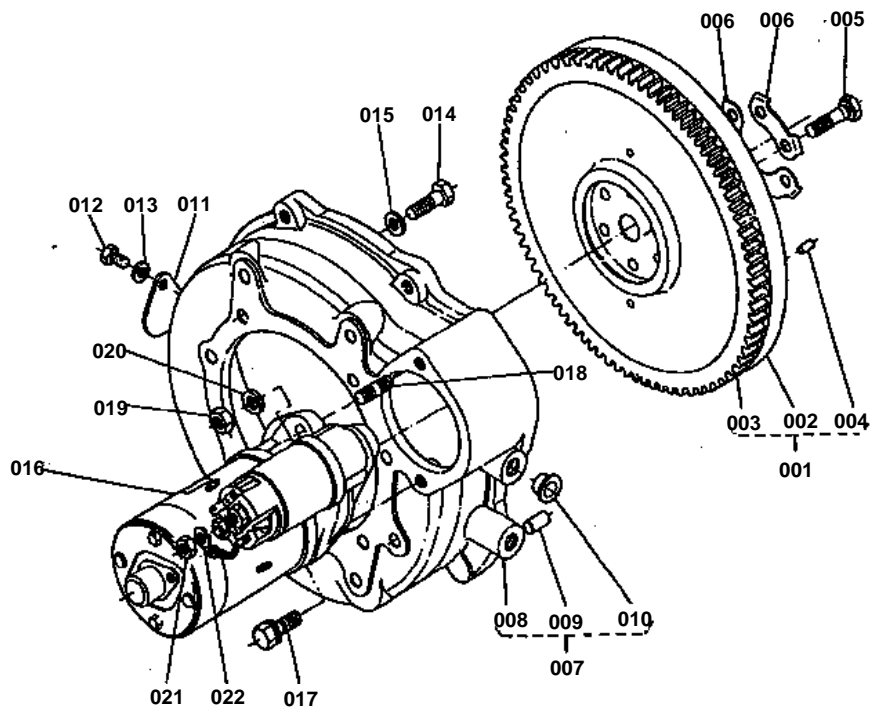


PISTON,CRANKSHAFT

↔ Interchangeable; ≠ not interchangeable; ← new for old; → old for new

REF.No	Part No.	Description	Q'ty	S.No.	I/C	REMARKS	Weight (kgf)	Weight (lb)
001	15221-21110	PISTON	2			STD	0.45	0.99
001	15221-21910	PISTON	2			+0.5	0.452	0.9944
002	15221-21050	ASSY PISTON RING	2			STD	0.05	0.11
002	15221-21090	ASSY PISTON RING	2			+0.5	0.048	0.1056
003	15221-21310	PISTON PIN	2				0	0
003	15521-21310	PISTON PIN	2	>=1001			0.156	0.3432
004	15221-21330	CIR-CLIP,PISTON PIN	4				0.002	0.0044
005	15221-22010	ASSY CONNECTING ROD	2				0	0
005	15521-22010	ASSY CONNECTING ROD	2	>=1001			0	0
006	99999-99999	BLANK	0			ORDER BY REF.No.005	0	0
007	15221-21980	BUSH,PISTON PIN	1				0	0
008	15221-22140	BOLT,CONNECTING ROD	2				0	0
008	15521-22140	BOLT,CONNECTING ROD	2	>=1001			0	0
009	15221-22170	WASHER,ROD BOLT	1	<=8948			0.01	0.022
010	15221-22310	METAL,CRANK PIN	2			STD	0	0
010	15221-22970	METAL,CRANK PIN	2			-0.2	0.04	0.088
010	15221-22980	METAL,CRANK PIN	2			-0.4	0.04	0.088
011	15291-23012	ASSY CRANK SHAFT	1				10.1	22.22
012	99999-99999	BLANK	0			ORDER BY REF.No.011	0	0
013	15131-01380	PLUG,PIN	2				0.001	0.0022
013	15221-33630	PLUG,PIN	2				0.001	0.0022
014	08121-06002	BEARING,BALL (6002ZZ	1				0.03	0.066
015	15221-24110	GEAR,CRANK SHAFT	1	<=8948			0	0
015	15521-24110	GEAR,CRANK SHAFT	1	>=8949			0.34	0.748
015	15521-24114	GEAR,CRANK SHAFT	1				0	0
016	05712-00720	KEY,FEATHER	1				0.008	0.0176
017	15221-24130	COLLAR,CRANK-GEAR	1				0.015	0.033
018	15221-23310	OIL SLINGER	1				0	0
019	15221-23250	COLLAR,CRANK SHAFT	1				0	0
020	04811-10300	O RING	1				0.001	0.0022
021	09550-00001	SEAL,OIL	1				0.015	0.033
022	15221-23470	METAL,CRANKSHAFT	1			STD	0	0
022	15221-23910	METAL,CRANKSHAFT	1			-0.2	0.058	0.1276
022	15221-23920	METAL,CRANKSHAFT	1			-0.4	0	0
023	15221-23481	METAL,CRANKSHAFT	4			STD	0	0
023	15221-23930	METAL,CRANKSHAFT	4			-0.2	0.055	0.121
023	15221-23940	METAL,CRANKSHAFT	4			-0.4	0.056	0.1232
024	15221-23530	METAL,SIDE	2				0	0
024	15521-23530	METAL,SIDE	2	>=1001		STD	0.01	0.022
024	15221-23950	METAL,SIDE	2			+0.2	0.009	0.0198
024	15221-23960	METAL,SIDE	2			+0.4	0.009	0.0198
025	15221-23540	METAL,SIDE	2				0	0
025	15521-23540	METAL,SIDE	2	>=1001		STD	0	0
025	15221-23970	METAL,SIDE	2			+0.2	0.009	0.0198
025	15221-23980	METAL,SIDE	2			+0.4	0.009	0.0198

# FLYWHEEL



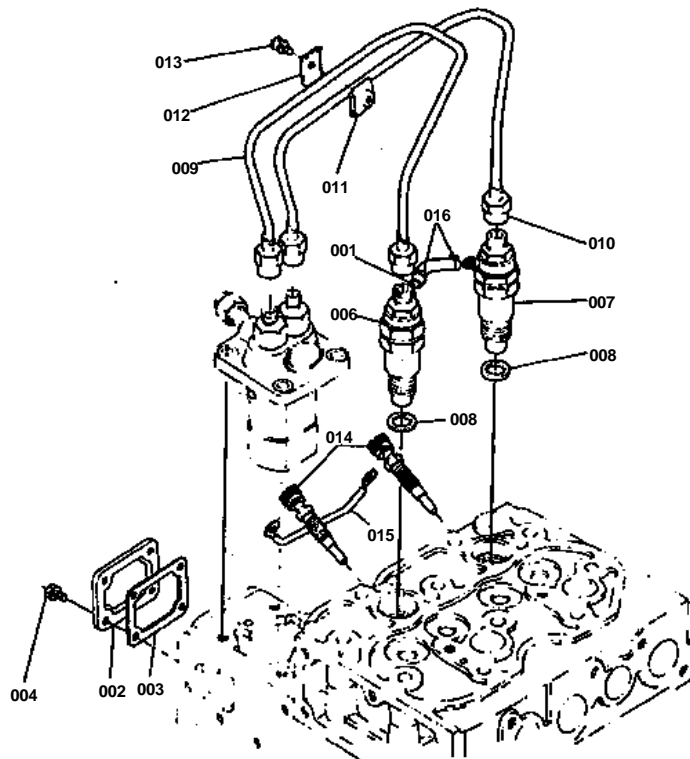


FLYWHEEL

↔ Interchangeable; ≠ not interchangeable; ← new for old; → old for new

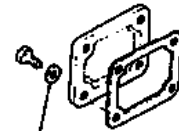
REF.No	Part No.	Description	Q'ty	S.No.	I/C	REMARKS	Weight (kgf)	Weight (lb)
001	15291-25012	ASSY FLYWHEEL	1				0	0
002	99999-99999	BLANK	0			ORDER BY REF.No.001	0	0
003	15221-63820	GEAR,RING	1				1.2	2.64
004	05012-00814	PIN,STRAIGHT	3				0.006	0.0132
005	15321-25160	BOLT,FLYWHEEL	6				0.05	0.11
006	15321-25170	WASHER,FLYWHEEL	3				0.01	0.022
007	15291-04600	ASSY HOUSING,FLYWHEE	1				7.7	16.94
008	99999-99999	BLANK	0			ORDER BY REF.No.007	0	0
009	05012-01025	PIN,STRAIGHT	2				0.016	0.0352
010	31220-14290	PLUG	4				0.002	0.0044
011	31220-14170	COVER	1				0.014	0.0308
012	01053-50812	BOLT	1				0.009	0.0198
012	01153-50812	BOLT	1	>=1001			0.008	0.0176
013	04512-50080	WASHER,SPRING	1				0.001	0.0022
014	01073-51030	BOLT	11				0.028	0.0616
015	04512-50100	WASHER,SPRING	11				0	0
016	15221-63010	ASSY STARTER	1				4.4	9.68
016	15221-63016	ASSY STARTER	1	>=1001			0	0
017	01173-51030	BOLT	1				0.023	0.0506
017	01133-51030	BOLT	1	>=1001			0.025	0.055
018	01517-51025	STUD	1				0	0
019	02176-50100	NUT	1				0.005	0.011
020	04512-50100	WASHER,SPRING	1				0	0
021	02114-50080	NUT	1				0.005	0.011
022	04512-50080	WASHER,SPRING	1				0.001	0.0022

# NOZZLE HOLDER



REF: 15271-5200-1  
15271-5202-0  
Changed to INMANAC type of the  
ber filter.

REF: 04512-52025



Discontinued.



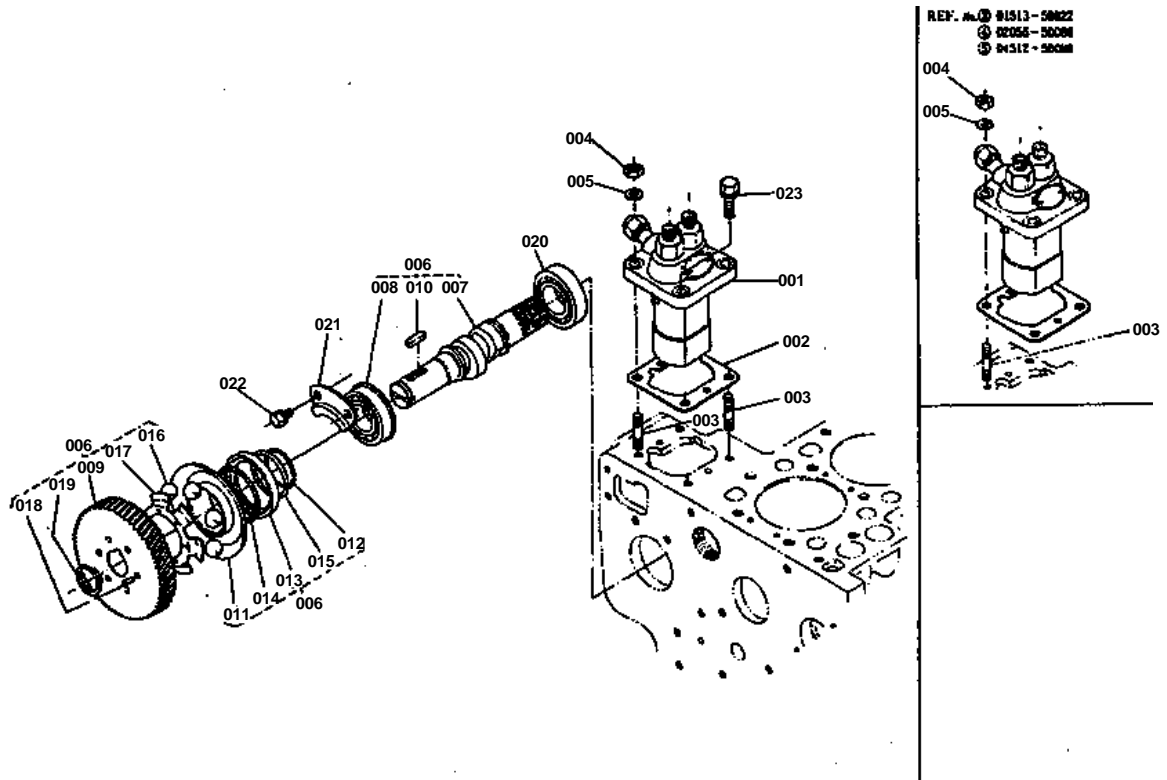


# NOZZLE HOLDER

↔ Interchangeable; ≠ not interchangeable; ← new for old; → old for new

REF.No	Part No.	Description	Q'ty	S.No.	I/C	REMARKS	Weight (kgf)	Weight (lb)
001	15221-42510	PIPE,FUEL OVER FLOW	1				0.005	0.011
002	15221-51650	COVER,INJECTION PUMP	1				0.05	0.11
003	15221-51660	GASKET,PUMP COVER	1				0	0
004	01053-50612	BOLT	4				0.004	0.0088
004	01023-50612	BOLT	4	>=1001			0.005	0.011
005	04512-50060	WASHER,SPRING	4				0	0
006	99999-99999	ASSY HOLDER,1,NOZZLE	1			NON SALE	0	0
006	15271-53000	ASSY HOLDER,1,NOZZLE	1				0.26	0.572
007	99999-99999	ASSY HOLDER,2,NOZZLE	1			NON SALE	0	0
007	15271-53020	ASSY HOLDER,2,NOZZLE	1				0.26	0.572
008	17011-53620	GASKET	2				0.003	0.0066
009	15221-53710	PIPE,INJECTION	1				0	0
010	15221-53720	PIPE,INJECTION	1				0	0
011	15121-53850	CLAMP,PIPE	1				0	0
012	15121-53860	CLAMP,PIPE	1				0	0
013	03024-50520	SCREW,WITH WASHER	1				0.004	0.0088
014	15221-65510	GLOW PLUG	2				0.03	0.066
015	15401-65560	CORD,GLOW PLUG	1				0.005	0.011
016	14971-42750	CLIP,PIPE	2				0.001	0.0022

# FUEL CAMSHAFT



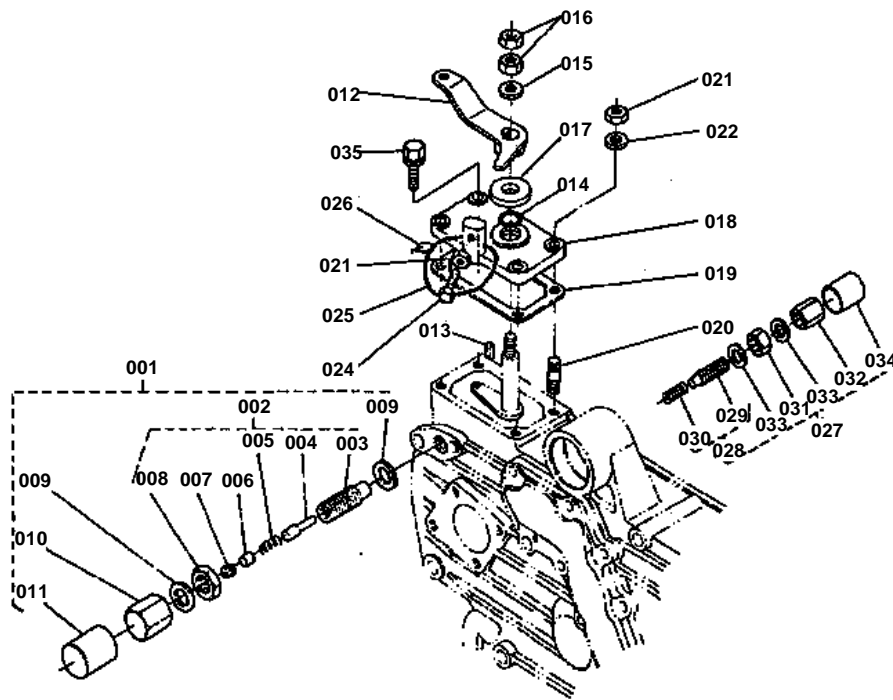


# FUEL CAMSHAFT

↔ Interchangeable; ≠ not interchangeable; ← new for old; → old for new

REF.No	Part No.	Description	Q'ty	S.No.	I/C	REMARKS	Weight (kgf)	Weight (lb)
001	15221-51010	ASSY PUMP,INJECTION	1				1.5	3.3
002	15221-52110	SHIM,INJECTION PUMP	5				0.002	0.0044
003	01513-50822	STUD	4				0.01	0.022
003	01513-50822	STUD	2	>=1001			0.01	0.022
004	02056-50080	NUT	4				0.005	0.011
004	02156-50080	NUT	2	>=1001			0.004	0.0088
005	04512-50080	WASHER,SPRING	6				0.001	0.0022
005	04512-50080	WASHER,SPRING	2	>=1001			0.001	0.0022
006	15221-16020	ASSY CAMSHAFT,FUEL	1				2.45	5.39
007	15221-16170	CAMSHAFT,FUEL	1				0.75	1.65
008	08153-06205	BEARING,BALL (6205NR	1				0.13	0.286
009	15221-51150	GEAR,INJECTION PUMP	1				0.82	1.804
010	05712-00525	KEY,FEATHER	1				0.005	0.011
011	15221-55450	SLEEVE,GOVERNOR	1				0.19	0.418
012	15221-55470	CIR-CLIP,SLEEVE	1				0.003	0.0066
013	15221-55690	CASE,GOVERNOR BALL	1				0	0
014	07715-03205	BALL	39				0.001	0.0022
015	15221-55740	CIR-CLIP,BALL CASE	1				0.002	0.0044
016	07715-03219	BALL	6				0.014	0.0308
017	15221-55650	GUIDE,GOVERNOR BALL	1				0.038	0.0836
018	05611-10310	RIVET	6				0.001	0.0022
019	04612-00240	CIR-CLIP,EXTERNAL	1				0.002	0.0044
020	08103-06205	BEARING,BALL	1				0.12	0.264
021	15221-16320	STOPPER,FUEL CAMSHAF	1				0.02	0.044
022	01053-50814	BOLT	2				0.01	0.022
022	01123-50814	BOLT	2	>=1001			0	0
023	01123-50822	BOLT	2	>=8949			0.012	0.0264

SPEED CONTROL PLATE



REF: 001  
Additional parts to improve performance.

REF: 002 003 004 005 006 007 008 009  
02050 - 50000  
04512 - 50000  
04612 - 50000

A small inset diagram showing a detail of the speed control plate assembly. It includes callouts for parts 020, 021, 022, and 023, highlighting a specific area of the main assembly.

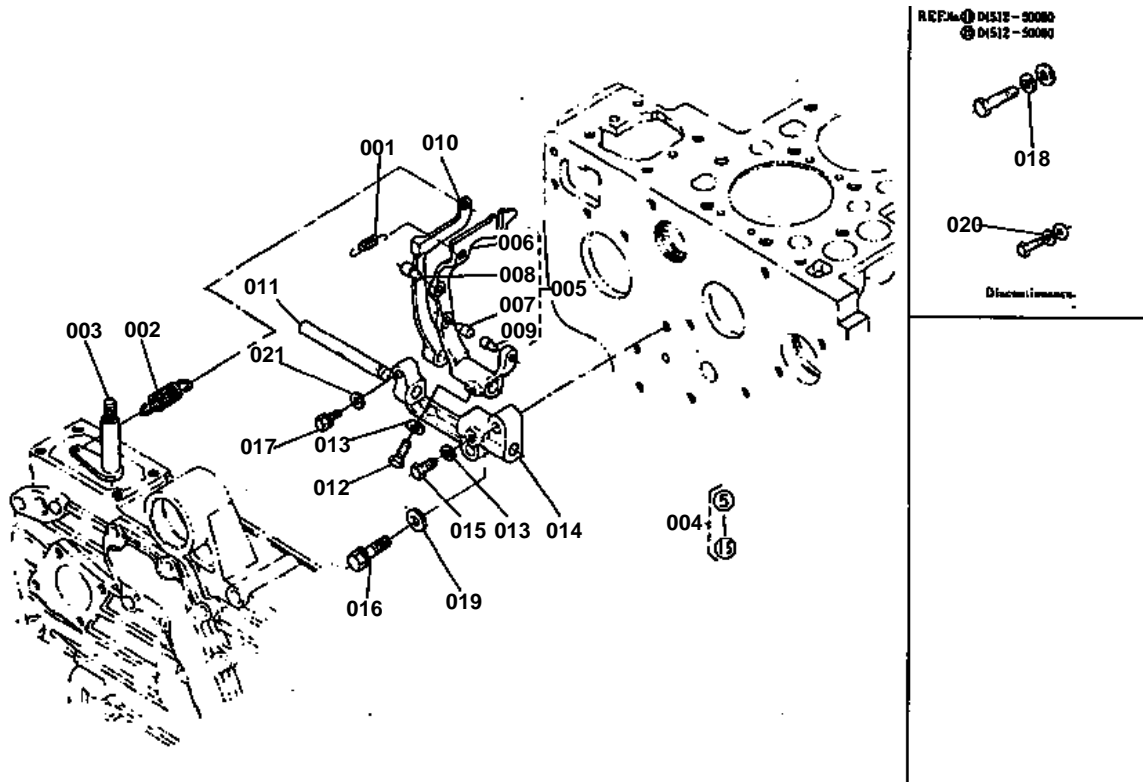


**SPEED CONTROL PLATE**

↔ Interchangeable; ≠ not interchangeable; ← new for old; → old for new

REF.No	Part No.	Description	Q'ty	S.No.	I/C	REMARKS	Weight (kgf)	Weight (lb)
001	15221-54030	ASSY APPARATUS,FUEL	1				0.045	0.099
002	15221-54030	ASSY APPARATUS,FUEL	1				0.045	0.099
003	99999-99999	BLANK	0			NON SALE	0	0
004	99999-99999	BLANK	0			NON SALE	0	0
005	15221-54230	SPRING	1				0.001	0.0022
006	99999-99999	BLANK	0			NON SALE	0	0
007	14301-54430	SCREW,SET	1				0.001	0.0022
008	14301-54250	NUT,LOCK	1				0.005	0.011
009	15221-54150	GASKET	2				0.001	0.0022
010	14301-54220	NUT,CAP	1				0.015	0.033
011	14301-54420	CAP	1				0.005	0.011
012	15221-57150	LEVER,SPEED CONTROL	1				0.07	0.154
013	05712-00408	KEY,FEATHER	1				0.001	0.0022
014	04811-00120	O RING	1				0.001	0.0022
015	04013-50080	WASHER,PLAIN(M08)	1				0	0
016	02052-50080	NUT(M08 P1.25)	2				0.004	0.0088
016	02112-50080	NUT(M08 P1.25)	2	>=1001			0.003	0.0066
017	17011-57380	PLATE,FRICITION	1				0	0
018	15221-57110	PLATE,SPEED CONTROL	1				0	0
019	15221-57210	PACKING,CONTROL PLAT	1				0	0
020	15221-88210	STUD	4				0.005	0.011
020	15221-88210	STUD	2	>=1001			0.005	0.011
021	02056-50060	NUT(M06 P1.00)	5				0.002	0.0044
021	02056-50060	NUT(M06 P1.00)	3	>=1001			0.002	0.0044
022	04512-50060	WASHER,SPRING(M06)	4				0	0
022	04512-50060	WASHER,SPRING(M06)	2	>=1001			0	0
023	04012-50060	WASHER,PLAIN(M06)	4				0.001	0.0022
024	99999-99999	BLANK	0			NON SALE	0	0
025	99999-99999	BLANK	0			NON SALE	0	0
026	99999-99999	BLANK	0			NON SALE	0	0
027	15321-54090	ASSY APPATUSE,IDLE	1	<=8948			0.04	0.088
027	15521-54090	ASSY APPATUSE,IDLE	1	>=8949			0.045	0.099
028	15321-54100	ASSY BOLT,ADJUSTING	1	<=8948			0.012	0.0264
028	15521-54100	ASSY BOLT,ADJUSTING	1	>=8949			0.015	0.033
029	15401-54250	BOLT,ADJUSTING	1	<=8948			0.01	0.022
029	15521-54250	BOLT,ADJUSTING	1	>=8949			0	0
030	15321-54260	SPRING	1	<=8948			0.005	0.011
030	15521-54260	SPRING	1	>=8949			0.001	0.0022
031	15401-92010	NUT	1				0.01	0.022
032	15401-92330	NUT,CAP	1	<=8948			0.01	0.022
032	15521-92330	NUT,CAP	1	>=8949			0.02	0.044
033	15021-33660	GASKET	1				0.001	0.0022
034	15401-54270	CAP	1	<=8948			0.004	0.0088
034	15521-54270	CAP	1	>=8949			0.003	0.0066
035	01023-50620	BOLT	2				0.006	0.0132

GOVERNOR

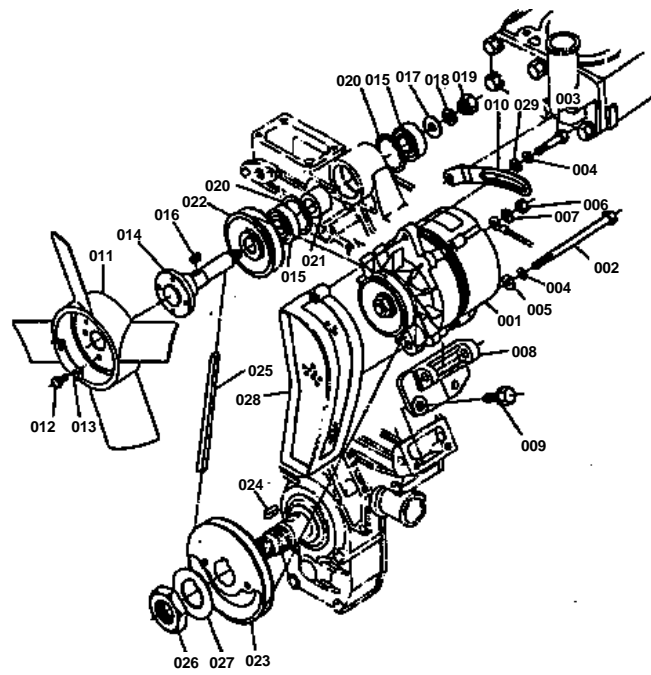


**GOVERNOR**

↔ Interchangeable; ≠ not interchangeable; ← new for old; → old for new

REF.No	Part No.	Description	Q'ty	S.No.	I/C	REMARKS	Weight (kgf)	Weight (lb)
001	15221-56480	SPRING,START	1				0.008	0.0176
002	15221-56410	SPRING,GOVERNOR	1				0.005	0.011
003	15221-56020	ASSY,LEVER GOVERNOR	1				0.06	0.132
004	15221-56050	ASSY LEVER,FORK	1				0.385	0.847
005	15221-56040	ASSY LEVER,FORK	1				0.144	0.3168
006	99999-99999	BLANK	0			ORDER BY REF.No.005	0	0
007	99999-99999	BLANK	0			ORDER BY REF.No.005	0	0
008	99999-99999	BLANK	0			ORDER BY REF.No.005	0	0
009	99999-99999	BLANK	0			ORDER BY REF.No.005	0	0
010	15221-56130	LEVER,FORK	1				0.065	0.143
011	15221-56150	SHAFT,FORK LEVER	1				0.1	0.22
012	15021-56240	BOLT,LEVER SHAFT	1				0.005	0.011
013	04512-50060	WASHER,SPRING	2				0	0
014	15221-56230	HOLDER,FORK LEVER	1				0.1	0.22
015	15221-66410	BOLT	1				0.005	0.011
016	15221-91060	BOLT	2				0.155	0.341
016	01123-50832	BOLT	2	>=1001			0.016	0.0352
017	01053-50628	BOLT	1				0.008	0.0176
017	01023-50628	BOLT	1	>=1001			0.015	0.033
018	04512-50080	WASHER,SPRING	2	<=8948			0.001	0.0022
019	04012-50080	WASHER,PLAIN	2				0.001	0.0022
020	04512-50060	WASHER,SPRING	1	<=8948			0	0
021	04012-50060	WASHER,PLAIN	1				0.001	0.0022

DYNAMO



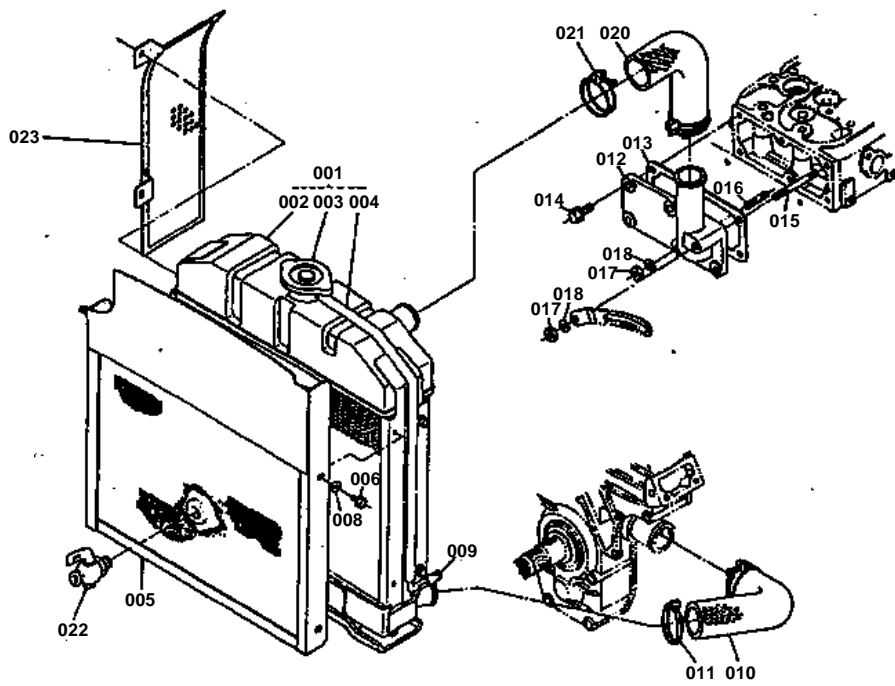


**DYNAMO**

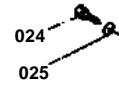
↔ Interchangeable; ≠ not interchangeable; ← new for old; → old for new

REF.No	Part No.	Description	Q'ty	S.No.	I/C	REMARKS	Weight (kgf)	Weight (lb)
001	15321-64010	ASSY DYNAMO	1				0	0
002	15221-91010	BOLT	1				0	0
002	15521-91030	BOLT	1	>=1001			0	0
003	01053-50835	BOLT	1				0.016	0.0352
003	01153-50835	BOLT	1	>=1001			0.016	0.0352
004	04512-50080	WASHER,SPRING	4				0.001	0.0022
004	04512-50080	WASHER,SPRING	2	>=1001			0.001	0.0022
005	04012-50080	WASHER,PLAIN	2				0.001	0.0022
005	04012-50080	WASHER,PLAIN	1	>=1001			0.001	0.0022
006	02056-50060	NUT	1				0.002	0.0044
007	04512-50060	WASHER,SPRING	1				0	0
008	15221-64355	SUPPORT,DYNAMO	1				0.398	0.8756
009	01053-50825	BOLT	2				0.014	0.0308
009	01123-50825	BOLT	2	>=1001			0.013	0.0286
010	15221-64420	STAY,DYNAMO	1				0.07	0.154
011	15221-74110	FAN	1				0.31	0.682
012	01053-50610	BOLT	4				0.004	0.0088
013	15131-74230	WASHER,FAN	2				0.005	0.011
014	15221-74140	SHAFT,FAN	1				0.315	0.693
015	08143-06203	BEARING,BALL (6203UU	2				0.064	0.1408
016	05712-00515	KEY,FEATHER	1				0.003	0.0066
017	04013-50120	WASHER,PLAIN	1				0	0
018	04512-50120	WASHER,SPRING	1				0.003	0.0066
019	02076-50120	NUT	1				0.015	0.033
020	04611-00400	CIR-CLIP,INTERNAL	2				0.005	0.011
021	15221-74190	COLLAR,FAN SHAFT	1				0.04	0.088
022	15221-74250	PULLEY,FAN	1				0.31	0.682
023	15221-74280	PULLEY,FAN DRIVE	1				0	0
024	05712-00720	KEY,FEATHER	1				0.008	0.0176
025	15221-72530	BELT,FAN	1				0.086	0.1892
026	15221-23360	NUT,CRANKSHAFT	1				0.11	0.242
027	15221-23380	WASHER,CRANKSHAFT	1				0.02	0.044
028	34155-13860	COVER,BELT LH	1	<=13492		FP,TP	0	0
028	34155-13866	COVER,BELT LH	1	>=13493		FP,TP	0.27	0.594
028	34155-13860	COVER,BELT LH	1	<=51501		DTP	0	0
028	34155-13866	COVER,BELT LH	1	>=51502		DTP	0.27	0.594
029	04013-50080	WASHER,PLAIN	1				0	0

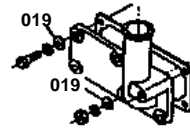
# RADIATOR



REF. No. 01202-50614  
REF. No. 04012-50000



REF. No. 04512-50060  
REF. No. 04012-50080



Discontinues.

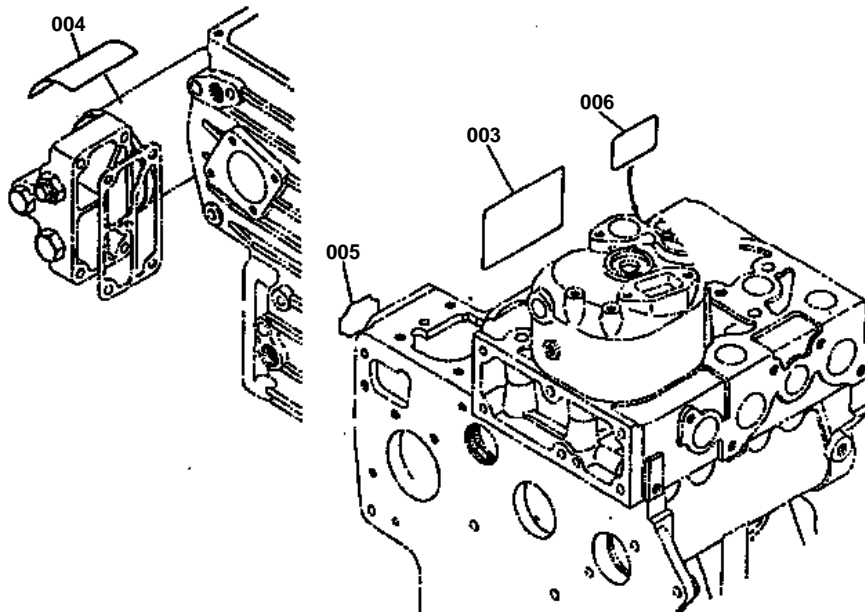
**RADIATOR**

↔ Interchangeable; ≠ not interchangeable; ← new for old; → old for new

REF.No	Part No.	Description	Q'ty	S.No.	I/C	REMARKS	Weight (kgf)	Weight (lb)
001	15291-72060	ASSY RADIATOR	1				7	15.4
002	99999-99999	BLANK	0			ORDER BY REF.No.001	0	0
003	15101-72030	CAP,RADIATOR	1				0.075	0.165
004	15221-72710	PIPE,WATER OVER FLOW	1				0.05	0.11
005	15221-72250	NET,RADIATOR	1	<=3659		FP,TP	1.5	3.3
005	15221-72250	NET,RADIATOR	1	<=4093		DTP	1.5	3.3
005	15291-72250	NET,RADIATOR	1	>=10001		FP,TP,DTP	1.89	4.158
006	01053-50612	BOLT	4				0.004	0.0088
006	01023-50612	BOLT	4	>=1001			0.005	0.011
007	04512-50060	WASHER,SPRING	4	<=8948			0	0
008	04013-50060	WASHER,PLAIN	3				0	0
009	15021-72040	WHISTLE,STEEM	1				0.03	0.066
010	15221-72850	PIPE,WATER	1				0.14	0.308
011	15108-72870	BAND	2				0.027	0.0594
012	15221-72910	FLANGE,WATER	1				0.28	0.616
013	15221-72920	GASKET,WATER FLANGE	1				0	0
014	01053-50822	BOLT	4				0.013	0.0286
014	01123-50822	BOLT	4	>=1001			0.012	0.0264
015	01513-50860	STUD	1				0.024	0.0528
016	01513-50822	STUD	1				0.01	0.022
017	02056-50080	NUT	2				0.005	0.011
017	02156-50080	NUT	2	>=1001			0.004	0.0088
018	04512-50080	WASHER,SPRING	6				0.001	0.0022
018	04512-50080	WASHER,SPRING	2				0.001	0.0022
019	04012-50080	WASHER,PLAIN	5	<=8948			0.001	0.0022
020	15221-72940	PIPE,WATER	1				0.136	0.2992
021	15108-72870	BAND	2				0.027	0.0594
022	14412-73110	COCK,DRAIN	1				0.09	0.198
023	34155-13850	COVER,RADIATOR FAN	1				0	0
023	35170-13850	COVER,RADIATOR FAN	1				0.4	0.88
024	01202-50614	BOLT	2	<=3659			0.006	0.0132
025	04012-50060	WASHER,PLAIN	2	<=4093			0.001	0.0022

NAME PLATE

---



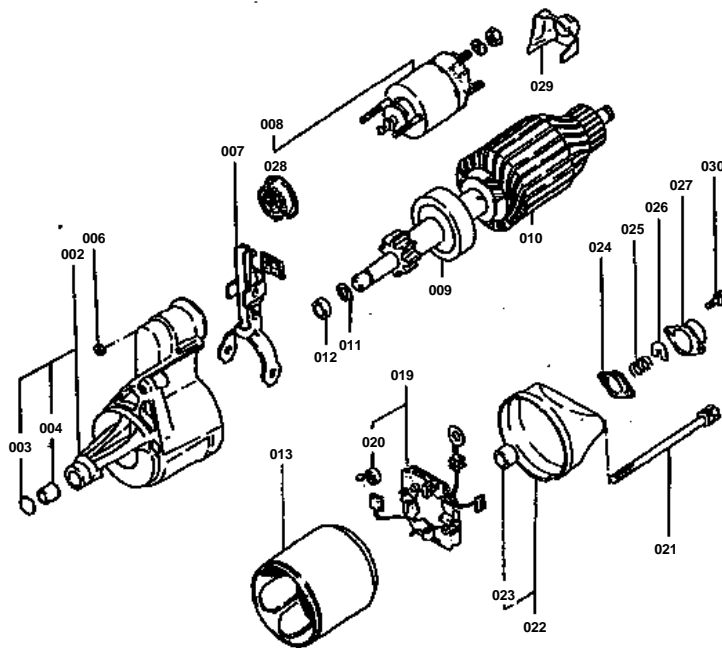


# NAME PLATE

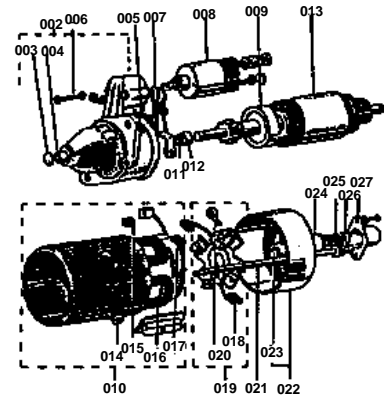
↔ Interchangeable; ≠ not interchangeable; ← new for old; → old for new

REF.No	Part No.	Description	Q'ty	S.No.	I/C	REMARKS	Weight (kgf)	Weight (lb)
001	99999-99999	BLANK	0				0	0
002	99999-99999	BLANK	0				0	0
003	15222-94310	LABEL,OIL	1				0.002	0.0044
004	15213-94400	LABEL,INSTRUCTION	1				0.001	0.0022
005	15222-87210	LABEL,INSTRUCTION	1				0.001	0.0022
006	15222-88210	LABEL,INSTRUCTION	1				0.003	0.0066

# STARTER



W.P. No. 15221-6303-0 15221-9136-0  
 15221-9616-0 15221-9658-0  
 15221-6324-0 15221-6306-0  
 15221-9137-0 15221-6337-0  
 15221-9302-0 15221-6336-0  
 15221-6305-0 15221-6334-0  
 15221-6302-0 15221-6335-0  
 15221-6304-0 15221-6332-0  
 15221-6307-0 15221-6320-0  
 15221-9482-0 15221-6325-0  
 15221-6323-0 15221-9687-0  
 15221-6306-0 15221-6319-0  
 15221-9485-0  
 15221-6261-0



**STARTER**

↔ Interchangeable; ≠ not interchangeable; ← new for old; → old for new

REF.No	Part No.	Description	Q'ty	S.No.	I/C	REMARKS	Weight (kgf)	Weight (lb)
001	99999-99999	BLANK	0				0	0
002	15221-63030	FRAME,DRIVE END	1	←=56414		(FP,TP)	1.4	3.08
002	15221-63033	FRAME,DRIVE END	1	≧=56415		(FP,TP)	0.49	1.078
002	15221-63030	FRAME,DRIVE END	1	←=52998		(DTP)	1.4	3.08
002	15221-63033	FRAME,DRIVE END	1	≧=52999		(DTP)	0.49	1.078
003	15321-96160	PLUG,EXPANSION	1	←=56414		(FP,TP)	0.001	0.0022
003	14278-96160	PLUG,EXPANSION	1	≧=56415		(FP,TP)	0.002	0.0044
003	15321-96160	PLUG,EXPANSION	1	←=52998		(DTP)	0.001	0.0022
003	14278-96160	PLUG,EXPANSION	1	≧=52999		(DTP)	0.002	0.0044
004	15221-63240	BUSH	1	←=56414		(FP,TP)	0	0
004	17016-63250	BUSH	1	≧=56415		(FP,TP)	0.006	0.0132
004	15221-63240	BUSH	1	←=52998		(DTP)	0	0
004	17016-63250	BUSH	1	≧=52999		(DTP)	0.006	0.0132
005	15321-91390	BOLT,SET	1	←=56414		(FP,TP)	0.009	0.0198
005	15321-91390	BOLT,SET	1	←=52998		(DTP)	0.009	0.0198
006	15221-91020	BOLT	2	←=56414		(FP,TP)	0.01	0.022
006	14278-92010	NUT	2	≧=56415		(FP,TP)	0.001	0.0022
006	15221-91020	BOLT	2	←=52998		(DTP)	0.01	0.022
006	14278-92010	NUT	2	≧=52999		(DTP)	0.001	0.0022
007	15221-63050	LEVER,DRIVE	1	←=56414		(FP,TP)	0.044	0.0968
007	14278-63050	LEVER,DRIVE	1	≧=56415		(FP,TP)	0.06	0.132
007	15221-63050	LEVER,DRIVE	1	←=52998		(DTP)	0.044	0.0968
007	14278-63050	LEVER,DRIVE	1	≧=52999		(DTP)	0.06	0.132
008	15321-63020	SWITCH,MAGNETIC	1	←=56414		(FP,TP)	0.65	1.43
008	15231-63020	SWITCH,MAGNETIC	1	≧=56415		(FP,TP)	0.692	1.5224
008	15321-63020	SWITCH,MAGNETIC	1	←=52998		(DTP)	0.65	1.43
008	15231-63020	SWITCH,MAGNETIC	1	≧=52999		(DTP)	0.692	1.5224
009	15221-63040	CLUTCH,OVER RUNNING	1	←=56414		(FP,TP)	0.342	0.7524
009	15221-63042	CLUTCH,OVER RUNNING	1	≧=56415		(FP,TP)	0.31	0.682
009	15221-63040	CLUTCH,OVER RUNNING	1	←=52998		(DTP)	0.342	0.7524
009	15221-63042	CLUTCH,OVER RUNNING	1	≧=52999		(DTP)	0.31	0.682
010	15221-63070	ARMATURE	1	←=56414		(FP,TP)	1.8	3.96
010	14278-63070	ARMATURE	1	≧=56415		(FP,TP)	1.25	2.75
010	15221-63070	ARMATURE	1	←=52998		(DTP)	1.8	3.96
010	14278-63070	ARMATURE	1	≧=52999		(DTP)	1.25	2.75
011	15221-94820	PIN,SNAP	1				0.001	0.0022
012	15321-63230	COLLAR	1	←=56414		(FP,TP)	0	0
012	15321-63250	COLLAR	1	≧=56415		(FP,TP)	0.005	0.011
012	15321-63230	COLLAR	1	←=52998		(DTP)	0	0
012	15321-63250	COLLAR	1	≧=52999		(DTP)	0.005	0.011
013	15221-63080	YOKE	1	←=56414		(FP,TP)	1.7	3.74
013	14278-63080	YOKE	1	≧=56415		(FP,TP)	1.42	3.124
013	15221-63080	YOKE	1	←=52998		(DTP)	1.7	3.74
013	14278-63080	YOKE	1	≧=52999		(DTP)	1.42	3.124
014	15221-91380	BOLT,SET	4				0.008	0.0176
015	15221-96680	GASKET	1				0.002	0.0044
016	15221-63090	COIL,FIELD	1	←=56414		(FP,TP)	0	0
016	15221-63090	COIL,FIELD	1	←=52998		(DTP)	0	0
017	15221-63370	BRUSH	2				0.006	0.0132
018	15221-63360	BRUSH	2				0.006	0.0132
019	15221-63380	HOLDER,BRUSH	1	←=56414		(FP,TP)	0.13	0.286
019	14278-63380	HOLDER,BRUSH	1	≧=56415		(FP,TP)	0.06	0.132
019	15221-63380	HOLDER,BRUSH	1	←=52998		(DTP)	0.13	0.286
019	14278-63380	HOLDER,BRUSH	1	≧=52999		(DTP)	0.06	0.132
020	15221-63390	SPRING,BRUSH	1	←=56414		(FP,TP)	0.003	0.0066

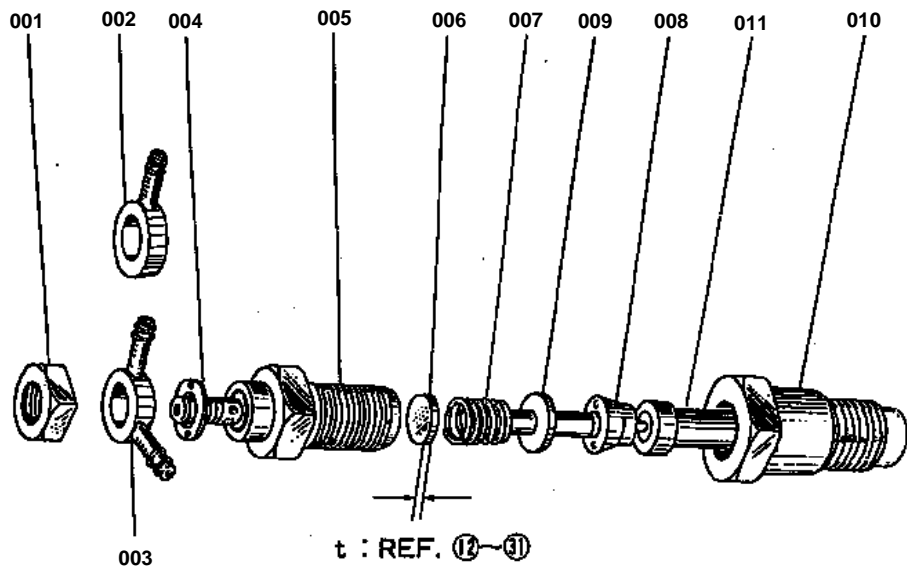
**STARTER**

↔ Interchangeable; ≠ not interchangeable; ← new for old; → old for new

REF.No	Part No.	Description	Q'ty	S.No.	I/C	REMARKS	Weight (kgf)	Weight (lb)
020	14278-63390	SPRING,BRUSH	1	>=56415		(FP,TP)	0.003	0.0066
020	15221-63390	SPRING,BRUSH	1	<=52998		(DTP)	0.003	0.0066
020	14278-63390	SPRING,BRUSH	1	>=52999		(DTP)	0.003	0.0066
021	15221-63320	BOLT,THROUGH	1	<=56414		(FP,TP)	0.017	0.0374
021	14278-63320	BOLT,THROUGH	1	>=56415		(FP,TP)	0.02	0.044
021	15221-63320	BOLT,THROUGH	1	<=52998		(DTP)	0.017	0.0374
021	14278-63320	BOLT,THROUGH	1	>=52999		(DTP)	0.02	0.044
022	15221-63200	FRAME,END	1				0.254	0.5588
022	15291-63200	FRAME,END	1	<=56414		(FP,TP)	0.265	0.583
022	14278-63200	FRAME,END	1	>=56415		(FP,TP)	0.2	0.44
022	15291-63200	FRAME,END	1	<=52998		(DTP)	0.265	0.583
022	14278-63200	FRAME,END	1	>=52999		(DTP)	0.2	0.44
023	15221-63250	BUSH	1	<=56414		(FP,TP)	0.006	0.0132
023	14278-63250	BUSH	1	>=56415		(FP,TP)	0.002	0.0044
023	15221-63250	BUSH	1	<=52998		(DTP)	0.006	0.0132
023	14278-63250	BUSH	1	>=52999		(DTP)	0.002	0.0044
024	15221-96670	GASKET	1	<=56414		(FP,TP)	0.001	0.0022
024	14278-63520	GASKET	1	>=56415		(FP,TP)	0.001	0.0022
024	15221-96670	GASKET	1	<=52998		(DTP)	0.001	0.0022
024	14278-63520	GASKET	1	>=52999		(DTP)	0.001	0.0022
025	15221-63490	SPRING,RETURN	1	<=56414		(FP,TP)	0.004	0.0088
025	14278-63190	SPRING,RETURN	1	>=56415		(FP,TP)	0.01	0.022
025	15221-63490	SPRING,RETURN	1	<=52998		(DTP)	0.004	0.0088
025	14278-63190	SPRING,RETURN	1	>=52999		(DTP)	0.01	0.022
026	15221-94030	WASHER	1	<=56414		(FP,TP)	0.003	0.0066
026	14278-63180	WASHER SHOU,BRAKE	1	>=56415		(FP,TP)	0.005	0.011
026	15221-94030	WASHER	1	<=52998		(DTP)	0.003	0.0066
026	14278-63180	WASHER SHOU,BRAKE	1	>=52999		(DTP)	0.005	0.011
027	15221-63510	CAP,END FRAME	1	<=56414		(FP,TP)	0.01	0.022
027	14278-63510	CAP,END FRAME	1	>=56415		(FP,TP)	0.015	0.033
027	15221-63510	CAP,END FRAME	1	<=52998		(DTP)	0.01	0.022
027	14278-63510	CAP,END FRAME	1	>=52999		(DTP)	0.015	0.033
028	14278-63450	COVER	1	>=56415		(FP,TP)	0.01	0.022
028	14278-63450	COVER	1	>=52999		(DTP)	0.01	0.022
029	14278-63120	COVER,CORD	1	>=56415		(FP,TP)	0.003	0.0066
029	14278-63120	COVER,CORD	1	>=52999		(DTP)	0.003	0.0066
030	03024-50414	SCREW	2	>=56415		(FP,TP)	0.002	0.0044
030	03024-50414	SCREW	2	>=52999		(DTP)	0.002	0.0044



# NOZZLE HOLDER



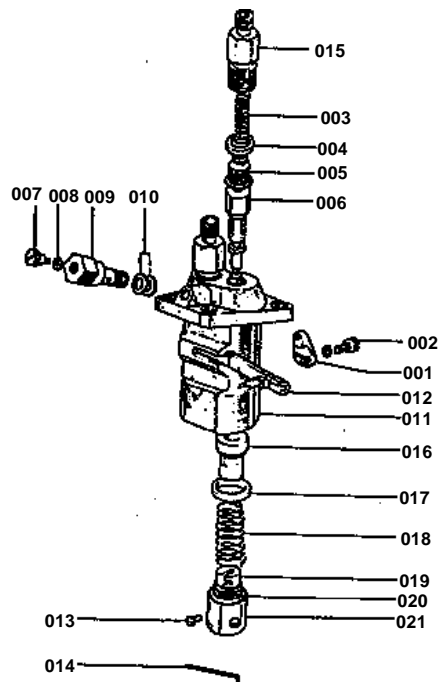


NOZZLE HOLDER

↔ Interchangeable; ≠ not interchangeable; ← new for old; → old for new

REF.No	Part No.	Description	Q'ty	S.No.	I/C	REMARKS	Weight (kgf)	Weight (lb)
001	15221-92020	NUT	1				0.011	0.0242
002	15221-95680	JOINT,EYE	1				0.021	0.0462
003	15221-95690	JOINT,EYE	1				0.022	0.0484
004	15221-94020	WASHER,PLAIN	1				0.002	0.0044
005	99999-99999	BLANK	0			ORDER BY REF.No.002	0	0
006	15221-53230	WASHER,ADJUSTING	1				0.001	0.0022
007	15221-53170	SPRING,NOZZLE	1				0.01	0.022
008	15221-53350	PIECE,DISTANCE	1				0.016	0.0352
009	15221-53160	ROD,PUSH	1				0.003	0.0066
010	15221-53280	NUT,NOZZLE	1				0.068	0.1496
011	15021-53610	PIECE,NOZZLE	1				0	0
012	15221-98110	WASHER,ADJUSTING 100	1			THICK NESS=1.00MM	0.001	0.0022
013	15221-98120	WASHER,ADJUSTING 105	1			THICK NESS=1.05MM	0.001	0.0022
014	15221-98130	WASHER,ADJUSTING 110	1			THICK NESS=1.10MM	0.001	0.0022
015	15221-98140	WASHER,ADJUSTING 115	1			THICK NESS=1.15MM	0.001	0.0022
016	15221-98150	WASHER,ADJUSTING 120	1			THICK NESS=1.20MM	0.001	0.0022
017	15221-98160	WASHER,ADJUSTING 125	1			THICK NESS=1.25MM	0.001	0.0022
018	15221-98170	WASHER,ADJUSTING 130	1			THICK NESS=1.30MM	0.001	0.0022
019	15221-98180	WASHER,ADJUSTING 135	1			THICK NESS=1.35MM	0.001	0.0022
020	15221-98190	WASHER,ADJUSTING 140	1			THICK NESS=1.40MM	0.002	0.0044
021	15221-98200	WASHER,ADJUSTING 145	1			THICK NESS=1.45MM	0.001	0.0022
022	15221-98210	WASHER,ADJUSTING 150	1			THICK NESS=1.50MM	0.001	0.0022
023	15221-98220	WASHER,ADJUSTING 155	1			THICK NESS=1.55MM	0.003	0.0066
024	15221-98230	WASHER,ADJUSTING 160	1			THICK NESS=1.60MM	0.003	0.0066
025	15221-98240	WASHER,ADJUSTING 165	1			THICK NESS=1.65MM	0.002	0.0044
026	15221-98250	WASHER,ADJUSTING 170	1			THICK NESS=1.70MM	0.002	0.0044
027	15221-98260	WASHER,ADJUSTING 175	1			THICK NESS=1.75MM	0.002	0.0044
028	15221-98270	WASHER,ADJUSTING 180	1			THICK NESS=1.80MM	0.002	0.0044
029	15221-98280	WASHER,ADJUSTING 185	1			THICK NESS=1.85MM	0.002	0.0044
030	15221-98290	WASHER,ADJUSTING 190	1			THICK NESS=1.90MM	0.002	0.0044
031	15221-98300	WASHER,ADJUSTING 195	1			THICK NESS=1.95MM	0.003	0.0066

# INJECTION PUMP

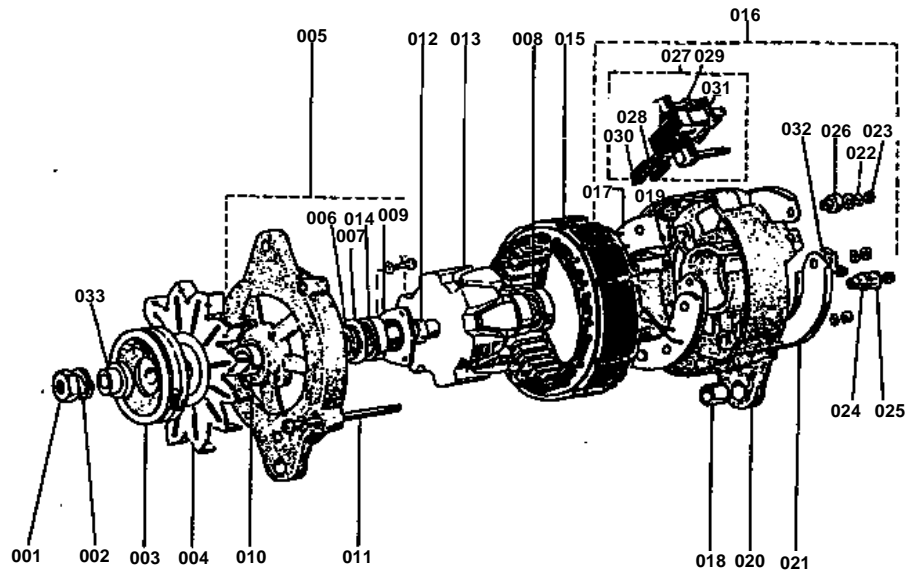


**INJECTION PUMP**

↔ Interchangeable; ≠ not interchangeable; ← new for old; → old for new

REF.No	Part No.	Description	Q'ty	S.No.	I/C	REMARKS	Weight (kgf)	Weight (lb)
001	15221-51390	PLATE,ADJUST	1				0	0
002	15221-91030	BOLT	1				0	0
003	15221-51230	SPRING, DELIV.VALVE	2				0.002	0.0044
004	15221-51240	GASKET, DELIV.VALVE	2				0.001	0.0022
005	15221-51030	VALVE,DELIVERY	2				0.012	0.0264
006	15221-51050	ELEMENT,PUMP	2				0.053	0.1166
007	15221-51350	SCREW	1				0.008	0.0176
008	15221-96660	GASKET	1				0.002	0.0044
009	15221-51320	SCREW	1				0.032	0.0704
010	15221-96650	GASKET	2				0.001	0.0022
011	99999-99999	BLANK	0			ORDER BY REF.No.001 ON FIG.No.014	0	0
012	15221-99750	RACK,CONTROL	1				0.97	2.134
013	15221-51250	PIN,TAPPET GUIDE	2				0.001	0.0022
014	15221-51430	PIN,CLAMP	1				0.001	0.0022
015	15601-51220	HOLDER, DELIV.VALVE	2				0.055	0.121
016	15221-51380	SLEEVE,CONTROL	2				0	0
017	15221-51270	SEAT,SPRING UPPER	2				0.004	0.0088
018	15221-51280	SPRING,PLUNGER	2				0.015	0.033
019	15221-51290	SEAT,SPRING UNDER	2				0.01	0.022
020	15221-51490	SHIM	1				0.002	0.0044
021	15221-51070	ASSY TAPPET	2				0.039	0.0858

DYNAMO

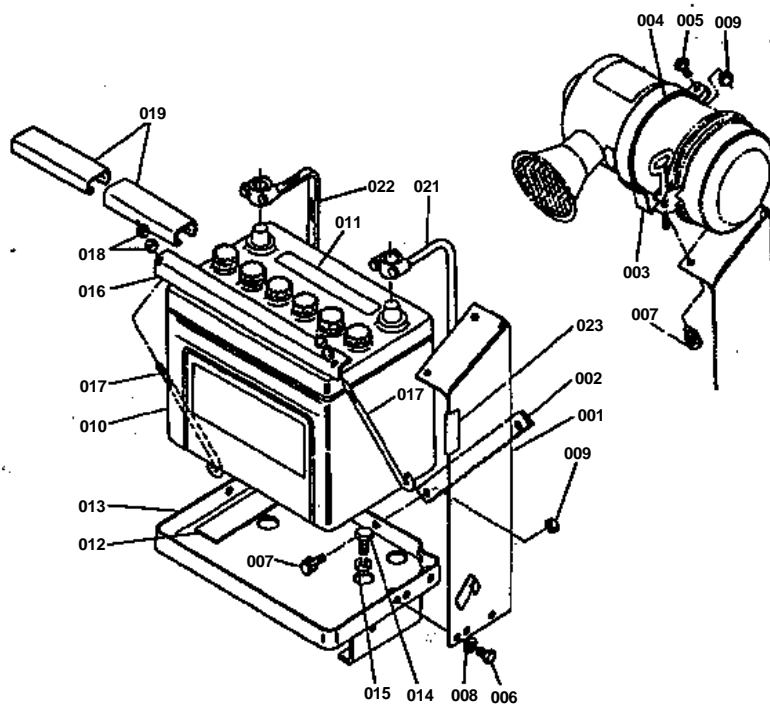


**DYNAMO**

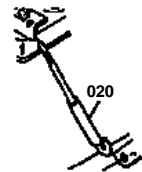
↔ Interchangeable; ≠ not interchangeable; ← new for old; → old for new

REF.No	Part No.	Description	Q'ty	S.No.	I/C	REMARKS	Weight (kgf)	Weight (lb)
001	15221-92010	NUT	1				0.012	0.0264
002	15221-94070	WASHER,SPRING	1				0.008	0.0176
003	15221-64110	PULLEY,DYNAMO	1				0.198	0.4356
004	15221-64130	FAN,DYNAMO	1				0	0
005	15321-64020	FRAME,DRIVE END	1				0	0
006	15221-64790	FELT,OIL	1				0.001	0.0022
007	15221-64830	COVER,FELT	1				0.003	0.0066
008	08121-06201	BEARING,BALL (6201ZZ)	1				0.036	0.0792
009	15221-64710	PLATE,RETAINER	1				0.018	0.0396
010	15221-64150	COLLAR	1				0.008	0.0176
011	15321-64260	BOLT,THROUGH	2				0.008	0.0176
012	15321-64170	SPACER	1				0.007	0.0154
013	15321-64030	ARMATURE	1				1.29	2.838
014	08141-06202	BEARING,BALL (6202UU)	1				0.043	0.0946
015	15321-64050	YOKE	1				0.75	1.65
016	15321-64070	ASSY FRAME,END	1				0.52	1.144
017	15321-64850	ASSY RELTIFIER	1				0.134	0.2948
018	15221-64210	BUSH	1				0.007	0.0154
019	15321-64880	WASHER,INSULATION	1				0.001	0.0022
020	15321-64060	FRAME,END	1				0.298	0.6556
021	15321-64230	COVER,END	1				0.029	0.0638
022	04512-50050	WASHER,SPRING	5				0	0
023	15221-92030	NUT	5				0.001	0.0022
024	15321-64920	BUSH,INSULATION	1				0.001	0.0022
025	14611-51400	WASHER	1				0	0
026	15221-64910	BUSH,INSULATION	1				0.001	0.0022
027	15321-64310	ASSY HOLDER,BRUSH	1				0.039	0.0858
028	15221-64330	SPRING,BRUSH	2				0.001	0.0022
029	15221-64880	WASHER,INSULATION	2				0.001	0.0022
030	15221-64090	BRUSH	2				0.002	0.0044
031	15321-64940	INSULATER,TERMINAL	1				0.001	0.0022
032	15321-67570	CLAMP,CORD	1				0.04	0.088
033	15321-64170	SPACER	1				0.007	0.0154

BATTERY



REF. No. 34150-3328-0



Discontinua.

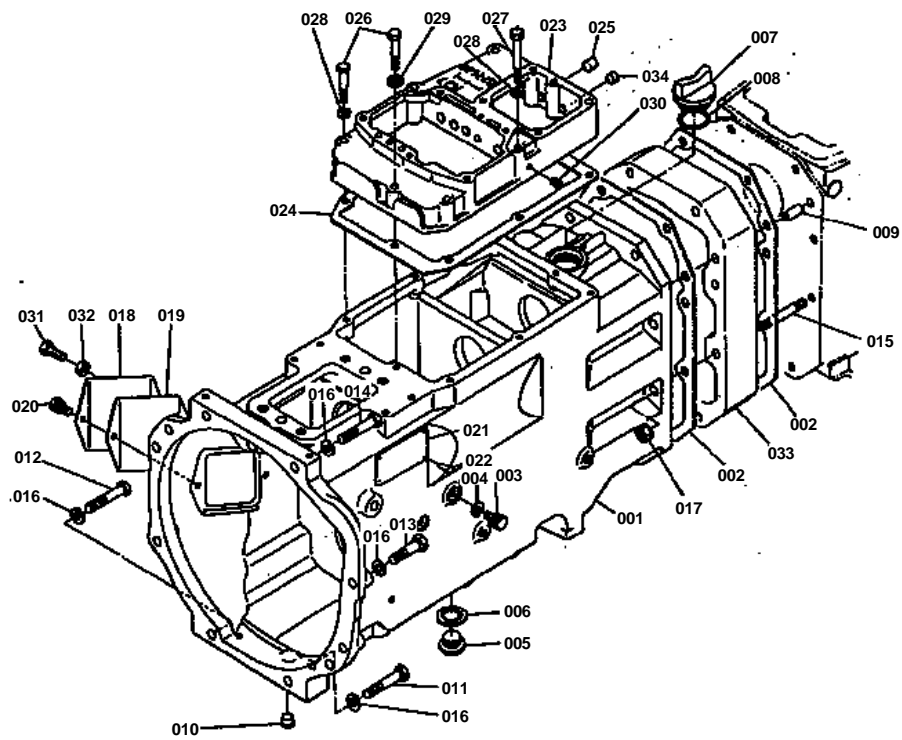
**BATTERY**

↔ Interchangeable; ≠ not interchangeable; ← new for old; → old for new

REF.No	Part No.	Description	Q'ty	S.No.	I/C	REMARKS	Weight (kgf)	Weight (lb)
001	34159-13910	SUPPORT,AIR CLEANER	1				0	0
001	35170-13910	SUPPORT,AIR CLEANER	1	>=50001			0.65	1.43
002	34159-13920	STAY,AIR SUPPORT	1				0.13	0.286
003	34150-13960	BAND,AIR CLEANER	1				0.178	0.3916
004	34150-13970	CUSHION	1				0.02	0.044
005	01222-50842	BOLT	1				0.017	0.0374
006	01150-50812	BOLT	2				0.009	0.0198
007	01120-50816	BOLT	4	<=52471			0	0
007	01120-50816	BOLT	2	>=52472		L185-3	0	0
008	04411-50080	WASHER LOCK,TOOTHED	2				0.001	0.0022
009	02114-50080	NUT	3				0.005	0.011
010	34159-33100	BATTERY	1				6	13.2
011	31210-33130	LABEL,BATTER	1				0.002	0.0044
012	34150-33220	CUSHION	2				0.015	0.033
013	37150-33210	SUPPORT,BATTERY	1				2.2	4.84
013	35170-33210	SUPPORT,BATTERY	1	>=50001			2.3	5.06
014	01170-51018	BOLT	4				0.017	0.0374
015	04512-50100	WASHER,SPRING	4				0	0
016	34150-33270	RETAINER,BATTERY	1				0	0
017	34150-33290	BOLT,HOOK	2				0.055	0.121
018	02014-50060	NUT	4				0.003	0.0066
019	34150-33393	COVER,BATTERY	2				0.02	0.044
020	34150-33280	PIPE,RUBBER	2				0.004	0.0088
021	37150-33330	CORD,BATTERY	1				0.34	0.748
022	37150-33380	CORD,EARTH	1	<=50080			0.19	0.418
022	37220-33380	CORD,EARTH	1	>=50081			0.21	0.462
023	37150-13920	CUSHION	1				0.005	0.011



# CLUTCH HOUSING



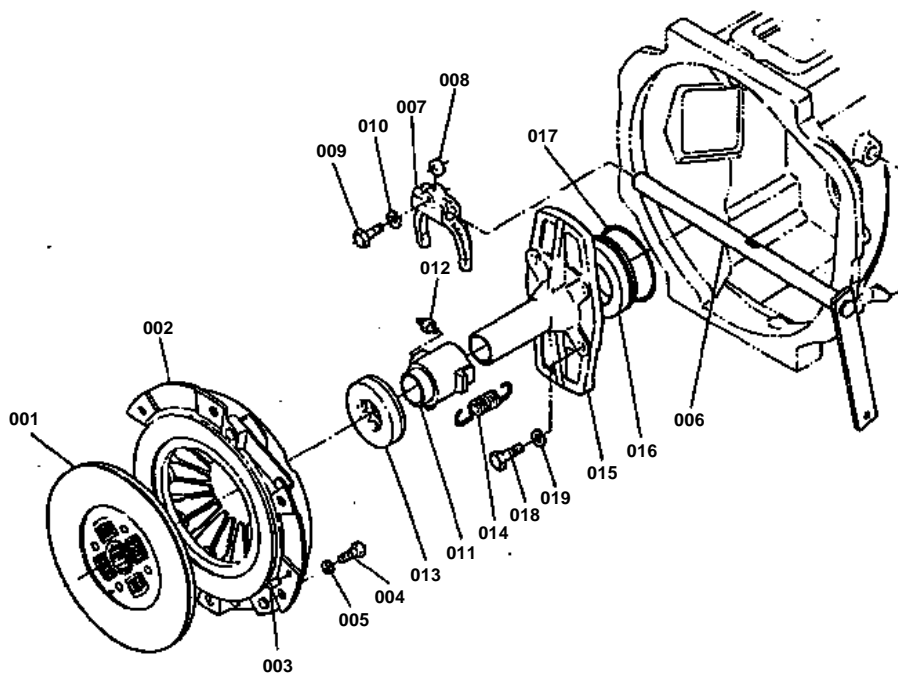


# CLUTCH HOUSING

↔ Interchangeable; ≠ not interchangeable; ← new for old; → old for new

REF.No	Part No.	Description	Q'ty	S.No.	I/C	REMARKS	Weight (kgf)	Weight (lb)
001	37150-14110	HOUSING,CLUTCH	1				41.5	91.3
002	34150-14140	PACKING	2				0	0
003	06311-25010	PLUG	1				0.014	0.0308
004	04717-01000	WASHER,SEAL	1				0.001	0.0022
005	34150-14260	PLUG,DRAIN	1				0	0
006	04717-02150	WASHER,SEAL	1				0.004	0.0088
007	32240-21410	PLUG,OIL FILLER	1				0.005	0.011
007	38430-21410	PLUG,OIL FILLER	1				0.045	0.099
008	04811-50300	O RING	1				0.001	0.0022
009	37150-14150	PIN,STRAIGHT	4				0.125	0.275
009	05012-01018	PIN,STRAIGHT	4				0.012	0.0264
010	32210-27580	PLUG	6				0.001	0.0022
011	01173-51070	BOLT	1				0.044	0.0968
012	01173-51050	BOLT	1				0.035	0.077
013	01173-51040	BOLT	4				0.028	0.0616
014	01173-51042	BOLT	2				0.03	0.066
015	35110-14180	STUD	8				0.06	0.132
016	04512-50100	WASHER,SPRING	8				0	0
017	37150-14190	NUT	8				0.016	0.0352
018	34150-14160	COVER,HOUSING	1				0.15	0.33
019	34150-14170	GASKET,HOUSING	1				0.03	0.066
020	01120-50816	BOLT	1				0	0
021	35120-19830	NAME PLATE,BODY	1				0.004	0.0088
022	34152-57920	RIVET	4				0.001	0.0022
023	37150-21210	COVER,SPEED CHANGE	1				1.14	2.508
024	34650-59140	GASKET	1				0	0
025	34150-21250	PLUG	5				0.002	0.0044
026	01153-50840	BOLT	3				0.018	0.0396
027	01153-50850	BOLT	3				0.02	0.044
028	04512-50080	WASHER,SPRING	5				0.001	0.0022
029	04717-00800	WASHER,SEAL	1				0.001	0.0022
030	34150-23960	PLUG	2				0	0
031	01150-50825	BOLT	1				0	0
032	02114-50080	NUT	1				0.005	0.011
033	34159-14150	SPACER	1	>=50001			0	0
033	38240-21150	SPACER	1	<=52953			3.5	7.7
033	38240-21153	SPACER	1	>=52954			0	0
034	34269-21250	PLUG	1				0	0

# CLUTCH



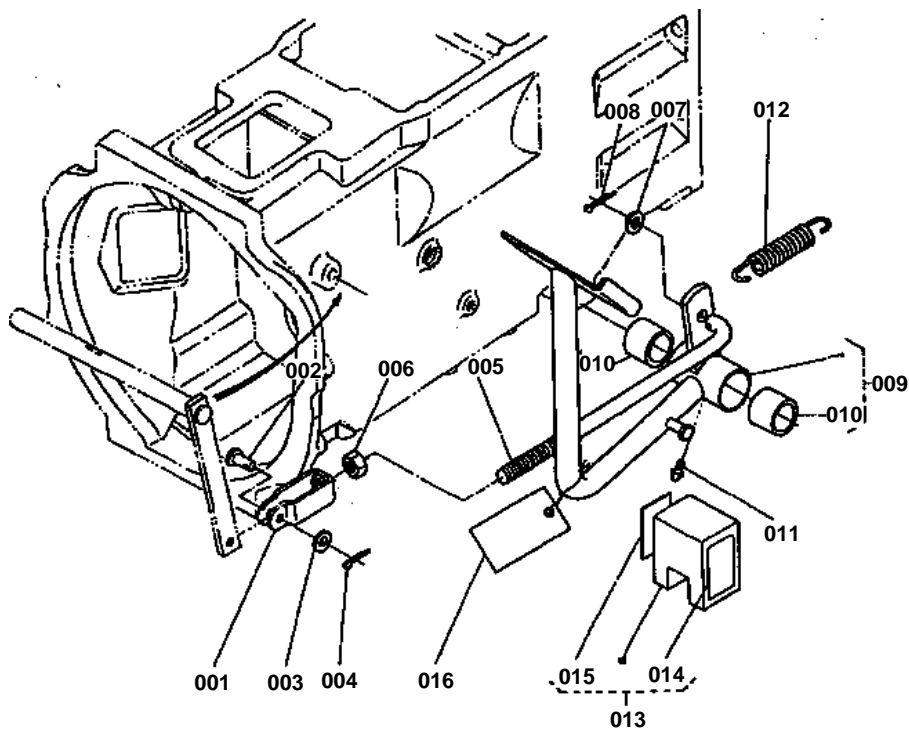


# CLUTCH

↔ Interchangeable; ≠ not interchangeable; ← new for old; → old for new

REF.No	Part No.	Description	Q'ty	S.No.	I/C	REMARKS	Weight (kgf)	Weight (lb)
001	35170-14300	ASSY.DISK,CLUTCH	1				0	0
002	37150-14500	ASSY.PLATE,PRESSURE	1				2.97	6.534
003	05012-00814	PIN,STRAIGHT	3				0.006	0.0132
004	01153-50816	BOLT	6				0.01	0.022
005	04512-50080	WASHER,SPRING	6				0.001	0.0022
006	37150-14714	LEVER,CLUTCH	1				0.5	1.1
007	31150-14720	FORK	1				0.24	0.528
008	31150-14780	KEY,FORK	1				0.003	0.0066
009	01153-50822	BOLT	1				0.011	0.0242
010	04512-50080	WASHER,SPRING	1				0.001	0.0022
011	37150-14810	HUB,CLUTCH RELEASE	1				0.385	0.847
012	06613-10010	NIPPLE,GREASE	1				0.006	0.0132
013	37150-14820	BEARING,CLUTCH LEVER	1				0.15	0.33
014	34150-14840	SPRING	1				0.01	0.022
015	37150-15410	CASE,PROPELLER SHAFT	1				0	0
016	37150-15420	SPACER	1				0.105	0.231
017	04811-50650	O RING	1				0.002	0.0044
018	01153-50830	BOLT	4				0	0
019	04512-50080	WASHER,SPRING	4				0.001	0.0022

# CLUTCH PEDAL



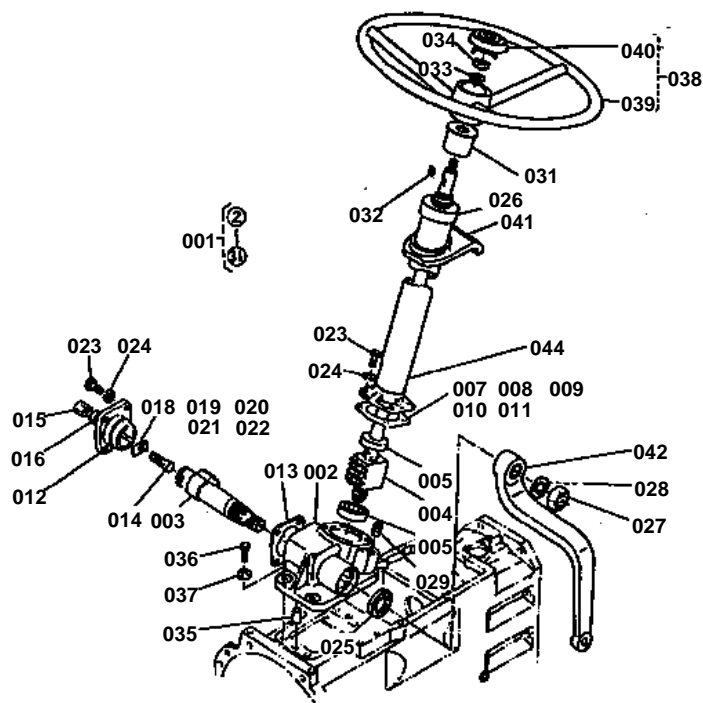


## CLUTCH PEDAL

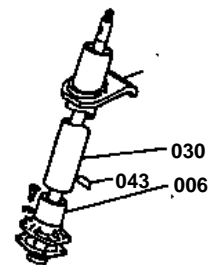
↔ Interchangeable; ≠ not interchangeable; ← new for old; → old for new

REF.No	Part No.	Description	Q'ty	S.No.	I/C	REMARKS	Weight (kgf)	Weight (lb)
001	34150-15630	JOINT,FORKED	1				0.095	0.209
002	05112-50822	PIN,JOINT	1				0.01	0.022
003	04012-50080	WASHER,PLAIN	1				0.001	0.0022
004	05511-50220	PIN,SPLIT	1				0.001	0.0022
005	34150-15640	ROD,CLUTCH	1				0.195	0.429
006	02172-50120	NUT	1				0.01	0.022
007	04013-50120	WASHER,PLAIN	1				0	0
008	05511-50425	PIN,SPLIT	1				0.003	0.0066
009	37150-15710	PEDAL,CLUTCH	1				1.4	3.08
010	34150-28430	BUSH	2				0.04	0.088
011	06613-10675	NIPPLE,GREASE	1				0.003	0.0066
012	37150-15840	SPRING	1				0.06	0.132
013	34159-15900	ASSY PIECE,DISTANCE	1				0.05	0.11
014	31220-15970	MARK,SPACER	1				0.001	0.0022
015	32170-15930	LABEL,PEDAL A	1				0.001	0.0022
016	32140-15940	CARD,INSTRUCTION	1				0	0
016	35170-15940	CARD,INSTRUCTION	1				0.015	0.033

# STEERING



REF. No. 34150-1031-0  
 34150-1031-0  
 35110-1034-0



Discontinuo.

REF. No. 61011-1014-0



Discontinuo.

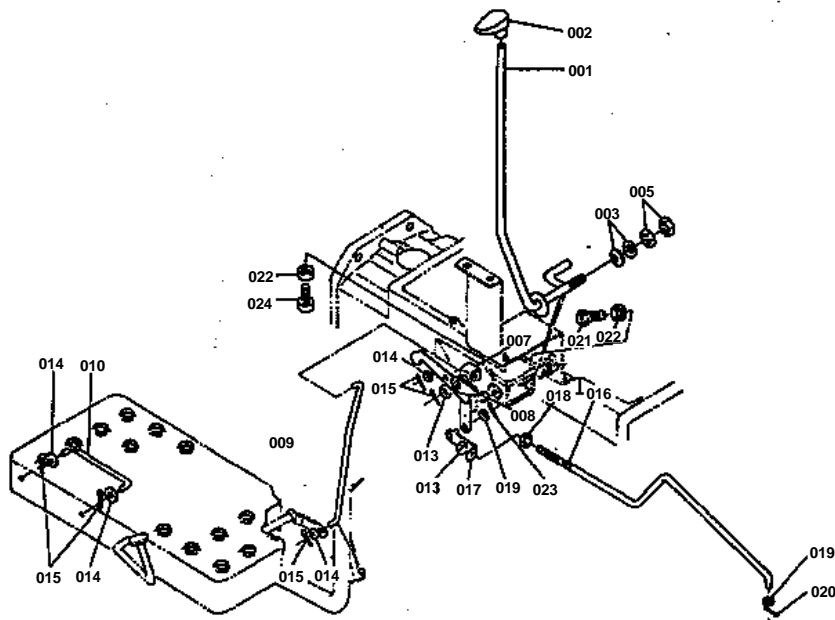
**STEERING**

↔ Interchangeable; ≠ not interchangeable; ← new for old; → old for new

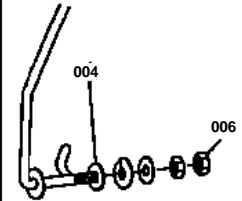
REF.No	Part No.	Description	Q'ty	S.No.	I/C	REMARKS	Weight (kgf)	Weight (lb)
001	34150-16100	ASSY STEERING	1	<=51201			0	0
001	35240-16100	ASSY STEERING	1	>=51202			7.2	15.84
002	34150-16110	CASE,GEAR	1	<=51201			2.716	5.9752
002	35240-16110	CASE,GEAR	1	>=51202			2.9	6.38
003	34150-16120	SHAFT,SECTOR	1	<=51201			0.67	1.474
003	35240-16120	SHAFT,SECTOR	1	>=51202			0	0
004	34150-16200	BALL NUT	1				1.62	3.564
005	34150-16220	BEARING,THRUST BALL	2				0.05	0.11
006	34150-16310	COVER,REAR	1	<=51201			0.49	1.078
007	34150-16320	SHIM	1				0.001	0.0022
008	34150-16330	SHIM	1				0.001	0.0022
009	34150-16340	SHIM	1				0.001	0.0022
010	34150-16350	SHIM	1				0.001	0.0022
011	34150-16360	SHIM	2				0.003	0.0066
012	34150-16410	COVER,SIDE	1				0.361	0.7942
013	34150-16420	GASKET	1				0.001	0.0022
014	34150-16430	SCREW,ADJUSTING	1				0.026	0.0572
015	34150-16490	NUT	1				0.024	0.0528
015	02116-50100	NUT	1				0.004	0.0088
016	04714-00100	GASKET	1				0.002	0.0044
016	38430-16490	WASHER,SEAL	1				0.015	0.033
017	61011-18140	PLUG,RUBBER	1				0.002	0.0044
018	34150-16440	COLLAR,ADJUSTING 1	1				0.002	0.0044
019	34150-16450	COLLAR,ADJUSTING 2	1				0.002	0.0044
020	34150-16460	COLLAR,ADJUSTING 3	1				0.002	0.0044
021	34150-16470	COLLAR,ADJUSTING 4	1				0.002	0.0044
022	34150-16480	COLLAR,ADJUSTING 5	1				0.002	0.0044
023	01153-50822	BOLT	8				0.011	0.0242
024	04512-50080	WASHER,SPRING	8				0.001	0.0022
025	09500-26387	SEAL,OIL	1				0.008	0.0176
026	37300-16390	SEAL,OIL	1				0.03	0.066
027	02172-50200	NUT	1				0.03	0.066
028	04512-50200	WASHER,SPRING	1				0	0
029	34150-16640	PLUG	1				0.015	0.033
030	34150-16510	POST,STEERING	1				1.34	2.948
031	34150-16520	BUSH	1	<=51201			0.04	0.088
031	32200-16520	BUSH	1	>=51202			0.045	0.099
031	32200-16490	BUSH	1				0.005	0.011
032	05811-00519	KEY,WOODRUFF	1				0.004	0.0088
033	04512-50120	WASHER,SPRING	1				0.003	0.0066
034	37150-15990	NUT	1				0.08	0.176
035	37150-27370	PIN,STRAIGHT	2				0.009	0.0198
036	01173-51025	BOLT	4				0.021	0.0462
037	04512-50100	WASHER,SPRING	4				0	0
038	37150-16800	ASSY WHEEL,STEERING	1				2.3	5.06
039	99999-99999	BLANK	0			ORDER BY REF.No.038	0	0
040	37150-16820	CAP,HANDLE	1				0.026	0.0572
041	37150-16850	HOLDER,HANDLE POST	1				0.04	0.088
042	34160-43930	ARM,PITMAN	1				1.12	2.464
043	35110-16540	LABEL	1				0.001	0.0022
044	35240-16300	COMP,COLUMN	1	<=51201			1.28	2.816



# HAND ACCEL

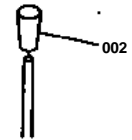


REF. No. ① 00015-50100  
② 00118-50100  
③ 30180-1758-0



Discontinua.

REF. No. ④ 34150-2458-0

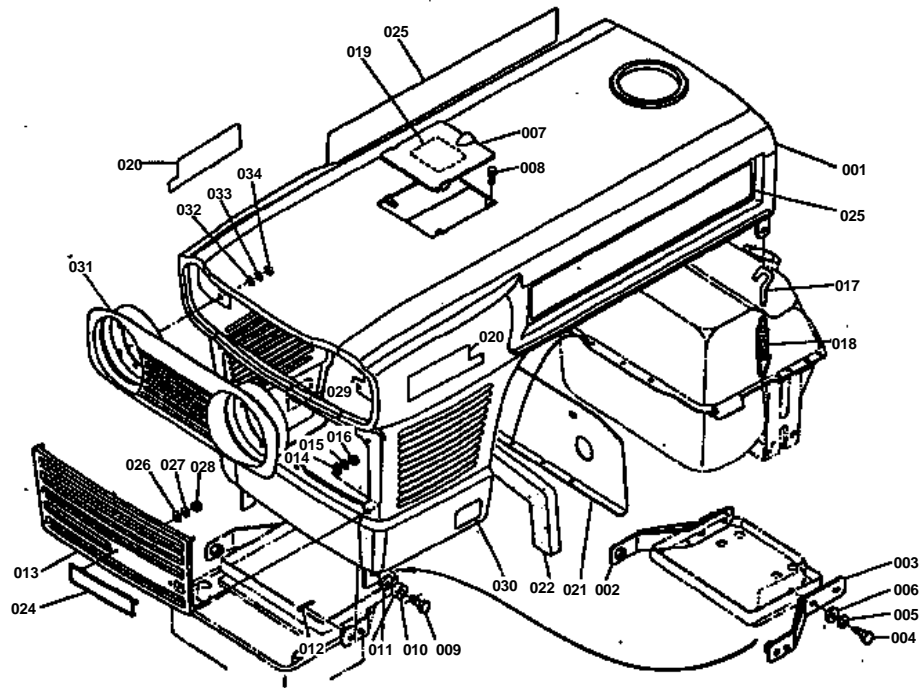


**HAND ACCEL**

↔ Interchangeable; ≠ not interchangeable; ← new for old; → old for new

REF.No	Part No.	Description	Q'ty	S.No.	I/C	REMARKS	Weight (kgf)	Weight (lb)
001	37150-17120	LEVER,HAND ACCEL	1	≤52703			0.32	0.704
001	35170-17120	LEVER,HAND ACCEL	1	≥52704			0.345	0.759
002	34150-24560	GRIP,LEVER	1	≤52703			0	0
002	35320-17170	GRIP,ACCEL	1	≥52704			0.018	0.0396
003	32210-17190	SPRING	1	≤52703			0.005	0.011
003	34260-17190	SPRING	2	≥52704			0.002	0.0044
004	04015-50100	WASHER,PLAIN	2	≤52703			0.016	0.0352
005	02118-50100	NUT	1	≤52703			0.005	0.011
005	02118-50100	NUT	2	≥52704			0.005	0.011
006	02116-50100	NUT	1	≤52703			0.004	0.0088
007	34150-17320	LINK,ACCELERATOR	1				0.09	0.198
007	35170-17320	LINK,ACCELERATOR	1	≥50001			0.12	0.264
008	34150-17260	SPRING	1				0.01	0.022
009	37150-17570	ROD,ACCELERATOR 1	1				0.06	0.132
010	37150-17580	ROD,ACCELERATOR 2	1				0.025	0.055
011	35110-17590	LABEL	1	≤52703		NOT SHOWN IN FIG.	0.002	0.0044
012	35110-17610	LABEL	1			NOT SHOWN IN FIG.	0.002	0.0044
013	04012-50080	WASHER,PLAIN	1				0.001	0.0022
014	04012-50060	WASHER,PLAIN	4				0.001	0.0022
015	05511-50212	PIN,SPLIT	5				0.001	0.0022
016	34150-17360	ROD,ACCELERATOR	1				0.12	0.264
016	35170-17360	ROD,ACCELERATOR	1				0.12	0.264
016	34150-17360	ROD,ACCELERATOR	1				0.12	0.264
017	34150-17390	JOINT,ROD	1				0.025	0.055
018	02012-50060	NUT	2				0	0
019	04012-50060	WASHER,PLAIN	2				0.001	0.0022
020	05511-50212	PIN,SPLIT	1				0.001	0.0022
021	01152-50835	BOLT	1				0.015	0.033
022	02112-50080	NUT	1	≤52703			0.003	0.0066
022	02112-50080	NUT	2	≥52704			0.003	0.0066
023	05511-51612	PIN,SPLIT	1				0.001	0.0022
024	01152-50830	BOLT	1	≥52704			0.014	0.0308

# BONNET

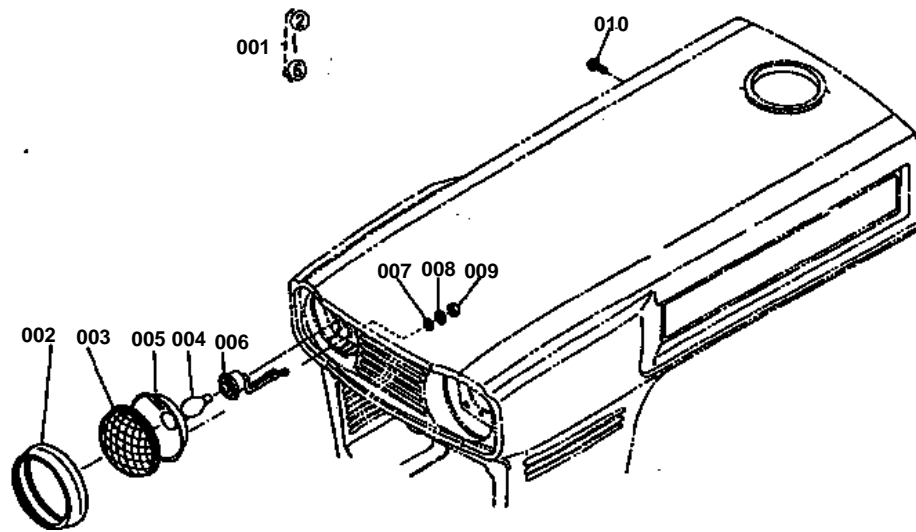


**BONNET**

↔ Interchangeable; ≠ not interchangeable; ← new for old; → old for new

REF.No	Part No.	Description	Q'ty	S.No.	I/C	REMARKS	Weight (kgf)	Weight (lb)
001	37150-18110	ASSY,BONNET	1				11.2	24.64
002	37150-18120	SUPPORT,BONNET RH	1				0.315	0.693
003	37150-18130	SUPPORT,BONNET LH	1				0.32	0.704
004	01173-51025	BOLT	4				0.021	0.0462
005	04512-50100	WASHER,SPRING	4				0	0
006	04015-50100	WASHER,PLAIN	4				0.016	0.0352
007	32280-18120	COVER,BONNET	1				0.226	0.4972
008	32280-18180	CUSHION	2				0.001	0.0022
009	34150-18170	BOLT	2				0.04	0.088
010	34150-18180	CUSHION	2				0.003	0.0066
011	04013-50120	WASHER,PLAIN	2				0	0
012	05511-50425	PIN,SPLIT	2				0.003	0.0066
013	34150-18190	GRILLE,BONNET	1				0.385	0.847
014	04013-50050	WASHER,PLAIN	6				0	0
015	04512-50050	WASHER,SPRING	6				0	0
016	02054-50050	NUT	6				0.002	0.0044
017	37150-18143	HOOK,BONNET	2				0.021	0.0462
018	37150-18170	SPRING	2				0.025	0.055
019	15101-94610	LABEL,RADIATOR	1				0.002	0.0044
020	35170-18290	LABEL	2	>=50001			0.003	0.0066
021	34200-18060	PLATE,SHUTTER	1				0.6	1.32
022	34200-18070	CUSHION	1				0.012	0.0264
023	99999-99999	BLANK	0				0	0
024	32240-18260	MARK,FRONT KUBOTA	1				0.027	0.0594
025	35120-44910	MARK,SIDE KUBOTA	2				0.012	0.0264
026	04013-50050	WASHER,PLAIN	2				0	0
027	04512-50050	WASHER,SPRING	2				0	0
028	02054-50050	NUT	2				0.002	0.0044
029	32150-18250	LABEL,INSTRUCTION	1				0.001	0.0022
030	15103-94590	LABEL,DRAINAGE	1				0.001	0.0022
031	99999-99999	BLANK	0			ORDER BY REF.No.001	0	0
032	04013-50050	WASHER,PLAIN	4				0	0
033	04512-50050	WASHER,SPRING	4				0	0
034	02054-50050	NUT	4				0.002	0.0044

MIRROR,LAMP

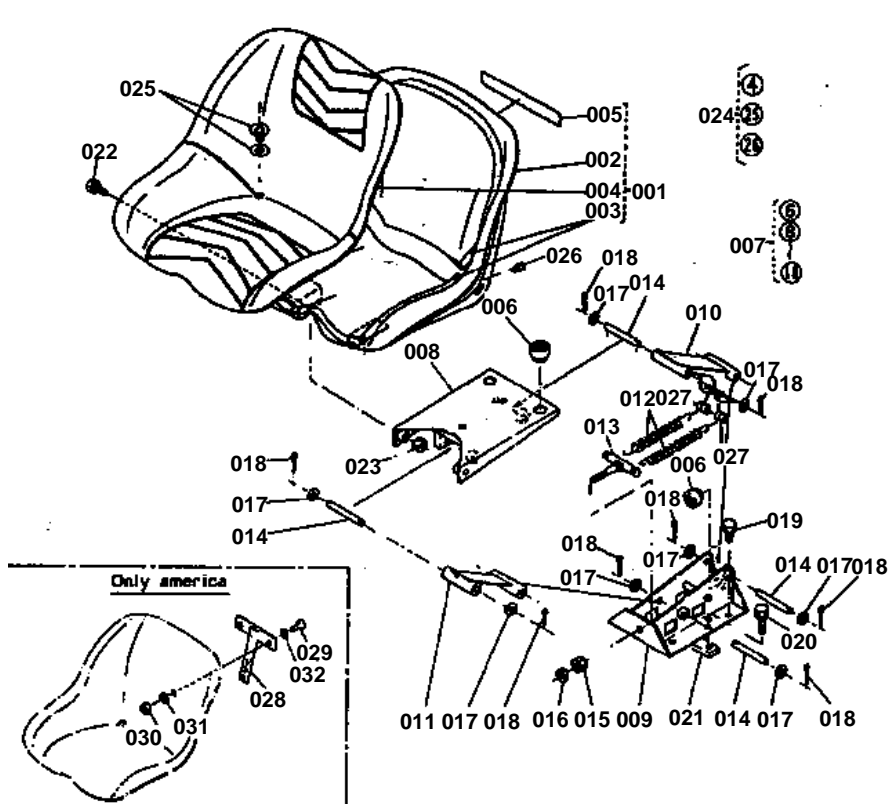


**MIRROR,LAMP**

↔ Interchangeable; ≠ not interchangeable; ← new for old; → old for new

REF.No	Part No.	Description	Q'ty	S.No.	I/C	REMARKS	Weight (kgf)	Weight (lb)
001	32240-33800	ASSY LAMP,HEAD	2				0.33	0.726
002	32240-33810	BODY	1				0.06	0.132
003	32280-33830	LENS	1				0.098	0.2156
004	32150-33840	LAMP	1				0.014	0.0308
005	32240-33870	REFLECTOR	1				0.135	0.297
006	32280-33850	RUBBER	1				0.005	0.011
007	04013-50050	WASHER,PLAIN	6				0	0
008	04512-50050	WASHER,SPRING	6				0	0
009	02054-50050	NUT	6				0.002	0.0044
010	03024-50510	SCREW	2				0.002	0.0044

SEAT



REF: 35110-1000-0  
 One cushion (32100-1000-0)  
 Included in ASSY.

REF: 35110-5010-0  
 ① 38200-5000-0  
 ② 35110-5000-1  
 ③ 35110-5000-0  
 Adapted Code No. for Service Parts.

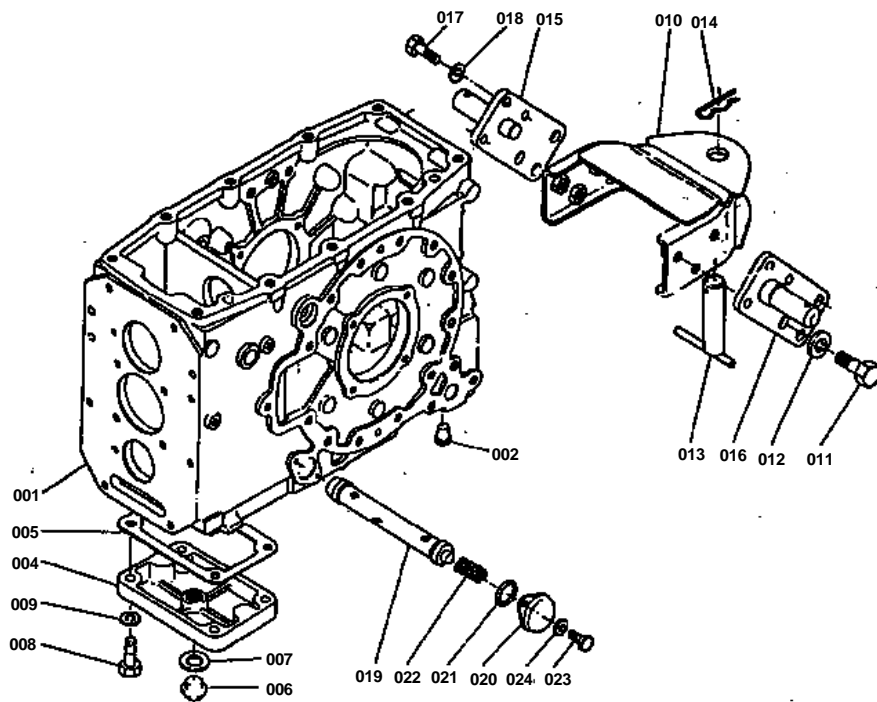
**SEAT**

↔ Interchangeable; ≠ not interchangeable; ← new for old; → old for new

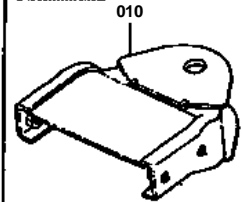
REF.No	Part No.	Description	Q'ty	S.No.	I/C	REMARKS	Weight (kgf)	Weight (lb)
001	35110-85010	ASSY SEAT	1				0	0
002	99999-99999	BLANK	0			ORDER BY REF.No.001	0	0
003	99999-99999	BLANK	0			ORDER BY REF.No.001	0	0
004	99999-99999	BLANK	0			ORDER BY REF.No.001	0	0
005	32140-18470	MARK,KUBOTA	1				0.002	0.0044
006	32160-18440	CUSHION	2				0.013	0.0286
007	34269-18400	ASSY SUSPENSION,SEAT	1	≤10695			0	0
007	35110-18400	ASSY SUSPENSION,SEAT	1	≥10696			4.3	9.46
007	35110-18400	ASSY SUSPENSION,SEAT	1	≥50001			4.3	9.46
008	99999-99999	BLANK	0			ORDER BY REF.No.007	0	0
009	99999-99999	BLANK	0			ORDER BY REF.No.007	0	0
010	35258-18430	ARM 1	1				0.67	1.474
011	99999-99999	BLANK	0			ORDER BY REF.No.007	0	0
012	34119-18450	SPRING,SEAT	2				0.117	0.2574
013	34269-18460	BOLT,ADJUSTING	1				0.075	0.165
013	35258-18460	BOLT,ADJUSTING	1				0.08	0.176
014	34269-18490	PIN	4				0.06	0.132
015	02118-50100	NUT	1				0.005	0.011
016	02116-50100	NUT	1				0.004	0.0088
017	04013-50100	WASHER,PLAIN	8				0	0
018	05511-50222	PIN,SPRIT	8				0.001	0.0022
019	01130-51020	BOLT	2				0	0
020	01130-51030	BOLT	2				0	0
021	35110-18460	SPACER	1				0.2	0.44
022	35110-18470	BOLT	2				0.012	0.0264
023	02114-50080	NUT	2				0.005	0.011
024	35110-99100	ASSY COVER,SEAT	1				0.52	1.144
025	35110-85050	EYE-LET	4			SERVICE PARTS	0.005	0.011
026	35110-85060	PROTECTOR	3			SERVICE PARTS	0.01	0.022
027	35258-18480	ROLLER	2				0.005	0.011
028	35320-18480	BRACKET,PLATE	1	≥52472		L185-3	0.22	0.484
029	03014-50616	BOLT	2	≥52472		L185-3	0.003	0.0066
030	02014-50060	NUT	2	≥52472		L185-3	0.003	0.0066
031	04512-50060	WASHER,SPRING	2	≥52472		L185-3	0	0
032	04012-50060	WASHER,PLAIN	2	≥52472		L185-3	0.001	0.0022



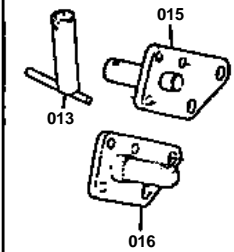
TRANSMISSION CASE



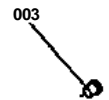
REF. 37150-2971-0  
Discontinua.



REF. 37150-2972-0  
37150-2973-0  
37150-2974-0  
Discontinua.



REF. 32210-2756-0  
Discontinua.

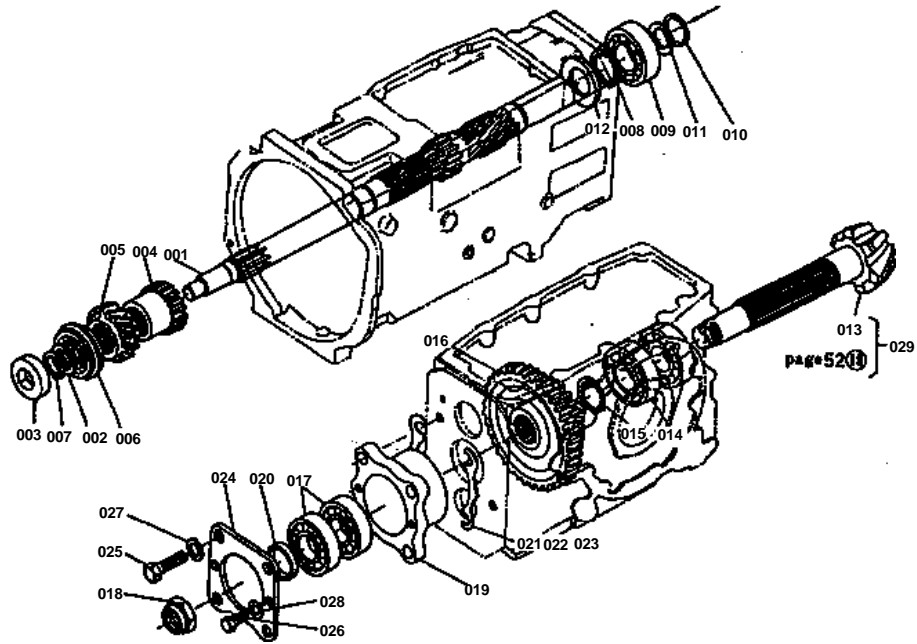


**TRANSMISSION CASE**

↔ Interchangeable; ≠ not interchangeable; ← new for old; → old for new

REF.No	Part No.	Description	Q'ty	S.No.	I/C	REMARKS	Weight (kgf)	Weight (lb)
001	37150-21113	CASE,TRANSMISSION	1				0	0
002	31220-14290	PLUG	4				0.002	0.0044
003	32210-27580	PLUG	4				0.001	0.0022
004	37150-21270	COVER	1				3.6	7.92
004	37150-21273	COVER	1	>=50001			0	0
005	37150-21282	GASKET	1				0	0
006	34150-14260	PLUG,DRAIN	1				0	0
006	06331-35012	PLUG	1	>=50001			0.022	0.0484
007	04717-02150	WASHER,SEAL	1	<=52935			0.004	0.0088
007	04717-01200	WASHER,SEAL	1	>=52954			0.002	0.0044
008	01173-51235	BOLT	4				0.04	0.088
009	04512-50120	WASHER,SPRING	4				0.003	0.0066
010	37150-29710	HITCH	1	<=10795			2.1	4.62
010	35110-29710	HITCH	1	>=10796			3.15	6.93
010	35110-29710	HITCH	1	>=50001			3.15	6.93
011	01173-51428	BOLT	4	<=10795			0.049	0.1078
011	01173-51428	BOLT	6	>=10796			0.049	0.1078
011	01173-51428	BOLT	6	>=50001			0.049	0.1078
012	04512-50140	WASHER,SPRING	4	<=10795			0	0
012	04512-50140	WASHER,SPRING	6	>=10796			0	0
012	04512-50140	WASHER,SPRING	6	>=50001			0	0
013	37150-29720	PIN,HITCH	1	<=10795			0.355	0.781
013	35110-29720	PIN,HITCH	1	>=10796			0.38	0.836
013	35110-29720	PIN,HITCH	1	>=50001			0.38	0.836
014	33251-89310	PIN,SET	1				0.032	0.0704
014	70515-16330	PIN,SPRING	1				0.028	0.0616
015	37150-29730	BRACKET,HITCH RH	1	<=10795			0.835	1.837
015	35110-29740	BRACKET,HITCH RH	1	>=10796			0.88	1.936
015	35110-29740	BRACKET,HITCH RH	1	>=50001			0.88	1.936
016	37150-29740	BRACKET,HITCH LH	1	<=10795			0.825	1.815
016	35110-29730	BRACKET,HITCH LH	1	>=10796			0.85	1.87
016	35110-29730	BRACKET,HITCH LH	1	>=50001			0.85	1.87
017	01173-51228	BOLT	6				0.036	0.0792
018	04512-50120	WASHER,SPRING	6				0.003	0.0066
019	34150-37710	FILTER,OIL	1				0.1	0.22
020	37150-37720	RETAINER	1				0.03	0.066
021	04811-10320	O RING	1				0.001	0.0022
022	34150-37740	SPRING	1				0.003	0.0066
023	01222-50816	BOLT	2				0.01	0.022
024	04512-50080	WASHER,SPRING	2				0.001	0.0022

GEAR DRIVE SYSTEM 1



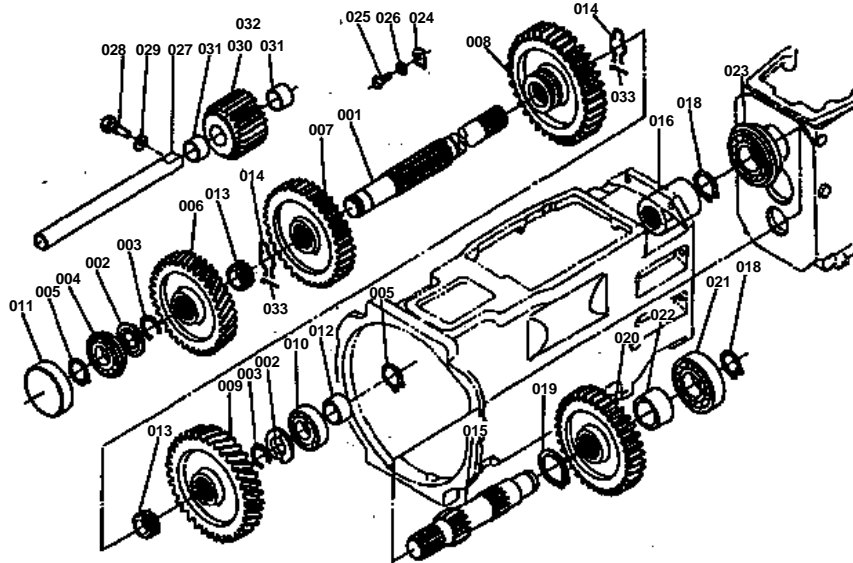


# GEAR DRIVE SYSTEM 1

↔ Interchangeable; ≠ not interchangeable; ← new for old; → old for new

REF.No	Part No.	Description	Q'ty	S.No.	I/C	REMARKS	Weight (kgf)	Weight (lb)
001	37150-21510	SHAFT,MAIN	1				2.1	4.62
002	34150-21560	WASHER	1				0.01	0.022
003	09502-55210	SEAL,OIL	1				0.025	0.055
004	37150-21520	GEAR,SPUR 17	1				0.225	0.495
005	35110-21530	GEAR,SPUR 23	1				0.355	0.781
006	08151-06305	BEARING,BALL (6305NR)	1				0.233	0.5126
007	37150-21550	CIR-CLIP,EXTERNAL	1				0.06	0.132
008	04612-00300	CIR-CLIP,EXTERNAL	1				0.003	0.0066
009	08241-03206	BEARING,BALL	1				0.302	0.6644
010	37150-21790	CIR-CLIP	1				0.001	0.0022
011	37150-21580	COLLAR	1				0.02	0.044
012	37150-21590	COLLAR	1				0.025	0.055
013	99999-99999	BLANK	0			ORDER BY REF.No.029	0	0
014	08101-06306	BEARING,BALL (6306)	2				0.335	0.737
015	04612-00300	CIR-CLIP,EXTERNAL	1				0.003	0.0066
016	37150-21950	GEAR,SPUR 29-48	1				1.275	2.805
017	08101-06305	BEARING,BALL (6305)	2				0.23	0.506
018	31220-22340	NUT	1				0.033	0.0726
019	37150-22150	CASE,BEARING	1				0.55	1.21
020	37150-21770	COLLAR	1				0.12	0.264
021	34150-22610	SHIM 0.5	2				0.01	0.022
022	34150-22620	SHIM 0.2	4				0.005	0.011
023	34150-22630	SHIM 0.1	2				0.005	0.011
024	34150-22170	COVER,BEARING	1				0.16	0.352
025	01173-51035	BOLT	4				0.025	0.055
026	01153-50816	BOLT	2				0.01	0.022
027	04512-50100	WASHER,SPRING	4				0	0
028	04512-50080	WASHER,SPRING	2				0.001	0.0022
029	35110-22100	ASSY SPIRAL BEVEL	1				5.3	11.66

GEAR DRIVE SYSTEM 2



REF. N. 37150-2115-0

Both surfaces to be grinded.

REF. N. 37300-2534-0

016



REF. N. 3705411-00535  
Discontinuation.

REF. N. 37150-2170-0

014



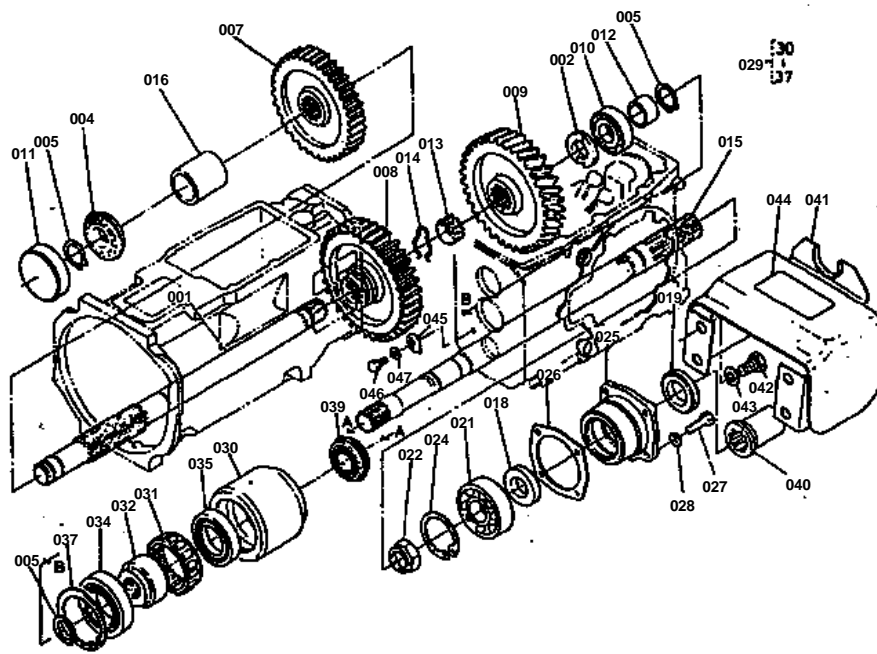


## GEAR DRIVE SYSTEM 2

↔ Interchangeable; ≠ not interchangeable; ← new for old; → old for new

REF.No	Part No.	Description	Q'ty	S.No.	I/C	REMARKS	Weight (kgf)	Weight (lb)
001	35110-21610	COUNTERSHAFT	1				1.645	3.619
002	37150-21760	COLLAR,THRUST	2				0.017	0.0374
003	37150-21790	CIR-CRIP	2				0.001	0.0022
004	08151-06205	BEARING,BALL (6205NR)	1				0.131	0.2882
005	04612-00250	CIR-CRIP,EXTERNAL	2	≤10795			0.002	0.0044
005	37150-21550	CIR-CRIP,EXTERNAL	2	≥10796			0.06	0.132
005	37150-21550	CIR-CRIP,EXTERNAL	2	≥50001			0.06	0.132
006	35110-21710	GEAR,SPUR 32	1				0.465	1.023
007	37150-21720	GEAR,SPUR 41	1				0.77	1.694
008	37150-21730	GEAR,SPUR 45	1				0.945	2.079
009	37150-21740	GEAR,SPUR 45	1				1.08	2.376
010	08101-06205	BEARING,BALL (6205)	1				0.14	0.308
011	34150-21650	COVER,BEARING	1				0.07	0.154
012	37150-21770	COLLAR	1				0.12	0.264
013	37150-21750	BOSS,SPLINE	2				0.088	0.1936
014	37150-21780	CIR-CLIP	2	≤51351			0	0
014	35340-21782	CIR-CLIP	2	≥51352			0.007	0.0154
015	37150-21910	SHAFT,12 GEAR	1				0.715	1.573
016	37300-25340	COUPLING	1	≤10795			0.35	0.77
016	35110-21680	COUPLING	1	≥10796			0.343	0.7546
016	35110-21680	COUPLING	1	≥50001			0.343	0.7546
017	05411-00536	PIN,SPRING	2	≤10796			0.003	0.0066
018	04612-00250	CIR-CRIP,EXTERNAL	2	≤10795			0.002	0.0044
018	04612-00250	CIR-CRIP,EXTERNAL	3	≥10796			0.002	0.0044
018	04612-00250	CIR-CRIP,EXTERNAL	3	≥50001			0.002	0.0044
018	37150-21550	CIR-CRIP,EXTERNAL	3	≤10865			0.06	0.132
018	37150-21550	CIR-CRIP,EXTERNAL	3	≥50001			0.06	0.132
019	04612-00300	CIR-CRIP,EXTERNAL	1				0.003	0.0066
020	37150-21920	GEAR,SPUR 31	1				0.455	1.001
021	08101-06305	BEARING,BALL (6305)	1				0.23	0.506
022	37150-21940	COLLAR	1				0.05	0.11
023	08151-06305	BEARING,BALL (6305NR)	1				0.233	0.5126
024	34150-21940	RETAINER,BEARING	1				0	0
025	01153-50820	BOLT	1				0.012	0.0264
026	04512-50080	WASHER,SPRING	1				0.001	0.0022
027	37150-23110	SHAFT,REVERSE	1				0.455	1.001
028	37150-23120	SCREW,SET	1				0.02	0.044
029	04717-00800	WASHER,SPRING	1				0.001	0.0022
030	99999-99999	BLANK	0			ORDER BY REF.No.032	0	0
031	31220-26360	BUSH	2				0.015	0.033
032	37150-23100	ASSY GEAR,SPUR 22	1				0.885	1.947
033	35340-21792	WIRE	1				0.001	0.0022

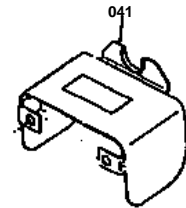
# GEAR DRIVE SYSTER 3



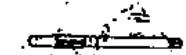
REF. No. 35110-2100-0  
 Changed the material

REF. No. 37250-2200-0  
 Work surface to be grinded.

REF. No. 35110-2533-0



REF. No. 35110-2161-0



REF. No. 37150-2170-0



REF. No. 35110-2487-0  
 35110-2100-0  
 35110-2530-0



Disassemble.



## GEAR DRIVE SYSTER 3

↔ Interchangeable; ≠ not interchangeable; ← new for old; → old for new

REF.No	Part No.	Description	Q'ty	S.No.	I/C	REMARKS	Weight (kgf)	Weight (lb)
001	35110-21610	COUNTERSHAFT	1	≤50650			1.645	3.619
001	35110-25320	COUNTERSHAFT	1	≥50651			1.65	3.63
002	37150-21760	COLLAR,THRUST	1				0.017	0.0374
003	37150-21790	CIR-CLIP	1	≤50650			0.001	0.0022
004	08151-06205	BEARING,BALL(6205NR)	1				0.131	0.2882
005	04612-00250	CIR-CLIP,EXTERNAL	3	≤10865			0.002	0.0044
005	37150-21550	CIR-CLIP,EXTERNAL	3	≥10866			0.06	0.132
005	37150-21550	CIR-CLIP,EXTERNAL	3	≥50001			0.06	0.132
006	99999-99999	BLANK	0				0	0
007	37150-21720	GEAR,SPUR 41	1				0.77	1.694
008	37150-21730	GEAR,SPUR 45	1				0.945	2.079
009	37150-21740	GEAR,SPUR 45	1				1.08	2.376
010	08101-06205	BEARING,BALL(6205)	1				0.14	0.308
011	34150-21650	COVER,BEARING	1				0.07	0.154
012	37150-21770	COLLAR	1				0.12	0.264
013	37150-21750	BOSS,SPLINE	1				0.088	0.1936
014	37150-21780	CIR-CLIP	1				0	0
015	37150-25310	SHAFT,PTO	1				2.7	5.94
016	35110-21750	COLLAR	1				0.089	0.1958
017	99999-99999	BLANK	0				0	0
018	37150-25360	SEAL,OIL	1				0.025	0.055
019	37150-25370	SLIDINGER	1				0.007	0.0154
020	99999-99999	BLANK	0				0	0
021	08101-06206	BEARING,BALL (6206)	1				0.196	0.4312
022	34150-25320	NUT	1				0.03	0.066
023	99999-99999	BLANK	0				0	0
024	04611-00620	CIR-CLIP,INTERNAL	1				0.011	0.0242
025	37150-25410	CASE,BEARING	1				1.02	2.244
026	37150-25420	GASKET	1				0	0
027	01153-50822	BOLT	4				0.011	0.0242
028	04512-50080	WASHER,SPRING	4				0.001	0.0022
029	35110-21800	ASSY,CLUTCH	1				3	6.6
030	35110-21830	CASE,CLUTCH	1				1.75	3.85
030	35110-21834	CASE,CLUTCH	1				1.94	4.268
031	35110-21850	CLUTCH	1				0.185	0.407
032	35110-21860	COUPLING	1				0.559	1.2298
032	35110-21865	COUPLING	1				0.53	1.166
033	35110-21870	COUPLING 2	1				0.38	0.836
034	08101-06009	BEARING,BALL(6009)	1				0.22	0.484
035	35110-21880	BEARING	1				0.135	0.297
035	08101-06008	BEARING,BALL	1				0.19	0.418
036	35110-21890	WASHER	1				0.015	0.033
037	04611-00750	CIR-CLIP,INTERNAL	1				0.019	0.0418
038	35110-25380	COLLAR 2	1				0.035	0.077
039	08151-06205	BEARING,BALL(6205NR)	1				0.131	0.2882
040	31220-25820	CAP	1				0.055	0.121
041	35110-25330	PROTECTOR,SHAFT PTO	1	≤10695			1.435	3.157
041	35110-25333	PROTECTOR,SHAFT PTO	1	≥50001			0	0
041	35110-25335	PROTECTOR,SHAFT PTO	1	≥10001			0	0
042	01173-51225	BOLT	2	≤10865			0.033	0.0726
042	01173-51225	BOLT	4	≥50001			0.033	0.0726
042	01173-51225	BOLT	4	≥10001			0.033	0.0726
043	04512-50100	WASHER,SPRING	2	≤10865			0	0
043	04512-50100	WASHER,SPRING	2	≥50001			0	0
043	04512-50100	WASHER,SPRING	2	≥10001			0	0



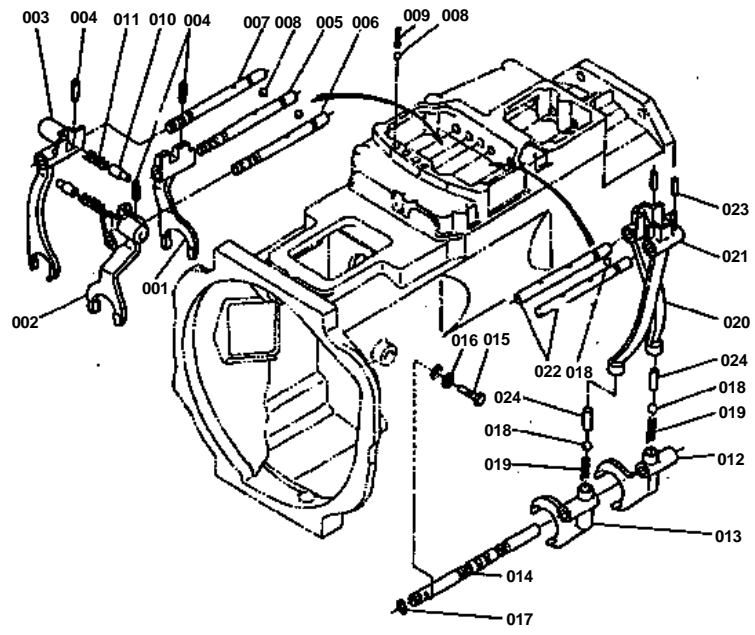


### GEAR DRIVE SYSTER 3

↔ Interchangeable; ≠ not interchangeable; ← new for old; → old for new

REF.No	Part No.	Description	Q'ty	S.No.	I/C	REMARKS	Weight (kgf)	Weight (lb)
043	04512-50120	WASHER,SPRING	4				0.003	0.0066
044	34159-21990	LABEL,CLUTCH	1	<=10865			0.001	0.0022
044	35110-21990	LABEL,CLUTCH	1	>=50001			0.001	0.0022
045	34150-21940	RETAINER,BEARING	1				0	0
046	01153-50820	BOLT	1				0.012	0.0264
047	04512-50080	WASHER,SPRING	1				0.001	0.0022

# SPEED CHANGE SYSTEM 1



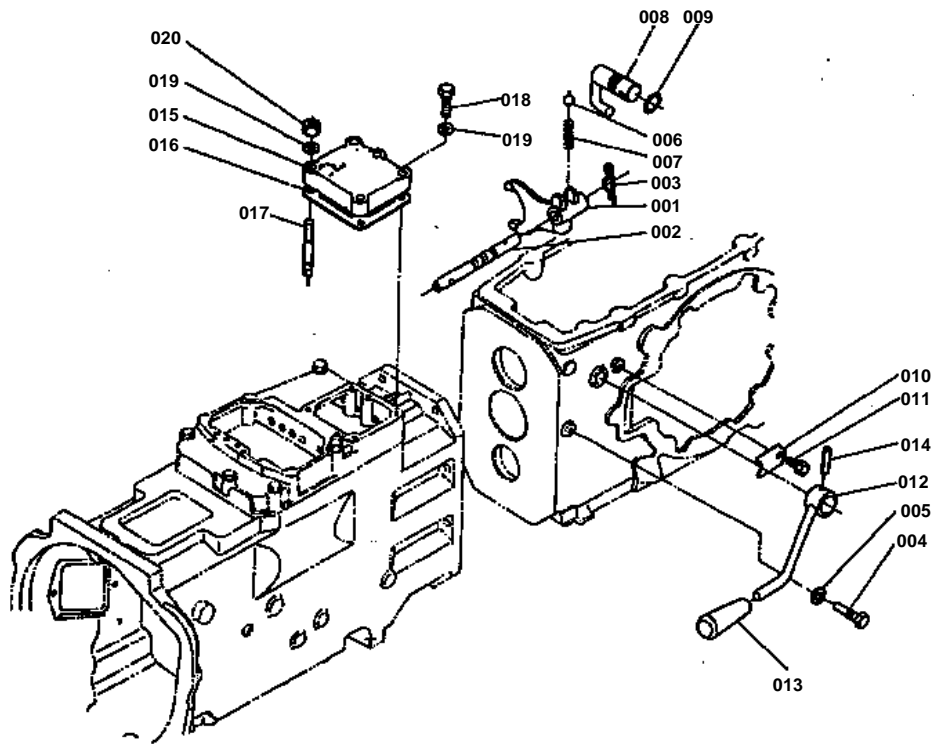


# SPEED CHANGE SYSTEM 1

↔ Interchangeable; ≠ not interchangeable; ← new for old; → old for new

REF.No	Part No.	Description	Q'ty	S.No.	I/C	REMARKS	Weight (kgf)	Weight (lb)
001	37150-23510	FORK,SHIFT	1				0	0
001	35305-23510	FORK,SHIFT	1				0.19	0.418
002	37150-23520	FORK,SHIFT	1				0	0
002	35305-23520	FORK,SHIFT	1				0.28	0.616
003	37150-23530	FORK,SHIFT	1				0	0
003	35305-23530	FORK,SHIFT	1				0.29	0.638
004	05411-00420	PIN,SPRING	3				0.001	0.0022
005	37150-23540	ROD,FORK	1				0.12	0.264
006	37150-23550	ROD,FORK	1				0.12	0.264
007	37150-23570	ROD,FORK	1				0.32	0.704
008	07715-01605	BALL	5				0.003	0.0066
009	62231-18530	SPRING,STOPPER	3				0.01	0.022
010	34150-23610	PIECE,NEUTRAL	2				0.015	0.033
011	34150-23620	SPRING	2				0.003	0.0066
012	37150-24610	FORK,SHIFT	1				0.21	0.462
013	37150-24620	FORK,SHIFT	1				0.05	0.11
014	37150-24630	SHAFT,FORK	1				0.155	0.341
015	34150-24680	SCREW,SET	1				0.015	0.033
016	04717-00800	WASHER,SEAL	1				0.001	0.0022
017	04811-00090	O RING	1				0.001	0.0022
018	07715-01605	BALL	3				0.003	0.0066
019	62231-18530	SPRING,STOPPER	2				0.01	0.022
020	37150-24710	LEVER,PTO	1				0	0
021	37150-24720	LEVER,PTO	1				0	0
022	37150-24760	ROD,FORK	2				0.13	0.286
023	05411-00425	PIN,SPRING	2				0.001	0.0022
024	34150-24690	PIN	2				0.02	0.044

SPEED CHANGE SYSTEM 2



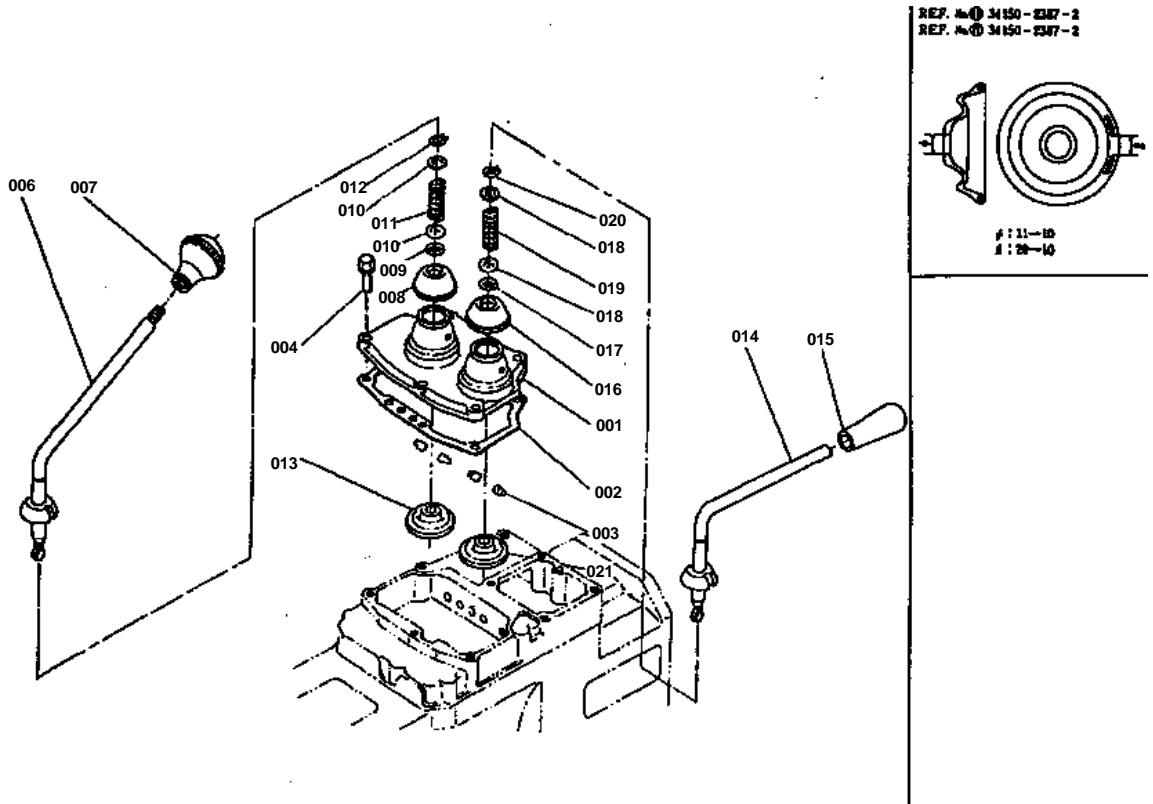


## SPEED CHANGE SYSTEM 2

↔ Interchangeable; ≠ not interchangeable; ← new for old; → old for new

REF.No	Part No.	Description	Q'ty	S.No.	I/C	REMARKS	Weight (kgf)	Weight (lb)
001	37150-24110	FORK,SHIFT	1				0.182	0.4004
002	37150-24130	SHAFT,FORK	1				0.11	0.242
003	05515-51200	PIN,SNAP	1				0	0
004	37150-23120	SCREW,SET	1				0.02	0.044
005	04717-00800	WASHER,SEAL	1				0.001	0.0022
006	07715-01605	BALL	1				0.003	0.0066
007	62231-18530	SPRING,STOPPER	1				0.01	0.022
008	37150-24310	LEVER,SHIFT	1				0.145	0.319
009	04811-00150	O RING	1				0.001	0.0022
010	34150-24350	STOPPER,LEVER	1				0.015	0.033
011	01120-50816	BOLT	1				0	0
012	35110-24430	LEVER,AUX SPEED CHAN	1				0.15	0.33
013	37150-24560	GRIP,LEVER	1				0.018	0.0396
014	05411-00632	PIN,SPRING	1				0.004	0.0088
015	35110-24830	COVER	1				0.536	1.1792
016	34650-59330	GASKET	1				0	0
017	01513-50828	STUD	3				0.013	0.0286
018	01153-50870	BOLT	2				0.026	0.0572
019	04512-50080	WASHER,SPRING	5				0.001	0.0022
020	02114-50080	NUT	3				0.005	0.011

# CHANGE LEVER



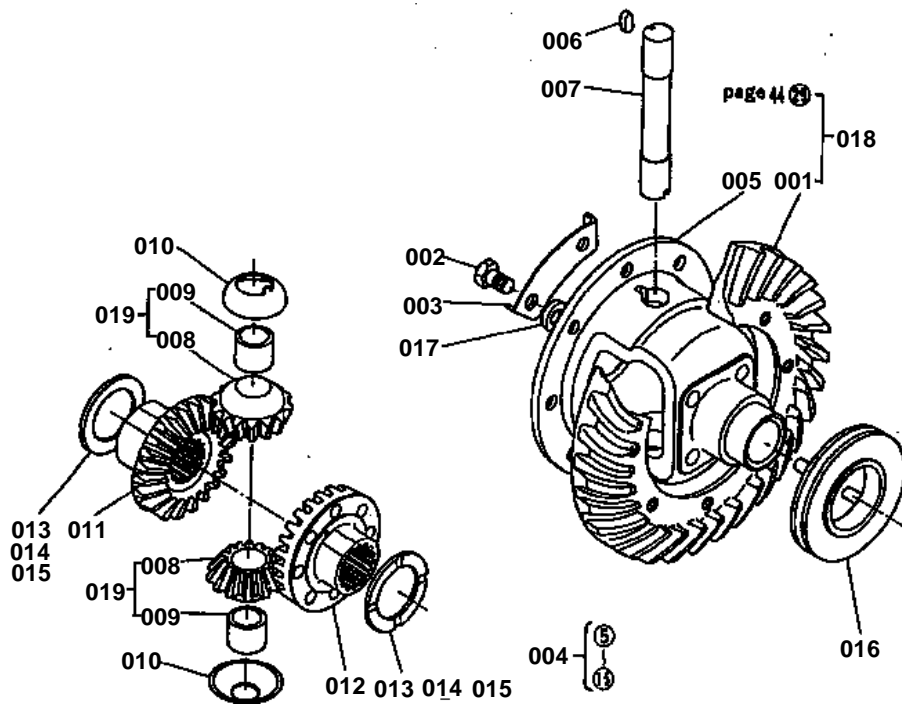


## CHANGE LEVER

↔ Interchangeable; ≠ not interchangeable; ← new for old; → old for new

REF.No	Part No.	Description	Q'ty	S.No.	I/C	REMARKS	Weight (kgf)	Weight (lb)
001	37150-23710	BASE,SPEED CHANGE	1				0.49	1.078
002	34150-23720	GASKET	1				0	0
003	34150-23740	PIN SET	4				0.002	0.0044
004	01120-50832	BOLT	5				0.016	0.0352
005	99999-99999	BLANK	0				0	0
006	37150-23813	LEVER,MAIN SPEED CHA	1				0	0
006	34150-23816	LEVER,MAIN SPEED CHA	1	>=50001			0	0
007	32150-23860	GRIP,LEVER	1				0.037	0.0814
008	34150-23940	OIL SHIELD	1				0.025	0.055
009	04811-00120	O RING	1				0.001	0.0022
010	32240-23950	WASHER	2				0.002	0.0044
011	32240-23920	SPRING	1				0.007	0.0154
012	31220-23930	CIR-CLIP,EXTERNAL	1				0.001	0.0022
013	34150-23870	SHIELD	1	<=51201			0	0
013	34150-23872	SHIELD	1	>=51202			0	0
014	37150-24850	LEVER,PTO SPEED CHAN	1				0	0
015	34150-24920	GRIP,LEVER	1				0	0
015	06914-00130	GRIP,LEVER	1	>=50001			0.016	0.0352
016	34150-23940	OIL SHIELD	1				0.025	0.055
017	04811-00120	O RING	1				0.001	0.0022
018	32240-23950	WASHER	2				0.002	0.0044
019	32240-23920	SPRING	1				0.007	0.0154
020	31220-23930	CIR-CLIP,EXTERNAL	1				0.001	0.0022
021	34150-23870	SHIELD	1	<=51201			0	0
021	34150-23872	SHIELD	1	>=51202			0	0

DIFFERENTIAL SYSTEM 1





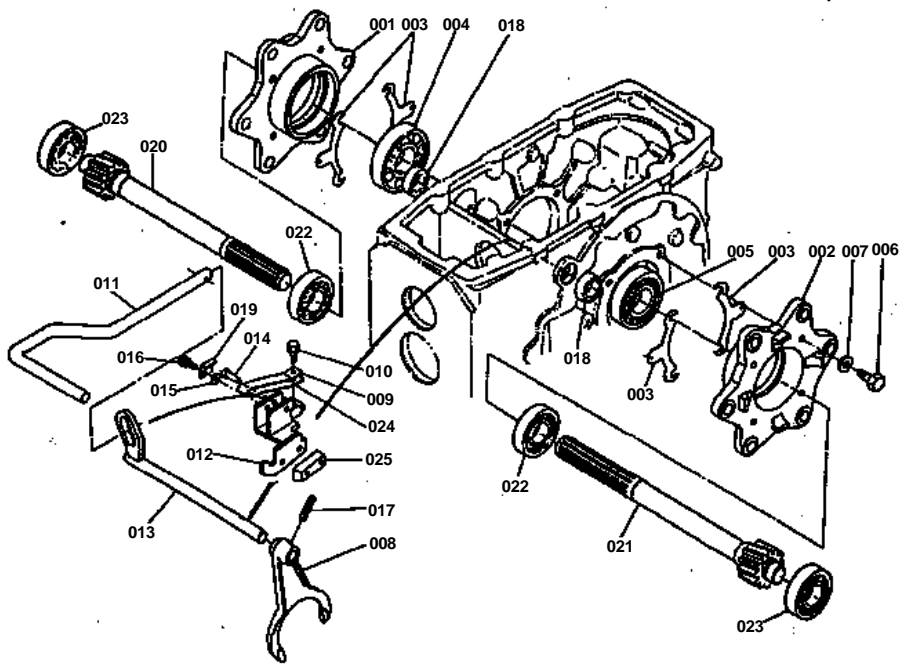


# DIFFERENTIAL SYSTEM 1

↔ Interchangeable; ≠ not interchangeable; ← new for old; → old for new

REF.No	Part No.	Description	Q'ty	S.No.	I/C	REMARKS	Weight (kgf)	Weight (lb)
001	99999-99999	BLANK	0			ORDER BY REF.No.018	0	0
002	37800-43870	BOLT	8				0.026	0.0572
003	37150-26270	STOPPER	4				0.015	0.033
004	37150-26100	ASSY DIFFERENTIAL	1				4.9	10.78
005	37150-26510	CASE,DIFFERENTIAL	1				0	0
006	31220-26280	KEY,FEATHER	1				0.005	0.011
007	31220-26340	SHAFT,DIFF PINION	1				0.31	0.682
008	99999-99999	BLANK	0			ORDER BY REF.No.019	0	0
009	31220-26360	BUSH	2				0.015	0.033
010	31220-26390	WASHER,DIFF PINION	2				0	0
011	34150-26430	GEAR,DIFF BEARING RH	1				0	0
011	38440-44980	GEAR,DIFF BEARING RH	1	>=50001			0	0
012	34150-26440	GEAR,DIFF BEARING LH	1				0	0
012	38180-26440	GEAR,DIFF BEARING LH	1	>=50001			0.61	1.342
013	31220-26480	WASHER 1.5T	2				0.015	0.033
014	31220-26490	WASHER 1.6T	2				0.02	0.044
015	37150-26480	WASHER 1.7T	2				0.016	0.0352
016	34150-26610	SHIFTER,DIFF LOCK	1				0	0
017	34150-26520	WASHER,PLAIN	8				0.005	0.011
018	35110-22100	ASSY SPIRAL BEVEL	1				5.3	11.66
019	31220-26300	ASSY PINION,DIFFEREN	2				0.155	0.341

DIFFERENTIAL SYSTEM 2



- REF: 25110-2825-0  
27720-2827-0  
37150-2828-0  
54012-30089  
55511-50218



- REF: 37230-2571-0  
37230-2572-0  
37230-2573-0  
37230-2574-0



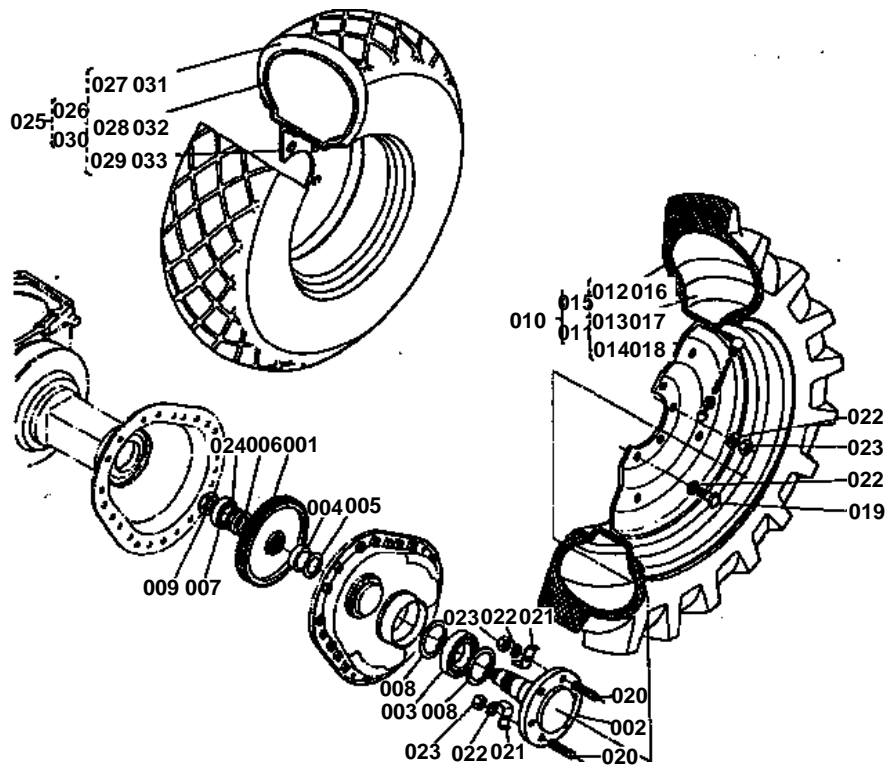


# DIFFERENTIAL SYSTEM 2

↔ Interchangeable; ≠ not interchangeable; ← new for old; → old for new

REF.No	Part No.	Description	Q'ty	S.No.	I/C	REMARKS	Weight (kgf)	Weight (lb)
001	37150-26550	CASE,DIFF BEARING RH	1				0	0
002	37150-26560	CASE,DIFF BEARING LH	1				0	0
003	37150-26160	SHIM	12			0.2T	0.005	0.011
003	37150-26170	SHIM	8			0.1T	0.005	0.011
003	37150-26180	SHIM	4			0.5T	0.01	0.022
004	08101-06210	BEARING,BALL(6210)	1				0.45	0.99
005	08101-06208	BEARING,BALL(6208)	1				0.355	0.781
006	01173-51030	BOLT	8				0.023	0.0506
007	04512-50100	WASHER,SPRING	8				0	0
008	37150-26630	FORK,SHIFT	1				0.375	0.825
009	37150-26643	SPRING	1				0.033	0.0726
010	01120-50816	BOLT	1				0	0
011	35110-26650	PEDAL,DIFF LOCK	1	≤10795			0.625	1.375
011	37300-26650	PEDAL,DIFF LOCK	1	≥10796			0.635	1.397
011	37300-26650	PEDAL,DIFF LOCK	1	≥50001			0.635	1.397
012	37150-26670	BRACKET,PEDAL	1	≤10795			0.37	0.814
012	35110-26670	BRACKET,PEDAL	1	≥10796			0	0
012	35110-26670	BRACKET,PEDAL	1	≥50001			0	0
012	35210-26670	BRACKET,PEDAL	1	≥51836			0.59	1.298
013	37150-26680	CAM,DIFF LOCK	1	≤10795			0.43	0.946
013	35211-26680	CAM,DIFF LOCK	1	≥10796			0.567	1.2474
013	35211-26680	CAM,DIFF LOCK	1	≥50001			0.567	1.2474
014	05122-50835	PIN,JOINT	1				0.015	0.033
015	04012-50080	WASHER,PLAIN	1	≤10795			0.001	0.0022
015	04015-50060	WASHER,PLAIN	1	≥10796			0	0
015	04015-50060	WASHER,PLAIN	1	≥50001			0	0
016	05511-50218	PIN,SPLIT	1	≤10795			0.001	0.0022
016	01201-50610	BOLT	1	≥10796			0	0
016	01201-50610	BOLT	1	≥50001			0	0
017	05411-00630	PIN,SPRING	1				0.004	0.0088
018	09500-16287	SEAL,OIL	2				0.01	0.022
019	35110-26660	PLATE	1	≤10865			0.004	0.0088
019	35110-26660	PLATE	1	≥50001			0.004	0.0088
020	37220-26710	SHAFT,DIFF GEAR RH	1	≤10695			2.1	4.62
020	37230-26710	SHAFT,DIFF GEAR RH	1	≥10696			2.04	4.488
020	37230-26710	SHAFT,DIFF GEAR RH	1	≥50001			2.04	4.488
021	37220-26720	SHAFT,DIFF GEAR LH	1	≤10695			2.16	4.752
021	37230-26720	SHAFT,DIFF GEAR LH	1	≥10696			2.3	5.06
021	37230-26720	SHAFT,DIFF GEAR LH	1	≥50001			2.3	5.06
022	08101-06206	BEARING,BALL (6206)	2	≤10695			0.196	0.4312
022	37230-26730	BEARING,BALL (6206)	2	≥10696			0.195	0.429
022	37230-26730	BEARING,BALL (6206)	2	≥50001			0.195	0.429
022	37220-91290	BEARING,BALL (6206)	2	≥52472		(L185-3)	0.335	0.737
023	08101-06206	BEARING,BALL (6305)	2	≤10695			0.196	0.4312
023	37230-26730	BEARING,BALL (6305)	2	≥10696			0.195	0.429
023	37230-26730	BEARING,BALL (6305)	2	≥50001			0.195	0.429
023	08100-00031	BEARING,BALL (6305)	2	≥52472		(L185-3)	0.242	0.5324
023	36340-41290	BEARING,BALL (6305)	2				0.235	0.517
024	37150-26660	SPRING	1	≤10865			0.025	0.055
024	37150-26660	SPRING	1	≥50001			0.025	0.055
025	35170-26590	SPACER BRACKET,PEDAL	1	≥51836			0.115	0.253

REAR AXLE

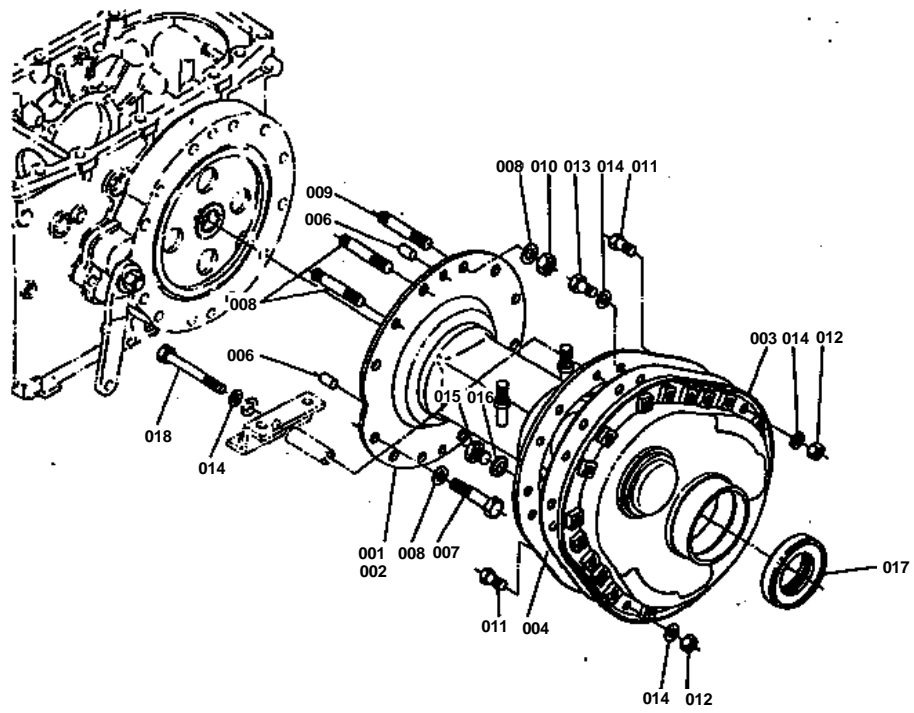


**REAR AXLE**

↔ Interchangeable; ≠ not interchangeable; ← new for old; → old for new

REF.No	Part No.	Description	Q'ty	S.No.	I/C	REMARKS	Weight (kgf)	Weight (lb)
001	37220-26830	GEAR,SPUR 53	2	<=10695			4.5	9.9
001	37230-26830	GEAR,HERICAL 49	2	>=10696			4.44	9.768
001	37230-26830	GEAR,HERICAL 49	2	>=50001			4.44	9.768
002	35110-27110	AXLE,REAR	2	<=52471			5.9	12.98
002	37220-91362	AXLE,REAR	2	>=52472		(L185-3)	6.1	13.42
003	08101-06209	BEARING,BALL (6209)	2	<=52471			0.42	0.924
003	08101-06209	BEARING,BALL (6209)	4	>=52472		(L185-3)	0.42	0.924
004	37220-27140	COLLAR	2				0.06	0.132
005	34150-27160	SHIM	2				0.01	0.022
006	37220-27150	COLLAR	2	<=52471			0.03	0.066
006	37220-91340	COLLAR	2	>=52472		(L185-3)	0.16	0.352
007	08101-06207	BEARING,BALL (6207)	2				0.282	0.6204
007	08100-00029	BEARING,BALL (6207)	2	<=52471			0.308	0.6776
007	08101-06307	BEARING,BALL (6207)	2	>=52472		(L185-3)	0.44	0.968
008	04611-00850	CIR-CLIP,INTERNAL	4				0.029	0.0638
009	70416-51440	NUT	2				0.07	0.154
025	35110-27600	ASSY REAR WHEEL	1			(13.6-16)(L185T)	110	242
026	35110-27610	ASSY REAR WHEEL,LH	1				48.3	106.26
027	99424-27110	TIRE	1				30	66
028	99424-27120	TUBE	1				3.8	8.36
029	34219-27950	WHEEL	1				0	0
030	35110-27690	ASSY REAR WHEEL,RH	1				48.3	106.26
031	99424-27110	TIRE	1				30	66
032	99424-27120	TUBE	1				3.8	8.36
033	34219-27950	WHEEL	1				0	0

AXLE CASE

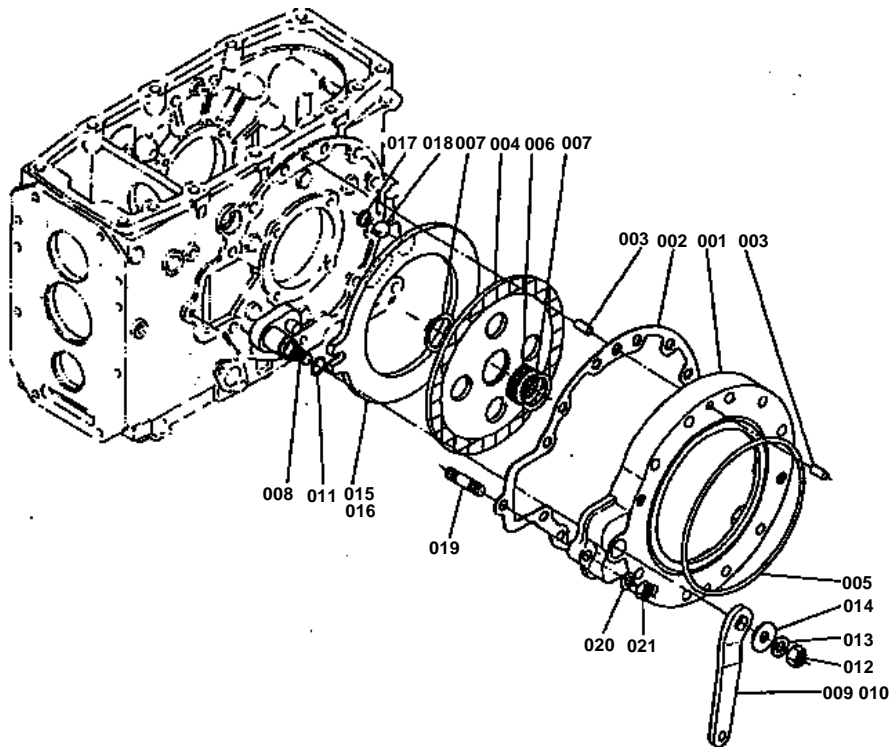


**AXLE CASE**

↔ Interchangeable; ≠ not interchangeable; ← new for old; → old for new

REF.No	Part No.	Description	Q'ty	S.No.	I/C	REMARKS	Weight (kgf)	Weight (lb)
001	37150-27310	CASE,AXLE RH	1	<=52471			11.8	25.96
001	37220-91382	CASE,AXLE RH	1	>=52472		(L185-3)	11.5	25.3
002	37150-27322	CASE,AXLE LH	1	<=52471			11	24.2
002	37220-91392	CASE,AXLE LH	1	>=52472		(L185-3)	12.2	26.84
003	37150-27330	COVER,AXLE LH	2	<=52471			5	11
003	37220-91372	COVER,AXLE LH	2	>=52472		(L185-3)	6.5	14.3
004	37150-27340	GASKET	2				0	0
005	99999-99999	BLANK	0				0	0
006	37150-27370	PIN,STRAIGHT	4				0.009	0.0198
007	01173-51260	BOLT	14				0.06	0.132
008	04512-50120	WASHER,SPRING	24				0.003	0.0066
009	37150-27350	STUD	10	<=51835			0.06	0.132
009	37150-27350	STUD	8	>=51836			0.06	0.132
010	02176-50120	NUT	10				0.01	0.022
011	37150-27390	BOLT,REAMER	4				0.02	0.044
012	02118-50100	NUT	4				0.005	0.011
013	01176-51022	BOLT	42				0.019	0.0418
014	04512-50100	WASHER,SPRING	46				0	0
015	06331-35016	PLUG	4	<=50330			0.04	0.088
015	06331-35016	PLUG	2	>=10001			0.04	0.088
016	04717-01600	WASHER,SEAL	4	<=50330			0.003	0.0066
016	04717-01600	WASHER,SEAL	2	>=10001			0.003	0.0066
017	37150-27560	SEAL,OIL	2				0.14	0.308
018	01173-51080	BOLT	2				0.049	0.1078

BRAKE



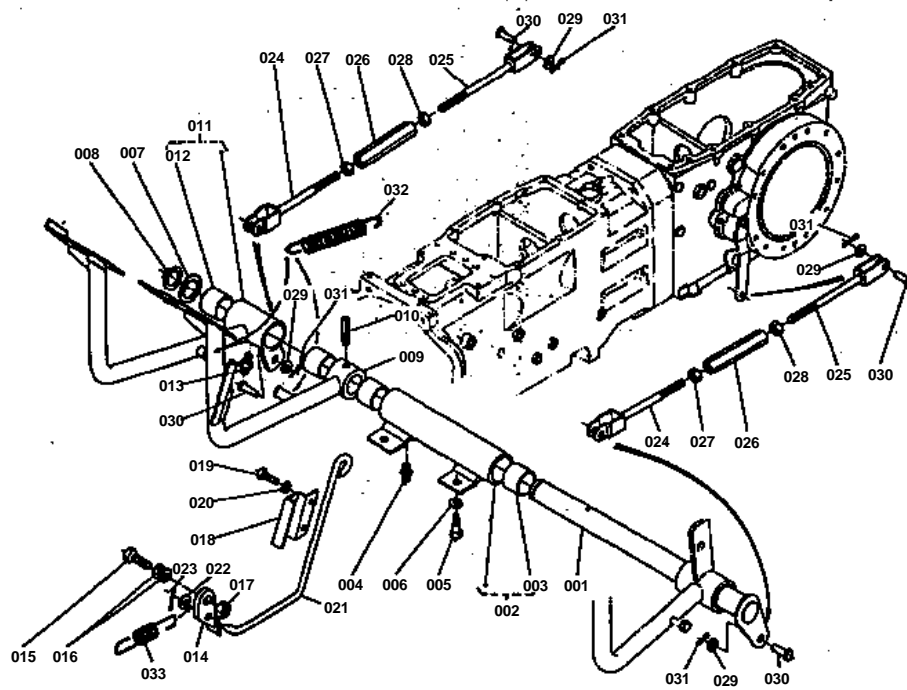


**BRAKE**

↔ Interchangeable; ≠ not interchangeable; ← new for old; → old for new

REF.No	Part No.	Description	Q'ty	S.No.	I/C	REMARKS	Weight (kgf)	Weight (lb)
001	37150-28150	CASE,BRAKE	2				4.8	10.56
002	37260-28160	GASKET	2				0	0
003	37150-27370	PIN,STRAIGHT	4				0.009	0.0198
004	37150-28200	DISK,BRAKE	2				0.774	1.7028
005	37150-28180	O RING	2				0.01	0.022
006	37150-28190	BOSS,SPLINE	2				0.086	0.1892
007	04612-00450	CIR-CLIP,EXTERNAL	4				0.007	0.0154
008	37150-28217	CAM,BRAKE	2				0.01	0.022
009	37150-28222	LEVER,BRAKE CAM RH	1				0	0
010	37150-28232	LEVER,BRAKE CAM LH	1				0	0
011	04811-00180	O RING	2				0.001	0.0022
012	02174-50120	NUT	2				0.01	0.022
013	04512-50120	WASHER,SPRING	2				0.003	0.0066
014	04015-50120	WASHER,PLAIN	2				0	0
014	04013-50120	WASHER,PLAIN	2	>=50001			0	0
015	37150-28240	PLATE,CAM	1				1.13	2.486
016	37150-28270	PLATE,CAM	1				1.08	2.376
017	37150-28250	SEAT,BALL	12				0.003	0.0066
018	07715-00805	BALL	12				0.016	0.0352
019	01574-51240	STUD	2				0	0
020	04512-50120	WASHER,SPRING	2				0.003	0.0066
021	02176-50120	NUT	2				0.01	0.022

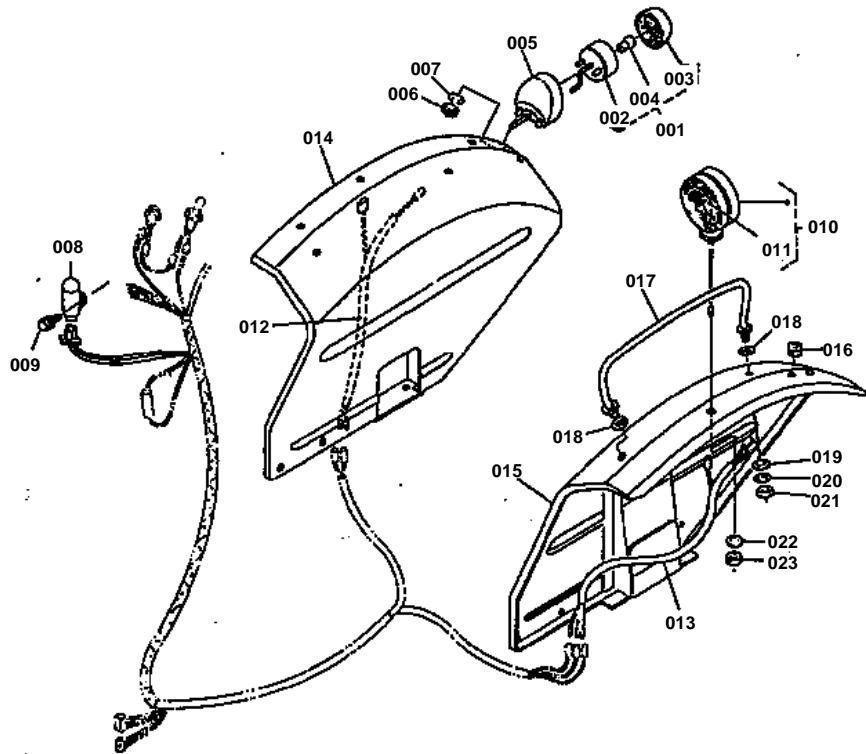
# BRAKE PEDAL



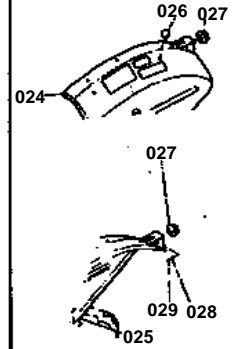
**BRAKE PEDAL**

↔ Interchangeable; ≠ not interchangeable; ← new for old; → old for new

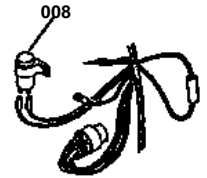
REF.No	Part No.	Description	Q'ty	S.No.	I/C	REMARKS	Weight (kgf)	Weight (lb)
001	37150-28410	SHAFT,BRAKE PEDAL	1				1.43	3.146
002	37150-28420	SUPPORT,PEDAL SHAFT	1				0.95	2.09
003	34150-28430	BUSH	2				0.04	0.088
004	06613-10675	NIPPLE,GREASE	1				0.003	0.0066
005	01173-51018	BOLT	4				0.018	0.0396
006	04512-50100	WASHER,SPRING	4				0	0
007	32150-28460	COLLAR	1				0.007	0.0154
008	04612-00250	CIR-CLIP,EXTERNAL	1				0.002	0.0044
009	35110-28610	PEDAL,BRAKE LH	1				1.348	2.9656
010	05411-00840	PIN,SPRING	1				0.008	0.0176
011	35110-28620	PEDAL,BRAKE RH	1				1.34	2.948
012	34150-28430	BUSH	2				0.04	0.088
013	06613-10675	NIPPLE,GREASE	1				0.003	0.0066
014	34150-28810	RATCHET	1				0.045	0.099
015	34150-28820	BOLT	1				0.04	0.088
016	04011-50120	WASHER,PLAIN	2				0.005	0.011
017	02174-50120	NUT	1				0.01	0.022
018	34150-28880	GUIDE,RATCHET	1				0.04	0.088
019	01150-50812	BOLT	2				0.009	0.0198
020	04512-50080	WASHER,SPRING	2				0.001	0.0022
021	34150-28870	ROD,RATCHET	1				0.09	0.198
022	04012-50060	WASHER,PLAIN	1				0.001	0.0022
023	05511-50212	PIN,SPLIT	1				0.001	0.0022
024	35110-28930	ROD,BRAKE 1	2				0.165	0.363
025	37720-28940	ROD,BRAKE 2	2				0.2	0.44
026	37720-28980	TURNBUCKLE	2				0.099	0.2178
027	37720-28990	NUT	2				0.008	0.0176
028	02172-50120	NUT	2				0.01	0.022
029	04012-50080	WASHER,PLAIN	4				0.001	0.0022
030	05112-50822	PIN,JOINT	4				0.01	0.022
031	05511-50215	PIN,SPLIT	4				0.001	0.0022
032	37150-15840	SPRING	2				0.06	0.132
033	37150-28850	SPRING	1				0.005	0.011



- REF. No. 37130-2911-8  
37130-2912-8  
34189-3423-8  
33143-6124-0  
04512-50630  
02014-50660



- REF. No. 33228-3370-8

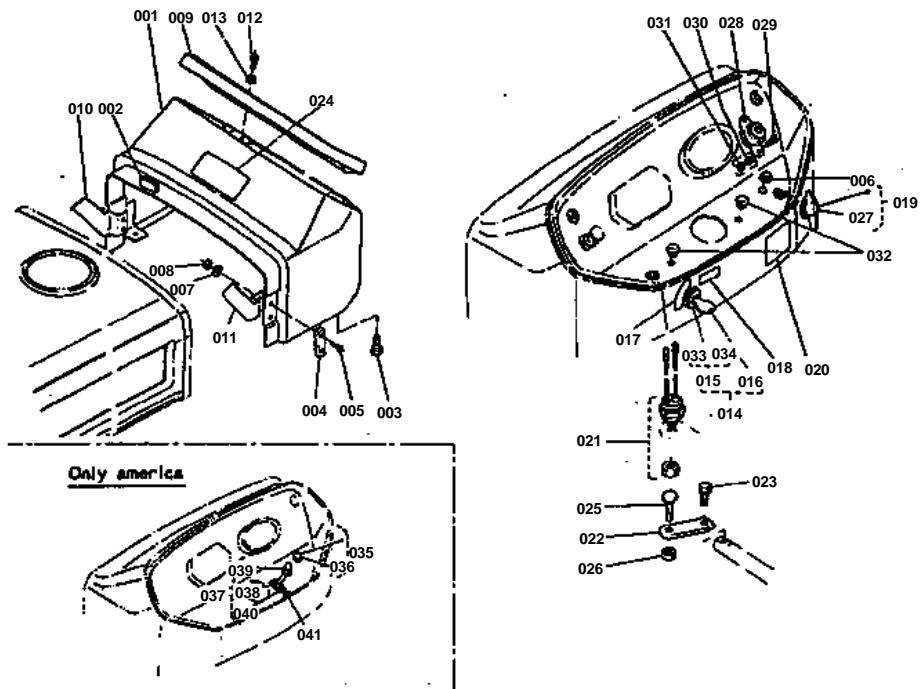




FENDER [U.S.A]

↔ Interchangeable; ≠ not interchangeable; ← new for old; → old for new

REF.No	Part No.	Description	Q'ty	S.No.	I/C	REMARKS	Weight (kgf)	Weight (lb)
001	34350-34100	ASSY LAMP,TAIL	2				0.13	0.286
002	99999-99999	BLANK	0			ORDER BY REF.No.001	0	0
003	34350-34120	LENS,TAIL LAMP	2				0.05	0.11
004	34350-34140	BULB,TAIL LAMP	2				0.008	0.0176
005	34350-34190	HOLDER,TAIL LAMP	2				0.107	0.2354
006	02014-50060	NUT	4				0.003	0.0066
007	04512-50060	WASHER,SPRING	4				0	0
008	35320-33700	FLASHER,UNIT	1	<=52727			0.07	0.154
008	35170-33700	FLASHER,UNIT	1	>=52728			0.06	0.132
009	01202-50616	BOLT	1				0.006	0.0132
010	35450-75010	ASSY LAMP HAZARD FLA	2				0.3	0.66
011	35450-75022	VALVE HAZARD FLASHER	2				0.008	0.0176
012	35170-34360	CABLE 6	1				0.025	0.055
013	35170-34370	CABLE 7	1				0.035	0.077
014	35112-29110	ASSY FENDER RH	1				7.5	16.5
015	35112-29120	ASSY FENDER LH	1				7	15.4
016	33251-83910	CUSHION	1				0.001	0.0022
017	34150-29170	BALUSTRADE	2				0.695	1.529
018	32260-29180	CUSHION	4				0.005	0.011
019	04013-50140	WASHER,PLAIN	4				0	0
020	04512-50140	WASHER,SPRING	4				0	0
021	02174-50140	NUT	4				0.014	0.0308
022	04512-50100	WASHER,SPRING	1				0	0
023	02114-50100	NUT	1				0.005	0.011
024	37150-29110	ASSY FENDER,RH	1	<=52703			6.9	15.18
025	37150-29120	ASSY FENDER,LH	1	<=52703			7	15.4
026	34159-34290	PLUG	4	<=52703			0.004	0.0088
027	53143-61240	ASSY,REFLECTOR	2	<=52703			0.009	0.0198
028	04512-50050	WASHER,SPRING	2	<=52703			0	0
029	02014-50050	NUT	2	<=52703			0.002	0.0044

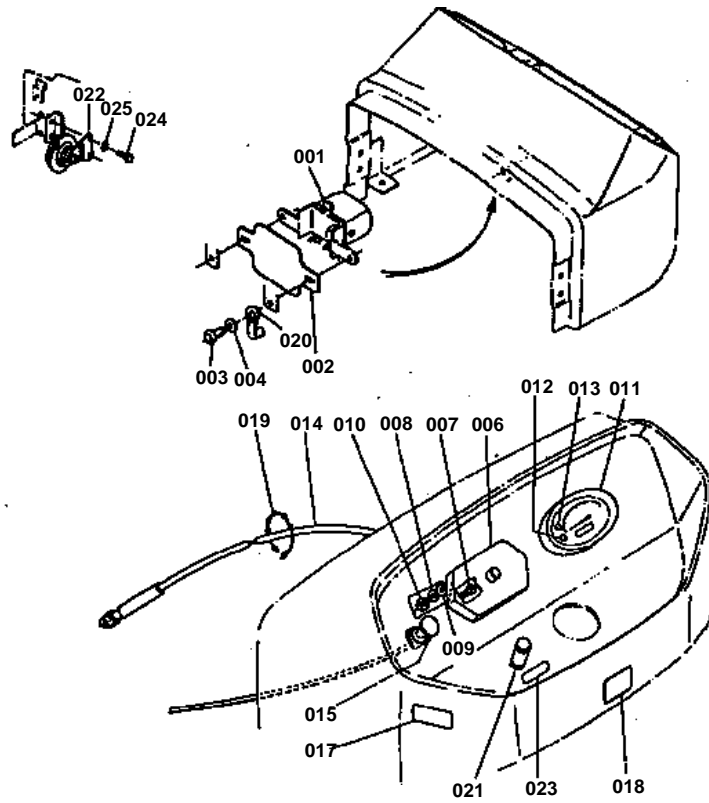




## ELECTICAL 1

↔ Interchangeable; ≠ not interchangeable; ← new for old; → old for new

REF.No	Part No.	Description	Q'ty	S.No.	I/C	REMARKS	Weight (kgf)	Weight (lb)
001	37150-31110	PANEL	1	<=10795			0	0
001	35110-31110	PANEL	1	>=10796			2.4	5.28
001	35110-31110	PANEL	1	>=50001			2.4	5.28
002	33251-83490	CUSHION	3				0.008	0.0176
003	01120-50816	BOLT	4				0	0
004	37150-18180	CUSHION	2				0.015	0.033
005	03054-50514	SCREW,PAN HEAD	4				0.004	0.0088
006	34159-32610	CAP	1				0	0
007	04512-50050	WASHER,SPRING	4				0	0
008	02054-50050	NUT	4				0.002	0.0044
009	37150-31120	BOARD,PANEL	1				0.562	1.2364
010	37150-31180	GUIDE RH	1				0.07	0.154
011	37150-31190	GUIDE LH	1				0.065	0.143
012	34150-31140	SCREW,BINDING HEAD	4				0.009	0.0198
013	04013-50080	WASHER,PLAIN	4				0	0
014	37150-31800	ASSY SWITCH.MAIN	1				0.2	0.44
015	37150-31820	SWITCH,MAIN	1				0.19	0.418
016	37150-31810	ASSY KEY,MAIN SWITCH	1				0.02	0.044
017	34150-31830	LABEL,MAIN SWITCH 1	1				0.001	0.0022
018	34159-31840	LABEL,MAIN SWITCH 2	1				0.001	0.0022
019	37150-32200	SWITCH,STARTER	1				0.275	0.605
020	35110-32290	LABEL,STARTER SWITCH	1				0.001	0.0022
021	37150-32240	SWITCH,SAFETY STARTE	1				0.12	0.264
022	37150-34563	LEVER,SWITCH	1				0.045	0.099
023	01120-50820	BOLT	1				0	0
024	34150-35250	LABEL,OIL FILTER	1	<=10795			0.001	0.0022
024	35110-35250	LABEL,OIL FILTER	1	>=10796			0.005	0.011
024	35110-35250	LABEL,OIL FILTER	1	>=50001			0.005	0.011
025	01952-50830	BOLT,WELD	1				0.014	0.0308
026	02112-50080	NUT	1				0.003	0.0066
027	37150-32210	ASSY KNOB	1				0.02	0.044
028	15221-65950	INDICATER,GLOW PLUG	1				0.052	0.1144
029	03054-50510	SCREW,PAN HEAD	2				0.003	0.0066
030	04512-50050	WASHER,SPRING	2				0	0
031	02054-50050	NUT	2				0.002	0.0044
032	35110-32420	PLUG	2				0.002	0.0044
033	37150-31910	NUT,RING	1				0.3	0.66
034	37150-31920	GASKET	1				0.001	0.0022
035	66711-55290	ASSY LAMP	1			ONLY AMERICA	0.016	0.0352
036	34150-34590	BULB	1			ONLY AMERICA	0.001	0.0022
037	54721-41300	ASSY SWITCH	1			ONLY AMERICA	0.03	0.066
038	54721-41300	BODY,SWITCH	1			ONLY AMERICA	0.03	0.066
039	54721-22330	CAP	1			ONLY AMERICA	0.002	0.0044
040	54721-22340	LABEL	1			ONLY AMERICA	0.001	0.0022
041	35320-31840	LABEL	1			ONLY AMERICA	0.005	0.011

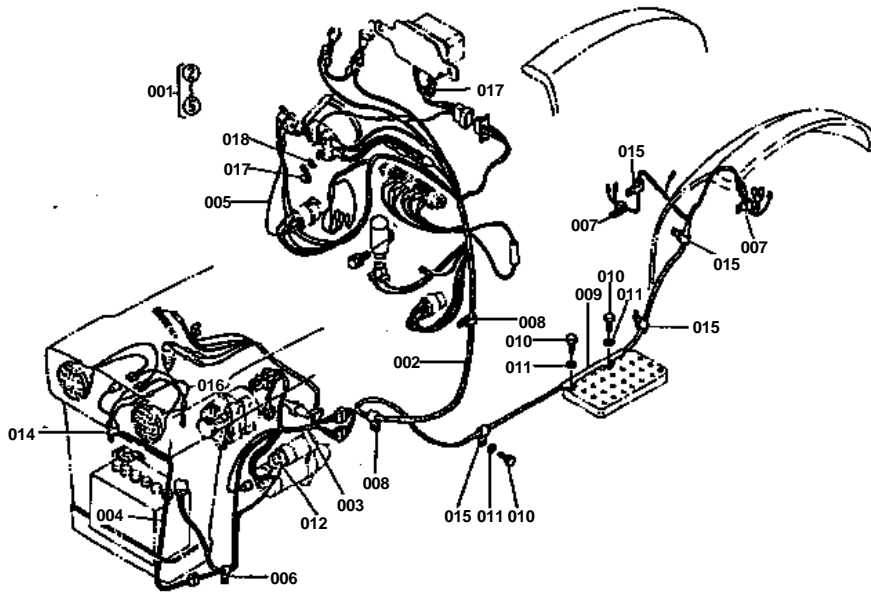




**ELECTICAL 2**

↔ Interchangeable; ≠ not interchangeable; ← new for old; → old for new

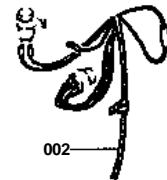
REF.No	Part No.	Description	Q'ty	S.No.	I/C	REMARKS	Weight (kgf)	Weight (lb)
001	33251-74010	ASSY REGULATOR	1				0.35	0.77
002	37150-33420	COVER,REGULATOR	1				0.03	0.066
003	01020-50618	BOLT	2				0.006	0.0132
004	04012-50060	WASHER,PLAIN	2				0.001	0.0022
005	99999-99999	BLANK	0				0	0
006	37150-33600	CASE,FUSE	1				0.115	0.253
007	03024-50516	SCREW,WITH WASHER	2				0.004	0.0088
008	04512-50050	WASHER,SPRING	2				0	0
009	04012-50050	WASHER,PLAIN	2				0.001	0.0022
010	02054-50050	NUT	2				0.002	0.0044
011	37150-34600	METER,TRACTOR	1				0.35	0.77
012	32150-31740	BULB,LAMP	2				0.003	0.0066
013	34150-34620	BULB,LAMP	1				0.001	0.0022
014	37150-34650	CABLE,TRACTOR METER	1				0	0
014	35170-34650	CABLE,TRACTOR METER	1				0.21	0.462
015	34150-34700	WIRE,DECOMPRESS	1				0	0
015	35170-34700	WIRE,DECOMPRESS	1				0.1	0.22
016	99999-99999	BLANK	0				0	0
017	34159-34790	LABEL,DECOMPRESS	1				0.002	0.0044
018	34159-34920	LABEL	1				0.002	0.0044
019	34350-29380	CLAMP,CORD	1				0.001	0.0022
020	34150-29390	CLAMP,CORD	1				0.004	0.0088
021	35151-32410	SWITCH,HORN	1			L185-3	0.025	0.055
022	66591-55300	ASSY,HORN	1			L185-3	0.15	0.33
023	35176-32430	LABEL,HORN	1	≤52471		L185-3	0.001	0.0022
024	01050-50612	BOLT	2	≥52472		L185-3	0.005	0.011
025	04512-50060	WASHER,SPRING	2			L185-3	0	0
026	35114-34380	CLAMP,CORD HORN	1			L185-3	0.01	0.022



REF. No. 35110-3441-0



REF. No. 35110-3441-3



REF. No. 34158-3337-0



Discontinua.

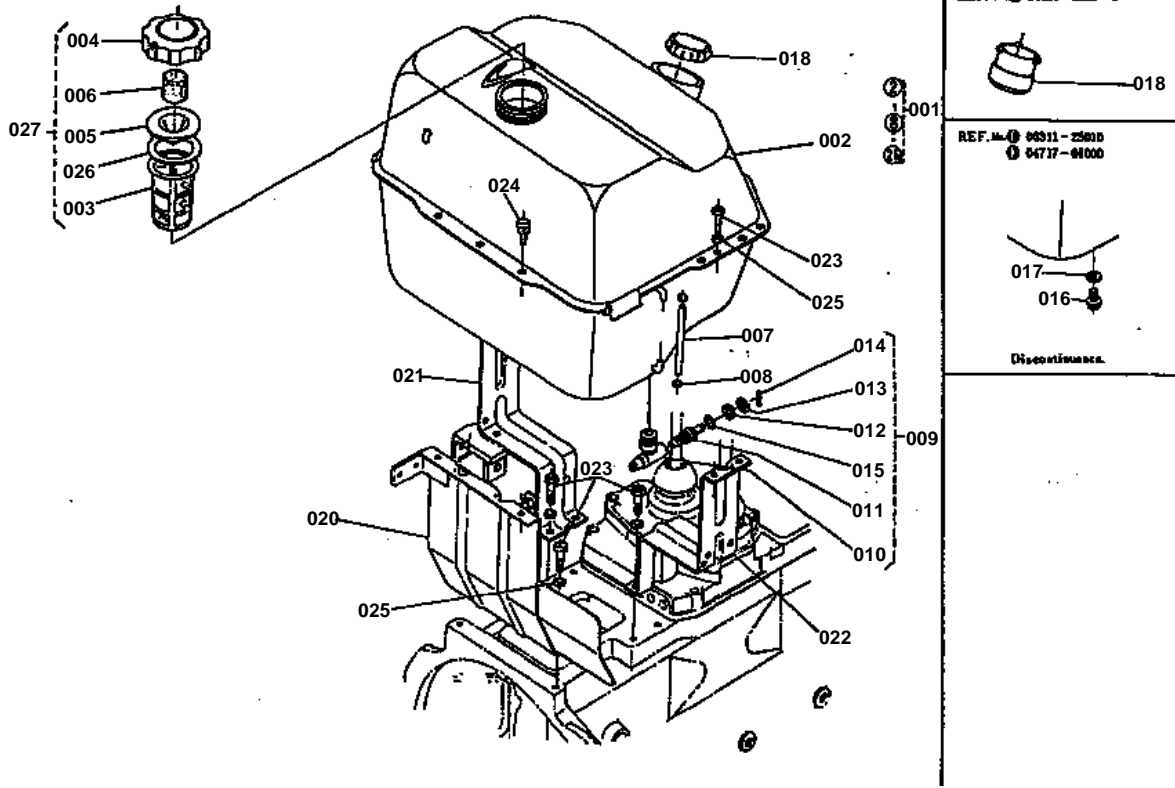


ELECTICAL 3

↔ Interchangeable; ≠ not interchangeable; ← new for old; → old for new

REF.No	Part No.	Description	Q'ty	S.No.	I/C	REMARKS	Weight (kgf)	Weight (lb)
001	35110-34400	ASSY WIRE HARNESS	1				0	0
001	35170-34400	ASSY WIRE HARNESS	1	<=52727		(L185-3)	0.74	1.628
001	35170-34402	ASSY WIRE HARNESS	1	>=52728			0.8	1.76
002	35110-34410	WIRE HARNESS	1				0	0
002	35110-34413	WIRE HARNESS	1	<=52727		(L185-3)	0.475	1.045
002	35110-34414	WIRE HARNESS	1	>=52728			0.5	1.1
003	35110-34320	WIRE HARNESS	1				0.21	0.462
004	35110-34330	WIRE HARNESS	1				0.035	0.077
005	35110-34340	WIRE HARNESS	1				0.015	0.033
006	37150-34460	CLAMP,CORD	1				0.03	0.066
007	32240-34460	CLAMP,CORD	2				0.011	0.0242
008	37150-34470	CLAMP,CORD	2				0.004	0.0088
009	37150-34480	CLAMP,CORD	1				0.06	0.132
010	01222-50812	BOLT	3				0.009	0.0198
011	04512-50080	WASHER,SPRING	3				0.001	0.0022
012	34150-33350	WASHER	1				0.01	0.022
013	34150-33370	CUSHION	1	<=52704			0.003	0.0066
014	32240-34482	CLAMP,CORD	1				0.008	0.0176
015	32240-34490	CLAMP,CORD	4				0.003	0.0066
016	35110-34350	CORD	1				0.005	0.011
017	34150-29390	CLAMP,CORD	1				0.004	0.0088
018	04013-50060	WASHER,PLAIN	1				0	0

# FUEL TANK

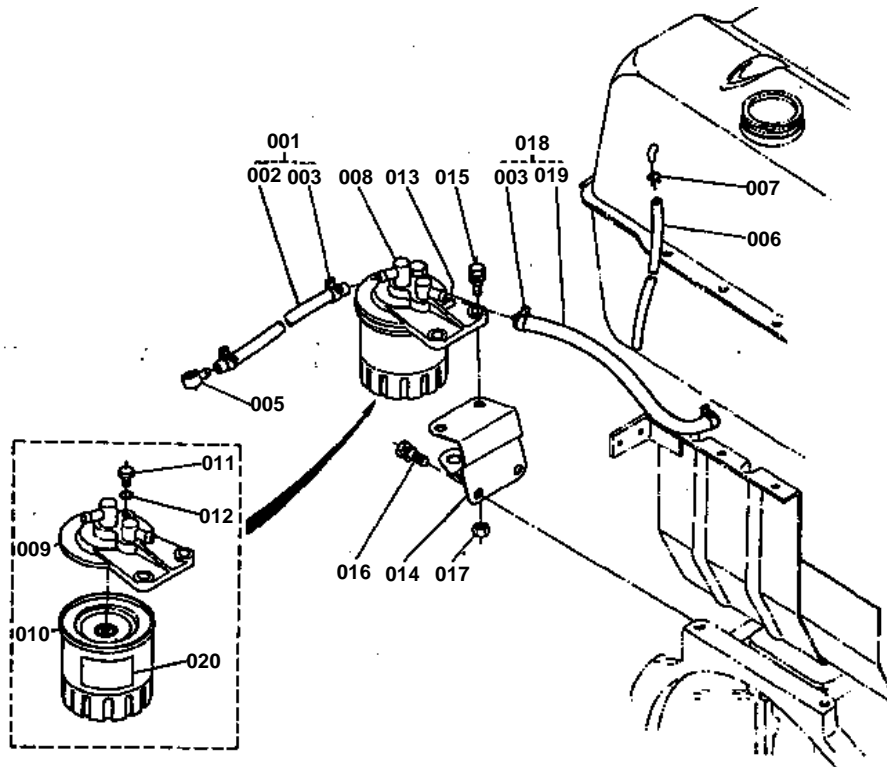


**FUEL TANK**

↔ Interchangeable; ≠ not interchangeable; ← new for old; → old for new

REF.No	Part No.	Description	Q'ty	S.No.	I/C	REMARKS	Weight (kgf)	Weight (lb)
001	37150-35100	ASSY TANK,FUEL	1				6	13.2
002	99999-99999	BLANK	0			ORDER BY REF.No.001	0	0
003	13251-41060	FILTER	1				0.01	0.022
004	99999-99999	BLANK	0			ORDER BY REF.No.027	0	0
005	34150-35230	GASKET	1				0.01	0.022
006	34150-35240	SPONGE	1				0.001	0.0022
007	34150-35470	GAUGE,FUEL	1				0	0
008	10013-41770	CLIP,PIPE	2				0.005	0.011
009	31220-35400	ASSY COCK,FUEL	1				0.11	0.242
010	99999-99999	BLANK	0			ORDER BY REF.No.009	0	0
011	99999-99999	BLANK	0			ORDER BY REF.No.009	0	0
012	32130-35430	WASHER	1				0.001	0.0022
013	04611-00140	CIR-CLIP,INTERNAL	1				0.001	0.0022
014	05411-00330	PIN,SPRING	1				0.001	0.0022
015	04811-00080	O RING	1				0.001	0.0022
016	06311-25010	PLUG	1				0.014	0.0308
017	04717-01000	WASHER,SEAL	1				0.001	0.0022
018	34150-35550	BUSH,FUEL TANK	1				0.06	0.132
018	37300-35550	BUSH,FUEL TANK	1	>=10001			0.014	0.0308
019	99999-99999	BLANK	0				0	0
020	37150-35270	SUPPORT,FUEL TANK	1				0.9	1.98
021	37150-35280	STAY,FUEL TANK RH	1	<=52703			0.505	1.111
021	35170-35280	STAY,FUEL TANK RH	1	>=52704			0.845	1.859
022	37150-35290	STAY,FUEL TANK LH	1				0.38	0.836
023	01222-50814	BOLT	10				0.009	0.0198
024	01202-50818	BOLT	2				0.012	0.0264
025	04512-50080	WASHER,SPRING	10				0.001	0.0022
026	34150-35180	GASKET	1				0.001	0.0022
027	38240-35200	ASSY CAP	1				0.06	0.132

FUEL FILTER



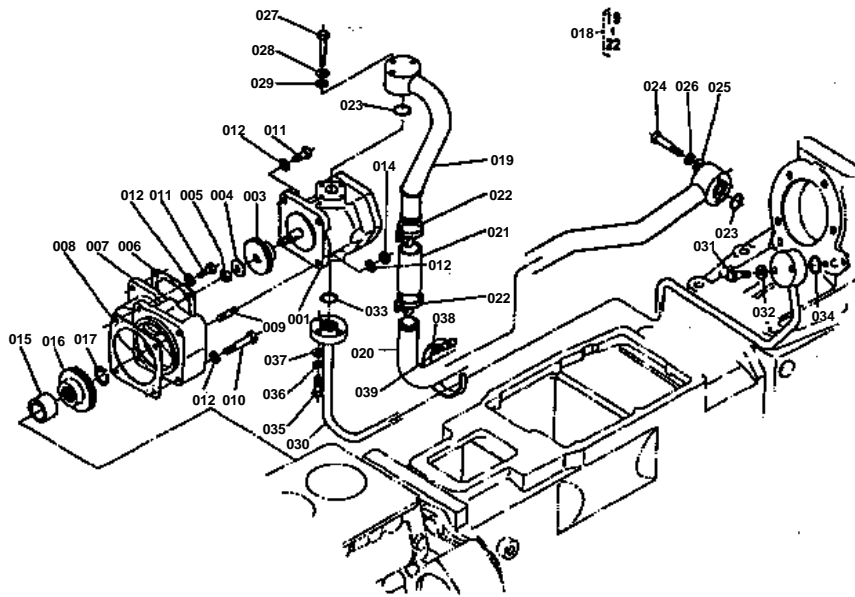


FUEL FILTER

↔ Interchangeable; ≠ not interchangeable; ← new for old; → old for new

REF.No	Part No.	Description	Q'ty	S.No.	I/C	REMARKS	Weight (kgf)	Weight (lb)
001	34150-35532	ASSY PIPE,FUEL	1				0	0
001	14671-42020	ASSY PIPE,FUEL	1				0.05	0.11
002	99999-99999	BLANK	0			ORDER BY REF.No.001	0	0
003	14301-42750	CLIP,PIPE	4				0.005	0.011
004	99999-99999	BLANK	0				0	0
005	14111-42410	JOINT,FUEL PIPE	1				0.025	0.055
006	34150-35540	PIPE,FUEL	1				0.008	0.0176
007	10244-42320	CLIP,PIPE	2				0.001	0.0022
008	15221-43010	ASSY FILTER,FUEL	1	≤10865			0.556	1.2232
008	15291-43010	ASSY FILTER,FUEL	1	≥50001			0.555	1.221
009	15221-43210	COVER,FILTER	1	≤10865			0.25	0.55
009	15291-43210	COVER,FILTER	1	≥50001			0.23	0.506
010	15221-43080	ELEMENT,FILTER	1				0	0
011	14102-43280	PLUG,FILTER BREATHER	1				0	0
012	15108-43290	O RING	1				0.001	0.0022
013	15221-87790	MARK,FORM	1	≤10865			0.001	0.0022
013	15291-87760	MARK,FORM	1	≥50001			0.005	0.011
014	37150-35810	BRACKET,FILTER	1				0.3	0.66
015	01120-50822	BOLT	2				0	0
016	01120-50816	BOLT	2				0	0
017	02114-50080	NUT	2				0.005	0.011
018	37150-35500	ASSY PIPE,FUEL	1				0.05	0.11
019	99999-99999	BLANK	0			ORDER BY REF.No.018	0	0
020	15291-87760	MARK	1				0.005	0.011

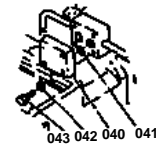
# OIL PRESSURE 1



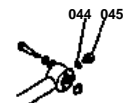
REF. No. 23110-3821-6  
Used as L245.

REF. No. 037156-2616-6  
Diameter of the driving shaft bigger than said.

REF. No. 99473-2522-0  
04410-00200  
04512-30080  
01153-50632



REF. No. 04811-00090  
99473-2513-0



Discontinua.



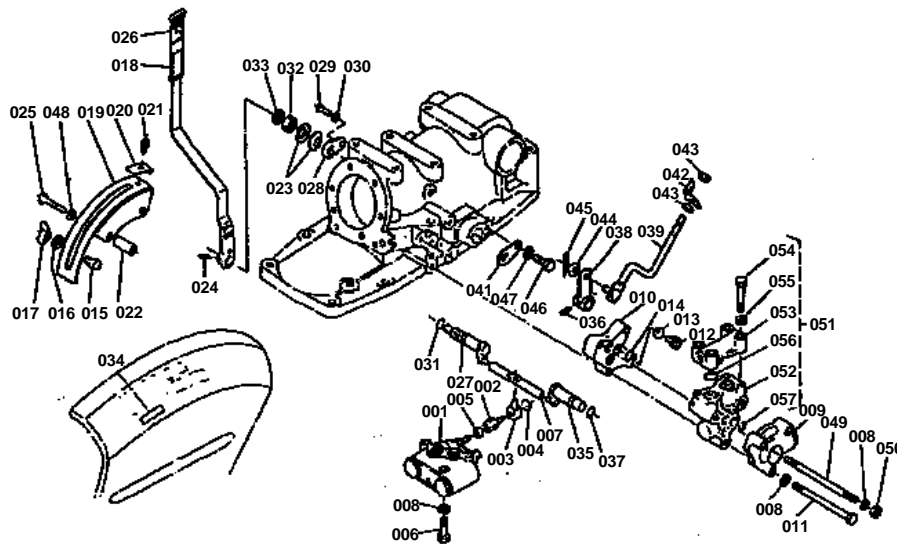


# OIL PRESSURE 1

↔ Interchangeable; ≠ not interchangeable; ← new for old; → old for new

REF.No	Part No.	Description	Q'ty	S.No.	I/C	REMARKS	Weight (kgf)	Weight (lb)
001	34150-36103	PUMP,OIL PRESSURE	1	≤10795			0	0
001	37150-36100	PUMP,OIL PRESSURE	1	≥10796			0	0
001	37150-36100	PUMP,OIL PRESSURE	1	≥50001			0	0
001	35110-76100	PUMP,OIL PRESSURE	1				1.9	4.18
002	99999-99999	BLANK	0				0	0
003	34150-37830	GEAR,SPUR 30	1				0.165	0.363
004	32270-37890	WASHER,CLAW	1				0	0
005	02054-50080	NUT	1				0.005	0.011
006	34150-37870	GASKET	1				0	0
007	34260-37850	HOLDER,O/P PUMP	1				1.365	3.003
008	34150-37860	GASKET	1				0	0
009	01513-50820	STUD	2				0	0
010	01153-50855	BOLT	2				0.023	0.0506
011	01153-50822	BOLT	4				0.011	0.0242
012	04512-50080	WASHER,SPRING	8				0.001	0.0022
013	99999-99999	BLANK	0				0	0
014	02114-50080	NUT	2				0.005	0.011
015	34150-37820	COLLAR	1				0.05	0.11
016	34150-37810	GEAR,SPUR 38	1				0.225	0.495
017	04612-00250	CIR-CLIP,EXTERNAL	1				0.002	0.0044
018	99999-99999	BLANK	0			NON SALE	0	0
019	37150-38120	PIPE,INLET	1				0.47	1.034
020	35110-38130	PIPE,INLET	1				0.92	2.024
021	37150-37770	PIPE,RUBBER	1				0.035	0.077
022	37150-37780	CLAMP	2				0	0
023	04811-00200	O RING	2				0.001	0.0022
024	01153-50850	BOLT	2				0.02	0.044
025	04013-50080	WASHER,PLAIN	2				0	0
026	04512-50080	WASHER,SPRING	2				0.001	0.0022
027	01053-50645	BOLT	3				0.012	0.0264
028	04512-50060	WASHER,SPRING	3				0	0
029	04013-50060	WASHER,PLAIN	3				0	0
030	35110-38210	ASSY PIPE,DELIVERY	1	≤10795			1.57	3.454
030	35110-38216	ASSY PIPE,DELIVERY	1	≥10796			0.92	2.024
030	35110-38216	ASSY PIPE,DELIVERY	1	≥50001			0.92	2.024
031	01153-50830	BOLT	2				0	0
032	04512-50080	WASHER,SPRING	2				0.001	0.0022
033	04810-00200	O RING	1				0.001	0.0022
034	04810-00120	O RING	1				0.001	0.0022
035	01053-50628	BOLT	3				0.008	0.0176
036	04512-50060	WASHER,SPRING	3				0	0
037	04013-50060	WASHER,PLAIN	3				0	0
038	37150-38950	BAND,PIPE	1				0.02	0.044
038	67111-53770	BAND,PIPE	1	≥50001			0.01	0.022
039	33430-82760	PIN,PIPE BAND	1				0.004	0.0088
040	99473-95230	COVER,FLANGE	1	≤50781			0.524	1.1528
041	04810-00200	O RING	2	≤50781			0.001	0.0022
042	04512-50080	WASHER,SPRING	4	≤50781			0.001	0.0022
043	01153-50832	BOLT	4	≤50781			0.015	0.033
044	04811-00090	O RING	1				0.001	0.0022
045	99473-95130	PLUG,O RING	1				0.014	0.0308

OIL PRESSURE 2



REF. No. 035110-3885-3  
 Changed bending shape.

REF. No. 037130-3763-0  
 04591-4511-0



REF. No. 037130-2956-0



The above mentioned parts.  
 FP. TP ~# 11675  
 BTP ~# 10795

REF. No. 047220-3663-0





# OIL PRESSURE 2

↔ Interchangeable; ≠ not interchangeable; ← new for old; → old for new

REF.No	Part No.	Description	Q'ty	S.No.	I/C	REMARKS	Weight (kgf)	Weight (lb)
001	37150-36400	VALVE,CONTROL	1				1.675	3.685
002	37150-36410	JOINT,SPOOL 1	1				0.001	0.0022
003	37150-36420	JOINT,SPOOL 2	1				0.02	0.044
004	04613-00060	CIR-CLIP,EXTERNAL	1				0	0
005	02112-50080	NUT	1				0.003	0.0066
006	01153-50850	BOLT	3				0.02	0.044
007	37150-36430	LEVER,SPOOL DRIVE	1				0.09	0.198
008	04512-50080	WASHER,SPRING	6				0.001	0.0022
009	37150-36600	ASSY VALVE,RELIEF	1				0.865	1.903
010	37150-36610	SPACER,VALVE	1				0.14	0.308
011	01153-50865	BOLT	3	≤10795			0.025	0.055
011	01153-50865	BOLT	2	≥10796			0.025	0.055
011	35300-36810	BOLT	2	≥50001			0.048	0.1056
011	35300-36810	BOLT	2	≥50781			0.048	0.1056
012	06331-35010	PLUG	1				0.012	0.0264
013	04717-01000	WASHER,SEAL	1				0.001	0.0022
014	04810-00140	O RING	6				0.001	0.0022
015	32360-36870	STOPPER,LEVER	1				0.039	0.0858
016	04013-50100	WASHER,PLAIN	1				0	0
017	02870-50100	NUT,WING	1				0.015	0.033
018	35110-36850	LEVER,CONTROL	1	≤10365			0.355	0.781
018	35210-36855	LEVER,CONTROL	1	≥10366			0.365	0.803
018	35210-36855	LEVER,CONTROL	1	≥50001			0.365	0.803
019	37150-36860	GUIDE,LEVER	1				0.285	0.627
020	37150-36910	STOPPER	1				0.02	0.044
021	01120-50814	BOLT	1				0	0
022	37150-36870	COLLAR	2				0.02	0.044
023	34260-36880	SPRING	2				0.006	0.0132
024	05411-00525	PIN,SPRING	1				0.002	0.0044
025	01150-50845	BOLT	2				0.019	0.0418
026	37150-36890	GRIP,LEVER	1				0.035	0.077
027	35110-37650	ARM,CONTROL	1				0.11	0.242
028	35110-36890	PLATE,SET	1				0.006	0.0132
029	01153-50816	BOLT	1				0.01	0.022
030	04512-50080	WASHER,SPRING	1				0.001	0.0022
031	04811-00110	O RING	1				0.001	0.0022
032	02174-50140	NUT	1				0.014	0.0308
033	02172-50140	NUT	1				0.01	0.022
034	35110-36810	LABEL,CONTROL	1				0	0
034	35176-36980	LABEL,CONTROL	1	≥50001			0.001	0.0022
035	37150-37670	SHAFT,LEVER	1				0.085	0.187
036	05411-00420	PIN,SPRING	1				0.001	0.0022
037	04811-00110	O RING	1				0.001	0.0022
038	37150-37680	LEVER	1				0.05	0.11
039	37150-37690	ROD 1	1	≤10795			0.02	0.044
039	37220-37690	ROD	1	≥10796			0.06	0.132
039	37220-37690	ROD	1	≥50001			0.06	0.132
040	66591-42410	TURNBUCKLE	1	≤10795			0.046	0.1012
041	34260-36890	PLATE,SET	1	≤10795			0.009	0.0198
042	37150-39560	ROD 2	1	≥10796			0.015	0.033
042	37220-37640	PLATE,CONTROL	1	≥50001			0.025	0.055
043	02114-50080	NUT	1	≥10796			0.005	0.011
043	02114-50080	NUT	1	≥50001			0.005	0.011
043	02114-50080	NUT	2				0.005	0.011
044	04013-50080	WASHER,PLAIN	2				0	0

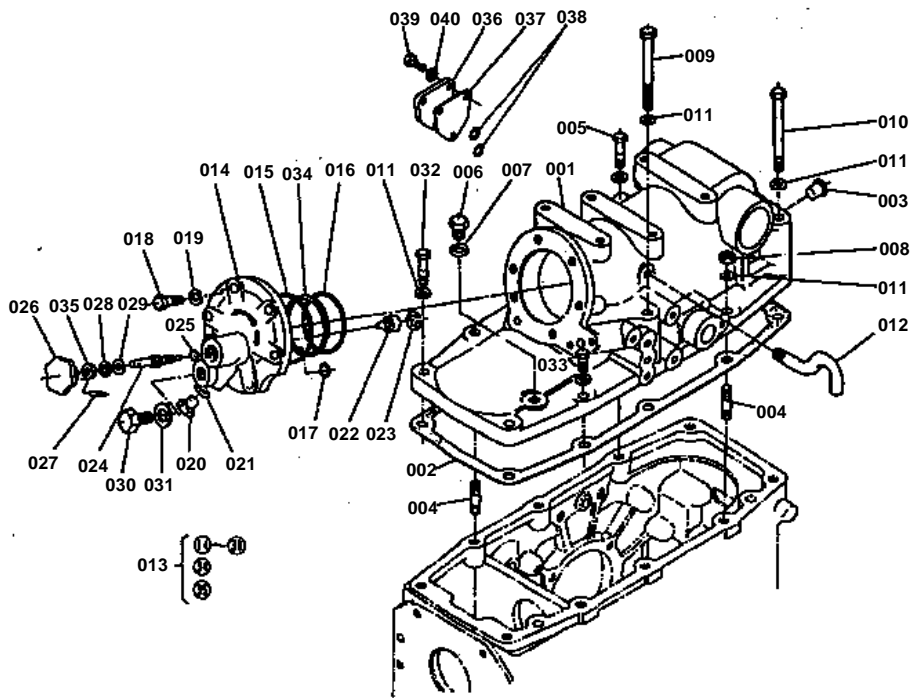


## OIL PRESSURE 2

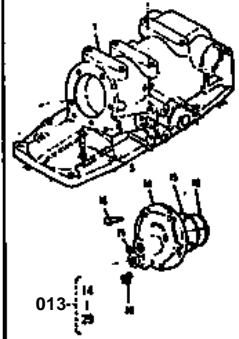
↔ Interchangeable; ≠ not interchangeable; ← new for old; → old for new

REF.No	Part No.	Description	Q'ty	S.No.	I/C	REMARKS	Weight (kgf)	Weight (lb)
045	05511-50215	PIN,SPLIT	2				0.001	0.0022
046	01153-50816	BOLT	1				0.01	0.022
047	04512-50080	WASHER,SPRING	1				0.001	0.0022
048	04512-50080	WASHER,SPRING	2				0.001	0.0022
049	37220-36630	STUD	1	≤10795			0.025	0.055
049	37220-36630	STUD	1	≥10796			0.025	0.055
049	35300-36820	STUD	1	≥50001			0.05	0.11
049	35300-36820	STUD	1	≥50781			0.05	0.11
050	02114-50080	NUT	1	≤10865			0.005	0.011
050	02114-50080	NUT	1	≥50001			0.005	0.011
051	35300-36700	ASSY BLOCK,OIL PRESS	1				2	4.4
052	35300-36710	BLOCK,OIL PRESSURE	1				1.6	3.52
053	35300-36720	COVER,OIL PRESSURE B	1				0.385	0.847
054	01153-50840	BOLT	4				0.018	0.0396
055	04512-50080	WASHER,SPRING	4				0.001	0.0022
056	04810-00200	O RING	2				0.001	0.0022
057	04810-00120	O RING	3				0.001	0.0022

O/P CYLINDER



REF. No. ①37150-3711-0  
 ②37150-3720-0  
 ③37150-3731-0  
 ④048W-50800  
 ⑤01173-50825  
 ⑥05331-35010  
 FP, TF -# 11675  
 DTP -# 10795





O/P CYLINDER

↔ Interchangeable; ≠ not interchangeable; ← new for old; → old for new

REF.No	Part No.	Description	Q'ty	S.No.	I/C	REMARKS	Weight (kgf)	Weight (lb)
001	37150-37110	CYLINDER O/P	1	<=10795			16.65	36.63
001	35210-37110	CYLINDER O/P	1	>=10796			20.1	44.22
001	35210-37110	CYLINDER O/P	1	>=50001			20.1	44.22
002	37150-37120	GASKET	1				0	0
003	32210-27580	PLUG	4				0.001	0.0022
004	01574-51230	STUD	2				0.037	0.0814
005	01173-51235	BOLT	3	<=10795			0.04	0.088
005	01173-51235	BOLT	1	>=10796			0.04	0.088
005	01173-51235	BOLT	1	>=50001			0.04	0.088
006	06311-35030	PLUG	1				0.058	0.1276
007	04717-01700	WASHER,SEAL	1				0.003	0.0066
008	02176-50120	NUT	2				0.01	0.022
009	01173-51295	BOLT	1	<=10795			0.086	0.1892
009	01173-51295	BOLT	2	>=10796			0.086	0.1892
009	01173-51295	BOLT	2	>=50001			0.086	0.1892
010	01173-51200	BOLT	2				0.09	0.198
011	04512-50120	WASHER,SPRING	10				0.003	0.0066
012	34260-37270	PIPE,BREATHER	1				0.03	0.066
013	37150-37200	ASSY COVER,O/P CYL.	1	<=10795			2.1	4.62
013	37220-37200	ASSY COVER,O/P CYL.	1	>=10796			3.3	7.26
013	37220-37200	ASSY COVER,O/P CYL.	1	>=50001			3.3	7.26
014	99999-99999	BLANK	1	<=10795		ORDER BY REF.No.013	0	0
014	99999-99999	BLANK	1	>=10796		ORDER BY REF.No.013	0	0
014	99999-99999	BLANK	1	>=50001		ORDER BY REF.No.013	0	0
015	04811-50750	O RING	1	<=10795			0.002	0.0044
015	04811-50900	O RING	1	>=10796			0.003	0.0066
015	04811-50900	O RING	1	>=50001			0.003	0.0066
016	04810-50600	O RING	1	<=10795			0.002	0.0044
016	04811-50700	O RING	1	>=10796			0.002	0.0044
016	04811-50700	O RING	1	>=50001			0.002	0.0044
017	04810-00140	O RING	1				0.001	0.0022
018	01173-51038	BOLT	6	<=10795			0.028	0.0616
019	04512-50100	WASHER,SPRING	5	>=10796			0	0
019	04512-50100	WASHER,SPRING	6	>=50001			0	0
020	06331-35010	PLUG	1	<=10865			0.012	0.0264
020	37150-36740	PLUG	1	>=50001			0.025	0.055
021	04724-00100	GASKET	1				0.001	0.0022
022	34150-37250	COLLAR,ADJUSTING	1				0.01	0.022
023	04611-00180	CIR-CLIP,INTERNAL	1				0.001	0.0022
024	34150-37220	SCREW,ADJUSTING	1				0.025	0.055
025	04810-00100	O RING	1				0.001	0.0022
026	34150-37230	GRIP	1				0.04	0.088
027	05411-00418	PIN,SPRING	1				0.001	0.0022
028	34150-37260	CIR-CLIP,INTERNAL	1				0.001	0.0022
029	04012-50080	WASHER,PLAIN	1				0.001	0.0022
030	37150-36730	PLUG	1				0.03	0.066
031	37150-36720	GASKET	1				0.01	0.022
032	01173-51240	BOLT	2				0.045	0.099
033	01173-51230	BOLT	1	>=10796			0.037	0.0814
033	01173-51230	BOLT	1	>=50001			0.037	0.0814
034	34220-37290	RING,BACK RP	1	>=10796			0.001	0.0022
034	34220-37290	RING,BACK UP	1	>=50001			0.001	0.0022
035	09230-08164	OIL,SEAL	1	>=10796			0.001	0.0022
035	09230-08164	OIL,SEAL	1	>=50001			0.001	0.0022
036	34260-37150	COVER	1	>=10796			0.155	0.341

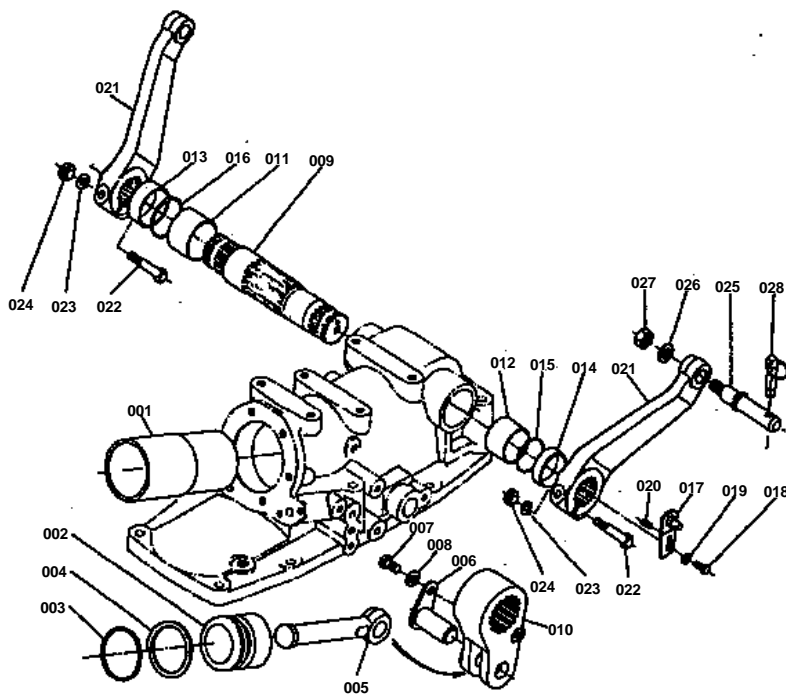


## O/P CYLINDER

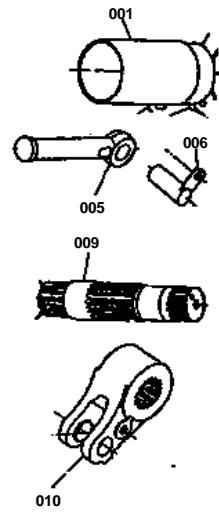
↔ Interchangeable; ≠ not interchangeable; ← new for old; → old for new

REF.No	Part No.	Description	Q'ty	S.No.	I/C	REMARKS	Weight (kgf)	Weight (lb)
036	34260-37150	COVER	1	>=50001			0.155	0.341
037	34260-37160	PLATE	1	>=10796			0.04	0.088
037	34260-37160	PLATE	1	>=50001			0.04	0.088
038	04810-00160	O RING	2	>=10796			0.001	0.0022
038	04810-00160	O RING	2	>=50001			0.001	0.0022
039	01153-50818	BOLT	3	>=10796			0.01	0.022
039	01153-50818	BOLT	3	>=50001			0.01	0.022
040	04512-50080	WASHER,SPRING	3	>=10796			0.001	0.0022
040	04512-50080	WASHER,SPRING	3	>=50001			0.001	0.0022

O/P LIFT ARM SYSTEM



REF. No. ①-②-③-④-⑤-⑥-⑦-⑧-⑨-⑩  
 Changed according to adapted the equipment for draft control



The above mentioned parts.  
 EP, TP -11673  
 DTP -10795





# O/P LIFT ARM SYSTEM

↔ Interchangeable; ≠ not interchangeable; ← new for old; → old for new

REF.No	Part No.	Description	Q'ty	S.No.	I/C	REMARKS	Weight (kgf)	Weight (lb)
001	34150-37130	LINER,CYLINDER	1	≤10795			1.1	2.42
001	37220-37130	LINER,CYLINDER	1	≥10796			1.87	4.114
001	37220-37130	LINER,CYLINDER	1	≥50001			1.87	4.114
002	37150-37310	PISTON,OIL PRESSURE	1	≤10795			0.72	1.584
002	37220-37310	PISTON,OIL PRESSURE	1	≥10796			1.02	2.244
002	37220-37310	PISTON,OIL PRESSURE	1	≥50001			1.02	2.244
003	04811-00550	O RING	1	≤10795			0.006	0.0132
003	04811-00650	O RING	1	≥10796			0.007	0.0154
003	04811-00650	O RING	1	≥50001			0.007	0.0154
004	32200-37380	RING,BACK UP	1	≤10795			0.003	0.0066
004	34220-37380	RING,BACK UP	1	≥10796			0.001	0.0022
004	34220-37380	RING,BACK UP	1	≥50001			0.001	0.0022
005	35210-37320	ROD,OIL PRESSURE	1	≤10795			0.49	1.078
005	37300-37320	ROD,OIL PRESSURE	1	≥10796			0.5	1.1
005	37300-37320	ROD,OIL PRESSURE	1	≥50001			0.5	1.1
006	34150-37340	PIN,SET	1	≤10795			0.18	0.396
006	32240-37340	PIN,SET	1	≥10796			0.2	0.44
006	32240-37340	PIN,SET	1	≥50001			0.2	0.44
007	01170-51018	BOLT	1				0.017	0.0374
008	04512-50100	WASHER,SPRING	1				0	0
009	37150-37430	SHAFT,O/P ARM	1	≤10795			2.15	4.73
009	37220-37430	SHAFT,O/P ARM	1	≥10796			3.3	7.26
009	37220-37430	SHAFT,O/P ARM	1	≥50001			3.3	7.26
010	37150-37440	ARM,OIL PRESSURE	1	≤10795			1.35	2.97
010	37220-37440	ARM,OIL PRESSURE	1	≥10796			1.71	3.762
010	37220-37440	ARM,OIL PRESSURE	1	≥50001			1.71	3.762
011	34150-37450	BUSH	1	≤10795			0.104	0.2288
011	32240-37450	BUSH	1	≥10796			0	0
011	32440-37450	BUSH	1	≥50001			0	0
012	34150-37460	BUSH	1	≤10795			0.062	0.1364
012	32240-37460	BUSH	1	≥10796			0	0
012	32240-37460	BUSH	1	≥50001			0	0
013	34150-37480	COLLAR	1	≤10795			0.005	0.011
013	34220-37480	SPACER,O RING	1	≥10796			0.05	0.11
013	34220-37480	SPACER,O RING	1	≥50001			0.05	0.11
014	34150-37490	COLLAR	1	≤10795			0.002	0.0044
014	32240-37490	COLLAR	1	≥10796			0.064	0.1408
014	32240-37490	COLLAR	1	≥50001			0.064	0.1408
015	04811-06400	O RING	1	≤10795			0.001	0.0022
015	04811-50450	O RING	1	≥10796			0.002	0.0044
015	04811-50450	O RING	1	≥50001			0.002	0.0044
016	04811-50450	O RING	1	≤10795			0.002	0.0044
016	04811-50500	O RING	1	≥10796			0.001	0.0022
016	04811-50500	O RING	1	≥50001			0.001	0.0022
017	37150-37660	LINK,CONTROL	1				0.025	0.055
018	01153-50816	BOLT	1				0.01	0.022
019	04512-50080	WASHER,SPRING	1				0.001	0.0022
020	05411-00412	PIN,SPRING	1				0.001	0.0022
021	34150-37610	ARM,LIFT	2	≤10795			1.89	4.158
021	37220-37610	ARM,LIFT	2	≥10796			2.1	4.62
021	37220-37610	ARM,LIFT	2	≥50001			2.1	4.62
022	01173-51075	BOLT	2	≤10795			0.047	0.1034
022	01173-51275	BOLT	2	≥10796			0.071	0.1562
022	01173-51275	BOLT	2	≥50001			0.071	0.1562
023	04512-50100	WASHER,SPRING	2	≤10795			0	0

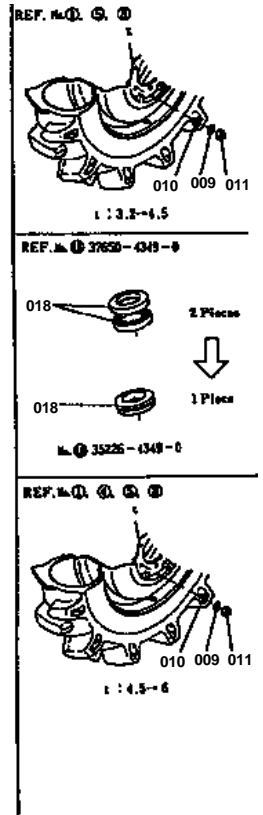
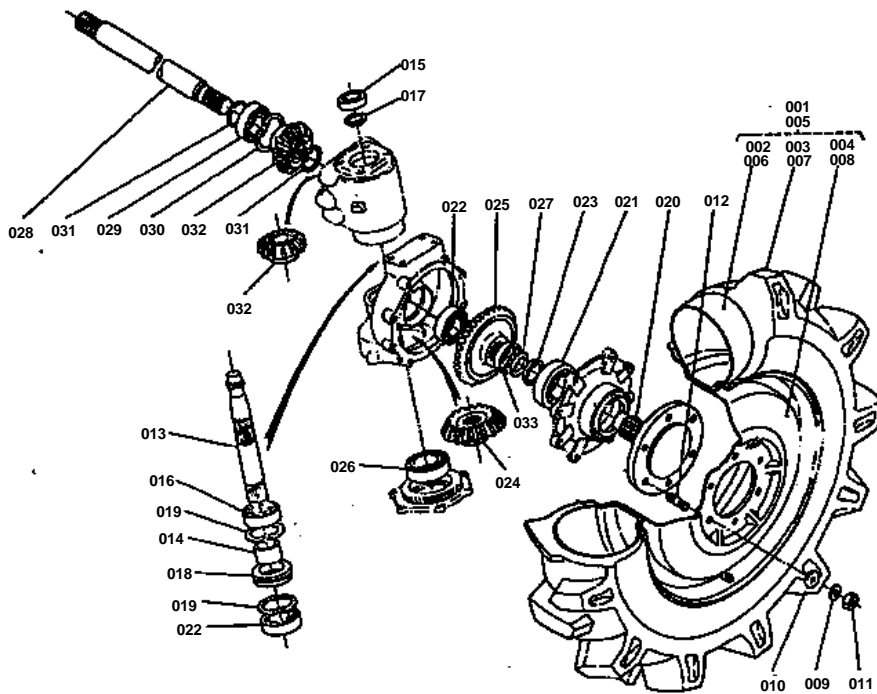


# O/P LIFT ARM SYSTEM

↔ Interchangeable; ≠ not interchangeable; ← new for old; → old for new

REF.No	Part No.	Description	Q'ty	S.No.	I/C	REMARKS	Weight (kgf)	Weight (lb)
023	04512-50120	WASHER,SPRING	2	>=10796			0.003	0.0066
023	04512-50120	WASHER,SPRING	2	>=50001			0.003	0.0066
024	02176-50100	NUT	2	<=10795			0.005	0.011
024	02176-50120	NUT	2	>=10196			0.01	0.022
024	02176-50120	NUT	2	>=50001			0.01	0.022
025	99261-22580	PIN,ROTARY LIFT ROD	2	<=10795			0	0
025	32240-37690	PIN,LIFT ROD	2	>=10796			0	0
025	32240-37690	PIN,LIFT ROD	2	>=50001			0	0
026	04512-50160	WASHER,SPRING	2				0	0
027	02174-50160	NUT	2				0.022	0.0484
028	34150-37640	PIN SET	2				0.06	0.132

FRONT WHEEL [L185DT]



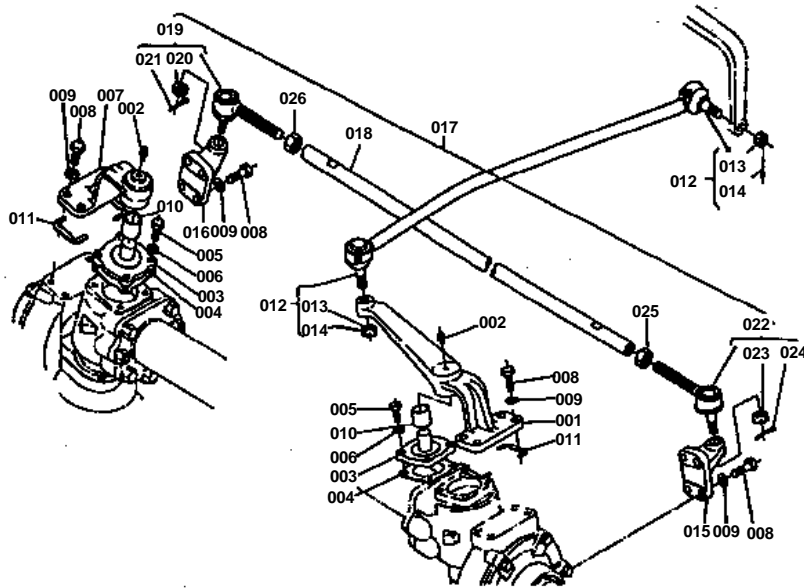


## FRONT WHEEL [L185DT]

↔ Interchangeable; ≠ not interchangeable; ← new for old; → old for new

REF.No	Part No.	Description	Q'ty	S.No.	I/C	REMARKS	Weight (kgf)	Weight (lb)
001	37650-43710	ASSY FRONT WHEEL RH	1	<=51351			0	0
001	35120-43710	ASSY FRONT WHEEL RH	1	>=51352			0	0
001	35180-43710	ASSY FRONT WHEEL RH	1	>=50001			16	35.2
002	95016-11120	TUBE	1				0.77	1.694
003	34160-43740	TIRE	1				0	0
004	37650-43730	WHEEL	1	<=51351			0	0
004	35120-43730	WHEEL	1	>=51352			0	0
004	35180-43730	WHEEL	1	>=50001			9	19.8
005	37650-43720	ASSY FRONT WHEEL LH	1	<=51351			0	0
005	35120-43720	ASSY FRONT WHEEL LH	1	>=51352			0	0
005	35180-43720	ASSY FRONT WHEEL LH	1	>=50001			19.5	42.9
006	95016-11120	TUBE	1				0.77	1.694
007	34160-43740	TIRE	1				0	0
008	37650-43730	WHEEL	1	<=51351			0	0
008	35120-43730	WHEEL	1	>=51352			0	0
008	35180-43730	WHEEL	1	>=50001			9	19.8
009	04512-50120	WASHER,SPRING	12				0.003	0.0066
010	04014-50120	WASHER,PLAIN	12				0.007	0.0154
010	35180-43790	WASHER,PLAIN	12	>=50001			0.013	0.0286
011	02174-50120	NUT	12				0.01	0.022
012	01574-51222	STUD	12	<=53003			0.032	0.0704
012	01574-51225	STUD	12	>=50001			0.034	0.0748
013	37720-43460	SHAFT,BEVEL GEAR	2				1.145	2.519
014	37650-43480	COLLAR,OIL SEAL	2				0.095	0.209
015	08101-06204	BEARING,BALL (6204)	2				0.102	0.2244
016	08101-06206	BEARING,BALL (6206)	2				0.196	0.4312
017	04612-00300	CIR-CLIP,EXTERNAL	2				0.003	0.0066
018	37650-43490	SEAL,OIL	4				0	0
018	35226-43490	SEAL,OIL	2				0.069	0.1518
019	04611-00620	CIR-CLIP,INTERNAL	4				0.011	0.0242
020	37650-43610	AXLE	2				2.54	5.588
021	08101-06207	BEARING,BALL (6207)	2				0.282	0.6204
022	08101-06206	BEARING,BALL (6206)	4				0.196	0.4312
023	37650-43670	COLLAR,THRUST	2				0.01	0.022
024	37720-43650	GEAR,STR BEVEL 17	2				0.5	1.1
025	37720-43660	GEAR,STR BEVEL 38	2				2.7	5.94
026	08101-06008	BEARING,BALL (6008)	2				0.19	0.418
027	37650-43680	COLLAR	2				0	0
027	37650-43680	CIR-CLIP	4				0	0
028	35220-43810	SHAFT,DIFF YOKE	2				2.3	5.06
029	08100-00021	BEARING,BALL (BL206)	2				0.214	0.4708
030	04611-00620	CIR-CLIP,INTERNAL	2	<=52704			0.011	0.0242
031	04612-00300	CIR-CLIP,EXTERNAL	4				0.003	0.0066
032	37720-43820	GEAR,STR BEVEL 14	4				0.45	0.99
033	37720-43690	COLLAR	2	<=10865			0.038	0.0836
033	37720-43690	COLLAR	2	>=50001			0.038	0.0836

FRONT WHEEL DRIVE [L185DT]



REF. No. 32720 - 1353 - 0



REF. No. 33120 - 6397 - 0



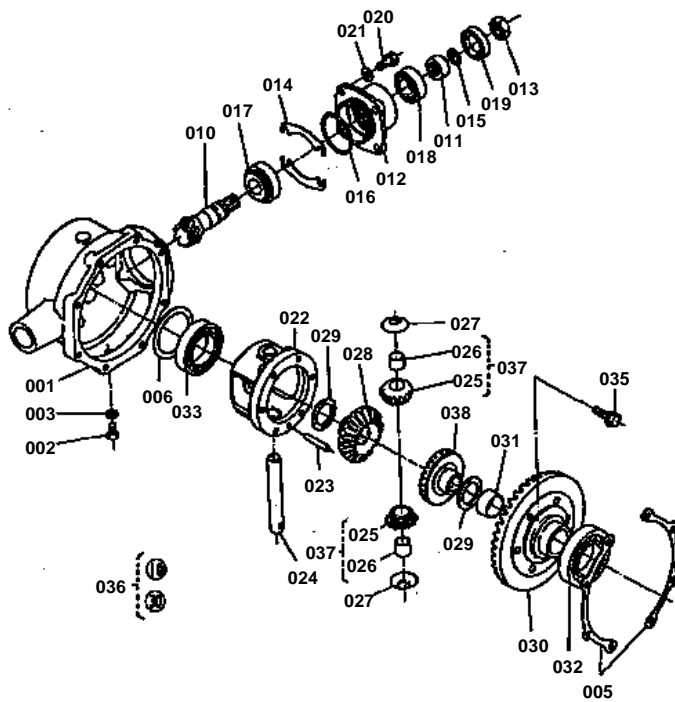


## FRONT WHEEL DRIVE [L185DT]

↔ Interchangeable; ≠ not interchangeable; ← new for old; → old for new

REF.No	Part No.	Description	Q'ty	S.No.	I/C	REMARKS	Weight (kgf)	Weight (lb)
001	37720-43910	END,DRAG RINK	1				1.465	3.223
002	06613-10675	NIPPLE,GREASE	2				0.003	0.0066
003	37650-43920	PIN,KNUCKLE	2				0.395	0.869
004	37650-43980	GASKET	2				0	0
005	01153-50820	BOLT	8				0.012	0.0264
006	04512-50080	WASHER,SPRING	8				0.001	0.0022
007	37720-43930	SUPPORT,KNUCKLE RH	1	<=10865			0.79	1.738
007	35250-43930	SUPPORT,KNUCKLE RH	1	>=50001			0.92	2.024
008	01173-51028	BOLT	16				0.022	0.0484
009	04512-50100	WASHER,SPRING	16				0	0
010	34150-13430	BUSH	2				0.027	0.0594
011	37650-43860	SHIM	12				0.001	0.0022
012	35120-43970	ASSY LINK,DRAG	1	<=10865			1.8	3.96
012	35180-43970	ASSY LINK,DRAG	1	>=50001			1.92	4.224
013	32350-12830	BALL-NUT,TIE ROD	2				0.015	0.033
014	05511-50325	PIN,SPLIT	2				0.002	0.0044
015	37650-43940	ARM,KNUCKLE LH	1				0.46	1.012
016	37650-43950	ARM,KNUCKLE RH	1				0.475	1.045
017	35220-43990	ASSY ROD,TIE 2	1				3.3	7.26
018	35220-43960	ROD,TIE 2	1				2.5	5.5
019	32150-12600	ASSY END,TIE ROD RH	1				0	0
019	38440-44780	ASSY END,TIE ROD RH	1	>=50001			0.322	0.7084
020	32350-12830	BALL-NUT,TIE ROD	1				0.015	0.033
021	05511-50222	PIN,SPLIT	1				0.001	0.0022
022	32150-12700	ASSY END,TIE ROD LH	1				0.287	0.6314
022	38440-44790	ASSY END,TIE ROD LH	1	>=50001			0.32	0.704
023	32350-12830	BALL-NUT,TIE ROD	1				0.015	0.033
024	05511-50222	PIN,SPLIT	1				0.001	0.0022
025	02172-50160	NUT	1				0.017	0.0374
026	32240-12280	NUT	1				0.017	0.0374

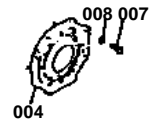
DIFF GEAR CASE [L185DT]



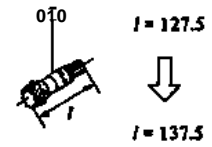
REF. No. 37800-4331-0  
 Changed the material  
 FC-25~FCDeS-FCMP45

REF. No. 37150-2648-0  
 Additional parts for adjust of backlash.

REF. No. 37850-4312-0  
 (7)4173-51028  
 (8)4512-50100  
 (9)37850-4337-0  
 (3)34350-2625-0



REF. No. 37650-4321-0





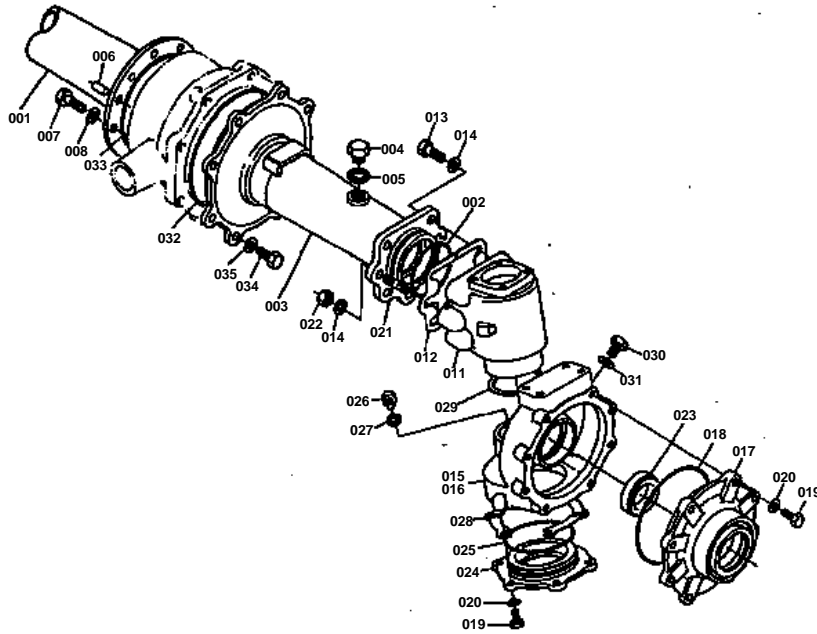
## DIFF GEAR CASE [L185DT]

↔ Interchangeable; ≠ not interchangeable; ← new for old; → old for new

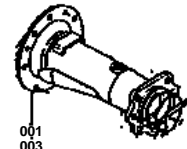
REF.No	Part No.	Description	Q'ty	S.No.	I/C	REMARKS	Weight (kgf)	Weight (lb)
001	37650-43110	CASE,DIFF GEAR	1				6	13.2
002	06331-35012	PLUG	1				0.022	0.0484
003	04717-01200	WASHER,SEAL	1				0.002	0.0044
004	37650-43120	CASE,DIFF BEARING	1	<=10865			2.67	5.874
005	37650-43160	SHIM	4				0.002	0.0044
005	37650-43130	SHIM	4				0.005	0.011
006	37650-43170	SHIM	2				0.004	0.0088
006	37650-43140	SHIM	2				0.005	0.011
007	01173-51028	BOLT	8	<=10865			0.022	0.0484
008	04512-50100	WASHER,SPRING	8	<=10865			0	0
009	37150-26480	WASHER,SPRING	2	>=50001			0.016	0.0352
010	99999-99999	BLANK	1	<=52471		ORDER BY REF.No.036	0	0
010	99999-99999	BLANK	1	>=52472		ORDER BY REF.No.036	0	0
011	37650-43220	COLLAR,OIL SEAL	1				0.05	0.11
012	37650-43230	CASE,PINION BEARING	1				0.87	1.914
013	31220-22340	NUT	1				0.033	0.0726
014	37650-43280	SHIM	4				0.001	0.0022
014	37650-43270	SHIM	6				0.003	0.0066
015	04811-00240	O RING	1				0.001	0.0022
016	04811-50700	O RING	1				0.002	0.0044
017	08711-30305	BEARING,TAPER ROLLER	1				0.266	0.5852
018	08711-30205	BEARING,TAPER ROLLER	1				0.148	0.3256
019	09500-35528	SEAL,OIL	1				0.017	0.0374
020	01156-50822	BOLT	4				0.01	0.022
021	04512-50080	WASHER,SPRING	4				0.001	0.0022
022	37650-43310	CASE,DIFFERENTIAL	1	<=10005			0	0
022	37800-43310	CASE,DIFFERENTIAL	1	>=10006			2.11	4.642
022	37800-43310	CASE,DIFFERENTIAL	1	>=50001			2.11	4.642
023	37650-43320	PIN,SNAP	1				0.01	0.022
024	37650-43330	SHAFT,DIFF PINION	1				0.3	0.66
025	99999-99999	BLANK	0			ORDER BY REF.No.037	0	0
026	31220-26360	BUSH	2				0.015	0.033
027	31220-26390	WASHER,DIFF PINION	2				0	0
028	34150-26430	GEAR,DIFF SIDE RH	2				0	0
028	38440-44980	GEAR,DIFF SIDE RH	1				0	0
029	31220-26480	WASHER	2				0.015	0.033
029	31220-26490	WASHER	2				0.02	0.044
030	99999-99999	BLANK	0			ORDER BY REF.No.036	0	0
031	37650-43360	BUSH	1				0.039	0.0858
032	08101-06011	BEARING,BALL(6011)	1				0.376	0.8272
033	08101-06010	BEARING,BALL(6010)	1				0.262	0.5764
034	37650-43370	STOPPER	3	<=10865			0.015	0.033
035	34350-26250	BOLT	6	<=10865			0	0
035	37800-43870	BOLT	6	>=50001			0.026	0.0572
036	37800-43200	ASSY SPIRAL BEVEL	1				3.27	7.194
037	31220-26300	ASSY PINION,DIFFEREN	1				0.155	0.341
038	34150-26440	GEAR,DIFF SIDE LH	1				0	0
038	38180-26440	GEAR,DIFF SIDE LH	1				0.61	1.342



FRONT AXLE SUPPORT [L185DT]



REF. No. 03520 - 041 - 0  
03520 - 043 - 0



REF. No. 025 f - 26 f  
REF. No. 07800 - 0360 - 0  
Changed to roller belt.

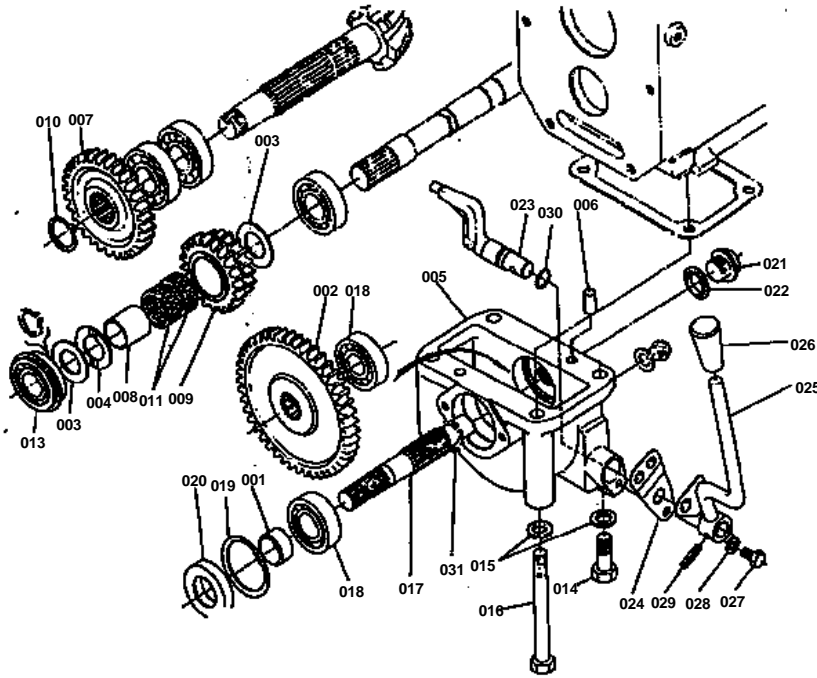


## FRONT AXLE SUPPORT [L185DT]

↔ Interchangeable; ≠ not interchangeable; ← new for old; → old for new

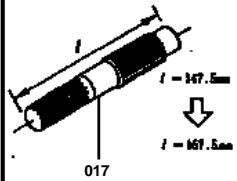
REF.No	Part No.	Description	Q'ty	S.No.	I/C	REMARKS	Weight (kgf)	Weight (lb)
001	35220-43410	SUPPORT,FRONT AXLE R	1	<=10865			5.6	12.32
001	35250-43410	SUPPORT,FRONT AXLE R	1	>=50001			7.2	15.84
002	04811-50750	O RING	2				0.002	0.0044
003	35220-43430	SUPPORT,FRONT AXLE L	1	<=10865			5.5	12.1
003	35250-43430	SUPPORT,FRONT AXLE L	1	>=50001			9	19.8
004	06331-35020	PLUG	2				0.068	0.1496
005	04717-02000	WASHER,SEAL	2				0.004	0.0088
006	05012-01022	PIN,STRAIGHT	2				0.014	0.0308
007	01173-51025	BOLT	8	<=10865			0.021	0.0462
007	01173-51028	BOLT	8	>=50001			0.022	0.0484
008	04512-50100	WASHER,SPRING	16	<=10865			0	0
008	04512-50100	WASHER,SPRING	8	>=50001			0	0
009	01517-51022	STUD	8	<=10865			0	0
010	02176-50100	NUT	8	<=10865			0.005	0.011
011	35220-43440	CASE,BEVEL GEAR	2				2.72	5.984
012	37650-43560	SHIM 0.1	8				0.005	0.011
012	37650-43450	SHIM 0.2	8				0.005	0.011
013	01173-51230	BOLT	10	<=10865			0.037	0.0814
013	35250-43700	BOLT	10	>=50001			0.045	0.099
014	04512-50120	WASHER,SPRING	14				0.003	0.0066
015	37720-43510	CASE,AXLE LH	1	<=50915			6	13.2
015	35250-43510	CASE,AXLE LH	1	>=10001			5.5	12.1
016	37720-43540	CASE,AXLE RH	1	<=50915			6.3	13.86
016	35250-43510	CASE,AXLE RH	1	>=10001			5.5	12.1
017	37720-43520	FLANGE,AXLE	2				2.5	5.5
018	37720-43550	O RING	2				0.01	0.022
019	01153-50822	BOLT	28				0.011	0.0242
020	04512-50080	WASHR,SPRING	28				0.001	0.0022
021	37650-43500	STUD	4				0.045	0.099
022	02176-50120	NUT	4	<=10865			0.01	0.022
022	37800-43600	NUT	4	>=50001			0.025	0.055
023	37650-43530	SEAL,OIL	2				0.062	0.1364
024	37650-43580	CASE,BEARING	2				0.88	1.936
025	04811-50900	O RING	2				0.003	0.0066
026	06331-35012	PLUG	2				0.022	0.0484
027	04717-01200	WASHER,SEAL	2				0.002	0.0044
028	37650-43570	SHIM	8				0.004	0.0088
028	37650-43590	SHIM	8				0.002	0.0044
029	37650-43470	SEAL,DUST	2				0.002	0.0044
030	06331-35016	PLUG	2				0.04	0.088
031	04717-01600	WASHER,SEAL	2				0.003	0.0066
032	34160-43440	O RING	1				0.005	0.011
033	04811-51300	O RING	2	<=10865			0.004	0.0088
033	04811-51300	O RING	1				0.004	0.0088
034	35250-43400	BOLT	8	>=50001			0.025	0.055
035	04512-50100	WASHER,SPRING	8				0	0

DRIVE CASE [L185DT]



REF. No. 35220-4436-0  
 Changed in shape.

REF. No. 37850-4419-0



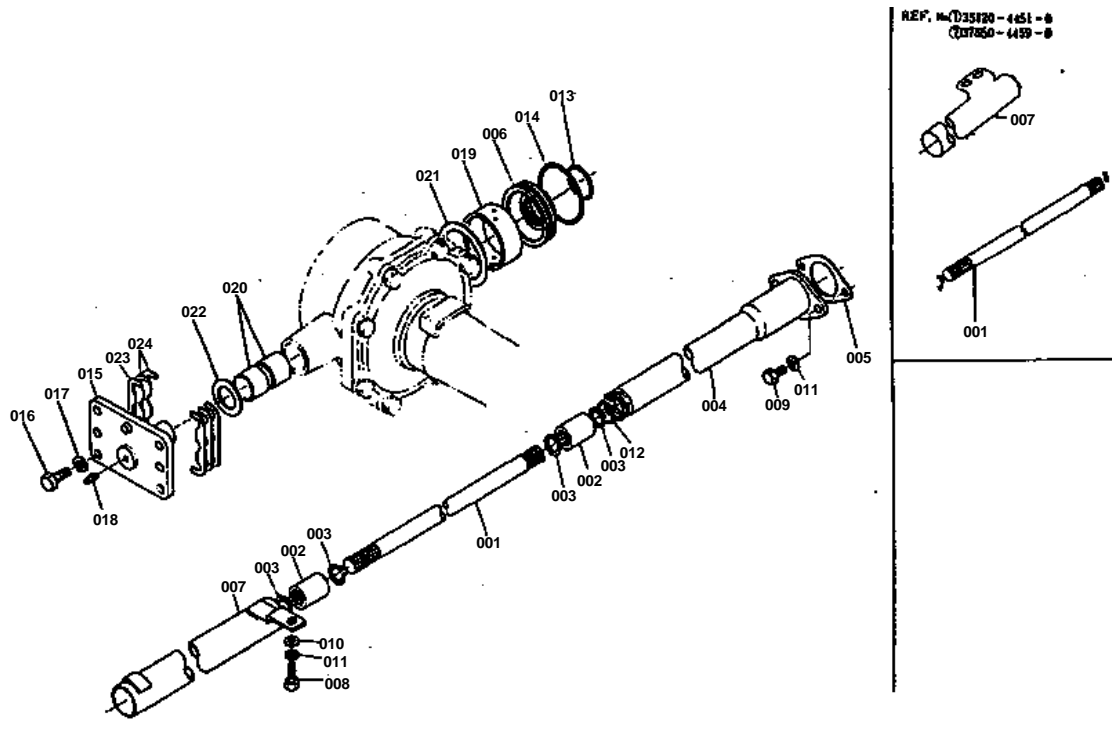
REF. No. 35220-4419-0

**DRIVE CASE [L185DT]**

↔ Interchangeable; ≠ not interchangeable; ← new for old; → old for new

REF.No	Part No.	Description	Q'ty	S.No.	I/C	REMARKS	Weight (kgf)	Weight (lb)
001	37650-44210	SLEEVE	1				0.02	0.044
002	37720-44230	GEAR,SPUR 45	1				1.165	2.563
003	37150-25380	COLLAR	3				0.013	0.0286
004	37650-44280	WASHER,THRUST	1				0.012	0.0264
005	37720-44110	CASE	1				3.64	8.008
006	37150-14150	PIN,STRAIGHT	2				0.125	0.275
007	35120-44150	GEAR,SPUR 31	1				0.605	1.331
008	37650-44170	LACE,INNER	1				0.05	0.11
009	35120-44180	GEAR,SPUR 21-19	1				0.4	0.88
010	99999-99999	BLANK	0				0	0
011	08823-03614	BEARING,NEEDLE	2				0.022	0.0484
012	99999-99999	BLANK	0				0	0
013	08101-06205	BEARING,BALL (6205)	1				0.14	0.308
014	01173-51235	BOLT	2				0.04	0.088
015	04512-50120	WASHER,SPRING	4				0.003	0.0066
016	37720-44120	BOLT	2				0	0
016	01173-51203	BOLT	2	>=50001			0.106	0.2332
017	37650-44190	SHAFT	1	<=52471			0.39	0.858
017	35250-44190	SHAFT	1	>=52472			0.44	0.968
018	08101-06304	BEARING,BALL (6304)	2				0.146	0.3212
019	04611-00520	CIR-CLIP,INTERNAL	1				0.009	0.0198
020	09502-55210	SEAL,OIL	1				0.025	0.055
021	34150-14260	PLUG,DRAIN	1				0	0
022	04717-02150	WASHER,SEAL	1				0.004	0.0088
023	37720-44310	LEVER,SHIFT	1				0.155	0.341
024	37650-44350	GUIDE,LEVER	1				0.05	0.11
025	35220-44360	LEVER,CHANGE	1	<=10865			0	0
025	35220-44365	LEVER,CHANGE	1	>=50001			0.46	1.012
026	66591-42110	GRIP,LEVER	1				0.02	0.044
027	01153-50814	BOLT	1				0.009	0.0198
028	04512-50080	WASHER,SPRING	1				0.001	0.0022
029	05411-00625	PIN,SPRING	1				0.004	0.0088
030	04811-00150	O RING	1				0.001	0.0022
031	04612-00200	CIR-CLIP	1				0.001	0.0022

PROPELLER SHAFT [L185DT]



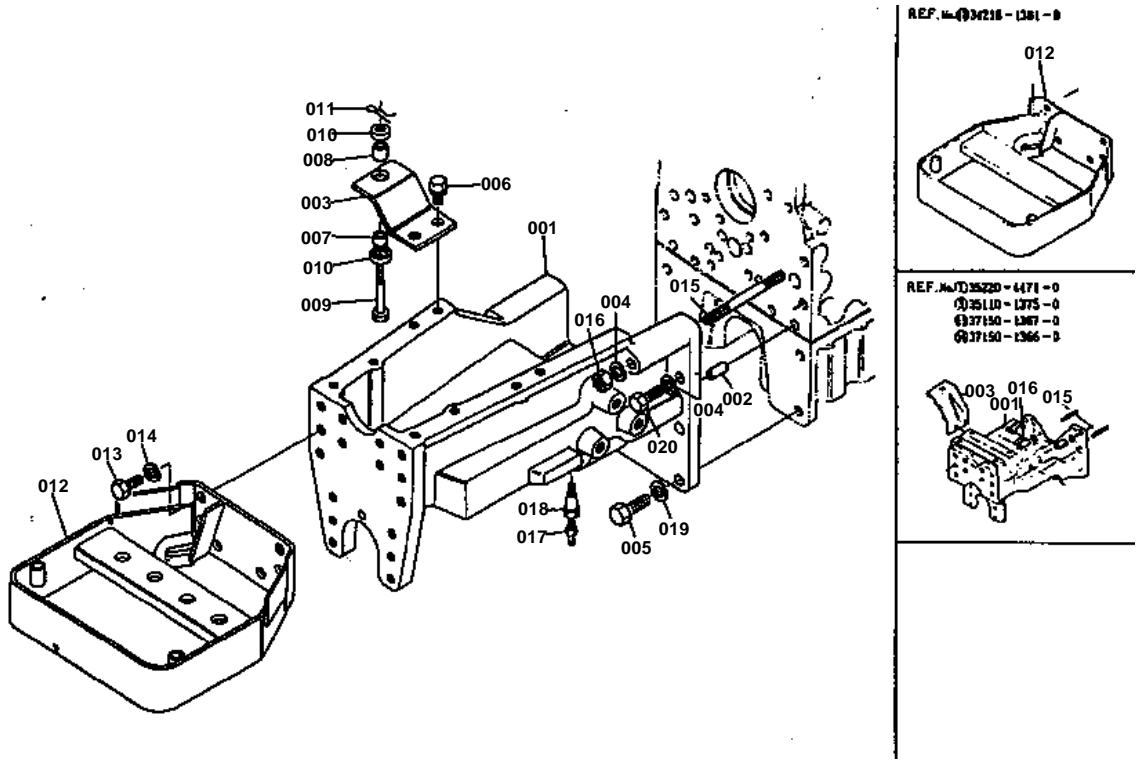


PROPELLER SHAFT [L185DT]

↔ Interchangeable; ≠ not interchangeable; ← new for old; → old for new

REF.No	Part No.	Description	Q'ty	S.No.	I/C	REMARKS	Weight (kgf)	Weight (lb)
001	35120-44510	SHAFT,PROPELLER	1	≤10865			2.16	4.752
001	35180-44510	SHAFT,PROPELLER	1	≥50001			2.19	4.818
001	35186-44510	SHAFT,PROPELLER	1	≥52472			2.1	4.62
002	37650-44520	COUPLING	2	≤52471			0.108	0.2376
002	35250-44520	COUPLING	2	≥52472			0	0
002	35230-44520	COUPLING	2				0.17	0.374
003	04612-00200	CIR-CLIP,EXTERNAL	4				0.001	0.0022
004	35220-44570	COVER(1)	1				1.08	2.376
004	35250-44570	COVER(1)	1				1.045	2.299
005	37650-44540	GASKET	1				0	0
006	37650-44580	COVER,SEAL	1				0.22	0.484
007	37650-44590	COVER(2)	1	≤10865			0.346	0.7612
007	35180-44590	COVER(2)	1	≥50001			0.44	0.968
008	01130-51020	BOLT	1				0	0
009	01153-50818	BOLT	2				0.01	0.022
010	04013-50100	WASHER,PLAIN	1				0	0
011	04512-50080	WASHER,SPRING	2				0.001	0.0022
012	04811-00280	O RING	1				0.002	0.0044
013	04811-00380	O RING	1				0.003	0.0066
014	04811-50650	O RING	1				0.002	0.0044
015	37650-44610	PIN CENTER	1				0.99	2.178
016	01173-51025	BOLT	6				0.021	0.0462
017	04512-50100	WASHER,SPRING	6				0	0
018	06613-10675	NIPPLE,GREASE	1				0.003	0.0066
019	37650-44620	BUSH	1				0.09	0.198
020	37650-44630	BUSH	2				0.05	0.11
021	37650-44640	COLLAR,THRUST	1				0.04	0.088
022	37650-44670	COLLAR,THRUST	1				0.03	0.066
023	37650-44650	SHIM 1	2				0.01	0.022
024	37650-44660	SHIM 0.2	20				0.001	0.0022

FRONT AXLE BRACKET [L185DT]





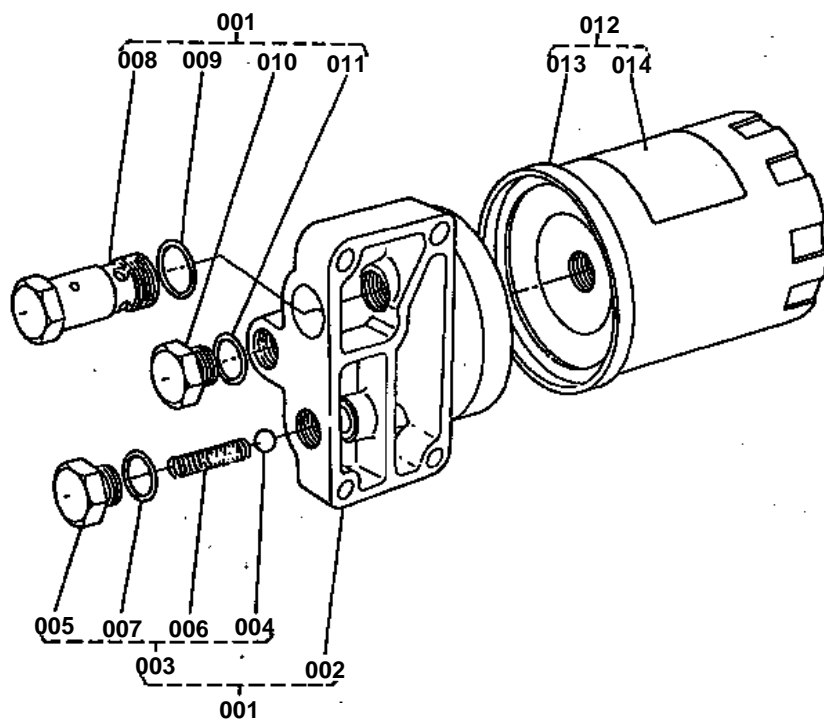
FRONT AXLE BRACKET [L185DT]

↔ Interchangeable; ≠ not interchangeable; ← new for old; → old for new

REF.No	Part No.	Description	Q'ty	S.No.	I/C	REMARKS	Weight (kgf)	Weight (lb)
001	35220-44700	ASSY BRACKET,FRONT A	1	<=10095			14	30.8
001	35220-44700	ASSY BRACKET,FRONT A	1	>=10096			14	30.8
001	35250-44700	ASSY BRACKET,FRONT A	1	>=50001			0	0
002	05012-01018	PIN,STRAIGHT	2				0.012	0.0264
003	35110-13750	SUPPORT,RADIATOR	2	<=10865			0.285	0.627
003	34150-13750	SUPPORT,RADIATOR	2	>=50001			0.2	0.44
004	04512-50100	WASHER,SPRING	5	<=10865			0	0
004	04512-50100	WASHER,SPRING	3	>=50001			0	0
005	01173-51235	BOLT	4	>=50001			0.04	0.088
006	01130-51020	BOLT	4				0	0
007	15111-72180	CUSHION	2				0.015	0.033
008	15111-72190	CUSHION	2				0.016	0.0352
009	15108-72380	BOLT	2				0.04	0.088
010	15111-72200	WASHER	4				0.013	0.0286
011	05515-51000	PIN,SNAP	2				0	0
012	34218-13810	BUMPER	1	<=10795			5	11
012	35110-13810	BUMPER	1	>=10796			5.8	12.76
012	35110-13810	BUMPER	1	>=50001			5.8	12.76
013	01173-51230	BOLT	4				0.037	0.0814
014	04512-50120	WASHER,SPRING	4				0.003	0.0066
015	37150-13670	STUD	5	<=10865			0.028	0.0616
015	34260-13640	STUD	2	>=50001			0.074	0.1628
016	37150-13660	NUT	5	<=10865			0.02	0.044
016	37300-14190	NUT	2	>=50001			0.009	0.0198
017	06613-10675	NIPPLE,GREASE	1				0.003	0.0066
018	37650-44720	BASE,GREASE NIPPLE 1	1				0.01	0.022
019	04512-50120	WASHER,SPRING	4	>=50001			0.003	0.0066
020	01173-51032	BOLT	1	>=50001			0.024	0.0528



OIL FILTER 2 [SECTION PARTS]



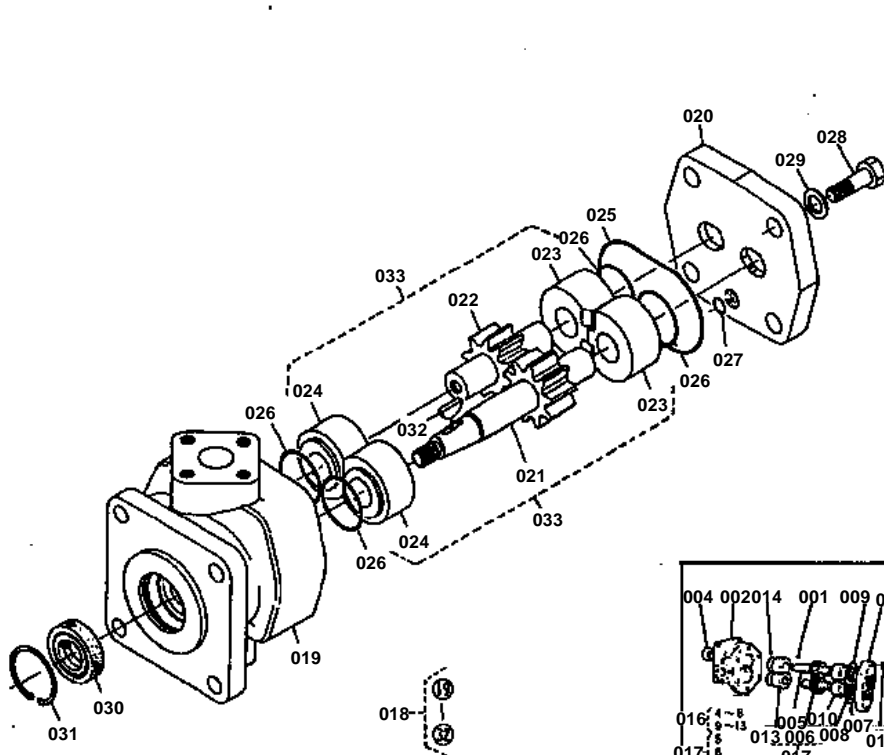


## OIL FILTER 2 [SECTION PARTS]

↔ Interchangeable; ≠ not interchangeable; ← new for old; → old for new

REF.No	Part No.	Description	Q'ty	S.No.	I/C	REMARKS	Weight (kgf)	Weight (lb)
001	15213-32070	ASSY COVER,FILTER	1				0.52	1.144
002	15213-32350	COVER	1				0.34	0.748
003	15101-32700	ASSY VALVE,SAFETY	1				0.036	0.0792
004	15101-36970	VALVE,SAFETY	1				0.004	0.0088
005	15101-32940	PLUG	1				0.03	0.066
006	15101-36950	SPRING	1				0.002	0.0044
007	15101-36920	O RING	1				0.001	0.0022
008	15213-36070	ASSY VALVE,RELEAF	1				0.13	0.286
009	04811-00200	O RING	1				0.001	0.0022
010	15213-32940	PLUG	1				0.017	0.0374
011	15213-36920	O RING	1				0.002	0.0044
012	15152-32090	ASSY CARTRIDGE	1				0.4	0.88
013	15213-32430	FILTER,CARTRIDGE	1				0.355	0.781
014	15213-94400	LABEL,OIL FILTER	1				0.001	0.0022

# OIL PRESSURE PUMP



REF. No. ① ② ③ ④  
Adapted according to  
changed PUMP oil pressure

REF. No. ⑤  
Discontinues.

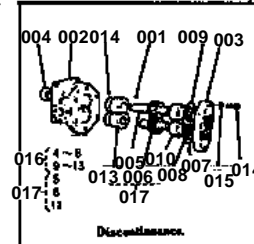
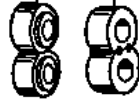
011



REF. No. ⑥ 32270-3615-0  
⑦ 32270-3616-0  
Discontinues.

012

013



REF. No. ⑧ 32270-3621-0  
⑨ 37150-3621-0  
⑩ 37150-3622-0  
⑪ 37150-3623-0  
⑫ 37150-3624-0  
⑬ 32270-3613-0  
⑭ 32270-3624-0  
⑮ 32270-3625-0  
⑯ 32270-3622-0  
⑰ 32270-3625-0  
⑱ 37150-3616-0  
⑲ 01126-50825  
⑳ 04512-50200  
㉑ 34150-3619-0  
㉒ 37150-3625-0

Discontinues.

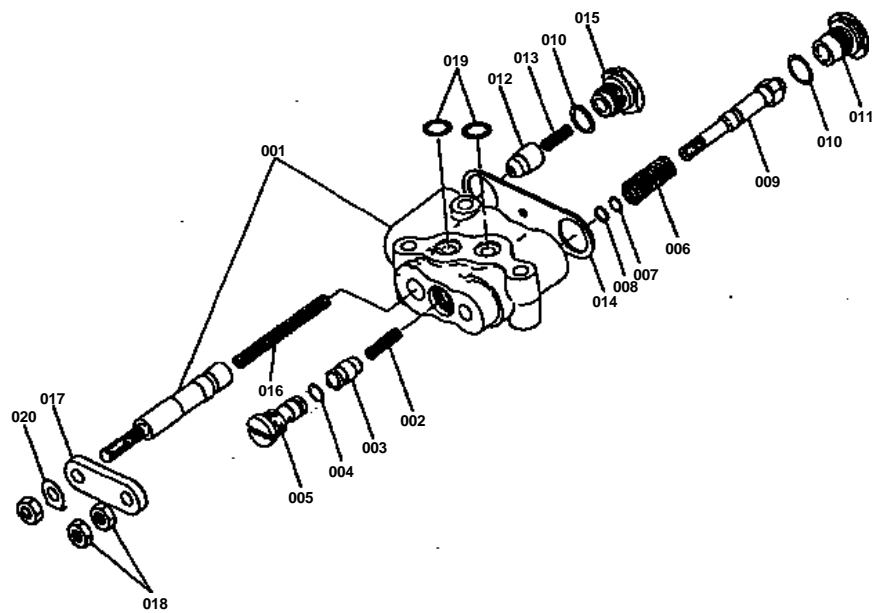


**OIL PRESSURE PUMP**

↔ Interchangeable; ≠ not interchangeable; ← new for old; → old for new

REF.No	Part No.	Description	Q'ty	S.No.	I/C	REMARKS	Weight (kgf)	Weight (lb)
001	32270-36210	KEY,WOODRUFF	1	<=13843			0.001	0.0022
002	99999-99999	BLANK	1	<=13843		ORDER BY REF.No.001 ON FIG.No.051	0	0
003	99999-99999	BLANK	1	<=13843		ORDER BY REF.No.001 ON FIG.No.051	0	0
004	32270-36230	SEAL,OIL	1	<=10795			0.005	0.011
004	37150-36230	SEAL,OIL	1	>=10796			0.007	0.0154
005	99999-99999	BLANK	1	<=13843		NON SALE ORDER BY REF.No.016,017	0	0
006	99999-99999	BLANK	1	<=13843		ORDER BY REF.No.017	0	0
007	32270-36240	RING,SUPPORT	2	<=13843			0.005	0.011
008	32270-36250	RING,SEERING.	2	<=13843			0.001	0.0022
009	32270-36220	O RING	1	<=13843			0.001	0.0022
010	32270-36260	O RING	2	<=13843			0.001	0.0022
011	01311-10825	BOLT, HEX-SOC-HD	6	<=10795			0.02	0.044
012	99999-99999	BLANK	0			NON SALE ORDER BY REF.No.016,017	0	0
013	99999-99999	BLANK	1	<=13843		NON SALE ORDER BY REF.No.016,017	0	0
014	01156-50825	BOLT	6	<=13843			0.013	0.0286
015	04512-50080	WASHER,SPRING	6	<=13843			0.001	0.0022
016	99999-99999	BLANK	0			ORDER BY REF.No.001 ON FIG.No.051	0	0
017	37150-36200	ASSY BUSH, GEAR	1	<=13843			0.635	1.397
018	35110-76100	ASSY GEAR PUMP	1	>=13844			1.9	4.18
019	99999-99999	BLANK	1	>=13844		ORDER BY REF.No.018	0	0
020	99999-99999	BLANK	1	>=13844		ORDER BY REF.No.018	0	0
021	99999-99999	BLANK	1	>=13844		ORDER BY REF.No.033	0	0
022	99999-99999	BLANK	1	>=13844		ORDER BY REF.No.033	0	0
023	99999-99999	BLANK	1	>=13844		ORDER BY REF.No.033	0	0
024	99999-99999	BLANK	1	>=13844		ORDER BY REF.No.033	0	0
025	04810-50550	O RING	1	>=13844			0.002	0.0044
026	38180-76170	O RING	4	>=13844			0	0
027	04810-00050	O RING	1	>=13844			0.001	0.0022
028	01156-51030	BOLT	4	>=13844			0.02	0.044
029	04011-50100	WASHER,PLAIN	4	>=13844			0.002	0.0044
030	67211-76190	SEAL,OIL	1	>=13844			0	0
031	04611-00280	CIR-CLIP, INTERNAL	1	>=13844			0.002	0.0044
032	05811-00313	KEY,WOODRUFF	1	>=13844			0.001	0.0022
033	35180-36100	ASSY BUSH, GEAR	1	>=13844			0	0

# CONTROL VALVE



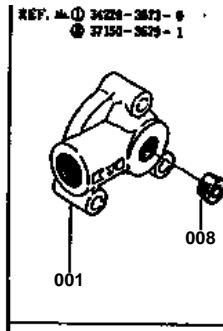
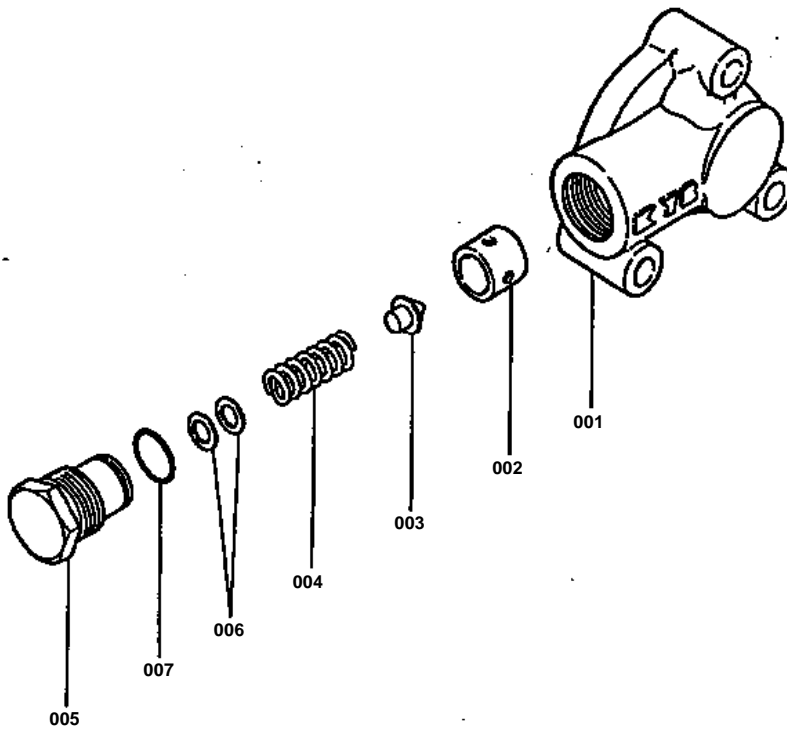


# CONTROL VALVE

↔ Interchangeable; ≠ not interchangeable; ← new for old; → old for new

REF.No	Part No.	Description	Q'ty	S.No.	I/C	REMARKS	Weight (kgf)	Weight (lb)
001	99999-99999	BLANK	0			ORDER BY REF.No.001 ON FIG.No.052	0	0
002	37150-36580	SPRING	1				0.005	0.011
003	37150-36590	VALVE,CHEK	1				0.015	0.033
004	04811-00090	O RING	1				0.001	0.0022
005	37150-36440	SEET	1				0.035	0.077
006	37150-36450	SPRING	1				0.005	0.011
007	04811-00070	O RING	1				0.001	0.0022
008	37150-36630	RING,BACK UP	1				0.001	0.0022
009	37150-36460	POPPET	1				0.005	0.011
010	04811-00050	O RING	2				0.001	0.0022
011	37150-36470	PLUG,SEAT	1				0.04	0.088
012	37150-36480	VALVE, UNLOADER	1				0.02	0.044
013	37150-36490	SPRING	1				0.005	0.011
014	37150-36510	PLATE	1				0.035	0.077
015	37150-36520	PLUG	1				0.043	0.0946
016	37150-36530	SPRING,RETURN	1				0.01	0.022
017	37150-36540	PLATE	1				0.145	0.319
018	37150-36550	NUT	3				0.005	0.011
019	04811-00120	O RING	2				0.001	0.0022
020	37150-36560	PLATE,LOCK	1				0.01	0.022

RELIEF VALVE



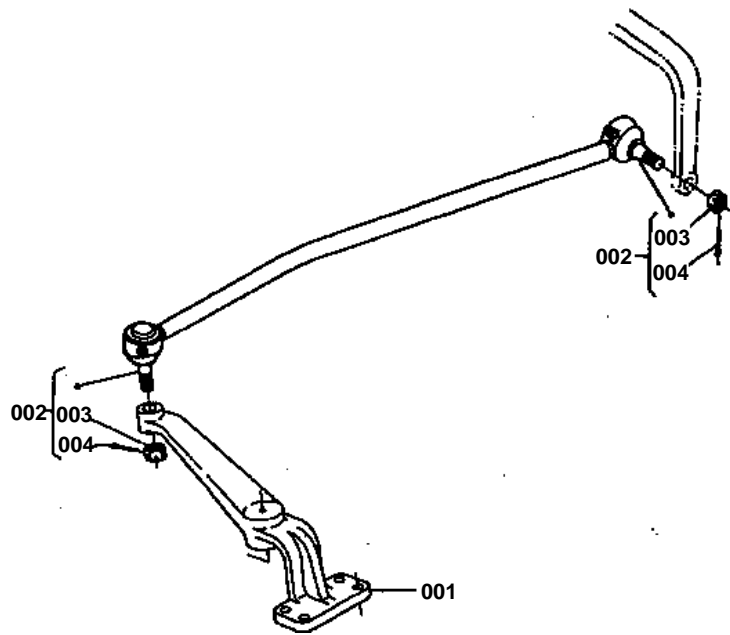


# RELIEF VALVE

↔ Interchangeable; ≠ not interchangeable; ← new for old; → old for new

REF.No	Part No.	Description	Q'ty	S.No.	I/C	REMARKS	Weight (kgf)	Weight (lb)
001	99999-99999	BLANK	0			ORDER BY REF.No.009 ON FIG.No.052	0	0
001	99999-99999	BLANK	0			ORDER BY REF.No.009 ON FIG.No.052	0	0
002	34220-36740	SEET	1				0.016	0.0352
003	34220-36750	POPPET	1				0.002	0.0044
004	34220-36760	SPRING	1				0.01	0.022
005	34220-36770	PLUG	1				0.05	0.11
006	34220-36780	SHIM	1				0.001	0.0022
007	04811-10160	O RING	1				0.001	0.0022
008	37150-36791	PLUG	1	<=10695			0	0





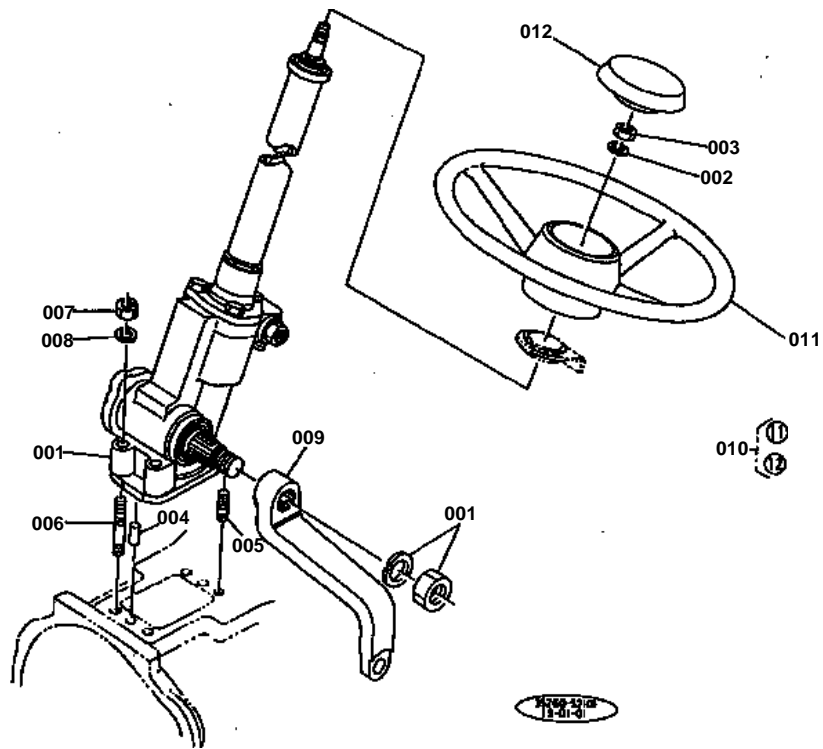


# FRONT WHEEL DRIVE [L185DT]

↔ Interchangeable; ≠ not interchangeable; ← new for old; → old for new

REF.No	Part No.	Description	Q'ty	S.No.	I/C	REMARKS	Weight (kgf)	Weight (lb)
001	35280-43910	END,DRAG RINK	1				1.91	4.202
002	35190-43970	ASSY LINC,DRAG	1				0	0
003	35270-12670	NUT	2				0.014	0.0308
004	05511-50328	PIN,SPLIT	2				0.002	0.0044

POWER STEERING



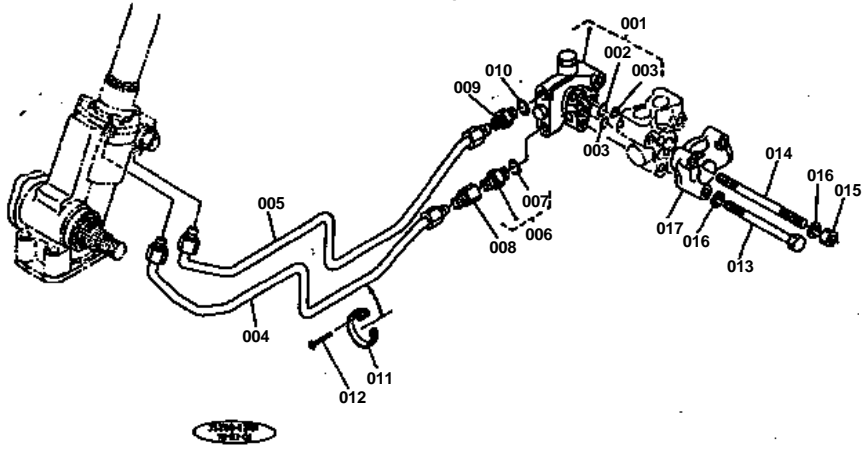


# POWER STEERING

↔ Interchangeable; ≠ not interchangeable; ← new for old; → old for new

REF.No	Part No.	Description	Q'ty	S.No.	I/C	REMARKS	Weight (kgf)	Weight (lb)
001	35270-16100	ASSY POWER STEERING	1				14.5	31.9
002	04512-50120	WASHER,SPRING	1				0.003	0.0066
003	02174-50120	NUT	1				0.01	0.022
004	37150-27370	PIN,STRAIGHT	2				0.009	0.0198
005	01517-51030	STUD	2				0	0
006	01517-51090	STUD	2				0	0
007	37300-14190	NUT	4				0.009	0.0198
008	04512-50100	WASHER,SPRING	4				0	0
009	35270-16910	ARM,PITMAN	1				2.1	4.62
010	66611-41400	ASSY WHEEL,STEERING	1				0	0
011	99999-99999	BLANK	0			ORDER BY REF.No.010	0	0
012	66611-41420	CAP,HANDLE	1				0.026	0.0572

# FLOW PRIORITY VALVE



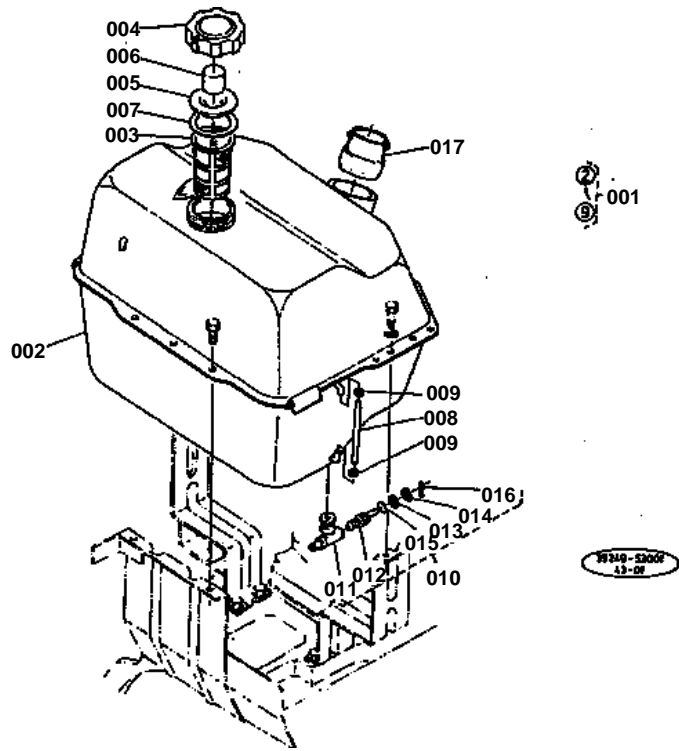


# FLOW PRIORITY VALVE

↔ Interchangeable; ≠ not interchangeable; ← new for old; → old for new

REF.No	Part No.	Description	Q'ty	S.No.	I/C	REMARKS	Weight (kgf)	Weight (lb)
001	35270-16710	ASSY VALVE,FLOW PRIO	1				1.7	3.74
002	04810-00160	O RING	1				0.001	0.0022
003	04810-00120	O RING	2				0.001	0.0022
004	35270-16720	ASSY PIPE 1	1				0.25	0.55
005	35270-16760	ASSY PIPE 2	1				0.23	0.506
006	35330-16770	ASSY CONNECTOR	1				0.065	0.143
007	04810-00140	O RING	1				0.001	0.0022
008	35330-16790	NIPPLE	1				0.05	0.11
009	35270-16790	PIPE,JOINT	1				0.05	0.11
010	04810-00140	O RING	2				0.001	0.0022
011	67111-53770	BAND,PIPE	1				0.01	0.022
012	33430-82760	PIN,PIPE BAND	1				0.004	0.0088
013	35270-36810	BOLT	2				0.059	0.1298
014	35270-36820	STUD	1				0.65	1.43
015	02114-50080	NUT	1				0.005	0.011
016	04512-50080	WASHER,SPRING	3				0.001	0.0022
017	37150-36600	ASSY VALVE,RELIEF	1				0.865	1.903

# FUEL TANK



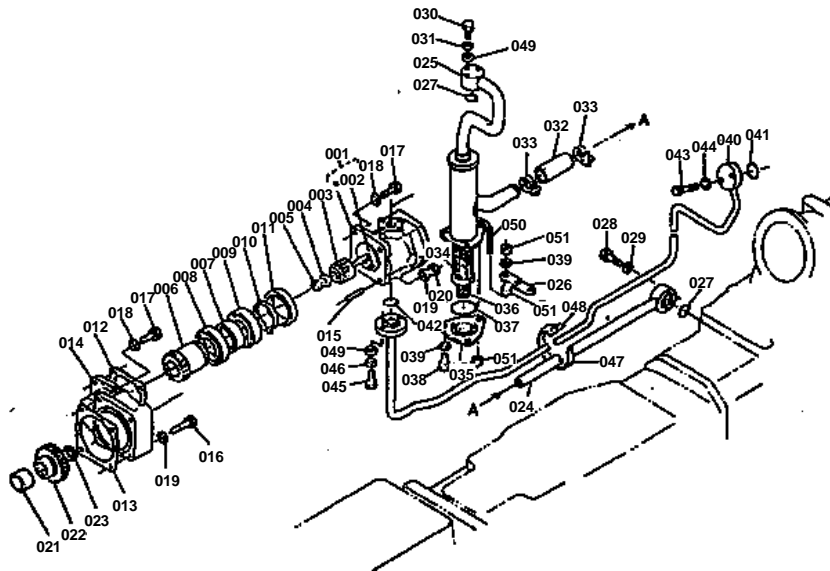
**FUEL TANK**

↔ Interchangeable; ≠ not interchangeable; ← new for old; → old for new

REF.No	Part No.	Description	Q'ty	S.No.	I/C	REMARKS	Weight (kgf)	Weight (lb)
001	35270-35100	ASSY TANK,FUEL	1				5.85	12.87
002	99999-99999	BLANK	0			ORDER BY REF.No.001	0	0
003	13251-41060	FILTER	1				0.01	0.022
004	99999-99999	BLANK	0			ORDER BY REF.No.001	0	0
005	34150-35230	GASKET	1				0.01	0.022
006	34150-35240	SPONGE	1				0.001	0.0022
007	34150-35180	GASKET	1				0.001	0.0022
008	34150-35470	GAUGE,FUEL	1				0	0
009	10013-41770	CLIP,PIPE	2				0.005	0.011
010	31220-35400	ASSY COCK,FUEL	1				0.11	0.242
011	99999-99999	BLANK	0			ORDER BY REF.No.010	0	0
012	99999-99999	BLANK	0			ORDER BY REF.No.010	0	0
013	32130-35430	WASHER	1				0.001	0.0022
014	04611-00140	CIR-CLIP,INTERNAL	1				0.001	0.0022
015	04811-00080	O RING	1				0.001	0.0022
016	05411-00330	PIN,SPRING	1				0.001	0.0022
017	37300-35550	BUSH,FUEL TANK	1				0.014	0.0308



# OIL PRESSURE



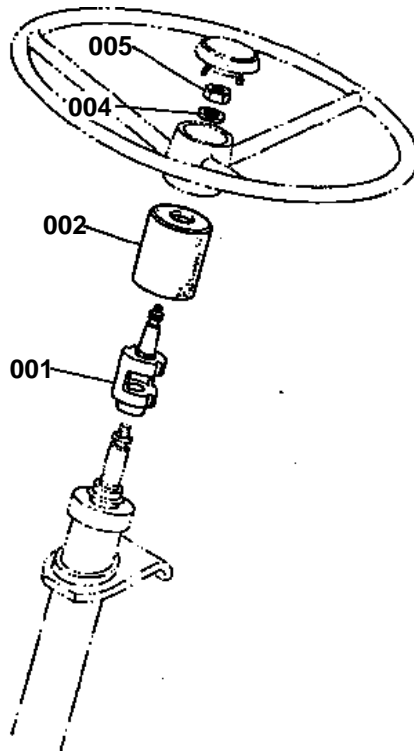
**OIL PRESSURE**

↔ Interchangeable; ≠ not interchangeable; ← new for old; → old for new

REF.No	Part No.	Description	Q'ty	S.No.	I/C	REMARKS	Weight (kgf)	Weight (lb)
001	37150-36100	PUMP,OIL PRESSURE	1				0	0
002	32270-36210	KEY,WOODRUFF	1				0.001	0.0022
003	37300-37760	BOSS,SPLINE	1				0.05	0.11
004	37300-37890	WASHER,CLAW	1				0.002	0.0044
005	02156-50080	NUT	1				0.004	0.0088
006	37300-37830	GEAR,SPUR	1				0.175	0.385
007	37300-37770	RACE,INNER	1				0.07	0.154
008	37300-37780	BEARING,NEEDLE	1				0.11	0.242
009	08101-06907	BEARING,BALL	1				0.073	0.1606
010	04612-00350	CIR-CLIP,EXTERNAL	1				0.01	0.022
011	37300-37790	COLLAR	1				0.025	0.055
012	34150-37870	GASKET	1				0	0
013	34150-37860	GASKET	1				0	0
014	37300-37850	HOLDER,O/P PUMP	1				1.365	3.003
015	01513-50820	STUD	2				0	0
016	01153-50845	BOLT	2				0.018	0.0396
017	01153-50822	BOLT	4				0.011	0.0242
018	04012-50080	WASHER,PLAIN	4				0.001	0.0022
019	04512-50080	WASHER,SPRING	8				0.001	0.0022
020	02156-50080	NUT	2				0.004	0.0088
021	34150-37820	COLLAR	1				0.05	0.11
022	37300-37810	GEAR,SPUR	1				0.325	0.715
023	04612-00250	CIR-CLIP,EXTERNAL	1				0.002	0.0044
024	35160-38110	PIPE,INLET	1				0	0
025	35270-38120	ASSY CASE,FILTER	1				1.05	2.31
026	37260-38180	HOLDER,PIPE	1				0.03	0.066
027	04811-00200	O RING	2				0.001	0.0022
028	01153-50850	BOLT	2				0.02	0.044
029	04512-50080	WASHER,SPRING	2				0.001	0.0022
030	01053-50645	BOLT	3				0.012	0.0264
031	04512-50060	WASHER,SPRING	3				0	0
032	34350-37770	PIPE,RUBBER	1				0	0
033	34350-37780	CLAM	2				0.02	0.044
034	37300-37710	FILTER,OIL	1				0.145	0.319
035	34350-37742	COVER,FILTER	1				0.319	0.7018
036	37300-37740	SPRING	1				0.005	0.011
037	04811-50600	O RING	1				0.002	0.0044
038	01153-50820	BOLT	3				0.012	0.0264
039	04512-50080	WASHER,SPRING	3				0.001	0.0022
040	35160-38210	PIPE,DELIVERY	1				0	0
041	04810-00120	O RING	1				0.001	0.0022
042	04810-00200	O RING	1				0.001	0.0022
043	01153-50830	BOLT	2				0	0
044	04512-50080	WASHER,SPRING	2				0.001	0.0022
045	01053-50628	BOLT	3				0.008	0.0176
046	04512-50060	WASHER,SPRING	3				0	0
047	33251-82760	BAND,PIPE	1				0.016	0.0352
048	33430-82760	PIN,PIPE BAND	1				0.004	0.0088
049	04013-50060	WASHER,PLAIN	6				0	0
050	37260-38170	STUD	1				0.06	0.132
051	02114-50080	NUT	1				0.005	0.011

# STEERING JOINT

---



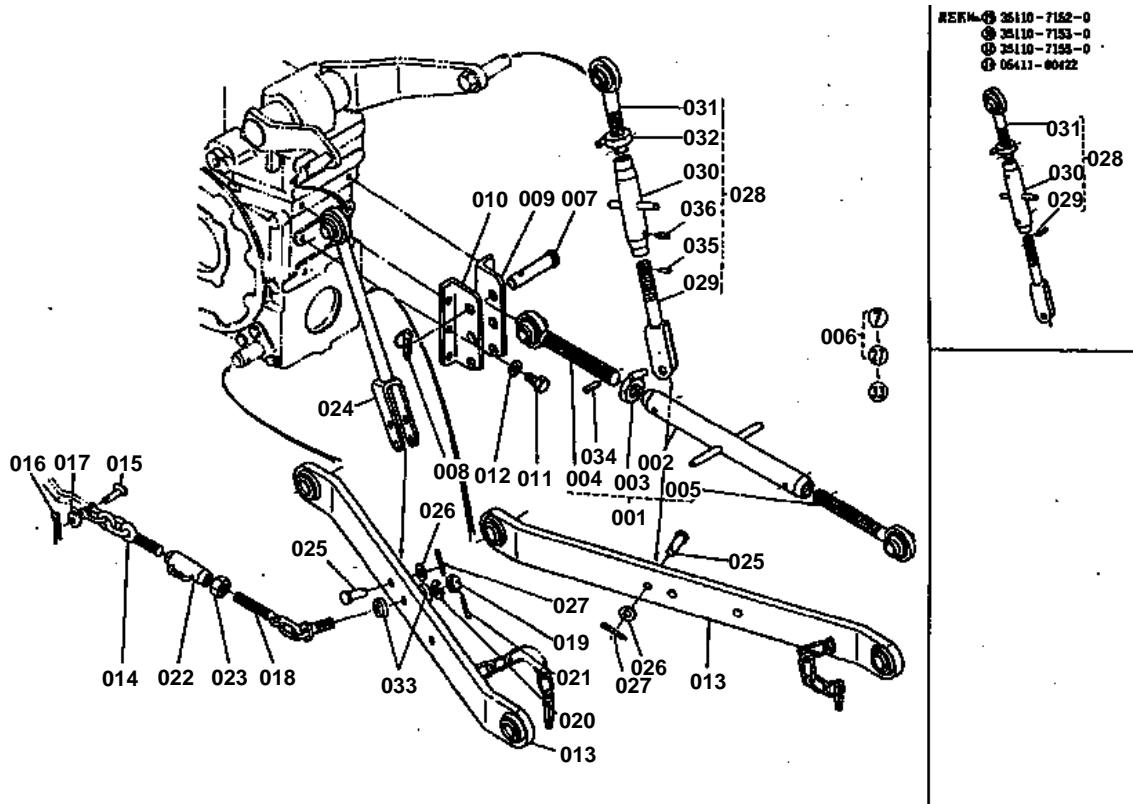


## STEERING JOINT

↔ Interchangeable; ≠ not interchangeable; ← new for old; → old for new

REF.No	Part No.	Description	Q'ty	S.No.	I/C	REMARKS	Weight (kgf)	Weight (lb)
001	35256-16710	JOINT,STEERING	1				1	2.2
002	35256-16720	COVER,RUBBER	1				0.071	0.1562
004	04512-50120	WASHER,SPRING	1				0.003	0.0066
005	37150-15990	NUT	1				0.08	0.176

3-POINT LINKAGE [3P]





## 3-POINT LINKAGE [3P]

↔ Interchangeable; ≠ not interchangeable; ← new for old; → old for new

REF.No	Part No.	Description	Q'ty	S.No.	I/C	REMARKS	Weight (kgf)	Weight (lb)
001	99471-22100	ASSY LINK, TOP	1				2.91	6.402
002	32244-71110	LINK, TOP	1				1.01	2.222
003	32244-71180	NUT, TOP LINK	1				0.057	0.1254
004	32244-71210	JOINT, TOP LINK RH	1				0.97	2.134
004	35210-71210	JOINT, TOP LINK RH	1	>=50001			0.985	2.167
005	32244-71220	JOINT, TOP LINK LH	1				0.97	2.134
005	35210-71210	JOINT, TOP LINK LH	1	>=50001			0.985	2.167
006	35110-71200	ASSY ROD, LOWER LINK	1				18	39.6
007	31150-71360	PIN, TOP LINK	2				0.166	0.3652
008	34150-37640	ASSY PIN, SET	2				0.06	0.132
009	99571-22140	HOLDER, TOP LINK RH	1				0.99	2.178
010	99571-22150	HOLDER, TOP LINK LH	1				0.99	2.178
011	01173-51225	BOLT	6				0.033	0.0726
012	04512-50120	WASHER, SPRING	6				0.003	0.0066
013	99571-21310	ASSY LINK, LOWER	2				6.2	13.64
014	35110-71810	CHAIN, CHECK FRONT	2				0.26	0.572
015	99571-22820	PIN	2				0.03	0.066
016	05515-51000	PIN	2				0	0
017	04011-50100	WASHER, PLAIN	2				0.002	0.0044
018	35110-71820	CHAIN, CHECK REAR	2				0.28	0.616
019	02374-50140	NUT	2				0.015	0.033
020	04512-50140	WASHER, SPRING	2				0	0
021	05511-50335	PIN, SPLIT	2				0.002	0.0044
022	99511-22840	TURN BUCKLE	2				0.178	0.3916
023	02052-50140	NUT	2				0.018	0.0396
024	35110-71540	ROD, LIFT LH	1				1.5	3.3
025	05112-51450	PIN, JOINT	2				0.064	0.1408
026	04011-50140	WASHER, PLAIN	2				0.007	0.0154
027	05511-50425	PIN, SPLIT	2				0.003	0.0066
028	35110-71510	ASSY ROD, LIFT RH	1				1.825	4.015
029	35110-71520	ROD, LIFT UNDER	1	<=52271			0.67	1.474
029	35110-71523	ROD, LIFT UNDER	1	>=52272			0.655	1.441
030	35110-71530	ROD, LIFT INNER	1	<=52271			0.58	1.276
030	38187-71770	ROD, LIFT INNER	1	>=52272			0.54	1.188
031	35110-71550	ROD, LIFT UPPER	1	<=52271			0.58	1.276
031	35110-71552	ROD, LIFT UPPER	1	>=52272			0.575	1.265
032	35110-71570	NUT	1				0.05	0.11
033	35114-71830	COLLAR	4				0.065	0.143
033	35110-71830	COLLAR	4	>=50001			0.078	0.1716
034	05411-00422	PIN, SPRING	2	<=52271			0.001	0.0022
034	05411-00320	PIN, SPRING	1	>=52272			0.001	0.0022
035	05411-00425	PIN, SPRING	2				0.001	0.0022
036	06613-10675	NIPPLE, GREASE	1	>=52272			0.003	0.0066

**IMAGE NOT AVAILABLE**



ACCESSORIES AND SERVICE PARTS

↔ Interchangeable; ≠ not interchangeable; ← new for old; → old for new

REF.No	Part No.	Description	Q'ty	S.No.	I/C	REMARKS	Weight (kgf)	Weight (lb)
001	15221-86612	WRENCH,FILTER	1				0.12	0.264
002	15221-21910	PISTON+0.5	1				0.452	0.9944
003	35110-99120	ASSY CIR-CLIP	1				0.09	0.198
004	35340-21782	CIR-CLIP	2				0.007	0.0154
005	35340-21792	WIRE	2				0.001	0.0022
006	34150-23720	PACKING	1				0	0
007	34650-59140	PACKING	1				0	0
008	35110-99130	LABEL	1				0.015	0.033
009	34209-11110	COMP,KNOCLE	2				1.5	3.3
010	35120-99110	ASSY WHEEL PLATE	2				0.45	0.99
011	35180-45520	PLATE	1				0	0
012	01574-51225	STUD	6				0.034	0.0748
013	35170-14300	ASSY DISK,CLUTCH	1				0	0
014	35210-99400	ASSY CASE,AXLE	1				65	143
015	37220-91290	BEARING,BALL	2				0.335	0.737
016	08100-00031	BEARING,BALL	2				0.242	0.5324
017	37220-91360	CASE,AXLE	2				0	0
017	37220-91362	CASE,AXLE	2				6.1	13.42
018	08101-06209	BEARING,BALL	4				0.42	0.924
019	37220-27140	COLLAR	2				0.06	0.132
020	34150-27160	SHIM	2				0.01	0.022
021	37220-91340	COLLAR	2				0.16	0.352
022	08101-06307	BEARING,BALL(6307)	2				0.44	0.968
023	04611-00850	CIR-CLIP	4				0.029	0.0638
024	70416-51440	NUT 30	2				0.07	0.154
025	01517-51640	STUD	4				0.09	0.198
026	04512-50160	WASHER,SPRING	12				0	0
027	02074-50160	NUT	4				0.029	0.0638
028	37220-91382	CASE,AXLE RH	1				11.5	25.3
029	37220-91392	CASE,AXLE LH	1				12.2	26.84
030	37220-91372	COVER,AXLE CASE	2				6.5	14.3
031	37150-27340	GASKET	2				0	0
032	37150-27370	PIN,STRAIGHT	4				0.009	0.0198
033	04512-50120	WASHER,SPRING	24				0.003	0.0066
034	02176-50120	NUT	6				0.01	0.022
035	37150-27390	BOLT	4				0.02	0.044
036	02118-50100	NUT	4				0.005	0.011
037	04512-50100	WASHER,SPRING	46				0	0
038	06331-35016	PLUG	2				0.04	0.088
039	04717-01600	WASHER,SEAL	2				0.003	0.0066
040	37150-27560	SEAL,OIL	2				0.14	0.308
041	37150-27160	SHIM	2				0.007	0.0154