

Instructions for Parts Books

The heading at the top of the page will be the same for the picture of the parts as it is for the page with the part numbers.

Definition of column headings on part number pages:

REF.No → The number referring to the part on the picture page of the parts book.

Part No. → The number assigned to this part at the time of printing the parts book.

Description → Description of part.

Q'ty → Quantity of part used on that page.

S.No. → Serial number range of the equipment that this part will fit.

>= Your serial number should be greater than or equal to the number shown.

<= Your serial number should be lesser than or equal to the serial number shown.

I/C → Interchangeability of part shown.

↔ The part shown will work for the older and later serial number.

The part shown is not interchangeable with the other serial number.

← new for old

→ old for new

Remarks → Notes about this particular part. Sometimes this may say except [FR] or [CA]

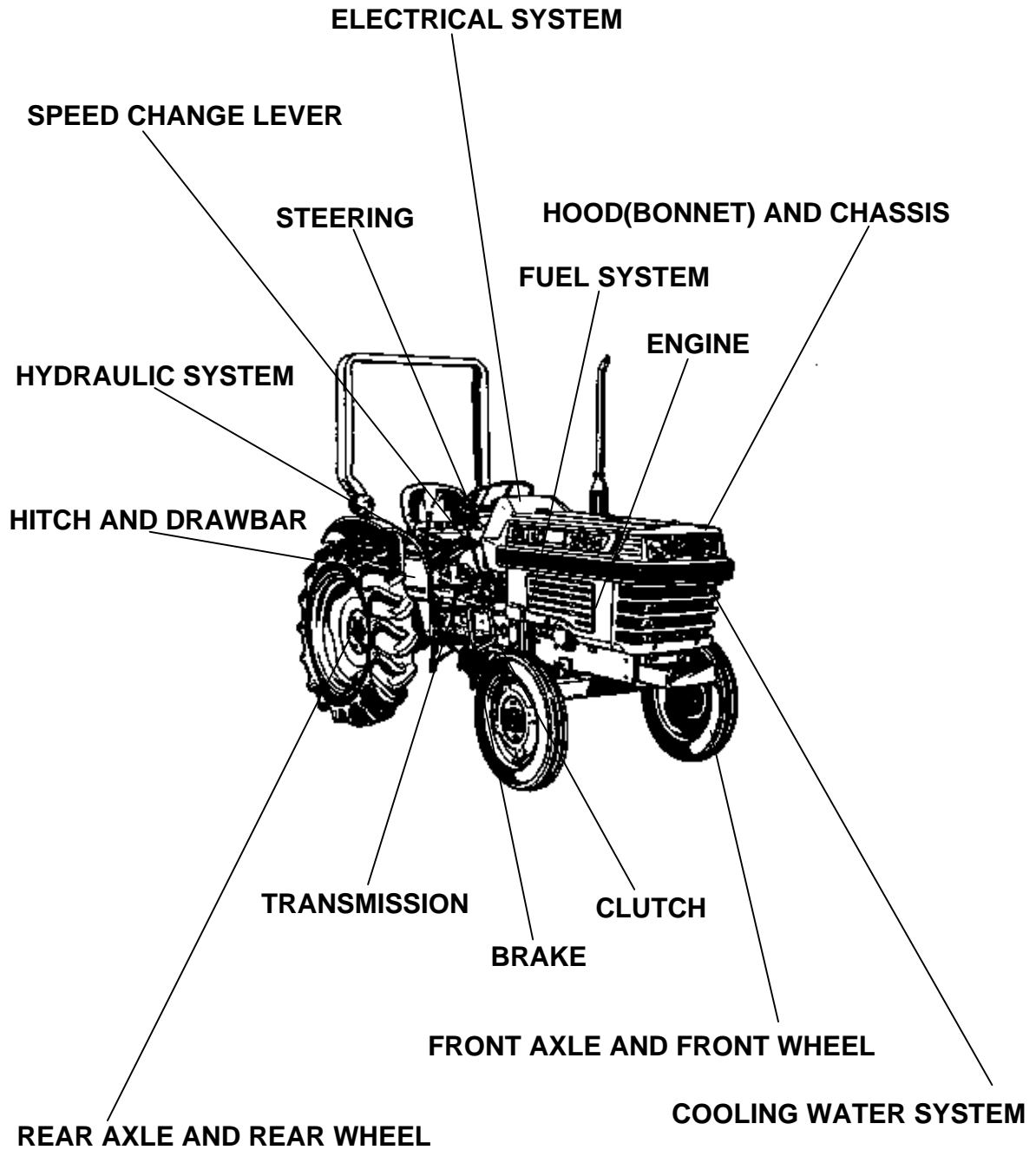
Note about Country Codes:

The parts books we use in the United States of America may also contain information about a part that would be different in another country. It is important that you are aware of the country codes in some instances.

Symbol	Country
A	United States of America
CA	Canada
FR	France
GR	Greece
PO	Portugal
AU	Australia

If the remarks column says for example EXCEPT [FR] this part works in all countries except France. That means it will work here in the USA.

ALL PRODUCT INDEX
L2050DT

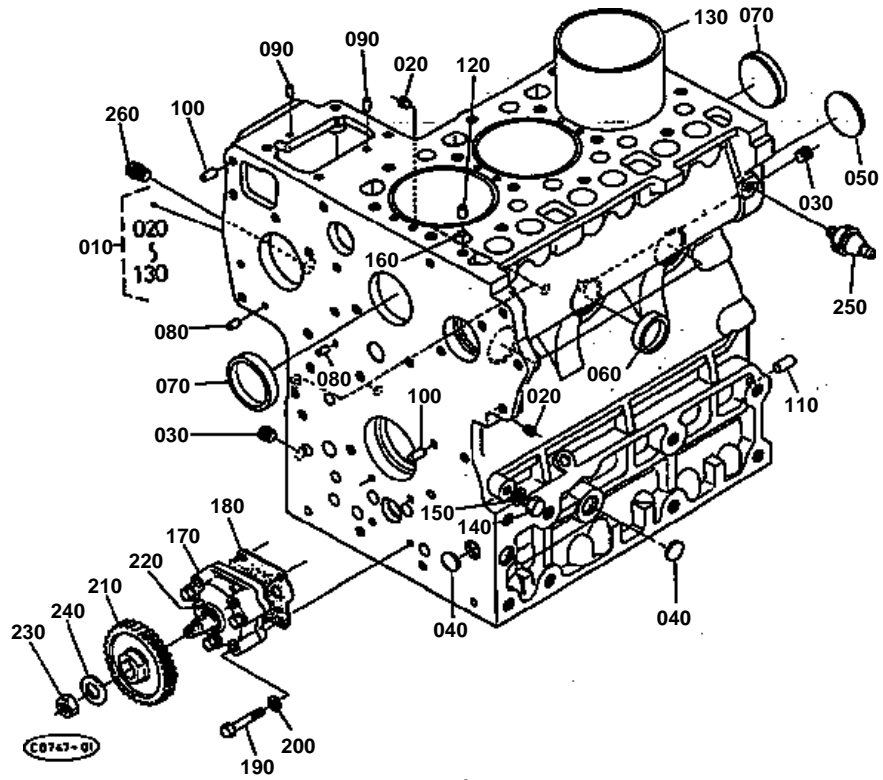


LABELS
ACCESSORIES

Item	Part No.	Description	Book	
ENGINE	01T001	CRANKCASE	100K0322	
	01T002	OIL PAN	100K0322	
	01T003	PISTON AND CRANKSHAFT	100K0322	
	01T004	MAIN BEARING CASE	100K0322	
	01T005	FLYWHEEL	100K0322	
	01T006	CYLINDER HEAD	100K0322	
	01T007	VALVE AND ROCKER ARM	100K0322	
	01T008	NOZZLE HOLDER AND GLOW PLUG	100K0322	
	01T009	NOZZLE HOLDER [COMPONENT PARTS]	100K0322	
	01T010	CYLINDER HEAD COVER	100K0322	
	01T011	INLET MANIFOLD	100K0322	
	01T015	CAMSHAFT	100K0322	
	01T016	GEAR CASE	100K0322	
	01T017	WATER PUMP	100K0322	
	01T018	WATER FLANGE	100K0322	
	01T019	INJECTION PUMP AND FUEL CAMSHAFT	100K0322	
	01T020	INJECTION PUMP [COMPONENT PARTS]	100K0322	
	01T021	SPEED CONTROL PLATE	100K0322	
	01T022	GOVERNOR	100K0322	
	REAR AXLE AND REAR WHEEL ENGINE	01T060	DIFFERENTIAL (REAR)	100K0322
		01T012	AIR CLEANER	100K0322
		01T013	EXHAUST MANIFOLD	100K0322
01T014		MUFFLER	100K0322	
FUEL SYSTEM	01T023	HAND ACCELERATOR	100K0322	
	01T025	FUEL TANK	100K0322	
COOLING WATER SYSTEM	01T026	FUEL FILTER	100K0322	
	01T027	WATER PIPE	100K0322	
ELECTRICAL SYSTEM	01T028	RADIATOR	100K0322	
	01T029	SHUTTER	100K0322	
	01T030	DYNAMO	100K0322	
	01T031	DYNAMO [COMPONENT PARTS]	100K0322	
	01T032	STARTER	100K0322	
	01T033	STARTER [COMPONENT PARTS]	100K0322	
	01T034	BATTERY	100K0322	
	01T035	SWITCH AND HORN	100K0322	
	01T036	LIGHT	100K0322	
	01T038	REGULATOR AND METER	100K0322	
CLUTCH	01T040	ELECTRICAL WIRING	100K0322	
	01T041	CLUTCH	100K0322	
	01T042	CLUTCH LEVER	100K0322	
	01T043	CLUTCH PEDAL	100K0322	
TRANSMISSION	01T044	CLUTCH HOUSING	100K0322	
	01T045	TRANSMISSION CASE	100K0322	
	01T046	MAIN SHAFT	100K0322	
	01T047	COUNTER SHAFT	100K0322	
	01T049	PTO COUNTER SHAFT [A]	100K0322	
SPEED CHANGE LEVER	01T051	REVERSE SHAFT	100K0322	
	01T052	MAIN GEAR SHIFT LEVER [A]	100K0322	
	01T053	PTO GEAR SHIFT LEVER [A]	100K0322	
	01T055	MAIN SHIFT FORK	100K0322	
	01T056	PTO SHIFT FORK [A]	100K0322	
REAR AXLE AND REAR WHEEL	01T058	HI-LO GEAR SHIFT FORK AND LEVER	100K0322	
	01T059	SPIRAL BEVEL GEAR	100K0322	
	01T061	DIFF. LOCK PEDAL	100K0322	
	01T062	REAR AXLE	100K0322	
	01T064	REAR WHEEL (9.5-24F)	100K0322	
	01T065	REAR WHEEL (11.2-24F)	100K0322	
	01T066	REAR WHEEL (13.6-16T)	100K0322	
BRAKE	01T069	BRAKE	100K0322	
	01T070	BRAKE PEDAL	100K0322	

Item	Part No.	Description	Book
BRAKE	01T071	PARKING BRAKE LEVER	100K0322
FRONT AXLE AND FRONT WHEEL	01T082	FRONT AXLE	100K0322
	01T083	FRONT AXLE CASE	100K0322
	01T084	DIFF. GEAR SHAFT	100K0322
	01T085	FRONT DIFF. CASE	100K0322
	01T086	DIFFERENTIAL (FRONT)	100K0322
	01T087	PROPELLER SHAFT	100K0322
	01T088	DRIVE CASE	100K0322
	01T089	FRONT WHEEL DRIVE LEVER	100K0322
	01T090	FRONT WHEEL (6-14)	100K0322
	01T091	FRONT WHEEL (7-16)	100K0322
	01T092	FRONT WHEEL (24X8.50-14)	100K0322
	01T093	FRONT AXLE FRAME	100K0322
	01T094	DRAG LINKAGE	100K0322
	01T095	TIE ROD	100K0322
STEERING	01T096	MANUAL STEERING AND HANDLE	100K0322
	01T097	POWER STEERING AND HANDLE	100K0322
	01T098	MANUAL STEERING [COMPONENT PARTS]	100K0322
	01T099	POWER STEERING [COMPONENT PARTS]	100K0322
HYDRAULIC SYSTEM	01T101	HYDRAULIC PUMP	100K0322
	01T103	HYDRAULIC PUMP [COMPONENT PARTS]	100K0322
	01T105	HYDRAULIC OIL LINE	100K0322
	01T106	FLOW PRIORITY VALVE(POWER STRG.)	100K0322
	01T107	CONTROL VALVE	100K0322
	01T108	CONTROL VALVE (POSITION) [COMPONENT PARTS]	100K0322
	01T109	CONTROL VALVE (DRAFT) [COMPONENT PARTS]	100K0322
	01T110	DRAFT CONTROL VALVE	100K0322
	01T111	DRAFT CONTROL VALVE [COMPONENT PARTS]	100K0322
	01T112	HYDRAULIC CYLINDER	100K0322
	01T113	HYD. CYLINDER FRONT COVER	100K0322
	01T114	HYDRAULIC LIFT ARM	100K0322
	01T115	HYDRAULIC POSITION LEVER	100K0322
	01T116	HYDRAULIC FEED BACK LEVER	100K0322
	01T117	TOP LINKAGE BRACKET(DRAFT)	100K0322
	01T118	3-POINT LINKAGE 1	100K0322
	01T119	3-POINT LINKAGE 2	100K0322
HITCH AND DRAWBAR	01T120	HITCH	100K0322
	01T121	DRAWBAR	100K0322
	01T122	PTO SHAFT PROTECTOR	100K0322
HOOD(BONNET) AND CHASSIS	01T123	FRONT GRILLE	100K0322
	01T124	LIGHT GRILLE	100K0322
	01T125	HOOD	100K0322
	01T126	SIDE BOARD	100K0322
	01T127	FENDER	100K0322
	01T128	SEAT	100K0322
	01T129	STEP	100K0322
LABELS	01T130	LABEL 1	100K0322
	01T131	LABEL 2	100K0322
ACCESSORIES	01T132	ACCESSORIES AND SERVICE PARTS	100K0322

CRANKCASE



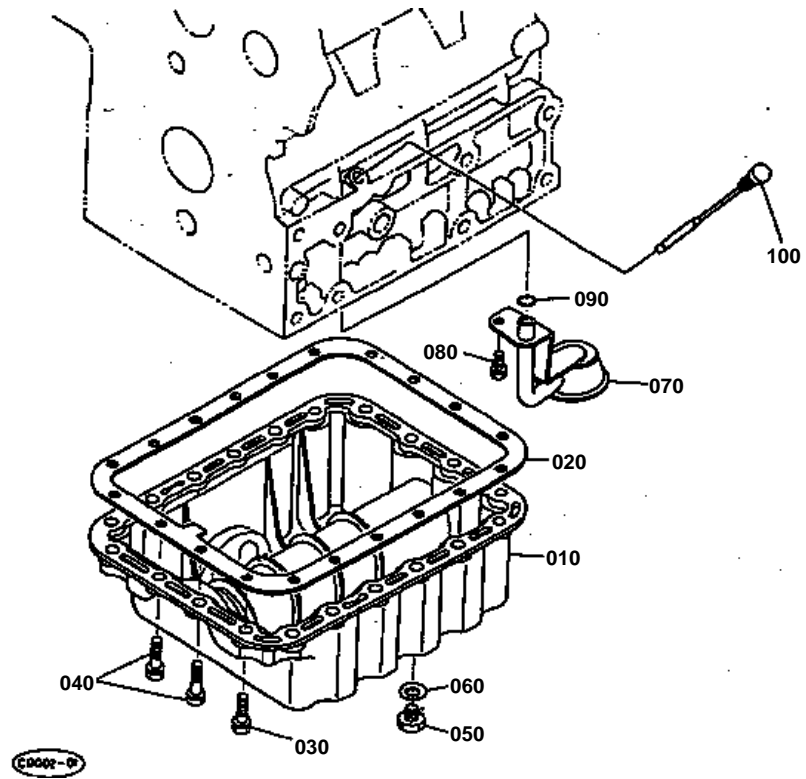


CRANKCASE

↔ Interchangeable; ≠ not interchangeable; ← new for old; → old for new

REF.No	Part No.	Description	Q'ty	S.No.	I/C	REMARKS	Weight (kgf)	Weight (lb)
010	16411-01010	COMP.CRANKCASE	1				48.5	106.7
020	15521-96020	PLUG	5				0.003	0.0066
030	15521-96030	PLUG	2				0.007	0.0154
040	06311-75018	PLUG	3				0.004	0.0088
050	06311-75045	PLUG	1				0.026	0.0572
060	15221-03380	CAP,SEALING	5				0.017	0.0374
070	15221-03390	CAP,SEALING	2				0.03	0.066
080	05012-00408	PIN,STRAIGHT	2				0.001	0.0022
090	05012-00609	PIN,STRAIGHT	2				0.003	0.0066
100	05012-00612	PIN,STRAIGHT	2				0.003	0.0066
110	05012-01018	PIN,STRAIGHT	1				0.012	0.0264
120	15221-33650	PIN,PIPE	1				0.004	0.0088
130	15221-02310	LINER,CYLINDER	3				0.58	1.276
140	15221-33610	PLUG	1				0.009	0.0198
150	15021-33660	GASKET	1				0.001	0.0022
160	15221-33700	O RING	1				0.001	0.0022
170	15321-35010	ASSY PUMP,OIL	1				0.525	1.155
180	15221-35150	GASKET,OIL PUMP	1				0	0
190	01053-50648	BOLT	4				0.01	0.022
200	04512-50060	WASHER,SPRING	4				0	0
210	19202-35660	GEAR,OIL PUMP DRIVE	1				0.23	0.506
220	05712-00410	KEY,FEATHER	1				0.001	0.0022
230	15221-35680	NUT	1				0	0
240	15221-35670	WASHER	1				0.005	0.011
250	15531-39010	SWITCH,OIL	1				0.032	0.0704
260	06312-10020	PLUG	1				0.015	0.033

OIL PAN



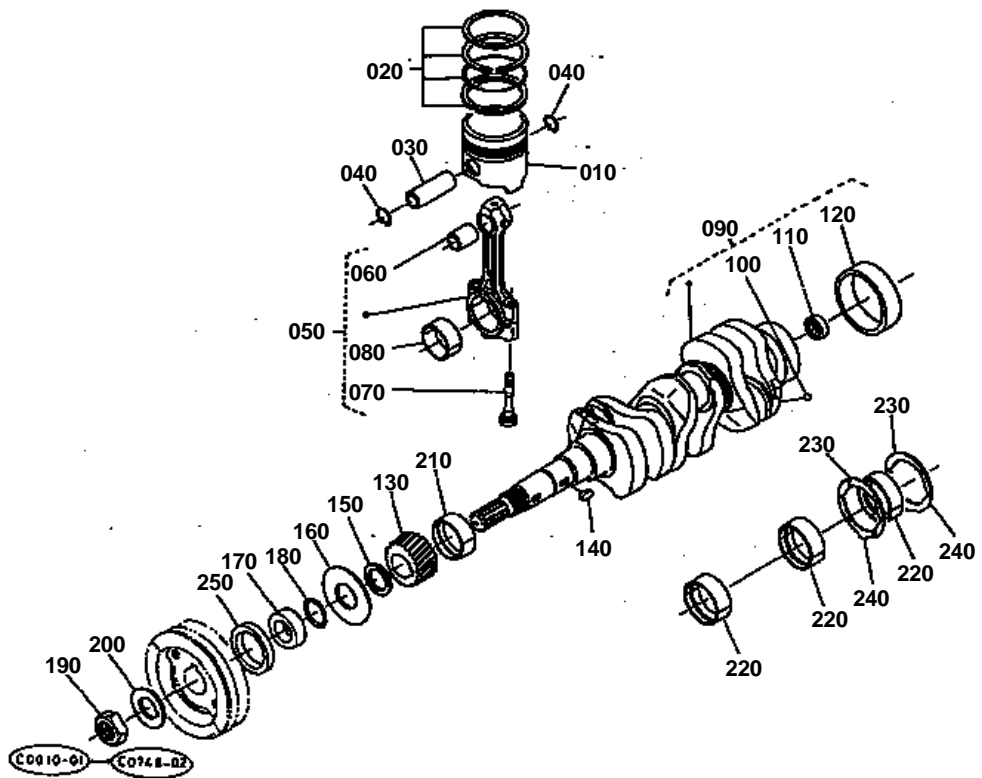


OIL PAN

↔ Interchangeable; ≠ not interchangeable; ← new for old; → old for new

REF.No	Part No.	Description	Q'ty	S.No.	I/C	REMARKS	Weight (kgf)	Weight (lb)
010	15521-01610	OIL PAN	1				2.8	6.16
020	15301-01620	GASKET,OIL PAN	1				0	0
030	01133-51028	BOLT	18				0.027	0.0594
040	01133-51025	BOLT	2				0.023	0.0506
050	15261-33750	PLUG	2				0.034	0.0748
060	15109-33660	GASKET	2				0.001	0.0022
070	15521-32110	FILTER,OIL	1				0.185	0.407
080	01123-50814	BOLT	1				0	0
090	04811-00140	RING	1				0.001	0.0022
100	15596-36410	GAUGE,OIL	1				0.016	0.0352

PISTON AND CRANKSHAFT



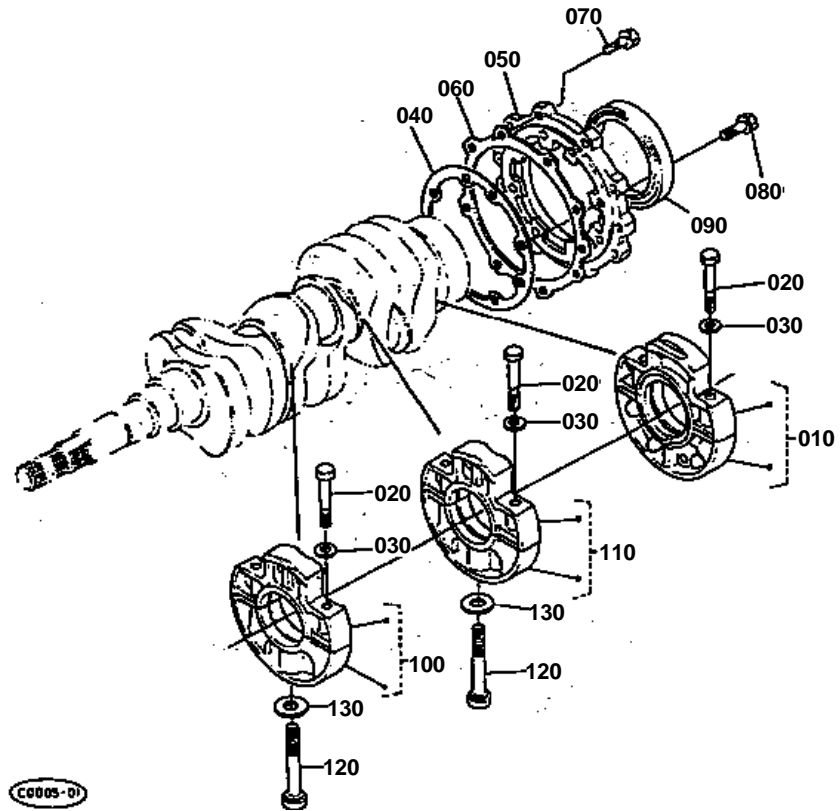


PISTON AND CRANKSHAFT

↔ Interchangeable; ≠ not interchangeable; ← new for old; → old for new

REF.No	Part No.	Description	Q'ty	S.No.	I/C	REMARKS	Weight (kgf)	Weight (lb)
010	15221-21110	PISTON	3			STD	0.45	0.99
010	15221-21910	PISTON	3			+0.5	0.452	0.9944
020	15501-21050	ASSY PISTON RING	3			STD	0.05	0.11
020	15501-21090	ASSY PISTON RING	3			+0.5	0.05	0.11
030	15521-21310	PIN,PISTON	3				0.156	0.3432
040	15221-21330	CIR-CLIP,PISTON PIN	6				0.002	0.0044
050	15521-22012	ASSY CONNECTING ROD	3				0	0
060	15221-21980	BUSH,PISTON PIN	3				0	0
070	15521-22140	BOLT,CONNECTING ROD	6				0	0
080	15221-22310	METAL,CRANKPIN	3			STD	0	0
080	15221-22970	METAL,CRANKPIN	3			-0.2	0.04	0.088
080	15221-22980	METAL,CRANKPIN	3			-0.4	0.04	0.088
090	15568-23010	COMP.CRANKSHAFT	1				13.04	28.688
100	07715-03209	BALL	3				0.002	0.0044
110	08121-06002	BEARING,BALL	1				0.03	0.066
120	19202-23280	SLEEVE,CRANKSHAFT	1				0.09	0.198
130	15521-24110	GEAR,CRANKSHAFT	1				0.34	0.748
140	05712-00720	KEY,FEATHER	1				0.008	0.0176
150	15221-24130	COLLAR	1				0.015	0.033
160	15221-23310	SLINGER,OIL	1				0	0
170	19202-23250	COLLAR,CRANKSHAFT	1				0.065	0.143
180	04811-10300	RING	1				0.001	0.0022
190	15221-23360	NUT,CRANKSHAFT	1				0.11	0.242
200	15221-23380	WASHER,CRANKSHAFT	1				0.02	0.044
210	15221-23470	METAL,CRANKSHAFT	1			STD	0	0
210	15221-23910	METAL,CRANKSHAFT	1			-0.2	0	0
210	15221-23920	METAL,CRANKSHAFT	1			-0.4	0	0
220	15221-23480	METAL,CRANKSHAFT	3			STD	0	0
220	15221-23930	METAL,CRANKSHAFT	3			-0.2	0.055	0.121
220	15221-23940	METAL,CRANKSHAFT	3			-0.4	0.056	0.1232
230	15521-23530	METAL,SIDE	2			STD	0.01	0.022
230	15521-23950	METAL,SIDE	2			+0.2	0.01	0.022
230	15521-23960	METAL,SIDE	2			+0.4	0.01	0.022
240	19202-23540	METAL,SIDE	2			STD	0.01	0.022
240	19202-23970	METAL,SIDE	2			+0.2	0.01	0.022
240	19202-23980	METAL,SIDE	2			+0.4	0.01	0.022
250	09550-00001	SEAL,OIL	1				0.015	0.033

MAIN BEARING CASE



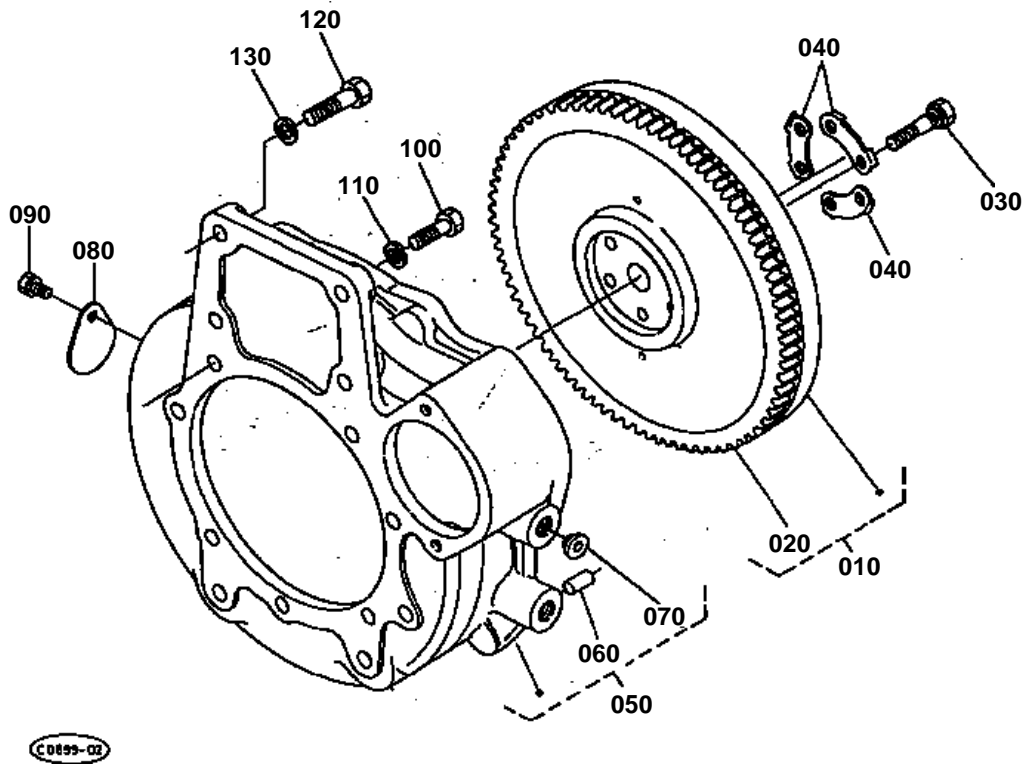


MAIN BEARING CASE

↔ Interchangeable; ≠ not interchangeable; ← new for old; → old for new

REF.No	Part No.	Description	Q'ty	S.No.	I/C	REMARKS	Weight (kgf)	Weight (lb)
010	19202-04040	ASSY CASE,MAIN BRG.	1				1.28	2.816
020	15521-04540	BOLT,BEARING CASE	6				0	0
030	15521-94010	WASHER,PLAIN	6				0.001	0.0022
040	15221-04360	GASKET	1				0	0
050	19202-04810	COVER,BEARING CASE	1				0.36	0.792
060	15221-04820	GASKET	1				0	0
070	01123-50825	BOLT	8				0.013	0.0286
080	01123-50828	BOLT	8				0.014	0.0308
090	19202-04460	SEAL,OIL	1				0.055	0.121
100	15521-04050	ASSY CASE,MAIN BRG.	1				0	0
110	15521-04060	ASSY CASE,MAIN BRG.	1				0	0
120	15291-04560	BOLT	2				0.06	0.132
130	15521-94020	WASHER,PLAIN	2				0.004	0.0088

FLYWHEEL



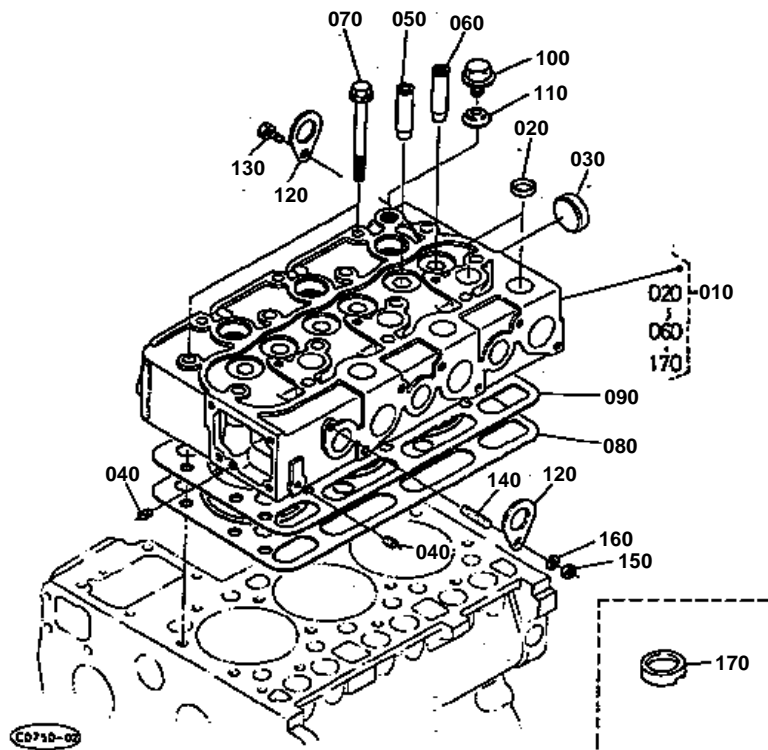


FLYWHEEL

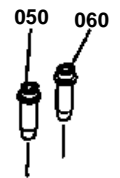
↔ Interchangeable; ≠ not interchangeable; ← new for old; → old for new

REF.No	Part No.	Description	Q'ty	S.No.	I/C	REMARKS	Weight (kgf)	Weight (lb)
010	15331-25015	COMP.FLYWHEEL	1				0	0
020	15221-63820	GEAR,RING	1				1.2	2.64
030	15321-25160	BOLT,FLYWHEEL	6				0.05	0.11
040	15321-25170	WASHER,FLYWHEEL	3				0.01	0.022
050	15341-04600	COMP.HOUSING,F-W.	1				10.4	22.88
060	05012-01025	PIN,STRAIGHT	2				0.016	0.0352
070	31220-14290	PLUG	4				0.002	0.0044
080	31220-14170	COVER	1				0.014	0.0308
090	01123-50814	BOLT	1				0	0
100	01073-51030	BOLT	11				0.028	0.0616
110	04512-50100	WASHER,SPRING	11				0	0
120	01073-51240	BOLT	2				0.049	0.1078
130	04512-50120	WASHER,SPRING	2				0	0

CYLINDER HEAD



050 15221-1358-0
060 15601-1356-0





CYLINDER HEAD

↔ Interchangeable; ≠ not interchangeable; ← new for old; → old for new

REF.No	Part No.	Description	Q'ty	S.No.	I/C	REMARKS	Weight (kgf)	Weight (lb)
010	15501-03040	COMP.CYLINDER HEAD	1				15	33
020	15221-03370	CAP,SEALING	9				0.01	0.022
030	15221-03490	CAP,SEALING	1				0.02	0.044
040	15261-96010	PLUG	2				0.002	0.0044
050	15511-13580	GUIDE,INLET VALVE	3				0	0
060	17311-13560	GUIDE,EXHAUST VALVE	3				0	0
070	19202-03450	BOLT,CYLINDER HEAD	14				0.065	0.143
080	15321-03310	GASKET,CYLINDER HEAD	1				0	0
090	15321-03320	SHIM,CYL.HEAD GASKET	1			MAINTENANCE PARTS	0.047	0.1034
100	15000-36080	PLUG,CYLINDER HEAD	1				0.03	0.066
110	04717-01600	WASHER,WITH RUBBER	1				0.003	0.0066
120	15221-01750	HOOK,ENGINE	2				0.04	0.088
130	01123-50816	BOLT	1				0.011	0.0242
140	15471-91530	STUD	1				0.01	0.022
150	02156-50080	NUT	1				0.004	0.0088
160	04512-50080	WASHER,SPRING	1				0	0
170	15291-03140	COMBUSTION CHAMBER	3				0.028	0.0616



VALVE AND ROCKER ARM

↔ Interchangeable; ≠ not interchangeable; ← new for old; → old for new

REF.No	Part No.	Description	Q'ty	S.No.	I/C	REMARKS	Weight (kgf)	Weight (lb)
010	15221-13110	VALVE,INLET	3				0.062	0.1364
020	15221-13120	VALVE,EXHAUST	3				0.054	0.1188
030	15221-13240	SPRING,VALVE	6				0.036	0.0792
040	15221-13330	RETAINER,VALVE SP.	6				0.03	0.066
050	15221-13360	COLLET,VALVE SPRING	6				0	0
060	15221-13150	SEAL,VALVE STEM	6				0.001	0.0022
070	15221-13280	CAP,VALVE	6				0.006	0.0132
080	15321-14050	ASSY SHAFT,R-ARM	1				0.25	0.55
090	03410-50808	SCREW,SET	2				0	0
100	15221-14350	BRACKET,ROCKER ARM	3				0.044	0.0968
110	15521-91500	STUD	3				0.035	0.077
120	02156-50080	NUT	3				0.004	0.0088
130	04512-50080	WASHER,SPRING	3				0	0
140	04012-50080	WASHER,PLAIN	3				0.001	0.0022
150	15221-14420	SCREW,SET	1				0.003	0.0066
160	15221-14430	WASHER	2				0.002	0.0044
170	15221-14310	SPRING,ROCKER ARM	2				0.005	0.011
180	04612-00140	CIR-CLIP,EXTERNAL	2				0.001	0.0022
190	15601-14030	ASSY ROCKER ARM	6				0	0
200	15221-14180	BUSH,ROCKER ARM	6				0.007	0.0154
210	15521-14230	SCREW,ADJUSTING	6				0.009	0.0198
220	15021-14240	NUT	6				0.003	0.0066

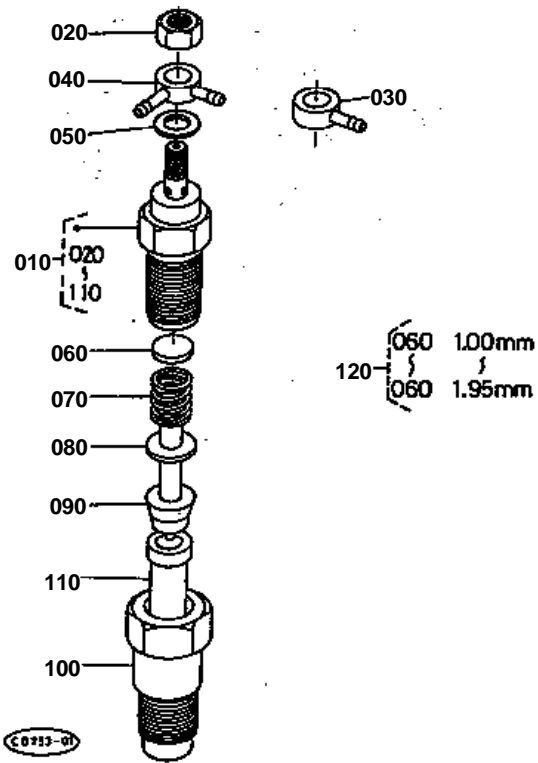


NOZZLE HOLDER AND GLOW PLUG

↔ Interchangeable; ≠ not interchangeable; ← new for old; → old for new

REF.No	Part No.	Description	Q'ty	S.No.	I/C	REMARKS	Weight (kgf)	Weight (lb)
010	15271-53000	ASSY HOLDER, NOZZLE	1			REFER TO L.NO.0B06-L0 FOR COMPONENTS	0.26	0.572
020	15271-53020	ASSY HOLDER, NOZZLE	2				0.26	0.572
030	17011-53620	GASKET	3				0.003	0.0066
040	15469-53710	PIPE,INJECTION	1				0.13	0.286
050	15469-53720	PIPE,INJECTION	1				0.132	0.2904
060	15469-53730	PIPE,INJECTION	1				0.132	0.2904
070	15841-53850	CLAMP,PIPE	2				0.01	0.022
080	15841-53860	CLAMP,PIPE	2				0.009	0.0198
090	03024-50520	SCREW,WITH WASHER	2				0.004	0.0088
100	15221-51650	COVER,INJECTION PUMP	1				0.05	0.11
110	15221-51660	GASKET,PUMP COVER	1				0	0
120	01023-50612	BOLT	4				0.005	0.011
130	15521-65510	PLUG,GLOW	3				0.025	0.055
140	15401-65560	CORD,GLOW PLUG	2				0.005	0.011
150	15221-42510	PIPE,FUEL OVER FLOW	2				0.005	0.011
160	10244-42320	CLIP,PIPE	4				0.001	0.0022

NOZZLE HOLDER [COMPONENT PARTS]



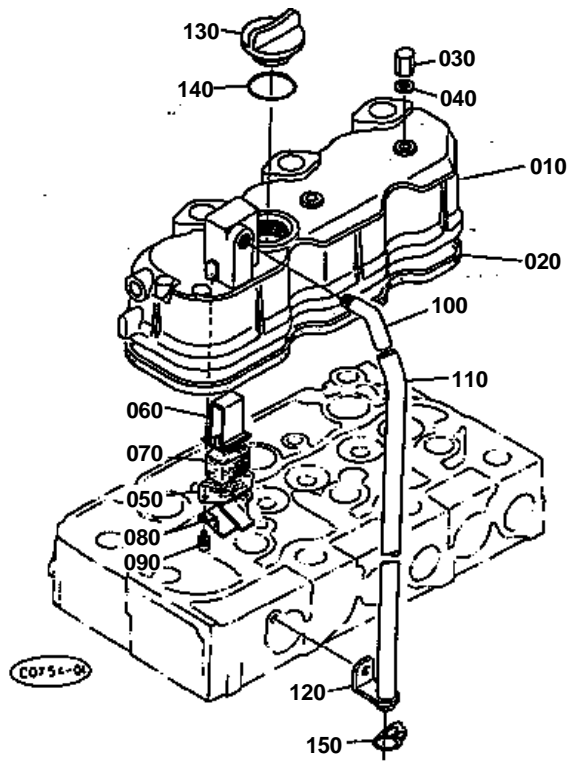


NOZZLE HOLDER [COMPONENT PARTS]

↔ Interchangeable; ≠ not interchangeable; ← new for old; → old for new

REF.No	Part No.	Description	Q'ty	S.No.	I/C	REMARKS	Weight (kgf)	Weight (lb)
010	15271-53000	ASSY HOLDER,NOZZLE	1				0.26	0.572
010	15271-53020	ASSY HOLDER,NOZZLE	2				0.26	0.572
020	15221-92020	NUT	3				0.011	0.0242
030	15221-95680	JOINT	1				0.021	0.0462
040	15221-95690	JOINT	2				0.022	0.0484
050	15221-94020	WASHER,PLAIN	3				0.002	0.0044
060	15221-98110	WASHER,ADJUSTING	3			1.00MM	0.001	0.0022
060	15221-98120	WASHER,ADJUSTING	3			1.05MM	0.001	0.0022
060	15221-98130	WASHER,ADJUSTING	3			1.10MM	0.001	0.0022
060	15221-98140	WASHER,ADJUSTING	3			1.15MM	0.001	0.0022
060	15221-98150	WASHER,ADJUSTING	3			1.20MM	0.001	0.0022
060	15221-98160	WASHER,ADJUSTING	3			1.25MM	0.001	0.0022
060	15221-98170	WASHER,ADJUSTING	3			1.30MM	0.001	0.0022
060	15221-98180	WASHER,ADJUSTING	3			1.35MM	0.001	0.0022
060	15221-98190	WASHER,ADJUSTING	3			1.40MM	0.002	0.0044
060	15221-98200	WASHER,ADJUSTING	3			1.45MM	0.001	0.0022
060	15221-98210	WASHER,ADJUSTING	3			1.50MM	0.001	0.0022
060	15221-98220	WASHER,ADJUSTING	3			1.55MM	0.003	0.0066
060	15221-98230	WASHER,ADJUSTING	3			1.60MM	0.003	0.0066
060	15221-98240	WASHER,ADJUSTING	3			1.65MM	0.002	0.0044
060	15221-98250	WASHER,ADJUSTING	3			1.70MM	0.002	0.0044
060	15221-98260	WASHER,ADJUSTING	3			1.75MM	0.002	0.0044
060	15221-98270	WASHER,ADJUSTING	3			1.80MM	0.002	0.0044
060	15221-98280	WASHER,ADJUSTING	3			1.85MM	0.002	0.0044
060	15221-98290	WASHER,ADJUSTING	3			1.90MM	0.002	0.0044
060	15221-98300	WASHER,ADJUSTING	3			1.95MM	0.003	0.0066
070	15221-53170	SPRING,NOZZLE	3				0.01	0.022
080	15221-53350	PIECE,DISTANCE	3				0.016	0.0352
090	15221-53160	PUSH ROD	3				0.003	0.0066
100	15221-53280	NUT,NOZZLE	3				0.068	0.1496
110	15021-53610	PIECE,NOZZLE	3				0	0
120	15221-98100	ASSY WASHER	3				0.03	0.066

CYLINDER HEAD COVER



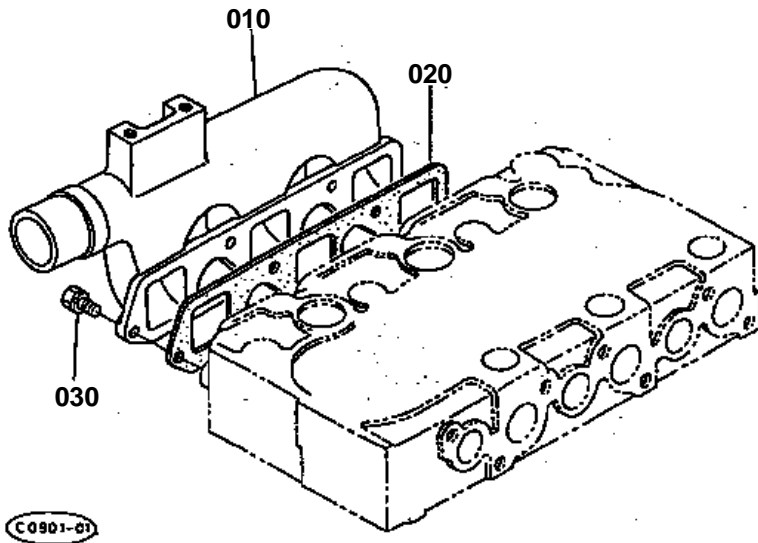


CYLINDER HEAD COVER

↔ Interchangeable; ≠ not interchangeable; ← new for old; → old for new

REF.No	Part No.	Description	Q'ty	S.No.	I/C	REMARKS	Weight (kgf)	Weight (lb)
010	15596-14510	COVER,CYL.HEAD	1				1.27	2.794
020	15521-14520	GASKET,HEAD COVER	1				0.035	0.077
030	15451-92330	NUT,CAP	3				0.015	0.033
040	15021-33660	GASKET	3				0.001	0.0022
050	15521-05140	PLATE,ELEMENT	1				0.005	0.011
060	15521-05150	PLATE,ELEMENT	1				0.01	0.022
070	15521-05670	ELEMENT,BREATHER	1				0.01	0.022
080	15521-05370	OIL SHIELD,BREATHER	1				0.005	0.011
090	15521-93310	SCREW,WITH WASHER	2				0	0
100	15521-05550	JOINT,BREATHER PIPE	1				0.04	0.088
110	15521-05510	PIPE,BREATHER	1				0.075	0.165
120	15401-05580	CLAMP,PIPE	1				0.02	0.044
130	15221-33140	PLUG,OIL FILLER	1				0.038	0.0836
140	04811-50300	RING	1				0.001	0.0022
150	38240-13370	CLAMP,PIPE	1				0.005	0.011

INLET MANIFOLD



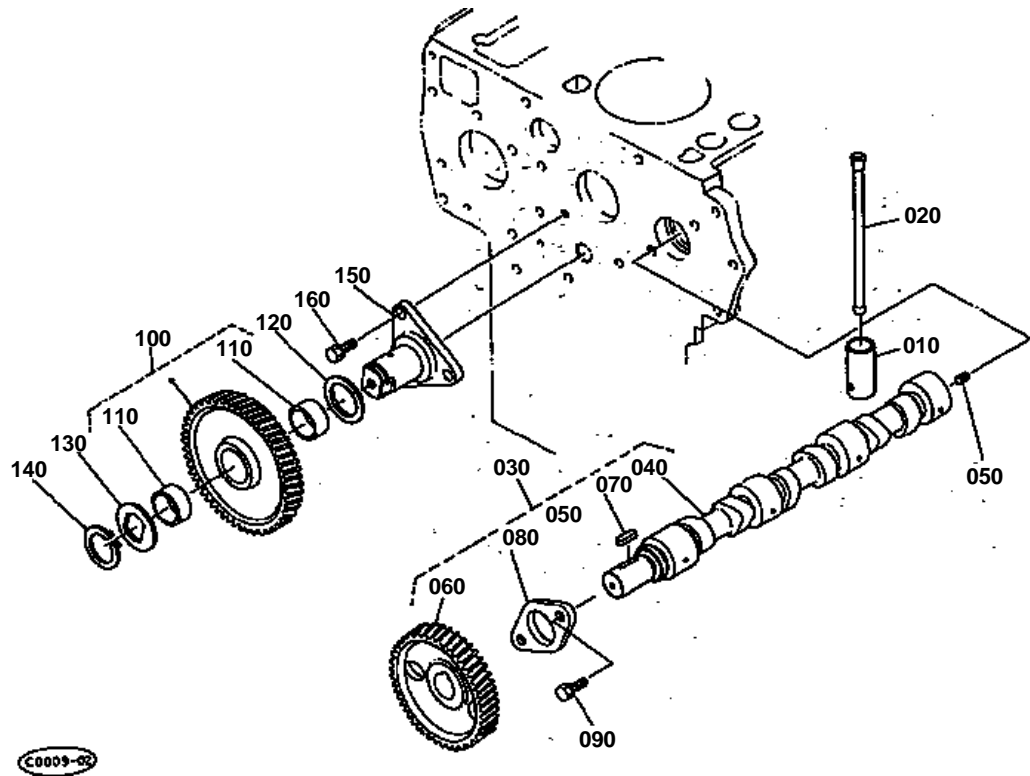


INLET MANIFOLD

↔ Interchangeable; ≠ not interchangeable; ← new for old; → old for new

REF.No	Part No.	Description	Q'ty	S.No.	I/C	REMARKS	Weight (kgf)	Weight (lb)
010	15501-11760	MANIFOLD,INLET	1				0.75	1.65
020	15521-11820	GASKET	1				0	0
030	01123-50822	BOLT	5				0.012	0.0264

CAMSHAFT

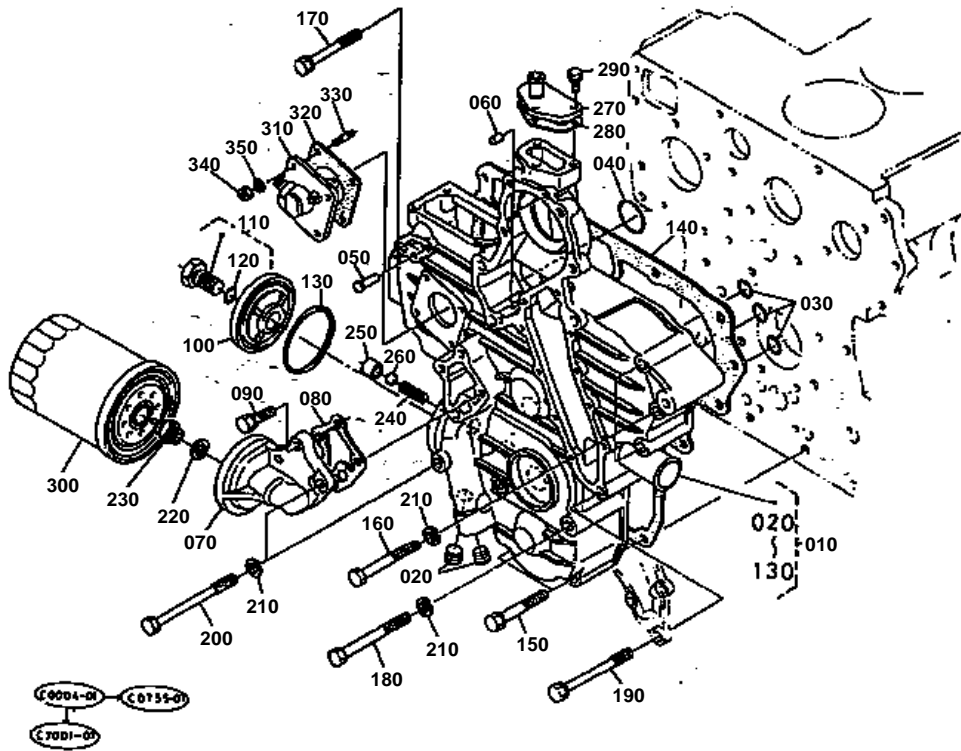


**CAMSHAFT**

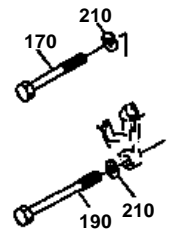
↔ Interchangeable; ≠ not interchangeable; ← new for old; → old for new

REF.No	Part No.	Description	Q'ty	S.No.	I/C	REMARKS	Weight (kgf)	Weight (lb)
010	15221-15550	TAPPET	6				0	0
020	15221-15110	PUSH ROD	6				0.05	0.11
030	15521-16010	ASSY CAMSHAFT	1				3.6	7.92
040	15521-16150	CAMSHAFT	1				1.79	3.938
050	15521-93610	SCREW,SET	1				0.002	0.0044
060	15521-16510	GEAR,CAMSHAFT	1				0.85	1.87
070	05712-00720	KEY,FEATHER	1				0.008	0.0176
080	15221-16270	STOPPER,CAMSHAFT	1				0.073	0.1606
090	01123-50818	BOLT	2				0.012	0.0264
100	15221-24010	COMP.GEAR,IDLE	1				0.5	1.1
110	15221-24980	BUSH,IDLE GEAR	2				0.02	0.044
120	15521-24360	COLLAR	1				0.015	0.033
130	15521-24370	COLLAR	1				0.015	0.033
140	15221-24320	CIR-CLIP,IDLE GEAR	1				0.01	0.022
150	15221-24250	SHAFT,IDLE GEAR	1				0.48	1.056
160	01123-50818	BOLT	3				0.012	0.0264

GEAR CASE



- 170 15521-9101-0
- 190 15521-9102-0
- 210 04512-50080

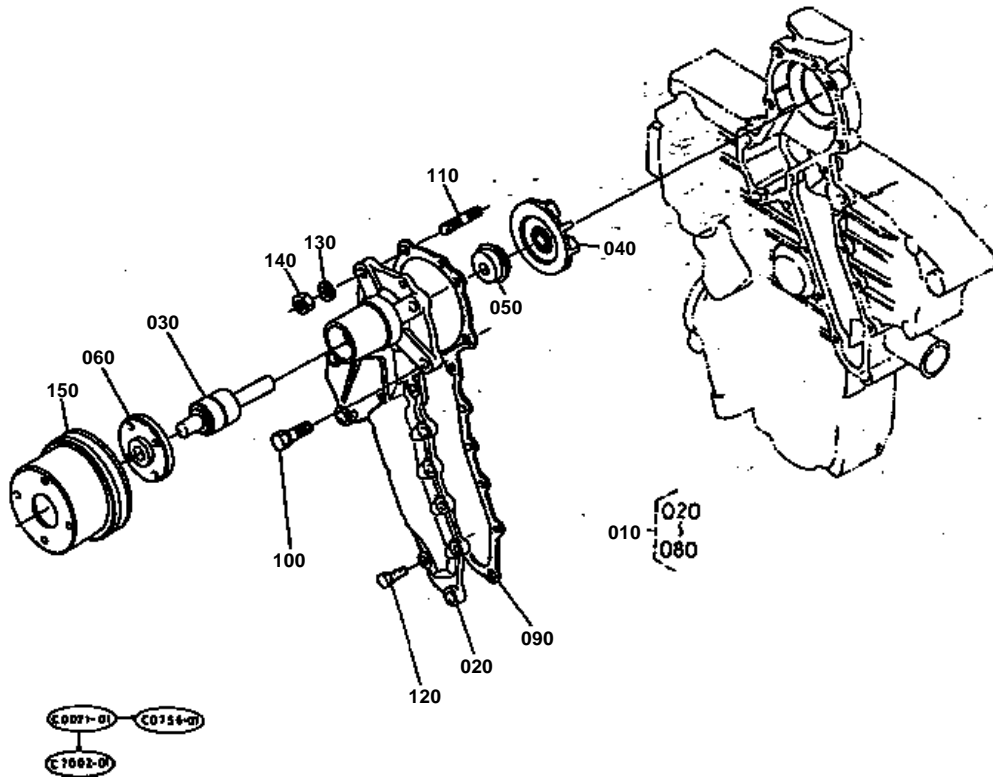


**GEAR CASE**

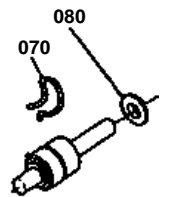
↔ Interchangeable; ≠ not interchangeable; ← new for old; → old for new

REF.No	Part No.	Description	Q'ty	S.No.	I/C	REMARKS	Weight (kgf)	Weight (lb)
010	17331-04020	COMP.CASE,GEAR	1				0	0
020	17331-96040	PLUG	2				0.005	0.011
030	04811-00150	RING	3				0.001	0.0022
040	04811-00360	RING	1				0.002	0.0044
050	15221-56280	PIN,START SPRING	1				0.006	0.0132
060	05012-00612	PIN,STRAIGHT	2				0.003	0.0066
070	17331-32610	SUPPORT,OIL FILTER	1				0.275	0.605
080	17331-32620	GASKET	1				0	0
090	01123-50825	BOLT	3				0.013	0.0286
100	17331-32880	COVER	1				0.075	0.165
110	17331-32910	COMP BOLT	1				0.07	0.154
120	04811-00150	RING	1				0.001	0.0022
130	19202-96830	O RING	1				0.01	0.022
140	17331-04130	GASKET,GEAR CASE	1				0	0
150	01123-50860	BOLT	2				0.026	0.0572
160	01153-50870	BOLT	5				0.026	0.0572
170	17367-91010	BOLT	1				0.005	0.011
180	01153-50880	BOLT	2				0.03	0.066
190	17367-91020	BOLT	3				0.035	0.077
200	01153-50895	BOLT	2				0.035	0.077
210	04512-50080	WASHER,SPRING	9				0	0
220	04011-50180	WASHER,PLAIN	1				0.012	0.0264
230	15521-32290	JOINT,PIPE	1				0	0
240	15241-36950	SPRING	1				0.004	0.0088
250	15521-36930	SEAT,VALVE	1				0.015	0.033
260	07715-03213	BALL	1				0.004	0.0088
270	15521-73320	FLANGE,WATER RETURN	1				0.04	0.088
280	15521-73330	GASKET	1				0	0
290	01023-50620	BOLT	3				0.006	0.0132
300	15521-32430	CARTRIDGE,OIL FILTER	1				0	0
310	38240-34660	ASSY CASE,HOUR METER	1				0.335	0.737
320	15221-88130	GASKET,H/METER UNIT	1				0	0
330	15221-88210	STUD	4				0.005	0.011
340	02056-50060	NUT	4				0.002	0.0044
350	04512-50060	WASHER,SPRING	4				0	0

WATER PUMP



070 15521-9481-0
080 15121-7362-0



C0071-01 C0756-01
C1002-01

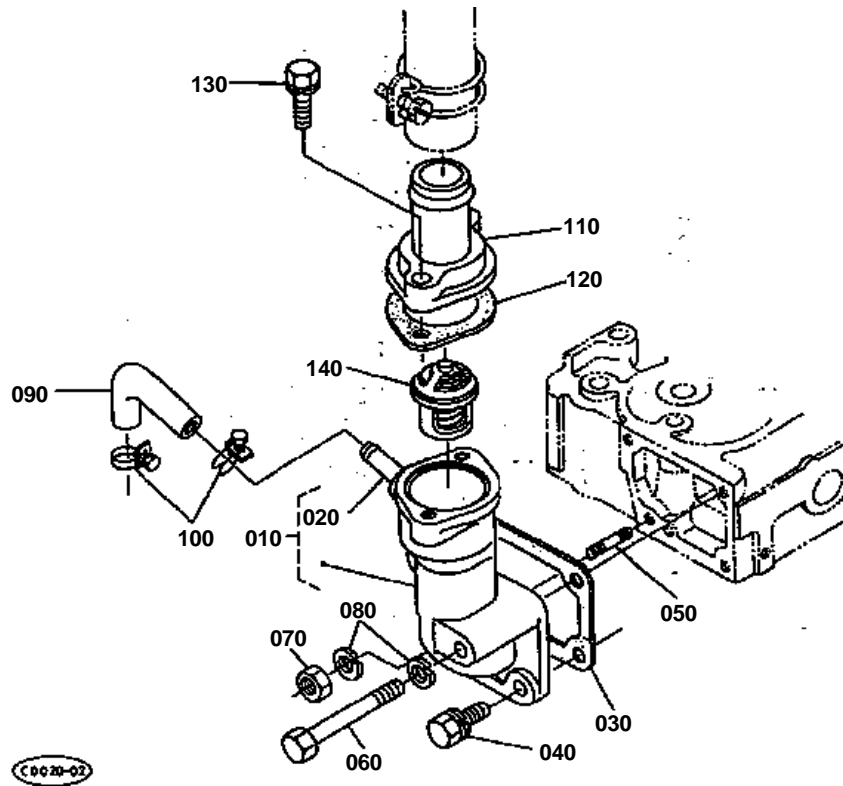


WATER PUMP

↔ Interchangeable; ≠ not interchangeable; ← new for old; → old for new

REF.No	Part No.	Description	Q'ty	S.No.	I/C	REMARKS	Weight (kgf)	Weight (lb)
010	16412-73030	ASSY PUMP,WATER	1				1.21	2.662
020	17331-73410	BODY,WATER PUMP	1				0.51	1.122
030	15521-73550	BEARING,BALL	1				0.235	0.517
040	15521-73510	IMPELLER,WATER PUMP	1				0.22	0.484
050	19202-73050	ASSY SEAL,MECHANICAL	1				0.02	0.044
060	15521-73520	FLANGE,WATER PUMP	1				0.25	0.55
090	17331-73430	GASKET,WATER PUMP	1				0	0
100	01123-50828	BOLT	2				0.014	0.0308
110	15521-91510	STUD	2				0.012	0.0264
120	01023-50618	BOLT	8				0.006	0.0132
130	04512-50080	WASHER,SPRING	2				0	0
140	02156-50080	NUT	2				0.004	0.0088
150	15521-74250	PULLEY,FAN	1				0.29	0.638

WATER FLANGE



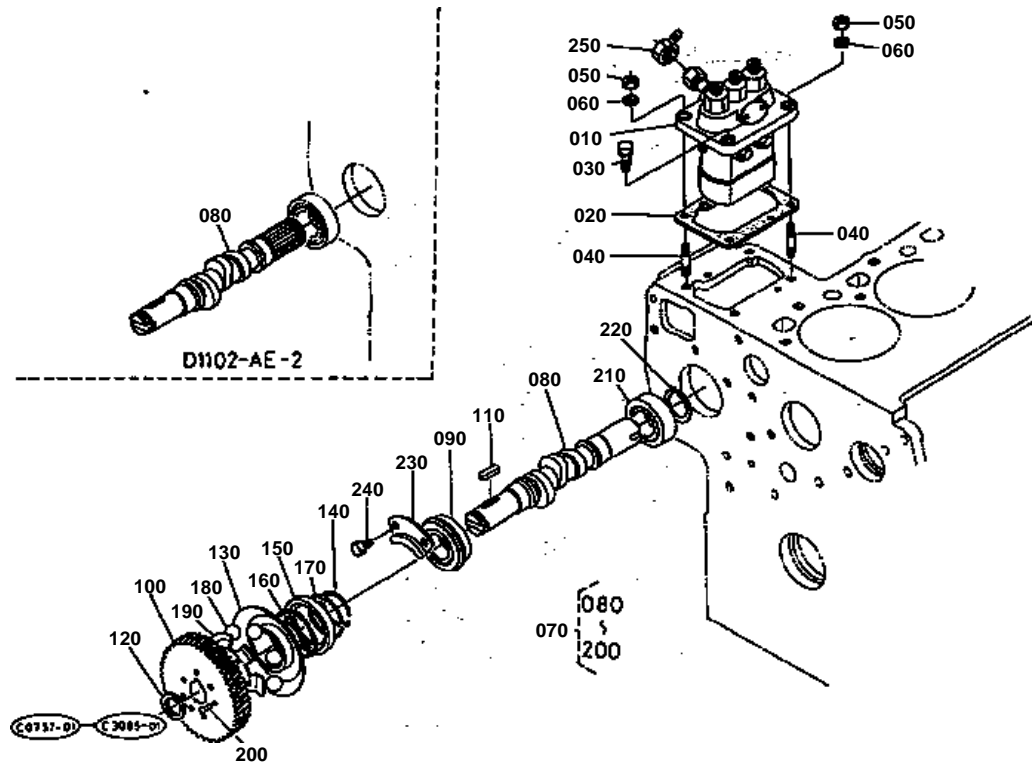


WATER FLANGE

↔ Interchangeable; ≠ not interchangeable; ← new for old; → old for new

REF.No	Part No.	Description	Q'ty	S.No.	I/C	REMARKS	Weight (kgf)	Weight (lb)
010	17331-72700	COMP.FLANGE,WATER	1				0	0
020	17331-73340	PIPE,WATER RETURN	1				0	0
030	15521-72920	GASKET,WATER FLANGE	1				0	0
040	01123-50822	BOLT	2				0.012	0.0264
050	01513-50822	STUD	1				0.01	0.022
060	01153-50870	BOLT	1				0.026	0.0572
070	02156-50080	NUT	1				0.004	0.0088
080	04512-50080	WASHER,SPRING	2				0	0
090	15521-73340	PIPE,WATER RETURN	1				0.025	0.055
100	15109-73360	BAND,PIPE	2				0.01	0.022
110	15321-73260	COVER,THERMOSTAT	1				0.107	0.2354
120	15321-73270	GASKET	1				0	0
130	01123-50835	BOLT	2				0.02	0.044
140	15321-73010	ASSY THERMOSTAT	1				0	0

INJECTION PUMP AND FUEL CAMSHAFT



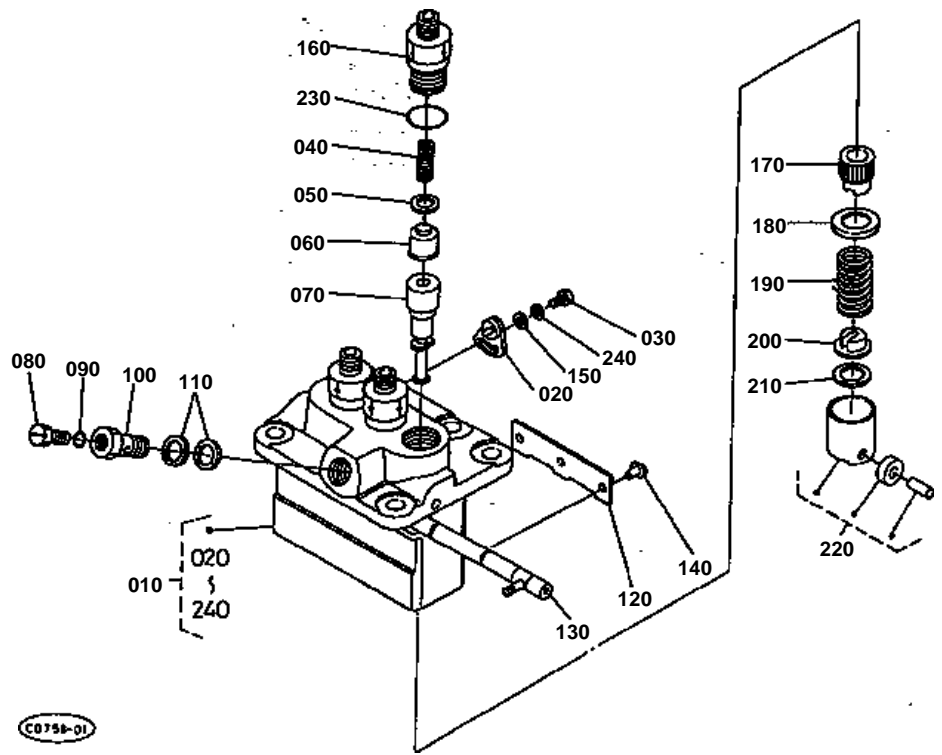


INJECTION PUMP AND FUEL CAMSHAFT

↔ Interchangeable; ≠ not interchangeable; ← new for old; → old for new

REF.No	Part No.	Description	Q'ty	S.No.	I/C	REMARKS	Weight (kgf)	Weight (lb)
010	15321-51010	ASSY PUMP, INJECTION	1			REFER TO L.NO.0B13-L0 FOR COMPONENTS	2	4.4
020	15321-52110	SHIM,INJECTION PUMP	1			0.15MM	0	0
020	15521-52110	SHIM,INJECTION PUMP	1			0.30MM	0.01	0.022
020	15511-52110	SHIM,INJECTION PUMP	1			0.45MM	0	0
030	01123-50822	BOLT	2				0.012	0.0264
040	15221-91530	STUD	2				0.011	0.0242
050	02156-50080	NUT	2				0.004	0.0088
060	04512-50080	WASHER,SPRING	2				0	0
070	15521-16020	ASSY CAMSHAFT, FUEL	1				2.23	4.906
080	15521-16170	CAMSHAFT,FUEL	1				0.88	1.936
090	08153-06205	BEARING,BALL	1				0.13	0.286
100	15401-51150	GEAR,INJECTION PUMP	1				0.8	1.76
110	05712-00525	KEY,FEATHER	1				0.005	0.011
120	04612-00240	CIR-CLIP,EXTERNAL	1				0.002	0.0044
130	15221-55450	SLEEVE,GOVERNOR	1				0.19	0.418
140	15221-55470	CIR-CLIP,GOV. SLEEVE	1				0.003	0.0066
150	15221-55690	CASE,GOVERNOR BALL	1				0	0
160	07715-03205	BALL	39				0.001	0.0022
170	15221-55740	CIR-CLIP	1				0.002	0.0044
180	07715-00805	BALL	7				0.016	0.0352
190	15521-55650	GUIDE,GOVERNOR BALL	1				0.035	0.077
200	05611-10310	RIVET	7				0.001	0.0022
210	08103-06205	BEARING,BALL	1				0.12	0.264
220	04612-00250	CIR-CLIP,EXTERNAL	1				0.002	0.0044
230	15221-16320	STOPPER	1				0.02	0.044
240	01123-50814	BOLT	2				0	0
250	14111-42410	JOINT	1				0.025	0.055

INJECTION PUMP [COMPONENT PARTS]



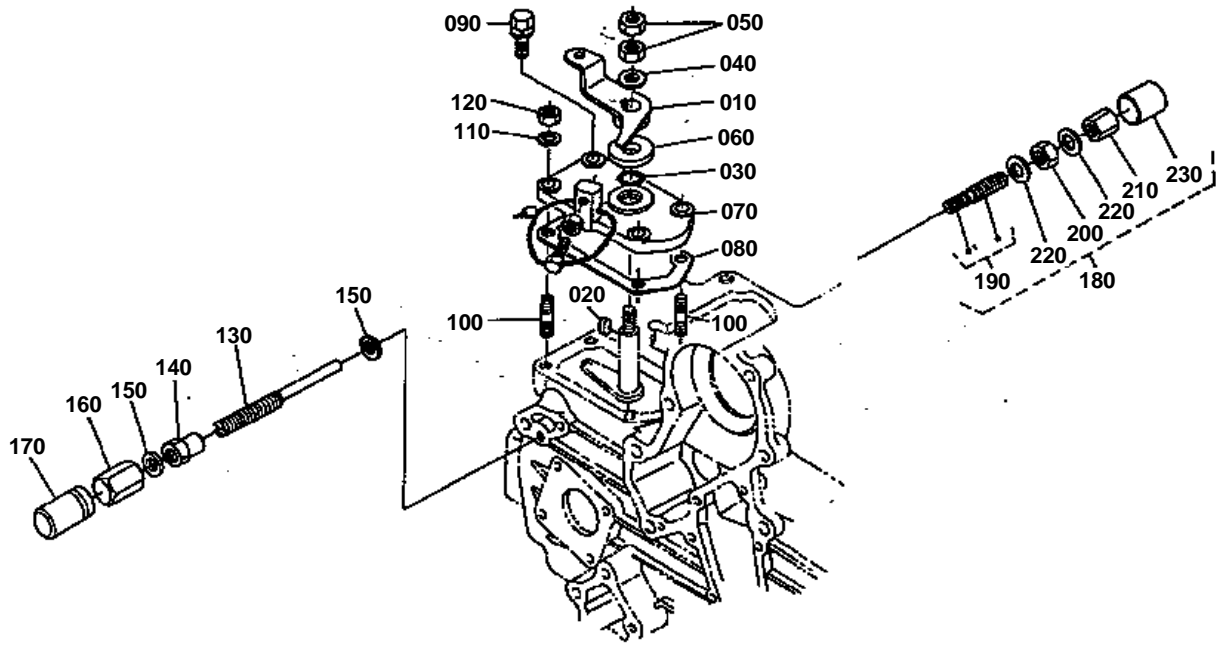


INJECTION PUMP [COMPONENT PARTS]

↔ Interchangeable; ≠ not interchangeable; ← new for old; → old for new

REF.No	Part No.	Description	Q'ty	S.No.	I/C	REMARKS	Weight (kgf)	Weight (lb)
010	15321-51010	ASSY PUMP,INJECTION	1				2	4.4
020	15221-51390	PLATE,ADJUSTING	2				0	0
030	15221-91030	BOLT	2				0	0
040	15221-51230	SPRING,DELIV.VALVE	3				0.002	0.0044
050	15221-51240	GASKET,DELIV.VALVE	3				0.001	0.0022
060	15221-51030	VALVE,DELIVERY	3				0.012	0.0264
070	15221-51050	PLUNGER,PUMP	3				0.053	0.1166
080	15221-51350	SCREW,AIR BREEDER	1				0.008	0.0176
090	14111-53380	GASKET	1				0.001	0.0022
100	15221-51320	SCREW,FOLLOW	1				0.032	0.0704
110	15221-96650	GASKET	2				0.001	0.0022
120	19484-51460	PLATE	1				0.003	0.0066
130	15321-51060	RACK,CONTROL	1				0.038	0.0836
140	14611-51250	PIN,TAPPET GUIDE	3				0.003	0.0066
150	04013-50060	WASHER,PLAIN	2				0	0
160	15601-51220	HOLDER,DELIV.VALVE	3				0.055	0.121
170	15221-51380	SLEEVE,CONTROL	3				0	0
180	15221-51270	SEAT,SPRING UPPER	2				0.004	0.0088
190	15221-51280	SPRING,PLUNGER	3				0.015	0.033
200	15221-51290	SEAT,SPRING LOWER	3				0.01	0.022
210	15221-51490	SHIM	3				0.002	0.0044
220	15221-51070	ASSY TAPPET	3				0.039	0.0858
230	14611-51200	O RING	3				0.001	0.0022
240	14952-51550	WASHER,WAVE	2				0.002	0.0044

SPEED CONTROL PLATE



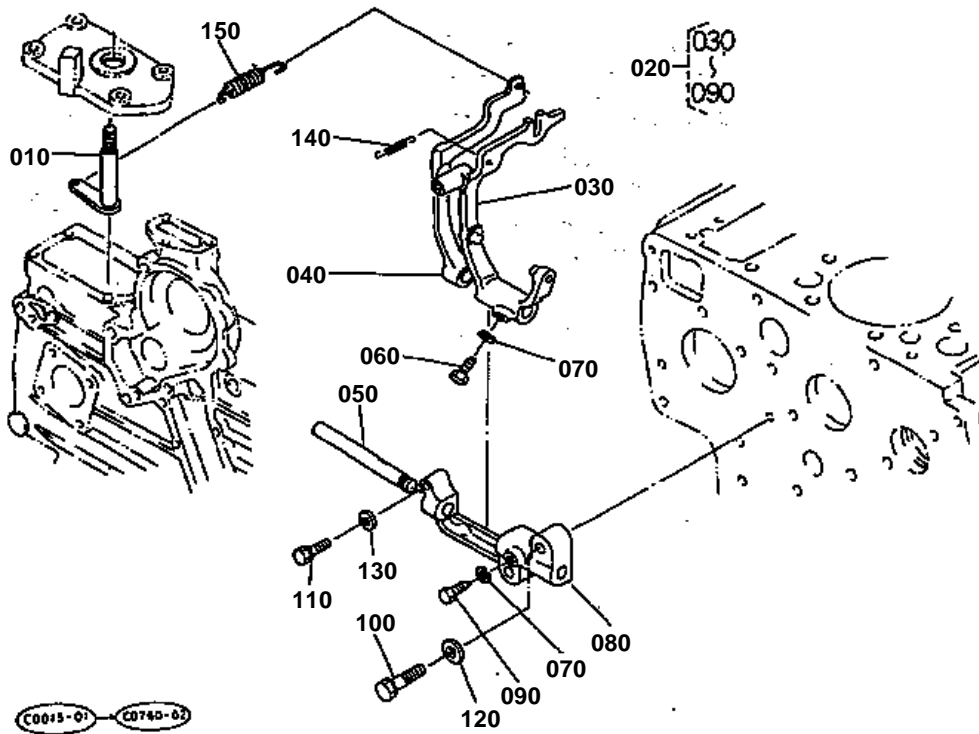
C 0759-02



SPEED CONTROL PLATE

↔ Interchangeable; ≠ not interchangeable; ← new for old; → old for new

REF.No	Part No.	Description	Q'ty	S.No.	I/C	REMARKS	Weight (kgf)	Weight (lb)
010	15813-57150	LEVER,SPEED CONTROL	1				0.055	0.121
020	05712-00408	KEY,FEATHER	1				0.001	0.0022
030	04811-00120	RING	1				0.001	0.0022
040	04013-50080	WASHER,PLAIN	1				0	0
050	02112-50080	NUT	2				0.003	0.0066
060	17011-57380	DISK,FRICITION	1				0	0
070	15221-57112	PLATE,SPEED CONTROL	1				0.1	0.22
080	17331-57210	GASKET	1				0	0
090	01023-50620	BOLT	2				0.006	0.0132
100	15221-88210	STUD	2				0.005	0.011
110	04512-50060	WASHER,SPRING	2				0	0
120	02056-50060	NUT	2				0.002	0.0044
130	15601-54120	BOLT,ADJUSTING	1				0.011	0.0242
140	15601-92010	NUT	1				0	0
150	15601-96650	GASKET	2				0.001	0.0022
160	15601-54220	NUT,CAP	1				0	0
170	16241-54420	CAP	1				0.004	0.0088
180	15521-54090	ASSY APPARATUS,I/D.	1				0.045	0.099
190	15521-54100	ASSY BOLT,ADJUSTING	1				0.015	0.033
200	15401-92010	NUT	1				0.01	0.022
210	15521-92330	NUT,CAP	1				0.02	0.044
220	15021-33660	GASKET	2				0.001	0.0022
230	15521-54270	CAP	1				0.003	0.0066



150 15836-5641-0

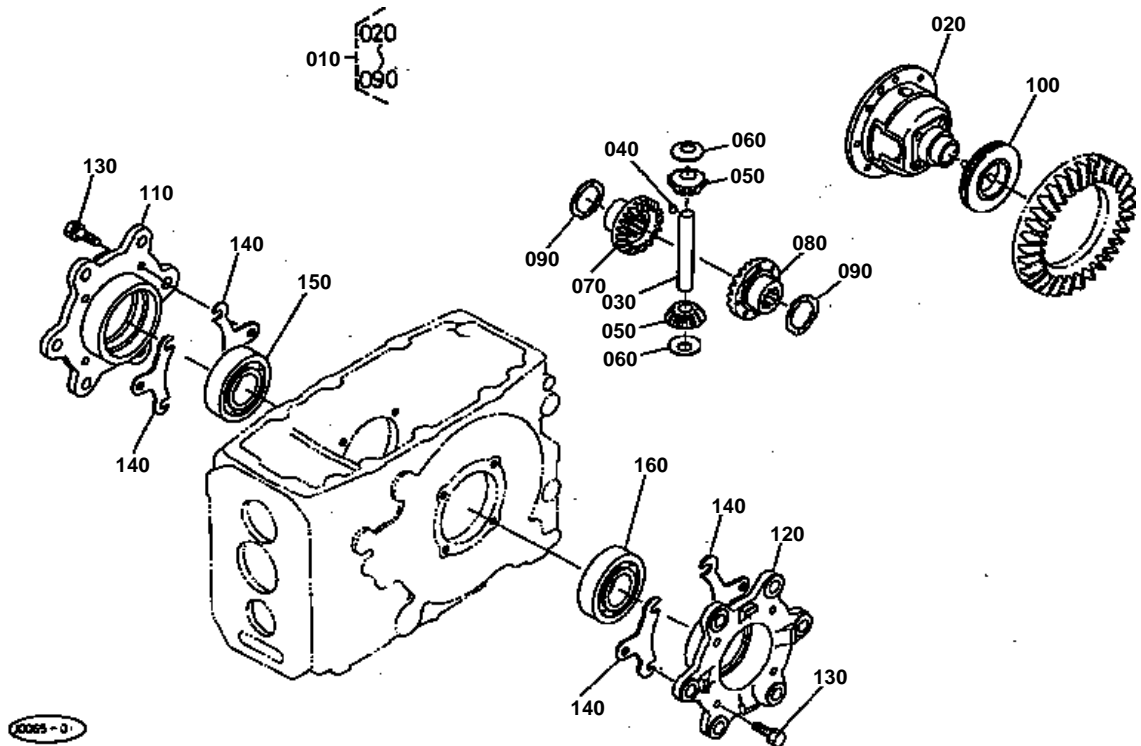


**GOVERNOR**

↔ Interchangeable; ≠ not interchangeable; ← new for old; → old for new

REF.No	Part No.	Description	Q'ty	S.No.	I/C	REMARKS	Weight (kgf)	Weight (lb)
010	15221-56020	COMP.LEVER,GOVERNOR	1				0.06	0.132
020	16411-56050	ASSY LEVER,FORK	1				0.38	0.836
030	16411-56040	COMP.LEVER,FORK	1				0.147	0.3234
040	15601-56130	LEVER,FORK	1				0.07	0.154
050	15221-56150	SHAFT,FORK LEVER	1				0.1	0.22
060	15021-56240	BOLT,LEVER SHAFT	1				0.005	0.011
070	04512-50060	WASHER,SPRING	2				0	0
080	15221-56230	HOLDER,FORK LEVER	1				0.1	0.22
090	15221-66410	BOLT	1				0.005	0.011
100	01123-50832	BOLT	2				0.016	0.0352
110	01023-50628	BOLT	1				0.015	0.033
120	04012-50080	WASHER,PLAIN	2				0.001	0.0022
130	04012-50060	WASHER,PLAIN	1				0.001	0.0022
140	15221-56480	SPRING,START	1				0.008	0.0176
150	15836-56413	SPRING,GOVERNOR	1				0.005	0.011

DIFFERENTIAL (REAR)

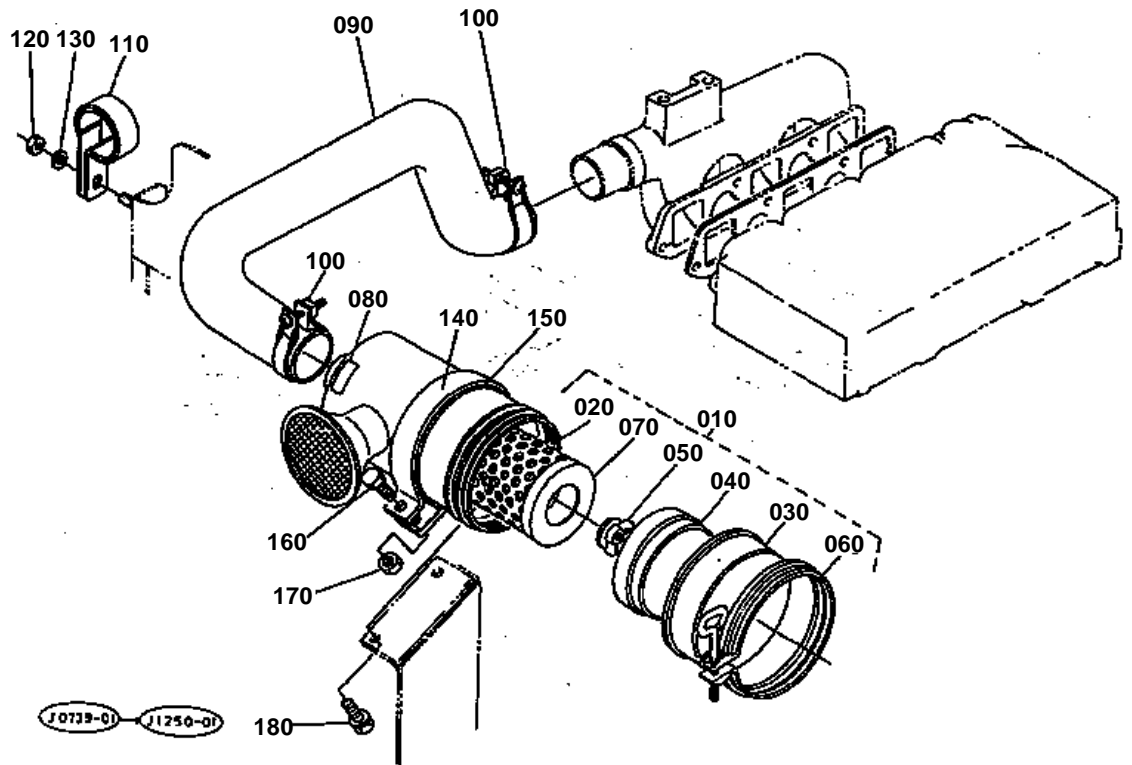


**DIFFERENTIAL (REAR)**

↔ Interchangeable; ≠ not interchangeable; ← new for old; → old for new

REF.No	Part No.	Description	Q'ty	S.No.	I/C	REMARKS	Weight (kgf)	Weight (lb)
010	32400-26100	ASSY DIFFERENTIAL	1				0	0
020	37150-26510	CASE,DIFFERENTIAL	1				0	0
030	31331-26340	SHAFT,DIFF.PINION	1				0.3	0.66
040	31220-26280	KEY,FEATHER	1				0.005	0.011
050	35430-26350	PINION,DIFF.	2				0.16	0.352
060	31220-26390	WASHER,DIFF.PINION	2				0	0
070	32580-43330	GEAR,DIFF.SIDE	1				0.49	1.078
080	38180-26440	GEAR,DIFF.SIDE LH	1				0.61	1.342
090	31331-26470	WASHER,SIDE GEAR	2			1.5MM	0.005	0.011
090	31331-26480	WASHER,SIDE GEAR	2			1.6MM	0.017	0.0374
090	31331-26490	WASHER,SIDE GEAR	2			1.7MM	0.02	0.044
100	34150-26615	SHIFTER,DIFF.LOCK	1				0.4	0.88
110	31331-26550	CASE,DIFF.BEARING RH	1				1.59	3.498
120	31331-26560	CASE,DIFF.BEARING LH	1				1.9	4.18
130	01133-51030	BOLT	8				0.025	0.055
140	37150-26160	SHIM	12			0.2MM	0.005	0.011
140	37150-26170	SHIM	8			0.1MM	0.005	0.011
140	37150-26180	SHIM	4			0.5MM	0.01	0.022
150	08101-06210	BEARING,BALL	1				0.45	0.99
160	08101-06208	BEARING,BALL	1				0.355	0.781

AIR CLEANER

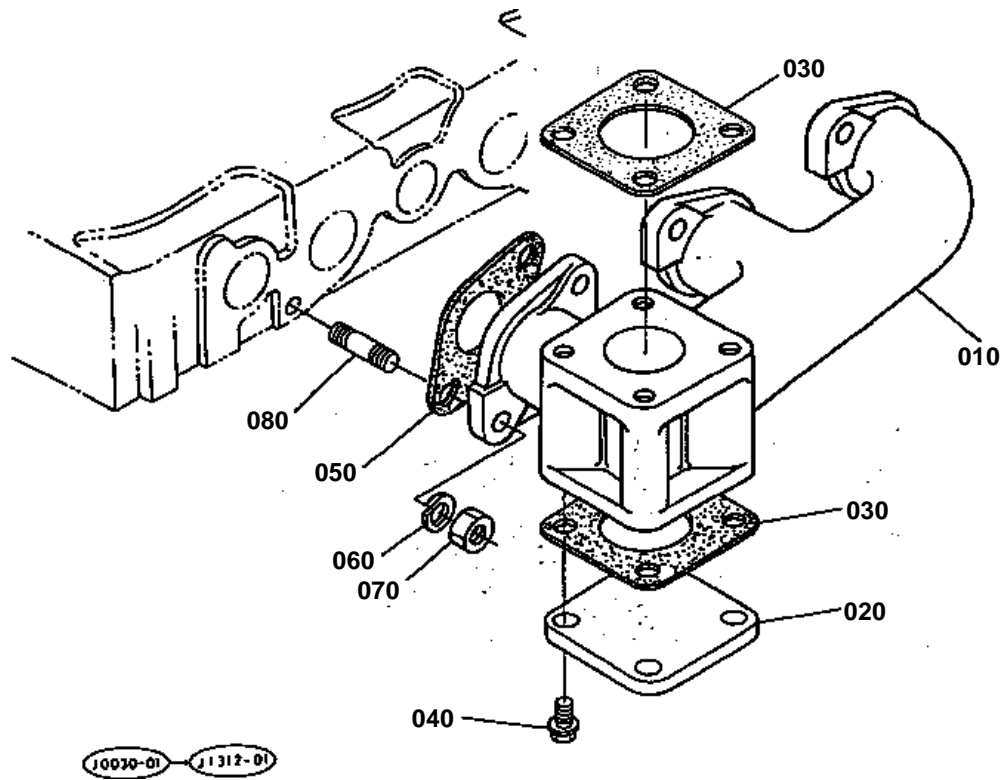


**AIR CLEANER**

↔ Interchangeable; ≠ not interchangeable; ← new for old; → old for new

REF.No	Part No.	Description	Q'ty	S.No.	I/C	REMARKS	Weight (kgf)	Weight (lb)
010	15222-11012	ASSY CLEANER,AIR	1				1.4	3.08
020	15222-11150	BODY,AIR CLEANER	1				0.708	1.5576
030	15222-11160	COVER,AIR CLEANER	1				0.202	0.4444
040	15222-11410	COVER,BAFFLE	1				0.043	0.0946
050	15222-92620	NUT,WING	1				0.02	0.044
060	15222-11070	ASSY BAND,AIRCLEANER	1				0.098	0.2156
070	15222-11220	ELEMENT,AIR CLEANER	1				0.344	0.7568
080	15222-87750	MARK,FORM	1				0.001	0.0022
090	32400-18090	PIPE,INLET	1				0.69	1.518
100	15221-11720	BAND,PIPE	2				0.03	0.066
110	15321-11700	ASSY HOLDER,PIPE	1				0.07	0.154
120	02156-50080	NUT	1				0.004	0.0088
130	04512-50080	WASHER,SPRING	1				0	0
140	34150-13960	BAND,AIR CLEANER	1				0.178	0.3916
150	34150-13970	CUSHION	1				0.02	0.044
160	01222-50842	BOLT	1				0.017	0.0374
170	02114-50080	NUT	1				0.005	0.011
180	01123-50816	BOLT	2				0.011	0.0242

EXHAUST MANIFOLD



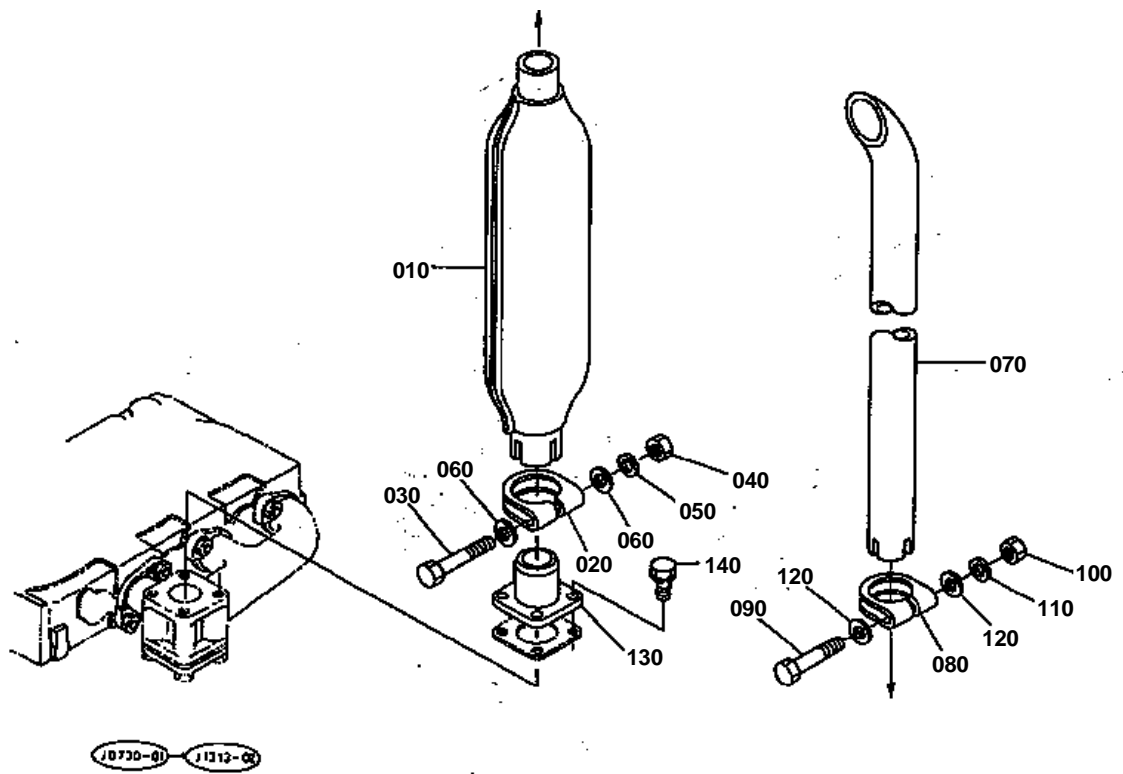


EXHAUST MANIFOLD

↔ Interchangeable; ≠ not interchangeable; ← new for old; → old for new

REF.No	Part No.	Description	Q'ty	S.No.	I/C	REMARKS	Weight (kgf)	Weight (lb)
010	17325-12310	MANIFOLD,EXHAUST	1				0	0
020	17355-92850	COVER,MANIFOLD	1				0	0
030	15471-12230	GASKET,MUFFLER	2				0	0
040	01123-50820	BOLT	4				0.011	0.0242
050	15521-12350	GASKET,EX-MANIFOLD	3				0	0
060	04512-50080	WASHER,SPRING	6				0	0
070	02156-50080	NUT	6				0.004	0.0088
080	15221-91530	STUD	6				0.011	0.0242

MUFFLER

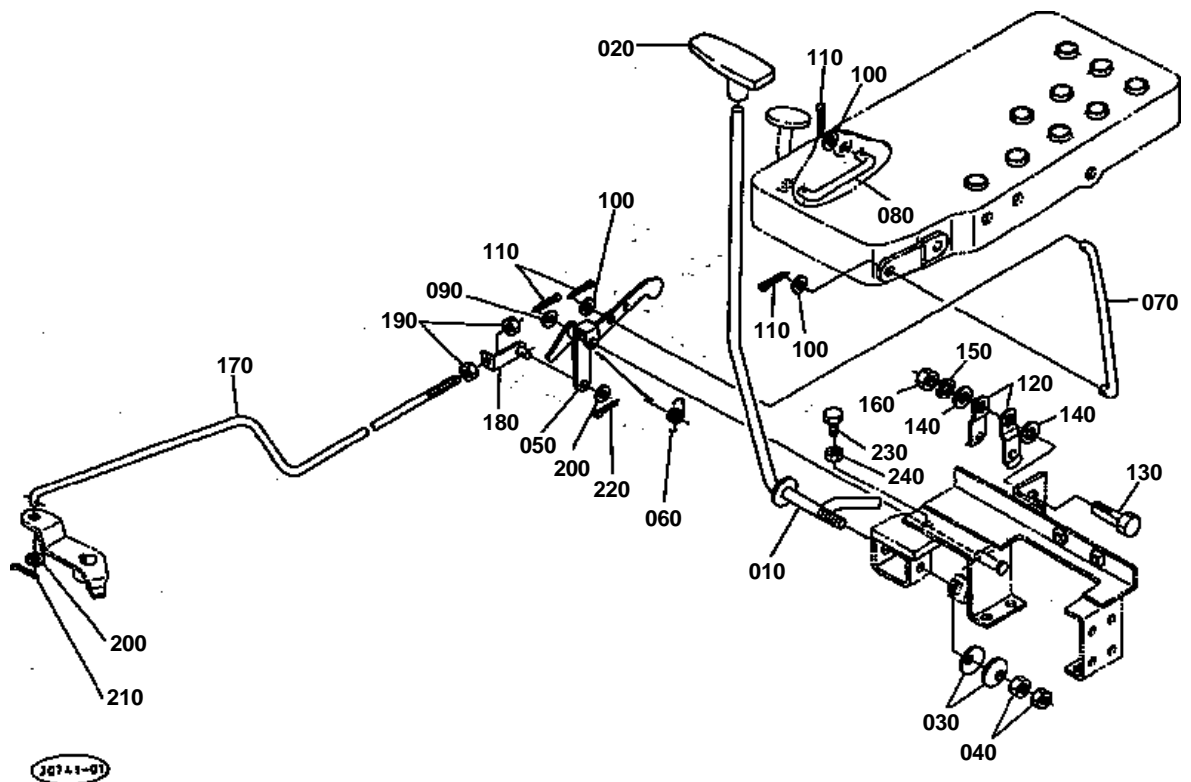


**MUFFLER**

↔ Interchangeable; ≠ not interchangeable; ← new for old; → old for new

REF.No	Part No.	Description	Q'ty	S.No.	I/C	REMARKS	Weight (kgf)	Weight (lb)
010	15575-12110	MUFFLER	1				0	0
020	15575-12130	BAND,MUFFLER	1				0	0
030	01153-50880	BOLT	1				0.03	0.066
040	02156-50080	NUT	1				0.004	0.0088
050	04512-50080	WASHER,SPRING	1				0	0
060	04012-50080	WASHER,PLAIN	2				0.001	0.0022
070	35290-12410	PIPE,MUFFLER	1				0	0
080	15575-12430	BAND,PIPE	1				0	0
090	01153-50860	BOLT	1				0.024	0.0528
100	02156-50080	NUT	1				0.004	0.0088
110	04512-50080	WASHER,SPRING	1				0	0
120	04012-50080	WASHER,PLAIN	2				0.001	0.0022
130	32400-88790	FLANGE,MUFFLER	1				0.445	0.979
140	01123-50822	BOLT	4				0.012	0.0264

HAND ACCELERATOR



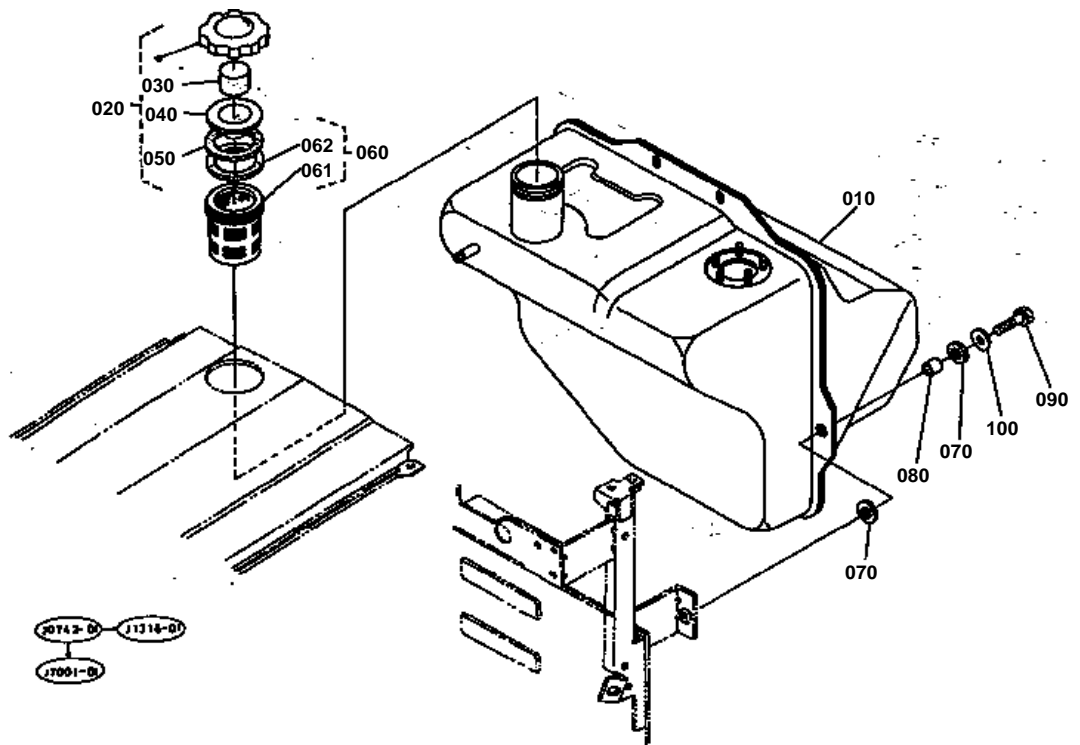


HAND ACCELERATOR

↔ Interchangeable; ≠ not interchangeable; ← new for old; → old for new

REF.No	Part No.	Description	Q'ty	S.No.	I/C	REMARKS	Weight (kgf)	Weight (lb)
010	35170-17120	LEVER,HAND ACCEL.	1				0.345	0.759
020	35320-17170	GRIP,ACCEL.	1				0.018	0.0396
030	34260-17190	SPRING	2				0.002	0.0044
040	02118-50100	NUT	2				0.005	0.011
050	35170-17320	LINK,ACCEL.	1				0.12	0.264
060	34150-17260	SPRING	1				0.01	0.022
070	37150-17570	ROD,ACCEL.	1				0.06	0.132
080	37150-17580	ROD,ACCEL.	1				0.025	0.055
090	04012-50080	WASHER,PLAIN	1				0.001	0.0022
100	04012-50060	WASHER,PLAIN	4				0.001	0.0022
110	05511-50212	PIN,SPLIT	5				0.001	0.0022
120	32400-17440	SPRING,PALTE	2				0.008	0.0176
130	32400-17410	BOLT	1				0.035	0.077
140	04011-50120	WASHER,PLAIN	2				0.005	0.011
150	04512-50120	WASHER,SPRING	1				0	0
160	02174-50120	NUT	1				0.01	0.022
170	32400-17360	ROD,ACCEL.	1				0.145	0.319
180	34150-17390	JOINT,ROD	1				0.025	0.055
190	02012-50060	NUT	2				0	0
200	04012-50060	WASHER,PLAIN	2				0.001	0.0022
210	05511-50212	PIN,SPLIT	1				0.001	0.0022
220	05511-51612	PIN,SPLIT	1				0.001	0.0022
230	01155-50840	BOLT	1				0.02	0.044
240	02112-50080	NUT	1				0.003	0.0066

FUEL TANK

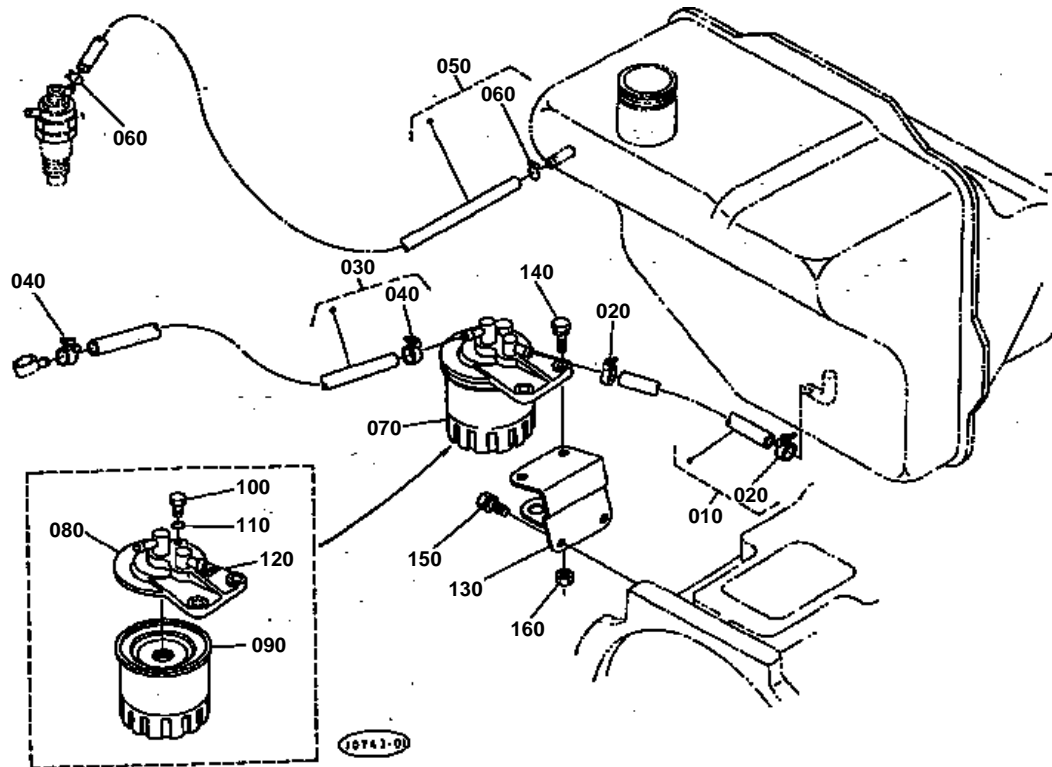


**FUEL TANK**

↔ Interchangeable; ≠ not interchangeable; ← new for old; → old for new

REF.No	Part No.	Description	Q'ty	S.No.	I/C	REMARKS	Weight (kgf)	Weight (lb)
010	35010-35110	TANK,FUEL	1				5	11
020	38240-35200	ASSY CAP,FUEL TANK	1				0.06	0.132
030	34150-35240	SPONGE	1				0.001	0.0022
040	34150-35230	GASKET	1				0.01	0.022
050	34150-35180	GASKET	1				0.001	0.0022
060	35450-41060	ASSY FILTER,FUEL	1				0.015	0.033
061	35450-41350	FILTER,FUEL	1				0	0
062	10211-41340	GASKET	1				0.003	0.0066
070	37300-35120	CUSHION	4				0.003	0.0066
080	37300-35140	SPACER	2				0.006	0.0132
090	01123-50825	BOLT	2				0.013	0.0286
100	04015-50080	WASHER,PLAIN	2				0	0

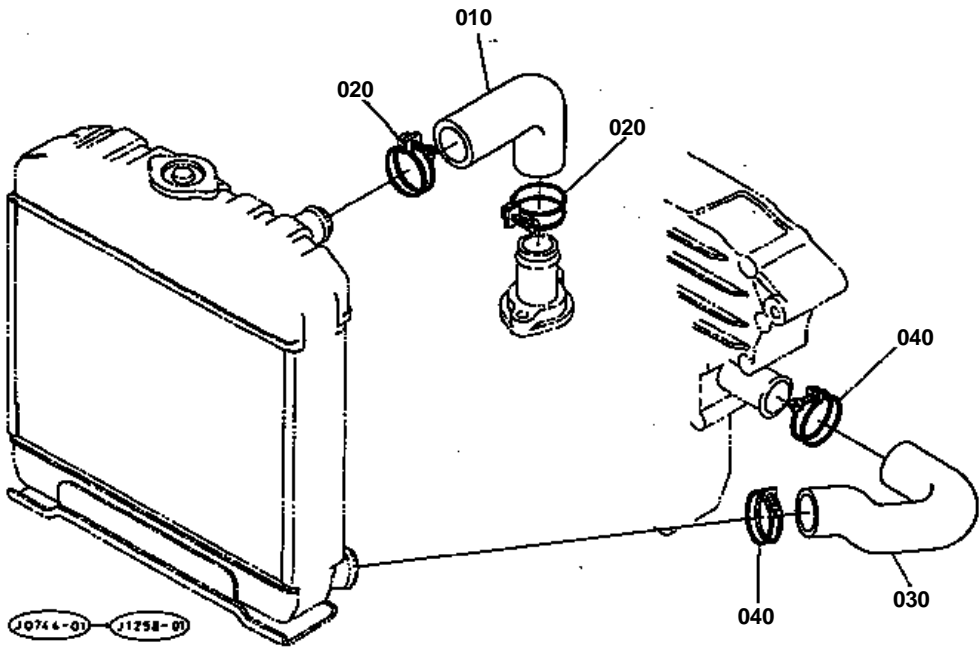
FUEL FILTER



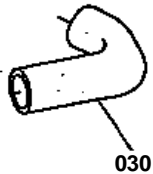
**FUEL FILTER**

↔ Interchangeable; ≠ not interchangeable; ← new for old; → old for new

REF.No	Part No.	Description	Q'ty	S.No.	I/C	REMARKS	Weight (kgf)	Weight (lb)
010	32400-35510	ASSY PIPE,FUEL	1			MANUAL STRG.	0.035	0.077
010	67800-53730	ASSY PIPE,FUEL	1			POWER STRG.	0.035	0.077
020	14301-42750	CLIP,PIPE	2				0.005	0.011
030	37260-35520	ASSY PIPE,FUEL	1				0.06	0.132
040	14301-42750	CLIP,PIPE	2				0.005	0.011
050	67800-53750	ASSY PIPE,OVER FLOW	1				0.02	0.044
060	10244-42320	CLIP,PIPE	2				0.001	0.0022
070	15291-43010	ASSY FILTER,FUEL	1				0.555	1.221
080	15291-43210	COVER,FILTER	1				0.23	0.506
090	15221-43080	ELEMENT,FILTER	1				0	0
100	14102-43280	PLUG,FILTER BREATHER	1				0	0
110	15108-43290	O RING	1				0.001	0.0022
120	15291-87760	MARK,FORM	1				0.005	0.011
130	37150-35810	BRACKET,FILTER	1				0.3	0.66
140	01123-50822	BOLT	2				0.012	0.0264
150	01123-50816	BOLT	2				0.011	0.0242
160	02114-50080	NUT	2				0.005	0.011



030 15321-7285-0



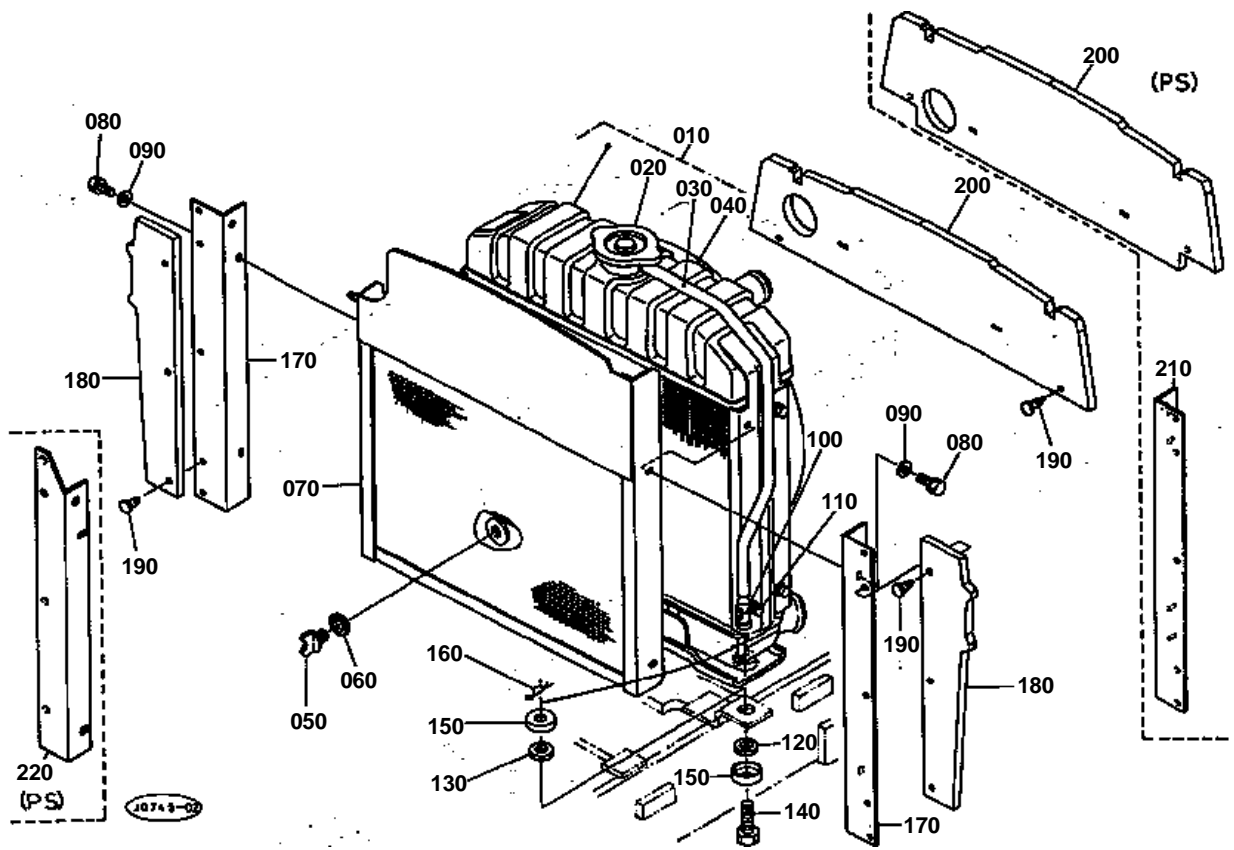


WATER PIPE

↔ Interchangeable; ≠ not interchangeable; ← new for old; → old for new

REF.No	Part No.	Description	Q'ty	S.No.	I/C	REMARKS	Weight (kgf)	Weight (lb)
010	15321-72940	PIPE,WATER	1				0.134	0.2948
020	15108-72870	BAND	2				0.027	0.0594
030	35010-88360	PIPE,WATER	1				0.2	0.44
040	15108-72870	BAND	2				0.027	0.0594

RADIATOR

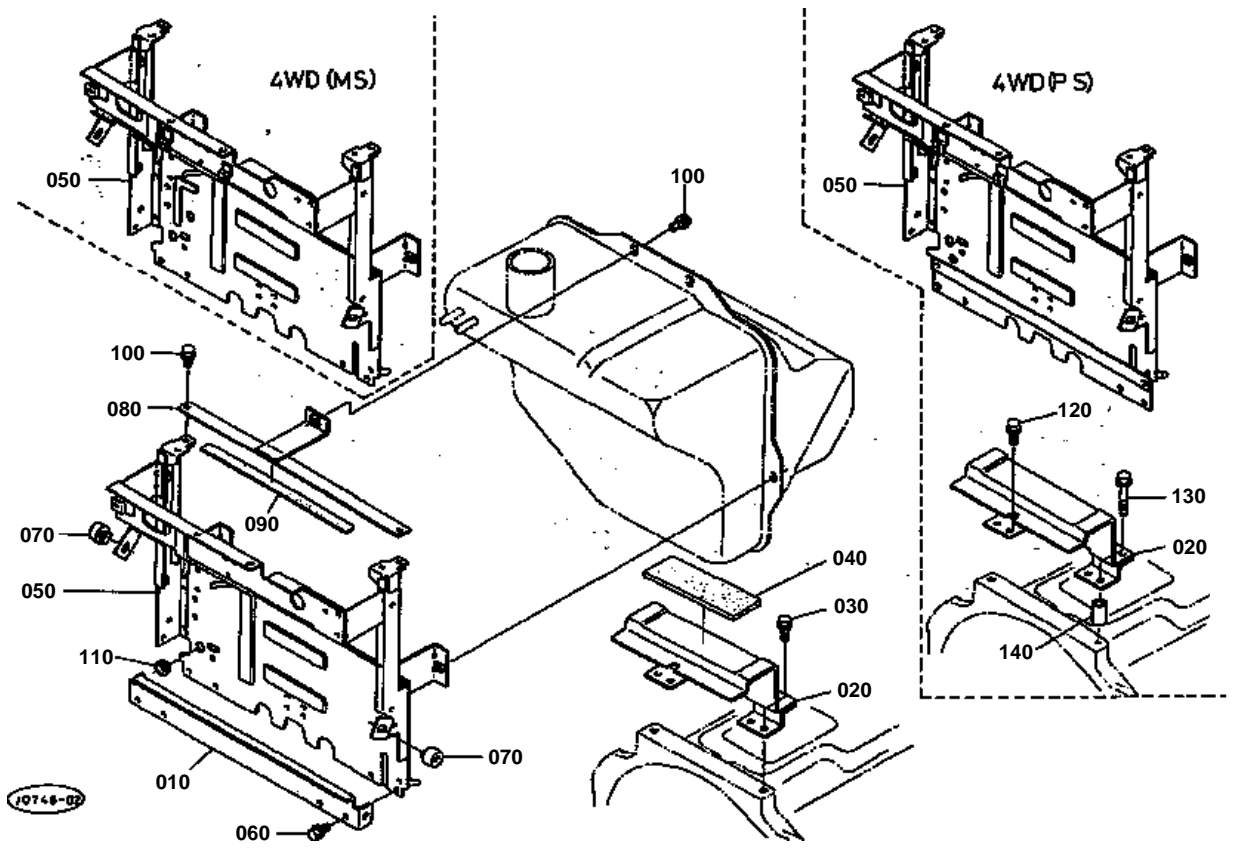


**RADIATOR**

↔ Interchangeable; ≠ not interchangeable; ← new for old; → old for new

REF.No	Part No.	Description	Q'ty	S.No.	I/C	REMARKS	Weight (kgf)	Weight (lb)
010	15575-72060	ASSY RADIATOR	1				6	13.2
020	15101-72030	CAP,RADIATOR	1				0.075	0.165
030	15371-72710	PIPE,WATER OVER FLOW	1				0.048	0.1056
040	15575-72330	SHROUD,FAN	1				0.73	1.606
050	31349-61420	PLUG,DRAIN	1				0.01	0.022
060	04717-01700	WASHER,WITH RUBBER	1				0.003	0.0066
070	32400-17720	NET,RADIATOR	1				1.35	2.97
080	01023-50612	BOLT	4				0.005	0.011
090	04013-50060	WASHER,PLAIN	3				0	0
100	55411-21792	WHISTLE,STEAM	1				0.01	0.022
110	04015-50060	WASHER,PLAIN	1				0	0
120	15111-72180	CUSHION	2				0.015	0.033
130	15111-72190	CUSHION	2				0.016	0.0352
140	15108-72380	BOLT	2				0.04	0.088
150	15111-72200	WASHER	4				0.013	0.0286
160	05515-51000	PIN,SNAP	2				0	0
170	32400-17770	SET PLATE,SHUTTER	2			MANUAL STRG.	0.205	0.451
180	32400-17790	SHUTTER	2				0.045	0.099
190	38430-29372	CLIP,BUTTON	8				0.001	0.0022
200	32400-17780	SHUTTER	1			MANUAL STRG.	0.095	0.209
200	32400-45780	SHUTTER	1			POWER STRG.	0.12	0.264
210	32400-45770	SET PLATE,SHUTTER LH	1			POWER STRG.	0.2	0.44
220	32400-45760	SET PLATE,SHUTTER RH	1			POWER STRG.	0.19	0.418

SHUTTER

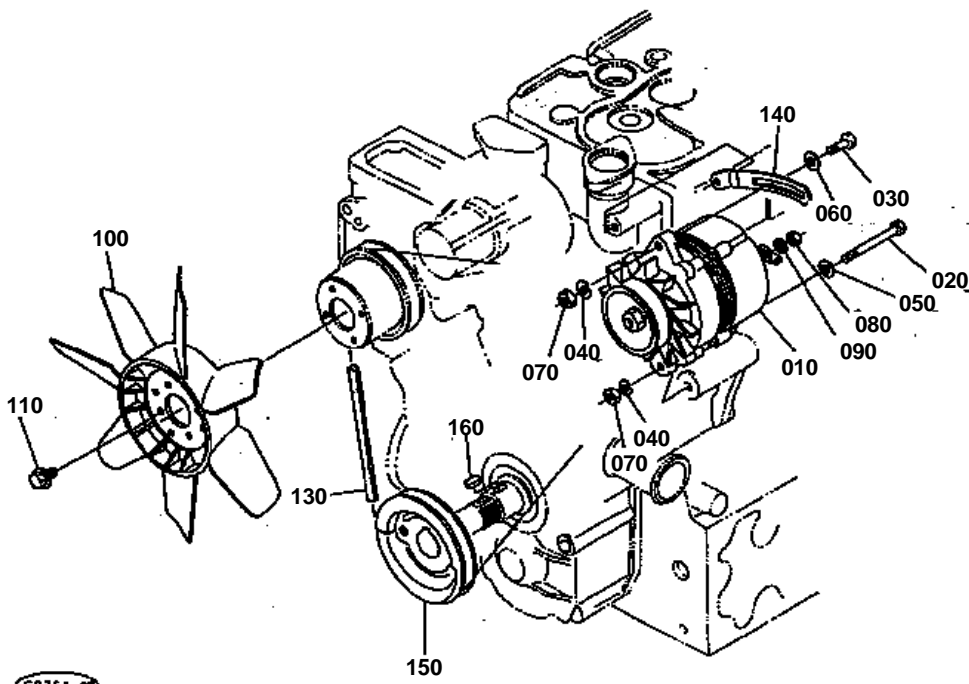




SHUTTER

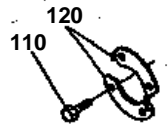
↔ Interchangeable; ≠ not interchangeable; ← new for old; → old for new

REF.No	Part No.	Description	Q'ty	S.No.	I/C	REMARKS	Weight (kgf)	Weight (lb)
010	31351-35230	SUPPORT,SHUTTER	1				0.345	0.759
020	32400-35260	STAY,FUEL TANK	1			MANUAL STRG.	0.4	0.88
020	32400-45670	STAY,FUEL TANK	1			POWER STRG.	0.36	0.792
030	01754-50812	BOLT,FLANGE	3			MANUAL STRG.	0.01	0.022
040	31351-35180	CUSHION,TANK	1				0.04	0.088
050	32400-45720	PLATE,SHUTTER	1			MANUAL STRG.	4.5	9.9
050	35010-35210	PLATE,SHUTTER	1			POWER STRG.	4.5	9.9
060	01754-50812	BOLT,FLANGE	4				0.01	0.022
070	30400-17980	RUBBER,BLOCK	2				0.01	0.022
080	32400-35310	BAND,FUEL TANK	1				0.17	0.374
090	31351-13820	CUSHION,BATTERY	1				0.015	0.033
100	01754-50812	BOLT,FLANGE	3				0.01	0.022
110	63611-52330	CUSHION	1				0.01	0.022
120	01754-50812	BOLT,FLANGE	1			POWER STRG.	0.01	0.022
130	01754-50850	BOLT,FLANGE	2			POWER STRG.	0.02	0.044
140	35010-35270	SPACER	2			POWER STRG.	0.075	0.165



C0761-02

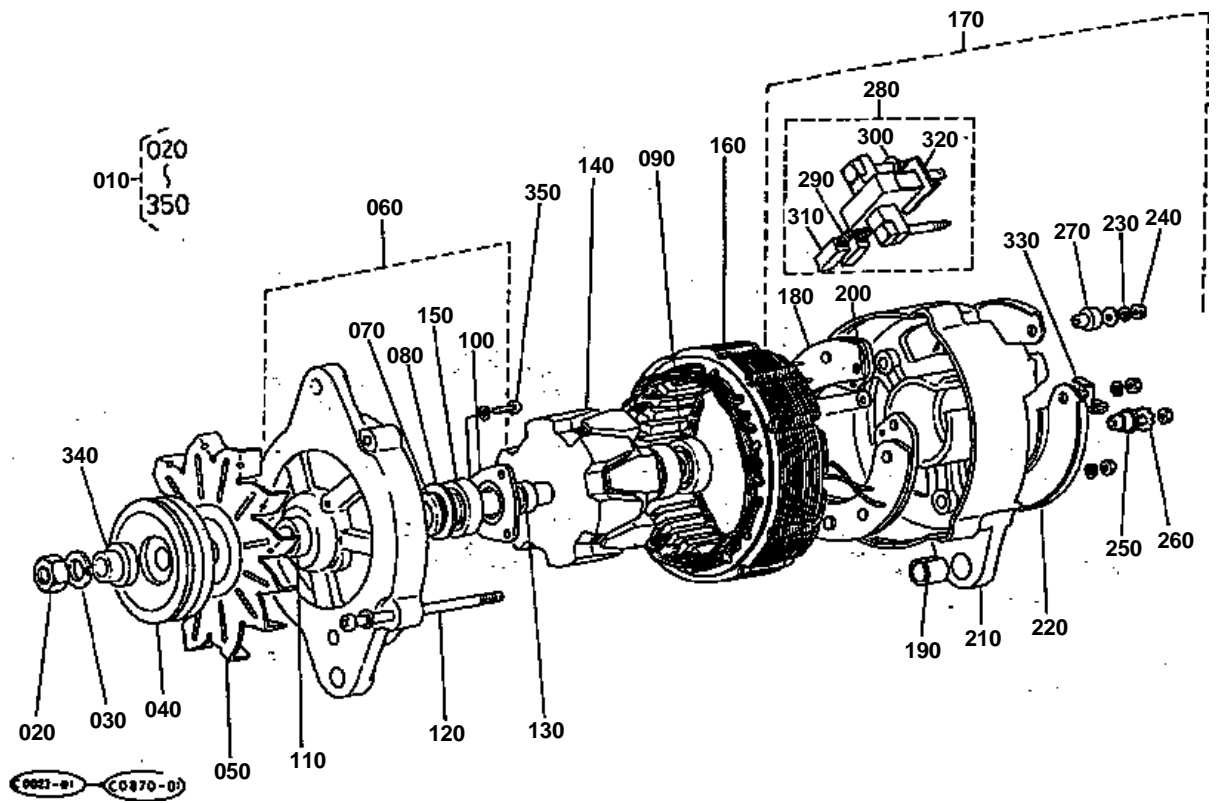
110 01053-50614
120 15321-7423-0



**DYNAMO**

↔ Interchangeable; ≠ not interchangeable; ← new for old; → old for new

REF.No	Part No.	Description	Q'ty	S.No.	I/C	REMARKS	Weight (kgf)	Weight (lb)
010	15411-64010	ASSY DYNAMO	1			REFER TO L.NO.0C04-R0 FOR COMPONENTS.	3.25	7.15
020	15521-91030	BOLT	1				0	0
030	01153-50835	BOLT	1				0.016	0.0352
040	04512-50080	WASHER,SPRING	2				0	0
050	04012-50080	WASHER,PLAIN	1				0.001	0.0022
060	04015-50080	WASHER,PLAIN	1				0	0
070	02156-50080	NUT	2				0.004	0.0088
080	02056-50060	NUT	1				0.002	0.0044
090	04512-50060	WASHER,SPRING	1				0	0
100	15585-74110	FAN	1				0.63	1.386
110	01754-50612	BOLT,FLANGE	4				0.005	0.011
130	17367-97010	BELT,V	1				0.1	0.22
140	15321-64420	STAY,DYNAMO	1				0.1	0.22
150	32400-99220	PULLEY,FAN DRIVE	1				1.55	3.41
160	05712-00720	KEY,FEATHER	1				0.008	0.0176

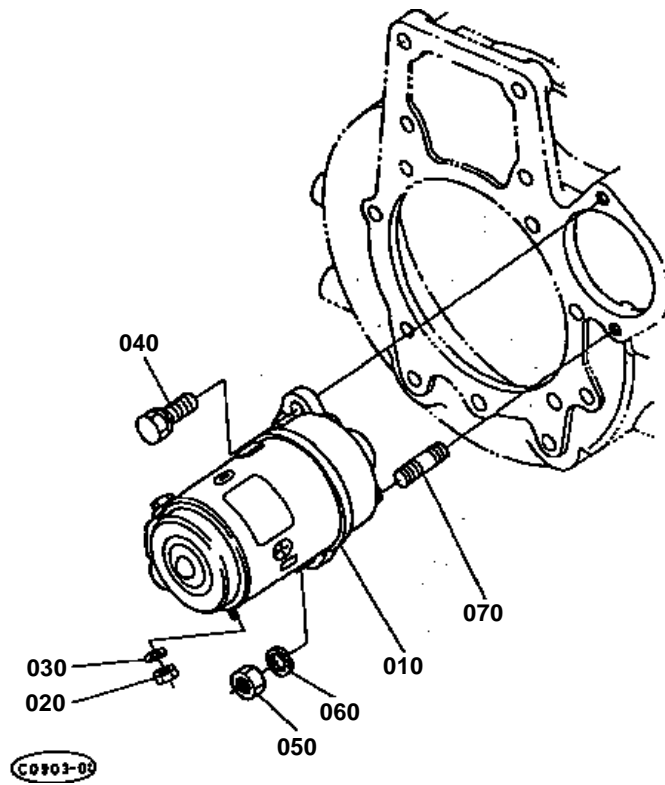


**DYNAMO [COMPONENT PARTS]**

↔ Interchangeable; ≠ not interchangeable; ← new for old; → old for new

REF.No	Part No.	Description	Q'ty	S.No.	I/C	REMARKS	Weight (kgf)	Weight (lb)
010	15411-64010	ASSY DYNAMO	1				3.25	7.15
020	15221-92010	NUT	1				0.012	0.0264
030	15221-94070	WASHER,SPRING	1				0.008	0.0176
040	15221-64110	PULLEY,DYNAMO	1				0.198	0.4356
050	15221-64130	FAN,DYNAMO	1				0	0
060	15253-64020	FRAME,DRIVE END	1				0.365	0.803
070	15221-64790	FELT,OIL	1				0.001	0.0022
080	15221-64830	COVER,FELT	1				0.003	0.0066
090	08121-06201	BEARING,BALL	1				0.036	0.0792
100	15221-64710	PLATE,RETAINER	1				0.018	0.0396
110	15221-64150	COLLAR	1				0.008	0.0176
120	15321-64260	BOLT,THROUGH	3				0.008	0.0176
130	15221-64160	SPACER	1				0.006	0.0132
140	15606-64030	ARMATURE	1				1.34	2.948
150	08141-06202	BEARING,BALL	1				0.043	0.0946
160	15606-64050	YOKE	1				0.76	1.672
170	15321-64070	ASSY FRAME,END	1				0.52	1.144
180	15321-64850	ASSY RECTIFIER	1				0.134	0.2948
190	15221-64210	BUSH	1				0.007	0.0154
200	15321-64880	WASHER,INSULATION	1				0.001	0.0022
210	15321-64060	FRAME,END	1				0.298	0.6556
220	15321-64230	COVER,END	1				0.029	0.0638
230	04512-50050	WASHER,SPRING	5				0	0
240	15221-92030	NUT	5				0.001	0.0022
250	15321-64920	BUSH,INSULATION	1				0.001	0.0022
260	04512-50060	WASHER	1				0	0
270	15221-64910	BUSH,INSULATION	1				0.001	0.0022
280	15321-64310	ASSY HOLDER,BRUSH	1				0.039	0.0858
290	15221-64330	SPRING,BRUSH	2				0.001	0.0022
300	15321-64380	WASHER,INSULATION	2				0.005	0.011
310	15221-64090	BRUSH	2				0.002	0.0044
320	15321-64940	INSULATOR,TERMINAL	1				0.001	0.0022
330	15321-67570	CLAMP,CORD	1				0.04	0.088
340	15321-64170	SPACER	1				0.007	0.0154
350	15411-93310	BOLT	3				0.004	0.0088

STARTER

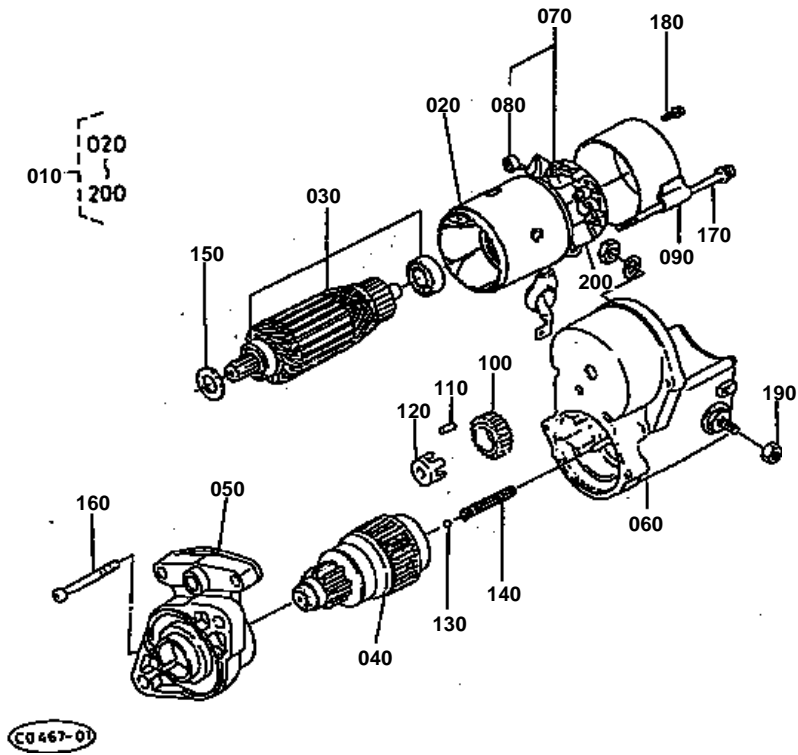


**STARTER**

↔ Interchangeable; ≠ not interchangeable; ← new for old; → old for new

REF.No	Part No.	Description	Q'ty	S.No.	I/C	REMARKS	Weight (kgf)	Weight (lb)
010	15501-63010	ASSY STARTER	1			REFER TO L.NO.0C06-L0 FOR COMPONENTS.	0	0
020	02114-50080	NUT	1				0.005	0.011
030	04512-50080	WASHER, SPRING	1				0	0
040	01133-51030	BOLT	1				0.025	0.055
050	02176-50100	NUT	1				0.005	0.011
060	04512-50100	WASHER, SPRING	1				0	0
070	01517-51028	STUD	1				0.022	0.0484

STARTER [COMPONENT PARTS]

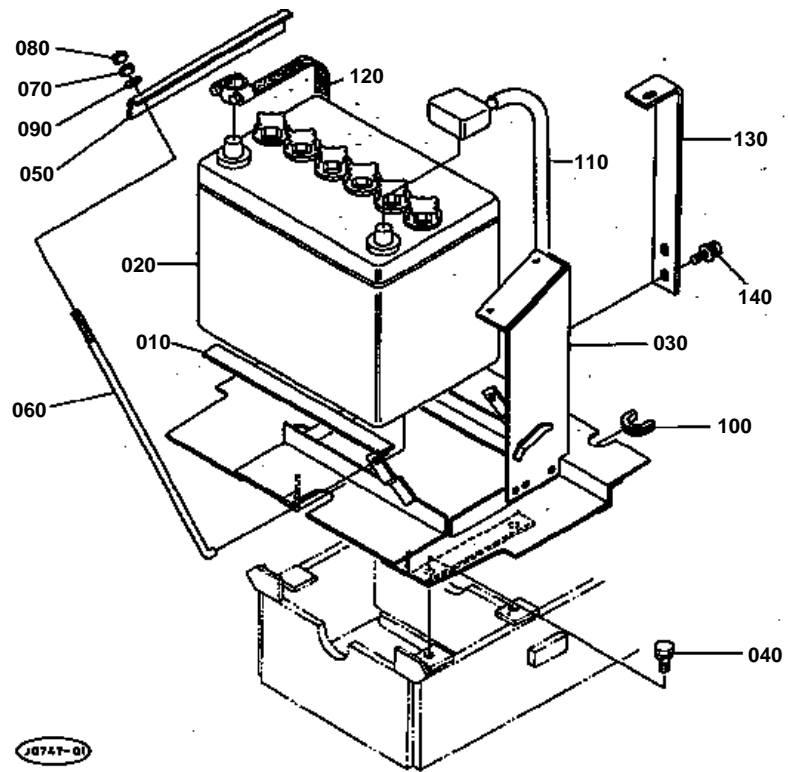


**STARTER [COMPONENT PARTS]**

↔ Interchangeable; ≠ not interchangeable; ← new for old; → old for new

REF.No	Part No.	Description	Q'ty	S.No.	I/C	REMARKS	Weight (kgf)	Weight (lb)
010	15501-63010	ASSY STARTER	1				0	0
020	15501-63080	YOKE	1				0.675	1.485
030	15501-63070	ARMATURE	1				0.78	1.716
040	15521-63040	SWITCH,OVER RUNNING	1				0.73	1.606
050	15501-63030	FRAME,DRIVE END	1				0.37	0.814
060	15501-63020	SWITCH,MAGNETIC	1				0	0
070	15501-63380	HOLDER,BRUSH	1				0.075	0.165
080	15401-63390	SPRING,BRUSH	4				0.003	0.0066
090	15501-63200	FRAME,END	1				0.08	0.176
100	15401-63270	GEAR	1				0.043	0.0946
110	19212-63100	ROLLER	5				0.002	0.0044
120	19212-63110	RETAINER	1				0.002	0.0044
130	19212-97130	BALL	1				0.003	0.0066
140	19212-63120	SPRING	1				0.004	0.0088
150	15501-96670	WASHER,FELT	1				0.005	0.011
160	15501-93310	SCREW,PAN HEAD	2				0.01	0.022
170	15501-63320	BOLT,THROUGH	2				0.03	0.066
180	15501-91020	BOLT	2				0.01	0.022
190	13963-92010	NUT,HEXAGON	1				0.005	0.011
200	15501-63370	BRUSH	2				0.01	0.022

BATTERY

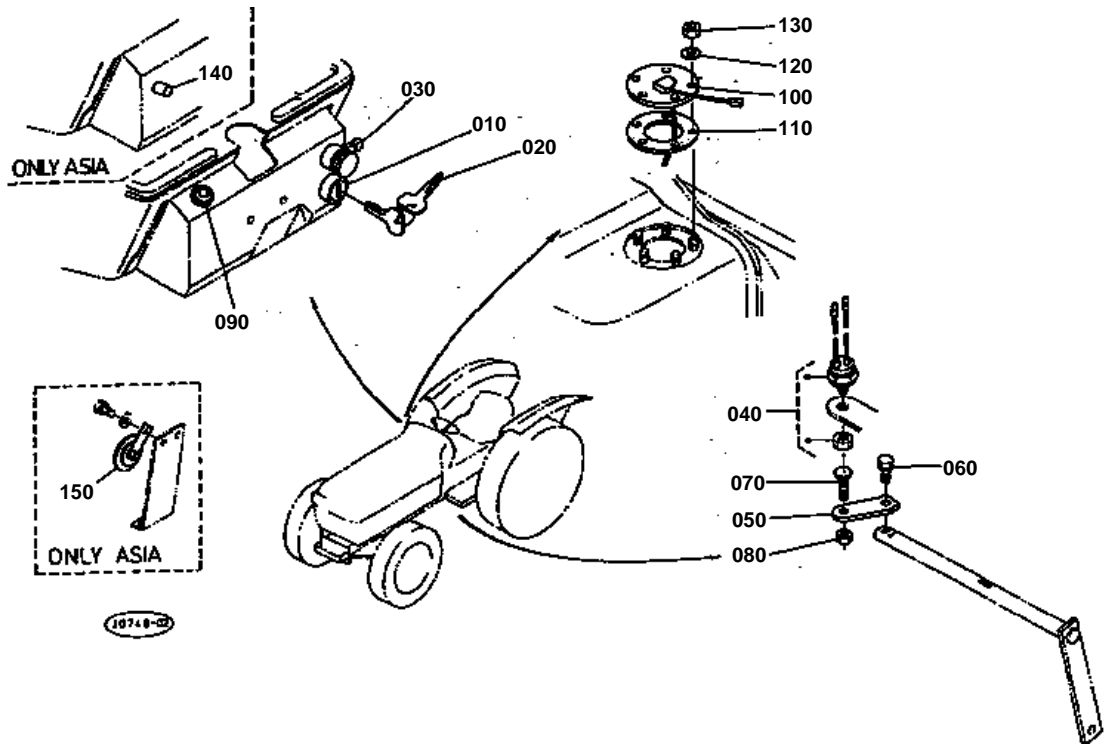


**BATTERY**

↔ Interchangeable; ≠ not interchangeable; ← new for old; → old for new

REF.No	Part No.	Description	Q'ty	S.No.	I/C	REMARKS	Weight (kgf)	Weight (lb)
010	31351-13820	CUSHION,BATTERY	2				0.015	0.033
020	35200-33200	BATTERY,DRY	1				11.7	25.74
030	32400-33210	SUPPORT,BATTERY	1			MANUAL STRG.	3.4	7.48
030	32400-45710	SUPPORT,BATTERY	1			POWER STRG.	4.5	9.9
040	01123-50816	BOLT	4				0.011	0.0242
050	31351-33110	RETAINER,BATTERY	1				0.11	0.242
060	34150-33290	BOLT,HOOK	2				0.055	0.121
070	31351-33140	NUT	2				0.004	0.0088
080	02014-50060	NUT	2				0.003	0.0066
090	04015-50060	WASHER,PLAIN	2				0	0
100	30430-82770	CUSHION	1				0.005	0.011
110	37220-33330	CORD,BATTERY	1				0	0
120	37220-33380	CORD,EARTH	1				0.21	0.462
130	32400-17960	SUPPORT BONNET FRONT	1			MANUAL STRG.	0.435	0.957
130	32400-45960	SUPPORT BONNET FRONT	1			POWER STRG.	0.46	1.012
140	01125-50816	BOLT	3				0	0

SWITCH AND HORN



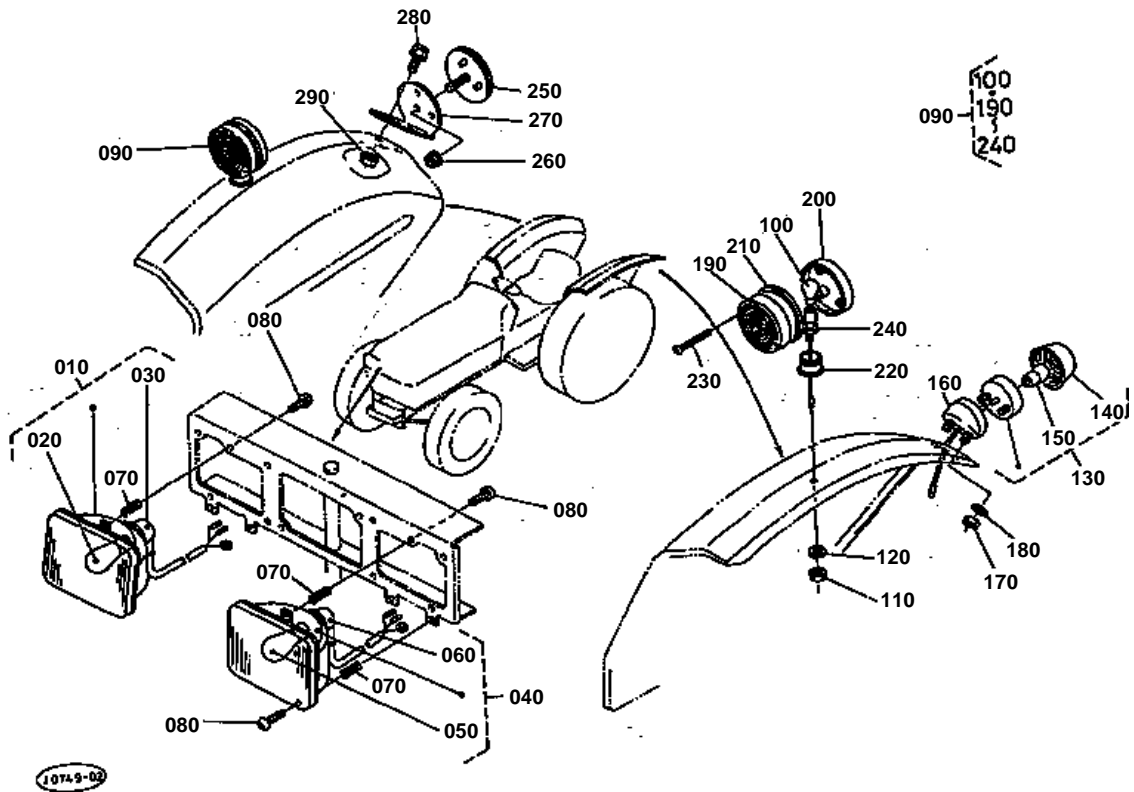


SWITCH AND HORN

↔ Interchangeable; ≠ not interchangeable; ← new for old; → old for new

REF.No	Part No.	Description	Q'ty	S.No.	I/C	REMARKS	Weight (kgf)	Weight (lb)
010	32430-31820	SWITCH,MAIN	1				0.285	0.627
020	35260-31850	ASSY KEY,MAIN SWITCH	1				0	0
030	31351-32100	SWITCH,COMBINATION	1				0.105	0.231
040	37150-32240	SWITCH,SAFETY	1				0.12	0.264
050	37150-34563	HOLDER,SWITCH	1				0.045	0.099
060	01123-50820	BOLT	1				0.011	0.0242
070	01952-50830	BOLT,WELD	1				0.014	0.0308
080	02112-50080	NUT	1				0.003	0.0066
090	15521-65950	INDICATOR,GLOW PLUG	1				0.065	0.143
100	31331-31202	UNIT FUEL	1				0.13	0.286
110	36330-75310	GASKET	1				0.005	0.011
120	04013-50050	WASHER,PLAIN	5				0	0
130	02054-50050	NUT	5				0.002	0.0044

LIGHT

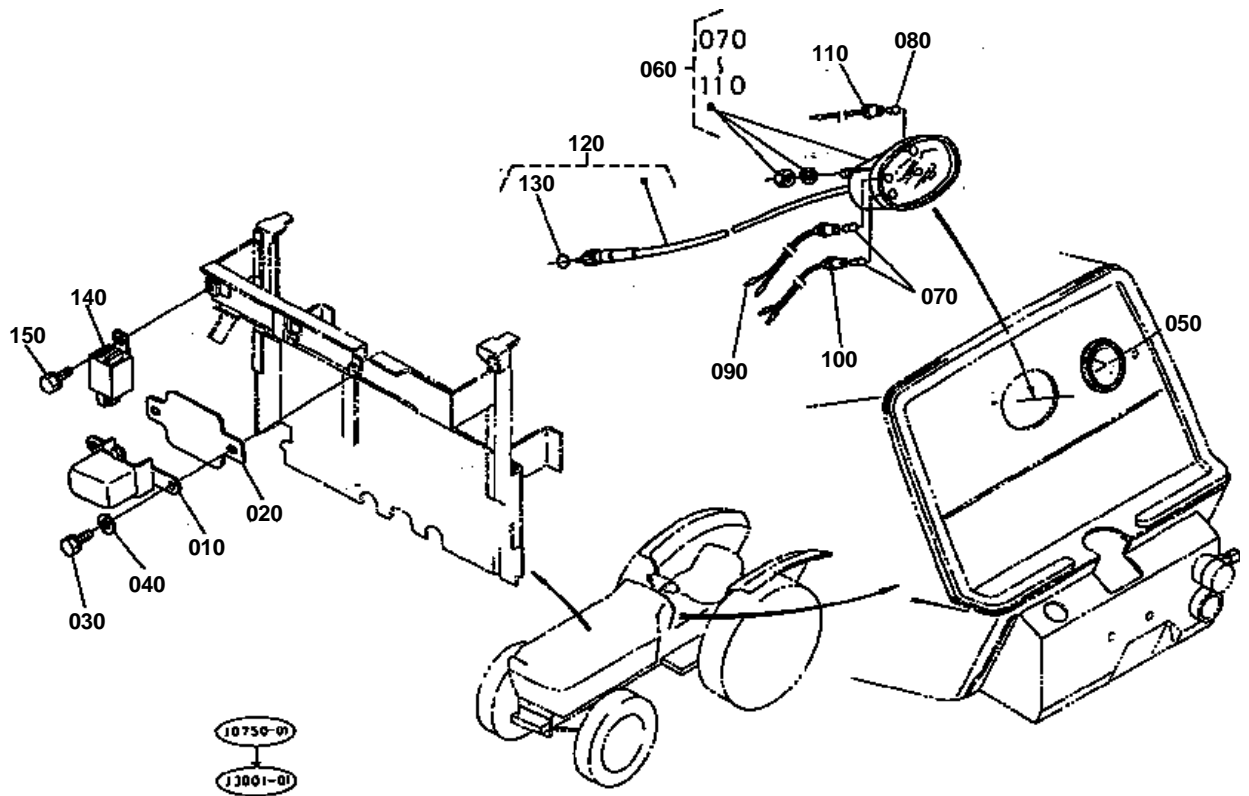


**LIGHT**

↔ Interchangeable; ≠ not interchangeable; ← new for old; → old for new

REF.No	Part No.	Description	Q'ty	S.No.	I/C	REMARKS	Weight (kgf)	Weight (lb)
010	31351-33370	ASSY LIGHT,HEAD RH	1				0.7	1.54
020	38240-33870	BULB	1				0	0
030	31351-93600	COMP.CORD,SOCKET	1				0.065	0.143
040	31351-33380	ASSY LIGHT,HEAD LH	1				0.38	0.836
050	38240-33870	BULB	1				0	0
060	31351-93600	COMP.CORD,SOCKET	1				0.065	0.143
070	38240-33860	SPRING,LIGHT	6				0.001	0.0022
080	03054-50520	SCREW,PAN HEAD	6				0.005	0.011
090	35450-75010	ASSY LIGHT,FLASHER	2				0.3	0.66
100	35450-75022	BULB,HAZARD FLASHER	2				0.008	0.0176
110	02114-50100	NUT	2				0.005	0.011
120	04512-50100	WASHER,SPRING	2				0	0
130	34350-34100	ASSY LIGHT,TAIL	1			[A],[AU]	0.13	0.286
140	34350-34120	LENS,TAIL LIGHT	1			[A],[AU]	0.05	0.11
150	34350-34140	BULB,TAIL LIGHT	1			[A],[AU]	0.008	0.0176
160	32400-34190	HOLDER,TAIL LIGHT	1			[A],[AU]	0.11	0.242
170	02014-50060	NUT	2			[A],[AU]	0.003	0.0066
180	04512-50060	WASHER,SPRING	2			[A],[AU]	0	0
190	35450-75110	LENS	2				0.07	0.154
200	35450-75050	LENS	2				0.07	0.154
210	35450-75060	GASKET,SEAL	2				0.02	0.044
220	35450-75070	HOUSING	2				0.04	0.088
230	35450-75080	SCREW	6				0.005	0.011
240	35450-75090	ASSY SOCKET	2				0.035	0.077
250	67601-55730	ASSY REFLETOR	1			[A],[AU]	0.02	0.044
260	02761-50050	NUT,FLANGE	1			[A],[AU]	0.005	0.011
270	32400-34220	PLATE,REFLECTOR	1			[A],[AU]	0.085	0.187
280	01023-50612	BOLT	2			[A],[AU]	0.005	0.011
290	02751-50060	NUT,FLANGE	2			[A],[AU]	0.005	0.011

REGULATOR AND METER



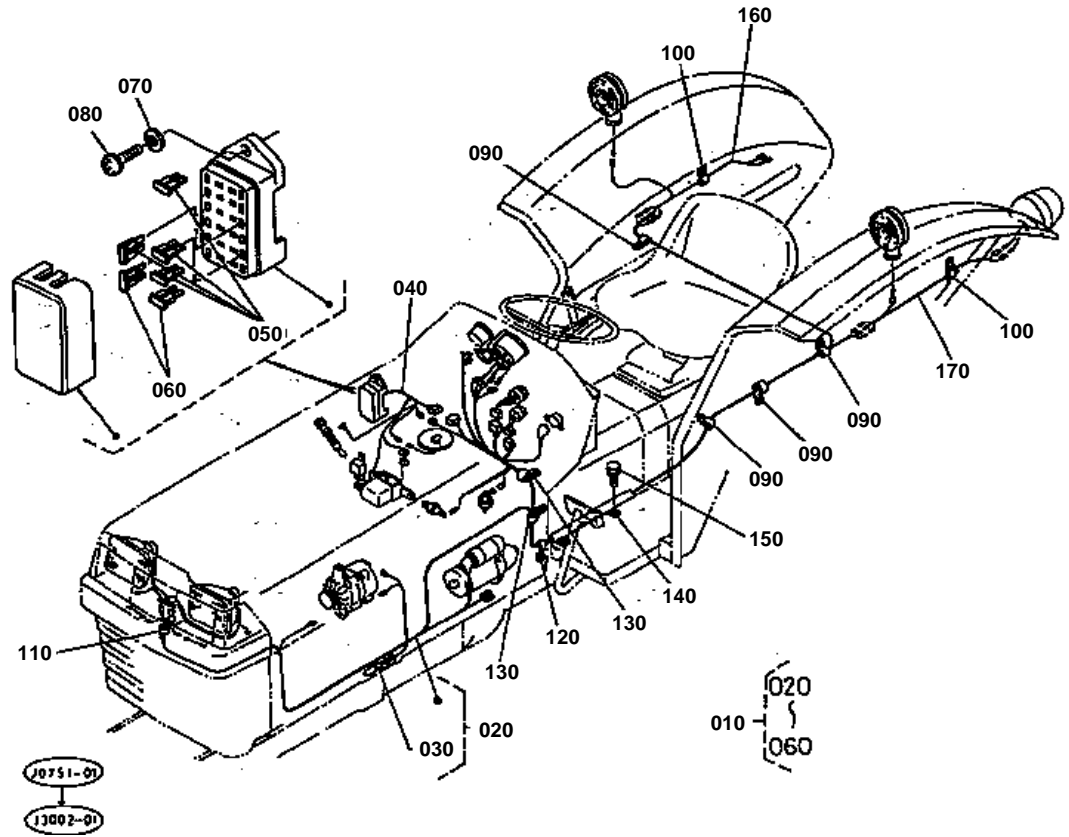


REGULATOR AND METER

↔ Interchangeable; ≠ not interchangeable; ← new for old; → old for new

REF.No	Part No.	Description	Q'ty	S.No.	I/C	REMARKS	Weight (kgf)	Weight (lb)
010	33251-74010	ASSY REGULATOR	1				0.35	0.77
020	37150-33420	COVER,REGULATOR	1				0.03	0.066
030	01023-50610	BOLT	2				0.005	0.011
040	04013-50060	WASHER,PLAIN	2				0	0
050	66908-54750	METER,FUEL	1				0.15	0.33
060	35260-34600	METER,TRACTOR	1				0	0
070	32150-31740	BULB,LIGHT	2				0.003	0.0066
080	34150-34620	BULB,LIGHT	1				0.001	0.0022
090	37150-34630	COMP.SOCKET	1				0.02	0.044
100	37150-34640	COMP.SOCKET	1				0.02	0.044
110	37150-34680	COMP.SOCKET	1				0.015	0.033
120	31341-34653	CABLE,FLEXIBLE	1				0	0
130	04811-10080	RING	1				0.001	0.0022
140	32400-33700	UNIT HAZARD	1				0.07	0.154
150	01202-50616	BOLT	1				0.006	0.0132

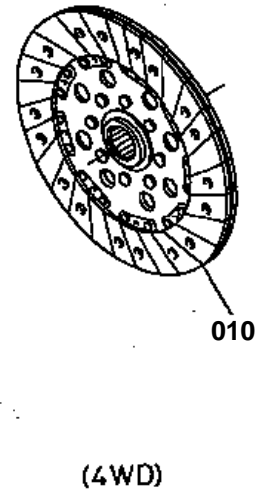
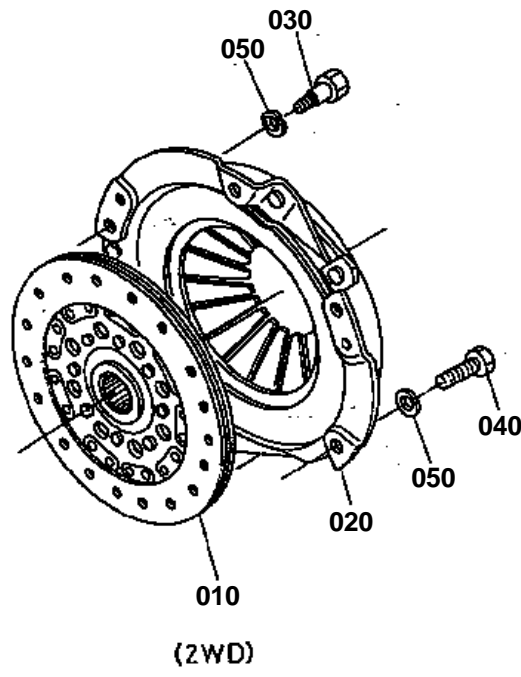
ELECTRICAL WIRING



**ELECTRICAL WIRING**

↔ Interchangeable; ≠ not interchangeable; ← new for old; → old for new

REF.No	Part No.	Description	Q'ty	S.No.	I/C	REMARKS	Weight (kgf)	Weight (lb)
010	32400-45900	ASSY WIRE HARNESS	1				1.02	2.244
020	32400-45910	WIRE HARNESS	1				0.72	1.584
030	38430-34530	LINK,FUSIBLE	1				0.01	0.022
040	32400-45920	WIRE HARNESS	1				0.295	0.649
050	31351-33630	FUSE 10A	4				0.002	0.0044
060	31351-33640	FUSE 15A	2				0.002	0.0044
070	04012-50050	WASHER,PLAIN	2				0.001	0.0022
080	03024-50512	SCREW,WITH WASHER	2				0.003	0.0066
090	32240-34460	CLAMP,CORD	4				0.011	0.0242
100	13824-67590	CLAMP,CORD	2				0.002	0.0044
110	13824-67580	CLAMP,CORD	1				0.006	0.0132
120	12234-67580	CLAMP,CORD	1				0.015	0.033
130	13816-67580	CLAMP,CORD	2				0.004	0.0088
140	37150-34480	RETAINER,CORD	1				0.06	0.132
150	01123-50816	BOLT	3				0.011	0.0242
160	35170-34360	WIRE HARNESS	1				0.025	0.055
170	35170-34370	WIRE HARNESS	1				0.035	0.077



J1266-01

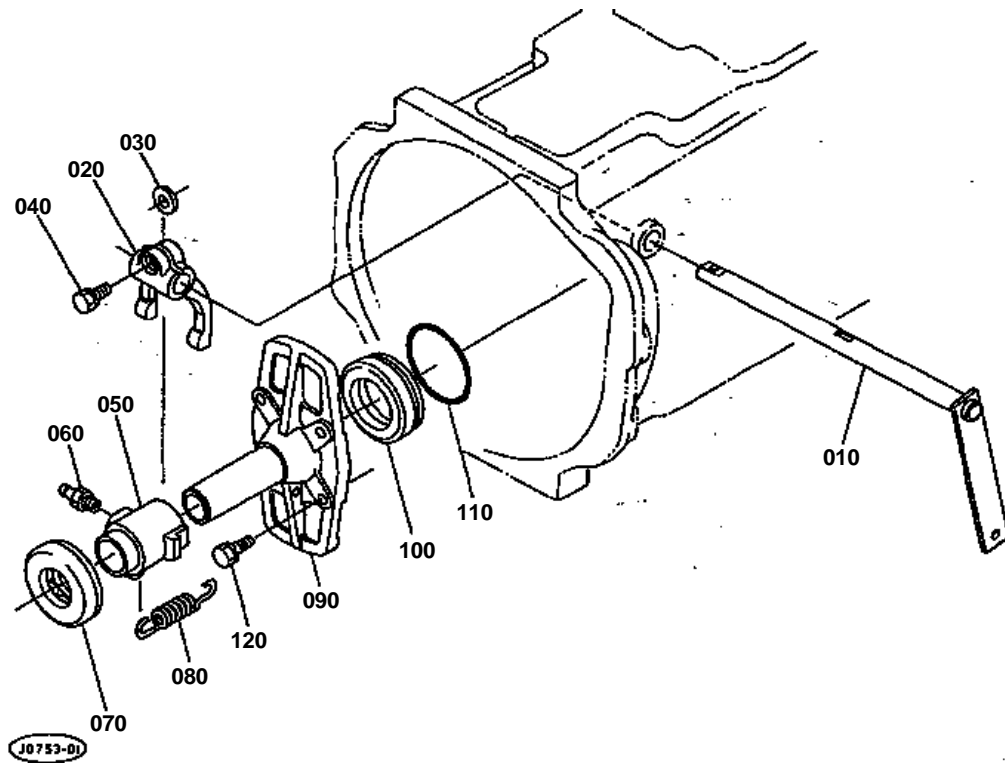


CLUTCH

↔ Interchangeable; ≠ not interchangeable; ← new for old; → old for new

REF.No	Part No.	Description	Q'ty	S.No.	I/C	REMARKS	Weight (kgf)	Weight (lb)
010	32420-14300	COMP.DISK,CLUTCH	1				0	0
020	37300-14500	ASSY PLATE,PRESSURE	1				4.5	9.9
030	34220-14510	BOLT,REAMER	2				0.013	0.0286
040	01153-50816	BOLT	4				0.01	0.022
050	04512-50080	WASHER,SPRING	6				0	0

CLUTCH LEVER



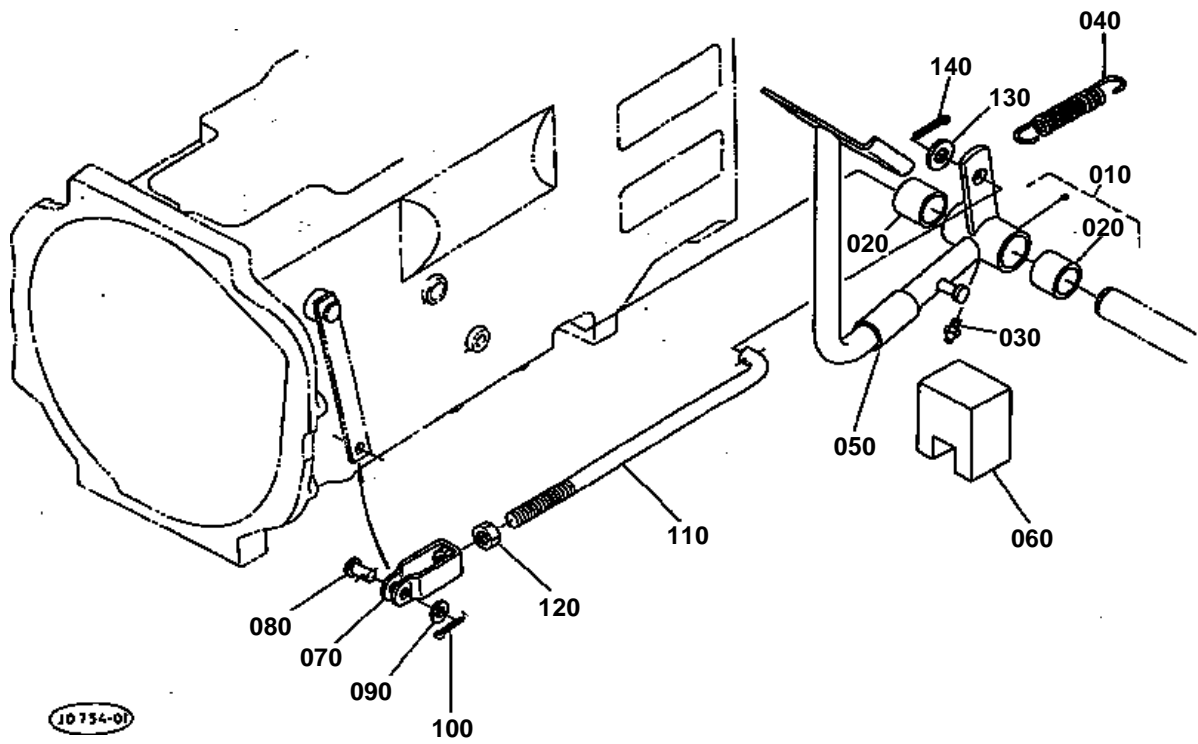


CLUTCH LEVER

↔ Interchangeable; ≠ not interchangeable; ← new for old; → old for new

REF.No	Part No.	Description	Q'ty	S.No.	I/C	REMARKS	Weight (kgf)	Weight (lb)
010	37220-14712	LEVER,CLUTCH	1				0.475	1.045
020	31351-14720	FORK,CLUTCH RELEASE	1				0.27	0.594
030	31150-14780	KEY,FORK	1				0.003	0.0066
040	01123-50822	BOLT	1				0.012	0.0264
050	37220-14810	HUB,CLUTCH RELEASE	1				0	0
060	06613-10010	NIPPLE,GREASE	1				0.006	0.0132
070	08490-00001	BEARING,THRUST BALL	1				0.227	0.4994
080	34150-14840	SPRING	1				0.01	0.022
090	37150-15410	CASE,PROPELLERSHAFT	1				0	0
100	37150-15420	SPACER	1				0.105	0.231
110	04811-50650	RING	1				0.002	0.0044
120	01123-50830	BOLT	4				0.015	0.033

CLUTCH PEDAL



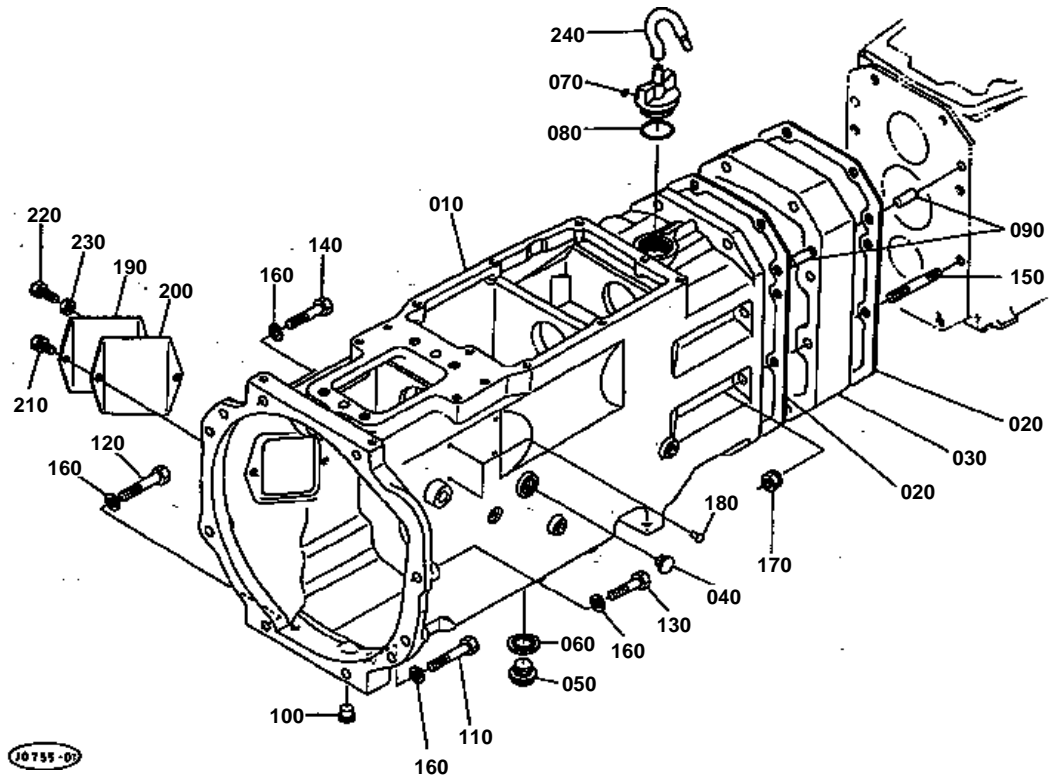


CLUTCH PEDAL

↔ Interchangeable; ≠ not interchangeable; ← new for old; → old for new

REF.No	Part No.	Description	Q'ty	S.No.	I/C	REMARKS	Weight (kgf)	Weight (lb)
010	37150-15710	PEDAL,CLUTCH	1				1.4	3.08
020	34150-28430	BUSH	2				0.04	0.088
030	06613-10675	NIPPLE,GREASE	1				0.003	0.0066
040	37150-15840	SPRING	1				0.06	0.132
050	32400-15830	CUSHION	1				0.005	0.011
060	32240-15950	PIECE,DISTANCE	1				0.045	0.099
070	34150-15630	JOINT	1				0.095	0.209
080	05112-50822	PIN,JOINT	1				0.01	0.022
090	04012-50080	WASHER,PLAIN	1				0.001	0.0022
100	05511-50220	PIN,SPLIT	1				0.001	0.0022
110	34150-15640	ROD,CLUTCH	1				0.195	0.429
120	02172-50120	NUT	1				0.01	0.022
130	04013-50120	WASHER,PLAIN	1				0	0
140	05511-50425	PIN,SPLIT	1				0.003	0.0066

CLUTCH HOUSING



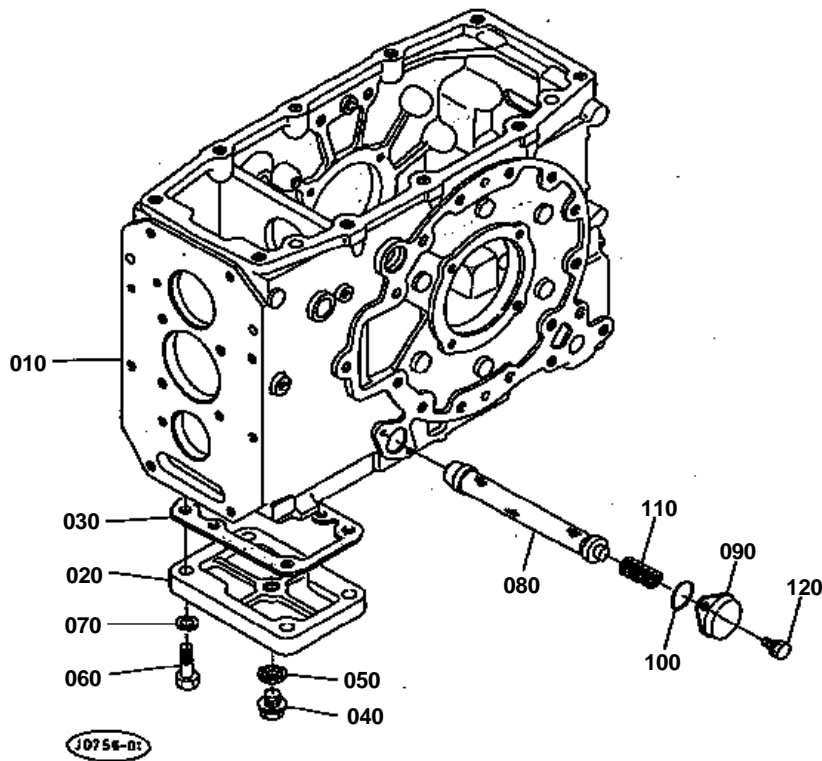


CLUTCH HOUSING

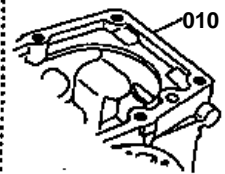
↔ Interchangeable; ≠ not interchangeable; ← new for old; → old for new

REF.No	Part No.	Description	Q'ty	S.No.	I/C	REMARKS	Weight (kgf)	Weight (lb)
010	37150-14114	HOUSING,CLUTCH	1				0	0
020	34150-14140	GASKET	2				0	0
030	38240-21150	SPACER	1				3.5	7.7
040	38240-14210	GAUGE,OIL	1				0.01	0.022
050	34150-14260	PLUG,DRAIN	1				0	0
060	04717-02150	WASHER,WITH RUBBER	1				0.004	0.0088
070	38180-21410	PLUG	1				0.02	0.044
080	04811-50300	RING	1				0.001	0.0022
090	05012-01018	PIN,STRAIGHT	4				0.012	0.0264
100	32210-27580	PLUG,BLIND	6				0.001	0.0022
110	01173-51070	BOLT	1				0.044	0.0968
120	01173-51050	BOLT	1				0.035	0.077
130	01173-51040	BOLT	4				0.028	0.0616
140	01173-51042	BOLT	2				0.03	0.066
150	35110-14180	STUD	8				0.06	0.132
160	04512-50100	WASHER,SPRING	8				0	0
170	37150-14190	NUT	8				0.016	0.0352
180	34152-57920	RIVET	2				0.001	0.0022
190	34150-14160	COVER,HOUSING	1				0.15	0.33
200	34150-14170	GASKET,HOUSING	1				0.03	0.066
210	01123-50816	BOLT	1				0.011	0.0242
220	01153-50825	BOLT	1				0.012	0.0264
230	02114-50080	NUT	1				0.005	0.011
240	38180-37140	BREATHER	1				0.01	0.022

TRANSMISSION CASE



010 37150-2111-3



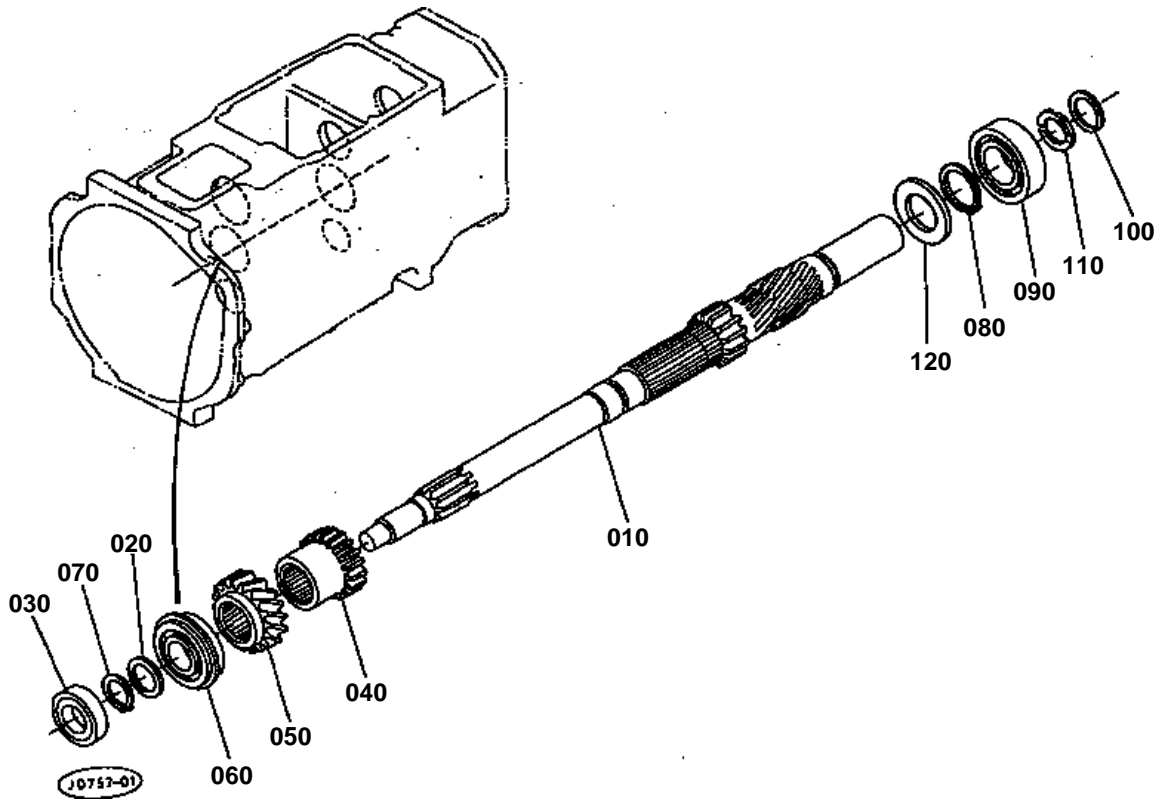


TRANSMISSION CASE

↔ Interchangeable; ≠ not interchangeable; ← new for old; → old for new

REF.No	Part No.	Description	Q'ty	S.No.	I/C	REMARKS	Weight (kgf)	Weight (lb)
010	37150-21118	CASE,TRANSMISSION	1				30.6	67.32
020	37150-21272	COVER	1				0.33	0.726
030	37150-21282	GASKET	1				0	0
040	06331-35012	PLUG	1				0.022	0.0484
050	04717-01200	WASHER,WITH RUBBER	1				0.002	0.0044
060	01173-51235	BOLT	4				0.04	0.088
070	04512-50120	WASHER,SPRING	4				0	0
080	34150-37710	FILTER,OIL	1				0.1	0.22
090	37150-37720	RETAINER	1				0.03	0.066
100	04811-10320	RING	1				0.001	0.0022
110	34150-37740	SPRING	1				0.003	0.0066
120	01123-50816	BOLT	2				0.011	0.0242

MAIN SHAFT





MAIN SHAFT

↔ Interchangeable; ≠ not interchangeable; ← new for old; → old for new

REF.No	Part No.	Description	Q'ty	S.No.	I/C	REMARKS	Weight (kgf)	Weight (lb)
010	37150-21510	SHAFT,MAIN	1				2.1	4.62
020	34150-21560	WASHER	1				0.01	0.022
030	09502-55210	SEAL,OIL	1				0.025	0.055
040	37150-21520	GEAR	1			17T	0.225	0.495
050	35110-21530	GEAR	1			23T	0.355	0.781
060	08151-06305	BEARING,BALL	1				0.233	0.5126
070	37150-21551	CIR-CLIP,EXTERNAL	1				0.005	0.011
080	04612-00300	CIR-CLIP,EXTERNAL	1				0.003	0.0066
090	08241-03206	BEARING,BALL	1				0.302	0.6644
100	37150-21790	CIR-CLIP	1				0.001	0.0022
110	37150-21580	COLLAR	1				0.02	0.044
120	37150-21590	COLLAR	1				0.025	0.055

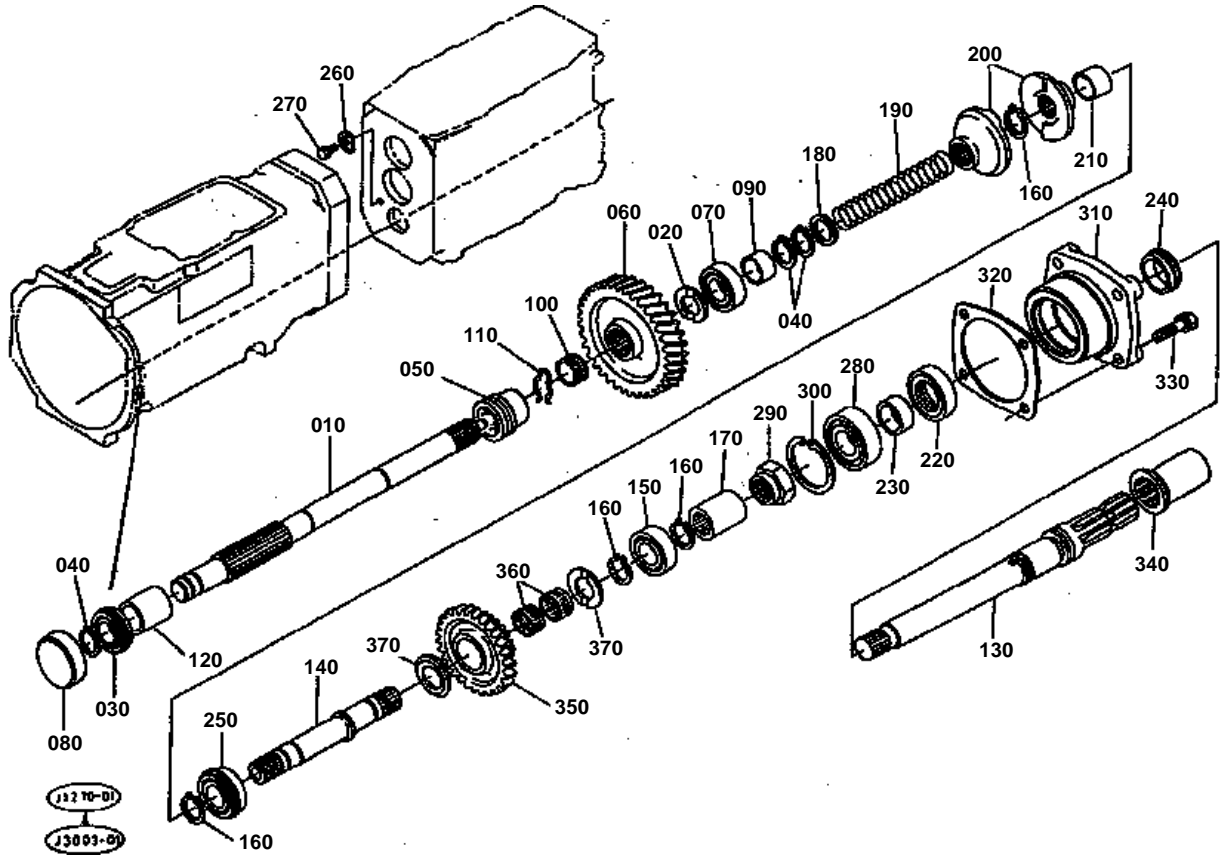


COUNTER SHAFT

↔ Interchangeable; ≠ not interchangeable; ← new for old; → old for new

REF.No	Part No.	Description	Q'ty	S.No.	I/C	REMARKS	Weight (kgf)	Weight (lb)
010	35110-21610	COUNTERSHAFT	1				1.645	3.619
020	37150-21760	COLLAR,THRUST	2				0.017	0.0374
030	37150-21790	CIR-CLIP	2				0.001	0.0022
040	08151-06205	BEARING,BALL	1				0.131	0.2882
050	37150-21551	CIR-CLIP,EXTERNAL	2				0.005	0.011
060	35110-21710	GEAR	1			32T	0.465	1.023
070	37150-21720	GEAR	1			41T	0.77	1.694
080	37150-21730	GEAR	1			45T	0.945	2.079
090	37150-21740	GEAR	1			45T	1.08	2.376
100	08101-06205	BEARING,BALL	1				0.14	0.308
110	34150-21650	COVER,BEARING	1				0.07	0.154
120	37150-21770	COLLAR	1				0.12	0.264
130	37150-21750	BOSS,SPLINE	2				0.088	0.1936
140	35340-21782	CIR-CLIP	2				0.007	0.0154
150	35340-21792	WIRE,2	2				0.001	0.0022
160	35010-21910	GEAR-SHAFT	1			10T	0.73	1.606
170	35110-21680	COUPLING	1				0.343	0.7546
180	37150-21551	CIR-CLIP,EXTERNAL	3				0.005	0.011
200	35010-21920	GEAR	1			25T	0.565	1.243
210	08101-06305	BEARING,BALL	1				0.23	0.506
220	31361-21940	COLLAR	1				0.01	0.022
230	08151-06305	BEARING,BALL	1				0.233	0.5126
240	34150-21942	RETAINER,BEARING	1				0.035	0.077
250	01123-50820	BOLT	1				0.011	0.0242

PTO COUNTER SHAFT [A]



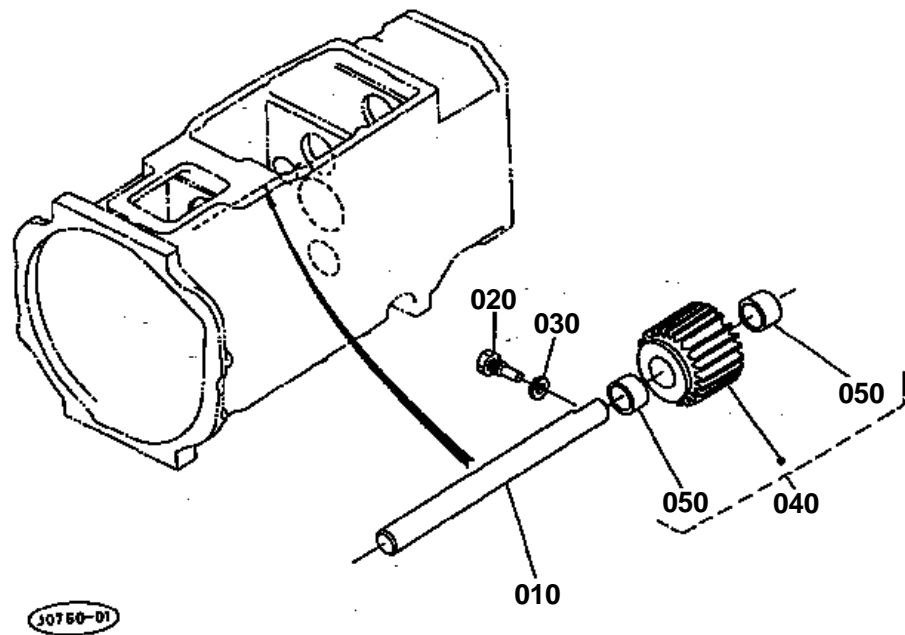


PTO COUNTER SHAFT [A]

↔ Interchangeable; ≠ not interchangeable; ← new for old; → old for new

REF.No	Part No.	Description	Q'ty	S.No.	I/C	REMARKS	Weight (kgf)	Weight (lb)
010	35170-25320	COUNTERSHAFT,PTO	1				1.83	4.026
020	37150-21760	COLLAR,THRUST	1				0.017	0.0374
030	08151-06205	BEARING,BALL	1				0.131	0.2882
040	37150-21551	CIR-CLIP,EXTERNAL	3				0.005	0.011
050	32400-21730	SHIFTER	1				0.28	0.616
060	37150-21740	GEAR	1			45T	1.08	2.376
070	08101-06205	BEARING,BALL	1				0.14	0.308
080	34150-21650	COVER,BEARING	1				0.07	0.154
090	37150-21770	COLLAR	1				0.12	0.264
100	37150-21750	BOSS,SPLINE	1				0.088	0.1936
110	35340-21782	CIR-CLIP	1				0.007	0.0154
120	35110-21750	COLLAR	1				0.089	0.1958
130	32420-25310	SHAFT,PTO	1				0	0
140	35010-25210	SHAFT,PTO DRIVE	1				0.72	1.584
150	08101-06205	BEARING,BALL	1				0.14	0.308
160	37150-21551	CIR-CLIP,EXTERNAL	4				0.005	0.011
170	37150-21680	COUPLING	1				0	0
180	35200-25220	COLLAR	1				0.005	0.011
190	35200-25230	SPRING,ONE-WAY	1				0.075	0.165
200	35200-25240	CAM,CLUTCH	2				0.485	1.067
210	35200-25250	COLLAR	1				0.04	0.088
220	37150-25360	SEAL,OIL	1				0.025	0.055
230	37300-25350	COLLAR,SEAL	1				0.032	0.0704
240	38240-25370	SLINGER	1				0.004	0.0088
250	08151-06205	BEARING,BALL	1				0.131	0.2882
260	34150-21942	RETAINER,BEARING	1				0.035	0.077
270	01123-50820	BOLT	1				0.011	0.0242
280	08101-06206	BEARING,BALL	1				0.196	0.4312
290	34150-25320	NUT	1				0.03	0.066
300	04611-00620	CIR-CLIP,INTERNAL	1				0.011	0.0242
310	37150-25410	CASE,BEARING	1				1.02	2.244
320	37150-25420	GASKET	1				0	0
330	01123-50822	BOLT	4				0.012	0.0264
340	31220-25820	CAP	1				0.055	0.121
350	31333-44180	GEAR	1			19-34T	0.8	1.76
360	08822-53114	BEARING,NEEDLE	2				0.02	0.044
370	38240-21760	COLLAR,THRUST	2				0.02	0.044

REVERSE SHAFT



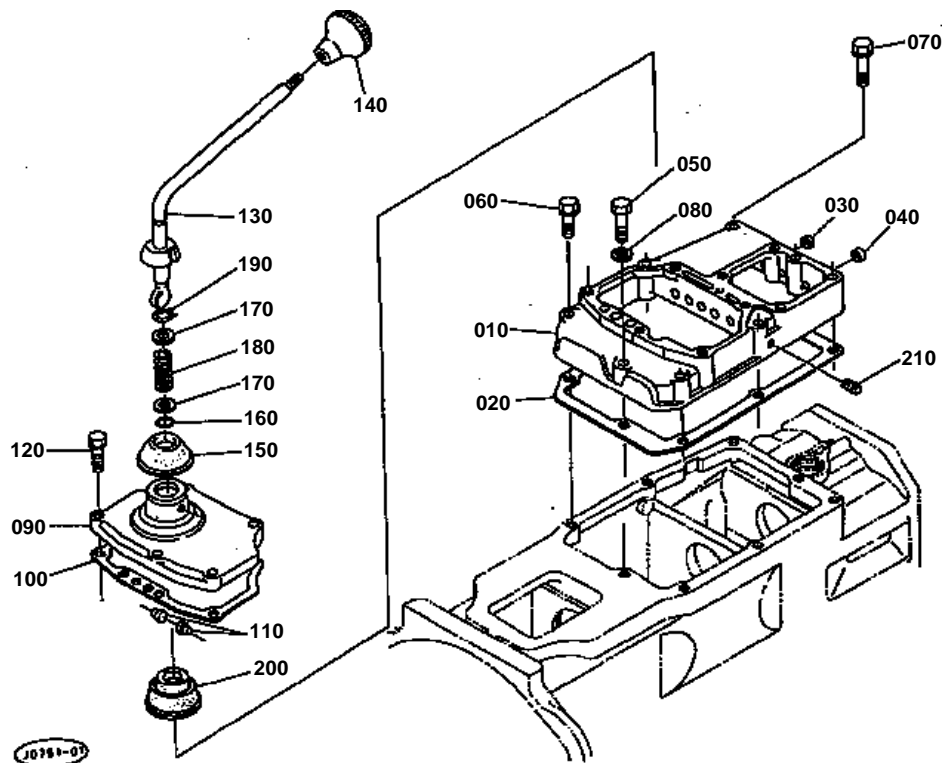


REVERSE SHAFT

↔ Interchangeable; ≠ not interchangeable; ← new for old; → old for new

REF.No	Part No.	Description	Q'ty	S.No.	I/C	REMARKS	Weight (kgf)	Weight (lb)
010	37150-23110	SHAFT,REVERSE	1				0.455	1.001
020	37150-23120	SCREW,SET	1				0.02	0.044
030	04717-00800	WASHER,WITH RUBBER	1				0.001	0.0022
040	37150-23100	ASSY GEAR	1			22T	0.885	1.947
050	31220-26360	BUSH	2				0.015	0.033

MAIN GEAR SHIFT LEVER [A]



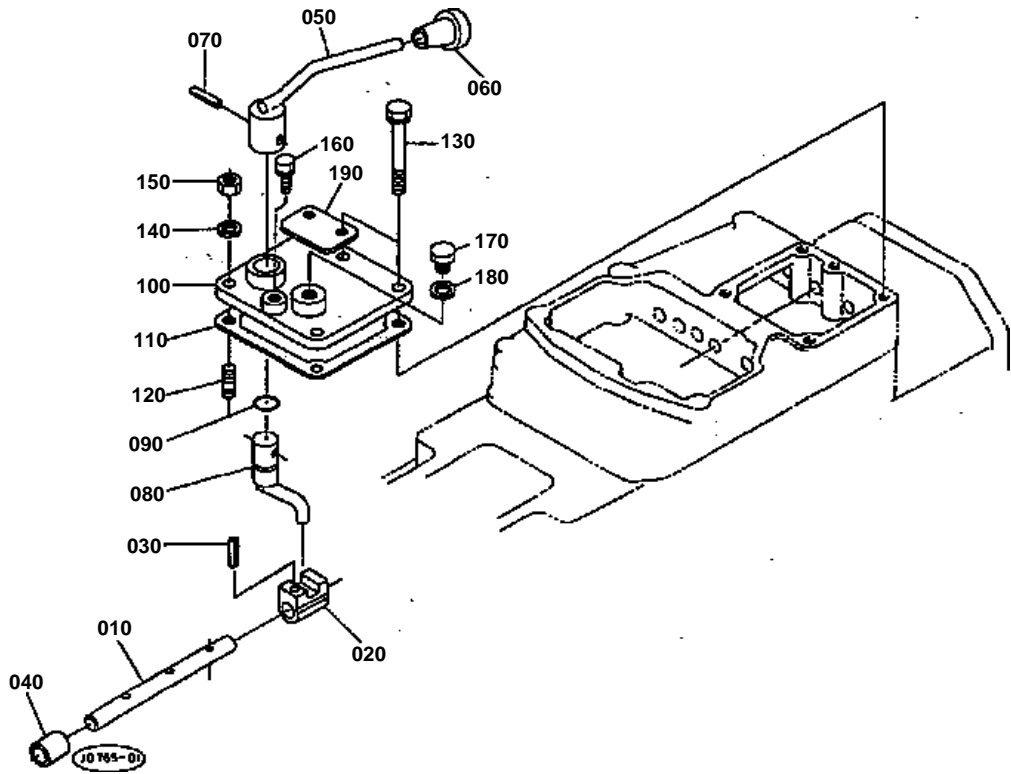


MAIN GEAR SHIFT LEVER [A]

↔ Interchangeable; ≠ not interchangeable; ← new for old; → old for new

REF.No	Part No.	Description	Q'ty	S.No.	I/C	REMARKS	Weight (kgf)	Weight (lb)
010	37150-21210	COVER,SPEED CHANGE	1				1.14	2.508
020	34650-59140	GASKET	1				0	0
030	34150-21250	PLUG	5				0.002	0.0044
040	34269-21250	PLUG	1				0	0
050	01153-50840	BOLT	1				0.018	0.0396
060	01123-50840	BOLT	2				0.018	0.0396
070	01123-50850	BOLT	3				0.02	0.044
080	04717-00800	WASHER,WITH RUBBER	1				0.001	0.0022
090	35340-23710	BASE,SPEED CHANGE	1				1.46	3.212
100	34150-23720	GASKET	1				0	0
110	34150-23740	PIN,SET	2				0.002	0.0044
120	01123-50832	BOLT	5				0.016	0.0352
130	34150-23810	LEVER,MAIN S-CHANGE	1				0.43	0.946
140	32150-23860	GRIP,LEVER	1				0.037	0.0814
150	34150-23940	SHIELD,LEVER	1				0.025	0.055
160	04811-00120	RING	1				0.001	0.0022
170	32240-23950	WASHER	2				0.002	0.0044
180	32240-23920	SPRING	1				0.007	0.0154
190	31220-23930	CIR-CLIP,EXTERNAL	1				0.001	0.0022
200	34150-23870	SHIELD	1				0	0
210	34150-23960	PLUG	2				0	0

PTO GEAR SHIFT LEVER [A]



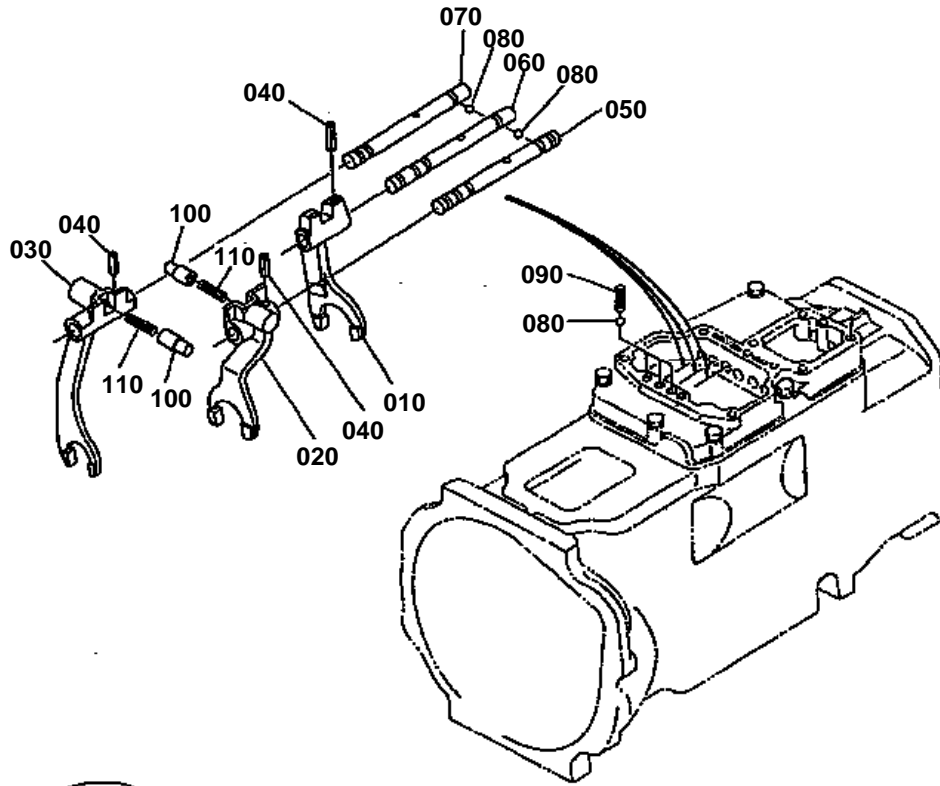


PTO GEAR SHIFT LEVER [A]

↔ Interchangeable; ≠ not interchangeable; ← new for old; → old for new

REF.No	Part No.	Description	Q'ty	S.No.	I/C	REMARKS	Weight (kgf)	Weight (lb)
010	35260-24760	ROD,FORK PTO	1				0.15	0.33
020	35260-24770	HOLDER,PTO S-CHANGE	1				0.05	0.11
030	05411-00420	PIN,SPRING	1				0.001	0.0022
040	32400-24780	COLLAR	1				0.02	0.044
050	35260-24853	LEVER,PTO	1				0.2	0.44
060	38240-24410	GRIP	1				0.025	0.055
070	05411-00632	PIN,SPRING	1				0.004	0.0088
080	35260-24860	LEVER,PTO S-CHANGE	1				0.105	0.231
090	04811-00150	RING	1				0.001	0.0022
100	35260-24830	COVER	1				0.47	1.034
110	34650-59330	GASKET	1				0	0
120	01513-50818	STUD	3				0.009	0.0198
130	01123-50865	BOLT	2				0.028	0.0616
140	04512-50080	WASHER,SPRING	3				0	0
150	02114-50080	NUT	3				0.005	0.011
160	01123-50816	BOLT	1				0.011	0.0242
170	06331-35010	PLUG	1				0.012	0.0264
180	04724-00100	GASKET	1				0.001	0.0022
190	32400-65200	PLATE,PTO LABEL	1				0.02	0.044

MAIN SHIFT FORK

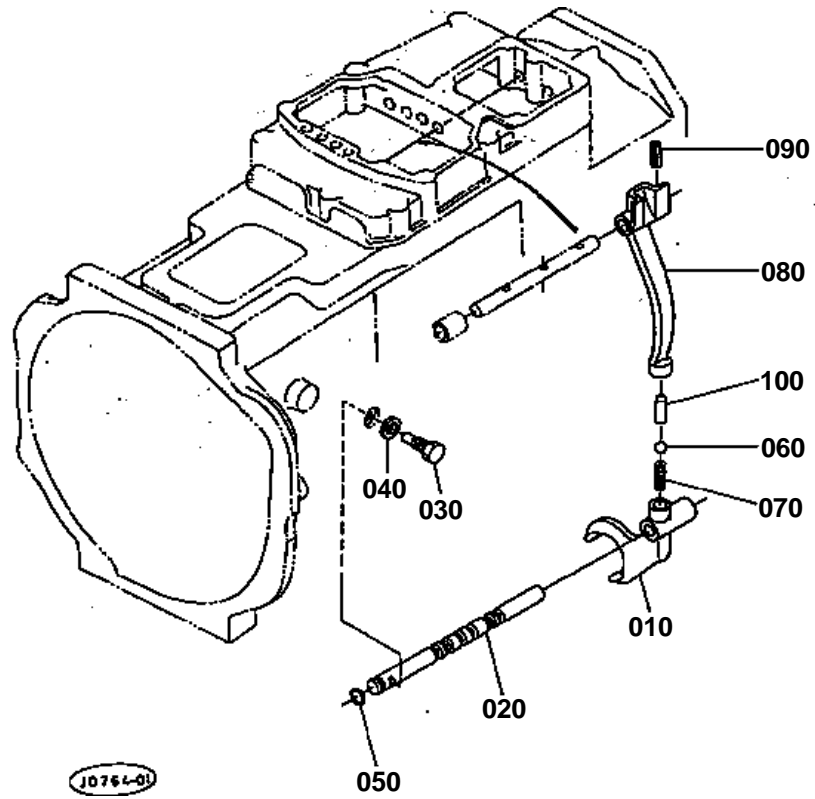


JQ762-61

**MAIN SHIFT FORK**

↔ Interchangeable; ≠ not interchangeable; ← new for old; → old for new

REF.No	Part No.	Description	Q'ty	S.No.	I/C	REMARKS	Weight (kgf)	Weight (lb)
010	35305-23510	FORK,SHIFT	1				0.19	0.418
020	35305-23520	FORK,SHIFT	1				0.28	0.616
030	35305-23530	FORK,SHIFT	1				0.29	0.638
040	05411-00420	PIN,SPRING	3				0.001	0.0022
050	37150-23540	ROD,FORK	1				0.12	0.264
060	37150-23550	ROD,FORK	1				0.12	0.264
070	37150-23570	ROD,FORK	1				0.32	0.704
080	07715-01605	BALL	5				0.003	0.0066
090	62581-18230	SPRING	3				0.01	0.022
100	34150-23610	PIECE,NEUTRAL	2				0.015	0.033
110	34150-23620	SPRING	2				0.003	0.0066



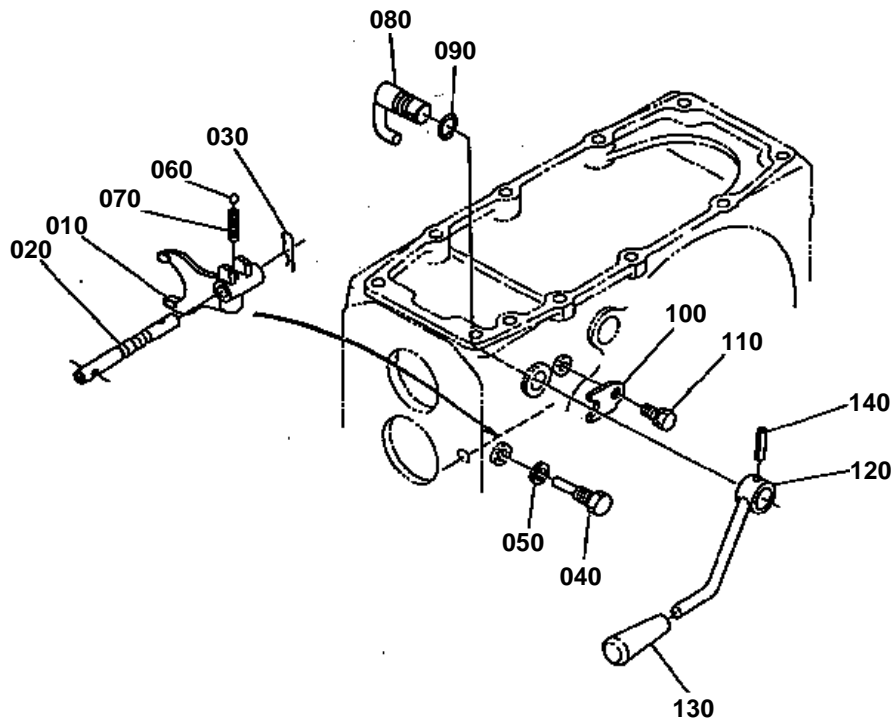


PTO SHIFT FORK [A]

↔ Interchangeable; ≠ not interchangeable; ← new for old; → old for new

REF.No	Part No.	Description	Q'ty	S.No.	I/C	REMARKS	Weight (kgf)	Weight (lb)
010	37150-24610	FORK,SHIFT	1				0.21	0.462
020	37150-24630	SHAFT,FORK	1				0.155	0.341
030	34150-24680	SCREW,SET	1				0.015	0.033
040	04717-00800	WASHER,WITH RUBBER	1				0.001	0.0022
050	04811-00090	RING	1				0.001	0.0022
060	07715-01605	BALL	1				0.003	0.0066
070	62581-18230	SPRING	1				0.01	0.022
080	35170-24710	LEVER,PTO	1				0.26	0.572
090	05411-00425	PIN,SPRING	1				0.001	0.0022
100	34150-24690	PIN	1				0.02	0.044

HI-LO GEAR SHIFT FORK AND LEVER



10763-01

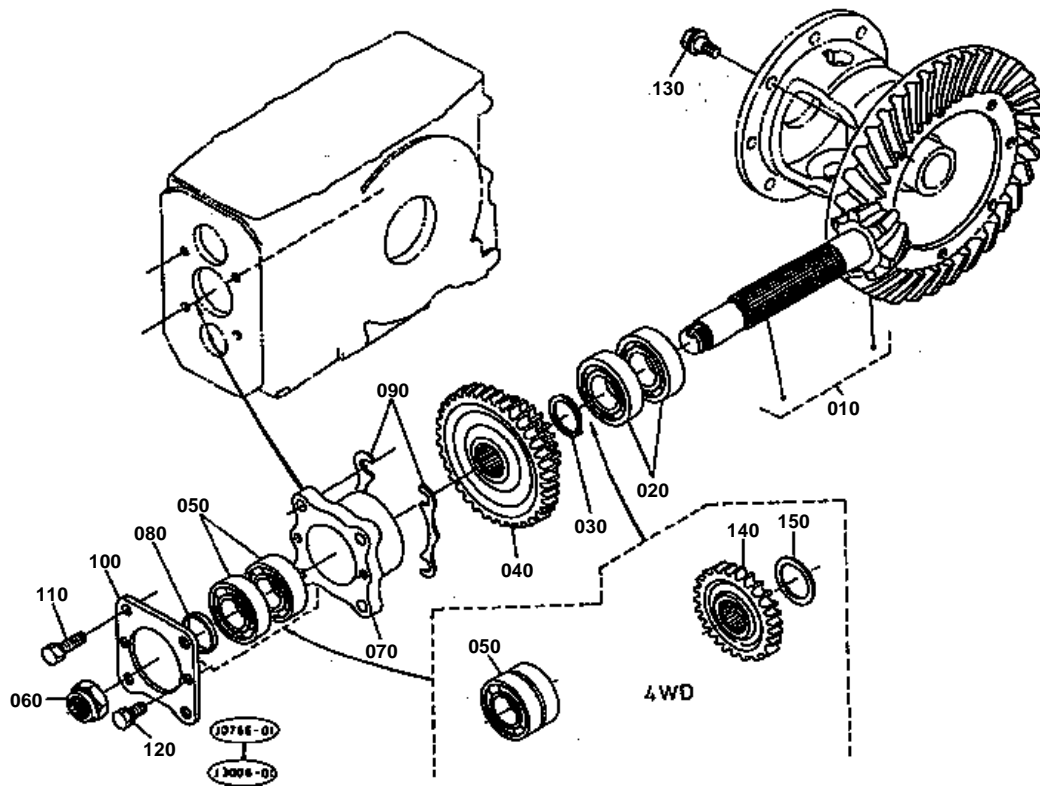


HI-LO GEAR SHIFT FORK AND LEVER

↔ Interchangeable; ≠ not interchangeable; ← new for old; → old for new

REF.No	Part No.	Description	Q'ty	S.No.	I/C	REMARKS	Weight (kgf)	Weight (lb)
010	35000-24110	FORK,SHIFT	1				0.215	0.473
020	35000-24130	SHAFT,FORK	1				0.115	0.253
030	05515-51200	PIN,SNAP	1				0	0
040	37150-23120	SCREW,SET	1				0.02	0.044
050	04717-00800	WASHER,WITH RUBBER	1				0.001	0.0022
060	07715-01605	BALL	1				0.003	0.0066
070	62581-18230	SPRING	1				0.01	0.022
080	37150-24310	LEVER,SHIFT	1				0.145	0.319
090	04811-00150	RING	1				0.001	0.0022
100	34150-24350	STOPPER,LEVER	1				0.015	0.033
110	01123-50816	BOLT	1				0.011	0.0242
120	35110-24430	LEVER,AUX.S-CHANGE	1				0.15	0.33
130	06914-00100	GRIP,LEVER	1				0.02	0.044
140	05411-00632	PIN,SPRING	1				0.004	0.0088

SPIRAL BEVEL GEAR



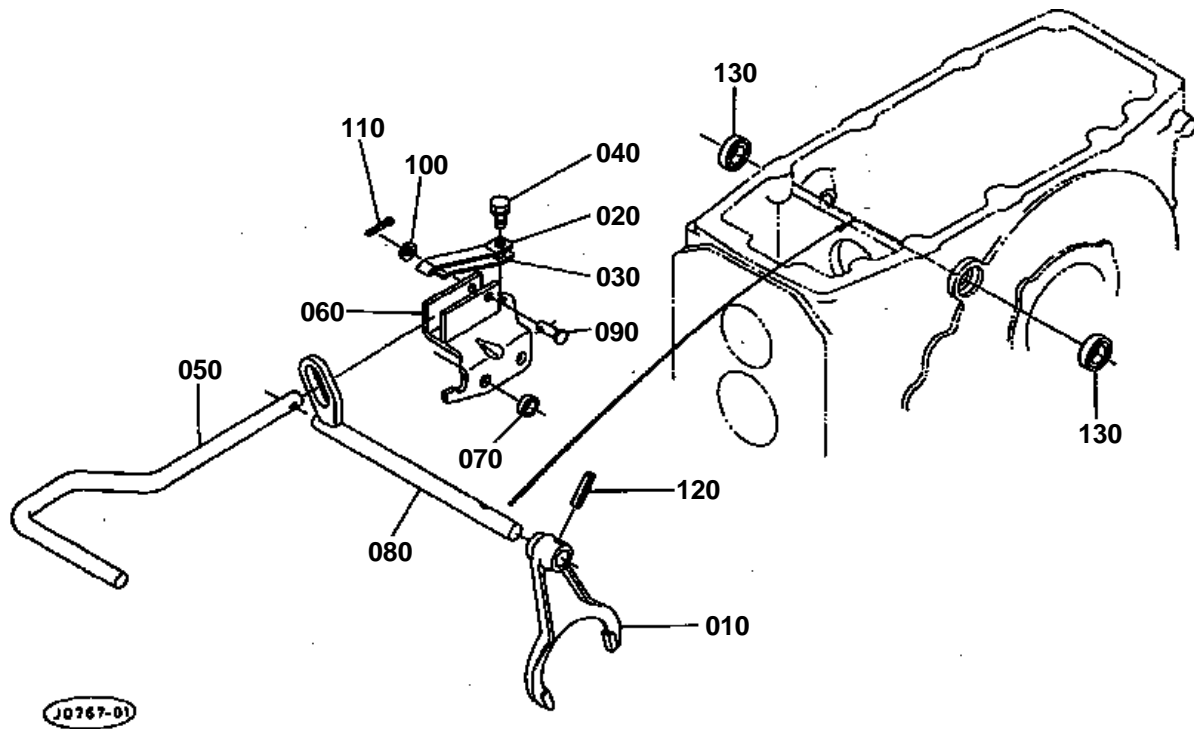


SPIRAL BEVEL GEAR

↔ Interchangeable; ≠ not interchangeable; ← new for old; → old for new

REF.No	Part No.	Description	Q'ty	S.No.	I/C	REMARKS	Weight (kgf)	Weight (lb)
010	35110-22100	ASSY GEAR, SPIRAL	1			8-39T [A],[AU]	5.3	11.66
020	08101-06306	BEARING, BALL	2				0.335	0.737
030	04612-00300	CIR-CLIP, EXTERNAL	1				0.003	0.0066
040	35010-21950	GEAR	1			24-39T	1.245	2.739
050	38240-22140	BEARING, TAPER-ROLLER	1				0.56	1.232
060	35260-23252	NUT	1				0.04	0.088
070	37300-22150	CASE, BEARING	1				0.56	1.232
090	34150-22610	SHIM	2			0.5MM	0.01	0.022
090	34150-22620	SHIM	4			0.2MM	0.005	0.011
090	34150-22630	SHIM	2			0.1MM	0.005	0.011
100	34150-22170	COVER, BEARING	1				0.16	0.352
110	01133-51035	BOLT	4				0.03	0.066
120	01123-50816	BOLT	2				0.011	0.0242
130	37800-43870	BOLT	8				0.026	0.0572
140	31363-44170	GEAR	1			24T	0.36	0.792
150	31363-44160	COLLAR	1				0.02	0.044

DIFF. LOCK PEDAL

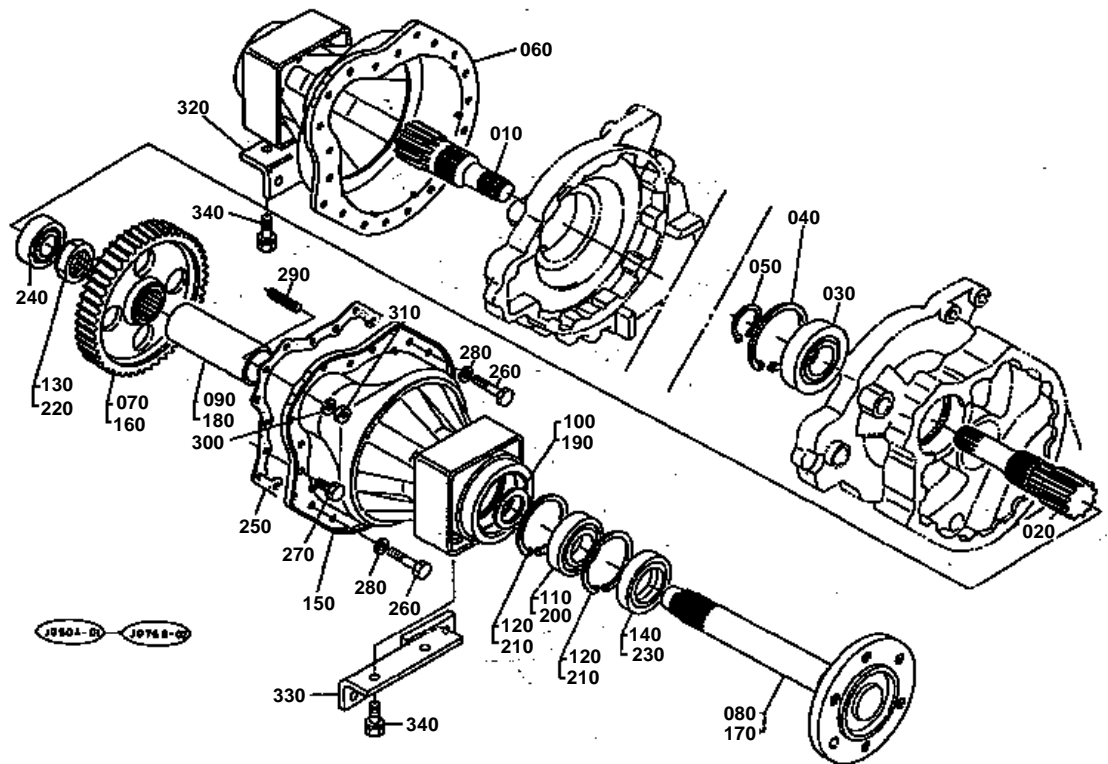


**DIFF. LOCK PEDAL**

↔ Interchangeable; ≠ not interchangeable; ← new for old; → old for new

REF.No	Part No.	Description	Q'ty	S.No.	I/C	REMARKS	Weight (kgf)	Weight (lb)
010	37150-26630	FORK,SHIFT	1				0.375	0.825
020	37150-26643	SPRING	1				0.033	0.0726
030	37150-26660	SPRING	1				0.025	0.055
040	01123-50816	BOLT	1				0.011	0.0242
050	37300-26650	PEDAL,DIFF.LOCK	1				0.635	1.397
060	32400-26670	BRACKET,PEDAL	1				0.63	1.386
070	35010-26592	SPACER	2				0.02	0.044
080	35211-26680	CAM,DIFF.LOCK	1				0.567	1.2474
090	05122-50835	PIN,JOINT	1				0.015	0.033
100	04015-50060	WASHER,PLAIN	1				0	0
110	05511-50215	PIN,SPLIT	1				0.001	0.0022
120	05411-00630	PIN,SPRING	1				0.004	0.0088
130	09500-16287	SEAL,OIL	2				0.01	0.022

REAR AXLE

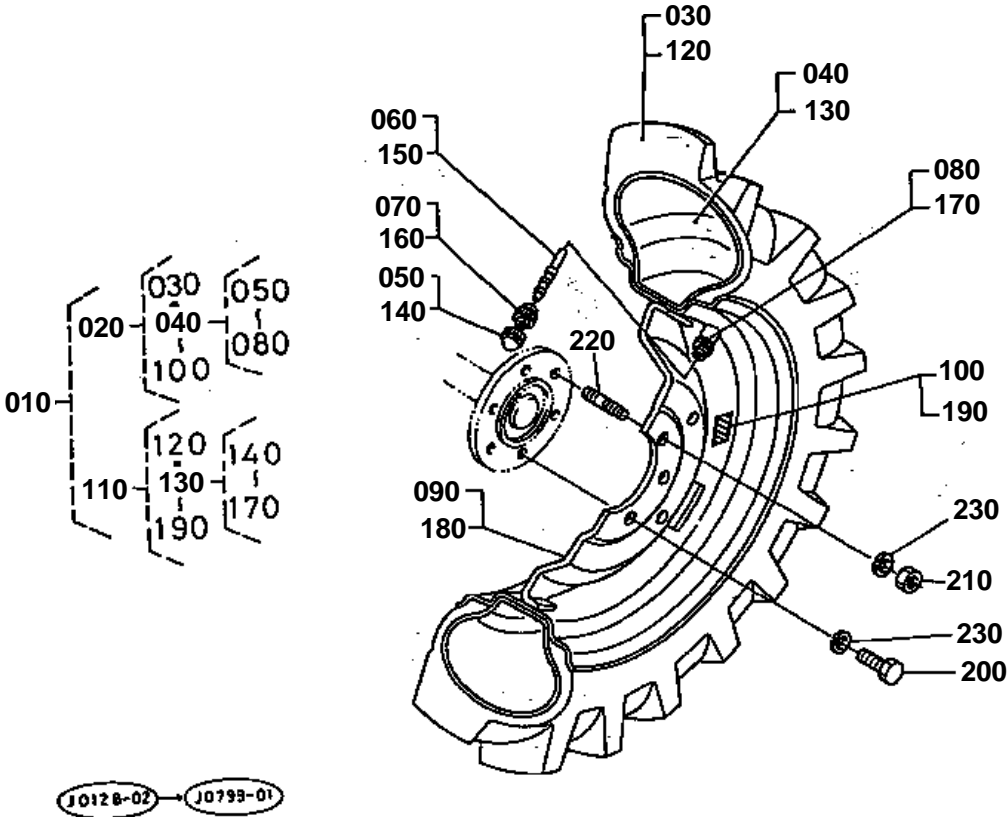




REAR AXLE

↔ Interchangeable; ≠ not interchangeable; ← new for old; → old for new

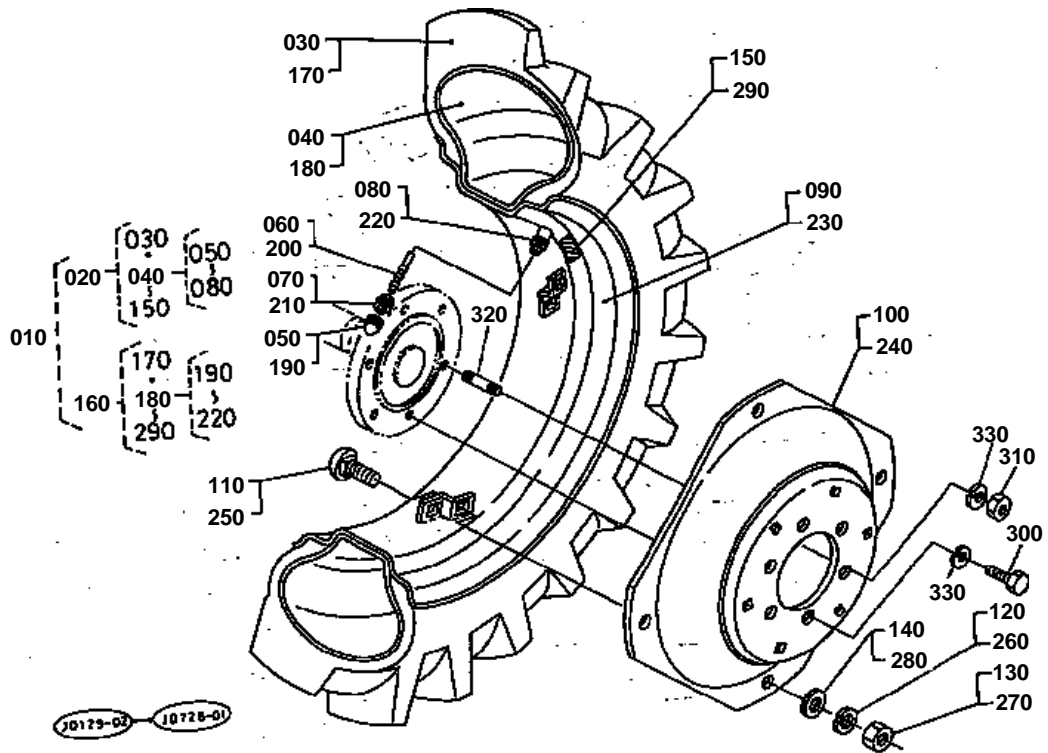
REF.No	Part No.	Description	Q'ty	S.No.	I/C	REMARKS	Weight (kgf)	Weight (lb)
010	31331-26710	SHAFT,DIFF.GEAR RH	1				0	0
020	31331-26720	SHAFT,DIFF.GEAR LH	1				0	0
030	08101-06309	BEARING,BALL	2				0.82	1.804
040	04611-01000	CIR-CLIP,INTERNAL	2				0.042	0.0924
050	04612-00450	CIR-CLIP,EXTERNAL	2				0.007	0.0154
060	32400-27310	CASE,AXLE RH	1				0	0
070	31331-26832	GEAR	1			53T	4.85	10.67
080	32400-27110	AXLE,REAR	1				9.15	20.13
090	32400-27140	SPACER	1				0.93	2.046
100	34150-27160	SHIM	1				0.01	0.022
110	08101-06209	BEARING,BALL	1				0.42	0.924
120	04611-00850	CIR-CLIP,INTERNAL	2				0.029	0.0638
130	70650-11380	NUT	1				0.11	0.242
140	37150-27560	SEAL,OIL	1				0.14	0.308
150	32400-27330	CASE,AXLE LH	1				0	0
160	31331-26832	GEAR	1			53T	4.85	10.67
170	32400-27110	AXLE,REAR	1				9.15	20.13
180	32400-27140	SPACER	1				0.93	2.046
190	34150-27160	SHIM	1				0.01	0.022
200	08101-06209	BEARING,BALL	1				0.42	0.924
210	04611-00850	CIR-CLIP,INTERNAL	2				0.029	0.0638
220	70650-11380	NUT	1				0.11	0.242
230	37150-27560	SEAL,OIL	1				0.14	0.308
240	08101-06306	BEARING,BALL	2				0.335	0.737
250	31341-27350	GASKET,AXLE CASE	2				0	0
260	31351-27390	BOLT,REAMER	4				0.03	0.066
270	01133-51020	BOLT	32				0.02	0.044
280	04512-50100	WASHER,SPRING	4				0	0
290	01517-51016	STUD	4				0.06	0.132
300	04512-50100	WASHER,SPRING	4				0	0
310	02176-50100	NUT	4				0.005	0.011
320	32400-71910	HOLDER,CHECK CHAIN R	1				1.055	2.321
330	32400-71920	HOLDER,CHECK CHAIN L	1				1.06	2.332
340	01133-51230	BOLT	4				0.04	0.088



**REAR WHEEL (9.5-24F)**

↔ Interchangeable; ≠ not interchangeable; ← new for old; → old for new

REF.No	Part No.	Description	Q'ty	S.No.	I/C	REMARKS	Weight (kgf)	Weight (lb)
010	32400-27900	ASSY REAR WHEEL	1				0	0
020	32400-27910	ASSY REAR WHEEL LH	1				0	0
030	35200-27620	TIRE	1				24	52.8
040	31220-27630	TUBE	1				2.7	5.94
050	38240-11690	CAP,VALVE	1				0.001	0.0022
060	32150-27740	CORE,VALVE	1				0.003	0.0066
070	32270-27730	HOUSING,VALVE CORE	1				0.014	0.0308
080	32270-27710	NUT,RIM	1				0.006	0.0132
090	32460-27630	WHEEL	1				21.1	46.42
100	32400-27980	LABEL,TIRE LH	1				0.005	0.011
110	32400-27990	ASSY REAR WHEEL RH	1				0	0
120	35200-27620	TIRE	1				24	52.8
130	31220-27630	TUBE	1				2.7	5.94
140	38240-11690	CAP,VALVE	1				0.001	0.0022
150	32150-27740	CORE,VALVE	1				0.003	0.0066
160	32270-27730	HOUSING,VALVE CORE	1				0.014	0.0308
170	32270-27710	NUT,RIM	1				0.006	0.0132
180	32460-27630	WHEEL	1				21.1	46.42
190	32400-27970	LABEL,TIRE RH	1				0.005	0.011
200	01073-51630	BOLT	8				0.079	0.1738
210	02076-50160	NUT	4				0.03	0.066
220	01517-51632	STUD	4				0.076	0.1672
230	04512-50160	WASHER,SPRING	12				0	0



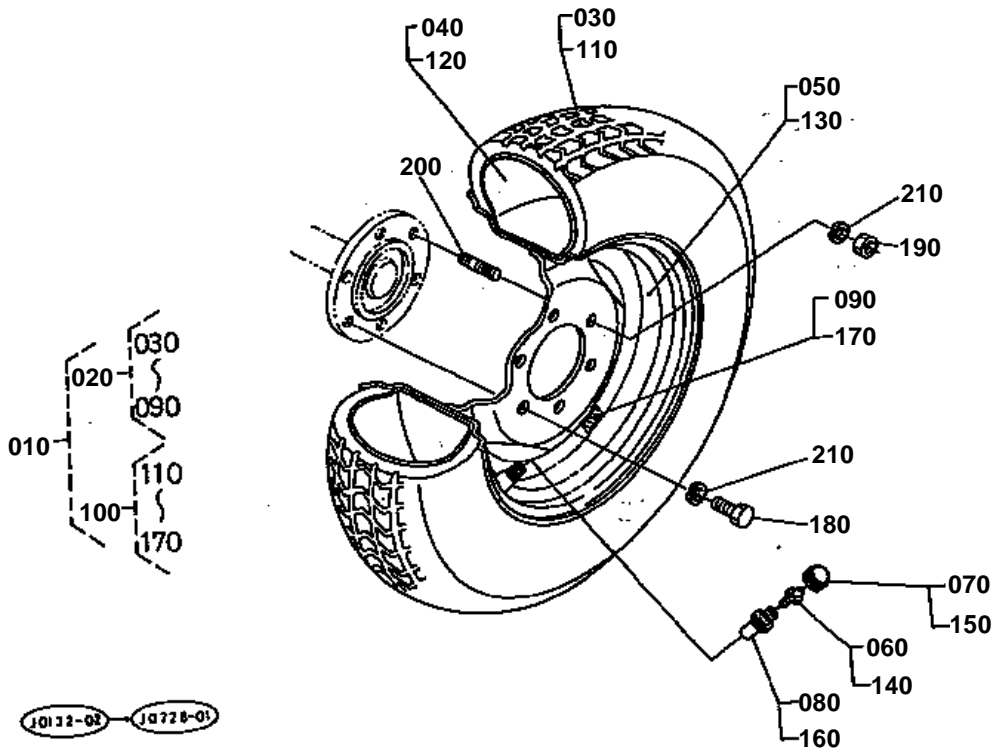


REAR WHEEL (11.2-24F)

↔ Interchangeable; ≠ not interchangeable; ← new for old; → old for new

REF.No	Part No.	Description	Q'ty	S.No.	I/C	REMARKS	Weight (kgf)	Weight (lb)
010	32470-27900	ASSY REAR WHEEL	1				122	268.4
020	32470-27610	ASSY REAR WHEEL LH	1				62	136.4
030	32420-27620	TIRE	1				31.5	69.3
040	32240-27630	TUBE	1				0	0
050	38240-11690	CAP,VALVE	1				0.001	0.0022
060	32150-27740	CORE,VALVE	1				0.003	0.0066
070	32270-27730	HOUSING,VALVE CORE	1				0.014	0.0308
080	32270-27710	NUT,RIM	1				0.006	0.0132
090	32470-27650	RIM,REAR WHEEL	1				14.7	32.34
100	32470-27660	DISK,REAR WHEEL	1				13.5	29.7
110	31220-27680	BOLT	4				0.09	0.198
120	04512-50160	WASHER,SPRING	4				0	0
130	02174-50160	NUT	4				0.022	0.0484
140	04011-50160	WASHER,PLAIN	4				0	0
150	32470-27680	LABEL,TIRE LH	1				0.001	0.0022
160	32470-27690	ASSY REAR WHEEL RH	1				62	136.4
170	35260-27620	TIRE	1				29.05	63.91
180	32240-27630	TUBE	1				0	0
190	38240-11690	CAP,VALVE	1				0.001	0.0022
200	32150-27740	CORE,VALVE	1				0.003	0.0066
210	32270-27730	HOUSING,VALVE CORE	1				0.014	0.0308
220	32270-27710	NUT,RIM	1				0.006	0.0132
230	32470-27650	RIM,REAR WHEEL	1				14.7	32.34
240	32470-27660	DISK,REAR WHEEL	1				13.5	29.7
250	31220-27680	BOLT	4				0.09	0.198
260	04512-50160	WASHER,SPRING	4				0	0
270	02174-50160	NUT	4				0.022	0.0484
280	04011-50160	WASHER,PLAIN	4				0	0
290	32470-27670	LABEL,TIRE RH	1				0.001	0.0022
300	01073-51630	BOLT	8				0.079	0.1738
310	02076-50160	NUT	4				0.03	0.066
320	01517-51632	STUD	4				0.076	0.1672
330	04512-50160	WASHER,SPRING	12				0	0

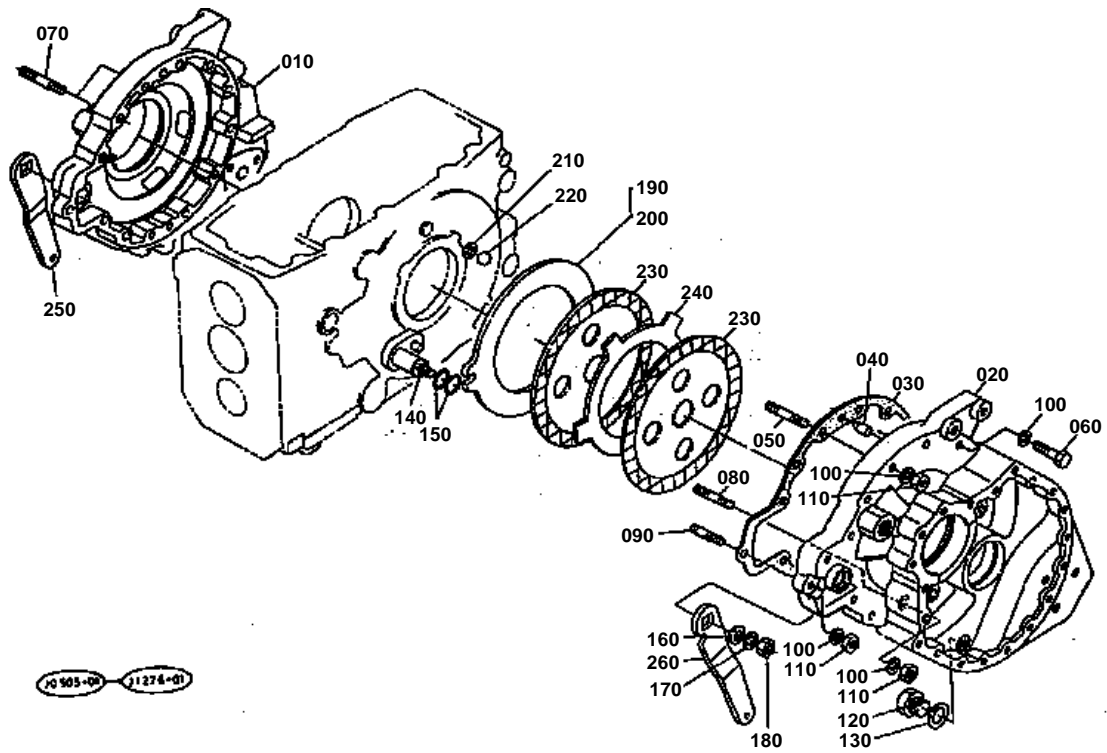
REAR WHEEL (13.6-16T)



**REAR WHEEL (13.6-16T)**

↔ Interchangeable; ≠ not interchangeable; ← new for old; → old for new

REF.No	Part No.	Description	Q'ty	S.No.	I/C	REMARKS	Weight (kgf)	Weight (lb)
010	32400-27800	ASSY REAR WHEEL	1				93	204.6
020	32400-27810	ASSY REAR WHEEL LH	1				0	0
030	38450-99330	TIRE	1				20.5	45.1
040	99424-27120	TUBE	1				3.8	8.36
050	32400-27850	WHEEL	1				15.2	33.44
060	32150-27740	CORE,VALVE	1				0.003	0.0066
070	38240-11690	CAP,VALVE	1				0.001	0.0022
080	32270-27730	HOUSING,VALVE CORE	1				0.014	0.0308
090	32400-27780	LABEL,TIRE LH	1				0.005	0.011
100	32400-27820	ASSY REAR WHEEL RH	1				0	0
110	38450-99330	TIRE	1				20.5	45.1
120	99424-27120	TUBE	1				3.8	8.36
130	32400-27850	WHEEL	1				15.2	33.44
140	32150-27740	CORE,VALVE	1				0.003	0.0066
150	38240-11690	CAP,VALVE	1				0.001	0.0022
160	32270-27730	HOUSING,VALVE CORE	1				0.014	0.0308
170	32400-27770	LABEL,TIRE RH	1				0.005	0.011
180	01073-51630	BOLT	8				0.079	0.1738
190	02076-50160	NUT	4				0.03	0.066
200	01517-51632	STUD	4				0.076	0.1672
210	04512-50160	WASHER,SPRING	12				0	0

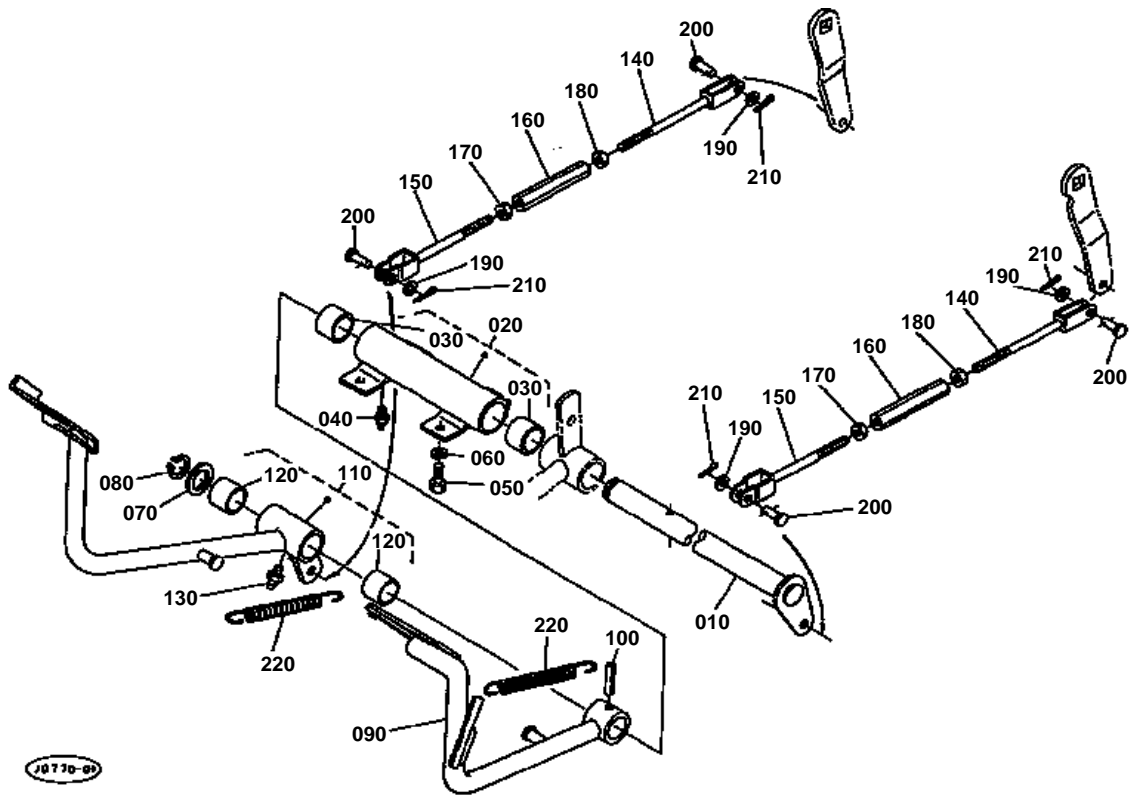


**BRAKE**

↔ Interchangeable; ≠ not interchangeable; ← new for old; → old for new

REF.No	Part No.	Description	Q'ty	S.No.	I/C	REMARKS	Weight (kgf)	Weight (lb)
010	31341-28130	CASE,BRAKE RH	1				0	0
020	31341-28152	CASE,BRAKE LH	1				0	0
030	37260-28160	GASKET	2				0	0
040	37150-27370	PIN,STRAIGHT	2				0.009	0.0198
050	37150-27350	STUD	4				0.06	0.132
060	01173-51260	BOLT	10				0.06	0.132
070	31339-23150	STUD	2				0.715	1.573
080	01574-51260	STUD	8				0	0
090	01574-51235	STUD	2				0	0
100	04512-50120	WASHER,SPRING	26				0	0
110	02176-50120	NUT	16				0.01	0.022
120	34150-14260	PLUG,DRAIN	2				0	0
130	04717-02150	WASHER,WITH RUBBER	2				0.004	0.0088
140	31351-28210	CAM,BRAKE	2				0.35	0.77
150	04811-00220	RING	4				0.001	0.0022
160	04015-50120	WASHER,PLAIN	2				0	0
170	04512-50120	WASHER,SPRING	2				0	0
180	02174-50120	NUT	2				0.01	0.022
190	37150-28240	PLATE,CAM LH	1				1.13	2.486
200	37150-28270	PLATE,CAM RH	1				1.08	2.376
210	37150-28250	SEAT,BALL	12				0.003	0.0066
220	07715-00805	BALL	12				0.016	0.0352
230	37150-28200	DISK,BRAKE	4				0	0
240	37720-28170	PLATE	2				0.422	0.9284
250	37150-28224	LEVER,BRAKE CAM RH	1				0.32	0.704
260	37150-28234	LEVER,BRAKE CAM LH	1				0.3	0.66

BRAKE PEDAL

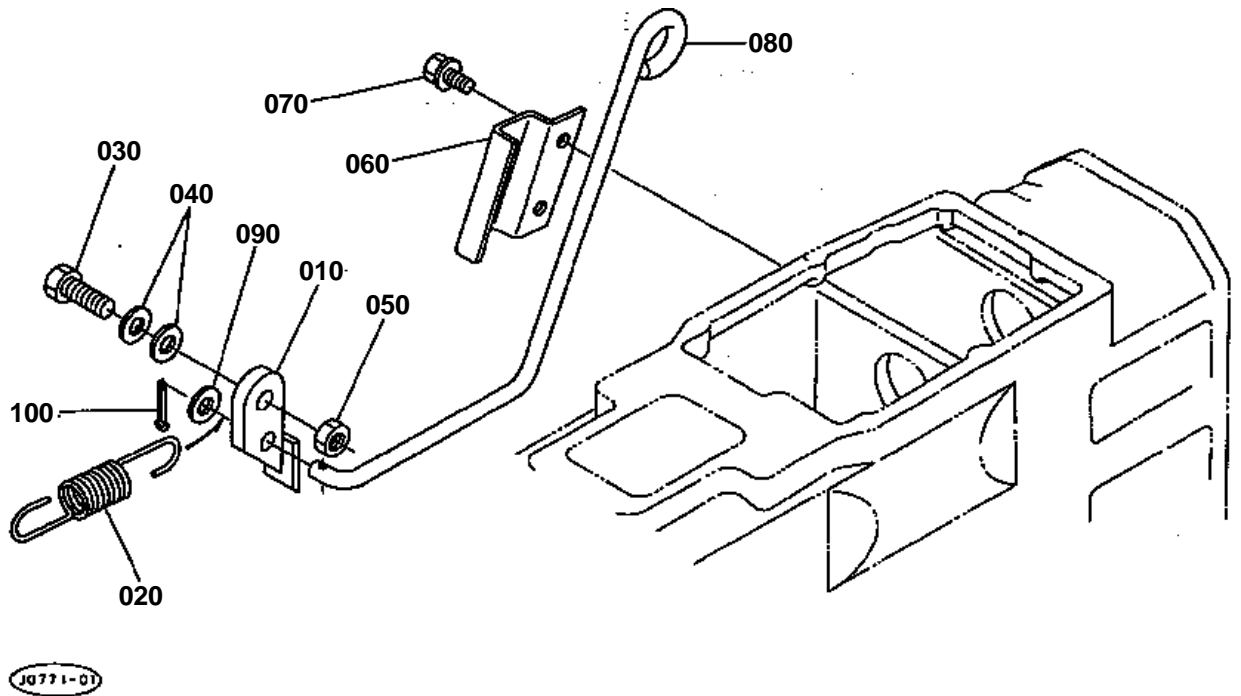


**BRAKE PEDAL**

↔ Interchangeable; ≠ not interchangeable; ← new for old; → old for new

REF.No	Part No.	Description	Q'ty	S.No.	I/C	REMARKS	Weight (kgf)	Weight (lb)
010	37150-28410	SHAFT,BRAKE PEDAL	1				1.43	3.146
020	37150-28420	SUPPORT,PEDAL SHAFT	1				0.95	2.09
030	34150-28430	BUSH	2				0.04	0.088
040	06613-10675	NIPPLE,GREASE	1				0.003	0.0066
050	01173-51018	BOLT	4				0.018	0.0396
060	04512-50100	WASHER,SPRING	4				0	0
070	32150-28460	COLLAR	1				0.007	0.0154
080	04612-00250	CIR-CLIP,EXTERNAL	1				0.002	0.0044
090	35260-28610	PEDAL,BRAKE LH	1				1.36	2.992
100	05411-00840	PIN,SPRING	1				0.008	0.0176
110	35260-28620	PEDAL,BRAKE RH	1				1.34	2.948
120	34150-28430	BUSH	2				0.04	0.088
130	06613-10675	NIPPLE,GREASE	1				0.003	0.0066
140	35110-28930	ROD,BRAKE	2				0.165	0.363
150	37720-28940	ROD,BRAKE	2				0.2	0.44
160	37720-28980	TURNBUCKLE	2				0.099	0.2178
170	37720-28990	NUT	2				0.008	0.0176
180	02172-50120	NUT	2				0.01	0.022
190	04012-50080	WASHER,PLAIN	4				0.001	0.0022
200	05112-50822	PIN,JOINT	4				0.01	0.022
210	05511-50215	PIN,SPLIT	4				0.001	0.0022
220	37150-15840	SPRING	2				0.06	0.132

PARKING BRAKE LEVER



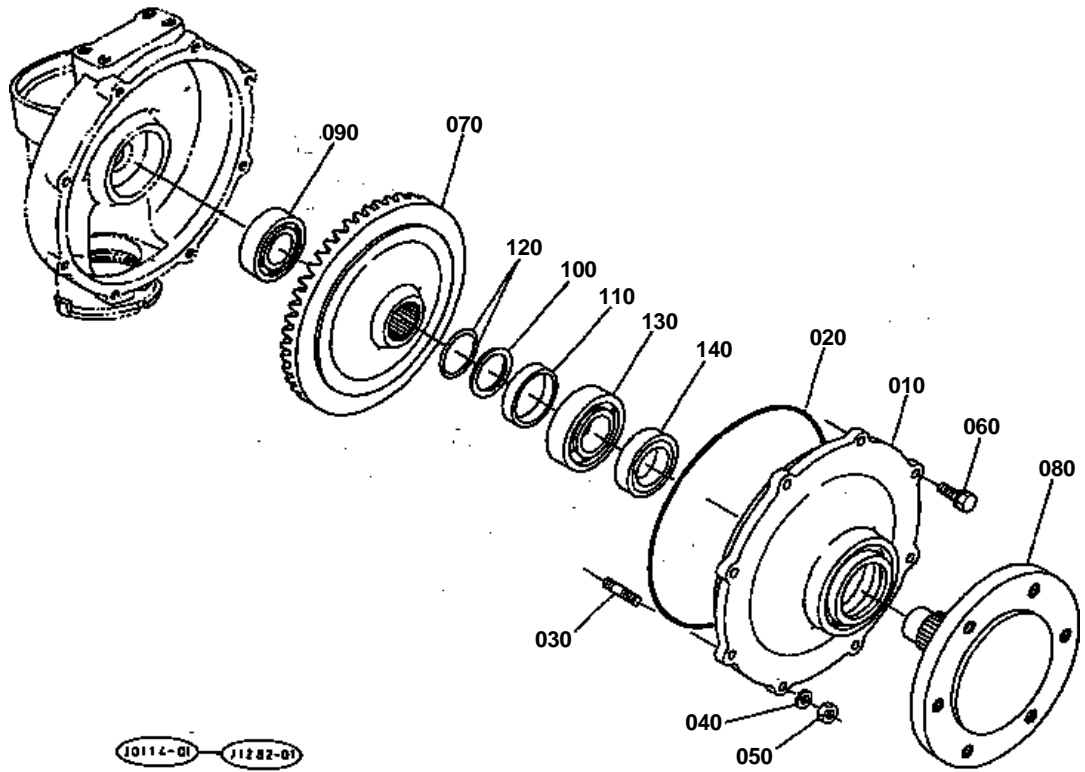


PARKING BRAKE LEVER

↔ Interchangeable; ≠ not interchangeable; ← new for old; → old for new

REF.No	Part No.	Description	Q'ty	S.No.	I/C	REMARKS	Weight (kgf)	Weight (lb)
010	34150-28810	RATCHET	1				0.045	0.099
020	37150-28850	SPRING	1				0.005	0.011
030	34150-28820	BOLT	1				0.04	0.088
040	04011-50120	WASHER,PLAIN	2				0.005	0.011
050	02174-50120	NUT	1				0.01	0.022
060	34150-28880	GUIDE,RATCHET	1				0.04	0.088
070	01754-50812	BOLT,FLANGE	2				0.01	0.022
080	34150-28870	ROD,RATCHET	1				0.09	0.198
090	04012-50060	WASHER,PLAIN	1				0.001	0.0022
100	05511-50212	PIN,SPLIT	1				0.001	0.0022

FRONT AXLE



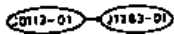
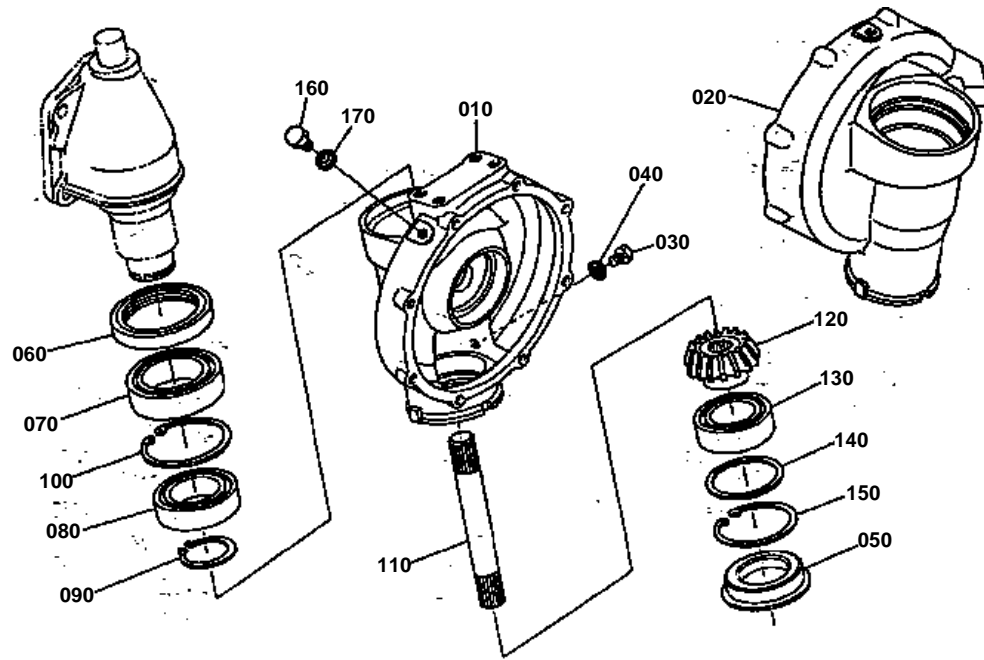


FRONT AXLE

↔ Interchangeable; ≠ not interchangeable; ← new for old; → old for new

REF.No	Part No.	Description	Q'ty	S.No.	I/C	REMARKS	Weight (kgf)	Weight (lb)
010	31353-44110	FLANGE,AXLE	2				3	6.6
020	31353-44130	O RING	2				0.01	0.022
030	01513-50825	STUD	4				0	0
040	04512-50080	WASHER,SPRING	4				0	0
050	02156-50080	NUT	4				0.004	0.0088
060	01123-50825	BOLT	12				0.013	0.0286
070	31333-43940	GEAR,BEVEL 40T	2			FOR FRONT WHEEL 6-14	3.71	8.162
070	31353-43940	GEAR,BEVEL 42T	2			FOR FRONT WHEEL 7-16	5.3	11.66
080	31353-43960	AXLE	2				4	8.8
090	08101-06206	BEARING,BALL	2				0.196	0.4312
100	37650-43670	COLLAR,THRUST	2				0.01	0.022
110	37720-43690	COLLAR	2				0.038	0.0836
120	37650-43680	CIR-CLIP	4				0	0
130	08101-06207	BEARING,BALL	2				0.282	0.6204
140	37650-43530	SEAL,OIL	2				0.062	0.1364

FRONT AXLE CASE

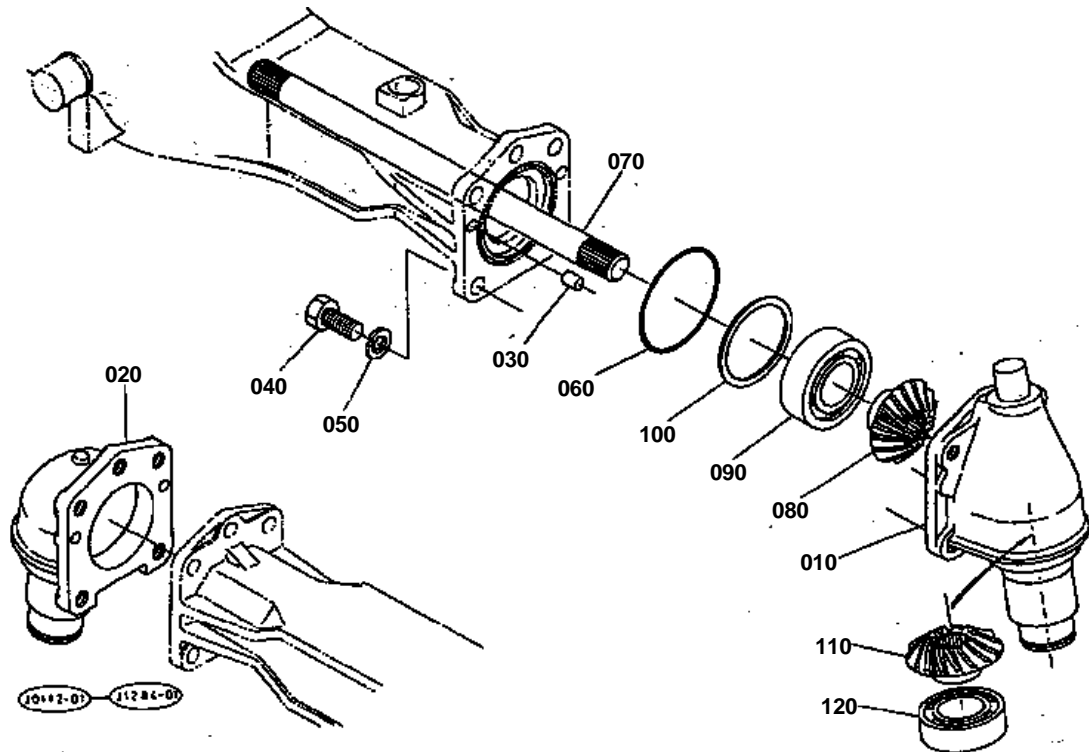




FRONT AXLE CASE

↔ Interchangeable; ≠ not interchangeable; ← new for old; → old for new

REF.No	Part No.	Description	Q'ty	S.No.	I/C	REMARKS	Weight (kgf)	Weight (lb)
010	35000-43822	CASE,AXLE LH	1				9	19.8
020	35000-43832	CASE,AXLE RH	1				8.4	18.48
030	06331-35012	PLUG	2				0.022	0.0484
040	04717-01200	WASHER,WITH RUBBER	2				0.002	0.0044
050	31353-43850	PLUG	2				0.075	0.165
060	31353-43874	SEAL,OIL	2				0	0
070	08101-06012	BEARING,BALL	2				0.41	0.902
080	08101-06010	BEARING,BALL	2				0.262	0.5764
090	04612-00500	CIR-CLIP,EXTERNAL	2				0.009	0.0198
100	04611-00800	CIR-CLIP,INTERNAL	2				0.02	0.044
110	31353-43910	SHAFT,BEVEL GEAR	2				0.67	1.474
120	31333-43930	GEAR,BEVEL 12T	2			FOR FRONT WHEEL 6-14	0.68	1.496
120	32430-43930	GEAR,BEVEL 12T	2			FOR FRONT WHEEL 7-16	0	0
130	08101-06009	BEARING,BALL	2				0.22	0.484
140	31353-43460	SHIM	2			0.8MM	0.01	0.022
140	31353-43480	SHIM	2			1.2MM	0.015	0.033
140	31353-44030	SHIM	2			1.6MM	0.02	0.044
140	31353-44040	SHIM	2			1.8MM	0.02	0.044
140	31353-44050	SHIM	2			2.0MM	0.02	0.044
140	31353-44060	SHIM	2			2.3MM	0.025	0.055
140	31353-44070	SHIM	2			2.6MM	0.04	0.088
150	04611-00750	CIR-CLIP,INTERNAL	2				0.019	0.0418
160	06331-35010	PLUG	2				0.012	0.0264
170	04717-01000	WASHER,WITH RUBBER	2				0.001	0.0022

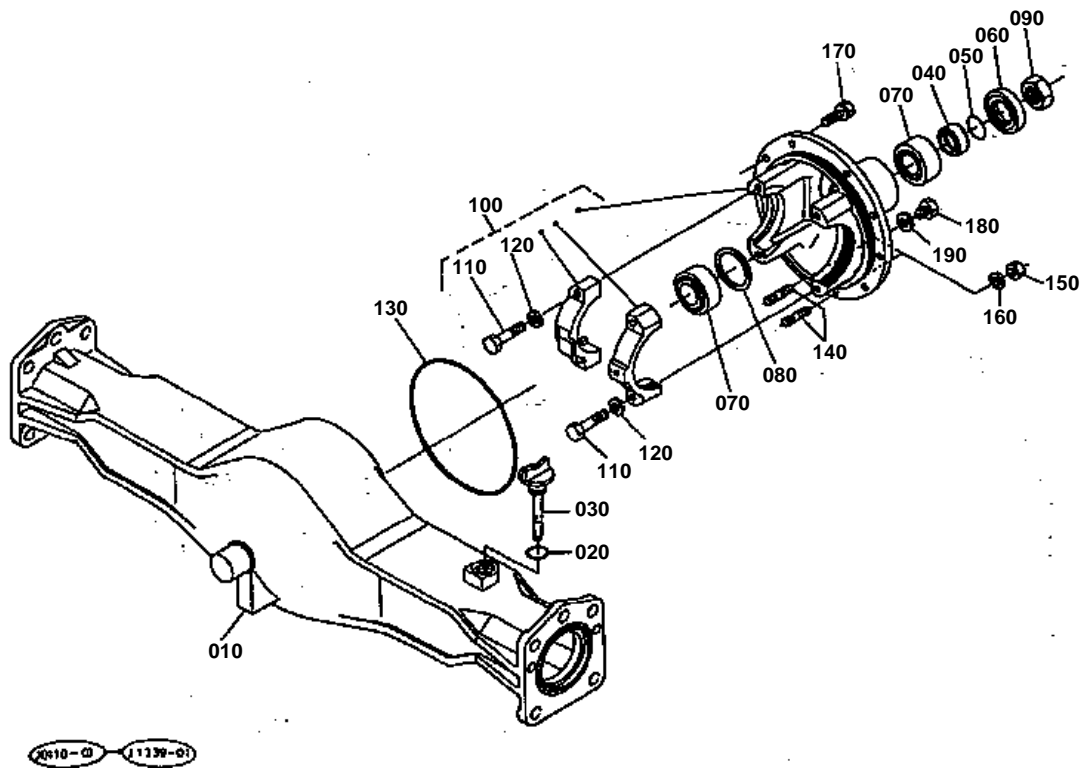


**DIFF. GEAR SHAFT**

↔ Interchangeable; ≠ not interchangeable; ← new for old; → old for new

REF.No	Part No.	Description	Q'ty	S.No.	I/C	REMARKS	Weight (kgf)	Weight (lb)
010	35010-43620	CASE,BEVEL GEAR	1				0	0
020	31353-43614	CASE,BEVEL GEAR	1				0	0
030	31353-43880	PIN,STRAIGHT	4				0.02	0.044
040	01176-51435	BOLT	10				0.056	0.1232
050	04512-50140	WASHER,SPRING	10				0	0
060	04811-10850	RING	2				0.002	0.0044
070	32410-43630	SHAFT,DIFF GEAR LH	2				1.33	2.926
080	31353-43650	GEAR,BEVEL	2			13T	0.46	1.012
090	08101-06208	BEARING,BALL	2				0.355	0.781
100	31353-43750	SHIM	2			0.4MM	0.008	0.0176
100	31353-43760	SHIM	2			0.6MM	0.01	0.022
100	31353-43770	SHIM	2			0.8MM	0.015	0.033
100	31353-43780	SHIM	2			1.0MM	0.014	0.0308
100	31353-43790	SHIM	2			1.2MM	0.015	0.033
110	31353-43660	GEAR,BEVEL	2			15T	0.5	1.1
120	38430-21580	BEARING,BALL	2				0	0

FRONT DIFF. CASE





FRONT DIFF. CASE

↔ Interchangeable; ≠ not interchangeable; ← new for old; → old for new

REF.No	Part No.	Description	Q'ty	S.No.	I/C	REMARKS	Weight (kgf)	Weight (lb)
010	32410-43110	CASE,FRONT AXLE	1				15	33
020	04811-00180	RING	1				0.001	0.0022
030	31353-43122	GAUGE,OIL	1				0.015	0.033
040	31353-43220	COLLAR,SEAL	1				0.035	0.077
050	04811-10250	RING	1				0.001	0.0022
060	09500-32528	SEAL,OIL	1				0.017	0.0374
070	31353-43240	ROLLER,TAPER	2				0.23	0.506
080	31353-43140	SHIM	1			0.4MM	0.003	0.0066
080	31353-43150	SHIM	1			0.6MM	0.001	0.0022
080	31353-43160	SHIM	1			0.8MM	0.01	0.022
080	31353-43170	SHIM	1			1.0MM	0.006	0.0132
080	31353-43180	SHIM	1			1.2MM	0.003	0.0066
090	35260-23252	NUT	1				0.04	0.088
100	31353-43260	ASSY CASE,PINION BRG	1				5	11
110	01173-51040	BOLT	4				0.028	0.0616
120	04512-50100	WASHER,SPRING	4				0	0
130	31353-43250	O RING	1				0.005	0.011
140	01517-51022	STUD	2				0	0
150	02176-50100	NUT	2				0.005	0.011
160	04512-50100	WASHER,SPRING	2				0	0
170	01133-51025	BOLT	8				0.023	0.0506
180	06331-35012	PLUG	1				0.022	0.0484
190	04717-01200	WASHER,WITH RUBBER	1				0.002	0.0044

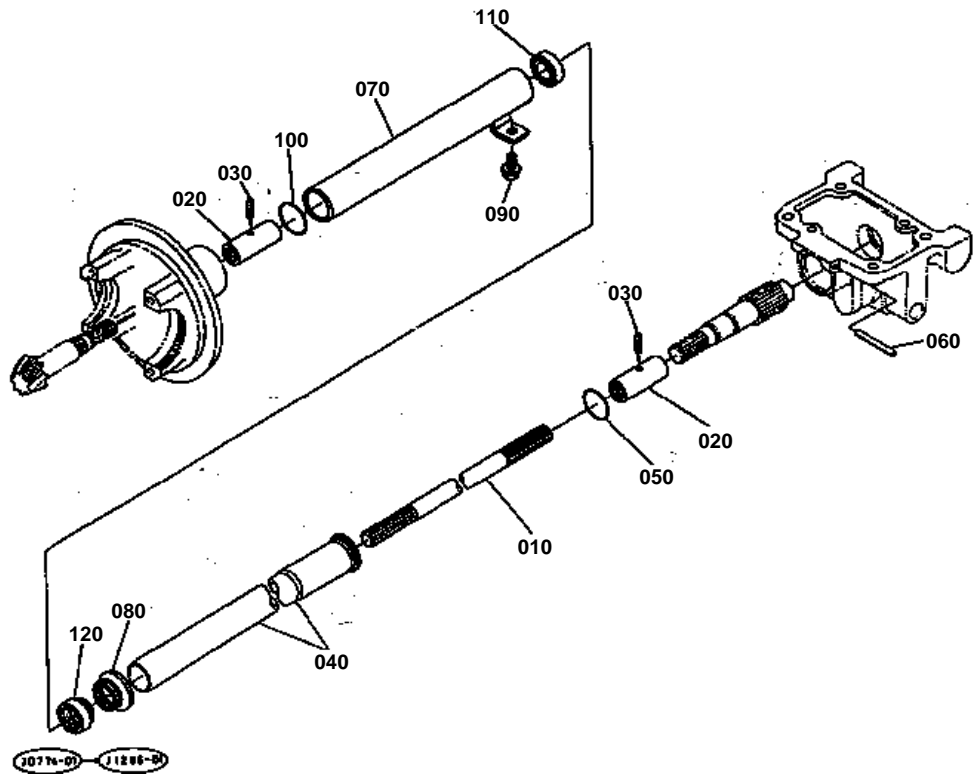


DIFFERENTIAL (FRONT)

↔ Interchangeable; ≠ not interchangeable; ← new for old; → old for new

REF.No	Part No.	Description	Q'ty	S.No.	I/C	REMARKS	Weight (kgf)	Weight (lb)
010	31353-43312	CASE,DIFFERENTIAL	1				1.62	3.564
020	31353-43330	SHAFT,PINION	1				0.13	0.286
030	05012-00628	PIN,STRAIGHT	1				0.006	0.0132
040	31353-43343	PINION,DIFF.	2				0.1	0.22
050	67121-56670	COLLAR,PINION THRUST	2				0.006	0.0132
060	31353-43353	GEAR,DIFF.SIDE	2				0.19	0.418
070	31353-43370	SHIM	2			0.4MM	0.01	0.022
070	31353-43360	SHIM	2			0.6MM	0.01	0.022
070	67211-15170	SHIM	2			0.8MM	0.008	0.0176
070	67211-15160	SHIM	2			1.0MM	0.01	0.022
070	67211-15180	SHIM	2			1.2MM	0.01	0.022
080	31353-43413	PIN,STRAIGHT	2				0.01	0.022
090	36280-42320	BOLT	4				0.042	0.0924
100	08101-06009	BEARING,BALL	1				0.22	0.484
110	31353-43440	SHIM	1			0.4MM	0.005	0.011
110	31353-43450	SHIM	1			0.6MM	0.01	0.022
110	31353-43460	SHIM	1			0.8MM	0.01	0.022
110	31353-43470	SHIM	1			1.0MM	0.01	0.022
110	31353-43480	SHIM	1			1.2MM	0.015	0.033
120	08101-06209	BEARING,BALL	1				0.42	0.924
130	31353-43510	SCREW,ADJUSTING	1				0.16	0.352
140	31353-43530	WASHER,LOCK	1				0.012	0.0264
150	01023-50610	BOLT	1				0.005	0.011
160	31353-99120	ASSY GEAR,SPIRAL DT	1			7-34T	2.3	5.06

PROPELLER SHAFT



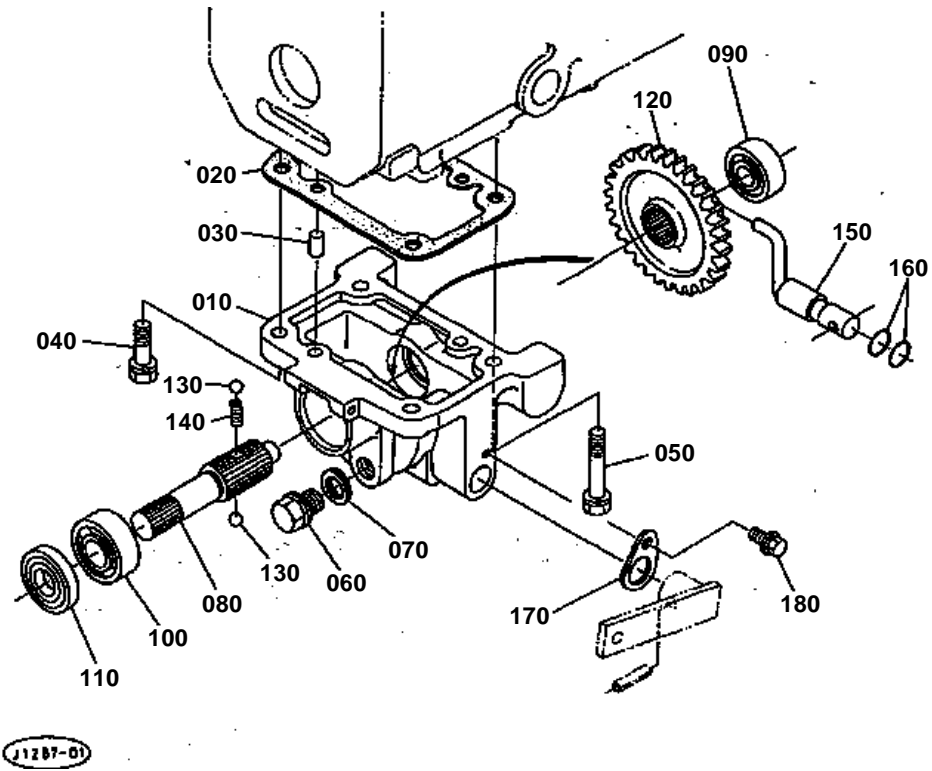


PROPELLER SHAFT

↔ Interchangeable; ≠ not interchangeable; ← new for old; → old for new

REF.No	Part No.	Description	Q'ty	S.No.	I/C	REMARKS	Weight (kgf)	Weight (lb)
010	32400-44520	SHAFT,PROPELLER	1				2.4	5.28
020	31353-44520	COUPLING	2				0	0
030	05411-00430	PIN,SPRING	2				0.002	0.0044
040	32400-44540	COVER,SHAFT	1				1.03	2.266
050	04811-00410	RING	1				0.002	0.0044
060	05411-00560	PIN,SPRING	1				0.006	0.0132
070	35010-44550	COVER,SHAFT	1				0.55	1.21
080	31353-44570	SEAL	1				0.005	0.011
090	01774-51016	BOLT,FLANGE	1				0.02	0.044
100	04811-00420	RING	1				0.002	0.0044
110	08141-06904	BEARING,BALL	1				0.05	0.11
120	32430-44590	RING,OUTER	1				0.01	0.022

DRIVE CASE

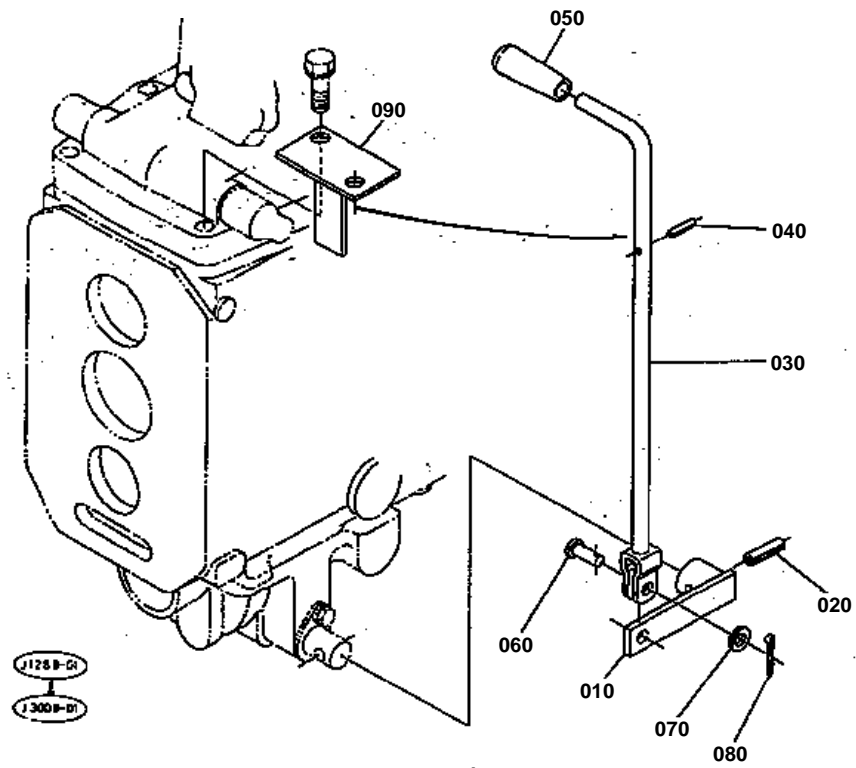


**DRIVE CASE**

↔ Interchangeable; ≠ not interchangeable; ← new for old; → old for new

REF.No	Part No.	Description	Q'ty	S.No.	I/C	REMARKS	Weight (kgf)	Weight (lb)
010	31353-44210	CASE,DRIVE	1				0.9	1.98
020	37150-21282	GASKET	1				0	0
030	05012-01018	PIN,STRAIGHT	2				0.012	0.0264
040	01133-51235	BOLT	2				0.05	0.11
050	01133-51260	BOLT	2				0.06	0.132
060	34150-14260	PLUG,DRAIN	1				0	0
070	04717-02150	WASHER,WITH RUBBER	1				0.004	0.0088
080	31353-44220	SHAFT	1				0.375	0.825
090	08101-06203	BEARING,BALL	1				0.063	0.1386
100	08101-06204	BEARING,BALL	1				0.102	0.2244
110	09502-04710	SEAL,OIL	1				0.022	0.0484
120	31343-44230	GEAR,SHIFT	1			33T	0.565	1.243
130	07715-01605	BALL	2				0.003	0.0066
140	31353-44250	SPRING	1				0.015	0.033
150	31353-44310	LEVER,SHIFT	1				0.16	0.352
160	04811-00150	RING	2				0.001	0.0022
170	31353-44330	STOPPER,LEVER	1				0.01	0.022
180	01754-50816	BOLT,FLANGE	1				0.011	0.0242

FRONT WHEEL DRIVE LEVER

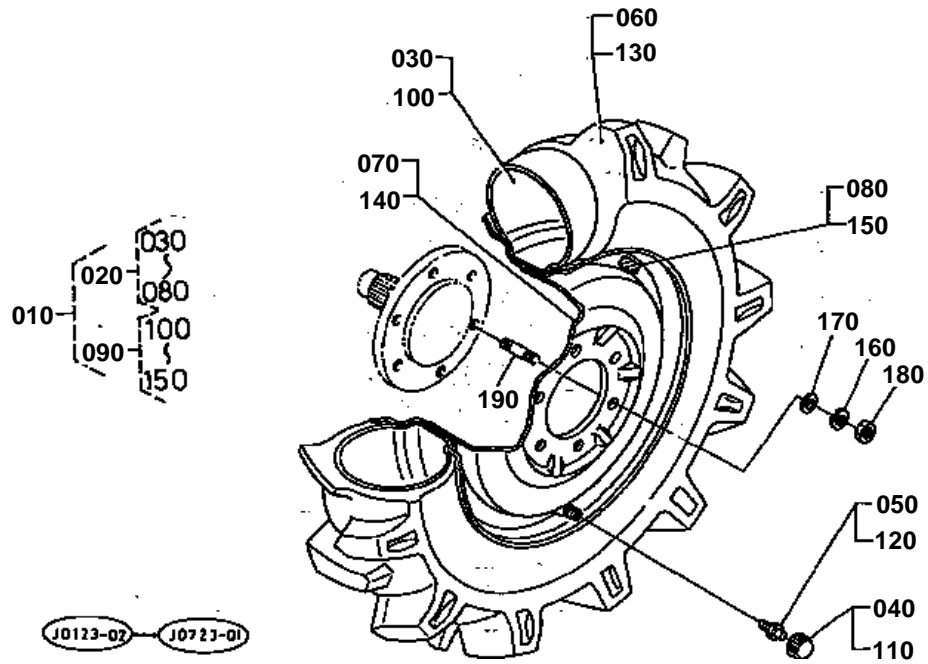




FRONT WHEEL DRIVE LEVER

↔ Interchangeable; ≠ not interchangeable; ← new for old; → old for new

REF.No	Part No.	Description	Q'ty	S.No.	I/C	REMARKS	Weight (kgf)	Weight (lb)
010	35010-44360	LEVER,CHANGE	1				0.2	0.44
020	05411-00625	PIN,SPRING	1				0.004	0.0088
030	35010-44400	LEVER	1				0	0
040	05411-00435	PIN,SPRING	1				0.002	0.0044
050	06914-00120	GRIP,LEVER	1				0.018	0.0396
060	05122-51022	PIN,JOINT	1				0.014	0.0308
070	04013-50100	WASHER,PLAIN	1				0	0
080	05511-50318	PIN,SPLIT	1				0.001	0.0022
090	32400-45730	GUIDE,LEVER	1				0	0



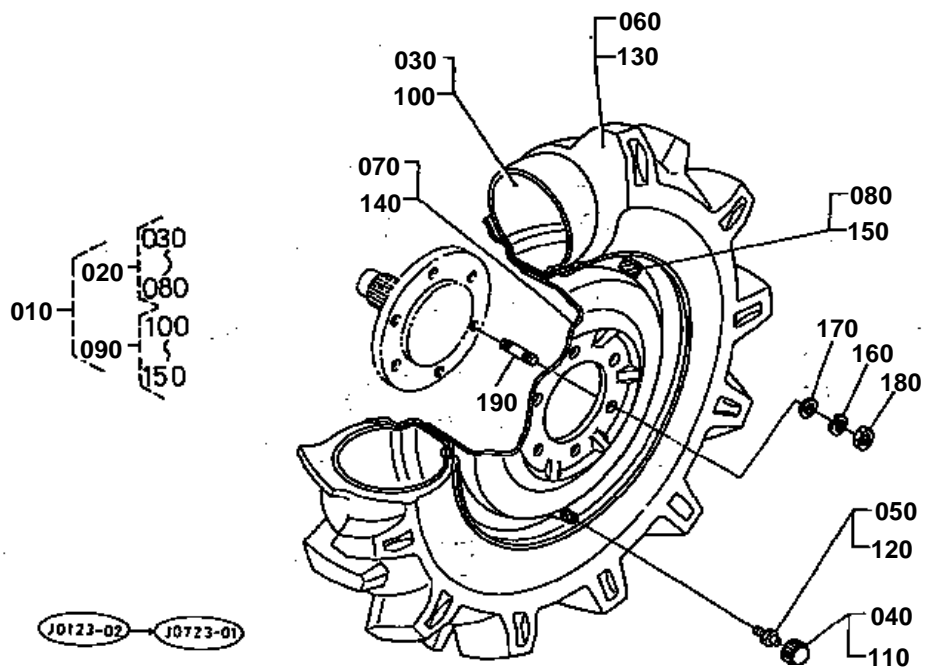


FRONT WHEEL (6-14)

↔ Interchangeable; ≠ not interchangeable; ← new for old; → old for new

REF.No	Part No.	Description	Q'ty	S.No.	I/C	REMARKS	Weight (kgf)	Weight (lb)
010	35010-43700	ASSY FRONT WHEEL	1				38.3	84.26
020	35010-43710	ASSY FRONT WHEEL RH	1				19.25	42.35
030	95016-11120	TUBE	1				0.77	1.694
040	38240-11690	CAP, VALVE	1				0.001	0.0022
050	32150-27740	CORE, VALVE	1				0.003	0.0066
060	38380-43740	TIRE	1				8.8	19.36
070	35010-43730	WHEEL	1				9	19.8
080	35010-43770	LABEL, TIRE RH	1				0.005	0.011
090	35010-43720	ASSY FRONT WHEEL LH	1				0	0
100	95016-11120	TUBE	1				0.77	1.694
110	38240-11690	CAP, VALVE	1				0.001	0.0022
120	32150-27740	CORE, VALVE	1				0.003	0.0066
130	38380-43740	TIRE	1				8.8	19.36
140	35010-43730	WHEEL	1				9	19.8
150	35010-43780	LABEL, TIRE RH	1				0.001	0.0022
160	04512-50140	WASHER, SPRING	12				0	0
170	04013-50140	WASHER, PLAIN	12				0	0
180	02176-50140	NUT	12				0.014	0.0308
190	35450-49160	STUD	12				0.05	0.11

FRONT WHEEL (7-16)

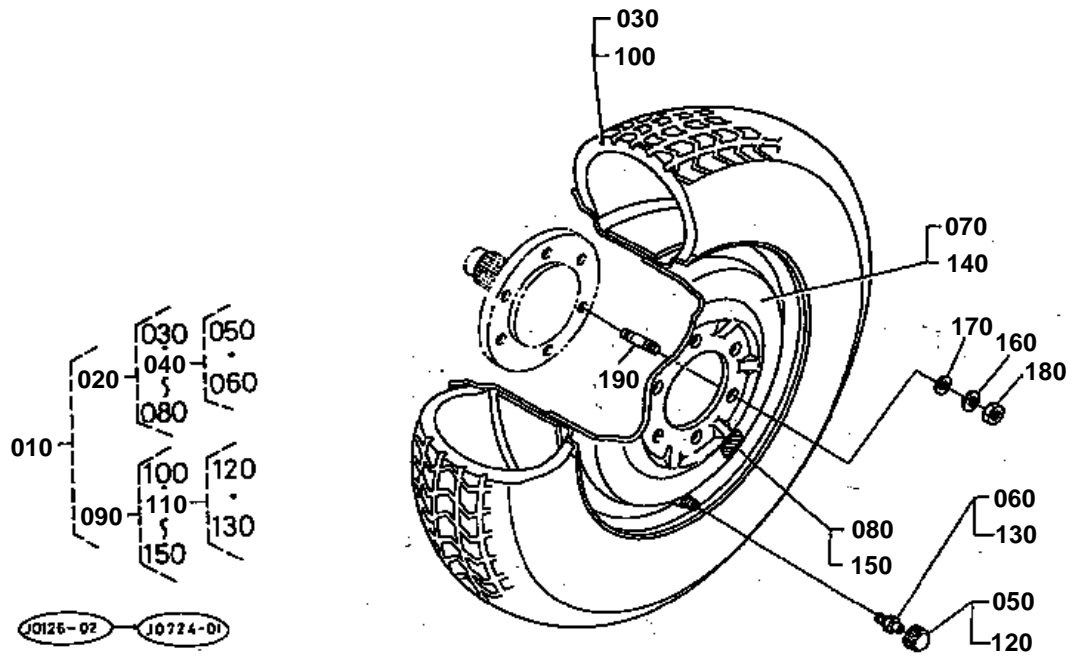




FRONT WHEEL (7-16)

↔ Interchangeable; ≠ not interchangeable; ← new for old; → old for new

REF.No	Part No.	Description	Q'ty	S.No.	I/C	REMARKS	Weight (kgf)	Weight (lb)
010	32470-43700	ASSY FRONT WHEEL	1				46	101.2
020	32470-43710	ASSY FRONT WHEEL RH	1				22.7	49.94
030	35220-43750	TUBE	1				1.13	2.486
040	38240-11690	CAP, VALVE	1				0.001	0.0022
050	32150-27740	CORE, VALVE	1				0.003	0.0066
060	38440-43740	TIRE	1				9.66	21.252
070	32470-43730	WHEEL	1				11.48	25.256
080	32470-43770	LABEL, TIRE RH	1				0.001	0.0022
090	32470-43720	ASSY FRONT WHEEL LH	1				22.7	49.94
100	35220-43750	TUBE	1				1.13	2.486
110	38240-11690	CAP, VALVE	1				0.001	0.0022
120	32150-27740	CORE, VALVE	1				0.003	0.0066
130	38440-43740	TIRE	1				9.66	21.252
140	32470-43730	WHEEL	1				11.48	25.256
150	32470-43780	LABEL, TIRE LH	1				0.001	0.0022
160	04512-50140	WASHER, SPRING	12				0	0
170	04013-50140	WASHER, PLAIN	12				0	0
180	02176-50140	NUT	12				0.014	0.0308
190	35450-49160	STUD	12				0.05	0.11

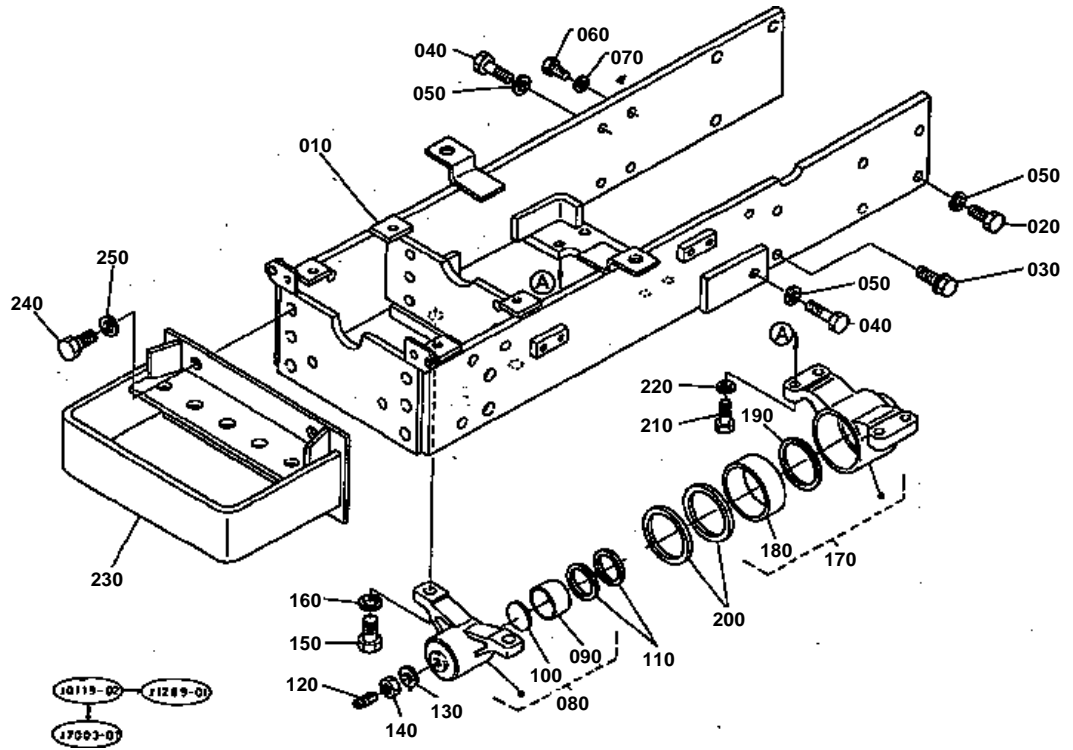


**FRONT WHEEL (24X8.50-14)**

↔ Interchangeable; ≠ not interchangeable; ← new for old; → old for new

REF.No	Part No.	Description	Q'ty	S.No.	I/C	REMARKS	Weight (kgf)	Weight (lb)
010	32400-11500	ASSY FRONT WHEEL	1				36	79.2
020	32400-11510	ASSY FRONT WHEEL RH	1				8	17.6
030	32410-11540	TIRE	1				5	11
040	34159-11850	VALVE,TIRE	1				0.013	0.0286
050	38240-11690	CAP,VALVE	1				0.001	0.0022
060	32150-27740	CORE,VALVE	1				0.003	0.0066
070	32470-11840	ASSY WHEEL	1				10.8	23.76
080	32400-11680	LABEL,TIRE RH	1				0.005	0.011
090	32400-11520	ASSY FRONT WHEEL LH	1				8	17.6
100	32410-11540	TIRE	1				5	11
110	34159-11850	VALVE,TIRE	1				0.013	0.0286
120	38240-11690	CAP,VALVE	1				0.001	0.0022
130	32150-27740	CORE,VALVE	1				0.003	0.0066
140	32470-11840	ASSY WHEEL	1				10.8	23.76
150	32400-11670	LABEL,TIRE LH	1				0.005	0.011
160	04512-50140	WASHER,SPRING	12				0	0
170	04013-50140	WASHER,PLAIN	12				0	0
180	02176-50140	NUT	12				0.014	0.0308
190	35450-49160	STUD	12				0.05	0.11

FRONT AXLE FRAME



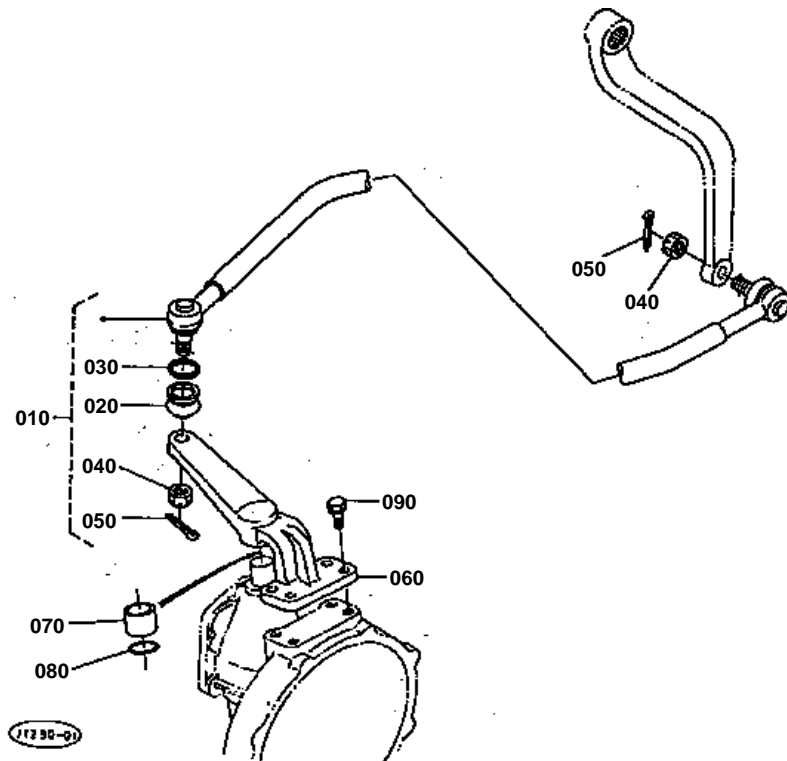


FRONT AXLE FRAME

↔ Interchangeable; ≠ not interchangeable; ← new for old; → old for new

REF.No	Part No.	Description	Q'ty	S.No.	I/C	REMARKS	Weight (kgf)	Weight (lb)
010	32400-44710	FRAME,FRONT AXLE	1				0	0
020	01176-51235	BOLT	9				0.041	0.0902
030	01774-51225	BOLT,FLANGE	1				0.04	0.088
040	01176-51245	BOLT	4				0.05	0.11
050	04512-50120	WASHER,SPRING	13				0	0
060	01176-51030	BOLT	1				0	0
070	04512-50100	WASHER,SPRING	1				0	0
080	31353-44700	ASSY BRACKET,F-AXLE	1				1.065	2.343
090	08511-03525	BUSH	1				0.006	0.0132
100	38440-44674	COLLAR	1				0.03	0.066
110	38440-44830	SEAL,OIL	2				0.005	0.011
120	32400-44760	SET BOLT	1				0.015	0.033
130	31353-44770	WASHER,SEAL	1				0.005	0.011
140	02172-50120	NUT	1				0.01	0.022
150	01173-51430	BOLT	2				0.052	0.1144
160	04512-50140	WASHER,SPRING	2				0	0
170	31353-44800	ASSY BRACKET,F-AXLE	1				0	0
180	38440-44630	BUSH	1				0.1	0.22
190	31353-44830	COLLAR,THRUST	1				0.03	0.066
200	38440-44820	SEAL,OIL	2				0.01	0.022
210	38240-13180	BOLT,REAMER	4				0.04	0.088
220	04512-50120	WASHER,SPRING	4				0	0
230	32400-13810	BUMPER	1				6	13.2
240	01173-51435	BOLT	4				0.056	0.1232
250	04512-50140	WASHER,SPRING	4				0	0

DRAG LINKAGE

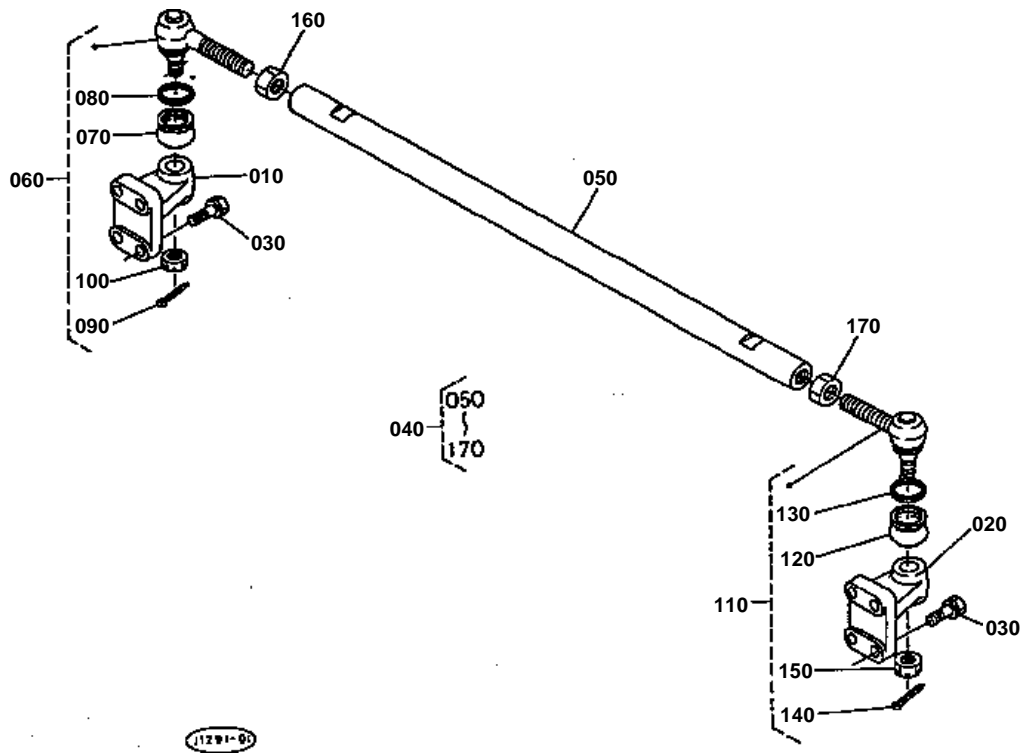


**DRAG LINKAGE**

↔ Interchangeable; ≠ not interchangeable; ← new for old; → old for new

REF.No	Part No.	Description	Q'ty	S.No.	I/C	REMARKS	Weight (kgf)	Weight (lb)
010	32400-43970	ASSY LINK,DRAG	1			MANUAL STRG.	2.6	5.72
010	32400-45610	ASSY LINK,DRAG(PS)	1			POWER STRG.	3.07	6.754
020	35270-12650	COVER,DUST	2			POWER STRG.	0.01	0.022
020	38240-12650	COVER,DUST	2			MANUAL STRG.	0.01	0.022
030	35270-12660	CLIP	2			POWER STRG.	0.005	0.011
030	38240-12660	CLIP	2			MANUAL STRG.	0.005	0.011
040	35270-12670	NUT	2			POWER STRG.	0.014	0.0308
040	38240-12830	NUT	2			MANUAL STRG.	0.008	0.0176
050	05511-50325	PIN,SPLIT	2			MANUAL STRG.	0.002	0.0044
050	05511-50328	PIN,SPLIT	2			POWER STRG.	0.002	0.0044
060	32400-45460	END,DRAG LINK(PS)	1			POWER STRG.	1.86	4.092
060	35000-43910	END,DRAG LINK	1			MANUAL STRG.	1.84	4.048
070	37800-43890	BUSH	1			MANUAL STRG.	0.035	0.077
080	04811-00260	RING	1			MANUAL STRG.	0.001	0.0022
090	01133-51030	BOLT	4			MANUAL STRG.	0.025	0.055

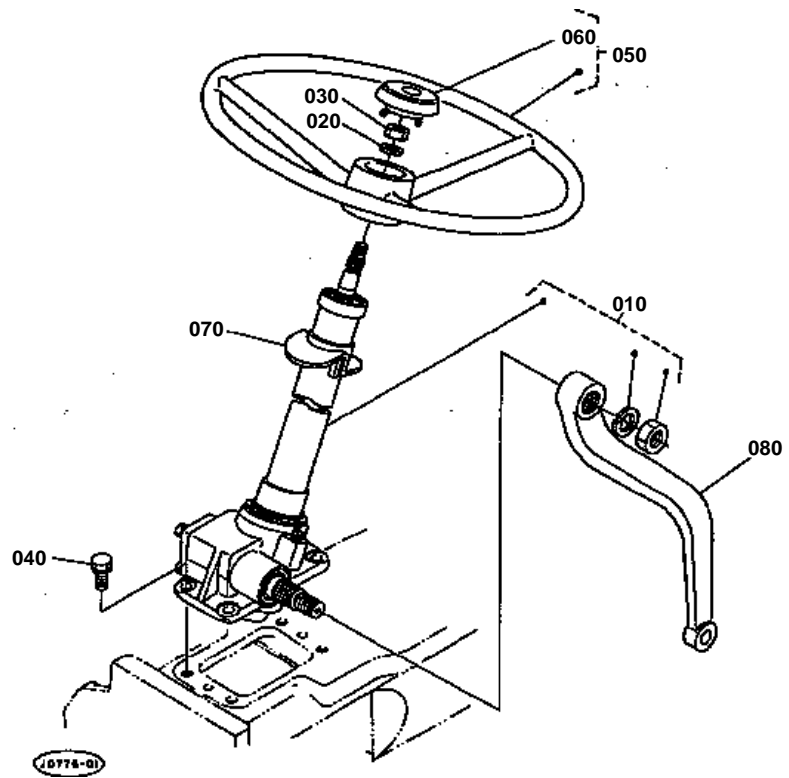
TIE ROD



**TIE ROD**

↔ Interchangeable; ≠ not interchangeable; ← new for old; → old for new

REF.No	Part No.	Description	Q'ty	S.No.	I/C	REMARKS	Weight (kgf)	Weight (lb)
010	37650-43950	ARM, KNUCKLE RH	1				0.475	1.045
020	37650-43940	ARM, KNUCKLE LH	1				0.46	1.012
030	01133-51030	BOLT	8				0.025	0.055
040	35220-43990	ASSY ROD, TIE	1				3.3	7.26
050	35220-43960	ROD, TIE	1				2.5	5.5
060	38440-44780	ASSY END, TIE ROD RH	1				0.322	0.7084
070	38240-12650	COVER, DUST	1				0.01	0.022
080	38240-12660	CLIP	1				0.005	0.011
090	05511-50325	PIN, SPLIT	1				0.002	0.0044
100	38240-12830	NUT	1				0.008	0.0176
110	38440-44790	ASSY END, TIE ROD LH	1				0.32	0.704
120	38240-12650	COVER, DUST	1				0.01	0.022
130	38240-12660	CLIP	1				0.005	0.011
140	05511-50325	PIN, SPLIT	1				0.002	0.0044
150	38240-12830	NUT	1				0.008	0.0176
160	02172-50160	NUT	1				0.017	0.0374
170	32240-12280	NUT	1				0.017	0.0374

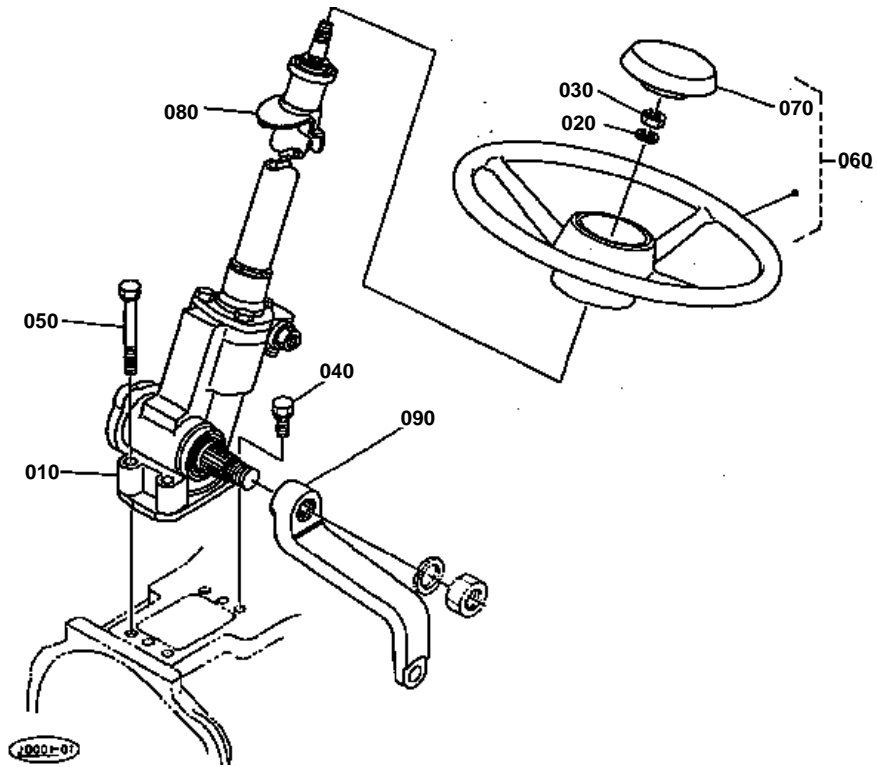




MANUAL STEERING AND HANDLE

↔ Interchangeable; ≠ not interchangeable; ← new for old; → old for new

REF.No	Part No.	Description	Q'ty	S.No.	I/C	REMARKS	Weight (kgf)	Weight (lb)
010	32400-16100	ASSY STEERING	1			REFER TO L.NO.0E15-L0 FOR COMPONENTS	7	15.4
020	04512-50120	WASHER,SPRING	1				0	0
030	02176-50120	NUT	1				0.01	0.022
040	01133-51025	BOLT	4				0.023	0.0506
050	66611-41400	ASSY WHEEL, STEERING	1				0	0
060	66611-41420	CAP,STEERING WHEEL	1				0.026	0.0572
070	32400-16850	COVER,POST	1				0.03	0.066
080	35260-43930	ARM,PITMAN	1				1.19	2.618

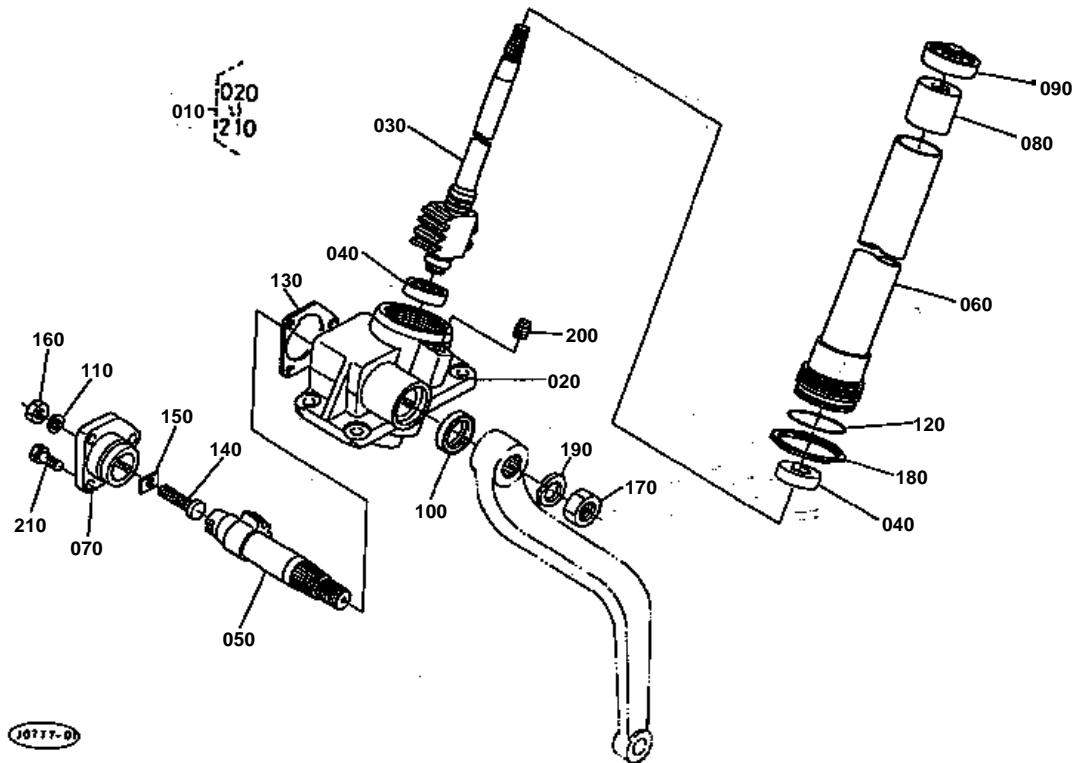




POWER STEERING AND HANDLE

↔ Interchangeable; ≠ not interchangeable; ← new for old; → old for new

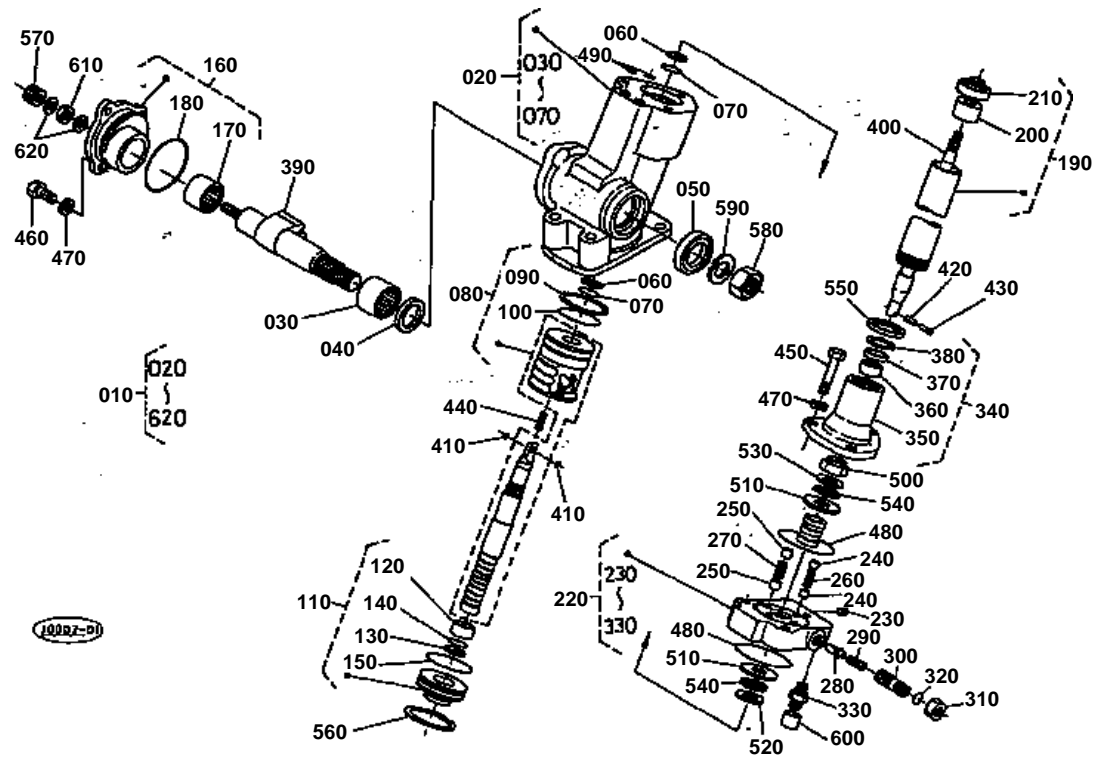
REF.No	Part No.	Description	Q'ty	S.No.	I/C	REMARKS	Weight (kgf)	Weight (lb)
010	35270-16100	ASSY STEERING, POWER	1			REFER TO L.NO.0E16-L0 FOR COMPONENTS	14.5	31.9
020	04512-50120	WASHER,SPRING	1				0	0
030	02176-50120	NUT	1				0.01	0.022
040	01133-51025	BOLT	2				0.023	0.0506
050	01133-51085	BOLT	2				0.05	0.11
060	66611-41400	ASSY WHEEL, STEERING	1				0	0
070	66611-41420	CAP,STEERING WHEEL	1				0.026	0.0572
080	35010-16860	COVER,HANDLE POST	1				0.04	0.088
090	35270-16910	ARM,PITMAN	1				2.1	4.62



**MANUAL STEERING [COMPONENT PARTS]**

↔ Interchangeable; ≠ not interchangeable; ← new for old; → old for new

REF.No	Part No.	Description	Q'ty	S.No.	I/C	REMARKS	Weight (kgf)	Weight (lb)
010	32400-16100	ASSY STEERING	1				7	15.4
020	32400-16110	CASE,GEAR	1				2.5	5.5
030	35200-16200	COMP.NUT,BALL	1				1.31	2.882
040	38260-16210	BEARING,THRUST BALL	2				0.06	0.132
050	35240-16120	SHAFT,SECTOR	1				0	0
060	38240-16300	COMP.CULUMN,STEERING	1				1.21	2.662
070	34150-16410	COVER,SIDE	1				0.361	0.7942
080	38240-16520	BUSH,STEERING POST	1				0.04	0.088
090	38240-16390	SEAL,OIL	1				0.03	0.066
100	09500-26387	SEAL,OIL	1				0.008	0.0176
110	38430-16490	WASHER,SEAL	1				0.015	0.033
120	38240-16320	O RING	1				0.002	0.0044
130	34150-16420	GASKET	1				0.001	0.0022
140	32130-16480	SCREW,ADJUSTING	1				0.025	0.055
150	34150-16440	COLLAR,ADJUSTING	1				0.002	0.0044
150	34150-16450	COLLAR,ADJUSTING	1				0.002	0.0044
150	34150-16460	COLLAR,ADJUSTING	1				0.002	0.0044
150	34150-16470	COLLAR,ADJUSTING	1				0.002	0.0044
150	34150-16480	COLLAR,ADJUSTING	1				0.002	0.0044
160	02116-50100	NUT	1				0.004	0.0088
170	02172-50200	NUT	1				0.03	0.066
180	38240-16630	NUT	1				0.035	0.077
190	04512-50200	WASHER,SPRING	1				0	0
200	34150-16640	PLUG	1				0.015	0.033
210	01123-50820	BOLT	3				0.011	0.0242





POWER STEERING [COMPONENT PARTS]

↔ Interchangeable; ≠ not interchangeable; ← new for old; → old for new

REF.No	Part No.	Description	Q'ty	S.No.	I/C	REMARKS	Weight (kgf)	Weight (lb)
010	35270-16100	ASSY STEERING,POWER	1				14.5	31.9
020	35270-16110	ASSY BOX,GEAR	1				5.28	11.616
030	35270-16130	BEARING,NEEDLE	1				0.09	0.198
040	35270-16140	GASKET	1				0.005	0.011
050	35270-16150	SEAL,OIL	1				0.015	0.033
060	35270-16160	RING	2				0.002	0.0044
070	04811-10300	RING	2				0.001	0.0022
080	35270-16200	ASSY NUT,BALL	1				2.36	5.192
090	35270-16210	RING	1				0	0
100	04811-50500	RING	1				0.001	0.0022
110	35270-16300	ASSY COVER,FRONT	1				0.3	0.66
120	35270-16320	BEARING,NEEDLE	1				0.02	0.044
130	35270-16160	RING	1				0.002	0.0044
140	04811-10300	RING	1				0.001	0.0022
150	35270-16340	O RING	1				0.003	0.0066
160	35270-16400	ASSY COVER,SIDE	1				0.75	1.65
170	35270-16420	BEARING,NEEDLE	1				0.045	0.099
180	04811-50600	RING	1				0.002	0.0044
190	35270-16500	ASSY COLUMN,STEERING	1				0.81	1.782
200	38240-16520	BUSH	1				0.04	0.088
210	38240-16390	SEAL,OIL	1				0.03	0.066
220	35350-66300	ASSY VALVE	1				2	4.4
230	38430-66790	PLUG	2				0.003	0.0066
240	38430-66330	PISTON	4				0.005	0.011
250	38430-66320	PISTON	4				0.01	0.022
260	38430-66350	SPRING	2				0.003	0.0066
270	38430-66340	SPRING	2				0.01	0.022
280	38430-66370	POPPET	1				0.01	0.022
290	38430-66380	SPRING	1				0.015	0.033
300	38430-66390	SCREW,ADJUSTING	1				0.04	0.088
310	38430-66360	NUT	1				0.03	0.066
320	04811-00180	RING	1				0.001	0.0022
330	38430-45230	NIPPLE	2				0.04	0.088
340	35350-16400	ASSY COVER,REAR	1				1.4	3.08
350	38430-66420	COVER,REAR	1				0.81	1.782
360	38430-66440	BEARING,NEEDLE	1				0.015	0.033
370	38430-66450	SEAL,OIL	1				0.01	0.022
380	04611-00320	CIR-CLIP,INTERNAL	1				0.002	0.0044
390	35270-16600	ASSY SHAFT,SECTOR	1				1.17	2.574
400	35270-16640	COMP SHAFT,STEERING	1				0.48	1.056
410	38240-16530	O RING	2				0.001	0.0022
420	05411-00518	PIN,SPRING	1				0.002	0.0044
430	35350-66820	RIVET	1				0.003	0.0066
440	38240-16490	SPRING	1				0.005	0.011
450	38430-66660	BOLT	3				0.05	0.11
460	35270-16650	BOLT	4				0.02	0.044
470	04512-50100	WASHER,SPRING	7				0	0
480	04811-10700	RING	2				0.001	0.0022
490	04811-00080	RING	2				0.001	0.0022
500	38430-66650	NUT	1				0.065	0.143
510	38430-66630	RING,DRIVE	2				0.06	0.132
520	38430-66610	RING,DRIVE	1				0.05	0.11
530	35270-16660	RING,DRIVE	1				0.01	0.022
540	38430-66640	BEARING,NEEDLE	2				0.01	0.022
550	38430-66740	NUT	1				0.02	0.044
560	04611-00630	CIR-CLIP,INTERNAL	1				0.012	0.0264
570	35270-16700	NUT,CAP	1				0.11	0.242
580	35270-16680	NUT	1				0.07	0.154
590	04512-50220	WASHER,SPRING	1				0	0

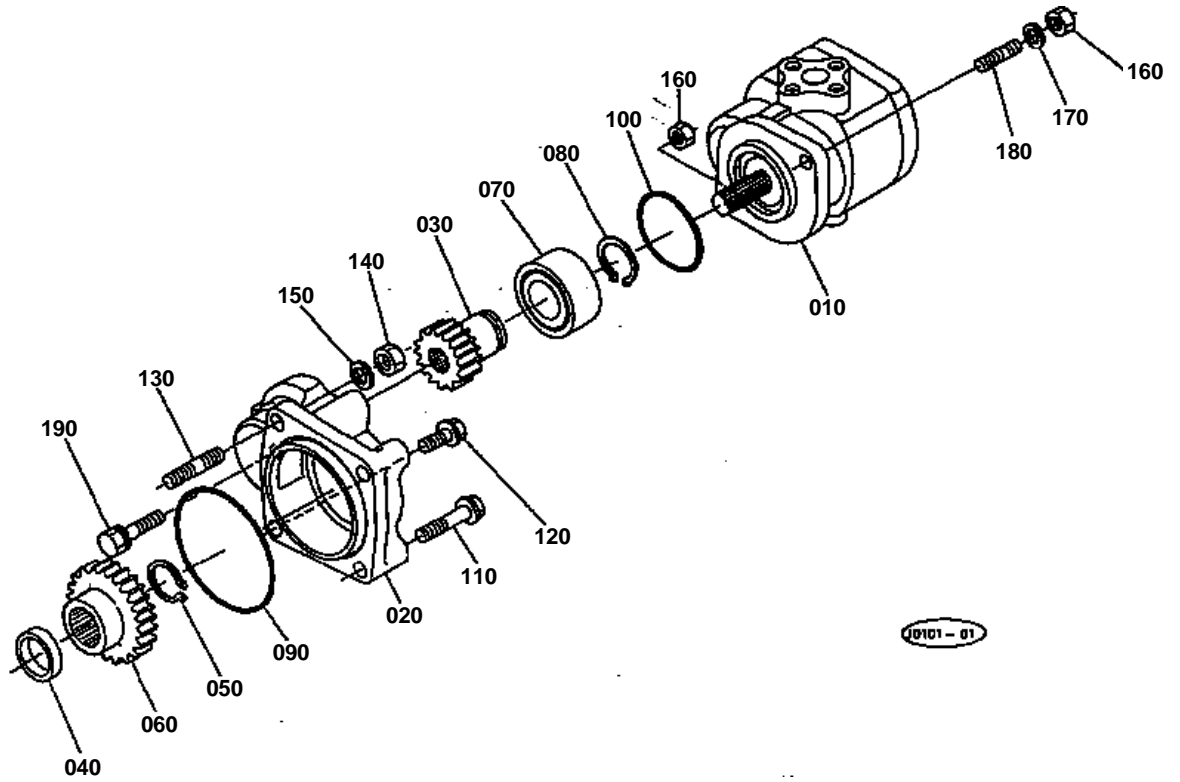


POWER STEERING [COMPONENT PARTS]

↔ Interchangeable; ≠ not interchangeable; ← new for old; → old for new

REF.No	Part No.	Description	Q'ty	S.No.	I/C	REMARKS	Weight (kgf)	Weight (lb)
600	38430-66800	PLUG	2				0.01	0.022
610	35270-16670	NUT	1				0.005	0.011
620	35270-16690	GASKET	2				0.001	0.0022

HYDRAULIC PUMP

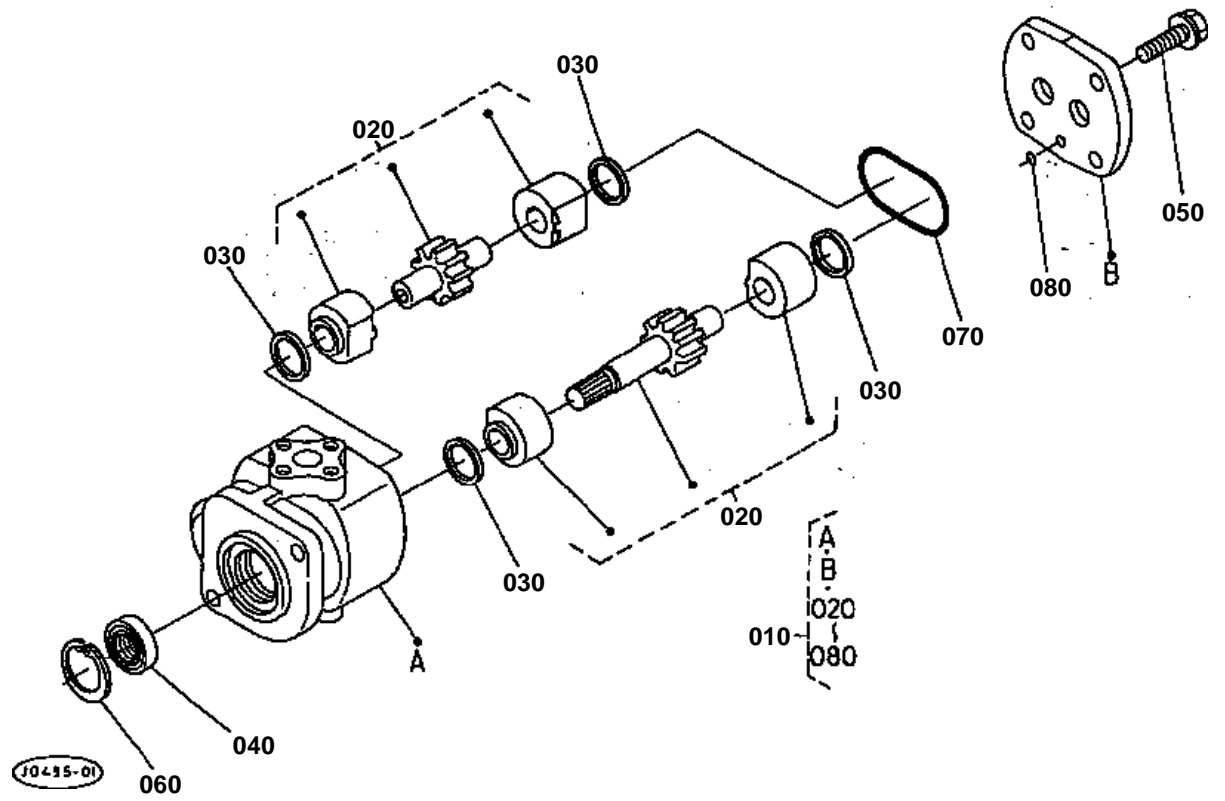


**HYDRAULIC PUMP**

↔ Interchangeable; ≠ not interchangeable; ← new for old; → old for new

REF.No	Part No.	Description	Q'ty	S.No.	I/C	REMARKS	Weight (kgf)	Weight (lb)
010	31351-76102	ASSY PUMP, HYDRAULIC	1			REFER TO L.NO.0F03-L0 FOR COMPONENTS	1.86	4.092
020	31351-38613	HOLDER,PUMP	1				0.38	0.836
030	32430-38630	GEAR	1		21T		0.14	0.308
040	34150-37820	COLLAR	1				0.05	0.11
050	04612-00250	CIR-CLIP,EXTERNAL	1				0.002	0.0044
060	35260-37810	GEAR,HYD.PUMP DRIVE	1		47T		0.35	0.77
070	08241-05205	BEARING,BALL	1				0.177	0.3894
080	04612-00250	CIR-CLIP,EXTERNAL	1				0.002	0.0044
090	04811-10850	RING	1				0.002	0.0044
100	04811-10500	RING	1				0.001	0.0022
110	01754-50840	BOLT,FLANGE	2				0.02	0.044
120	01754-50820	BOLT,FLANGE	1				0.015	0.033
130	38240-36330	STUD	1				0.008	0.0176
140	02156-50080	NUT	1				0.004	0.0088
150	04512-50080	WASHER,SPRING	1				0	0
160	02156-50080	NUT	2				0.004	0.0088
170	04512-50080	WASHER,SPRING	1				0	0
180	01513-50820	STUD	1				0	0
190	01123-50835	BOLT	1				0.02	0.044

HYDRAULIC PUMP [COMPONENT PARTS]



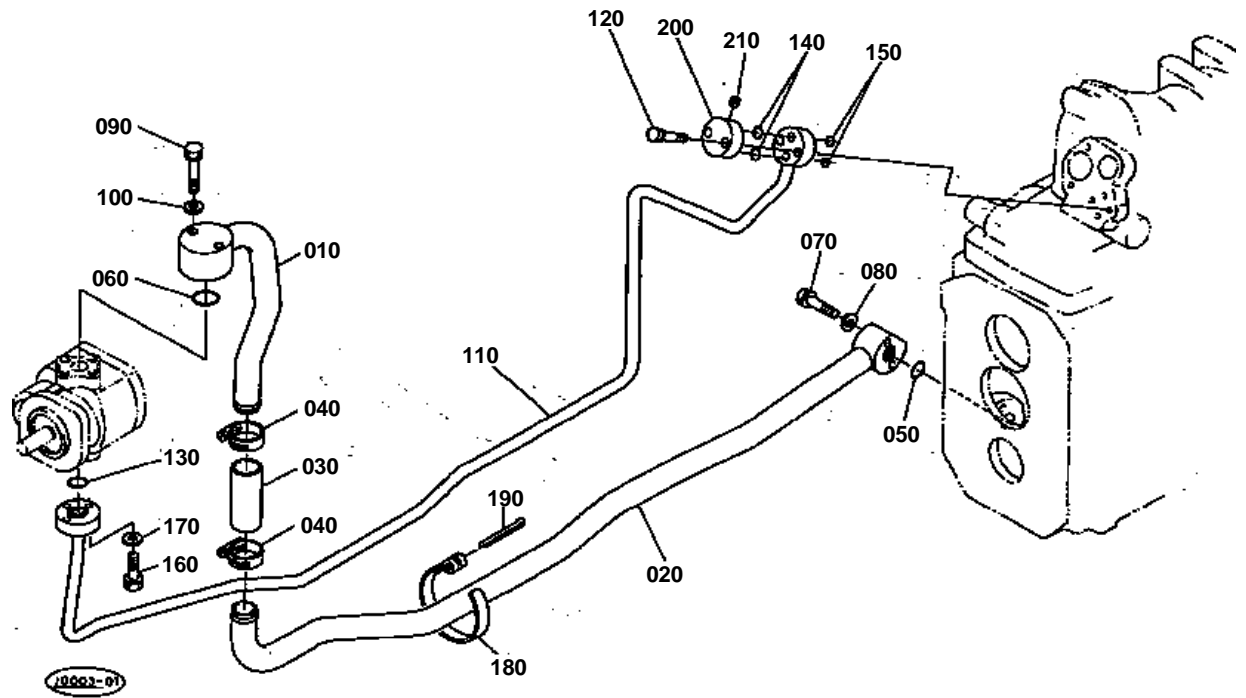


HYDRAULIC PUMP [COMPONENT PARTS]

↔ Interchangeable; ≠ not interchangeable; ← new for old; → old for new

REF.No	Part No.	Description	Q'ty	S.No.	I/C	REMARKS	Weight (kgf)	Weight (lb)
010	31351-76102	ASSY PUMP, HYDRAULIC	1				1.86	4.092
020	31351-76202	COMP. GEAR AND METAL	1				0.49	1.078
030	38180-76172	SQUARE RING	4				0.002	0.0044
040	31381-76390	SEAL, OIL	1				0.01	0.022
050	31351-76240	BOLT, FLANGE	4				0.26	0.572
060	04611-00300	CIR-CLIP, INTERNAL	1				0.004	0.0088
070	04810-50550	RING	1				0.002	0.0044
080	04810-00050	RING	1				0.001	0.0022

HYDRAULIC OIL LINE



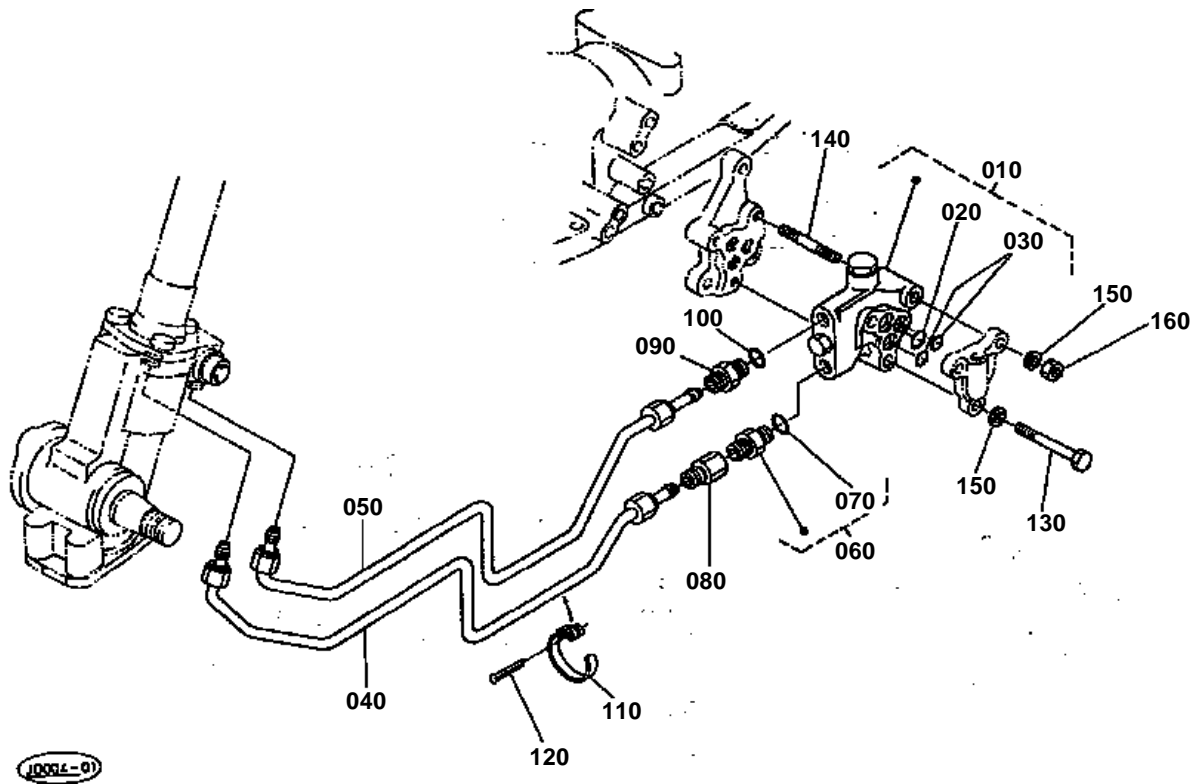


HYDRAULIC OIL LINE

↔ Interchangeable; ≠ not interchangeable; ← new for old; → old for new

REF.No	Part No.	Description	Q'ty	S.No.	I/C	REMARKS	Weight (kgf)	Weight (lb)
010	32400-45860	PIPE,INLET	1				0	0
020	32400-45870	PIPE,INLET	1				1.25	2.75
030	34350-37774	PIPE,RUBBER	1				0.06	0.132
040	31351-38180	BAND,PIPE	2				0.02	0.044
050	04811-00200	RING	1				0.001	0.0022
060	04811-00220	RING	1				0.001	0.0022
070	01123-50850	BOLT	2				0.02	0.044
080	04013-50080	WASHER,PLAIN	2				0	0
090	01123-50848	BOLT	2				0.02	0.044
100	04013-50080	WASHER,PLAIN	2				0	0
110	32400-45880	COMP.PIPE,DELIVERY	1				0.9	1.98
120	01123-50850	BOLT	2				0.02	0.044
130	04810-00200	RING	1				0.001	0.0022
140	04810-00120	RING	2				0.001	0.0022
150	04810-00100	RING	2				0.001	0.0022
160	01023-50625	BOLT	3				0.007	0.0154
170	04013-50060	WASHER,PLAIN	3				0	0
180	37150-38950	BAND,PIPE	1				0.02	0.044
190	33430-82760	PIN,BAND	1				0.004	0.0088
200	31351-38310	CAP	1				0.135	0.297
210	06312-10010	PLUG	1				0.007	0.0154

FLOW PRIORITY VALVE(POWER STRG.)

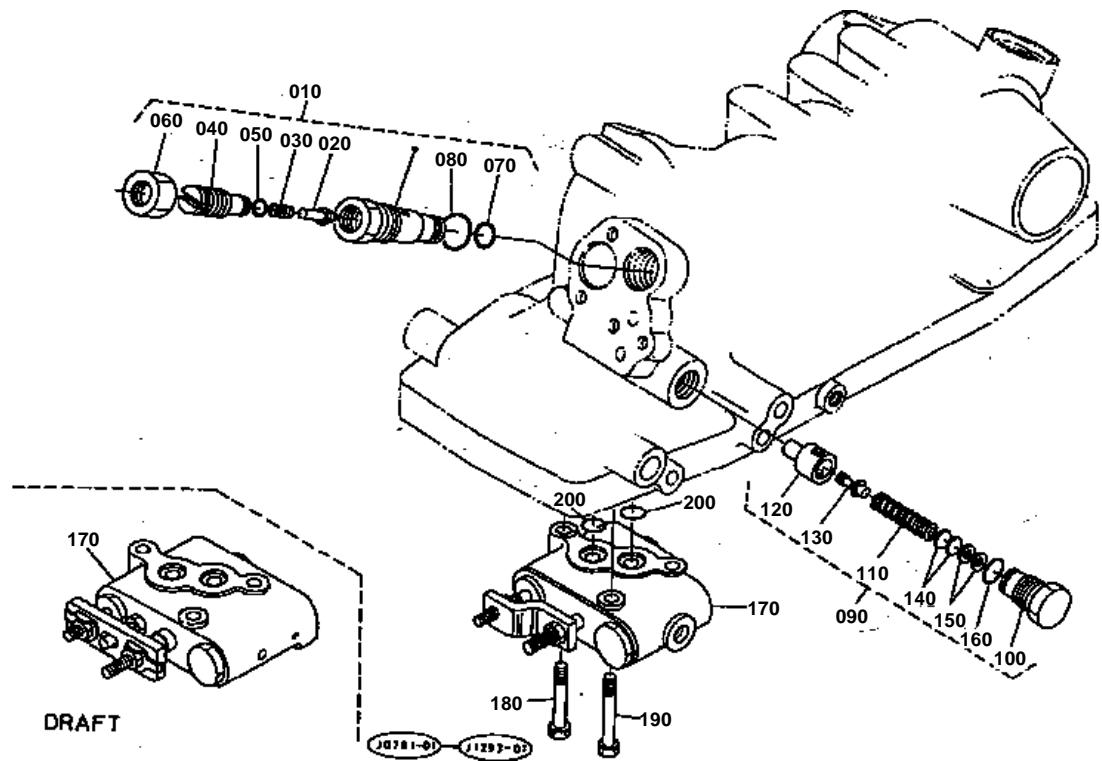


**FLOW PRIORITY VALVE(POWER STRG.)**

↔ Interchangeable; ≠ not interchangeable; ← new for old; → old for new

REF.No	Part No.	Description	Q'ty	S.No.	I/C	REMARKS	Weight (kgf)	Weight (lb)
010	35270-16710	ASSY VALVE,PRIORITY	1				1.7	3.74
020	04810-00160	RING	1				0.001	0.0022
030	04810-00120	RING	2				0.001	0.0022
040	32400-16720	ASSY PIPE	1				0.23	0.506
050	32400-16760	ASSY PIPE	1				0.22	0.484
060	35330-16770	COMP CONNECTOR	1				0.065	0.143
070	04810-00140	RING	1				0.001	0.0022
080	35330-16790	NIPPLE	1				0.05	0.11
090	35270-16790	JOINT,PIPE	1				0.05	0.11
100	04810-00140	RING	2				0.001	0.0022
110	67111-53770	BAND,PIPE	1				0.01	0.022
120	33430-82760	PIN,BAND	1				0.004	0.0088
130	01153-50880	BOLT	1				0.03	0.066
140	01513-50870	STUD	2				0.029	0.0638
150	04512-50080	WASHER,SPRING	3				0	0
160	02114-50080	NUT	2				0.005	0.011

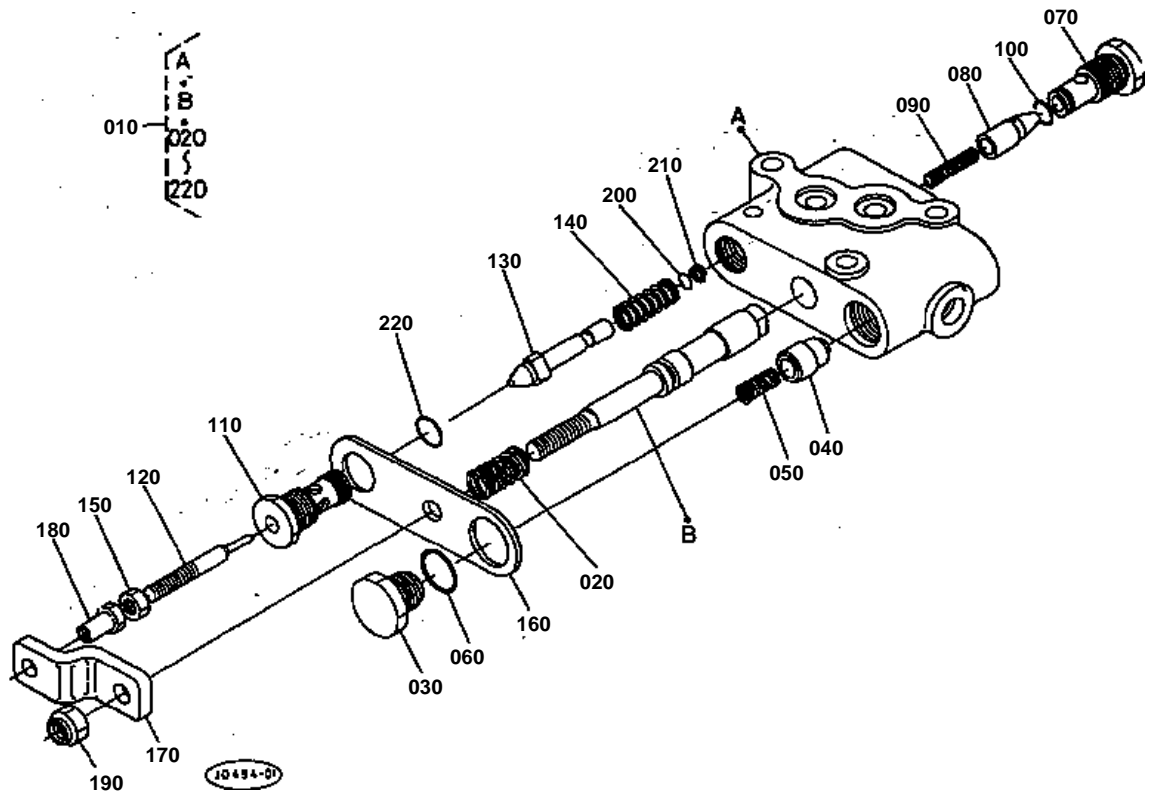
CONTROL VALVE



**CONTROL VALVE**

↔ Interchangeable; ≠ not interchangeable; ← new for old; → old for new

REF.No	Part No.	Description	Q'ty	S.No.	I/C	REMARKS	Weight (kgf)	Weight (lb)
010	31351-37800	ASSY VALVE,SAFETY	1				0.17	0.374
020	38240-39122	VALVE	1				0.01	0.022
030	38240-39170	SPRING,VALVE	1				0.005	0.011
040	38240-39130	STOPPER,SPRING	1				0.05	0.11
050	04811-00090	RING	1				0.001	0.0022
060	02172-50160	NUT	1				0.017	0.0374
070	04810-00120	RING	1				0.001	0.0022
080	04811-00180	RING	1				0.001	0.0022
090	31351-37900	ASSY VALVE,RELIEF	1				0.1	0.22
100	31351-37910	PLUG	1				0.06	0.132
110	31351-37920	SPRING	1				0.02	0.044
120	31351-37930	SEAT	1				0.02	0.044
130	31351-37940	POPPET	1				0.005	0.011
140	31351-37950	SHIM	5			0.4MM	0.001	0.0022
140	31351-37960	SHIM	2			0.2MM	0.001	0.0022
140	31351-37970	SHIM	2			0.1MM	0.001	0.0022
150	04013-50050	WASHER,PLAIN	2				0	0
160	04811-10160	RING	1				0.001	0.0022
170	31391-39000	ASSY VALVE, CONTROL(P	1			REFER TO L.NO.0F06-L0 FOR COMPONENTS	0	0
170	31351-39600	ASSY VALVE, CONTROL(D	1			REFER TO L.NO.0F06-R0 FOR COMPONENTS	1.95	4.29
180	01123-50845	BOLT	1				0.02	0.044
190	01123-50850	BOLT	2				0.02	0.044
200	04810-00120	RING	2				0.001	0.0022

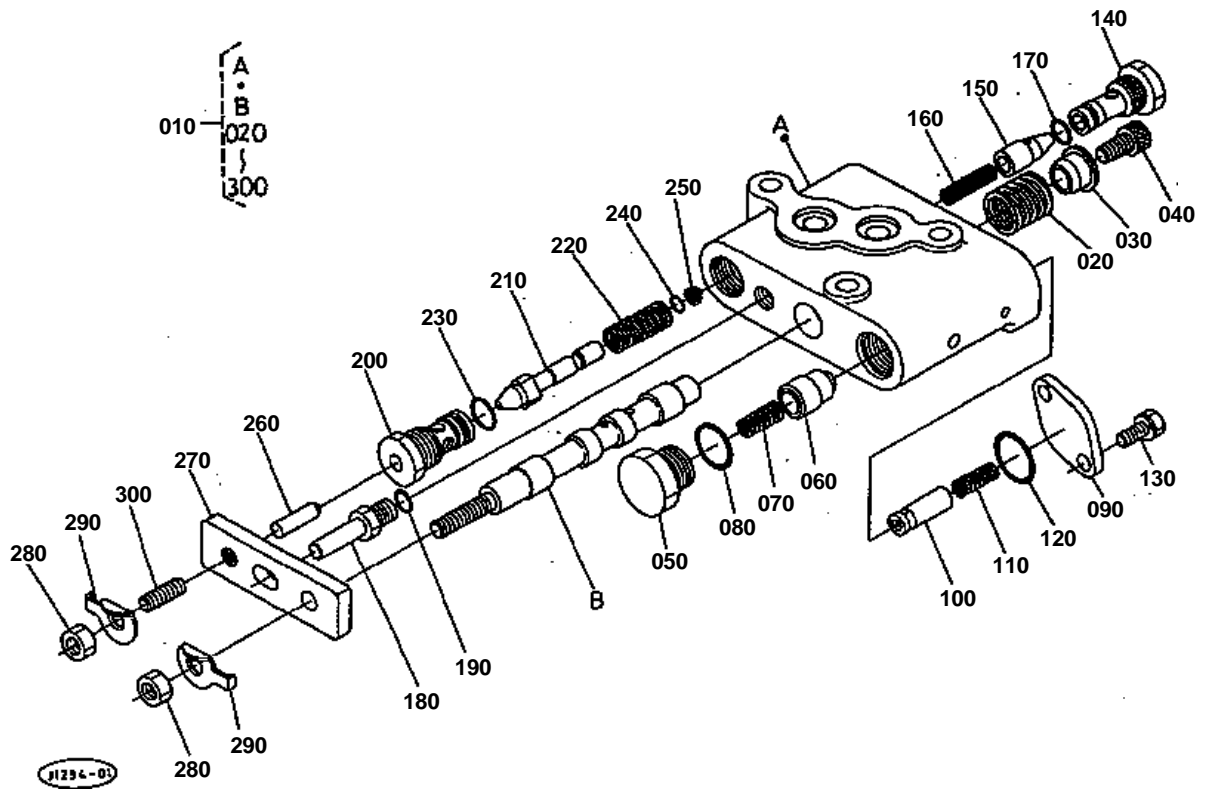


**CONTROL VALVE (POSITION) [COMPONENT PARTS]**

↔ Interchangeable; ≠ not interchangeable; ← new for old; → old for new

REF.No	Part No.	Description	Q'ty	S.No.	I/C	REMARKS	Weight (kgf)	Weight (lb)
010	31391-39000	ASSY VALVE,CONTROL	1				0	0
020	31351-39130	SPRING,SPOOL	1				0.005	0.011
030	31351-39140	PLUG	1				0.05	0.11
040	31351-39150	POPPET	1				0.02	0.044
050	67531-38470	SPRING	1				0.001	0.0022
060	04811-00160	RING	1				0.001	0.0022
070	31391-39170	PLUG	1				0.05	0.11
080	31391-39180	POPPET	1				0.015	0.033
090	31391-39190	SPRING	1				0.001	0.0022
100	04810-00090	RING	1				0.001	0.0022
110	31351-39200	PLUG	1				0.04	0.088
120	31351-39210	RETAINER,ROD	1				0.013	0.0286
130	31351-39180	POPPET	1				0.025	0.055
140	31351-39190	SPRING	1				0.008	0.0176
150	02056-50060	NUT	1				0.002	0.0044
160	31351-39240	PLATE	1				0.05	0.11
170	31351-39250	PLATE,JOINT	1				0.052	0.1144
180	31351-39260	NUT	1				0.008	0.0176
190	31351-39270	U NUT	1				0.005	0.011
200	04811-00050	RING	1				0.001	0.0022
210	31351-39290	RING,BACK UP	1				0.001	0.0022
220	04810-06100	RING	1				0.001	0.0022

CONTROL VALVE (DRAFT) [COMPONENT PARTS]

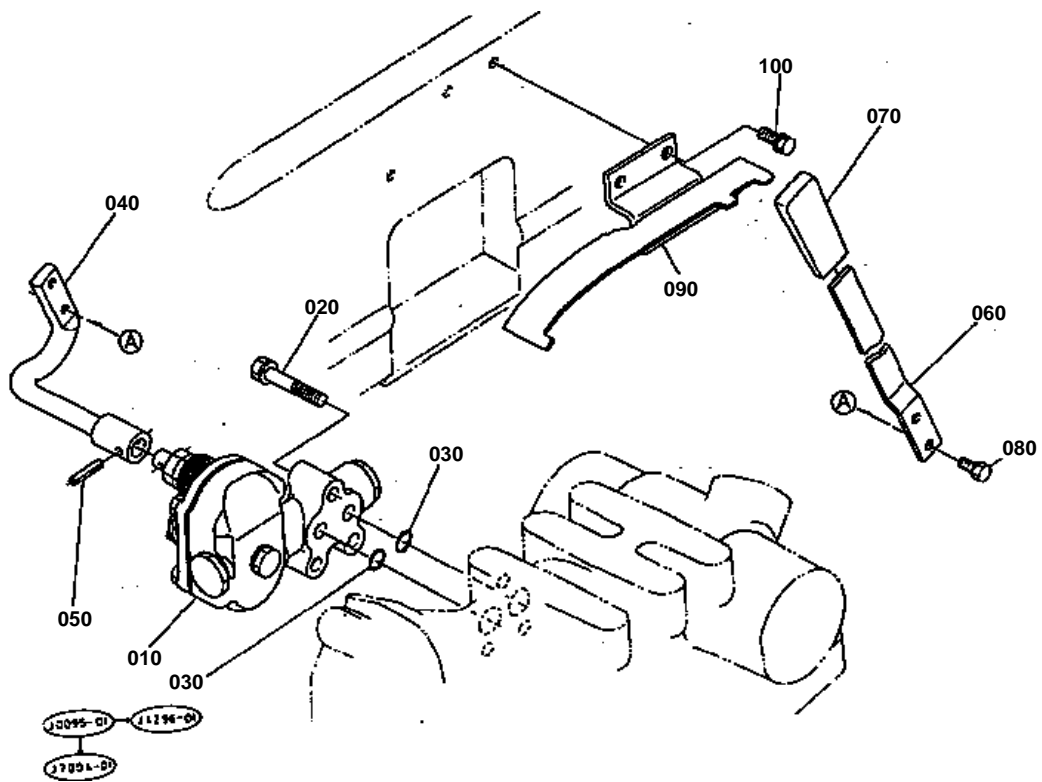


**CONTROL VALVE (DRAFT) [COMPONENT PARTS]**

↔ Interchangeable; ≠ not interchangeable; ← new for old; → old for new

REF.No	Part No.	Description	Q'ty	S.No.	I/C	REMARKS	Weight (kgf)	Weight (lb)
010	31351-39600	ASSY VALVE,CONTROL	1				1.95	4.29
020	31351-39630	SPRING,SPOOL	1				0.02	0.044
030	31351-39640	HOLDER,SPRING	1				0.02	0.044
040	01311-10814	BOLT	1				0.012	0.0264
050	31351-39650	PLUG	1				0.04	0.088
060	31351-39150	POPPET	1				0.02	0.044
070	67531-38470	SPRING	1				0.001	0.0022
080	04811-00140	RING	1				0.001	0.0022
090	31351-39660	PLATE	1				0.05	0.11
100	31351-39670	POPPET	1				0.01	0.022
110	31351-39680	SPRING	1				0.01	0.022
120	04811-00160	RING	1				0.001	0.0022
130	01023-50614	BOLT	2				0.005	0.011
140	31351-39690	PLUG	1				0.05	0.11
150	31391-39180	POPPET	1				0.015	0.033
160	31391-39190	SPRING	1				0.001	0.0022
170	04810-00090	RING	1				0.001	0.0022
180	31351-39720	PIN,FULCRUM	1				0.025	0.055
190	04811-00080	RING	1				0.001	0.0022
200	31351-39730	PLUG	1				0.05	0.11
210	31351-39180	POPPET	1				0.025	0.055
220	31351-39190	SPRING	1				0.008	0.0176
230	04810-06100	RING	1				0.001	0.0022
240	04811-00050	RING	1				0.001	0.0022
250	31351-39290	RING,BACK UP	1				0.001	0.0022
260	31351-39740	RETAINER,ROD	1				0.005	0.011
270	31351-39750	PLATE,JOINT	1				0.05	0.11
280	02156-50080	NUT	2				0.004	0.0088
290	04111-50080	WASHER	2				0.001	0.0022
300	03650-50816	SCREW,SET	1				0.01	0.022

DRAFT CONTROL VALVE



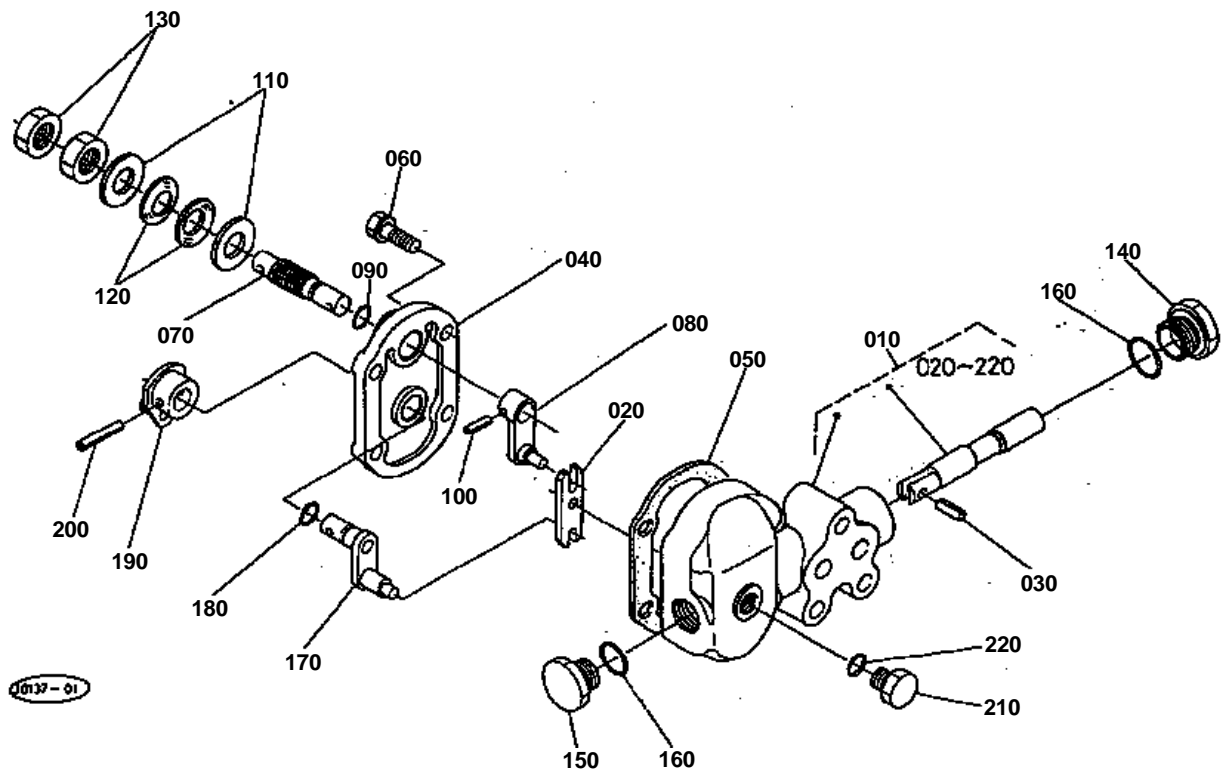


DRAFT CONTROL VALVE

↔ Interchangeable; ≠ not interchangeable; ← new for old; → old for new

REF.No	Part No.	Description	Q'ty	S.No.	I/C	REMARKS	Weight (kgf)	Weight (lb)
010	32430-41100	ASSY VALVE,DRAFT CON	1			REFER TO L.NO.0F08-L0 FOR COMPONENTS	0	0
020	01123-50845	BOLT	3				0.02	0.044
030	04810-00140	RING	2				0.001	0.0022
040	32430-41240	LEVER,DRAFT CON.	1				0.3	0.66
050	05411-00525	PIN,SPRING	1				0.002	0.0044
060	32400-41250	LEVER,DRAFT CON.	1				0.12	0.264
070	31351-36880	GRIP,LEVER	1				0.04	0.088
080	01023-50612	BOLT	2				0.005	0.011
090	32400-41260	GUIDE,DRAFT LEVER	1				0.27	0.594
100	01754-50812	BOLT,FLANGE	2				0.01	0.022

DRAFT CONTROL VALVE [COMPONENT PARTS]

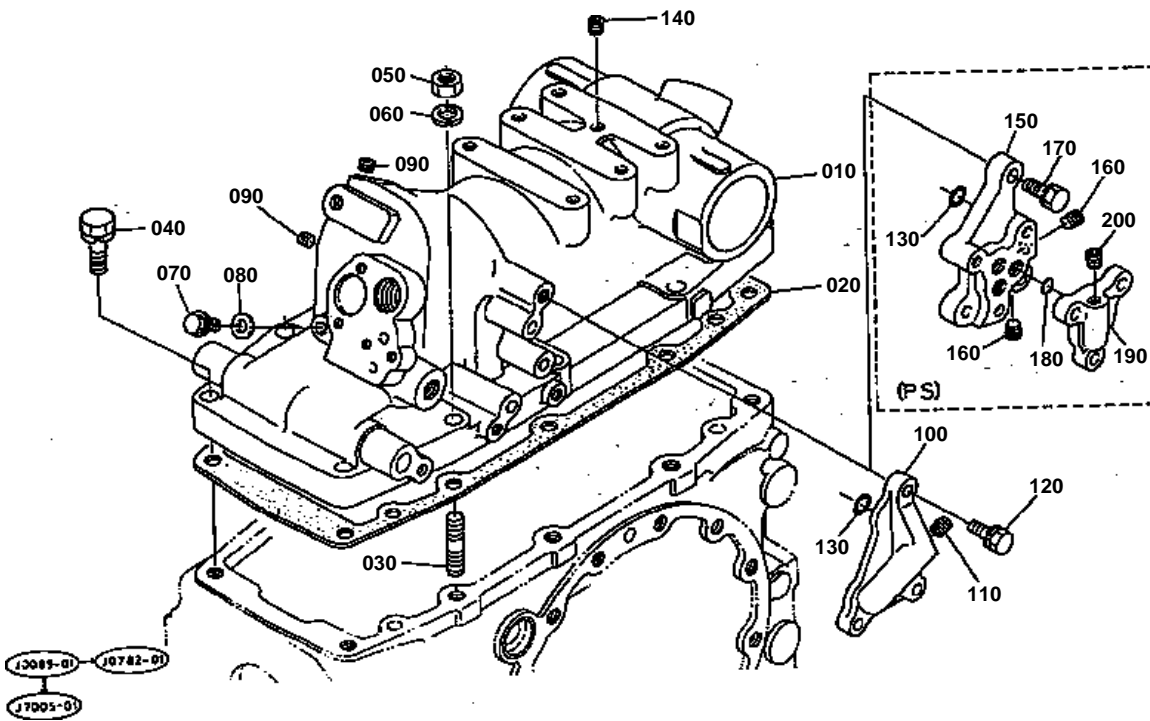


**DRAFT CONTROL VALVE [COMPONENT PARTS]**

↔ Interchangeable; ≠ not interchangeable; ← new for old; → old for new

REF.No	Part No.	Description	Q'ty	S.No.	I/C	REMARKS	Weight (kgf)	Weight (lb)
010	32430-41100	ASSY VALVE,DRAFT CON	1				0	0
020	32430-41130	LEVER,SPOOL DRIVE	1				0.02	0.044
030	05411-00614	PIN,SPRING	1				0.002	0.0044
040	32430-41140	COVER,VALVE	1				0.43	0.946
050	32430-41150	GASKET	1				0.001	0.0022
060	01123-50825	BOLT	4				0.013	0.0286
070	32430-41160	SHAFT,CONTROL LEVER	1				0.06	0.132
080	32430-41200	ARM,CONTROL	1				0.03	0.066
090	04810-00090	RING	1				0.001	0.0022
100	05411-00516	PIN,SPRING	1				0.002	0.0044
110	04013-50140	WASHER,PLAIN	2				0	0
120	37300-41280	SPRING,PLATE	2				0.005	0.011
130	02172-50140	NUT	1				0.01	0.022
140	32430-41170	PLUG	1				0.04	0.088
150	32430-41230	PLUG	1				0.06	0.132
160	04810-00180	RING	2				0.001	0.0022
170	32430-41180	SHAFT,BACK LEVER	1				0.05	0.11
180	04810-00090	RING	1				0.001	0.0022
190	32430-41190	LEVER,FEED BACK	1				0.04	0.088
200	05411-00520	PIN,SPRING	1				0.002	0.0044
210	32430-41280	PLUG	1				0.025	0.055
220	04810-00110	RING	1				0.001	0.0022

HYDRAULIC CYLINDER



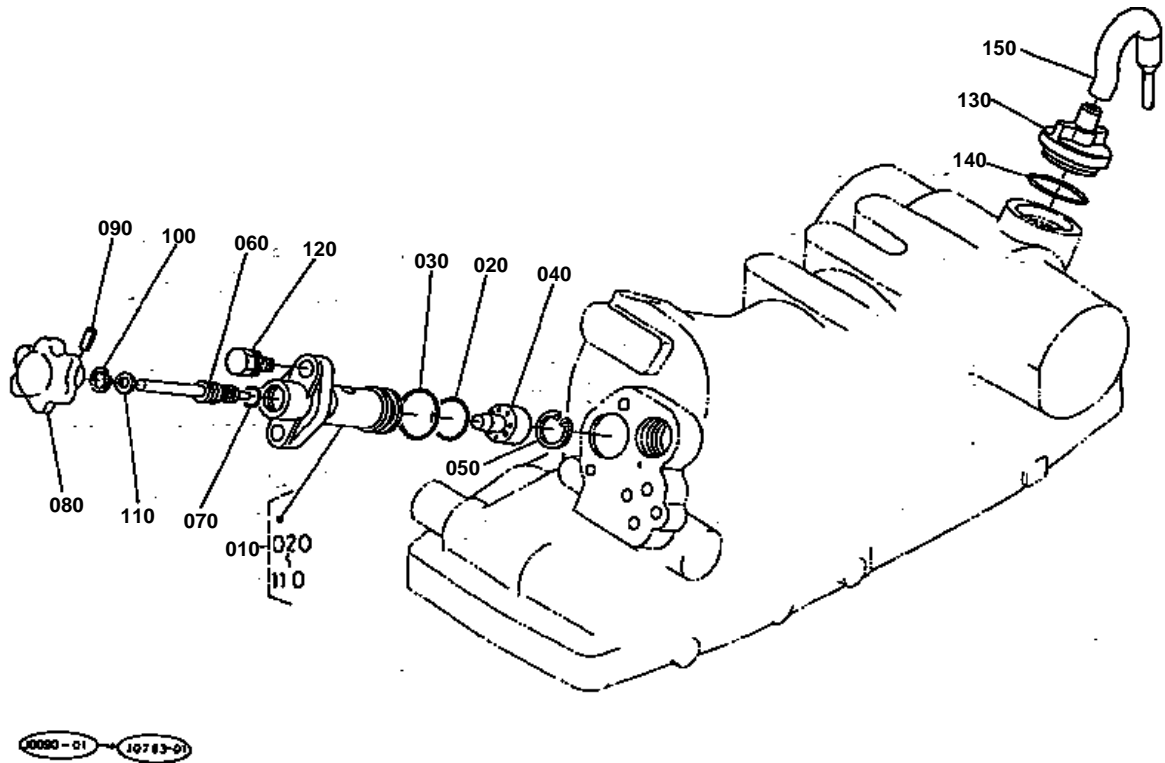


HYDRAULIC CYLINDER

↔ Interchangeable; ≠ not interchangeable; ← new for old; → old for new

REF.No	Part No.	Description	Q'ty	S.No.	I/C	REMARKS	Weight (kgf)	Weight (lb)
010	32412-37110	CYLINDER,HYD.	1				0	0
020	37150-37120	GASKET	1				0	0
030	01574-51240	STUD	2				0	0
040	01133-51245	BOLT	8				0.055	0.121
050	02176-50120	NUT	2				0.01	0.022
060	04512-50120	WASHER,SPRING	2				0	0
070	37150-36730	PLUG	1				0.03	0.066
080	37150-36720	GASKET	1				0.01	0.022
090	31351-37160	PLUG	2				0.003	0.0066
100	31351-37280	COVER,CYL.LH	1			MANUAL STRG.	0.12	0.264
110	06312-10010	PLUG	1			MANUAL STRG.	0.007	0.0154
120	01123-50825	BOLT	3			MANUAL STRG.	0.013	0.0286
130	04810-00100	RING	3				0.001	0.0022
140	31351-37160	PLUG	1				0.003	0.0066
150	35010-36610	SPACER,VALVE	1			POWER STRG.	0.805	1.771
160	31351-37160	PLUG	2			POWER STRG.	0.003	0.0066
170	01123-50830	BOLT	3			POWER STRG.	0.015	0.033
180	04810-00100	RING	3			POWER STRG.	0.001	0.0022
190	35010-36620	COVER	1			POWER STRG.	0.25	0.55
200	31351-37160	PLUG	1			POWER STRG.	0.003	0.0066

HYD. CYLINDER FRONT COVER



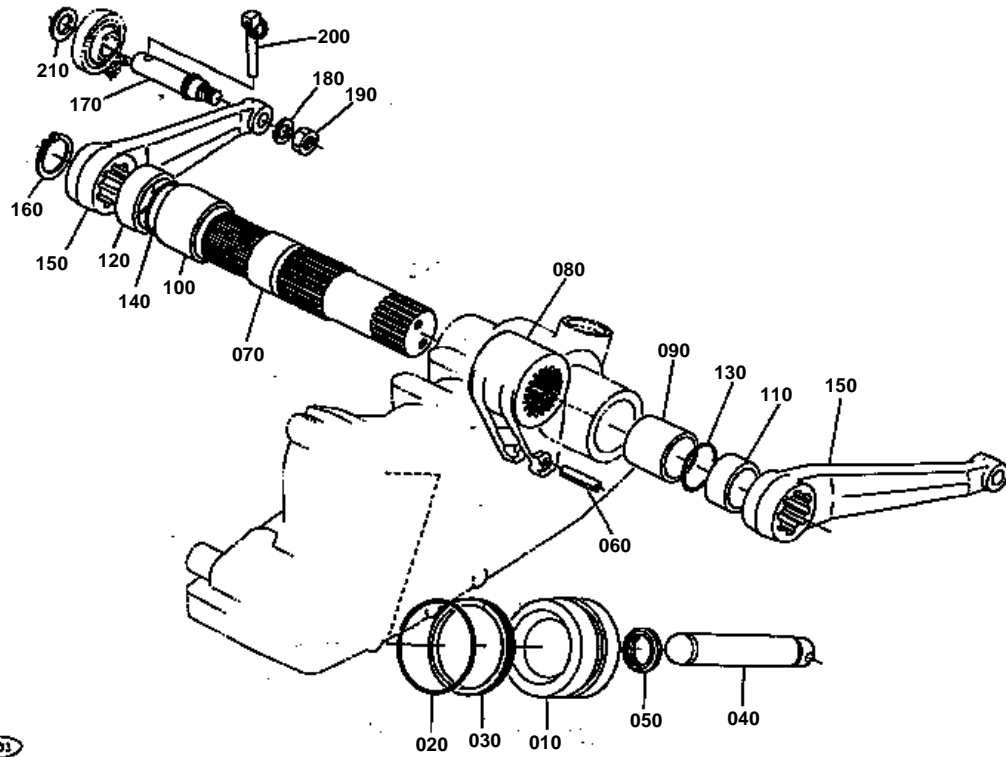


HYD. CYLINDER FRONT COVER

↔ Interchangeable; ≠ not interchangeable; ← new for old; → old for new

REF.No	Part No.	Description	Q'ty	S.No.	I/C	REMARKS	Weight (kgf)	Weight (lb)
010	31351-37200	ASSY COVER,CYL.FRONT	1				0.3	0.66
020	04810-00220	RING	1				0.001	0.0022
030	04810-06250	O RING	1				0.001	0.0022
040	38240-37250	COLLAR,ADJUSTING	1				0.01	0.022
050	04611-00160	CIR-CLIP,INTERNAL	1				0.001	0.0022
060	31351-37220	SHAFT,HYD.AJUST.	1				0.04	0.088
070	04810-00100	RING	1				0.001	0.0022
080	34150-37230	GRIP	1				0.04	0.088
090	05411-00418	PIN,SPRING	1				0.001	0.0022
100	34150-37260	CIR-CLIP,INTERNAL	1				0.001	0.0022
110	04012-50080	WASHER,PLAIN	1				0.001	0.0022
120	01123-50825	BOLT	2				0.013	0.0286
130	38180-21410	PLUG	1				0.02	0.044
140	04811-50300	RING	1				0.001	0.0022
150	38180-37140	BREATHER	1				0.01	0.022

HYDRAULIC LIFT ARM



0081-01

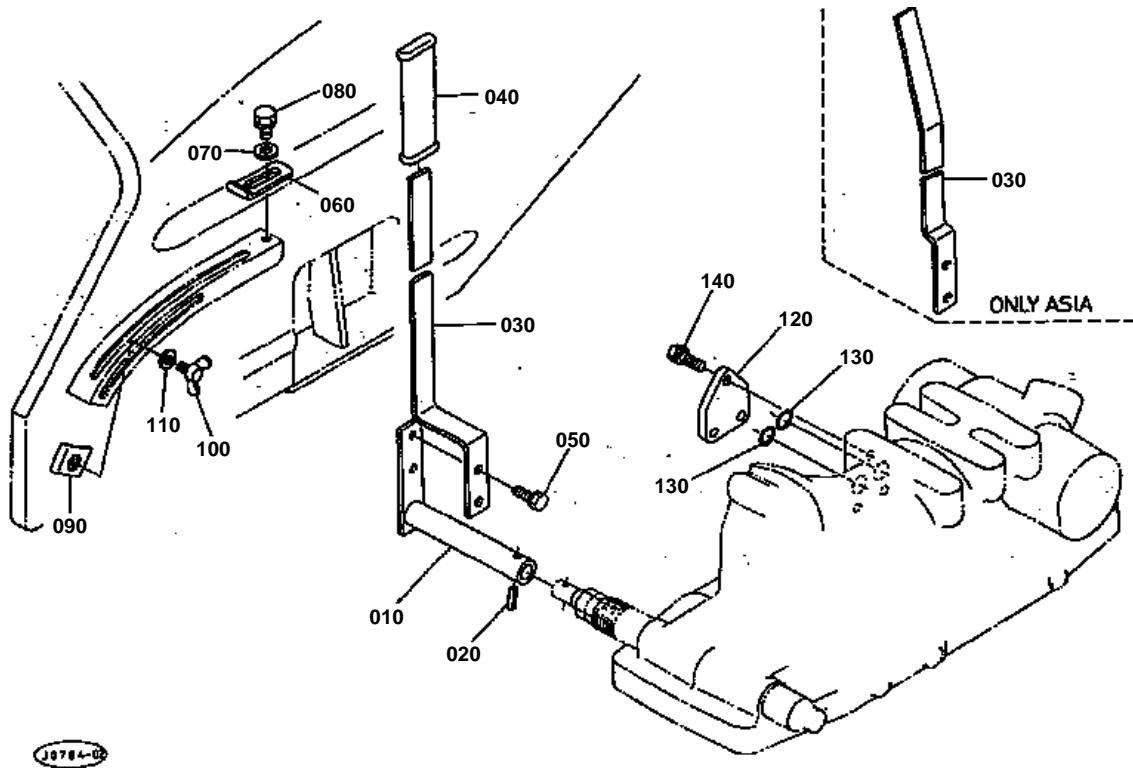


HYDRAULIC LIFT ARM

↔ Interchangeable; ≠ not interchangeable; ← new for old; → old for new

REF.No	Part No.	Description	Q'ty	S.No.	I/C	REMARKS	Weight (kgf)	Weight (lb)
010	31321-37310	PISTON,HYD.	1				1.08	2.376
020	04811-00650	RING	1				0.007	0.0154
030	34220-37380	RING,BACK UP	1				0.001	0.0022
040	31351-37320	ROD,HYD.	1				0.605	1.331
050	31351-37330	GUIDE,HYD.ROD	1				0.003	0.0066
060	05411-00645	PIN,SPRING	1				0.006	0.0132
070	31321-37430	SHAFT,HYD.ARM	1				2.22	4.884
080	31321-37440	ARM,HYDRAULIC	1				0	0
090	31321-37450	BUSH	1				0.09	0.198
100	34150-37460	BUSH	1				0.062	0.1364
110	34150-37480	COLLAR	1				0.005	0.011
120	34150-37490	COLLAR	1				0.002	0.0044
130	04811-50450	RING	1				0.002	0.0044
140	04811-06400	RING	1				0.001	0.0022
150	30401-37610	ARM,LIFT	2				2.1	4.62
160	04612-00400	CIR-CLIP,EXTERNAL	1				0.005	0.011
170	30442-37690	PIN,LIFT ROD	2				0.205	0.451
180	04512-50160	WASHER,SPRING	2				0	0
190	02174-50160	NUT	2				0.022	0.0484
200	34150-37640	PIN,SET	2				0.06	0.132
210	04011-50180	WASHER,PLAIN	2				0.012	0.0264

HYDRAULIC POSITION LEVER



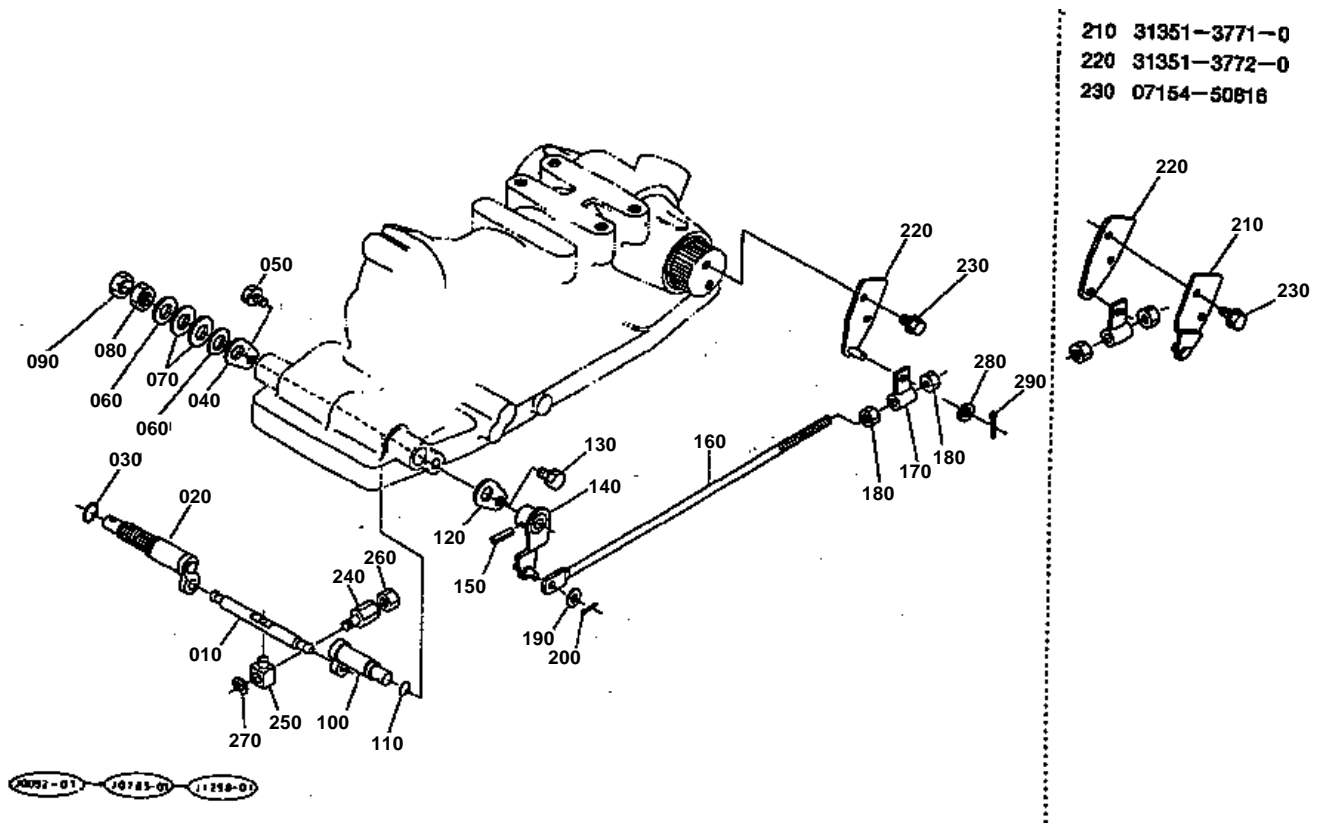


HYDRAULIC POSITION LEVER

↔ Interchangeable; ≠ not interchangeable; ← new for old; → old for new

REF.No	Part No.	Description	Q'ty	S.No.	I/C	REMARKS	Weight (kgf)	Weight (lb)
010	32400-36850	LEVER,POSITION	1				0.31	0.682
020	05411-00525	PIN,SPRING	1				0.002	0.0044
030	32400-36860	LEVER,POSITION	1			[A],[AU]	0.2	0.44
040	34350-36890	GRIP,LEVER	1				0.016	0.0352
050	01023-50616	BOLT	2				0.005	0.011
060	38240-36930	STOPPER	1				0.02	0.044
070	04015-50080	WASHER,PLAIN	1				0	0
080	01123-50816	BOLT	1				0.011	0.0242
090	31351-36910	STOPPER	1				0.02	0.044
100	01811-50610	BOLT,WING	1				0.014	0.0308
110	04013-50060	WASHER,PLAIN	1				0	0
120	32430-41210	COVER,CYL.SIDE LH	1			WITHOUT DRAFT	0.11	0.242
130	04810-00140	RING	2			WITHOUT DRAFT	0.001	0.0022
140	01123-50820	BOLT	3			WITHOUT DRAFT	0.011	0.0242

HYDRAULIC FEED BACK LEVER



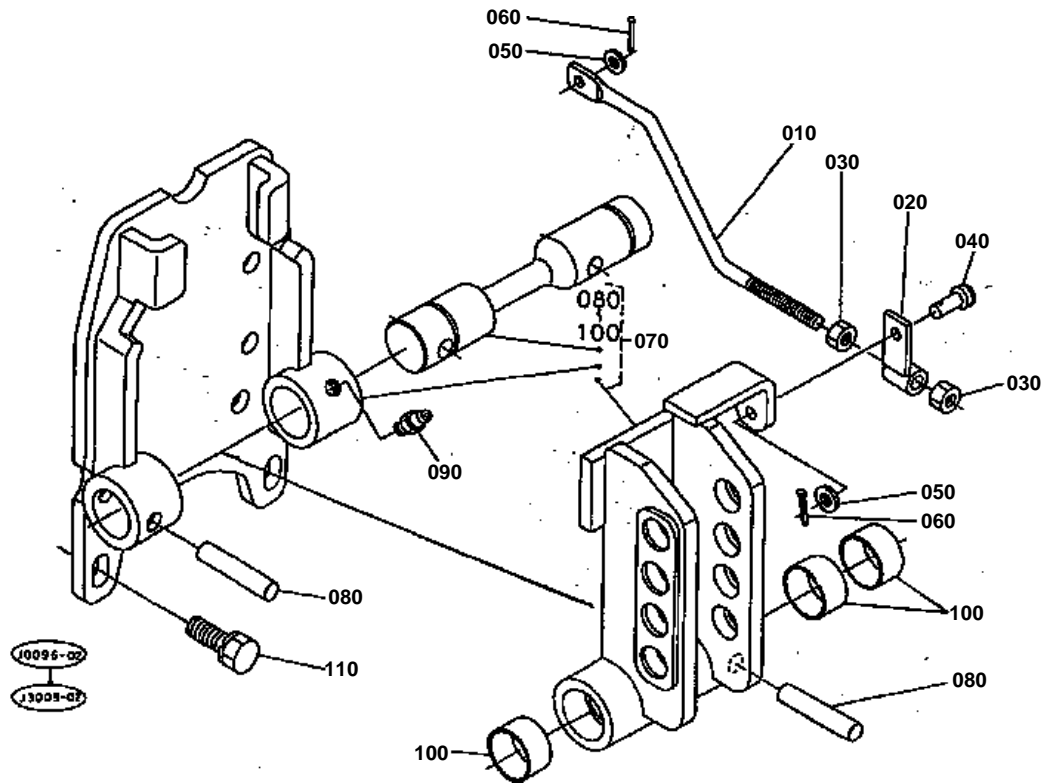


HYDRAULIC FEED BACK LEVER

↔ Interchangeable; ≠ not interchangeable; ← new for old; → old for new

REF.No	Part No.	Description	Q'ty	S.No.	I/C	REMARKS	Weight (kgf)	Weight (lb)
010	31351-37640	LEVER,SPOOL DRIVE	1				0.05	0.11
020	31351-37650	ARM,CONTROL	1				0.16	0.352
030	04811-00140	RING	1				0.001	0.0022
040	31351-37660	SET PLATE	1				0.01	0.022
050	01123-50816	BOLT	1				0.011	0.0242
060	04013-50140	WASHER,PLAIN	2				0	0
070	34260-36880	SPRING,PLATE	2				0.006	0.0132
080	02174-50140	NUT	1				0.014	0.0308
090	02172-50140	NUT	1				0.01	0.022
100	31351-37750	SHAFT,BACK LEVER	1				0.1	0.22
110	04811-00120	RING	1				0.001	0.0022
120	38240-36890	SET PLATE	1				0.013	0.0286
130	01123-50816	BOLT	1				0.011	0.0242
140	31351-37760	LEVER,FEED BACK	1				0.08	0.176
150	05411-00525	PIN,SPRING	1				0.002	0.0044
160	31321-37770	ROD,FEED BACK	1				0.12	0.264
170	31351-37780	ROD,CONTROL	1				0.03	0.066
180	02114-50080	NUT	2				0.005	0.011
190	04013-50080	WASHER,PLAIN	1				0	0
200	05511-50218	PIN,SPLIT	1				0.001	0.0022
220	31351-37720	LINK,CONTROL	1				0	0
230	01754-50812	BOLT,FLANGE	2				0.01	0.022
240	67531-38280	JOINT,SPOOL	1				0.17	0.374
250	37150-36420	JOINT,SPOOL	1				0.02	0.044
260	02112-50080	NUT	1				0.003	0.0066
270	04613-00060	CIR-CLIP,EXTERNAL	1				0	0
280	04013-50080	WASHER,PLAIN	1				0	0
290	05511-50215	PIN,SPLIT	1				0.001	0.0022

TOP LINKAGE BRACKET(DRAFT)





TOP LINKAGE BRACKET(DRAFT)

↔ Interchangeable; ≠ not interchangeable; ← new for old; → old for new

REF.No	Part No.	Description	Q'ty	S.No.	I/C	REMARKS	Weight (kgf)	Weight (lb)
010	32430-41310	ROD,DRAFT CONTROL	1				0.09	0.198
020	32400-41320	HOLDER,CONTROL	1				0.045	0.099
030	02112-50080	NUT	2				0.003	0.0066
040	05122-50818	PIN,JOINT	1				0.008	0.0176
050	04012-50080	WASHER,PLAIN	2				0.001	0.0022
060	05511-50218	PIN,SPLIT	2				0.001	0.0022
070	32400-41400	COMP HOLDER, TOP LINK	1				0	0
080	37300-41440	PIN,STRAIGHT	2				0.055	0.121
090	06613-10010	NIPPLE,GREASE	2				0.006	0.0132
100	37300-41450	BUSH	3				0.03	0.066
110	01133-51230	BOLT	6				0.04	0.088

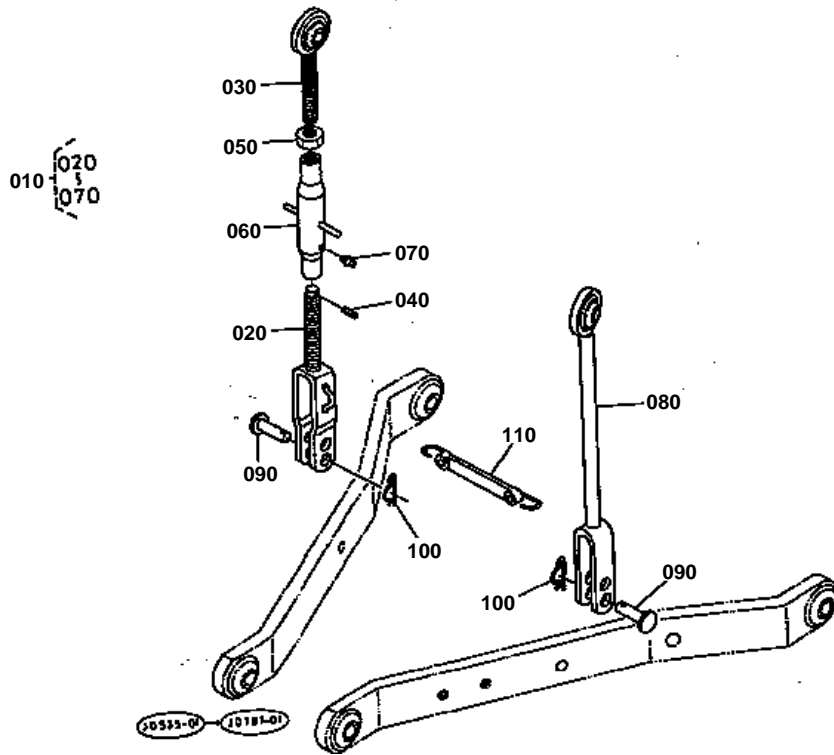


3-POINT LINKAGE 1

↔ Interchangeable; ≠ not interchangeable; ← new for old; → old for new

REF.No	Part No.	Description	Q'ty	S.No.	I/C	REMARKS	Weight (kgf)	Weight (lb)
010	31341-71100	ASSY LINK, TOP	1				2.85	6.27
020	31341-71110	LINK, TOP	1				1.1	2.42
030	31351-71150	SCREW	2				0.018	0.0396
040	04512-50060	WASHER, SPRING	2				0	0
050	38247-71180	NUT, TOP LINK	1				0.06	0.132
060	31351-71210	JOINT, TOP LINK RH	1				0	0
070	31351-71220	JOINT, TOP LINK LH	1				0	0
080	70436-58360	SPRING	2				0.001	0.0022
090	31351-71160	PIN	2				0.002	0.0044
100	31150-71360	PIN, JOINT	2				0.166	0.3652
110	34150-37640	PIN, SET	2				0.06	0.132
120	32400-71310	COMP. LINK, LOWER RH	1			[A],[AU]	0	0
130	32400-71330	COMP. LINK, LOWER LH	1			[A],[AU]	0	0
140	34150-37640	PIN, SET	4				0.06	0.132
150	31331-71803	ASSY CHAIN, CHECK	2				0	0
160	31331-71810	JOINT, CHAIN	2				0	0
170	32420-71820	JOINT, CHAIN	2				0	0
180	32420-71840	TURNBUCKLE	2				0.55	1.21
190	05515-51600	PIN, SNAP	2				0.007	0.0154
200	99571-22820	PIN	2				0.03	0.066
210	04013-50100	WASHER, PLAIN	2				0	0
220	05511-50318	PIN, SPLIT	2				0.001	0.0022
230	02074-50160	NUT	2				0.029	0.0638
240	04512-50160	WASHER, SPRING	2				0	0

3-POINT LINKAGE 2



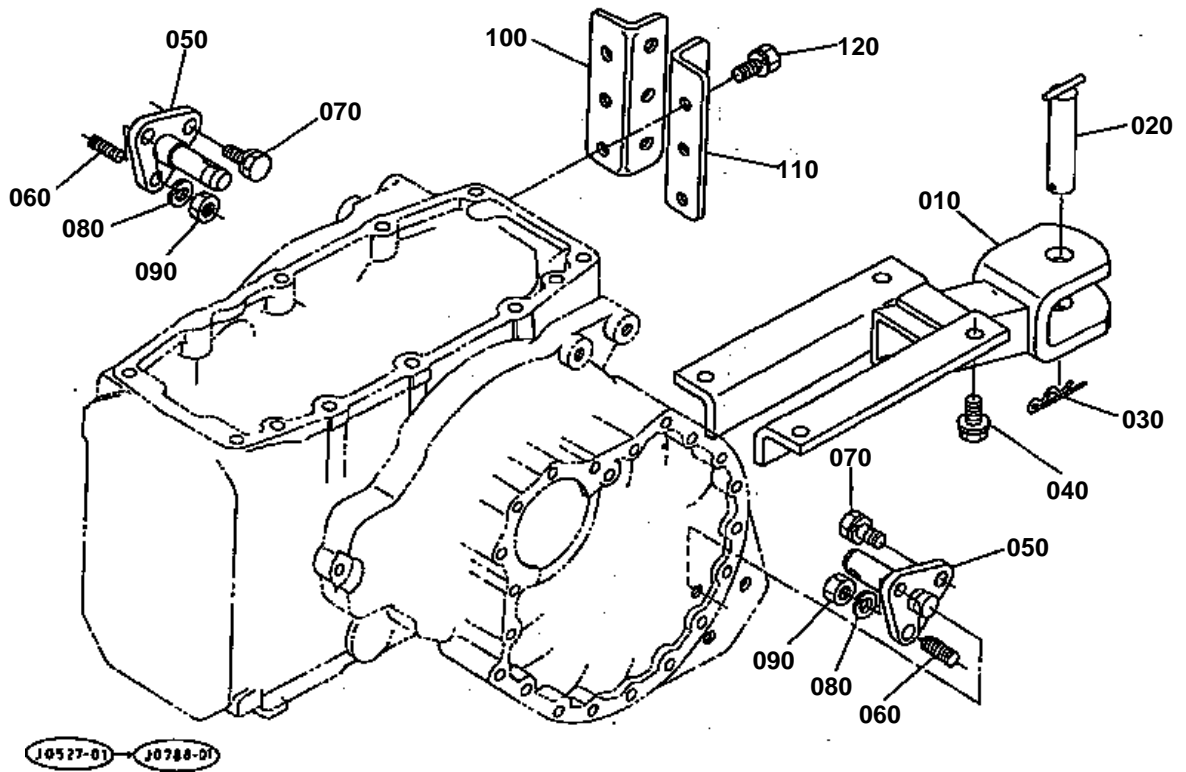


3-POINT LINKAGE 2

↔ Interchangeable; ≠ not interchangeable; ← new for old; → old for new

REF.No	Part No.	Description	Q'ty	S.No.	I/C	REMARKS	Weight (kgf)	Weight (lb)
010	32400-71560	ASSY ROD,LIFT RH	1			[A],[AU]	0	0
020	32400-71520	ROD,LIFT LOWER	1			[A],[AU]	0.93	2.046
030	31331-71510	ROD,LIFT UPPER	1				0.58	1.276
040	05411-00320	PIN,SPRING	1				0.001	0.0022
050	35110-71570	NUT	1				0.05	0.11
060	38187-71770	ROD,LIFT MIDDLE	1				0.54	1.188
070	06613-10675	NIPPLE,GREASE	1				0.003	0.0066
080	32400-71540	ROD,LIFT LH	1			[A],[AU]	1.57	3.454
090	38187-71580	PIN,LIFT ROD	2				0.061	0.1342
100	05515-51600	PIN,SNAP	2				0.007	0.0154
110	38187-71750	COMP.RUBBER	1				0	0

HITCH



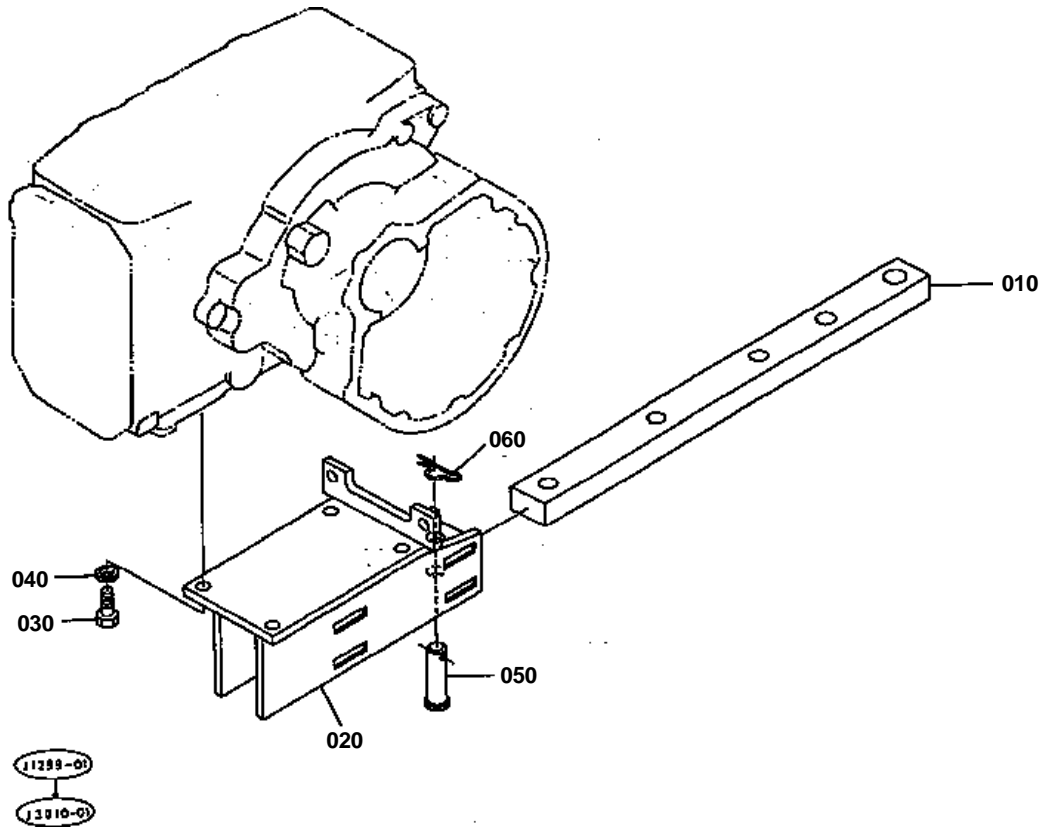


HITCH

↔ Interchangeable; ≠ not interchangeable; ← new for old; → old for new

REF.No	Part No.	Description	Q'ty	S.No.	I/C	REMARKS	Weight (kgf)	Weight (lb)
050	31351-29820	HOLDER,LOWER LINK	2				0.515	1.133
060	01574-51225	STUD	2				0.034	0.0748
070	01133-51230	BOLT	4				0.04	0.088
080	04512-50120	WASHER,SPRING	2				0	0
090	02176-50120	NUT	2				0.01	0.022
100	99571-22140	HOLDER,TOP LINK RH	1			POSITION	0.99	2.178
110	99571-22150	HOLDER,TOP LINK LH	1			POSITION	0.99	2.178
120	01133-51230	BOLT	6			POSITION	0.04	0.088

DRAWBAR



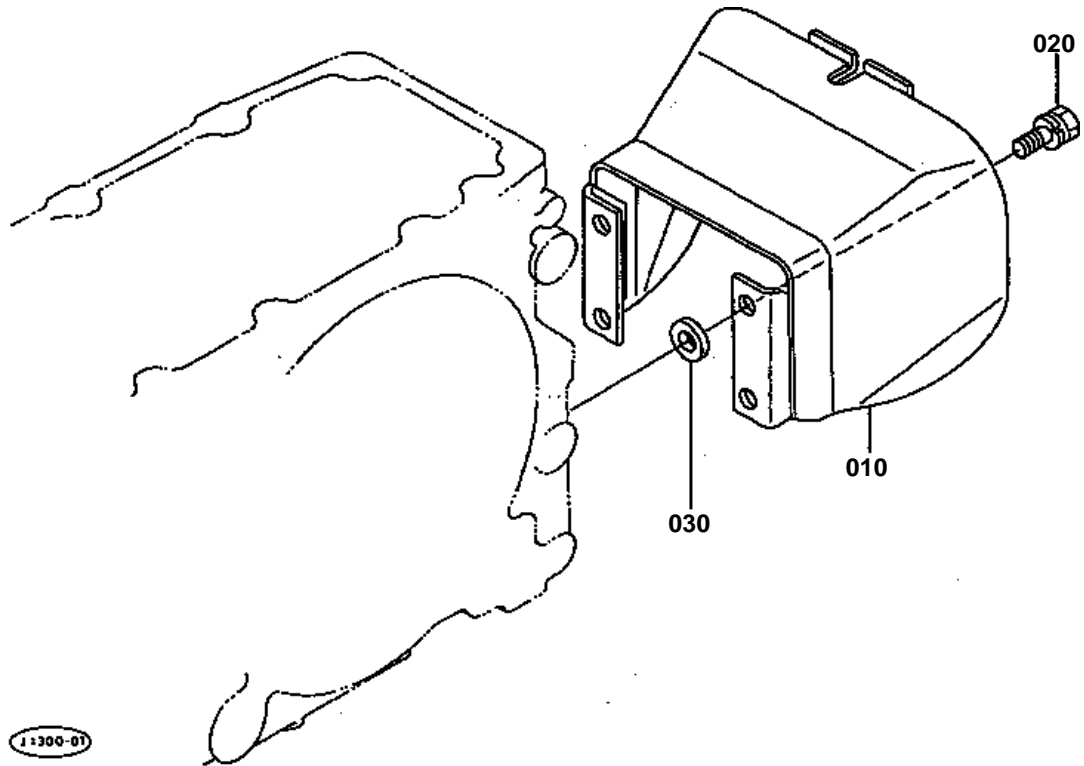


DRAWBAR

↔ Interchangeable; ≠ not interchangeable; ← new for old; → old for new

REF.No	Part No.	Description	Q'ty	S.No.	I/C	REMARKS	Weight (kgf)	Weight (lb)
010	32430-29710	DRAWBAR	1				0	0
020	35000-29730	FRAME,DRAWBAR	1				8.88	19.536
030	01173-51430	BOLT	4				0.052	0.1144
040	04512-50140	WASHER,SPRING	6				0	0
050	05112-52070	PIN,JOINT	1				0.186	0.4092
060	05515-51600	PIN,SNAP	1				0.007	0.0154

PTO SHAFT PROTECTOR



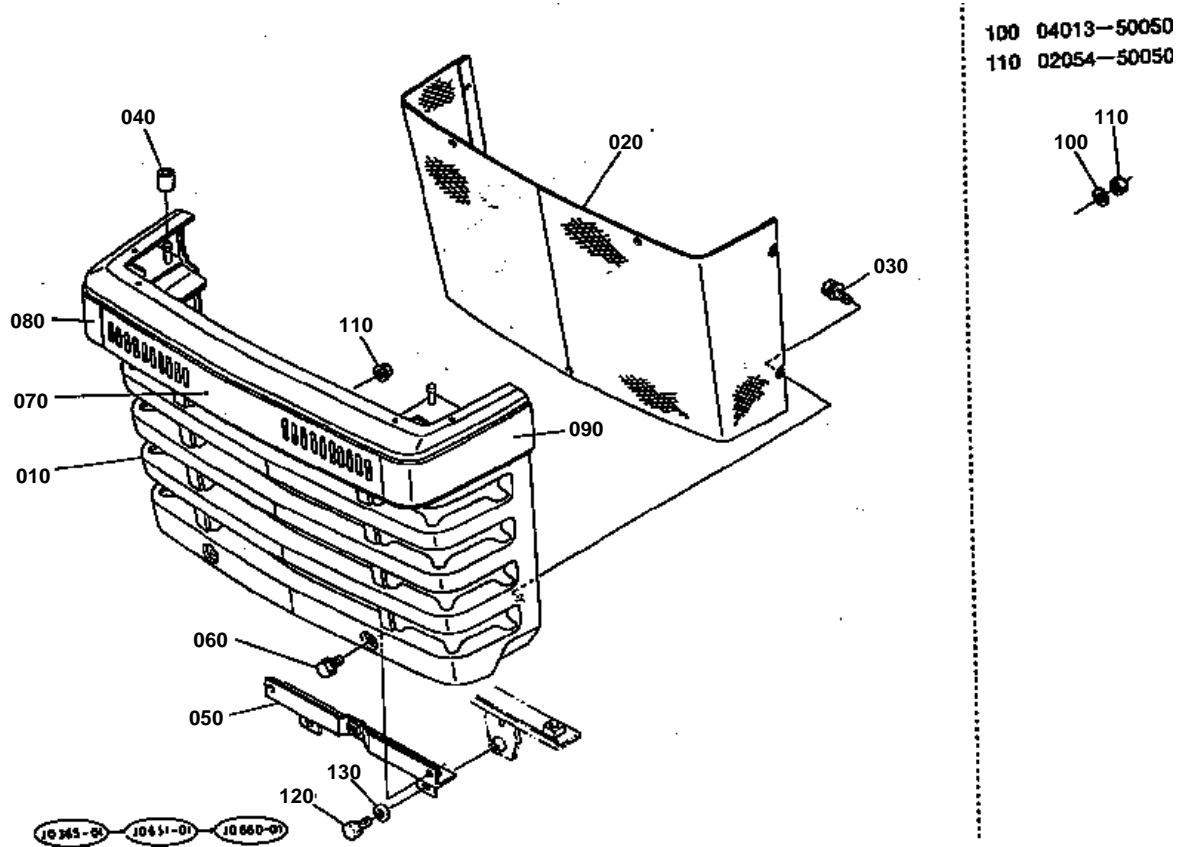


PTO SHAFT PROTECTOR

↔ Interchangeable; ≠ not interchangeable; ← new for old; → old for new

REF.No	Part No.	Description	Q'ty	S.No.	I/C	REMARKS	Weight (kgf)	Weight (lb)
010	32400-25330	PROTECTOR,SHAFT PTO	1				2.1	4.62
020	01133-51230	BOLT	4				0.04	0.088
030	35114-25340	COLLAR	2				0.02	0.044

FRONT GRILLE



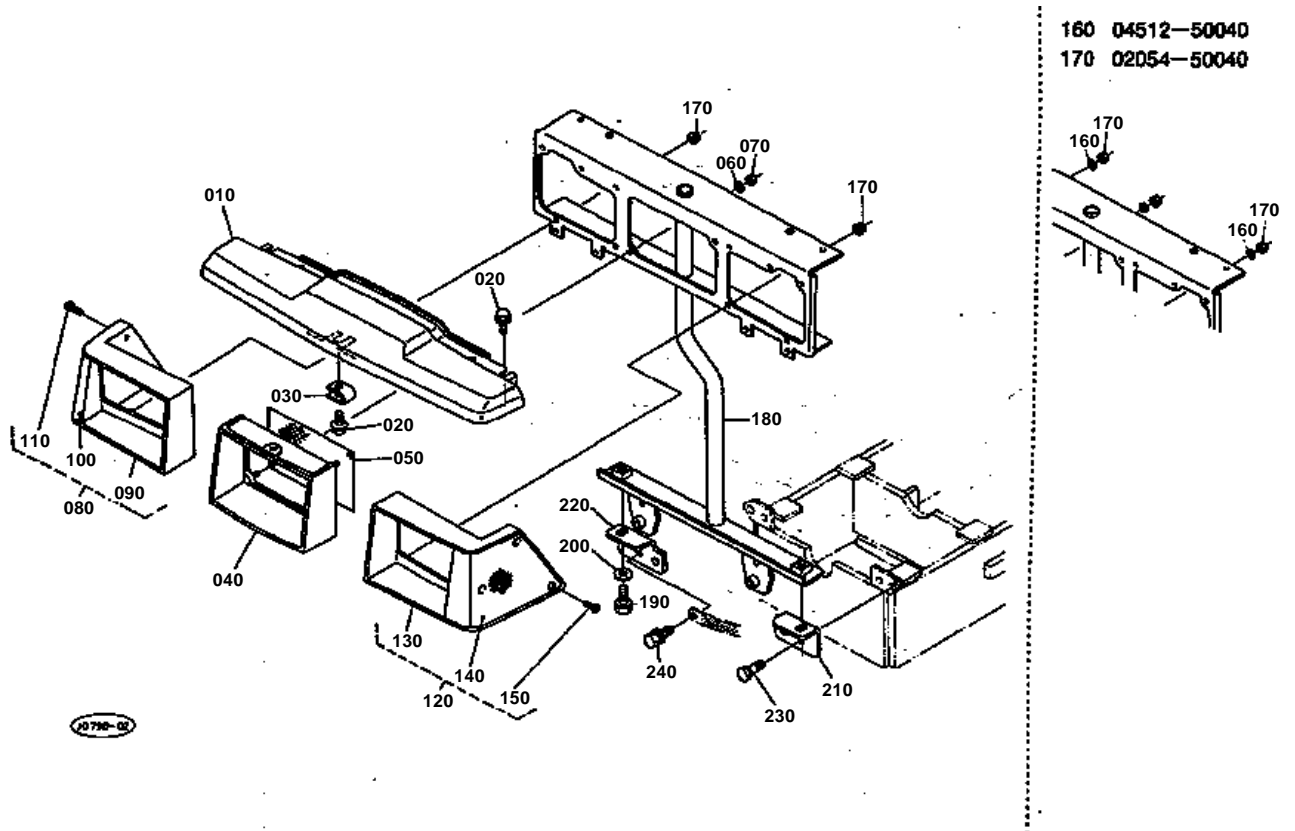


FRONT GRILLE

↔ Interchangeable; ≠ not interchangeable; ← new for old; → old for new

REF.No	Part No.	Description	Q'ty	S.No.	I/C	REMARKS	Weight (kgf)	Weight (lb)
010	30400-18230	GRILLE,FRONT	1				0	0
020	32430-18250	NET,FRONT GRILLE	1				0.41	0.902
030	30442-15230	BOLT	7				0.01	0.022
040	31351-18260	PIPE	2				0.001	0.0022
050	30400-18280	RETAINER,GRILLE	1				0	0
060	01754-50816	BOLT,FLANGE	2				0.011	0.0242
070	32430-94170	BELT,GRILLE FRONT	1				0.145	0.319
080	32430-94180	BELT,GRILLE RH	1				0.07	0.154
090	32430-94190	BELT,GRILLE LH	1				0.07	0.154
110	02761-50050	NUT,FLANGE	8				0.005	0.011
120	01123-50818	BOLT	2				0.012	0.0264
130	04013-50080	WASHER,PLAIN	2				0	0

LIGHT GRILLE



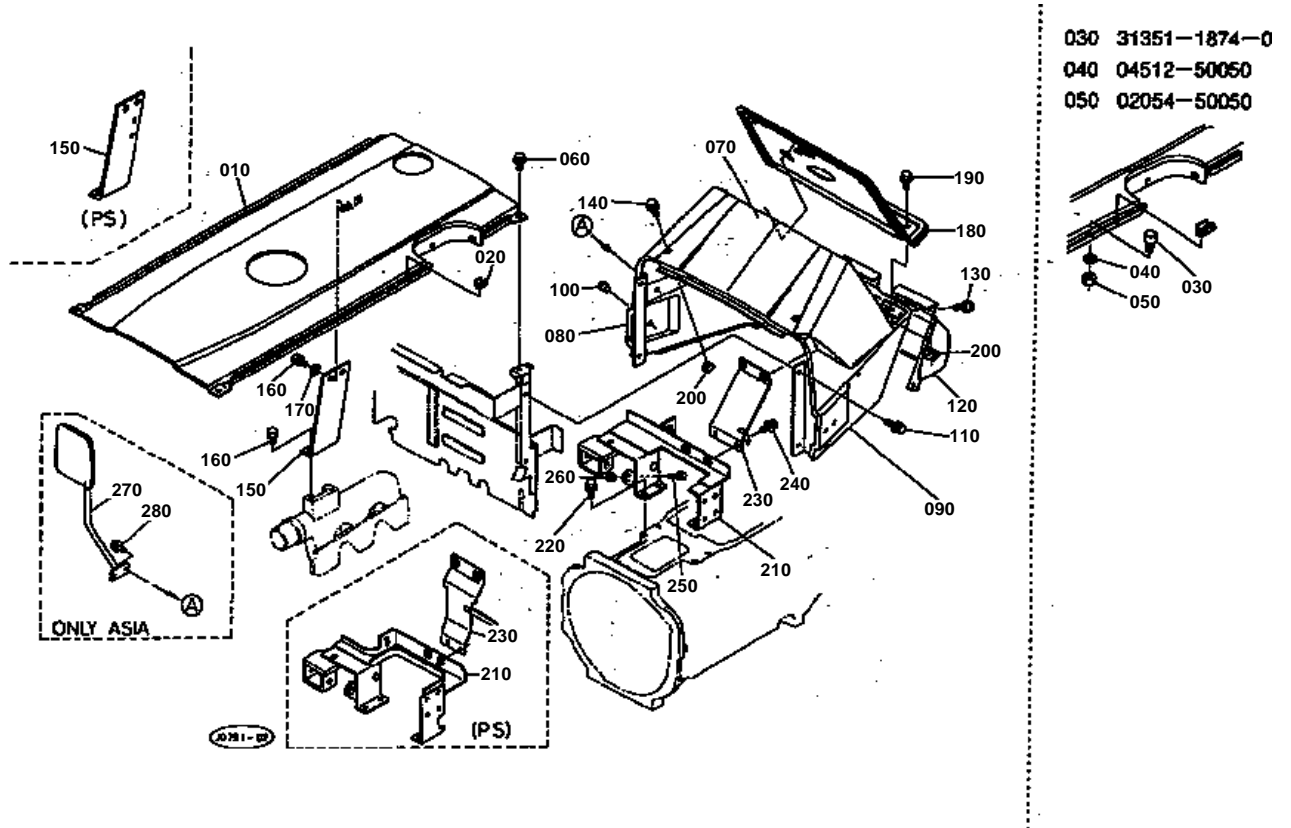


LIGHT GRILLE

↔ Interchangeable; ≠ not interchangeable; ← new for old; → old for new

REF.No	Part No.	Description	Q'ty	S.No.	I/C	REMARKS	Weight (kgf)	Weight (lb)
010	30400-18160	ROOF,FRONT	1				0.42	0.924
020	01754-50616	BOLT,FLANGE	3				0.006	0.0132
030	38240-29250	NUT,SPRING	1				0.005	0.011
040	32400-18170	GRILLE,LIGHT	1				0.11	0.242
050	31351-18180	NET,GRILLE	1				0.025	0.055
060	04512-50040	WASHER,SPRING	2				0	0
070	02054-50040	NUT	2				0.001	0.0022
080	32400-18190	GRILLE,LIGHT RH	1				0.225	0.495
090	32400-93500	FRAME,LIGHT GRILLE	1				0.175	0.385
100	31351-93520	LENS RH	1				0.06	0.132
110	03514-50312	SCREW	3				0.001	0.0022
120	32400-18200	GRILLE,LIGHT LH	1				0.225	0.495
130	32400-93510	FRAME,LIGHT GRILLE	1				0.16	0.352
140	31351-93530	LENS LH	1				0.066	0.1452
150	03514-50312	SCREW	3				0.001	0.0022
170	02761-50040	NUT,FLANGE	8				0.002	0.0044
180	32430-18310	SUPPORT,GRILLE	1				3.1	6.82
190	01123-50820	BOLT	2				0.011	0.0242
200	04015-50080	WASHER,PLAIN	2				0	0
210	32430-18320	STAY,FRONT GRILLE LH	1			MANUAL STRG.	0.08	0.176
210	32400-45820	STAY,FRONT GRILLE LH	1			POWER STRG.	0.13	0.286
220	32430-18330	STAY,FRONT GRILLE RH	1			MANUAL STRG.	0.09	0.198
220	32400-45830	STAY,FRONT GRILLE RH	1			POWER STRG.	0.135	0.297
230	01133-51020	BOLT	1				0.02	0.044
240	01135-51020	BOLT	1				0	0

HOOD



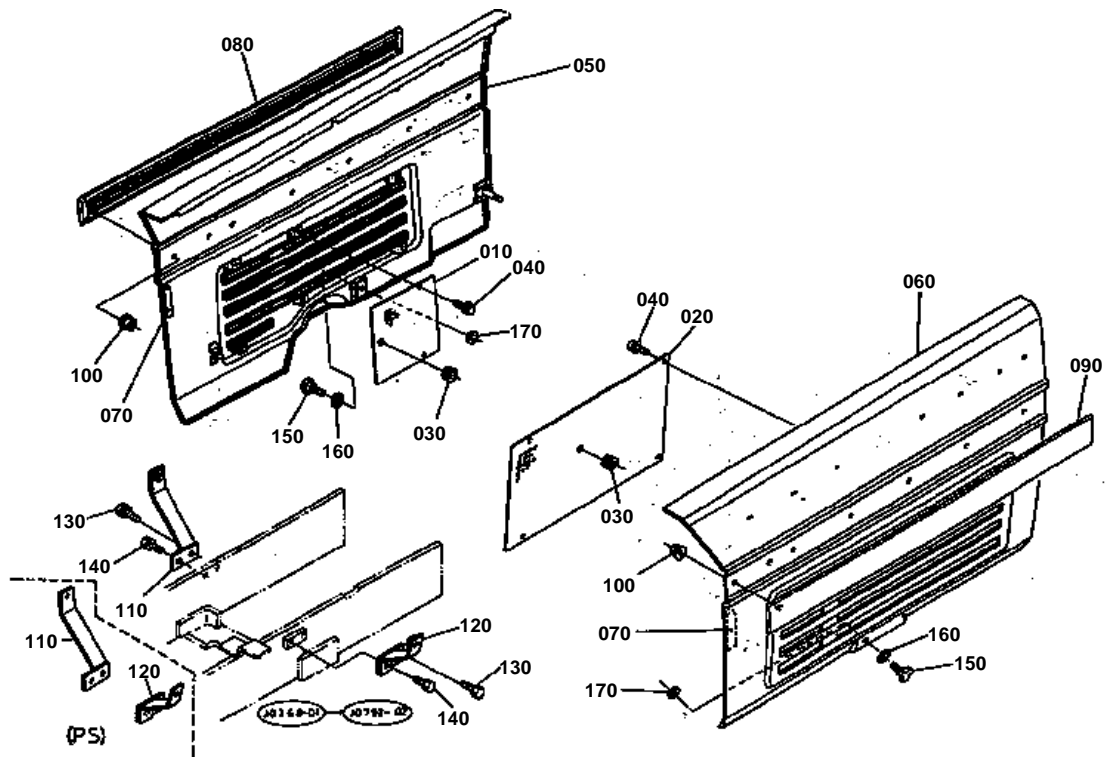


HOOD

↔ Interchangeable; ≠ not interchangeable; ← new for old; → old for new

REF.No	Part No.	Description	Q'ty	S.No.	I/C	REMARKS	Weight (kgf)	Weight (lb)
010	32400-18600	COMP.BONNET,UPPER	1				5	11
020	30442-18622	CUSHION	5				0	0
060	01754-50616	BOLT,FLANGE	4				0.006	0.0132
070	32400-18770	ROOF,REAR	1				0.445	0.979
080	32400-18810	COMP.BONNET,RH	1			[A],[AU]	1.08	2.376
090	32400-18820	COMP.BONNET,REAR LH	1				1.12	2.464
100	38240-29570	PLUG	2			[A],[AU]	0.001	0.0022
110	01754-50612	BOLT,FLANGE	4				0.005	0.011
120	32400-24410	BOARD,SWITCH	1			[A],[AU]	0.59	1.298
130	01754-50612	BOLT,FLANGE	4				0.005	0.011
140	30400-19072	BOLT,FLANGE	3				0.06	0.132
150	32400-18390	SUPPORT,BONNET	1			MANUAL STRG.	0.395	0.869
150	35010-18390	SUPPORT,BONNET	1			POWER STRG.	0.46	1.012
160	01123-50820	BOLT	4				0.011	0.0242
170	04015-50080	WASHER,PLAIN	2				0	0
180	32400-45510	PANEL	1				0	0
190	01754-50618	BOLT,FLANGE	6				0.01	0.022
200	38240-29250	NUT,SPRING	5				0.005	0.011
210	32400-35280	SUPPORT,ACCEL.LEVER	1			MANUAL STRG.	0	0
210	32400-45680	SUPPORT,ACCEL.LEVER	1			POWER STRG.	0	0
220	01754-50812	BOLT,FLANGE	4				0.01	0.022
230	32400-18910	SUPPORT,BONNET REAR	1			MANUAL STRG.	0.27	0.594
230	35010-18910	SUPPORT,BONNET REAR	1			POWER STRG.	0.345	0.759
240	01754-50816	BOLT,FLANGE	4				0.011	0.0242
250	01155-50840	BOLT	1				0.02	0.044
260	02112-50080	NUT	1				0.003	0.0066

SIDE BOARD

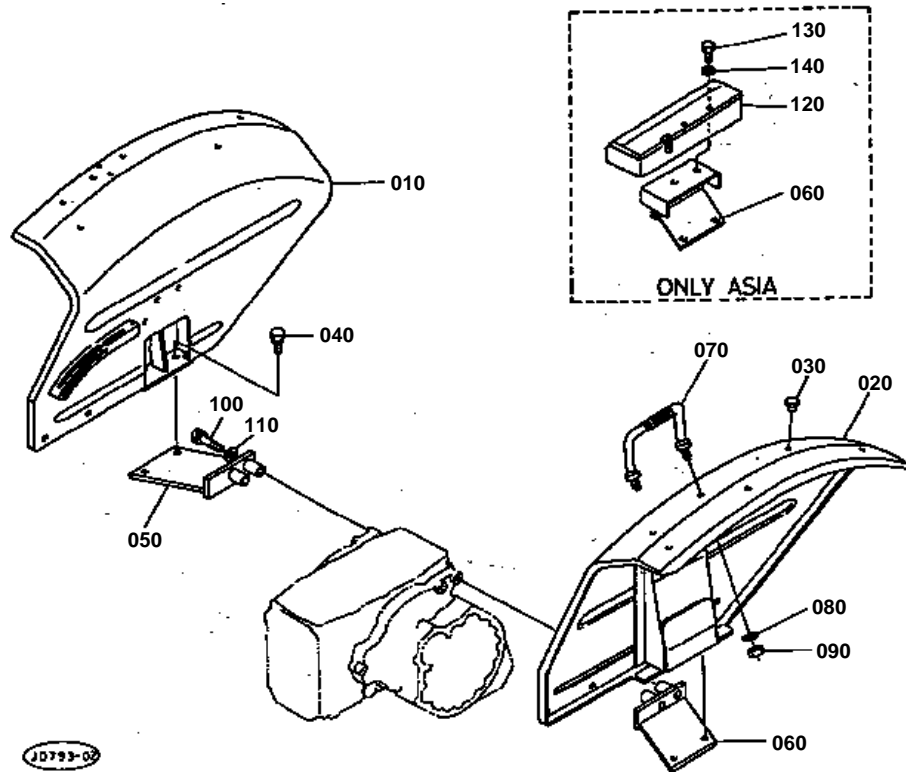




SIDE BOARD

↔ Interchangeable; ≠ not interchangeable; ← new for old; → old for new

REF.No	Part No.	Description	Q'ty	S.No.	I/C	REMARKS	Weight (kgf)	Weight (lb)
010	32400-18140	NET,BONNET SIDE RH	1				0.12	0.264
020	32400-18150	NET,BONNET SIDE LH	1				0.31	0.682
030	38240-18220	CUSHION	2				0.003	0.0066
040	01754-50610	BOLT,FLANGE	6				0.006	0.0132
050	32470-18630	COMP BOARD,SIDE RH	1				4	8.8
060	32470-18640	SIDE PLATE,BONNET LH	1				5.9	12.98
070	32400-18950	CUSHION,BONNET	2				0.01	0.022
080	31341-18680	COMP BELT,SIDE RH	1				0.48	1.056
090	31341-18690	COMP BELT,SIDE LH	1				0.47	1.034
100	02761-50050	NUT,FLANGE	12				0.005	0.011
110	32400-18710	SUPPORT,HOOK RH	1			MANUAL STRG.	0.21	0.462
110	35010-18710	SUPPORT,HOOK RH	1			POWER STRG.	0.43	0.946
120	32400-18720	SUPPORT,HOOK LH	1			MANUAL STRG.	0.175	0.385
120	35010-18720	SUPPORT,HOOK LH	1			POWER STRG.	0.36	0.792
130	01123-50814	BOLT	2				0	0
140	01123-50820	BOLT	2				0.011	0.0242
150	01820-50825	BOLT,KNOB	2				0.028	0.0616
160	04015-50080	WASHER,PLAIN	2				0	0
170	32400-18220	RUBBER,KNOB BOLT	2				0.001	0.0022



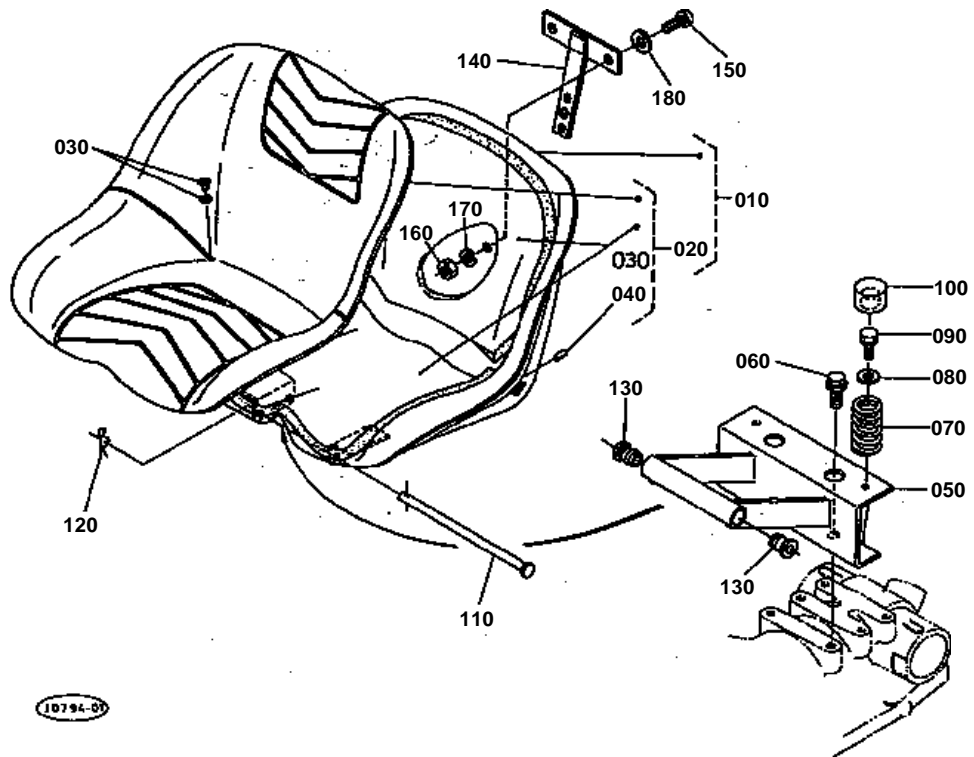
20793-02



FENDER

↔ Interchangeable; ≠ not interchangeable; ← new for old; → old for new

REF.No	Part No.	Description	Q'ty	S.No.	I/C	REMARKS	Weight (kgf)	Weight (lb)
010	32400-29110	COMP.FENDER,RH	1				0	0
020	32400-29120	COMP.FENDER,LH	1				6.8	14.96
030	34159-34290	PLUG	4				0.004	0.0088
040	01133-51220	BOLT	4				0.04	0.088
050	32400-29210	BRACKET,FENDER RH	1			[A],[AU]	2.3	5.06
060	32400-29220	BRACKET,FENDER LH	1			[A],[AU]	2.18	4.796
070	35260-29190	RAIL,HAND	1				0.27	0.594
080	04013-50140	WASHER,PLAIN	2				0	0
090	02174-50140	NUT	2				0.014	0.0308
100	01173-51265	BOLT	4				0.063	0.1386
110	04512-50120	WASHER,SPRING	4				0	0

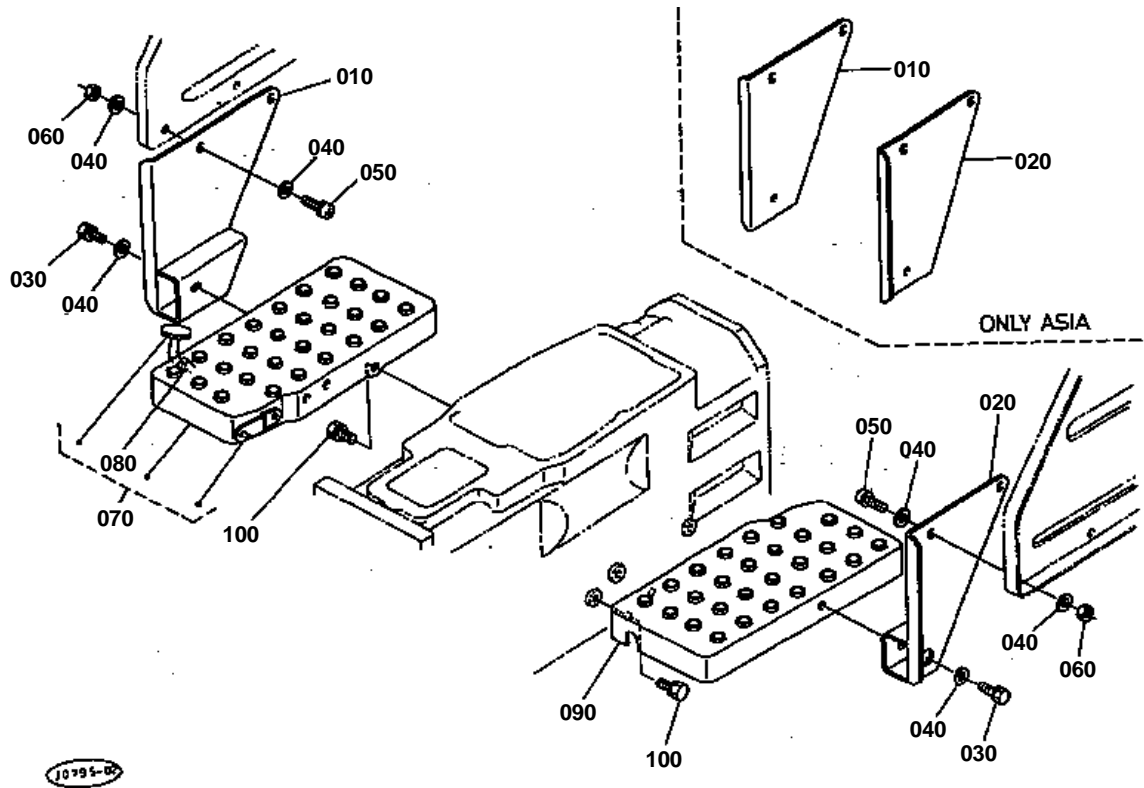




SEAT

↔ Interchangeable; ≠ not interchangeable; ← new for old; → old for new

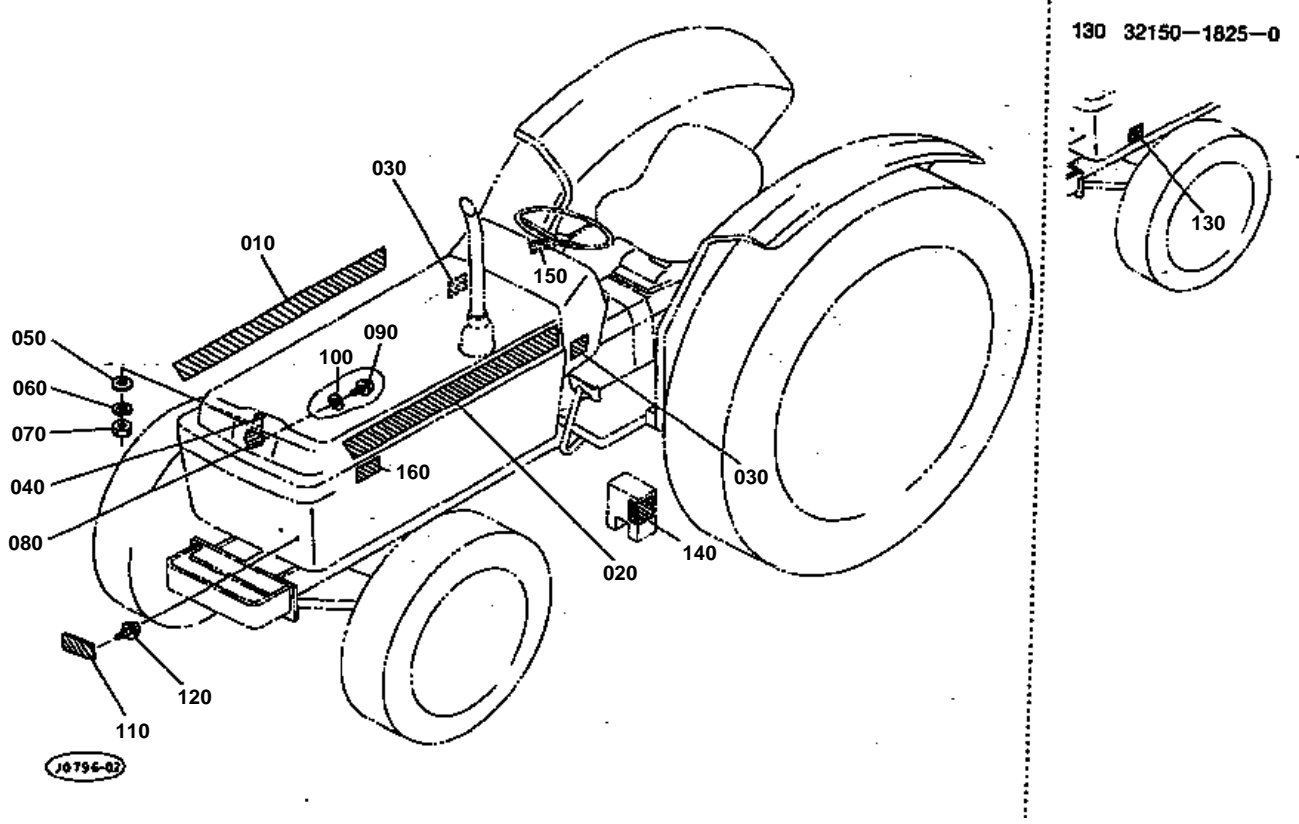
REF.No	Part No.	Description	Q'ty	S.No.	I/C	REMARKS	Weight (kgf)	Weight (lb)
010	35110-85014	ASSY SEAT	1				0	0
020	35110-99100	ASSY COVER,SEAT	1				0.52	1.144
030	35110-85050	EYELET	4				0.005	0.011
040	35110-85060	PROTECTOR	3				0.01	0.022
050	32400-18450	SUPPORT,SEAT	1				2.5	5.5
060	01774-51016	BOLT,FLANGE	2				0.02	0.044
070	66301-52810	SPRING,SEAT	2				0.12	0.264
080	04015-50080	WASHER,PLAIN	2				0	0
090	01123-50820	BOLT	2				0.011	0.0242
100	66301-52820	CAP,SPRING	2				0.04	0.088
110	38240-18470	PIN	1				0.085	0.187
120	05516-51000	PIN,SNAP	1				0	0
130	37150-18490	CUSHION	2				0.014	0.0308
140	32400-18480	BKT.TRIANGLE PLATE	1			[A]	0.225	0.495
150	03014-50616	SCREW,PAN HEAD	2			[A]	0.003	0.0066
160	02014-50060	NUT	2			[A]	0.003	0.0066
170	04512-50060	WASHER,SPRING	2			[A]	0	0
180	04012-50060	WASHER,PLAIN	2			[A]	0.001	0.0022



**STEP**

↔ Interchangeable; ≠ not interchangeable; ← new for old; → old for new

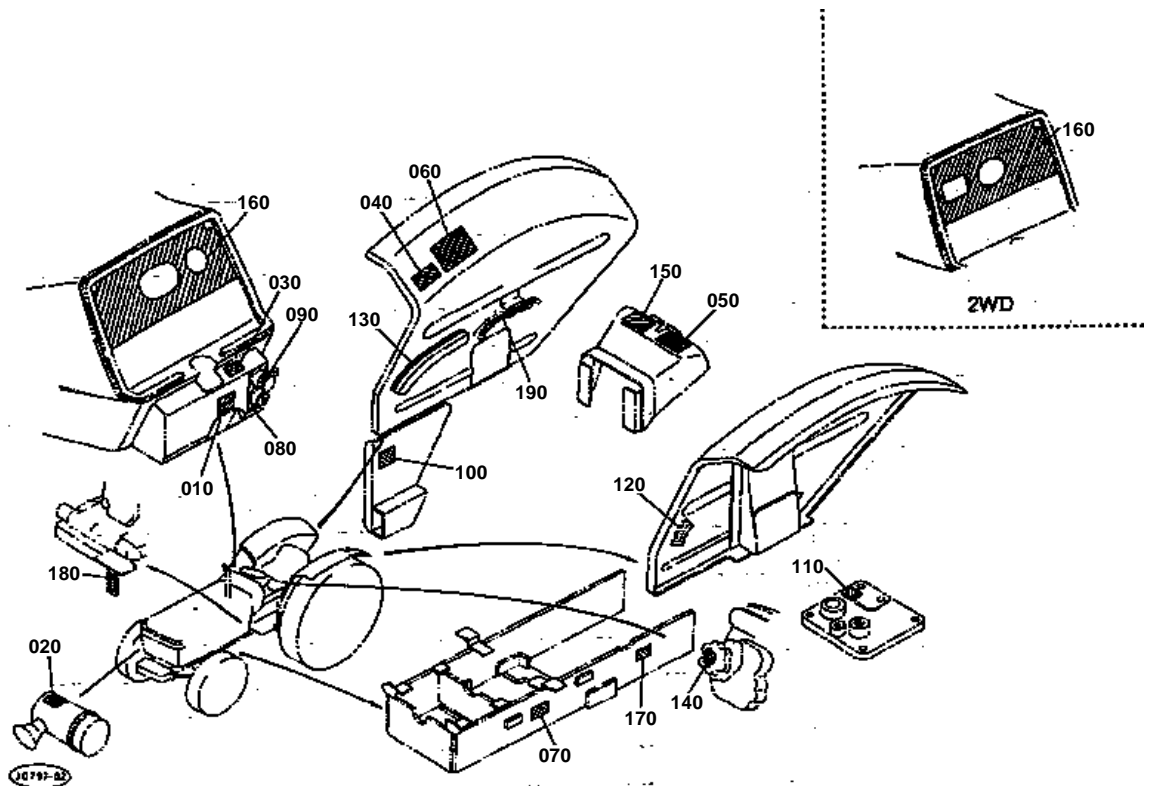
REF.No	Part No.	Description	Q'ty	S.No.	I/C	REMARKS	Weight (kgf)	Weight (lb)
010	32400-29140	COVER,FENDER RH	1			[A],[AU]	0.86	1.892
020	32400-29160	COVER,FENDER LH	1			[A],[AU]	0	0
030	01123-50820	BOLT	2				0.011	0.0242
040	04015-50080	WASHER,PLAIN	10				0	0
050	03004-50820	SCREW,WITH WASHER	4				0.011	0.0242
060	02114-50080	NUT	6				0.005	0.011
070	37150-29900	COMP.STEP,RH	1				1.78	3.916
080	37150-17530	SPRING	1				0.01	0.022
090	37150-29920	STEP,LH	1				1.61	3.542
100	01133-51016	BOLT	6				0.015	0.033



**LABEL 1**

↔ Interchangeable; ≠ not interchangeable; ← new for old; → old for new

REF.No	Part No.	Description	Q'ty	S.No.	I/C	REMARKS	Weight (kgf)	Weight (lb)
010	32400-65100	MARK,MODEL RH	1				0.04	0.088
020	32400-65110	MARK,MODEL LH	1				0.045	0.099
030	32400-65240	LABEL,SIDE	2				0.005	0.011
040	31351-65180	MASCOT	1				0.01	0.022
050	04013-50040	WASHER,PLAIN	1				0	0
060	04512-50040	WASHER,SPRING	1				0	0
070	02054-50040	NUT	1				0.001	0.0022
080	32430-65320	EMBLEM	1				0.07	0.154
090	38430-18270	SCREW	2				0.002	0.0044
100	04015-50050	WASHER,PLAIN	2				0.004	0.0088
110	32430-65330	MARK,KUBOTA	1				0.04	0.088
120	38430-18270	SCREW	2				0.002	0.0044
140	35176-15930	LABEL,PEDAL	1				0.005	0.011
150	35170-15940	CARD,INSTRUCTION	1				0.015	0.033
160	31353-65820	MARK,4WD	2				0.002	0.0044



**LABEL 2**

↔ Interchangeable; ≠ not interchangeable; ← new for old; → old for new

REF.No	Part No.	Description	Q'ty	S.No.	I/C	REMARKS	Weight (kgf)	Weight (lb)
010	35110-17610	LABEL,ENGINE STOP	1				0.002	0.0044
020	15222-93450	LABEL,AIR CLEANER	1				0.001	0.0022
030	35260-25050	LABEL,SHUTTLE	1				0.01	0.022
040	35260-29782	LABEL,ROPS CAUTION	1				0.001	0.0022
050	35260-29790	LABEL,DRAWBAR	1				0.002	0.0044
060	35260-34912	LABEL,SAFETY	1				0	0
070	32430-65450	NAME PLATE,BODY	1				0.004	0.0088
080	32430-65510	LABEL,MAIN SWITCH	1				0.001	0.0022
090	32530-65530	LABEL,HAZARD MARK	1				0.001	0.0022
100	32430-65650	LABEL,DIFF.LOCK	1				0.001	0.0022
110	35260-24950	LABEL	1				0.002	0.0044
120	35176-24580	LABEL,AUX.S-CHANGE	1				0.002	0.0044
130	32430-65760	LABEL,POSITION CON.	1				0.003	0.0066
140	31351-65780	LABEL,HYD.ADJUST.	1				0.001	0.0022
150	35200-25340	LABEL,PTO	1				0.002	0.0044
160	32400-45570	LABEL,PANEL BOARD	1				0.02	0.044
170	35820-98632	LABEL,START CAUTION	1				0.003	0.0066
180	35010-65810	LABEL,4WD CHANGE	1				0.01	0.022
190	32430-65770	LABEL,DRAFT CON.	1				0.001	0.0022

IMAGE NOT AVAILABLE

**ACCESSORIES AND SERVICE PARTS**

↔ Interchangeable; ≠ not interchangeable; ← new for old; → old for new

REF.No	Part No.	Description	Q'ty	S.No.	I/C	REMARKS	Weight (kgf)	Weight (lb)
010	32400-19712	MANUAL,INSTRUCTION	1				0	0
020	01073-51630	BOLT	8			FOR REAR WHEEL	0.079	0.1738
030	02076-50160	NUT	4			FOR REAR WHEEL	0.03	0.066
040	01517-51632	STUD	4			FOR REAR WHEEL	0.076	0.1672
050	04512-50160	WASHER,SPRING	12			FOR REAR WHEEL	0	0
070	04512-50140	WASHER,SPRING	12			FOR FRONT WHEEL	0	0
080	04013-50140	WASHER,PLAIN	12			FOR FRONT WHEEL	0	0
090	02176-50140	NUT	12			FOR FRONT WHEEL	0.014	0.0308
100	35450-49160	STUD	12			FOR FRONT WHEEL	0.05	0.11
110	35260-31850	ASSY KEY,MAIN SWITCH	1				0	0