

Instructions for Parts Books

The heading at the top of the page will be the same for the picture of the parts as it is for the page with the part numbers.

Definition of column headings on part number pages:

REF.No → The number referring to the part on the picture page of the parts book.

Part No. → The number assigned to this part at the time of printing the parts book.

Description → Description of part.

Q'ty → Quantity of part used on that page.

S.No. → Serial number range of the equipment that this part will fit.

>= Your serial number should be greater than or equal to the number shown.

<= Your serial number should be lesser than or equal to the serial number shown.

I/C → Interchangeability of part shown.

↔ The part shown will work for the older and later serial number.

The part shown is not interchangeable with the other serial number.

← new for old

→ old for new

Remarks → Notes about this particular part. Sometimes this may say except [FR] or [CA]

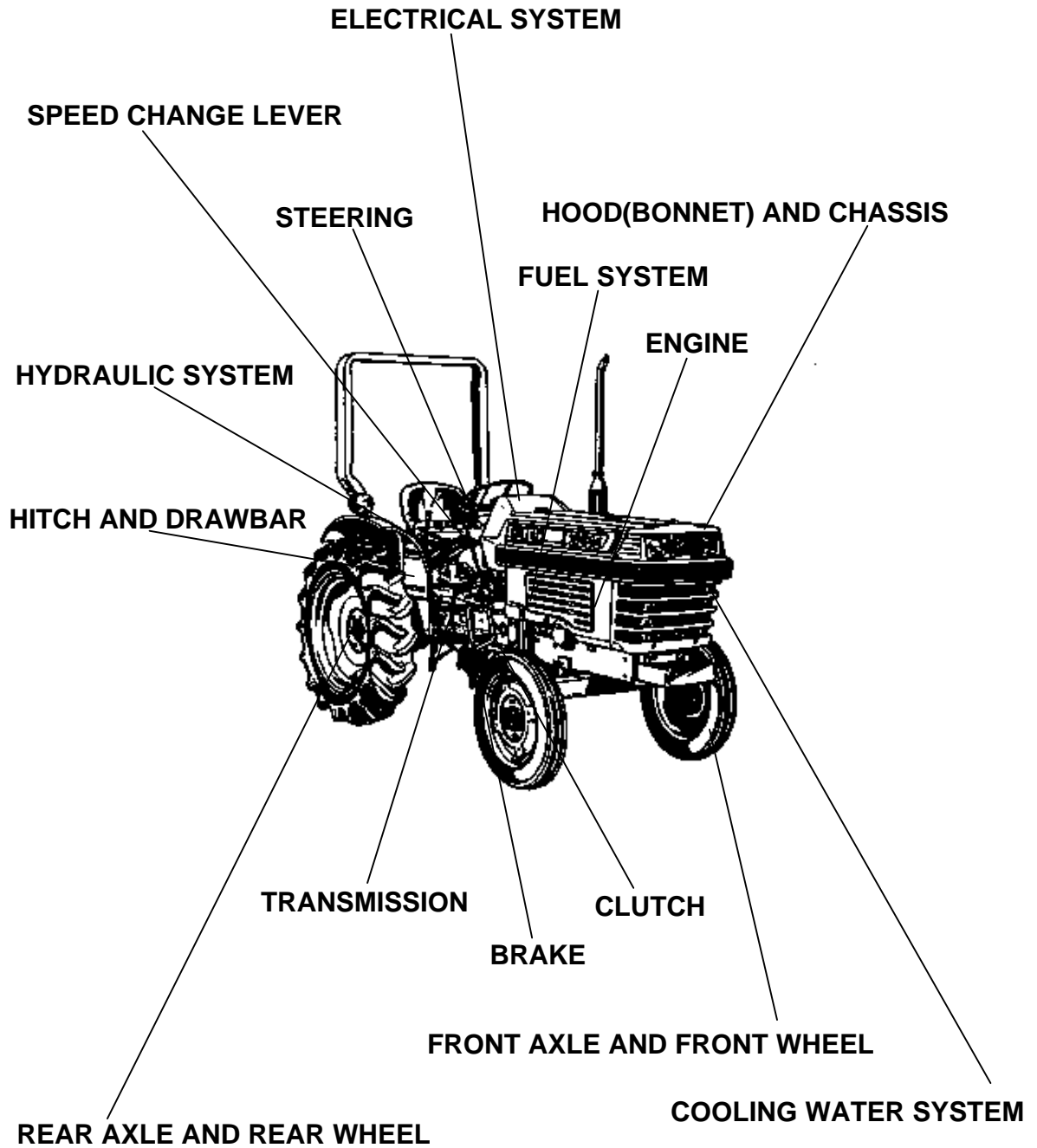
Note about Country Codes:

The parts books we use in the United States of America may also contain information about a part that would be different in another country. It is important that you are aware of the country codes in some instances.

| Symbol | Country |
|--------|--------------------------|
| A | United States of America |
| CA | Canada |
| FR | France |
| GR | Greece |
| PO | Portugal |
| AU | Australia |

If the remarks column says for example EXCEPT [FR] this part works in all countries except France. That means it will work here in the USA.

ALL PRODUCT INDEX
L2050F

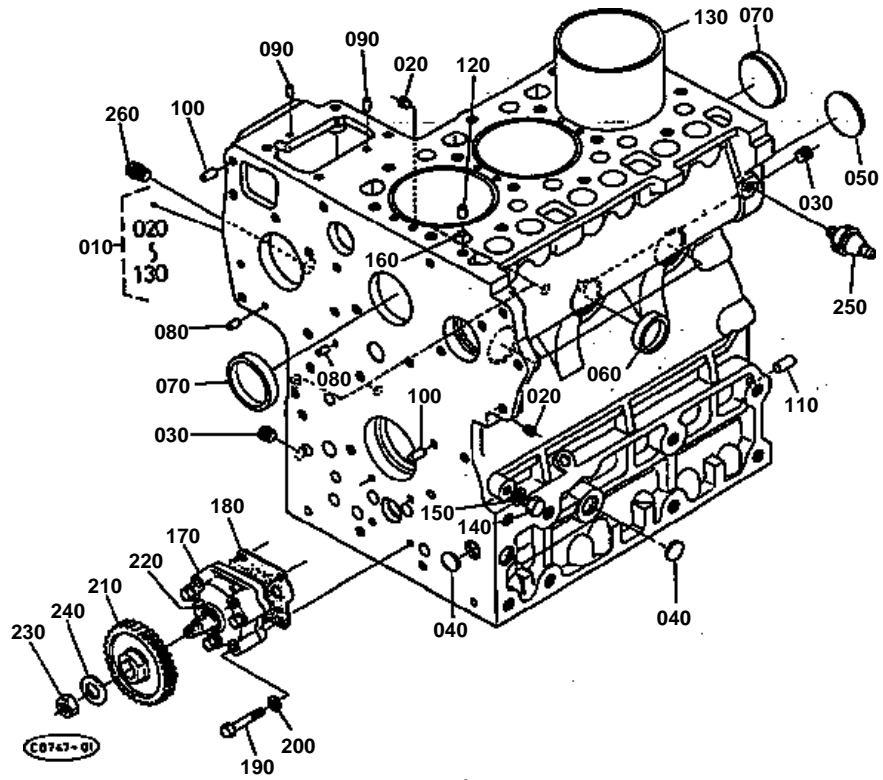


LABELS
ACCESSORIES

| Item | Part No. | Description | Book | |
|--------------------------|------------------------------------|----------------------------------|---------------------|----------|
| ENGINE | 01T001 | CRANKCASE | 100K0321 | |
| | 01T002 | OIL PAN | 100K0321 | |
| | 01T003 | PISTON AND CRANKSHAFT | 100K0321 | |
| | 01T004 | MAIN BEARING CASE | 100K0321 | |
| | 01T005 | FLYWHEEL | 100K0321 | |
| | 01T006 | CYLINDER HEAD | 100K0321 | |
| | 01T007 | VALVE AND ROCKER ARM | 100K0321 | |
| | 01T008 | NOZZLE HOLDER AND GLOW PLUG | 100K0321 | |
| | 01T009 | NOZZLE HOLDER [COMPONENT PARTS] | 100K0321 | |
| | 01T010 | CYLINDER HEAD COVER | 100K0321 | |
| | 01T011 | INLET MANIFOLD | 100K0321 | |
| | 01T015 | CAMSHAFT | 100K0321 | |
| | 01T016 | GEAR CASE | 100K0321 | |
| | 01T017 | WATER PUMP | 100K0321 | |
| | 01T018 | WATER FLANGE | 100K0321 | |
| | 01T019 | INJECTION PUMP AND FUEL CAMSHAFT | 100K0321 | |
| | 01T020 | INJECTION PUMP [COMPONENT PARTS] | 100K0321 | |
| | 01T021 | SPEED CONTROL PLATE | 100K0321 | |
| | 01T022 | GOVERNOR | 100K0321 | |
| | REAR AXLE AND REAR WHEEL ENGINE | 01T060 | DIFFERENTIAL (REAR) | 100K0321 |
| | | 01T012 | AIR CLEANER | 100K0321 |
| | | 01T013 | EXHAUST MANIFOLD | 100K0321 |
| 01T014 | | MUFFLER | 100K0321 | |
| FUEL SYSTEM | 01T023 | HAND ACCELERATOR | 100K0321 | |
| | 01T024 | FUEL TANK | 100K0321 | |
| COOLING WATER SYSTEM | 01T026 | FUEL FILTER | 100K0321 | |
| | 01T027 | WATER PIPE | 100K0321 | |
| | 01T028 | RADIATOR | 100K0321 | |
| ELECTRICAL SYSTEM | 01T029 | SHUTTER | 100K0321 | |
| | 01T030 | DYNAMO | 100K0321 | |
| | 01T031 | DYNAMO [COMPONENT PARTS] | 100K0321 | |
| | 01T032 | STARTER | 100K0321 | |
| | 01T033 | STARTER [COMPONENT PARTS] | 100K0321 | |
| | 01T034 | BATTERY | 100K0321 | |
| | 01T035 | SWITCH AND HORN | 100K0321 | |
| | 01T036 | LIGHT | 100K0321 | |
| | 01T037 | REGULATOR AND METER | 100K0321 | |
| | 01T039 | ELECTRICAL WIRING | 100K0321 | |
| CLUTCH | 01T041 | CLUTCH | 100K0321 | |
| | 01T042 | CLUTCH LEVER | 100K0321 | |
| | 01T043 | CLUTCH PEDAL | 100K0321 | |
| | 01T044 | CLUTCH HOUSING | 100K0321 | |
| TRANSMISSION | 01T045 | TRANSMISSION CASE | 100K0321 | |
| | 01T046 | MAIN SHAFT | 100K0321 | |
| | 01T047 | COUNTER SHAFT | 100K0321 | |
| | 01T048 | PTO COUNTER SHAFT [A] | 100K0321 | |
| | 01T051 | REVERSE SHAFT | 100K0321 | |
| SPEED CHANGE LEVER | 01T052 | MAIN GEAR SHIFT LEVER [A] | 100K0321 | |
| | 01T053 | PTO GEAR SHIFT LEVER [A] | 100K0321 | |
| | 01T055 | MAIN SHIFT FORK | 100K0321 | |
| REAR AXLE AND REAR WHEEL | 01T056 | PTO SHIFT FORK [A] | 100K0321 | |
| | 01T058 | HI-LO GEAR SHIFT FORK AND LEVER | 100K0321 | |
| | 01T059 | SPIRAL BEVEL GEAR | 100K0321 | |
| | 01T061 | DIFF. LOCK PEDAL | 100K0321 | |
| | 01T062 | REAR AXLE | 100K0321 | |
| | 01T064 | REAR WHEEL (9.5-24F) | 100K0321 | |
| | 01T065 | REAR WHEEL (11.2-24F) | 100K0321 | |
| 01T066 | REAR WHEEL (13.6-16T) | 100K0321 | | |
| BRAKE | 01T067 | REAR WHEEL (355-80-D20) | 100K0321 | |
| | 01T068 | BRAKE | 100K0321 | |

| Item | Part No. | Description | Book |
|----------------------------|----------|--|----------|
| BRAKE | 01T070 | BRAKE PEDAL | 100K0321 |
| | 01T071 | PARKING BRAKE LEVER | 100K0321 |
| FRONT AXLE AND FRONT WHEEL | 01T072 | FRONT AXLE | 100K0321 |
| | 01T073 | KNUCKLE SHAFT | 100K0321 |
| | 01T075 | FRONT WHEEL (4.00-15) | 100K0321 |
| | 01T076 | FRONT WHEEL (5.00-15) | 100K0321 |
| | 01T077 | FRONT WHEEL (23X8.50-12) | 100K0321 |
| | 01T078 | FRONT WHEEL (25X8.50-14) | 100K0321 |
| | 01T079 | FRONT AXLE FRAME | 100K0321 |
| | 01T080 | DRAG LINKAGE | 100K0321 |
| | 01T081 | TIE ROD | 100K0321 |
| STEERING | 01T096 | MANUAL STEERING AND HANDLE | 100K0321 |
| | 01T098 | MANUAL STEERING [COMPONENT PARTS] | 100K0321 |
| HYDRAULIC SYSTEM | 01T100 | HYDRAULIC PUMP | 100K0321 |
| | 01T102 | HYDRAULIC PUMP [COMPONENT PARTS] | 100K0321 |
| | 01T104 | HYDRAULIC OIL LINE | 100K0321 |
| | 01T107 | CONTROL VALVE | 100K0321 |
| | 01T108 | CONTROL VALVE (POSITION) [COMPONENT PARTS] | 100K0321 |
| | 01T109 | CONTROL VALVE (DRAFT) [COMPONENT PARTS] | 100K0321 |
| | 01T110 | DRAFT CONTROL VALVE | 100K0321 |
| | 01T111 | DRAFT CONTROL VALVE [COMPONENT PARTS] | 100K0321 |
| | 01T112 | HYDRAULIC CYLINDER | 100K0321 |
| | 01T113 | HYD. CYLINDER FRONT COVER | 100K0321 |
| | 01T114 | HYDRAULIC LIFT ARM | 100K0321 |
| | 01T115 | HYDRAULIC POSITION LEVER | 100K0321 |
| | 01T116 | HYDRAULIC FEED BACK LEVER | 100K0321 |
| | 01T117 | TOP LINKAGE BRACKET(DRAFT) | 100K0321 |
| | 01T118 | 3-POINT LINKAGE 1 | 100K0321 |
| | 01T119 | 3-POINT LINKAGE 2 | 100K0321 |
| HITCH AND DRAWBAR | 01T120 | HITCH | 100K0321 |
| | 01T122 | PTO SHAFT PROTECTOR | 100K0321 |
| HOOD(BONNET) AND CHASSIS | 01T123 | FRONT GRILLE | 100K0321 |
| | 01T124 | LIGHT GRILLE | 100K0321 |
| | 01T125 | HOOD | 100K0321 |
| | 01T126 | SIDE BOARD | 100K0321 |
| | 01T127 | FENDER | 100K0321 |
| | 01T128 | SEAT | 100K0321 |
| | 01T129 | STEP | 100K0321 |
| LABELS | 01T130 | LABEL 1 | 100K0321 |
| | 01T131 | LABEL 2 | 100K0321 |
| ACCESSORIES | 01T132 | ACCESSORIES AND SERVICE PARTS | 100K0321 |

CRANKCASE



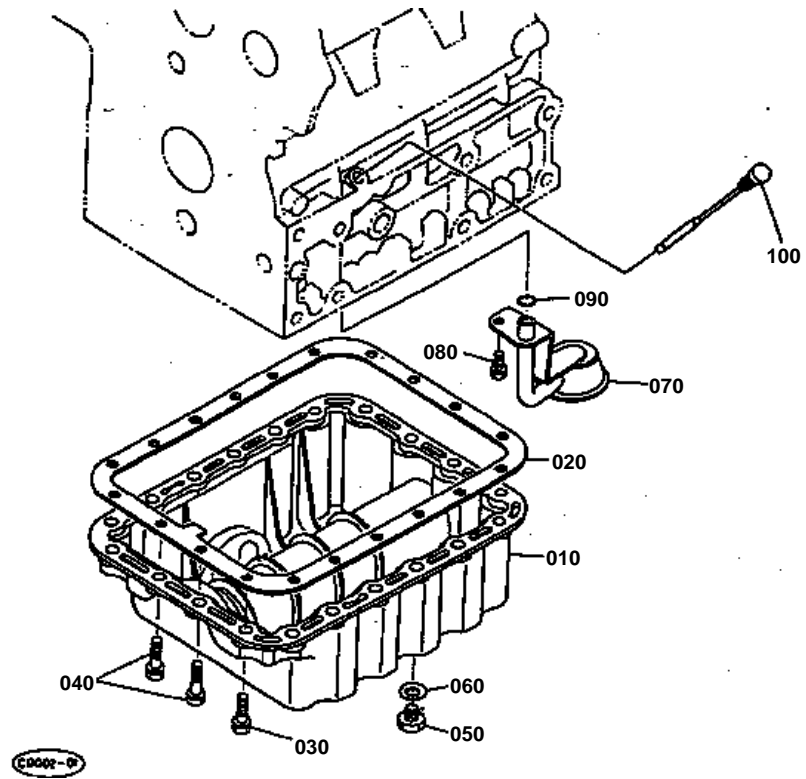


CRANKCASE

↔ Interchangeable; ≠ not interchangeable; ← new for old; → old for new

| REF.No | Part No. | Description | Q'ty | S.No. | I/C | REMARKS | Weight (kgf) | Weight (lb) |
|--------|-------------|---------------------|------|-------|-----|---------|--------------|-------------|
| 010 | 16411-01010 | COMP.CRANKCASE | 1 | | | | 48.5 | 106.7 |
| 020 | 15521-96020 | PLUG | 5 | | | | 0.003 | 0.0066 |
| 030 | 15521-96030 | PLUG | 2 | | | | 0.007 | 0.0154 |
| 040 | 06311-75018 | PLUG | 3 | | | | 0.004 | 0.0088 |
| 050 | 06311-75045 | PLUG | 1 | | | | 0.026 | 0.0572 |
| 060 | 15221-03380 | CAP,SEALING | 5 | | | | 0.017 | 0.0374 |
| 070 | 15221-03390 | CAP,SEALING | 2 | | | | 0.03 | 0.066 |
| 080 | 05012-00408 | PIN,STRAIGHT | 2 | | | | 0.001 | 0.0022 |
| 090 | 05012-00609 | PIN,STRAIGHT | 2 | | | | 0.003 | 0.0066 |
| 100 | 05012-00612 | PIN,STRAIGHT | 2 | | | | 0.003 | 0.0066 |
| 110 | 05012-01018 | PIN,STRAIGHT | 1 | | | | 0.012 | 0.0264 |
| 120 | 15221-33650 | PIN,PIPE | 1 | | | | 0.004 | 0.0088 |
| 130 | 15221-02310 | LINER,CYLINDER | 3 | | | | 0.58 | 1.276 |
| 140 | 15221-33610 | PLUG | 1 | | | | 0.009 | 0.0198 |
| 150 | 15021-33660 | GASKET | 1 | | | | 0.001 | 0.0022 |
| 160 | 15221-33700 | O RING | 1 | | | | 0.001 | 0.0022 |
| 170 | 15321-35010 | ASSY PUMP,OIL | 1 | | | | 0.525 | 1.155 |
| 180 | 15221-35150 | GASKET,OIL PUMP | 1 | | | | 0 | 0 |
| 190 | 01053-50648 | BOLT | 4 | | | | 0.01 | 0.022 |
| 200 | 04512-50060 | WASHER,SPRING | 4 | | | | 0 | 0 |
| 210 | 19202-35660 | GEAR,OIL PUMP DRIVE | 1 | | | | 0.23 | 0.506 |
| 220 | 05712-00410 | KEY,FEATHER | 1 | | | | 0.001 | 0.0022 |
| 230 | 15221-35680 | NUT | 1 | | | | 0 | 0 |
| 240 | 15221-35670 | WASHER | 1 | | | | 0.005 | 0.011 |
| 250 | 15531-39010 | SWITCH,OIL | 1 | | | | 0.032 | 0.0704 |
| 260 | 06312-10020 | PLUG | 1 | | | | 0.015 | 0.033 |

OIL PAN



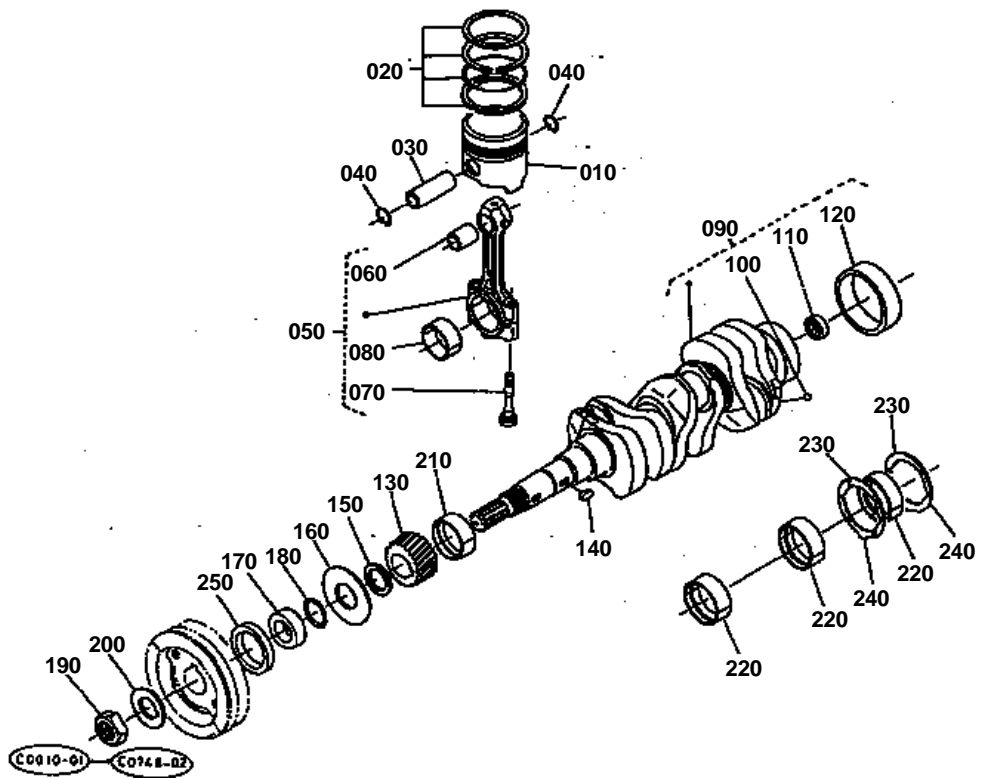


OIL PAN

↔ Interchangeable; ≠ not interchangeable; ← new for old; → old for new

| REF.No | Part No. | Description | Q'ty | S.No. | I/C | REMARKS | Weight (kgf) | Weight (lb) |
|--------|-------------|----------------|------|-------|-----|---------|--------------|-------------|
| 010 | 15521-01610 | OIL PAN | 1 | | | | 2.8 | 6.16 |
| 020 | 15301-01620 | GASKET,OIL PAN | 1 | | | | 0 | 0 |
| 030 | 01133-51028 | BOLT | 18 | | | | 0.027 | 0.0594 |
| 040 | 01133-51025 | BOLT | 2 | | | | 0.023 | 0.0506 |
| 050 | 15261-33750 | PLUG | 2 | | | | 0.034 | 0.0748 |
| 060 | 15109-33660 | GASKET | 2 | | | | 0.001 | 0.0022 |
| 070 | 15521-32110 | FILTER,OIL | 1 | | | | 0.185 | 0.407 |
| 080 | 01123-50814 | BOLT | 1 | | | | 0 | 0 |
| 090 | 04811-00140 | RING | 1 | | | | 0.001 | 0.0022 |
| 100 | 15596-36410 | GAUGE,OIL | 1 | | | | 0.016 | 0.0352 |

PISTON AND CRANKSHAFT



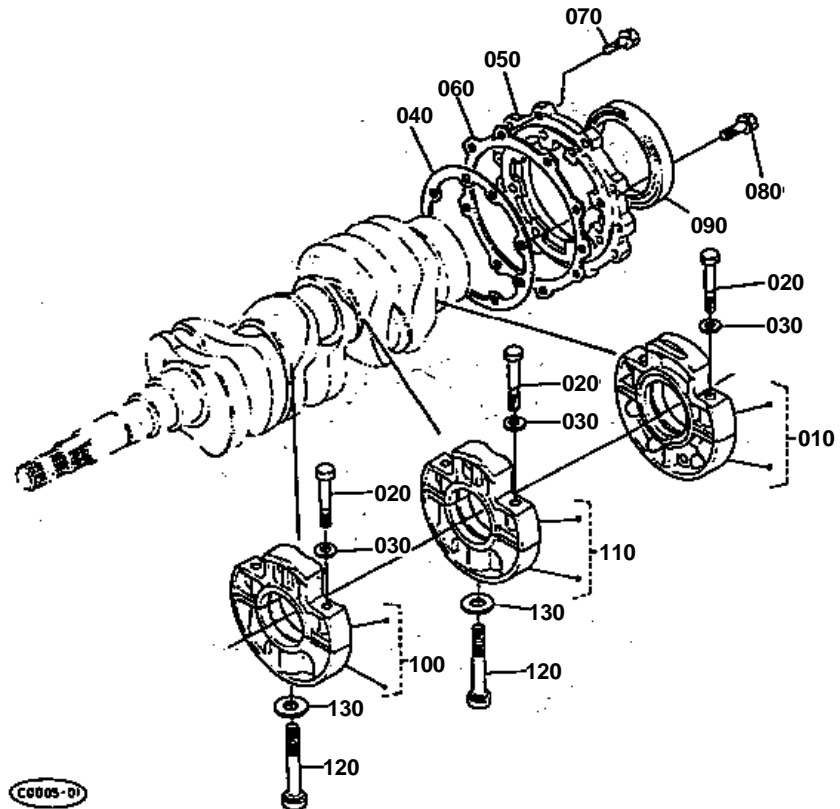


PISTON AND CRANKSHAFT

↔ Interchangeable; ≠ not interchangeable; ← new for old; → old for new

| REF.No | Part No. | Description | Q'ty | S.No. | I/C | REMARKS | Weight (kgf) | Weight (lb) |
|--------|-------------|---------------------|------|--------|-----|---------|--------------|-------------|
| 010 | 15221-21110 | PISTON | 3 | | | STD | 0.45 | 0.99 |
| 010 | 15221-21910 | PISTON | 3 | | | +0.5 | 0.452 | 0.9944 |
| 020 | 15501-21050 | ASSY PISTON RING | 3 | | | STD | 0.05 | 0.11 |
| 020 | 15501-21090 | ASSY PISTON RING | 3 | | | +0.5 | 0.05 | 0.11 |
| 030 | 15521-21310 | PIN,PISTON | 3 | | | | 0.156 | 0.3432 |
| 040 | 15221-21330 | CIR-CLIP,PISTON PIN | 6 | | | | 0.002 | 0.0044 |
| 050 | 15521-22012 | ASSY CONNECTING ROD | 3 | | | | 0 | 0 |
| 060 | 15221-21980 | BUSH,PISTON PIN | 3 | | | | 0 | 0 |
| 070 | 15521-22140 | BOLT,CONNECTING ROD | 6 | | | | 0 | 0 |
| 080 | 15221-22310 | METAL,CRANKPIN | 3 | | | STD | 0 | 0 |
| 080 | 15221-22970 | METAL,CRANKPIN | 3 | | | -0.2 | 0.04 | 0.088 |
| 080 | 15221-22980 | METAL,CRANKPIN | 3 | | | -0.4 | 0.04 | 0.088 |
| 090 | 15568-23010 | COMP.CRANKSHAFT | 1 | | | | 13.04 | 28.688 |
| 100 | 15221-33630 | PLUG,PIN | 3 | <=7382 | | | 0.001 | 0.0022 |
| 100 | 07715-03209 | BALL | 3 | >=7383 | ↔ | | 0.002 | 0.0044 |
| 110 | 08121-06002 | BEARING,BALL | 1 | | | | 0.03 | 0.066 |
| 120 | 19202-23280 | SLEEVE,CRANKSHAFT | 1 | | | | 0.09 | 0.198 |
| 130 | 15521-24110 | GEAR,CRANKSHAFT | 1 | | | | 0.34 | 0.748 |
| 140 | 05712-00720 | KEY,FEATHER | 1 | | | | 0.008 | 0.0176 |
| 150 | 15221-24130 | COLLAR | 1 | | | | 0.015 | 0.033 |
| 160 | 15221-23310 | SLINGER,OIL | 1 | | | | 0 | 0 |
| 170 | 19202-23250 | COLLAR,CRANKSHAFT | 1 | | | | 0.065 | 0.143 |
| 180 | 04811-10300 | RING | 1 | | | | 0.001 | 0.0022 |
| 190 | 15221-23360 | NUT,CRANKSHAFT | 1 | | | | 0.11 | 0.242 |
| 200 | 15221-23380 | WASHER,CRANKSHAFT | 1 | | | | 0.02 | 0.044 |
| 210 | 15221-23470 | METAL,CRANKSHAFT | 1 | | | STD | 0 | 0 |
| 210 | 15221-23910 | METAL,CRANKSHAFT | 1 | | | -0.2 | 0 | 0 |
| 210 | 15221-23920 | METAL,CRANKSHAFT | 1 | | | -0.4 | 0 | 0 |
| 220 | 15221-23480 | METAL,CRANKSHAFT | 3 | | | STD | 0 | 0 |
| 220 | 15221-23930 | METAL,CRANKSHAFT | 3 | | | -0.2 | 0.055 | 0.121 |
| 220 | 15221-23940 | METAL,CRANKSHAFT | 3 | | | -0.4 | 0.056 | 0.1232 |
| 230 | 15521-23530 | METAL,SIDE | 2 | | | STD | 0.01 | 0.022 |
| 230 | 15521-23950 | METAL,SIDE | 2 | | | +0.2 | 0.01 | 0.022 |
| 230 | 15521-23960 | METAL,SIDE | 2 | | | +0.4 | 0.01 | 0.022 |
| 240 | 19202-23540 | METAL,SIDE | 2 | | | STD | 0.01 | 0.022 |
| 240 | 19202-23970 | METAL,SIDE | 2 | | | +0.2 | 0.01 | 0.022 |
| 240 | 19202-23980 | METAL,SIDE | 2 | | | +0.4 | 0.01 | 0.022 |
| 250 | 09550-00001 | SEAL,OIL | 1 | | | | 0.015 | 0.033 |

MAIN BEARING CASE



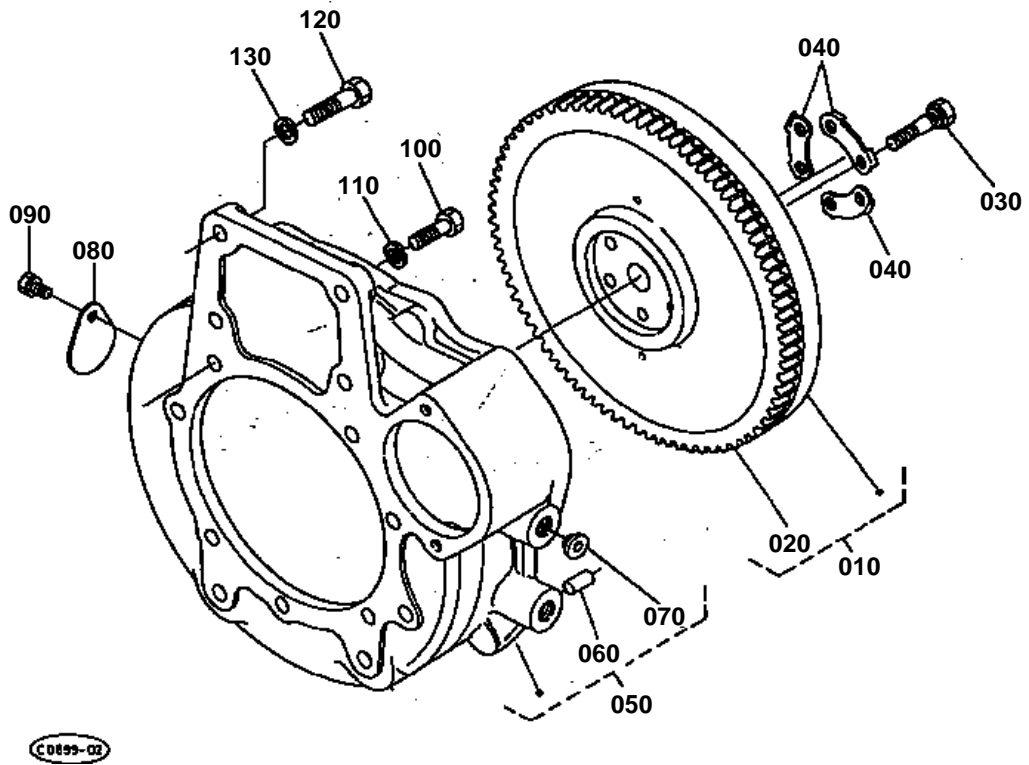


MAIN BEARING CASE

↔ Interchangeable; ≠ not interchangeable; ← new for old; → old for new

| REF.No | Part No. | Description | Q'ty | S.No. | I/C | REMARKS | Weight (kgf) | Weight (lb) |
|--------|-------------|---------------------|------|-------|-----|---------|--------------|-------------|
| 010 | 19202-04040 | ASSY CASE,MAIN BRG. | 1 | | | | 1.28 | 2.816 |
| 020 | 15521-04540 | BOLT,BEARING CASE | 6 | | | | 0 | 0 |
| 030 | 15521-94010 | WASHER,PLAIN | 6 | | | | 0.001 | 0.0022 |
| 040 | 15221-04360 | GASKET | 1 | | | | 0 | 0 |
| 050 | 19202-04810 | COVER,BEARING CASE | 1 | | | | 0.36 | 0.792 |
| 060 | 15221-04820 | GASKET | 1 | | | | 0 | 0 |
| 070 | 01123-50825 | BOLT | 8 | | | | 0.013 | 0.0286 |
| 080 | 01123-50828 | BOLT | 8 | | | | 0.014 | 0.0308 |
| 090 | 19202-04460 | SEAL,OIL | 1 | | | | 0.055 | 0.121 |
| 100 | 15521-04050 | ASSY CASE,MAIN BRG. | 1 | | | | 0 | 0 |
| 110 | 15521-04060 | ASSY CASE,MAIN BRG. | 1 | | | | 0 | 0 |
| 120 | 15291-04560 | BOLT | 2 | | | | 0.06 | 0.132 |
| 130 | 15521-94020 | WASHER,PLAIN | 2 | | | | 0.004 | 0.0088 |

FLYWHEEL



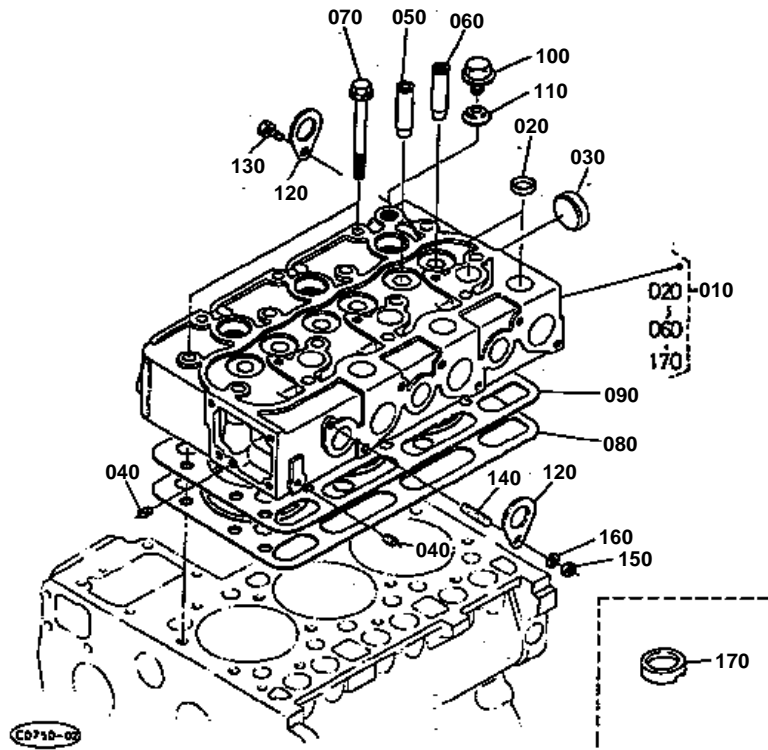


FLYWHEEL

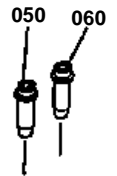
↔ Interchangeable; ≠ not interchangeable; ← new for old; → old for new

| REF.No | Part No. | Description | Q'ty | S.No. | I/C | REMARKS | Weight (kgf) | Weight (lb) |
|--------|-------------|-------------------|------|--------|-----|---------|--------------|-------------|
| 010 | 15331-25014 | COMP.FLYWHEEL | 1 | <=7108 | | | 15.9 | 34.98 |
| 010 | 15331-25015 | COMP.FLYWHEEL | 1 | >=7109 | ← | | 0 | 0 |
| 020 | 15221-63820 | GEAR,RING | 1 | | | | 1.2 | 2.64 |
| 030 | 15321-25160 | BOLT,FLYWHEEL | 6 | | | | 0.05 | 0.11 |
| 040 | 15321-25170 | WASHER,FLYWHEEL | 3 | | | | 0.01 | 0.022 |
| 050 | 15341-04600 | COMP.HOUSING,F-W. | 1 | | | | 10.4 | 22.88 |
| 060 | 05012-01025 | PIN,STRAIGHT | 2 | | | | 0.016 | 0.0352 |
| 070 | 31220-14290 | PLUG | 4 | | | | 0.002 | 0.0044 |
| 080 | 31220-14170 | COVER | 1 | | | | 0.014 | 0.0308 |
| 090 | 01123-50814 | BOLT | 1 | | | | 0 | 0 |
| 100 | 01073-51030 | BOLT | 11 | | | | 0.028 | 0.0616 |
| 110 | 04512-50100 | WASHER,SPRING | 11 | | | | 0 | 0 |
| 120 | 01073-51240 | BOLT | 2 | | | | 0.049 | 0.1078 |
| 130 | 04512-50120 | WASHER,SPRING | 2 | | | | 0 | 0 |

CYLINDER HEAD



050 15221-1358-0
060 15601-1356-0

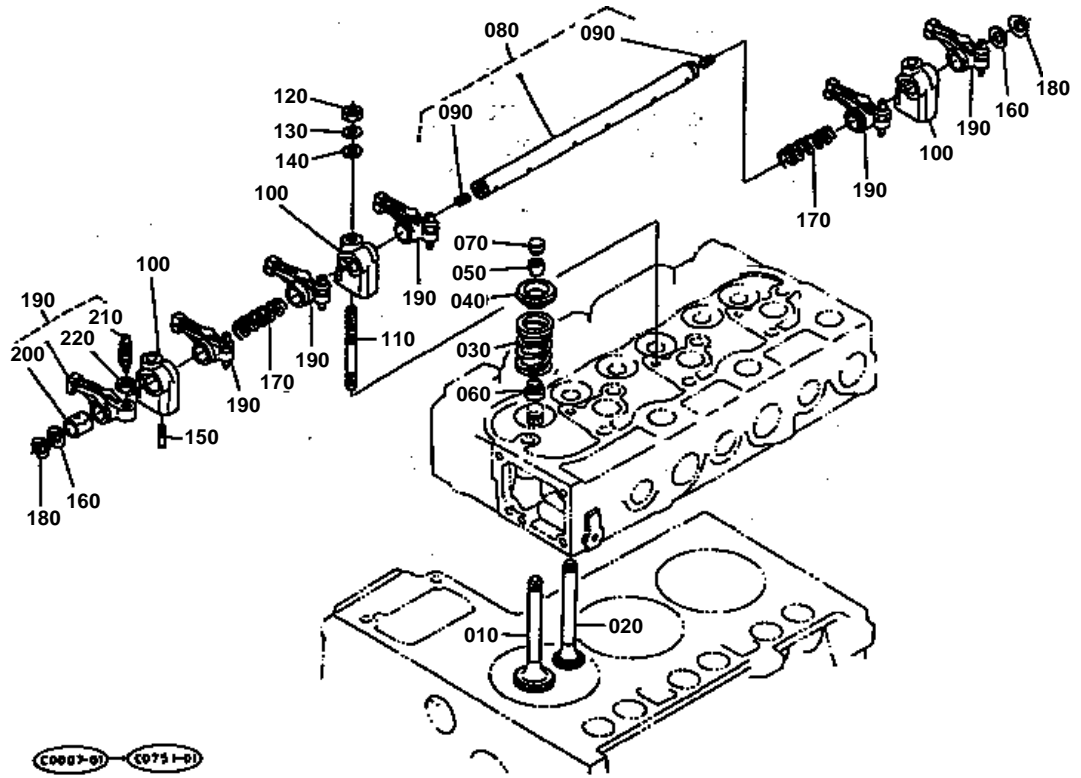


**CYLINDER HEAD**

↔ Interchangeable; ≠ not interchangeable; ← new for old; → old for new

| REF.No | Part No. | Description | Q'ty | S.No. | I/C | REMARKS | Weight (kgf) | Weight (lb) |
|--------|-------------|----------------------|------|--------|-----|-------------------|--------------|-------------|
| 010 | 15501-03040 | COMP.CYLINDER HEAD | 1 | | | | 15 | 33 |
| 020 | 15221-03370 | CAP,SEALING | 9 | | | | 0.01 | 0.022 |
| 030 | 15221-03490 | CAP,SEALING | 1 | | | | 0.02 | 0.044 |
| 040 | 15261-96010 | PLUG | 2 | | | | 0.002 | 0.0044 |
| 050 | 15221-13580 | GUIDE,INLET VALVE | 3 | <=7400 | | | 0 | 0 |
| 050 | 15511-13580 | GUIDE,INLET VALVE | 3 | >=7401 | ↔ | | 0 | 0 |
| 050 | 15521-13580 | GUIDE,INLET VALVE | 3 | >=8600 | ↔ | | 0 | 0 |
| 060 | 15601-13560 | GUIDE,EXHAUST VALVE | 3 | <=7400 | | | 0 | 0 |
| 060 | 17311-13560 | GUIDE,EXHAUST VALVE | 3 | >=7401 | ↔ | | 0 | 0 |
| 060 | 17321-13560 | GUIDE,EXHAUST VALVE | 3 | >=8600 | ↔ | | 0.02 | 0.044 |
| 070 | 19202-03450 | BOLT,CYLINDER HEAD | 14 | | | | 0.065 | 0.143 |
| 080 | 15321-03310 | GASKET,CYLINDER HEAD | 1 | | | | 0 | 0 |
| 090 | 15321-03320 | SHIM,CYL.HEAD GASKET | 1 | | | MAINTENANCE PARTS | 0.047 | 0.1034 |
| 100 | 15000-36080 | PLUG,CYLINDER HEAD | 1 | | | | 0.03 | 0.066 |
| 110 | 04717-01600 | WASHER,WITH RUBBER | 1 | | | | 0.003 | 0.0066 |
| 120 | 15221-01750 | HOOK,ENGINE | 2 | | | | 0.04 | 0.088 |
| 130 | 01123-50816 | BOLT | 1 | | | | 0.011 | 0.0242 |
| 140 | 15471-91530 | STUD | 1 | | | | 0.01 | 0.022 |
| 150 | 02156-50080 | NUT | 1 | | | | 0.004 | 0.0088 |
| 160 | 04512-50080 | WASHER,SPRING | 1 | | | | 0 | 0 |
| 170 | 15291-03140 | COMBUSTION CHAMBER | 3 | | | | 0.028 | 0.0616 |

VALVE AND ROCKER ARM



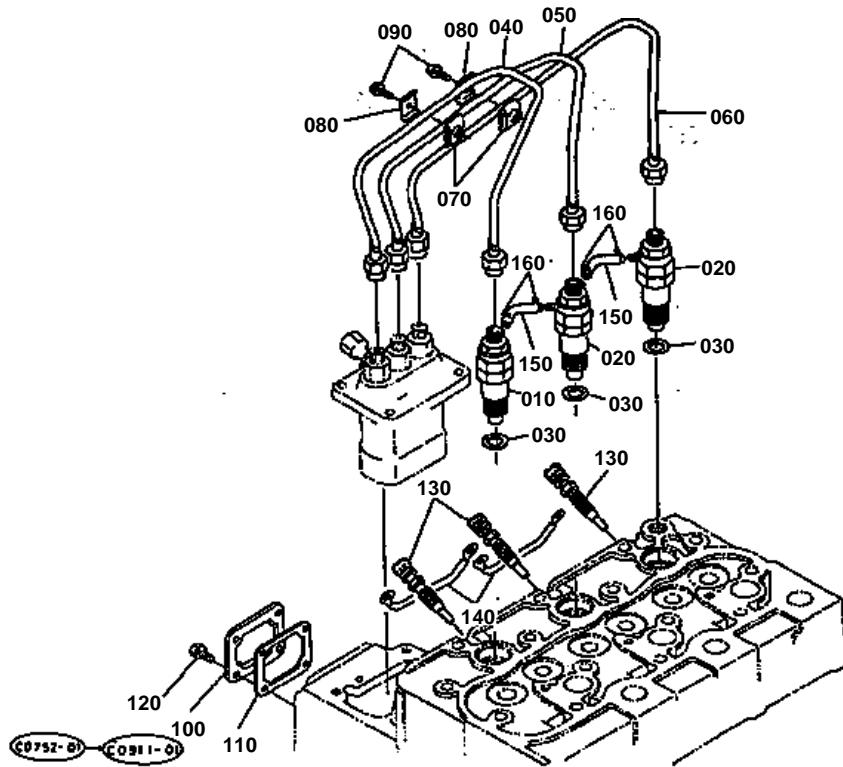


VALVE AND ROCKER ARM

↔ Interchangeable; ≠ not interchangeable; ← new for old; → old for new

| REF.No | Part No. | Description | Q'ty | S.No. | I/C | REMARKS | Weight (kgf) | Weight (lb) |
|--------|-------------|---------------------|------|-------|-----|---------|--------------|-------------|
| 010 | 15221-13110 | VALVE,INLET | 3 | | | | 0.062 | 0.1364 |
| 020 | 15221-13120 | VALVE,EXHAUST | 3 | | | | 0.054 | 0.1188 |
| 030 | 15221-13240 | SPRING,VALVE | 6 | | | | 0.036 | 0.0792 |
| 040 | 15221-13330 | RETAINER,VALVE SP. | 6 | | | | 0.03 | 0.066 |
| 050 | 15221-13360 | COLLET,VALVE SPRING | 6 | | | | 0 | 0 |
| 060 | 15221-13150 | SEAL,VALVE STEM | 6 | | | | 0.001 | 0.0022 |
| 070 | 15221-13280 | CAP,VALVE | 6 | | | | 0.006 | 0.0132 |
| 080 | 15321-14050 | ASSY SHAFT,R-ARM | 1 | | | | 0.25 | 0.55 |
| 090 | 03410-50808 | SCREW,SET | 2 | | | | 0.002 | 0.0044 |
| 100 | 15221-14350 | BRACKET,ROCKER ARM | 3 | | | | 0.044 | 0.0968 |
| 110 | 15521-91500 | STUD | 3 | | | | 0.035 | 0.077 |
| 120 | 02156-50080 | NUT | 3 | | | | 0.004 | 0.0088 |
| 130 | 04512-50080 | WASHER,SPRING | 3 | | | | 0 | 0 |
| 140 | 04012-50080 | WASHER,PLAIN | 3 | | | | 0.001 | 0.0022 |
| 150 | 15221-14420 | SCREW,SET | 1 | | | | 0.003 | 0.0066 |
| 160 | 15221-14430 | WASHER | 2 | | | | 0.002 | 0.0044 |
| 170 | 15221-14310 | SPRING,ROCKER ARM | 2 | | | | 0.005 | 0.011 |
| 180 | 04612-00140 | CIR-CLIP,EXTERNAL | 2 | | | | 0.001 | 0.0022 |
| 190 | 15601-14030 | ASSY ROCKER ARM | 6 | | | | 0 | 0 |
| 200 | 15221-14180 | BUSH,ROCKER ARM | 6 | | | | 0.007 | 0.0154 |
| 210 | 15521-14230 | SCREW,ADJUSTING | 6 | | | | 0.009 | 0.0198 |
| 220 | 15021-14240 | NUT | 6 | | | | 0.003 | 0.0066 |

NOZZLE HOLDER AND GLOW PLUG



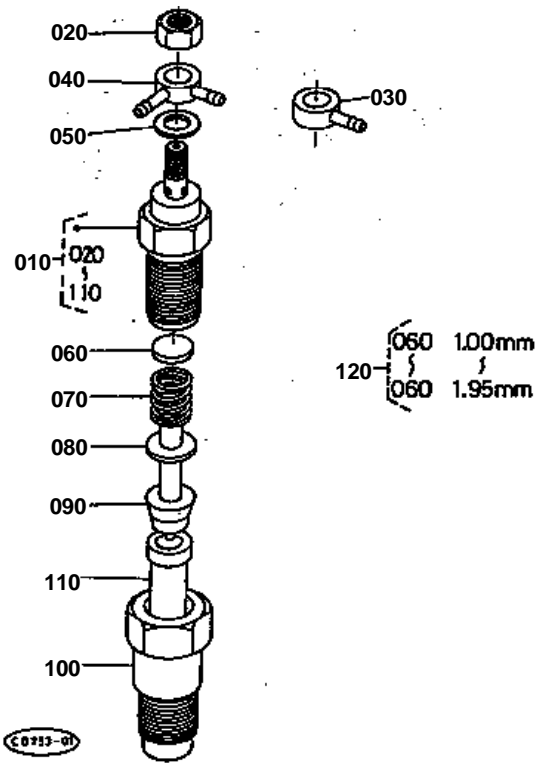


NOZZLE HOLDER AND GLOW PLUG

↔ Interchangeable; ≠ not interchangeable; ← new for old; → old for new

| REF.No | Part No. | Description | Q'ty | S.No. | I/C | REMARKS | Weight (kgf) | Weight (lb) |
|--------|-------------|----------------------|------|-------|-----|--------------------------------------|--------------|-------------|
| 010 | 15271-53000 | ASSY HOLDER, NOZZLE | 1 | | | REFER TO L.NO.0B06-L0 FOR COMPONENTS | 0.26 | 0.572 |
| 020 | 15271-53020 | ASSY HOLDER, NOZZLE | 2 | | | | 0.26 | 0.572 |
| 030 | 17011-53620 | GASKET | 3 | | | | 0.003 | 0.0066 |
| 040 | 15469-53710 | PIPE,INJECTION | 1 | | | | 0.13 | 0.286 |
| 050 | 15469-53720 | PIPE,INJECTION | 1 | | | | 0.132 | 0.2904 |
| 060 | 15469-53730 | PIPE,INJECTION | 1 | | | | 0.132 | 0.2904 |
| 070 | 15841-53850 | CLAMP,PIPE | 2 | | | | 0.01 | 0.022 |
| 080 | 15841-53860 | CLAMP,PIPE | 2 | | | | 0.009 | 0.0198 |
| 090 | 03024-50520 | SCREW,WITH WASHER | 2 | | | | 0.004 | 0.0088 |
| 100 | 15221-51650 | COVER,INJECTION PUMP | 1 | | | | 0.05 | 0.11 |
| 110 | 15221-51660 | GASKET,PUMP COVER | 1 | | | | 0 | 0 |
| 120 | 01023-50612 | BOLT | 4 | | | | 0.005 | 0.011 |
| 130 | 15521-65510 | PLUG,GLOW | 3 | | | | 0.025 | 0.055 |
| 140 | 15401-65560 | CORD,GLOW PLUG | 2 | | | | 0.005 | 0.011 |
| 150 | 15221-42510 | PIPE,FUEL OVER FLOW | 2 | | | | 0.005 | 0.011 |
| 160 | 10244-42320 | CLIP,PIPE | 4 | | | | 0.001 | 0.0022 |

NOZZLE HOLDER [COMPONENT PARTS]



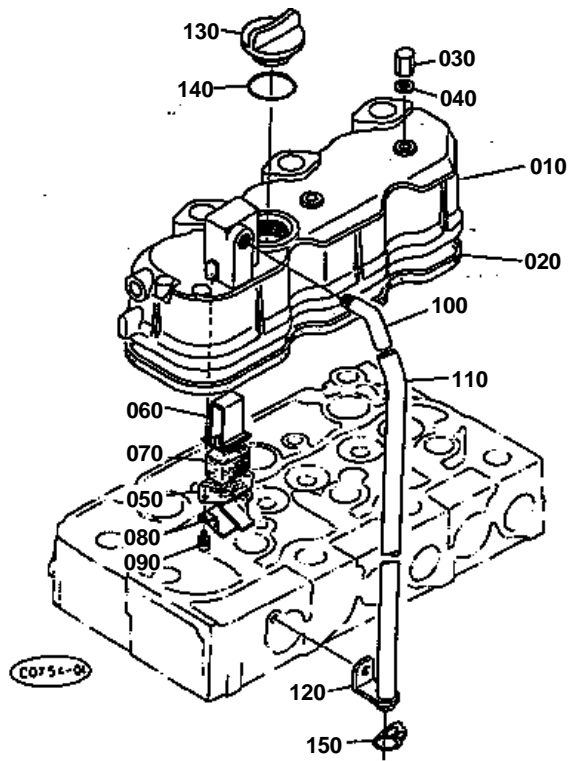


NOZZLE HOLDER [COMPONENT PARTS]

↔ Interchangeable; ≠ not interchangeable; ← new for old; → old for new

| REF.No | Part No. | Description | Q'ty | S.No. | I/C | REMARKS | Weight (kgf) | Weight (lb) |
|--------|-------------|--------------------|------|-------|-----|---------|--------------|-------------|
| 010 | 15271-53000 | ASSY HOLDER,NOZZLE | 1 | | | | 0.26 | 0.572 |
| 010 | 15271-53020 | ASSY HOLDER,NOZZLE | 2 | | | | 0.26 | 0.572 |
| 020 | 15221-92020 | NUT | 3 | | | | 0.011 | 0.0242 |
| 030 | 15221-95680 | JOINT | 1 | | | | 0.021 | 0.0462 |
| 040 | 15221-95690 | JOINT | 2 | | | | 0.022 | 0.0484 |
| 050 | 15221-94020 | WASHER,PLAIN | 3 | | | | 0.002 | 0.0044 |
| 060 | 15221-98110 | WASHER,ADJUSTING | 3 | | | 1.00MM | 0.001 | 0.0022 |
| 060 | 15221-98120 | WASHER,ADJUSTING | 3 | | | 1.05MM | 0.001 | 0.0022 |
| 060 | 15221-98130 | WASHER,ADJUSTING | 3 | | | 1.10MM | 0.001 | 0.0022 |
| 060 | 15221-98140 | WASHER,ADJUSTING | 3 | | | 1.15MM | 0.001 | 0.0022 |
| 060 | 15221-98150 | WASHER,ADJUSTING | 3 | | | 1.20MM | 0.001 | 0.0022 |
| 060 | 15221-98160 | WASHER,ADJUSTING | 3 | | | 1.25MM | 0.001 | 0.0022 |
| 060 | 15221-98170 | WASHER,ADJUSTING | 3 | | | 1.30MM | 0.001 | 0.0022 |
| 060 | 15221-98180 | WASHER,ADJUSTING | 3 | | | 1.35MM | 0.001 | 0.0022 |
| 060 | 15221-98190 | WASHER,ADJUSTING | 3 | | | 1.40MM | 0.002 | 0.0044 |
| 060 | 15221-98200 | WASHER,ADJUSTING | 3 | | | 1.45MM | 0.001 | 0.0022 |
| 060 | 15221-98210 | WASHER,ADJUSTING | 3 | | | 1.50MM | 0.001 | 0.0022 |
| 060 | 15221-98220 | WASHER,ADJUSTING | 3 | | | 1.55MM | 0.003 | 0.0066 |
| 060 | 15221-98230 | WASHER,ADJUSTING | 3 | | | 1.60MM | 0.003 | 0.0066 |
| 060 | 15221-98240 | WASHER,ADJUSTING | 3 | | | 1.65MM | 0.002 | 0.0044 |
| 060 | 15221-98250 | WASHER,ADJUSTING | 3 | | | 1.70MM | 0.002 | 0.0044 |
| 060 | 15221-98260 | WASHER,ADJUSTING | 3 | | | 1.75MM | 0.002 | 0.0044 |
| 060 | 15221-98270 | WASHER,ADJUSTING | 3 | | | 1.80MM | 0.002 | 0.0044 |
| 060 | 15221-98280 | WASHER,ADJUSTING | 3 | | | 1.85MM | 0.002 | 0.0044 |
| 060 | 15221-98290 | WASHER,ADJUSTING | 3 | | | 1.90MM | 0.002 | 0.0044 |
| 060 | 15221-98300 | WASHER,ADJUSTING | 3 | | | 1.95MM | 0.003 | 0.0066 |
| 070 | 15221-53170 | SPRING,NOZZLE | 3 | | | | 0.01 | 0.022 |
| 080 | 15221-53350 | PIECE,DISTANCE | 3 | | | | 0.016 | 0.0352 |
| 090 | 15221-53160 | PUSH ROD | 3 | | | | 0.003 | 0.0066 |
| 100 | 15221-53280 | NUT,NOZZLE | 3 | | | | 0.068 | 0.1496 |
| 110 | 15021-53610 | PIECE,NOZZLE | 3 | | | | 0 | 0 |
| 120 | 15221-98100 | ASSY WASHER | 3 | | | | 0.03 | 0.066 |

CYLINDER HEAD COVER



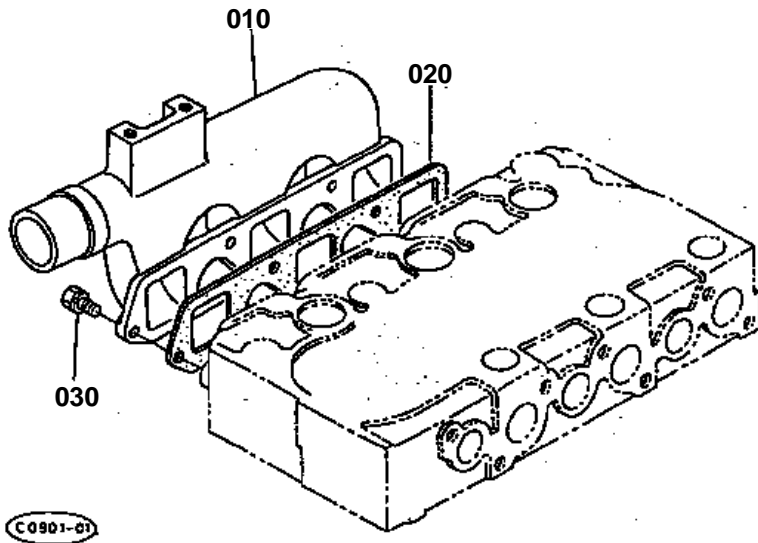


CYLINDER HEAD COVER

↔ Interchangeable; ≠ not interchangeable; ← new for old; → old for new

| REF.No | Part No. | Description | Q'ty | S.No. | I/C | REMARKS | Weight (kgf) | Weight (lb) |
|--------|-------------|---------------------|------|-------|-----|---------|--------------|-------------|
| 010 | 15596-14510 | COVER,CYL.HEAD | 1 | | | | 1.27 | 2.794 |
| 020 | 15521-14520 | GASKET,HEAD COVER | 1 | | | | 0.035 | 0.077 |
| 030 | 15451-92330 | NUT,CAP | 3 | | | | 0.015 | 0.033 |
| 040 | 15021-33660 | GASKET | 3 | | | | 0.001 | 0.0022 |
| 050 | 15521-05140 | PLATE,ELEMENT | 1 | | | | 0.005 | 0.011 |
| 060 | 15521-05150 | PLATE,ELEMENT | 1 | | | | 0.01 | 0.022 |
| 070 | 15521-05670 | ELEMENT,BREATHER | 1 | | | | 0.01 | 0.022 |
| 080 | 15521-05370 | OIL SHIELD,BREATHER | 1 | | | | 0.005 | 0.011 |
| 090 | 15521-93310 | SCREW,WITH WASHER | 2 | | | | 0 | 0 |
| 100 | 15521-05550 | JOINT,BREATHER PIPE | 1 | | | | 0.04 | 0.088 |
| 110 | 15521-05510 | PIPE,BREATHER | 1 | | | | 0.075 | 0.165 |
| 120 | 15401-05580 | CLAMP,PIPE | 1 | | | | 0.02 | 0.044 |
| 130 | 15221-33140 | PLUG,OIL FILLER | 1 | | | | 0.038 | 0.0836 |
| 140 | 04811-50300 | RING | 1 | | | | 0.001 | 0.0022 |
| 150 | 38240-13370 | CLAMP,PIPE | 1 | | | | 0.005 | 0.011 |

INLET MANIFOLD



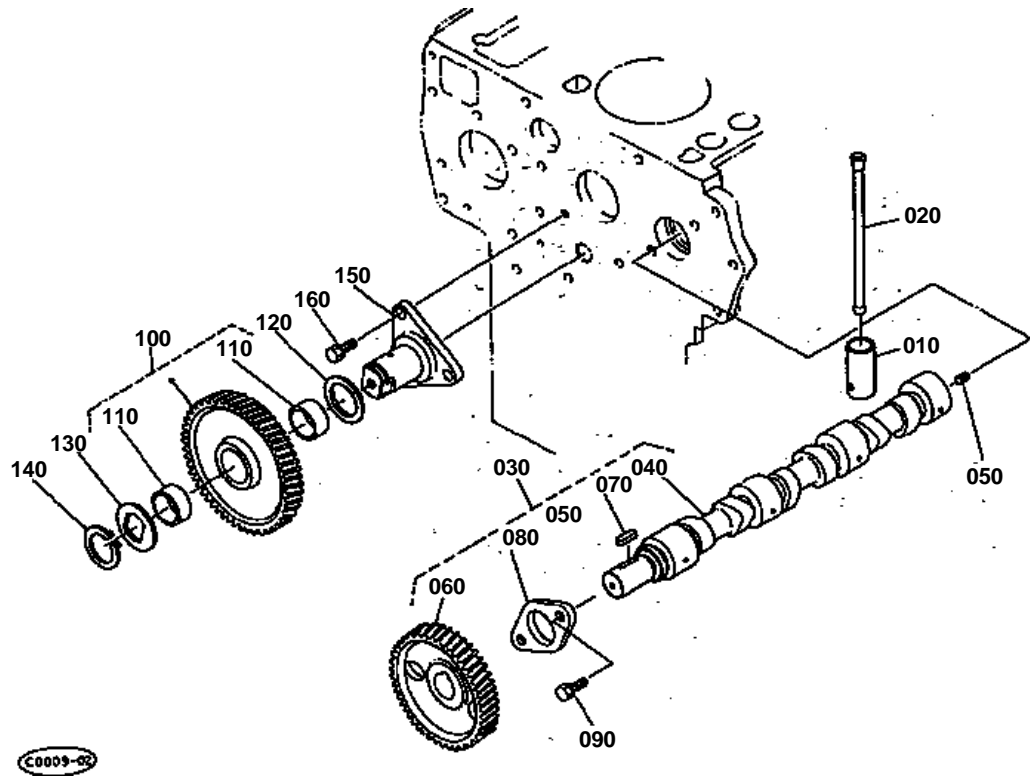


INLET MANIFOLD

↔ Interchangeable; ≠ not interchangeable; ← new for old; → old for new

| REF.No | Part No. | Description | Q'ty | S.No. | I/C | REMARKS | Weight (kgf) | Weight (lb) |
|--------|-------------|----------------|------|-------|-----|---------|--------------|-------------|
| 010 | 15501-11760 | MANIFOLD,INLET | 1 | | | | 0.75 | 1.65 |
| 020 | 15521-11820 | GASKET | 1 | | | | 0 | 0 |
| 030 | 01123-50822 | BOLT | 5 | | | | 0.012 | 0.0264 |

CAMSHAFT



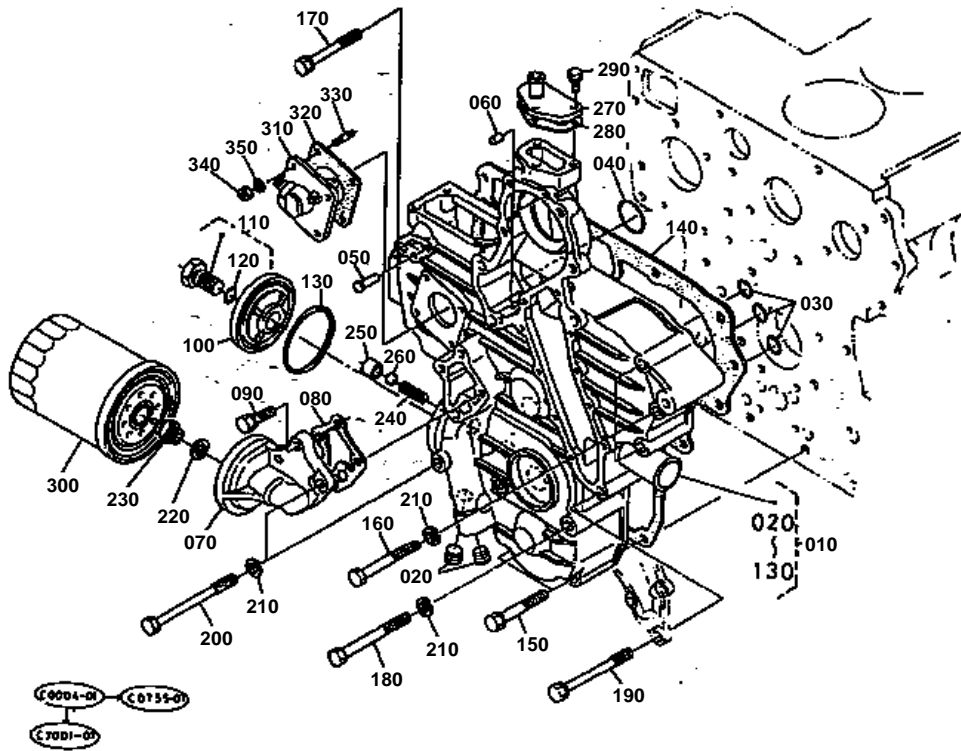
C0009-02

**CAMSHAFT**

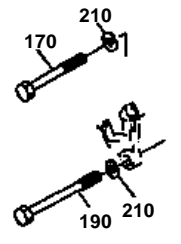
↔ Interchangeable; ≠ not interchangeable; ← new for old; → old for new

| REF.No | Part No. | Description | Q'ty | S.No. | I/C | REMARKS | Weight (kgf) | Weight (lb) |
|--------|-------------|--------------------|------|-------|-----|---------|--------------|-------------|
| 010 | 15221-15550 | TAPPET | 6 | | | | 0 | 0 |
| 020 | 15221-15110 | PUSH ROD | 6 | | | | 0.05 | 0.11 |
| 030 | 15521-16010 | ASSY CAMSHAFT | 1 | | | | 3.6 | 7.92 |
| 040 | 15521-16150 | CAMSHAFT | 1 | | | | 1.79 | 3.938 |
| 050 | 15521-93610 | SCREW,SET | 1 | | | | 0.002 | 0.0044 |
| 060 | 15521-16510 | GEAR,CAMSHAFT | 1 | | | | 0.85 | 1.87 |
| 070 | 05712-00720 | KEY,FEATHER | 1 | | | | 0.008 | 0.0176 |
| 080 | 15221-16270 | STOPPER,CAMSHAFT | 1 | | | | 0.073 | 0.1606 |
| 090 | 01123-50818 | BOLT | 2 | | | | 0.012 | 0.0264 |
| 100 | 15221-24010 | COMP.GEAR,IDLE | 1 | | | | 0.5 | 1.1 |
| 110 | 15221-24980 | BUSH,IDLE GEAR | 2 | | | | 0.02 | 0.044 |
| 120 | 15521-24360 | COLLAR | 1 | | | | 0.015 | 0.033 |
| 130 | 15521-24370 | COLLAR | 1 | | | | 0.015 | 0.033 |
| 140 | 15221-24320 | CIR-CLIP,IDLE GEAR | 1 | | | | 0.01 | 0.022 |
| 150 | 15221-24250 | SHAFT,IDLE GEAR | 1 | | | | 0.48 | 1.056 |
| 160 | 01123-50818 | BOLT | 3 | | | | 0.012 | 0.0264 |

GEAR CASE



- 170 15521-9101-0
- 190 15521-9102-0
- 210 04512-50080



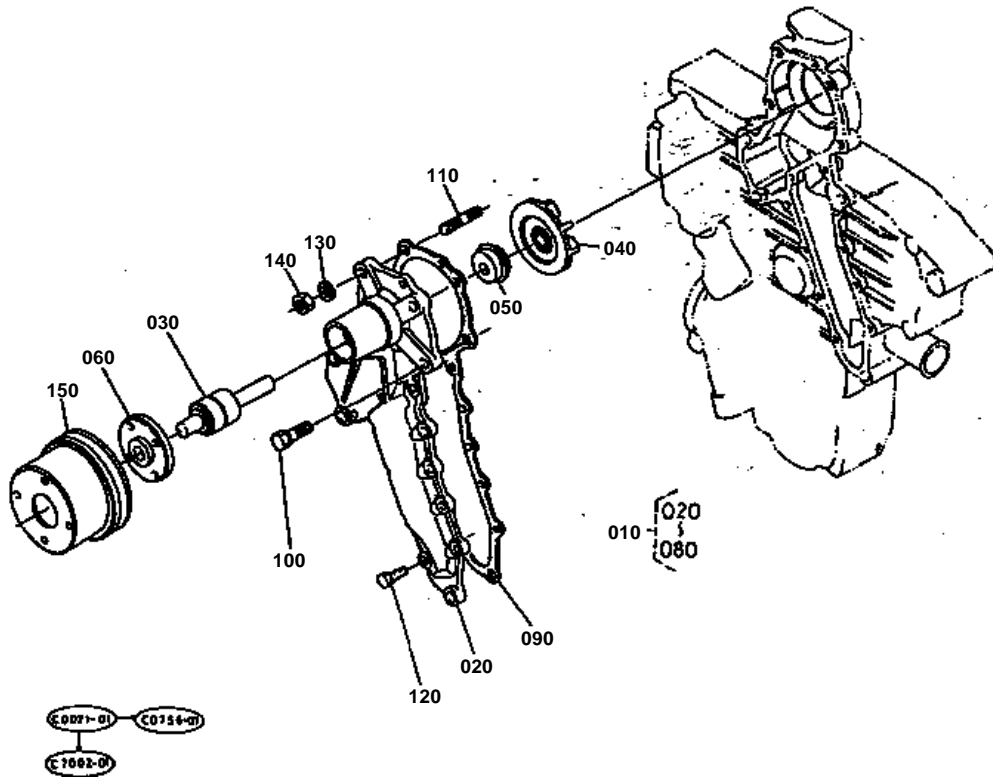


GEAR CASE

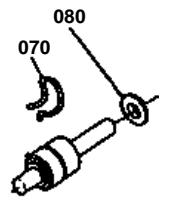
↔ Interchangeable; ≠ not interchangeable; ← new for old; → old for new

| REF.No | Part No. | Description | Q'ty | S.No. | I/C | REMARKS | Weight (kgf) | Weight (lb) |
|--------|-------------|----------------------|------|--------|-----|---------|--------------|-------------|
| 010 | 17331-04020 | COMP.CASE,GEAR | 1 | | | | 0 | 0 |
| 020 | 17331-96040 | PLUG | 2 | | | | 0.005 | 0.011 |
| 030 | 04811-00150 | RING | 3 | | | | 0.001 | 0.0022 |
| 040 | 04811-00360 | RING | 1 | | | | 0.002 | 0.0044 |
| 050 | 15221-56280 | PIN,START SPRING | 1 | | | | 0.006 | 0.0132 |
| 060 | 05012-00612 | PIN,STRAIGHT | 2 | | | | 0.003 | 0.0066 |
| 070 | 17331-32610 | SUPPORT,OIL FILTER | 1 | | | | 0.275 | 0.605 |
| 080 | 17331-32620 | GASKET | 1 | | | | 0 | 0 |
| 090 | 01123-50825 | BOLT | 3 | | | | 0.013 | 0.0286 |
| 100 | 17331-32880 | COVER | 1 | | | | 0.075 | 0.165 |
| 110 | 17331-32910 | COMP BOLT | 1 | | | | 0.07 | 0.154 |
| 120 | 04811-00150 | RING | 1 | | | | 0.001 | 0.0022 |
| 130 | 19202-96830 | O RING | 1 | | | | 0.01 | 0.022 |
| 140 | 17331-04130 | GASKET,GEAR CASE | 1 | | | | 0 | 0 |
| 150 | 01123-50860 | BOLT | 2 | | | | 0.026 | 0.0572 |
| 160 | 01153-50870 | BOLT | 5 | | | | 0.026 | 0.0572 |
| 170 | 15521-91010 | BOLT | 1 | <=7655 | | | 0 | 0 |
| 170 | 17367-91010 | BOLT | 1 | >=7656 | ≠ | | 0.005 | 0.011 |
| 180 | 01153-50880 | BOLT | 2 | | | | 0.03 | 0.066 |
| 190 | 15521-91020 | BOLT | 3 | <=7655 | | | 0.035 | 0.077 |
| 190 | 17367-91020 | BOLT | 3 | >=7656 | ≠ | | 0.035 | 0.077 |
| 200 | 01153-50895 | BOLT | 2 | | | | 0.035 | 0.077 |
| 210 | 04512-50080 | WASHER,SPRING | 13 | <=7655 | | | 0 | 0 |
| 210 | 04512-50080 | WASHER,SPRING | 9 | >=7656 | | | 0 | 0 |
| 220 | 04011-50180 | WASHER,PLAIN | 1 | | | | 0.012 | 0.0264 |
| 230 | 15521-32290 | JOINT,PIPE | 1 | | | | 0 | 0 |
| 240 | 15241-36950 | SPRING | 1 | | | | 0.004 | 0.0088 |
| 250 | 15521-36930 | SEAT,VALVE | 1 | | | | 0.015 | 0.033 |
| 260 | 07715-03213 | BALL | 1 | | | | 0.004 | 0.0088 |
| 270 | 15521-73320 | FLANGE,WATER RETURN | 1 | | | | 0.04 | 0.088 |
| 280 | 15521-73330 | GASKET | 1 | | | | 0 | 0 |
| 290 | 01023-50620 | BOLT | 3 | | | | 0.006 | 0.0132 |
| 300 | 15521-32430 | CARTRIDGE,OIL FILTER | 1 | | | | 0 | 0 |
| 310 | 38240-34660 | ASSY CASE,HOUR METER | 1 | | | | 0.335 | 0.737 |
| 320 | 15221-88130 | GASKET,H/METER UNIT | 1 | | | | 0 | 0 |
| 330 | 15221-88210 | STUD | 4 | | | | 0.005 | 0.011 |
| 340 | 02056-50060 | NUT | 4 | | | | 0.002 | 0.0044 |
| 350 | 04512-50060 | WASHER,SPRING | 4 | | | | 0 | 0 |

WATER PUMP



070 15521-9481-0
080 15121-7362-0



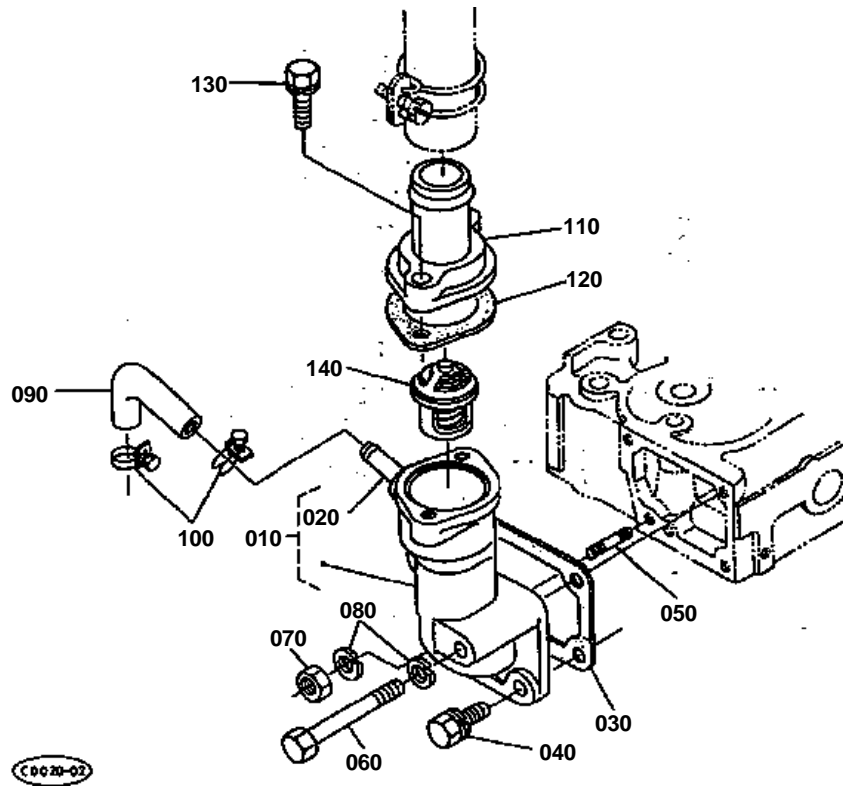
C0071-01 C0756-01
C1002-01

**WATER PUMP**

↔ Interchangeable; ≠ not interchangeable; ← new for old; → old for new

| REF.No | Part No. | Description | Q'ty | S.No. | I/C | REMARKS | Weight (kgf) | Weight (lb) |
|--------|-------------|----------------------|------|--------|-----|---------|--------------|-------------|
| 010 | 17331-73030 | ASSY PUMP,WATER | 1 | <=7655 | | | 0 | 0 |
| 010 | 16412-73030 | ASSY PUMP,WATER | 1 | >=7656 | ↔ | | 1.21 | 2.662 |
| 020 | 17331-73410 | BODY,WATER PUMP | 1 | | | | 0.51 | 1.122 |
| 030 | 15521-73550 | BEARING,BALL | 1 | | | | 0.235 | 0.517 |
| 040 | 15321-73510 | IMPELLER,WATER PUMP | 1 | <=7655 | | | 0.22 | 0.484 |
| 040 | 15521-73510 | IMPELLER,WATER PUMP | 1 | >=7656 | ≠ | | 0.22 | 0.484 |
| 050 | 15121-73050 | SET,SEAL | 1 | <=7655 | | | 0 | 0 |
| 050 | 19202-73050 | ASSY SEAL,MECHANICAL | 1 | >=7656 | ≠ | | 0.02 | 0.044 |
| 060 | 15521-73520 | FLANGE,WATER PUMP | 1 | | | | 0.25 | 0.55 |
| 070 | 15521-94810 | PIN,SNAP | 1 | <=7655 | | | 0.001 | 0.0022 |
| 080 | 15121-73620 | SLINGER | 1 | <=7655 | | | 0.002 | 0.0044 |
| 090 | 17331-73430 | GASKET,WATER PUMP | 1 | | | | 0 | 0 |
| 100 | 01123-50828 | BOLT | 2 | | | | 0.014 | 0.0308 |
| 110 | 15521-91510 | STUD | 2 | | | | 0.012 | 0.0264 |
| 120 | 01023-50618 | BOLT | 8 | | | | 0.006 | 0.0132 |
| 130 | 04512-50080 | WASHER,SPRING | 2 | | | | 0 | 0 |
| 140 | 02156-50080 | NUT | 2 | | | | 0.004 | 0.0088 |
| 150 | 15521-74250 | PULLEY,FAN | 1 | | | | 0.29 | 0.638 |

WATER FLANGE



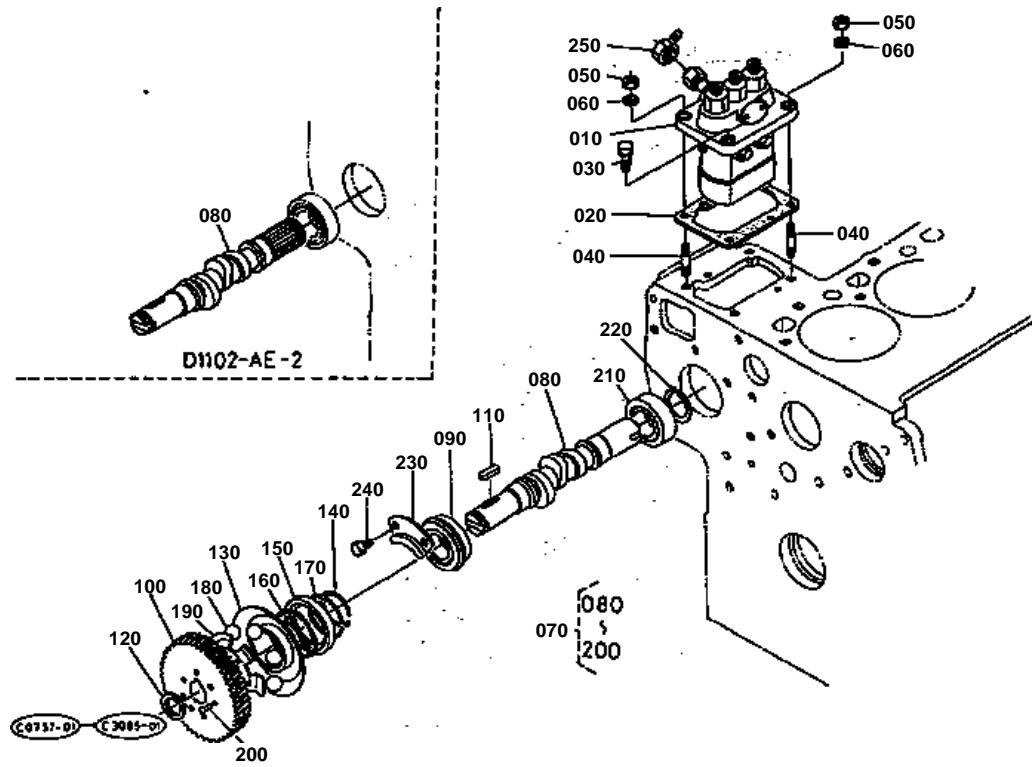


WATER FLANGE

↔ Interchangeable; ≠ not interchangeable; ← new for old; → old for new

| REF.No | Part No. | Description | Q'ty | S.No. | I/C | REMARKS | Weight (kgf) | Weight (lb) |
|--------|-------------|---------------------|------|-------|-----|---------|--------------|-------------|
| 010 | 17331-72700 | COMP.FLANGE,WATER | 1 | | | | 0 | 0 |
| 020 | 17331-73340 | PIPE,WATER RETURN | 1 | | | | 0 | 0 |
| 030 | 15521-72920 | GASKET,WATER FLANGE | 1 | | | | 0 | 0 |
| 040 | 01123-50822 | BOLT | 2 | | | | 0.012 | 0.0264 |
| 050 | 01513-50822 | STUD | 1 | | | | 0.01 | 0.022 |
| 060 | 01153-50870 | BOLT | 1 | | | | 0.026 | 0.0572 |
| 070 | 02156-50080 | NUT | 1 | | | | 0.004 | 0.0088 |
| 080 | 04512-50080 | WASHER,SPRING | 2 | | | | 0 | 0 |
| 090 | 15521-73340 | PIPE,WATER RETURN | 1 | | | | 0.025 | 0.055 |
| 100 | 15109-73360 | BAND,PIPE | 2 | | | | 0.01 | 0.022 |
| 110 | 15321-73260 | COVER,THERMOSTAT | 1 | | | | 0.107 | 0.2354 |
| 120 | 15321-73270 | GASKET | 1 | | | | 0 | 0 |
| 130 | 01123-50835 | BOLT | 2 | | | | 0.02 | 0.044 |
| 140 | 15321-73010 | ASSY THERMOSTAT | 1 | | | | 0 | 0 |

INJECTION PUMP AND FUEL CAMSHAFT



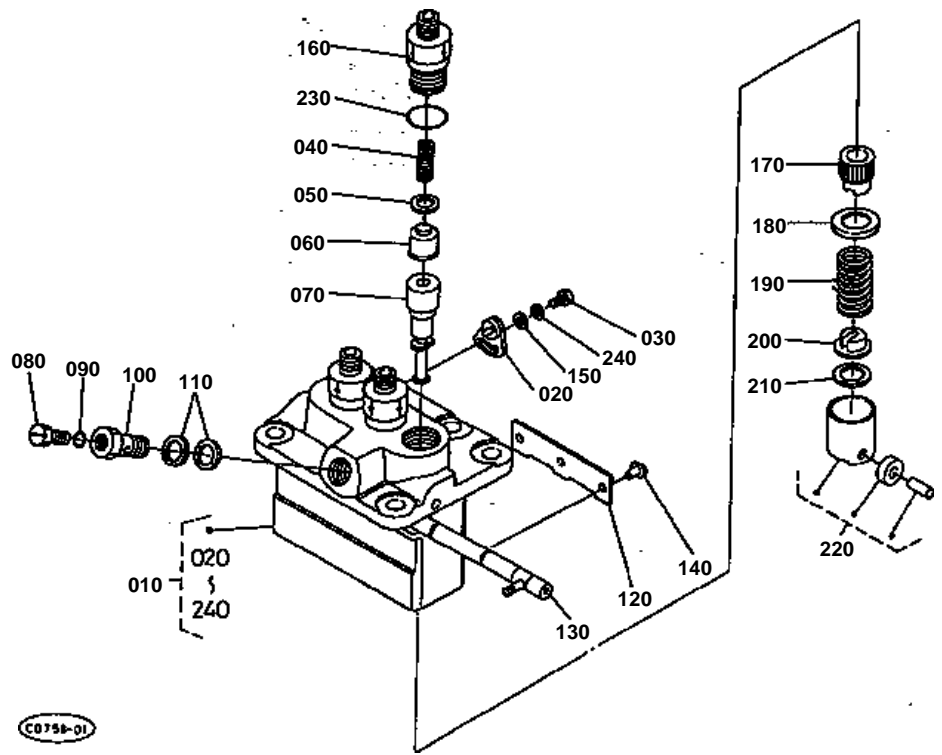


INJECTION PUMP AND FUEL CAMSHAFT

↔ Interchangeable; ≠ not interchangeable; ← new for old; → old for new

| REF.No | Part No. | Description | Q'ty | S.No. | I/C | REMARKS | Weight (kgf) | Weight (lb) |
|--------|-------------|----------------------|------|--------|-----|--------------------------------------|--------------|-------------|
| 010 | 15321-51010 | ASSY PUMP, INJECTION | 1 | | | REFER TO L.NO.0B13-L0 FOR COMPONENTS | 2 | 4.4 |
| 020 | 15321-52110 | SHIM,INJECTION PUMP | 3 | <=7292 | | 0.15MM | 0 | 0 |
| 020 | 15321-52110 | SHIM,INJECTION PUMP | 1 | >=7293 | | 0.15MM | 0 | 0 |
| 020 | 15521-52110 | SHIM,INJECTION PUMP | 1 | | | 0.30MM | 0.01 | 0.022 |
| 020 | 15511-52110 | SHIM,INJECTION PUMP | 1 | >=7293 | | 0.45MM | 0 | 0 |
| 030 | 01123-50822 | BOLT | 2 | | | | 0.012 | 0.0264 |
| 040 | 15221-91530 | STUD | 2 | | | | 0.011 | 0.0242 |
| 050 | 02156-50080 | NUT | 2 | | | | 0.004 | 0.0088 |
| 060 | 04512-50080 | WASHER,SPRING | 2 | | | | 0 | 0 |
| 070 | 15501-16020 | ASSY CAMSHAFT, FUEL | 1 | | | | 2.85 | 6.27 |
| 080 | 15501-16170 | CAMSHAFT,FUEL | 1 | | | | 0.85 | 1.87 |
| 090 | 08153-06205 | BEARING,BALL | 1 | | | | 0.13 | 0.286 |
| 100 | 15401-51150 | GEAR,INJECTION PUMP | 1 | | | | 0.8 | 1.76 |
| 110 | 05712-00525 | KEY,FEATHER | 1 | | | | 0.005 | 0.011 |
| 120 | 04612-00240 | CIR-CLIP,EXTERNAL | 1 | | | | 0.002 | 0.0044 |
| 130 | 15221-55450 | SLEEVE,GOVERNOR | 1 | | | | 0.19 | 0.418 |
| 140 | 15221-55470 | CIR-CLIP,GOV. SLEEVE | 1 | | | | 0.003 | 0.0066 |
| 150 | 15221-55690 | CASE,GOVERNOR BALL | 1 | | | | 0 | 0 |
| 160 | 07715-03205 | BALL | 39 | | | | 0.001 | 0.0022 |
| 170 | 15221-55740 | CIR-CLIP | 1 | | | | 0.002 | 0.0044 |
| 180 | 07715-00805 | BALL | 7 | | | | 0.016 | 0.0352 |
| 190 | 15521-55650 | GUIDE,GOVERNOR BALL | 1 | | | | 0.035 | 0.077 |
| 200 | 05611-10310 | RIVET | 7 | | | | 0.001 | 0.0022 |
| 210 | 08103-06205 | BEARING,BALL | 1 | | | | 0.12 | 0.264 |
| 220 | 04612-00250 | CIR-CLIP,EXTERNAL | 1 | | | | 0.002 | 0.0044 |
| 230 | 15221-16320 | STOPPER | 1 | | | | 0.02 | 0.044 |
| 240 | 01123-50814 | BOLT | 2 | | | | 0 | 0 |
| 250 | 14111-42410 | JOINT | 1 | | | | 0.025 | 0.055 |

INJECTION PUMP [COMPONENT PARTS]



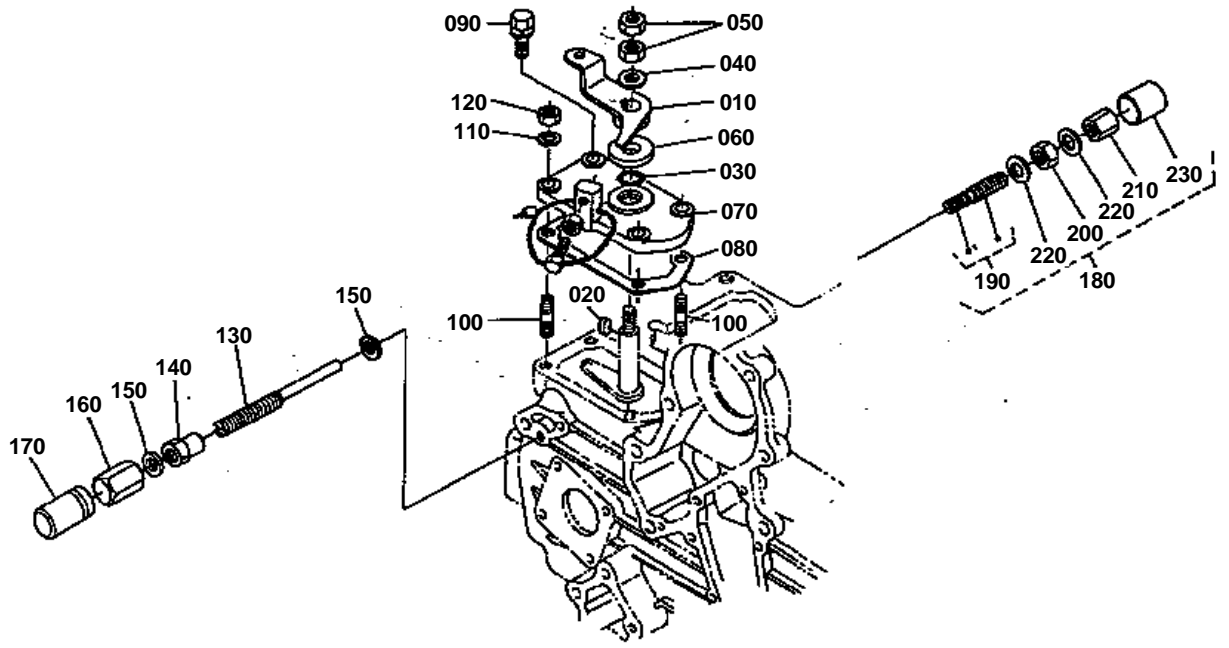


INJECTION PUMP [COMPONENT PARTS]

↔ Interchangeable; ≠ not interchangeable; ← new for old; → old for new

| REF.No | Part No. | Description | Q'ty | S.No. | I/C | REMARKS | Weight (kgf) | Weight (lb) |
|--------|-------------|---------------------|------|-------|-----|---------|--------------|-------------|
| 010 | 15321-51010 | ASSY PUMP,INJECTION | 1 | | | | 2 | 4.4 |
| 020 | 15221-51390 | PLATE,ADJUSTING | 2 | | | | 0 | 0 |
| 030 | 15221-91030 | BOLT | 2 | | | | 0 | 0 |
| 040 | 15221-51230 | SPRING,DELIV.VALVE | 3 | | | | 0.002 | 0.0044 |
| 050 | 15221-51240 | GASKET,DELIV.VALVE | 3 | | | | 0.001 | 0.0022 |
| 060 | 15221-51030 | VALVE,DELIVERY | 3 | | | | 0.012 | 0.0264 |
| 070 | 15221-51050 | PLUNGER,PUMP | 3 | | | | 0.053 | 0.1166 |
| 080 | 15221-51350 | SCREW,AIR BREEDER | 1 | | | | 0.008 | 0.0176 |
| 090 | 14111-53380 | GASKET | 1 | | | | 0.001 | 0.0022 |
| 100 | 15221-51320 | SCREW,FOLLOW | 1 | | | | 0.032 | 0.0704 |
| 110 | 15221-96650 | GASKET | 2 | | | | 0.001 | 0.0022 |
| 120 | 19484-51460 | PLATE | 1 | | | | 0.003 | 0.0066 |
| 130 | 15321-51060 | RACK,CONTROL | 1 | | | | 0.038 | 0.0836 |
| 140 | 14611-51250 | PIN,TAPPET GUIDE | 3 | | | | 0.003 | 0.0066 |
| 150 | 04013-50060 | WASHER,PLAIN | 2 | | | | 0 | 0 |
| 160 | 15601-51220 | HOLDER,DELIV.VALVE | 3 | | | | 0.055 | 0.121 |
| 170 | 15221-51380 | SLEEVE,CONTROL | 3 | | | | 0 | 0 |
| 180 | 15221-51270 | SEAT,SPRING UPPER | 2 | | | | 0.004 | 0.0088 |
| 190 | 15221-51280 | SPRING,PLUNGER | 3 | | | | 0.015 | 0.033 |
| 200 | 15221-51290 | SEAT,SPRING LOWER | 3 | | | | 0.01 | 0.022 |
| 210 | 15221-51490 | SHIM | 3 | | | | 0.002 | 0.0044 |
| 220 | 15221-51070 | ASSY TAPPET | 3 | | | | 0.039 | 0.0858 |
| 230 | 14611-51200 | O RING | 3 | | | | 0.001 | 0.0022 |
| 240 | 14952-51550 | WASHER,WAVE | 2 | | | | 0.002 | 0.0044 |

SPEED CONTROL PLATE



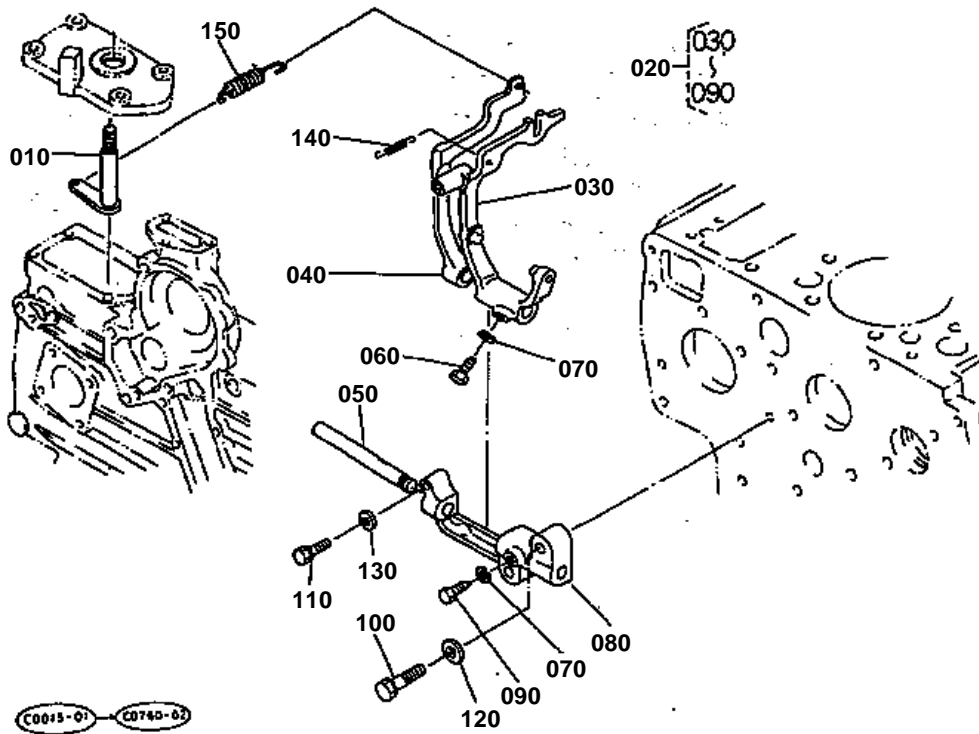
C 0759-02



SPEED CONTROL PLATE

↔ Interchangeable; ≠ not interchangeable; ← new for old; → old for new

| REF.No | Part No. | Description | Q'ty | S.No. | I/C | REMARKS | Weight (kgf) | Weight (lb) |
|--------|-------------|---------------------|------|-------|-----|---------|--------------|-------------|
| 010 | 15813-57150 | LEVER,SPEED CONTROL | 1 | | | | 0.055 | 0.121 |
| 020 | 05712-00408 | KEY,FEATHER | 1 | | | | 0.001 | 0.0022 |
| 030 | 04811-00120 | RING | 1 | | | | 0.001 | 0.0022 |
| 040 | 04013-50080 | WASHER,PLAIN | 1 | | | | 0 | 0 |
| 050 | 02112-50080 | NUT | 2 | | | | 0.003 | 0.0066 |
| 060 | 17011-57380 | DISK,FRICITION | 1 | | | | 0 | 0 |
| 070 | 15221-57112 | PLATE,SPEED CONTROL | 1 | | | | 0.1 | 0.22 |
| 080 | 17331-57210 | GASKET | 1 | | | | 0 | 0 |
| 090 | 01023-50620 | BOLT | 2 | | | | 0.006 | 0.0132 |
| 100 | 15221-88210 | STUD | 2 | | | | 0.005 | 0.011 |
| 110 | 04512-50060 | WASHER,SPRING | 2 | | | | 0 | 0 |
| 120 | 02056-50060 | NUT | 2 | | | | 0.002 | 0.0044 |
| 130 | 15601-54120 | BOLT,ADJUSTING | 1 | | | | 0.011 | 0.0242 |
| 140 | 15601-92010 | NUT | 1 | | | | 0 | 0 |
| 150 | 15601-96650 | GASKET | 2 | | | | 0.001 | 0.0022 |
| 160 | 15601-54220 | NUT,CAP | 1 | | | | 0 | 0 |
| 170 | 16241-54420 | CAP | 1 | | | | 0.004 | 0.0088 |
| 180 | 15521-54090 | ASSY APPARATUS,I/D. | 1 | | | | 0.045 | 0.099 |
| 190 | 15521-54100 | ASSY BOLT,ADJUSTING | 1 | | | | 0.015 | 0.033 |
| 200 | 15401-92010 | NUT | 1 | | | | 0.01 | 0.022 |
| 210 | 15521-92330 | NUT,CAP | 1 | | | | 0.02 | 0.044 |
| 220 | 15021-33660 | GASKET | 2 | | | | 0.001 | 0.0022 |
| 230 | 15521-54270 | CAP | 1 | | | | 0.003 | 0.0066 |



150 15836-5641-0

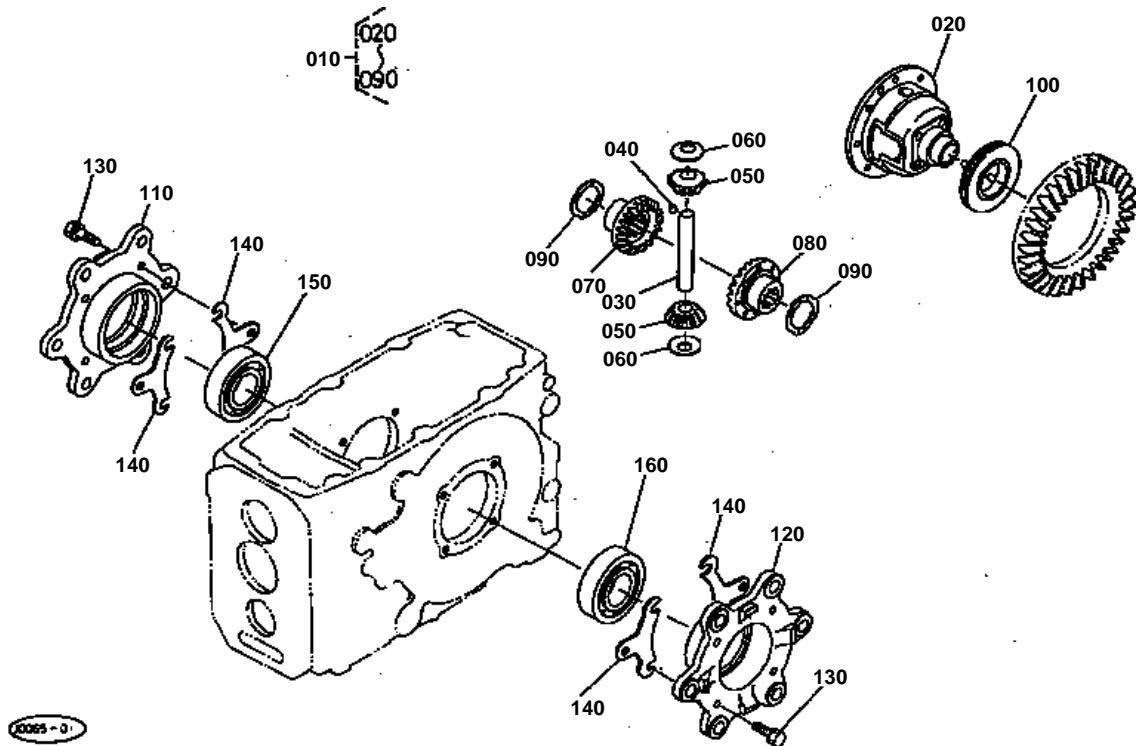


**GOVERNOR**

↔ Interchangeable; ≠ not interchangeable; ← new for old; → old for new

| REF.No | Part No. | Description | Q'ty | S.No. | I/C | REMARKS | Weight (kgf) | Weight (lb) |
|--------|-------------|---------------------|------|-------|-----|---------|--------------|-------------|
| 010 | 15221-56020 | COMP.LEVER,GOVERNOR | 1 | | | | 0.06 | 0.132 |
| 020 | 16411-56050 | ASSY LEVER,FORK | 1 | | | | 0.38 | 0.836 |
| 030 | 16411-56040 | COMP.LEVER,FORK | 1 | | | | 0.147 | 0.3234 |
| 040 | 15601-56130 | LEVER,FORK | 1 | | | | 0.07 | 0.154 |
| 050 | 15221-56150 | SHAFT,FORK LEVER | 1 | | | | 0.1 | 0.22 |
| 060 | 15021-56240 | BOLT,LEVER SHAFT | 1 | | | | 0.005 | 0.011 |
| 070 | 04512-50060 | WASHER,SPRING | 2 | | | | 0 | 0 |
| 080 | 15221-56230 | HOLDER,FORK LEVER | 1 | | | | 0.1 | 0.22 |
| 090 | 15221-66410 | BOLT | 1 | | | | 0.005 | 0.011 |
| 100 | 01123-50832 | BOLT | 2 | | | | 0.016 | 0.0352 |
| 110 | 01023-50628 | BOLT | 1 | | | | 0.015 | 0.033 |
| 120 | 04012-50080 | WASHER,PLAIN | 2 | | | | 0.001 | 0.0022 |
| 130 | 04012-50060 | WASHER,PLAIN | 1 | | | | 0.001 | 0.0022 |
| 140 | 15221-56480 | SPRING,START | 1 | | | | 0.008 | 0.0176 |
| 150 | 15836-56410 | SPRING,GOVERNOR | 1 | ≤7108 | | | 0 | 0 |
| 150 | 15836-56413 | SPRING,GOVERNOR | 1 | ≥7109 | ← | | 0.005 | 0.011 |

DIFFERENTIAL (REAR)

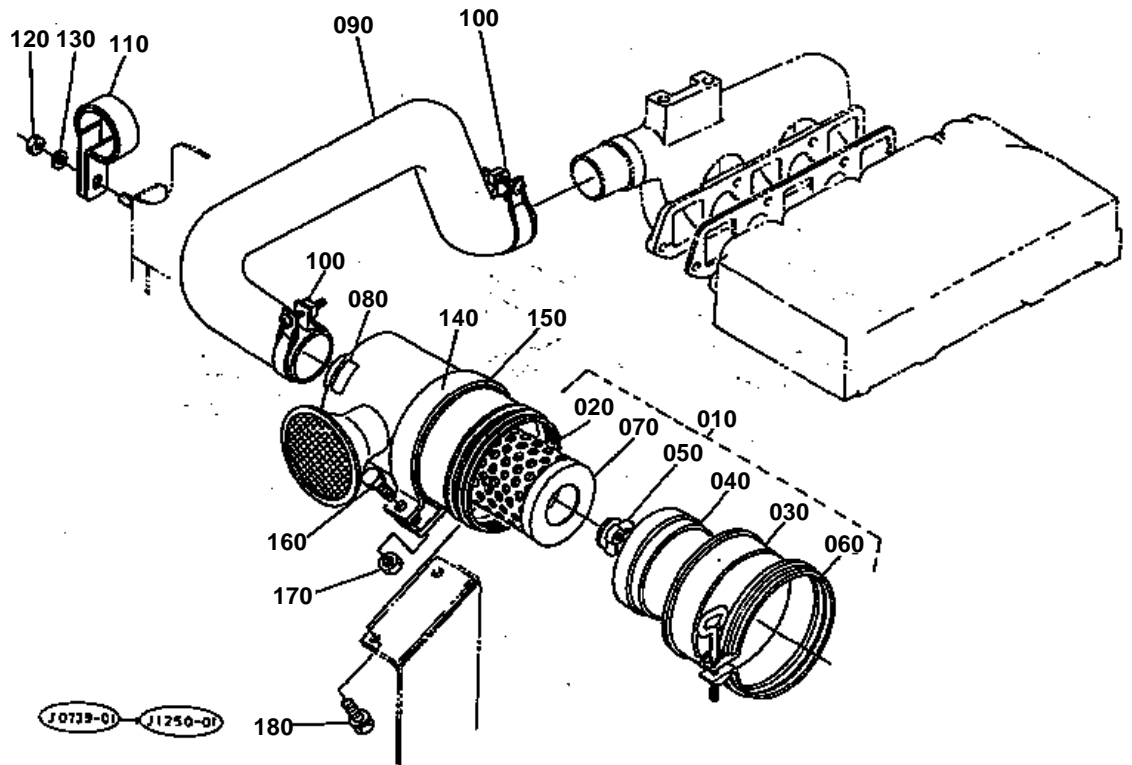


**DIFFERENTIAL (REAR)**

↔ Interchangeable; ≠ not interchangeable; ← new for old; → old for new

| REF.No | Part No. | Description | Q'ty | S.No. | I/C | REMARKS | Weight (kgf) | Weight (lb) |
|--------|-------------|----------------------|------|-------|-----|---------|--------------|-------------|
| 010 | 32400-26100 | ASSY DIFFERENTIAL | 1 | | | | 0 | 0 |
| 020 | 37150-26510 | CASE,DIFFERENTIAL | 1 | | | | 0 | 0 |
| 030 | 31331-26340 | SHAFT,DIFF.PINION | 1 | | | | 0.3 | 0.66 |
| 040 | 31220-26280 | KEY,FEATHER | 1 | | | | 0.005 | 0.011 |
| 050 | 35430-26350 | PINION,DIFF. | 2 | | | | 0.16 | 0.352 |
| 060 | 31220-26390 | WASHER,DIFF.PINION | 2 | | | | 0 | 0 |
| 070 | 32580-43330 | GEAR,DIFF.SIDE | 1 | | | | 0.49 | 1.078 |
| 080 | 38180-26440 | GEAR,DIFF.SIDE LH | 1 | | | | 0.61 | 1.342 |
| 090 | 31331-26470 | WASHER,SIDE GEAR | 2 | | | 1.5MM | 0.005 | 0.011 |
| 090 | 31331-26480 | WASHER,SIDE GEAR | 2 | | | 1.6MM | 0.017 | 0.0374 |
| 090 | 31331-26490 | WASHER,SIDE GEAR | 2 | | | 1.7MM | 0.02 | 0.044 |
| 100 | 34150-26615 | SHIFTER,DIFF.LOCK | 1 | | | | 0.4 | 0.88 |
| 110 | 31331-26550 | CASE,DIFF.BEARING RH | 1 | | | | 1.59 | 3.498 |
| 120 | 31331-26560 | CASE,DIFF.BEARING LH | 1 | | | | 1.9 | 4.18 |
| 130 | 01133-51030 | BOLT | 8 | | | | 0.025 | 0.055 |
| 140 | 37150-26160 | SHIM | 12 | | | 0.2MM | 0.005 | 0.011 |
| 140 | 37150-26170 | SHIM | 8 | | | 0.1MM | 0.005 | 0.011 |
| 140 | 37150-26180 | SHIM | 4 | | | 0.5MM | 0.01 | 0.022 |
| 150 | 08101-06210 | BEARING,BALL | 1 | | | | 0.45 | 0.99 |
| 160 | 08101-06208 | BEARING,BALL | 1 | | | | 0.355 | 0.781 |

AIR CLEANER

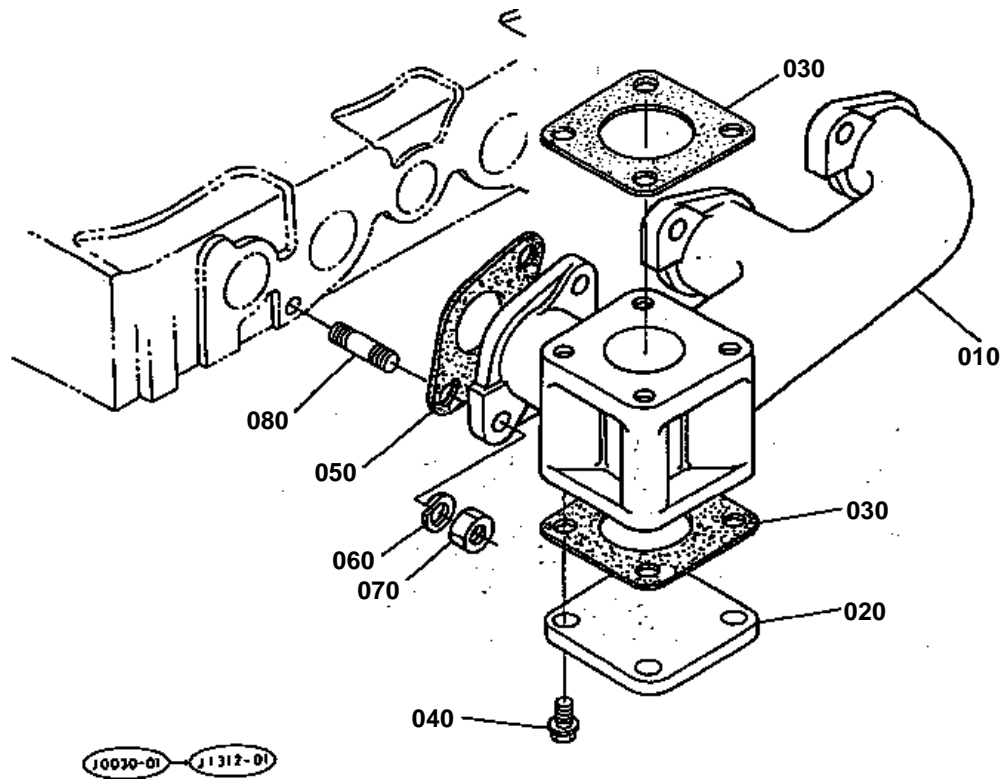


**AIR CLEANER**

↔ Interchangeable; ≠ not interchangeable; ← new for old; → old for new

| REF.No | Part No. | Description | Q'ty | S.No. | I/C | REMARKS | Weight (kgf) | Weight (lb) |
|--------|-------------|----------------------|------|-------|-----|---------|--------------|-------------|
| 010 | 15222-11012 | ASSY CLEANER,AIR | 1 | | | | 1.4 | 3.08 |
| 020 | 15222-11150 | BODY,AIR CLEANER | 1 | | | | 0.708 | 1.5576 |
| 030 | 15222-11160 | COVER,AIR CLEANER | 1 | | | | 0.202 | 0.4444 |
| 040 | 15222-11410 | COVER,BAFFLE | 1 | | | | 0.043 | 0.0946 |
| 050 | 15222-92620 | NUT,WING | 1 | | | | 0.02 | 0.044 |
| 060 | 15222-11070 | ASSY BAND,AIRCLEANER | 1 | | | | 0.098 | 0.2156 |
| 070 | 15222-11220 | ELEMENT,AIR CLEANER | 1 | | | | 0.344 | 0.7568 |
| 080 | 15222-87750 | MARK,FORM | 1 | | | | 0.001 | 0.0022 |
| 090 | 32400-18090 | PIPE,INLET | 1 | | | | 0.69 | 1.518 |
| 100 | 15221-11720 | BAND,PIPE | 2 | | | | 0.03 | 0.066 |
| 110 | 15321-11700 | ASSY HOLDER,PIPE | 1 | | | | 0.07 | 0.154 |
| 120 | 02156-50080 | NUT | 1 | | | | 0.004 | 0.0088 |
| 130 | 04512-50080 | WASHER,SPRING | 1 | | | | 0 | 0 |
| 140 | 34150-13960 | BAND,AIR CLEANER | 1 | | | | 0.178 | 0.3916 |
| 150 | 34150-13970 | CUSHION | 1 | | | | 0.02 | 0.044 |
| 160 | 01222-50842 | BOLT | 1 | | | | 0.017 | 0.0374 |
| 170 | 02114-50080 | NUT | 1 | | | | 0.005 | 0.011 |
| 180 | 01123-50816 | BOLT | 2 | | | | 0.011 | 0.0242 |

EXHAUST MANIFOLD



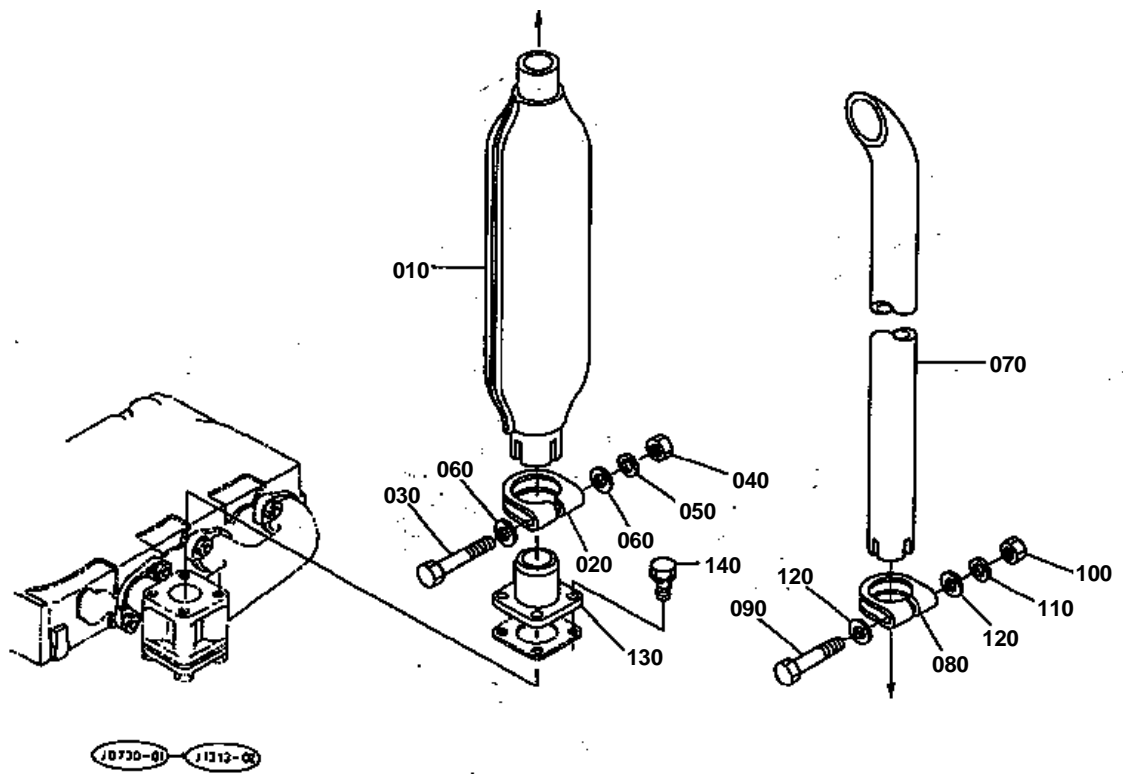


EXHAUST MANIFOLD

↔ Interchangeable; ≠ not interchangeable; ← new for old; → old for new

| REF.No | Part No. | Description | Q'ty | S.No. | I/C | REMARKS | Weight (kgf) | Weight (lb) |
|--------|-------------|--------------------|------|-------|-----|---------|--------------|-------------|
| 010 | 17325-12310 | MANIFOLD,EXHAUST | 1 | | | | 0 | 0 |
| 020 | 17355-92850 | COVER,MANIFOLD | 1 | | | | 0 | 0 |
| 030 | 15471-12230 | GASKET,MUFFLER | 2 | | | | 0 | 0 |
| 040 | 01123-50820 | BOLT | 4 | | | | 0.011 | 0.0242 |
| 050 | 15521-12350 | GASKET,EX-MANIFOLD | 3 | | | | 0 | 0 |
| 060 | 04512-50080 | WASHER,SPRING | 6 | | | | 0 | 0 |
| 070 | 02156-50080 | NUT | 6 | | | | 0.004 | 0.0088 |
| 080 | 15221-91530 | STUD | 6 | | | | 0.011 | 0.0242 |

MUFFLER

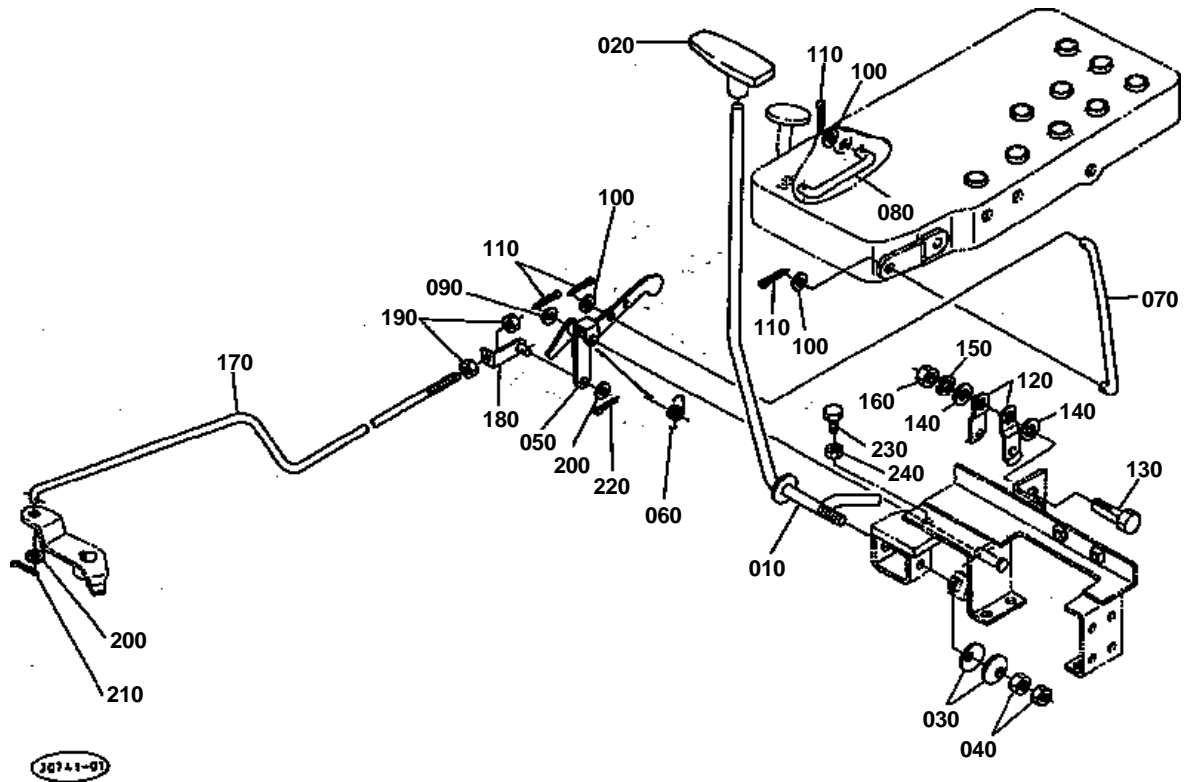


**MUFFLER**

↔ Interchangeable; ≠ not interchangeable; ← new for old; → old for new

| REF.No | Part No. | Description | Q'ty | S.No. | I/C | REMARKS | Weight (kgf) | Weight (lb) |
|--------|-------------|----------------|------|-------|-----|---------|--------------|-------------|
| 010 | 15575-12110 | MUFFLER | 1 | | | | 0 | 0 |
| 020 | 15575-12130 | BAND,MUFFLER | 1 | | | | 0 | 0 |
| 030 | 01153-50880 | BOLT | 1 | | | | 0.03 | 0.066 |
| 040 | 02156-50080 | NUT | 1 | | | | 0.004 | 0.0088 |
| 050 | 04512-50080 | WASHER,SPRING | 1 | | | | 0 | 0 |
| 060 | 04012-50080 | WASHER,PLAIN | 2 | | | | 0.001 | 0.0022 |
| 070 | 35290-12410 | PIPE,MUFFLER | 1 | | | | 0 | 0 |
| 080 | 15575-12430 | BAND,PIPE | 1 | | | | 0 | 0 |
| 090 | 01153-50860 | BOLT | 1 | | | | 0.024 | 0.0528 |
| 100 | 02156-50080 | NUT | 1 | | | | 0.004 | 0.0088 |
| 110 | 04512-50080 | WASHER,SPRING | 1 | | | | 0 | 0 |
| 120 | 04012-50080 | WASHER,PLAIN | 2 | | | | 0.001 | 0.0022 |
| 130 | 32400-88790 | FLANGE,MUFFLER | 1 | | | | 0.445 | 0.979 |
| 140 | 01123-50822 | BOLT | 4 | | | | 0.012 | 0.0264 |

HAND ACCELERATOR



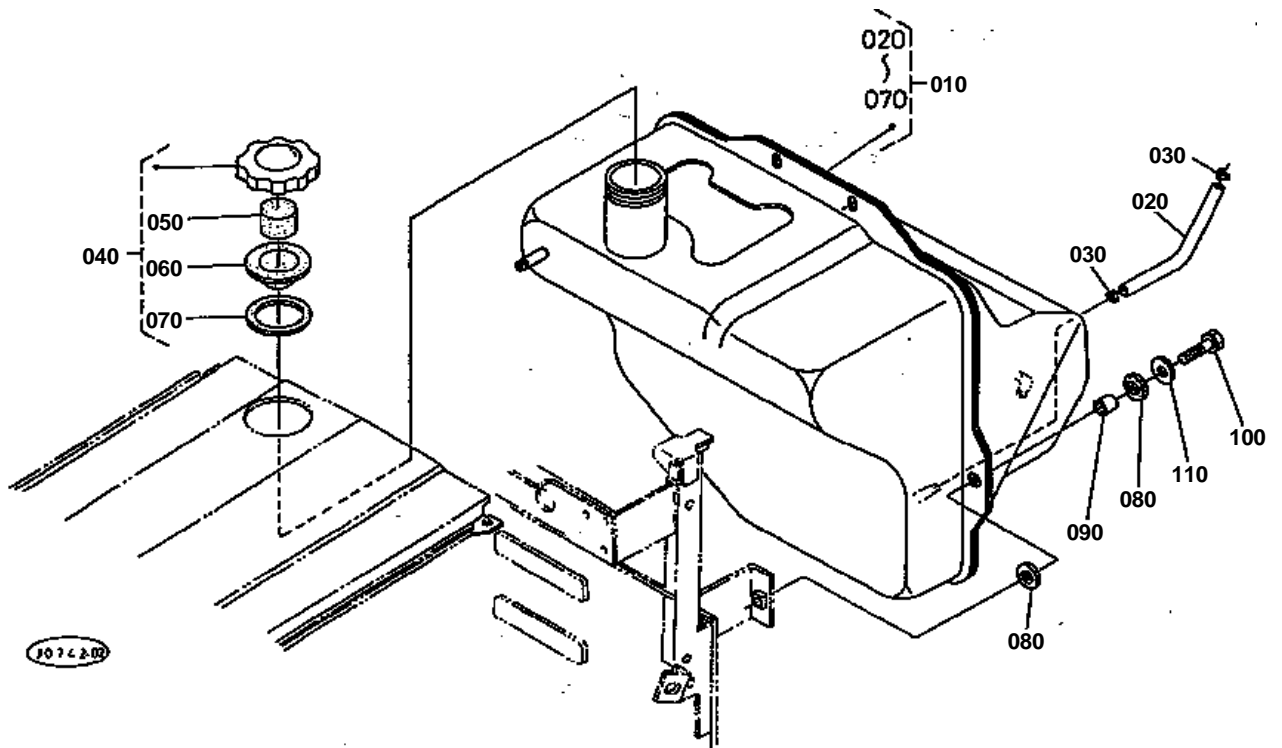


HAND ACCELERATOR

↔ Interchangeable; ≠ not interchangeable; ← new for old; → old for new

| REF.No | Part No. | Description | Q'ty | S.No. | I/C | REMARKS | Weight (kgf) | Weight (lb) |
|--------|-------------|-------------------|------|-------|-----|---------|--------------|-------------|
| 010 | 35170-17120 | LEVER,HAND ACCEL. | 1 | | | | 0.345 | 0.759 |
| 020 | 35320-17170 | GRIP,ACCEL. | 1 | | | | 0.018 | 0.0396 |
| 030 | 34260-17190 | SPRING | 2 | | | | 0.002 | 0.0044 |
| 040 | 02118-50100 | NUT | 2 | | | | 0.005 | 0.011 |
| 050 | 35170-17320 | LINK,ACCEL. | 1 | | | | 0.12 | 0.264 |
| 060 | 34150-17260 | SPRING | 1 | | | | 0.01 | 0.022 |
| 070 | 37150-17570 | ROD,ACCEL. | 1 | | | | 0.06 | 0.132 |
| 080 | 37150-17580 | ROD,ACCEL. | 1 | | | | 0.025 | 0.055 |
| 090 | 04012-50080 | WASHER,PLAIN | 1 | | | | 0.001 | 0.0022 |
| 100 | 04012-50060 | WASHER,PLAIN | 4 | | | | 0.001 | 0.0022 |
| 110 | 05511-50212 | PIN,SPLIT | 5 | | | | 0.001 | 0.0022 |
| 120 | 32400-17440 | SPRING,PALTE | 2 | | | | 0.008 | 0.0176 |
| 130 | 32400-17410 | BOLT | 1 | | | | 0.035 | 0.077 |
| 140 | 04011-50120 | WASHER,PLAIN | 2 | | | | 0.005 | 0.011 |
| 150 | 04512-50120 | WASHER,SPRING | 1 | | | | 0 | 0 |
| 160 | 02174-50120 | NUT | 1 | | | | 0.01 | 0.022 |
| 170 | 32400-17360 | ROD,ACCEL. | 1 | | | | 0.145 | 0.319 |
| 180 | 34150-17390 | JOINT,ROD | 1 | | | | 0.025 | 0.055 |
| 190 | 02012-50060 | NUT | 2 | | | | 0 | 0 |
| 200 | 04012-50060 | WASHER,PLAIN | 2 | | | | 0.001 | 0.0022 |
| 210 | 05511-50212 | PIN,SPLIT | 1 | | | | 0.001 | 0.0022 |
| 220 | 05511-51612 | PIN,SPLIT | 1 | | | | 0.001 | 0.0022 |
| 230 | 01155-50840 | BOLT | 1 | | | | 0.02 | 0.044 |
| 240 | 02112-50080 | NUT | 1 | | | | 0.003 | 0.0066 |

FUEL TANK

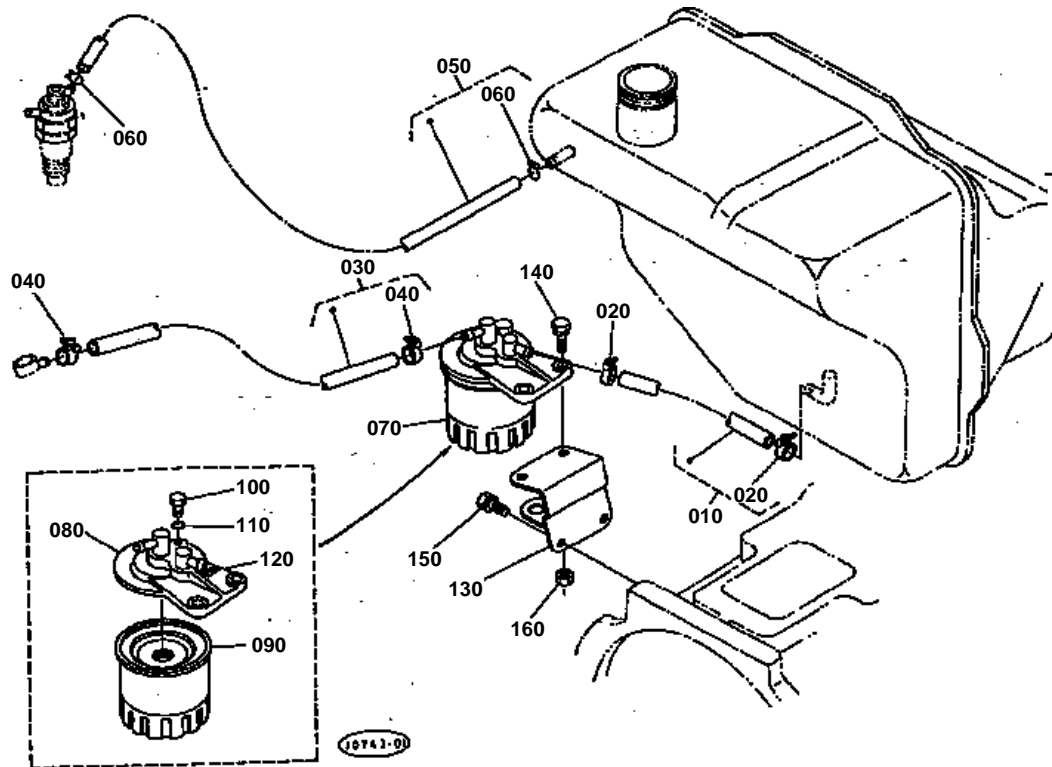


**FUEL TANK**

↔ Interchangeable; ≠ not interchangeable; ← new for old; → old for new

| REF.No | Part No. | Description | Q'ty | S.No. | I/C | REMARKS | Weight (kgf) | Weight (lb) |
|--------|-------------|--------------------|------|-------|-----|---------|--------------|-------------|
| 010 | 32400-35100 | ASSY TANK,FUEL | 1 | | | | 5.5 | 12.1 |
| 020 | 07935-05751 | GAUGE,FUEL | 1 | | | | 0.237 | 0.5214 |
| 030 | 10211-41770 | BAND,PIPE | 2 | | | | 0.001 | 0.0022 |
| 040 | 38240-35200 | ASSY CAP,FUEL TANK | 1 | | | | 0.06 | 0.132 |
| 050 | 34150-35240 | SPONGE | 1 | | | | 0.001 | 0.0022 |
| 060 | 34150-35230 | GASKET | 1 | | | | 0.01 | 0.022 |
| 070 | 34150-35180 | GASKET | 1 | | | | 0.001 | 0.0022 |
| 080 | 37300-35120 | CUSHION | 4 | | | | 0.003 | 0.0066 |
| 090 | 37300-35140 | SPACER | 2 | | | | 0.006 | 0.0132 |
| 100 | 01123-50825 | BOLT | 2 | | | | 0.013 | 0.0286 |
| 110 | 04015-50080 | WASHER,PLAIN | 2 | | | | 0 | 0 |

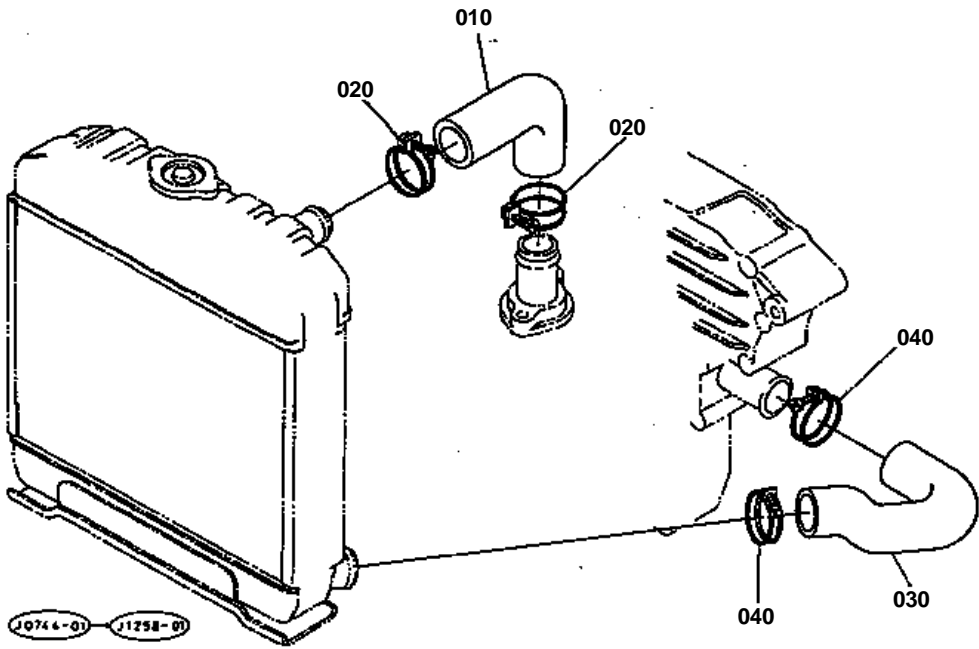
FUEL FILTER



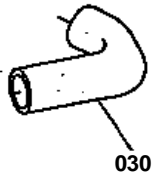
**FUEL FILTER**

↔ Interchangeable; ≠ not interchangeable; ← new for old; → old for new

| REF.No | Part No. | Description | Q'ty | S.No. | I/C | REMARKS | Weight (kgf) | Weight (lb) |
|--------|-------------|----------------------|------|-------|-----|--------------|--------------|-------------|
| 010 | 32400-35510 | ASSY PIPE,FUEL | 1 | | | MANUAL STRG. | 0.035 | 0.077 |
| 020 | 14301-42750 | CLIP,PIPE | 2 | | | | 0.005 | 0.011 |
| 030 | 37260-35520 | ASSY PIPE,FUEL | 1 | | | | 0.06 | 0.132 |
| 040 | 14301-42750 | CLIP,PIPE | 2 | | | | 0.005 | 0.011 |
| 050 | 67800-53750 | ASSY PIPE,OVER FLOW | 1 | | | | 0.02 | 0.044 |
| 060 | 10244-42320 | CLIP,PIPE | 2 | | | | 0.001 | 0.0022 |
| 070 | 15291-43010 | ASSY FILTER,FUEL | 1 | | | | 0.555 | 1.221 |
| 080 | 15291-43210 | COVER,FILTER | 1 | | | | 0.23 | 0.506 |
| 090 | 15221-43080 | ELEMENT,FILTER | 1 | | | | 0 | 0 |
| 100 | 14102-43280 | PLUG,FILTER BREATHER | 1 | | | | 0 | 0 |
| 110 | 15108-43290 | O RING | 1 | | | | 0.001 | 0.0022 |
| 120 | 15291-87760 | MARK,FORM | 1 | | | | 0.005 | 0.011 |
| 130 | 37150-35810 | BRACKET,FILTER | 1 | | | | 0.3 | 0.66 |
| 140 | 01123-50822 | BOLT | 2 | | | | 0.012 | 0.0264 |
| 150 | 01123-50816 | BOLT | 2 | | | | 0.011 | 0.0242 |
| 160 | 02114-50080 | NUT | 2 | | | | 0.005 | 0.011 |



030 15321-7285-0

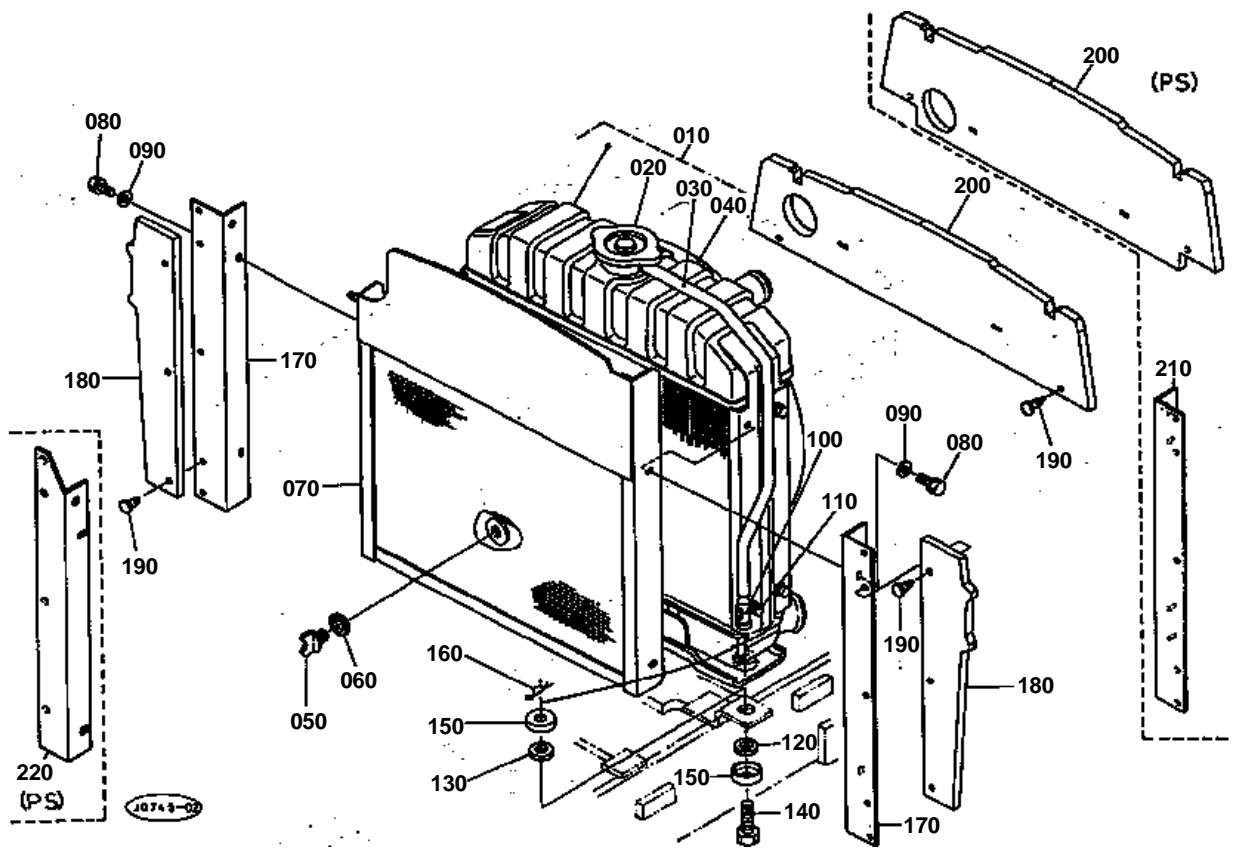


**WATER PIPE**

↔ Interchangeable; ≠ not interchangeable; ← new for old; → old for new

| REF.No | Part No. | Description | Q'ty | S.No. | I/C | REMARKS | Weight (kgf) | Weight (lb) |
|--------|-------------|-------------|------|--------|-----|---------|--------------|-------------|
| 010 | 15321-72940 | PIPE,WATER | 1 | | | | 0.134 | 0.2948 |
| 020 | 15108-72870 | BAND | 2 | | | | 0.027 | 0.0594 |
| 030 | 15321-72850 | PIPE,WATER | 1 | ≤10749 | | | 0.181 | 0.3982 |
| 030 | 35010-88360 | PIPE,WATER | 1 | ≥10750 | ↔ | | 0.2 | 0.44 |
| 040 | 15108-72870 | BAND | 2 | | | | 0.027 | 0.0594 |

RADIATOR



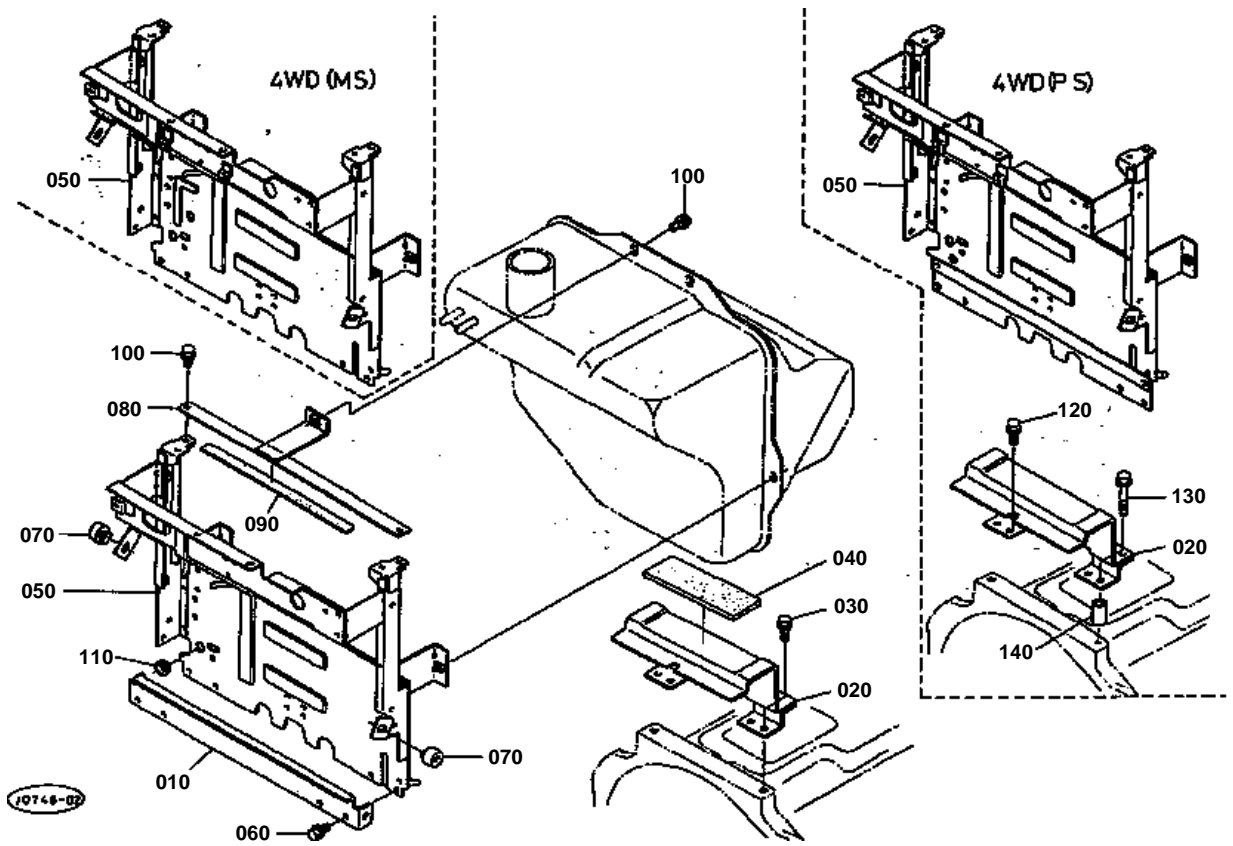


RADIATOR

↔ Interchangeable; ≠ not interchangeable; ← new for old; → old for new

| REF.No | Part No. | Description | Q'ty | S.No. | I/C | REMARKS | Weight (kgf) | Weight (lb) |
|--------|-------------|----------------------|------|-------|-----|--------------|--------------|-------------|
| 010 | 15575-72060 | ASSY RADIATOR | 1 | | | | 6 | 13.2 |
| 020 | 15101-72030 | CAP,RADIATOR | 1 | | | | 0.075 | 0.165 |
| 030 | 15371-72710 | PIPE,WATER OVER FLOW | 1 | | | | 0.048 | 0.1056 |
| 040 | 15575-72330 | SHROUD,FAN | 1 | | | | 0.73 | 1.606 |
| 050 | 31349-61420 | PLUG,DRAIN | 1 | | | | 0.01 | 0.022 |
| 060 | 04717-01700 | WASHER,WITH RUBBER | 1 | | | | 0.003 | 0.0066 |
| 070 | 32400-17720 | NET,RADIATOR | 1 | | | | 1.35 | 2.97 |
| 080 | 01023-50612 | BOLT | 4 | | | | 0.005 | 0.011 |
| 090 | 04013-50060 | WASHER,PLAIN | 3 | | | | 0 | 0 |
| 100 | 55411-21792 | WHISTLE,STEAM | 1 | | | | 0.01 | 0.022 |
| 110 | 04015-50060 | WASHER,PLAIN | 1 | | | | 0 | 0 |
| 120 | 15111-72180 | CUSHION | 2 | | | | 0.015 | 0.033 |
| 130 | 15111-72190 | CUSHION | 2 | | | | 0.016 | 0.0352 |
| 140 | 15108-72380 | BOLT | 2 | | | | 0.04 | 0.088 |
| 150 | 15111-72200 | WASHER | 4 | | | | 0.013 | 0.0286 |
| 160 | 05515-51000 | PIN,SNAP | 2 | | | | 0 | 0 |
| 170 | 32400-17770 | SET PLATE,SHUTTER | 2 | | | MANUAL STRG. | 0.205 | 0.451 |
| 180 | 32400-17790 | SHUTTER | 2 | | | | 0.045 | 0.099 |
| 190 | 38430-29372 | CLIP,BUTTON | 8 | | | | 0.001 | 0.0022 |
| 200 | 32400-17780 | SHUTTER | 1 | | | MANUAL STRG. | 0.095 | 0.209 |

SHUTTER

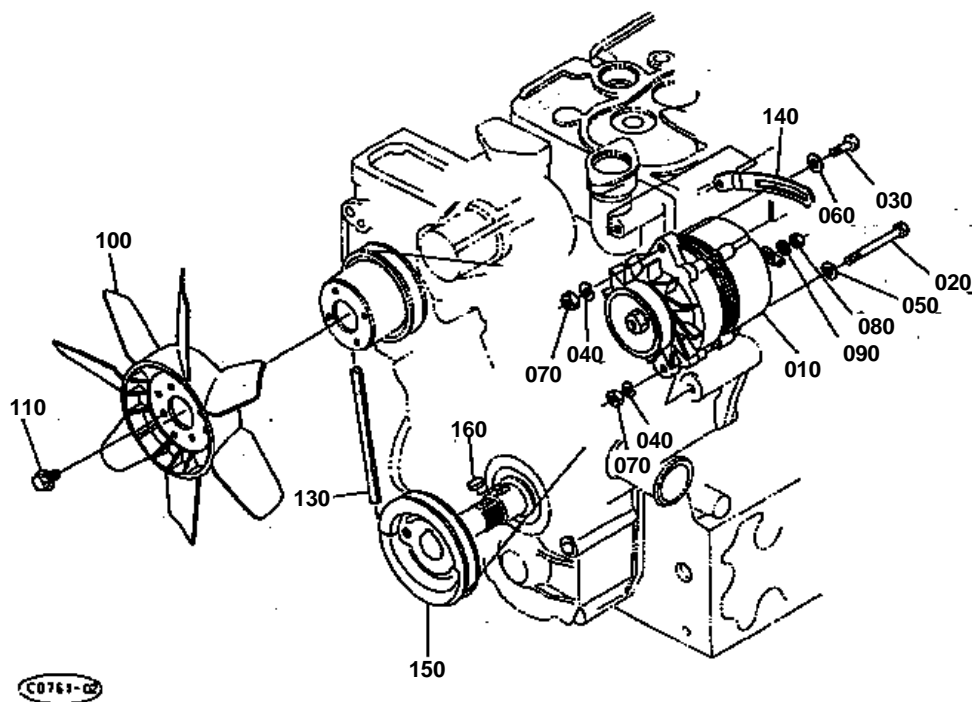




SHUTTER

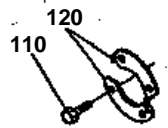
↔ Interchangeable; ≠ not interchangeable; ← new for old; → old for new

| REF.No | Part No. | Description | Q'ty | S.No. | I/C | REMARKS | Weight (kgf) | Weight (lb) |
|--------|-------------|-----------------|------|-------|-----|--------------|--------------|-------------|
| 010 | 31351-35230 | SUPPORT,SHUTTER | 1 | | | | 0.345 | 0.759 |
| 020 | 32400-35260 | STAY,FUEL TANK | 1 | | | MANUAL STRG. | 0.4 | 0.88 |
| 030 | 01754-50812 | BOLT,FLANGE | 3 | | | MANUAL STRG. | 0.01 | 0.022 |
| 040 | 31351-35180 | CUSHION,TANK | 1 | | | | 0.04 | 0.088 |
| 050 | 32400-35210 | PLATE,SHUTTER | 1 | | | MANUAL STRG. | 3.25 | 7.15 |
| 060 | 01754-50812 | BOLT,FLANGE | 4 | | | | 0.01 | 0.022 |
| 070 | 30400-17980 | RUBBER,BLOCK | 2 | | | | 0.01 | 0.022 |
| 080 | 32400-35310 | BAND,FUEL TANK | 1 | | | | 0.17 | 0.374 |
| 090 | 31351-13820 | CUSHION,BATTERY | 1 | | | | 0.015 | 0.033 |
| 100 | 01754-50812 | BOLT,FLANGE | 3 | | | | 0.01 | 0.022 |
| 110 | 63611-52330 | CUSHION | 1 | | | | 0.01 | 0.022 |



C0761-02

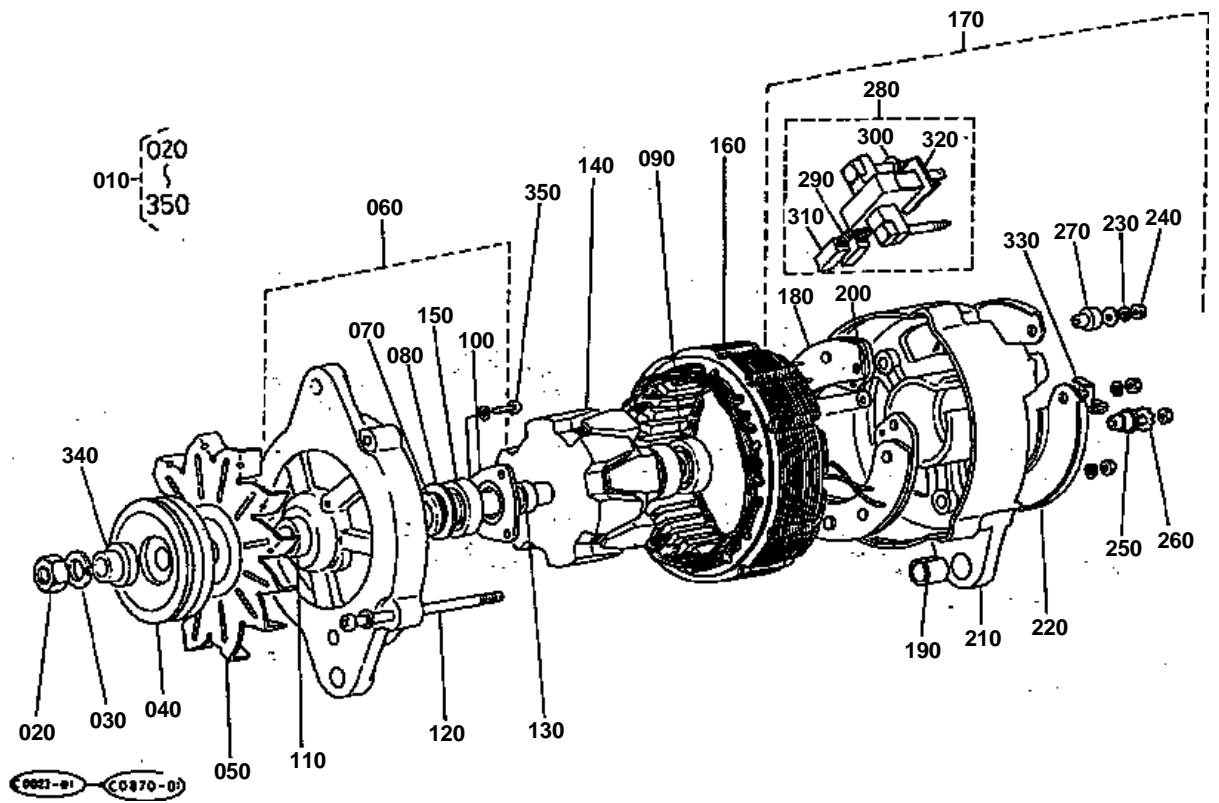
110 01053-50614
120 15321-7423-0



**DYNAMO**

↔ Interchangeable; ≠ not interchangeable; ← new for old; → old for new

| REF.No | Part No. | Description | Q'ty | S.No. | I/C | REMARKS | Weight (kgf) | Weight (lb) |
|--------|-------------|------------------|------|---------|-----|---------------------------------------|--------------|-------------|
| 010 | 15321-64010 | ASSY DYNAMO | 1 | <=10790 | | REFER TO L.NO.0C04-R0 FOR COMPONENTS. | 0 | 0 |
| 010 | 15411-64010 | ASSY DYNAMO | 1 | >=10791 | ↔ | REFER TO L.NO.0C04-R0 FOR COMPONENTS. | 3.25 | 7.15 |
| 020 | 15521-91030 | BOLT | 1 | | | | 0 | 0 |
| 030 | 01153-50835 | BOLT | 1 | | | | 0.016 | 0.0352 |
| 040 | 04512-50080 | WASHER,SPRING | 2 | | | | 0 | 0 |
| 050 | 04012-50080 | WASHER,PLAIN | 1 | | | | 0.001 | 0.0022 |
| 060 | 04015-50080 | WASHER,PLAIN | 1 | | | | 0 | 0 |
| 070 | 02156-50080 | NUT | 2 | | | | 0.004 | 0.0088 |
| 080 | 02056-50060 | NUT | 1 | | | | 0.002 | 0.0044 |
| 090 | 04512-50060 | WASHER,SPRING | 1 | | | | 0 | 0 |
| 100 | 15585-74110 | FAN | 1 | | | | 0.63 | 1.386 |
| 110 | 01053-50614 | BOLT | 4 | <=10790 | | | 0.005 | 0.011 |
| 110 | 01754-50612 | BOLT,FLANGE | 4 | >=10791 | ≠ | | 0.005 | 0.011 |
| 120 | 15321-74230 | WASHER,FAN | 2 | <=10790 | | | 0.005 | 0.011 |
| 130 | 17367-97010 | BELT,V | 1 | | | | 0.1 | 0.22 |
| 140 | 15321-64420 | STAY,DYNAMO | 1 | | | | 0.1 | 0.22 |
| 150 | 32400-99220 | PULLEY,FAN DRIVE | 1 | | | | 1.55 | 3.41 |
| 160 | 05712-00720 | KEY,FEATHER | 1 | | | | 0.008 | 0.0176 |

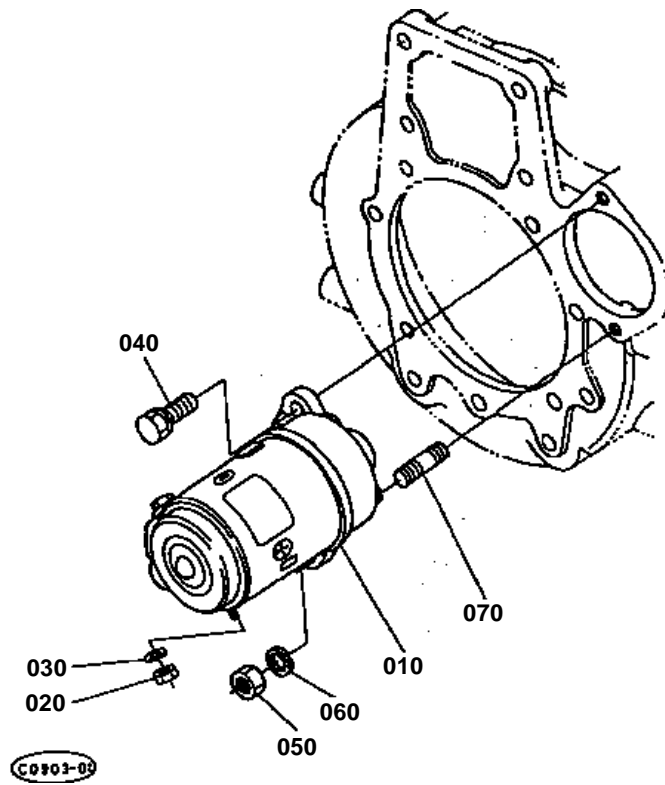


**DYNAMO [COMPONENT PARTS]**

↔ Interchangeable; ≠ not interchangeable; ← new for old; → old for new

| REF.No | Part No. | Description | Q'ty | S.No. | I/C | REMARKS | Weight (kgf) | Weight (lb) |
|--------|-------------|--------------------|------|--------|-----|---------|--------------|-------------|
| 010 | 15321-64010 | ASSY DYNAMO | 1 | ≤10790 | | | 0 | 0 |
| 010 | 15411-64010 | ASSY DYNAMO | 1 | ≥10791 | ↔ | | 3.25 | 7.15 |
| 020 | 15221-92010 | NUT | 1 | | | | 0.012 | 0.0264 |
| 030 | 15221-94070 | WASHER,SPRING | 1 | | | | 0.008 | 0.0176 |
| 040 | 15221-64110 | PULLEY,DYNAMO | 1 | | | | 0.198 | 0.4356 |
| 050 | 15221-64130 | FAN,DYNAMO | 1 | | | | 0 | 0 |
| 060 | 15253-64020 | FRAME,DRIVE END | 1 | | | | 0.365 | 0.803 |
| 070 | 15221-64790 | FELT,OIL | 1 | | | | 0.001 | 0.0022 |
| 080 | 15221-64830 | COVER,FELT | 1 | | | | 0.003 | 0.0066 |
| 090 | 08121-06201 | BEARING,BALL | 1 | | | | 0.036 | 0.0792 |
| 100 | 15221-64710 | PLATE,RETAINER | 1 | | | | 0.018 | 0.0396 |
| 110 | 15221-64150 | COLLAR | 1 | | | | 0.008 | 0.0176 |
| 120 | 15321-64260 | BOLT,THROUGH | 3 | | | | 0.008 | 0.0176 |
| 130 | 15221-64160 | SPACER | 1 | | | | 0.006 | 0.0132 |
| 140 | 15321-64030 | ARMATURE | 1 | ≤10790 | | | 1.29 | 2.838 |
| 140 | 15606-64030 | ARMATURE | 1 | ≥10791 | ≠ | | 1.34 | 2.948 |
| 150 | 08141-06202 | BEARING,BALL | 1 | | | | 0.043 | 0.0946 |
| 160 | 15321-64050 | YOKE | 1 | ≤10790 | | | 0.75 | 1.65 |
| 160 | 15606-64050 | YOKE | 1 | ≥10791 | ≠ | | 0.76 | 1.672 |
| 170 | 15321-64070 | ASSY FRAME,END | 1 | | | | 0.52 | 1.144 |
| 180 | 15321-64850 | ASSY RECTIFIER | 1 | | | | 0.134 | 0.2948 |
| 190 | 15221-64210 | BUSH | 1 | | | | 0.007 | 0.0154 |
| 200 | 15321-64880 | WASHER,INSULATION | 1 | | | | 0.001 | 0.0022 |
| 210 | 15321-64060 | FRAME,END | 1 | | | | 0.298 | 0.6556 |
| 220 | 15321-64230 | COVER,END | 1 | | | | 0.029 | 0.0638 |
| 230 | 04512-50050 | WASHER,SPRING | 5 | | | | 0 | 0 |
| 240 | 15221-92030 | NUT | 5 | | | | 0.001 | 0.0022 |
| 250 | 15321-64920 | BUSH,INSULATION | 1 | | | | 0.001 | 0.0022 |
| 260 | 04512-50060 | WASHER | 1 | | | | 0 | 0 |
| 270 | 15221-64910 | BUSH,INSULATION | 1 | | | | 0.001 | 0.0022 |
| 280 | 15321-64310 | ASSY HOLDER,BRUSH | 1 | | | | 0.039 | 0.0858 |
| 290 | 15221-64330 | SPRING,BRUSH | 2 | | | | 0.001 | 0.0022 |
| 300 | 15321-64380 | WASHER,INSULATION | 2 | | | | 0.005 | 0.011 |
| 310 | 15221-64090 | BRUSH | 2 | | | | 0.002 | 0.0044 |
| 320 | 15321-64940 | INSULATOR,TERMINAL | 1 | | | | 0.001 | 0.0022 |
| 330 | 15321-67570 | CLAMP,CORD | 1 | | | | 0.04 | 0.088 |
| 340 | 15321-64170 | SPACER | 1 | | | | 0.007 | 0.0154 |
| 350 | 15411-93310 | BOLT | 3 | | | | 0.004 | 0.0088 |

STARTER

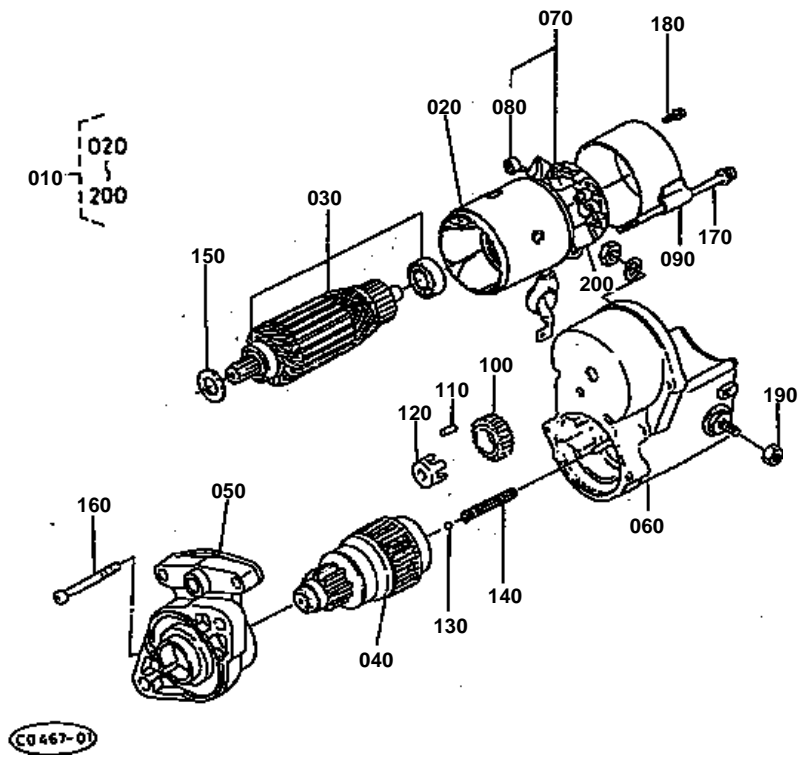


**STARTER**

↔ Interchangeable; ≠ not interchangeable; ← new for old; → old for new

| REF.No | Part No. | Description | Q'ty | S.No. | I/C | REMARKS | Weight (kgf) | Weight (lb) |
|--------|-------------|-------------------|------|-------|-----|---------------------------------------|--------------|-------------|
| 010 | 15501-63010 | ASSY STARTER | 1 | | | REFER TO L.NO.0C06-L0 FOR COMPONENTS. | 0 | 0 |
| 020 | 02114-50080 | NUT | 1 | | | | 0.005 | 0.011 |
| 030 | 04512-50080 | WASHER, SPRING | 1 | | | | 0 | 0 |
| 040 | 01133-51030 | BOLT | 1 | | | | 0.025 | 0.055 |
| 050 | 02176-50100 | NUT | 1 | | | | 0.005 | 0.011 |
| 060 | 04512-50100 | WASHER, SPRING | 1 | | | | 0 | 0 |
| 070 | 01517-51028 | STUD | 1 | | | | 0.022 | 0.0484 |
| | | | | | | | | |

STARTER [COMPONENT PARTS]

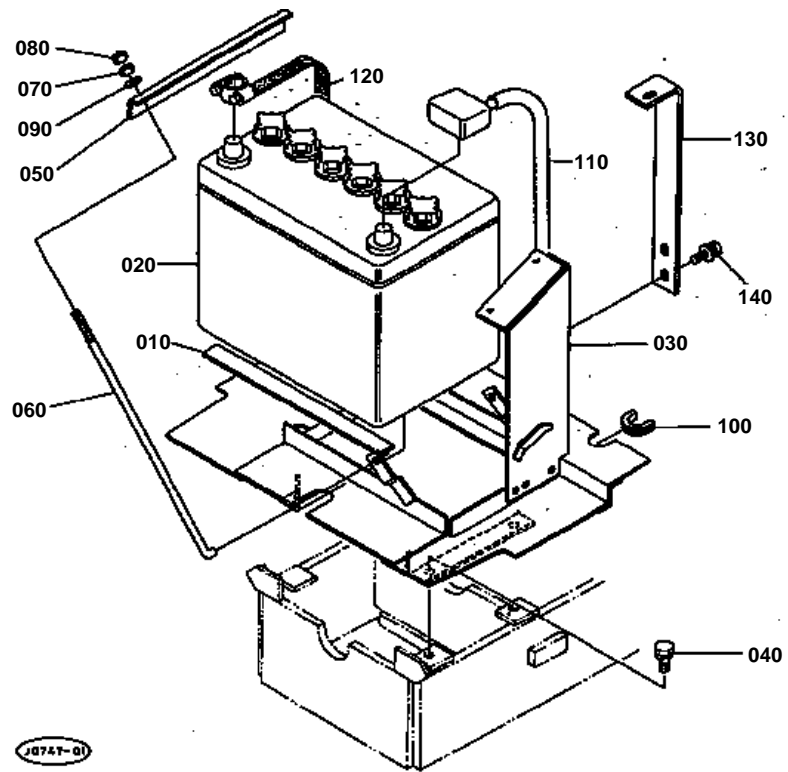


**STARTER [COMPONENT PARTS]**

↔ Interchangeable; ≠ not interchangeable; ← new for old; → old for new

| REF.No | Part No. | Description | Q'ty | S.No. | I/C | REMARKS | Weight (kgf) | Weight (lb) |
|--------|-------------|---------------------|------|-------|-----|---------|--------------|-------------|
| 010 | 15501-63010 | ASSY STARTER | 1 | | | | 0 | 0 |
| 020 | 15501-63080 | YOKE | 1 | | | | 0.675 | 1.485 |
| 030 | 15501-63070 | ARMATURE | 1 | | | | 0.78 | 1.716 |
| 040 | 15521-63040 | SWITCH,OVER RUNNING | 1 | | | | 0.73 | 1.606 |
| 050 | 15501-63030 | FRAME,DRIVE END | 1 | | | | 0.37 | 0.814 |
| 060 | 15501-63020 | SWITCH,MAGNETIC | 1 | | | | 0 | 0 |
| 070 | 15501-63380 | HOLDER,BRUSH | 1 | | | | 0.075 | 0.165 |
| 080 | 15401-63390 | SPRING,BRUSH | 4 | | | | 0.003 | 0.0066 |
| 090 | 15501-63200 | FRAME,END | 1 | | | | 0.08 | 0.176 |
| 100 | 15401-63270 | GEAR | 1 | | | | 0.043 | 0.0946 |
| 110 | 19212-63100 | ROLLER | 5 | | | | 0.002 | 0.0044 |
| 120 | 19212-63110 | RETAINER | 1 | | | | 0.002 | 0.0044 |
| 130 | 19212-97130 | BALL | 1 | | | | 0.003 | 0.0066 |
| 140 | 19212-63120 | SPRING | 1 | | | | 0.004 | 0.0088 |
| 150 | 15501-96670 | WASHER,FELT | 1 | | | | 0.005 | 0.011 |
| 160 | 15501-93310 | SCREW,PAN HEAD | 2 | | | | 0.01 | 0.022 |
| 170 | 15501-63320 | BOLT,THROUGH | 2 | | | | 0.03 | 0.066 |
| 180 | 15501-91020 | BOLT | 2 | | | | 0.01 | 0.022 |
| 190 | 13963-92010 | NUT,HEXAGON | 1 | | | | 0.005 | 0.011 |
| 200 | 15501-63370 | BRUSH | 2 | | | | 0.01 | 0.022 |

BATTERY

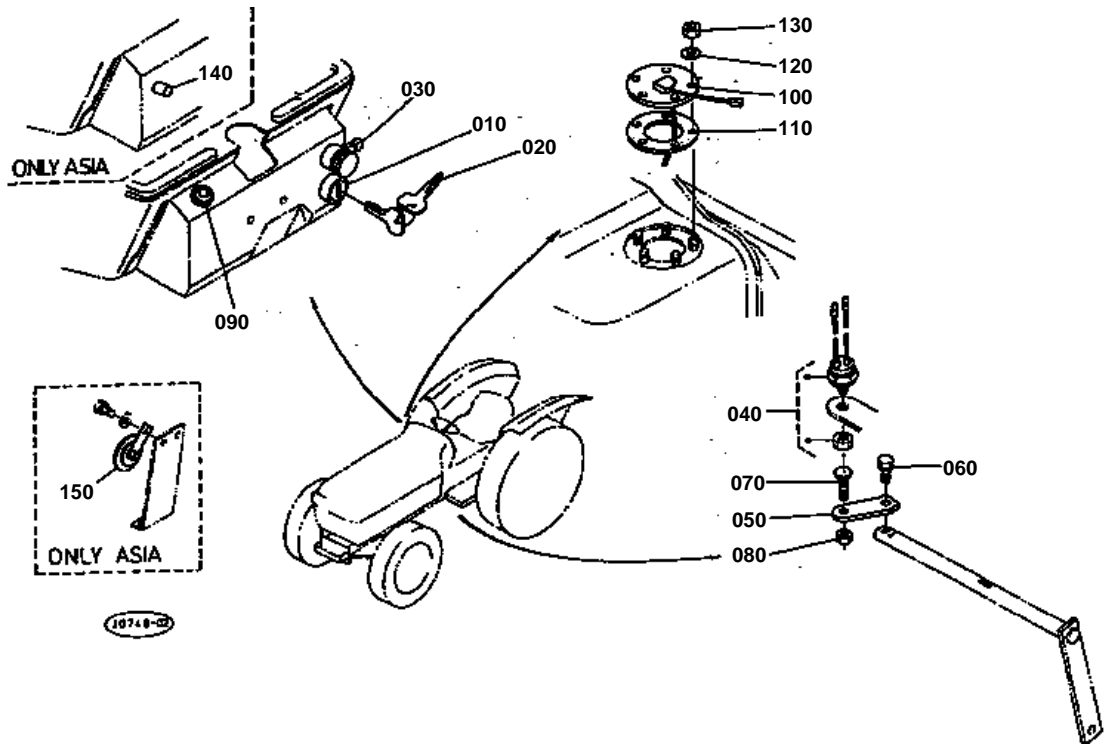


**BATTERY**

↔ Interchangeable; ≠ not interchangeable; ← new for old; → old for new

| REF.No | Part No. | Description | Q'ty | S.No. | I/C | REMARKS | Weight (kgf) | Weight (lb) |
|--------|-------------|----------------------|------|-------|-----|--------------|--------------|-------------|
| 010 | 31351-13820 | CUSHION,BATTERY | 2 | | | | 0.015 | 0.033 |
| 020 | 35200-33200 | BATTERY,DRY | 1 | | | | 11.7 | 25.74 |
| 030 | 32400-33210 | SUPPORT,BATTERY | 1 | | | MANUAL STRG. | 3.4 | 7.48 |
| 040 | 01123-50816 | BOLT | 4 | | | | 0.011 | 0.0242 |
| 050 | 31351-33110 | RETAINER,BATTERY | 1 | | | | 0.11 | 0.242 |
| 060 | 34150-33290 | BOLT,HOOK | 2 | | | | 0.055 | 0.121 |
| 070 | 31351-33140 | NUT | 2 | | | | 0.004 | 0.0088 |
| 080 | 02014-50060 | NUT | 2 | | | | 0.003 | 0.0066 |
| 090 | 04015-50060 | WASHER,PLAIN | 2 | | | | 0 | 0 |
| 100 | 30430-82770 | CUSHION | 1 | | | | 0.005 | 0.011 |
| 110 | 37220-33330 | CORD,BATTERY | 1 | | | | 0 | 0 |
| 120 | 37220-33380 | CORD,EARTH | 1 | | | | 0.21 | 0.462 |
| 130 | 32400-17960 | SUPPORT BONNET FRONT | 1 | | | MANUAL STRG. | 0.435 | 0.957 |
| 140 | 01125-50816 | BOLT | 3 | | | | 0 | 0 |

SWITCH AND HORN



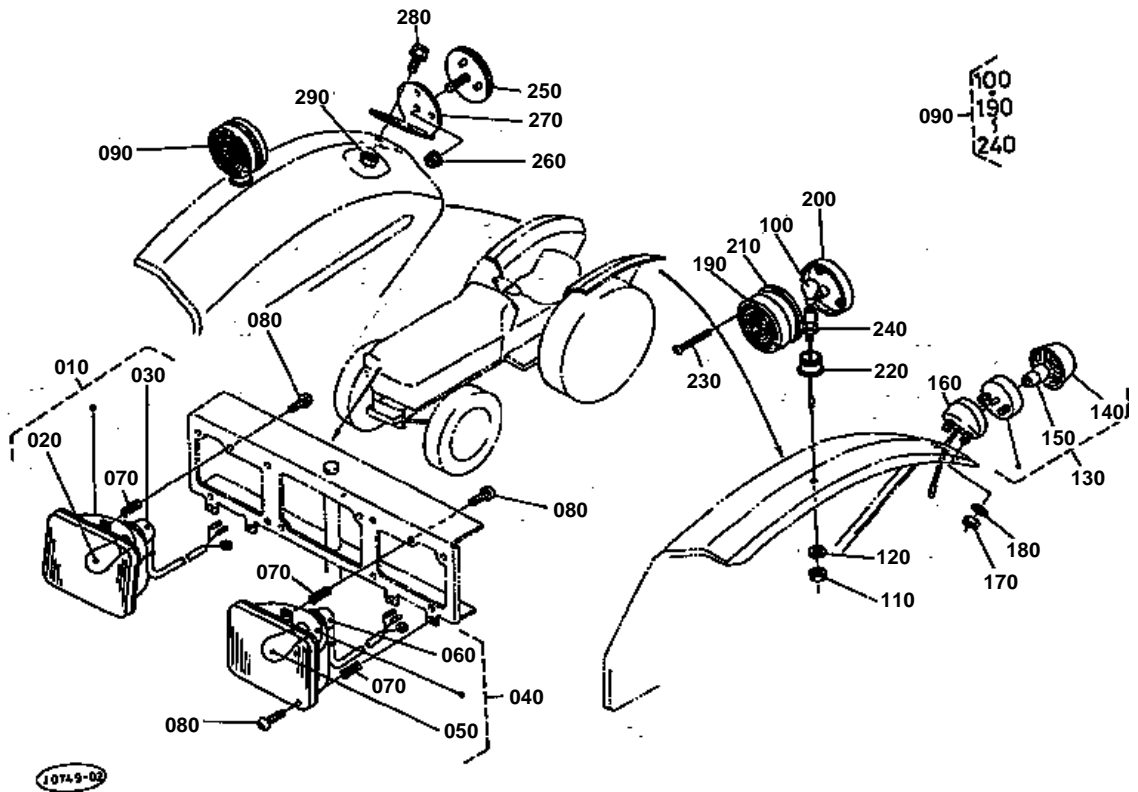


SWITCH AND HORN

↔ Interchangeable; ≠ not interchangeable; ← new for old; → old for new

| REF.No | Part No. | Description | Q'ty | S.No. | I/C | REMARKS | Weight (kgf) | Weight (lb) |
|--------|-------------|----------------------|------|-------|-----|---------|--------------|-------------|
| 010 | 32430-31820 | SWITCH,MAIN | 1 | | | | 0.285 | 0.627 |
| 020 | 35260-31850 | ASSY KEY,MAIN SWITCH | 1 | | | | 0 | 0 |
| 030 | 31351-32100 | SWITCH,COMBINATION | 1 | | | | 0.105 | 0.231 |
| 040 | 37150-32240 | SWITCH,SAFETY | 1 | | | | 0.12 | 0.264 |
| 050 | 37150-34563 | HOLDER,SWITCH | 1 | | | | 0.045 | 0.099 |
| 060 | 01123-50820 | BOLT | 1 | | | | 0.011 | 0.0242 |
| 070 | 01952-50830 | BOLT,WELD | 1 | | | | 0.014 | 0.0308 |
| 080 | 02112-50080 | NUT | 1 | | | | 0.003 | 0.0066 |
| 090 | 15521-65950 | INDICATOR,GLOW PLUG | 1 | | | | 0.065 | 0.143 |
| 140 | 35151-32410 | SWITCH,HORN | 1 | | | [AS] | 0.025 | 0.055 |
| 150 | 66706-55710 | HORN | 1 | | | [AS] | 0.37 | 0.814 |

LIGHT



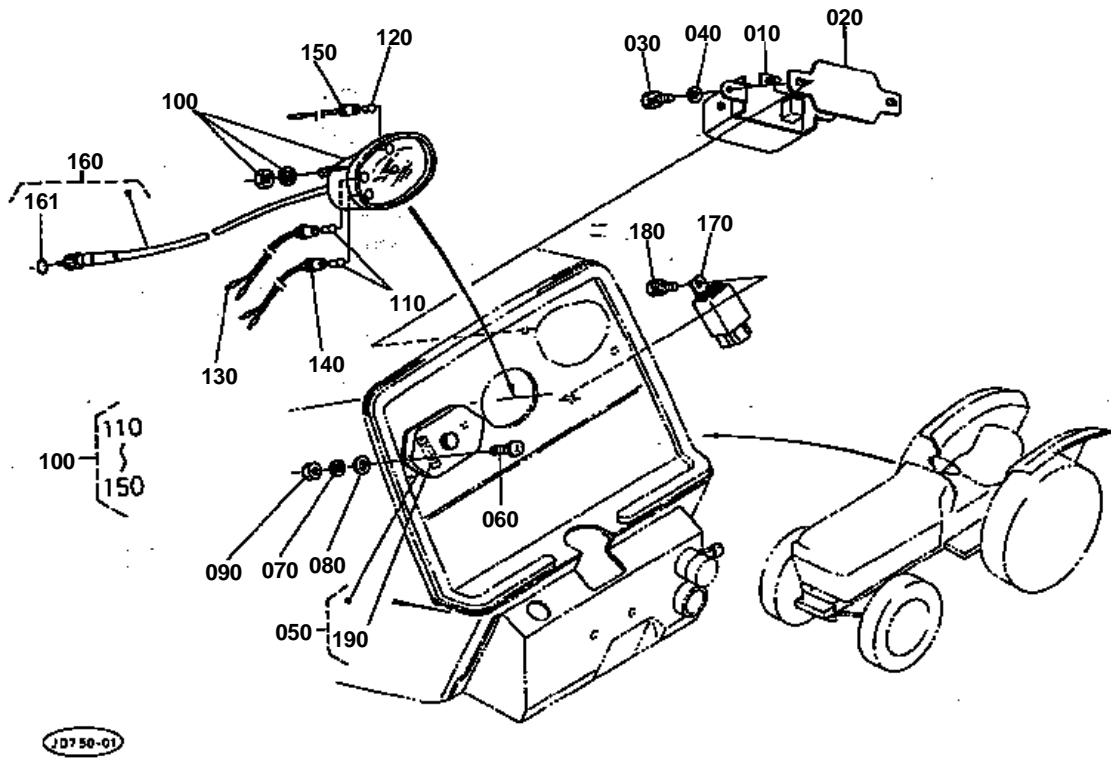


LIGHT

↔ Interchangeable; ≠ not interchangeable; ← new for old; → old for new

| REF.No | Part No. | Description | Q'ty | S.No. | I/C | REMARKS | Weight (kgf) | Weight (lb) |
|--------|-------------|---------------------|------|---------|-----|----------|--------------|-------------|
| 010 | 31351-33370 | ASSY LIGHT,HEAD RH | 1 | | | | 0.7 | 1.54 |
| 020 | 38240-33870 | BULB | 1 | | | | 0 | 0 |
| 030 | 31351-93600 | COMP.CORD,SOCKET | 1 | | | | 0.065 | 0.143 |
| 040 | 31351-33380 | ASSY LIGHT,HEAD LH | 1 | | | | 0.38 | 0.836 |
| 050 | 38240-33870 | BULB | 1 | | | | 0 | 0 |
| 060 | 31351-93600 | COMP.CORD,SOCKET | 1 | | | | 0.065 | 0.143 |
| 070 | 38240-33860 | SPRING,LIGHT | 6 | | | | 0.001 | 0.0022 |
| 080 | 03054-50520 | SCREW,PAN HEAD | 6 | | | | 0.005 | 0.011 |
| 090 | 35450-75010 | ASSY LIGHT,FLASHER | 2 | | | | 0.3 | 0.66 |
| 100 | 35450-75022 | BULB,HAZARD FLASHER | 2 | | | | 0.008 | 0.0176 |
| 110 | 02114-50100 | NUT | 2 | | | | 0.005 | 0.011 |
| 120 | 04512-50100 | WASHER,SPRING | 2 | | | | 0 | 0 |
| 130 | 34350-34100 | ASSY LIGHT,TAIL | 1 | | | [A],[AU] | 0.13 | 0.286 |
| 140 | 34350-34120 | LENS,TAIL LIGHT | 1 | | | [A],[AU] | 0.05 | 0.11 |
| 150 | 34350-34140 | BULB,TAIL LIGHT | 1 | | | [A],[AU] | 0.008 | 0.0176 |
| 160 | 32400-34190 | HOLDER,TAIL LIGHT | 1 | | | [A],[AU] | 0.11 | 0.242 |
| 170 | 02014-50060 | NUT | 2 | | | [A],[AU] | 0.003 | 0.0066 |
| 180 | 04512-50060 | WASHER,SPRING | 2 | | | [A],[AU] | 0 | 0 |
| 190 | 35450-75110 | LENS | 2 | | | | 0.07 | 0.154 |
| 200 | 35450-75050 | LENS | 2 | | | | 0.07 | 0.154 |
| 210 | 35450-75060 | GASKET,SEAL | 2 | | | | 0.02 | 0.044 |
| 220 | 35450-75070 | HOUSING | 2 | | | | 0.04 | 0.088 |
| 230 | 35450-75080 | SCREW | 6 | | | | 0.005 | 0.011 |
| 240 | 35450-75090 | ASSY SOCKET | 2 | | | | 0.035 | 0.077 |
| 250 | 67601-55730 | ASSY REFLETOR | 1 | ≧=10482 | | [A],[AU] | 0.02 | 0.044 |
| 250 | 67601-55730 | ASSY REFLETOR | 2 | | | [AS] | 0.02 | 0.044 |
| 260 | 02761-50050 | NUT,FLANGE | 1 | ≧=10482 | | [A],[AU] | 0.005 | 0.011 |
| 260 | 02761-50050 | NUT,FLANGE | 2 | | | [AS] | 0.005 | 0.011 |
| 270 | 32400-34220 | PLATE,REFLECTOR | 1 | ≧=10482 | | [A],[AU] | 0.085 | 0.187 |
| 270 | 32400-34220 | PLATE,REFLECTOR | 2 | | | [AS] | 0.085 | 0.187 |
| 280 | 01023-50612 | BOLT | 2 | ≧=10482 | | [A],[AU] | 0.005 | 0.011 |
| 280 | 01023-50612 | BOLT | 4 | | | [AS] | 0.005 | 0.011 |
| 290 | 02751-50060 | NUT,FLANGE | 2 | ≧=10482 | | [A],[AU] | 0.005 | 0.011 |
| 290 | 02751-50060 | NUT,FLANGE | 4 | | | [AS] | 0.005 | 0.011 |

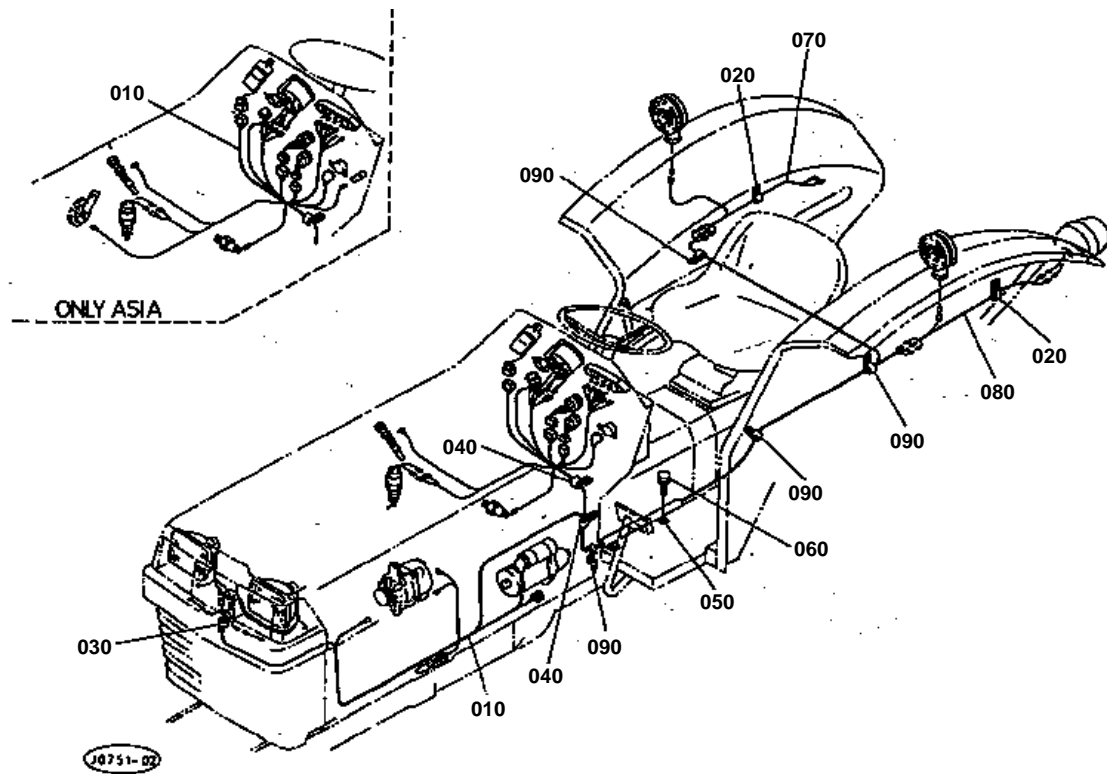
REGULATOR AND METER



**REGULATOR AND METER**

↔ Interchangeable; ≠ not interchangeable; ← new for old; → old for new

| REF.No | Part No. | Description | Q'ty | S.No. | I/C | REMARKS | Weight (kgf) | Weight (lb) |
|--------|-------------|-------------------|------|--------|-----|---------|--------------|-------------|
| 010 | 33251-74010 | ASSY REGULATOR | 1 | | | | 0.35 | 0.77 |
| 020 | 37150-33420 | COVER,REGULATOR | 1 | | | | 0.03 | 0.066 |
| 030 | 01023-50610 | BOLT | 2 | | | | 0.005 | 0.011 |
| 040 | 04013-50060 | WASHER,PLAIN | 2 | | | | 0 | 0 |
| 050 | 37150-33600 | CASE,FUSE | 1 | | | | 0.115 | 0.253 |
| 060 | 03024-50516 | SCREW,WITH WASHER | 2 | | | | 0.004 | 0.0088 |
| 070 | 04512-50050 | WASHER,SPRING | 2 | | | | 0 | 0 |
| 080 | 04012-50050 | WASHER,PLAIN | 2 | | | | 0.001 | 0.0022 |
| 090 | 02054-50050 | NUT | 2 | | | | 0.002 | 0.0044 |
| 100 | 35260-34600 | METER,TRACTOR | 1 | | | | 0 | 0 |
| 110 | 32150-31740 | BULB,LIGHT | 2 | | | | 0.003 | 0.0066 |
| 120 | 34150-34620 | BULB,LIGHT | 1 | | | | 0.001 | 0.0022 |
| 130 | 37150-34630 | COMP.SOCKET | 1 | | | | 0.02 | 0.044 |
| 140 | 37150-34640 | COMP.SOCKET | 1 | | | | 0.02 | 0.044 |
| 150 | 37150-34680 | COMP.SOCKET | 1 | | | | 0.015 | 0.033 |
| 160 | 31341-34650 | CABLE,FLEXIBLE | 1 | ≤10749 | | | 0 | 0 |
| 160 | 31341-34653 | CABLE,FLEXIBLE | 1 | ≥10750 | ← | | 0 | 0 |
| 161 | 04811-10080 | RING | 1 | | | | 0.001 | 0.0022 |
| 170 | 32400-33700 | UNIT HAZARD | 1 | | | | 0.07 | 0.154 |
| 180 | 01202-50616 | BOLT | 1 | | | | 0.006 | 0.0132 |
| 190 | 54711-41220 | FUSE 10A | 4 | | | | 0.001 | 0.0022 |

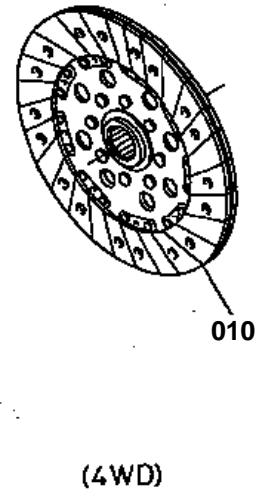
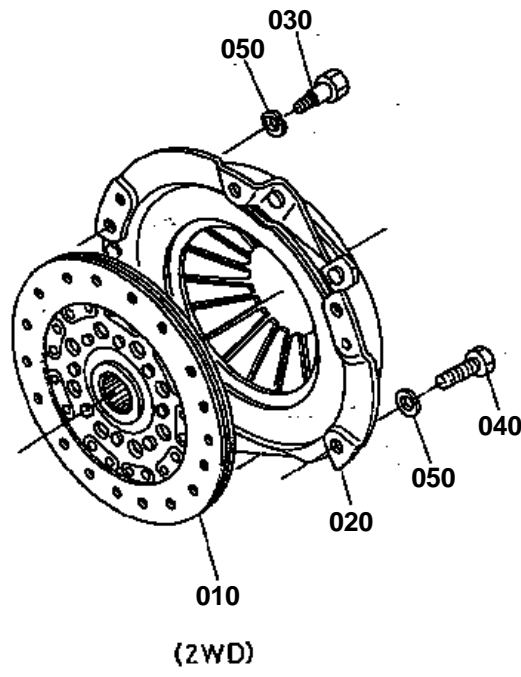




ELECTRICAL WIRING

↔ Interchangeable; ≠ not interchangeable; ← new for old; → old for new

| REF.No | Part No. | Description | Q'ty | S.No. | I/C | REMARKS | Weight (kgf) | Weight (lb) |
|--------|-------------|-------------------|------|-------|-----|----------|--------------|-------------|
| 010 | 32400-34400 | ASSY WIRE HARNESS | 1 | | | [A],[AU] | 0.71 | 1.562 |
| 010 | 32400-98970 | ASSY WIRE HARNESS | 1 | | | [AS] | 0.76 | 1.672 |
| 020 | 32240-34460 | CLAMP,CORD | 2 | | | | 0.011 | 0.0242 |
| 030 | 32240-34482 | CLAMP,CORD | 1 | | | | 0.008 | 0.0176 |
| 040 | 13824-67590 | CLAMP,CORD | 2 | | | | 0.002 | 0.0044 |
| 050 | 37150-34480 | RETAINER,CORD | 1 | | | | 0.06 | 0.132 |
| 060 | 01123-50816 | BOLT | 3 | | | | 0.011 | 0.0242 |
| 070 | 35170-34360 | WIRE HARNESS | 1 | | | | 0.025 | 0.055 |
| 080 | 35170-34370 | WIRE HARNESS | 1 | | | | 0.035 | 0.077 |
| 090 | 13816-67580 | CLAMP,CORD | 4 | | | | 0.004 | 0.0088 |



J1266-01

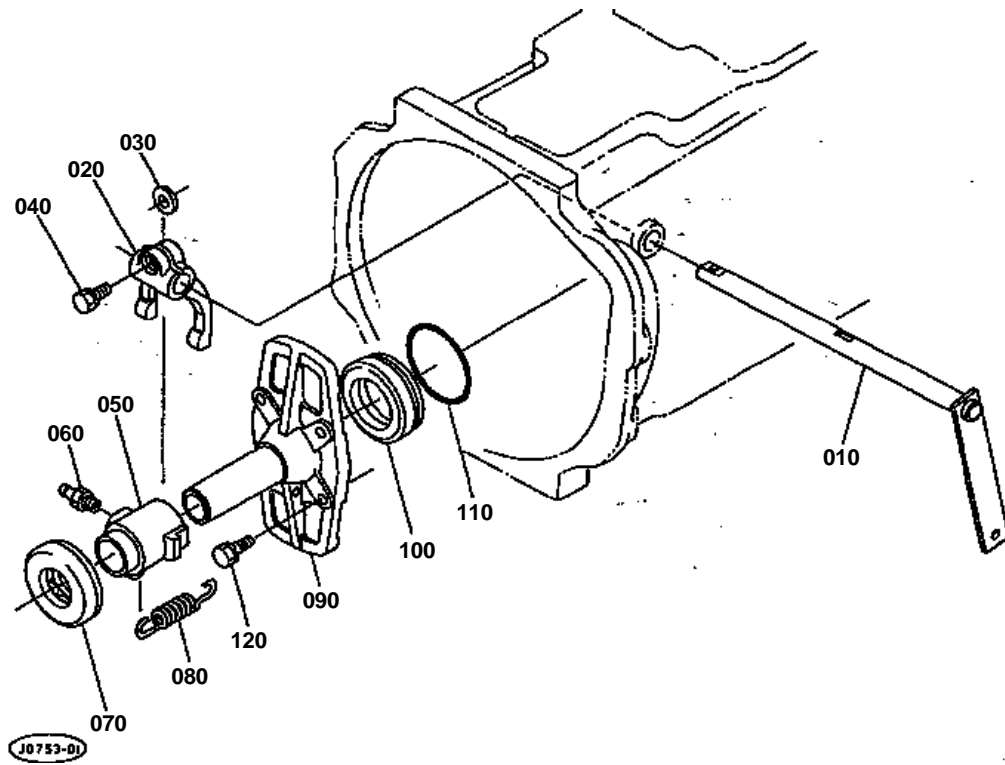


CLUTCH

↔ Interchangeable; ≠ not interchangeable; ← new for old; → old for new

| REF.No | Part No. | Description | Q'ty | S.No. | I/C | REMARKS | Weight (kgf) | Weight (lb) |
|--------|-------------|---------------------|------|-------|-----|---------|--------------|-------------|
| 010 | 38240-14300 | COMP.DISK,CLUTCH | 1 | | | | 0 | 0 |
| 020 | 37300-14500 | ASSY PLATE,PRESSURE | 1 | | | | 4.5 | 9.9 |
| 030 | 34220-14510 | BOLT,REAMER | 2 | | | | 0.013 | 0.0286 |
| 040 | 01153-50816 | BOLT | 4 | | | | 0.01 | 0.022 |
| 050 | 04512-50080 | WASHER,SPRING | 6 | | | | 0 | 0 |

CLUTCH LEVER



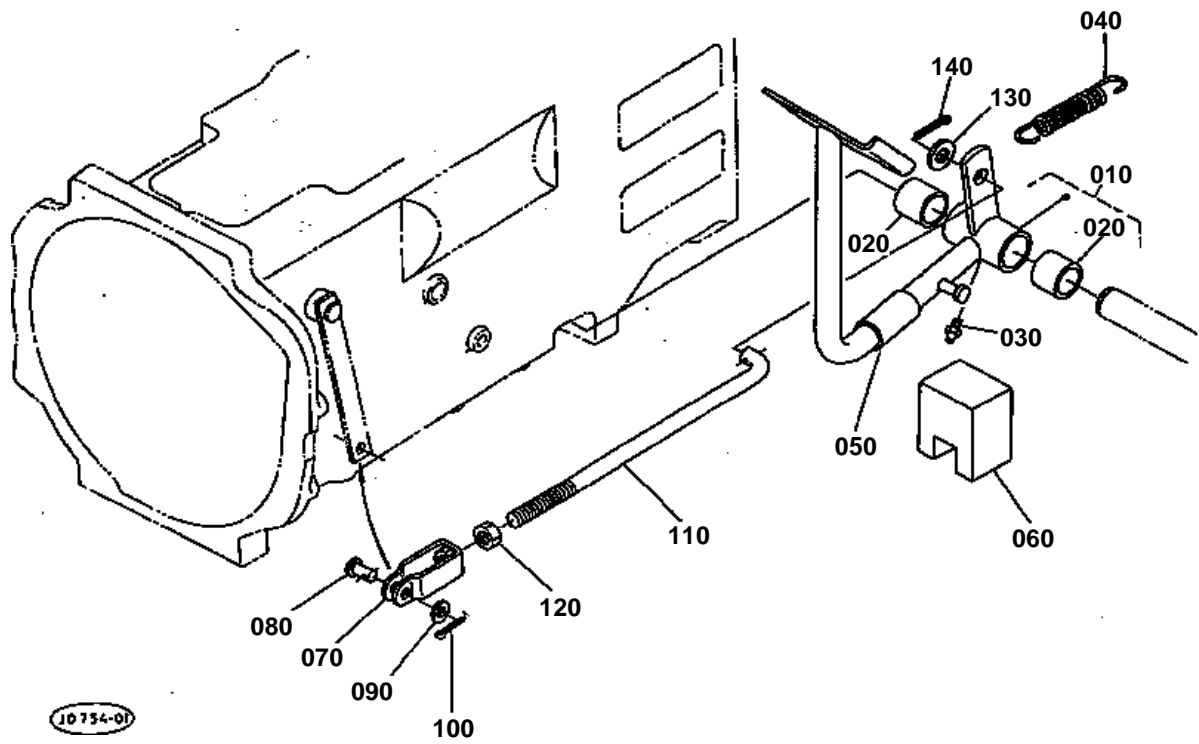


CLUTCH LEVER

↔ Interchangeable; ≠ not interchangeable; ← new for old; → old for new

| REF.No | Part No. | Description | Q'ty | S.No. | I/C | REMARKS | Weight (kgf) | Weight (lb) |
|--------|-------------|---------------------|------|-------|-----|---------|--------------|-------------|
| 010 | 37220-14712 | LEVER,CLUTCH | 1 | | | | 0.475 | 1.045 |
| 020 | 31351-14720 | FORK,CLUTCH RELEASE | 1 | | | | 0.27 | 0.594 |
| 030 | 31150-14780 | KEY,FORK | 1 | | | | 0.003 | 0.0066 |
| 040 | 01123-50822 | BOLT | 1 | | | | 0.012 | 0.0264 |
| 050 | 37220-14810 | HUB,CLUTCH RELEASE | 1 | | | | 0 | 0 |
| 060 | 06613-10010 | NIPPLE,GREASE | 1 | | | | 0.006 | 0.0132 |
| 070 | 08490-00001 | BEARING,THRUST BALL | 1 | | | | 0.227 | 0.4994 |
| 080 | 34150-14840 | SPRING | 1 | | | | 0.01 | 0.022 |
| 090 | 37150-15410 | CASE,PROPELLERSHAFT | 1 | | | | 0 | 0 |
| 100 | 37150-15420 | SPACER | 1 | | | | 0.105 | 0.231 |
| 110 | 04811-50650 | RING | 1 | | | | 0.002 | 0.0044 |
| 120 | 01123-50830 | BOLT | 4 | | | | 0.015 | 0.033 |

CLUTCH PEDAL



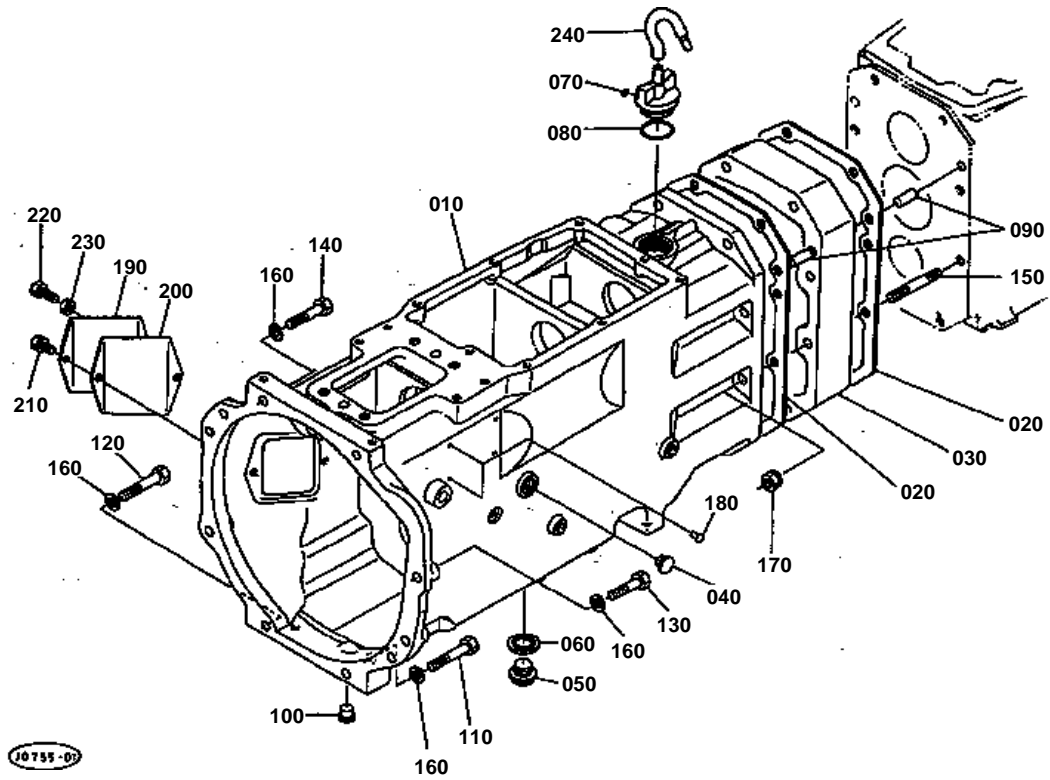


CLUTCH PEDAL

↔ Interchangeable; ≠ not interchangeable; ← new for old; → old for new

| REF.No | Part No. | Description | Q'ty | S.No. | I/C | REMARKS | Weight (kgf) | Weight (lb) |
|--------|-------------|----------------|------|-------|-----|---------|--------------|-------------|
| 010 | 37150-15710 | PEDAL,CLUTCH | 1 | | | | 1.4 | 3.08 |
| 020 | 34150-28430 | BUSH | 2 | | | | 0.04 | 0.088 |
| 030 | 06613-10675 | NIPPLE,GREASE | 1 | | | | 0.003 | 0.0066 |
| 040 | 37150-15840 | SPRING | 1 | | | | 0.06 | 0.132 |
| 050 | 32400-15830 | CUSHION | 1 | | | | 0.005 | 0.011 |
| 060 | 32240-15950 | PIECE,DISTANCE | 1 | | | | 0.045 | 0.099 |
| 070 | 34150-15630 | JOINT | 1 | | | | 0.095 | 0.209 |
| 080 | 05112-50822 | PIN,JOINT | 1 | | | | 0.01 | 0.022 |
| 090 | 04012-50080 | WASHER,PLAIN | 1 | | | | 0.001 | 0.0022 |
| 100 | 05511-50220 | PIN,SPLIT | 1 | | | | 0.001 | 0.0022 |
| 110 | 34150-15640 | ROD,CLUTCH | 1 | | | | 0.195 | 0.429 |
| 120 | 02172-50120 | NUT | 1 | | | | 0.01 | 0.022 |
| 130 | 04013-50120 | WASHER,PLAIN | 1 | | | | 0 | 0 |
| 140 | 05511-50425 | PIN,SPLIT | 1 | | | | 0.003 | 0.0066 |

CLUTCH HOUSING



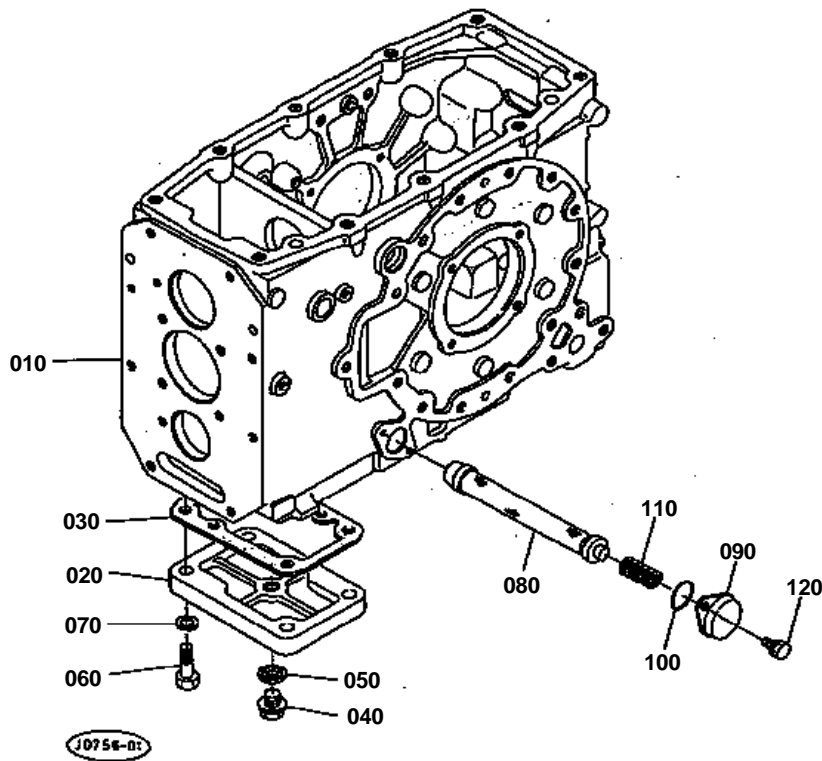


CLUTCH HOUSING

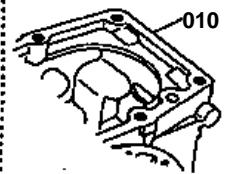
↔ Interchangeable; ≠ not interchangeable; ← new for old; → old for new

| REF.No | Part No. | Description | Q'ty | S.No. | I/C | REMARKS | Weight (kgf) | Weight (lb) |
|--------|-------------|--------------------|------|-------|-----|---------|--------------|-------------|
| 010 | 37150-14114 | HOUSING,CLUTCH | 1 | | | | 0 | 0 |
| 020 | 34150-14140 | GASKET | 2 | | | | 0 | 0 |
| 030 | 38240-21150 | SPACER | 1 | | | | 3.5 | 7.7 |
| 040 | 38240-14210 | GAUGE,OIL | 1 | | | | 0.01 | 0.022 |
| 050 | 34150-14260 | PLUG,DRAIN | 1 | | | | 0 | 0 |
| 060 | 04717-02150 | WASHER,WITH RUBBER | 1 | | | | 0.004 | 0.0088 |
| 070 | 38180-21410 | PLUG | 1 | | | | 0.02 | 0.044 |
| 080 | 04811-50300 | RING | 1 | | | | 0.001 | 0.0022 |
| 090 | 05012-01018 | PIN,STRAIGHT | 4 | | | | 0.012 | 0.0264 |
| 100 | 32210-27580 | PLUG,BLIND | 6 | | | | 0.001 | 0.0022 |
| 110 | 01173-51070 | BOLT | 1 | | | | 0.044 | 0.0968 |
| 120 | 01173-51050 | BOLT | 1 | | | | 0.035 | 0.077 |
| 130 | 01173-51040 | BOLT | 4 | | | | 0.028 | 0.0616 |
| 140 | 01173-51042 | BOLT | 2 | | | | 0.03 | 0.066 |
| 150 | 35110-14180 | STUD | 8 | | | | 0.06 | 0.132 |
| 160 | 04512-50100 | WASHER,SPRING | 8 | | | | 0 | 0 |
| 170 | 37150-14190 | NUT | 8 | | | | 0.016 | 0.0352 |
| 180 | 34152-57920 | RIVET | 2 | | | | 0.001 | 0.0022 |
| 190 | 34150-14160 | COVER,HOUSING | 1 | | | | 0.15 | 0.33 |
| 200 | 34150-14170 | GASKET,HOUSING | 1 | | | | 0.03 | 0.066 |
| 210 | 01123-50816 | BOLT | 1 | | | | 0.011 | 0.0242 |
| 220 | 01153-50825 | BOLT | 1 | | | | 0.012 | 0.0264 |
| 230 | 02114-50080 | NUT | 1 | | | | 0.005 | 0.011 |
| 240 | 38180-37140 | BREATHER | 1 | | | | 0.01 | 0.022 |

TRANSMISSION CASE



010 37150-2111-3



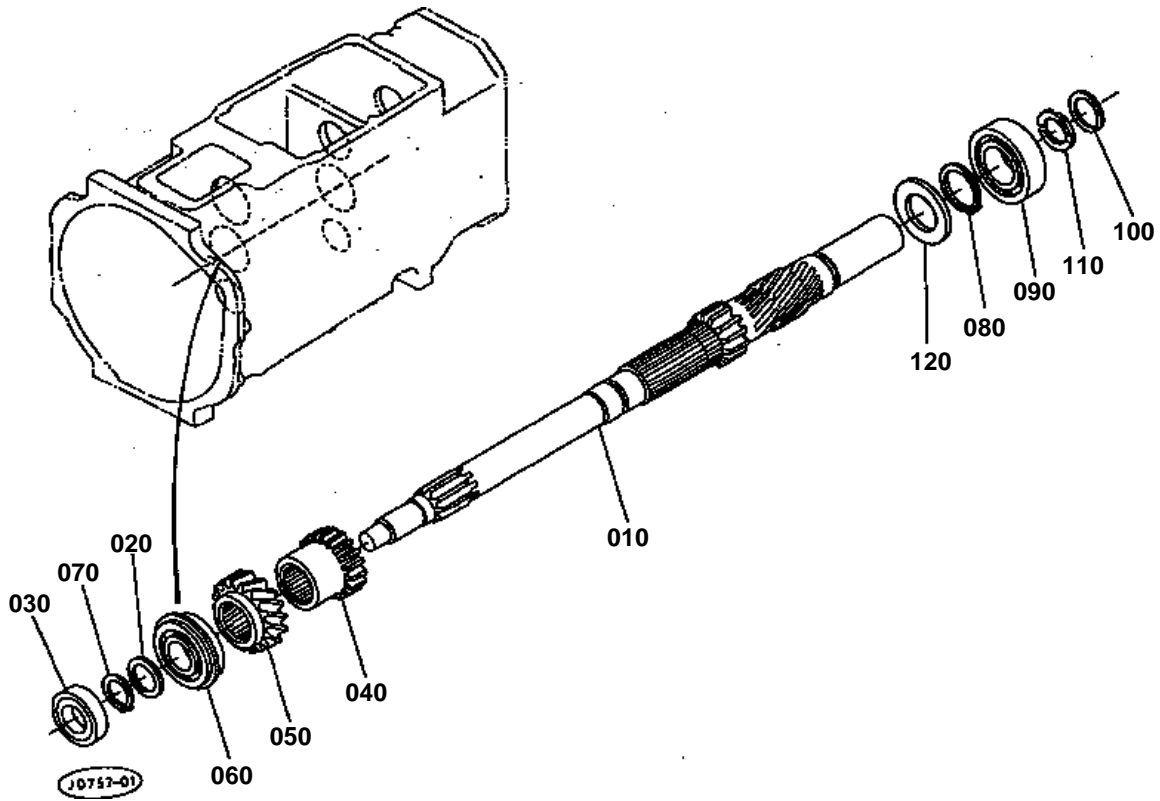


TRANSMISSION CASE

↔ Interchangeable; ≠ not interchangeable; ← new for old; → old for new

| REF.No | Part No. | Description | Q'ty | S.No. | I/C | REMARKS | Weight (kgf) | Weight (lb) |
|--------|-------------|--------------------|------|---------|-----|---------|--------------|-------------|
| 010 | 37150-21113 | CASE,TRANSMISSION | 1 | <=10749 | | | 0 | 0 |
| 010 | 37150-21118 | CASE,TRANSMISSION | 1 | >=10750 | ← | | 30.6 | 67.32 |
| 020 | 37150-21272 | COVER | 1 | | | | 0.33 | 0.726 |
| 030 | 37150-21282 | GASKET | 1 | | | | 0 | 0 |
| 040 | 06331-35012 | PLUG | 1 | | | | 0.022 | 0.0484 |
| 050 | 04717-01200 | WASHER,WITH RUBBER | 1 | | | | 0.002 | 0.0044 |
| 060 | 01173-51235 | BOLT | 4 | | | | 0.04 | 0.088 |
| 070 | 04512-50120 | WASHER,SPRING | 4 | | | | 0 | 0 |
| 080 | 34150-37710 | FILTER,OIL | 1 | | | | 0.1 | 0.22 |
| 090 | 37150-37720 | RETAINER | 1 | | | | 0.03 | 0.066 |
| 100 | 04811-10320 | RING | 1 | | | | 0.001 | 0.0022 |
| 110 | 34150-37740 | SPRING | 1 | | | | 0.003 | 0.0066 |
| 120 | 01123-50816 | BOLT | 2 | | | | 0.011 | 0.0242 |

MAIN SHAFT

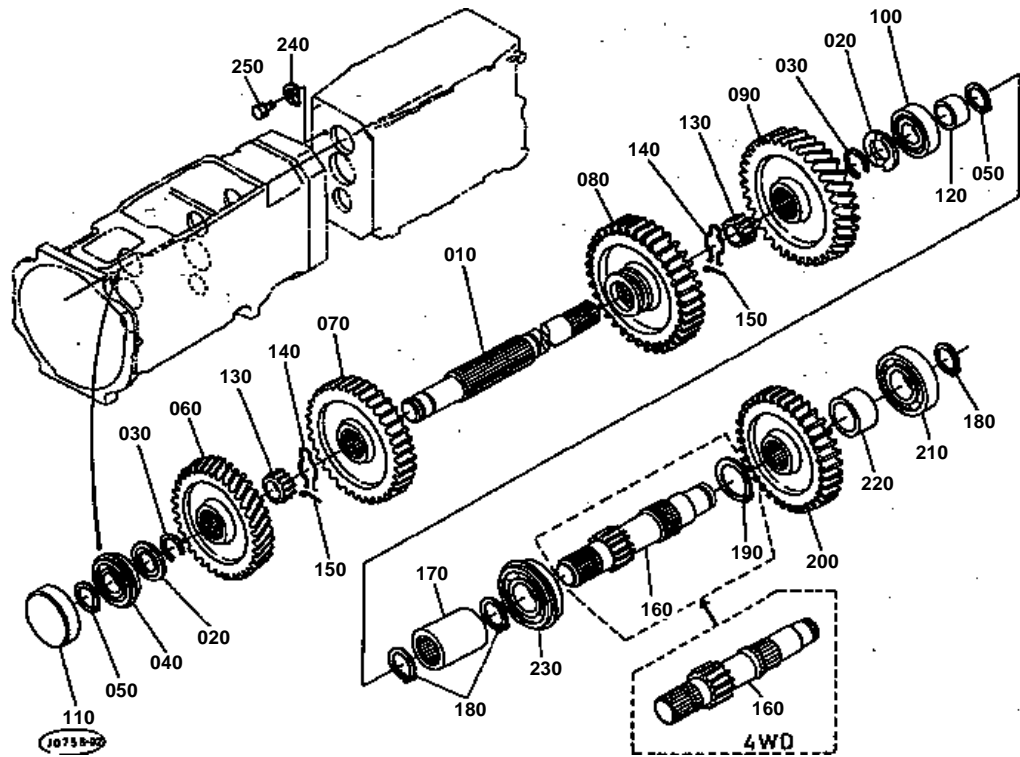


**MAIN SHAFT**

↔ Interchangeable; ≠ not interchangeable; ← new for old; → old for new

| REF.No | Part No. | Description | Q'ty | S.No. | I/C | REMARKS | Weight (kgf) | Weight (lb) |
|--------|-------------|-------------------|------|-------|-----|---------|--------------|-------------|
| 010 | 37150-21510 | SHAFT,MAIN | 1 | | | | 2.1 | 4.62 |
| 020 | 34150-21560 | WASHER | 1 | | | | 0.01 | 0.022 |
| 030 | 09502-55210 | SEAL,OIL | 1 | | | | 0.025 | 0.055 |
| 040 | 37150-21520 | GEAR | 1 | | | 17T | 0.225 | 0.495 |
| 050 | 35110-21530 | GEAR | 1 | | | 23T | 0.355 | 0.781 |
| 060 | 08151-06305 | BEARING,BALL | 1 | | | | 0.233 | 0.5126 |
| 070 | 37150-21551 | CIR-CLIP,EXTERNAL | 1 | | | | 0.005 | 0.011 |
| 080 | 04612-00300 | CIR-CLIP,EXTERNAL | 1 | | | | 0.003 | 0.0066 |
| 090 | 08241-03206 | BEARING,BALL | 1 | | | | 0.302 | 0.6644 |
| 100 | 37150-21790 | CIR-CLIP | 1 | | | | 0.001 | 0.0022 |
| 110 | 37150-21580 | COLLAR | 1 | | | | 0.02 | 0.044 |
| 120 | 37150-21590 | COLLAR | 1 | | | | 0.025 | 0.055 |

COUNTER SHAFT

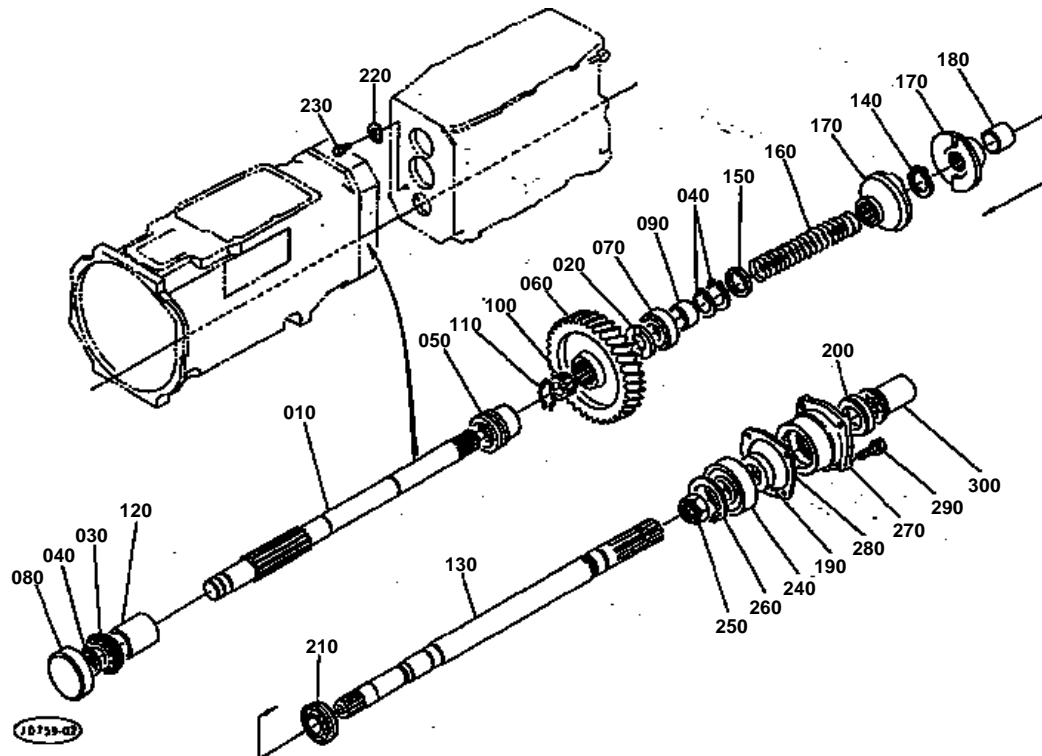


**COUNTER SHAFT**

↔ Interchangeable; ≠ not interchangeable; ← new for old; → old for new

| REF.No | Part No. | Description | Q'ty | S.No. | I/C | REMARKS | Weight (kgf) | Weight (lb) |
|--------|-------------|-------------------|------|-------|-----|---------|--------------|-------------|
| 010 | 35110-21610 | COUNTERSHAFT | 1 | | | | 1.645 | 3.619 |
| 020 | 37150-21760 | COLLAR,THRUST | 2 | | | | 0.017 | 0.0374 |
| 030 | 37150-21790 | CIR-CLIP | 2 | | | | 0.001 | 0.0022 |
| 040 | 08151-06205 | BEARING,BALL | 1 | | | | 0.131 | 0.2882 |
| 050 | 37150-21551 | CIR-CLIP,EXTERNAL | 2 | | | | 0.005 | 0.011 |
| 060 | 35110-21710 | GEAR | 1 | | | 32T | 0.465 | 1.023 |
| 070 | 37150-21720 | GEAR | 1 | | | 41T | 0.77 | 1.694 |
| 080 | 37150-21730 | GEAR | 1 | | | 45T | 0.945 | 2.079 |
| 090 | 37150-21740 | GEAR | 1 | | | 45T | 1.08 | 2.376 |
| 100 | 08101-06205 | BEARING,BALL | 1 | | | | 0.14 | 0.308 |
| 110 | 34150-21650 | COVER,BEARING | 1 | | | | 0.07 | 0.154 |
| 120 | 37150-21770 | COLLAR | 1 | | | | 0.12 | 0.264 |
| 130 | 37150-21750 | BOSS,SPLINE | 2 | | | | 0.088 | 0.1936 |
| 140 | 35340-21782 | CIR-CLIP | 2 | | | | 0.007 | 0.0154 |
| 150 | 35340-21792 | WIRE,2 | 2 | | | | 0.001 | 0.0022 |
| 160 | 37150-21910 | GEAR-SHAFT | 1 | | | 12T | 0.715 | 1.573 |
| 170 | 35110-21680 | COUPLING | 1 | | | | 0.343 | 0.7546 |
| 180 | 37150-21551 | CIR-CLIP,EXTERNAL | 3 | | | | 0.005 | 0.011 |
| 190 | 04612-00300 | CIR-CLIP,EXTERNAL | 1 | | | | 0.003 | 0.0066 |
| 200 | 37150-21920 | GEAR | 1 | | | 31T | 0.455 | 1.001 |
| 210 | 08101-06305 | BEARING,BALL | 1 | | | | 0.23 | 0.506 |
| 220 | 37150-21940 | COLLAR | 1 | | | | 0.05 | 0.11 |
| 230 | 08151-06305 | BEARING,BALL | 1 | | | | 0.233 | 0.5126 |
| 240 | 34150-21942 | RETAINER,BEARING | 1 | | | | 0.035 | 0.077 |
| 250 | 01123-50820 | BOLT | 1 | | | | 0.011 | 0.0242 |

PTO COUNTER SHAFT [A]



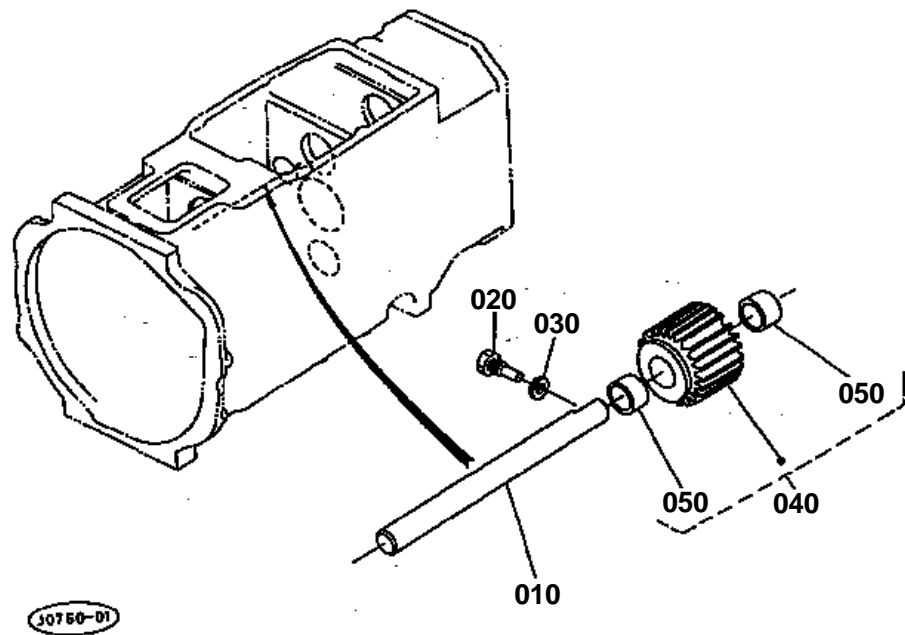


PTO COUNTER SHAFT [A]

↔ Interchangeable; ≠ not interchangeable; ← new for old; → old for new

| REF.No | Part No. | Description | Q'ty | S.No. | I/C | REMARKS | Weight (kgf) | Weight (lb) |
|--------|-------------|-------------------|------|-------|-----|---------|--------------|-------------|
| 010 | 35170-25320 | COUNTERSHAFT,PTO | 1 | | | | 1.83 | 4.026 |
| 020 | 37150-21760 | COLLAR,THRUST | 1 | | | | 0.017 | 0.0374 |
| 030 | 08151-06205 | BEARING,BALL | 1 | | | | 0.131 | 0.2882 |
| 040 | 37150-21551 | CIR-CLIP,EXTERNAL | 3 | | | | 0.005 | 0.011 |
| 050 | 32400-21730 | SHIFTER | 1 | | | | 0.28 | 0.616 |
| 060 | 37150-21740 | GEAR | 1 | | | 45T | 1.08 | 2.376 |
| 070 | 08101-06205 | BEARING,BALL | 1 | | | | 0.14 | 0.308 |
| 080 | 34150-21650 | COVER,BEARING | 1 | | | | 0.07 | 0.154 |
| 090 | 37150-21770 | COLLAR | 1 | | | | 0.12 | 0.264 |
| 100 | 37150-21750 | BOSS,SPLINE | 1 | | | | 0.088 | 0.1936 |
| 110 | 35340-21782 | CIR-CLIP | 1 | | | | 0.007 | 0.0154 |
| 120 | 35110-21750 | COLLAR | 1 | | | | 0.089 | 0.1958 |
| 130 | 35110-25310 | SHAFT,PTO | 1 | | | | 2.75 | 6.05 |
| 140 | 37150-21551 | CIR-CLIP,EXTERNAL | 1 | | | | 0.005 | 0.011 |
| 150 | 35200-25220 | COLLAR | 1 | | | | 0.005 | 0.011 |
| 160 | 35200-25230 | SPRING,ONE-WAY | 1 | | | | 0.075 | 0.165 |
| 170 | 35200-25240 | CAM,CLUTCH | 2 | | | | 0.485 | 1.067 |
| 180 | 35200-25250 | COLLAR | 1 | | | | 0.04 | 0.088 |
| 190 | 37150-25360 | SEAL,OIL | 1 | | | | 0.025 | 0.055 |
| 200 | 37150-25370 | SLINGER | 1 | | | | 0.007 | 0.0154 |
| 210 | 08151-06205 | BEARING,BALL | 1 | | | | 0.131 | 0.2882 |
| 220 | 34150-21942 | RETAINER,BEARING | 1 | | | | 0.035 | 0.077 |
| 230 | 01123-50820 | BOLT | 1 | | | | 0.011 | 0.0242 |
| 240 | 08101-06206 | BEARING,BALL | 1 | | | | 0.196 | 0.4312 |
| 250 | 34150-25320 | NUT | 1 | | | | 0.03 | 0.066 |
| 260 | 04611-00620 | CIR-CLIP,INTERNAL | 1 | | | | 0.011 | 0.0242 |
| 270 | 37150-25410 | CASE,BEARING | 1 | | | | 1.02 | 2.244 |
| 280 | 37150-25420 | GASKET | 1 | | | | 0 | 0 |
| 290 | 01123-50822 | BOLT | 4 | | | | 0.012 | 0.0264 |
| 300 | 31220-25820 | CAP | 1 | | | | 0.055 | 0.121 |

REVERSE SHAFT



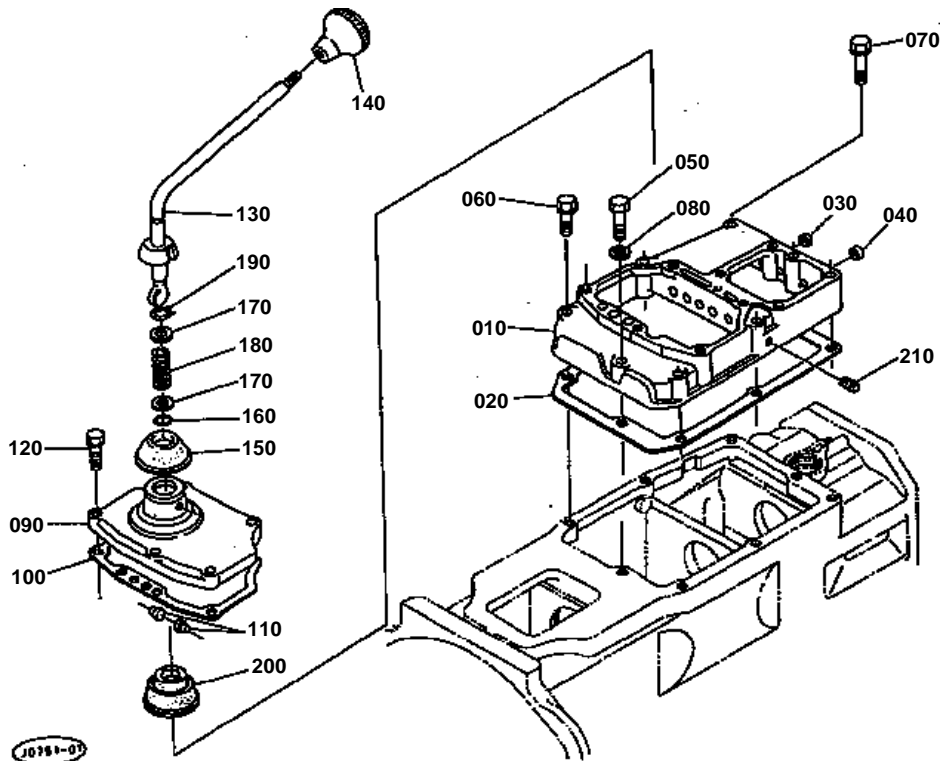


REVERSE SHAFT

↔ Interchangeable; ≠ not interchangeable; ← new for old; → old for new

| REF.No | Part No. | Description | Q'ty | S.No. | I/C | REMARKS | Weight (kgf) | Weight (lb) |
|--------|-------------|--------------------|------|-------|-----|---------|--------------|-------------|
| 010 | 37150-23110 | SHAFT,REVERSE | 1 | | | | 0.455 | 1.001 |
| 020 | 37150-23120 | SCREW,SET | 1 | | | | 0.02 | 0.044 |
| 030 | 04717-00800 | WASHER,WITH RUBBER | 1 | | | | 0.001 | 0.0022 |
| 040 | 37150-23100 | ASSY GEAR | 1 | | | 22T | 0.885 | 1.947 |
| 050 | 31220-26360 | BUSH | 2 | | | | 0.015 | 0.033 |

MAIN GEAR SHIFT LEVER [A]

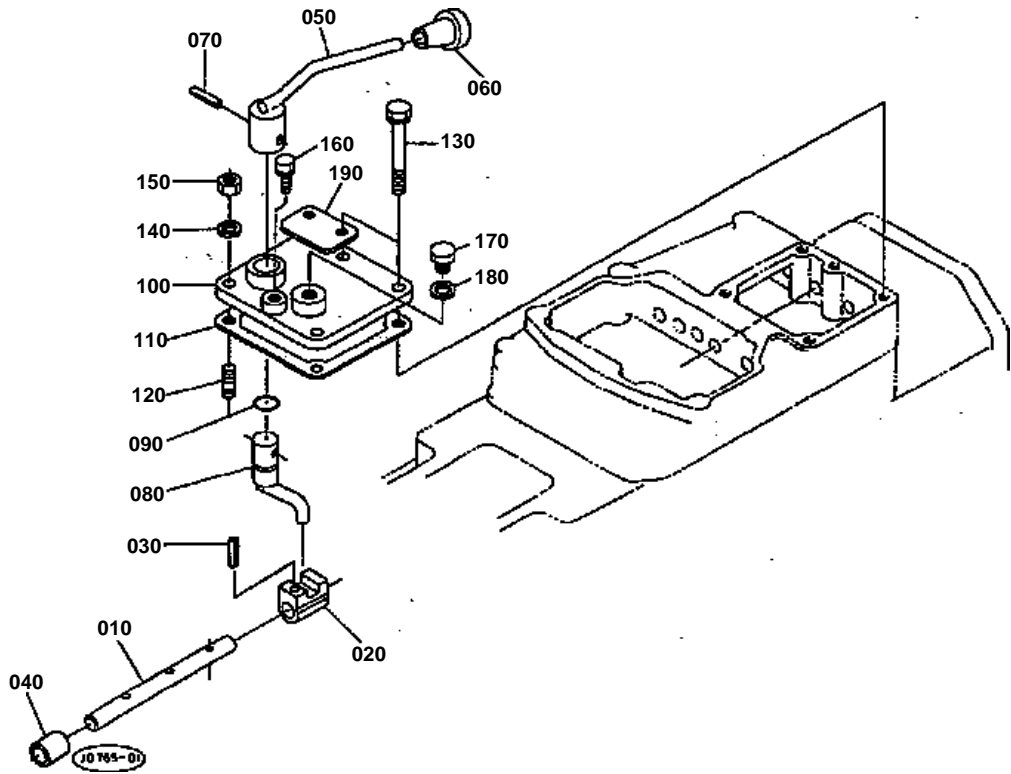




MAIN GEAR SHIFT LEVER [A]

↔ Interchangeable; ≠ not interchangeable; ← new for old; → old for new

| REF.No | Part No. | Description | Q'ty | S.No. | I/C | REMARKS | Weight (kgf) | Weight (lb) |
|--------|-------------|---------------------|------|-------|-----|---------|--------------|-------------|
| 010 | 37150-21210 | COVER,SPEED CHANGE | 1 | | | | 1.14 | 2.508 |
| 020 | 34650-59140 | GASKET | 1 | | | | 0 | 0 |
| 030 | 34150-21250 | PLUG | 5 | | | | 0.002 | 0.0044 |
| 040 | 34269-21250 | PLUG | 1 | | | | 0 | 0 |
| 050 | 01153-50840 | BOLT | 1 | | | | 0.018 | 0.0396 |
| 060 | 01123-50840 | BOLT | 2 | | | | 0.018 | 0.0396 |
| 070 | 01123-50850 | BOLT | 3 | | | | 0.02 | 0.044 |
| 080 | 04717-00800 | WASHER,WITH RUBBER | 1 | | | | 0.001 | 0.0022 |
| 090 | 35340-23710 | BASE,SPEED CHANGE | 1 | | | | 1.46 | 3.212 |
| 100 | 34150-23720 | GASKET | 1 | | | | 0 | 0 |
| 110 | 34150-23740 | PIN,SET | 2 | | | | 0.002 | 0.0044 |
| 120 | 01123-50832 | BOLT | 5 | | | | 0.016 | 0.0352 |
| 130 | 34150-23810 | LEVER,MAIN S-CHANGE | 1 | | | | 0.43 | 0.946 |
| 140 | 32150-23860 | GRIP,LEVER | 1 | | | | 0.037 | 0.0814 |
| 150 | 34150-23940 | SHIELD,LEVER | 1 | | | | 0.025 | 0.055 |
| 160 | 04811-00120 | RING | 1 | | | | 0.001 | 0.0022 |
| 170 | 32240-23950 | WASHER | 2 | | | | 0.002 | 0.0044 |
| 180 | 32240-23920 | SPRING | 1 | | | | 0.007 | 0.0154 |
| 190 | 31220-23930 | CIR-CLIP,EXTERNAL | 1 | | | | 0.001 | 0.0022 |
| 200 | 34150-23870 | SHIELD | 1 | | | | 0 | 0 |
| 210 | 34150-23960 | PLUG | 2 | | | | 0 | 0 |



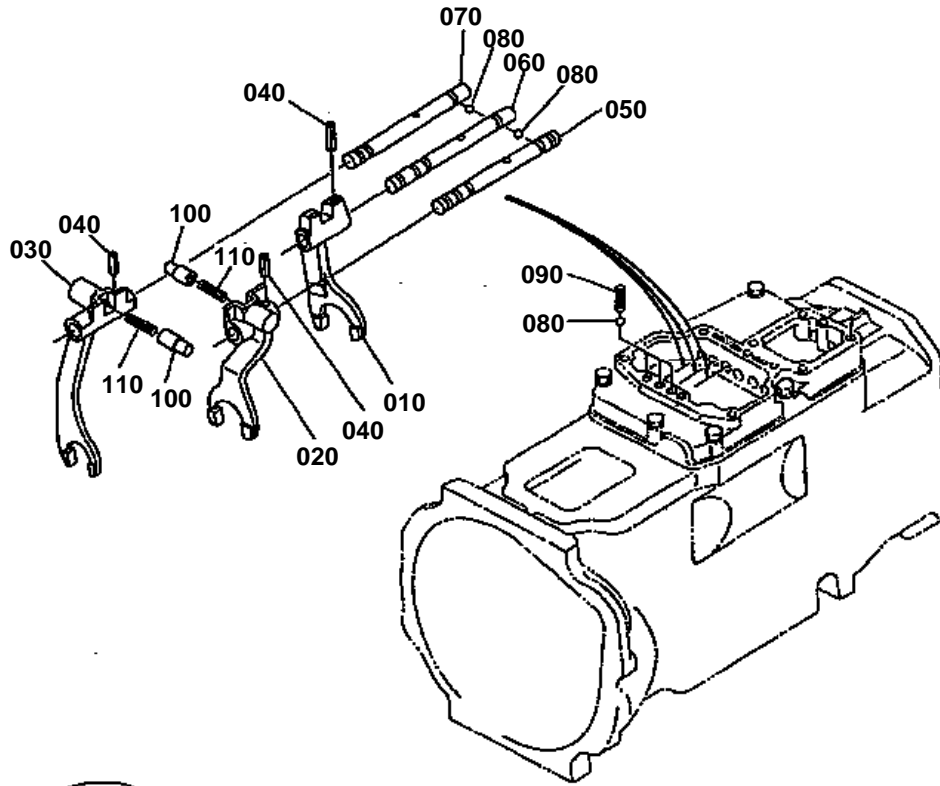


PTO GEAR SHIFT LEVER [A]

↔ Interchangeable; ≠ not interchangeable; ← new for old; → old for new

| REF.No | Part No. | Description | Q'ty | S.No. | I/C | REMARKS | Weight (kgf) | Weight (lb) |
|--------|-------------|---------------------|------|-------|-----|---------|--------------|-------------|
| 010 | 35260-24760 | ROD,FORK PTO | 1 | | | | 0.15 | 0.33 |
| 020 | 35260-24770 | HOLDER,PTO S-CHANGE | 1 | | | | 0.05 | 0.11 |
| 030 | 05411-00420 | PIN,SPRING | 1 | | | | 0.001 | 0.0022 |
| 040 | 32400-24780 | COLLAR | 1 | | | | 0.02 | 0.044 |
| 050 | 35260-24853 | LEVER,PTO | 1 | | | | 0.2 | 0.44 |
| 060 | 38240-24410 | GRIP | 1 | | | | 0.025 | 0.055 |
| 070 | 05411-00632 | PIN,SPRING | 1 | | | | 0.004 | 0.0088 |
| 080 | 35260-24860 | LEVER,PTO S-CHANGE | 1 | | | | 0.105 | 0.231 |
| 090 | 04811-00150 | RING | 1 | | | | 0.001 | 0.0022 |
| 100 | 35260-24830 | COVER | 1 | | | | 0.47 | 1.034 |
| 110 | 34650-59330 | GASKET | 1 | | | | 0 | 0 |
| 120 | 01513-50818 | STUD | 3 | | | | 0.009 | 0.0198 |
| 130 | 01123-50865 | BOLT | 2 | | | | 0.028 | 0.0616 |
| 140 | 04512-50080 | WASHER,SPRING | 3 | | | | 0 | 0 |
| 150 | 02114-50080 | NUT | 3 | | | | 0.005 | 0.011 |
| 160 | 01123-50816 | BOLT | 1 | | | | 0.011 | 0.0242 |
| 170 | 06331-35010 | PLUG | 1 | | | | 0.012 | 0.0264 |
| 180 | 04724-00100 | GASKET | 1 | | | | 0.001 | 0.0022 |
| 190 | 32400-65200 | PLATE,PTO LABEL | 1 | | | | 0.02 | 0.044 |

MAIN SHIFT FORK

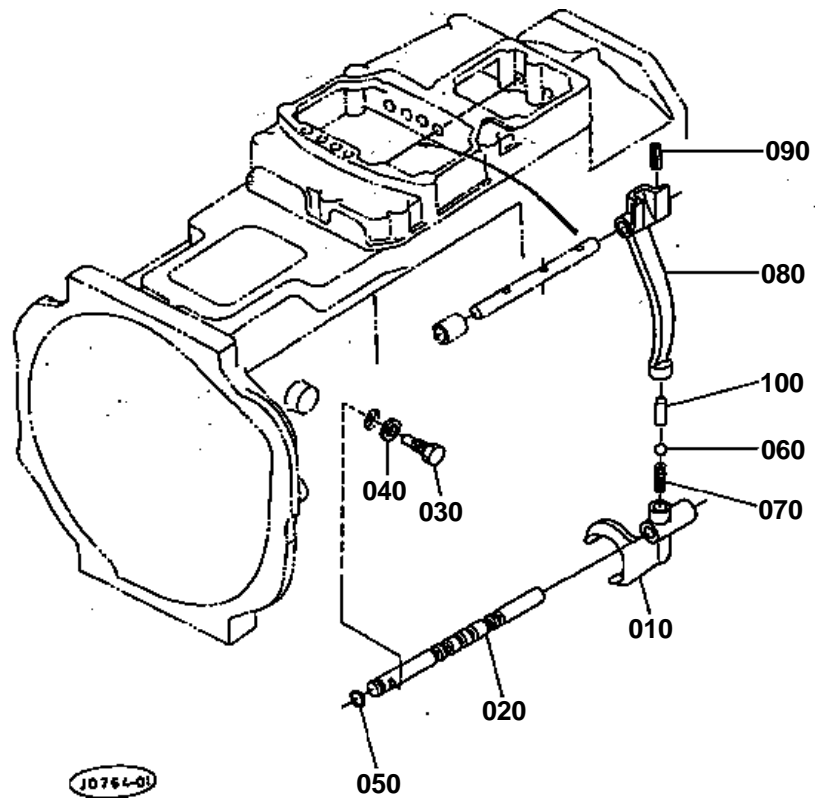


J0762-01

**MAIN SHIFT FORK**

↔ Interchangeable; ≠ not interchangeable; ← new for old; → old for new

| REF.No | Part No. | Description | Q'ty | S.No. | I/C | REMARKS | Weight (kgf) | Weight (lb) |
|--------|-------------|---------------|------|-------|-----|---------|--------------|-------------|
| 010 | 35305-23510 | FORK,SHIFT | 1 | | | | 0.19 | 0.418 |
| 020 | 35305-23520 | FORK,SHIFT | 1 | | | | 0.28 | 0.616 |
| 030 | 35305-23530 | FORK,SHIFT | 1 | | | | 0.29 | 0.638 |
| 040 | 05411-00420 | PIN,SPRING | 3 | | | | 0.001 | 0.0022 |
| 050 | 37150-23540 | ROD,FORK | 1 | | | | 0.12 | 0.264 |
| 060 | 37150-23550 | ROD,FORK | 1 | | | | 0.12 | 0.264 |
| 070 | 37150-23570 | ROD,FORK | 1 | | | | 0.32 | 0.704 |
| 080 | 07715-01605 | BALL | 5 | | | | 0.003 | 0.0066 |
| 090 | 62581-18230 | SPRING | 3 | | | | 0.01 | 0.022 |
| 100 | 34150-23610 | PIECE,NEUTRAL | 2 | | | | 0.015 | 0.033 |
| 110 | 34150-23620 | SPRING | 2 | | | | 0.003 | 0.0066 |



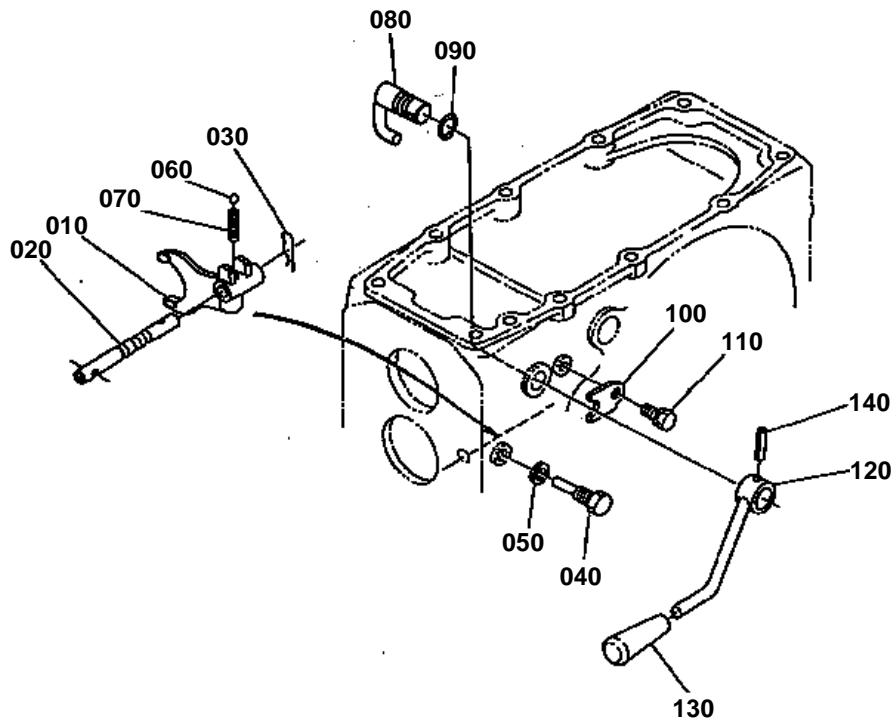


PTO SHIFT FORK [A]

↔ Interchangeable; ≠ not interchangeable; ← new for old; → old for new

| REF.No | Part No. | Description | Q'ty | S.No. | I/C | REMARKS | Weight (kgf) | Weight (lb) |
|--------|-------------|--------------------|------|-------|-----|---------|--------------|-------------|
| 010 | 37150-24610 | FORK,SHIFT | 1 | | | | 0.21 | 0.462 |
| 020 | 37150-24630 | SHAFT,FORK | 1 | | | | 0.155 | 0.341 |
| 030 | 34150-24680 | SCREW,SET | 1 | | | | 0.015 | 0.033 |
| 040 | 04717-00800 | WASHER,WITH RUBBER | 1 | | | | 0.001 | 0.0022 |
| 050 | 04811-00090 | RING | 1 | | | | 0.001 | 0.0022 |
| 060 | 07715-01605 | BALL | 1 | | | | 0.003 | 0.0066 |
| 070 | 62581-18230 | SPRING | 1 | | | | 0.01 | 0.022 |
| 080 | 35170-24710 | LEVER,PTO | 1 | | | | 0.26 | 0.572 |
| 090 | 05411-00425 | PIN,SPRING | 1 | | | | 0.001 | 0.0022 |
| 100 | 34150-24690 | PIN | 1 | | | | 0.02 | 0.044 |

HI-LO GEAR SHIFT FORK AND LEVER



10763-01

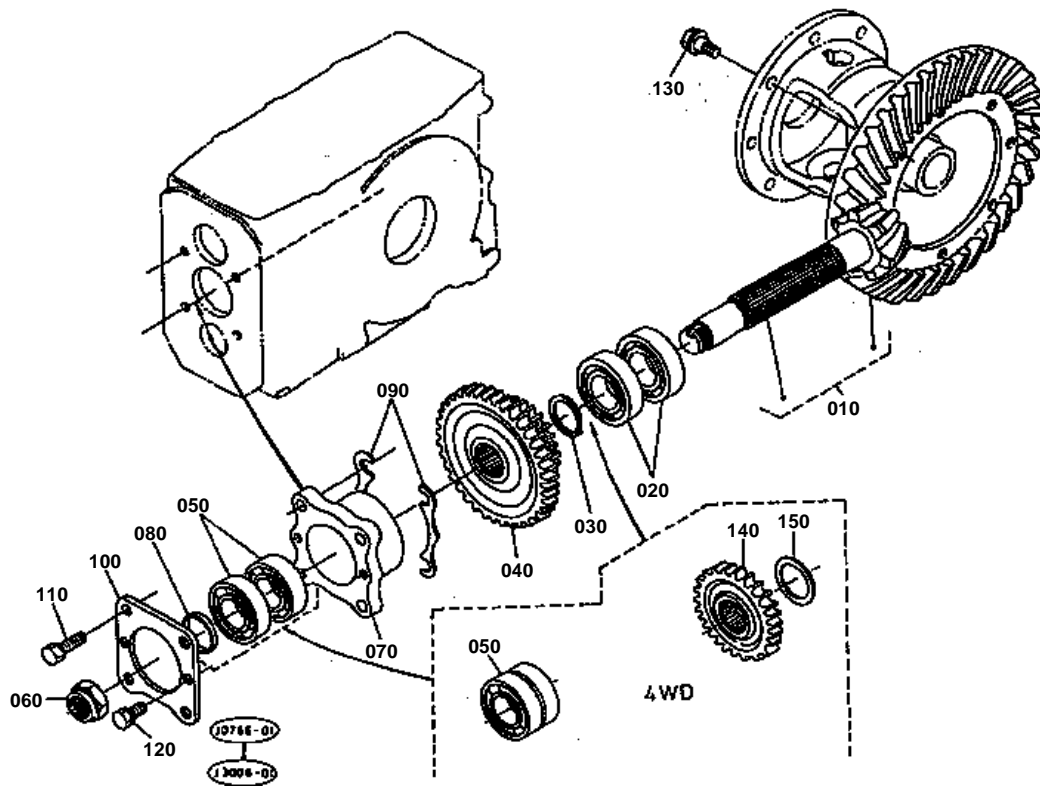


HI-LO GEAR SHIFT FORK AND LEVER

↔ Interchangeable; ≠ not interchangeable; ← new for old; → old for new

| REF.No | Part No. | Description | Q'ty | S.No. | I/C | REMARKS | Weight (kgf) | Weight (lb) |
|--------|-------------|--------------------|------|-------|-----|---------|--------------|-------------|
| 010 | 37150-24110 | FORK,SHIFT | 1 | | | | 0.182 | 0.4004 |
| 020 | 37150-24130 | SHAFT,FORK | 1 | | | | 0.11 | 0.242 |
| 030 | 05515-51200 | PIN,SNAP | 1 | | | | 0 | 0 |
| 040 | 37150-23120 | SCREW,SET | 1 | | | | 0.02 | 0.044 |
| 050 | 04717-00800 | WASHER,WITH RUBBER | 1 | | | | 0.001 | 0.0022 |
| 060 | 07715-01605 | BALL | 1 | | | | 0.003 | 0.0066 |
| 070 | 62581-18230 | SPRING | 1 | | | | 0.01 | 0.022 |
| 080 | 37150-24310 | LEVER,SHIFT | 1 | | | | 0.145 | 0.319 |
| 090 | 04811-00150 | RING | 1 | | | | 0.001 | 0.0022 |
| 100 | 34150-24350 | STOPPER,LEVER | 1 | | | | 0.015 | 0.033 |
| 110 | 01123-50816 | BOLT | 1 | | | | 0.011 | 0.0242 |
| 120 | 35110-24430 | LEVER,AUX.S-CHANGE | 1 | | | | 0.15 | 0.33 |
| 130 | 06914-00100 | GRIP,LEVER | 1 | | | | 0.02 | 0.044 |
| 140 | 05411-00632 | PIN,SPRING | 1 | | | | 0.004 | 0.0088 |

SPIRAL BEVEL GEAR



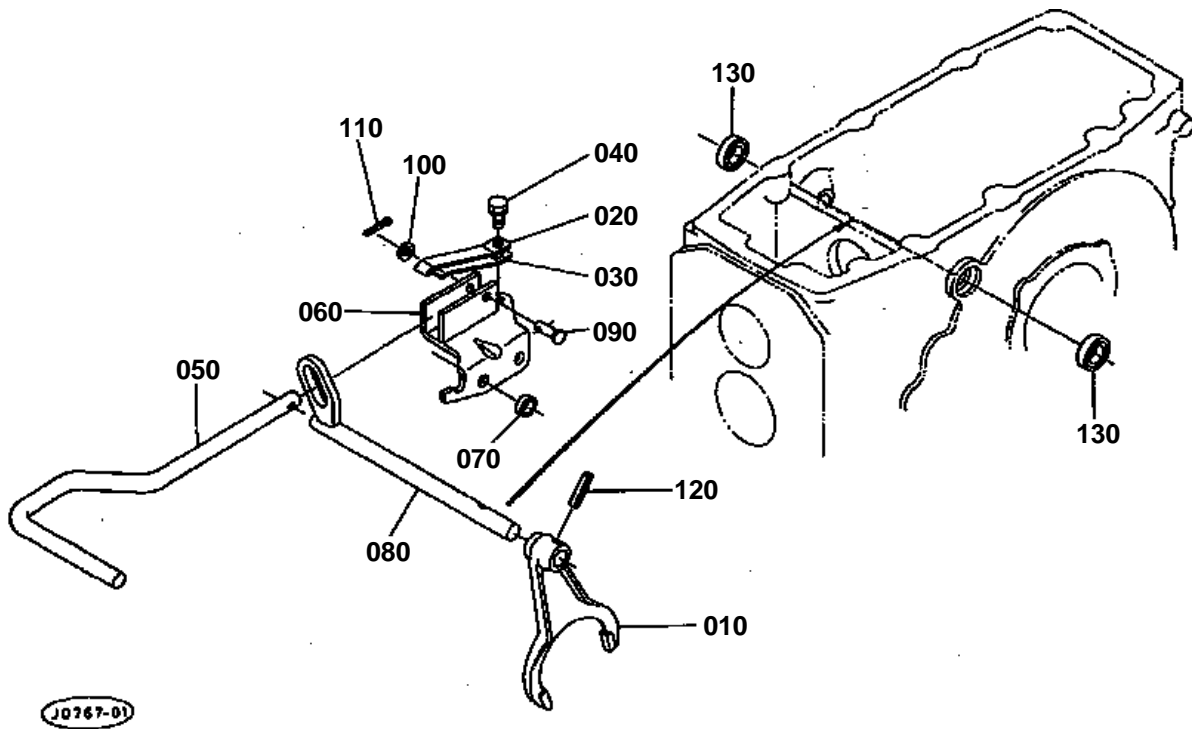


SPIRAL BEVEL GEAR

↔ Interchangeable; ≠ not interchangeable; ← new for old; → old for new

| REF.No | Part No. | Description | Q'ty | S.No. | I/C | REMARKS | Weight (kgf) | Weight (lb) |
|--------|-------------|--------------------|------|-------|-----|----------------|--------------|-------------|
| 010 | 35110-22100 | ASSY GEAR, SPIRAL | 1 | | | 8-39T [A],[AU] | 5.3 | 11.66 |
| 010 | 37150-22100 | ASSY GEAR, SPIRAL | 1 | | | 9-39T [AS] | 5.4 | 11.88 |
| 020 | 08101-06306 | BEARING, BALL | 2 | | | | 0.335 | 0.737 |
| 030 | 04612-00300 | CIR-CLIP, EXTERNAL | 1 | | | | 0.003 | 0.0066 |
| 040 | 37150-21950 | GEAR | 1 | | | 29-48T | 1.275 | 2.805 |
| 050 | 08101-06305 | BEARING, BALL | 2 | | | | 0.23 | 0.506 |
| 060 | 35260-23252 | NUT | 1 | | | | 0.04 | 0.088 |
| 070 | 37150-22150 | CASE, BEARING | 1 | | | | 0.55 | 1.21 |
| 080 | 37150-21770 | COLLAR | 1 | | | | 0.12 | 0.264 |
| 090 | 34150-22610 | SHIM | 2 | | | 0.5MM | 0.01 | 0.022 |
| 090 | 34150-22620 | SHIM | 4 | | | 0.2MM | 0.005 | 0.011 |
| 090 | 34150-22630 | SHIM | 2 | | | 0.1MM | 0.005 | 0.011 |
| 100 | 34150-22170 | COVER, BEARING | 1 | | | | 0.16 | 0.352 |
| 110 | 01133-51035 | BOLT | 4 | | | | 0.03 | 0.066 |
| 120 | 01123-50816 | BOLT | 2 | | | | 0.011 | 0.0242 |
| 130 | 37800-43870 | BOLT | 8 | | | | 0.026 | 0.0572 |

DIFF. LOCK PEDAL



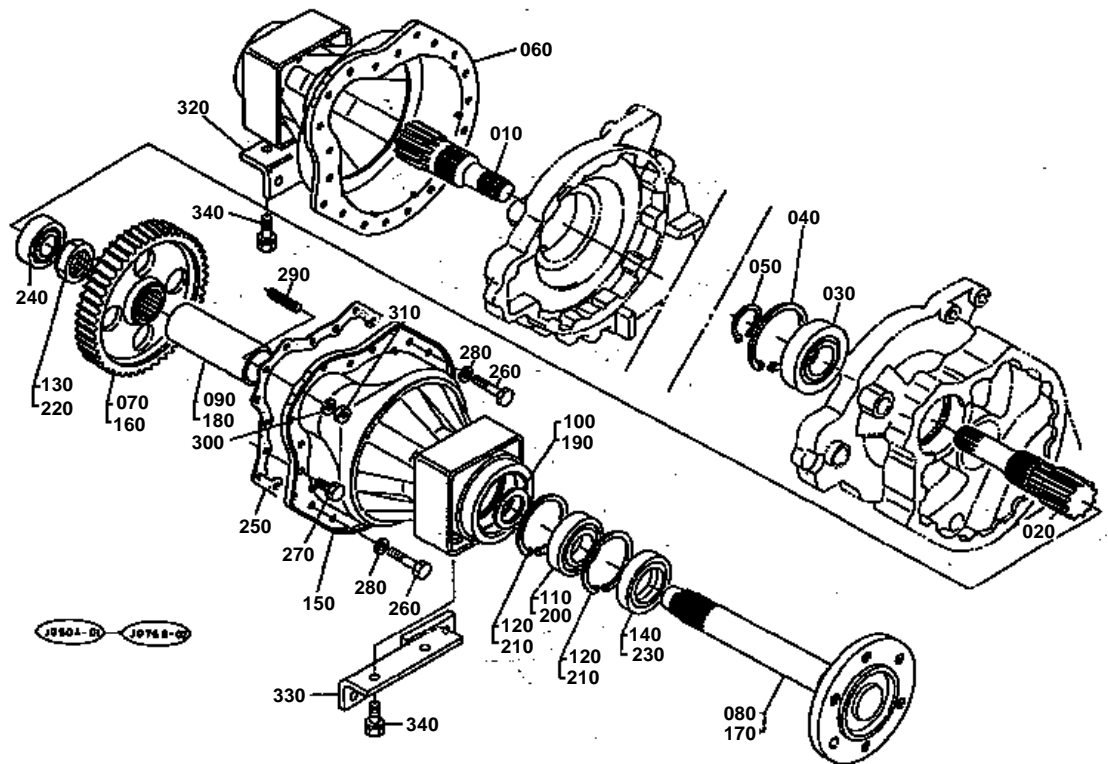


DIFF. LOCK PEDAL

↔ Interchangeable; ≠ not interchangeable; ← new for old; → old for new

| REF.No | Part No. | Description | Q'ty | S.No. | I/C | REMARKS | Weight (kgf) | Weight (lb) |
|--------|-------------|-----------------|------|-------|-----|---------|--------------|-------------|
| 010 | 37150-26630 | FORK,SHIFT | 1 | | | | 0.375 | 0.825 |
| 020 | 37150-26643 | SPRING | 1 | | | | 0.033 | 0.0726 |
| 030 | 37150-26660 | SPRING | 1 | | | | 0.025 | 0.055 |
| 040 | 01123-50816 | BOLT | 1 | | | | 0.011 | 0.0242 |
| 050 | 37300-26650 | PEDAL,DIFF.LOCK | 1 | | | | 0.635 | 1.397 |
| 060 | 32400-26670 | BRACKET,PEDAL | 1 | | | | 0.63 | 1.386 |
| 070 | 32400-26590 | SPACER | 2 | | | | 0.025 | 0.055 |
| 080 | 35211-26680 | CAM,DIFF.LOCK | 1 | | | | 0.567 | 1.2474 |
| 090 | 05122-50835 | PIN,JOINT | 1 | | | | 0.015 | 0.033 |
| 100 | 04015-50060 | WASHER,PLAIN | 1 | | | | 0 | 0 |
| 110 | 05511-50215 | PIN,SPLIT | 1 | | | | 0.001 | 0.0022 |
| 120 | 05411-00630 | PIN,SPRING | 1 | | | | 0.004 | 0.0088 |
| 130 | 09500-16287 | SEAL,OIL | 2 | | | | 0.01 | 0.022 |

REAR AXLE

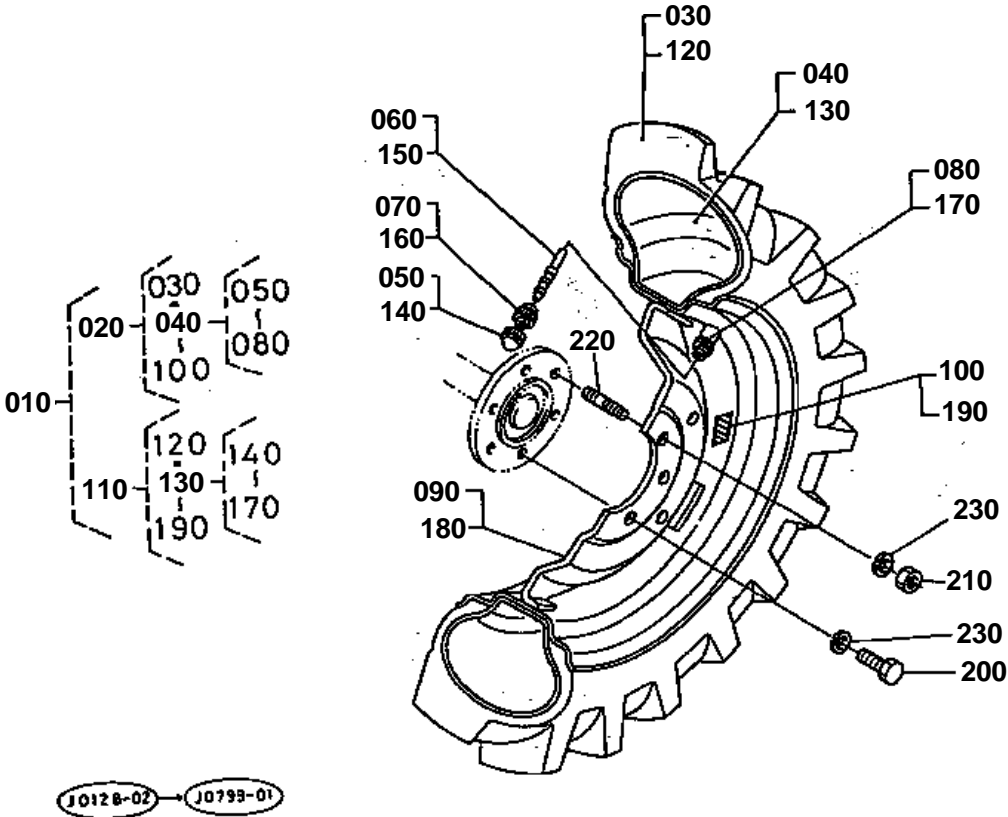




REAR AXLE

↔ Interchangeable; ≠ not interchangeable; ← new for old; → old for new

| REF.No | Part No. | Description | Q'ty | S.No. | I/C | REMARKS | Weight (kgf) | Weight (lb) |
|--------|-------------|----------------------|------|-------|-----|---------|--------------|-------------|
| 010 | 31331-26710 | SHAFT,DIFF.GEAR RH | 1 | | | | 0 | 0 |
| 020 | 31331-26720 | SHAFT,DIFF.GEAR LH | 1 | | | | 0 | 0 |
| 030 | 08101-06309 | BEARING,BALL | 2 | | | | 0.82 | 1.804 |
| 040 | 04611-01000 | CIR-CLIP,INTERNAL | 2 | | | | 0.042 | 0.0924 |
| 050 | 04612-00450 | CIR-CLIP,EXTERNAL | 2 | | | | 0.007 | 0.0154 |
| 060 | 32400-27310 | CASE,AXLE RH | 1 | | | | 0 | 0 |
| 070 | 31331-26832 | GEAR | 1 | | | 53T | 4.85 | 10.67 |
| 080 | 32400-27110 | AXLE,REAR | 1 | | | | 9.15 | 20.13 |
| 090 | 32400-27140 | SPACER | 1 | | | | 0.93 | 2.046 |
| 100 | 34150-27160 | SHIM | 1 | | | | 0.01 | 0.022 |
| 110 | 08101-06209 | BEARING,BALL | 1 | | | | 0.42 | 0.924 |
| 120 | 04611-00850 | CIR-CLIP,INTERNAL | 2 | | | | 0.029 | 0.0638 |
| 130 | 70650-11380 | NUT | 1 | | | | 0.11 | 0.242 |
| 140 | 37150-27560 | SEAL,OIL | 1 | | | | 0.14 | 0.308 |
| 150 | 32400-27330 | CASE,AXLE LH | 1 | | | | 0 | 0 |
| 160 | 31331-26832 | GEAR | 1 | | | 53T | 4.85 | 10.67 |
| 170 | 32400-27110 | AXLE,REAR | 1 | | | | 9.15 | 20.13 |
| 180 | 32400-27140 | SPACER | 1 | | | | 0.93 | 2.046 |
| 190 | 34150-27160 | SHIM | 1 | | | | 0.01 | 0.022 |
| 200 | 08101-06209 | BEARING,BALL | 1 | | | | 0.42 | 0.924 |
| 210 | 04611-00850 | CIR-CLIP,INTERNAL | 2 | | | | 0.029 | 0.0638 |
| 220 | 70650-11380 | NUT | 1 | | | | 0.11 | 0.242 |
| 230 | 37150-27560 | SEAL,OIL | 1 | | | | 0.14 | 0.308 |
| 240 | 08101-06306 | BEARING,BALL | 2 | | | | 0.335 | 0.737 |
| 250 | 31341-27350 | GASKET,AXLE CASE | 2 | | | | 0 | 0 |
| 260 | 31351-27390 | BOLT,REAMER | 4 | | | | 0.03 | 0.066 |
| 270 | 01133-51020 | BOLT | 32 | | | | 0.02 | 0.044 |
| 280 | 04512-50100 | WASHER,SPRING | 4 | | | | 0 | 0 |
| 290 | 01517-51016 | STUD | 4 | | | | 0.06 | 0.132 |
| 300 | 04512-50100 | WASHER,SPRING | 4 | | | | 0 | 0 |
| 310 | 02176-50100 | NUT | 4 | | | | 0.005 | 0.011 |
| 320 | 32400-71910 | HOLDER,CHECK CHAIN R | 1 | | | | 1.055 | 2.321 |
| 330 | 32400-71920 | HOLDER,CHECK CHAIN L | 1 | | | | 1.06 | 2.332 |
| 340 | 01133-51230 | BOLT | 4 | | | | 0.04 | 0.088 |

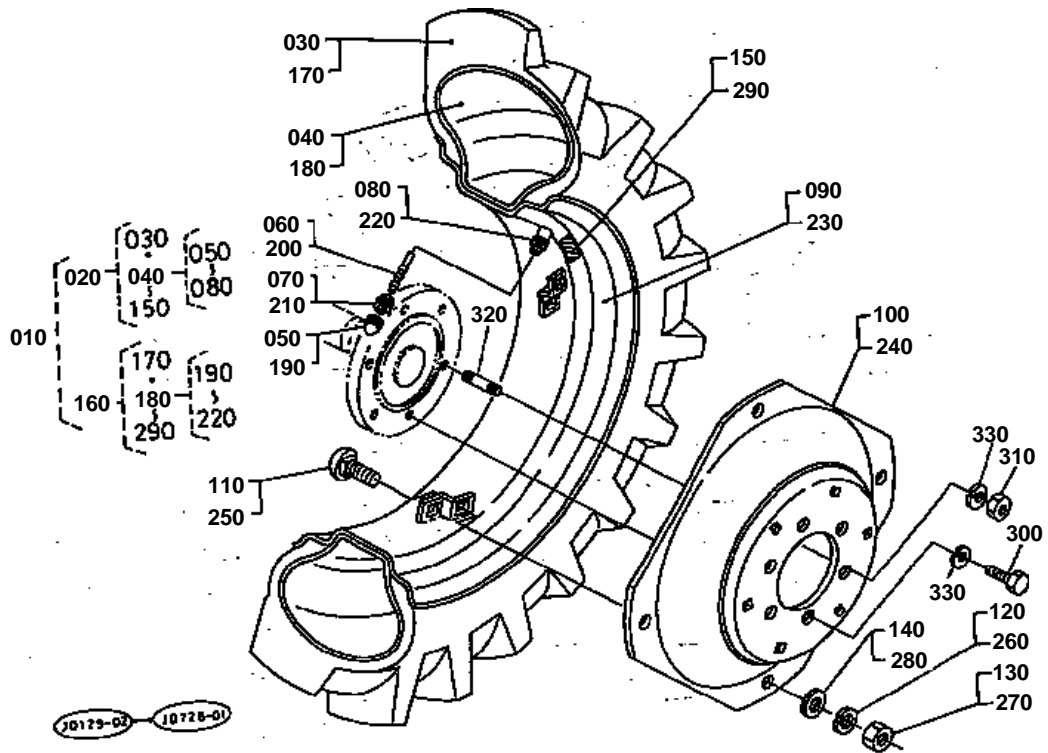


**REAR WHEEL (9.5-24F)**

↔ Interchangeable; ≠ not interchangeable; ← new for old; → old for new

| REF.No | Part No. | Description | Q'ty | S.No. | I/C | REMARKS | Weight (kgf) | Weight (lb) |
|--------|-------------|--------------------|------|-------|-----|---------|--------------|-------------|
| 010 | 32400-27900 | ASSY REAR WHEEL | 1 | | | | 0 | 0 |
| 020 | 32400-27910 | ASSY REAR WHEEL LH | 1 | | | | 0 | 0 |
| 030 | 35200-27620 | TIRE | 1 | | | | 24 | 52.8 |
| 040 | 31220-27630 | TUBE | 1 | | | | 2.7 | 5.94 |
| 050 | 38240-11690 | CAP,VALVE | 1 | | | | 0.001 | 0.0022 |
| 060 | 32150-27740 | CORE,VALVE | 1 | | | | 0.003 | 0.0066 |
| 070 | 32270-27730 | HOUSING,VALVE CORE | 1 | | | | 0.014 | 0.0308 |
| 080 | 32270-27710 | NUT,RIM | 1 | | | | 0.006 | 0.0132 |
| 090 | 32460-27630 | WHEEL | 1 | | | | 21.1 | 46.42 |
| 100 | 32400-27980 | LABEL,TIRE LH | 1 | | | | 0.005 | 0.011 |
| 110 | 32400-27990 | ASSY REAR WHEEL RH | 1 | | | | 0 | 0 |
| 120 | 35200-27620 | TIRE | 1 | | | | 24 | 52.8 |
| 130 | 31220-27630 | TUBE | 1 | | | | 2.7 | 5.94 |
| 140 | 38240-11690 | CAP,VALVE | 1 | | | | 0.001 | 0.0022 |
| 150 | 32150-27740 | CORE,VALVE | 1 | | | | 0.003 | 0.0066 |
| 160 | 32270-27730 | HOUSING,VALVE CORE | 1 | | | | 0.014 | 0.0308 |
| 170 | 32270-27710 | NUT,RIM | 1 | | | | 0.006 | 0.0132 |
| 180 | 32460-27630 | WHEEL | 1 | | | | 21.1 | 46.42 |
| 190 | 32400-27970 | LABEL,TIRE RH | 1 | | | | 0.005 | 0.011 |
| 200 | 01073-51630 | BOLT | 8 | | | | 0.079 | 0.1738 |
| 210 | 02076-50160 | NUT | 4 | | | | 0.03 | 0.066 |
| 220 | 34150-27710 | STUD BOLT | 4 | | | | 0.062 | 0.1364 |
| 230 | 04512-50160 | WASHER,SPRING | 12 | | | | 0 | 0 |

REAR WHEEL (11.2-24F)

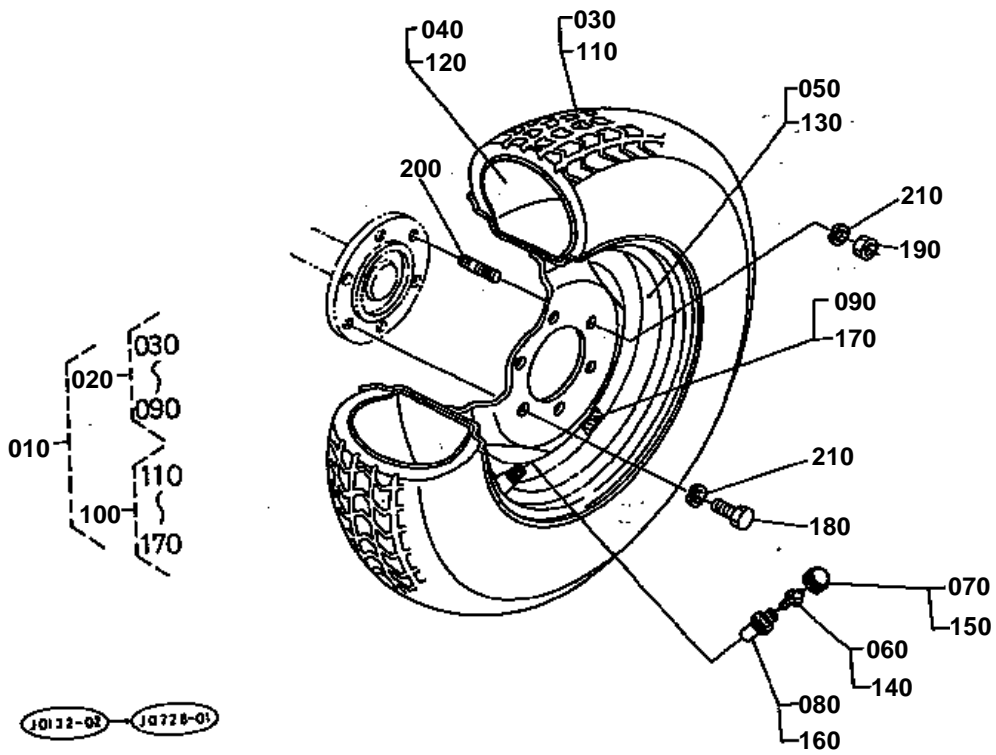


**REAR WHEEL (11.2-24F)**

↔ Interchangeable; ≠ not interchangeable; ← new for old; → old for new

| REF.No | Part No. | Description | Q'ty | S.No. | I/C | REMARKS | Weight (kgf) | Weight (lb) |
|--------|-------------|--------------------|------|-------|-----|---------|--------------|-------------|
| 010 | 32470-27900 | ASSY REAR WHEEL | 1 | | | | 122 | 268.4 |
| 020 | 32470-27610 | ASSY REAR WHEEL LH | 1 | | | | 62 | 136.4 |
| 030 | 32420-27620 | TIRE | 1 | | | | 31.5 | 69.3 |
| 040 | 32240-27630 | TUBE | 1 | | | | 0 | 0 |
| 050 | 38240-11690 | CAP,VALVE | 1 | | | | 0.001 | 0.0022 |
| 060 | 32150-27740 | CORE,VALVE | 1 | | | | 0.003 | 0.0066 |
| 070 | 32270-27730 | HOUSING,VALVE CORE | 1 | | | | 0.014 | 0.0308 |
| 080 | 32270-27710 | NUT,RIM | 1 | | | | 0.006 | 0.0132 |
| 090 | 32470-27650 | RIM,REAR WHEEL | 1 | | | | 14.7 | 32.34 |
| 100 | 32470-27660 | DISK,REAR WHEEL | 1 | | | | 13.5 | 29.7 |
| 110 | 31220-27680 | BOLT | 4 | | | | 0.09 | 0.198 |
| 120 | 04512-50160 | WASHER,SPRING | 4 | | | | 0 | 0 |
| 130 | 02174-50160 | NUT | 4 | | | | 0.022 | 0.0484 |
| 140 | 04011-50160 | WASHER,PLAIN | 4 | | | | 0 | 0 |
| 150 | 32470-27680 | LABEL,TIRE LH | 1 | | | | 0.001 | 0.0022 |
| 160 | 32470-27690 | ASSY REAR WHEEL RH | 1 | | | | 62 | 136.4 |
| 170 | 35260-27620 | TIRE | 1 | | | | 29.05 | 63.91 |
| 180 | 32240-27630 | TUBE | 1 | | | | 0 | 0 |
| 190 | 38240-11690 | CAP,VALVE | 1 | | | | 0.001 | 0.0022 |
| 200 | 32150-27740 | CORE,VALVE | 1 | | | | 0.003 | 0.0066 |
| 210 | 32270-27730 | HOUSING,VALVE CORE | 1 | | | | 0.014 | 0.0308 |
| 220 | 32270-27710 | NUT,RIM | 1 | | | | 0.006 | 0.0132 |
| 230 | 32470-27650 | RIM,REAR WHEEL | 1 | | | | 14.7 | 32.34 |
| 240 | 32470-27660 | DISK,REAR WHEEL | 1 | | | | 13.5 | 29.7 |
| 250 | 31220-27680 | BOLT | 4 | | | | 0.09 | 0.198 |
| 260 | 04512-50160 | WASHER,SPRING | 4 | | | | 0 | 0 |
| 270 | 02174-50160 | NUT | 4 | | | | 0.022 | 0.0484 |
| 280 | 04011-50160 | WASHER,PLAIN | 4 | | | | 0 | 0 |
| 290 | 32470-27670 | LABEL,TIRE RH | 1 | | | | 0.001 | 0.0022 |
| 300 | 01073-51630 | BOLT | 8 | | | | 0.079 | 0.1738 |
| 310 | 02076-50160 | NUT | 4 | | | | 0.03 | 0.066 |
| 320 | 34150-27710 | STUD BOLT | 4 | | | | 0.062 | 0.1364 |
| 330 | 04512-50160 | WASHER,SPRING | 12 | | | | 0 | 0 |

REAR WHEEL (13.6-16T)

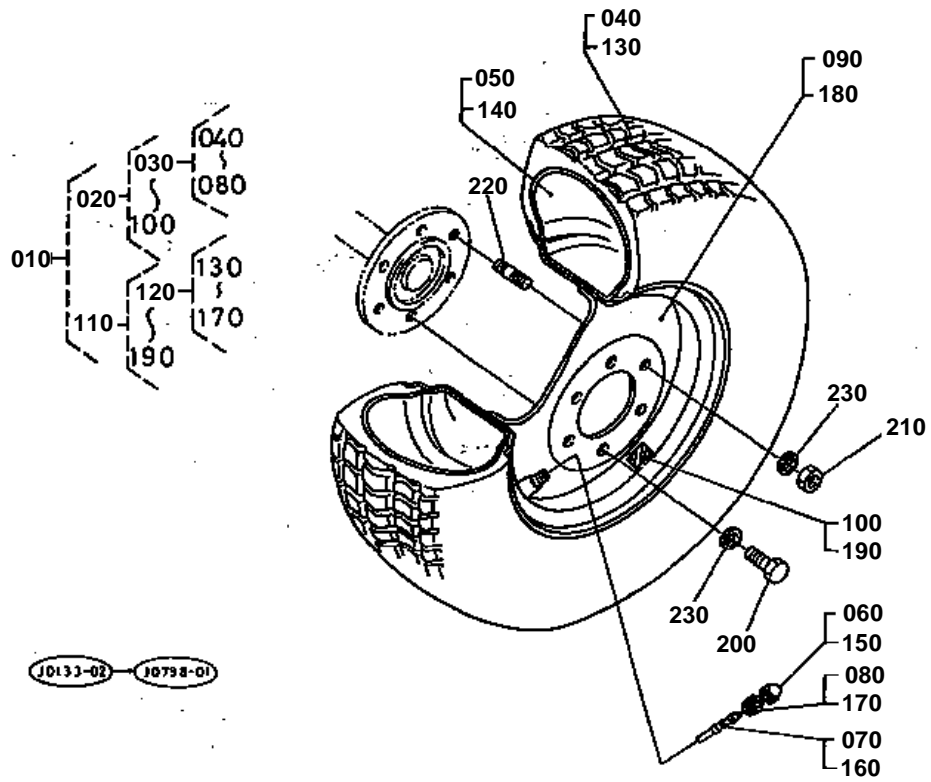




REAR WHEEL (13.6-16T)

↔ Interchangeable; ≠ not interchangeable; ← new for old; → old for new

| REF.No | Part No. | Description | Q'ty | S.No. | I/C | REMARKS | Weight (kgf) | Weight (lb) |
|--------|-------------|--------------------|------|-------|-----|---------|--------------|-------------|
| 010 | 32400-27800 | ASSY REAR WHEEL | 1 | | | | 93 | 204.6 |
| 020 | 32400-27810 | ASSY REAR WHEEL LH | 1 | | | | 0 | 0 |
| 030 | 38450-99330 | TIRE | 1 | | | | 20.5 | 45.1 |
| 040 | 99424-27120 | TUBE | 1 | | | | 3.8 | 8.36 |
| 050 | 32400-27850 | WHEEL | 1 | | | | 15.2 | 33.44 |
| 060 | 32150-27740 | CORE,VALVE | 1 | | | | 0.003 | 0.0066 |
| 070 | 38240-11690 | CAP,VALVE | 1 | | | | 0.001 | 0.0022 |
| 080 | 32270-27730 | HOUSING,VALVE CORE | 1 | | | | 0.014 | 0.0308 |
| 090 | 32400-27780 | LABEL,TIRE LH | 1 | | | | 0.005 | 0.011 |
| 100 | 32400-27820 | ASSY REAR WHEEL RH | 1 | | | | 0 | 0 |
| 110 | 38450-99330 | TIRE | 1 | | | | 20.5 | 45.1 |
| 120 | 99424-27120 | TUBE | 1 | | | | 3.8 | 8.36 |
| 130 | 32400-27850 | WHEEL | 1 | | | | 15.2 | 33.44 |
| 140 | 32150-27740 | CORE,VALVE | 1 | | | | 0.003 | 0.0066 |
| 150 | 38240-11690 | CAP,VALVE | 1 | | | | 0.001 | 0.0022 |
| 160 | 32270-27730 | HOUSING,VALVE CORE | 1 | | | | 0.014 | 0.0308 |
| 170 | 32400-27770 | LABEL,TIRE RH | 1 | | | | 0.005 | 0.011 |
| 180 | 01073-51630 | BOLT | 8 | | | | 0.079 | 0.1738 |
| 190 | 02076-50160 | NUT | 4 | | | | 0.03 | 0.066 |
| 200 | 34150-27710 | STUD BOLT | 4 | | | | 0.062 | 0.1364 |
| 210 | 04512-50160 | WASHER,SPRING | 12 | | | | 0 | 0 |

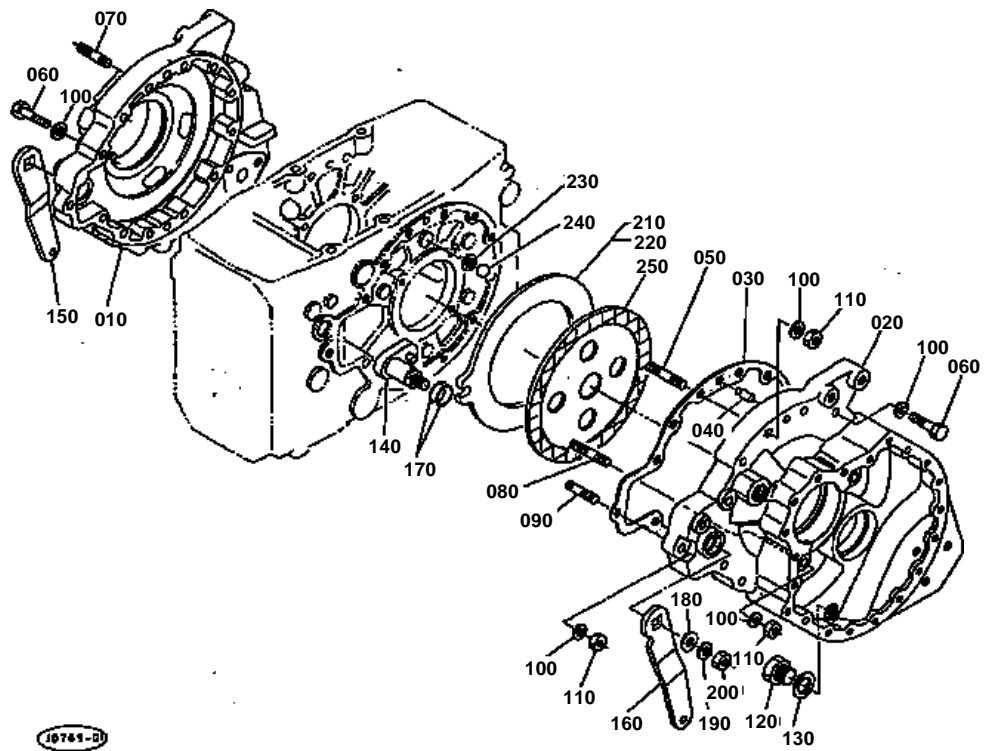


**REAR WHEEL (355-80-D20)**

↔ Interchangeable; ≠ not interchangeable; ← new for old; → old for new

| REF.No | Part No. | Description | Q'ty | S.No. | I/C | REMARKS | Weight (kgf) | Weight (lb) |
|--------|-------------|--------------------|------|-------|-----|---------|--------------|-------------|
| 010 | 32400-27700 | ASSY REAR WHEEL | 1 | | | | 0 | 0 |
| 020 | 32400-27710 | ASSY REAR WHEEL LH | 1 | | | | 0 | 0 |
| 030 | 36346-49300 | ASSY TUBE,TIRE | 1 | | | | 0 | 0 |
| 040 | 36346-49310 | TIRE,REAR | 1 | | | | 40 | 88 |
| 050 | 36346-49320 | TUBE,TIRE | 1 | | | | 7.8 | 17.16 |
| 060 | 38240-11690 | CAP,VALVE | 1 | | | | 0.001 | 0.0022 |
| 070 | 32150-27740 | CORE,VALVE | 1 | | | | 0.003 | 0.0066 |
| 080 | 32270-27730 | HOUSING,VALVE CORE | 1 | | | | 0.014 | 0.0308 |
| 090 | 32400-27950 | WHEEL | 1 | | | | 0 | 0 |
| 100 | 32400-27870 | LABEL,TIRE LH | 1 | | | | 0.005 | 0.011 |
| 110 | 32400-27720 | ASSY REAR WHEEL RH | 1 | | | | 0 | 0 |
| 120 | 36346-49300 | ASSY TUBE,TIRE | 1 | | | | 0 | 0 |
| 130 | 36346-49310 | TIRE,REAR | 1 | | | | 40 | 88 |
| 140 | 36346-49320 | TUBE,TIRE | 1 | | | | 7.8 | 17.16 |
| 150 | 38240-11690 | CAP,VALVE | 1 | | | | 0.001 | 0.0022 |
| 160 | 32150-27740 | CORE,VALVE | 1 | | | | 0.003 | 0.0066 |
| 170 | 32270-27730 | HOUSING,VALVE CORE | 1 | | | | 0.014 | 0.0308 |
| 180 | 32400-27950 | WHEEL | 1 | | | | 0 | 0 |
| 190 | 32400-27880 | LABEL,TIRE RH | 1 | | | | 0.005 | 0.011 |
| 200 | 01073-51630 | BOLT | 8 | | | | 0.079 | 0.1738 |
| 210 | 02076-50160 | NUT | 4 | | | | 0.03 | 0.066 |
| 220 | 34150-27710 | STUD BOLT | 4 | | | | 0.062 | 0.1364 |
| 230 | 04512-50160 | WASHER,SPRING | 12 | | | | 0 | 0 |

BRAKE

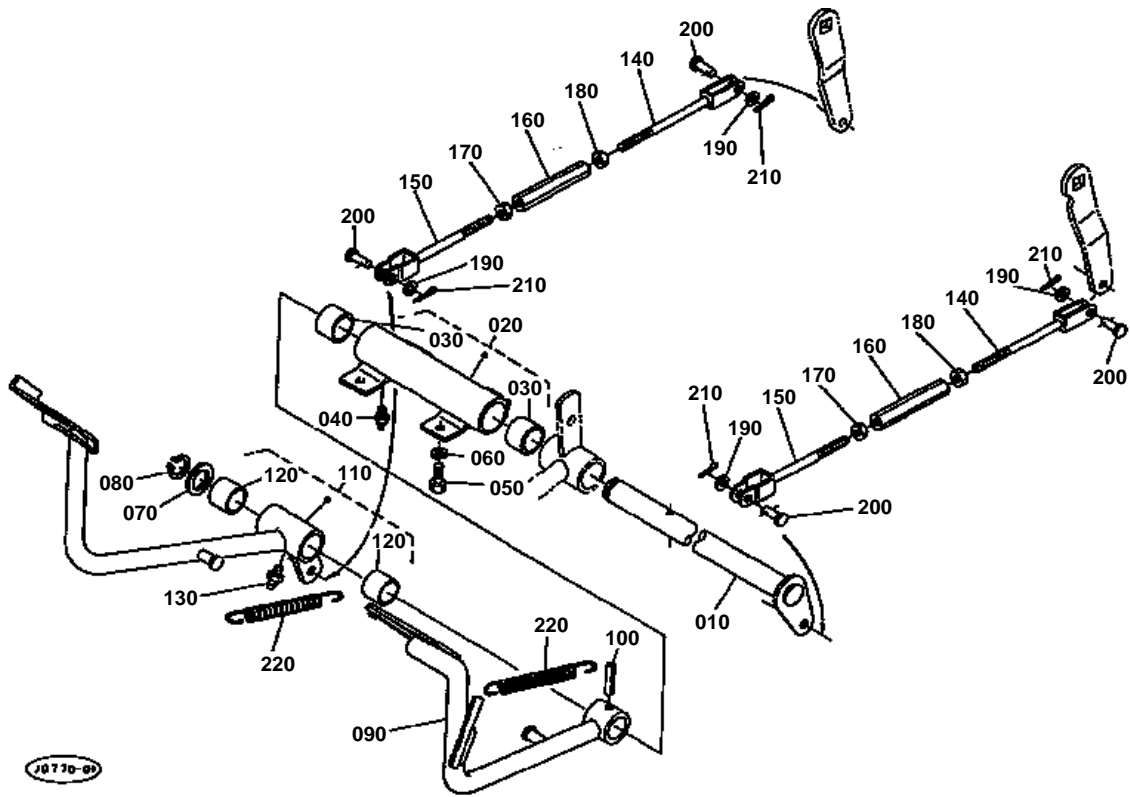


**BRAKE**

↔ Interchangeable; ≠ not interchangeable; ← new for old; → old for new

| REF.No | Part No. | Description | Q'ty | S.No. | I/C | REMARKS | Weight (kgf) | Weight (lb) |
|--------|-------------|--------------------|------|-------|-----|---------|--------------|-------------|
| 010 | 31311-28130 | CASE,BRAKE RH | 1 | | | | 0 | 0 |
| 020 | 31311-28152 | CASE,BRAKE LH | 1 | | | | 0 | 0 |
| 030 | 37260-28160 | GASKET | 2 | | | | 0 | 0 |
| 040 | 37150-27370 | PIN,STRAIGHT | 2 | | | | 0.009 | 0.0198 |
| 050 | 31311-28170 | STUD | 4 | | | | 0.51 | 1.122 |
| 060 | 01173-51255 | BOLT | 10 | | | | 0.057 | 0.1254 |
| 070 | 37720-27350 | STUD | 2 | | | | 0.067 | 0.1474 |
| 080 | 01574-51255 | STUD | 8 | | | | 0 | 0 |
| 090 | 01574-51235 | STUD | 2 | | | | 0 | 0 |
| 100 | 04512-50120 | WASHER,SPRING | 26 | | | | 0 | 0 |
| 110 | 02176-50120 | NUT | 16 | | | | 0.01 | 0.022 |
| 120 | 34150-14260 | PLUG,DRAIN | 2 | | | | 0 | 0 |
| 130 | 04717-02150 | WASHER,WITH RUBBER | 2 | | | | 0.004 | 0.0088 |
| 140 | 31351-28210 | CAM,BRAKE | 2 | | | | 0.35 | 0.77 |
| 150 | 37150-28224 | LEVER,BRAKE CAM RH | 1 | | | | 0.32 | 0.704 |
| 160 | 37150-28234 | LEVER,BRAKE CAM LH | 1 | | | | 0.3 | 0.66 |
| 170 | 04811-00220 | RING | 4 | | | | 0.001 | 0.0022 |
| 180 | 04015-50120 | WASHER,PLAIN | 2 | | | | 0 | 0 |
| 190 | 04512-50120 | WASHER,SPRING | 2 | | | | 0 | 0 |
| 200 | 02174-50120 | NUT | 2 | | | | 0.01 | 0.022 |
| 210 | 37150-28240 | PLATE,CAM LH | 1 | | | | 1.13 | 2.486 |
| 220 | 37150-28270 | PLATE,CAM RH | 1 | | | | 1.08 | 2.376 |
| 230 | 37150-28250 | SEAT,BALL | 12 | | | | 0.003 | 0.0066 |
| 240 | 07715-00805 | BALL | 12 | | | | 0.016 | 0.0352 |
| 250 | 37150-28200 | DISK,BRAKE | 2 | | | | 0 | 0 |

BRAKE PEDAL

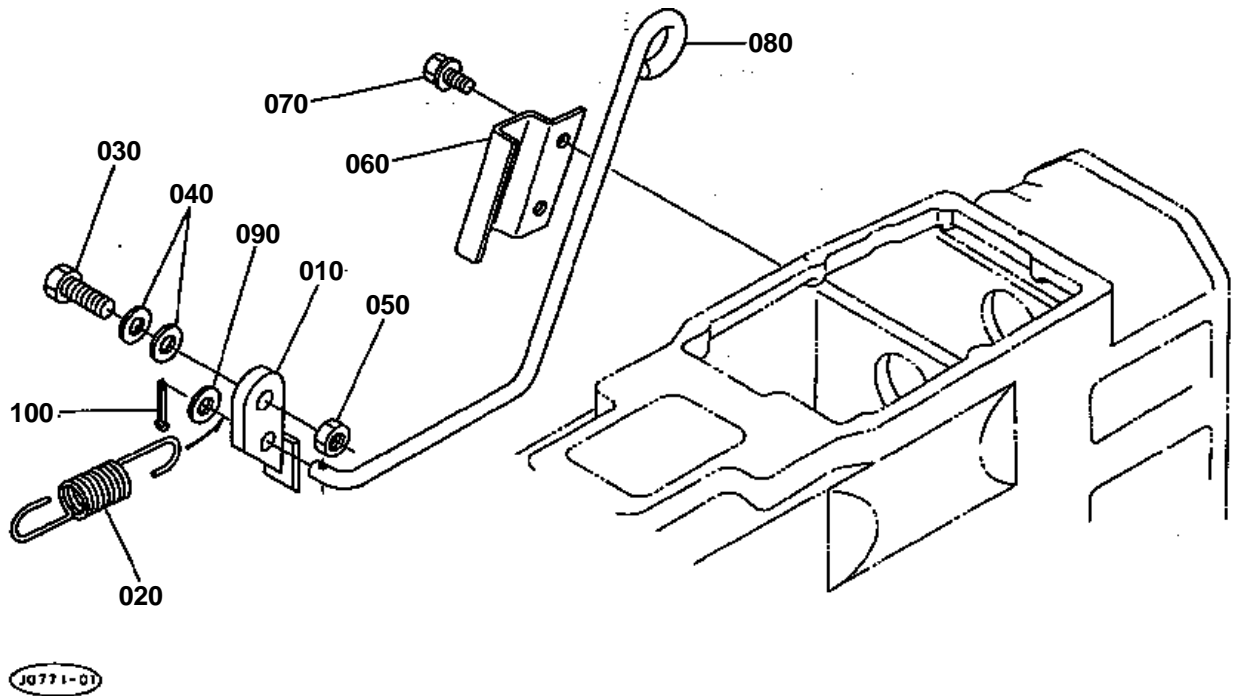


**BRAKE PEDAL**

↔ Interchangeable; ≠ not interchangeable; ← new for old; → old for new

| REF.No | Part No. | Description | Q'ty | S.No. | I/C | REMARKS | Weight (kgf) | Weight (lb) |
|--------|-------------|---------------------|------|-------|-----|---------|--------------|-------------|
| 010 | 37150-28410 | SHAFT,BRAKE PEDAL | 1 | | | | 1.43 | 3.146 |
| 020 | 37150-28420 | SUPPORT,PEDAL SHAFT | 1 | | | | 0.95 | 2.09 |
| 030 | 34150-28430 | BUSH | 2 | | | | 0.04 | 0.088 |
| 040 | 06613-10675 | NIPPLE,GREASE | 1 | | | | 0.003 | 0.0066 |
| 050 | 01173-51018 | BOLT | 4 | | | | 0.018 | 0.0396 |
| 060 | 04512-50100 | WASHER,SPRING | 4 | | | | 0 | 0 |
| 070 | 32150-28460 | COLLAR | 1 | | | | 0.007 | 0.0154 |
| 080 | 04612-00250 | CIR-CLIP,EXTERNAL | 1 | | | | 0.002 | 0.0044 |
| 090 | 35260-28610 | PEDAL,BRAKE LH | 1 | | | | 1.36 | 2.992 |
| 100 | 05411-00840 | PIN,SPRING | 1 | | | | 0.008 | 0.0176 |
| 110 | 35260-28620 | PEDAL,BRAKE RH | 1 | | | | 1.34 | 2.948 |
| 120 | 34150-28430 | BUSH | 2 | | | | 0.04 | 0.088 |
| 130 | 06613-10675 | NIPPLE,GREASE | 1 | | | | 0.003 | 0.0066 |
| 140 | 35110-28930 | ROD,BRAKE | 2 | | | | 0.165 | 0.363 |
| 150 | 37720-28940 | ROD,BRAKE | 2 | | | | 0.2 | 0.44 |
| 160 | 37720-28980 | TURNBUCKLE | 2 | | | | 0.099 | 0.2178 |
| 170 | 37720-28990 | NUT | 2 | | | | 0.008 | 0.0176 |
| 180 | 02172-50120 | NUT | 2 | | | | 0.01 | 0.022 |
| 190 | 04012-50080 | WASHER,PLAIN | 4 | | | | 0.001 | 0.0022 |
| 200 | 05112-50822 | PIN,JOINT | 4 | | | | 0.01 | 0.022 |
| 210 | 05511-50215 | PIN,SPLIT | 4 | | | | 0.001 | 0.0022 |
| 220 | 37150-15840 | SPRING | 2 | | | | 0.06 | 0.132 |

PARKING BRAKE LEVER



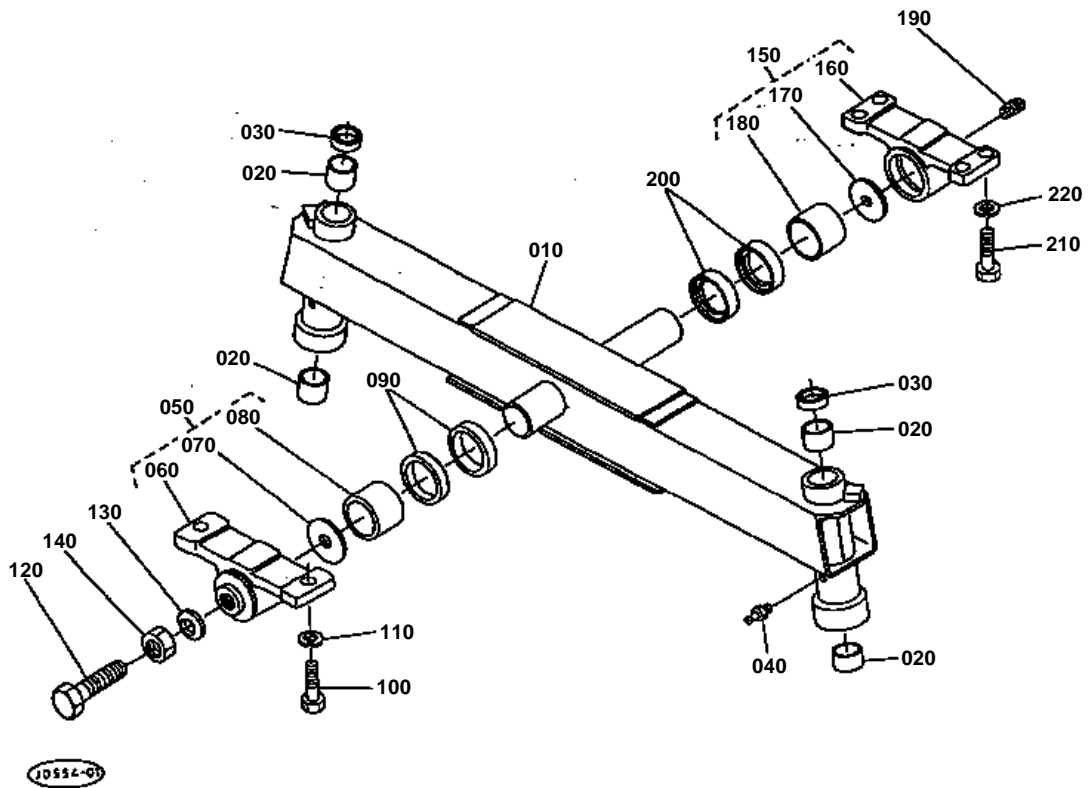


PARKING BRAKE LEVER

↔ Interchangeable; ≠ not interchangeable; ← new for old; → old for new

| REF.No | Part No. | Description | Q'ty | S.No. | I/C | REMARKS | Weight (kgf) | Weight (lb) |
|--------|-------------|---------------|------|-------|-----|---------|--------------|-------------|
| 010 | 34150-28810 | RATCHET | 1 | | | | 0.045 | 0.099 |
| 020 | 37150-28850 | SPRING | 1 | | | | 0.005 | 0.011 |
| 030 | 34150-28820 | BOLT | 1 | | | | 0.04 | 0.088 |
| 040 | 04011-50120 | WASHER,PLAIN | 2 | | | | 0.005 | 0.011 |
| 050 | 02174-50120 | NUT | 1 | | | | 0.01 | 0.022 |
| 060 | 34150-28880 | GUIDE,RATCHET | 1 | | | | 0.04 | 0.088 |
| 070 | 01754-50812 | BOLT,FLANGE | 2 | | | | 0.01 | 0.022 |
| 080 | 34150-28870 | ROD,RATCHET | 1 | | | | 0.09 | 0.198 |
| 090 | 04012-50060 | WASHER,PLAIN | 1 | | | | 0.001 | 0.0022 |
| 100 | 05511-50212 | PIN,SPLIT | 1 | | | | 0.001 | 0.0022 |

FRONT AXLE



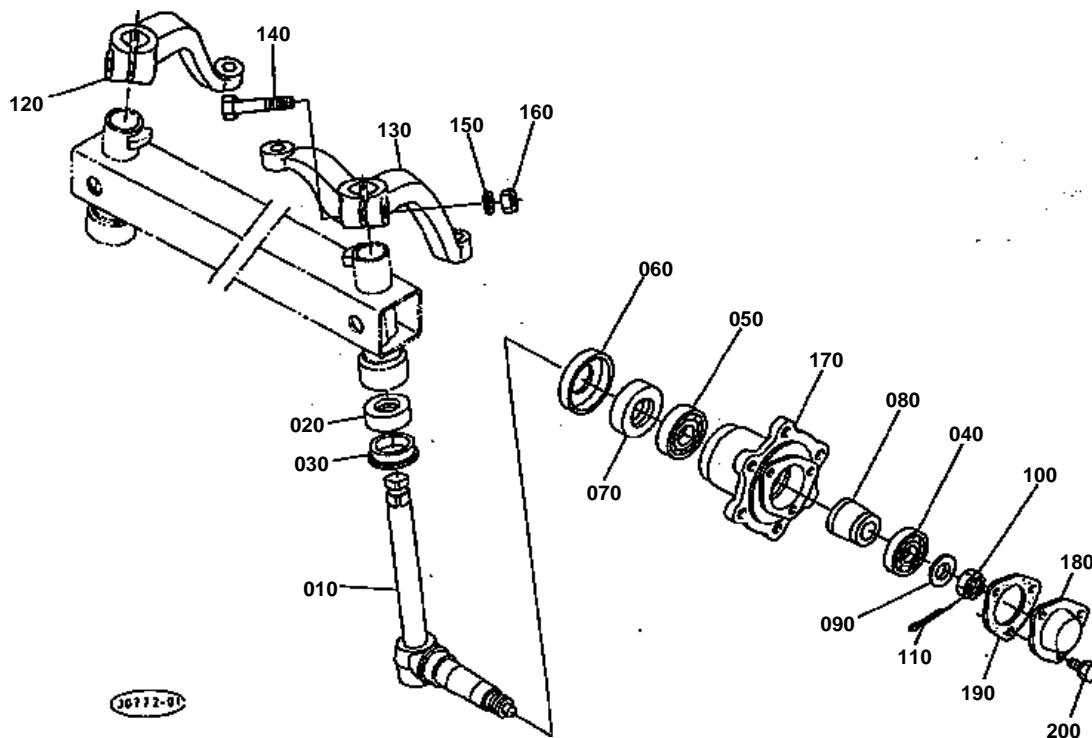


FRONT AXLE

↔ Interchangeable; ≠ not interchangeable; ← new for old; → old for new

| REF.No | Part No. | Description | Q'ty | S.No. | I/C | REMARKS | Weight (kgf) | Weight (lb) |
|--------|-------------|---------------|------|-------|-----|----------|--------------|-------------|
| 010 | 32400-13110 | AXLE,FRONT | 1 | | | [A],[AU] | 14.3 | 31.46 |
| 010 | 32400-63110 | AXLE,FRONT | 1 | | | [AS] | 17.5 | 38.5 |
| 020 | 38240-13130 | BUSH | 4 | | | | 0.015 | 0.033 |
| 030 | 38240-13140 | SEAL,OIL | 2 | | | | 0.004 | 0.0088 |
| 040 | 06613-10010 | NIPPLE,GREASE | 2 | | | | 0.006 | 0.0132 |
| 050 | 38430-13660 | ASSY BRACKET | 1 | | | | 1.6 | 3.52 |
| 060 | 38430-13670 | BRACKET | 1 | | | | 1.5 | 3.3 |
| 070 | 38240-13430 | WASHER,THRUST | 1 | | | | 0.032 | 0.0704 |
| 080 | 08511-04025 | BUSH | 1 | | | | 0.05 | 0.11 |
| 090 | 38240-13160 | SEAL,OIL | 2 | | | | 0.005 | 0.011 |
| 100 | 01173-51435 | BOLT | 2 | | | | 0.056 | 0.1232 |
| 110 | 04512-50140 | WASHER,SPRING | 2 | | | | 0 | 0 |
| 120 | 38630-44760 | BOLT | 1 | | | | 0.08 | 0.176 |
| 130 | 38440-44750 | WASHER,SEAL | 1 | | | | 0.003 | 0.0066 |
| 140 | 02176-50160 | NUT | 1 | | | | 0.021 | 0.0462 |
| 150 | 38240-13690 | ASSY BRACKET | 1 | | | | 1.6 | 3.52 |
| 160 | 38240-13680 | BRACKET | 1 | | | | 1.5 | 3.3 |
| 170 | 38240-13430 | WASHER,THRUST | 1 | | | | 0.032 | 0.0704 |
| 180 | 08511-04025 | BUSH | 1 | | | | 0.05 | 0.11 |
| 190 | 06312-10010 | PLUG | 1 | | | | 0.007 | 0.0154 |
| 200 | 38240-13160 | SEAL,OIL | 2 | | | | 0.005 | 0.011 |
| 210 | 38240-13180 | BOLT,REAMER | 4 | | | | 0.04 | 0.088 |
| 220 | 04512-50120 | WASHER,SPRING | 4 | | | | 0 | 0 |

KNUCKLE SHAFT

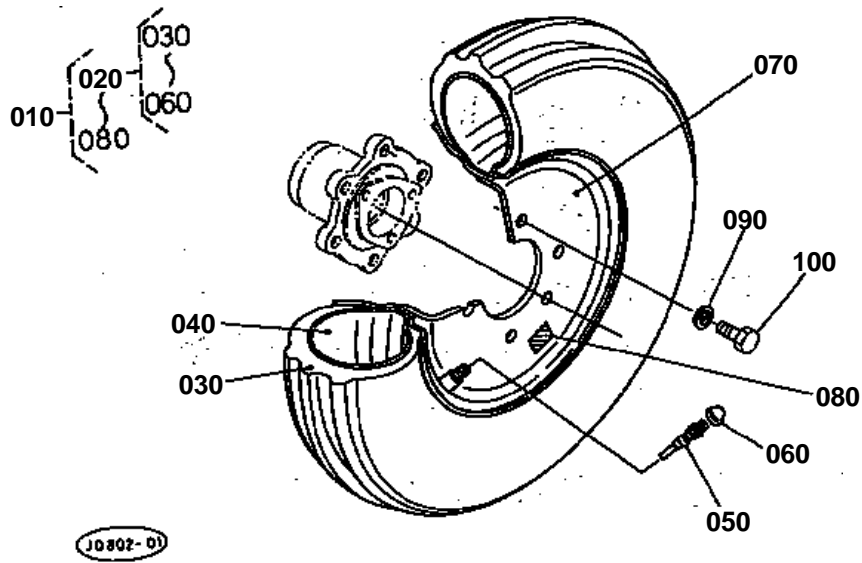




KNUCKLE SHAFT

↔ Interchangeable; ≠ not interchangeable; ← new for old; → old for new

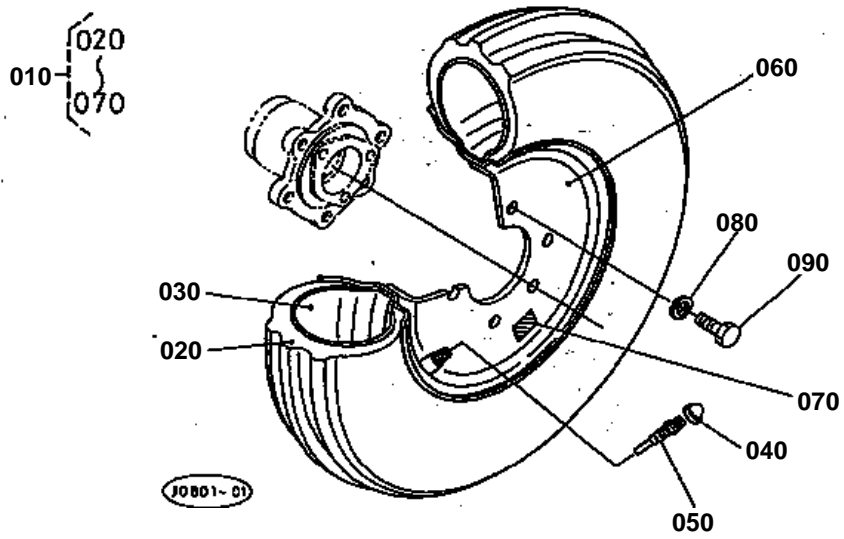
| REF.No | Part No. | Description | Q'ty | S.No. | I/C | REMARKS | Weight (kgf) | Weight (lb) |
|--------|-------------|---------------------|------|-------|-----|---------|--------------|-------------|
| 010 | 34220-11110 | COMP.SHAFT,KNUCKLE | 2 | | | | 2.5 | 5.5 |
| 020 | 32150-11510 | BEARING,THRUST BALL | 2 | | | | 0.14 | 0.308 |
| 030 | 37300-11430 | SEAL,OIL | 2 | | | | 0.05 | 0.11 |
| 040 | 08101-06205 | BEARING,BALL | 2 | | | | 0.14 | 0.308 |
| 050 | 08101-06206 | BEARING,BALL | 2 | | | | 0.196 | 0.4312 |
| 060 | 32240-11480 | COVER,DUST | 2 | | | | 0.08 | 0.176 |
| 070 | 37300-11160 | SEAL,OIL | 2 | | | | 0.08 | 0.176 |
| 080 | 38240-11420 | SPACER | 2 | | | | 0.205 | 0.451 |
| 090 | 04011-50200 | WASHER,PLAIN | 2 | | | | 0.015 | 0.033 |
| 100 | 02372-50200 | NUT | 2 | | | | 0.024 | 0.0528 |
| 110 | 05511-50430 | PIN,SPLIT | 2 | | | | 0.004 | 0.0088 |
| 120 | 38240-11210 | ARM,KNUCKLE RH | 1 | | | | 1.5 | 3.3 |
| 130 | 38260-11220 | ARM,KNUCKLE LH | 1 | | | | 2.1 | 4.62 |
| 140 | 32240-11270 | BOLT | 2 | | | | 0.066 | 0.1452 |
| 150 | 04512-50120 | WASHER,SPRING | 2 | | | | 0 | 0 |
| 160 | 02176-50120 | NUT | 2 | | | | 0.01 | 0.022 |
| 170 | 35260-11310 | HUB,FRONT WHEEL | 2 | | | | 3.75 | 8.25 |
| 180 | 32240-11350 | CAP,FRONT WHEEL | 2 | | | | 0.065 | 0.143 |
| 190 | 32150-11360 | GASKET | 2 | | | | 0 | 0 |
| 200 | 01123-50814 | BOLT | 6 | | | | 0 | 0 |



**FRONT WHEEL (4.00-15)**

↔ Interchangeable; ≠ not interchangeable; ← new for old; → old for new

| REF.No | Part No. | Description | Q'ty | S.No. | I/C | REMARKS | Weight (kgf) | Weight (lb) |
|--------|-------------|------------------|------|-------|-----|---------|--------------|-------------|
| 010 | 32460-11600 | ASSY FRONT WHEEL | 2 | | | | 0 | 0 |
| 020 | 35110-11610 | ASSY TIRE | 2 | | | | 5 | 11 |
| 030 | 31220-11620 | TIRE | 2 | | | | 3.5 | 7.7 |
| 040 | 31220-11630 | TUBE | 2 | | | | 0.64 | 1.408 |
| 050 | 32150-27740 | CORE,VALVE | 2 | | | | 0.003 | 0.0066 |
| 060 | 38240-11690 | CAP,VALVE | 2 | | | | 0.001 | 0.0022 |
| 070 | 32460-11640 | ASSY WHEEL | 2 | | | | 7.2 | 15.84 |
| 080 | 32460-11670 | LABEL,TIRE | 2 | | | | 0.001 | 0.0022 |
| 090 | 04512-50140 | WASHER,SPRING | 12 | | | | 0 | 0 |
| 100 | 01173-51425 | BOLT | 12 | | | | 0.047 | 0.1034 |



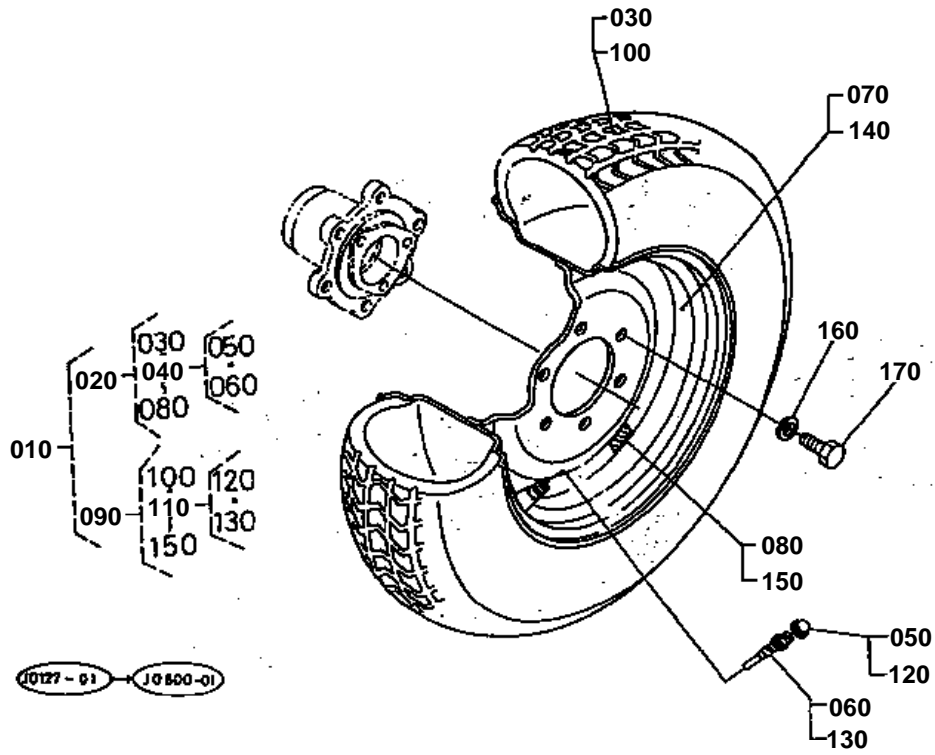


FRONT WHEEL (5.00-15)

↔ Interchangeable; ≠ not interchangeable; ← new for old; → old for new

| REF.No | Part No. | Description | Q'ty | S.No. | I/C | REMARKS | Weight (kgf) | Weight (lb) |
|--------|-------------|------------------|------|-------|-----|---------|--------------|-------------|
| 010 | 32470-11600 | ASSY FRONT WHEEL | 2 | | | | 0 | 0 |
| 020 | 32270-11620 | TIRE | 2 | | | | 6.3 | 13.86 |
| 030 | 32270-11630 | TUBE | 2 | | | | 0.95 | 2.09 |
| 040 | 38240-11690 | CAP, VALVE | 2 | | | | 0.001 | 0.0022 |
| 050 | 32150-27740 | CORE, VALVE | 2 | | | | 0.003 | 0.0066 |
| 060 | 32460-11640 | ASSY WHEEL | 2 | | | | 7.2 | 15.84 |
| 070 | 32470-11670 | LABEL, TIRE | 2 | | | | 0.001 | 0.0022 |
| 080 | 04512-50140 | WASHER, SPRING | 12 | | | | 0 | 0 |
| 090 | 01173-51425 | BOLT | 12 | | | | 0.047 | 0.1034 |

FRONT WHEEL (23X8.50-12)

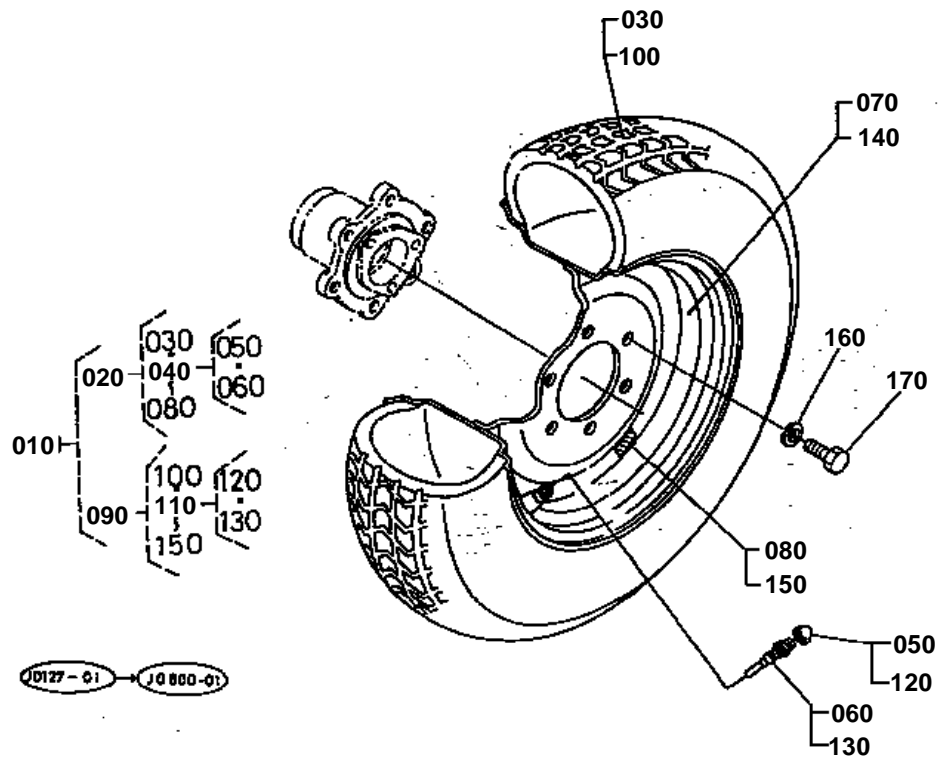


**FRONT WHEEL (23X8.50-12)**

↔ Interchangeable; ≠ not interchangeable; ← new for old; → old for new

| REF.No | Part No. | Description | Q'ty | S.No. | I/C | REMARKS | Weight (kgf) | Weight (lb) |
|--------|-------------|---------------------|------|-------|-----|---------|--------------|-------------|
| 010 | 32460-11900 | ASSY FRONT WHEEL | 1 | | | | 0 | 0 |
| 020 | 32460-11910 | ASSY FRONT WHEEL RH | 1 | | | | 0 | 0 |
| 030 | 35260-11810 | TIRE | 1 | | | | 7.12 | 15.664 |
| 040 | 34159-11850 | VALVE,TIRE | 1 | | | | 0.013 | 0.0286 |
| 050 | 38240-11690 | CAP,VALVE | 1 | | | | 0.001 | 0.0022 |
| 060 | 32150-27740 | CORE,VALVE | 1 | | | | 0.003 | 0.0066 |
| 070 | 32460-11950 | WHEEL | 1 | | | | 6.76 | 14.872 |
| 080 | 32460-11720 | LABEL,TIRE RH | 1 | | | | 0.001 | 0.0022 |
| 090 | 32460-11920 | ASSY FRONT WHEEL LH | 1 | | | | 0 | 0 |
| 100 | 35260-11810 | TIRE | 1 | | | | 7.12 | 15.664 |
| 110 | 34159-11850 | VALVE,TIRE | 1 | | | | 0.013 | 0.0286 |
| 120 | 38240-11690 | CAP,VALVE | 1 | | | | 0.001 | 0.0022 |
| 130 | 32150-27740 | CORE,VALVE | 1 | | | | 0.003 | 0.0066 |
| 140 | 32460-11950 | WHEEL | 1 | | | | 6.76 | 14.872 |
| 150 | 32460-11710 | LABEL,TIRE LH | 1 | | | | 0.001 | 0.0022 |
| 160 | 04512-50140 | WASHER,SPRING | 12 | | | | 0 | 0 |
| 170 | 01173-51425 | BOLT | 12 | | | | 0.047 | 0.1034 |

FRONT WHEEL (25X8.50-14)

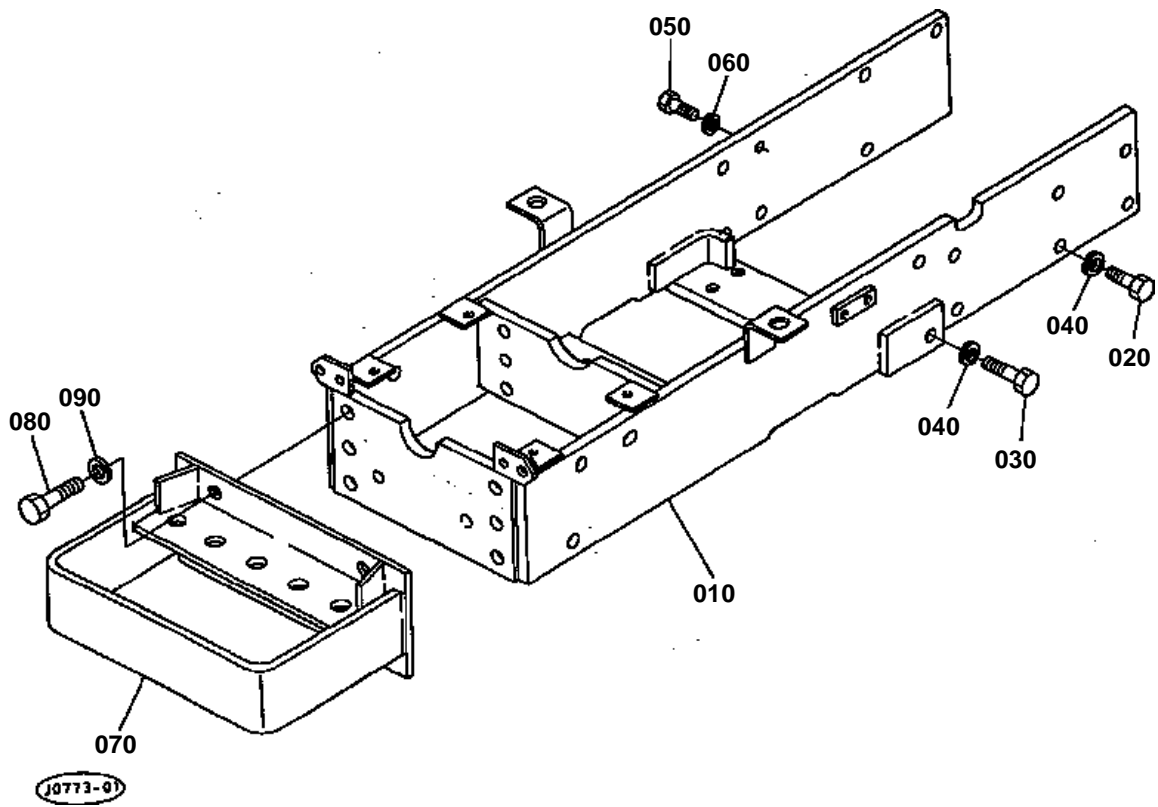


**FRONT WHEEL (25X8.50-14)**

↔ Interchangeable; ≠ not interchangeable; ← new for old; → old for new

| REF.No | Part No. | Description | Q'ty | S.No. | I/C | REMARKS | Weight (kgf) | Weight (lb) |
|--------|-------------|---------------------|------|-------|-----|---------|--------------|-------------|
| 010 | 32480-11600 | ASSY FRONT WHEEL | 1 | | | | 38 | 83.6 |
| 020 | 32480-11610 | ASSY FRONT WHEEL RH | 1 | | | | 0 | 0 |
| 030 | 35230-11810 | TIRE | 1 | | | | 8 | 17.6 |
| 040 | 34159-11850 | VALVE,TIRE | 1 | | | | 0.013 | 0.0286 |
| 050 | 38240-11690 | CAP,VALVE | 1 | | | | 0.001 | 0.0022 |
| 060 | 32150-27740 | CORE,VALVE | 1 | | | | 0.003 | 0.0066 |
| 070 | 32480-11650 | ASSY WHEEL | 1 | | | | 10 | 22 |
| 080 | 32480-11720 | LABEL,TIRE RH | 1 | | | | 0.001 | 0.0022 |
| 090 | 32480-11620 | ASSY FRONT WHEEL LH | 1 | | | | 0 | 0 |
| 100 | 35230-11810 | TIRE | 1 | | | | 8 | 17.6 |
| 110 | 34159-11850 | VALVE,TIRE | 1 | | | | 0.013 | 0.0286 |
| 120 | 38240-11690 | CAP,VALVE | 1 | | | | 0.001 | 0.0022 |
| 130 | 32150-27740 | CORE,VALVE | 1 | | | | 0.003 | 0.0066 |
| 140 | 32480-11650 | ASSY WHEEL | 1 | | | | 10 | 22 |
| 150 | 32480-11710 | LABEL,TIRE LH | 1 | | | | 0.001 | 0.0022 |
| 160 | 04512-50140 | WASHER,SPRING | 12 | | | | 0 | 0 |
| 170 | 01173-51425 | BOLT | 12 | | | | 0.047 | 0.1034 |

FRONT AXLE FRAME



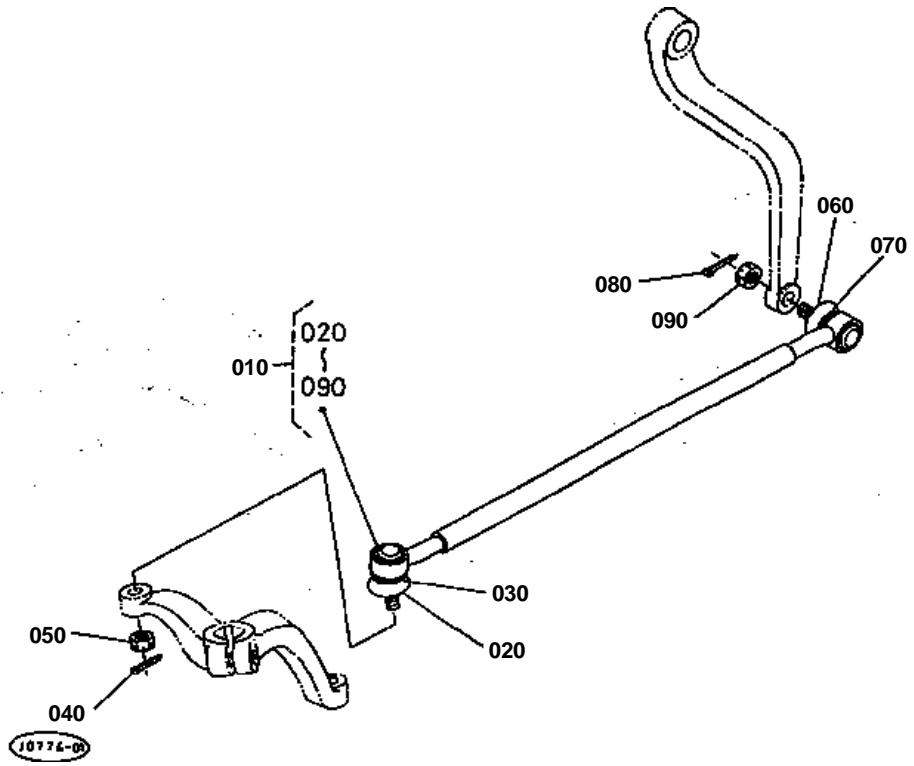


FRONT AXLE FRAME

↔ Interchangeable; ≠ not interchangeable; ← new for old; → old for new

| REF.No | Part No. | Description | Q'ty | S.No. | I/C | REMARKS | Weight (kgf) | Weight (lb) |
|--------|-------------|------------------|------|-------|-----|---------|--------------|-------------|
| 010 | 32400-13610 | FRAME,FRONT AXLE | 1 | | | | 0 | 0 |
| 020 | 01176-51235 | BOLT | 12 | | | | 0.041 | 0.0902 |
| 030 | 01176-51245 | BOLT | 2 | | | | 0.05 | 0.11 |
| 040 | 04512-50120 | WASHER,SPRING | 14 | | | | 0 | 0 |
| 050 | 01176-51030 | BOLT | 1 | | | | 0 | 0 |
| 060 | 04512-50100 | WASHER,SPRING | 1 | | | | 0 | 0 |
| 070 | 32400-13810 | BUMPER | 1 | | | | 6 | 13.2 |
| 080 | 01173-51435 | BOLT | 4 | | | | 0.056 | 0.1232 |
| 090 | 04512-50140 | WASHER,SPRING | 4 | | | | 0 | 0 |

DRAG LINKAGE



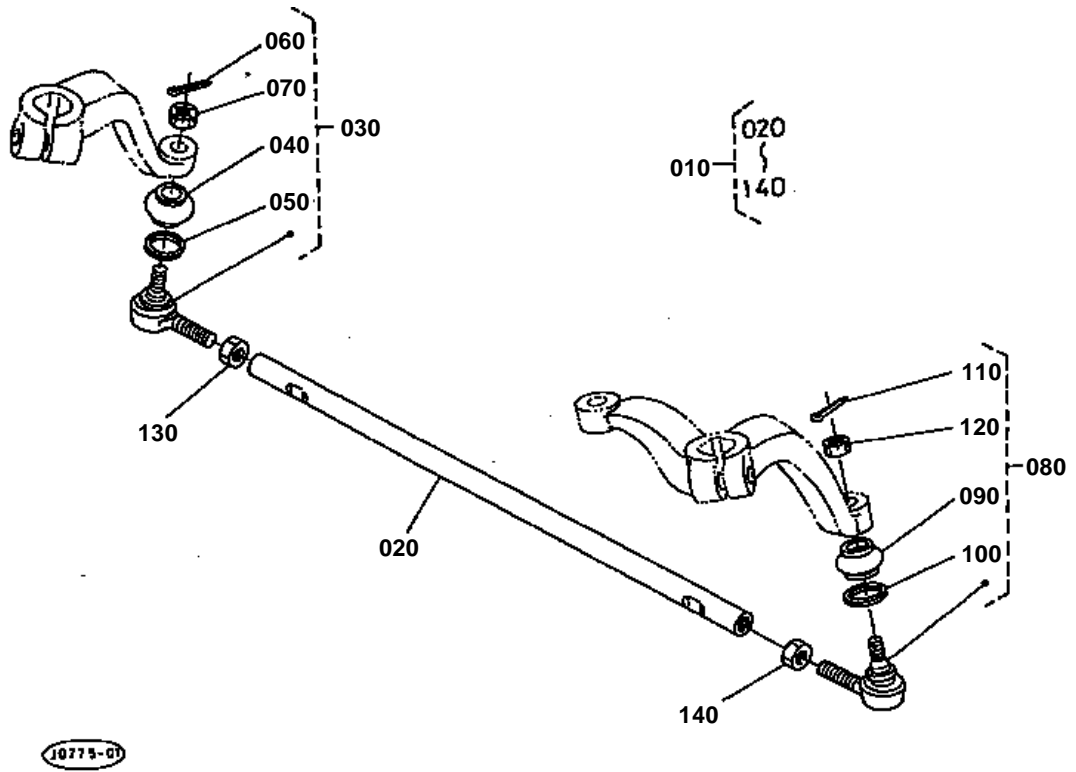


DRAG LINKAGE

↔ Interchangeable; ≠ not interchangeable; ← new for old; → old for new

| REF.No | Part No. | Description | Q'ty | S.No. | I/C | REMARKS | Weight (kgf) | Weight (lb) |
|--------|-------------|----------------|------|-------|-----|---------|--------------|-------------|
| 010 | 32400-12200 | ASSY LINK,DRAG | 1 | | | | 2.1 | 4.62 |
| 020 | 38240-12650 | COVER,DUST | 1 | | | | 0.01 | 0.022 |
| 030 | 38240-12660 | CLIP | 1 | | | | 0.005 | 0.011 |
| 040 | 05511-50325 | PIN,SPLIT | 1 | | | | 0.002 | 0.0044 |
| 050 | 38240-12830 | NUT | 1 | | | | 0.008 | 0.0176 |
| 060 | 38240-12650 | COVER,DUST | 1 | | | | 0.01 | 0.022 |
| 070 | 38240-12660 | CLIP | 1 | | | | 0.005 | 0.011 |
| 080 | 05511-50325 | PIN,SPLIT | 1 | | | | 0.002 | 0.0044 |
| 090 | 38240-12830 | NUT | 1 | | | | 0.008 | 0.0176 |

TIE ROD

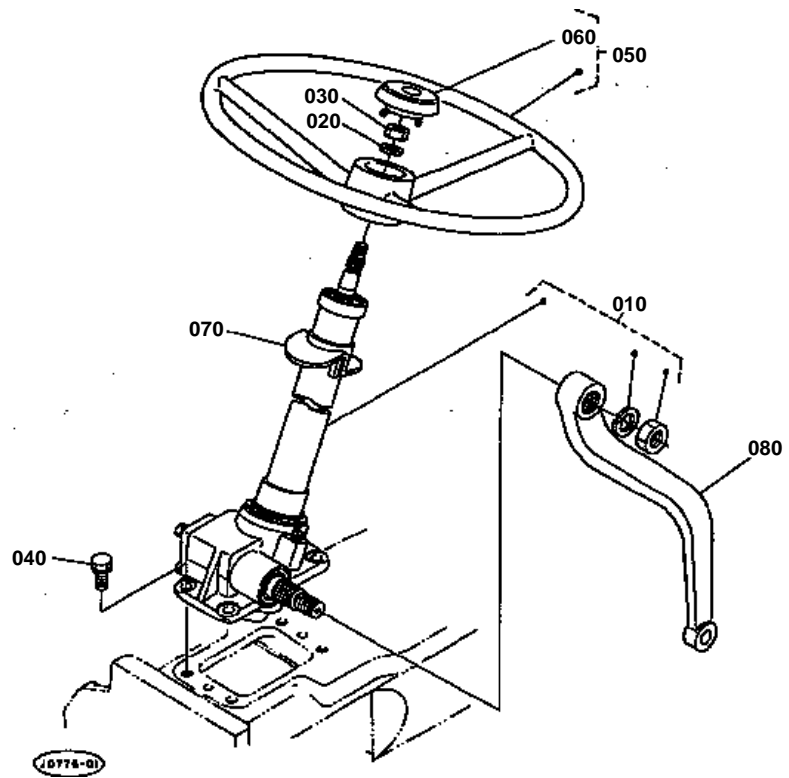




TIE ROD

↔ Interchangeable; ≠ not interchangeable; ← new for old; → old for new

| REF.No | Part No. | Description | Q'ty | S.No. | I/C | REMARKS | Weight (kgf) | Weight (lb) |
|--------|-------------|---------------------|------|-------|-----|---------|--------------|-------------|
| 010 | 32400-12400 | ASSY ROD,TIE | 1 | | | | 2.6 | 5.72 |
| 020 | 32400-12410 | ROD,TIE | 1 | | | | 1.95 | 4.29 |
| 030 | 38440-44780 | ASSY END,TIE ROD RH | 1 | | | | 0.322 | 0.7084 |
| 040 | 38240-12650 | COVER,DUST | 1 | | | | 0.01 | 0.022 |
| 050 | 38240-12660 | CLIP | 1 | | | | 0.005 | 0.011 |
| 060 | 05511-50325 | PIN,SPLIT | 1 | | | | 0.002 | 0.0044 |
| 070 | 38240-12830 | NUT | 1 | | | | 0.008 | 0.0176 |
| 080 | 38440-44790 | ASSY END,TIE ROD LH | 1 | | | | 0.32 | 0.704 |
| 090 | 38240-12650 | COVER,DUST | 1 | | | | 0.01 | 0.022 |
| 100 | 38240-12660 | CLIP | 1 | | | | 0.005 | 0.011 |
| 110 | 05511-50325 | PIN,SPLIT | 1 | | | | 0.002 | 0.0044 |
| 120 | 38240-12830 | NUT | 1 | | | | 0.008 | 0.0176 |
| 130 | 02174-50160 | NUT | 1 | | | | 0.022 | 0.0484 |
| 140 | 32240-12280 | NUT | 1 | | | | 0.017 | 0.0374 |

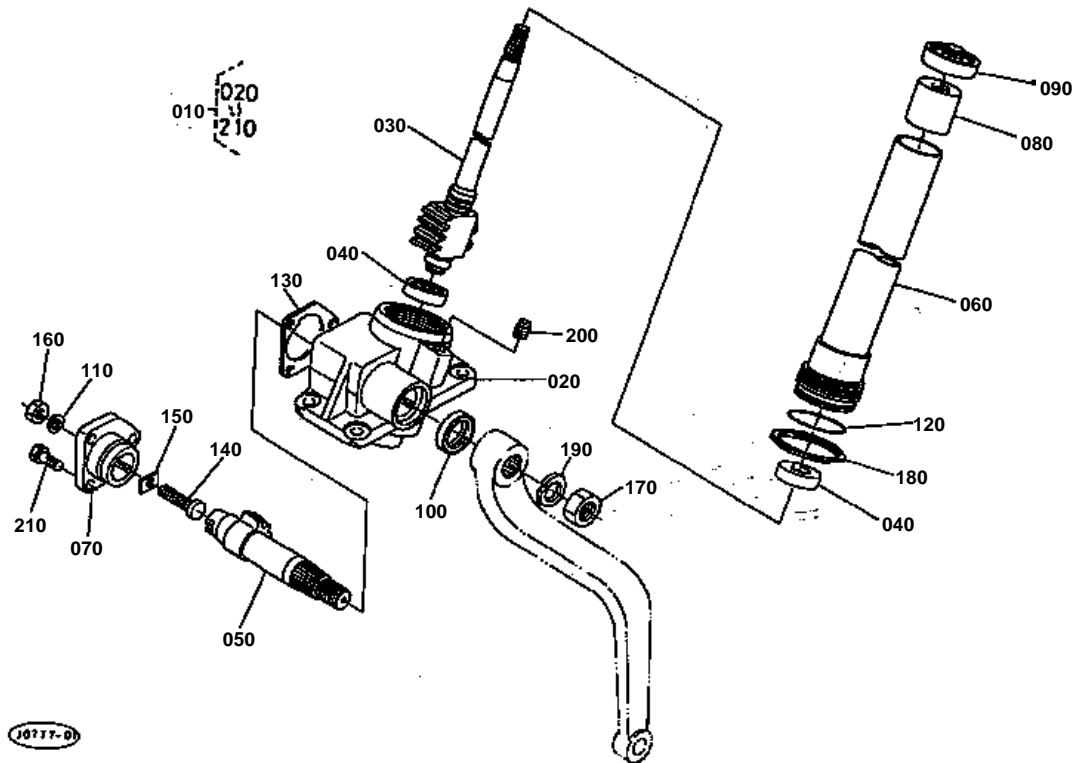




MANUAL STEERING AND HANDLE

↔ Interchangeable; ≠ not interchangeable; ← new for old; → old for new

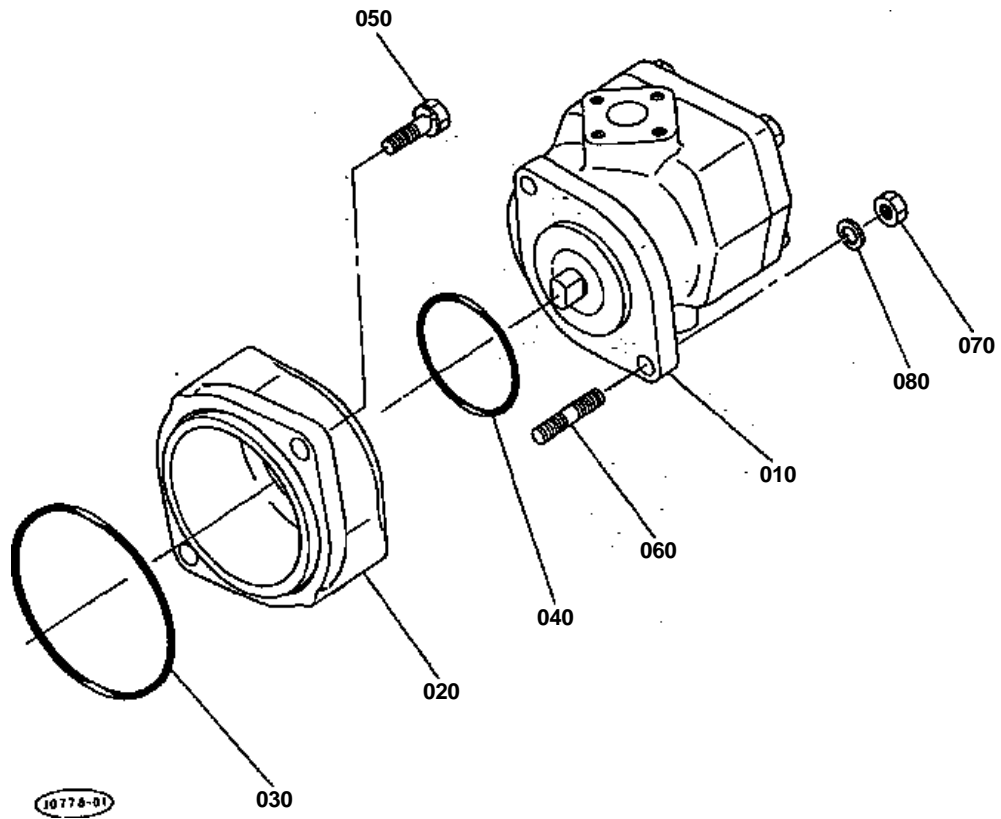
| REF.No | Part No. | Description | Q'ty | S.No. | I/C | REMARKS | Weight (kgf) | Weight (lb) |
|--------|-------------|-------------------------|------|-------|-----|--------------------------------------|--------------|-------------|
| 010 | 32400-16100 | ASSY STEERING | 1 | | | REFER TO L.NO.0E15-L0 FOR COMPONENTS | 7 | 15.4 |
| 020 | 04512-50120 | WASHER,SPRING | 1 | | | | 0 | 0 |
| 030 | 02176-50120 | NUT | 1 | | | | 0.01 | 0.022 |
| 040 | 01133-51025 | BOLT | 4 | | | | 0.023 | 0.0506 |
| 050 | 66611-41400 | ASSY WHEEL, STEERING | 1 | | | | 0 | 0 |
| 060 | 66611-41420 | CAP,STEERING WHEEL | 1 | | | | 0.026 | 0.0572 |
| 070 | 32400-16850 | COVER,POST | 1 | | | | 0.03 | 0.066 |
| 080 | 35260-43930 | ARM,PITMAN | 1 | | | | 1.19 | 2.618 |



↔ Interchangeable; ≠ not interchangeable; ← new for old; → old for new

| REF.No | Part No. | Description | Q'ty | S.No. | I/C | REMARKS | Weight (kgf) | Weight (lb) |
|--------|-------------|----------------------|------|-------|-----|---------|--------------|-------------|
| 010 | 32400-16100 | ASSY STEERING | 1 | | | | 7 | 15.4 |
| 020 | 32400-16110 | CASE,GEAR | 1 | | | | 2.5 | 5.5 |
| 030 | 35200-16200 | COMP.NUT,BALL | 1 | | | | 1.31 | 2.882 |
| 040 | 38260-16210 | BEARING,THRUST BALL | 2 | | | | 0.06 | 0.132 |
| 050 | 35240-16120 | SHAFT,SECTOR | 1 | | | | 0 | 0 |
| 060 | 38240-16300 | COMP.CULUMN,STEERING | 1 | | | | 1.21 | 2.662 |
| 070 | 34150-16410 | COVER,SIDE | 1 | | | | 0.361 | 0.7942 |
| 080 | 38240-16520 | BUSH,STEERING POST | 1 | | | | 0.04 | 0.088 |
| 090 | 38240-16390 | SEAL,OIL | 1 | | | | 0.03 | 0.066 |
| 100 | 09500-26387 | SEAL,OIL | 1 | | | | 0.008 | 0.0176 |
| 110 | 38430-16490 | WASHER,SEAL | 1 | | | | 0.015 | 0.033 |
| 120 | 38240-16320 | O RING | 1 | | | | 0.002 | 0.0044 |
| 130 | 34150-16420 | GASKET | 1 | | | | 0.001 | 0.0022 |
| 140 | 32130-16480 | SCREW,ADJUSTING | 1 | | | | 0.025 | 0.055 |
| 150 | 34150-16440 | COLLAR,ADJUSTING | 1 | | | | 0.002 | 0.0044 |
| 150 | 34150-16450 | COLLAR,ADJUSTING | 1 | | | | 0.002 | 0.0044 |
| 150 | 34150-16460 | COLLAR,ADJUSTING | 1 | | | | 0.002 | 0.0044 |
| 150 | 34150-16470 | COLLAR,ADJUSTING | 1 | | | | 0.002 | 0.0044 |
| 150 | 34150-16480 | COLLAR,ADJUSTING | 1 | | | | 0.002 | 0.0044 |
| 160 | 02116-50100 | NUT | 1 | | | | 0.004 | 0.0088 |
| 170 | 02172-50200 | NUT | 1 | | | | 0.03 | 0.066 |
| 180 | 38240-16630 | NUT | 1 | | | | 0.035 | 0.077 |
| 190 | 04512-50200 | WASHER,SPRING | 1 | | | | 0 | 0 |
| 200 | 34150-16640 | PLUG | 1 | | | | 0.015 | 0.033 |
| 210 | 01123-50820 | BOLT | 3 | | | | 0.011 | 0.0242 |

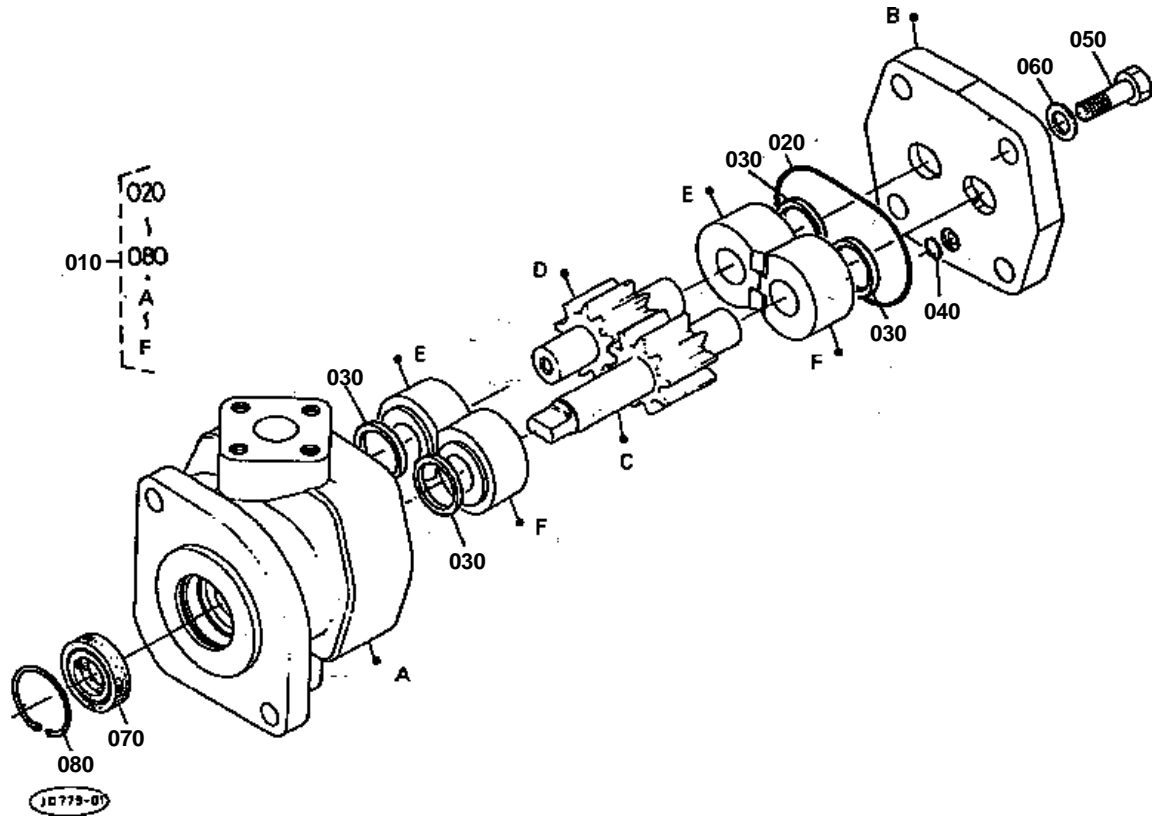
HYDRAULIC PUMP



**HYDRAULIC PUMP**

↔ Interchangeable; ≠ not interchangeable; ← new for old; → old for new

| REF.No | Part No. | Description | Q'ty | S.No. | I/C | REMARKS | Weight (kgf) | Weight (lb) |
|--------|-------------|-------------------------|------|-------|-----|---|--------------|-------------|
| 010 | 38180-76100 | ASSY PUMP, HYDRAULIC | 1 | | | REFER TO L.NO.0F02-R0 FOR COMPONENTS | 2.3 | 5.06 |
| 020 | 38180-37850 | HOLDER,PUMP | 1 | | | | 0.25 | 0.55 |
| 030 | 04811-10850 | RING | 1 | | | | 0.002 | 0.0044 |
| 040 | 04811-10500 | RING | 1 | | | | 0.001 | 0.0022 |
| 050 | 01123-50822 | BOLT | 2 | | | | 0.012 | 0.0264 |
| 060 | 38240-36330 | STUD | 2 | | | | 0.008 | 0.0176 |
| 070 | 02054-50080 | NUT | 2 | | | | 0.005 | 0.011 |
| 080 | 04512-50080 | WASHER,SPRING | 2 | | | | 0 | 0 |



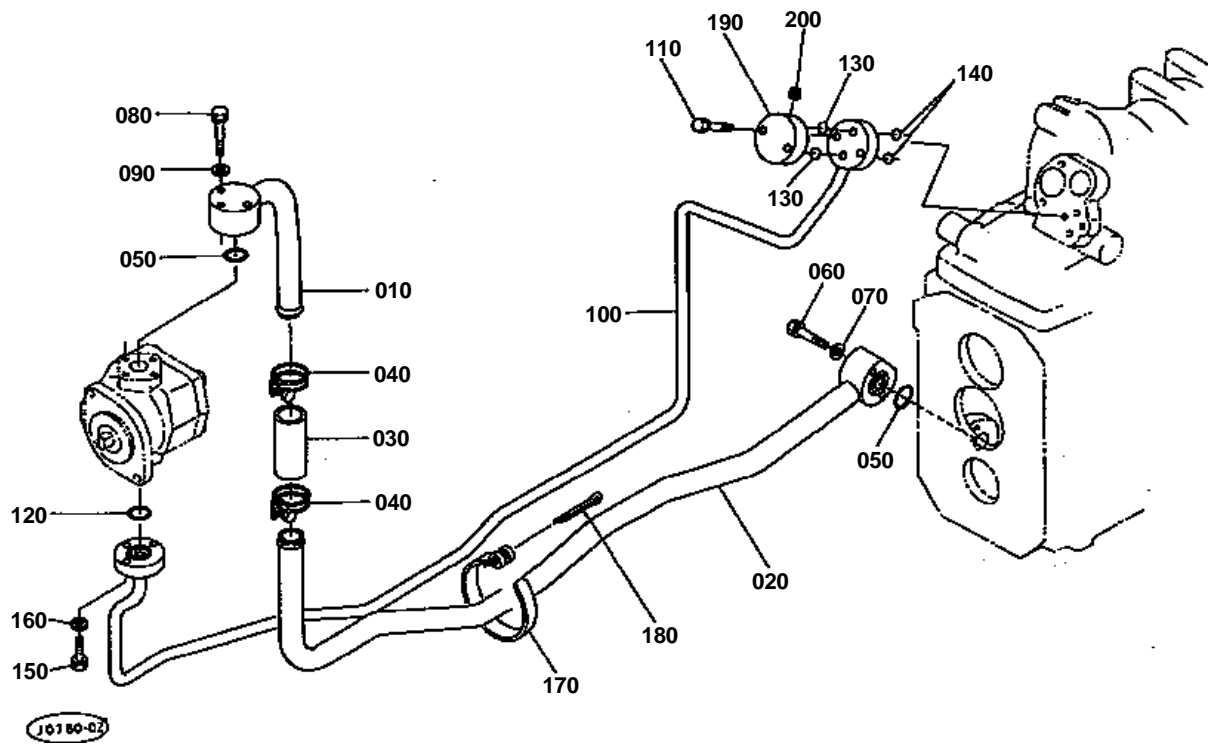


HYDRAULIC PUMP [COMPONENT PARTS]

↔ Interchangeable; ≠ not interchangeable; ← new for old; → old for new

| REF.No | Part No. | Description | Q'ty | S.No. | I/C | REMARKS | Weight (kgf) | Weight (lb) |
|--------|-------------|----------------------|------|---------|-----|---------|--------------|-------------|
| 010 | 38180-76100 | ASSY PUMP, HYDRAULIC | 1 | | | | 2.3 | 5.06 |
| 020 | 04810-50550 | RING | 1 | | | | 0.002 | 0.0044 |
| 030 | 38180-76172 | SQUARE RING | 4 | | | | 0.002 | 0.0044 |
| 040 | 04810-00050 | RING | 1 | | | | 0.001 | 0.0022 |
| 050 | 01156-51030 | BOLT | 4 | | | | 0.02 | 0.044 |
| 060 | 04011-50100 | WASHER, PLAIN | 4 | | | | 0.002 | 0.0044 |
| 070 | 67211-76190 | SEAL, OIL | 1 | <=10481 | | | 0 | 0 |
| 070 | 31381-76190 | SEAL, OIL | 1 | >=10482 | ↔ | | 0.007 | 0.0154 |
| 080 | 04611-00280 | CIR-CLIP, INTERNAL | 1 | | | | 0.002 | 0.0044 |

HYDRAULIC OIL LINE



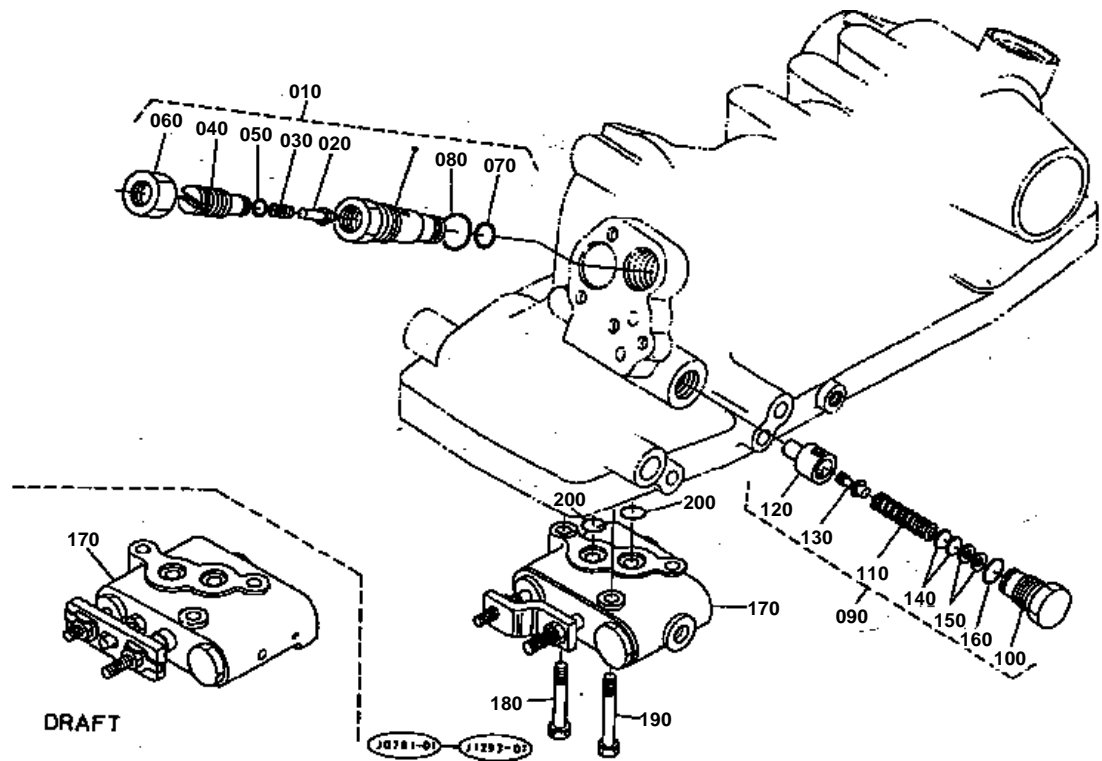


HYDRAULIC OIL LINE

↔ Interchangeable; ≠ not interchangeable; ← new for old; → old for new

| REF.No | Part No. | Description | Q'ty | S.No. | I/C | REMARKS | Weight (kgf) | Weight (lb) |
|--------|-------------|--------------------|------|-------|-----|---------|--------------|-------------|
| 010 | 32400-38120 | PIPE,INLET | 1 | | | | 0.41 | 0.902 |
| 020 | 32400-38130 | PIPE,INLET | 1 | | | | 0.95 | 2.09 |
| 030 | 37150-37770 | PIPE,RUBBER | 1 | | | | 0.035 | 0.077 |
| 040 | 37150-37782 | CLAMP | 2 | | | | 0.024 | 0.0528 |
| 050 | 04811-00200 | RING | 2 | | | | 0.001 | 0.0022 |
| 060 | 01123-50850 | BOLT | 2 | | | | 0.02 | 0.044 |
| 070 | 04013-50080 | WASHER,PLAIN | 2 | | | | 0 | 0 |
| 080 | 01023-50645 | BOLT | 3 | | | | 0.01 | 0.022 |
| 090 | 04013-50060 | WASHER,PLAIN | 3 | | | | 0 | 0 |
| 100 | 32400-38210 | COMP.PIPE,DELIVERY | 1 | | | | 0.9 | 1.98 |
| 110 | 01123-50850 | BOLT | 2 | | | | 0.02 | 0.044 |
| 120 | 04810-00200 | RING | 1 | | | | 0.001 | 0.0022 |
| 130 | 04810-00120 | RING | 2 | | | | 0.001 | 0.0022 |
| 140 | 04810-00100 | RING | 2 | | | | 0.001 | 0.0022 |
| 150 | 01023-50625 | BOLT | 3 | | | | 0.007 | 0.0154 |
| 160 | 04013-50060 | WASHER,PLAIN | 3 | | | | 0 | 0 |
| 170 | 37150-38950 | BAND,PIPE | 1 | | | | 0.02 | 0.044 |
| 180 | 33430-82760 | PIN,BAND | 1 | | | | 0.004 | 0.0088 |
| 190 | 31351-38310 | CAP | 1 | | | | 0.135 | 0.297 |
| 200 | 06312-10010 | PLUG | 1 | | | | 0.007 | 0.0154 |

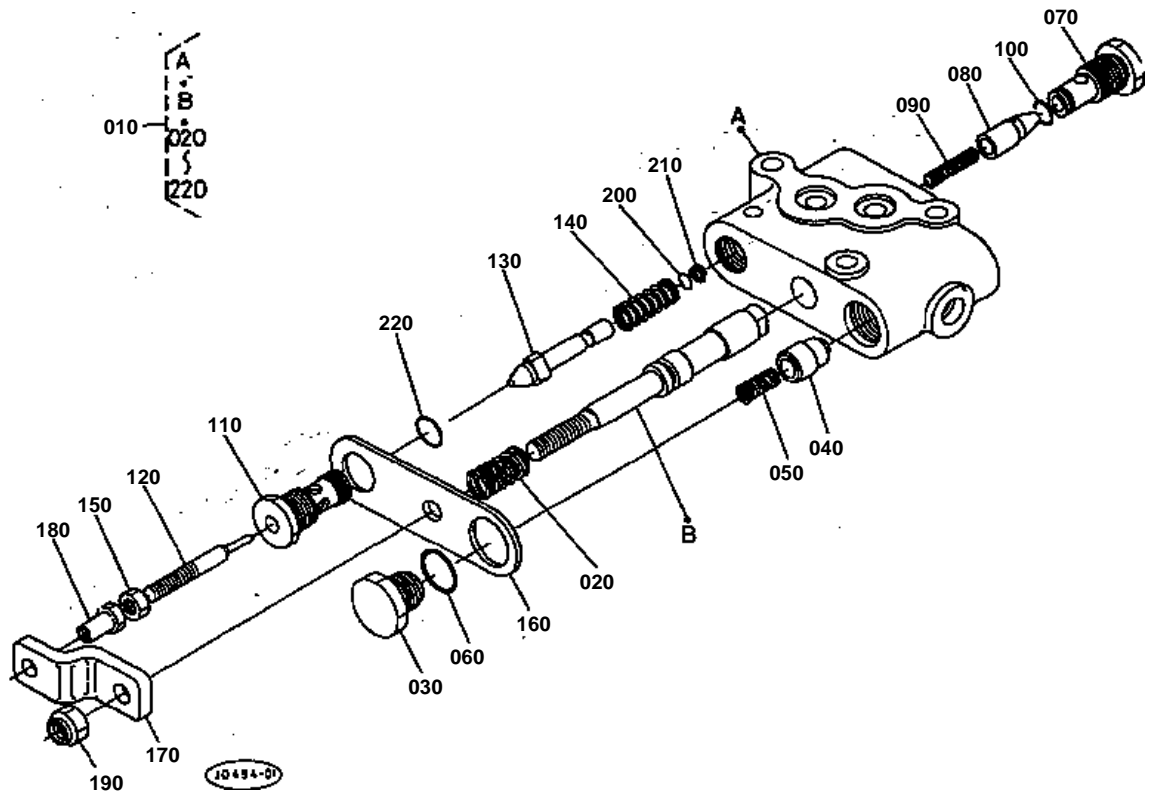
CONTROL VALVE



**CONTROL VALVE**

↔ Interchangeable; ≠ not interchangeable; ← new for old; → old for new

| REF.No | Part No. | Description | Q'ty | S.No. | I/C | REMARKS | Weight (kgf) | Weight (lb) |
|--------|-------------|--------------------------|------|-------|-----|---|--------------|-------------|
| 010 | 31351-37800 | ASSY VALVE,SAFETY | 1 | | | | 0.17 | 0.374 |
| 020 | 38240-39122 | VALVE | 1 | | | | 0.01 | 0.022 |
| 030 | 38240-39170 | SPRING,VALVE | 1 | | | | 0.005 | 0.011 |
| 040 | 38240-39130 | STOPPER,SPRING | 1 | | | | 0.05 | 0.11 |
| 050 | 04811-00090 | RING | 1 | | | | 0.001 | 0.0022 |
| 060 | 02172-50160 | NUT | 1 | | | | 0.017 | 0.0374 |
| 070 | 04810-00120 | RING | 1 | | | | 0.001 | 0.0022 |
| 080 | 04811-00180 | RING | 1 | | | | 0.001 | 0.0022 |
| 090 | 31351-37900 | ASSY VALVE,RELIEF | 1 | | | | 0.1 | 0.22 |
| 100 | 31351-37910 | PLUG | 1 | | | | 0.06 | 0.132 |
| 110 | 31351-37920 | SPRING | 1 | | | | 0.02 | 0.044 |
| 120 | 31351-37930 | SEAT | 1 | | | | 0.02 | 0.044 |
| 130 | 31351-37940 | POPPET | 1 | | | | 0.005 | 0.011 |
| 140 | 31351-37950 | SHIM | 5 | | | 0.4MM | 0.001 | 0.0022 |
| 140 | 31351-37960 | SHIM | 2 | | | 0.2MM | 0.001 | 0.0022 |
| 140 | 31351-37970 | SHIM | 2 | | | 0.1MM | 0.001 | 0.0022 |
| 150 | 04013-50050 | WASHER,PLAIN | 2 | | | | 0 | 0 |
| 160 | 04811-10160 | RING | 1 | | | | 0.001 | 0.0022 |
| 170 | 31391-39000 | ASSY VALVE, CONTROL(P | 1 | | | REFER TO L.NO.0F06-L0 FOR COMPONENTS | 0 | 0 |
| 170 | 31351-39600 | ASSY VALVE, CONTROL(D | 1 | | | REFER TO L.NO.0F06-R0 FOR COMPONENTS | 1.95 | 4.29 |
| 180 | 01123-50845 | BOLT | 1 | | | | 0.02 | 0.044 |
| 190 | 01123-50850 | BOLT | 2 | | | | 0.02 | 0.044 |
| 200 | 04810-00120 | RING | 2 | | | | 0.001 | 0.0022 |

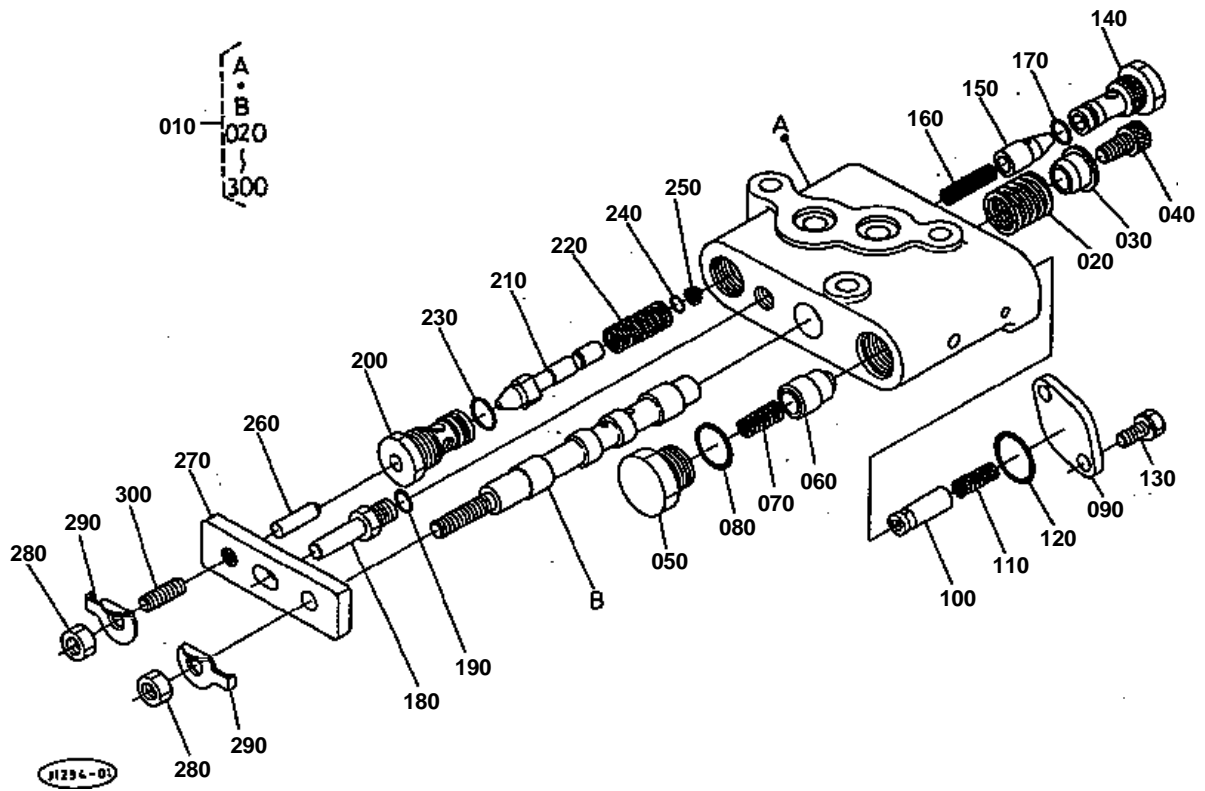


**CONTROL VALVE (POSITION) [COMPONENT PARTS]**

↔ Interchangeable; ≠ not interchangeable; ← new for old; → old for new

| REF.No | Part No. | Description | Q'ty | S.No. | I/C | REMARKS | Weight (kgf) | Weight (lb) |
|--------|-------------|--------------------|------|-------|-----|---------|--------------|-------------|
| 010 | 31391-39000 | ASSY VALVE,CONTROL | 1 | | | | 0 | 0 |
| 020 | 31351-39130 | SPRING,SPOOL | 1 | | | | 0.005 | 0.011 |
| 030 | 31351-39140 | PLUG | 1 | | | | 0.05 | 0.11 |
| 040 | 31351-39150 | POPPET | 1 | | | | 0.02 | 0.044 |
| 050 | 67531-38470 | SPRING | 1 | | | | 0.001 | 0.0022 |
| 060 | 04811-00160 | RING | 1 | | | | 0.001 | 0.0022 |
| 070 | 31391-39170 | PLUG | 1 | | | | 0.05 | 0.11 |
| 080 | 31391-39180 | POPPET | 1 | | | | 0.015 | 0.033 |
| 090 | 31391-39190 | SPRING | 1 | | | | 0.001 | 0.0022 |
| 100 | 04810-00090 | RING | 1 | | | | 0.001 | 0.0022 |
| 110 | 31351-39200 | PLUG | 1 | | | | 0.04 | 0.088 |
| 120 | 31351-39210 | RETAINER,ROD | 1 | | | | 0.013 | 0.0286 |
| 130 | 31351-39180 | POPPET | 1 | | | | 0.025 | 0.055 |
| 140 | 31351-39190 | SPRING | 1 | | | | 0.008 | 0.0176 |
| 150 | 02056-50060 | NUT | 1 | | | | 0.002 | 0.0044 |
| 160 | 31351-39240 | PLATE | 1 | | | | 0.05 | 0.11 |
| 170 | 31351-39250 | PLATE,JOINT | 1 | | | | 0.052 | 0.1144 |
| 180 | 31351-39260 | NUT | 1 | | | | 0.008 | 0.0176 |
| 190 | 31351-39270 | U NUT | 1 | | | | 0.005 | 0.011 |
| 200 | 04811-00050 | RING | 1 | | | | 0.001 | 0.0022 |
| 210 | 31351-39290 | RING,BACK UP | 1 | | | | 0.001 | 0.0022 |
| 220 | 04810-06100 | RING | 1 | | | | 0.001 | 0.0022 |

CONTROL VALVE (DRAFT) [COMPONENT PARTS]

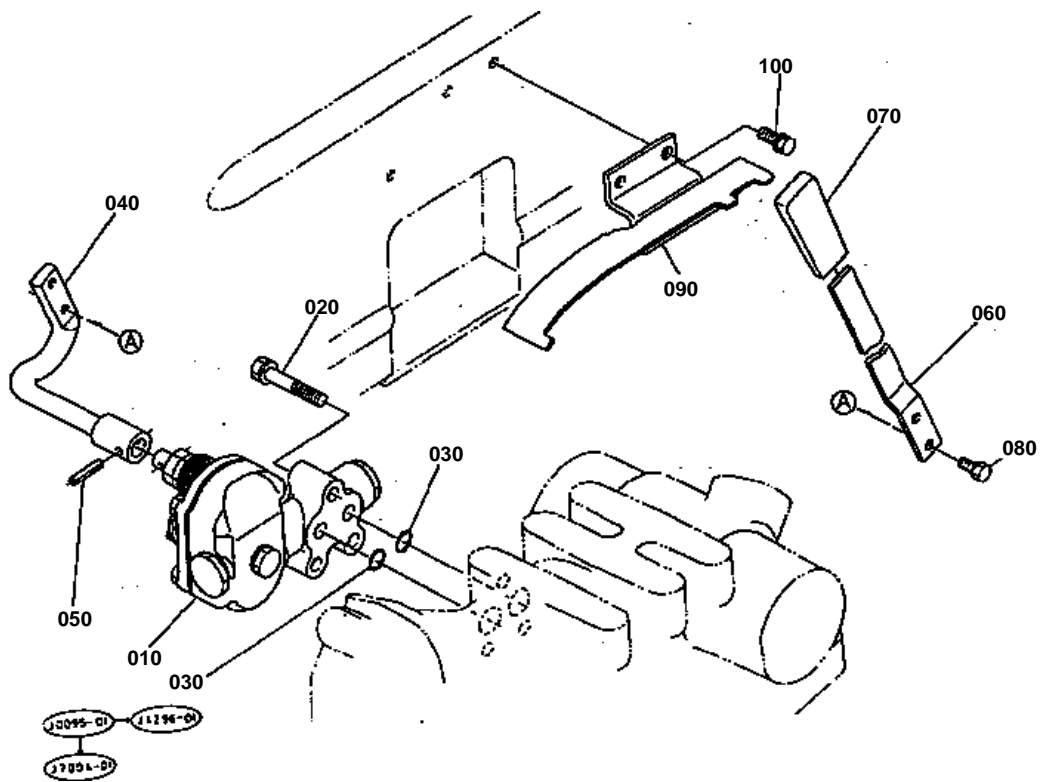


**CONTROL VALVE (DRAFT) [COMPONENT PARTS]**

↔ Interchangeable; ≠ not interchangeable; ← new for old; → old for new

| REF.No | Part No. | Description | Q'ty | S.No. | I/C | REMARKS | Weight (kgf) | Weight (lb) |
|--------|-------------|--------------------|------|-------|-----|---------|--------------|-------------|
| 010 | 31351-39600 | ASSY VALVE,CONTROL | 1 | | | | 1.95 | 4.29 |
| 020 | 31351-39630 | SPRING,SPOOL | 1 | | | | 0.02 | 0.044 |
| 030 | 31351-39640 | HOLDER,SPRING | 1 | | | | 0.02 | 0.044 |
| 040 | 01311-10814 | BOLT | 1 | | | | 0.012 | 0.0264 |
| 050 | 31351-39650 | PLUG | 1 | | | | 0.04 | 0.088 |
| 060 | 31351-39150 | POPPET | 1 | | | | 0.02 | 0.044 |
| 070 | 67531-38470 | SPRING | 1 | | | | 0.001 | 0.0022 |
| 080 | 04811-00140 | RING | 1 | | | | 0.001 | 0.0022 |
| 090 | 31351-39660 | PLATE | 1 | | | | 0.05 | 0.11 |
| 100 | 31351-39670 | POPPET | 1 | | | | 0.01 | 0.022 |
| 110 | 31351-39680 | SPRING | 1 | | | | 0.01 | 0.022 |
| 120 | 04811-00160 | RING | 1 | | | | 0.001 | 0.0022 |
| 130 | 01023-50614 | BOLT | 2 | | | | 0.005 | 0.011 |
| 140 | 31351-39690 | PLUG | 1 | | | | 0.05 | 0.11 |
| 150 | 31391-39180 | POPPET | 1 | | | | 0.015 | 0.033 |
| 160 | 31391-39190 | SPRING | 1 | | | | 0.001 | 0.0022 |
| 170 | 04810-00090 | RING | 1 | | | | 0.001 | 0.0022 |
| 180 | 31351-39720 | PIN,FULCRUM | 1 | | | | 0.025 | 0.055 |
| 190 | 04811-00080 | RING | 1 | | | | 0.001 | 0.0022 |
| 200 | 31351-39730 | PLUG | 1 | | | | 0.05 | 0.11 |
| 210 | 31351-39180 | POPPET | 1 | | | | 0.025 | 0.055 |
| 220 | 31351-39190 | SPRING | 1 | | | | 0.008 | 0.0176 |
| 230 | 04810-06100 | RING | 1 | | | | 0.001 | 0.0022 |
| 240 | 04811-00050 | RING | 1 | | | | 0.001 | 0.0022 |
| 250 | 31351-39290 | RING,BACK UP | 1 | | | | 0.001 | 0.0022 |
| 260 | 31351-39740 | RETAINER,ROD | 1 | | | | 0.005 | 0.011 |
| 270 | 31351-39750 | PLATE,JOINT | 1 | | | | 0.05 | 0.11 |
| 280 | 02156-50080 | NUT | 2 | | | | 0.004 | 0.0088 |
| 290 | 04111-50080 | WASHER | 2 | | | | 0.001 | 0.0022 |
| 300 | 03650-50816 | SCREW,SET | 1 | | | | 0.01 | 0.022 |

DRAFT CONTROL VALVE



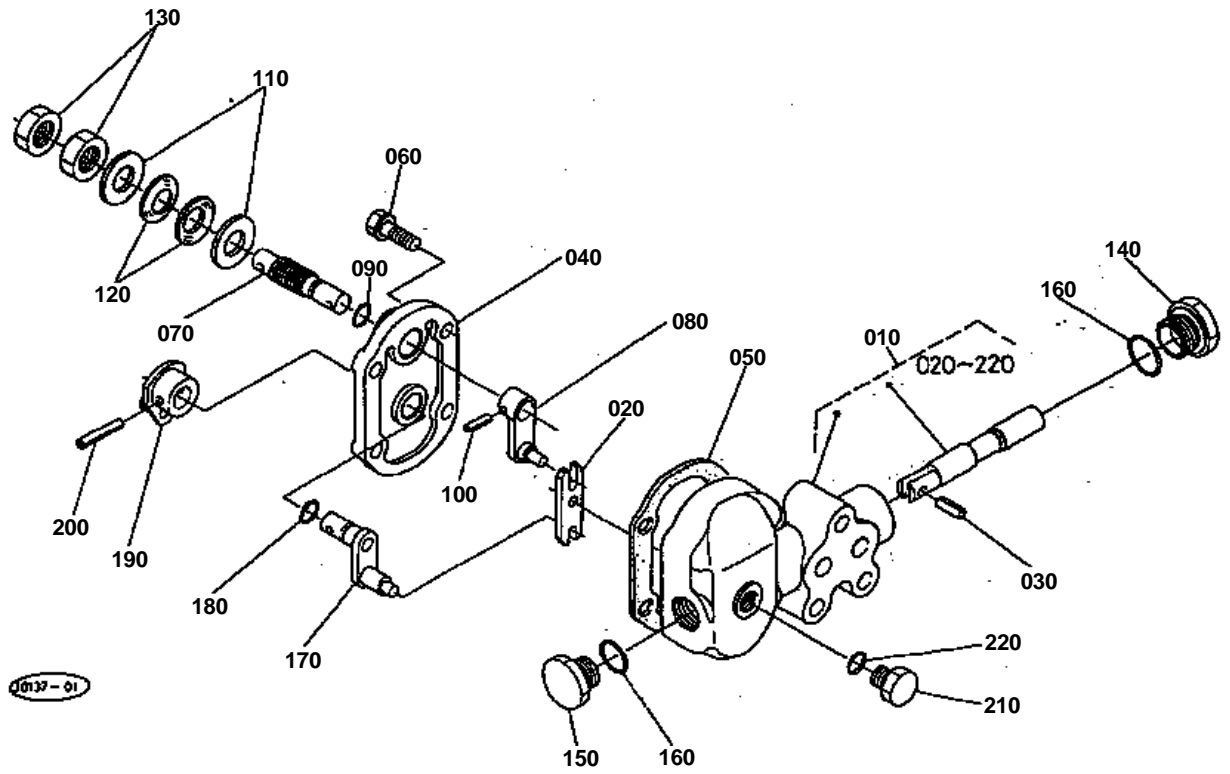


DRAFT CONTROL VALVE

↔ Interchangeable; ≠ not interchangeable; ← new for old; → old for new

| REF.No | Part No. | Description | Q'ty | S.No. | I/C | REMARKS | Weight (kgf) | Weight (lb) |
|--------|-------------|----------------------|------|-------|-----|--------------------------------------|--------------|-------------|
| 010 | 32430-41100 | ASSY VALVE,DRAFT CON | 1 | | | REFER TO L.NO.0F08-L0 FOR COMPONENTS | 0 | 0 |
| 020 | 01123-50845 | BOLT | 3 | | | | 0.02 | 0.044 |
| 030 | 04810-00140 | RING | 2 | | | | 0.001 | 0.0022 |
| 040 | 32430-41240 | LEVER,DRAFT CON. | 1 | | | | 0.3 | 0.66 |
| 050 | 05411-00525 | PIN,SPRING | 1 | | | | 0.002 | 0.0044 |
| 060 | 32400-41250 | LEVER,DRAFT CON. | 1 | | | | 0.12 | 0.264 |
| 070 | 31351-36880 | GRIP,LEVER | 1 | | | | 0.04 | 0.088 |
| 080 | 01023-50612 | BOLT | 2 | | | | 0.005 | 0.011 |
| 090 | 32400-41260 | GUIDE,DRAFT LEVER | 1 | | | | 0.27 | 0.594 |
| 100 | 01754-50812 | BOLT,FLANGE | 2 | | | | 0.01 | 0.022 |

DRAFT CONTROL VALVE [COMPONENT PARTS]

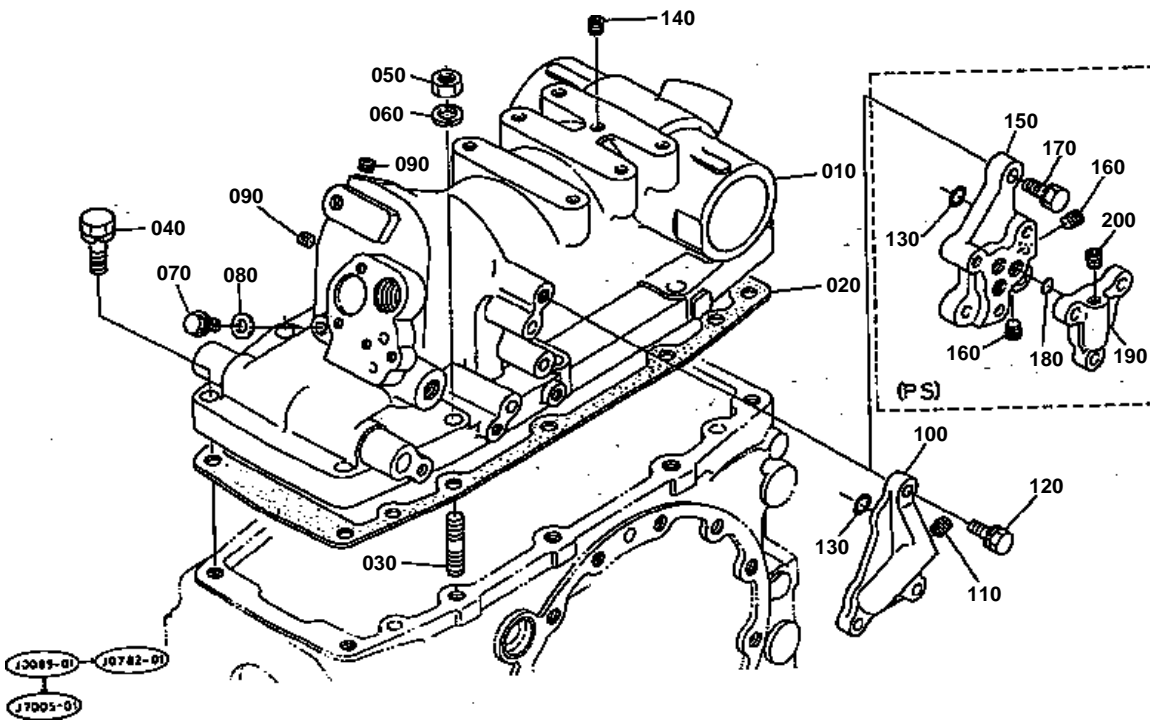


**DRAFT CONTROL VALVE [COMPONENT PARTS]**

↔ Interchangeable; ≠ not interchangeable; ← new for old; → old for new

| REF.No | Part No. | Description | Q'ty | S.No. | I/C | REMARKS | Weight (kgf) | Weight (lb) |
|--------|-------------|----------------------|------|-------|-----|---------|--------------|-------------|
| 010 | 32430-41100 | ASSY VALVE,DRAFT CON | 1 | | | | 0 | 0 |
| 020 | 32430-41130 | LEVER,SPOOL DRIVE | 1 | | | | 0.02 | 0.044 |
| 030 | 05411-00614 | PIN,SPRING | 1 | | | | 0.002 | 0.0044 |
| 040 | 32430-41140 | COVER,VALVE | 1 | | | | 0.43 | 0.946 |
| 050 | 32430-41150 | GASKET | 1 | | | | 0.001 | 0.0022 |
| 060 | 01123-50825 | BOLT | 4 | | | | 0.013 | 0.0286 |
| 070 | 32430-41160 | SHAFT,CONTROL LEVER | 1 | | | | 0.06 | 0.132 |
| 080 | 32430-41200 | ARM,CONTROL | 1 | | | | 0.03 | 0.066 |
| 090 | 04810-00090 | RING | 1 | | | | 0.001 | 0.0022 |
| 100 | 05411-00516 | PIN,SPRING | 1 | | | | 0.002 | 0.0044 |
| 110 | 04013-50140 | WASHER,PLAIN | 2 | | | | 0 | 0 |
| 120 | 37300-41280 | SPRING,PLATE | 2 | | | | 0.005 | 0.011 |
| 130 | 02172-50140 | NUT | 1 | | | | 0.01 | 0.022 |
| 140 | 32430-41170 | PLUG | 1 | | | | 0.04 | 0.088 |
| 150 | 32430-41230 | PLUG | 1 | | | | 0.06 | 0.132 |
| 160 | 04810-00180 | RING | 2 | | | | 0.001 | 0.0022 |
| 170 | 32430-41180 | SHAFT,BACK LEVER | 1 | | | | 0.05 | 0.11 |
| 180 | 04810-00090 | RING | 1 | | | | 0.001 | 0.0022 |
| 190 | 32430-41190 | LEVER,FEED BACK | 1 | | | | 0.04 | 0.088 |
| 200 | 05411-00520 | PIN,SPRING | 1 | | | | 0.002 | 0.0044 |
| 210 | 32430-41280 | PLUG | 1 | | | | 0.025 | 0.055 |
| 220 | 04810-00110 | RING | 1 | | | | 0.001 | 0.0022 |

HYDRAULIC CYLINDER



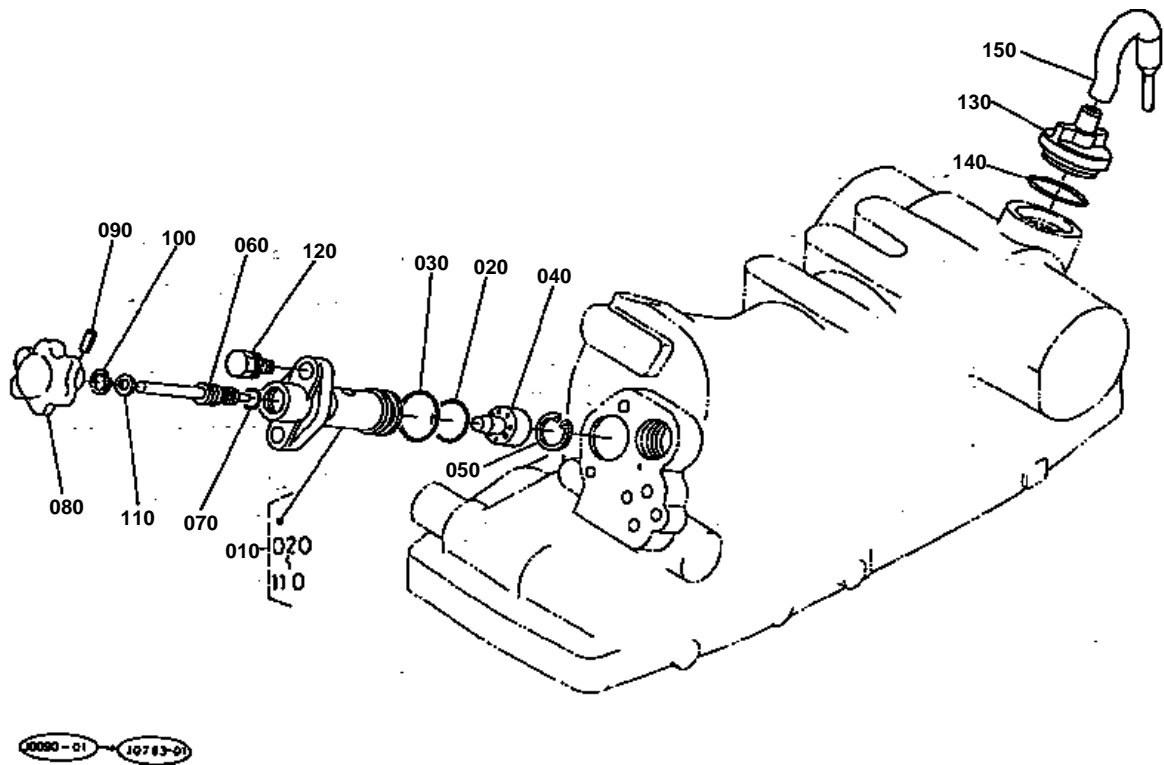


HYDRAULIC CYLINDER

↔ Interchangeable; ≠ not interchangeable; ← new for old; → old for new

| REF.No | Part No. | Description | Q'ty | S.No. | I/C | REMARKS | Weight (kgf) | Weight (lb) |
|--------|-------------|---------------|------|-------|-----|--------------|--------------|-------------|
| 010 | 32412-37110 | CYLINDER,HYD. | 1 | | | | 0 | 0 |
| 020 | 37150-37120 | GASKET | 1 | | | | 0 | 0 |
| 030 | 01574-51240 | STUD | 2 | | | | 0 | 0 |
| 040 | 01133-51245 | BOLT | 8 | | | | 0.055 | 0.121 |
| 050 | 02176-50120 | NUT | 2 | | | | 0.01 | 0.022 |
| 060 | 04512-50120 | WASHER,SPRING | 2 | | | | 0 | 0 |
| 070 | 37150-36730 | PLUG | 1 | | | | 0.03 | 0.066 |
| 080 | 37150-36720 | GASKET | 1 | | | | 0.01 | 0.022 |
| 090 | 31351-37160 | PLUG | 2 | | | | 0.003 | 0.0066 |
| 100 | 31351-37280 | COVER,CYL.LH | 1 | | | MANUAL STRG. | 0.12 | 0.264 |
| 110 | 06312-10010 | PLUG | 1 | | | MANUAL STRG. | 0.007 | 0.0154 |
| 120 | 01123-50825 | BOLT | 3 | | | MANUAL STRG. | 0.013 | 0.0286 |
| 130 | 04810-00100 | RING | 3 | | | | 0.001 | 0.0022 |
| 140 | 31351-37160 | PLUG | 1 | | | | 0.003 | 0.0066 |

HYD. CYLINDER FRONT COVER



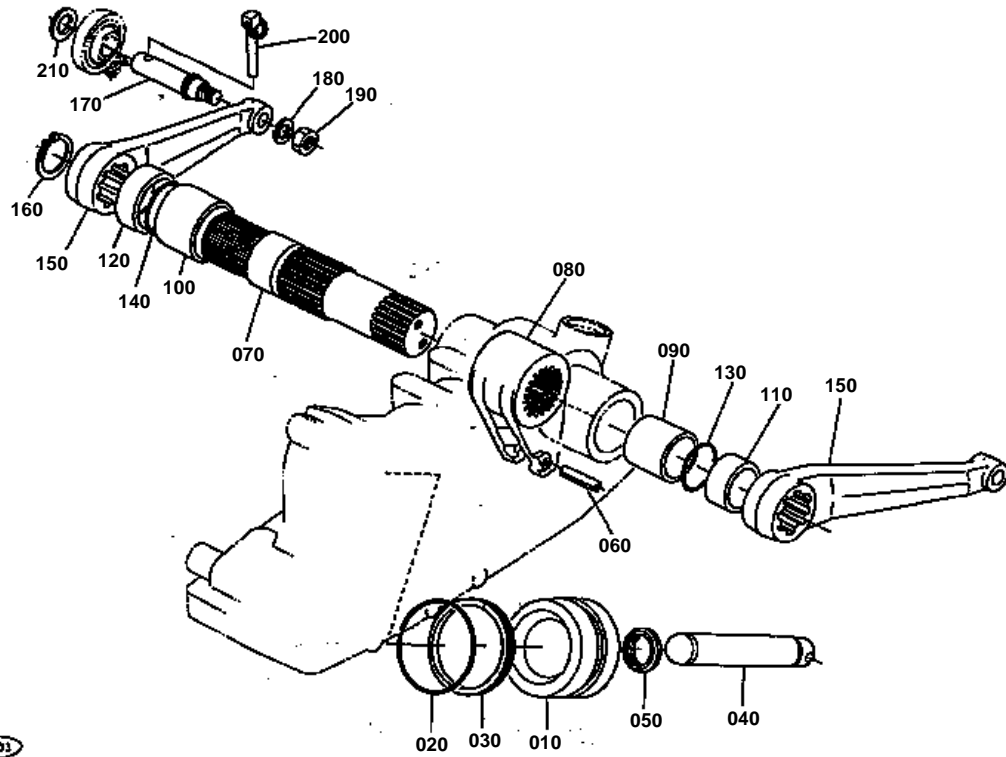


HYD. CYLINDER FRONT COVER

↔ Interchangeable; ≠ not interchangeable; ← new for old; → old for new

| REF.No | Part No. | Description | Q'ty | S.No. | I/C | REMARKS | Weight (kgf) | Weight (lb) |
|--------|-------------|----------------------|------|-------|-----|---------|--------------|-------------|
| 010 | 31351-37200 | ASSY COVER,CYL.FRONT | 1 | | | | 0.3 | 0.66 |
| 020 | 04810-00220 | RING | 1 | | | | 0.001 | 0.0022 |
| 030 | 04810-06250 | O RING | 1 | | | | 0.001 | 0.0022 |
| 040 | 38240-37250 | COLLAR,ADJUSTING | 1 | | | | 0.01 | 0.022 |
| 050 | 04611-00160 | CIR-CLIP,INTERNAL | 1 | | | | 0.001 | 0.0022 |
| 060 | 31351-37220 | SHAFT,HYD.AJUST. | 1 | | | | 0.04 | 0.088 |
| 070 | 04810-00100 | RING | 1 | | | | 0.001 | 0.0022 |
| 080 | 34150-37230 | GRIP | 1 | | | | 0.04 | 0.088 |
| 090 | 05411-00418 | PIN,SPRING | 1 | | | | 0.001 | 0.0022 |
| 100 | 34150-37260 | CIR-CLIP,INTERNAL | 1 | | | | 0.001 | 0.0022 |
| 110 | 04012-50080 | WASHER,PLAIN | 1 | | | | 0.001 | 0.0022 |
| 120 | 01123-50825 | BOLT | 2 | | | | 0.013 | 0.0286 |
| 130 | 38180-21410 | PLUG | 1 | | | | 0.02 | 0.044 |
| 140 | 04811-50300 | RING | 1 | | | | 0.001 | 0.0022 |
| 150 | 38180-37140 | BREATHER | 1 | | | | 0.01 | 0.022 |

HYDRAULIC LIFT ARM



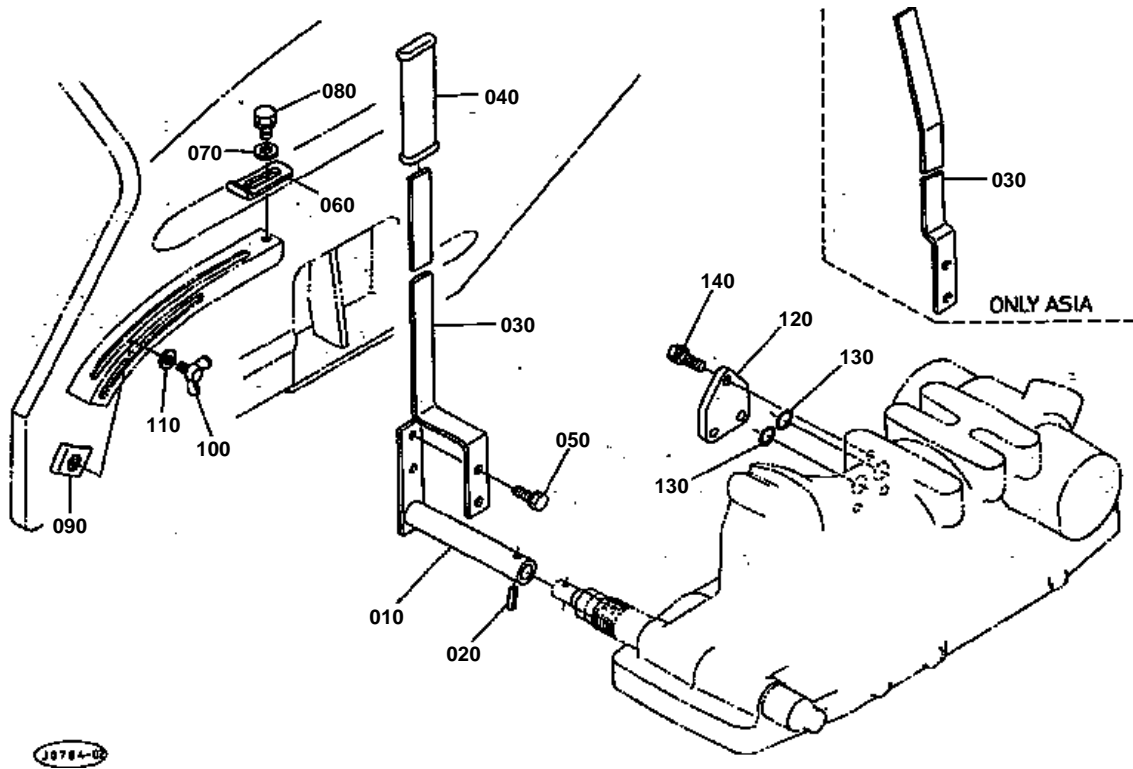
0081-01

**HYDRAULIC LIFT ARM**

↔ Interchangeable; ≠ not interchangeable; ← new for old; → old for new

| REF.No | Part No. | Description | Q'ty | S.No. | I/C | REMARKS | Weight (kgf) | Weight (lb) |
|--------|-------------|-------------------|------|--------|-----|---------|--------------|-------------|
| 010 | 31321-37310 | PISTON,HYD. | 1 | | | | 1.08 | 2.376 |
| 020 | 04811-00650 | RING | 1 | | | | 0.007 | 0.0154 |
| 030 | 34220-37380 | RING,BACK UP | 1 | | | | 0.001 | 0.0022 |
| 040 | 31351-37320 | ROD,HYD. | 1 | | | | 0.605 | 1.331 |
| 050 | 31351-37330 | GUIDE,HYD.ROD | 1 | | | | 0.003 | 0.0066 |
| 060 | 05411-00645 | PIN,SPRING | 1 | | | | 0.006 | 0.0132 |
| 070 | 31321-37430 | SHAFT,HYD.ARM | 1 | | | | 2.22 | 4.884 |
| 080 | 31321-37440 | ARM,HYDRAULIC | 1 | | | | 0 | 0 |
| 090 | 31321-37450 | BUSH | 1 | | | | 0.09 | 0.198 |
| 100 | 34150-37460 | BUSH | 1 | | | | 0.062 | 0.1364 |
| 110 | 34150-37480 | COLLAR | 1 | | | | 0.005 | 0.011 |
| 120 | 34150-37490 | COLLAR | 1 | | | | 0.002 | 0.0044 |
| 130 | 04811-50450 | RING | 1 | | | | 0.002 | 0.0044 |
| 140 | 04811-06400 | RING | 1 | | | | 0.001 | 0.0022 |
| 150 | 30401-37610 | ARM,LIFT | 2 | | | | 2.1 | 4.62 |
| 160 | 04612-00400 | CIR-CLIP,EXTERNAL | 1 | | | | 0.005 | 0.011 |
| 170 | 32240-37695 | PIN,LIFT ROD | 2 | ≤10767 | | | 0.2 | 0.44 |
| 170 | 30442-37690 | PIN,LIFT ROD | 2 | ≥10768 | ≠ | | 0.205 | 0.451 |
| 180 | 04512-50160 | WASHER,SPRING | 2 | | | | 0 | 0 |
| 190 | 02174-50160 | NUT | 2 | | | | 0.022 | 0.0484 |
| 200 | 34150-37640 | PIN,SET | 2 | | | | 0.06 | 0.132 |
| 210 | 04011-50180 | WASHER,PLAIN | 2 | ≥10768 | | | 0.012 | 0.0264 |

HYDRAULIC POSITION LEVER



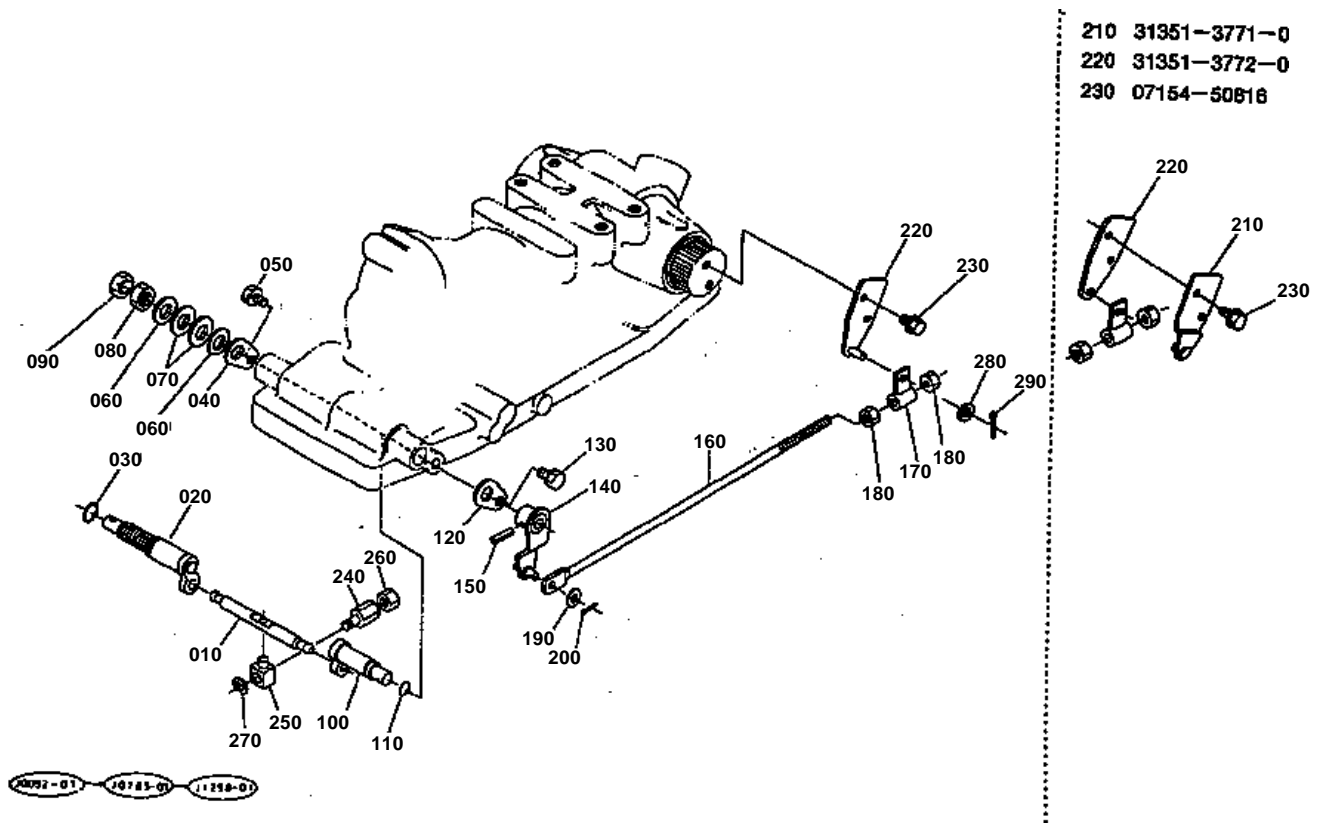


HYDRAULIC POSITION LEVER

↔ Interchangeable; ≠ not interchangeable; ← new for old; → old for new

| REF.No | Part No. | Description | Q'ty | S.No. | I/C | REMARKS | Weight (kgf) | Weight (lb) |
|--------|-------------|-------------------|------|-------|-----|---------------|--------------|-------------|
| 010 | 32400-36850 | LEVER,POSITION | 1 | | | | 0.31 | 0.682 |
| 020 | 05411-00525 | PIN,SPRING | 1 | | | | 0.002 | 0.0044 |
| 030 | 32400-36860 | LEVER,POSITION | 1 | | | [A],[AU] | 0.2 | 0.44 |
| 030 | 32400-96860 | LEVER,POSITION | 1 | | | [AS] | 0.21 | 0.462 |
| 040 | 34350-36890 | GRIP,LEVER | 1 | | | | 0.016 | 0.0352 |
| 050 | 01023-50616 | BOLT | 2 | | | | 0.005 | 0.011 |
| 060 | 38240-36930 | STOPPER | 1 | | | | 0.02 | 0.044 |
| 070 | 04015-50080 | WASHER,PLAIN | 1 | | | | 0 | 0 |
| 080 | 01123-50816 | BOLT | 1 | | | | 0.011 | 0.0242 |
| 090 | 31351-36910 | STOPPER | 1 | | | | 0.02 | 0.044 |
| 100 | 01811-50610 | BOLT,WING | 1 | | | | 0.014 | 0.0308 |
| 110 | 04013-50060 | WASHER,PLAIN | 1 | | | | 0 | 0 |
| 120 | 32430-41210 | COVER,CYL.SIDE LH | 1 | | | WITHOUT DRAFT | 0.11 | 0.242 |
| 130 | 04810-00140 | RING | 2 | | | WITHOUT DRAFT | 0.001 | 0.0022 |
| 140 | 01123-50820 | BOLT | 3 | | | WITHOUT DRAFT | 0.011 | 0.0242 |

HYDRAULIC FEED BACK LEVER



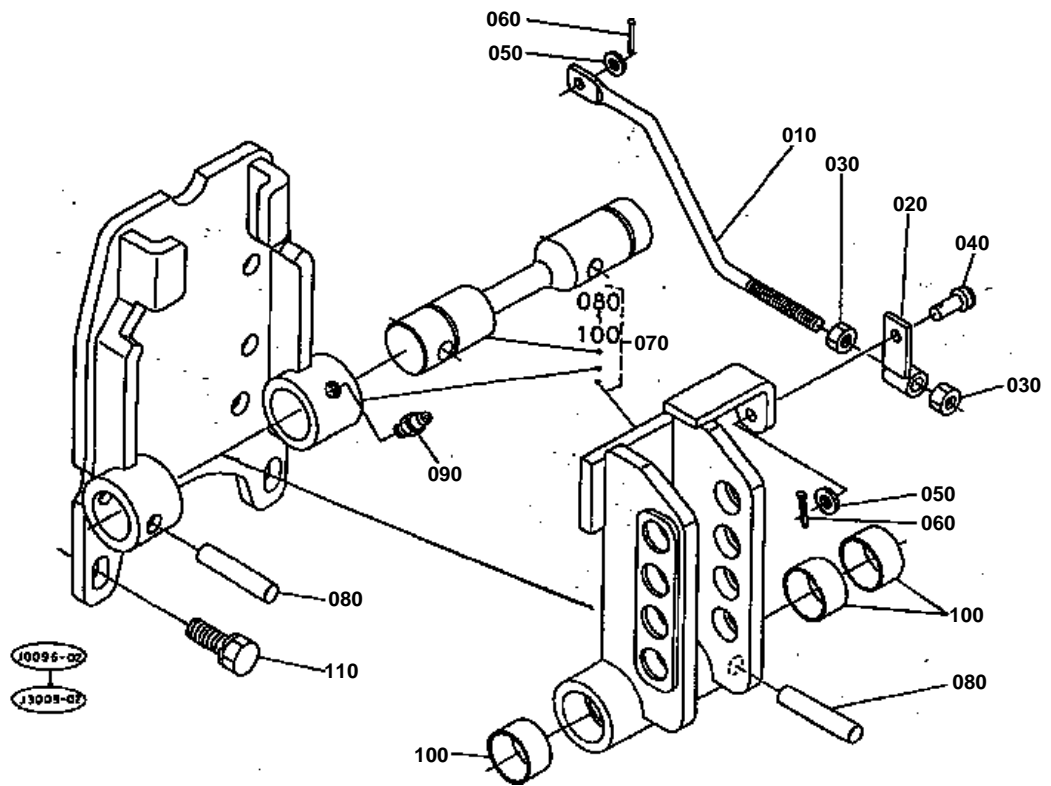


HYDRAULIC FEED BACK LEVER

↔ Interchangeable; ≠ not interchangeable; ← new for old; → old for new

| REF.No | Part No. | Description | Q'ty | S.No. | I/C | REMARKS | Weight (kgf) | Weight (lb) |
|--------|-------------|-------------------|------|--------|-----|---------|--------------|-------------|
| 010 | 31351-37640 | LEVER,SPOOL DRIVE | 1 | | | | 0.05 | 0.11 |
| 020 | 31351-37650 | ARM,CONTROL | 1 | | | | 0.16 | 0.352 |
| 030 | 04811-00140 | RING | 1 | | | | 0.001 | 0.0022 |
| 040 | 31351-37660 | SET PLATE | 1 | | | | 0.01 | 0.022 |
| 050 | 01123-50816 | BOLT | 1 | | | | 0.011 | 0.0242 |
| 060 | 38430-36890 | WASHER | 2 | ≤10804 | | | 0.01 | 0.022 |
| 060 | 04013-50140 | WASHER,PLAIN | 2 | ≥10805 | ↔ | | 0 | 0 |
| 070 | 34260-36880 | SPRING,PLATE | 2 | | | | 0.006 | 0.0132 |
| 080 | 02174-50140 | NUT | 1 | | | | 0.014 | 0.0308 |
| 090 | 02172-50140 | NUT | 1 | | | | 0.01 | 0.022 |
| 100 | 31351-37750 | SHAFT,BACK LEVER | 1 | | | | 0.1 | 0.22 |
| 110 | 04811-00120 | RING | 1 | | | | 0.001 | 0.0022 |
| 120 | 38240-36890 | SET PLATE | 1 | | | | 0.013 | 0.0286 |
| 130 | 01123-50816 | BOLT | 1 | | | | 0.011 | 0.0242 |
| 140 | 31351-37760 | LEVER,FEED BACK | 1 | | | | 0.08 | 0.176 |
| 150 | 05411-00525 | PIN,SPRING | 1 | | | | 0.002 | 0.0044 |
| 160 | 31321-37770 | ROD,FEED BACK | 1 | | | | 0.12 | 0.264 |
| 170 | 31351-37780 | ROD,CONTROL | 1 | | | | 0.03 | 0.066 |
| 180 | 02114-50080 | NUT | 2 | | | | 0.005 | 0.011 |
| 190 | 04013-50080 | WASHER,PLAIN | 1 | | | | 0 | 0 |
| 200 | 05511-50218 | PIN,SPLIT | 1 | | | | 0.001 | 0.0022 |
| 210 | 31351-37710 | LINK,CONTROL | 1 | ≤10804 | | | 0.04 | 0.088 |
| 220 | 31351-37720 | LINK,CONTROL | 1 | | | | 0 | 0 |
| 230 | 01754-50816 | BOLT,FLANGE | 2 | ≤10804 | | | 0.011 | 0.0242 |
| 230 | 01754-50812 | BOLT,FLANGE | 2 | ≥10805 | ≠ | | 0.01 | 0.022 |
| 240 | 67531-38280 | JOINT,SPOOL | 1 | | | | 0.17 | 0.374 |
| 250 | 37150-36420 | JOINT,SPOOL | 1 | | | | 0.02 | 0.044 |
| 260 | 02112-50080 | NUT | 1 | | | | 0.003 | 0.0066 |
| 270 | 04613-00060 | CIR-CLIP,EXTERNAL | 1 | | | | 0 | 0 |
| 280 | 04013-50080 | WASHER,PLAIN | 1 | | | | 0 | 0 |
| 290 | 05511-50215 | PIN,SPLIT | 1 | | | | 0.001 | 0.0022 |

TOP LINKAGE BRACKET(DRAFT)



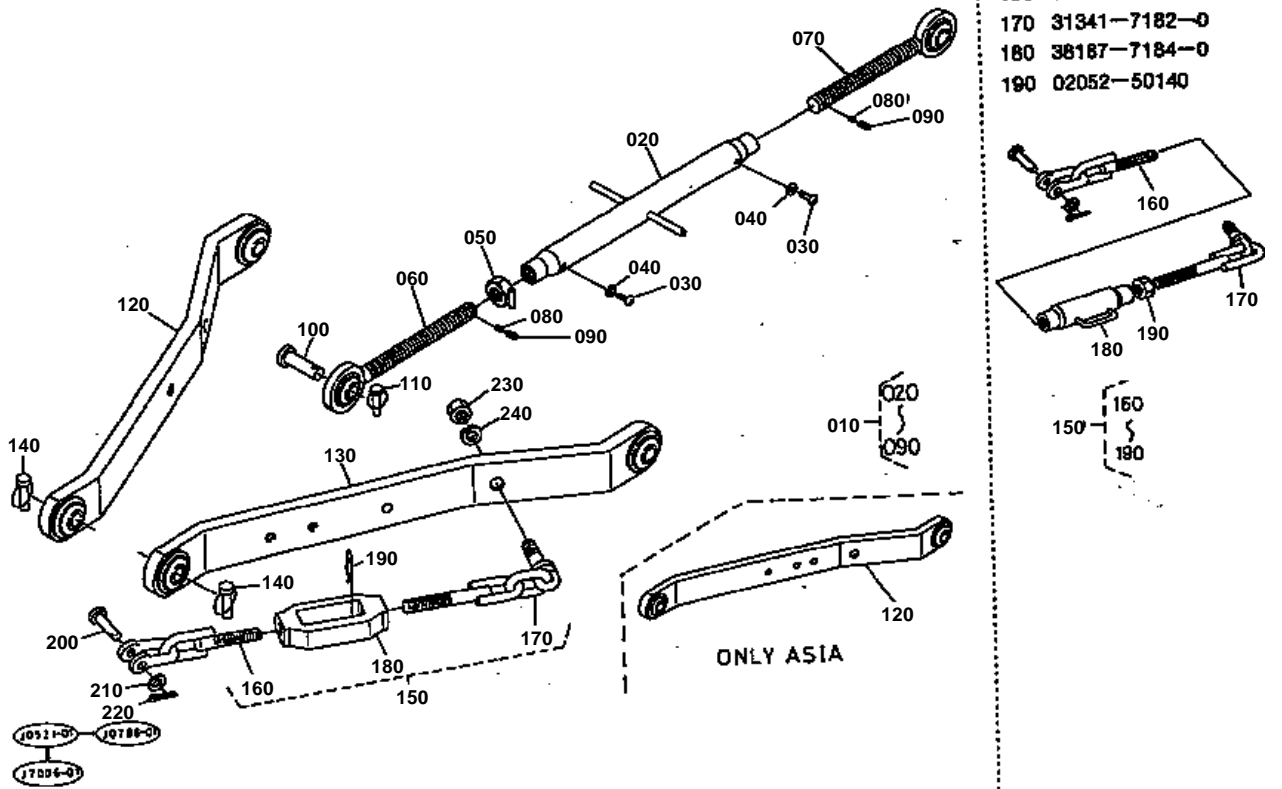


TOP LINKAGE BRACKET(DRAFT)

↔ Interchangeable; ≠ not interchangeable; ← new for old; → old for new

| REF.No | Part No. | Description | Q'ty | S.No. | I/C | REMARKS | Weight (kgf) | Weight (lb) |
|--------|-------------|-----------------------|------|-------|-----|---------|--------------|-------------|
| 010 | 32430-41310 | ROD,DRAFT CONTROL | 1 | | | | 0.09 | 0.198 |
| 020 | 32400-41320 | HOLDER,CONTROL | 1 | | | | 0.045 | 0.099 |
| 030 | 02112-50080 | NUT | 2 | | | | 0.003 | 0.0066 |
| 040 | 05122-50818 | PIN,JOINT | 1 | | | | 0.008 | 0.0176 |
| 050 | 04012-50080 | WASHER,PLAIN | 2 | | | | 0.001 | 0.0022 |
| 060 | 05511-50218 | PIN,SPLIT | 2 | | | | 0.001 | 0.0022 |
| 070 | 32400-41400 | COMP HOLDER, TOP LINK | 1 | | | | 0 | 0 |
| 080 | 37300-41440 | PIN,STRAIGHT | 2 | | | | 0.055 | 0.121 |
| 090 | 06613-10010 | NIPPLE,GREASE | 2 | | | | 0.006 | 0.0132 |
| 100 | 37300-41450 | BUSH | 3 | | | | 0.03 | 0.066 |
| 110 | 01133-51230 | BOLT | 6 | | | | 0.04 | 0.088 |

3-POINT LINKAGE 1



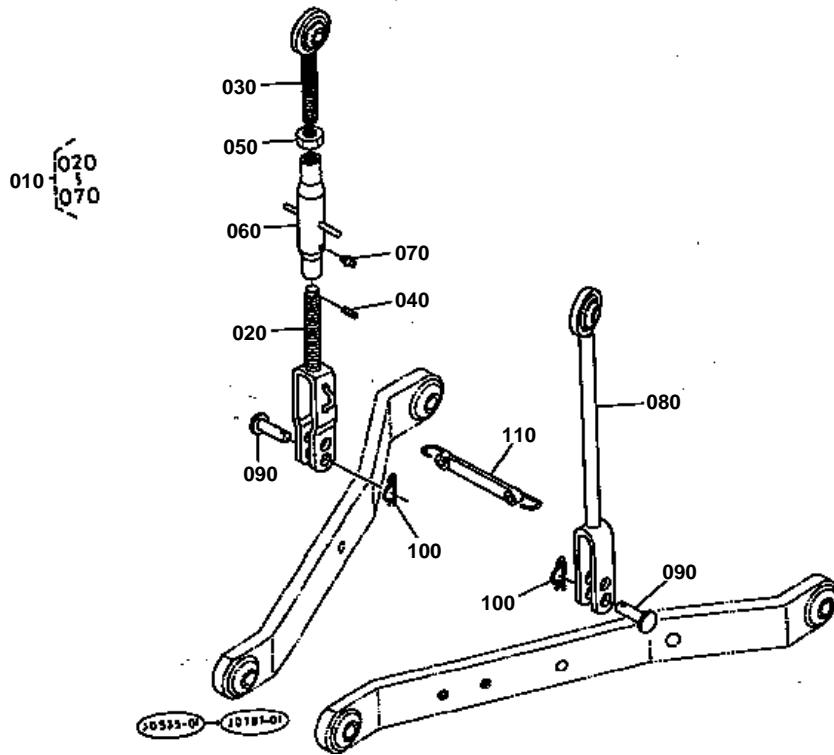


3-POINT LINKAGE 1

↔ Interchangeable; ≠ not interchangeable; ← new for old; → old for new

| REF.No | Part No. | Description | Q'ty | S.No. | I/C | REMARKS | Weight (kgf) | Weight (lb) |
|--------|-------------|----------------------|------|---------|-----|----------|--------------|-------------|
| 010 | 31341-71100 | ASSY LINK, TOP | 1 | | | | 2.85 | 6.27 |
| 020 | 31341-71110 | LINK, TOP | 1 | | | | 1.1 | 2.42 |
| 030 | 31351-71150 | SCREW | 2 | | | | 0.018 | 0.0396 |
| 040 | 04512-50060 | WASHER, SPRING | 2 | | | | 0 | 0 |
| 050 | 38247-71180 | NUT, TOP LINK | 1 | | | | 0.06 | 0.132 |
| 060 | 31351-71210 | JOINT, TOP LINK RH | 1 | | | | 0 | 0 |
| 070 | 31351-71220 | JOINT, TOP LINK LH | 1 | | | | 0 | 0 |
| 080 | 70436-58360 | SPRING | 2 | | | | 0.001 | 0.0022 |
| 090 | 31351-71160 | PIN | 2 | | | | 0.002 | 0.0044 |
| 100 | 31150-71360 | PIN, JOINT | 2 | | | | 0.166 | 0.3652 |
| 110 | 34150-37640 | PIN, SET | 2 | | | | 0.06 | 0.132 |
| 120 | 32400-71310 | COMP. LINK, LOWER RH | 1 | | | [A],[AU] | 0 | 0 |
| 120 | 31341-71310 | COMP. LINK, LOWER | 2 | | | [AS] | 7.15 | 15.73 |
| 130 | 32400-71330 | COMP. LINK, LOWER LH | 1 | | | [A],[AU] | 0 | 0 |
| 140 | 34150-37640 | PIN, SET | 4 | | | | 0.06 | 0.132 |
| 150 | 31331-71800 | ASSY CHAIN, CHECK | 2 | <=10804 | | | 0 | 0 |
| 150 | 31331-71803 | ASSY CHAIN, CHECK | 2 | >=10805 | ↔ | | 0 | 0 |
| 160 | 31331-71810 | JOINT, CHAIN | 2 | | | | 0 | 0 |
| 170 | 31341-71820 | JOINT, CHAIN | 2 | <=10804 | | | 0.435 | 0.957 |
| 170 | 32420-71820 | JOINT, CHAIN | 2 | >=10805 | ← | | 0 | 0 |
| 180 | 38187-71840 | TURNBUCKLE | 2 | <=10804 | | | 0.225 | 0.495 |
| 180 | 32420-71840 | TURNBUCKLE | 2 | <=10805 | ← | | 0.55 | 1.21 |
| 190 | 02052-50140 | NUT | 2 | <=10804 | | | 0.018 | 0.0396 |
| 190 | 05515-51600 | PIN, SNAP | 2 | >=10805 | ≠ | | 0.007 | 0.0154 |
| 200 | 99571-22820 | PIN | 2 | | | | 0.03 | 0.066 |
| 210 | 04013-50100 | WASHER, PLAIN | 2 | | | | 0 | 0 |
| 220 | 05511-50318 | PIN, SPLIT | 2 | | | | 0.001 | 0.0022 |
| 230 | 02074-50160 | NUT | 2 | | | | 0.029 | 0.0638 |
| 240 | 04512-50160 | WASHER, SPRING | 2 | | | | 0 | 0 |

3-POINT LINKAGE 2



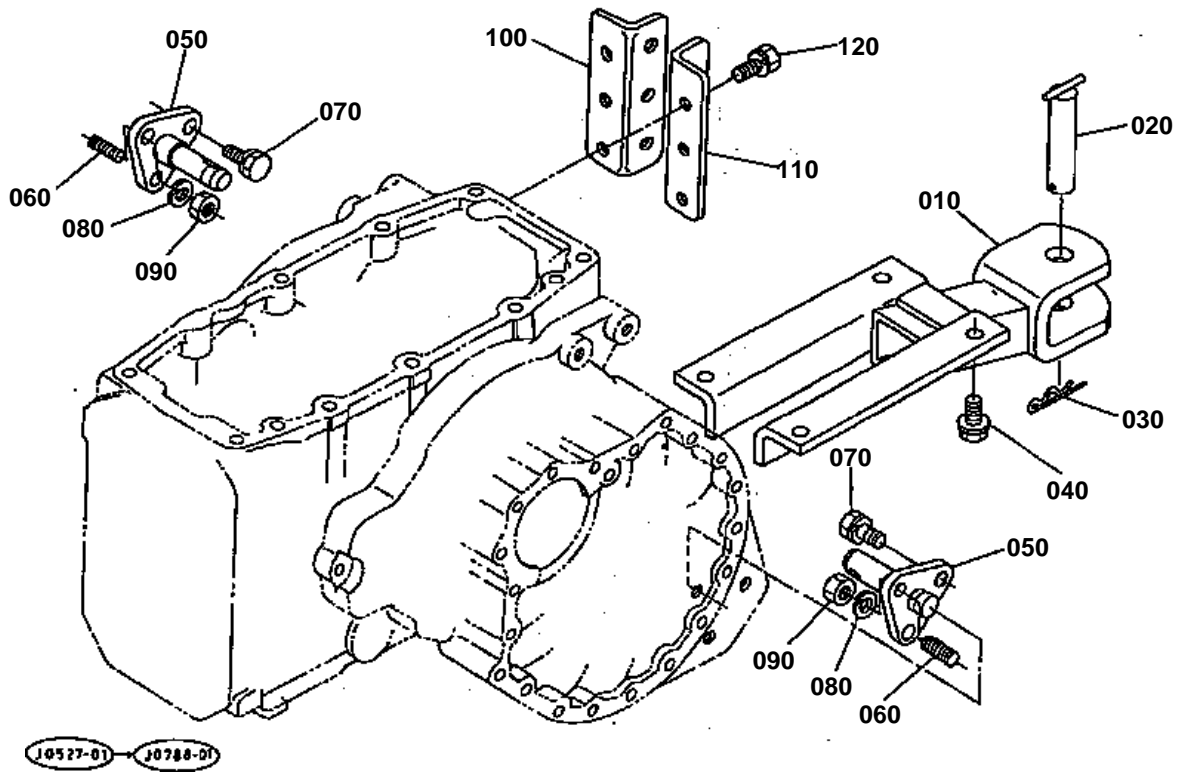


3-POINT LINKAGE 2

↔ Interchangeable; ≠ not interchangeable; ← new for old; → old for new

| REF.No | Part No. | Description | Q'ty | S.No. | I/C | REMARKS | Weight (kgf) | Weight (lb) |
|--------|-------------|------------------|------|-------|-----|----------|--------------|-------------|
| 010 | 32400-71560 | ASSY ROD,LIFT RH | 1 | | | [A],[AU] | 0 | 0 |
| 010 | 31321-71560 | ASSY ROD,LIFT RH | 1 | | | [AS] | 2.005 | 4.411 |
| 020 | 32400-71520 | ROD,LIFT LOWER | 1 | | | [A],[AU] | 0.93 | 2.046 |
| 020 | 31321-71520 | ROD,LIFT LOWER | 1 | | | [AS] | 0.835 | 1.837 |
| 030 | 31331-71510 | ROD,LIFT UPPER | 1 | | | | 0.58 | 1.276 |
| 040 | 05411-00320 | PIN,SPRING | 1 | | | | 0.001 | 0.0022 |
| 050 | 35110-71570 | NUT | 1 | | | | 0.05 | 0.11 |
| 060 | 38187-71770 | ROD,LIFT MIDDLE | 1 | | | | 0.54 | 1.188 |
| 070 | 06613-10675 | NIPPLE,GREASE | 1 | | | | 0.003 | 0.0066 |
| 080 | 32400-71540 | ROD,LIFT LH | 1 | | | [A],[AU] | 1.57 | 3.454 |
| 080 | 31321-71540 | ROD,LIFT LH | 1 | | | [AS] | 0 | 0 |
| 090 | 38187-71580 | PIN,LIFT ROD | 2 | | | | 0.061 | 0.1342 |
| 100 | 05515-51600 | PIN,SNAP | 2 | | | | 0.007 | 0.0154 |
| 110 | 38187-71750 | COMP.RUBBER | 1 | | | | 0 | 0 |

HITCH

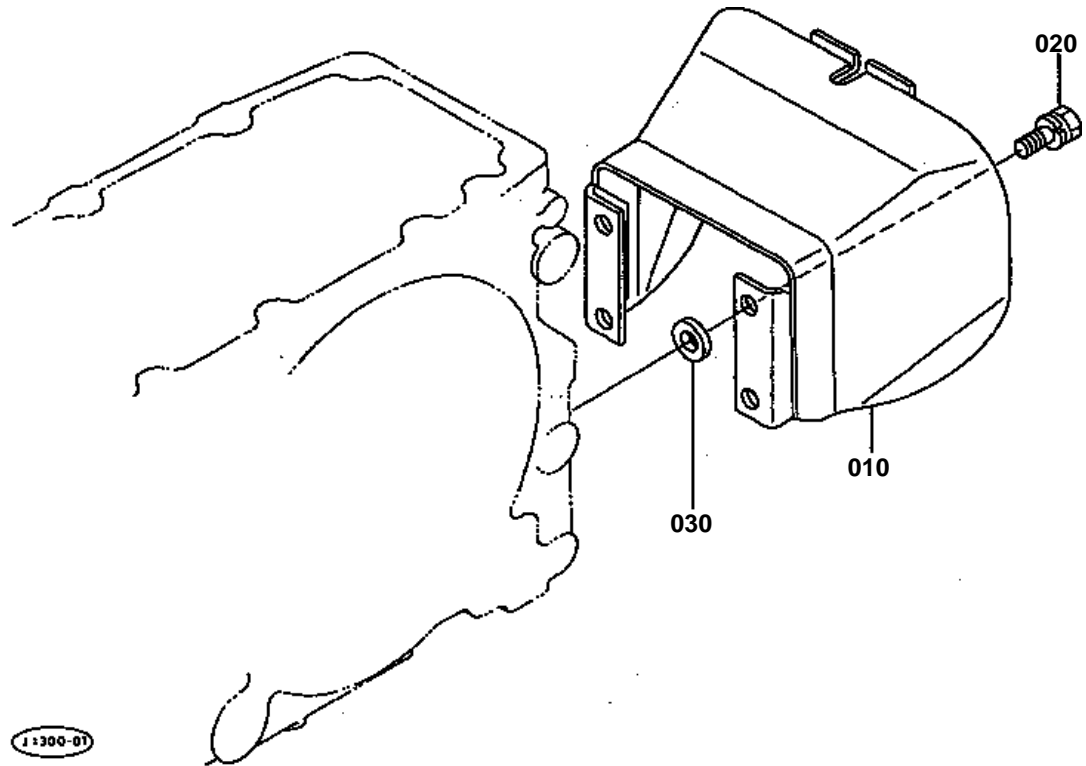




HITCH

↔ Interchangeable; ≠ not interchangeable; ← new for old; → old for new

| REF.No | Part No. | Description | Q'ty | S.No. | I/C | REMARKS | Weight (kgf) | Weight (lb) |
|--------|-------------|--------------------|------|-------|-----|----------|--------------|-------------|
| 010 | 32400-29710 | HITCH | 1 | | | | 4.45 | 9.79 |
| 020 | 38240-29784 | PIN,HITCH | 1 | | | | 0.415 | 0.913 |
| 030 | 70515-16330 | PIN,SPRING | 1 | | | | 0.028 | 0.0616 |
| 040 | 01774-51430 | BOLT,FLANGE | 4 | | | | 0.06 | 0.132 |
| 050 | 31351-29820 | HOLDER,LOWER LINK | 2 | | | | 0.515 | 1.133 |
| 060 | 01574-51225 | STUD | 2 | | | | 0.034 | 0.0748 |
| 070 | 01133-51230 | BOLT | 4 | | | | 0.04 | 0.088 |
| 080 | 04512-50120 | WASHER,SPRING | 2 | | | | 0 | 0 |
| 090 | 02176-50120 | NUT | 2 | | | | 0.01 | 0.022 |
| 100 | 99571-22140 | HOLDER,TOP LINK RH | 1 | | | POSITION | 0.99 | 2.178 |
| 110 | 99571-22150 | HOLDER,TOP LINK LH | 1 | | | POSITION | 0.99 | 2.178 |
| 120 | 01133-51230 | BOLT | 6 | | | POSITION | 0.04 | 0.088 |



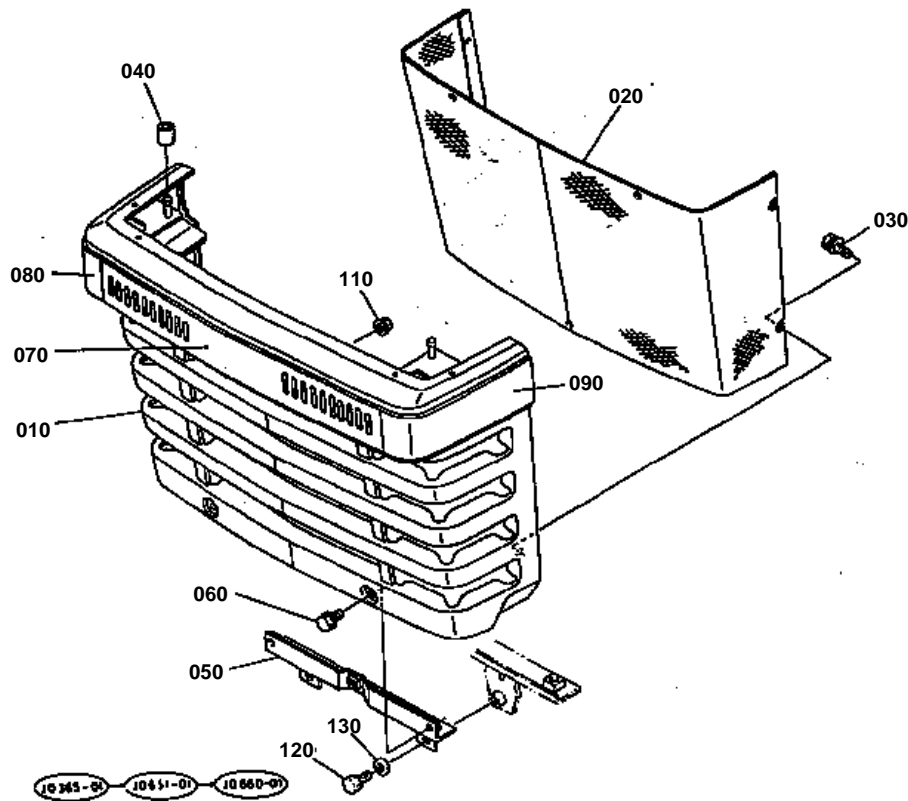


PTO SHAFT PROTECTOR

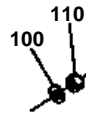
↔ Interchangeable; ≠ not interchangeable; ← new for old; → old for new

| REF.No | Part No. | Description | Q'ty | S.No. | I/C | REMARKS | Weight (kgf) | Weight (lb) |
|--------|-------------|---------------------|------|-------|-----|---------|--------------|-------------|
| 010 | 32400-25330 | PROTECTOR,SHAFT PTO | 1 | | | | 2.1 | 4.62 |
| 020 | 01133-51230 | BOLT | 4 | | | | 0.04 | 0.088 |
| 030 | 35114-25340 | COLLAR | 2 | | | | 0.02 | 0.044 |

FRONT GRILLE



100 04013-50050
110 02054-50050



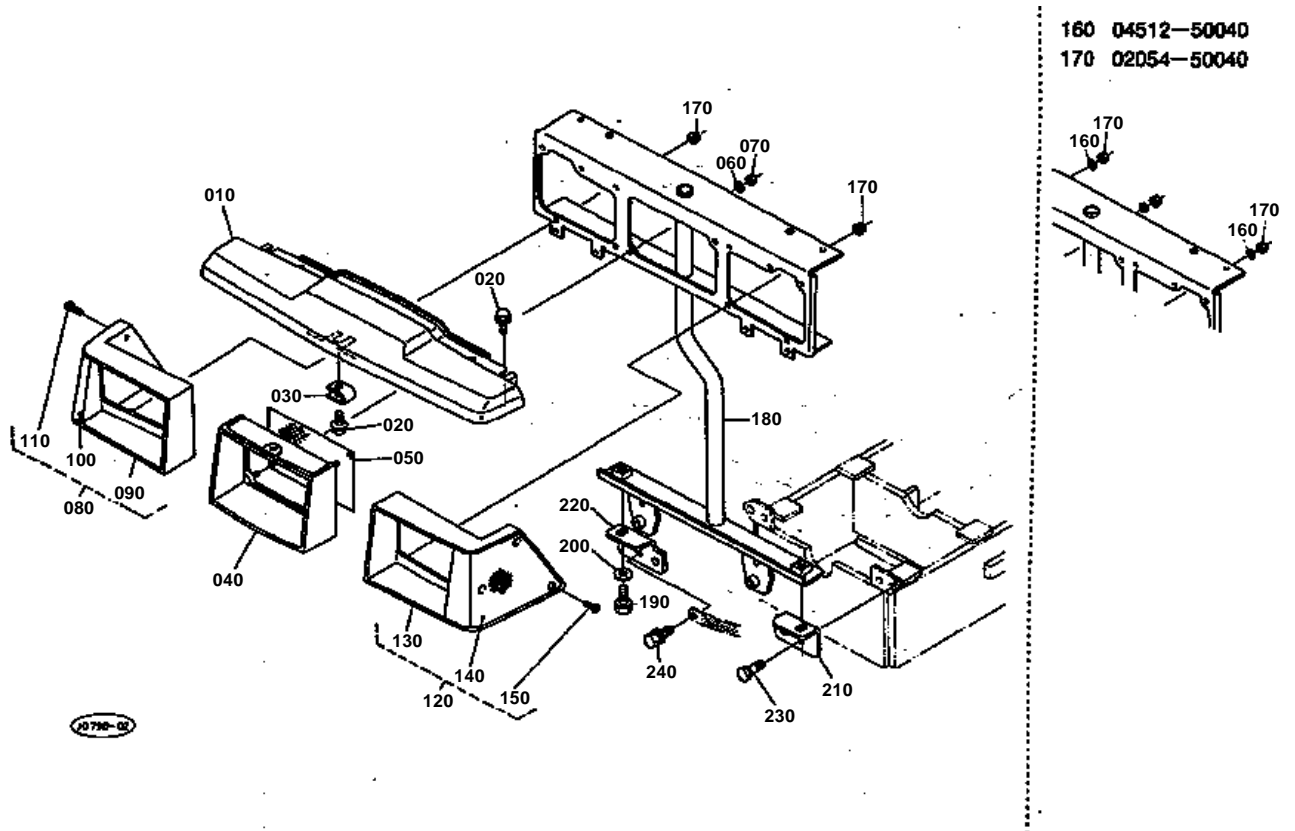


FRONT GRILLE

↔ Interchangeable; ≠ not interchangeable; ← new for old; → old for new

| REF.No | Part No. | Description | Q'ty | S.No. | I/C | REMARKS | Weight (kgf) | Weight (lb) |
|--------|-------------|-------------------|------|--------|-----|---------|--------------|-------------|
| 010 | 30400-18230 | GRILLE,FRONT | 1 | | | | 0 | 0 |
| 020 | 32430-18250 | NET,FRONT GRILLE | 1 | | | | 0.41 | 0.902 |
| 030 | 30442-15230 | BOLT | 7 | | | | 0.01 | 0.022 |
| 040 | 31351-18260 | PIPE | 2 | | | | 0.001 | 0.0022 |
| 050 | 30400-18280 | RETAINER,GRILLE | 1 | | | | 0 | 0 |
| 060 | 01754-50816 | BOLT,FLANGE | 2 | | | | 0.011 | 0.0242 |
| 070 | 32430-94170 | BELT,GRILLE FRONT | 1 | | | | 0.145 | 0.319 |
| 080 | 32430-94180 | BELT,GRILLE RH | 1 | | | | 0.07 | 0.154 |
| 090 | 32430-94190 | BELT,GRILLE LH | 1 | | | | 0.07 | 0.154 |
| 100 | 04013-50050 | WASHER,PLAIN | 8 | ≤10481 | | | 0 | 0 |
| 110 | 02054-50050 | NUT | 8 | ≤10481 | | | 0.002 | 0.0044 |
| 110 | 02761-50050 | NUT,FLANGE | 8 | ≥10482 | ≠ | | 0.005 | 0.011 |
| 120 | 01123-50818 | BOLT | 2 | | | | 0.012 | 0.0264 |
| 130 | 04013-50080 | WASHER,PLAIN | 2 | | | | 0 | 0 |

LIGHT GRILLE



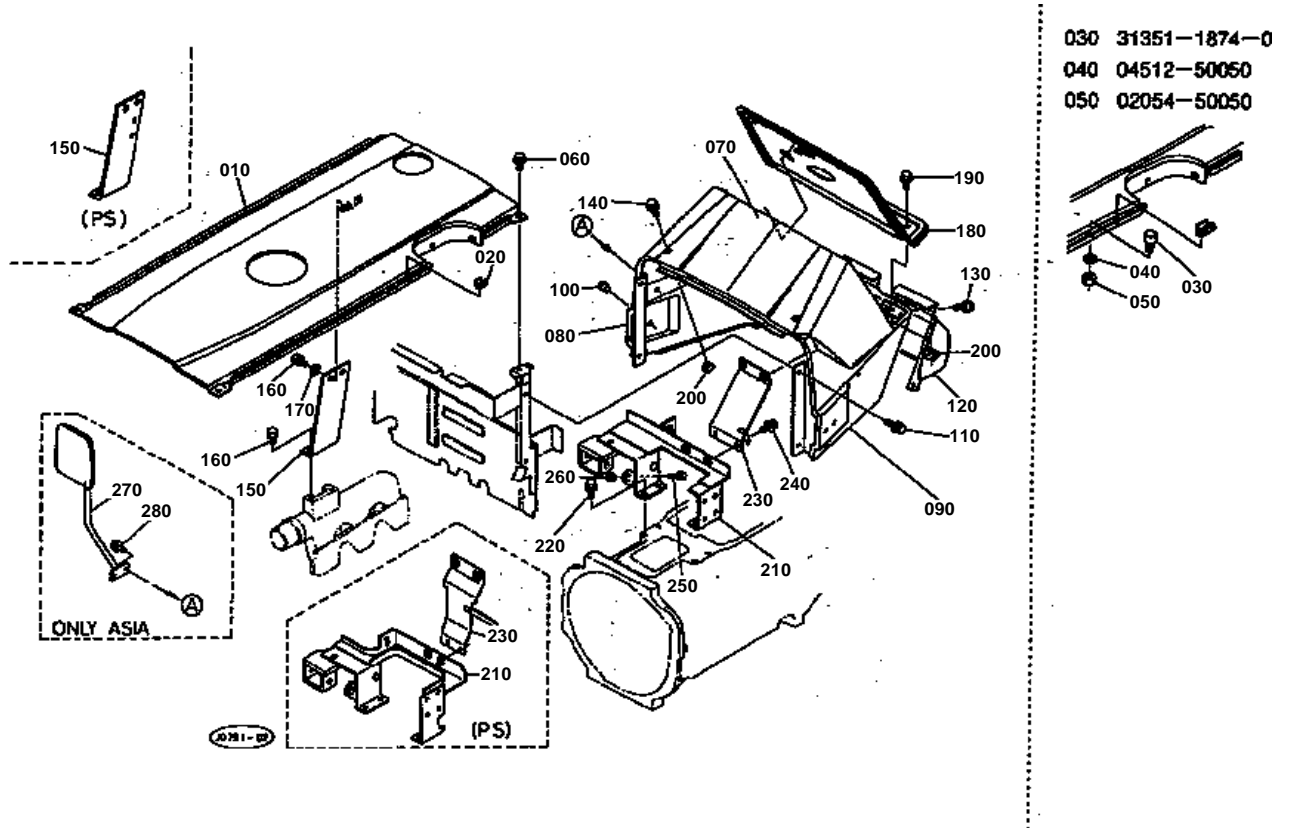


LIGHT GRILLE

↔ Interchangeable; ≠ not interchangeable; ← new for old; → old for new

| REF.No | Part No. | Description | Q'ty | S.No. | I/C | REMARKS | Weight (kgf) | Weight (lb) |
|--------|-------------|----------------------|------|---------|-----|--------------|--------------|-------------|
| 010 | 30400-18160 | ROOF,FRONT | 1 | | | | 0.42 | 0.924 |
| 020 | 01754-50616 | BOLT,FLANGE | 3 | | | | 0.006 | 0.0132 |
| 030 | 38240-29250 | NUT,SPRING | 1 | | | | 0.005 | 0.011 |
| 040 | 32400-18170 | GRILLE,LIGHT | 1 | | | | 0.11 | 0.242 |
| 050 | 31351-18180 | NET,GRILLE | 1 | | | | 0.025 | 0.055 |
| 060 | 04512-50040 | WASHER,SPRING | 2 | | | | 0 | 0 |
| 070 | 02054-50040 | NUT | 2 | | | | 0.001 | 0.0022 |
| 080 | 32400-18190 | GRILLE,LIGHT RH | 1 | | | | 0.225 | 0.495 |
| 090 | 32400-93500 | FRAME,LIGHT GRILLE | 1 | | | | 0.175 | 0.385 |
| 100 | 31351-93520 | LENS RH | 1 | | | | 0.06 | 0.132 |
| 110 | 03514-50312 | SCREW | 3 | | | | 0.001 | 0.0022 |
| 120 | 32400-18200 | GRILLE,LIGHT LH | 1 | | | | 0.225 | 0.495 |
| 130 | 32400-93510 | FRAME,LIGHT GRILLE | 1 | | | | 0.16 | 0.352 |
| 140 | 31351-93530 | LENS LH | 1 | | | | 0.066 | 0.1452 |
| 150 | 03514-50312 | SCREW | 3 | | | | 0.001 | 0.0022 |
| 160 | 04512-50040 | WASHER,SPRING | 8 | <=10481 | | | 0 | 0 |
| 170 | 02054-50040 | NUT | 8 | <=10481 | | | 0.001 | 0.0022 |
| 170 | 02761-50040 | NUT,FLANGE | 8 | >=10482 | ≠ | | 0.002 | 0.0044 |
| 180 | 32430-18310 | SUPPORT,GRILLE | 1 | | | | 3.1 | 6.82 |
| 190 | 01123-50820 | BOLT | 2 | | | | 0.011 | 0.0242 |
| 200 | 04015-50080 | WASHER,PLAIN | 2 | | | | 0 | 0 |
| 210 | 32430-18320 | STAY,FRONT GRILLE LH | 1 | | | MANUAL STRG. | 0.08 | 0.176 |
| 220 | 32430-18330 | STAY,FRONT GRILLE RH | 1 | | | MANUAL STRG. | 0.09 | 0.198 |
| 230 | 01133-51020 | BOLT | 1 | | | | 0.02 | 0.044 |
| 240 | 01135-51020 | BOLT | 1 | | | | 0 | 0 |

HOOD



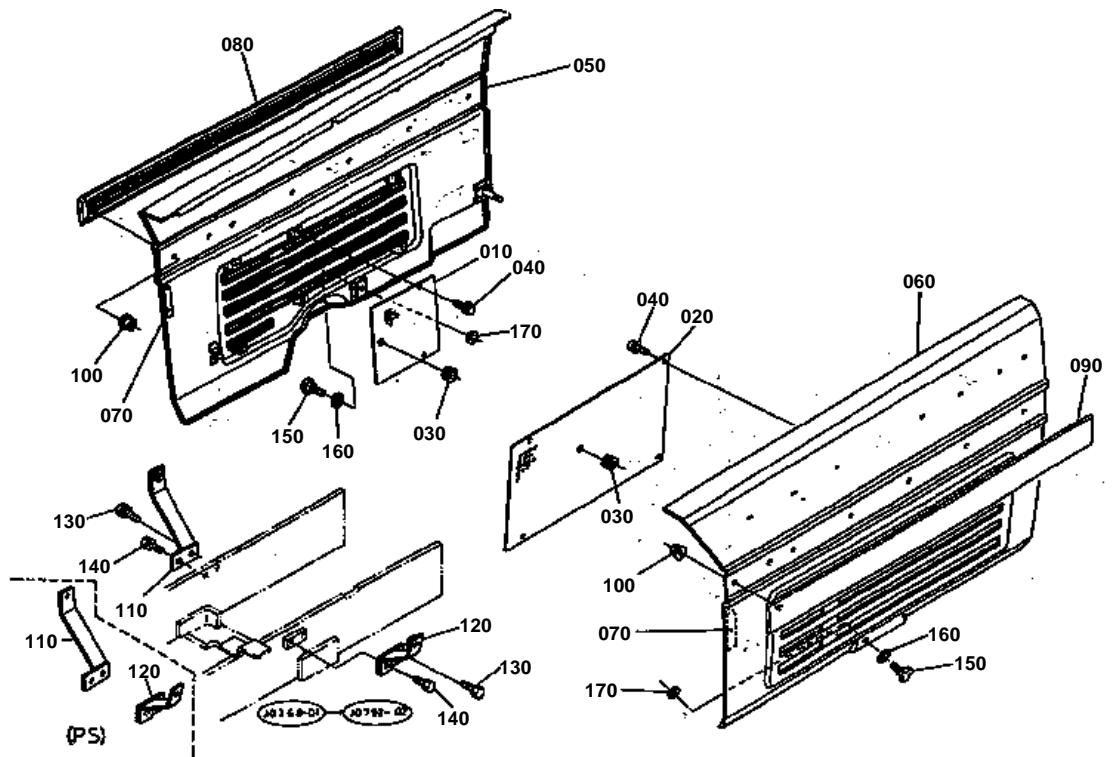


HOOD

↔ Interchangeable; ≠ not interchangeable; ← new for old; → old for new

| REF.No | Part No. | Description | Q'ty | S.No. | I/C | REMARKS | Weight (kgf) | Weight (lb) |
|--------|-------------|----------------------|------|--------|-----|--------------|--------------|-------------|
| 010 | 32400-18600 | COMP.BONNET,UPPER | 1 | | | | 5 | 11 |
| 020 | 30442-18622 | CUSHION | 5 | | | | 0 | 0 |
| 030 | 31351-18740 | PIN,SET | 2 | ≤10804 | | | 0.085 | 0.187 |
| 040 | 04512-50050 | WASHER,SPRING | 2 | ≤10804 | | | 0 | 0 |
| 050 | 02054-50050 | NUT | 2 | ≤10804 | | | 0.002 | 0.0044 |
| 060 | 01754-50616 | BOLT,FLANGE | 4 | | | | 0.006 | 0.0132 |
| 070 | 32400-18770 | ROOF,REAR | 1 | | | | 0.445 | 0.979 |
| 080 | 32400-18810 | COMP.BONNET,RH | 1 | | | [A],[AU] | 1.08 | 2.376 |
| 080 | 32400-98950 | COMP.BONNET,RH | 1 | | | [AS] | 1.09 | 2.398 |
| 090 | 32400-18820 | COMP.BONNET,REAR LH | 1 | | | | 1.12 | 2.464 |
| 100 | 38240-29570 | PLUG | 2 | | | [A],[AU] | 0.001 | 0.0022 |
| 110 | 01754-50612 | BOLT,FLANGE | 4 | | | | 0.005 | 0.011 |
| 120 | 32400-24410 | BOARD,SWITCH | 1 | | | [A],[AU] | 0.59 | 1.298 |
| 120 | 32400-98960 | BOARD,SWITCH | 1 | | | [AS] | 0.595 | 1.309 |
| 130 | 01754-50612 | BOLT,FLANGE | 4 | | | | 0.005 | 0.011 |
| 140 | 30400-19072 | BOLT,FLANGE | 3 | | | | 0.06 | 0.132 |
| 150 | 32400-18390 | SUPPORT,BONNET | 1 | | | MANUAL STRG. | 0.395 | 0.869 |
| 160 | 01123-50820 | BOLT | 4 | | | | 0.011 | 0.0242 |
| 170 | 04015-50080 | WASHER,PLAIN | 2 | | | | 0 | 0 |
| 180 | 32400-31110 | PANEL | 1 | | | | 0 | 0 |
| 190 | 01754-50618 | BOLT,FLANGE | 6 | | | | 0.01 | 0.022 |
| 200 | 38240-29250 | NUT,SPRING | 5 | | | | 0.005 | 0.011 |
| 210 | 32400-35280 | SUPPORT,ACCEL.LEVER | 1 | | | MANUAL STRG. | 0 | 0 |
| 220 | 01754-50812 | BOLT,FLANGE | 4 | | | | 0.01 | 0.022 |
| 230 | 32400-18910 | SUPPORT,BONNET REAR | 1 | | | MANUAL STRG. | 0.27 | 0.594 |
| 240 | 01754-50816 | BOLT,FLANGE | 4 | | | | 0.011 | 0.0242 |
| 250 | 01155-50840 | BOLT | 1 | | | | 0.02 | 0.044 |
| 260 | 02112-50080 | NUT | 1 | | | | 0.003 | 0.0066 |
| 270 | 31351-18970 | ASSY MIRROR,REARVIEW | 1 | | | [AS] | 0.6 | 1.32 |
| 280 | 30400-18870 | BOLT,FLANGE | 2 | | | [AS] | 0.01 | 0.022 |

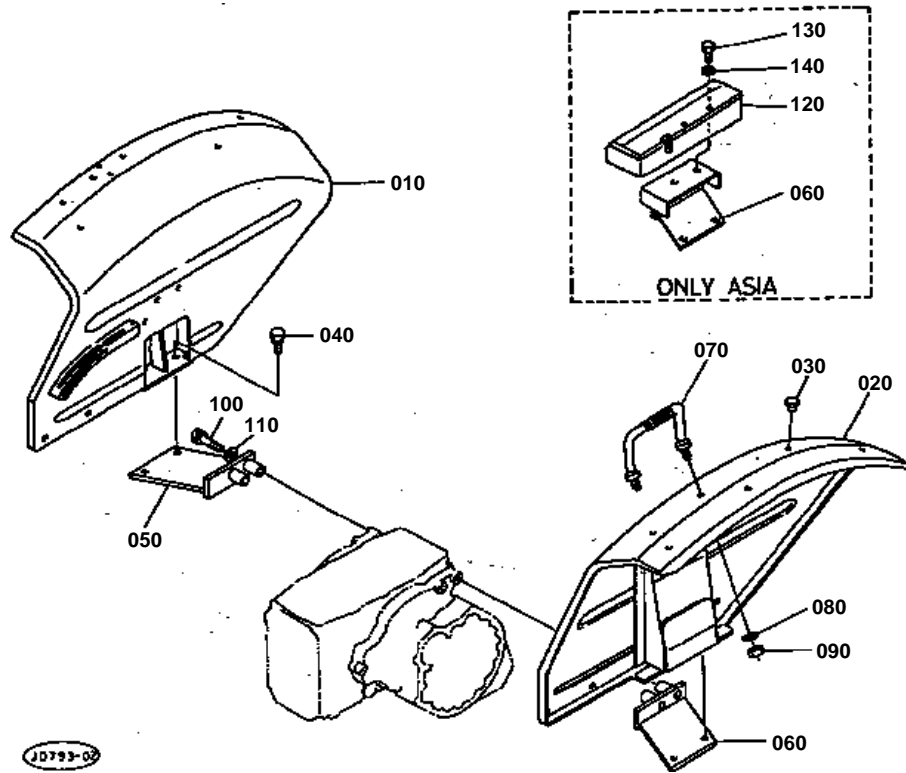
SIDE BOARD



**SIDE BOARD**

↔ Interchangeable; ≠ not interchangeable; ← new for old; → old for new

| REF.No | Part No. | Description | Q'ty | S.No. | I/C | REMARKS | Weight (kgf) | Weight (lb) |
|--------|-------------|----------------------|------|-------|-----|--------------|--------------|-------------|
| 010 | 32400-18140 | NET,BONNET SIDE RH | 1 | | | | 0.12 | 0.264 |
| 020 | 32400-18150 | NET,BONNET SIDE LH | 1 | | | | 0.31 | 0.682 |
| 030 | 38240-18220 | CUSHION | 2 | | | | 0.003 | 0.0066 |
| 040 | 01754-50610 | BOLT,FLANGE | 6 | | | | 0.006 | 0.0132 |
| 050 | 32470-18630 | COMP BOARD,SIDE RH | 1 | | | | 4 | 8.8 |
| 060 | 32470-18640 | SIDE PLATE,BONNET LH | 1 | | | | 5.9 | 12.98 |
| 070 | 32400-18950 | CUSHION,BONNET | 2 | | | | 0.01 | 0.022 |
| 080 | 31341-18680 | COMP BELT,SIDE RH | 1 | | | | 0.48 | 1.056 |
| 090 | 31341-18690 | COMP BELT,SIDE LH | 1 | | | | 0.47 | 1.034 |
| 100 | 02761-50050 | NUT,FLANGE | 12 | | | | 0.005 | 0.011 |
| 110 | 32400-18710 | SUPPORT,HOOK RH | 1 | | | MANUAL STRG. | 0.21 | 0.462 |
| 120 | 32400-18720 | SUPPORT,HOOK LH | 1 | | | MANUAL STRG. | 0.175 | 0.385 |
| 130 | 01123-50814 | BOLT | 2 | | | | 0 | 0 |
| 140 | 01123-50820 | BOLT | 2 | | | | 0.011 | 0.0242 |
| 150 | 01820-50825 | BOLT,KNOB | 2 | | | | 0.028 | 0.0616 |
| 160 | 04015-50080 | WASHER,PLAIN | 2 | | | | 0 | 0 |
| 170 | 32400-18220 | RUBBER,KNOB BOLT | 2 | | | | 0.001 | 0.0022 |

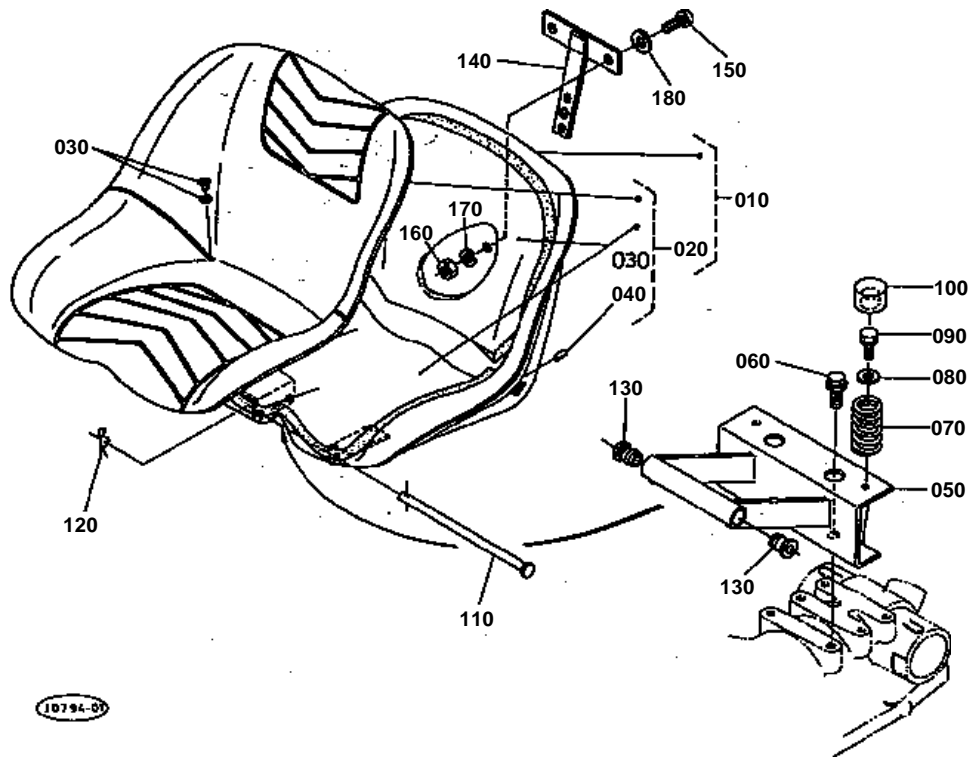


20793-02

**FENDER**

↔ Interchangeable; ≠ not interchangeable; ← new for old; → old for new

| REF.No | Part No. | Description | Q'ty | S.No. | I/C | REMARKS | Weight (kgf) | Weight (lb) |
|--------|-------------|-------------------|------|-------|-----|----------|--------------|-------------|
| 010 | 32400-29110 | COMP.FENDER,RH | 1 | | | | 0 | 0 |
| 020 | 32400-29120 | COMP.FENDER,LH | 1 | | | | 6.8 | 14.96 |
| 030 | 34159-34290 | PLUG | 4 | | | | 0.004 | 0.0088 |
| 040 | 01133-51220 | BOLT | 4 | | | | 0.04 | 0.088 |
| 050 | 32400-29210 | BRACKET,FENDER RH | 1 | | | [A],[AU] | 2.3 | 5.06 |
| 050 | 32400-98930 | BRACKET,FENDER RH | 1 | | | [AS] | 1.83 | 4.026 |
| 060 | 32400-29220 | BRACKET,FENDER LH | 1 | | | [A],[AU] | 2.18 | 4.796 |
| 060 | 32400-98940 | BRACKET,FENDER LH | 1 | | | [AS] | 2.5 | 5.5 |
| 070 | 35260-29190 | RAIL,HAND | 1 | | | | 0.27 | 0.594 |
| 080 | 04013-50140 | WASHER,PLAIN | 2 | | | | 0 | 0 |
| 090 | 02174-50140 | NUT | 2 | | | | 0.014 | 0.0308 |
| 100 | 01173-51265 | BOLT | 4 | | | | 0.063 | 0.1386 |
| 110 | 04512-50120 | WASHER,SPRING | 4 | | | | 0 | 0 |
| 120 | 37150-18514 | CASE,TOOLS | 1 | | | [AS] | 1 | 2.2 |
| 130 | 01173-51016 | BOLT | 2 | | | [AS] | 0.012 | 0.0264 |
| 140 | 04512-50100 | WASHER,SPRING | 2 | | | [AS] | 0 | 0 |

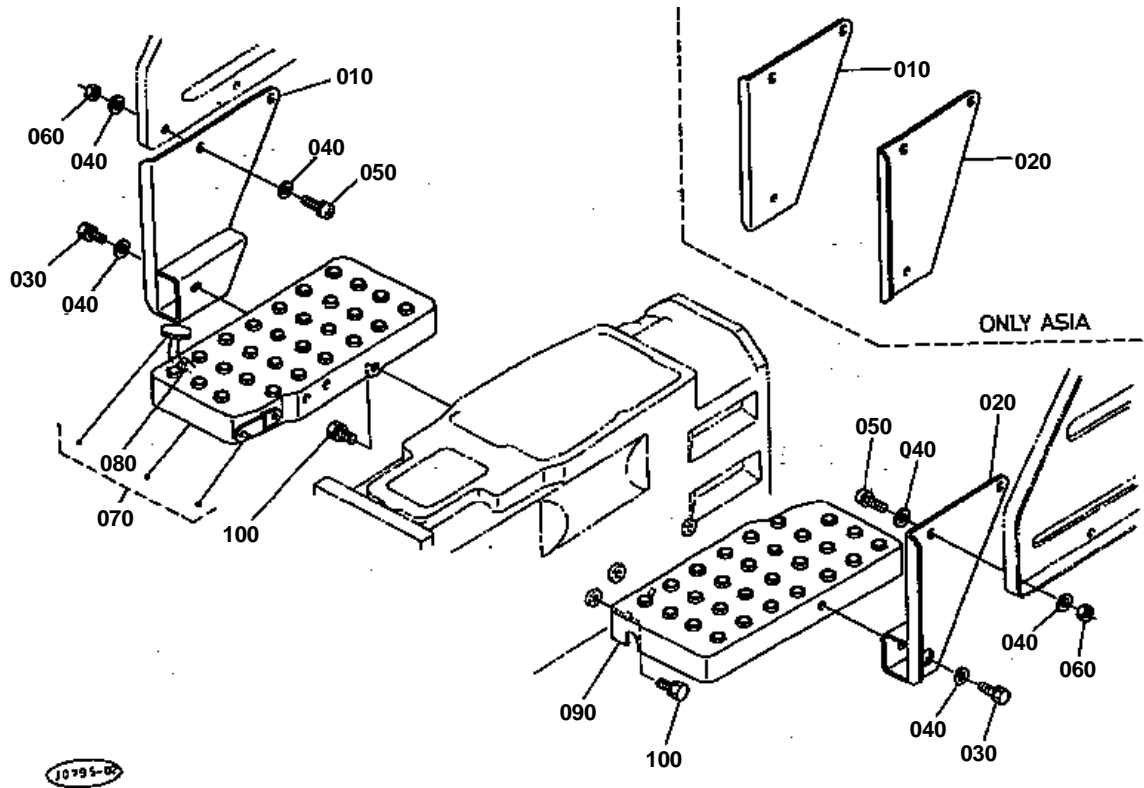




SEAT

↔ Interchangeable; ≠ not interchangeable; ← new for old; → old for new

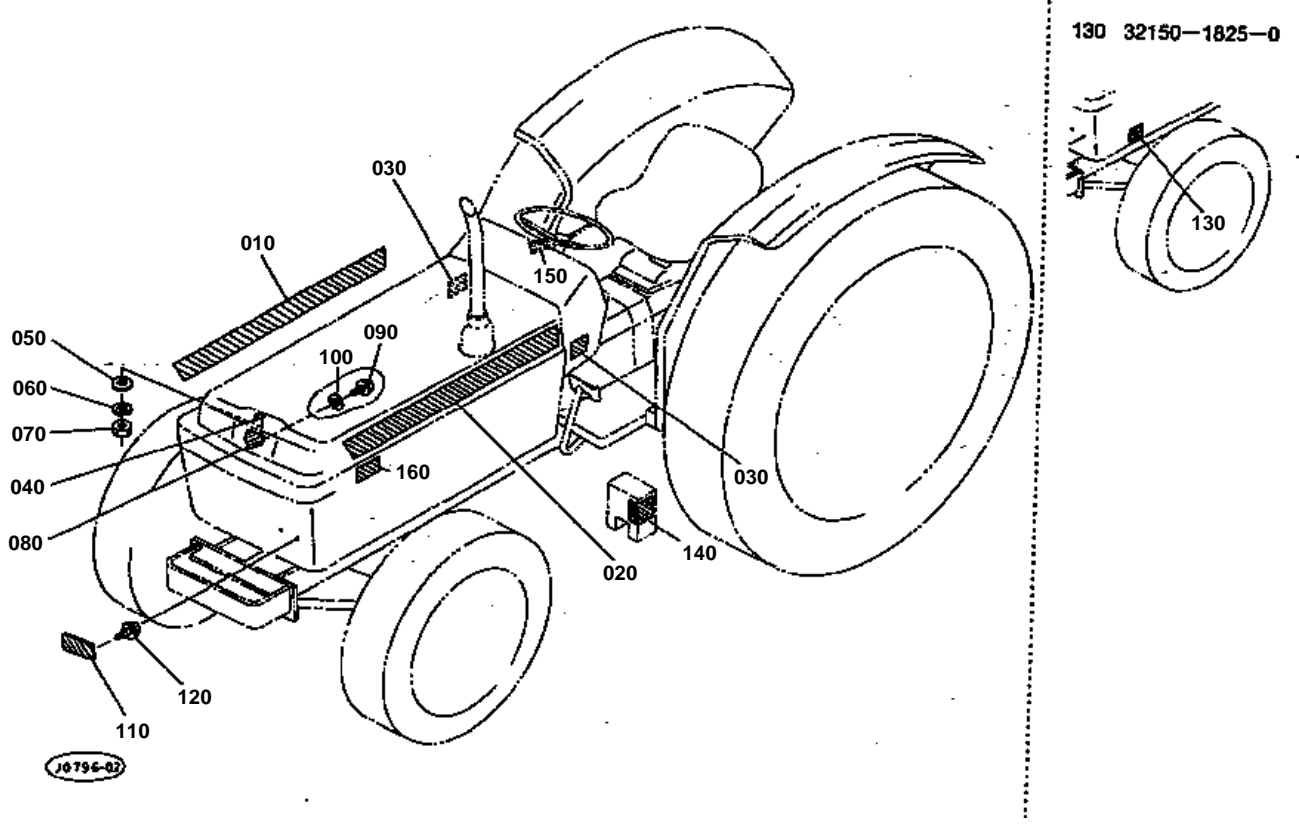
| REF.No | Part No. | Description | Q'ty | S.No. | I/C | REMARKS | Weight (kgf) | Weight (lb) |
|--------|-------------|--------------------|------|-------|-----|---------|--------------|-------------|
| 010 | 35110-85014 | ASSY SEAT | 1 | | | | 0 | 0 |
| 020 | 35110-99100 | ASSY COVER,SEAT | 1 | | | | 0.52 | 1.144 |
| 030 | 35110-85050 | EYELET | 4 | | | | 0.005 | 0.011 |
| 040 | 35110-85060 | PROTECTOR | 3 | | | | 0.01 | 0.022 |
| 050 | 32400-18450 | SUPPORT,SEAT | 1 | | | | 2.5 | 5.5 |
| 060 | 01774-51016 | BOLT,FLANGE | 2 | | | | 0.02 | 0.044 |
| 070 | 66301-52810 | SPRING,SEAT | 2 | | | | 0.12 | 0.264 |
| 080 | 04015-50080 | WASHER,PLAIN | 2 | | | | 0 | 0 |
| 090 | 01123-50820 | BOLT | 2 | | | | 0.011 | 0.0242 |
| 100 | 66301-52820 | CAP,SPRING | 2 | | | | 0.04 | 0.088 |
| 110 | 38240-18470 | PIN | 1 | | | | 0.085 | 0.187 |
| 120 | 05516-51000 | PIN,SNAP | 1 | | | | 0 | 0 |
| 130 | 37150-18490 | CUSHION | 2 | | | | 0.014 | 0.0308 |
| 140 | 32400-18480 | BKT.TRIANGLE PLATE | 1 | | | [A] | 0.225 | 0.495 |
| 150 | 03014-50616 | SCREW,PAN HEAD | 2 | | | [A] | 0.003 | 0.0066 |
| 160 | 02014-50060 | NUT | 2 | | | [A] | 0.003 | 0.0066 |
| 170 | 04512-50060 | WASHER,SPRING | 2 | | | [A] | 0 | 0 |
| 180 | 04012-50060 | WASHER,PLAIN | 2 | | | [A] | 0.001 | 0.0022 |



**STEP**

↔ Interchangeable; ≠ not interchangeable; ← new for old; → old for new

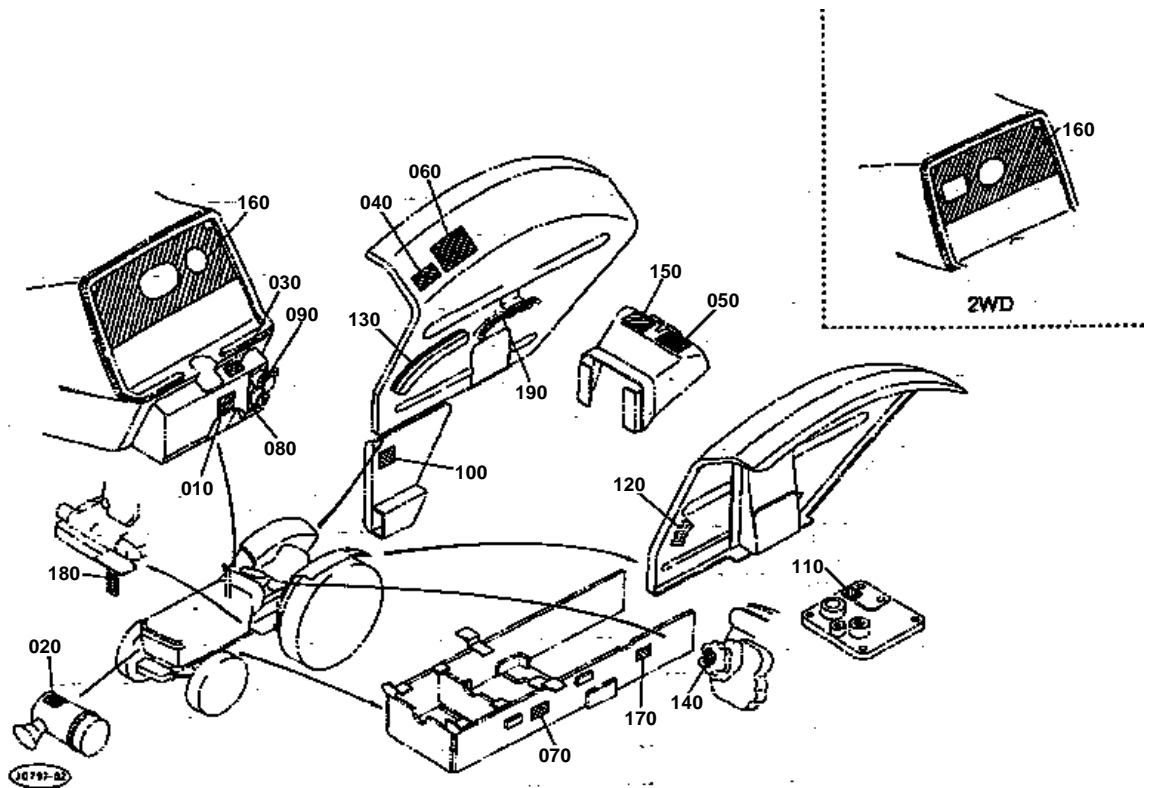
| REF.No | Part No. | Description | Q'ty | S.No. | I/C | REMARKS | Weight (kgf) | Weight (lb) |
|--------|-------------|-------------------|------|-------|-----|----------|--------------|-------------|
| 010 | 32400-29140 | COVER,FENDER RH | 1 | | | [A],[AU] | 0.86 | 1.892 |
| 010 | 32400-98910 | COVER,FENDER RH | 1 | | | [AS] | 0.675 | 1.485 |
| 020 | 32400-29160 | COVER,FENDER LH | 1 | | | [A],[AU] | 0 | 0 |
| 020 | 32400-98920 | COVER,FENDER LH | 1 | | | [AS] | 0.68 | 1.496 |
| 030 | 01123-50820 | BOLT | 2 | | | | 0.011 | 0.0242 |
| 040 | 04015-50080 | WASHER,PLAIN | 10 | | | | 0 | 0 |
| 050 | 03004-50820 | SCREW,WITH WASHER | 4 | | | | 0.011 | 0.0242 |
| 060 | 02114-50080 | NUT | 6 | | | | 0.005 | 0.011 |
| 070 | 37150-29900 | COMP.STEP,RH | 1 | | | | 1.78 | 3.916 |
| 080 | 37150-17530 | SPRING | 1 | | | | 0.01 | 0.022 |
| 090 | 37150-29920 | STEP,LH | 1 | | | | 1.61 | 3.542 |
| 100 | 01133-51016 | BOLT | 6 | | | | 0.015 | 0.033 |



**LABEL 1**

↔ Interchangeable; ≠ not interchangeable; ← new for old; → old for new

| REF.No | Part No. | Description | Q'ty | S.No. | I/C | REMARKS | Weight (kgf) | Weight (lb) |
|--------|-------------|------------------|------|--------|-----|---------|--------------|-------------|
| 010 | 32400-65100 | MARK,MODEL RH | 1 | | | | 0.04 | 0.088 |
| 020 | 32400-65110 | MARK,MODEL LH | 1 | | | | 0.045 | 0.099 |
| 030 | 32400-65240 | LABEL,SIDE | 2 | | | | 0.005 | 0.011 |
| 040 | 31351-65180 | MASCOT | 1 | | | | 0.01 | 0.022 |
| 050 | 04013-50040 | WASHER,PLAIN | 1 | | | | 0 | 0 |
| 060 | 04512-50040 | WASHER,SPRING | 1 | | | | 0 | 0 |
| 070 | 02054-50040 | NUT | 1 | | | | 0.001 | 0.0022 |
| 080 | 32430-65320 | EMBLEM | 1 | | | | 0.07 | 0.154 |
| 090 | 38430-18270 | SCREW | 2 | | | | 0.002 | 0.0044 |
| 100 | 04015-50050 | WASHER,PLAIN | 2 | | | | 0.004 | 0.0088 |
| 110 | 32430-65330 | MARK,KUBOTA | 1 | | | | 0.04 | 0.088 |
| 120 | 38430-18270 | SCREW | 2 | | | | 0.002 | 0.0044 |
| 130 | 32150-18250 | LABEL,CAUTION | 1 | ≤10481 | | | 0.001 | 0.0022 |
| 140 | 35176-15930 | LABEL,PEDAL | 1 | | | | 0.005 | 0.011 |
| 150 | 35170-15940 | CARD,INSTRUCTION | 1 | | | | 0.015 | 0.033 |



**LABEL 2**

↔ Interchangeable; ≠ not interchangeable; ← new for old; → old for new

| REF.No | Part No. | Description | Q'ty | S.No. | I/C | REMARKS | Weight (kgf) | Weight (lb) |
|--------|-------------|---------------------|------|-------|-----|---------|--------------|-------------|
| 010 | 35110-17610 | LABEL,ENGINE STOP | 1 | | | | 0.002 | 0.0044 |
| 020 | 15222-93450 | LABEL,AIR CLEANER | 1 | | | | 0.001 | 0.0022 |
| 030 | 35260-25050 | LABEL,SHUTTLE | 1 | | | | 0.01 | 0.022 |
| 040 | 35260-29782 | LABEL,ROPS CAUTION | 1 | | | | 0.001 | 0.0022 |
| 050 | 35260-29790 | LABEL,DRAWBAR | 1 | | | | 0.002 | 0.0044 |
| 060 | 35260-34912 | LABEL,SAFETY | 1 | | | | 0 | 0 |
| 070 | 32430-65450 | NAME PLATE,BODY | 1 | | | | 0.004 | 0.0088 |
| 080 | 32430-65510 | LABEL,MAIN SWITCH | 1 | | | | 0.001 | 0.0022 |
| 090 | 32530-65530 | LABEL,HAZARD MARK | 1 | | | | 0.001 | 0.0022 |
| 100 | 32430-65650 | LABEL,DIFF.LOCK | 1 | | | | 0.001 | 0.0022 |
| 110 | 35260-24950 | LABEL | 1 | | | | 0.002 | 0.0044 |
| 120 | 35176-24580 | LABEL,AUX.S-CHANGE | 1 | | | | 0.002 | 0.0044 |
| 130 | 32430-65760 | LABEL,POSITION CON. | 1 | | | | 0.003 | 0.0066 |
| 140 | 31351-65780 | LABEL,HYD.ADJUST. | 1 | | | | 0.001 | 0.0022 |
| 150 | 35200-25340 | LABEL,PTO | 1 | | | | 0.002 | 0.0044 |
| 160 | 32400-65170 | LABEL,PANEL BOARD | 1 | | | | 0.001 | 0.0022 |
| 170 | 35820-98632 | LABEL,START CAUTION | 1 | | | | 0.003 | 0.0066 |
| 190 | 32430-65770 | LABEL,DRAFT CON. | 1 | | | | 0.001 | 0.0022 |

IMAGE NOT AVAILABLE

↔ Interchangeable; ≠ not interchangeable; ← new for old; → old for new

| REF.No | Part No. | Description | Q'ty | S.No. | I/C | REMARKS | Weight (kgf) | Weight (lb) |
|--------|-------------|----------------------|------|-------|-----|------------------------|--------------|-------------|
| 010 | 32400-19712 | MANUAL,INSTRUCTION | 1 | | | | 0 | 0 |
| 010 | 32400-19210 | MANUAL,INSTRUCTION | 1 | | | [AS] | 0.14 | 0.308 |
| 020 | 01073-51630 | BOLT | 8 | | | FOR REAR WHEEL | 0.079 | 0.1738 |
| 030 | 02076-50160 | NUT | 4 | | | FOR REAR WHEEL | 0.03 | 0.066 |
| 040 | 34150-27710 | STUD BOLT | 4 | | | FOR REAR WHEEL | 0.062 | 0.1364 |
| 050 | 04512-50160 | WASHER,SPRING | 12 | | | FOR REAR WHEEL | 0 | 0 |
| 060 | 01173-51425 | BOLT | 12 | | | FOR FRONT WHEEL | 0.047 | 0.1034 |
| 070 | 04512-50140 | WASHER,SPRING | 12 | | | FOR FRONT WHEEL | 0 | 0 |
| 110 | 35260-31850 | ASSY KEY,MAIN SWITCH | 1 | | | | 0 | 0 |
| 120 | 96315-10610 | ASSY WEIGHT,FRONT | 3 | | | [AS] REF.No.130 TO 160 | 20 | 44 |
| 130 | 96315-11610 | WEIGHT,FRONT 2 | 3 | | | [AS] | 0 | 0 |
| 140 | 96315-11630 | BOLT,FRONT WEIGHT | 3 | | | [AS] | 0.09 | 0.198 |
| 150 | 02174-50140 | NUT | 3 | | | [AS] | 0.014 | 0.0308 |
| 160 | 04512-50140 | WASHER,SPRING | 3 | | | [AS] | 0 | 0 |