

Instructions for Parts Books

The heading at the top of the page will be the same for the picture of the parts as it is for the page with the part numbers.

Definition of column headings on part number pages:

REF.No → The number referring to the part on the picture page of the parts book.

Part No. → The number assigned to this part at the time of printing the parts book.

Description → Description of part.

Q'ty → Quantity of part used on that page.

S.No. → Serial number range of the equipment that this part will fit.

>= Your serial number should be greater than or equal to the number shown.

<= Your serial number should be lesser than or equal to the serial number shown.

I/C → Interchangeability of part shown.

↔ The part shown will work for the older and later serial number.

The part shown is not interchangeable with the other serial number.

← new for old

→ old for new

Remarks → Notes about this particular part. Sometimes this may say except [FR] or [CA]

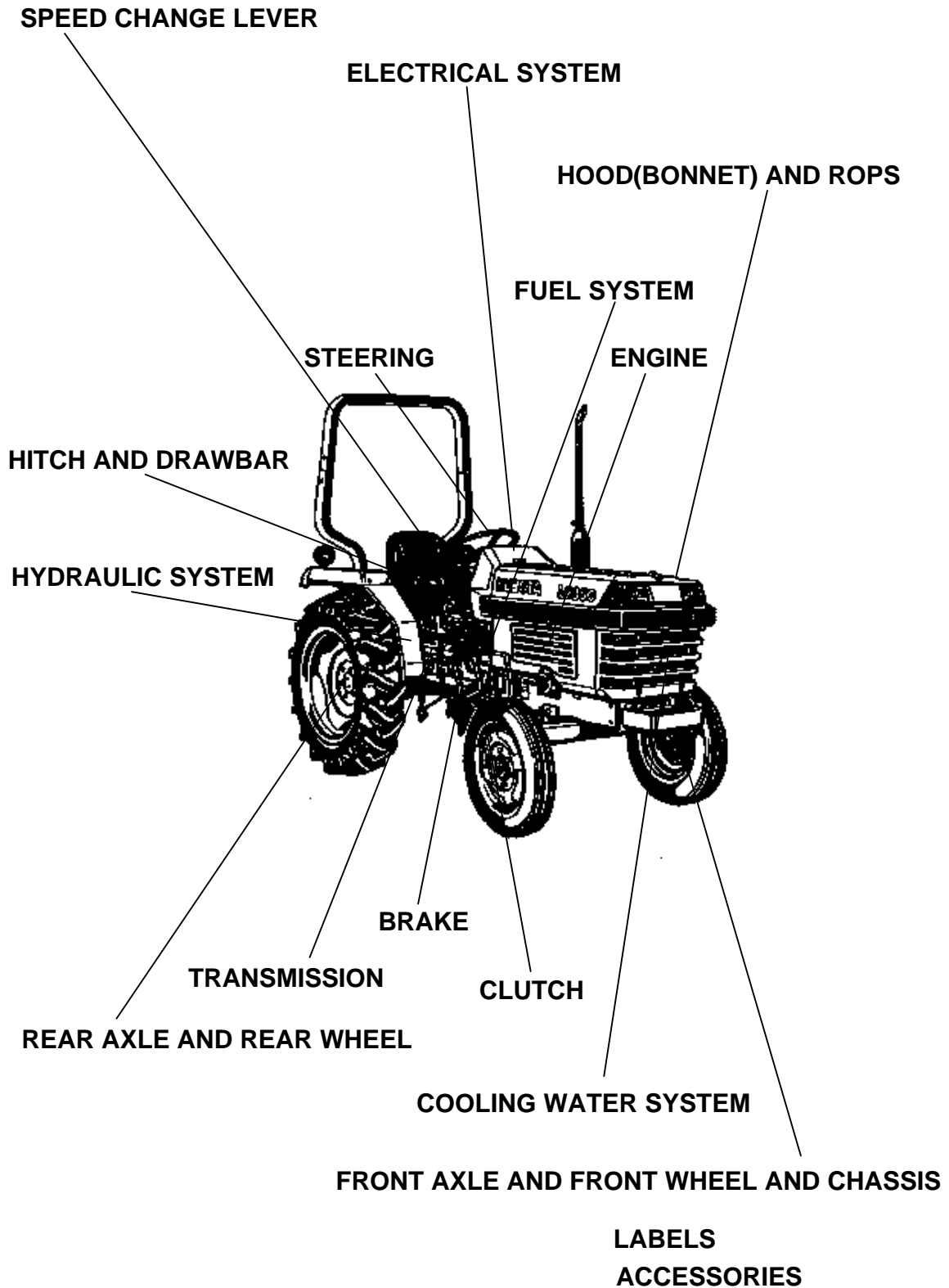
Note about Country Codes:

The parts books we use in the United States of America may also contain information about a part that would be different in another country. It is important that you are aware of the country codes in some instances.

Symbol	Country
A	United States of America
CA	Canada
FR	France
GR	Greece
PO	Portugal
AU	Australia

If the remarks column says for example EXCEPT [FR] this part works in all countries except France. That means it will work here in the USA.

ALL PRODUCT INDEX
L2350F

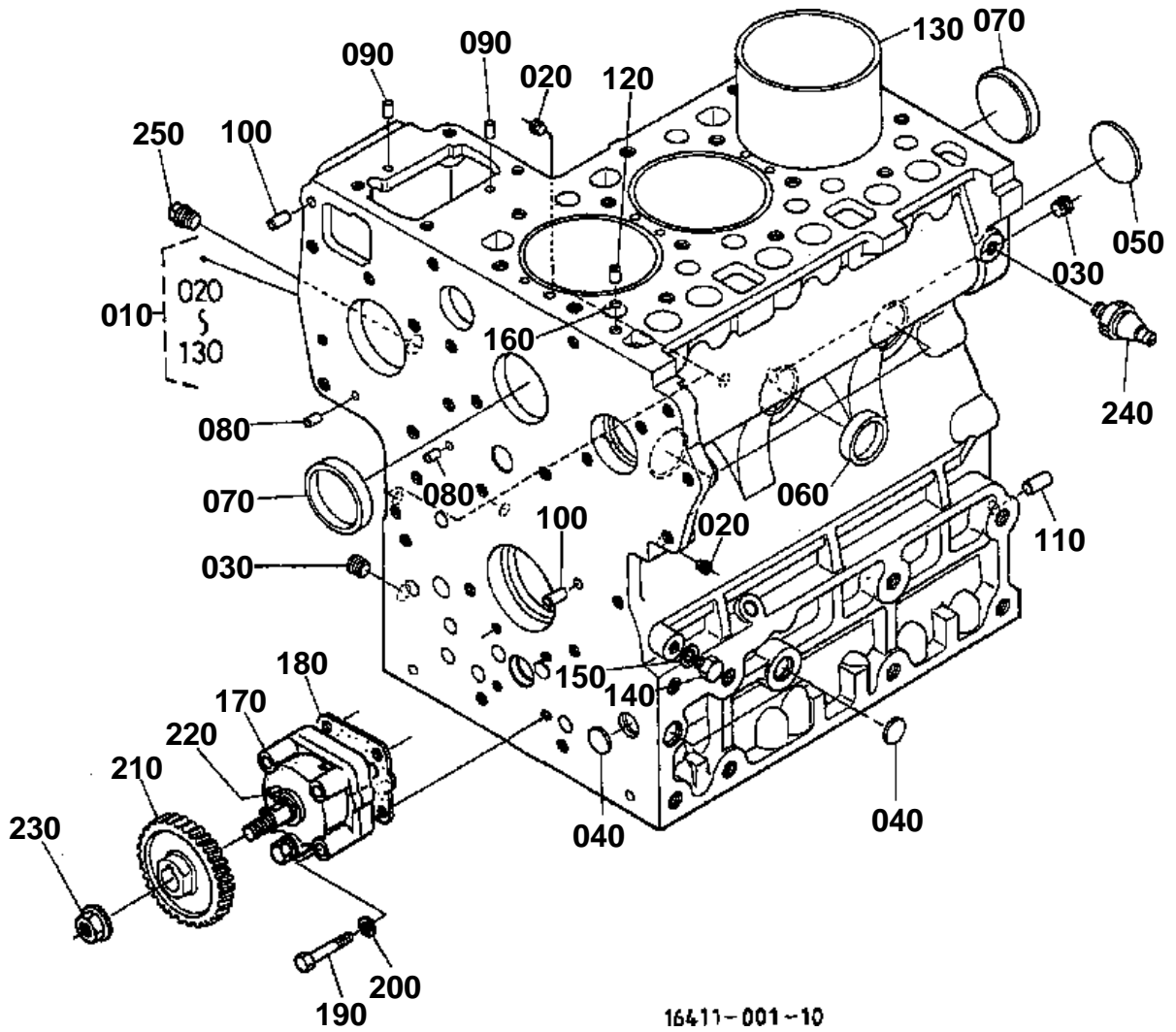


Item	Part No.	Description	Book
ENGINE	01T001	CRANKCASE	100K0382
	01T002	OIL PAN	100K0382
	01T003	PISTON AND CRANKSHAFT	100K0382
	01T004	MAIN BEARING CASE	100K0382
	01T005	FLYWHEEL	100K0382
	01T006	CYLINDER HEAD	100K0382
	01T007	VALVE AND ROCKER ARM	100K0382
	01T008	NOZZLE HOLDER AND GLOW PLUG	100K0382
	01T009	NOZZLE HOLDER [COMPONENT PARTS]	100K0382
	01T010	CYLINDER HEAD COVER	100K0382
	01T011	INLET MANIFOLD	100K0382
	01T016	CAMSHAFT	100K0382
	01T017	GEAR CASE	100K0382
	01T018	WATER PUMP	100K0382
	01T019	WATER FLANGE AND THERMOSTAT	100K0382
	01T020	INJECTION PUMP AND FUEL CAMSHAFT	100K0382
	01T021	INJECTION PUMP [COMPONENT PARTS]	100K0382
	01T022	SPEED CONTROL PLATE	100K0382
	01T023	GOVERNOR	100K0382
	01T024	UPPER GASKET KIT	100K0382
	01T025	LOWER GASKET KIT	100K0382
	02T012	AIR CLEANER	100K0382
	02T013	AIR CLEANER [COMPONENT PARTS]	100K0382
	02T014	EXHAUST MANIFOLD	100K0382
	02T01501	MUFFLER	100K0382
	02T01502	UNDER MUFFLER [OLD TYPE] [OPTION]	100K0382
02T01503	UNDER MUFFLER [NEW TYPE] [OPTION]	100K0382	
02T026	HAND ACCELERATOR LEVER	100K0382	
FUEL SYSTEM	02T02701	FUEL TANK	100K0382
	02T028	FUEL FILTER AND FUEL PIPE	100K0382
COOLING WATER SYSTEM	02T029	WATER PIPE	100K0382
	02T030	RADIATOR	100K0382
	02T031	SHUTTER	100K0382
ELECTRICAL SYSTEM	02T032	DYNAMO AND FAN	100K0382
	02T033	DYNAMO [COMPONENT PARTS]	100K0382
	02T034	STARTER	100K0382
	02T035	STARTER [COMPONENT PARTS]	100K0382
	02T036	BATTERY	100K0382
	02T037	SWITCH	100K0382
	02T03801	LIGHT [OIL TYPE]	100K0382
	02T03802	LIGHT [NEW TYPE]	100K0382
	02T03901	REGULATOR AND METER [OIL TYPE]	100K0382
	02T03902	REGULATOR AND METER	100K0382
	02T04001	ELECTRICAL WIRING [OLD TYPE]	100K0382
	02T04002	ELECTRICAL WIRING [NEW TYPE]	100K0382
CLUTCH	02T041	CLUTCH	100K0382
	02T042	CLUTCH LEVER	100K0382
	02T043	CLUTCH PEDAL	100K0382
	02T044	CLUTCH HOUSING	100K0382
TRANSMISSION	02T045	TRANSMISSION CASE	100K0382
	02T046	MAIN SHAFT	100K0382
	02T047	COUNTERSHAFT	100K0382
	02T04801	PTO COUNTERSHAFT	100K0382
	02T049	REVERSE SHAFT	100K0382
SPEED CHANGE LEVER	02T050	MAIN GEAR SHIFT LEVER	100K0382

Item	Part No.	Description	Book	
SPEED CHANGE LEVER	02T051	PTO GEAR SHIFT LEVER	100K0382	
	02T052	MAIN GEAR SHIFT FORK	100K0382	
	02T053	PTO GEAR SHIFT FORK	100K0382	
REAR AXLE AND REAR WHEEL	02T054	PTO GEAR SHIFT FORK AND LEVER	100K0382	
	02T055	SPIRAL BEVEL PINION	100K0382	
	02T056	REAR DIFFERENTIAL	100K0382	
	02T057	DIFFERENTIAL LOCK PEDAL	100K0382	
	02T058	REAR AXLE	100K0382	
	02T05901	REAR WHEEL (9.5-24)	100K0382	
	02T05902	REAR WHEEL (11.2-24)	100K0382	
	02T05903	REAR WHEEL (13.6-16)	100K0382	
	02T05904	REAR WHEEL (13.6-16)	100K0382	
	02T05905	REAR WHEEL (355/80-D20)	100K0382	
	BRAKE	02T06001	BRAKE	100K0382
02T061		BRAKE PEDAL	100K0382	
02T062		PARKING BRAKE LEVER	100K0382	
FRONT AXLE AND FRONT WHEEL AND CHASSIS	02T063	FRONT AXLE	100K0382	
	02T064	KNUCKLE SHAFT	100K0382	
	02T06501	FRONT WHEEL (4.00-15)	100K0382	
	02T06502	FRONT WHEEL (5.00-15)	100K0382	
	02T06503	FRONT WHEEL (23X8.50-12)	100K0382	
	02T06504	FRONT WHEEL (25X8.50-14)	100K0382	
	02T06505	FRONT WHEEL (23X8.50-12)	100K0382	
	02T06506	FRONT WHEEL (25X8.50-12)	100K0382	
	02T066	FRONT AXLE FRAME	100K0382	
	STEERING	02T077	STEERING LINKAGE (DRAG LINK)	100K0382
		02T078	STEERING LINKAGE (TIE LINK)	100K0382
		02T08101	MANUAL STEERING AND HANDLE (MS)	100K0382
	HYDRAULIC SYSTEM	02T08201	MANUAL STEERING [COMPONENT PARTS]	100K0382
		02T08301	HYDRAULIC PUMP	100K0382
02T08401		HYDRAULIC PUMP [COMPONENT PARTS]	100K0382	
02T08501		HYDRAULIC OIL LINE	100K0382	
02T087		CONTROL VALVE	100K0382	
02T08801		CONTROL VALVE (POSITION) [A] [CA] [COMPONENT PARTS]	100K0382	
02T08802		CONTROL VALVE (POSITION) [AU] [COMPONENT PARTS]	100K0382	
02T08803		CONTROL VALVE [OPTION] [COMPONENT PARTS]	100K0382	
02T089		DRAFT CONTROL VALVE [OPTION]	100K0382	
02T090		DRAFT CONTROL VALVE [OPTION] [COMPONENT PARTS]	100K0382	
02T091		HYDRAULIC CYLINDER	100K0382	
02T092		CYLINDER FRONT COVER	100K0382	
02T093		LIFT ARM	100K0382	
02T094		FEED BACK LAVER	100K0382	
02T09501	POSITION CONTROL LEVER [OLD TYPE]	100K0382		
02T09502	POSITION CONTROL LEVER [NEW TYPE]	100K0382		
02T09601	3-POINT LINKAGE 1 (LOWER LINK AND TOP LINK) [A] [CA]	100K0382		
02T09602	3-POINT LINKAGE 1 (LOWER LINK AND TOP LINK) [AU]	100K0382		
02T097	3-POINT LINKAGE 2 (LIFT ROD)	100K0382		
02T098	TOP LINK BRACKET AND LOWER LINK HOLDER	100K0382		

Item	Part No.	Description	Book
HYDRAULIC SYSTEM	02T099	TOP LINK BRACKET (WITH DRAFT CONTROL) [OPTION]	100K0382
HITCH AND DRAWBAR	02T100	DRAWBAR AND HITCH	100K0382
	02T101	PTO SHAFT PROTECTOR	100K0382
HOOD(BONNET) AND ROPS	02T102	FRONT GRILLE	100K0382
	02T103	HOOD (BONNET)	100K0382
	02T104	HOOD (SIDE COVER)	100K0382
	02T10501	FENDER [OLD TYPE]	100K0382
	02T10502	FENDER [NEW TYPE]	100K0382
	02T106	SEAT	100K0382
	02T10701	STEP [OIL TYPE]	100K0382
	02T10702	STEP [NEW TYPE]	100K0382
	02T108	FENDER SUPPORT [NEW TYPE]	100K0382
	02T10901	ROPS [OLD TYPE]	100K0382
	02T10902	ROPS [NEW TYPE]	100K0382
LABELS	02T11001	LABEL 1 [OLD TYPE]	100K0382
	02T11002	LABEL 1 [NEW TYPE]	100K0382
	02T11101	LABEL 2 [OLD TYPE]	100K0382
	02T11102	LABEL 2 [NEW TYPE]	100K0382
ACCESSORIES	02T112	ACCESSORIES AND SERVICE PARTS	100K0382

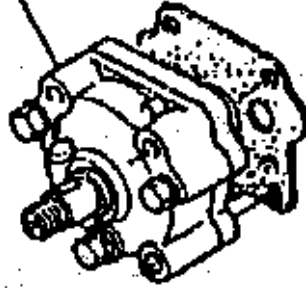
CRANKCASE



16411-001-10

170 15321-3501-0

170



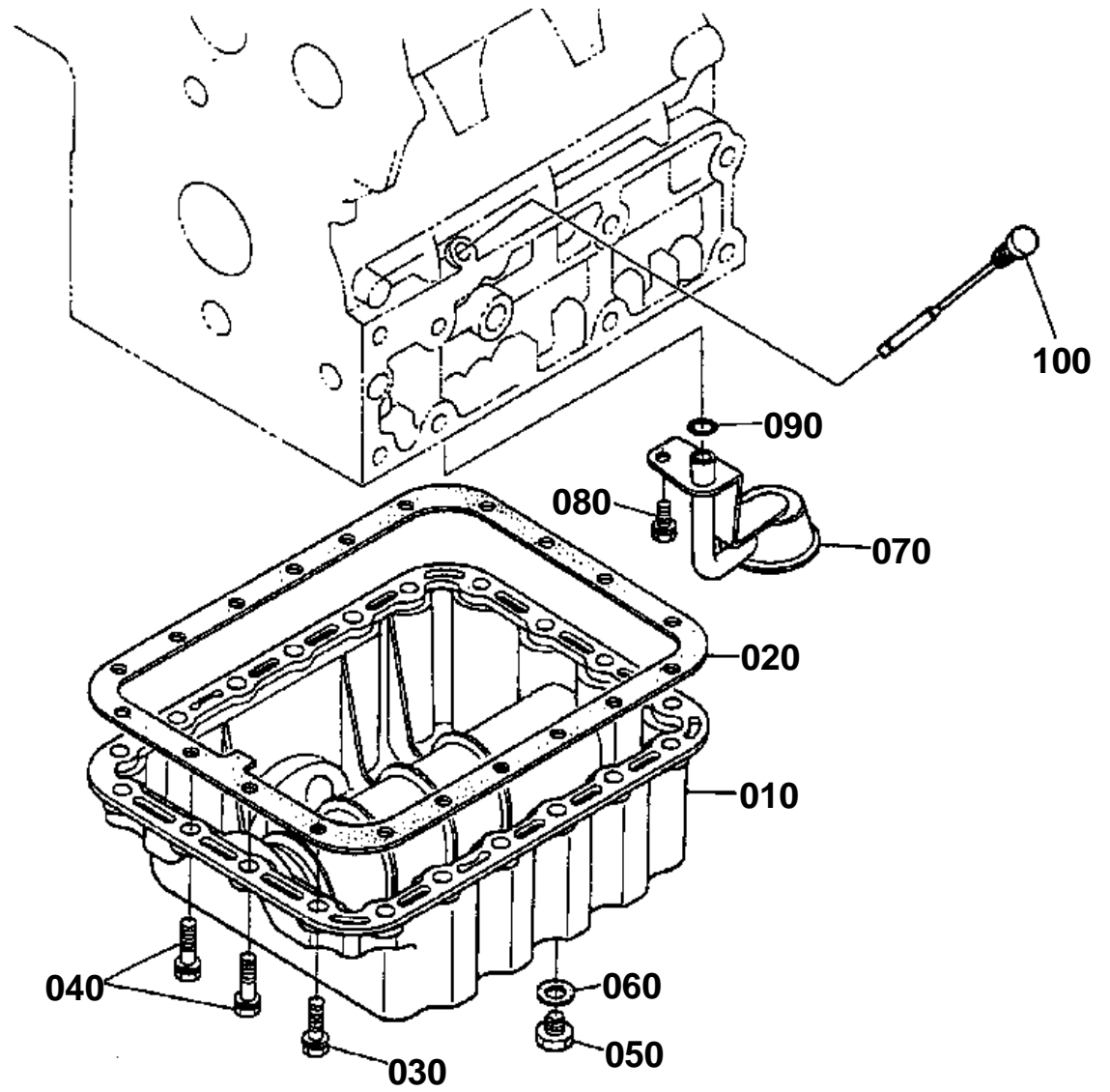
16411-818-20

**CRANKCASE**

↔ Interchangeable; ≠ not interchangeable; ← new for old; → old for new

REF.No	Part No.	Description	Q'ty	S.No.	I/C	REMARKS	Weight (kgf)	Weight (lb)
010	16411-01010	COMP.CRANKCASE	1				48.5	106.7
020	15521-96020	PLUG	5				0.003	0.0066
030	15521-96030	PLUG	2				0.007	0.0154
040	06311-75018	PLUG	3	≤13748			0.004	0.0088
040	17391-96160	PLUG	3	≥13749	←		0.003	0.0066
050	06311-75045	PLUG	1				0.026	0.0572
060	15221-03380	CAP SEALING	5				0.017	0.0374
070	15221-03390	CAP SEALING	2				0.03	0.066
080	05012-00408	PIN STRAIGHT	2				0.001	0.0022
090	05012-00609	PIN STRAIGHT	2				0.003	0.0066
100	05012-00612	PIN STRAIGHT	2				0.003	0.0066
110	05012-01018	PIN STRAIGHT	1				0.012	0.0264
120	15221-33650	PIN PIPE	1				0.004	0.0088
130	15221-02310	LINER CYLINDER	3				0.58	1.276
140	15221-33610	PLUG	1				0.009	0.0198
150	15021-33660	GASKET	1				0.001	0.0022
160	15221-33700	O RING	1				0.001	0.0022
170	15321-35010	ASSY PUMP OIL	1	≤12063			0.525	1.155
170	17331-35010	ASSY PUMP OIL	1	≥12064	↔		0	0
180	15296-35150	GASKET OIL PUMP	1				0.001	0.0022
190	01053-50648	BOLT	4				0.01	0.022
200	04512-60060	WASHER SPRING	4				0.001	0.0022
210	19202-35660	GEAR OIL PUMP DRIVE	1				0.23	0.506
220	05712-00410	KEY FEATHER	1				0.001	0.0022
230	15221-35682	NUT FLANGE	1				0.014	0.0308
240	15531-39010	SWITCH OIL	1				0.032	0.0704
250	06312-10020	PLUG	1				0.015	0.033

OIL PAN



16411-002-10

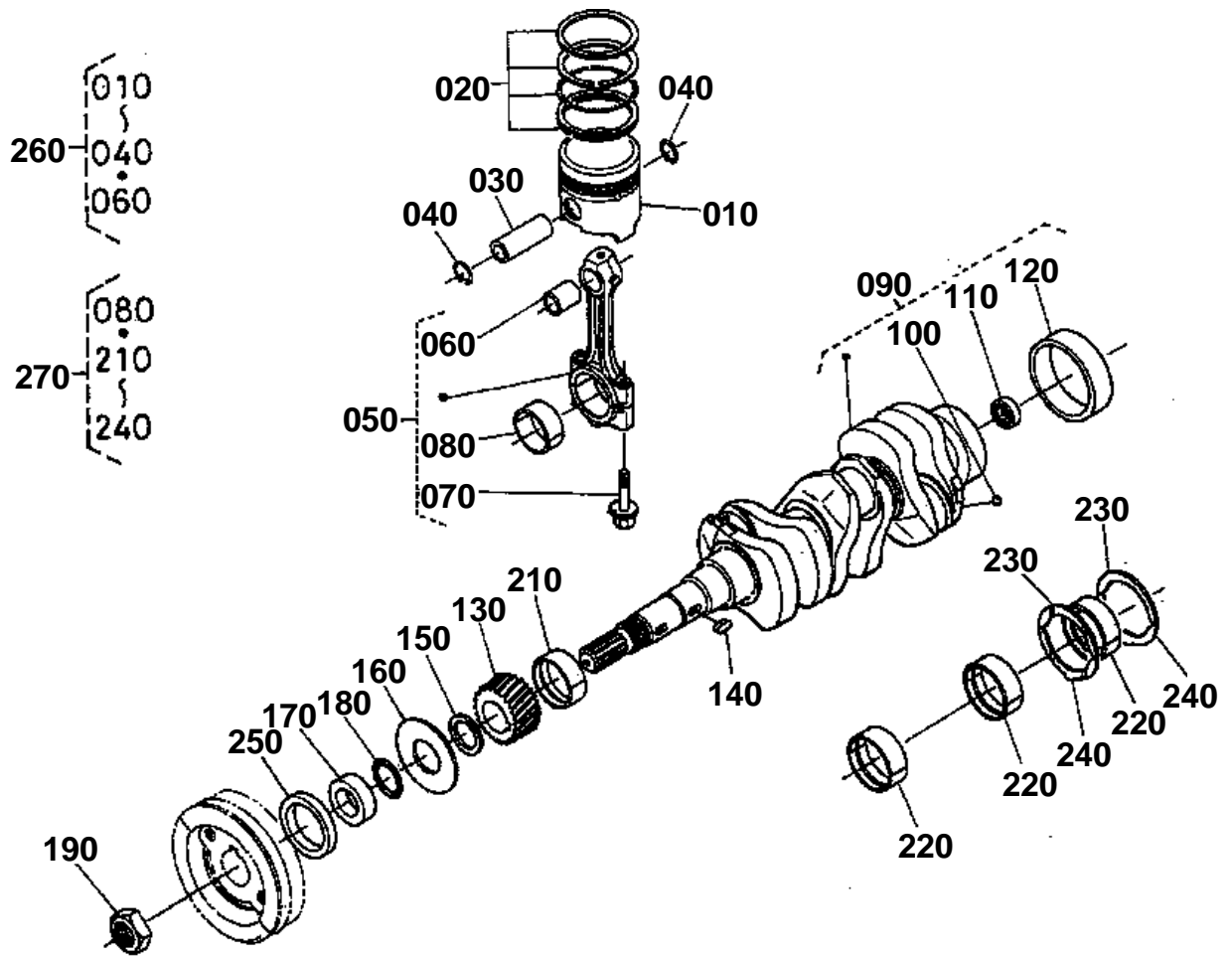


OIL PAN

↔ Interchangeable; ≠ not interchangeable; ← new for old; → old for new

REF.No	Part No.	Description	Q'ty	S.No.	I/C	REMARKS	Weight (kgf)	Weight (lb)
010	15521-01610	OIL PAN	1				2.8	6.16
020	15301-01620	GASKET OIL PAN	1				0	0
030	01133-51028	BOLT	18				0.027	0.0594
040	01133-51025	BOLT	2				0.023	0.0506
050	15261-33750	PLUG	2				0.034	0.0748
060	15109-33660	GASKET	2				0.001	0.0022
070	15521-32110	FILTER OIL	1				0.185	0.407
080	01123-60814	BOLT	1				0.008	0.0176
090	04811-00140	O RING	1				0.001	0.0022
100	15596-36410	GAUGE OIL	1				0.016	0.0352

PISTON AND CRANKSHAFT



16411-003-10

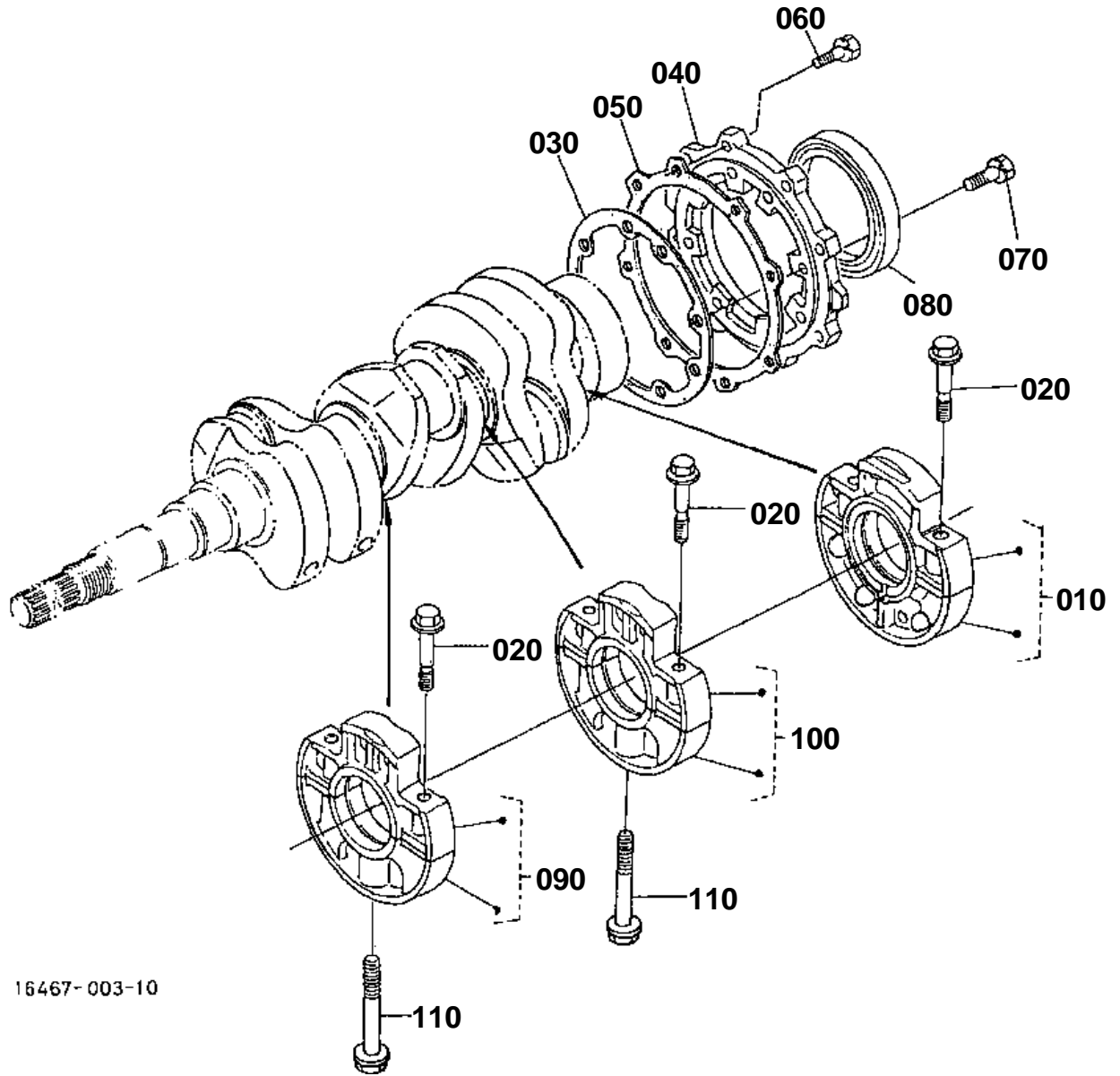


PISTON AND CRANKSHAFT

↔ Interchangeable; ≠ not interchangeable; ← new for old; → old for new

REF.No	Part No.	Description	Q'ty	S.No.	I/C	REMARKS	Weight (kgf)	Weight (lb)
010	15221-21110	PISTON	3			STD	0.45	0.99
010	15221-21910	PISTON	3			+0.50MM	0.452	0.9944
020	15501-21050	ASSY PISTON RING	3			STD	0.05	0.11
020	15501-21090	ASSY PISTON RING	3			+0.50MM	0.05	0.11
030	15521-21310	PIN PISTON	3				0.156	0.3432
040	15221-21330	CIRCLIP PISTON PIN	6				0.002	0.0044
050	15471-22012	ASSY CONNECTING ROD	3				0.76	1.672
060	15221-21962	BUSH PISTON PIN	3				0	0
070	15521-22142	BOLT CONNECTING ROD	6				0.026	0.0572
080	15471-22310	METAL CRANKPIN	3			STD	0.03	0.066
080	15471-22970	METAL CRANKPIN	3			-0.20MM	0.04	0.088
080	15471-22980	METAL CRANKPIN	3			-0.40MM	0.04	0.088
090	15568-23010	COMP.CRANKSHAFT	1				13.04	28.688
100	07715-00401	BALL	3				0.001	0.0022
110	08121-06002	BEARING BALL	1				0.03	0.066
120	19202-23280	SLEEVE CRANKSHAFT	1				0.09	0.198
130	15521-24110	GEAR CRANK	1				0.34	0.748
140	05712-00720	KEY FEATHER	1				0.008	0.0176
150	15221-24130	COLLAR	1				0.015	0.033
160	15471-23312	SLINGER OIL	1				0.008	0.0176
170	19202-23250	COLLAR CRANKSHAFT	1				0.065	0.143
180	04811-10300	O RING	1				0.001	0.0022
190	15221-23360	NUT CRANKSHAFT	1				0.11	0.242
210	17311-23470	METAL CRANKSHAFT	1			STD	0	0
210	17331-23910	METAL CRANKSHAFT	1			-0.20MM	0	0
210	17331-23920	METAL CRANKSHAFT	1			-0.40MM	0	0
220	17311-23480	METAL CRANKSHAFT	3			STD	0.045	0.099
220	15221-23930	METAL CRANKSHAFT	3			-0.20MM	0.055	0.121
220	15221-23940	METAL CRANKSHAFT	3			-0.40MM	0.056	0.1232
230	15521-23530	METAL SIDE	2			STD	0.01	0.022
230	15521-23950	METAL SIDE	2			+0.20MM	0.01	0.022
230	15521-23960	METAL SIDE	2			+0.40MM	0.01	0.022
240	19202-23540	METAL SIDE	2			STD	0.01	0.022
240	19202-23970	METAL SIDE	2			+0.20MM	0.01	0.022
240	19202-23980	METAL SIDE	2			+0.40MM	0.01	0.022
250	09550-00001	SEAL OIL	1				0.015	0.033
260	07916-26590	KIT PISTON-RING	3			STD	0.73	1.606
260	07916-26600	KIT PISTON-RING	3			+0.50MM	0.735	1.617
270	07916-28110	KIT METAL ENGINE	1			STD	0.29	0.638

MAIN BEARING CASE



16467-003-10

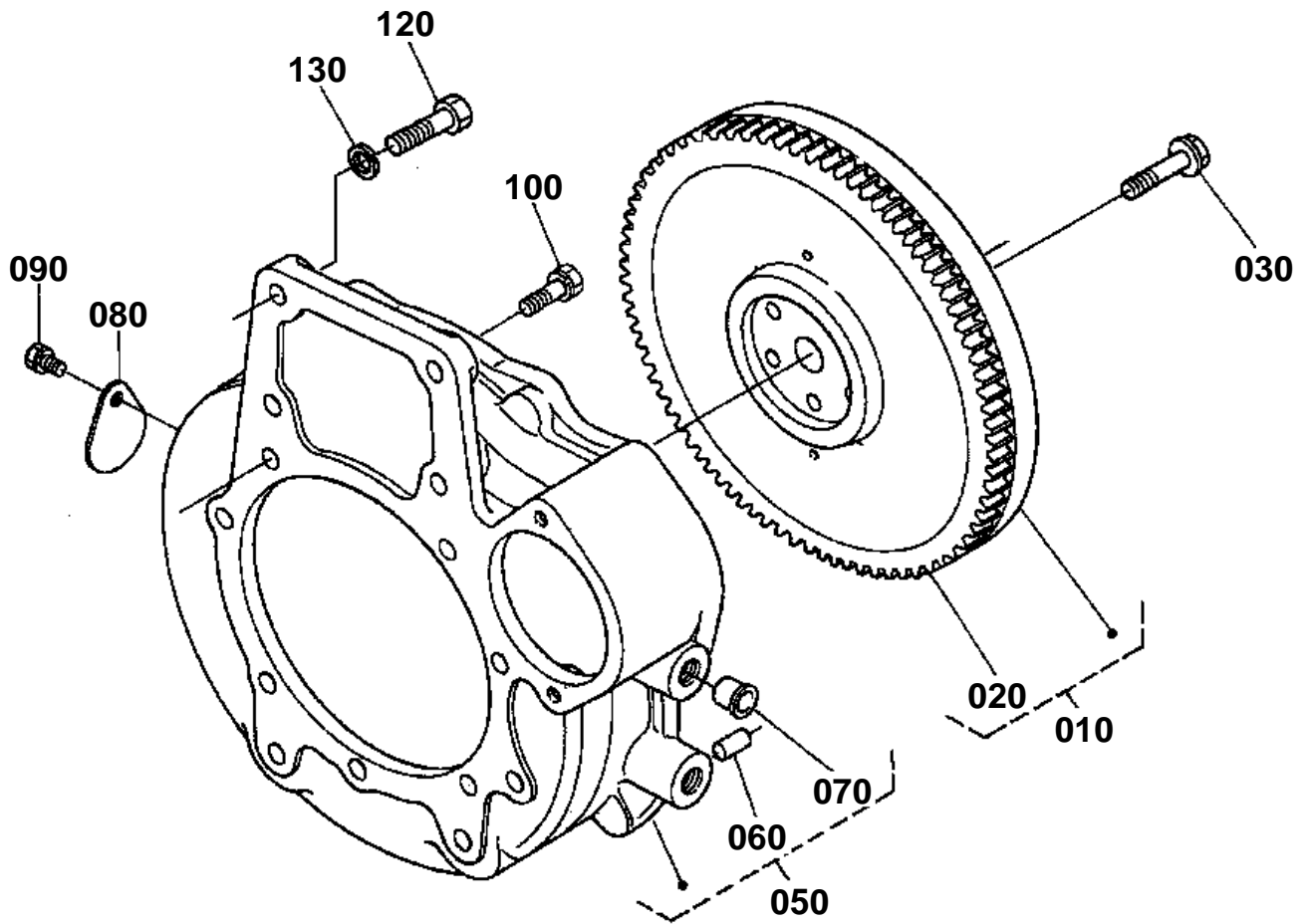


MAIN BEARING CASE

↔ Interchangeable; ≠ not interchangeable; ← new for old; → old for new

REF.No	Part No.	Description	Q'ty	S.No.	I/C	REMARKS	Weight (kgf)	Weight (lb)
010	19202-04040	ASSY CASE MAIN BRG.	1				1.28	2.816
020	15601-04540	BOLT BEARING CASE	6				0.034	0.0748
030	15521-04360	GASKET	1	≤15818			0	0
030	19202-04360	GASKET	1	≥15819	↔		0	0
030	19207-04360	GASKET BEARING CASE	1	≥19142	↔		0.005	0.011
040	19202-04810	COVER BEARING CASE	1				0.36	0.792
050	15313-04820	GASKET BRG.CASE COV.	1				0.005	0.011
060	01123-50825	BOLT	8				0.013	0.0286
070	01123-50828	BOLT	8				0.014	0.0308
080	19202-04460	SEAL OIL	1				0.055	0.121
090	15521-04055	ASSY CASE MAIN BRG.	1				1.2	2.64
100	15521-04065	ASSY CASE MAIN BRG.	1				1.225	2.695
110	15601-04560	BOLT BEARING CASE	2				0.06	0.132

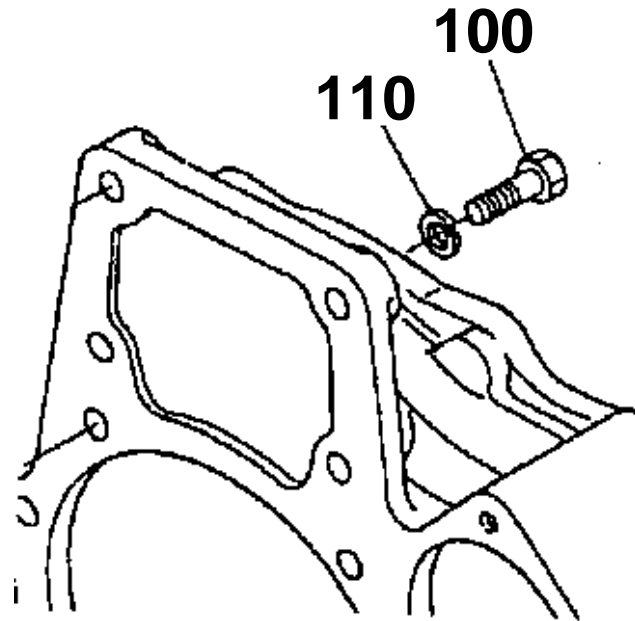
FLYWHEEL



16411-004-11

100 01073-51030

110 04512-60100



16411-826-10

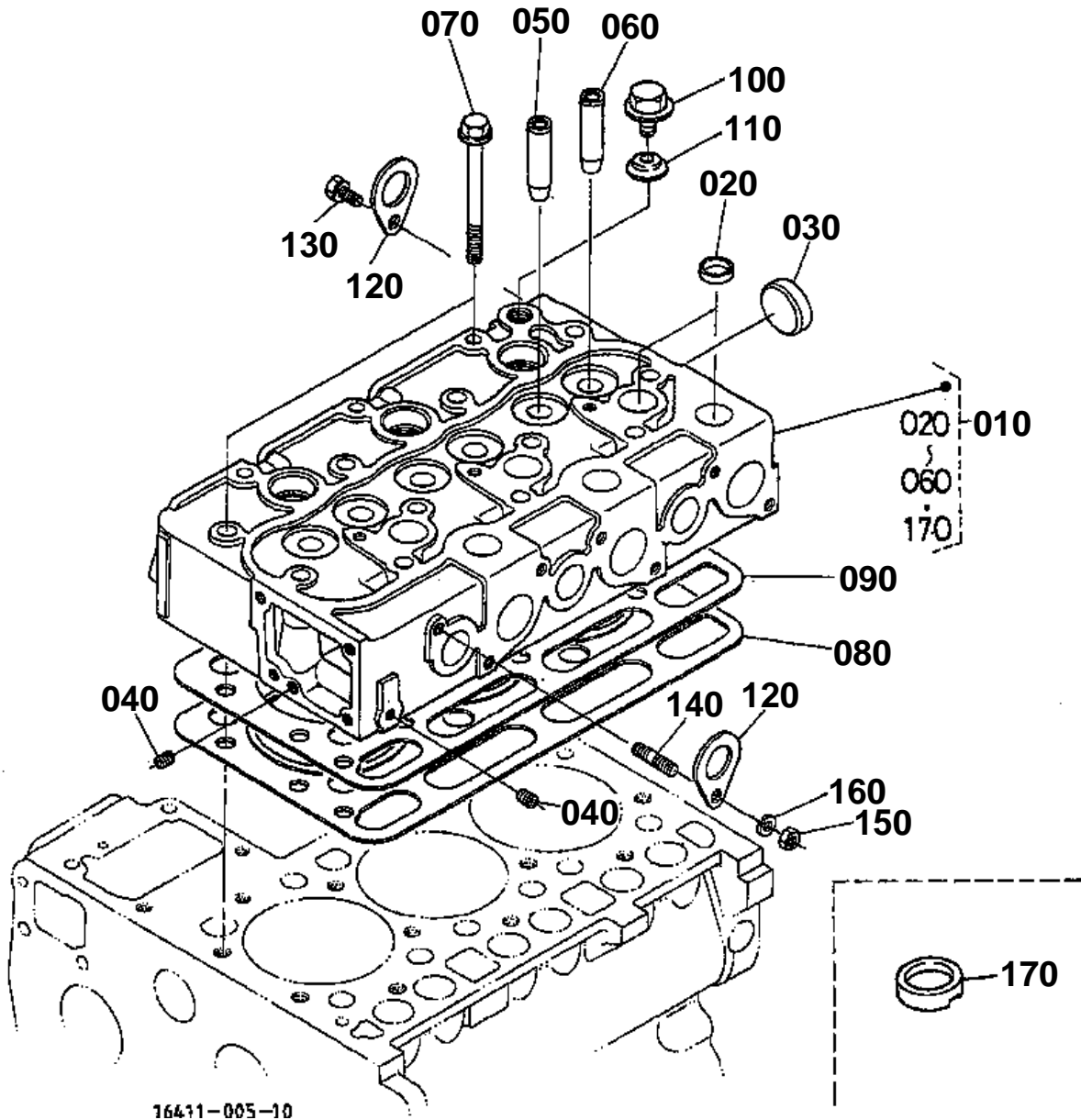


FLYWHEEL

↔ Interchangeable; ≠ not interchangeable; ← new for old; → old for new

REF.No	Part No.	Description	Q'ty	S.No.	I/C	REMARKS	Weight (kgf)	Weight (lb)
010	15331-25014	COMP.FLYWHEEL	1				15.9	34.98
020	15221-63820	GEAR RING	1				1.2	2.64
030	15321-25163	BOLT FLYWHEEL	6				0.05	0.11
050	15341-04600	COMP.HOUSING F-W.	1				10.4	22.88
060	05012-01018	PIN STRAIGHT	2				0.012	0.0264
070	31220-14290	PLUG	4				0.002	0.0044
080	31220-14170	COVER	1				0.014	0.0308
090	01123-50814	BOLT	1				0	0
100	01073-51030	BOLT	11	≤24391			0.028	0.0616
100	16427-91010	BOLT	11	≥24392	↔		0.004	0.0088
110	04512-60100	WASHER SPRING	11	≤24391			0.002	0.0044
120	01073-51240	BOLT	2				0.049	0.1078
130	04512-50120	WASHER SPRING	2				0	0

CYLINDER HEAD



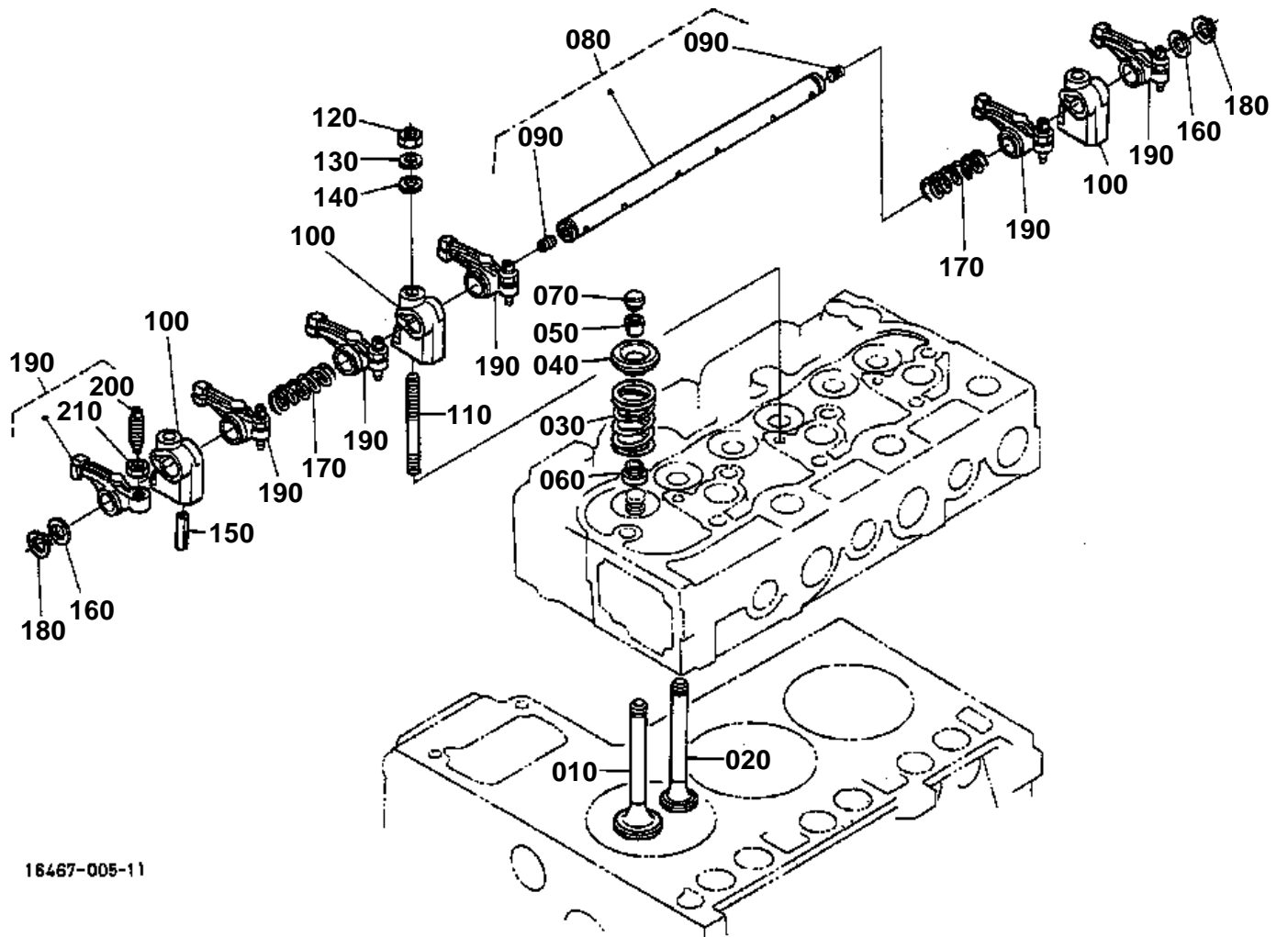
16411-005-10

**CYLINDER HEAD**

↔ Interchangeable; ≠ not interchangeable; ← new for old; → old for new

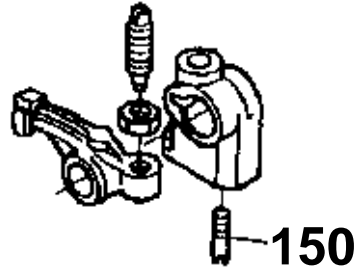
REF.No	Part No.	Description	Q'ty	S.No.	I/C	REMARKS	Weight (kgf)	Weight (lb)
010	15501-03040	COMP.CYLINDER HEAD	1				15	33
020	15221-03370	CAP SEALING	9				0.01	0.022
030	15221-03490	CAP SEALING	1				0.02	0.044
040	15261-96010	PLUG	2				0.002	0.0044
050	15521-13580	GUIDE VALVE	3	≤19906			0	0
050	17321-13580	GUIDE INLET VALVE	3	≥19907	↔		0.015	0.033
060	17321-13560	GUIDE EXHAUST VALVE	3				0.02	0.044
070	19202-03450	BOLT CYLINDER HEAD	14				0.065	0.143
080	15354-03310	GASKET CYLINDER HEAD	1				0.11	0.242
090	15321-03320	SHIM CYL.HEAD GASKET	1			MAINTENANCE PARTS	0.047	0.1034
100	15000-36080	PLUG CYLINDER HEAD	1				0.03	0.066
110	04717-01600	WASHER WITH RUBBER	1				0.003	0.0066
120	15221-01750	HOOK ENGINE	2				0.04	0.088
130	01123-60816	BOLT	1				0.01	0.022
140	15471-91530	STUD	1				0.01	0.022
150	02156-50080	NUT	1				0.004	0.0088
160	04512-60080	WASHER SPRING	1				0.002	0.0044
170	15291-03140	COMBUSTION CHAMBER	3				0.028	0.0616

VALVE AND ROCKER ARM



16467-005-11

150 15221-1442-0



16411-800-10

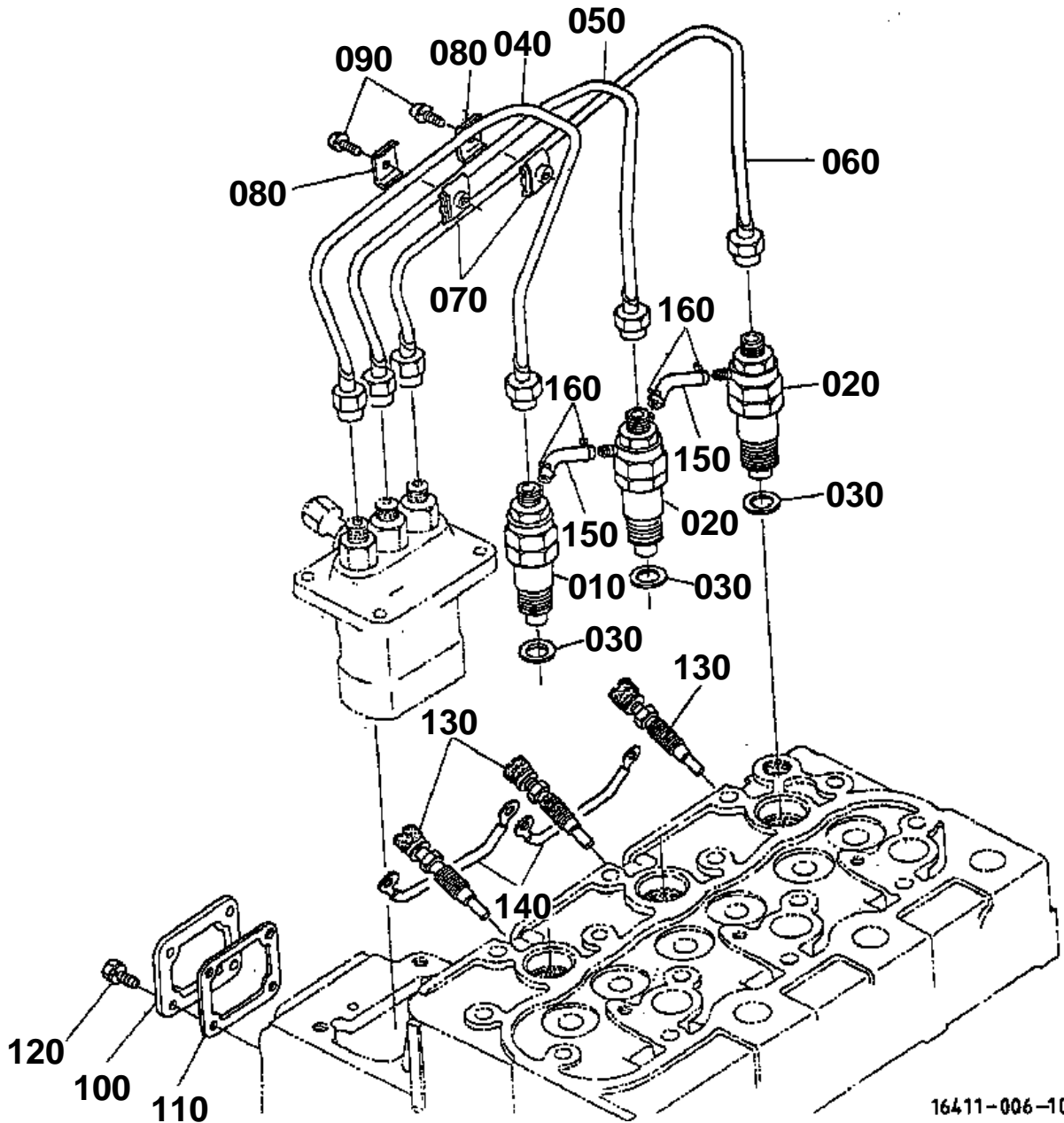


VALVE AND ROCKER ARM

↔ Interchangeable; ≠ not interchangeable; ← new for old; → old for new

REF.No	Part No.	Description	Q'ty	S.No.	I/C	REMARKS	Weight (kgf)	Weight (lb)
010	15221-13110	VALVE INLET	3				0.062	0.1364
020	15221-13120	VALVE EXHAUST	3				0.054	0.1188
030	15221-13240	SPRING VALVE	6				0.036	0.0792
040	15221-13330	RETAINER VALVE SP.	6				0.03	0.066
050	15221-13360	COLLET VALVE SPRING	6				0	0
060	15221-13150	SEAL VALVE STEM	6				0.001	0.0022
070	15221-13280	CAP VALVE	6				0.006	0.0132
080	15321-14050	ASSY SHAFT R-ARM	1	≤21782			0.25	0.55
080	15321-14052	ASSY SHAFT R-ARM	1	≥21783	≠		0.235	0.517
090	03410-00808	SCREW SET	2				0.002	0.0044
100	15221-14350	BRACKET ROCKER ARM	3				0.044	0.0968
110	15521-91500	STUD	3				0.035	0.077
120	02156-50080	NUT	3				0.004	0.0088
130	04512-60080	WASHER SPRING	3				0.002	0.0044
140	04012-50080	WASHER PLAIN	3				0.001	0.0022
150	15221-14420	SCREW SET.ROCKER ARM	1	≤21782			0.003	0.0066
150	05411-00528	PIN SPRING	1	≥21783	≠		0.003	0.0066
160	15221-14430	WASHER R-ARM.SHAFT	2				0.002	0.0044
170	15221-14310	SPRING ROCKER ARM	2				0.005	0.011
180	04612-00140	CIRCLIP EXTERNAL	2				0.001	0.0022
190	15621-14030	ASSY ROCKER ARM	6				0.1	0.22
200	15521-14230	SCREW ADJUSTING	6				0.009	0.0198
210	15021-14240	NUT	6				0.003	0.0066

NOZZLE HOLDER AND GLOW PLUG

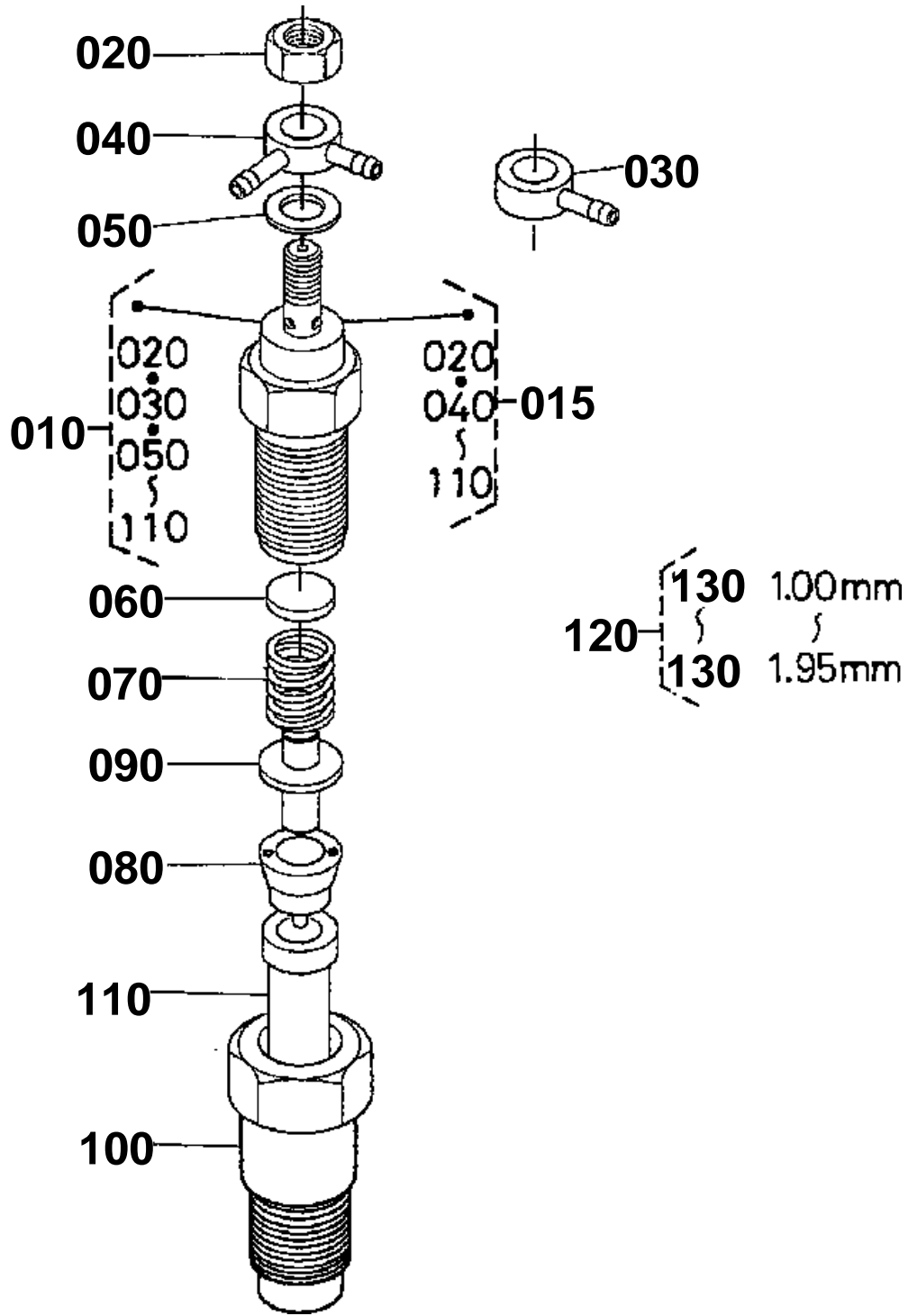


16411-006-10

**NOZZLE HOLDER AND GLOW PLUG**

↔ Interchangeable; ≠ not interchangeable; ← new for old; → old for new

REF.No	Part No.	Description	Q'ty	S.No.	I/C	REMARKS	Weight (kgf)	Weight (lb)
010	15271-53000	ASSY HOLDER NOZZLE	1			REFER TO L.No.0B05-R0 FOR COMPONENTS.	0.26	0.572
020	15271-53020	ASSY HOLDER NOZZLE	2				0.26	0.572
030	17011-53620	GASKET	3				0.003	0.0066
040	15469-53710	PIPE INJECTION	1				0.13	0.286
050	15469-53720	PIPE INJECTION	1				0.132	0.2904
060	15469-53730	PIPE INJECTION	1				0.132	0.2904
070	15841-53850	CLAMP PIPE	2				0.01	0.022
080	15841-53860	CLAMP PIPE	2				0.009	0.0198
090	03024-50520	SCREW WITH WASHER	2				0.004	0.0088
100	15221-51650	COVER INJECTION PUMP	1				0.05	0.11
110	15296-51660	GASKET PUMP COVER	1				0.003	0.0066
120	01023-50612	BOLT	4				0.005	0.011
130	15521-65510	PLUG GLOW	3				0.025	0.055
140	15401-65560	CORD GLOW PLUG	2				0.005	0.011
150	09661-40095	TUBE FUEL	2				0.01	0.022
160	10244-42320	CLIP PIPE	4				0.001	0.0022

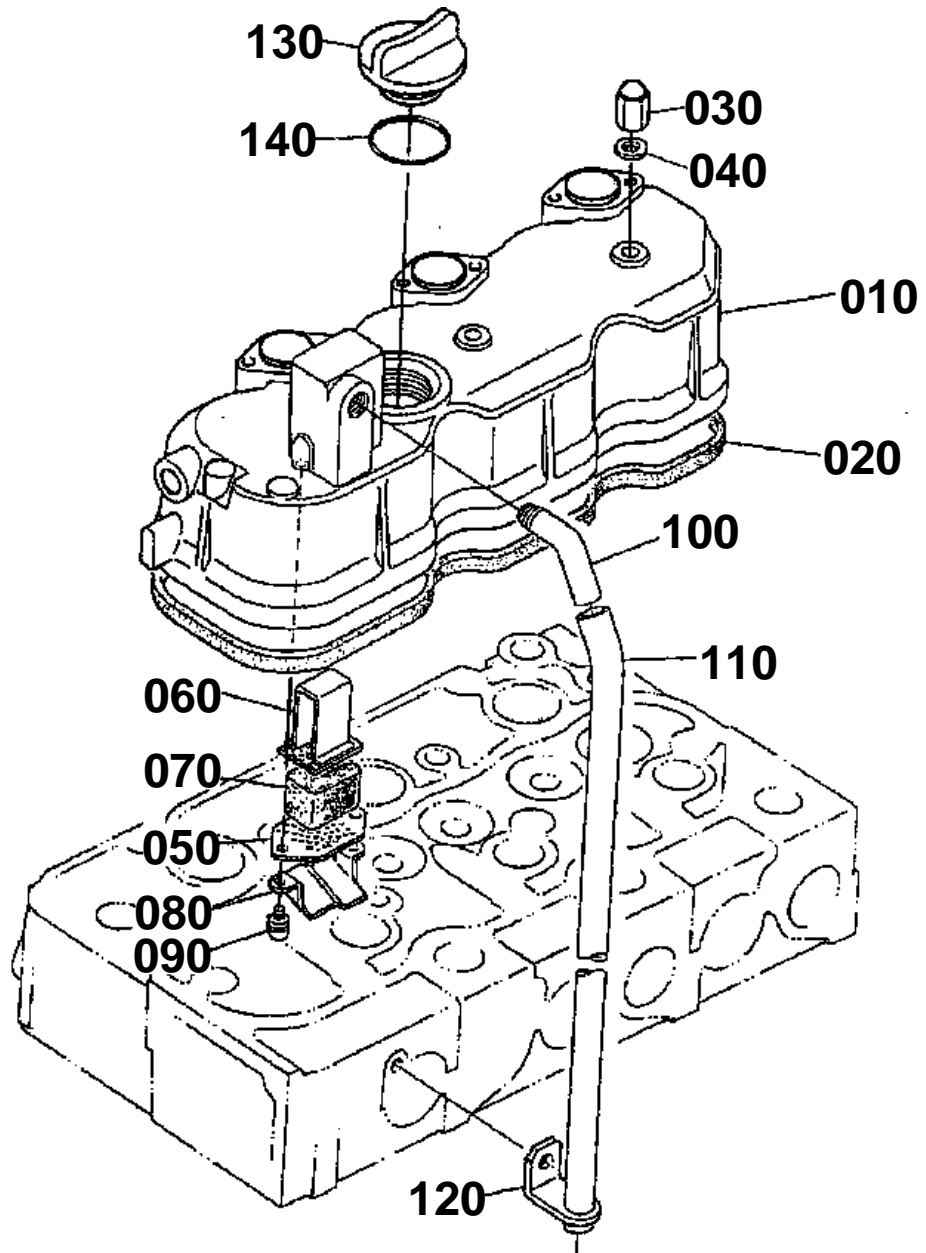


**NOZZLE HOLDER [COMPONENT PARTS]**

↔ Interchangeable; ≠ not interchangeable; ← new for old; → old for new

REF.No	Part No.	Description	Q'ty	S.No.	I/C	REMARKS	Weight (kgf)	Weight (lb)
010	15271-53000	ASSY HOLDER NOZZLE	1				0.26	0.572
015	15271-53020	ASSY HOLDER NOZZLE	2				0.26	0.572
020	15221-92020	NUT	3				0.011	0.0242
030	15221-95680	JOINT EYE	1				0.021	0.0462
040	15221-95690	JOINT EYE	2				0.022	0.0484
050	15221-94020	WASHER PLAIN	3				0.002	0.0044
060	15221-53230	WASHER ADJUSTING	3				0.001	0.0022
070	15221-53170	SPRING NOZZLE	3				0.01	0.022
080	15221-53350	PIECE DISTANCE	3				0.016	0.0352
090	15221-53160	PUSH ROD	3				0.003	0.0066
100	15221-53280	NUT NOZZLE	3				0.068	0.1496
110	15021-53610	PIECE NOZZLE	3	≤15115			0	0
110	19202-53610	PIECE NOZZLE	3	≥15116	↔		0.045	0.099
120	15221-98100	ASSY WASHER ADJUST	3			OPTION	0.03	0.066
130	15221-98110	WASHER ADJUSTING	3			1.00MM	0.001	0.0022
130	15221-98120	WASHER ADJUSTING	3			1.05MM	0.001	0.0022
130	15221-98130	WASHER ADJUSTING	3			1.10MM	0.001	0.0022
130	15221-98140	WASHER ADJUSTING	3			1.15MM	0.001	0.0022
130	15221-98150	WASHER ADJUSTING	3			1.20MM	0.001	0.0022
130	15221-98160	WASHER ADJUSTING	3			1.25MM	0.001	0.0022
130	15221-98170	WASHER ADJUSTING	3			1.30MM	0.001	0.0022
130	15221-98180	WASHER ADJUSTING	3			1.35MM	0.001	0.0022
130	15221-98190	WASHER ADJUSTING	3			1.40MM	0.002	0.0044
130	15221-98200	WASHER ADJUSTING	3			1.45MM	0.001	0.0022
130	15221-98210	WASHER ADJUSTING	3			1.50MM	0.001	0.0022
130	15221-98220	WASHER ADJUSTING	3			1.55MM	0.003	0.0066
130	15221-98230	WASHER ADJUSTING	3			1.60MM	0.003	0.0066
130	15221-98240	WASHER ADJUSTING	3			1.65MM	0.002	0.0044
130	15221-98250	WASHER ADJUSTING	3			1.70MM	0.002	0.0044
130	15221-98260	WASHER ADJUSTING	3			1.75MM	0.002	0.0044
130	15221-98270	WASHER ADJUSTING	3			1.80MM	0.002	0.0044
130	15221-98280	WASHER ADJUSTING	3			1.85MM	0.002	0.0044
130	15221-98290	WASHER ADJUSTING	3			1.90MM	0.002	0.0044
130	15221-98300	WASHER ADJUSTING	3			1.95MM	0.003	0.0066

CYLINDER HEAD COVER



16411-008-10

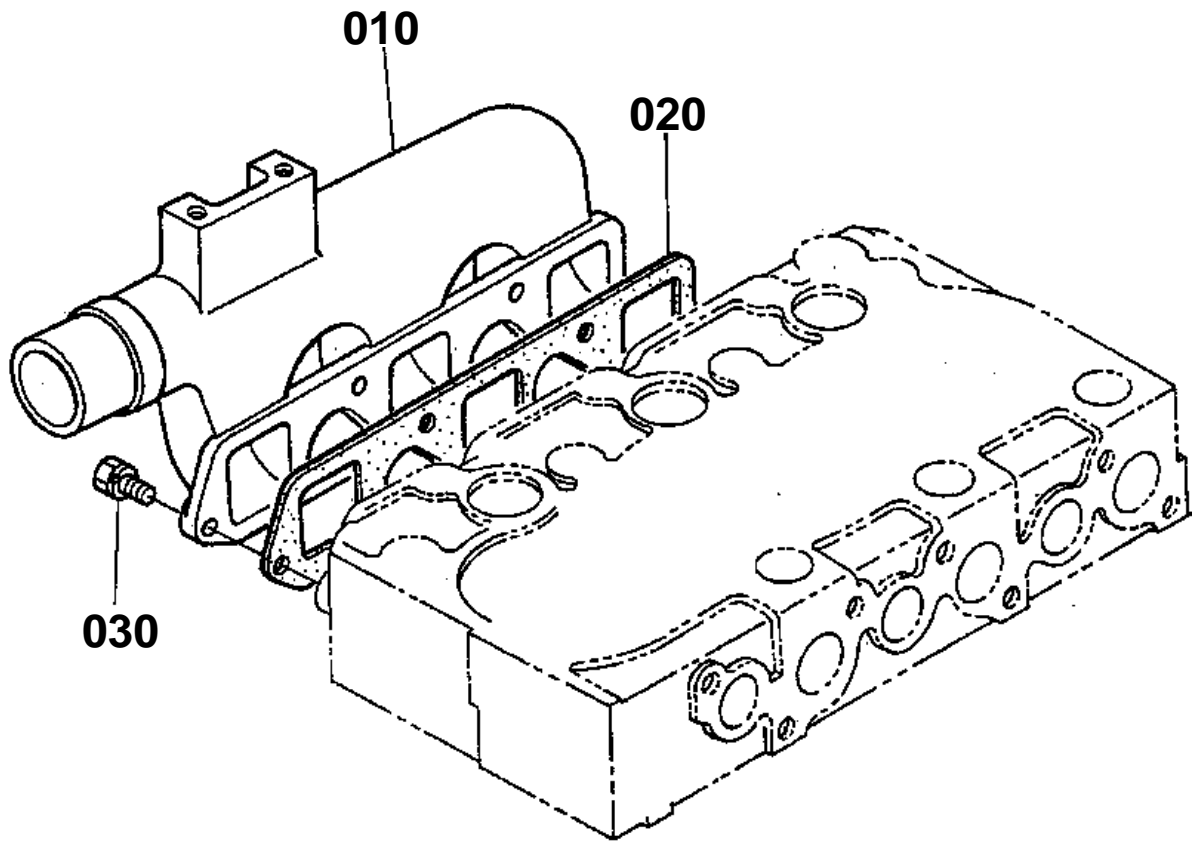


CYLINDER HEAD COVER

↔ Interchangeable; ≠ not interchangeable; ← new for old; → old for new

REF.No	Part No.	Description	Q'ty	S.No.	I/C	REMARKS	Weight (kgf)	Weight (lb)
010	15596-14510	COVER CYL.HEAD	1				1.27	2.794
020	15521-14520	GASKET HEAD COVER	1				0.035	0.077
030	15451-92330	NUT CAP	3				0.015	0.033
040	15021-33660	GASKET	3				0.001	0.0022
050	15521-05140	PLATE B/THER ELEMENT	1				0.005	0.011
060	15521-05150	PLATE B/THER ELEMENT	1				0.01	0.022
070	15521-05670	ELEMENT BREATHER	1				0.01	0.022
080	15521-05370	OIL SHIELD BREATHER	1				0.005	0.011
090	15521-93310	SCREW WITH WASHER	2	<=15205			0	0
090	03024-50510	SCREW WITH WASHER	2	>=15206	↔		0.002	0.0044
090	03034-50510	SCREW WITH WASHER	2	>=15593	↔		0.003	0.0066
100	15521-05550	JOINT BREATHER PIPE	1				0.04	0.088
110	15521-05510	PIPE BREATHER	1				0.075	0.165
120	15401-05580	CLAMP PIPE	1				0.02	0.044
130	15221-33140	PLUG OIL FILLER	1				0.038	0.0836
140	04811-50300	O RING	1				0.001	0.0022

INLET MANIFOLD



16411-009-10

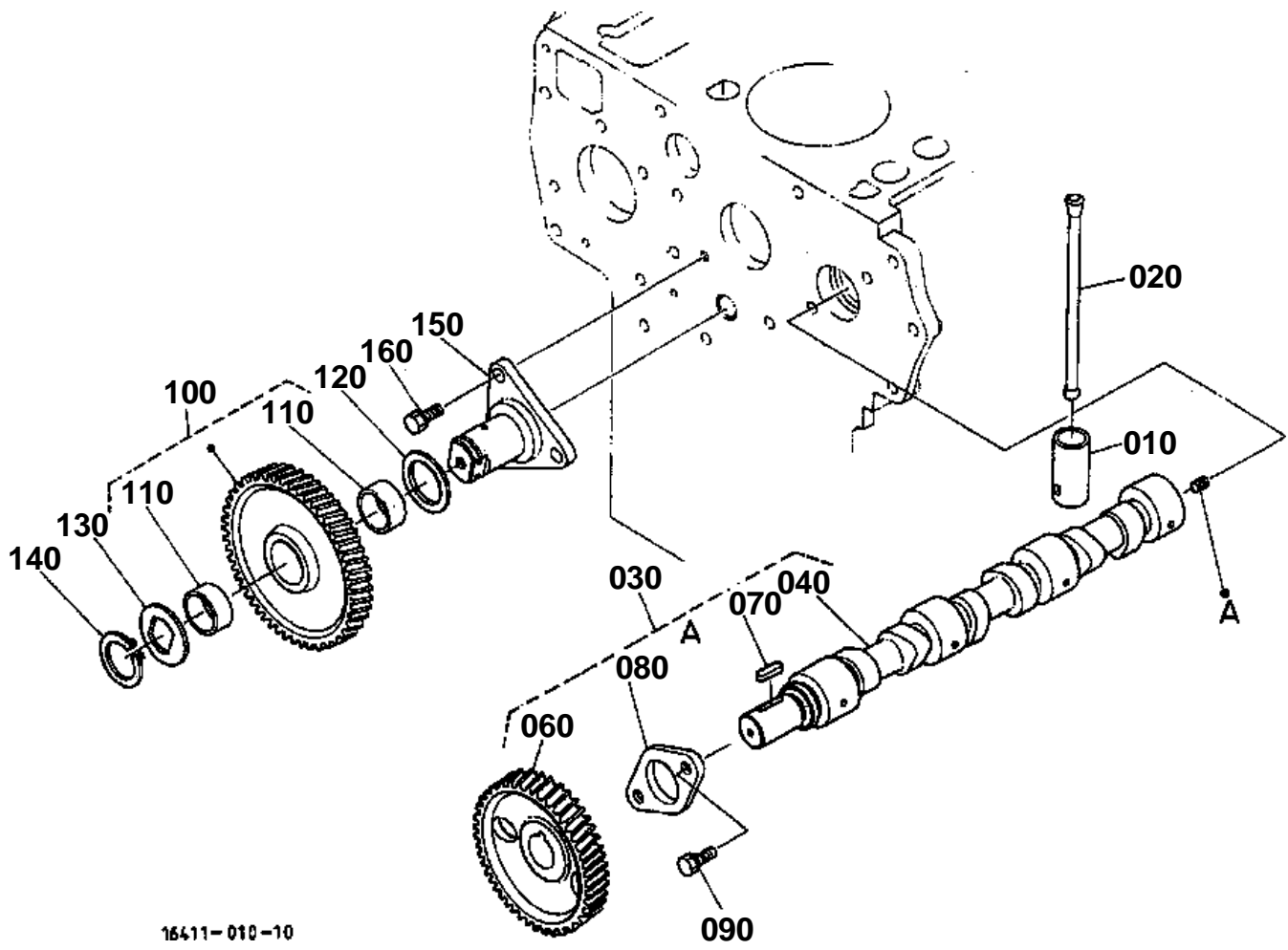


INLET MANIFOLD

↔ Interchangeable; ≠ not interchangeable; ← new for old; → old for new

REF.No	Part No.	Description	Q'ty	S.No.	I/C	REMARKS	Weight (kgf)	Weight (lb)
010	15501-11760	MANIFOLD INLET	1				0.75	1.65
020	15313-11820	GASKET IN-MANIFOLD	1				0.01	0.022
030	01123-50822	BOLT	5				0.012	0.0264

CAMSHAFT



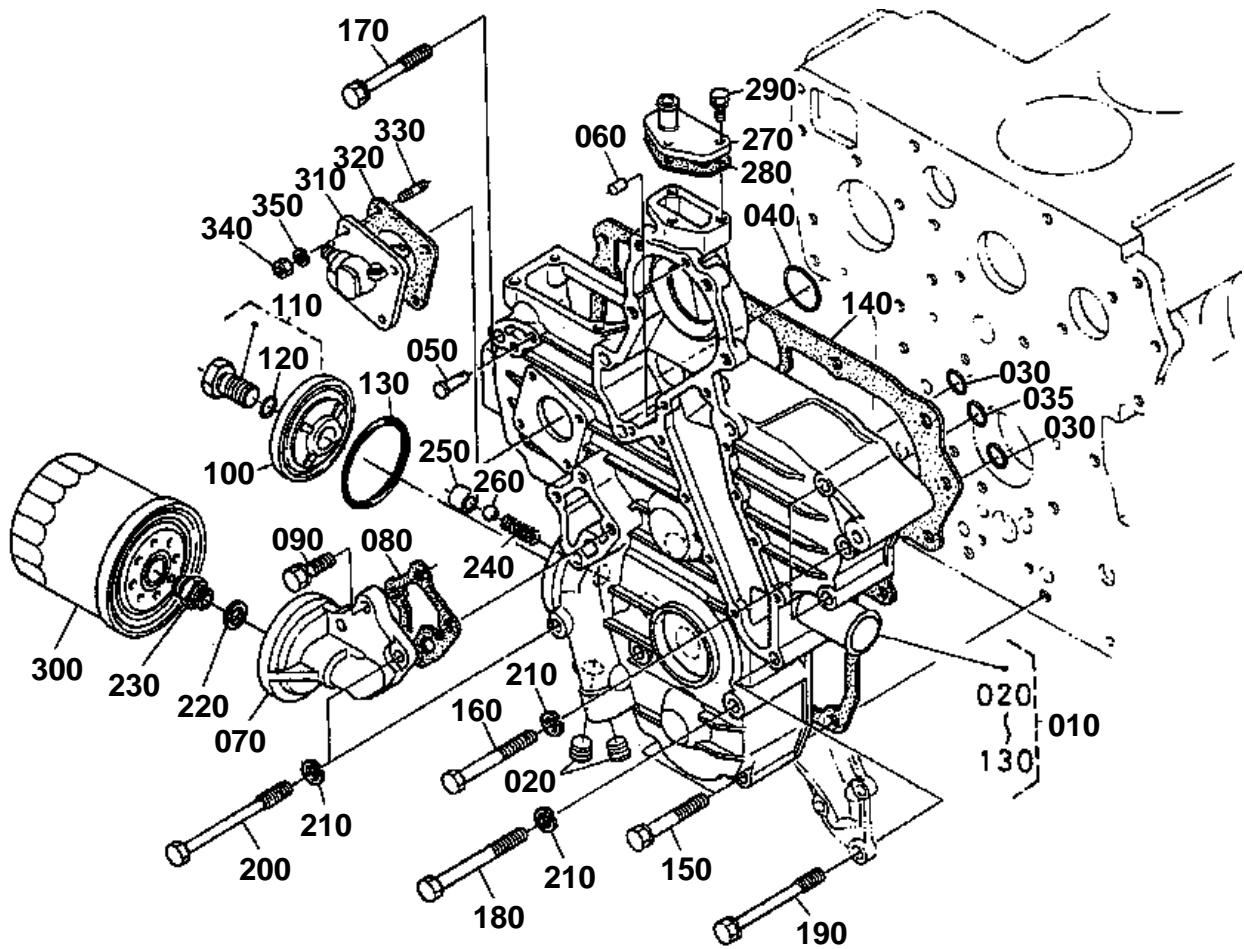
16411-010-10

**CAMSHAFT**

↔ Interchangeable; ≠ not interchangeable; ← new for old; → old for new

REF.No	Part No.	Description	Q'ty	S.No.	I/C	REMARKS	Weight (kgf)	Weight (lb)
010	15221-15550	TAPPET	6				0	0
020	15221-15110	PUSH ROD	6				0.05	0.11
030	15521-16010	ASSY CAMSHAFT	1				3.6	7.92
040	15521-16150	CAMSHAFT	1				1.79	3.938
060	15521-16510	GEAR CAM	1				0.85	1.87
070	05712-00720	KEY FEATHER	1				0.008	0.0176
080	15221-16270	STOPPER CAMSHAFT	1				0.073	0.1606
090	01123-50818	BOLT	2				0.012	0.0264
100	15221-24010	COMP GEAR IDLE	1				0.5	1.1
110	15221-24980	BUSH IDLE GEAR	2				0.02	0.044
120	15521-24360	COLLAR	1				0.015	0.033
130	15521-24370	COLLAR	1				0.015	0.033
140	15221-24320	CIR CLIP IDLE GEAR	1				0.01	0.022
150	15221-24250	SHAFT IDLE GEAR	1				0.48	1.056
160	01123-50818	BOLT	3				0.012	0.0264

GEAR CASE



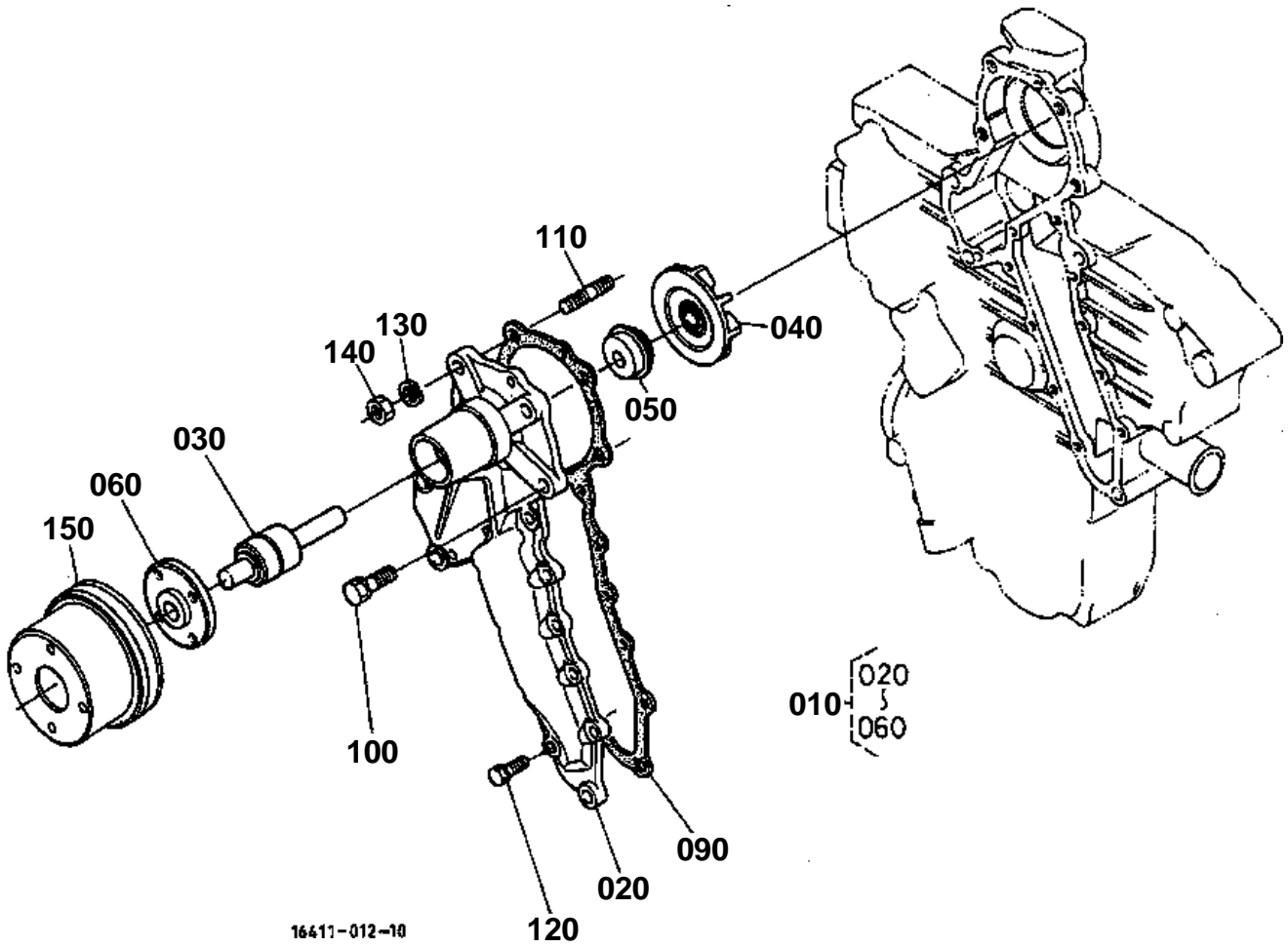
16&11-011-10

**GEAR CASE**

↔ Interchangeable; ≠ not interchangeable; ← new for old; → old for new

REF.No	Part No.	Description	Q'ty	S.No.	I/C	REMARKS	Weight (kgf)	Weight (lb)
010	17331-04024	COMP.CASE GEAR	1				5	11
020	17331-96040	PLUG	2	<=15205			0.005	0.011
020	16241-96020	PLUG	2	>=15206	←		0.015	0.033
030	04811-00150	O RING	2				0.001	0.0022
035	04811-00200	O RING	1				0.001	0.0022
040	04811-00360	O RING	1				0.002	0.0044
050	15221-56280	PIN START SPRING	1				0.006	0.0132
060	05012-00612	PIN STRAIGHT	2				0.003	0.0066
070	17331-32610	SUPPORT OIL FILTER	1				0.275	0.605
080	17326-32620	GASKET	1				0.005	0.011
090	01123-50825	BOLT	3				0.013	0.0286
100	17331-32880	COVER	1				0.075	0.165
110	17331-32910	COMP BOLT	1				0.07	0.154
120	04811-00150	O RING	1				0.001	0.0022
130	19202-96830	O RING	1				0.01	0.022
140	17326-04132	GASKET GEAR CASE	1				0.03	0.066
150	01123-50860	BOLT	2				0.026	0.0572
160	01153-50870	BOLT	5				0.026	0.0572
170	17367-91010	BOLT	1				0.005	0.011
180	01153-50880	BOLT	2				0.03	0.066
190	17367-91020	BOLT	3				0.035	0.077
200	01153-50895	BOLT	2				0.035	0.077
210	04512-60080	WASHER SPRING	9				0.002	0.0044
220	04011-50180	WASHER PLAIN	1				0.012	0.0264
230	15521-32290	JOINT PIPE	1				0.05	0.11
240	15241-36950	SPRING	1				0.004	0.0088
250	15521-36930	SEAT VALVE	1				0.015	0.033
260	07715-03213	BALL	1				0.004	0.0088
270	15521-73320	FLANGE WATER RETURN	1				0.04	0.088
280	15766-73330	GASKET	1				0.002	0.0044
290	01023-50620	BOLT	3				0.006	0.0132
300	17321-32430	CARTRIDGE OIL FILTER	1				0.45	0.99
310	38240-34660	ASSY GEAR CASE H/M	1				0.335	0.737
320	15296-88130	GASKET H/METER UNIT	1				0.002	0.0044
330	15221-88210	STUD	4				0.005	0.011
340	02056-50060	NUT	4				0.002	0.0044
350	04512-60060	WASHER SPRING	4				0.001	0.0022

WATER PUMP



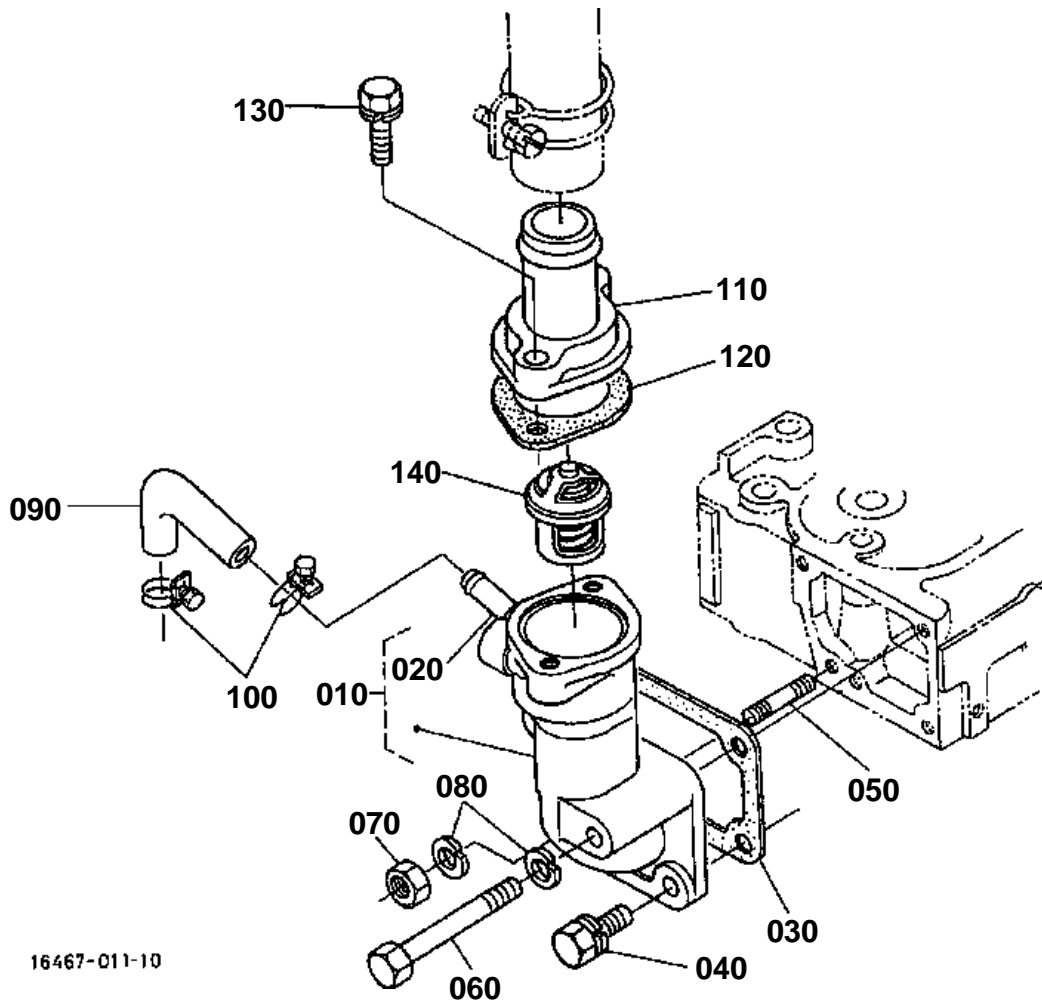


WATER PUMP

↔ Interchangeable; ≠ not interchangeable; ← new for old; → old for new

REF.No	Part No.	Description	Q'ty	S.No.	I/C	REMARKS	Weight (kgf)	Weight (lb)
010	16412-73030	ASSY PUMP WATER	1				1.21	2.662
020	17331-73410	BODY WATER PUMP	1				0.51	1.122
030	15521-73550	BEARING	1				0.235	0.517
040	15521-73510	IMPELLER WATER PUMP	1	≤24391			0.22	0.484
040	16661-73510	IMPELLER	1	≥24392	≠		0.195	0.429
050	19202-73050	ASSY SEAL MECHANICAL	1	≤24391			0.02	0.044
050	16661-73050	ASSY SEAL MECHANICAL	1	≥24392	≠		0.025	0.055
060	15521-73520	FLANGE WATER PUMP	1				0.25	0.55
090	17326-73430	GASKET WATER PUMP	1				0	0
100	01123-50828	BOLT	2				0.014	0.0308
110	15521-91510	STUD	2				0.012	0.0264
120	01023-50618	BOLT	8				0.006	0.0132
130	04512-60080	WASHER SPRING	2				0.002	0.0044
140	02156-50080	NUT	2				0.004	0.0088
150	15521-74250	PULLEY FAN	1				0.29	0.638

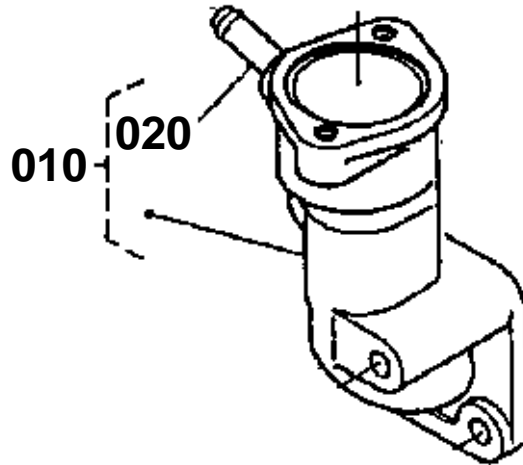
WATER FLANGE AND THERMOSTAT



16467-011-10

010 17331-7270-2

020 17331-7334-0



16411-801-10

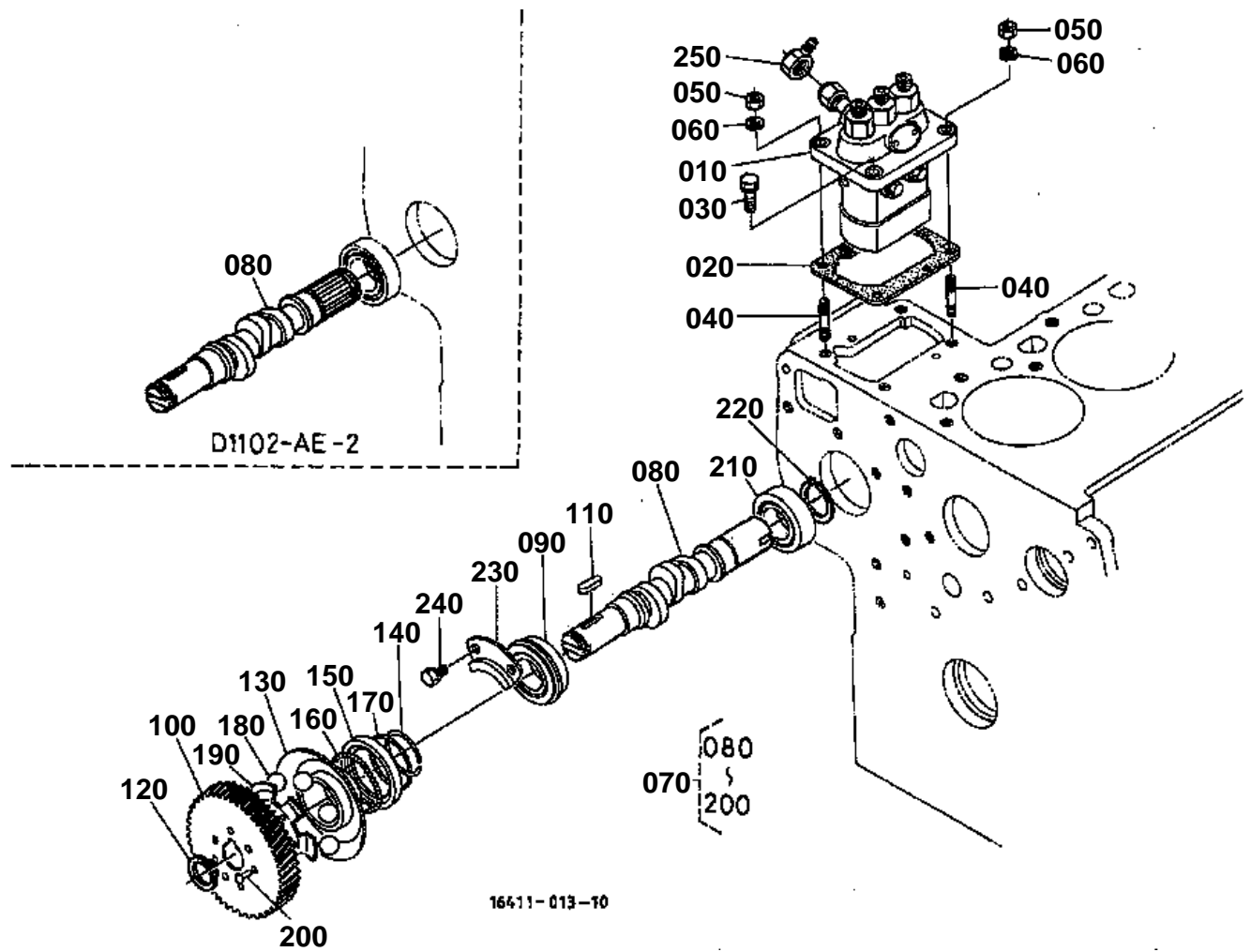


WATER FLANGE AND THERMOSTAT

↔ Interchangeable; ≠ not interchangeable; ← new for old; → old for new

REF.No	Part No.	Description	Q'ty	S.No.	I/C	REMARKS	Weight (kgf)	Weight (lb)
010	17331-72702	COMP.FLANGE WATER	1	≤13378			0	0
010	17331-72703	COMP.FLANGE WATER	1	≥13379	←		0.36	0.792
020	17331-73340	PIPE WATER RETURN	1	≤13378			0	0
020	17331-73342	PIPE WATER RETURN	1	≥13379	←		0.01	0.022
030	15766-72920	GASKET WATER FLANGE	1				0.01	0.022
040	01123-50822	BOLT	2				0.012	0.0264
040	01123-50820	BOLT	2		↔		0.011	0.0242
050	01513-50822	STUD	1				0.01	0.022
060	01153-50870	BOLT	1				0.026	0.0572
070	02156-50080	NUT	1				0.004	0.0088
080	04512-60080	WASHER SPRING	2				0.002	0.0044
090	15521-73340	PIPE WATER RETURN	1				0.025	0.055
100	15109-73360	BAND PIPE	2				0.01	0.022
110	15321-73260	COVER THERMOSTAT	1				0.107	0.2354
120	15313-73270	GASKET	1				0.001	0.0022
130	01123-50835	BOLT	2				0.02	0.044
140	15321-73010	ASSY THERMOSTAT	1				0.068	0.1496

INJECTION PUMP AND FUEL CAMSHAFT



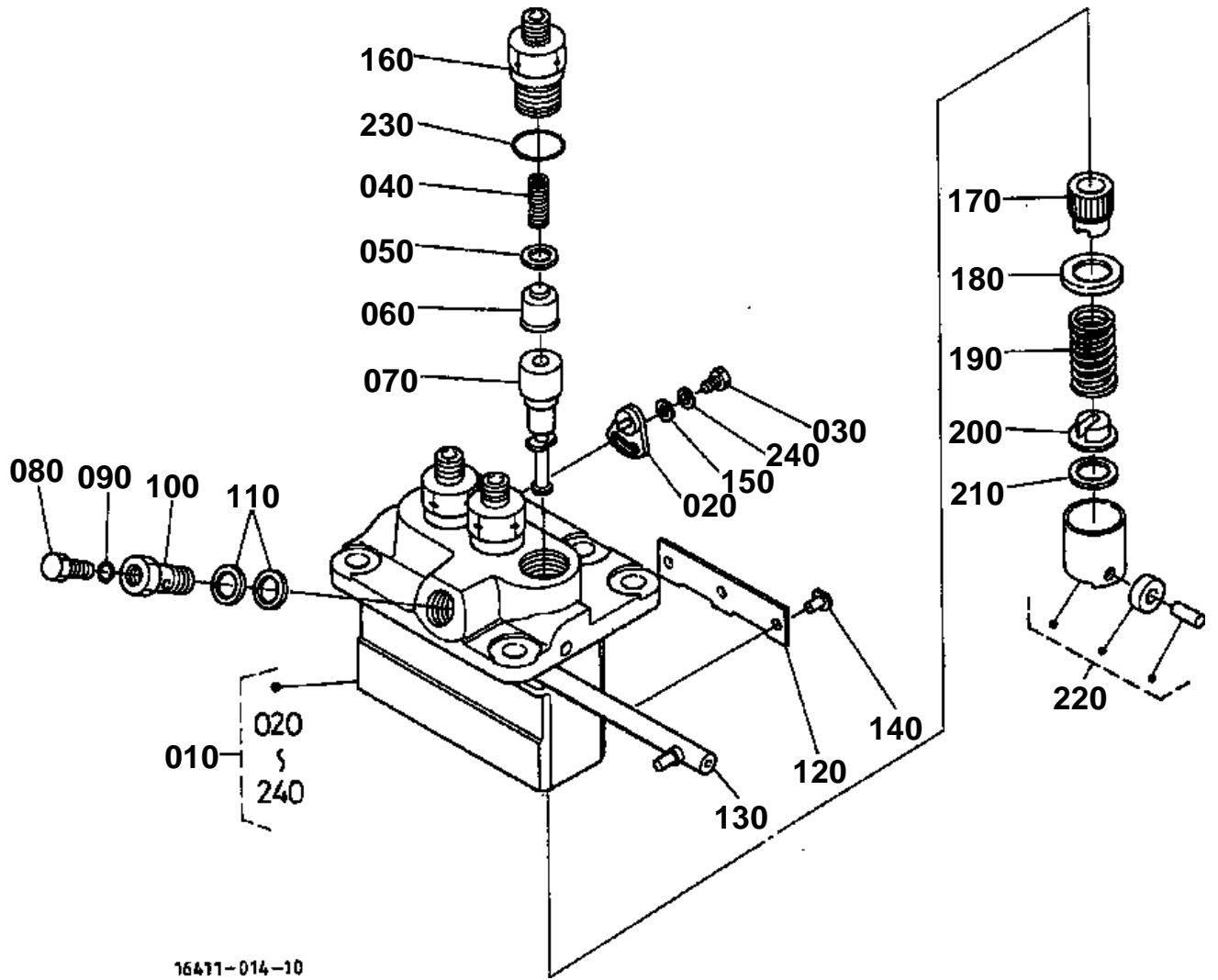


INJECTION PUMP AND FUEL CAMSHAFT

↔ Interchangeable; ≠ not interchangeable; ← new for old; → old for new

REF.No	Part No.	Description	Q'ty	S.No.	I/C	REMARKS	Weight (kgf)	Weight (lb)
010	15321-51010	ASSY PUMP INJECTION	1			REFER TO L.No.0B14-R0 FOR COMPONENTS.	2	4.4
020	15321-52110	SHIM INJECTION PUMP	1			0.15MM	0	0
020	15521-52110	SHIM	1			0.30MM	0.01	0.022
020	15511-52110	SHIM INJECTION PUMP	1			0.45MM	0	0
030	01123-50822	BOLT	2				0.012	0.0264
040	15221-91530	STUD	2				0.011	0.0242
050	02156-50080	NUT	2				0.004	0.0088
060	04512-60080	WASHER SPRING	2				0.002	0.0044
070	15501-16020	ASSY CAMSHAFT FUEL	1				2.85	6.27
080	15501-16170	CAMSHAFT FUEL	1				0.85	1.87
090	08153-06205	BEARING BALL	1				0.13	0.286
100	15401-51150	GEAR INJECTION PUMP	1				0.8	1.76
110	05712-00525	KEY FEATHER	1				0.005	0.011
120	04612-00240	CIRCLIP EXTERNAL	1				0.002	0.0044
130	15221-55450	SLEEVE GOVERNOR	1				0.19	0.418
140	15221-55470	CIR-CLIP GOV. SLEEVE	1				0.003	0.0066
150	15221-55690	CASE GOVERNOR BALL	1	≤12642			0	0
150	15611-55690	CASE GOVERNOR BALL	1	≥12643	↔		0.03	0.066
160	07715-03205	BALL	39				0.001	0.0022
170	15221-55740	CIR-CLIP	1				0.002	0.0044
180	07715-00805	BALL	7				0.016	0.0352
190	15521-55650	GUIDE GOVERNOR BALL	1				0.035	0.077
200	05611-10310	RIVET	7				0.001	0.0022
210	08103-06205	BEARING BALL	1				0.12	0.264
220	04612-00250	CIRCLIP EXTERNAL	1				0.002	0.0044
230	15221-16320	STOPPER FUEL.C/SHAFT	1				0.02	0.044
240	01123-60814	BOLT	2				0.008	0.0176
250	14111-42410	JOINT EYE	1				0.025	0.055

INJECTION PUMP [COMPONENT PARTS]

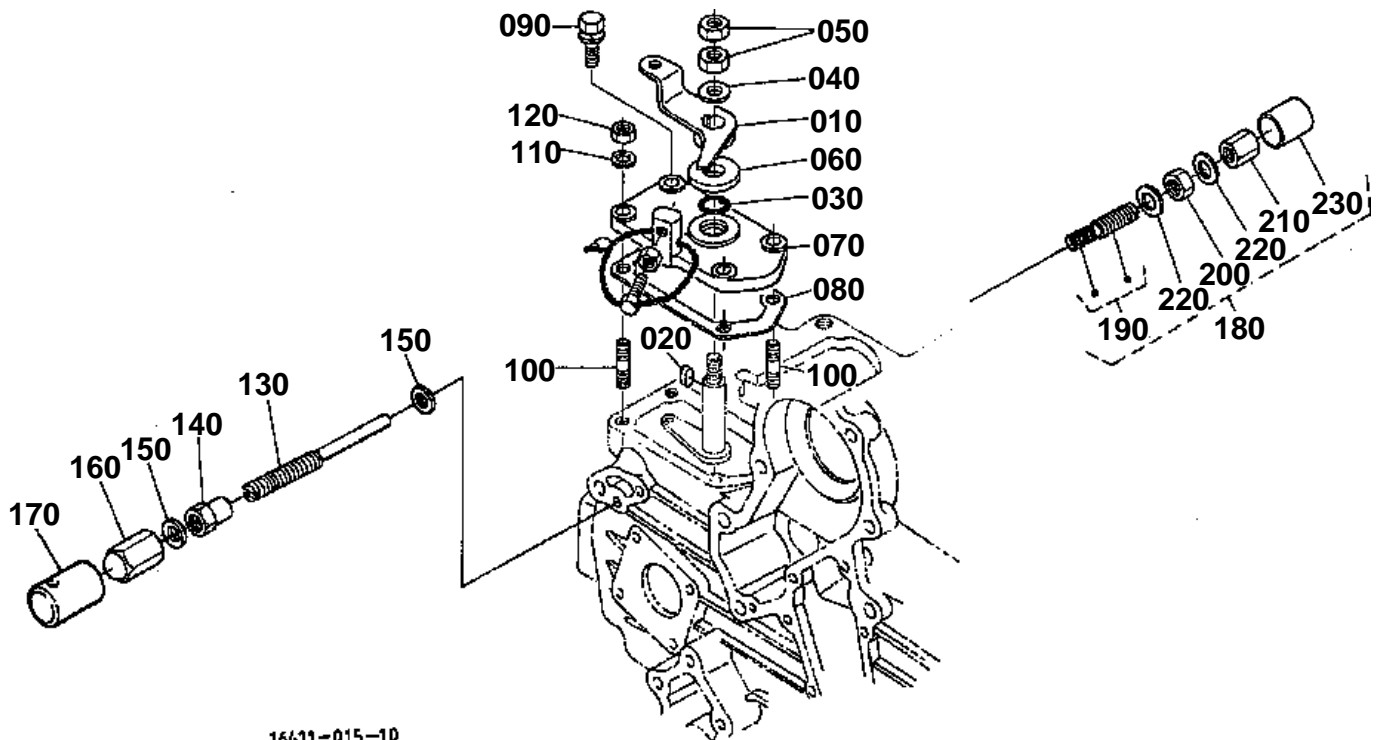


**INJECTION PUMP [COMPONENT PARTS]**

↔ Interchangeable; ≠ not interchangeable; ← new for old; → old for new

REF.No	Part No.	Description	Q'ty	S.No.	I/C	REMARKS	Weight (kgf)	Weight (lb)
010	15321-51010	ASSY PUMP INJECTION	1				2	4.4
020	14384-51390	PLATE ADJUSTING	2				0.006	0.0132
030	15221-91030	BOLT	2				0	0
040	15221-51230	SPRING DELIV.VALVE	3				0.002	0.0044
050	15221-51240	GASKET DELIV.VALVE	3				0.001	0.0022
060	15221-51030	VALVE DELIVERY	3				0.012	0.0264
070	15221-51050	PLUNGER PUMP	3				0.053	0.1166
080	15221-51350	SCREW AIR BREEDER	1				0.008	0.0176
090	14111-53380	GASKET	1				0.001	0.0022
100	15221-51320	SCREW FOLLOW	1				0.032	0.0704
110	15221-96650	GASKET	2				0.001	0.0022
120	19484-51460	PLATE	1				0.003	0.0066
130	15321-51060	RACK CONTROL	1				0.038	0.0836
140	14611-51250	PIN TAPPET GUIDE	3				0.003	0.0066
150	04013-60060	WASHER PLAIN	2				0.001	0.0022
160	15601-51220	HOLDER DELIV.VALVE	3				0.055	0.121
170	15221-51382	SLEEVE CONTROL	3				0.011	0.0242
180	15221-51270	SEAT SPRING UPPER	2				0.004	0.0088
190	15221-51280	SPRING PLUNGER	3				0.015	0.033
200	15221-51290	SEAT SPRING LOWER	3				0.01	0.022
210	15221-51490	SHIM	3				0.002	0.0044
220	15221-51070	ASSY TAPPET	3				0.039	0.0858
230	14611-51200	O RING	3				0.001	0.0022
240	14952-51550	WASHER WAVE	2				0.002	0.0044

SPEED CONTROL PLATE

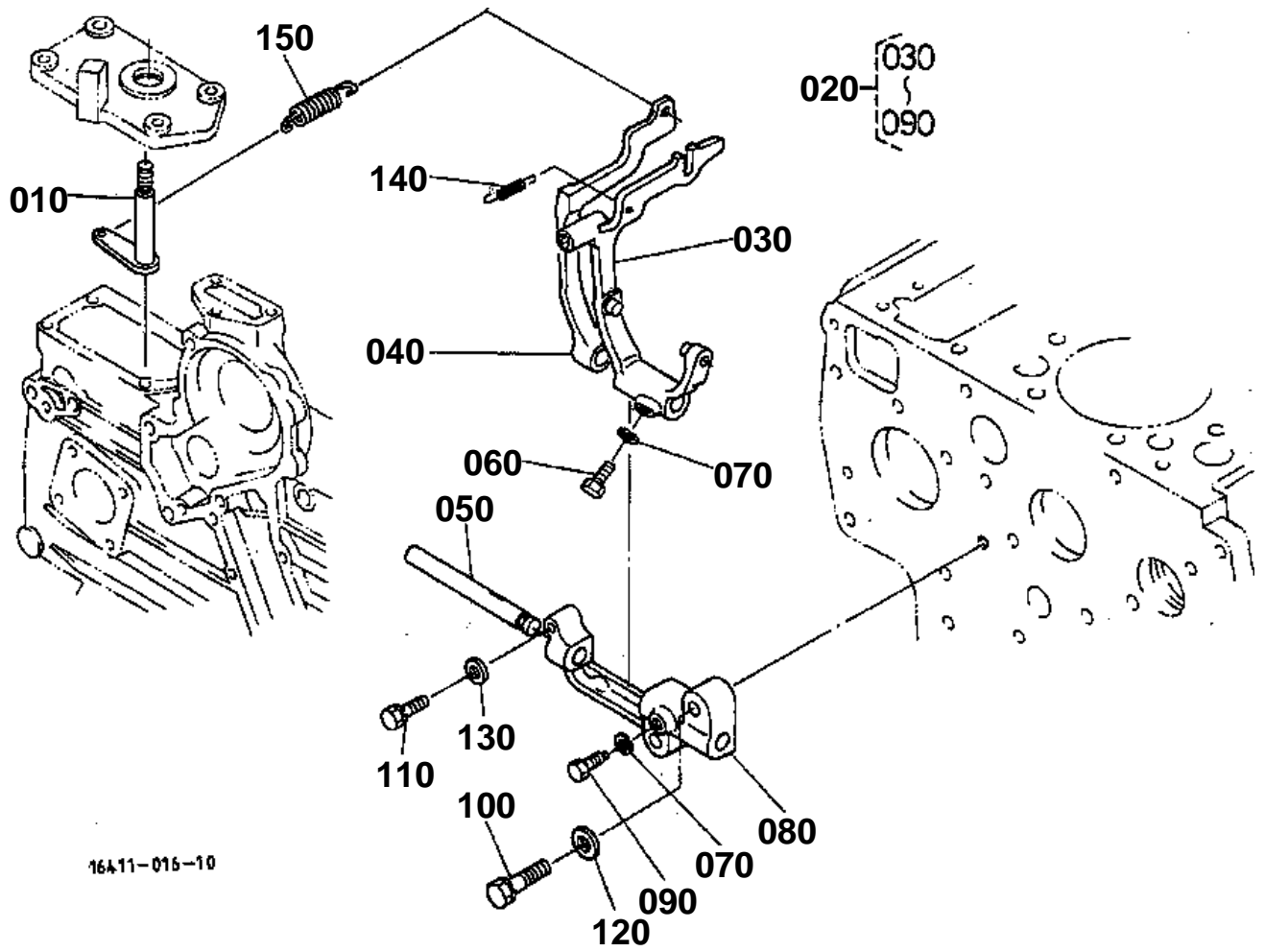


16411-015-10

**SPEED CONTROL PLATE**

↔ Interchangeable; ≠ not interchangeable; ← new for old; → old for new

REF.No	Part No.	Description	Q'ty	S.No.	I/C	REMARKS	Weight (kgf)	Weight (lb)
010	15813-57150	LEVER SPEED CONTROL	1				0.055	0.121
020	05712-00408	KEY FEATHER	1				0.001	0.0022
030	04811-00120	O RING	1				0.001	0.0022
040	04013-50080	WASHER PLAIN	1				0	0
050	02112-50080	NUT	2				0.003	0.0066
060	17011-57384	COLLAR	1	<=13469			0.03	0.066
060	15521-57240	COLLAR	1	>=13470	↔		0.002	0.0044
070	15221-57112	PLATE SPEED CONTROL	1				0.1	0.22
080	15439-57210	GASKET	1				0.005	0.011
090	01023-50620	BOLT	2				0.006	0.0132
100	15221-88210	STUD	2				0.005	0.011
110	04512-60060	WASHER SPRING	2				0.001	0.0022
120	02056-50060	NUT	2				0.002	0.0044
130	15601-54120	BOLT ADJUSTING	1				0.011	0.0242
140	15601-92010	NUT	1	<=31538			0	0
140	15601-92012	NUT	1	>=31539	←		0.006	0.0132
150	15601-96650	GASKET	2				0.001	0.0022
160	15841-14620	NUT CAP	1				0.01	0.022
170	16241-54420	CAP	1	<=25458			0.004	0.0088
170	16221-54420	CAP	1	>=25459	↔		0.001	0.0022
180	15521-54090	APPARATUS IDLING	1				0.045	0.099
190	15521-54100	ASSY BOLT ADJUSTMENT	1				0.015	0.033
200	15401-92010	NUT	1				0.01	0.022
210	15521-92330	NUT CAP	1				0.02	0.044
220	15021-33660	GASKET	2				0.001	0.0022
230	15521-54270	CAP	1				0.003	0.0066

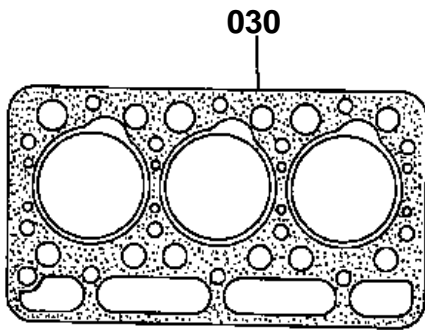


16411-016-10

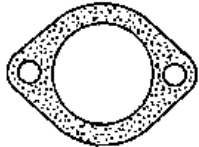
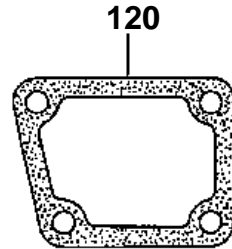
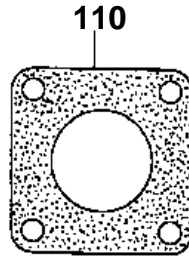
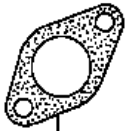
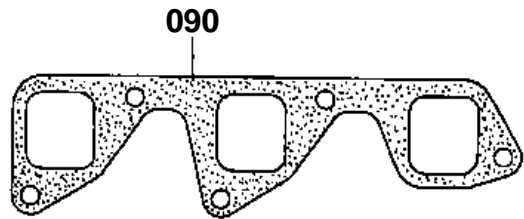
**GOVERNOR**

↔ Interchangeable; ≠ not interchangeable; ← new for old; → old for new

REF.No	Part No.	Description	Q'ty	S.No.	I/C	REMARKS	Weight (kgf)	Weight (lb)
010	15221-56020	COMP.LEVER GOVERNOR	1				0.06	0.132
020	16411-56050	ASSY LEVER FORK	1				0.38	0.836
030	16411-56040	COMP.LEVER FORK	1				0.147	0.3234
040	15601-56130	LEVER FORK	1				0.07	0.154
050	15221-56150	SHAFT FORK LEVER	1				0.1	0.22
060	15021-56240	BOLT LEVER SHAFT	1				0.005	0.011
070	04512-60060	WASHER SPRING	2				0.001	0.0022
080	15221-56230	HOLDER FORK LEVER	1				0.1	0.22
090	15221-66410	BOLT	1				0.005	0.011
100	01123-50832	BOLT	2				0.016	0.0352
110	01023-50628	BOLT	1				0.015	0.033
120	04012-50080	WASHER PLAIN	2				0.001	0.0022
130	04012-50060	WASHER PLAIN	1				0.001	0.0022
140	15221-56480	SPRING START	1				0.008	0.0176
150	15836-56413	SPRING GOVERNOR	1				0.005	0.011



010 { 020
5
140



16411-017-10

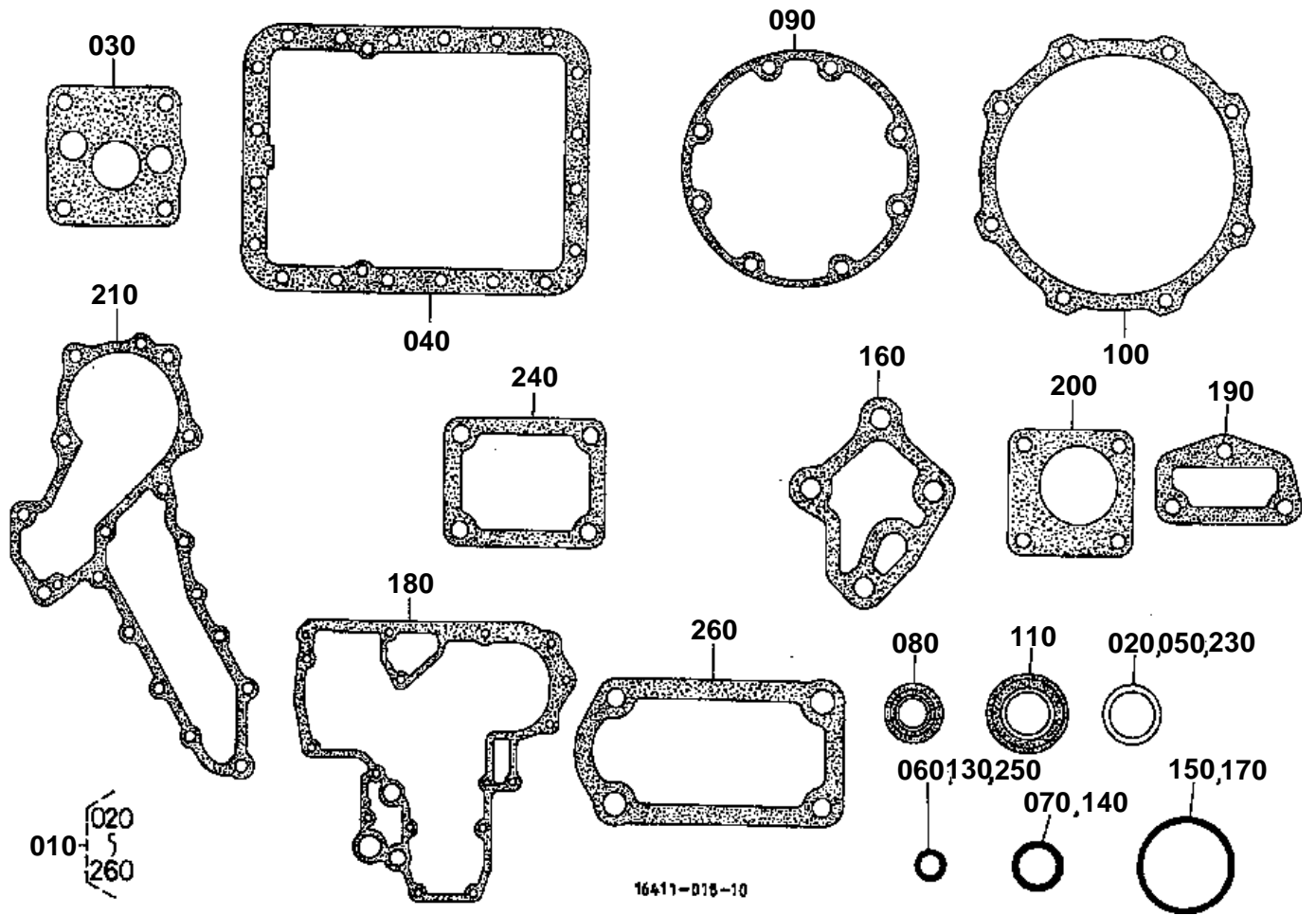


UPPER GASKET KIT

↔ Interchangeable; ≠ not interchangeable; ← new for old; → old for new

REF.No	Part No.	Description	Q'ty	S.No.	I/C	REMARKS	Weight (kgf)	Weight (lb)
010	07916-24340	KIT GASKET UPPER	1				0	0
020	15221-33700	O RING	1				0.001	0.0022
030	15354-03310	GASKET CYLINDER HEAD	1				0.11	0.242
040	15221-13150	SEAL VALVE STEM	6				0.001	0.0022
060	17011-53620	GASKET	3				0.003	0.0066
070	15521-14520	GASKET HEAD COVER	1				0.035	0.077
080	15021-33660	GASKET	3				0.001	0.0022
090	15313-11820	GASKET IN-MANIFOLD	1				0.01	0.022
100	15296-12350	GASKET EX-MANIFOLD	3				0.025	0.055
110	T0070-16420	GASKET MUFFLER	2				0.016	0.0352
120	15766-72920	GASKET WATER FLANGE	1				0.01	0.022
130	15313-73270	GASKET	1				0.001	0.0022
140	04811-50300	O RING	4				0.001	0.0022

LOWER GASKET KIT

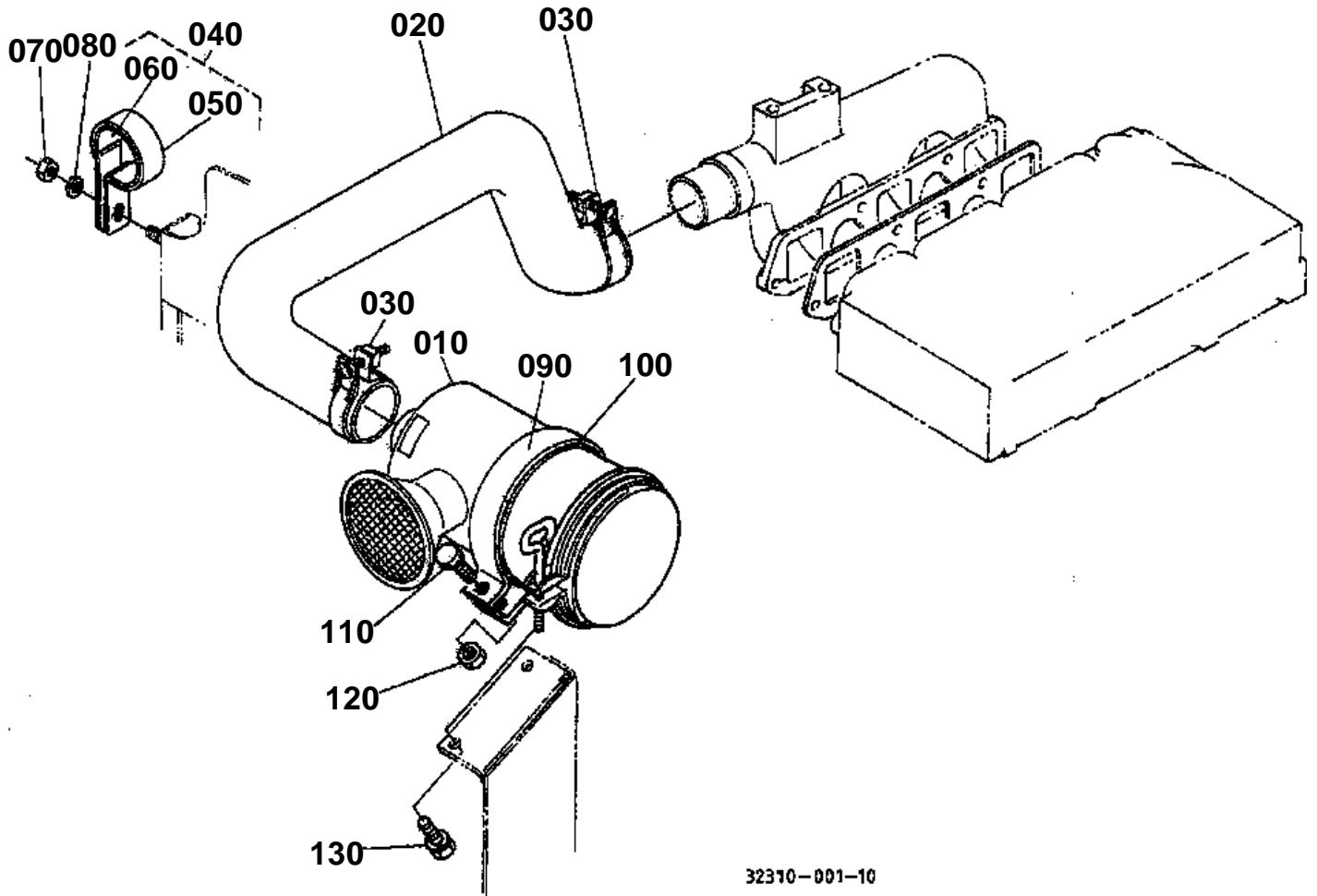




LOWER GASKET KIT

↔ Interchangeable; ≠ not interchangeable; ← new for old; → old for new

REF.No	Part No.	Description	Q'ty	S.No.	I/C	REMARKS	Weight (kgf)	Weight (lb)
010	07916-29650	KIT GASKET LOWER	1				0	0
020	15021-33660	GASKET	3				0.001	0.0022
030	15296-35150	GASKET OIL PUMP	1				0.001	0.0022
040	15301-01620	GASKET OIL PAN	1				0	0
050	15109-33660	GASKET	3				0.001	0.0022
060	04811-00140	O RING	1				0.001	0.0022
070	04811-10300	O RING	1				0.001	0.0022
080	19202-04460	SEAL OIL	1				0.055	0.121
090	19207-04360	GASKET BEARING CASE	1				0.005	0.011
100	15313-04820	GASKET BRG.CASE COV.	1				0.005	0.011
110	09550-00001	SEAL OIL	1				0.015	0.033
130	04811-00150	O RING	4				0.001	0.0022
140	04811-00200	O RING	1				0.001	0.0022
150	04811-00360	O RING	1				0.002	0.0044
160	17326-32620	GASKET	1				0.005	0.011
170	19202-96830	O RING	1				0.01	0.022
180	17326-04132	GASKET GEAR CASE	1				0.03	0.066
190	15766-73330	GASKET	1				0.002	0.0044
200	15296-88130	GASKET H/METER UNIT	1				0.002	0.0044
210	17326-73430	GASKET WATER PUMP	1				0	0
230	15601-96650	GASKET	3				0.001	0.0022
240	15296-51660	GASKET PUMP COVER	1				0.003	0.0066
250	04811-00120	O RING	1				0.001	0.0022
260	15439-57210	GASKET	1				0.005	0.011

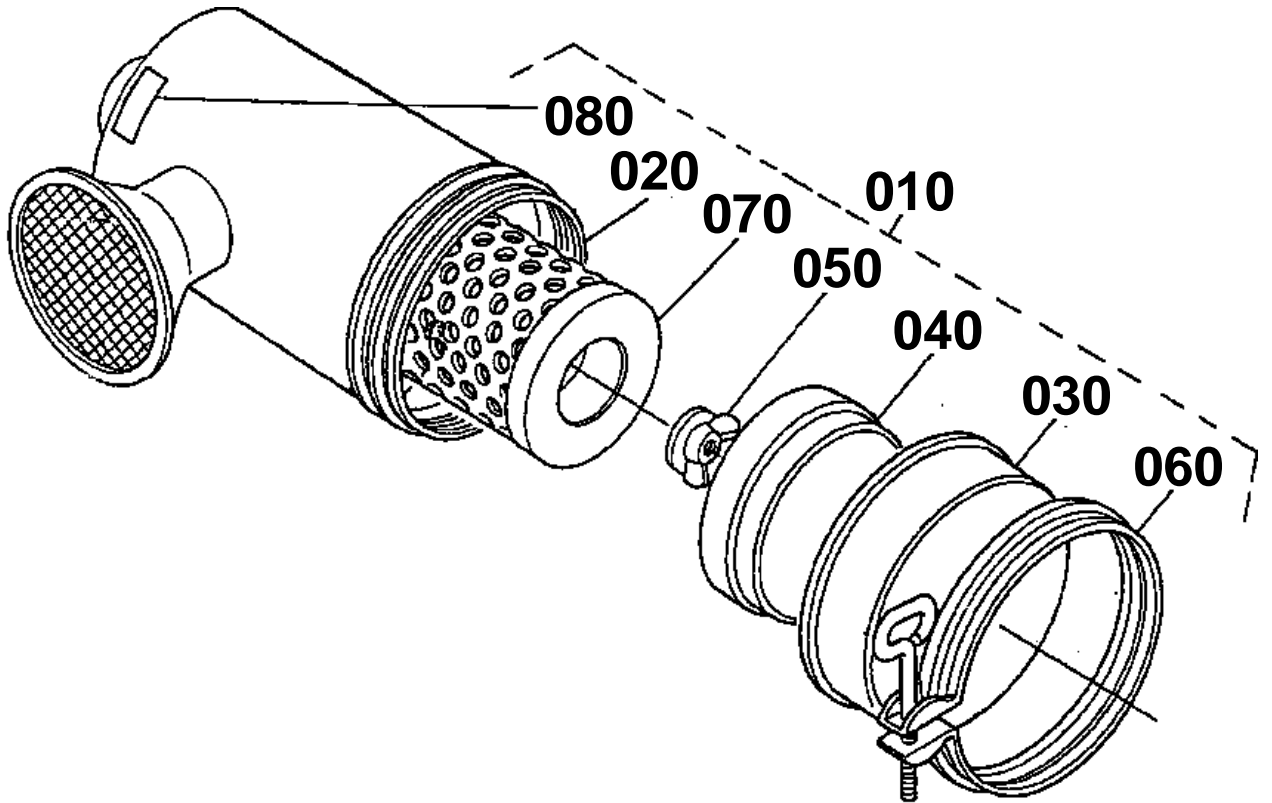


32310-001-10

**AIR CLEANER**

↔ Interchangeable; ≠ not interchangeable; ← new for old; → old for new

REF.No	Part No.	Description	Q'ty	S.No.	I/C	REMARKS	Weight (kgf)	Weight (lb)
010	15222-11012	ASSY CLEANER AIR	1			REFER TO L.No.0B08-L0 FOR COMPONENTS.	1.4	3.08
020	32400-18090	PIPE INLET	1				0.69	1.518
030	15221-11720	BAND PIPE	2				0.03	0.066
040	15321-11700	ASSY HOLDER PIPE	1				0.07	0.154
050	15321-11710	HOLDER INLET PIPE	1				0.055	0.121
060	15321-11690	PROTECTOR INLET PIPE	1				0.02	0.044
070	02156-50080	NUT	1				0.004	0.0088
080	04512-60080	WASHER SPRING	1				0.002	0.0044
090	34150-13960	BAND AIR CLEANER	1	<=19999		BLUE	0.178	0.3916
090	32310-13960	BAND AIR CLEANER	1	>=20001	↔	GRAY	0.16	0.352
100	34150-13970	CUSHION	1				0.02	0.044
110	01153-50840	BOLT	1				0.018	0.0396
120	02114-50080	NUT	1				0.005	0.011
130	01123-60816	BOLT	2				0.01	0.022



32310-002-10

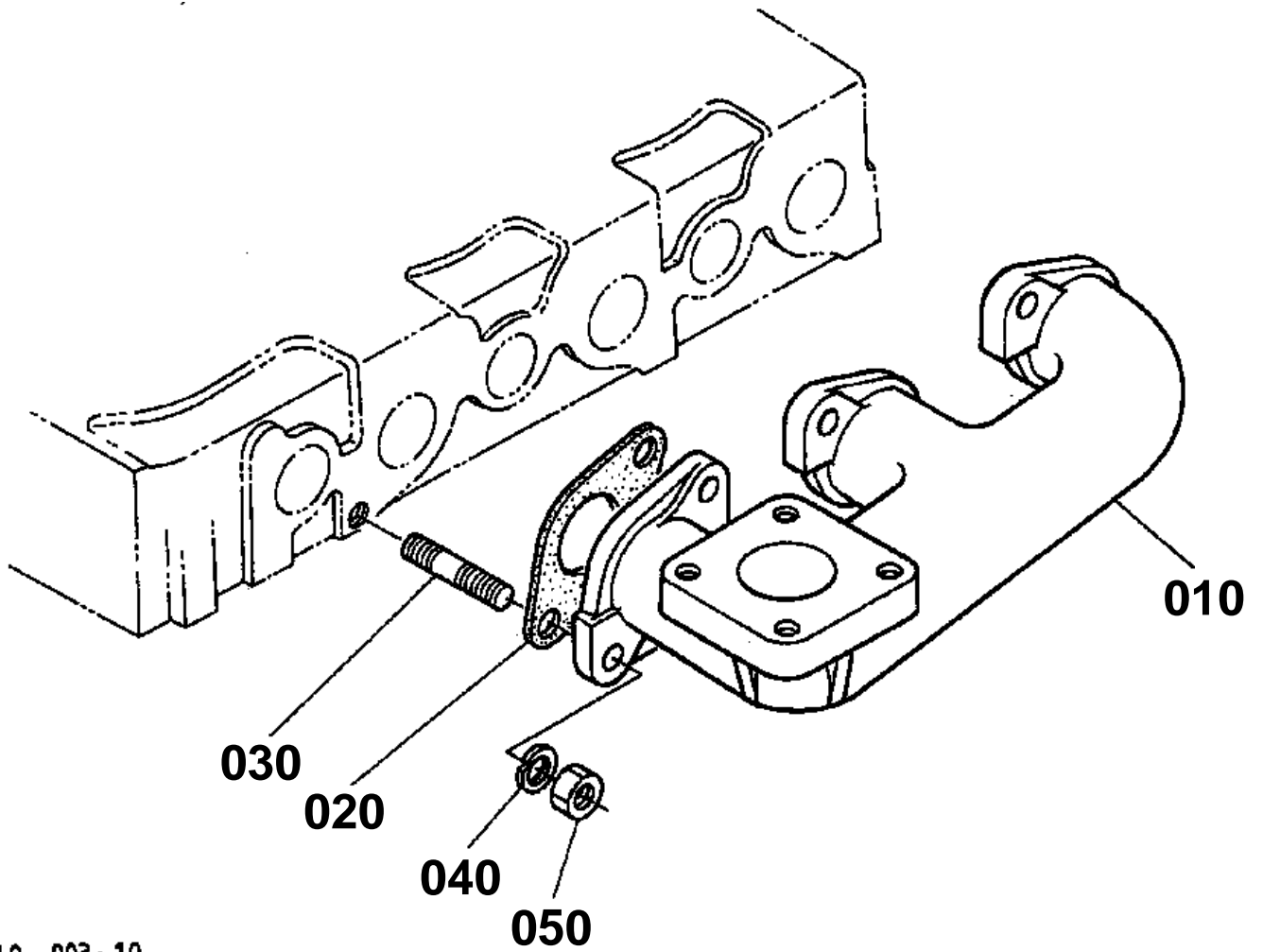


AIR CLEANER [COMPONENT PARTS]

↔ Interchangeable; ≠ not interchangeable; ← new for old; → old for new

REF.No	Part No.	Description	Q'ty	S.No.	I/C	REMARKS	Weight (kgf)	Weight (lb)
010	15222-11012	ASSY CLEANER AIR	1				1.4	3.08
020	15222-11150	BODY AIR CLEANER	1				0.708	1.5576
030	15222-11160	COVER AIR CLEANER	1				0.202	0.4444
040	15222-11410	COVER BAFFLE	1				0.043	0.0946
050	15222-92620	NUT WING	1				0.02	0.044
060	15222-11070	ASSY BAND AIRCLEANER	1				0.098	0.2156
070	15222-11220	ELEMENT AIR CLEANER	1				0.344	0.7568
080	15222-87750	MARK FORM	1				0.001	0.0022

EXHAUST MANIFOLD



32310-003-10

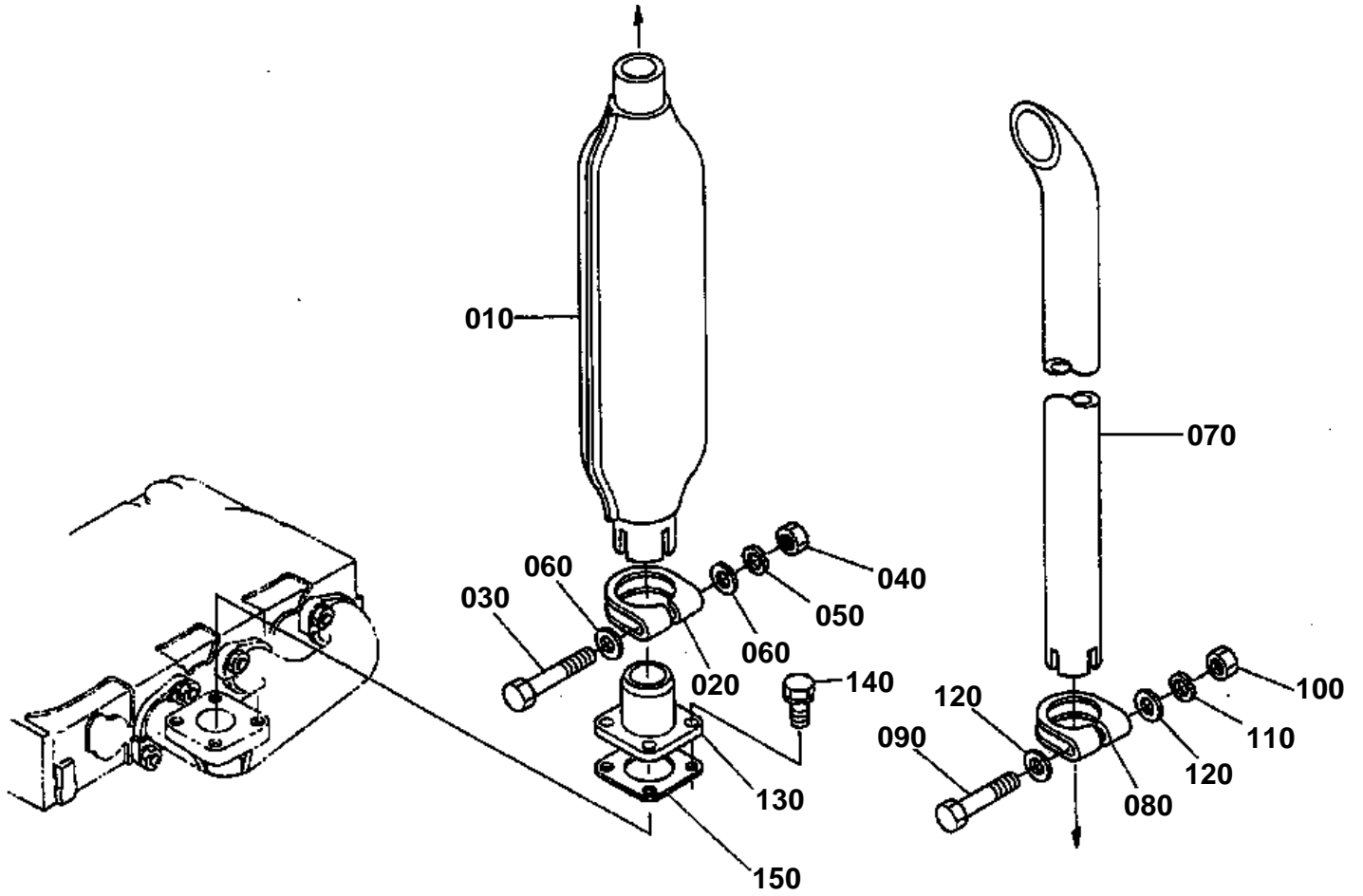


EXHAUST MANIFOLD

↔ Interchangeable; ≠ not interchangeable; ← new for old; → old for new

REF.No	Part No.	Description	Q'ty	S.No.	I/C	REMARKS	Weight (kgf)	Weight (lb)
010	17367-12310	MANIFOLD EXHAUST	1	<=10289			0	0
010	17367-12312	MANIFOLD EXHAUST	1	>=10290	↔		0	0
010	17367-12313	MANIFOLD EXHAUST	1	>=20368	↔		2	4.4
020	15296-12350	GASKET EX-MANIFOLD	3				0.025	0.055
030	15221-91530	STUD	6				0.011	0.0242
040	04512-60080	WASHER SPRING	6				0.002	0.0044
050	02156-50080	NUT	6				0.004	0.0088

MUFFLER

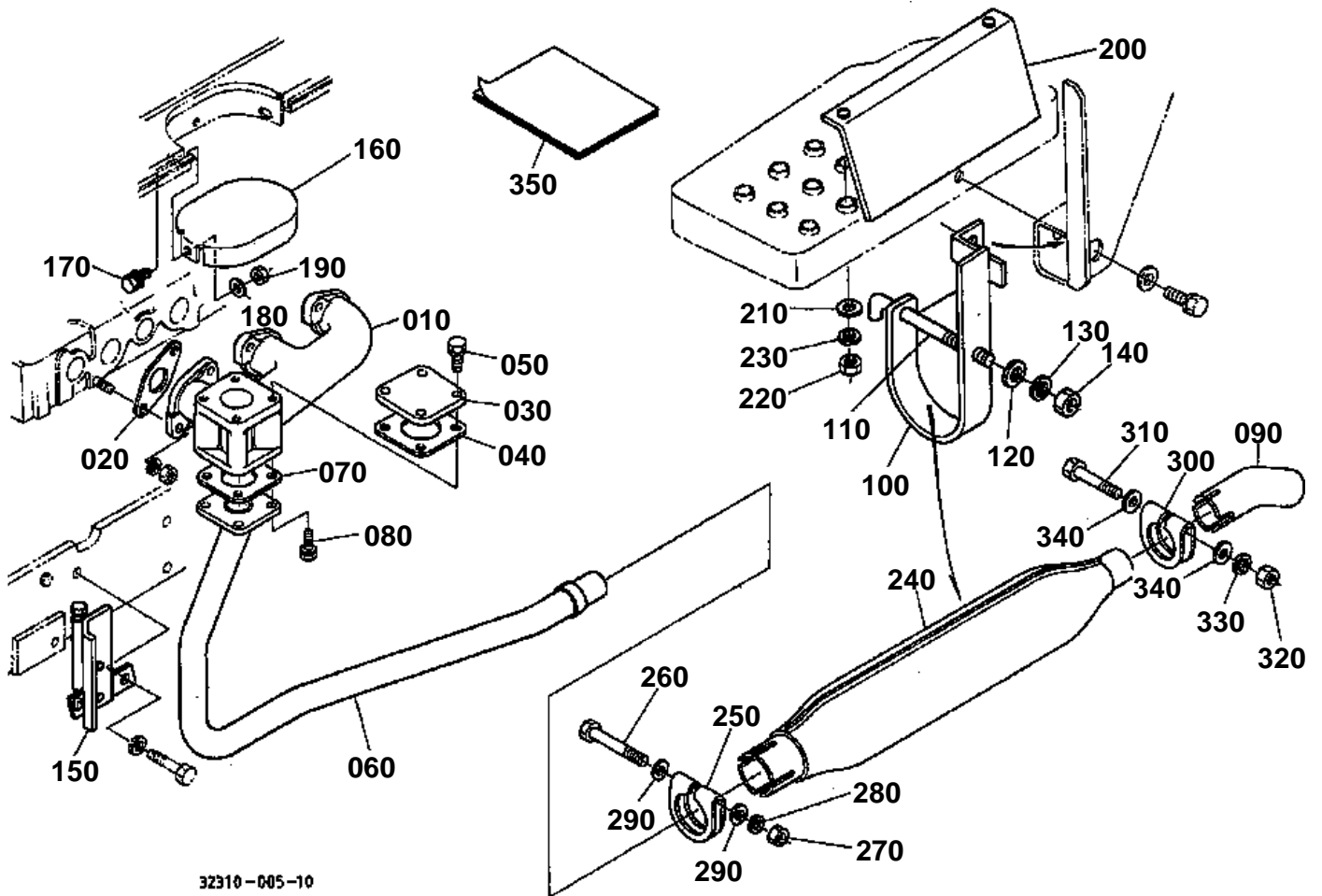


32310-004-10

**MUFFLER**

↔ Interchangeable; ≠ not interchangeable; ← new for old; → old for new

REF.No	Part No.	Description	Q'ty	S.No.	I/C	REMARKS	Weight (kgf)	Weight (lb)
010	15575-12110	MUFFLER	1	≤11009			0	0
010	15221-12116	MUFFLER	1	≥11010	↔		2.3	5.06
020	15575-12130	BAND MUFFLER	1	≤11009			0	0
020	15221-12133	BAND MUFFLER	1	≥11010	↔		0.105	0.231
030	01153-50880	BOLT	1				0.03	0.066
040	02156-50080	NUT	1				0.004	0.0088
050	04512-60080	WASHER SPRING	1				0.002	0.0044
060	04012-50080	WASHER PLAIN	2				0.001	0.0022
070	35290-12410	PIPE EXHAUST	1	≤11045			0	0
070	34219-12410	PIPE EXHAUST	1	≥11046	←		0.54	1.188
080	15575-12430	BAND PIPE	1	≤11009			0	0
080	15221-12433	BAND PIPE	1	≥11010	↔		0.05	0.11
090	01153-50860	BOLT	1				0.024	0.0528
100	02156-50080	NUT	1				0.004	0.0088
110	04512-60080	WASHER SPRING	1				0.002	0.0044
120	04012-50080	WASHER PLAIN	2				0.001	0.0022
130	32400-88790	FLANGE MUFFLER	1				0.445	0.979
140	01123-50822	BOLT	4				0.012	0.0264
150	T0070-16420	GASKET MUFFLER	2				0.016	0.0352



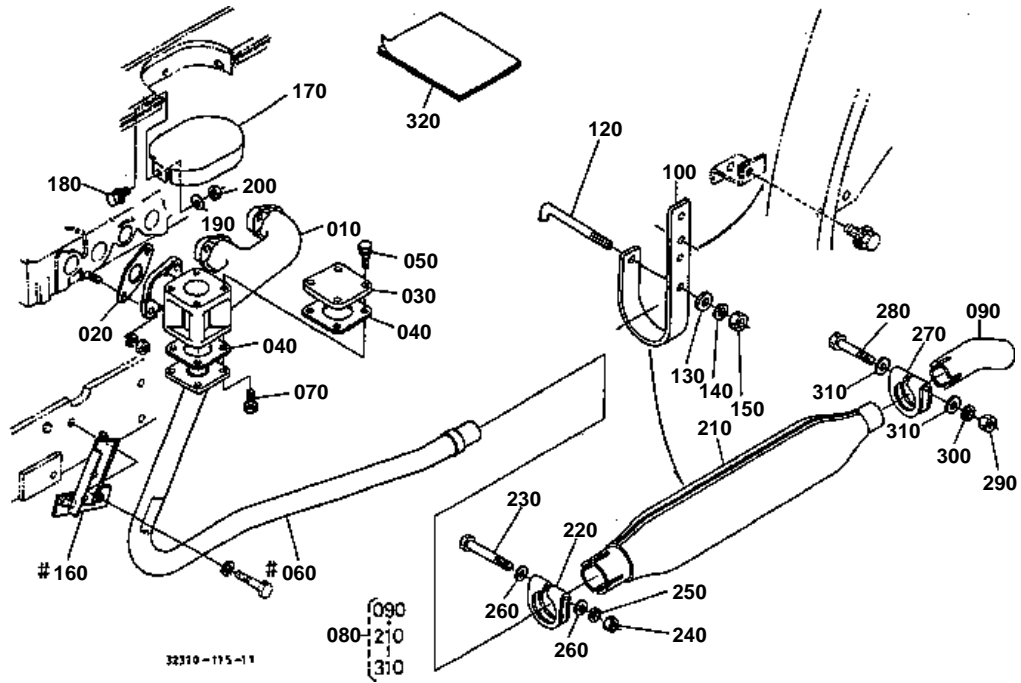


UNDER MUFFLER [OLD TYPE] [OPTION]
 S.No.:L2350F;<=19999,L2350DT;<=59999

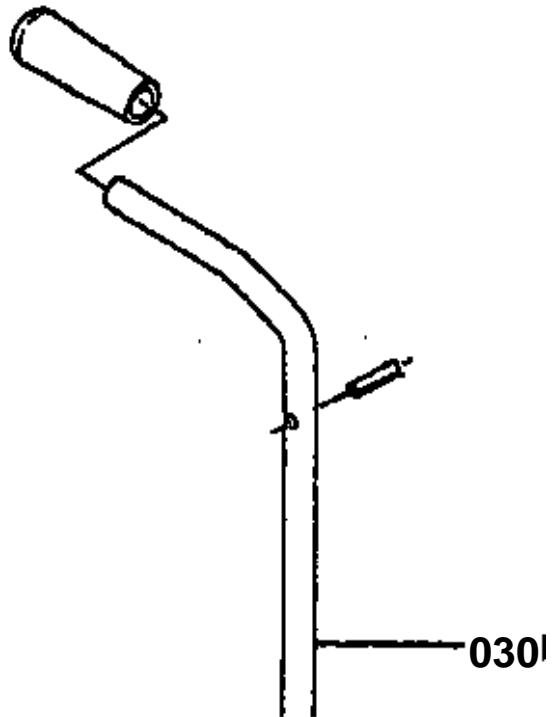
↔ Interchangeable; ≠ not interchangeable; ← new for old; → old for new

REF.No	Part No.	Description	Q'ty	S.No.	I/C	REMARKS	Weight (kgf)	Weight (lb)
010	17325-12310	MANIFOLD EXHAUST	1	<=10289			0	0
010	17325-12312	MANIFOLD EXHAUST	1	>=10290	↔		3	6.6
020	15296-12350	GASKET EX-MANIFOLD	3				0.025	0.055
030	17355-92850	COVER MANIFOLD	1	<=10451			0	0
030	17355-92852	COVER MANIFOLD	1	>=10452	↔		0.25	0.55
040	T0070-16420	GASKET MUFFLER	1				0.016	0.0352
050	01123-50820	BOLT	4				0.011	0.0242
060	35010-62110	PIPE MUFFLER	1				2	4.4
070	T0070-16420	GASKET MUFFLER	1				0.016	0.0352
080	01123-50825	BOLT	4				0.013	0.0286
090	32430-62130	PIPE MUFFLER	1				0.15	0.33
100	32400-64550	SUPPORT MUFFLER	1				0.57	1.254
110	35110-62170	BOLT	1				0.05	0.11
120	04013-50080	WASHER PLAIN	1				0	0
130	04512-60080	WASHER SPRING	1				0.002	0.0044
140	02054-50080	NUT	1				0.005	0.011
150	35010-26150	COVER	1				0.2	0.44
160	35010-34130	COVER	1				0.2	0.44
170	01125-50820	BOLT	3				0	0
180	04013-50080	WASHER PLAIN	3				0	0
190	02114-50080	NUT	3				0.005	0.011
200	32400-64582	COVER UNDER MUFFLER	1				0.3	0.66
210	04015-60080	WASHER PLAIN	2				0.01	0.022
220	02114-50080	NUT	2				0.005	0.011
230	04512-60080	WASHER SPRING	2				0.002	0.0044
240	15575-12110	MUFFLER	1	<=11009			0	0
240	15221-12116	MUFFLER	1	>=11010	↔		2.3	5.06
250	15575-12130	BAND MUFFLER	1	<=11009			0	0
250	15221-12133	BAND MUFFLER	1	>=11010	↔		0.105	0.231
260	01153-50880	BOLT	1				0.03	0.066
270	02156-50080	NUT	1				0.004	0.0088
280	04512-60080	WASHER SPRING	1				0.002	0.0044
290	04012-50080	WASHER PLAIN	2				0.001	0.0022
300	15575-12430	BAND PIPE	1	<=11009			0	0
300	15221-12433	BAND PIPE	1	>=11010	↔		0.05	0.11
310	01153-50860	BOLT	1				0.024	0.0528
320	02156-50080	NUT	1				0.004	0.0088
330	04512-60080	WASHER SPRING	1				0.002	0.0044
340	04012-50080	WASHER PLAIN	2				0.001	0.0022
350	32430-98213	MANUAL INSTRUCTION	1				0.004	0.0088

UNDER MUFFLER [NEW TYPE] [OPTION]



030 35010-4440-2



32310-811-10

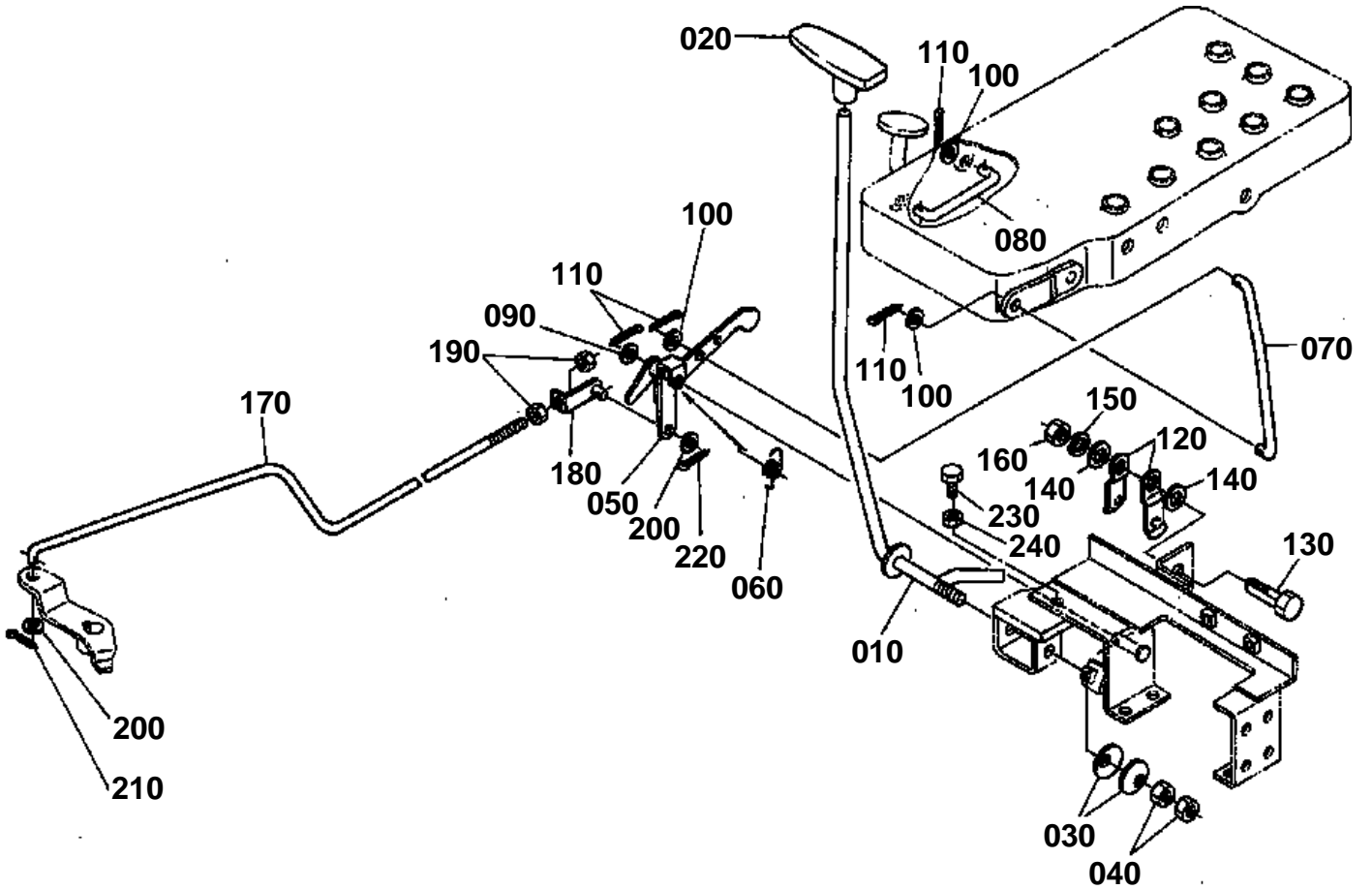


UNDER MUFFLER [NEW TYPE] [OPTION]
 S.No.:L2350F;>=20001,L2350DT;>=60001

↔ Interchangeable; ≠ not interchangeable; ← new for old; → old for new

REF.No	Part No.	Description	Q'ty	S.No.	I/C	REMARKS	Weight (kgf)	Weight (lb)
010	17325-12312	MANIFOLD EXHAUST	1				3	6.6
020	15521-12350	GASKET EX-MANIFOLD	3				0	0
030	17355-92852	COVER MANIFOLD	1				0.25	0.55
040	T0070-16420	GASKET MUFFLER	2				0.016	0.0352
050	01123-50820	BOLT	4				0.011	0.0242
060	35010-62110	PIPE MUFFLER	1				2	4.4
060	32330-62110	PIPE MUFFLER	1		←		2.24	4.928
070	01123-50822	BOLT	4				0.012	0.0264
080	32402-88700	ASSY MUFFLER UNDER	1				3.1	6.82
090	35110-62130	PIPE MUFFLER	1				0.16	0.352
100	32310-62160	SUPPORT MUFFLER	1				0.55	1.21
120	35110-62170	BOLT	1				0.05	0.11
130	04013-50080	WASHER PLAIN	1				0	0
140	04512-60080	WASHER SPRING	1				0.002	0.0044
150	02054-50080	NUT	1				0.005	0.011
160	35010-26150	COVER	1				0.2	0.44
170	35010-34130	COVER	1				0.2	0.44
180	01125-50820	BOLT	3				0	0
190	04013-50080	WASHER PLAIN	3				0	0
200	02114-50080	NUT	3				0.005	0.011
210	15221-12116	MUFFLER	1				2.3	5.06
220	15221-12133	BAND MUFFLER	1				0.105	0.231
230	01153-50880	BOLT	1				0.03	0.066
240	02156-50080	NUT	1				0.004	0.0088
250	04512-60080	WASHER SPRING	1				0.002	0.0044
260	04012-50080	WASHER PLAIN	2				0.001	0.0022
270	15221-12433	BAND PIPE	1				0.05	0.11
280	01153-50860	BOLT	1				0.024	0.0528
290	02156-50080	NUT	1				0.004	0.0088
300	04512-60080	WASHER SPRING	1				0.002	0.0044
310	04012-50080	WASHER PLAIN	2				0.001	0.0022

HAND ACCELERATOR LEVER



32310-006-10

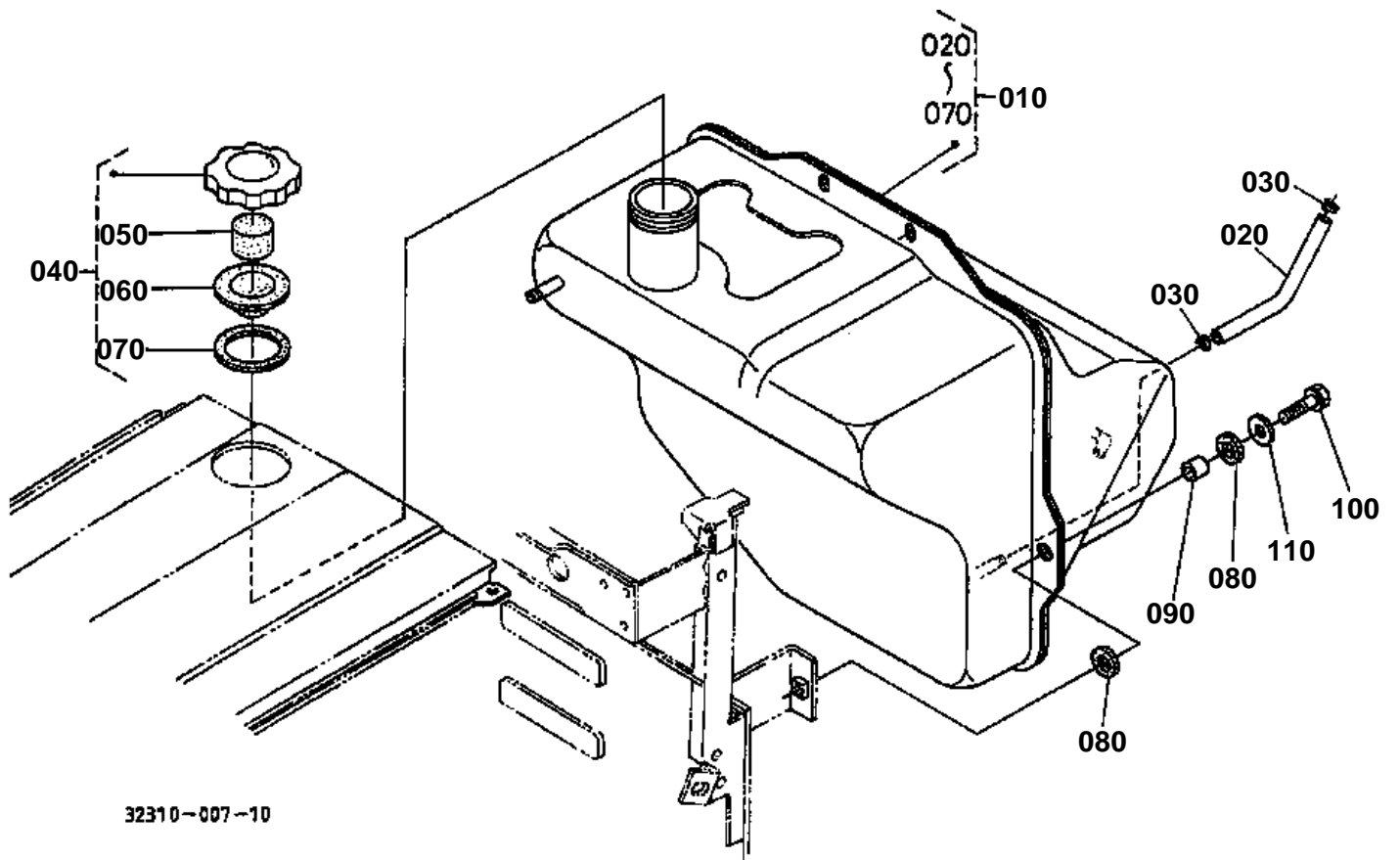


HAND ACCELERATOR LEVER

↔ Interchangeable; ≠ not interchangeable; ← new for old; → old for new

REF.No	Part No.	Description	Q'ty	S.No.	I/C	REMARKS	Weight (kgf)	Weight (lb)
010	35170-17120	LEVER HAND ACCEL	1				0.345	0.759
020	35320-17170	GRIP ACCEL	1				0.018	0.0396
030	34260-17190	SPRING	2				0.002	0.0044
040	02118-50100	NUT	2				0.005	0.011
050	35170-17320	LINK ACCEL.	1				0.12	0.264
060	34150-17260	SPRING	1				0.01	0.022
070	37150-17570	ROD ACCEL.	1				0.06	0.132
080	37150-17580	ROD ACCEL.	1				0.025	0.055
090	04012-50080	WASHER PLAIN	1				0.001	0.0022
100	04012-50060	WASHER PLAIN	4				0.001	0.0022
110	05511-50212	PIN SPLIT	5				0.001	0.0022
120	32400-17440	SPRING PLATE	2				0.008	0.0176
130	32400-17410	BOLT	1				0.035	0.077
140	04011-50120	WASHER PLAIN	2				0.005	0.011
150	04512-50120	WASHER SPRING	1				0	0
160	02174-50120	NUT	1				0.01	0.022
170	32400-17360	ROD ACCEL.	1				0.145	0.319
180	34150-17390	JOINT ROD	1				0.025	0.055
190	02012-60060	NUT	2				0.005	0.011
200	04012-50060	WASHER PLAIN	2				0.001	0.0022
210	05511-50212	PIN SPLIT	1				0.001	0.0022
220	05511-51612	PIN SPLIT	1				0.001	0.0022
230	01155-50840	BOLT	1				0.02	0.044
240	02112-50080	NUT	1				0.003	0.0066

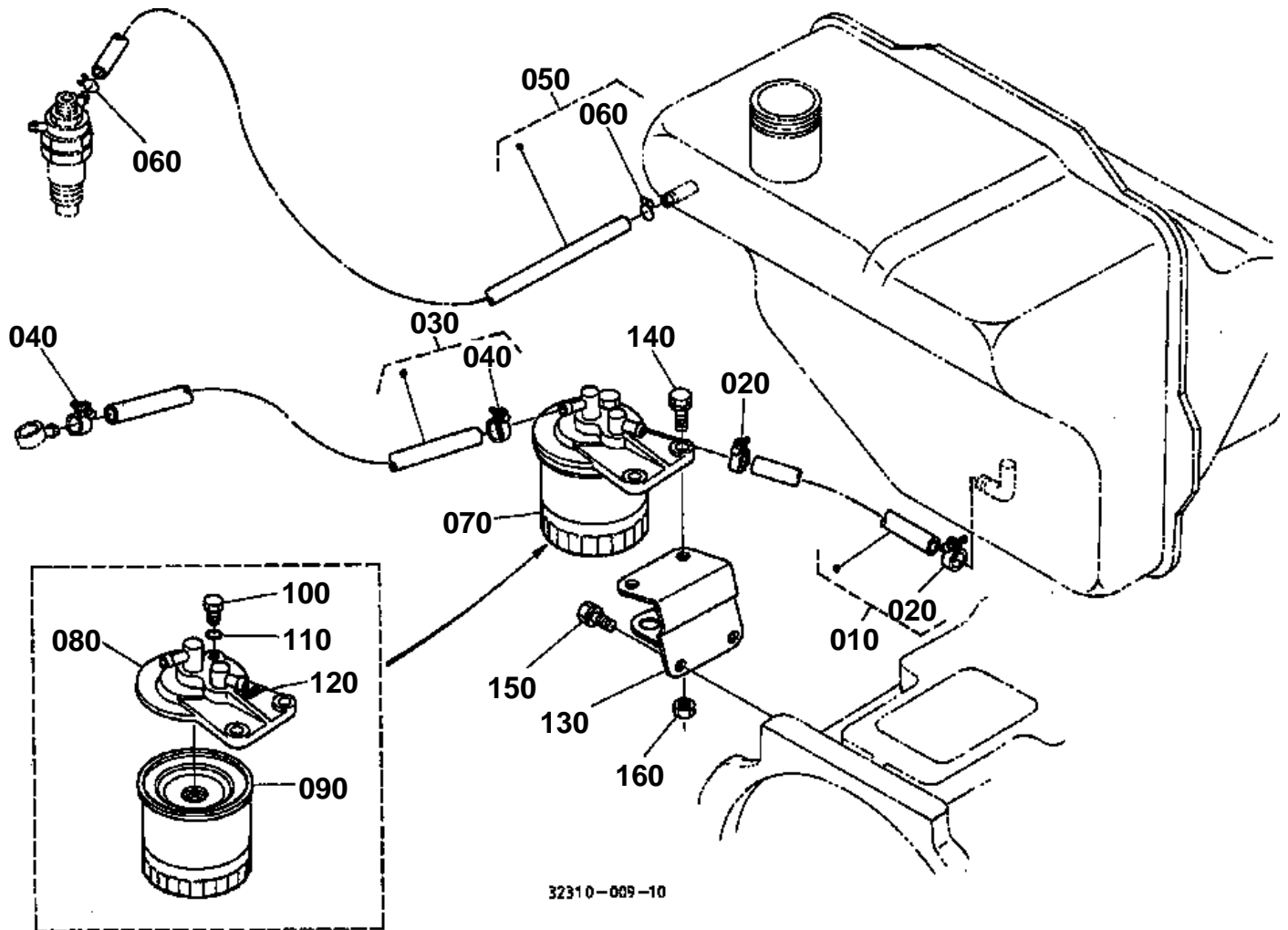
FUEL TANK



**FUEL TANK**

↔ Interchangeable; ≠ not interchangeable; ← new for old; → old for new

REF.No	Part No.	Description	Q'ty	S.No.	I/C	REMARKS	Weight (kgf)	Weight (lb)
010	32400-35100	ASSY TANK FUEL	1	<=19999		BLUE	5.5	12.1
010	32310-35100	ASSY TANK FUEL	1	>=20001	↔	GRAY	5	11
020	32400-35470	GAUGE FUEL	1				0.01	0.022
030	10211-41770	BAND PIPE	2				0.001	0.0022
040	38240-35200	ASSY CAP FUEL TANK	1				0.06	0.132
050	34150-35240	SPONGE	1				0.001	0.0022
060	34150-35230	GASKET	1				0.01	0.022
070	34150-35180	GASKET	1				0.001	0.0022
080	37300-35120	CUSHION	4				0.003	0.0066
090	37300-35140	SPACER	2				0.006	0.0132
100	01123-50825	BOLT	2				0.013	0.0286
110	04015-60080	WASHER PLAIN	2				0.01	0.022

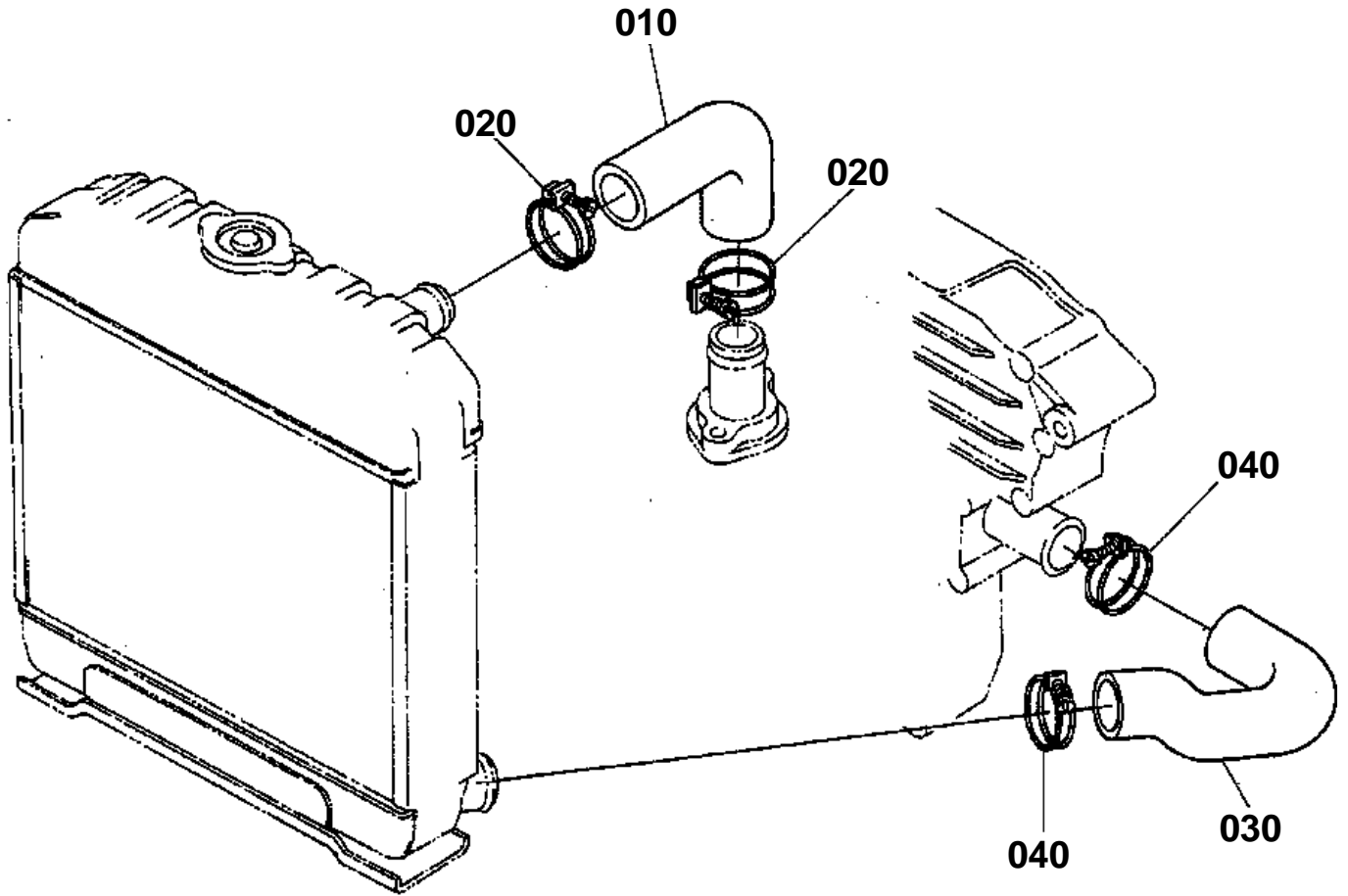




FUEL FILTER AND FUEL PIPE

↔ Interchangeable; ≠ not interchangeable; ← new for old; → old for new

REF.No	Part No.	Description	Q'ty	S.No.	I/C	REMARKS	Weight (kgf)	Weight (lb)
010	32400-35510	ASSY PIPE FUEL	1			MANUAL STRG.	0.035	0.077
020	14301-42750	CLIP PIPE	2				0.005	0.011
030	37260-35520	ASSY PIPE FUEL	1				0.06	0.132
040	14301-42750	CLIP PIPE	2				0.005	0.011
050	67800-53750	ASSY PIPE OVER FLOW	1				0.02	0.044
060	10244-42320	CLIP PIPE	2				0.001	0.0022
070	15291-43010	ASSY FILTER FUEL	1				0.555	1.221
080	15291-43210	COVER FILTER	1	≤10451			0.23	0.506
080	15221-43210	COVER FILTER	1	≥10452	↔		0.25	0.55
090	15221-43080	ELEMENT FILTER	1				0	0
100	19222-43280	PLUG FILTER BREATHER	1				0.01	0.022
110	15108-43290	O RING	1				0.001	0.0022
120	15291-87760	MARK FORM	1				0.005	0.011
130	37150-35810	BRACKET FILTER	1	≤19999		BLUE	0.3	0.66
130	32310-35810	BRACKET FILTER	1	≥20001	↔	GRAY	0	0
140	01123-50822	BOLT	2				0.012	0.0264
150	01123-60816	BOLT	2				0.01	0.022
160	02114-50080	NUT	2				0.005	0.011



32310-010-10

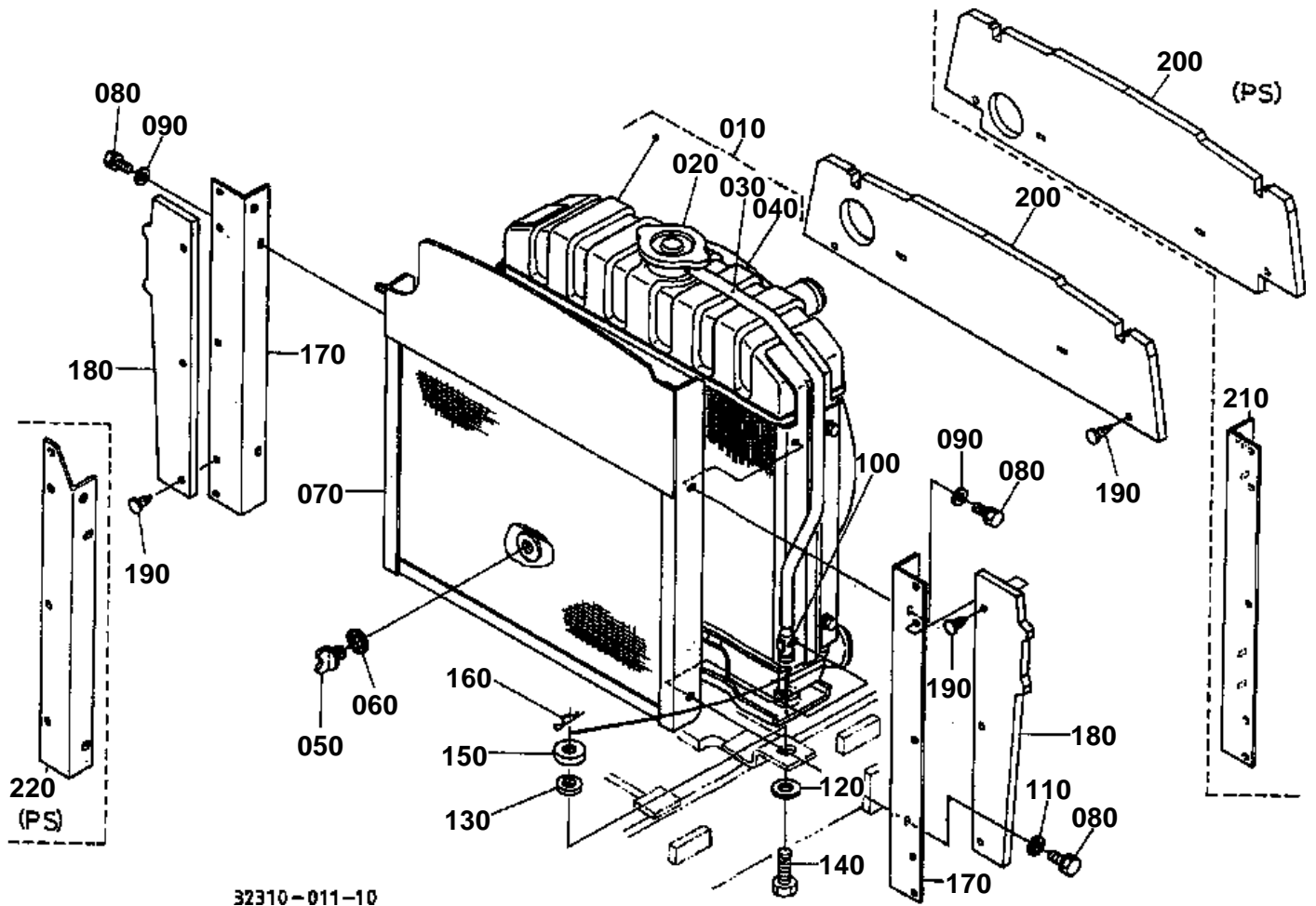


WATER PIPE

↔ Interchangeable; ≠ not interchangeable; ← new for old; → old for new

REF.No	Part No.	Description	Q'ty	S.No.	I/C	REMARKS	Weight (kgf)	Weight (lb)
010	15321-72940	PIPE WATER	1				0.134	0.2948
020	15108-72870	BAND	2				0.027	0.0594
030	35010-88360	PIPE WATER	1				0.2	0.44
040	15108-72870	BAND	2				0.027	0.0594

RADIATOR



32310-011-10

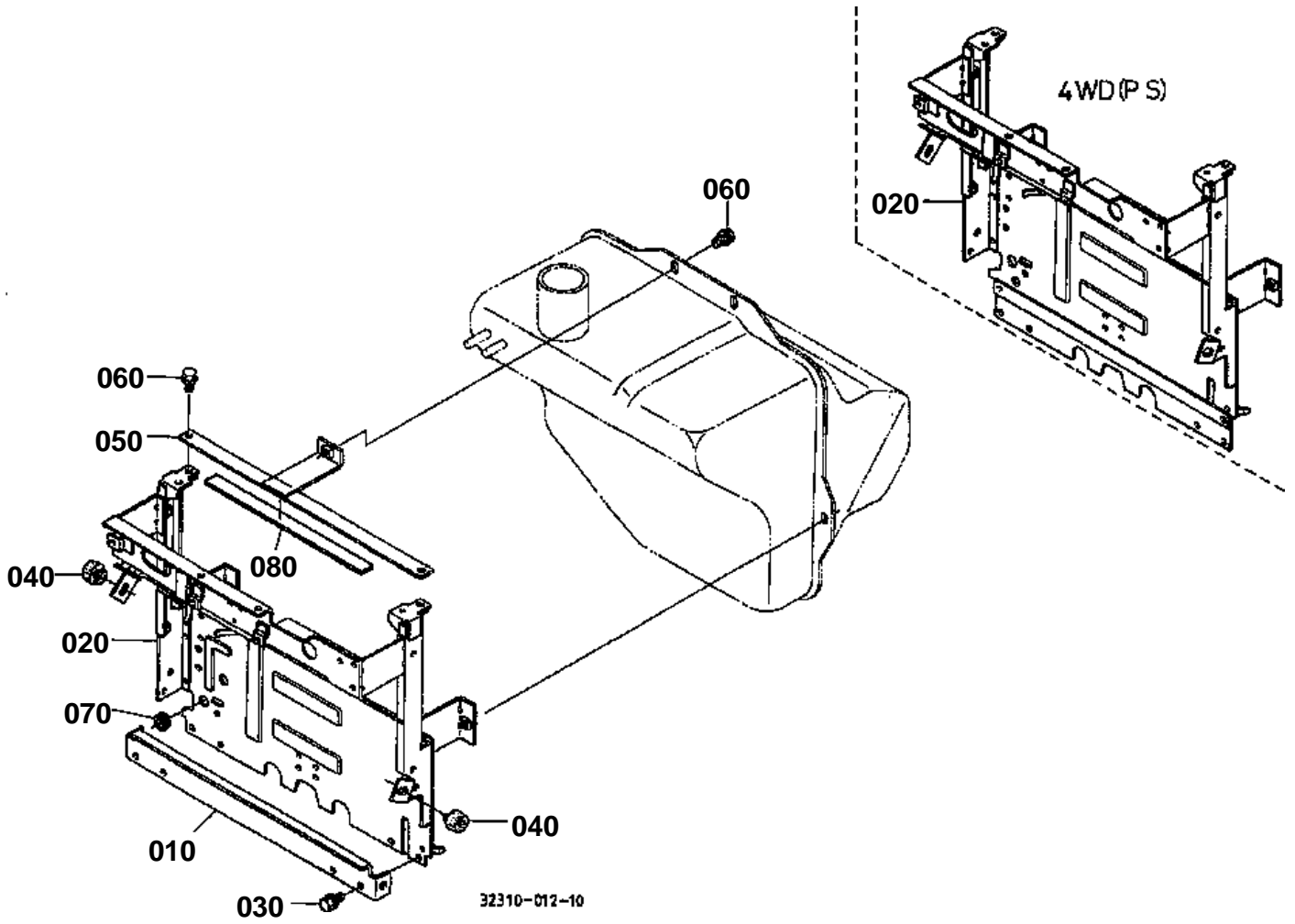


RADIATOR

↔ Interchangeable; ≠ not interchangeable; ← new for old; → old for new

REF.No	Part No.	Description	Q'ty	S.No.	I/C	REMARKS	Weight (kgf)	Weight (lb)
010	15575-72060	ASSY RADIATOR	1				6	13.2
020	15101-72030	CAP RADIATOR	1				0.075	0.165
030	15371-72710	PIPE WATER OVERFLOW	1				0.048	0.1056
040	15575-72330	SHROUD FAN	1				0.73	1.606
050	31349-61420	PLUG DRAIN	1				0.01	0.022
060	04717-01700	WASHER WITH RUBBER	1				0.003	0.0066
070	32400-17720	NET RADIATOR	1				1.35	2.97
080	01023-50612	BOLT	4				0.005	0.011
090	04013-60060	WASHER PLAIN	3				0.001	0.0022
100	55411-21792	WHISTLE STEAM	1				0.01	0.022
110	04015-60060	WASHER PLAIN	1				0.005	0.011
120	04015-50100	WASHER PLAIN	2				0.016	0.0352
130	15111-72190	CUSHION	2				0.016	0.0352
140	35080-13310	BOLT RADIATOR	2				0.03	0.066
150	15111-72200	WASHER	2				0.013	0.0286
160	05515-61000	PIN SNAP	2				0.003	0.0066
170	32400-17770	SET PLATE SHUTTER	2			MANUAL STRG.	0.205	0.451
180	32400-17790	SHUTTER	2				0.045	0.099
190	38430-29372	CLIP BUTTON	8				0.001	0.0022
200	32400-17780	SHUTTER	1			MANUAL STRG.	0.095	0.209

SHUTTER

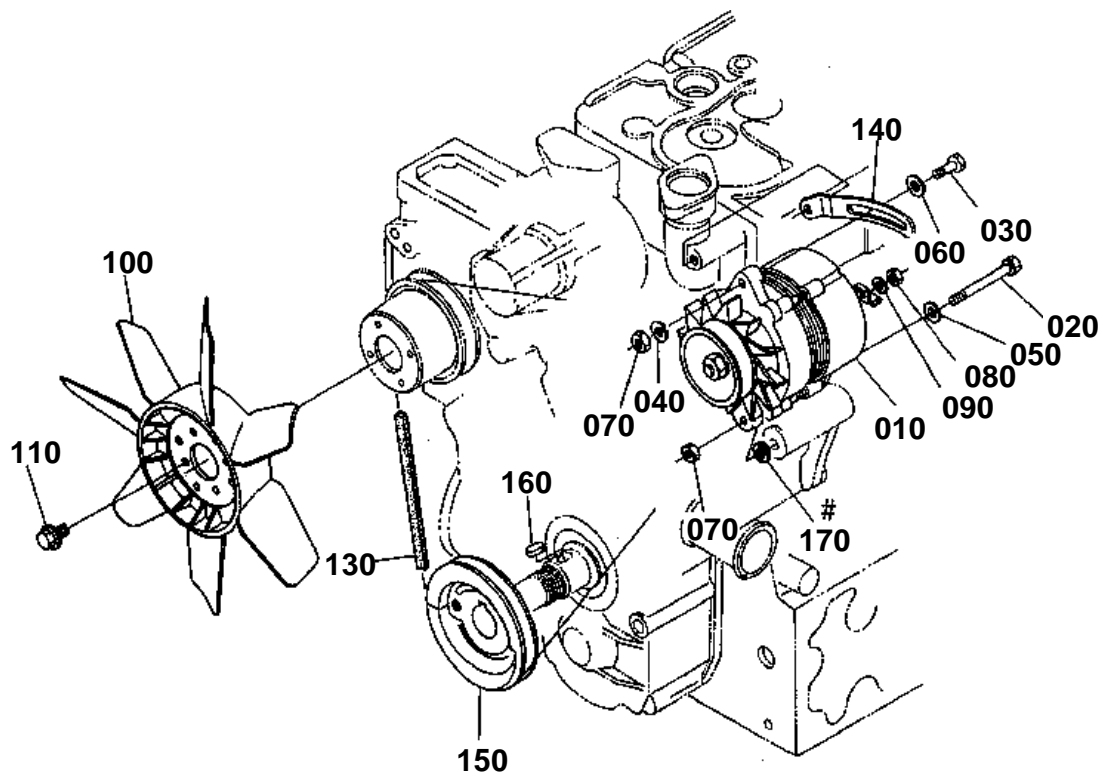




SHUTTER

↔ Interchangeable; ≠ not interchangeable; ← new for old; → old for new

REF.No	Part No.	Description	Q'ty	S.No.	I/C	REMARKS	Weight (kgf)	Weight (lb)
010	31351-35230	SUPPORT SHUTTER	1				0.345	0.759
020	32400-35210	PLATE SHUTTER	1	<=19999		MANUAL STRG. BLUE	3.25	7.15
020	32310-45720	PLATE SHUTTER	1	>=20001	↔	MANUAL STRG. GRAY	3.5	7.7
030	01754-50812	BOLT FLANGE	4				0.01	0.022
040	30400-17980	RUBBER BLOCK	2				0.01	0.022
050	32400-35310	BAND FUEL TANK	1	<=19999		BLUE	0.17	0.374
050	32310-35310	BAND FUEL TANK	1	>=20001	↔	GRAY	0.16	0.352
060	01754-50812	BOLT FLANGE	3				0.01	0.022
070	63611-52330	CUSHION	1				0.01	0.022
080	31351-13820	CUSHION BATTERY	1				0.015	0.033

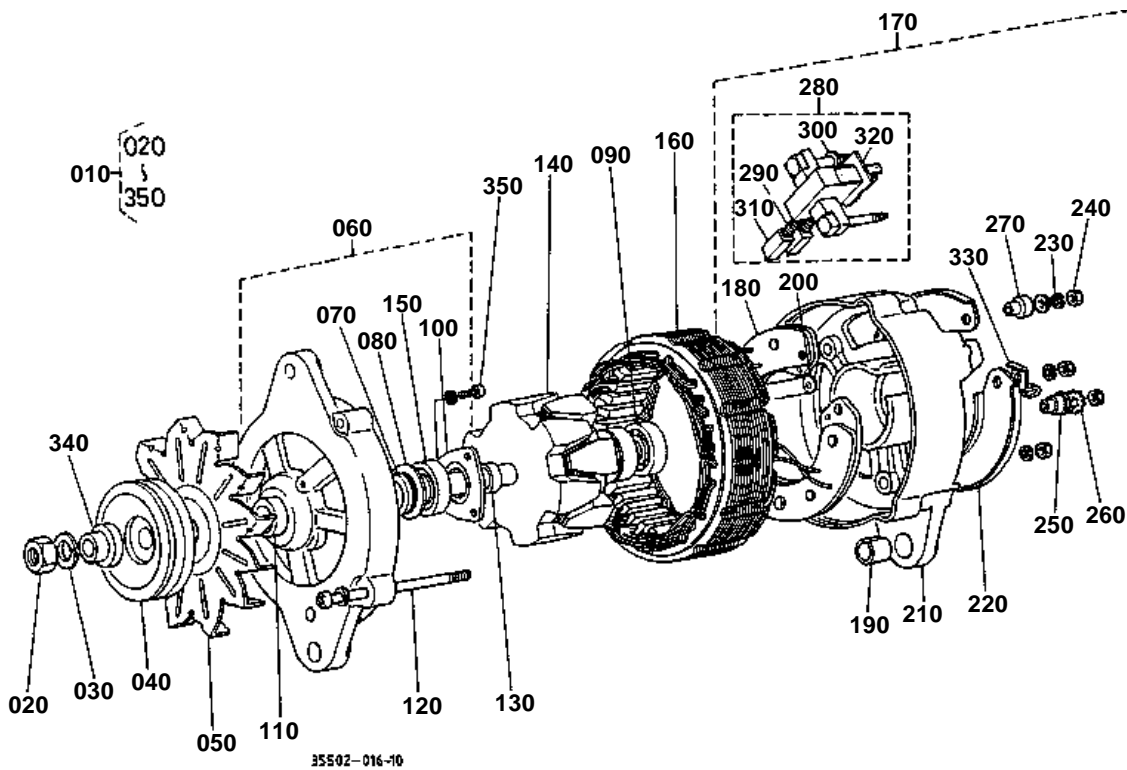


32310-013-11

**DYNAMO AND FAN**

↔ Interchangeable; ≠ not interchangeable; ← new for old; → old for new

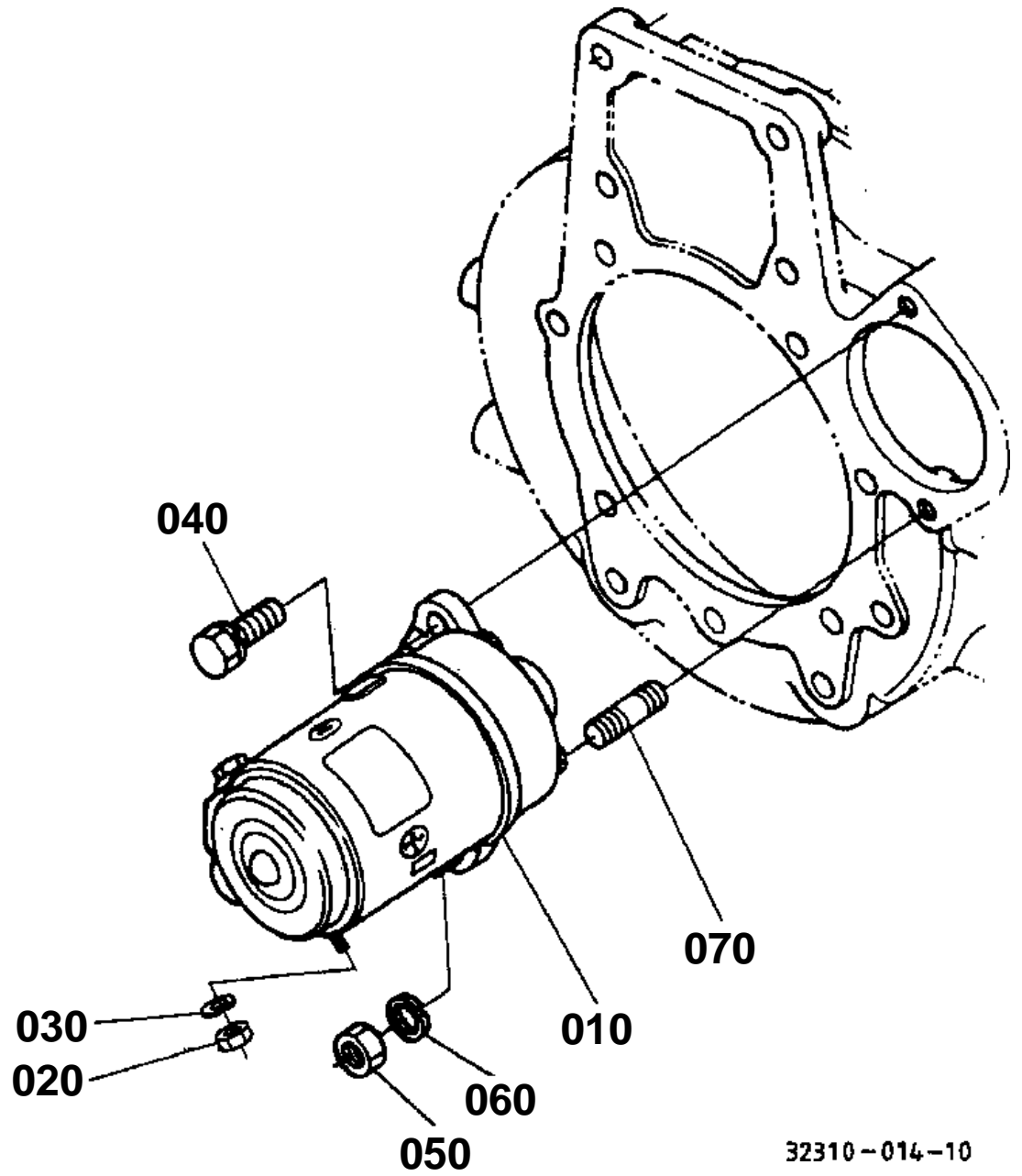
REF.No	Part No.	Description	Q'ty	S.No.	I/C	REMARKS	Weight (kgf)	Weight (lb)
010	15411-64010	ASSY DYNAMO	1			REFER TO L.No.0C05-L0 FOR COMPONENTS.	3.25	7.15
020	17367-91030	BOLT	1				0.02	0.044
030	01153-50835	BOLT	1				0.016	0.0352
040	04512-60080	WASHER SPRING	1				0.002	0.0044
050	04012-50080	WASHER PLAIN	1				0.001	0.0022
060	04015-60080	WASHER PLAIN	1				0.01	0.022
070	02156-50080	NUT	2				0.004	0.0088
080	02056-50060	NUT	1				0.002	0.0044
090	04512-60060	WASHER SPRING	1				0.001	0.0022
100	15585-74110	FAN	1				0.63	1.386
110	01754-50612	BOLT FLANGE	4				0.005	0.011
130	17367-97010	V BELT	1				0.1	0.22
140	15321-64420	STAY DYNAMO	1				0.1	0.22
150	32400-99220	PULLEY FAN DRIVE	1				1.55	3.41
160	05712-00720	KEY FEATHER	1				0.008	0.0176
170	15521-94030	WASHER PLAIN	1				0.01	0.022



**DYNAMO [COMPONENT PARTS]**

↔ Interchangeable; ≠ not interchangeable; ← new for old; → old for new

REF.No	Part No.	Description	Q'ty	S.No.	I/C	REMARKS	Weight (kgf)	Weight (lb)
010	15411-64010	ASSY DYNAMO	1				3.25	7.15
020	15221-92010	NUT	1				0.012	0.0264
030	15221-94070	WASHER SPRING	1				0.008	0.0176
040	15221-64110	PULLEY DYNAMO	1				0.198	0.4356
050	15253-64130	FAN DYNAMO	1				0.18	0.396
060	15253-64020	FRAME DRIVE END	1				0.365	0.803
070	15221-64790	FELT OIL	1				0.001	0.0022
080	15221-64830	COVER FELT	1				0.003	0.0066
090	08121-06201	BEARING BALL	1				0.036	0.0792
100	15221-64710	PLATE RETAINER	1				0.018	0.0396
110	15221-64150	COLLAR	1				0.008	0.0176
120	15321-64260	BOLT THROUGH	3				0.008	0.0176
130	15221-64160	SPACER	1				0.006	0.0132
140	15606-64030	ARMATURE	1				1.34	2.948
150	08141-06202	BEARING BALL	1				0.043	0.0946
160	15606-64050	YOKE	1				0.76	1.672
170	15321-64070	ASSY FRAME END	1				0.52	1.144
180	15321-64850	ASSY RECTIFIER	1				0.134	0.2948
190	15221-64210	BUSH	1				0.007	0.0154
200	15451-94080	WASHER	1				0.001	0.0022
210	15321-64060	FRAME END	1				0.298	0.6556
220	15321-64230	COVER END	1				0.029	0.0638
230	04512-50050	WASHER SPRING	5				0	0
240	14182-92030	NUT	3				0.003	0.0066
250	15321-64920	BUSH INSULATION	1				0.001	0.0022
260	04512-60060	WASHER SPRING	1				0.001	0.0022
270	15221-64910	BUSH INSULATION	1				0.001	0.0022
280	15321-64310	ASSY HOLDER BRUSH	1				0.039	0.0858
290	15221-64330	SPRING BRUSH	2				0.001	0.0022
300	15321-64380	WASHER INSULATION	2				0.005	0.011
310	15221-64090	BRUSH	2				0.002	0.0044
320	15321-64940	INSULATOR TERMINAL	1				0.001	0.0022
330	15321-67570	CLAMP CORD	1				0.04	0.088
340	15321-64170	SPACER	1				0.007	0.0154
350	15411-93310	BOLT	3				0.004	0.0088

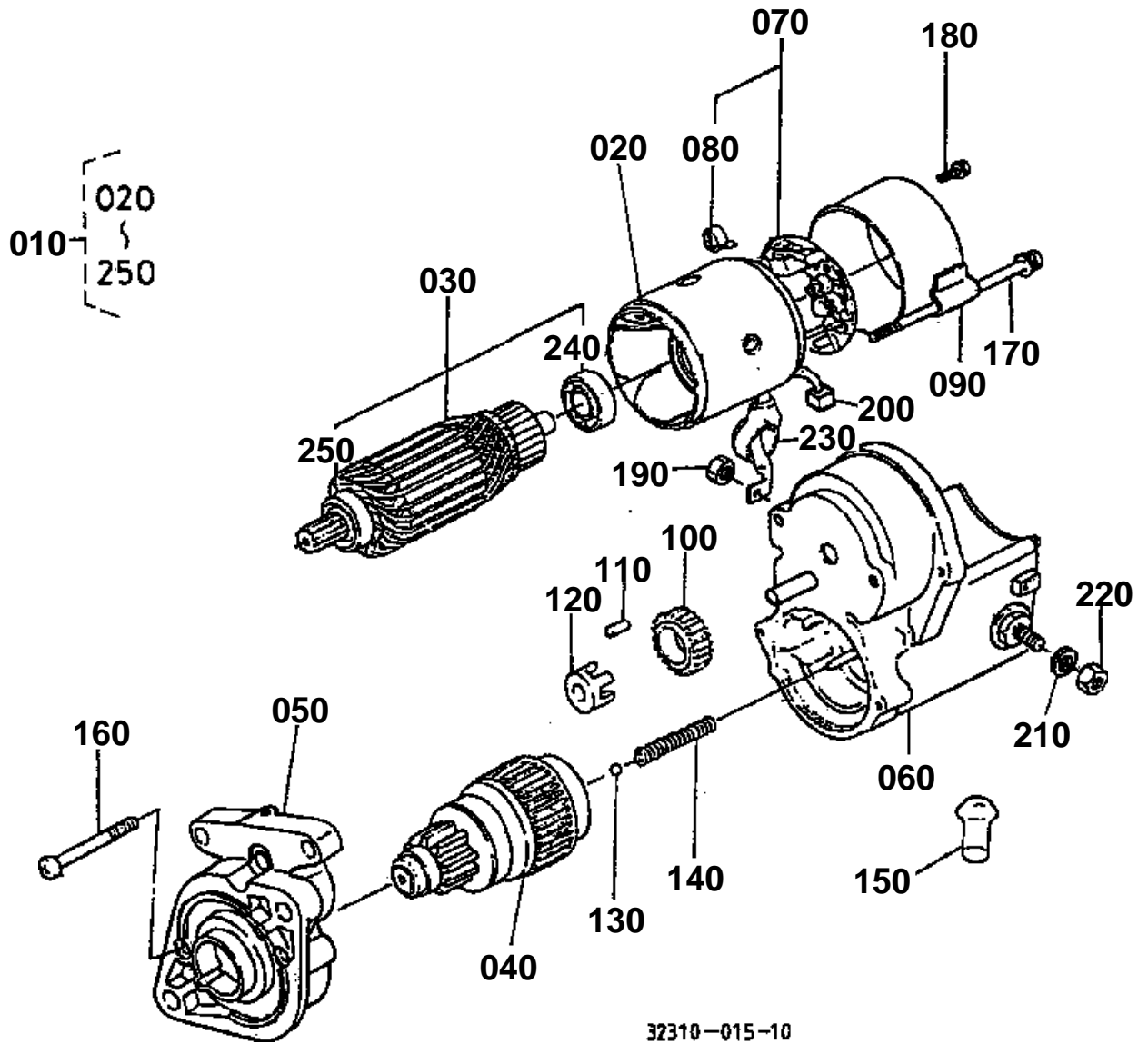


32310-014-10

**STARTER**

↔ Interchangeable; ≠ not interchangeable; ← new for old; → old for new

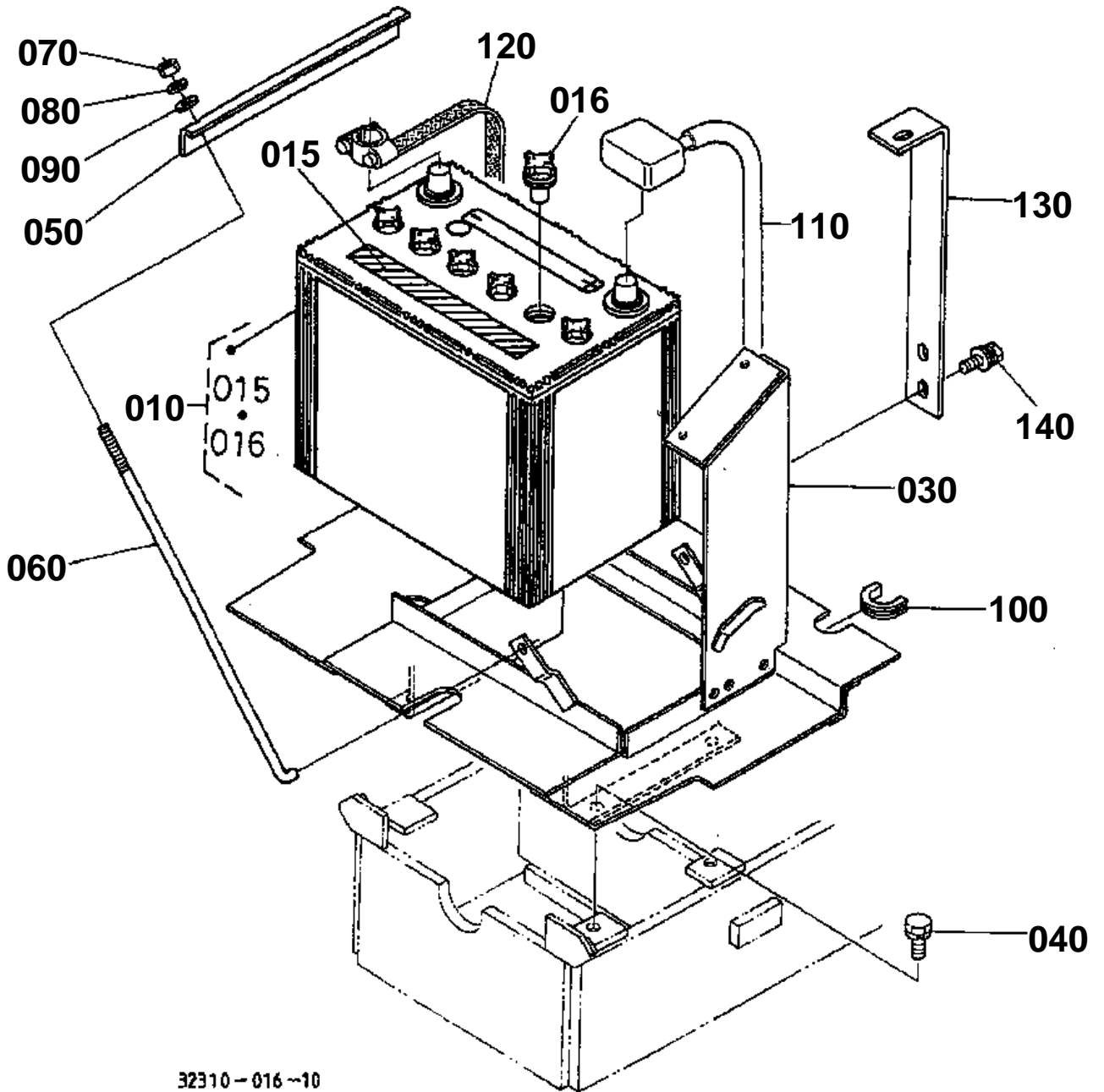
REF.No	Part No.	Description	Q'ty	S.No.	I/C	REMARKS	Weight (kgf)	Weight (lb)
010	17311-63010	ASSY STARTER	1			REFER TO L.No.0C06-R0 FOR COMPONENTS.	3.8	8.36
020	02114-50080	NUT	1				0.005	0.011
030	04512-60080	WASHER SPRING	1				0.002	0.0044
040	01133-51030	BOLT	1				0.025	0.055
050	02176-50100	NUT	1				0.005	0.011
060	04512-60100	WASHER SPRING	1				0.002	0.0044
070	01517-51028	STUD	1				0.022	0.0484



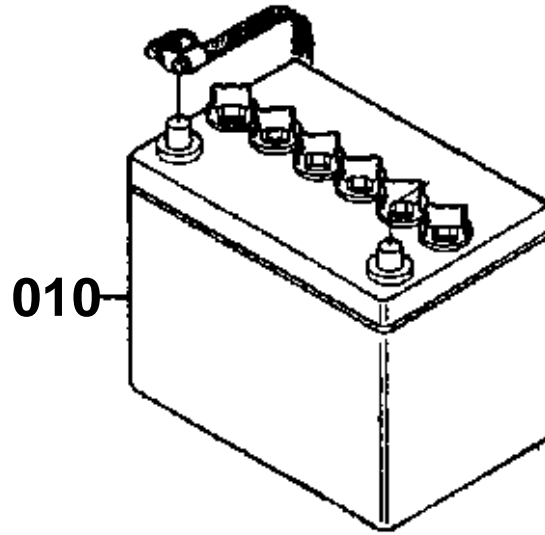
**STARTER [COMPONENT PARTS]**

↔ Interchangeable; ≠ not interchangeable; ← new for old; → old for new

REF.No	Part No.	Description	Q'ty	S.No.	I/C	REMARKS	Weight (kgf)	Weight (lb)
010	17311-63010	ASSY STARTER	1				3.8	8.36
020	15501-63080	YOKE	1				0.675	1.485
030	15501-63070	ARMATURE	1				0.78	1.716
040	15521-63040	SWITCH OVER RUNNING	1				0.73	1.606
050	15501-63030	FRAME DRIVE END	1				0.37	0.814
060	17311-63020	SWITCH MAGNETIC	1				1.15	2.53
070	17311-63380	HOLDER BRUSH	1				0.08	0.176
080	15401-63390	SPRING BRUSH	4				0.003	0.0066
090	15501-63200	FRAME END	1				0.08	0.176
100	15401-63270	GEAR	1				0.043	0.0946
110	19212-63100	ROLLER	5				0.002	0.0044
120	19212-63110	RETAINER	1				0.002	0.0044
130	19212-97130	BALL	1				0.003	0.0066
140	19212-63120	SPRING	1				0.004	0.0088
150	17311-63450	COVER	1				0.005	0.011
160	15501-93310	SCREW	2				0.01	0.022
170	15501-63320	BOLT THROUGH	2				0.03	0.066
180	15501-91020	BOLT	2				0.01	0.022
190	13963-92010	NUT HEXAGON	1				0.005	0.011
200	15501-63370	BRUSH	2				0.01	0.022
210	04512-60080	WASHER SPRING	1				0.002	0.0044
220	19616-92010	NUT HEXAGON	1				0.04	0.088
230	15504-63120	COVER CORD	1				0.06	0.132
240	15504-63500	BEARING BALL	1				0.02	0.044
250	15504-63530	BEARING BALL	1				0.04	0.088



010 35200-3320-0



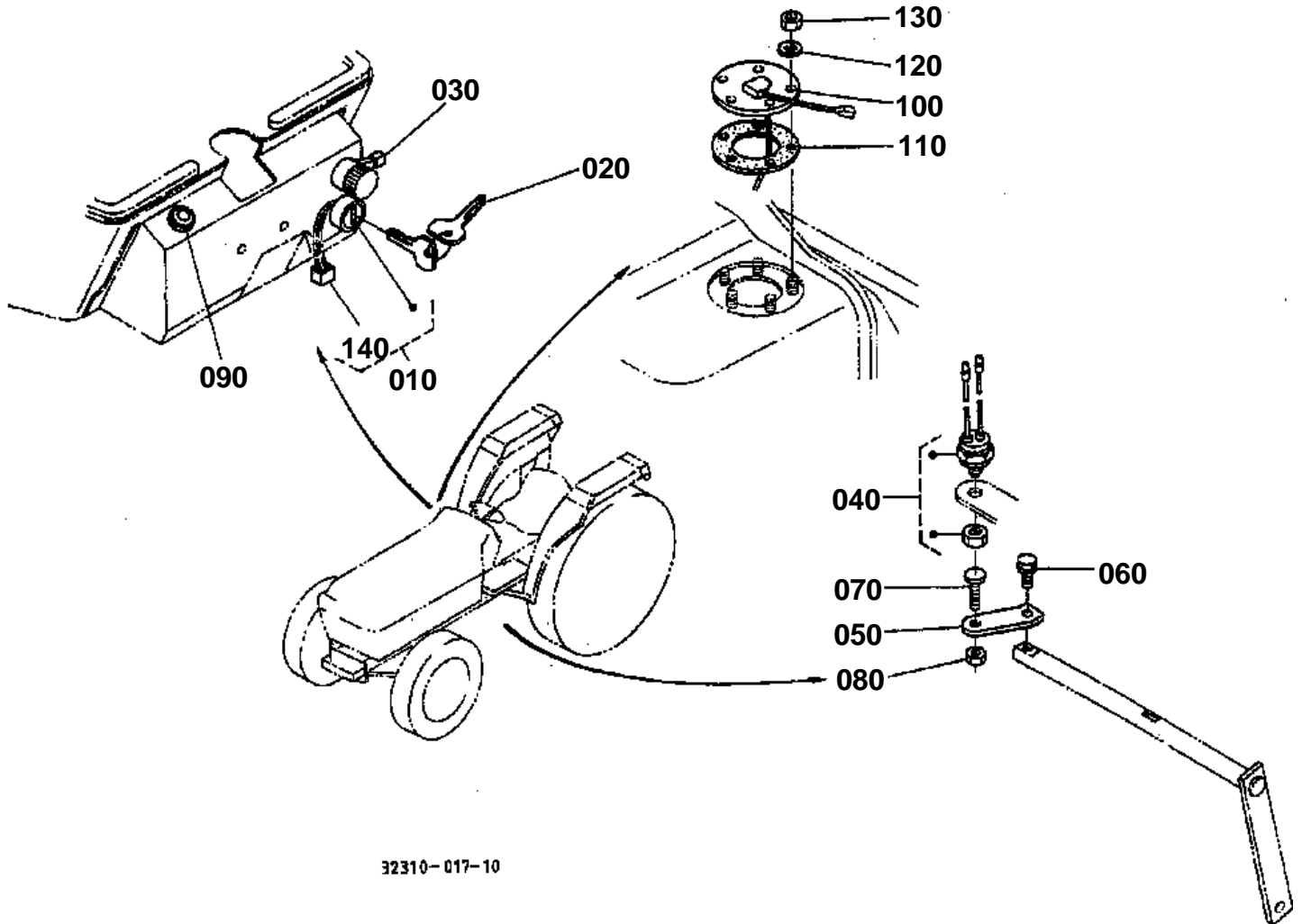
32310-806-10

**BATTERY**

↔ Interchangeable; ≠ not interchangeable; ← new for old; → old for new

REF.No	Part No.	Description	Q'ty	S.No.	I/C	REMARKS	Weight (kgf)	Weight (lb)
010	35200-33200	BATTERY DRY	1	<=19999			11.7	25.74
010	32310-30110	BATTERY	1	>=20001	≠		12.5	27.5
015	TA040-30150	LABEL BATTERY	1	>=20001			0.002	0.0044
016	TA040-30160	CAP BATTERY	6	>=20001			0.01	0.022
030	32400-33210	SUPPORT BATTERY	1			MANUAL STRG.	3.4	7.48
040	01123-60816	BOLT	4				0.01	0.022
050	31351-33110	RETAINER BATTERY	1				0.11	0.242
060	34150-33290	BOLT HOOK	2				0.055	0.121
070	02014-50060	NUT	2				0.003	0.0066
080	04512-60060	WASHER SPRING	2				0.001	0.0022
090	04015-60060	WASHER PLAIN	2				0.005	0.011
100	30430-82770	CUSHION	1				0.005	0.011
110	37220-33330	CORD BATTERY	1	<=21937			0	0
110	37220-33337	CORD BATTERY	1	>=21938	←		0.39	0.858
120	37220-33380	CORD EARTH	1				0.21	0.462
130	32400-17960	SUPPORT BONNET FRONT	1			MANUAL STRG.	0.435	0.957
140	01125-60816	BOLT	3				0.01	0.022

SWITCH

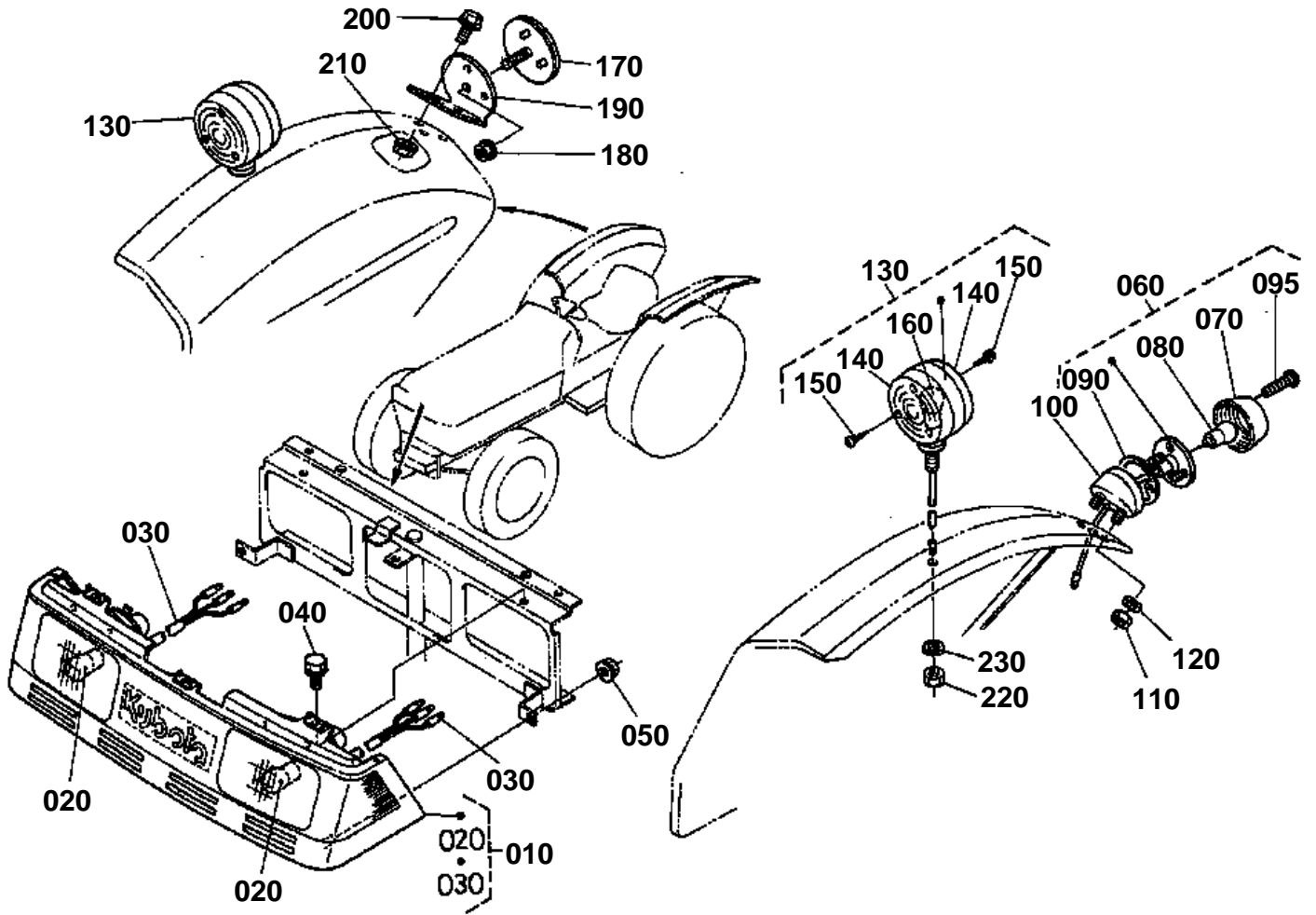




SWITCH

↔ Interchangeable; ≠ not interchangeable; ← new for old; → old for new

REF.No	Part No.	Description	Q'ty	S.No.	I/C	REMARKS	Weight (kgf)	Weight (lb)
010	32430-31820	SWITCH MAIN	1				0.285	0.627
020	35260-31852	ASSYKEY MAIN SWITCH	1				0.02	0.044
030	31351-32100	SWITCH COMBINATION	1				0.105	0.231
040	37150-32240	SWITCH SAFETY	1				0.12	0.264
050	37150-34563	HOLDER SWITCH	1				0.045	0.099
060	01123-50820	BOLT	1				0.011	0.0242
070	01952-50830	BOLT WELD	1				0.014	0.0308
080	02112-50080	NUT	1				0.003	0.0066
090	15521-65950	INDICATOR GLOW PLUG	1				0.065	0.143
140	35080-31830	HARNES MAIN SWITCH	1				0.02	0.044



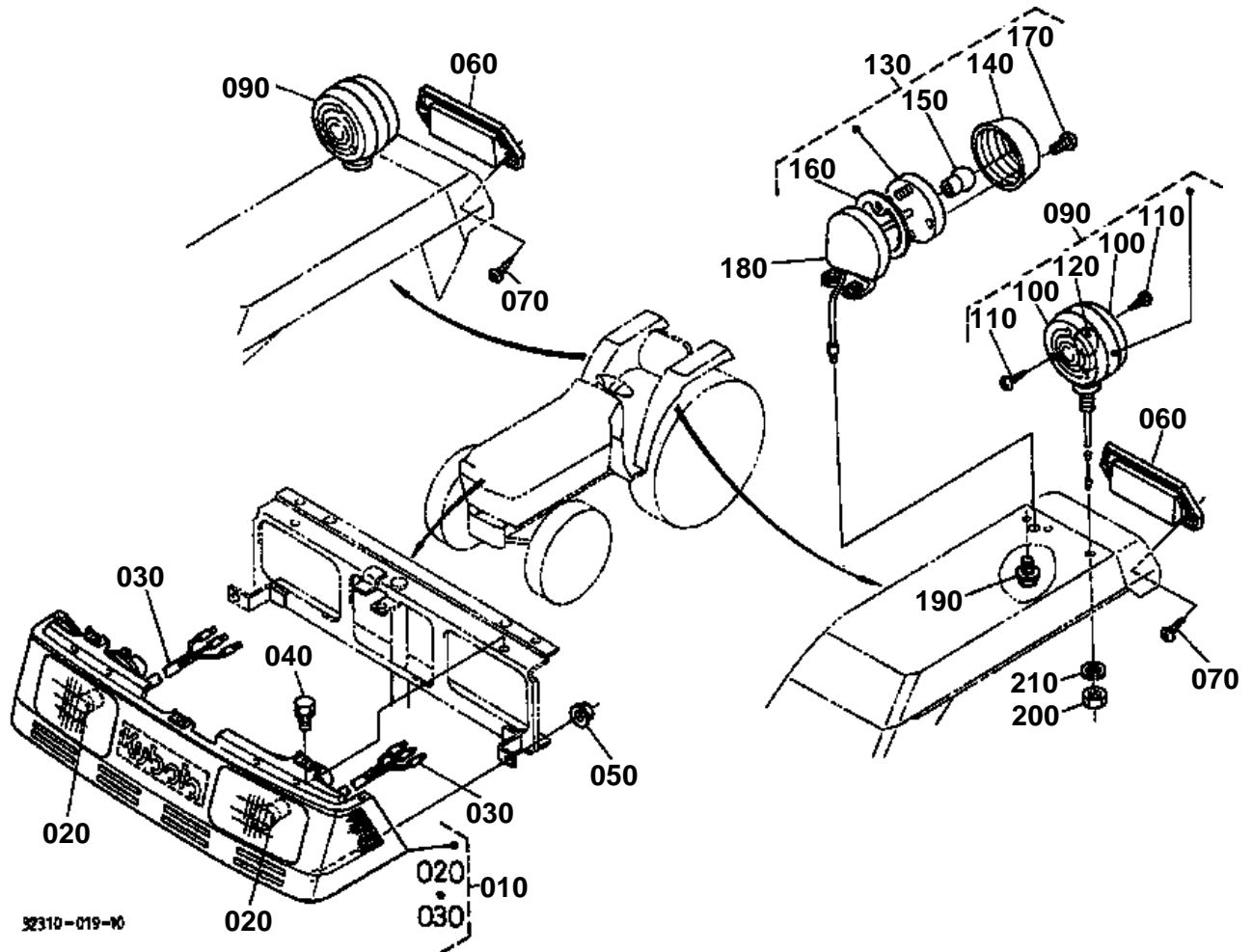
32310-018-10



LIGHT [OIL TYPE]
S.No.:L2350F;<=19999,L2350DT;<=59999

↔ Interchangeable; ≠ not interchangeable; ← new for old; → old for new

REF.No	Part No.	Description	Q'ty	S.No.	I/C	REMARKS	Weight (kgf)	Weight (lb)
010	35080-33370	ASSY LIGHT HEAD	1				1.5	3.3
020	38430-33870	BULB	2				0.023	0.0506
030	34670-93600	COMP.CORD SOCKET	2				0.065	0.143
040	01023-50612	BOLT	3				0.005	0.011
050	02751-50060	NUT FLANGE	2				0.005	0.011
060	34350-34100	ASSY LIGHT TAIL	1				0.13	0.286
070	34350-34120	LENS TAIL LIGHT	1				0.05	0.11
080	34350-34140	BULB TAIL LIGHT	1				0.008	0.0176
090	34350-99220	GASKET LENS	1				0.01	0.022
095	03056-50335	SCREW CSK-HD	4				0.001	0.0022
100	32400-34190	HOLDER TAIL LIGHT	1				0.11	0.242
110	02014-50060	NUT	2				0.003	0.0066
120	04512-60060	WASHER SPRING	2				0.001	0.0022
130	32530-33610	ASSY LIGHT HAZARD	2				0.5	1.1
140	32530-91510	LENS HAZARD LIGHT	4				0.085	0.187
150	32530-91520	SCREW TAPPING	12				0.001	0.0022
160	32530-91530	BULB LIGHT	2				0.02	0.044
170	67601-55730	ASSY REFLECTOR	1				0.02	0.044
180	02761-50050	NUT FLANGE	1				0.005	0.011
190	32400-34220	PLATE REFLECTOR	1				0.085	0.187
200	01023-50612	BOLT	2				0.005	0.011
210	02751-50060	NUT FLANGE	2				0.005	0.011
220	02114-50100	NUT	2				0.005	0.011
230	04512-60100	WASHER SPRING	2				0.002	0.0044

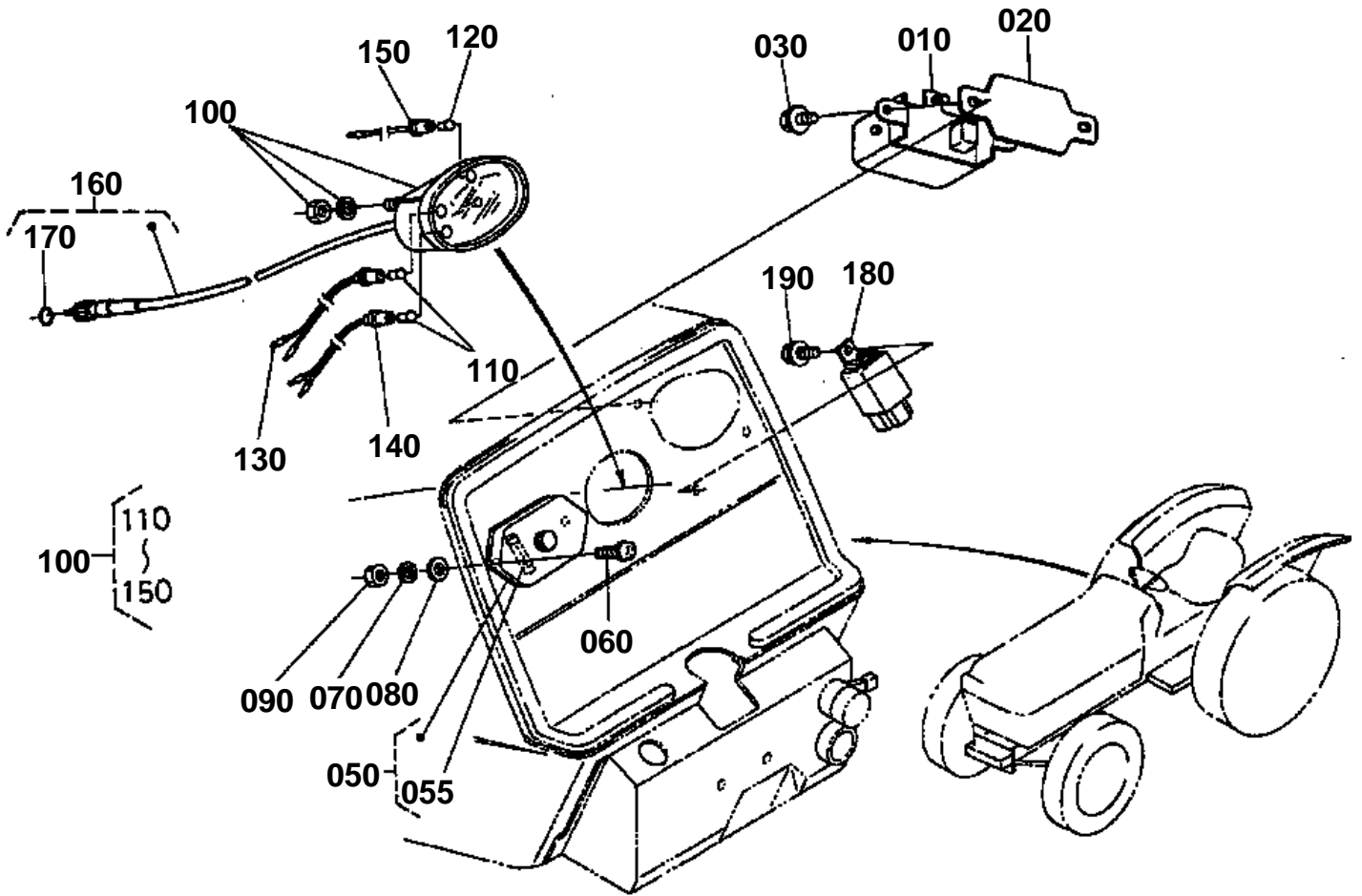


**LIGHT [NEW TYPE]**

S.No.:L2350F;>=20001,L2350DT;>=60001

↔ Interchangeable; ≠ not interchangeable; ← new for old; → old for new

REF.No	Part No.	Description	Q'ty	S.No.	I/C	REMARKS	Weight (kgf)	Weight (lb)
010	35080-33370	ASSY LIGHT HEAD	1				1.5	3.3
020	38430-33870	BULB	2				0.023	0.0506
030	34670-93600	COMP.CORD SOCKET	2				0.065	0.143
040	01023-50612	BOLT	3				0.005	0.011
050	02751-50060	NUT FLANGE	2				0.005	0.011
060	31351-33900	ASSY REFLECTOR	2				0.088	0.1936
070	03514-50510	SCREW TAPPING	4				0.002	0.0044
090	32530-33610	ASSY LIGHT HAZARD	2				0.5	1.1
100	32530-91510	LENS HAZARD LIGHT	4				0.085	0.187
110	32530-91520	SCREW TAPPING	12				0.001	0.0022
120	32530-91530	BULB LIGHT	2				0.02	0.044
130	34350-34100	ASSY LIGHT TAIL	1				0.13	0.286
140	34350-34120	LENS TAIL LIGHT	1				0.05	0.11
150	34350-34140	BULB TAIL LIGHT	1				0.008	0.0176
160	34350-99220	GASKET LENS	1				0.01	0.022
170	03056-50335	SCREW CSK-HD	2				0.001	0.0022
180	32480-34190	HOLDER TAIL LIGHT	1				0.15	0.33
190	01754-50612	BOLT FLANGE	2				0.005	0.011
200	02114-50100	NUT	2				0.005	0.011
210	04512-60100	WASHER SPRING	2				0.002	0.0044



32310--020-10

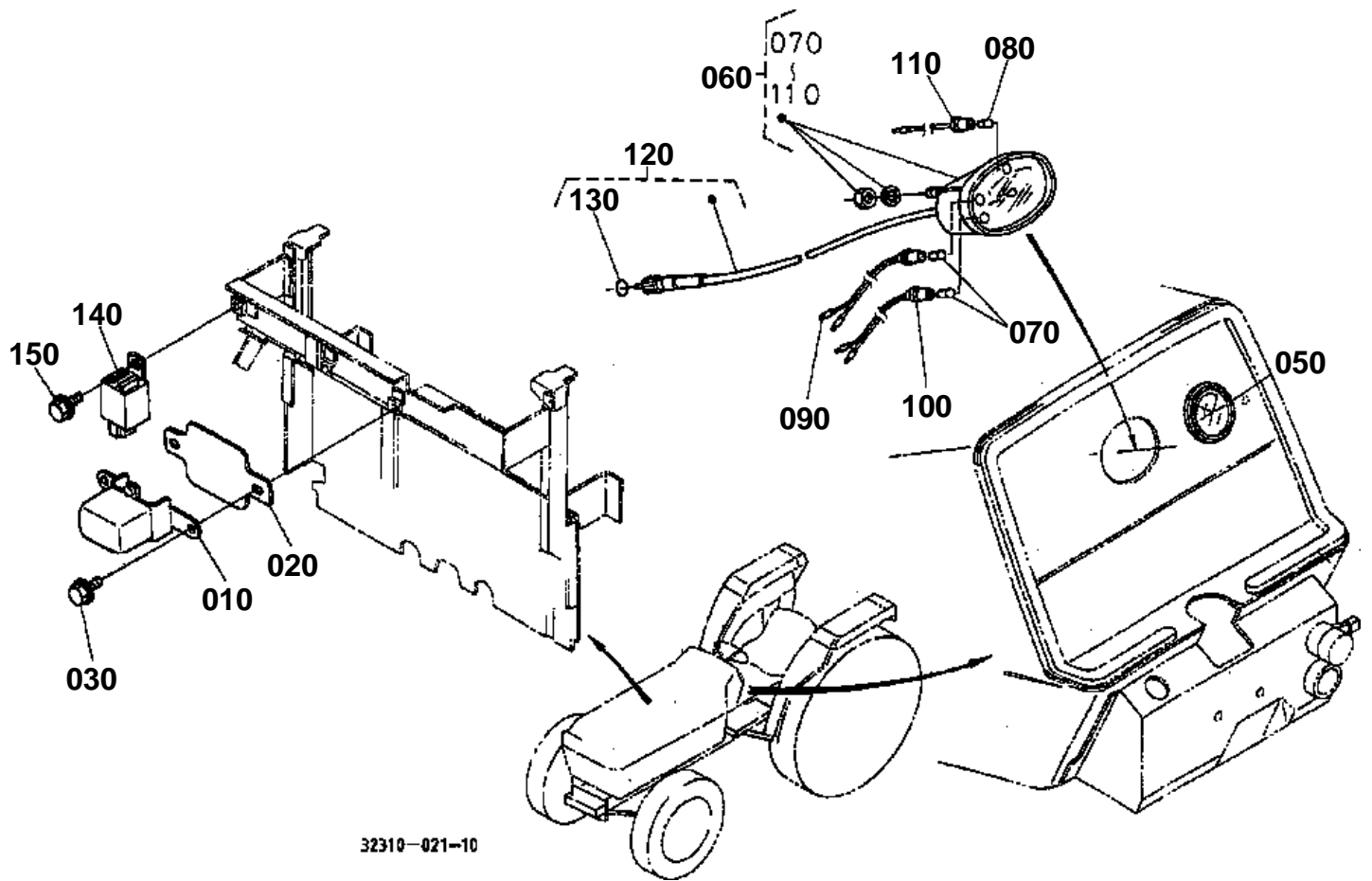


REGULATOR AND METER [OIL TYPE]
S.No.:L2350F;<=19999

↔ Interchangeable; ≠ not interchangeable; ← new for old; → old for new

REF.No	Part No.	Description	Q'ty	S.No.	I/C	REMARKS	Weight (kgf)	Weight (lb)
010	33251-74010	ASSY REGULATOR	1				0.35	0.77
020	37150-33420	COVER REGULATOR	1				0.03	0.066
030	01754-50610	BOLT FLANGE	2				0.006	0.0132
050	37150-33600	CASE FUSE	1				0.115	0.253
055	54711-41220	FUSE	4			10A	0.001	0.0022
060	03024-50516	SCREW WITH WASHER	2				0.004	0.0088
070	04512-50050	WASHER SPRING	2				0	0
080	04012-50050	WASHER PLAIN	2				0.001	0.0022
090	02054-50050	NUT	2				0.002	0.0044
100	35260-34602	METER TRACTOR	1				0.31	0.682
110	32150-31740	BULB	2				0.003	0.0066
120	34150-34620	BULB	1				0.001	0.0022
130	37150-34630	COMP.SOCKET	1				0.02	0.044
140	37150-34640	COMP.SOCKET	1				0.02	0.044
150	37150-34680	COMP.SOCKET	1				0.015	0.033
160	31341-34654	CABLE FLEXIBLE	1				0.2	0.44
170	04811-10080	O RING	1				0.001	0.0022
180	32400-33700	HAZARD UNIT	1				0.07	0.154
190	01754-50616	BOLT FLANGE	1				0.006	0.0132

REGULATOR AND METER



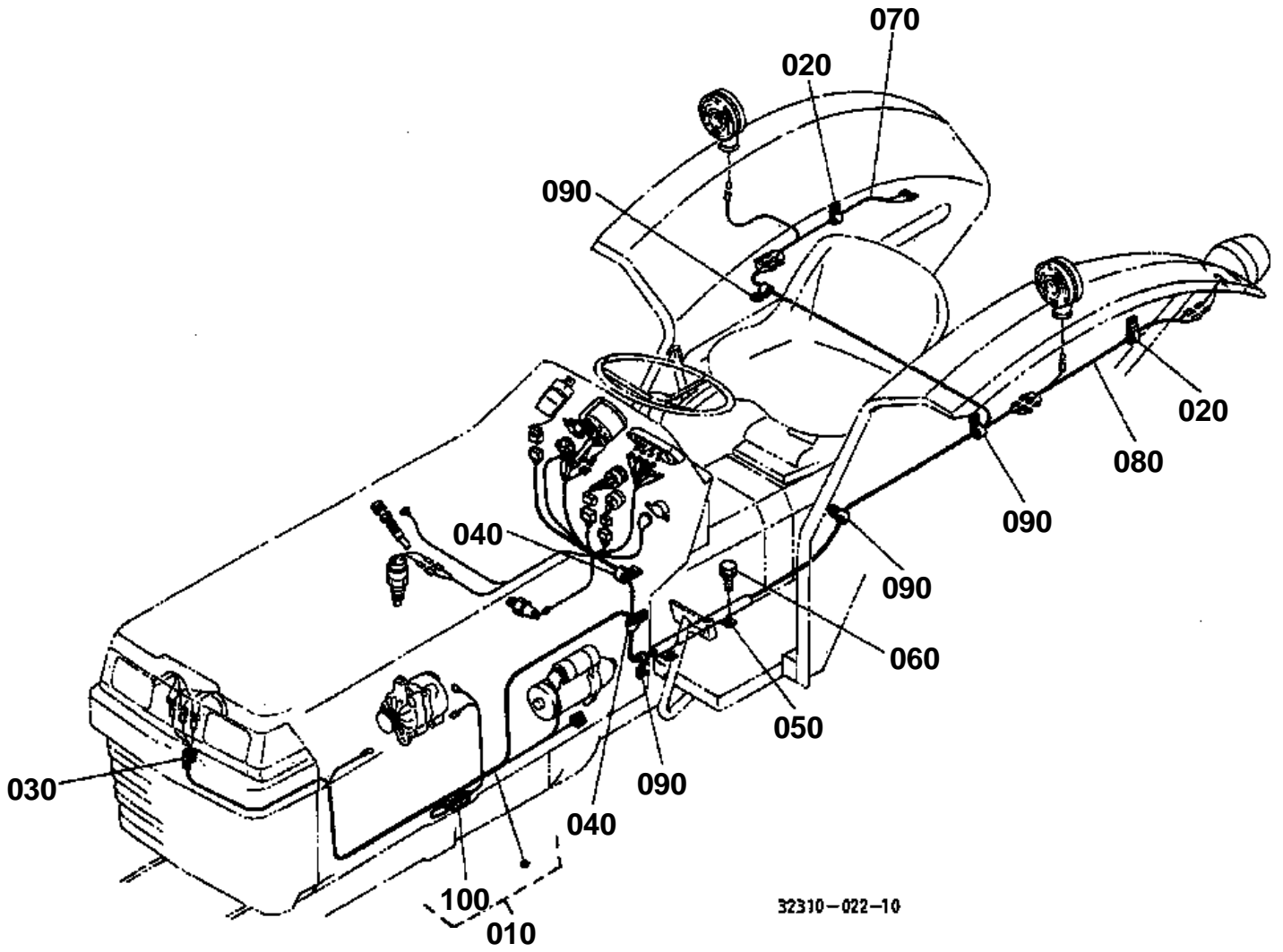
32310-021-10



REGULATOR AND METER
S.No.:L2350F;>=20001

↔ Interchangeable; ≠ not interchangeable; ← new for old; → old for new

REF.No	Part No.	Description	Q'ty	S.No.	I/C	REMARKS	Weight (kgf)	Weight (lb)
010	33251-74010	ASSY REGULATOR	1				0.35	0.77
020	37150-33420	COVER REGULATOR	1				0.03	0.066
030	01754-50610	BOLT FLANGE	2				0.006	0.0132
060	35260-34602	METER TRACTOR	1				0.31	0.682
070	32150-31740	BULB	2				0.003	0.0066
080	34150-34620	BULB	1				0.001	0.0022
090	37150-34630	COMP.SOCKET	1				0.02	0.044
100	37150-34640	COMP.SOCKET	1				0.02	0.044
110	37150-34680	COMP.SOCKET	1				0.015	0.033
120	31341-34654	CABLE FLEXIBLE	1				0.2	0.44
130	04811-10080	O RING	1				0.001	0.0022
140	32400-33700	HAZARD UNIT	1				0.07	0.154
150	01754-50616	BOLT FLANGE	1				0.006	0.0132

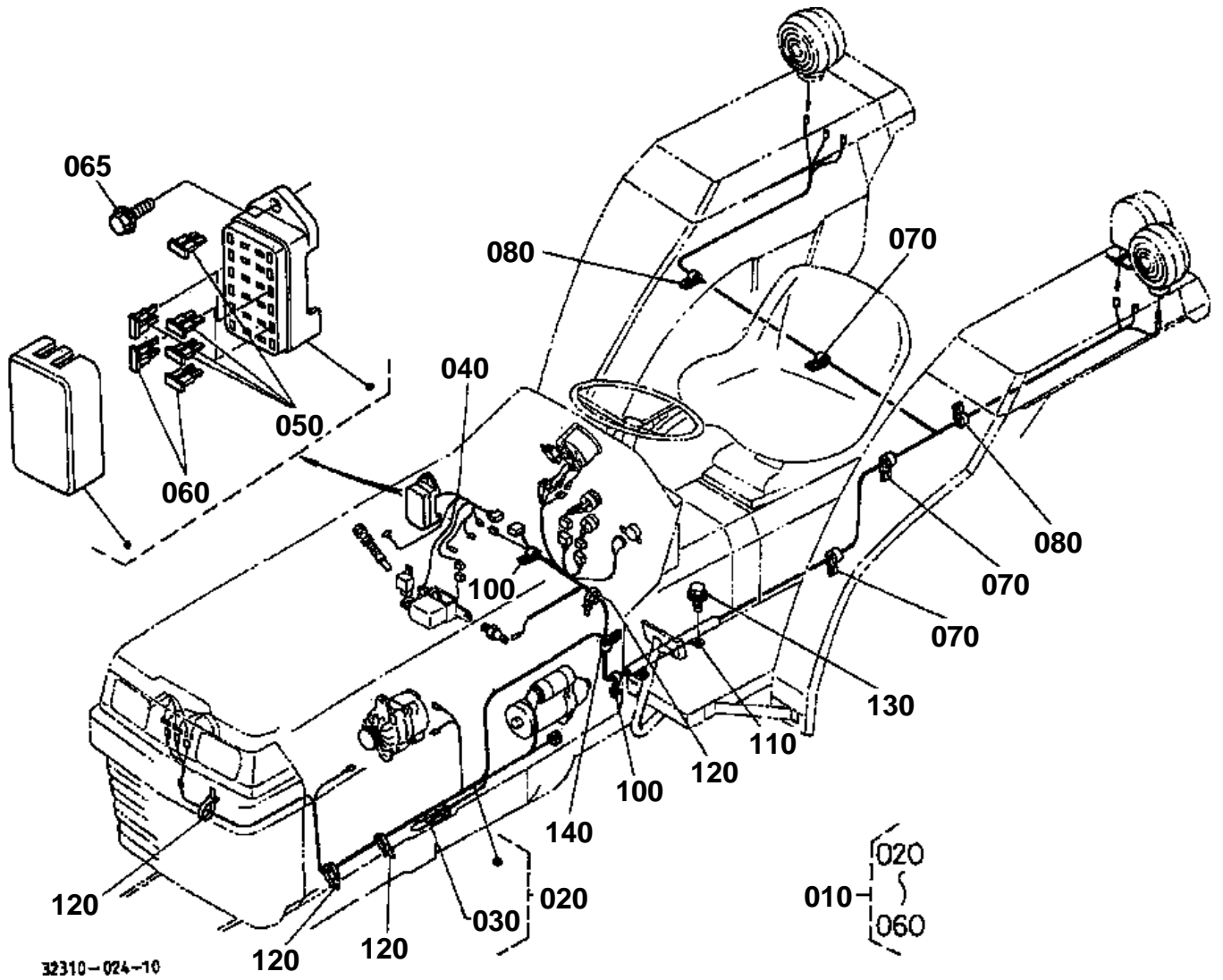




ELECTRICAL WIRING [OLD TYPE]
S.No.:L2350F;<=1999

↔ Interchangeable; ≠ not interchangeable; ← new for old; → old for new

REF.No	Part No.	Description	Q'ty	S.No.	I/C	REMARKS	Weight (kgf)	Weight (lb)
010	35040-34400	ASSY WIRE HARNESS	1				0.715	1.573
020	32240-34460	CLAMP CORD	2				0.011	0.0242
030	32240-34482	CLAMP CORD	1				0.008	0.0176
040	13824-67590	CLAMP CORD	2				0.002	0.0044
050	37150-34480	RETAINER CORD	1				0.06	0.132
060	01123-60816	BOLT	3				0.01	0.022
070	35170-34360	WIRE HARNESS	1				0.025	0.055
080	35170-34370	WIRE HARNESS	1				0.035	0.077
090	13816-67580	CLAMP CORD	4				0.004	0.0088
100	38430-34530	LINK FUSIBLE	1				0.01	0.022

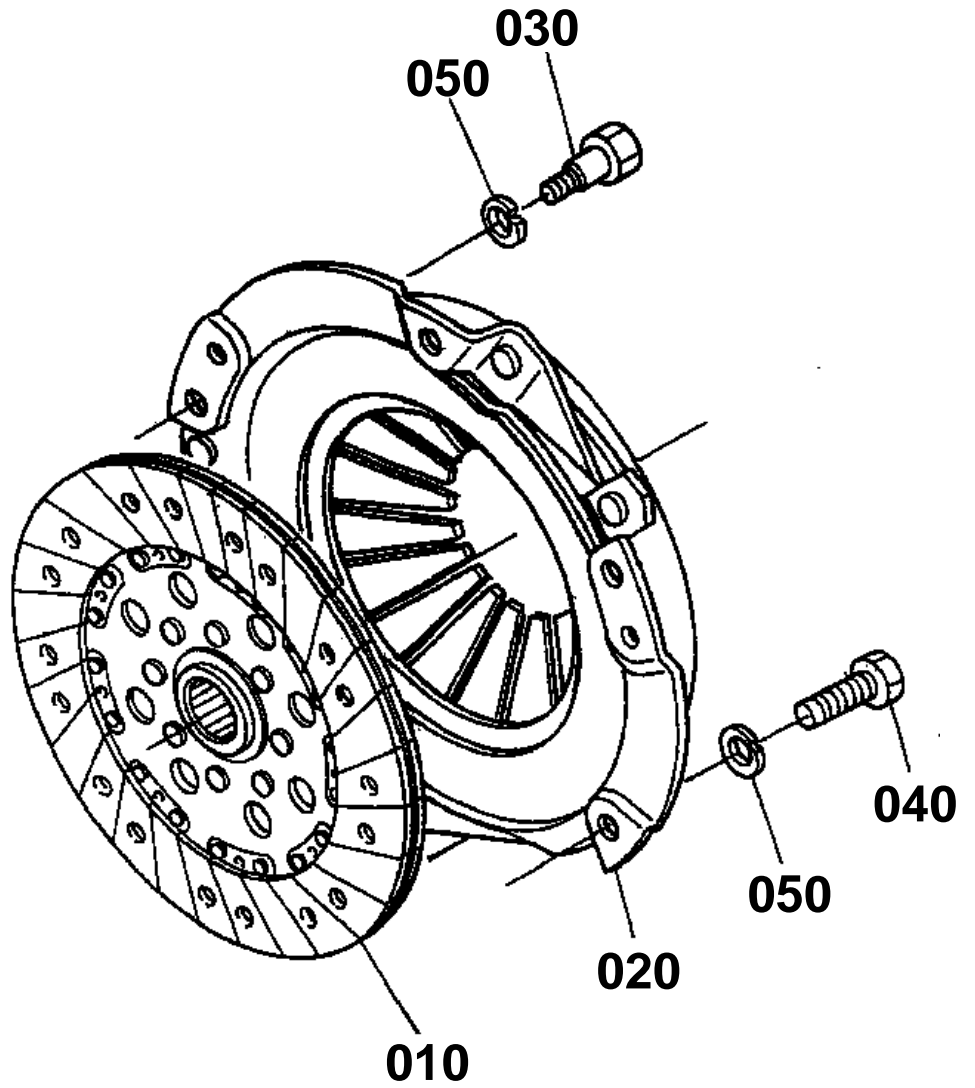




ELECTRICAL WIRING [NEW TYPE]
S.No.:L2350F;>=20001

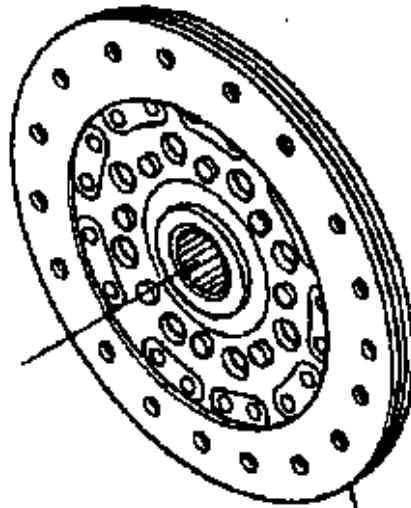
↔ Interchangeable; ≠ not interchangeable; ← new for old; → old for new

REF.No	Part No.	Description	Q'ty	S.No.	I/C	REMARKS	Weight (kgf)	Weight (lb)
010	32310-34400	ASSY WIRE HARNESS	1				0.95	2.09
020	32310-34410	WIRE HARNESS	1				0.68	1.496
030	38430-34530	LINK FUSIBLE	1				0.01	0.022
040	32310-34420	WIRE HARNESS	1				0.27	0.594
050	31351-33630	FUSE	4			10A	0.002	0.0044
060	31351-33640	FUSE	2			15A	0.002	0.0044
065	01754-50616	BOLT FLANGE	2				0.006	0.0132
070	32240-34460	CLAMP CORD	3				0.011	0.0242
080	13824-67590	CLAMP CORD	2				0.002	0.0044
100	13816-67580	CLAMP CORD	4				0.004	0.0088
110	32310-34480	RETAINER CORD	1				0.05	0.11
120	55311-41260	BAND CORD	4				0.007	0.0154
130	01754-50812	BOLT FLANGE	2				0.01	0.022
140	55311-41260	BAND CORD	1				0.007	0.0154



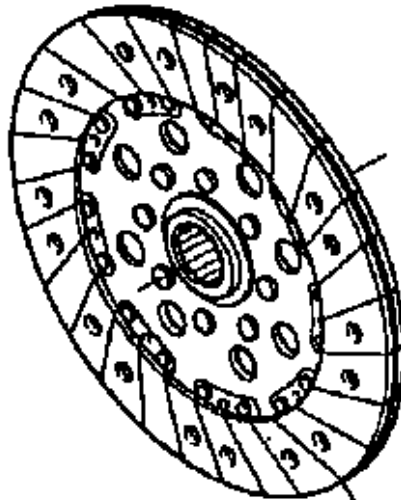
32310-026-10

010 38240-1430-0



(2WD) 010

010 32420-1430-0



(4WD) 010

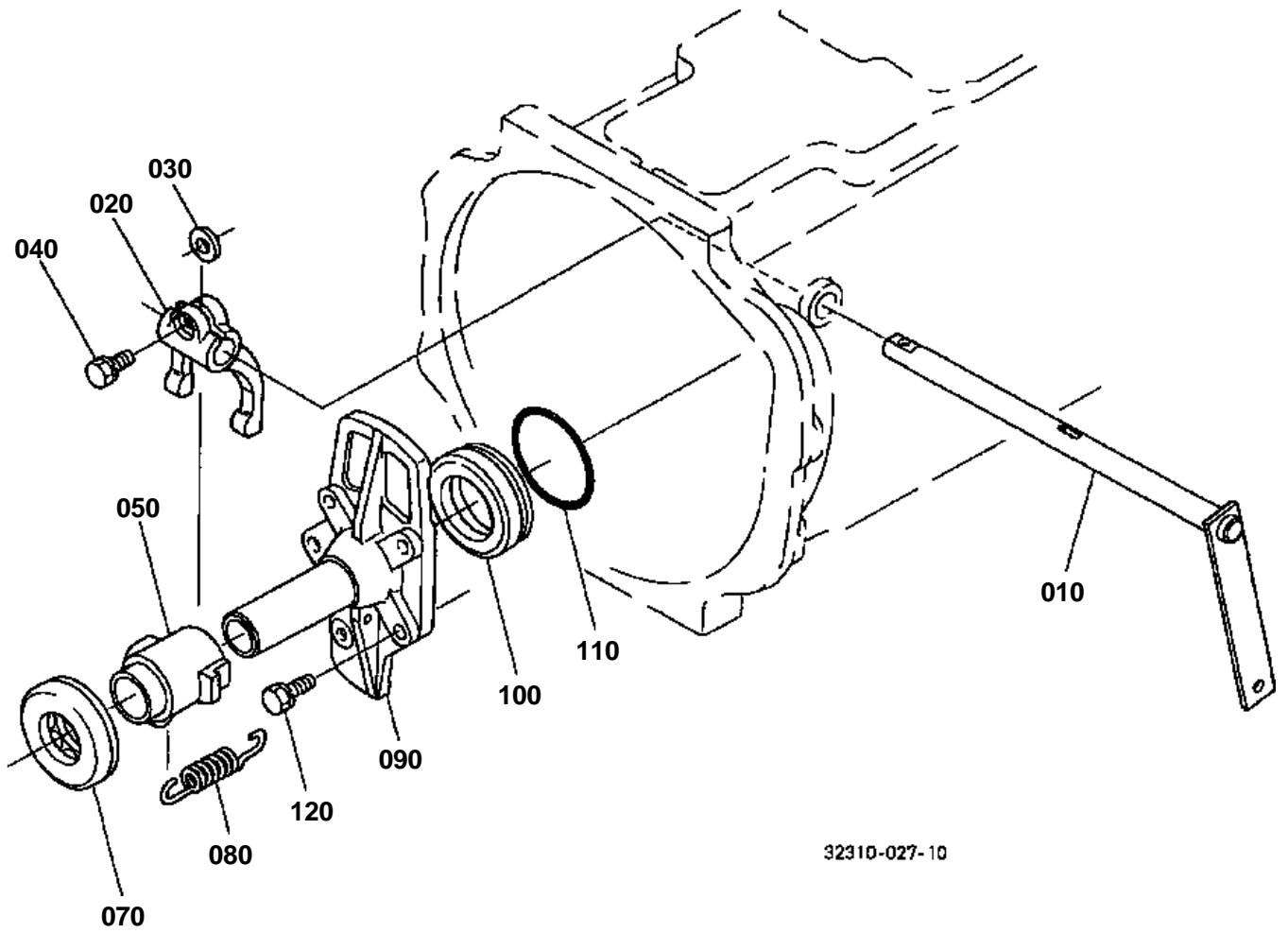
32310-800-10

**CLUTCH**

↔ Interchangeable; ≠ not interchangeable; ← new for old; → old for new

REF.No	Part No.	Description	Q'ty	S.No.	I/C	REMARKS	Weight (kgf)	Weight (lb)
010	38240-14300	COMP.DISK CLUTCH	1	<=11925			0	0
010	35220-99160	ASSY DISK CLUTCH	1	>=11926	↔		0.91	2.002
020	37300-14500	ASSY PLATE PRESSURE	1				4.5	9.9
030	34220-14510	BOLT REAMER	2				0.013	0.0286
040	01153-50816	BOLT	4				0.01	0.022
050	04512-60080	WASHER SPRING	6				0.002	0.0044

CLUTCH LEVER



32310-027-10

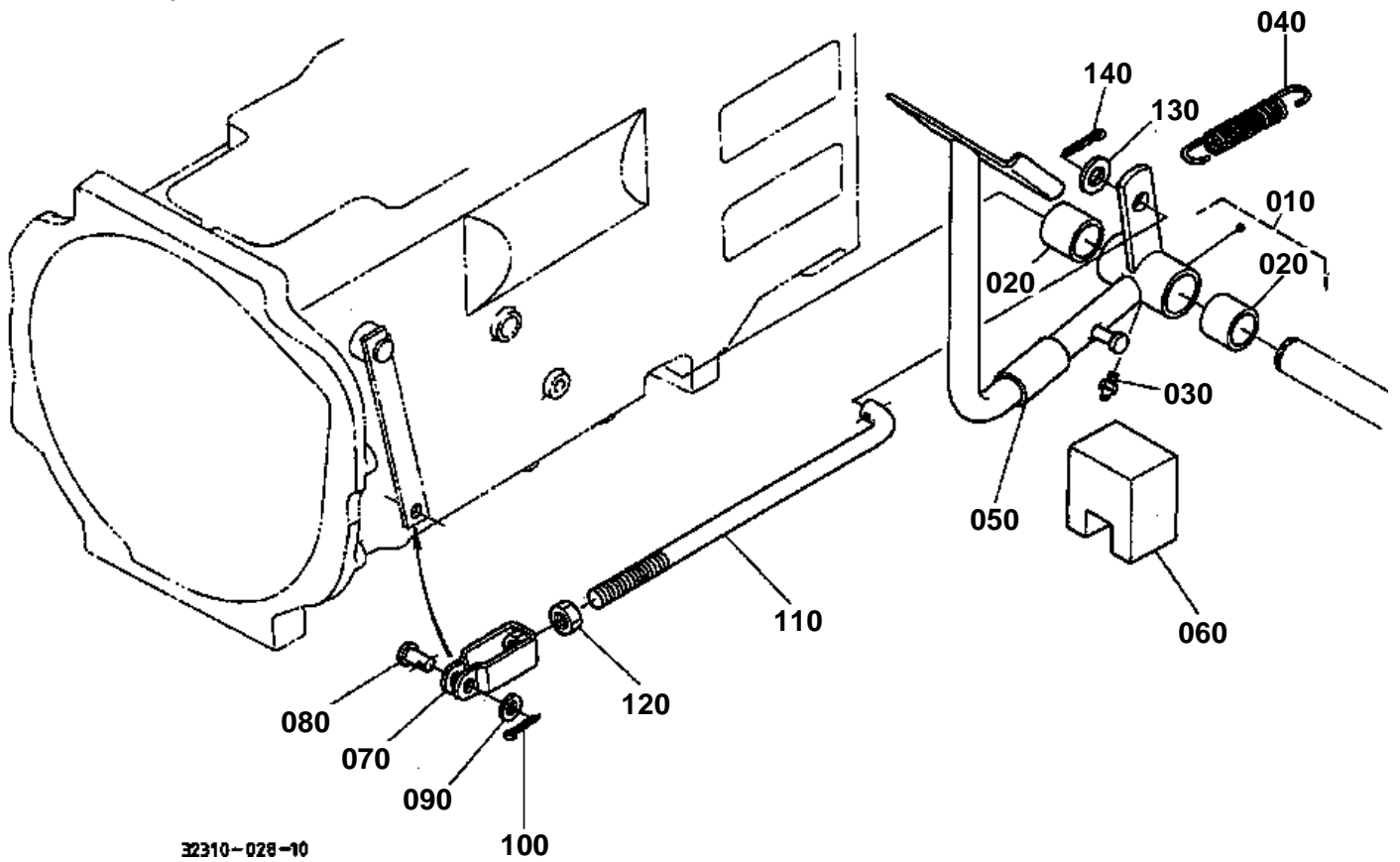


CLUTCH LEVER

↔ Interchangeable; ≠ not interchangeable; ← new for old; → old for new

REF.No	Part No.	Description	Q'ty	S.No.	I/C	REMARKS	Weight (kgf)	Weight (lb)
010	37220-14712	LEVER CLUTCH	1				0.475	1.045
020	31351-14720	FORK CLUTCH RELEASE	1				0.27	0.594
030	31150-14780	KEY FORK	1				0.003	0.0066
040	01123-50822	BOLT	1				0.012	0.0264
050	37220-14813	HUB CLUTCH RELEASE	1				0.43	0.946
070	08490-00001	BEARING THRUST BALL	1				0.227	0.4994
080	34150-14840	SPRING	1				0.01	0.022
090	34670-25510	CASE PROPELLER SHAFT	1				0.37	0.814
100	37150-15420	SPACER	1				0.105	0.231
110	04811-50650	O RING	1				0.002	0.0044
120	01123-50830	BOLT	4				0.015	0.033

CLUTCH PEDAL



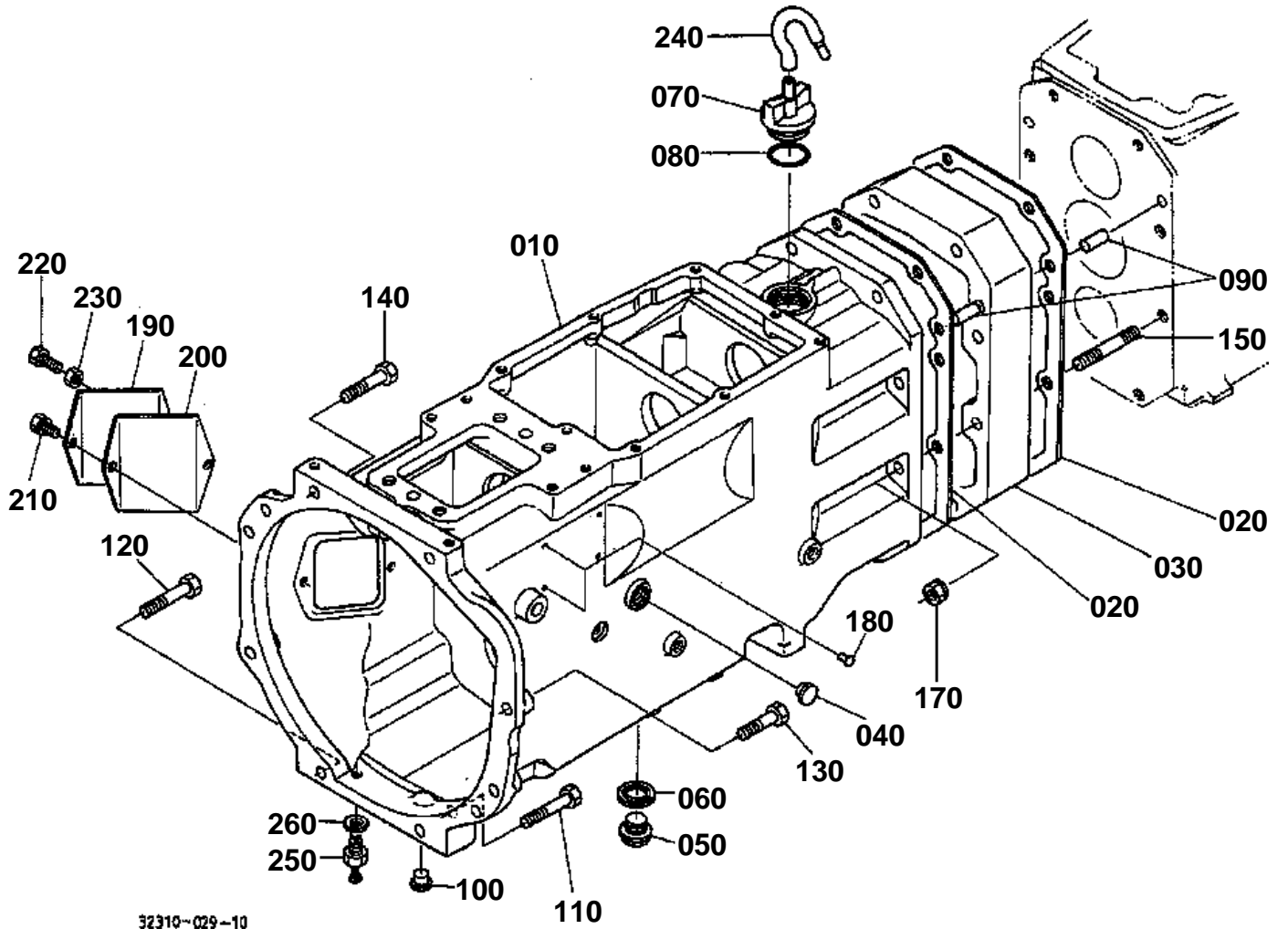


CLUTCH PEDAL

↔ Interchangeable; ≠ not interchangeable; ← new for old; → old for new

REF.No	Part No.	Description	Q'ty	S.No.	I/C	REMARKS	Weight (kgf)	Weight (lb)
010	37150-15710	PEDAL CLUTCH	1				1.4	3.08
020	34150-28430	BUSH	2				0.04	0.088
030	06613-10675	NIPPLE GREASE	1				0.003	0.0066
040	37150-15840	SPRING	1				0.06	0.132
050	32400-15830	CUSHION	1				0.005	0.011
060	32240-15950	PIECE DISTANCE	1				0.045	0.099
070	34150-15630	U-JOINT	1				0.095	0.209
080	05112-50822	PIN JOINT	1				0.01	0.022
090	04012-50080	WASHER PLAIN	1				0.001	0.0022
100	05511-50220	PIN SPLIT	1				0.001	0.0022
110	34150-15640	ROD CLUTCH	1				0.195	0.429
120	02172-50120	NUT	1				0.01	0.022
130	04013-60120	WASHER PLAIN	1				0.01	0.022
140	05511-50425	PIN SPLIT	1				0.003	0.0066

CLUTCH HOUSING



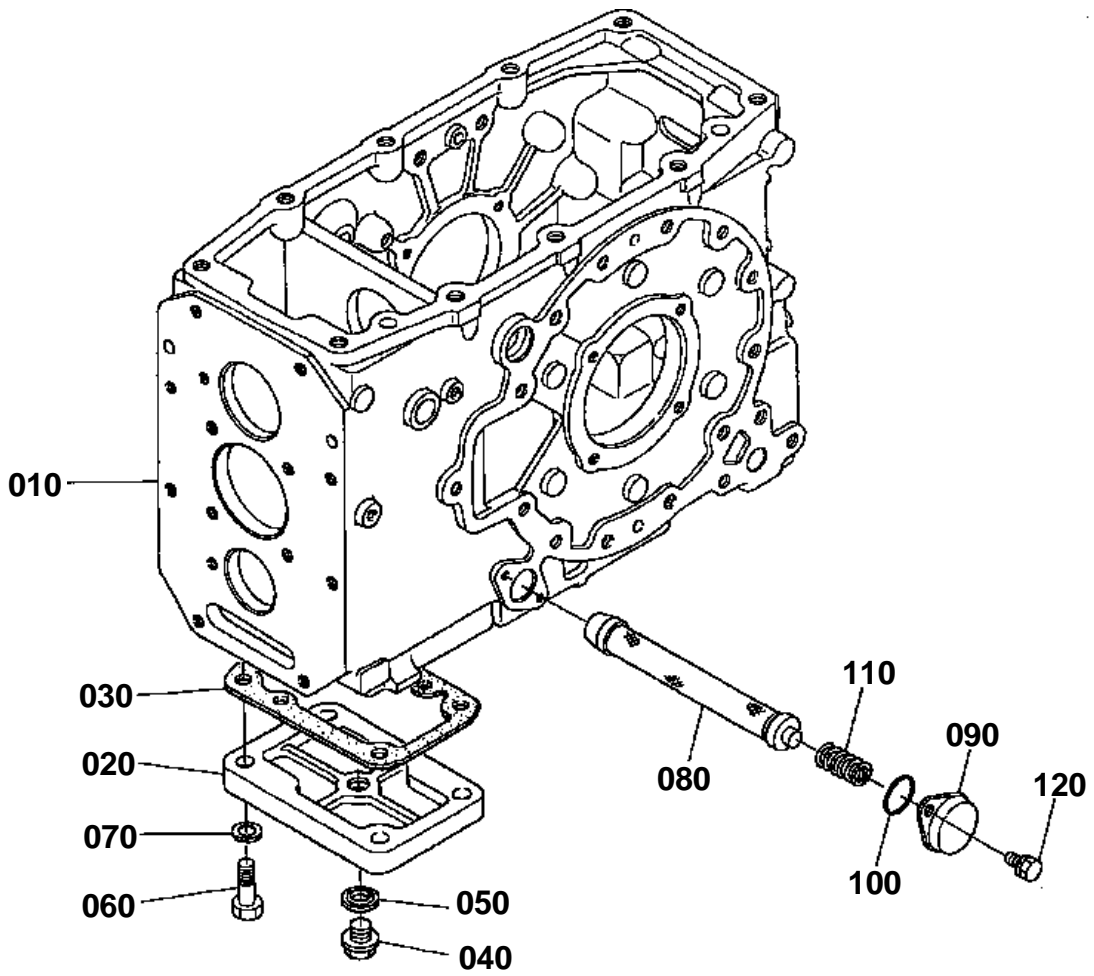
32310-029-10

**CLUTCH HOUSING**

↔ Interchangeable; ≠ not interchangeable; ← new for old; → old for new

REF.No	Part No.	Description	Q'ty	S.No.	I/C	REMARKS	Weight (kgf)	Weight (lb)
010	37150-14114	HOUSING CLUTCH	1	≤=21939			0	0
010	37150-14115	HOUSING CLUTCH	1	≥=21940	←		0	0
020	34150-14140	GASKET	2				0	0
030	38240-21150	SPACER	1				3.5	7.7
040	38240-14210	GAUGE OIL	1	≤=19999			0.01	0.022
040	31301-14230	GAUGE OIL	1	≥=20001	↔		0.005	0.011
050	15512-96010	PLUG DRAIN	1				0.101	0.2222
060	04717-02150	WASHER WITH RUBBER	1				0.004	0.0088
070	38180-21410	PLUG	1				0.02	0.044
080	04811-50300	O RING	1				0.001	0.0022
090	05012-01018	PIN STRAIGHT	4				0.012	0.0264
100	32210-27580	PLUG	6				0.001	0.0022
110	01173-51070	BOLT	1				0.044	0.0968
120	01173-51050	BOLT	1				0.035	0.077
130	01173-51040	BOLT	4				0.028	0.0616
140	01173-51042	BOLT	2				0.03	0.066
150	35110-14180	STUD	8				0.06	0.132
170	37150-14190	NUT	8				0.016	0.0352
180	34152-57920	RIVET	2				0.001	0.0022
190	34150-14160	COVER HOUSING	1				0.15	0.33
200	34150-14170	GASKET HOUSING	1				0.03	0.066
210	01123-60816	BOLT	1				0.01	0.022
220	01153-50825	BOLT	1				0.012	0.0264
230	02114-50080	NUT	1				0.005	0.011
240	38180-37140	BREATHER	1				0.01	0.022
250	32310-14270	KIT PLUG	1				0.018	0.0396
260	04512-60100	WASHER SPRING	1				0.002	0.0044

TRANSMISSION CASE



32310-030-10

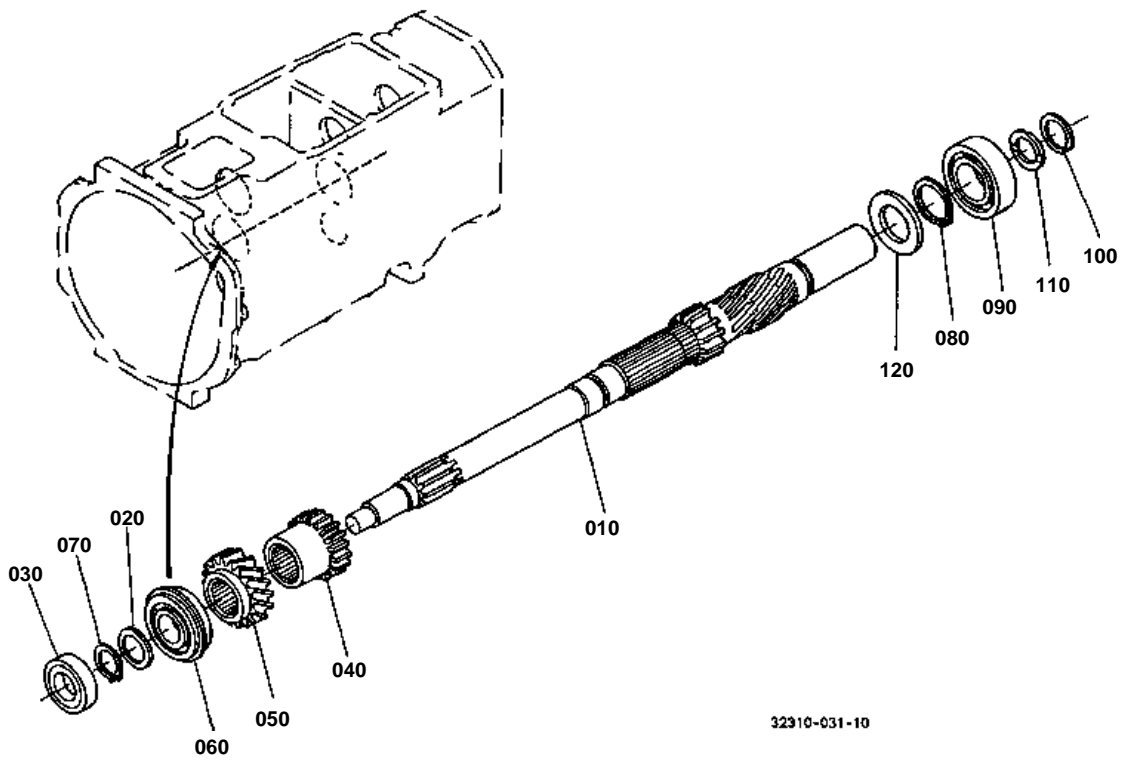


TRANSMISSION CASE

↔ Interchangeable; ≠ not interchangeable; ← new for old; → old for new

REF.No	Part No.	Description	Q'ty	S.No.	I/C	REMARKS	Weight (kgf)	Weight (lb)
010	37150-21118	CASE TRANSMISSION	1				30.6	67.32
020	37150-21272	COVER	1				0.33	0.726
030	32425-21280	GASKET	1				0.01	0.022
040	06331-35012	PLUG	1				0.022	0.0484
050	04717-01200	WASHER WITH RUBBER	1				0.002	0.0044
060	01173-51235	BOLT	4				0.04	0.088
070	04512-50120	WASHER SPRING	4				0	0
080	34150-37710	FILTER OIL	1				0.1	0.22
090	37150-37720	RETAINER	1				0.03	0.066
100	04811-10320	O RING	1				0.001	0.0022
110	34150-37740	SPRING	1				0.003	0.0066
120	01123-60816	BOLT	2				0.01	0.022

MAIN SHAFT

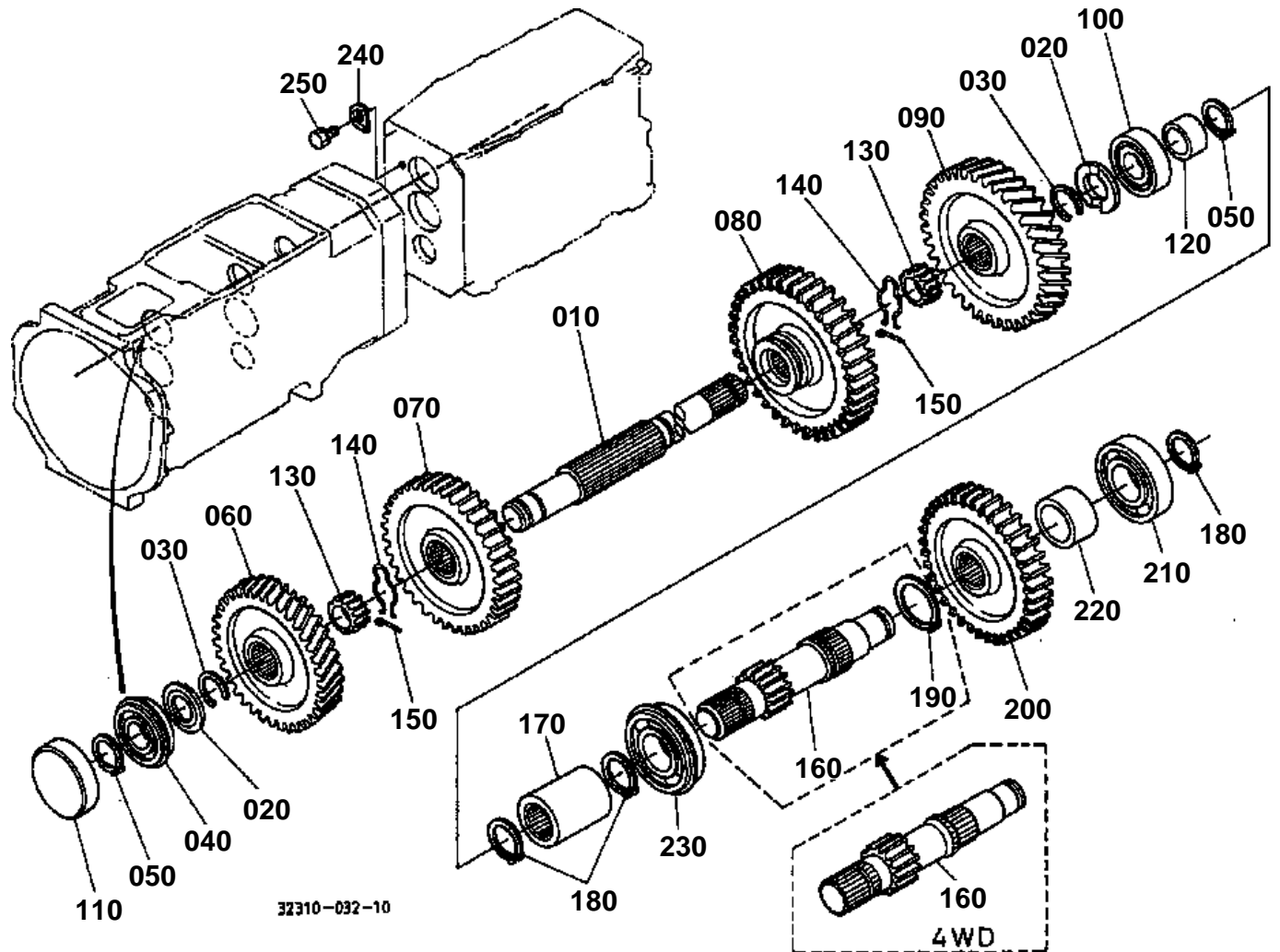


**MAIN SHAFT**

↔ Interchangeable; ≠ not interchangeable; ← new for old; → old for new

REF.No	Part No.	Description	Q'ty	S.No.	I/C	REMARKS	Weight (kgf)	Weight (lb)
010	37150-21510	SHAFT MAIN	1				2.1	4.62
020	34150-21560	WASHER	1				0.01	0.022
030	09502-55210	SEAL OIL	1				0.025	0.055
040	37150-21520	GEAR	1			17T	0.225	0.495
050	35110-21530	GEAR	1			23T	0.355	0.781
060	08151-06305	BEARING BALL	1				0.233	0.5126
070	37150-21550	CIRCLIP EXTERNAL	1				0.06	0.132
080	04612-00300	CIRCLIP EXTERNAL	1				0.003	0.0066
090	08241-03206	BEARING BALL	1				0.302	0.6644
100	37150-21790	CIR-CLIP	1				0.001	0.0022
110	37150-21580	COLLAR	1				0.02	0.044
120	37150-21590	COLLAR	1				0.025	0.055

COUNTERSHAFT



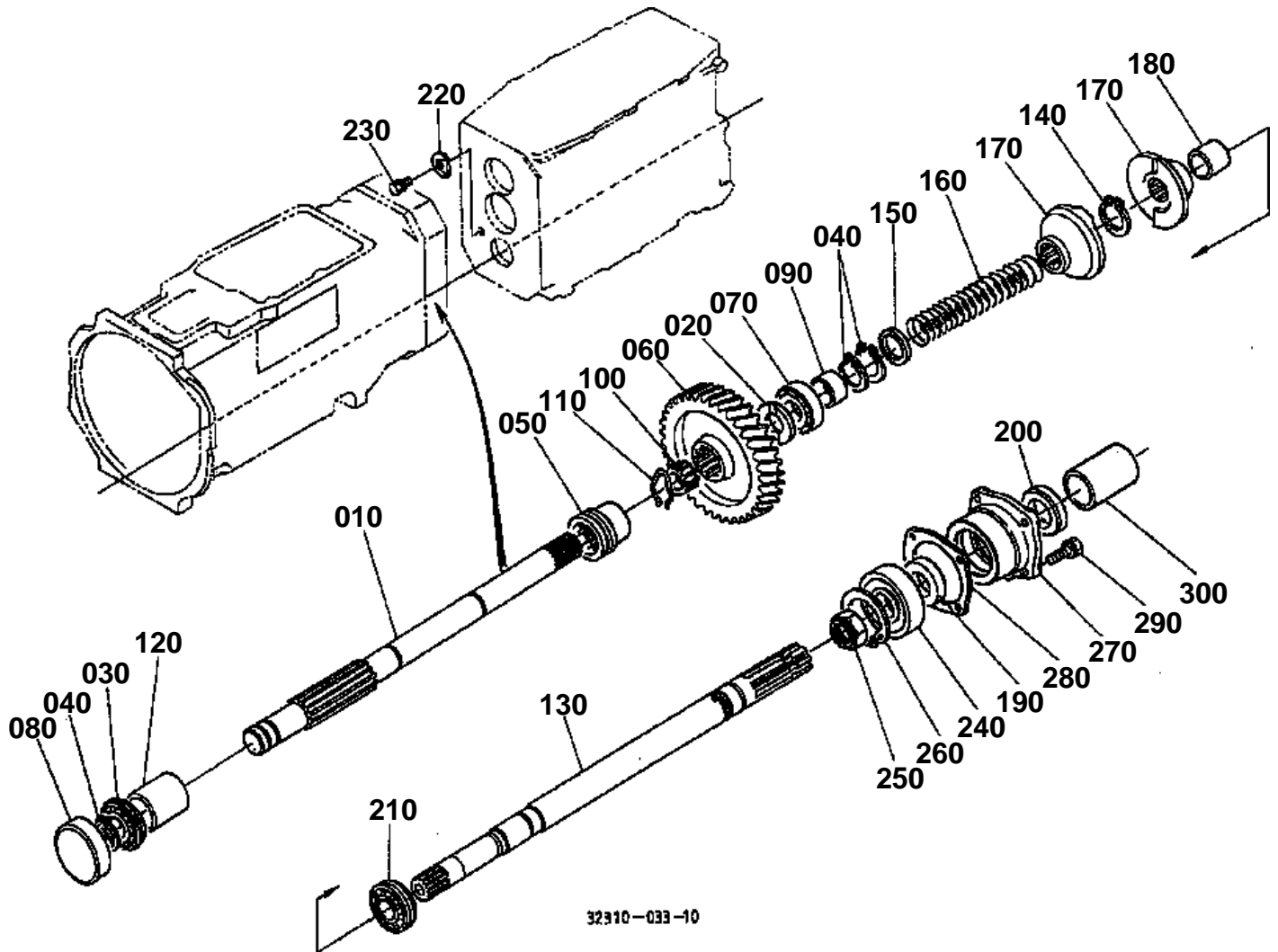


COUNTERSHAFT

↔ Interchangeable; ≠ not interchangeable; ← new for old; → old for new

REF.No	Part No.	Description	Q'ty	S.No.	I/C	REMARKS	Weight (kgf)	Weight (lb)
010	35110-21610	COUNTERSHAFT	1				1.645	3.619
020	37150-21760	COLLAR THRUST	2				0.017	0.0374
030	37150-21790	CIR-CLIP	2				0.001	0.0022
040	08151-06205	BEARING BALL	1				0.131	0.2882
050	37150-21550	CIRCLIP EXTERNAL	2				0.06	0.132
060	35110-21710	GEAR	1			32T	0.465	1.023
070	37150-21720	GEAR	1			41T	0.77	1.694
080	37150-21730	GEAR	1			45T	0.945	2.079
090	37150-21740	GEAR	1			45T	1.08	2.376
100	08101-06205	BEARING BALL	1				0.14	0.308
110	34150-21650	COVER BEARING	1				0.07	0.154
120	37150-21770	COLLAR	1				0.12	0.264
130	37150-21750	BOSS SPLINE	2				0.088	0.1936
140	35340-21782	CIR-CLIP	2				0.007	0.0154
150	35340-21792	WIRE	2				0.001	0.0022
160	37150-21910	GEAR-SHAFT	1			12T	0.715	1.573
170	35110-21680	COUPLING	1				0.343	0.7546
180	37150-21550	CIRCLIP EXTERNAL	3				0.06	0.132
190	04612-00300	CIRCLIP EXTERNAL	1				0.003	0.0066
200	37150-21920	GEAR	1			31T	0.455	1.001
210	08101-06305	BEARING BALL	1				0.23	0.506
220	37150-21940	COLLAR	1				0.05	0.11
230	08151-06305	BEARING BALL	1				0.233	0.5126
240	34150-21942	RETAINER BEARING	1				0.035	0.077
250	01123-50820	BOLT	1				0.011	0.0242

PTO COUNTERSHAFT



32910-033-10

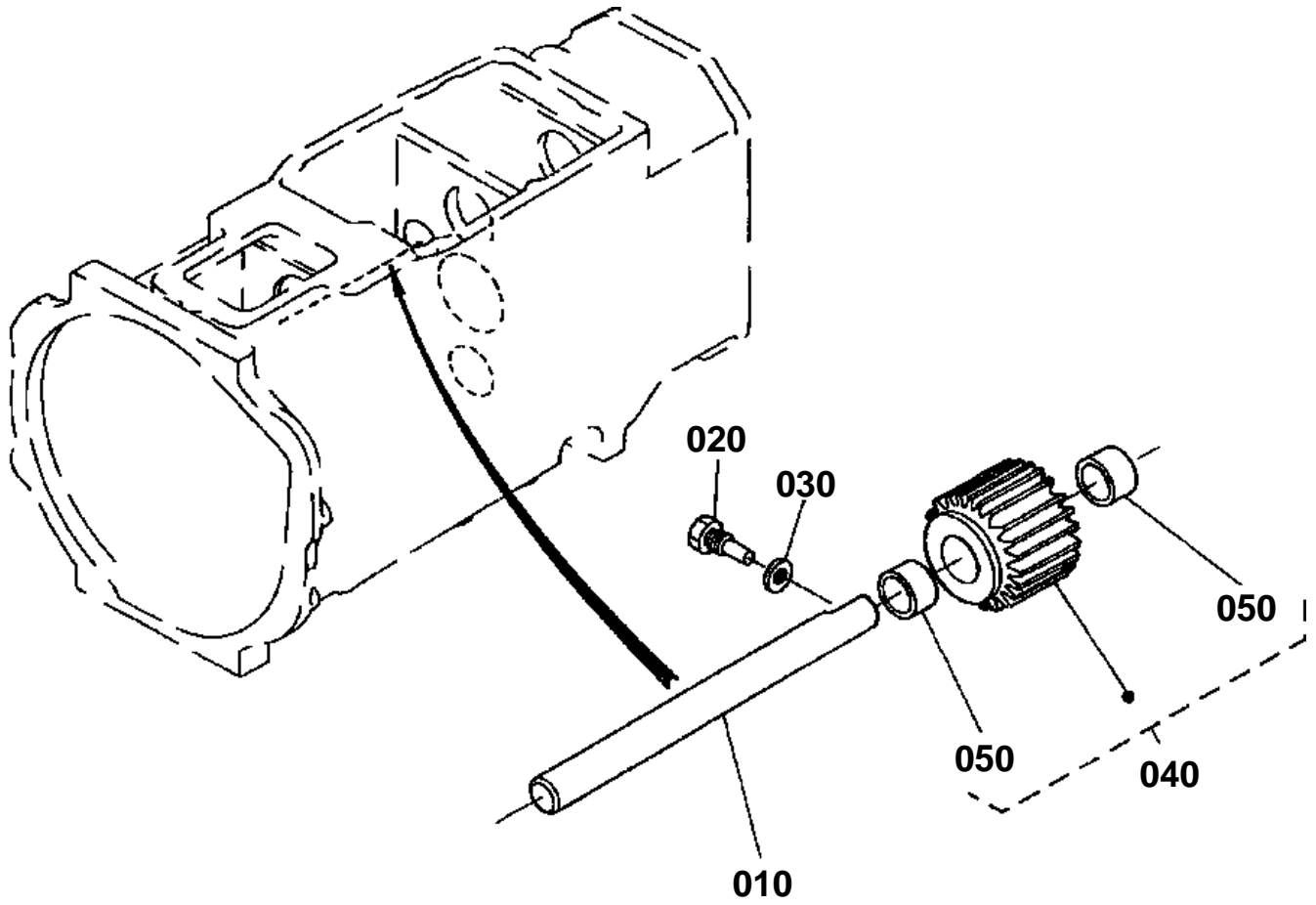


PTO COUNTERSHAFT

↔ Interchangeable; ≠ not interchangeable; ← new for old; → old for new

REF.No	Part No.	Description	Q'ty	S.No.	I/C	REMARKS	Weight (kgf)	Weight (lb)
010	35170-25320	COUNTERSHAFT PTO	1				1.83	4.026
020	37150-21760	COLLAR THRUST	1				0.017	0.0374
030	08151-06205	BEARING BALL	1				0.131	0.2882
040	37150-21550	CIRCLIP EXTERNAL	3				0.06	0.132
050	32400-21730	SHIFTER	1				0.28	0.616
060	37150-21740	GEAR	1			45T	1.08	2.376
070	08101-06205	BEARING BALL	1				0.14	0.308
080	34150-21650	COVER BEARING	1				0.07	0.154
090	37150-21770	COLLAR	1				0.12	0.264
100	37150-21750	BOSS SPLINE	1				0.088	0.1936
110	35340-21782	CIR-CLIP	1				0.007	0.0154
120	35110-21750	COLLAR	1				0.089	0.1958
130	35110-25310	SHAFT PTO	1				2.75	6.05
140	37150-21550	CIRCLIP EXTERNAL	1				0.06	0.132
150	35200-25220	COLLAR	1				0.005	0.011
160	35200-25230	SPRING ONE-WAY	1				0.075	0.165
170	35200-25240	CAM CLUTCH	2				0.485	1.067
180	35200-25250	COLLAR	1				0.04	0.088
190	37150-25360	SEAL OIL	1				0.025	0.055
200	37150-25370	SLINGER	1				0.007	0.0154
210	08151-06205	BEARING BALL	1				0.131	0.2882
220	34150-21942	RETAINER BEARING	1				0.035	0.077
230	01123-50820	BOLT	1				0.011	0.0242
240	08101-06206	BEARING BALL	1				0.196	0.4312
250	34150-25320	NUT	1				0.03	0.066
260	04611-00620	CIR CLIP INTERNAL	1				0.011	0.0242
270	37150-25410	CASE	1				1.02	2.244
280	37150-25420	GASKET	1				0	0
290	01123-50822	BOLT	4				0.012	0.0264
300	31220-25820	CAP	1				0.055	0.121

REVERSE SHAFT



32310-035-10

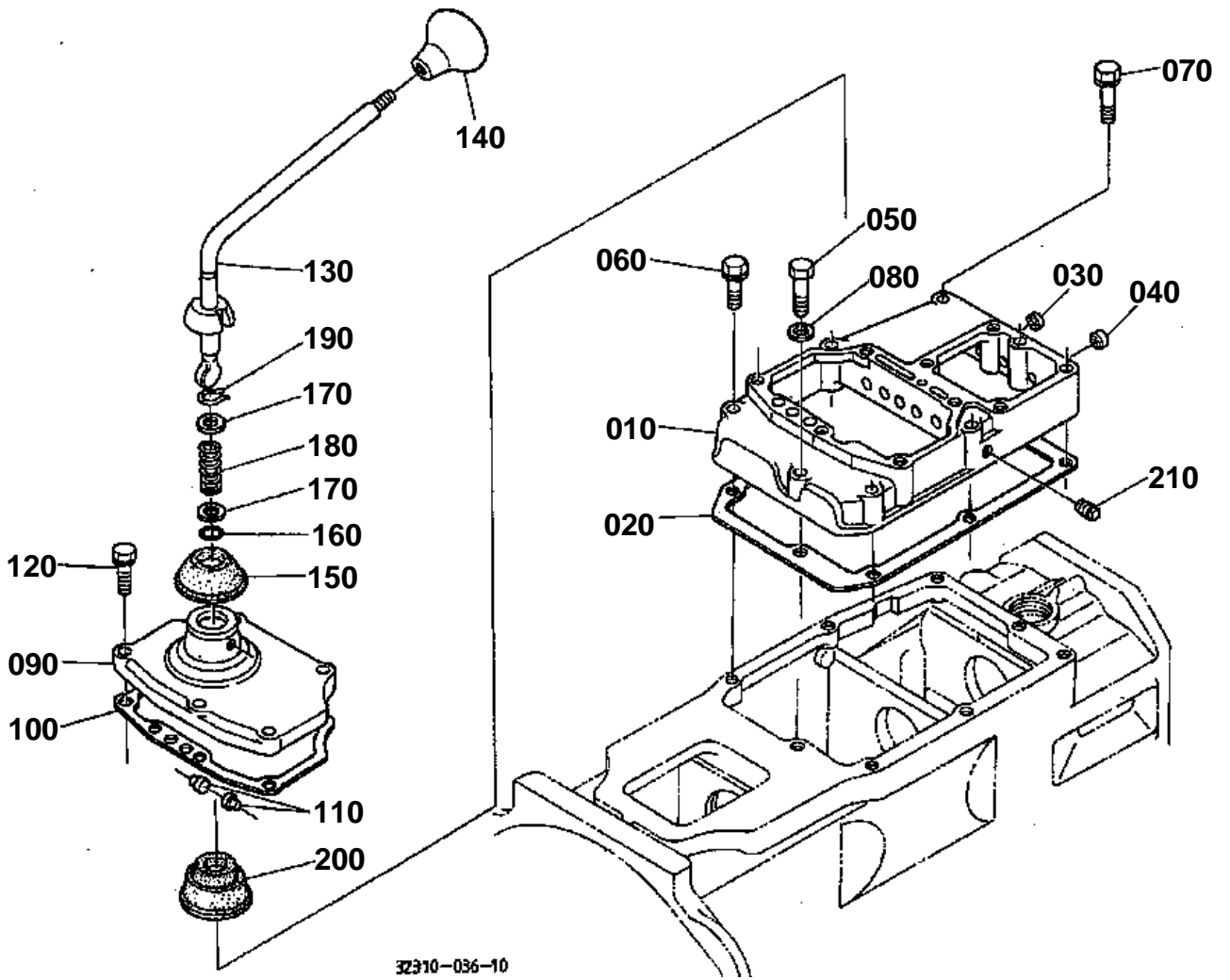


REVERSE SHAFT

↔ Interchangeable; ≠ not interchangeable; ← new for old; → old for new

REF.No	Part No.	Description	Q'ty	S.No.	I/C	REMARKS	Weight (kgf)	Weight (lb)
010	37150-23110	SHAFT REVERSE	1				0.455	1.001
020	37150-23120	SCREW SET	1				0.02	0.044
030	04717-00800	WASHER WITH RUBBER	1				0.001	0.0022
040	37150-23100	ASSY GEAR	1			22T	0.885	1.947
050	31220-26360	BUSH	2				0.015	0.033

MAIN GEAR SHIFT LEVER

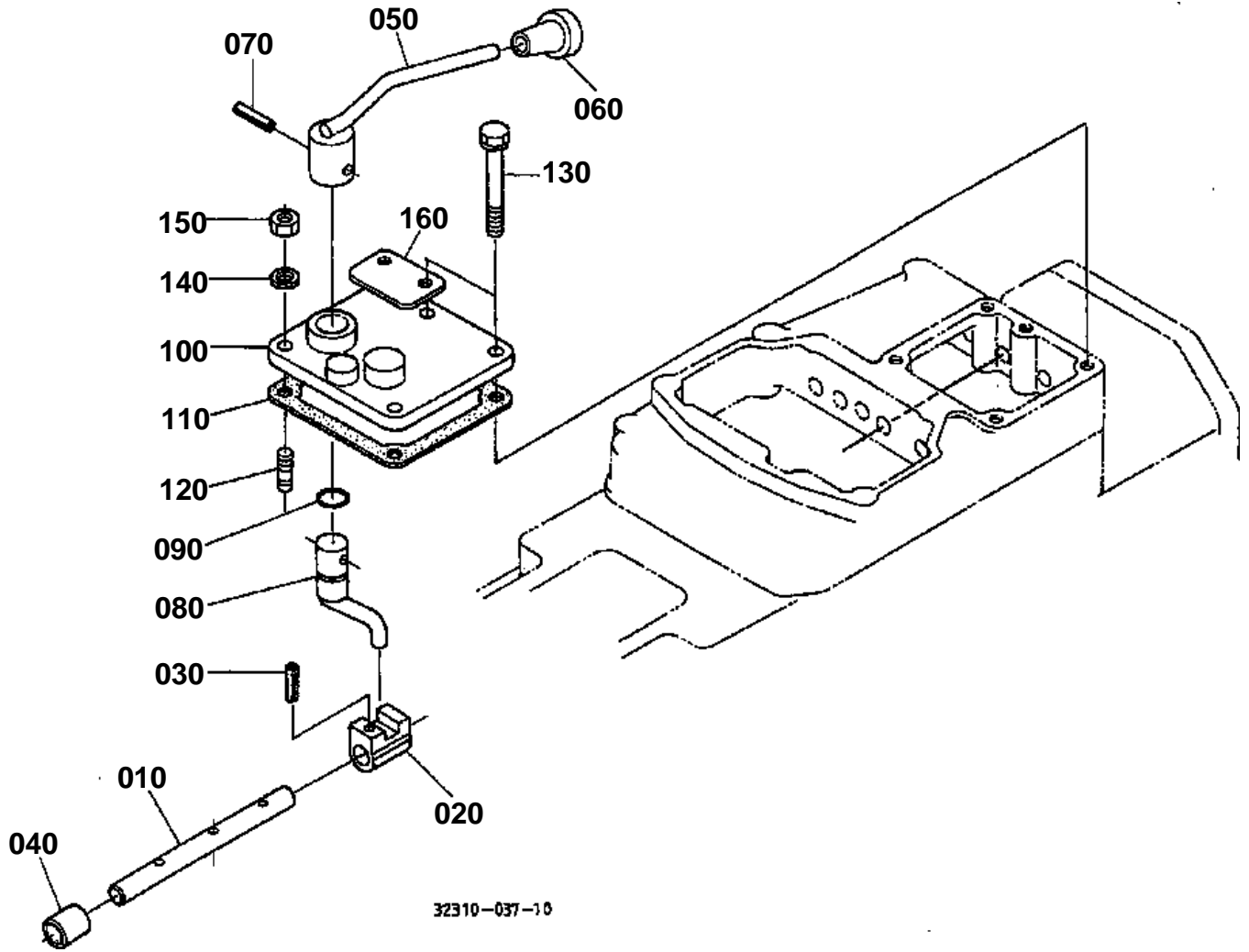


**MAIN GEAR SHIFT LEVER**

↔ Interchangeable; ≠ not interchangeable; ← new for old; → old for new

REF.No	Part No.	Description	Q'ty	S.No.	I/C	REMARKS	Weight (kgf)	Weight (lb)
010	37150-21210	COVER SPEED CHANGE	1				1.14	2.508
020	34650-59140	GASKET	1				0	0
030	34150-21250	PLUG	5				0.002	0.0044
040	34269-21250	PLUG	1				0	0
050	01153-50840	BOLT	1				0.018	0.0396
060	01123-50840	BOLT	2				0.018	0.0396
070	01123-50850	BOLT	3				0.02	0.044
080	04717-00800	WASHER WITH RUBBER	1				0.001	0.0022
090	35340-23710	BRACKET GEAR SHIFT	1				1.46	3.212
100	34150-23720	GASKET	1				0	0
110	34150-23740	PIN SET	2				0.002	0.0044
120	01123-50832	BOLT	5				0.016	0.0352
130	34150-23810	LEVER MAIN SHIFT	1				0.43	0.946
140	31351-24130	GRIP LEVER	1				0.03	0.066
150	34150-23940	SHIELD LEVER	1				0.025	0.055
160	04811-00120	O RING	1				0.001	0.0022
170	32240-23950	WASHER	2				0.002	0.0044
180	32240-23920	SPRING	1				0.007	0.0154
190	31220-23930	CIRCLIP EXTERNAL	1				0.001	0.0022
200	34150-23870	SHIELD	1	≤11621			0	0
200	34150-23873	SHIELD	1	≥11622	←		0.02	0.044
210	06312-10010	PLUG	2				0.007	0.0154

PTO GEAR SHIFT LEVER



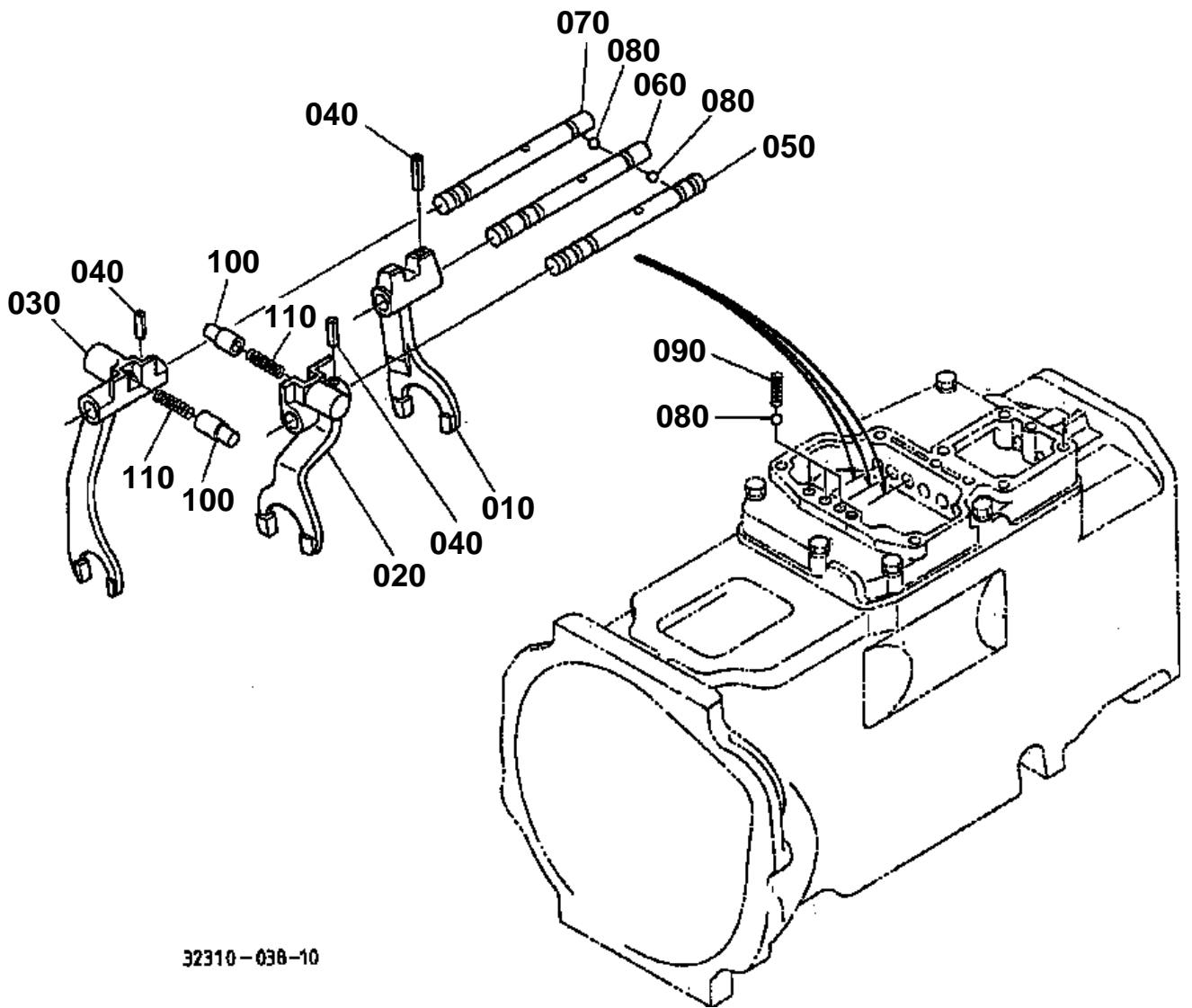


PTO GEAR SHIFT LEVER

↔ Interchangeable; ≠ not interchangeable; ← new for old; → old for new

REF.No	Part No.	Description	Q'ty	S.No.	I/C	REMARKS	Weight (kgf)	Weight (lb)
010	35260-24760	ROD PTO FORK	1				0.15	0.33
020	35260-24770	HOLDER PTO S-CHANGE	1				0.05	0.11
030	05411-00420	PIN SPRING	1				0.001	0.0022
040	32400-24780	COLLAR	1				0.02	0.044
050	35260-24853	LEVER PTO	1				0.2	0.44
060	38240-24410	GRIP	1				0.025	0.055
070	05411-00632	PIN SPRING	1				0.004	0.0088
080	35260-24860	LEVER PTO SHIFT	1				0.105	0.231
090	04811-00150	O RING	1				0.001	0.0022
100	35260-24832	COVER	1				0.48	1.056
110	34650-59330	GASKET	1				0	0
120	01513-50818	STUD	3				0.009	0.0198
130	01123-50865	BOLT	2				0.028	0.0616
140	04512-60080	WASHER SPRING	3				0.002	0.0044
150	02114-50080	NUT	3				0.005	0.011
160	32400-65200	PLATE PTO LABEL	1				0.02	0.044

MAIN GEAR SHIFT FORK



32310-038-10

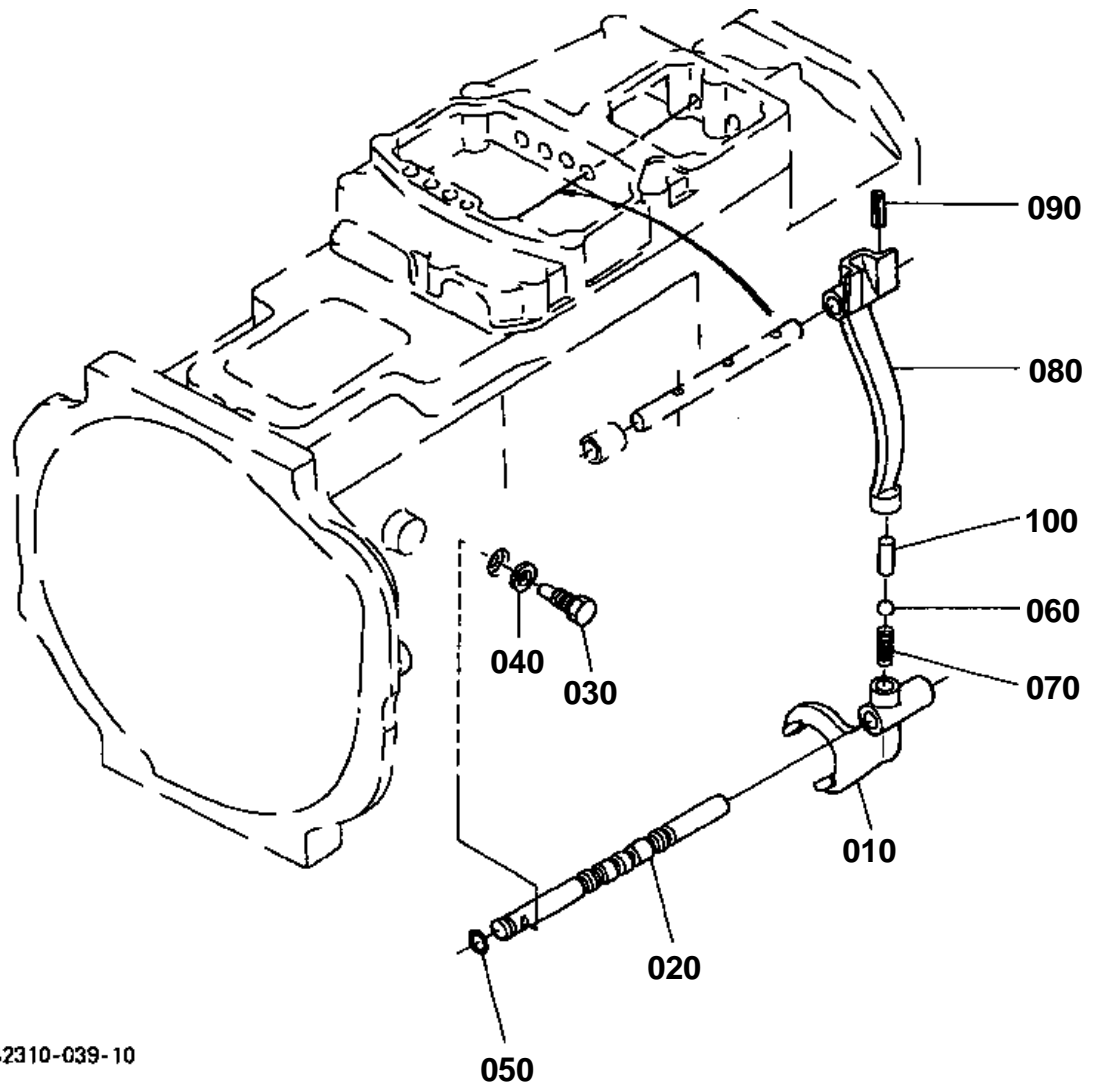


MAIN GEAR SHIFT FORK

↔ Interchangeable; ≠ not interchangeable; ← new for old; → old for new

REF.No	Part No.	Description	Q'ty	S.No.	I/C	REMARKS	Weight (kgf)	Weight (lb)
010	35305-23510	FORK SHIFT	1				0.19	0.418
020	35305-23520	FORK SHIFT	1				0.28	0.616
030	35305-23530	FORK SHIFT	1				0.29	0.638
040	05411-00420	PIN SPRING	3				0.001	0.0022
050	37150-23540	ROD FORK	1				0.12	0.264
060	37150-23550	ROD FORK	1				0.12	0.264
070	37150-23570	ROD FORK	1				0.32	0.704
080	07715-01605	BALL	5				0.003	0.0066
090	62231-18530	SPRING	3				0.01	0.022
100	34150-23610	PIECE NEUTRAL	2				0.015	0.033
110	34150-23620	SPRING	2				0.003	0.0066

PTO GEAR SHIFT FORK



32310-039-10

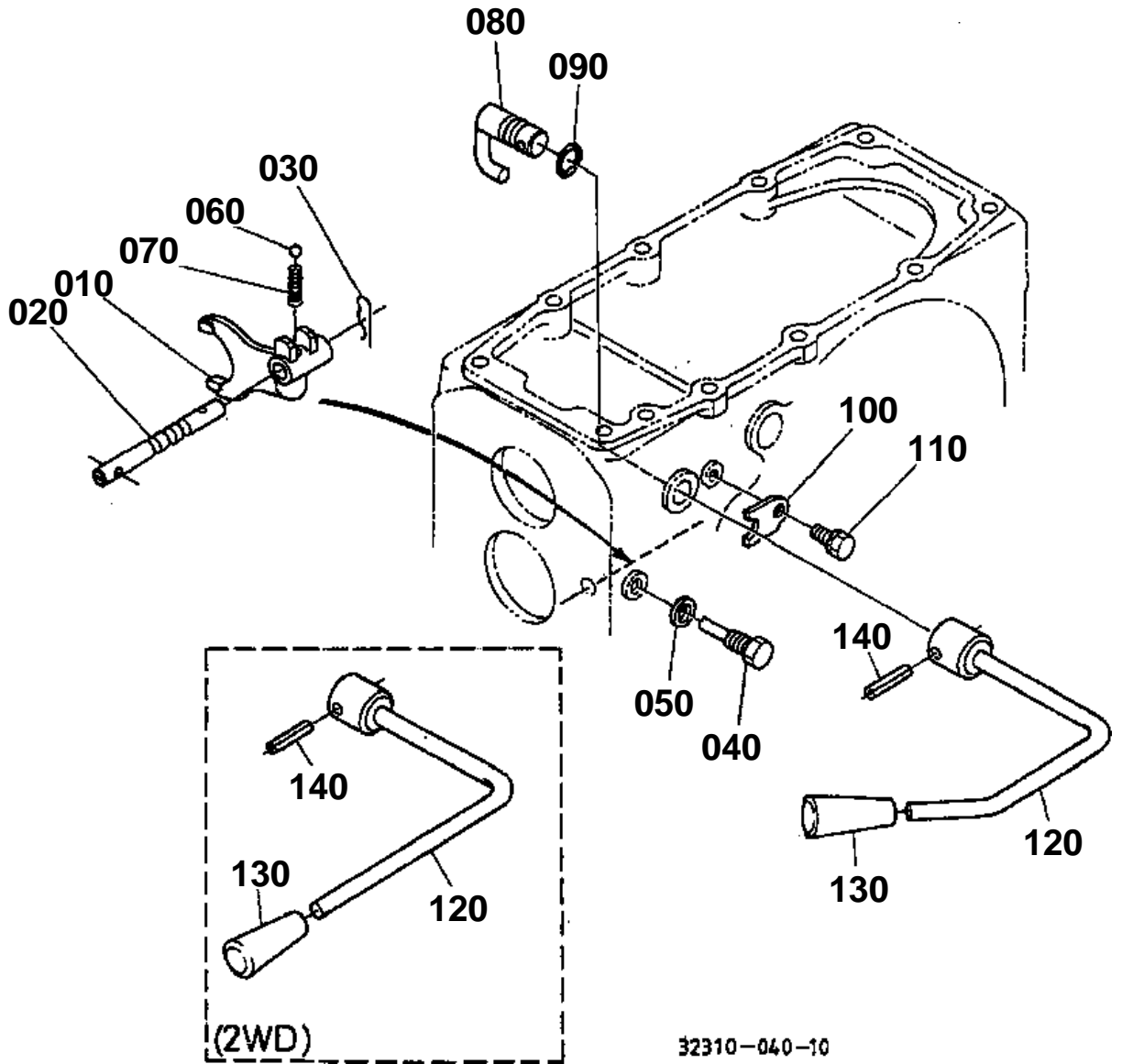


PTO GEAR SHIFT FORK

↔ Interchangeable; ≠ not interchangeable; ← new for old; → old for new

REF.No	Part No.	Description	Q'ty	S.No.	I/C	REMARKS	Weight (kgf)	Weight (lb)
010	37150-24610	FORK SHIFT	1				0.21	0.462
020	37150-24630	SHAFT FORK	1				0.155	0.341
030	34150-24680	SCREW SET	1				0.015	0.033
040	04717-00800	WASHER WITH RUBBER	1				0.001	0.0022
050	04811-00090	O RING	1				0.001	0.0022
060	07715-01605	BALL	1				0.003	0.0066
070	62231-18530	SPRING	1				0.01	0.022
080	35170-24710	LEVER PTO	1				0.26	0.572
090	05411-00425	PIN SPRING	1				0.001	0.0022
100	34150-24690	PIN	1				0.02	0.044

PTO GEAR SHIFT FORK AND LEVER

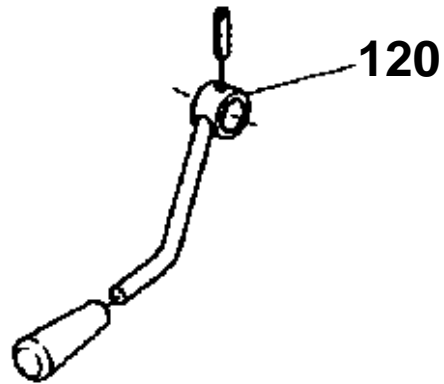


120 35110-2443-0

120 35110-2443-5

120 35110-2443-6

120 35110-2443-7



32310-808-10

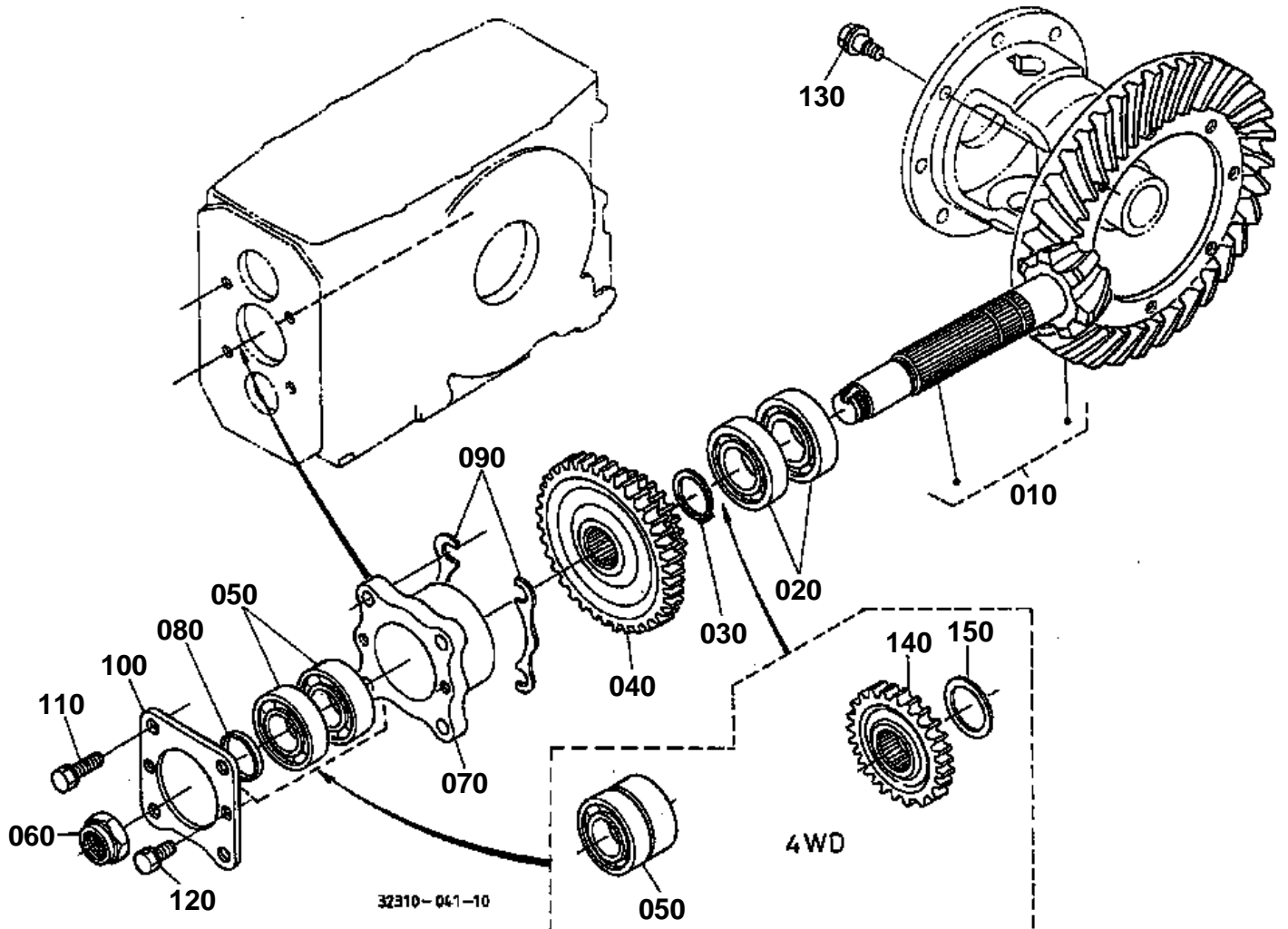


PTO GEAR SHIFT FORK AND LEVER

↔ Interchangeable; ≠ not interchangeable; ← new for old; → old for new

REF.No	Part No.	Description	Q'ty	S.No.	I/C	REMARKS	Weight (kgf)	Weight (lb)
010	37150-24110	FORK SHIFT	1				0.182	0.4004
020	37150-24130	SHAFT FORK	1				0.11	0.242
030	05515-61200	PIN SNAP	1				0.005	0.011
040	37150-23120	SCREW SET	1				0.02	0.044
050	04717-00800	WASHER WITH RUBBER	1				0.001	0.0022
060	07715-01605	BALL	1				0.003	0.0066
070	62231-18530	SPRING	1				0.01	0.022
080	37150-24310	LEVER SHIFT	1				0.145	0.319
090	04811-00150	O RING	1				0.001	0.0022
100	34150-24350	STOPPER LEVER	1				0.015	0.033
110	01123-60816	BOLT	1				0.01	0.022
120	35110-24430	LAVER RANGE SHIFT	1	≤10217			0.15	0.33
120	35110-24435	LAVER RANGE SHIFT	1	≥10218	←		0	0
120	35110-24436	LAVER RANGE SHIFT	1	≥10668	←		0	0
120	35110-24437	LAVER RANGE SHIFT	1	≥11730	←		0.15	0.33
120	32310-24430	LAVER RANGE SHIFT	1	≥20001	≠		0.41	0.902
130	06914-00100	GRIP LEVER	1				0.02	0.044
140	05411-00632	PIN SPRING	1				0.004	0.0088

SPIRAL BEVEL PINION





SPIRAL BEVEL PINION

↔ Interchangeable; ≠ not interchangeable; ← new for old; → old for new

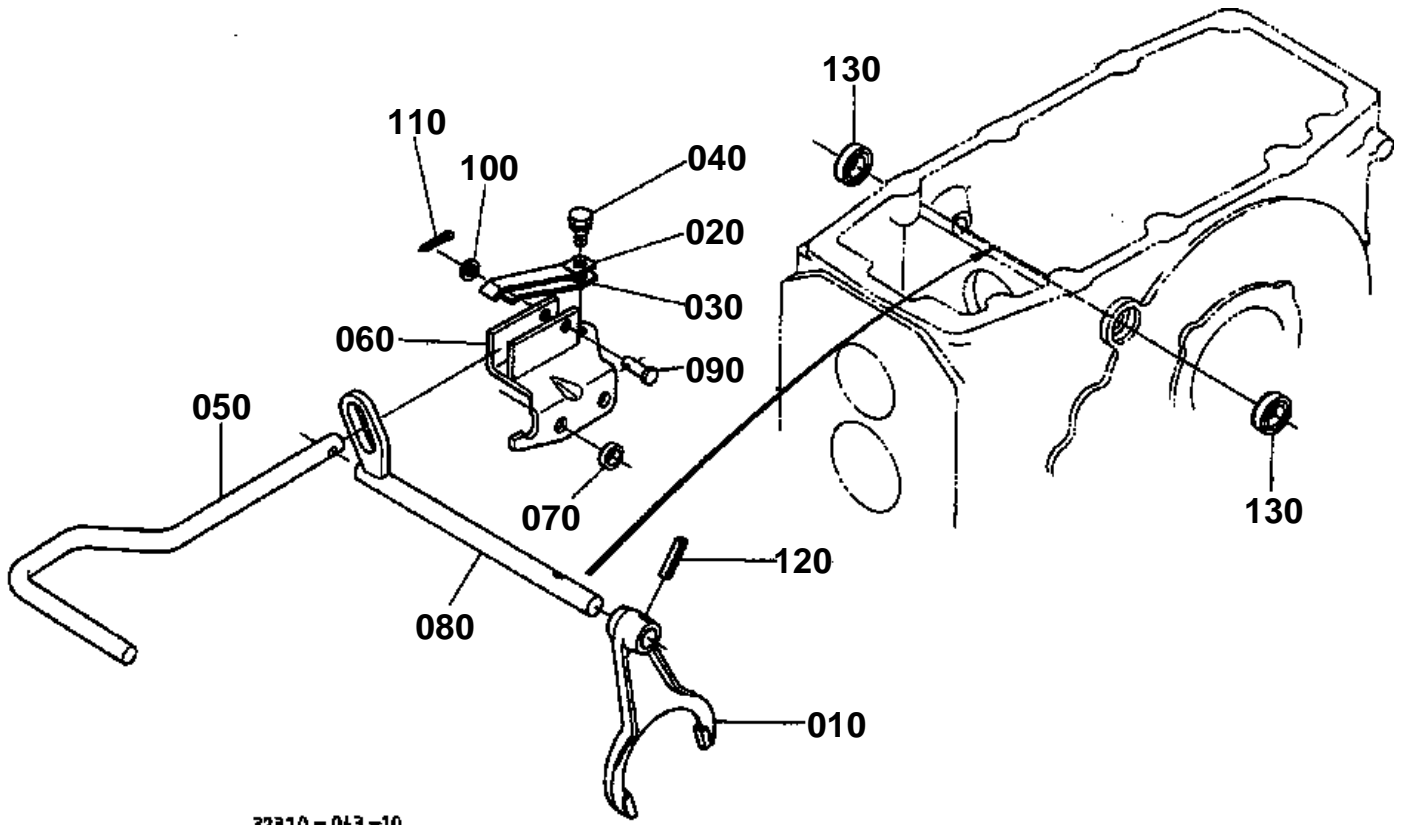
REF.No	Part No.	Description	Q'ty	S.No.	I/C	REMARKS	Weight (kgf)	Weight (lb)
010	35110-22100	ASSY GEAR SPIRAL	1			8-39T	5.3	11.66
020	08101-06306	BEARING BALL	2				0.335	0.737
030	04612-00300	CIRCLIP EXTERNAL	1				0.003	0.0066
040	37150-21950	GEAR	1			29-48T	1.275	2.805
050	08101-06305	BEARING BALL	2				0.23	0.506
060	35260-23252	NUT	1				0.04	0.088
070	37150-22150	CASE	1				0.55	1.21
080	37150-21770	COLLAR	1				0.12	0.264
090	34150-22610	SHIM	2			0.50MM	0.01	0.022
090	34150-22620	SHIM	4			0.20MM	0.005	0.011
090	34150-22630	SHIM	2			0.10MM	0.005	0.011
100	34150-22170	COVER BEARING	1				0.16	0.352
110	01133-51035	BOLT	4				0.03	0.066
120	01123-60816	BOLT	2				0.01	0.022
130	37800-43870	BOLT	8				0.026	0.0572

**REAR DIFFERENTIAL**

↔ Interchangeable; ≠ not interchangeable; ← new for old; → old for new

REF.No	Part No.	Description	Q'ty	S.No.	I/C	REMARKS	Weight (kgf)	Weight (lb)
010	32400-26100	ASSY DIFFERENTIAL	1				0	0
020	37150-26510	CASE DIFFERENTIAL	1				0	0
030	31331-26340	SHAFT DIFF.PINION	1				0.3	0.66
040	31220-26280	KEY FEATHER	1				0.005	0.011
050	35430-26350	PINION DIFF.	2				0.16	0.352
060	31351-26390	WASHER DIFF.PINION	2				0.012	0.0264
070	32580-43330	GEAR DIFF.SIDE	1				0.49	1.078
080	38180-26440	GEAR DIFF.SIDE LH	1				0.61	1.342
090	31331-26470	WASHER SIDE GEAR	2			1.50MM	0.005	0.011
090	31331-26480	WASHER SIDE GEAR	2			1.60MM	0.017	0.0374
090	31331-26490	WASHER SIDE GEAR	2			1.70MM	0.02	0.044
100	34150-26615	SHIFTER DIFF.LOCK	1				0.4	0.88
110	31331-26550	CASE DIFF.BEARING RH	1				1.59	3.498
120	31331-26560	CASE DIFF.BEARING LH	1				1.9	4.18
130	01133-51030	BOLT	8				0.025	0.055
140	37150-26160	SHIM	12			0.20MM	0.005	0.011
140	37150-26170	SHIM	8			0.10MM	0.005	0.011
140	37150-26180	SHIM	4			0.50MM	0.01	0.022
150	08101-06210	BEARING BALL	1				0.45	0.99
160	08101-06208	BEARING BALL	1				0.355	0.781

DIFFERENTIAL LOCK PEDAL



32310-043-10

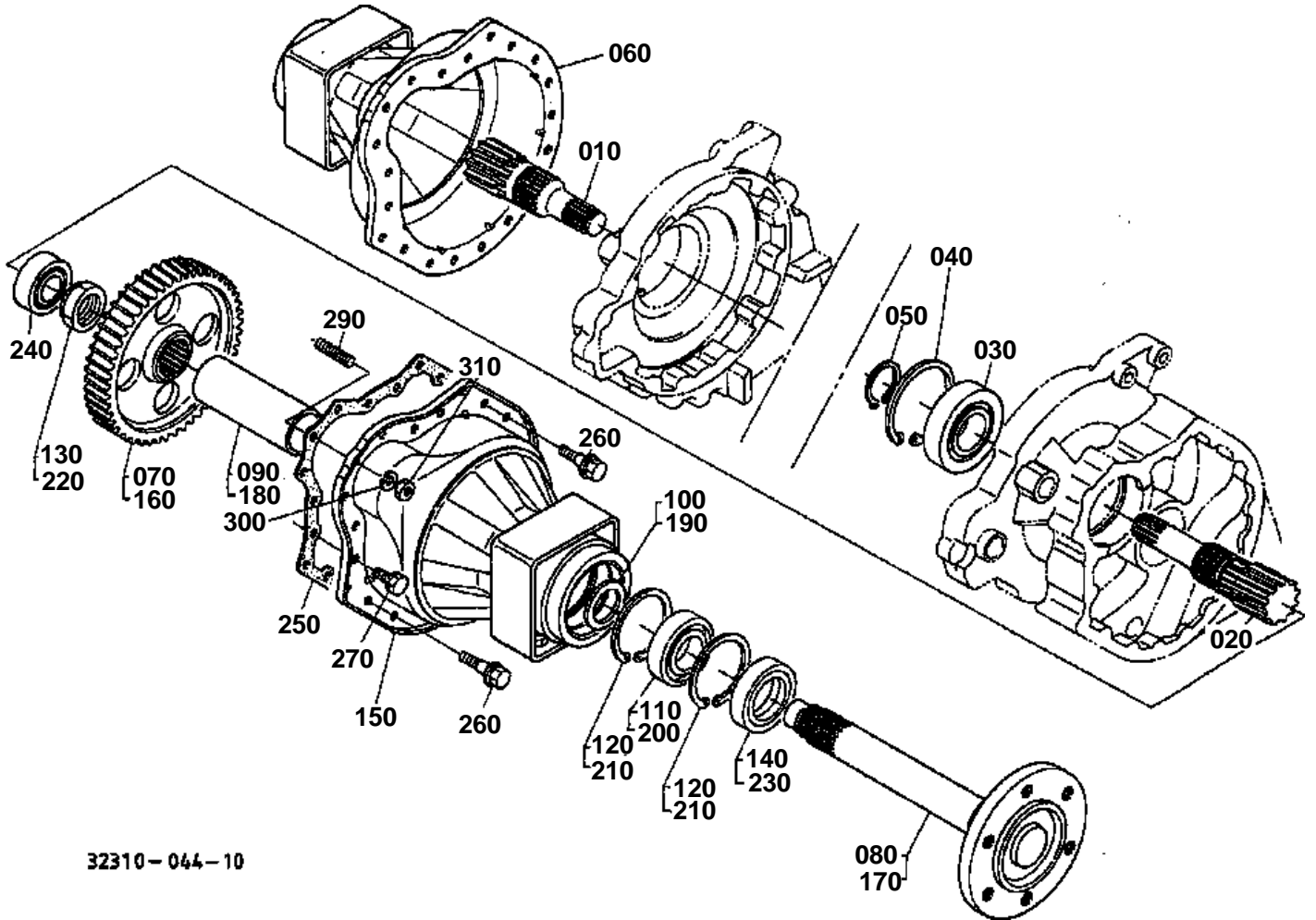


DIFFERENTIAL LOCK PEDAL

↔ Interchangeable; ≠ not interchangeable; ← new for old; → old for new

REF.No	Part No.	Description	Q'ty	S.No.	I/C	REMARKS	Weight (kgf)	Weight (lb)
010	37150-26630	FORK DIFF.LOCK SHIFT	1				0.375	0.825
020	37150-26643	SPRING	1				0.033	0.0726
030	37150-26660	SPRING	1				0.025	0.055
040	01123-60816	BOLT	1				0.01	0.022
050	37300-26650	PEDAL DIFF.LOCK	1				0.635	1.397
060	32400-26670	BRACKET PEDAL	1				0.63	1.386
070	32400-26590	SPACER	2				0.025	0.055
080	35211-26680	CAM DIFF.LOCK	1				0.567	1.2474
090	05122-50835	PIN JOINT	1				0.015	0.033
100	04012-50080	WASHER PLAIN	1				0.001	0.0022
110	05511-50215	PIN SPLIT	1				0.001	0.0022
120	05411-00630	PIN SPRING	1				0.004	0.0088
130	09500-16287	SEAL OIL	2				0.01	0.022

REAR AXLE



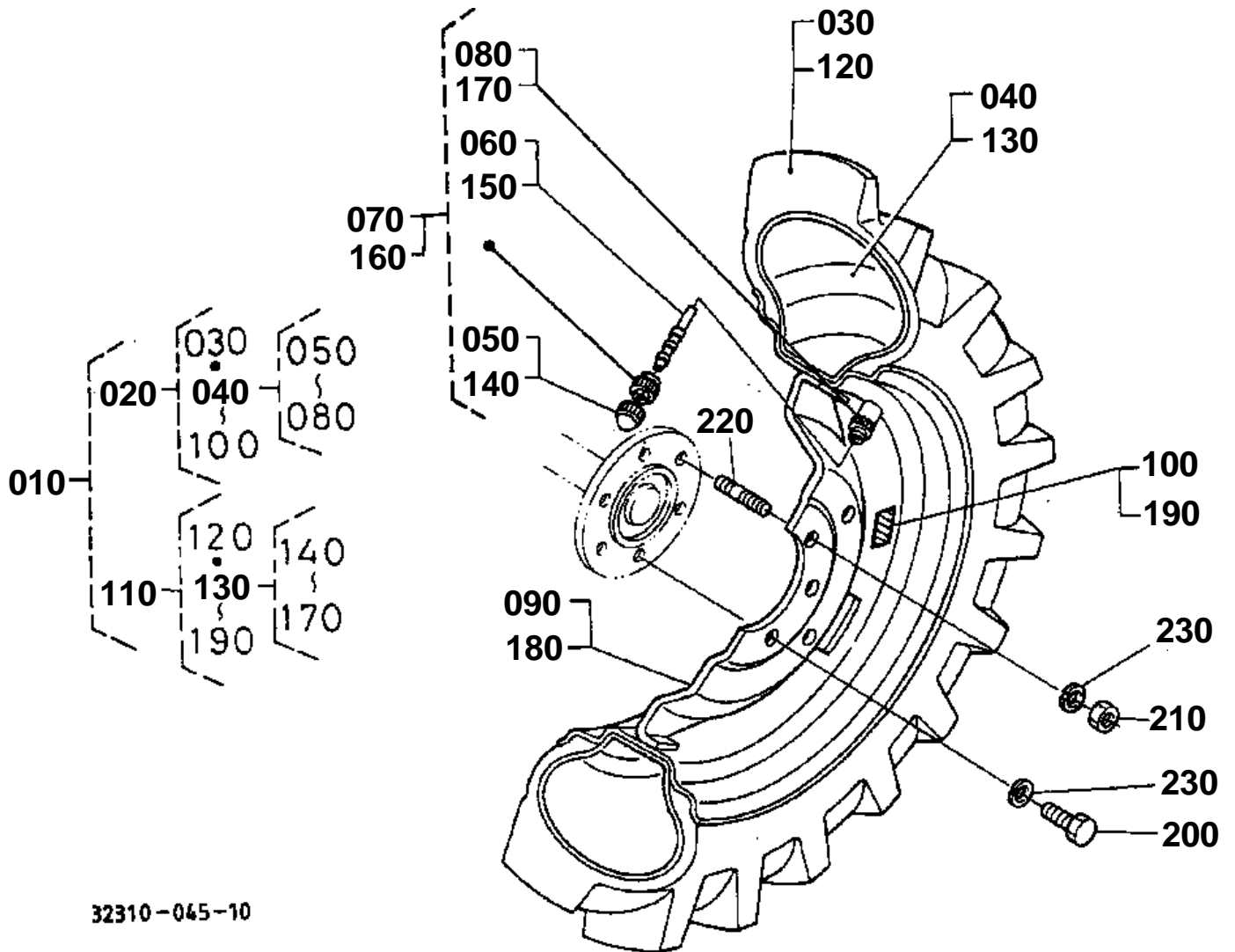
32310-044-10



REAR AXLE

↔ Interchangeable; ≠ not interchangeable; ← new for old; → old for new

REF.No	Part No.	Description	Q'ty	S.No.	I/C	REMARKS	Weight (kgf)	Weight (lb)
010	31331-26713	SHAFT DIFF.GEAR RH	1				1.72	3.784
020	31331-26723	SHAFT DIFF.GEAR LH	1				1.945	4.279
030	08101-06309	BEARING BALL	2				0.82	1.804
040	04611-01000	CIR CLIP INTERNAL	2				0.042	0.0924
050	04612-00450	CIRCLIP EXTERNAL	2				0.007	0.0154
060	32400-27312	CASE AXLE RH	1				0	0
070	31331-26832	GEAR	1			53T	4.85	10.67
080	32400-27110	AXLE REAR	1				9.15	20.13
090	32400-27140	SPACER	1				0.93	2.046
100	34150-27160	SHIM	1	≤11833			0.01	0.022
100	T0030-27160	WASHER	1	≥11834	↔		0.008	0.0176
110	08101-06209	BEARING BALL	1				0.42	0.924
120	04611-00850	CIR CLIP INTERNAL	2				0.029	0.0638
130	70650-11380	NUT	1				0.11	0.242
140	37150-27560	SEAL OIL	1				0.14	0.308
150	32400-27332	CASE AXLE LH	1				8.9	19.58
160	31331-26832	GEAR	1			53T	4.85	10.67
170	32400-27110	AXLE REAR	1				9.15	20.13
180	32400-27140	SPACER	1				0.93	2.046
190	34150-27160	SHIM	1	≤11833			0.01	0.022
190	T0030-27160	WASHER	1	≥11834	↔		0.008	0.0176
200	08101-06209	BEARING BALL	1				0.42	0.924
210	04611-00850	CIR CLIP INTERNAL	2				0.029	0.0638
220	70650-11380	NUT	1				0.11	0.242
230	37150-27560	SEAL OIL	1				0.14	0.308
240	08101-06306	BEARING BALL	2				0.335	0.737
250	31341-27350	GASKET AXLE CASE	2				0	0
260	31351-27392	BOLT REAMER	4				0.03	0.066
270	01133-51020	BOLT	32				0.02	0.044
290	01517-51016	STUD	4				0.06	0.132
300	04512-60100	WASHER SPRING	4				0.002	0.0044
310	02176-50100	NUT	4				0.005	0.011

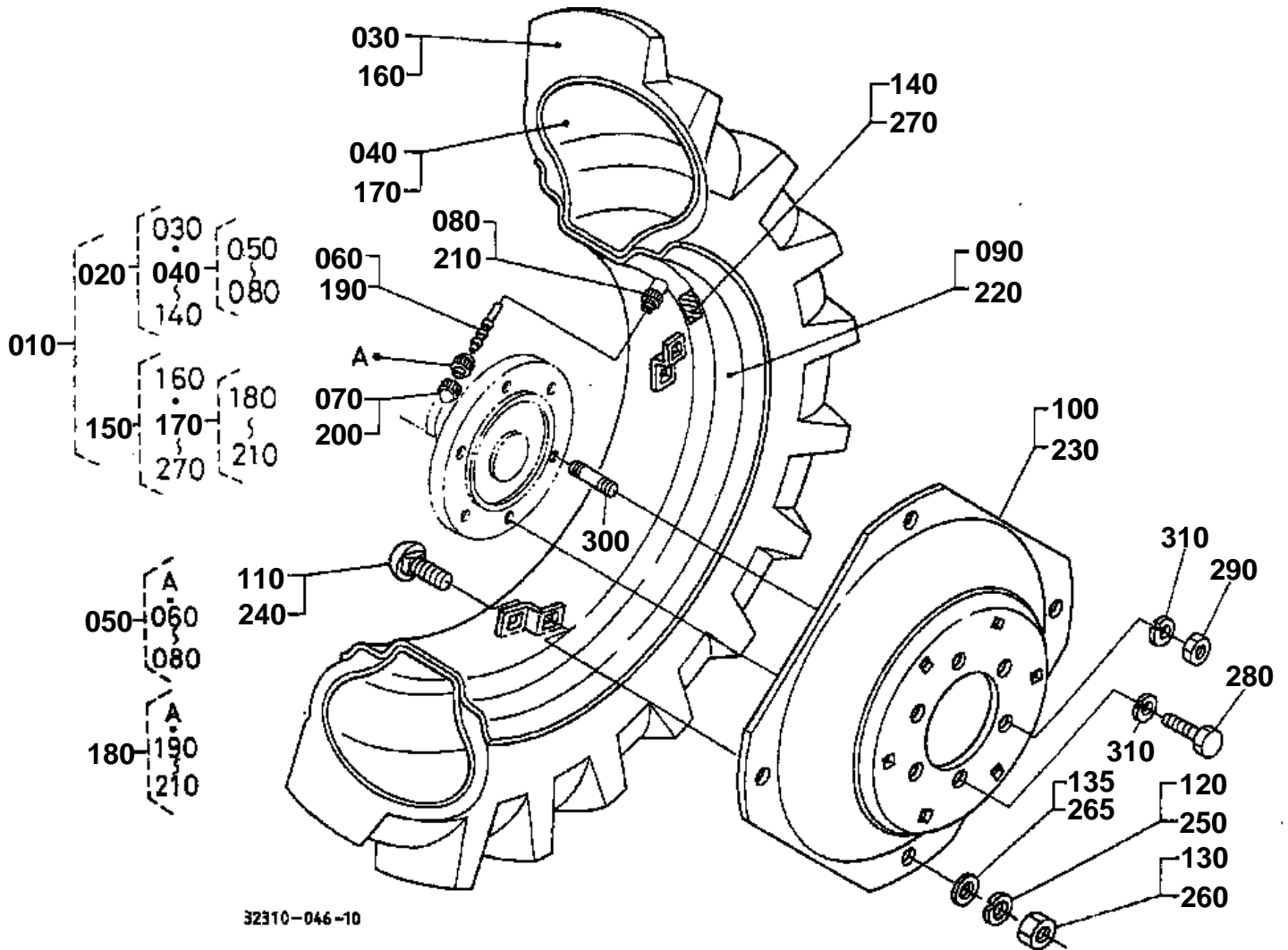


32310-045-10

**REAR WHEEL (9.5-24)**

↔ Interchangeable; ≠ not interchangeable; ← new for old; → old for new

REF.No	Part No.	Description	Q'ty	S.No.	I/C	REMARKS	Weight (kgf)	Weight (lb)
010	32400-27900	ASSY REAR WHEEL	1				0	0
020	32400-27910	ASSY REAR WHEEL LH	1				0	0
030	35200-27620	TIRE	1				24	52.8
040	31220-27630	TUBE	1				2.7	5.94
050	38240-11690	CAP VALVE	1				0.001	0.0022
060	32150-27740	CORE VALVE	1				0.003	0.0066
070	32150-27700	ASSY VALVE	1				0.001	0.0022
080	32270-27710	NUT RIM	1				0.006	0.0132
090	32460-27630	WHEEL	1				21.1	46.42
100	32400-27980	LABEL TIRE LH	1				0.005	0.011
110	32400-27990	ASSY REAR WHEEL RH	1				0	0
120	35200-27620	TIRE	1				24	52.8
130	31220-27630	TUBE	1				2.7	5.94
140	38240-11690	CAP VALVE	1				0.001	0.0022
150	32150-27740	CORE VALVE	1				0.003	0.0066
160	32150-27700	ASSY VALVE	1				0.001	0.0022
170	32270-27710	NUT RIM	1				0.006	0.0132
180	32460-27630	WHEEL	1				21.1	46.42
190	32400-27970	LABEL TIRE RH	1				0.005	0.011
200	01073-51630	BOLT	8				0.079	0.1738
210	02076-50160	NUT	4				0.03	0.066
220	34150-27710	STUD	4				0.062	0.1364
230	04512-60160	WASHER SPRING	12				0.01	0.022

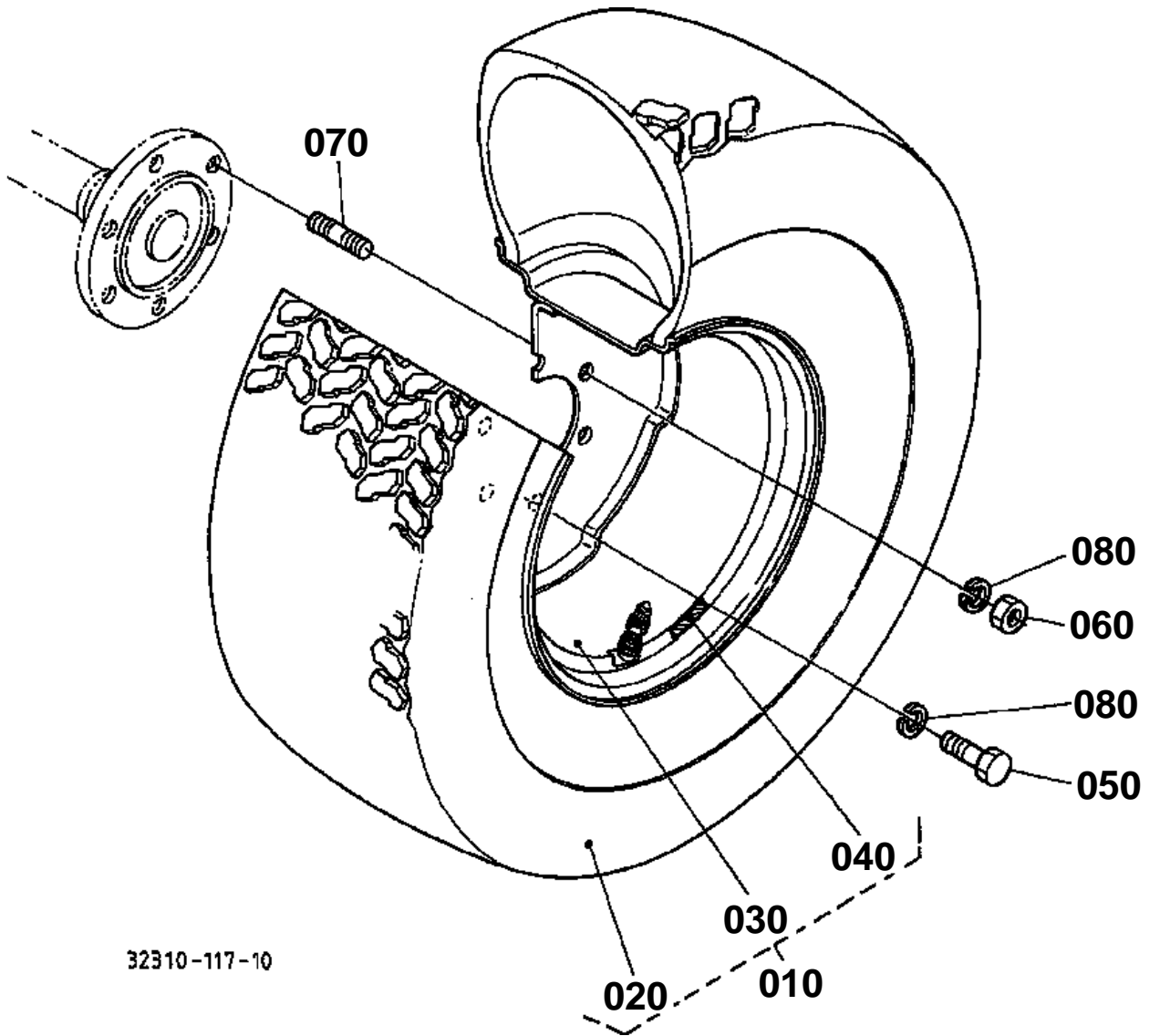


32310-046-10

**REAR WHEEL (11.2-24)**

↔ Interchangeable; ≠ not interchangeable; ← new for old; → old for new

REF.No	Part No.	Description	Q'ty	S.No.	I/C	REMARKS	Weight (kgf)	Weight (lb)
010	32470-27900	ASSY REAR WHEEL	1				122	268.4
020	32470-27610	ASSY REAR WHEEL LH	1				62	136.4
030	32420-27620	TIRE	1				31.5	69.3
040	32240-27630	TUBE	1				0	0
050	32150-27700	ASSY VALVE	1				0.001	0.0022
060	32150-27740	CORE VALVE	1				0.003	0.0066
070	38240-11690	CAP VALVE	1				0.001	0.0022
080	32270-27710	NUT RIM	1				0.006	0.0132
090	32470-27650	RIM	1				14.7	32.34
100	32470-27660	DISK	1				13.5	29.7
110	31220-27680	BOLT	4				0.09	0.198
120	04512-60160	WASHER SPRING	4				0.01	0.022
130	02174-50160	NUT	4				0.022	0.0484
135	04011-60160	WASHER PLAIN	4				0.01	0.022
140	32470-27680	LABEL TIRE LH	1				0.001	0.0022
150	32470-27690	ASSY REAR WHEEL RH	1				62	136.4
160	35260-27620	TIRE	1				29.05	63.91
170	32240-27630	TUBE	1				0	0
180	32150-27700	ASSY VALVE	1				0.001	0.0022
190	32150-27740	CORE VALVE	1				0.003	0.0066
200	38240-11690	CAP VALVE	1				0.001	0.0022
210	32270-27710	NUT RIM	1				0.006	0.0132
220	32470-27650	RIM	1				14.7	32.34
230	32470-27660	DISK	1				13.5	29.7
240	31220-27680	BOLT	4				0.09	0.198
250	04512-60160	WASHER SPRING	4				0.01	0.022
260	02174-50160	NUT	4				0.022	0.0484
265	04011-60160	WASHER PLAIN	4				0.01	0.022
270	32470-27670	LABEL TIRE RH	1				0.001	0.0022
280	01073-51630	BOLT	8				0.079	0.1738
290	02076-50160	NUT	4				0.03	0.066
300	34150-27710	STUD	4				0.062	0.1364
310	04512-60160	WASHER SPRING	12				0.01	0.022

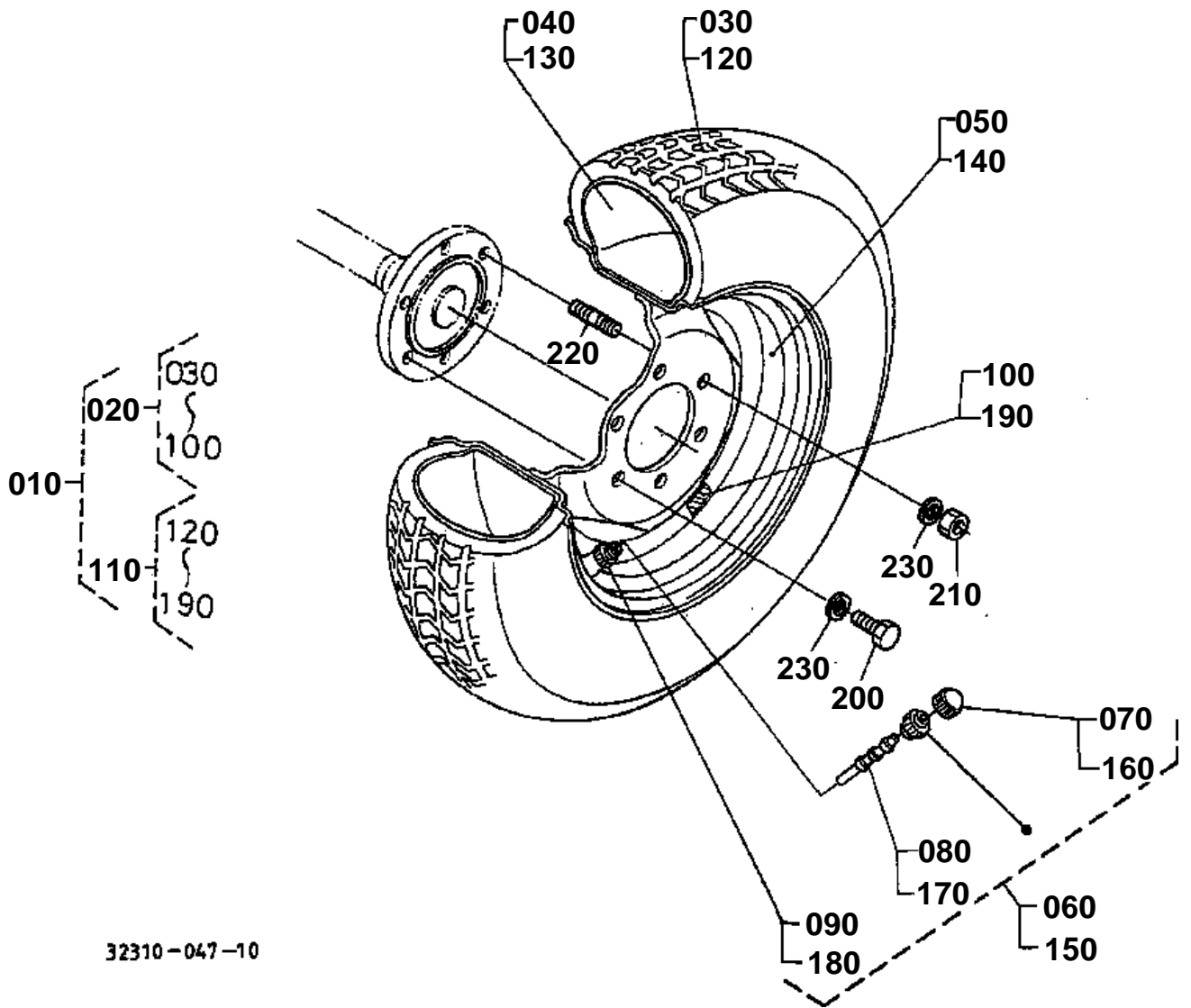


32310-117-10

**REAR WHEEL (13.6-16)**

↔ Interchangeable; ≠ not interchangeable; ← new for old; → old for new

REF.No	Part No.	Description	Q'ty	S.No.	I/C	REMARKS	Weight (kgf)	Weight (lb)
010	35040-27800	ASSY REAE WHEEL	2			OBTAINED LOCALLY	0	0
020	66428-17630	TIRE	2			OBTAINED LOCALLY	0	0
030	35040-27850	WHEEL	2			OBTAINED LOCALLY	0	0
040	35040-27780	LABEL TIRE	2			OBTAINED LOCALLY	0	0
050	01073-51630	BOLT	8				0.079	0.1738
060	02076-50160	NUT	4				0.03	0.066
070	34150-27710	STUD	4				0.062	0.1364
080	04512-60160	WASHER SPRING	12				0.01	0.022

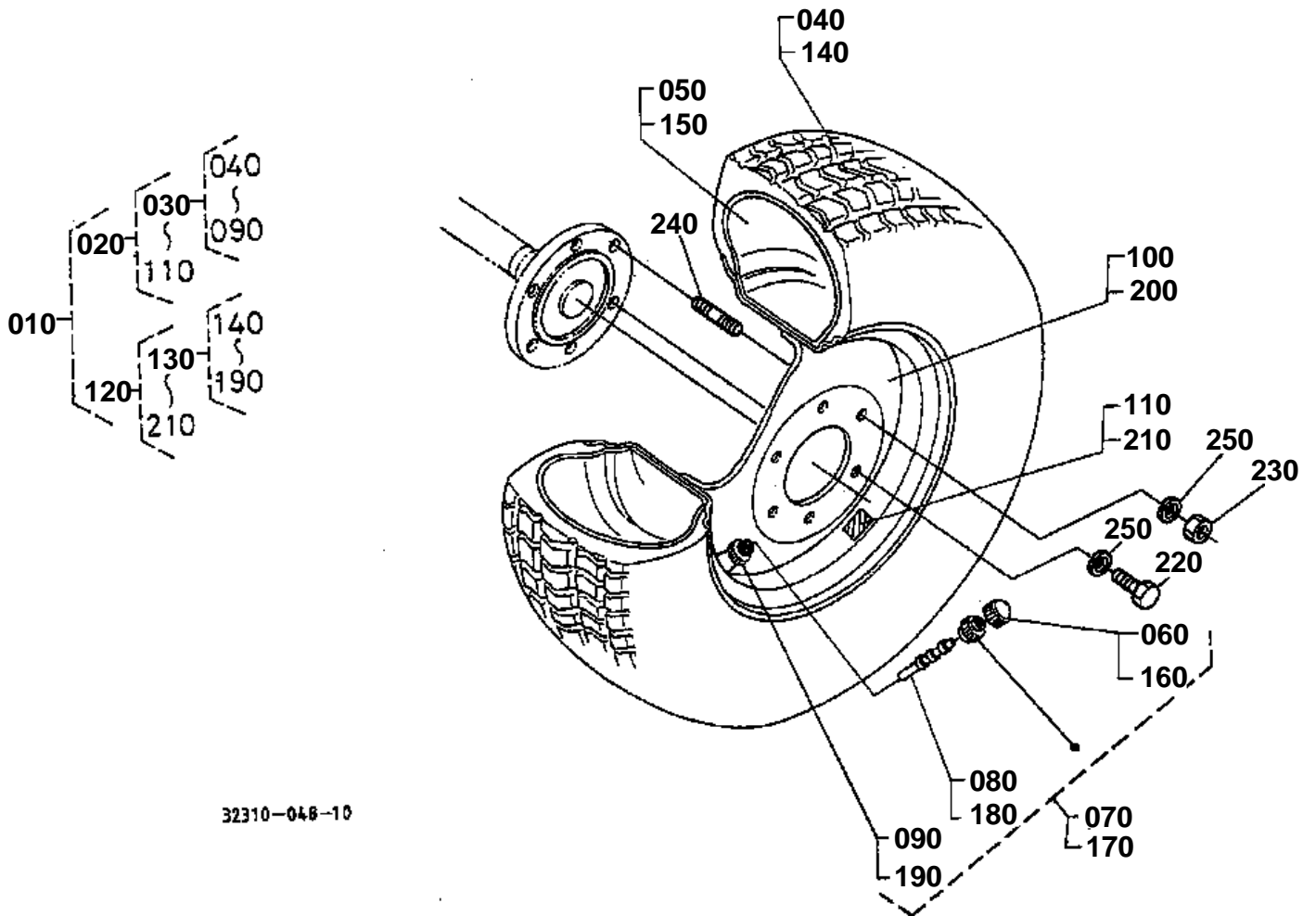


32310-047-10

**REAR WHEEL (13.6-16)**

↔ Interchangeable; ≠ not interchangeable; ← new for old; → old for new

REF.No	Part No.	Description	Q'ty	S.No.	I/C	REMARKS	Weight (kgf)	Weight (lb)
010	32400-27800	ASSY REAR WHEEL	1				93	204.6
020	32400-27810	ASSY REAR WHEEL LH	1				0	0
030	38450-99330	TIRE	1				20.5	45.1
040	99424-27120	TUBE	1				3.8	8.36
050	32400-27850	WHEEL	1				15.2	33.44
060	32150-27700	ASSY VALVE	1				0.001	0.0022
070	38240-11690	CAP VALVE	1				0.001	0.0022
080	32150-27740	CORE VALVE	1				0.003	0.0066
090	32270-27710	NUT RIM	1				0.006	0.0132
100	32400-27780	LABEL TIRE LH	1				0.005	0.011
110	32400-27820	ASSY REAR WHEEL	1				0	0
120	38450-99330	TIRE	1				20.5	45.1
130	99424-27120	TUBE	1				3.8	8.36
140	32400-27850	WHEEL	1				15.2	33.44
150	32150-27700	ASSY VALVE	1				0.001	0.0022
160	38240-11690	CAP VALVE	1				0.001	0.0022
170	32150-27740	CORE VALVE	1				0.003	0.0066
180	32270-27710	NUT RIM	1				0.006	0.0132
190	32400-27770	LABEL TIRE RH	1				0.005	0.011
200	01073-51630	BOLT	8				0.079	0.1738
210	02076-50160	NUT	4				0.03	0.066
220	34150-27710	STUD	4				0.062	0.1364
230	04512-60160	WASHER SPRING	12				0.01	0.022

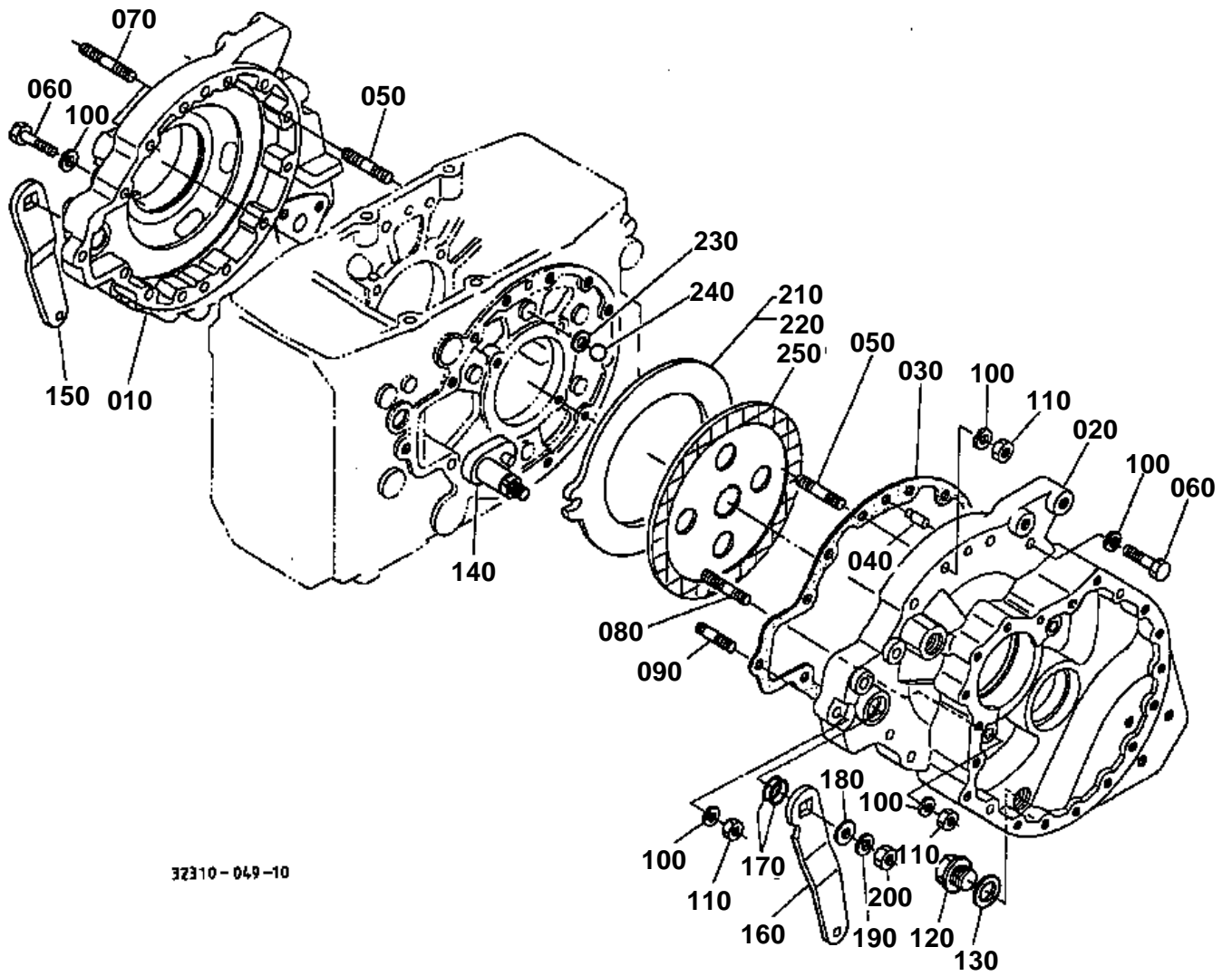


32310-048-10

**REAR WHEEL (355/80-D20)**

↔ Interchangeable; ≠ not interchangeable; ← new for old; → old for new

REF.No	Part No.	Description	Q'ty	S.No.	I/C	REMARKS	Weight (kgf)	Weight (lb)
010	32400-27700	ASSY REAR WHEEL	1				0	0
020	32400-27710	ASSY REAR WHEEL LH	1				0	0
030	36346-49300	ASSY TIRE-TUBE	1				0	0
040	36346-49310	TIRE REAR	1				40	88
050	36346-49320	TUBE TIRE	1				7.8	17.16
060	38240-11690	CAP VALVE	1				0.001	0.0022
070	32150-27700	ASSY VALVE	1				0.001	0.0022
080	32150-27740	CORE VALVE	1				0.003	0.0066
090	32270-27710	NUT RIM	1				0.006	0.0132
100	32400-27950	WHEEL	1				0	0
110	32400-27870	LABEL TIRE LH	1				0.005	0.011
120	32400-27720	ASSY REAR WHEEL RH	1				0	0
130	36346-49300	ASSY TIRE-TUBE	1				0	0
140	36346-49310	TIRE REAR	1				40	88
150	36346-49320	TUBE TIRE	1				7.8	17.16
160	38240-11690	CAP VALVE	1				0.001	0.0022
170	32150-27700	ASSY VALVE	1				0.001	0.0022
180	32150-27740	CORE VALVE	1				0.003	0.0066
190	32270-27710	NUT RIM	1				0.006	0.0132
200	32400-27950	WHEEL	1				0	0
210	32400-27880	LABEL TIRE RH	1				0.005	0.011
220	01073-51630	BOLT	8				0.079	0.1738
230	02076-50160	NUT	4				0.03	0.066
240	34150-27710	STUD	4				0.062	0.1364
250	04512-60160	WASHER SPRING	12				0.01	0.022



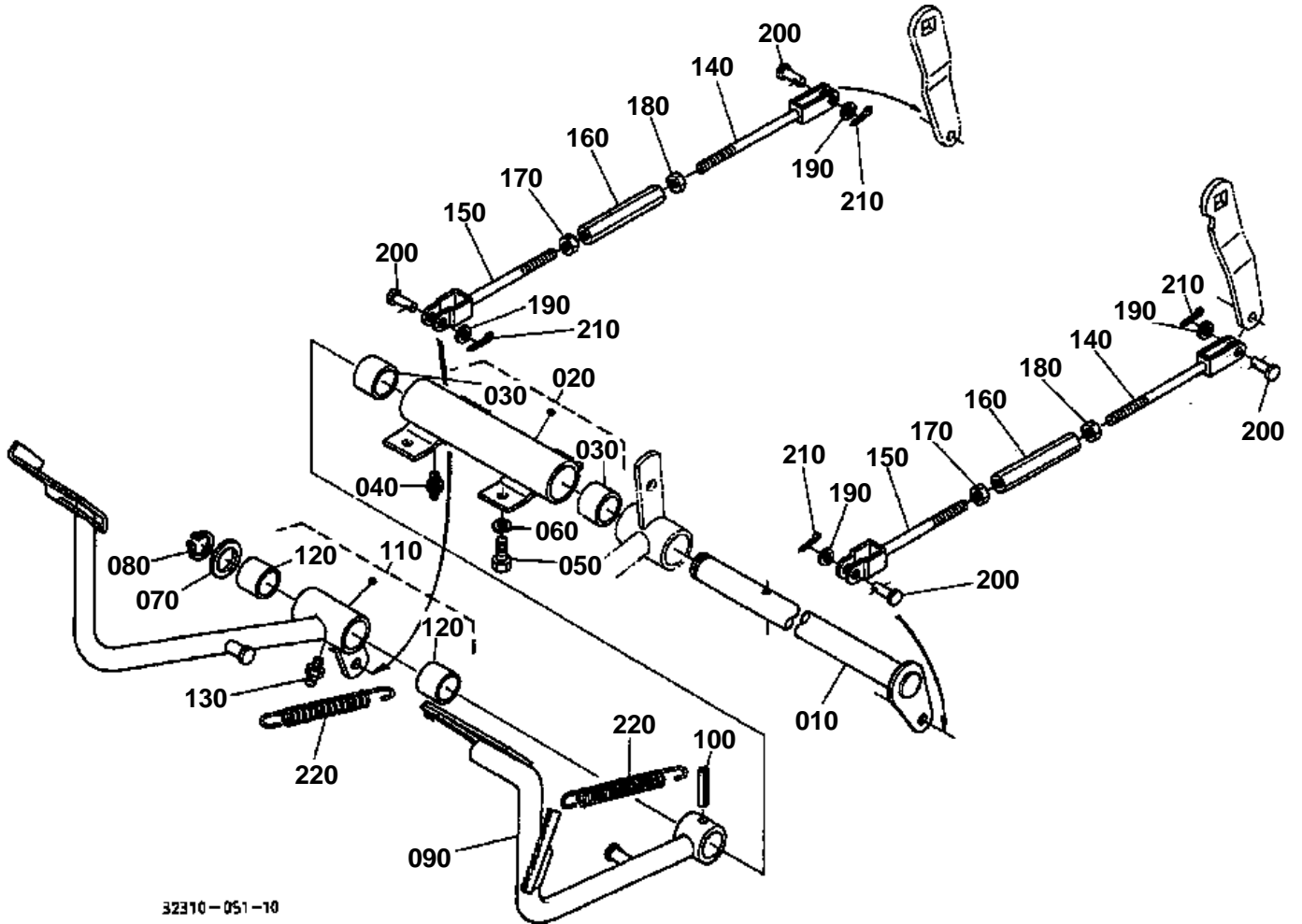
32310-049-10

**BRAKE**

↔ Interchangeable; ≠ not interchangeable; ← new for old; → old for new

REF.No	Part No.	Description	Q'ty	S.No.	I/C	REMARKS	Weight (kgf)	Weight (lb)
010	31311-28130	CASE BRAKE RH	1	<=21569			0	0
010	31311-28135	CASE BRAKE RH	1	>=21570	←		15.6	34.32
020	31311-28152	CASE BRAKE LH	1	<=21569			0	0
020	31311-28155	CASE BRAKE LH	1	>=21570	←		15.4	33.88
030	32425-28160	GASKET	2				0.02	0.044
040	37150-27370	PIN STRAIGHT	4				0.009	0.0198
050	31311-28170	STUD	4				0.51	1.122
060	01173-51255	BOLT	9				0.057	0.1254
070	37720-27350	STUD	2				0.067	0.1474
080	01574-51255	STUD	8				0	0
090	01574-51235	STUD	2				0	0
100	04512-50120	WASHER SPRING	26				0	0
110	02176-50120	NUT	16				0.01	0.022
120	06331-35012	PLUG	2				0.022	0.0484
130	04717-01200	WASHER WITH RUBBER	2				0.002	0.0044
140	31351-28210	CAM BRAKE	2				0.35	0.77
150	37150-28224	LEVER BRAKE CAM RH	1				0.32	0.704
160	37150-28234	LEVER BRAKE CAM LH	1				0.3	0.66
170	04811-00220	O RING	4				0.001	0.0022
180	04015-60120	WASHER PLAIN	2				0.022	0.0484
190	04512-50120	WASHER SPRING	2				0	0
200	02174-50120	NUT	2				0.01	0.022
210	37150-28240	PLATE CAM LH	1				1.13	2.486
220	37150-28270	PLATE CAM RH	1				1.08	2.376
230	37150-28250	SEAT BALL	12				0.003	0.0066
240	07715-00805	BALL	12				0.016	0.0352
250	37150-28200	DISK BRAKE	2				0.774	1.7028

BRAKE PEDAL



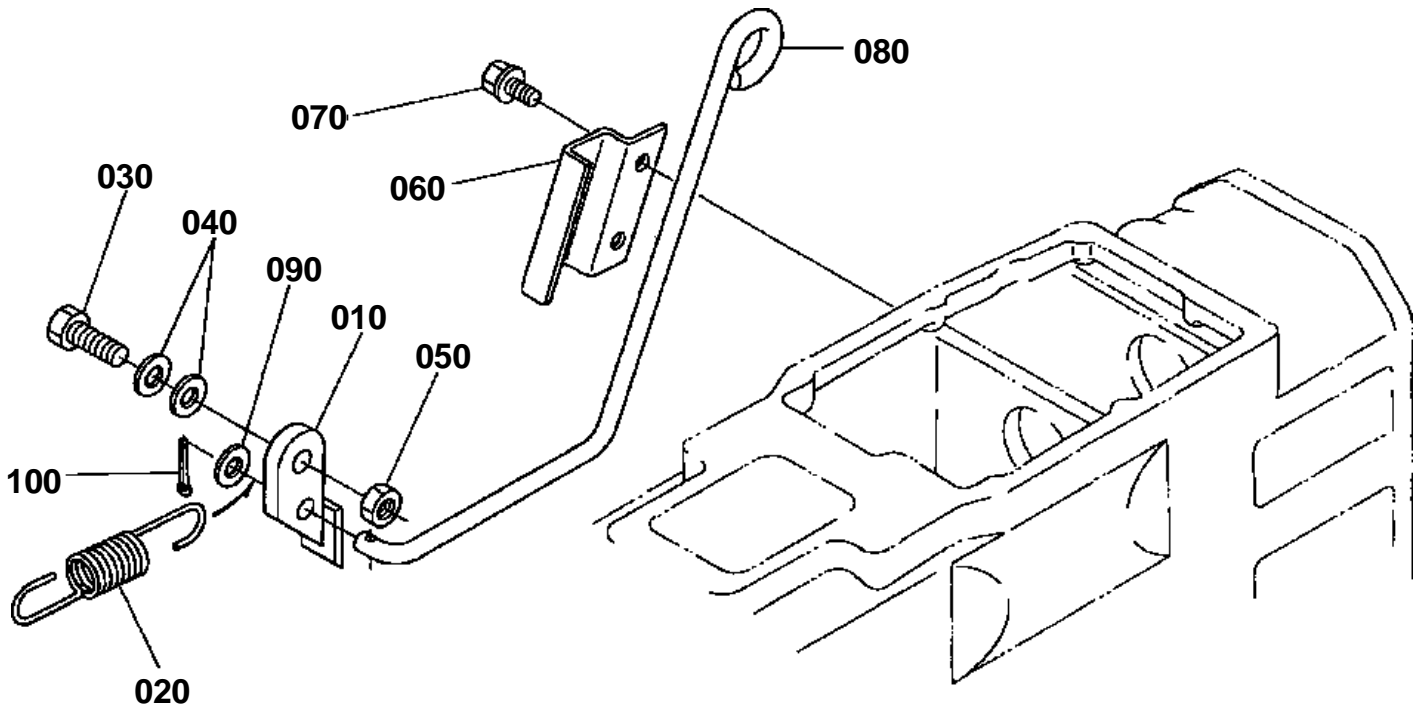
32310-051-10

**BRAKE PEDAL**

↔ Interchangeable; ≠ not interchangeable; ← new for old; → old for new

REF.No	Part No.	Description	Q'ty	S.No.	I/C	REMARKS	Weight (kgf)	Weight (lb)
010	37150-28410	SHAFT BRAKE PEDAL	1				1.43	3.146
020	37150-28420	SUPPORT PEDAL SHAFT	1				0.95	2.09
030	34150-28430	BUSH	2				0.04	0.088
040	06613-10675	NIPPLE GREASE	1				0.003	0.0066
050	01173-51018	BOLT	4				0.018	0.0396
060	04512-60100	WASHER SPRING	4				0.002	0.0044
070	32150-28460	COLLAR	1				0.007	0.0154
080	04612-00250	CIRCLIP EXTERNAL	1				0.002	0.0044
090	35260-28610	PEDAL BRAKE LH	1				1.36	2.992
100	05411-00840	PIN SPRING	1				0.008	0.0176
110	35260-28620	PEDAL BRAKE RH	1				1.34	2.948
120	34150-28430	BUSH	2				0.04	0.088
130	06613-10675	NIPPLE GREASE	1				0.003	0.0066
140	35110-28930	ROD BRAKE	2				0.165	0.363
150	37720-28940	ROD BRAKE	2				0.2	0.44
160	37720-28980	TURNBUCKLE	2				0.099	0.2178
170	37720-28990	NUT	2				0.008	0.0176
180	02172-50120	NUT	2				0.01	0.022
190	04012-50080	WASHER PLAIN	4				0.001	0.0022
200	05112-50822	PIN JOINT	4				0.01	0.022
210	05511-50215	PIN SPLIT	4				0.001	0.0022
220	37150-15840	SPRING	2				0.06	0.132

PARKING BRAKE LEVER



32310-052-10

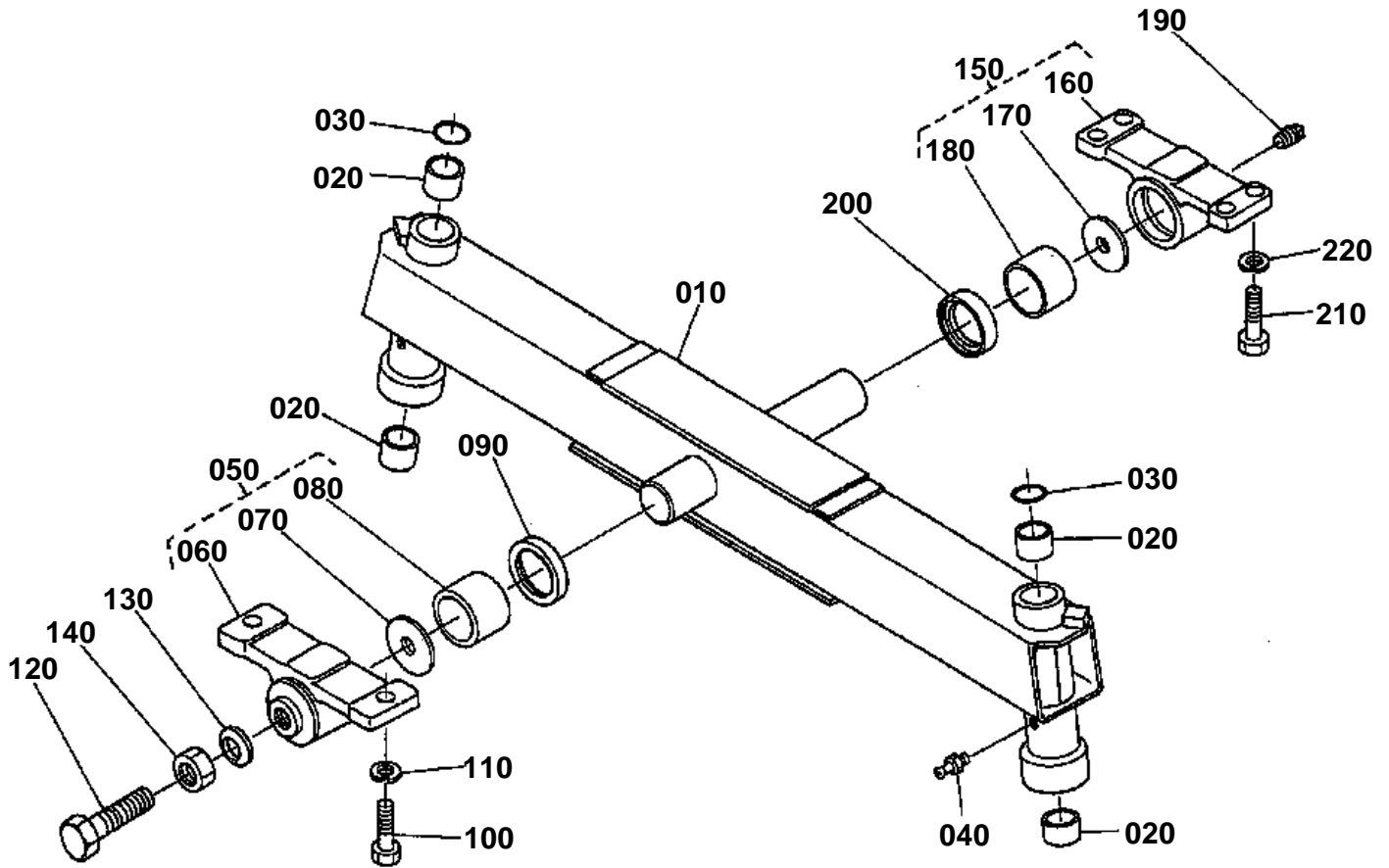


PARKING BRAKE LEVER

↔ Interchangeable; ≠ not interchangeable; ← new for old; → old for new

REF.No	Part No.	Description	Q'ty	S.No.	I/C	REMARKS	Weight (kgf)	Weight (lb)
010	34150-28810	RATCHET	1				0.045	0.099
020	37150-28850	SPRING	1				0.005	0.011
030	34150-28820	BOLT	1				0.04	0.088
040	04011-50120	WASHER PLAIN	2				0.005	0.011
050	02174-50120	NUT	1				0.01	0.022
060	34150-28880	GUIDE RATCHET	1				0.04	0.088
070	01754-50812	BOLT FLANGE	2				0.01	0.022
080	34150-28870	ROD RATCHET	1				0.09	0.198
090	04012-50060	WASHER PLAIN	1				0.001	0.0022
100	05511-50212	PIN SPLIT	1				0.001	0.0022

FRONT AXLE



32310-053-10

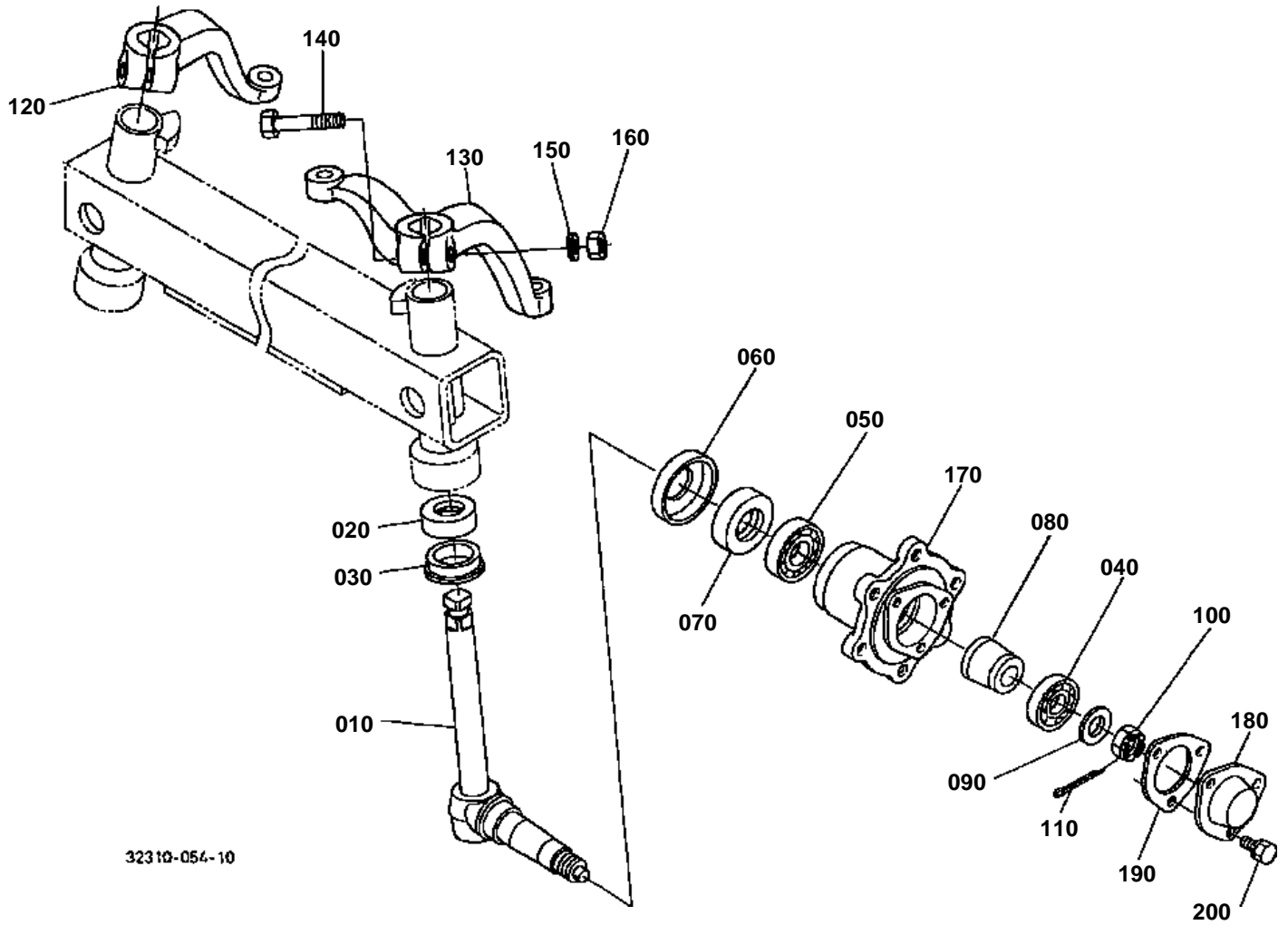


FRONT AXLE

↔ Interchangeable; ≠ not interchangeable; ← new for old; → old for new

REF.No	Part No.	Description	Q'ty	S.No.	I/C	REMARKS	Weight (kgf)	Weight (lb)
010	32400-13110	AXLE FRONT	1				14.3	31.46
020	38240-13130	BUSH	4				0.015	0.033
030	38240-13140	SEAL OIL	2				0.004	0.0088
040	06613-10010	NIPPLE GREASE	2				0.006	0.0132
050	38430-13660	ASSY BRACKET	1				1.6	3.52
060	38430-13670	BEARING	1				1.5	3.3
070	38240-13430	WASHER THRUST	1				0.032	0.0704
080	08511-04025	BUSH	1				0.05	0.11
090	38240-13160	SEAL OIL	1				0.005	0.011
100	01173-51435	BOLT	2				0.056	0.1232
110	04512-60140	WASHER SPRING	2				0.006	0.0132
120	38630-44760	BOLT	1				0.08	0.176
130	38440-44750	WASHER SEAL	1				0.003	0.0066
140	02176-50160	NUT	1				0.021	0.0462
150	38240-13690	ASSY BRACKET	1				1.6	3.52
160	38240-13680	BEARING	1				1.5	3.3
170	38240-13430	WASHER THRUST	1				0.032	0.0704
180	08511-04025	BUSH	1				0.05	0.11
190	06312-10010	PLUG	1				0.007	0.0154
200	38240-13160	SEAL OIL	1				0.005	0.011
210	38240-13180	BOLT REAMER	4				0.04	0.088
220	04512-50120	WASHER SPRING	4				0	0

KNUCKLE SHAFT



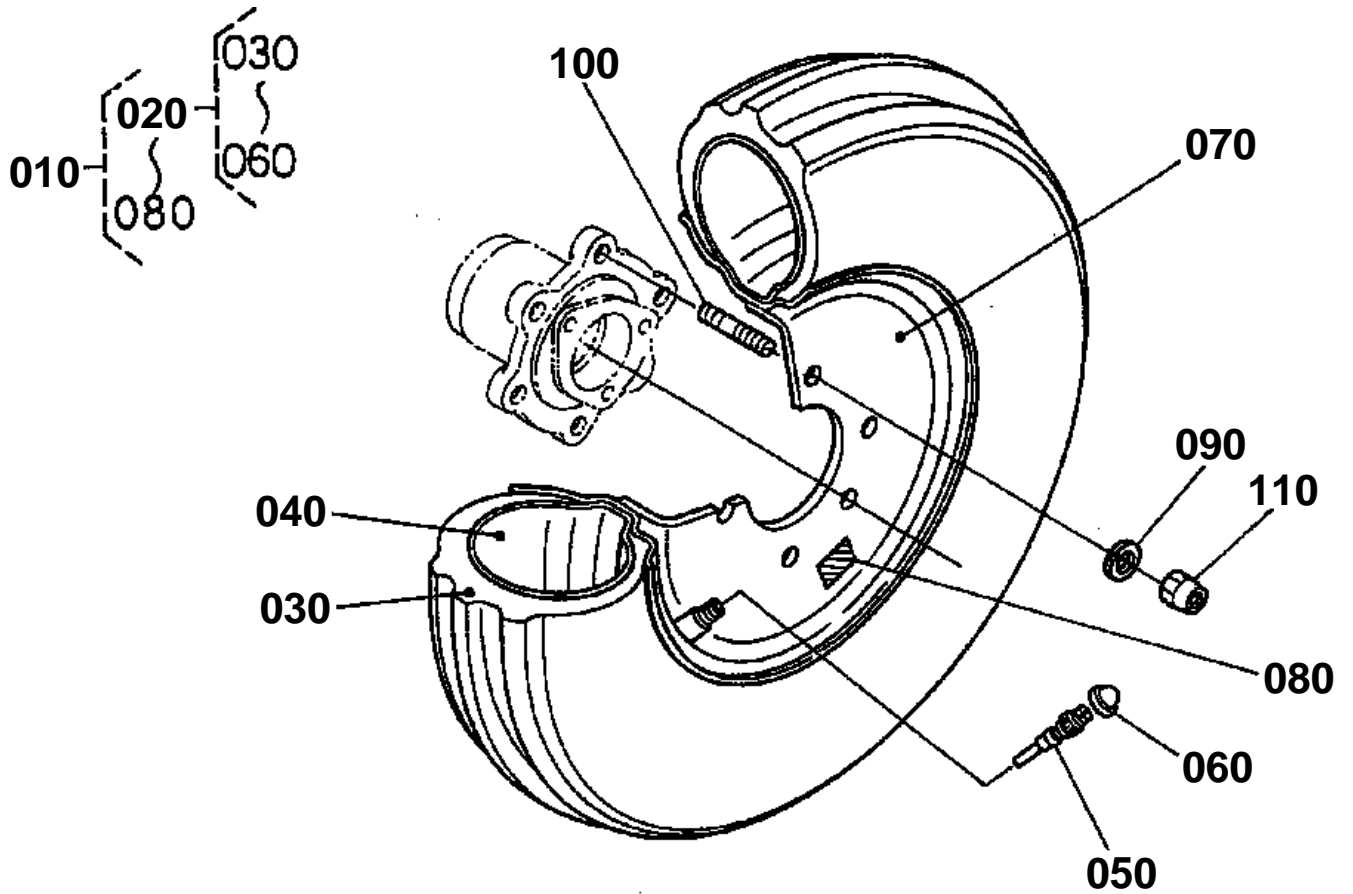
32310-054-10



KNUCKLE SHAFT

↔ Interchangeable; ≠ not interchangeable; ← new for old; → old for new

REF.No	Part No.	Description	Q'ty	S.No.	I/C	REMARKS	Weight (kgf)	Weight (lb)
010	34220-11110	COMP.SHAFT KNUCKLE	2				2.5	5.5
020	32150-11510	BEARING THRUST BALL	2				0.14	0.308
030	37300-11430	SEAL OIL	2				0.05	0.11
040	08101-06205	BEARING BALL	2				0.14	0.308
050	08101-06206	BEARING BALL	2				0.196	0.4312
060	32240-11480	COVER DUST	2				0.08	0.176
070	37300-11160	SEAL OIL	2				0.08	0.176
080	38240-11420	SPACER	2				0.205	0.451
090	04011-50200	WASHER PLAIN	2				0.015	0.033
100	02372-50200	NUT	2				0.024	0.0528
110	05511-50430	PIN SPLIT	2				0.004	0.0088
120	38240-11210	ARM KNUCKLE RH	1				1.5	3.3
130	38260-11220	ARM KNUCKLE LH	1				2.1	4.62
140	32240-11270	BOLT	2				0.066	0.1452
150	04512-50120	WASHER SPRING	2				0	0
160	02176-50120	NUT	2				0.01	0.022
170	35260-11310	HUB FRONT WHEEL	2				3.75	8.25
180	32240-11350	CAP FRONT WHEEL	2				0.065	0.143
190	32150-11360	GASKET	2				0	0
200	01123-60814	BOLT	6				0.008	0.0176

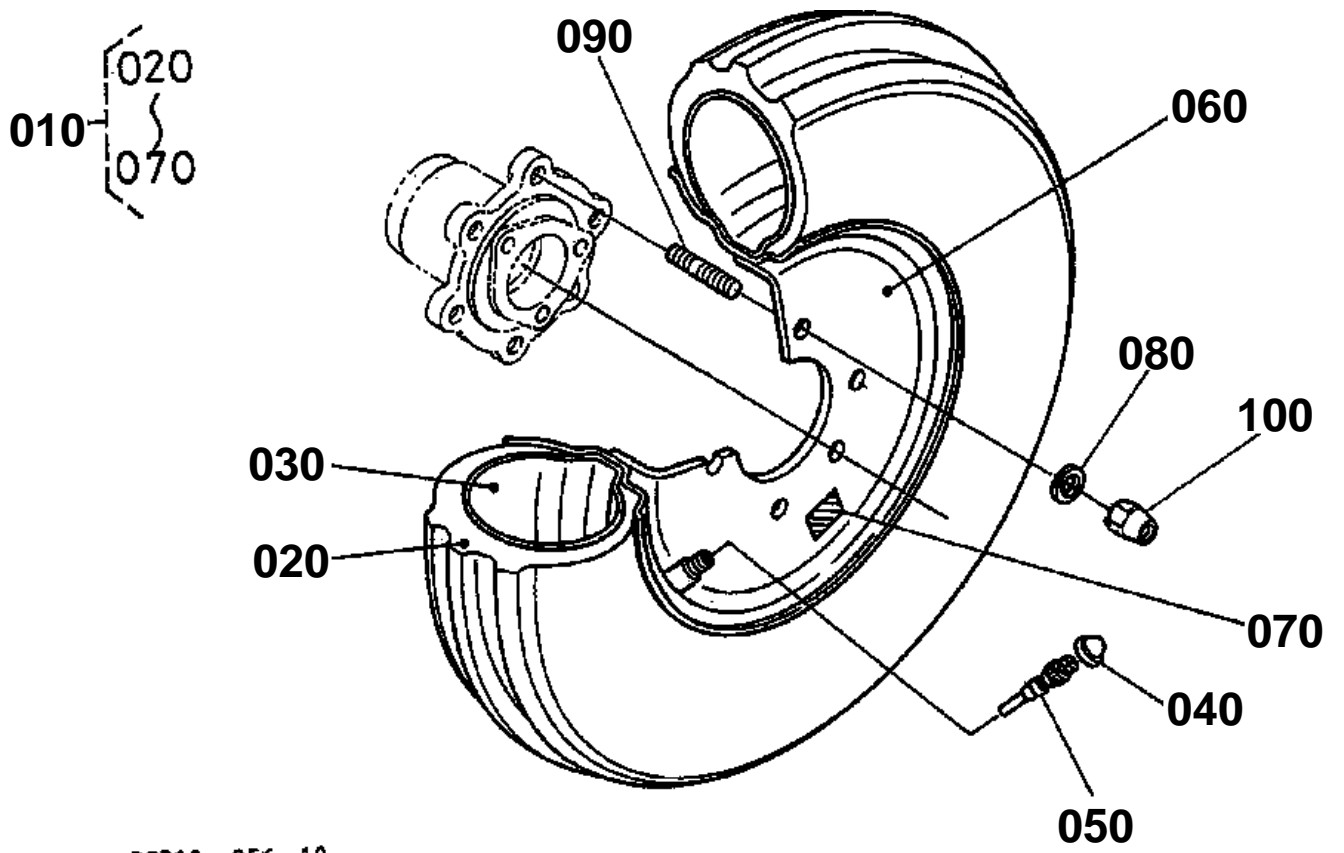


32310-055-10

**FRONT WHEEL (4.00-15)**

↔ Interchangeable; ≠ not interchangeable; ← new for old; → old for new

REF.No	Part No.	Description	Q'ty	S.No.	I/C	REMARKS	Weight (kgf)	Weight (lb)
010	32460-11600	ASSY FRONT WHEEL	2				0	0
020	35110-11610	ASSY TIRE	2				5	11
030	31220-11620	TIRE	2				3.5	7.7
040	31220-11630	TUBE	2				0.64	1.408
050	32150-27740	CORE VALVE	2				0.003	0.0066
060	38240-11690	CAP VALVE	2				0.001	0.0022
070	32460-11640	ASSY WHEEL	2				7.2	15.84
080	32460-11670	LABEL TIRE	4				0.001	0.0022
090	04512-60140	WASHER SPRING	12				0.006	0.0132
100	01517-51428	STUD	12				0.05	0.11
110	35340-11390	NUT	12				0.03	0.066



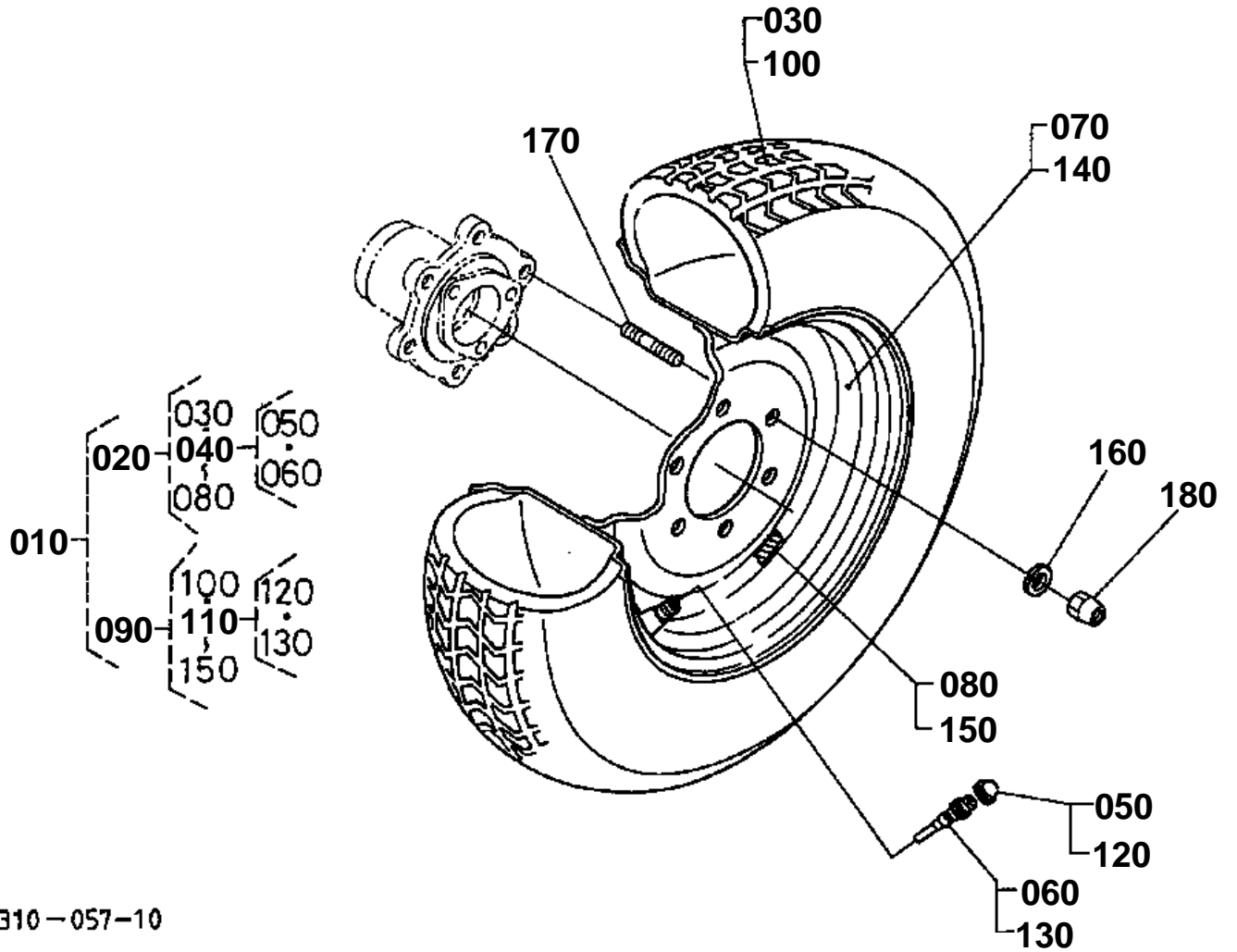
32310-056-10



FRONT WHEEL (5.00-15)

↔ Interchangeable; ≠ not interchangeable; ← new for old; → old for new

REF.No	Part No.	Description	Q'ty	S.No.	I/C	REMARKS	Weight (kgf)	Weight (lb)
010	32470-11600	ASSY FRONT WHEEL	2				0	0
020	32270-11620	TIRE	2				6.3	13.86
030	32270-11630	TUBE	2				0.95	2.09
040	38240-11690	CAP VALVE	2				0.001	0.0022
050	32150-27740	CORE VALVE	2				0.003	0.0066
060	32460-11640	ASSY WHEEL	2				7.2	15.84
070	32470-11670	LABEL TIRE	2				0.001	0.0022
080	04512-60140	WASHER SPRING	12				0.006	0.0132
090	01517-51428	STUD	12				0.05	0.11
100	35340-11390	NUT	12				0.03	0.066

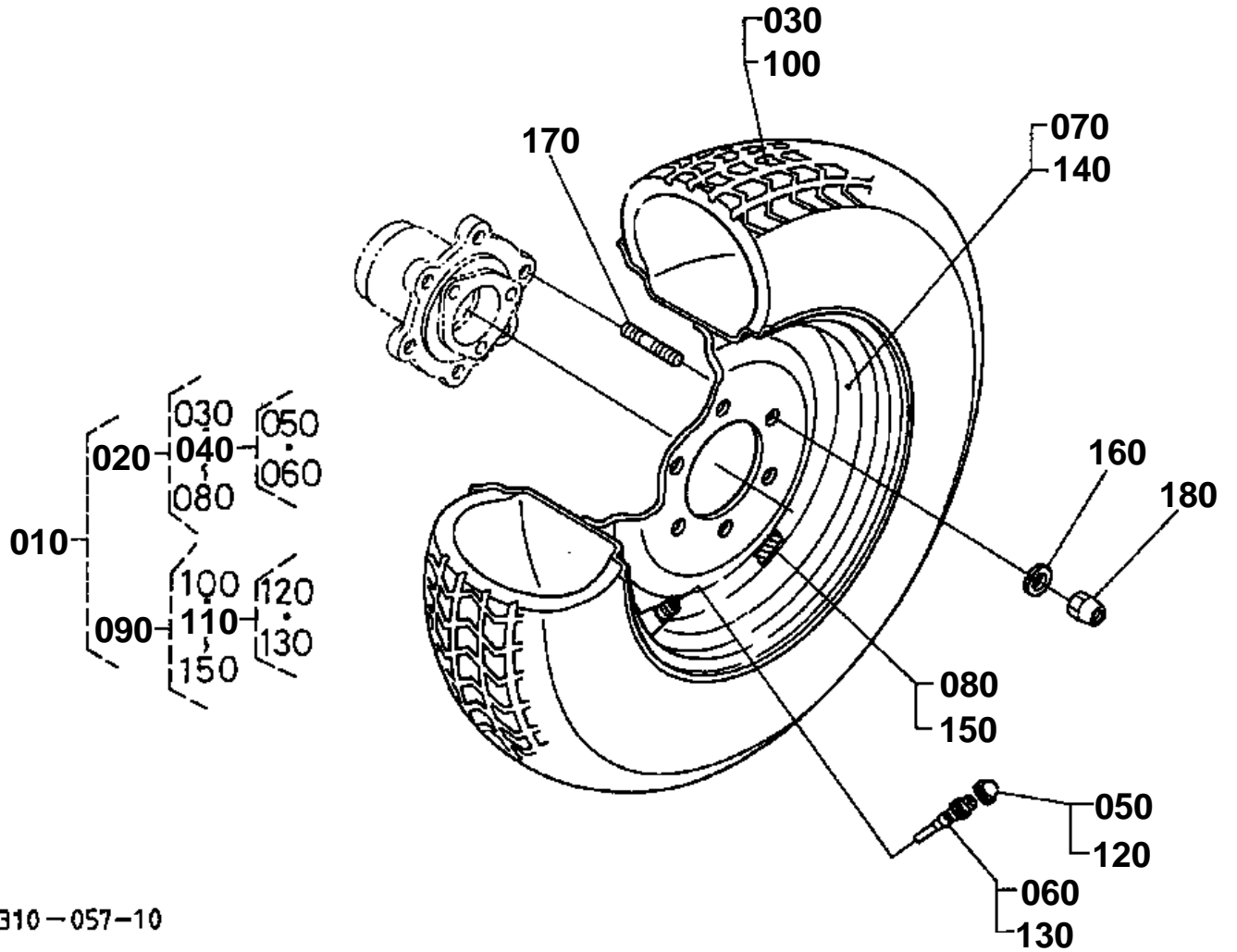


32310-057-10

**FRONT WHEEL (23X8.50-12)**

↔ Interchangeable; ≠ not interchangeable; ← new for old; → old for new

REF.No	Part No.	Description	Q'ty	S.No.	I/C	REMARKS	Weight (kgf)	Weight (lb)
010	32460-11900	ASSY FRONT WHEEL	1				0	0
020	32460-11910	ASSY FRONT WHEEL RH	1				0	0
030	35260-11810	TIRE	1				7.12	15.664
040	34159-11850	VALVE TIRE	1				0.013	0.0286
050	38240-11690	CAP VALVE	1				0.001	0.0022
060	32150-27740	CORE VALVE	1				0.003	0.0066
070	32460-11950	WHEEL	1				6.76	14.872
080	32460-11720	LABEL TIRE RH	1				0.001	0.0022
090	32460-11920	ASSY FRONT WHEEL LH	1				0	0
100	35260-11810	TIRE	1				7.12	15.664
110	34159-11850	VALVE TIRE	1				0.013	0.0286
120	38240-11690	CAP VALVE	1				0.001	0.0022
130	32150-27740	CORE VALVE	1				0.003	0.0066
140	32460-11950	WHEEL	1				6.76	14.872
150	32460-11710	LABEL TIRE LH	1				0.001	0.0022
160	04512-60140	WASHER SPRING	12				0.006	0.0132
170	01517-51428	STUD	12				0.05	0.11
180	35340-11390	NUT	12				0.03	0.066

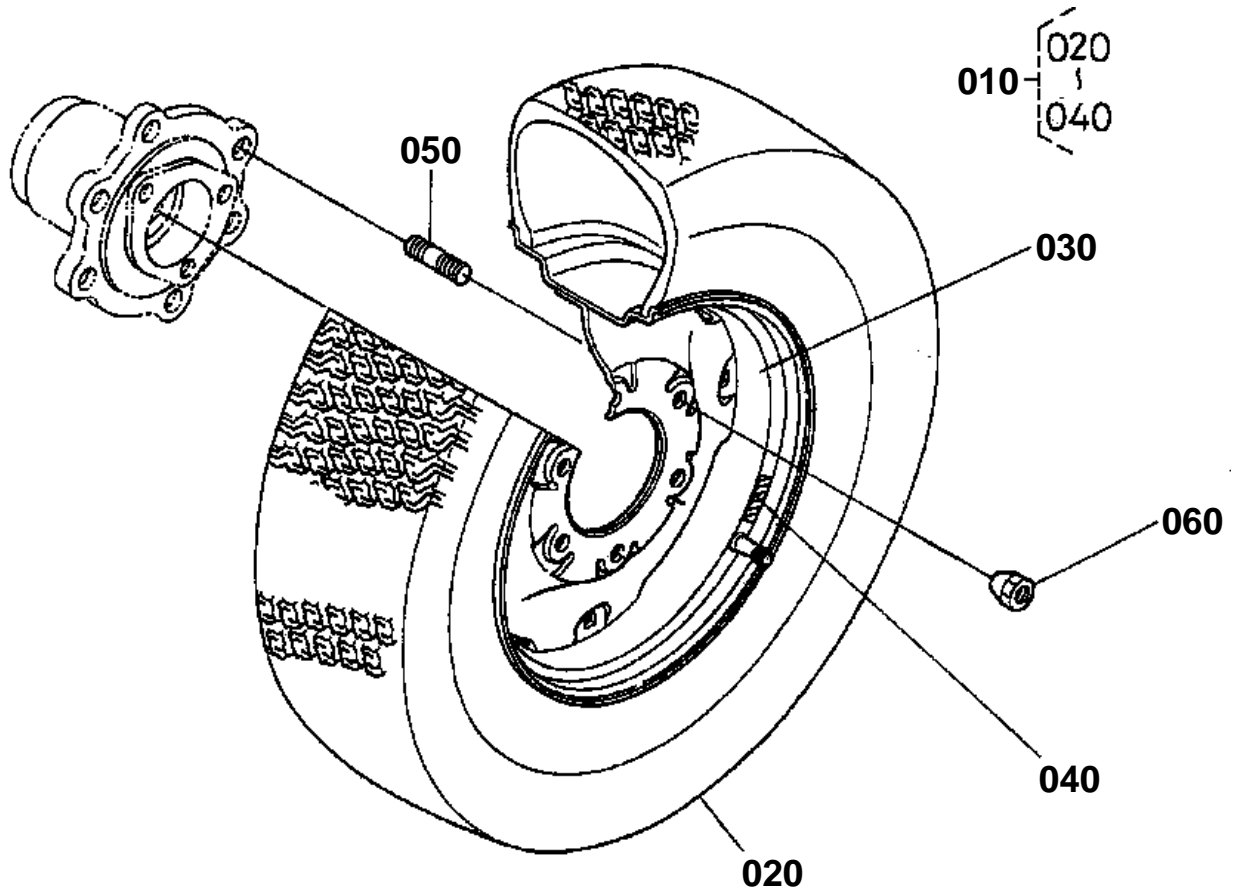


32310-057-10

**FRONT WHEEL (25X8.50-14)**

↔ Interchangeable; ≠ not interchangeable; ← new for old; → old for new

REF.No	Part No.	Description	Q'ty	S.No.	I/C	REMARKS	Weight (kgf)	Weight (lb)
010	32480-11600	ASSY FRONT WHEEL	1				38	83.6
020	32480-11610	ASSY FRONT WHEEL RH	1				0	0
030	35230-11810	TIRE	1				8	17.6
040	34159-11850	VALVE TIRE	1				0.013	0.0286
050	38240-11690	CAP VALVE	1				0.001	0.0022
060	32150-27740	CORE VALVE	1				0.003	0.0066
070	32480-11650	ASSY WHEEL	1				10	22
080	32480-11720	LABEL TIRE RH	1				0.001	0.0022
090	32480-11620	ASSY FRONT WHEEL LH	1				0	0
100	35230-11810	TIRE	1				8	17.6
110	34159-11850	VALVE TIRE	1				0.013	0.0286
120	38240-11690	CAP VALVE	1				0.001	0.0022
130	32150-27740	CORE VALVE	1				0.003	0.0066
140	32480-11650	ASSY WHEEL	1				10	22
150	32480-11710	LABEL TIRE LH	1				0.001	0.0022
160	04512-60140	WASHER SPRING	12				0.006	0.0132
170	01517-51428	STUD	12				0.05	0.11
180	35340-11390	NUT	12				0.03	0.066



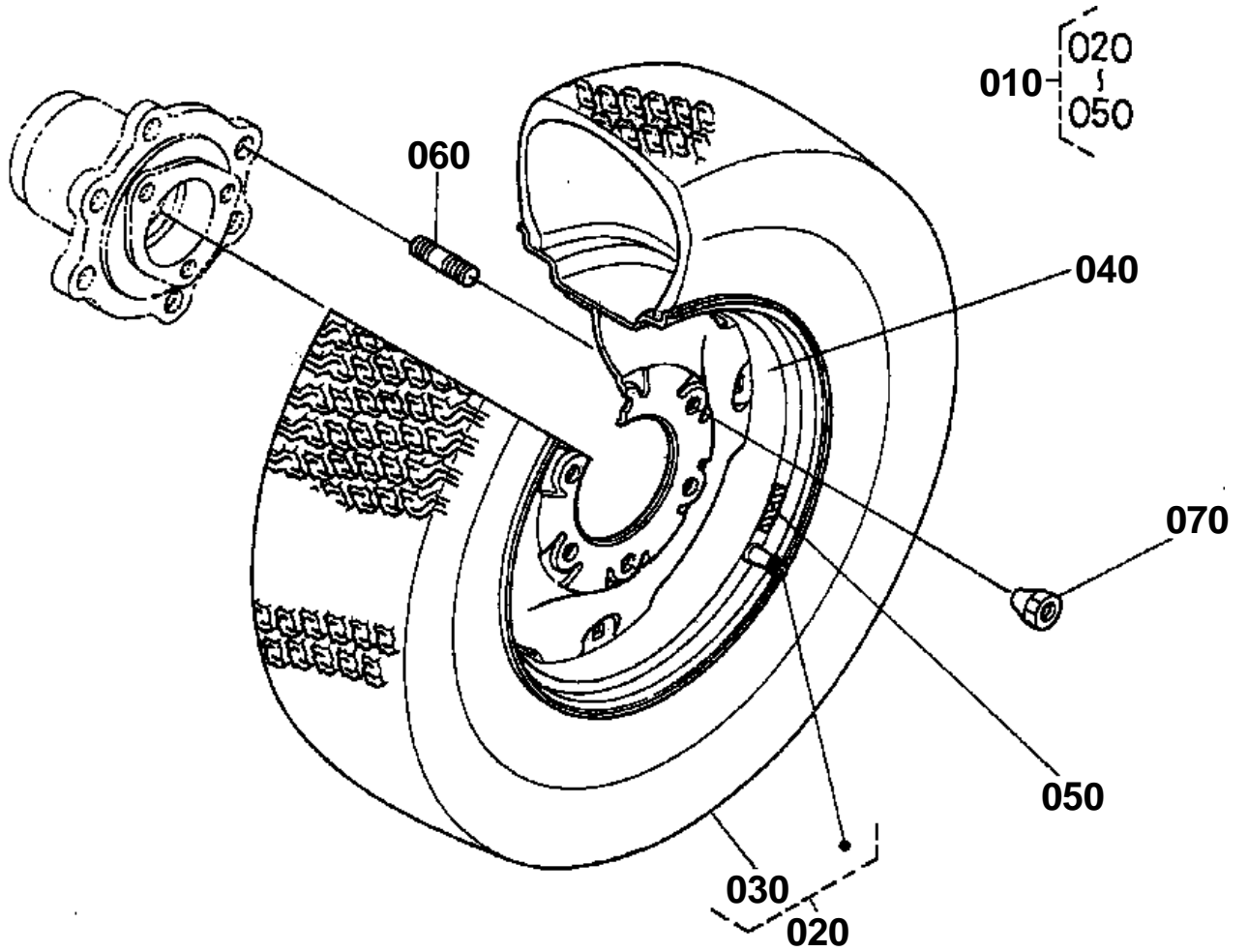
32310-058-10



FRONT WHEEL (23X8.50-12)

↔ Interchangeable; ≠ not interchangeable; ← new for old; → old for new

REF.No	Part No.	Description	Q'ty	S.No.	I/C	REMARKS	Weight (kgf)	Weight (lb)
010	35050-11900	ASSY FRONT WHEEL	2			OBTAINED LOCALLY	0	0
020	66428-57130	TIRE	2			OBTAINED LOCALLY	0	0
030	35050-11950	WHEEL	2			OBTAINED LOCALLY	0	0
040	35050-11960	LABEL TIRE	2			OBTAINED LOCALLY	0	0
050	01517-51428	STUD	12				0.05	0.11
060	35340-11390	NUT	12				0.03	0.066



32310-059-10

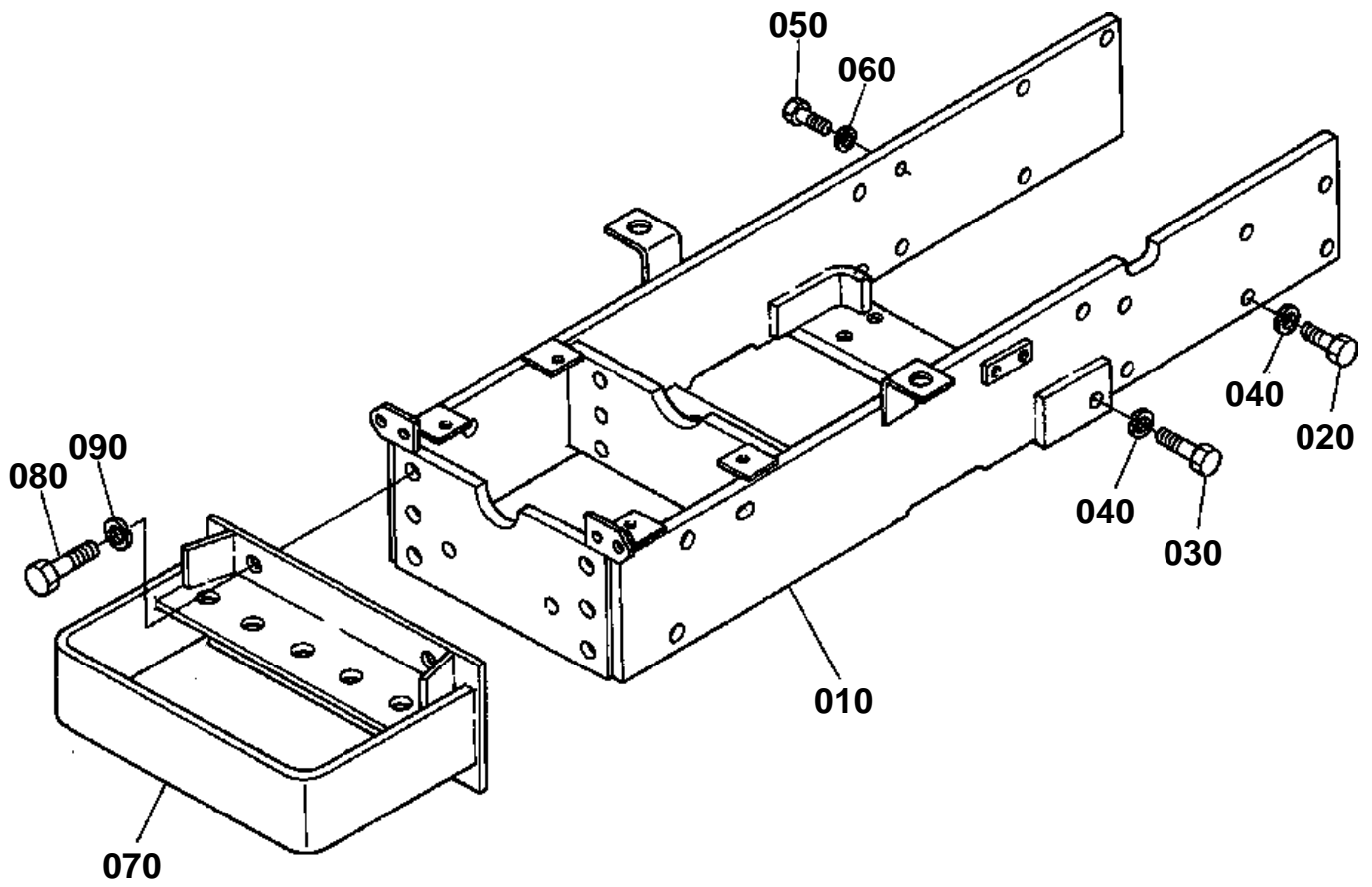


FRONT WHEEL (25X8.50-12)

↔ Interchangeable; ≠ not interchangeable; ← new for old; → old for new

REF.No	Part No.	Description	Q'ty	S.No.	I/C	REMARKS	Weight (kgf)	Weight (lb)
010	35070-11600	ASSY FRONT WHEEL	2			OBTAINED LOCALLY	0	0
020	35070-11810	ASSY TIRE	2			OBTAINED LOCALLY	0	0
030	35070-11820	TIRE	2			OBTAINED LOCALLY	0	0
040	35070-11650	WHEEL	2			OBTAINED LOCALLY	0	0
050	35070-11660	LABEL TIRE	2			OBTAINED LOCALLY	0	0
060	01517-51428	STUD	12				0.05	0.11
070	35340-11390	NUT	12				0.03	0.066

FRONT AXLE FRAME



32310-060-10

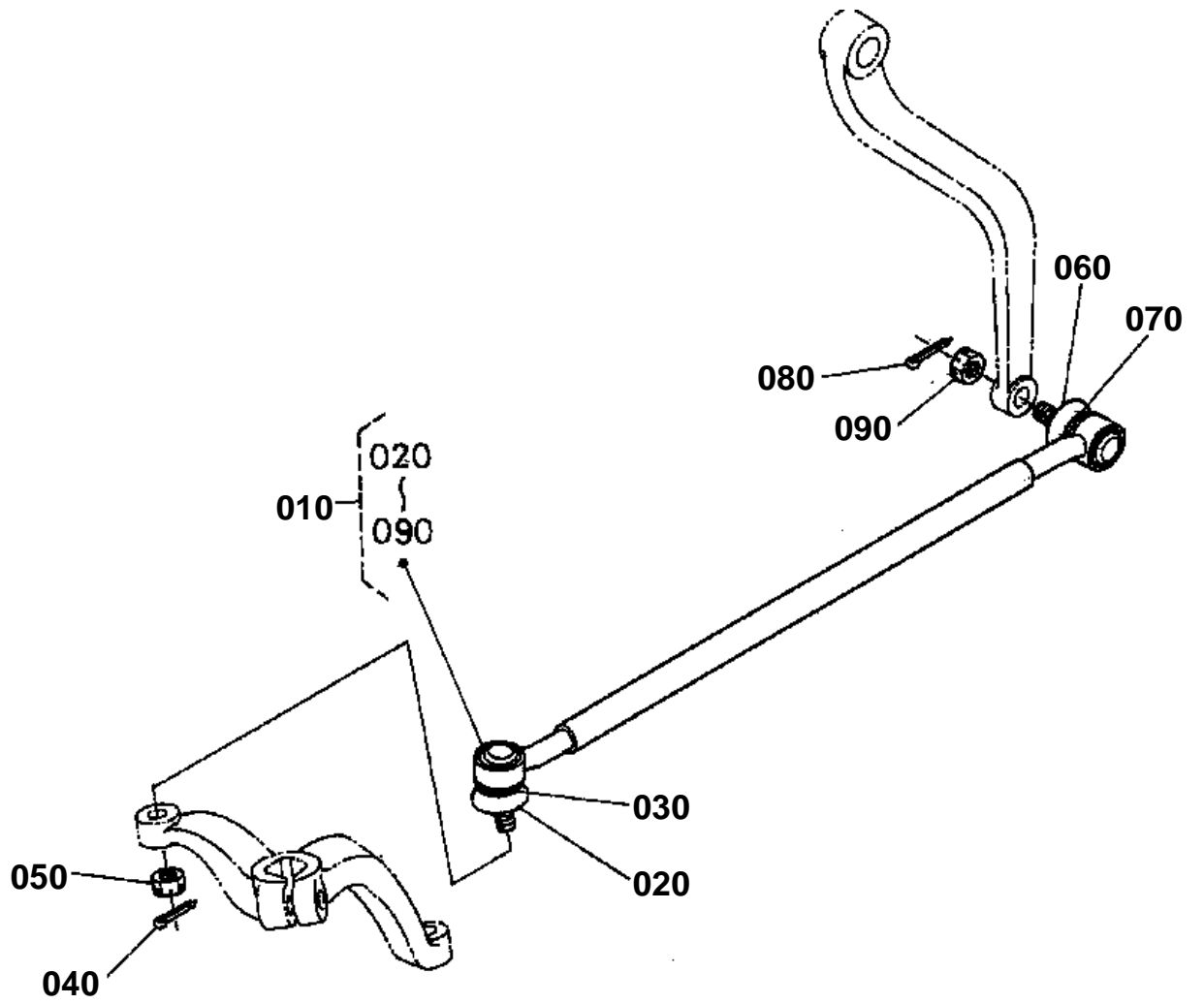


FRONT AXLE FRAME

↔ Interchangeable; ≠ not interchangeable; ← new for old; → old for new

REF.No	Part No.	Description	Q'ty	S.No.	I/C	REMARKS	Weight (kgf)	Weight (lb)
010	32400-13610	FRAME FRONT AXLE	1				0	0
020	01176-51235	BOLT	12				0.041	0.0902
030	01176-51245	BOLT	2				0.05	0.11
040	04512-50120	WASHER SPRING	14				0	0
050	01176-51030	BOLT	1				0	0
060	04512-60100	WASHER SPRING	1				0.002	0.0044
070	32400-13810	BUMPER	1	<=19999		BLUE	6	13.2
070	32310-13810	BUMPER	1	>=20001	↔	GRAY	1.4	3.08
080	01173-51435	BOLT	4				0.056	0.1232
090	04512-60140	WASHER SPRING	4				0.006	0.0132

STEERING LINKAGE (DRAG LINK)



32310-072-10

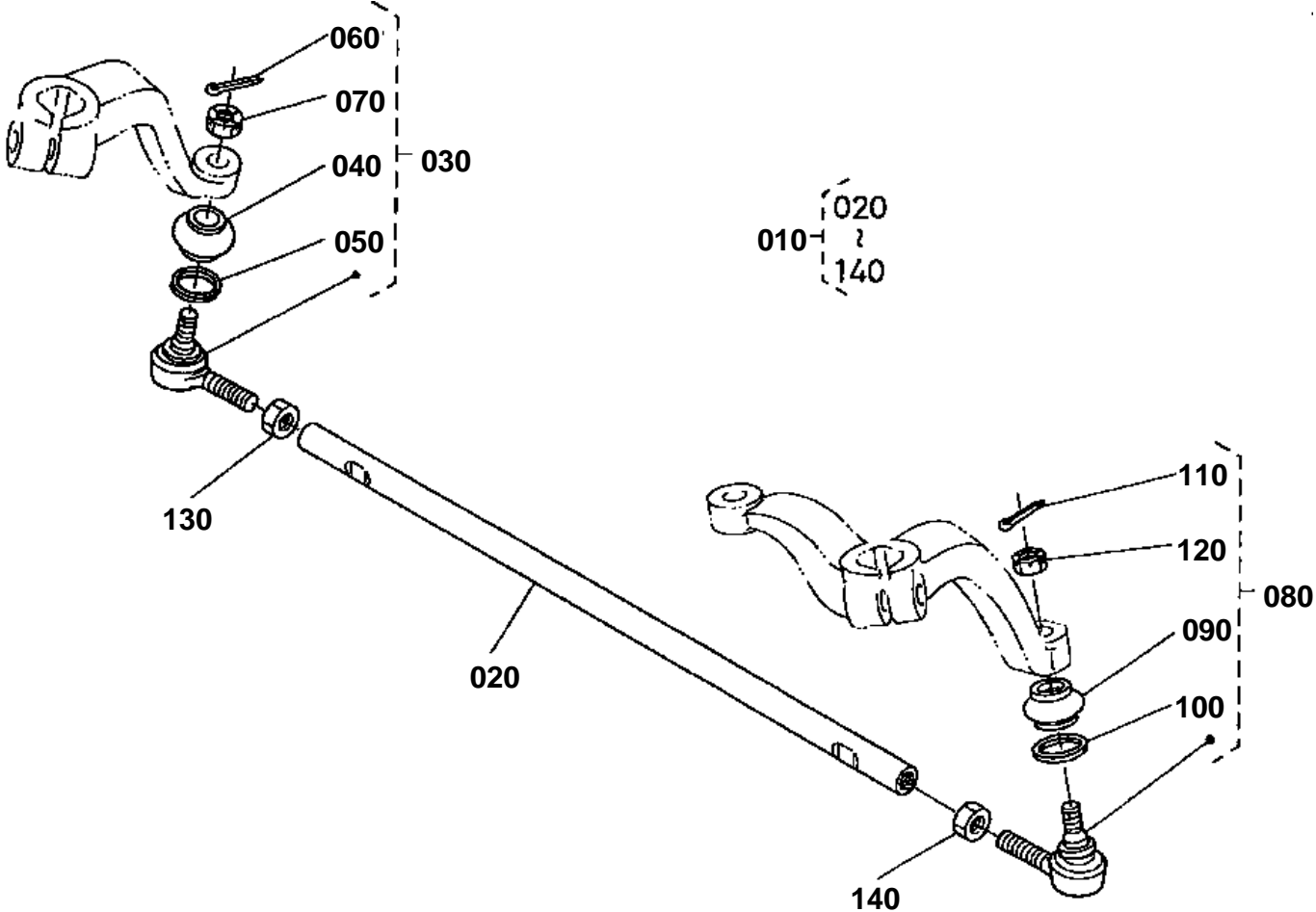


STEERING LINKAGE (DRAG LINK)

↔ Interchangeable; ≠ not interchangeable; ← new for old; → old for new

REF.No	Part No.	Description	Q'ty	S.No.	I/C	REMARKS	Weight (kgf)	Weight (lb)
010	32400-12200	ASSY LINK DRAG	1				2.1	4.62
020	38240-12650	COVER DUST	1				0.01	0.022
030	38240-12660	CLIP	1				0.005	0.011
040	05511-50325	PIN SPLIT	1				0.002	0.0044
050	38240-12830	NUT	1				0.008	0.0176
060	38240-12650	COVER DUST	1				0.01	0.022
070	38240-12660	CLIP	1				0.005	0.011
080	05511-50325	PIN SPLIT	1				0.002	0.0044
090	38240-12830	NUT	1				0.008	0.0176

STEERING LINKAGE (TIE LINK)



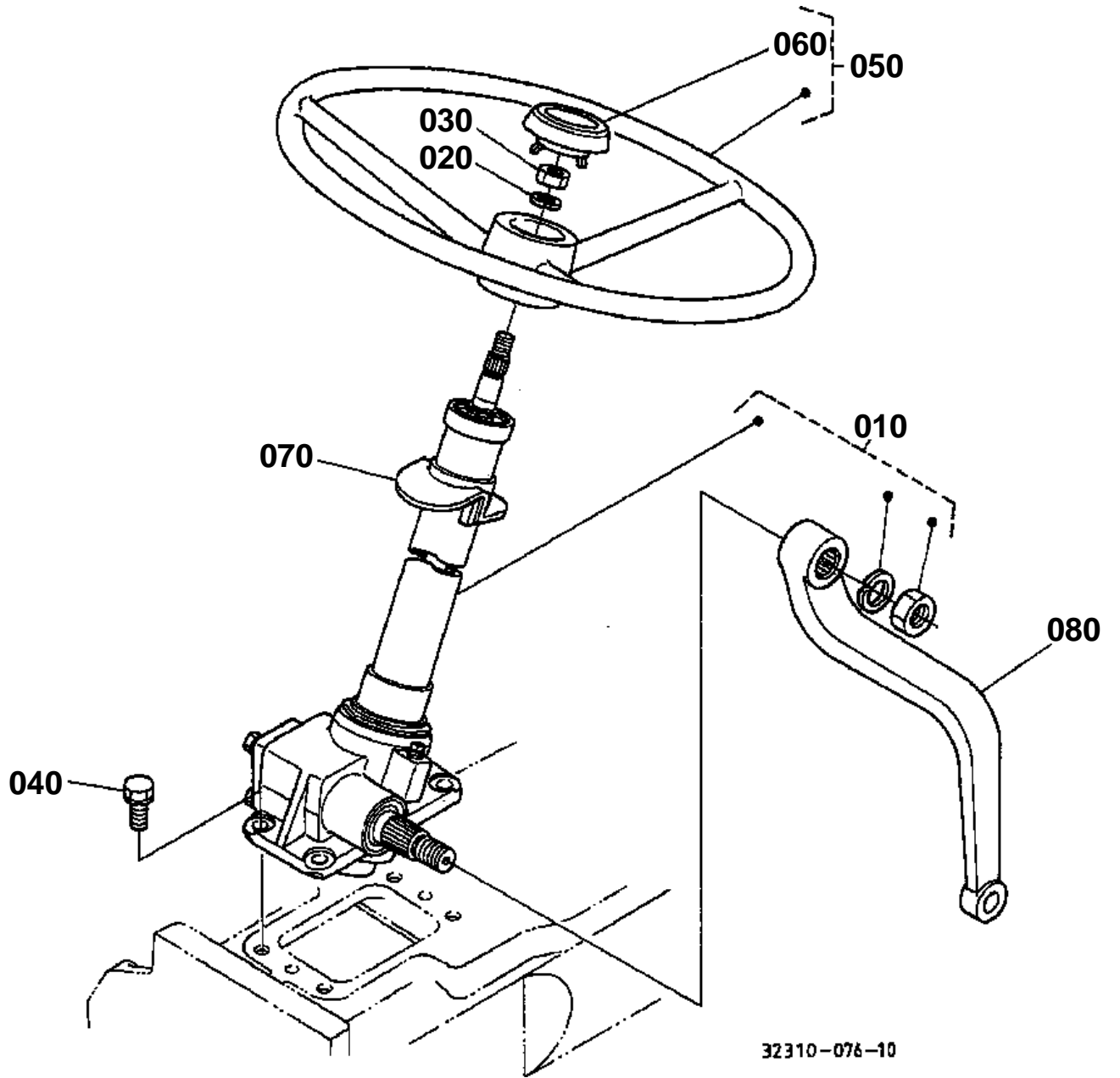
32310-073-10



STEERING LINKAGE (TIE LINK)

↔ Interchangeable; ≠ not interchangeable; ← new for old; → old for new

REF.No	Part No.	Description	Q'ty	S.No.	I/C	REMARKS	Weight (kgf)	Weight (lb)
010	32400-12400	ASSY ROD TIE	1				2.6	5.72
020	32400-12410	ROD TIE	1				1.95	4.29
030	38440-44780	ASSY END TIE ROD RH	1				0.322	0.7084
040	38240-12650	COVER DUST	1				0.01	0.022
050	38240-12660	CLIP	1				0.005	0.011
060	05511-50325	PIN SPLIT	1				0.002	0.0044
070	38240-12830	NUT	1				0.008	0.0176
080	38440-44790	ASSY END TIE ROD LH	1				0.32	0.704
090	38240-12650	COVER DUST	1				0.01	0.022
100	38240-12660	CLIP	1				0.005	0.011
110	05511-50325	PIN SPLIT	1				0.002	0.0044
120	38240-12830	NUT	1				0.008	0.0176
130	02174-50160	NUT	1				0.022	0.0484
140	32240-12280	NUT	1				0.017	0.0374

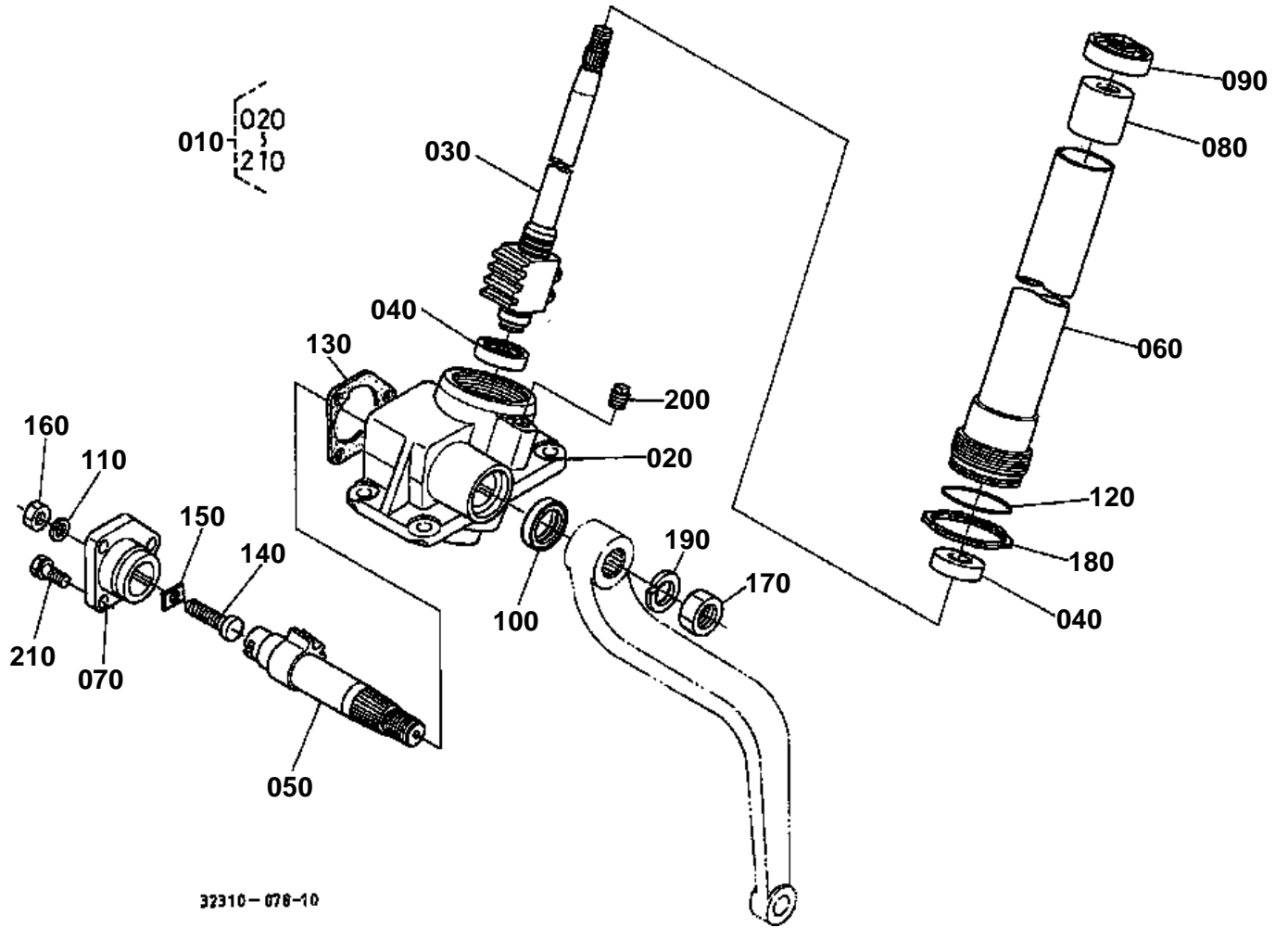




MANUAL STEERING AND HANDLE (MS)

↔ Interchangeable; ≠ not interchangeable; ← new for old; → old for new

REF.No	Part No.	Description	Q'ty	S.No.	I/C	REMARKS	Weight (kgf)	Weight (lb)
010	32400-16100	ASSY STEERING	1			REFER TO L.No.0F10-L0 FOR COMPONENTS.	7	15.4
020	04512-50120	WASHER SPRING	1				0	0
030	02176-50120	NUT	1				0.01	0.022
040	01133-51025	BOLT	4				0.023	0.0506
050	32400-16800	ASSY WHEEL STEERING	1				1.96	4.312
060	32400-16820	PAD STEERING	1				0.05	0.11
070	32400-16850	COVER POST	1				0.03	0.066
080	35260-43930	ARM PITMAN	1				1.19	2.618

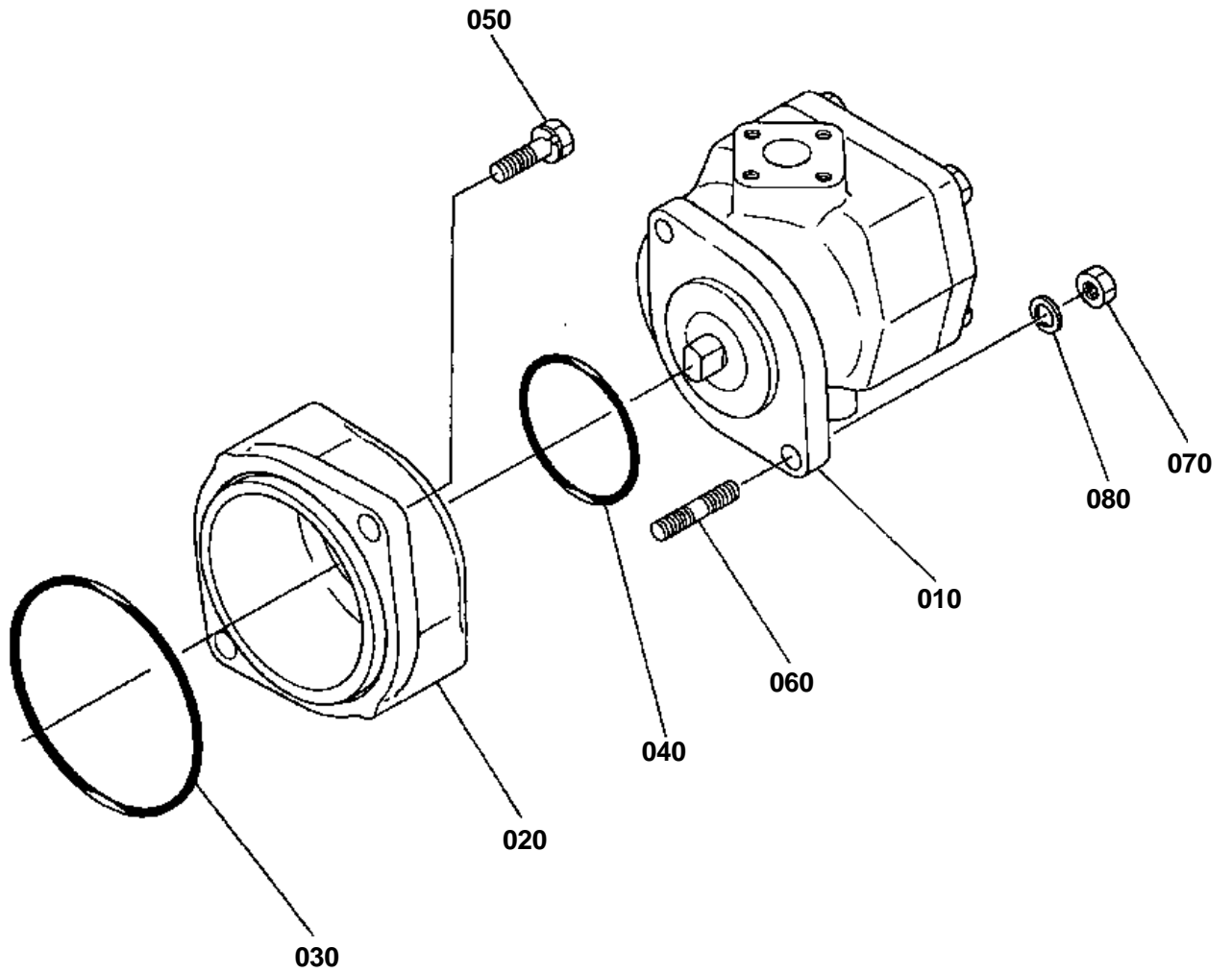


**MANUAL STEERING [COMPONENT PARTS]**

↔ Interchangeable; ≠ not interchangeable; ← new for old; → old for new

REF.No	Part No.	Description	Q'ty	S.No.	I/C	REMARKS	Weight (kgf)	Weight (lb)
010	32400-16100	ASSY STEERING	1				7	15.4
020	32400-16110	CASE GEAR	1				2.5	5.5
030	35200-16200	COMP.NUT BALL	1				1.31	2.882
040	38260-16210	BEARING BALL	2				0.06	0.132
050	35240-16120	SHAFT SECTOR	1				0	0
060	38240-16300	COMP.CULUMN STEERING	1				1.21	2.662
070	34150-16410	COVER SIDE	1				0.361	0.7942
080	38240-16520	BUSH	1				0.04	0.088
090	38240-16390	SEAL OIL	1				0.03	0.066
100	09500-26387	SEAL OIL	1				0.008	0.0176
110	38430-16490	WASHER SEAL	1				0.015	0.033
120	38240-16320	O RING	1				0.002	0.0044
130	34150-16420	GASKET	1				0.001	0.0022
140	32130-16480	SCREW ADJUSTING	1				0.025	0.055
150	34150-16440	COLLAR ADJUSTING	1			1.515 TO 1.535MM	0.002	0.0044
150	34150-16450	COLLAR ADJUSTING	1			1.545 TO 1.565MM	0.002	0.0044
150	34150-16460	COLLAR ADJUSTING	1			1.575 TO 1.595MM	0.002	0.0044
150	34150-16470	COLLAR ADJUSTING	1			1.605 TO 1.625MM	0.002	0.0044
150	34150-16480	COLLAR ADJUSTING	1			1.635 TO 1.655MM	0.002	0.0044
160	02116-50100	NUT	1				0.004	0.0088
170	02172-50200	NUT	1				0.03	0.066
180	38240-16630	NUT	1				0.035	0.077
190	04512-60200	WASHER SPRING	1				0.02	0.044
200	34150-16640	PLUG	1				0.015	0.033
210	01123-50820	BOLT	3				0.011	0.0242

HYDRAULIC PUMP

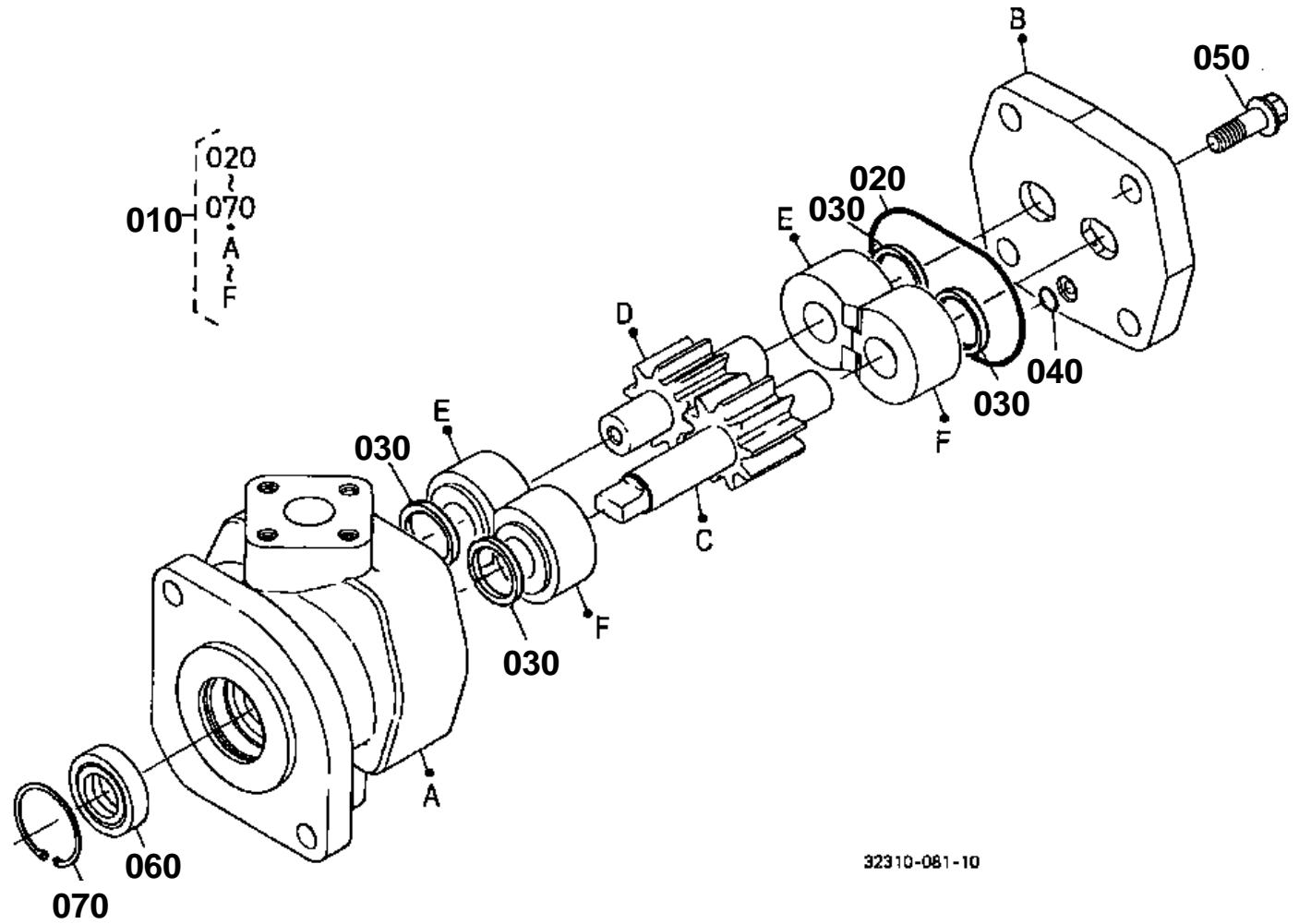


32310-080-10

**HYDRAULIC PUMP**

↔ Interchangeable; ≠ not interchangeable; ← new for old; → old for new

REF.No	Part No.	Description	Q'ty	S.No.	I/C	REMARKS	Weight (kgf)	Weight (lb)
010	38180-76100	ASSY PUMP HYDRAULIC	1			REFER TO L.No.0E13-L0 FOR COMPONENTS.	2.3	5.06
020	38180-37850	HOLDER PUMP	1				0.25	0.55
030	04811-10850	O RING	1				0.002	0.0044
040	04811-10500	O RING	1				0.001	0.0022
050	01123-50822	BOLT	2				0.012	0.0264
060	38240-36330	STUD	2				0.008	0.0176
070	02054-50080	NUT	2				0.005	0.011
080	04512-60080	WASHER SPRING	2				0.002	0.0044



32310-081-10

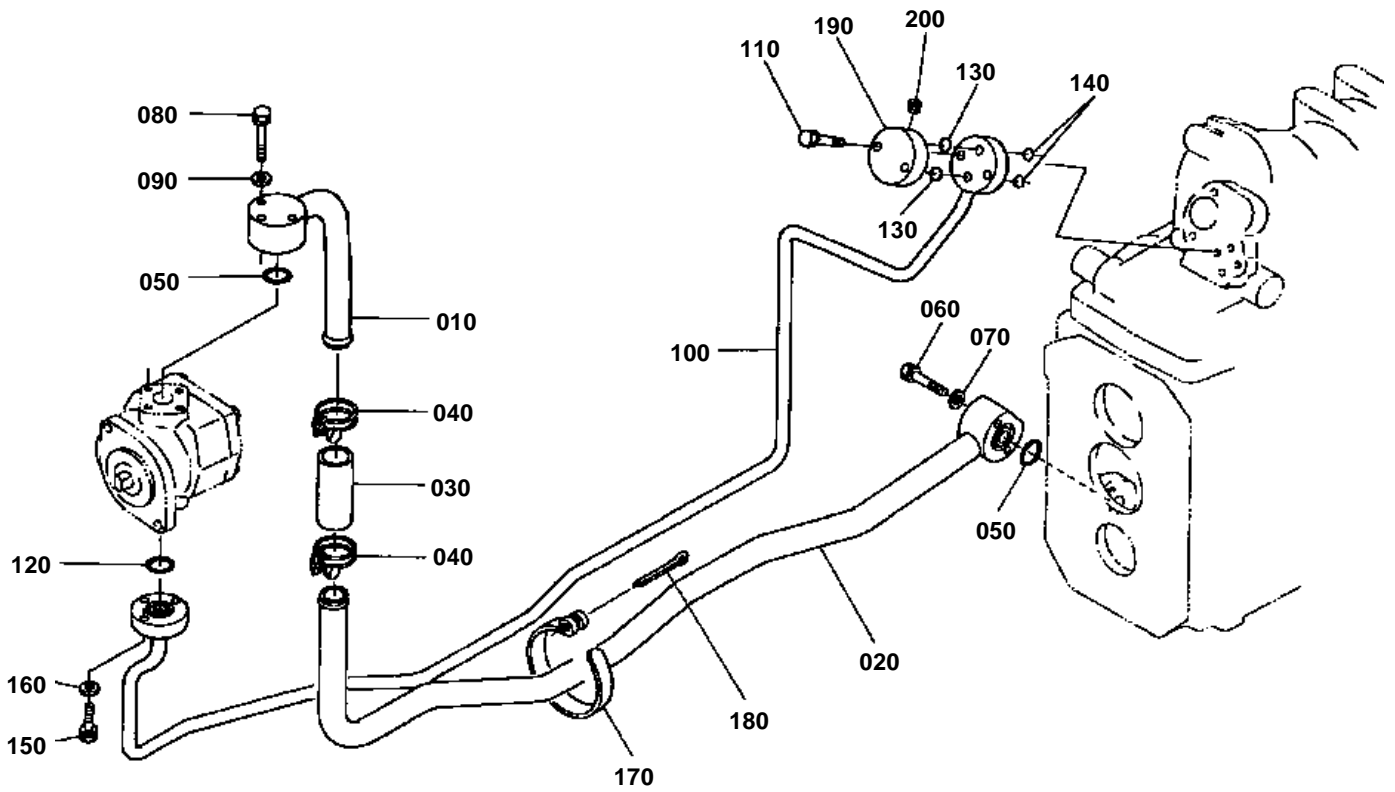


HYDRAULIC PUMP [COMPONENT PARTS]

↔ Interchangeable; ≠ not interchangeable; ← new for old; → old for new

REF.No	Part No.	Description	Q'ty	S.No.	I/C	REMARKS	Weight (kgf)	Weight (lb)
010	38180-76100	ASSY PUMP HYDRAULIC	1				2.3	5.06
020	04810-50550	O RING	1				0.002	0.0044
030	38180-76172	SQUARE RING	4				0.002	0.0044
040	04810-00050	O RING	1				0.001	0.0022
050	01754-51030	BOLT FLANGE	4				0.03	0.066
060	31381-76190	SEAL OIL	1				0.007	0.0154
070	04611-00280	CIR CLIP INTERNAL	1				0.002	0.0044

HUDRAULIC OIL LINE



32310-082-10

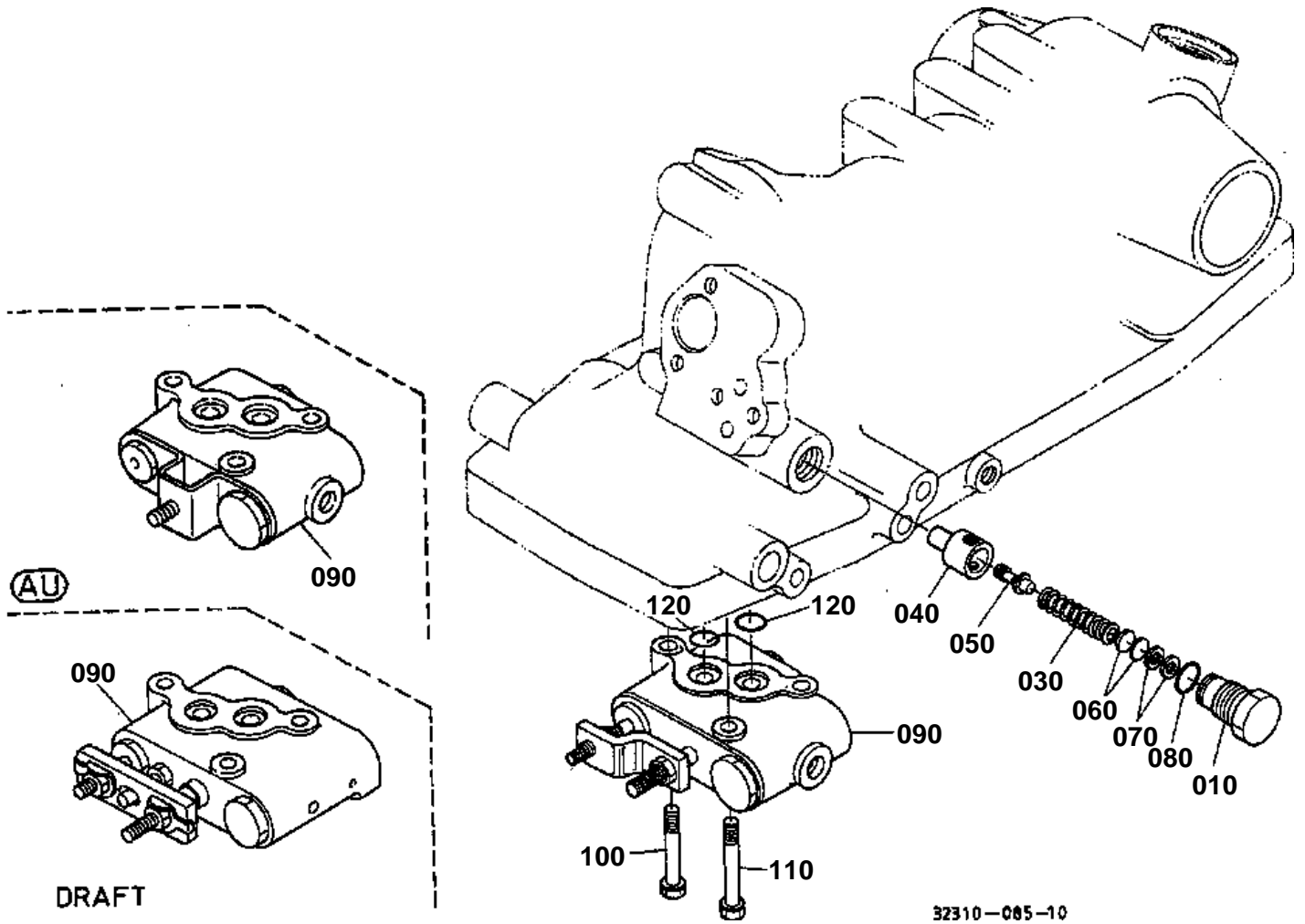


HUDRAULIC OIL LINE

↔ Interchangeable; ≠ not interchangeable; ← new for old; → old for new

REF.No	Part No.	Description	Q'ty	S.No.	I/C	REMARKS	Weight (kgf)	Weight (lb)
010	32400-38120	PIPE INLET	1				0.41	0.902
020	32400-38130	PIPE INLET	1				0.95	2.09
030	37150-37770	PIPE RUBBER	1				0.035	0.077
040	37150-37782	CLAMP	2				0.024	0.0528
050	04811-00200	O RING	2				0.001	0.0022
060	01123-50850	BOLT	2				0.02	0.044
070	04013-50080	WASHER PLAIN	2				0	0
080	01023-50645	BOLT	3				0.01	0.022
090	04013-60060	WASHER PLAIN	3				0.001	0.0022
100	32400-38210	COMP.PIPE DELIVERY	1				0.9	1.98
110	01123-50850	BOLT	2				0.02	0.044
120	04810-00200	O RING	1				0.001	0.0022
130	04810-00120	O RING	2				0.001	0.0022
140	04810-00100	O RING	2				0.001	0.0022
150	01023-50625	BOLT	3				0.007	0.0154
160	04013-60060	WASHER PLAIN	3				0.001	0.0022
170	37150-38950	BAND PIPE	1				0.02	0.044
180	33430-82760	PIN BAND	1				0.004	0.0088
190	31351-38310	CAP	1				0.135	0.297
200	06312-10010	PLUG	1				0.007	0.0154

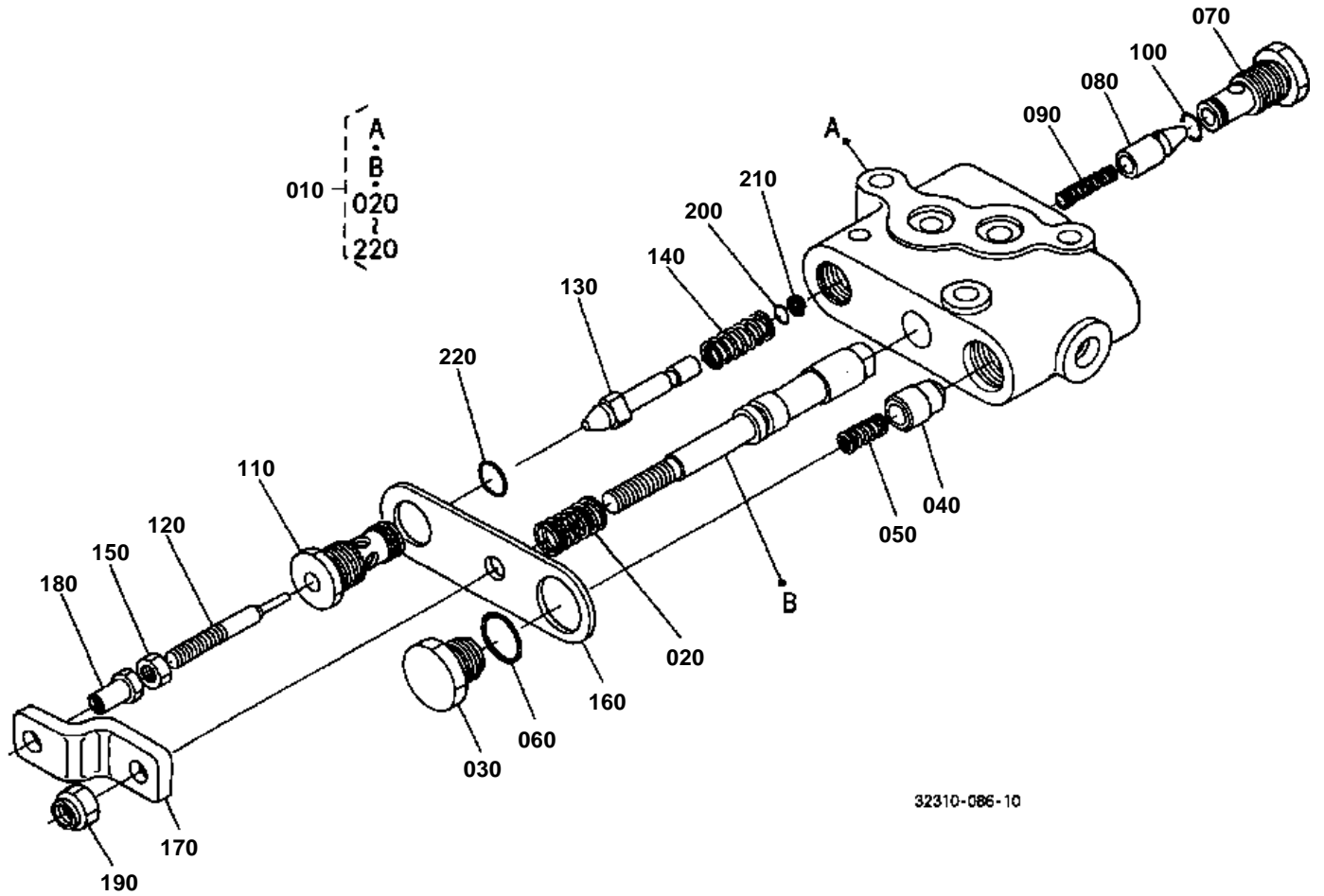
CONTROL VALVE



**CONTROL VALVE**

↔ Interchangeable; ≠ not interchangeable; ← new for old; → old for new

REF.No	Part No.	Description	Q'ty	S.No.	I/C	REMARKS	Weight (kgf)	Weight (lb)
010	31351-37910	PLUG	1				0.06	0.132
030	31351-37920	SPRING RELIEF	1				0.02	0.044
040	31351-37930	SEAT RELIEF VALVE	1				0.02	0.044
050	31351-37940	POPPET	1				0.005	0.011
060	31351-37950	SHIM	5			0.40MM	0.001	0.0022
060	31351-37960	SHIM	2			0.20MM	0.001	0.0022
060	31351-37970	SHIM	2			0.10MM	0.001	0.0022
070	04013-50050	WASHER PLAIN	2				0	0
080	04811-10160	O RING	1				0.001	0.0022
090	31391-39000	ASSY VALVE CONTROL	1			REFER TO L.No.0E16-L0 FOR COMPONENTS. [A	0	0
090	32430-39100	ASSY VALVE CONTROL	1			REFER TO L.No.0E16-R0 FOR COMPONENTS. [A	1.63	3.586
090	31351-39600	VALVE CONTROL	1			REFER TO L.No.0F01-L0 FOR COMPONENTS.	1.95	4.29
100	01123-50845	BOLT	1				0.02	0.044
110	01123-50850	BOLT	2				0.02	0.044
120	04810-00120	O RING	2				0.001	0.0022

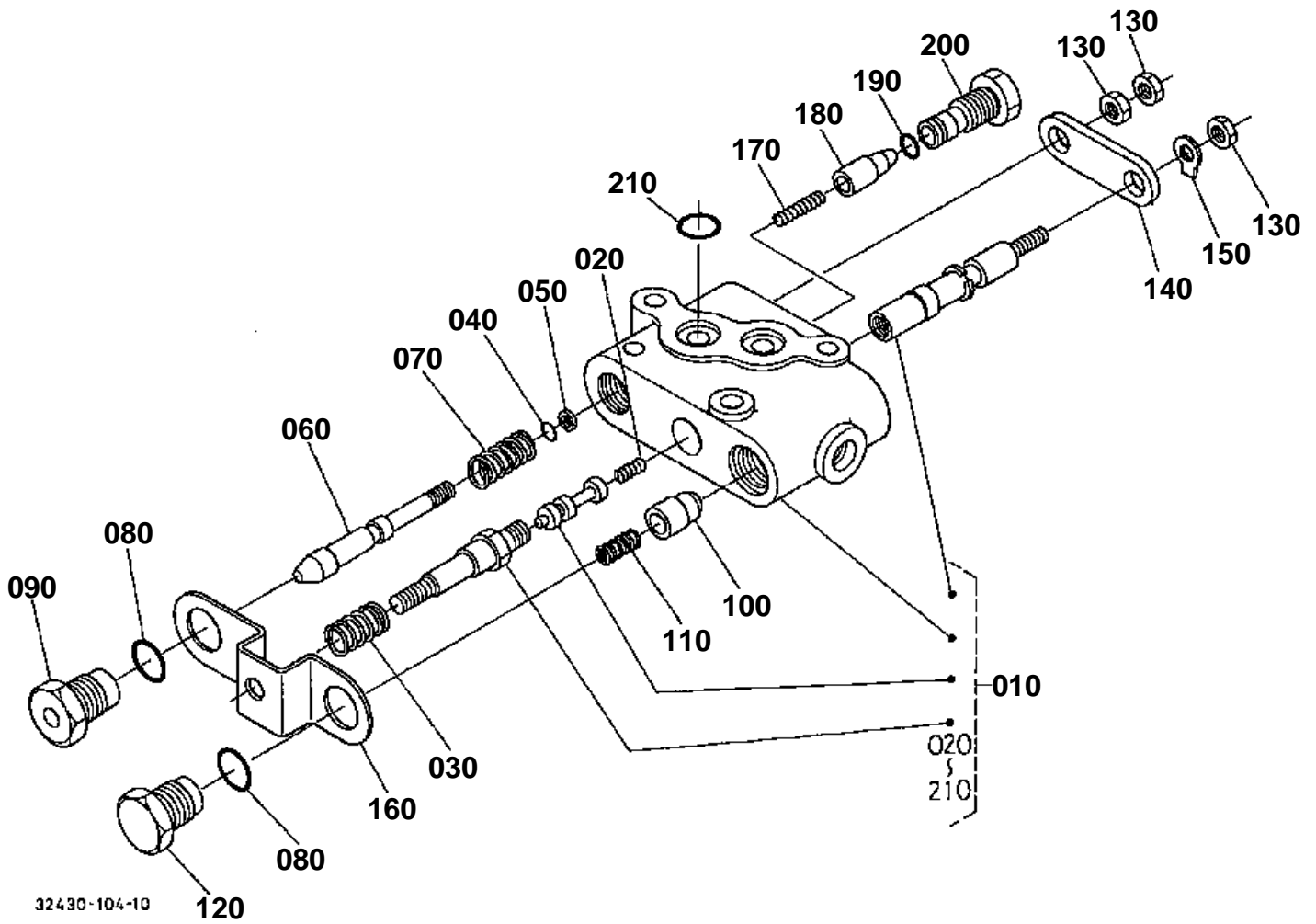


32310-086-10

**CONTROL VALVE (POSITION) [A] [CA] [COMPONENT PARTS]**

↔ Interchangeable; ≠ not interchangeable; ← new for old; → old for new

REF.No	Part No.	Description	Q'ty	S.No.	I/C	REMARKS	Weight (kgf)	Weight (lb)
010	31391-39000	ASSY VALVE CONTROL	1				0	0
020	31351-39130	SPRING SPOOL	1				0.005	0.011
030	31351-39140	PLUG	1				0.05	0.11
040	31351-39150	POPPET	1				0.02	0.044
050	67531-38470	SPRING	1				0.001	0.0022
060	04811-00160	O RING	1				0.001	0.0022
070	31391-39170	PLUG	1				0.05	0.11
080	31391-39180	POPPET	1				0.015	0.033
090	31391-39190	SPRING	1				0.001	0.0022
100	04810-00090	O RING	1				0.001	0.0022
110	31351-39200	PLUG	1				0.04	0.088
120	31351-39210	RETAINER ROD	1				0.013	0.0286
130	31351-39180	POPPET	1				0.025	0.055
140	31351-39190	SPRING	1				0.008	0.0176
150	02056-50060	NUT	1				0.002	0.0044
160	31351-39240	PLATE	1				0.05	0.11
170	31351-39250	PLATE JOINT	1				0.052	0.1144
180	31351-39260	NUT ADJUSTING	1				0.008	0.0176
190	31351-39270	U NUT	1				0.005	0.011
200	04811-00050	O RING	1				0.001	0.0022
210	31351-39290	RING BACK UP	1				0.001	0.0022
220	04810-06100	O RING	1				0.001	0.0022

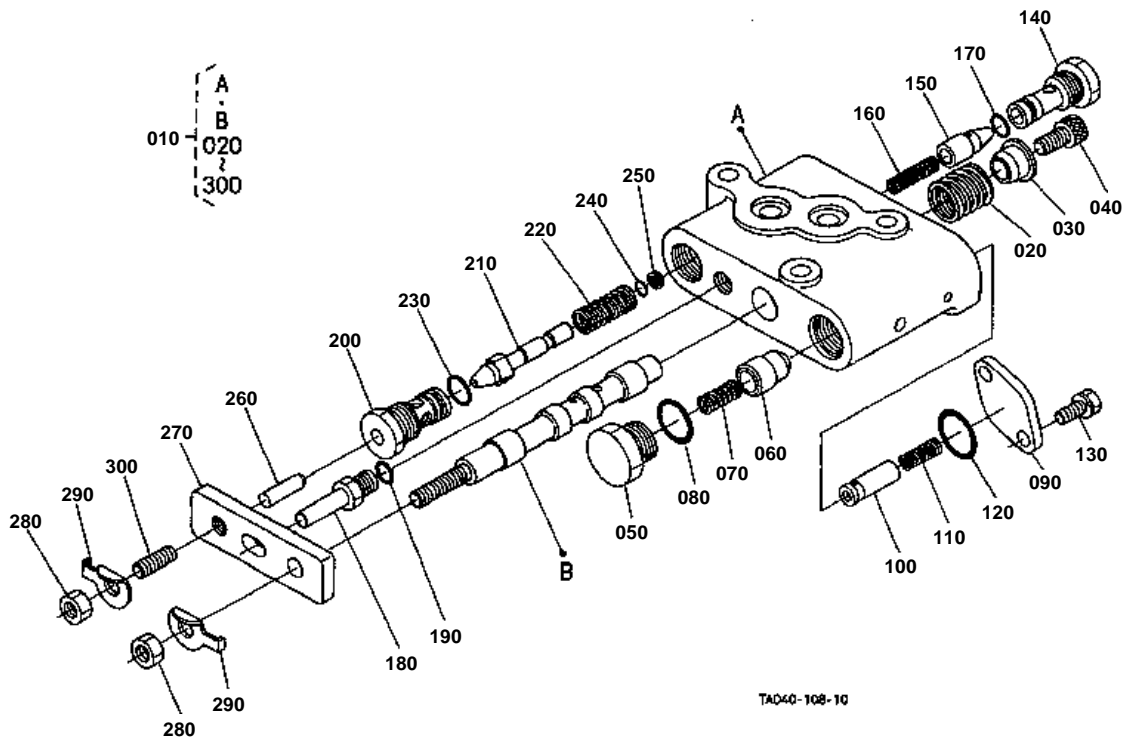


**CONTROL VALVE (POSITION) [AU] [COMPONENT PARTS]**

↔ Interchangeable; ≠ not interchangeable; ← new for old; → old for new

REF.No	Part No.	Description	Q'ty	S.No.	I/C	REMARKS	Weight (kgf)	Weight (lb)
010	32430-39100	ASSY VALVE CONTROL	1				1.63	3.586
020	32430-39150	SPRING	1				0.002	0.0044
030	32430-39160	SPRING RETURN	1				0.005	0.011
040	04811-00070	O RING	1				0.001	0.0022
050	37150-36630	RING BACK UP	1				0.001	0.0022
060	37150-36460	POPPET	1				0.005	0.011
070	37150-36450	SPRING	1				0.005	0.011
080	04811-00150	O RING	2				0.001	0.0022
090	37150-36470	PLUG SEAT	1				0.04	0.088
100	37150-36480	VALVE UNLOAD	1				0.02	0.044
110	37150-36490	SPRING	1				0.005	0.011
120	37150-36520	PLUG	1				0.043	0.0946
130	02112-50080	NUT	3				0.003	0.0066
140	37150-36540	PLATE	1				0.145	0.319
150	37150-36560	WASHER LOCK	1				0.01	0.022
160	32430-39240	PLATE	1				0.045	0.099
170	37150-36580	SPRING	1				0.005	0.011
180	37150-36590	VALVE CHECK	1				0.015	0.033
190	04810-00090	O RING	1				0.001	0.0022
200	37150-36440	SEAT	1				0.035	0.077
210	04810-00120	O RING	1				0.001	0.0022

CONTROL VALVE [OPTION] [COMPONENT PARTS]

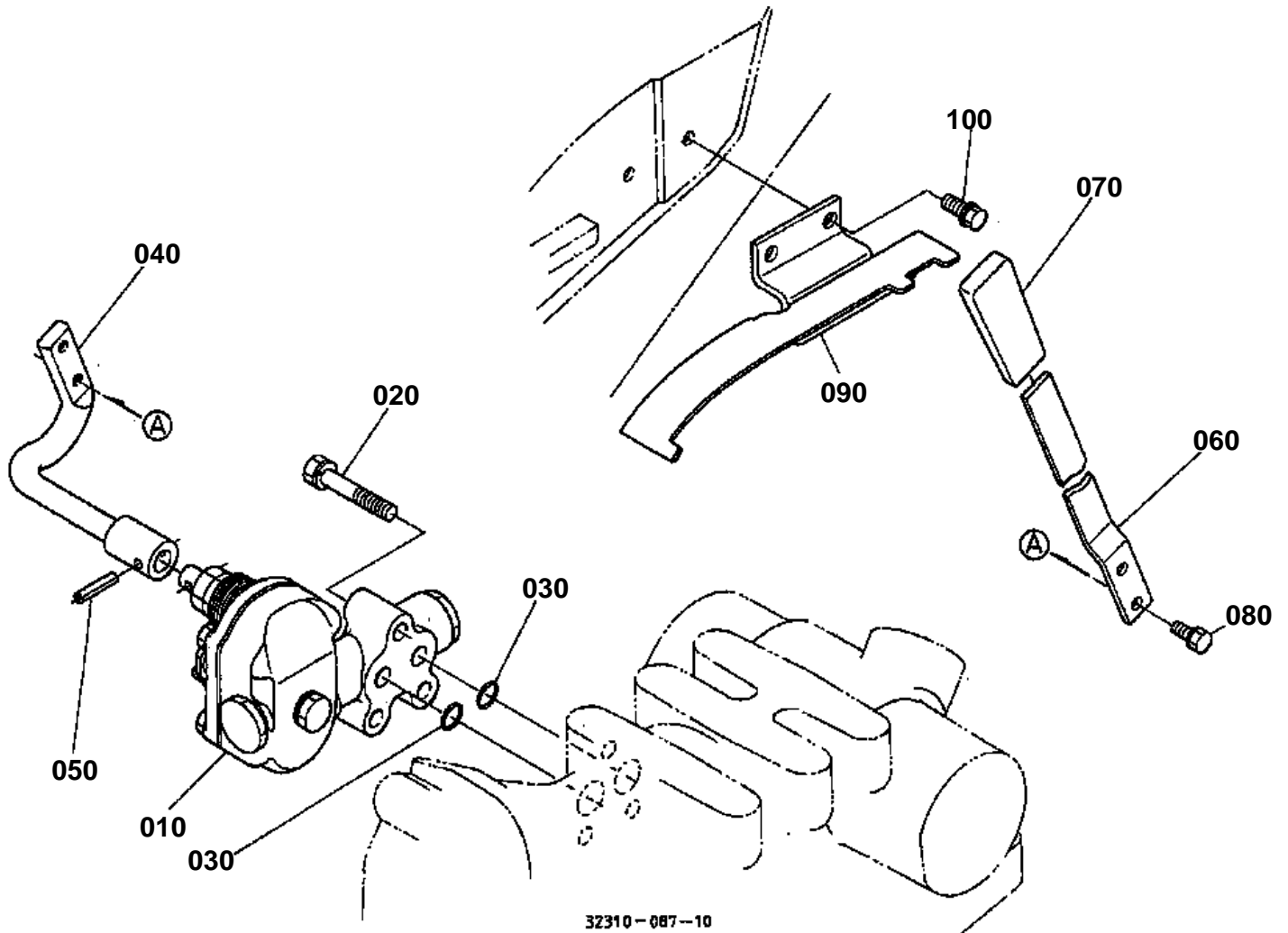


TAC40-108-10

**CONTROL VALVE [OPTION] [COMPONENT PARTS]**

↔ Interchangeable; ≠ not interchangeable; ← new for old; → old for new

REF.No	Part No.	Description	Q'ty	S.No.	I/C	REMARKS	Weight (kgf)	Weight (lb)
010	31351-39600	VALVE CONTROL	1				1.95	4.29
020	31351-39630	SPRING SPOOL	1				0.02	0.044
030	31351-39640	HOLDER SPRING	1				0.02	0.044
040	01311-10814	BOLT HEX-SOC-HD	1				0.012	0.0264
050	31351-39650	PLUG	1				0.04	0.088
060	31351-39150	POPPET	1				0.02	0.044
070	67531-38470	SPRING	1				0.001	0.0022
080	04811-00140	O RING	1				0.001	0.0022
090	31351-39660	PLATE	1				0.05	0.11
100	31351-39670	POPPET	1				0.01	0.022
110	31351-39680	SPRING	1				0.01	0.022
120	04811-00160	O RING	1				0.001	0.0022
130	01023-50614	BOLT	2				0.005	0.011
140	31351-39690	PLUG	1				0.05	0.11
150	31391-39180	POPPET	1				0.015	0.033
160	31391-39190	SPRING	1				0.001	0.0022
170	04810-00090	O RING	1				0.001	0.0022
180	31351-39720	PIN FULCRUM	1				0.025	0.055
190	04811-00080	O RING	1				0.001	0.0022
200	31351-39730	PLUG	1				0.05	0.11
210	31351-39180	POPPET	1				0.025	0.055
220	31351-39190	SPRING	1				0.008	0.0176
230	04810-06100	O RING	1				0.001	0.0022
240	04811-00050	O RING	1				0.001	0.0022
250	31351-39290	RING BACK UP	1				0.001	0.0022
260	31351-39740	RETAINER ROD	1				0.005	0.011
270	31351-39750	PLATE JOINT	1				0.05	0.11
280	02156-50080	NUT	2				0.004	0.0088
290	04111-50080	WASHER	2				0.001	0.0022
300	03650-50816	SCREW SET	1				0.01	0.022



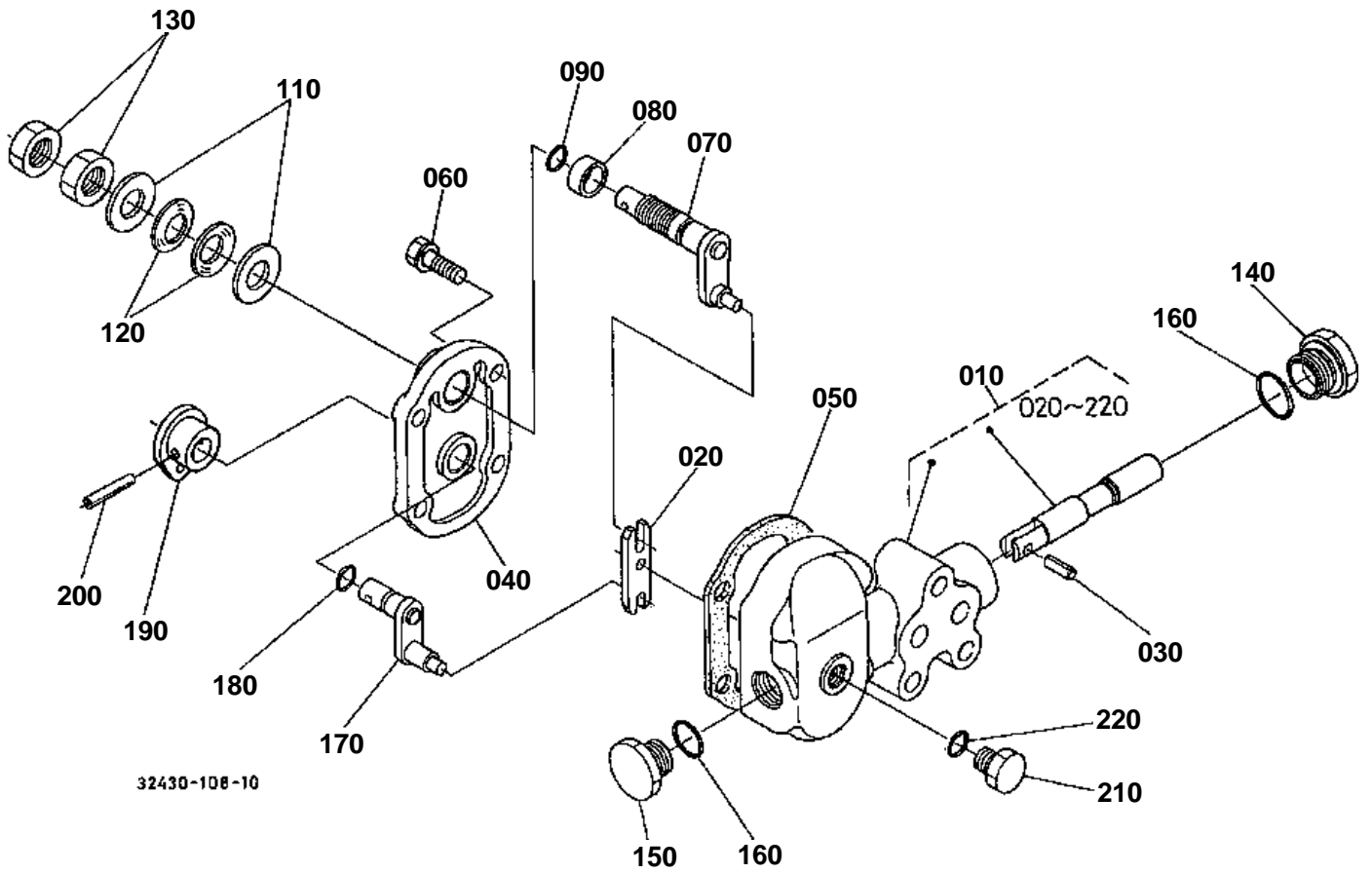


DRAFT CONTROL VALVE [OPTION]

↔ Interchangeable; ≠ not interchangeable; ← new for old; → old for new

REF.No	Part No.	Description	Q'ty	S.No.	I/C	REMARKS	Weight (kgf)	Weight (lb)
010	35080-41100	ASSY VALVE DRAFT CON	1			REFER TO L.No.0F02-L0 FOR COMPONENTS.	2.5	5.5
020	01123-50845	BOLT	3				0.02	0.044
030	04810-00140	O RING	2				0.001	0.0022
040	32430-41240	LEVER DRAFT CON.	1				0.3	0.66
050	05411-00525	PIN SPRING	1				0.002	0.0044
060	32400-41250	LEVER DRAFT CON.	1				0.12	0.264
070	31351-36880	GRIP LEVER	1				0.04	0.088
080	01023-50612	BOLT	2				0.005	0.011
090	32400-41260	GUIDE DRAFT LEVER	1				0.27	0.594
100	01754-50812	BOLT FLANGE	2				0.01	0.022

DRAFT CONTROL VALVE [OPTION] [COMPONENT PARTS]

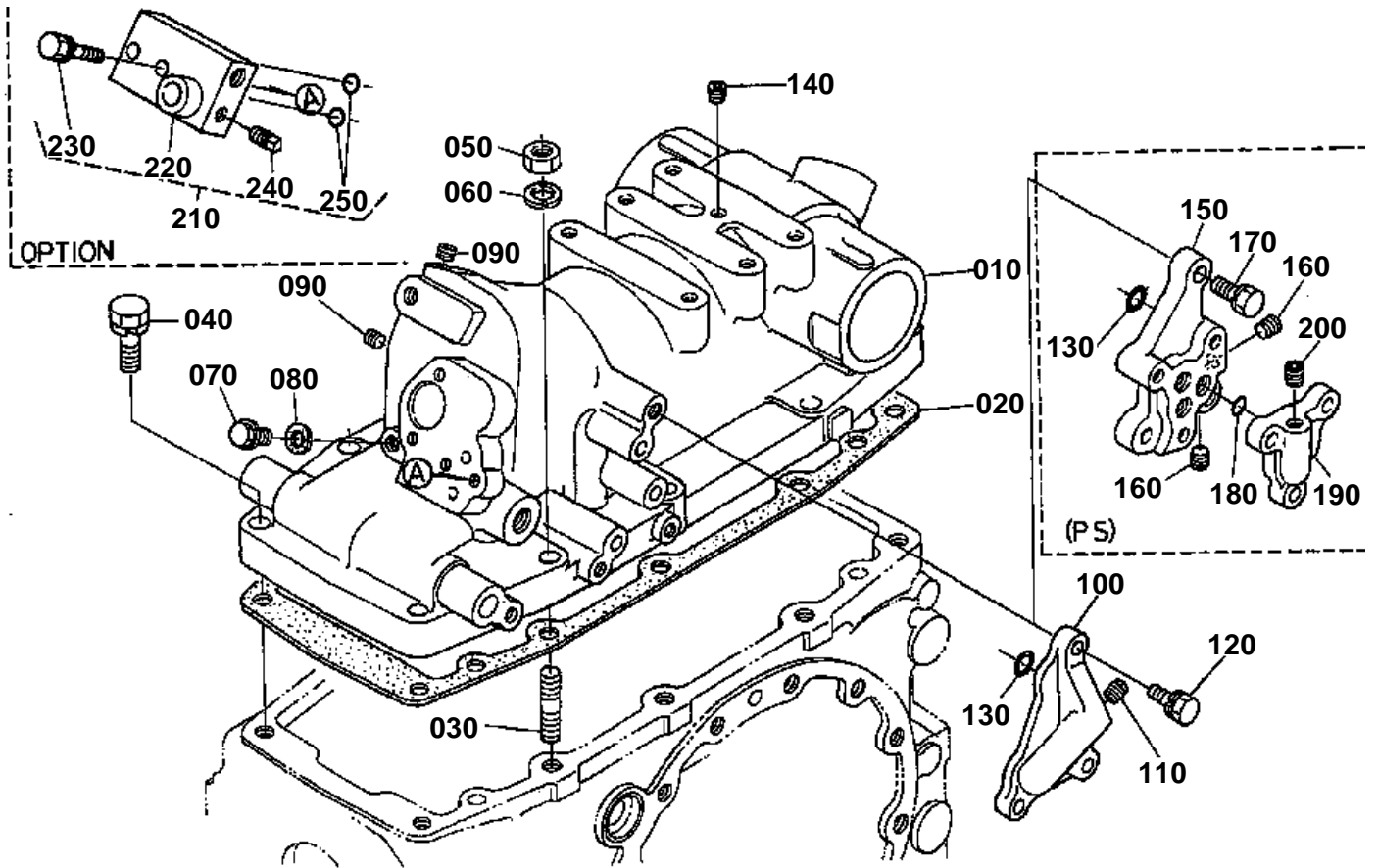


**DRAFT CONTROL VALVE [OPTION] [COMPONENT PARTS]**

↔ Interchangeable; ≠ not interchangeable; ← new for old; → old for new

REF.No	Part No.	Description	Q'ty	S.No.	I/C	REMARKS	Weight (kgf)	Weight (lb)
010	35080-41100	ASSY VALVE DRAFT CON	1				2.5	5.5
020	35080-41130	LEVER SPOOL DRIVE	1				0.02	0.044
030	05411-00614	PIN SPRING	1				0.002	0.0044
040	35080-41140	COVER VALVE	1				0.39	0.858
050	35080-41150	GASKET	1				0.005	0.011
060	01123-50830	BOLT	4				0.015	0.033
070	35080-41160	ARM CONTROL	1				0.09	0.198
080	35080-41270	COLLAR	1				0.015	0.033
090	04811-06100	O RING	1				0.001	0.0022
110	04013-60140	WASHER PLAIN	2				0.01	0.022
120	37300-41280	SPRING PLATE	2				0.005	0.011
130	02172-50140	NUT	2				0.01	0.022
140	35080-41170	PLUG	1				0.04	0.088
150	35080-41230	PLUG	1				0.06	0.132
160	04811-00180	O RING	2				0.001	0.0022
170	35080-41180	ARM FEED BACK	1				0.05	0.11
180	04811-00090	O RING	1				0.001	0.0022
190	35080-41190	LEVER FEED BACK	1				0.05	0.11
200	05411-00520	PIN SPRING	1				0.002	0.0044
210	35080-41280	PLUG	1				0.025	0.055
220	04811-00110	O RING	1				0.001	0.0022

HYDRAULIC CYLINDER



32310-089-10

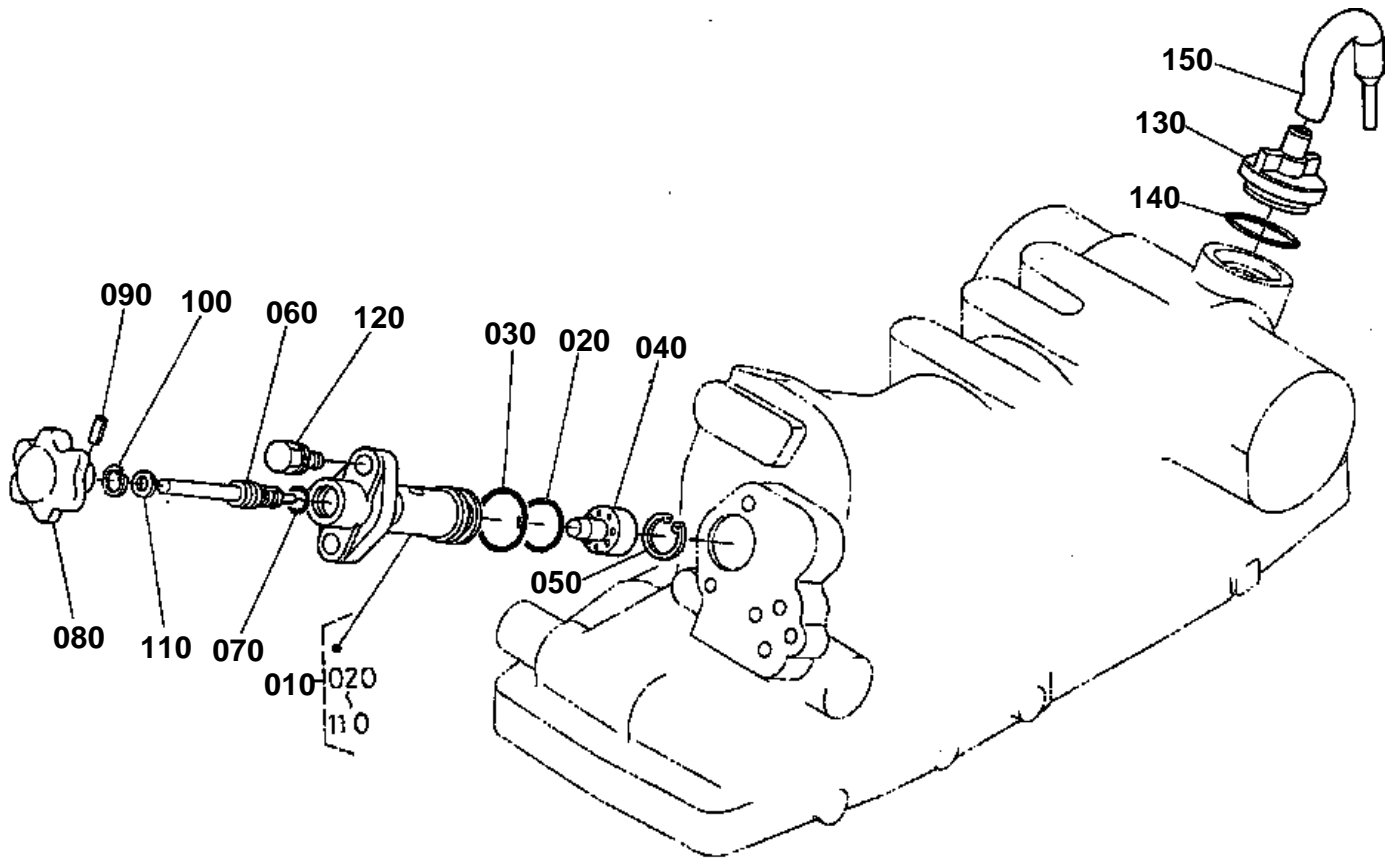


HYDRAULIC CYLINDER

↔ Interchangeable; ≠ not interchangeable; ← new for old; → old for new

REF.No	Part No.	Description	Q'ty	S.No.	I/C	REMARKS	Weight (kgf)	Weight (lb)
010	32412-37112	CASE HYD.CYLINDER	1				20	44
020	32425-37120	GASKET	1				0.025	0.055
030	01574-51245	STUD	2				0.051	0.1122
040	01133-51245	BOLT	8				0.055	0.121
050	02176-50120	NUT	2				0.01	0.022
060	04512-50120	WASHER SPRING	4				0	0
070	37150-36730	PLUG	1				0.03	0.066
080	37150-36720	GASKET	1				0.01	0.022
090	31351-37160	PLUG	2				0.003	0.0066
100	31351-37280	COVER CYL.LH	1			MANUAL STRG.	0.12	0.264
110	06312-10010	PLUG	1			MANUAL STRG.	0.007	0.0154
120	01123-50825	BOLT	3				0.013	0.0286
130	04810-00100	O RING	3				0.001	0.0022
140	31351-37160	PLUG	1				0.003	0.0066
210	32400-99810	ASSY OUTLET HYD.	1			OPTION	0.61	1.342
220	70760-62690	BLOCK HYD.OUTLET	1			OPTION	0.555	1.221
230	01123-50860	BOLT	2			OPTION	0.026	0.0572
240	31351-37160	PLUG	1			OPTION	0.003	0.0066
250	04810-00100	O RING	2			OPTION	0.001	0.0022

CYLINDER FRONT COVER



32310-089-10

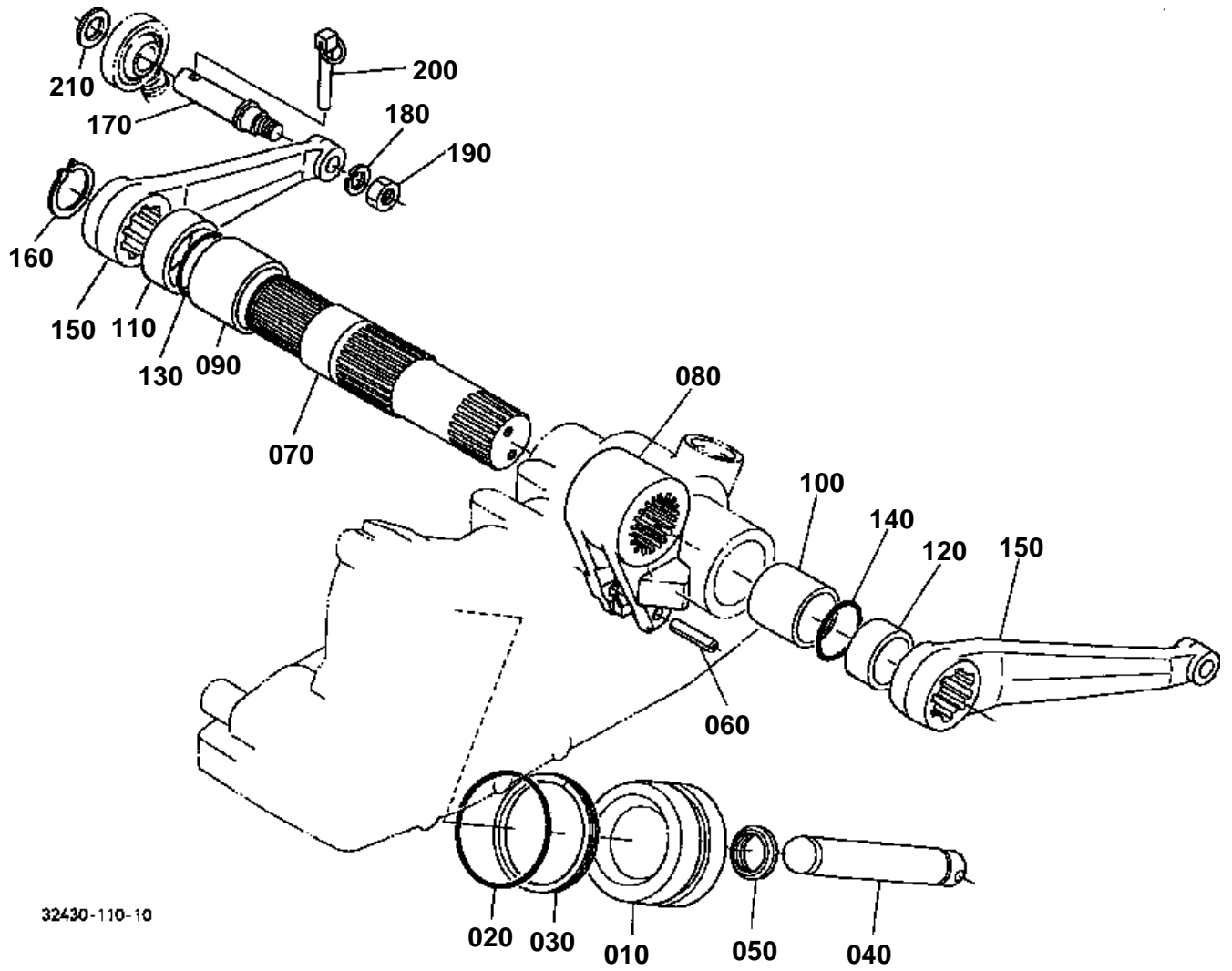


CYLINDER FRONT COVER

↔ Interchangeable; ≠ not interchangeable; ← new for old; → old for new

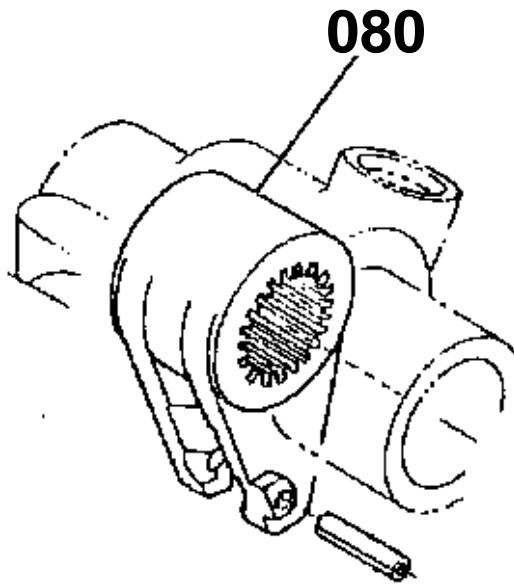
REF.No	Part No.	Description	Q'ty	S.No.	I/C	REMARKS	Weight (kgf)	Weight (lb)
010	31351-37200	ASSY COVER CYL.FRONT	1				0.3	0.66
020	04810-00220	O RING	1				0.001	0.0022
030	04810-06250	O RING	1				0.001	0.0022
040	38240-37250	COLLAR ADJUSTING	1				0.01	0.022
050	04611-00160	CIR CLIP INTERNAL	1				0.001	0.0022
060	31351-37220	SHAFT HYD.AJUST	1				0.04	0.088
070	04810-00100	O RING	1				0.001	0.0022
080	34150-37230	GRIP	1				0.04	0.088
090	05411-00418	PIN SPRING	1				0.001	0.0022
100	34150-37260	CIR CLIP INTERNAL	1				0.001	0.0022
110	04012-50080	WASHER PLAIN	1				0.001	0.0022
120	01123-50825	BOLT	2				0.013	0.0286
130	38180-21410	PLUG	1				0.02	0.044
140	04811-50300	O RING	1				0.001	0.0022
150	38180-37140	BREATHER	1				0.01	0.022

LIFT ARM



32430-110-10

080 31321-3744-0



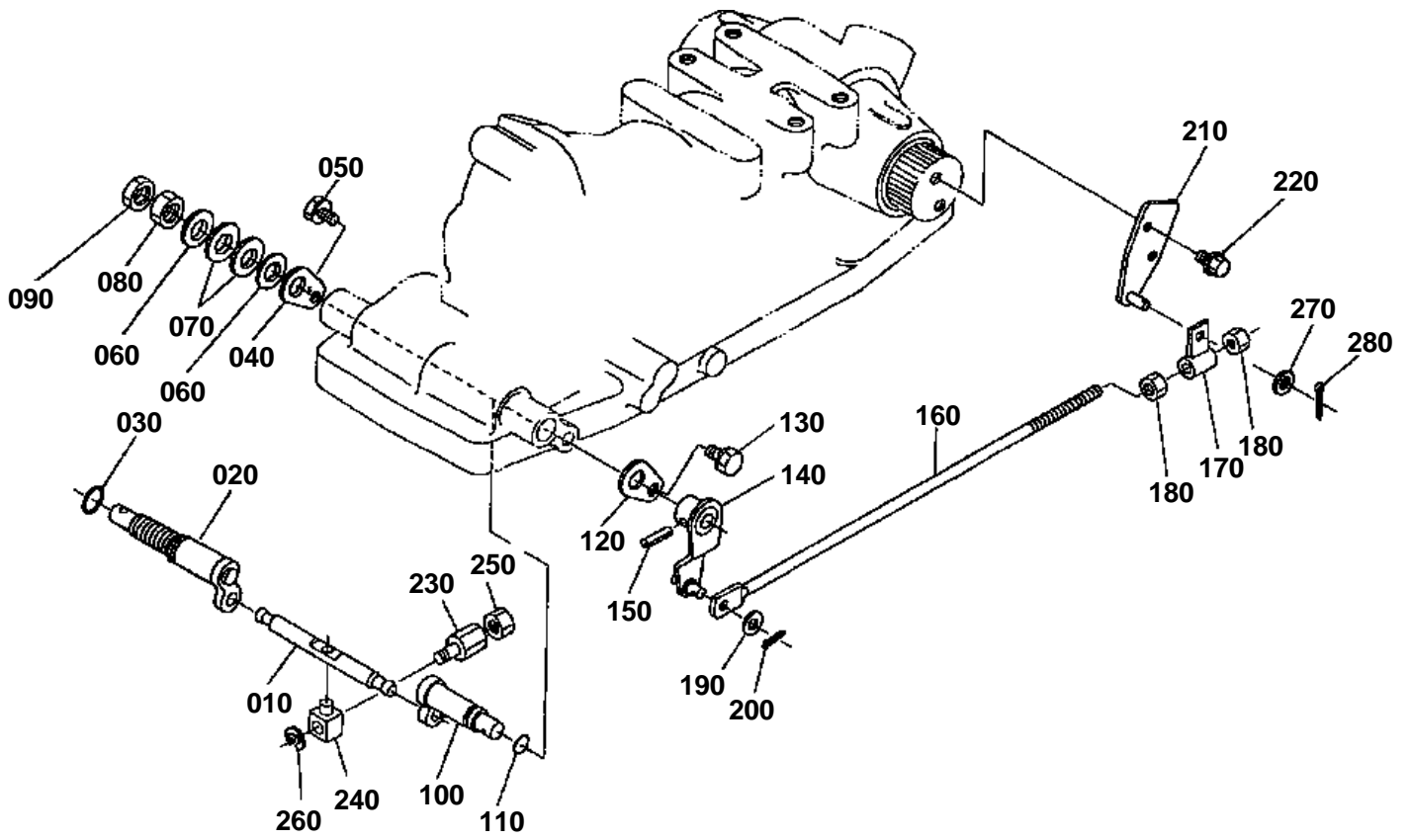
32310-801-10

**LIFT ARM**

↔ Interchangeable; ≠ not interchangeable; ← new for old; → old for new

REF.No	Part No.	Description	Q'ty	S.No.	I/C	REMARKS	Weight (kgf)	Weight (lb)
010	31321-37310	PISTON HYD.	1				1.08	2.376
020	04811-00650	O RING	1				0.007	0.0154
030	34220-37380	RING BACK UP	1				0.001	0.0022
040	31351-37320	ROD HYD	1				0.605	1.331
050	31351-37330	GUIDE HYD.ROD	1				0.003	0.0066
060	05411-00645	PIN SPRING	1				0.006	0.0132
070	31321-37430	SHAFT HYD.ARM	1				2.22	4.884
080	31321-37440	ARM HYDRAULIC	1	<=11045			0	0
080	31321-37444	ARM HYDRAULIC	1	>=11046	←		1.55	3.41
090	31321-37450	BUSH	1				0.09	0.198
090	30400-37450	BUSH	1			SERVICE PARTS	0.09	0.198
100	34150-37460	BUSH	1				0.062	0.1364
100	30400-37460	BUSH	1			SERVICE PARTS	0.065	0.143
110	34150-37480	COLLAR	1				0.005	0.011
120	34150-37490	COLLAR	1				0.002	0.0044
130	04811-50450	O RING	1				0.002	0.0044
140	04811-06400	O RING	1				0.001	0.0022
150	30401-37610	ARM LIFT	2				2.1	4.62
160	04612-00400	CIRCLIP EXTERNAL	1				0.005	0.011
170	30442-37690	PIN LIFT ROD	2				0.205	0.451
180	04512-60160	WASHER SPRING	2				0.01	0.022
190	02174-50160	NUT	2				0.022	0.0484
200	34150-37640	PIN SET	2				0.06	0.132
210	04011-50180	WASHER PLAIN	2				0.012	0.0264

FEED BACK LAVER



32310-092-10

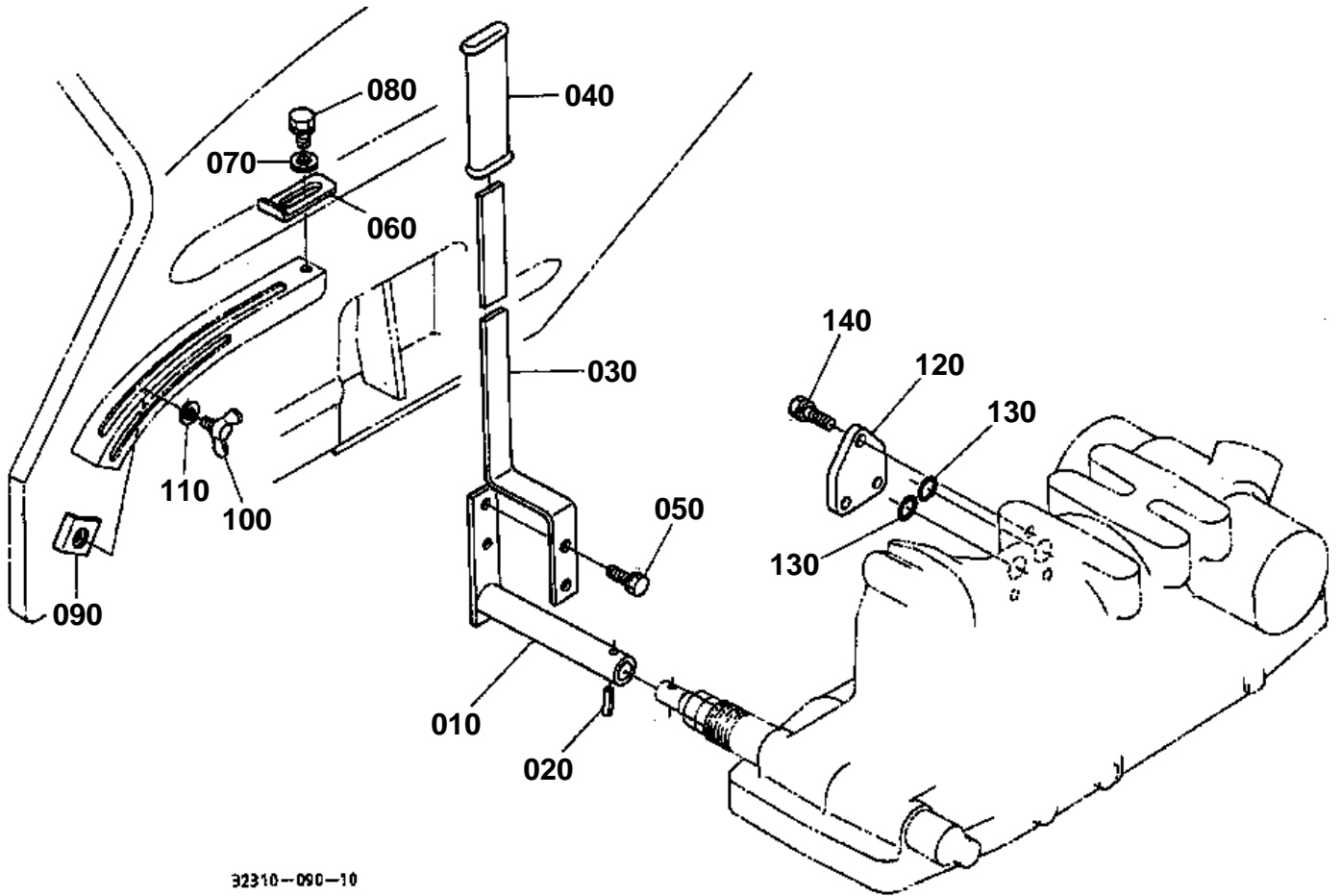


FEED BACK LAVER

↔ Interchangeable; ≠ not interchangeable; ← new for old; → old for new

REF.No	Part No.	Description	Q'ty	S.No.	I/C	REMARKS	Weight (kgf)	Weight (lb)
010	31351-37640	LEVER SPOOL DRIVE	1				0.05	0.11
020	31351-37650	ARM CONTROL	1				0.16	0.352
030	04811-00140	O RING	1				0.001	0.0022
040	31351-37660	SET PLATE	1				0.01	0.022
050	01123-60816	BOLT	1				0.01	0.022
060	04013-60140	WASHER PLAIN	2				0.01	0.022
070	34260-36880	SPRING PLATE	2				0.006	0.0132
080	02174-50140	NUT	1				0.014	0.0308
090	02172-50140	NUT	1				0.01	0.022
100	31351-37750	SHAFT BACK LEVER	1				0.1	0.22
110	04811-00120	O RING	1				0.001	0.0022
120	38240-36890	SET PLATE	1				0.013	0.0286
130	01123-60816	BOLT	1				0.01	0.022
140	31351-37760	LEVER FEED BACK	1				0.08	0.176
150	05411-00525	PIN SPRING	1				0.002	0.0044
160	31321-37770	ROD FEEDBACK	1				0.12	0.264
170	31351-37780	ROD CONTROL	1				0.03	0.066
180	02114-50080	NUT	2				0.005	0.011
190	04013-50080	WASHER PLAIN	1				0	0
200	05511-50218	PIN SPLIT	1				0.001	0.0022
220	31351-37720	LINK CONTROL	1				0	0
230	01754-50812	BOLT FLANGE	2				0.01	0.022
240	67531-38280	JOINT SPOOL	1				0.17	0.374
250	37150-36420	JOINT SPOOL	1				0.02	0.044
260	02112-50080	NUT	1				0.003	0.0066
270	04613-00060	CIRCLIP EXTERNAL	1				0	0
280	04013-50080	WASHER PLAIN	1				0	0
290	05511-50215	PIN SPLIT	1				0.001	0.0022

POSITION CONTROL LEVER [OLD TYPE]



32310-090-10

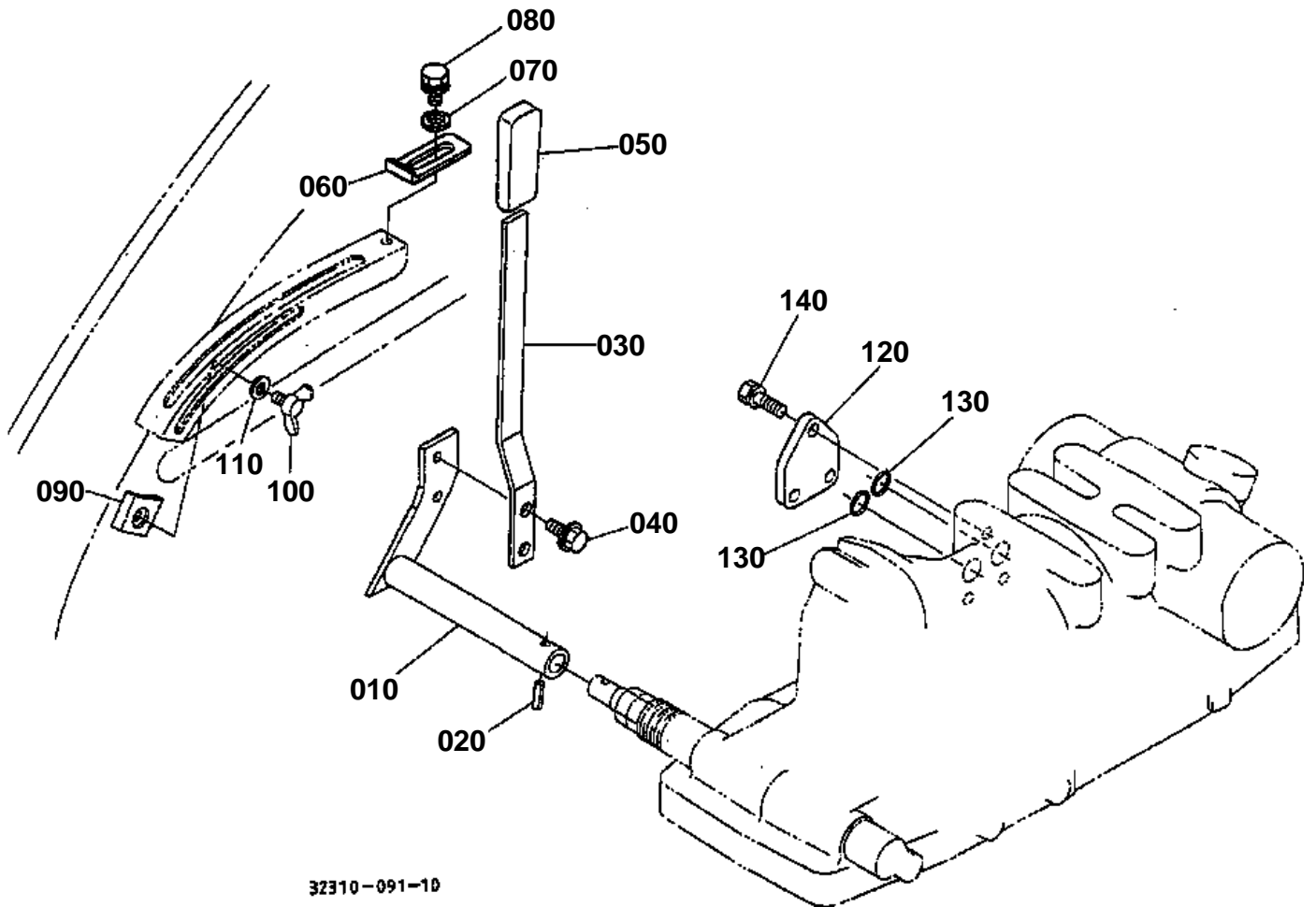


POSITION CONTROL LEVER [OLD TYPE]
S.No.:L2350F;<=19999,L2350DT;=59999

↔ Interchangeable; ≠ not interchangeable; ← new for old; → old for new

REF.No	Part No.	Description	Q'ty	S.No.	I/C	REMARKS	Weight (kgf)	Weight (lb)
010	32400-36850	LEVER POSITION	1				0.31	0.682
020	05411-00525	PIN SPRING	1				0.002	0.0044
030	32400-36860	LEVER POSITION	1				0.2	0.44
040	34350-36890	GRIP LEVER	1				0.016	0.0352
050	01023-50616	BOLT	2				0.005	0.011
060	38240-36930	STOPPER	1				0.02	0.044
070	04015-60080	WASHER PLAIN	1				0.01	0.022
080	01123-60816	BOLT	1				0.01	0.022
090	31351-36910	STOPPER	1				0.02	0.044
100	01811-50610	BOLT WING	1				0.014	0.0308
110	04013-60060	WASHER PLAIN	1				0.001	0.0022
120	32430-41210	COVER CYL.SIDE LH	1			WITHOUT DRAFT CONTROL	0.11	0.242
130	04810-00140	O RING	2			WITHOUT DRAFT CONTROL	0.001	0.0022
140	01123-50820	BOLT	3			WITHOUT DRAFT CONTROL	0.011	0.0242

POSITION CONTROL LEVER [NEW TYPE]



32310-091-10

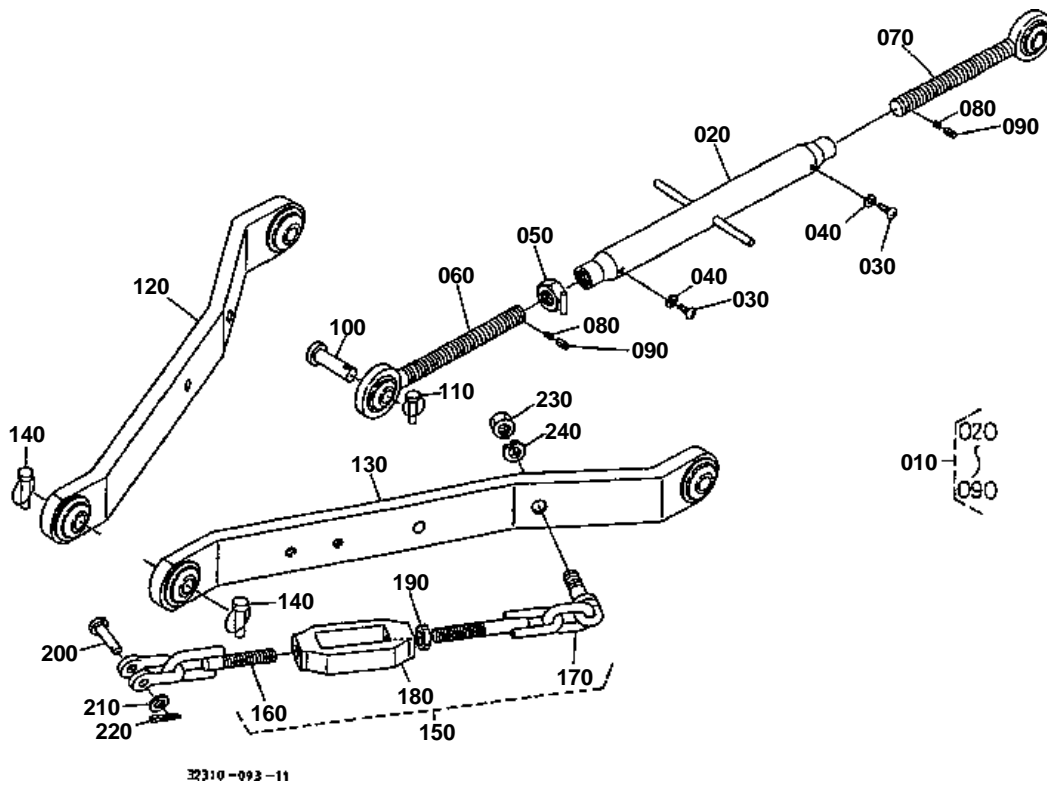


POSITION CONTROL LEVER [NEW TYPE]
S.No.:L2350F;>=20001,L2350DT;>=60001

↔ Interchangeable; ≠ not interchangeable; ← new for old; → old for new

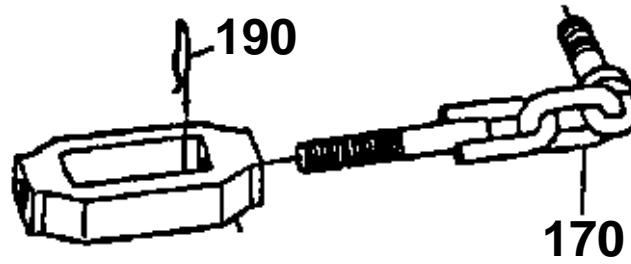
REF.No	Part No.	Description	Q'ty	S.No.	I/C	REMARKS	Weight (kgf)	Weight (lb)
010	32430-36850	LEVER POSITION	1				0.42	0.924
020	05411-00525	PIN SPRING	1				0.002	0.0044
030	31351-36860	LEVER POSITION	1				0.14	0.308
040	01754-50616	BOLT FLANGE	2				0.006	0.0132
050	31351-36880	GRIP LEVER	1				0.04	0.088
060	38240-36930	STOPPER	1				0.02	0.044
070	04015-60080	WASHER PLAIN	1				0.01	0.022
080	01123-60816	BOLT	1				0.01	0.022
090	31351-36910	STOPPER	1				0.02	0.044
100	01811-50610	BOLT WING	1				0.014	0.0308
110	04013-60060	WASHER PLAIN	1				0.001	0.0022
120	32430-41210	COVER CYL.SIDE LH	1			WITHOUT DRAFT CONTROL	0.11	0.242
130	04810-00140	O RING	2			WITHOUT DRAFT CONTROL	0.001	0.0022
140	01123-50820	BOLT	3			WITHOUT DRAFT CONTROL	0.011	0.0242

3-POINT LINKAGE 1 (LOWER LINK AND TOP LINK) [A] [CA]



170 32420-7182-4

190 05515-51600



32310-810-10

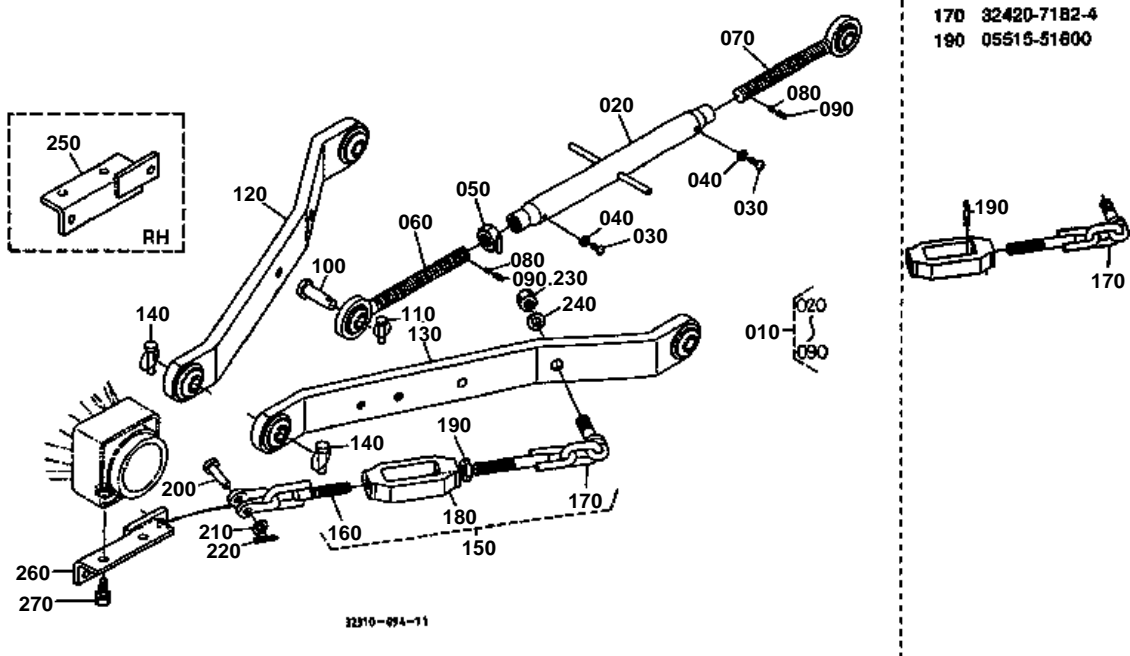


3-POINT LINKAGE 1 (LOWER LINK AND TOP LINK) [A] [CA]

↔ Interchangeable; ≠ not interchangeable; ← new for old; → old for new

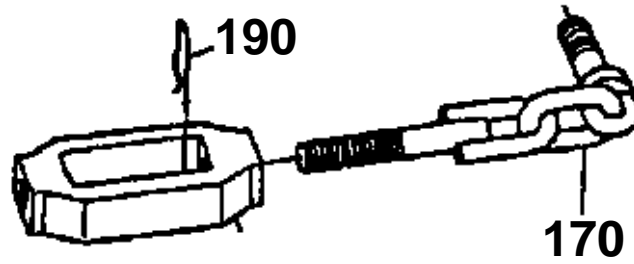
REF.No	Part No.	Description	Q'ty	S.No.	I/C	REMARKS	Weight (kgf)	Weight (lb)
010	31341-71100	ASSY LINK TOP	1	<=19999		BLUE	2.85	6.27
010	32310-71100	ASSY LINK TOP	1	>=20001	↔	GRAY	2.8	6.16
020	31341-71110	LINK TOP	1				1.1	2.42
030	31351-71150	SCREW	2				0.018	0.0396
040	04512-60060	WASHER SPRING	2				0.001	0.0022
050	38247-71180	NUT TOP LINK	1				0.06	0.132
060	34670-71210	JOINT TOP LINK RH	1				0.86	1.892
070	34670-71220	JOINT TOP LINK LH	1				0.83	1.826
080	70436-58360	SPRING	2				0.001	0.0022
090	31351-71160	PIN	2				0.002	0.0044
100	31150-71360	PIN JOINT	2				0.166	0.3652
110	34150-37640	PIN SET	2				0.06	0.132
120	32400-71310	COMP.LINK LOWER RH	1	<=19999		BLUE	0	0
120	32310-71310	COMP.LINK LOWER RH	1	>=20001	↔	GRAY	7.2	15.84
130	32400-71330	COMP.LINK LOWER LH	1	<=19999		BLUE	0	0
130	32310-71330	COMP.LINK LOWER LH	1	>=20001	↔	GRAY	7.2	15.84
140	34150-37640	PIN SET	4				0.06	0.132
150	31331-71805	ASSY CHAIN CHECK	2	<=19999		BLUE	1.34	2.948
150	T0030-39700	ASSY CHAIN CHECK	2	>=20001	↔	GRAY	1.27	2.794
150	32330-39700	ASSY CHAIN CHECK	2	>=21932	←		1.3	2.86
160	31331-71813	JOINT CHAIN	2	<=21931			0	0
160	31331-71814	JOINT CHAIN	2	>=21932	←		0.27	0.594
170	32420-71824	JOINT CHAIN	2	<=21931			0.43	0.946
170	31341-71820	JOINT CHAIN	2	>=21932	→		0.435	0.957
180	32420-71840	TURNBUCKLE	2	<=19999		BLUE	0.55	1.21
180	T0030-39730	TURNBUCKLE	2	>=20001	↔	GRAY	0.58	1.276
180	32420-71840	TURNBUCKLE	2	>=21932	←		0.55	1.21
190	05515-51600	PIN SNAP	2	<=21931			0.007	0.0154
190	02052-50140	NUT	2	>=21932	←		0.018	0.0396
200	99571-22820	PIN	2				0.03	0.066
210	04013-50100	WASHER PLAIN	2				0	0
220	05511-50318	PIN SPLIT	2				0.001	0.0022
230	02074-50160	NUT	2				0.029	0.0638
240	04512-60160	WASHER SPRING	2				0.01	0.022

3-POINT LINKAGE 1 (LOWER LINK AND TOP LINK) [AU]



170 32420-7182-4

190 05515-51600



32310-810-10

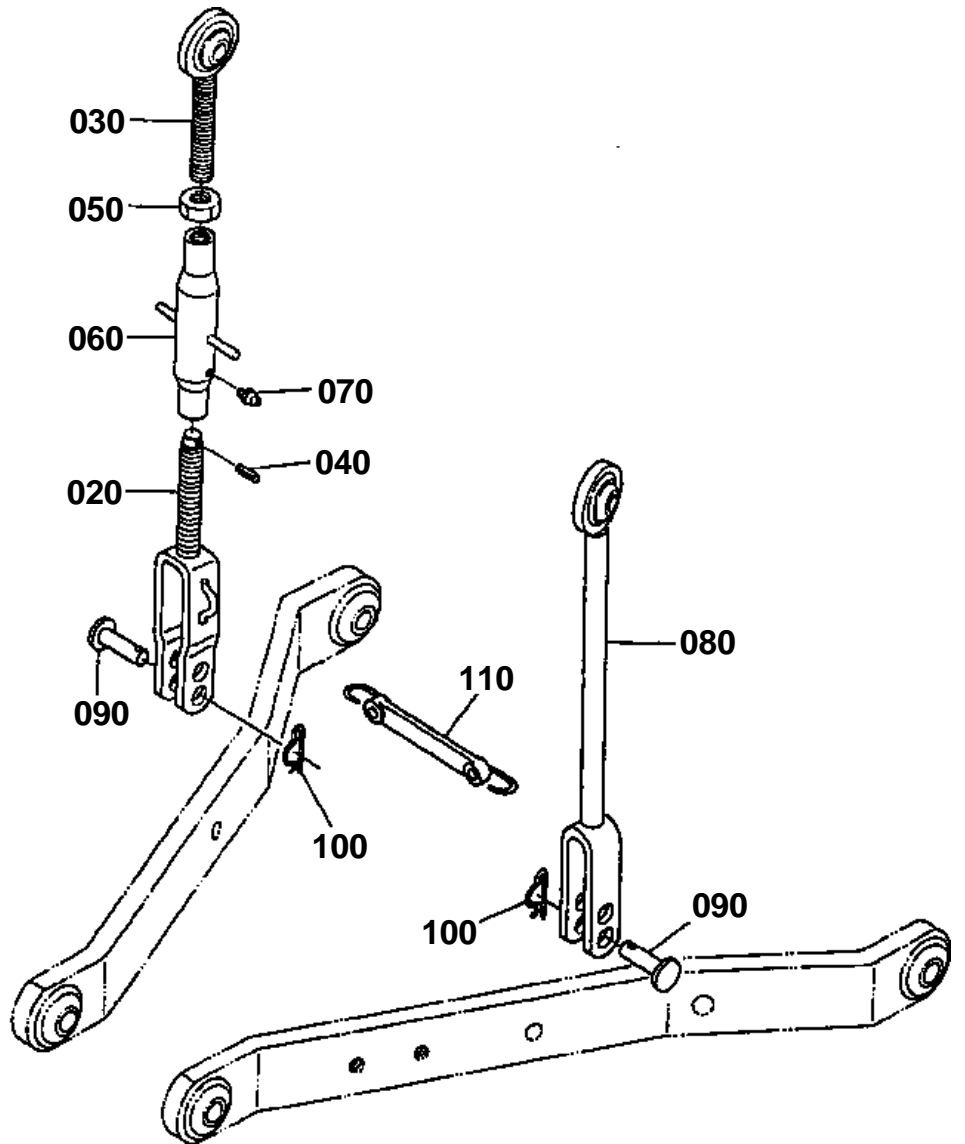


3-POINT LINKAGE 1 (LOWER LINK AND TOP LINK) [AU]

↔ Interchangeable; ≠ not interchangeable; ← new for old; → old for new

REF.No	Part No.	Description	Q'ty	S.No.	I/C	REMARKS	Weight (kgf)	Weight (lb)
010	32310-71100	ASSY LINK TOP	1				2.8	6.16
020	31341-71110	LINK TOP	1				1.1	2.42
030	31351-71150	SCREW	2				0.018	0.0396
040	04512-60060	WASHER SPRING	2				0.001	0.0022
050	38247-71180	NUT TOP LINK	1				0.06	0.132
060	34670-71210	JOINT TOP LINK RH	1				0.86	1.892
070	34670-71220	JOINT TOP LINK LH	1				0.83	1.826
080	70436-58360	SPRING	2				0.001	0.0022
090	31351-71160	PIN	2				0.002	0.0044
100	31150-71360	PIN JOINT	2				0.166	0.3652
110	34150-37640	PIN SET	2				0.06	0.132
120	32310-71310	COMP.LINK LOWER RH	1				7.2	15.84
130	32310-71330	COMP.LINK LOWER LH	1				7.2	15.84
140	34150-37640	PIN SET	4				0.06	0.132
150	T0030-39700	ASSY CHAIN CHECK	2	<=21931			1.27	2.794
150	32330-39700	ASSY CHAIN CHECK	2	>=21932	←		1.3	2.86
160	31331-71813	JOINT CHAIN	2	<=21931			0	0
160	31331-71814	JOINT CHAIN	2	>=21932	←		0.27	0.594
170	32420-71824	JOINT CHAIN	2	<=21931			0.43	0.946
170	31341-71820	JOINT CHAIN	2	>=21932	→		0.435	0.957
180	T0030-39730	TURNBUCKLE	2	<=21931			0.58	1.276
180	32420-71840	TURNBUCKLE	2	>=21932	←		0.55	1.21
190	05515-51600	PIN SNAP	2	<=21931			0.007	0.0154
190	02052-50140	NUT	2	>=21932	←		0.018	0.0396
200	99571-22820	PIN	2				0.03	0.066
210	04013-50100	WASHER PLAIN	2				0	0
220	05511-50318	PIN SPLIT	2				0.001	0.0022
230	02074-50160	NUT	2				0.029	0.0638
240	04512-60160	WASHER SPRING	2				0.01	0.022
250	32317-71910	HOLDER CHECK CHAIN R	1				1.03	2.266
260	32317-71920	HOLDER CHECK CHAIN L	1				1.05	2.31
270	01133-51230	BOLT	4				0.04	0.088

010 { 020
070



32310-095-10

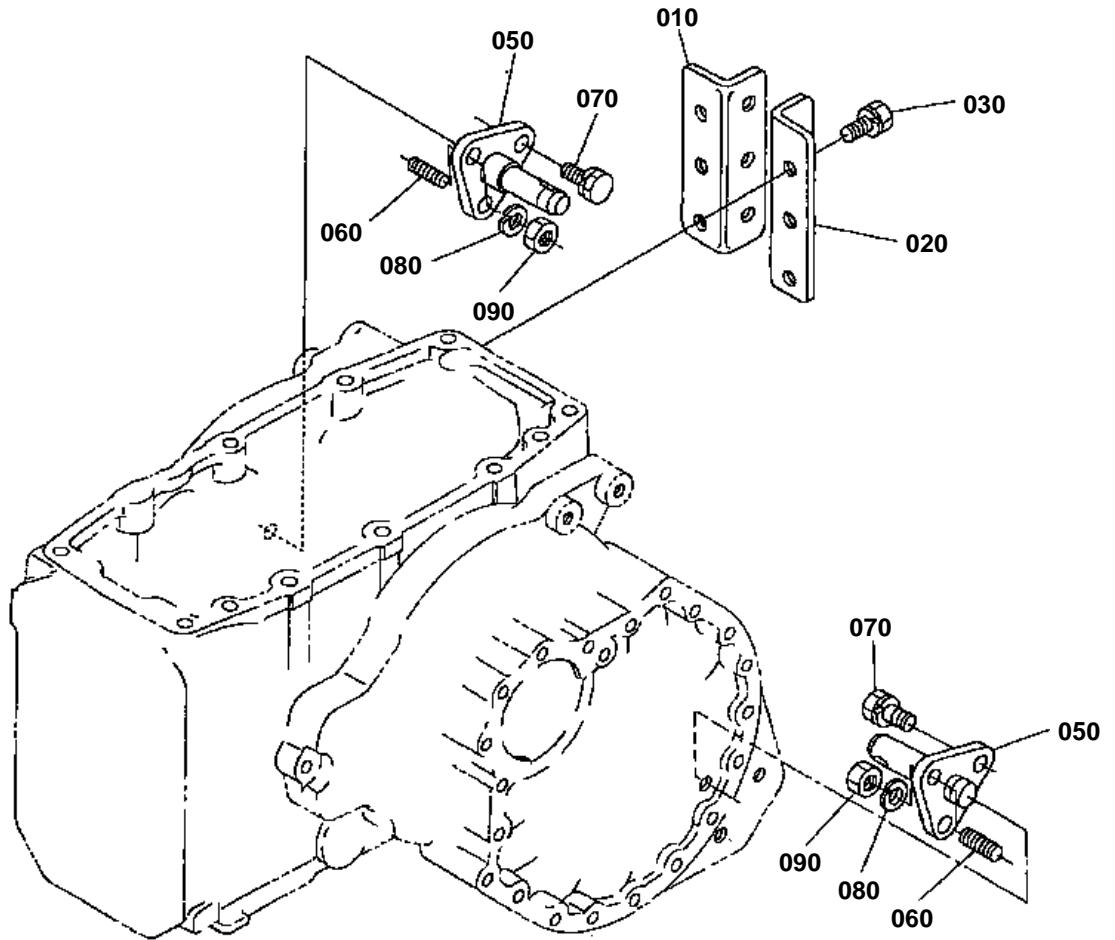


3-POINT LINKAGE 2 (LIFT ROD)

↔ Interchangeable; ≠ not interchangeable; ← new for old; → old for new

REF.No	Part No.	Description	Q'ty	S.No.	I/C	REMARKS	Weight (kgf)	Weight (lb)
010	32400-71560	ASSY ROD LIFT RH	1	<=19999		BLUE	0	0
010	32310-71560	ASSY ROD LIFT RH	1	>=20001	↔	GRAY	2.1	4.62
020	32400-71520	ROD LIFT LOWER	1				0.93	2.046
030	31331-71510	ROD LIFT UPPER	1				0.58	1.276
040	05411-00320	PIN SPRING	1				0.001	0.0022
050	35110-71570	NUT	1				0.05	0.11
060	38187-71770	ROD LIFT MIDDLE	1				0.54	1.188
070	06613-10675	NIPPLE GREASE	1				0.003	0.0066
080	32400-71540	ROD LIFT LH	1	<=19999		BLUE	1.57	3.454
080	32310-71540	ROD LIFT LH	1	>=20001	↔	GRAY	1.55	3.41
090	38187-71580	PIN LIFT ROD	2				0.061	0.1342
100	05515-51600	PIN SNAP	2				0.007	0.0154
110	38187-71750	COMP.RUBBER	1	<=10217			0	0
110	35080-71750	COMP.RUBBER	1	>=10218	↔		0.065	0.143

TOP LINK BRACKET AND LOWER LINK HOLDER



32310-123-10

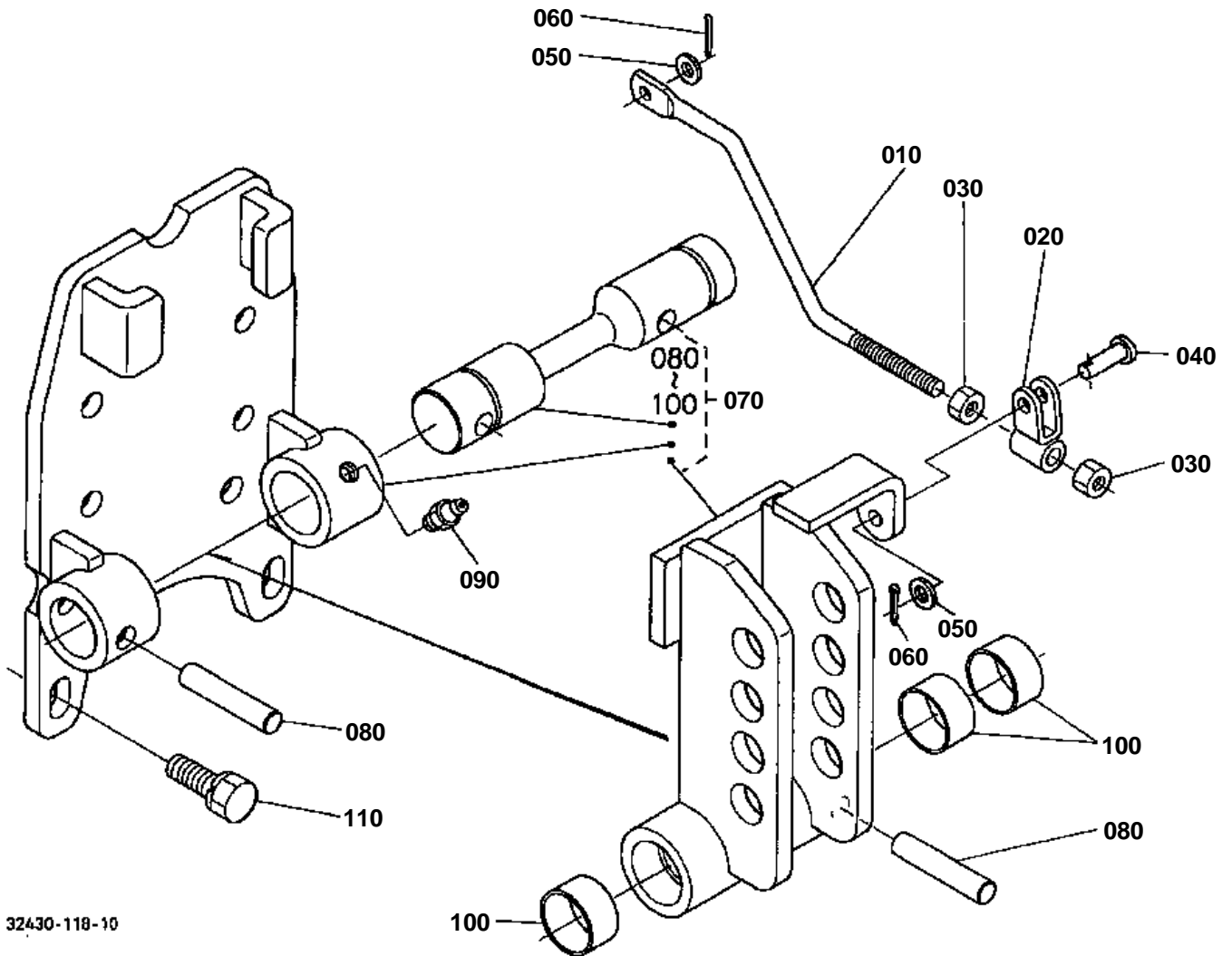


TOP LINK BRACKET AND LOWER LINK HOLDER

↔ Interchangeable; ≠ not interchangeable; ← new for old; → old for new

REF.No	Part No.	Description	Q'ty	S.No.	I/C	REMARKS	Weight (kgf)	Weight (lb)
010	99571-22140	HOLDER TOP LINK RH	1			WITH POSITION CONTROL	0.99	2.178
020	99571-22150	HOLDER TOP LINK LH	1			WITH POSITION CONTROL	0.99	2.178
030	01133-51230	BOLT	6			WITH POSITION CONTROL	0.04	0.088
050	31351-29820	HOLDER LOWER LINK	2				0.515	1.133
060	01574-51225	STUD	2				0.034	0.0748
070	01133-51230	BOLT	4				0.04	0.088
080	04512-50120	WASHER SPRING	2				0	0
090	02176-50120	NUT	2				0.01	0.022

TOP LINK BRACKET (WITH DRAFT CONTROL) [OPTION]



32430-118-10

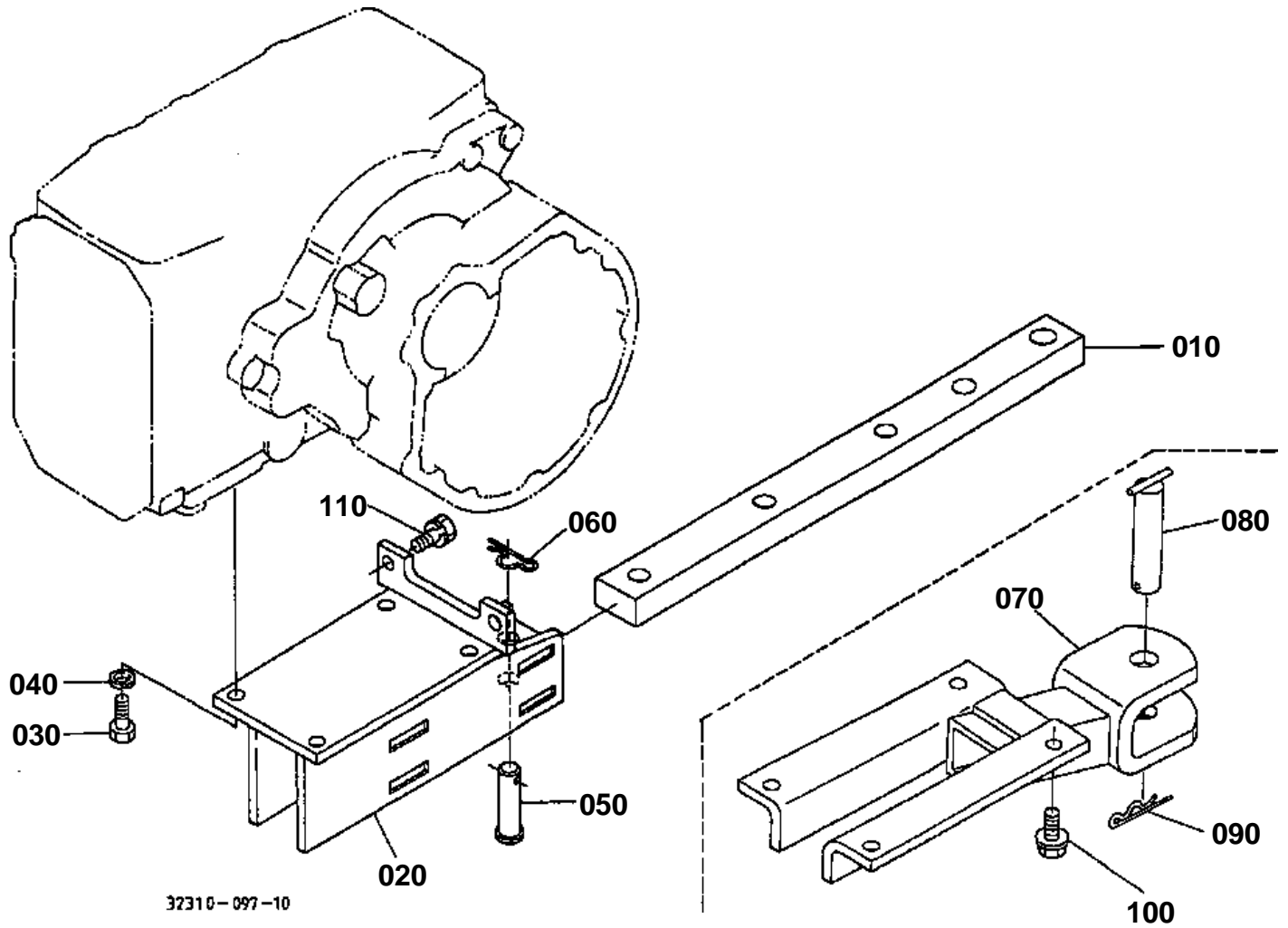


TOP LINK BRACKET (WITH DRAFT CONTROL) [OPTION]

↔ Interchangeable; ≠ not interchangeable; ← new for old; → old for new

REF.No	Part No.	Description	Q'ty	S.No.	I/C	REMARKS	Weight (kgf)	Weight (lb)
010	35080-41310	ROD DRAFT CONTROL	1				0	0
020	35260-41320	HOLDER CONTROL	1				0.03	0.066
030	02112-50080	NUT	2				0.003	0.0066
040	05122-50818	PIN JOINT	1				0.008	0.0176
050	04012-50080	WASHER PLAIN	2				0.001	0.0022
060	05511-50218	PIN SPLIT	2				0.001	0.0022
070	35080-41400	COMP HOLDER TOP LINK	1				6.85	15.07
080	37300-41440	PIN STRAIGHT	2				0.055	0.121
090	06613-10010	NIPPLE GREASE	2				0.006	0.0132
100	37300-41450	BUSH	3				0.03	0.066
110	01133-51230	BOLT	6				0.04	0.088

DRAWBAR AND HITCH

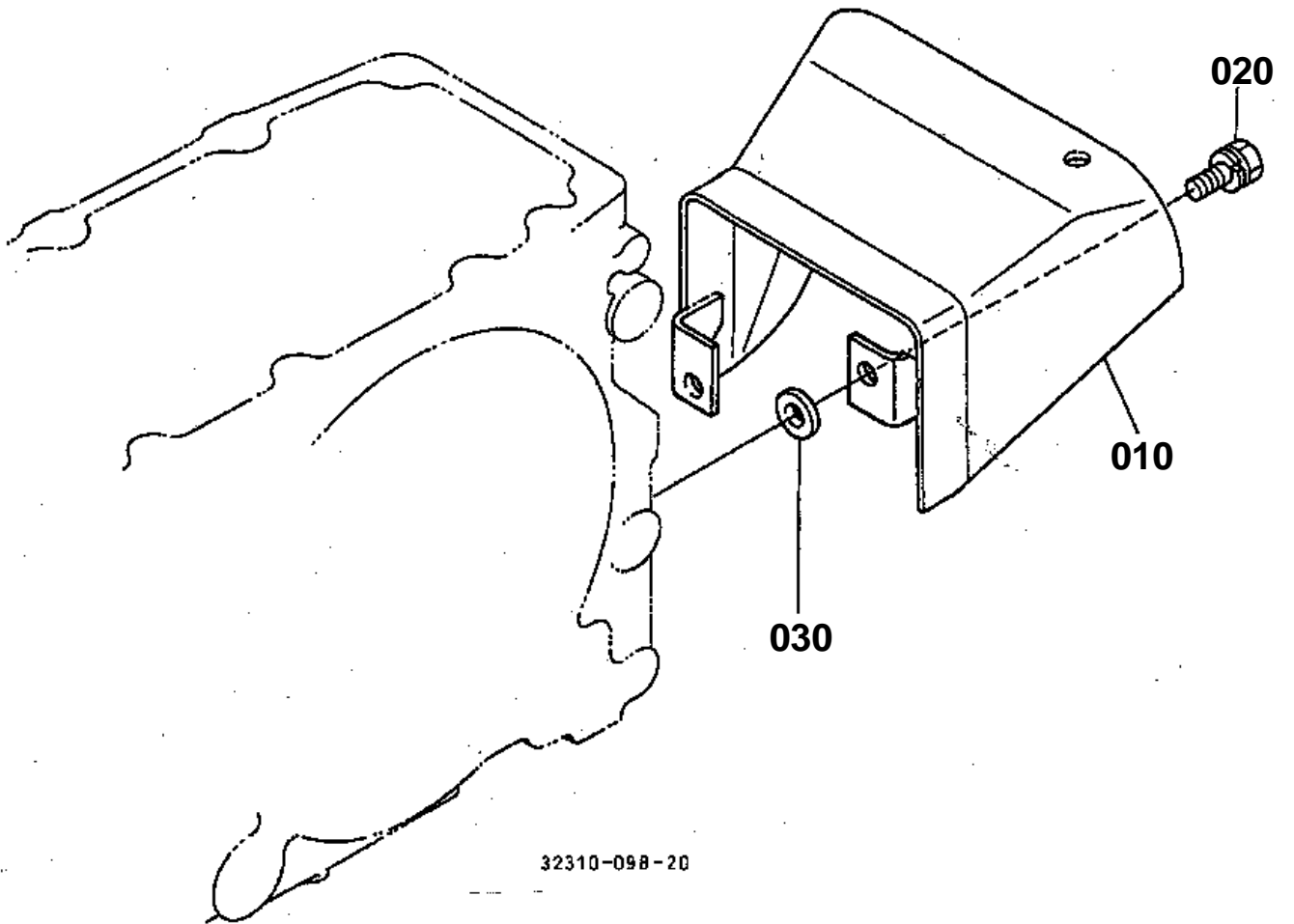




DRAWBAR AND HITCH

↔ Interchangeable; ≠ not interchangeable; ← new for old; → old for new

REF.No	Part No.	Description	Q'ty	S.No.	I/C	REMARKS	Weight (kgf)	Weight (lb)
070	32400-29710	HITCH	1			A:ALL B:[AU]	4.45	9.79
080	38240-29780	PIN HITCH	1			A:ALL B:[AU]	0	0
090	70515-16330	PIN SPRING	1			A:ALL B:[AU]	0.028	0.0616
100	01774-51430	BOLT FLANGE	4			A:ALL B:[AU]	0.06	0.132



32310-098-20

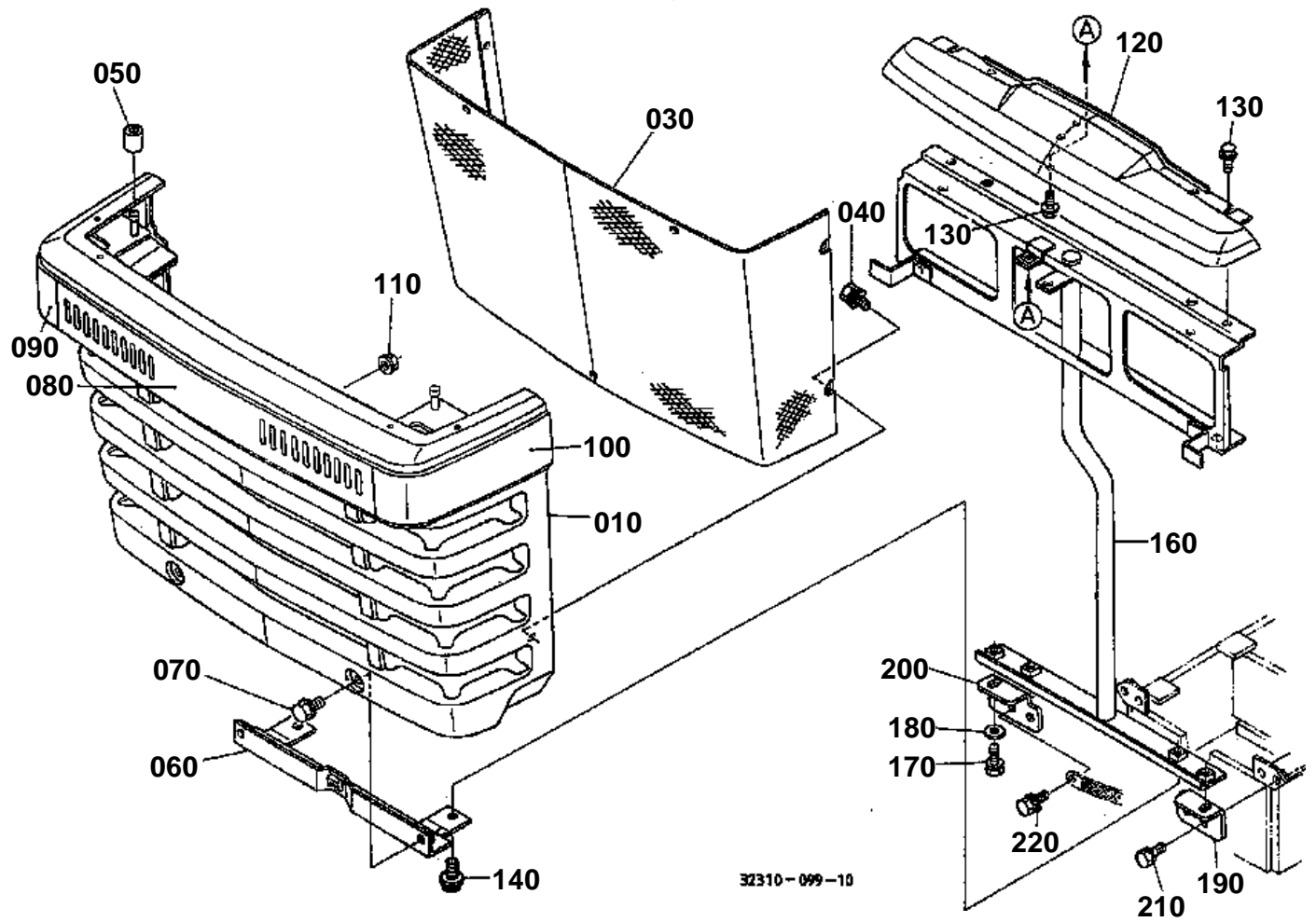


PTO SHAFT PROTECTOR

↔ Interchangeable; ≠ not interchangeable; ← new for old; → old for new

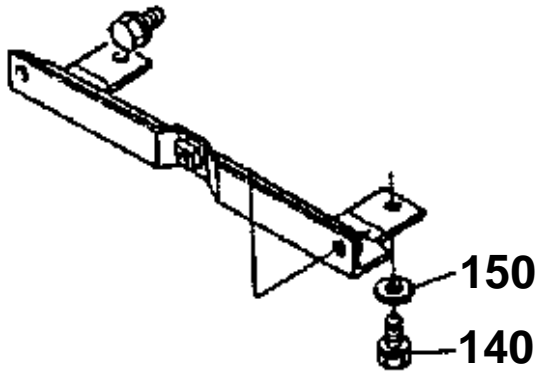
REF.No	Part No.	Description	Q'ty	S.No.	I/C	REMARKS	Weight (kgf)	Weight (lb)
010	32400-25330	PROTECTOR PTO SHAFT	1	≤19999		BLUE	2.1	4.62
010	32310-25330	PROTECTOR PTO SHAFT	1	≥20001	↔	GRAY	1.8	3.96
020	01133-51230	BOLT	4	≤10973			0.04	0.088
020	01133-51230	BOLT	3	≥10974			0.04	0.088
030	35114-25340	COLLAR	2	≤10973			0.02	0.044
030	35114-25340	COLLAR	1	≥10974			0.02	0.044

FRONT GRILLE



140 01123-60816

150 04013-50080



32310-803-10

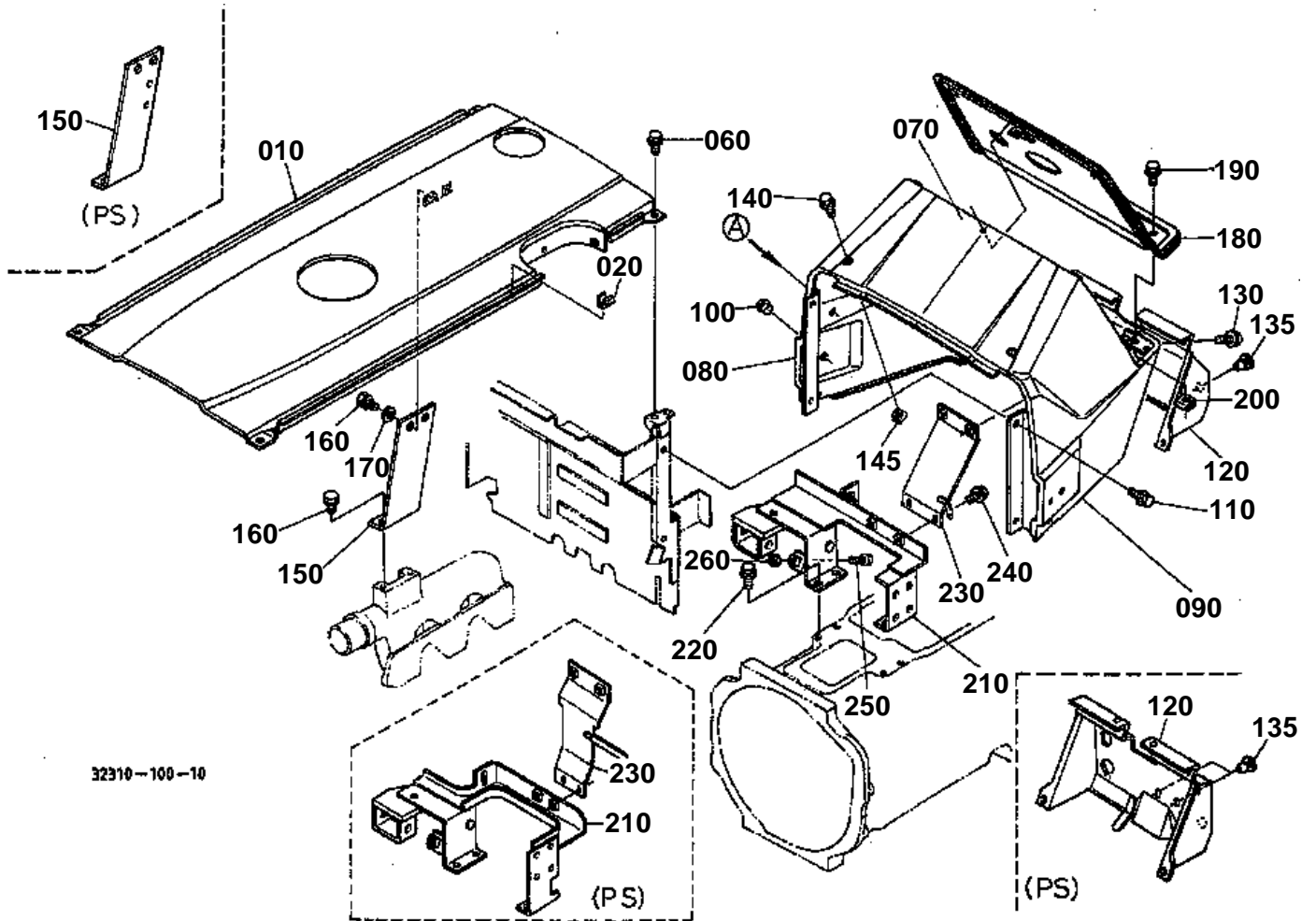


FRONT GRILLE

↔ Interchangeable; ≠ not interchangeable; ← new for old; → old for new

REF.No	Part No.	Description	Q'ty	S.No.	I/C	REMARKS	Weight (kgf)	Weight (lb)
010	30400-18230	GRILLE FRONT	1				4.8	10.56
030	30590-18250	NET FRONT GRILLE	1				0.385	0.847
040	30442-15230	BOLT	7				0.01	0.022
050	31351-18260	PIPE	2				0.001	0.0022
060	35080-18280	RETAINER GRILLE	1				0.27	0.594
070	01754-50816	BOLT FLANGE	2				0.011	0.0242
080	32430-94170	BELT GRILLE FRONT	1				0.145	0.319
090	32430-94180	BELT GRILLE RH	1				0.07	0.154
100	32430-94190	BELT GRILLE LH	1				0.07	0.154
110	02761-50050	NUT FLANGE	8				0.005	0.011
120	34670-18160	ROOF FRONT	1				0.345	0.759
130	01754-50612	BOLT FLANGE	3				0.005	0.011
140	01754-50812	BOLT FLANGE	2				0.01	0.022
160	35080-18310	SUPPORT GRILLE	1				2	4.4
170	01123-50820	BOLT	2				0.011	0.0242
180	04015-60080	WASHER PLAIN	2				0.01	0.022
190	32430-18320	STAY FRONT GRILLE LH	1			MANUAL STRG.	0.08	0.176
200	32430-18330	STAY FRONT GRILLE RH	1			MANUAL STRG.	0.09	0.198
210	01133-51020	BOLT	1				0.02	0.044
220	01135-61020	BOLT	1				0.015	0.033

HOOD (BONNET)



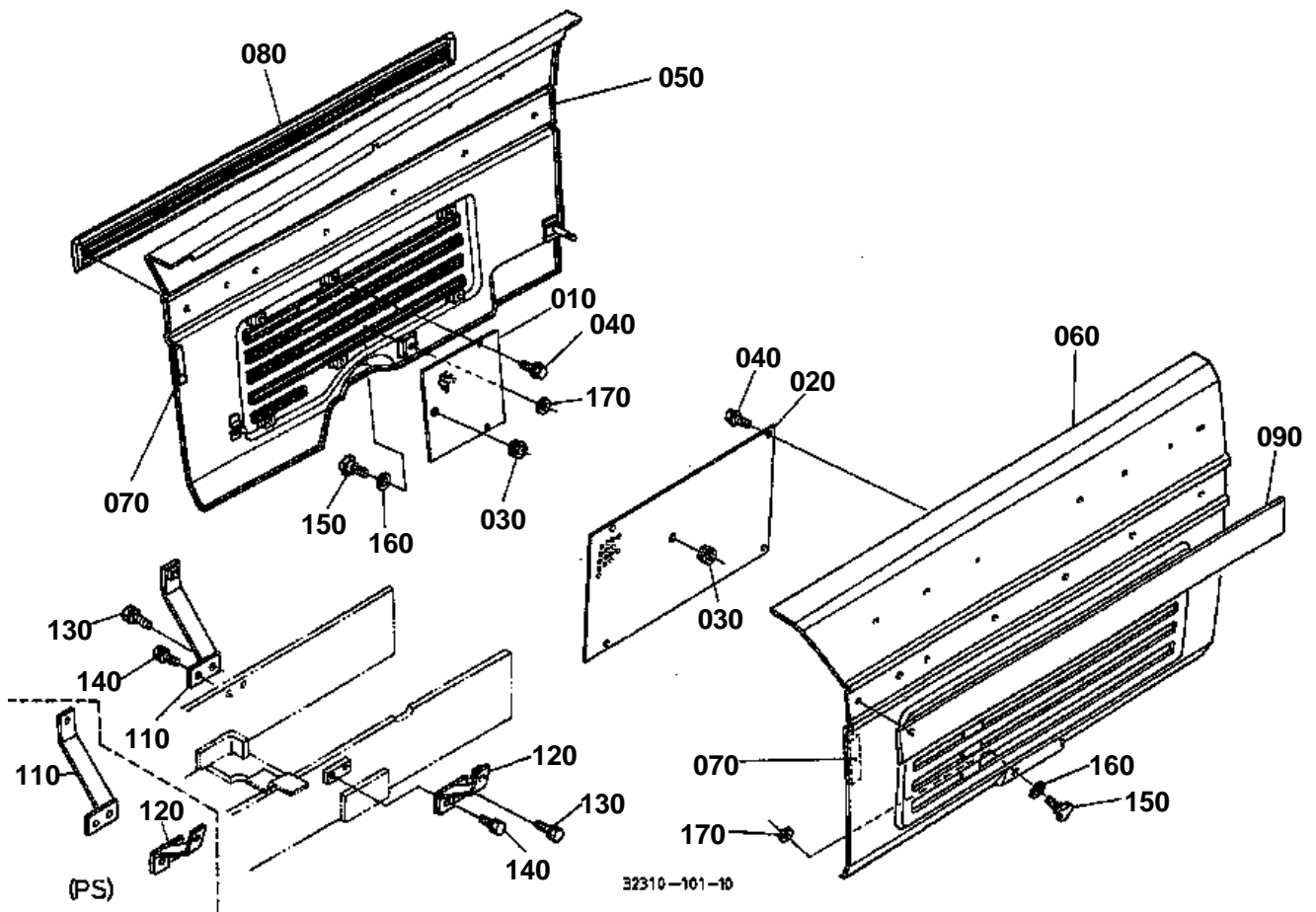


HOOD (BONNET)

↔ Interchangeable; ≠ not interchangeable; ← new for old; → old for new

REF.No	Part No.	Description	Q'ty	S.No.	I/C	REMARKS	Weight (kgf)	Weight (lb)
010	32400-18600	COMP BONNET UPPER	1				5	11
020	30442-18624	CUSHION	5	<=10901			0	0
020	30442-18625	CUSHION	5	>=10902	←		0.005	0.011
060	01754-50616	BOLT FLANGE	4				0.006	0.0132
070	32400-18770	ROOF REAR	1				0.445	0.979
080	32400-18810	COMP BONNET REAR RH	1	<=19999			1.08	2.376
080	32403-18810	COMP BONNET REAR RH	1	>=20001	↔		1.115	2.453
090	32400-18820	COMP.BONNET REAR LH	1				1.12	2.464
100	38240-29570	PLUG	2				0.001	0.0022
110	01754-50612	BOLT FLANGE	4				0.005	0.011
120	32400-24410	BOARD SWITCH	1			MANUAL STRG.	0.59	1.298
130	01754-50612	BOLT FLANGE	4				0.005	0.011
135	35110-32420	PLUG	1				0.002	0.0044
140	30400-19072	BOLT FLANGE	3				0.06	0.132
145	38240-29250	NUT SPRING	2				0.005	0.011
150	32400-18390	SUPPORT BONNET	1			MANUAL STRG.	0.395	0.869
160	01123-50820	BOLT	4				0.011	0.0242
170	04015-60080	WASHER PLAIN	2				0.01	0.022
180	32400-31110	PANEL	1	<=10775			0	0
180	32400-31115	PANEL	1	>=10776	←		0.85	1.87
180	32310-31110	PANEL	1	>=20001	≠		0.85	1.87
190	01754-50612	BOLT FLANGE	6				0.005	0.011
200	38240-29250	NUT SPRING	5				0.005	0.011
210	32400-35280	SUPPORT ACCEL.LEVER	1	<=19999		MANUAL STRG. BLUE	0	0
210	32310-35280	SUPPORT ACCEL.LEVER	1	>=20001	↔	MANUAL STRG. GRAY	0	0
220	01754-50812	BOLT FLANGE	4				0.01	0.022
230	32400-18910	SUPPORT BONNET REAR	1	<=19999		MANUAL STRG. BLUE	0.27	0.594
230	32310-18910	SUPPORT BONNET REAR	1	>=20001	↔	MANUAL STRG. GRAY	0.25	0.55
240	01754-50812	BOLT FLANGE	4				0.01	0.022
250	01155-50840	BOLT	2				0.02	0.044
260	02112-50080	NUT	2				0.003	0.0066

HOOD (SIDE COVER)

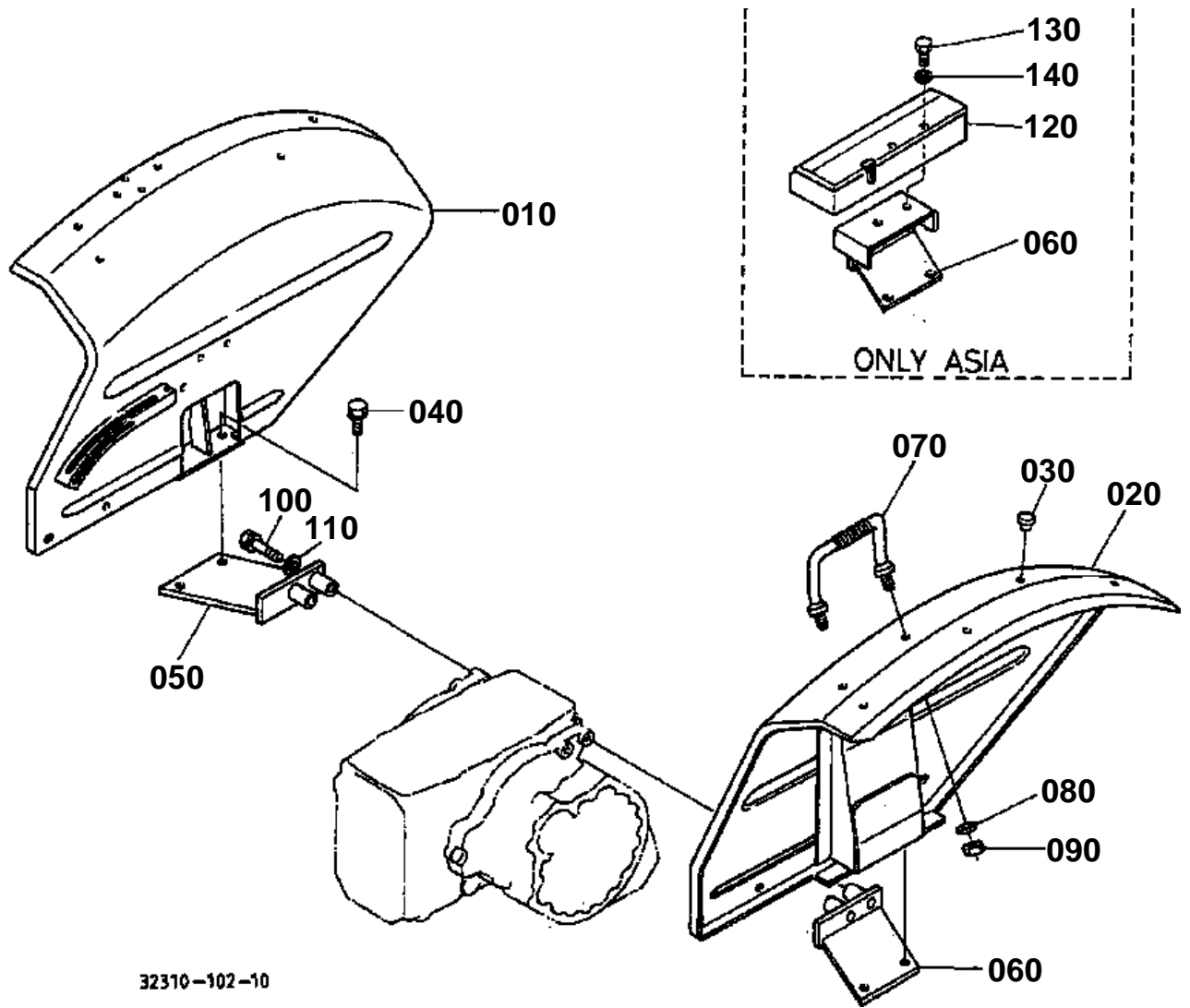




HOOD (SIDE COVER)

↔ Interchangeable; ≠ not interchangeable; ← new for old; → old for new

REF.No	Part No.	Description	Q'ty	S.No.	I/C	REMARKS	Weight (kgf)	Weight (lb)
010	32400-18140	NET BONNET SIDE RH	1				0.12	0.264
020	32400-18150	NET BONNET SIDE LH	1				0.31	0.682
030	38240-18220	CUSHION	2				0.003	0.0066
040	01754-50610	BOLT FLANGE	6				0.006	0.0132
050	32470-18630	COMP.BONNET SIDE RH	1				4	8.8
060	32470-18640	COMP.BONNET SIDE LH	1				5.9	12.98
070	32400-18950	CUSHION BONNET	2				0.01	0.022
080	31341-18680	COMP BELT SIDE RH	1				0.48	1.056
090	31341-18690	COMP BELT SIDE LH	1				0.47	1.034
110	32400-18710	SUPPORT HOOK RH	1			MANUAL STRG.	0.21	0.462
120	32400-18720	SUPPORT HOOK LH	1			MANUAL STRG.	0.175	0.385
130	01123-60814	BOLT	4				0.008	0.0176
140	01123-50820	BOLT	2				0.011	0.0242
150	01820-50825	BOLT KNOB	2				0.028	0.0616
160	04015-60080	WASHER PLAIN	2				0.01	0.022
170	32400-18220	RUBBER KNOB BOLT	2				0.001	0.0022

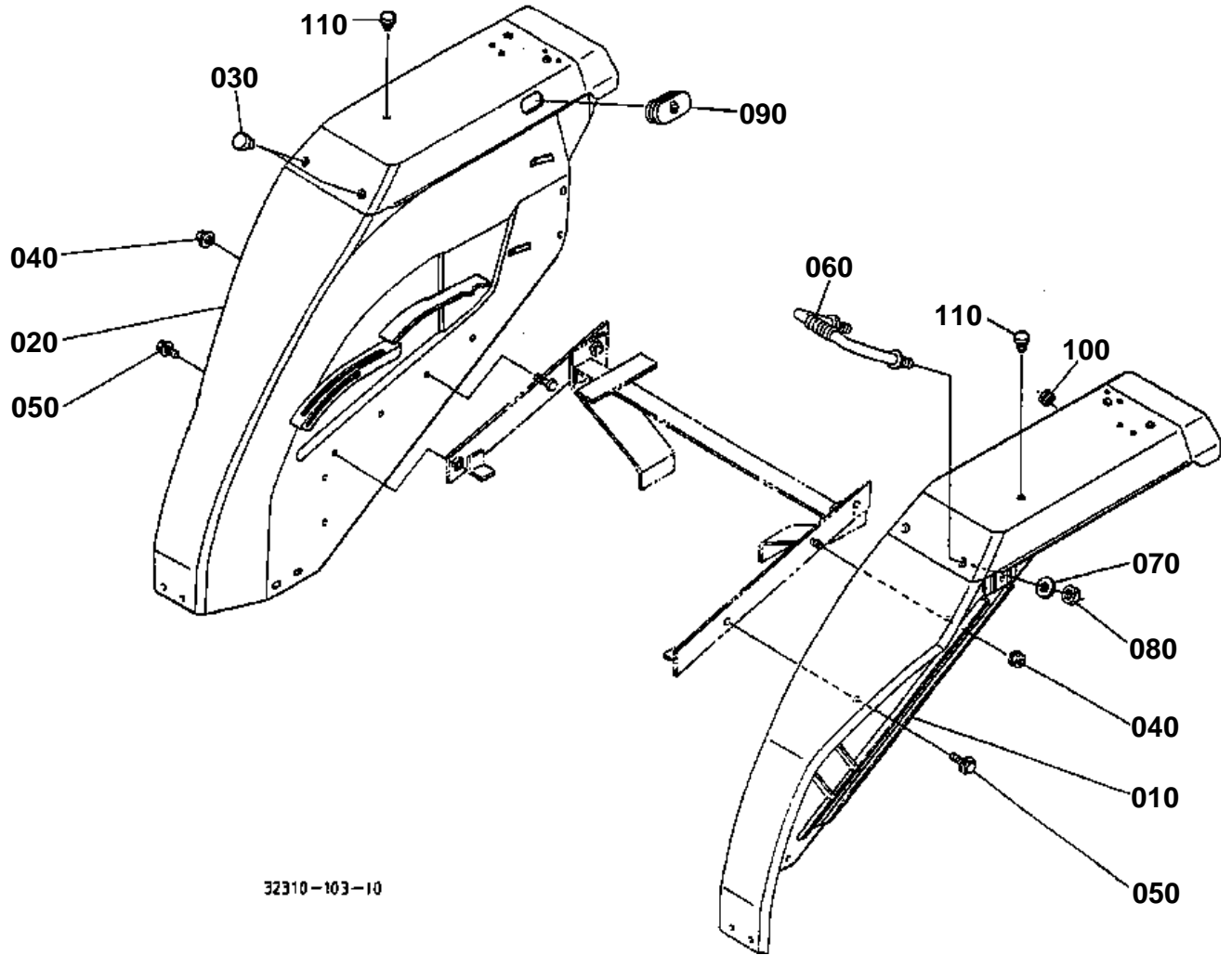




FENDER [OLD TYPE]
S.No.:L2350F;<=19999,L2350DT;<=59999

↔ Interchangeable; ≠ not interchangeable; ← new for old; → old for new

REF.No	Part No.	Description	Q'ty	S.No.	I/C	REMARKS	Weight (kgf)	Weight (lb)
010	32400-29113	COMP.FENDER RH	1				8	17.6
020	32400-29120	COMP.FENDER LH	1				6.8	14.96
030	34159-34290	PLUG	4				0.004	0.0088
040	01133-51220	BOLT	4				0.04	0.088
050	32400-29210	BRACKET FENDER RH	1				2.3	5.06
060	32400-29220	BRACKET FENDER LH	1				2.18	4.796
070	35260-29190	HANDRAIL	1				0.27	0.594
080	04013-60140	WASHER PLAIN	2				0.01	0.022
090	02174-50140	NUT	2				0.014	0.0308
100	01173-51265	BOLT	4				0.063	0.1386
110	04512-50120	WASHER SPRING	4				0	0

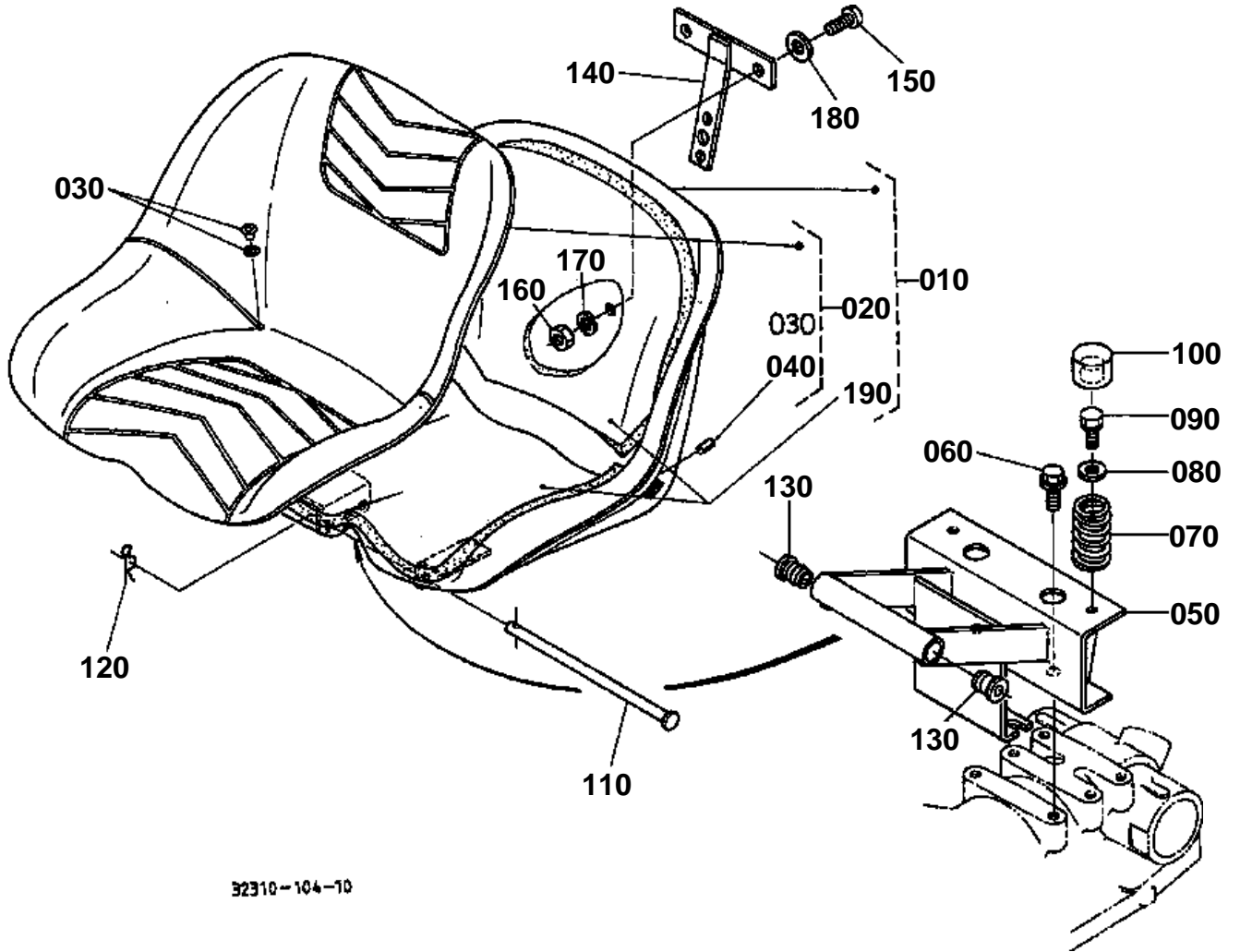




FENDER [NEW TYPE]
S.No.:L2350F;>=20001,L2350DT;>=60001

↔ Interchangeable; ≠ not interchangeable; ← new for old; → old for new

REF.No	Part No.	Description	Q'ty	S.No.	I/C	REMARKS	Weight (kgf)	Weight (lb)
010	32470-29010	COMP.FENDER LH	1	<=20621			9.7	21.34
010	32421-29010	COMP.FENDER LH	1	>=20622	←		9.7	21.34
020	35010-29040	COMP.FENDER RH	1				11	24.2
030	30810-29170	PLUG	2				0.003	0.0066
040	02751-50080	NUT FLANGE	2				0.006	0.0132
050	01754-50816	BOLT FLANGE	4				0.011	0.0242
060	34670-29440	HANDRAIL	1				0.1	0.22
070	04013-60140	WASHER PLAIN	2				0.01	0.022
080	02174-50140	NUT	2				0.014	0.0308
090	31351-29490	GROMMET	1				0.003	0.0066
100	32150-29180	CAP RUBBER	1				0.002	0.0044
110	32530-29170	PLUG	2				0.001	0.0022

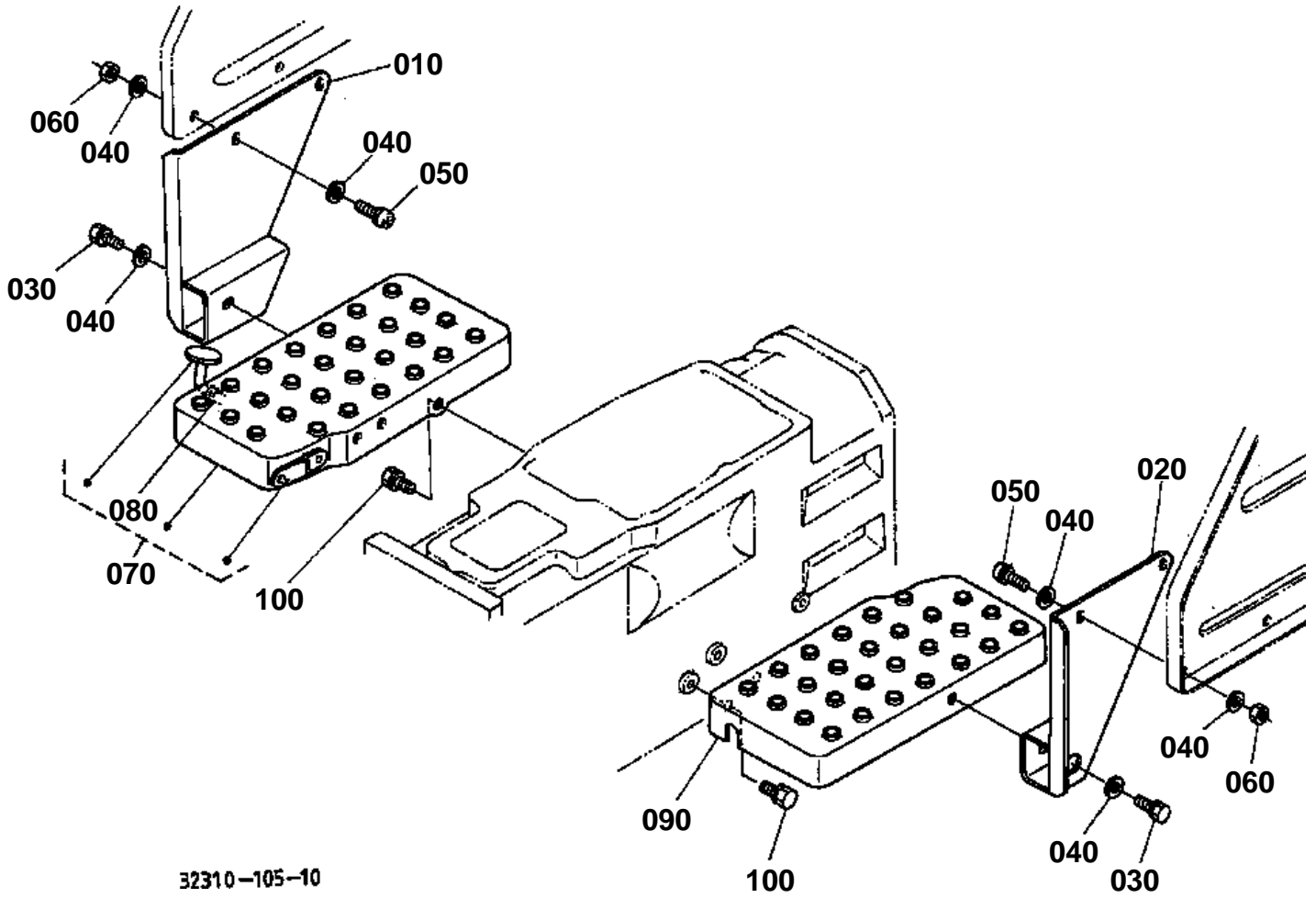




SEAT

↔ Interchangeable; ≠ not interchangeable; ← new for old; → old for new

REF.No	Part No.	Description	Q'ty	S.No.	I/C	REMARKS	Weight (kgf)	Weight (lb)
010	35110-85014	ASSY SEAT	1	<=11567			0	0
010	35110-85015	ASSY SEAT	1	>=11568	←		5.8	12.76
020	35110-99100	ASSY COVER SEAT	1				0.52	1.144
030	35110-85050	EYELET	4				0.005	0.011
040	35110-85060	PROTECTOR	3				0.01	0.022
050	32310-18450	SUPPORT SEAT	1				3	6.6
060	01774-51016	BOLT FLANGE	4				0.02	0.044
070	66301-52810	SPRING SEAT	2				0.12	0.264
080	04015-60080	WASHER PLAIN	2				0.01	0.022
090	01123-50825	BOLT	2				0.013	0.0286
100	66301-52820	CAP SPRING	2				0.04	0.088
110	38240-18470	PIN SEAT	1				0.085	0.187
120	05516-61000	PIN SNAP	1				0.003	0.0066
130	37150-18490	CUSHION	2				0.014	0.0308
140	32400-18480	BKT.TRIANGLE PLATE	1				0.225	0.495
150	03014-50616	SCREW	2				0.003	0.0066
160	02014-50060	NUT	2				0.003	0.0066
170	04512-60060	WASHER SPRING	2				0.001	0.0022
180	04012-50060	WASHER PLAIN	2				0.001	0.0022
190	36200-85030	PAD	1				0.42	0.924

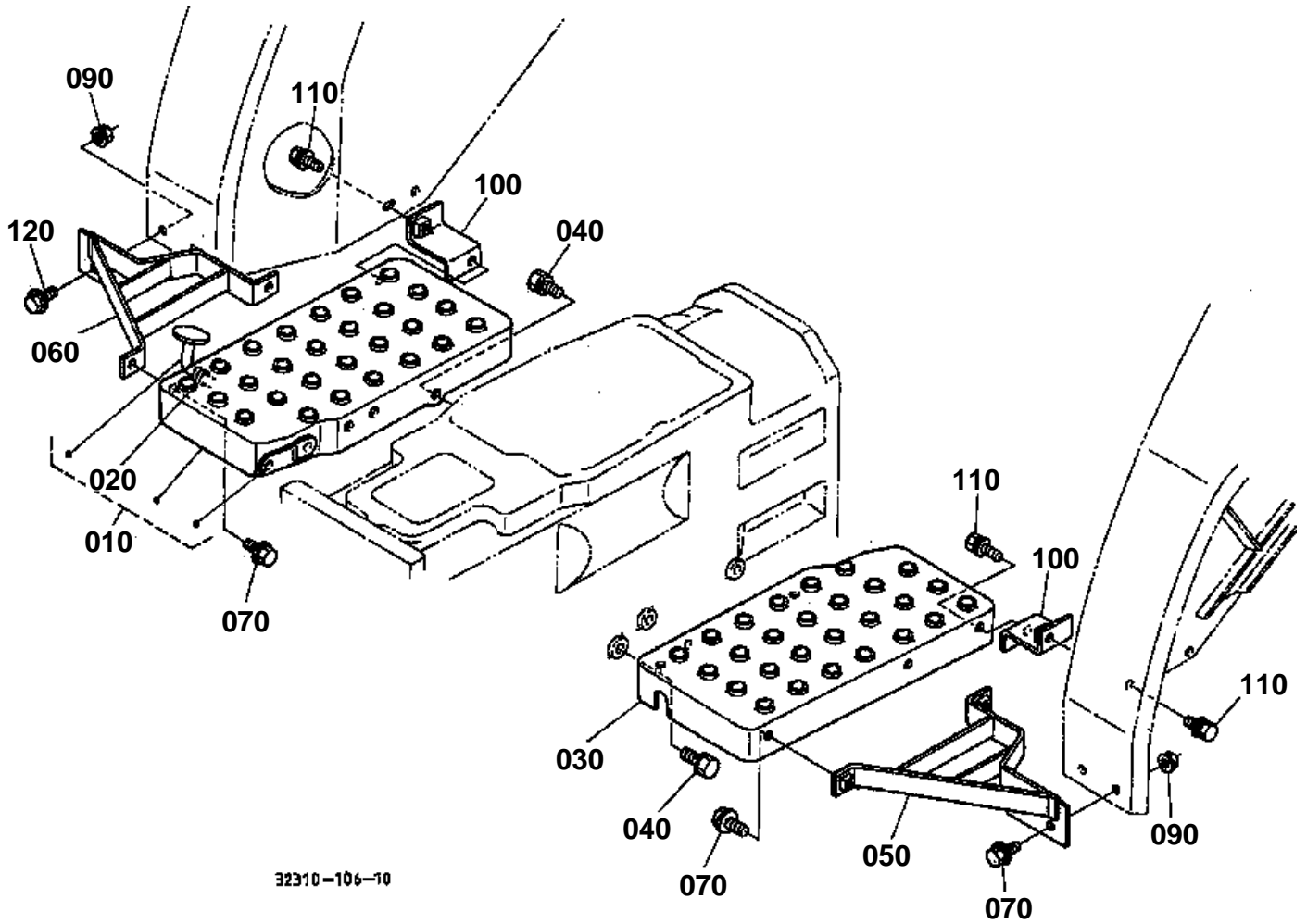




STEP [OIL TYPE]
S.No.:L2350F;<=19999,L2350DT;<=59999

↔ Interchangeable; ≠ not interchangeable; ← new for old; → old for new

REF.No	Part No.	Description	Q'ty	S.No.	I/C	REMARKS	Weight (kgf)	Weight (lb)
010	32400-29140	COVER FENDER RH	1				0.86	1.892
020	35210-29160	COVER FENDER LH	1				0.87	1.914
030	01123-50820	BOLT	2				0.011	0.0242
040	04015-60080	WASHER PLAIN	10				0.01	0.022
050	03004-50820	SCREW WITH WASHER	4				0.011	0.0242
060	02114-50080	NUT	6				0.005	0.011
070	37150-29900	COMP.STEP RH	1				1.78	3.916
080	37150-17530	SPRING	1				0.01	0.022
090	37150-29920	STEP LH	1				1.61	3.542
100	01133-51016	BOLT	6				0.015	0.033

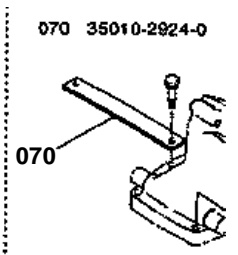
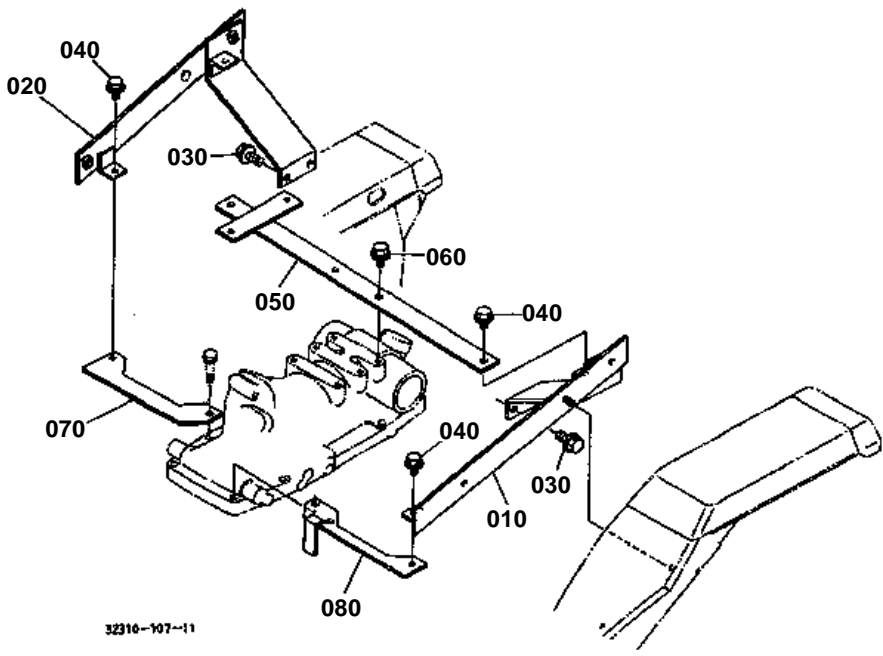


**STEP [NEW TYPE]**

S.No.:L2350F;>=20001,L2350DT;>=60001

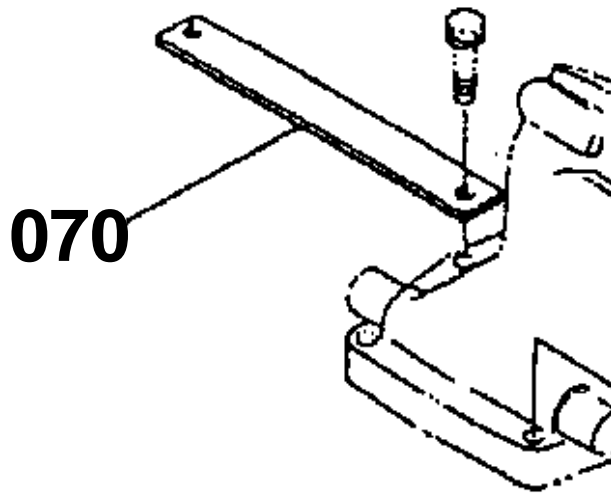
↔ Interchangeable; ≠ not interchangeable; ← new for old; → old for new

REF.No	Part No.	Description	Q'ty	S.No.	I/C	REMARKS	Weight (kgf)	Weight (lb)
010	32310-29900	COMP.STEP RH	1				1.9	4.18
020	37150-17530	SPRING	1				0.01	0.022
030	32310-29920	STEP LH	1				1.7	3.74
040	01133-51016	BOLT	6				0.015	0.033
050	32310-29140	STEP AUX.LH	1				0.57	1.254
060	32310-29150	STEP AUX.RH	1				0.57	1.254
070	01754-50816	BOLT FLANGE	8				0.011	0.0242
090	02751-50080	NUT FLANGE	6				0.006	0.0132
100	35000-29320	CONNECTOR FENDER	2				0.06	0.132
110	01125-60816	BOLT	4				0.01	0.022
120	01754-50825	BOLT FLANGE	2				0.01	0.022



32310-809-10

070 35010-2924-0



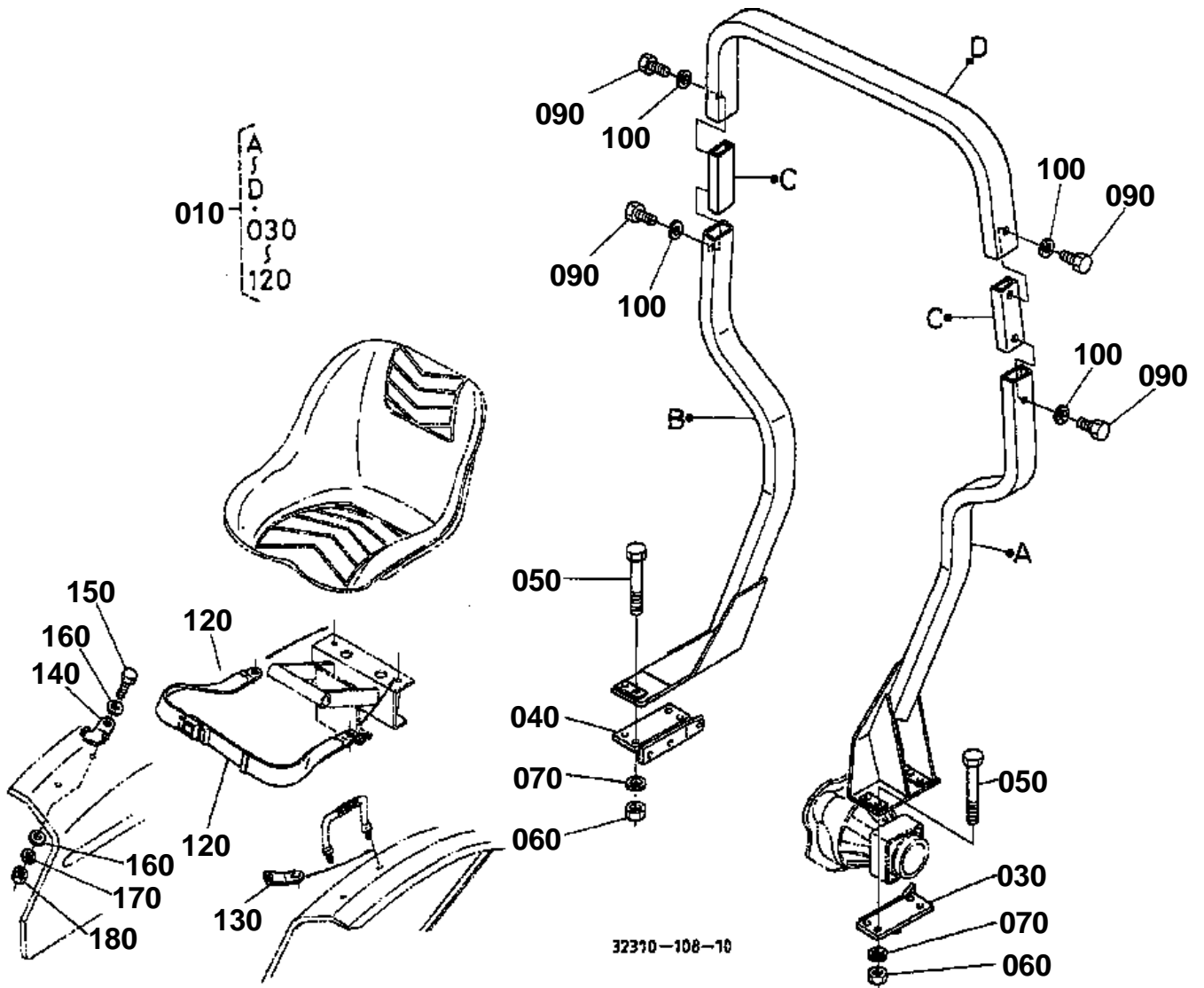
32310-809-10



FENDER SUPPORT [NEW TYPE]
S.No.:L2350F;>=20001,L2350DT;>=60001

↔ Interchangeable; ≠ not interchangeable; ← new for old; → old for new

REF.No	Part No.	Description	Q'ty	S.No.	I/C	REMARKS	Weight (kgf)	Weight (lb)
010	35010-29210	SUPPORT FENDER LH	1	≤21939			0	0
010	35010-29212	SUPPORT FENDER LH	1	≥21940	←		2.06	4.532
020	35010-29220	SUPPORT FENDER RH	1	≤21939			0	0
020	35010-29222	SUPPORT FENDER RH	1	≥21940	←		1.915	4.213
030	01774-51220	BOLT FLANGE	4				0.03	0.066
040	01754-50816	BOLT FLANGE	4				0.011	0.0242
050	35010-29230	STAY FENDER REAR	1				1.13	2.486
060	01774-51016	BOLT FLANGE	2				0.02	0.044
070	35010-29240	STAY FENDER RH	1	≤20621			0	0
070	35010-29242	STAY FENDER RH	1	≥20622	←		0.3	0.66
080	35010-29250	STAY FENDER LH	1				0.315	0.693

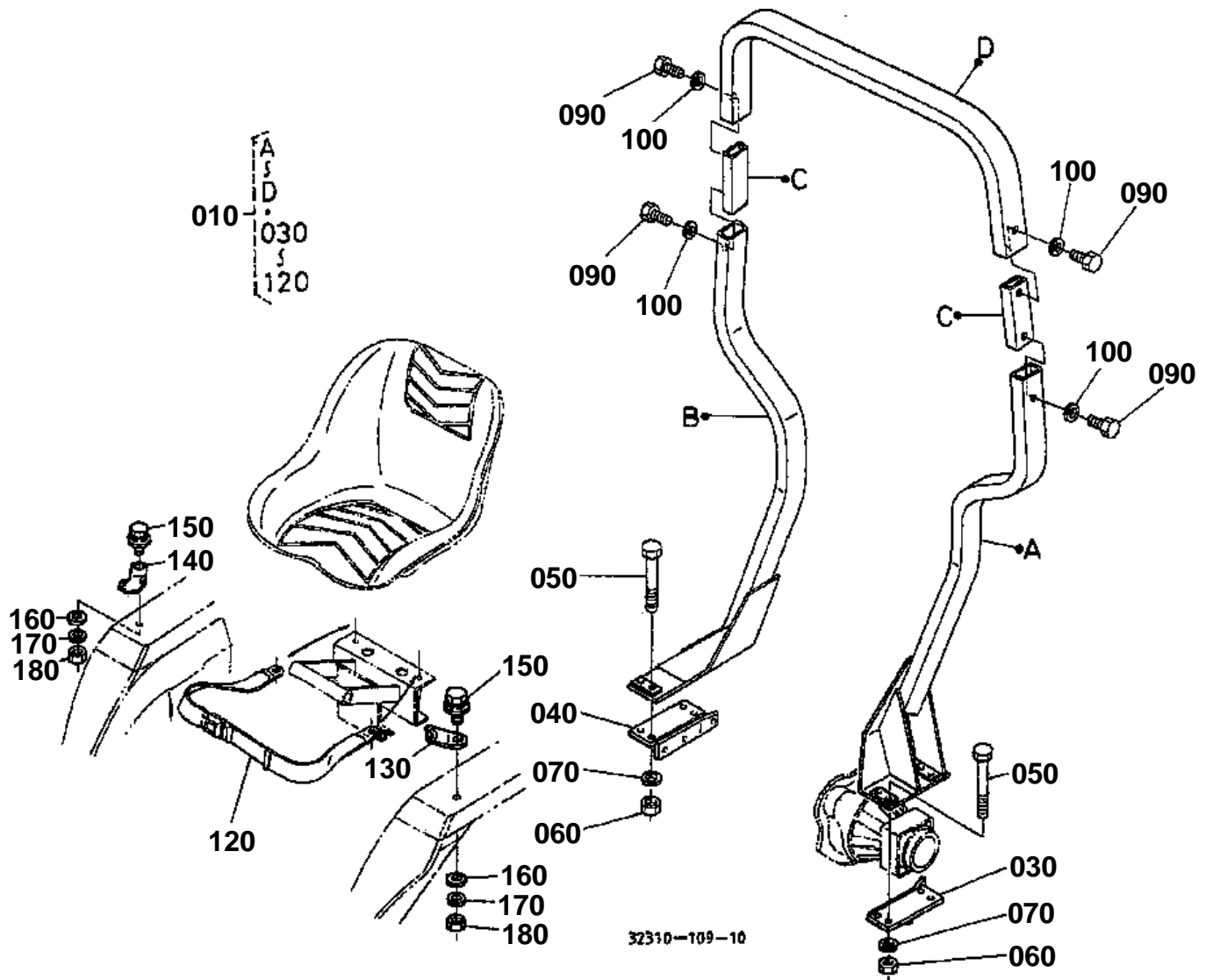




ROPS [OLD TYPE]
S.No.:L2350F;<=19999,L2350DT;<=59999

↔ Interchangeable; ≠ not interchangeable; ← new for old; → old for new

REF.No	Part No.	Description	Q'ty	S.No.	I/C	REMARKS	Weight (kgf)	Weight (lb)
010	32310-48010	ASSY ROPS	1				0	0
030	32400-34730	BRACKET CHAIN LH	1			BLUE	2.29	5.038
040	32400-34740	BRACKET CHAIN RH	1			BLUE	2.35	5.17
050	32430-34740	BOLT	8				0.3	0.66
060	32530-29040	NUT	8				0.03	0.066
070	04512-60160	WASHER SPRING	8				0.01	0.022
090	01173-51428	BOLT	4				0.049	0.1078
100	04512-60140	WASHER SPRING	4				0.006	0.0132
120	66416-72190	ASSY BELT SEAT	1				0.34	0.748
130	66416-72200	HOLDER SEAT BELT	1				0.028	0.0616
140	66416-72210	HOLDER SEAT BELT	1				0.032	0.0704
150	01173-51425	BOLT	1				0.047	0.1034
160	04013-60140	WASHER PLAIN	2				0.01	0.022
170	04512-60140	WASHER SPRING	1				0.006	0.0132
180	02174-50140	NUT	1				0.014	0.0308

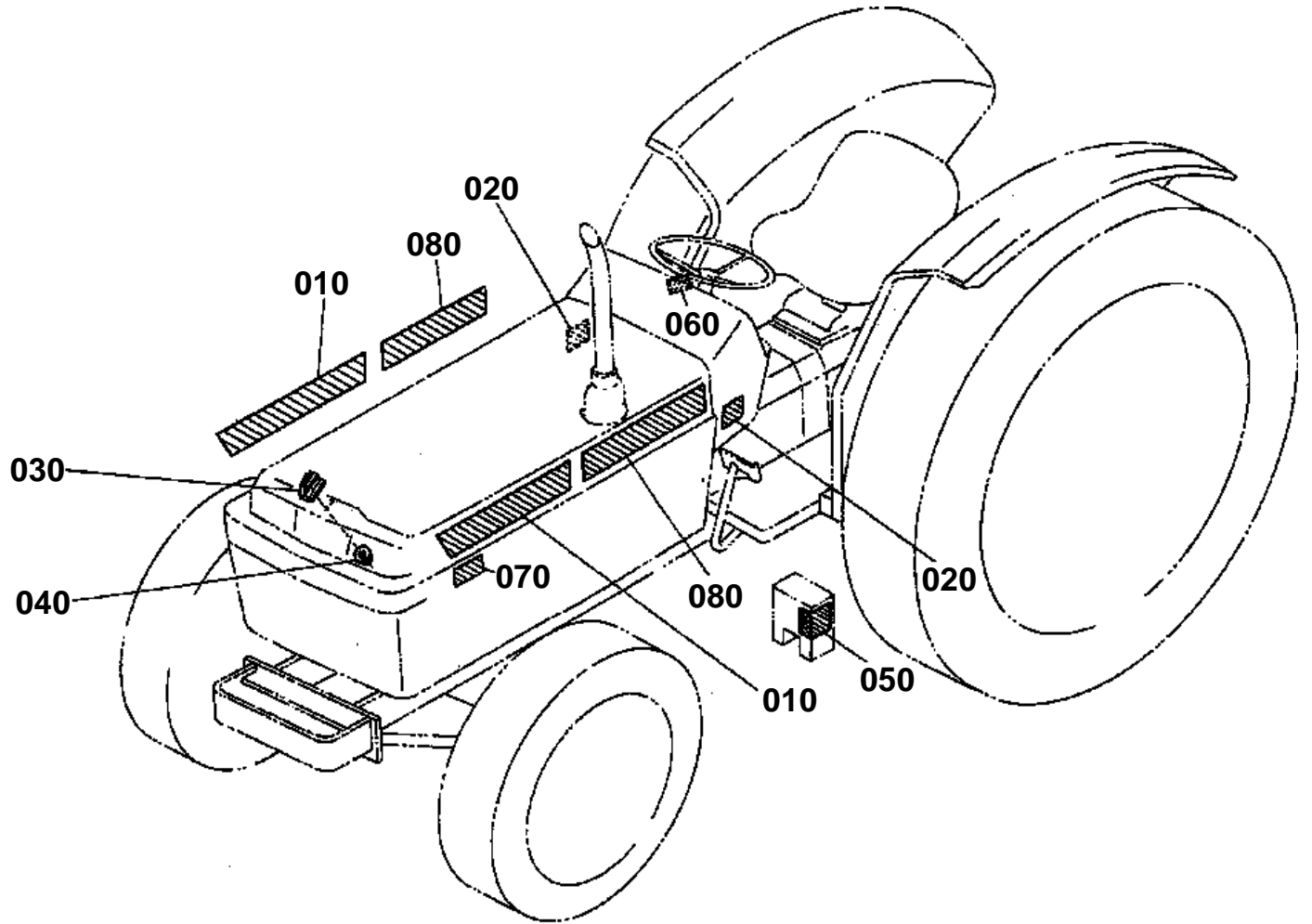




ROPS [NEW TYPE]
S.No.:L2350F;>=20001,L2350DT;>=60001

↔ Interchangeable; ≠ not interchangeable; ← new for old; → old for new

REF.No	Part No.	Description	Q'ty	S.No.	I/C	REMARKS	Weight (kgf)	Weight (lb)
010	32310-48010	ASSY ROPS	1				0	0
030	32310-34730	BRACKET CHAIN LH	1			GRAY	2.3	5.06
040	32310-34740	BRACKET CHAIN LH	1			GARY	2.3	5.06
050	32430-34740	BOLT	8				0.3	0.66
060	32530-29040	NUT	8				0.03	0.066
070	04512-60160	WASHER SPRING	8				0.01	0.022
090	01173-51428	BOLT	4				0.049	0.1078
100	04512-60140	WASHER SPRING	4				0.006	0.0132
120	66416-72190	ASSY BELT SEAT	1				0.34	0.748
130	66416-72200	HOLDER SEAT BELT	1				0.028	0.0616
140	66416-72210	HOLDER SEAT BELT	1				0.032	0.0704
150	01135-51225	BOLT	2				0.05	0.11
160	04013-60120	WASHER PLAIN	2				0.01	0.022
170	04512-50120	WASHER SPRING	2				0	0
180	02174-50120	NUT	2				0.01	0.022



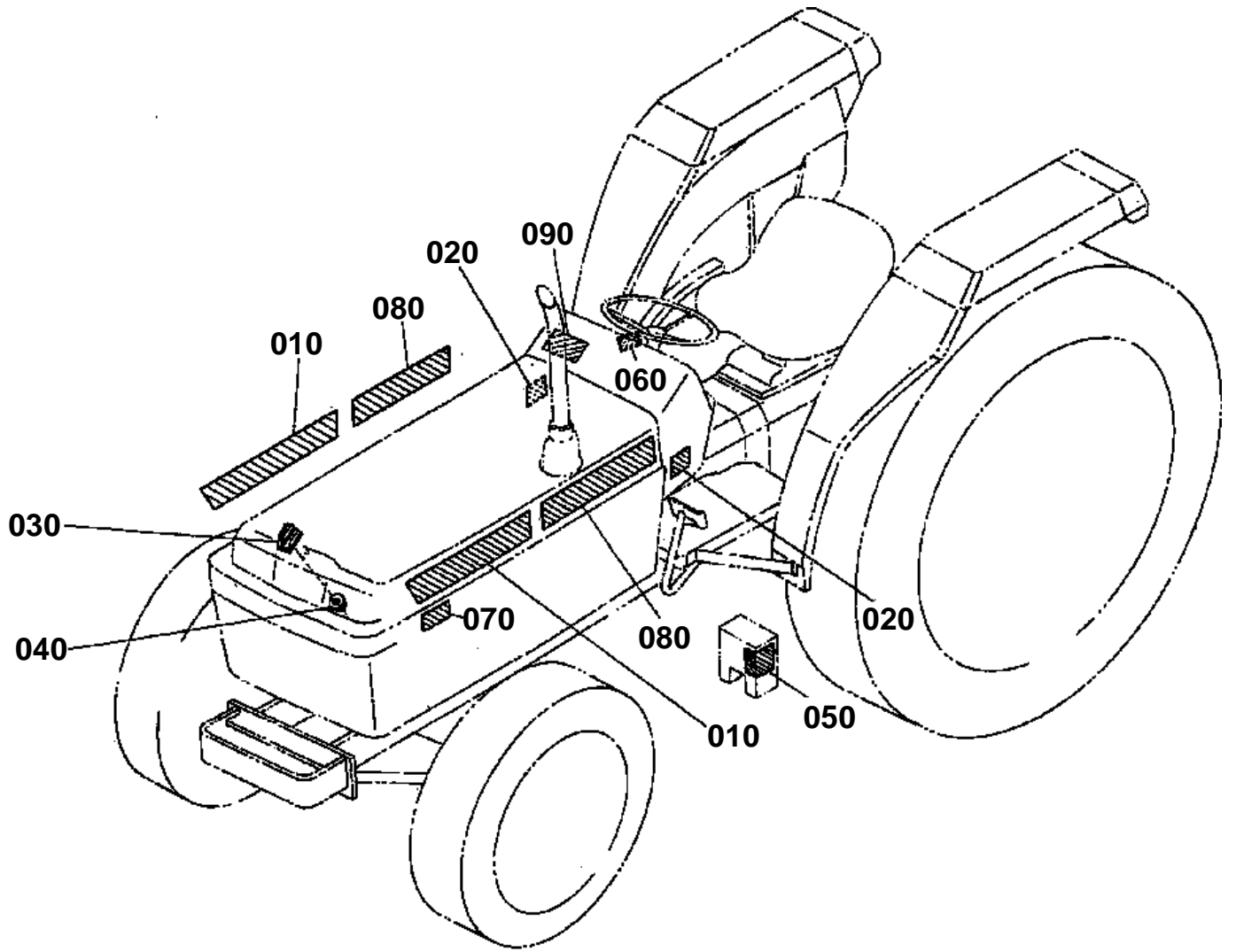
32310-110-10



LABEL 1 [OLD TYPE]
S.No.:L2350F;<=19999,L2350DT;<=59999

↔ Interchangeable; ≠ not interchangeable; ← new for old; → old for new

REF.No	Part No.	Description	Q'ty	S.No.	I/C	REMARKS	Weight (kgf)	Weight (lb)
010	35040-65100	MARK MODEL LH	2				0.01	0.022
020	32400-65240	LABEL SIDE	2				0.005	0.011
030	38150-65180	EMBLEM	1				0.02	0.044
040	02761-50040	NUT FLANGE	1				0.002	0.0044
050	35176-15930	LABEL PEDAL	1				0.005	0.011
060	35170-15940	CARD INSTRUCTION	1				0.015	0.033
080	35080-65350	LABEL KUBOTA	2				0.001	0.0022



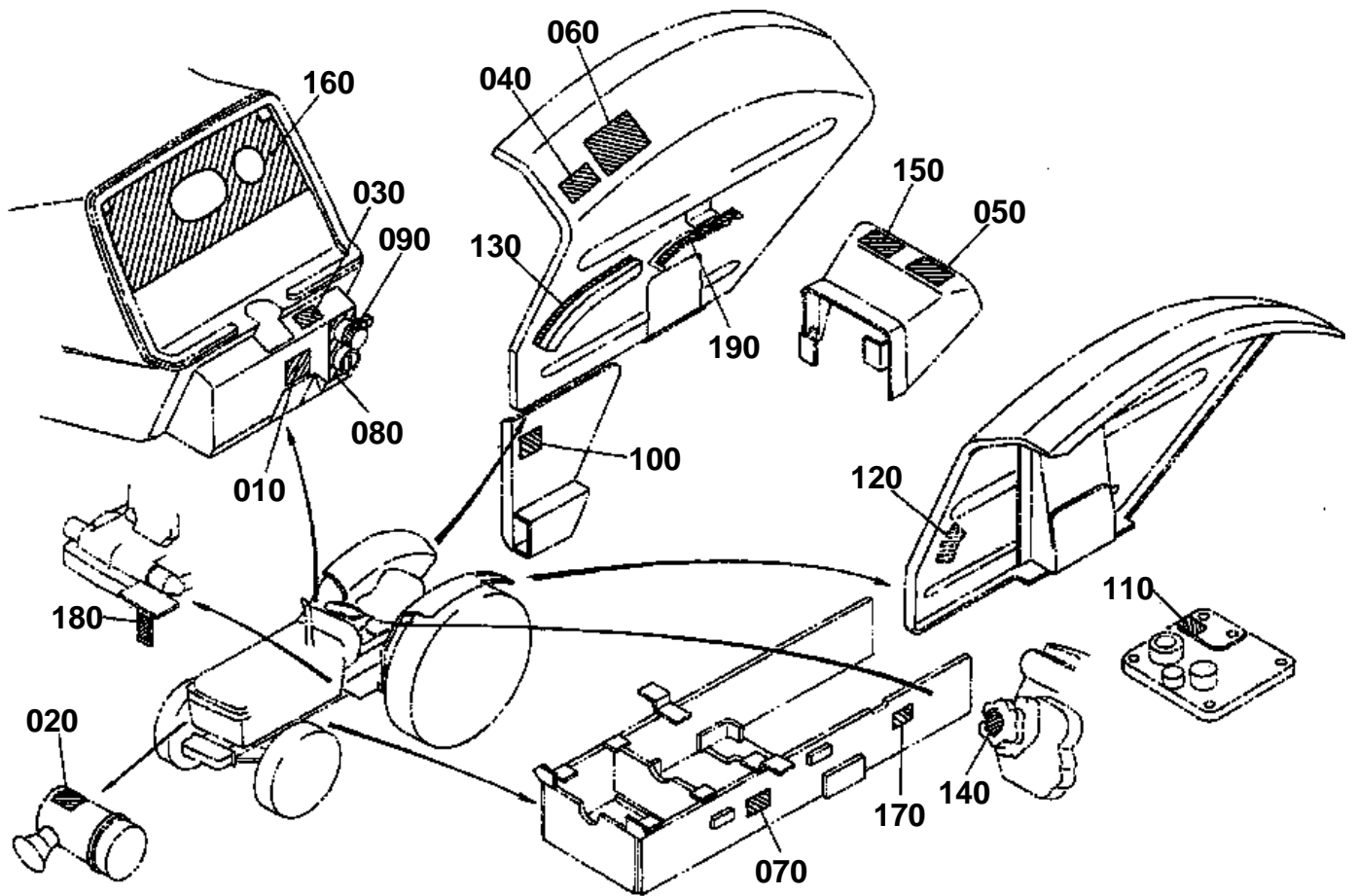
32310-111-10



LABEL 1 [NEW TYPE]
S.No.:L2350F;>=20001,L2350DT;>=60001

↔ Interchangeable; ≠ not interchangeable; ← new for old; → old for new

REF.No	Part No.	Description	Q'ty	S.No.	I/C	REMARKS	Weight (kgf)	Weight (lb)
010	35040-65100	MARK MODEL LH	2				0.01	0.022
020	32400-65240	LABEL SIDE	2				0.005	0.011
030	38150-65180	EMBLEM	1				0.02	0.044
040	02761-50040	NUT FLANGE	1				0.002	0.0044
050	35176-15930	LABEL PEDAL	1				0.005	0.011
060	35170-15940	CARD INSTRUCTION	1				0.015	0.033
080	35080-65350	LABEL KUBOTA	2				0.001	0.0022
090	TA040-49560	LABEL FILLER	1				0	0



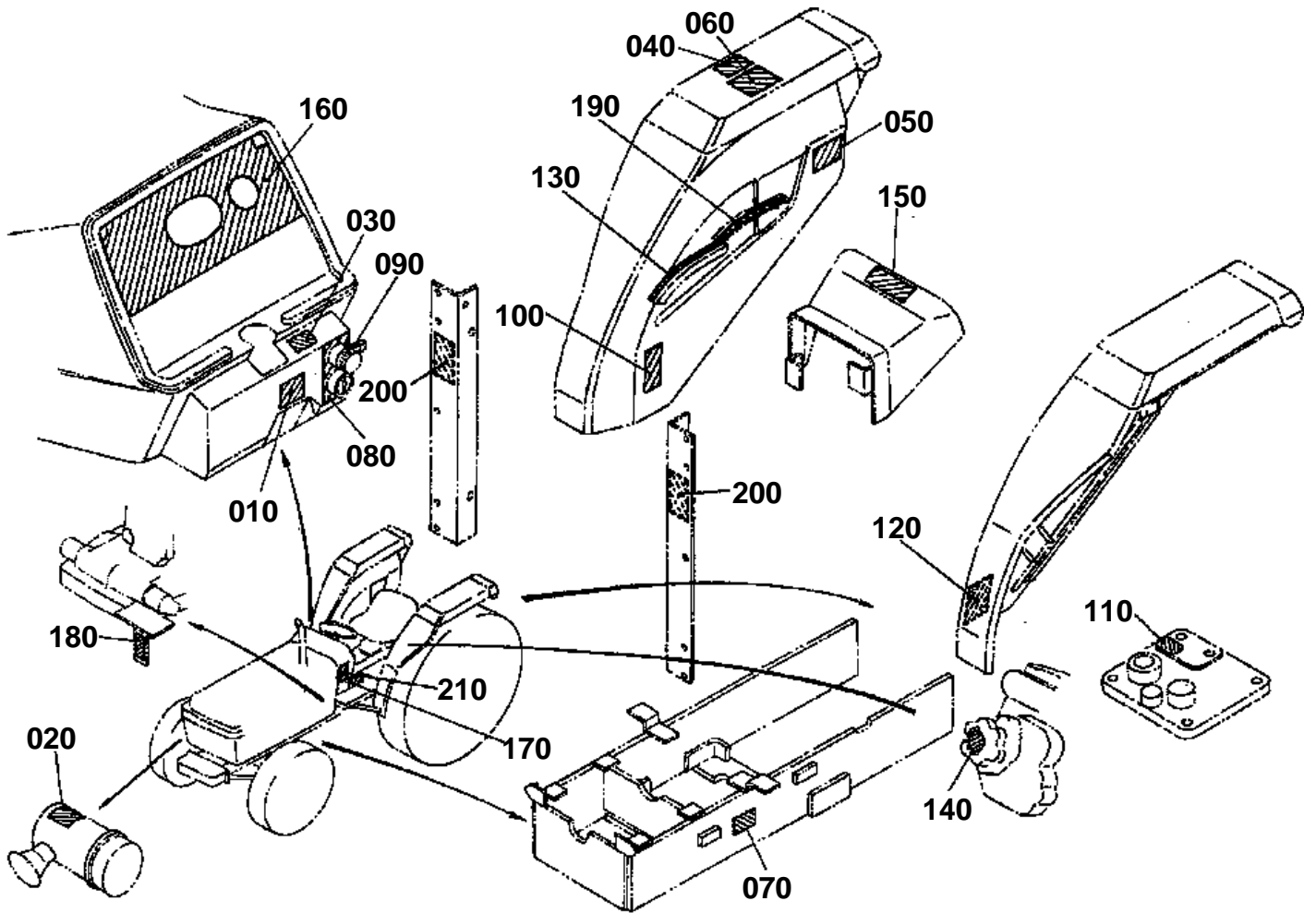
32310-112-10



LABEL 2 [OLD TYPE]
S.No.:L2350F;<=19999,L2350DT;<=59999

↔ Interchangeable; ≠ not interchangeable; ← new for old; → old for new

REF.No	Part No.	Description	Q'ty	S.No.	I/C	REMARKS	Weight (kgf)	Weight (lb)
010	35110-17610	LABEL ENGINE STOP	1				0.002	0.0044
020	15222-93450	LABEL AIR CLEANER	1			ENGLISH	0.001	0.0022
020	15227-87450	LABEL AIR CLEANER	1			FRENCH	0.001	0.0022
030	35260-25050	LABEL SHUTTLE	1			ENGLISH	0.01	0.022
030	35261-25050	LABEL SHUTTLE	1			FRENCH	0.001	0.0022
040	35260-29782	LABEL ROPS WARNING	1			ENGLISH	0.001	0.0022
050	35260-29790	LABEL DRAWBAR	1			ENGLISH	0.002	0.0044
060	35260-34913	LABEL SAFETY	1			ENGLISH	0.005	0.011
070	32430-65453	NAME PLATE	1				0.005	0.011
080	32430-65510	LABEL MAIN SWITCH	1				0.001	0.0022
090	32539-65530	LABEL HAZARD MARK	1				0.001	0.0022
100	32430-65650	LABEL DIFF.LOCK	1				0.001	0.0022
110	35260-24950	LABEL PTO	1				0.002	0.0044
120	35176-24580	LABEL RANGE SHIFT	1				0.002	0.0044
130	32430-65760	LABEL POSITION CON.	1			ENGLISH	0.003	0.0066
130	32431-65760	LABEL POSITION CON.	1			FRENCH	0.003	0.0066
140	31351-65780	LABEL HYD ADJUST	1			ENGLISH	0.001	0.0022
140	32530-65800	LABEL HYD ADJUST	1			FRENCH	0.001	0.0022
150	35200-25340	LABEL PTO WARNING	1			ENGLISH	0.002	0.0044
160	32400-65172	LABEL PANEL	1	<=10775			0.02	0.044
160	32400-65173	LABEL PANEL	1	>=10776	≠		0.02	0.044
170	35820-98632	LABEL START CAUTION	1			ENGLISH	0.003	0.0066
190	32430-65770	LABEL DRAFT CON.	1			OPTION	0.001	0.0022



32310-113-10



LABEL 2 [NEW TYPE]
S.No.:L2350F;>=20001,L2350DT;>=60001

↔ Interchangeable; ≠ not interchangeable; ← new for old; → old for new

REF.No	Part No.	Description	Q'ty	S.No.	I/C	REMARKS	Weight (kgf)	Weight (lb)
010	35000-17610	LABEL ENGINE STOP	1				0.005	0.011
020	15222-93450	LABEL AIR CLEANER	1			ENGLISH	0.001	0.0022
020	15227-87450	LABEL AIR CLEANER	1			FRENCH	0.001	0.0022
030	35260-25050	LABEL SHUTTLE	1			ENGLISH	0.01	0.022
030	35261-25050	LABEL SHUTTLE	1			FRENCH	0.001	0.0022
040	TA040-49320	LABEL ROPS WARNING	1			ENGLISH	0.001	0.0022
040	TA040-49150	LABEL ROPS WARNING	1			FRENCH	0.003	0.0066
050	TA040-49350	LABEL DRAWBAR	1			ENGLISH	0.002	0.0044
050	TA041-49350	LABEL DRAWBAR	1			FRENCH	0.003	0.0066
060	35260-34913	LABEL SAFETY	1			ENGLISH	0.005	0.011
060	35261-34910	LABEL SAFETY	1			FRENCH	0.006	0.0132
070	32430-65453	NAME PLATE	1				0.005	0.011
080	32430-65510	LABEL MAIN SWITCH	1				0.001	0.0022
090	32539-65530	LABEL HAZARD MARK	1				0.001	0.0022
100	TA040-49760	MARK DIFF.LOCK	1				0.001	0.0022
110	35260-24950	LABEL PTO	1				0.002	0.0044
120	35176-24580	LABEL RANGE SHIFT	1				0.002	0.0044
130	32430-65760	LABEL POSITION CON.	1			ENGLISH	0.003	0.0066
130	32431-65760	LABEL POSITION CON.	1			FRENCH	0.003	0.0066
140	31351-65780	LABEL HYD ADJUST	1			ENGLISH	0.001	0.0022
140	32530-65800	LABEL HYD ADJUST	1			FRENCH	0.001	0.0022
150	TA040-49590	LABEL PTO WARNING	1			ENGLISH	0.002	0.0044
150	TA041-49590	LABEL PTO WARNING	1			FRENCH	0.005	0.011
160	32310-65170	LABEL PANEL	1				0.013	0.0286
170	TA040-49650	LABEL START CAUTION	1			ENGLISH	0.004	0.0088
170	TA041-49650	LABEL START CAUTION	1			FRENCH	0.004	0.0088
190	32430-65770	LABEL DRAFT CON.	1			OPTION	0.001	0.0022
200	32751-49580	LABEL FAN BELT	2				0.001	0.0022
210	32310-49580	LABEL WARNING	1				0.002	0.0044

↔ Interchangeable; ≠ not interchangeable; ← new for old; → old for new

REF.No	Part No.	Description	Q'ty	S.No.	I/C	REMARKS	Weight (kgf)	Weight (lb)
010	32400-19713	MANUAL INSTRUCTION	1	<=19999		ENGLISH	0.135	0.297
010	32310-19710	MANUAL INSTRUCTION	1	>=20001	≠	ENGLISH	0	0
010	32310-19712	MANUAL INSTRUCTION	1	>=20715	←	ENGLISH	0.165	0.363
010	32311-19710	MANUAL INSTRUCTION	1	>=20001		FRENCH	0.163	0.3586
020	01073-51630	BOLT	8			FOR REAR WHEEL	0.079	0.1738
030	02076-50160	NUT	4			FOR REAR WHEEL	0.03	0.066
040	34150-27710	STUD	4			FOR REAR WHEEL	0.062	0.1364
060	04512-60160	WASHER SPRING	12			FOR REAR WHEEL	0.01	0.022
070	04512-60140	WASHER SPRING	12			FOR FRONT WHEEL	0.006	0.0132
080	01517-51428	STUD	12			FOR FRONT WHEEL	0.05	0.11
100	35340-11390	NUT	12			FOR FRONT WHEEL	0.03	0.066
140	35260-31852	ASSYKEY MAIN SWITCH	1				0.02	0.044