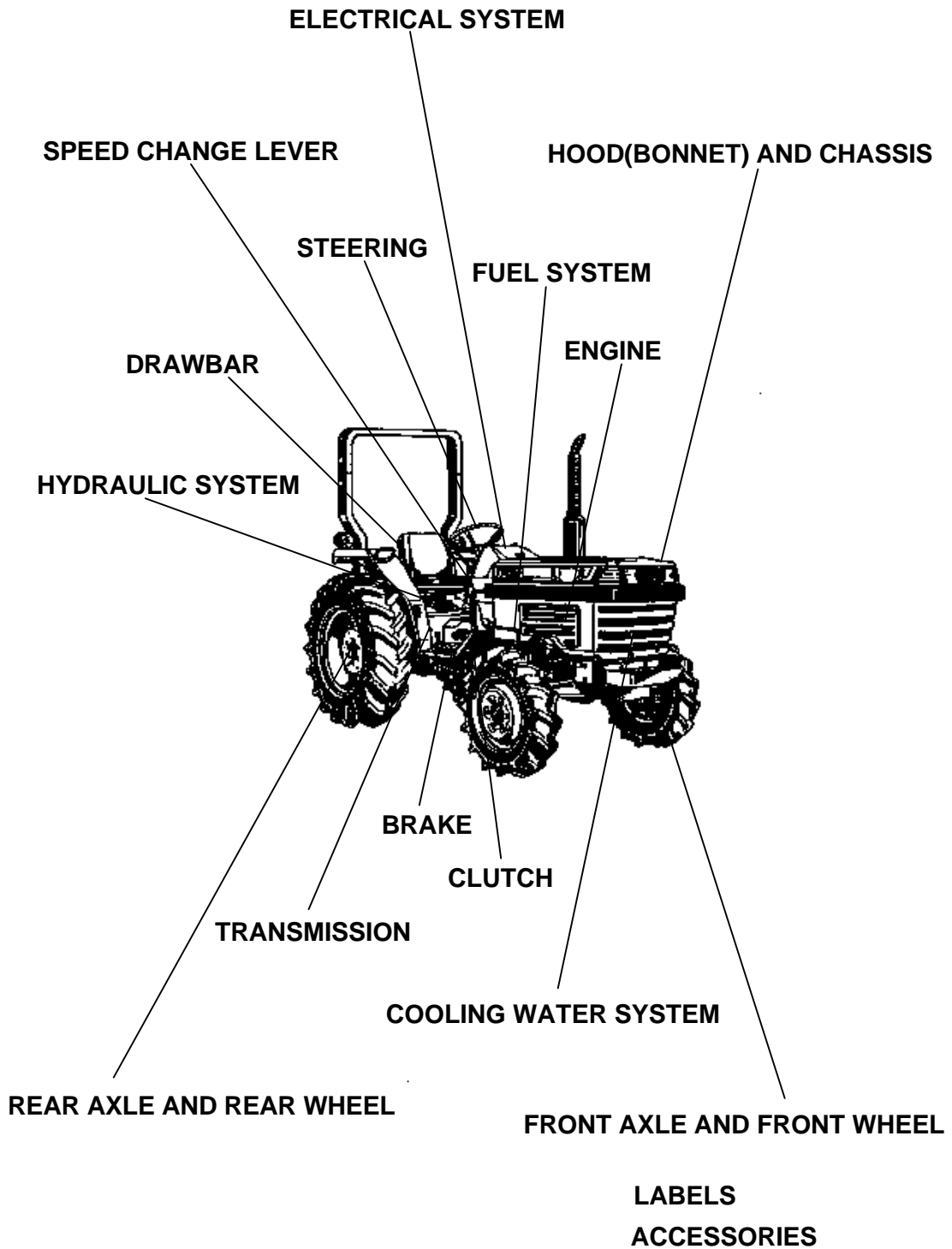


ALL PRODUCT INDEX
L2550DT

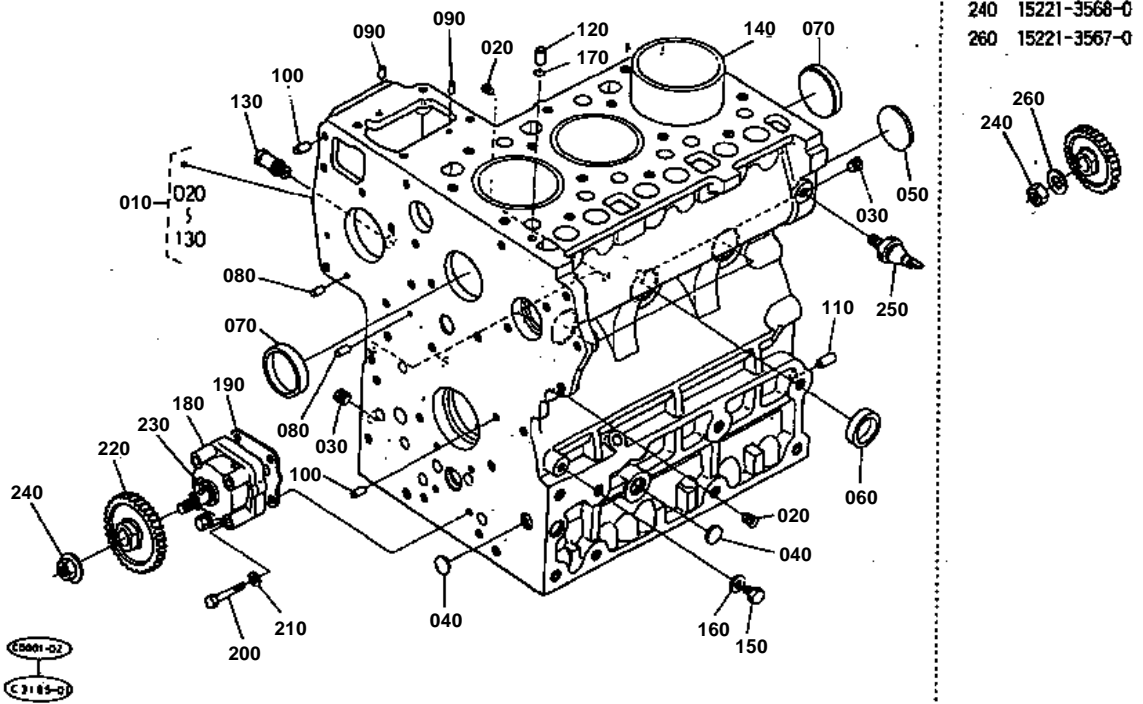


Item	Part No.	Description	Book	
ENGINE	01T001	CRANKCASE	100K0339	
	01T002	OIL PAN	100K0339	
	01T003	PISTON AND CRANKSHAFT	100K0339	
	01T004	MAIN BEARING CASE	100K0339	
	01T00501	FLYWHEEL(DC)	100K0339	
	01T00502	FLYWHEEL(SC)	100K0339	
	01T006	CYLINDER HEAD	100K0339	
	01T007	VALVE AND ROCKER ARM	100K0339	
	01T008	NOZZLE AND GLOW PLUG	100K0339	
	01T009	CYLINDER HEAD COVER	100K0339	
	01T010	INLET MANIFOLD	100K0339	
	01T015	CAMSHAFT	100K0339	
	01T016	GEAR CASE	100K0339	
	01T017	WATER PUMP	100K0339	
	01T018	WATER FLANGE	100K0339	
	01T019	FUEL CAMSHAFT	100K0339	
	01T020	INJECTION PUMP	100K0339	
	01T021	INJECTION PUMP [COMPONENT PARTS]	100K0339	
	01T022	ENGINE STOP LEVER	100K0339	
	01T023	SPEED CONTROL PLATE 1	100K0339	
	01T024	SPEED CONTROL PLATE 2	100K0339	
	01T025	GOVERNOR	100K0339	
	01T01101	AIR CLEANER	100K0339	
	01T01102	DOUBLE AIR CLEANER [OPTION]	100K0339	
	01T012	PRE-CLEANER [OPTION]	100K0339	
	01T013	EXHAUST MANIFOLD	100K0339	
	01T01401	MUFFLER	100K0339	
	01T01402	UNDER MUFFLER [OPTION]	100K0339	
	01T02601	STOP ROD EXCEPT [GR]	100K0339	
	01T027	ACCELERATOR LEVER	100K0339	
	01T028	ACCELERATOR LINKAGE	100K0339	
	FUEL SYSTEM	01T029	FUEL TANK	100K0339
		01T030	FUEL FILTER	100K0339
	01T031	FUEL FILTER [COMPONENT PARTS]	100K0339	
COOLING WATER SYSTEM	01T032	FAN	100K0339	
	01T033	WATER PIPE	100K0339	
	01T034	RADIATOR	100K0339	
	01T035	SHUTTER	100K0339	
ELECTRICAL SYSTEM	01T03601	DYNAMO EXCEPT [CA]	100K0339	
	01T03701	DYNAMO [COMPONENT PARTS]	100K0339	
	01T038	STARTER	100K0339	
	01T03901	STARTER [COMPONENT PARTS]	100K0339	
	01T03902	STARTER [COMPONENT PARTS]	100K0339	
	01T040	BATTERY	100K0339	
	01T04101	SWITCH AND REGULATOR EXCEPT [FR][GR][PO]	100K0339	
	01T04201	PANEL [WITH EASY CHECKER] EXCEPT [FR][GR][PO][AU]	100K0339	
	01T04202	PANEL [WITHOUT EASY CHECKER] [A][FR][GR][PO][AU]	100K0339	
	01T04301	LIGHT EXCEPT [FR]	100K0339	
	01T04601	ELECTRICAL WIRING [WITH EASY CHECKER] [A]	100K0339	
	01T04602	ELECTRICAL WIRING [WITHOUT EASY CHECKER] [A][AU]	100K0339	
CLUTCH	01T04701	CLUTCH(DC)	100K0339	
	01T04702	CLUTCH(SC)	100K0339	

Item	Part No.	Description	Book	
CLUTCH	01T04801	CLUTCH LEVER(DC)	100K0339	
	01T04802	CLUTCH LEVER(SC)	100K0339	
	01T049	CLUTCH PEDAL	100K0339	
	01T050	CLUTCH HOUSING	100K0339	
TRANSMISSION	01T051	TRANSMISSION CASE	100K0339	
	01T05201	MAIN SHAFT(DC)	100K0339	
	01T05202	MAIN SHAFT(SC)	100K0339	
	01T05301	COUNTER SHAFT [CONSTANT MESH]	100K0339	
	01T05302	COUNTER SHAFT [SYNCHRO MESH]	100K0339	
	01T054	COUNTER SHAFT 2	100K0339	
	01T055	PTO COUNTER SHAFT 1 (DC)	100K0339	
	01T056	PTO COUNTER SHAFT 2 (DC)	100K0339	
	01T057	PTO COUNTER SHAFT (SC)	100K0339	
	01T058	PTO SHAFT	100K0339	
	01T05902	MID PTO	100K0339	
	01T060	REVERSE SHAFT	100K0339	
	SPEED CHANGE LEVER	01T061	MAIN AND SHUTTLE GEAR SHIFT LEVER	100K0339
		01T062	MAIN GEAR SHIFT LINKAGE SYSTEM	100K0339
01T06301		MAIN GEAR SHIFT FORK [CONSTANT MESH]	100K0339	
01T06302		MAIN GEAR SHIFT FORK [SYNCHRO MESH]	100K0339	
01T064		SHUTTLE GEAR SHIFT FORK	100K0339	
01T065		HI-LO GEAR SHIFT FORK	100K0339	
01T067		SPEED CHANGE INTERLOCK	100K0339	
01T06801		PTO GEAR SHIFT FORK (DC)	100K0339	
01T06802		PTO GEAR SHIFT FORK (SC)	100K0339	
01T069		PTO GEAR SHIFT LEVER	100K0339	
REAR AXLE AND REAR WHEEL	01T070	PTO INTERLOCK	100K0339	
	01T07102	SPIRAL BEVEL PINION	100K0339	
	01T07202	REAR DIFFERENTIAL	100K0339	
	01T073	DIFF. LOCK PEDAL	100K0339	
	01T074	REAR AXLE	100K0339	
	01T07502	REAR WHEEL (11.2-24)	100K0339	
	01T07503	REAR WHEEL (12.4-24)	100K0339	
	01T07504	REAR WHEEL (13.6-16)	100K0339	
	01T07506	REAR WHEEL (355/80-D20)	100K0339	
	BRAKE	01T076	BRAKE	100K0339
01T077		BRAKE PEDAL	100K0339	
FRONT AXLE AND FRONT WHEEL	01T082	FRONT AXLE	100K0339	
	01T083	FRONT AXLE CASE	100K0339	
	01T084	DIFF.GEAR SHAFT	100K0339	
	01T085	FRONT DIFF.CASE	100K0339	
	01T086	FRONT DIFFERENTIAL	100K0339	
	01T087	PROPELLER SHAFT	100K0339	
	01T088	FRONT WHEEL DRIVE CASE	100K0339	
	01T08902	FRONT WHEEL(7-16)	100K0339	
	01T08905	FRONT WHEEL(25X8.50-14) EXCEPT [FR]	100K0339	
	01T08907	FRONT WHEEL(212/80-D15)	100K0339	
	STEERING	01T090	FRONT AXLE FRAME	100K0339
		01T092	STEERING LINKAGE	100K0339
		01T09301	STEERING (MS)	100K0339
		01T09302	STEERING(PS)	100K0339
		01T09401	STEERING(MS) [COMPONENT PARTS]	100K0339
01T09402		STEERING(PS) [COMPONENT PARTS]	100K0339	
01T095		BEVEL GEAR CASE	100K0339	
01T096		STEERING HANDLE	100K0339	
01T097		ORCHARD KIT [OPTION]	100K0339	

Item	Part No.	Description	Book	
HYDRAULIC SYSTEM	01T09801	HYDRAULIC PUMP(MS)	100K0339	
	01T09802	HYDRAULIC PUMP(PS)	100K0339	
	01T09901	HYDRAULIC PUMP(MS) [COMPONENT PARTS]	100K0339	
	01T09902	HYDRAULIC PUMP(PS) [COMPONENT PARTS]	100K0339	
	01T100	HYDRAULIC OIL FILTER	100K0339	
	01T101	HYDRAULIC OIL LINE	100K0339	
	01T102	HYDRAULIC OIL LINE(PS)	100K0339	
	01T103	HYDRAULIC BLOCK	100K0339	
	01T104	CONTROL VALVE	100K0339	
	01T10501	CONTROL VALVE [COMPONENT PARTS]	100K0339	
	01T10502	CONTROL VALVE [COMPONENT PARTS]	100K0339	
	01T106	DRAFT CONTROL VALVE [OPTION]	100K0339	
	01T107	DRAFT CONTROL VALVE [COMPONENT PARTS]	100K0339	
	01T108	CYLINDER FRONT COVER	100K0339	
	01T109	HYDRAULIC CYLINDER	100K0339	
	01T110	LIFT ARM	100K0339	
	01T111	POSITION LEVER	100K0339	
	01T112	FEED BACK LEVER	100K0339	
	01T113	AUX.CONTROL VALVE 1 [OPTION]	100K0339	
	01T114	AUX.CONTROL VALVE 2 [OPTION]	100K0339	
	01T115	AUX.CONTROL VALVE [COMPONENT PARTS]	100K0339	
	01T116	3-POINT LINKAGE 1	100K0339	
	01T117	3-POINT LINKAGE 2	100K0339	
	01T118	TOP LINKAGE BRACKET [OPTION]	100K0339	
	DRAWBAR	01T11901	DRAWBAR EXCEPT [FR][GR][PO]	100K0339
		01T11903	SWINGING DRAWBAR [OPITON]	100K0339
	HOOD(BONNET) AND CHASSIS	01T12001	FRONT GRILLE [OLD TYPE]	100K0339
		01T12002	FRONT GRILLE [NEW TYPE]	100K0339
		01T12101	LIGHT GRILLE EXCEPT [FR]	100K0339
		01T12201	FRONT GRILLE SUPPORT [OLD TYPE]	100K0339
		01T12202	FRONT GRILLE SUPPORT [NEW TYPE]	100K0339
		01T123	HOOD(BONNET)	100K0339
		01T12401	SIDE COVER [OLD TYPE]	100K0339
		01T12402	SIDE COVER [NEW TYPE]	100K0339
		01T125	REAR HOOD(BONNET)	100K0339
		01T12601	MAIN AND PTO CHANGE COVER [OLD TYPE]	100K0339
		01T12602	MAIN AND PTO CHANGE COVER [NEW TYPE]	100K0339
		01T127	FENDER	100K0339
		01T12801	FLOOR SEAT [OLD TYPE]	100K0339
		01T12802	FLOOR SEAT [NEW TYPE]	100K0339
		01T12901	SEAT EXCEPT [FR]	100K0339
		01T130	FOOT COVER	100K0339
		01T13101	STEP [OLD TYPE]	100K0339
	01T13102	STEP [NEW TYPE]	100K0339	
	01T132	ROPS [A]	100K0339	
LABELS	01T13301	LABEL 1 EXCEPT [FR]	100K0339	
	01T13401	LABEL 2 EXCEPT [FR]	100K0339	
ACCESSORIES	01T135	ACCESSORIES AND SERVICE PARTS	100K0339	

CRANKCASE

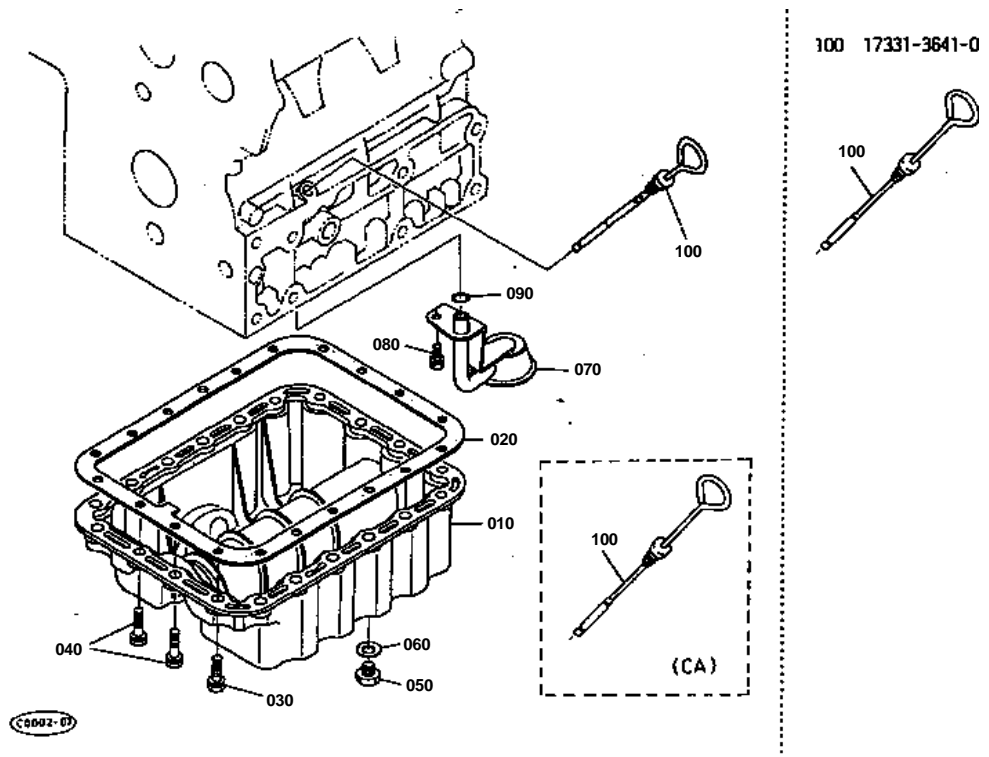


**CRANKCASE**

↔ Interchangeable; ≠ not interchangeable; ← new for old; → old for new

REF.No	Part No.	Description	Q'ty	S.No.	I/C	REMARKS	Weight (kgf)	Weight (lb)
010	17325-01010	COMP.CRANKCASE	1				30	66
020	15521-96020	PLUG	5				0.003	0.0066
030	15521-96030	PLUG	2				0.007	0.0154
040	06311-75018	PLUG	3				0.004	0.0088
050	06311-75045	PLUG	1				0.026	0.0572
060	15221-03380	CAP SEALING	5				0.017	0.0374
070	15221-03390	CAP SEALING	2				0.03	0.066
080	05012-00408	PIN STRAIGHT	2				0.001	0.0022
090	05012-00609	PIN STRAIGHT	2				0.003	0.0066
100	05012-00612	PIN STRAIGHT	2				0.003	0.0066
110	05012-01018	PIN STRAIGHT	1				0.012	0.0264
120	15221-33650	PIN PIPE	1				0.004	0.0088
130	15321-73340	PIPE WATER RETURN	1				0.016	0.0352
140	15521-02310	LINER CYLINDER	3				0.66	1.452
150	15221-33610	PLUG	1				0.009	0.0198
160	15021-33660	GASKET	1				0.001	0.0022
170	15221-33700	O RING	1				0.001	0.0022
180	17331-35010	ASSY PUMP OIL	1				0	0
190	15221-35150	GASKET OIL PUMP	1				0	0
200	01053-50648	BOLT	4				0.01	0.022
210	04512-50060	WASHER SPRING	4				0.001	0.0022
220	19202-35660	GEAR OIL PUMP DRIVE	1				0.23	0.506
230	05712-00410	KEY FEATHER	1				0.001	0.0022
240	15221-35680	NUT	1	<=19773			0	0
240	15221-35682	NUT FLANGE	1	>=19774	←		0.014	0.0308
250	15531-39010	SWITCH OIL	1				0.032	0.0704
260	15221-35670	WASHER	1	<=19773			0.005	0.011

OIL PAN



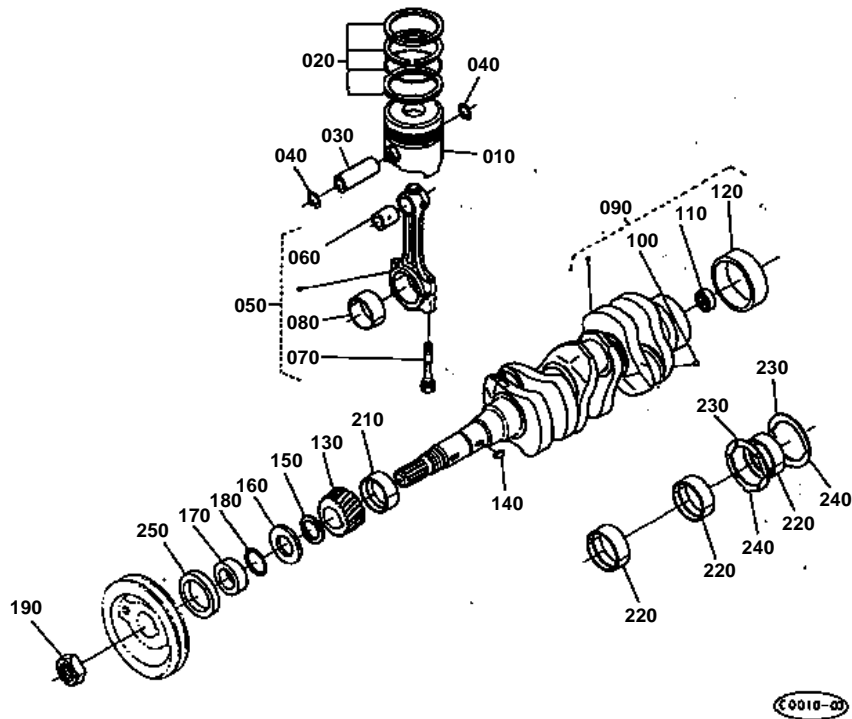


OIL PAN

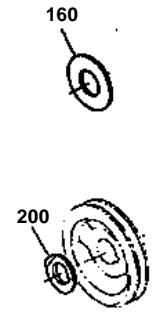
↔ Interchangeable; ≠ not interchangeable; ← new for old; → old for new

REF.No	Part No.	Description	Q'ty	S.No.	I/C	REMARKS	Weight (kgf)	Weight (lb)
010	15521-01610	OIL PAN	1				2.8	6.16
020	15301-01620	GASKET OIL PAN	1				0	0
030	01133-51028	BOLT	18				0.027	0.0594
040	01133-51025	BOLT	2				0.023	0.0506
050	15261-33750	PLUG	2				0.034	0.0748
060	15109-33660	GASKET	2				0.001	0.0022
070	15521-32110	FILTER OIL	1				0.185	0.407
080	01123-50814	BOLT	1				0.01	0.022
090	04811-00140	O RING	1				0.001	0.0022
100	17331-36410	GAUGE OIL	1	<=20540			0.05	0.11
100	17325-36410	GAUGE OIL	1	>=20541	↔		0.03	0.066
100	17331-36410	GAUGE OIL	1			[CA]	0.05	0.11

PISTON AND CRANKSHAFT



160 15221-2331-0
200 17331-2338-0



0010-00

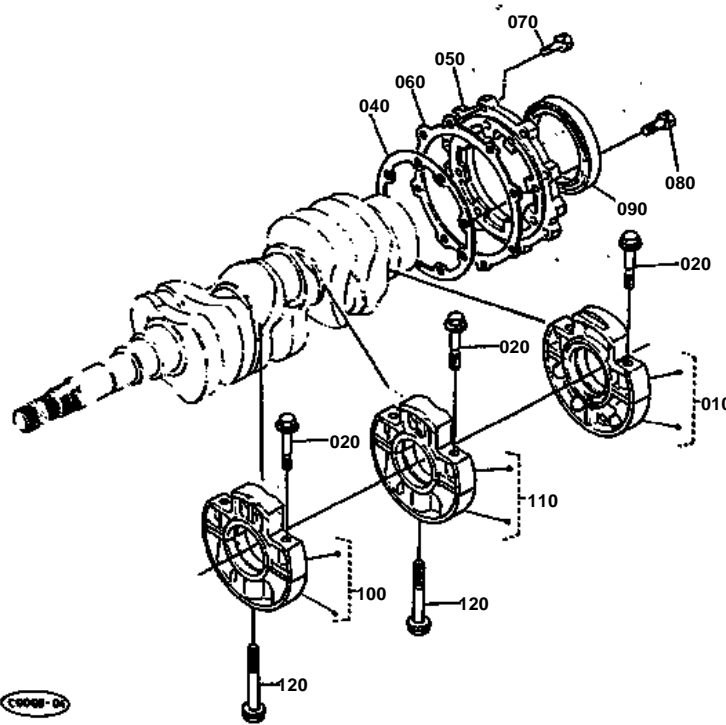


PISTON AND CRANKSHAFT

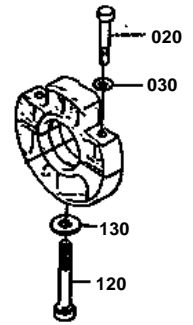
↔ Interchangeable; ≠ not interchangeable; ← new for old; → old for new

REF.No	Part No.	Description	Q'ty	S.No.	I/C	REMARKS	Weight (kgf)	Weight (lb)
010	19821-21110	PISTON	3			STD	0.565	1.243
010	19821-21910	PISTON	3			+0.5	0.55	1.21
020	15521-21050	ASSY PISTON RING	3			STD	0.06	0.132
020	15521-21092	ASSY PISTON RING	3			+0.5	0.055	0.121
030	14901-21310	PIN PISTON	3				0.17	0.374
040	14109-21330	CLIP PISTON PIN	6				0.015	0.033
050	17331-22010	ASSY CONNECTING ROD	3	<=19882			0.79	1.738
050	17311-22010	ASSY CONNECTING ROD	3	>=19883	≠		0.885	1.947
060	17331-21980	BUSH PISTON PIN	3				0.025	0.055
070	15521-22140	BOLT CONNECTING ROD	6				0	0
080	17331-22310	METAL CRANKPIN	3	<=19882		STD	0.045	0.099
080	17311-22310	METAL CRANKPIN	3	>=19883	≠	STD	0.045	0.099
080	17331-22970	METAL CRANKPIN	3			-0.2	0.05	0.11
080	17331-22980	METAL CRANKPIN	3			-0.4	0.045	0.099
090	17325-23010	COMP.CRANKSHAFT	1				14	30.8
100	15221-33630	PLUG PIN	3	<=17790			0.001	0.0022
100	07715-03209	BALL	3	>=17791	↔		0.002	0.0044
110	08121-06002	BEARING BALL	1				0.03	0.066
120	19202-23280	SLEEVE CRANKSHAFT	1				0.09	0.198
130	15521-24110	GEAR CRANKSHAFT	1				0.34	0.748
140	05712-00720	KEY FEATHER	1				0.008	0.0176
150	15221-24130	COLLAR	1				0.015	0.033
160	15221-23310	SLINGER OIL	1	<=20528			0	0
160	15471-23312	SLINGER OIL	1	>=20529	←		0.008	0.0176
170	19202-23250	COLLAR CRANKSHAFT	1				0.065	0.143
180	04811-10300	O RING	1				0.001	0.0022
190	15221-23360	NUT CRANKSHAFT	1				0.11	0.242
200	17331-23380	WASHER CRANKSHAFT	1	<=20528			0.019	0.0418
210	17331-23470	METAL CRANKSHAFT	1	<=19882		STD	0.06	0.132
210	17311-23470	METAL CRANKSHAFT	1	>=19883	≠	STD	0.06	0.132
210	17331-23910	METAL CRANKSHAFT	1			-0.2	0	0
210	17331-23920	METAL CRANKSHAFT	1			-0.4	0	0
220	17331-23480	METAL CRANKSHAFT	3	<=19882		STD	0.05	0.11
220	17311-23480	METAL CRANKSHAFT	3	>=19883	≠	STD	0.045	0.099
220	17331-23930	METAL CRANKSHAFT	3			-0.2	0	0
220	17331-23940	METAL CRANKSHAFT	3			-0.4	0	0
230	15521-23530	METAL SIDE	2			STD	0.01	0.022
230	15221-23950	METAL SIDE	2			+0.2	0.009	0.0198
230	15221-23960	METAL SIDE	2			+0.4	0.009	0.0198
240	19202-23540	METAL SIDE	2			STD	0.01	0.022
240	19202-23970	METAL SIDE	2			+0.2	0.01	0.022
240	19202-23980	METAL SIDE	2			+0.4	0.01	0.022
250	09550-00001	SEAL OIL	1				0.015	0.033

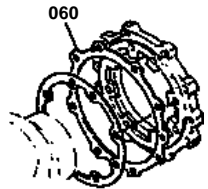
MAIN BEARING CASE



- 020 15221-0454-0
- 030 15221-9401-0
- 120 15921-0456-0
- 130 15621-9402-0



- 060 15221-0482-0



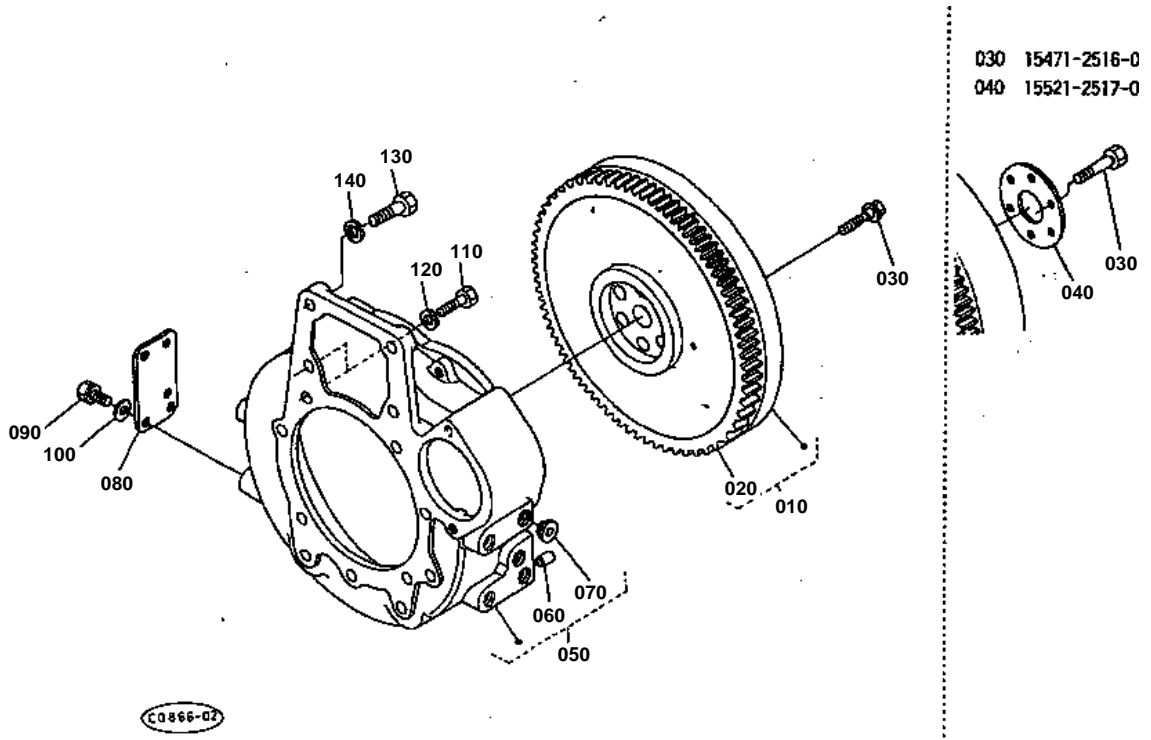


MAIN BEARING CASE

↔ Interchangeable; ≠ not interchangeable; ← new for old; → old for new

REF.No	Part No.	Description	Q'ty	S.No.	I/C	REMARKS	Weight (kgf)	Weight (lb)
010	19202-04040	ASSY CASE MAIN BRG.	1				1.28	2.816
020	15521-04540	BOLT BEARING CASE	6	<=20702			0	0
020	15601-04540	BOLT BEARING CASE	6	>=20703	≠		0.034	0.0748
030	15521-94010	WASHER PLAIN	6	<=20702			0.001	0.0022
040	15221-04360	GASKET	1				0	0
050	19202-04810	COVER BEARING CASE	1				0.36	0.792
060	15221-04820	GASKET BRG.CASE COV.	1	<=21689			0	0
060	15201-04820	GASKET BRG.CASE COV.	1	>=21690	≠		0	0
070	01123-50825	BOLT	8				0.013	0.0286
080	01123-50828	BOLT	8				0.014	0.0308
090	19202-04460	SEAL OIL	1				0.055	0.121
100	17331-04050	ASSY CASE BEARING	1				0	0
110	17331-04060	ASSY CASE MAIN BRG.	1				0	0
120	15291-04560	BOLT	2	<=21481			0.06	0.132
120	15601-04560	BOLT BEARING CASE	2	>=21482	≠		0.06	0.132
130	15521-94020	WASHER PLAIN	2	<=21481			0.004	0.0088

FLYWHEEL(DC)

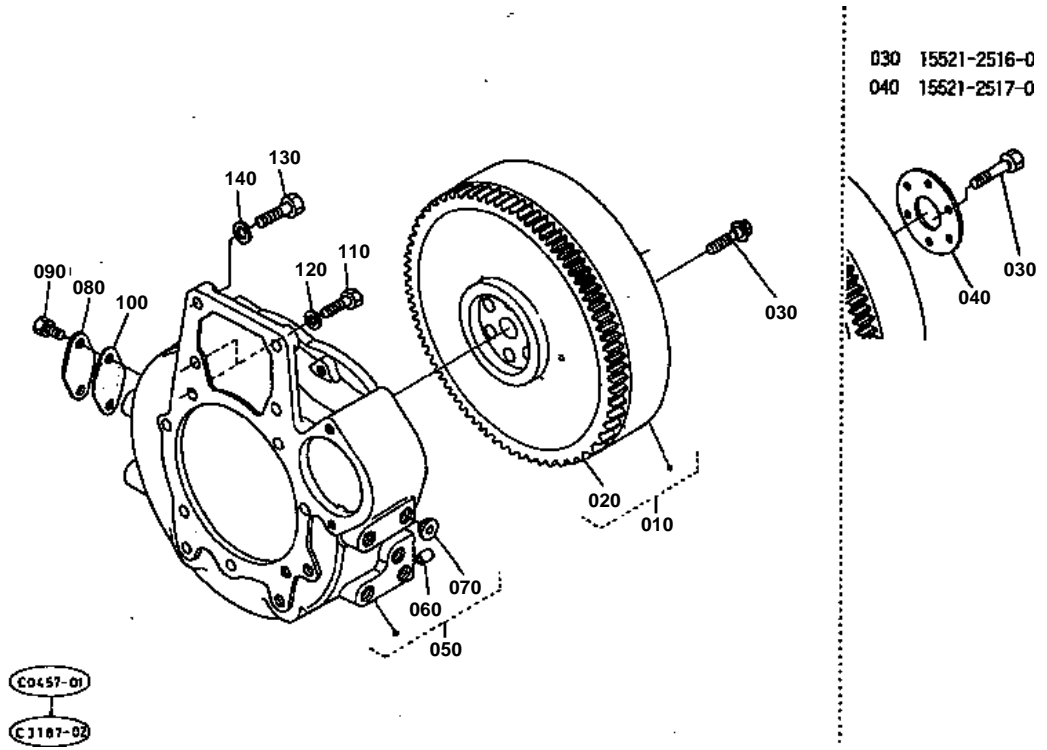


**FLYWHEEL(DC)**

↔ Interchangeable; ≠ not interchangeable; ← new for old; → old for new

REF.No	Part No.	Description	Q'ty	S.No.	I/C	REMARKS	Weight (kgf)	Weight (lb)
010	17332-25010	COMP.FLYWHEEL	1	<=17217			0	0
010	17332-25013	COMP.FLYWHEEL	1	>=17218	←		14.43	31.746
020	15221-63820	GEAR RING	1				1.2	2.64
030	15471-25160	BOLT FLYWHEEL	6	<=21572			0.05	0.11
030	15471-25162	BOLT FLYWHEEL	6	>=21573	≠		0.05	0.11
040	15521-25170	WASHER FLYWHEEL	1	<=21572			0.06	0.132
050	17356-04600	COMP.HOUSING F-W.	1				15.8	34.76
060	05012-01025	PIN STRAIGHT	2	<=21529			0.016	0.0352
060	05012-01018	PIN STRAIGHT	2	>=21530	↔		0.012	0.0264
070	31220-14290	PLUG	5				0.002	0.0044
080	15577-14290	COVER	1				0.23	0.506
090	01173-51420	BOLT	4				0.041	0.0902
100	04011-50140	WASHER PLAIN	4				0.007	0.0154
110	01073-51030	BOLT	11				0.028	0.0616
120	04512-50100	WASHER SPRING	11				0.003	0.0066
130	01073-51240	BOLT	2				0.049	0.1078
140	04512-50120	WASHER SPRING	2				0.003	0.0066

FLYWHEEL(SC)

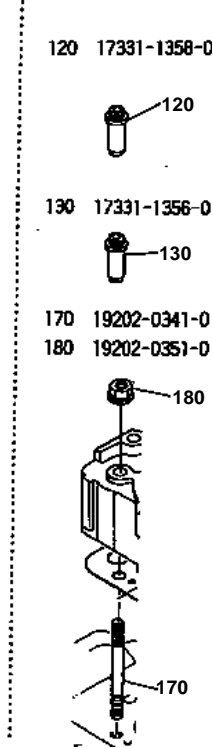
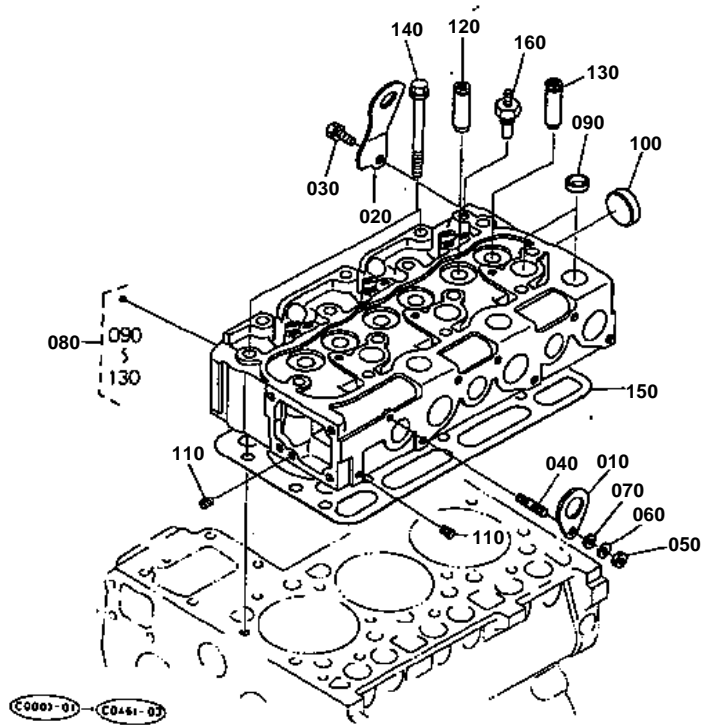


**FLYWHEEL(SC)**

↔ Interchangeable; ≠ not interchangeable; ← new for old; → old for new

REF.No	Part No.	Description	Q'ty	S.No.	I/C	REMARKS	Weight (kgf)	Weight (lb)
010	17331-25010	COMP.FLYWHEEL	1	<=17217			0	0
010	17331-25013	COMP.FLYWHEEL	1	>=17218	←		27	59.4
020	15221-63820	GEAR RING	1				1.2	2.64
030	15521-25160	BOLT FLYWHEEL	6	<=21574			0.06	0.132
030	15521-25162	BOLT FLYWHEEL	6	>=21575	≠		0.05	0.11
040	15521-25170	WASHER FLYWHEEL	1	<=21574			0.06	0.132
050	17355-04600	COMP.HOUSING F-W.	1				16	35.2
060	05012-01025	PIN STRAIGHT	2	<=21529			0.016	0.0352
060	05012-01018	PIN STRAIGHT	2	>=21530	↔		0.012	0.0264
070	31220-14290	PLUG	10				0.002	0.0044
080	15521-04680	COVER	1				0.035	0.077
090	01123-50816	BOLT	2				0.011	0.0242
100	15521-04790	PACKING COVER	1				0.005	0.011
110	01073-51030	BOLT	11				0.028	0.0616
120	04512-50100	WASHER SPRING	11				0.003	0.0066
130	01073-51240	BOLT	2				0.049	0.1078
140	04512-50120	WASHER SPRING	2				0.003	0.0066

CYLINDER HEAD



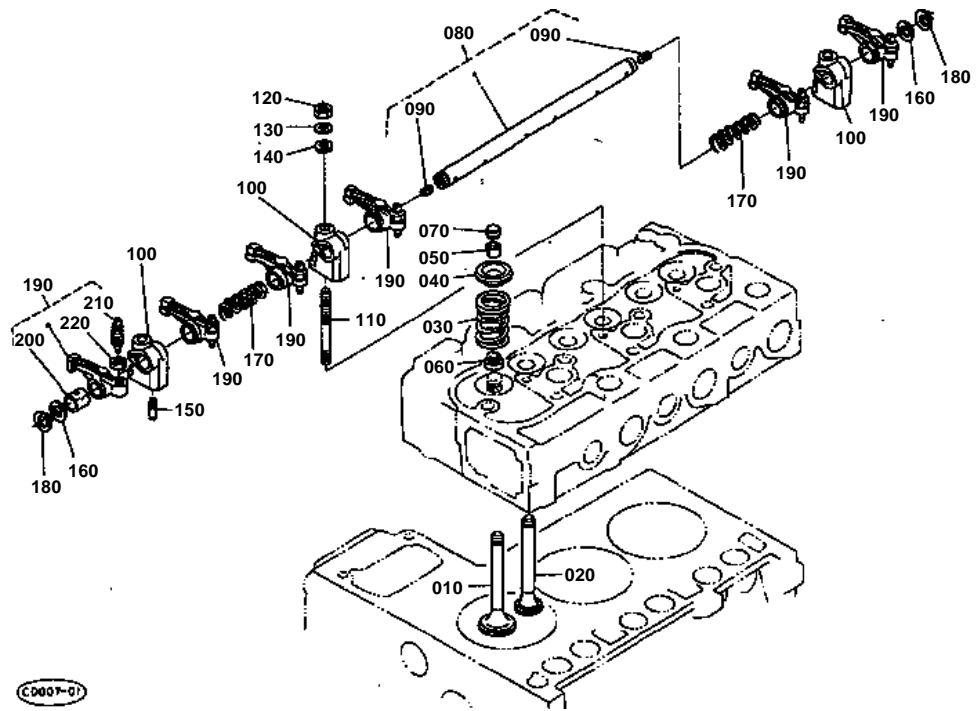


CYLINDER HEAD

↔ Interchangeable; ≠ not interchangeable; ← new for old; → old for new

REF.No	Part No.	Description	Q'ty	S.No.	I/C	REMARKS	Weight (kgf)	Weight (lb)
010	15221-01750	HOOK ENGINE	1				0.04	0.088
020	17331-01750	HOOK ENGINE	1				0.09	0.198
030	01123-50816	BOLT	1				0.011	0.0242
040	15471-91530	STUD	1				0.01	0.022
050	02156-50080	NUT	1				0.004	0.0088
060	04512-50080	WASHER SPRING	1				0.001	0.0022
070	04012-50080	WASHER PLAIN	1				0.001	0.0022
080	17331-03040	COMP.CYLINDER HEAD	1	<=11729		WITH VALVE SEAT	0	0
080	17325-03040	COMP.CYLINDER HEAD	1	>=11730	↔	WITH VALVE SEAT	0	0
080	17331-03040	COMP.CYLINDER HEAD	1	>=19830	≠	W/O VALVE SEAT	0	0
090	15221-03370	CAP SEALING	9				0.01	0.022
100	15221-03490	CAP SEALING	1				0.02	0.044
110	15261-96010	PLUG	2				0.002	0.0044
120	17331-13580	GUIDE INLET VALVE	3	<=18121			0	0
120	17311-13580	GUIDE INLET VALVE	3	>=18122	↔		0	0
120	17321-13580	GUIDE INLET VALVE	3	>=20395	↔		0.015	0.033
130	17331-13560	GUIDE EXHAUST VALVE	3	<=18121			0	0
130	17311-13560	GUIDE EXHAUST VALVE	3	>=18122	↔		0	0
130	17321-13560	GUIDE EXHAUST VALVE	3	>=20395	↔		0.02	0.044
140	19202-03450	BOLT CYLINDER HEAD	12	<=13786			0.065	0.143
140	19202-03450	BOLT CYLINDER HEAD	14	>=13787			0.065	0.143
150	17321-03310	GASKET CYLINDER HEAD	1				0	0
160	31351-32830	THERMO UNIT	1				0.02	0.044
170	19202-03410	STUD CYLINDER HEAD	2	<=13786			0.065	0.143
180	19202-03510	NUT CYLINDER HEAD	2	<=13786			0.012	0.0264

VALVE AND ROCKER ARM



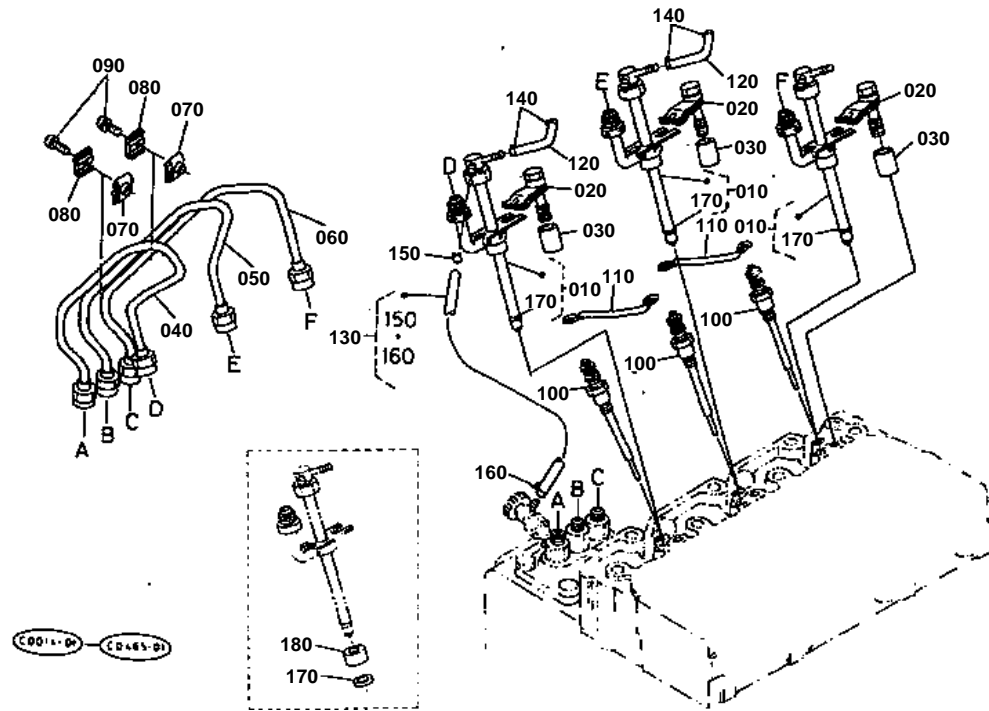


VALVE AND ROCKER ARM

↔ Interchangeable; ≠ not interchangeable; ← new for old; → old for new

REF.No	Part No.	Description	Q'ty	S.No.	I/C	REMARKS	Weight (kgf)	Weight (lb)
010	17331-13110	VALVE INLET	3				0.065	0.143
020	17331-13120	VALVE EXHAUST	3				0.061	0.1342
030	15221-13240	SPRING VALVE	6				0.036	0.0792
040	15221-13330	RETAINER VALVE SP.	6				0.03	0.066
050	15221-13360	COLLET VALVE SPRING	6				0	0
060	15221-13150	SEAL VALVE STEM	6				0.001	0.0022
070	15221-13280	CAP VALVE	6				0.006	0.0132
080	15321-14050	ASSY SHAFT R-ARM	1				0.25	0.55
090	03410-00808	SCREW SET	2				0.002	0.0044
100	15221-14350	BRACKET ROCKER ARM	3				0.044	0.0968
110	15521-91500	STUD	3				0.035	0.077
120	02156-50080	NUT	3				0.004	0.0088
130	04512-50080	WASHER SPRING	3				0.001	0.0022
140	04012-50080	WASHER PLAIN	3				0.001	0.0022
150	15221-14420	SCREW SET	1				0.003	0.0066
160	15221-14430	WASHER	2				0.002	0.0044
170	15221-14310	SPRING ROCKER ARM	2				0.005	0.011
180	04612-00140	CIR-CLIP EXTERNAL	2				0.001	0.0022
190	15601-14030	ASSY ROCKER ARM	6				0	0
200	15221-14180	BUSH ROCKER ARM	6				0.007	0.0154
210	15521-14230	SCREW ADJUSTING	6				0.009	0.0198
220	15021-14240	NUT	6				0.003	0.0066

NOZZLE AND GLOW PLUG



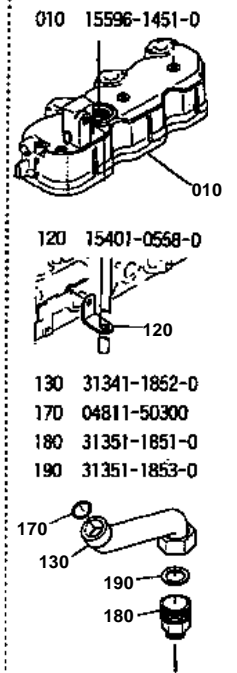
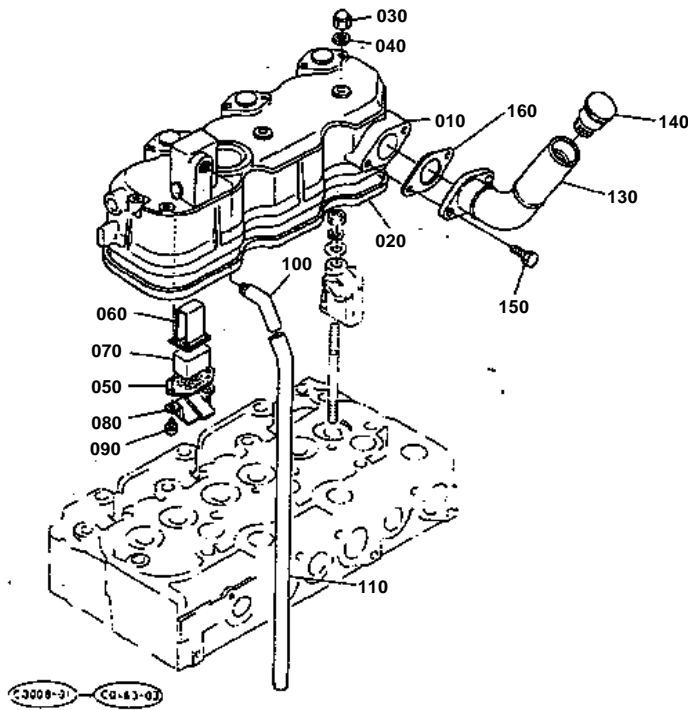


NOZZLE AND GLOW PLUG

↔ Interchangeable; ≠ not interchangeable; ← new for old; → old for new

REF.No	Part No.	Description	Q'ty	S.No.	I/C	REMARKS	Weight (kgf)	Weight (lb)
010	17391-53000	ASSY NOZZLE	3				0.16	0.352
020	17371-53450	CLAMP NOZZLE	3				0.035	0.077
030	17371-53460	SPACER NOZZLE	3				0.015	0.033
040	17331-53710	PIPE INJECTION	1				0.14	0.308
050	17331-53720	PIPE INJECTION	1				0.14	0.308
060	17331-53730	PIPE INJECTION	1				0.13	0.286
070	15841-53850	CLAMP PIPE	2				0.01	0.022
080	15841-53860	CLAMP PIPE	2				0.009	0.0198
090	03024-50520	SCREW WITH WASHER	2				0.004	0.0088
100	17331-65510	PLUG GLOW	3				0.05	0.11
110	17331-65560	CORD GLOW PLUG	2				0.005	0.011
120	17331-42510	PIPE FUEL OVER FLOW	2	<=21581			0.006	0.0132
120	09661-40095	PIPE FUEL	2	>=21582	↔		0.01	0.022
130	17331-42500	ASSY PIPE OVER FLOW	1				0.02	0.044
140	14971-42750	CLIP PIPE	4	<=21581			0.001	0.0022
140	10244-42320	CLIP PIPE	4	>=21582	↔		0.001	0.0022
150	14971-42750	CLIP PIPE	1	<=21581			0.001	0.0022
150	10244-42320	CLIP PIPE	1	>=21582	↔		0.001	0.0022
160	10244-42320	CLIP PIPE	1				0.001	0.0022
170	17331-53180	SEAL	3				0.001	0.0022
180	17371-99220	SEAL COMPRESSION	3				0.001	0.0022

CYLINDER HEAD COVER



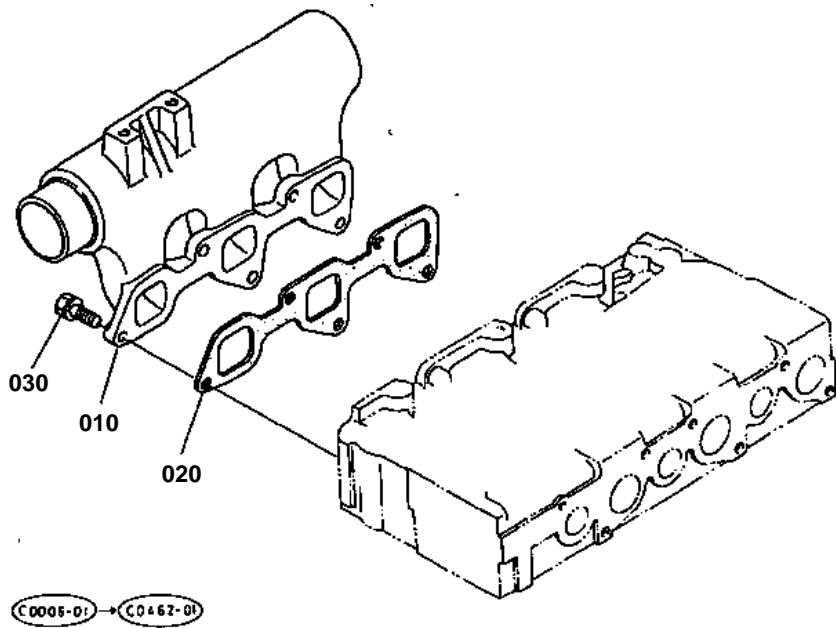


CYLINDER HEAD COVER

↔ Interchangeable; ≠ not interchangeable; ← new for old; → old for new

REF.No	Part No.	Description	Q'ty	S.No.	I/C	REMARKS	Weight (kgf)	Weight (lb)
010	15596-14510	COVER CYL.HEAD	1	≤15836			1.27	2.794
010	17367-14510	COVER CYL.HEAD	1	≥15837	≠		1.25	2.75
020	15521-14520	GASKET HEAD COVER	1				0.035	0.077
030	15451-92330	NUT CAP	3				0.015	0.033
040	15021-33660	GASKET	3				0.001	0.0022
050	15521-05140	PLATE ELEMENT	1				0.005	0.011
060	15521-05150	PLATE ELEMENT	1				0.01	0.022
070	15521-05670	ELEMENT BREATHER	1				0.01	0.022
080	15521-05370	OIL SHIELD BREATHER	1				0.005	0.011
090	15521-93310	SCREW WITH WASHER	2				0.004	0.0088
100	15521-05550	JOINT BREATHER PIPE	1				0.04	0.088
110	15521-05510	PIPE BREATHER	1	≤16170			0.075	0.165
110	17331-05510	PIPE BREATHER	1	≥16171	←		0.065	0.143
120	15401-05580	CLAMP PIPE	1	≤17790			0.02	0.044
130	31341-18520	FLANGE OIL FILLER	1	≤15836			0.19	0.418
130	30300-88460	FLANGE OIL FILLER	1	≥15837	≠		0.1	0.22
140	15571-33140	PLUG OIL FILLER	1				0.03	0.066
150	01023-50618	BOLT	2	≥15837			0.006	0.0132
160	30300-88470	GASKET	1	≥15837			0	0
170	04811-50300	O RING	1	≤15836			0.001	0.0022
180	31351-18512	BASE FLANGE	1	≤15836			0.08	0.176
190	31351-18530	GASKET	1	≤15836			0.015	0.033

INLET MANIFOLD



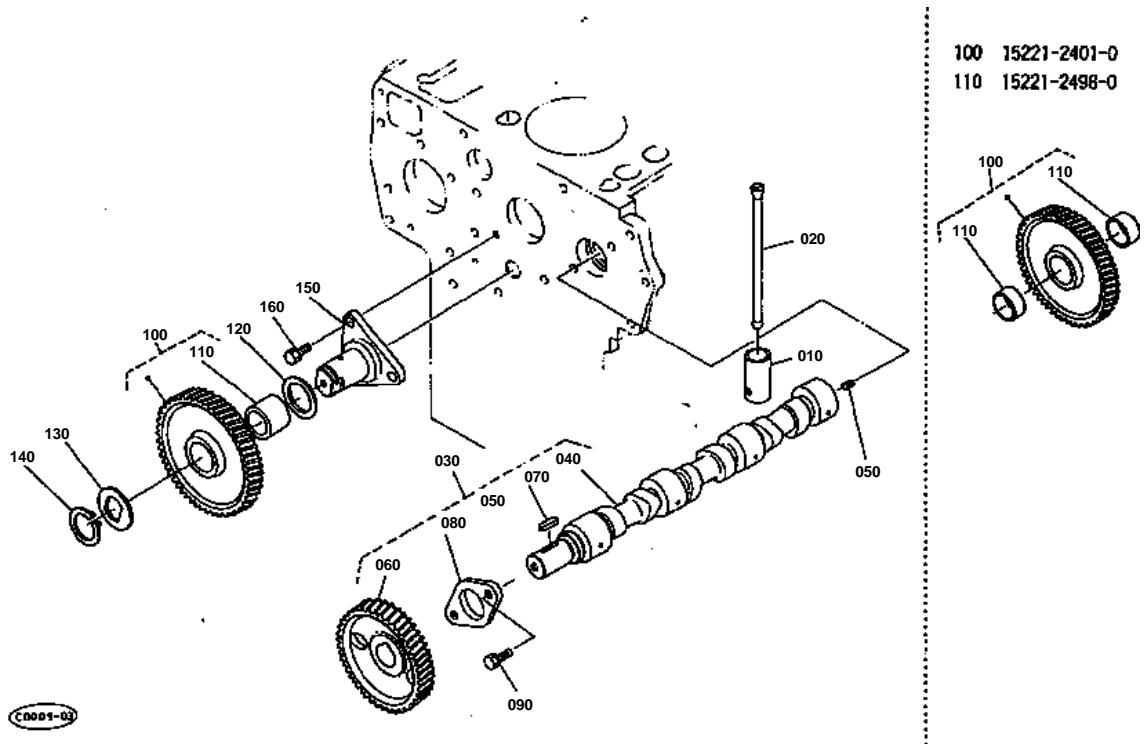


INLET MANIFOLD

↔ Interchangeable; ≠ not interchangeable; ← new for old; → old for new

REF.No	Part No.	Description	Q'ty	S.No.	I/C	REMARKS	Weight (kgf)	Weight (lb)
010	17331-11760	MANIFOLD INLET	1				1.21	2.662
020	17331-11820	GASKET IN-MANIFOLD	1				0	0
030	01123-50822	BOLT	5				0.012	0.0264

CAMSHAFT

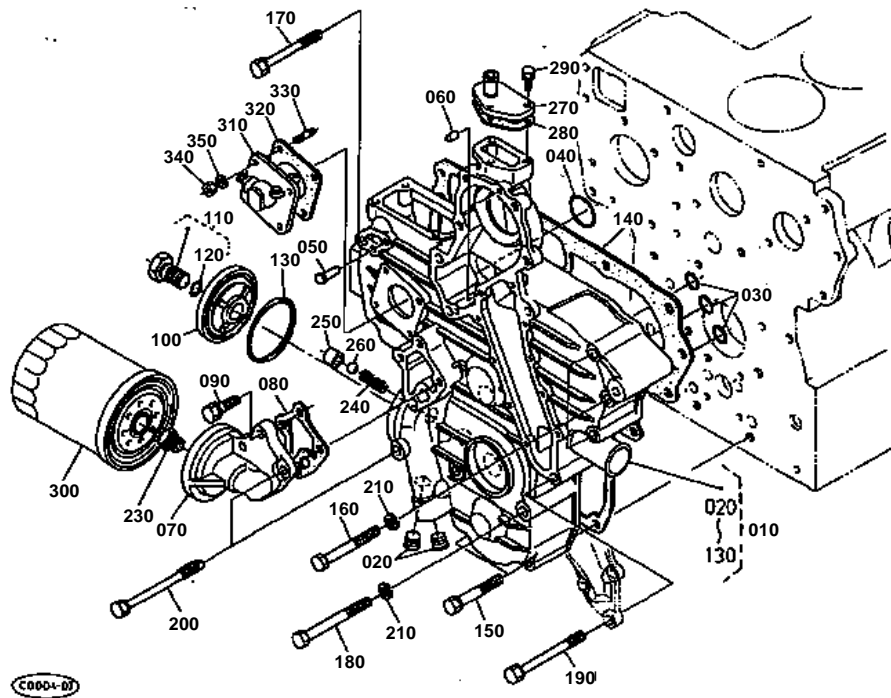


**CAMSHAFT**

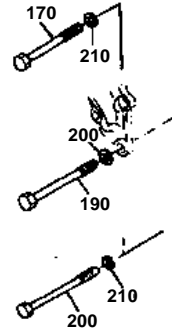
↔ Interchangeable; ≠ not interchangeable; ← new for old; → old for new

REF.No	Part No.	Description	Q'ty	S.No.	I/C	REMARKS	Weight (kgf)	Weight (lb)
010	15221-15550	TAPPET	6				0	0
020	15221-15110	PUSH ROD	6				0.05	0.11
030	17331-16010	ASSY CAMSHAFT	1				3.42	7.524
040	17331-16150	CAMSHAFT	1				1.795	3.949
050	15521-93610	SCREW SET	1				0.002	0.0044
060	15521-16510	GEAR CAMSHAFT	1				0.85	1.87
070	05712-00720	KEY FEATHER	1				0.008	0.0176
080	15221-16270	STOPPER CAMSHAFT	1				0.073	0.1606
090	01123-50818	BOLT	2				0.012	0.0264
100	15221-24010	COMP.GEAR IDLE	1	≤15846			0.5	1.1
100	17331-24010	COMP.GEAR IDLE	1	≥15847	≠		1.11	2.442
110	15221-24980	BUSH IDLE GEAR	2	≤15846			0.02	0.044
110	17331-24980	BUSH IDLE GEAR	1	≥15847	≠		0.06	0.132
120	15521-24360	COLLAR	1	≤15846			0.015	0.033
120	17331-24360	COLLAR	1	≥15847	≠		0.02	0.044
130	15521-24370	COLLAR	1	≤15846			0.015	0.033
130	17331-24370	COLLAR	1	≥15847	≠		0.02	0.044
140	15221-24320	CIR-CLIP IDLE GEAR	1	≤15846			0.01	0.022
140	15451-95390	CIR-CLIP EXTERNAL	1	≥15847	≠		0.007	0.0154
150	15221-24250	SHAFT IDLE GEAR	1	≤15846			0.48	1.056
150	17331-24250	SHAFT IDLE GEAR	1	≥15847	≠		0.575	1.265
160	01123-50818	BOLT	3				0.012	0.0264

GEAR CASE



- 170 15521-9101-0
- 190 15521-9102-0
- 200 17331-9103-0
- 210 04512-50080



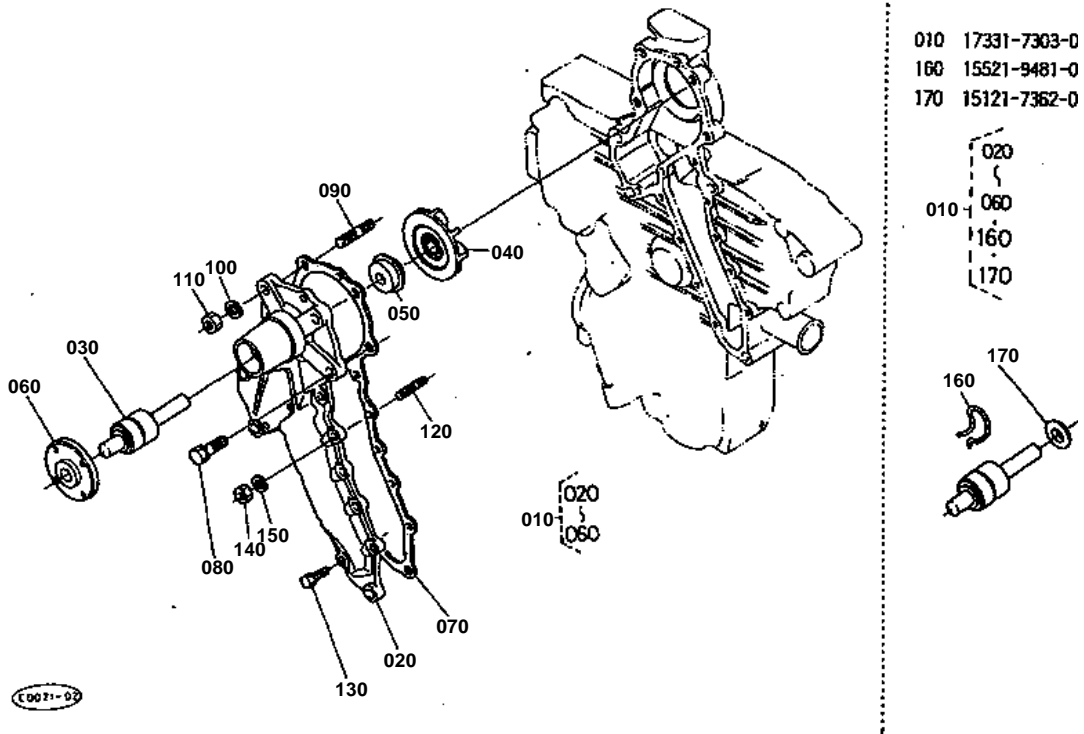


GEAR CASE

↔ Interchangeable; ≠ not interchangeable; ← new for old; → old for new

REF.No	Part No.	Description	Q'ty	S.No.	I/C	REMARKS	Weight (kgf)	Weight (lb)
010	17331-04020	COMP.CASE GEAR	1			EXCEPT [CA]	0	0
010	17331-04020	COMP.CASE GEAR	1	<=20394		[CA]	0	0
010	17369-04020	COMP.CASE GEAR	1	>=20395	≠	[CA]	5.1	11.22
020	17331-96040	PLUG	2				0.005	0.011
030	04811-00150	O RING	3				0.001	0.0022
040	04811-00360	O RING	1				0.002	0.0044
050	15221-56280	PIN START SPRING	1				0.006	0.0132
060	05012-00612	PIN STRAIGHT	2				0.003	0.0066
070	17331-32610	SUPPORT OIL FILTER	1				0.275	0.605
080	17331-32620	GASKET	1				0	0
090	01123-50825	BOLT	3				0.013	0.0286
100	17331-32880	COVER	1				0.075	0.165
110	17331-32910	COMP BOLT	1				0.07	0.154
120	04811-00150	O RING	1				0.001	0.0022
130	19202-96830	O RING	1				0.01	0.022
140	17331-04130	GASKET GEAR CASE	1				0	0
150	01123-50860	BOLT	3				0.026	0.0572
160	01153-50870	BOLT	3				0.026	0.0572
170	15521-91010	BOLT	2	<=18121			0	0
170	17367-91010	BOLT	2	>=18122	≠		0.005	0.011
180	01153-50880	BOLT	2				0.03	0.066
190	15521-91020	BOLT	3	<=18121			0.035	0.077
190	17367-91020	BOLT	3	>=18122	≠		0.035	0.077
200	17331-91030	BOLT	2	<=18121			0	0
200	17367-91030	BOLT	2	>=18122	≠		0.02	0.044
210	04512-50080	WASHER SPRING	12	<=18121			0.001	0.0022
210	04512-50080	WASHER SPRING	5	>=18122	≠		0.001	0.0022
220	99999-99999	BLANK	0				0	0
230	15521-32290	JOINT PIPE	1				0.05	0.11
240	15241-36950	SPRING	1				0.004	0.0088
250	15521-36930	SEAT VALVE	1				0.015	0.033
260	07715-03213	BALL	1				0.004	0.0088
270	15521-73320	FLANGE WATER RETURN	1				0.04	0.088
280	15521-73330	GASKET	1				0	0
290	01023-50620	BOLT	3				0.006	0.0132
300	15521-32430	CARTRIDGE OIL FILTER	1	<=20701			0	0
300	17321-32430	CARTRIDGE OIL FILTER	1	>=20702	↔		0.45	0.99
310	38240-34660	CASE H/METER DRIVE	1				0.335	0.737
320	15221-88130	GASKET H/METER UNIT	1				0	0
330	15221-88210	STUD	4				0.005	0.011
340	02056-50060	NUT	4				0.002	0.0044
350	04512-50060	WASHER SPRING	4				0.001	0.0022

WATER PUMP



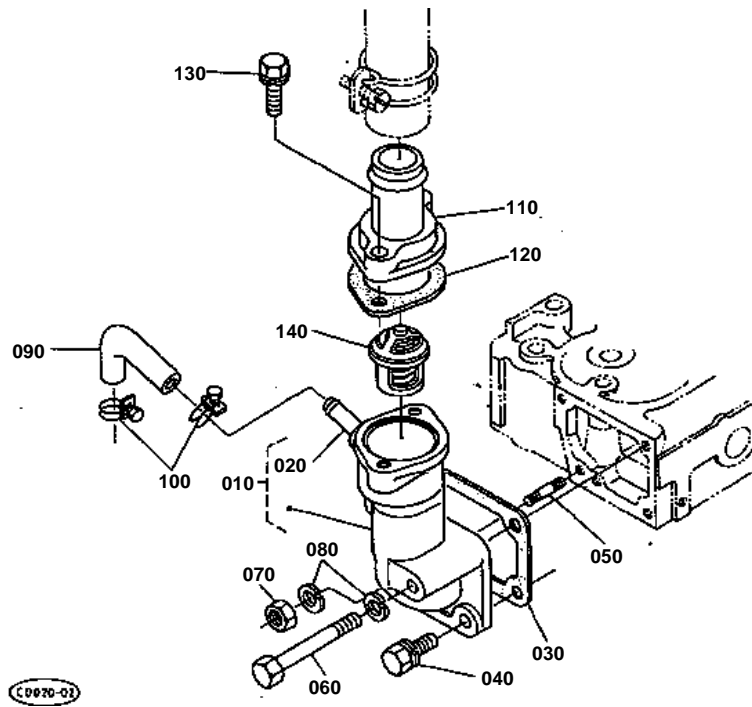


WATER PUMP

↔ Interchangeable; ≠ not interchangeable; ← new for old; → old for new

REF.No	Part No.	Description	Q'ty	S.No.	I/C	REMARKS	Weight (kgf)	Weight (lb)
010	17331-73030	ASSY PUMP WATER	1	<=19158			0	0
010	16412-73030	ASSY PUMP WATER	1	>=19159	↔		1.21	2.662
020	17331-73410	BODY WATER PUMP	1				0.51	1.122
030	15521-73550	BEARING BALL	1				0.235	0.517
040	15321-73510	IMPELLER WATER PUMP	1	<=19158			0.22	0.484
040	15521-73510	IMPELLER WATER PUMP	1	>=19159	≠		0.22	0.484
050	15121-73050	ASSY SEAL MECHANICAL	1	<=19158			0.018	0.0396
050	19202-73050	ASSY SEAL MECHANICAL	1	>=19159	≠		0.02	0.044
060	15521-73520	FLANGE WATER PUMP	1				0.25	0.55
070	17331-73430	GASKET WATER PUMP	1				0	0
080	01123-50828	BOLT	2				0.014	0.0308
090	15521-91510	STUD	2				0.012	0.0264
100	04512-50080	WASHER SPRING	2				0.001	0.0022
110	02156-50080	NUT	2				0.004	0.0088
120	15221-88210	STUD	1				0.005	0.011
130	01023-50618	BOLT	8				0.006	0.0132
140	02056-50060	NUT	1				0.002	0.0044
150	04512-50060	WASHER SPRING	1				0.001	0.0022
160	15521-94810	PIN SNAP	1	<=19158			0.001	0.0022
170	15121-73620	SLINGER	1	<=19158			0.002	0.0044

WATER FLANGE



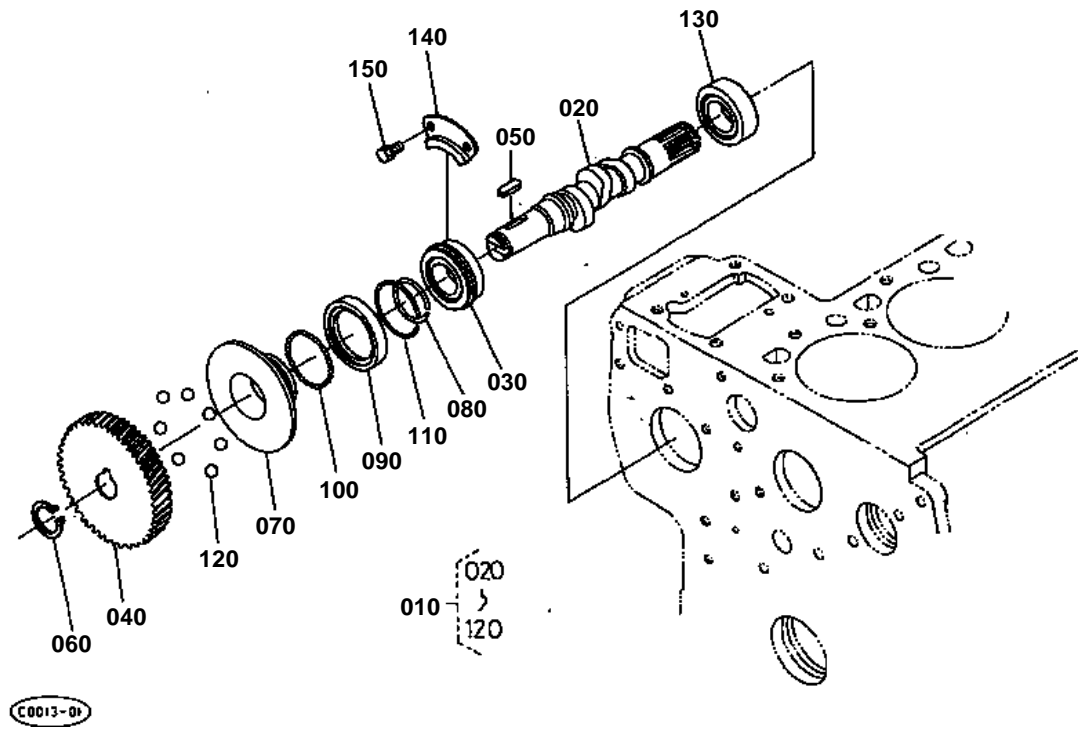


WATER FLANGE

↔ Interchangeable; ≠ not interchangeable; ← new for old; → old for new

REF.No	Part No.	Description	Q'ty	S.No.	I/C	REMARKS	Weight (kgf)	Weight (lb)
010	17331-72700	COMP.FLANGE WATER	1	<=20394			0	0
010	17331-72702	COMP.FLANGE WATER	1	>=20395	←		0	0
020	17331-73340	PIPE WATER RETURN	1				0	0
030	15521-72920	GASKET WATER FLANGE	1				0	0
040	01123-50822	BOLT	2				0.012	0.0264
050	01513-50822	STUD	1				0.01	0.022
060	01153-50870	BOLT	1				0.026	0.0572
070	02156-50080	NUT	1				0.004	0.0088
080	04512-50080	WASHER SPRING	2				0.001	0.0022
090	15521-73340	PIPE WATER RETURN	1				0.025	0.055
100	15109-73360	BAND PIPE	2				0.01	0.022
110	15321-73260	COVER THERMOSTAT	1				0.107	0.2354
120	15321-73270	GASKET	1				0	0
130	01123-50835	BOLT	2				0.02	0.044
140	15321-73010	ASSY THERMOSTAT	1				0.068	0.1496

FUEL CAMSHAFT



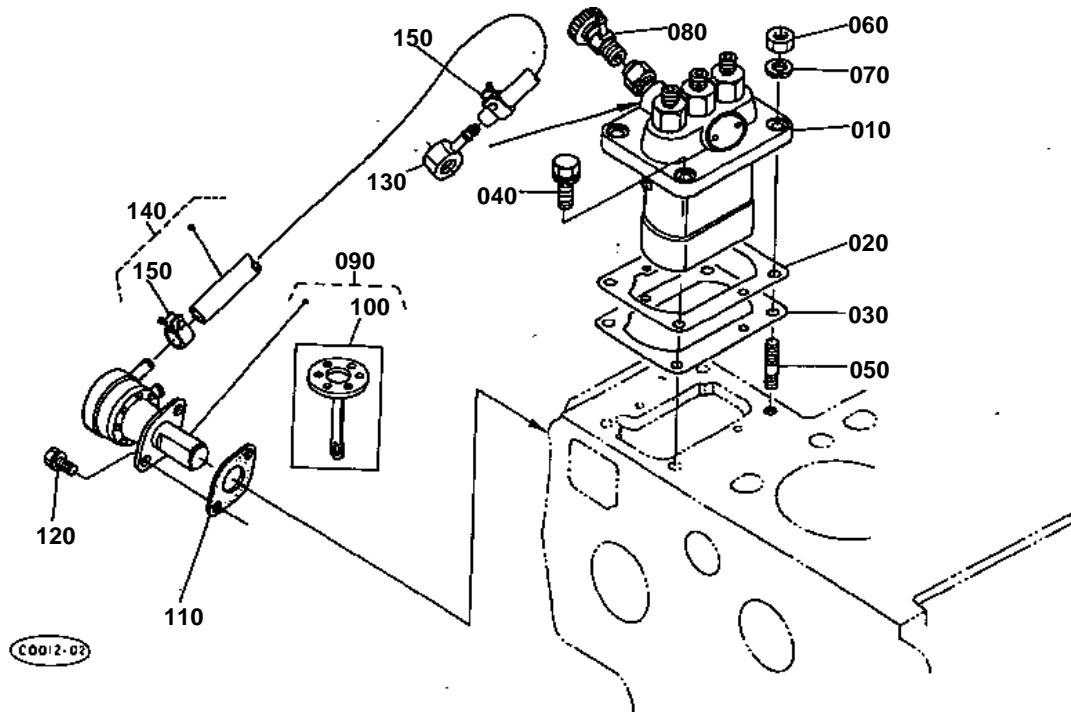


FUEL CAMSHAFT

↔ Interchangeable; ≠ not interchangeable; ← new for old; → old for new

REF.No	Part No.	Description	Q'ty	S.No.	I/C	REMARKS	Weight (kgf)	Weight (lb)
010	17331-16020	ASSY CAMSHAFT FUEL	1				2.75	6.05
020	15521-16170	CAMSHAFT FUEL	1				0.88	1.936
030	08153-06205	BEARING BALL	1				0.13	0.286
040	15611-51150	GEAR INJECTION PUMP	1				1.035	2.277
050	05712-00525	KEY FEATHER	1				0.005	0.011
060	04612-00240	CIR-CLIP EXTERNAL	1				0.002	0.0044
070	15611-55450	SLEEVE GOVERNOR	1				0.117	0.2574
080	15221-55470	CIR-CLIP GOV. SLEEVE	1				0.003	0.0066
090	15611-55690	CASE GOVERNOR BALL	1				0.03	0.066
100	07715-03205	BALL	39				0.001	0.0022
110	15221-55740	CIR-CLIP	1				0.002	0.0044
120	07715-00403	BALL	7				0.03	0.066
130	08103-06205	BEARING BALL	1				0.12	0.264
140	15221-16320	STOPPER	1				0.02	0.044
150	01123-50814	BOLT	2				0.01	0.022

INJECTION PUMP



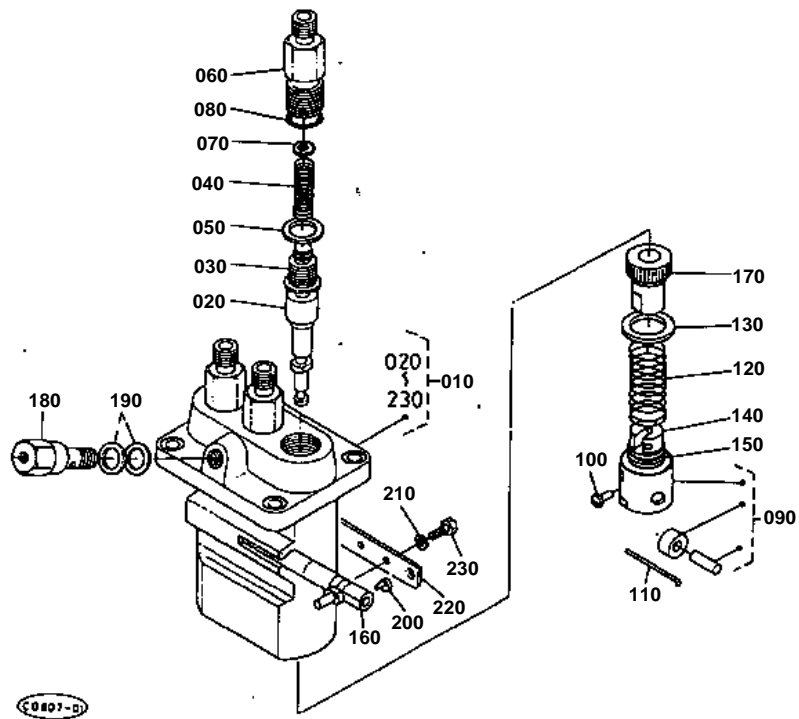


INJECTION PUMP

↔ Interchangeable; ≠ not interchangeable; ← new for old; → old for new

REF.No	Part No.	Description	Q'ty	S.No.	I/C	REMARKS	Weight (kgf)	Weight (lb)
010	17333-51010	ASSY PUMP INJECTION	1			REFER TO L.No.0C01-R0 FOR COMPONENTS	2.2	4.84
020	15321-52110	SHIM INJECTION PUMP	2	<=17375		0.15MM	0	0
020	15321-52110	SHIM INJECTION PUMP	1	>=17376		0.15MM	0	0
030	15521-52110	SHIM	3	<=17375		0.30MM	0.01	0.022
030	15511-52110	SHIM INJECTION PUMP	2	>=17376		0.45MM	0	0
040	01123-50822	BOLT	2				0.012	0.0264
050	15221-91530	STUD	2				0.011	0.0242
060	02156-50080	NUT	2				0.004	0.0088
070	04512-50080	WASHER SPRING	2				0.001	0.0022
080	14311-60504	ASSY COCK JET START	1				0.034	0.0748
090	15381-52030	ASSY PUMP FUEL	1				0	0
100	15381-52040	COMP.DIAPHRAGM	1				0	0
110	15241-52140	GASKET FUEL PUMP	1				0	0
120	01023-50616	BOLT	2				0.005	0.011
130	14111-42410	JOINT	1				0.025	0.055
140	15471-42010	ASSY PIPE FUEL	1				0.035	0.077
150	14301-42750	CLIP PIPE	2				0.005	0.011

INJECTION PUMP [COMPONENT PARTS]



**INJECTION PUMP [COMPONENT PARTS]**

↔ Interchangeable; ≠ not interchangeable; ← new for old; → old for new

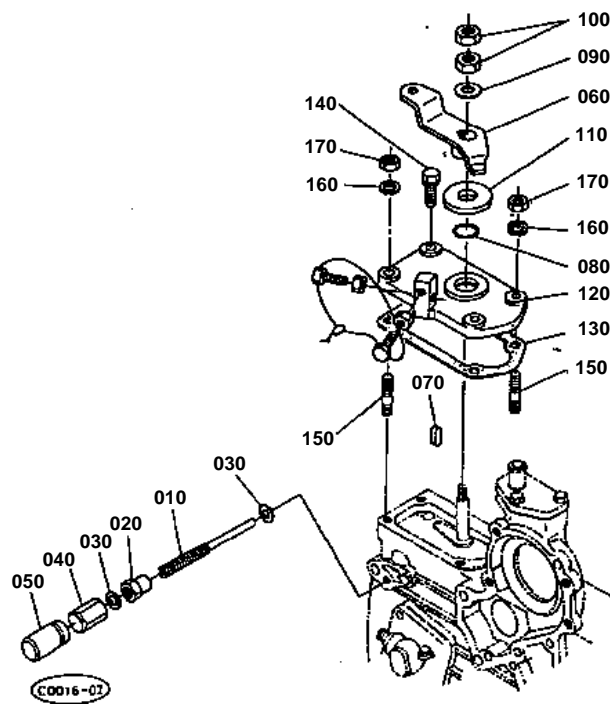
REF.No	Part No.	Description	Q'ty	S.No.	I/C	REMARKS	Weight (kgf)	Weight (lb)
010	17333-51010	ASSY PUMP INJECTION	1				2.2	4.84
020	17301-51050	PLUNGER PUMP	3				0.05	0.11
030	17371-51030	VALVE DELIVERY	3				0.015	0.033
040	17371-51230	SPRING DELIV.VALVE	3				0.005	0.011
050	15331-51240	GASKET DELIV.VALVE	3				0.001	0.0022
060	15331-51220	HOLDER DELIV.VALVE	3				0.053	0.1166
070	17371-51160	SEAT SPRING	3				0.005	0.011
080	15331-96760	O RING	3				0.001	0.0022
090	15331-51070	ASSY TAPPET	3				0.036	0.0792
100	15331-51250	PIN TAPPET GUIDE	3				0.001	0.0022
110	15331-51430	PIN CLAMP	1				0.001	0.0022
120	17331-51280	SPRING PLUNGER	3				0.017	0.0374
130	15331-51270	SEAT SPRING UPPER	3				0.001	0.0022
140	15331-51290	SEAT SPRING LOWER	3				0.001	0.0022
150	15381-51490	SHIM	3				0.008	0.0176
160	17331-51060	RACK CONTROL	1				0.04	0.088
170	15331-51380	SLEEVE CONTROL	3				0.012	0.0264
180	17331-51320	SCREW HOLLOW	1				0.035	0.077
190	17331-96660	GASKET	2				0.001	0.0022
200	15331-51480	COLLAR	2				0.005	0.011
210	04512-50060	WASHER SPRING	2				0.001	0.0022
220	15549-51390	PLATE ADJUSTING	1				0.023	0.0506
230	15331-91010	BOLT	2				0.034	0.0748

**ENGINE STOP LEVER**

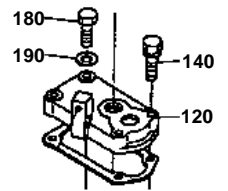
↔ Interchangeable; ≠ not interchangeable; ← new for old; → old for new

REF.No	Part No.	Description	Q'ty	S.No.	I/C	REMARKS	Weight (kgf)	Weight (lb)
010	15521-54090	ASSY APPARATUS I/D.	1				0.045	0.099
020	15521-54100	ASSY BOLT ADJUSTING	1				0.015	0.033
030	15401-92010	NUT	1				0.01	0.022
040	15521-92330	NUT CAP	1				0.02	0.044
050	15021-33660	GASKET	2				0.001	0.0022
060	15521-54270	CAP	1				0.003	0.0066
070	17331-57700	ASSY LEVER ENG.STOP	1	<=20722			0	0
070	17331-57702	ASSY LEVER ENG.STOP	1	>=20723	←		0.19	0.418
080	15471-51650	COVER INJECTION PUMP	1	<=20722			0	0
080	15471-51652	COVER INJECTION PUMP	1	>=20723	←		0.02	0.044
090	17331-57740	SHAFT LEVER	1				0.04	0.088
100	17331-57720	LEVER ENGINE STOP	1				0.05	0.11
110	15471-57980	SEAL OIL	1				0.001	0.0022
120	05411-00420	PIN SPRING	1				0.001	0.0022
130	15471-57920	SPRING RETURN	1				0.005	0.011
140	15221-51660	GASKET PUMP COVER	1				0	0
150	01023-50618	BOLT	2				0.006	0.0132
160	01023-50622	BOLT	2				0.005	0.011
170	04012-50060	WASHER PLAIN	2				0.001	0.0022
180	17331-60110	SUPPORT SOLENOID	1	<=21289			0.3	0.66
180	17315-60110	SUPPORT SOLENOID	1	>=21290	←		0.185	0.407

SPEED CONTROL PLATE 1



- 120 17331-5711-0
- 140 01023-50630
- 160 17331-9104-0
- 190 15601-9665-0

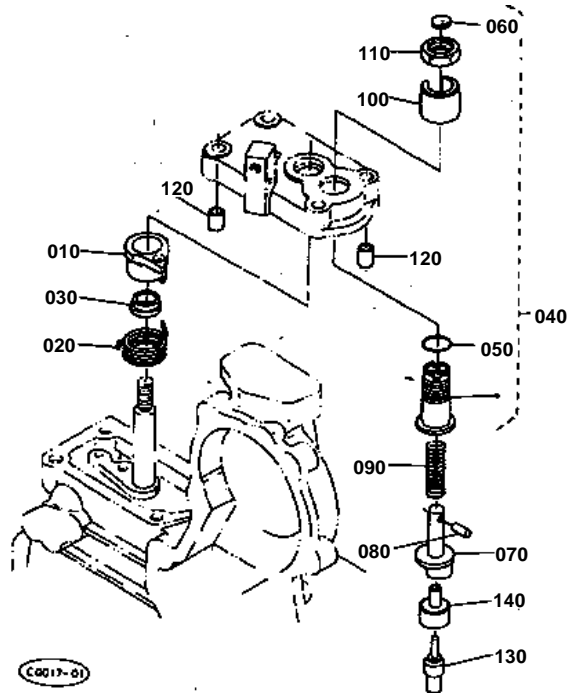


**SPEED CONTROL PLATE 1**

↔ Interchangeable; ≠ not interchangeable; ← new for old; → old for new

REF.No	Part No.	Description	Q'ty	S.No.	I/C	REMARKS	Weight (kgf)	Weight (lb)
010	15601-54120	BOLT ADJUSTING	1				0.011	0.0242
020	15601-92010	NUT	1				0	0
030	15601-96650	GASKET	2				0.001	0.0022
040	15601-54220	NUT CAP	1				0	0
050	15601-54420	CAP	1	<=16642			0	0
050	16241-54420	CAP	1	>=16643	↔		0.004	0.0088
060	17331-57150	LEVER SPEED CONTROL	1	<=18477			0.05	0.11
060	15469-57150	LEVER SPEED CONTROL	1	>=18478	≠		0.06	0.132
070	05712-00408	KEY FEATHER	1				0.001	0.0022
080	04811-00120	O RING	1				0.001	0.0022
090	04013-50080	WASHER PLAIN	1				0.003	0.0066
100	02112-50080	NUT	2				0.003	0.0066
110	17011-57380	COLLAR	1	<=20540			0	0
110	17011-57384	COLLAR	1	>=20541	↔		0.03	0.066
120	17331-57110	PLATE SPEED CONTROL	1	<=18477			0.15	0.33
120	15521-57114	PLATE SPEED CONTROL	1	>=18478	≠		0	0
130	17331-57210	GASKET	1				0	0
140	01023-50630	BOLT	3	<=18477			0.008	0.0176
140	01023-50625	BOLT	2	>=18478	≠		0.007	0.0154
150	15221-88210	STUD	2	>=18478			0.005	0.011
160	04512-50060	WASHER SPRING	2	>=18478			0.001	0.0022
170	02056-50060	NUT	4	>=18478			0.002	0.0044
180	17331-91040	BOLT	1	<=18477			0.01	0.022
190	15601-96650	GASKET	1	<=18477			0.001	0.0022

SPEED CONTROL PLATE 2



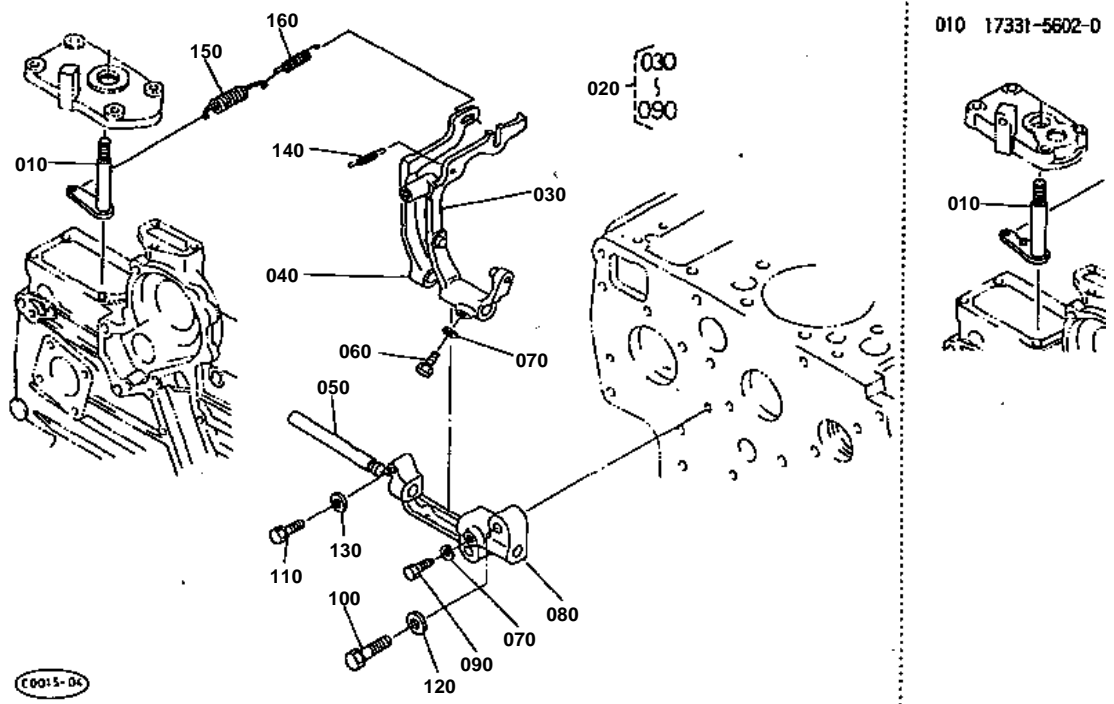


SPEED CONTROL PLATE 2

↔ Interchangeable; ≠ not interchangeable; ← new for old; → old for new

REF.No	Part No.	Description	Q'ty	S.No.	I/C	REMARKS	Weight (kgf)	Weight (lb)
010	17331-59100	LEVER COMPENSATOR	1	≤18590			0.03	0.066
020	17331-59110	SPRING RETURN	1	≤18590			0.01	0.022
030	17331-59120	COLLAR	1	≤18590			0.005	0.011
040	17331-59010	HOUSING COMPENSATOR	1	≤18590			0.035	0.077
050	04811-10160	O RING	1	≤18590			0.001	0.0022
060	06311-75012	PLUG	1	≤18590			0.002	0.0044
070	17331-59140	COMPENSATOR IDLE	1	≤18590			0.03	0.066
080	17331-59150	PIN STRAIGHT	1	≤18590			0.005	0.011
090	17331-59160	SPRING	1	≤18590			0.005	0.011
100	17331-59170	WASHER	1	≤18590			0.023	0.0506
110	17331-59180	NUT LOCK	1	≤18590			0.01	0.022
120	17331-59190	PIN PIPE	2	≤18590			0.02	0.044
130	17331-59200	THERMOSTAT	1	≤18590			0.015	0.033
140	17331-59210	HOUSING THERMOSTAT	1	≤18590			0.015	0.033

GOVERNOR



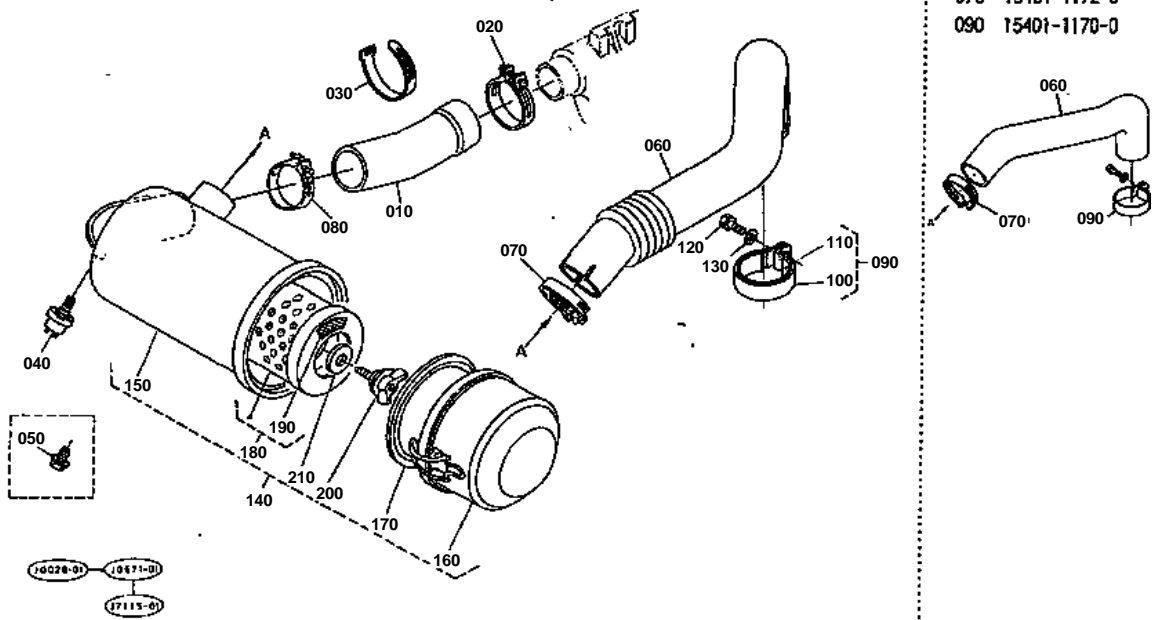


GOVERNOR

↔ Interchangeable; ≠ not interchangeable; ← new for old; → old for new

REF.No	Part No.	Description	Q'ty	S.No.	I/C	REMARKS	Weight (kgf)	Weight (lb)
010	17331-56020	COMP.LEVER GOVERNOR	1	≤18590			0.07	0.154
010	15601-56020	COMP.LEVER GOVERNOR	1	≥18591	≠		0.055	0.121
020	17325-56050	ASSY LEVER FORK	1	≤12647			0.405	0.891
020	17326-56050	ASSY LEVER FORK	1	≥12648	≠		0.4	0.88
030	17325-56040	COMP.LEVER FORK	1	≤12647			0.19	0.418
030	17326-56040	COMP.LEVER FORK	1	≥12648	≠		0.185	0.407
040	17331-56130	LEVER FORK	1				0.065	0.143
050	15221-56150	SHAFT FORK LEVER	1				0.1	0.22
060	15021-56240	BOLT LEVER SHAFT	1				0.005	0.011
070	04512-50060	WASHER SPRING	2				0.001	0.0022
080	15221-56230	HOLDER FORK LEVER	1				0.1	0.22
090	15221-66410	BOLT	1				0.005	0.011
100	01123-50832	BOLT	2				0.016	0.0352
110	01023-50628	BOLT	1				0.015	0.033
120	04012-50080	WASHER PLAIN	2				0.001	0.0022
130	04012-50060	WASHER PLAIN	1				0.001	0.0022
140	15611-56480	SPRING START	1				0.001	0.0022
150	17331-56410	SPRING GOVERNOR	1				0	0
160	17371-56420	SPRING GOVERNOR	1				0.02	0.044

AIR CLEANER



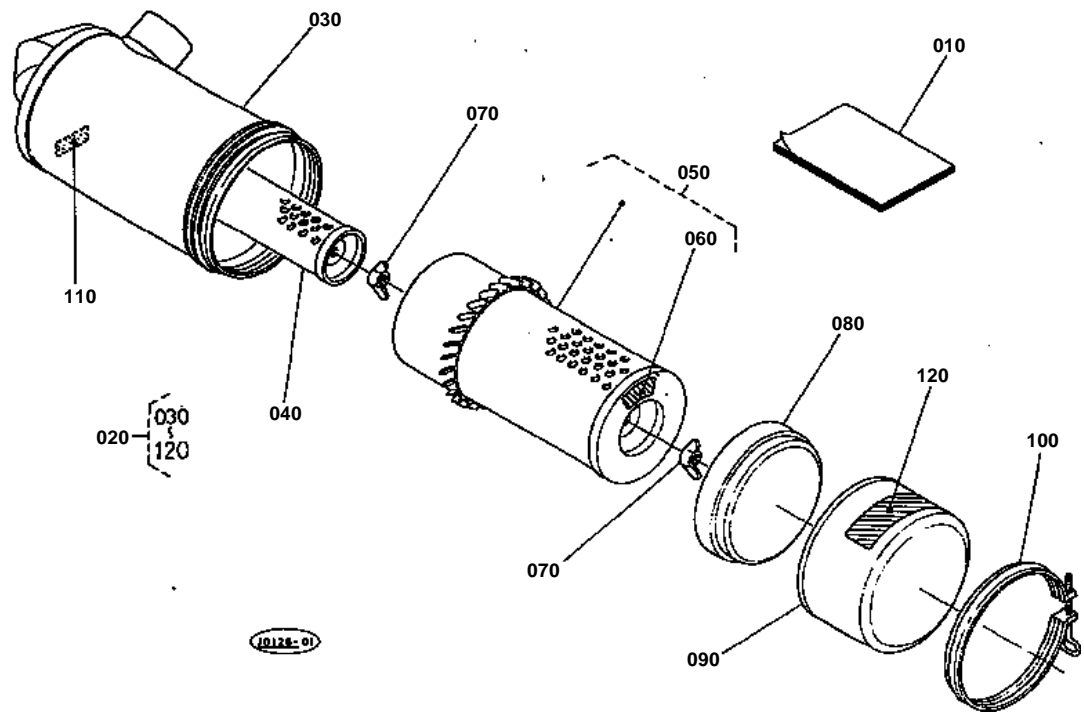
060 32420-1810-0
070 15401-1172-0
090 15401-1170-0

**AIR CLEANER**

↔ Interchangeable; ≠ not interchangeable; ← new for old; → old for new

REF.No	Part No.	Description	Q'ty	S.No.	I/C	REMARKS	Weight (kgf)	Weight (lb)
010	31351-18090	PIPE INLET	1				0.29	0.638
020	31351-18110	BAND PIPE	1				0.04	0.088
030	55311-41260	BAND CORD	1				0.007	0.0154
040	55611-81420	SENCER AIR CLEANER	1			WITH EASY CHECKER	0.05	0.11
050	06311-45010	PLUG	1	≤56233		EXCEPT [FR] W/O EASY CHECKER	0.001	0.0022
050	06311-45010	PLUG	1			[FR] W/O EASY CHECKER	0.001	0.0022
060	32420-18100	PIPE INLET	1	≤54412			0	0
060	30300-88510	PIPE INLET	1	≥54413	≠		0.24	0.528
070	15401-11720	BAND PIPE	1	≤54412			0.05	0.11
070	15221-11720	BAND PIPE	1	≥54413	≠		0.03	0.066
080	15401-11720	BAND PIPE	1				0.05	0.11
090	15401-11700	ASSY HOLDER PIPE	1	≤54412			0.08	0.176
090	30300-88530	HOLDER INLET PIPE	1	≥54413	≠		0.06	0.132
100	15401-11710	HOLDER INLET PIPE	1	≥54413			0.06	0.132
110	15401-11690	PROTECTOR INLET PIPE	1	≥54413			0.018	0.0396
120	01123-50816	BOLT	2				0.011	0.0242
130	04015-50080	WASHER PLAIN	2				0.001	0.0022
140	17325-11010	ASSY CLEANER AIR	1			WITH EASY CHECKER	3	6.6
140	17325-11010	ASSY CLEANER AIR	1	≤56233		W/O EASY CHECKER	3	6.6
140	17331-11010	ASSY CLEANER AIR	1	≥56234	↔	W/O EASY CHECKER	2.85	6.27
150	17325-11150	BODY AIR CLEANER	1	≤56233			2.1	4.62
150	17331-11150	BODY AIR CLEANER	1	≥56234	≠		1.12	2.464
160	15521-11160	ASSY PAN DUST	1				0.317	0.6974
170	15521-11410	COVER BAFFLE	1				0.17	0.374
180	17325-11080	ASSY ELEMENT CLEANER	1				0.8	1.76
190	15227-87480	LABEL ELEMENT A/C	1				0.004	0.0088
200	15521-92620	BOLT WING	1				0.06	0.132
210	15521-94430	WASHER WITH RUBBER	1				0.009	0.0198

DOUBLE AIR CLEANER [OPTION]



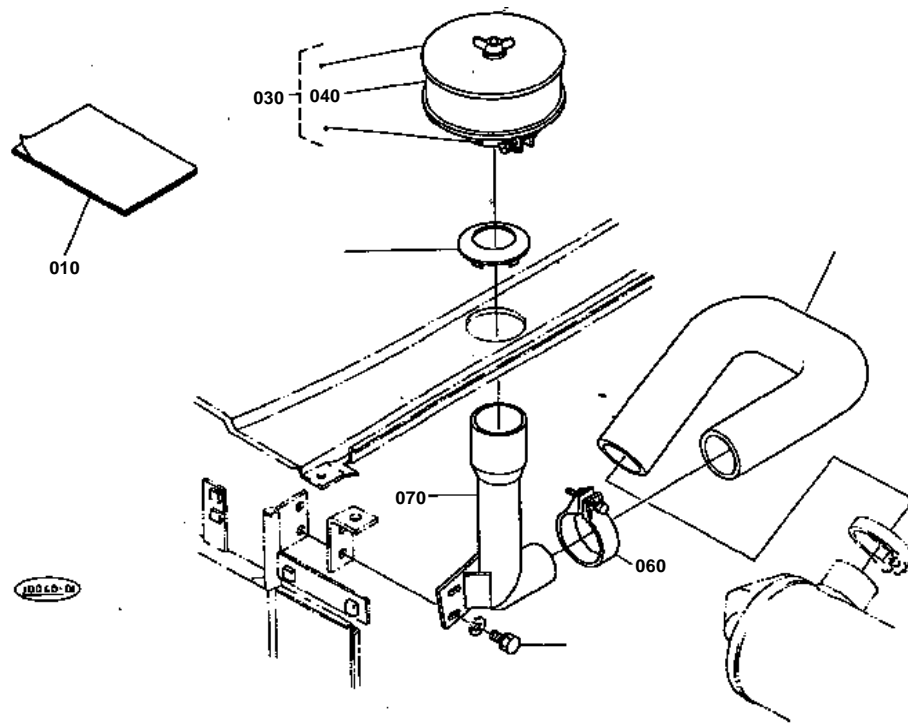


DOUBLE AIR CLEANER [OPTION]

↔ Interchangeable; ≠ not interchangeable; ← new for old; → old for new

REF.No	Part No.	Description	Q'ty	S.No.	I/C	REMARKS	Weight (kgf)	Weight (lb)
010	32430-98410	MANUAL INSTRUCTION	1				0.02	0.044
020	17326-11010	ASSY CLEANER AIR(W)	1				2.86	6.292
030	17326-11150	BODY AIR CLEANER	1				1.9	4.18
040	15287-11490	ASSY ELEMENT INNER	1				0.25	0.55
050	15287-11080	ASSY ELEMENT OUTER	1				0.75	1.65
060	15287-87480	LABEL ELEMENT A/C	1				0.005	0.011
070	15401-92620	ASSY NUT WING	2				0.01	0.022
080	15401-11410	COVER BAFFLE	1				0.05	0.11
090	15401-11160	COVER AIR CLEANER	1				0.38	0.836
100	15401-11070	ASSY BAND AIRCLEANER	1				0.115	0.253
110	17326-87750	MARK FORM	1				0.001	0.0022
120	15222-93450	LABEL AIR CLEANER	1				0.001	0.0022

PRE-CLEANER [OPTION]



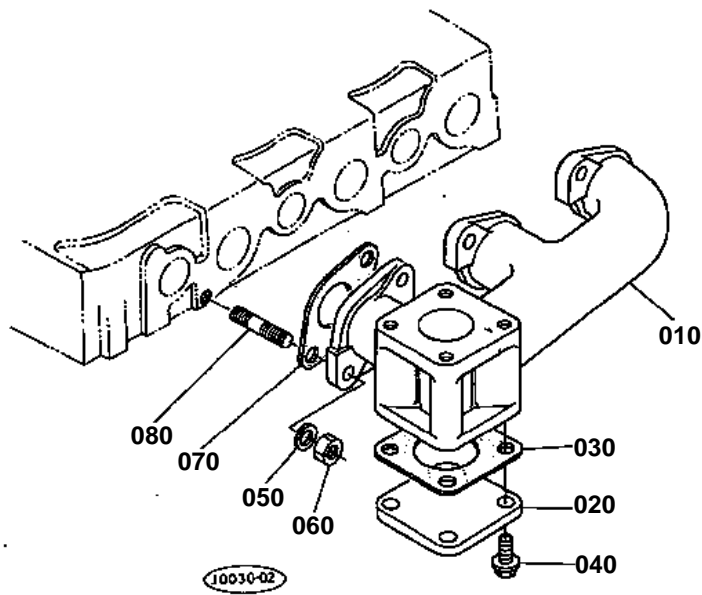


PRE-CLEANER [OPTION]

↔ Interchangeable; ≠ not interchangeable; ← new for old; → old for new

REF.No	Part No.	Description	Q'ty	S.No.	I/C	REMARKS	Weight (kgf)	Weight (lb)
010	32430-98310	MANUAL INSTRUCTION	1				0.005	0.011
020	32420-64710	PIPE INLET	1				0.81	1.782
030	32530-96110	ASSY PRECLEANER	1				0.76	1.672
040	32530-96170	CHAMBER DUST	1				0.2	0.44
050	32430-64730	COVER	1				0.025	0.055
060	15401-11720	BAND PIPE	1				0.05	0.11
070	32430-64750	PIPE PRE CLEANER	1				0.7	1.54
080	01123-50820	BOLT	2				0.011	0.0242

EXHAUST MANIFOLD



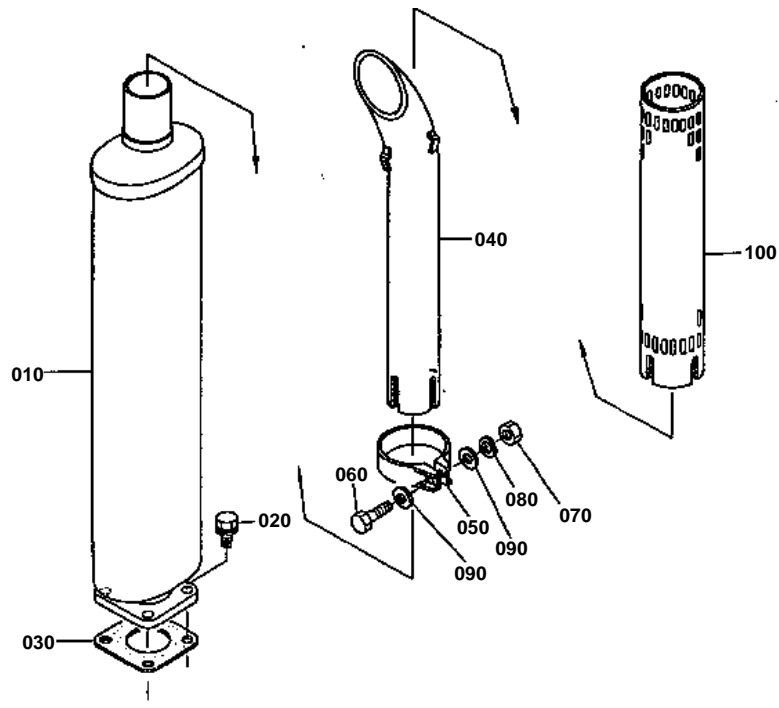


EXHAUST MANIFOLD

↔ Interchangeable; ≠ not interchangeable; ← new for old; → old for new

REF.No	Part No.	Description	Q'ty	S.No.	I/C	REMARKS	Weight (kgf)	Weight (lb)
010	17325-12310	MANIFOLD EXHAUST	1				0	0
020	17355-92850	COVER MANIFOLD	1				0	0
030	15471-12230	GASKET MUFFLER	1				0	0
040	01123-50820	BOLT	4				0.011	0.0242
050	04512-50080	WASHER SPRING	6				0.001	0.0022
060	02156-50080	NUT	6				0.004	0.0088
070	15521-12350	GASKET EX-MANIFOLD	3				0	0
080	15221-91530	STUD	6				0.011	0.0242

MUFFLER



10032-01

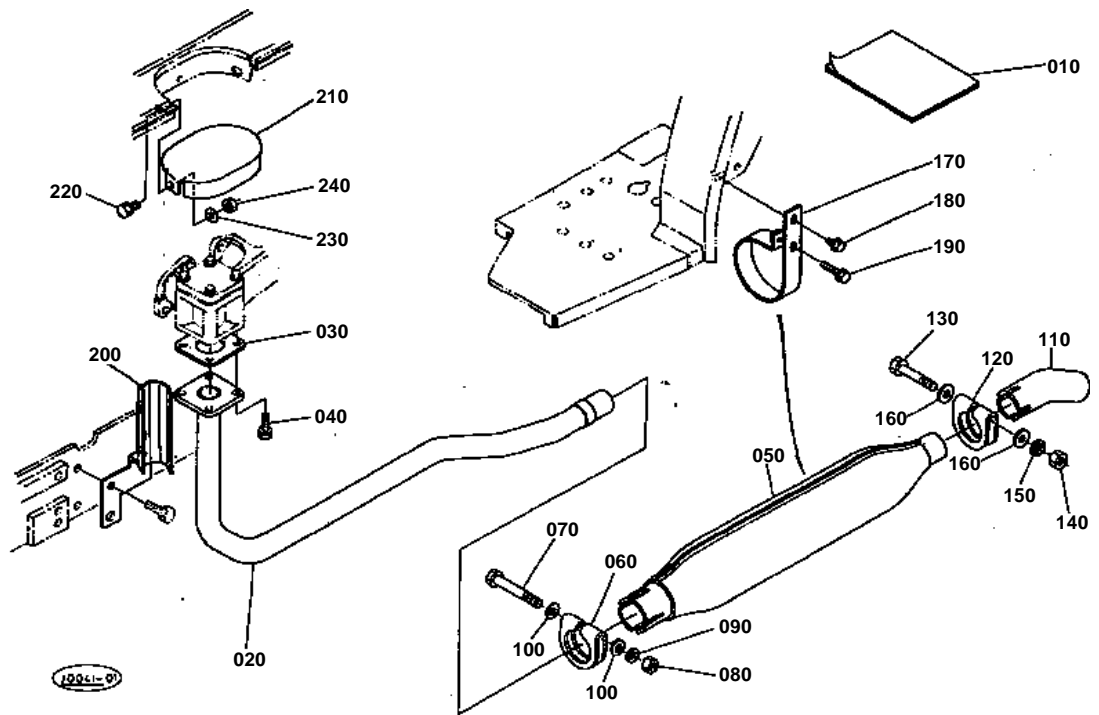


MUFFLER

↔ Interchangeable; ≠ not interchangeable; ← new for old; → old for new

REF.No	Part No.	Description	Q'ty	S.No.	I/C	REMARKS	Weight (kgf)	Weight (lb)
010	17355-12110	MUFFLER	1	<=56003		EXCEPT [FR]	9	19.8
010	17356-12110	MUFFLER	1	>=56004	↔	EXCEPT [FR]	6.5	14.3
010	32431-64610	MUFFLER	1			[FR]	7.5	16.5
020	01123-50825	BOLT	4				0.013	0.0286
030	15471-12230	GASKET MUFFLER	1				0	0
040	17321-12410	PIPE MUFFLER	1				0.955	2.101
050	17331-12140	BAND MUFFLER	1				0	0
060	15521-91040	BOLT	1				0.017	0.0374
070	15521-92010	NUT	1				0.004	0.0088
080	15521-94070	WASHER SPRING	1				0.003	0.0066
090	15521-94040	WASHER PLAIN	2				0.001	0.0022
100	17321-12660	COVER MUFFLER PIPE	1				0.44	0.968

UNDER MUFFLER [OPTION]

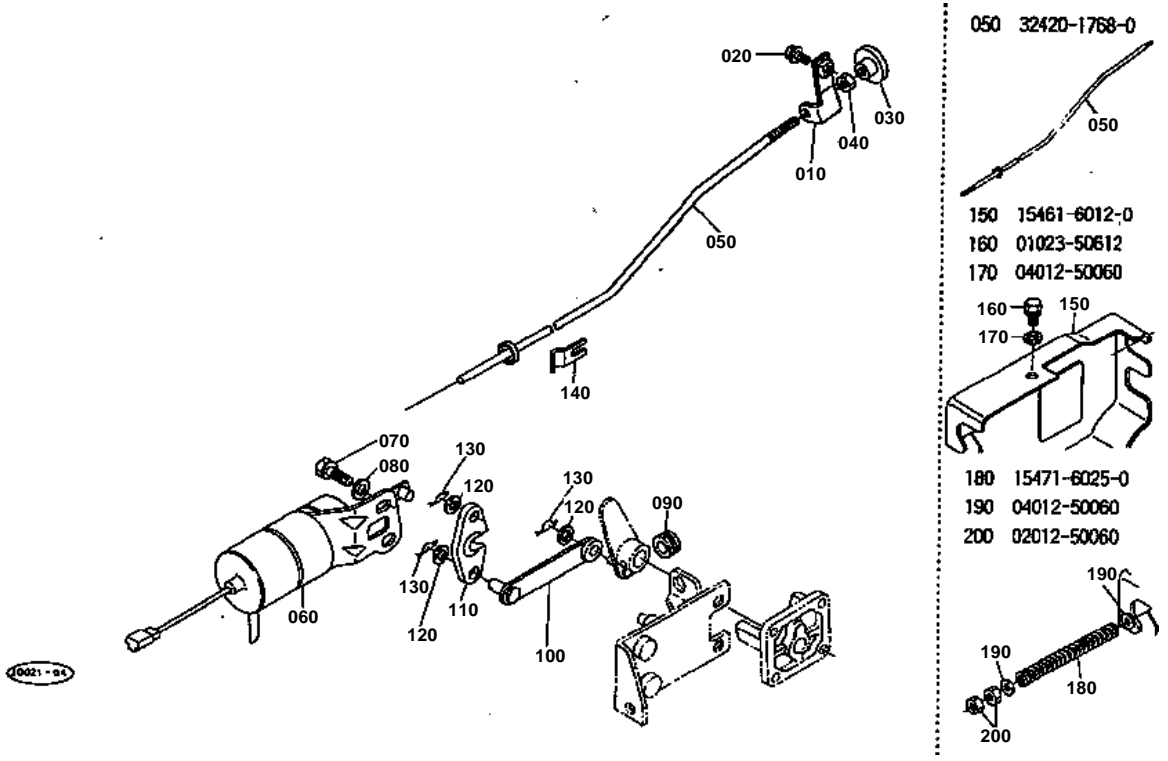


**UNDER MUFFLER [OPTION]**

↔ Interchangeable; ≠ not interchangeable; ← new for old; → old for new

REF.No	Part No.	Description	Q'ty	S.No.	I/C	REMARKS	Weight (kgf)	Weight (lb)
010	32430-98213	MANUAL INSTRUCTION	1				0.004	0.0088
020	32420-64512	PIPE MUFFLER	1				2.5	5.5
030	15471-12230	GASKET MUFFLER	1				0	0
040	01123-50825	BOLT	4				0.013	0.0286
050	32430-12110	MUFFLER	1				0	0
050	32431-12110	MUFFLER	1		↔		2.2	4.84
060	32430-12130	BAND MUFFLER	1				0	0
070	01153-50880	BOLT	1				0.03	0.066
080	02156-50080	NUT	1				0.004	0.0088
090	04512-50080	WASHER SPRING	1				0.001	0.0022
100	04012-50080	WASHER PLAIN	2				0.001	0.0022
110	32430-62130	PIPE MUFFLER	1				0.15	0.33
120	32430-12430	BAND PIPE	1				0	0
130	01153-50865	BOLT	1				0.025	0.055
140	02156-50080	NUT	1				0.004	0.0088
150	04512-50080	WASHER SPRING	1				0.001	0.0022
160	04012-50080	WASHER PLAIN	2				0.001	0.0022
170	32430-64550	SUPPORT MUFFLER	1				0.34	0.748
180	01754-50812	BOLT FLANGE	1				0.01	0.022
190	01754-50825	BOLT FLANGE	1				0.01	0.022
200	31339-26150	COVER	1				0	0
210	99064-34130	COVER	1			ORANGE	0.21	0.462
210	35010-34130	COVER	1		≠	DEEP ORANGE	0.2	0.44
220	01123-50820	BOLT	3				0.011	0.0242
230	04013-50080	WASHER PLAIN	3				0.003	0.0066
240	02114-50080	NUT	3				0.005	0.011

STOP ROD EXCEPT [GR]



- 050 32420-1768-0
- 050
- 150 15461-6012-0
- 160 01023-50612
- 170 04012-50060
- 160 150
- 170
- 180 15471-6025-0
- 190 04012-50060
- 200 02012-50060
- 190
- 180
- 200

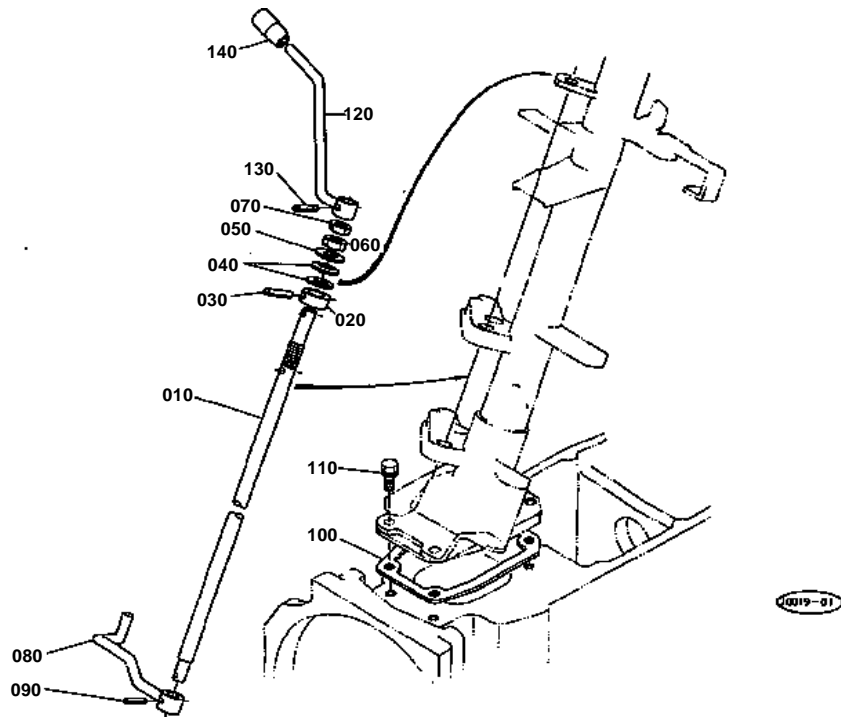
0021-9x

**STOP ROD EXCEPT [GR]**

↔ Interchangeable; ≠ not interchangeable; ← new for old; → old for new

REF.No	Part No.	Description	Q'ty	S.No.	I/C	REMARKS	Weight (kgf)	Weight (lb)
010	31351-17690	GUIDE STOP ROD	1	≤52440			0.015	0.033
010	31351-17690	GUIDE STOP ROD	1	≥57155			0.015	0.033
020	01754-50616	BOLT FLANGE	1	≤52440			0.006	0.0132
020	01754-50616	BOLT FLANGE	1	≥57155			0.006	0.0132
030	35260-17160	KNOB	1				0.015	0.033
040	02014-50060	NUT	1				0.003	0.0066
050	32420-17680	ROD STOP	1	≤56330			0	0
050	32420-17683	ROD STOP	1	≥56331	≠		0.14	0.308
060	15471-60010	SOLENOID STOP	1				0.415	0.913
070	01123-50816	BOLT	2				0.011	0.0242
080	04012-50080	WASHER PLAIN	2				0.001	0.0022
090	66591-54580	RUBBER RELEASE ROD	1				0.003	0.0066
100	17331-60150	LEVER STOP	1				0.025	0.055
110	15471-60162	LEVER STOP	1				0.007	0.0154
120	04012-50060	WASHER PLAIN	3				0.001	0.0022
130	15471-94810	PIN SNAP	3				0	0
140	38430-17180	SPRING	1				0.1	0.22
150	15461-60120	COVER SOLENOID	1	≤57154			0.16	0.352
160	01023-50612	BOLT	2	≤57154			0.005	0.011
170	04012-50060	WASHER PLAIN	2	≤57154			0.001	0.0022
180	15471-60250	SPRING	1	≤56330			0.005	0.011
190	04012-50060	WASHER PLAIN	2	≤56330			0.001	0.0022
200	02012-50060	NUT	2	≤56330			0.002	0.0044

ACCELERATOR LEVER



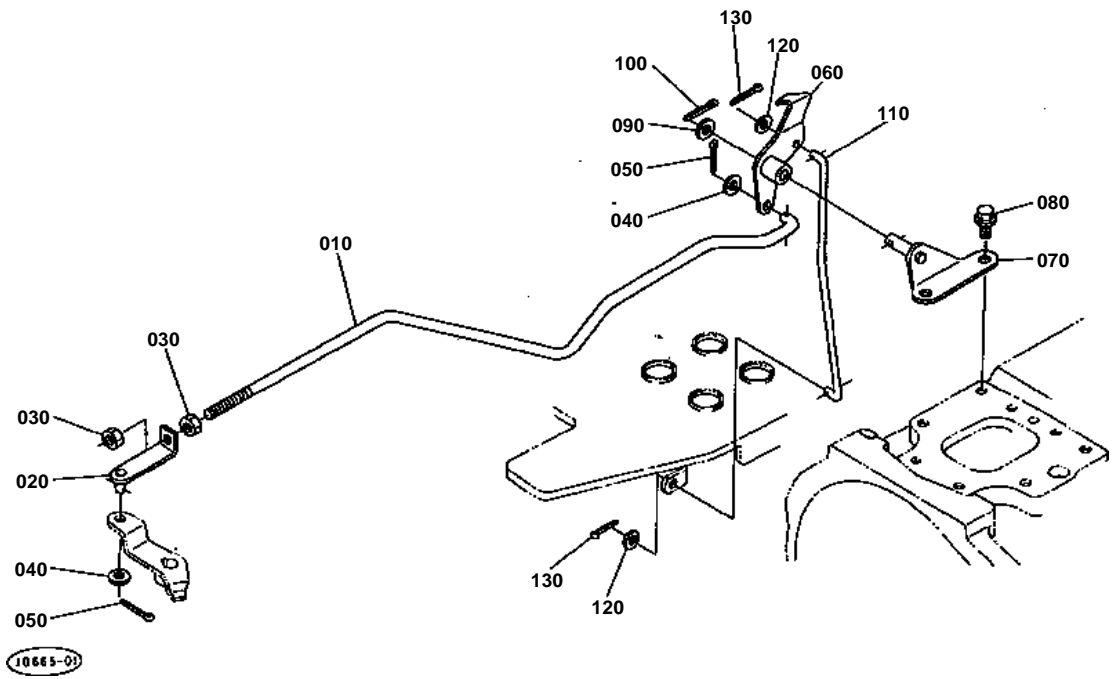


ACCELERATOR LEVER

↔ Interchangeable; ≠ not interchangeable; ← new for old; → old for new

REF.No	Part No.	Description	Q'ty	S.No.	I/C	REMARKS	Weight (kgf)	Weight (lb)
010	31351-17410	SHAFT ACCEL.CONTROL	1	≤56353			0.525	1.155
010	30400-17410	SHAFT ACCEL.CONTROL	1	≥56354	≠		0.52	1.144
010	31351-17415	SHAFT ACCEL.CONTROL	1	≥56750	→		0.54	1.188
020	31351-17420	COLLAR	1				0.04	0.088
030	05411-00528	PIN SPRING	1				0.003	0.0066
040	31351-17440	SPRING	2				0.004	0.0088
050	04013-50140	WASHER PLAIN	1				0	0
060	02076-50140	NUT	1				0.022	0.0484
070	02172-50140	NUT	1				0.01	0.022
080	31351-17430	ARM ACCELERATOR	1				0.12	0.264
090	05411-00525	PIN SPRING	1				0.002	0.0044
100	31351-17450	GASKET	1				0.01	0.022
110	01173-51018	BOLT	4				0.018	0.0396
120	32430-17550	LEVER ACCEL.	1				0.15	0.33
130	05411-00525	PIN SPRING	1				0.002	0.0044
140	31351-17560	GRIP LEVER	1				0.01	0.022

ACCELERATOR LINKAGE



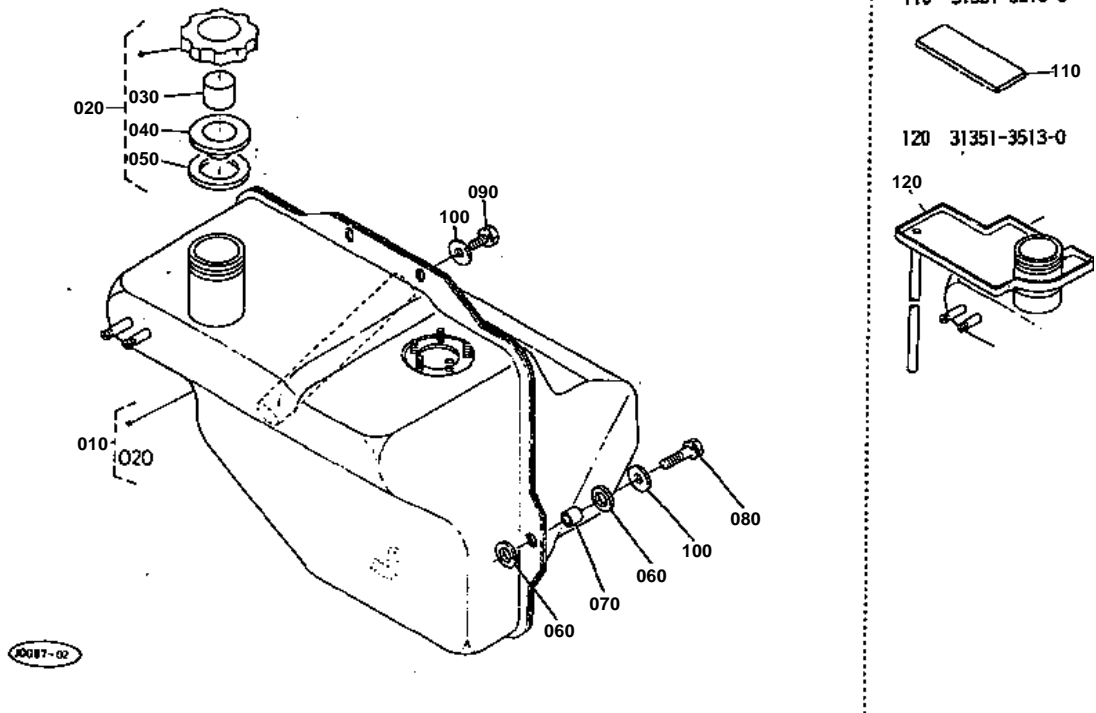


ACCELERATOR LINKAGE

↔ Interchangeable; ≠ not interchangeable; ← new for old; → old for new

REF.No	Part No.	Description	Q'ty	S.No.	I/C	REMARKS	Weight (kgf)	Weight (lb)
010	31341-17610	ROD ACCEL.	1				0.14	0.308
020	34150-17390	JOINT ROD	1				0.025	0.055
030	02012-50060	NUT	2				0.002	0.0044
040	04012-50060	WASHER PLAIN	2				0.001	0.0022
050	05511-50218	PIN SPLIT	2				0.001	0.0022
060	31351-17624	LINK ACCEL.	1				0.11	0.242
070	31351-17630	SUPPORT ACCEL.LINK	1				0.2	0.44
080	01774-51220	BOLT FLANGE	2				0.03	0.066
090	04011-50120	WASHER PLAIN	1				0.005	0.011
100	05511-50320	PIN SPLIT	1				0.002	0.0044
110	31351-17650	ROD ACCELERATOR	1				0.06	0.132
120	04012-50060	WASHER PLAIN	2				0.001	0.0022
130	05511-50218	PIN SPLIT	2				0.001	0.0022

FUEL TANK



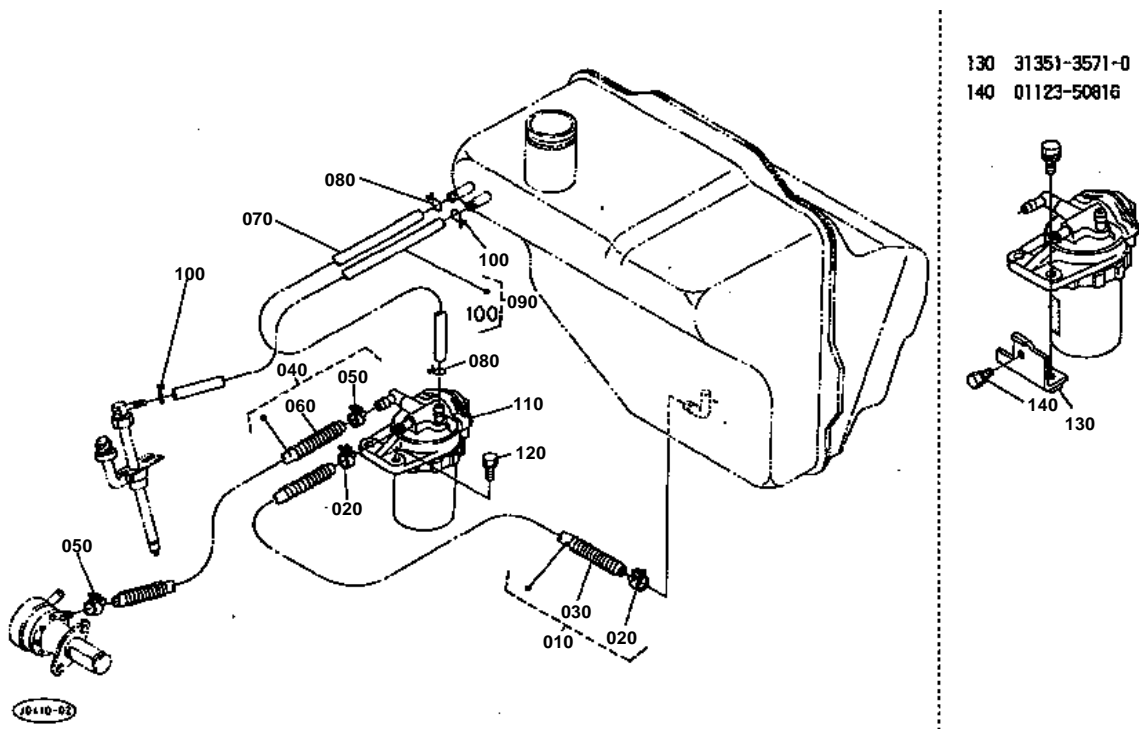


FUEL TANK

↔ Interchangeable; ≠ not interchangeable; ← new for old; → old for new

REF.No	Part No.	Description	Q'ty	S.No.	I/C	REMARKS	Weight (kgf)	Weight (lb)
010	31351-35100	ASSY TANK FUEL	1				0	0
020	38240-35200	ASSY CAP FUEL TANK	1				0.06	0.132
030	34150-35240	SPONGE	1				0.001	0.0022
040	34150-35230	GASKET	1				0.01	0.022
050	34150-35180	GASKET	1				0.001	0.0022
060	37300-35120	CUSHION	4				0.003	0.0066
070	37300-35140	SPACER	2				0.006	0.0132
080	01123-50825	BOLT	2				0.013	0.0286
090	01123-50816	BOLT	2				0.011	0.0242
100	04015-50080	WASHER PLAIN	4				0.001	0.0022
110	31351-35180	CUSHION TANK	1	<=56330			0.04	0.088
120	31351-35130	DISH FUEL RECEIVE	1	<=56330		EXCEPT [FR]	0.09	0.198

FUEL FILTER



130 31351-3571-0
140 01123-50816

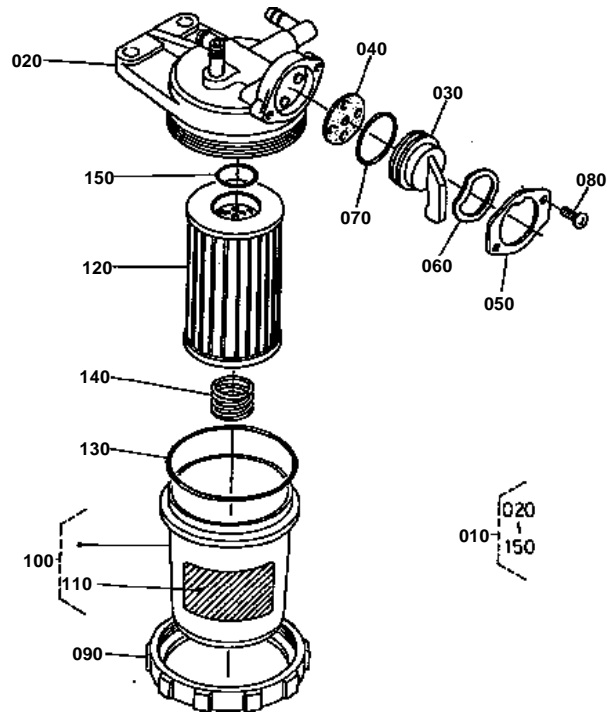


FUEL FILTER

↔ Interchangeable; ≠ not interchangeable; ← new for old; → old for new

REF.No	Part No.	Description	Q'ty	S.No.	I/C	REMARKS	Weight (kgf)	Weight (lb)
010	31351-35510	ASSY PIPE FUEL	1				0.06	0.132
020	14301-42750	CLIP PIPE	2				0.005	0.011
030	31351-93610	SPRING PIPE PROTECT.	1				0.01	0.022
040	31341-35520	ASSY PIPE FUEL	1				0.07	0.154
050	14301-42750	CLIP PIPE	2				0.005	0.011
060	31341-93630	SPRING PIPE PROTECT.	1				0.02	0.044
070	31351-35530	PIPE FUEL	1				0.03	0.066
080	14971-42750	CLIP PIPE	2				0.001	0.0022
090	31351-35540	ASSY PIPE FUEL	1				0.02	0.044
100	14971-42750	CLIP PIPE	2				0.001	0.0022
110	19271-43010	ASSY FILTER FUEL	1			EXCEPT [CA][FR]	0	0
110	17397-43010	ASSY FILTER FUEL	1			[CA]	0	0
110	17388-43010	ASSY FILTER FUEL	1			[FR]	0.2	0.44
120	01123-50822	BOLT	2				0.012	0.0264
130	31351-35710	BRACKET FILTER	1	≤52440			0.05	0.11
140	01123-50816	BOLT	1	≤52440			0.011	0.0242

FUEL FILTER [COMPONENT PARTS]

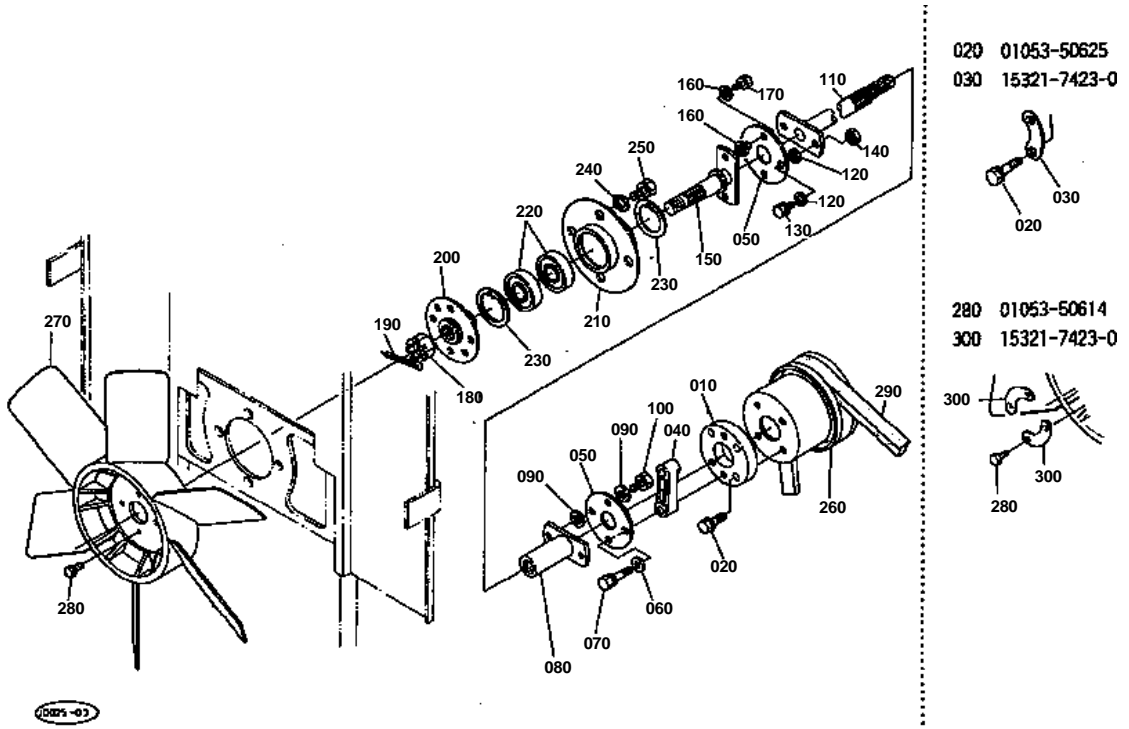


**FUEL FILTER [COMPONENT PARTS]**

↔ Interchangeable; ≠ not interchangeable; ← new for old; → old for new

REF.No	Part No.	Description	Q'ty	S.No.	I/C	REMARKS	Weight (kgf)	Weight (lb)
010	19271-43010	ASSY FILTER FUEL	1			EXCEPT [CA][FR]	0	0
010	17397-43010	ASSY FILTER FUEL	1			[CA]	0	0
010	17388-43010	ASSY FILTER FUEL	1			[FR]	0.2	0.44
020	15521-43112	ASSY BODY	1				0	0
030	15521-43522	HANDLE FILTER	1				0.04	0.088
040	15521-43672	GASKET	1				0.001	0.0022
050	15521-43552	RETAINER HANDLE	1				0.01	0.022
060	15521-43542	PLATE THRUST	1				0.001	0.0022
070	04811-10290	O RING	1				0.001	0.0022
080	15521-93310	SCREW WITH WASHER	2				0.004	0.0088
090	15521-43150	RING RETAINER	1				0.14	0.308
100	19271-43100	ASSY POT FILTER	1			EXCEPT [CA][FR]	0	0
100	17397-43100	ASSY POT FILTER	1			[CA]	0.16	0.352
100	17388-43100	ASSY POT FILTER	1			[FR]	0.09	0.198
110	19271-87210	LABEL CAUTION	1			EXCEPT [CA][FR]	0.001	0.0022
110	17397-87210	LABEL CAUTION	1			[CA]	0.001	0.0022
110	17388-87210	LABEL CAUTION	1			[FR]	0	0
120	15521-43160	ELEMENT FILTER	1				0.07	0.154
130	04811-50650	O RING	1				0.002	0.0044
140	15521-43930	SPRING	1				0.004	0.0088
150	04811-00160	O RING	1				0.001	0.0022

FAN



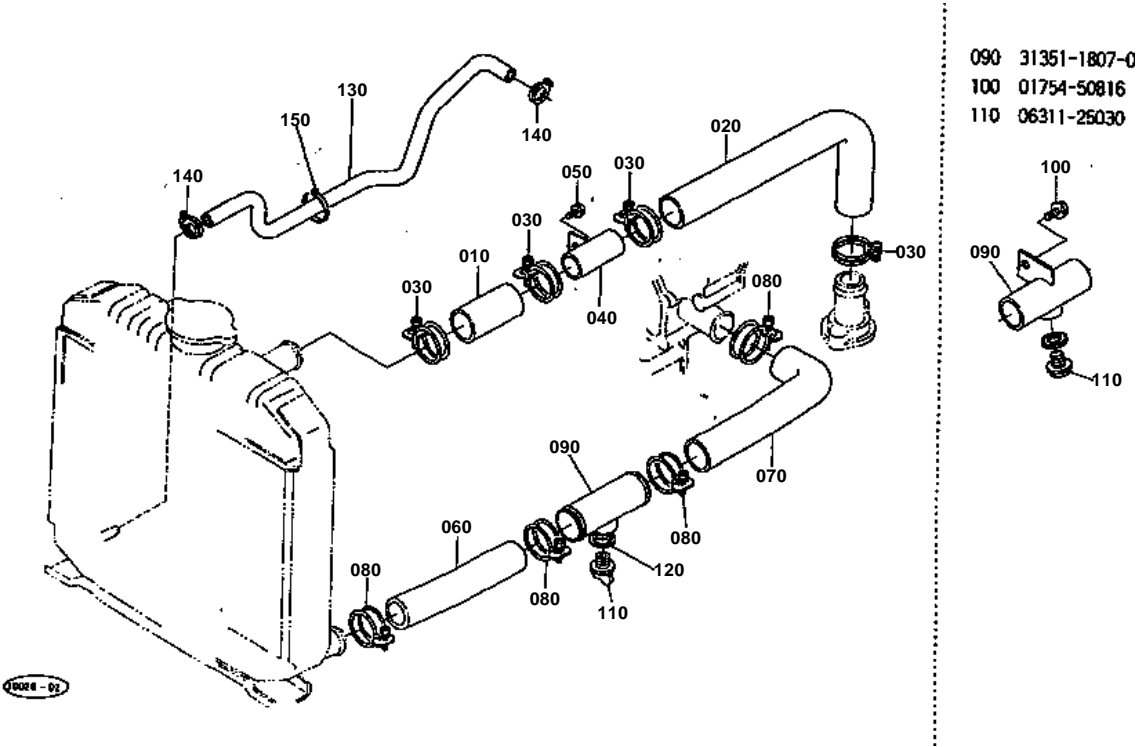


FAN

↔ Interchangeable; ≠ not interchangeable; ← new for old; → old for new

REF.No	Part No.	Description	Q'ty	S.No.	I/C	REMARKS	Weight (kgf)	Weight (lb)
010	31351-17860	COUPLING	1				0.205	0.451
020	01053-50625	BOLT	4	<=55820			0.007	0.0154
020	01754-50625	BOLT FLANGE	4	>=55821	≠		0.008	0.0176
030	15321-74230	WASHER FAN	2	<=55820			0.005	0.011
040	31351-17870	SPACER	1				0.03	0.066
050	31351-17880	DISK COUPLING	2				0.01	0.022
060	04012-50080	WASHER PLAIN	2				0.001	0.0022
070	01123-50830	BOLT	2				0.015	0.033
080	31351-17890	SHAFT JOINT	1				0.15	0.33
090	04012-50080	WASHER PLAIN	4				0.001	0.0022
100	01123-50816	BOLT	2				0.011	0.0242
110	31351-17900	SHAFT DRIVE	1				0.33	0.726
120	04012-50080	WASHER PLAIN	4				0.001	0.0022
130	01123-50820	BOLT	2				0.011	0.0242
140	02156-50080	NUT	2				0.004	0.0088
150	31351-17910	SHAFT JOINT	1				0.2	0.44
160	04012-50080	WASHER PLAIN	4				0.001	0.0022
170	01123-50816	BOLT	2				0.011	0.0242
180	02374-50140	NUT	1				0.015	0.033
190	05511-50325	PIN SPLIT	1				0.002	0.0044
200	31351-17930	SUPPORT FAN	1	<=53611			0	0
200	31351-17932	SUPPORT FAN	1	>=53612	←		0	0
210	31351-17940	SUPPORT BEARING	1				0.24	0.528
220	08141-06203	BEARING BALL	2				0.064	0.1408
230	04611-00400	CIR-CLIP INTERNAL	2				0.005	0.011
240	04013-50080	WASHER PLAIN	4				0.003	0.0066
250	01123-50816	BOLT	4				0.011	0.0242
260	15521-74250	PULLEY FAN	1				0.29	0.638
270	17331-74110	FAN	1				0.3	0.66
280	01053-50614	BOLT	4	<=55820			0.005	0.011
280	01754-50612	BOLT FLANGE	4	>=55821	≠		0.005	0.011
290	17331-97010	V BELT	1				0.1	0.22
290	17331-97010	V BELT	1	<=56716		[CA]	0.1	0.22
290	15585-97010	V BELT	1	>=56717	≠	[CA]	0	0
300	15321-74230	WASHER FAN	2	<=55820			0.005	0.011

WATER PIPE

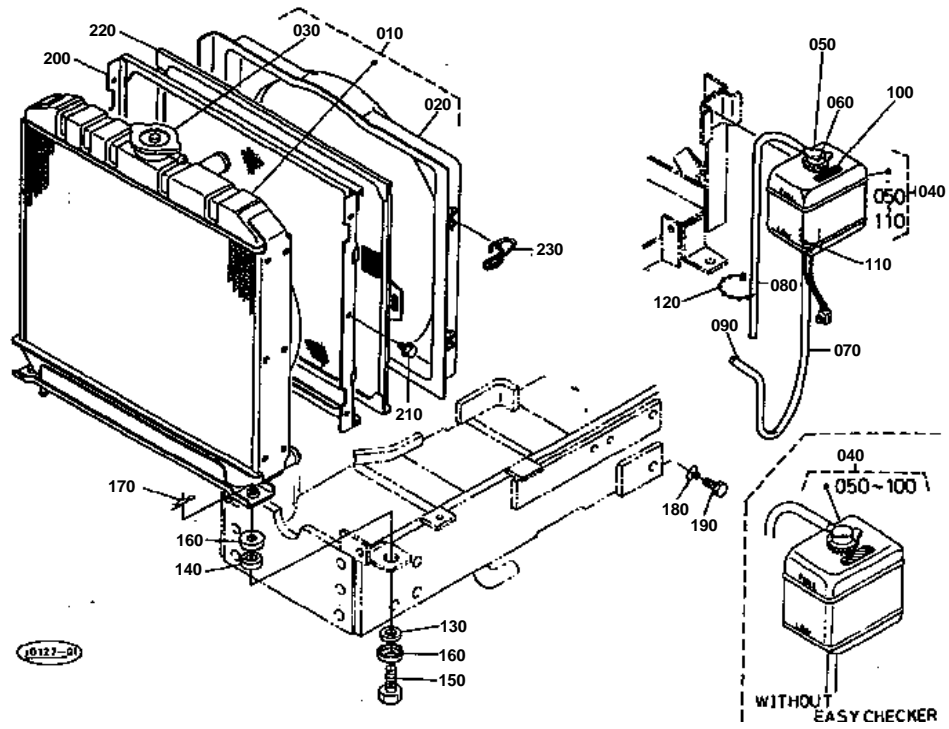


**WATER PIPE**

↔ Interchangeable; ≠ not interchangeable; ← new for old; → old for new

					REMARKS	Weight (kgf)	Weight (lb)
010	31351-18010	PIPE WATER	1			0.06	0.132
020	31351-18020	PIPE WATER	1			0.25	0.55
030	15108-72870	BAND	4			0.027	0.0594
040	31351-18030	JOINT WATER PIPE	1			0.15	0.33
050	01754-50816	BOLT FLANGE	1			0.011	0.0242
060	31351-18050	PIPE WATER	1			0.135	0.297
070	31351-18060	PIPE WATER	1			0.2	0.44
080	15108-72870	BAND	4			0.027	0.0594
090	31351-18070	BASE DRAIN COCK	1	<=52251		0.18	0.396
090	32430-18070	BASE DRAIN COCK	1	>=52252	↔	0.165	0.363
100	01754-50816	BOLT FLANGE	1	<=52251		0.011	0.0242
110	06311-25030	PLUG	1	<=53773		0.051	0.1122
110	31349-61420	PLUG DRAIN	1	>=53774	↔	0.01	0.022
120	04717-01700	WASHER WITH RUBBER	1			0.003	0.0066
130	31351-18570	HOSE DRAIN	1			0.16	0.352
140	68171-63630	BAND HOSE	2			0.013	0.0286
150	53581-64150	BAND CORD	1			0.002	0.0044

RADIATOR

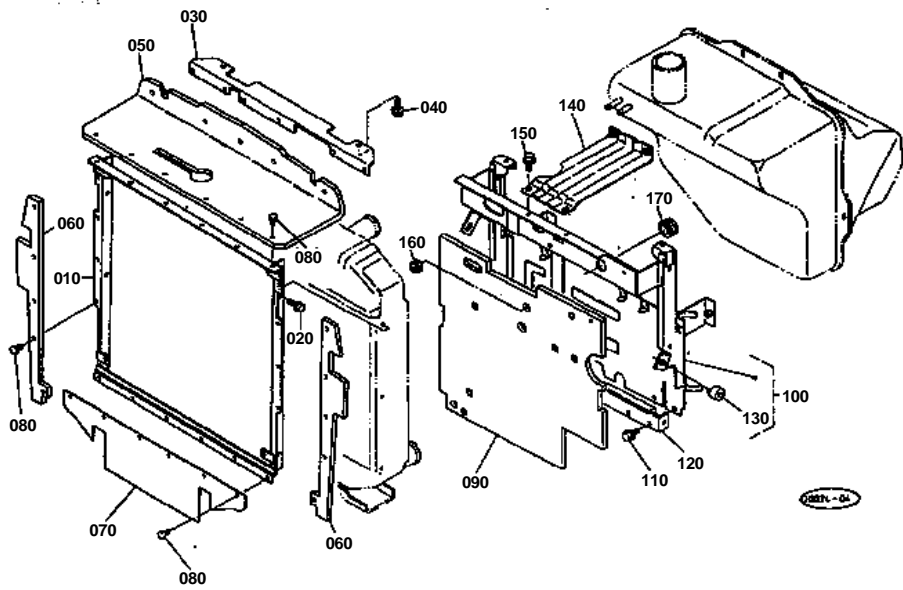


**RADIATOR**

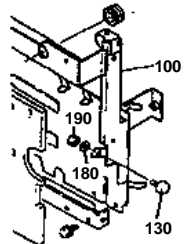
↔ Interchangeable; ≠ not interchangeable; ← new for old; → old for new

REF.No	Part No.	Description	Q'ty	S.No.	I/C	REMARKS	Weight (kgf)	Weight (lb)
010	17331-72060	ASSY RADIATOR	1				7.6	16.72
020	17331-72330	SHROUD FAN	1				1.35	2.97
030	15272-72020	ASSY CAP	1				0.071	0.1562
040	17311-72400	ASSY TANK RESERVE	1	≤56233		WITHOUT EASY CHECKER	0	0
040	15988-72400	ASSY TANK RESERVE	1	≥56234	↔	WITHOUT EASY CHECKER	0.482	1.0604
040	17331-72400	ASSY TANK RESERVE	1			WITH EASY CHECKER	0.49	1.078
050	54911-21720	CAP	1				0.008	0.0176
060	54911-21730	GASKET	1				0.004	0.0088
070	17331-72710	PIPE WATER OVER FLOW	1			WITHOUT EASY CHECKER	0	0
070	15471-72710	PIPE WATER OVER FLOW	1			WITH EASY CHECKER	0.08	0.176
080	15501-72440	PIPE WATER OVER FLOW	1	≤56233		WITHOUT EASY CHECKER	0	0
080	68271-42390	PIPE WATER OVER FLOW	1	≥56234	↔	WITHOUT EASY CHECKER	0.03	0.066
080	15589-72440	PIPE WATER OVER FLOW	1	≤56233		WITH EASY CHECKER	0.05	0.11
080	68271-42380	PIPE WATER OVER FLOW	1	≥56234	↔	WITH EASY CHECKER	0.12	0.264
090	15501-72470	CLIP PIPE	3	≤56233			0.005	0.011
090	15501-72470	CLIP PIPE	2	≥56234			0.005	0.011
100	15501-88210	LABEL CAUTION	1				0.005	0.011
110	15521-72992	SWITCH WATER LEVEL	1			WITH EASY CHECKER	0.06	0.132
120	34350-29380	BAND CORD	1				0.001	0.0022
130	15111-72180	CUSHION	2				0.015	0.033
140	15111-72190	CUSHION	2				0.016	0.0352
150	15108-72380	BOLT	2				0.04	0.088
160	15111-72200	WASHER	4				0.013	0.0286
170	05515-51000	PIN SNAP	2				0	0
180	38240-13370	CLAMP PIPE	1				0.005	0.011
190	01123-50814	BOLT	1				0.01	0.022
200	31351-17710	GUIDE RADIATOR NET	1	≤52085			0	0
200	31351-17715	GUIDE RADIATOR NET	1	≥52086	↔		1.05	2.31
210	01754-50610	BOLT FLANGE	6				0.006	0.0132
220	31351-17720	NET RADIATOR	1				0.98	2.156
230	31351-17740	CLAMP	2				0.01	0.022

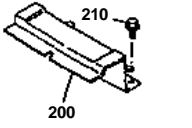
SHUTTER



- 100 31351-3521-0
- 130 33251-B518-0
- 180 04512-50100
- 190 02118-50100



- 200 31351-3526-2
- 210 01754-50816

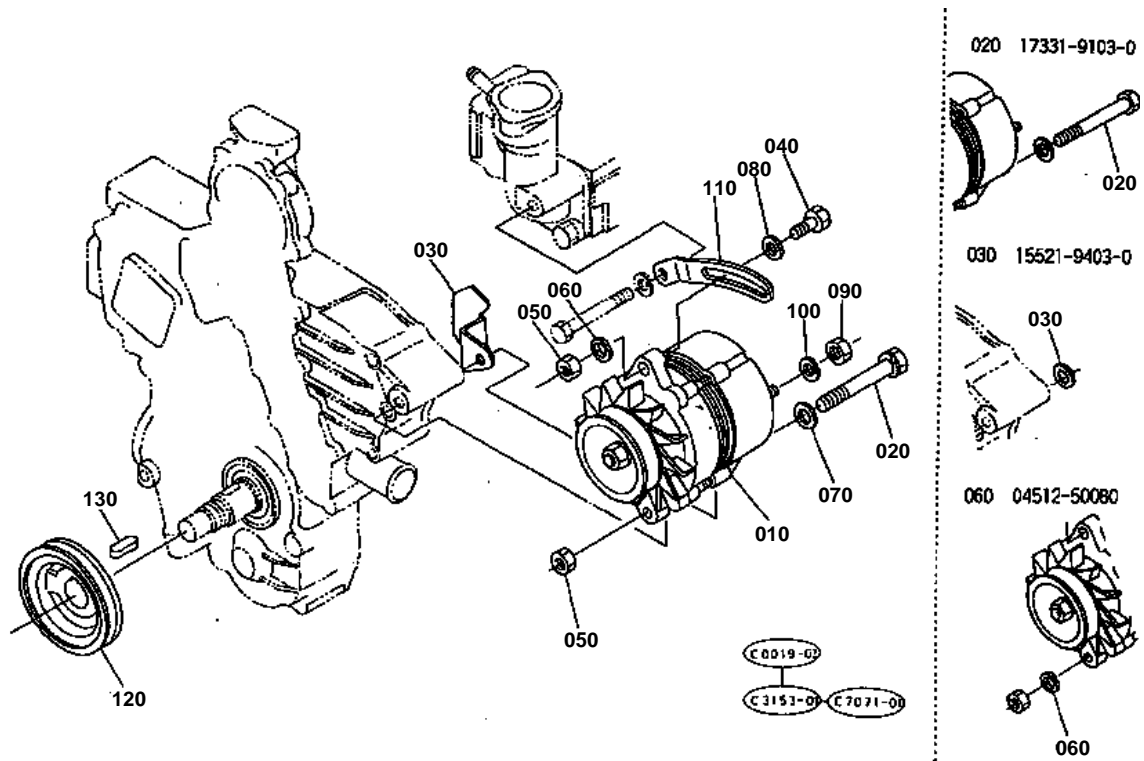




SHUTTER

↔ Interchangeable; ≠ not interchangeable; ← new for old; → old for new

REF.No	Part No.	Description	Q'ty	S.No.	I/C	REMARKS	Weight (kgf)	Weight (lb)
010	31351-17762	FRAME SHUTTER	1	<=51357			0	0
010	31351-17763	FRAME SHUTTER	1	>=51358	↔		0.4	0.88
020	01754-50610	BOLT FLANGE	6				0.006	0.0132
030	31351-17770	PLATE SHUTTER	1				0.16	0.352
040	01754-50816	BOLT FLANGE	2				0.011	0.0242
050	31351-17782	SHUTTER	1	<=54475			0	0
050	31351-17783	SHUTTER	1	>=54476	←		0.155	0.341
060	31351-17792	SHUTTER	2				0.02	0.044
070	32430-17800	SHUTTER	1				0	0
080	38430-29372	CLIP BUTTON	27	<=52440			0.001	0.0022
080	38430-29372	CLIP BUTTON	26	>=52441			0.001	0.0022
090	31351-18920	ABSORBER SOUND	1	<=52085		EXCEPT [FR]	0.09	0.198
090	31351-18920	ABSORBER SOUND	1			[FR]	0.09	0.198
100	31351-35210	PLATE SHUTTER	1	<=53611			0	0
100	31351-99100	PLATE SHUTTER	1	>=53612	←		4.6	10.12
110	01754-50816	BOLT FLANGE	4	<=57047			0.011	0.0242
110	01754-50812	BOLT FLANGE	4	>=57048	≠		0.01	0.022
120	31351-35230	SUPPORT SHUTTER	1				0.345	0.759
130	33251-85180	RUBBER SEAT BLOCK	2	<=53611			0.038	0.0836
130	30400-17980	RUBBER BLOCK	2	>=53612	≠		0.01	0.022
140	31351-35250	STAY FUEL TANK	1				0.38	0.836
150	01754-50812	BOLT FLANGE	3	<=57047			0.01	0.022
150	30400-15100	BOLT FLANGE	2	>=57048	≠		0.01	0.022
160	32150-29180	CAP RUBBER	2				0.002	0.0044
170	37100-18080	CUSHION	1				0.002	0.0044
180	04512-50100	WASHER SPRING	2	<=53611			0.003	0.0066
190	02118-50100	NUT	2	<=53611			0.005	0.011
200	31351-35262	STAY FUEL TANK	1	<=56284			0.33	0.726
210	01754-50816	BOLT FLANGE	3	<=56284			0.011	0.0242

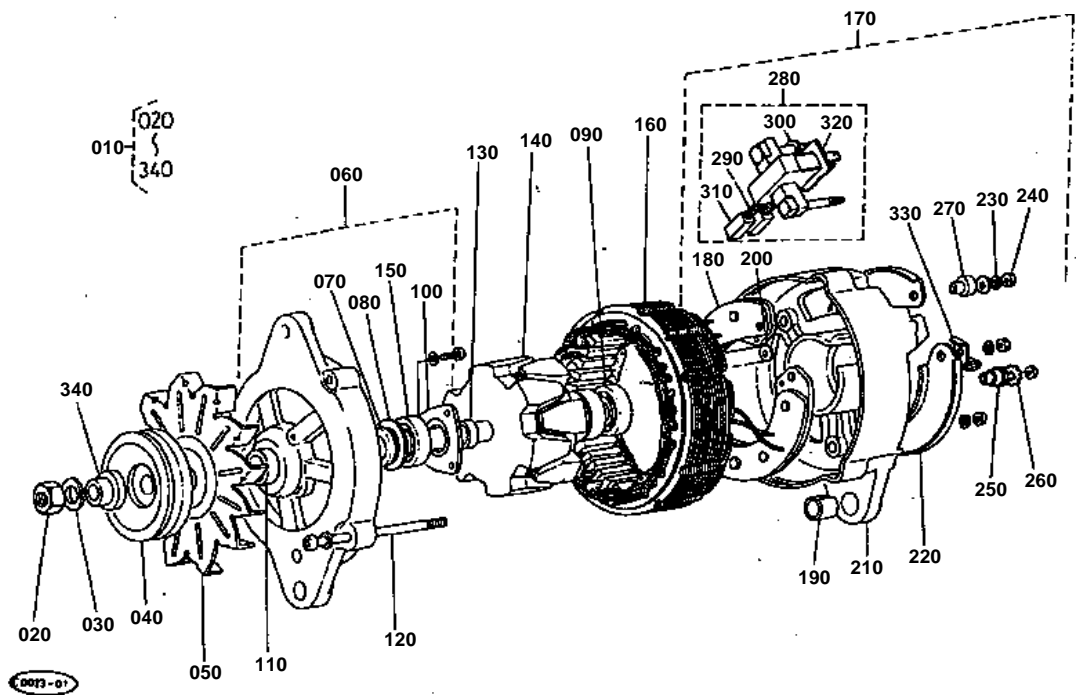


**DYNAMO EXCEPT [CA]**

↔ Interchangeable; ≠ not interchangeable; ← new for old; → old for new

REF.No	Part No.	Description	Q'ty	S.No.	I/C	REMARKS	Weight (kgf)	Weight (lb)
010	15253-64010	ASSY DYNAMO	1			REFER TO L.No.0C14-R0 FOR COMPONENTS	3.2	7.04
020	17331-91030	BOLT	1	<=55771			0	0
020	17367-91030	BOLT	1	>=55772	≠		0.02	0.044
030	15521-94030	WASHER PLAIN	1	<=55771			0.01	0.022
030	17367-05580	CLAMP PIPE	1	>=55772	≠		0	0
040	01153-50830	BOLT	1				0	0
050	02156-50080	NUT	2				0.004	0.0088
060	04512-50080	WASHER SPRING	2	<=55771			0.001	0.0022
060	04512-50080	WASHER SPRING	1	>=55772			0.001	0.0022
070	04012-50080	WASHER PLAIN	1				0.001	0.0022
080	04015-50080	WASHER PLAIN	1				0.001	0.0022
090	02056-50060	NUT	1				0.002	0.0044
100	04512-50060	WASHER SPRING	1				0.001	0.0022
110	15321-64420	STAY DYNAMO	1				0.1	0.22
120	17331-74280	PULLEY FAN DRIVE	1				1.3	2.86
130	05712-00720	KEY FEATHER	1				0.008	0.0176

DYNAMO [COMPONENT PARTS]

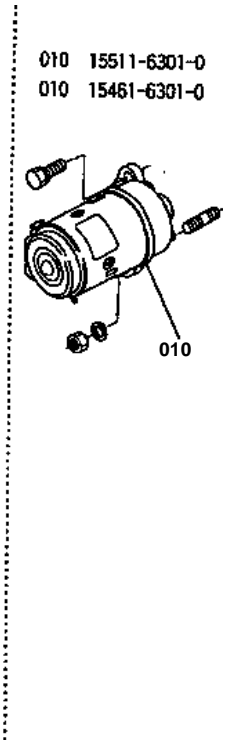
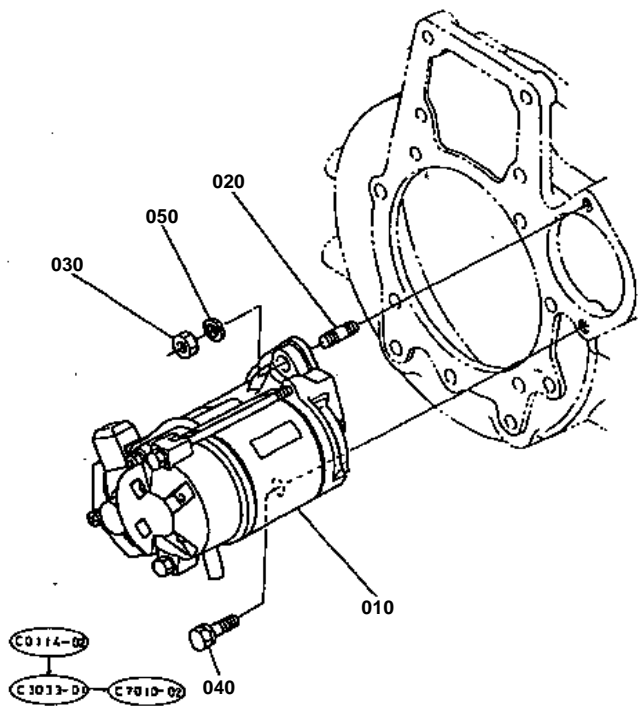


**DYNAMO [COMPONENT PARTS]**

↔ Interchangeable; ≠ not interchangeable; ← new for old; → old for new

REF.No	Part No.	Description	Q'ty	S.No.	I/C	REMARKS	Weight (kgf)	Weight (lb)
010	15253-64010	ASSY DYNAMO	1				3.2	7.04
020	15221-92010	NUT	1				0.012	0.0264
030	15221-94070	WASHER SPRING	1				0.008	0.0176
040	15221-64110	PULLEY DYNAMO	1				0.198	0.4356
050	15221-64130	FAN DYNAMO	1				0	0
060	15253-64020	FRAME DRIVE END	1				0.365	0.803
070	15221-64790	FELT OIL	1				0.001	0.0022
080	15221-64830	COVER FELT	1				0.003	0.0066
090	08121-06201	BEARING BALL	1				0.036	0.0792
100	15221-64710	PLATE RETAINER	1				0.018	0.0396
110	15221-64150	COLLAR	1				0.008	0.0176
120	15321-64260	BOLT THROUGH	2				0.008	0.0176
130	15321-64170	SPACER	1				0.007	0.0154
140	15253-64030	ARMATURE	1				1.46	3.212
150	08141-06202	BEARING BALL	1				0.043	0.0946
160	15321-64050	YOKE	1				0.75	1.65
170	15253-64070	ASSY FRAME END	1				0.55	1.21
180	15321-64850	ASSY RECTIFIER	1				0.134	0.2948
190	15221-64210	BUSH	1				0.007	0.0154
200	15321-64880	WASHER INSULATION	1				0.001	0.0022
210	15253-64060	FRAME END	1				0.29	0.638
220	15253-64230	COVER END	1				0.02	0.044
230	04512-50050	WASHER SPRING	5				0	0
240	15221-92030	NUT	5				0.001	0.0022
250	15321-64920	BUSH INSULATION	1				0.001	0.0022
260	04512-50060	WASHER	1				0.001	0.0022
270	15221-64910	BUSH INSULATION	1				0.001	0.0022
280	15253-64310	ASSY HOLDER BRUSH	1				0.04	0.088
290	15221-64330	SPRING BRUSH	2				0.001	0.0022
300	15221-64880	WASHER INSULATION	2				0.001	0.0022
310	15221-64090	BRUSH	2				0.002	0.0044
320	15321-64940	INSULATOR TERMINAL	1				0.001	0.0022
330	15321-67570	CLAMP CORD	1				0.04	0.088
340	15221-64160	SPACER	1				0.006	0.0132

STARTER

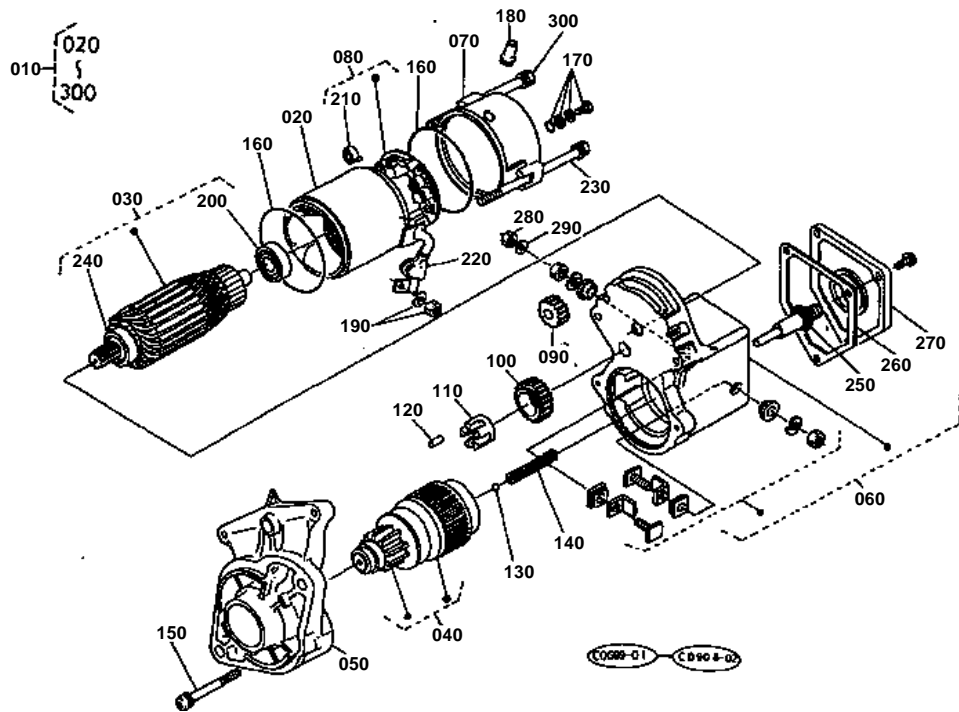


**STARTER**

↔ Interchangeable; ≠ not interchangeable; ← new for old; → old for new

REF.No	Part No.	Description	Q'ty	S.No.	I/C	REMARKS	Weight (kgf)	Weight (lb)
010	15511-63010	ASSY STARTER	1	<=54258		REFER TO L.No.0D01-L0 FOR COMPONENTS	0	0
010	15461-63010	ASSY STARTER	1	>=54259	↔	REFER TO L.No.0D01-L0 FOR COMPONENTS	3.8	8.36
010	17331-63010	ASSY STARTER	1	>=56723	↔	REFER TO L.No.0D02-L0 FOR COMPONENTS	3.9	8.58
010	15461-63010	ASSY STARTER	1	<=56722		REFER TO L.No.0D01-L0 FOR COMPONENTS [CA	3.8	8.36
010	17341-63010	ASSY STARTER	1	>=56723	↔	REFER TO L.No.0D02-R0 FOR COMPONENTS [CA	3.65	8.03
020	01517-51028	STUD	1				0.022	0.0484
030	02176-50100	NUT	1				0.005	0.011
040	01133-51030	BOLT	1				0.025	0.055
050	04512-50100	WASHER SPRING	1				0.003	0.0066

STARTER [COMPONENT PARTS]



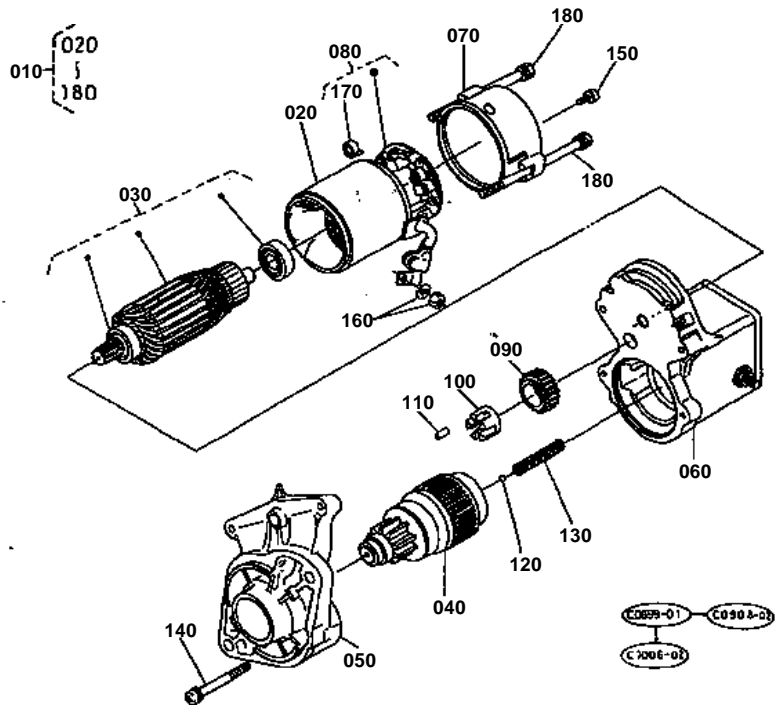
**STARTER [COMPONENT PARTS]**

S.No.;<=56722

↔ Interchangeable; ≠ not interchangeable; ← new for old; → old for new

REF.No	Part No.	Description	Q'ty	S.No.	I/C	REMARKS	Weight (kgf)	Weight (lb)
010	15511-63010	ASSY STARTER	1	<=54258			0	0
010	15461-63010	ASSY STARTER	1	>=54259	↔		3.8	8.36
020	15511-63080	ASSY YOKE	1	<=54258			0	0
020	15461-63080	ASSY YOKE	1	>=54259	≠		1.13	2.486
030	15511-63070	ASSY ARMATURE	1				1.05	2.31
040	15521-63040	SWITCH OVER RUNNING	1	<=54258			0.73	1.606
040	15461-63040	ASSY CLUTCH	1	>=54259	≠		0	0
050	15511-63030	FRAME DRIVE END	1				0.32	0.704
060	15511-63020	SWITCH MAGNETIC	1	<=54258			1.165	2.563
060	15461-63020	ASSY SWITCH MAGNETIC	1	>=54259	↔		0	0
070	15511-63200	FRAME END	1				0.14	0.308
080	15511-63380	ASSY HOLDER BRUSH	1				0.09	0.198
090	15511-63260	GEAR	1				0.02	0.044
100	15401-63270	GEAR	1				0.043	0.0946
110	19212-63110	RETAINER	1				0.002	0.0044
120	19212-63100	ROLLER	5				0.002	0.0044
130	19212-97130	BALL	1				0.003	0.0066
140	19212-63120	SPRING	1				0.004	0.0088
150	15501-93310	SCREW PAN HEAD	2				0.01	0.022
160	15511-96660	O RING	2				0.005	0.011
170	15511-63760	ASSY BOLT	2				0.005	0.011
180	15511-63450	COVER	1				0.002	0.0044
190	13963-92010	NUT HEXAGON	1				0.005	0.011
200	15511-63530	BEARING BALL	1				0.025	0.055
210	15401-63390	SPRING BRUSH	4				0.003	0.0066
220	15504-63120	COVER CORD	1				0.06	0.132
230	19215-63320	BOLT THROUGH	1				0.03	0.066
240	15511-63500	BEARING BALL	1				0.04	0.088
250	15461-63990	PLUNGER	1				0.15	0.33
260	15461-63520	GASKET	1				0.01	0.022
270	15461-63510	COVER SOLENOID	1				0.06	0.132
280	19616-92010	NUT HEXAGON	1				0.04	0.088
290	04512-50080	WASHER SPRING	1				0.001	0.0022
300	15621-63320	BOLT	1				0.04	0.088

STARTER [COMPONENT PARTS]



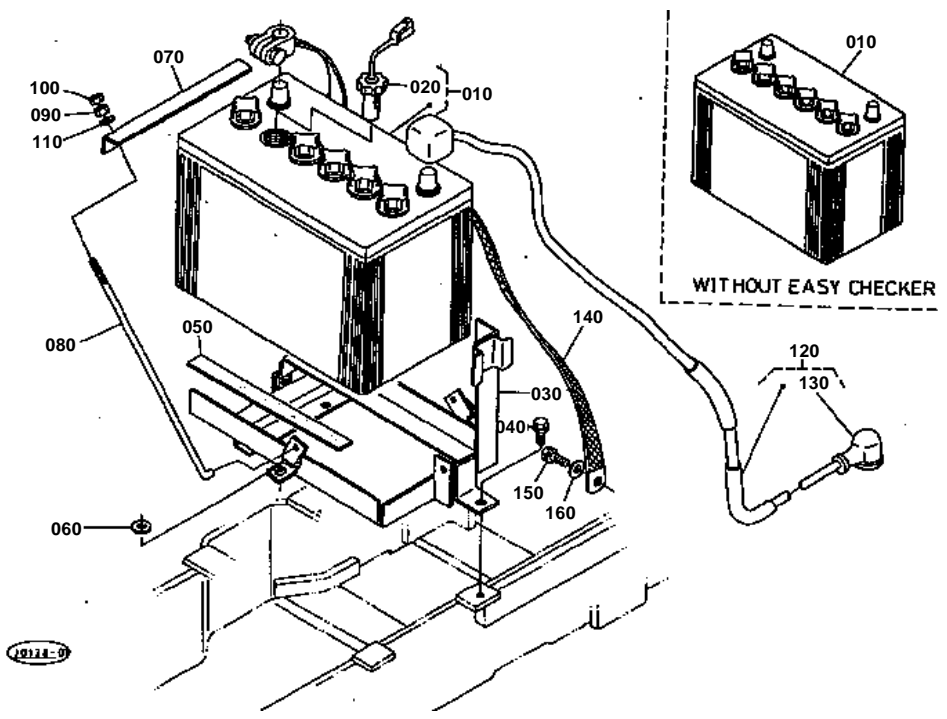
**STARTER [COMPONENT PARTS]**

S.No.;>=56723

↔ Interchangeable; ≠ not interchangeable; ← new for old; → old for new

REF.No	Part No.	Description	Q'ty	S.No.	I/C	REMARKS	Weight (kgf)	Weight (lb)
010	17331-63010	ASSY STARTER	1				3.9	8.58
020	16271-63080	YOKE	1				0.74	1.628
030	16271-63070	ARMATURE	1				0.8	1.76
040	15521-63040	SWITCH OVER RUNNING	1				0.73	1.606
050	15501-63030	FRAME DRIVE END	1				0.37	0.814
060	17311-63020	SWITCH MAGNETIC	1				1.15	2.53
070	15501-63200	FRAME END	1				0.08	0.176
080	16251-63380	HOLDER BRUSH	1				0.08	0.176
090	15401-63270	GEAR	1				0.043	0.0946
100	19212-63110	RETAINER	1				0.002	0.0044
110	19212-63100	ROLLER	5				0.002	0.0044
120	19212-97130	BALL	1				0.003	0.0066
130	19212-63120	SPRING	1				0.004	0.0088
140	15501-93310	SCREW PAN HEAD	2				0.01	0.022
150	15501-91020	BOLT	2				0.01	0.022
160	13963-92010	NUT HEXAGON	1				0.005	0.011
170	15401-63390	SPRING BRUSH	4				0.003	0.0066
180	15501-63320	BOLT THROUGH	2				0.03	0.066

BATTERY

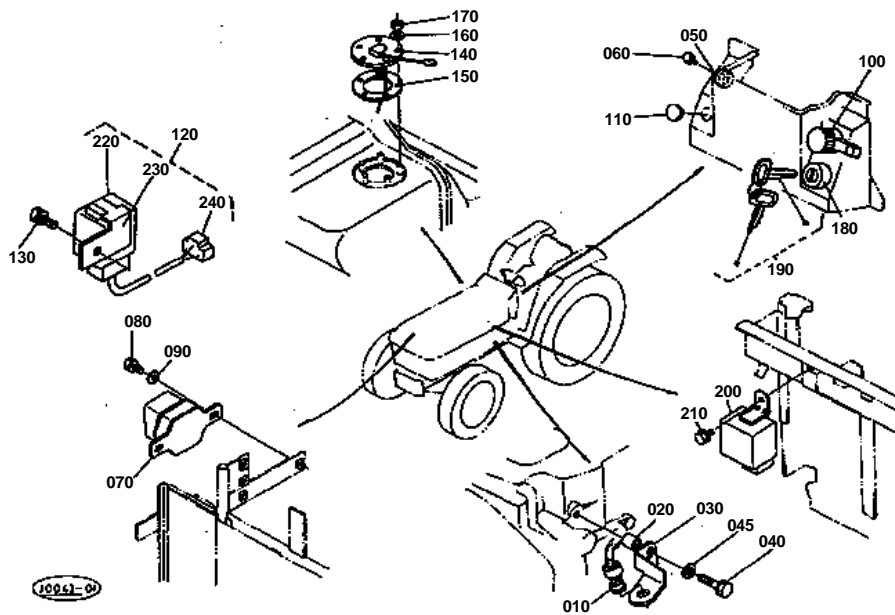


**BATTERY**

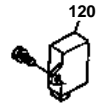
↔ Interchangeable; ≠ not interchangeable; ← new for old; → old for new

REF.No	Part No.	Description	Q'ty	S.No.	I/C	REMARKS	Weight (kgf)	Weight (lb)
010	32420-33100	BATTERY DRY	1	<=56664		WITHOUT EASY CHECKER	14.9	32.78
010	32410-33100	BATTERY DRY	1	>=56665	↔	WITHOUT EASY CHECKER	14	30.8
010	32420-33200	ASSY BATTERY DRY	1	<=56664		WITH EASY CHECKER	0	0
010	32410-33200	ASSY BATTERY DRY	1	>=56665	↔	WITH EASY CHECKER	14	30.8
020	38240-33370	SENER BATTERY	1			WITH EASY CHECKER	0.03	0.066
030	31351-13810	SUPPORT BATTERY	1				1.375	3.025
040	01754-50816	BOLT FLANGE	3				0.011	0.0242
050	31351-13820	CUSHION BATTERY	2				0.015	0.033
060	04012-50080	WASHER PLAIN	1	>=57048			0.001	0.0022
070	31351-33110	RETAINER BATTERY	1				0.11	0.242
080	38240-33290	BOLT HOOK	2				0	0
090	31351-33140	NUT	2				0.004	0.0088
100	02014-50060	NUT	2				0.003	0.0066
110	04015-50060	WASHER PLAIN	2				0.006	0.0132
120	31341-33330	CORD BATTERY	1				0.42	0.924
130	31351-94030	CAP BATTERY RUBBER	1				0.01	0.022
140	31351-33340	CORD EARTH	1				0	0
150	01123-50814	BOLT	1				0.01	0.022
160	04013-50080	WASHER PLAIN	1				0.003	0.0066

SWITCH AND REGULATOR EXCEPT [FR][GR][PO]



120 35170-3370-0



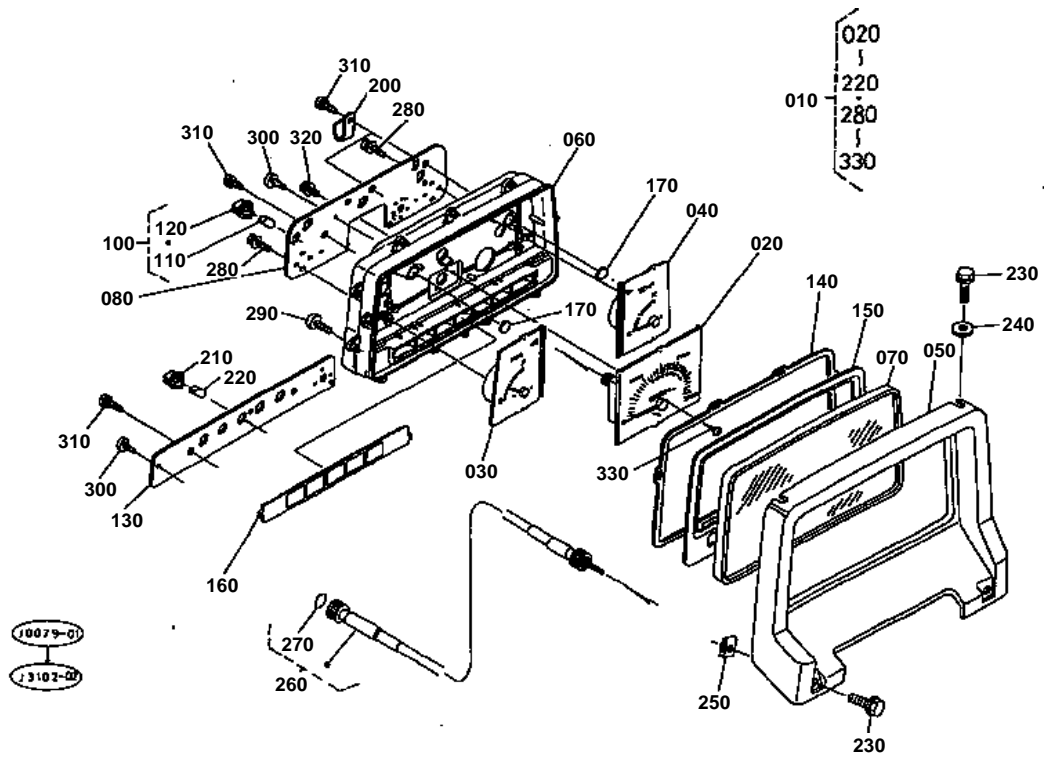


SWITCH AND REGULATOR EXCEPT [FR][GR][PO]

↔ Interchangeable; ≠ not interchangeable; ← new for old; → old for new

REF.No	Part No.	Description	Q'ty	S.No.	I/C	REMARKS	Weight (kgf)	Weight (lb)
010	37150-32240	SWITCH SAFETY	1				0.12	0.264
020	31351-32270	SPACER BRACKET	1	<=54363			0	0
020	31351-32272	SPACER BRACKET	1	>=54364	↔		0.035	0.077
030	31351-32250	BRACKET SWITCH	1				0.08	0.176
040	01133-51040	BOLT	1				0.03	0.066
045	04011-50100	WASHER PLAIN	1				0.002	0.0044
050	17331-65950	INDICATOR GLOW PLUG	1				0.075	0.165
060	01754-50816	BOLT FLANGE	2				0.011	0.0242
070	33251-74010	ASSY REGULATOR	1				0.35	0.77
080	01023-50612	BOLT	2				0.005	0.011
090	04013-50060	WASHER PLAIN	2				0.001	0.0022
100	31351-32100	SWITCH COMBINATION	1				0.105	0.231
110	31301-29070	PLUG BLIND	1	<=57083		ORANGE	0.001	0.0022
110	30430-82670	PLUG BLIND	1	>=57084	≠	DEEP ORANGE	0.001	0.0022
120	35170-33700	UNIT FLASHER	1	<=55110			0.06	0.132
120	32430-33700	ASSY HAZARD UNIT	1	>=55111	↔		0.095	0.209
130	01202-50616	BOLT	1				0.006	0.0132
140	31331-31202	UNIT FUEL	1				0.13	0.286
150	38240-35120	GASKET	1	<=50755			0	0
150	36330-75310	GASKET	1	>=50756			0.005	0.011
160	04013-50050	WASHER PLAIN	5				0	0
170	02054-50050	NUT	5				0.002	0.0044
180	32430-31820	SWITCH MAIN	1				0.285	0.627
190	35260-31850	ASSY KEY MAIN SWITCH	1				0	0
200	31351-31410	TIMER	1				0	0
210	01754-50610	BOLT FLANGE	1				0.006	0.0132
220	32430-94260	BODY HAZARD UNIT	1	>=55111			0.045	0.099
230	32430-94270	BRACKET HAZARD UNIT	1	>=55111			0.015	0.033
240	32430-94280	HARNES HAZARD UNIT	1	>=55111			0.02	0.044

PANEL [WITH EASY CHECKER] EXCEPT [FR][GR][PO][AU]

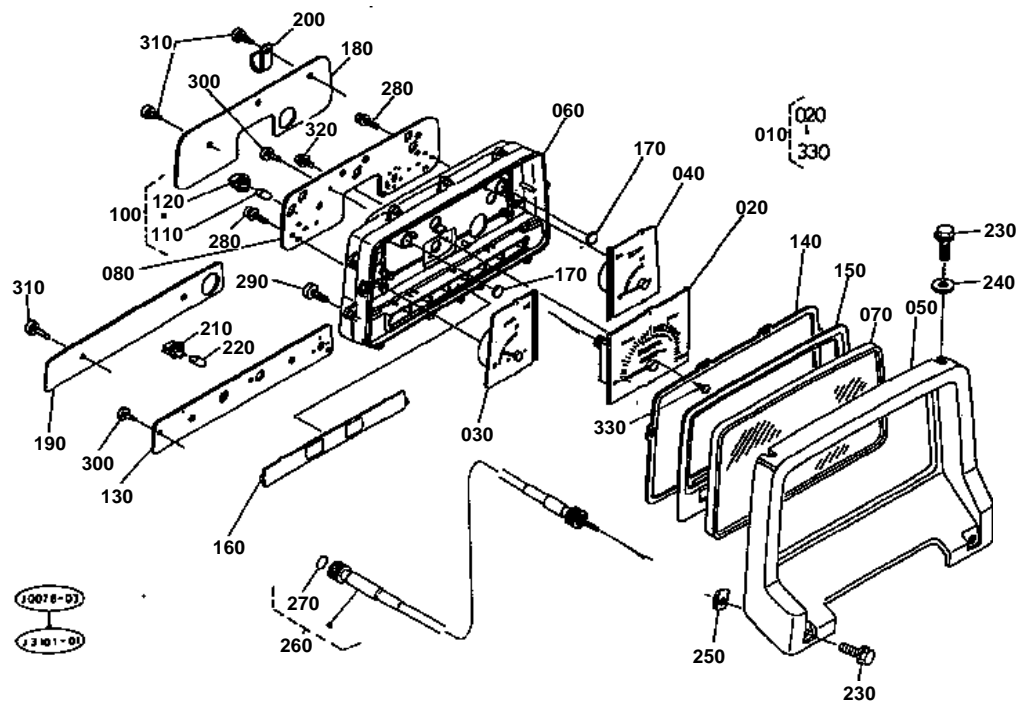




PANEL [WITH EASY CHECKER] EXCEPT [FR][GR][PO][AU]

↔ Interchangeable; ≠ not interchangeable; ← new for old; → old for new

REF.No	Part No.	Description	Q'ty	S.No.	I/C	REMARKS	Weight (kgf)	Weight (lb)
010	32430-31100	ASSY BOARD PANEL	1				0	0
020	31351-93710	ASSY TACHOMETER	1				0	0
030	31351-93720	ASSY GAUGE FUEL	1				0.125	0.275
040	31351-93730	ASSY GAUGE TEMP.	1				0.13	0.286
050	31351-93740	HOOD	1				0.46	1.012
060	31351-93750	CASE	1				0.5	1.1
070	31351-93760	GLASS WITH GASKET	1				0.475	1.045
080	31351-93770	ASSY PLATE	1				0.06	0.132
090	99999-99999	BLANK	0				0	0
100	38240-31460	ASSY LAMP	5				0.015	0.033
110	38240-31470	BULB	5				0.01	0.022
120	38240-31480	SOCKET	5				0.001	0.0022
130	32430-93780	ASSY PLATE	1				0.1	0.22
140	31351-93790	GASKET RUBBER	1				0.055	0.121
150	31351-93800	PLATE WIND	1				0.18	0.396
160	32430-93810	LENS	1				0.04	0.088
170	31351-93820	LENS	2				0.005	0.011
180	31351-93830	CASE	1			NOT SHOWING IN FIG.	0.2	0.44
190	31351-93840	CASE	1			NOT SHOWING IN FIG.	0.13	0.286
200	31351-93850	CLAMP	2				0.04	0.088
210	38240-31480	SOCKET	5				0.001	0.0022
220	38240-31470	BULB	5				0.01	0.022
230	31351-18790	BOLT FLANGE	4				0.007	0.0154
240	31351-18860	WASHER	2				0.002	0.0044
250	38240-29250	NUT SPRING	2				0.005	0.011
260	31341-34650	CABLE FLEXIBLE	1	<=57176			0	0
260	31341-34654	CABLE FLEXIBLE	1	>=57177	←		0.2	0.44
270	04811-10080	O RING	1				0.001	0.0022
280	32530-94930	SCREW WITH WASHER	6				0.005	0.011
290	03514-50420	SCREW	11				0.002	0.0044
300	35533-76210	SCREW	6				0.002	0.0044
310	35533-76180	SCREW	5				0.001	0.0022
320	32530-94900	SCREW WITH WASHER	2				0.002	0.0044
330	32530-94690	SCREW	2				0.001	0.0022

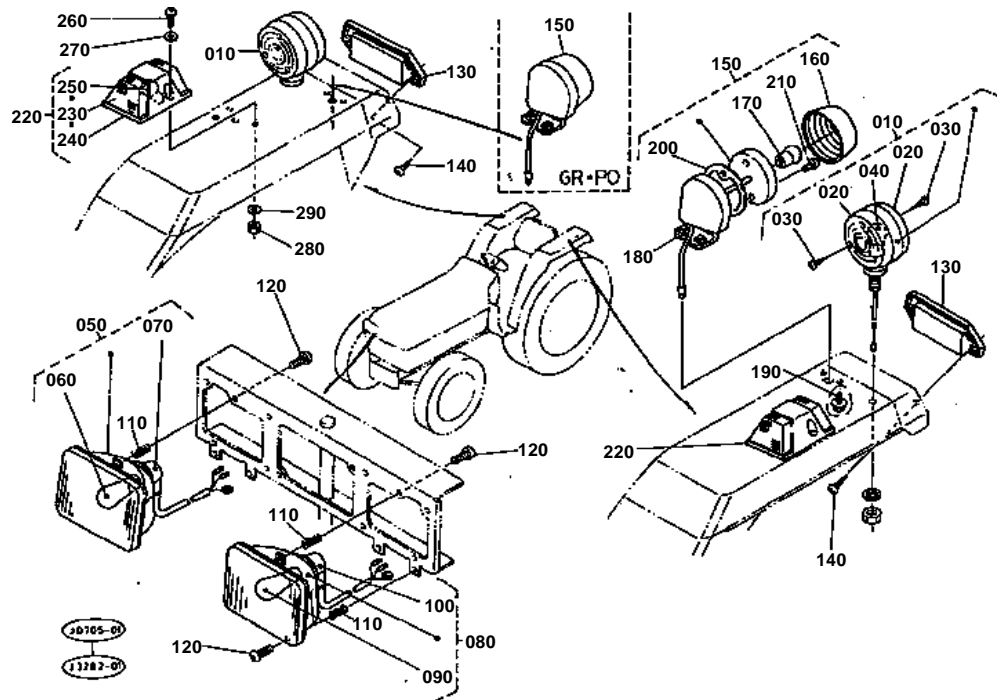




PANEL [WITHOUT EASY CHECKER] [A][FR][GR][PO][AU]

↔ Interchangeable; ≠ not interchangeable; ← new for old; → old for new

REF.No	Part No.	Description	Q'ty	S.No.	REMARKS	Weight (kgf)	Weight (lb)
010	31331-31100	ASSY BOARD PANEL	1			0	0
020	31351-93710	ASSY TACHOMETER	1			0	0
030	31351-93720	ASSY GAUGE FUEL	1			0.125	0.275
040	31351-93730	ASSY GAUGE TEMP.	1			0.13	0.286
050	31351-93740	HOOD	1			0.46	1.012
060	31351-93750	CASE	1			0.5	1.1
070	31351-93760	GLASS WITH GASKET	1			0.475	1.045
080	31351-93770	ASSY PLATE	1			0.06	0.132
090	99999-99999	BLANK	0			0	0
100	38240-31460	ASSY LAMP	5			0.015	0.033
110	38240-31470	BULB	5			0.01	0.022
120	38240-31480	SOCKET	5			0.001	0.0022
130	31331-93780	ASSY PLATE	1			0.125	0.275
140	31351-93790	GASKET RUBBER	1			0.055	0.121
150	31351-93800	PLATE WIND	1			0.18	0.396
160	31331-93810	LENS	1			0.045	0.099
170	31351-93820	LENS	2			0.005	0.011
180	31351-93830	CASE	1			0.2	0.44
190	31351-93840	CASE	1			0.13	0.286
200	31351-93850	CLAMP	2			0.04	0.088
210	38240-31480	SOCKET	2			0.001	0.0022
220	38240-31470	BULB	2			0.01	0.022
230	31351-18790	BOLT FLANGE	4			0.007	0.0154
240	31351-18860	WASHER	2			0.002	0.0044
250	38240-29250	NUT SPRING	2			0.005	0.011
260	31341-34650	CABLE FLEXIBLE	1	<=57176		0	0
260	31341-34654	CABLE FLEXIBLE	1	>=57177	←	0.2	0.44
270	04811-10080	O RING	1			0.001	0.0022
280	32530-94930	SCREW WITH WASHER	6			0.005	0.011
290	03514-50420	SCREW	11			0.002	0.0044
300	35533-76210	SCREW	6			0.002	0.0044
310	35533-76180	SCREW	5			0.001	0.0022
320	32530-94900	SCREW WITH WASHER	2			0.002	0.0044
330	32530-94690	SCREW	2			0.001	0.0022

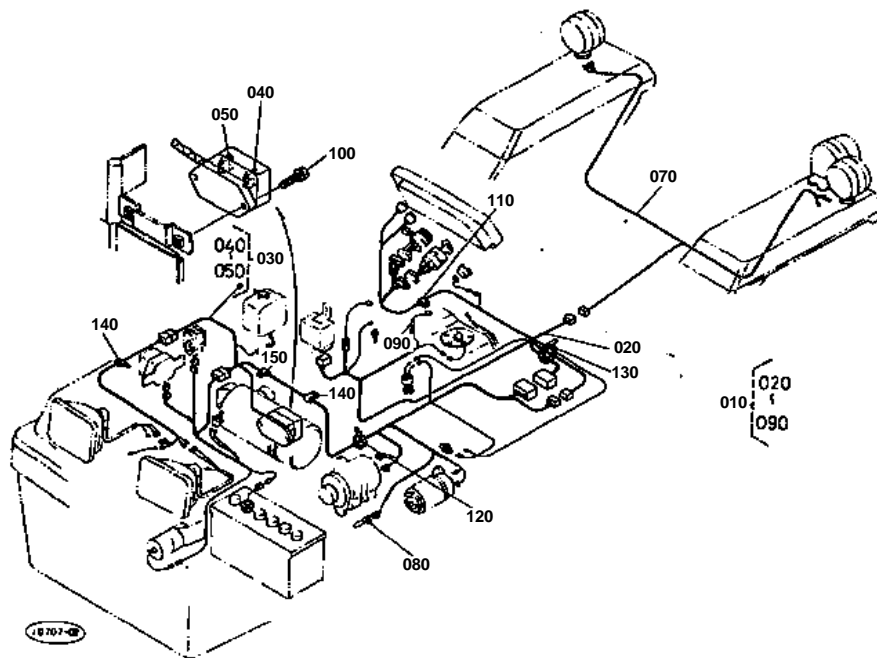




LIGHT EXCEPT [FR]

↔ Interchangeable; ≠ not interchangeable; ← new for old; → old for new

REF.No	Part No.	Description	Q'ty	S.No.	I/C	REMARKS	Weight (kgf)	Weight (lb)
010	32530-33610	ASSY LIGHT HAZARD	2			EXCEPT [GR][PO][AU]	0.5	1.1
020	32530-91510	LENS HAZARD LIGHT	4			EXCEPT [GR][PO][AU]	0.085	0.187
030	32530-91520	SCREW	12			EXCEPT [GR][PO][AU]	0.001	0.0022
040	32530-91530	BULB LIGHT	2			EXCEPT [GR][PO][AU]	0.02	0.044
050	31351-33370	ASSY LIGHT HEAD RH	1				0.7	1.54
060	38240-33870	BULB	1				0	0
070	31351-93600	COMP.CORD SOCKET	1				0.065	0.143
080	31351-33380	ASSY LIGHT HEAD LH	1				0.38	0.836
090	38240-33870	BULB	1				0	0
100	31351-93600	COMP.CORD SOCKET	1				0.065	0.143
110	38240-33860	SPRING LIGHT	6				0.001	0.0022
120	03054-50520	SCREW PAN HEAD	6				0.005	0.011
130	31351-33900	ASSY REFLECTOR	2				0.088	0.1936
140	03514-50510	SCREW	4				0.002	0.0044
150	34350-34100	ASSY LIGHT TAIL	1			[A][CA]	0.13	0.286
150	34350-34100	ASSY LIGHT TAIL	2			[GR][PO]	0.13	0.286
160	34350-34120	LENS TAIL LIGHT	1			[A][CA]	0.05	0.11
160	34350-34120	LENS TAIL LIGHT	2			[GR][PO]	0.05	0.11
170	34350-34140	BULB TAIL LIGHT	1			[A][CA]	0.008	0.0176
170	34350-34140	BULB TAIL LIGHT	2			[GR][PO]	0.008	0.0176
180	32430-34190	HOLDER TAIL LIGHT	1	<=57083		ORANGE [A][CA]	0	0
180	32480-34190	HOLDER TAIL LIGHT	1	>=57084	≠	DEEP ORANGE [A][CA]	0.15	0.33
180	32430-34190	HOLDER TAIL LIGHT	2	<=57183		ORANGE [GR][PO]	0	0
180	32480-34190	HOLDER TAIL LIGHT	2	>=57084	≠	DEEP ORANGE [GR][PO]	0.15	0.33
190	01754-50612	BOLT FLANGE	2			[A][CA]	0.005	0.011
190	01754-50612	BOLT FLANGE	4			[GR][PO]	0.005	0.011
200	34350-99220	GASKET LENS	1			[A][CA]	0.01	0.022
200	34350-99220	GASKET LENS	2			[GR][PO]	0.01	0.022
210	03056-50335	SCREW	2			[A][CA]	0.001	0.0022
210	03056-50335	SCREW	4			[GR][PO]	0.001	0.0022
220	31351-33800	ASSY LAMP WINKER	2			[GR][PO]	0.22	0.484
230	31351-33820	LENS	2			[GR][PO]	0.1	0.22
240	31351-33830	COVER	2			[GR][PO]	0.02	0.044
250	31351-33840	BULB	2			[GR][PO]	0.02	0.044
260	03024-50525	SCREW WITH WASHER	4			[GR][PO]	0.005	0.011
270	04012-50050	WASHER PLAIN	4			[GR][PO]	0.001	0.0022
280	02054-50050	NUT	4			[GR][PO]	0.002	0.0044
290	04012-50050	WASHER PLAIN	4			[GR][PO]	0.001	0.0022

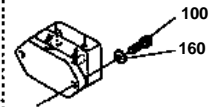


060 32430-3144-0



100 03024-50512

160 04012-50050

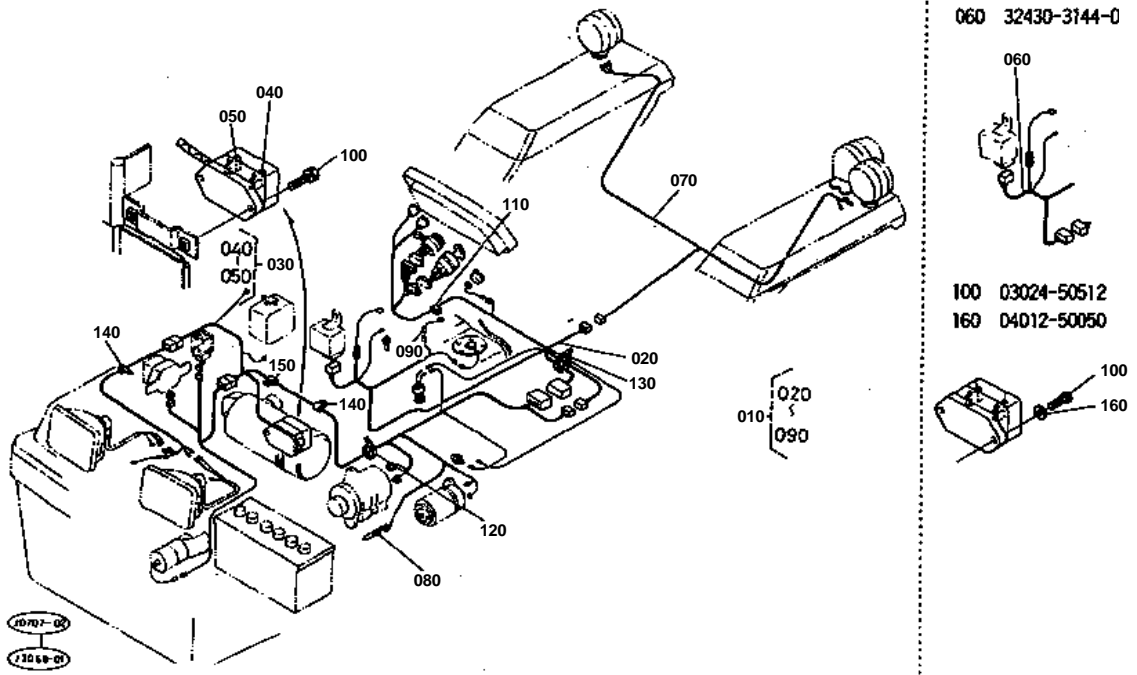




ELECTRICAL WIRING [WITH EASY CHECKER] [A]

↔ Interchangeable; ≠ not interchangeable; ← new for old; → old for new

REF.No	Part No.	Description	Q'ty	S.No.	I/C	REMARKS	Weight (kgf)	Weight (lb)
010	32420-31400	ASSY WIRE HARNESS	1	≤54363			0	0
010	32420-31402	ASSY WIRE HARNESS	1	≥54364	←		1.55	3.41
020	32430-31420	WIRE HARNESS	1				0.615	1.353
030	32420-31430	WIRE HARNESS	1	≤54363			0	0
030	32420-31435	WIRE HARNESS	1	≥54364	←		0.71	1.562
040	31351-33630	FUSE	6			10A	0.002	0.0044
050	31351-33640	FUSE	3			15A	0.002	0.0044
060	32430-31440	WIRE HARNESS	1	≤50106			0.16	0.352
070	32430-31340	WIRE HARNESS	1				0.155	0.341
080	38430-34530	LINK FUSIBLE	1				0.01	0.022
090	31351-31350	WIRE HARNESS	1	≤52251			0	0
090	31351-31352	WIRE HARNESS	1	≥52252	←		0.005	0.011
100	03024-50512	SCREW WITH WASHER	2	≤50106			0.003	0.0066
100	01023-50616	BOLT	2	≥50107	←		0.005	0.011
110	79153-35380	CLAMP	2				0.02	0.044
120	55311-41260	BAND CORD	1				0.007	0.0154
130	53581-64150	BAND CORD	1				0.002	0.0044
140	13816-67580	CLAMP CORD	2				0.004	0.0088
150	13824-67580	CLAMP CORD	1				0.006	0.0132
160	04012-50050	WASHER PLAIN	2	≤50106			0.001	0.0022

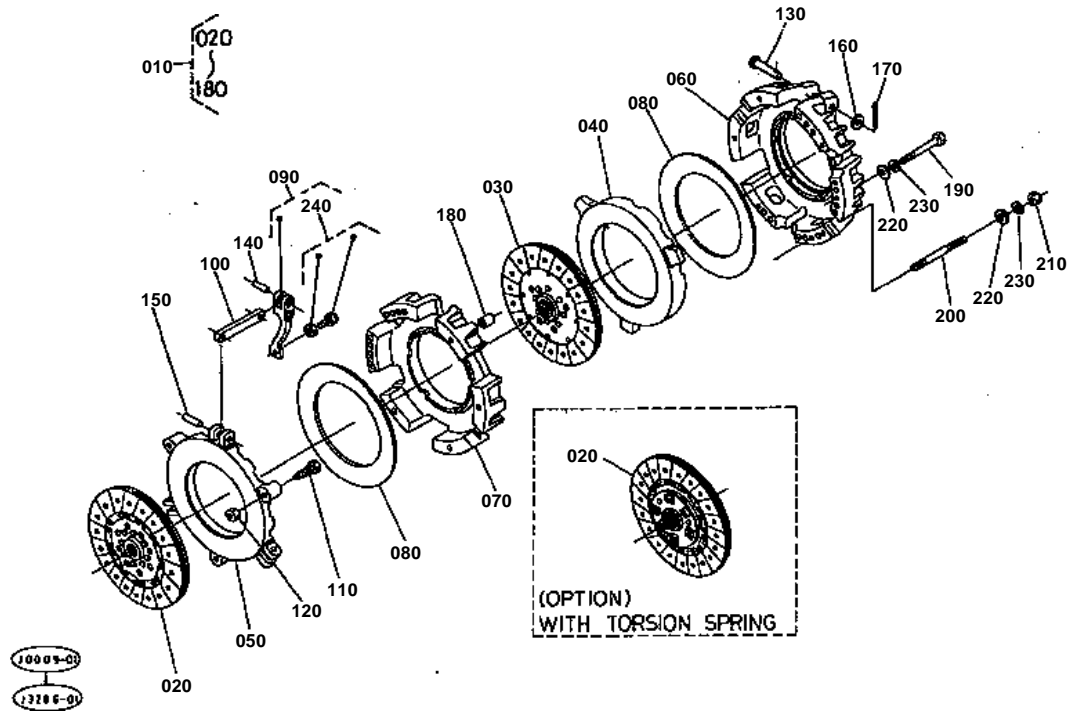


**ELECTRICAL WIRING [WITHOUT EASY CHECKER] [A][AU]**

↔ Interchangeable; ≠ not interchangeable; ← new for old; → old for new

REF.No	Part No.	Description	Q'ty	S.No.	I/C	REMARKS	Weight (kgf)	Weight (lb)
010	32420-31300	ASSY WIRE HARNESS	1	≤54363			0	0
010	32420-31302	ASSY WIRE HARNESS	1	≥54364	←		1.4	3.08
020	32430-31310	WIRE HARNESS	1				0.46	1.012
030	32420-31320	WIRE HARNESS	1	≤54363			0	0
030	32420-31325	WIRE HARNESS	1	≥54364	←		0.65	1.43
040	31351-33630	FUSE	6			10A	0.002	0.0044
050	31351-33640	FUSE	3			15A	0.002	0.0044
060	32430-31440	WIRE HARNESS	1	≤50106			0.16	0.352
070	32430-31340	WIRE HARNESS	1				0.155	0.341
080	38430-34530	LINK FUSIBLE	1				0.01	0.022
090	31351-31350	WIRE HARNESS	1	≤52251			0	0
090	31351-31352	WIRE HARNESS	1	≥52252	←		0.005	0.011
100	03024-50512	SCREW WITH WASHER	2	≤50106			0.003	0.0066
100	01023-50616	BOLT	2	≥50107	←		0.005	0.011
110	79153-35380	CLAMP	2				0.02	0.044
120	55311-41260	BAND CORD	1				0.007	0.0154
130	53581-64150	BAND CORD	1				0.002	0.0044
140	13816-67580	CLAMP CORD	2				0.004	0.0088
150	13824-67580	CLAMP CORD	1				0.006	0.0132
160	04012-50050	WASHER PLAIN	2	≤50106			0.001	0.0022

CLUTCH(DC)



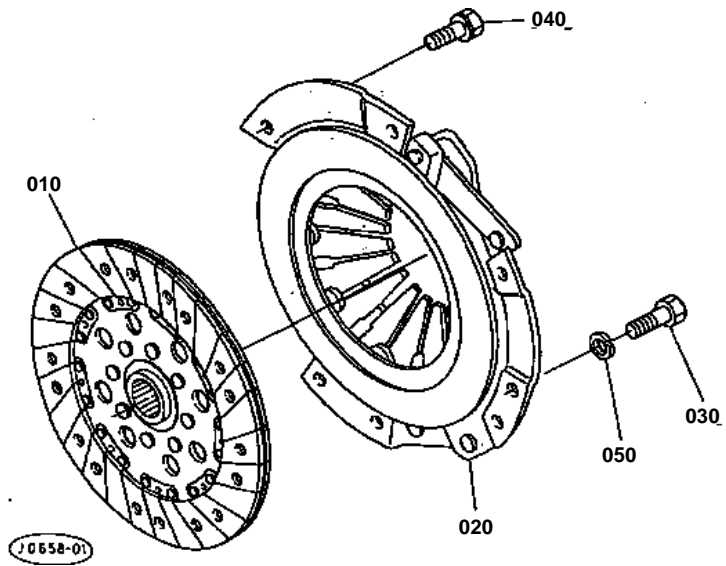


CLUTCH(DC)

↔ Interchangeable; ≠ not interchangeable; ← new for old; → old for new

REF.No	Part No.	Description	Q'ty	S.No.	I/C	REMARKS	Weight (kgf)	Weight (lb)
010	35290-14200	ASSY CLUTCH DUAL	1	<=51748			0	0
010	32420-14200	ASSY CLUTCH DUAL	1	>=51749	↔		0	0
020	35290-14400	COMP.DISK CLUTCH	1	<=51748			0	0
020	32420-14400	COMP.DISK CLUTCH	1	>=51749	↔		0	0
020	32420-99130	DISK CLUTCH	1			OPTION	0	0
030	38260-14450	COMP.DISK CLUTCH	1				0	0
040	38260-14430	PLATE PRESSURE	1				2.1	4.62
050	35290-14440	PLATE PRESSURE	1				2.1	4.62
060	38260-14410	COVER CLUTCH	1				4.7	10.34
070	38260-14420	COVER CLUTCH	1				4.72	10.384
080	38260-14520	SPRING DIAPHRAGM	2				0.318	0.6996
090	35290-99030	KIT LEVER RELEASE	1				0.415	0.913
100	38260-14530	COMP ROD RELEASE	3				0.08	0.176
110	35290-14580	BOLT	3				0.035	0.077
120	02176-50100	NUT	3				0.005	0.011
130	38260-14560	PIN JOINT	3				0.022	0.0484
140	34370-14570	PIN STRAIGHT	3				0.016	0.0352
150	38260-14580	PIN STRAIGHT	3				0.015	0.033
160	04012-50080	WASHER PLAIN	3				0.001	0.0022
170	38260-14590	PIN SPLIT	3				0.001	0.0022
180	38260-14570	PIPE KNOCK	2				0.007	0.0154
190	01153-50800	BOLT	4				0.036	0.0792
200	38260-14620	STUD	2	<=54244			0	0
200	32530-14590	STUD	2	>=54245	↔		0.045	0.099
210	02156-50080	NUT	2				0.004	0.0088
220	04013-50080	WASHER PLAIN	6				0.003	0.0066
230	04512-50080	WASHER SPRING	6				0.001	0.0022
240	35290-14600	KIT BOLT NUT	1				0.05	0.11

CLUTCH(SC)



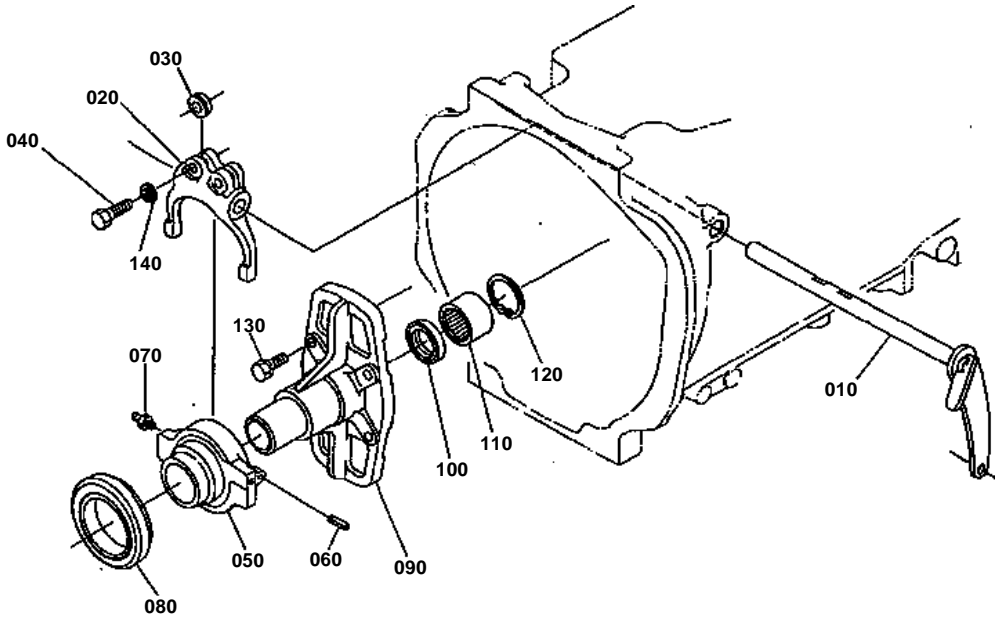


CLUTCH(SC)

↔ Interchangeable; ≠ not interchangeable; ← new for old; → old for new

REF.No	Part No.	Description	Q'ty	S.No.	I/C	REMARKS	Weight (kgf)	Weight (lb)
010	32420-14300	COMP.DISK CLUTCH	1				0	0
020	37300-14500	ASSY PLATE PRESSURE	1				4.5	9.9
030	34220-14510	BOLT REAMER	2				0.013	0.0286
040	01123-50816	BOLT	4				0.011	0.0242
050	04512-50080	WASHER SPRING	2				0.001	0.0022

CLUTCH LEVER(DC)



00010 - 01

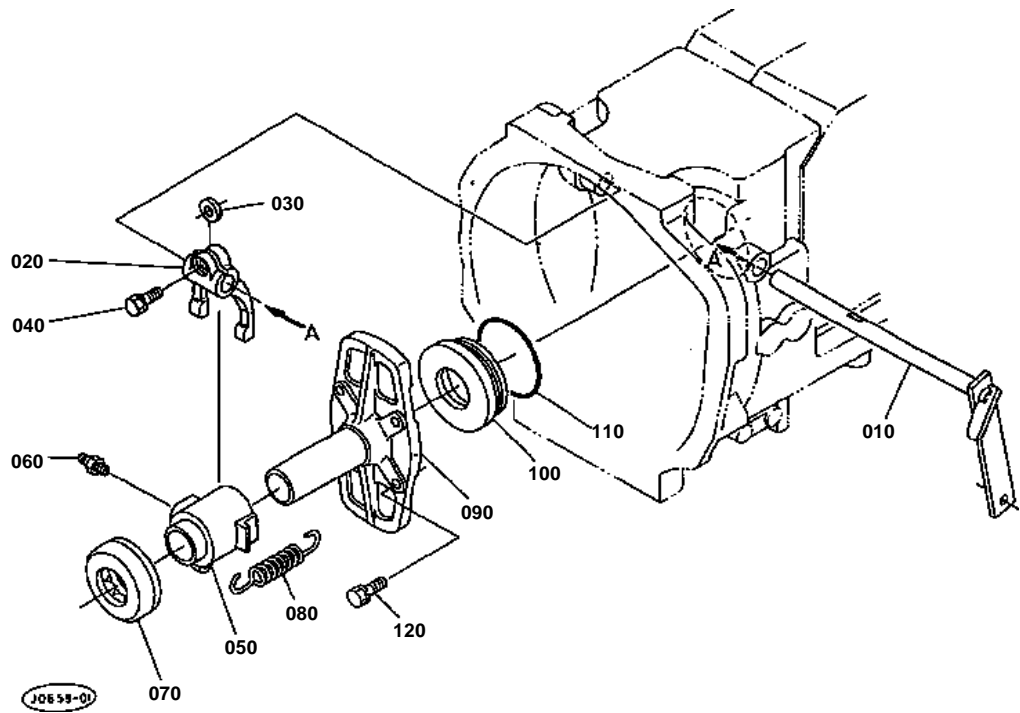


CLUTCH LEVER(DC)

↔ Interchangeable; ≠ not interchangeable; ← new for old; → old for new

REF.No	Part No.	Description	Q'ty	S.No.	I/C	REMARKS	Weight (kgf)	Weight (lb)
010	31351-14710	LEVER CLUTCH	1				0.59	1.298
020	38430-14720	FORK CLUTCH RELEASE	1				0.41	0.902
030	31150-14780	KEY FORK	2				0.003	0.0066
040	31351-14750	BOLT	2				0.017	0.0374
050	31351-14810	HUB CLUTCH RELEASE	1	≤50523			0	0
050	31351-14812	HUB CLUTCH RELEASE	1	≥50524	←		0	0
060	05411-00312	PIN SPRING	2				0.001	0.0022
070	06613-10675	NIPPLE GREASE	1				0.003	0.0066
080	38430-14820	BEARING THRUST BALL	1				0.27	0.594
090	31351-15450	CASE SHAFT	1				0.53	1.166
100	09500-35477	SEAL OIL	1				0.012	0.0264
110	08813-84820	BEARING NEEDLE	1				0.06	0.132
120	31351-15460	CIR-CLIP INTERNAL	1				0.004	0.0088
130	01123-50830	BOLT	4				0.015	0.033
140	04512-50080	WASHER SPRING	2				0.001	0.0022

CLUTCH LEVER(SC)



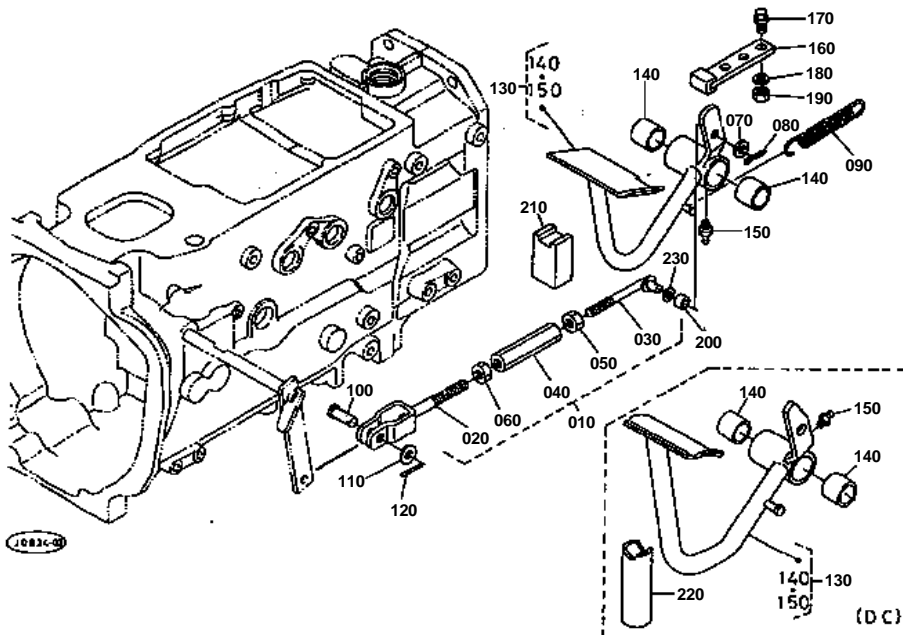


CLUTCH LEVER(SC)

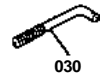
↔ Interchangeable; ≠ not interchangeable; ← new for old; → old for new

REF.No	Part No.	Description	Q'ty	S.No.	I/C	REMARKS	Weight (kgf)	Weight (lb)
010	31331-14710	LEVER CLUTCH	1				0.525	1.155
020	31351-14720	FORK CLUTCH RELEASE	1				0.27	0.594
030	31150-14780	KEY FORK	1				0.003	0.0066
040	01123-50822	BOLT	1				0.012	0.0264
050	37220-14810	HUB CLUTCH RELEASE	1				0	0
060	06613-10010	NIPPLE GREASE	1				0.006	0.0132
070	08490-00001	BEARING THRUST BALL	1				0.227	0.4994
080	34150-14840	SPRING	1				0.01	0.022
090	37150-15410	CASE PROPELLERSHAFT	1				0	0
100	37150-15420	SPACER	1				0.105	0.231
110	04811-50650	O RING	1				0.002	0.0044
120	01123-50830	BOLT	4				0.015	0.033

CLUTCH PEDAL



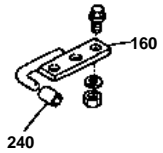
030 32430-1564-0



160 31351-1593-0

220 32430-1596-0

240 31351-1594-0



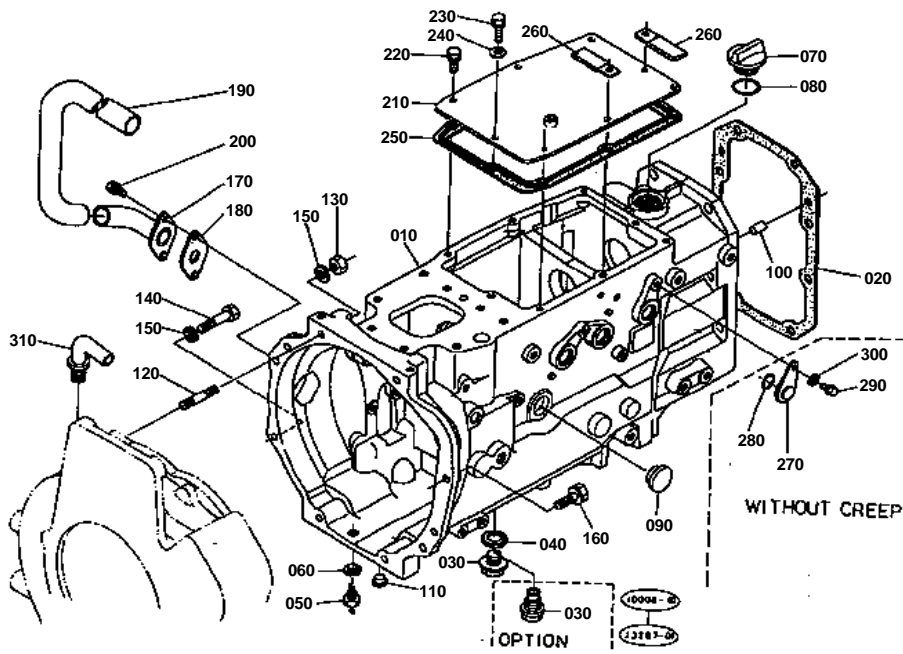
(D C)

**CLUTCH PEDAL**

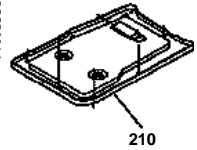
↔ Interchangeable; ≠ not interchangeable; ← new for old; → old for new

REF.No	Part No.	Description	Q'ty	S.No.	I/C	REMARKS	Weight (kgf)	Weight (lb)
010	32430-15600	ASSY ROD CLUTCH	1	<=56749			0.34	0.748
010	32430-15603	ASSY ROD CLUTCH	1	>=56750	≠		0.34	0.748
020	31395-83080	ROD CLUTCH	1				0.11	0.242
030	32430-15640	ROD CLUTCH	1	<=56749			0.1	0.22
030	32430-15643	ROD CLUTCH	1	>=56750	≠		0.11	0.242
040	37720-28980	TURNBUCKLE	1				0.099	0.2178
050	37720-28990	NUT	1				0.008	0.0176
060	02172-50120	NUT	1				0.01	0.022
070	04013-50120	WASHER PLAIN	1				0.007	0.0154
080	05511-50425	PIN SPLIT	1				0.003	0.0066
090	37150-15840	SPRING	1				0.06	0.132
100	05112-50822	PIN JOINT	1				0.01	0.022
110	04012-50080	WASHER PLAIN	1				0.001	0.0022
120	05511-50220	PIN SPLIT	1				0.001	0.0022
130	31331-15700	ASSY PEDAL CLUTCH	1			SC	1.43	3.146
130	32420-15700	ASSY PEDAL CLUTCH	1	<=56749		DC	1.39	3.058
130	32420-15702	ASSY PEDAL CLUTCH	1	>=56750	≠	DC	1.48	3.256
140	38180-28670	BUSH	2				0.02	0.044
150	06613-10675	NIPPLE GREASE	1				0.003	0.0066
160	31351-15930	STOPPER PEDAL	1	<=55841			0	0
160	31351-15934	STOPPER PEDAL	1	>=55842	↔		0.1	0.22
170	01754-50820	BOLT FLANGE	2				0.015	0.033
180	04512-50080	WASHER SPRING	2				0.001	0.0022
190	02114-50080	NUT	2				0.005	0.011
200	32430-15730	COLLAR	1	>=50756			0.005	0.011
200	32440-15730	BUSH	1	>=56285	≠		0.001	0.0022
200	32440-15732	BUSH	1	>=56750	≠		0.001	0.0022
210	35260-15950	PIECE DISTANCE	1			SC	0.05	0.11
220	32430-15960	PIECE DISTANCE	1	<=50755		DC	0.085	0.187
220	32430-15950	PIECE DISTANCE	1	>=50756	←	DC	0.05	0.11
230	04013-50120	WASHER PLAIN	1	>=56750		SC	0.007	0.0154
240	31351-15940	TUBE STOPPER	1	<=52251			0.008	0.0176

CLUTCH HOUSING

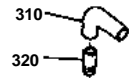


210 31351-1421-0



310 32430-1498-0

320 32430-1497-0



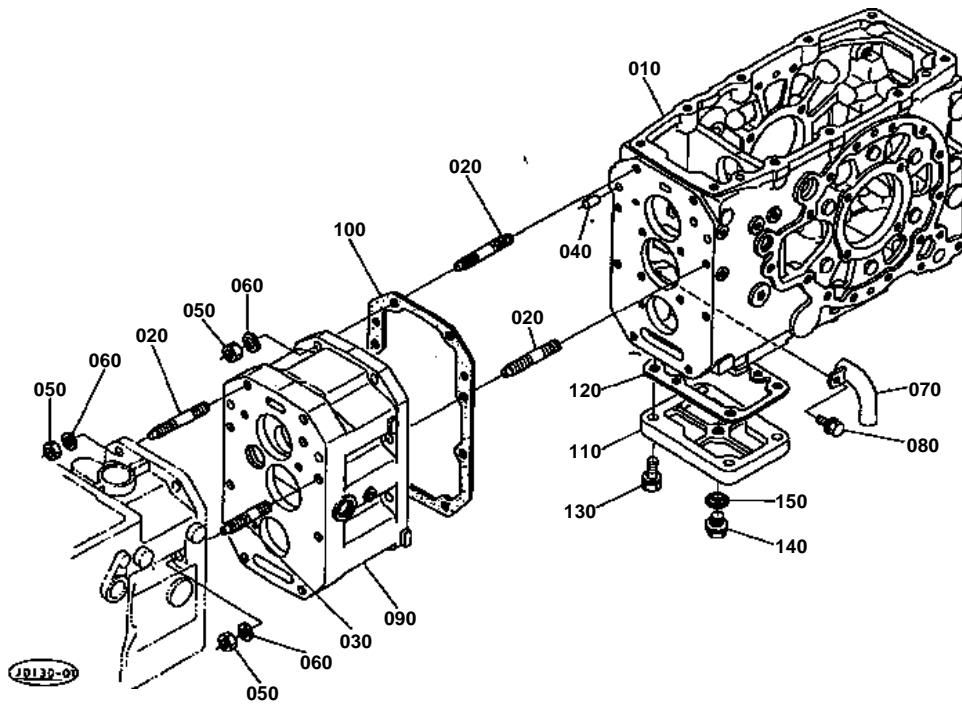


CLUTCH HOUSING

↔ Interchangeable; ≠ not interchangeable; ← new for old; → old for new

REF.No	Part No.	Description	Q'ty	S.No.	I/C	REMARKS	Weight (kgf)	Weight (lb)
010	32430-14110	HOUSING CLUTCH	1			SC	56.2	123.64
010	32430-14130	HOUSING CLUTCH	1	<=51577		DC	0	0
010	32430-14134	HOUSING CLUTCH	1	>=51578	←	DC	0	0
020	35340-14140	GASKET	1				0.01	0.022
030	15512-96010	PLUG DRAIN	1				0.101	0.2222
030	32420-67020	PLUG MAGNETO	1			OPTION	0.115	0.253
040	04717-02150	WASHER WITH RUBBER	1				0.004	0.0088
050	32430-14270	KIT PLUG	1				0.04	0.088
060	04512-50140	WASHER SPRING	1				0	0
070	38430-21410	PLUG	1				0.045	0.099
080	04811-50300	O RING	1				0.001	0.0022
090	38240-14210	GAUGE OIL	1				0.01	0.022
100	05012-01022	PIN STRAIGHT	2				0.014	0.0308
110	32210-27580	PLUG BLIND	10				0.001	0.0022
120	31351-14120	STUD	3				0.05	0.11
130	02118-50100	NUT	3				0.005	0.011
140	01173-51065	BOLT	4				0.04	0.088
150	04512-50100	WASHER SPRING	7				0.003	0.0066
160	01133-51040	BOLT	1				0.03	0.066
170	32430-14170	COVER HOUSING	1				0.14	0.308
180	32430-14180	GASKET	1				0.01	0.022
190	32430-14190	PIPE RUBBER	1				0.155	0.341
200	01123-50816	BOLT	2				0.011	0.0242
210	31351-14210	COVER	1	<=56749			0.89	1.958
210	31351-14210	COVER	1	>=56750	↔		0.89	1.958
220	01123-50814	BOLT	7				0.01	0.022
230	01754-50812	BOLT FLANGE	1	<=56749			0.01	0.022
230	01754-50816	BOLT FLANGE	1	>=56750	≠		0.011	0.0242
240	04717-00800	WASHER WITH RUBBER	1				0.001	0.0022
250	31351-14220	GASKET	1				0.005	0.011
260	13816-67580	CLAMP CORD	2			EXCEPT [FR]	0.004	0.0088
260	13824-67580	CLAMP CORD	2			[FR]	0.006	0.0132
270	32430-23370	PLUG CREEP PIN	1			WITHOUT CREEP	0.06	0.132
280	04811-00200	O RING	1			WITHOUT CREEP	0.001	0.0022
290	01754-50812	BOLT FLANGE	2			WITHOUT CREEP	0.01	0.022
300	04717-00800	WASHER WITH RUBBER	1			WITHOUT CREEP	0.001	0.0022
310	32430-14980	BREATHER	1	<=52251			0.025	0.055
310	32430-14990	BREATHER	1	>=52252	↔		0.025	0.055
320	32430-14970	BREATHER	1	<=52251			0.03	0.066

TRANSMISSION CASE



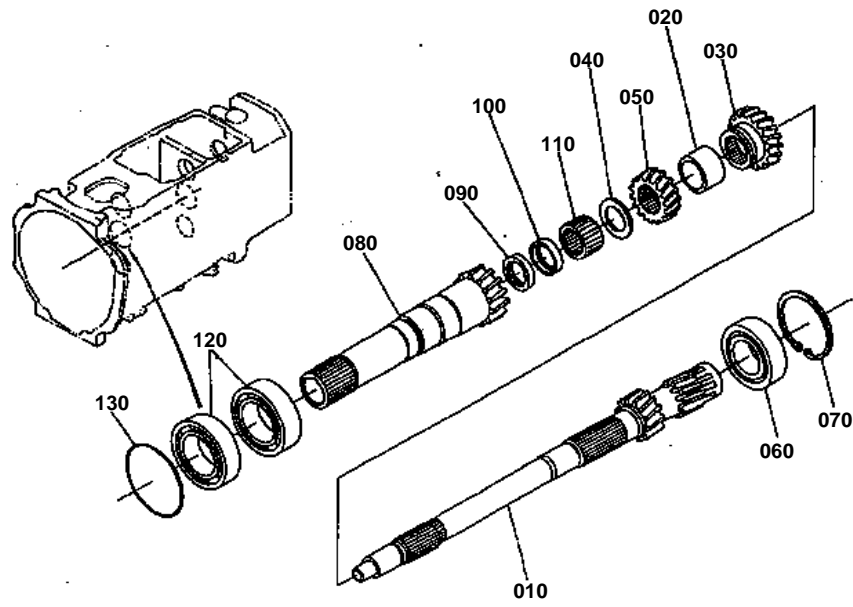


TRANSMISSION CASE

↔ Interchangeable; ≠ not interchangeable; ← new for old; → old for new

REF.No	Part No.	Description	Q'ty	S.No.	I/C	REMARKS	Weight (kgf)	Weight (lb)
010	31361-21110	CASE TRANSMISSION	1	<=56664			0	0
010	31361-21112	CASE TRANSMISSION	1	>=56665			32	70.4
020	31321-14152	STUD	15				0	0
030	32420-14160	STUD	1				0	0
040	05012-01018	PIN STRAIGHT	2				0.012	0.0264
050	02176-50120	NUT	8				0.01	0.022
060	04512-50120	WASHER SPRING	8				0.003	0.0066
070	32430-21250	PIPE	1				0.065	0.143
080	01754-50812	BOLT FLANGE	1				0.01	0.022
090	32420-21150	CASE MID	1				11.6	25.52
100	35340-14140	GASKET	1				0.01	0.022

MAIN SHAFT(DC)

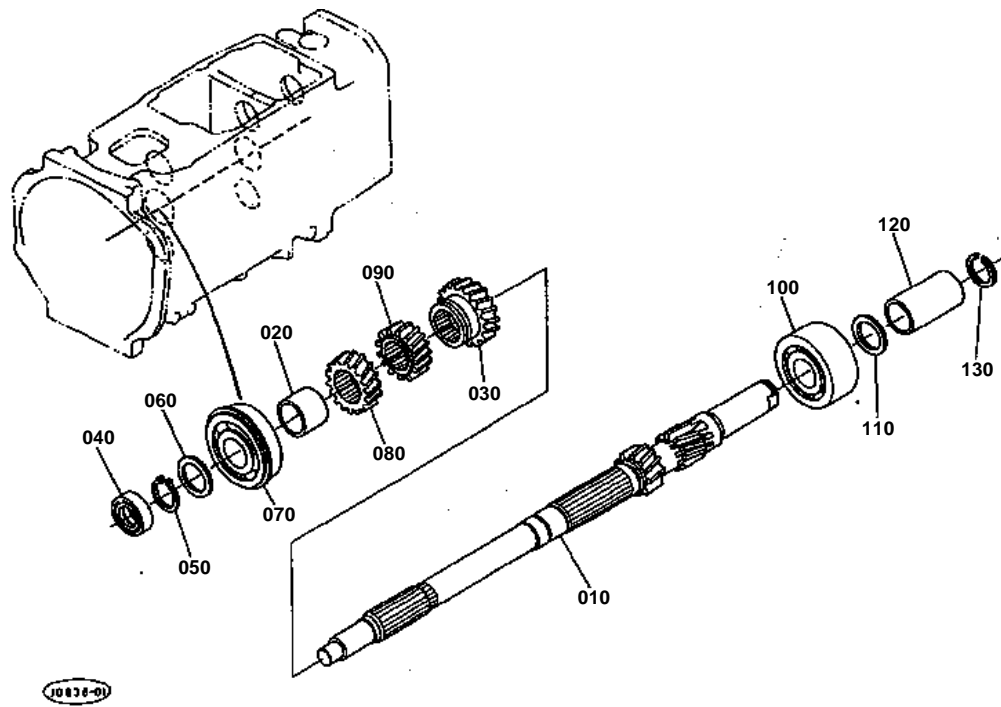


**MAIN SHAFT(DC)**

↔ Interchangeable; ≠ not interchangeable; ← new for old; → old for new

REF.No	Part No.	Description	Q'ty	S.No.	I/C	REMARKS	Weight (kgf)	Weight (lb)
010	31351-21620	SHAFT	1				0	0
020	31351-21560	COLLAR	1				0.06	0.132
030	32420-21520	GEAR	1			22T	0.34	0.748
040	31351-21550	WASHER	1				0.002	0.0044
050	32430-21540	GEAR	1			18T	0.18	0.396
060	38450-21980	BEARING BALL	1	≤57190		EXCEPT [FR]	0.225	0.495
060	64441-22170	BEARING BALL	1	≥57191	↔	EXCEPT [FR]	0.24	0.528
060	35890-41290	BEARING BALL	1			[FR]	0.233	0.5126
070	04611-00620	CIR-CLIP INTERNAL	1				0.011	0.0242
080	31351-21350	GEAR-SHAFT	1			16T	0.89	1.958
090	36730-24330	SEAL FIRST SHAFT	1				0.005	0.011
100	31351-21370	GUIDE	1				0.05	0.11
110	08822-53117	BEARING NEEDLE	1				0.025	0.055
120	08101-06008	BEARING BALL	2				0.19	0.418
130	04811-10710	O RING	1				0.001	0.0022

MAIN SHAFT(SC)



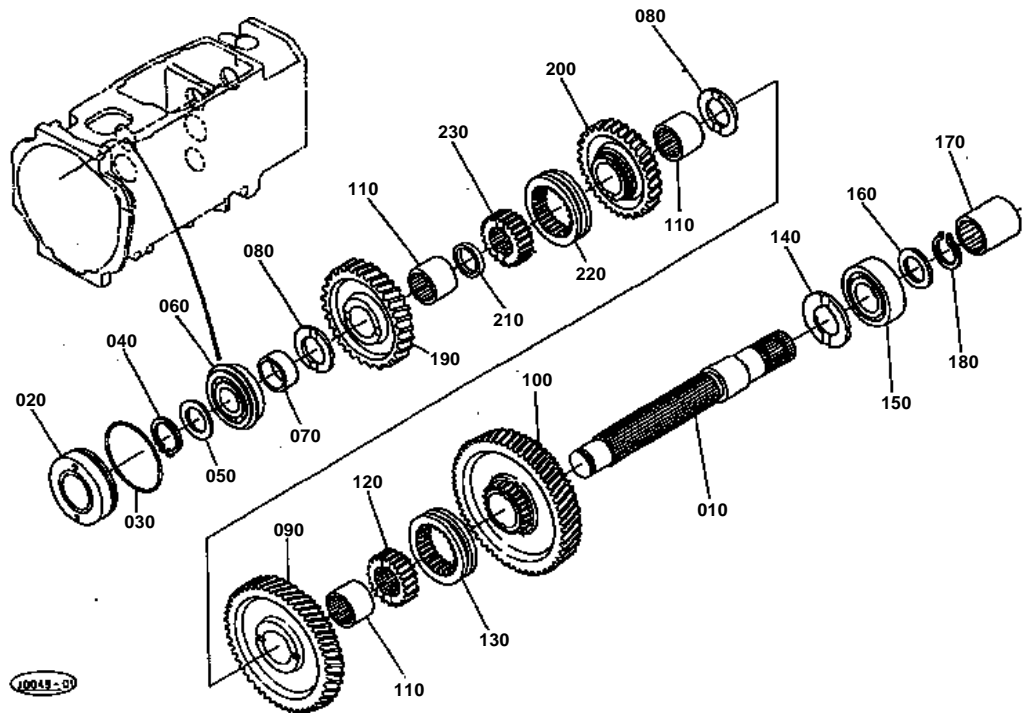


MAIN SHAFT(SC)

↔ Interchangeable; ≠ not interchangeable; ← new for old; → old for new

REF.No	Part No.	Description	Q'ty	S.No.	I/C	REMARKS	Weight (kgf)	Weight (lb)
010	31351-21510	SHAFT	1				2.1	4.62
020	31351-21560	COLLAR	1				0.06	0.132
030	32420-21520	GEAR	1			22T	0.34	0.748
040	09502-55210	SEAL OIL	1				0.025	0.055
050	37150-21551	CIR-CLIP EXTERNAL	1				0.005	0.011
060	34150-21560	WASHER	1				0.01	0.022
070	08151-06305	BEARING BALL	1				0.233	0.5126
080	32430-21540	GEAR	1			18T	0.18	0.396
090	32430-21530	GEAR(SC)	1			16T	0.17	0.374
100	08241-03206	BEARING BALL	1				0.302	0.6644
110	34150-21560	WASHER	1				0.01	0.022
120	32430-21600	COLLAR(SC)	1				0.15	0.33
130	38430-21550	CIR-CLIP EXTERNAL	1				0.005	0.011

COUNTER SHAFT [CONSTANT MESH]

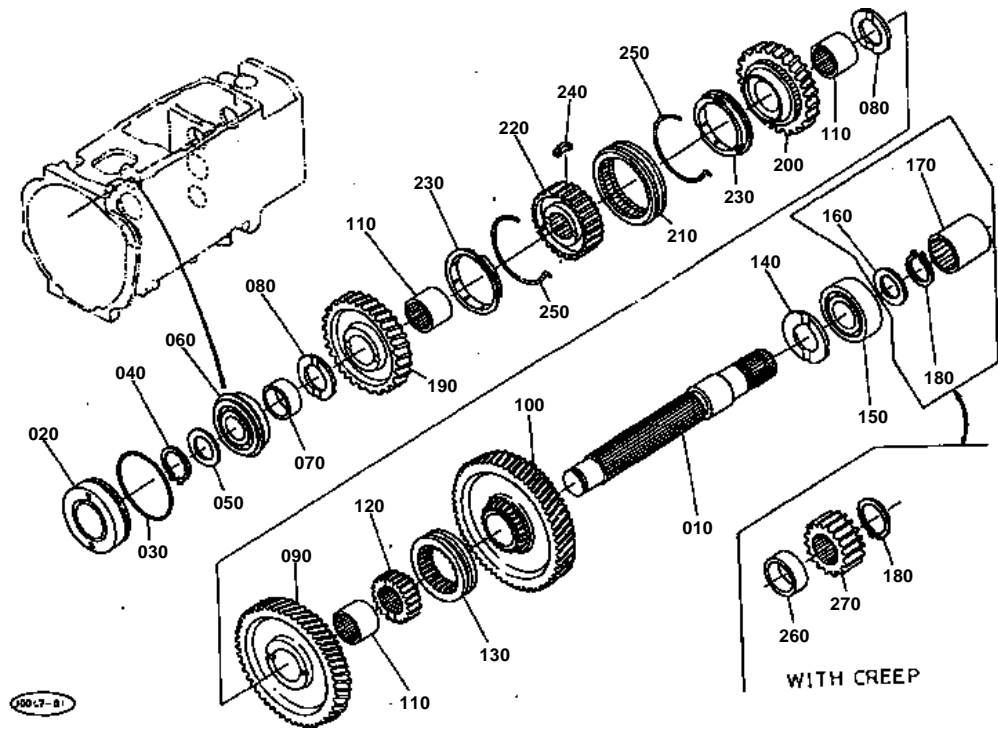


**COUNTER SHAFT [CONSTANT MESH]**

↔ Interchangeable; ≠ not interchangeable; ← new for old; → old for new

REF.No	Part No.	Description	Q'ty	S.No.	I/C	REMARKS	Weight (kgf)	Weight (lb)
010	31351-21610	COUNTERSHAFT	1				1.02	2.244
020	38240-21650	COVER BEARING	1				0.09	0.198
030	04811-50550	O RING	1				0.002	0.0044
040	37150-21551	CIR-CLIP EXTERNAL	1				0.005	0.011
050	34150-21560	WASHER	1			2.0MM	0.01	0.022
050	38450-23780	WASHER	1			2.3MM	0.01	0.022
050	38450-23790	WASHER	1			2.5MM	0.01	0.022
060	08151-06205	BEARING BALL	1				0.131	0.2882
070	32430-21770	COLLAR	1				0.045	0.099
080	32430-21760	COLLAR THRUST	2				0.03	0.066
090	31351-21730	GEAR	1			42T	1	2.2
100	31351-21740	GEAR	1			45T	1.09	2.398
110	31351-21790	RING INNER	3				0.05	0.11
120	31351-21780	BOSS SPLINE	1				0.08	0.176
130	31351-21750	SHIFTER	1				0.14	0.308
140	38240-21760	COLLAR THRUST	1				0.02	0.044
150	08241-03205	BEARING BALL	1	≤57208			0	0
150	67311-14520	BEARING BALL	1	≥57209	≠		0.125	0.275
160	34150-21560	WASHER	1	≤57208			0.01	0.022
160	32430-21290	COLLAR	1	≥57209	≠		0.02	0.044
170	35300-21660	COUPLING	1				0.19	0.418
180	37150-21551	CIR-CLIP EXTERNAL	1				0.005	0.011
190	32430-21710	GEAR	1			37T	0	0
200	32430-21720	GEAR	1			32T	0.51	1.122
210	32430-21490	COLLAR	1				0	0
220	31351-21750	SHIFTER	1				0.14	0.308
230	31351-21780	BOSS SPLINE	1				0.08	0.176

COUNTER SHAFT [SYNCHRO MESH]



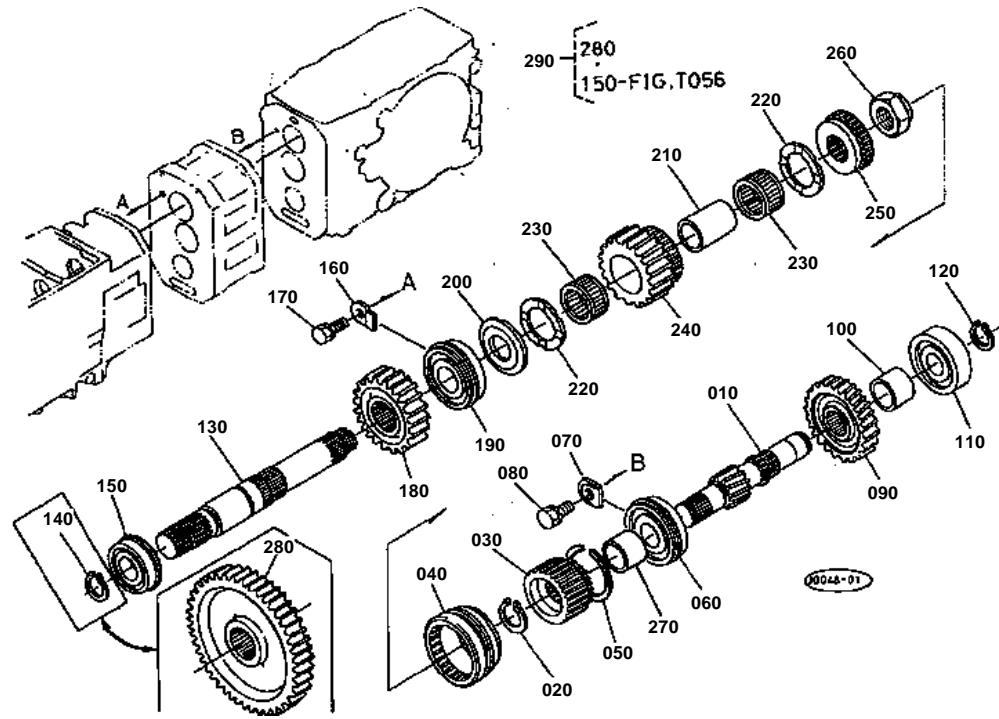


COUNTER SHAFT [SYNCHRO MESH]

↔ Interchangeable; ≠ not interchangeable; ← new for old; → old for new

REF.No	Part No.	Description	Q'ty	S.No.	I/C	REMARKS	Weight (kgf)	Weight (lb)
010	31351-21610	COUNTERSHAFT	1				1.02	2.244
020	38240-21650	COVER BEARING	1				0.09	0.198
030	04811-50550	O RING	1				0.002	0.0044
040	37150-21551	CIR-CLIP EXTERNAL	1				0.005	0.011
050	34150-21560	WASHER	1			2.0MM	0.01	0.022
050	38450-23780	WASHER	1			2.3MM	0.01	0.022
050	38450-23790	WASHER	1			2.5MM	0.01	0.022
060	08151-06205	BEARING BALL	1				0.131	0.2882
070	32430-21770	COLLAR	1				0.045	0.099
080	32430-21760	COLLAR THRUST	2				0.03	0.066
090	31351-21730	GEAR	1			42T	1	2.2
100	31351-21740	GEAR	1			45T	1.09	2.398
110	31351-21790	RING INNER	3				0.05	0.11
120	31351-21780	BOSS SPLINE	1				0.08	0.176
130	31351-21750	SHIFTER	1				0.14	0.308
140	38240-21760	COLLAR THRUST	1				0.02	0.044
150	08241-03205	BEARING BALL	1	≤57208			0	0
150	67311-14520	BEARING BALL	1	≥57209	≠		0.125	0.275
160	34150-21560	WASHER	1	≤57208		WITHOUT CREEP	0.01	0.022
160	32430-21290	COLLAR	1	≥57209	≠	WITHOUT CREEP	0.02	0.044
170	35300-21660	COUPLING	1			WITHOUT CREEP	0.19	0.418
180	37150-21551	CIR-CLIP EXTERNAL	1				0.005	0.011
190	32430-21470	GEAR	1			37T	0	0
200	32430-21480	GEAR	1	≤56277		32T	0	0
200	32430-21482	GEAR	1	≥56278	←	32T	0.675	1.485
210	32430-21410	SHIFTER	1				0	0
220	32430-21420	COUPLING	1				0	0
230	32430-21430	RING SYNCHRONIZER	2	≤54363			0	0
230	32430-21432	RING SYNCHRONIZER	2	≥54364	↔		0.045	0.099
240	32430-21440	KEY SYNCHRONIZER	3				0.004	0.0088
250	32430-21460	SPRING	2				0.003	0.0066
260	32430-21650	COLLAR CREEP	1	≤57208		WITH CREEP	0.01	0.022
260	31351-21770	COLLAR	1	≥57209	≠	WITH CREEP	0.02	0.044
270	31351-21660	GEAR	1			WITH CREEP 14T	0.08	0.176

COUNTER SHAFT 2



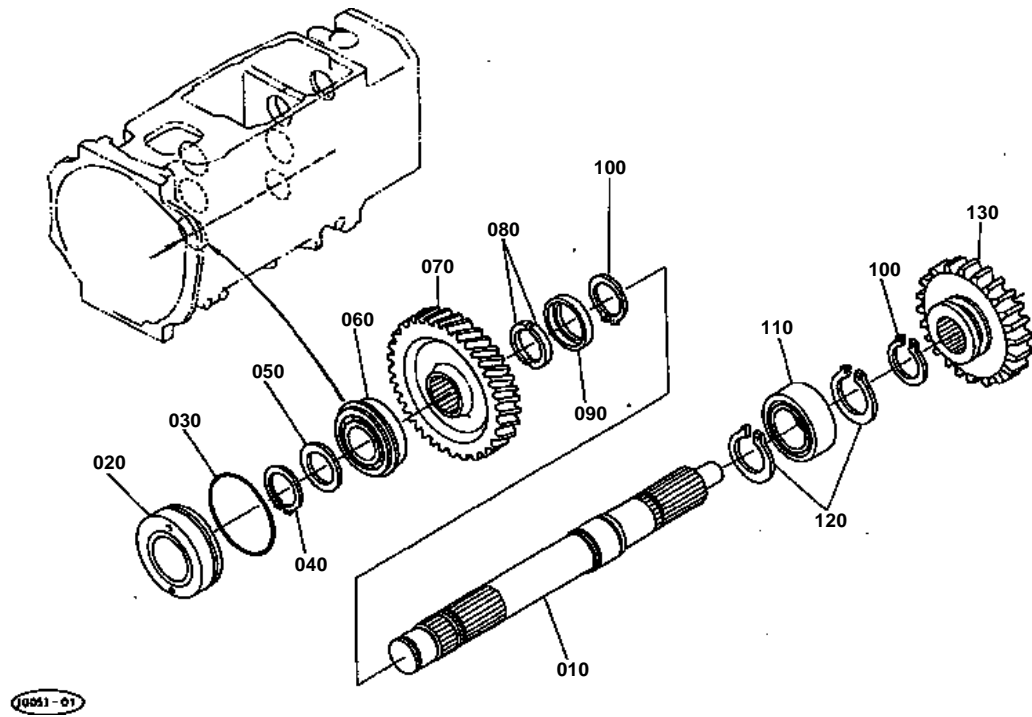


COUNTER SHAFT 2

↔ Interchangeable; ≠ not interchangeable; ← new for old; → old for new

REF.No	Part No.	Description	Q'ty	S.No.	I/C	REMARKS	Weight (kgf)	Weight (lb)
010	32420-21910	SHAFT GEAR	1			13T	0.885	1.947
020	37150-21551	CIR-CLIP EXTERNAL	1				0.005	0.011
030	35260-23270	BOSS SPLINE	1				0.3	0.66
040	35260-23299	SHIFTER	1				0.325	0.715
050	35260-23280	CLIP	1				0	0
060	08151-06305	BEARING BALL	1				0.233	0.5126
070	34150-21942	RETAINER BEARING	1				0.035	0.077
080	01123-50820	BOLT	1				0.011	0.0242
090	32430-21920	GEAR	1	<=56277		28T EXCEPT [FR][GR][PO]	0	0
090	32430-21922	GEAR	1	>=56278	←	28T EXCEPT [FR][GR][PO]	0.585	1.287
090	32425-21920	GEAR	1			25T [FR][GR][PO]	0.91	2.002
100	32430-21980	COLLAR	1	<=57176		EXCEPT [FR][GR][PO]	0	0
100	32430-21990	COLLAR	1	>=57177	↔	EXCEPT [FR][GR][PO]	0.1	0.22
100	32425-21980	COLLAR	1			[FR][GR][PO]	0.085	0.187
110	08101-06305	BEARING BALL	1				0.23	0.506
120	37150-21551	CIR-CLIP EXTERNAL	1				0.005	0.011
130	32420-22510	COUNTERSHAFT	1				1.12	2.464
140	37150-21551	CIR-CLIP EXTERNAL	1			WITHOUT CREEP	0.005	0.011
150	08151-06205	BEARING BALL	1				0.131	0.2882
160	35260-23300	RETAINER BEARING	2				0.02	0.044
170	01123-50816	BOLT	2				0.011	0.0242
180	31361-22520	GEAR	1			24T	0.63	1.386
190	31361-22530	BEARING ROLLER	1				0.27	0.594
200	38430-21762	COLLAR THRUST	1				0.035	0.077
210	31361-22540	RING INNER	1				0.115	0.253
220	35260-23240	WASHER	2				0.01	0.022
230	08823-23920	BEARING NEEDLE	2				0.03	0.066
240	31361-22550	GEAR	1			23T	0.62	1.364
250	35260-23260	BOSS SPLINE	1				0.17	0.374
260	35260-23250	NUT	1	<=52641			0	0
260	35260-23252	NUT	1	>=52642	↔		0.04	0.088
270	32430-21980	COLLAR	1	<=57176			0	0
270	32430-21990	COLLAR	1	>=57177	↔		0.1	0.22
280	31351-21820	GEAR	1	<=52085		42T WITH CREEP	0.7	1.54
280	31351-21822	GEAR	1	>=52086	≠	42T WITH CREEP	0.735	1.617
290	31351-94050	ASSY GEAR CREEP	1			WITH CREEP	1.47	3.234

PTO COUNTER SHAFT 1 (DC)



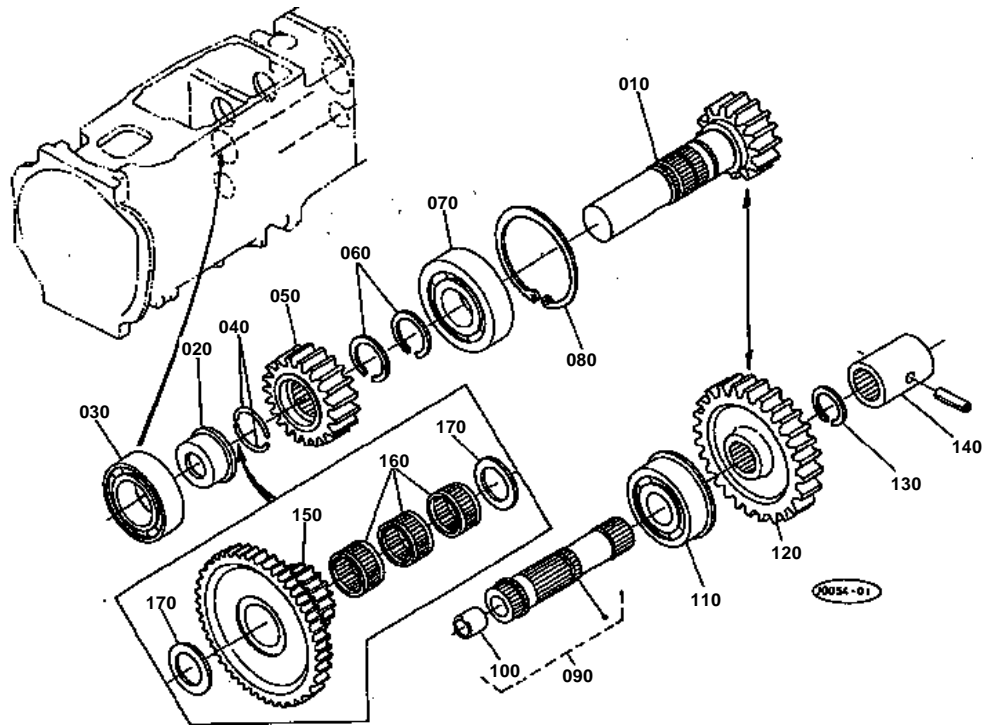


PTO COUNTER SHAFT 1 (DC)

↔ Interchangeable; ≠ not interchangeable; ← new for old; → old for new

REF.No	Part No.	Description	Q'ty	S.No.	I/C	REMARKS	Weight (kgf)	Weight (lb)
010	32430-25110	SHAFT PTO CONTER	1				1.39	3.058
020	38240-21650	COVER BEARING	1				0.09	0.198
030	04811-50550	O RING	1				0.002	0.0044
040	37150-21551	CIR-CLIP EXTERNAL	1				0.005	0.011
050	34150-21560	WASHER	1				0.01	0.022
060	08151-06205	BEARING BALL	1				0.131	0.2882
070	32430-25120	GEAR	1			39T	0.85	1.87
080	31351-25220	COLLAR	2				0.005	0.011
090	31351-25230	COLLAR	1				0.012	0.0264
100	04612-00280	CIR-CLIP EXTERNAL	2				0.003	0.0066
110	35340-25380	BEARING ROLLER	1				0.175	0.385
120	31351-21930	CIR-CLIP EXTERNAL	2				0.004	0.0088
130	31351-25170	GEAR	1			23T	0.52	1.144

PTO COUNTER SHAFT 2 (DC)



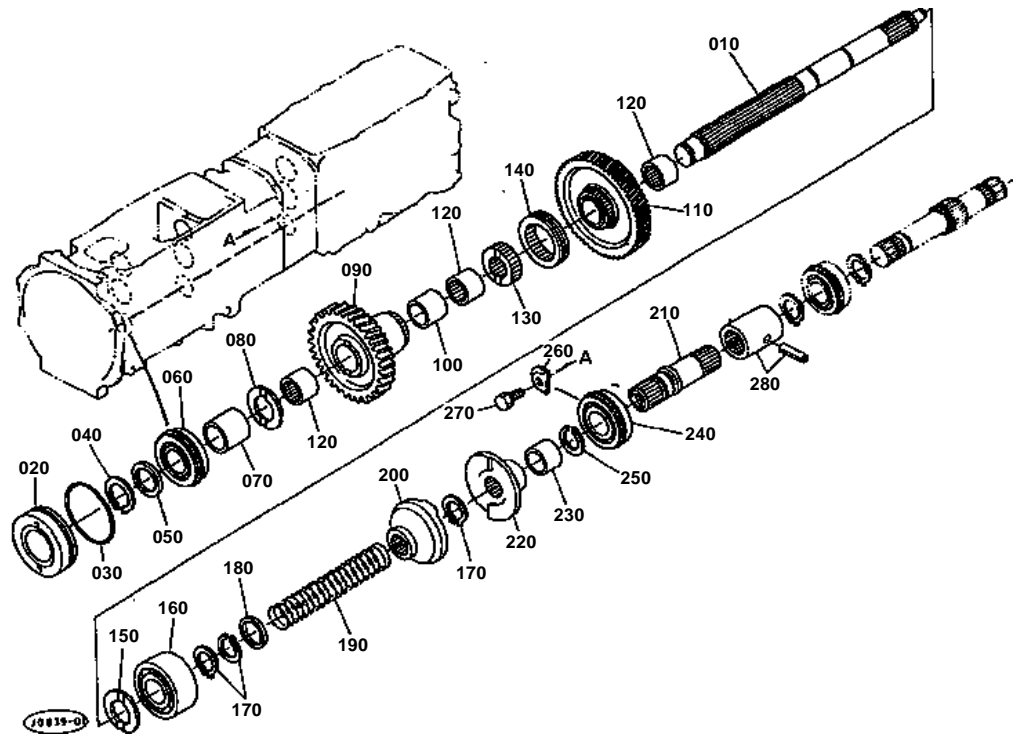


PTO COUNTER SHAFT 2 (DC)

↔ Interchangeable; ≠ not interchangeable; ← new for old; → old for new

REF.No	Part No.	Description	Q'ty	S.No.	I/C	REMARKS	Weight (kgf)	Weight (lb)
010	31351-25290	SHAFT PTO GEAR	1			13T	0.89	1.958
020	31351-25240	SPACER BEARING	1				0.08	0.176
030	08101-06007	BEARING BALL	1				0.16	0.352
040	31351-25270	CLIP	2				0.003	0.0066
050	31351-25260	GEAR	1				0.31	0.682
060	38430-25540	CIR-CLIP EXTERNAL	2				0.004	0.0088
070	38260-22160	BEARING BALL	1	≤57212			0	0
070	32430-25000	BEARING BALL	1	≥57213	↔		0.35	0.77
080	04611-00720	CIR-CLIP INTERNAL	1				0.018	0.0396
090	32420-25150	ASSY COUNTERSHAFT	1				0	0
100	31351-21830	BUSH	1				0.005	0.011
110	08151-06305	BEARING BALL	1				0.233	0.5126
120	31351-25190	GEAR	1			29T	0	0
130	38430-21550	CIR-CLIP EXTERNAL	1				0.005	0.011
140	37150-21680	COUPLING	1	≤57083			0	0
140	37150-21682	COUPLING	1	≥57084	←		0.24	0.528
150	31351-21670	GEAR	1	≤52085		WITH CREEP 17-45T	0	0
150	31351-21673	GEAR	1	≥52086	≠	WITH CREEP 17-45T	0.7	1.54
160	31351-21690	BEARING NEEDLE	3			WITH CREEP	0.02	0.044
170	31351-21550	WASHER	2			WITH CREEP	0.002	0.0044

PTO COUNTER SHAFT (SC)



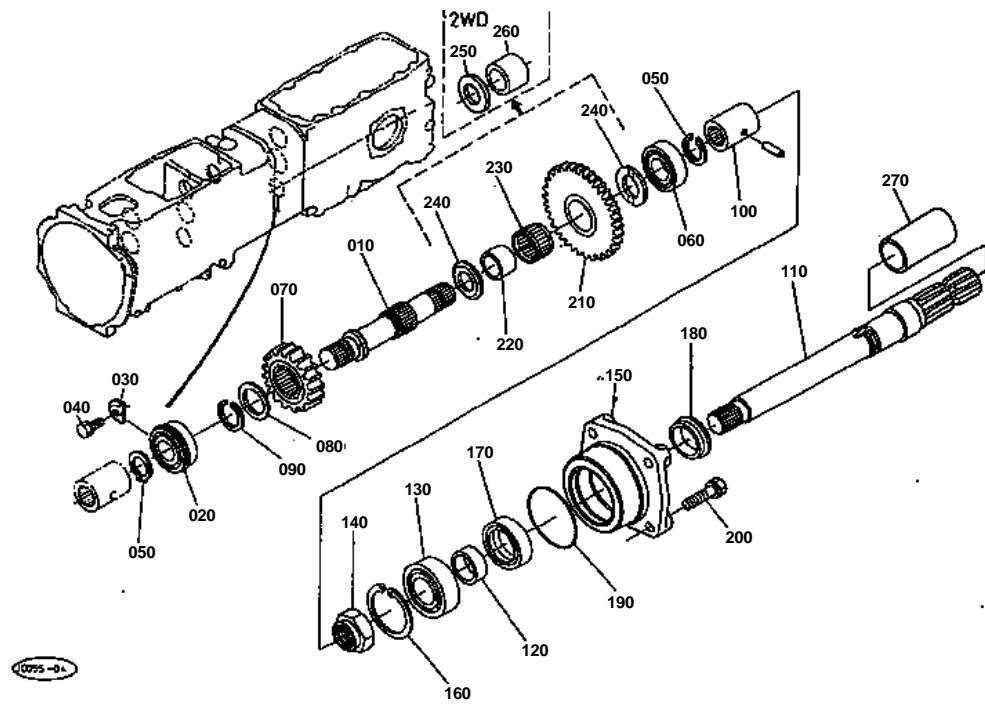


PTO COUNTER SHAFT (SC)

↔ Interchangeable; ≠ not interchangeable; ← new for old; → old for new

REF.No	Part No.	Description	Q'ty	S.No.	I/C	REMARKS	Weight (kgf)	Weight (lb)
010	32430-25330	SHAFT PTO COUNTER	1				1.4	3.08
020	38240-21650	COVER BEARING	1				0.09	0.198
030	04811-50550	O RING	1				0.002	0.0044
040	37150-21551	CIR-CLIP EXTERNAL	1				0.005	0.011
050	34150-21560	WASHER	1			2.0MM	0.01	0.022
050	38450-23780	WASHER	1			2.3MM	0.01	0.022
050	38450-23790	WASHER	1			2.5MM	0.01	0.022
060	08151-06205	BEARING BALL	1				0.131	0.2882
070	32430-21580	COLLAR(SC)	1				0.09	0.198
080	31351-21760	COLLAR THRUST	1				0.03	0.066
090	32430-25340	GEAR(SC)	1			39T	1.37	3.014
100	32430-25350	COLLAR(SC)	1				0.04	0.088
110	31351-21740	GEAR	1			45T	1.09	2.398
120	31351-21790	RING INNER	3				0.05	0.11
130	31351-21780	BOSS SPLINE	1				0.08	0.176
140	31351-21750	SHIFTER	1				0.14	0.308
150	38240-21760	COLLAR THRUST	1				0.02	0.044
160	08241-03205	BEARING BALL	1				0	0
170	37150-21551	CIR-CLIP EXTERNAL	3				0.005	0.011
180	35200-25220	COLLAR	1				0.005	0.011
190	35200-25230	SPRING ONE-WAY	1				0.075	0.165
200	35200-25240	CAM CLUTCH	1				0.485	1.067
210	32420-25360	SHAFT PTO	1				0.565	1.243
220	35200-25240	CAM CLUTCH	1				0.485	1.067
230	32420-25370	COLLAR(SC)	1				0.055	0.121
240	08151-06205	BEARING BALL	1				0.131	0.2882
250	37150-21551	CIR-CLIP EXTERNAL	1				0.005	0.011
260	34150-21942	RETAINER BEARING	1				0.035	0.077
270	01123-50822	BOLT	1				0.012	0.0264
280	37150-21680	COUPLING	1			≤57083	0	0
280	37150-21682	COUPLING	1			≥57084 ←	0.24	0.528

PTO SHAFT

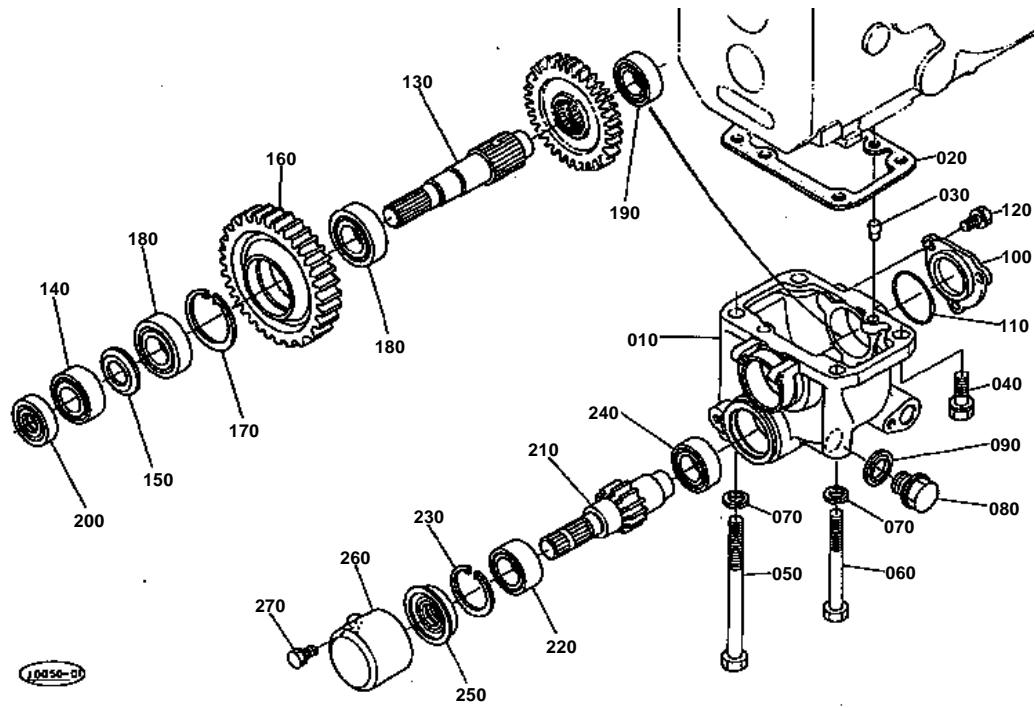




PTO SHAFT

↔ Interchangeable; ≠ not interchangeable; ← new for old; → old for new

REF.No	Part No.	Description	Q'ty	S.No.	I/C	REMARKS	Weight (kgf)	Weight (lb)
010	32420-25210	SHAFT PTO DRIVE	1				0.715	1.573
020	08151-06205	BEARING BALL	1				0.131	0.2882
030	34150-21942	RETAINER BEARING	1				0.035	0.077
040	01123-50822	BOLT	1				0.012	0.0264
050	37150-21551	CIR-CLIP EXTERNAL	2				0.005	0.011
060	67311-14520	BEARING BALL	1				0.125	0.275
070	32430-25510	GEAR MID PTO	1			20T	0.45	0.99
080	38450-21990	COLLAR	1	<=54258			0	0
080	35340-21760	COLLAR THRUST	1	>=54259	↔		0.01	0.022
090	38430-25540	CIR-CLIP EXTERNAL	1				0.004	0.0088
100	37150-21680	COUPLING	1	<=57083			0	0
100	37150-21682	COUPLING	1	>=57084	←		0.24	0.528
110	38240-25310	SHAFT PTO	1	<=50755			0	0
110	32420-25310	SHAFT PTO	1	>=50756	↔		0	0
120	37300-25350	COLLAR SEAL	1				0.032	0.0704
130	08101-06206	BEARING BALL	1				0.196	0.4312
140	34150-25320	NUT	1				0.03	0.066
150	37150-25410	CASE BEARING	1				1.02	2.244
160	04611-00620	CIR-CLIP INTERNAL	1				0.011	0.0242
170	37150-25360	SEAL OIL	1				0.025	0.055
180	38240-25370	SLINGER	1				0.004	0.0088
190	04811-50800	O RING	1				0.003	0.0066
200	01123-50822	BOLT	4				0.012	0.0264
210	32420-44180	GEAR	1			19-34T	0.76	1.672
220	32430-44200	RING INNER	1				0.04	0.088
230	08823-03720	BEARING NEEDLE	1				0.03	0.066
240	38240-21760	COLLAR THRUST	2				0.02	0.044
270	31220-25820	CAP	1				0.055	0.121



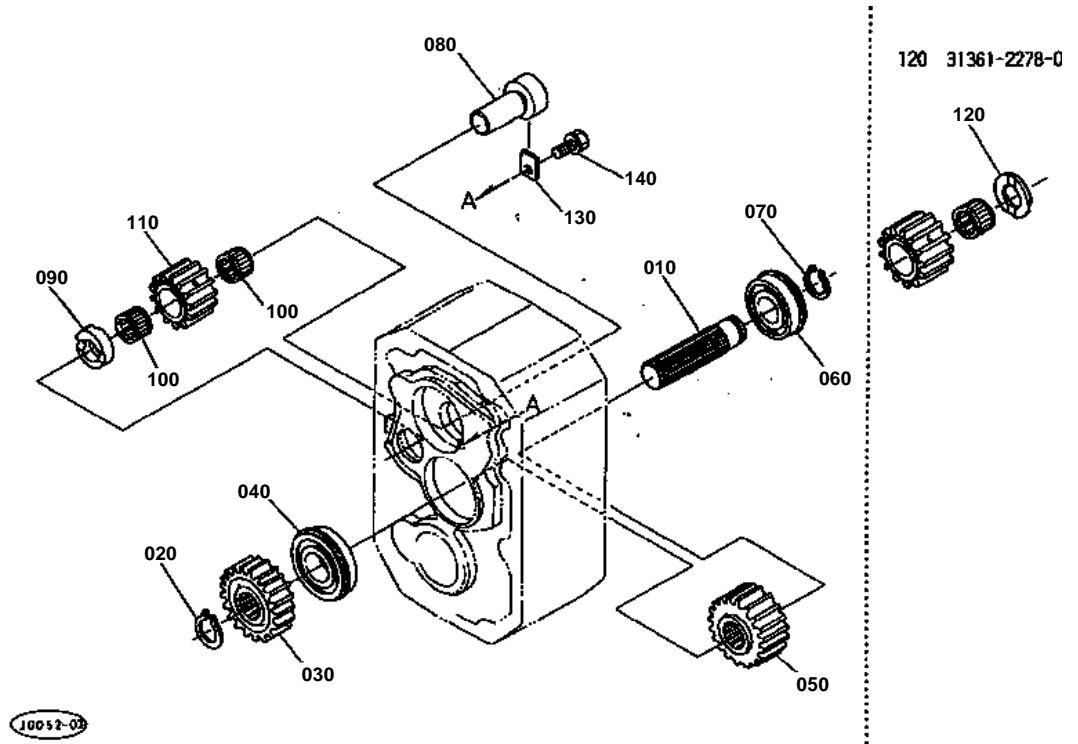


MID PTO

↔ Interchangeable; ≠ not interchangeable; ← new for old; → old for new

REF.No	Part No.	Description	Q'ty	S.No.	I/C	REMARKS	Weight (kgf)	Weight (lb)
010	32430-25550	CASE DRIVE	1				4.4	9.68
020	37150-21282	GASKET	1				0	0
030	32430-44450	PIN KNOCK	2				0.01	0.022
040	01133-51230	BOLT	2				0.04	0.088
050	32430-25580	BOLT	1				0.14	0.308
060	01173-51202	BOLT	1				0.101	0.2222
070	04512-50120	WASHER SPRING	2				0.003	0.0066
080	15512-96010	PLUG DRAIN	1				0.101	0.2222
090	04717-02150	WASHER WITH RUBBER	1				0.004	0.0088
100	32430-25570	COVER DRIVE CASE	1				0.215	0.473
110	04811-10500	O RING	1				0.001	0.0022
120	01123-50816	BOLT	3				0.011	0.0242
130	32430-44420	SHAFT DRIVE	1				0.7	1.54
140	32430-44260	BEARING ROLLER	1				0.17	0.374
150	38240-21760	COLLAR THRUST	1				0.02	0.044
160	32430-25520	GEAR MID PTO	1			37T	1.365	3.003
170	04611-00580	CIR-CLIP INTERNAL	1				0.005	0.011
180	32430-25560	BEARING BALL	2				0.18	0.396
190	67311-14520	BEARING BALL	1				0.125	0.275
200	09502-04710	SEAL OIL	1				0.022	0.0484
210	32430-25380	SHAFT GEAR	1			10T	0.74	1.628
220	35340-25380	BEARING ROLLER	1				0.175	0.385
230	04611-00520	CIR-CLIP INTERNAL	1				0.009	0.0198
240	67311-14520	BEARING BALL	1				0.125	0.275
250	32430-25540	SEAL OIL MID PTO	1				0.04	0.088
260	66301-15840	COVER MID PTO	1				0.075	0.165
270	01123-50814	BOLT	1				0.01	0.022

REVERSE SHAFT



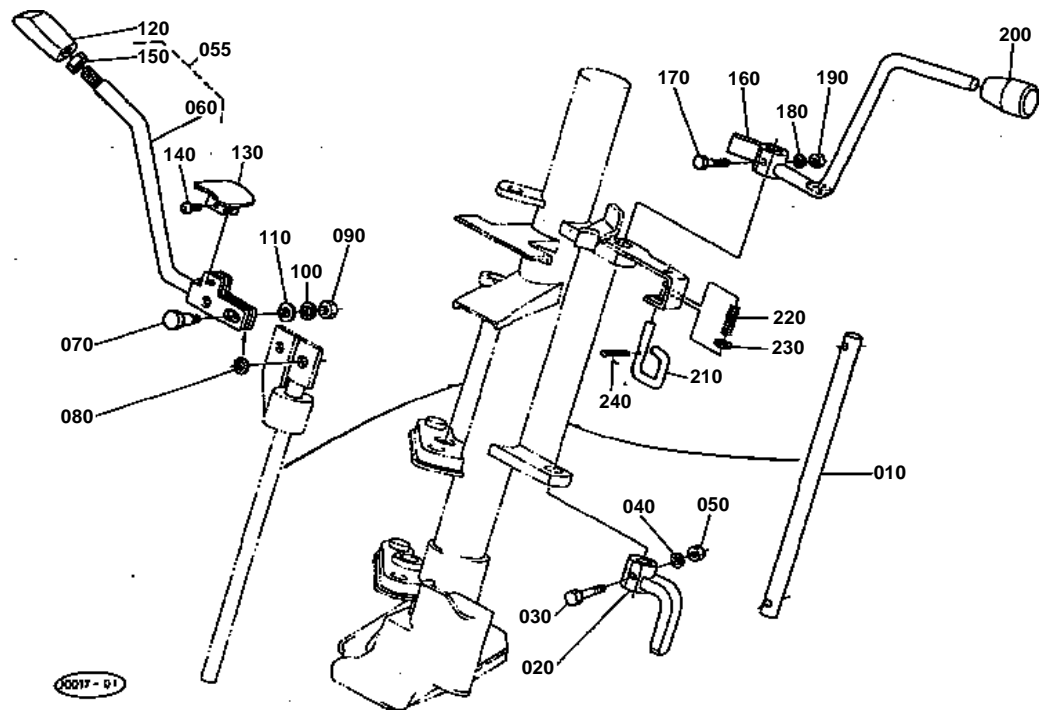


REVERSE SHAFT

↔ Interchangeable; ≠ not interchangeable; ← new for old; → old for new

REF.No	Part No.	Description	Q'ty	S.No.	I/C	REMARKS	Weight (kgf)	Weight (lb)
010	31361-22610	SHAFT REVERSE	1				0.34	0.748
020	37150-21551	CIR-CLIP EXTERNAL	1				0.005	0.011
030	31361-22620	GEAR	1			22T	0	0
040	31361-22530	BEARING ROLLER	1				0.27	0.594
050	31361-22630	GEAR	1			19T	0.52	1.144
060	31361-22640	BEARING BALL	1				0.18	0.396
070	04612-00220	CIR-CLIP EXTERNAL	1				0.001	0.0022
080	31361-22710	SHAFT REVERSE	1	≤57190			0	0
080	31361-22712	SHAFT REVERSE	1	≥57191	≠		0.26	0.572
090	31361-22770	COLLAR	1				0.025	0.055
100	08822-02617	BEARING NEEDLE	2				0.02	0.044
110	31361-22720	GEAR	1			15T	0	0
120	31361-22780	COLLAR	1	≤57190			0.01	0.022
130	35260-23210	STOPPER	1				0.005	0.011
140	01123-50816	BOLT	1				0.011	0.0242

MAIN AND SHUTTLE GEAR SHIFT LEVER



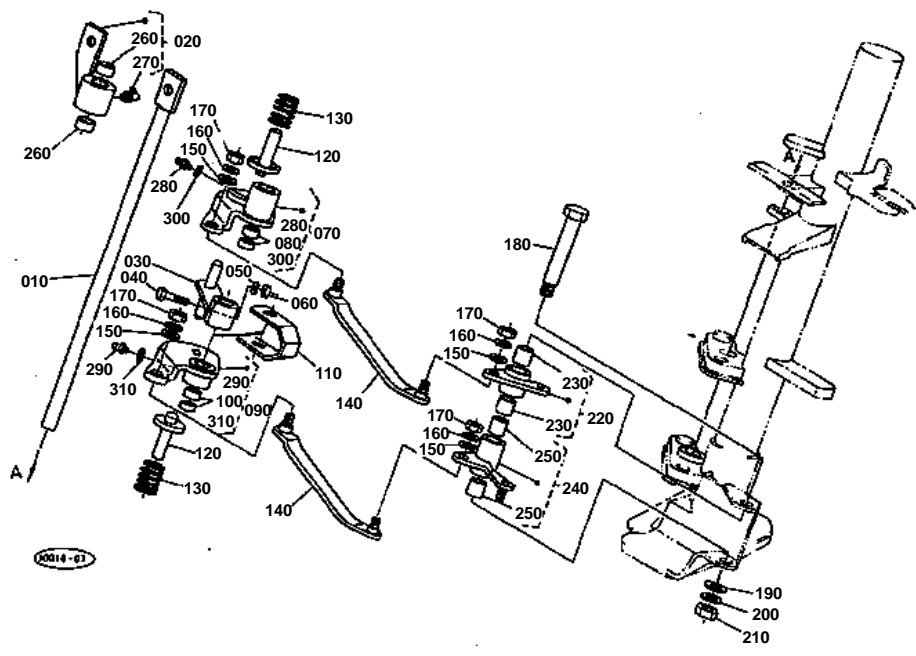


MAIN AND SHUTTLE GEAR SHIFT LEVER

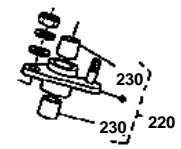
↔ Interchangeable; ≠ not interchangeable; ← new for old; → old for new

REF.No	Part No.	Description	Q'ty	S.No.	I/C	REMARKS	Weight (kgf)	Weight (lb)
010	32430-17370	SHAFT SHUTTLE CONT.	1				0.44	0.968
020	32430-17380	ARM SHUTTLE CHANGE	1				0.2	0.44
030	31351-17150	BOLT REAMER	1				0.01	0.022
040	04512-50060	WASHER SPRING	1				0.001	0.0022
050	02056-50060	NUT	1				0.002	0.0044
055	32430-17400	ASSY LEVER M-CHANGE	1				0.34	0.748
060	32430-17460	LEVER MAIN S-CHANGE	1				0.335	0.737
070	31351-17080	BOLT	2				0.03	0.066
080	31351-24090	SHIM	2				0.005	0.011
090	02114-50080	NUT	2				0.005	0.011
100	04512-50080	WASHER SPRING	2				0.001	0.0022
110	04013-50080	WASHER PLAIN	2				0.003	0.0066
120	31351-17470	GRIP LEVER	1				0.03	0.066
130	31351-17480	PLATE	1				0.02	0.044
140	03024-50508	SCREW WITH WASHER	2				0.002	0.0044
150	31351-17500	NUT GRIP	1	<=52251			0	0
150	02116-50100	NUT	1	>=52252	↔		0.004	0.0088
160	32430-17510	LEVER SHUTTLE CHANGE	1				0.4	0.88
170	31351-17150	BOLT REAMER	1				0.01	0.022
180	04512-50060	WASHER SPRING	1				0.001	0.0022
190	02056-50060	NUT	1				0.002	0.0044
200	31351-17530	GRIP LEVER	1				0	0
210	32430-17570	PIN SHUTTLE LOCK	1				0.03	0.066
220	32430-17580	SPRING	1				0.002	0.0044
230	04013-50060	WASHER PLAIN	1				0.001	0.0022
240	05511-50218	PIN SPLIT	1				0.001	0.0022

MAIN GEAR SHIFT LINKAGE SYSTEM



220 31351-1730-0



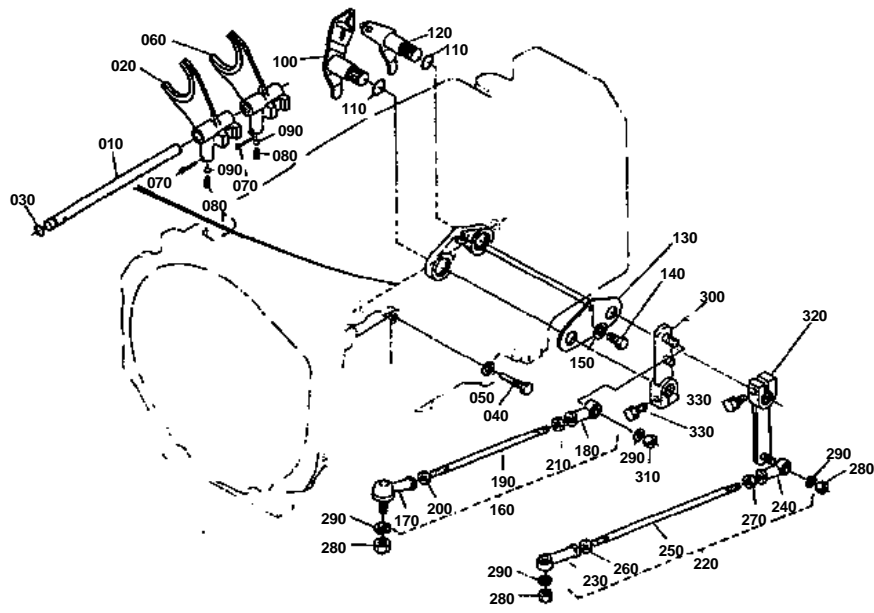


MAIN GEAR SHIFT LINKAGE SYSTEM

↔ Interchangeable; ≠ not interchangeable; ← new for old; → old for new

REF.No	Part No.	Description	Q'ty	S.No.	I/C	REMARKS	Weight (kgf)	Weight (lb)
010	31351-17112	SHAFT MAIN CONTROL	1				0.58	1.276
020	32430-17130	ASSY BRACKET PIVOT	1				0.24	0.528
030	31351-17142	ARM SELECT	1	<=56353			0.15	0.33
030	30400-17140	ARM SELECT	1	>=56354	≠		0.16	0.352
040	31351-17150	BOLT REAMER	1				0.01	0.022
050	04512-50060	WASHER SPRING	1				0.001	0.0022
060	02056-50060	NUT	1				0.002	0.0044
070	32430-17170	COMP.ARM SHIFT UPPER	1				0	0
080	31351-16860	BUSH	2	<=55140			0	0
080	08511-01610	BUSH	2	>=55141	↔		0.005	0.011
090	32430-17200	COMP.ARM SHIFT LOWER	1				0	0
100	31351-16860	BUSH	2	<=55140			0	0
100	08511-01610	BUSH	2	>=55141	↔		0.005	0.011
110	31351-17230	SPACER	1				0.06	0.132
120	31351-17240	PIN LOCK	2				0.06	0.132
130	31351-17250	SPRING	2				0.01	0.022
140	31351-17270	PLATE JOINT	2				0.23	0.506
150	04013-50080	WASHER PLAIN	4				0.003	0.0066
160	04512-50080	WASHER SPRING	4				0.001	0.0022
170	02112-50080	NUT	4				0.003	0.0066
180	31351-17290	SHAFT LINK	1				0.1	0.22
190	04013-50100	WASHER PLAIN	1				0.004	0.0088
200	04512-50100	WASHER SPRING	1				0.003	0.0066
210	02176-50100	NUT	1				0.005	0.011
220	31351-17300	COMP.LINK CONECT	1	<=56330			0.165	0.363
220	31351-17302	COMP.LINK CONECT	1	>=56331	≠		0.15	0.33
230	31351-17320	BUSH	2	<=55140			0	0
230	08511-01412	BUSH	2	>=55141	↔		0.004	0.0088
240	31351-17340	COMP.LINK CONECT	1				0.17	0.374
250	31351-17320	BUSH	2	<=55140			0	0
250	08511-01412	BUSH	2	>=55141	↔		0.004	0.0088
260	31351-16840	BUSH	2	<=55140			0	0
260	08511-01612	BUSH	2	>=55141	↔		0.005	0.011
270	06613-30010	NIPPLE GREASE	1				0.01	0.022
280	06613-10675	NIPPLE GREASE	1				0.003	0.0066
290	06613-10675	NIPPLE GREASE	1				0.003	0.0066
300	04012-50060	WASHER PLAIN	1	>=52922			0.001	0.0022
310	04012-50060	WASHER PLAIN	1	>=52922			0.001	0.0022

MAIN GEAR SHIFT FORK [CONSTANT MESH]



120 31351-2317-0



170 31351-2421-0



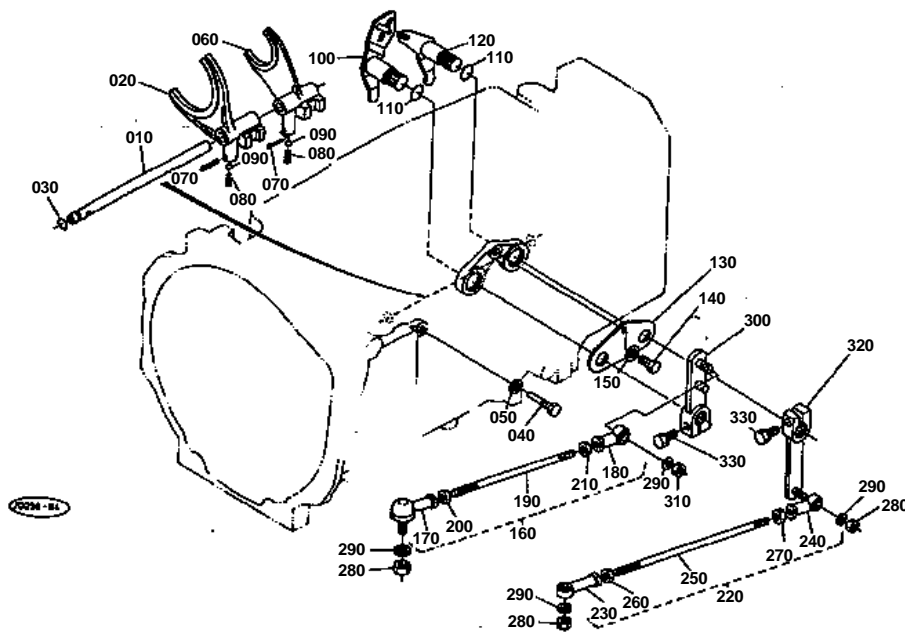


MAIN GEAR SHIFT FORK [CONSTANT MESH]

↔ Interchangeable; ≠ not interchangeable; ← new for old; → old for new

REF.No	Part No.	Description	Q'ty	S.No.	I/C	REMARKS	Weight (kgf)	Weight (lb)
010	31351-23110	SHAFT FORK	1				0.175	0.385
020	31351-23140	FORK SHIFT	1				0.285	0.627
030	04811-00090	O RING	1				0.001	0.0022
040	31351-23120	BOLT	1				0.01	0.022
050	04717-00800	WASHER WITH RUBBER	1				0.001	0.0022
060	31351-23140	FORK SHIFT	1				0.285	0.627
070	05511-50322	PIN SPLIT	2				0.002	0.0044
080	62581-18230	SPRING	2				0.01	0.022
090	07715-01605	BALL	2				0.003	0.0066
100	31351-23160	ARM S-CHANGE FRONT	1	≤56284			0.2	0.44
100	31351-23163	ARM S-CHANGE FRONT	1	≥56285	≠		0.2	0.44
110	04811-00200	O RING	2				0.001	0.0022
120	31351-23170	ARM MAIN S-CHANGE	1	≤56284			0.18	0.396
120	31351-23173	ARM MAIN S-CHANGE	1	≥56285	≠		0.15	0.33
130	31351-23180	PLATE	1				0.06	0.132
140	31351-23200	BOLT	1				0.005	0.011
150	04411-50080	WASHER TOOTHED	1				0.001	0.0022
160	31351-24100	ASSY ROD CHANGE	1	≤56330			0.15	0.33
160	31351-24103	ASSY ROD CHANGE	1	≥56331	≠		0.08	0.176
170	31351-24210	SCREW ROD-END LH	1	≤56330			0.04	0.088
170	54721-31850	BALL LINK	1	≥56331	≠		0.065	0.143
180	31351-24220	SCREW ROD-END RH	1				0.04	0.088
190	31351-24240	ROD CHANGE	1				0.25	0.55
200	31351-24260	NUT	1				0.005	0.011
210	02112-50080	NUT	1				0.003	0.0066
220	31351-24200	ASSY ROD CHANGE	1				0.15	0.33
230	31351-24210	SCREW ROD-END LH	1				0.04	0.088
240	31351-24220	SCREW ROD-END RH	1				0.04	0.088
250	31351-24250	ROD CHANGE	1				0.105	0.231
260	31351-24260	NUT	1				0.005	0.011
270	02112-50080	NUT	1				0.003	0.0066
280	02156-50080	NUT	3				0.004	0.0088
290	04512-50080	WASHER SPRING	4				0.001	0.0022
300	32430-23150	LEVER	1	≤56284			0	0
300	32430-23152	LEVER	1	≥56285	←		0.155	0.341
310	02112-50080	NUT	1				0.003	0.0066
320	31351-23130	LEVER	1				0.14	0.308
330	01123-50830	BOLT	2				0.015	0.033

MAIN GEAR SHIFT FORK [SYNCHRO MESH]



120 31351-2317-0



170 31351-2421-0



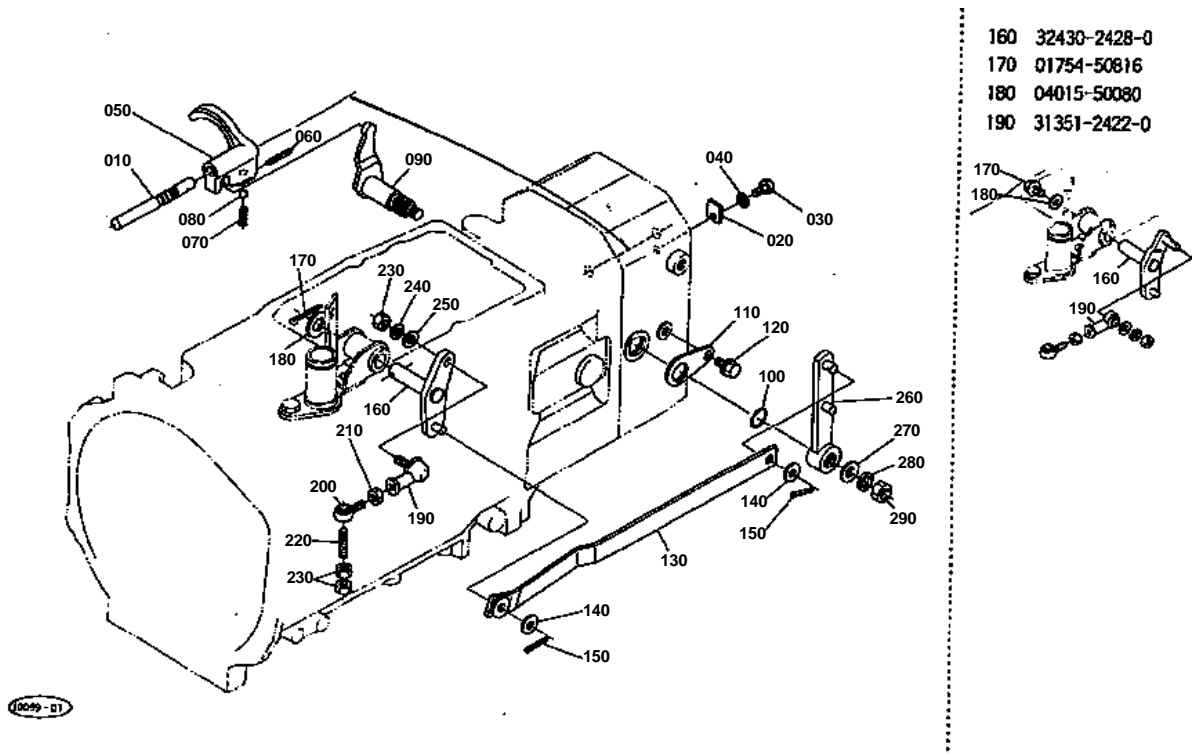


MAIN GEAR SHIFT FORK [SYNCHRO MESH]

↔ Interchangeable; ≠ not interchangeable; ← new for old; → old for new

REF.No	Part No.	Description	Q'ty	S.No.	I/C	REMARKS	Weight (kgf)	Weight (lb)
010	32430-23110	SHAFT S-CHANGE FORK	1				0.18	0.396
020	32430-23140	FORK S-CHANGE SHIFT	1				0.29	0.638
030	04811-00090	O RING	1				0.001	0.0022
040	31351-23120	BOLT	1				0.01	0.022
050	04717-00800	WASHER WITH RUBBER	1				0.001	0.0022
060	31351-23140	FORK SHIFT	1				0.285	0.627
070	05511-50322	PIN SPLIT	2				0.002	0.0044
080	62581-18230	SPRING	2				0.01	0.022
090	07715-01605	BALL	2				0.003	0.0066
100	31351-23160	ARM S-CHANGE FRONT	1	≤56284			0.2	0.44
100	31351-23163	ARM S-CHANGE FRONT	1	≥56285	≠		0.2	0.44
110	04811-00200	O RING	2				0.001	0.0022
120	31351-23170	ARM MAIN S-CHANGE	1	≤56284			0.18	0.396
120	31351-23173	ARM MAIN S-CHANGE	1	≥56285	≠		0.15	0.33
130	31351-23180	PLATE	1				0.06	0.132
140	31351-23200	BOLT	1				0.005	0.011
150	04411-50080	WASHER TOOTHED	1				0.001	0.0022
160	31351-24100	ASSY ROD CHANGE	1	≤56330			0.15	0.33
160	31351-24103	ASSY ROD CHANGE	1	≥56331	≠		0.08	0.176
170	31351-24210	SCREW ROD-END LH	1	≤56330	≠		0.04	0.088
170	54721-31850	BALL LINK	1	≥56331	≠		0.065	0.143
180	31351-24220	SCREW ROD-END RH	1				0.04	0.088
190	31351-24240	ROD CHANGE	1				0.25	0.55
200	31351-24260	NUT	1				0.005	0.011
210	02112-50080	NUT	1				0.003	0.0066
220	31351-24200	ASSY ROD CHANGE	1				0.15	0.33
230	31351-24210	SCREW ROD-END LH	1				0.04	0.088
240	31351-24220	SCREW ROD-END RH	1				0.04	0.088
250	31351-24250	ROD CHANGE	1				0.105	0.231
260	31351-24260	NUT	1				0.005	0.011
270	02112-50080	NUT	1				0.003	0.0066
280	02156-50080	NUT	3				0.004	0.0088
290	04512-50080	WASHER SPRING	4				0.001	0.0022
300	32430-23150	LEVER	1	≤56330			0	0
300	32430-23152	LEVER	1	≥56331	←		0.155	0.341
310	02112-50080	NUT	1				0.003	0.0066
320	31351-23130	LEVER	1				0.14	0.308
330	01123-50830	BOLT	2				0.015	0.033

SHUTTLE GEAR SHIFT FORK



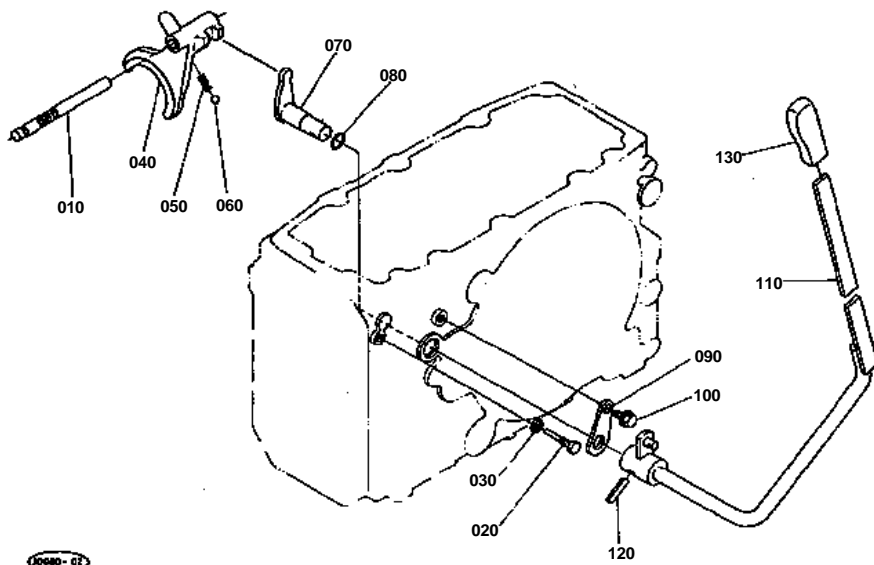


SHUTTLE GEAR SHIFT FORK

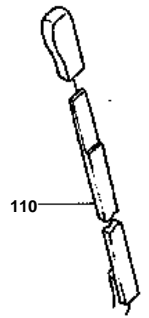
↔ Interchangeable; ≠ not interchangeable; ← new for old; → old for new

REF.No	Part No.	Description	Q'ty	S.No.	I/C	REMARKS	Weight (kgf)	Weight (lb)
010	32420-23210	SHAFT FORK	1				0.123	0.2706
020	35260-23210	STOPPER	1				0.005	0.011
030	01153-50812	BOLT	1				0.008	0.0176
040	04512-50080	WASHER SPRING	1				0.001	0.0022
050	31361-23200	ASSY FORK SHUTTLE	1				0.31	0.682
060	05411-00320	PIN SPRING	1				0.001	0.0022
070	62581-18230	SPRING	1				0.01	0.022
080	07715-01605	BALL	1				0.003	0.0066
090	31361-23260	ARM SHUTTLE	1				0.22	0.484
100	04811-00200	O RING	1				0.001	0.0022
110	31351-23380	STOPPER S-CHANGE ARM	1				0.03	0.066
120	01754-50812	BOLT FLANGE	1				0.01	0.022
130	32420-24270	ROD SHUTTLE	1				0.315	0.693
140	04013-50100	WASHER PLAIN	2				0.004	0.0088
150	05511-50318	PIN SPLIT	2				0.001	0.0022
160	32430-24280	ARM CONNECTING	1	←=56330			0.21	0.462
160	32430-24283	ARM CONNECTING	1	>=56331	≠		0.21	0.462
170	01754-50816	BOLT FLANGE	1	←=56330			0.011	0.0242
170	05511-50330	PIN SPLIT	1	>=56331	≠		0.005	0.011
180	04015-50080	WASHER PLAIN	1	←=56330			0.001	0.0022
180	04011-50160	WASHER PLAIN	1	>=56331	≠		0	0
190	31351-24220	SCREW ROD-END RH	1	←=56330			0.04	0.088
190	54721-31840	BALL LINK	1	>=56331	≠		0.065	0.143
200	31351-24310	SCREW ROD-END RH	1				0.035	0.077
210	02112-50080	NUT	1				0.003	0.0066
220	31351-17390	STUD	1				0.015	0.033
230	02156-50080	NUT	3				0.004	0.0088
240	04512-50080	WASHER SPRING	1				0.001	0.0022
250	04013-50080	WASHER PLAIN	1				0.003	0.0066
260	32430-23280	LEVER SHUTTLE	1				0.27	0.594
270	04013-50120	WASHER PLAIN	1				0.007	0.0154
280	04512-50120	WASHER SPRING	1				0.003	0.0066
290	02172-50120	NUT	1				0.01	0.022

HI-LO GEAR SHIFT FORK



110 32430-2491-0



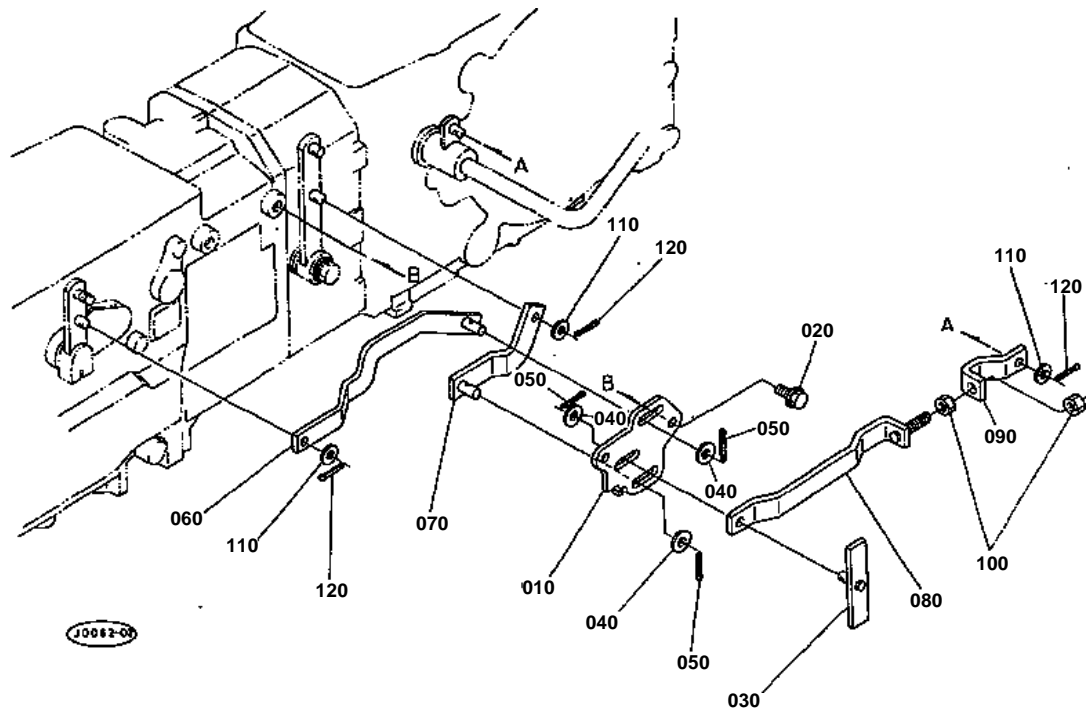


HI-LO GEAR SHIFT FORK

↔ Interchangeable; ≠ not interchangeable; ← new for old; → old for new

REF.No	Part No.	Description	Q'ty	S.No.	I/C	REMARKS	Weight (kgf)	Weight (lb)
010	32430-23410	SHAFT HI-LO FORK	1				0.115	0.253
020	31351-23420	BOLT	1				0.02	0.044
030	04717-00800	WASHER WITH RUBBER	1				0.001	0.0022
040	32430-23440	FORK HI-LO SHIFT	1				0.36	0.792
050	62581-18230	SPRING	1				0.01	0.022
060	07715-01605	BALL	1				0.003	0.0066
070	32430-23460	ARM HI-LO SHIFT	1				0.18	0.396
080	04811-00200	O RING	1				0.001	0.0022
090	31351-23380	STOPPER S-CHANGE ARM	1				0.03	0.066
100	01754-50812	BOLT FLANGE	1				0.01	0.022
110	32430-24910	LEVER HI-LO SHIFT	1	<=56233			0	0
110	32430-24916	LEVER HI-LO SHIFT	1	>=56234	≠		1.17	2.574
120	05411-00836	PIN SPRING	1				0.008	0.0176
130	31351-24970	GRIP LEVER	1				0.05	0.11

SPEED CHANGE INTERLOCK



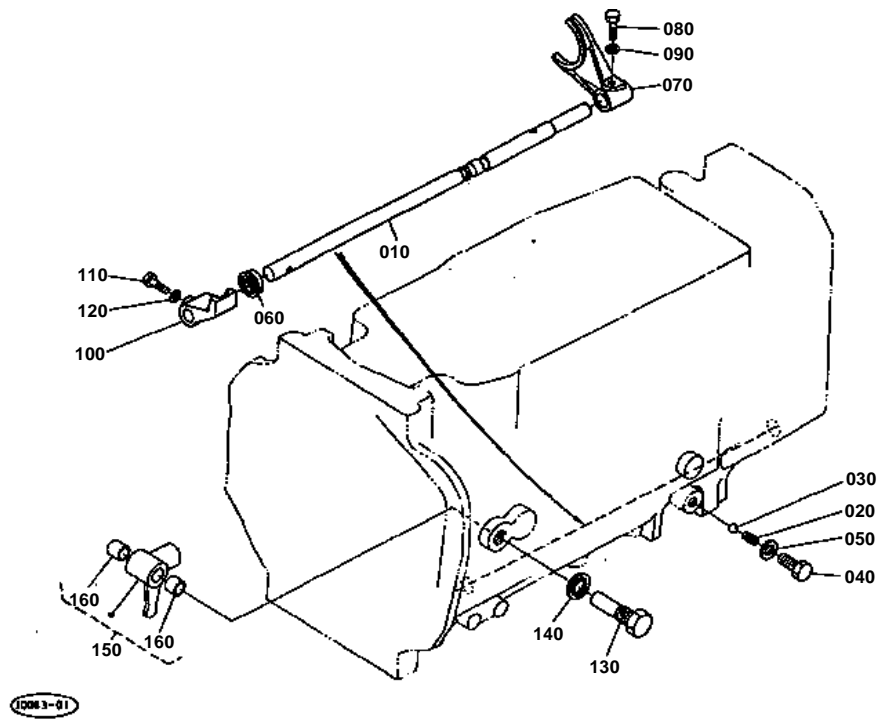


SPEED CHANGE INTERLOCK

↔ Interchangeable; ≠ not interchangeable; ← new for old; → old for new

REF.No	Part No.	Description	Q'ty	S.No.	I/C	REMARKS	Weight (kgf)	Weight (lb)
010	32430-24840	PLATE INTERLOCKER	1				0.195	0.429
020	01774-51018	BOLT FLANGE	2				0.02	0.044
030	32430-24890	INTERLOCKER	1				0.09	0.198
040	04011-50100	WASHER PLAIN	3				0.002	0.0044
050	05511-50318	PIN SPLIT	3				0.001	0.0022
060	32430-24860	ROD MAIN S-CHANGE	1				0.26	0.572
070	32420-24850	ROD SHUTTLE	1				0.12	0.264
080	32420-24870	ROD AUX.S-CHANGE	1				0.25	0.55
090	32430-24880	ROD AUX.S-CHANGE	1				0.07	0.154
100	02176-50100	NUT	2				0.005	0.011
110	04012-50080	WASHER PLAIN	3				0.001	0.0022
120	05511-50215	PIN SPLIT	3				0.001	0.0022

PTO GEAR SHIFT FORK (DC)



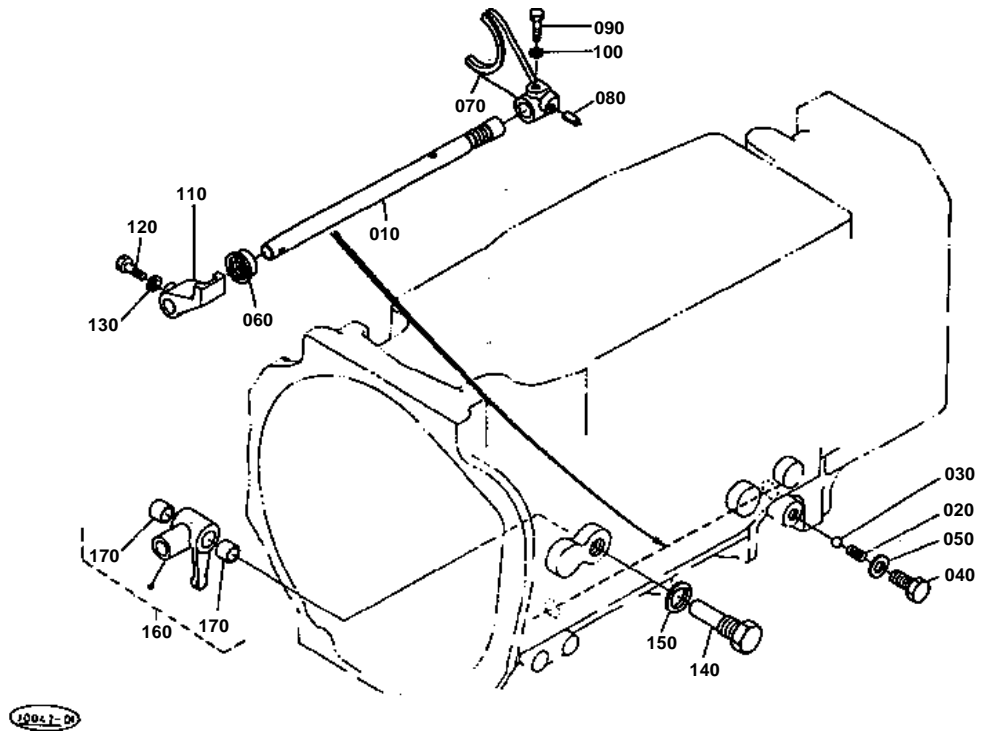


PTO GEAR SHIFT FORK (DC)

↔ Interchangeable; ≠ not interchangeable; ← new for old; → old for new

REF.No	Part No.	Description	Q'ty	S.No.	I/C	REMARKS	Weight (kgf)	Weight (lb)
010	31351-23620	ROD FORK LOWER	1				0.5	1.1
020	62581-18230	SPRING	1				0.01	0.022
030	07715-03211	BALL	1				0.003	0.0066
040	01173-51020	BOLT	1				0.017	0.0374
050	04717-01000	WASHER WITH RUBBER	1				0.001	0.0022
060	31351-23530	SEAL OIL	1				0.01	0.022
070	31351-23660	FORK SHIFT REAR	1				0.17	0.374
080	31351-23570	BOLT FORK LOCK	1				0.007	0.0154
090	04512-50060	WASHER SPRING	1				0.001	0.0022
100	31351-23682	SHIFTER LOWER	1				0.13	0.286
110	31351-23570	BOLT FORK LOCK	1				0.007	0.0154
120	04512-50060	WASHER SPRING	1				0.001	0.0022
130	31351-23740	SHAFT FULCRUM	1				0.09	0.198
140	04717-01600	WASHER WITH RUBBER	1				0.003	0.0066
150	31351-23760	COMP.HOLDER FORK ROD	1				0.155	0.341
160	31351-17320	BUSH	2	<=55140			0	0
160	08511-01412	BUSH	2	>=55141	↔		0.004	0.0088

PTO GEAR SHIFT FORK (SC)



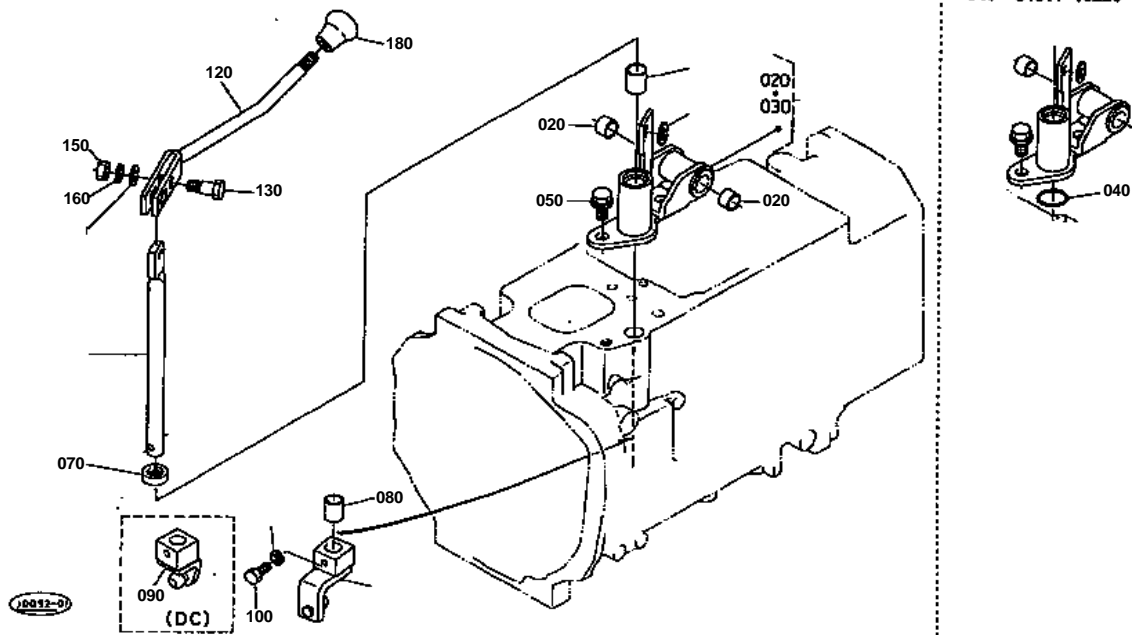


PTO GEAR SHIFT FORK (SC)

↔ Interchangeable; ≠ not interchangeable; ← new for old; → old for new

REF.No	Part No.	Description	Q'ty	S.No.	I/C	REMARKS	Weight (kgf)	Weight (lb)
010	31351-23610	ROD FORK LOWER	1				0.31	0.682
020	62581-18230	SPRING	1				0.01	0.022
030	07715-03211	BALL	1				0.003	0.0066
040	01173-51020	BOLT	1				0.017	0.0374
050	04717-01000	WASHER WITH RUBBER	1				0.001	0.0022
060	31351-23530	SEAL OIL	1				0.01	0.022
070	31351-23650	FORK SHIFT REAR	1				0	0
080	05411-00616	PIN SPRING	1				0.002	0.0044
090	31351-23570	BOLT FORK LOCK	1				0.007	0.0154
100	04512-50060	WASHER SPRING	1				0.001	0.0022
110	31351-23682	SHIFTER LOWER	1				0.13	0.286
120	31351-23570	BOLT FORK LOCK	1				0.007	0.0154
130	04512-50060	WASHER SPRING	1				0.001	0.0022
140	31351-23740	SHAFT FULCRUM	1				0.09	0.198
150	04717-01600	WASHER WITH RUBBER	1				0.003	0.0066
160	31351-23750	COMP.HOLDER FORK ROD	1				0.16	0.352
170	31351-17320	BUSH	2	<=55140			0	0
170	08511-01412	BUSH	2	>=55141	↔		0.004	0.0088

PTO GEAR SHIFT LEVER



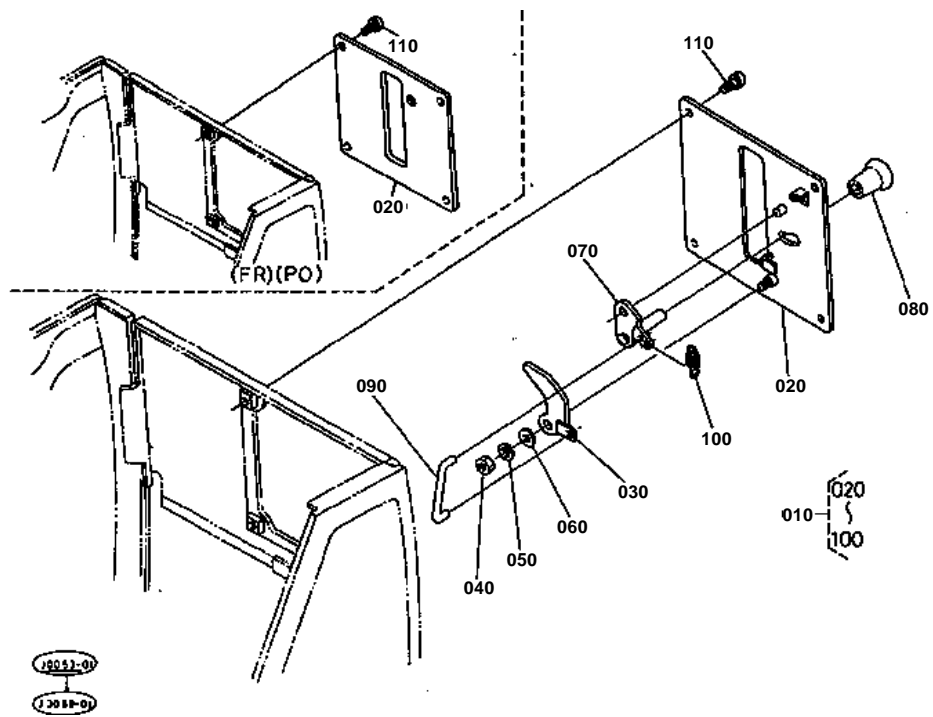


PTO GEAR SHIFT LEVER

↔ Interchangeable; ≠ not interchangeable; ← new for old; → old for new

REF.No	Part No.	Description	Q'ty	S.No.	I/C	REMARKS	Weight (kgf)	Weight (lb)
010	32430-23900	COMP.BRACKET LEVER	1				0.705	1.551
020	31351-16840	BUSH	2	<=55140			0	0
020	08511-01612	BUSH	2	>=55141	↔		0.005	0.011
030	31351-23830	BUSH	1	<=55140			0	0
030	08511-01620	BUSH	1	>=55141	↔		0.008	0.0176
040	04811-10220	O RING	1	<=56003			0.001	0.0022
050	01774-51220	BOLT FLANGE	2				0.03	0.066
060	31361-23810	ROD SPEED CHANGE	1				0.35	0.77
070	31351-23820	SEAL OIL	1				0.005	0.011
080	31351-23830	BUSH	1	<=55140			0	0
080	08511-01620	BUSH	1	>=55141	↔		0.008	0.0176
090	31351-23850	HOLDER FORK ROD	1			SC	0.24	0.528
090	32430-23860	HOLDER FORK ROD	1			DC	0.185	0.407
100	31351-23570	BOLT FORK LOCK	1				0.007	0.0154
110	04512-50060	WASHER SPRING	1				0.001	0.0022
120	32430-24110	LEVER PTO	1				0.26	0.572
130	31351-17080	BOLT	2				0.03	0.066
140	31351-24090	SHIM	2				0.005	0.011
150	02114-50080	NUT	2				0.005	0.011
160	04512-50080	WASHER SPRING	2				0.001	0.0022
170	04013-50080	WASHER PLAIN	2				0.003	0.0066
180	31351-24130	GRIP LEVER	1				0.03	0.066

PTO INTERLOCK



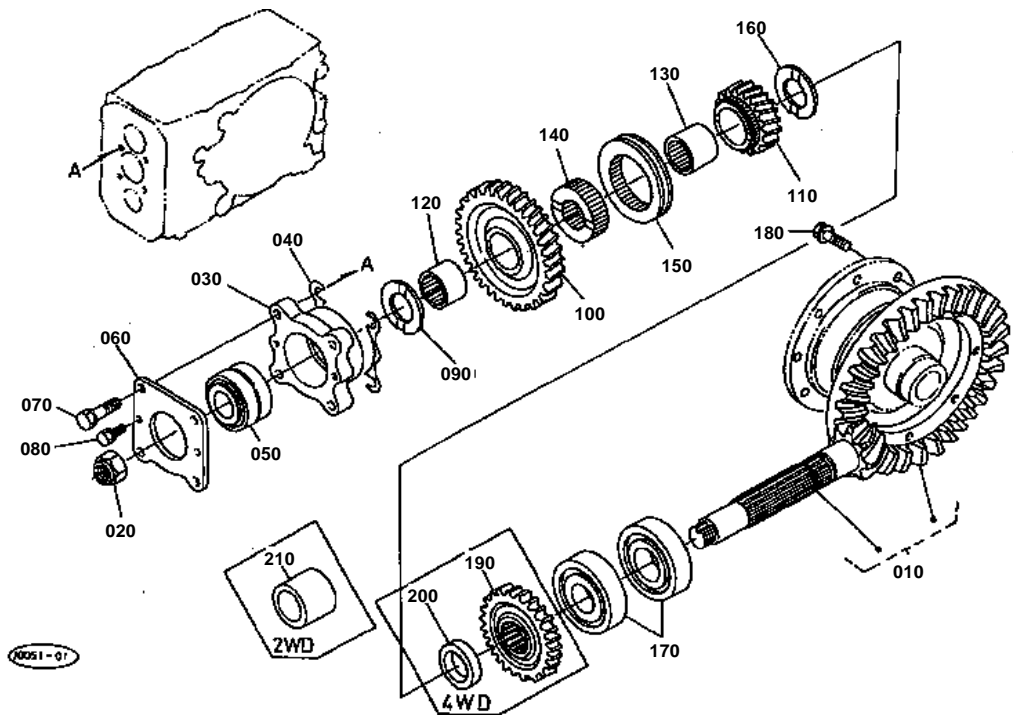


PTO INTERLOCK

↔ Interchangeable; ≠ not interchangeable; ← new for old; → old for new

REF.No	Part No.	Description	Q'ty	S.No.	I/C	REMARKS	Weight (kgf)	Weight (lb)
010	32430-24140	ASSY GUIDE LEVER	1			EXCEPT [FR][PO]	0.47	1.034
020	32430-24150	GUIDE LEVER	1			EXCEPT [FR][PO]	0.37	0.814
020	32425-24150	GUIDE LEVER	1			[FR][PO]	0.37	0.814
030	32430-24160	STOPPER	1			EXCEPT [FR][PO]	0.04	0.088
040	02012-50060	NUT	1			EXCEPT [FR][PO]	0.002	0.0044
050	04512-50060	WASHER SPRING	1			EXCEPT [FR][PO]	0.001	0.0022
060	04013-50060	WASHER PLAIN	1			EXCEPT [FR][PO]	0.001	0.0022
070	32430-24170	HANDLE STOPPER	1			EXCEPT [FR][PO]	0.035	0.077
080	54121-31250	GRIP LEVER	1			EXCEPT [FR][PO]	0.01	0.022
090	32430-24180	ROD INTERLOCKER	1			EXCEPT [FR][PO]	0.01	0.022
100	32430-24190	SPRING	1			EXCEPT [FR][PO]	0.002	0.0044
110	31351-24190	SCREW WITH WASHER	4				0.02	0.044

SPIRAL BEVEL PINION



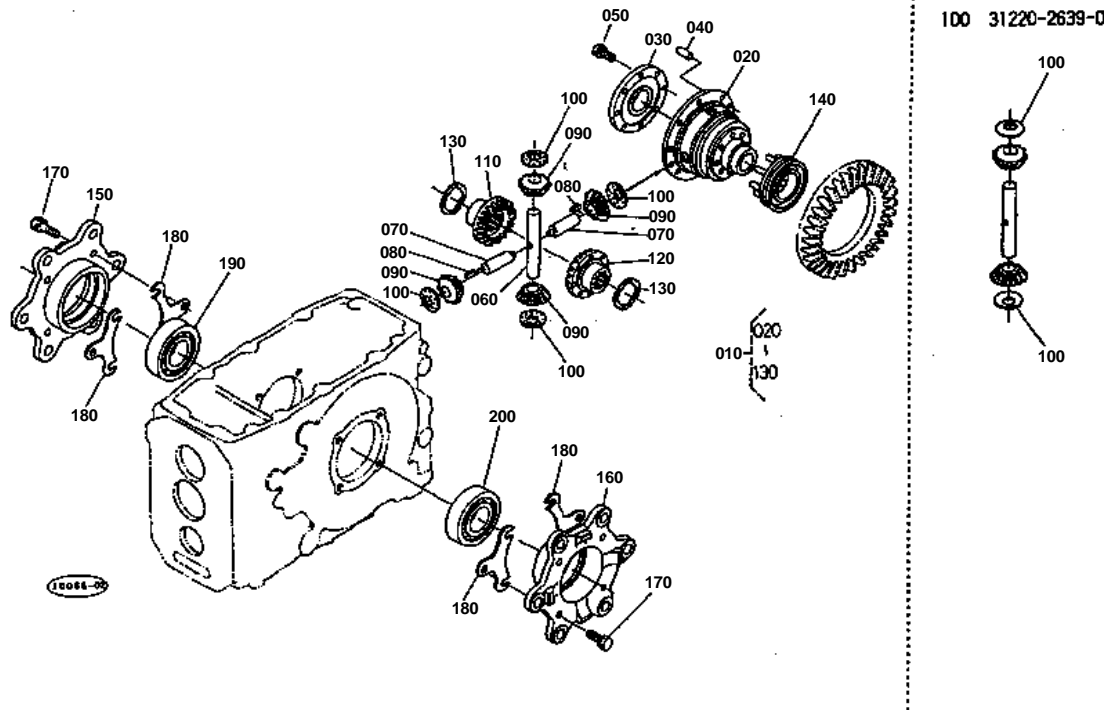


SPIRAL BEVEL PINION

↔ Interchangeable; ≠ not interchangeable; ← new for old; → old for new

REF.No	Part No.	Description	Q'ty	S.No.	I/C	REMARKS	Weight (kgf)	Weight (lb)
010	35300-22100	ASSY BEVEL SPIRAL	1				5.3	11.66
020	31220-22340	NUT	1	<=56277			0.033	0.0726
020	35260-23252	NUT	1	>=56278	↔		0.04	0.088
030	37300-22150	CASE BEARING	1				0.56	1.232
040	34150-22610	SHIM	2			0.5MM	0.01	0.022
040	34150-22620	SHIM	4			0.2MM	0.005	0.011
040	34150-22630	SHIM	2			0.1MM	0.005	0.011
050	38240-22140	BEARING TAPER-ROLLER	1				0.56	1.232
060	34150-22170	COVER BEARING	1				0.16	0.352
070	01133-51035	BOLT	4				0.03	0.066
080	01123-50816	BOLT	2				0.011	0.0242
090	38450-25230	COLLAR THRUST	1				0.025	0.055
100	32430-22410	GEAR	1			45T	1.02	2.244
110	32430-22420	GEAR	1	<=56277		20T EXCEPT [FR][GR][PO]	0.3	0.66
110	32430-22422	GEAR	1	>=56278	↔	20T EXCEPT [FR][GR][PO]	0.4	0.88
110	32425-22420	GEAR	1	<=56277		16T [FR][GR][PO]	0	0
110	32425-22422	GEAR	1	>=56278	↔	16T [FR][GR][PO]	0.35	0.77
120	32430-22430	RING INNER	1				0.07	0.154
130	32430-22440	RING INNER	1	<=56277			0.08	0.176
130	32430-22442	RING INNER	1	>=56278	↔		0.08	0.176
140	32430-22450	BOSS SPLINE	1				0.21	0.462
150	38450-21750	SHIFTER	1				0.22	0.484
160	38450-25230	COLLAR THRUST	1				0.025	0.055
170	08641-00306	BEARING ROLLER	2	<=57154			0.37	0.814
170	36540-41130	BEARING BALL	2	>=57155	↔		0.34	0.748
180	37800-43870	BOLT	8				0.026	0.0572
190	31363-44170	GEAR	1			24T	0.36	0.792
200	32430-22460	COLLAR	1				0.05	0.11

REAR DIFFERENTIAL

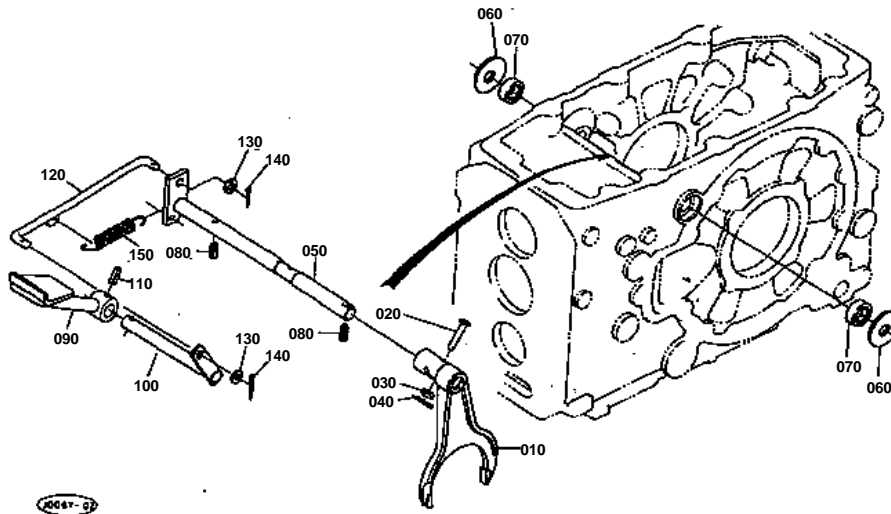


**REAR DIFFERENTIAL**

↔ Interchangeable; ≠ not interchangeable; ← new for old; → old for new

REF.No	Part No.	Description	Q'ty	S.No.	I/C	REMARKS	Weight (kgf)	Weight (lb)
010	31351-26100	ASSY DIFFERENTIAL	1				6.8	14.96
020	38240-26514	CASE DIFFERENTIAL	1				0	0
030	38240-26523	COVER DIFF.CASE	1				0	0
040	37300-28170	PIN STRAIGHT	2				0.025	0.055
050	01133-51025	BOLT	8				0.023	0.0506
060	35430-26340	SHAFT DIFF.PINION	1				0.31	0.682
070	35430-26330	SHAFT DIFF.PINION	2				0.136	0.2992
080	31220-26280	KEY FEATHER	2				0.005	0.011
090	35430-26350	PINION DIFF.	4				0.16	0.352
100	31220-26390	WASHER DIFF.PINION	4	<=57047			0	0
100	31351-26390	WASHER DIFF.PINION	4	>=57048	↔		0.012	0.0264
110	37300-26430	GEAR DIFF.SIDE RH	1				0.475	1.045
120	37300-26440	GEAR DIFF.SIDE LH	1				0.63	1.386
130	31351-26470	WASHER SIDE GEAR	2			1.5MM	0.01	0.022
130	31351-26480	WASHER SIDE GEAR	2			1.6MM	0.015	0.033
130	31351-26490	WASHER SIDE GEAR	2			1.8MM	0.016	0.0352
140	31351-26610	SHIFTER DIFF.LOCK	1				0.43	0.946
150	31351-26550	CASE DIFF.BEARING RH	1				1.47	3.234
160	31351-26560	CASE DIFF.BEARING LH	1				1.81	3.982
170	01133-51030	BOLT	8				0.025	0.055
180	37150-26160	SHIM	12			0.2MM	0.005	0.011
180	37150-26170	SHIM	8			0.1MM	0.005	0.011
180	37150-26180	SHIM	4			0.5MM	0.01	0.022
190	08711-32011	BEARING TAPER-ROLLER	1				0.538	1.1836
200	08711-30209	BEARING TAPER-ROLLER	1				0.458	1.0076

DIFF. LOCK PEDAL



060 31351-2669-0

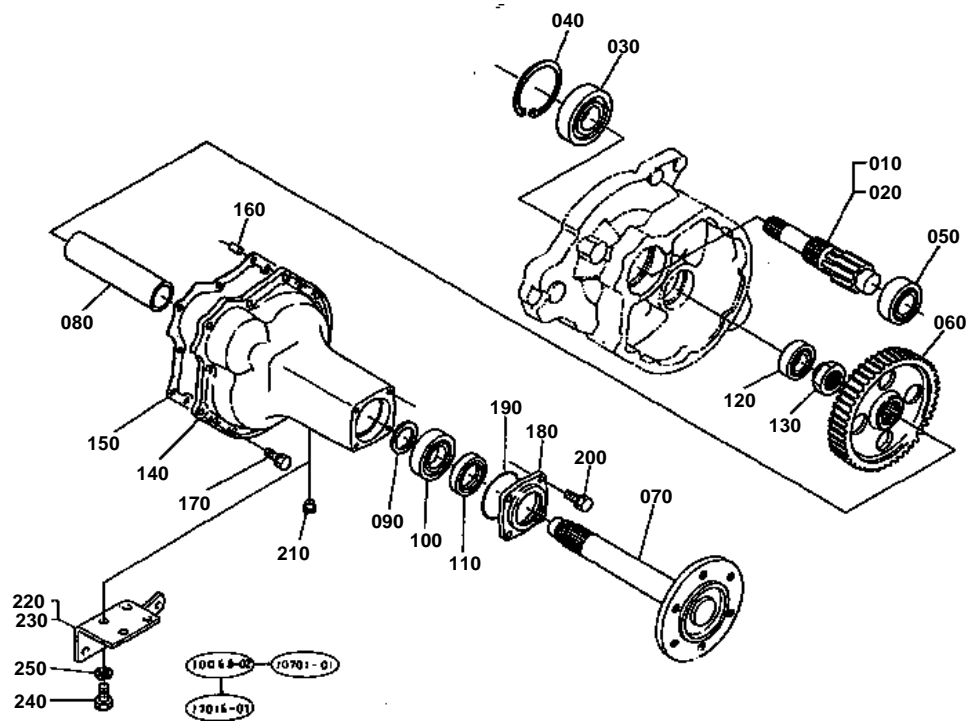


**DIFF. LOCK PEDAL**

↔ Interchangeable; ≠ not interchangeable; ← new for old; → old for new

REF.No	Part No.	Description	Q'ty	S.No.	I/C	REMARKS	Weight (kgf)	Weight (lb)
010	31351-26630	FORK SHIFT	1				0.465	1.023
020	31351-26620	PIN JOINT	1				0.008	0.0176
030	04013-50060	WASHER PLAIN	1				0.001	0.0022
040	05511-50212	PIN SPLIT	1				0.001	0.0022
050	31351-26680	SHAFT DIFF.LOCK FORK	1				0.48	1.056
060	31351-26690	WASHER THRUST	2	<=56284			0	0
060	04014-50160	WASHER PLAIN	2	>=56285	↔		0.013	0.0286
070	09500-16287	SEAL OIL	2				0.01	0.022
080	05411-00630	PIN SPRING	2				0.004	0.0088
090	32430-26640	PEDAL DIFF.LOCK	1	<=57083		ORANGE	0.3	0.66
090	32480-26640	PEDAL DIFF.LOCK	1	>=57084	≠	DEEP ORANGE	0	0
100	31351-26660	SHAFT DIFF.LOCK	1	<=57083		ORANGE	0.205	0.451
100	30442-26660	SHAFT DIFF.LOCK	1	>=57084	≠	DEEP ORANGE	0	0
110	05411-00625	PIN SPRING	1				0.004	0.0088
120	31351-26670	ROD DIFF.LOCK	1				0.1	0.22
130	04012-50080	WASHER PLAIN	2				0.001	0.0022
140	05511-50215	PIN SPLIT	2				0.001	0.0022
150	37150-15840	SPRING	1				0.06	0.132

REAR AXLE



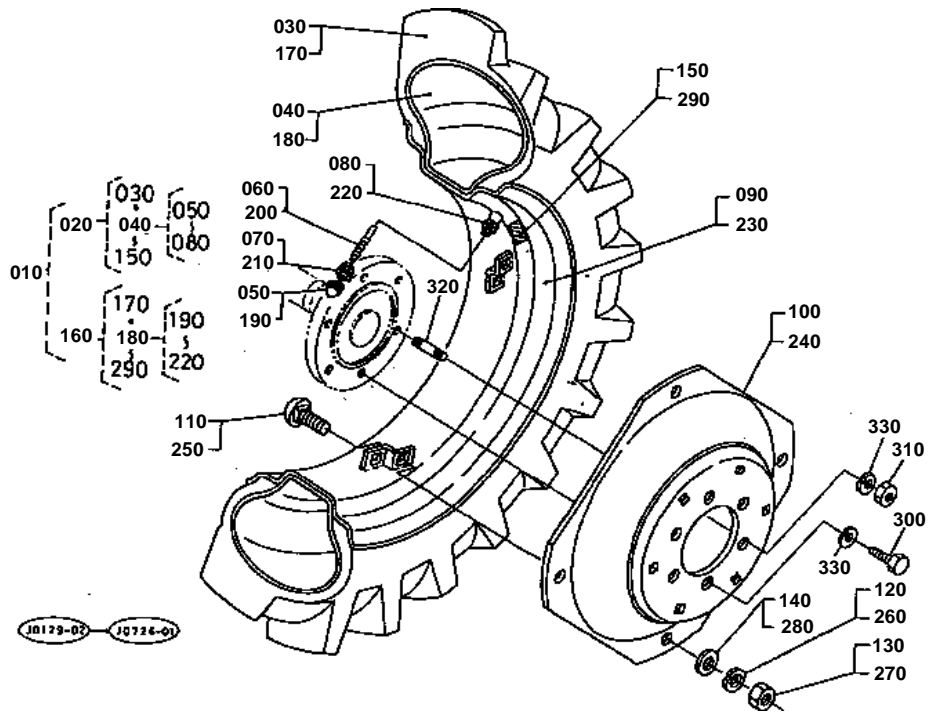


REAR AXLE

↔ Interchangeable; ≠ not interchangeable; ← new for old; → old for new

REF.No	Part No.	Description	Q'ty	S.No.	I/C	REMARKS	Weight (kgf)	Weight (lb)
010	32430-26710	SHAFT DIFF.GEAR RH	1			11T	1.96	4.312
020	32430-26720	SHAFT DIFF.GEAR LH	1			11T	2.15	4.73
030	08101-06309	BEARING BALL	2				0.82	1.804
040	04611-01000	CIR-CLIP INTERNAL	2				0.042	0.0924
050	08101-06307	BEARING BALL	2				0.44	0.968
060	31341-26833	GEAR	2			53T	4.74	10.428
070	32420-27110	AXLE REAR	2				11	24.2
080	32420-27140	SPACER	2				1.385	3.047
090	32150-26480	WASHER	2	<=52921			0.01	0.022
090	31351-27150	WASHER	2	>=52922	↔		0	0
100	08101-06210	BEARING BALL	2				0.45	0.99
110	34260-27560	SEAL OIL	2				0.098	0.2156
120	08101-06306	BEARING BALL	2				0.335	0.737
130	70650-11380	NUT	2				0.11	0.242
140	32420-27330	CASE REAR AXLE	2				16	35.2
150	32420-27350	GASKET AXLE CASE	2				0	0
160	37150-27370	PIN STRAIGHT	4				0.009	0.0198
170	01133-51035	BOLT	20				0.03	0.066
180	32430-27160	COVER AXLE CASE	2				0.6	1.32
190	04811-51000	O RING	2				0.003	0.0066
200	01133-51025	BOLT	8				0.023	0.0506
210	31220-14290	PLUG	8	>=54364		[A]	0.002	0.0044
220	32420-71912	BRACKET CHECK CHAIN	1			EXCEPT [A]	2.1	4.62
220	32420-71912	BRACKET CHECK CHAIN	1	<=54363		[A]	2.1	4.62
220	32420-71912	BRACKET CHECK CHAIN	1	>=54364		[A] OPTION	2.1	4.62
230	32420-71922	BRACKET CHECK CHAIN	1			EXCEPT [A]	2	4.4
230	32420-71922	BRACKET CHECK CHAIN	1	<=54363		[A]	2	4.4
230	32420-71922	BRACKET CHECK CHAIN	1	>=54364		[A] OPTION	2	4.4
240	01173-51430	BOLT	8			EXCEPT [A]	0.052	0.1144
240	01173-51430	BOLT	8	<=54363		[A]	0.052	0.1144
240	01173-51430	BOLT	8	>=54364		[A] OPTION	0.052	0.1144
250	04512-50140	WASHER SPRING	8			EXCEPT [A]	0	0
250	04512-50140	WASHER SPRING	8	<=54363		[A]	0	0
250	04512-50140	WASHER SPRING	8	>=54364		[A] OPTION	0	0

REAR WHEEL (11.2-24)



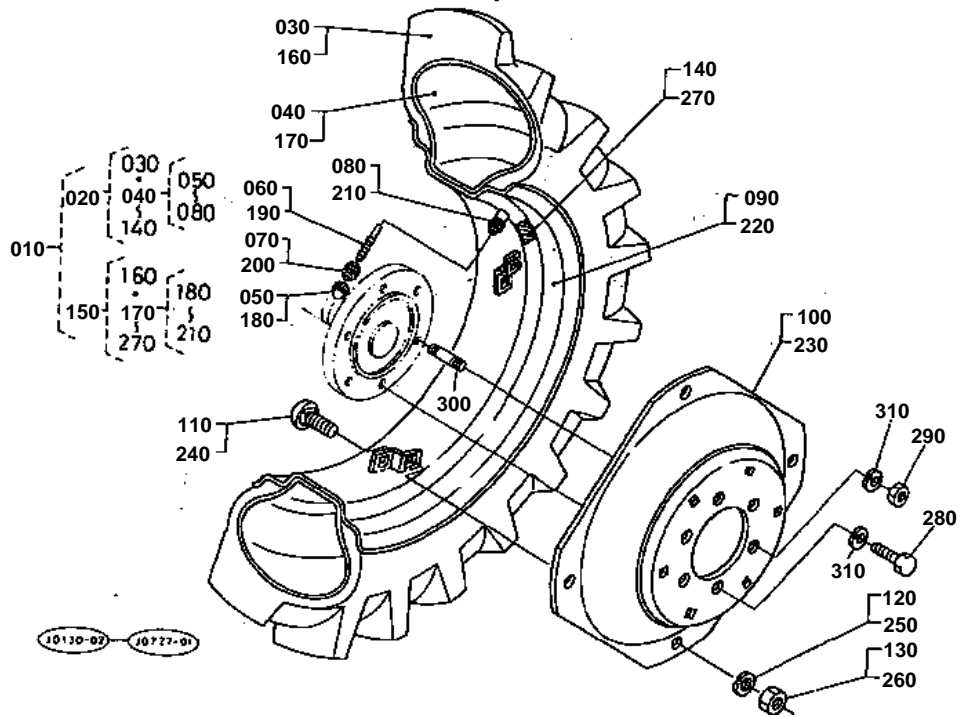


REAR WHEEL (11.2-24)

↔ Interchangeable; ≠ not interchangeable; ← new for old; → old for new

REF.No	Part No.	Description	Q'ty	S.No.	I/C	REMARKS	Weight (kgf)	Weight (lb)
010	35260-27900	ASSY REAR WHEEL	1	<=51792			122	268.4
010	32420-27900	ASSY REAR WHEEL	1	>=51793	←	ORANGE	125	275
010	32470-27900	ASSY REAR WHEEL	1	>=57084	≠	DEEP ORANGE	122	268.4
020	35260-27610	ASSY REAR WHEEL LH	1	<=51792			59.7	131.34
020	32420-27610	ASSY REAR WHEEL LH	1	>=51793	≠	ORANGE	62.5	137.5
020	32470-27610	ASSY REAR WHEEL LH	1	>=57084	≠	DEEP ORANGE	62	136.4
030	35260-27620	TIRE	1	<=51792			29.05	63.91
030	32420-27620	TIRE	1	>=51793	≠		31.5	69.3
040	32240-27630	TUBE	1				3.7	8.14
050	38240-11690	CAP VALVE	1				0.001	0.0022
060	32150-27740	CORE VALVE	1				0.003	0.0066
070	32270-27730	HOUSING VALVE CORE	1				0.014	0.0308
080	32270-27710	NUT RIM	1				0.006	0.0132
090	32240-27650	RIM	1	<=57083		ORANGE	0	0
090	32470-27650	RIM	1	>=57084	≠	DEEP ORANGE	14.7	32.34
100	34220-27660	DISK	1	<=57083		ORANGE	0	0
100	32470-27660	DISK	1	>=57084	≠	DEEP ORANGE	13.5	29.7
110	31220-27680	BOLT	4				0.09	0.198
120	04512-50160	WASHER SPRING	4				0	0
130	02174-50160	NUT	4				0.022	0.0484
140	04011-50160	WASHER PLAIN	4				0	0
150	35260-27680	LABEL TIRE LH	1	<=51792			0	0
150	32420-27680	LABEL TIRE LH	1	>=51793	≠	ORANGE	0.005	0.011
150	32470-27680	LABEL TIRE LH	1	>=57084	≠	DEEP ORANGE	0.001	0.0022
160	35260-27690	ASSY REAR WHEEL RH	1	<=51792			0	0
160	32420-27690	ASSY REAR WHEEL RH	1	>=51793	≠	ORANGE	62	136.4
160	32470-27690	ASSY REAR WHEEL RH	1	>=57084	≠	DEEP ORANGE	62	136.4
170	35260-27620	TIRE	1	<=51792			29.05	63.91
170	32420-27620	TIRE	1	>=51793	≠		31.5	69.3
180	32240-27630	TUBE	1				3.7	8.14
190	38240-11690	CAP VALVE	1				0.001	0.0022
200	32150-27740	CORE VALVE	1				0.003	0.0066
210	32270-27730	HOUSING VALVE CORE	1				0.014	0.0308
220	32270-27710	NUT RIM	1				0.006	0.0132
230	32240-27650	RIM	1	<=57083		ORANGE	0	0
230	32470-27650	RIM	1	>=57084	≠	DEEP ORANGE	14.7	32.34
240	34220-27660	DISK	1	<=57083		ORANGE	0	0
240	32470-27660	DISK	1	>=57084	≠	DEEP ORANGE	13.5	29.7
250	31220-27680	BOLT	4				0.09	0.198
260	04512-50160	WASHER SPRING	4				0	0
270	02174-50160	NUT	4				0.022	0.0484
280	04011-50160	WASHER PLAIN	4				0	0
290	35260-27670	LABEL TIRE RH	1	<=51792			0	0
290	32420-27670	LABEL TIRE RH	1	>=51793	≠	ORANGE	0.005	0.011
290	32470-27670	LABEL TIRE RH	1	>=57084	≠	DEEP ORANGE	0.001	0.0022
300	01073-51630	BOLT	8				0.079	0.1738
310	02076-50160	NUT	4				0.03	0.066
320	01517-51632	STUD	4				0.076	0.1672
330	04512-50160	WASHER SPRING	12				0	0

REAR WHEEL (12.4-24)



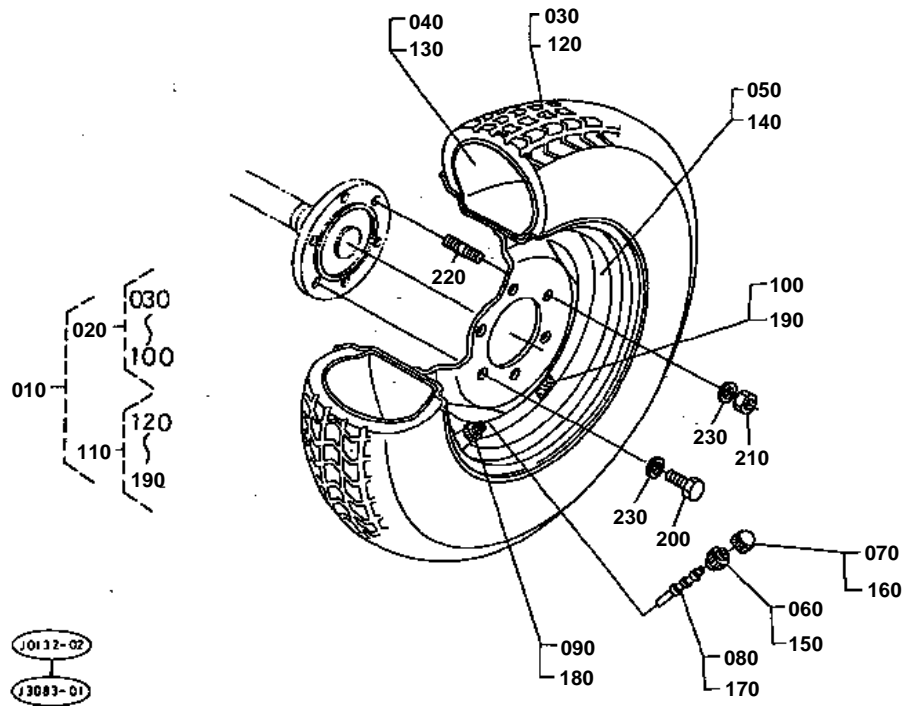


REAR WHEEL (12.4-24)

↔ Interchangeable; ≠ not interchangeable; ← new for old; → old for new

REF.No	Part No.	Description	Q'ty	S.No.	I/C	REMARKS	Weight (kgf)	Weight (lb)
010	37260-27600	ASSY REAR WHEEL	1	<=57083		ORANGE	170	374
010	32480-27600	ASSY REAR WHEEL	1	>=57084	≠	DEEP ORANGE	148	325.6
020	37260-27610	ASSY REAR WHEEL LH	1	<=57083		ORANGE	78	171.6
020	32480-27610	ASSY REAR WHEEL LH	1	>=57084	≠	DEEP ORANGE	74.5	163.9
030	37260-27620	TIRE	1				35	77
040	37260-27630	TUBE	1				2.5	5.5
050	38240-11690	CAP VALVE	1				0.001	0.0022
060	32150-27740	CORE VALVE	1				0.003	0.0066
070	32270-27730	HOUSING VALVE CORE	1				0.014	0.0308
080	32270-27710	NUT RIM	1				0.006	0.0132
090	37260-27640	RIM REAR WHEEL	1	<=57083		ORANGE	0	0
090	32480-27640	RIM REAR WHEEL	1	>=57084	≠	DEEP ORANGE	19.5	42.9
100	34220-27660	DISK	1	<=57083		ORANGE	0	0
100	32470-27660	DISK	1	>=57084	≠	DEEP ORANGE	13.5	29.7
110	31220-27680	BOLT	4				0.09	0.198
120	04512-50160	WASHER SPRING	4				0	0
130	02174-50160	NUT	4				0.022	0.0484
140	32430-27930	LABEL TIRE LH	1	<=57083		ORANGE	0.001	0.0022
140	32480-27930	LABEL TIRE LH	1	>=57084	≠	DEEP ORANGE	0.001	0.0022
150	37260-27690	ASSY REAR WHEEL RH	1	<=57083		ORANGE	0	0
150	32480-27690	ASSY REAR WHEEL RH	1	>=57084	≠	DEEP ORANGE	74.5	163.9
160	37260-27620	TIRE	1				35	77
170	37260-27630	TUBE	1				2.5	5.5
180	38240-11690	CAP VALVE	1				0.001	0.0022
190	32150-27740	CORE VALVE	1				0.003	0.0066
200	32270-27730	HOUSING VALVE CORE	1				0.014	0.0308
210	32270-27710	NUT RIM	1				0.006	0.0132
220	37260-27640	RIM REAR WHEEL	1	<=57083		ORANGE	0	0
220	32480-27640	RIM REAR WHEEL	1	>=57084	≠	DEEP ORANGE	19.5	42.9
230	34220-27660	DISK	1	<=57083		ORANGE	0	0
230	32470-27660	DISK	1	>=57084	≠	DEEP ORANGE	13.5	29.7
240	31220-27680	BOLT	4				0.09	0.198
250	04512-50160	WASHER SPRING	4				0	0
260	02174-50160	NUT	4				0.022	0.0484
270	32430-27940	LABEL TIRE RH	1	<=57083		ORANGE	0.001	0.0022
270	32480-27940	LABEL TIRE RH	1	>=57084	≠	DEEP ORANGE	0.001	0.0022
280	01073-51630	BOLT	8				0.079	0.1738
290	02076-50160	NUT	4				0.03	0.066
300	01517-51632	STUD	4				0.076	0.1672
310	04512-50160	WASHER SPRING	12				0	0

REAR WHEEL (13.6-16)

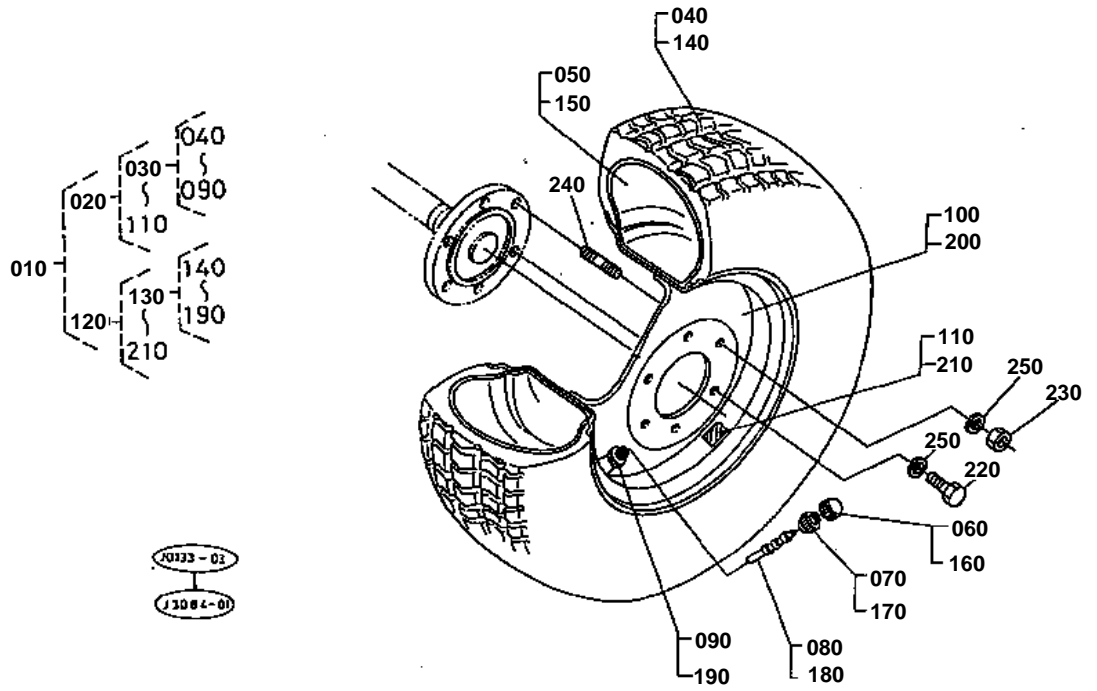


**REAR WHEEL (13.6-16)**

↔ Interchangeable; ≠ not interchangeable; ← new for old; → old for new

REF.No	Part No.	Description	Q'ty	S.No.	I/C	REMARKS	Weight (kgf)	Weight (lb)
010	35260-27700	ASSY REAR WHEEL	1	≤57083		ORANGE	0	0
010	32470-27700	ASSY REAR WHEEL	1	≥57084	≠	DEEP ORANGE	90	198
020	35260-27710	ASSY REAR WHEEL LH	1	≤57083		ORANGE	47	103.4
020	32470-27710	ASSY REAR WHEEL LH	1	≥57084	≠	DEEP ORANGE	45	99
030	38450-99330	TIRE	1				20.5	45.1
040	99424-27120	TUBE	1				3.8	8.36
050	35200-27952	WHEEL	1	≤57083		ORANGE	0	0
050	32470-27950	WHEEL	1	≥57084	≠	DEEP ORANGE	4.5	9.9
060	32270-27730	HOUSING VALVE CORE	1				0.014	0.0308
070	38240-11690	CAP VALVE	1				0.001	0.0022
080	32150-27740	CORE VALVE	1				0.003	0.0066
090	32270-27710	NUT RIM	1				0.006	0.0132
100	35260-27780	LABEL TIRE LH	1	≤57083		ORANGE	0.001	0.0022
100	32470-27780	LABEL TIRE LH	1	≥57084	≠	DEEP ORANGE	0.001	0.0022
110	35260-27720	ASSY REAR WHEEL RH	1	≤57083		ORANGE	0	0
110	32470-27720	ASSY REAR WHEEL RH	1	≥57084	≠	DEEP ORANGE	45	99
120	38450-99330	TIRE	1				20.5	45.1
130	99424-27120	TUBE	1				3.8	8.36
140	35200-27952	WHEEL	1	≤57083		ORANGE	0	0
140	32470-27950	WHEEL	1	≥57084	≠	DEEP ORANGE	4.5	9.9
150	32270-27730	HOUSING VALVE CORE	1				0.014	0.0308
160	38240-11690	CAP VALVE	1				0.001	0.0022
170	32150-27740	CORE VALVE	1				0.003	0.0066
180	32270-27710	NUT RIM	1				0.006	0.0132
190	35260-27770	LABEL TIRE RH	1	≤57083		ORANGE	0	0
190	32470-27770	LABEL TIRE RH	1	≥57084	≠	DEEP ORANGE	0.001	0.0022
200	01073-51630	BOLT	8				0.079	0.1738
210	02076-50160	NUT	4				0.03	0.066
220	01517-51632	STUD	4				0.076	0.1672
230	04512-50160	WASHER SPRING	12				0	0

REAR WHEEL (355/80-D20)



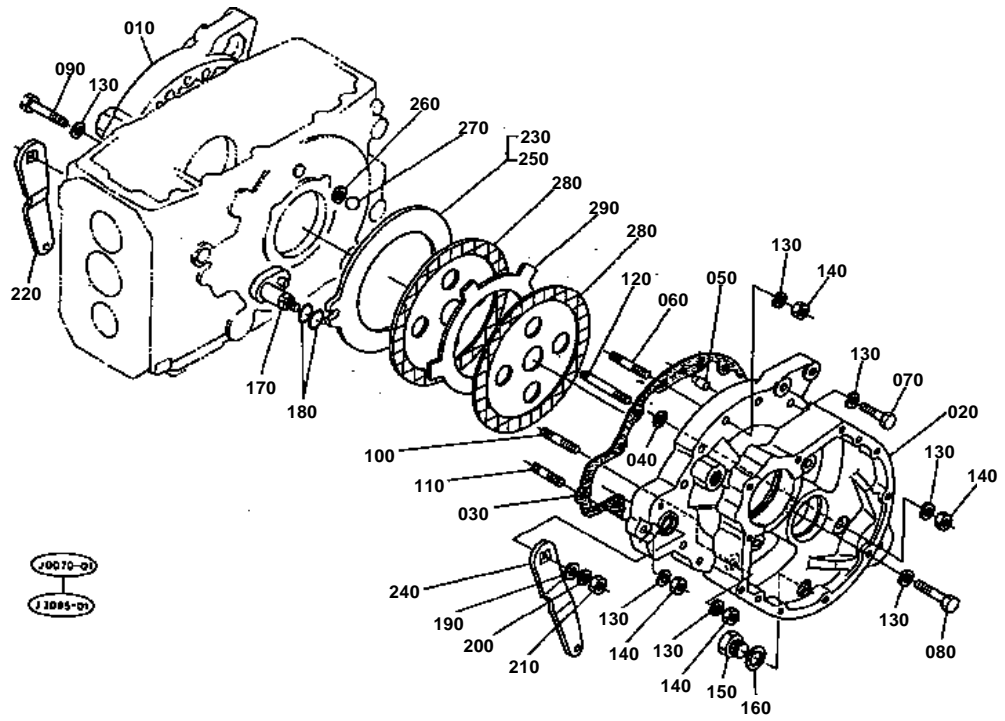


REAR WHEEL (355/80-D20)

↔ Interchangeable; ≠ not interchangeable; ← new for old; → old for new

REF.No	Part No.	Description	Q'ty	S.No.	I/C	REMARKS	Weight (kgf)	Weight (lb)
010	32430-27700	ASSY REAR WHEEL	1	<=57083		ORANGE	58	127.6
010	32480-27700	ASSY REAR WHEEL	1	>=57084	≠	DEEP ORANGE	133	292.6
020	32430-27710	ASSY REAR WHEEL LH	1	<=57083		ORANGE	0	0
020	32480-27710	ASSY REAR WHEEL LH	1	>=57084	≠	DEEP ORANGE	66.5	146.3
030	36346-49300	ASSY TUBE TIRE	1				0	0
040	36346-49310	TIRE REAR	1				40	88
050	36346-49320	TUBE TIRE	1				7.8	17.16
060	38240-11690	CAP VALVE	1				0.001	0.0022
070	32270-27730	HOUSING VALVE CORE	1				0.014	0.0308
080	32150-27740	CORE VALVE	1				0.003	0.0066
090	32270-27710	NUT RIM	1				0.006	0.0132
100	32430-27950	WHEEL	1	<=57083		ORANGE	0	0
100	32480-27950	WHEEL	1	>=57084	≠	DEEP ORANGE	23.4	51.48
110	32430-27870	LABEL TIRE LH	1	<=57083		ORANGE	0.001	0.0022
110	32480-27870	LABEL TIRE LH	1	>=57084	≠	DEEP ORANGE	0.001	0.0022
120	32430-27720	ASSY REAR WHEEL RH	1	<=57083		ORANGE	0	0
120	32480-27720	ASSY REAR WHEEL RH	1	>=57084	≠	DEEP ORANGE	66.5	146.3
130	36346-49300	ASSY TUBE TIRE	1				0	0
140	36346-49310	TIRE REAR	1				40	88
150	36346-49320	TUBE TIRE	1				7.8	17.16
160	38240-11690	CAP VALVE	1				0.001	0.0022
170	32270-27730	HOUSING VALVE CORE	1				0.014	0.0308
180	32150-27740	CORE VALVE	1				0.003	0.0066
190	32270-27710	NUT RIM	1				0.006	0.0132
200	32430-27950	WHEEL	1	<=57083		ORANGE	0	0
200	32480-27950	WHEEL	1	>=57084	≠	DEEP ORANGE	23.4	51.48
210	32430-27880	LABEL TIRE RH	1	<=57083		ORANGE	0.001	0.0022
210	32480-27880	LABEL TIRE RH	1	>=57084	≠	DEEP ORANGE	0.001	0.0022
220	01073-51630	BOLT	8				0.079	0.1738
230	02076-50160	NUT	4				0.03	0.066
240	01517-51632	STUD	4				0.076	0.1672
250	04512-50160	WASHER SPRING	12				0	0

BRAKE

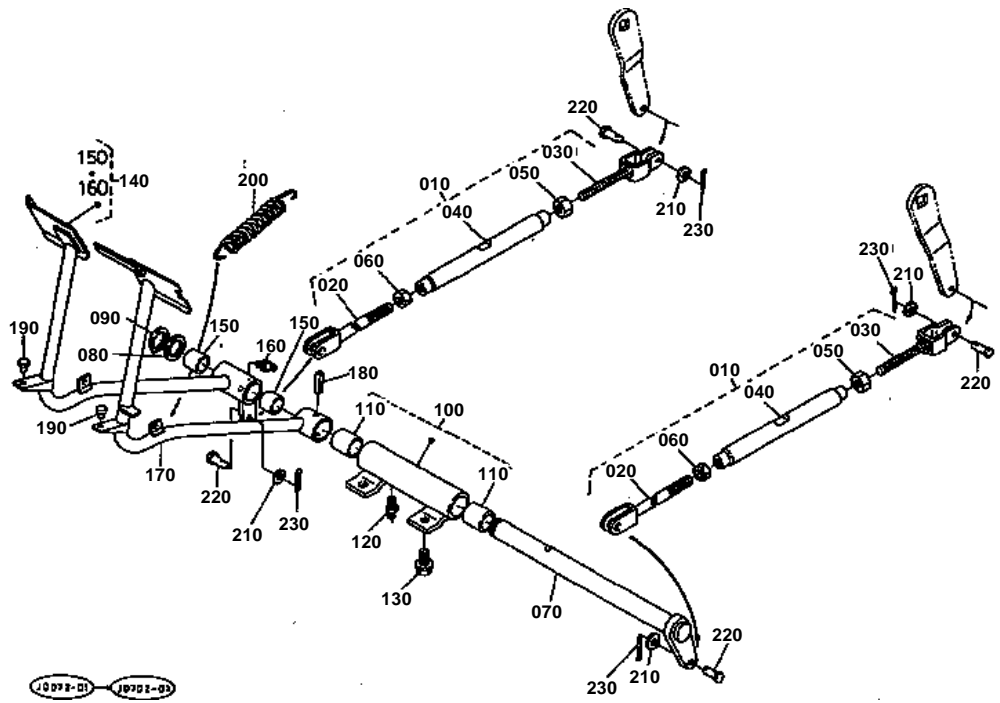


**BRAKE**

↔ Interchangeable; ≠ not interchangeable; ← new for old; → old for new

REF.No	Part No.	Description	Q'ty	S.No.	I/C	REMARKS	Weight (kgf)	Weight (lb)
010	32420-28130	CASE BRAKE RH	1				0	0
020	32420-28150	CASE BRAKE LH	1				0	0
030	37260-28160	GASKET	2				0	0
040	32430-28190	GASKET	2				0.002	0.0044
050	37150-27370	PIN STRAIGHT	4				0.009	0.0198
060	37150-27350	STUD	6				0.06	0.132
070	01173-51260	BOLT	7				0.06	0.132
080	01173-51260	BOLT	1				0.06	0.132
090	01176-51260	BOLT	2				0.06	0.132
100	01574-51260	STUD	8				0	0
110	01574-51235	STUD	2				0	0
120	01574-51280	STUD	2				0.08	0.176
130	04512-50120	WASHER SPRING	28				0.003	0.0066
140	02176-50120	NUT	18				0.01	0.022
150	15512-96010	PLUG DRAIN	2				0.101	0.2222
160	04717-02150	WASHER WITH RUBBER	2				0.004	0.0088
170	31351-28210	CAM BRAKE	2				0.35	0.77
180	04811-00220	O RING	4				0.001	0.0022
190	04015-50120	WASHER PLAIN	2				0.02	0.044
200	04512-50120	WASHER SPRING	2				0.003	0.0066
210	02174-50120	NUT	2				0.01	0.022
220	37150-28222	LEVER BRAKE CAM RH	1	≤55110			0	0
220	37150-28224	LEVER BRAKE CAM RH	1	≥55111	←		0.32	0.704
230	37150-28270	PLATE CAM RH	1				1.08	2.376
240	37150-28232	LEVER BRAKE CAM LH	1	≤55110			0	0
240	37150-28234	LEVER BRAKE CAM LH	1	≥55111	←		0.3	0.66
250	37150-28240	PLATE CAM LH	1				1.13	2.486
260	37150-28250	SEAT BALL	12				0.003	0.0066
270	07715-00805	BALL	12				0.016	0.0352
280	37150-28200	DISK BRAKE	4				0.774	1.7028
290	37720-28170	PLATE	2				0.422	0.9284

BRAKE PEDAL

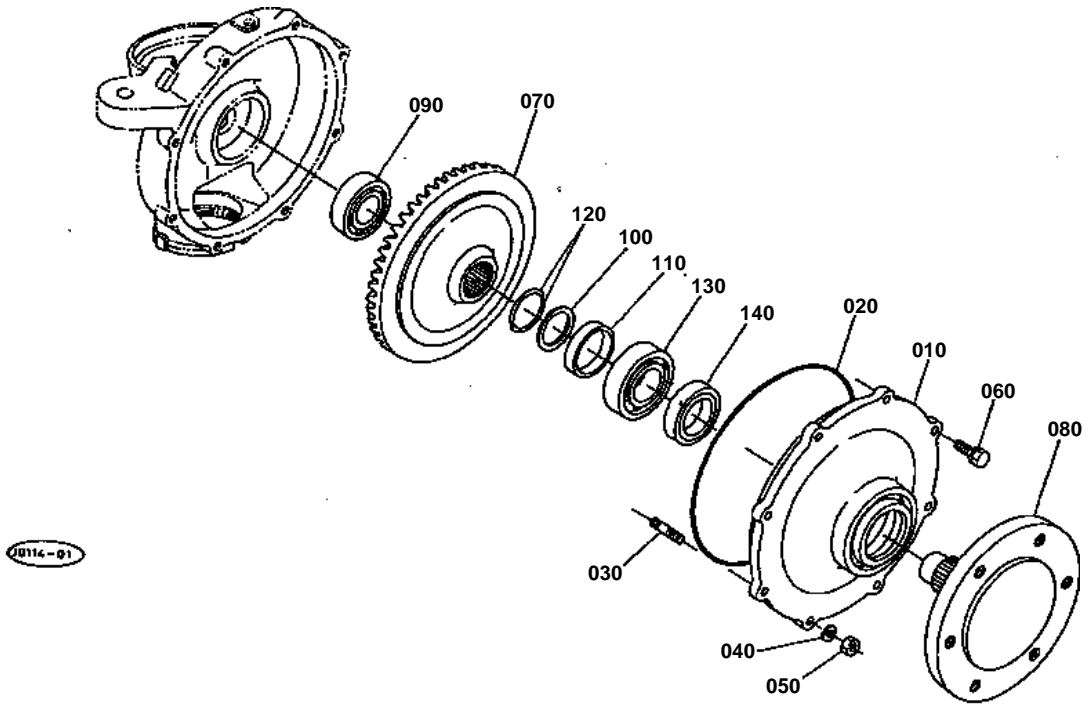


**BRAKE PEDAL**

↔ Interchangeable; ≠ not interchangeable; ← new for old; → old for new

REF.No	Part No.	Description	Q'ty	S.No.	I/C	REMARKS	Weight (kgf)	Weight (lb)
010	32420-28900	ASSY ROD BRAKE	2				0.7	1.54
020	35340-28930	ROD BRAKE	2				0.19	0.418
030	35340-28940	ROD BRAKE	2				0.19	0.418
040	38240-28980	TURNBUCKLE	2				0.29	0.638
050	37300-28990	NUT	2				0.015	0.033
060	02174-50140	NUT	2				0.014	0.0308
070	31351-28410	SHAFT BRAKE PEDAL	1				1.45	3.19
080	32150-28460	COLLAR	1				0.007	0.0154
090	04612-00250	CIR-CLIP EXTERNAL	1				0.002	0.0044
100	38240-28420	SUPPORT PEDAL SHAFT	1				0.93	2.046
110	34150-28430	BUSH	2				0.04	0.088
120	06613-10675	NIPPLE GREASE	1				0.003	0.0066
130	01133-51020	BOLT	4				0.02	0.044
140	32430-28600	ASSY PEDAL BRAKE RH	1				1.685	3.707
150	38180-28670	BUSH	2				0.02	0.044
160	06613-10675	NIPPLE GREASE	1				0.003	0.0066
170	32430-28630	PEDAL BRAKE LH	1				1.66	3.652
180	05411-00840	PIN SPRING	1				0.008	0.0176
190	31355-83130	CUSHION	2				0.003	0.0066
200	37150-15840	SPRING	2				0.06	0.132
210	04012-50080	WASHER PLAIN	4				0.001	0.0022
220	05112-50828	PIN JOINT	4				0.013	0.0286
230	05511-50215	PIN SPLIT	4				0.001	0.0022

FRONT AXLE

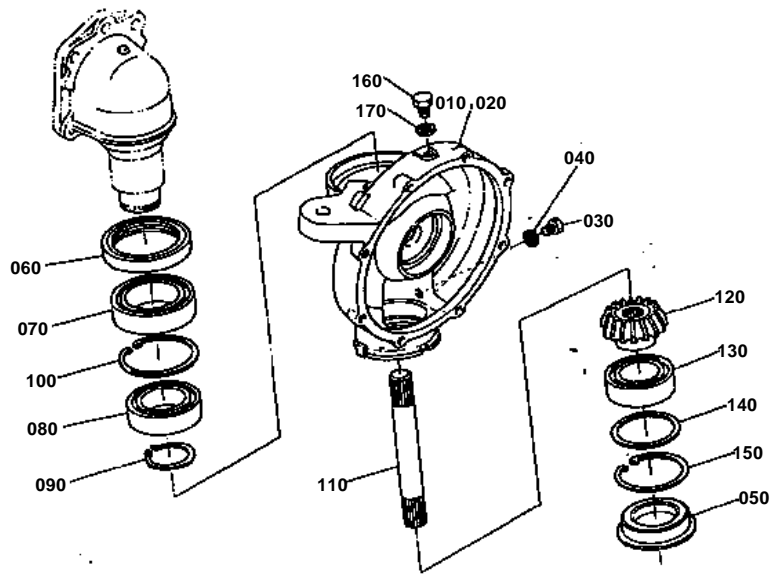


**FRONT AXLE**

↔ Interchangeable; ≠ not interchangeable; ← new for old; → old for new

REF.No	Part No.	Description	Q'ty	S.No.	I/C	REMARKS	Weight (kgf)	Weight (lb)
010	31353-44110	FLANGE AXLE	2				3	6.6
020	31353-44130	O RING	2				0.01	0.022
030	01513-50825	STUD	4				0	0
040	04512-50080	WASHER SPRING	4				0.001	0.0022
050	02156-50080	NUT	4				0.004	0.0088
060	01123-50825	BOLT	12				0.013	0.0286
070	31353-43940	GEAR BEVEL	2			42T	5.3	11.66
080	31353-43960	AXLE	2				4	8.8
090	08101-06206	BEARING BALL	2				0.196	0.4312
100	37650-43670	COLLAR THRUST	2				0.01	0.022
110	37720-43690	COLLAR	2				0.038	0.0836
120	37650-43680	CIR-CLIP	4				0	0
130	08101-06207	BEARING BALL	2				0.282	0.6204
140	37650-43530	SEAL OIL	2				0.062	0.1364

FRONT AXLE CASE



010 32420-4382-0

020 32420-4383-0

010,020

JD13-C1

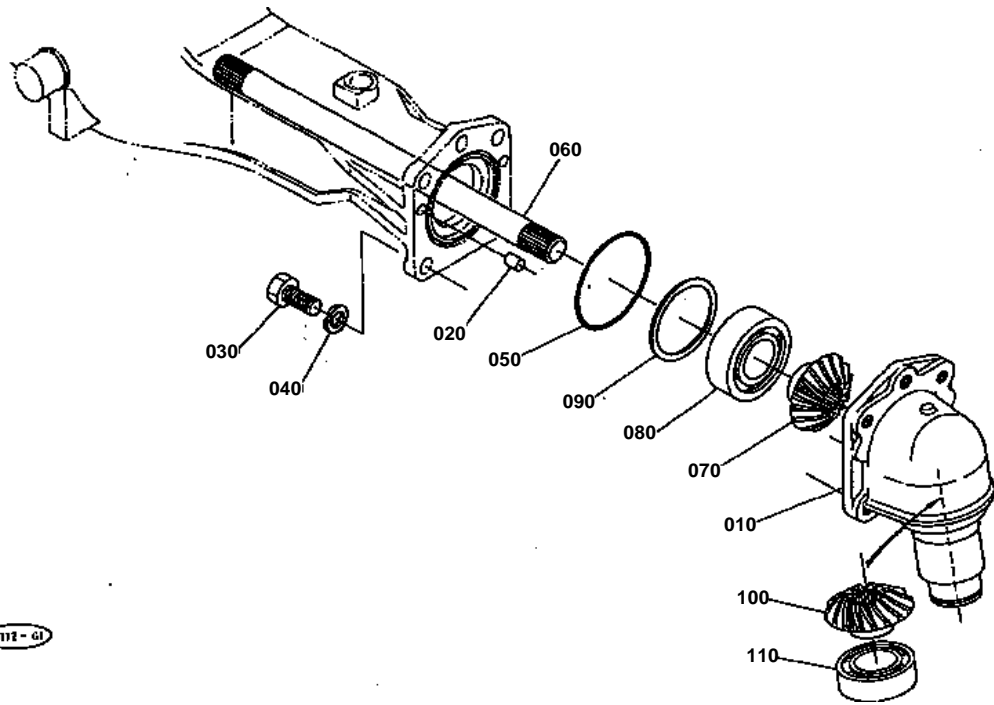


FRONT AXLE CASE

↔ Interchangeable; ≠ not interchangeable; ← new for old; → old for new

REF.No	Part No.	Description	Q'ty	S.No.	I/C	REMARKS	Weight (kgf)	Weight (lb)
010	32420-43820	CASE AXLE LH	1	<=51901			0	0
010	32420-43824	CASE AXLE LH	1	>=51902	←		0	0
010	32420-43825	CASE AXLE LH	1	>=56290	←		0	0
010	32420-43827	CASE AXLE LH	1	>=57213	←		0	0
020	32420-43830	CASE AXLE RH	1	<=51901			0	0
020	32420-43834	CASE AXLE RH	1	>=51902	←		0	0
020	32420-43835	CASE AXLE RH	1	>=56290	←		0	0
020	32420-43837	CASE AXLE RH	1	>=57213	←		0	0
030	06331-35012	PLUG	2				0.022	0.0484
040	04717-01200	WASHER WITH RUBBER	2				0.002	0.0044
050	31353-43850	PLUG	2				0.075	0.165
060	31353-43870	SEAL OIL	2	<=54363			0	0
060	31353-43874	SEAL OIL	2	>=54364	←		0	0
070	08101-06012	BEARING BALL	2				0.41	0.902
080	08101-06010	BEARING BALL	2				0.262	0.5764
090	04612-00500	CIR-CLIP EXTERNAL	2				0.009	0.0198
100	04611-00800	CIR-CLIP INTERNAL	2				0.02	0.044
110	32430-43910	SHAFT BEVEL GEAR	2				0.78	1.716
120	31353-43930	GEAR BEVEL	2	<=57176		12T	0.57	1.254
120	32440-43930	GEAR BEVEL	2	>=57177	↔	12T	0.595	1.309
130	08101-06009	BEARING BALL	2				0.22	0.484
140	31353-43460	SHIM	2			0.8MM	0.01	0.022
140	31353-43480	SHIM	2			1.2MM	0.015	0.033
140	31353-44030	SHIM	2			1.6MM	0.02	0.044
140	31353-44040	SHIM	2			1.8MM	0.02	0.044
140	31353-44050	SHIM	2			2.0MM	0.02	0.044
140	31353-44060	SHIM	2			2.3MM	0.025	0.055
140	31353-44070	SHIM	2			2.6MM	0.04	0.088
150	04611-00750	CIR-CLIP INTERNAL	2				0.019	0.0418
160	06331-35010	PLUG	2	>=51902			0.012	0.0264
170	04717-01000	WASHER WITH RUBBER	2	>=51902			0.001	0.0022

DIFF.GEAR SHAFT



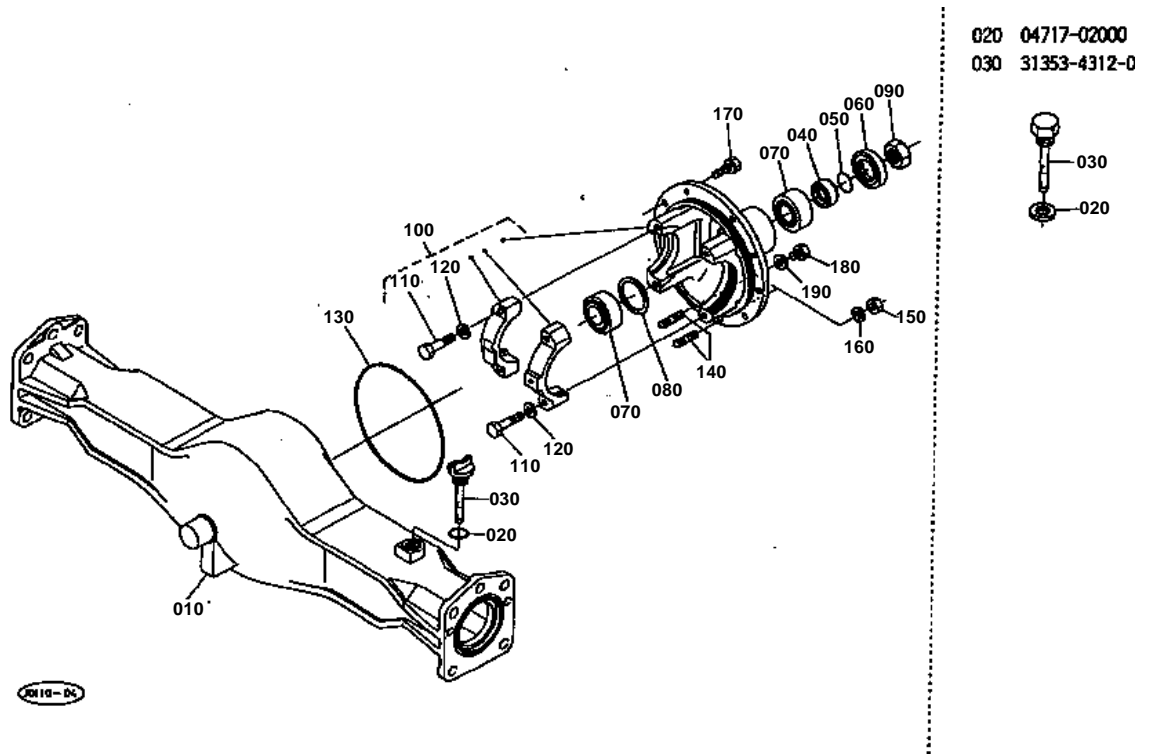


DIFF.GEAR SHAFT

↔ Interchangeable; ≠ not interchangeable; ← new for old; → old for new

REF.No	Part No.	Description	Q'ty	S.No.	I/C	REMARKS	Weight (kgf)	Weight (lb)
010	31353-43614	CASE BEVEL GEAR	2				0	0
020	38440-43880	PIN STRAIGHT	4	<=52251			0	0
020	31353-43880	PIN STRAIGHT	4	>=52252	↔		0.02	0.044
030	01176-51435	BOLT	10				0.056	0.1232
040	04512-50140	WASHER SPRING	10				0	0
050	04811-10850	O RING	2				0.002	0.0044
060	32430-43630	SHAFT DIFF GEAR LH	2				1.51	3.322
070	31353-43650	GEAR BEVEL	2			13T	0.46	1.012
080	08101-06208	BEARING BALL	2				0.355	0.781
090	31353-43750	SHIM	2			0.4MM	0.008	0.0176
090	31353-43760	SHIM	2			0.6MM	0.01	0.022
090	31353-43770	SHIM	2			0.8MM	0.015	0.033
090	31353-43780	SHIM	2			1.0MM	0.014	0.0308
090	31353-43790	SHIM	2			1.2MM	0.015	0.033
100	31353-43660	GEAR BEVEL	2			15T	0.5	1.1
110	36920-40090	BEARING BALL	2				0.1	0.22

FRONT DIFF.CASE



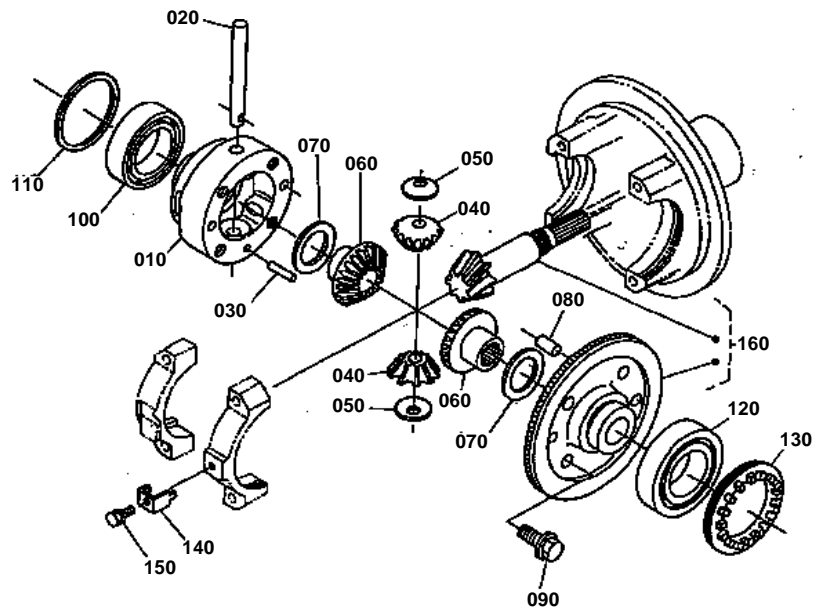


FRONT DIFF.CASE

↔ Interchangeable; ≠ not interchangeable; ← new for old; → old for new

REF.No	Part No.	Description	Q'ty	S.No.	I/C	REMARKS	Weight (kgf)	Weight (lb)
010	32430-43110	CASE FRONT AXLE	1	≤56302			0	0
010	32430-43113	CASE FRONT AXLE	1	≥56303	≠		19.5	42.9
020	04717-02000	WASHER WITH RUBBER	1	≤53171			0.004	0.0088
020	04811-00180	O RING	1	≥53172	≠		0.001	0.0022
030	31353-43120	GAUGE OIL	1	≤52251			0	0
030	31353-43122	GAUGE OIL	1	≥52252	↔		0.015	0.033
040	31353-43220	COLLAR SEAL	1				0.035	0.077
050	04811-10250	O RING	1				0.001	0.0022
060	09500-32528	SEAL OIL	1				0.017	0.0374
070	31353-43240	ROLLER TAPER	2				0.23	0.506
080	31353-43140	SHIM	1			0.4MM	0.003	0.0066
080	31353-43150	SHIM	1			0.6MM	0.001	0.0022
080	31353-43160	SHIM	1			0.8MM	0.01	0.022
080	31353-43170	SHIM	1			1.0MM	0.006	0.0132
080	31353-43180	SHIM	1			1.2MM	0.003	0.0066
090	31220-22340	NUT	1	≤52641			0.033	0.0726
090	35260-23252	NUT	1	≥52642			0.04	0.088
100	31353-43260	ASSY CASE PINION BRG	1				5	11
110	01173-51040	BOLT	4				0.028	0.0616
120	04512-50100	WASHER SPRING	4				0.003	0.0066
130	31353-43250	O RING	1				0.005	0.011
140	01517-51022	STUD	2				0	0
150	02176-50100	NUT	2				0.005	0.011
160	04512-50100	WASHER SPRING	2				0.003	0.0066
170	01133-51025	BOLT	8				0.023	0.0506
180	06331-35012	PLUG	1				0.022	0.0484
190	04717-01200	WASHER WITH RUBBER	1				0.002	0.0044

FRONT DIFFERENTIAL



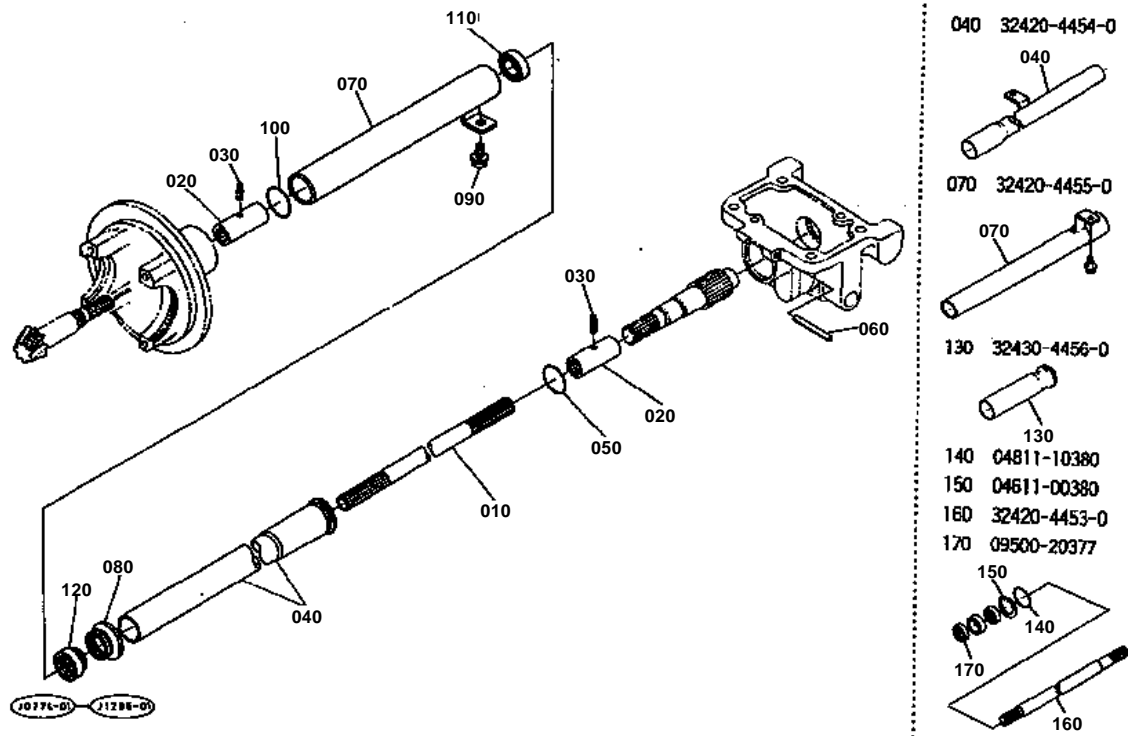
2011 - 01

**FRONT DIFFERENTIAL**

↔ Interchangeable; ≠ not interchangeable; ← new for old; → old for new

REF.No	Part No.	Description	Q'ty	S.No.	I/C	REMARKS	Weight (kgf)	Weight (lb)
010	31353-43312	CASE DIFFERENTIAL	1				1.62	3.564
020	31353-43330	SHAFT PINION	1				0.13	0.286
030	05012-00628	PIN STRAIGHT	1				0.006	0.0132
040	31353-43340	PINION DIFF.	2	<=56284			0	0
040	31353-43343	PINION DIFF.	2	>=56285	←		0.1	0.22
050	67121-56670	COLLAR PINION THRUST	2				0.006	0.0132
060	31353-43350	GEAR DIFF.SIDE	2	<=56280			0	0
060	31353-43353	GEAR DIFF.SIDE	2	>=56285	←		0.19	0.418
070	67211-15160	SHIM	2			1.0MM	0.01	0.022
070	67211-15170	SHIM	2			0.8MM	0.008	0.0176
070	67211-15180	SHIM	2			1.2MM	0.01	0.022
070	31353-43360	SHIM	2			0.6MM	0.01	0.022
070	31353-43370	SHIM	2			0.4MM	0.01	0.022
080	31353-43413	PIN STRAIGHT	2				0.01	0.022
090	36280-42320	BOLT	4				0.042	0.0924
100	08101-06009	BEARING BALL	1				0.22	0.484
110	31353-43440	SHIM	1			0.4MM	0.005	0.011
110	31353-43450	SHIM	1			0.6MM	0.01	0.022
110	31353-43460	SHIM	1			0.8MM	0.01	0.022
110	31353-43470	SHIM	1			1.0MM	0.01	0.022
110	31353-43480	SHIM	1			1.2MM	0.015	0.033
120	08101-06209	BEARING BALL	1				0.42	0.924
130	31353-43510	SCREW ADJUSTING	1				0.16	0.352
140	31353-43530	WASHER LOCK	1				0.012	0.0264
150	01023-50610	BOLT	1				0.005	0.011
160	31353-99120	ASSY GEAR SPIRAL DT	1			7-34T	2.3	5.06

PROPELLER SHAFT



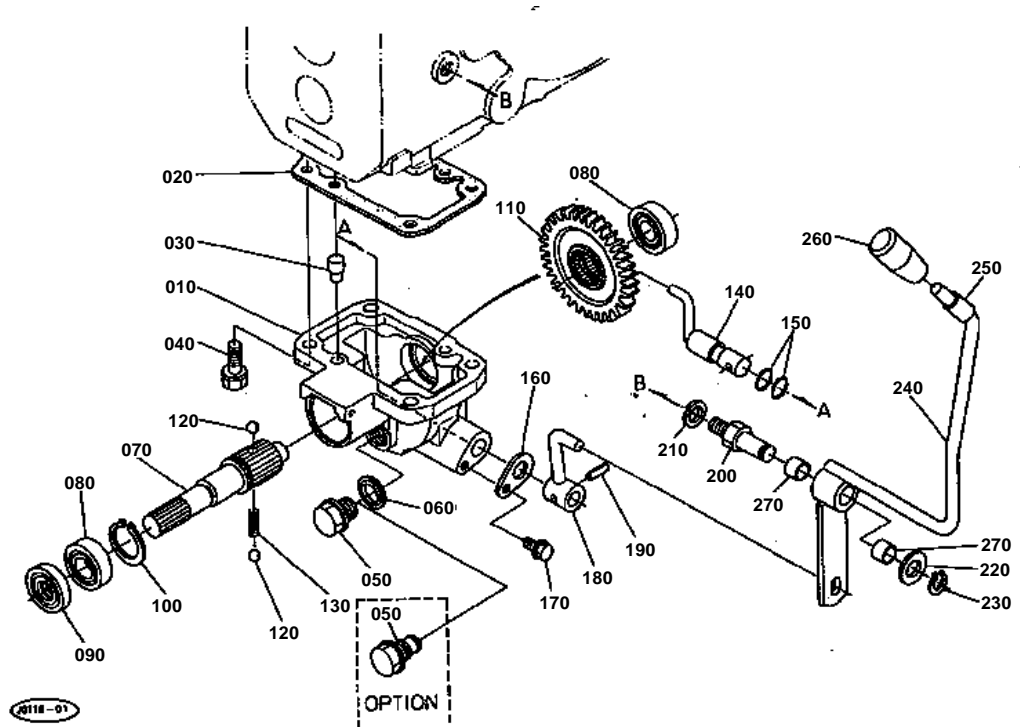


PROPELLER SHAFT

↔ Interchangeable; ≠ not interchangeable; ← new for old; → old for new

REF.No	Part No.	Description	Q'ty	S.No.	I/C	REMARKS	Weight (kgf)	Weight (lb)
010	32420-44510	SHAFT PROPELLER	1	≤52907			1.74	3.828
010	32420-44513	SHAFT PROPELLER	1	≥52908	≠		2.5	5.5
020	31353-44520	COUPLING	3	≤52907			0	0
020	31353-44520	COUPLING	2	≥52908			0	0
030	05411-00430	PIN SPRING	3	≤52907			0.002	0.0044
030	05411-00430	PIN SPRING	2	≥52908			0.002	0.0044
040	32420-44540	COVER SHAFT	1	≤52907			1.16	2.552
040	32420-44544	COVER SHAFT	1	≥52908	≠		1.11	2.442
050	04811-00410	O RING	1				0.002	0.0044
060	05411-00560	PIN SPRING	1				0.006	0.0132
070	32420-44550	COVER SHAFT	1	≤52907			0.87	1.914
070	31343-44550	COVER SHAFT	1	≥52908	≠		0.55	1.21
080	31353-44570	SEAL	1				0.005	0.011
090	01774-51016	BOLT FLANGE	1				0.02	0.044
100	04811-00420	O RING	1				0.002	0.0044
110	08101-06904	BEARING BALL	1	≤52907			0.02	0.044
110	08141-06904	BEARING BALL	1	≥52908	≠		0.05	0.11
120	32430-44590	RING OUTER	1	≥52908			0.01	0.022
130	32430-44560	COVER SHAFT	1	≤52907			0.33	0.726
140	04811-10380	O RING	1	≤52907			0.001	0.0022
150	04611-00380	CIR-CLIP INTERNAL	1	≤52907			0.004	0.0088
160	32420-44530	SHAFT PROPELLER	1	≤52907			0.77	1.694
170	09500-20377	SEAL OIL	1	≤52907			0.01	0.022

FRONT WHEEL DRIVE CASE



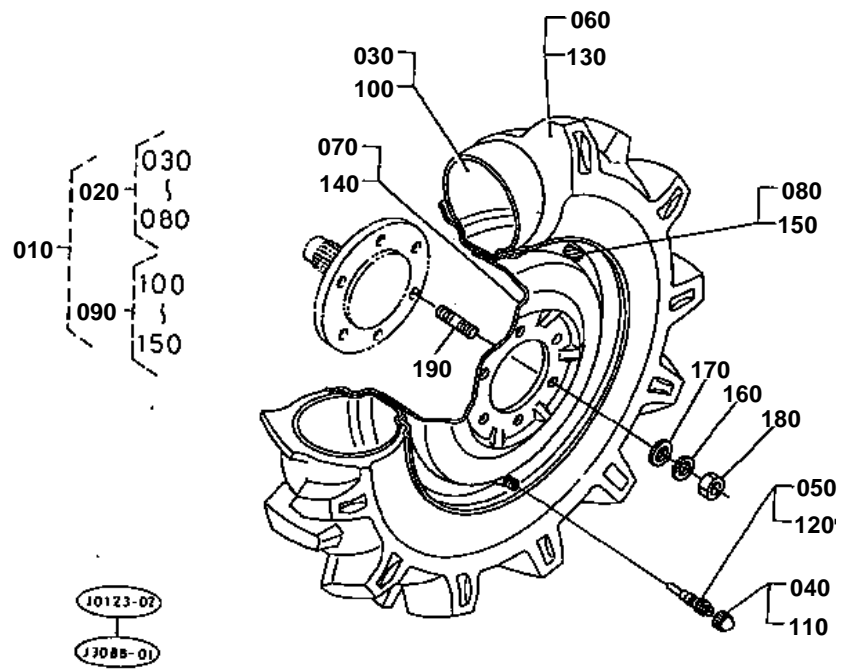


FRONT WHEEL DRIVE CASE

↔ Interchangeable; ≠ not interchangeable; ← new for old; → old for new

REF.No	Part No.	Description	Q'ty	S.No.	I/C	REMARKS	Weight (kgf)	Weight (lb)
010	32430-44210	CASE DRIVE	1				0.95	2.09
020	37150-21282	GASKET	1				0	0
030	32430-44450	PIN KNOCK	2				0.01	0.022
040	01133-51235	BOLT	4				0.05	0.11
050	15512-96010	PLUG DRAIN	1				0.101	0.2222
050	32420-67020	PLUG MAGNETO	1			OPTION	0.115	0.253
060	04717-02150	WASHER WITH RUBBER	1				0.004	0.0088
070	32430-44220	SHAFT DRIVE	1				0.655	1.441
080	08101-06204	BEARING BALL	2				0.102	0.2244
090	09502-04710	SEAL OIL	1				0.022	0.0484
100	36740-41150	CIR-CLIP EXTERNAL	1				0.01	0.022
110	32420-44230	GEAR SHIFT	1			33T	0.575	1.265
120	07715-01605	BALL	2				0.003	0.0066
130	32430-44250	SPRING	1				0.004	0.0088
140	31353-44310	LEVER SHIFT	1				0.16	0.352
150	04811-00150	O RING	2				0.001	0.0022
160	31353-44330	STOPPER LEVER	1				0.01	0.022
170	01754-50816	BOLT FLANGE	1				0.011	0.0242
180	32430-44360	LEVER CHANGE	1				0.145	0.319
190	05411-00625	PIN SPRING	1				0.004	0.0088
200	32430-44390	FULCRUM LEVER	1				0.16	0.352
210	04512-50140	WASHER SPRING	1				0	0
220	04011-50180	WASHER PLAIN	1				0.012	0.0264
230	04612-00180	CIR-CLIP EXTERNAL	1				0.001	0.0022
240	32430-44380	LEVER ON-OFF(DT)	1				0	0
250	32430-44470	PIPE	1				0.01	0.022
260	31351-17530	GRIP LEVER	1				0	0
270	31353-44370	BUSH	2	<=55140			0	0
270	08511-01810	BUSH	2	>=55141	↔		0.005	0.011

FRONT WHEEL(7-16)



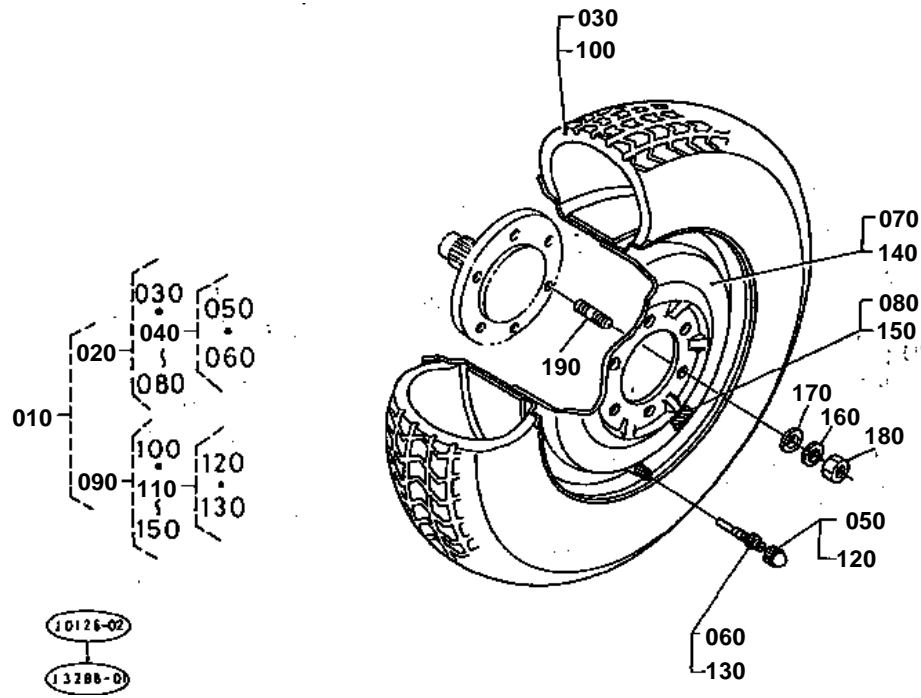


FRONT WHEEL(7-16)

↔ Interchangeable; ≠ not interchangeable; ← new for old; → old for new

REF.No	Part No.	Description	Q'ty	S.No.	I/C	REMARKS	Weight (kgf)	Weight (lb)
010	35290-43700	ASSY FRONT WHEEL	1	<=57083		ORANGE	48	105.6
010	32470-43700	ASSY FRONT WHEEL	1	>=57084	≠	DEEP ORANGE	46	101.2
020	35290-43710	ASSY FRONT WHEEL RH	1	<=57083		ORANGE	24	52.8
020	32470-43710	ASSY FRONT WHEEL RH	1	>=57084	≠	DEEP ORANGE	22.7	49.94
030	35220-43750	TUBE	1				1.13	2.486
040	38240-11690	CAP VALVE	1				0.001	0.0022
050	32150-27740	CORE VALVE	1				0.003	0.0066
060	38440-43740	TIRE	1				9.66	21.252
070	35290-43730	WHEEL	1	<=57083		ORANGE	0	0
070	32470-43730	WHEEL	1	>=57084	≠	DEEP ORANGE	11.48	25.256
080	35290-43770	LABEL TIRE RH	1	<=57083		ORANGE	0.002	0.0044
080	32470-43770	LABEL TIRE RH	1	>=57084	≠	DEEP ORANGE	0.001	0.0022
090	35290-43720	ASSY FRONT WHEEL LH	1	<=57083		ORANGE	23	50.6
090	32470-43720	ASSY FRONT WHEEL LH	1	>=57084	≠	DEEP ORANGE	22.7	49.94
100	35220-43750	TUBE	1				1.13	2.486
110	38240-11690	CAP VALVE	1				0.001	0.0022
120	32150-27740	CORE VALVE	1				0.003	0.0066
130	38440-43740	TIRE	1				9.66	21.252
140	35290-43730	WHEEL	1	<=57083		ORANGE	0	0
140	32470-43730	WHEEL	1	>=57084	≠	DEEP ORANGE	11.48	25.256
150	35290-43780	LABEL TIRE LH	1	<=57083		ORANGE	0.002	0.0044
150	32470-43780	LABEL TIRE LH	1	>=57084	≠	DEEP ORANGE	0.001	0.0022
160	04512-50140	WASHER SPRING	12				0	0
170	04013-50140	WASHER PLAIN	12				0	0
180	02176-50140	NUT	12				0.014	0.0308
190	35450-49160	STUD	12				0.05	0.11

FRONT WHEEL(25X8.50-14) EXCEPT [FR]



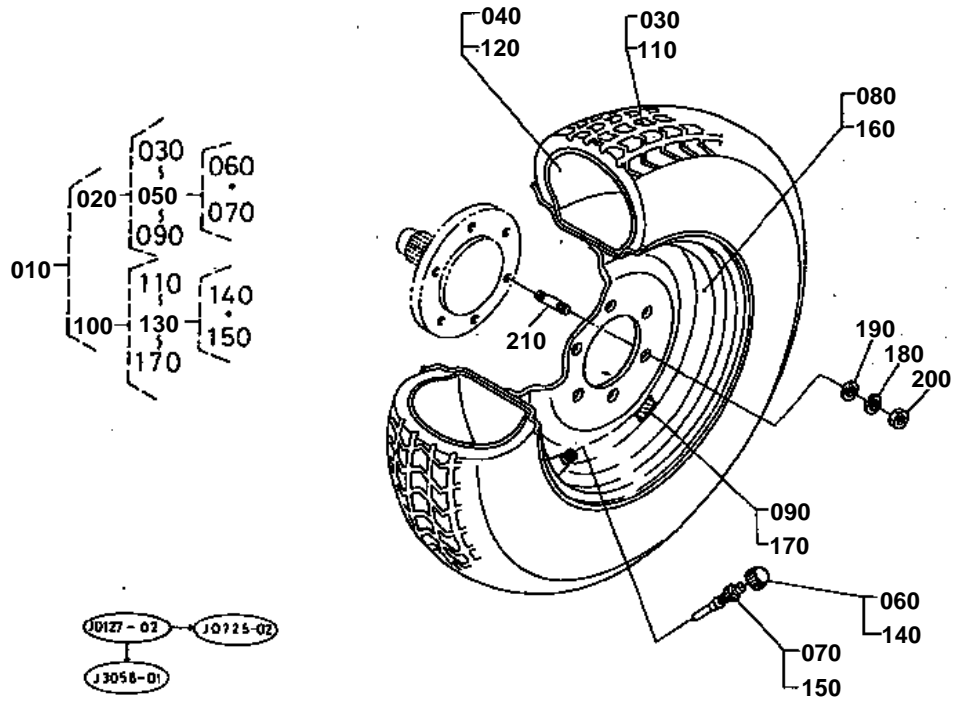


FRONT WHEEL(25X8.50-14) EXCEPT [FR]

↔ Interchangeable; ≠ not interchangeable; ← new for old; → old for new

REF.No	Part No.	Description	Q'ty	S.No.	I/C	REMARKS	Weight (kgf)	Weight (lb)
010	35230-11800	ASSY WHEEL FRONT	1	≤57083		ORANGE	37.5	82.5
010	32470-11800	ASSY WHEEL FRONT	1	≥57084	≠	DEEP ORANGE	39.4	86.68
020	35230-11820	ASSY FRONT WHEEL RH	1	≤57083		ORANGE	0	0
020	32470-11820	ASSY FRONT WHEEL RH	1	≥57084	≠	DEEP ORANGE	19.7	43.34
030	35230-11810	TIRE	1				8	17.6
040	34159-11850	VALVE TIRE	1				0.013	0.0286
050	38240-11690	CAP VALVE	1				0.001	0.0022
060	32150-27740	CORE VALVE	1				0.003	0.0066
070	35230-11840	ASSY WHEEL	1	≤57083		ORANGE	0	0
070	32470-11840	ASSY WHEEL	1	≥57084	≠	DEEP ORANGE	10.8	23.76
080	35230-11840	LABEL TIRE RH	1	≤57083		ORANGE	0	0
080	32470-11870	LABEL TIRE RH	1	≥57084	≠	DEEP ORANGE	0.001	0.0022
090	35230-11830	ASSY FRONT WHEEL LH	1	≤57083		ORANGE	0	0
090	32470-11830	ASSY FRONT WHEEL LH	1	≥57084	≠	DEEP ORANGE	19.7	43.34
100	35230-11810	TIRE	1				8	17.6
110	34159-11850	VALVE TIRE	1				0.013	0.0286
120	38240-11690	CAP VALVE	1				0.001	0.0022
130	32150-27740	CORE VALVE	1				0.003	0.0066
140	35230-11840	ASSY WHEEL	1	≤57083		ORANGE	0	0
140	32470-11840	ASSY WHEEL	1	≥57084	≠	DEEP ORANGE	10.8	23.76
150	35230-11880	LABEL TIRE LH	1	≤57083		ORANGE	0.002	0.0044
150	32470-11880	LABEL TIRE LH	1	≥57084	≠	DEEP ORANGE	0.001	0.0022
160	04512-50140	WASHER SPRING	12				0	0
170	04013-50140	WASHER PLAIN	12				0	0
180	02176-50140	NUT	12				0.014	0.0308
190	35450-49160	STUD	12				0.05	0.11

FRONT WHEEL(212/80-D15)



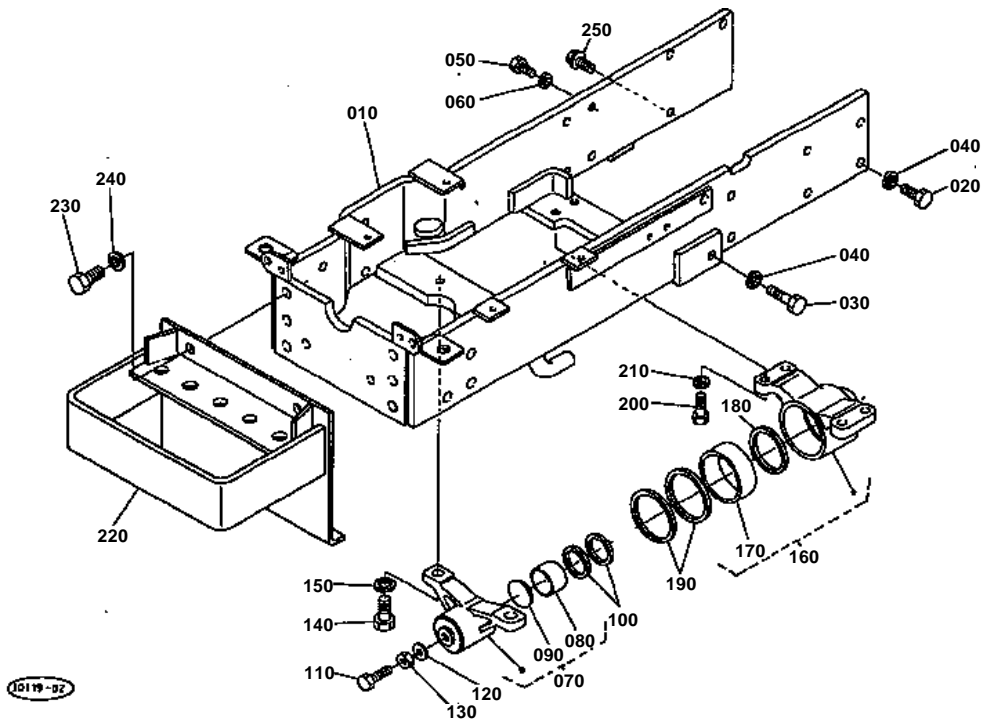


FRONT WHEEL(212/80-D15)

↔ Interchangeable; ≠ not interchangeable; ← new for old; → old for new

REF.No	Part No.	Description	Q'ty	S.No.	I/C	REMARKS	Weight (kgf)	Weight (lb)
010	32430-11500	ASSY FRONT WHEEL	1	≤57083		ORANGE	52	114.4
010	32480-11500	ASSY FRONT WHEEL	1	≥57084	≠	DEEP ORANGE	49	107.8
020	32430-11510	ASSY FRONT WHEEL RH	1	≤57083		ORANGE	0	0
020	32480-11510	ASSY FRONT WHEEL RH	1	≥57084	≠	DEEP ORANGE	24.5	53.9
030	96016-53130	TIRE	1				12	26.4
040	96016-53120	TUBE	1				1.71	3.762
050	34159-11850	VALVE TIRE	1				0.013	0.0286
060	38240-11690	CAP VALVE	1				0.001	0.0022
070	32150-27740	CORE VALVE	1				0.003	0.0066
080	35290-11840	ASSY WHEEL	1	≤57083		ORANGE	0	0
080	32480-11840	ASSY WHEEL	1	≥57084	≠	DEEP ORANGE	10.84	23.848
090	32430-11680	LABEL TIRE RH	1	≤57083		ORANGE	0	0
090	32480-11680	LABEL TIRE RH	1	≥57084	≠	DEEP ORANGE	0.001	0.0022
100	32430-11520	ASSY FRONT WHEEL LH	1	≤57083		ORANGE	0	0
100	32480-11520	ASSY FRONT WHEEL LH	1	≥57084	≠	DEEP ORANGE	24.5	53.9
110	96016-53130	TIRE	1				12	26.4
120	96016-53120	TUBE	1				1.71	3.762
130	34159-11850	VALVE TIRE	1				0.013	0.0286
140	38240-11690	CAP VALVE	1				0.001	0.0022
150	32150-27740	CORE VALVE	1				0.003	0.0066
160	35290-11840	ASSY WHEEL	1	≤57083		ORANGE	0	0
160	32480-11840	ASSY WHEEL	1	≥57084	≠	DEEP ORANGE	10.84	23.848
170	32430-11670	LABEL TIRE LH	1	≤57083		ORANGE	0	0
170	32480-11670	LABEL TIRE LH	1	≥57084	≠	DEEP ORANGE	0.001	0.0022
180	04512-50140	WASHER SPRING	12				0	0
190	04013-50140	WASHER PLAIN	12				0	0
200	02176-50140	NUT	12				0.014	0.0308
210	35450-49160	STUD	12				0.05	0.11

FRONT AXLE FRAME

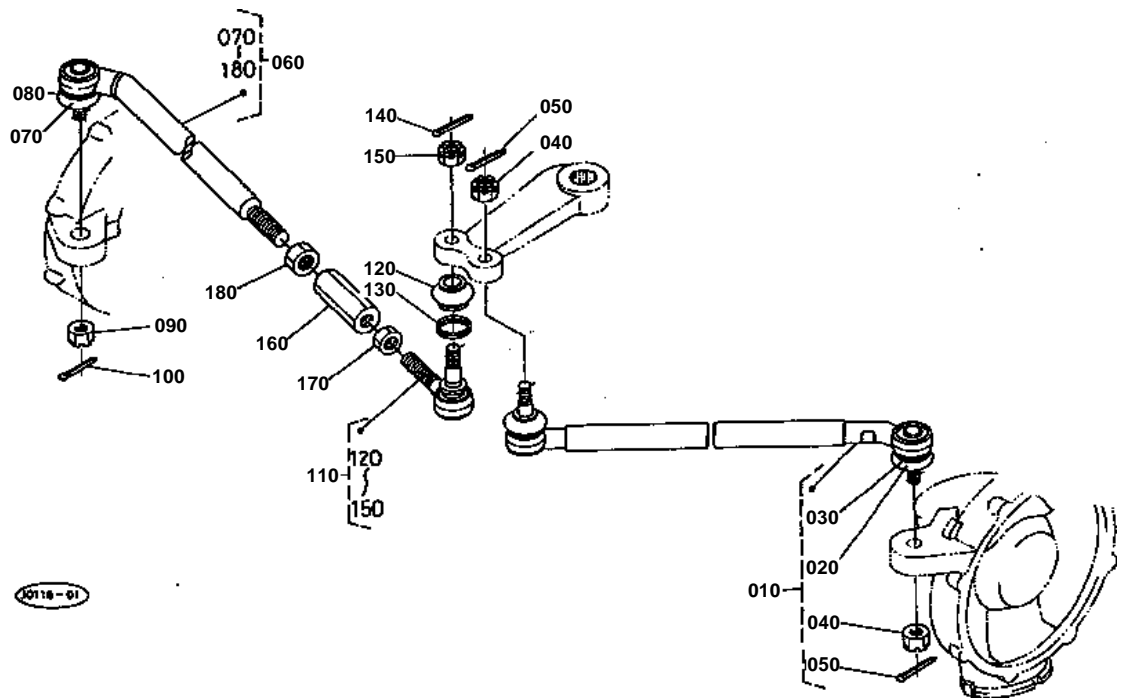


**FRONT AXLE FRAME**

↔ Interchangeable; ≠ not interchangeable; ← new for old; → old for new

REF.No	Part No.	Description	Q'ty	S.No.	I/C	REMARKS	Weight (kgf)	Weight (lb)
010	32420-44710	FRAME FRONT AXLE	1				30.5	67.1
020	01176-51235	BOLT	9				0.041	0.0902
030	01176-51245	BOLT	4				0.05	0.11
040	04512-50120	WASHER SPRING	13				0.003	0.0066
050	01176-51030	BOLT	1				0	0
060	04512-50100	WASHER SPRING	1				0.003	0.0066
070	31353-44700	ASSY BRACKET F-AXLE	1	≤56302			1.065	2.343
070	32440-44700	ASSY BRACKET F-AXLE	1	≥56303	≠		1.125	2.475
080	31353-44740	BUSH	1	≤56302			0	0
080	08511-04025	BUSH	1	≥56303	≠		0.05	0.11
090	38440-44674	COLLAR	1	≤56302			0.03	0.066
090	31393-44670	COLLAR	1	≥56303	≠		0.03	0.066
100	38440-44830	SEAL OIL	2	≤56302			0.005	0.011
100	31393-44830	SEAL OIL	2	≥56303	≠		0.005	0.011
110	31353-44760	BOLT	1	≤52440			0	0
110	01173-51230	BOLT	1	≥52441	↔		0.037	0.0814
120	31353-44770	WASHER SEAL	1				0.005	0.011
130	02172-50120	NUT	1				0.01	0.022
140	01173-51430	BOLT	2				0.052	0.1144
150	04512-50140	WASHER SPRING	2				0	0
160	31353-44800	ASSY BRACKET F-AXLE	1				0	0
170	38440-44630	BUSH	1				0.1	0.22
180	31353-44830	COLLAR THRUST	1				0.03	0.066
190	38440-44820	SEAL OIL	2				0.01	0.022
200	38240-13180	BOLT REAMER	4				0.04	0.088
210	04512-50120	WASHER SPRING	4				0.003	0.0066
220	32420-44880	BUMPER	1				8.55	18.81
230	01173-51435	BOLT	4				0.056	0.1232
240	04512-50140	WASHER SPRING	4				0	0
250	01774-51225	BOLT FLANGE	1				0.04	0.088

STEERING LINKAGE



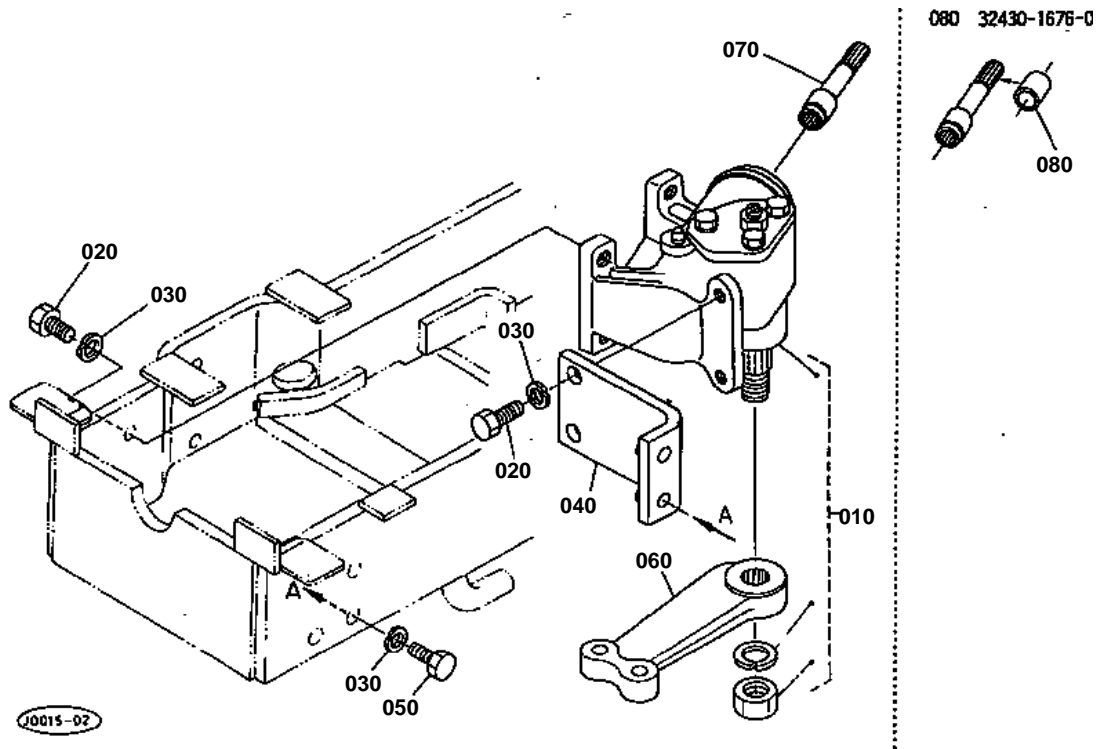


STEERING LINKAGE

↔ Interchangeable; ≠ not interchangeable; ← new for old; → old for new

REF.No	Part No.	Description	Q'ty	S.No.	I/C	REMARKS	Weight (kgf)	Weight (lb)
010	32430-44610	ASSY ROD TIE LH	1				0	0
020	38240-12650	COVER DUST	2				0.01	0.022
030	38240-12660	CLIP	2				0.005	0.011
040	38240-12830	NUT	2				0.008	0.0176
050	05511-50325	PIN SPLIT	2				0.002	0.0044
060	32430-44640	ASSY ROD TIE RH	1				2	4.4
070	38240-12650	COVER DUST	1				0.01	0.022
080	38240-12660	CLIP	1				0.005	0.011
090	38240-12830	NUT	1				0.008	0.0176
100	05511-50325	PIN SPLIT	1				0.002	0.0044
110	38440-44780	ASSY END TIE ROD RH	1				0.322	0.7084
120	38240-12650	COVER DUST	1				0.01	0.022
130	38240-12660	CLIP	1				0.005	0.011
140	05511-50325	PIN SPLIT	1				0.002	0.0044
150	38240-12830	NUT	1				0.008	0.0176
160	31353-44663	ROD TIE OUTER	1				0.26	0.572
170	02174-50160	NUT	1				0.022	0.0484
180	38630-44980	NUT	1				0.01	0.022

STEERING (MS)

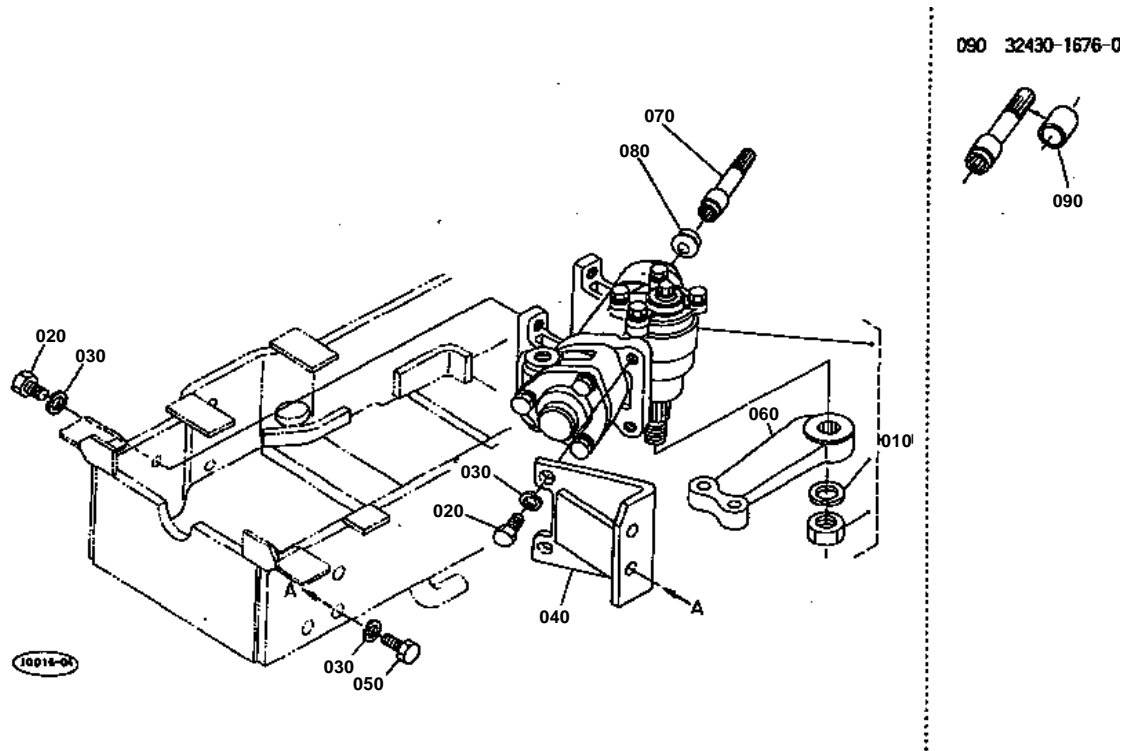


**STEERING (MS)**

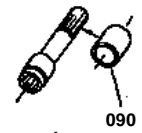
↔ Interchangeable; ≠ not interchangeable; ← new for old; → old for new

REF.No	Part No.	Description	Q'ty	S.No.	I/C	REMARKS	Weight (kgf)	Weight (lb)
010	31351-16103	ASSY STEERING	1	<=57208		REFER TO L.No.0H12-R0 FOR COMPONENTS	0	0
010	31351-16105	ASSY STEERING	1	>=57209		REFER TO L.No.0H12-R0 FOR COMPONENTS	5	11
020	01173-51430	BOLT	6				0.052	0.1144
030	04512-50140	WASHER	8				0	0
		SPRING						
040	31351-16320	SUPPORT STEERING	1	<=53611			0	0
040	31351-16324	SUPPORT STEERING	1	>=53612	←		1.1	2.42
050	01173-51435	BOLT	2				0.056	0.1232
060	31351-16350	ARM PITMAN	1				0.865	1.903
070	31351-16385	SHAFT JOINT	1				0.21	0.462
080	32430-16760	PIPE PROTECT.	1	<=55841			0.003	0.0066

STEERING(PS)



090 32430-1676-0

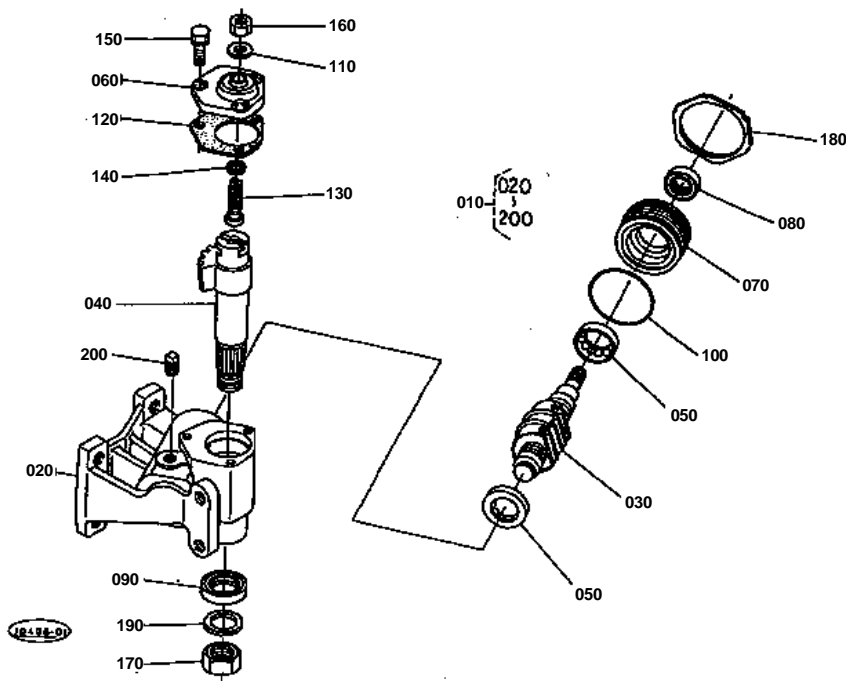


**STEERING(PS)**

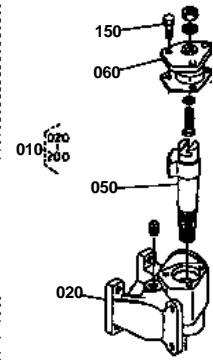
↔ Interchangeable; ≠ not interchangeable; ← new for old; → old for new

REF.No	Part No.	Description	Q'ty	S.No.	I/C	REMARKS	Weight (kgf)	Weight (lb)
010	31361-66102	ASSY STEERING POWER	1	<=54495		REFER TO L.No.0H13-R0 FOR COMPONENTS REFER TO L.No.0H13-R0 FOR COMPONENTS	0	0
010	30400-66100	ASSY STEERING POWER	1	>=55496	←		12.9	28.38
020	01173-51430	BOLT	6				0.052	0.1144
030	04512-50140	WASHER SPRING	8				0	0
040	32430-45410	SUPPORT STEERING	1	<=54475			1.82	4.004
040	31351-45410	SUPPORT STEERING	1	>=54476	←		0	0
050	01173-51435	BOLT	2				0.056	0.1232
060	31351-45440	ARM PITMAN	1				1.15	2.53
070	31351-45384	SHAFT JOINT	1				0.185	0.407
080	31351-45390	SEAL	1				0.004	0.0088
090	32430-16760	PIPE PROTECT.	1	<=55841			0.003	0.0066

STEERING(MS) [COMPONENT PARTS]



- 010 31351-1610-3
- 020 31351-1611-0
- 050 31351-1613-0
- 060 31351-1640-0
- 070 31351-1631-0
- 150 01123-50822



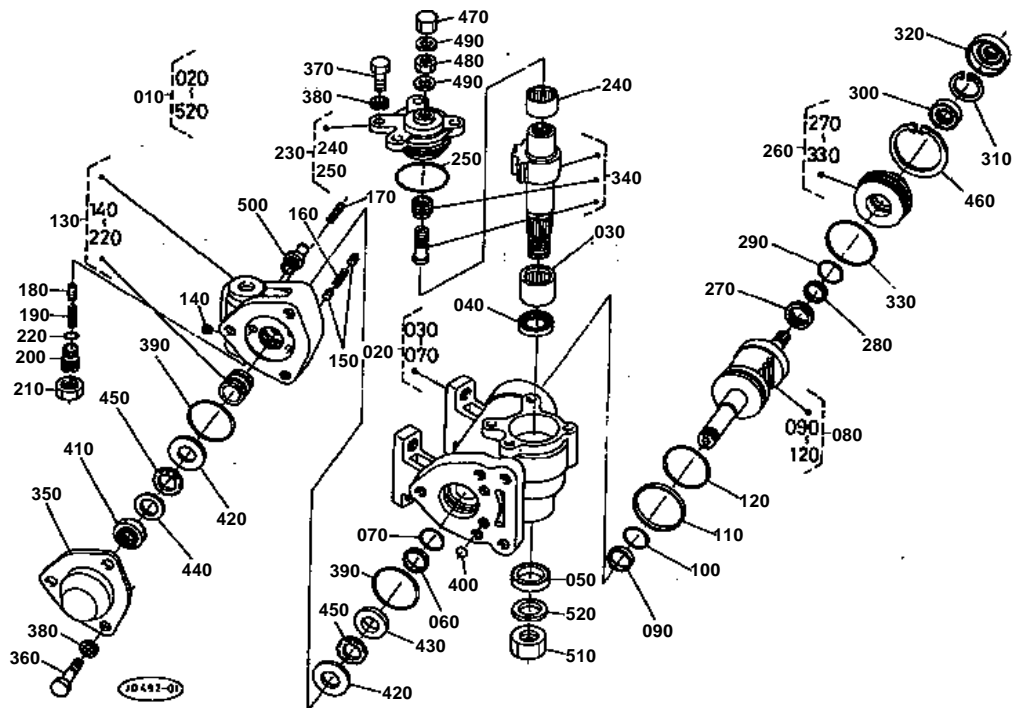


STEERING(MS) [COMPONENT PARTS]

↔ Interchangeable; ≠ not interchangeable; ← new for old; → old for new

REF.No	Part No.	Description	Q'ty	S.No.	I/C	REMARKS	Weight (kgf)	Weight (lb)
010	31351-16103	ASSY STEERING	1	<=56284			0	0
010	31351-16105	ASSY STEERING	1	>=56285	←		5	11
020	31351-16110	ASSY BOX GEAR	1	<=56284			0	0
020	34070-17220	ASSY BOX GEAR	1	>=56285	≠		4.5	9.9
030	31351-16200	ASSY NUT BALL	1				0.62	1.364
040	38260-16210	BEARING THRUST BALL	2				0.06	0.132
050	31351-16130	SHAFT SECTOR	1	<=56284			0.74	1.628
050	31351-16120	SHAFT SECTOR	1	>=56285	≠		0.77	1.694
060	31351-16400	ASSY COVER SIDE	1	<=56284			0	0
060	31351-16410	COVER SIDE	1	>=56285	≠		0.37	0.814
070	31351-16310	COVER REAR	1	<=56284			0.29	0.638
070	31351-16330	COVER REAR	1	>=56285	≠		0.325	0.715
080	09500-17307	SEAL OIL	1				0.07	0.154
090	09500-26387	SEAL OIL	1				0.008	0.0176
100	04811-10530	O RING	1				0.005	0.011
110	31351-16250	WASHER SEAL	1				0.015	0.033
120	31351-16420	PACKING SIDE COVER	1				0.005	0.011
130	32130-16480	SCREW ADJUSTING	1				0.025	0.055
140	34150-16440	COLLAR ADJUSTING	1			1.515 TO 1.535MM	0.002	0.0044
140	34150-16450	COLLAR ADJUSTING	1			1.545 TO 1.565MM	0.002	0.0044
140	34150-16460	COLLAR ADJUSTING	1			1.575 TO 1.595MM	0.002	0.0044
140	34150-16470	COLLAR ADJUSTING	1			1.605 TO 1.625MM	0.002	0.0044
140	34150-16480	COLLAR ADJUSTING	1			1.635 TO 1.655MM	0.002	0.0044
150	01123-50822	BOLT	3	<=56284			0.012	0.0264
150	01123-50820	BOLT	3	>=56285	≠		0.011	0.0242
160	02116-50100	NUT	1				0.004	0.0088
170	02172-50200	NUT	1				0.03	0.066
180	38240-16630	NUT	1				0.035	0.077
190	04512-50200	WASHER SPRING	1				0	0
200	34150-16640	PLUG	1				0.015	0.033

STEERING(PS) [COMPONENT PARTS]



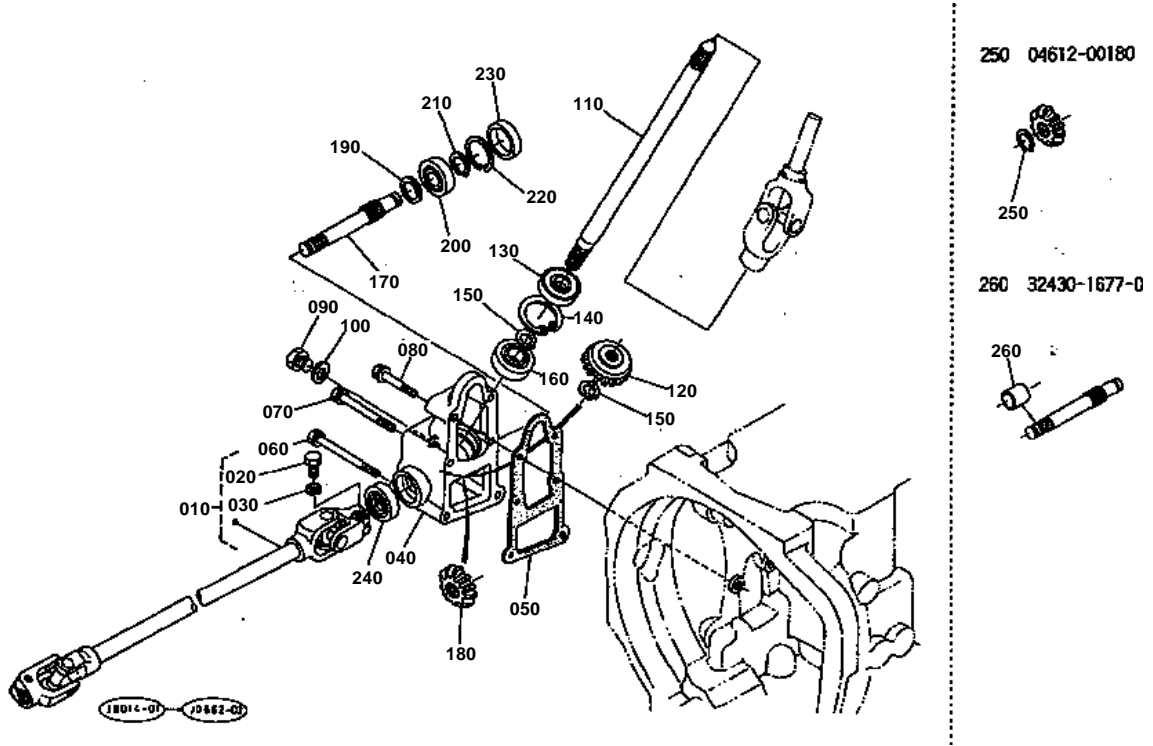


STEERING(PS) [COMPONENT PARTS]

↔ Interchangeable; ≠ not interchangeable; ← new for old; → old for new

REF.No	Part No.	Description	Q'ty	S.No.	I/C	REMARKS	Weight (kgf)	Weight (lb)
010	31361-66102	ASSY STEERING POWER	1	<=54495			0	0
010	30400-66100	ASSY STEERING POWER	1	>=54496	←		12.9	28.38
020	31351-66110	ASSY BOX GEAR	1				1	2.2
030	31351-66130	BEARING NEEDLE	1				0.03	0.066
040	35270-16140	GASKET	1				0.005	0.011
050	35270-16150	SEAL OIL	1				0.015	0.033
060	35270-16160	RING	1				0.002	0.0044
070	04811-10300	O RING	1				0.001	0.0022
080	31351-66202	ASSY NUT BALL	1	<=54495			2.36	5.192
080	30400-66200	ASSY NUT BALL	1	>=54496	≠		2.4	5.28
090	35270-16160	RING	1				0.002	0.0044
100	04811-10300	O RING	1				0.001	0.0022
110	31351-66280	RING	1				0.002	0.0044
120	04811-50550	O RING	1				0.002	0.0044
130	31361-66300	ASSY VALVE	1	<=54495			0	0
130	30400-66300	ASSY VALVE	1	>=54496	←		1.85	4.07
140	38430-66790	PLUG	2				0.003	0.0066
150	38430-66330	PISTON	4				0.005	0.011
160	38430-66350	SPRING	2				0.003	0.0066
170	30400-66340	SPRING	2	>=54496			0.01	0.022
180	31351-66360	POPPET	1				0.005	0.011
190	38430-66380	SPRING	1				0.015	0.033
200	31351-66370	SCREW ADJUSTING	1				0.047	0.1034
210	31351-66380	NUT	1				0.022	0.0484
220	31351-66390	O RING	1				0.001	0.0022
230	35270-16400	ASSY COVER SIDE	1				0.75	1.65
240	35270-16420	BEARING NEEDLE	1				0.045	0.099
250	04811-50600	O RING	1				0.002	0.0044
260	31351-66500	ASSY COVER TOP	1				0.3	0.66
270	35270-16320	BEARING NEEDLE	1				0.02	0.044
280	35270-16160	RING	1				0.002	0.0044
290	04811-10300	O RING	1				0.001	0.0022
300	31351-66530	SEAL OIL	1				0.01	0.022
310	04611-00320	CIR-CLIP INTERNAL	1				0.002	0.0044
320	31351-66540	SEAL DUST	1				0.02	0.044
330	35270-16340	O RING	1				0.003	0.0066
340	31351-66600	ASSY SHAFT SECTOR	1				1.105	2.431
350	31351-66710	COVER END	1				0.23	0.506
360	31351-66720	BOLT	3				0.04	0.088
370	35270-16650	BOLT	4				0.02	0.044
380	04512-50100	WASHER SPRING	7				0.003	0.0066
390	04811-10700	O RING	2				0.001	0.0022
400	04811-00080	O RING	2				0.001	0.0022
410	38430-66650	NUT	1				0.065	0.143
420	38430-66630	RING DRIVE	2				0.06	0.132
430	38430-66610	RING DRIVE	1				0.05	0.11
440	35270-16660	RING DRIVE	1				0.01	0.022
450	38430-66640	BEARING NEEDLE	2				0.01	0.022
460	04611-00630	CIR-CLIP INTERNAL	1				0.012	0.0264
470	35270-16700	NUT CAP	1				0.11	0.242
480	35270-16670	NUT	1				0.005	0.011
490	35270-16690	GASKET	2				0.001	0.0022
500	31351-66730	CONNECTOR	1				0.01	0.022
510	02076-50220	NUT	1				0.07	0.154
520	04512-50220	WASHER SPRING	1				0	0

BEVEL GEAR CASE



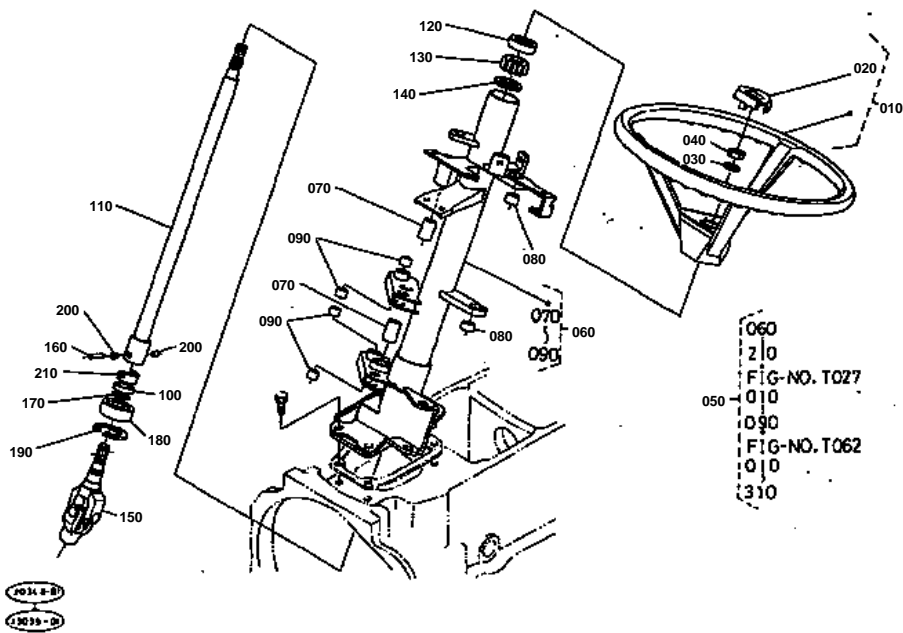


BEVEL GEAR CASE

↔ Interchangeable; ≠ not interchangeable; ← new for old; → old for new

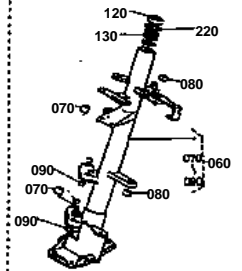
REF.No	Part No.	Description	Q'ty	S.No.	I/C	REMARKS	Weight (kgf)	Weight (lb)
010	32420-16720	ASSY SHAFT JOINT	1	≤55110		MANUAL STEERING	0	0
010	32420-16722	ASSY SHAFT JOINT	1	≥55111	←	MANUAL STEERING	1.49	3.278
010	32420-16670	ASSY SHAFT JOINT	1	≤55110		POWER STEERING	0	0
010	32420-16672	ASSY SHAFT JOINT	1	≥55111	←	POWER STEERING	1.45	3.19
020	01156-50825	BOLT	2				0.013	0.0286
030	04512-50080	WASHER SPRING	2				0.001	0.0022
040	31351-16510	CASE BEVEL GEAR	1				1.645	3.619
050	31351-16520	GASKET	1				0.005	0.011
060	01123-50880	BOLT	2				0.03	0.066
070	01123-50870	BOLT	2				0.029	0.0638
080	01754-50845	BOLT FLANGE	2				0.021	0.0462
090	06331-35010	PLUG	1				0.012	0.0264
100	04717-01000	WASHER WITH RUBBER	1				0.001	0.0022
110	31351-16630	SHAFT JOINT	1				0.39	0.858
120	32430-16540	GEAR BEVEL	1			14T	0	0
130	09500-15357	SEAL OIL	1				0.01	0.022
140	04611-00350	CIR-CLIP INTERNAL	1				0.003	0.0066
150	04612-00150	CIR-CLIP EXTERNAL	2				0.001	0.0022
160	08101-06202	BEARING BALL	1				0.044	0.0968
170	31351-16650	SHAFT JOINT	1				0.2	0.44
180	31391-16730	GEAR BEVEL	1			14T	0	0
190	31351-16570	SHIM	1			0.8MM	0.005	0.011
190	31351-16580	SHIM	1			1.0MM	0.01	0.022
190	31351-16590	SHIM	1			1.2MM	0.005	0.011
200	08101-06003	BEARING BALL	1				0.037	0.0814
210	04612-00170	CIR-CLIP EXTERNAL	1				0.001	0.0022
220	04611-00350	CIR-CLIP INTERNAL	1				0.003	0.0066
230	31351-16610	PLUG	1				0.015	0.033
240	09500-16267	SEAL OIL	1				0.005	0.011
250	04612-00180	CIR-CLIP EXTERNAL	1	≤51134			0.001	0.0022
260	32430-16770	PIPE PROTECT.	1	≤56003			0.001	0.0022

STEERING HANDLE

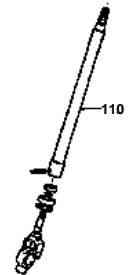


060
210
FIG-NO. T027
010
090
FIG-NO. T062
010
310

060 32430-1681-0
120 31351-1692-0
130 32430-1697-0
220 04611-00370



110 32420-1691-0



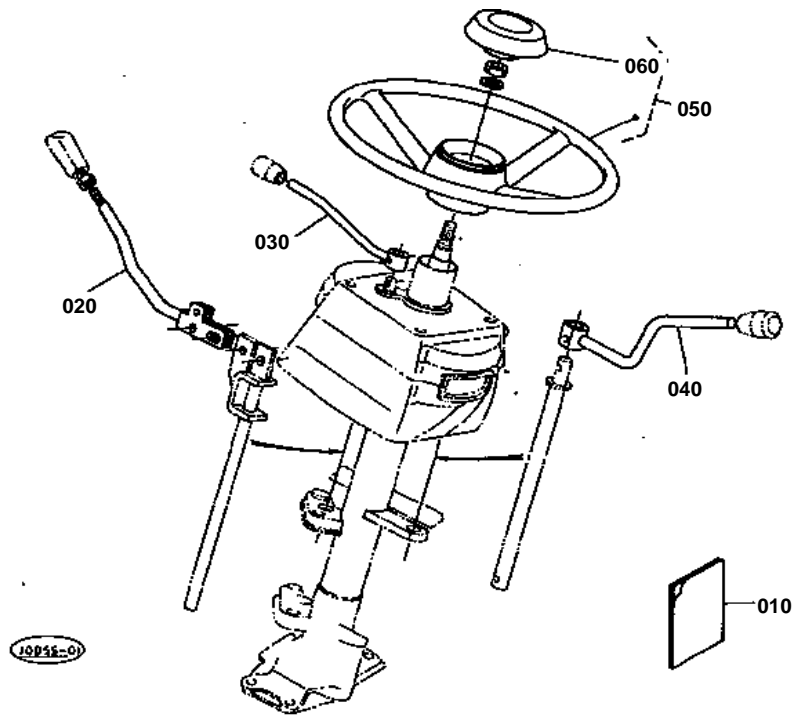


STEERING HANDLE

↔ Interchangeable; ≠ not interchangeable; ← new for old; → old for new

REF.No	Part No.	Description	Q'ty	S.No.	I/C	REMARKS	Weight (kgf)	Weight (lb)
010	31351-16060	ASSY WHEEL STEERING	1				0	0
020	31351-16080	PAD STEERING	1				0	0
030	04512-50120	WASHER SPRING	1				0.003	0.0066
040	02176-50120	NUT	1				0.01	0.022
050	32420-16800	ASSY POST STEERING	1				10.3	22.66
060	32430-16810	COMP.POST STEERING	1	<=56277			4.1	9.02
060	32430-16814	COMP.POST STEERING	1	>=56278	←		4.7	10.34
070	31351-16830	BUSH	2	<=55140			0	0
070	08511-01625	BUSH	2	>=55141	↔		0.01	0.022
080	31351-16860	BUSH	2	<=55140			0	0
080	08511-01610	BUSH	2	>=55141	↔		0.005	0.011
090	31351-16850	BUSH	4	<=55140			0	0
090	08511-01210	BUSH	4	>=55141	↔		0.005	0.011
100	09400-15377	SEAL OIL	1				0.012	0.0264
110	32420-16910	SHAFT STEERING	1	<=56353			0.96	2.112
110	32420-16915	SHAFT STEERING	1	>=56354	≠		0.95	2.09
120	31351-16920	SEAL OIL	1	<=56277			0.01	0.022
120	30400-16920	SEAL OIL	1	>=56278	≠		0.015	0.033
130	32430-16970	CUSHION	1	<=56003			0.011	0.0242
130	31391-16990	BUSH STEERING POST	1	>=56004	←		0.01	0.022
130	30400-16930	BUSH STEERING POST	1	>=56278	≠		0.015	0.033
140	31351-16940	WASHER	1				0.007	0.0154
150	31351-16960	SHAFT STEERING	1				0.395	0.869
160	05411-00425	PIN SPRING	1				0.001	0.0022
170	04612-00150	CIR-CLIP EXTERNAL	1				0.001	0.0022
180	08141-06302	BEARING BALL	1				0.083	0.1826
190	04611-00420	CIR-CLIP INTERNAL	2				0.006	0.0132
200	30400-16970	CUSHION	2	>=56354			0.001	0.0022
210	30400-16980	SPRING SET	2	>=36354			0.04	0.088
220	04611-00370	CIR-CLIP INTERNAL	1	<=56277			0.004	0.0088

ORCHARD KIT [OPTION]

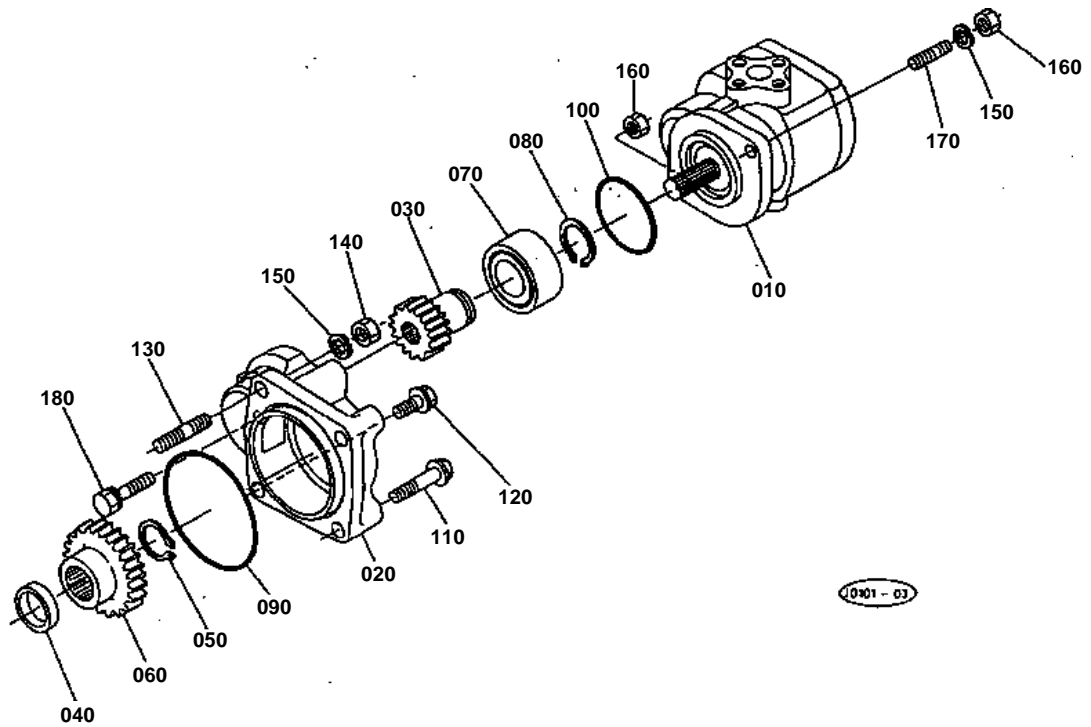


**ORCHARD KIT [OPTION]**

↔ Interchangeable; ≠ not interchangeable; ← new for old; → old for new

REF.No	Part No.	Description	Q'ty	S.No.	I/C	REMARKS	Weight (kgf)	Weight (lb)
010	32430-98810	MANUAL INSTRUCTION	1				0	0
020	32430-28120	LEVER MAIN CHANGE	1				0.32	0.704
030	32430-28110	LEVER ACCEL.	1				0.135	0.297
040	32430-98830	LEVER SHUTTLE CHANGE	1				0.315	0.693
050	32430-98840	ASSY WHEEL STEERING	1				0	0
060	66611-41420	CAP STEERING WHEEL	1				0.026	0.0572

HYDRAULIC PUMP(MS)



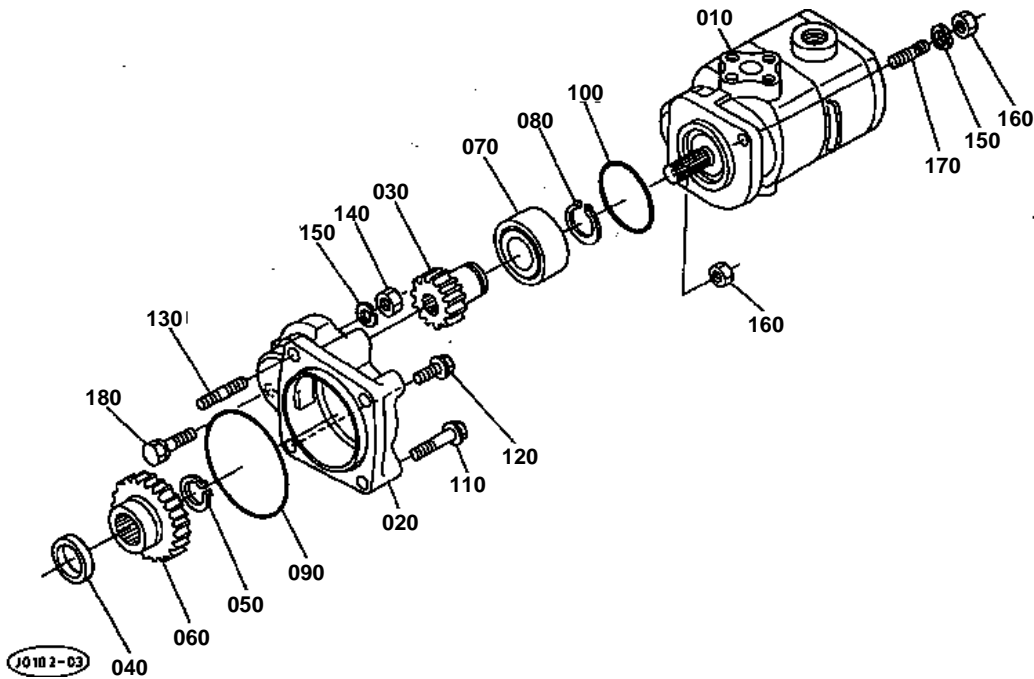


HYDRAULIC PUMP(MS)

↔ Interchangeable; ≠ not interchangeable; ← new for old; → old for new

REF.No	Part No.	Description	Q'ty	S.No.	I/C	REMARKS	Weight (kgf)	Weight (lb)
010	31351-76102	ASSY PUMP HYDRAULIC	1			REFER TO L.No.0I02-R0 FOR COMPONENTS	1.86	4.092
020	31351-38610	HOLDER PUMP	1	<=55515			0	0
020	31351-38613	HOLDER PUMP	1	>=55516	←		0.38	0.836
030	32430-38630	GEAR	1			21T	0.14	0.308
040	34150-37820	COLLAR	1				0.05	0.11
050	04612-00250	CIR-CLIP EXTERNAL	1				0.002	0.0044
060	35260-37810	GEAR HYD.PUMP DRIVE	1			47T	0.35	0.77
070	08241-05205	BEARING BALL	1				0.177	0.3894
080	04612-00250	CIR-CLIP EXTERNAL	1				0.002	0.0044
090	04811-10850	O RING	1				0.002	0.0044
100	04811-10500	O RING	1				0.001	0.0022
110	01754-50840	BOLT FLANGE	2				0.02	0.044
120	01754-50820	BOLT FLANGE	1				0.015	0.033
130	38240-36330	STUD	1				0.008	0.0176
140	02156-50080	NUT	1				0.004	0.0088
150	04512-50080	WASHER SPRING	2				0.001	0.0022
160	02156-50080	NUT	2				0.004	0.0088
170	01513-50820	STUD	1				0	0
180	01123-50835	BOLT	1				0.02	0.044

HYDRAULIC PUMP(PS)



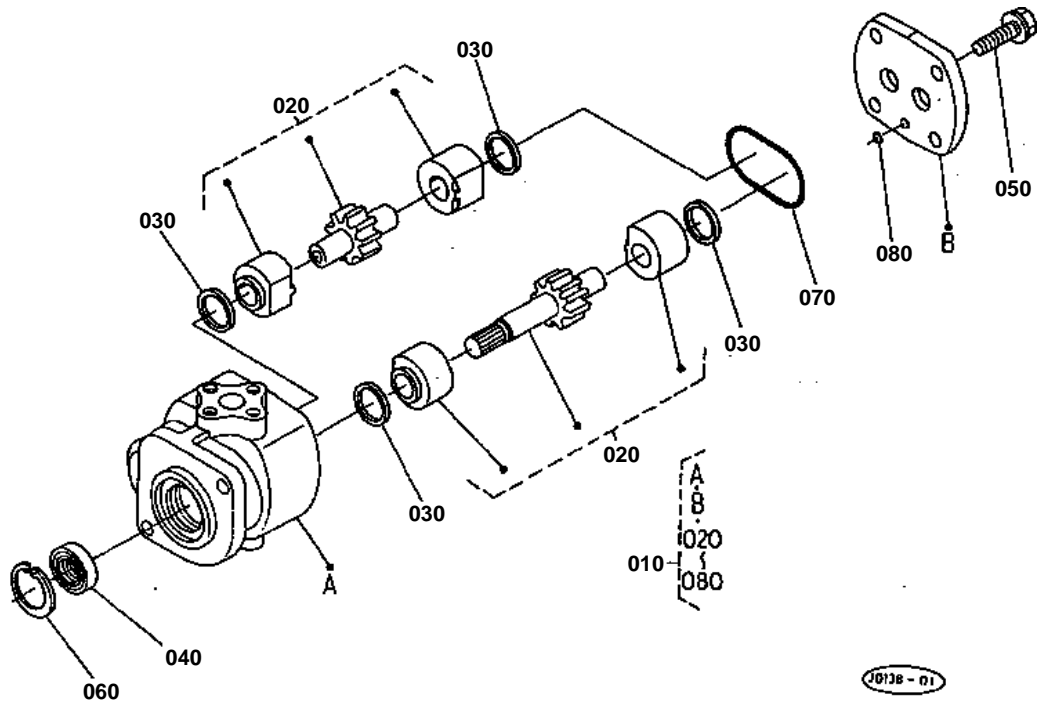


HYDRAULIC PUMP(PS)

↔ Interchangeable; ≠ not interchangeable; ← new for old; → old for new

REF.No	Part No.	Description	Q'ty	S.No.	I/C	REMARKS	Weight (kgf)	Weight (lb)
010	31351-76300	ASSY PUMP HYDRAULIC	1			REFER TO L.No.0I03-L0 FOR COMPONENTS	2.94	6.468
020	31351-38610	HOLDER PUMP	1	<=55515			0	0
020	31351-38613	HOLDER PUMP	1	>=55516	←		0.38	0.836
030	32430-38630	GEAR	1			21T	0.14	0.308
040	34150-37820	COLLAR	1				0.05	0.11
050	04612-00250	CIR-CLIP EXTERNAL	1				0.002	0.0044
060	35260-37810	GEAR HYD.PUMP DRIVE	1			47T	0.35	0.77
070	08241-05205	BEARING BALL	1				0.177	0.3894
080	04612-00250	CIR-CLIP EXTERNAL	1				0.002	0.0044
090	04811-10850	O RING	1				0.002	0.0044
100	04811-10500	O RING	1				0.001	0.0022
110	01754-50840	BOLT FLANGE	2				0.02	0.044
120	01754-50820	BOLT FLANGE	1				0.015	0.033
130	38240-36330	STUD	1				0.008	0.0176
140	02156-50080	NUT	1				0.004	0.0088
150	04512-50080	WASHER SPRING	2				0.001	0.0022
160	02156-50080	NUT	2				0.004	0.0088
170	01513-50820	STUD	1				0	0
180	01123-50835	BOLT	1				0.02	0.044

HYDRAULIC PUMP(MS) [COMPONENT PARTS]



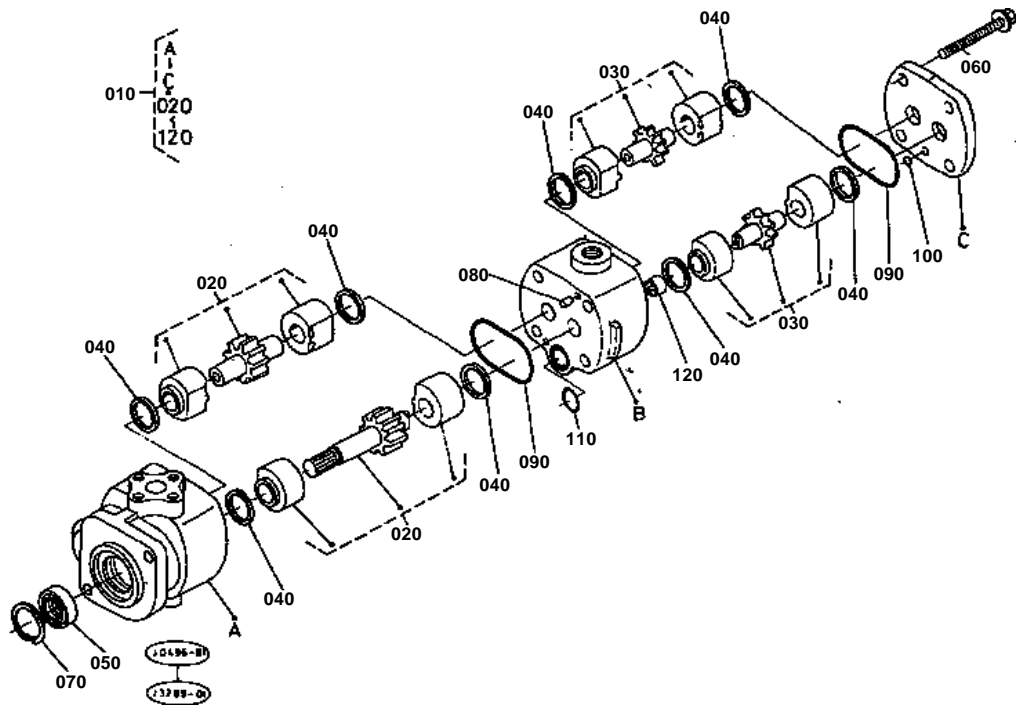


HYDRAULIC PUMP(MS) [COMPONENT PARTS]

↔ Interchangeable; ≠ not interchangeable; ← new for old; → old for new

REF.No	Part No.	Description	Q'ty	S.No.	I/C	REMARKS	Weight (kgf)	Weight (lb)
010	31351-76102	ASSY PUMP HYDRAULIC	1				1.86	4.092
020	31351-76202	COMP.GEAR AND METAL	1				0.49	1.078
030	31351-76170	RING METAL SEAL	4	<=55091			0.001	0.0022
030	38180-76172	SQUARE RING	4	>=55092	≠		0.002	0.0044
040	31351-76190	SEAL OIL	1	<=55379			0	0
040	31381-76390	SEAL OIL	1	>=55380	↔		0.01	0.022
050	31351-76240	BOLT FLANGE	4				0.26	0.572
060	04611-00300	CIR-CLIP INTERNAL	1				0.004	0.0088
070	04810-50550	O RING	1				0.002	0.0044
080	04810-00050	O RING	1				0.001	0.0022

HYDRAULIC PUMP(PS) [COMPONENT PARTS]



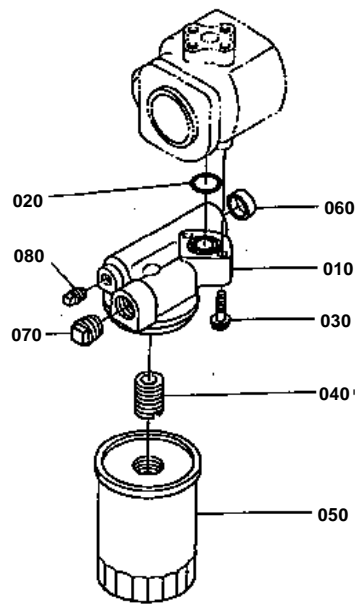
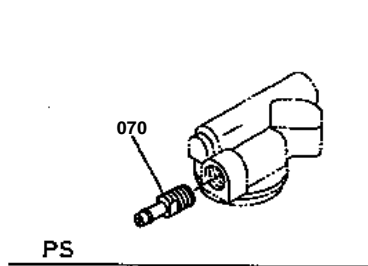


HYDRAULIC PUMP(PS) [COMPONENT PARTS]

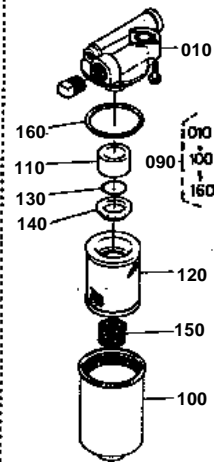
↔ Interchangeable; ≠ not interchangeable; ← new for old; → old for new

REF.No	Part No.	Description	Q'ty	S.No.	I/C	REMARKS	Weight (kgf)	Weight (lb)
010	31351-76300	ASSY PUMP HYDRAULIC	1				2.94	6.468
020	31351-76402	COMP.GEAR HYD.PUMP	1				0.5	1.1
030	31351-76502	COMP.GEAR HYD.PUMP	1				0.28	0.616
040	31351-76170	RING METAL SEAL	8	<=55091			0.001	0.0022
040	38180-76172	SQUARE RING	8	>=55092	≠		0.002	0.0044
050	31351-76190	SEAL OIL	1	<=55091			0	0
050	31381-76390	SEAL OIL	1	>=55092	↔		0.01	0.022
060	31351-76480	BOLT FLANGE	4				0.05	0.11
070	04611-00300	CIR-CLIP INTERNAL	1				0.004	0.0088
080	05012-00612	PIN STRAIGHT	2				0.003	0.0066
090	04810-50550	O RING	2				0.002	0.0044
100	04810-00050	O RING	1				0.001	0.0022
110	04810-00180	O RING	1				0.001	0.0022
120	31351-76470	COUPLING	1	<=55091			0.005	0.011
120	37410-76470	COUPLING	1	>=55092	≠		0.01	0.022

HYDRAULIC OIL FILTER



- 010 31391-3871-0
- 090 31391-3880-0
- 100 31391-3881-0
- 110 31391-3882-0
- 120 31391-3883-0
- 130 31391-3884-0
- 140 31391-3885-0
- 150 31391-3886-0
- 160 31391-3887-0



0089-01

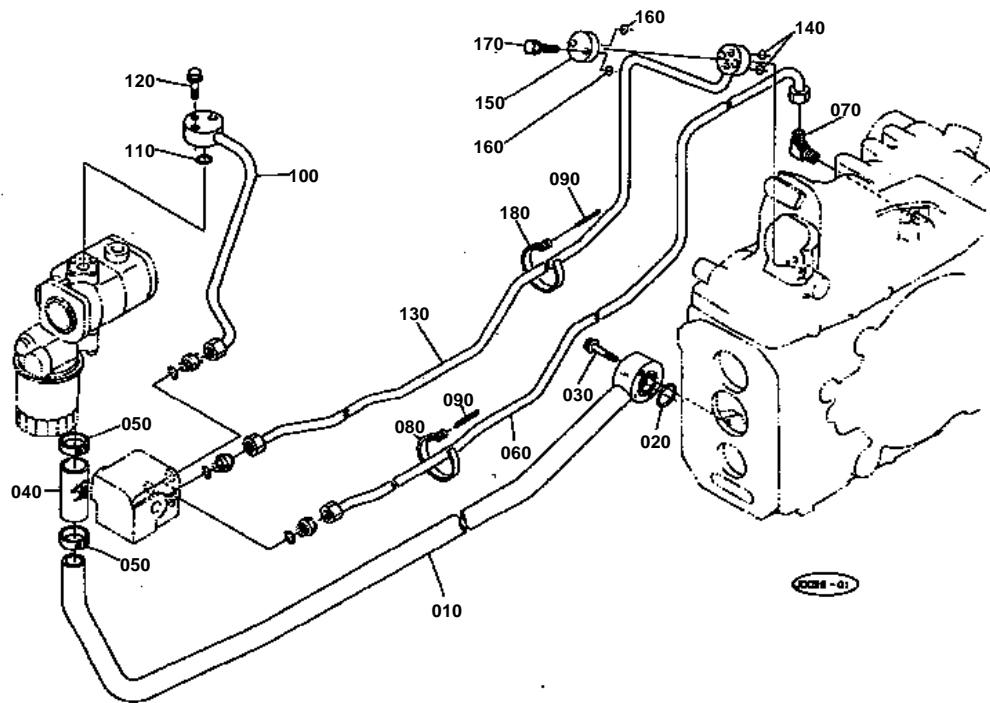


HYDRAULIC OIL FILTER

↔ Interchangeable; ≠ not interchangeable; ← new for old; → old for new

REF.No	Part No.	Description	Q'ty	S.No.	I/C	REMARKS	Weight (kgf)	Weight (lb)
010	31391-38710	BRACKET FILTER	1	←=50761			0.42	0.924
010	31351-38710	BRACKET FILTER	1	>=50762	≠		0.4	0.88
020	04811-00200	O RING	1				0.001	0.0022
030	01754-50840	BOLT FLANGE	2				0.02	0.044
040	38240-37780	JOINT SCREW	1				0.03	0.066
050	38430-37710	CARTRIDGE OIL FILTER	1	>=50762			0.42	0.924
050	30400-37710	CARTRIDGE OIL FILTER	1	>=54364	↔		0.4	0.88
060	31351-38720	COVER BLIND	1				0.005	0.011
070	06312-10060	PLUG	1	←=50761		MANUAL STEERING	0.07	0.154
070	06312-10040	PLUG	1	>=50762	≠	MANUAL STEERING	0.04	0.088
070	31391-45360	PLUG	1	←=50761		POWER STEERING	0.08	0.176
070	31351-45360	PLUG	1	>=50762	≠	POWER STEERING	0.055	0.121
080	06312-10010	PLUG	2				0.007	0.0154
090	31391-38800	ASSY BRACKET FILTER	1	←=50761			0.85	1.87
100	31391-38810	CASE	1	←=50761			0.2	0.44
110	31391-38820	MAGNETO	1	←=50761			0.07	0.154
120	31391-38830	ELEMENT	1	←=50761			0.055	0.121
130	31391-38840	O RING	1	←=50761			0.001	0.0022
140	31391-38850	GROMMET	1	←=50761			0.005	0.011
150	31391-38860	SPRING COIL	1	←=50761			0.02	0.044
160	31391-38870	GASKET	1	←=50761			0.01	0.022

HYDRAULIC OIL LINE

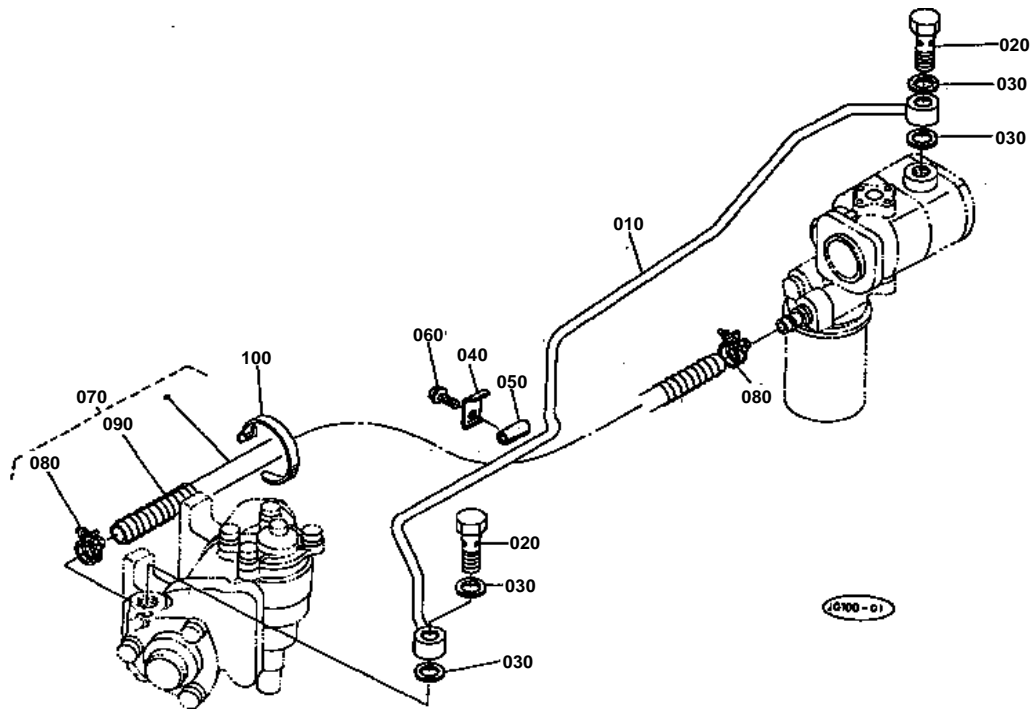


**HYDRAULIC OIL LINE**

↔ Interchangeable; ≠ not interchangeable; ← new for old; → old for new

REF.No	Part No.	Description	Q'ty	S.No.	I/C	REMARKS	Weight (kgf)	Weight (lb)
010	32420-38120	COMP.PIPE INLET	1				1.65	3.63
020	04810-00250	O RING	1				0.001	0.0022
030	01754-50845	BOLT FLANGE	2				0.021	0.0462
040	34350-37770	PIPE RUBBER	1	<=56277			0	0
040	34350-37774	PIPE RUBBER	1	>=56278	←		0.06	0.132
050	15541-72960	BAND PIPE	2	<=51134			0.025	0.055
050	31351-38180	BAND PIPE	2	>=51135	↔		0.02	0.044
060	32420-37550	ASSY PIPE RETURN	1				0.75	1.65
070	70764-62730	BODY ELBOW	1				0	0
080	33251-82760	BAND PIPE	1				0.016	0.0352
090	33430-82760	PIN BAND	2				0.004	0.0088
100	32430-38210	COMP.PIPE DELIVERY	1				0.485	1.067
110	04810-00200	O RING	1				0.001	0.0022
120	01754-50830	BOLT FLANGE	3				0.01	0.022
130	32420-38240	COMP.PIPE DELIVERY	1				0.78	1.716
140	04810-00100	O RING	2				0.001	0.0022
150	31351-38310	CAP	1				0.135	0.297
160	04810-00120	O RING	2				0.001	0.0022
170	01123-50850	BOLT	2				0.02	0.044
180	67111-53770	BAND PIPE	1				0.01	0.022

HYDRAULIC OIL LINE(PS)



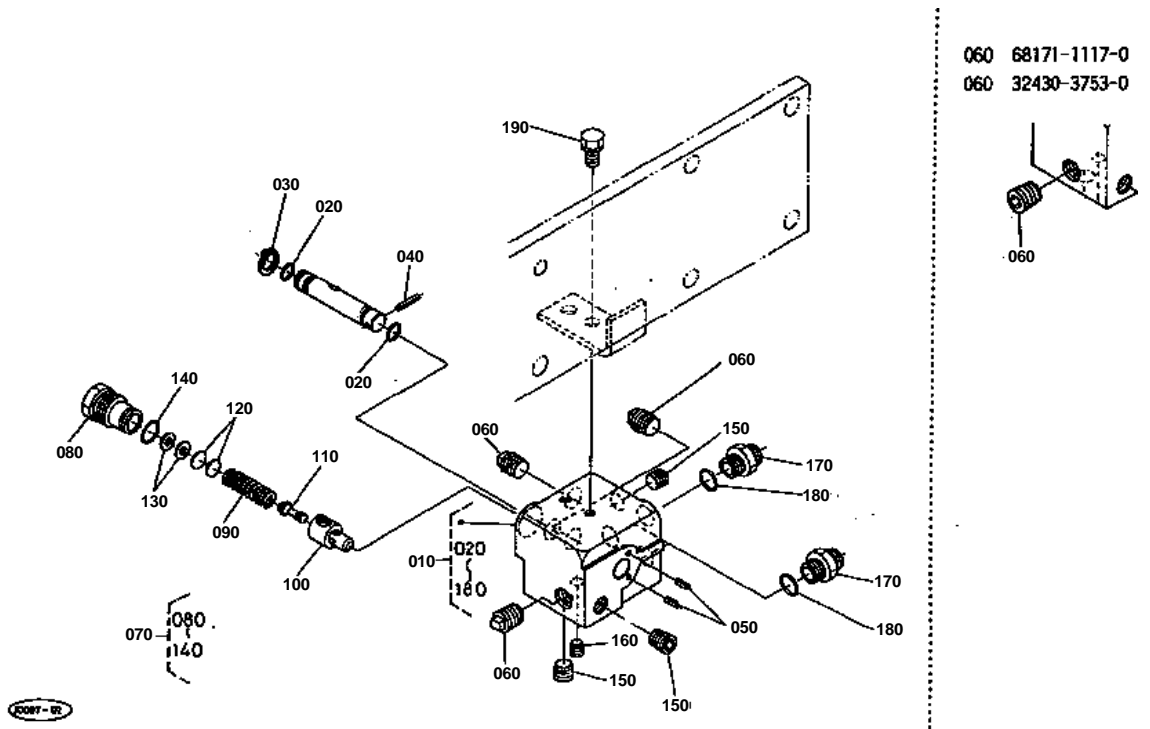


HYDRAULIC OIL LINE(PS)

↔ Interchangeable; ≠ not interchangeable; ← new for old; → old for new

REF.No	Part No.	Description	Q'ty	S.No.	I/C	REMARKS	Weight (kgf)	Weight (lb)
010	31341-45210	COMP.PIPE DELIVERY	1	<=56277			0	0
010	31341-45214	COMP.PIPE DELIVERY	1	>=56278	←		0.3	0.66
020	66591-36250	JOINT	2				0.08	0.176
030	67111-37180	GASKET	4				0.003	0.0066
040	31351-45260	HOLDER PIPE	1				0.02	0.044
050	31351-45270	PIPE RUBBER	1				0.005	0.011
060	01754-50820	BOLT FLANGE	1				0.015	0.033
070	31351-45300	ASSY PIPE RETURN	1				0.25	0.55
080	38430-45150	CLAMP	2				0.015	0.033
090	31351-45330	SPRING PROTECTOR	1				0.055	0.121
100	34350-29380	BAND CORD	1				0.001	0.0022

HYDRAULIC BLOCK



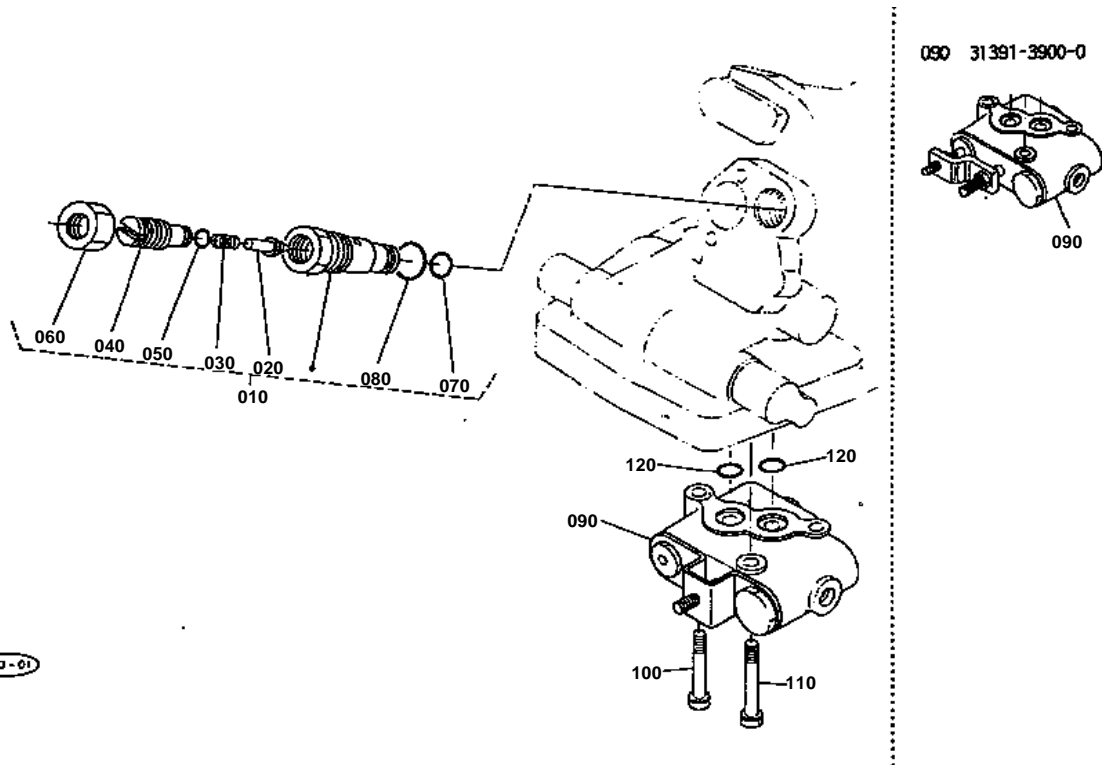


HYDRAULIC BLOCK

↔ Interchangeable; ≠ not interchangeable; ← new for old; → old for new

REF.No	Part No.	Description	Q'ty	S.No.	I/C	REMARKS	Weight (kgf)	Weight (lb)
010	32430-37500	ASSY BLOCK FRONT HYD	1				2.2	4.84
020	04810-06100	O RING	2				0.001	0.0022
030	04612-00140	CIR-CLIP EXTERNAL	1				0.001	0.0022
040	05411-00320	PIN SPRING	1				0.001	0.0022
050	05411-00310	PIN SPRING	2				0.001	0.0022
060	68171-11170	PLUG	3	<=52251			0.02	0.044
060	32430-37530	PLUG	3	>=52252	↔		0.02	0.044
060	06312-10030	PLUG	3	>=56665	←		0.029	0.0638
070	31351-37900	ASSY VALVE RELIEF	1				0.1	0.22
080	31351-37910	PLUG	1				0.06	0.132
090	31351-37920	SPRING	1				0.02	0.044
100	31351-37930	SEAT	1				0.02	0.044
110	31351-37940	POPPET	1				0.005	0.011
120	31351-37950	SHIM	5			0.4MM	0.001	0.0022
120	31351-37960	SHIM	2			0.2MM	0.001	0.0022
120	31351-37970	SHIM	2			0.1MM	0.001	0.0022
130	04013-50050	WASHER PLAIN	2				0	0
140	04811-10160	O RING	1				0.001	0.0022
150	31351-37150	PLUG	3				0.007	0.0154
160	31351-37160	PLUG	1				0.003	0.0066
170	99063-37180	BODY NIPPLE	3				0	0
180	04810-00140	O RING	3				0.001	0.0022
190	01123-50816	BOLT	2				0.011	0.0242

CONTROL VALVE

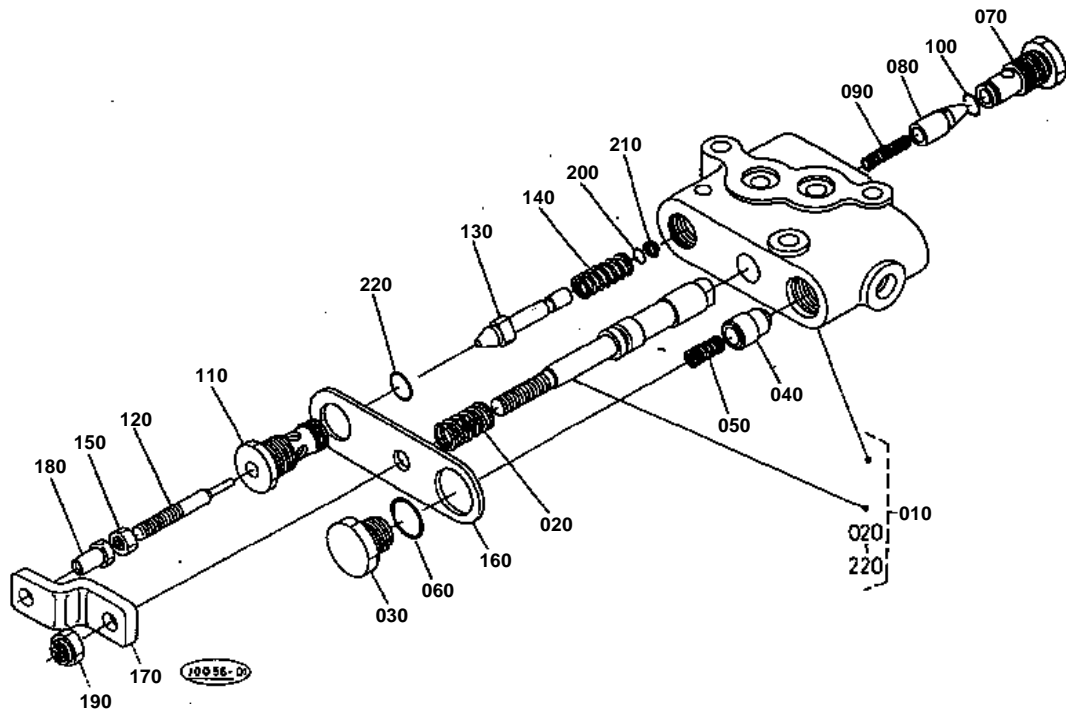


**CONTROL VALVE**

↔ Interchangeable; ≠ not interchangeable; ← new for old; → old for new

REF.No	Part No.	Description	Q'ty	S.No.	I/C	REMARKS	Weight (kgf)	Weight (lb)
010	31351-37800	ASSY VALVE SAFETY	1				0.17	0.374
020	38240-39122	BULB	1				0.01	0.022
030	38240-39170	SPRING VALVE	1				0.005	0.011
040	38240-39130	STOPPER SPRING	1				0.05	0.11
050	04811-00090	O RING	1				0.001	0.0022
060	02172-50160	NUT	1				0.017	0.0374
070	04810-00120	O RING	1				0.001	0.0022
080	04811-00180	O RING	1				0.001	0.0022
090	31391-39000	ASSY VALVE CONTROL	1	<=50106		REFER TO L.No.0I06-R0 FOR COMPONENTS	1.65	3.63
090	32430-39100	ASSY VALVE CONTROL	1	>=50107	←	REFER TO L.No.0I07-R0 FOR COMPONENTS	1.63	3.586
100	01123-50845	BOLT	1				0.02	0.044
110	01123-50850	BOLT	2				0.02	0.044
120	04810-00120	O RING	2				0.001	0.0022

CONTROL VALVE [COMPONENT PARTS]



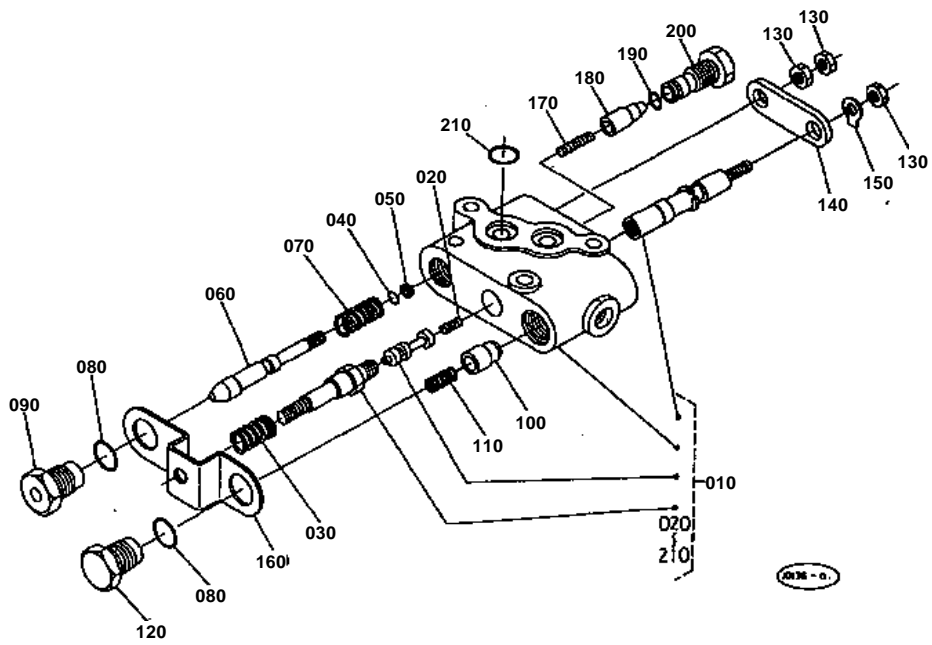
**CONTROL VALVE [COMPONENT PARTS]**

S.No.;<=50106

↔ Interchangeable; ≠ not interchangeable; ← new for old; → old for new

REF.No	Part No.	Description	Q'ty	S.No.	I/C	REMARKS	Weight (kgf)	Weight (lb)
010	31391-39000	ASSY VALVE CONTROL	1				1.65	3.63
020	31351-39130	SPRING SPOOL	1				0.005	0.011
030	31351-39140	PLUG	1				0.05	0.11
040	31351-39150	POPPET	1				0.02	0.044
050	67531-38470	SPRING	1				0.001	0.0022
060	04811-00160	O RING	1				0.001	0.0022
070	31391-39170	PLUG	1				0.05	0.11
080	31391-39180	POPPET	1				0.015	0.033
090	31391-39190	SPRING	1				0.001	0.0022
100	04810-00090	O RING	1				0.001	0.0022
110	31351-39200	PLUG	1				0.04	0.088
120	31351-39210	RETAINER ROD	1				0.013	0.0286
130	31351-39180	POPPET	1				0.025	0.055
140	31351-39190	SPRING	1				0.008	0.0176
150	02056-50060	NUT	1				0.002	0.0044
160	31351-39240	PLATE	1				0.05	0.11
170	31351-39250	PLATE JOINT	1				0.052	0.1144
180	31351-39260	NUT	1				0.008	0.0176
190	31351-39270	U NUT	1				0.005	0.011
200	04811-00050	O RING	1				0.001	0.0022
210	31351-39290	RING BACK UP	1				0.001	0.0022
220	04810-06100	O RING	1				0.001	0.0022

CONTROL VALVE [COMPONENT PARTS]



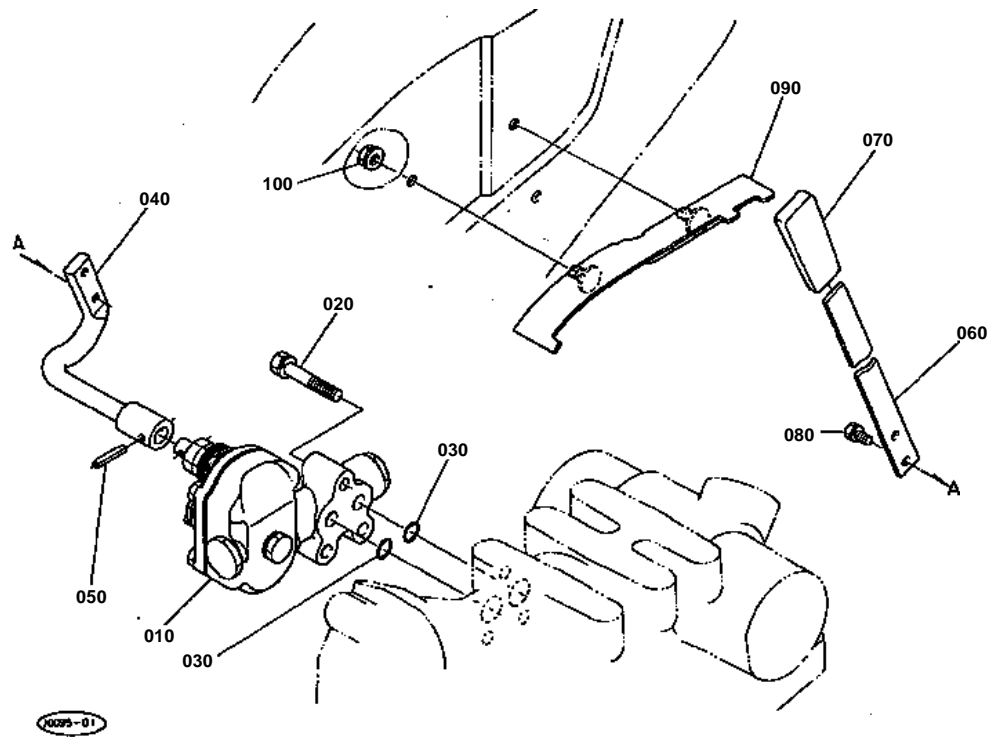
**CONTROL VALVE [COMPONENT PARTS]**

S.No.;>=50107

↔ Interchangeable; ≠ not interchangeable; ← new for old; → old for new

REF.No	Part No.	Description	Q'ty	S.No.	I/C	REMARKS	Weight (kgf)	Weight (lb)
010	32430-39100	ASSY VALVE CONTROL	1				1.63	3.586
020	32430-39150	SPRING	1				0.002	0.0044
030	32430-39160	SPRING RETURN	1				0.005	0.011
040	04811-00070	O RING	1				0.001	0.0022
050	37150-36630	RING BACK UP	1				0.001	0.0022
060	37150-36460	POPPET	1				0.005	0.011
070	37150-36450	SPRING	1				0.005	0.011
080	04811-00150	O RING	2				0.001	0.0022
090	37150-36470	PLUG SEAT	1				0.04	0.088
100	37150-36480	VALVE UNLOAD	1				0.02	0.044
110	37150-36490	SPRING	1				0.005	0.011
120	37150-36520	PLUG	1				0.043	0.0946
130	02112-50080	NUT	3				0.003	0.0066
140	37150-36540	PLATE	1				0.145	0.319
150	37150-36560	WASHER LOCK	1				0.01	0.022
160	32430-39240	PLATE	1				0.045	0.099
170	37150-36580	SPRING	1				0.005	0.011
180	37150-36590	VALVE CHECK	1				0.015	0.033
190	04810-00090	O RING	1				0.001	0.0022
200	37150-36440	SEAT	1				0.035	0.077
210	04810-00120	O RING	2				0.001	0.0022

DRAFT CONTROL VALVE [OPTION]

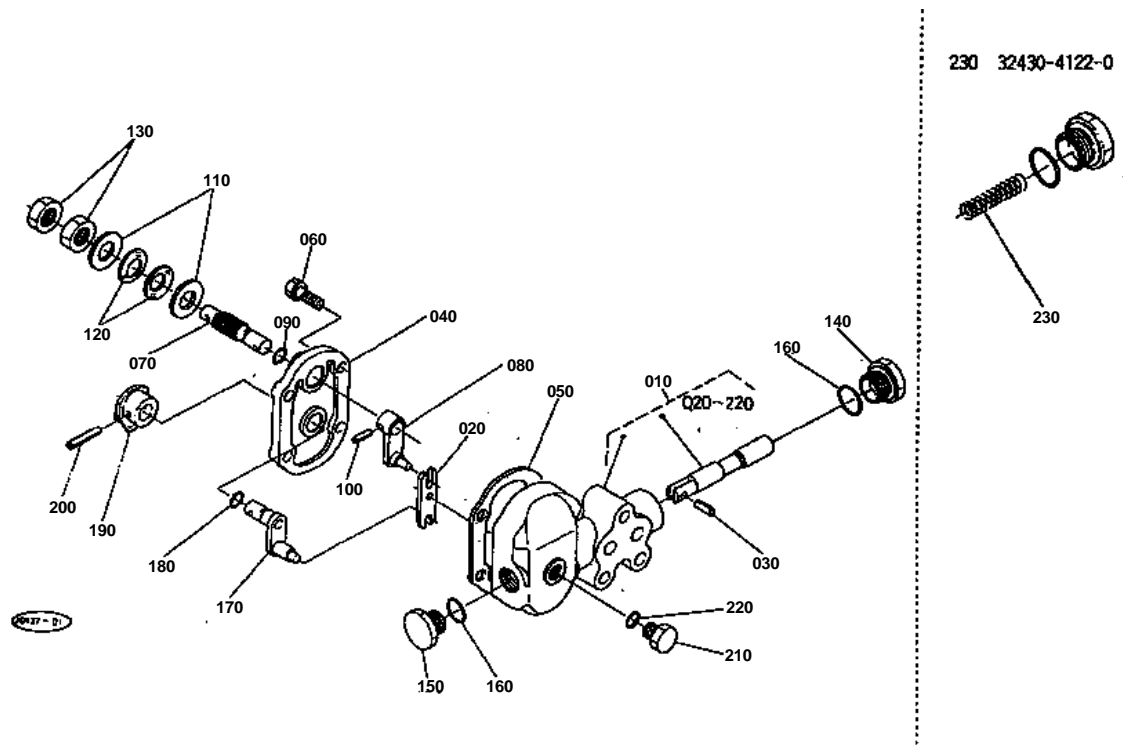


**DRAFT CONTROL VALVE [OPTION]**

↔ Interchangeable; ≠ not interchangeable; ← new for old; → old for new

REF.No	Part No.	Description	Q'ty	S.No.	I/C	REMARKS	Weight (kgf)	Weight (lb)
010	32430-41100	ASSY VALVE DRAFT CON	1			REFER TO L.No.0I08-R0 FOR COMPONENTS	0	0
020	01123-50845	BOLT	3				0.02	0.044
030	04810-00140	O RING	2				0.001	0.0022
040	32430-41240	LEVER DRAFT CON.	1				0.3	0.66
050	05411-00525	PIN SPRING	1				0.002	0.0044
060	32430-41250	LEVER DRAFT CON.	1				0.165	0.363
070	31351-36880	GRIP LEVER	1				0.04	0.088
080	01023-50612	BOLT	2				0.005	0.011
090	32430-41260	GUIDE DRAFT LEVER	1	≤57083		ORANGE	0	0
090	32480-41260	GUIDE DARFT LEVER	1	≥57084	≠	DEEP ORANGE	0.17	0.374
100	31351-11080	NUT FLANGE	2				0.007	0.0154

DRAFT CONTROL VALVE [COMPONENT PARTS]

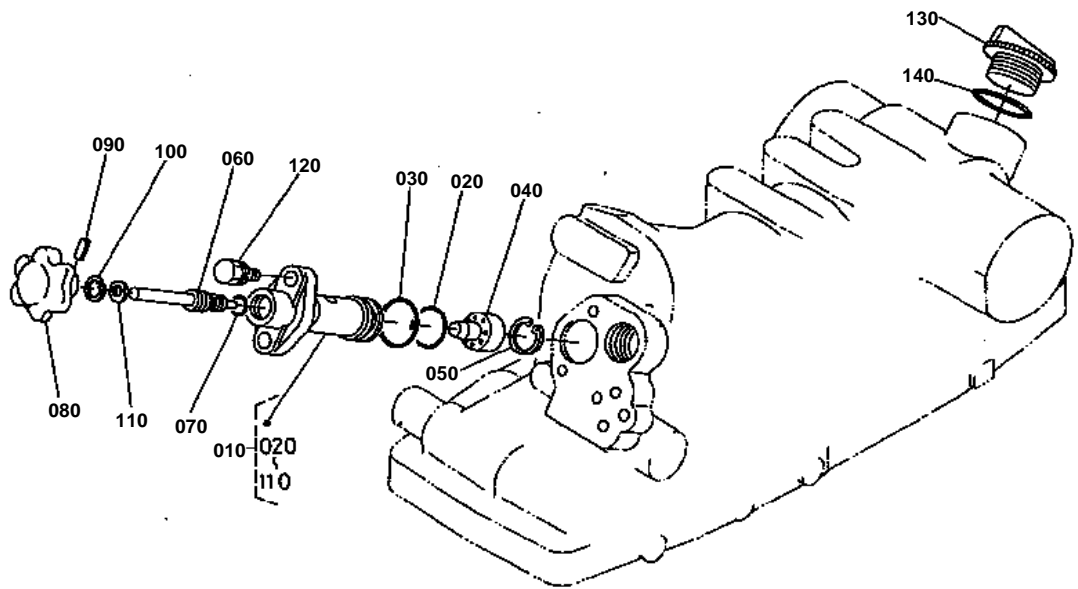


**DRAFT CONTROL VALVE [COMPONENT PARTS]**

↔ Interchangeable; ≠ not interchangeable; ← new for old; → old for new

REF.No	Part No.	Description	Q'ty	S.No.	I/C	REMARKS	Weight (kgf)	Weight (lb)
010	32430-41100	ASSY VALVE DRAFT CON	1				0	0
020	32430-41130	LEVER SPOOL DRIVE	1				0.02	0.044
030	05411-00614	PIN SPRING	1				0.002	0.0044
040	32430-41140	COVER VALVE	1				0.43	0.946
050	32430-41150	GASKET	1				0.001	0.0022
060	01123-50825	BOLT	4				0.013	0.0286
070	32430-41160	SHAFT CONTROL LEVER	1				0.06	0.132
080	32430-41200	ARM CONTROL	1				0.03	0.066
090	04810-00090	O RING	1				0.001	0.0022
100	05411-00516	PIN SPRING	1				0.002	0.0044
110	04013-50140	WASHER PLAIN	2				0	0
120	37300-41280	SPRING PLATE	2				0.005	0.011
130	02172-50140	NUT	2				0.01	0.022
140	32430-41170	PLUG	1				0.04	0.088
150	32430-41230	PLUG	1				0.06	0.132
160	04810-00180	O RING	2				0.001	0.0022
170	32430-41180	SHAFT BACK LEVER	1				0.05	0.11
180	04810-00090	O RING	1				0.001	0.0022
190	32430-41190	LEVER FEED BACK	1				0.04	0.088
200	05411-00520	PIN SPRING	1				0.002	0.0044
210	32430-41280	PLUG	1				0.025	0.055
220	04810-00110	O RING	1				0.001	0.0022
230	32430-41220	SPRING	1	←=50331			0.005	0.011

CYLINDER FRONT COVER



0090-01

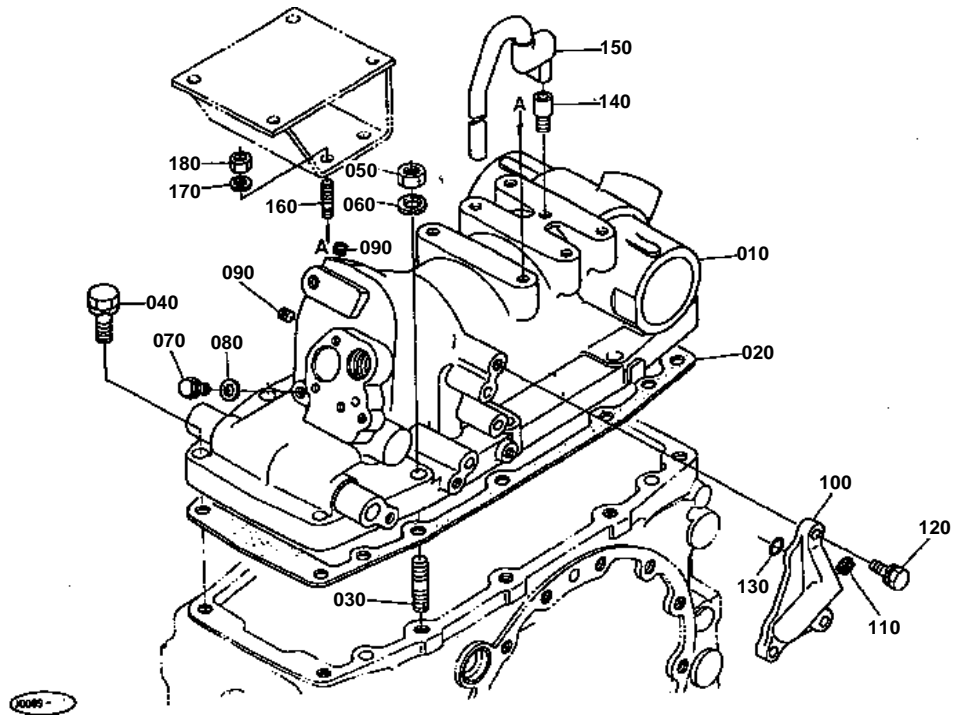


CYLINDER FRONT COVER

↔ Interchangeable; ≠ not interchangeable; ← new for old; → old for new

REF.No	Part No.	Description	Q'ty	S.No.	I/C	REMARKS	Weight (kgf)	Weight (lb)
010	31351-37200	ASSY COVER CYL.FRONT	1				0.3	0.66
020	04810-00220	O RING	1				0.001	0.0022
030	04810-06250	O RING	1				0.001	0.0022
040	38240-37250	COLLAR ADJUSTING	1				0.01	0.022
050	04611-00160	CIR-CLIP INTERNAL	1				0.001	0.0022
060	31351-37220	SHAFT HYD.ADJUST.	1				0.04	0.088
070	04810-00100	O RING	1				0.001	0.0022
080	34150-37230	GRIP	1				0.04	0.088
090	05411-00418	PIN SPRING	1				0.001	0.0022
100	34150-37260	CIR-CLIP INTERNAL	1				0.001	0.0022
110	04012-50080	WASHER PLAIN	1				0.001	0.0022
120	01123-50825	BOLT	2				0.013	0.0286
130	38240-21410	PLUG	1				0.015	0.033
140	04811-50300	O RING	1				0.001	0.0022

HYDRAULIC CYLINDER



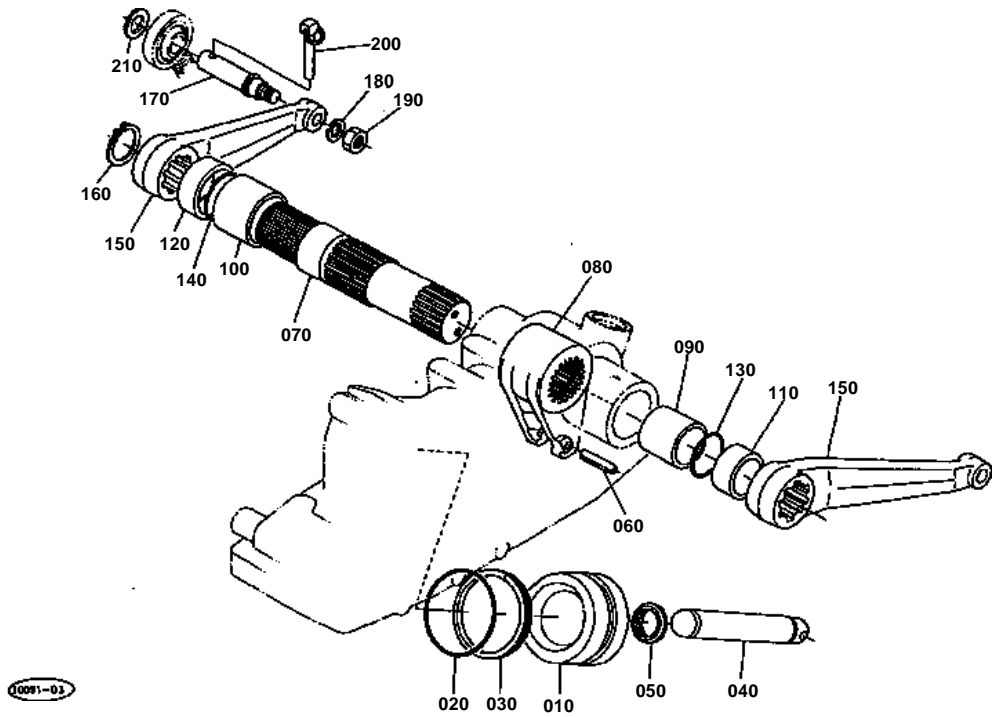


HYDRAULIC CYLINDER

↔ Interchangeable; ≠ not interchangeable; ← new for old; → old for new

REF.No	Part No.	Description	Q'ty	S.No.	I/C	REMARKS	Weight (kgf)	Weight (lb)
010	32430-37110	CASE HYD.CYLINDER	1				0	0
020	37150-37120	GASKET	1				0	0
030	01574-51240	STUD	2	≤56284			0	0
030	01574-51245	STUD	2	≥56285	↔		0.051	0.1122
040	01133-51245	BOLT	8				0.055	0.121
050	02176-50120	NUT	2				0.01	0.022
060	04512-50120	WASHER SPRING	2				0.003	0.0066
070	37150-36730	PLUG	1				0.03	0.066
080	37150-36720	GASKET	1				0.01	0.022
090	31351-37160	PLUG	3				0.003	0.0066
100	31351-37280	COVER CYL.LH	1				0.12	0.264
110	06312-10010	PLUG	1				0.007	0.0154
120	01123-50825	BOLT	3				0.013	0.0286
130	04810-00100	O RING	3				0.001	0.0022
140	36200-21610	BREATHER	1				0.008	0.0176
150	32430-37140	BREATHER	1				0.04	0.088
160	01517-51020	STUD	4			[FR]	0.019	0.0418
170	04512-50100	WASHER SPRING	4			[FR]	0.003	0.0066
180	02118-50100	NUT	4			[FR]	0.005	0.011

LIFT ARM



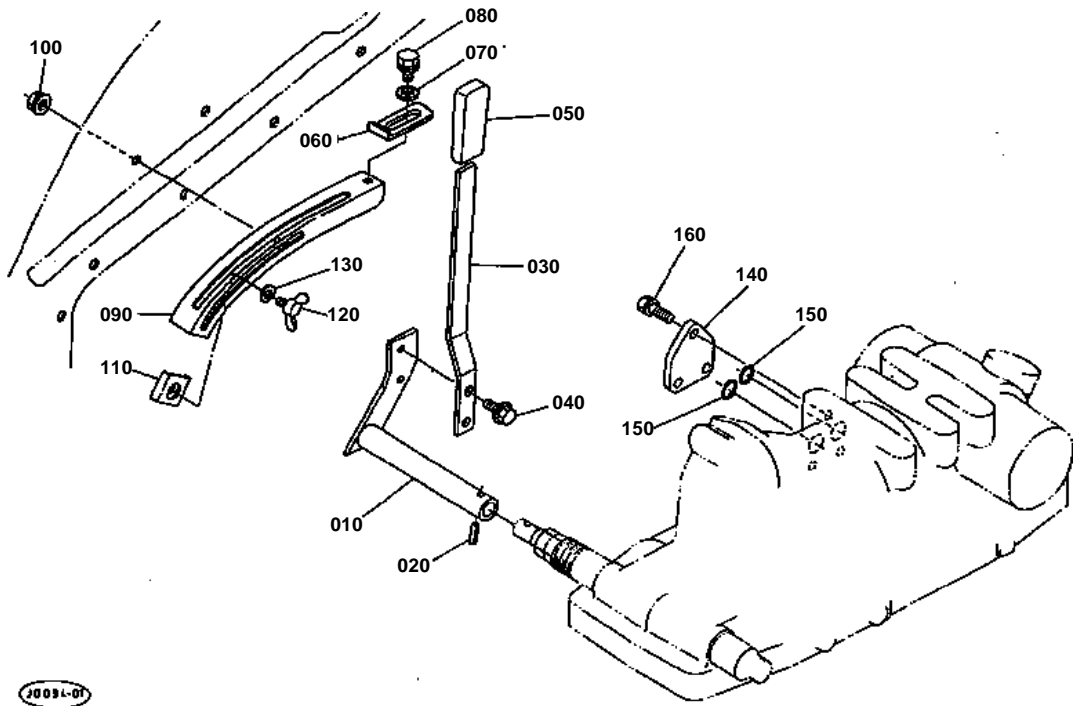


LIFT ARM

↔ Interchangeable; ≠ not interchangeable; ← new for old; → old for new

REF.No	Part No.	Description	Q'ty	S.No.	I/C	REMARKS	Weight (kgf)	Weight (lb)
010	31351-37310	PISTON HYD.	1				1.375	3.025
020	04811-00750	O RING	1				0.008	0.0176
030	34350-37330	RING BACK UP	1				0.004	0.0088
040	31351-37320	ROD HYD.	1				0.605	1.331
050	31351-37330	GUIDE HYD.ROD	1				0.003	0.0066
060	05411-00645	PIN SPRING	1	≤51248			0.006	0.0132
060	05411-00656	PIN SPRING	1	≥51249	←		0.006	0.0132
070	31351-37430	SHAFT HYD.ARM	1				3.2	7.04
080	31351-37440	ARM HYDRAULIC	1				0	0
090	32240-37450	BUSH	1				0	0
100	32240-37460	BUSH	1				0	0
110	34150-37480	COLLAR	1				0.005	0.011
120	37300-37490	COLLAR	1				0.01	0.022
130	04811-50450	O RING	1				0.002	0.0044
140	04811-50500	O RING	1				0.001	0.0022
150	38240-37613	ARM LIFT	2				2.1	4.62
160	04612-00450	CIR-CLIP EXTERNAL	1				0.007	0.0154
170	32240-37695	PIN LIFT ROD	2	≤55756			0.2	0.44
170	30442-37690	PIN LIFT ROD	2	≥55757	≠		0.205	0.451
180	04512-50160	WASHER SPRING	2				0	0
190	02174-50160	NUT	2				0.022	0.0484
200	34150-37640	PIN SET	2				0.06	0.132
210	04011-50180	WASHER PLAIN	2	≥55757			0.012	0.0264

POSITION LEVER



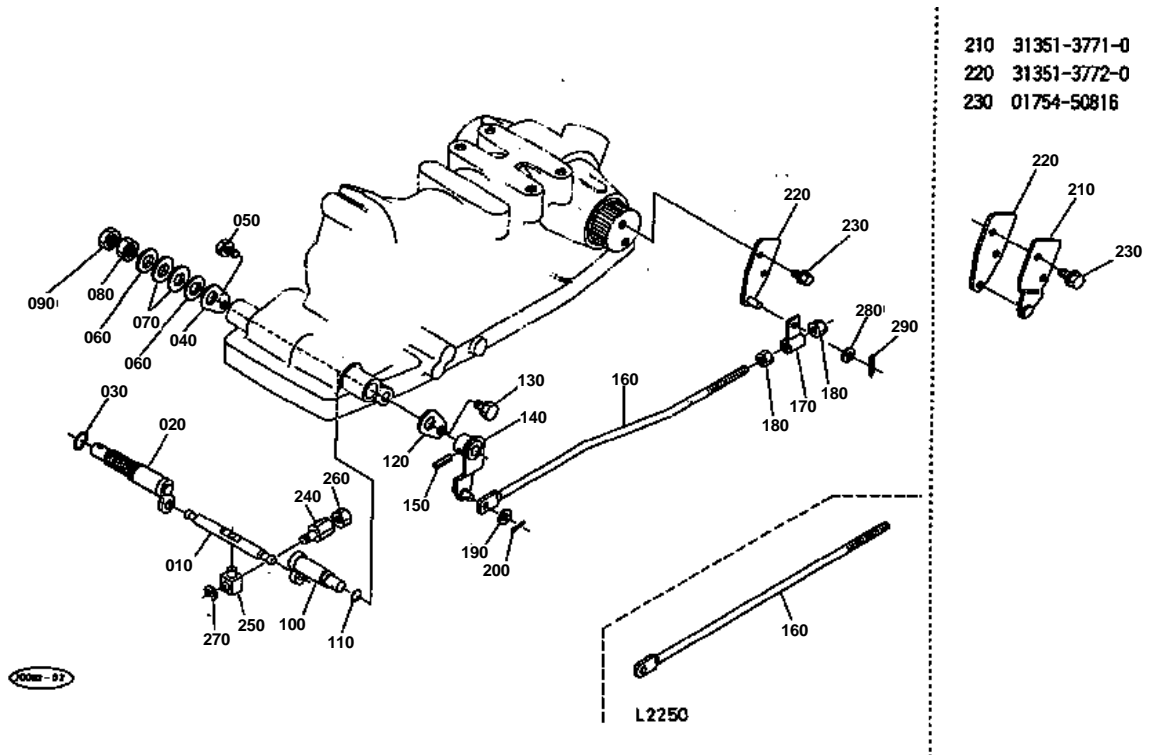


POSITION LEVER

↔ Interchangeable; ≠ not interchangeable; ← new for old; → old for new

REF.No	Part No.	Description	Q'ty	S.No.	I/C	REMARKS	Weight (kgf)	Weight (lb)
010	32430-36850	LEVER POSITION	1				0.42	0.924
020	05411-00525	PIN SPRING	1				0.002	0.0044
030	31351-36860	LEVER POSITION	1				0.14	0.308
040	01754-50616	BOLT FLANGE	2				0.006	0.0132
050	31351-36880	GRIP LEVER	1				0.04	0.088
060	38240-36930	STOPPER	1				0.02	0.044
070	04015-50080	WASHER PLAIN	1				0.001	0.0022
080	01123-50816	BOLT	1				0.011	0.0242
090	31351-36810	GUIDE HYD.LEVER	1	<=57083		ORANGE	0.24	0.528
090	30442-36810	GUIDE HYD.LEVER	1	>=57084	≠	DEEP ORANGE	0	0
100	31351-11080	NUT FLANGE	2				0.007	0.0154
110	31351-36910	STOPPER	1				0.02	0.044
120	01811-50610	BOLT WING	1				0.014	0.0308
130	04013-50060	WASHER PLAIN	1				0.001	0.0022
140	32430-41210	COVER CYL.SIDE LH	1			WITHOUT DRAFT	0.11	0.242
150	04810-00140	O RING	2			WITHOUT DRAFT	0.001	0.0022
160	01123-50820	BOLT	3			WITHOUT DRAFT	0.011	0.0242

FEED BACK LEVER



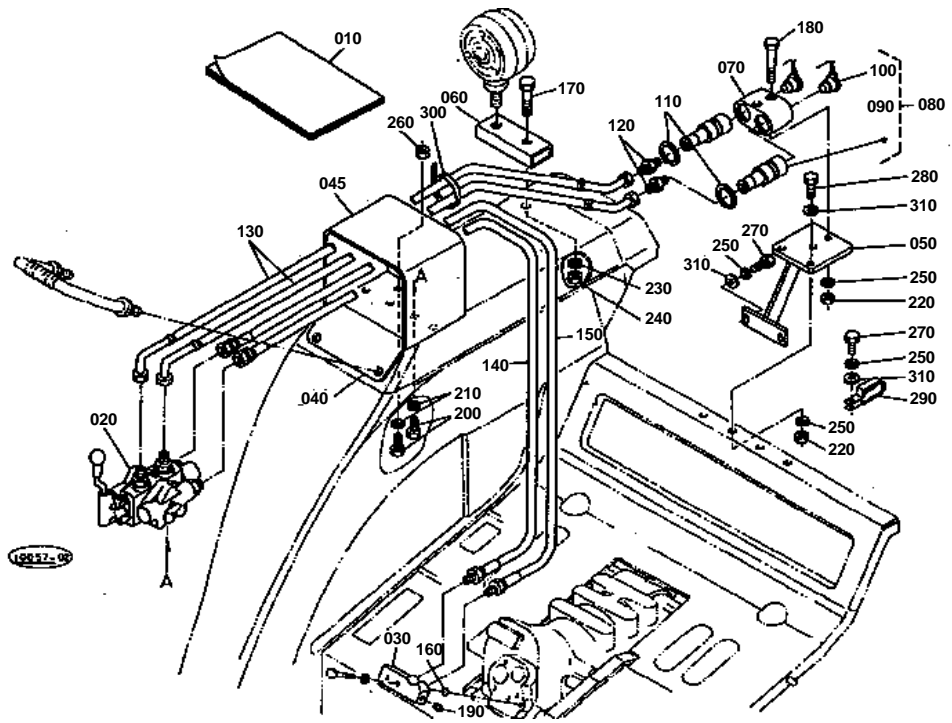


FEED BACK LEVER

↔ Interchangeable; ≠ not interchangeable; ← new for old; → old for new

REF.No	Part No.	Description	Q'ty	S.No.	I/C	REMARKS	Weight (kgf)	Weight (lb)
010	31351-37640	LEVER SPOOL DRIVE	1				0.05	0.11
020	31351-37650	ARM CONTROL	1				0.16	0.352
030	04811-00140	O RING	1				0.001	0.0022
040	31351-37660	SET PLATE	1				0.01	0.022
050	01123-50816	BOLT	1				0.011	0.0242
060	38430-36890	WASHER	2	<=56003			0.01	0.022
060	04013-50140	WASHER PLAIN	2	>=56004	↔		0	0
070	34260-36880	SPRING PLATE	2				0.006	0.0132
080	02174-50140	NUT	1				0.014	0.0308
090	02172-50140	NUT	1				0.01	0.022
100	31351-37750	SHAFT BACK LEVER	1				0.1	0.22
110	04811-00120	O RING	1				0.001	0.0022
120	38240-36890	SET PLATE	1				0.013	0.0286
130	01123-50816	BOLT	1				0.011	0.0242
140	31351-37760	LEVER FEED BACK	1				0.08	0.176
150	05411-00525	PIN SPRING	1				0.002	0.0044
160	31351-37770	ROD FEED BACK	1				0.12	0.264
170	31351-37780	ROD CONTROL	1				0.03	0.066
180	02114-50080	NUT	2				0.005	0.011
190	04013-50080	WASHER PLAIN	1				0.003	0.0066
200	05511-50218	PIN SPLIT	1				0.001	0.0022
210	31351-37710	LINK CONTROL	1	<=55841			0.04	0.088
220	31351-37720	LINK CONTROL	1				0	0
230	01754-50816	BOLT FLANGE	2	<=55841			0.011	0.0242
230	01754-50812	BOLT FLANGE	2	>=55842	≠		0.01	0.022
240	67531-38280	JOINT SPOOL	1				0.17	0.374
250	37150-36420	JOINT SPOOL	1				0.02	0.044
260	02112-50080	NUT	1				0.003	0.0066
270	04613-00060	CIR-CLIP EXTERNAL	1				0	0
280	04013-50080	WASHER PLAIN	1	>=55842			0.003	0.0066
290	05511-50215	PIN SPLIT	1	>=55842			0.001	0.0022

AUX.CONTROL VALVE 1 [OPTION]



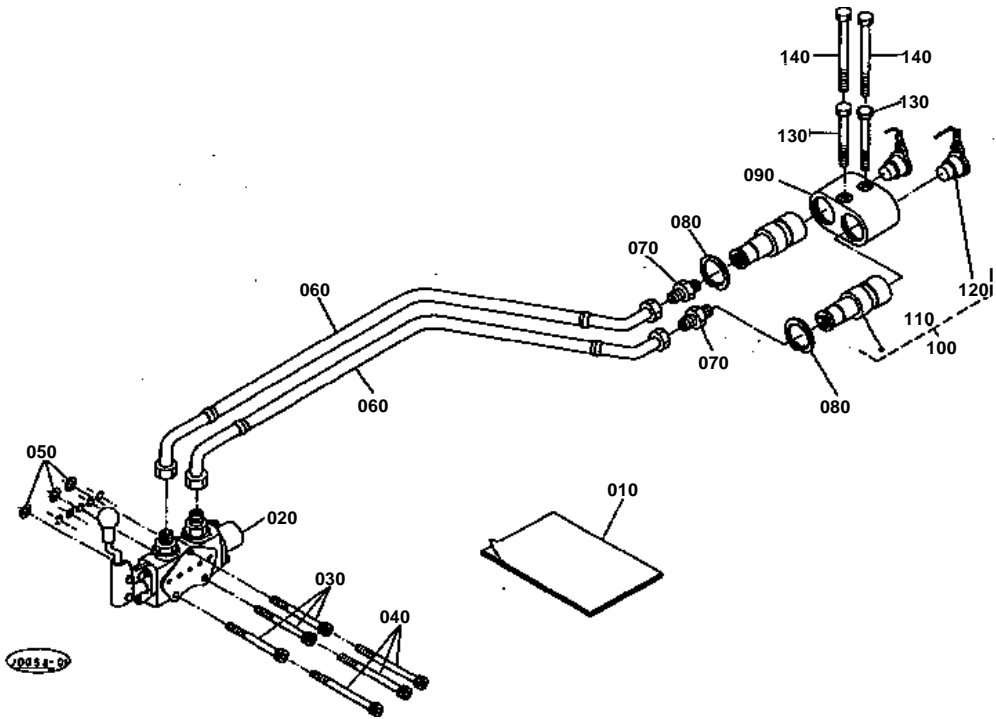


AUX.CONTROL VALVE 1 [OPTION]

↔ Interchangeable; ≠ not interchangeable; ← new for old; → old for new

REF.No	Part No.	Description	Q'ty	S.No.	I/C	REMARKS	Weight (kgf)	Weight (lb)
010	99063-93500	MANUAL CONSTRUCTION	1	<=57083		ORANGE	0.03	0.066
010	99063-93502	MANUAL CONSTRUCTION	1	>=57084	←	DEEP ORANGE	0	0
020	99063-93100	ASSY VALVE AUX.CON.	1			REFER TO L.No.0114-R0 FOR COMPONENTS	4	8.8
030	99063-93300	CONNECTOR	1				0.496	1.0912
040	99063-93350	HOLDER AUX.CON.VALVE	1	<=57083		ORANGE	2.5	5.5
040	99063-93850	HOLDER AUX.CON.VALVE	1	>=57084	≠	DEEP ORANGE	0	0
045	99063-93360	HOLDER AUX.CON.UPPER	1	<=57083		ORANGE	1.4	3.08
045	99063-93860	HOLDER AUX.CON.UPPER	1	>=57084	≠	DEEP ORANGE	0	0
050	99063-93370	STAY COUPLER	1	<=57083		ORANGE	0.79	1.738
050	99063-93870	STAY COUPLER	1	>=57084		DEEP ORANGE	0.8	1.76
060	99063-93390	STAY HAZARD LIGHT	1	<=57083		ORANGE	0.18	0.396
060	99063-93890	STAY HAZARD LIGHT	1	>=57084	≠	DEEP ORANGE	0.185	0.407
070	35861-82610	SUPPORT COUPLER	1	<=57083		ORANGE	0.82	1.804
070	99063-93800	SUPPORT COUPLER	1	>=57084	≠	DEEP ORANGE	0.8	1.76
080	35861-82032	ASSY COUPLER FEMALE	2				0.32	0.704
090	35861-94510	O RING	2			NOT SHOWING IN FIG.	0.002	0.0044
100	35861-94520	PLUG COUPLER	2				0.005	0.011
110	04611-00380	CIR-CLIP INTERNAL	2				0.004	0.0088
120	99063-93410	ADAPTER	2				0.07	0.154
130	99063-93450	HOSE	2				0.37	0.814
140	99063-93470	HOSE NYLON	1			1140L	0.39	0.858
150	99063-93480	HOSE NYLON	1			1330L	0.39	0.858
160	04811-06100	O RING	2				0.001	0.0022
170	99063-93490	BOLT	1				0.01	0.022
180	01153-50860	BOLT	2				0.024	0.0528
190	31351-37160	PLUG	1				0.003	0.0066
200	01153-51220	BOLT	3				0.03	0.066
210	04512-50120	WASHER SPRING	3				0.003	0.0066
220	02156-50080	NUT	4				0.004	0.0088
230	04512-50100	WASHER SPRING	1				0.003	0.0066
240	02176-50100	NUT	1				0.005	0.011
250	04512-50080	WASHER SPRING	11				0.001	0.0022
260	02156-50120	NUT	1				0.01	0.022
270	01153-50820	BOLT	7				0.012	0.0264
280	01153-50835	BOLT	2				0.016	0.0352
290	38740-49250	CLAMP	1				0.035	0.077
300	34350-29380	BAND CORD	1				0.001	0.0022
310	04013-50080	WASHER PLAIN	5				0.003	0.0066

AUX.CONTROL VALVE 2 [OPTION]



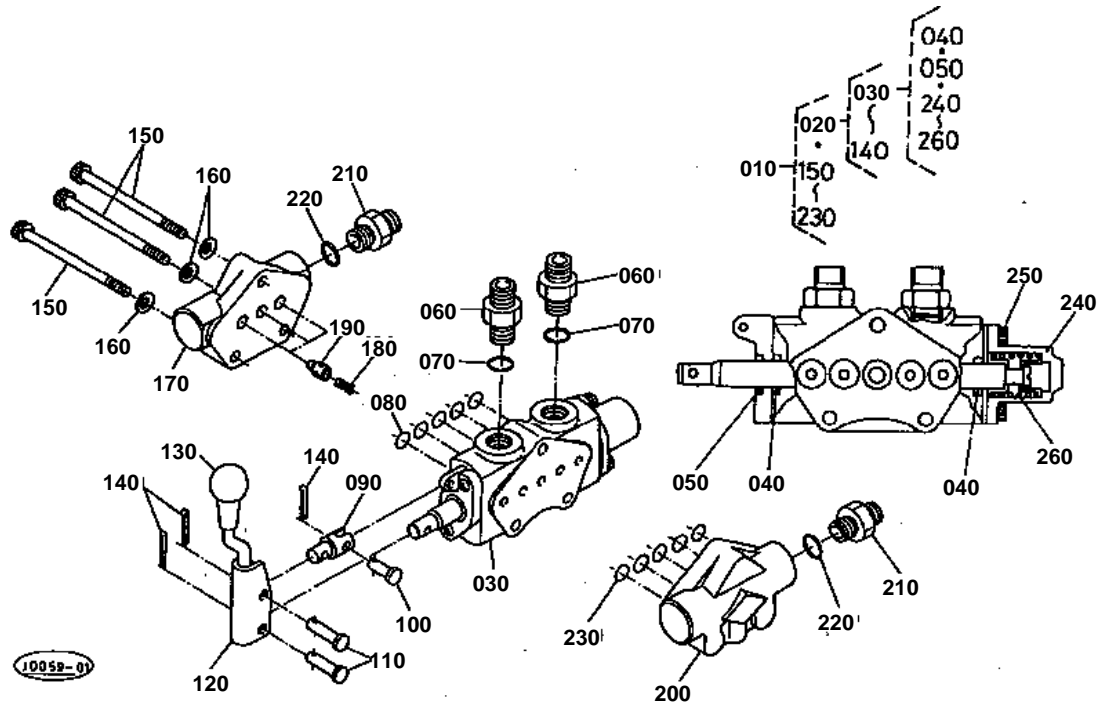


AUX.CONTROL VALVE 2 [OPTION]

↔ Interchangeable; ≠ not interchangeable; ← new for old; → old for new

REF.No	Part No.	Description	Q'ty	S.No.	I/C	REMARKS	Weight (kgf)	Weight (lb)
010	99063-94500	MANUAL CONSTRUCTION	1				0.1	0.22
020	99063-94100	VALVE CONTROL	1			REFER TO L.No.0I14-R0 FOR COMPONENTS	1.9	4.18
030	01311-10800	BOLT	3				0.015	0.033
040	01311-10806	BOLT	3				0.053	0.1166
050	99063-94180	PATCH	3				0.001	0.0022
060	99063-93450	HOSE	2				0.37	0.814
070	99063-93410	ADAPTER	2				0.07	0.154
080	04611-00380	CIR-CLIP INTERNAL	2				0.004	0.0088
090	35861-82610	SUPPORT COUPLER	2	<=57083		ORANGE	0.82	1.804
090	99063-93800	SUPPORT COUPLER	2	>=57084	≠	DEEP ORANGE	0.8	1.76
100	35861-82032	ASSY COUPLER FEMALE	2				0.32	0.704
110	35861-94510	O RING	2			NOT SHOWING IN FIG.	0.002	0.0044
120	35861-94520	PLUG COUPLER	2				0.005	0.011
130	01153-50802	BOLT	2				0.045	0.099
140	01153-50809	BOLT	2				0	0

AUX.CONTROL VALVE [COMPONENT PARTS]

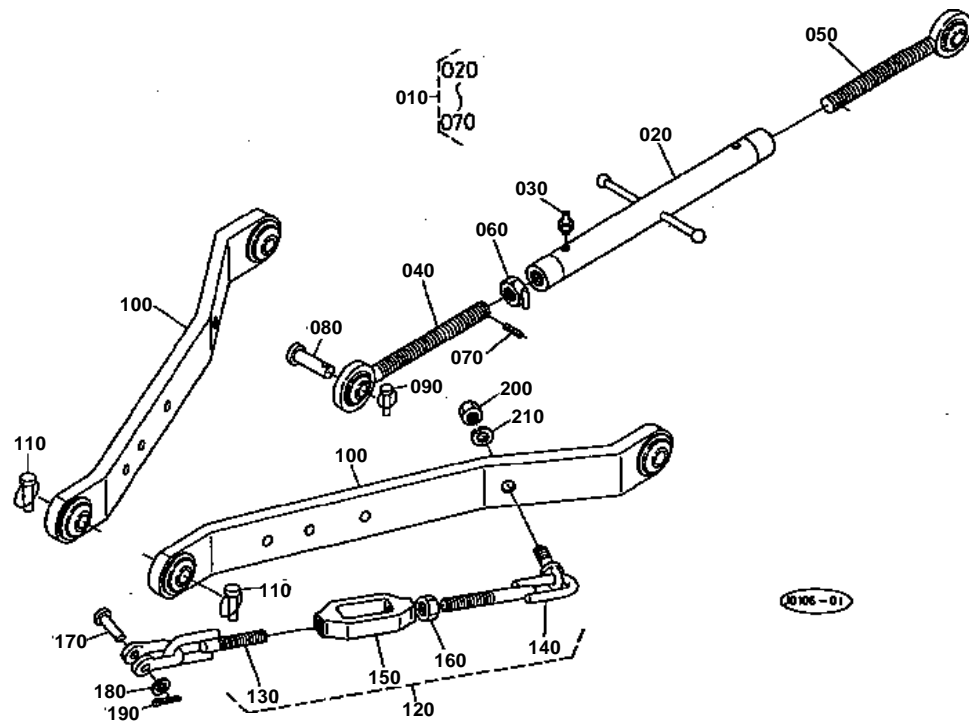


**AUX.CONTROL VALVE [COMPONENT PARTS]**

↔ Interchangeable; ≠ not interchangeable; ← new for old; → old for new

REF.No	Part No.	Description	Q'ty	S.No.	I/C	REMARKS	Weight (kgf)	Weight (lb)
010	99063-93100	ASSY VALVE AUX.CON.	1				4	8.8
020	99063-94100	VALVE CONTROL	1				1.9	4.18
030	99063-93180	ASSY CASING	1				1.66	3.652
040	39791-31016	SEAL PENTA	2				0	0
050	99063-94140	SCRAPER	1				0.01	0.022
060	99063-93150	NIPPLE HOSE	2				0.045	0.099
070	04811-00140	O RING	2				0.001	0.0022
080	04811-00110	O RING	5				0.001	0.0022
090	99063-93210	LINK LEVER	1				0.05	0.11
100	05122-50520	PIN JOINT	1				0.003	0.0066
110	05122-50524	PIN JOINT	2				0	0
120	99063-93220	LEVER	1				0.24	0.528
130	99063-93230	GRIP	1				0.035	0.077
140	05511-50210	PIN SPLIT	3				0.001	0.0022
150	01311-10865	BOLT	3				0.03	0.066
160	99063-93130	SPRING PLATE	3				0.01	0.022
170	99063-93140	SECTION INLET	1				1	2.2
180	99063-93160	SPRING	2				0.01	0.022
190	99063-93170	POPPET	2				0.02	0.044
200	99063-93190	SECTION OUTLET	1				0.97	2.134
210	99063-93150	NIPPLE HOSE	2				0.045	0.099
220	04811-00140	O RING	2				0.001	0.0022
230	04811-00110	O RING	5				0.001	0.0022
240	39782-59251	CAP END	1				0.04	0.088
250	01350-10516	BOLT	2				0.005	0.011
260	39782-59181	SPRING	1				0.03	0.066

3-POINT LINKAGE 1



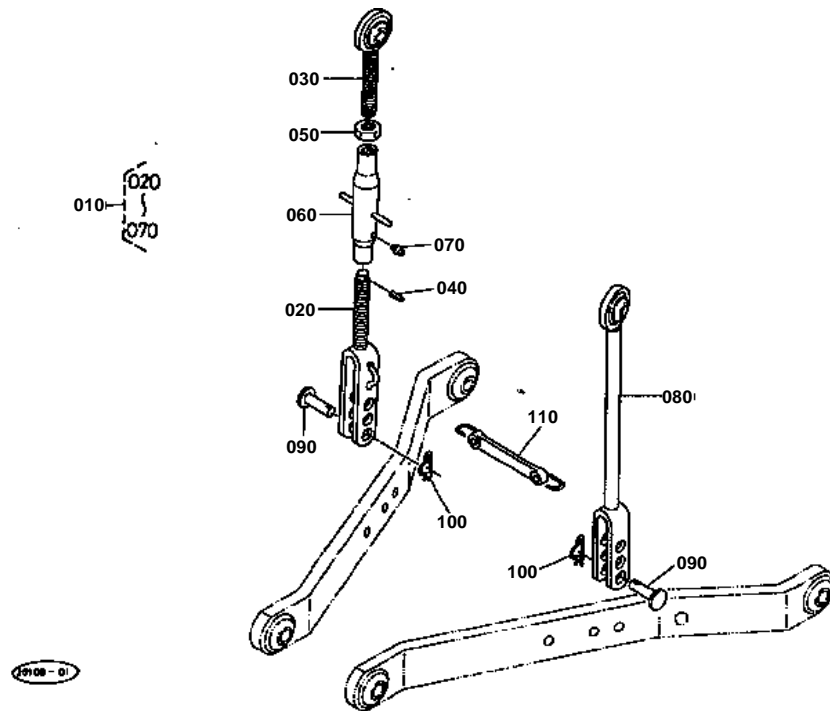


3-POINT LINKAGE 1

↔ Interchangeable; ≠ not interchangeable; ← new for old; → old for new

REF.No	Part No.	Description	Q'ty	S.No.	I/C	REMARKS	Weight (kgf)	Weight (lb)
010	32420-71100	ASSY LINK TOP	1				0	0
020	32420-71110	LINK TOP	1				0	0
030	67211-42940	NIPPLE GREASE	2				0.001	0.0022
040	35240-71210	JOINT TOP LINK	1				0.96	2.112
050	35240-71220	JOINT TOP LINK	1				0.965	2.123
060	32244-71180	NUT TOP LINK	1				0.057	0.1254
070	05411-00430	PIN SPRING	2				0.002	0.0044
080	31150-71360	PIN JOINT	2				0.166	0.3652
090	34150-37640	PIN SET	2				0.06	0.132
100	32420-71310	COMP.LINK LOWER	2				0	0
110	34150-37640	PIN SET	4				0.06	0.132
120	32420-71800	ASSY CHAIN CHECK	2	<=56749			0	0
120	32420-71803	ASSY CHAIN CHECK	2	>=56750	←		0	0
130	31341-71810	JOINT CHAIN	2	<=56749			0	0
130	31341-71813	JOINT CHAIN	2	>=56750	←		0.33	0.726
140	32420-71820	JOINT CHAIN	2	<=52440			0	0
140	31341-71820	JOINT CHAIN	2	>=52441	↔		0.435	0.957
150	32420-71840	TURNBUCKLE	2				0.55	1.21
160	02052-50140	NUT	2				0.018	0.0396
170	32353-71890	PIN	2				0.041	0.0902
180	04013-50120	WASHER PLAIN	2				0.007	0.0154
190	05511-50425	PIN SPLIT	2				0.003	0.0066
200	02074-50160	NUT	2				0.029	0.0638
210	04512-50160	WASHER SPRING	2				0	0

3-POINT LINKAGE 2



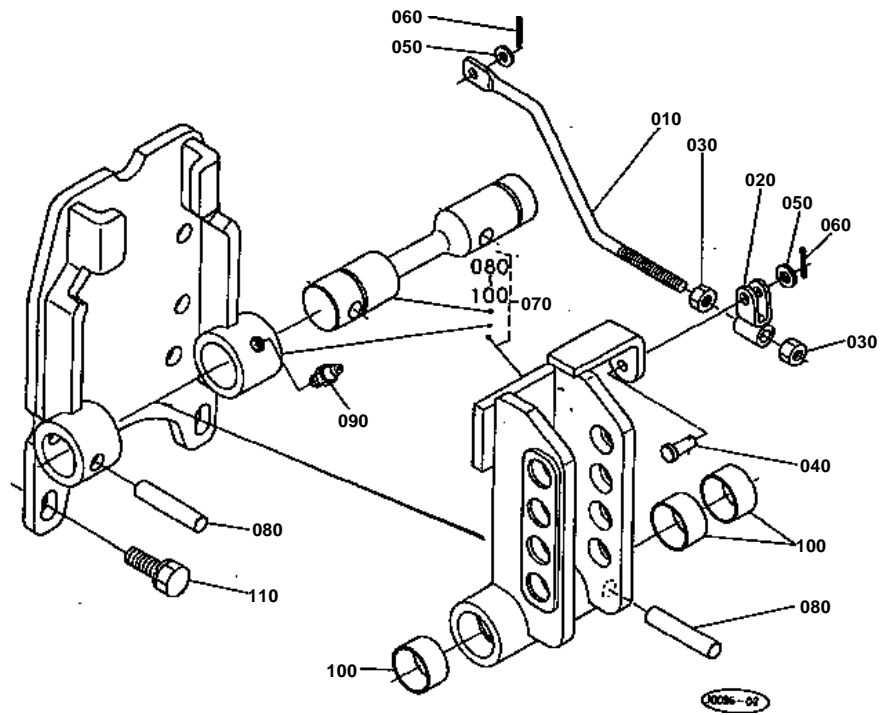


3-POINT LINKAGE 2

↔ Interchangeable; ≠ not interchangeable; ← new for old; → old for new

REF.No	Part No.	Description	Q'ty	S.No.	I/C	REMARKS	Weight (kgf)	Weight (lb)
010	31331-71560	ASSY ROD LIFT RH	1				2.1	4.62
020	31331-71520	ROD LIFT LOWER	1				0.855	1.881
030	31331-71510	ROD LIFT UPPER	1				0.58	1.276
040	05411-00320	PIN SPRING	1				0.001	0.0022
050	35110-71570	NUT	1				0.05	0.11
060	38187-71770	ROD LIFT MIDDLE	1				0.54	1.188
070	06613-10675	NIPPLE GREASE	1				0.003	0.0066
080	31341-71540	ROD LIFT LH	1				1.57	3.454
090	38687-71582	PIN LIFT ROD	2				0.08	0.176
100	05515-51600	PIN SNAP	2				0.007	0.0154
110	38187-71750	COMP.RUBBER	1				0	0

TOP LINKAGE BRACKET [OPTION]

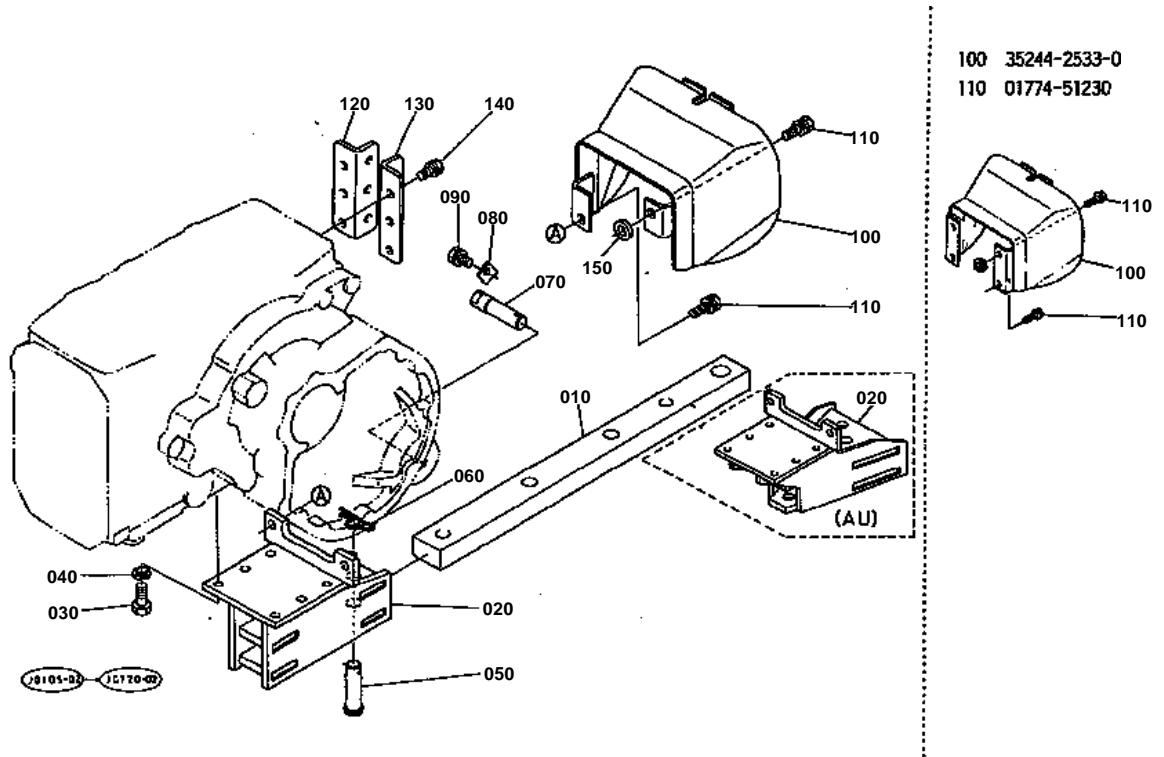




TOP LINKAGE BRACKET [OPTION]

↔ Interchangeable; ≠ not interchangeable; ← new for old; → old for new

REF.No	Part No.	Description	Q'ty	S.No.	I/C	REMARKS	Weight (kgf)	Weight (lb)
010	32430-41310	ROD DRAFT CONTROL	1			WITH DRAFT	0.09	0.198
020	35260-41320	HOLDER CONTROL	1			WITH DRAFT	0.03	0.066
030	02112-50080	NUT	2			WITH DRAFT	0.003	0.0066
040	05122-50818	PIN JOINT	1			WITH DRAFT	0.008	0.0176
050	04012-50080	WASHER PLAIN	2			WITH DRAFT	0.001	0.0022
060	05511-50218	PIN SPLIT	2			WITH DRAFT	0.001	0.0022
070	32430-41400	COMP HOLDER TOP LINK	1			WITH DRAFT	0	0
080	37300-41440	PIN STRAIGHT	2			WITH DRAFT	0.055	0.121
090	06613-10010	NIPPLE GREASE	3	<=52641		WITH DRAFT	0.006	0.0132
090	06613-10010	NIPPLE GREASE	2	>=52642		WITH DRAFT	0.006	0.0132
100	37300-41450	BUSH	3			WITH DRAFT	0.03	0.066
110	01133-51230	BOLT	6			WITH DRAFT	0.04	0.088



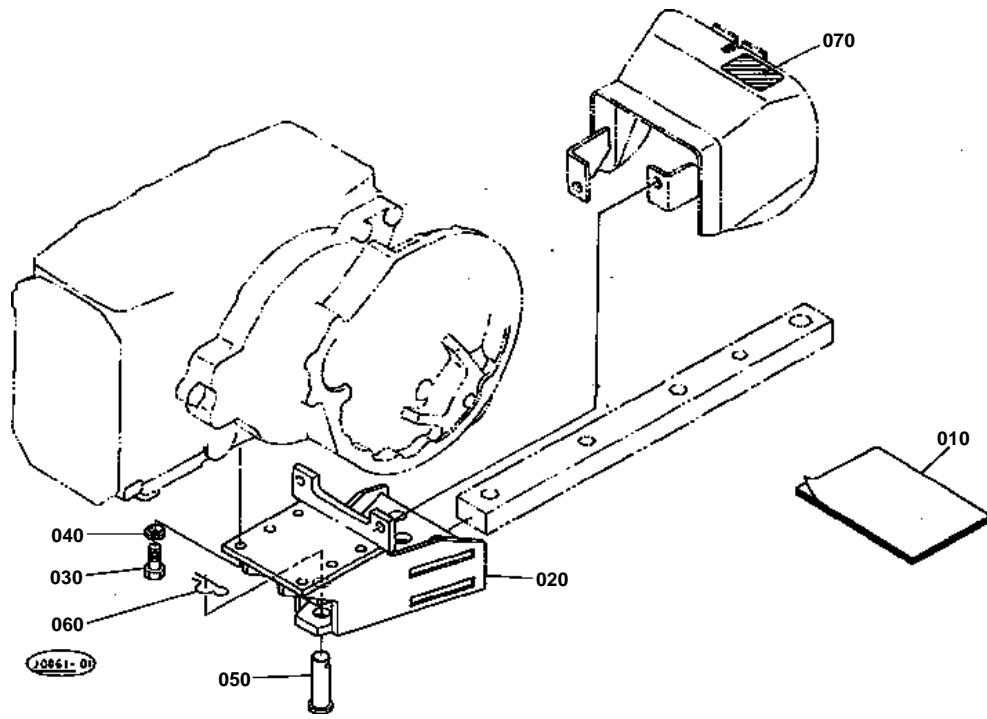


DRAWBAR EXCEPT [FR][GR][PO]

↔ Interchangeable; ≠ not interchangeable; ← new for old; → old for new

REF.No	Part No.	Description	Q'ty	S.No.	I/C	REMARKS	Weight (kgf)	Weight (lb)
010	32430-29710	DRAWBAR	1			[A][CA][AU]	0	0
020	32420-29730	FRAME DRAWBAR	1			EXCEPT [AU]	6.4	14.08
020	32430-29730	FRAME DRAWBAR	1			[AU]	7.85	17.27
030	01173-51430	BOLT	6				0.052	0.1144
040	04512-50140	WASHER SPRING	6				0	0
050	05112-52070	PIN JOINT	1			EXCEPT [AU]	0.186	0.4092
050	05112-52070	PIN JOINT	3			[AU]	0.186	0.4092
060	05515-51600	PIN SNAP	1			EXCEPT [AU]	0.007	0.0154
060	05515-51600	PIN SNAP	3			[AU]	0.007	0.0154
070	32430-29820	PIN LOWER LINK	2				0.25	0.55
080	32430-29830	SET PLATE	2				0.016	0.0352
090	01133-51020	BOLT	2				0.02	0.044
100	35244-25330	PROTECTOR PTO	1	<=56277			2.28	5.016
100	35244-25330	PROTECTOR PTO	1	>=56278	↔		2.28	5.016
110	01774-51230	BOLT FLANGE	4	<=56277			0.043	0.0946
110	01133-51235	BOLT	4	>=56278	↔		0.05	0.11
120	99571-22140	HOLDER TOP LINK RH	1			WITH POSITION	0.99	2.178
130	99571-22150	HOLDER TOP LINK LH	1			WITH POSITION	0.99	2.178
140	01133-51230	BOLT	6			WITH POSITION	0.04	0.088
150	35114-25340	COLLAR	2				0.02	0.044

SWINGING DRAWBAR [OPITON]



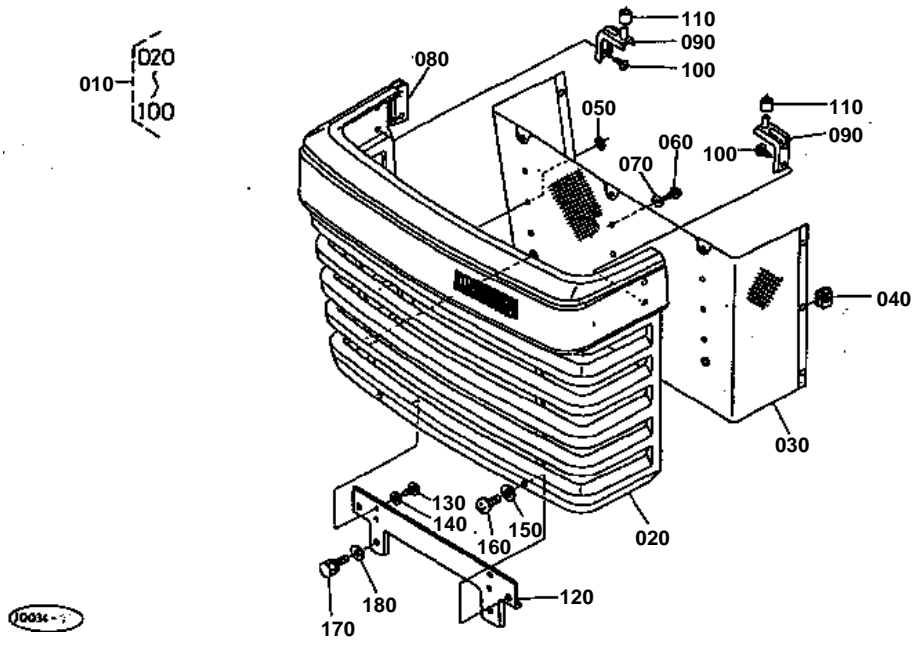


SWINGING DRAWBAR [OPITON]

↔ Interchangeable; ≠ not interchangeable; ← new for old; → old for new

REF.No	Part No.	Description	Q'ty	S.No.	I/C	REMARKS	Weight (kgf)	Weight (lb)
010	32430-98510	MANUAL INSTRUCTION	1				0.01	0.022
020	32430-29730	FRAME DRAWBAR	1				7.85	17.27
030	01173-51430	BOLT	6				0.052	0.1144
040	04512-50140	WASHER SPRING	6				0	0
050	05112-52070	PIN JOINT	3				0.186	0.4092
060	05515-51600	PIN SNAP	3				0.007	0.0154
070	35260-25340	LABEL PTO(DRAWBAR)	1				0.005	0.011

FRONT GRILLE [OLD TYPE]



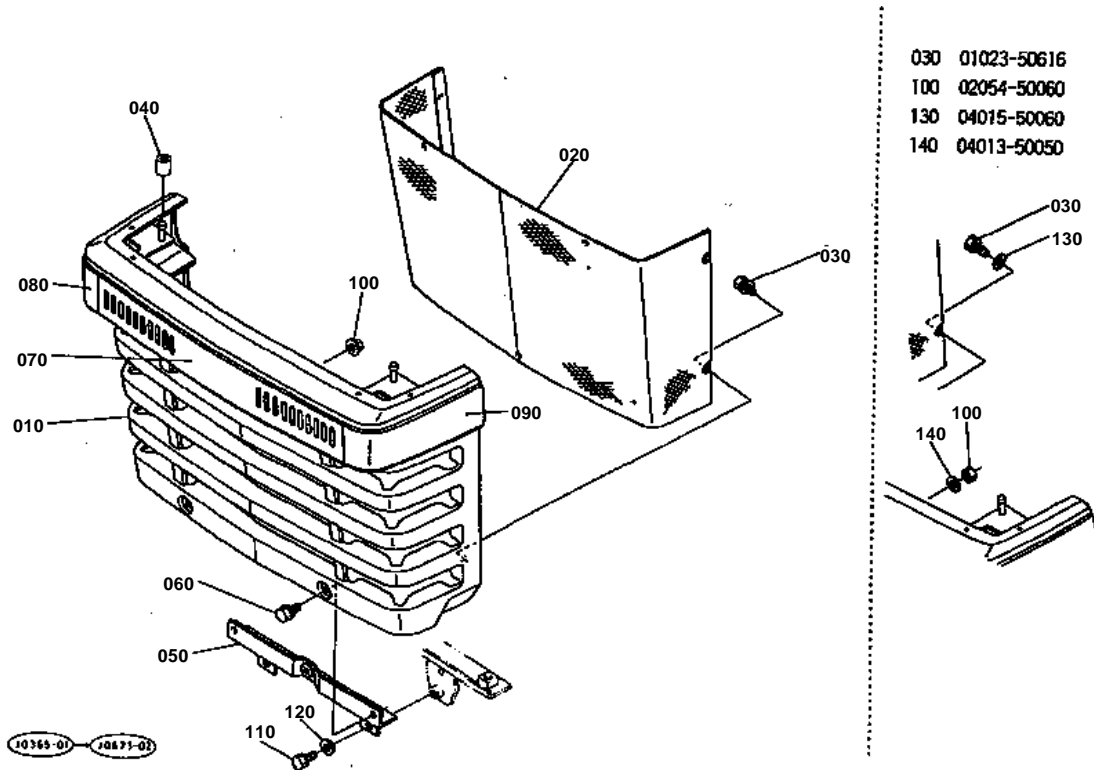
**FRONT GRILLE [OLD TYPE]**

S.No.;<=53611

↔ Interchangeable; ≠ not interchangeable; ← new for old; → old for new

REF.No	Part No.	Description	Q'ty	S.No.	I/C	REMARKS	Weight (kgf)	Weight (lb)
010	31351-18000	ASSY GRILLE FRONT	1	<=53611			3.5	7.7
020	31351-18230	GRILLE FRONT	1	<=53611			3	6.6
030	31351-18250	NET FRONT GRILLE	1	<=53611			0.3	0.66
040	31351-93540	NUT	6	<=53611			0.002	0.0044
050	31351-93550	NUT	9	<=53611			0.001	0.0022
060	03514-50512	SCREW	10	<=53611			0.003	0.0066
070	04013-50050	WASHER PLAIN	10	<=53611			0	0
080	31351-94120	SPRING NUT	2	<=53611			0.01	0.022
090	31351-18275	RETAINER GRILLE	2	<=53611			0.05	0.11
100	31351-94130	SCREW	4	<=53611			0.004	0.0088
110	31351-18260	PIPE	2				0.001	0.0022
120	31351-18283	RETAINER GRILLE	1	<=53611			0.14	0.308
130	32530-19370	SCREW	4	<=53611			0.005	0.011
140	04512-50060	WASHER SPRING	4	<=53611			0.001	0.0022
150	04012-50060	WASHER PLAIN	2	<=53611			0.001	0.0022
160	03004-50616	SCREW WITH WASHER	2	<=53611			0.006	0.0132
170	01123-50818	BOLT	2				0.012	0.0264
180	04013-50080	WASHER PLAIN	2				0.003	0.0066

FRONT GRILLE [NEW TYPE]



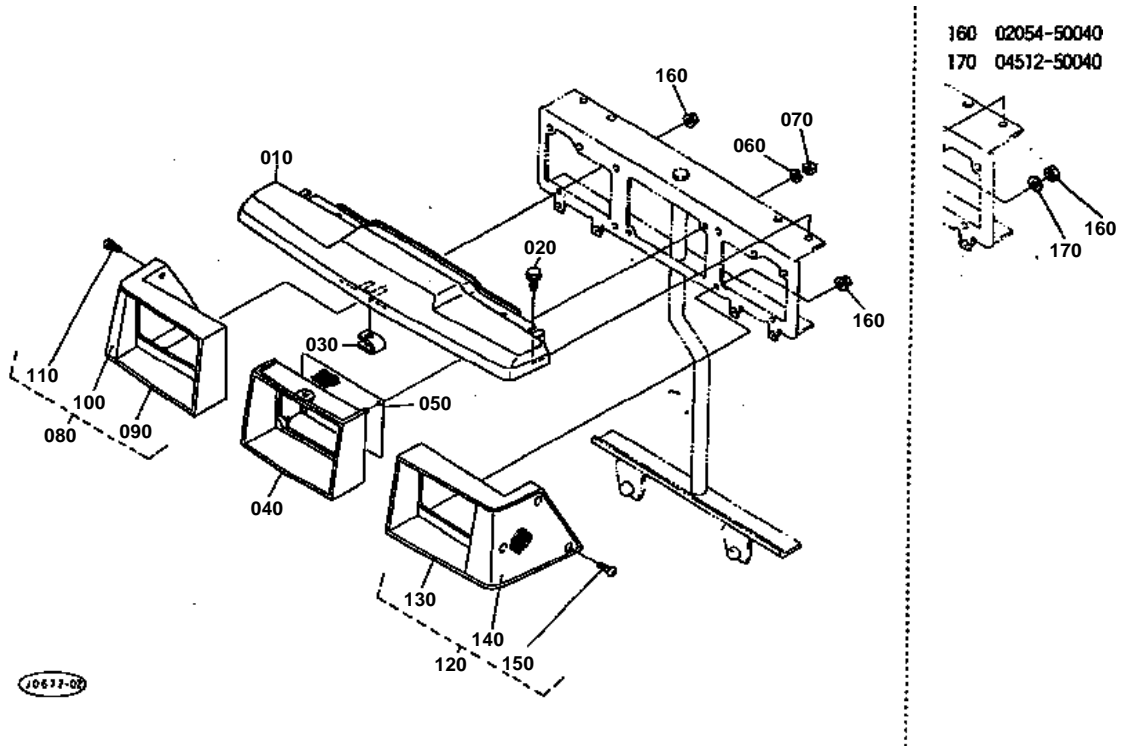
**FRONT GRILLE [NEW TYPE]**

S.No.;>=53612

↔ Interchangeable; ≠ not interchangeable; ← new for old; → old for new

REF.No	Part No.	Description	Q'ty	S.No.	I/C	REMARKS	Weight (kgf)	Weight (lb)
010	32430-18230	GRILLE FRONT	1	>=53612		ORANGE	0	0
010	30400-18230	GRILLE FRONT	1	>=57084	≠	DEEP ORANGE	4.8	10.56
020	32430-18250	NET FRONT GRILLE	1	>=53612			0.41	0.902
030	01023-50616	BOLT	7	<=53773			0.005	0.011
030	30442-15230	BOLT	7	>=53774	≠		0.01	0.022
040	31351-18260	PIPE	2				0.001	0.0022
050	30400-18280	RETAINER GRILLE	1	<=57047			0	0
050	30400-18282	RETAINER GRILLE	1	>=57048	↔		0.26	0.572
060	01754-50816	BOLT FLANGE	2	>=53612			0.011	0.0242
070	32430-94170	BELT GRILLE FRONT	1	>=53612			0.145	0.319
080	32430-94180	BELT GRILLE RH	1	>=53612			0.07	0.154
090	32430-94190	BELT GRILLE LH	1	>=53612			0.07	0.154
100	02054-50050	NUT	8	<=55140			0.002	0.0044
100	02761-50050	NUT FLANGE	8	>=55141	≠		0.005	0.011
110	01123-50818	BOLT	2				0.012	0.0264
120	04013-50080	WASHER PLAIN	2				0.003	0.0066
130	04015-50060	WASHER PLAIN	7	<=53773			0.006	0.0132
140	04013-50050	WASHER PLAIN	8	<=55140			0	0

LIGHT GRILLE EXCEPT [FR]

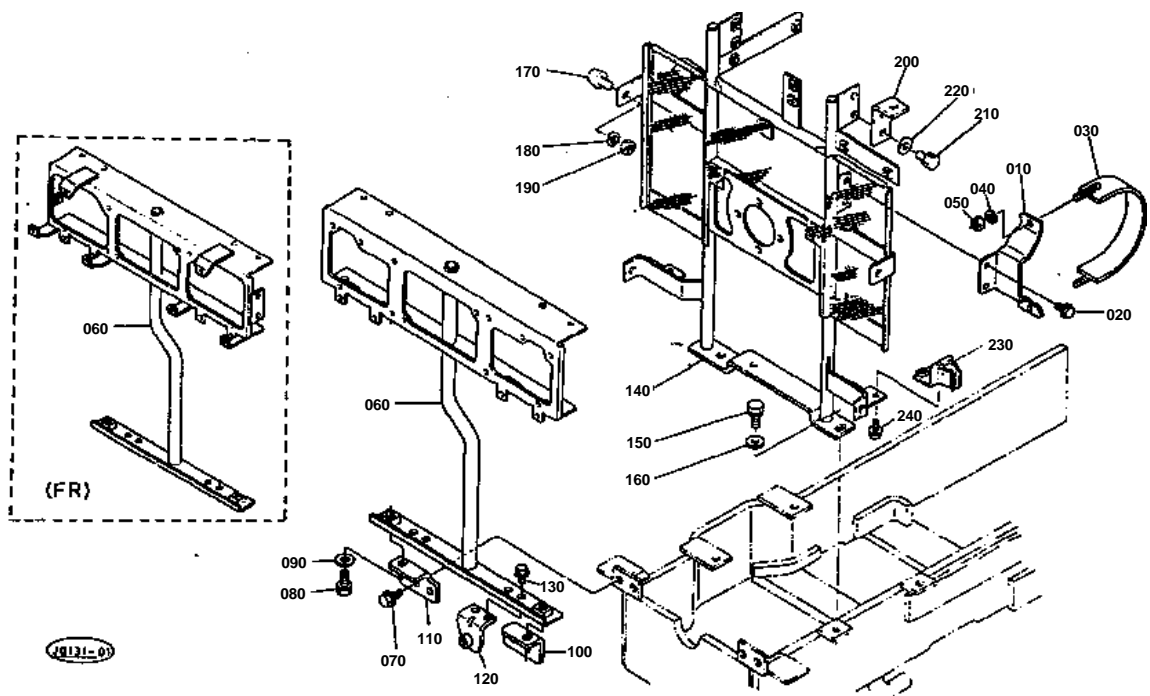


**LIGHT GRILLE EXCEPT [FR]**

↔ Interchangeable; ≠ not interchangeable; ← new for old; → old for new

REF.No	Part No.	Description	Q'ty	S.No.	I/C	REMARKS	Weight (kgf)	Weight (lb)
010	31351-18160	ROOF FRONT	1	<=57083		ORANGE	0.42	0.924
010	30400-18160	ROOF FRONT	1	>=57084	≠	DEEP ORANGE	0.42	0.924
020	01754-50616	BOLT FLANGE	3				0.006	0.0132
030	38240-29250	NUT SPRING	1				0.005	0.011
040	31351-18170	GRILLE LIGHT MIDDLE	1				0.118	0.2596
050	31351-18180	NET GRILLE	1				0.025	0.055
060	04512-50040	WASHER SPRING	2				0	0
070	02054-50040	NUT	2				0.001	0.0022
080	31351-18190	GRILLE LIGHT RH	1				0.24	0.528
090	31351-93500	FRAME LIGHT GRILLE	1				0.16	0.352
100	31351-93520	LENS RH	1				0.06	0.132
110	03514-50312	SCREW	3				0.001	0.0022
120	31351-18200	GRILLE LIGHT LH	1				0.25	0.55
130	31351-93510	FRAME LIGHT GRILLE	1				0.15	0.33
140	31351-93530	LENS LH	1				0.066	0.1452
150	03514-50312	SCREW	3				0.001	0.0022
160	02054-50040	NUT	8	<=55140			0.001	0.0022
160	02761-50040	NUT FLANGE	8	>=55141	≠		0.002	0.0044
170	04512-50040	WASHER SPRING	8	<=55140			0	0

FRONT GRILLE SUPPORT [OLD TYPE]



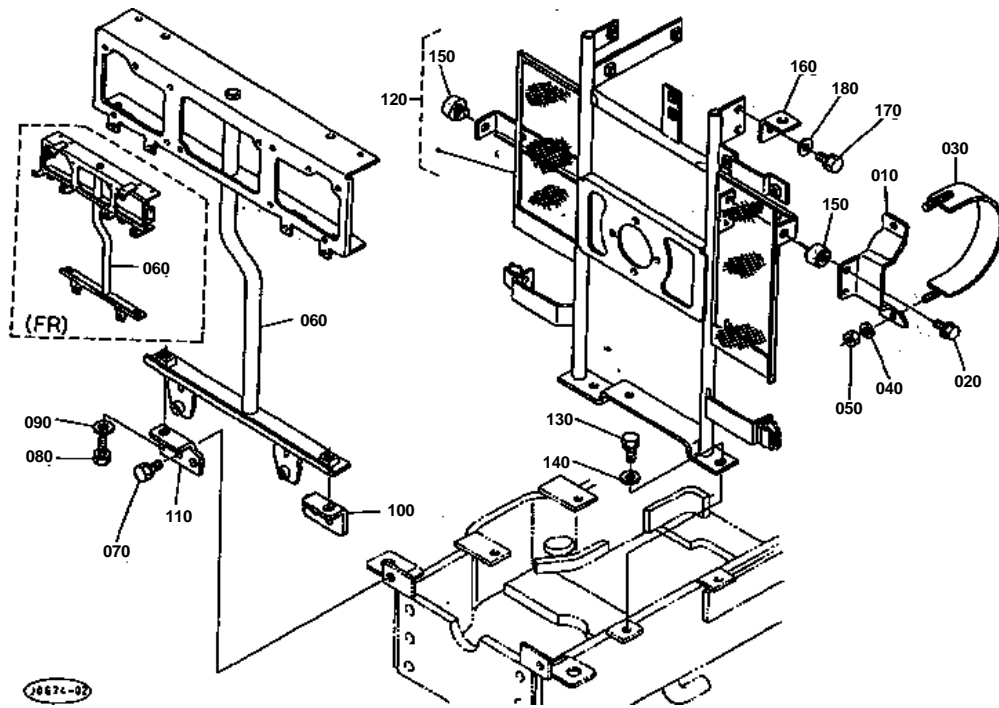
**FRONT GRILLE SUPPORT [OLD TYPE]**

S.No.;<=53611

↔ Interchangeable; ≠ not interchangeable; ← new for old; → old for new

REF.No	Part No.	Description	Q'ty	S.No.	I/C	REMARKS	Weight (kgf)	Weight (lb)
010	31351-13910	SUPPORT AIR CLEANER	1				0.25	0.55
020	01754-50816	BOLT FLANGE	2				0.011	0.0242
030	31351-13920	BAND AIR CLEANER	1				0.16	0.352
040	04512-50080	WASHER SPRING	2				0.001	0.0022
050	02114-50080	NUT	2				0.005	0.011
060	32430-18310	SUPPORT GRILLE	1			EXCEPT [FR]	3.1	6.82
060	32425-18310	SUPPORT GRILLE	1			[FR]	2.6	5.72
070	01133-51020	BOLT	2				0.02	0.044
080	01123-50820	BOLT	2				0.011	0.0242
090	04015-50080	WASHER PLAIN	2				0.001	0.0022
100	32430-18320	STAY FRONT GRILLE LH	1				0.08	0.176
110	32430-18330	STAY FRONT GRILLE RH	1				0.09	0.198
120	31351-18322	SUPPORT GRILLE	2	<=52641			0.085	0.187
130	01754-50816	BOLT FLANGE	4	<=52641			0.011	0.0242
140	32430-18360	SUPPORT BONNET	1	<=53611			4	8.8
140	32430-99100	SUPPORT BONNET	1		↔		4.3	9.46
150	01123-50816	BOLT	2				0.011	0.0242
160	04015-50080	WASHER PLAIN	1				0.001	0.0022
170	33251-85180	RUBBER SEAT BLOCK	4	<=53611			0.038	0.0836
180	04512-50100	WASHER SPRING	4				0.003	0.0066
190	02118-50100	NUT	4				0.005	0.011
200	31351-18390	SUPPORT BONNET	2	<=53611			0	0
210	01123-50816	BOLT	4				0.011	0.0242
220	04015-50080	WASHER PLAIN	4				0.001	0.0022
230	31351-18340	HOLDER SIDE BOARD	2	<=52251			0.05	0.11
240	01754-50616	BOLT FLANGE	4	<=52251			0.006	0.0132

FRONT GRILLE SUPPORT [NEW TYPE]



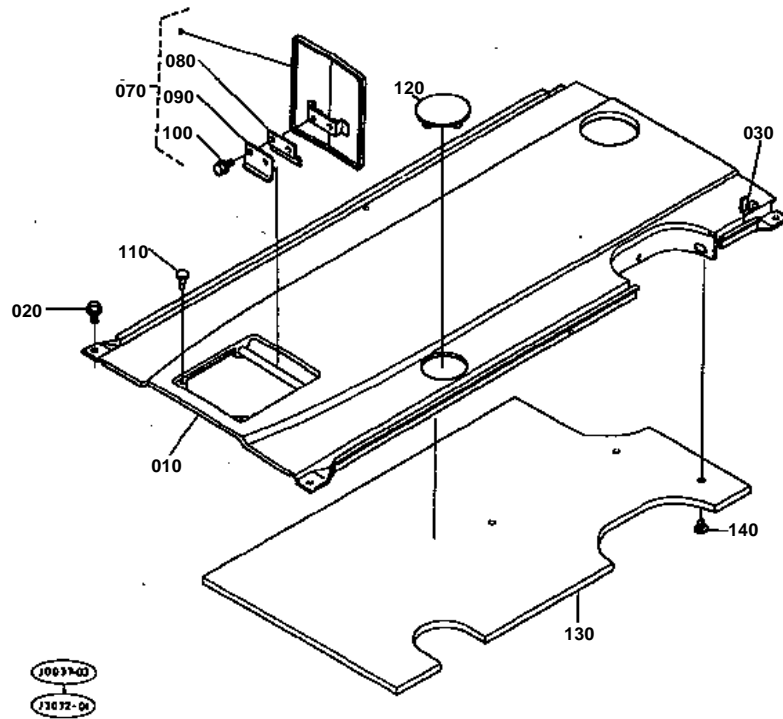
**FRONT GRILLE SUPPORT [NEW TYPE]**

S.No.;>=53612

↔ Interchangeable; ≠ not interchangeable; ← new for old; → old for new

REF.No	Part No.	Description	Q'ty	S.No.	I/C	REMARKS	Weight (kgf)	Weight (lb)
010	31351-13910	SUPPORT AIR CLEANER	1				0.25	0.55
020	01754-50816	BOLT FLANGE	2				0.011	0.0242
030	31351-13920	BAND AIR CLEANER	1				0.16	0.352
040	04512-50080	WASHER SPRING	2				0.001	0.0022
050	02114-50080	NUT	2				0.005	0.011
060	32430-18310	SUPPORT GRILLE	1			EXCEPT [FR]	3.1	6.82
060	32425-18310	SUPPORT GRILLE	1			[FR]	2.6	5.72
070	01133-51020	BOLT	2				0.02	0.044
080	01123-50820	BOLT	2				0.011	0.0242
090	04015-50080	WASHER PLAIN	2				0.001	0.0022
100	32430-18320	STAY FRONT GRILLE LH	1				0.08	0.176
110	32430-18330	STAY FRONT GRILLE RH	1				0.09	0.198
120	32430-99100	SUPPORT BONNET	1	>=53612			4.3	9.46
130	01123-50818	BOLT	2				0.012	0.0264
140	04015-50080	WASHER PLAIN	1				0.001	0.0022
150	30400-17980	RUBBER BLOCK	2	>=53612			0.01	0.022
160	31351-18394	SUPPORT BONNET	2	>=53612			0.04	0.088
170	01123-50816	BOLT	4				0.011	0.0242
180	04015-50080	WASHER PLAIN	4				0.001	0.0022

HOOD(BONNET)



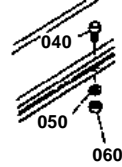
030 31351-1862-0



040 31351-1874-0

050 04512-50050

060 02054-50050



070 31351-1861-0



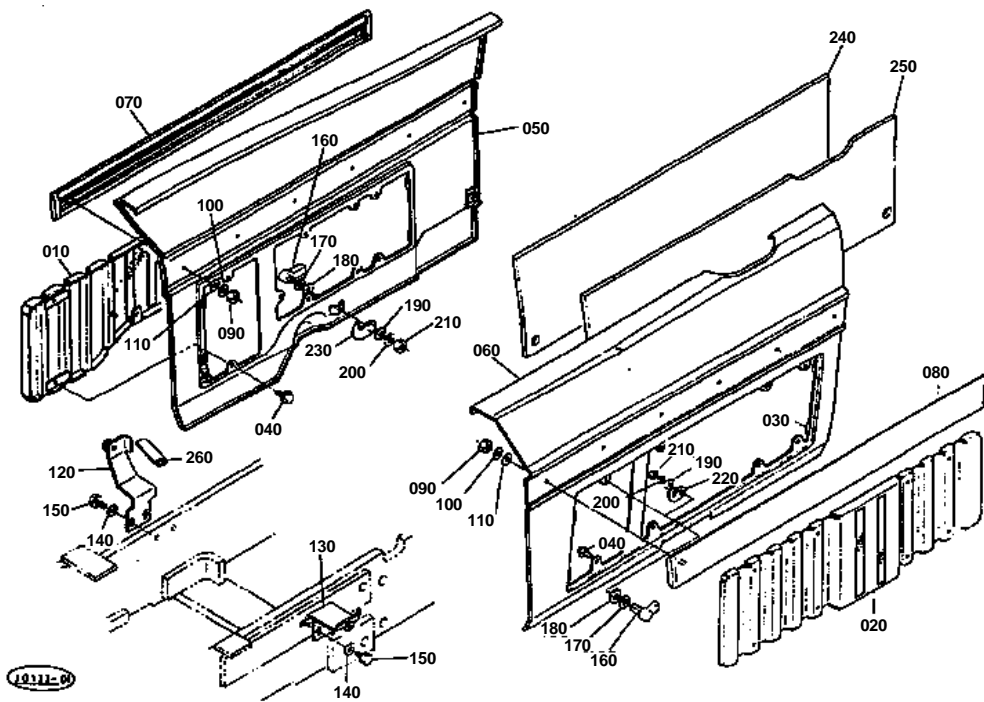


HOOD(BONNET)

↔ Interchangeable; ≠ not interchangeable; ← new for old; → old for new

REF.No	Part No.	Description	Q'ty	S.No.	I/C	REMARKS	Weight (kgf)	Weight (lb)
010	32420-18600	COMP.BONNET UPPER	1	≤53611			0	0
010	32420-99700	COMP.BONNET UPPER	1	≥53612	↔	ORANGE	5	11
010	32470-18600	COMP.BONNET UPPER	1	≥57084	≠	DEEP ORANGE	5.7	12.54
020	01754-50616	BOLT FLANGE	4				0.006	0.0132
030	31351-18620	CUSHION	5	≤53611			0.01	0.022
030	30442-18622	CUSHION	5	≥53612	←		0	0
030	30442-18623	CUSHION	5	≥57290	←		0	0
040	31351-18740	PIN SET	2	≤56233			0.085	0.187
050	04512-50050	WASHER SPRING	2	≤56233			0	0
060	02054-50050	NUT	2	≤53233			0.002	0.0044
070	31351-18610	ASSY COVER BONNET	1	≤53611			0.07	0.154
070	32430-18610	ASSY COVER BONNET	1	≥53612	≠	ORANGE	0.5	1.1
070	30400-18612	ASSY COVER BONNET	1	≥57084	≠	DEEP ORANGE	0.22	0.484
080	30400-94080	SPRING BONNET COVER	1	≥53612			0.012	0.0264
090	30400-94090	SPRING BONNET COVER	1	≥53612			0	0
100	01754-50616	BOLT FLANGE	2	≥53612			0.006	0.0132
110	32280-18180	CUSHION	2				0.001	0.0022
120	32430-18760	CAP PRE CLEANER	1	≤57083		ORANGE	0.02	0.044
120	32480-18760	CAP PRE CLEANER	1	≥57084	≠	DEEP ORANGE	0.02	0.044
130	32430-18930	ABSORBER SOUND	1	≤54476		EXCEPT [FR]	0.12	0.264
130	32430-18930	ABSORBER SOUND	1			[FR]	0.12	0.264
140	38430-29372	CLIP BUTTON	5	≤54476		EXCEPT [FR]	0.001	0.0022
140	38430-29372	CLIP BUTTON	5			[FR]	0.001	0.0022

SIDE COVER [OLD TYPE]



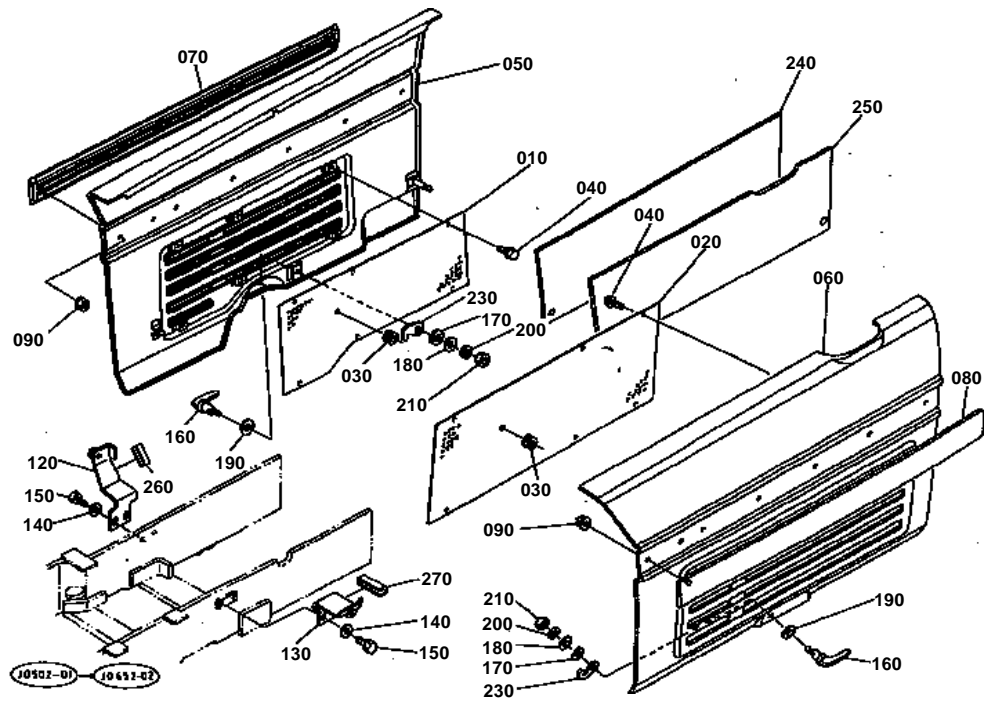
**SIDE COVER [OLD TYPE]**

S.No.;<=53611

↔ Interchangeable; ≠ not interchangeable; ← new for old; → old for new

REF.No	Part No.	Description	Q'ty	S.No.	I/C	REMARKS	Weight (kgf)	Weight (lb)
010	31351-18654	COMP.COVER SAFETY RH	1	<=53611			1.08	2.376
020	31351-18663	COMP.COVER SAFETY LH	1	<=53611			1.43	3.146
030	31351-18670	CUSHION	8	<=53611			0.002	0.0044
040	01754-50610	BOLT FLANGE	14	<=53611			0.006	0.0132
050	31341-18630	COMP.BONNET SIDE RH	1	<=53661			0	0
060	31341-18640	COMP.BONNET SIDE LH	1	<=53611			0	0
070	31341-18680	COMP BELT SIDE RH	1				0.48	1.056
080	31341-18690	COMP BELT SIDE LH	1				0.47	1.034
090	02054-50050	NUT	12				0.002	0.0044
100	04512-50050	WASHER SPRING	12				0	0
110	04013-50050	WASHER PLAIN	12				0	0
120	31351-18710	SUPPORT HOOK RH	1				0.21	0.462
130	31351-18720	SUPPORT HOOK LH	1				0.185	0.407
140	04013-50080	WASHER PLAIN	4				0.003	0.0066
150	01123-50816	BOLT	4				0.011	0.0242
160	38180-18240	HANDLE BONNET COVER	2	<=52907			0	0
160	32430-18242	HANDLE BONNET COVER	2	>=52908	≠		0.055	0.121
170	33251-83950	WASHER SPRING	2				0.001	0.0022
180	04012-50080	WASHER PLAIN	2				0.001	0.0022
190	33251-83850	WASHER HANDLE	2				0.001	0.0022
200	04512-50080	WASHER SPRING	2				0.001	0.0022
210	02114-50080	NUT	2				0.005	0.011
220	33251-83860	HOOK BONNET COVER	1	<=53171			0.053	0.1166
220	31351-18582	HOOK BONNET COVER	2	>=53172	≠		0.05	0.11
230	36330-83850	HOOK BONNET COVER	1	<=53171			0.05	0.11
240	31341-18900	ABSORBER SOUND RH	1				0.15	0.33
250	31341-18910	ABSORBER SOUND LH	1				0.11	0.242
260	31351-34310	SEAL	1				0.001	0.0022

SIDE COVER [NEW TYPE]



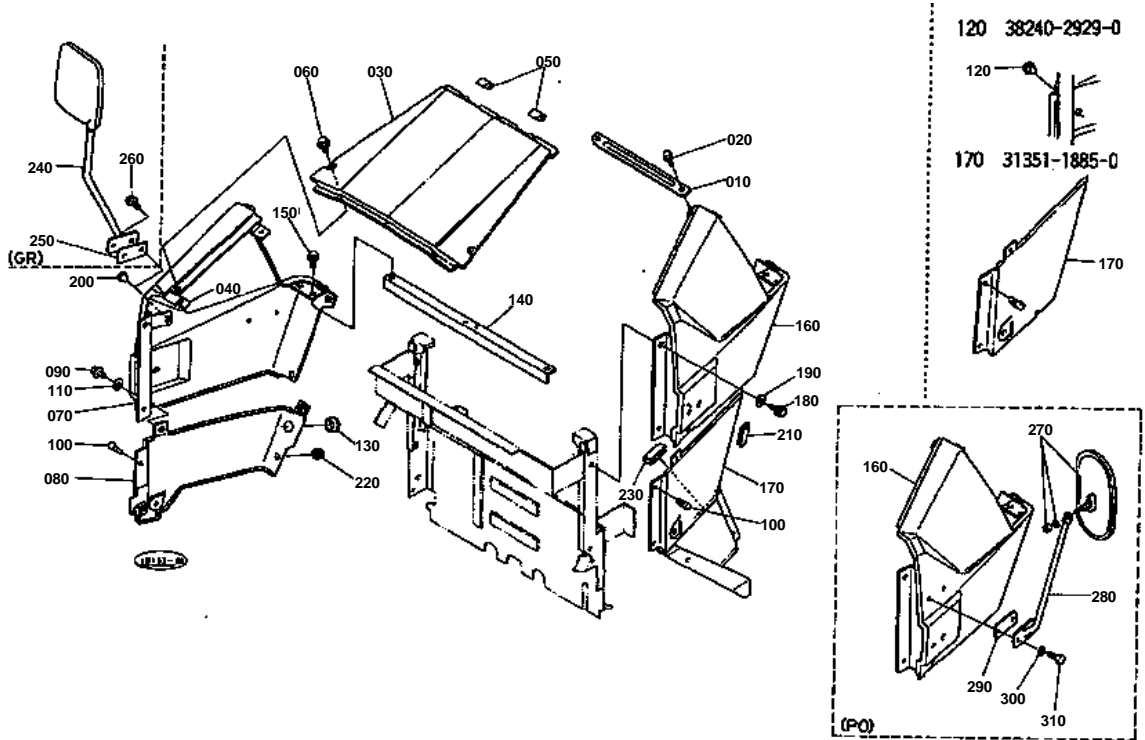


SIDE COVER [NEW TYPE]
S.No.;>=53612

↔ Interchangeable; ≠ not interchangeable; ← new for old; → old for new

						REMARKS	Weight (kgf)	Weight (lb)
010	32430-18160	NET BONNET SIDE RH	1	>=53612		ORANGE	0.31	0.682
010	30400-18140	NET BONNET SIDE RH	1	>=57084	≠	DEEP ORANGE	0.34	0.748
020	32430-18170	NET BONNET SIDE LH	1	>=53612		ORANGE	0.45	0.99
020	30400-18150	NET BONNET SIDE LH	1	>=57084	≠	DEEP ORANGE	0.48	1.056
030	38240-18220	CUSHION	2	>=53612			0.003	0.0066
040	01754-50610	BOLT FLANGE	12	>=53612			0.006	0.0132
050	32420-18630	COMP.BONNET SIDE RH	1	>=53612		ORANGE	0	0
050	32470-18630	COMP.BONNET SIDE RH	1	>=57084	≠	DEEP ORANGE	4	8.8
060	32420-18640	COMP.BONNET SIDE LH	1	>=53612		ORANGE	0	0
060	32470-18640	COMP.BONNET SIDE LH	1	>=57084	≠	DEEP ORANGE	5.9	12.98
070	31341-18680	COMP BELT SIDE RH	1				0.48	1.056
080	31341-18690	COMP BELT SIDE LH	1				0.47	1.034
090	02761-50050	NUT FLANGE	12	>=53612			0.005	0.011
100	99999-99999	BLANK	0				0	0
110	99999-99999	BLANK	0				0	0
120	31351-18710	SUPPORT HOOK RH	1				0.21	0.462
130	31351-18720	SUPPORT HOOK LH	1				0.185	0.407
140	04013-50080	WASHER PLAIN	4				0.003	0.0066
150	01123-50816	BOLT	4				0.011	0.0242
160	32430-18242	HANDLE BONNET COVER	2				0.055	0.121
170	33251-83950	WASHER SPRING	2				0.001	0.0022
180	04012-50080	WASHER PLAIN	2				0.001	0.0022
190	33251-83850	WASHER HANDLE	2				0.001	0.0022
200	04512-50080	WASHER SPRING	2				0.001	0.0022
210	02114-50080	NUT	2				0.005	0.011
220	99999-99999	BLANK	0				0	0
230	31351-18582	HOOK BONNET COVER	2				0.05	0.11
240	31341-18900	ABSORBER SOUND RH	1	<=54363		EXCEPT [FR]	0.15	0.33
240	31341-18900	ABSORBER SOUND RH	1			[FR]	0.15	0.33
250	31341-18910	ABSORBER SOUND LH	1	<=54363		EXCEPT [FR]	0.11	0.242
250	31341-18910	ABSORBER SOUND LH	1			[FR]	0.11	0.242
260	31351-34310	SEAL	1				0.001	0.0022
270	31351-34320	RUBBER PROTECTOR	1	>=53612			0.003	0.0066

REAR HOOD(BONNET)





REAR HOOD(BONNET)

↔ Interchangeable; ≠ not interchangeable; ← new for old; → old for new

REF.No	Part No.	Description	Q'ty	S.No.	I/C	REMARKS	Weight (kgf)	Weight (lb)
010	31351-18890	REINFORCE	1				0.04	0.088
020	01754-50616	BOLT FLANGE					0.006	
	31351-18770			<=57083				
	30400-18770			>=57084	≠	DEEP ORANGE		1.034
040	31351-18780						0.005	
	01754-50612						0.08	
	31351-18810			<=54363			0.005	
	32430-18810			>=54364	↔	EXCEPT [FR] [GR] ORANGE	1.12	
	32480-18810			>=57084	≠	EXCEPT [FR] [GR] DEEP	1.07	
	32431-18813			<=57083			1.11	
	32481-18810			>=57084	≠	[FR] DEEP ORANGE	0	0
070	31351-18810	COMP.BONNET RH		<=57083			1.12	
	30400-18810			>=57084	≠	[GR] DEEP ORANGE	1.12	2.464
080	31351-18840	COMP.BONNET REAR RH	1	<=57083		ORANGE		1.1
080				>=57084	≠	DEEP ORANGE		0.825
090							0.005	
	38240-18080						0.001	
	04013-50080						0.003	
	38240-29290			<=54263			0.001	
	32150-29180						0.002	
	31351-18880			<=56353				
	31351-18884			>=56354	←			0.44
150	31351-18820			<=57083			0.006	
		LH					1.1	
	30400-18820			>=57084	≠	EXCEPT [PO] DEEP ORANGE	1	
		LH						
	32432-18820			<=57083			1.13	
		LH						
	32482-18820			>=57084	≠	[PO] DEEP ORANGE	0	0
		LH						
170	31351-18850	COMP BONNET REAR LH	1	<=53171			0	0
170				>=53172	←	ORANGE		1.716
170				>=57084	≠	DEEP ORANGE		1.716
180							0.005	
	04013-50080						0.003	
	38240-29570						0.001	
	31351-34310						0.001	
	31351-18830						0.015	
	37150-13920						0.005	
	31351-18970						0.6	
		REARVIEW						
	31351-18980						0.01	
	01754-50816						0.011	
	31391-96150						0.2	
		REARVIEW						
	31301-96160		1			[PO]		1.1
290							0.01	

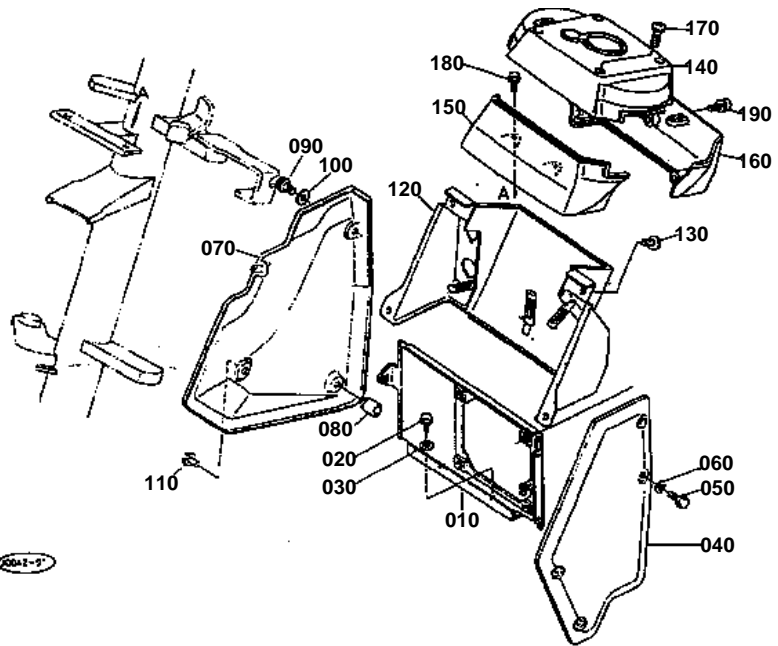


REAR HOOD(BONNET)

↔ Interchangeable; ≠ not interchangeable; ← new for old; → old for new

REF.No	Part No.	Description	Q'ty	S.No.	I/C	REMARKS	Weight (kgf)	Weight (lb)
300	04012-50080	WASHER PLAIN	2			[PO]	0.001	0.0022
310	01754-50816	BOLT FLANGE	2			[PO]	0.011	0.0242

MAIN AND PTO CHANGE COVER [OLD TYPE]



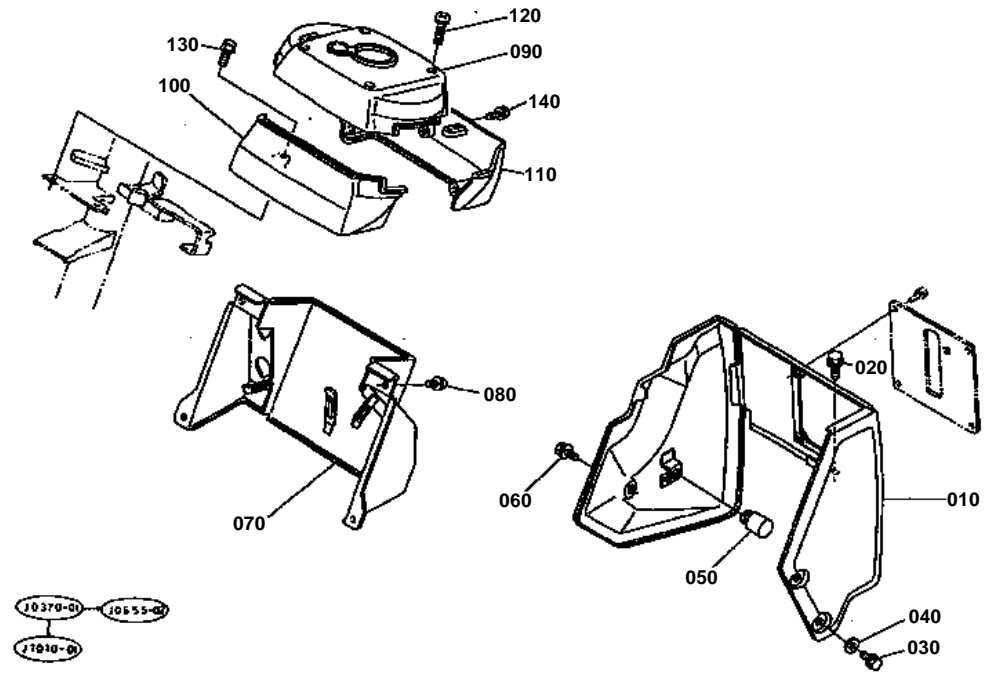
**MAIN AND PTO CHANGE COVER [OLD TYPE]**

S.No.;<=53611

↔ Interchangeable; ≠ not interchangeable; ← new for old; → old for new

REF.No	Part No.	Description	Q'ty	S.No.	I/C	REMARKS	Weight (kgf)	Weight (lb)
010	31351-24370	COVER PTO CHANGE	1	<=53611			0	0
020	01754-50812	BOLT FLANGE	2				0.01	0.022
030	04013-50080	WASHER PLAIN	2				0.003	0.0066
040	31351-24380	COVER SIDE LH	1	<=53611			0	0
050	01754-50612	BOLT FLANGE	4				0.005	0.011
060	04013-50060	WASHER PLAIN	4				0.001	0.0022
070	31351-24390	COVER SIDE RH	1	<=53611			0	0
080	31351-24330	CUSHION	1				0.005	0.011
090	01754-50612	BOLT FLANGE	1	<=53611			0.005	0.011
100	04013-50060	WASHER PLAIN	1	<=53611			0.001	0.0022
110	01754-50812	BOLT FLANGE	1				0.01	0.022
120	31351-24410	BOARD SWITCH	1				0	0
130	01754-50612	BOLT FLANGE	4				0.005	0.011
140	31351-24420	COVER CHANGE UPPER	1	<=53611			0.16	0.352
150	31351-24430	COVER CHANGE FRONT	1				0.095	0.209
160	31351-24440	COVER CHANGE REAR	1	<=53611			0	0
170	31351-24450	SCREW WITH WASHER	4				0.08	0.176
180	01754-50816	BOLT FLANGE	2				0.011	0.0242
190	31351-24460	SCREW WITH WASHER	3				0.004	0.0088

MAIN AND PTO CHANGE COVER [NEW TYPE]

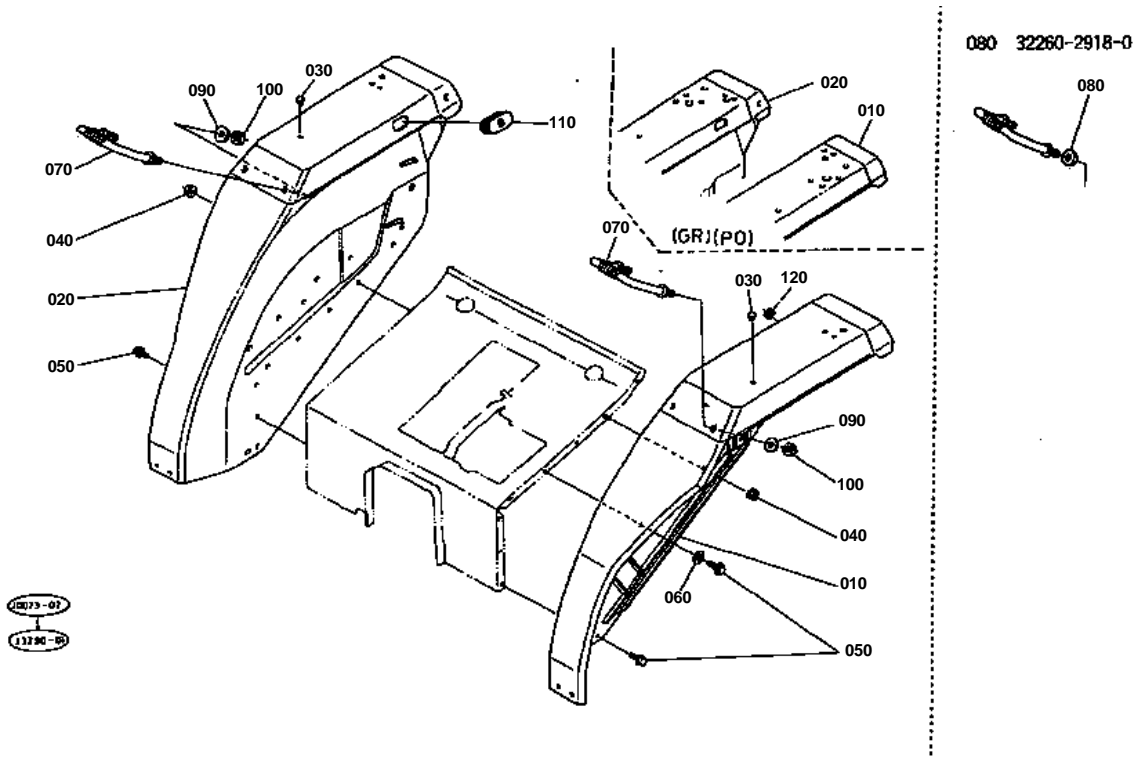


**MAIN AND PTO CHANGE COVER [NEW TYPE]**

S.No.;>=53612

↔ Interchangeable; ≠ not interchangeable; ← new for old; → old for new

REF.No	Part No.	Description	Q'ty	S.No.	I/C	REMARKS	Weight (kgf)	Weight (lb)
010	32430-24020	COMP.COVER PTO	1	>=53612		ORANGE	0	0
010	32480-24020	COMP.COVER PTO	1	>=57084	≠	DEEP ORANGE	0	0
020	01754-50812	BOLT FLANGE	1				0.01	0.022
030	01754-50612	BOLT FLANGE	2				0.005	0.011
040	04013-50060	WASHER PLAIN	2				0.001	0.0022
050	31351-24330	CUSHION	1				0.005	0.011
060	01754-50812	BOLT FLANGE	1				0.01	0.022
070	31351-24410	BOARD SWITCH	1	<=57083		ORANGE	0	0
070	32470-24410	BOARD SWITCH	1	>=57084	≠	DEEP ORANGE	0	0
080	01754-50612	BOLT FLANGE	4				0.005	0.011
090	31351-24425	COVER CHANGE UPPER	1	>=53612			0	0
100	31351-24430	COVER CHANGE FRONT	1				0.095	0.209
110	30400-24440	COVER CHANGE REAR	1	>=53612			0.095	0.209
120	31351-24450	SCREW WITH WASHER	4				0.08	0.176
130	01754-50816	BOLT FLANGE	2				0.011	0.0242
140	31351-24460	SCREW WITH WASHER	3				0.004	0.0088

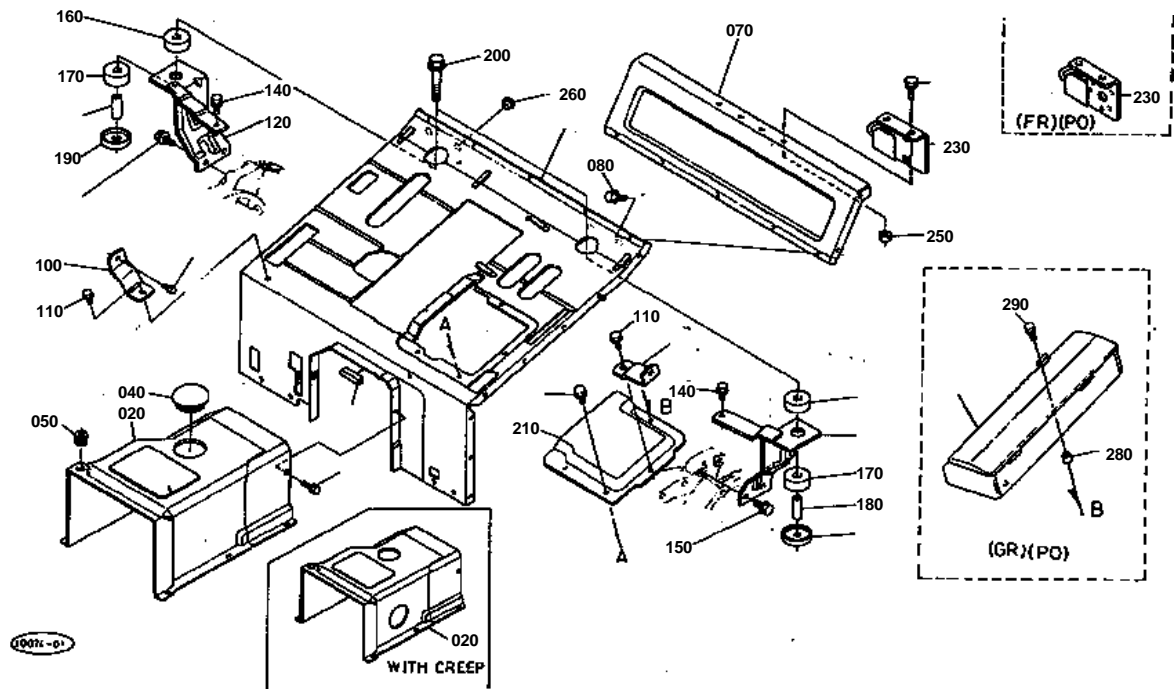


**FENDER**

↔ Interchangeable; ≠ not interchangeable; ← new for old; → old for new

REF.No	Part No.	Description	Q'ty	S.No.	I/C	REMARKS	Weight (kgf)	Weight (lb)
010	32420-29010	COMP.FENDER LH	1	<=57083		EXCEPT EUROPE ORANGE	12.5	27.5
010	32470-29010	COMP.FENDER LH	1	>=57084	≠	EXCEPT EUROPE DEEP ORANGE	9.7	21.34
010	32421-29010	COMP.FENDER LH	1	<=57083		[FR] ORANGE	9.7	21.34
010	32421-79010	COMP.FENDER LH	1	>=57084	≠	[FR] DEEP ORANGE	0	0
010	32426-29010	COMP.FENDER LH	1	<=57083		[GR][PO] ORANGE	12	26.4
010	32476-29010	COMP.FENDER LH	1	>=57084	≠	[GR][PO] DEEP ORANGE	0	0
020	32420-29030	COMP.FENDER RH	1	<=57083		EXCEPT EUROPE ORANGE	0	0
020	32470-29030	COMP.FENDER RH	1	>=57084	≠	EXCEPT EUROPE DEEP ORANGE	10	22
020	32421-29030	COMP.FENDER RH	1	<=57083		[FR] ORANGE	0	0
020	32471-29030	COMP.FENDER RH	1	>=57084	≠	[FR] DEEP ORANGE	9.4	20.68
020	32426-29030	COMP.FENDER RH	1	<=57083		[GR][PO] ORANGE	11.5	25.3
020	32476-29030	COMP.FENDER RH	1	>=57084	≠	[GR][PO] DEEP ORANGE	0	0
030	31301-29070	PLUG BLIND	2	<=57083		ORANGE	0.001	0.0022
030	30430-82670	PLUG BLIND	2	>=57084	≠	DEEP ORANGE	0.001	0.0022
040	31351-11080	NUT FLANGE	2				0.007	0.0154
050	01754-50812	BOLT FLANGE	14				0.01	0.022
060	04013-50080	WASHER PLAIN	1				0.003	0.0066
070	31351-29440	BALUSTRAD	2				0	0
080	32260-29180	CUSHION	4	<=52251			0.005	0.011
090	04013-50140	WASHER PLAIN	4				0	0
100	02174-50140	NUT	4				0.014	0.0308
110	31351-29490	GROMMET	1				0.003	0.0066
120	32150-29180	CAP RUBBER	1				0.002	0.0044

FLOOR SEAT [OLD TYPE]



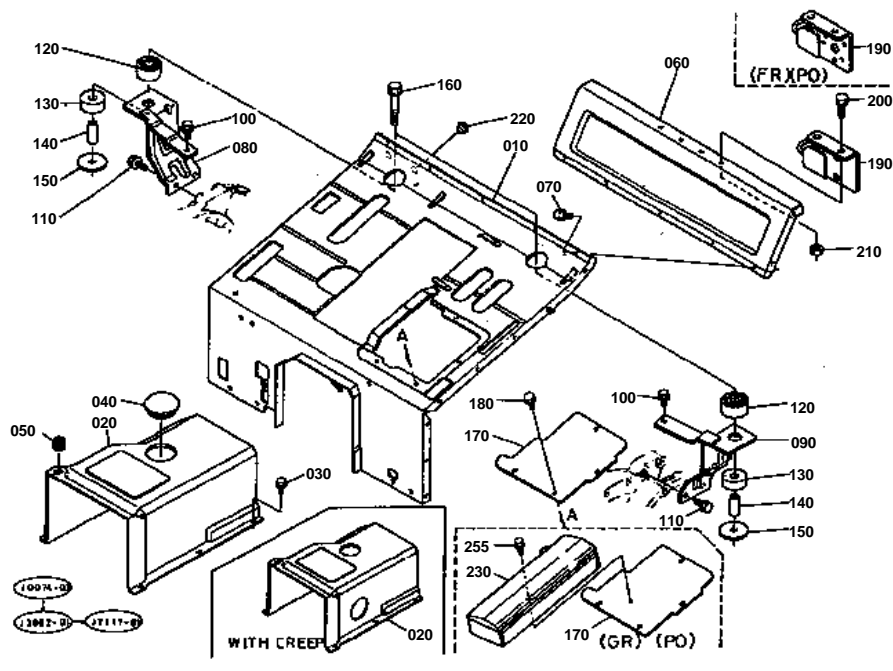
**FLOOR SEAT [OLD TYPE]**

S.No.;<=53611

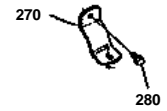
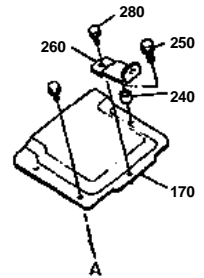
↔ Interchangeable; ≠ not interchangeable; ← new for old; → old for new

REF.No	Description	Q'ty	S.No.	I/C	REMARKS	Weight (kgf)	Weight (lb)
010	COMP.SEAT FLOOR	1	<=53611			0	0
020	COVER FLOOR	1	<=53611		WITHOUT CREEP	0	0
020	COVER FLOOR	1	<=53611		WITH CREEP	0	0
030	BOLT FLANGE	4	<=53611			0.006	0.0132
040	CAP	1				0.04	0.088
050	CAP RUBBER	1				0.002	0.0044
060	RUBBER PROTECTOR	1	<=52440			0.005	0.011
070	COVER REAR	1				0	0
080	BOLT FLANGE	5				0.006	0.0132
090	SUPPORT FENDER LH	1				0.21	0.462
100	SUPPORT FENDER RH	1				0.155	0.341
110	BOLT FLANGE	4				0.011	0.0242
120	SUPPORT FENDER RH	1				0	0
130	SUPPORT FENDER LH	1				0	0
140	BOLT FLANGE	2				0	0
150	BOLT FLANGE	4				0.03	0.066
160	CUSHION UPPER	2	<=53611			0.05	0.11
170	CUSHION LOWER	2				0.045	0.099
180	SPACER	2	<=53611			0.04	0.088
190	RETAINER CUSHION	2	<=53611			0.065	0.143
200	BOLT FLANGE	2	<=53611			0.06	0.132
210	STEP REAR	1			EXCEPT [GR][PO]	0	0
210	STEP REAR	1			[GR][PO]	0.435	0.957
220	BOLT FLANGE	3				0.01	0.022
230	HANGER TOP LINK	1			EXCEPT [FR][PO]	0.385	0.847
230	HANGER TOP LINK	1			[FR][PO]	0.415	0.913
240	BOLT	2				0.02	0.044
250	NUT	2				0.004	0.0088
260	PLUG BLIND	4				0.001	0.0022
270	CASE TOOLS	1			[GR][PO]	0.98	2.156
280	COLLAR	1			[GR][PO]	0.009	0.0198
290	BOLT FLANGE	1			[GR][PO]	0.01	0.022

FLOOR SEAT [NEW TYPE]



- 170 31351-2941-2
- 240 32436-2940-0
- 250 01754-50825
- 260 32430-2906-0
- 270 32430-2907-0
- 280 01754-50816



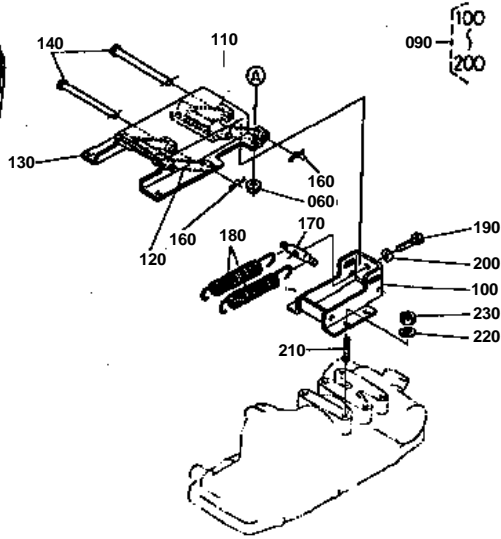
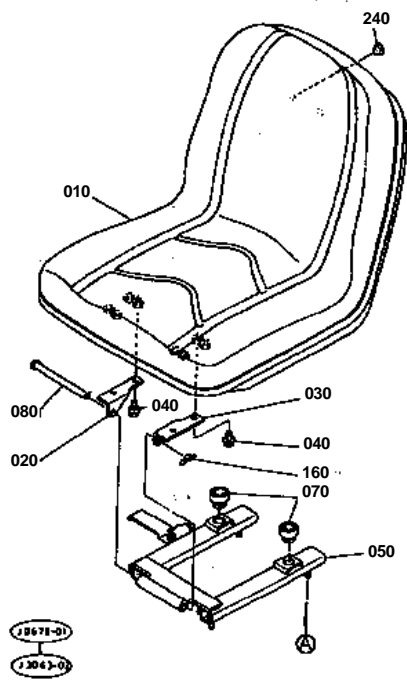
**FLOOR SEAT [NEW TYPE]**

S.No.;>=53612

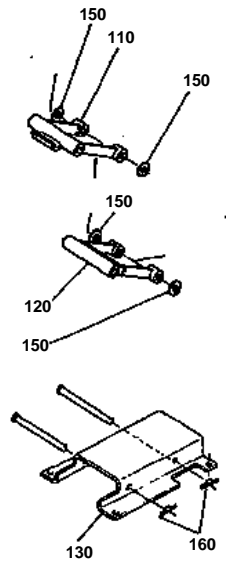
↔ Interchangeable; ≠ not interchangeable; ← new for old; → old for new

REF.No	Part No.	Description	Q'ty	S.No.	I/C	REMARKS	Weight (kgf)	Weight (lb)
010	32430-29054	COMP.SEAT FLOOR	1	>=53612		EXCEPT [FR] ORANGE	0	0
010	32480-29050	COMP.SEAT FLOOR	1	>=57084	≠	EXCEPT [FR] DEEP ORANGE	0	0
010	32430-29054	COMP.SEAT FLOOR	1	>=53612		[FR] ORANGE	0	0
010	32421-72030	COMP.SEAT FLOOR	1	>=57084	≠	[FR] DEEP ORANGE	0	0
020	32420-24354	COVER FLOOR	1	>=53612		WITHOUT CREEP ORANGE	2.65	5.83
020	32470-24350	COVER FLOOR	1	>=57084	≠	WITHOUT CREEP DEEP ORANGE	1.95	4.29
020	32420-24343	COVER FLOOR	1	>=53612		WITH CREEP ORANGE	1.9	4.18
020	32470-24340	COVER FLOOR	1	>=57084	≠	WITH CREEP DEEP ORANGE	1.9	4.18
030	01754-50610	BOLT FLANGE	4				0.006	0.0132
040	31351-24360	CAP	1				0.04	0.088
050	32150-29180	CAP RUBBER	1				0.002	0.0044
060	32430-29130	COVER REAR	1	<=57083		ORANGE	0	0
060	32480-29130	COVER REAR	1	>=57084	≠	DEEP ORANGE	1.6	3.52
070	01754-50610	BOLT FLANGE	5				0.006	0.0132
080	31351-29220	SUPPORT FENDER RH	1				0	0
090	32430-29230	SUPPORT FENDER LH	1				0	0
100	01133-51020	BOLT	2				0.02	0.044
110	01133-51220	BOLT	4				0.04	0.088
120	30400-29260	CUSHION UPPER	2	>=53612			0.05	0.11
130	31351-29270	CUSHION LOWER	2				0.045	0.099
140	30400-29280	SPACER	2	>=53612			0.04	0.088
150	30400-29320	RETAINER CUSHION	2	>=53612			0.07	0.154
160	01133-51270	BOLT	2	>=53612			0.06	0.132
170	31351-29412	STEP REAR	1	<=55110		EXCEPT [GR][PO]	0	0
170	32430-29410	STEP REAR	1	>=55111	↔	EXCEPT [GR][PO] ORANGE	0	0
170	32480-29410	STEP REAR	1	>=57084	≠	EXCEPT [GR] [PO] DEEP ORANGE	0.25	0.55
170	32436-29410	STEP REAR	1	<=55110		[GR][PO]	0.435	0.957
170	32430-29410	STEP REAR	1	>=55111	≠	[GR][PO] ORANGE	0	0
170	32480-29410	STEP REAR	1	>=57084	≠	[GR][PO] DEEP ORANGE	0.25	0.55
170	32485-29410	STEP REAR	1	>=57177	≠	[GR][PO] DEEP ORANGE	0.24	0.528
180	01754-50812	BOLT FLANGE	3				0.01	0.022
190	32430-29420	HANGER TOP LINK	1	<=57083		EXCEPT [FR][PO] ORANGE	0.385	0.847
190	32480-29420	HANGER TOP LINK	1	>=57084	≠	EXCEPT [FR][PO] DEEP ORANGE	0	0
190	32431-29420	HANGER TOP LINK	1	<=57083		[FR][PO] ORANGE	0.415	0.913
190	32481-29420	HANGER TOP LINK	1	>=57084	≠	[FR][PO] DEEP ORANGE	0	0
200	01123-50835	BOLT	2				0.02	0.044
210	02156-50080	NUT	2				0.004	0.0088
220	66591-51130	PLUG BLIND	4				0.001	0.0022
230	31391-19104	CASE TOOLS	1	<=57083		[GR][PO] ORANGE	0.98	2.156
230	30318-19102	CASE TOOLS	1	>=57084	≠	[GR][PO] DEEP ORANGE	0.98	2.156
240	32436-29400	COLLAR	1	<=55110		[GR][PO]	0.009	0.0198
250	01754-50825	BOLT FLANGE	1	<=55110		[GR][PO]	0.01	0.022
255	01754-50812	BOLT FLANGE	1	>=57177		[GR][PO]	0.01	0.022
260	32430-29060	SUPPORT FENDER LH	1	<=56003			0.21	0.462
270	32420-29070	SUPPORT FENDER RH	1	<=56003			0.155	0.341
280	01754-50816	BOLT FLANGE	2	<=56003			0.011	0.0242

SEAT EXCEPT [FR]



- 110 32430-1182-0
- 120 32430-1183-0
- 130 32430-1184-0
- 150 04011-50100
- 160 .05525-51000



(.0678-0)
(.3043-0)

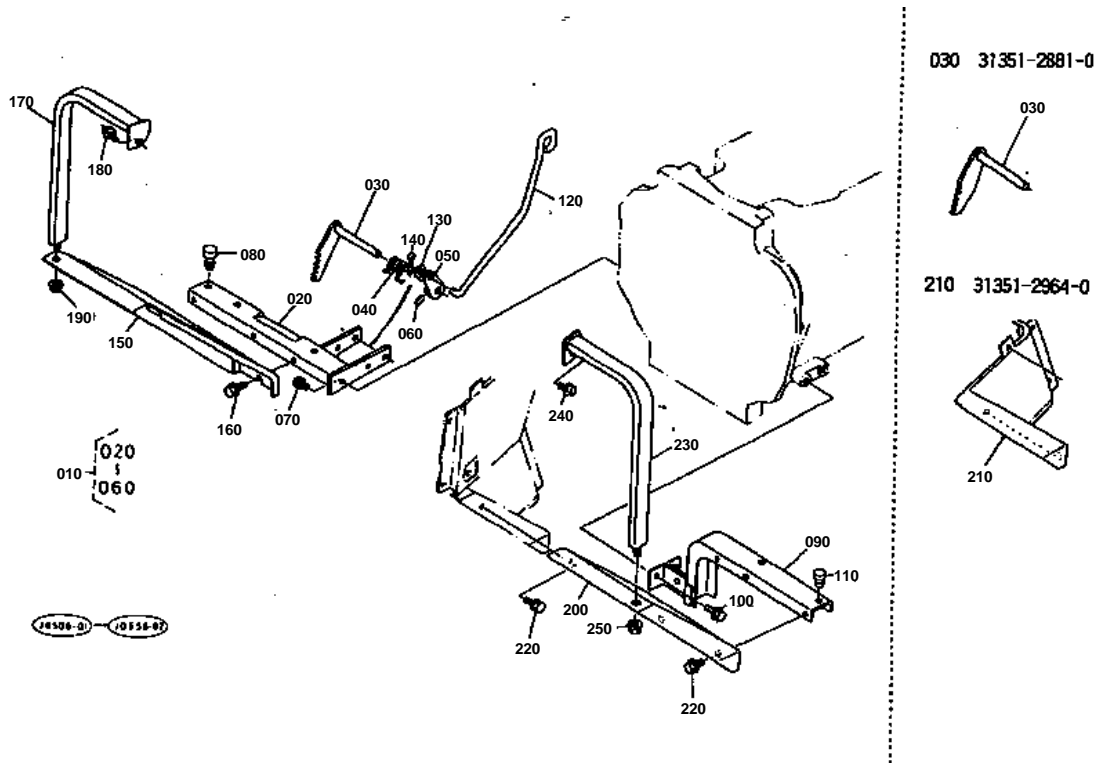


SEAT EXCEPT [FR]

↔ Interchangeable; ≠ not interchangeable; ← new for old; → old for new

REF.No	Part No.	Description	Q'ty	S.No.	I/C	REMARKS	Weight (kgf)	Weight (lb)
010	32430-18410	SEAT	1	<=57083		ORANGE	0	0
010	32420-72960	SEAT	1	>=57084	≠	DEEP ORANGE	0	0
020	32430-18450	BRACKET SEAT RH	1				0.08	0.176
030	32430-18460	BRACKET SEAT LH	1				0.08	0.176
040	01754-50816	BOLT FLANGE	4				0.011	0.0242
050	32430-18430	COMP ADJUSTER SEAT	1				0	0
060	31351-11100	NUT FLANGE	4				0.095	0.209
070	32160-18440	CUSHION	2				0.013	0.0286
080	32430-11850	PIN JOINT	1				0.08	0.176
090	32430-11800	ASSY SUSPENTION SEAT	1				3.85	8.47
100	32430-11810	BASE SEAT SUSPENTION	1				0.5	1.1
110	32430-11820	LINK SUPPORT	1	<=56672			0.38	0.836
110	32430-11822	LINK SUPPORT	1	>=56673	≠		0.42	0.924
120	32430-11830	LINK SUPPORT	1	<=56672			0.4	0.88
120	32430-11832	LINK SUPPORT	1	>=56673	≠		0.39	0.858
130	32430-11840	SUPPORT SEAT	1	<=56672			1.845	4.059
130	32430-11843	SUPPORT SEAT	1	>=56673	≠		1.31	2.882
140	32430-11850	PIN JOINT	4				0.08	0.176
150	04011-50100	WASHER PLAIN	4	<=56672			0.002	0.0044
160	05525-51000	PIN SNAP	5	<=56672			0	0
160	05525-51000	PIN SNAP	3	>=56673	≠		0	0
170	32430-11860	ROD ADJUSTER	1				0.085	0.187
180	32430-11870	SPRING	2				0.27	0.594
190	01172-51045	BOLT	1				0.035	0.077
200	04011-50100	WASHER PLAIN	1				0.002	0.0044
210	01517-51020	STUD	4				0.019	0.0418
220	04512-50100	WASHER SPRING	4				0.003	0.0066
230	02118-50100	NUT	4				0.005	0.011
240	66591-51130	PLUG BLIND	2				0.001	0.0022

FOOT COVER



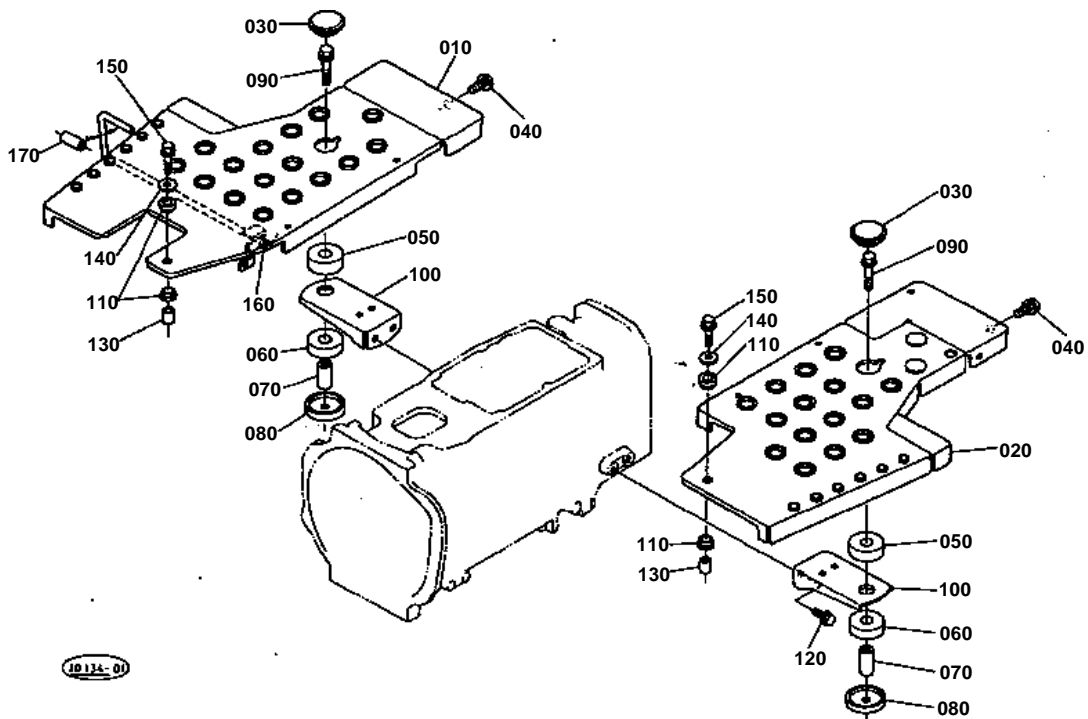


FOOT COVER

↔ Interchangeable; ≠ not interchangeable; ← new for old; → old for new

REF.No	Part No.	Description	Q'ty	S.No.	I/C	REMARKS	Weight (kgf)	Weight (lb)
010	31351-29500	ASSY SUPPORT STEP RH	1				0.775	1.705
020	31351-29510	SUPPORT STEP RH	1				0.63	1.386
030	31351-28810	LOCK BRAKE	1	<=56277			0	0
030	31351-28812	LOCK BRAKE	1	>=56278	←		0.14	0.308
040	31351-28850	SPRING BRAKE	1				0.01	0.022
050	31351-28880	LEVER PARKING	1				0.04	0.088
060	05411-00418	PIN SPRING	1				0.001	0.0022
070	01754-50845	BOLT FLANGE	2				0.021	0.0462
080	38240-29870	CUSHION	1				0.004	0.0088
090	31351-29520	SUPPORT STEP LH	1				0.73	1.606
100	01754-50816	BOLT FLANGE	2				0.011	0.0242
110	38240-29870	CUSHION	1				0.004	0.0088
120	32430-28870	ROD PARKING	1	<=55841			0.1	0.22
120	31351-28870	ROD PARKING	1	>=55842	↔		0.08	0.176
130	04012-50060	WASHER PLAIN	1				0.001	0.0022
140	05511-50218	PIN SPLIT	1				0.001	0.0022
150	31351-29610	COVER FOOT RH	1	<=57083		ORANGE	0	0
150	30400-29610	COVER FOOT RH	1	>=57084	≠	DEEP ORANGE	0.6	1.32
160	01754-50610	BOLT FLANGE	3				0.006	0.0132
170	32430-29660	STAY FOOT COVER RH	1	<=57083		ORANGE	0	0
170	32480-29660	STAY FOOT COVER RH	1	>=57084	≠	DEEP ORANGE	0.24	0.528
180	01754-50816	BOLT FLANGE	1				0.011	0.0242
190	31351-11080	NUT FLANGE	1				0.007	0.0154
200	31351-29630	COVER FOOT LH	1	<=57083		ORANGE	0	0
200	30400-29630	COVER FOOT LH	1	>=57084	≠	DEEP ORANGE	0.45	0.99
210	31351-29640	COVER FOOT LH	1	<=53171			0	0
220	01754-50610	BOLT FLANGE	4				0.006	0.0132
230	32430-29670	STAY FOOT COVER LH	1	<=57083		ORANGE	0	0
230	32480-29670	STAY FOOT COVER LH	1	>=57084	≠	DEEP ORANGE	0.235	0.517
240	01754-50816	BOLT FLANGE	1				0.011	0.0242
250	31351-11080	NUT FLANGE	1				0.007	0.0154

STEP [OLD TYPE]



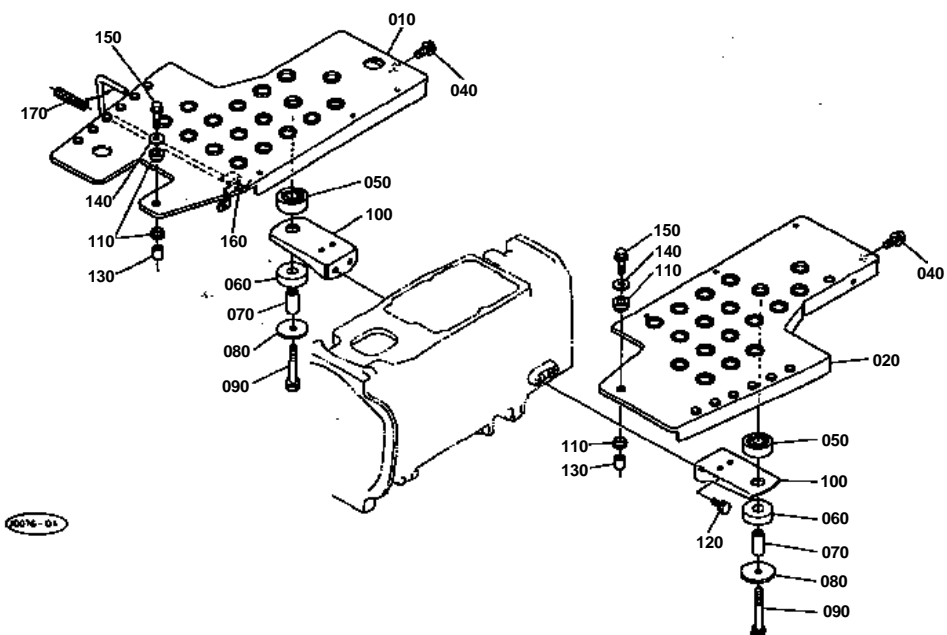


STEP [OLD TYPE]
S.No.;<=53611

↔ Interchangeable; ≠ not interchangeable; ← new for old; → old for new

REF.No	Part No.	Description	Q'ty	S.No.	I/C	REMARKS	Weight (kgf)	Weight (lb)
010	32420-29910	COMP.STEP RH	1	<=53611			0	0
020	32420-29920	COMP.STEP LH	1				3	6.6
030	31351-29990	CAP	2	<=53611			0.015	0.033
040	01754-50812	BOLT FLANGE	10				0.01	0.022
050	31351-29260	CUSHION UPPER	2	<=53611			0.05	0.11
060	31351-29270	CUSHION LOWER	2				0.045	0.099
070	31351-29280	SPACER	2	<=53611			0.04	0.088
080	31351-29310	RETAINER CUSHION	2	<=53611			0.065	0.143
090	01774-51265	BOLT FLANGE	2	<=53611			0.06	0.132
100	31351-29550	SUPPORT STEP REAR	2				0.45	0.99
110	31351-29580	CUSHION	4				0.004	0.0088
120	01774-51016	BOLT FLANGE	4	<=53611			0.02	0.044
130	31351-29590	COLLAR	2				0.01	0.022
140	04015-50080	WASHER PLAIN	2				0.001	0.0022
150	01754-50830	BOLT FLANGE	2				0.01	0.022
160	31351-17660	SPRING ACCEL.	1				0.008	0.0176
170	32430-17590	PIPE ACCEL.RUBBER	1				0.01	0.022

STEP [NEW TYPE]

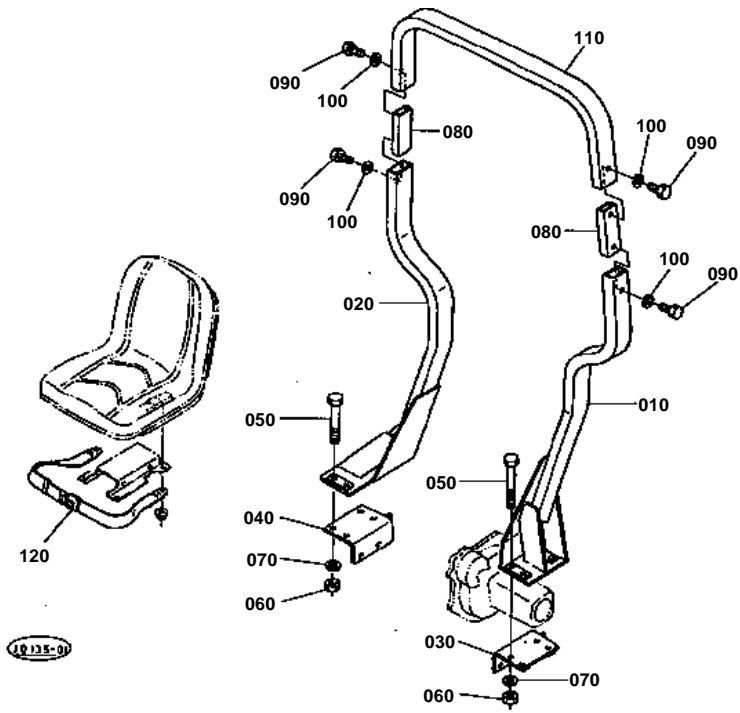




STEP [NEW TYPE]
S.No.;>=53612

↔ Interchangeable; ≠ not interchangeable; ← new for old; → old for new

REF.No	Part No.	Description	Q'ty	S.No.	I/C	REMARKS	Weight (kgf)	Weight (lb)
010	32420-29915	COMP.STEP RH	1	>=53612		ORANGE	0	0
010	32470-29913	COMP.STEP RH	1	>=57084	≠	DEEP ORANGE	3	6.6
020	32420-29920	COMP.STEP LH	1	<=57083		ORANGE	3	6.6
020	32470-29920	COMP.STEP LH	1	>=57084	≠	DEEP ORANGE	0	0
030	99999-99999	BLANK	0				0	0
040	01754-50812	BOLT FLANGE	10				0.01	0.022
050	30400-29260	CUSHION UPPER	2	>=53612			0.05	0.11
060	31351-29270	CUSHION LOWER	2				0.045	0.099
070	30400-29280	SPACER	2	>=53612			0.04	0.088
080	30400-29310	RETAINER CUSHION	2	>=53612			0.29	0.638
090	01133-51270	BOLT	2	>=53612			0.06	0.132
100	31351-29550	SUPPORT STEP REAR	2				0.45	0.99
110	31351-29580	CUSHION	4				0.004	0.0088
120	01133-51016	BOLT	4	>=53612			0.015	0.033
130	31351-29590	COLLAR	2				0.01	0.022
140	04015-50080	WASHER PLAIN	2				0.001	0.0022
150	01754-50830	BOLT FLANGE	2				0.01	0.022
160	31351-17660	SPRING ACCEL.	1				0.008	0.0176
170	32430-17590	PIPE ACCEL.RUBBER	1				0.01	0.022

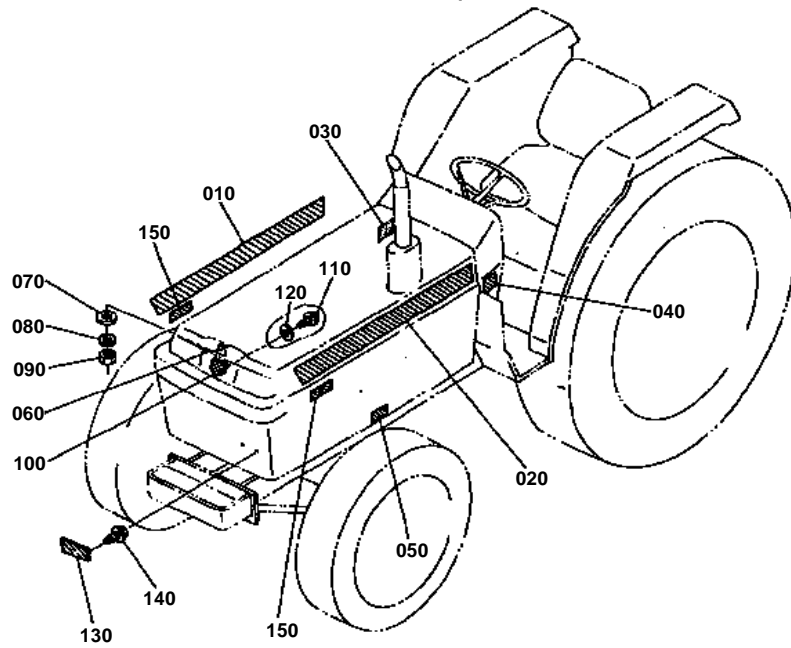




ROPS [A]

↔ Interchangeable; ≠ not interchangeable; ← new for old; → old for new

REF.No	Part No.	Description	Q'ty	S.No.	I/C	REMARKS	Weight (kgf)	Weight (lb)
010	32420-34770	FRAME.ROPS LOWER LH	1	>=57089			18.2	40.04
020	32420-34780	FRAME.ROPS LOWER RH	1	>=57089			18.2	40.04
030	32420-34730	BRACKET CHAIN LH	1	>=57089			3.4	7.48
040	32420-34740	BRACKET CHAIN RH	1	>=57089			3.4	7.48
050	32430-34740	BOLT	8	>=57089			0.3	0.66
060	32530-29040	NUT	8	>=57089			0.03	0.066
070	04512-50160	WASHER SPRING	8	>=57089			0	0
080	32430-34750	BRACKET JOINT	2	>=57089			0	0
090	01173-51428	BOLT	4	>=57089			0.049	0.1078
100	04512-50140	WASHER SPRING	4	>=57089			0	0
110	32440-34760	FRAME ROPS UPPER	1	>=57089			10.5	23.1
120	32530-18550	ASSY BELT SEAT	1	>=57089			0.48	1.056



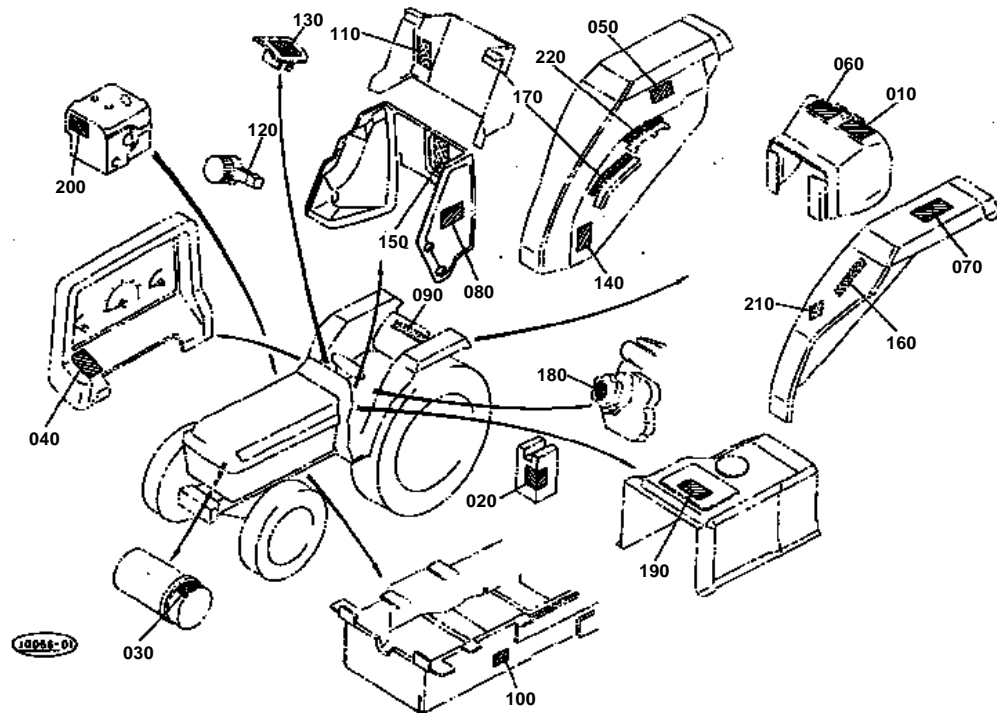
0101 - 01



LABEL 1 EXCEPT [FR]

↔ Interchangeable; ≠ not interchangeable; ← new for old; → old for new

REF.No	Part No.	Description	Q'ty	S.No.	I/C	REMARKS	Weight (kgf)	Weight (lb)
010	32420-65100	MARK MODEL RH	1	<=57083		ORANGE	0.045	0.099
010	32470-65100	MARK MODEL RH	1	>=57084	≠	DEEP ORANGE	0.05	0.11
020	32420-65110	MARK MODEL LH	1	<=57083		ORANGE	0.04	0.088
020	32470-65110	MARK MODEL LH	1	>=57084	≠	DEEP ORANGE	0.04	0.088
030	31351-65240	LABEL SIDE RH	1	<=54258			0	0
030	31351-65242	LABEL SIDE RH	1	>=54259	↔		0.003	0.0066
040	31351-65250	LABEL SIDE LH	1	<=54258			0	0
040	31351-65252	LABEL SIDE LH	1	>=54259	↔		0.003	0.0066
050	32430-65270	LABEL HANDLE	2				0.001	0.0022
060	31351-65180	MASCOT	1				0.01	0.022
070	04013-50040	WASHER PLAIN	1				0	0
080	04512-50040	WASHER SPRING	1				0	0
090	02054-50040	NUT	1				0.001	0.0022
100	32430-65320	EMBLEM	1				0.07	0.154
110	38430-18270	SCREW	2				0.002	0.0044
120	04015-50050	WASHER PLAIN	2				0.004	0.0088
130	32530-65330	MARK KUBOTA	1	<=53773			0.04	0.088
130	32430-65330	MARK KUBOTA	1	>=53774	←		0.04	0.088
140	38430-18270	SCREW	2				0.002	0.0044
150	31353-65820	MARK 4WD	2				0.002	0.0044
150	32580-65830	LABEL	2			[CA]	0.002	0.0044





LABEL 2 EXCEPT [FR]

↔ Interchangeable; ≠ not interchangeable; ← new for old; → old for new

REF.No	Part No.	Description	Q'ty	S.No.	I/C	REMARKS	Weight (kgf)	Weight (lb)
010	35200-25340	LABEL PTO	1			EXCEPT [CA][AU]	0.002	0.0044
010	35260-25340	LABEL PTO(DRAWBAR)	1			[CA][AU]	0.005	0.011
010	35261-25340	LABEL PTO	1			[CA]	0.003	0.0066
020	35176-15930	LABEL PEDAL	1				0.005	0.011
030	15222-93450	LABEL AIR CLEANER	1				0.001	0.0022
030	15227-87450	LABEL AIR CLEANER	1			[CA]	0.001	0.0022
040	35260-25050	LABEL SHUTTLE	1				0.01	0.022
040	35261-25050	LABEL SHUTTLE	1			[CA]	0.001	0.0022
050	35260-29780	LABEL ROPS CAUTION	1	<=53611		EXCEPT [AU]	0	0
050	35260-29782	LABEL ROPS CAUTION	1	>=53612	←	EXCEPT [AU]	0.001	0.0022
050	35871-98640	LABEL ROPS	1			[CA]	0.002	0.0044
060	35260-29790	LABEL DRAWBAR	1				0.002	0.0044
060	35871-98660	LABEL DRAWBAR	1			[CA]	0.001	0.0022
070	35260-34910	LABEL SAFETY	1	<=53611			0	0
070	35260-34912	LABEL SAFETY	1	>=53612	←		0	0
070	35261-34910	LABEL SAFETY	1			[CA]	0.006	0.0132
080	35820-98630	LABEL START CAUTION	1	<=53611			0	0
080	35820-98632	LABEL START CAUTION	1	>=53612	←		0.003	0.0066
080	32530-65930	LABEL START CAUTION	1			[CA]	0.001	0.0022
090	32430-65350	LABEL KUBOTA	1				0.01	0.022
100	32430-65450	NAME PLATE	1				0.004	0.0088
110	32430-65510	LABEL MAIN SWITCH	1				0.001	0.0022
120	32539-65530	LABEL HAZARD MARK	1			EXCEPT [AU]	0.001	0.0022
130	31351-65660	LABEL MAIN S-CHANGE	1	<=54258			0	0
130	31351-65664	LABEL MAIN S-CHANGE	1	>=54259	↔		0.001	0.0022
140	32430-65650	LABEL DIFF.LOCK	1				0.001	0.0022
150	32430-65730	LABEL PTO S-CHANGE	1				0.001	0.0022
160	32430-65740	LABEL HI-LO SHIFT	1				0.003	0.0066
170	32430-65760	LABEL POSITION CON.	1				0.003	0.0066
170	32431-65760	LABEL POSITION CON.	1			[CA]	0.003	0.0066
180	31351-65780	LABEL HYD.ADJUST.	1				0.001	0.0022
180	32530-65800	LABEL HYD.ADJUST.	1			[CA]	0.001	0.0022
190	32430-65750	LABEL MID PTO	1				0.002	0.0044
190	32431-65750	LABEL MID-PTO	1			[CA]	0.001	0.0022
200	32430-65790	LABEL HYD.BLOCK	1				0.01	0.022
210	32430-65810	LABEL CHANGE	1				0.001	0.0022
220	32430-65770	LABEL DRAFT CON.	1			OPTION [A][AU]	0.001	0.0022
220	32431-65770	LABEL DRAFT CON.	1			OPTION [CA]	0.003	0.0066
220	32430-65770	LABEL DRAFT CON.	1			[GR][PO]	0.001	0.0022

IMAGE NOT AVAILABLE



ACCESSORIES AND SERVICE PARTS

↔ Interchangeable; ≠ not interchangeable; ← new for old; → old for new

REF.No	Part No.	Description	Q'ty	S.No.	I/C	REMARKS	Weight (kgf)	Weight (lb)
010	32430-19716	MANUAL	1			EXCEPT [FR]	0.2	0.44
010	32430-19753	INSTRUCTION INSTRUCTION	1			[CA]	0.155	0.341
010	32431-19712	MANUAL	1			ANGLAIS [FR]	0.145	0.319
010	32431-19750	MANUAL INSTRUCTION	1			FRANCAIS [FR]	0.115	0.253
020	32431-19773	PARTS LIST	1			[FR]	0	0
030	01073-51630	BOLT	8			REF.No.030 TO 060 FOR REAR WHEEL	0.079	0.1738
040	02076-50160	NUT	4			REF.No.030 TO 060 FOR REAR WHEEL	0.03	0.066
050	01517-51632	STUD	4			REF.No.030 TO 060 FOR REAR WHEEL	0.076	0.1672
060	04512-50160	WASHER SPRING	12			REF.No.030 TO 060 FOR REAR WHEEL	0	0
090	04512-50140	WASHER SPRING	12			REF.No.070 TO 100 FOR FRONT WHEEL	0	0
100	04013-50140	WASHER PLAIN	12			REF.No.070 TO 100 FOR FRONT WHEEL	0	0
110	02176-50140	NUT	12			REF.No.070 TO 100 FOR FRONT WHEEL	0.014	0.0308
120	35450-49160	STUD	12			REF.No.070 TO 100 FOR FRONT WHEEL	0.05	0.11
130	35260-31850	ASSY KEY MAIN SWITCH	1				0	0
140	32530-19900	ASSY TOOL	1			[FR][PO] REF.No.150 TO 170	0.22	0.484
150	32360-19300	SCREW DRIVER	1				0.07	0.154
160	07012-11012	SPANNER	1				0.041	0.0902
170	07012-11417	SPANNER	1				0.084	0.1848
180	30442-18800	SQUEEZER OIL	1			[FR]	0	0
190	15521-86610	WRANCH FILTER	1	<=56749		[FR]	0.135	0.297
190	15527-86610	WRENCH FILTER	1	>=56750	≠	[FR]	0.15	0.33