

# Instructions for Parts Books

The heading at the top of the page will be the same for the picture of the parts as it is for the page with the part numbers.

Definition of column headings on part number pages:

**REF.No** → The number referring to the part on the picture page of the parts book.

**Part No.** → The number assigned to this part at the time of printing the parts book.

**Description** → Description of part.

**Q'ty** → Quantity of part used on that page.

**S.No.** → Serial number range of the equipment that this part will fit.

>= Your serial number should be greater than or equal to the number shown.

<= Your serial number should be lesser than or equal to the serial number shown.

**I/C** → Interchangeability of part shown.

↔ The part shown will work for the older and later serial number.

# The part shown is not interchangeable with the other serial number.

← new for old

→ old for new

**Remarks** → Notes about this particular part. Sometimes this may say except [FR] or [CA]

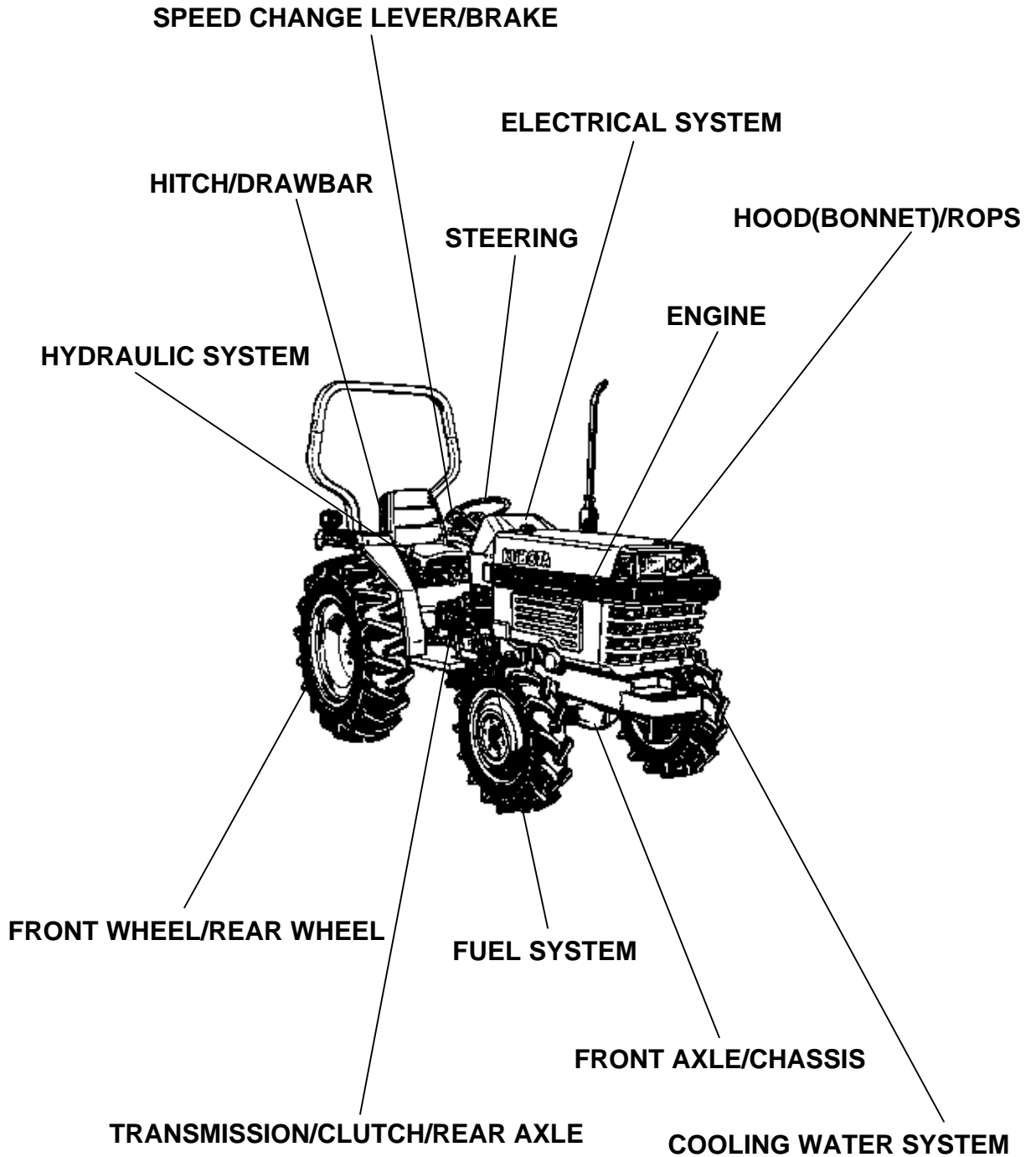
## Note about Country Codes:

The parts books we use in the United States of America may also contain information about a part that would be different in another country. It is important that you are aware of the country codes in some instances.

Symbol	Country
A	United States of America
CA	Canada
FR	France
GR	Greece
PO	Portugal
AU	Australia

If the remarks column says for example EXCEPT [FR] this part works in all countries except France. That means it will work here in the USA.

ALL PRODUCT INDEX  
L2600DT



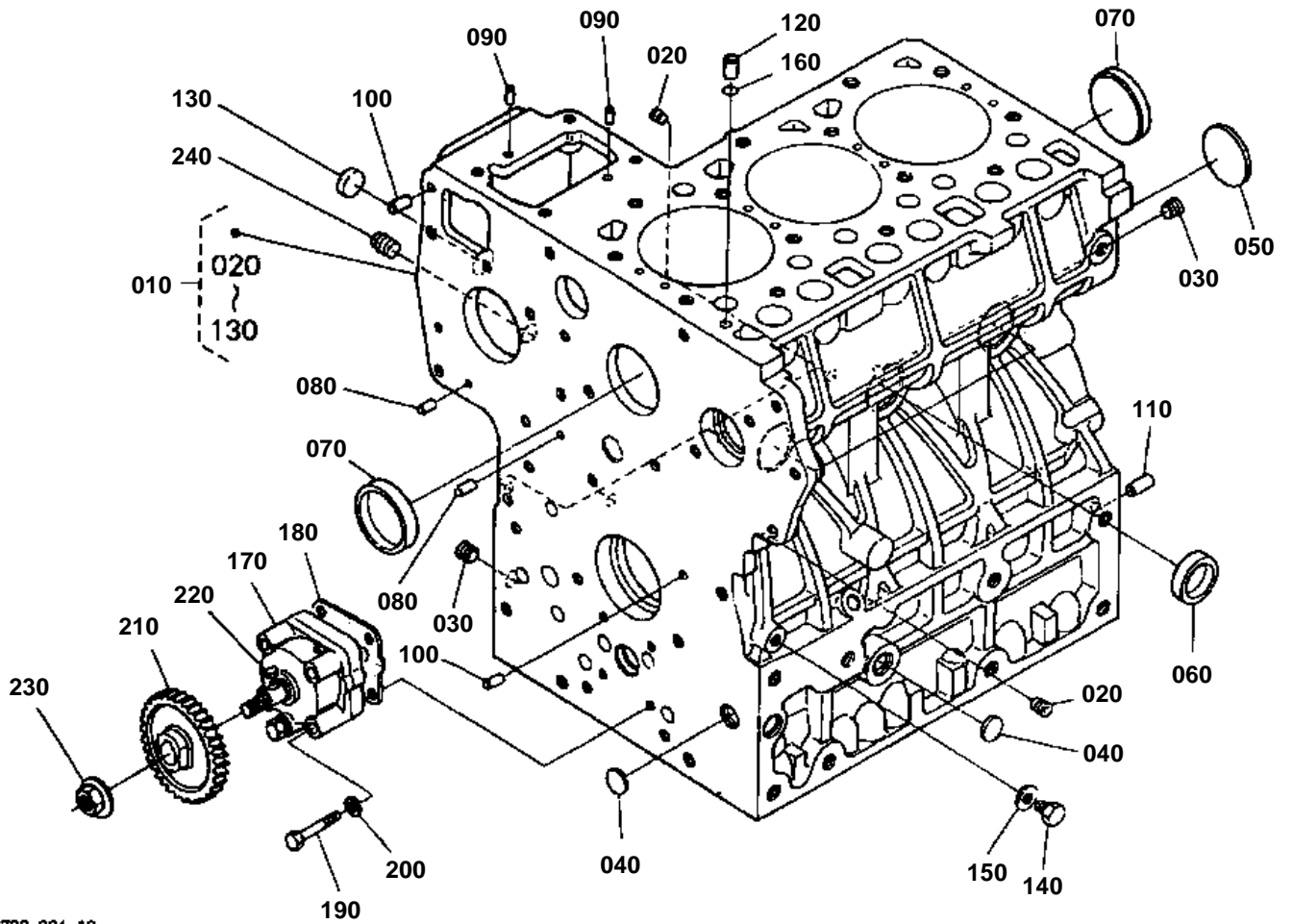
LABELS  
ACCESSORIES  
OPTION

Item	Part No.	Description	Book	
ENGINE	010001	CRANKCASE	100K0570	
	010002	OIL PAN	100K0570	
	010003	CYLINDER HEAD	100K0570	
	010004	GEAR CASE	100K0570	
	010005	HEAD COVER	100K0570	
	010100	MAIN BEARING CASE	100K0570	
	010101	CAMSHAFT AND IDLE GEAR SHAFT	100K0570	
	010102	PISTON AND CRANKSHAFT	100K0570	
	01010301	FLYWHEEL	100K0570	
	01010502	FUEL CAMSHAFT	100K0570	
	010200	ENGINE STOP LEVER	100K0570	
	01020201	INJECTION PUMP	100K0570	
	010203	INJECTION PUMP [COMPONENT PARTS]	100K0570	
	010204	GOVERNOR	100K0570	
	010205	SPEED CONTROL PLATE	100K0570	
	010206	NOZZLE HOLDER AND GLOW PLUG	100K0570	
	010207	NOZZLE HOLDER [COMPONENT PARTS]	100K0570	
	010500	WATER FLANGE AND THERMOSTAT	100K0570	
	010501	WATER PUMP	100K0570	
	010600	VALVE AND ROCKER ARM	100K0570	
	010601	INLET MANIFOLD	100K0570	
	010602	EXHAUST MANIFOLD	100K0570	
	01090101	UPPER GASKET KIT	100K0570	
	01090201	LOWER GASKET KIT	100K0570	
	010604	AIR CLEANER	100K0570	
	010606	MUFFLER	100K0570	
	01A003	ENGINE STOP ROD	100K0570	
	01A01001	ACCELERATOR LEVER	100K0570	
	01A025	ACCELERATOR LINKAGE	100K0570	
	FUEL SYSTEM	01A101	FUEL TANK	100K0570
		01A11001	FUEL PIPE AND FUEL FILTER	100K0570
		01A130	FUEL FILTER [COMPONENT PARTS]	100K0570
	COOLING WATER SYSTEM	01A401	FAN	100K0570
		01A410	WATER PIPE	100K0570
		01A420	RADIATOR	100K0570
	ELECTRICAL SYSTEM	01A51501	ALTERNATOR	100K0570
		01A520	ALTERNATOR [COMPONENT PARTS]	100K0570
		01A525	STARTER	100K0570
		01A530	STARTER [COMPONENT PARTS]	100K0570
		01A535	BATTERY	100K0570
		01B102	SWITCH 1	100K0570
		01B10301	SWITCH 2	100K0570
	01B115	PANEL BOARD	100K0570	
	01B120	PANEL BOARD [COMPONENT PARTS]	100K0570	
	01B301	LIGHT	100K0570	
	01B50102	ELECTRICAL WIRING	100K0570	
TRANSMISSION/CLUTCH/REAR AXLE	01C10101	CLUTCH	100K0570	
	01C20101	CLUTCH LEVER	100K0570	
	01C30101	CLUTCH PEDAL	100K0570	
	01C40101	CLUTCH HOUSING	100K0570	
	01C42002	TRANSMISSION CASE	100K0570	
	01D10101	MAIN SHAFT	100K0570	
	01D10501	COUNTERSHAFT	100K0570	
	01D116	REVERSE SHAFT	100K0570	
	01D117	RANGE GEAR SHAFT	100K0570	
	01D12502	SPIRAL BEVEL PINION	100K0570	
	01D12701	REAR DIFFERENTIAL	100K0570	
	01D13002	PTO COUNTERSHAFT	100K0570	
	01D135	PTO SHAFT	100K0570	
	01D20101	MAIN GEAR SHIFT FORK	100K0570	

Item	Part No.	Description	Book	
TRANSMISSION/CLUTCH/REAR AXLE	01D217	RANGE GEAR SHIFT FORK	100K0570	
	01D22001	PTO GEAR SHIFT FORK	100K0570	
	01D30101	REAR AXLE	100K0570	
SPEED CHANGE LEVER/BRAKE	01D40102	BRAKE	100K0570	
	01D415	HAND BRAKE	100K0570	
	01E10101	MAIN GEAR SHIFT LEVER	100K0570	
	01E110	RANGE GEAR SHIFT LEVER	100K0570	
	01E12501	PTO GEAR SHIFT LEVER	100K0570	
	01E140	FRONT WHEEL DRIVE LEVER	100K0570	
	01E201	BRAKE PEDAL	100K0570	
	01E205	DIFFERENTIAL LOCK PEDAL	100K0570	
	FRONT AXLE/CHASSIS	01F10502	FRONT AXLE FRAME	100K0570
		01F107	FRONT AXLE BRACKET	100K0570
01F120		PROPELLER SHAFT	100K0570	
01F122		FRONT WHEEL DRIVE SHAFT	100K0570	
01F125		FRONT DIFFERENTIAL CASE	100K0570	
01F135		FRONT DIFFERENTIAL	100K0570	
01F140		FRONT AXLE CASE	100K0570	
01F145		DIFFERENTIAL GEAR SHAFT	100K0570	
01F150		FRONT AXLE	100K0570	
STEERING		01G10102	STEERING HANDLE [PS]	100K0570
		01G11202	STEERING [PS] [COMPONENT PARTS]	100K0570
		01G11902	STEERING LINKAGE (DRAG LINK)	100K0570
		01G12002	STEERING LINKAGE (TIE ROD)	100K0570
HYDRAULIC SYSTEM		01H12002	HYDRAULIC PUMP	100K0570
		01H12502	HYDRAULIC PUMP [COMPONENT PARTS]	100K0570
	01H215	HYDRAULIC OIL LINE (PS)	100K0570	
	01H22502	HYDRAULIC OIL LINE	100K0570	
	01H30102	HYDRAULIC CYLINDER	100K0570	
	01H303	CYLINDER FRONT COVER	100K0570	
	01H320	LIFT ARM	100K0570	
	01H330	FEED BACK LEVER	100K0570	
	01H405	CONTROL VALVE	100K0570	
	01H410	CONTROL VALVE [COMPONENT PARTS]	100K0570	
	01H440	POSITION CONTROL LEVER	100K0570	
	01J101	TOP LINK HOLDER	100K0570	
	01J105	TOP LINK	100K0570	
	01J110	3-POINT LINKAGE 1 (LOWER LINK)	100K0570	
	01J115	3-POINT LINKAGE 2 (LIFT ROD)	100K0570	
	HITCH/DRAWBAR	01K105	DRAWBAR	100K0570
		01K125	PTO PROTECTOR	100K0570
	HOOD(BONNET)/ROPS	01L10101	FRONT GRILLE	100K0570
		01L105	HOOD(BONNET)	100K0570
		01L110	HOOD(BONNET) SIDE	100K0570
01L13001		SHUTTER PLATE	100K0570	
01L20102		PANEL FRAME	100K0570	
01L210		FENDER	100K0570	
01L213		FENDER SUPPORT	100K0570	
01L21702		FLOOR SEAT COVER	100K0570	
01L220		SEAT	100K0570	
01L22501		STEP	100K0570	
01L301		ROPS	100K0570	
01L501		SMV EMBLEM	100K0570	
FRONT WHEEL/REAR WHEEL		01P10105	FRONT WHEEL (6-14)	100K0570
	01P10106	FRONT WHEEL (7-16)	100K0570	
	01P10107	FRONT WHEEL (24*8.50-14)	100K0570	
	01P11001	REAR WHEEL (9.5-24)	100K0570	
	01P11002	REAR WHEEL (11.2-24)	100K0570	
	01P11003	REAR WHEEL (13.6-16)	100K0570	
	LABELS	01R10501	LABEL 1	100K0570

Item	Part No.	Description	Book
LABELS	01R11001	LABEL 2	100K0570
ACCESSORIES	01S105	ACCESSORIES AND SERVICE PARTS	100K0570
OPTION	01T104	UNDER MUFFLER [OPTION]	100K0570
	01T127	CONTROL VALVE (WITH DRAFT) [OPTION]	100K0570
	01T128	CONTROL VALVE (WITH DRAFT) [COMPONENT PARTS]	100K0570
	01T135	DRAFT CONTROL LEVER (WITH DRAFT) [OPTION]	100K0570
	01T136	DRAFT CONTROL VALVE (WITH DRAFT) [COMPONENT PARTS]	100K0570
	01T140	TOP LINK HOLDER (WITH DRAFT) [OPTION]	100K0570

# CRANKCASE



1G722-004-10

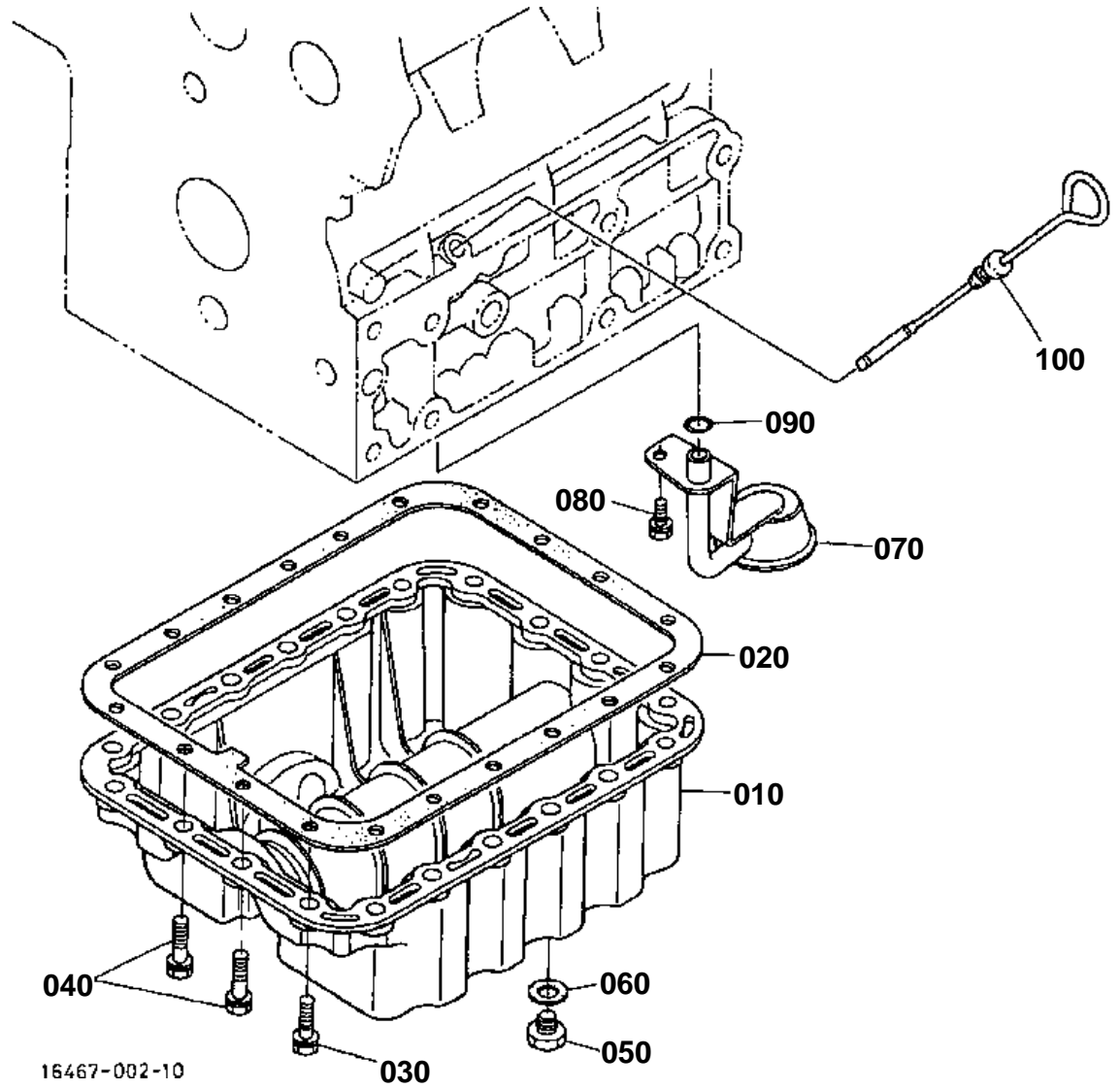


# CRANKCASE

↔ Interchangeable; ≠ not interchangeable; ← new for old; → old for new

REF.No	Part No.	Description	Q'ty	S.No.	I/C	REMARKS	Weight (kgf)	Weight (lb)
010	16417-01010	COMP.CRANKCASE	1				48.5	106.7
020	15521-96020	PLUG	5				0.003	0.0066
030	15521-96030	PLUG	2				0.007	0.0154
040	17391-96160	PLUG EXPANSION	3				0.003	0.0066
050	06311-75045	PLUG EXPANSION	1				0.026	0.0572
060	15221-03380	CAP SEALING	5				0.017	0.0374
070	16111-03390	CAP SEALING	2				0.027	0.0594
080	05012-00408	PIN STRAIGHT	2				0.001	0.0022
090	05012-00609	PIN STRAIGHT	2				0.003	0.0066
100	05012-00612	PIN STRAIGHT	2				0.003	0.0066
110	05012-01018	PIN STRAIGHT	1				0.012	0.0264
120	15221-33650	PIN PIPE	1				0.004	0.0088
130	06311-85020	CAP SEALING	1				0.002	0.0044
140	15221-33610	PLUG	1				0.009	0.0198
150	15021-33660	GASKET	1				0.001	0.0022
160	15221-33700	O RING	1				0.001	0.0022
170	15471-35012	ASSY PUMP OIL	1				0.55	1.21
180	15296-35150	GASKET OIL PUMP	1				0.001	0.0022
180	1A021-35150	GASKET OIL PUMP	1		↔		0.001	0.0022
190	01053-50650	BOLT	4				0.011	0.0242
200	04512-50060	WASHER SPRING	4				0	0
210	19202-35660	GEAR OIL PUMP DRIVE	1				0.23	0.506
220	05712-00410	KEY FEATHER	1				0.001	0.0022
230	15221-35682	NUT FLANGE	1				0.014	0.0308
240	06312-10020	PLUG	1				0.015	0.033

OIL PAN





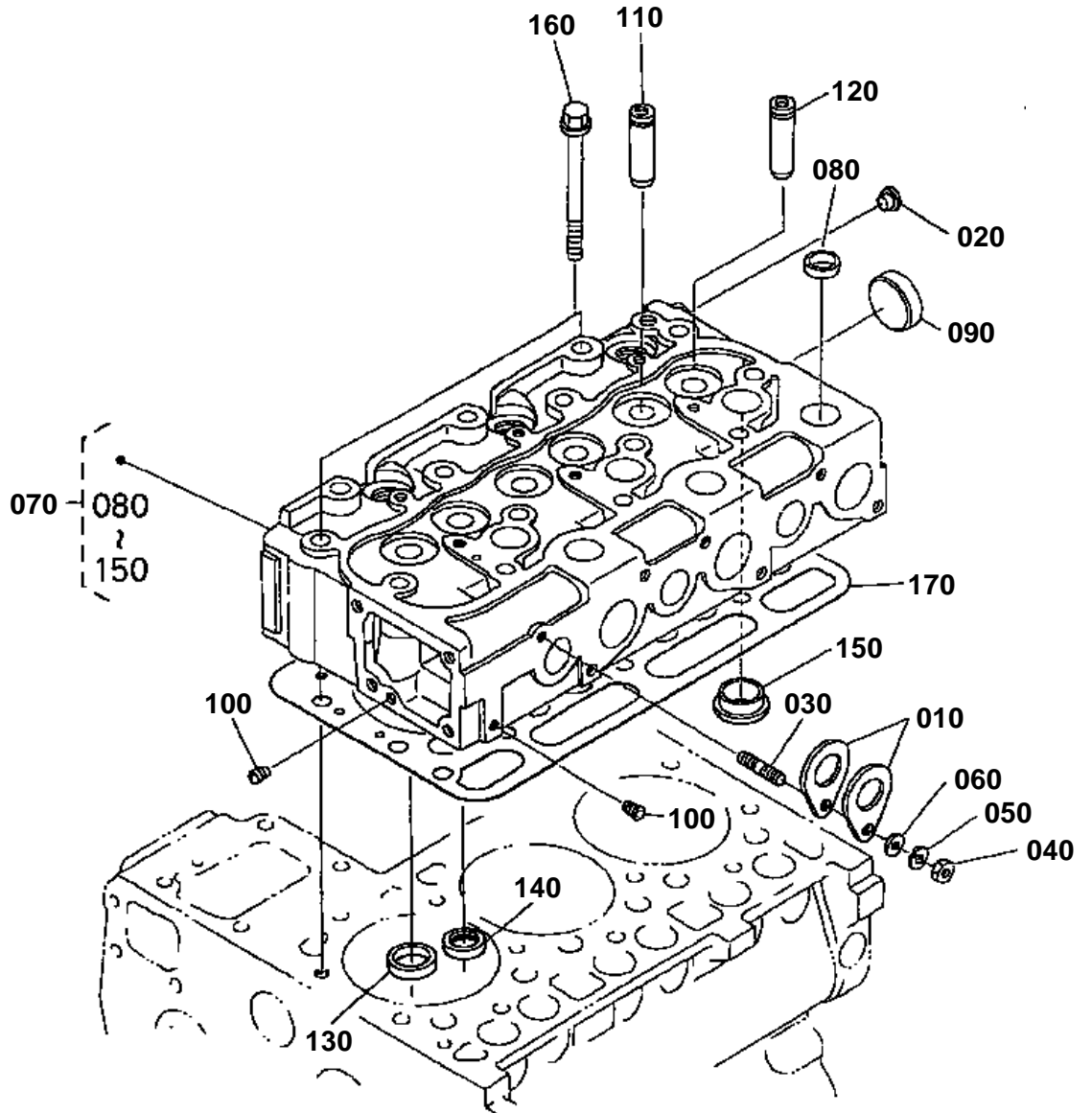


# OIL PAN

↔ Interchangeable; ≠ not interchangeable; ← new for old; → old for new

REF.No	Part No.	Description	Q'ty	S.No.	I/C	REMARKS	Weight (kgf)	Weight (lb)
010	15521-01610	OIL PAN	1				2.8	6.16
020	17326-01620	GASKET OIL PAN	1				0.02	0.044
020	1A021-01620	GASKET OIL PAN	1		↔		0.014	0.0308
030	01133-51028	BOLT	18				0.027	0.0594
040	01133-51025	BOLT	2				0.023	0.0506
050	15261-33750	PLUG	2				0.034	0.0748
060	6C090-58960	GASKET	2				0.002	0.0044
070	16427-32110	FILTER OIL	1				0.2	0.44
080	01123-50814	BOLT	1				0	0
090	04811-00160	O RING	1				0.001	0.0022
100	16427-36410	GAUGE OIL	1				0.035	0.077

CYLINDER HEAD



1G722-001-10

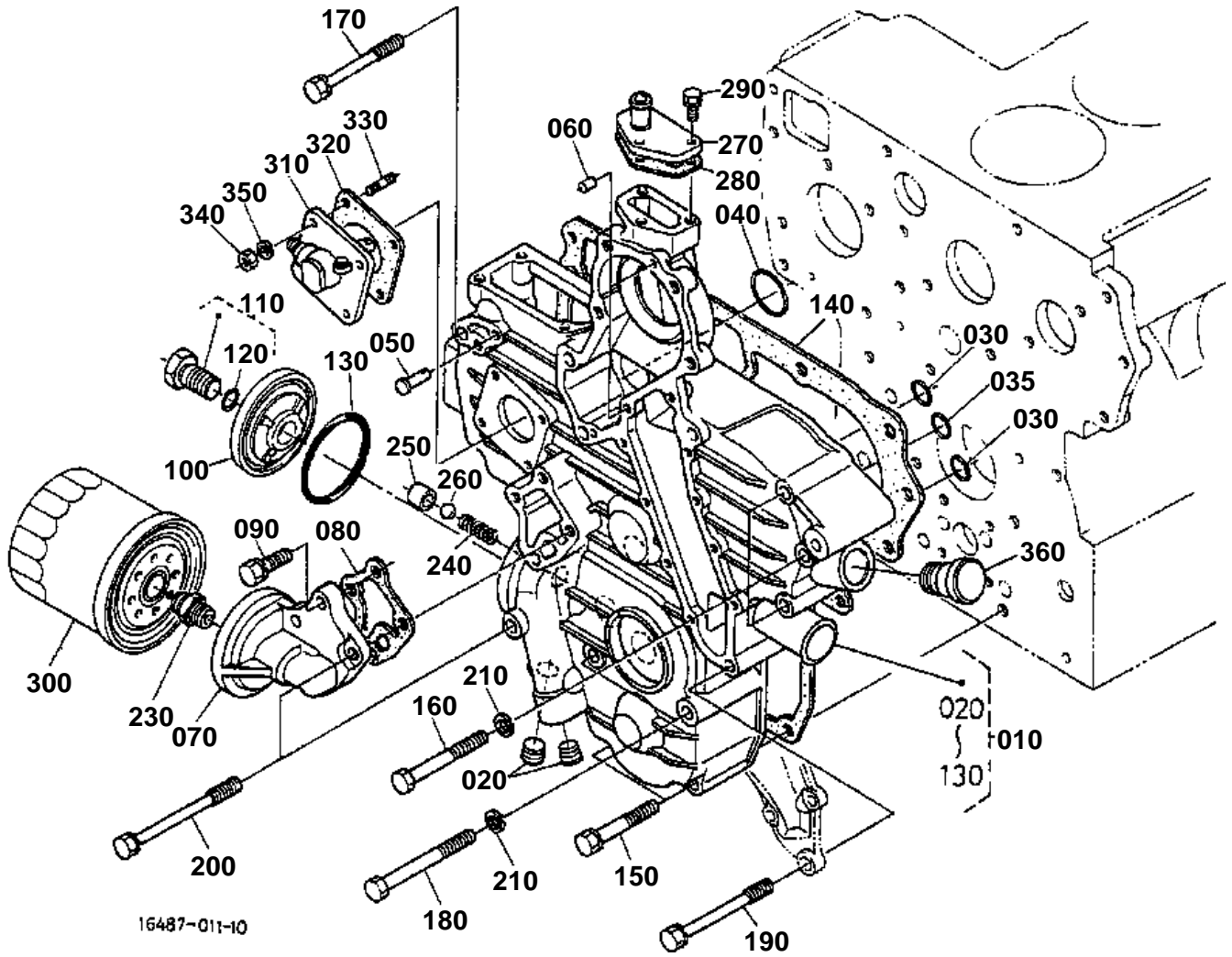


# CYLINDER HEAD

↔ Interchangeable; ≠ not interchangeable; ← new for old; → old for new

REF.No	Part No.	Description	Q'ty	S.No.	I/C	REMARKS	Weight (kgf)	Weight (lb)
010	15221-01750	HOOK ENGINE	2				0.04	0.088
020	09980-10075	CAP PROTECTOR	1				0.001	0.0022
030	15471-91530	STUD	1				0.01	0.022
040	02156-50080	NUT	1				0.004	0.0088
050	04512-50080	WASHER SPRING	1				0.001	0.0022
060	04012-50080	WASHER PLAIN	1				0.001	0.0022
070	16427-03047	COMP.CYLINDER HEAD	1				0	0
080	15221-03370	CAP SEALING	9				0.01	0.022
090	15221-03490	CAP SEALING	1				0.02	0.044
100	15261-96010	PLUG	2				0.002	0.0044
110	17321-13580	GUIDE INLET VALVE	3				0.015	0.033
120	17321-13560	GUIDE EXHAUST VALVE	3				0.02	0.044
130	16415-13620	SEAT INLET VALVE	3				0.01	0.022
140	16415-13612	SEAT EXHAUST VALVE	3				0.01	0.022
150	16427-03140	COMBUSTION CHAMBER	3				0.095	0.209
160	19013-03450	BOLT CYLINDER HEAD	14				0.077	0.1694
170	16427-03310	GASKET CYL.HEAD	1				0.11	0.242

GEAR CASE

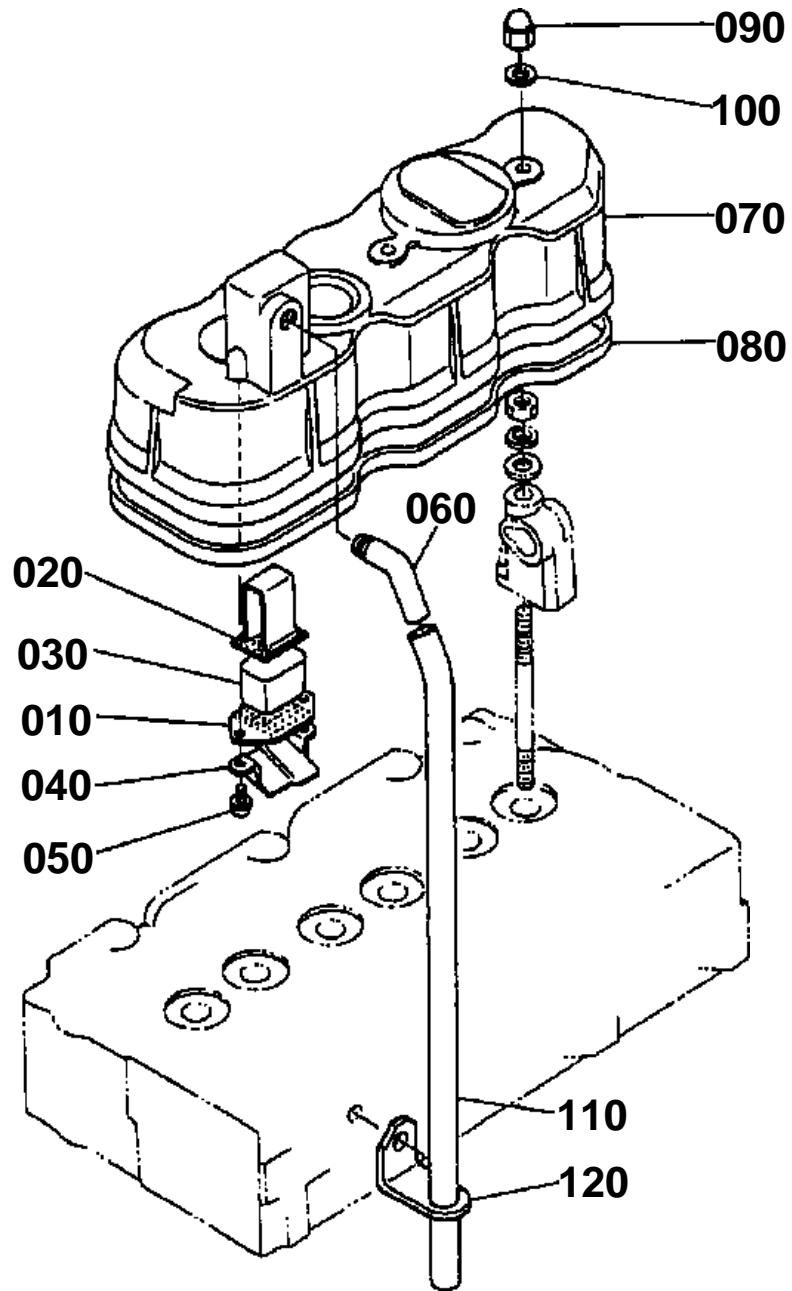




GEAR CASE

↔ Interchangeable; ≠ not interchangeable; ← new for old; → old for new

REF.No	Part No.	Description	Q'ty	S.No.	I/C	REMARKS	Weight (kgf)	Weight (lb)
010	16705-04032	ASSY CASE GEAR	1				4.2	9.24
020	16241-96020	PLUG	2				0.015	0.033
030	04811-00150	O RING	2				0.001	0.0022
035	04811-00200	O RING	1				0.001	0.0022
040	04811-00360	O RING	1				0.002	0.0044
050	15221-56280	PIN START SPRING	1				0.006	0.0132
060	05012-00612	PIN STRAIGHT	2				0.003	0.0066
070	17331-32610	SUPPORT OIL FILTER	1				0.275	0.605
080	17326-32620	GASKET	1				0.005	0.011
090	01123-50825	BOLT	3				0.013	0.0286
100	17331-32880	COVER	1				0.075	0.165
110	17331-32910	COMP BOLT	1				0.07	0.154
120	04811-00150	O RING	1				0.001	0.0022
130	19202-96830	O RING	1				0.01	0.022
140	17326-04132	GASKET GEAR CASE	1				0.03	0.066
150	01123-50860	BOLT	3				0.026	0.0572
160	01153-50870	BOLT	3				0.026	0.0572
170	17367-91010	BOLT	2				0.005	0.011
180	01153-50880	BOLT	2				0.03	0.066
190	17367-91020	BOLT	3				0.035	0.077
200	17367-91030	BOLT	2				0.02	0.044
210	04512-50080	WASHER SPRING	5				0.001	0.0022
230	15521-32290	JOINT PIPE	1				0.05	0.11
240	15241-36950	SPRING	1				0.004	0.0088
250	15521-36930	SEAT VALVE	1				0.015	0.033
260	07715-03213	BALL	1				0.004	0.0088
270	15521-73320	FLANGE WATER RETURN	1				0.04	0.088
280	15766-73330	GASKET WATER FLANGE	1				0.002	0.0044
280	1A021-73330	GASKET RETERN FLANGE	1			↔	0.001	0.0022
290	01023-50620	BOLT	3				0.006	0.0132
300	17321-32430	CARTRIDGE OIL FILTER	1				0.45	0.99
310	38240-34660	ASSY GEAR CASE H/M	1				0.335	0.737
320	15296-88130	GASKET H/METER UNIT	1				0.002	0.0044
330	15221-88210	STUD	4				0.005	0.011
340	02056-50060	NUT	4				0.002	0.0044
350	04512-50060	WASHER SPRING	4				0	0
360	15571-33140	PLUG OIL FILLER	1				0.03	0.066



16417-009-10

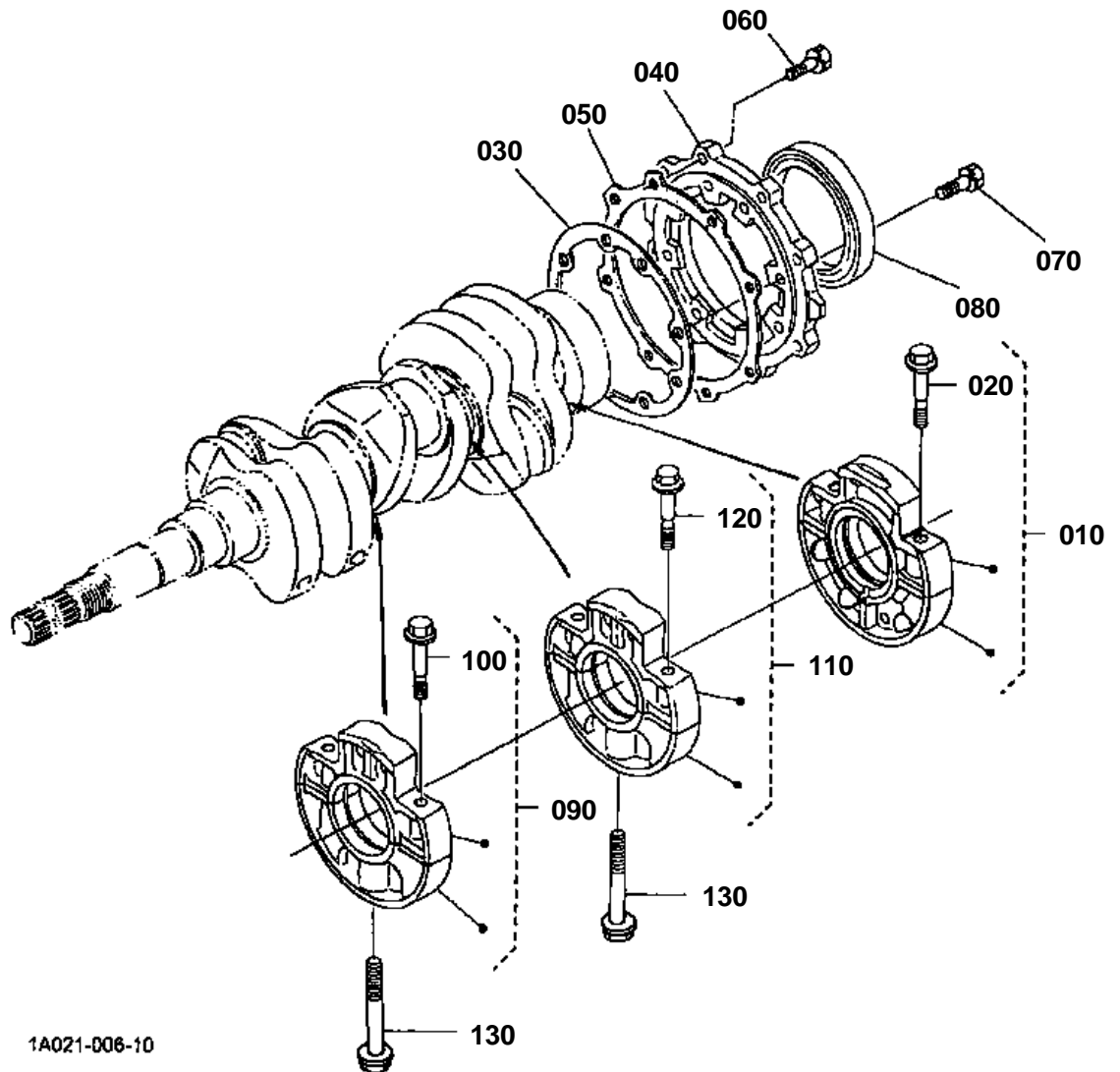


# HEAD COVER

↔ Interchangeable; ≠ not interchangeable; ← new for old; → old for new

REF.No	Part No.	Description	Q'ty	S.No.	I/C	REMARKS	Weight (kgf)	Weight (lb)
010	15521-05140	PLATE B/THER ELEMENT	1				0.005	0.011
020	15521-05150	PLATE B/THER ELEMENT	1				0.01	0.022
030	15521-05670	ELEMENT BREATHER	1				0.01	0.022
040	15521-05370	OIL SHIELD BREATHER	1				0.005	0.011
050	03034-50510	SCREW WITH WASHER	2				0.003	0.0066
060	15521-05550	JOINT BREATHER PIPE	1				0.04	0.088
070	16427-14510	COVER CYL.HEAD	1				1.13	2.486
080	15521-14520	GASKET HEAD COVER	1				0.035	0.077
090	15451-92330	NUT	3				0.015	0.033
100	15021-33660	GASKET	3				0.001	0.0022
110	15521-05510	PIPE BREATHER	1				0.075	0.165
120	15401-05580	CLAMP PIPE	1				0.02	0.044

MAIN BEARING CASE



1A021-006-10

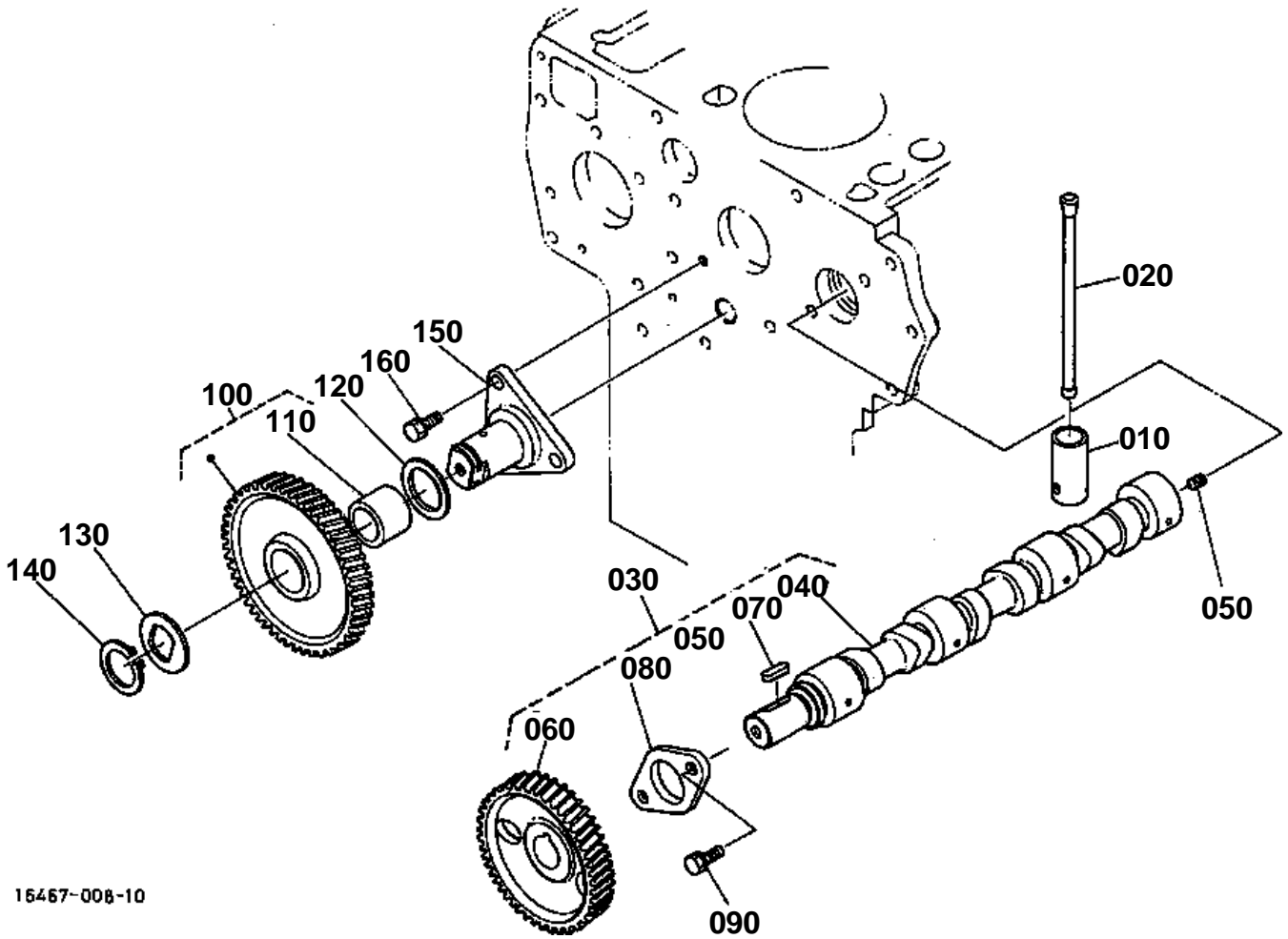




# MAIN BEARING CASE

↔ Interchangeable; ≠ not interchangeable; ← new for old; → old for new

REF.No	Part No.	Description	Q'ty	S.No.	I/C	REMARKS	Weight (kgf)	Weight (lb)
010	19013-07090	ASSY BRG.CASE WHEEL	1				1.55	3.41
020	19013-04540	BOLT BEARING CASE	2				0.038	0.0836
030	19077-04360	GASKET BEARING CASE	1				0.004	0.0088
040	19013-04813	COVER BEARING CASE	1				0.41	0.902
050	17118-04830	GASKET BRG.CASE COV.	1				0.01	0.022
050	1A091-04820	GASKET CASE COVER	1		↔		0.006	0.0132
060	01123-50825	BOLT	8				0.013	0.0286
070	01123-50828	BOLT	8				0.014	0.0308
080	19202-04460	SEAL OIL	1				0.055	0.121
090	19013-07040	ASSY BRG.CASE MAIN	1				1.5	3.3
100	19013-04540	BOLT BEARING CASE	2				0.038	0.0836
110	19013-07050	ASSY BRG.CASE MAIN	1				1.495	3.289
120	19013-04540	BOLT BEARING CASE	2				0.038	0.0836
130	15601-04560	BOLT BEARING CASE	2				0.06	0.132



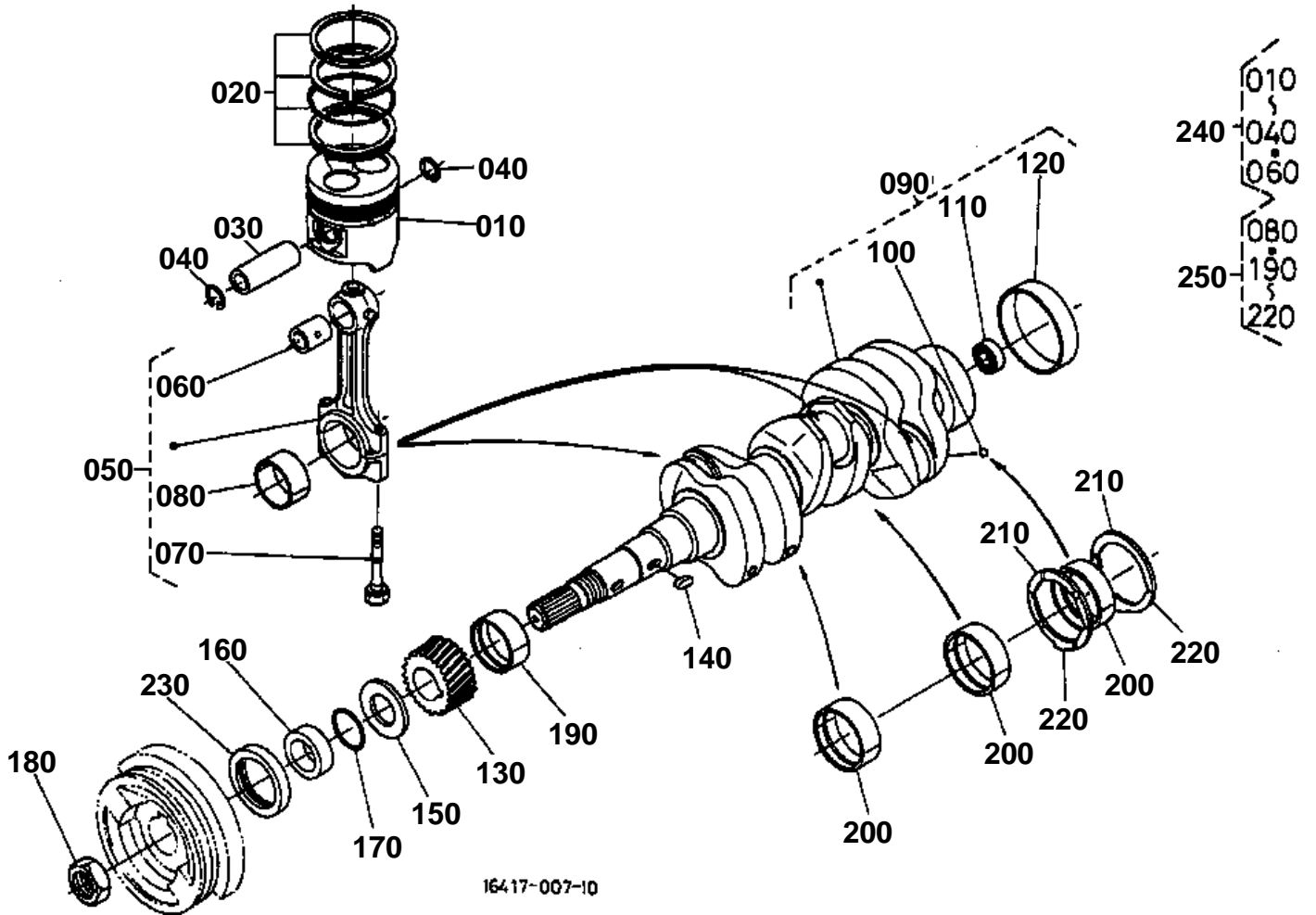
16467-008-10



## CAMSHAFT AND IDLE GEAR SHAFT

↔ Interchangeable; ≠ not interchangeable; ← new for old; → old for new

REF.No	Part No.	Description	Q'ty	S.No.	I/C	REMARKS	Weight (kgf)	Weight (lb)
010	15601-15550	TAPPET	6				0.08	0.176
020	19013-15110	PUSH ROD	6				0.05	0.11
030	17331-16010	ASSY CAMSHAFT	1				3.42	7.524
040	17331-16150	CAMSHAFT	1				1.795	3.949
050	15521-93610	SCREW SET	1				0.002	0.0044
060	15521-16510	GEAR CAM	1				0.85	1.87
070	05712-00720	KEY FEATHER	1				0.008	0.0176
080	15221-16270	STOPPER CAMSHAFT	1				0.073	0.1606
090	01123-50818	BOLT	2				0.012	0.0264
100	16427-24010	COMP.GEAR IDLE	1				1.2	2.64
110	16427-24980	BUSH IDLE GEAR	1				0.07	0.154
120	16427-24360	COLLAR	1				0.02	0.044
130	16427-24370	COLLAR	1				0.02	0.044
140	15451-95400	CIR CLIP EXTERNAL	1				0.01	0.022
150	16427-24250	SHAFT IDLE GEAR	1				0.65	1.43
160	01123-50818	BOLT	3				0.012	0.0264



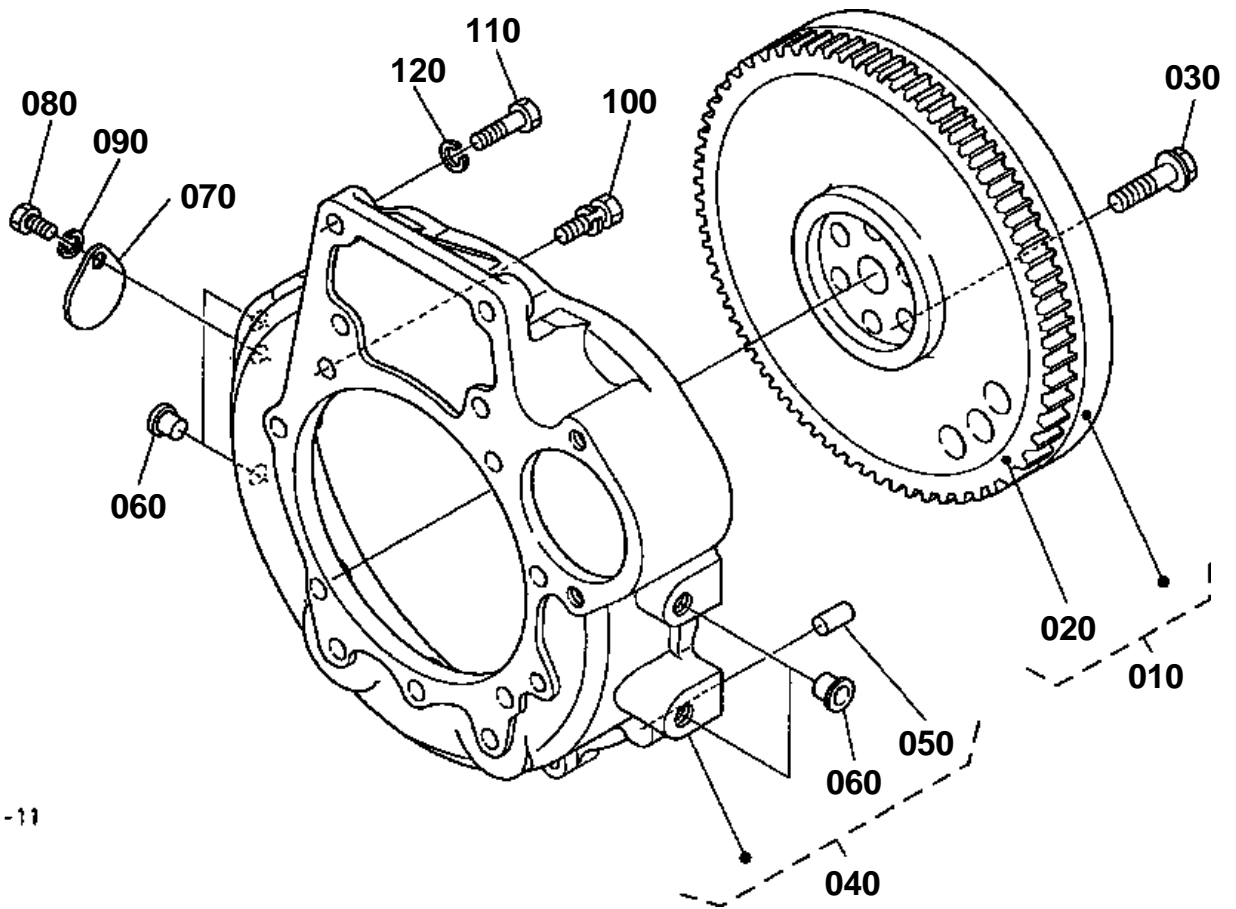


# PISTON AND CRANKSHAFT

↔ Interchangeable; ≠ not interchangeable; ← new for old; → old for new

REF.No	Part No.	Description	Q'ty	S.No.	I/C	REMARKS	Weight (kgf)	Weight (lb)
010	16427-21110	PISTON	3			STD	0.5	1.1
010	16427-21910	PISTON	3			+0.5MM	0.5	1.1
020	16427-21050	ASSY PISTON RING	3			STD	0.055	0.121
020	16427-21090	ASSY PISTON RING	3			+0.5MM	0.06	0.132
030	14901-21310	PIN PISTON	3				0.17	0.374
040	14109-21330	CIR CLIP INTERNAL	6				0.015	0.033
050	17311-22010	ASSY CONNECTING ROD	3				0.885	1.947
060	17331-21980	BUSH PISTON PIN	3				0.025	0.055
070	15521-22142	BOLT CONNECTING ROD	3				0.026	0.0572
080	17311-22310	METAL CRANKPIN	3			STD SET	0.045	0.099
080	17331-22970	METAL CRANKPIN	3			-0.2MM SET	0.05	0.11
080	17331-22980	METAL CRANKPIN	3			-0.4MM SET	0.045	0.099
090	16467-23010	COMP.CRANKSHAFT	1				13	28.6
100	07715-00401	BALL	3				0.001	0.0022
110	08121-06002	BEARING BALL	1				0.03	0.066
120	19202-23280	BUSH CRANKSHAFT	1				0.09	0.198
130	15471-24110	GEAR CRANK	1				0.375	0.825
140	05712-00720	KEY FEATHER	1				0.008	0.0176
150	15471-23312	SLINGER OIL	1				0.008	0.0176
160	19202-23250	COLLAR CRANKSHAFT	1				0.065	0.143
170	04811-10300	O RING	1				0.001	0.0022
180	15221-23360	NUT CRANKSHAFT	1				0.11	0.242
190	17311-23472	METAL CRANKSHAFT	1			STD	0	0
190	17311-23910	METAL CRANKSHAFT	1			-0.2MM	0.05	0.11
190	17311-23920	METAL CRANKSHAFT	1			-0.4MM	0.06	0.132
200	17311-23480	METAL CRANKSHAFT	3			STD SET	0.045	0.099
200	17311-23930	METAL CRANKSHAFT	3			-0.2MM SET	0.05	0.11
200	17311-23940	METAL CRANKSHAFT	3			-0.4MM SET	0.06	0.132
210	15521-23530	METAL SIDE	2			STD	0.01	0.022
210	15521-23950	METAL SIDE	2			+0.2MM	0.01	0.022
210	15521-23960	METAL SIDE	2			+0.4MM	0.01	0.022
220	19202-23540	METAL SIDE	2			STD	0.01	0.022
220	19202-23970	METAL SIDE	2			+0.2MM	0.01	0.022
220	19202-23980	METAL SIDE	2			+0.4MM	0.01	0.022
230	19202-04140	SEAL OIL	1				0.015	0.033
240	07916-27660	KIT RING PISTON	3			STD	0.72	1.584
240	07916-27670	KIT RING PISTON	3			+0.5MM	0.84	1.848
250	07916-28070	KIT METAL ENGINE	1			STD	0.35	0.77
250	07916-28722	KIT METAL ENGINE	1			-0.2MM	0.44	0.968
250	07916-28732	KIT METAL ENGINE	1			-0.4MM	0.44	0.968

FLYWHEEL

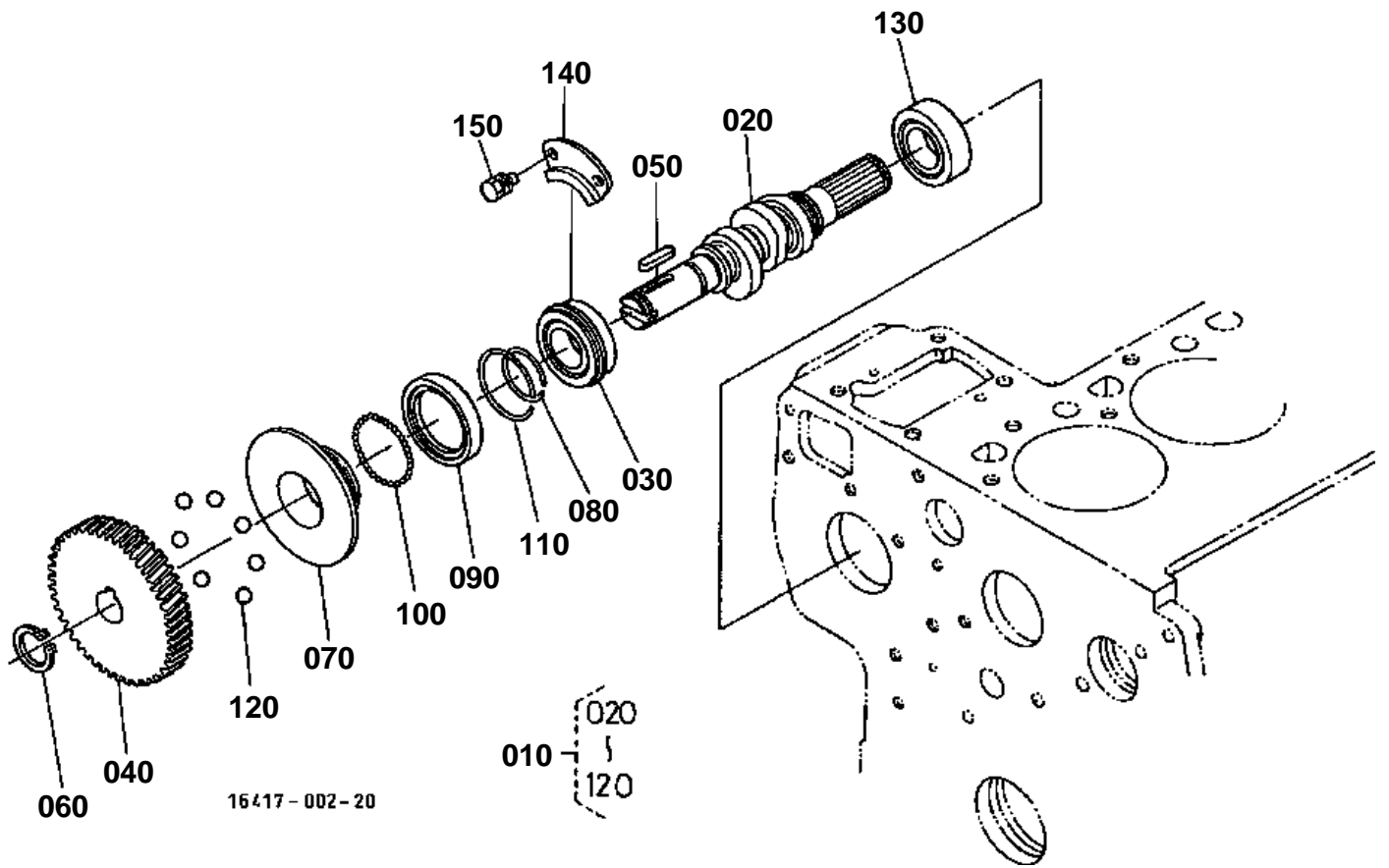


16417-001-11

**FLYWHEEL**

↔ Interchangeable; ≠ not interchangeable; ← new for old; → old for new

REF.No	Part No.	Description	Q'ty	S.No.	I/C	REMARKS	Weight (kgf)	Weight (lb)
010	16417-25010	COMP.FLYWHEEL	1				15.5	34.1
020	15221-63820	GEAR RING	1				1.2	2.64
030	15321-25163	BOLT FLYWHEEL	6				0.05	0.11
040	16417-04600	COMP.HOUSING F-W.	1				0	0
050	05012-01018	PIN STRAIGHT	2				0.012	0.0264
060	31220-14290	PLUG	4				0.002	0.0044
070	31220-14170	COVER	1				0.014	0.0308
080	01153-50812	BOLT	1				0.008	0.0176
090	04512-50080	WASHER SPRING	1				0.001	0.0022
100	16427-91010	BOLT	11				0.004	0.0088
110	01073-51240	BOLT	2				0.049	0.1078
120	04512-50120	WASHER SPRING	2				0.003	0.0066





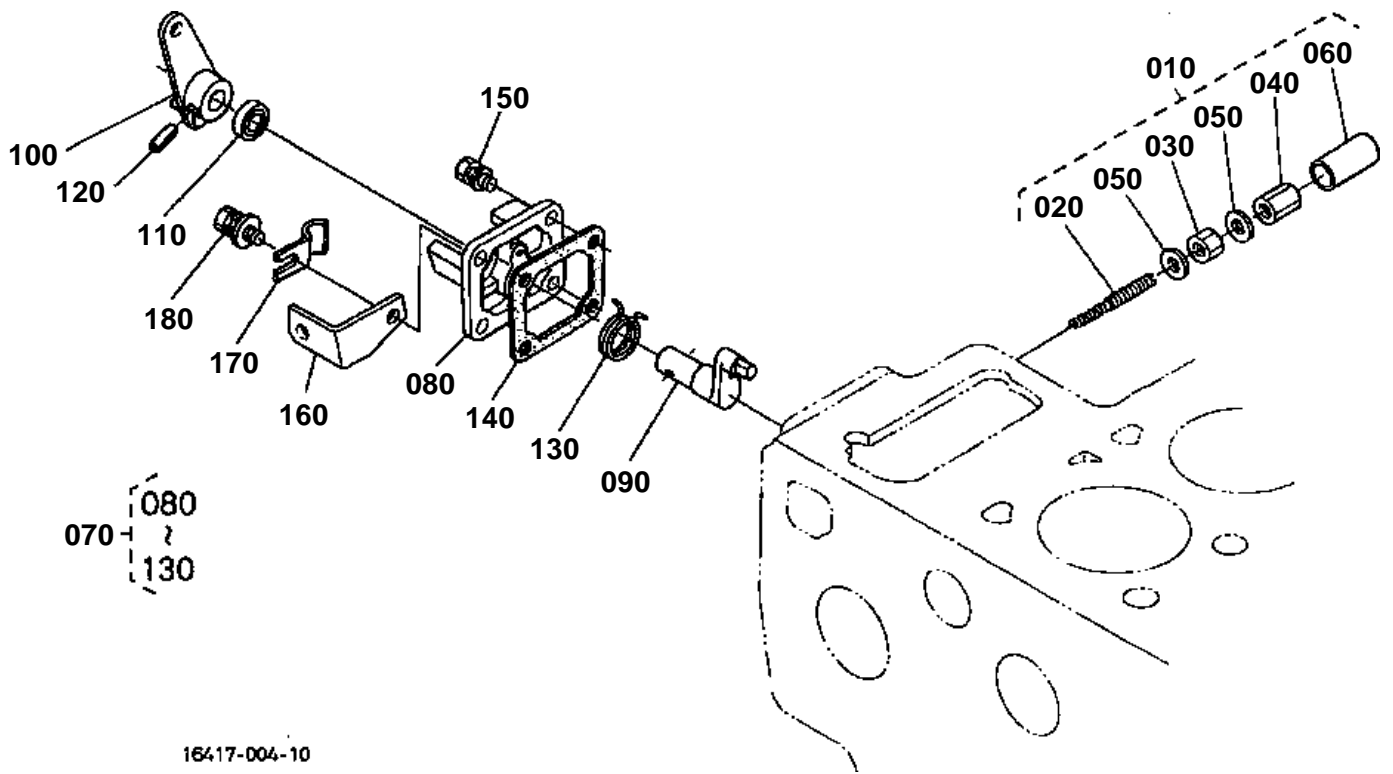


# FUEL CAMSHAFT

↔ Interchangeable; ≠ not interchangeable; ← new for old; → old for new

REF.No	Part No.	Description	Q'ty	S.No.	I/C	REMARKS	Weight (kgf)	Weight (lb)
010	16427-16020	ASSY CAMSHAFT FUEL	1				2.5	5.5
020	16427-16173	CAMSHAFT FUEL	1				0.99	2.178
030	08153-06205	BEARING BALL	1				0.13	0.286
040	16415-51150	GEAR INJECTION PUMP	1				1.075	2.365
050	05712-00525	KEY FEATHER	1				0.005	0.011
060	04612-00240	CIR CLIP EXTERNAL	1				0.002	0.0044
070	15611-55450	SLEEVE GOVERNOR	1				0.117	0.2574
080	15221-55470	CIR-CLIP GOV. SLEEVE	1				0.003	0.0066
090	15611-55690	CASE GOVERNOR BALL	1				0.03	0.066
100	07715-03205	BALL	39				0.001	0.0022
110	15221-55740	CIR-CLIP	1				0.002	0.0044
120	07715-00403	BALL	7				0.03	0.066
130	08103-06205	BEARING BALL	1				0.12	0.264
140	15221-16320	STOPPER FUEL C/SHAFT	1				0.02	0.044
150	01123-50814	BOLT	2				0	0

ENGINE STOP LEVER

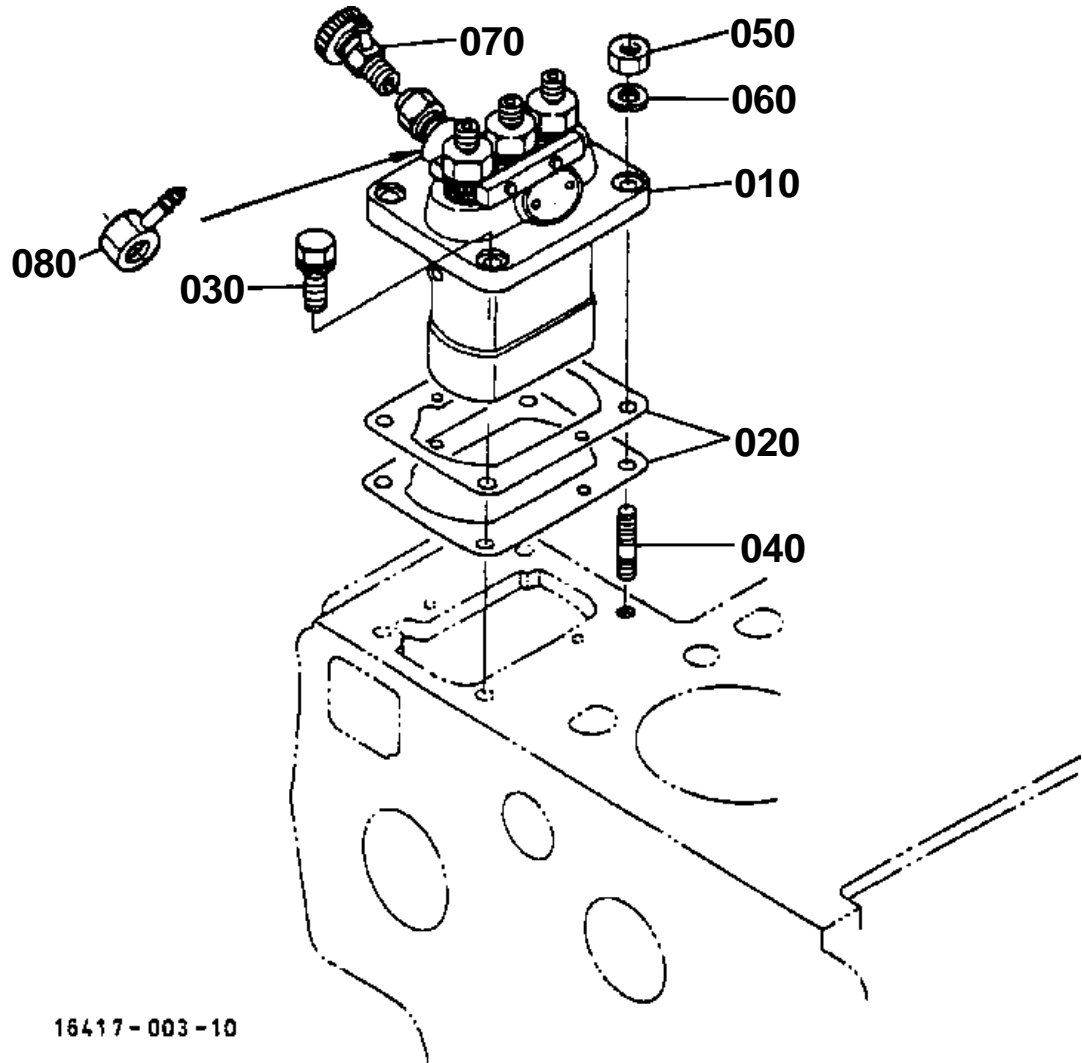




# ENGINE STOP LEVER

↔ Interchangeable; ≠ not interchangeable; ← new for old; → old for new

REF.No	Part No.	Description	Q'ty	S.No.	I/C	REMARKS	Weight (kgf)	Weight (lb)
010	15521-54090	APPARATUS IDLING	1				0.045	0.099
020	15521-54100	ASSY BOLT ADJUSTMENT	1				0.015	0.033
030	15401-92010	NUT	1				0.01	0.022
040	15521-92330	NUT	1				0.02	0.044
050	15021-33660	GASKET	2				0.001	0.0022
060	15521-54270	CAP	1				0.003	0.0066
070	17331-57702	ASSY LEVER ENG.STOP	1				0.19	0.418
080	15471-51652	COVER INJECTION PUMP	1				0.02	0.044
090	17331-57740	SHAFT LEVER	1				0.04	0.088
100	17331-57720	LEVER ENGINE STOP	1				0.05	0.11
110	15471-57980	SEAL OIL	1				0.001	0.0022
120	05411-00420	PIN SPRING	1				0.001	0.0022
130	15471-57920	SPRING RETURN	1				0.005	0.011
140	15296-51660	GASKET PUMP COVER	1				0.003	0.0066
140	1A021-51660	GASKET PUMP COVER	1		↔		0.003	0.0066
150	01023-50618	BOLT	3				0.006	0.0132
160	32330-17170	SUPPORT	1				0.02	0.044
170	38430-17180	SPRING	1				0.1	0.22
180	01025-50620	BOLT	1				0.02	0.044



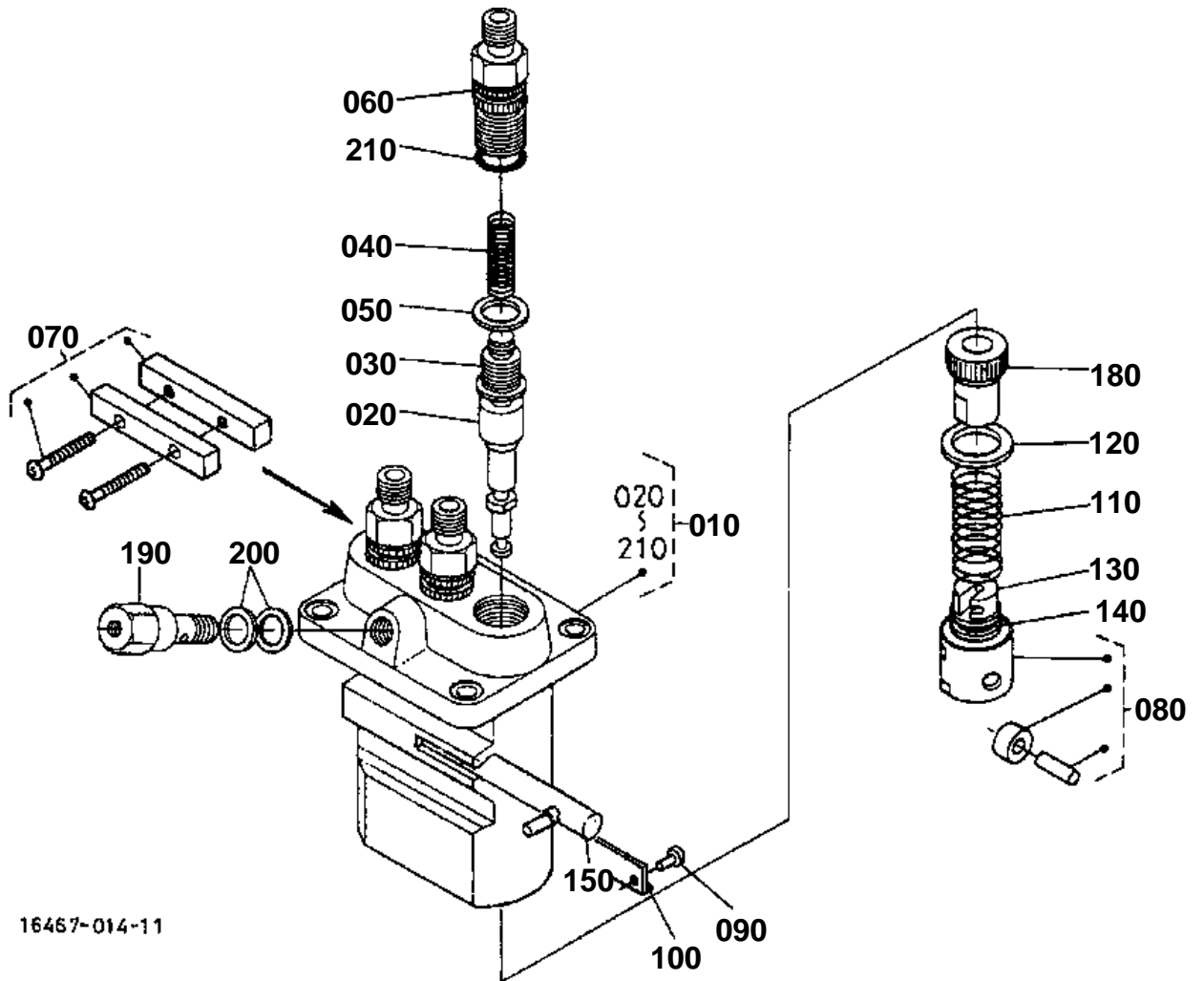
16417 - 003 - 10



# INJECTION PUMP

↔ Interchangeable; ≠ not interchangeable; ← new for old; → old for new

REF.No	Part No.	Description	Q'ty	S.No.	I/C	REMARKS	Weight (kgf)	Weight (lb)
010	1G702-51010	ASSY PUMP INJECTION	1			REFER TO L.No.C09-R FOR COMPONENTS.	2.2	4.84
020	16414-52090	SHIM INJECTION PUMP	1			0.20mm	0.001	0.0022
020	16414-52110	SHIM INJECTION PUMP	1			0.25mm	0.001	0.0022
020	16414-52120	SHIM INJECTION PUMP	1			0.30mm	0.005	0.011
030	01123-50822	BOLT	2				0.012	0.0264
040	15221-91530	STUD	2				0.011	0.0242
050	02156-50080	NUT	2				0.004	0.0088
060	04512-50080	WASHER SPRING	2				0.001	0.0022
070	14311-60504	ASSY COCK JET START	1				0.034	0.0748
080	14111-42410	JOINT EYE	1				0.025	0.055

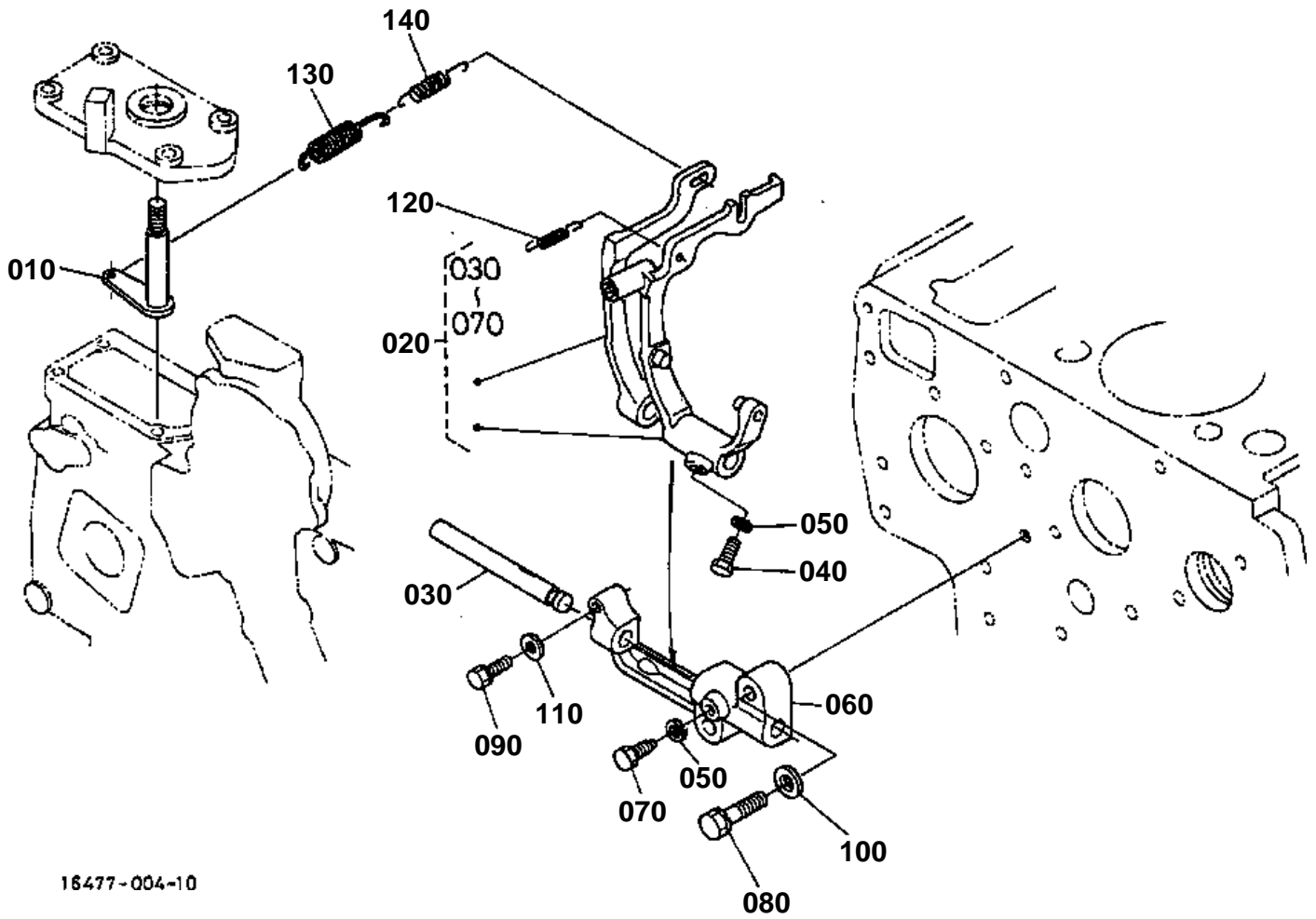




# INJECTION PUMP [COMPONENT PARTS]

↔ Interchangeable; ≠ not interchangeable; ← new for old; → old for new

REF.No	Part No.	Description	Q'ty	S.No.	I/C	REMARKS	Weight (kgf)	Weight (lb)
010	1G702-51010	ASSY PUMP INJECTION	1				2.2	4.84
020	16475-51050	PLUNGER PUMP	3				0.04	0.088
030	16475-51030	VALVE DELIVERY	3				0.02	0.044
040	16475-51230	SPRING DELIV.VALVE	3				0.003	0.0066
050	15221-51240	GASKET DELIV.VALVE	3				0.001	0.0022
060	16415-51220	HOLDER DELIV.VALVE	3				0.07	0.154
070	16415-51610	ASSY PLATE LOCK	1				0.1	0.22
080	15221-51070	ASSY TAPPET	3				0.039	0.0858
090	14611-51250	PIN TAPPET GUIDE	3				0.003	0.0066
100	19484-51460	PLATE	1				0.003	0.0066
110	15221-51280	SPRING PLUNGER	3				0.015	0.033
120	15221-51270	SEAT SPRING UPPER	3				0.004	0.0088
130	15221-51290	SEAT SPRING LOWER	3				0.01	0.022
140	19077-51490	SHIM	3				0.001	0.0022
150	15321-51060	RACK CONTROL	1				0.038	0.0836
180	15221-51382	SLEEVE CONTROL	3				0.011	0.0242
190	15521-51320	SCREW FOLLOW	1				0.035	0.077
200	15221-96650	GASKET	2				0.001	0.0022
210	14611-51200	O RING	3				0.001	0.0022



16477-004-10

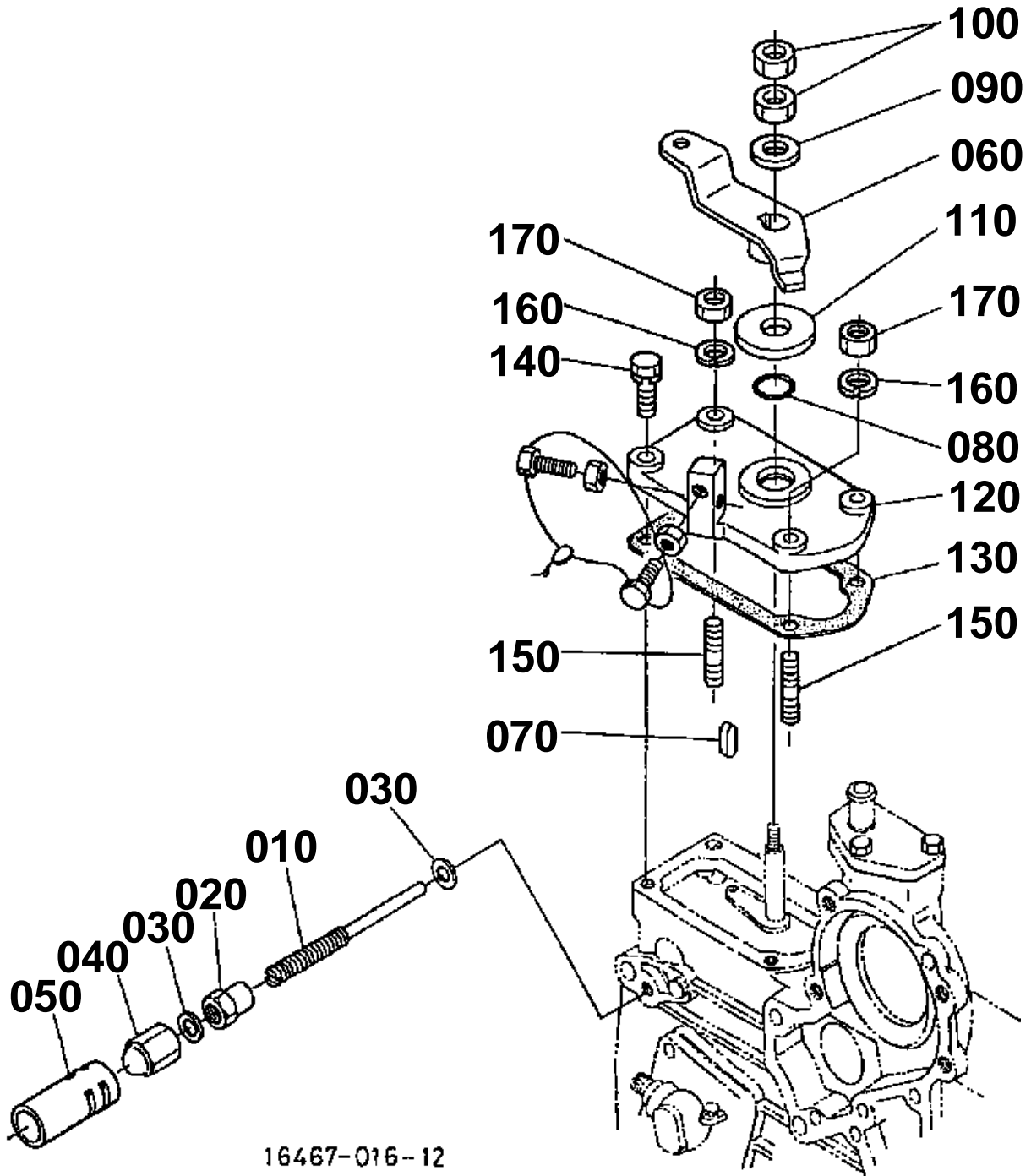




# GOVERNOR

↔ Interchangeable; ≠ not interchangeable; ← new for old; → old for new

REF.No	Part No.	Description	Q'ty	S.No.	I/C	REMARKS	Weight (kgf)	Weight (lb)
010	15601-56020	COMP.LEVER GOVERNOR	1				0.055	0.121
020	16417-56050	ASSY LEVER FORK	1				0.4	0.88
030	15221-56150	SHAFT FORK LEVER	1				0.1	0.22
040	15021-56240	BOLT LEVER SHAFT	1				0.005	0.011
050	04512-50060	WASHER SPRING	2				0	0
060	15221-56230	HOLDER FORK LEVER	1				0.1	0.22
070	15221-66410	BOLT	1				0.005	0.011
080	01123-50832	BOLT	2				0.016	0.0352
090	01023-50628	BOLT	1				0.015	0.033
100	04012-50080	WASHER PLAIN	2				0.001	0.0022
110	04012-50060	WASHER PLAIN	1				0.001	0.0022
120	17241-56480	SPRING START	1				0.005	0.011
130	19077-56412	SPRING	1				0.01	0.022
140	16415-56420	SPRING GOVERNOR	1				0.002	0.0044



16467-016-12

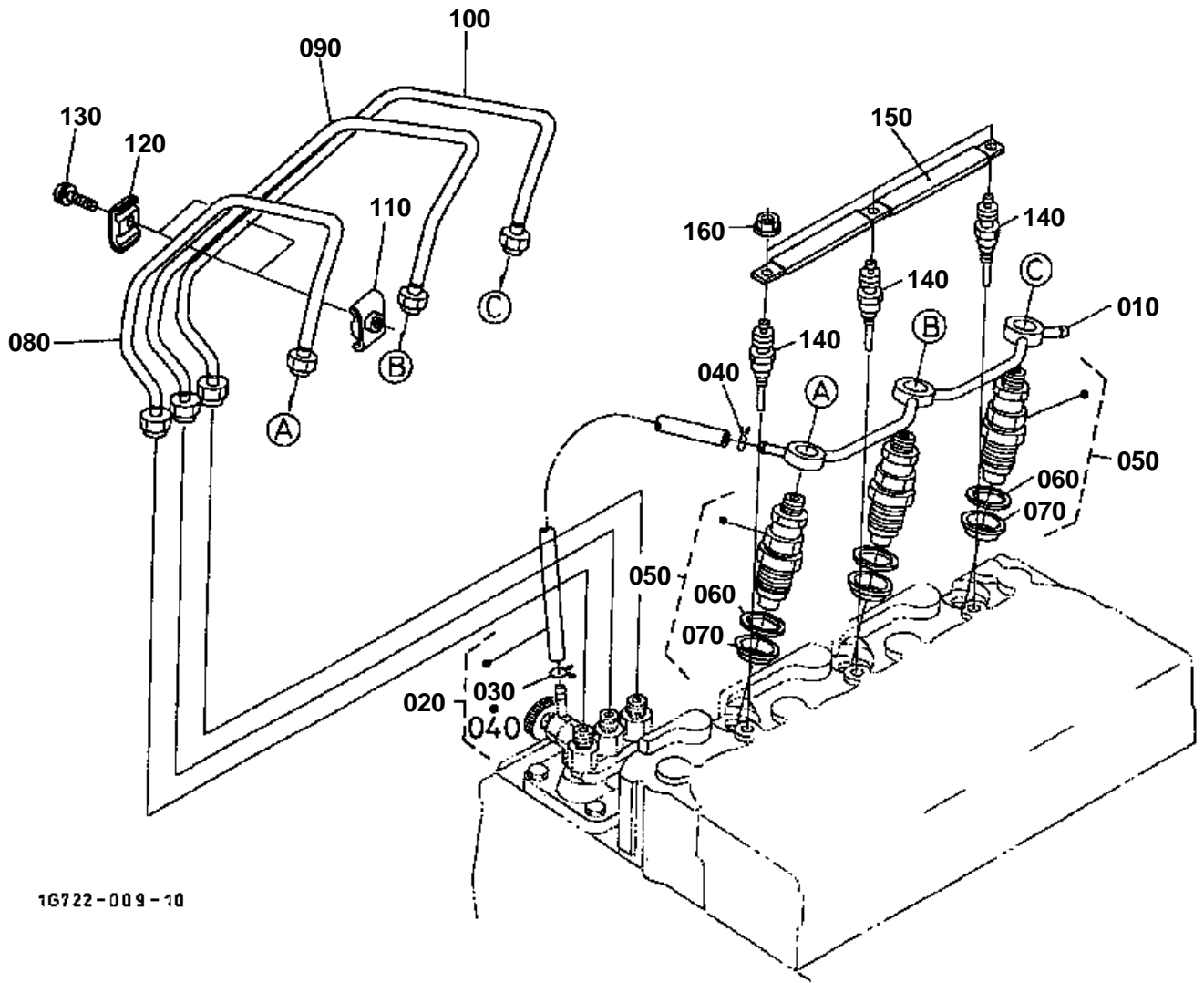


# SPEED CONTROL PLATE

↔ Interchangeable; ≠ not interchangeable; ← new for old; → old for new

REF.No	Part No.	Description	Q'ty	S.No.	I/C	REMARKS	Weight (kgf)	Weight (lb)
010	15601-54120	BOLT ADJUSTING	1				0.011	0.0242
020	15601-92012	NUT	1				0.006	0.0132
030	15601-96650	GASKET	2				0.001	0.0022
040	15841-14620	NUT	1				0.01	0.022
050	1G833-54290	PIPE LOCK	1				0.012	0.0264
060	15471-57150	LEVER SPEED CONTROL	1				0.05	0.11
070	05712-00408	KEY FEATHER	1				0.001	0.0022
080	04811-00120	O RING	1				0.001	0.0022
090	04013-50080	WASHER PLAIN	1				0	0
100	02112-50080	NUT	2				0.003	0.0066
110	15521-57240	COLLAR	1				0.002	0.0044
120	15521-57115	PLATE SPEED CONTROL	1				0.1	0.22
130	15439-57210	GASKET	1				0.005	0.011
140	01023-50620	BOLT	2				0.006	0.0132
150	15221-88210	STUD	2				0.005	0.011
160	04512-50060	WASHER SPRING	2				0	0
170	02056-50060	NUT	2				0.002	0.0044

NOZZLE HOLDER AND GLOW PLUG



16722-009-10

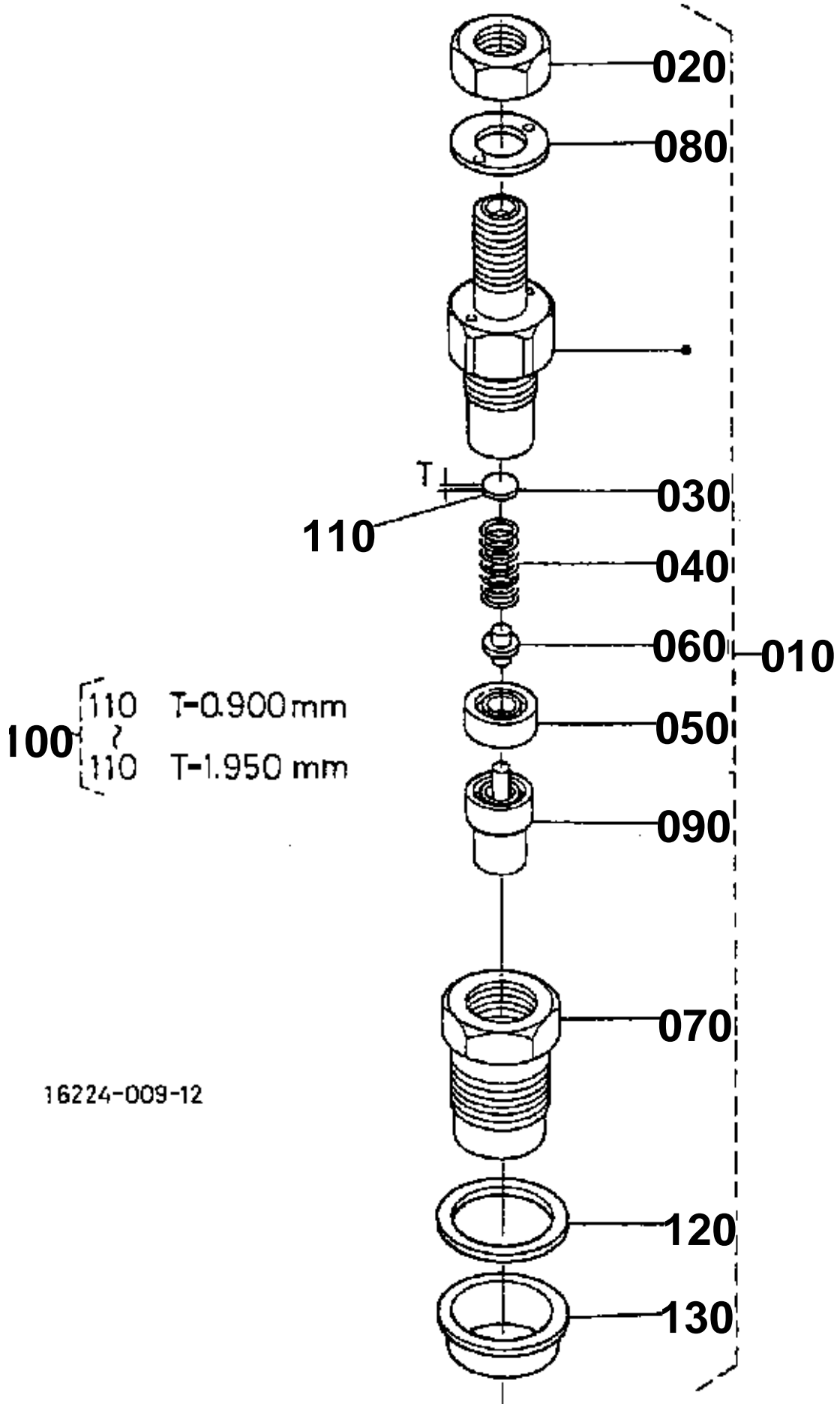


# NOZZLE HOLDER AND GLOW PLUG

↔ Interchangeable; ≠ not interchangeable; ← new for old; → old for new

REF.No	Part No.	Description	Q'ty	S.No.	I/C	REMARKS	Weight (kgf)	Weight (lb)
010	16467-42502	ASSY PIPE OVER FLOW	1				0.045	0.099
020	17331-42500	ASSY PIPE OVER FLOW	1				0.02	0.044
030	14971-42750	CLIP PIPE	1				0.001	0.0022
040	10244-42320	CLIP PIPE	1				0.001	0.0022
050	16082-53900	KIT HOLDER NOZZLE	3			REFER TO L.No.C11-R FOR COMPONENTS.	0.146	0.3212
060	15841-53622	GASKET	3				0.002	0.0044
070	19077-53650	SEAL HEAT	3				0.005	0.011
080	19077-53714	PIPE INJECTION	1				0.14	0.308
090	19077-53723	PIPE INJECTION	1				0.14	0.308
100	19077-53733	PIPE INJECTION	1				0.12	0.264
110	15841-53850	CLAMP PIPE	2				0.01	0.022
120	15841-53860	CLAMP PIPE	2				0.009	0.0198
130	03024-50520	SCREW WITH WASHER	2				0.004	0.0088
140	16415-65512	GLOW PLUG	3				0	0
150	16415-65560	CORD GLOW PLUG	1				0.015	0.033
160	02761-50040	NUT FLANGE	3				0.002	0.0044

NOZZLE HOLDER [COMPONENT PARTS]



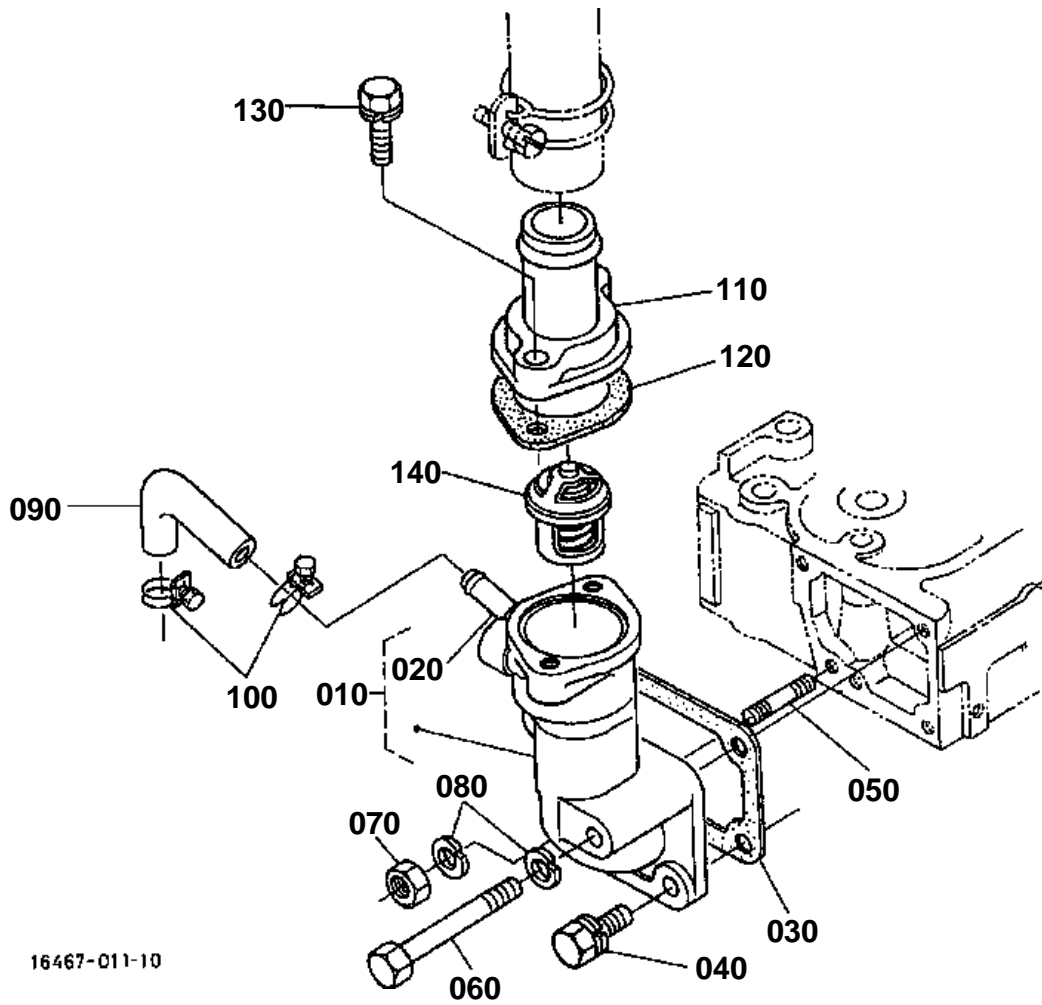
16224-009-12



# NOZZLE HOLDER [COMPONENT PARTS]

↔ Interchangeable; ≠ not interchangeable; ← new for old; → old for new

REF.No	Part No.	Description	Q'ty	S.No.	I/C	REMARKS	Weight (kgf)	Weight (lb)
010	16082-53900	KIT HOLDER NOZZLE	3				0.146	0.3212
020	15841-92030	NUT	3				0.005	0.011
030	15841-53230	WASHER ADJUSTING	3				0.001	0.0022
040	15841-53170	SPRING NOZZLE	3				0.004	0.0088
050	15841-53350	PIECE DISTANCE	3				0.004	0.0088
060	15841-53160	PUSH ROD	3				0.001	0.0022
070	16475-53280	NUT NOZZLE	3				0.03	0.066
080	15841-94040	WASHER	3				0.001	0.0022
090	16082-53610	PIECE NOZZLE	3				0.023	0.0506
100	15841-98100	ASSY WASHER ADJUST	3			OPTION	0.043	0.0946
110	15841-53230	WASHER ADJUSTING	3			0.900MM	0.001	0.0022
110	15841-98510	WASHER ADJUSTING	3			0.925MM	0.001	0.0022
110	15841-98520	WASHER ADJUSTING	3			0.950MM	0.001	0.0022
110	15841-98530	WASHER ADJUSTING	3			0.975MM	0.001	0.0022
110	15841-98540	WASHER ADJUSTING	3			1.000MM	0.001	0.0022
110	15841-98550	WASHER ADJUSTING	3			1.025MM	0.001	0.0022
110	15841-98560	WASHER ADJUSTING	3			1.050MM	0.001	0.0022
110	15841-98570	WASHER ADJUSTING	3			1.075MM	0.001	0.0022
110	15841-98580	WASHER ADJUSTING	3			1.100MM	0.001	0.0022
110	15841-98590	WASHER ADJUSTING	3			1.125MM	0.001	0.0022
110	15841-98600	WASHER ADJUSTING	3			1.150MM	0.001	0.0022
110	15841-98610	WASHER ADJUSTING	3			1.175MM	0.001	0.0022
110	15841-98620	WASHER ADJUSTING	3			1.200MM	0.001	0.0022
110	15841-98630	WASHER ADJUSTING	3			1.225MM	0.001	0.0022
110	15841-98640	WASHER ADJUSTING	3			1.250MM	0.001	0.0022
110	15841-98650	WASHER ADJUSTING	3			1.275MM	0.001	0.0022
110	15841-98660	WASHER ADJUSTING	3			1.300MM	0.001	0.0022
110	15841-98670	WASHER ADJUSTING	3			1.325MM	0.001	0.0022
110	15841-98680	WASHER ADJUSTING	3			1.350MM	0.001	0.0022
110	15841-98690	WASHER ADJUSTING	3			1.375MM	0.001	0.0022
110	15841-98700	WASHER ADJUSTING	3			1.400MM	0.001	0.0022
110	15841-98710	WASHER ADJUSTING	3			1.425MM	0.001	0.0022
110	15841-98720	WASHER ADJUSTING	3			1.450MM	0.001	0.0022
110	15841-98730	WASHER ADJUSTING	3			1.475MM	0.001	0.0022
110	15841-98740	WASHER ADJUSTING	3			1.500MM	0.001	0.0022
110	15841-98750	WASHER ADJUSTING	3			1.525MM	0.001	0.0022
110	15841-98760	WASHER ADJUSTING	3			1.550MM	0.001	0.0022
110	15841-98770	WASHER ADJUSTING	3			1.575MM	0.001	0.0022
110	15841-98780	WASHER ADJUSTING	3			1.600MM	0.002	0.0044
110	15841-98790	WASHER ADJUSTING	3			1.625MM	0.001	0.0022
110	15841-98800	WASHER ADJUSTING	3			1.650MM	0.001	0.0022
110	15841-98810	WASHER ADJUSTING	3			1.675MM	0.004	0.0088
110	15841-98820	WASHER ADJUSTING	3			1.700MM	0.001	0.0022
110	15841-98830	WASHER ADJUSTING	3			1.725MM	0.001	0.0022
110	15841-98840	WASHER ADJUSTING	3			1.750MM	0.001	0.0022
110	15841-98850	WASHER ADJUSTING	3			1.775MM	0.001	0.0022
110	15841-98860	WASHER ADJUSTING	3			1.800MM	0.001	0.0022
110	15841-98870	WASHER ADJUSTING	3			1.825MM	0.001	0.0022
110	15841-98880	WASHER ADJUSTING	3			1.850MM	0.001	0.0022
110	15841-98890	WASHER ADJUSTING	3			1.875MM	0.001	0.0022
110	15841-98900	WASHER ADJUSTING	3			1.900MM	0.001	0.0022
110	15841-98910	WASHER ADJUSTING	3			1.925MM	0.001	0.0022
110	15841-98920	WASHER ADJUSTING	3			1.950MM	0.001	0.0022
120	15841-53622	GASKET	3				0.002	0.0044
130	19077-53650	SEAL HEAT	3				0.005	0.011





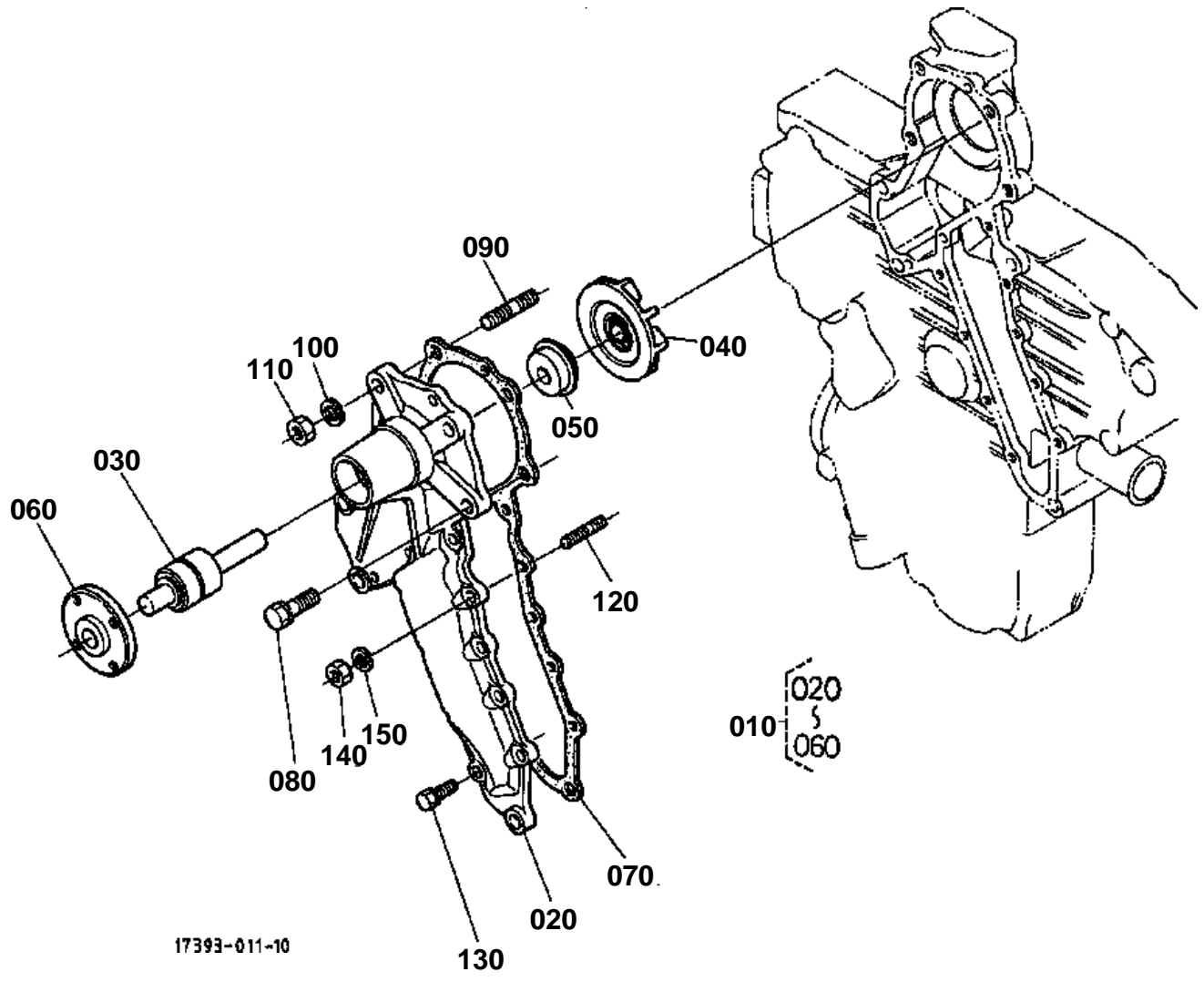


## WATER FLANGE AND THERMOSTAT

↔ Interchangeable; ≠ not interchangeable; ← new for old; → old for new

REF.No	Part No.	Description	Q'ty	S.No.	I/C	REMARKS	Weight (kgf)	Weight (lb)
010	17331-72703	COMP.FLANGE WATER	1				0.36	0.792
020	17331-73342	PIPE WATER RETURN	1				0.01	0.022
030	15766-72920	GASKET WATER FLANGE	1				0.01	0.022
030	1A021-72920	GASKET WATER FLANGE	1		↔		0.002	0.0044
040	01123-50820	BOLT	2				0.011	0.0242
050	15221-91530	STUD	1				0.011	0.0242
060	01153-50870	BOLT	1				0.026	0.0572
070	02156-50080	NUT	1				0.004	0.0088
080	04512-50080	WASHER SPRING	2				0.001	0.0022
090	15521-73340	PIPE WATER RETURN	1				0.025	0.055
100	15109-73360	BAND PIPE	2				0.01	0.022
110	15321-73260	COVER THERMOSTAT	1				0.107	0.2354
120	15313-73270	GASKET THERMOSTAT	1				0.001	0.0022
120	1A021-73270	GASKET THERMO.COVER	1		↔		0.001	0.0022
130	01123-50835	BOLT	2				0.02	0.044
140	19434-73010	ASSY THERMOSTAT	1				0.064	0.1408

WATER PUMP



17393-011-10

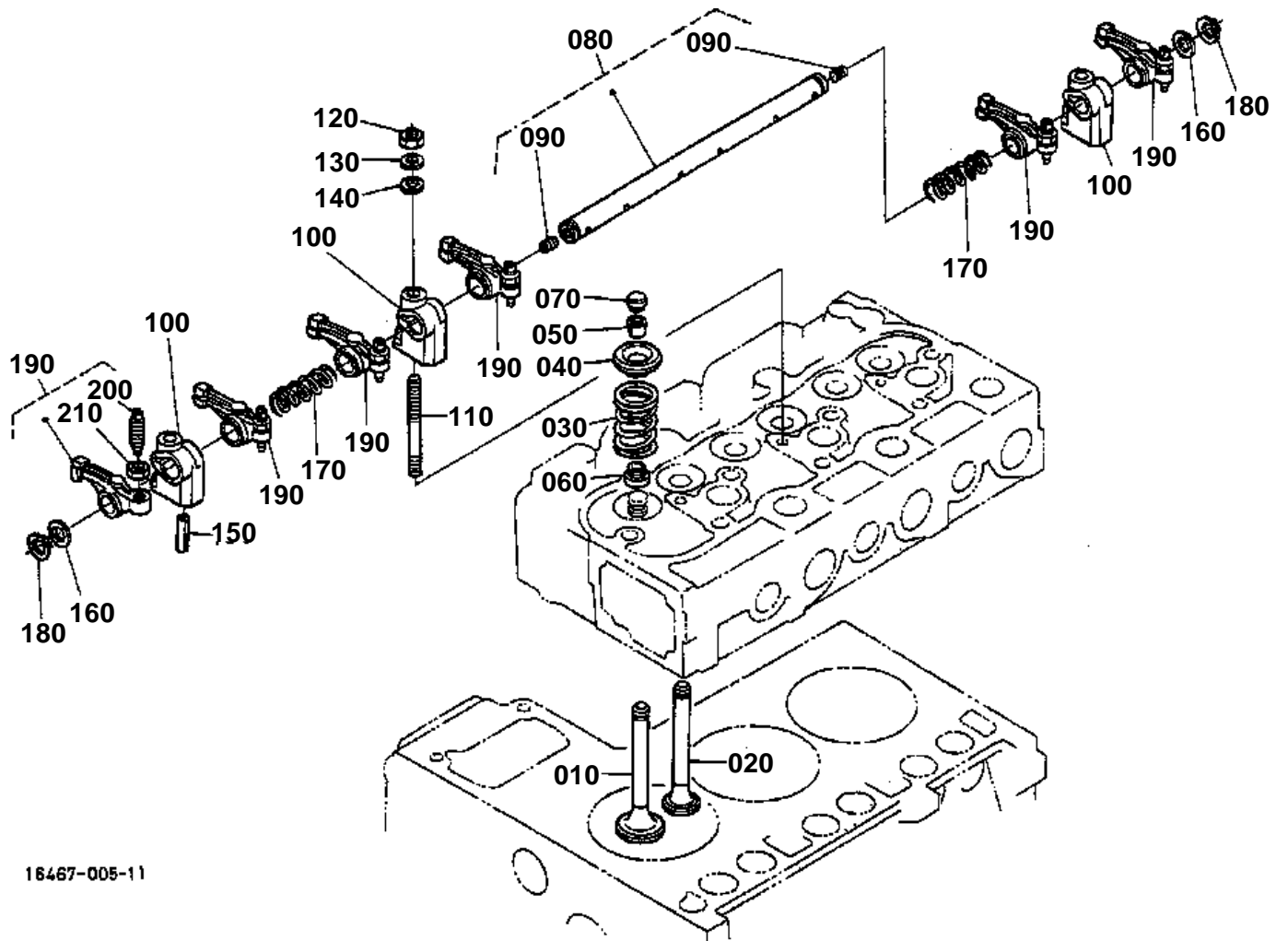


# WATER PUMP

↔ Interchangeable; ≠ not interchangeable; ← new for old; → old for new

REF.No	Part No.	Description	Q'ty	S.No.	I/C	REMARKS	Weight (kgf)	Weight (lb)
010	16412-73030	ASSY PUMP WATER	1				1.21	2.662
020	17331-73410	BODY WATER PUMP	1				0.51	1.122
030	15521-73550	BEARING	1				0.235	0.517
040	16661-73510	IMPELLER	1				0.195	0.429
050	16661-73050	ASSY SEAL MECHANICAL	1				0.025	0.055
060	15521-73520	FLANGE WATER PUMP	1				0.25	0.55
070	17326-73430	GASKET WATER PUMP	1				0.01	0.022
070	1A021-73430	GASKET WATER PUMP	1		↔		0.007	0.0154
080	01123-50828	BOLT	3				0.014	0.0308
090	15521-91510	STUD	1				0.012	0.0264
100	04512-50080	WASHER SPRING	1				0.001	0.0022
110	02156-50080	NUT	1				0.004	0.0088
120	15221-88210	STUD	1				0.005	0.011
130	01023-50618	BOLT	8				0.006	0.0132
140	02056-50060	NUT	1				0.002	0.0044
150	04512-50060	WASHER SPRING	1				0	0

# VALVE AND ROCKER ARM



16467-005-11

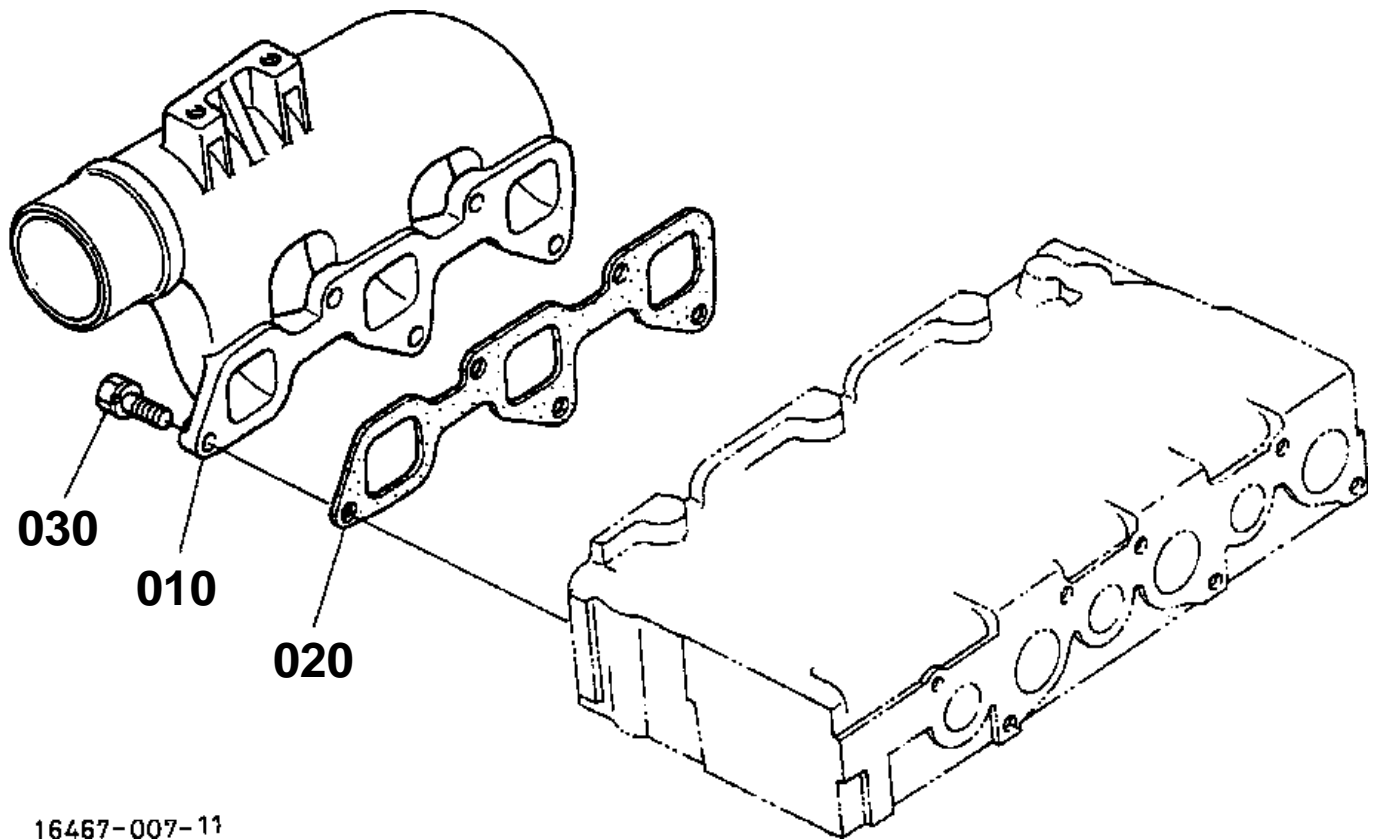


## VALVE AND ROCKER ARM

↔ Interchangeable; ≠ not interchangeable; ← new for old; → old for new

REF.No	Part No.	Description	Q'ty	S.No.	I/C	REMARKS	Weight (kgf)	Weight (lb)
010	16484-13110	VALVE INLET	3				0.05	0.11
020	16484-13120	VALVE EXHAUST	3				0.1	0.22
030	15221-13240	SPRING VALVE	6				0.036	0.0792
040	15221-13330	RETAINER VALVE SP.	6				0.03	0.066
050	15221-13360	COLLET VALVE SPRING	6			SET	0	0
060	15221-13150	SEAL VALVE STEM	6				0.001	0.0022
070	15221-13280	CAP VALVE	6				0.006	0.0132
080	15321-14052	ASSY SHAFT R-ARM	1				0.235	0.517
090	03410-00808	SCREW SET	2				0.002	0.0044
100	15221-14350	BRACKET ROCKER ARM	3				0.044	0.0968
110	15521-91500	STUD	3				0.035	0.077
120	02156-50080	NUT	3				0.004	0.0088
130	04512-50080	WASHER SPRING	3				0.001	0.0022
140	04012-50080	WASHER PLAIN	3				0.001	0.0022
150	05411-00528	PIN SPRING	1				0.003	0.0066
160	15221-14430	WASHER R-ARM.SHAFT	2				0.002	0.0044
170	15221-14310	SPRING ROCKER ARM	2				0.005	0.011
180	04612-00140	CIR CLIP EXTERNAL	2				0.001	0.0022
190	15621-14030	ASSY ROCKER ARM	6				0.1	0.22
200	15521-14230	SCREW ADJUSTING	6				0.009	0.0198
210	15021-14240	NUT	6				0.003	0.0066

INLET MANIFOLD



16467-007-11

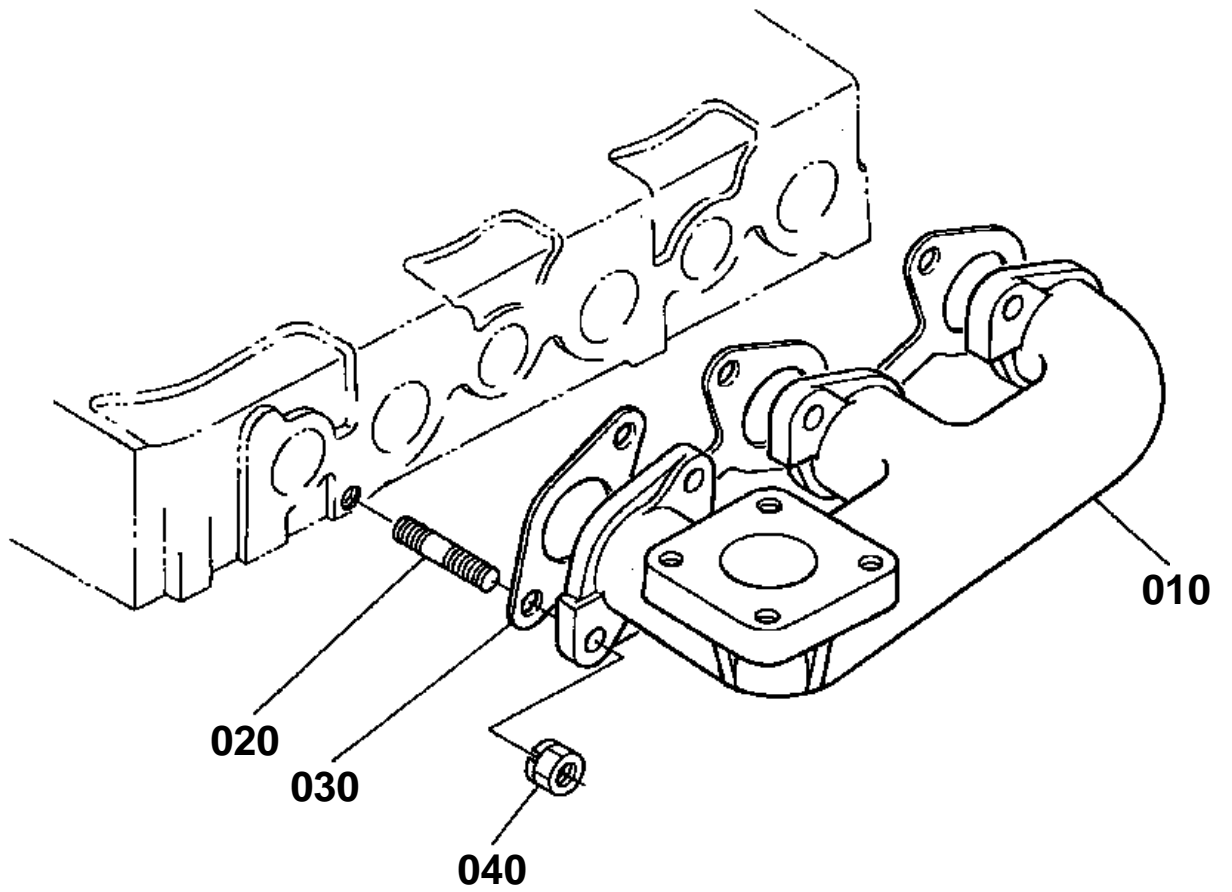


# INLET MANIFOLD

↔ Interchangeable; ≠ not interchangeable; ← new for old; → old for new

REF.No	Part No.	Description	Q'ty	S.No.	I/C	REMARKS	Weight (kgf)	Weight (lb)
010	16427-11760	MANIFOLD INLET	1				0.9	1.98
020	17326-11820	GASKET IN-MANIFOLD	1				0.015	0.033
030	01123-50822	BOLT	5				0.012	0.0264

EXHAUST MANIFOLD



1G722-003-10



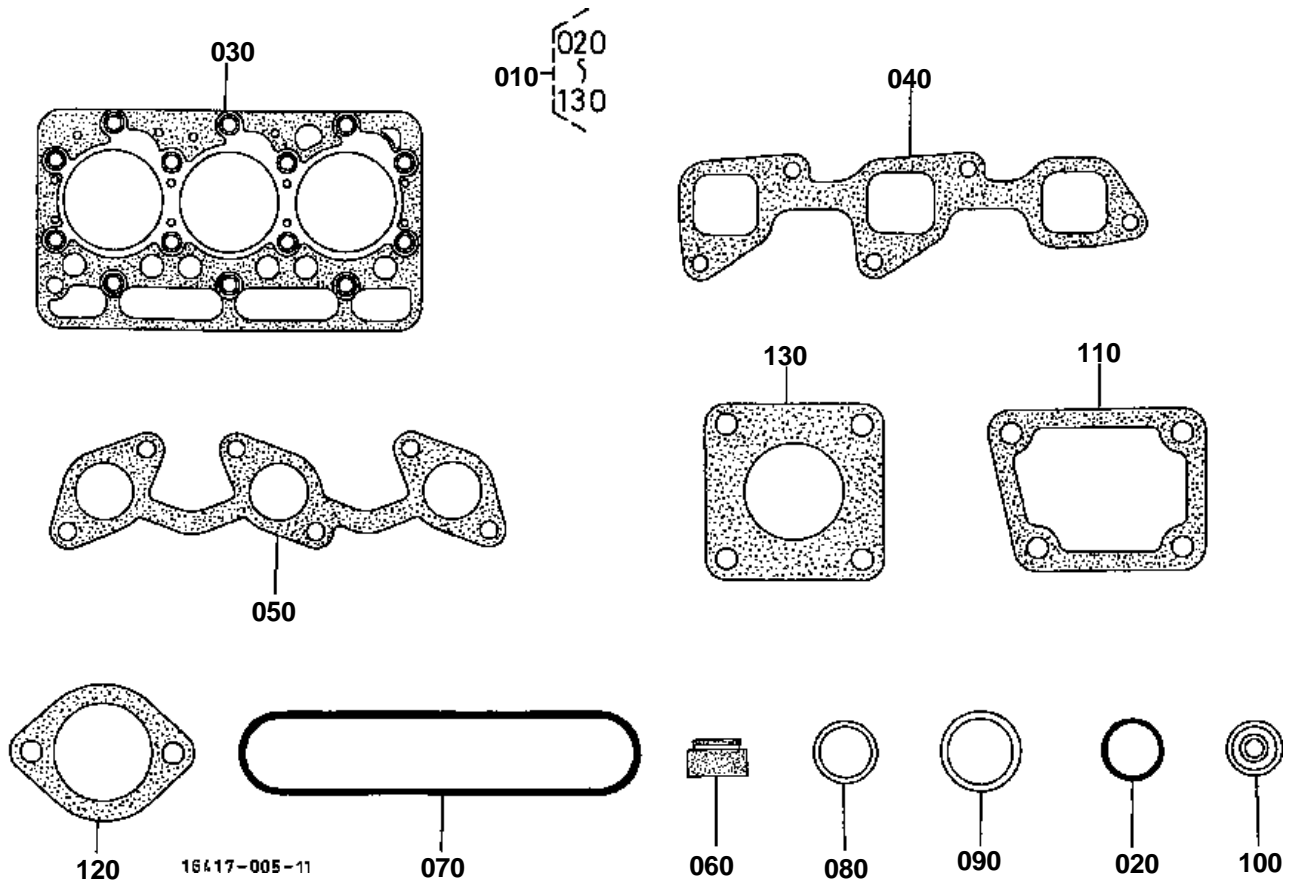


# EXHAUST MANIFOLD

↔ Interchangeable; ≠ not interchangeable; ← new for old; → old for new

REF.No	Part No.	Description	Q'ty	S.No.	I/C	REMARKS	Weight (kgf)	Weight (lb)
010	17367-12313	MANIFOLD EXHAUST	1				2	4.4
020	15221-91530	STUD	6				0.011	0.0242
030	15313-12350	GASKET EX-MANIFOLD	1				0.04	0.088
040	16429-92010	NUT	6				0.007	0.0154

UPPER GASKET KIT



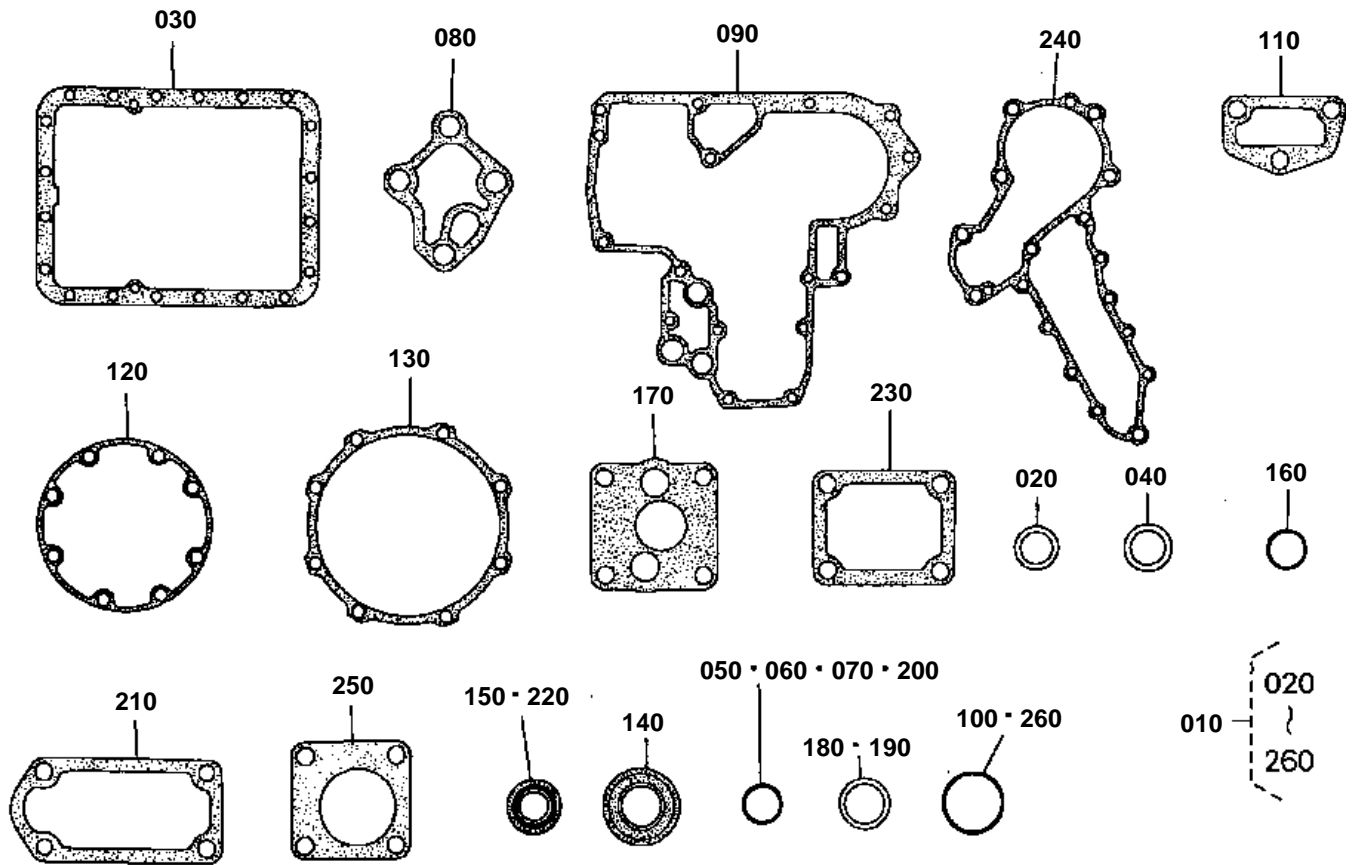


# UPPER GASKET KIT

↔ Interchangeable; ≠ not interchangeable; ← new for old; → old for new

REF.No	Part No.	Description	Q'ty	S.No.	I/C	REMARKS	Weight (kgf)	Weight (lb)
010	07916-28886	KIT GASKET UPPER	1				0	0
020	15221-33700	O RING	1				0.001	0.0022
030	16427-03310	GASKET CYL.HEAD	1				0.11	0.242
040	17326-11820	GASKET IN-MANIFOLD	1				0.015	0.033
050	15313-12350	GASKET EX-MANIFOLD	1				0.04	0.088
060	15221-13150	SEAL VALVE STEM	6				0.001	0.0022
070	15521-14520	GASKET HEAD COVER	1				0.035	0.077
080	15021-33660	GASKET	3				0.001	0.0022
090	15841-53622	GASKET	3				0.002	0.0044
100	19077-53650	SEAL HEAT	3				0.005	0.011
110	15766-72920	GASKET WATER FLANGE	1				0.01	0.022
120	15313-73270	GASKET THERMOSTAT	1				0.001	0.0022
130	T0070-16420	GASKET MUFFLER	2				0.016	0.0352

LOWER GASKET KIT



1G722-007-10

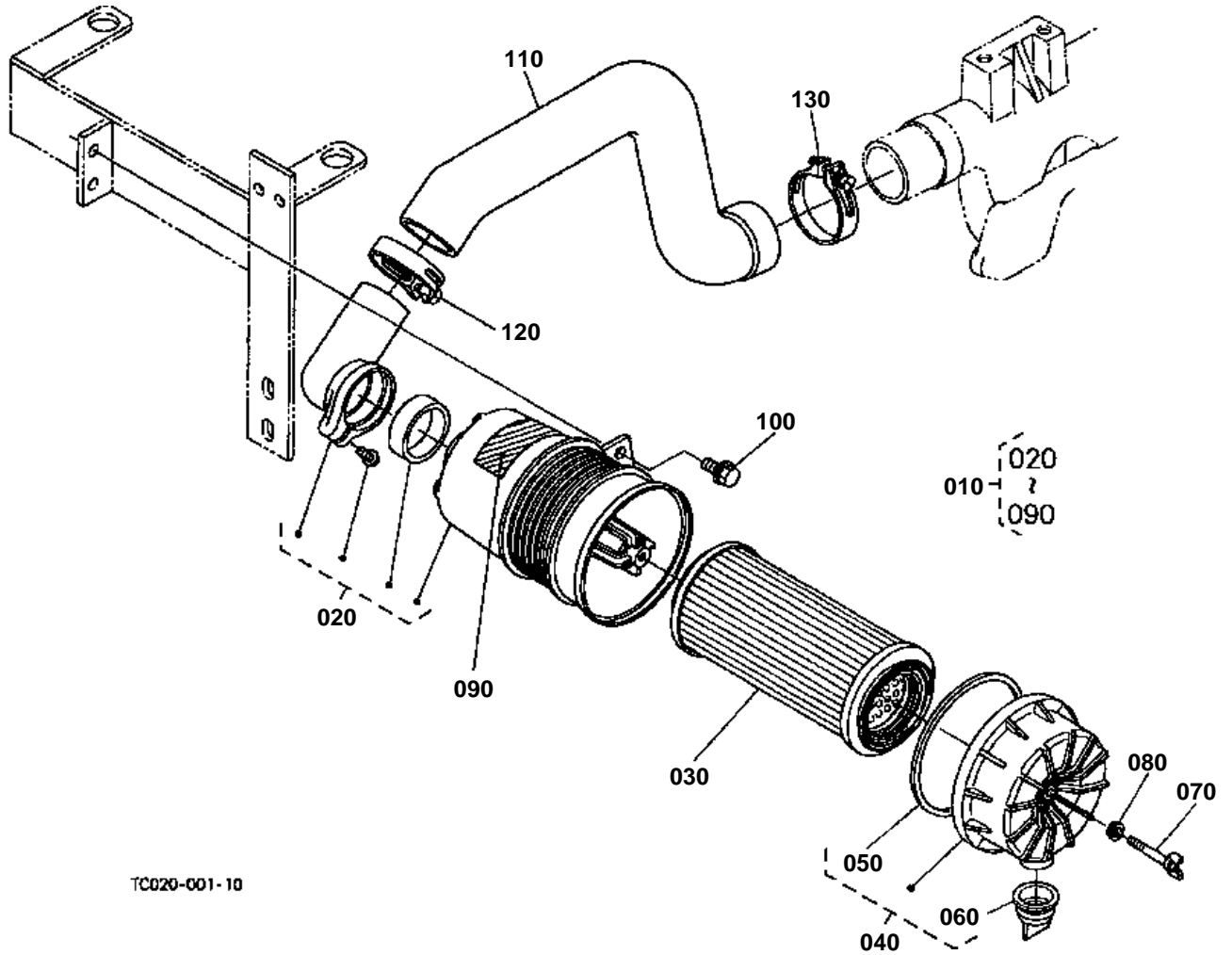


## LOWER GASKET KIT

↔ Interchangeable; ≠ not interchangeable; ← new for old; → old for new

REF.No	Part No.	Description	Q'ty	S.No.	I/C	REMARKS	Weight (kgf)	Weight (lb)
010	07916-28896	KIT GASKET LOWER	1				0	0
020	15021-33660	GASKET	3				0.001	0.0022
030	17326-01620	GASKET OIL PAN	1				0.02	0.044
040	6C090-58960	GASKET	2				0.002	0.0044
050	04811-00160	O RING	1				0.001	0.0022
060	04811-00150	O RING	3				0.001	0.0022
070	04811-00200	O RING	1				0.001	0.0022
080	17326-32620	GASKET	1				0.005	0.011
090	17326-04132	GASKET GEAR CASE	1				0.03	0.066
100	04811-00360	O RING	1				0.002	0.0044
110	15766-73330	GASKET WATER FLANGE	1				0.002	0.0044
120	19077-04360	GASKET BEARING CASE	1				0.004	0.0088
130	17118-04830	GASKET BRG.CASE COV.	1				0.01	0.022
140	19202-04460	SEAL OIL	1				0.055	0.121
150	19202-04140	SEAL OIL	1				0.015	0.033
160	04811-10300	O RING	1				0.001	0.0022
170	15296-35150	GASKET OIL PUMP	1				0.001	0.0022
180	15221-96650	GASKET	2				0.001	0.0022
190	15601-96650	GASKET	2				0.001	0.0022
200	04811-00120	O RING	1				0.001	0.0022
210	15439-57210	GASKET	1				0.005	0.011
220	15471-57980	SEAL OIL	1				0.001	0.0022
230	15296-51660	GASKET PUMP COVER	1				0.003	0.0066
240	17326-73430	GASKET WATER PUMP	1				0.01	0.022
250	15296-88130	GASKET H/METER UNIT	1				0.002	0.0044
260	19202-96830	O RING	1				0.01	0.022

AIR CLEANER



TC020-001-10

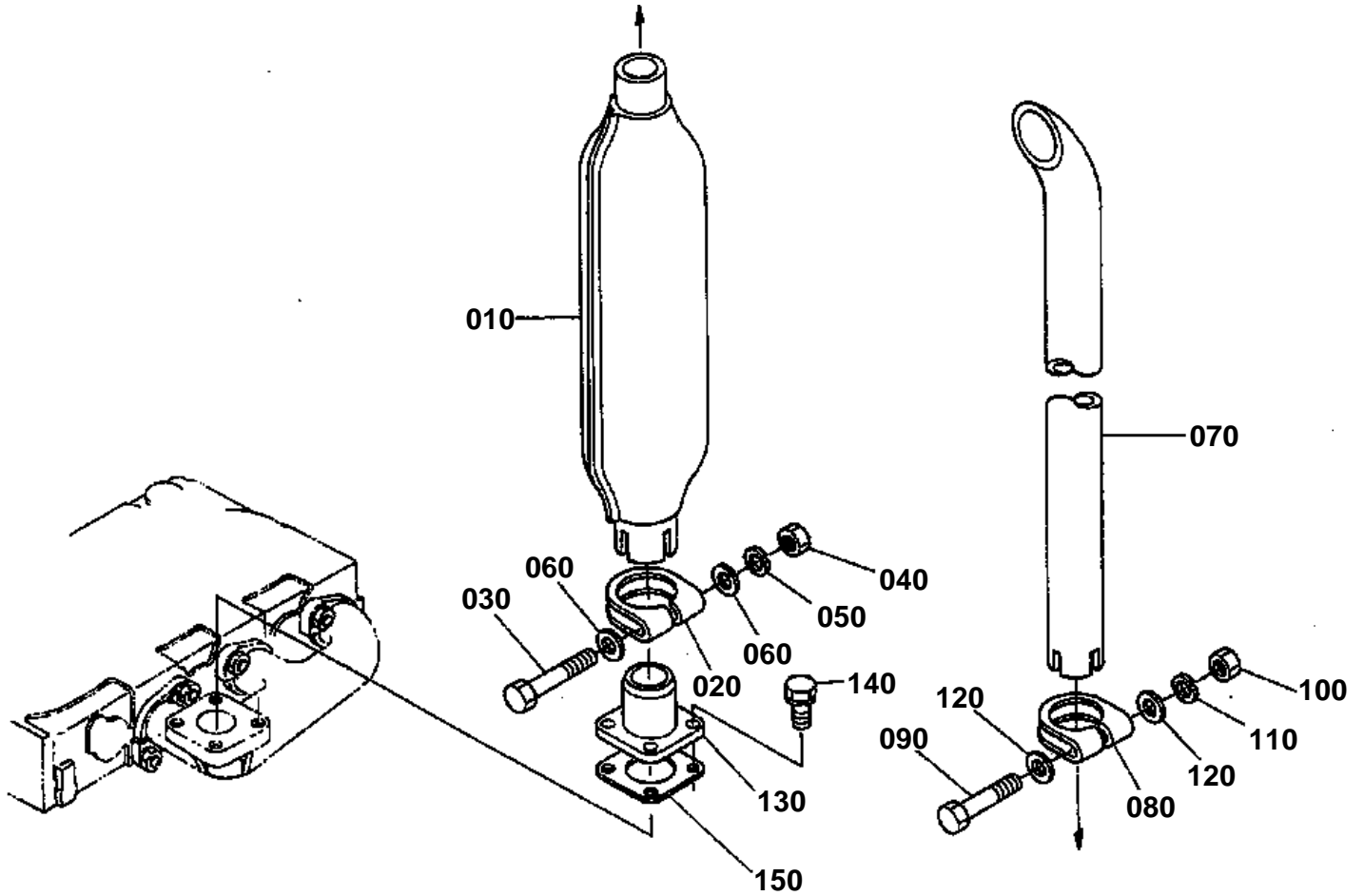


# AIR CLEANER

↔ Interchangeable; ≠ not interchangeable; ← new for old; → old for new

REF.No	Part No.	Description	Q'ty	S.No.	I/C	REMARKS	Weight (kgf)	Weight (lb)
010	T0070-16304	ASSY CLEANER AIR	1				1.05	2.31
020	T0070-16310	COMP.BODY A/C	1				0.49	1.078
030	T0070-16323	COMP.FILTER A/C	1				0.38	0.836
040	T0070-93173	ASSY CUP AIR CLEANER	1				0.2	0.44
050	T0070-93150	SEAL AIR CLEANER	1				0.004	0.0088
060	T0070-93160	VALVE	1				0.01	0.022
070	T0070-16342	BOLT WING	1				0.021	0.0462
080	T0070-16350	SEAL WASHER	1				0.001	0.0022
090	T0070-93180	LABEL AIR CLEANER	1				0.001	0.0022
100	01754-50816	BOLT FLANGE	2				0.011	0.0242
110	32330-16330	HOSE	1				0.615	1.353
120	T0270-35560	CLAMP HOSE	1				0.035	0.077
130	31351-18110	BAND PIPE	1				0.04	0.088

MUFFLER



32310-004-10



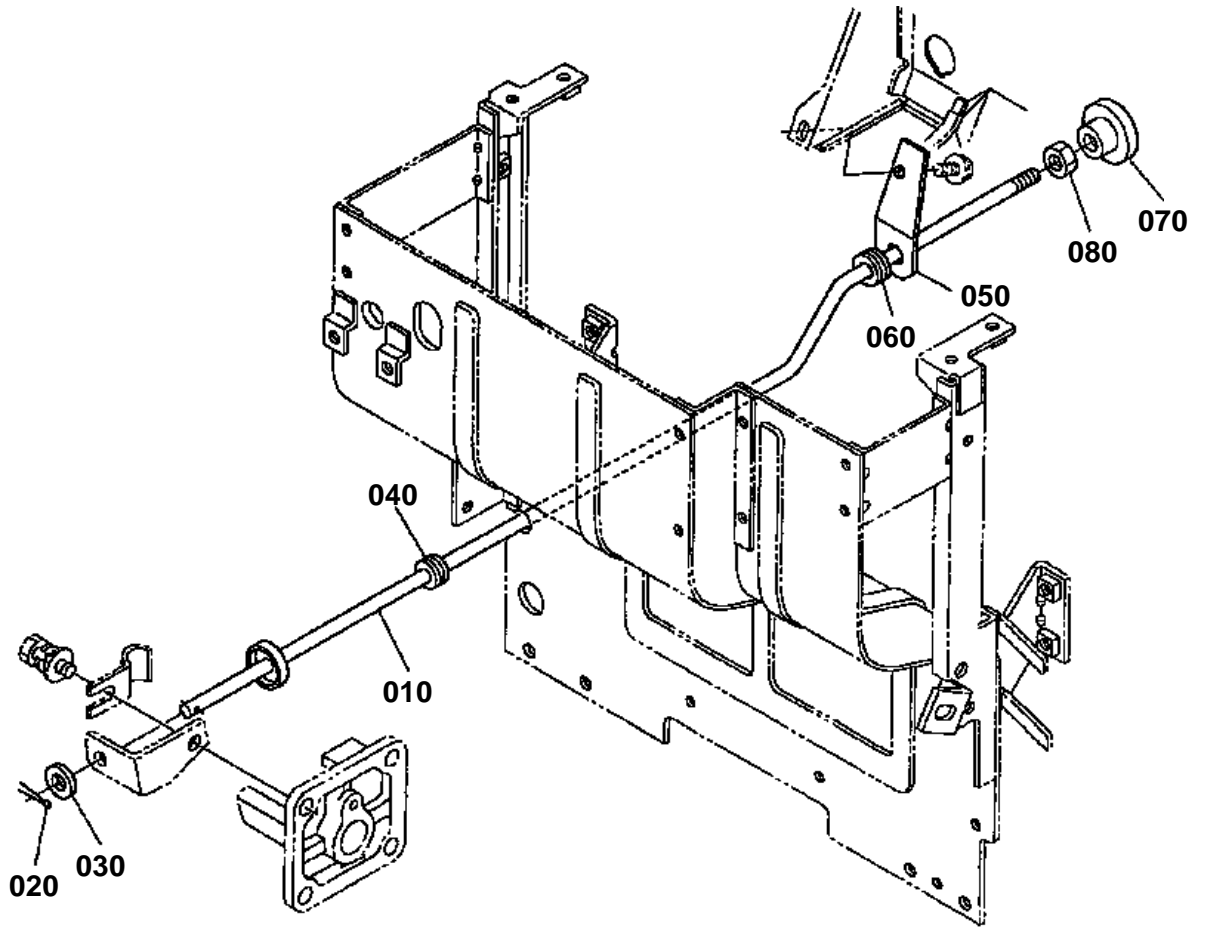


# MUFFLER

↔ Interchangeable; ≠ not interchangeable; ← new for old; → old for new

REF.No	Part No.	Description	Q'ty	S.No.	I/C	REMARKS	Weight (kgf)	Weight (lb)
010	15221-12116	MUFFLER	1				2.3	5.06
020	15221-12133	BAND MUFFLER	1				0.105	0.231
030	01153-50880	BOLT	1				0.03	0.066
040	02156-50080	NUT	1				0.004	0.0088
050	04512-50080	WASHER SPRING	1				0.001	0.0022
060	04012-50080	WASHER PLAIN	2				0.001	0.0022
070	34219-12410	PIPE EXHAUST	1				0.54	1.188
080	15221-12433	BAND PIPE	1				0.05	0.11
090	01153-50860	BOLT	1				0.024	0.0528
100	02156-50080	NUT	1				0.004	0.0088
110	04512-50080	WASHER SPRING	1				0.001	0.0022
120	04012-50080	WASHER PLAIN	2				0.001	0.0022
130	32400-88790	FLANGE MUFFLER	1				0.445	0.979
140	01123-50822	BOLT	4				0.012	0.0264
150	T0070-16420	GASKET MUFFLER	2				0.016	0.0352

ENGINE STOP ROD



TC020-002-10

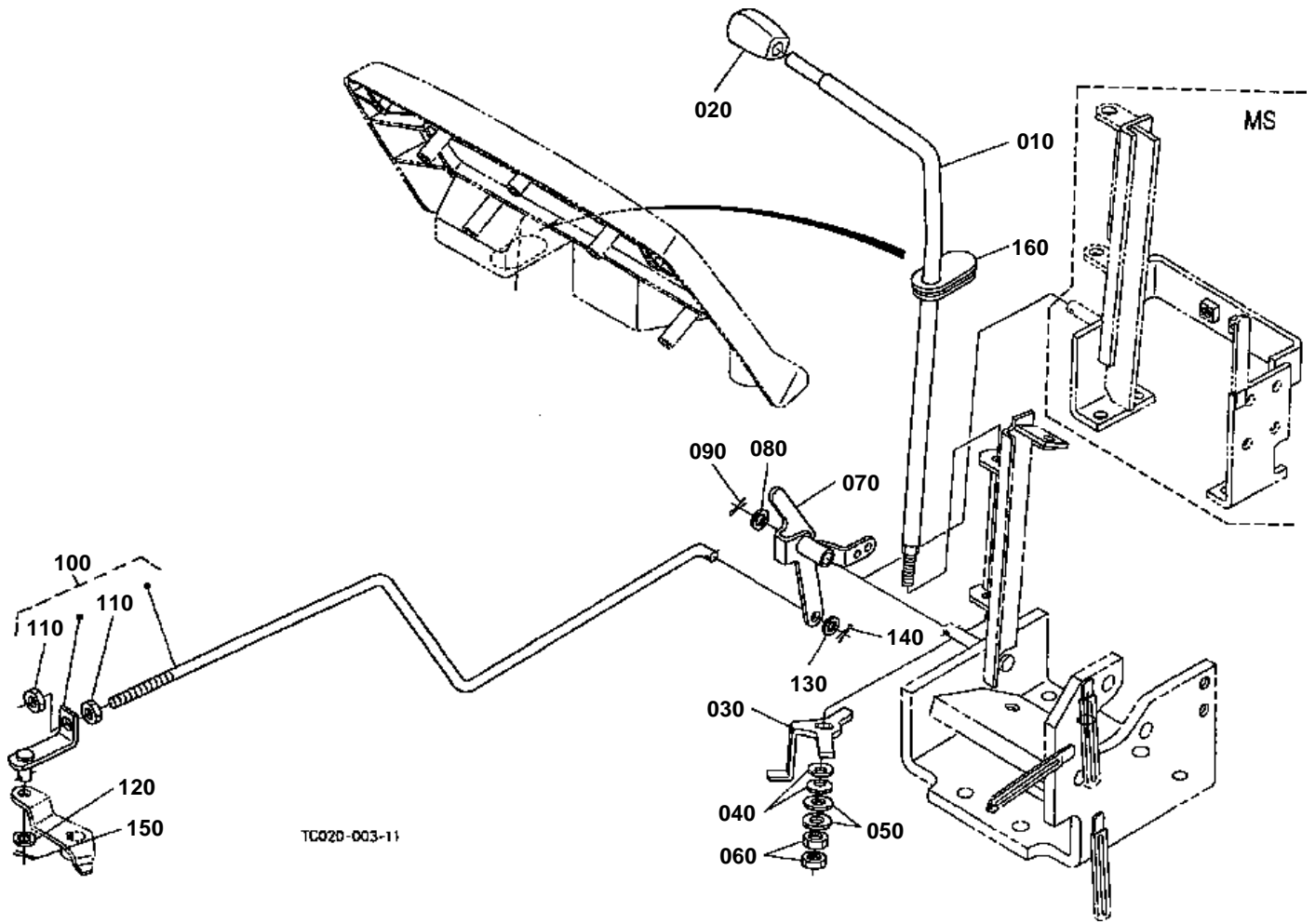


# ENGINE STOP ROD

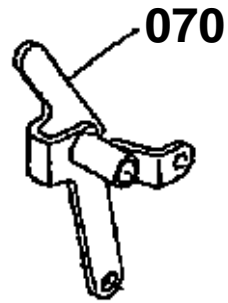
↔ Interchangeable; ≠ not interchangeable; ← new for old; → old for new

REF.No	Part No.	Description	Q'ty	S.No.	I/C	REMARKS	Weight (kgf)	Weight (lb)
010	TC020-17150	ROD STOP	1				0.185	0.407
020	05511-50212	PIN SPLIT	1				0.001	0.0022
030	04013-50060	WASHER PLAIN	1				0	0
040	66591-54580	RUBBER RELEASE ROD	1				0.003	0.0066
050	32330-17190	SUPPORT	1				0.041	0.0902
060	36330-87450	RING RUBBER	1				0.001	0.0022
070	32330-17180	KNOB	1				0.009	0.0198
080	02012-50060	NUT	1				0	0

# ACCELERATOR LEVER



070 TC020-1732-0



TC020-800-10

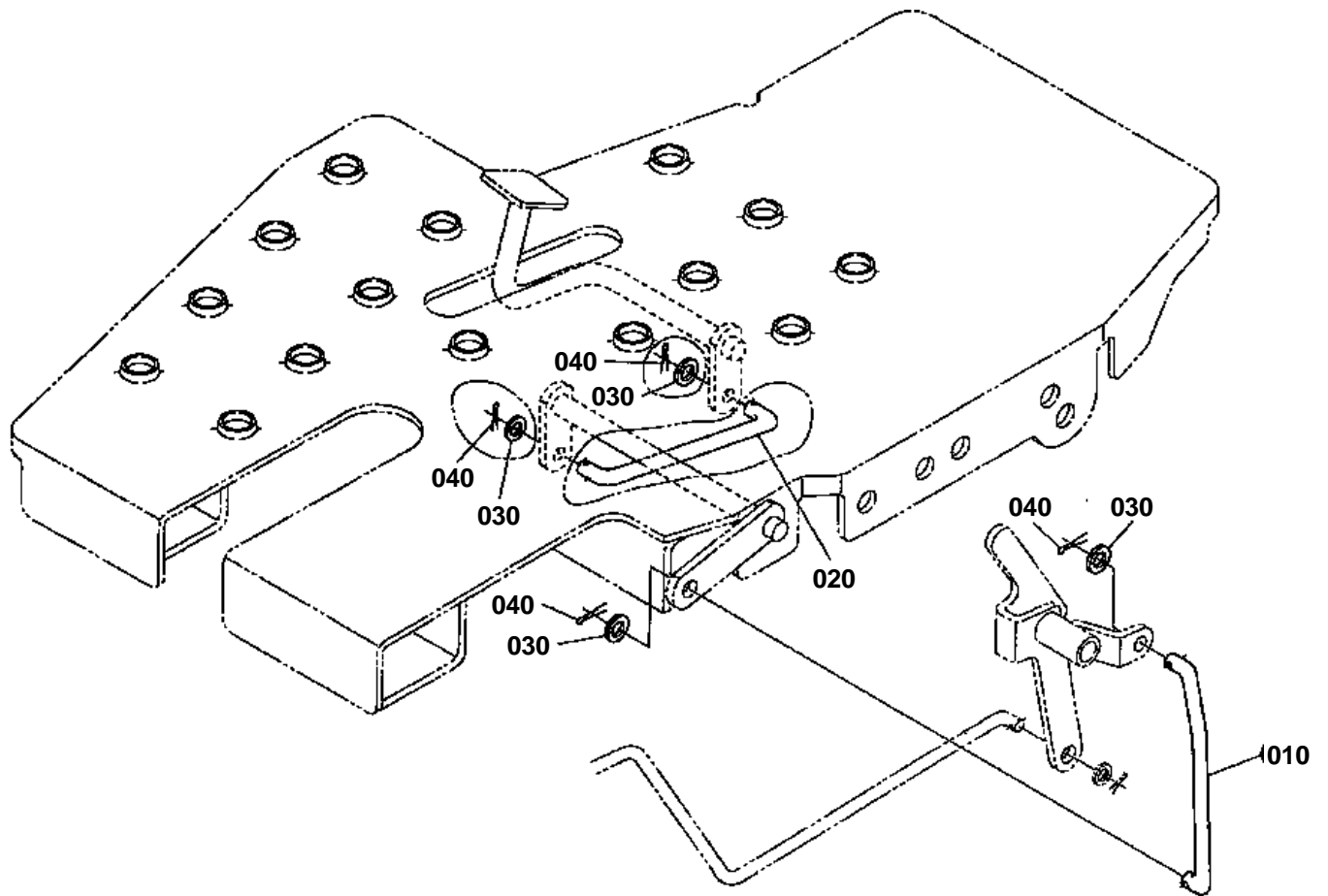


# ACCELERATOR LEVER

↔ Interchangeable; ≠ not interchangeable; ← new for old; → old for new

REF.No	Part No.	Description	Q'ty	S.No.	I/C	REMARKS	Weight (kgf)	Weight (lb)
010	TC020-17120	ROD HAND ACCELERATOR	1				0	0
020	TA040-49873	GRIP	1				0.024	0.0528
030	TC020-44720	LEVER ACCEL.ARM	1				0.012	0.0264
040	37410-44760	SPRING	2				0.005	0.011
050	04015-60080	WASHER PLAIN	2				0.01	0.022
060	02156-50080	NUT	2				0.004	0.0088
070	TC020-17320	LINK ACCEL.	1	≤51766			0.1	0.22
070	TC020-17322	LINK ACCEL.	1	≥51767	≠		0	0
080	04012-50080	WASHER PLAIN	1				0.001	0.0022
090	05511-50212	PIN SPLIT	1				0.001	0.0022
100	TC010-17350	ASSY ROD ACCEL.	1				0	0
110	02112-50080	NUT	2				0.003	0.0066
120	04012-50060	WASHER PLAIN	1				0.001	0.0022
130	04012-50080	WASHER PLAIN	1				0.001	0.0022
140	05511-50218	PIN SPLIT	1				0.001	0.0022
150	05511-51612	PIN SPLIT	1				0.001	0.0022
160	TC020-43150	GROMMET HAND ACCEL.	1				0.007	0.0154

ACCELERATOR LINKAGE



TC020-114-10



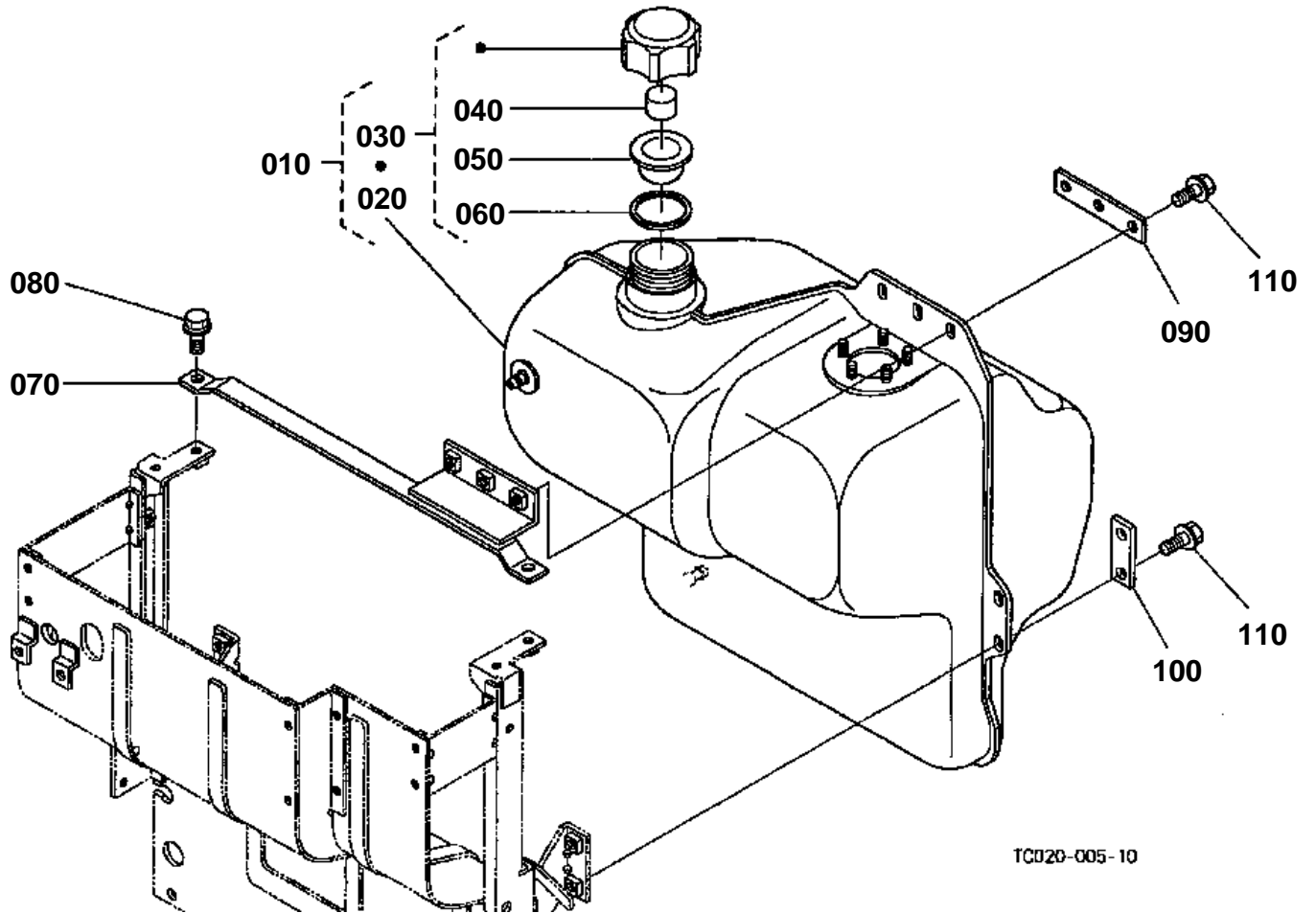
# ACCELERATOR LINKAGE

↔ Interchangeable; ≠ not interchangeable; ← new for old; → old for new

REF.No	Part No.	Description	Q'ty	S.No.	I/C	REMARKS	Weight (kgf)	Weight (lb)
010	37150-17570	ROD ACCEL.	1				0.06	0.132
020	37150-17580	ROD ACCEL.	1				0.025	0.055
030	04012-50060	WASHER PLAIN	4				0.001	0.0022
040	05511-50212	PIN SPLIT	4				0.001	0.0022



FUEL TANK





# FUEL TANK

↔ Interchangeable; ≠ not interchangeable; ← new for old; → old for new

REF.No	Part No.	Description	Q'ty	S.No.	I/C	REMARKS	Weight (kgf)	Weight (lb)
010	TC020-35100	ASSY TANK FUEL	1				0	0
020	TC020-42010	TANK FUEL	1				3.2	7.04
030	T1060-42020	ASSY CAP FUEL TANK	1				0.042	0.0924
040	34150-35240	SPONGE	1				0.001	0.0022
050	34150-35230	GASKET	1				0.01	0.022
060	T1060-42090	GASKET	1				0.002	0.0044
070	TC020-42090	STAY FUEL TANK	1				0.42	0.924
080	01754-50812	BOLT FLANGE	2				0.01	0.022
090	TC020-42120	PLATE FUEL TANK	1				0.013	0.0286
100	T1060-42080	PLATE FUEL TANK	2				0.033	0.0726
110	01754-50820	BOLT FLANGE	7				0.015	0.033

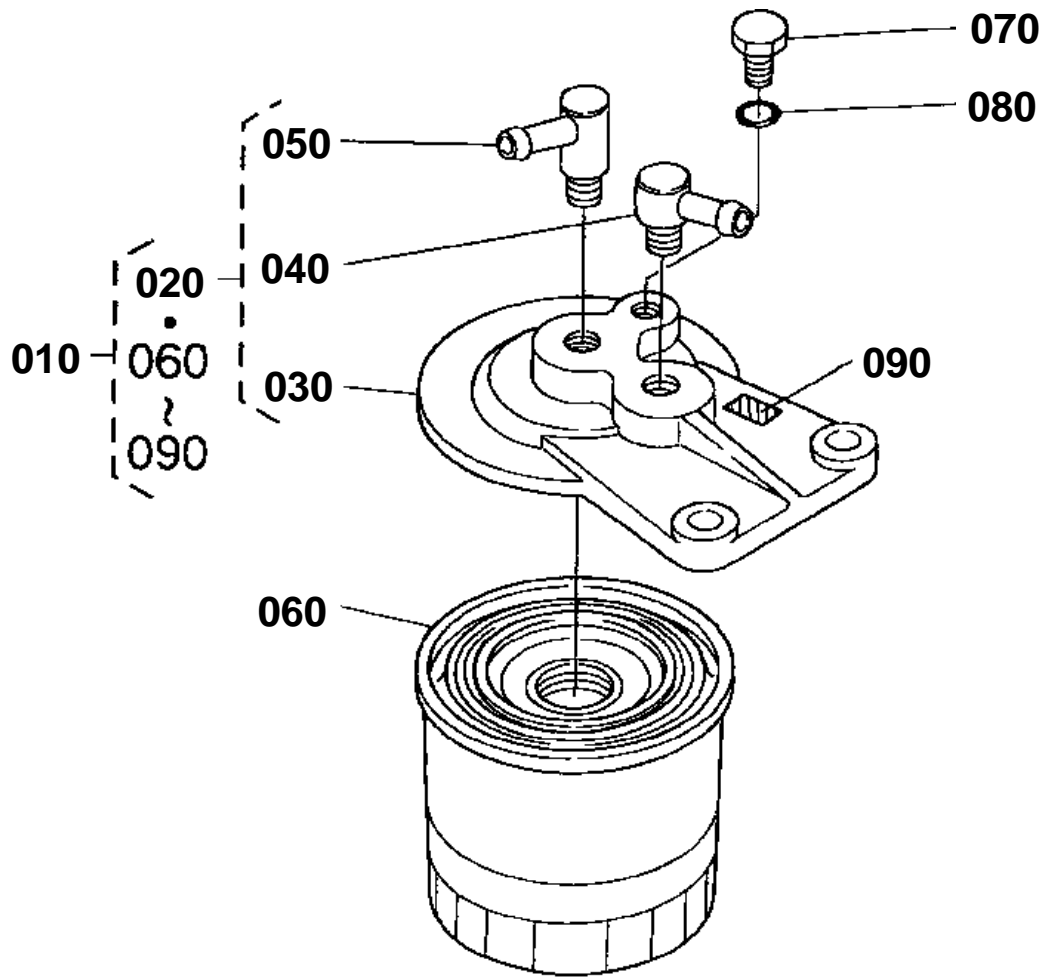




## FUEL PIPE AND FUEL FILTER

↔ Interchangeable; ≠ not interchangeable; ← new for old; → old for new

REF.No	Part No.	Description	Q'ty	S.No.	I/C	REMARKS	Weight (kgf)	Weight (lb)
010	TC010-42200	ASSY TUBE FUEL	1				0.02	0.044
020	14301-42750	CLIP PIPE	2				0.005	0.011
030	34550-42612	ASSY TUBE FUEL	1				0.072	0.1584
040	09661-80400	TUBE FUEL	1				0.05	0.11
050	35080-35560	CLIP PIPE	1				0.005	0.011
060	34550-42710	TUBE	1				0.015	0.033
070	14301-42750	CLIP PIPE	1				0.005	0.011
080	34070-42633	ASSY TUBE FUEL	1				0.025	0.055
090	09661-40400	TUBE FUEL	1				0.02	0.044
100	14971-42750	CLIP PIPE	2				0.001	0.0022
110	15291-43010	ASSY FILTER FUEL	1			REFER TO L.No.D05-R FOR COMPONENTS.	0.555	1.221
120	TC010-35810	BRACKET FILTER	1				0.24	0.528
130	01123-50822	BOLT	2				0.012	0.0264
140	01123-50816	BOLT	2				0.011	0.0242



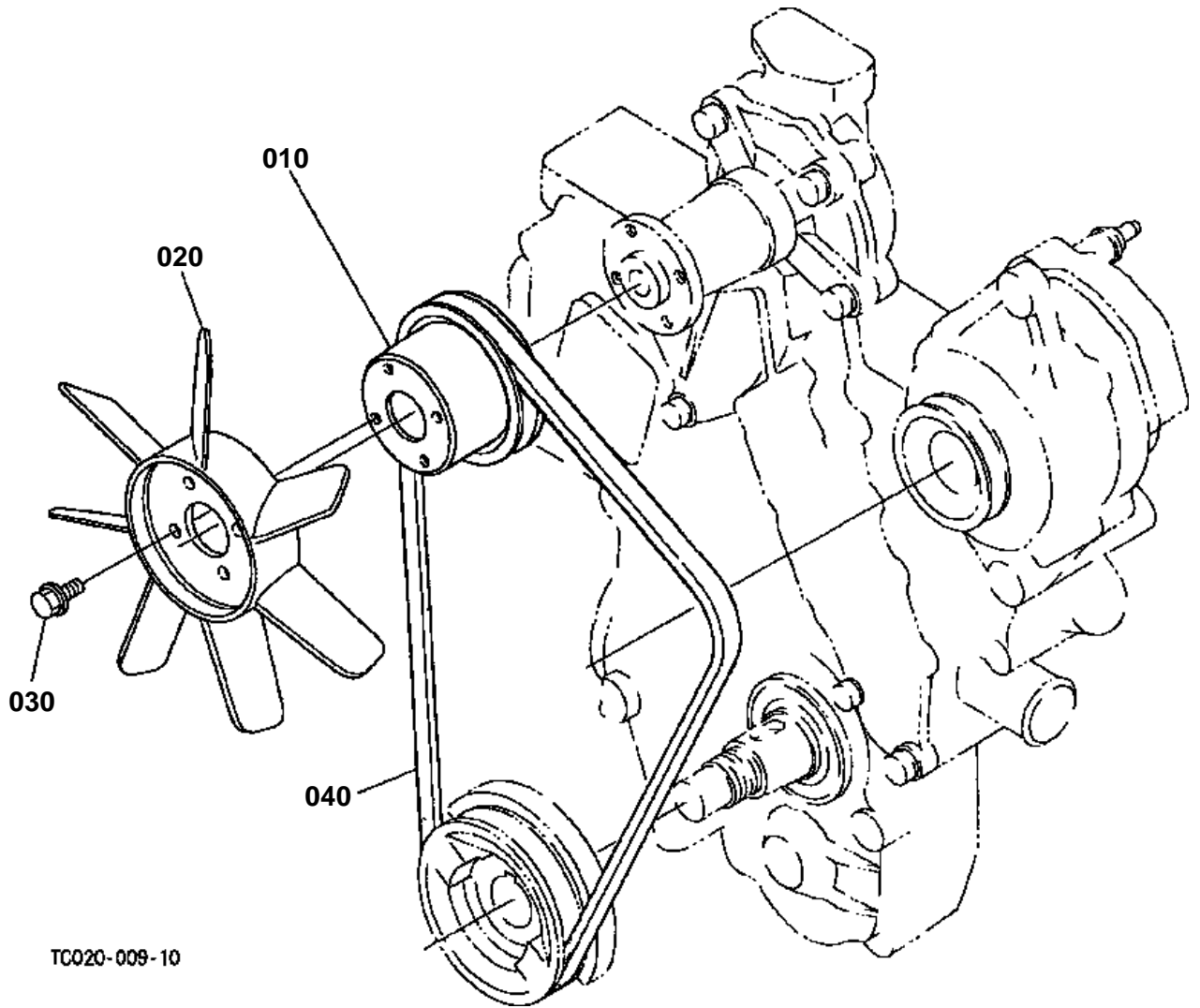
TC020-008-10



## FUEL FILTER [COMPONENT PARTS]

↔ Interchangeable; ≠ not interchangeable; ← new for old; → old for new

REF.No	Part No.	Description	Q'ty	S.No.	I/C	REMARKS	Weight (kgf)	Weight (lb)
010	15291-43010	ASSY FILTER FUEL	1				0.555	1.221
020	15291-43200	ASSY COVER FILTER	1				0.22	0.484
030	15221-43210	COVER FILTER	1				0.25	0.55
040	15108-43610	JOINT	1				0.02	0.044
050	15108-43780	JOINT	1				0.02	0.044
060	15221-43170	ELEMENT FILTER	1				0.3	0.66
070	19222-43280	PLUG FILTER BREATHER	1				0.01	0.022
080	15108-43290	O RING	1				0.001	0.0022
090	15291-87760	MARK FORM	1				0.005	0.011



TC020-009-10

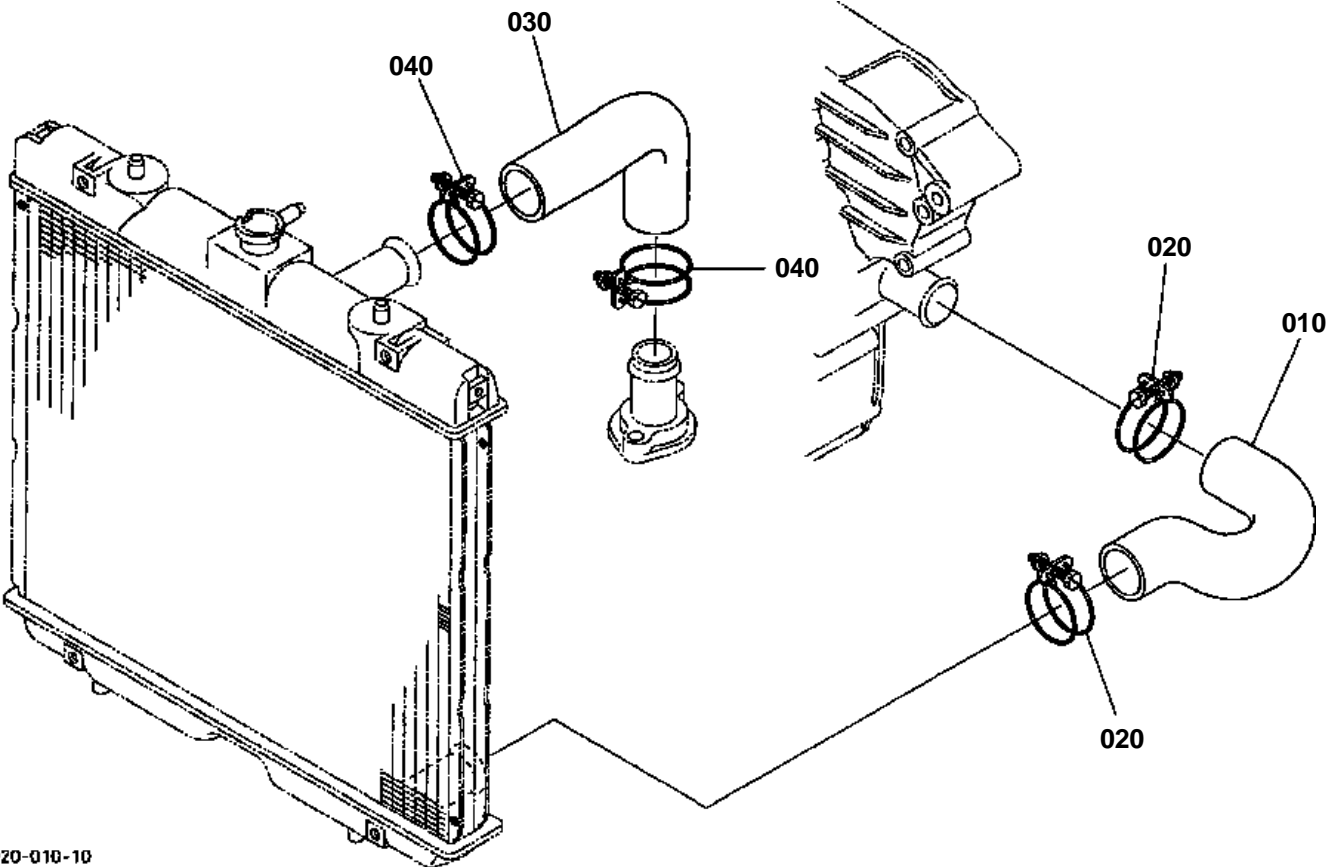


FAN

↔ Interchangeable; ≠ not interchangeable; ← new for old; → old for new

REF.No	Part No.	Description	Q'ty	S.No.	I/C	REMARKS	Weight (kgf)	Weight (lb)
010	15471-74250	PULLEY FAN	1				0.3	0.66
020	15521-74110	FAN	1				0.67	1.474
030	01754-50612	BOLT FLANGE	4				0.005	0.011
040	15196-97010	V BELT A	1				0.124	0.2728





TC020-010-10

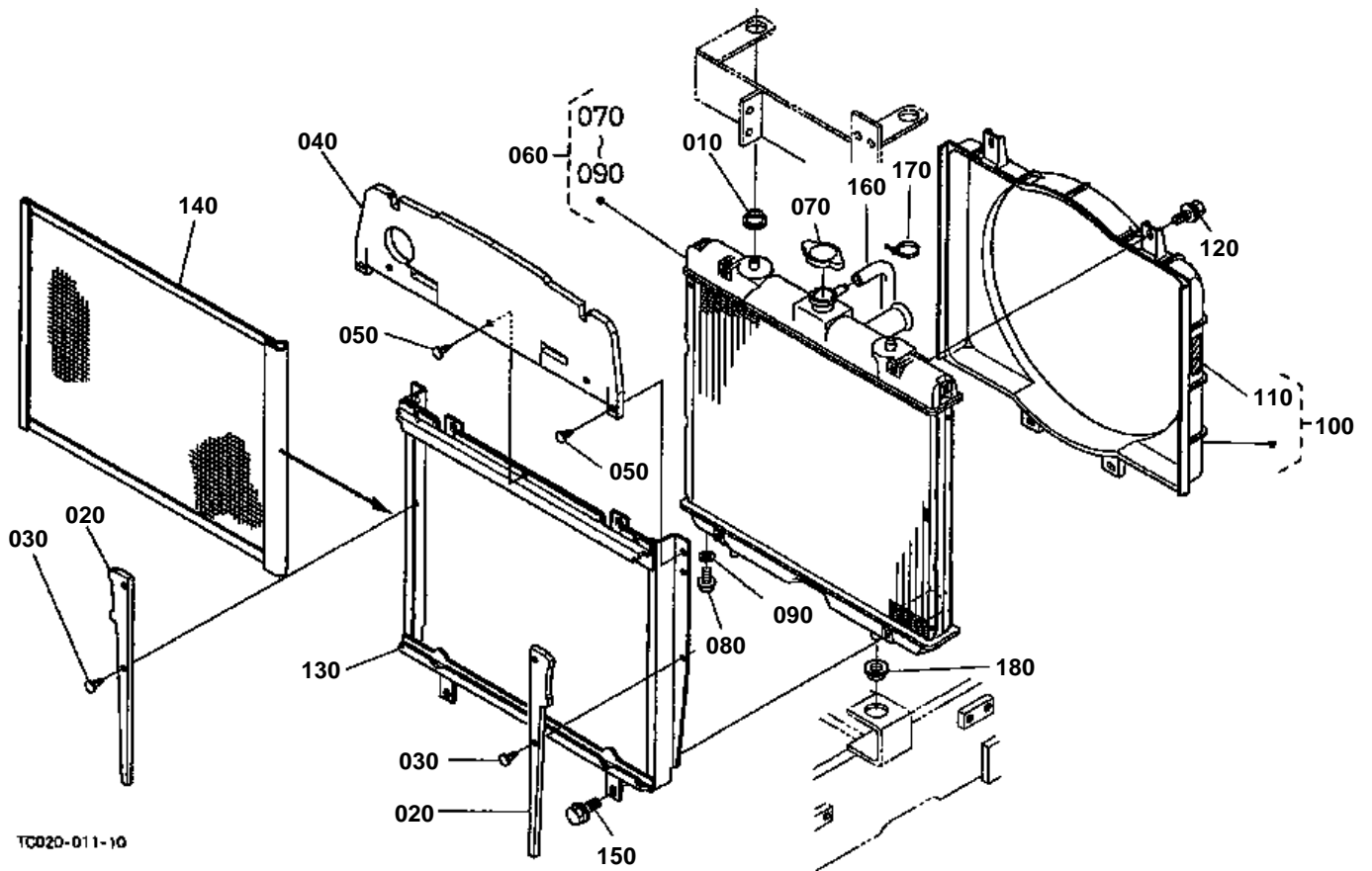


# WATER PIPE

↔ Interchangeable; ≠ not interchangeable; ← new for old; → old for new

REF.No	Part No.	Description	Q'ty	S.No.	I/C	REMARKS	Weight (kgf)	Weight (lb)
010	TC020-88360	PIPE WATER	1				0.18	0.396
020	15108-72870	BAND	2				0.027	0.0594
030	TC020-72940	PIPE WATER	1				0.17	0.374
040	15108-72870	BAND	2				0.027	0.0594

# RADIATOR



TC020-011-10

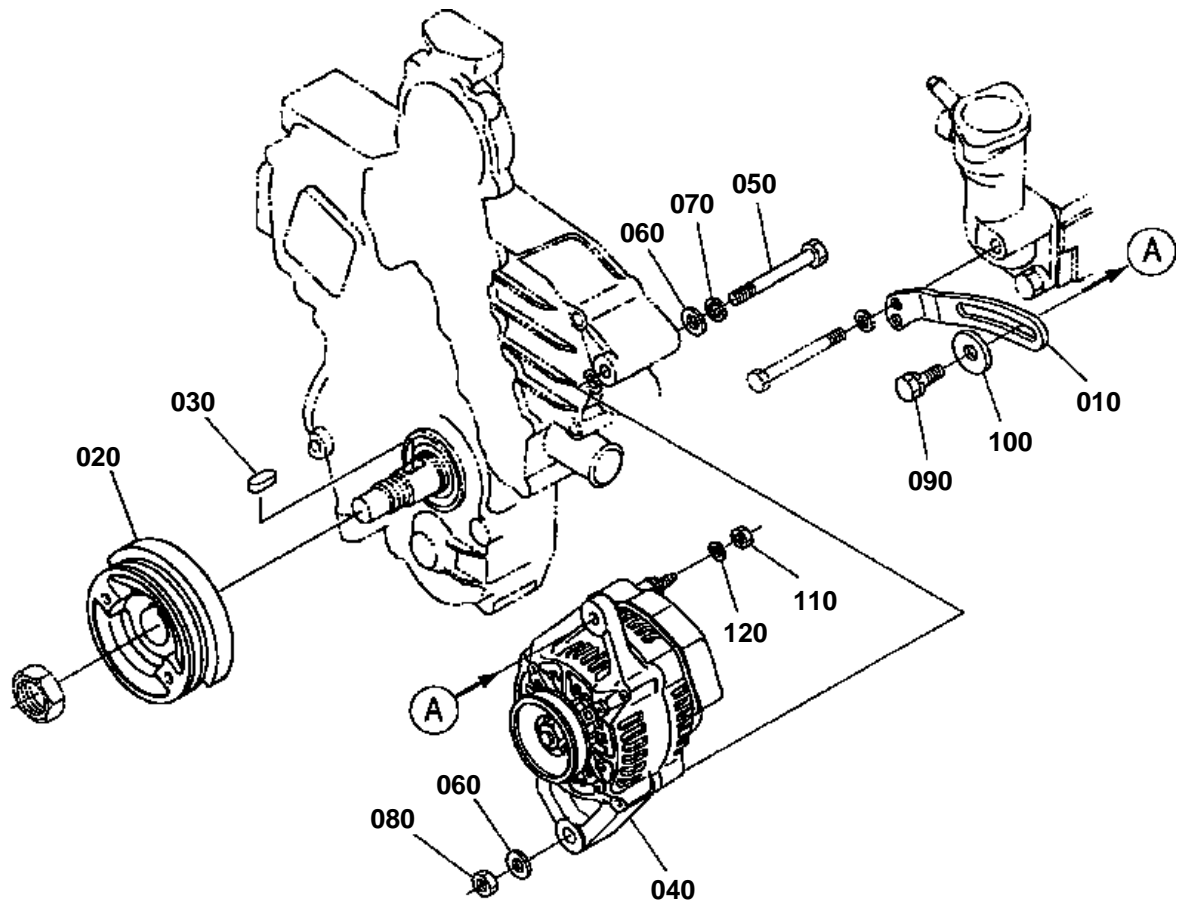


# RADIATOR

↔ Interchangeable; ≠ not interchangeable; ← new for old; → old for new

REF.No	Part No.	Description	Q'ty	S.No.	I/C	REMARKS	Weight (kgf)	Weight (lb)
010	34070-16030	RUBBER	2				0.015	0.033
020	TC020-17790	SHUTTER SIDE	2				0.01	0.022
030	38430-29372	CLIP BUTTON	4				0.001	0.0022
040	TC020-45780	SHUTTER UPPER	1				0.074	0.1628
050	38430-29372	CLIP BUTTON	5				0.001	0.0022
060	TC020-16000	ASSY RADIATOR	1				2.7	5.94
070	15101-72030	CAP RADIATOR	1				0.075	0.165
080	T1060-16070	PLUG DRAIN	1				0	0
090	15231-96690	GASKET	1				0.001	0.0022
100	TC020-16050	KIT SHUROUD FAN	1				0	0
110	32751-49580	LABEL FAN BELT	1				0.001	0.0022
120	01205-50616	BOLT	4				0.007	0.0154
130	TC020-17730	GUIDE	1				0	0
140	TC020-17740	NET RADIATOR	1				0	0
150	01754-50610	BOLT FLANGE	4				0.006	0.0132
160	TC020-71940	PIPE WATER OVER FLOW	1				0.055	0.121
170	55311-41260	BAND CORD	1				0.007	0.0154
180	34070-16030	RUBBER	2				0.015	0.033

# ALTERNATOR



TC020-Q13-10

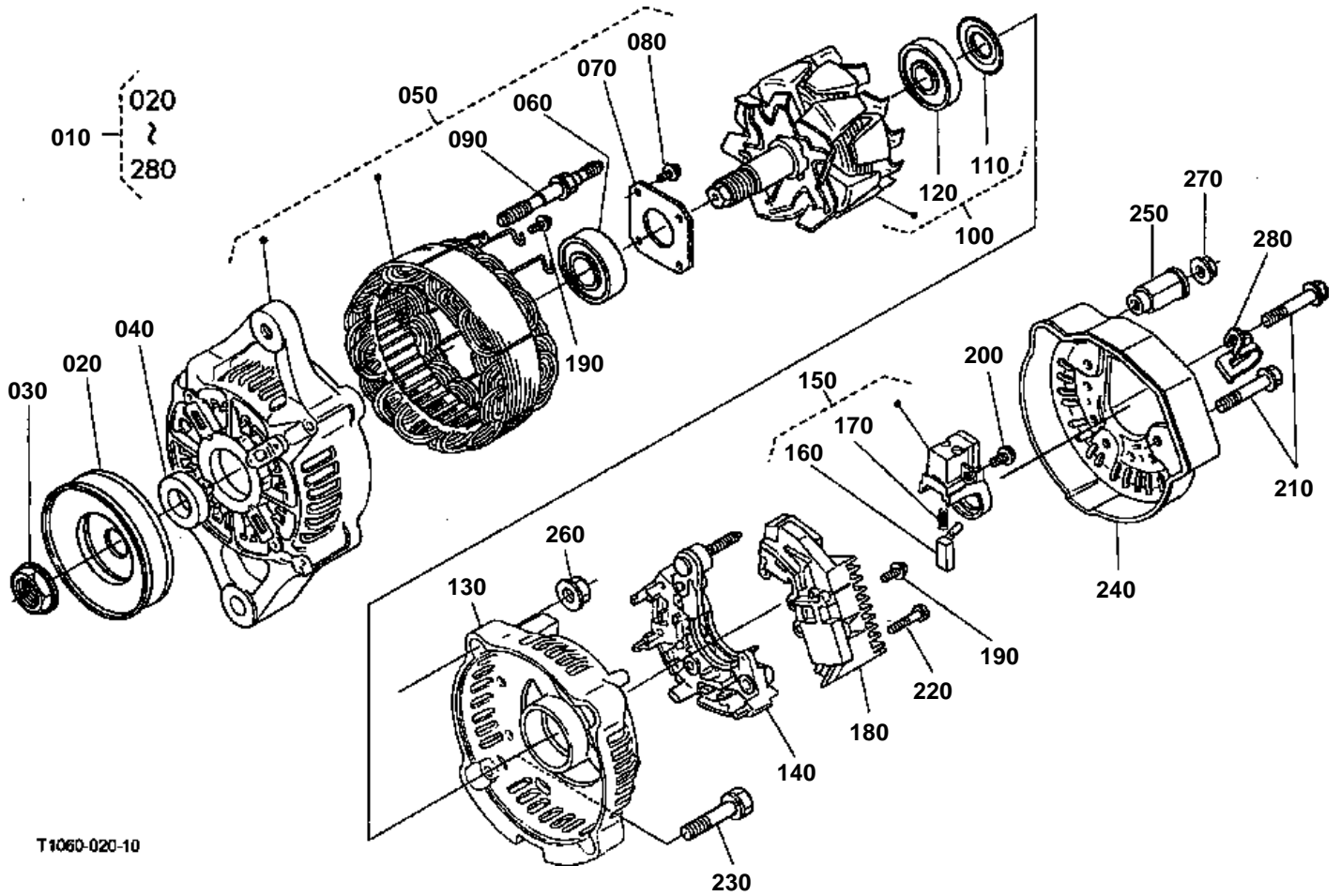


# ALTERNATOR

↔ Interchangeable; ≠ not interchangeable; ← new for old; → old for new

REF.No	Part No.	Description	Q'ty	S.No.	I/C	REMARKS	Weight (kgf)	Weight (lb)
010	TA040-74020	STAY DYNAMO	1			REFER TO L.No.D08-R FOR COMPONENTS.	0.09	0.198
020	16417-74280	PULLEY FAN DRIVE	1				1.75	3.85
030	05712-00720	KEY FEATHER	1				0.008	0.0176
040	T1060-15600	ASSY ALTERNATOR	1				2.5	5.5
050	01173-51000	BOLT	1				0.06	0.132
060	04013-50100	WASHER PLAIN	2				0	0
070	04512-50100	WASHER SPRING	1				0	0
080	02176-50100	NUT	1				0.005	0.011
090	01123-50830	BOLT	1				0.015	0.033
100	04015-50080	WASHER PLAIN	1				0	0
110	02056-50060	NUT	1				0.002	0.0044
120	04512-50060	WASHER SPRING	1				0	0

ALTERNATOR [COMPONENT PARTS]





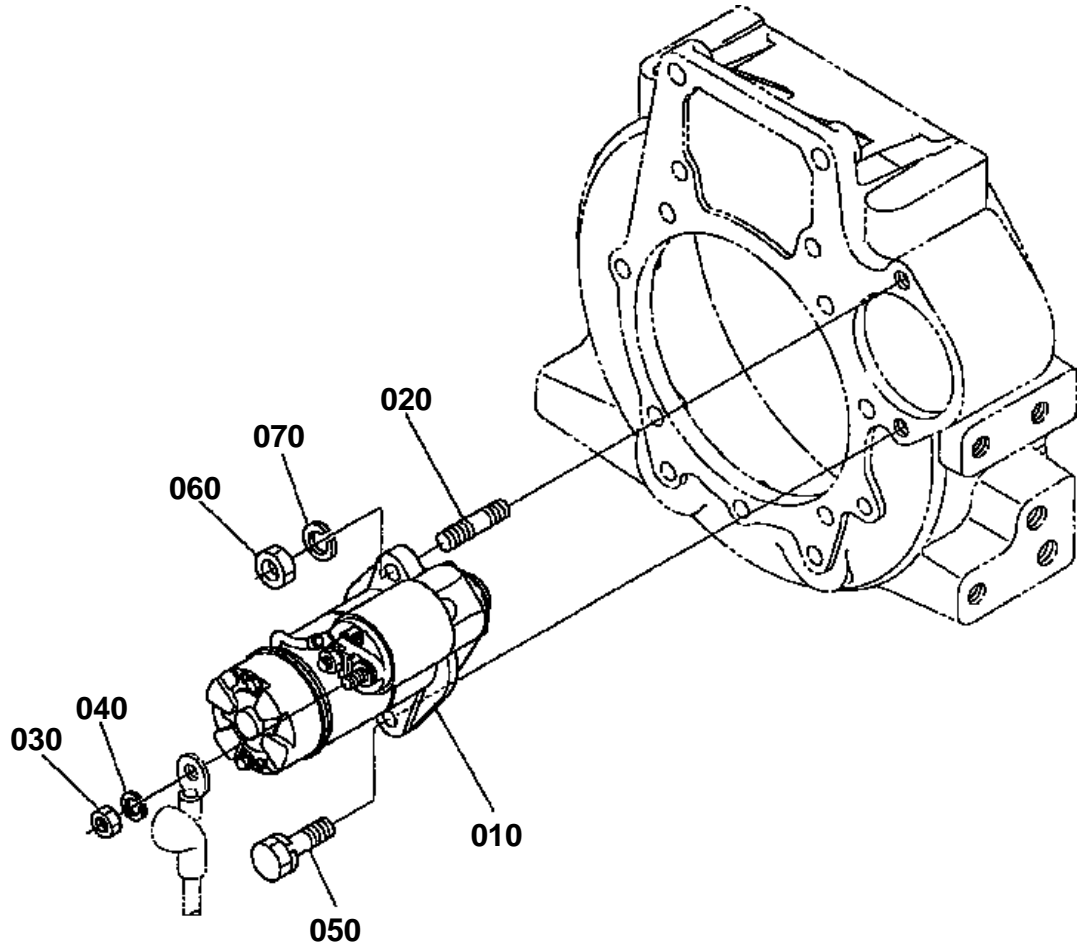
# ALTERNATOR [COMPONENT PARTS]

↔ Interchangeable; ≠ not interchangeable; ← new for old; → old for new

REF.No	Part No.	Description	Q'ty	S.No.	I/C	REMARKS	Weight (kgf)	Weight (lb)
010	T1060-15600	ASSY ALTERNATOR	1				2.5	5.5
020	16427-64110	PULLEY ALTERNATOR	1				0.2	0.44
030	15881-92010	NUT	1				0.02	0.044
040	15881-64150	COLLAR	1				0.004	0.0088
050	T1060-15620	ASSY FRAME DRIVE END	1				0	0
060	16652-64780	BEARING BALL	1				0.05	0.11
070	15881-64710	PLATE RETAINER	1				0.01	0.022
080	15881-93010	SCREW ROUND HEAD	4				0.003	0.0066
090	15881-64260	BOLT THROUGH	2				0.01	0.022
100	66436-64040	ROTOR	1				1.2	2.64
110	15881-64800	COVER BEARING	1				0.001	0.0022
120	16652-64770	BEARING BALL	1				0.045	0.099
130	16241-64060	FRAME END	1				0.2	0.44
140	16241-64850	ASSY RECTIFIER	1				0.16	0.352
150	16652-64310	HOLDER BRUSH	1				0.025	0.055
160	15881-64090	BRUSH	2				0.002	0.0044
170	15881-64330	SPRING BRUSH	2				0.002	0.0044
180	16483-64600	ASSY REGULATOR	1				0.08	0.176
190	15881-93030	SCREW ROUND HEAD	6				0.003	0.0066
200	15881-93040	SCREW ROUND HEAD	1				0.003	0.0066
210	15881-91040	BOLT	3				0.005	0.011
220	15881-93020	SCREW ROUND HEAD	2				0.005	0.011
230	15881-91050	BOLT	2				0.01	0.022
240	16241-64230	COVER END	1				0.035	0.077
250	16241-64900	BUSH INSULATION	1				0.007	0.0154
260	15881-92020	NUT	2				0.02	0.044
270	14182-92030	NUT	1				0.003	0.0066
280	17369-67570	CLAMP CORD	1				0.001	0.0022



STARTER



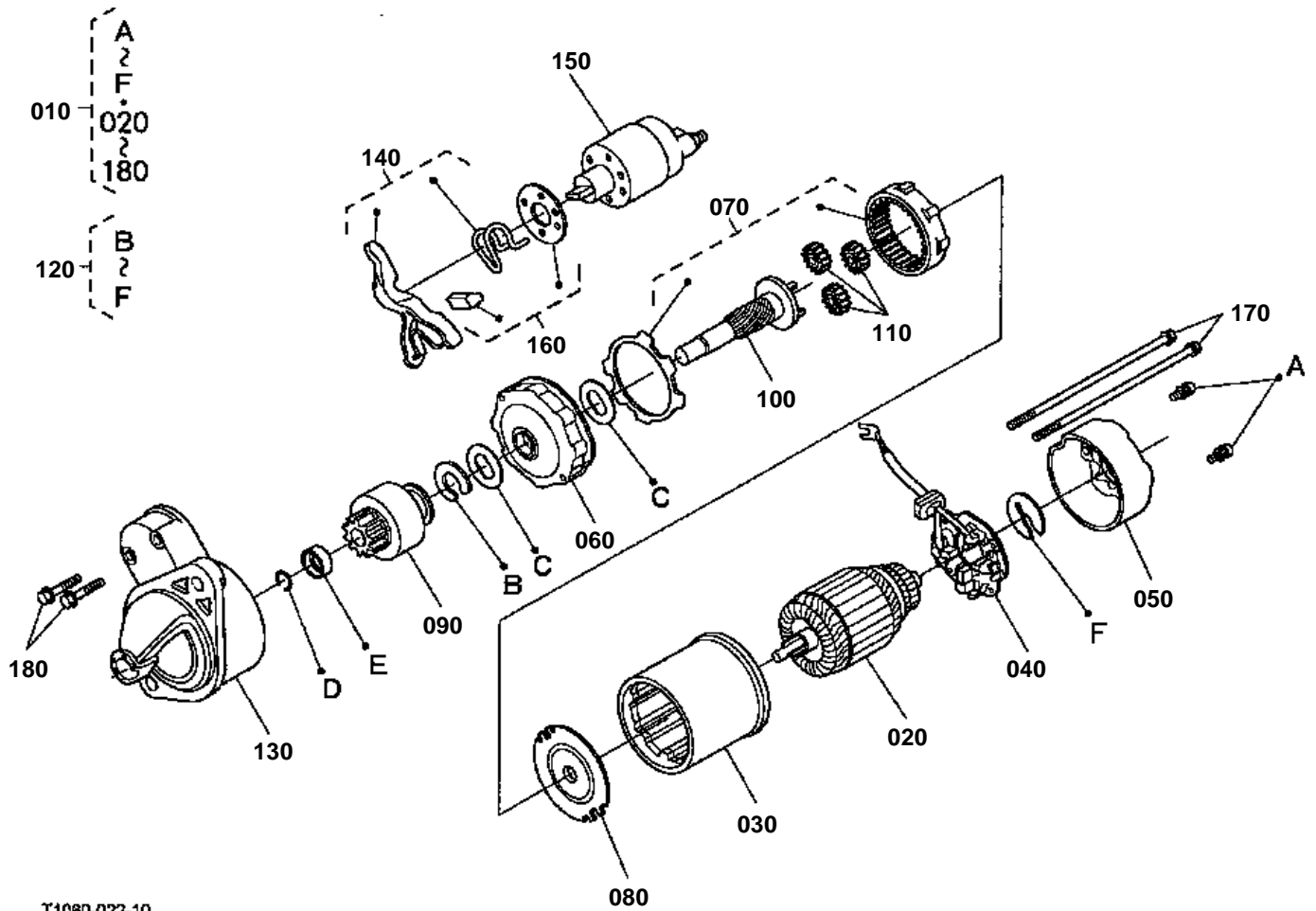
TC020-015-10



# STARTER

↔ Interchangeable; ≠ not interchangeable; ← new for old; → old for new

REF.No	Part No.	Description	Q'ty	S.No.	I/C	REMARKS	Weight (kgf)	Weight (lb)
010	T1060-16800	ASSY STARTER	1				2.9	6.38
020	01517-51028	STUD	1				0.022	0.0484
030	02114-50080	NUT	1				0.005	0.011
040	04512-50080	WASHER SPRING	1				0.001	0.0022
050	01133-51030	BOLT	1				0.025	0.055
060	02176-50100	NUT	1				0.005	0.011
070	04512-50100	WASHER SPRING	1				0	0



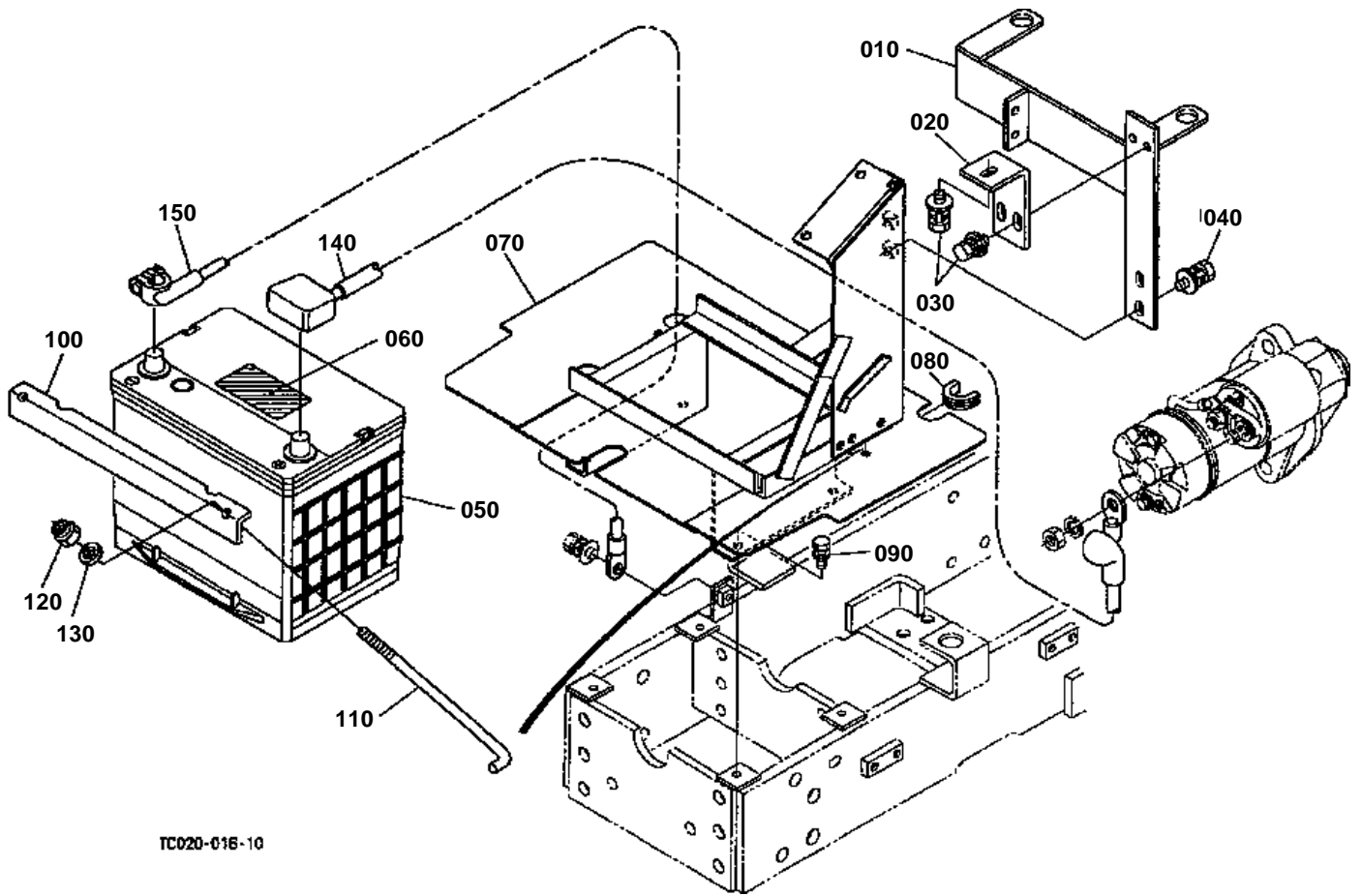
T1080-022-10



## STARTER [COMPONENT PARTS]

↔ Interchangeable; ≠ not interchangeable; ← new for old; → old for new

REF.No	Part No.	Description	Q'ty	S.No.	I/C	REMARKS	Weight (kgf)	Weight (lb)
010	T1060-16800	ASSY STARTER	1				2.9	6.38
020	T1060-16820	ARMATURE	1				0.625	1.375
030	T1060-16830	YOKE	1				0.357	0.7854
040	T1060-16840	ASSY HOLDER BRUSH	1				0.07	0.154
050	T1060-16850	ASSY COVER REAR	1				0.123	0.2706
060	T1060-16860	ASSY BRACKET CENTER	1				0.075	0.165
070	T1060-16870	GEAR INTERNAL	1				0.065	0.143
080	T1060-16880	BRACKET	1				0.026	0.0572
090	T1060-16890	PINION BEVEL	1				0.24	0.528
100	T1060-16900	SHAFT PINION	1				0.155	0.341
110	T1060-16910	GEAR PLANET	3				0.013	0.0286
120	T1060-16920	WASHER	1				0.02	0.044
130	T1060-16930	ASSY CASE GEAR	1				0.42	0.924
140	T1060-16940	LEVER SHIFT	1				0.02	0.044
150	T1060-16950	SWITCH MAGNETIC	1				0.585	1.287
160	T1060-16960	COVER DUST	1				0.024	0.0528
170	T1060-16970	BOLT THROUGH	2				0.018	0.0396
180	T1060-16980	BOLT	2				0.01	0.022



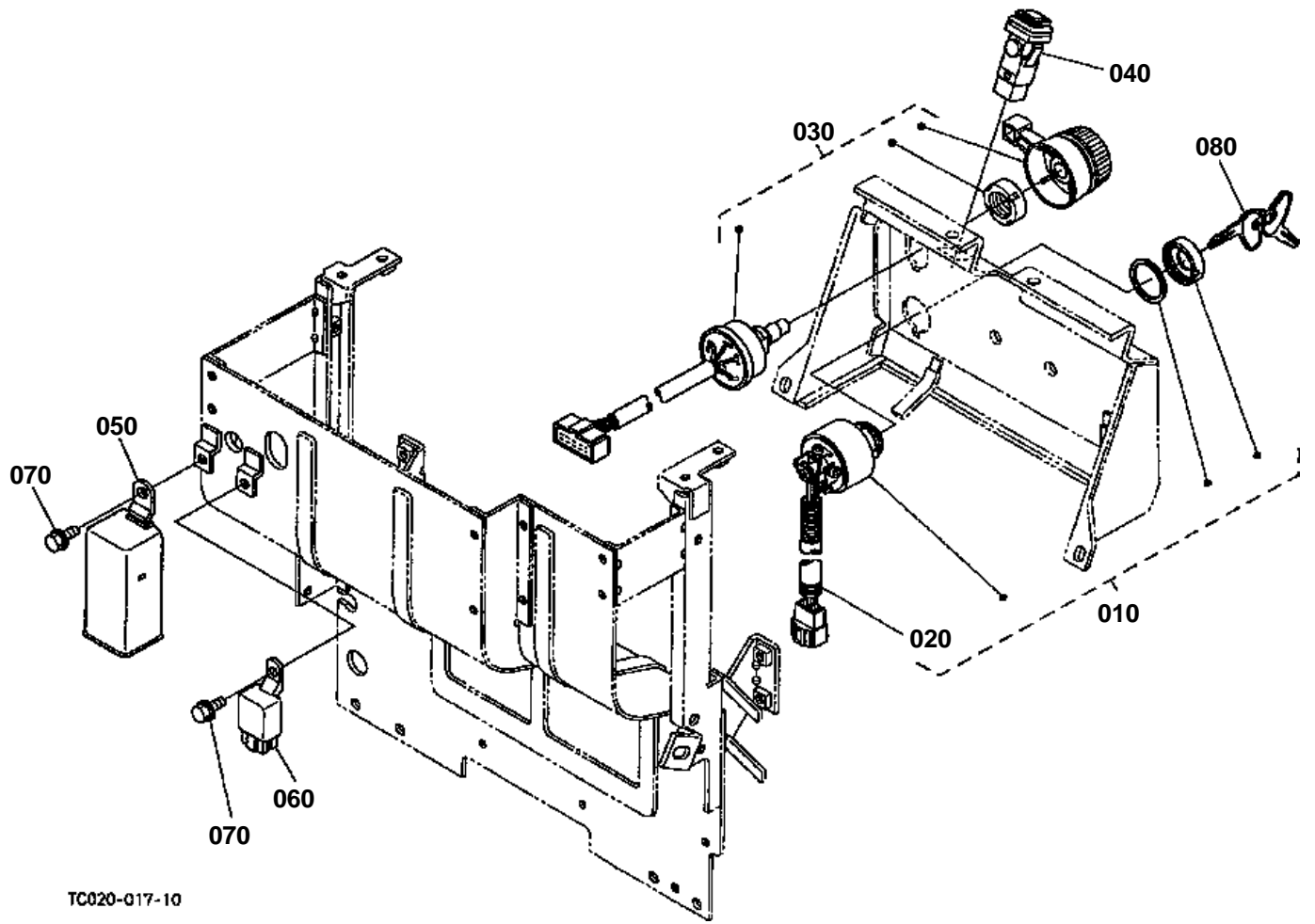
TC020-016-10

**BATTERY**

↔ Interchangeable; ≠ not interchangeable; ← new for old; → old for new

REF.No	Part No.	Description	Q'ty	S.No.	I/C	REMARKS	Weight (kgf)	Weight (lb)
010	TC020-45960	SUPPORT BONNET	1				1.375	3.025
020	TC020-45950	SUPPORT BONNET	1				0.2	0.44
030	01125-50816	BOLT	3				0	0
040	01125-50820	BOLT	2				0	0
050	-----	BATTERY	1			75D26L	0	0
060	TC020-30120	LABEL BATTERY	1			ENGLISH	0	0
070	TC020-45710	SUPPORT BATTERY	1				4	8.8
080	30430-82770	CUSHION	1				0.005	0.011
090	01123-50816	BOLT	4				0.011	0.0242
100	TC020-33110	HOLDER BATTERY	1				0.22	0.484
110	38240-33295	BOLT HOOK	2				0.05	0.11
120	02552-50060	NUT LOCK	2				0.002	0.0044
130	04015-50060	WASHER PLAIN	2				0	0
140	TC020-33330	CORD BATTERY	1				0.415	0.913
150	37220-33380	CORD EARTH	1				0.21	0.462

SWITCH 1



TC020-017-10



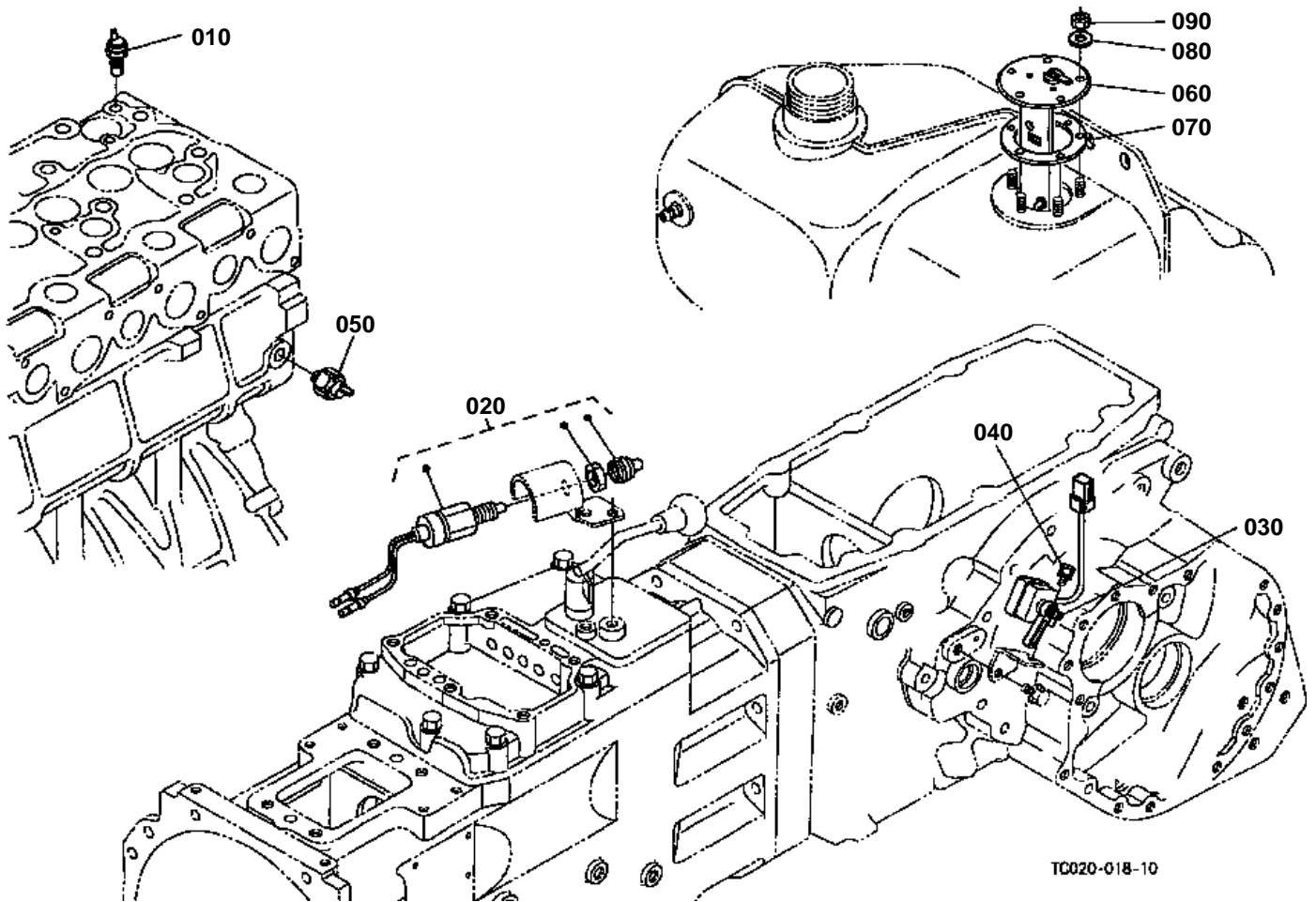
# SWITCH 1

↔ Interchangeable; ≠ not interchangeable; ← new for old; → old for new

REF.No	Part No.	Description	Q'ty	S.No.	I/C	REMARKS	Weight (kgf)	Weight (lb)
010	TC020-31820	SWITCH MAIN	1				0.242	0.5324
020	35080-31830	HARNESS MAIN SWITCH	1				0.02	0.044
030	31351-32100	SWITCH COMBINATION	1				0.105	0.231
040	TA140-30910	SWITCH HAZARD	1				0.115	0.253
050	3F240-75430	UNIT FLASHER	1				0.06	0.132
060	68881-53540	COMP.RELAY	1				0.04	0.088
070	01754-50610	BOLT FLANGE	2				0.006	0.0132
080	35260-31852	ASSY KEY MAIN SWITCH	1				0.02	0.044



SWITCH 2



TC020-018-10

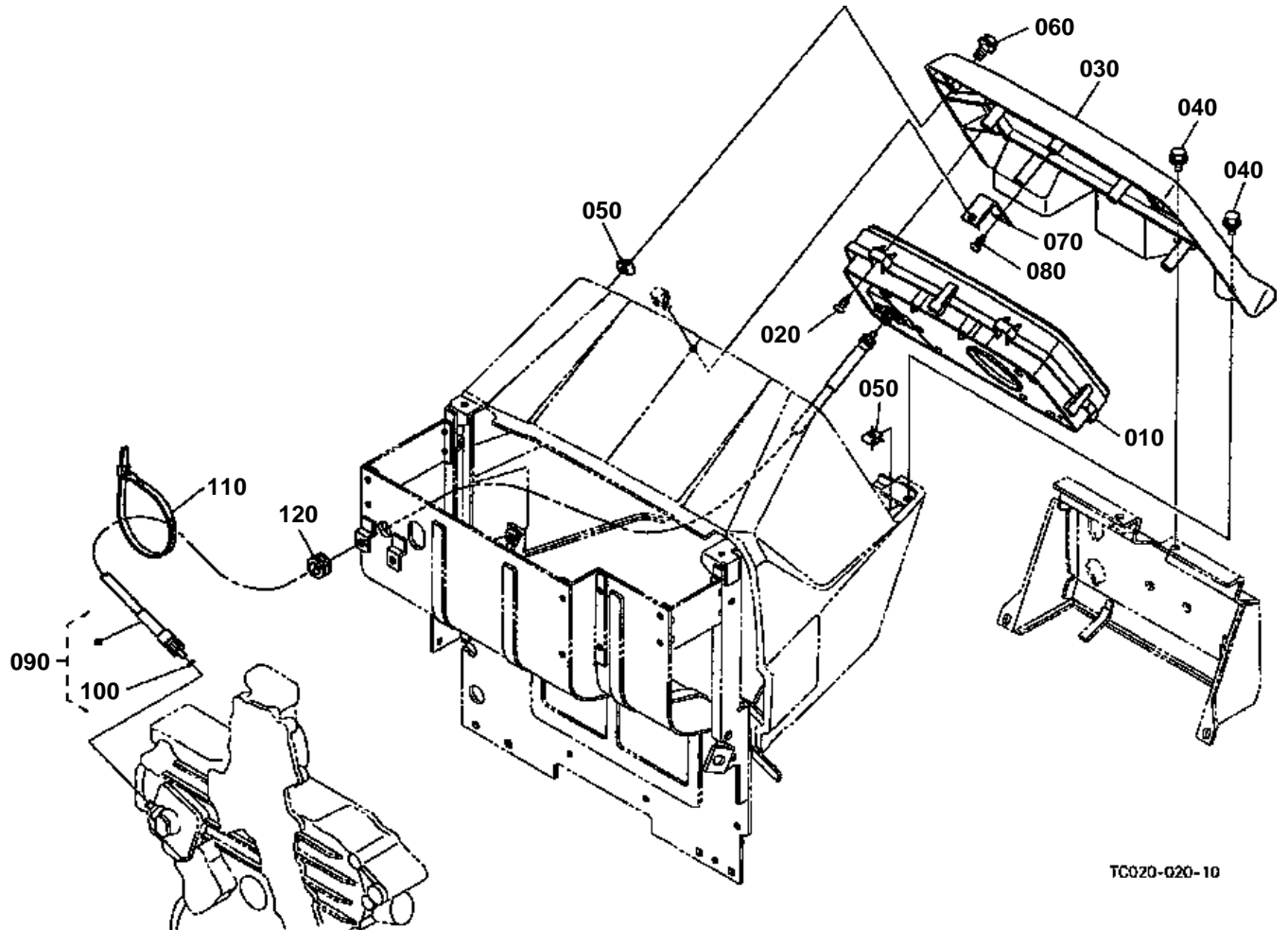


## SWITCH 2

↔ Interchangeable; ≠ not interchangeable; ← new for old; → old for new

REF.No	Part No.	Description	Q'ty	S.No.	I/C	REMARKS	Weight (kgf)	Weight (lb)
010	32330-32830	SENSOR WATER TEMP.	1				0.01	0.022
020	37150-32240	SWITCH SAFETY	1				0.12	0.264
030	T1060-42780	SWITCH	1				0	0
040	01023-50616	BOLT	1				0.005	0.011
050	15531-39010	SWITCH OIL	1				0.032	0.0704
060	TC020-31200	UNIT FUEL	1				0	0
070	36330-75310	GASKET	1				0.005	0.011
080	04013-60050	WASHER PLAIN	5				0.001	0.0022
090	02054-50050	NUT	5				0.002	0.0044

PANEL BOARD



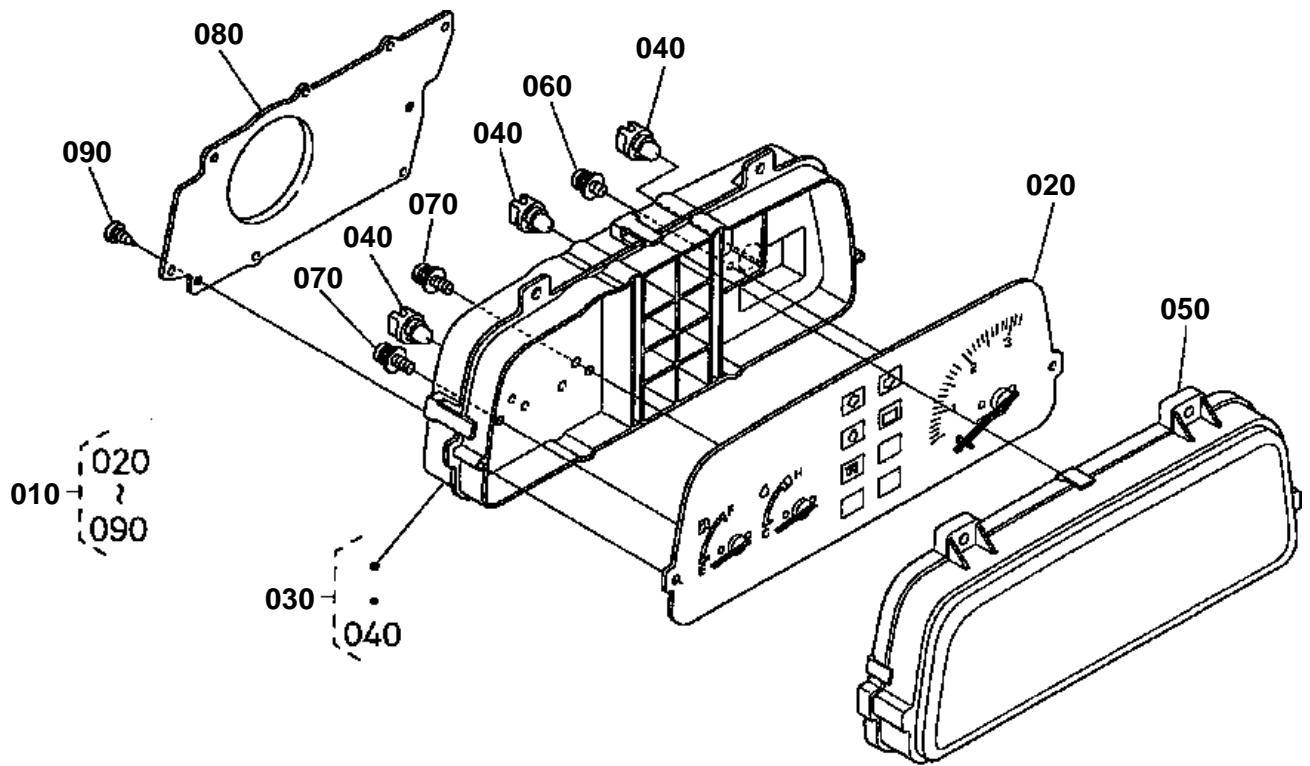
TC020-020-10



PANEL BOARD

↔ Interchangeable; ≠ not interchangeable; ← new for old; → old for new

REF.No	Part No.	Description	Q'ty	S.No.	I/C	REMARKS	Weight (kgf)	Weight (lb)
010	TC020-30210	ASSY PANEL	1			REFER TO L.No.D12-R FOR COMPONENTS.	0	0
020	03614-50620	SCREW TAPPING	4				0.003	0.0066
030	TC020-43020	COVER METER PANEL	1				0.4	0.88
040	30400-19060	BOLT FLANGE	4				0.006	0.0132
050	38240-29250	NUT SPRING	4				0.005	0.011
060	TA049-18870	BOLT FLANGE	2				0.008	0.0176
070	TC020-43030	STAY METER COVER	1				0.012	0.0264
080	03614-50616	SCREW TAPPING	1				0.004	0.0088
090	31341-34654	CABLE FLEXIBLE	1				0.2	0.44
100	04811-10080	O RING	1				0.001	0.0022
110	55311-41260	BAND CORD	1				0.007	0.0154
120	37410-51760	GROMMET	1				0.003	0.0066



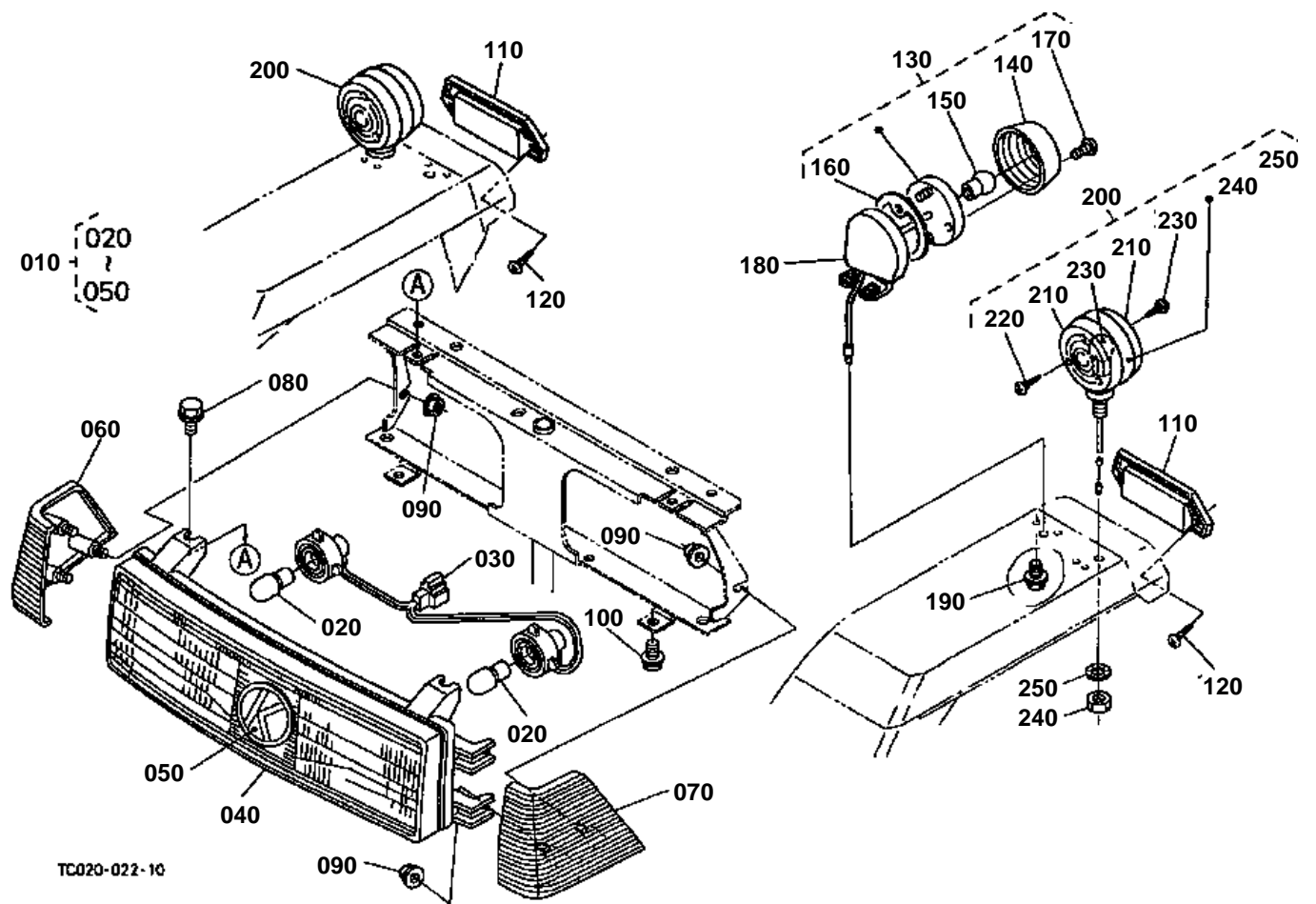
TC020-021-10



PANEL BOARD [COMPONENT PARTS]

↔ Interchangeable; ≠ not interchangeable; ← new for old; → old for new

REF.No	Part No.	Description	Q'ty	S.No.	I/C	REMARKS	Weight (kgf)	Weight (lb)
010	TC020-30210	ASSY PANEL	1				0	0
020	TC020-30220	COMP.METER	1				0	0
030	TC020-30250	ASSY CASE	1				0	0
040	6C040-55140	ASSY BULB	7				0.003	0.0066
050	TC020-30260	GLASS	1				0	0
060	6C040-55150	SCREW	2				0.002	0.0044
070	6C040-55160	SCREW	6				0.002	0.0044
080	TC020-30270	COVER	1				0	0
090	6C040-55180	SCREW	3				0.003	0.0066

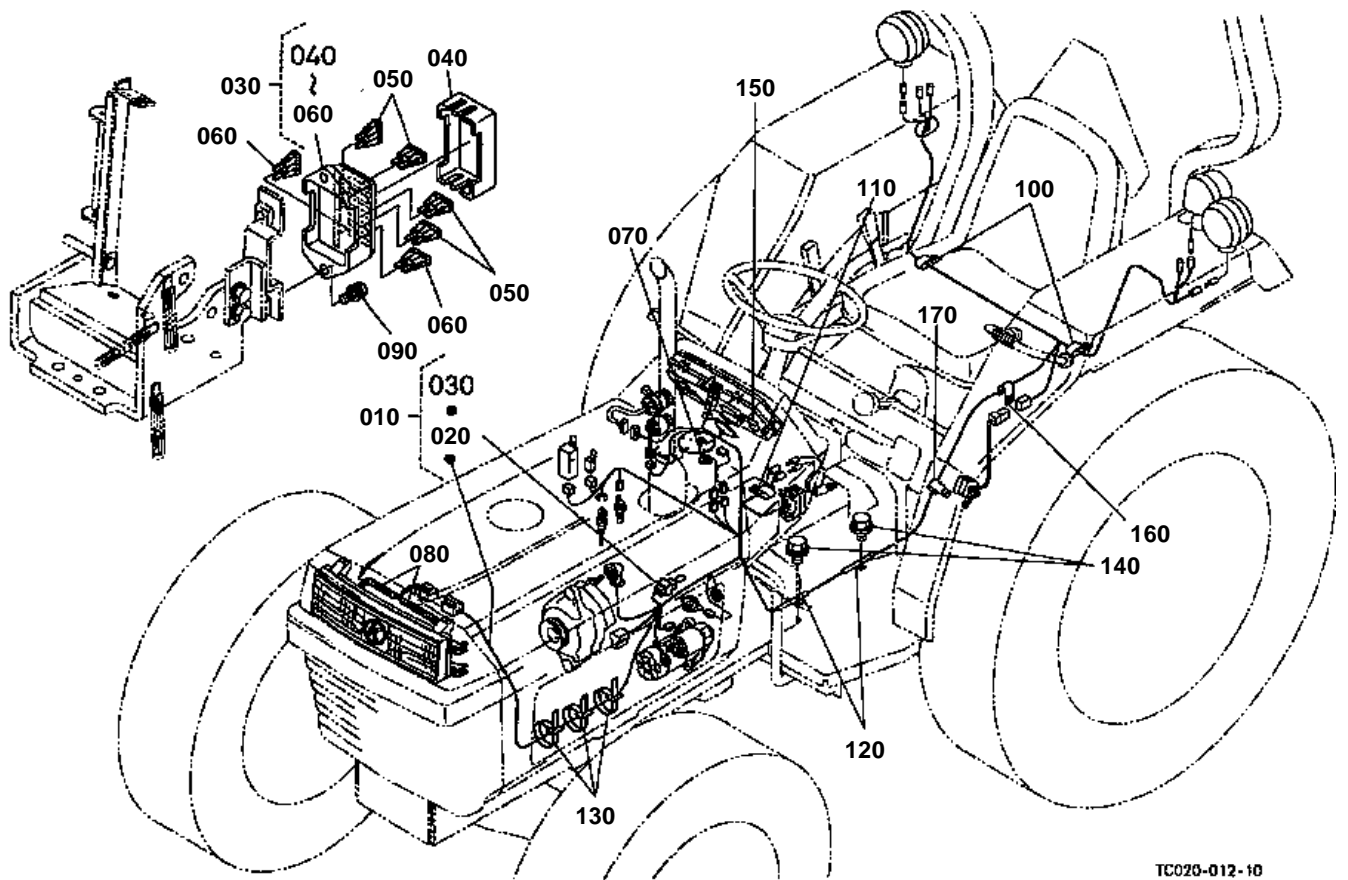


**LIGHT**

↔ Interchangeable; ≠ not interchangeable; ← new for old; → old for new

REF.No	Part No.	Description	Q'ty	S.No.	I/C	REMARKS	Weight (kgf)	Weight (lb)
010	TA140-99060	ASSY LIGHT HEAD	1				0.68	1.496
020	34070-99010	BULB	2			25W	0.02	0.044
030	T0270-99090	ASSY WIRE HARNESS	1				0.05	0.11
040	TA140-99100	UNIT LAMP	1				0	0
050	TA140-49500	MARK SYMBOL	1				0	0
060	TC020-99070	GRILLE LIGHT RH	1				0.097	0.2134
070	TC020-99080	GRILLE LIGHT LH	1				0.097	0.2134
080	30400-19060	BOLT FLANGE	2				0.006	0.0132
090	02761-50050	NUT FLANGE	6				0.005	0.011
100	30400-19060	BOLT FLANGE	2				0.006	0.0132
110	31351-33900	ASSY REFLECTOR	2				0.088	0.1936
120	03514-50510	SCREW TAPPING	4				0.002	0.0044
130	34350-34100	ASSY LIGHT TAIL	1				0.13	0.286
140	34350-34120	LENS TAIL LIGHT	1				0.05	0.11
150	34350-34140	BULB TAIL LIGHT	1			23W/8W	0.008	0.0176
160	34350-99220	GASKET LENS	1				0.01	0.022
170	03056-50335	SCREW CSK-HD	2				0.001	0.0022
180	32480-34190	HOLDER TAIL LIGHT	1				0.15	0.33
190	01752-50612	BOLT FLANGE	2				0	0
200	32530-33610	ASSY LIGHT HAZARD	2				0.5	1.1
210	32530-91510	LENS HAZARD LIGHT	4				0.085	0.187
220	32530-91520	SCREW TAPPING	12				0.001	0.0022
230	32530-91530	BULB LIGHT	2			27W	0.02	0.044
240	02114-50100	NUT	2				0.005	0.011
250	04411-50100	WASHER TOOTHED	2				0.001	0.0022





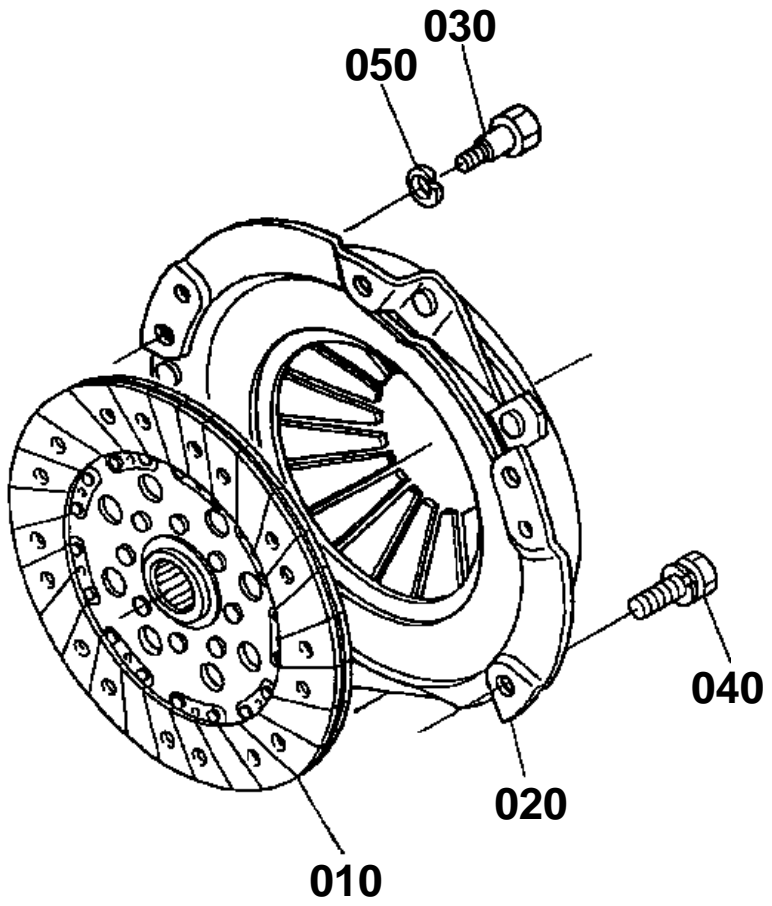
TC020-012-10



ELECTRICAL WIRING

↔ Interchangeable; ≠ not interchangeable; ← new for old; → old for new

REF.No	Part No.	Description	Q'ty	S.No.	I/C	REMARKS	Weight (kgf)	Weight (lb)
010	TC020-34410	WIRE HARNESS	1				0.95	2.09
020	34670-34530	FUSE	1			40A	0.003	0.0066
030	32330-34450	ASSY BOX FUSE	1				0.077	0.1694
040	32330-34460	COVER FUSE BOX	1				0	0
050	31351-33630	FUSE	4			10A	0.002	0.0044
060	31351-33640	FUSE	2			15A	0.002	0.0044
070	32330-34390	WIRE HARNESS	1				0.014	0.0308
080	32721-63150	TUBE	2				0.003	0.0066
090	31391-31140	SCREW	2				0.01	0.022
100	13824-67580	CLAMP CORD	2				0.006	0.0132
110	13816-67580	CLAMP CORD	1				0.004	0.0088
120	TC020-34480	RETAINER	2				0.03	0.066
130	55311-41260	BAND CORD	3				0.007	0.0154
140	01754-50812	BOLT FLANGE	2				0.01	0.022
150	15241-67580	CLAMP CORD	1				0.004	0.0088
160	32240-34460	CLAMP CORD	1				0.011	0.0242
170	32240-34490	CLAMP CORD	1				0.003	0.0066



TC020-025-10

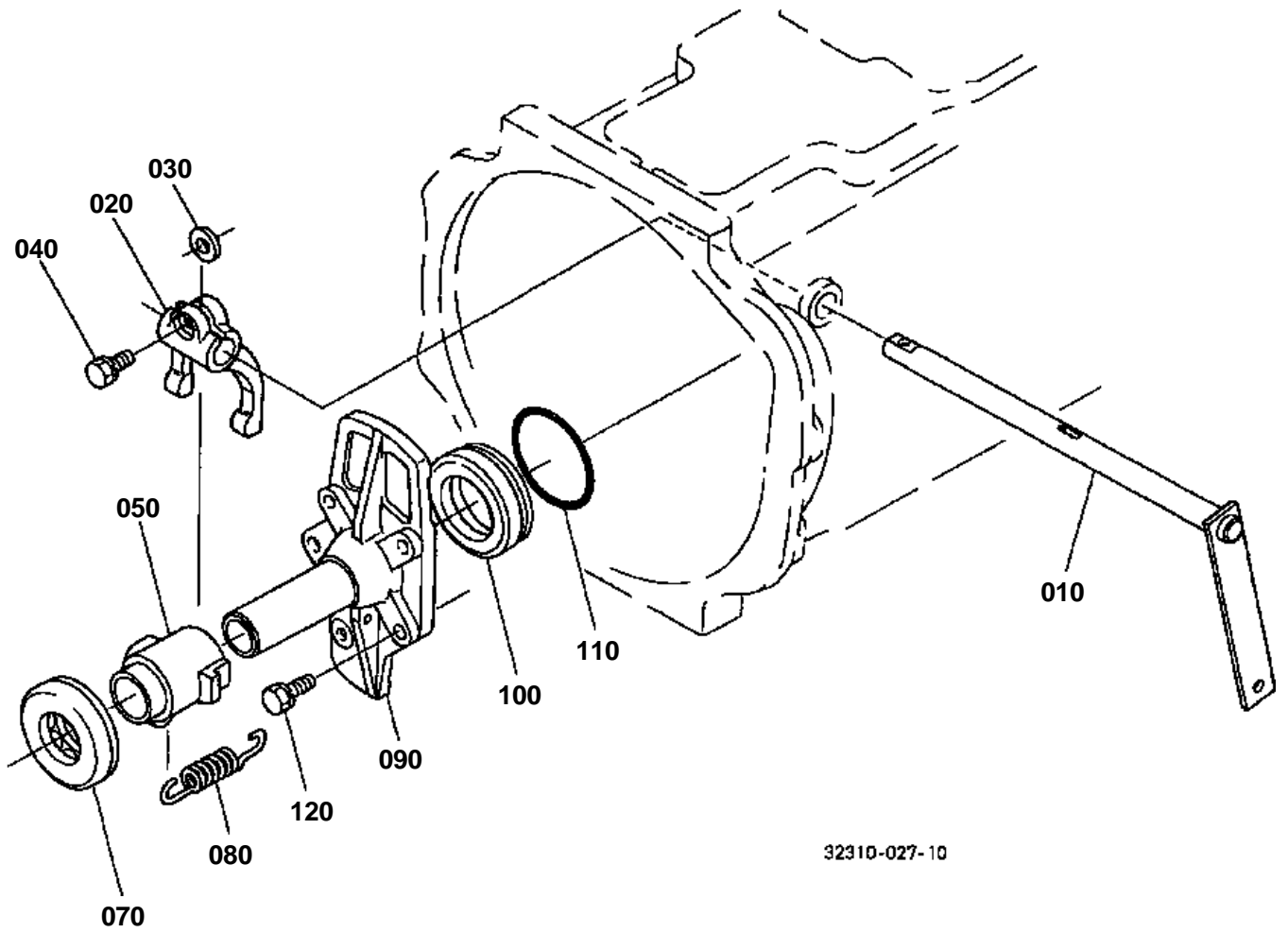


# CLUTCH

↔ Interchangeable; ≠ not interchangeable; ← new for old; → old for new

REF.No	Part No.	Description	Q'ty	S.No.	I/C	REMARKS	Weight (kgf)	Weight (lb)
010	35220-99160	ASSY DISK CLUTCH	1				0.91	2.002
020	37300-14500	ASSY PLATE PRESSURE	1				4.5	9.9
030	34220-14510	BOLT REAMER	2				0.013	0.0286
040	01123-50816	BOLT	4				0.011	0.0242
050	04512-50080	WASHER SPRING	2				0.001	0.0022

CLUTCH LEVER



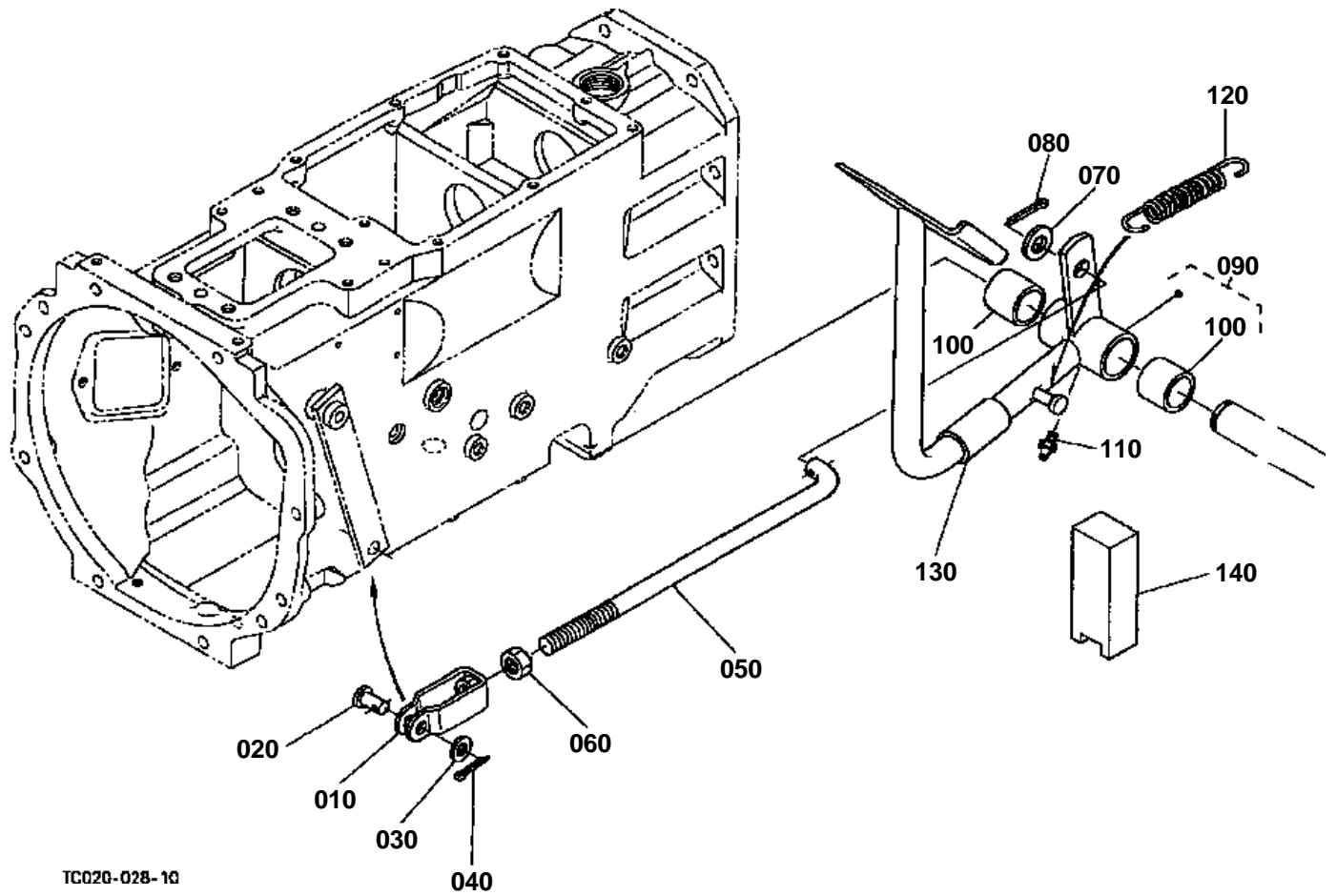


## CLUTCH LEVER

↔ Interchangeable; ≠ not interchangeable; ← new for old; → old for new

REF.No	Part No.	Description	Q'ty	S.No.	I/C	REMARKS	Weight (kgf)	Weight (lb)
010	37220-14715	LEVER CLUTCH	1				0.475	1.045
020	31351-14720	FORK CLUTCH RELEASE	1				0.27	0.594
030	31150-14780	KEY FORK	1				0.003	0.0066
040	01123-50822	BOLT	1				0.012	0.0264
050	37220-14813	HUB CLUTCH RELEASE	1				0.43	0.946
070	08490-00001	BEARING THRUST BALL	1				0.227	0.4994
080	34150-14840	SPRING	1				0.01	0.022
090	34670-25510	CASE PROPELLERSHAFT	1				0.37	0.814
100	37150-15420	SPACER	1				0.105	0.231
110	04811-50650	O RING	1				0.002	0.0044
120	01123-50830	BOLT	4				0.015	0.033

CLUTCH PEDAL



TC020-028-10



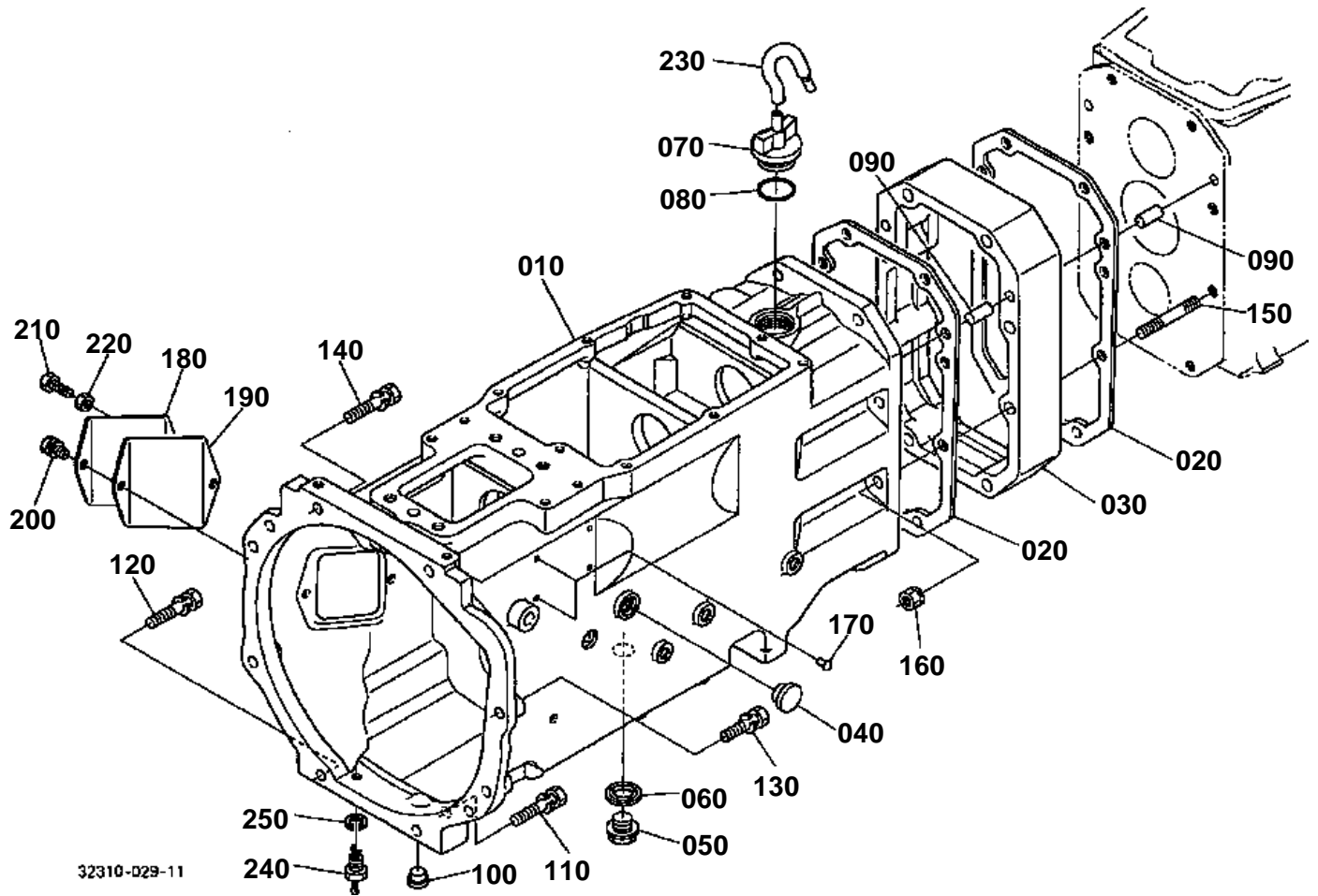
# CLUTCH PEDAL

↔ Interchangeable; ≠ not interchangeable; ← new for old; → old for new

REF.No	Part No.	Description	Q'ty	S.No.	I/C	REMARKS	Weight (kgf)	Weight (lb)
010	34150-15630	U-JOINT	1				0.095	0.209
020	05112-50820	PIN JOINT	1				0.009	0.0198
030	04012-50080	WASHER PLAIN	1				0.001	0.0022
040	05511-50220	PIN SPLIT	1				0.001	0.0022
050	34150-15640	ROD CLUTCH	1				0.195	0.429
060	02172-50120	NUT	1				0.01	0.022
070	04013-50120	WASHER PLAIN	1				0	0
080	05511-50425	PIN SPLIT	1				0.003	0.0066
090	37150-15710	PEDAL CLUTCH	1				1.4	3.08
100	34150-28430	BUSH	2				0.04	0.088
110	06613-10675	NIPPLE GREASE	1				0.003	0.0066
120	37150-15840	SPRING	1				0.06	0.132
130	32400-15830	CUSHION	1				0.005	0.011
140	TC020-15950	PIECE DISTANCE	1				0.061	0.1342



# CLUTCH HOUSING



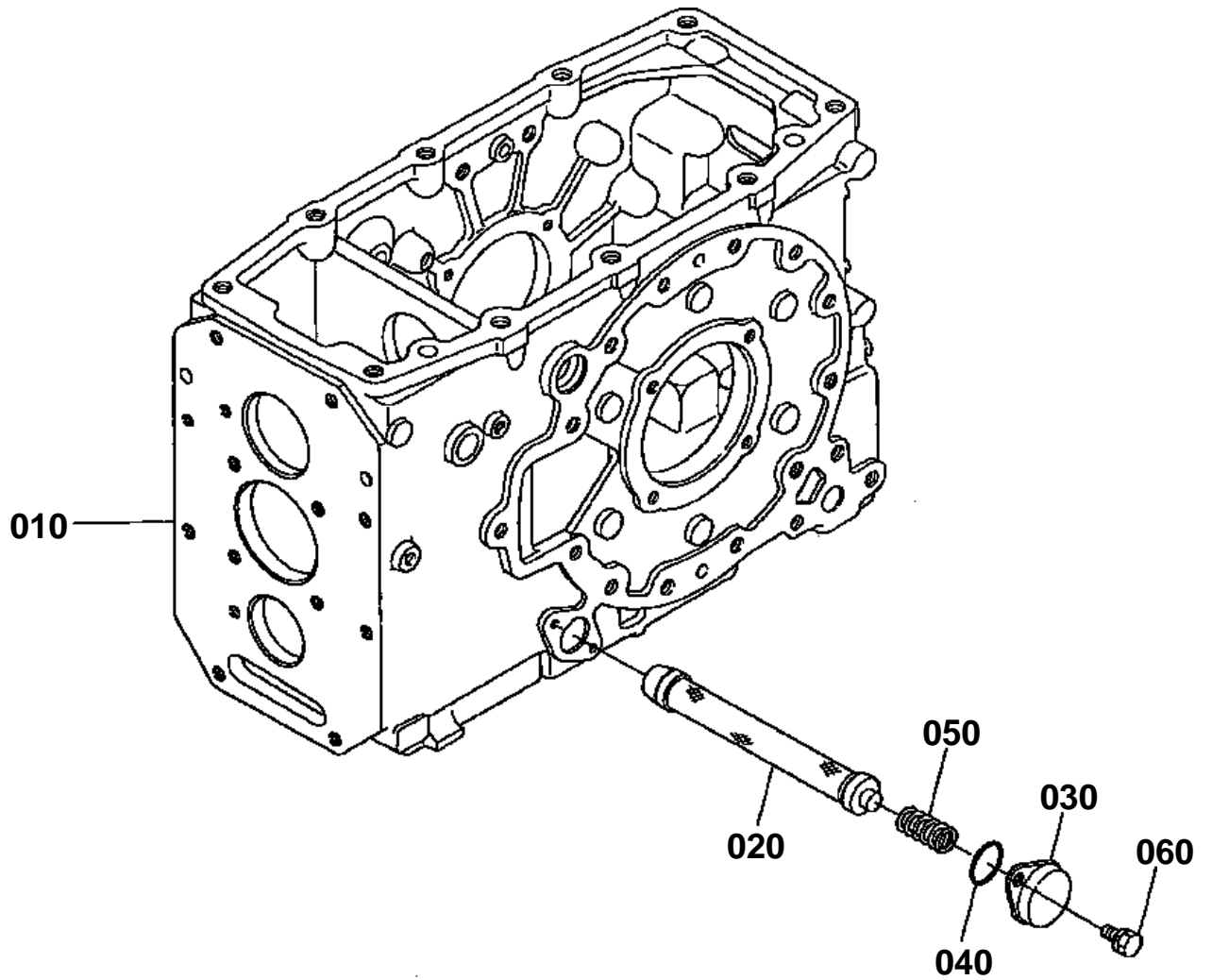


# CLUTCH HOUSING

↔ Interchangeable; ≠ not interchangeable; ← new for old; → old for new

REF.No	Part No.	Description	Q'ty	S.No.	I/C	REMARKS	Weight (kgf)	Weight (lb)
010	TC010-14110	HOUSING CLUTCH	1				0	0
020	35244-14140	GASKET	2				0.02	0.044
030	38240-21150	SPACER	1				3.5	7.7
040	TA140-14230	GAUGE OIL	1				0	0
050	15512-96010	PLUG DRAIN	1				0.101	0.2222
060	04717-02150	WASHER WITH RUBBER	1				0.004	0.0088
070	38180-21410	PLUG	1				0.02	0.044
080	04811-50300	O RING	1				0.001	0.0022
090	05012-01018	PIN STRAIGHT	4				0.012	0.0264
100	32210-27580	PLUG	6				0.001	0.0022
110	01133-51070	BOLT	1				0.047	0.1034
120	01133-51050	BOLT	1				0.035	0.077
130	01133-51040	BOLT	4				0.03	0.066
140	01133-51042	BOLT	2				0.03	0.066
150	35110-14180	STUD	8				0.06	0.132
160	37150-14190	NUT	8				0.016	0.0352
170	34152-57920	RIVET	2				0.001	0.0022
180	34150-14160	COVER HOUSING	1				0.15	0.33
190	34150-14170	GASKET HOUSING	1				0.03	0.066
200	01123-50816	BOLT	1				0.011	0.0242
210	01153-50825	BOLT	1				0.012	0.0264
220	02116-50080	NUT	1				0.003	0.0066
230	38180-37140	BREATHER	1				0.01	0.022
240	32310-14270	KIT PLUG	1				0.018	0.0396
250	04512-50100	WASHER SPRING	1				0	0

TRANSMISSION CASE



32330 - 014 - 20

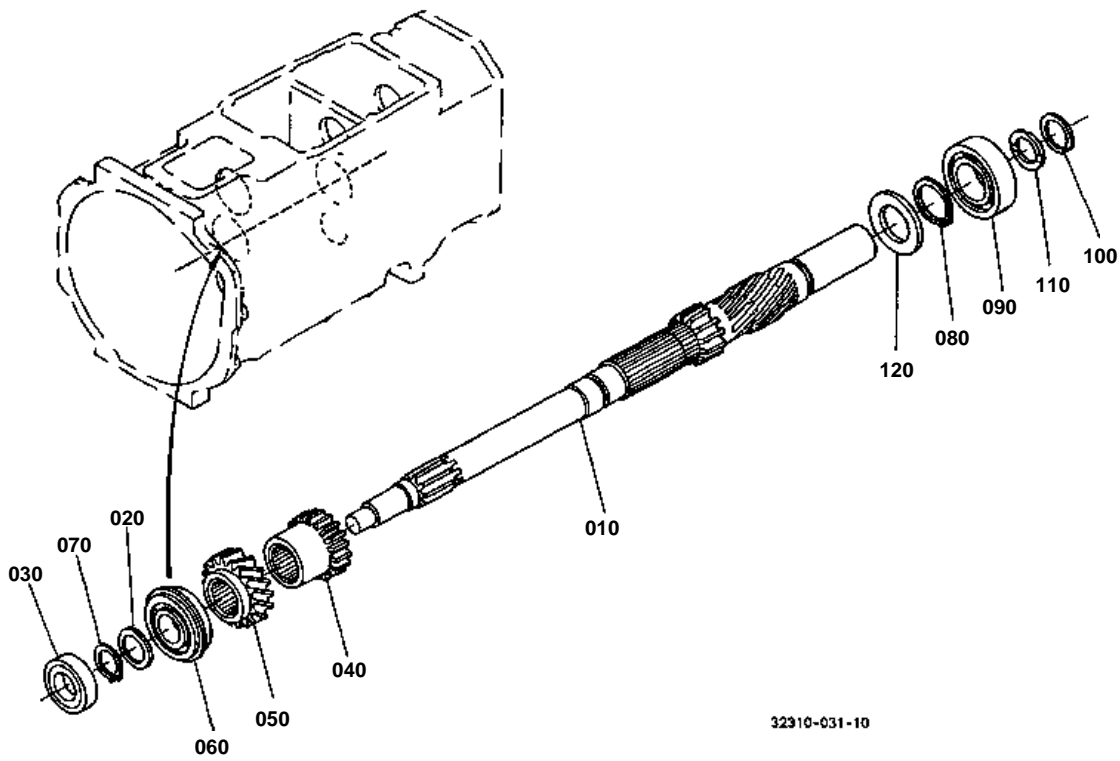


# TRANSMISSION CASE

↔ Interchangeable; ≠ not interchangeable; ← new for old; → old for new

REF.No	Part No.	Description	Q'ty	S.No.	I/C	REMARKS	Weight (kgf)	Weight (lb)
010	37150-21118	CASE TRANSMISSION	1				30.6	67.32
020	34150-37710	FILTER OIL	1				0.1	0.22
030	37150-37720	RETAINER	1				0.03	0.066
040	04811-10320	O RING	1				0.001	0.0022
050	34150-37740	SPRING	1				0.003	0.0066
060	01123-50816	BOLT	2				0.011	0.0242

MAIN SHAFT



32310-031-10

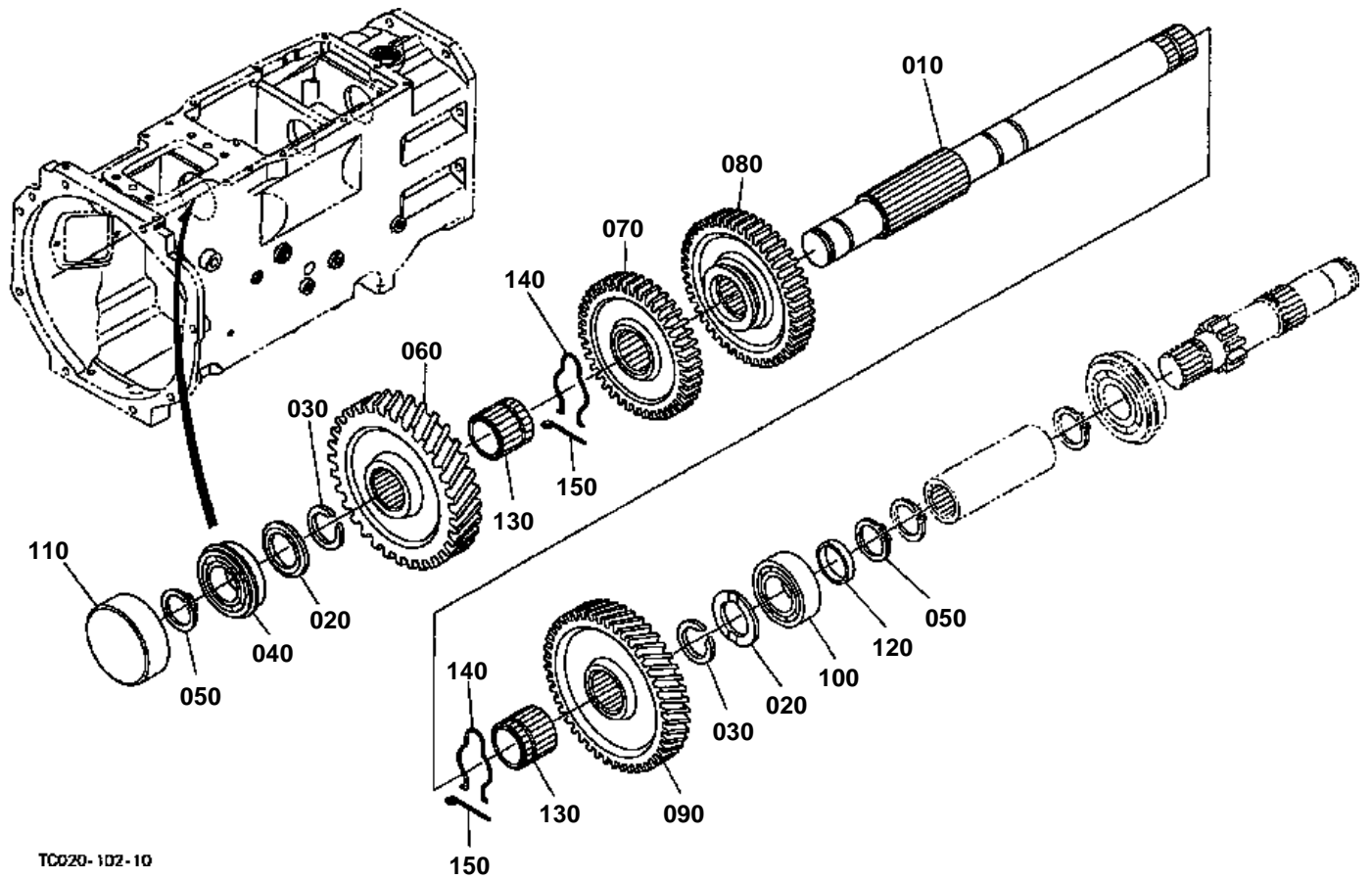


# MAIN SHAFT

↔ Interchangeable; ≠ not interchangeable; ← new for old; → old for new

REF.No	Part No.	Description	Q'ty	S.No.	I/C	REMARKS	Weight (kgf)	Weight (lb)
010	37150-21510	SHAFT MAIN	1				2.1	4.62
020	34150-21560	WASHER	1				0.01	0.022
030	09502-55210	SEAL OIL	1				0.025	0.055
040	37150-21520	GEAR	1			17T	0.225	0.495
050	35110-21530	GEAR	1			23T	0.355	0.781
060	08151-06305	BEARING BALL	1				0.233	0.5126
070	37150-21551	CIR CLIP EXTERNAL	1				0.005	0.011
080	04612-00300	CIR CLIP EXTERNAL	1				0.003	0.0066
090	08241-03206	BEARING BALL	1				0.302	0.6644
100	37150-21790	CIR-CLIP	1				0.001	0.0022
110	37150-21580	COLLAR	1				0.02	0.044
120	37150-21590	COLLAR	1				0.025	0.055

# COUNTERSHAFT



TC020-102-10



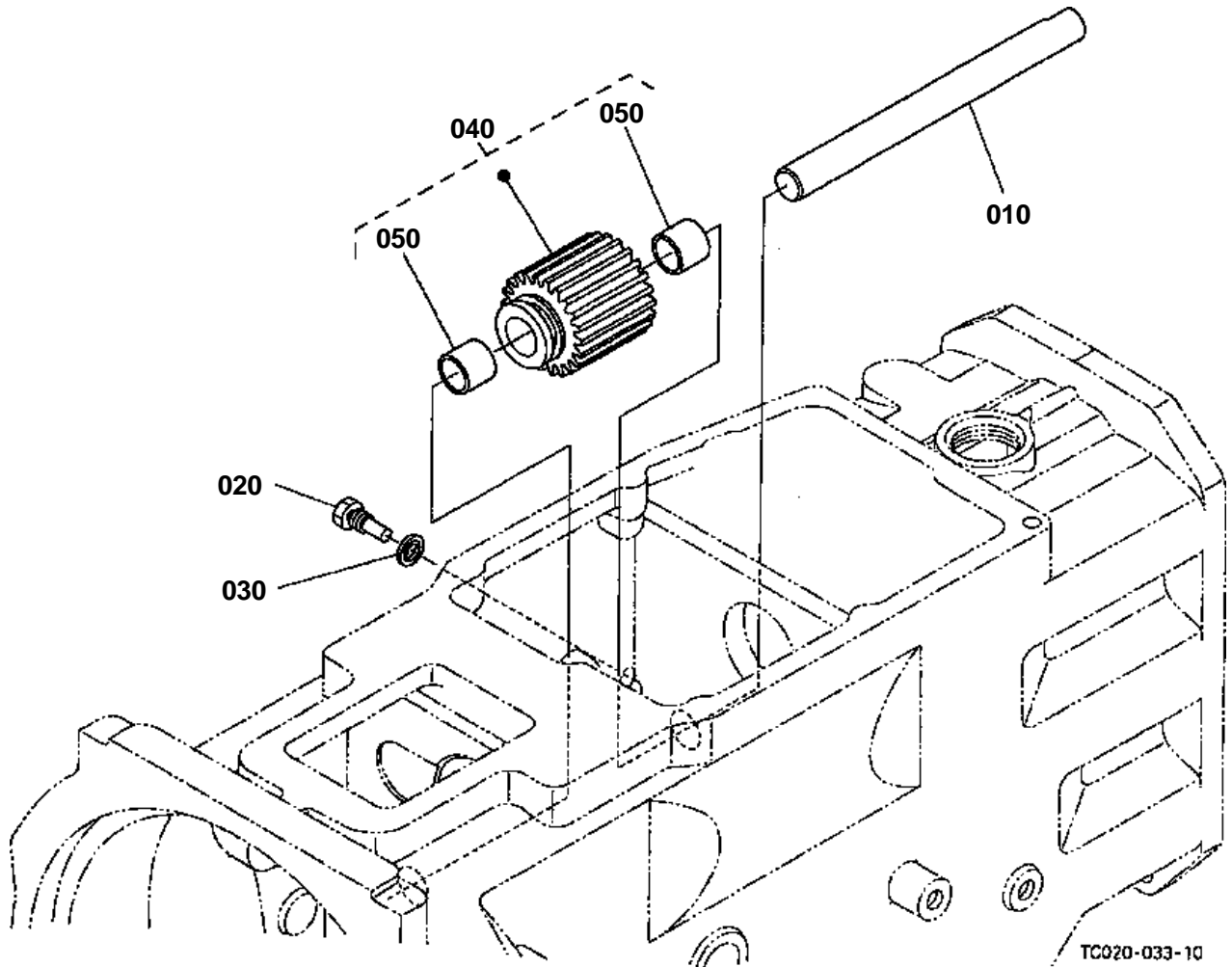
# COUNTERSHAFT

↔ Interchangeable; ≠ not interchangeable; ← new for old; → old for new

REF.No	Part No.	Description	Q'ty	S.No.	I/C	REMARKS	Weight (kgf)	Weight (lb)
010	35110-21610	COUNTERSHAFT	1				1.645	3.619
020	37150-21760	COLLAR THRUST	2				0.017	0.0374
030	37150-21790	CIR-CLIP	2				0.001	0.0022
040	08151-06205	BEARING BALL	1				0.131	0.2882
050	37150-21551	CIR CLIP EXTERNAL	2				0.005	0.011
060	35110-21710	GEAR	1			32T	0.465	1.023
070	37150-21720	GEAR	1			41T	0.77	1.694
080	37150-21730	GEAR	1			45T	0.945	2.079
090	37150-21740	GEAR	1			45T	1.08	2.376
100	08101-06205	BEARING BALL	1				0.14	0.308
110	34150-21650	COVER BEARING	1				0.07	0.154
120	37150-21770	COLLAR	1				0.12	0.264
130	37150-21750	BOSS SPLINE	2				0.088	0.1936
140	35340-21782	CIR-CLIP	2				0.007	0.0154
150	35340-21792	WIRE	2				0.001	0.0022



REVERSE SHAFT



TC020-033-10

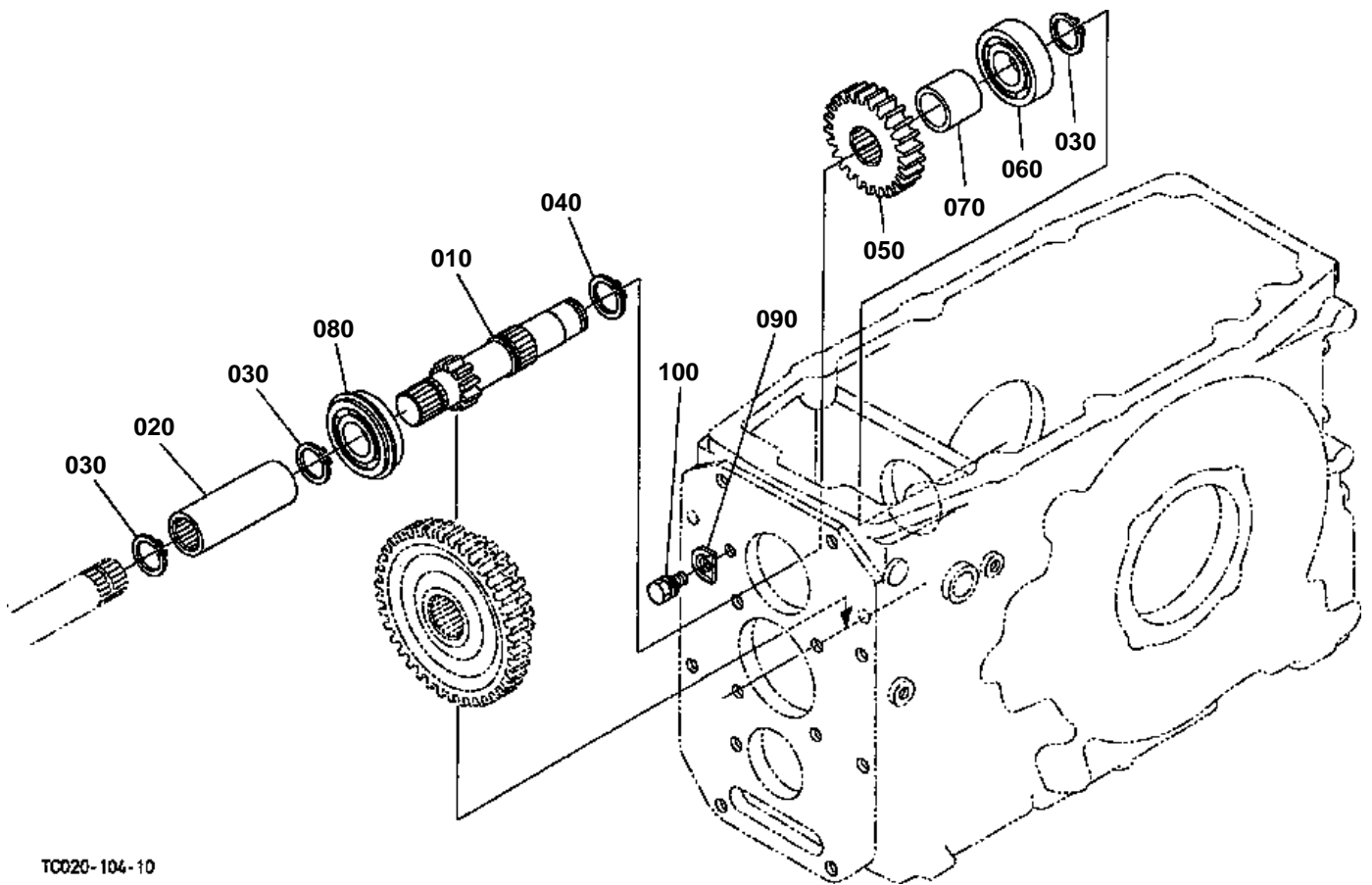


# REVERSE SHAFT

↔ Interchangeable; ≠ not interchangeable; ← new for old; → old for new

REF.No	Part No.	Description	Q'ty	S.No.	I/C	REMARKS	Weight (kgf)	Weight (lb)
010	37150-23110	SHAFT REVERSE	1				0.455	1.001
020	37150-23120	SCREW SET	1				0.02	0.044
030	04717-00800	WASHER WITH RUBBER	1				0.001	0.0022
050	31220-26360	BUSH	2				0.015	0.033

RANGE GEAR SHAFT



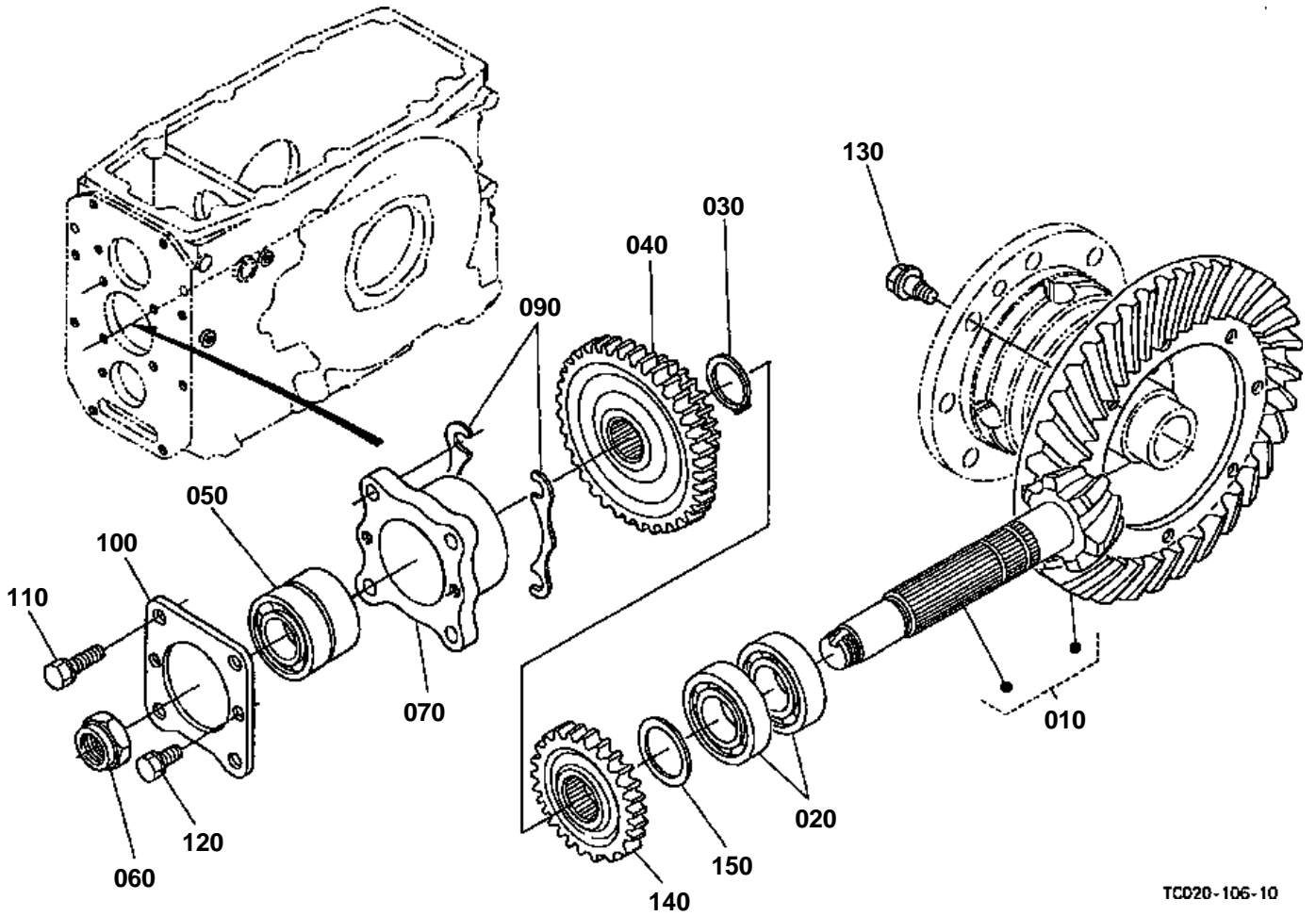
TC020-104-10



# RANGE GEAR SHAFT

↔ Interchangeable; ≠ not interchangeable; ← new for old; → old for new

REF.No	Part No.	Description	Q'ty	S.No.	I/C	REMARKS	Weight (kgf)	Weight (lb)
010	35010-21910	GEAR-SHAFT	1			10T	0.73	1.606
020	35110-21680	COUPLING	1				0.343	0.7546
030	37150-21551	CIR CLIP EXTERNAL	3				0.005	0.011
040	04612-00300	CIR CLIP EXTERNAL	1				0.003	0.0066
050	35010-21920	GEAR	1			25T	0.565	1.243
060	08101-06305	BEARING BALL	1				0.23	0.506
070	31361-21940	COLLAR	1				0.01	0.022
080	08151-06305	BEARING BALL	1				0.233	0.5126
090	34150-21942	RETAINER BEARING	1				0.035	0.077
100	01123-50820	BOLT	1				0.011	0.0242



TC020-106-10

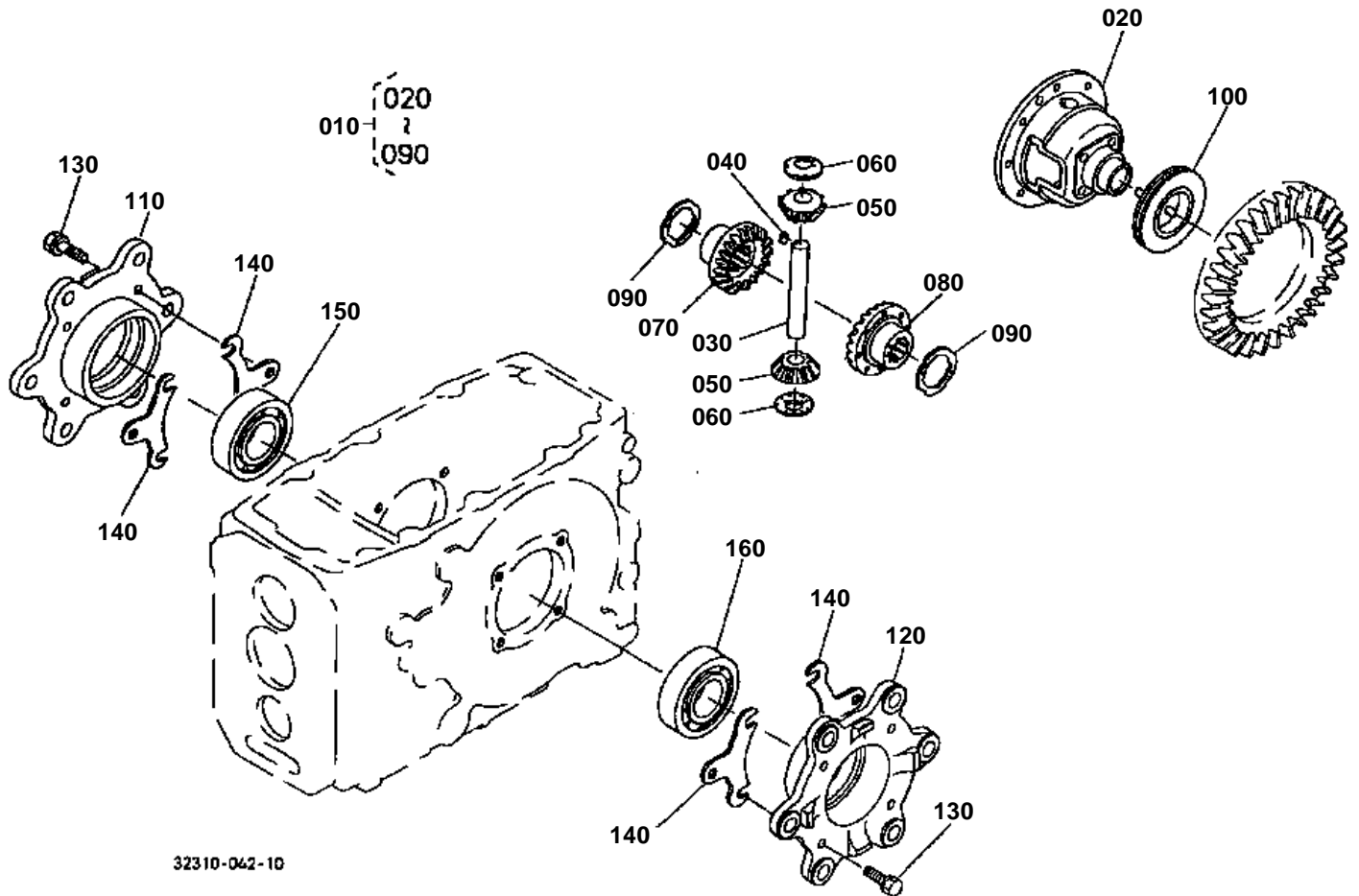


# SPIRAL BEVEL PINION

↔ Interchangeable; ≠ not interchangeable; ← new for old; → old for new

REF.No	Part No.	Description	Q'ty	S.No.	I/C	REMARKS	Weight (kgf)	Weight (lb)
010	35110-22100	ASSY GEAR SPIRAL	1			8-39T	5.3	11.66
020	08101-06306	BEARING BALL	2				0.335	0.737
030	04612-00300	CIR CLIP EXTERNAL	1				0.003	0.0066
040	35010-21950	GEAR	1			24-39T	1.245	2.739
050	38240-22140	BEARING TAPER-ROLLER	1				0.56	1.232
060	35260-23252	NUT	1				0.04	0.088
070	37300-22150	CASE BEARING	1				0.56	1.232
090	34150-22610	SHIM	2			0.5MM	0.01	0.022
090	34150-22620	SHIM	4			0.2MM	0.005	0.011
090	34150-22630	SHIM	2			0.1MM	0.005	0.011
100	34150-22170	COVER BEARING	1				0.16	0.352
110	01133-51035	BOLT	4				0.03	0.066
120	01123-50816	BOLT	2				0.011	0.0242
130	37800-43870	BOLT	8				0.026	0.0572
140	31363-44170	GEAR	1			24T	0.36	0.792
150	31363-44160	COLLAR	1				0.02	0.044

REAR DIFFERENTIAL





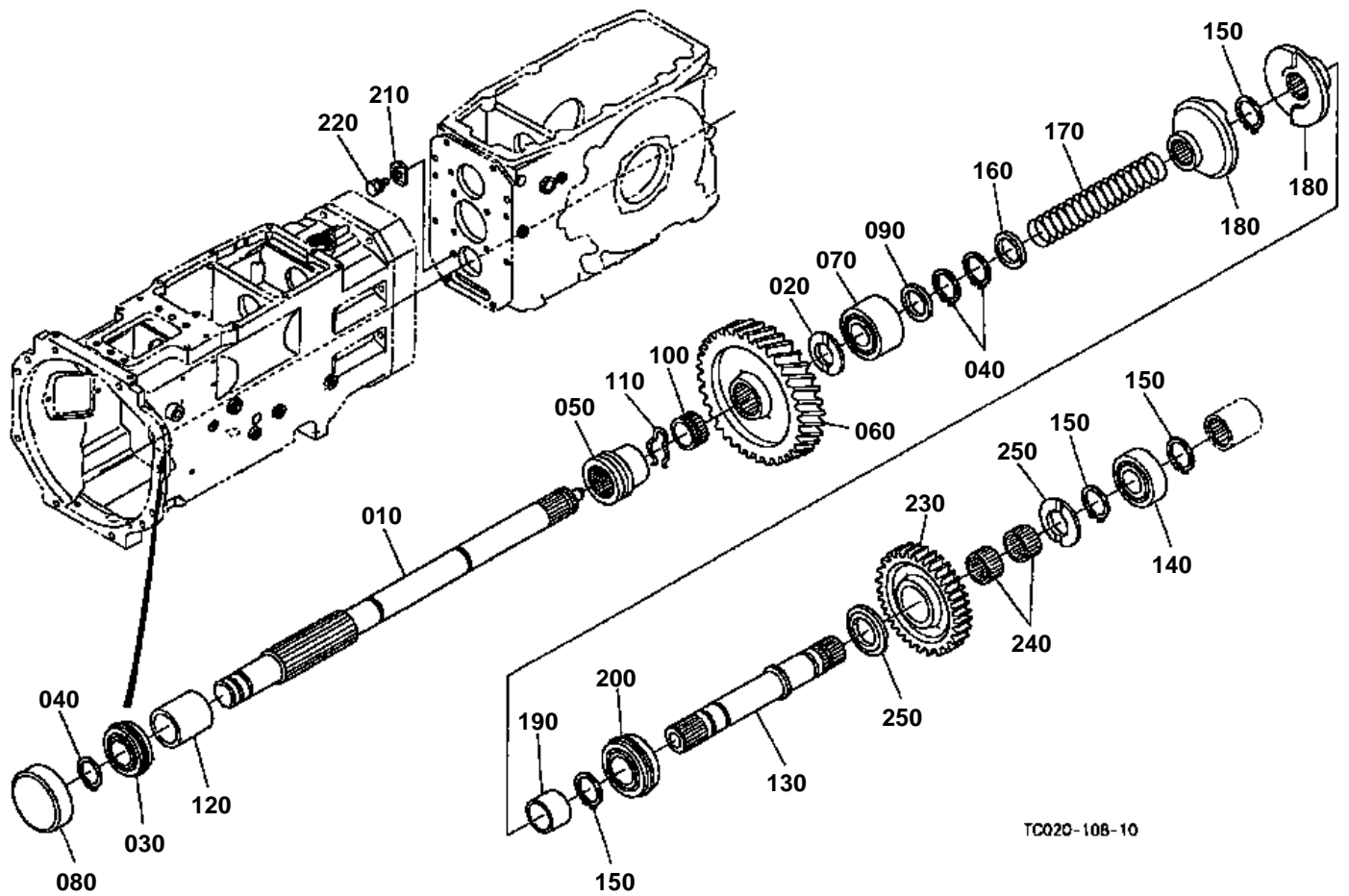
REAR DIFFERENTIAL

↔ Interchangeable; ≠ not interchangeable; ← new for old; → old for new

REF.No	Part No.	Description	Q'ty	S.No.	I/C	REMARKS	Weight (kgf)	Weight (lb)
010	31331-26100	ASSY DIFFERENTIAL	1				4.4	9.68
020	31331-26510	CASE DIFFERENTIAL	1				2.7	5.94
030	31331-26340	SHAFT DIFF.PINION	1				0.3	0.66
040	31220-26280	KEY FEATHER	1				0.005	0.011
050	35430-26350	PINION DIFF.	2				0.16	0.352
060	31351-26390	WASHER DIFF.PINION	2				0.012	0.0264
070	32580-43330	GEAR DIFF.SIDE	1				0.49	1.078
080	38180-26440	GEAR DIFF.SIDE LH	1				0.61	1.342
090	31331-26470	WASHER SIDE GEAR	2			1.5MM	0.005	0.011
090	31331-26480	WASHER SIDE GEAR	2			1.6MM	0.017	0.0374
090	31331-26490	WASHER SIDE GEAR	2			1.7MM	0.02	0.044
100	34150-26615	SHIFTER DIFF.LOCK	1				0.4	0.88
110	31331-26550	CASE DIFF.BEARING RH	1				1.59	3.498
120	31331-26560	CASE DIFF.BEARING LH	1				1.9	4.18
130	01133-51030	BOLT	8				0.025	0.055
140	37150-26160	SHIM	12			0.2MM	0.005	0.011
140	37150-26170	SHIM	8			0.1MM	0.005	0.011
140	37150-26180	SHIM	4			0.5MM	0.01	0.022
150	08101-06210	BEARING BALL	1				0.45	0.99
160	08101-06208	BEARING BALL	1				0.355	0.781



PTO COUNTERSHAFT



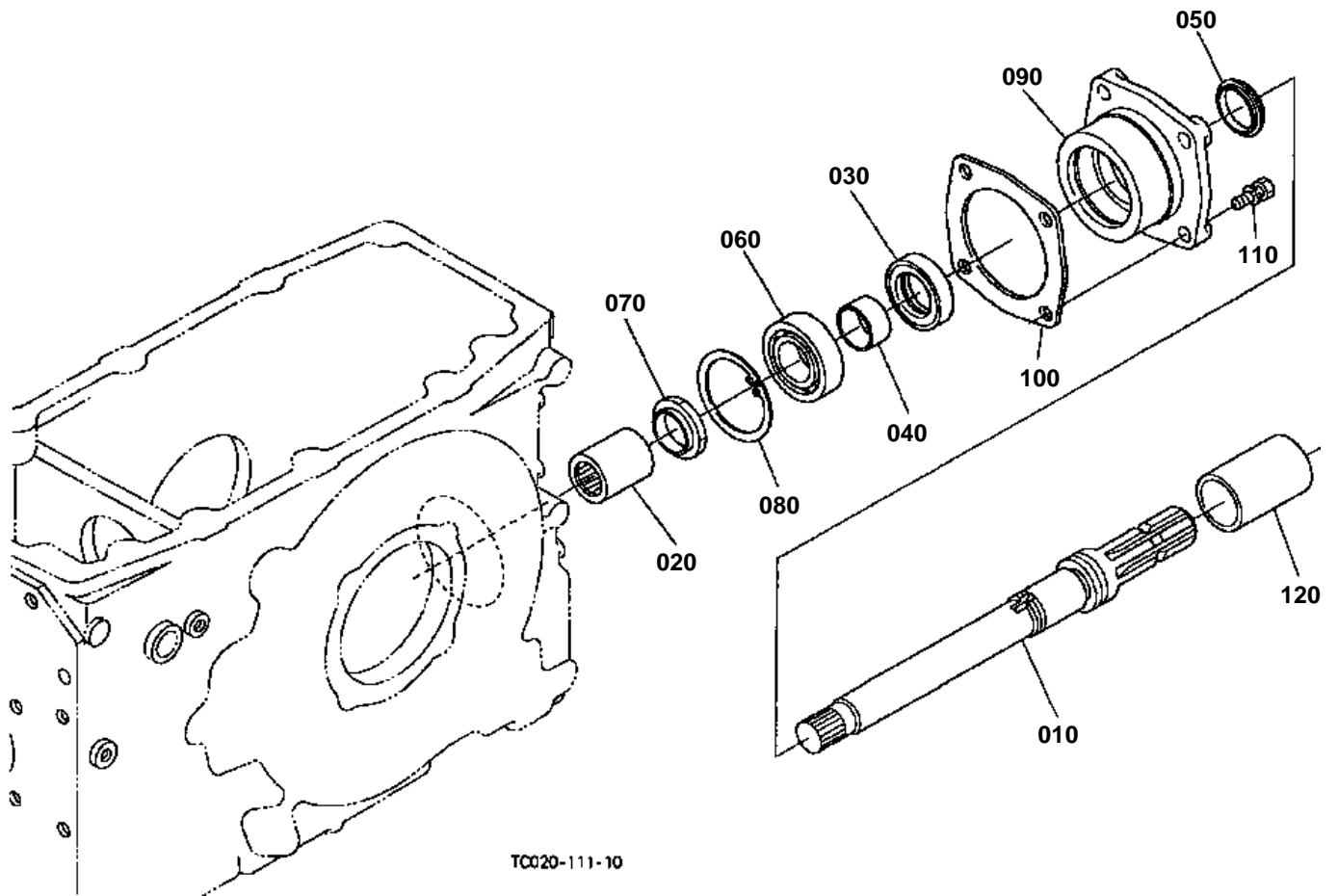
TC020-108-10



# PTO COUNTERSHAFT

↔ Interchangeable; ≠ not interchangeable; ← new for old; → old for new

REF.No	Part No.	Description	Q'ty	S.No.	I/C	REMARKS	Weight (kgf)	Weight (lb)
010	35170-25323	COUNTERSHAFT PTO	1				1.83	4.026
020	37150-21760	COLLAR THRUST	1				0.017	0.0374
030	08151-06205	BEARING BALL	1				0.131	0.2882
040	37150-21551	CIR CLIP EXTERNAL	3				0.005	0.011
050	32400-21730	SHIFTER	1				0.28	0.616
060	37150-21740	GEAR	1			45T	1.08	2.376
070	08240-00001	BEARING BALL	1				0.19	0.418
080	34150-21650	COVER BEARING	1				0.07	0.154
090	34150-21560	WASHER	1				0.01	0.022
100	37150-21750	BOSS SPLINE	1				0.088	0.1936
110	35340-21782	CIR-CLIP	1				0.007	0.0154
120	35110-21750	COLLAR	1				0.089	0.1958
130	35010-25210	SHAFT PTO DRIVE	1				0.72	1.584
140	08101-06205	BEARING BALL	1				0.14	0.308
150	37150-21551	CIR CLIP EXTERNAL	4				0.005	0.011
160	35200-25220	COLLAR	1				0.005	0.011
170	35200-25230	SPRING ONE-WAY	1				0.075	0.165
180	35200-25240	CAM CLUTCH	2				0.485	1.067
190	35200-25250	COLLAR	1				0.04	0.088
200	08151-06205	BEARING BALL	1				0.131	0.2882
210	34150-21942	RETAINER BEARING	1				0.035	0.077
220	01123-50820	BOLT	1				0.011	0.0242
230	31333-44180	GEAR	1			19-34T	0.8	1.76
240	08822-53114	BEARING NEEDLE	2				0.02	0.044
250	38240-21760	COLLAR THRUST	2				0.02	0.044



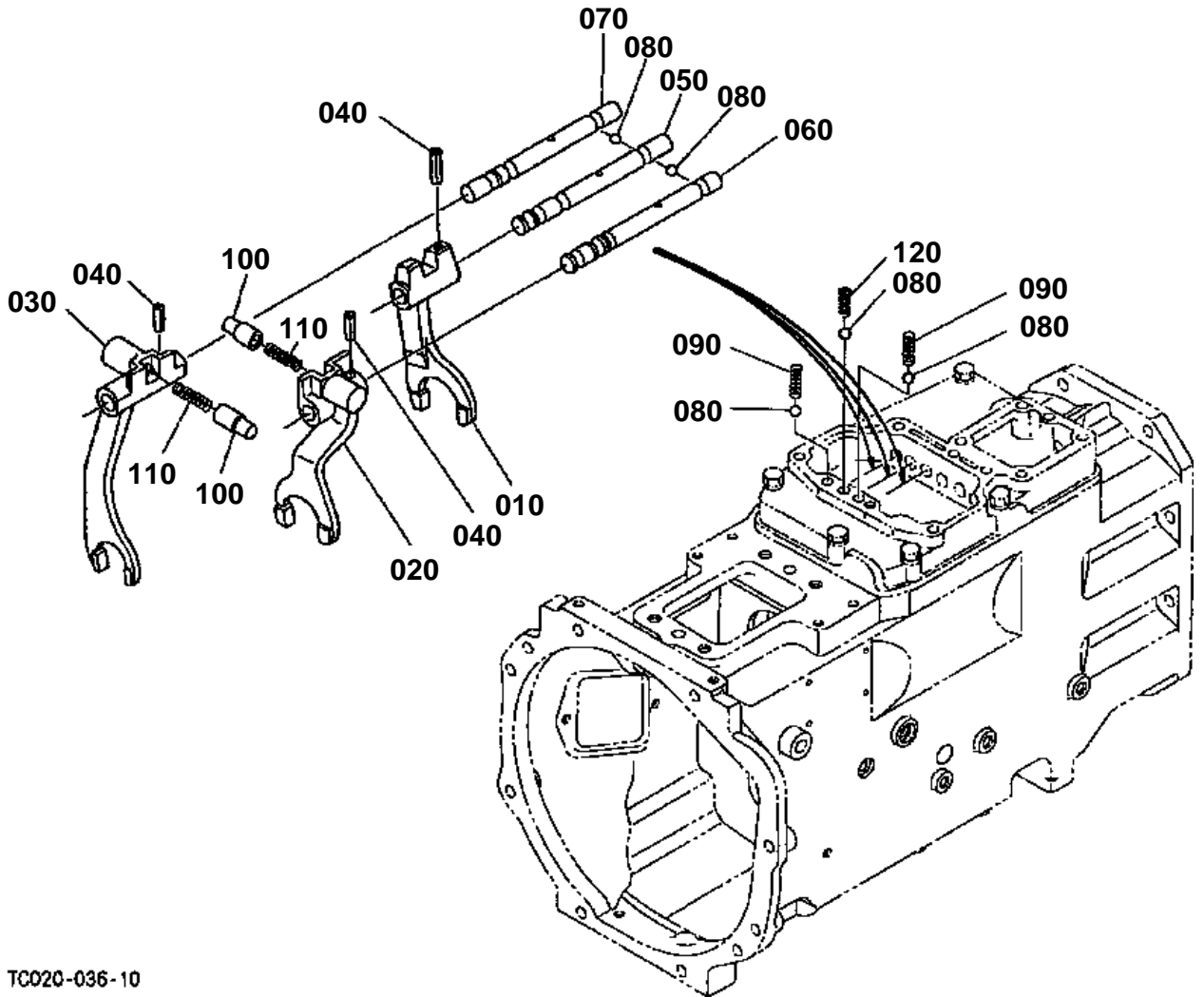


PTO SHAFT

↔ Interchangeable; ≠ not interchangeable; ← new for old; → old for new

REF.No	Part No.	Description	Q'ty	S.No.	I/C	REMARKS	Weight (kgf)	Weight (lb)
010	32420-25313	SHAFT PTO	1				1.94	4.268
020	37150-21682	COUPLING	1				0.24	0.528
030	37150-25360	SEAL OIL	1				0.025	0.055
040	37300-25350	COLLAR OIL SEAL	1				0.032	0.0704
050	38240-25370	SLINGER	1				0.004	0.0088
060	08101-06206	BEARING BALL	1				0.196	0.4312
070	34150-25320	NUT	1				0.03	0.066
080	04611-00620	CIR CLIP INTERNAL	1				0.011	0.0242
090	37150-25410	CASE BEARING	1				1.02	2.244
100	32448-99130	GASKET	1				0.005	0.011
110	01123-50822	BOLT	4				0.012	0.0264
120	31220-25820	CAP	1				0.055	0.121

MAIN GEAR SHIFT FORK



TCC20-036-10

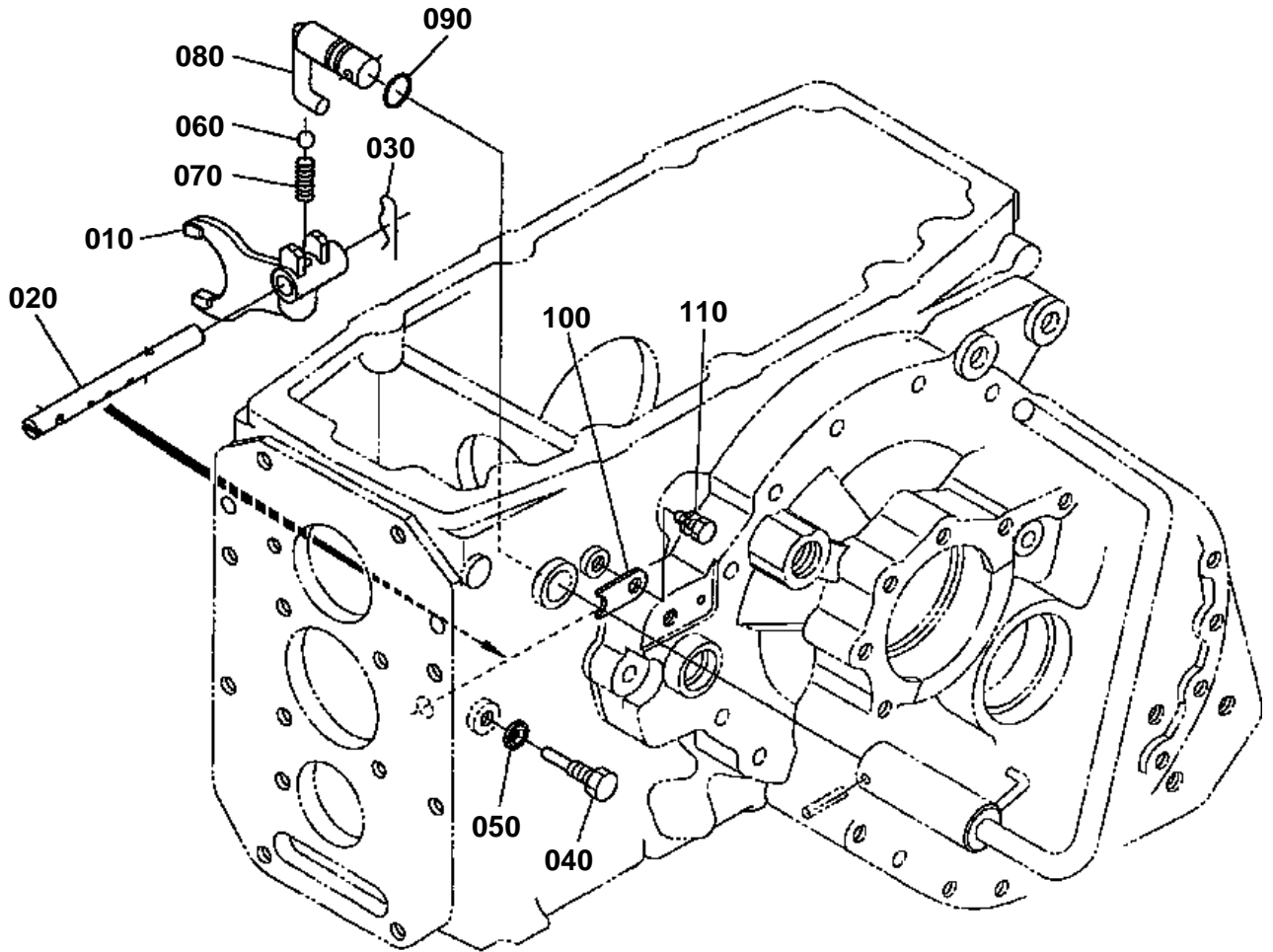


# MAIN GEAR SHIFT FORK

↔ Interchangeable; ≠ not interchangeable; ← new for old; → old for new

REF.No	Part No.	Description	Q'ty	S.No.	I/C	REMARKS	Weight (kgf)	Weight (lb)
010	35305-23510	FORK SHIFT	1				0.19	0.418
020	35305-23520	FORK SHIFT	1				0.28	0.616
030	35305-23532	FORK SHIFT	1				0	0
040	05411-00420	PIN SPRING	3				0.001	0.0022
050	37150-23540	ROD FORK	1				0.12	0.264
060	37150-23550	ROD FORK	1				0.12	0.264
070	37150-23570	ROD FORK	1				0.32	0.704
080	07715-01605	BALL	5				0.003	0.0066
090	62231-18530	SPRING	2				0.01	0.022
100	34150-23610	PIECE NEUTRAL	2				0.015	0.033
110	34150-23620	SPRING	2				0.003	0.0066
120	32530-23730	SPRING	1				0.001	0.0022

RANGE GEAR SHIFT FORK



TC020-038-10



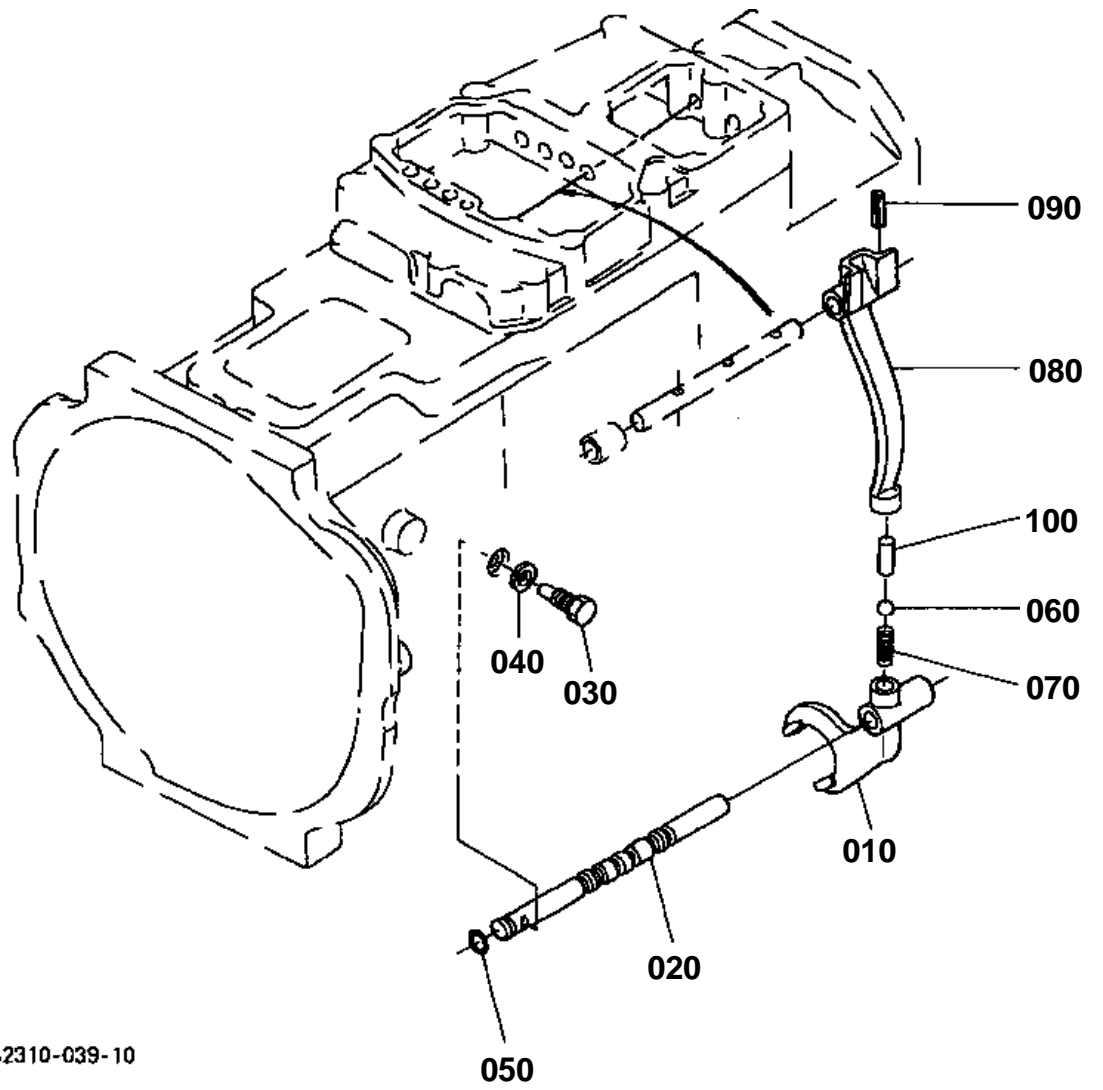
# RANGE GEAR SHIFT FORK

↔ Interchangeable; ≠ not interchangeable; ← new for old; → old for new

REF.No	Part No.	Description	Q'ty	S.No.	I/C	REMARKS	Weight (kgf)	Weight (lb)
010	35000-24110	FORK SHIFT	1				0.215	0.473
020	TC020-24130	ROD FORK	1				0	0
030	05515-61200	PIN SNAP	1				0.005	0.011
040	37150-23120	SCREW SET	1				0.02	0.044
050	04717-00800	WASHER WITH RUBBER	1				0.001	0.0022
060	07715-01605	BALL	1				0.003	0.0066
070	32530-23730	SPRING	1				0.001	0.0022
080	TC020-24310	LEVER RANGE SHIFT	1				0.144	0.3168
090	04811-00150	O RING	1				0.001	0.0022
100	TC020-24350	STOPPER LEVER	1				0.012	0.0264
110	01123-50816	BOLT	1				0.011	0.0242



PTO GEAR SHIFT FORK



32310-039-10

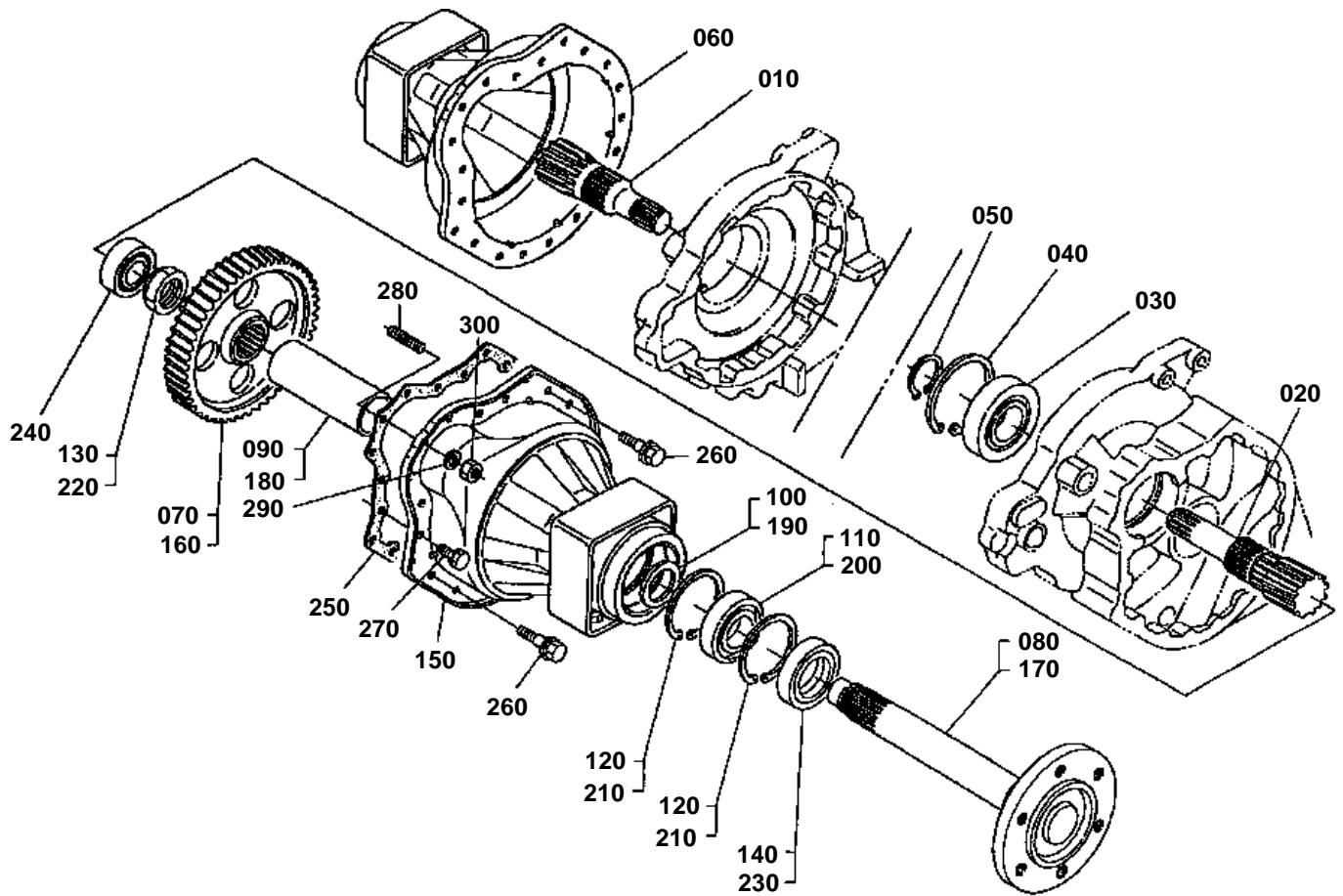


# PTO GEAR SHIFT FORK

↔ Interchangeable; ≠ not interchangeable; ← new for old; → old for new

REF.No	Part No.	Description	Q'ty	S.No.	I/C	REMARKS	Weight (kgf)	Weight (lb)
010	37150-24610	FORK SHIFT	1				0.21	0.462
020	37150-24630	SHAFT FORK	1				0.155	0.341
030	34150-24680	SCREW SET	1				0.015	0.033
040	04717-00800	WASHER WITH RUBBER	1				0.001	0.0022
050	04811-00090	O RING	1				0.001	0.0022
060	07715-01605	BALL	1				0.003	0.0066
070	62231-18530	SPRING	1				0.01	0.022
080	35170-24710	LEVER PTO	1				0.26	0.572
090	05411-00425	PIN SPRING	1				0.001	0.0022
100	34150-24690	PIN	1				0.02	0.044

REAR AXLE



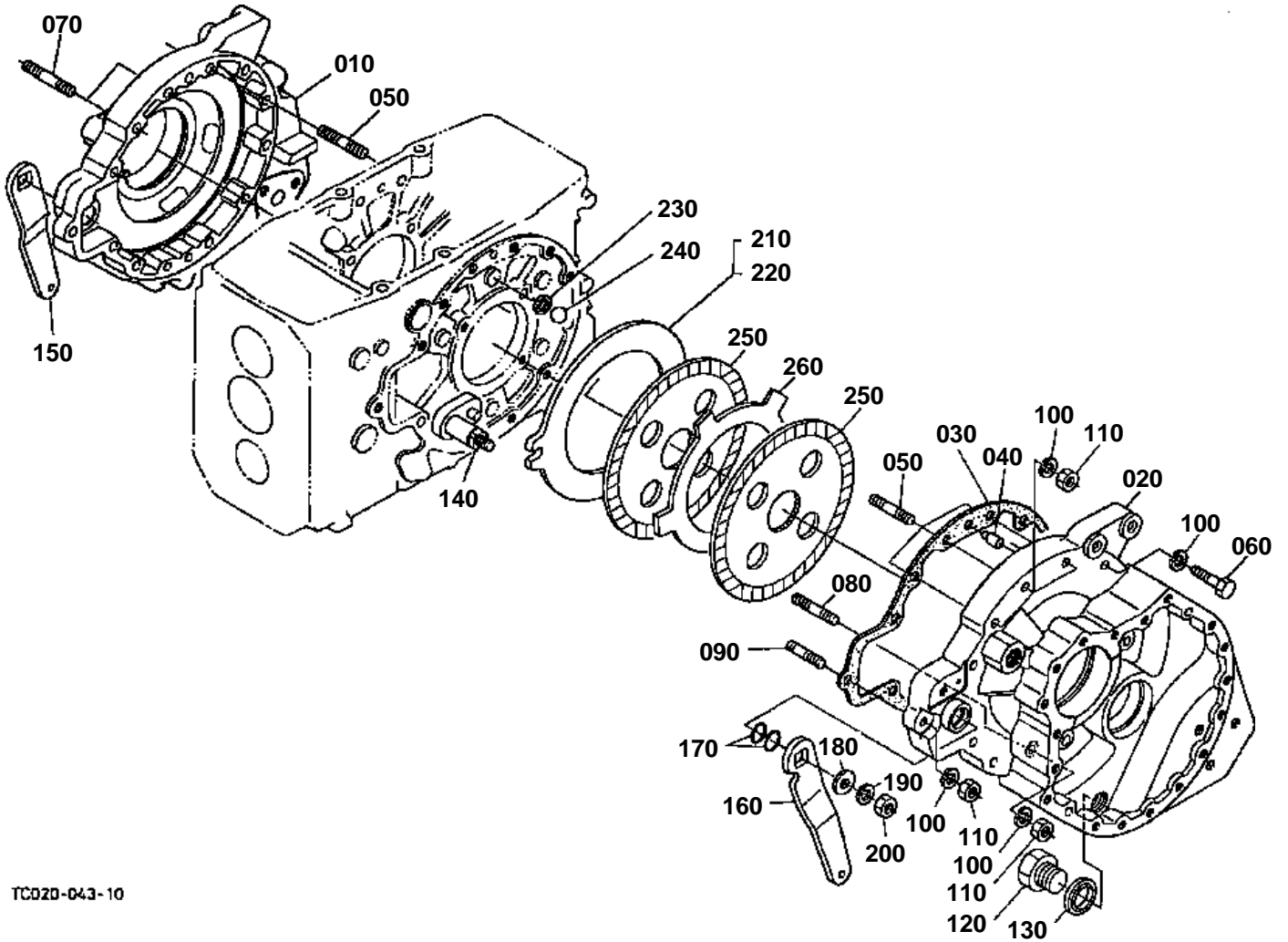
TC020-040-10



REAR AXLE

↔ Interchangeable; ≠ not interchangeable; ← new for old; → old for new

REF.No	Part No.	Description	Q'ty	S.No.	I/C	REMARKS	Weight (kgf)	Weight (lb)
010	31331-26713	SHAFT DIFF.GEAR RH	1				1.72	3.784
020	31331-26723	SHAFT DIFF.GEAR LH	1				1.945	4.279
030	08101-06309	BEARING BALL	2				0.82	1.804
040	04611-01000	CIR CLIP INTERNAL	2				0.042	0.0924
050	04612-00450	CIR CLIP EXTERNAL	2				0.007	0.0154
060	32400-27312	CASE AXLE RH	1				8.8	19.36
070	31331-26832	GEAR	1			53T	4.85	10.67
080	32400-27110	AXLE REAR	1				9.15	20.13
090	32400-27140	SPACER	1				0.93	2.046
100	T0030-27160	WASHER	1				0.008	0.0176
110	08101-06209	BEARING BALL	1				0.42	0.924
120	04611-00850	CIR CLIP INTERNAL	2				0.029	0.0638
130	70650-11380	NUT	1				0.11	0.242
140	37150-27560	SEAL OIL	1				0.14	0.308
150	32400-27332	CASE AXLE LH	1				8.9	19.58
160	31331-26832	GEAR	1			53T	4.85	10.67
170	32400-27110	AXLE REAR	1				9.15	20.13
180	32400-27140	SPACER	1				0.93	2.046
190	T0030-27160	WASHER	1				0.008	0.0176
200	08101-06209	BEARING BALL	1				0.42	0.924
210	04611-00850	CIR CLIP INTERNAL	2				0.029	0.0638
220	70650-11380	NUT	1				0.11	0.242
230	37150-27560	SEAL OIL	1				0.14	0.308
240	08101-06306	BEARING BALL	2				0.335	0.737
250	TC020-27350	GASKET AXLE CASE	2				0.021	0.0462
260	31351-27392	BOLT REAMER	4				0.03	0.066
270	01133-51020	BOLT	32				0.02	0.044
280	01517-51016	STUD	4				0.06	0.132
290	04512-50100	WASHER SPRING	4				0	0
300	02176-50100	NUT	4				0.005	0.011



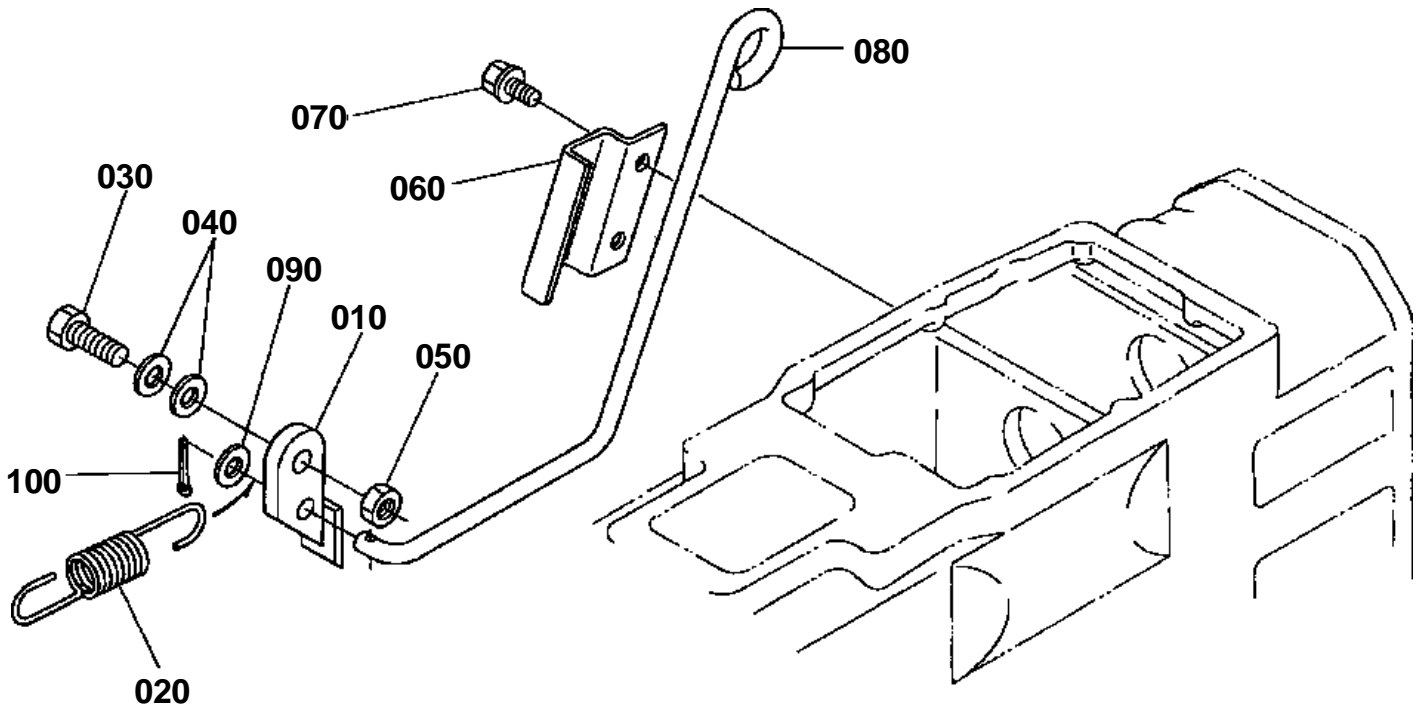
TC020-043-10

**BRAKE**

↔ Interchangeable; ≠ not interchangeable; ← new for old; → old for new

REF.No	Part No.	Description	Q'ty	S.No.	I/C	REMARKS	Weight (kgf)	Weight (lb)
010	31341-28135	CASE BRAKE RH	1				15.4	33.88
020	TC020-28150	CASE BRAKE LH	1				15.2	33.44
030	32425-28160	GASKET	2				0.02	0.044
040	37150-27370	PIN STRAIGHT	4				0.009	0.0198
050	37150-27350	STUD	4				0.06	0.132
060	01173-51260	BOLT	10				0.06	0.132
070	31339-23150	STUD	2				0.715	1.573
080	01574-61260	STUD	8				0.05	0.11
090	01574-61235	STUD	2				0.04	0.088
100	04512-50120	WASHER SPRING	26				0.003	0.0066
110	02176-50120	NUT	16				0.01	0.022
120	06331-35012	PLUG	2				0.022	0.0484
130	04717-01200	WASHER WITH RUBBER	2				0.002	0.0044
140	31351-28210	CAM BRAKE	2				0.35	0.77
150	37150-28224	LEVER BRAKE CAM RH	1				0.32	0.704
160	37150-28234	LEVER BRAKE CAM LH	1				0.3	0.66
170	04811-00220	O RING	4				0.001	0.0022
180	04015-50120	WASHER PLAIN	2				0	0
190	04512-50120	WASHER SPRING	2				0.003	0.0066
200	02174-50120	NUT	2				0.01	0.022
210	37150-28240	PLATE CAM LH	1				1.13	2.486
220	37150-28270	PLATE CAM RH	1				1.08	2.376
230	37150-28250	SEAT BALL	12				0.003	0.0066
240	07715-00805	BALL	12				0.016	0.0352
250	T1060-28200	DISK BRAKE MAIN	4				0.75	1.65
260	37720-28170	PLATE	2				0.422	0.9284

HAND BRAKE



32310-052-10



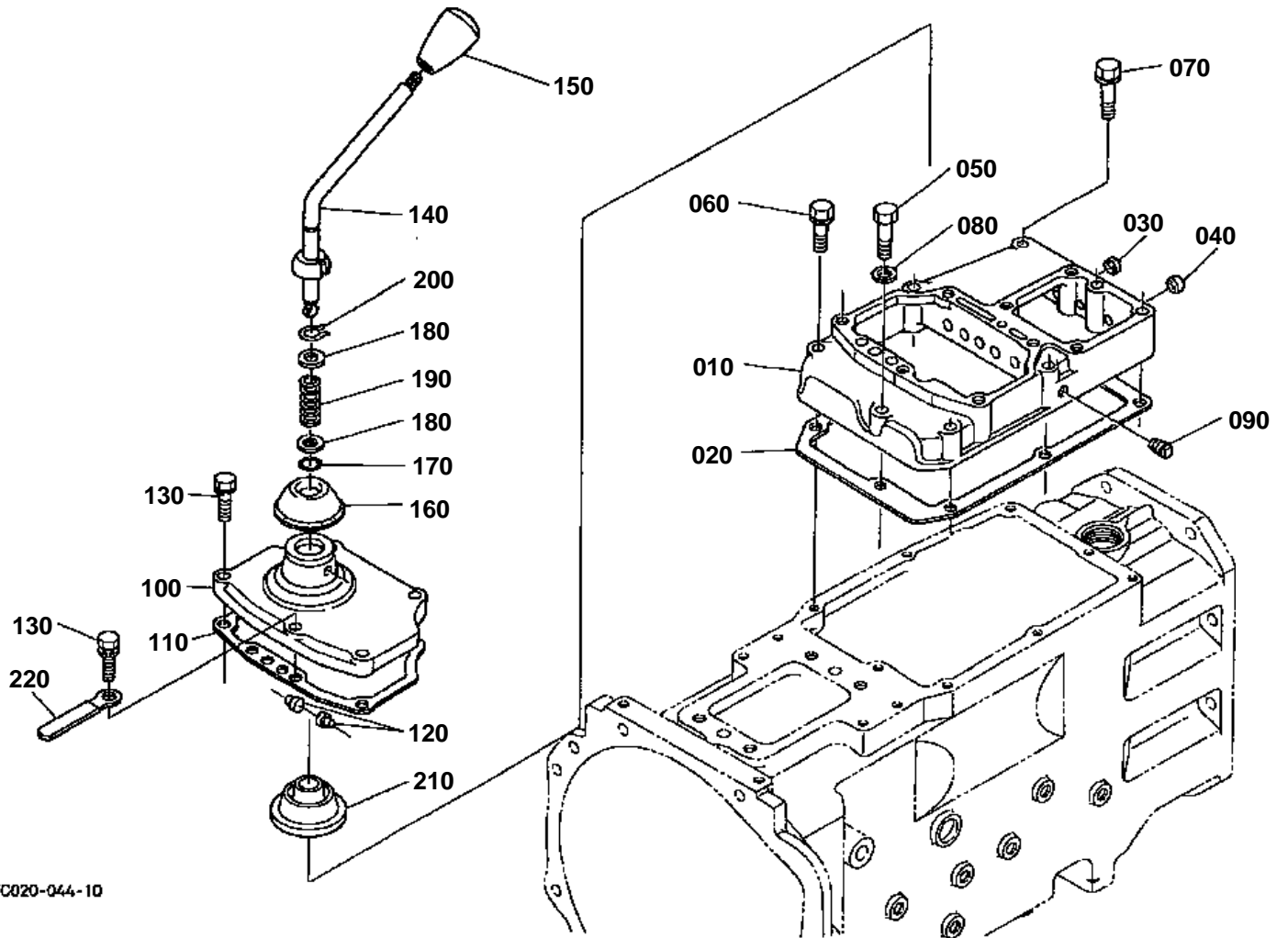
# HAND BRAKE

↔ Interchangeable; ≠ not interchangeable; ← new for old; → old for new

REF.No	Part No.	Description	Q'ty	S.No.	I/C	REMARKS	Weight (kgf)	Weight (lb)
010	34150-28810	RATCHET	1				0.045	0.099
020	37150-28850	SPRING	1				0.005	0.011
030	34150-28820	BOLT	1				0.04	0.088
040	04011-50120	WASHER PLAIN	2				0.005	0.011
050	02174-50120	NUT	1				0.01	0.022
060	34150-28880	GUIDE RATCHET	1				0.04	0.088
070	01754-50812	BOLT FLANGE	2				0.01	0.022
080	32330-28870	ROD RATCHET	1				0.085	0.187
090	04012-50060	WASHER PLAIN	1				0.001	0.0022
100	05511-50212	PIN SPLIT	1				0.001	0.0022



MAIN GEAR SHIFT LEVER



TC020-044-10

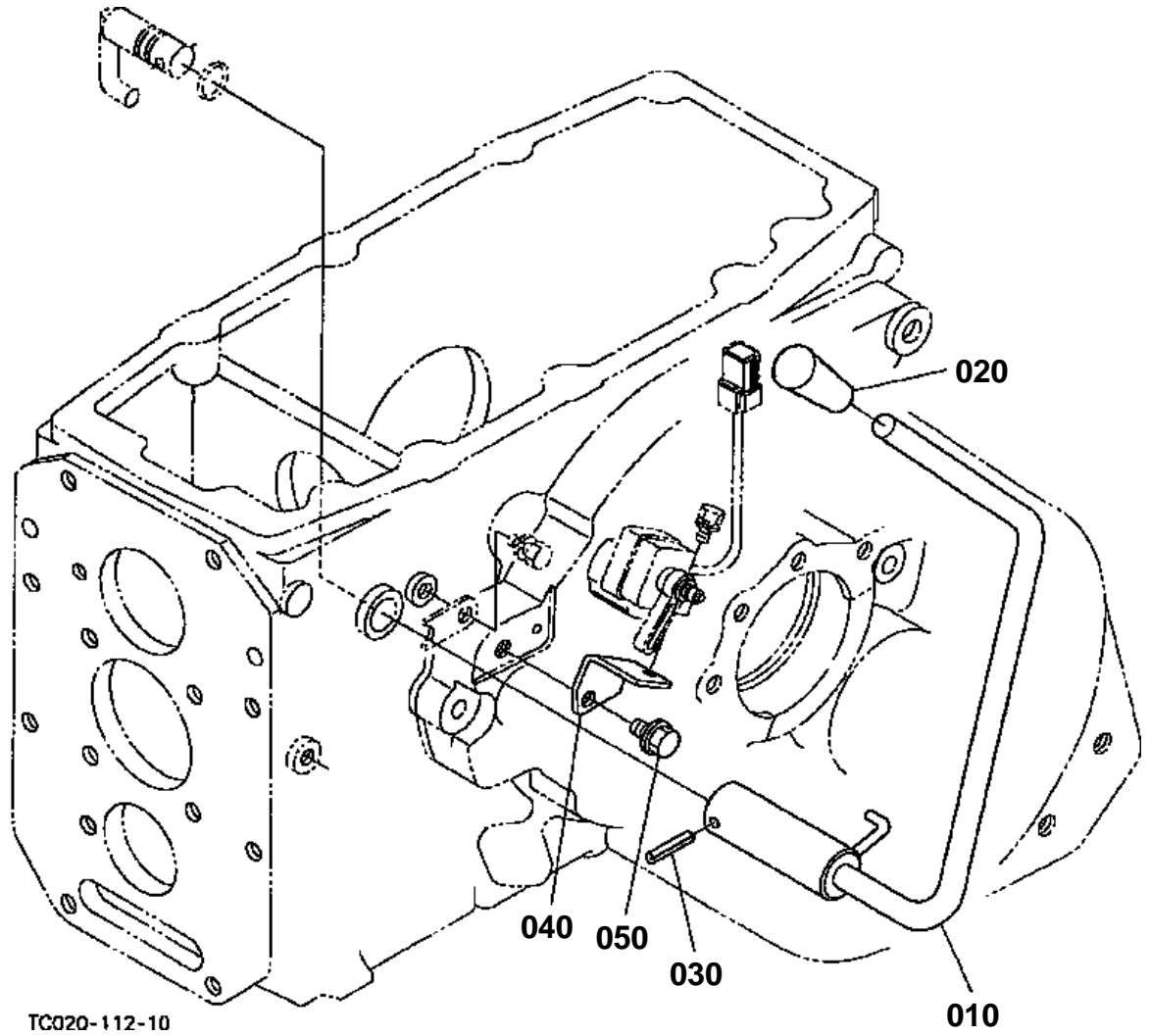


## MAIN GEAR SHIFT LEVER

↔ Interchangeable; ≠ not interchangeable; ← new for old; → old for new

REF.No	Part No.	Description	Q'ty	S.No.	I/C	REMARKS	Weight (kgf)	Weight (lb)
010	37150-21210	COVER SHIFT	1				1.14	2.508
020	35394-59140	GASKET	1				0.01	0.022
030	34150-21250	PLUG	5				0.002	0.0044
040	31393-75420	PLUG	1				0.001	0.0022
050	01153-50840	BOLT	1				0.018	0.0396
060	01123-50840	BOLT	2				0.018	0.0396
070	01123-50850	BOLT	3				0.02	0.044
080	04717-00800	WASHER WITH RUBBER	1				0.001	0.0022
090	06312-10010	PLUG	2				0.007	0.0154
100	35340-23710	BRACKET GEAR SHIFT	1				1.46	3.212
110	35394-23720	GASKET	1				0.005	0.011
120	34150-23740	PIN SET	2				0.002	0.0044
130	01123-50832	BOLT	5				0.016	0.0352
140	TC020-23810	LEVER MAIN SHIFT	1				0	0
150	TA040-15480	GRIP LEVER	1				0.053	0.1166
160	34150-23940	SHIELD LEVER	1				0.025	0.055
170	04811-00120	O RING	1				0.001	0.0022
180	32240-23950	WASHER	2				0.002	0.0044
190	32240-23920	SPRING	1				0.007	0.0154
200	31220-23930	CIR CLIP EXTERNAL	1				0.001	0.0022
210	T0270-23870	SHIELD	1				0.018	0.0396
220	13816-67580	CLAMP CORD	1				0.004	0.0088

RANGE GEAR SHIFT LEVER



TC020-112-10

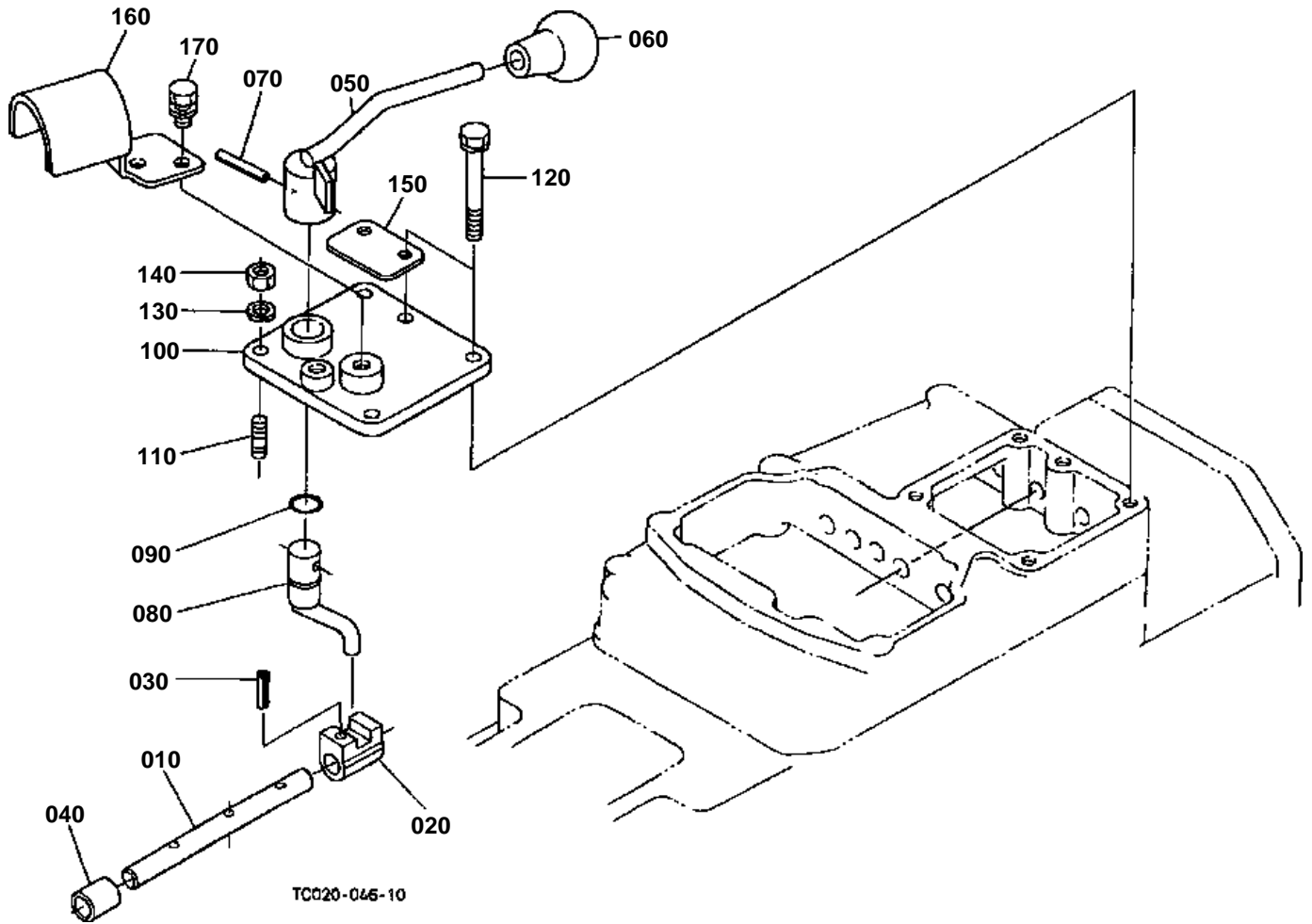


# RANGE GEAR SHIFT LEVER

↔ Interchangeable; ≠ not interchangeable; ← new for old; → old for new

REF.No	Part No.	Description	Q'ty	S.No.	I/C	REMARKS	Weight (kgf)	Weight (lb)
010	TC020-24430	LEVER RANGE SHIFT	1				0.925	2.035
020	TC020-24560	GRIP LEVER	1				0.016	0.0352
030	05411-00632	PIN SPRING	1				0.004	0.0088
040	TC020-43570	STAY RANGE SWITCH	1				0.06	0.132
050	01774-51016	BOLT FLANGE	1				0.02	0.044

PTO GEAR SHIFT LEVER



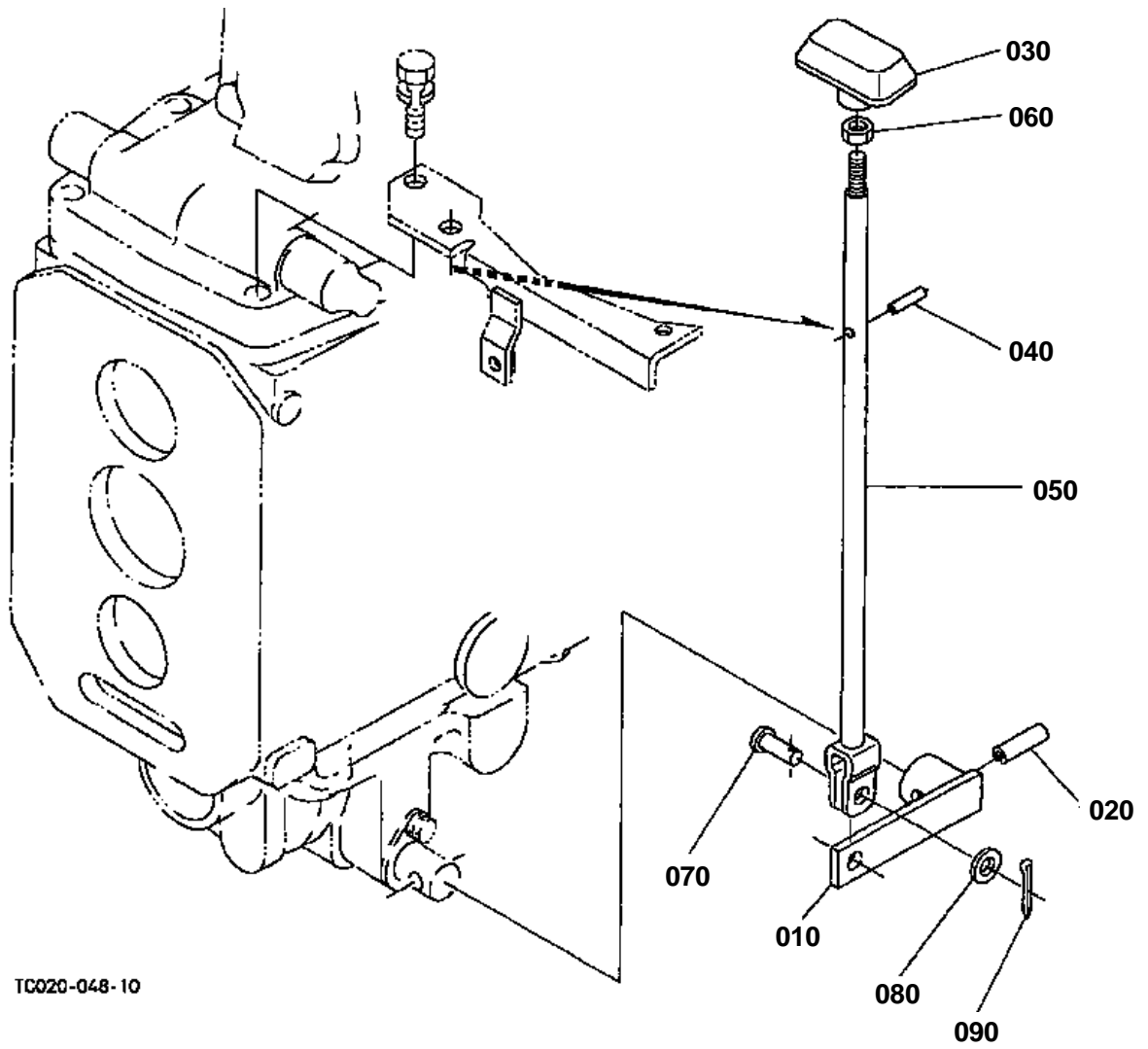


## PTO GEAR SHIFT LEVER

↔ Interchangeable; ≠ not interchangeable; ← new for old; → old for new

REF.No	Part No.	Description	Q'ty	S.No.	I/C	REMARKS	Weight (kgf)	Weight (lb)
010	35260-24760	ROD PTO FORK	1				0.15	0.33
020	35260-24770	HOLDER PTO S-CHANGE	1				0.05	0.11
030	05411-00425	PIN SPRING	1				0.001	0.0022
040	32400-24780	COLLAR	1				0.02	0.044
050	32330-24850	LEVER PTO	1				0.21	0.462
060	32751-24930	GRIP LEVER	1				0.04	0.088
070	05411-00632	PIN SPRING	1				0.004	0.0088
080	35260-24860	LEVER PTO SHIFT	1				0.105	0.231
090	04811-00150	O RING	1				0.001	0.0022
100	32330-24830	COVER HOUSING	1				0.47	1.034
110	01513-50818	STUD	3				0.009	0.0198
120	01123-50865	BOLT	2				0.028	0.0616
130	04512-50080	WASHER SPRING	3				0.001	0.0022
140	02114-50080	NUT	3				0.005	0.011
150	32400-65200	PLATE PTO LABEL	1				0.02	0.044
160	32330-46210	BRACKET PTO SWITCH	1				0.185	0.407
170	01123-50814	BOLT	2				0	0

FRONT WHEEL DRIVE LEVER



TC020-048-10



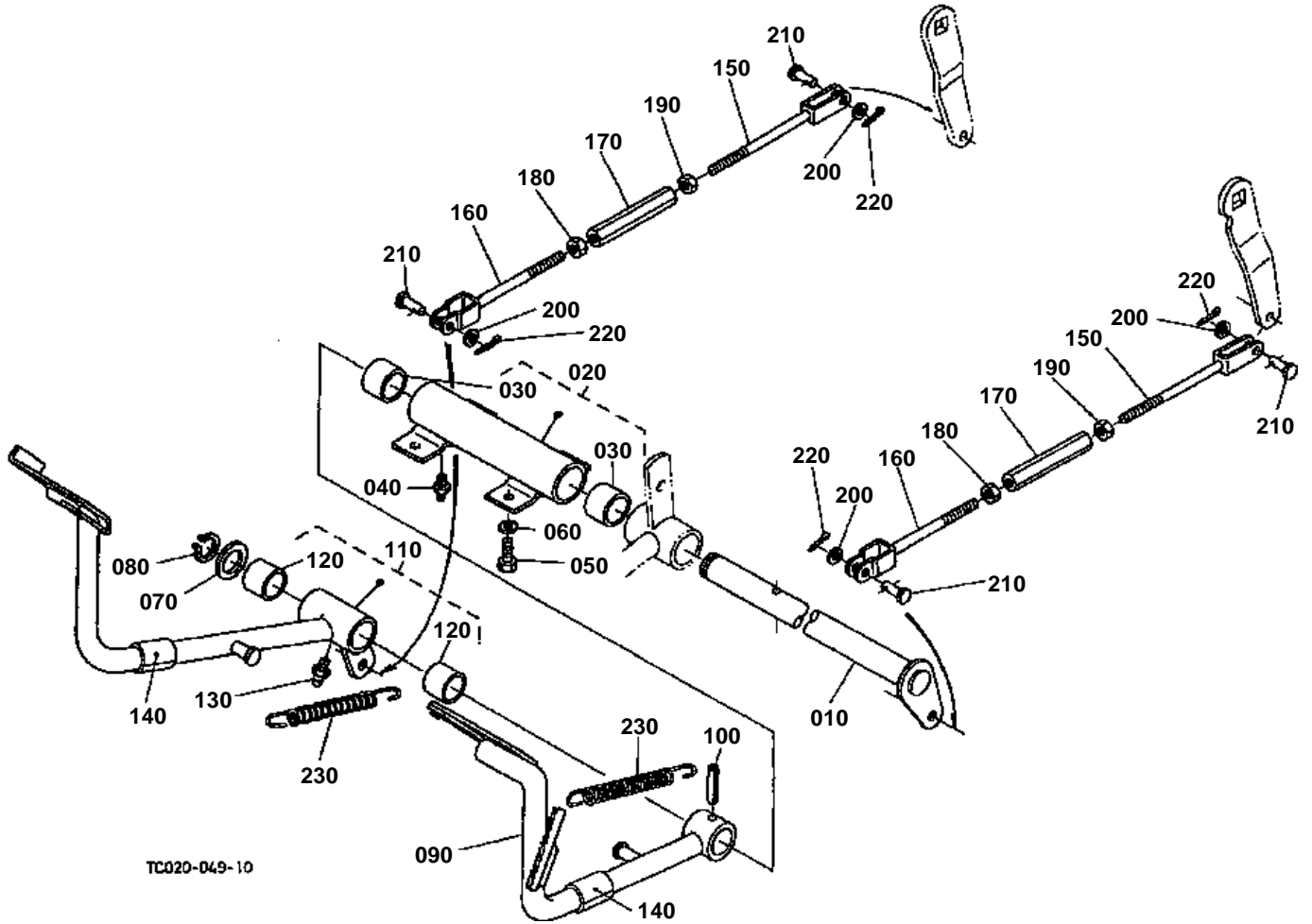
# FRONT WHEEL DRIVE LEVER

↔ Interchangeable; ≠ not interchangeable; ← new for old; → old for new

REF.No	Part No.	Description	Q'ty	S.No.	I/C	REMARKS	Weight (kgf)	Weight (lb)
010	35010-44360	LEVER CHANGE	1				0.2	0.44
020	05411-00625	PIN SPRING	1				0.004	0.0088
030	3A121-41450	GRIP LEVER	1				0.035	0.077
040	05411-00425	PIN SPRING	1				0.001	0.0022
050	TC020-44400	LEVER	1				0	0
060	02116-50100	NUT	1				0.004	0.0088
070	05122-51022	PIN JOINT	1				0.014	0.0308
080	04013-50100	WASHER PLAIN	1				0	0
090	05511-50318	PIN SPLIT	1				0.001	0.0022



BRAKE PEDAL



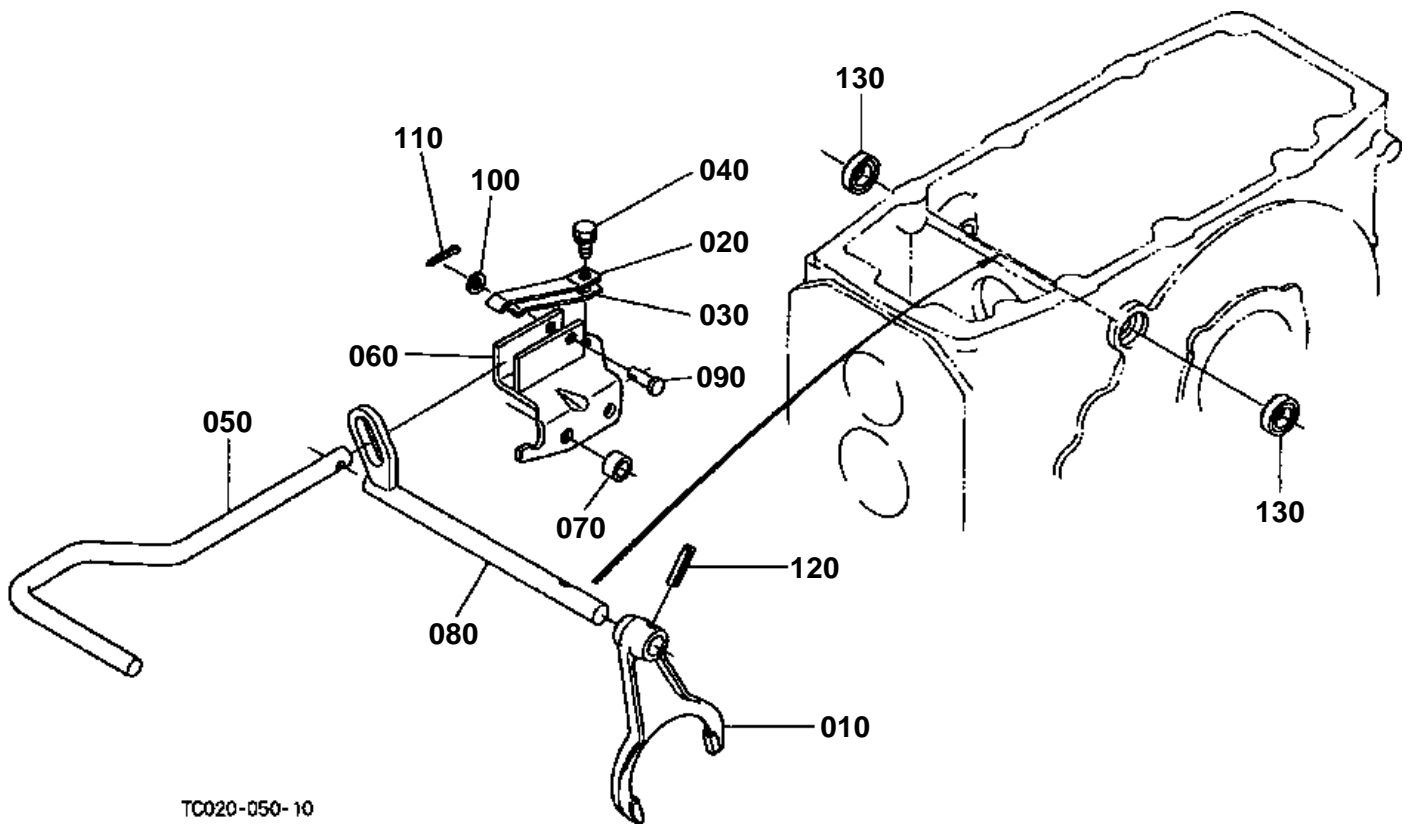


## BRAKE PEDAL

↔ Interchangeable; ≠ not interchangeable; ← new for old; → old for new

REF.No	Part No.	Description	Q'ty	S.No.	I/C	REMARKS	Weight (kgf)	Weight (lb)
010	37150-28410	SHAFT BRAKE PEDAL	1				1.43	3.146
020	37150-28420	SUPPORT PEDAL SHAFT	1				0.95	2.09
030	34150-28430	BUSH	2				0.04	0.088
040	06613-10675	NIPPLE GREASE	1				0.003	0.0066
050	01173-51018	BOLT	4				0.018	0.0396
060	04512-50100	WASHER SPRING	4				0	0
070	32150-28460	COLLAR	1				0.007	0.0154
080	04612-00250	CIR CLIP EXTERNAL	1				0.002	0.0044
090	35260-28610	PEDAL BRAKE LH	1				1.36	2.992
100	05411-00840	PIN SPRING	1				0.008	0.0176
110	35260-28620	PEDAL BRAKE RH	1				1.34	2.948
120	34150-28430	BUSH	2				0.04	0.088
130	06613-10675	NIPPLE GREASE	1				0.003	0.0066
140	32400-15830	CUSHION	2				0.005	0.011
150	35110-28930	ROD BRAKE	2				0.165	0.363
160	37720-28940	ROD BRAKE	2				0.2	0.44
170	37720-28980	TURNBUCKLE	2				0.099	0.2178
180	37720-28990	NUT	2				0.008	0.0176
190	02172-50120	NUT	2				0.01	0.022
200	04012-50080	WASHER PLAIN	4				0.001	0.0022
210	05112-50822	PIN JOINT	4				0.01	0.022
220	05511-50215	PIN SPLIT	4				0.001	0.0022
230	37150-15840	SPRING	2				0.06	0.132

DIFFERENTIAL LOCK PEDAL



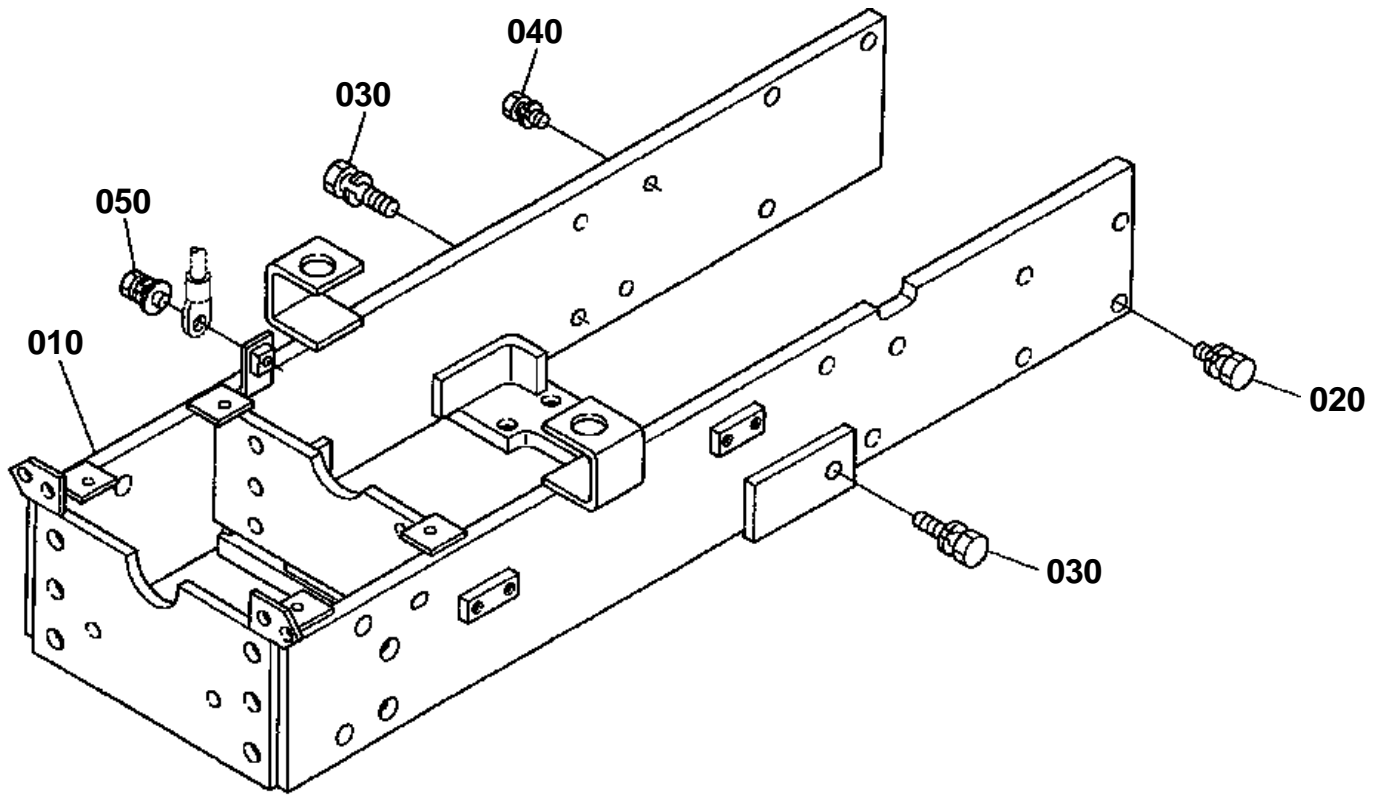


# DIFFERENTIAL LOCK PEDAL

↔ Interchangeable; ≠ not interchangeable; ← new for old; → old for new

REF.No	Part No.	Description	Q'ty	S.No.	I/C	REMARKS	Weight (kgf)	Weight (lb)
010	37150-26630	FORK DIFF.LOCK SHIFT	1				0.375	0.825
020	37150-26643	SPRING	1				0.033	0.0726
030	37150-26660	SPRING	1				0.025	0.055
040	01123-50820	BOLT	1				0.011	0.0242
050	37300-26650	PEDAL DIFF.LOCK	1				0.635	1.397
060	32400-26670	BRACKET PEDAL	1				0.63	1.386
070	TC020-26590	SPACER	2				0	0
080	35211-26680	CAM DIFF.LOCK	1				0.567	1.2474
090	05122-50835	PIN JOINT	1				0.015	0.033
100	04012-50080	WASHER PLAIN	1				0.001	0.0022
110	05511-50215	PIN SPLIT	1				0.001	0.0022
120	05411-00630	PIN SPRING	1				0.004	0.0088
130	09500-16287	SEAL OIL	2				0.01	0.022

FRONT AXLE FRAME



TC020-054-10

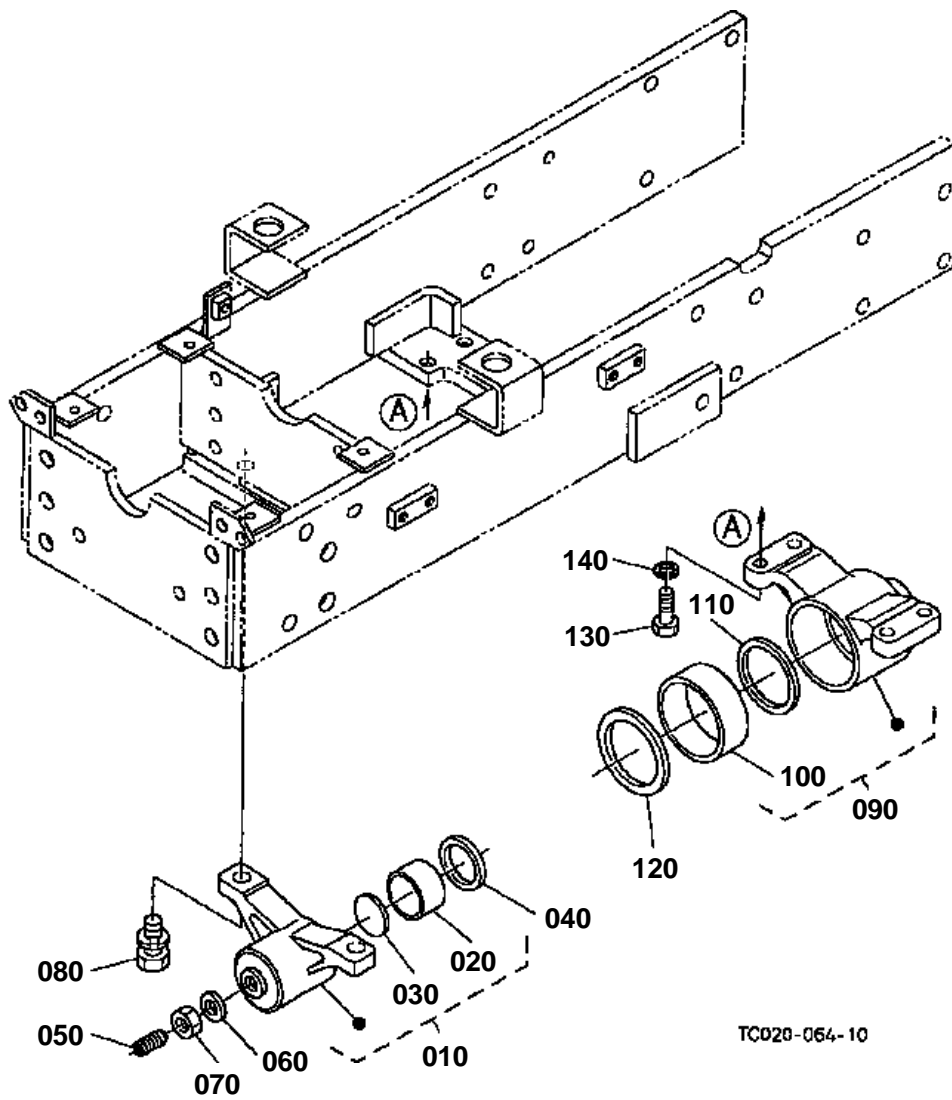


# FRONT AXLE FRAME

↔ Interchangeable; ≠ not interchangeable; ← new for old; → old for new

REF.No	Part No.	Description	Q'ty	S.No.	I/C	REMARKS	Weight (kgf)	Weight (lb)
010	TC010-44710	COMP.FRAME F-AXLE	1				0	0
020	01138-51235	BOLT	12				0.21	0.462
030	01138-51245	BOLT	2				0.051	0.1122
040	01138-51030	BOLT	1				0	0
050	01135-61020	BOLT	1				0.015	0.033

FRONT AXLE BRACKET





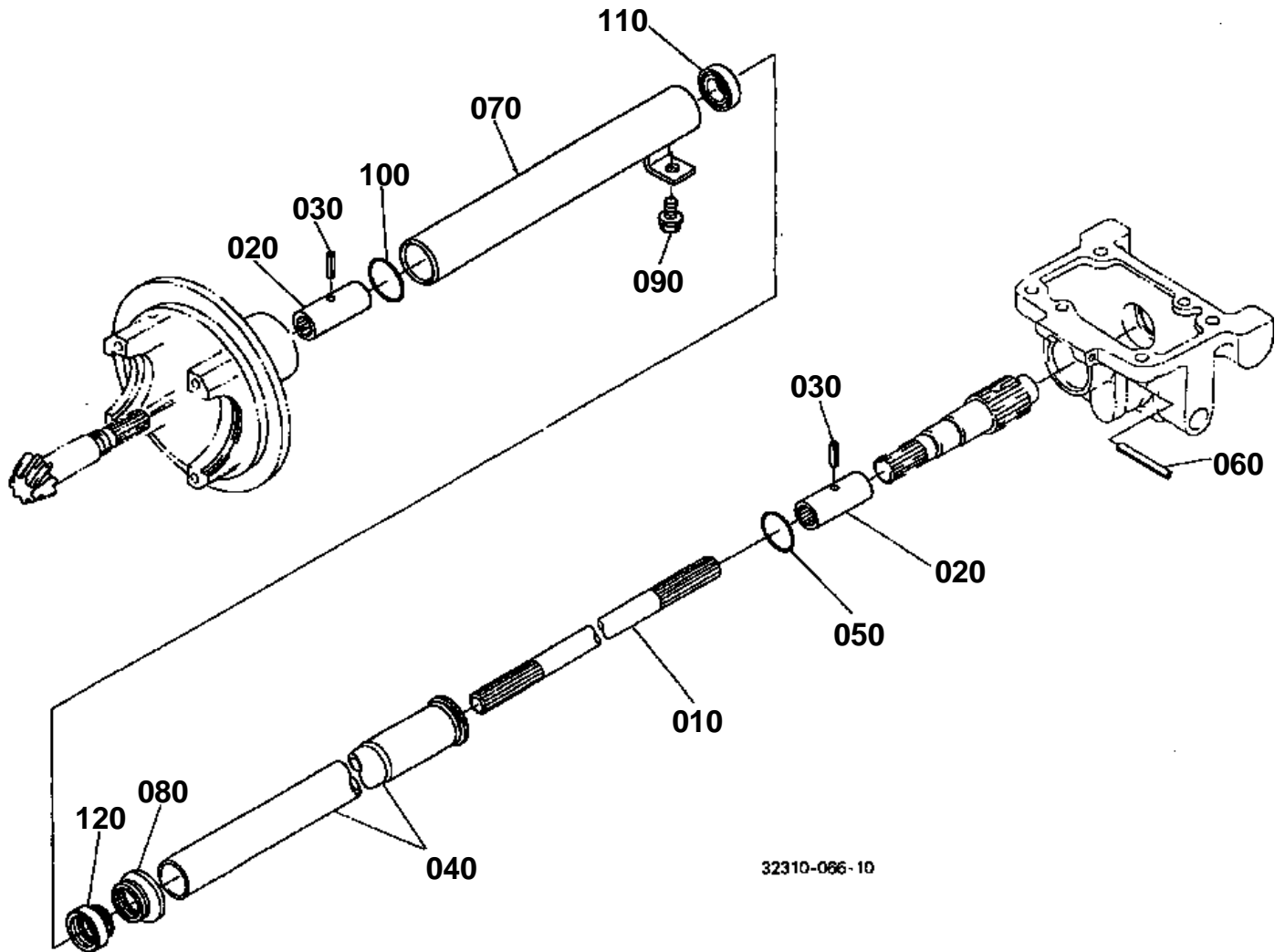
# FRONT AXLE BRACKET

↔ Interchangeable; ≠ not interchangeable; ← new for old; → old for new

REF.No	Part No.	Description	Q'ty	S.No.	I/C	REMARKS	Weight (kgf)	Weight (lb)
010	31353-44700	ASSY BRACKET F-AXLE	1				1.065	2.343
020	08511-03525	BUSH	1				0.006	0.0132
030	38440-44674	COLLAR	1				0.03	0.066
040	38440-44830	SEAL OIL	1				0.005	0.011
050	32400-44760	SET BOLT	1				0.015	0.033
060	31353-44770	WASHER SEAL	1				0.005	0.011
070	02172-50120	NUT	1				0.01	0.022
080	01133-51435	BOLT	2				0	0
090	37970-44800	ASSY BRACKET F-AXLE	1				1.86	4.092
100	38440-44630	BUSH	1				0.1	0.22
110	31353-44830	COLLAR THRUST	1				0.03	0.066
120	38440-44820	SEAL OIL	1				0.01	0.022
130	38240-13180	BOLT REAMER	4				0.04	0.088
140	04512-50120	WASHER SPRING	4				0.003	0.0066



PROPELLER SHAFT



32310-066-10



# PROPELLER SHAFT

↔ Interchangeable; ≠ not interchangeable; ← new for old; → old for new

REF.No	Part No.	Description	Q'ty	S.No.	I/C	REMARKS	Weight (kgf)	Weight (lb)
010	32400-44520	SHAFT PROPELLER	1				2.4	5.28
020	T0070-14710	COUPLING	2				0.16	0.352
030	05411-00428	PIN SPRING	2				0.002	0.0044
040	32400-44540	COVER SHAFT	1				1.03	2.266
050	04811-00410	O RING	1				0.002	0.0044
060	05411-00560	PIN SPRING	1				0.006	0.0132
070	35010-44550	COVER SHAFT	1				0.55	1.21
080	31353-44570	SEAL	1				0.005	0.011
090	01774-51016	BOLT FLANGE	1				0.02	0.044
100	04811-00420	O RING	1				0.002	0.0044
110	08141-06904	BEARING BALL	1				0.05	0.11
120	32430-44590	RING OUTER	1				0.01	0.022



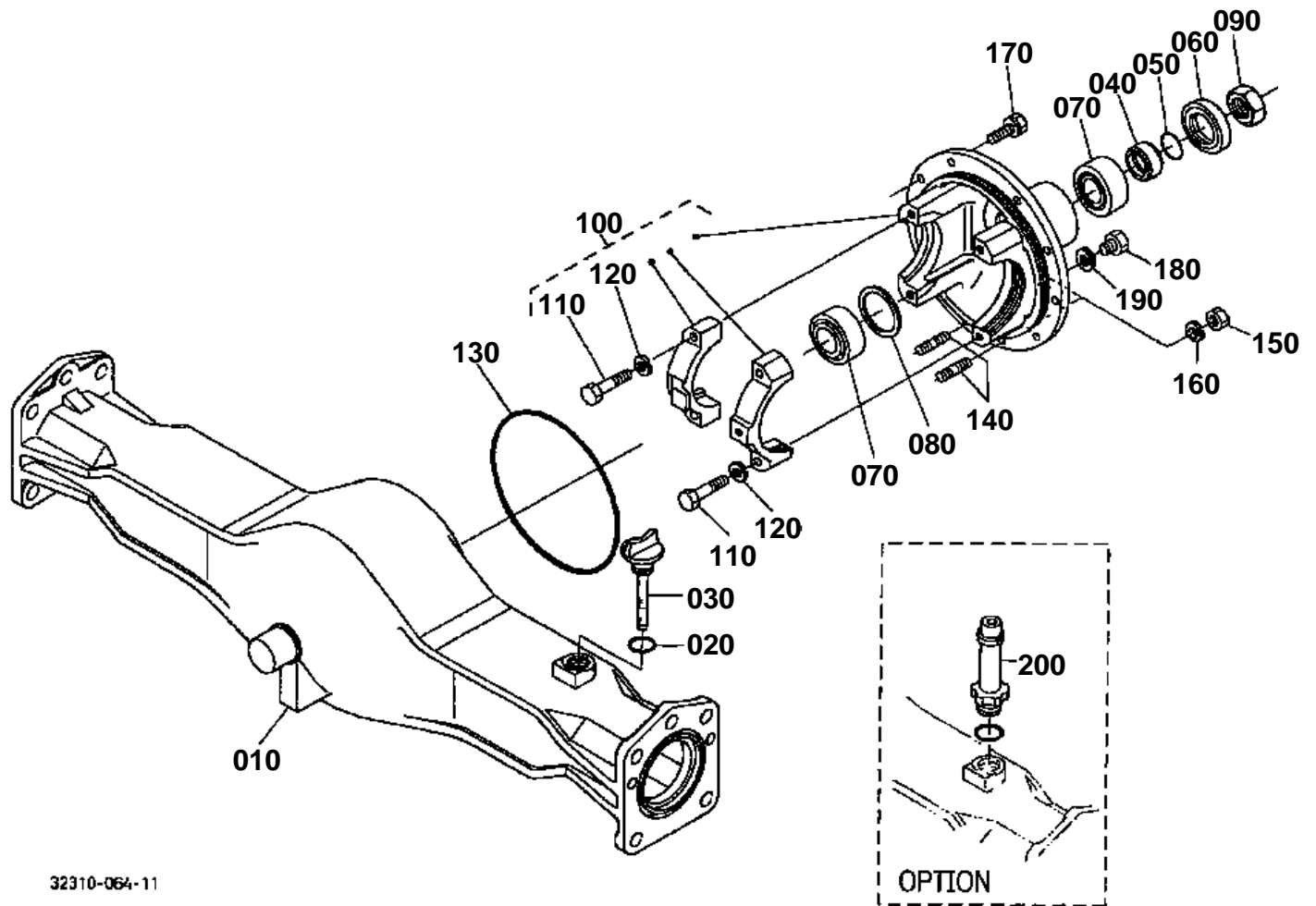


# FRONT WHEEL DRIVE SHAFT

↔ Interchangeable; ≠ not interchangeable; ← new for old; → old for new

REF.No	Part No.	Description	Q'ty	S.No.	I/C	REMARKS	Weight (kgf)	Weight (lb)
010	31353-44210	CASE DRIVE	1				0.9	1.98
020	32425-21280	GASKET	1				0.01	0.022
030	05012-01018	PIN STRAIGHT	2				0.012	0.0264
040	01133-51235	BOLT	2				0.05	0.11
050	01133-51260	BOLT	2				0.06	0.132
060	15512-96010	PLUG DRAIN	1				0.101	0.2222
070	04717-02150	WASHER WITH RUBBER	1				0.004	0.0088
080	31353-44220	SHAFT	1				0.375	0.825
090	08101-06203	BEARING BALL	1				0.063	0.1386
100	08101-06204	BEARING BALL	1				0.102	0.2244
110	09502-04710	SEAL OIL	1				0.022	0.0484
120	31343-44230	GEAR SHIFT	1			33T	0.565	1.243
130	07715-01605	BALL	2				0.003	0.0066
140	31353-44250	SPRING	1				0.015	0.033
150	31353-44310	LEVER SHIFT	1				0.16	0.352
160	04811-00150	O RING	2				0.001	0.0022
170	31353-44330	STOPPER LEVER	1				0.01	0.022
180	01754-50816	BOLT FLANGE	1				0.011	0.0242

FRONT DIFFERENTIAL CASE



32310-064-11

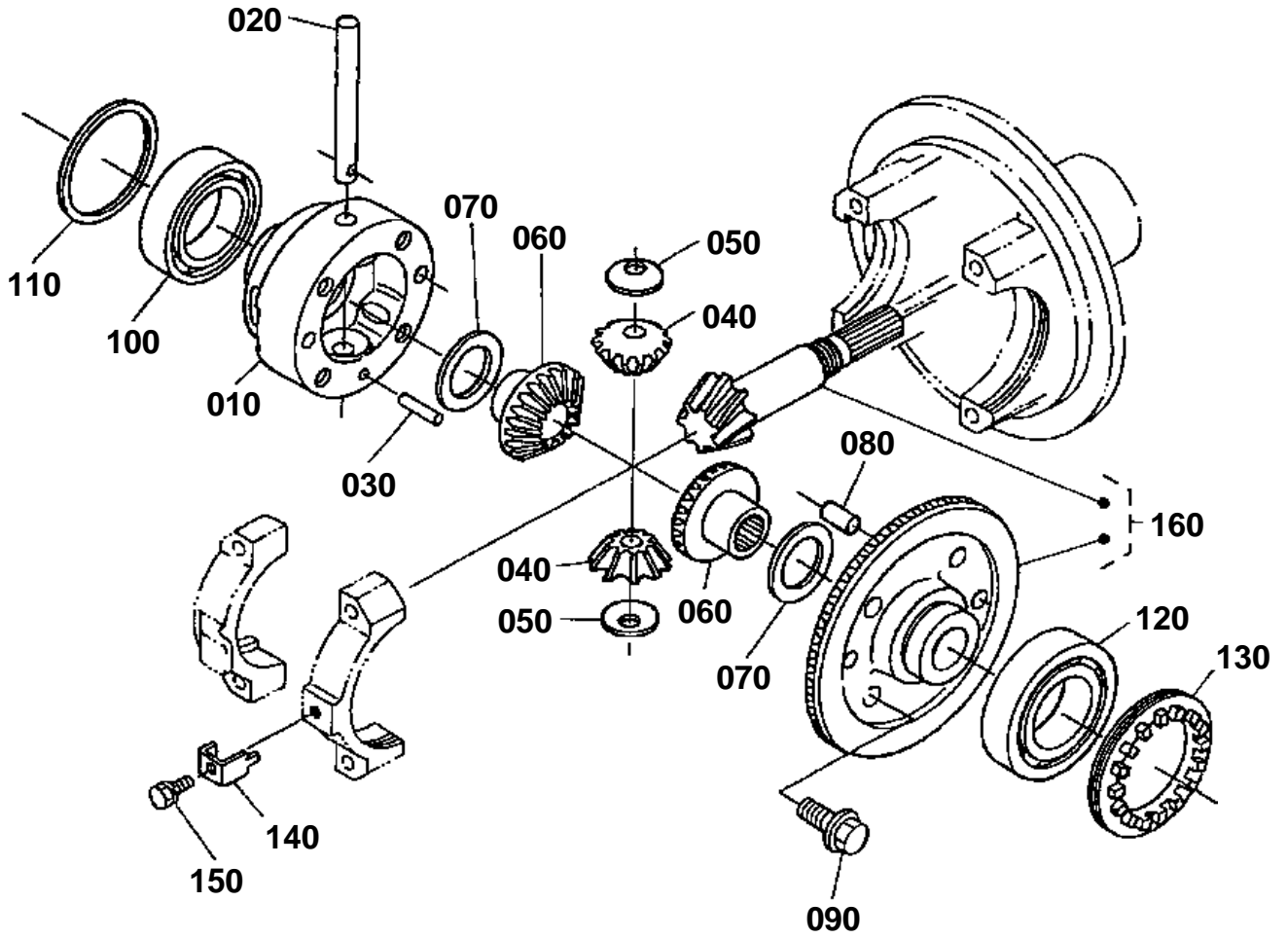


# FRONT DIFFERENTIAL CASE

↔ Interchangeable; ≠ not interchangeable; ← new for old; → old for new

REF.No	Part No.	Description	Q'ty	S.No.	I/C	REMARKS	Weight (kgf)	Weight (lb)
010	32410-43110	CASE FRONT AXLE	1				15	33
020	04811-00180	O RING	1				0.001	0.0022
030	31353-43122	GAUGE OIL	1				0.015	0.033
040	31353-43220	COLLAR SEAL	1				0.035	0.077
050	04811-10250	O RING	1				0.001	0.0022
060	09500-32528	SEAL OIL	1				0.017	0.0374
070	31353-43240	ROLLER TAPER	2				0.23	0.506
080	31353-43140	SHIM	1			0.4MM	0.003	0.0066
080	31353-43150	SHIM	1			0.6MM	0.001	0.0022
080	31353-43160	SHIM	1			0.8MM	0.01	0.022
080	31353-43170	SHIM	1			1.0MM	0.006	0.0132
080	31353-43180	SHIM	1			1.2MM	0.003	0.0066
090	35260-23252	NUT	1				0.04	0.088
100	31353-43260	ASSY CASE PINION BRG	1				5	11
110	01173-51040	BOLT	4				0.028	0.0616
120	04512-50100	WASHER SPRING	4				0	0
130	31353-43250	O RING	1				0.005	0.011
140	01517-61022	STUD	2				0.019	0.0418
150	02176-50100	NUT	2				0.005	0.011
160	04512-50100	WASHER SPRING	2				0	0
170	01133-51025	BOLT	8				0.023	0.0506
180	06331-35012	PLUG	1				0.022	0.0484
190	04717-01200	WASHER WITH RUBBER	1				0.002	0.0044
200	35080-99700	KIT BREATHER	1			OPTION	0.03	0.066

FRONT DIFFERENTIAL



32430-078-10



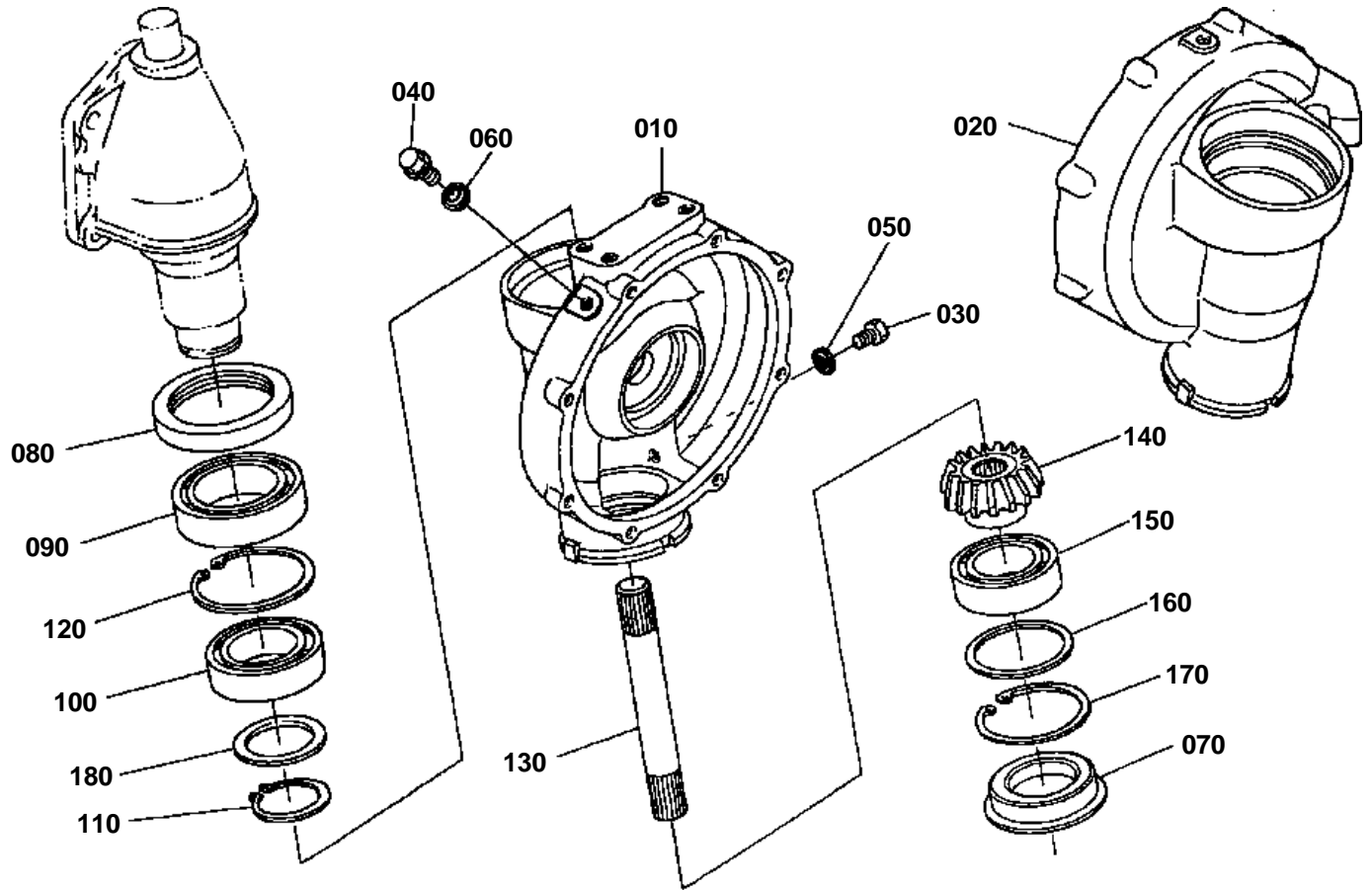
# FRONT DIFFERENTIAL

↔ Interchangeable; ≠ not interchangeable; ← new for old; → old for new

REF.No	Part No.	Description	Q'ty	S.No.	I/C	REMARKS	Weight (kgf)	Weight (lb)
010	31353-43312	CASE DIFFERENTIAL	1				1.62	3.564
020	31353-43330	SHAFT PINION	1				0.13	0.286
030	05012-00628	PIN STRAIGHT	1				0.006	0.0132
040	31353-43343	PINION DIFF.	2				0.1	0.22
050	67121-56670	COLLAR PINION THRUST	2				0.006	0.0132
060	31353-43353	GEAR DIFF.SIDE	2				0.19	0.418
070	67211-15160	SHIM	2			1.0MM	0.01	0.022
070	67211-15170	SHIM	2			0.8MM	0.008	0.0176
070	67211-15180	SHIM	2			1.2MM	0.01	0.022
070	31353-43360	SHIM	2			0.6MM	0.01	0.022
070	31353-43370	SHIM	2			0.4MM	0.01	0.022
080	31353-43413	PIN STRAIGHT	2				0.01	0.022
090	36280-42320	BOLT	4				0.042	0.0924
100	08101-06009	BEARING BALL	1				0.22	0.484
110	31353-43440	SHIM	1			0.4MM	0.005	0.011
110	31353-43450	SHIM	1			0.6MM	0.01	0.022
110	31353-43460	SHIM	1			0.8MM	0.01	0.022
110	31353-43470	SHIM	1			1.0MM	0.01	0.022
110	31353-43480	SHIM	1			1.2MM	0.015	0.033
120	08101-06209	BEARING BALL	1				0.42	0.924
130	31353-43510	SCREW ADJUSTING	1				0.16	0.352
140	31353-43530	WASHER LOCK	1				0.012	0.0264
150	01023-50610	BOLT	1				0.005	0.011
160	31353-99120	ASSY GEAR BEVEL	1			7-34T	2.3	5.06



FRONT AXLE CASE



TC020-058-10



## FRONT AXLE CASE

↔ Interchangeable; ≠ not interchangeable; ← new for old; → old for new

REF.No	Part No.	Description	Q'ty	S.No.	I/C	REMARKS	Weight (kgf)	Weight (lb)
010	35000-43822	CASE AXLE LH	1				9	19.8
020	35000-43832	CASE AXLE RH	1				8.4	18.48
030	06331-35012	PLUG	2				0.022	0.0484
040	06331-45010	PLUG	2				0.02	0.044
050	04717-01200	WASHER WITH RUBBER	2				0.002	0.0044
060	04717-01000	WASHER WITH RUBBER	2				0.001	0.0022
070	31353-43850	PLUG	2				0.075	0.165
080	T0270-13152	SEAL OIL	2				0.1	0.22
090	08101-06012	BEARING BALL	2				0.41	0.902
100	08101-06010	BEARING BALL	2				0.262	0.5764
110	04612-00500	CIR CLIP EXTERNAL	2				0.009	0.0198
120	04611-00800	CIR CLIP INTERNAL	2				0.02	0.044
130	31353-43910	SHAFT BEVEL GEAR	2				0.67	1.474
140	31333-43930	GEAR BEVEL	2			12T	0.68	1.496
150	08101-06009	BEARING BALL	2				0.22	0.484
160	31353-43460	SHIM	2			0.8MM	0.01	0.022
160	31353-43480	SHIM	2			1.2MM	0.015	0.033
160	31353-44030	SHIM	2			1.6MM	0.02	0.044
160	31353-44040	SHIM	2			1.8MM	0.02	0.044
160	31353-44050	SHIM	2			2.0MM	0.02	0.044
160	31353-44060	SHIM	2			2.3MM	0.025	0.055
160	31353-44070	SHIM	2			2.6MM	0.04	0.088
170	04611-00750	CIR CLIP INTERNAL	2				0.019	0.0418
180	TA140-12080	SHIM	2			0.8MM	0.007	0.0154
180	TA140-12100	SHIM	2			1.0MM	0.008	0.0176
180	TA140-12120	SHIM	2			1.2MM	0.01	0.022
180	TA140-12140	SHIM	2			1.4MM	0.011	0.0242
180	TA140-12160	SHIM	2			1.6MM	0.013	0.0286

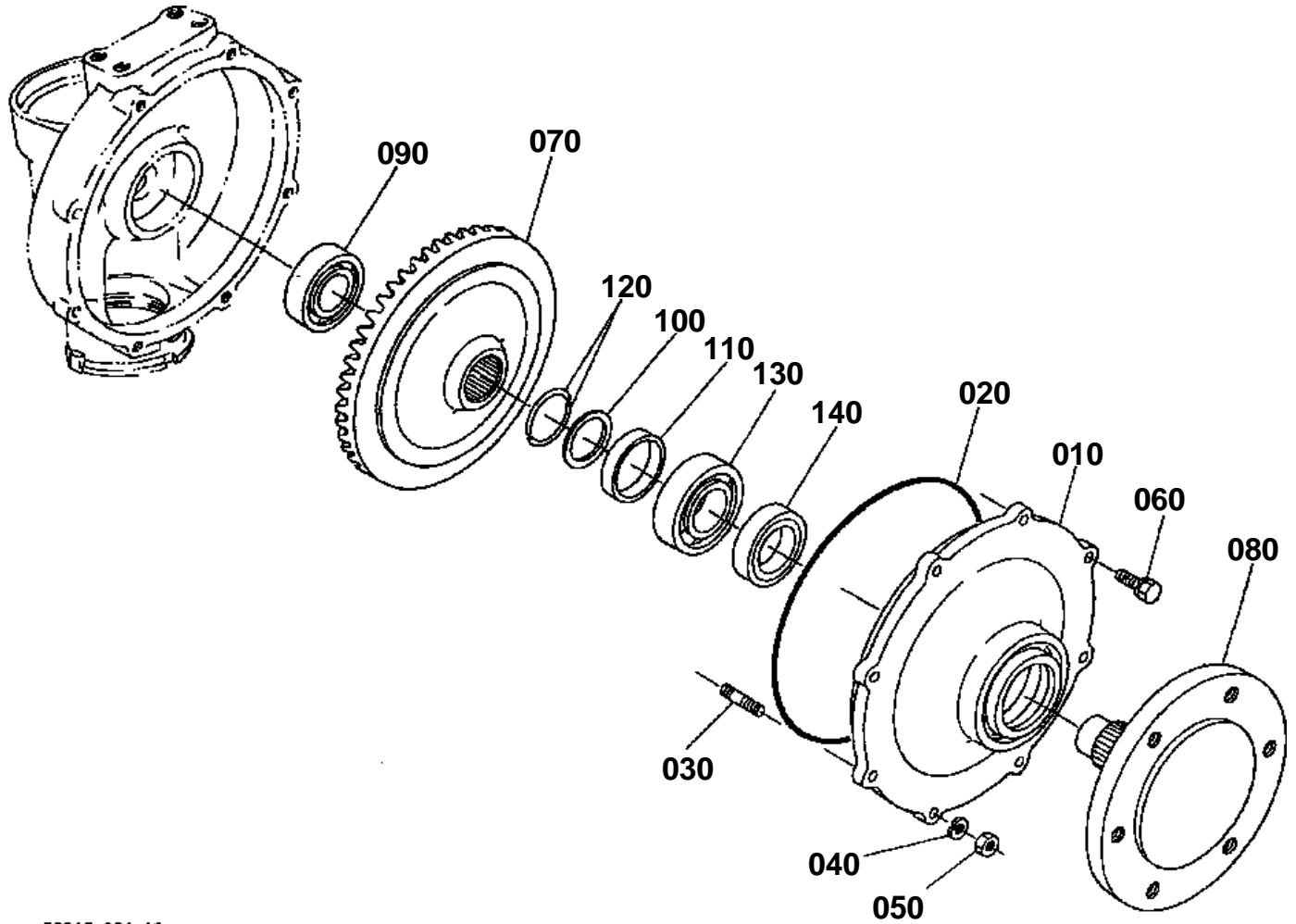




## DIFFERENTIAL GEAR SHAFT

↔ Interchangeable; ≠ not interchangeable; ← new for old; → old for new

REF.No	Part No.	Description	Q'ty	S.No.	I/C	REMARKS	Weight (kgf)	Weight (lb)
010	35010-43624	CASE BEVEL GEAR	1				3.75	8.25
020	32330-43610	CASE BEVEL GEAR	1				3.1	6.82
030	31353-43880	PIN STRAIGHT	4				0.02	0.044
040	01138-51435	BOLT	10				0.063	0.1386
050	04811-10850	O RING	2				0.002	0.0044
060	32410-43630	SHAFT DIFF GEAR LH	2				1.33	2.926
070	31353-43650	GEAR BEVEL	2			13T	0.46	1.012
080	08101-06208	BEARING BALL	2				0.355	0.781
090	31353-43750	SHIM	2			0.4MM	0.008	0.0176
090	31353-43760	SHIM	2			0.6MM	0.01	0.022
090	31353-43770	SHIM	2			0.8MM	0.015	0.033
090	31353-43780	SHIM	2			1.0MM	0.014	0.0308
090	31353-43790	SHIM	2			1.2MM	0.015	0.033
100	31353-43660	GEAR BEVEL	2			15T	0.5	1.1
110	36920-40090	BEARING BALL	2				0.1	0.22



32310-061-10

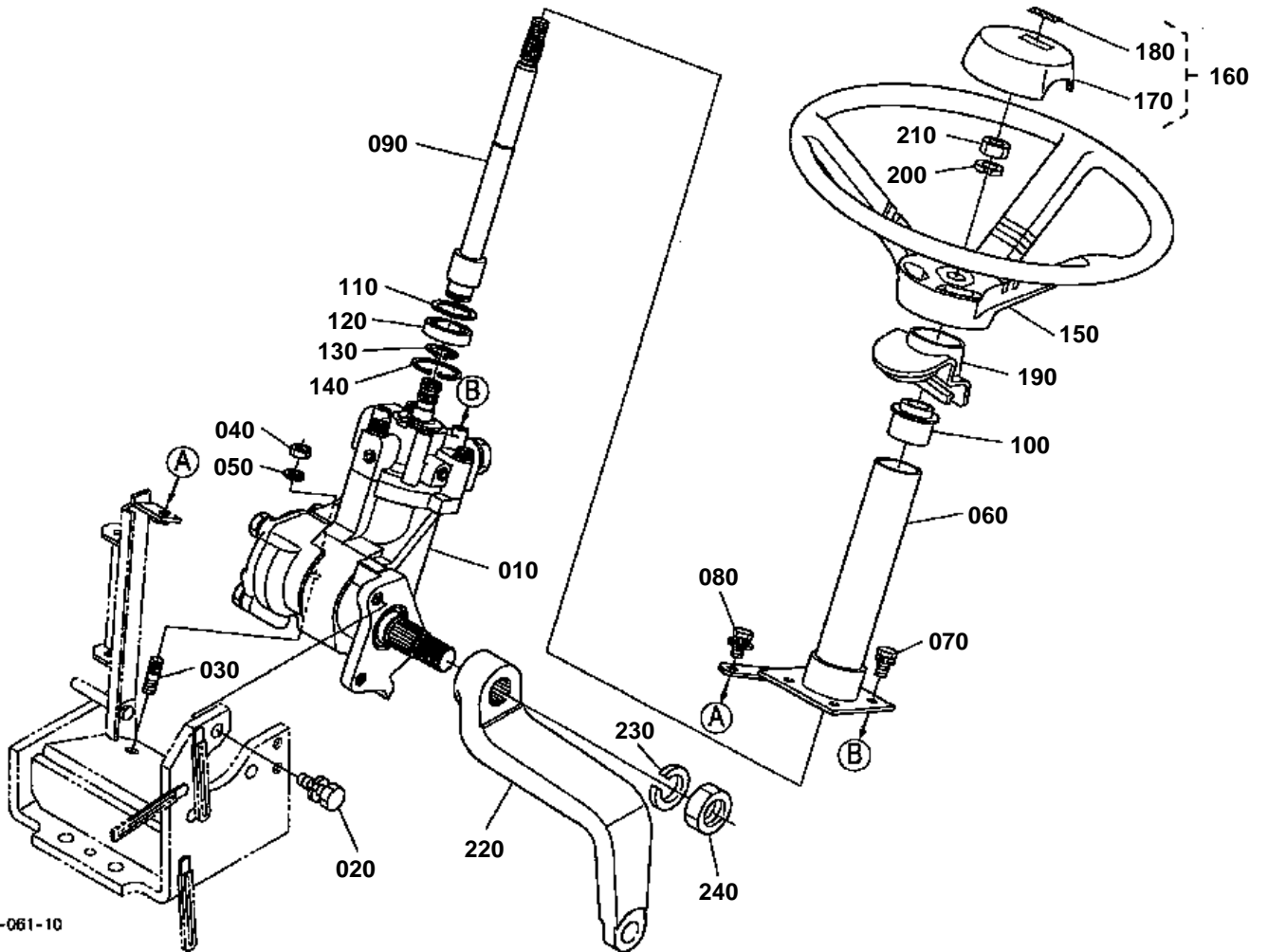


# FRONT AXLE

↔ Interchangeable; ≠ not interchangeable; ← new for old; → old for new

REF.No	Part No.	Description	Q'ty	S.No.	I/C	REMARKS	Weight (kgf)	Weight (lb)
010	31353-44110	FLANGE AXLE	2				3	6.6
020	31353-44130	O RING	2				0.01	0.022
030	01513-60825	STUD	4				0.012	0.0264
040	04512-50080	WASHER SPRING	4				0.001	0.0022
050	02156-50080	NUT	4				0.004	0.0088
060	01123-50825	BOLT	12				0.013	0.0286
070	31333-43940	GEAR BEVEL	2			40T	3.71	8.162
080	31353-43960	AXLE	2				4	8.8
090	08101-06206	BEARING BALL	2				0.196	0.4312
100	37650-43670	COLLAR THRUST	2				0.01	0.022
110	37720-43690	COLLAR	2				0.038	0.0836
120	37650-99930	CIR-CLIP	2			SET	0.02	0.044
130	08101-06207	BEARING BALL	2				0.282	0.6204
140	37650-43530	SEAL OIL	2				0.062	0.1364

STEERING HANDLE [PS]



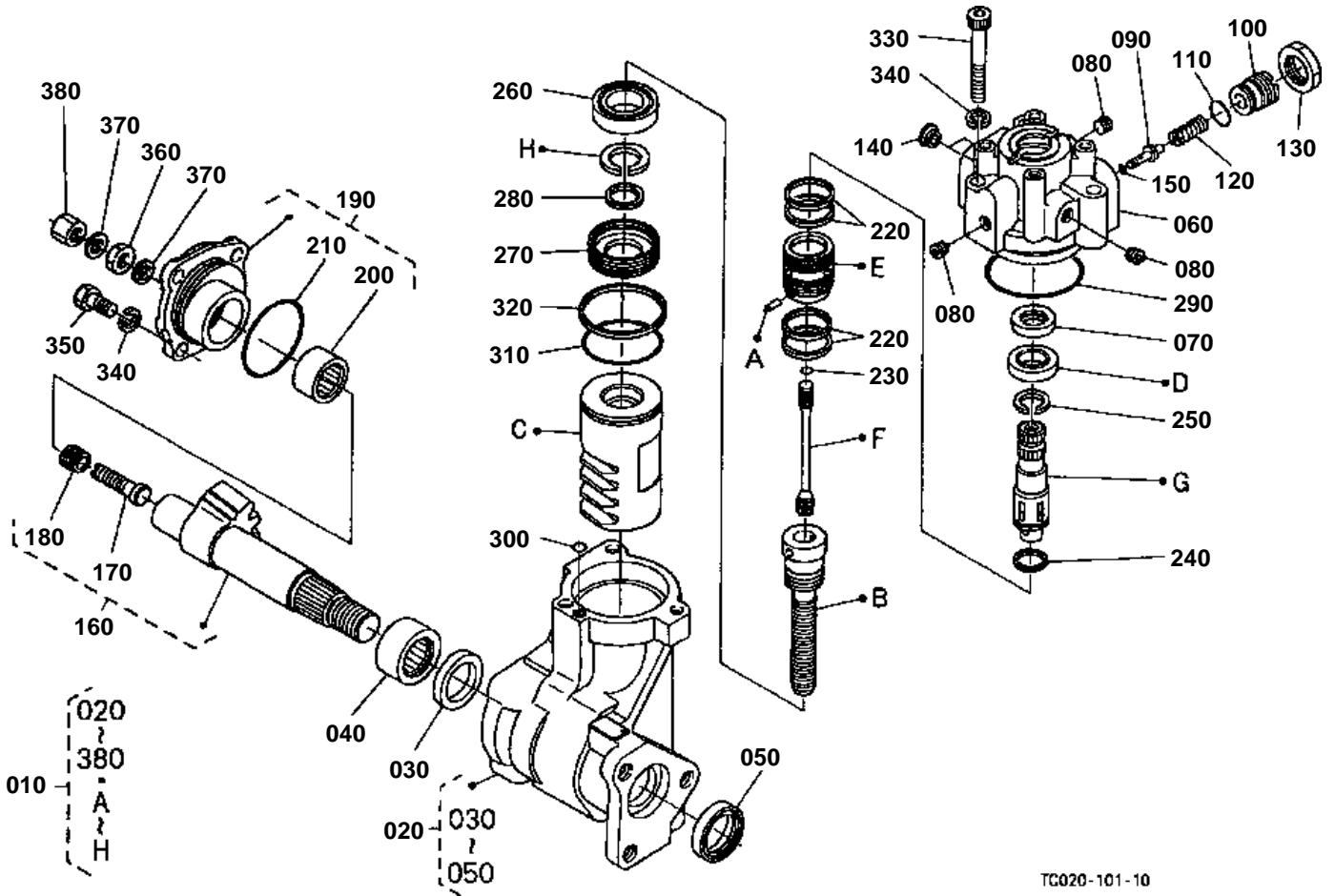
7C020-061-10

**STEERING HANDLE [PS]**

↔ Interchangeable; ≠ not interchangeable; ← new for old; → old for new

REF.No	Part No.	Description	Q'ty	S.No.	I/C	REMARKS	Weight (kgf)	Weight (lb)
010	6C070-41102	ASSY STEERING POWER	1			REFER TO L.No.F14-R FOR COMPONENTS.	11.2	24.64
020	01133-51230	BOLT	3				0.04	0.088
030	01574-51230	STUD	2				0.037	0.0814
040	02176-50120	NUT	2				0.01	0.022
050	04512-50120	WASHER SPRING	2				0.003	0.0066
060	TC020-43610	POST STEERING	1				0.915	2.013
070	01123-50820	BOLT	4				0.011	0.0242
080	01125-50820	BOLT	1				0	0
090	TC020-43682	SHAFT STEERING	1				0	0
100	6C040-41510	BUSH	1				0.035	0.077
110	TC020-43690	COLLAR	1				0.007	0.0154
120	08141-06905	BEARING BALL	1				0.044	0.0968
130	37150-21790	CIR-CLIP	1				0.001	0.0022
140	04611-00420	CIR CLIP INTERNAL	1				0.006	0.0132
150	6C040-41410	WHEEL STEERING	1				1.41	3.102
160	6C040-41420	ASSY PAD	1				0.041	0.0902
170	6C040-41430	PAD STEERING	1				0.039	0.0858
180	6C040-41440	MARK STEERING	1				0.001	0.0022
190	35010-16863	COVER HANDLE POST	1				0	0
200	04512-60120	WASHER SPRING	1				0.005	0.011
210	02174-50120	NUT	1				0.01	0.022
220	TC020-16910	ARM PITMAN	1				0	0
230	04512-60220	WASHER SPRING	1				0.025	0.055
240	02176-50220	NUT	1				0.058	0.1276





TC020-101-10

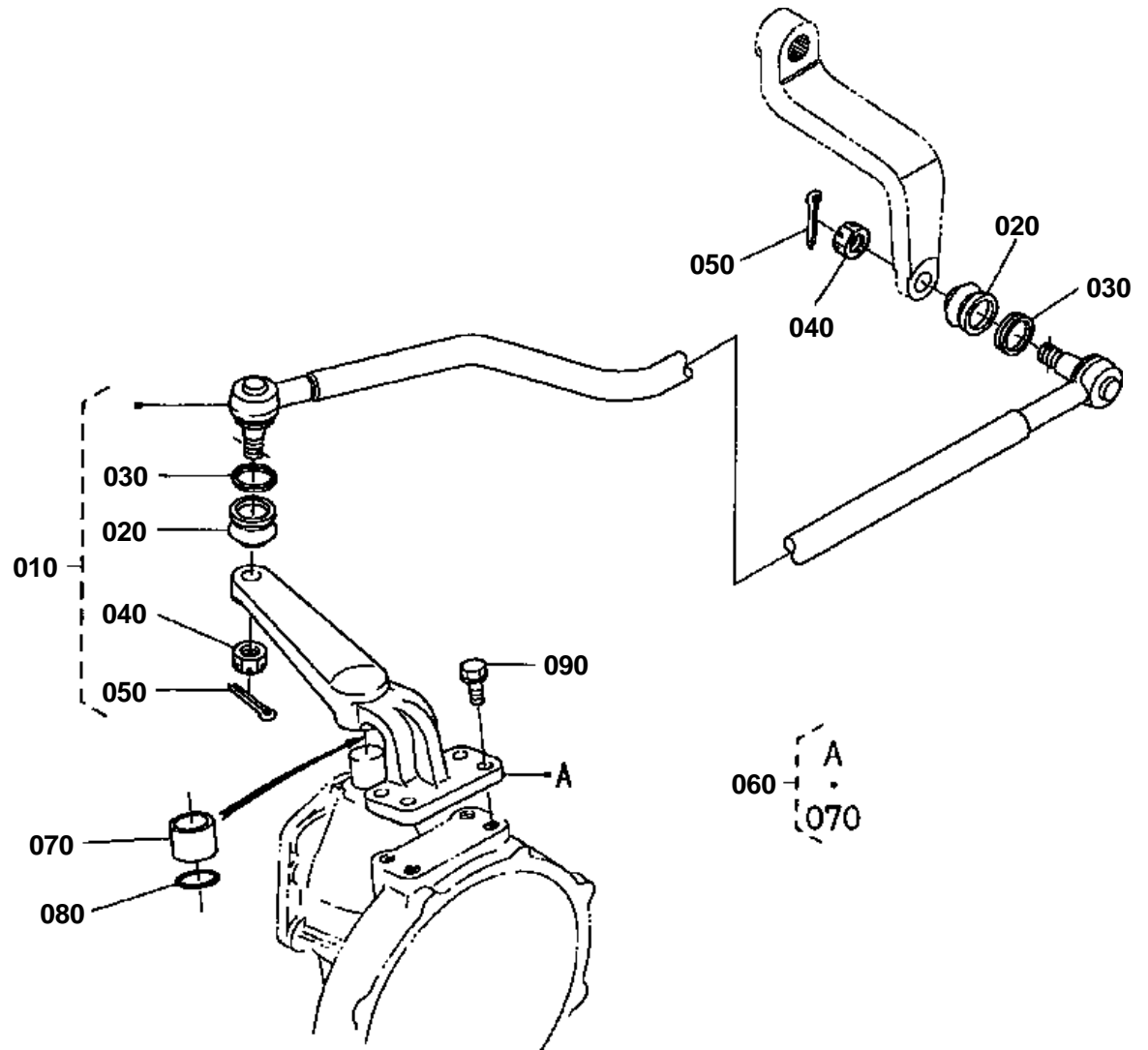


**STEERING [PS] [COMPONENT PARTS]**  
**[PARTIES COMPOSANTES]**

↔ Interchangeable; ≠ not interchangeable; ← new for old; → old for new

REF.No	Part No.	Description	Q'ty	S.No.	I/C	REMARKS	Weight (kgf)	Weight (lb)
010	6C070-41102	ASSY STEERING POWER	1				11.2	24.64
020	6C070-92000	ASSY CASE GEAR	1				5.23	11.506
030	35270-16140	GASKET	1				0.005	0.011
040	31351-66130	BEARING NEEDLE	1				0.03	0.066
050	35270-16150	SEAL OIL	1				0.015	0.033
060	6C070-92210	VALVE HOUSING	1				0.82	1.804
070	6A100-92220	SEAL OIL	1				0.006	0.0132
080	T0430-37090	PLUG	3				0.003	0.0066
090	6C070-92230	POPPET	1				0.005	0.011
100	31351-66370	SCREW ADJUSTING	1				0.047	0.1034
110	31351-66390	O RING	1				0.001	0.0022
120	38430-66380	SPRING	1				0.015	0.033
130	31351-66380	NUT	1				0.022	0.0484
140	6C042-41540	FERRULE	2				0.004	0.0088
150	6C070-92240	O RING	1				0.001	0.0022
160	32721-92300	ASSY SHAFT SECTOR	1				1.3	2.86
170	35270-16620	SCREW ADJUSTING	1				0.028	0.0616
180	35270-16630	BOLT	1				0.011	0.0242
190	6A320-92350	ASSY COVER SIDE	1				0.73	1.606
200	35270-16420	BEARING NEEDLE	1				0.045	0.099
210	04810-50600	O RING	1				0.002	0.0044
220	6A100-92510	SEAL	4				0.002	0.0044
230	04811-10060	O RING	1				0.001	0.0022
240	6A100-92540	SQUARE RING	1				0.001	0.0022
250	6A100-92550	RING SNAP	1				0.002	0.0044
260	T0430-37140	BEARING BALL	1				0.08	0.176
270	T0430-37160	PLUG	1				0.1	0.22
280	T0430-37170	SEAL	1				0.001	0.0022
290	04811-50650	O RING	1				0.002	0.0044
300	04810-00060	O RING	1				0.001	0.0022
310	04811-50500	O RING	1				0.001	0.0022
320	31351-66280	RING	1				0.002	0.0044
330	6C042-41850	BOLT	3				0.05	0.11
340	04512-50100	WASHER SPRING	7				0	0
350	35270-16650	BOLT	4				0.02	0.044
360	66363-41250	NUT	1				0.01	0.022
370	35270-16690	GASKET	2				0.001	0.0022
380	35270-16700	NUT	1				0.11	0.242

STEERING LINKAGE (DRAG LINK)



TC020-066-10

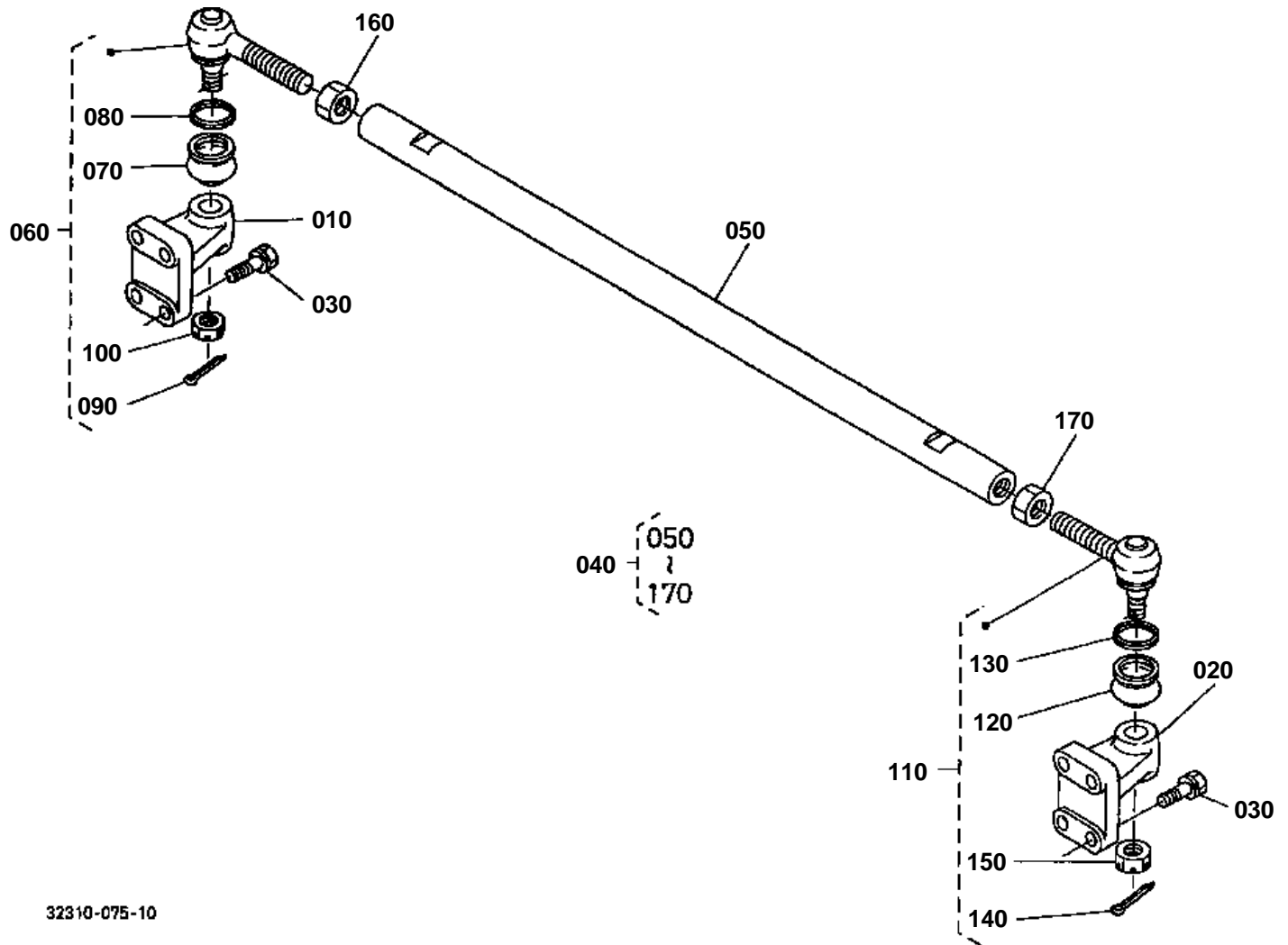


## STEERING LINKAGE (DRAG LINK)

↔ Interchangeable; ≠ not interchangeable; ← new for old; → old for new

REF.No	Part No.	Description	Q'ty	S.No.	I/C	REMARKS	Weight (kgf)	Weight (lb)
010	TC010-45610	ASSY LINK DRAG(PS)	1				3.2	7.04
020	35270-12650	COVER DUST	2				0.01	0.022
030	35270-12660	CLIP	2				0.005	0.011
040	35270-12670	NUT	2				0.014	0.0308
050	05511-50328	PIN SPLIT	2				0.002	0.0044
060	TC020-45460	ASSY END DRAG LINK	1				0	0
070	37800-43890	BUSH	1				0.035	0.077
080	04811-00260	O RING	1				0.001	0.0022
090	01133-51025	BOLT	4				0.023	0.0506

STEERING LINKAGE (TIE ROD)



32310-075-10

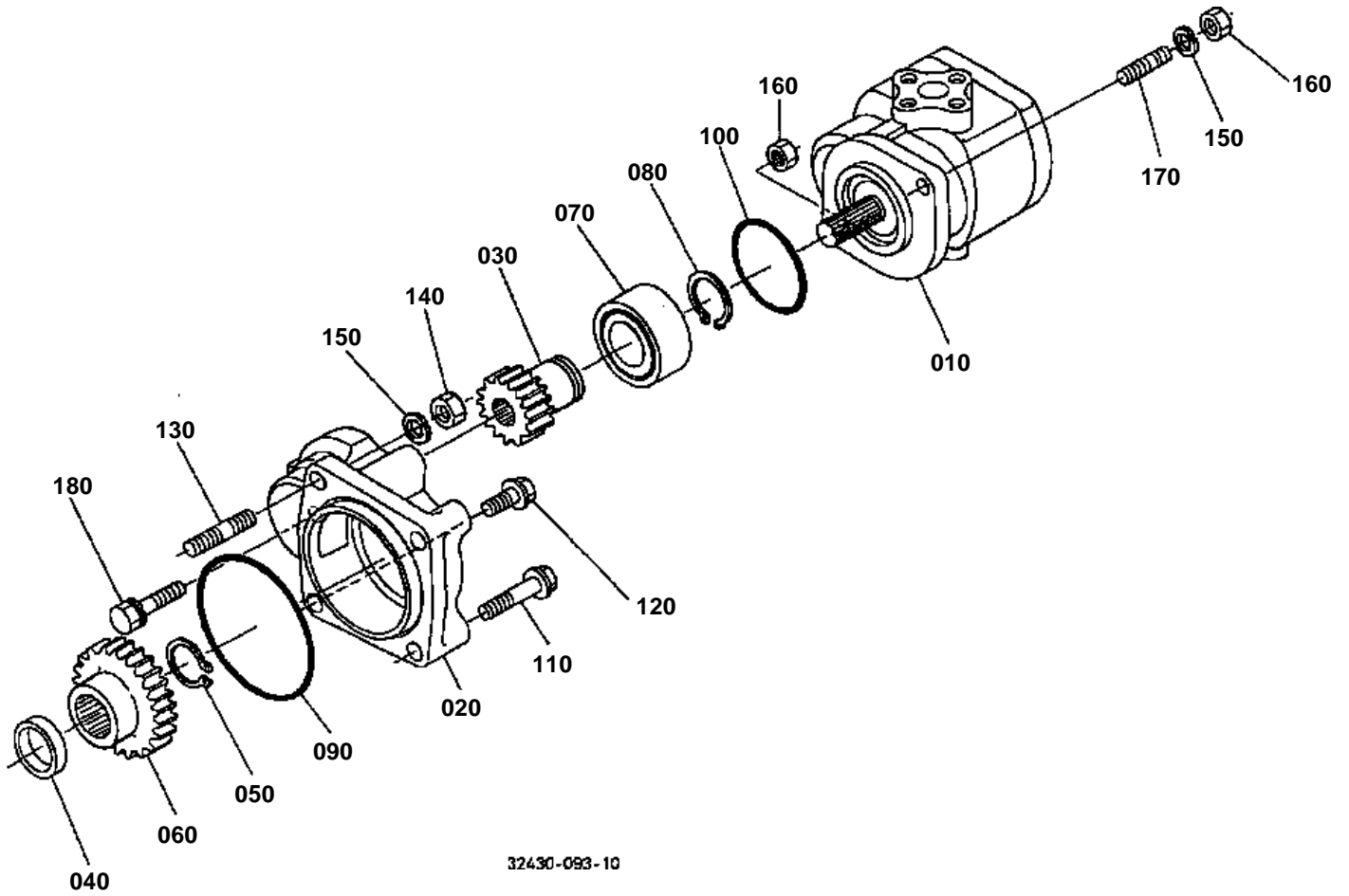


## STEERING LINKAGE (TIE ROD)

↔ Interchangeable; ≠ not interchangeable; ← new for old; → old for new

REF.No	Part No.	Description	Q'ty	S.No.	I/C	REMARKS	Weight (kgf)	Weight (lb)
010	37650-43950	ARM KNUCKLE RH	1				0.475	1.045
020	37650-43940	ARM KNUCKLE LH	1				0.46	1.012
030	01133-51030	BOLT	8				0.025	0.055
040	35220-43990	ASSY ROD TIE	1				3.3	7.26
050	35220-43960	ROD TIE	1				2.5	5.5
060	38440-44780	ASSY END TIE ROD RH	1				0.322	0.7084
070	38240-12650	COVER DUST	1				0.01	0.022
080	38240-12660	CLIP	1				0.005	0.011
090	05511-50325	PIN SPLIT	1				0.002	0.0044
100	38240-12830	NUT	1				0.008	0.0176
110	38440-44790	ASSY END TIE ROD LH	1				0.32	0.704
120	38240-12650	COVER DUST	1				0.01	0.022
130	38240-12660	CLIP	1				0.005	0.011
140	05511-50325	PIN SPLIT	1				0.002	0.0044
150	38240-12830	NUT	1				0.008	0.0176
160	02172-50160	NUT	1				0.017	0.0374
170	32240-12280	NUT	1				0.017	0.0374

HYDRAULIC PUMP



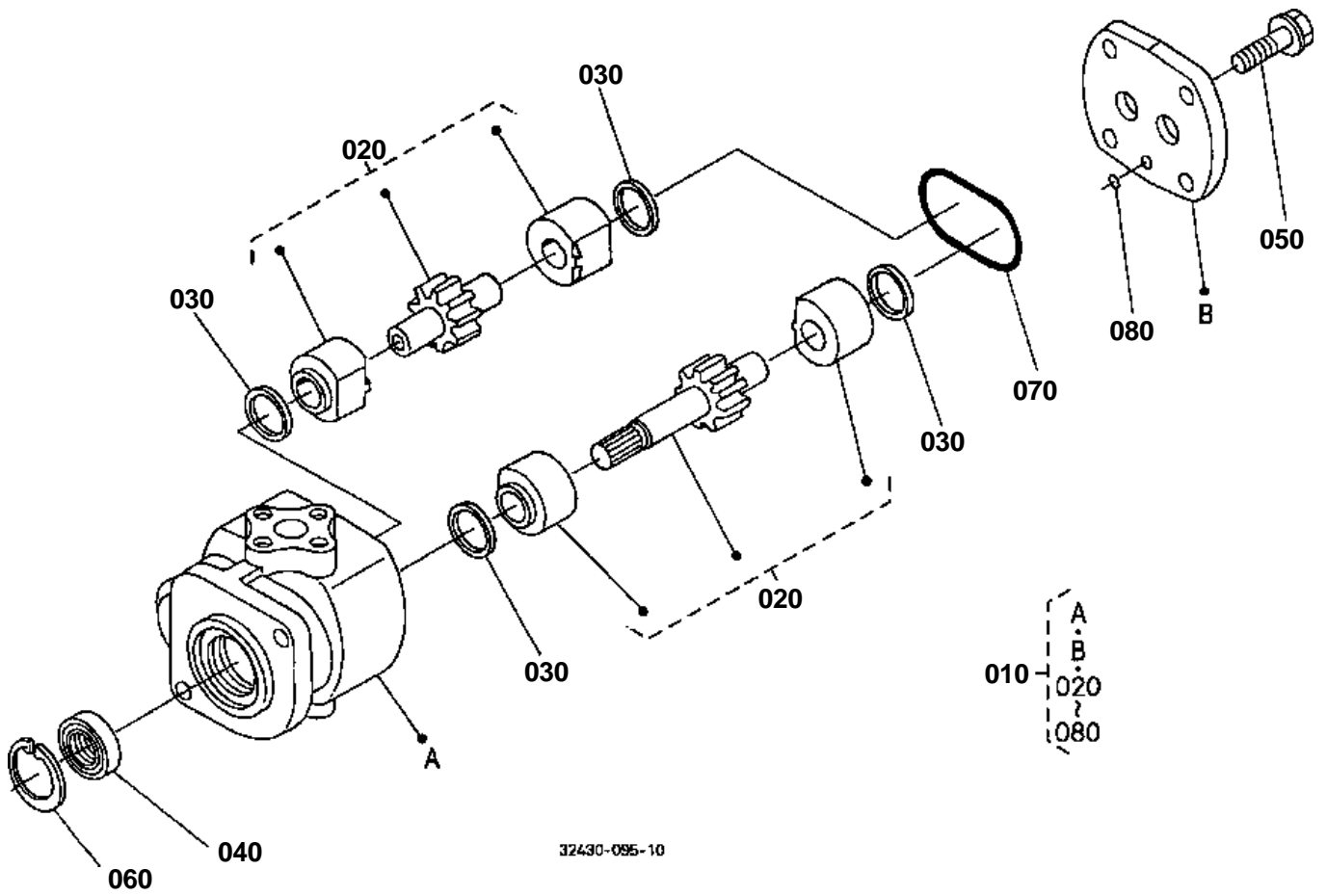
**HYDRAULIC PUMP**

↔ Interchangeable; ≠ not interchangeable; ← new for old; → old for new

REF.No	Part No.	Description	Q'ty	S.No.	I/C	REMARKS	Weight (kgf)	Weight (lb)
010	31351-76102	ASSY PUMP HYDRAULIC	1			REFER TO L.No.G03-R FOR COMPONENTS.	1.86	4.092
020	31351-38613	HOLDER PUMP	1				0.38	0.836
030	32430-38630	GEAR	1		21T		0.14	0.308
040	34150-37820	COLLAR	1				0.05	0.11
050	04612-00250	CIR CLIP EXTERNAL	1				0.002	0.0044
060	35260-37810	GEAR HYD.PUMP DRIVE	1		47T		0.35	0.77
070	08241-05205	BEARING BALL	1				0.177	0.3894
080	04612-00250	CIR CLIP EXTERNAL	1				0.002	0.0044
090	04811-10850	O RING	1				0.002	0.0044
100	04811-10500	O RING	1				0.001	0.0022
110	01754-50840	BOLT FLANGE	2				0.02	0.044
120	01754-50820	BOLT FLANGE	1				0.015	0.033
130	38240-36330	STUD	1				0.008	0.0176
140	02156-50080	NUT	1				0.004	0.0088
150	04512-50080	WASHER SPRING	2				0.001	0.0022
160	02156-50080	NUT	2				0.004	0.0088
170	01513-60820	STUD	1				0.015	0.033
180	01123-50835	BOLT	1				0.02	0.044



HYDRAULIC PUMP [COMPONENT PARTS]



32430-095-10

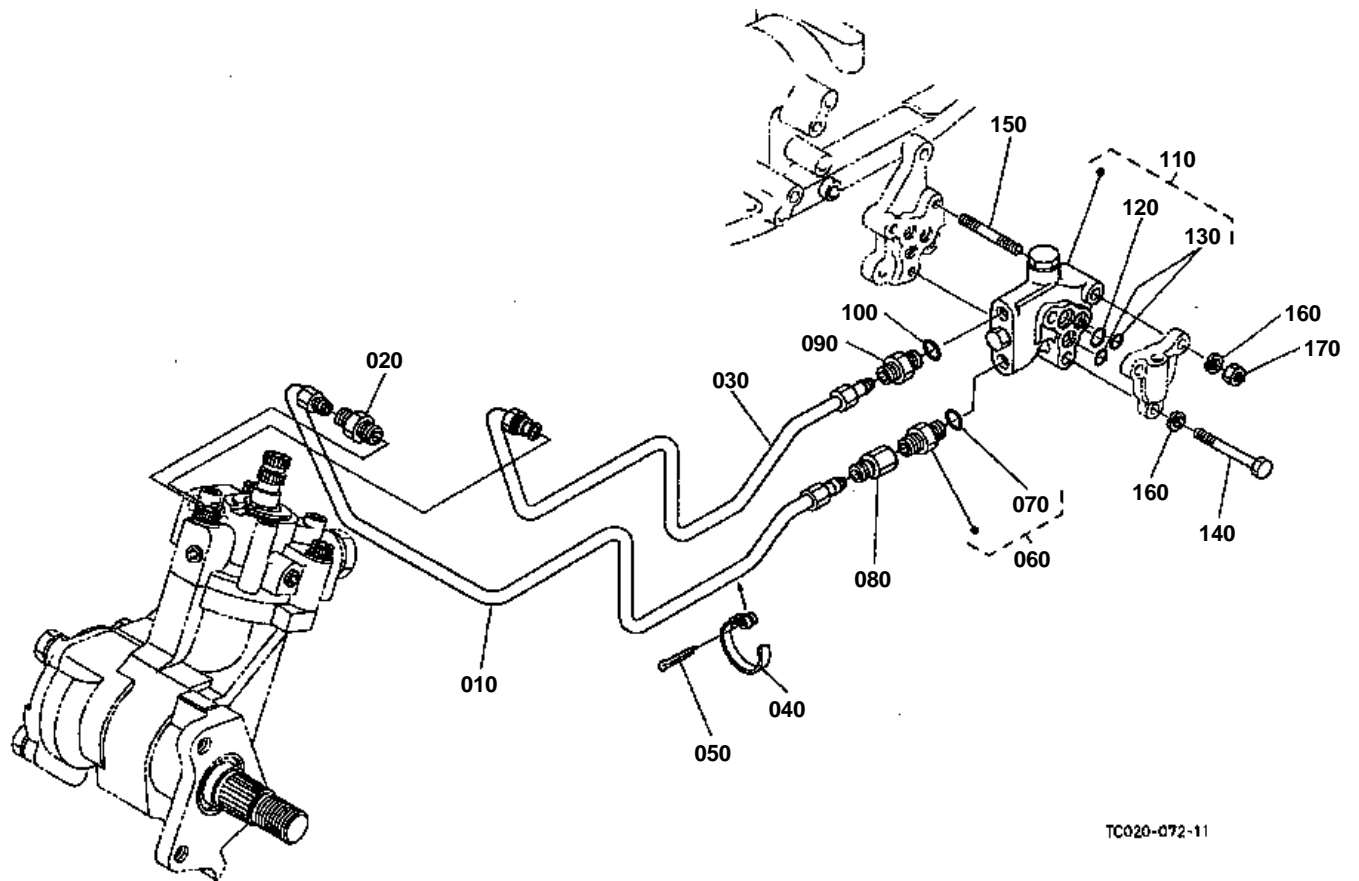


# HYDRAULIC PUMP [COMPONENT PARTS]

↔ Interchangeable; ≠ not interchangeable; ← new for old; → old for new

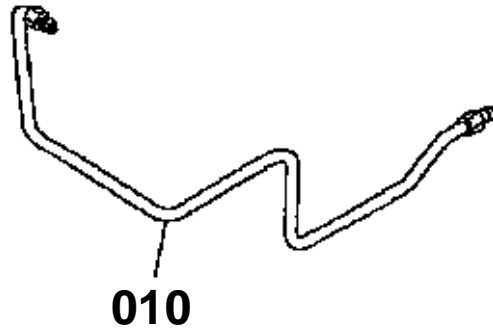
REF.No	Part No.	Description	Q'ty	S.No.	I/C	REMARKS	Weight (kgf)	Weight (lb)
010	31351-76102	ASSY PUMP HYDRAULIC	1				1.86	4.092
020	31351-76202	COMP.GEAR HYD.PUMP	1				0.49	1.078
030	38180-76172	SQUARE RING	4				0.002	0.0044
040	31381-76390	SEAL OIL	1				0.01	0.022
050	01754-51030	BOLT FLANGE	4				0.03	0.066
060	04611-00300	CIR CLIP INTERNAL	1				0.004	0.0088
070	04810-50550	O RING	1				0.002	0.0044
080	04810-00050	O RING	1				0.001	0.0022

HYDRAULIC OIL LINE (PS)

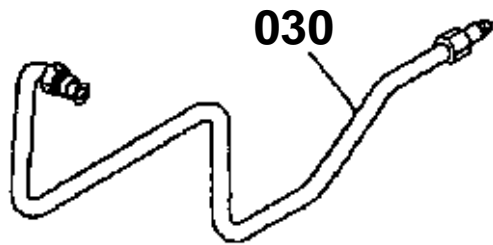


TC020-072-11

010 TC020-1672-0



030 TC020-1676-0



TC020-801-10



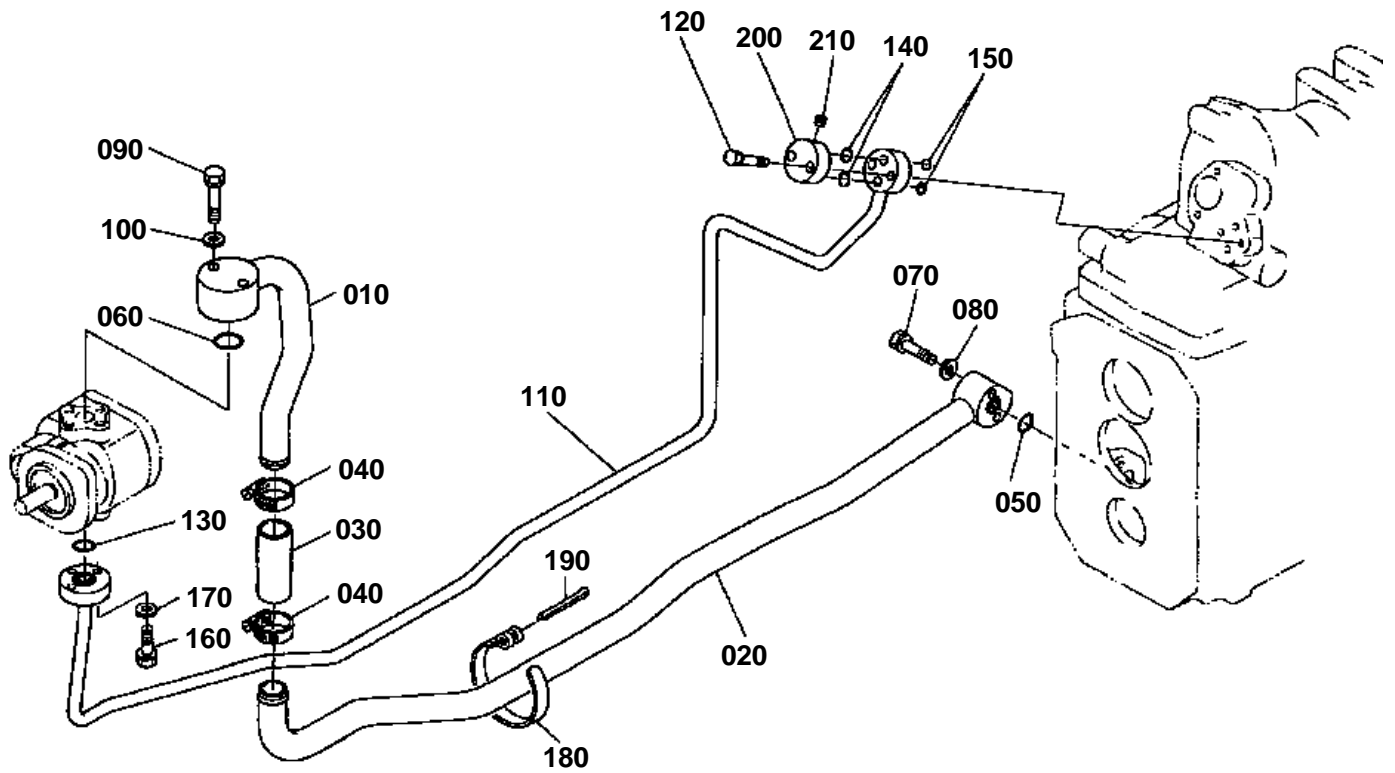
# HYDRAULIC OIL LINE (PS)

↔ Interchangeable; ≠ not interchangeable; ← new for old; → old for new

REF.No	Part No.	Description	Q'ty	S.No.	I/C	REMARKS	Weight (kgf)	Weight (lb)
010	TC020-16720	COMP.PIPE DELIVERY	1	≤51766			0.255	0.561
010	TC020-16920	COMP.PIPE DELIVERY	1	≥51767	≠		0	0
020	6C042-39430	JOINT PIPE	1				0.04	0.088
030	TC020-16760	COMP.PIPE RETURN	1	≤51766			0.255	0.561
030	TC020-16960	COMP.PIPE RETURN	1	≥51767	≠		0	0
040	67111-53770	BAND PIPE	1				0.01	0.022
050	33430-82760	PIN BAND	1				0.004	0.0088
060	35330-16770	COMP CONNECTOR	1				0.065	0.143
070	04810-00140	O RING	1				0.001	0.0022
080	35330-16790	NIPPLE	1				0.05	0.11
090	35270-16790	JOINT PIPE	1				0.05	0.11
100	04810-00140	O RING	1				0.001	0.0022
110	35270-16710	ASSY VALVE PRIORITY	1				1.7	3.74
120	04810-00160	O RING	1				0.001	0.0022
130	04810-00120	O RING	2				0.001	0.0022
140	01153-50880	BOLT	1				0.03	0.066
150	01513-50870	STUD	2				0.029	0.0638
160	04512-50080	WASHER SPRING	3				0.001	0.0022
170	02114-50080	NUT	2				0.005	0.011



# HYDRAULIC OIL LINE



32310-083-10

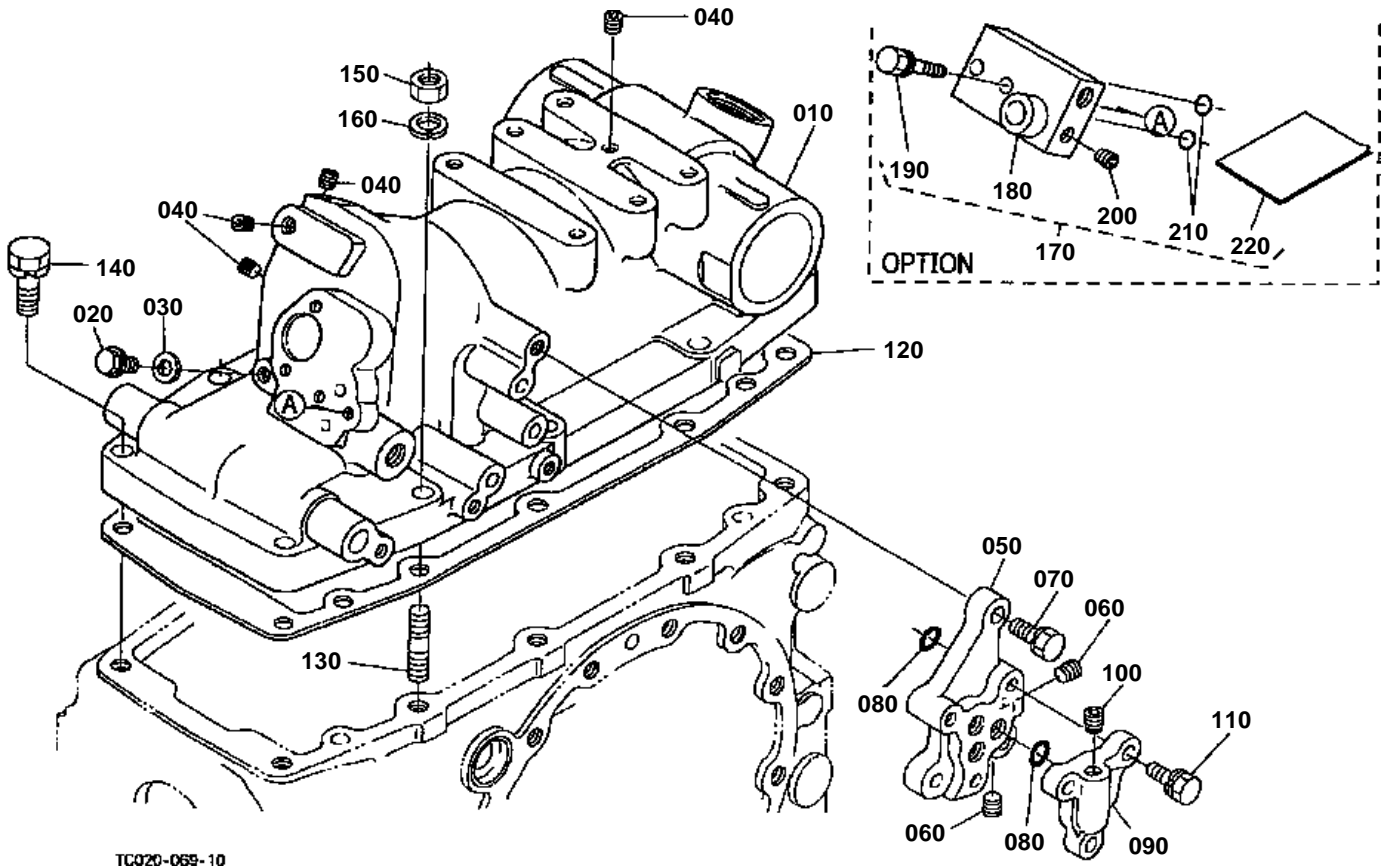


# HYDRAULIC OIL LINE

↔ Interchangeable; ≠ not interchangeable; ← new for old; → old for new

REF.No	Part No.	Description	Q'ty	S.No.	I/C	REMARKS	Weight (kgf)	Weight (lb)
010	32400-45864	PIPE INLET	1				0.815	1.793
020	32400-45875	PIPE INLET	1				1.25	2.75
030	32330-37770	PIPE RUBBER	1				0	0
040	31351-38180	BAND PIPE	2				0.02	0.044
050	04811-00200	O RING	1				0.001	0.0022
060	04811-00220	O RING	1				0.001	0.0022
070	01123-50850	BOLT	2				0.02	0.044
080	04013-50080	WASHER PLAIN	2				0	0
090	01123-50848	BOLT	2				0.02	0.044
100	04013-50080	WASHER PLAIN	2				0	0
110	32400-45880	COMP.PIPE DELIVERY	1				0.9	1.98
120	01123-50850	BOLT	2				0.02	0.044
130	04810-00200	O RING	1				0.001	0.0022
140	04810-00120	O RING	2				0.001	0.0022
150	04810-00100	O RING	2				0.001	0.0022
160	01023-50625	BOLT	3				0.007	0.0154
170	04013-50060	WASHER PLAIN	3				0	0
180	37150-38950	BAND PIPE	1				0.02	0.044
190	33430-82760	PIN BAND	1				0.004	0.0088
200	31351-38310	CAP	1				0.135	0.297
210	06312-10010	PLUG	1				0.007	0.0154

HYDRAULIC CYLINDER



TC020-069-10



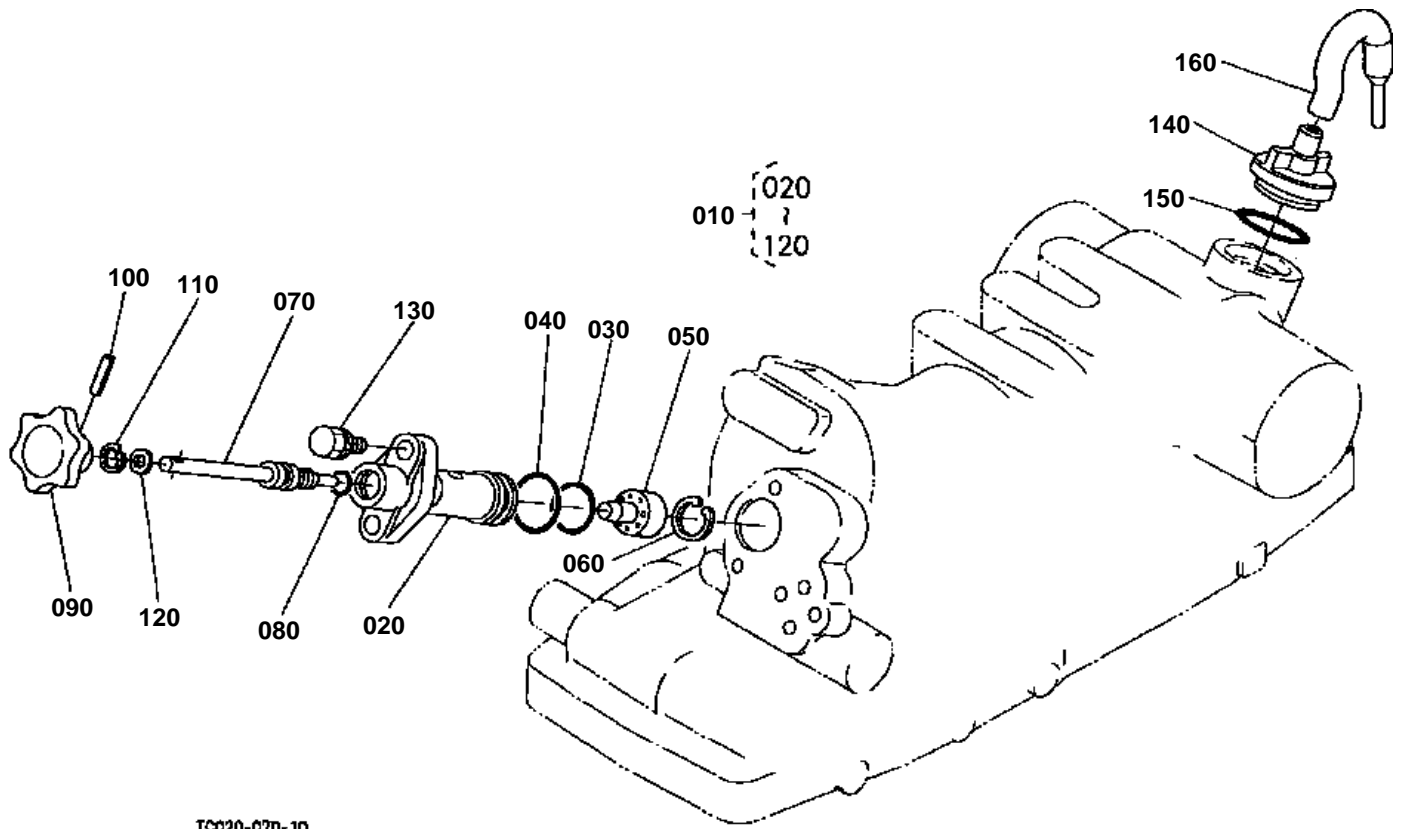


# HYDRAULIC CYLINDER

↔ Interchangeable; ≠ not interchangeable; ← new for old; → old for new

REF.No	Part No.	Description	Q'ty	S.No.	I/C	REMARKS	Weight (kgf)	Weight (lb)
010	32412-37112	CASE HYD.CYLINDER	1				20	44
020	37150-36730	PLUG	1				0.03	0.066
030	37150-36720	GASKET	1				0.01	0.022
040	31351-37160	PLUG	4				0.003	0.0066
050	35010-36610	SPACER VALVE	1				0.805	1.771
060	31351-37160	PLUG	2				0.003	0.0066
070	01123-50830	BOLT	3				0.015	0.033
080	04810-00100	O RING	6				0.001	0.0022
090	35010-36620	COVER	1				0.25	0.55
100	31351-37160	PLUG	1				0.003	0.0066
110	01123-50825	BOLT	3				0.013	0.0286
120	32425-37120	GASKET	1				0.025	0.055
130	01574-51245	STUD	2				0.051	0.1122
140	01133-51245	BOLT	8				0.055	0.121
150	02176-50120	NUT	2				0.01	0.022
160	04512-50120	WASHER SPRING	2				0.003	0.0066
170	32400-99810	ASSY OUTLET HYD.	1			OPTION	0.61	1.342
180	70760-62690	BLOCK HYD.OUTLET	1			OPTION	0.555	1.221
190	01123-50860	BOLT	2			OPTION	0.026	0.0572
200	31351-37160	PLUG	1			OPTION	0.003	0.0066
210	04810-00100	O RING	2			OPTION	0.001	0.0022
220	32400-99820	MANUAL ASSEMBLY	1			OPTION	0.01	0.022

CYLINDER FRONT COVER



TCC20-070-10

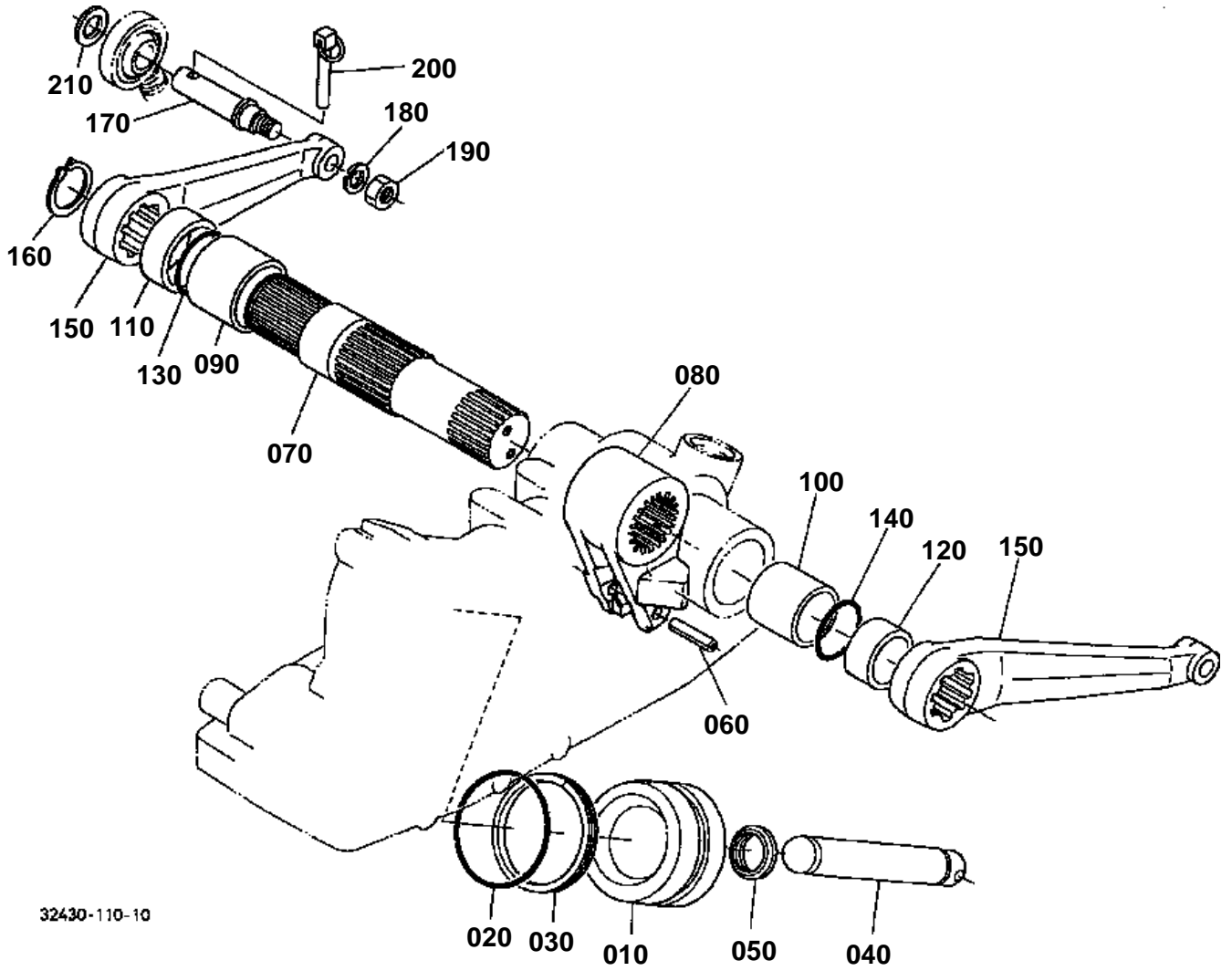


# CYLINDER FRONT COVER

↔ Interchangeable; ≠ not interchangeable; ← new for old; → old for new

REF.No	Part No.	Description	Q'ty	S.No.	I/C	REMARKS	Weight (kgf)	Weight (lb)
010	TC020-37200	ASSY COVER CYL.FRONT	1				0.305	0.671
020	31351-37210	COVER CYL.FRONT	1				0.315	0.693
030	04810-00220	O RING	1				0.001	0.0022
040	04810-06250	O RING	1				0.001	0.0022
050	38240-37250	COLLAR ADJUSTING	1				0.01	0.022
060	04611-00160	CIR CLIP INTERNAL	1				0.001	0.0022
070	TC020-37220	SHAFT HYD.ADJUST	1				0.032	0.0704
080	04810-00100	O RING	1				0.001	0.0022
090	34150-37230	GRIP	1				0.04	0.088
100	05411-00418	PIN SPRING	1				0.001	0.0022
110	34150-37260	CIR CLIP INTERNAL	1				0.001	0.0022
120	04012-50080	WASHER PLAIN	1				0.001	0.0022
130	01123-50825	BOLT	2				0.013	0.0286
140	38180-21410	PLUG	1				0.02	0.044
150	04811-50300	O RING	1				0.001	0.0022
160	38180-37140	BREATHER	1				0.01	0.022

LIFT ARM



32430-110-10

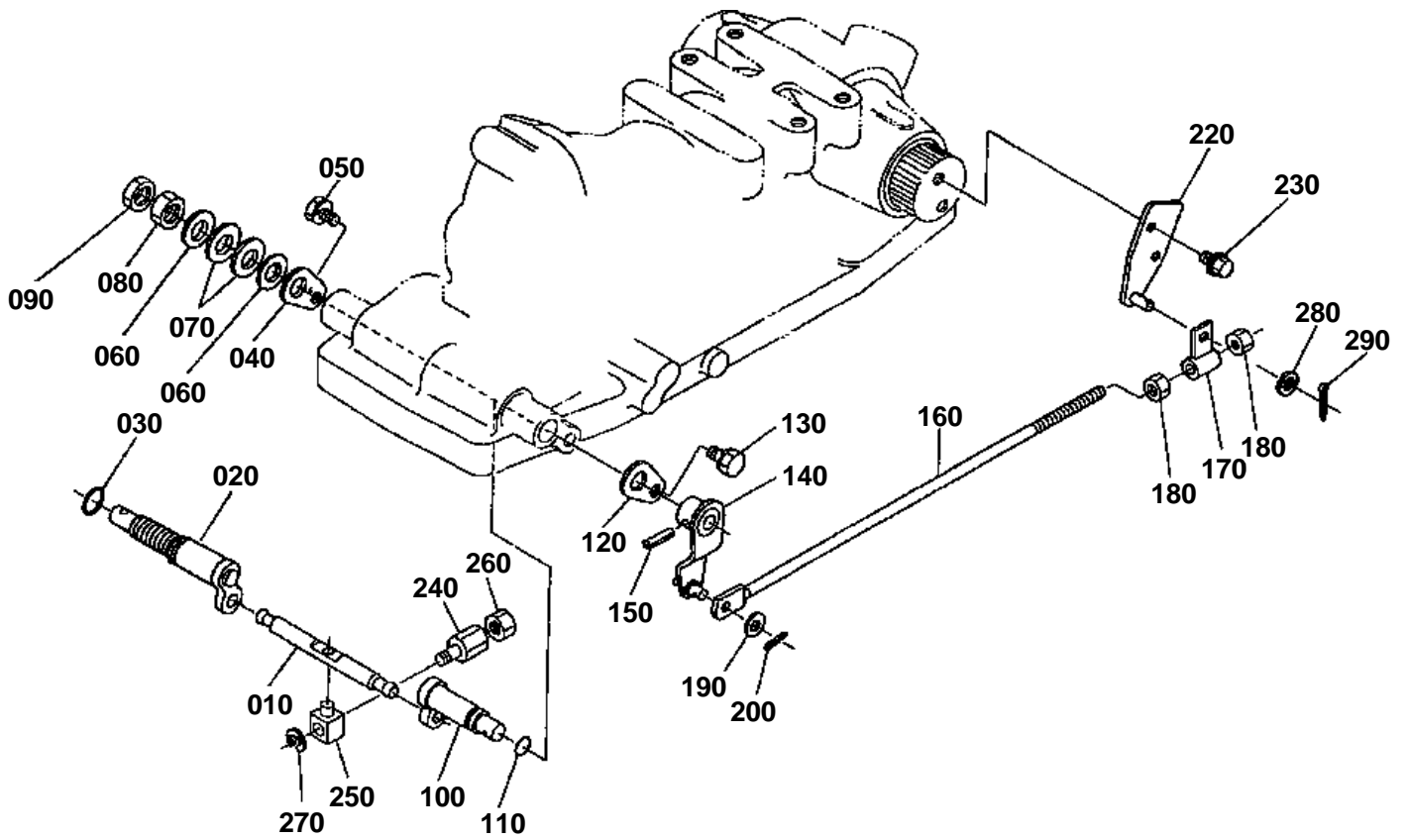


LIFT ARM

↔ Interchangeable; ≠ not interchangeable; ← new for old; → old for new

REF.No	Part No.	Description	Q'ty	S.No.	I/C	REMARKS	Weight (kgf)	Weight (lb)
010	31321-37310	PISTON HYD.	1				1.08	2.376
020	04811-00650	O RING	1				0.007	0.0154
030	34220-37380	RING BACK UP	1				0.001	0.0022
040	31351-37320	ROD HYD.	1				0.605	1.331
050	31351-37330	GUIDE HYD.ROD	1				0.003	0.0066
060	05411-00656	PIN SPRING	1				0.006	0.0132
070	31321-37430	SHAFT HYD.ARM	1				2.22	4.884
080	31321-37444	ARM HYDRAULIC	1				1.55	3.41
090	31321-37450	BUSH	1				0.09	0.198
090	30400-37450	BUSH	1			OPTION	0.09	0.198
100	34150-37460	BUSH	1				0.062	0.1364
100	30400-37460	BUSH	1			OPTION	0.065	0.143
110	34150-37480	COLLAR	1				0.005	0.011
120	34150-37490	COLLAR	1				0.002	0.0044
130	04811-50450	O RING	1				0.002	0.0044
140	04811-06400	O RING	1				0.001	0.0022
150	30401-37610	ARM LIFT	2				2.1	4.62
160	04612-00400	CIR CLIP EXTERNAL	1				0.005	0.011
170	30442-37690	PIN LIFT ROD	2				0.205	0.451
180	04512-60160	WASHER SPRING	2				0.01	0.022
190	02174-50160	NUT	2				0.022	0.0484
200	34150-37640	PIN SET	2				0.06	0.132
210	04011-50180	WASHER PLAIN	2				0.012	0.0264

FEED BACK LEVER



32310-092-10

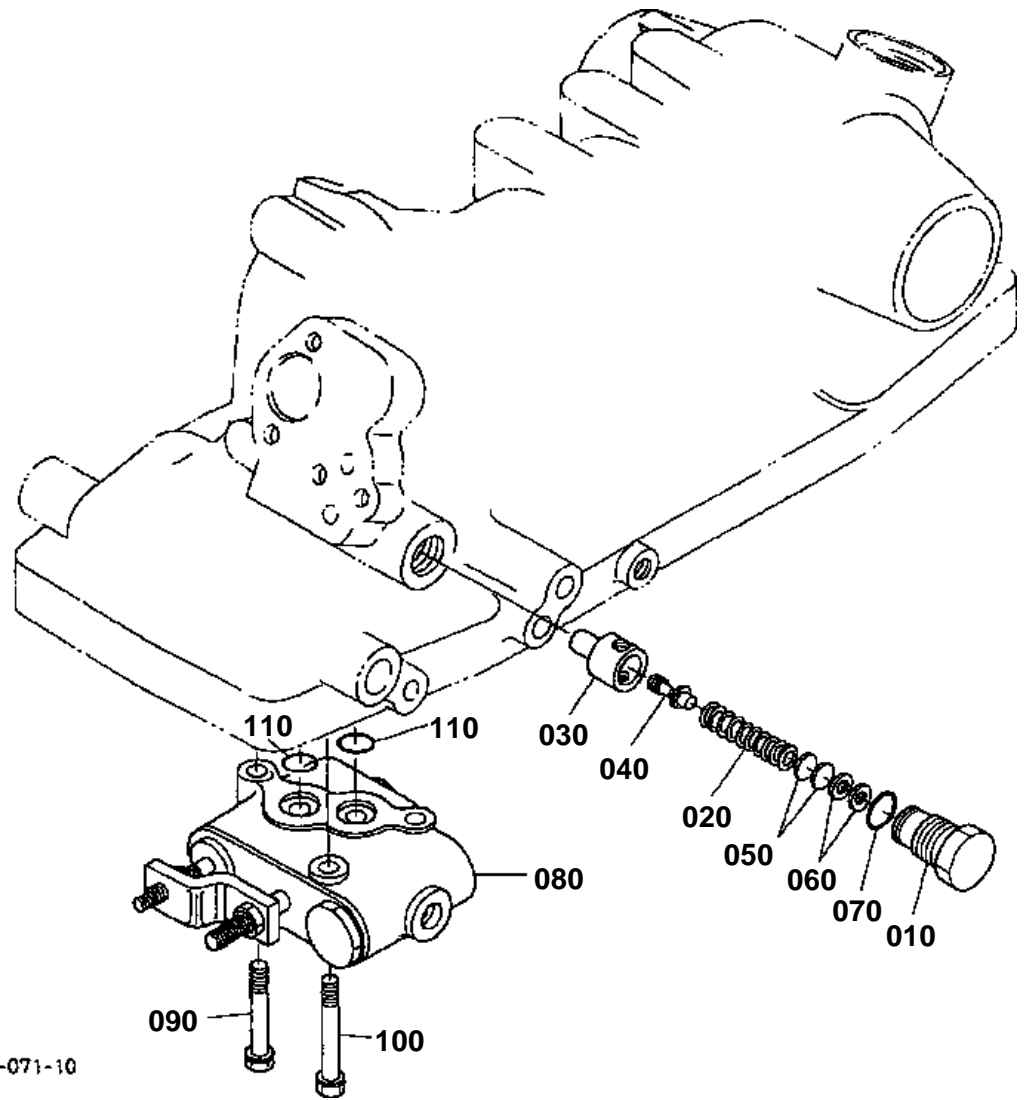


## FEED BACK LEVER

↔ Interchangeable; ≠ not interchangeable; ← new for old; → old for new

REF.No	Part No.	Description	Q'ty	S.No.	I/C	REMARKS	Weight (kgf)	Weight (lb)
010	31351-37640	LEVER SPOOL DRIVE	1				0.05	0.11
020	31351-37650	ARM CONTROL	1				0.16	0.352
030	04811-00140	O RING	1				0.001	0.0022
040	31351-37660	SET PLATE	1				0.01	0.022
050	01123-50816	BOLT	1				0.011	0.0242
060	04013-60140	WASHER PLAIN	2				0.01	0.022
070	34260-36880	SPRING PLATE	2				0.006	0.0132
080	02174-50140	NUT	1				0.014	0.0308
090	02172-50140	NUT	1				0.01	0.022
100	31351-37750	SHAFT BACK LEVER	1				0.1	0.22
110	04811-00120	O RING	1				0.001	0.0022
120	38240-36890	SET PLATE	1				0.013	0.0286
130	01123-50816	BOLT	1				0.011	0.0242
140	31351-37760	LEVER FEED BACK	1				0.08	0.176
150	05411-00525	PIN SPRING	1				0.002	0.0044
160	31321-37770	ROD FEED BACK	1				0.12	0.264
170	31351-37780	ROD CONTROL	1				0.03	0.066
180	02114-50080	NUT	2				0.005	0.011
190	04013-50080	WASHER PLAIN	1				0	0
200	05511-50218	PIN SPLIT	1				0.001	0.0022
210	T0070-36010	LINK CONTROL	1				0.07	0.154
220	01754-50812	BOLT FLANGE	2				0.01	0.022
230	67531-38280	JOINT SPOOL	1				0.17	0.374
240	37150-36420	JOINT SPOOL	1				0.02	0.044
250	02112-50080	NUT	1				0.003	0.0066
260	04613-50060	CIR CLIP EXTERNAL	1				0.001	0.0022
270	04013-50080	WASHER PLAIN	1				0	0
280	05511-50215	PIN SPLIT	1				0.001	0.0022

CONTROL VALVE



TC020-071-10



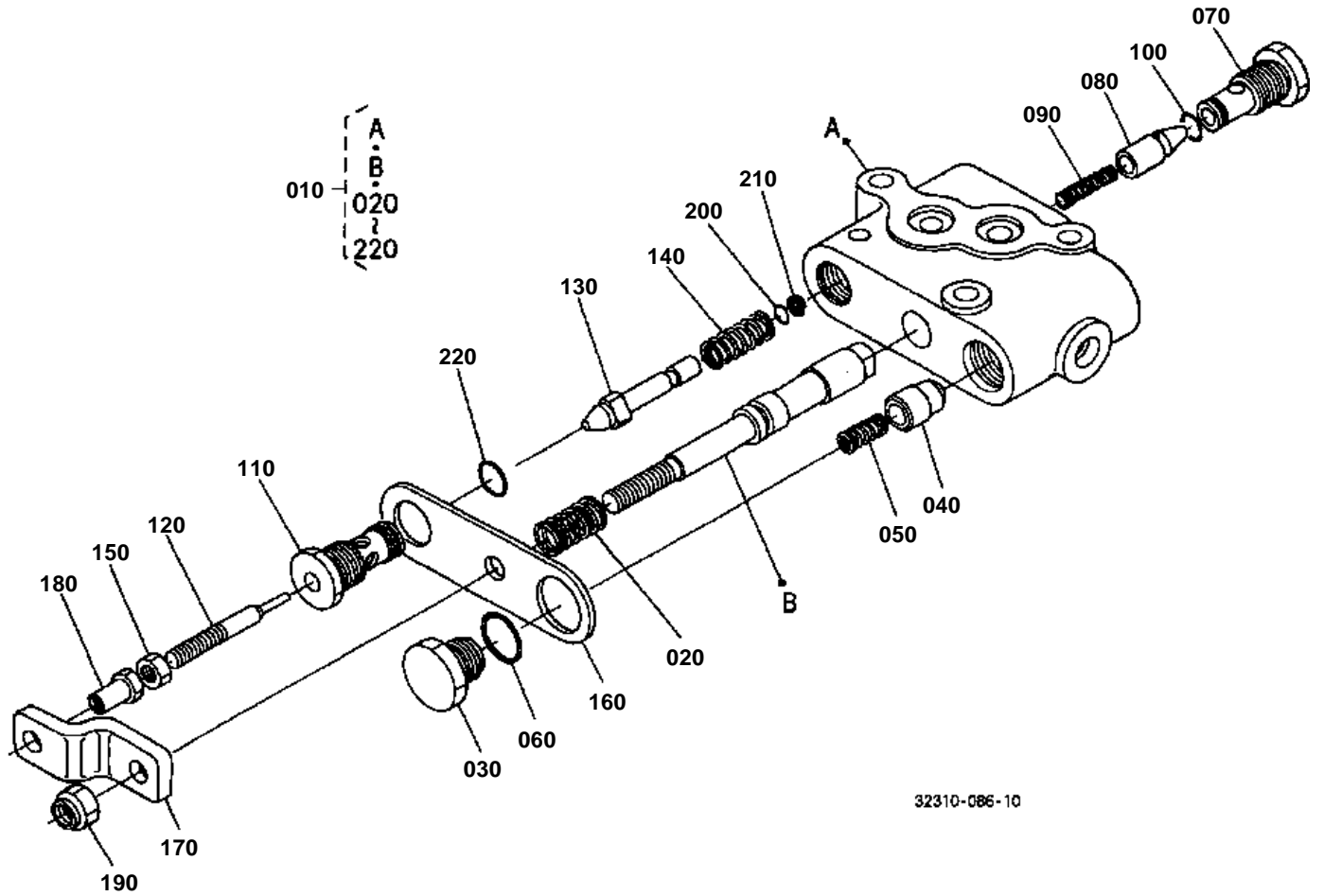


# CONTROL VALVE

↔ Interchangeable; ≠ not interchangeable; ← new for old; → old for new

REF.No	Part No.	Description	Q'ty	S.No.	I/C	REMARKS	Weight (kgf)	Weight (lb)
010	31351-37910	PLUG	1				0.06	0.132
020	31351-37920	SPRING RELIEF	1				0.02	0.044
030	31351-37930	SEAT RELIEF VALVE	1				0.02	0.044
040	31351-37940	POPPET	1				0.005	0.011
050	31351-37950	SHIM	5			0.4MM	0.001	0.0022
050	31351-37960	SHIM	2			0.2MM	0.001	0.0022
050	31351-37970	SHIM	2			0.1MM	0.001	0.0022
060	04013-60050	WASHER PLAIN	2				0.001	0.0022
070	04811-10160	O RING	1				0.001	0.0022
080	31391-39000	ASSY VALVE CONTROL	1			REFER TO L.No.G09-L FOR COMPONENTS.	1.65	3.63
090	01123-50845	BOLT	1				0.02	0.044
100	01123-50850	BOLT	2				0.02	0.044
110	04810-00120	O RING	2				0.001	0.0022

CONTROL VALVE [COMPONENT PARTS]



32310-086-10

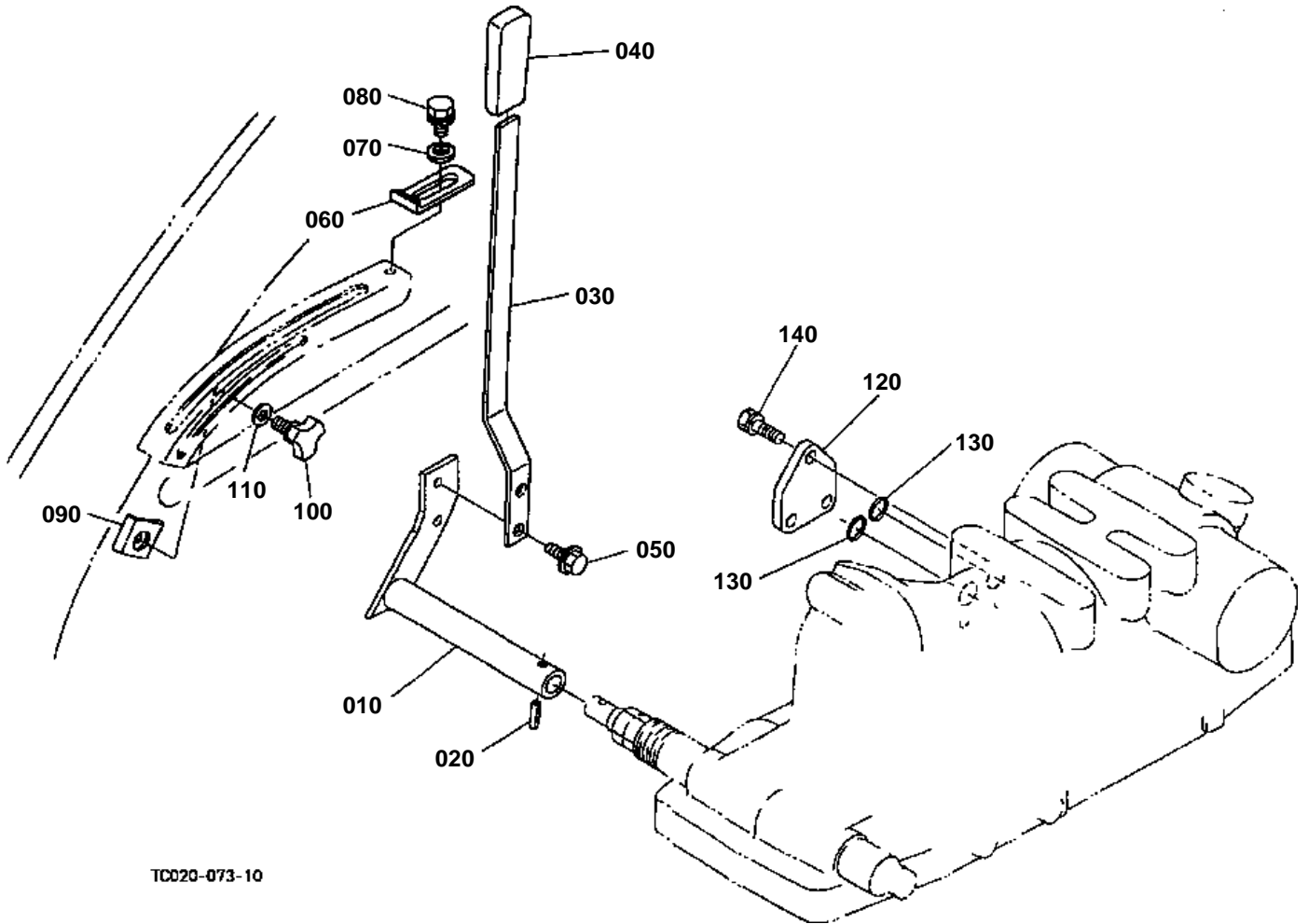


## CONTROL VALVE [COMPONENT PARTS]

↔ Interchangeable; ≠ not interchangeable; ← new for old; → old for new

REF.No	Part No.	Description	Q'ty	S.No.	I/C	REMARKS	Weight (kgf)	Weight (lb)
010	31391-39000	ASSY VALVE CONTROL	1				1.65	3.63
020	31351-39130	SPRING SPOOL	1				0.005	0.011
030	31351-39140	PLUG	1				0.05	0.11
040	31351-39150	POPPET	1				0.02	0.044
050	67531-38470	SPRING	1				0.001	0.0022
060	04811-00160	O RING	1				0.001	0.0022
070	31391-39170	PLUG	1				0.05	0.11
080	31391-39180	POPPET	1				0.015	0.033
090	31391-39190	SPRING	1				0.001	0.0022
100	04810-00090	O RING	1				0.001	0.0022
110	31351-39200	PLUG	1				0.04	0.088
120	31351-39210	RETAINER ROD	1				0.013	0.0286
130	31351-39180	POPPET	1				0.025	0.055
140	31351-39190	SPRING	1				0.008	0.0176
150	02056-50060	NUT	1				0.002	0.0044
160	31351-39240	PLATE	1				0.05	0.11
170	31351-39250	PLATE JOINT	1				0.052	0.1144
180	31351-39260	NUT ADJUSTING	1				0.008	0.0176
190	31351-39270	U NUT	1				0.005	0.011
200	04811-00050	O RING	1				0.001	0.0022
210	31351-39290	RING BACK UP	1				0.001	0.0022
220	04810-06100	O RING	1				0.001	0.0022

POSITION CONTROL LEVER



TCC20-073-10

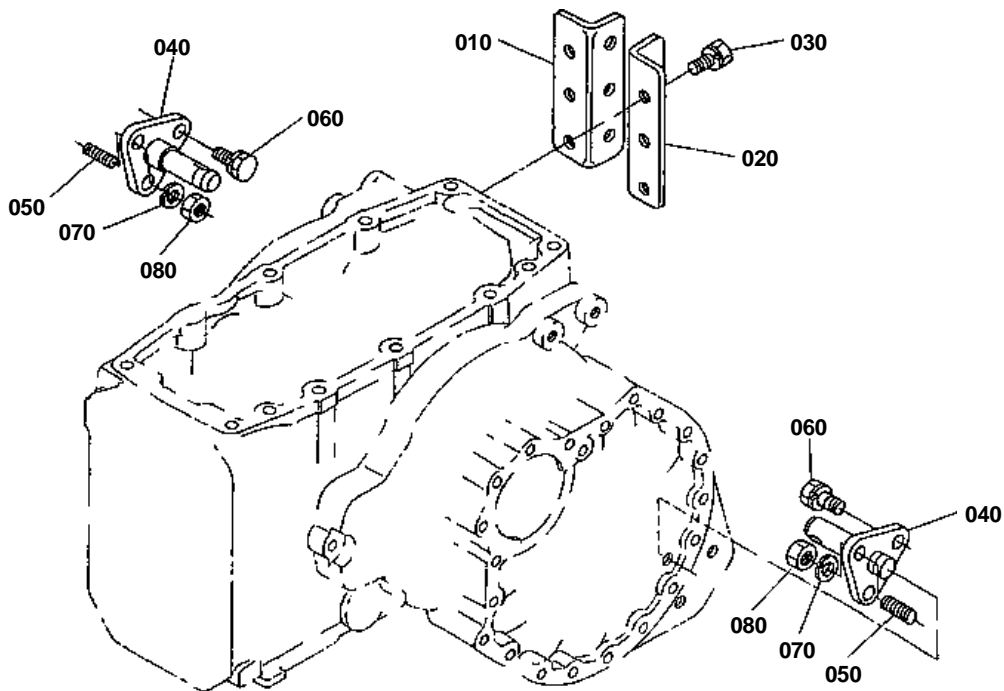


POSITION CONTROL LEVER

↔ Interchangeable; ≠ not interchangeable; ← new for old; → old for new

REF.No	Part No.	Description	Q'ty	S.No.	I/C	REMARKS	Weight (kgf)	Weight (lb)
010	32430-36850	LEVER POSITION	1				0.42	0.924
020	05411-00525	PIN SPRING	1				0.002	0.0044
030	TC020-36860	LEVER POSITION	1				0.14	0.308
040	31351-36880	GRIP LEVER	1				0.04	0.088
050	01754-50616	BOLT FLANGE	2				0.006	0.0132
060	38240-36930	STOPPER	1				0.02	0.044
070	04015-50080	WASHER PLAIN	1				0	0
080	01123-60816	BOLT	1				0.01	0.022
090	31351-36910	STOPPER	1				0.02	0.044
100	37410-52610	SCREW KNOB	1				0.015	0.033
110	04013-50060	WASHER PLAIN	1				0	0
120	32430-41210	COVER CYL.SIDE RH	1			WITHOUT DRAFT CONTROL	0.11	0.242
130	04810-00140	O RING	2			WITHOUT DRAFT CONTROL	0.001	0.0022
140	01123-50820	BOLT	3			WITHOUT DRAFT CONTROL	0.011	0.0242

# TOP LINK HOLDER



32310-096-10

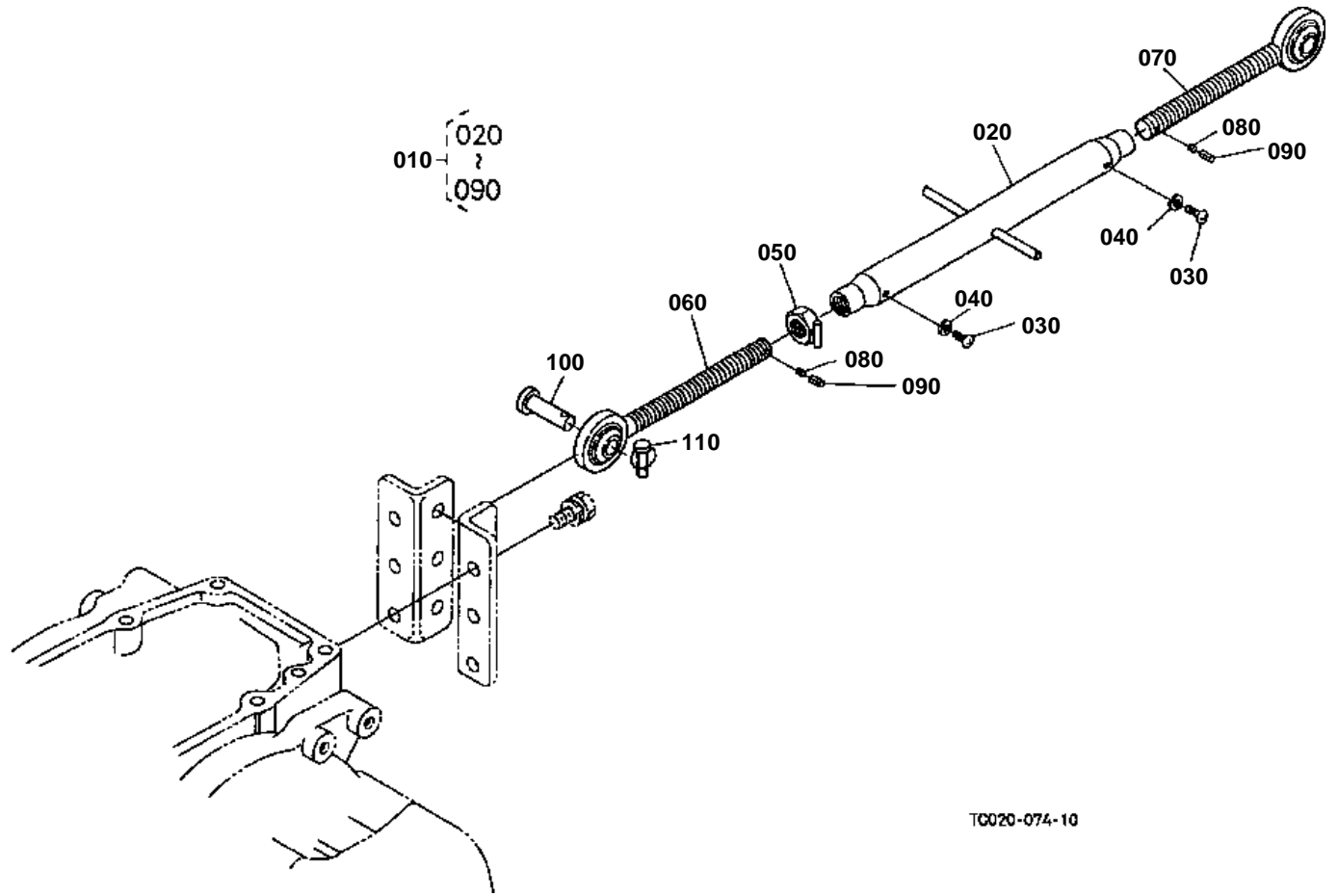


# TOP LINK HOLDER

↔ Interchangeable; ≠ not interchangeable; ← new for old; → old for new

REF.No	Part No.	Description	Q'ty	S.No.	I/C	REMARKS	Weight (kgf)	Weight (lb)
010	99571-22140	HOLDER TOP LINK RH	1			WITH POSITION CONTROL	0.99	2.178
020	99571-22150	HOLDER TOP LINK LH	1			WITH POSITION CONTROL	0.99	2.178
030	01133-51230	BOLT	6			WITH POSITION CONTROL	0.04	0.088
040	31351-29820	HOLDER LOWER LINK	2				0.515	1.133
050	01574-51225	STUD	2				0.034	0.0748
060	01133-51230	BOLT	4				0.04	0.088
070	04512-50120	WASHER SPRING	2				0.003	0.0066
080	02176-50120	NUT	2				0.01	0.022

TOP LINK



TC020-074-10



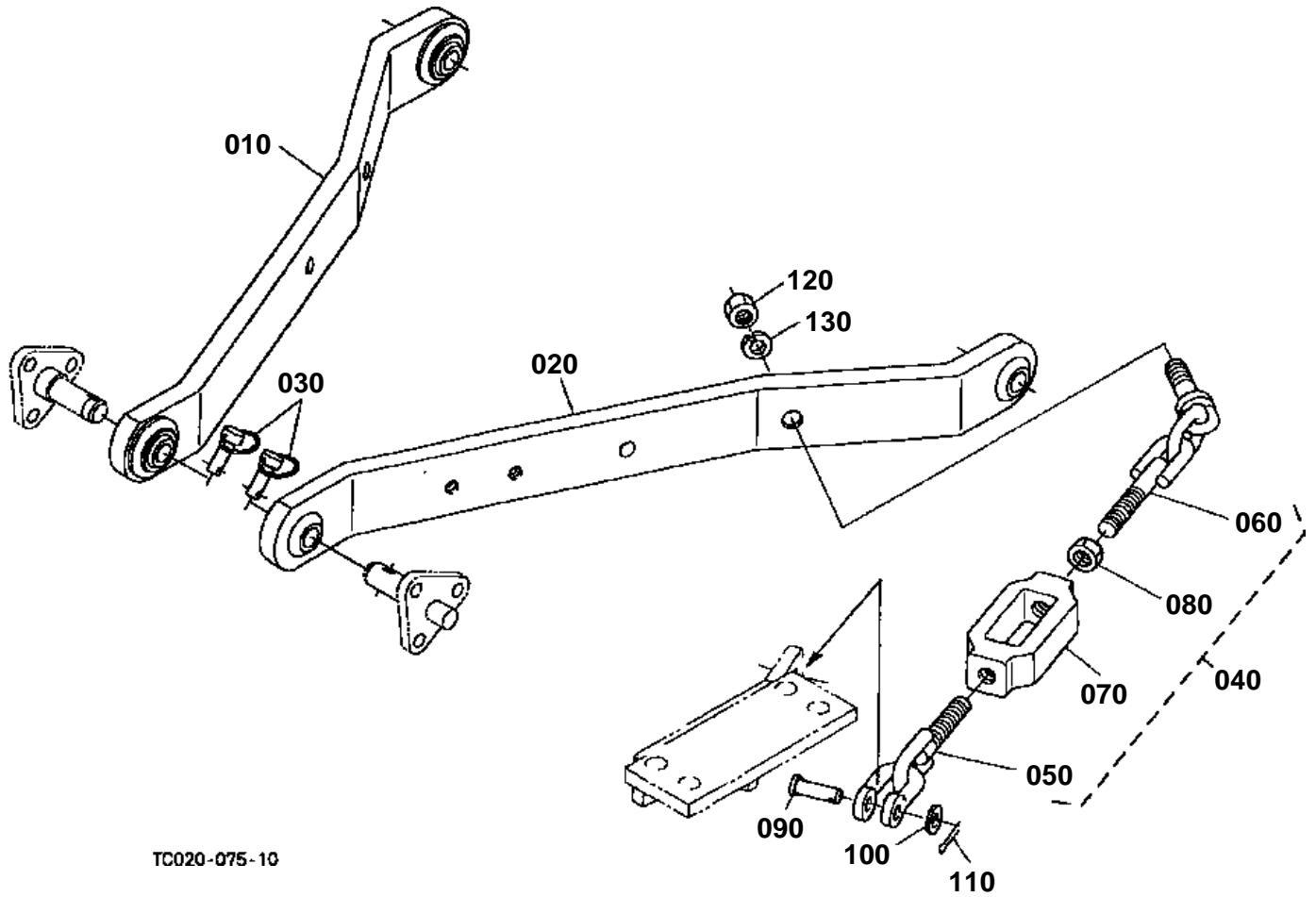


# TOP LINK

↔ Interchangeable; ≠ not interchangeable; ← new for old; → old for new

REF.No	Part No.	Description	Q'ty	S.No.	I/C	REMARKS	Weight (kgf)	Weight (lb)
010	32310-71100	ASSY LINK TOP	1				2.8	6.16
020	31341-71110	LINK TOP	1				1.1	2.42
030	31351-71150	SCREW	2				0.018	0.0396
040	04512-50060	WASHER SPRING	2				0	0
050	38247-71180	NUT TOP LINK	1				0.06	0.132
060	34670-71210	JOINT TOP LINK RH	1				0.86	1.892
070	34670-71220	JOINT TOP LINK LH	1				0.83	1.826
080	70436-58360	SPRING	2				0.001	0.0022
090	31351-71160	PIN	2				0.002	0.0044
100	31150-71360	PIN JOINT	2				0.166	0.3652
110	34150-37640	PIN SET	2				0.06	0.132

3-POINT LINKAGE 1 (LOWER LINK)



TC020-075-10

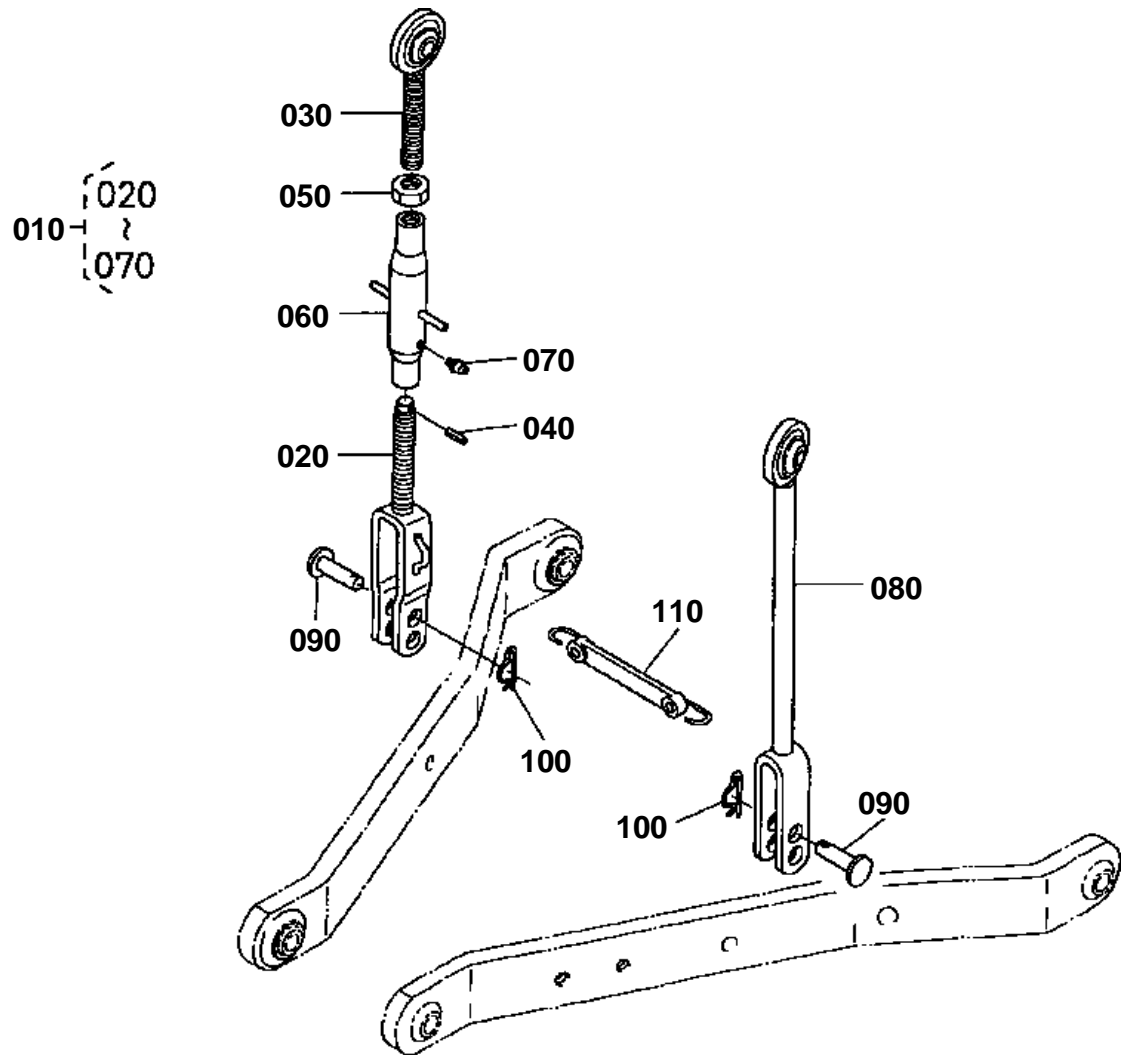


### 3-POINT LINKAGE 1 (LOWER LINK)

↔ Interchangeable; ≠ not interchangeable; ← new for old; → old for new

REF.No	Part No.	Description	Q'ty	S.No.	I/C	REMARKS	Weight (kgf)	Weight (lb)
010	TC020-71310	COMP.LINK LOWER RH	1				0	0
020	TC020-71330	COMP.LINK LOWER LH	1				0	0
030	34150-37640	PIN SET	4				0.06	0.132
040	32330-39700	ASSY CHAIN CHECK	2				1.3	2.86
050	31331-71814	JOINT CHAIN	2				0.27	0.594
060	31341-71820	JOINT CHAIN	2				0.435	0.957
070	32420-71840	TURNBUCKLE	2				0.55	1.21
080	02052-50140	NUT	2				0.018	0.0396
090	99571-22820	PIN	2				0.03	0.066
100	04013-50100	WASHER PLAIN	2				0	0
110	05511-50318	PIN SPLIT	2				0.001	0.0022
120	02074-50160	NUT	2				0.029	0.0638
130	04512-60160	WASHER SPRING	2				0.01	0.022

3-POINT LINKAGE 2 (LIFT ROD)



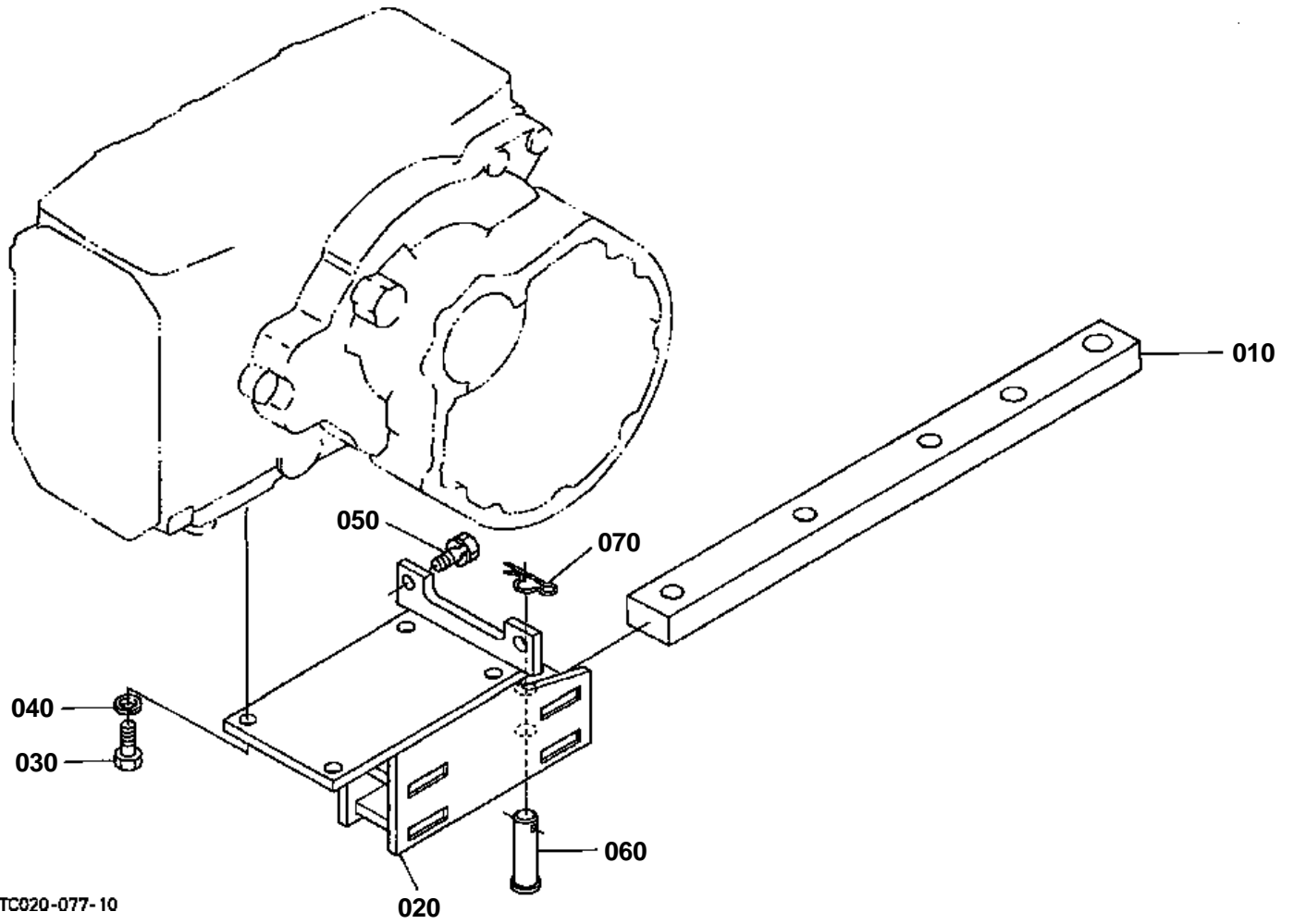
TC020-076-10



### 3-POINT LINKAGE 2 (LIFT ROD)

↔ Interchangeable; ≠ not interchangeable; ← new for old; → old for new

REF.No	Part No.	Description	Q'ty	S.No.	I/C	REMARKS	Weight (kgf)	Weight (lb)
010	32310-71560	ASSY ROD LIFT RH	1				2.1	4.62
020	32400-71520	ROD LIFT LOWER	1				0.93	2.046
030	31331-71510	ROD LIFT UPPER	1				0.58	1.276
040	05411-00320	PIN SPRING	1				0.001	0.0022
050	35110-71570	NUT	1				0.05	0.11
060	38187-71770	ROD LIFT MIDDLE	1				0.54	1.188
070	06613-10675	NIPPLE GREASE	1				0.003	0.0066
080	32310-71540	ROD LIFT LH	1				1.55	3.41
090	38187-71580	PIN LIFT ROD	2				0.061	0.1342
100	05515-51600	PIN SNAP	2				0.007	0.0154
110	35080-71750	COMP.RUBBER	1				0.065	0.143



TC020-077-10

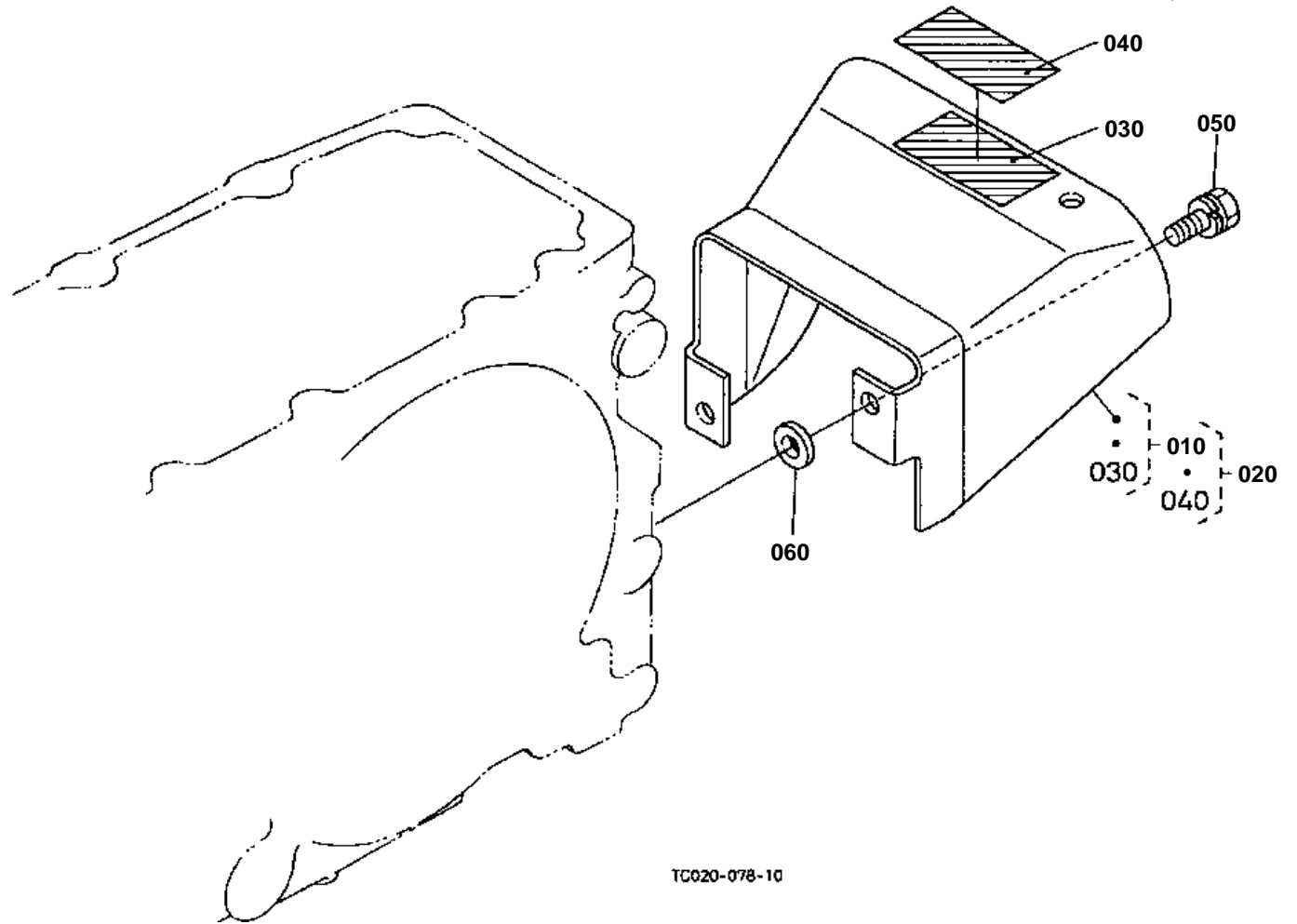


# DRAWBAR

↔ Interchangeable; ≠ not interchangeable; ← new for old; → old for new

REF.No	Part No.	Description	Q'ty	S.No.	I/C	REMARKS	Weight (kgf)	Weight (lb)
010	35070-29710	DRAWBAR	1				6.7	14.74
020	TC020-29730	FRAME DRAWBAR	1				7.2	15.84
030	01133-51430	BOLT	4				0	0
040	04512-60140	WASHER SPRING	4				0.006	0.0132
050	01133-51235	BOLT	2				0.05	0.11
060	05122-52070	PIN JOINT	1				0.186	0.4092
070	05515-51600	PIN SNAP	1				0.007	0.0154

PTO PROTECTOR



TC020-078-10



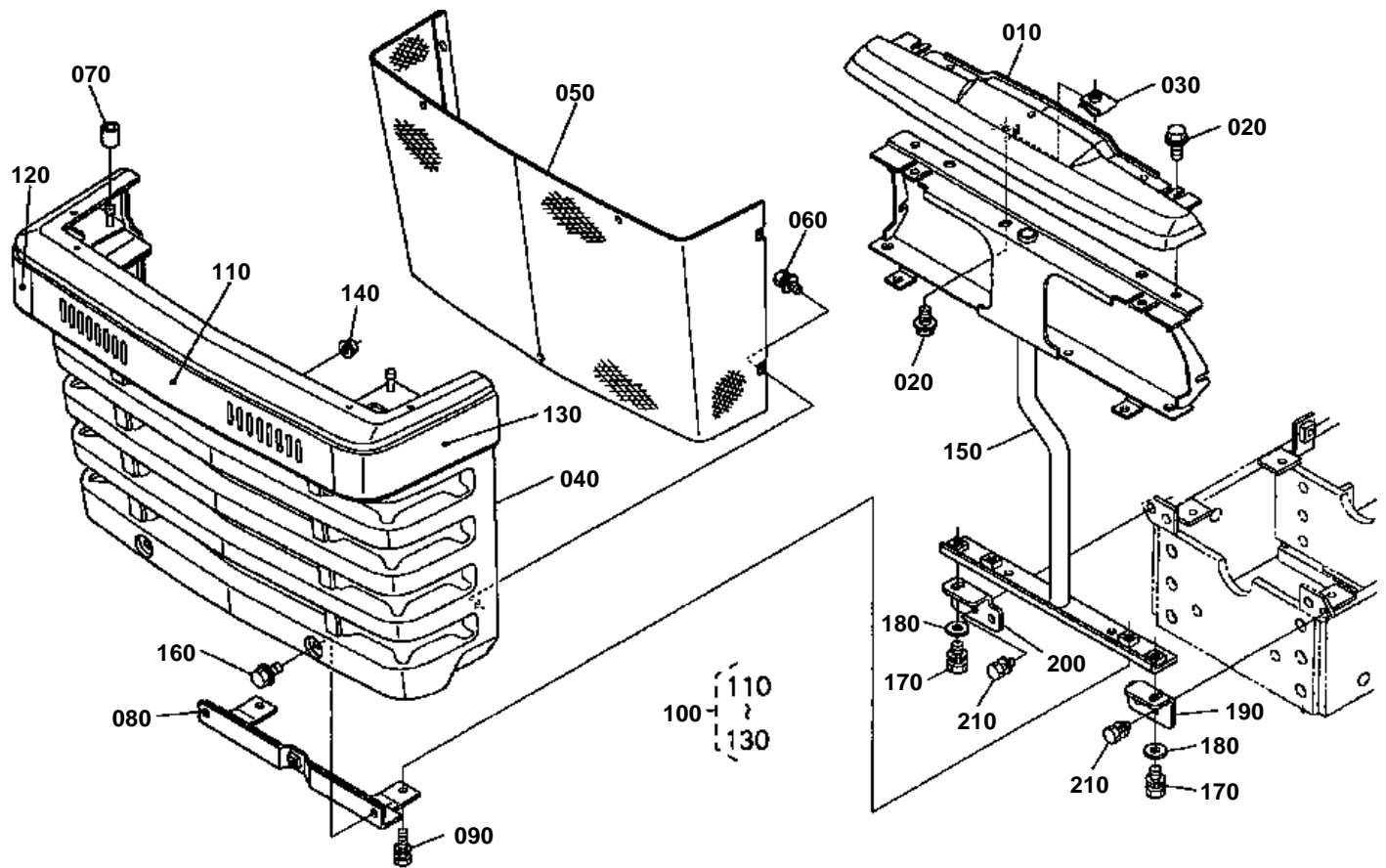


# PTO PROTECTOR

↔ Interchangeable; ≠ not interchangeable; ← new for old; → old for new

REF.No	Part No.	Description	Q'ty	S.No.	I/C	REMARKS	Weight (kgf)	Weight (lb)
010	TC020-25430	KIT PROTECTOR A	1			ENGLISH	0	0
020	TC010-25430	KIT PROTECTOR B	1			FRENCH	0	0
030	TA040-49590	LABEL PTO WARNING	1			ENGLISH	0.002	0.0044
040	TA041-49590	LABEL PTO WARNING	1			FRENCH	0.005	0.011
050	01133-51230	BOLT	3				0.04	0.088
060	35114-25340	COLLAR	1				0.02	0.044

# FRONT GRILLE



TC020-079-10

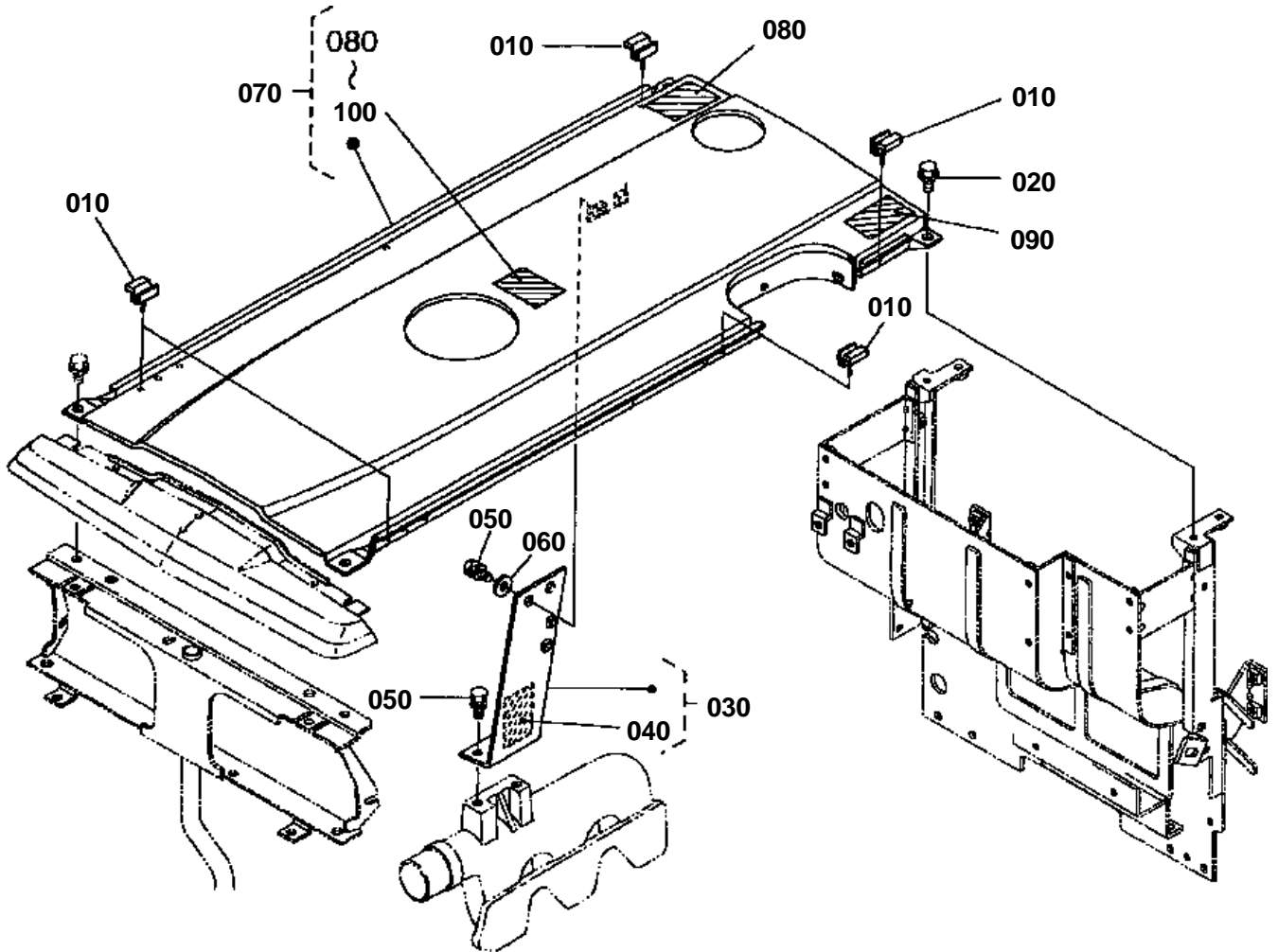


# FRONT GRILLE

↔ Interchangeable; ≠ not interchangeable; ← new for old; → old for new

REF.No	Part No.	Description	Q'ty	S.No.	I/C	REMARKS	Weight (kgf)	Weight (lb)
010	TC020-18163	ROOF FRONT	1				0	0
020	01754-50612	BOLT FLANGE	3				0.005	0.011
030	38240-29250	NUT SPRING	1				0.005	0.011
040	30400-18234	GRILLE FRONT	1				0	0
050	TC020-18250	NET FRONT GRILLE	1				0.465	1.023
060	30442-15230	BOLT	7				0.01	0.022
070	31351-18260	PIPE	2				0.001	0.0022
080	35080-18280	RETAINER GRILLE	1				0.27	0.594
090	01123-50816	BOLT	2				0.011	0.0242
100	TC020-18700	ASSY BELT FRONT	1				0	0
110	TC020-94170	BELT GRILLE FRONT	1				0.125	0.275
120	TC020-94180	BELT GRILLE RH	1				0.062	0.1364
130	TC020-94190	BELT GRILLE LH	1				0.062	0.1364
140	02761-50050	NUT FLANGE	8				0.005	0.011
150	TC020-18312	POST FRONT GRILLE	1				1.58	3.476
160	01754-50812	BOLT FLANGE	2				0.01	0.022
170	01123-50820	BOLT	2				0.011	0.0242
180	04015-50080	WASHER PLAIN	2				0	0
190	32400-45820	STAY FRONT GRILLE LH	1				0.13	0.286
200	32400-45830	STAY FRONT GRILLE RH	1				0.135	0.297
210	01133-51020	BOLT	2				0.02	0.044

HOOD(BONNET)



TC020-081-10

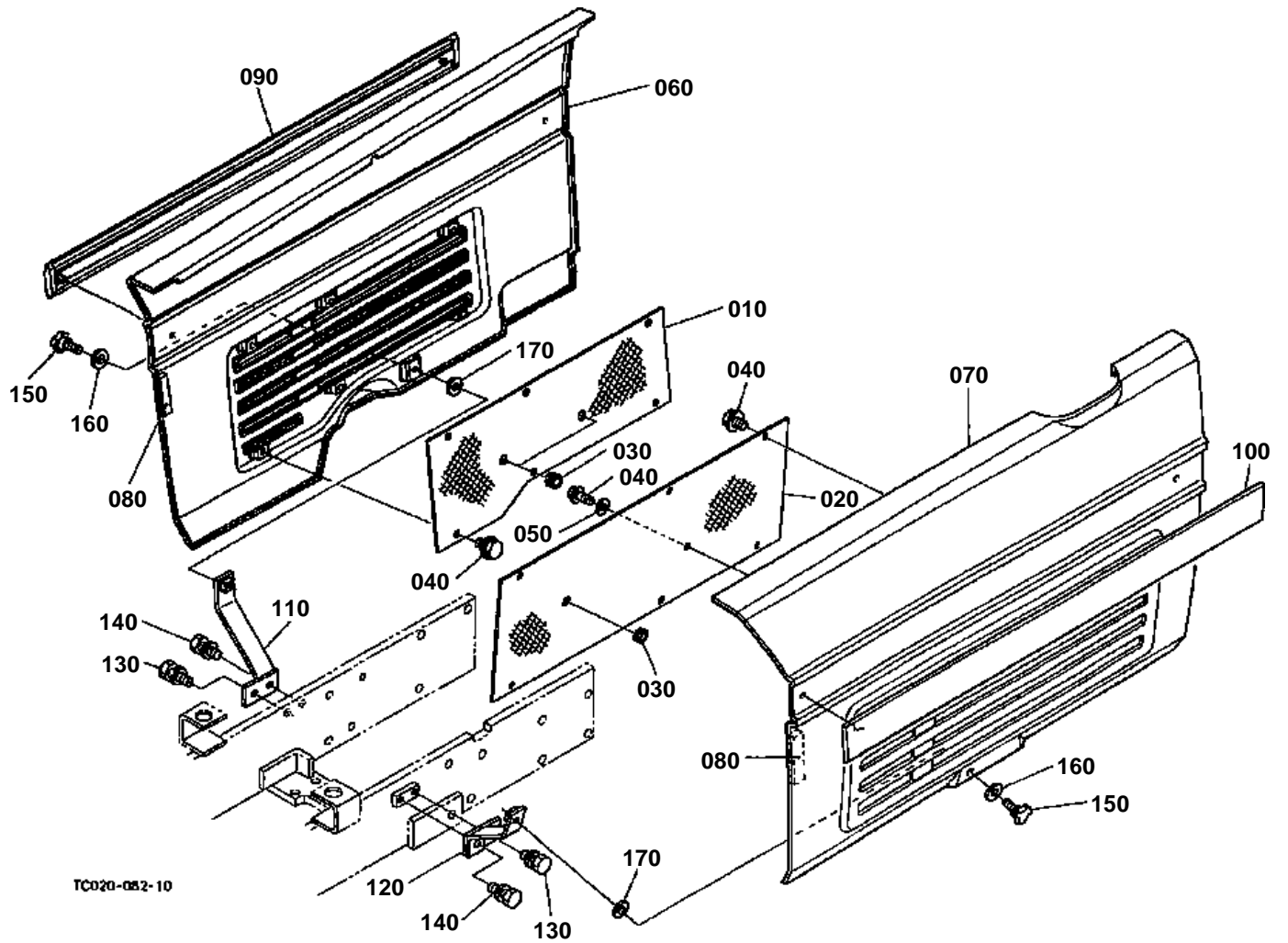


# HOOD(BONNET)

↔ Interchangeable; ≠ not interchangeable; ← new for old; → old for new

REF.No	Part No.	Description	Q'ty	S.No.	I/C	REMARKS	Weight (kgf)	Weight (lb)
010	30442-18625	CUSHION	5				0.005	0.011
020	01754-50616	BOLT FLANGE	4				0.006	0.0132
030	TC020-18380	KIT SUPPORT BONNET	1				0	0
040	32751-49580	LABEL FAN BELT	1				0.001	0.0022
050	01123-50818	BOLT	4				0.012	0.0264
060	04015-50080	WASHER PLAIN	2				0	0
070	32330-18700	KIT BONNET UPPER	1				5	11
080	TA040-49562	LABEL FUEL	1				0.002	0.0044
090	32330-49580	LABEL MUFFLER	1				0.002	0.0044
100	32330-49540	LABEL CAUTION	1				0.001	0.0022

HOOD(BONNET) SIDE



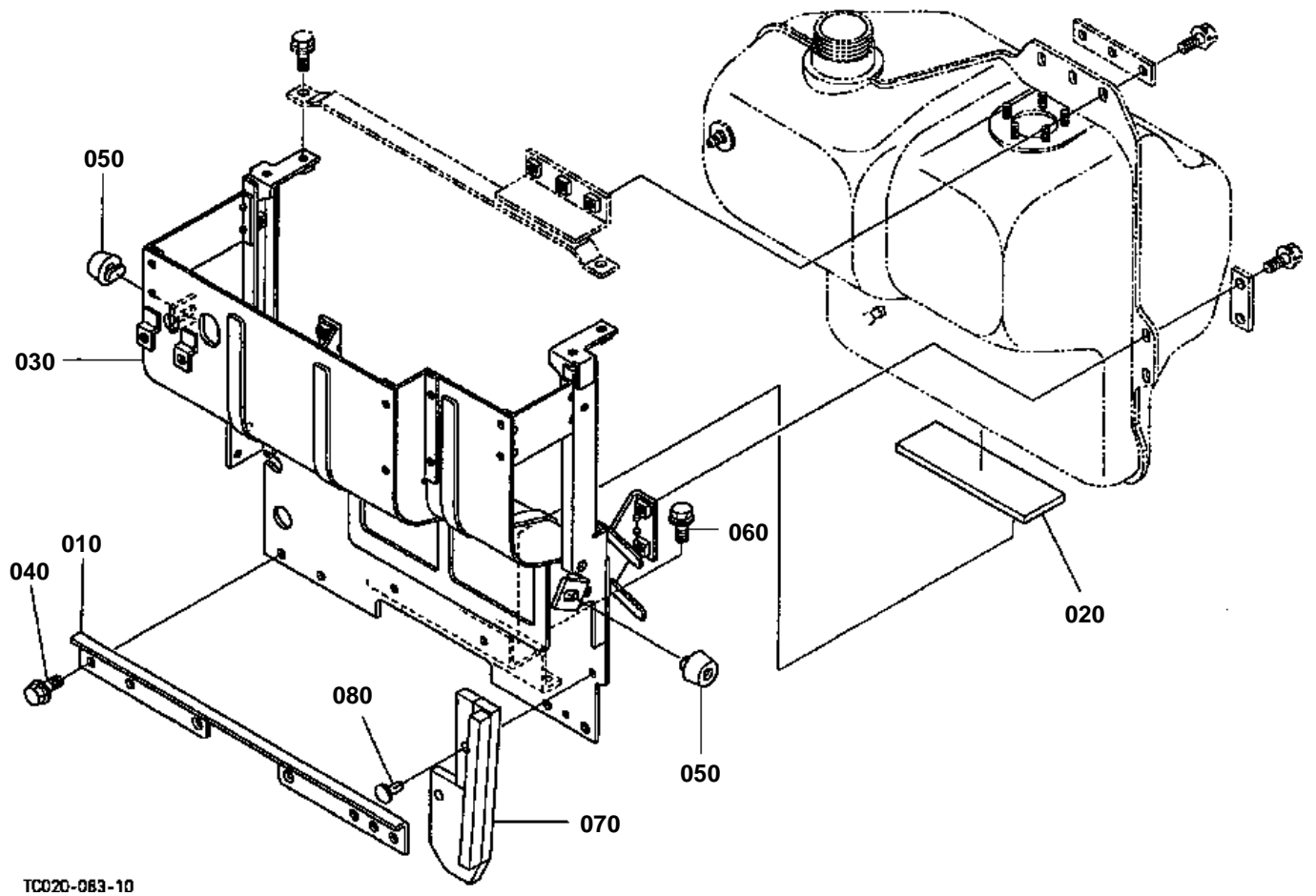


# HOOD(BONNET) SIDE

↔ Interchangeable; ≠ not interchangeable; ← new for old; → old for new

REF.No	Part No.	Description	Q'ty	S.No.	I/C	REMARKS	Weight (kgf)	Weight (lb)
010	TC020-18140	NET BONNET SIDE RH	1				0.195	0.429
020	TC020-18150	NET BONNET SIDE LH	1				0.285	0.627
030	38240-18220	CUSHION	3				0.003	0.0066
040	01754-50608	BOLT FLANGE	13				0.005	0.011
050	04015-50060	WASHER PLAIN	1				0	0
060	TC020-18630	COMP.BONNET SIDE LH	1				0	0
070	TC020-18640	COMP.BONNET SIDE RH	1				0	0
080	32400-18950	CUSHION BONNET	2				0.01	0.022
090	TC020-18680	BELT SIDE RH	1				0.44	0.968
100	TC020-18690	BELT SIDE LH	1				0.44	0.968
110	TC020-18710	SOPPORT HOOK RH	1				0.43	0.946
120	TC020-18720	SUPPORT HOOK LH	1				0.37	0.814
130	01123-50814	BOLT	2				0	0
140	01123-50818	BOLT	2				0.012	0.0264
150	01820-50825	BOLT KNOB	2				0.028	0.0616
160	04015-50080	WASHER PLAIN	2				0	0
170	32400-18220	RUBBER KNOB BOLT	2				0.001	0.0022

SHUTTER PLATE



TC020-083-10



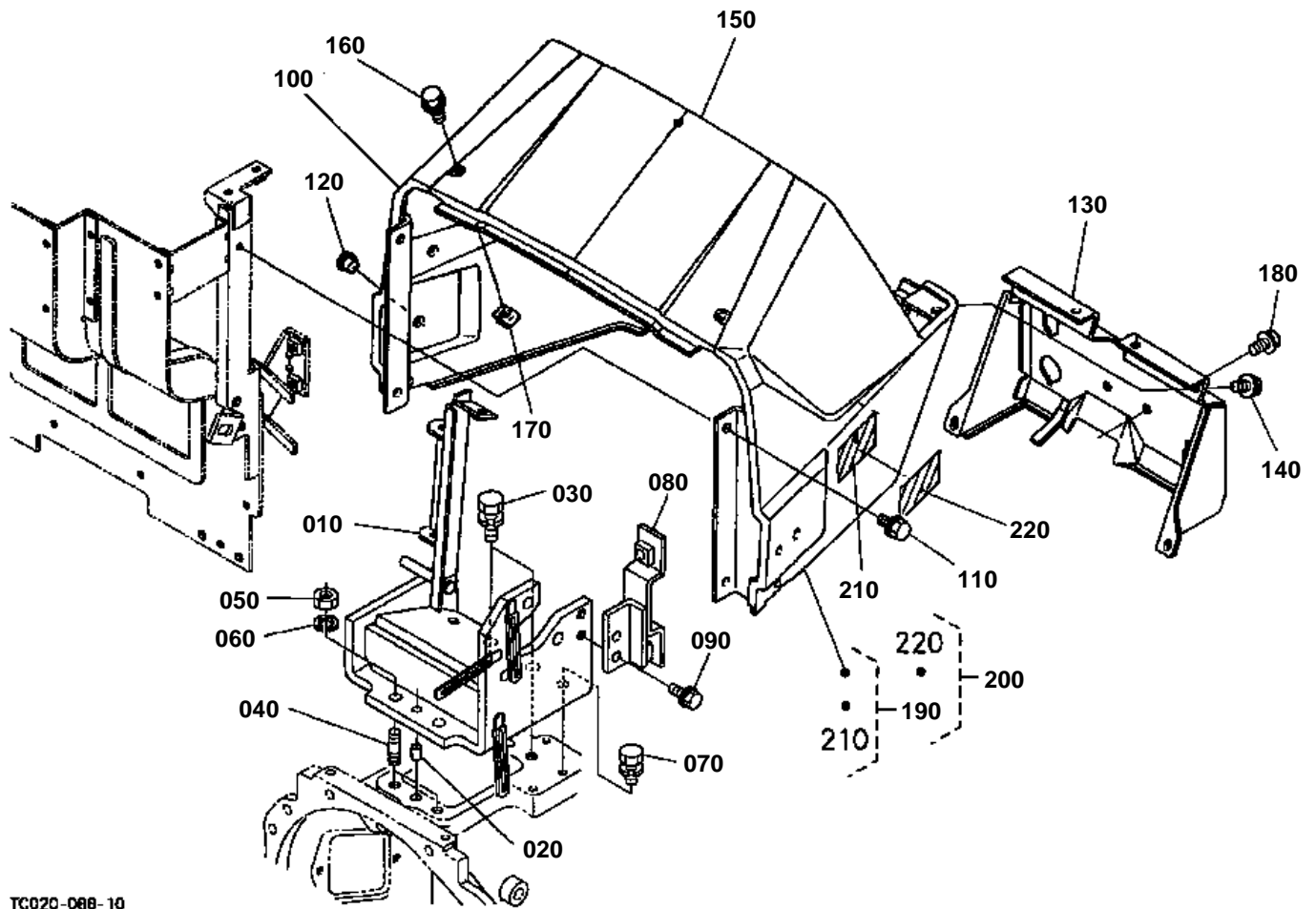


# SHUTTER PLATE

↔ Interchangeable; ≠ not interchangeable; ← new for old; → old for new

REF.No	Part No.	Description	Q'ty	S.No.	I/C	REMARKS	Weight (kgf)	Weight (lb)
010	TC020-35230	SUPPORT SHUTTER	1				0.29	0.638
020	31351-35183	CUSHION TANK	1				0	0
030	TC010-35213	PLATE SHUTTER	1				0	0
040	01754-50812	BOLT FLANGE	4				0.01	0.022
050	30400-17980	RUBBER BLOCK	2				0.01	0.022
060	01754-50812	BOLT FLANGE	2				0.01	0.022
070	TC020-17810	PLATE SHUTTER	1				0.02	0.044
080	38430-29372	CLIP BUTTON	2				0.001	0.0022

PANEL FRAME



TC020-088-10

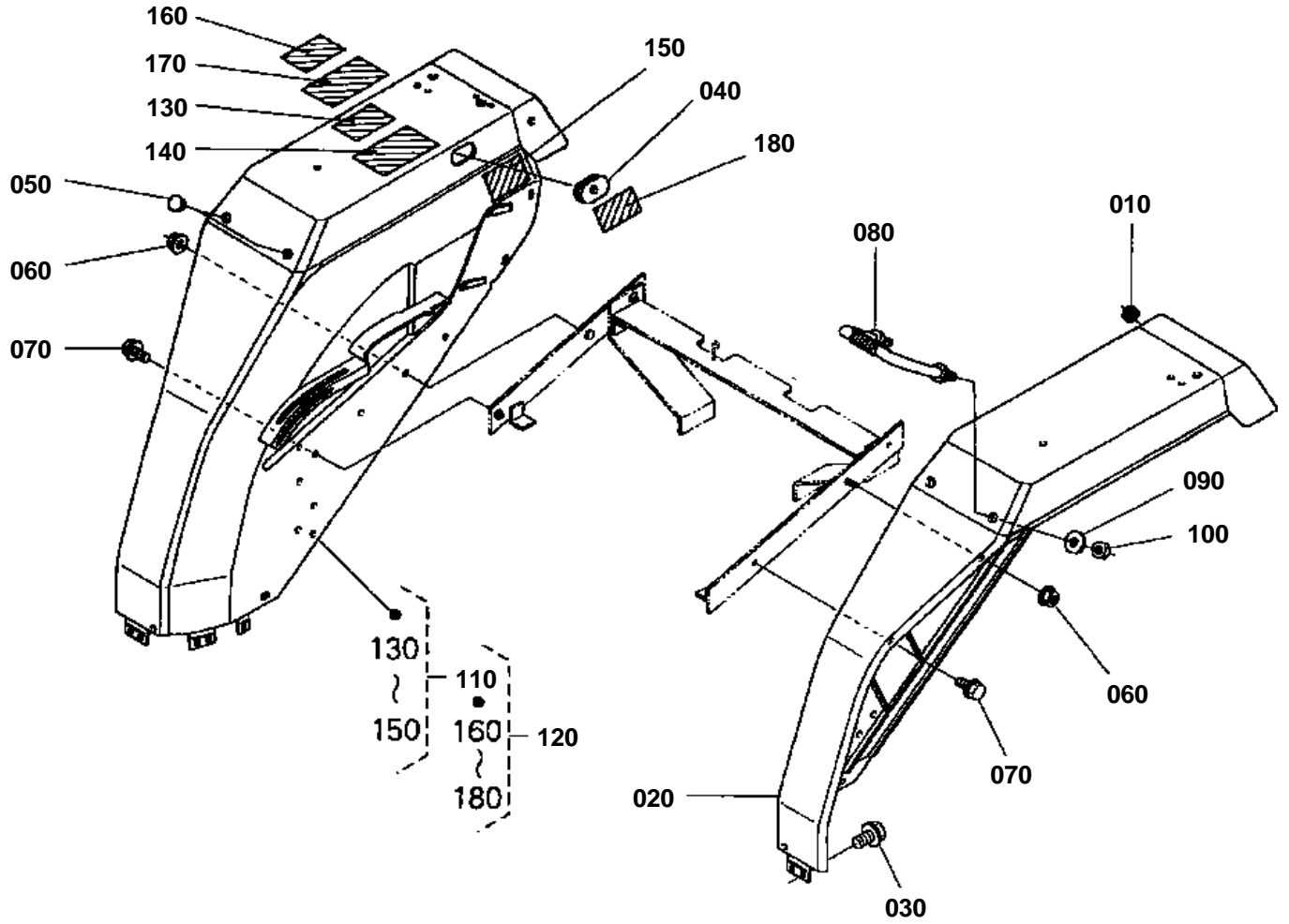


PANEL FRAME

↔ Interchangeable; ≠ not interchangeable; ← new for old; → old for new

REF.No	Part No.	Description	Q'ty	S.No.	I/C	REMARKS	Weight (kgf)	Weight (lb)
010	TC020-45680	SUPPORT POWER STRG.	1				7.1	15.62
020	05012-01018	PIN STRAIGHT	2				0.012	0.0264
030	01133-51225	BOLT	2				0.038	0.0836
040	01574-51225	STUD	2				0.034	0.0748
050	02174-50120	NUT	2				0.01	0.022
060	04512-50120	WASHER SPRING	2				0.003	0.0066
070	01133-51020	BOLT	2				0.02	0.044
080	TC020-18360	HOLDER FUSE BOX	1				0.12	0.264
090	30400-18870	BOLT FLANGE	2				0.01	0.022
100	32330-18812	COMP.BONNET REAR RH	1				0	0
110	01754-50612	BOLT FLANGE	4				0.005	0.011
120	38240-29570	PLUG	2				0.001	0.0022
130	TC010-43413	BOARD SWITCH	1				0	0
140	30400-19060	BOLT FLANGE	4				0.006	0.0132
150	32330-18770	ROOF REAR	1				0.465	1.023
160	30400-19060	BOLT FLANGE	3				0.006	0.0132
170	38240-29250	NUT SPRING	2				0.005	0.011
180	30400-18870	BOLT FLANGE	2				0.01	0.022
190	32330-18920	KIT BONNET REAR LH A	1			ENGLISH	1.2	2.64
200	32331-18920	KIT BONNET REAR LH B	1			FRENCH	1.1	2.42
210	TA040-49650	LABEL START CAUTION	1			ENGLISH	0.004	0.0088
220	TA041-49650	LABEL START CAUTION	1			FRENCH	0.004	0.0088





TC020-090-10

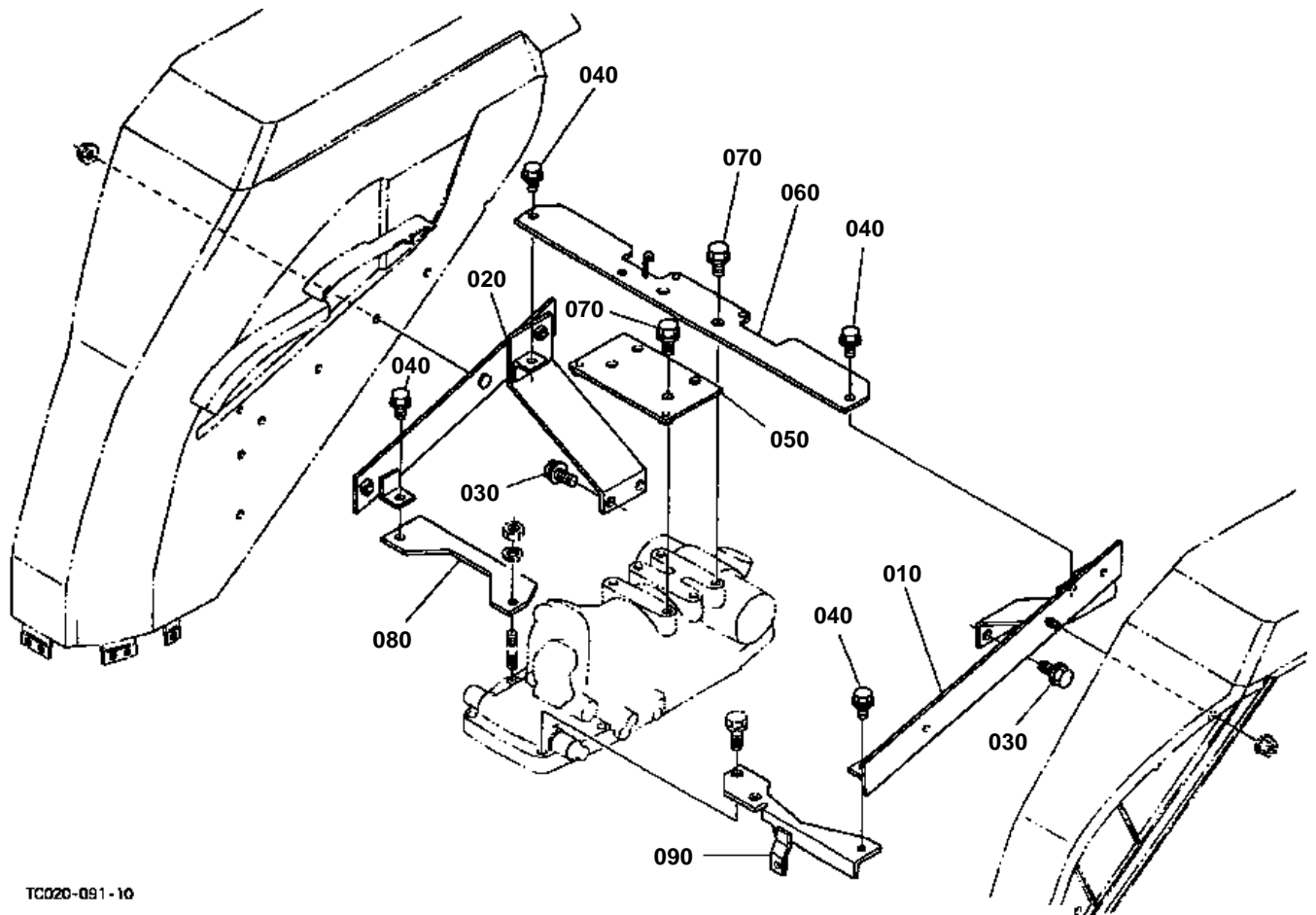


# FENDER

↔ Interchangeable; ≠ not interchangeable; ← new for old; → old for new

REF.No	Part No.	Description	Q'ty	S.No.	I/C	REMARKS	Weight (kgf)	Weight (lb)
010	32150-29180	CAP RUBBER	1				0.002	0.0044
020	TC020-29010	COMP.FENDER LH	1				0	0
030	01754-50816	BOLT FLANGE	10				0.011	0.0242
040	31351-29490	GROMMET	1				0.003	0.0066
050	30810-29170	PLUG	2				0.003	0.0066
060	02751-50080	NUT FLANGE	2				0.006	0.0132
070	01754-50816	BOLT FLANGE	4				0.011	0.0242
080	34670-29440	HANDRAIL	1				0.1	0.22
090	04013-60140	WASHER PLAIN	2				0.01	0.022
100	02174-50140	NUT	2				0.014	0.0308
110	TC020-47100	KIT FENDER RH (A)	1			ENGLISH	0	0
120	TC010-47100	KIT FENDER RH (B)	1			FRENCH	0	0
130	TA040-49320	LABEL ROPS WARNING	1			ENGLISH	0.001	0.0022
140	TA040-49350	LABEL DRAWBAR	1			ENGLISH	0.002	0.0044
150	35260-34913	LABEL SAFETY	1			ENGLISH	0.005	0.011
160	TA040-49150	LABEL ROPS WARNING	1			FRENCH	0.003	0.0066
170	TA041-49350	LABEL DRAWBAR	1			FRENCH	0.003	0.0066
180	TA041-65700	LABEL SAFETY	1			FRENCH	0.01	0.022

# FENDER SUPPORT



TC020-091-10

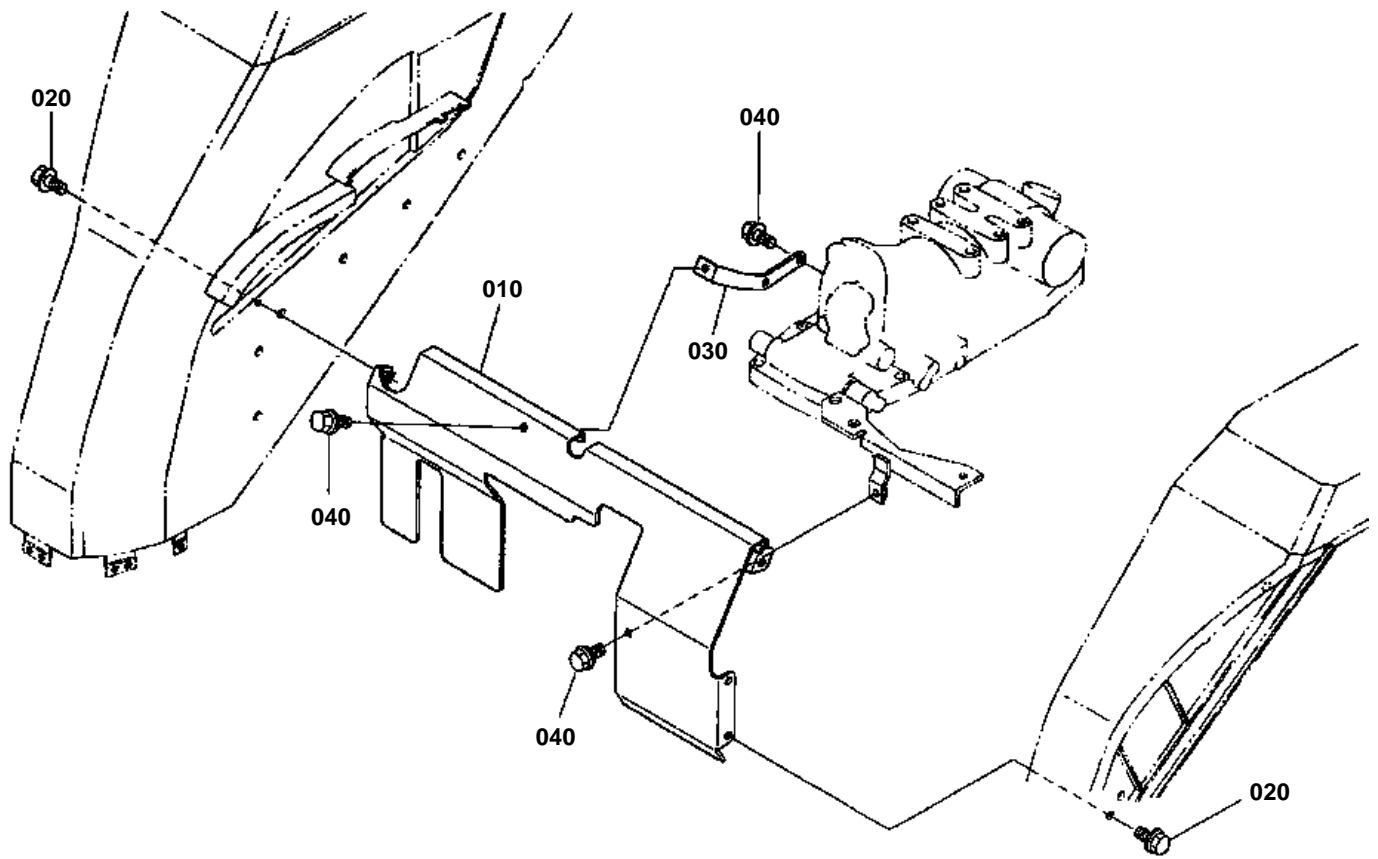


## FENDER SUPPORT

↔ Interchangeable; ≠ not interchangeable; ← new for old; → old for new

REF.No	Part No.	Description	Q'ty	S.No.	I/C	REMARKS	Weight (kgf)	Weight (lb)
010	TC020-29210	SUPPORT FENDER LH	1				1.95	4.29
020	TC020-29220	SUPPORT FENDER RH	1				1.8	3.96
030	01774-51220	BOLT FLANGE	4				0.03	0.066
040	01754-50816	BOLT FLANGE	4				0.011	0.0242
050	32330-29220	STAY SEAT	1				0.8	1.76
060	32330-29233	STAY SEAT	1				0	0
070	01774-51016	BOLT FLANGE	6				0.02	0.044
080	35010-29242	STAY FENDER RH	1				0.3	0.66
090	TC020-29250	STAY FENDER LH	1				0.355	0.781

FLOOR SEAT COVER



TC020-093-10





# FLOOR SEAT COVER

↔ Interchangeable; ≠ not interchangeable; ← new for old; → old for new

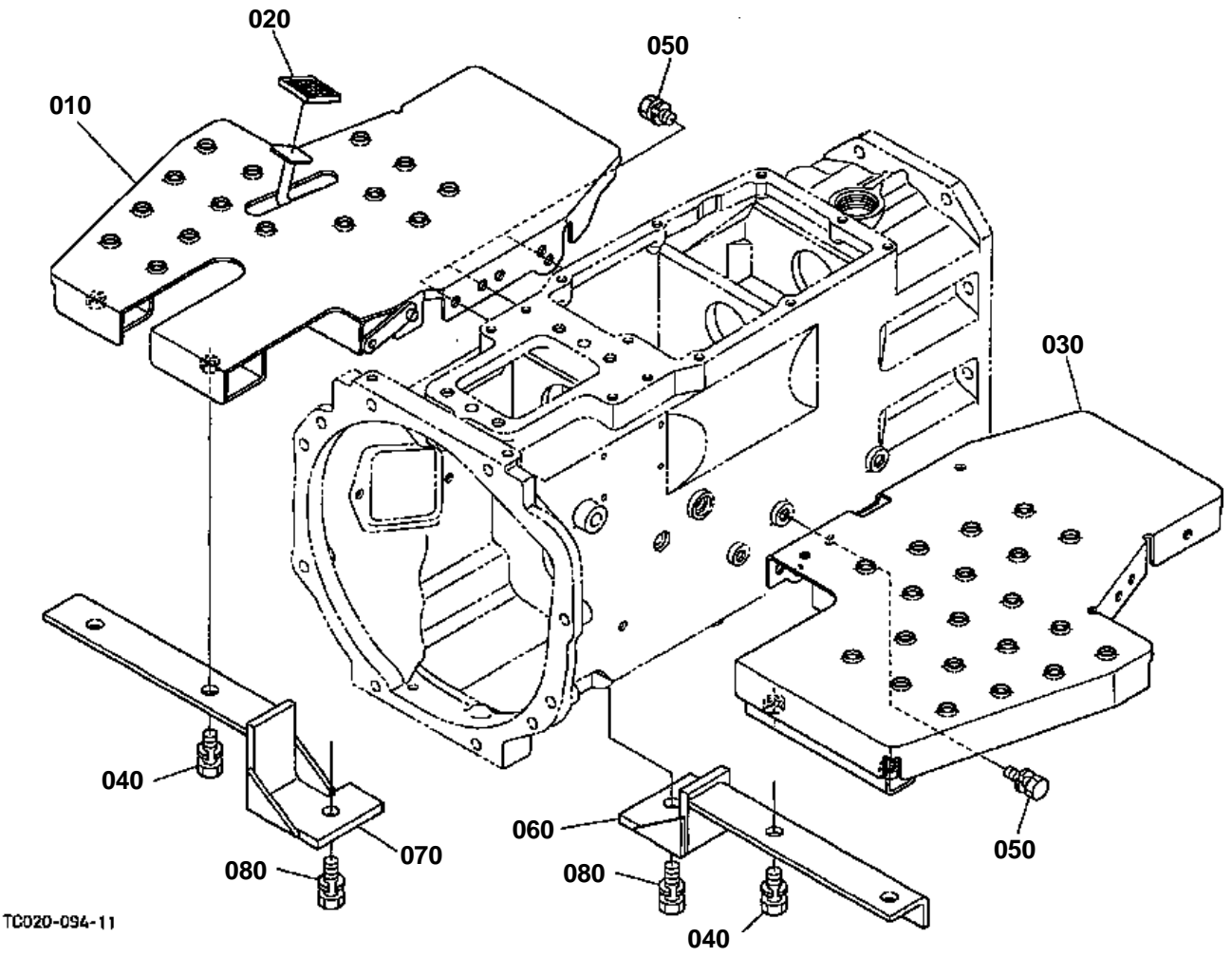
REF.No	Part No.	Description	Q'ty	S.No.	I/C	REMARKS	Weight (kgf)	Weight (lb)
010	TC020-47210	COVER FLOOR SEAT	1				0	0
020	01754-50816	BOLT FLANGE	6				0.011	0.0242
030	TC010-47230	BRACKET COVER	1				0.095	0.209
040	01754-50816	BOLT FLANGE	4				0.011	0.0242



**SEAT**

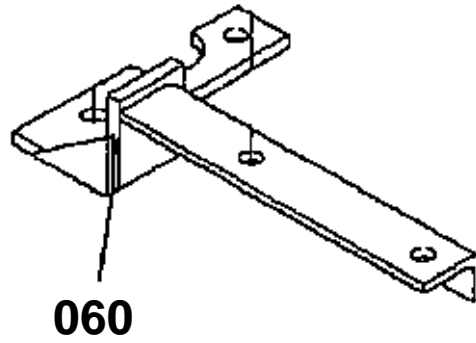
↔ Interchangeable; ≠ not interchangeable; ← new for old; → old for new

REF.No	Part No.	Description	Q'ty	S.No.	I/C	REMARKS	Weight (kgf)	Weight (lb)
010	TA040-18430	ASSY ADJUSTER SEAT	1				2.3	5.06
020	02783-50100	NUT FLANGE	4				0.01	0.022
030	32160-18440	CUSHION	2				0.013	0.0286
040	32430-11853	PIN JOINT	1				0.08	0.176
050	05525-61000	PIN SNAP	1				0.002	0.0044
060	TA040-11806	ASSY SUSPENSION SEAT	1				3.9	8.58
070	04011-50100	WASHER PLAIN	1				0.002	0.0044
080	TA040-11860	NUT ADJUSTING	1				0.605	1.331
090	TA040-11870	SPRING SEAT	2				0.26	0.572
100	01754-50820	BOLT FLANGE	4				0.015	0.033
110	TA040-18502	ASSY BELT SEAT	1				0.825	1.815
120	32330-18480	BRACKET SEAT BELT RH	1				0.365	0.803
130	TA040-18492	BRACKET SEAT BELT LH	1				0.27	0.594
140	01774-51025	BOLT FLANGE	2				0.02	0.044
150	02116-50100	NUT	2				0.004	0.0088
160	6C070-88720	SEAT	1				0	0
170	32330-18450	BRACKET SEAT RH	1				0.235	0.517
180	32330-18460	BRACKET SEAT LH	1				0.235	0.517
190	01754-50816	BOLT FLANGE	4				0.011	0.0242
200	67401-45922	STAY	1				0.08	0.176
210	01123-50816	BOLT	2				0.011	0.0242
220	66704-54952	BRACKET SMV	1				0.15	0.33
230	01023-50618	BOLT	2				0.006	0.0132
240	04013-50060	WASHER PLAIN	2				0	0
250	04512-50060	WASHER SPRING	2				0	0
260	02014-50060	NUT	2				0.003	0.0066

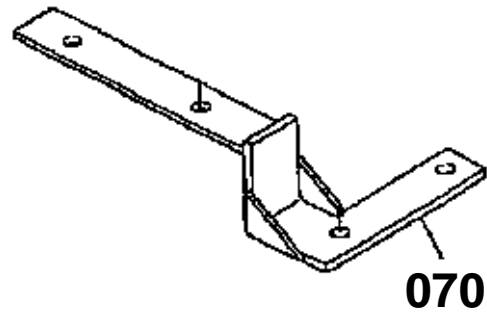


TC020-094-11

060 TC010-2914-2



070 TC010-2915-2

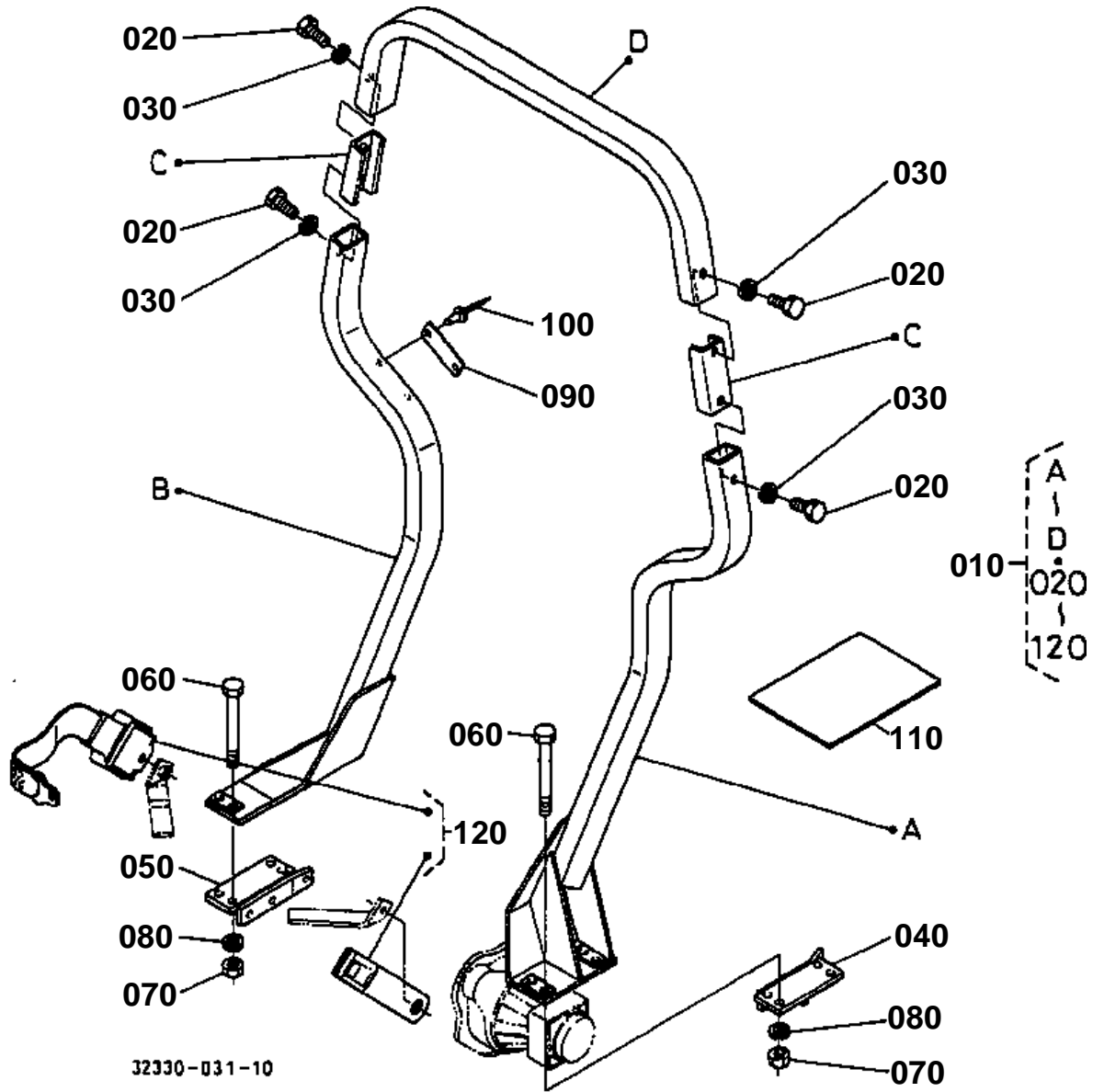


TC020-802-10

**STEP**

↔ Interchangeable; ≠ not interchangeable; ← new for old; → old for new

REF.No	Part No.	Description	Q'ty	S.No.	I/C	REMARKS	Weight (kgf)	Weight (lb)
010	TC020-29900	COMP.STEP RH	1				0	0
020	37410-44850	COVER ACCEL.PEDAL	1				0.01	0.022
030	TC010-29920	COMP.STEP LH	1				0	0
040	01133-51020	BOLT	4				0.02	0.044
050	01133-51016	BOLT	6				0.015	0.033
060	TC010-29142	BRACKET STEP LH	1	≤51766			0	0
060	TC010-29143	BRACKET STEP LH	1	≥51767	←		0	0
070	TC010-29152	BRACKET STEP RH	1	≤51766			0	0
070	TC010-29153	BRACKET STEP RH	1	≥51767	←		0	0
080	01133-51230	BOLT	4				0.04	0.088



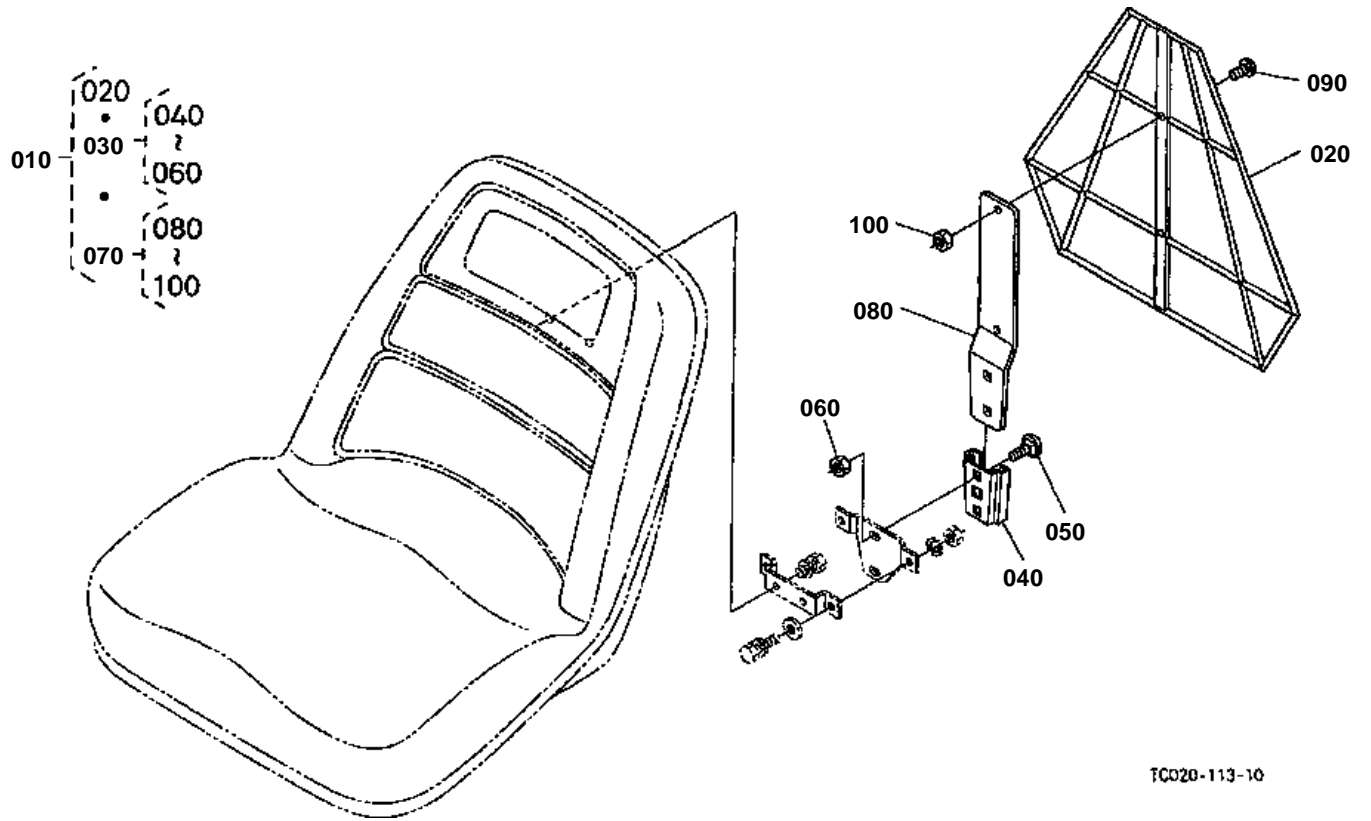


ROPS

↔ Interchangeable; ≠ not interchangeable; ← new for old; → old for new

REF.No	Part No.	Description	Q'ty	S.No.	I/C	REMARKS	Weight (kgf)	Weight (lb)
010	32330-48010	ASSY ROPS	1				0	0
020	75599-04625	HEX.BOLT	4				0	0
030	75599-33016	WASHER SPRING	4				0.08	0.176
040	32330-48300	BRACKET CHAIN LH	1				0	0
050	32330-48400	BRACKET CHAIN RH	1				0	0
060	75599-04705	HEX.BOLT	8				0	0
070	75599-31067	HEX.NUT	8				0	0
080	75599-33017	WASHER SPRING	8				0	0
100	32751-34790	RIVET	2				0	0
110	32330-48490	MANUAL INSTRUCTION	1				0	0
120	TA040-18502	ASSY BELT SEAT	1				0.825	1.815



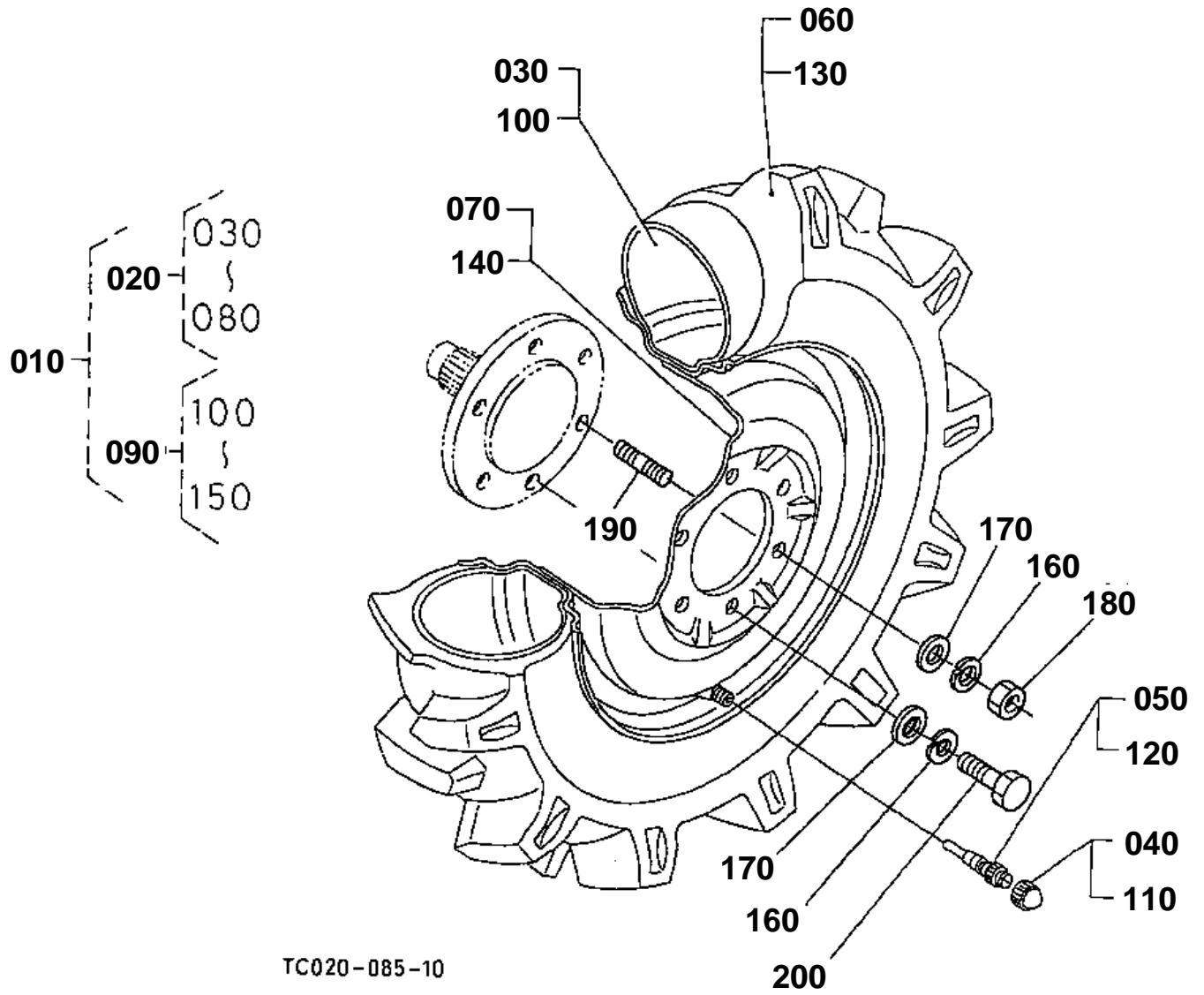




# SMV EMBLEM

↔ Interchangeable; ≠ not interchangeable; ← new for old; → old for new

REF.No	Part No.	Description	Q'ty	S.No.	I/C	REMARKS	Weight (kgf)	Weight (lb)
010	7L500-89900	SMV SIGN KIT	1				0	0
020	7L500-89910	SIGN SMV	1				0	0
030	7L500-89920	SOCKET SMV SIGN	1				0	0
040	7L500-89930	SOCKET-MTG SMV	1				0	0
050	7L500-89810	BOLT SQUARE NECK	2				0	0
060	7L500-89950	NUT	2				0	0
070	7L500-89960	SPADE SMV SIGN	1				0	0
080	7L500-89970	SPADE-MTG SMV	1				0	0
090	7L500-89980	VIS	2				0	0
100	7L500-89990	NUT	2				0	0



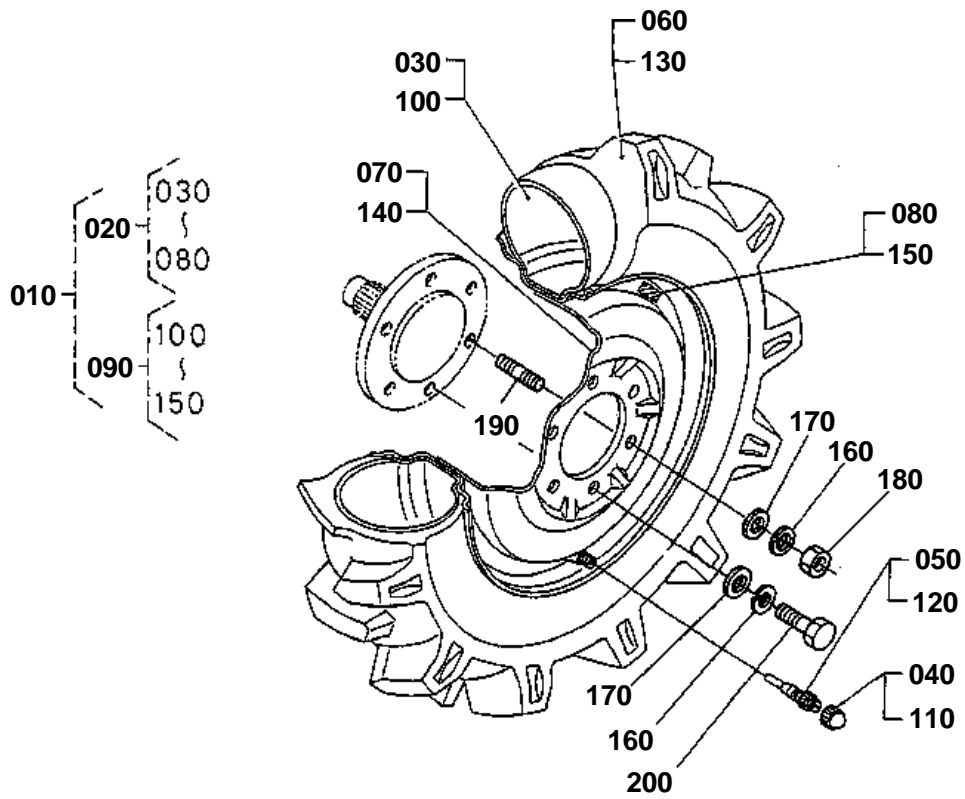
TC020-085-10



## FRONT WHEEL (6-14)

↔ Interchangeable; ≠ not interchangeable; ← new for old; → old for new

REF.No	Part No.	Description	Q'ty	S.No.	I/C	REMARKS	Weight (kgf)	Weight (lb)
010	35010-43700	ASSY FRONT WHEEL	1				38.3	84.26
020	35010-43710	ASSY FRONT WHEEL RH	1				19.25	42.35
030	95016-11120	TUBE	1				0.77	1.694
040	38240-11690	CAP VALVE	1				0.001	0.0022
050	32150-27740	CORE VALVE	1				0.003	0.0066
060	38380-43740	TIRE	1				8.8	19.36
070	35010-43730	WHEEL	1				9	19.8
090	35010-43720	ASSY FRONT WHEEL LH	1				0	0
100	95016-11120	TUBE	1				0.77	1.694
110	38240-11690	CAP VALVE	1				0.001	0.0022
120	32150-27740	CORE VALVE	1				0.003	0.0066
130	38380-43740	TIRE	1				8.8	19.36
140	35010-43730	WHEEL	1				9	19.8
160	04512-60140	WASHER SPRING	12				0.006	0.0132
170	04013-60140	WASHER PLAIN	12				0.01	0.022
180	02176-50140	NUT	4				0.014	0.0308
190	35450-49160	STUD	4				0.05	0.11
200	01173-51430	BOLT	8				0.052	0.1144



32310-069-10

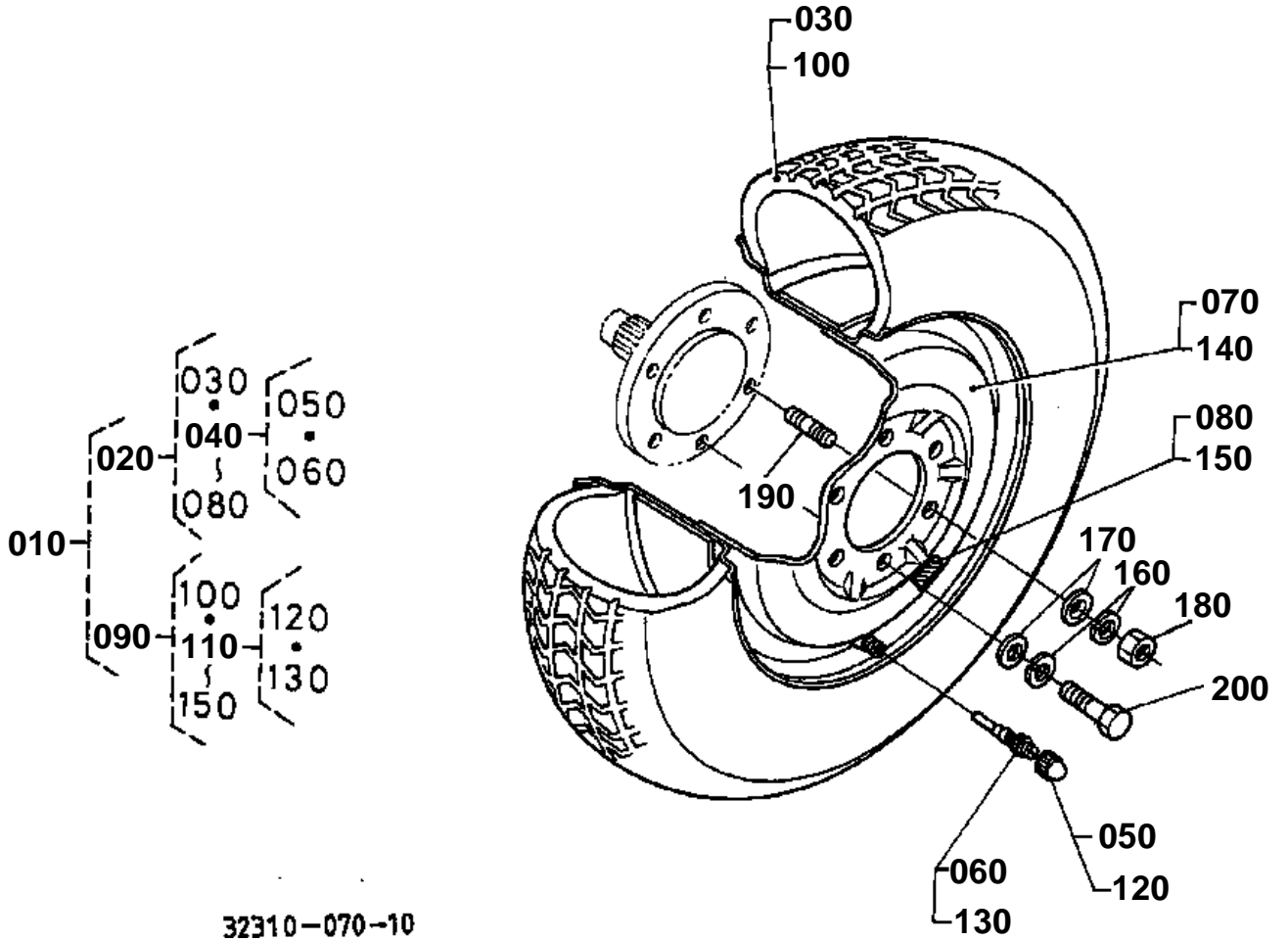


# FRONT WHEEL (7-16)

↔ Interchangeable; ≠ not interchangeable; ← new for old; → old for new

REF.No	Part No.	Description	Q'ty	S.No.	I/C	REMARKS	Weight (kgf)	Weight (lb)
010	32470-43700	ASSY FRONT WHEEL	1				46	101.2
020	32470-43710	ASSY FRONT WHEEL RH	1				22.7	49.94
030	35220-43750	TUBE	1				1.13	2.486
040	38240-11690	CAP VALVE	1				0.001	0.0022
050	32150-27740	CORE VALVE	1				0.003	0.0066
060	38440-43740	TIRE	1				9.66	21.252
070	32470-43730	WHEEL	1				11.48	25.256
080	32470-43770	LABEL TIRE RH	1				0.001	0.0022
090	32470-43720	ASSY FRONT WHEEL LH	1				22.7	49.94
100	35220-43750	TUBE	1				1.13	2.486
110	38240-11690	CAP VALVE	1				0.001	0.0022
120	32150-27740	CORE VALVE	1				0.003	0.0066
130	38440-43740	TIRE	1				9.66	21.252
140	32470-43730	WHEEL	1				11.48	25.256
150	32470-43780	LABEL TIRE LH	1				0.001	0.0022
160	04512-60140	WASHER SPRING	12				0.006	0.0132
170	04013-60140	WASHER PLAIN	12				0.01	0.022
180	02176-50140	NUT	4				0.014	0.0308
190	35450-49160	STUD	4				0.05	0.11
200	01173-51430	BOLT	8				0.052	0.1144



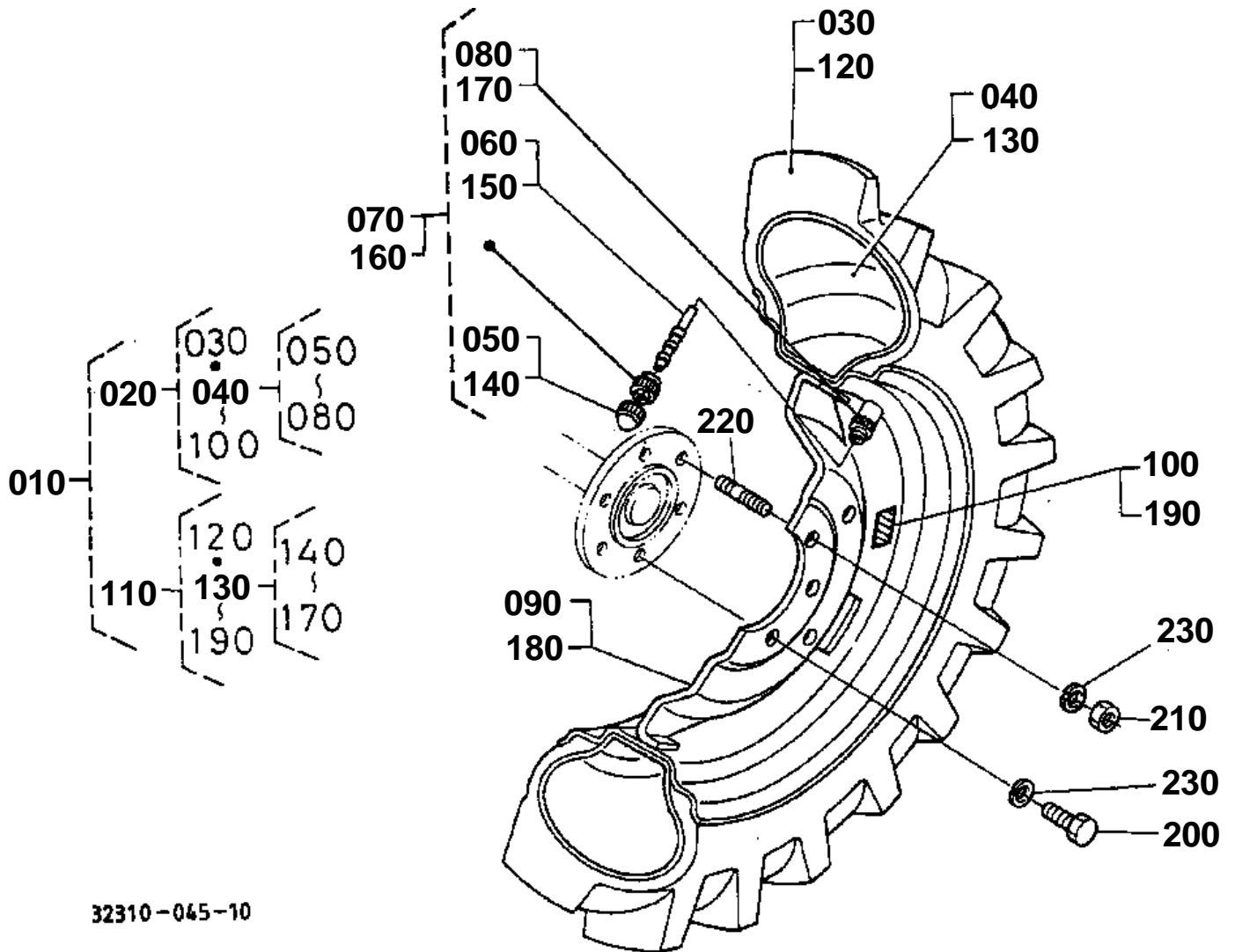


**FRONT WHEEL (24"-8.50-14)**

↔ Interchangeable; ≠ not interchangeable; ← new for old; → old for new

REF.No	Part No.	Description	Q'ty	S.No.	I/C	REMARKS	Weight (kgf)	Weight (lb)
010	32400-11500	ASSY FRONT WHEEL	1				36	79.2
020	32400-11510	ASSY FRONT WHEEL RH	1				8	17.6
030	32410-11540	TIRE	1				5	11
040	34159-11850	VALVE TIRE	1				0.013	0.0286
050	38240-11690	CAP VALVE	1				0.001	0.0022
060	32150-27740	CORE VALVE	1				0.003	0.0066
070	32470-11840	ASSY WHEEL	1				10.8	23.76
080	32400-11700	LABEL TIRE RH	1				0	0
090	32400-11520	ASSY FRONT WHEEL LH	1				8	17.6
100	32410-11540	TIRE	1				5	11
110	34159-11850	VALVE TIRE	1				0.013	0.0286
120	38240-11690	CAP VALVE	1				0.001	0.0022
130	32150-27740	CORE VALVE	1				0.003	0.0066
140	32470-11840	ASSY WHEEL	1				10.8	23.76
150	32400-11690	LABEL TIRE LH	1				0	0
160	04512-60140	WASHER SPRING	12				0.006	0.0132
170	04013-60140	WASHER PLAIN	12				0.01	0.022
180	02176-50140	NUT	4				0.014	0.0308
190	35450-49160	STUD	4				0.05	0.11
200	01173-51430	BOLT	8				0.052	0.1144

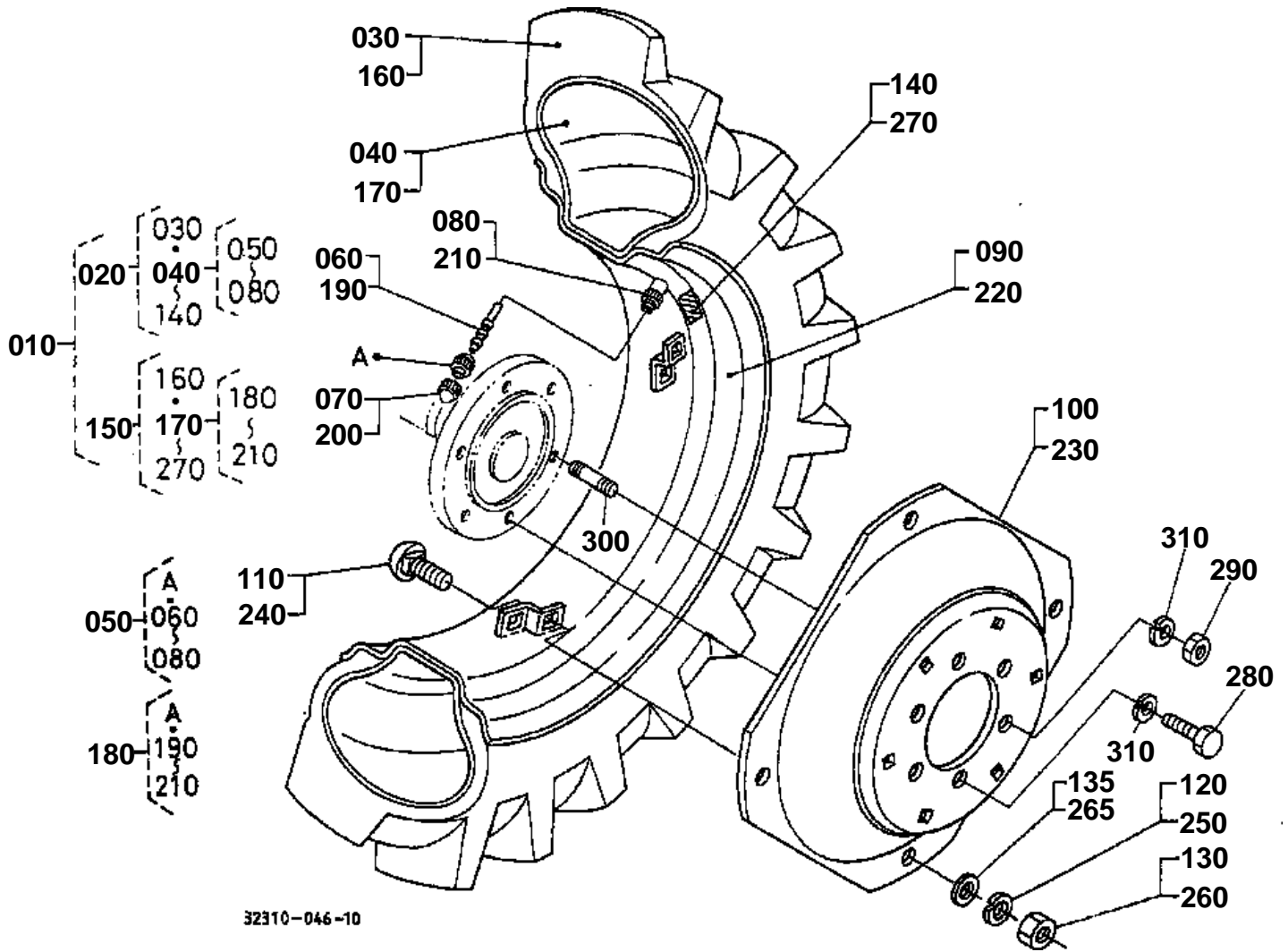




**REAR WHEEL (9.5-24)**

↔ Interchangeable; ≠ not interchangeable; ← new for old; → old for new

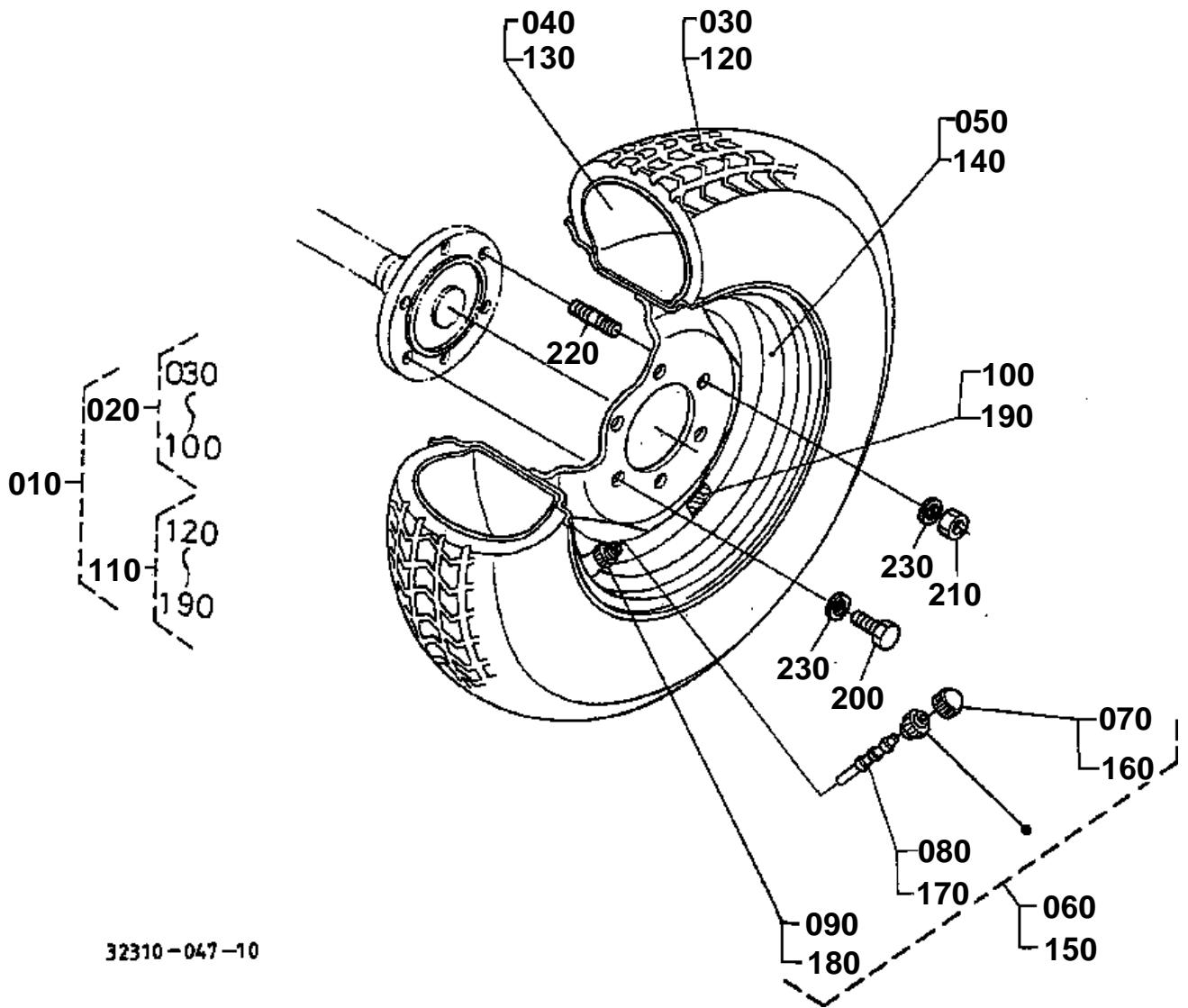
REF.No	Part No.	Description	Q'ty	S.No.	I/C	REMARKS	Weight (kgf)	Weight (lb)
010	32400-27900	ASSY REAR WHEEL	1				0	0
020	32400-27910	ASSY REAR WHEEL LH	1				0	0
030	35200-27620	TIRE	1				24	52.8
040	31220-27630	TUBE	1				2.7	5.94
050	38240-11690	CAP VALVE	1				0.001	0.0022
060	32150-27740	CORE VALVE	1				0.003	0.0066
070	32150-27700	ASSY VALVE	1				0.001	0.0022
080	32270-27710	NUT RIM	1				0.006	0.0132
090	32460-27630	WHEEL	1				21.1	46.42
100	32400-27980	LABEL TIRE LH	1				0.005	0.011
110	32400-27990	ASSY REAR WHEEL RH	1				0	0
120	35200-27620	TIRE	1				24	52.8
130	31220-27630	TUBE	1				2.7	5.94
140	38240-11690	CAP VALVE	1				0.001	0.0022
150	32150-27740	CORE VALVE	1				0.003	0.0066
160	32150-27700	ASSY VALVE	1				0.001	0.0022
170	32270-27710	NUT RIM	1				0.006	0.0132
180	32460-27630	WHEEL	1				21.1	46.42
190	32400-27970	LABEL TIRE RH	1				0.005	0.011
200	01073-51630	BOLT	8				0.079	0.1738
210	02076-50160	NUT	4				0.03	0.066
220	01517-51632	STUD	4				0.076	0.1672
230	04512-60160	WASHER SPRING	12				0.01	0.022



**REAR WHEEL (11.2-24)**

↔ Interchangeable; ≠ not interchangeable; ← new for old; → old for new

REF.No	Part No.	Description	Q'ty	S.No.	I/C	REMARKS	Weight (kgf)	Weight (lb)
010	32470-27900	ASSY REAR WHEEL	1				122	268.4
020	32470-27610	ASSY REAR WHEEL LH	1				62	136.4
030	32420-27620	TIRE	1				31.5	69.3
040	32240-27630	TUBE	1				3.7	8.14
050	32150-27700	ASSY VALVE	1				0.001	0.0022
060	32150-27740	CORE VALVE	1				0.003	0.0066
070	38240-11690	CAP VALVE	1				0.001	0.0022
080	32270-27710	NUT RIM	1				0.006	0.0132
090	32470-27650	RIM	1				14.7	32.34
100	32470-27660	DISK	1				13.5	29.7
110	31220-27680	BOLT	4				0.09	0.198
120	04512-60160	WASHER SPRING	4				0.01	0.022
130	02174-50160	NUT	4				0.022	0.0484
135	04011-60160	WASHER PLAIN	4				0.01	0.022
140	32470-27680	LABEL TIRE LH	1				0.001	0.0022
150	32470-27690	ASSY REAR WHEEL RH	1				62	136.4
160	32420-27620	TIRE	1				31.5	69.3
170	32240-27630	TUBE	1				3.7	8.14
180	32150-27700	ASSY VALVE	1				0.001	0.0022
190	32150-27740	CORE VALVE	1				0.003	0.0066
200	38240-11690	CAP VALVE	1				0.001	0.0022
210	32270-27710	NUT RIM	1				0.006	0.0132
220	32470-27650	RIM	1				14.7	32.34
230	32470-27660	DISK	1				13.5	29.7
240	31220-27680	BOLT	4				0.09	0.198
250	04512-60160	WASHER SPRING	4				0.01	0.022
260	02174-50160	NUT	4				0.022	0.0484
265	04011-60160	WASHER PLAIN	4				0.01	0.022
270	32470-27670	LABEL TIRE RH	1				0.001	0.0022
280	01073-51630	BOLT	8				0.079	0.1738
290	02076-50160	NUT	4				0.03	0.066
300	01517-51632	STUD	4				0.076	0.1672
310	04512-60160	WASHER SPRING	12				0.01	0.022

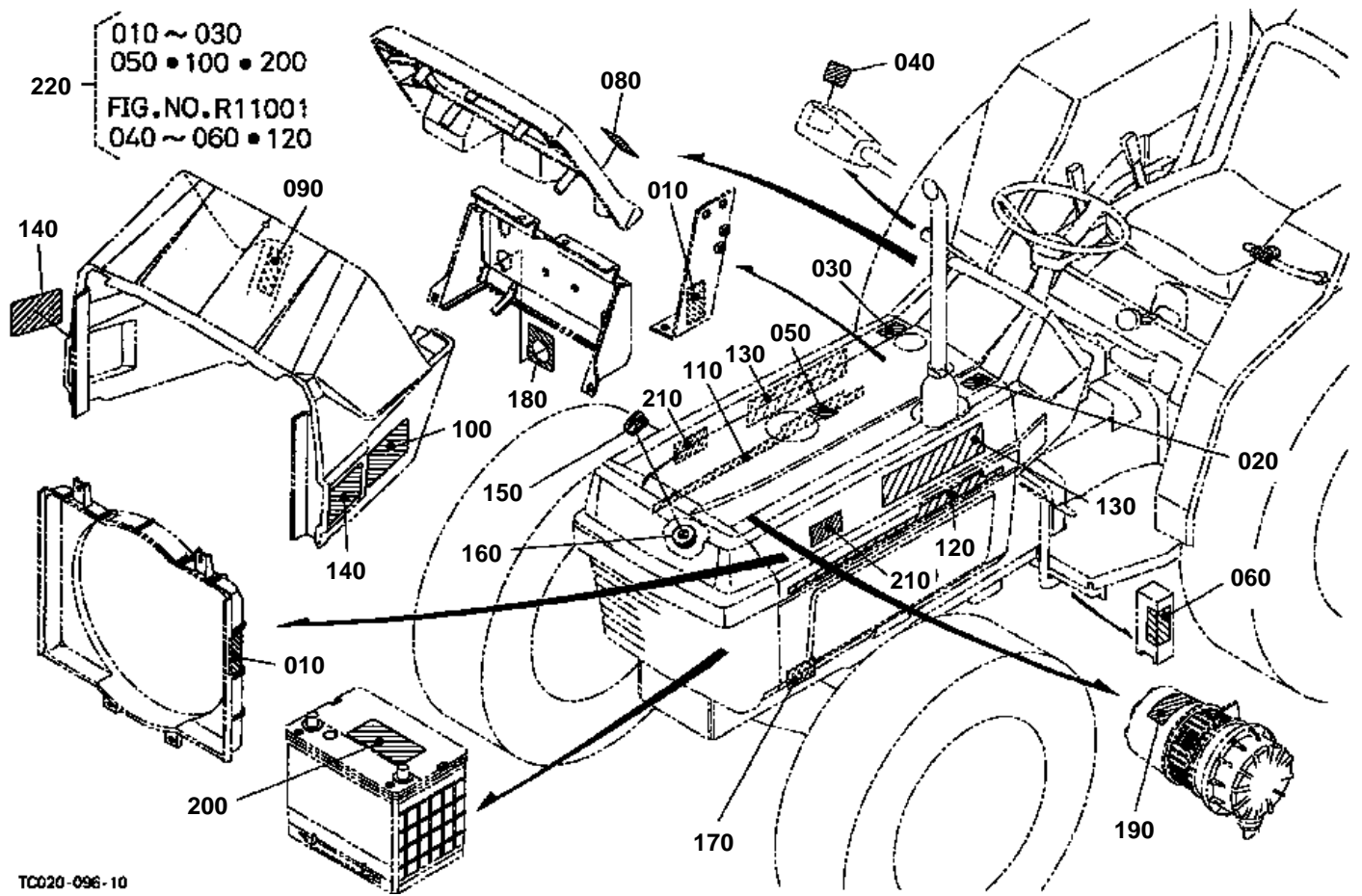


32310-047-10

**REAR WHEEL (13.6-16)**

↔ Interchangeable; ≠ not interchangeable; ← new for old; → old for new

REF.No	Part No.	Description	Q'ty	S.No.	I/C	REMARKS	Weight (kgf)	Weight (lb)
010	32400-27800	ASSY REAR	1				93	204.6
020	32400-27810	ASSY REAR WHEEL LH	1				0	0
030	38450-99330	TIRE	1				20.5	45.1
040	99424-27120	TUBE	1				3.8	8.36
050	32400-27850	WHEEL	1				15.2	33.44
060	32270-27730	HOUSING VALVE CORE	1				0.014	0.0308
070	38240-11690	CAP VALVE	1				0.001	0.0022
080	32270-11680	CORE VALVE	1				0.02	0.044
090	32270-27710	NUT RIM	1				0.006	0.0132
100	32400-27780	LABEL TIRE LH	1				0.005	0.011
110	32400-27820	ASSY REAR WHEEL RH	1				0	0
120	38450-99330	TIRE	1				20.5	45.1
130	99424-27120	TUBE	1				3.8	8.36
140	32400-27850	WHEEL	1				15.2	33.44
150	32270-27730	HOUSING VALVE CORE	1				0.014	0.0308
160	38240-11690	CAP VALVE	1				0.001	0.0022
170	32270-11680	CORE VALVE	1				0.02	0.044
180	32270-27710	NUT RIM	1				0.006	0.0132
190	32400-27770	LABEL TIRE RH	1				0.005	0.011
200	01073-51630	BOLT	8				0.079	0.1738
210	02076-50160	NUT	4				0.03	0.066
220	01517-51632	STUD	4				0.076	0.1672
230	04512-60160	WASHER SPRING	12				0.01	0.022



TC020-096-10

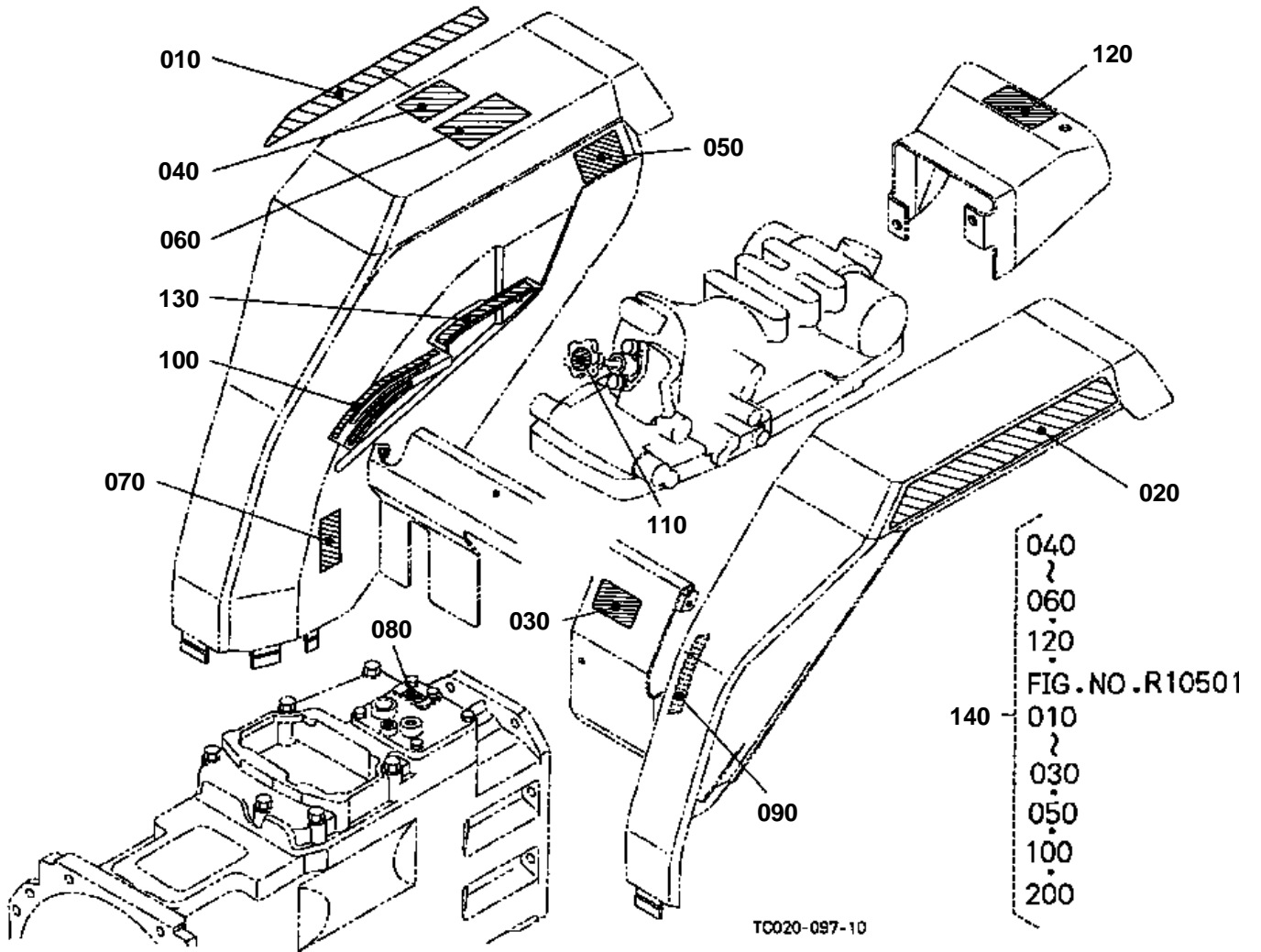


LABEL 1

↔ Interchangeable; ≠ not interchangeable; ← new for old; → old for new

REF.No	Part No.	Description	Q'ty	S.No.	I/C	REMARKS	Weight (kgf)	Weight (lb)
010	32751-49580	LABEL FAN BELT	2				0.001	0.0022
020	32330-49580	LABEL MUFFLER	1				0.002	0.0044
030	TA040-49562	LABEL FUEL	1				0.002	0.0044
040	TA040-49370	MARK ACCEL.GRIP	1				0.001	0.0022
050	32330-49540	LABEL CAUTION	1				0.001	0.0022
060	35176-15930	LABEL PEDAL	1				0.005	0.011
080	35260-25050	LABEL SHUTTLE	1			ENGLISH	0.01	0.022
080	35261-25050	LABEL SHUTTLE	1			FRENCH	0.001	0.0022
090	32330-17610	LABEL ENGINE STOP	1				0.001	0.0022
100	TA040-49650	LABEL START CAUTION	1			ENGLISH	0.004	0.0088
100	TA041-49650	LABEL START CAUTION	1			FRENCH	0.004	0.0088
110	TC010-65120	MARK MODEL RH	1				0	0
120	TC010-65130	MARK MODEL LH	1				0	0
130	35080-65350	LABEL KUBOTA	2				0.001	0.0022
140	TC020-65240	LABEL SIDE	2				0.002	0.0044
150	38150-65180	EMBLEM	1				0.02	0.044
160	02761-50040	NUT FLANGE	1				0.002	0.0044
170	----	NAME PLATE	1			NOT SALE	0	0
180	TC020-65510	LABEL MAIN SWITCH	1				0.001	0.0022
190	15227-87450	LABEL AIR CLEANER	1			ENGLISH	0.001	0.0022
190	TA048-93180	LABEL AIR CLEANER	1			FRENCH	0.002	0.0044
200	TC020-30120	LABEL BATTERY	1			ENGLISH	0	0
200	TC021-30150	LABEL BATTERY	1			FRENCH	0	0
210	32580-65830	LABEL 4RM	2			FRENCH	0.002	0.0044
220	TC020-49900	KIT LABEL SAFETY (A)	1			ENGLISH	0	0
220	TC021-49900	KIT LABEL SAFETY (B)	1			FRENCH	0	0





**LABEL 2**

↔ Interchangeable; ≠ not interchangeable; ← new for old; → old for new

REF.No	Part No.	Description	Q'ty	S.No.	I/C	REMARKS	Weight (kgf)	Weight (lb)
010	TC020-65820	LABEL	1				0.007	0.0154
020	TC020-65830	LABEL	1				0.007	0.0154
030	3A121-98650	LABEL 4WD	1				0.001	0.0022
040	TA040-49320	LABEL ROPS WARNING	1			ENGLISH	0.001	0.0022
040	TA040-49150	LABEL ROPS WARNING	1			FRENCH	0.003	0.0066
050	TA040-49350	LABEL DRAWBAR	1			ENGLISH	0.002	0.0044
050	TA041-49350	LABEL DRAWBAR	1			FRENCH	0.003	0.0066
060	35260-34913	LABEL SAFETY	1			ENGLISH	0.005	0.011
060	TA041-65700	LABEL SAFETY	1			FRENCH	0.01	0.022
070	TA040-49760	MARK DIFF.LOCK	1				0.001	0.0022
080	35260-24950	LABEL PTO	1				0.002	0.0044
090	32330-24580	LABEL RANGE SHIFT	1				0.002	0.0044
100	32430-65760	LABEL POSITION CON.	1			ENGLISH	0.003	0.0066
100	32431-65760	LABEL POSITION CON.	1			FRENCH	0.003	0.0066
110	31351-65780	LABEL HYD.ADJUST.	1			ENGLISH	0.001	0.0022
110	32530-65800	LABEL HYD.ADJUST.	1			FRENCH	0.001	0.0022
120	TA040-49590	LABEL PTO WARNING	1			ENGLISH	0.002	0.0044
120	TA041-49590	LABEL PTO WARNING	1			FRENCH	0.005	0.011
130	32430-65770	LABEL DRAFT CON.	1			OPTION	0.001	0.0022
140	TC020-49900	KIT LABEL SAFETY (A)	1			ENGLISH	0	0
140	TC021-49900	KIT LABEL SAFETY (B)	1			FRENCH	0	0

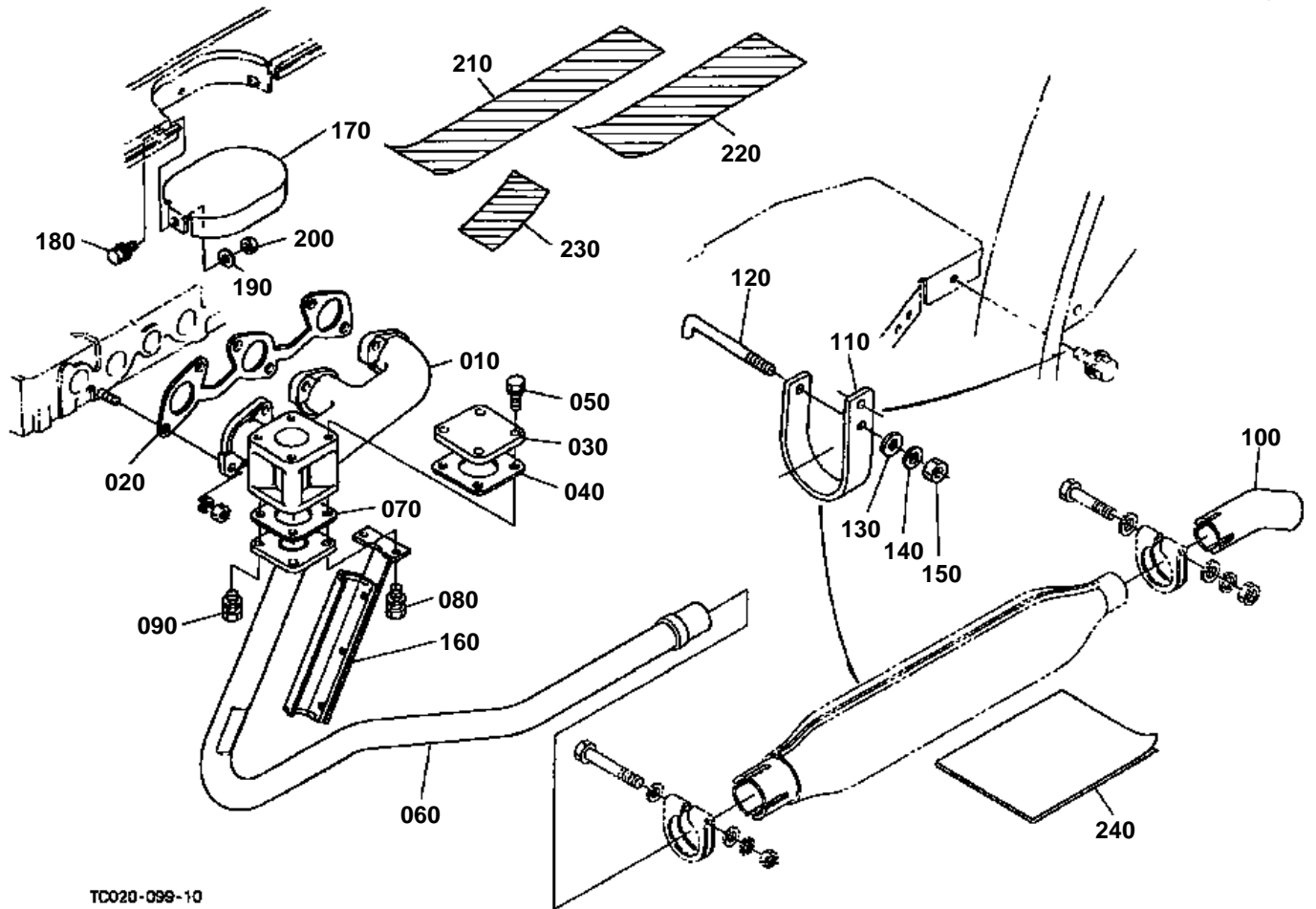


# ACCESSORIES AND SERVICE PARTS

↔ Interchangeable; ≠ not interchangeable; ← new for old; → old for new

REF.No	Part No.	Description	Q'ty	S.No.	I/C	REMARKS	Weight (kgf)	Weight (lb)
010	TC020-19710	MANUAL INSTRUCTION	1			ENGLISH	0.165	0.363
010	TC021-19710	MANUAL INSTRUCTION	1			FRENCH	0	0
020	01073-51630	BOLT	8			FOR REAR WHEEL	0.079	0.1738
030	02076-50160	NUT	4			FOR REAR WHEEL	0.03	0.066
050	01517-51632	STUD	4			FOR REAR WHEEL	0.076	0.1672
060	04512-60160	WASHER SPRING	12			FOR REAR WHEEL	0.01	0.022
070	04512-60140	WASHER SPRING	12			FOR FRONT WHEEL	0.006	0.0132
100	04013-60140	WASHER PLAIN	12			FOR FRONT WHEEL	0.01	0.022
110	02176-50140	NUT	4			FOR FRONT WHEEL	0.014	0.0308
120	35450-49160	STUD	4			FOR FRONT WHEEL	0.05	0.11
130	01173-51430	BOLT	8			FOR FRONT WHEEL	0.052	0.1144
140	35260-31852	ASSY KEY MAIN SWITCH	1				0.02	0.044

UNDER MUFFLER [OPTION]

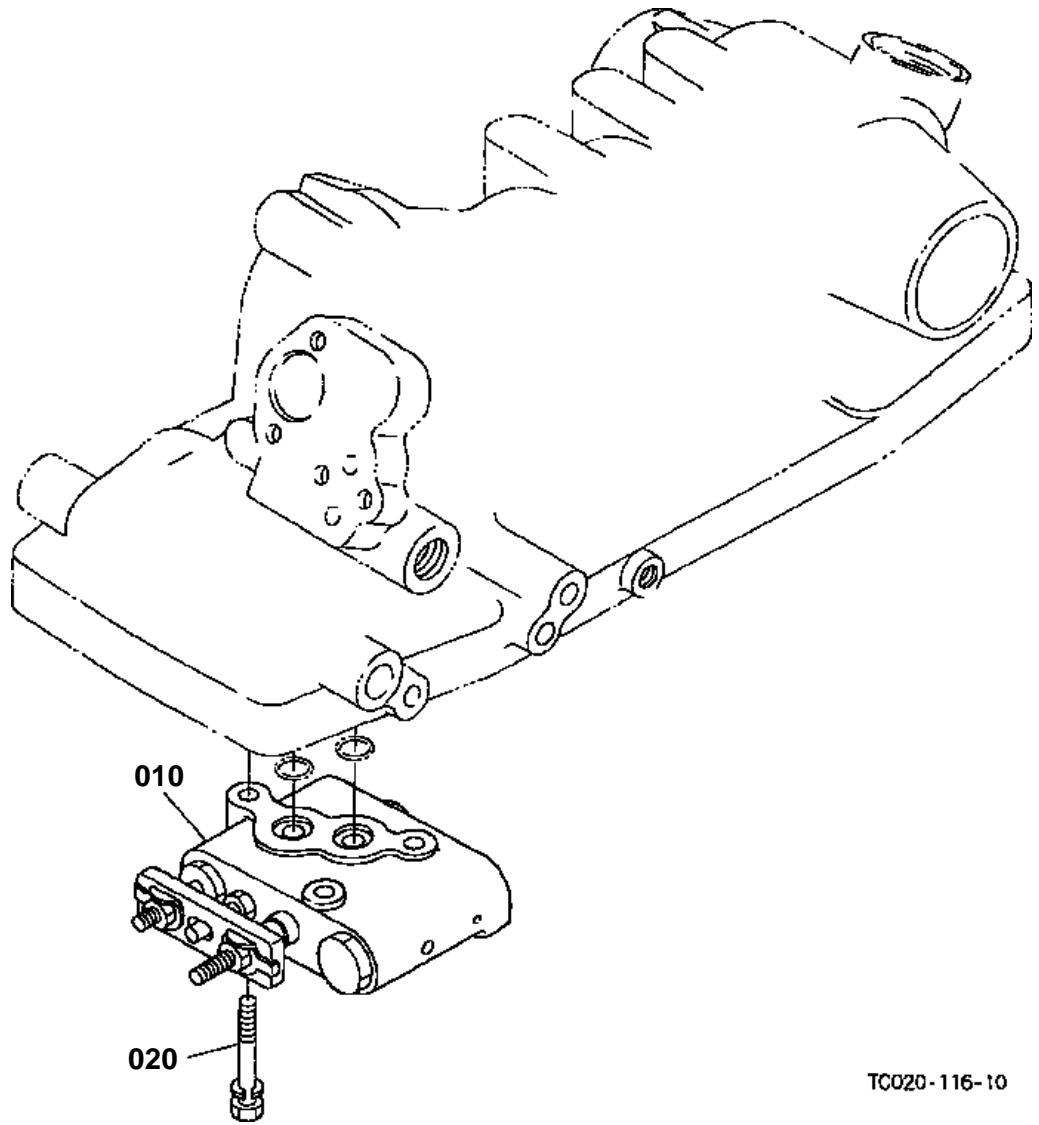


TC020-099-10

**UNDER MUFFLER [OPTION]**

↔ Interchangeable; ≠ not interchangeable; ← new for old; → old for new

REF.No	Part No.	Description	Q'ty	S.No.	I/C	REMARKS	Weight (kgf)	Weight (lb)
010	17325-12312	MANIFOLD EXHAUST	1				3	6.6
020	15313-12350	GASKET EX-MANIFOLD	1				0.04	0.088
030	17355-92852	COVER MANIFOLD	1				0.25	0.55
040	T0070-16420	GASKET MUFFLER	1				0.016	0.0352
050	01123-50820	BOLT	4				0.011	0.0242
060	TC020-62110	PIPE MUFFLER	1				0	0
070	T0070-16420	GASKET MUFFLER	1				0.016	0.0352
080	01123-50825	BOLT	2				0.013	0.0286
090	01123-50820	BOLT	2				0.011	0.0242
100	32430-62133	PIPE MUFFLER	1				0	0
110	TC020-62160	SUPPORT MUFFLER	1				0	0
120	35110-62170	BOLT	1				0.05	0.11
130	04013-50080	WASHER PLAIN	1				0	0
140	04512-50080	WASHER SPRING	1				0.001	0.0022
150	02054-50080	NUT	1				0.005	0.011
160	32330-26150	ASSY COVER	1				0.38	0.836
170	35010-34130	COVER	1				0.2	0.44
180	01125-50820	BOLT	3				0	0
190	04013-50080	WASHER PLAIN	3				0	0
200	02114-50080	NUT	3				0.005	0.011
210	32330-26160	SHEET HEAT SHIELD	1				0.016	0.0352
220	32330-26170	SHEET HEAT SHIELD	1				0.016	0.0352
230	32330-26180	TAPE	4				0.002	0.0044
240	TC020-98210	MANUAL INSTRUCTION	1				0	0



TC020-116-10

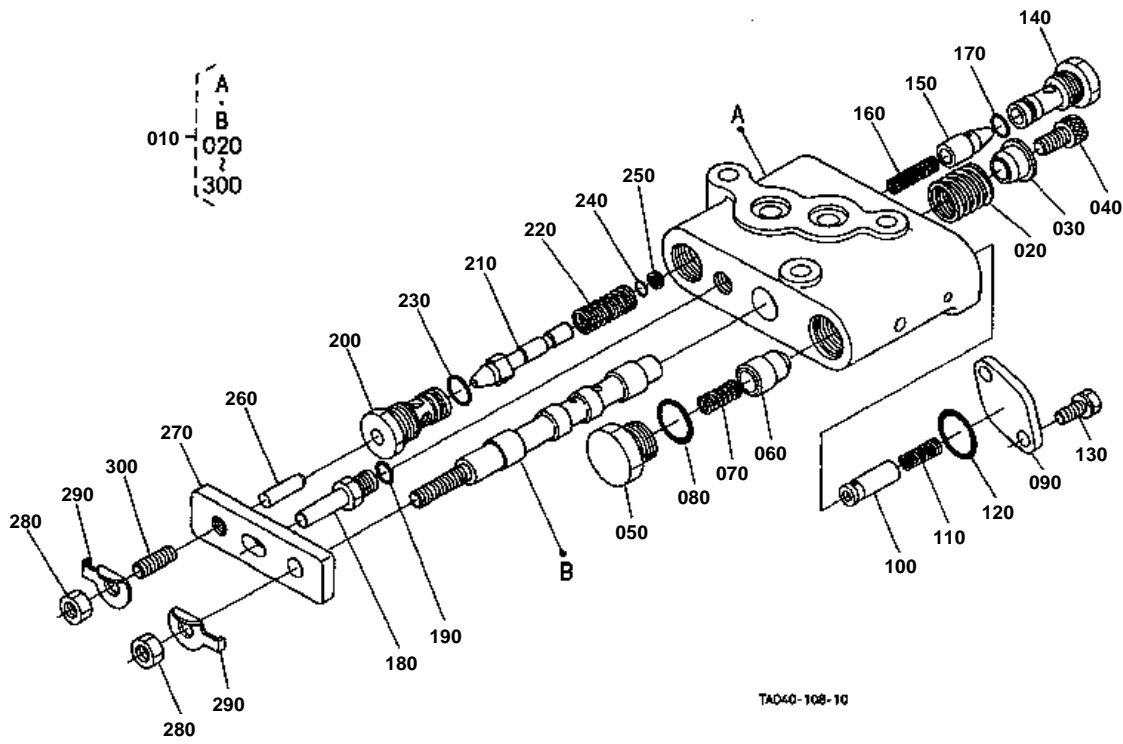


# CONTROL VALVE (WITH DRAFT) [OPTION]

↔ Interchangeable; ≠ not interchangeable; ← new for old; → old for new

REF.No	Part No.	Description	Q'ty	S.No.	I/C	REMARKS	Weight (kgf)	Weight (lb)
010	31351-39603	ASSY VALVE CONTROL	1			REFER TO L.No.H15-R FOR COMPONENTS.	1.9	4.18
020	01123-50850	BOLT	1				0.02	0.044

CONTROL VALVE (WITH DRAFT) [COMPONENT PARTS]





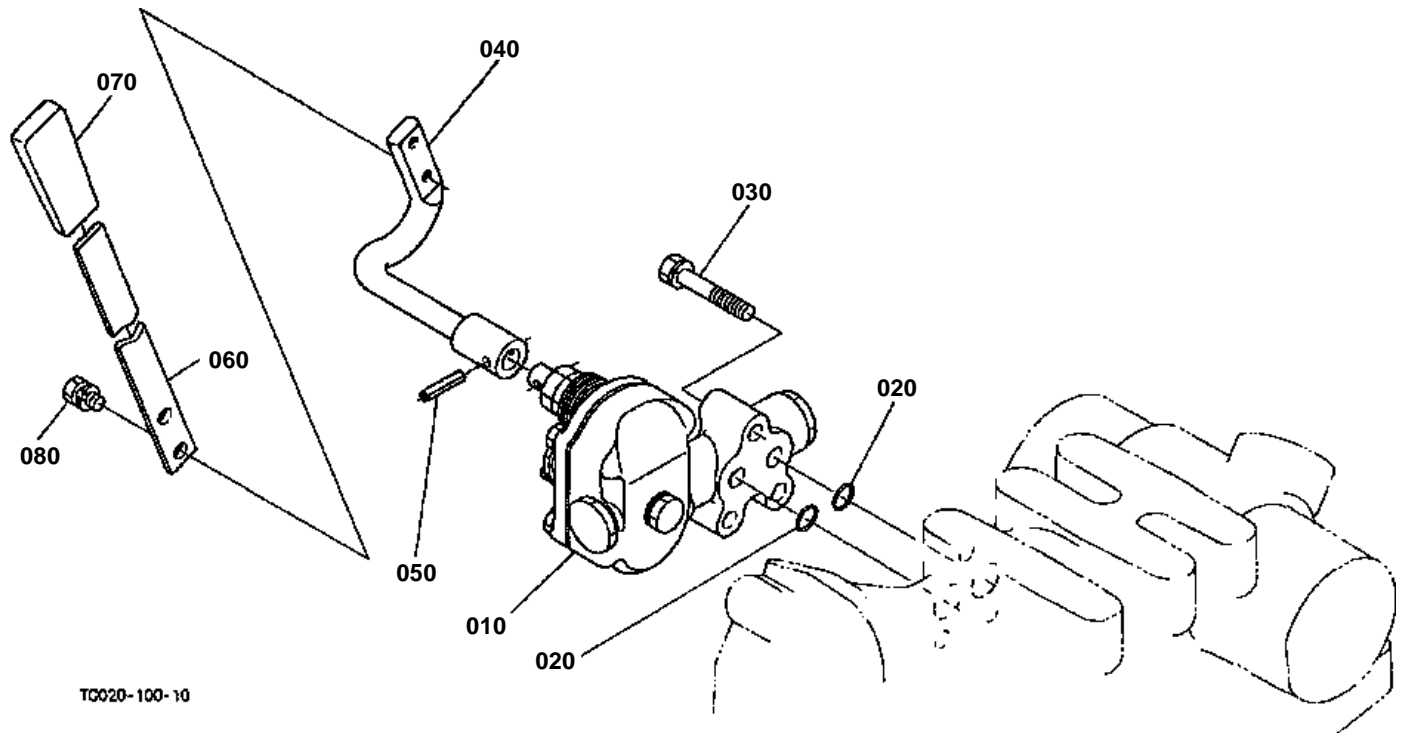


**CONTROL VALVE (WITH DRAFT) [COMPONENT PARTS]**  
[OPTION] [PARTIES COMPOSANTES] [OPTION]

↔ Interchangeable; ≠ not interchangeable; ← new for old; → old for new

REF.No	Part No.	Description	Q'ty	S.No.	I/C	REMARKS	Weight (kgf)	Weight (lb)
010	31351-39603	ASSY VALVE CONTROL	1				1.9	4.18
020	31351-39630	SPRING SPOOL	1				0.02	0.044
030	31351-39640	HOLDER SPRING	1				0.02	0.044
040	01311-10814	BOLT HEX-SOC-HD	1				0.012	0.0264
050	31351-39650	PLUG	1				0.04	0.088
060	31351-39150	POPPET	1				0.02	0.044
070	67531-38470	SPRING	1				0.001	0.0022
080	04811-00140	O RING	1				0.001	0.0022
090	31351-39660	PLATE	1				0.05	0.11
100	31351-39670	POPPET	1				0.01	0.022
110	31351-39680	SPRING	1				0.01	0.022
120	04811-00160	O RING	1				0.001	0.0022
130	01023-50614	BOLT	2				0.005	0.011
140	31351-39690	PLUG	1				0.05	0.11
150	31391-39180	POPPET	1				0.015	0.033
160	31391-39190	SPRING	1				0.001	0.0022
170	04810-00090	O RING	1				0.001	0.0022
180	31351-39720	PIN FULCRUM	1				0.025	0.055
190	04811-00080	O RING	1				0.001	0.0022
200	31351-39730	PLUG	1				0.05	0.11
210	31351-39180	POPPET	1				0.025	0.055
220	31351-39190	SPRING	1				0.008	0.0176
230	04810-06100	O RING	1				0.001	0.0022
240	04811-00050	O RING	1				0.001	0.0022
250	31351-39290	RING BACK UP	1				0.001	0.0022
260	31351-39740	RETAINER ROD	1				0.005	0.011
270	31351-39750	PLATE JOINT	1				0.05	0.11
280	02156-50080	NUT	2				0.004	0.0088
290	04111-50080	WASHER	2				0.001	0.0022
300	03650-50816	SCREW SET	1				0.01	0.022

DRAFT CONTROL LEVER (WITH DRAFT) [OPTION]



TC020-100-10

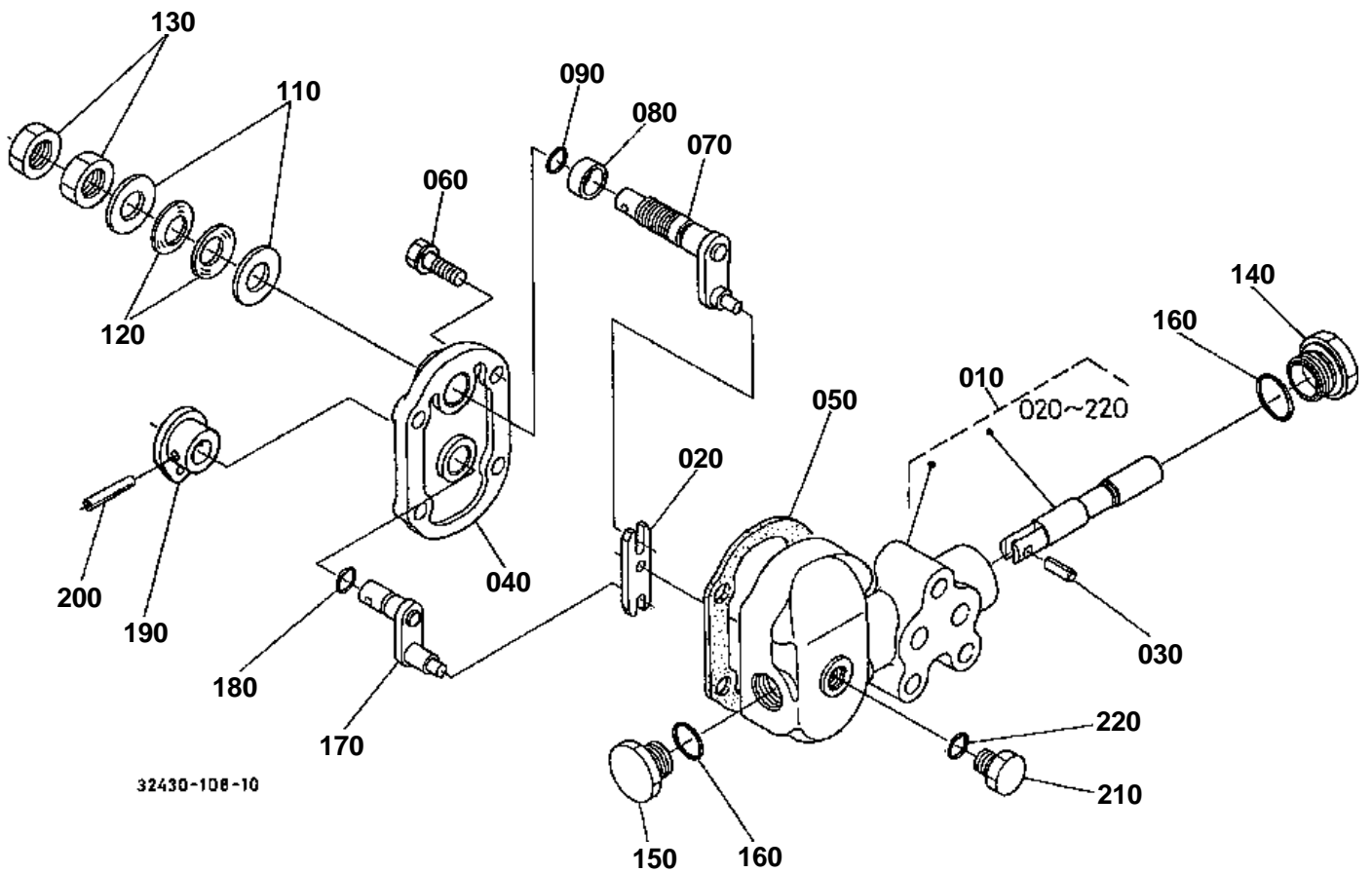


**DRAFT CONTROL LEVER (WITH DRAFT) [OPTION]**  
[OPTION]

↔ Interchangeable; ≠ not interchangeable; ← new for old; → old for new

REF.No	Part No.	Description	Q'ty	S.No.	I/C	REMARKS	Weight (kgf)	Weight (lb)
010	35080-41100	ASSY VALVE DRAFT CON	1			REFER TO L.No.H16-R FOR COMPONENTS.	2.5	5.5
020	04810-00140	O RING	2				0.001	0.0022
030	01123-50845	BOLT	3				0.02	0.044
040	35080-41240	LEVER DRAFT CON.	1				0.285	0.627
050	05411-00525	PIN SPRING	1				0.002	0.0044
060	35080-41250	LEVER DRAFT CON.	1				0.155	0.341
070	31351-36880	GRIP LEVER	1				0.04	0.088
080	01023-50612	BOLT	2				0.005	0.011

DRAFT CONTROL VALVE (WITH DRAFT) [COMPONENT PARTS]



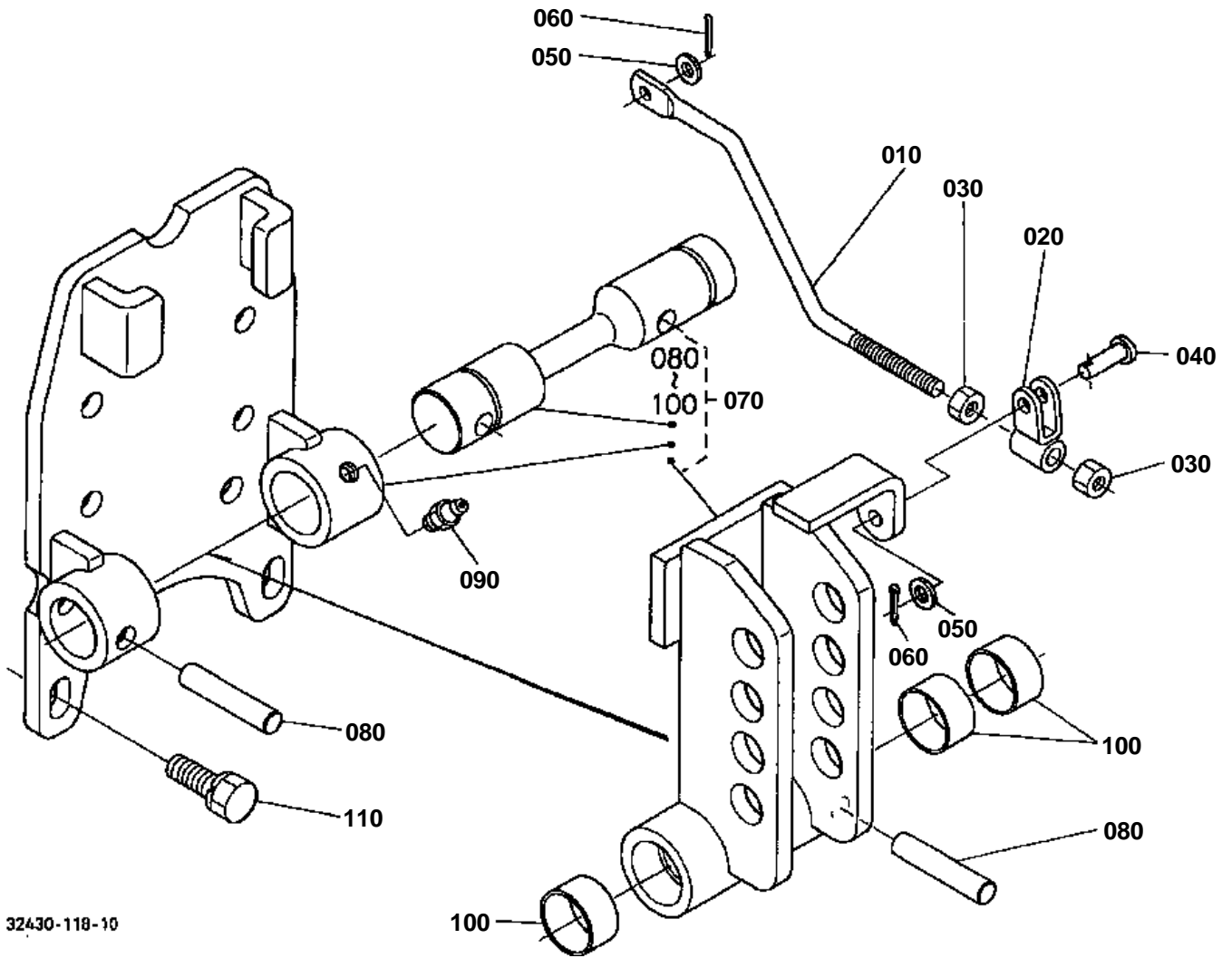


**DRAFT CONTROL VALVE (WITH DRAFT) [COMPONENT PARTS]**  
[OPTION] [PARTIES COMPOSANTES] [OPTION]

↔ Interchangeable; ≠ not interchangeable; ← new for old; → old for new

REF.No	Part No.	Description	Q'ty	S.No.	I/C	REMARKS	Weight (kgf)	Weight (lb)
010	35080-41100	ASSY VALVE DRAFT CON	1				2.5	5.5
020	35080-41130	LEVER SPOOL DRIVE	1				0.02	0.044
030	05411-00614	PIN SPRING	1				0.002	0.0044
040	35080-41140	COVER VALVE	1				0.39	0.858
050	35080-41150	GASKET	1				0.005	0.011
060	01123-50830	BOLT	4				0.015	0.033
070	35080-41160	ARM CONTROL	1				0.09	0.198
080	35080-41270	COLLAR	1				0.015	0.033
090	04811-06100	O RING	1				0.001	0.0022
110	04013-60140	WASHER PLAIN	2				0.01	0.022
120	37300-41280	SPRING PLATE	2				0.005	0.011
130	02172-50140	NUT	2				0.01	0.022
140	35080-41170	PLUG	1				0.04	0.088
150	35080-41230	PLUG	1				0.06	0.132
160	04811-00180	O RING	2				0.001	0.0022
170	35080-41180	ARM FEED BACK	1				0.05	0.11
180	04811-00090	O RING	1				0.001	0.0022
190	35080-41190	LEVER FEED BACK	1				0.05	0.11
200	05411-00520	PIN SPRING	1				0.002	0.0044
210	35080-41280	PLUG	1				0.025	0.055
220	04811-00110	O RING	1				0.001	0.0022

TOP LINK HOLDER (WITH DRAFT) [OPTION]



32430-119-10



**TOP LINK HOLDER (WITH DRAFT) [OPTION]  
[OPTION]**

↔ Interchangeable; ≠ not interchangeable; ← new for old; → old for new

REF.No	Part No.	Description	Q'ty	S.No.	I/C	REMARKS	Weight (kgf)	Weight (lb)
010	35080-41312	ROD DRAFT CONTROL	1				0.095	0.209
020	35260-41320	HOLDER CONTROL	1				0.03	0.066
030	02112-50080	NUT	2				0.003	0.0066
040	05122-50818	PIN JOINT	1				0.008	0.0176
050	04012-50080	WASHER PLAIN	2				0.001	0.0022
060	05511-50218	PIN SPLIT	2				0.001	0.0022
070	35080-41400	COMP HOLDER TOP LINK	1				6.85	15.07
080	37300-41440	PIN STRAIGHT	2				0.055	0.121
090	06613-10010	NIPPLE GREASE	2				0.006	0.0132
100	37300-41450	BUSH	3				0.03	0.066
110	01133-51230	BOLT	6				0.04	0.088