

Instructions for Parts Books

The heading at the top of the page will be the same for the picture of the parts as it is for the page with the part numbers.

Definition of column headings on part number pages:

REF.No → The number referring to the part on the picture page of the parts book.

Part No. → The number assigned to this part at the time of printing the parts book.

Description → Description of part.

Q'ty → Quantity of part used on that page.

S.No. → Serial number range of the equipment that this part will fit.

>= Your serial number should be greater than or equal to the number shown.

<= Your serial number should be lesser than or equal to the serial number shown.

I/C → Interchangeability of part shown.

↔ The part shown will work for the older and later serial number.

The part shown is not interchangeable with the other serial number.

← new for old

→ old for new

Remarks → Notes about this particular part. Sometimes this may say except [FR] or [CA]

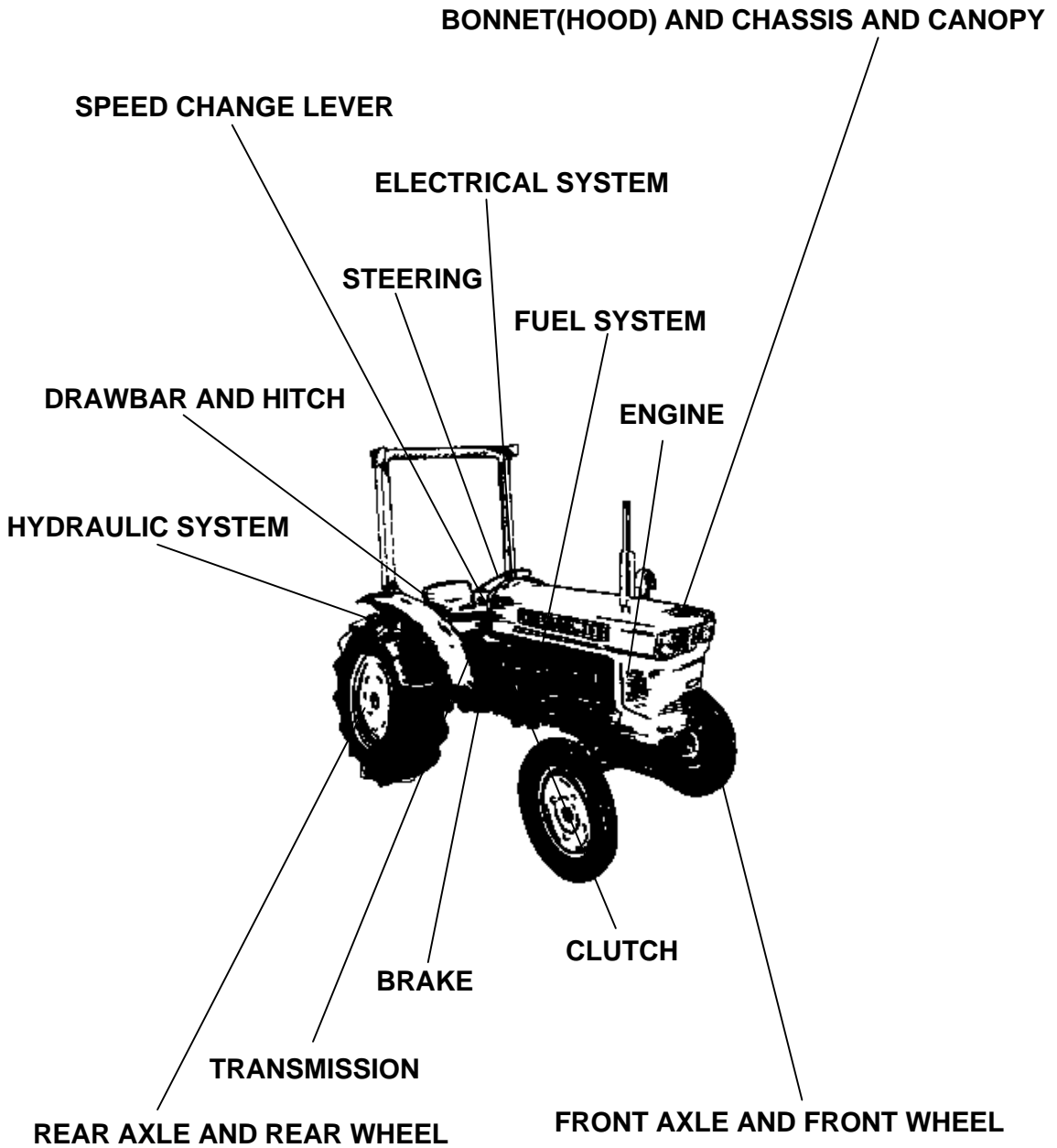
Note about Country Codes:

The parts books we use in the United States of America may also contain information about a part that would be different in another country. It is important that you are aware of the country codes in some instances.

Symbol	Country
A	United States of America
CA	Canada
FR	France
GR	Greece
PO	Portugal
AU	Australia

If the remarks column says for example EXCEPT [FR] this part works in all countries except France. That means it will work here in the USA.

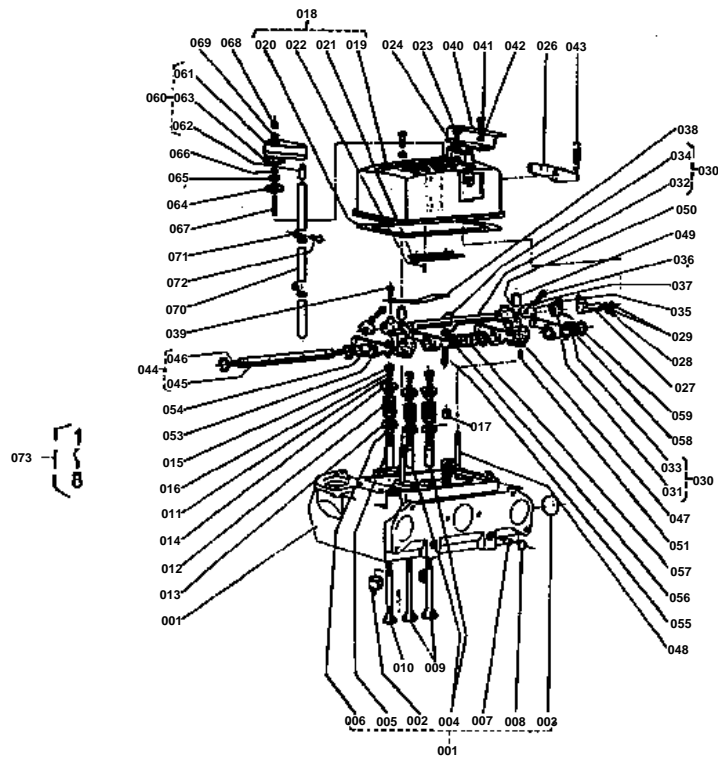
ALL PRODUCT INDEX
L260P



ACCESSORIES

Item	Part No.	Description	Book
ENGINE	0101	CYLINDER HEAD	100K0345
	0102	CRANKCASE	100K0345
	0103	CRANKSHAFT	100K0345
	0104	GEAR CASE	100K0345
	0105	RADIATOR	100K0345
	0106	AIR CLEANER AND MUFFLER	100K0345
	0107	NOZZLE AND FUEL INJECTION PUMP	100K0345
	0128	FEED PUMP AND FUEL FILTER	100K0345
	0129	FUEL INJECTION PUMP	100K0345
	0130	WATER PUMP AND OIL FILTER (2)	100K0345
	0131	MECHANICAL GOVERNOR	100K0345
	0132	STARTER	100K0345
	0133	GENERATOR	100K0345
FRONT AXLE AND FRONT WHEEL	0108	FRONT AXLE	100K0345
	0109	FRONT WHEEL	100K0345
CLUTCH	0110	CLUTCH HOUSING	100K0345
TRANSMISSION	0111	TRANSMISSION (1)	100K0345
	0112	TRANSMISSION (2)	100K0345
	0113	TRANSMISSION (3)	100K0345
STEERING	0114	STEERING	100K0345
SPEED CHANGE LEVER	0115	ACCEL PEDAL	100K0345
BONNET(HOOD) AND CHASSIS AND CANOPY	0116	HOOD	100K0345
ELECTRICAL SYSTEM	0117	METERS	100K0345
TRANSMISSION	0118	SEAT AND MISSION CASE	100K0345
SPEED CHANGE LEVER	0119	SPEED CHANGE	100K0345
BRAKE	0120	BRAKE	100K0345
REAR AXLE AND REAR WHEEL	0121	REAR WHEEL	100K0345
	0122	REAR WHEEL COVER	100K0345
FUEL SYSTEM	0123	FUEL TANK	100K0345
HYDRAULIC SYSTEM	0124	OIL PRESSURE PUMP	100K0345
	0125	OIL PRESSURE CYLINDER	100K0345
DRAWBAR AND HITCH	0126	3-POINTS LINKAGE	100K0345
ACCESSORIES	0127	TOOLS	100K0345

CYLINDER HEAD





CYLINDER HEAD

↔ Interchangeable; ≠ not interchangeable; ← new for old; → old for new

REF.No	Part No.	Description	Q'ty	S.No.	I/C	REMARKS	Weight (kgf)	Weight (lb)
001	15151-03114	CYLINDER HEAD	1			ORDER BY REF.No.073	0	0
002	15151-03140	COMBUSTION CHAMBER	2			ORDER BY REF.No.073	0.09	0.198
003	15103-01280	CAP SEALING	1			ORDER BY REF.No.073	0	0
004	15109-13543	GUIDE INTAKE VALVE	2			ORDER BY REF.No.073	0	0
005	15109-13563	GUIDE EXHAUST VALVE	2			ORDER BY REF.No.073	0	0
006	15109-13600	CIR-CLIP	4			ORDER BY REF.No.073	0.001	0.0022
007	14301-33630	PLUG	2			ORDER BY REF.No.073	0.001	0.0022
008	06311-70015	PLUG EXPANSION	2			ORDER BY REF.No.073	0	0
009	15109-13112	VALVE INTAKE	2				0	0
010	15109-13122	VALVE EXHAUST	2				0	0
011	15108-13310	CIR-CLIP	4				0.001	0.0022
012	15131-13240	SPRING VALVE	4				0.057	0.1254
013	15109-13412	SEAT VALVE SPRING	4				0	0
014	15109-13330	RETAINER VALVE SP.	4				0.033	0.0726
015	15108-13360	COLLET VALVE SPRING	4				0.004	0.0088
016	15109-13320	O RING	4				0.001	0.0022
017	15109-13150	SEAL VALVE STEM	4				0.001	0.0022
018	15151-14010	ASS'Y COVER CYL.HEAD	1				0.9	1.98
019	15151-14512	VALVE COVER HEAD	1			ORDER BY REF.No.018	0	0
020	15109-14522	GASKET VALVE COVER	1			ORDER BY REF.No.018	0	0
021	15109-05410	COVER BREATHER	1			ORDER BY REF.No.018	0.03	0.066
022	05614-20214	RIVET	4			ORDER BY REF.No.018	0.001	0.0022
023	01114-01028	BOLT	2				0	0
024	15109-14630	GASKET	2				0.001	0.0022
025	15124-66060	ASS'Y LEVER DECOMP.	1			INCLUDES REF.No.026 TO 028	1.34	2.948
026	15124-66252	LEVER DECOMPRESS 2	1			ORDER BY REF.No.025	0	0
027	15109-66303	SHAFT DECOMPRESS 2	1			ORDER BY REF.No.025	0	0
028	05412-00425	PIN SPRING	1			ORDER BY REF.No.025	0.001	0.0022
029	04811-00110	O RING	2				0.001	0.0022
030	15151-66040	ASS'Y SHAFT DECOMP.	1				0.274	0.6028
031	15109-66263	LEVER DECOMPRESS 1	1			ORDER BY REF.No.030	0	0
032	15124-66953	SHAFT DECOMPRESS 1	1			ORDER BY REF.No.030	0	0
033	05412-00425	PIN SPRING	1			ORDER BY REF.No.030	0.001	0.0022
034	15124-66953	CAM	1			ORDER BY REF.No.030	0	0
035	15109-66960	CAM DECOMPRESS	2				0.034	0.0748
036	01010-00625	BOLT	2				0	0
037	04512-00060	WASHER LOCK	2				0	0
038	15124-66983	SPRING PLATE	1				0	0
039	15124-66990	BOLT	2				0.005	0.011
040	15124-66542	HOLDER DECOMP.WIRE	1				0.402	0.8844
041	01010-00822	BOLT	2				0	0
042	01010-00822	WASHER LOCK	2				0	0
043	15124-66280	SPRING	1				0.01	0.022
044	15109-14050	ASS'Y SHAFT ROCK-ARM	1				0.39	0.858
045	15109-14260	SHAFT FOCKER ARM	1			ORDER BY REF.No.044	0	0
046	03410-01010	SCREW SET	2			ORDER BY REF.No.044	0	0
047	15124-14354	BRACKET ROCKER ARM	2				0	0
048	15121-14410	STUD	2				0.039	0.0858
049	15109-14380	NUT	2				0.033	0.0726
050	04512-00100	WASHER LOCK	2				0	0
051	15109-14420	SCREW SET	1				0.005	0.011

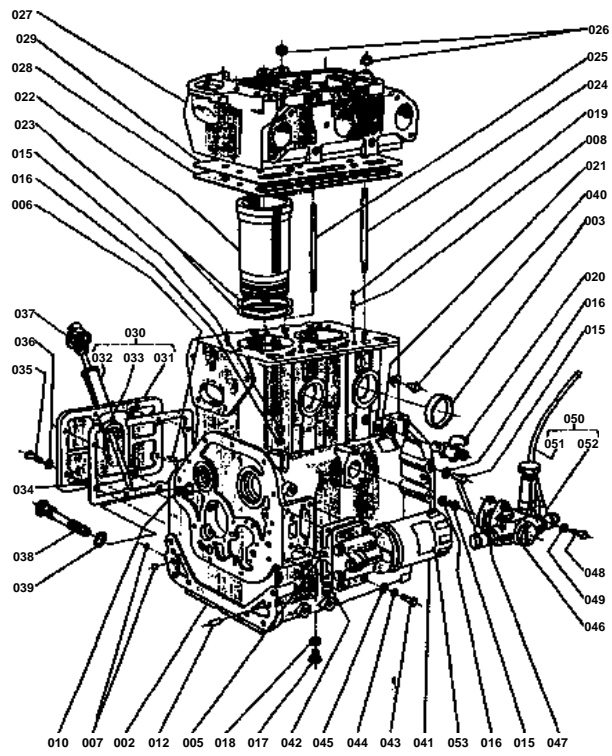


CYLINDER HEAD

↔ Interchangeable; ≠ not interchangeable; ← new for old; → old for new

REF.No	Part No.	Description	Q'ty	S.No.	I/C	REMARKS	Weight (kgf)	Weight (lb)
052	15109-14030	ASS'Y ROCKER ARM	4			INCLUDES REF.No.053 TO 056	0.14	0.308
053	15109-14112	ROCKER ARM	4			ORDER BY REF.No.052	0	0
054	15109-14180	BUSHING	4			ORDER BY REF.No.052	0.017	0.0374
055	15108-14232	SCREW ADJUSTING	4			ORDER BY REF.No.052	0	0
056	15021-14240	NUT	4			ORDER BY REF.No.052	0.003	0.0066
057	15109-14310	SPRING	1				0.01	0.022
058	15151-14430	WASHER	4				0.006	0.0132
059	04612-00200	CIR-CLIP EXTERNAL	2				0.001	0.0022
060	15151-05080	ASS'Y COVER BREATHER	1				0.55	1.21
061	15151-05413	COVER BREATHER VALVE	1			ORDER BY REF.No.060	0	0
062	15111-05552	PIPE JOINT	1			ORDER BY REF.No.060	0	0
063	15111-05430	GASKET	1			ORDER BY REF.No.060	0.001	0.0022
064	15111-05210	VALVE BREATHER	1				0.005	0.011
065	15111-05640	RETAINER BREATHER V.	1				0.016	0.0352
066	15151-04430	NUT	1				0.006	0.0132
067	15111-05250	STUD	1				0.014	0.0308
068	15021-05280	NUT	1				0	0
069	15021-33660	GASKET	1				0.001	0.0022
070	15151-05510	PIPE BREATHER	1				0.08	0.176
071	15151-05592	CLAMP PIPE	2				0	0
072	01010-00812	BOLT	2				0	0
073	15151-03020	ASS'Y CYLINDER HEAD	1				20.5	45.1

CRANKCASE





CRANKCASE

↔ Interchangeable; ≠ not interchangeable; ← new for old; → old for new

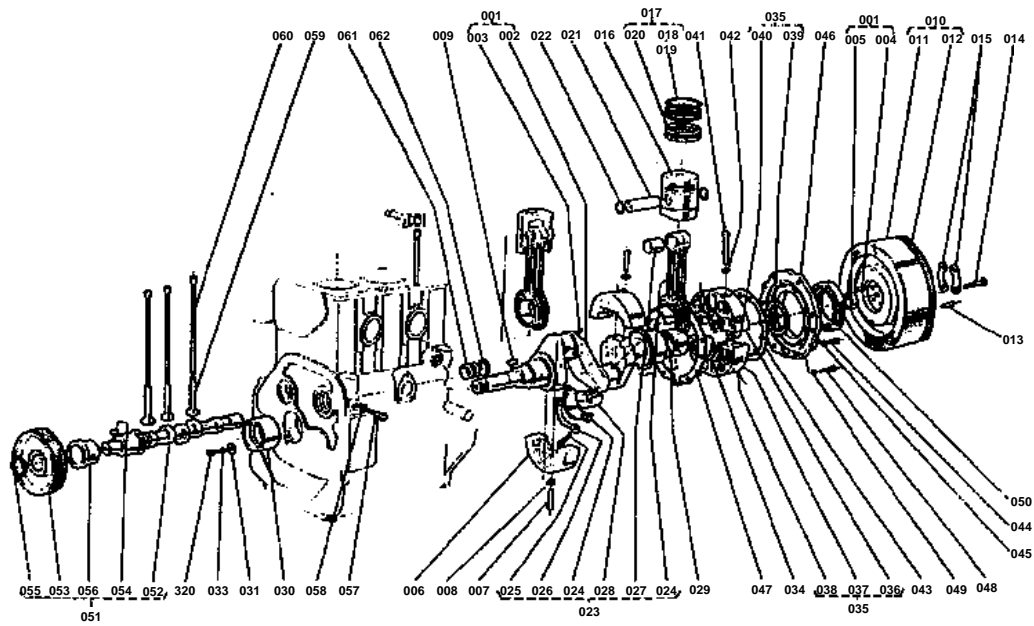
REF.No	Part No.	Description	Q'ty	S.No.	I/C	REMARKS	Weight (kgf)	Weight (lb)
001	15151-01010	ASS'Y CRANKCASE	1			INCLUDES REF.No.002 TO 014	60	132
002	15151-01123	CRANKCASE	1			ORDER BY REF.No.001	0	0
003	15103-01280	CAP SEALING	4			ORDER BY REF.No.001	0	0
004	15109-01712	CAP SEALING	1			ORDER BY REF.No.001	0	0
005	15151-33610	SCREW SET	3			ORDER BY REF.No.001	0.006	0.0132
006	15109-33620	PIN	1			ORDER BY REF.No.001	0.002	0.0044
007	06311-70015	PLUG EXPANSION	4			ORDER BY REF.No.001	0	0
008	15109-33650	PIN PIPE	1			ORDER BY REF.No.001	0.005	0.011
009	05011-00818	PIN STRAIGHT	1			ORDER BY REF.No.001	0	0
010	05011-00408	PIN STRAIGHT	1			ORDER BY REF.No.001	0	0
011	05011-00612	PIN STRAIGHT	2			ORDER BY REF.No.001	0	0
012	05011-01025	PIN STRAIGHT	2			ORDER BY REF.No.001	0	0
013	15109-16420	METAL CAMSHAFT 2	1			ORDER BY REF.No.001	0.06	0.132
014	15109-23472	METAL CAMSHAFT 1	1			ORDER BY REF.No.001	0	0
015	06312-10100	PLUG	4				0.147	0.3234
016	15101-33662	PACKING	4				0	0
017	15151-33630	PLUG	2				0.025	0.055
018	15109-33660	PACKING	2				0.001	0.0022
019	15109-33700	O RING	1				0.001	0.0022
020	14412-73110	COCK DRAIN	1				0.09	0.198
021	15103-94590	LABEL DRAIN	1				0.001	0.0022
022	15121-02315	LINER CYLINDER	2				0	0
023	15121-02350	GASKET CYL.LINER	4				0.003	0.0066
024	15151-03412	STUD CYLINDER HEAD 1	8				0	0
025	15151-03420	STUD CYLINDER HEAD 2	1				0.174	0.3828
026	15021-03514	NUT CYLINDER HEAD	9				0	0
027	15151-03115	CYLINDER HEAD	1				0	0
028	15151-03310	GASKET CYLINDER HEAD	1				0	0
029	15151-03322	SHIM CYL.HEAD GASKET	2				0	0
030	15109-01030	ASS'Y COVER SIDE	1				1.24	2.728
031	15109-01312	COVER SIDE	1			ORDER BY REF.No.030	0	0
032	15109-36422	GUIDE OIL GAUGE	1			ORDER BY REF.No.030	0	0
033	15109-36442	O RING	1			ORDER BY REF.No.030	0	0
034	15109-01340	PACKING SIDE COVER	1				0.002	0.0044
035	01010-00818	BOLT	8				0	0
036	04512-00080	WASHER SPRING	8				0	0
037	15109-36164	ASS'Y GAUGE OIL	1				0	0
038	15311-32110	FILTER OIL 1	1				0.3	0.66
039	10225-32172	GASKET	1				0	0
040	15021-39010	SWITCH OIL	1				0.05	0.11
041	15213-32020	FILTER OIL 2	1			THROW AWAY TYPE	0.89	1.958
042	15213-32320	GASKET	1				0	0
043	01010-50838	BOLT	4				0	0
044	04512-00080	WASHER LOCK	4				0	0
045	04012-00080	WASHER FLAT	4				0	0
046	15109-52030	ASS'Y PUMP FEED	1				1.25	2.75
047	15109-52140	GASKET	1				0.001	0.0022
048	01010-00618	BOLT	3				0	0
049	04512-00060	WASHER LOCK	3				0	0
050	15109-42010	COMP.PIPE FUEL 1	1			INCLUDES REF.No.051 TO 053	0.042	0.0924



CRANKCASE

↔ Interchangeable; ≠ not interchangeable; ← new for old; → old for new

REF.No	Part No.	Description	Q'ty	S.No.	I/C	REMARKS	Weight (kgf)	Weight (lb)
051	15109-42170	PIPE FUEL 1	1			ORDER BY REF.No.050	0.048	0.1056
052	15109-42410	JOINT EYE	1			ORDER BY REF.No.050	0	0
053	15213-94400	LABEL OIL FILTER	1			ORDER BY REF.No.041	0.001	0.0022





CRANKSHAFT

↔ Interchangeable; ≠ not interchangeable; ← new for old; → old for new

REF.No	Part No.	Description	Q'ty	S.No.	I/C	REMARKS	Weight (kgf)	Weight (lb)
001	15109-23012	ASS'Y CRANKSHAFT	1				0	0
002	15109-23118	CRANKSHAFT	1			ORDER BY REF.No.001	0	0
003	03410-00808	SCREW SET	2			ORDER BY REF.No.001	0.002	0.0044
004	15103-25220	PIN STRAIGHT	1			ORDER BY REF.No.001	0.03	0.066
005	08141-06203	BEARING BALL	1			ORDER BY REF.No.001	0.064	0.1408
006	15109-26113	WEIGHT COUNTER	2				0	0
007	15109-26150	BOLT	4				0.034	0.0748
008	04211-00100	WASHER CLAW	4				0	0
009	05712-00725	KEY FEATHER	1				0.009	0.0198
010	15151-25010	ASS'Y FLYWHEEL	1			INCLUDES REF.No.011 TO 013	35	77
011	15151-25112	FLYWHEEL	1				0	0
012	15121-63822	GEAR RING	1				0	0
013	05012-00612	PIN STRAIGHT	2				0.003	0.0066
014	15103-25163	BOLT	4				0	0
015	15109-26170	WASHER FLYWHEEL	2				0	0
016	15121-21115	PISTON	2				0	0
017	15121-21053	ASS'Y PISTON RING	2				0	0
018	15103-25163	COMPRESSION RING 1	4			ORDER BY REF.No.017	0	0
019	15121-21162	COMPRESSION RING 2	2			ORDER BY REF.No.017	0	0
020	15121-21252	OIL RING	4			ORDER BY REF.No.017	0	0
021	15121-21310	PISTON PIN	2				0.27	0.594
022	15101-21330	CIR-CLIP INTERNAL	4				0.002	0.0044
023	15109-22012	ASS'Y CONNECTING ROD	2				0	0
024	15109-22113	CONNECTING ROD	2			ORDER BY REF.No.023	0	0
025	15109-22140	BOLT CONNECTING ROD	4				0.043	0.0946
026	15109-22170	WASHER ROD BOLT	2				0.017	0.0374
027	15109-21352	BUSHING PISTON PIN	2				0	0
027	15109-21680	BUSHING PISTON PIN	2				0.034	0.0748
028	15109-22310	METAL CRANKPIN INSER	4				0.078	0.1716
028	15109-22540	METAL CRANKPIN INSER	4				0.086	0.1892
028	15109-22550	METAL CRANKPIN	4				0.09	0.198
029	15109-23050	METAL CRANKSHAFT 2	1				0.164	0.3608
030	15109-23472	METAL CRANKSHAFT 1	1				0	0
031	15101-23560	WASHER FLAT	1				0.015	0.033
033	04512-00080	WASHER LOCK	1				0	0
034	15109-23950	METAL CRANK SIDE	4				0.018	0.0396
034	15109-23960	METAL CRANK SIDE	4				0.021	0.0462
035	15151-04060	ASS'Y CASE MAIN BRG.	1				3.67	8.074
036	15151-04912	CASE MAIN BRG.UPPER	1			ORDER BY REF.No.035	0	0
037	15151-04922	CASE MAIN BRG.UNDER	1			ORDER BY REF.No.035	0	0
038	03410-00808	SCREW SET	1			ORDER BY REF.No.035	0.002	0.0044
039	05011-00307	PIN STRAIGHT	8			ORDER BY REF.No.035	0	0
040	04811-00120	O RING	1			ORDER BY REF.No.035	0.001	0.0022
041	15101-04540	BOLT	2				0.051	0.1122
042	15101-04573	WASHER LOCK	2				0	0
043	15124-04360	GASKET BEARING CASE	1				0.002	0.0044
044	01010-00822	BOLT	8				0	0
045	04512-00080	WASHER LOCK	8				0	0
046	15151-04813	COVER BEARING CASE	1				0	0

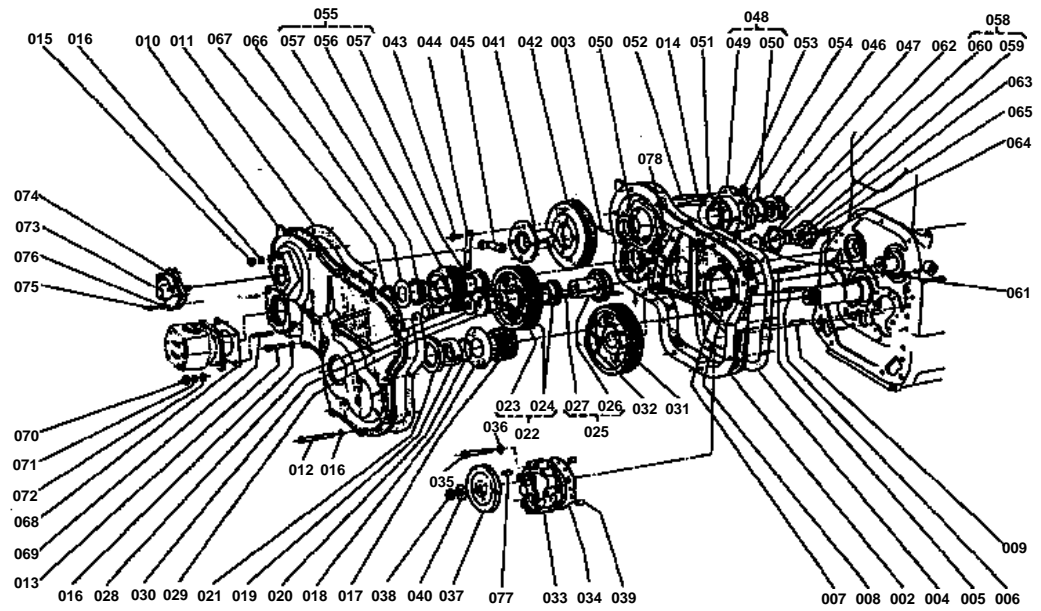


CRANKSHAFT

↔ Interchangeable; ≠ not interchangeable; ← new for old; → old for new

REF.No	Part No.	Description	Q'ty	S.No.	I/C	REMARKS	Weight (kgf)	Weight (lb)
047	15151-04360	GASKET BRG.CASE C.	1				0.802	1.7644
048	01010-00825	BOLT	8				0	0
049	04512-00080	WASHER LOCK	8				0	0
050	15109-04462	SEAL OIL	1				0	0
051	15109-16010	ASS'Y CAMSHAFT	1				2.3	5.06
052	15109-16153	CAMSHAFT	1				0	0
053	15109-16512	GEAR CAMSHAFT	1				0	0
054	05712-00725	KEY FEATHER	1				0.009	0.0198
055	04612-00300	CIR-CLIP EXTERNAL	1				0.003	0.0066
056	15109-16410	METAL CAMSHAFT 1	1				0.21	0.462
057	15109-16390	BOLT	1				0.025	0.055
058	15101-33662	GASKET	1				0	0
059	15101-15550	TAPPET	4				0.091	0.2002
060	15109-15110	PUSH ROD	4				0.082	0.1804
061	15109-16420	METAL CAMSHAFT 2	1				0.06	0.132
062	15109-01712	CAP SEALING	1				0	0
320	01010-00814	BOLT	1				0	0

GEAR CASE



**GEAR CASE**

↔ Interchangeable; ≠ not interchangeable; ← new for old; → old for new

REF.No	Part No.	Description	Q'ty	S.No.	I/C	REMARKS	Weight (kgf)	Weight (lb)
001	15109-04025	ASS'Y CASE GEAR	1			INCLUDES REF.No.002 003	0	0
002	15109-04117	CASE GEAR	1			ORDER BY REF.No.001	0	0
003	15109-33640	PIN	2			ORDER BY REF.No.001	0.001	0.0022
004	15109-04136	PACKING GEAR CASE	1				0	0
005	01513-00832	STUD	1				0	0
006	01513-00820	STUD	1				0	0
007	15151-04430	NUT	2				0.006	0.0132
008	04512-00080	WASHER LOCK	7				0	0
009	05011-00818	PIN STRAIGHT	1				0	0
010	15109-04145	COVER GEAR CASE	1				0	0
011	15109-04172	GASKET G/C COVER	1				0	0
012	01010-00865	BOLT	5				0	0
013	01010-00830	BOLT	8				0	0
014	15109-04160	BOLT REAMER	2				0.028	0.0616
015	15151-04430	NUT	2				0.006	0.0132
016	04512-00080	WASHER LOCK	15				0	0
017	15121-24112	GEAR CRANKSHAFT	1				0	0
018	15109-23310	RING OIL DEFLECTING	1				0.035	0.077
019	15109-23250	COLLAR	1				0.106	0.2332
020	04811-00350	O RING	1				0.002	0.0044
021	09550-00003	SEAL OIL	1				0.025	0.055
022	15109-24010	ASS'Y GEAR IDLE	1				1.1	2.42
023	15109-24212	GEAR IDLE	1			ORDER BY REF.No.022	0	0
024	15109-24280	BUSHING	2				0.046	0.1012
025	15109-24020	ASS'Y SHAFT IDLE GEA	1				0.29	0.638
026	15109-24254	SHAFT IDLE GEAR	1			ORDER BY REF.No.025	0	0
027	05011-00408	PIN STRAIGHT	2			ORDER BY REF.No.025	0	0
028	15109-24290	BOLT	1				0	0
029	15109-24270	STOPPER	1				0.054	0.1188
030	15109-24310	WASHER CLAW	1				0.005	0.011
031	15109-16512	GEAR CAMSHAFT	1				0	0
032	04612-00300	CIR-CLIP EXTERNAL	1				0.003	0.0066
033	15121-35010	ASS'Y PUMP OIL	1				1.2	2.64
034	15109-35152	GASKET OIL PUMP	1				0	0
035	01010-00640	BOLT	6				0	0
036	04512-00060	WASHER LOCK	6				0	0
037	15109-35660	GEAR HELICAL	1				0.264	0.5808
038	15021-35682	NUT	1				0	0
039	05011-00612	PIN STRAIGHT	2				0	0
040	15108-35670	WASHER FLAT	1				0.003	0.0066
041	15151-52720	FLANGE FUEL PUMP	1				0.55	1.21
042	15109-51150	GEAR HELICAL	1				1.011	2.2242
043	15109-52450	BOLT	4				0.01	0.022
044	15109-52483	PLATE DRIV H-METER 1	1				0.024	0.0528
045	15109-52493	PLATE DRIV H-METER 2	1				0	0
046	15109-52760	WASHER PLAIN	1				0.014	0.0308
047	04612-00400	CIR-CLIP EXTERNAL	1				0.005	0.011
048	15109-51202	ASS'Y SPT.INJ.PUMP	1				0	0
049	15109-51174	SUPPORT INJ.PUMP	1			ORDER BY REF.No.048	0	0
050	15109-52740	BUSHING	2			ORDER BY REF.No.048	0.071	0.1562
051	15109-51182	O RING	1				0	0
052	01513-00816	STUD	2				0	0
053	02156-00080	NUT	2				0	0
054	15109-52130	GASKET	1				0.002	0.0044
055	15109-87050	ASS'Y GEAR HELICAL	1				0.642	1.4124
056	15109-87310	GEAR HELICAL	1			ORDER BY REF.No.056	0.634	1.3948

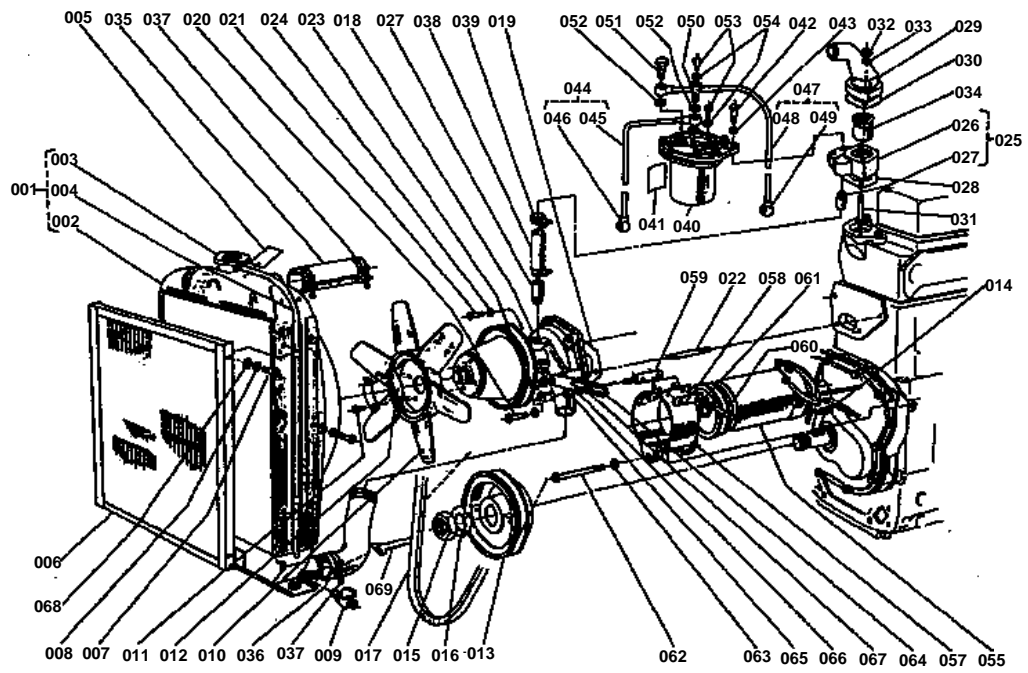


GEAR CASE

↔ Interchangeable; ≠ not interchangeable; ← new for old; → old for new

REF.No	Part No.	Description	Q'ty	S.No.	I/C	REMARKS	Weight (kgf)	Weight (lb)
057	15109-24280	BUSHING	2				0.046	0.1012
058	15109-87060	ASS'Y SHAFT GEAR	1				0	0
059	15109-87320	SHAFT O/P PUMP GEAR	1			ORDER BY REF.No.058	0	0
060	03410-00808	SCREW SET	1			ORDER BY REF.No.058	0.002	0.0044
061	04811-10440	O RING	1				0.001	0.0022
062	15109-87360	GASKET	1				0.001	0.0022
063	01513-00816	STUD	2				0	0
064	14201-71152	NUT	2				0	0
065	15021-33660	GASKET	2				0.001	0.0022
066	15109-87382	WASHER FLAT	1				0	0
067	04612-00300	CIR-CLIP EXTERNAL	1				0.003	0.0066
068	15109-87130	GASKET	1				0.001	0.0022
069	01513-00822	STUD	4				0	0
070	15151-04430	NUT	4				0.006	0.0132
071	04512-00080	WASHER LOCK	4				0	0
072	04012-00080	WASHER FLAT	4				0	0
073	31220-34662	ASS'Y METER HOUR	1				0	0
074	15109-88130	GASKET	1				0.001	0.0022
075	15109-88140	BOLT	4				0.003	0.0066
076	04512-00050	WASHER LOCK	4				0	0
077	05811-00310	KEY	1				0.001	0.0022
078	01010-00822	BOLT	5				0	0

RADIATOR





RADIATOR

↔ Interchangeable; ≠ not interchangeable; ← new for old; → old for new

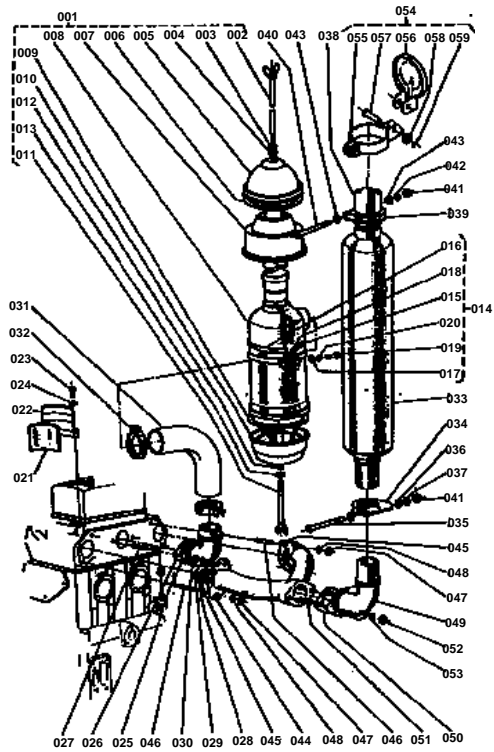
REF.No	Part No.	Description	Q'ty	S.No.	I/C	REMARKS	Weight (kgf)	Weight (lb)
001	15151-72064	ASS'Y RADIATOR	1				0	0
002	15021-72632	RADIATOR	1			ORDER BY REF.No.001	0	0
003	15021-72632	CAP RADIATOR	1				0	0
004	15109-72710	PIPE WATER OVER FLOW	1				0.042	0.0924
005	15101-94880	CARD INSTRUCTION	1			ORDER BY REF.No.001	0	0
006	15151-72252	NET RADIATOR	1				0	0
007	01023-50610	BOLT	4				0.005	0.011
008	04512-00060	WASHER LOCK	4				0	0
009	14412-73110	COCK DRAIN	1				0.09	0.198
010	15151-72420	FAN	1				0.44	0.968
011	01010-50612	BOLT	4				0	0
012	15109-74233	STOPPER	2				0	0
013	15151-74280	PULLEY FAN DRIVE	1				2.65	5.83
014	05712-00725	KEY FEATHER	1				0.009	0.0198
015	15109-23352	NUT	1				0	0
016	15109-23370	WASHER	1				0.017	0.0374
017	15121-72532	BELT V 43 FAN BELT	1				0	0
018	15151-73032	ASS'Y PUMP WATER	1				0	0
019	15109-73432	GASKET	1				0	0
020	01010-00850	BOLT	2				0	0
021	01010-50838	BOLT	1				0	0
022	01513-00887	STUD	1				0	0
023	15151-04430	NUT	1				0.006	0.0132
024	04512-00080	WASHER LOCK	4				0	0
025	15151-73080	SUPPORT THERMOSTAT	1				0	0
026	15151-73252	SUPPORT THERMOSTAT	1				0	0
027	15109-73373	PIPE JOINT	2				0	0
028	15109-73310	GASKET	1				0.005	0.011
029	15151-73266	COVER THERMOSTAT	1				0	0
030	15109-73270	GASKET	1				0.006	0.0132
031	01517-01055	STUD	2				0	0
032	02118-00100	NUT	2				0	0
033	04512-00100	WASHER LOCK	2				0	0
034	10231-73010	THERMOSTAT	1				0.078	0.1716
035	15151-72942	PIPE WATER 2	1				0	0
036	15151-72852	PIPE WATER 1	1				0	0
037	15101-72873	CLIP PIPE	4				0.025	0.055
038	15109-73354	PIPE WATER 3	1				0	0
039	15109-73362	CLIP PIPE	2				0	0
040	15109-43012	ASS'Y FILTER FUEL	1				0	0
041	32200-35890	LABEL FUEL FILTER	1				0	0
042	01114-01035	BOLT	2				0	0
043	04512-00100	WASHER LOCK	2				0	0
044	15109-42030	ASS'Y PIPE FUEL 3	1				0.077	0.1694
045	15109-42190	PIPE FUEL 3	1			ORDER BY REF.No.044	0	0
046	15109-42410	JOINT EYE	2			ORDER BY REF.No.044	0	0
047	15109-42022	ASS'Y PIPE FUEL 2	1				0	0
048	15109-42182	PIPE FUEL 2	1			ORDER BY REF.No.047	0	0
049	15109-42410	JOINT EYE	2			ORDER BY REF.No.047	0	0
050	15109-42430	BOLT EYE JOINT	1				0.03	0.066
051	32200-35592	BOLT EYE JOINT	1				0	0
052	17105-33682	PACKING	12				0	0
053	32200-35560	SCREW AIR BREATHER	2				0.005	0.011
054	15021-33660	PACKING	2				0.001	0.0022
055	15109-64010	ASS'Y GENERATOR	1				5.4	11.88
056	15109-64002	ASS'Y SUPPORT GENERA	1			INCLUDES REF.No.056	0	0

**RADIATOR**

↔ Interchangeable; ≠ not interchangeable; ← new for old; → old for new

REF.No	Part No.	Description	Q'ty	S.No.	I/C	REMARKS	Weight (kgf)	Weight (lb)
057	15109-64352	SUPPORT GENERATOR	1				0	0
058	15109-64433	CLAMP GENERATOR 1	1				0	0
059	15109-64443	CLAMP GENERATOR 2	1				0	0
060	01010-50838	BOLT	2				0	0
061	04512-00080	WASHER LOCK	2				0	0
062	01114-51000	BOLT	1				0	0
063	04512-00100	WASHER LOCK	1				0	0
064	15109-64420	STAY GENERATOR	1				0.09	0.198
065	15151-04430	NUT	1				0.006	0.0132
066	04512-00080	WASHER LOCK	1				0	0
067	04012-50080	WASHER FLAT	1				0.001	0.0022
068	04013-50060	WASHER FLAT	4				0	0
069	32360-29380	BAND	1				0.001	0.0022

AIR CLEANER AND MUFFLER





AIR CLEANER AND MUFFLER

↔ Interchangeable; ≠ not interchangeable; ← new for old; → old for new

REF.No	Part No.	Description	Q'ty	S.No.	I/C	REMARKS	Weight (kgf)	Weight (lb)
001	15151-11010	ASS'Y CLEANER AIR	1				3.1	6.82
002	15151-11140	BOLT AIR CLEANER 1	1				0.1	0.22
003	14106-11120	WASHER LOCK	1				0	0
004	14106-11130	WASHER FLAT	1				0.002	0.0044
005	15103-11290	COVER CYCLONE	1				0.15	0.33
006	15103-11300	GASKET CYCLONE	1				0.008	0.0176
007	15121-11620	CHAMBER CYCLONE	1				0.81	1.782
008	15151-11240	BODY AIR CLEANER	1				2.1	4.62
009	15121-11210	GASKET	1				0.013	0.0286
010	15121-11200	OIL PAN AIR CLEANER	1				1.8	3.96
011	15121-11330	BOLT AIR CLEANER 2	1				0.058	0.1276
012	15121-11350	CIR-CLIP	1				0.001	0.0022
013	15121-11340	WASHER SEAL	1				0.002	0.0044
014	15131-11092	ASS'Y BAND A/C	2				0	0
015	15131-11542	BAND AIR CLEANER	2				0	0
016	15131-11870	CUSHION	2				0	0
017	15108-11972	CLAMP BAND 1	2				0	0
018	15108-11982	CLAMP BAND 2	2				0	0
019	15111-11524	BOLT	2				0	0
020	04512-00060	WASHER LOCK	2				0	0
021	15131-11890	CUSHION	1				0.06	0.132
022	15151-11582	HOLDER AIR CLEANER	1				0	0
023	01114-51038	BOLT	2				0	0
024	04512-00100	WASHER LOCK	2				0	0
025	15109-11610	FLANGE AIR CLEANER	1				0.165	0.363
026	15109-11650	GASKET A/C FLANGE	1				0.001	0.0022
027	01513-00825	STUD	2				0	0
028	15151-04430	NUT	2				0.006	0.0132
029	04512-00080	WASHER LOCK	2				0	0
030	04012-00080	WASHER FLAT	2				0	0
031	15151-11710	PIPE INTAKE	1				0.586	1.2892
032	15121-11720	CLAMP PIPE	2				0.034	0.0748
033	15108-12114	MUFFLER	1				0	0
034	15101-12132	CLAMP	1				0	0
035	01010-00885	BOLT	1				0	0
036	04012-00080	WASHER FLAT	2				0	0
037	04512-00080	WASHER LOCK	1				0	0
038	15001-12310	PIPE EXHAUST	1				0.63	1.386
039	15001-12133	CLAMP	1				0	0
040	01010-00878	BOLT	1				0	0
041	15151-04430	NUT	2				0.006	0.0132
042	04512-00080	WASHER LOCK	1				0	0
043	04012-00080	WASHER FLAT	2				0	0
044	15109-12310	MANIFOLD EXHAUST	1				2.1	4.62
045	15109-12360	GASKET EXHAUST	2				0.008	0.0176
046	01513-50825	STUD	4				0	0
047	15151-04430	NUT	4				0.006	0.0132
048	04512-00080	WASHER LOCK	4				0	0
049	15109-12320	FLANGE MUFFLER	1				2.012	4.4264
050	15109-12370	PACKING	1				0.007	0.0154
051	15101-12350	STUD	2				0	0
052	15021-12260	NUT	2				0.013	0.0286
053	04512-00100	WASHER LOCK	2				0	0
054	15213-12020	ASS'Y CAP MUFFLER	1				0.135	0.297
055	15213-12422	CLAMP MUFFLER	1				0	0
056	15213-12450	CAP MUFFLER	1				0.05	0.11

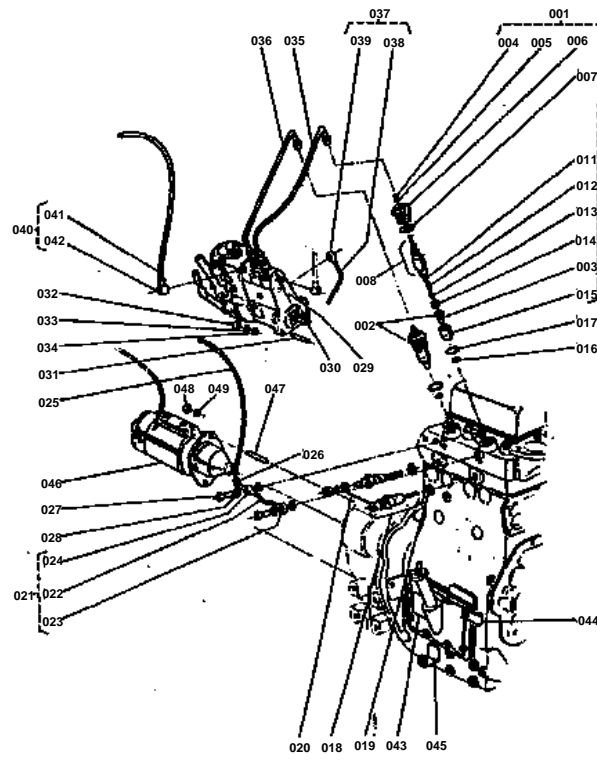


AIR CLEANER AND MUFFLER

↔ Interchangeable; ≠ not interchangeable; ← new for old; → old for new

REF.No	Part No.	Description	Q'ty	S.No.	I/C	REMARKS	Weight (kgf)	Weight (lb)
057	15213-12470	PIN	1				0	0
058	04012-50060	WASHER	1				0.001	0.0022
059	05511-50212	PIN SPLIT	1				0.001	0.0022

NOZZLE AND FUEL INJECTION PUMP

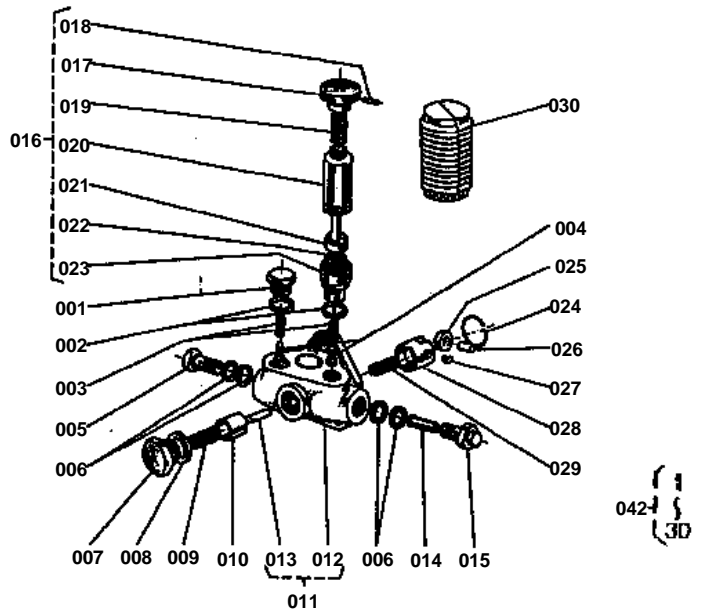
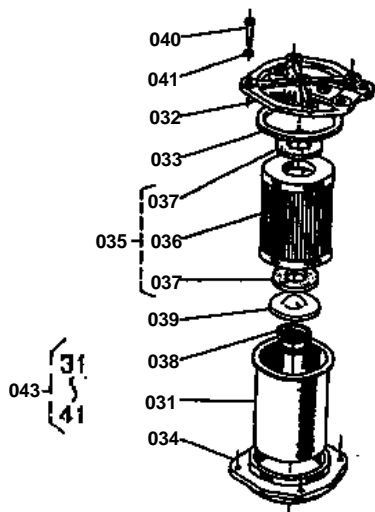


**NOZZLE AND FUEL INJECTION PUMP**

↔ Interchangeable; ≠ not interchangeable; ← new for old; → old for new

REF.No	Part No.	Description	Q'ty	S.No.	I/C	REMARKS	Weight (kgf)	Weight (lb)
001	15109-53000	ASS'Y HOLDER NOZZLE	2				0.305	0.671
002	15109-53012	HOLDER NOZZLE	2			INCLUDES REF.No.004 TO 015	0	0
003	15021-53610	PIECE NOZZLE	2			DN12SD12	0	0
004	15109-53480	CIR-CLIP	2				0.001	0.0022
005	15109-53490	O RING	2				0.001	0.0022
006	15109-53470	CAP NOZZLE HOLDER	2				0.061	0.1342
007	15109-53250	WASHER	2				0.01	0.022
008	15109-53140	ASS'Y BODY NOZ.HDR.	2				0.13	0.286
009	99999-99999	BLANK	0				0	0
010	99999-99999	BLANK	0				0	0
012	15021-53170	SPRING NOZZLE	2				0	0
013	15021-53160	ROD PUSH	2				0	0
014	15021-53350	PIECE DISTANCE	2				0	0
015	15021-53280	NUT NOZZLE	2				0	0
016	14205-53620	PACKING	2				0.004	0.0088
017	15109-53520	O RING	2				0.002	0.0044
018	15109-65510	PLUG GLOW	2				0	0
019	15109-65520	PACKING	2			ORDER BY REF.No.019	0.001	0.0022
020	15109-65562	JAMPER	1				0	0
021	15109-42042	COMP.PIPE RETURN	1				0	0
022	15109-42510	PIPE FUEL RETURN 1	1			ORDER BY REF.No.021	0	0
023	15109-42560	JOINT EYE	1			ORDER BY REF.No.021	0	0
024	15109-42570	JOINT EYE	1			ORDER BY REF.No.021	0	0
025	32240-35612	PIPE FUEL RETURN 2	1			6/4X450L	0	0
026	10101-42390	CLIP PIPE	1				0.001	0.0022
027	15109-42610	BOLT EYE JOINT	2				0.008	0.0176
028	15021-33660	PACKING	4				0.001	0.0022
029	15151-51012	ASS'Y PUMP INJECTION	1				0	0
030	15109-52710	COUPLING INJ.PUMP	1				0	0
031	01517-01048	STUD	4				0	0
032	02118-00100	NUT	4				0	0
033	04512-00100	WASHER LOCK	4				0	0
034	04013-00100	WASHER FLAT	4				0	0
035	15109-53710	PIPE INJECTION 1	1				0.096	0.2112
036	15109-53720	PIPE INJECTION 2	1				0.1	0.22
037	15109-42050	COMP.PIPE OVER FLOW	1				0.033	0.0726
038	15109-42533	PIPE OVER FLOW	1			ORDER BY REF.No.037	0	0
039	17105-42412	JOINT EYE	1			ORDER BY REF.No.037	0	0
040	15109-42060	COMP.PIPE FUEL 3	1				0.041	0.0902
041	15109-42533	PIPE FUEL 4	1			ORDER BY REF.No.040	0	0
042	15109-42410	JOINT EYE	1			ORDER BY REF.No.040	0	0
043	15109-94312	LABEL OIL	1				0	0
044	15109-42470	CLAMP PIPE	1				0	0
045	15111-32480	LABEL OIL FILTER	1				0.001	0.0022
046	15109-63013	ASS'Y STARTER	1				0	0
047	01570-51228	STUD	1				0.033	0.0726
048	02117-10120	NUT	2				0	0
049	04512-10120	WASHER LOCK	2				0	0
050	15109-65090	ASS'Y PLUG GLOW	1			INCLUDES REF.No.018 019	0.08	0.176

FEED PUMP AND FUEL FILTER



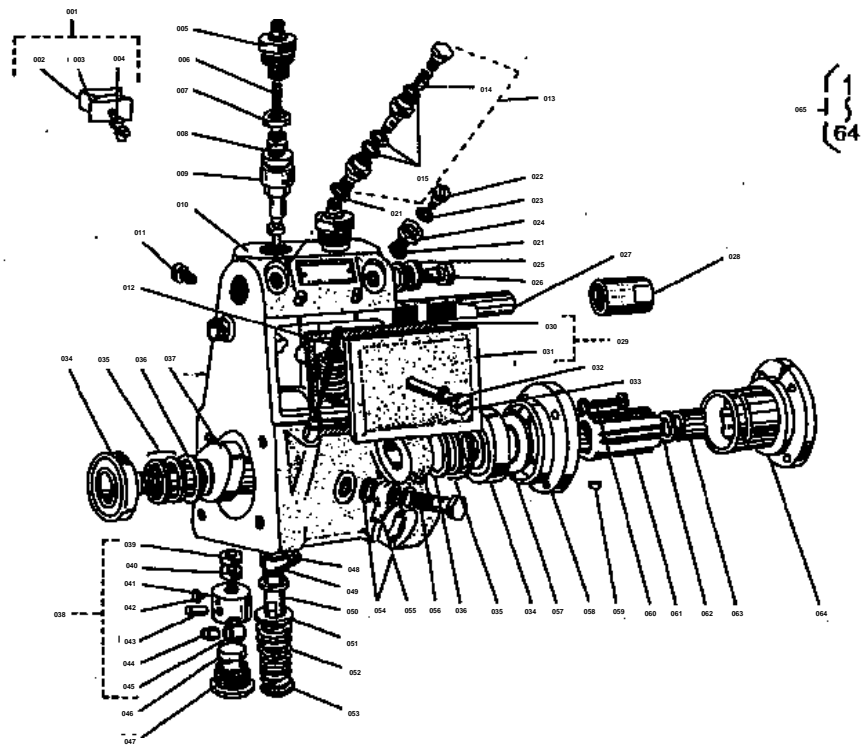


FEED PUMP AND FUEL FILTER

↔ Interchangeable; ≠ not interchangeable; ← new for old; → old for new

REF.No	Part No.	Description	Q'ty	S.No.	I/C	REMARKS	Weight (kgf)	Weight (lb)
001	15109-52830	PLUG CHECK VALVE	1				0.025	0.055
002	15109-52840	WASHER	2				0.001	0.0022
003	15109-52820	SPRING CHECK VALVE	2				0.001	0.0022
004	15109-52810	VALVE CHECK	2				0.002	0.0044
005	15109-52850	BOLT EYE JOINT	1				0.036	0.0792
006	15109-52860	WASHER	4				0.001	0.0022
007	15109-52670	PLUG PISTON CHAMBER	1				0.044	0.0968
008	15109-52680	WASHER	1				0.001	0.0022
009	15109-52690	SPRING PISTON	1				0.014	0.0308
010	15109-52700	PISTON	1				0.02	0.044
011	15109-52060	ASS'Y BODY FEED PUMP	1				0.76	1.672
012	15109-52630	BODY FEED PUMP	1				0.75	1.65
013	15109-52640	ROD PUSH	1				0	0
014	15109-52870	FILTER	1				0.004	0.0088
015	15109-52880	BOLT EYE JOINT	1				0.05	0.11
016	15109-52080	ASS'Y PUMP PRIMING	1				0.186	0.4092
017	15109-52510	KNOB	1				0	0
018	15109-52500	PIN	1				0	0
019	15109-52540	SPRING	1				0	0
020	15109-52600	CYLINDER PRIMING	1				0	0
021	15109-52610	PISTON PRIMING	1				0	0
022	15109-52620	PACKING	1				0	0
023	15109-52090	HOLDER VALVE	1				0	0
024	15109-52950	CIR-CLIP	1				0.001	0.0022
025	15109-52930	ROLLER TAPPET	1				0	0
026	15109-52940	PIN TAPPET ROLLER	1				0.002	0.0044
027	15109-52920	SHOE	2				0	0
028	15109-52900	TAPPET FEED PUMP	1				0.018	0.0396
029	15109-52910	SPRING PUMP TAPPET	1				0.001	0.0022
030	15109-52990	COVER PRIMING PUMP	1				0.006	0.0132
031	32200-35710	POT FILTER	1				0	0
032	32200-35723	COVER FILTER POT	1				0	0
033	32200-35730	GASKET	1				0.011	0.0242
034	32200-35740	FLANGE FILTER POT	1				0.325	0.715
035	32200-35700	ASS'Y ELEMENT FILTER	1				0	0
036	32200-35753	ELEMENT FILTER	1			ORDER BY REF.No.035	0	0
037	32200-35760	PACKING	2			ORDER BY REF.No.035	0.005	0.011
038	32200-35770	GASKET	1				0	0
039	32200-35780	RETAINER SPRING	4				0.03	0.066
040	01011-50835	BOLT	4				0	0
041	04512-10080	WASHER SPRING	4				0	0
042	15109-52030	ASS'Y PUMP FEED	1				1.25	2.75
043	15109-43012	ASS'Y FILTER FUEL	1				0	0

FUEL INJECTION PUMP





FUEL INJECTION PUMP

↔ Interchangeable; ≠ not interchangeable; ← new for old; → old for new

REF.No	Part No.	Description	Q'ty	S.No.	I/C	REMARKS	Weight (kgf)	Weight (lb)
001	15101-51090	ASS'Y PLATE LOCK	2				0	0
002	99999-99999	PLATE LOCK 1	2			ORDER BY REF.No.001	0	0
003	99999-99999	PLATE LOCK 2	2			ORDER BY REF.No.001	0	0
004	99999-99999	BOLT	2			ORDER BY REF.No.001	0	0
005	15101-51220	HOLDER DELIV.VALVE	2				0.077	0.1694
006	15101-51230	SPRING DELIV.VALVE	2				0.003	0.0066
007	15101-51240	GASKET DELIV.VALVE	2				0.001	0.0022
008	15101-51030	ASS'Y VALVE DELIVERY	2				0.02	0.044
009	15109-51050	ELEMENT PUMP	2				0.065	0.143
010	15109-51080	ASS'Y HOUSING INJ.	1				1.32	2.904
011	15101-51710	SCREW RACK GUIDE	1				0.002	0.0044
012	15101-51700	ASS'Y GAUGE OIL	1				0	0
013	15109-51020	ASS'Y VALVE OVER FLO	1				0.08	0.176
014	15109-51920	SPRING	1			ORDER BY REF.No.013	0	0
015	15109-51730	WASHER	3			ORDER BY REF.No.013	0.001	0.0022
021	15101-51480	WASHER	2				0	0
022	15101-51350	SCREW AIR BREEDER	1				0.015	0.033
023	15101-51360	WASHER	1				0.001	0.0022
024	15101-51610	ADAPTOR AIR BREEDER	1				0.017	0.0374
025	15101-51620	WASHER	2				0	0
026	15101-51320	BOLT EYE JOINT	1				0.03	0.066
027	15109-51260	RACK CONTROL	1				0.07	0.154
028	15101-51830	SLEEVE LIMIT	1				0	0
029	15109-51100	ASS'Y COVER HOUSING	1				0	0
030	99999-99999	PACKING	1			ORDER BY REF.No.029	0	0
031	99999-99999	COVER INJ.HOUSING	1			ORDER BY REF.No.029	0	0
032	15101-51640	WASHER	1				0	0
033	15101-51670	SCREW SET	1				0.012	0.0264
034	15101-51760	BEARING TAPER ROLLER	2				0.071	0.1562
036	15101-51510	RING ADJUSTING	2				0.002	0.0044
037	15109-51680	CAMSHAFT	1				0.4	0.88
038	15101-51070	ASS'Y TAPPET	2				0.003	0.0066
039	99999-99999	BOLT ADJUSTING	2			ORDER BY REF.No.038	0	0
040	99999-99999	NUT LOCK	2			ORDER BY REF.No.038	0	0
041	15101-52210	TAPPET	2			ORDER BY REF.No.038	0.05	0.11
042	15101-52300	SHOE	2			ORDER BY REF.No.038	0	0
043	15101-52250	PIN TAPPET ROLLER	2			ORDER BY REF.No.038	0	0
044	15101-51950	BUSH	2			ORDER BY REF.No.038	0	0
045	15101-51960	ROLLER TAPPET	2			ORDER BY REF.No.038	0	0
046	15101-51810	PLATE FELT	2				0	0
047	15101-51820	PLUG	2				0	0
048	15101-51410	PINION CONTROL	2				0.008	0.0176
049	15101-51420	SCREW	2				0	0
050	15101-51380	SLEEVE CONTROL	2				0.016	0.0352
051	15101-51270	SEAT SPRING UPPER	2				0.008	0.0176
052	15101-51280	SPRING PLANGER	2				0.024	0.0528
053	15101-51290	SEAT SPRING UNDER	2				0.005	0.011
054	99999-99999	WASHER	2				0	0
055	17105-42412	JOINT EYE	1				0	0
056	15101-51720	BOLT EYE JOINT	1				0.012	0.0264
057	15101-51740	SEAL OIL	1				0.005	0.011
058	15101-51780	COVER BEARING	1				0	0
059	15101-51880	KEY WOODRUFF	1				0	0
060	15101-51790	SCREW	4				0.004	0.0088
061	15109-52710	COUPLING INF.PUMP SP	1				0	0
062	15109-51570	WASHER LOCK	1				0	0

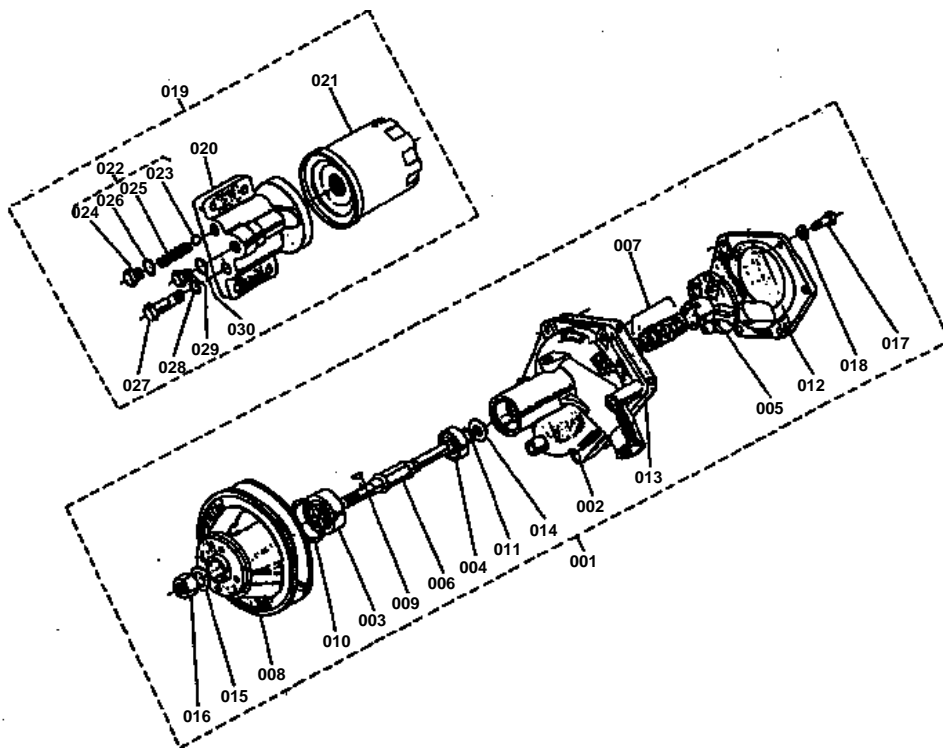


FUEL INJECTION PUMP

↔ Interchangeable; ≠ not interchangeable; ← new for old; → old for new

REF.No	Part No.	Description	Q'ty	S.No.	I/C	REMARKS	Weight (kgf)	Weight (lb)
063	15109-51890	NUT ROUND	1				0	0
064	15151-52720	FLANGE DRIVE	1				0.55	1.21
065	15109-53012	ASS'Y PUMP INJECTION	1				0	0

WATER PUMP AND OIL FILTER (2)



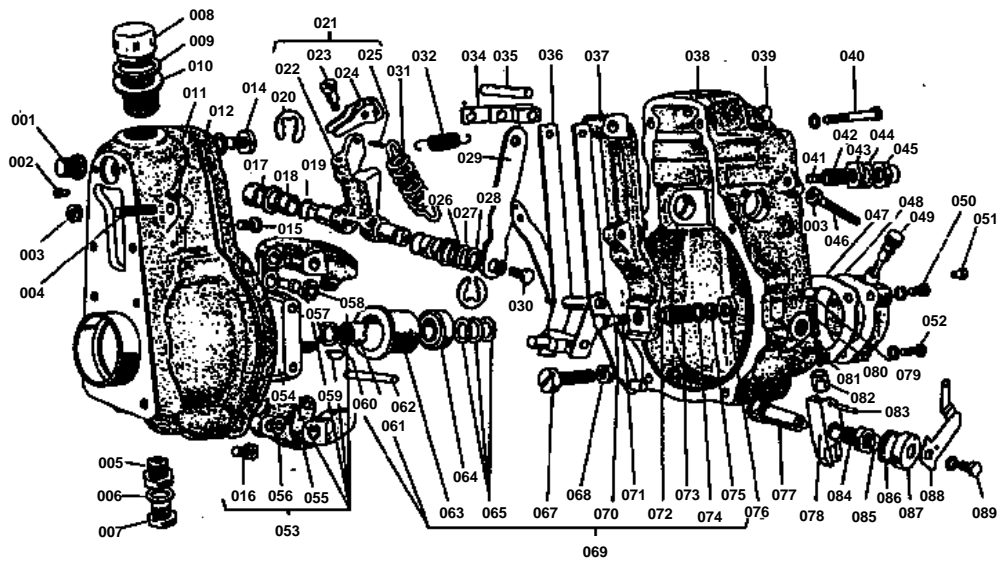


WATER PUMP AND OIL FILTER (2)

↔ Interchangeable; ≠ not interchangeable; ← new for old; → old for new

REF.No	Part No.	Description	Q'ty	S.No.	I/C	REMARKS	Weight (kgf)	Weight (lb)
001	15151-73032	ASS'Y PUMP WATER	1				0	0
002	15121-73414	BODY WATER PUMP	1				0	0
003	08141-06302	BEARING BALL	1				0.083	0.1826
004	08141-06202	BEARING BALL	1				0.043	0.0946
005	15121-73512	INPELLER	1				0	0
006	15121-73482	SHAFT INPELLER	1				0	0
007	15121-73050	ASS'Y SEAL MECHANICA	1				0	0
008	15151-72523	PULLEY WATER PUMP	1				0	0
009	05811-00416	KEY WOODRUFF	1				0.002	0.0044
010	04611-00420	CIR-CLIP EXTERNAL	1				0.006	0.0132
011	04612-00150	CIR-CLIP EXTERNAL	1				0.001	0.0022
012	15121-73750	COVER WATER PUMP	1				1.1	2.42
013	15109-73762	GASKET	1				0	0
014	15121-73620	RING WATER DEFLECT	1				0.002	0.0044
015	04512-00120	WASHER LOCK	1				0	0
016	02117-00120	NUT	1				0	0
017	01010-00840	BOLT	2				0	0
018	04512-00080	WASHER LOCK	2				0	0
019	15213-32020	ASS'Y FILTER OIL 2	1				0.89	1.958
020	15213-32350	COVER	1			ORDER BY REF.No.019	0.34	0.748
021	15213-32430	FILTER CARTRIDGE	1				0.355	0.781
022	15101-32700	ASS'Y VALVE SAFETY	1				0.036	0.0792
023	15101-36970	VALVE SAFETY	1			ORDER BY REF.No.019	0.004	0.0088
024	15101-36910	PLUG	1			ORDER BY REF.No.019	0	0
025	15101-36950	SPRING	1			ORDER BY REF.No.019	0.002	0.0044
026	15101-36920	O RING	1			ORDER BY REF.No.019	0.001	0.0022
027	15213-36070	ASS'Y VALVE RELIEF	1				0.13	0.286
028	15101-36370	O RING	1				0	0
029	15213-32940	PLUG	1			ORDER BY REF.No.027	0.017	0.0374
030	15213-36920	O RING	1			ORDER BY REF.No.027	0.002	0.0044
031	15213-32090	ASS'Y CARTRIDGE OIL	1			REF No.021 FIG No.02-053	0.358	0.7876
032	15213-32070	ASS'Y COVER OIL FILT	1			INCLUDES REF.No.020 022 TO 030	0.52	1.144

MECHANICAL GOVERNOR



**MECHANICAL GOVERNOR**

↔ Interchangeable; ≠ not interchangeable; ← new for old; → old for new

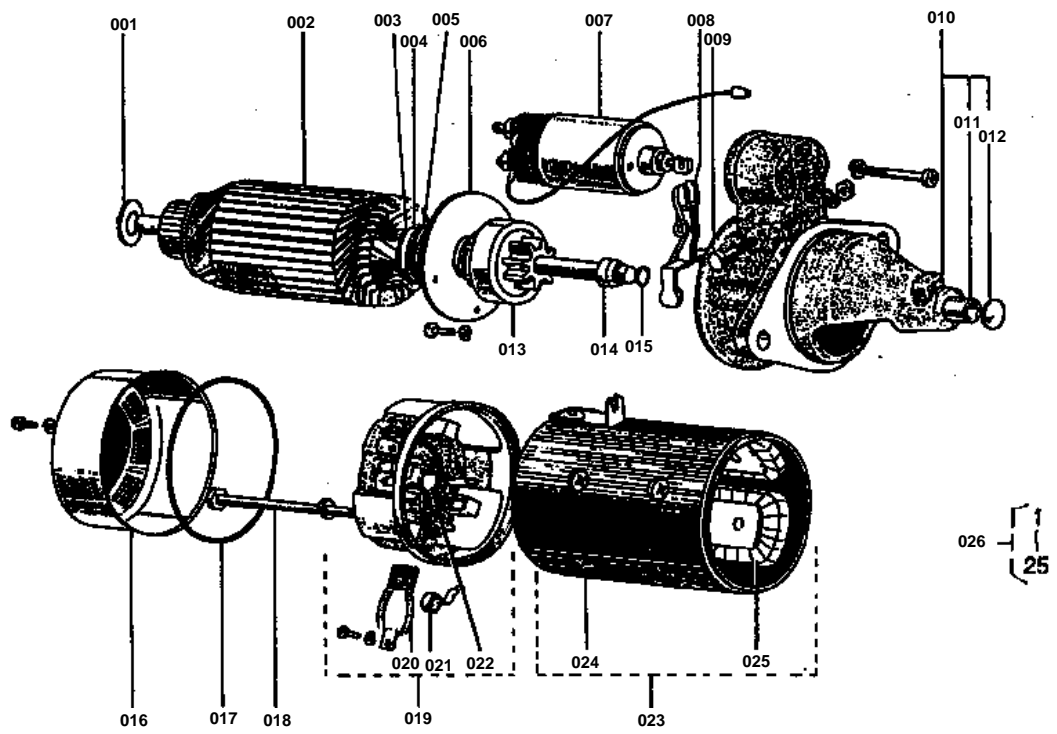
REF.No	Part No.	Description	Q'ty	S.No.	I/C	REMARKS	Weight (kgf)	Weight (lb)
001	15101-76100	PLUG	1				0	0
002	15101-76110	PIN	1				0	0
003	15101-76120	NUT LOCK	1				0.059	0.1298
004	15101-76130	BOLT ADJUSTING	1				0	0
005	15101-76140	NIPPLE	1				0.007	0.0154
006	15101-76150	PACKING	1				0	0
007	15101-76160	PLUG	1				0.01	0.022
008	15101-76012	BREATHER	1				0	0
009	15101-76170	WASHER	1				0.002	0.0044
010	15101-76180	ADAPTER	1				0.011	0.0242
011	15101-76190	HOUSING GOVERNOR	1				0	0
012	15101-76200	PACKING GOV.CASE	1				0.004	0.0088
014	15101-76210	BOLT	1				0.02	0.044
015	15101-76220	SCREW	2				0	0
016	15101-76230	SCREW	4				0.005	0.011
017	15101-76240	CAP	1				0	0
018	15101-76250	BUSH	1				0	0
019	15101-76260	O RING	2				0	0
020	15101-76270	CIR-CLIP EXTERNAL	2				0	0
021	15101-76080	COMP.LEVER SW:VEL	1				0	0
026	15101-76280	O RING	1				0.001	0.0022
027	15101-76290	WASHER	1				0.001	0.0022
028	15101-76300	WASHER	1				0.005	0.011
029	15101-76310	LEVER ADJUSTING	1				0.08	0.176
030	15101-76320	SCREW	1				0.03	0.066
031	15101-76330	SPRING MAIN	1				0	0
032	15101-76340	SPRING START.	1				0	0
034	15101-76020	COMP.SHACKLE PIN	1				0	0
035	15101-76350	SHAFT LEVER	1				0	0
036	15101-76030	COMP.LEVER CONTROL	1				0	0
037	15101-76360	LEVER TENSION	1				0	0
038	15101-76370	COVER GOVERNOR	1				0	0
039	15101-76380	PLUG	2				0	0
040	15101-76390	SCREW	6				0	0
041	15101-76400	SPRING IDLING	1				0	0
042	15101-76410	SCREW IDLE ADJUSTING	1				0	0
043	15101-76420	NUT LOCK	1				0	0
044	15101-76430	WASHER	1				0	0
045	15101-76440	NUT CAP	1				0	0
046	15101-76450	SCREW STOP ADJUSTING	1				0	0
047	15101-76460	PACKING	1				0.002	0.0044
048	15101-76040	COVER	1				0	0
049	15101-76050	ASS'Y GAUGE OIL	1				0	0
050	15101-76470	BOLT	2				0	0
051	15101-76480	PIN	1				0	0
052	15101-76490	BOLT	1				0	0
053	15151-76060	ASS'Y GOVERNOR	1				0.77	1.694
059	15101-76500	KEY WOODRUFF	1				0	0
060	15101-76510	WASHER LOCK	1				0.005	0.011
061	15101-76520	NUT ROUND	1			ORDER BY REF.No.053	0	0
062	15101-76780	PIN GOV.WEICHT	2			ORDER BY REF.No.053	0	0
063	15101-76530	SLEEVE GOVERNOR	1			ORDER BY REF.No.053	0.08	0.176
064	15101-76540	BEARING BALL	1			ORDER BY REF.No.053	0	0
067	15101-76560	STOPPER FULL LOAD	1			ORDER BY REF.No.053	0	0
068	15101-76570	NUT LOCK	1			ORDER BY REF.No.053	0	0
069	15151-76070	ASS'Y ADAPTER	1				0	0

**MECHANICAL GOVERNOR**

↔ Interchangeable; ≠ not interchangeable; ← new for old; → old for new

REF.No	Part No.	Description	Q'ty	S.No.	I/C	REMARKS	Weight (kgf)	Weight (lb)
070	15101-76580	ADAPTER	1			ORDER BY REF.No.069	0	0
071	15151-76890	SPRING ADAPTER	1			ORDER BY REF.No.069	0	0
073	15101-76610	SCREW ADAPTING	1			ORDER BY REF.No.069	0	0
074	15101-76620	WASHER	1			ORDER BY REF.No.069	0	0
075	15101-76630	CIR-CLIP EXTERNAL	1			ORDER BY REF.No.069	0	0
076	15101-76640	NUT LOCK	1				0	0
077	15101-76650	SHAFT	1				0	0
078	15101-76660	LEVER SUPPORTING	1				0	0
079	15101-76670	SEAT SPRING	1				0	0
080	15101-76680	SPRING	1				0	0
081	15101-76690	SPRING	1				0	0
082	15101-76700	CAP SPRING	1				0	0
083	15101-76710	RIVET	1				0	0
084	15101-76720	BUSH	1				0	0
085	15101-76730	O RING	1				0	0
086	15101-76740	SPRING	1				0	0
087	15101-76750	CAP SPRING	1				0	0
088	15109-76760	LEVER STOP	1				0	0
089	15101-76770	BOLT	1				0.006	0.0132

STARTER

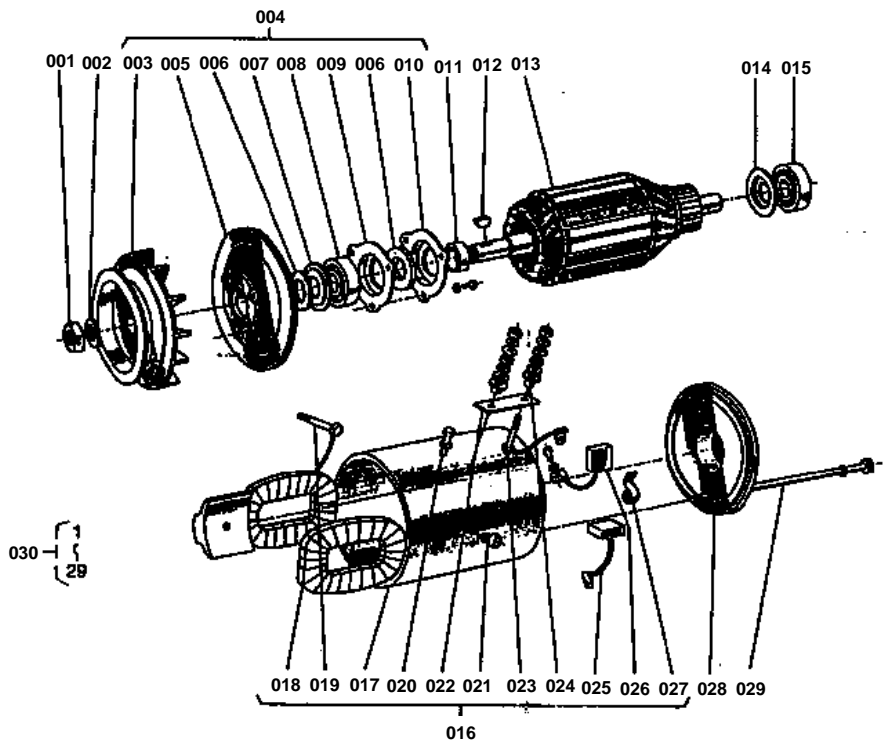


**STARTER**

↔ Interchangeable; ≠ not interchangeable; ← new for old; → old for new

REF.No	Part No.	Description	Q'ty	S.No.	I/C	REMARKS	Weight (kgf)	Weight (lb)
001	15131-63410	WASHER	1				0.002	0.0044
001	15131-63420	WASHER	1				0	0
002	15109-63070	COMP.ARMATURE	1				3.55	7.81
003	15131-63430	WASHER	1				0	0
004	15131-63480	HOLDER BRAKE SPRING	1				0	0
005	15131-63490	SPRING	1				0	0
006	15131-63060	COMP.BEARING CENTER	1				0.14	0.308
007	15131-63020	COMP.SWITCH MAGNETIC	1				0.87	1.914
008	15131-63050	LEVER DRIVE	1				0	0
009	15109-63160	PIN LEVER SET	1				0.03	0.066
010	15109-63030	FRAME DRIVE END	1				2	4.4
011	15131-63310	BUSH	1				0.015	0.033
012	15101-63590	PLUG EXPANSION	1				0.001	0.0022
013	15109-63040	CLUTCH LVER RUNNING	1				0.6	1.32
014	17012-63460	COLLAR CLUTCH STORO	1				0.005	0.011
015	15001-63220	CIR-CLIP	1				0.001	0.0022
016	15131-63542	COVER STARTER	1				0	0
017	15131-63770	O RING	1				0	0
018	15131-63320	BOLT THROUGH	2				0	0
019	15131-63200	FRAME END	1				0.47	1.034
020	15131-63370	COMP.BRUSH	4				0.021	0.0462
021	15131-63390	SPRING BRUSH	4				0	0
022	15101-63250	BUSH	1				0.011	0.0242
022	15101-63970	BUSH	1				0	0
022	15101-63990	BUSH	1				0.012	0.0264
023	15109-63080	COMP.YOKE	1				4	8.8
024	15131-63580	SCREW	4				0.01	0.022
025	15109-63090	COMP.COIL FIELD	1				0.95	2.09
026	15109-63013	ASS'Y STARTER	1				0	0

GENERATOR



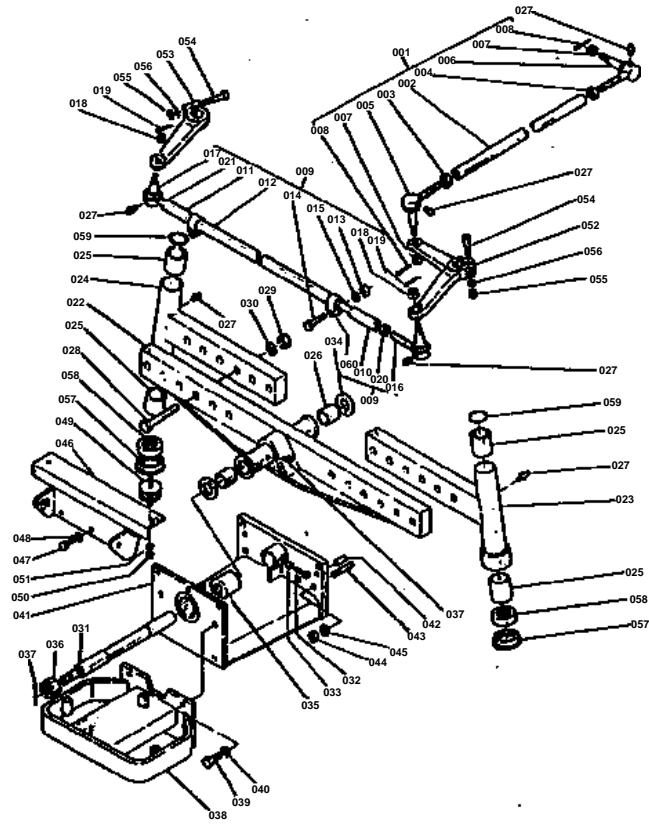


GENERATOR

↔ Interchangeable; ≠ not interchangeable; ← new for old; → old for new

REF.No	Part No.	Description	Q'ty	S.No.	I/C	REMARKS	Weight (kgf)	Weight (lb)
001	15021-64122	NUT	1				0	0
002	99999-99999	WASHER LOCK	1				0	0
003	15109-64110	PULLEY	1				0.46	1.012
004	15109-64020	ASS'Y FRAME DRIVE EN	1				1	2.2
005	99999-99999	FRAME DRIVE END	1			ORDER BY REF.No.004	0	0
006	15021-64790	FELT OIL	2				0.001	0.0022
007	15021-64800	COVER FELT	1				0	0
008	08101-06202	BEARING BALL	1				0.044	0.0968
009	15021-64820	COVER BEARING	1				0	0
010	15021-64830	COVER FELT	1				0	0
011	15021-64162	COLLAR	1				0	0
012	15001-64170	KEY WOODRUFF	1				0.001	0.0022
013	15021-64032	COMP.ARMATURE	1				1.6	3.52
014	15021-64272	RING SPRASH	1				0	0
015	08111-06201	BEARING BALL	1				0.033	0.0726
016	15021-64050	ASS'Y YOKE	1				2.8	6.16
018	15021-64080	COIL FIELD	1				0.31	0.682
019	99999-99999	BOLT	1			ORDER BY REF.No.016	0	0
020	15021-64950	TERMINAL EARTH	1				0	0
022	15021-64890	INSULATER	1				0	0
023	15021-64880	BOLT	1				0.033	0.0726
024	15021-64900	INSULATER TERMINAL	1				0.001	0.0022
025	15021-64092	COMP.BRUSH 1	1				0.007	0.0154
026	15021-64102	COMP.BRUSH 2	1				0	0
028	15021-64062	FRAME END	1				0.45	0.99
030	15109-64010	ASS'Y GENERATOR	1				5.4	11.88

FRONT AXLE





FRONT AXLE

↔ Interchangeable; ≠ not interchangeable; ← new for old; → old for new

REF.No	Part No.	Description	Q'ty	S.No.	I/C	REMARKS	Weight (kgf)	Weight (lb)
001	32240-12202	ASS'Y LINK DRAG	1				0	0
002	32240-12212	LINK DRAG	1				0	0
003	02172-50160	NUT	1				0.017	0.0374
004	32240-12280	NUT	1				0.017	0.0374
005	32150-12600	END TIE ROD RH	1				0	0
006	32150-12700	END TIE ROD LH	1				0.287	0.6314
007	32350-12830	NUT SLOTTED	2				0.015	0.033
008	05511-50222	PIN SPLIT	2				0.001	0.0022
009	32240-12400	ASS'Y ROD TIE	1				2.7	5.94
010	32240-12432	ROD TIE 2LH	1				0	0
011	32240-12442	ROD TIE 2RH	1				0	0
012	32240-12453	ROD TIE 1	1				0	0
013	02117-50100	NUT	2				0	0
014	32210-12480	BOLT TIE ROD	2				0.03	0.066
015	04512-10100	WASHER LOCK	2				0	0
016	32150-12600	END TIE ROD RH	1				0	0
017	32150-12700	END TIE ROD LH	1				0.287	0.6314
018	32350-12830	NUT SLOTTED	2				0.015	0.033
019	05511-50222	PIN SPLIT	2				0.001	0.0022
020	02172-50160	NUT	1				0.017	0.0374
021	32240-12280	NUT	1				0.017	0.0374
022	32240-13112	AXLE FRONT MIDDLE	1				0	0
023	32240-13122	AXLE FRONT LH	1				0	0
024	32240-13132	AXLE FRONT RH	1				0	0
025	32270-11532	BUSHING	4				0	0
026	32150-11535	BUSHING	2				0	0
027	06611-15010	NIPPLE GREASE	7				0.01	0.022
028	32240-13170	BOLT	6				0.159	0.3498
029	02173-50160	NUT	6				0	0
030	04512-10160	WASHER LOCK	6				0	0
031	32240-13413	PIN CENTER	1				0	0
032	32350-13564	SCREW SET	1				0	0
033	02172-50140	NUT	1				0.01	0.022
034	32240-13450	COLLAR	2				0.06	0.132
035	32210-13473	COLLAR ADJUSTING	1				0	0
036	32210-13483	NUT SLOTTED	1				0	0
037	05511-10440	PIN SPLIT	1				0	0
038	32240-13830	BUMPER	1				0	0
039	01173-51428	BOLT	4				0.049	0.1078
040	04512-10140	WASHER LOCK	4				0	0
041	32240-13615	BRACKET FRONT AXLE	1				0	0
042	05011-01025	PIN STRAIGHT	2				0	0
043	01514-51432	STUD	6				0.051	0.1122
044	02173-50140	NUT	6				0	0
045	04512-10140	WASHER LOCK	6				0	0
046	32240-13754	SUPPORT RADIATOR	1				0	0
047	01170-51020	BOLT	3				0	0
048	04512-10100	WASHER LOCK	3				0	0
049	32240-13792	CUSHION	2				0	0
050	02113-50080	NUT	4				0	0
051	04512-10080	WASHER LOCK	4				0	0
052	32240-11213	ARM KNUCKLE LH	1				0	0
053	32240-11223	ARM KNUCKLE RH	1				0	0
054	32240-11270	BOLT	2				0.066	0.1452
055	02173-50120	NUT	2				0	0
056	04512-10120	WASHER LOCK	2				0	0

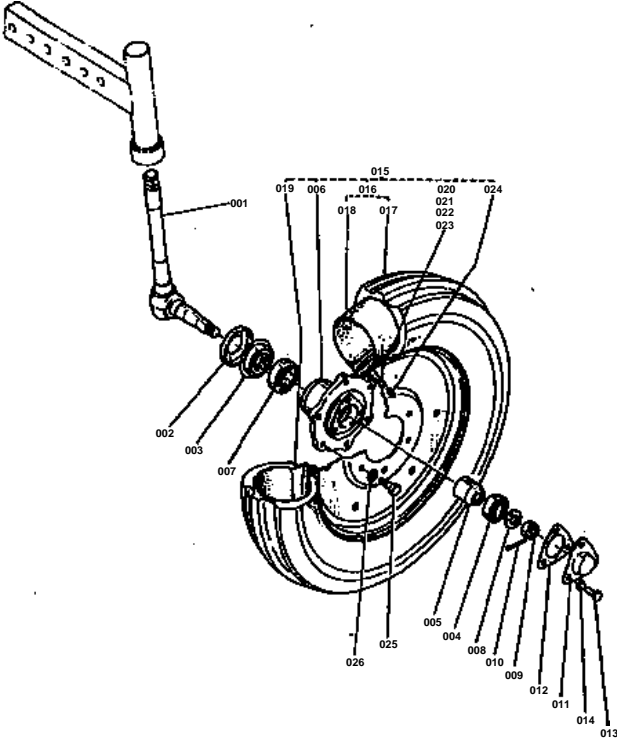


FRONT AXLE

↔ Interchangeable; ≠ not interchangeable; ← new for old; → old for new

REF.No	Part No.	Description	Q'ty	S.No.	I/C	REMARKS	Weight (kgf)	Weight (lb)
057	32150-11162	SEAL OIL	2				0	0
058	32270-11510	BEARING THRUST BALL	2				0.117	0.2574
059	04811-00300	O RING	2				0.002	0.0044
060	32210-12470	CLAMP TIE ROD	2				0	0

FRONT WHEEL



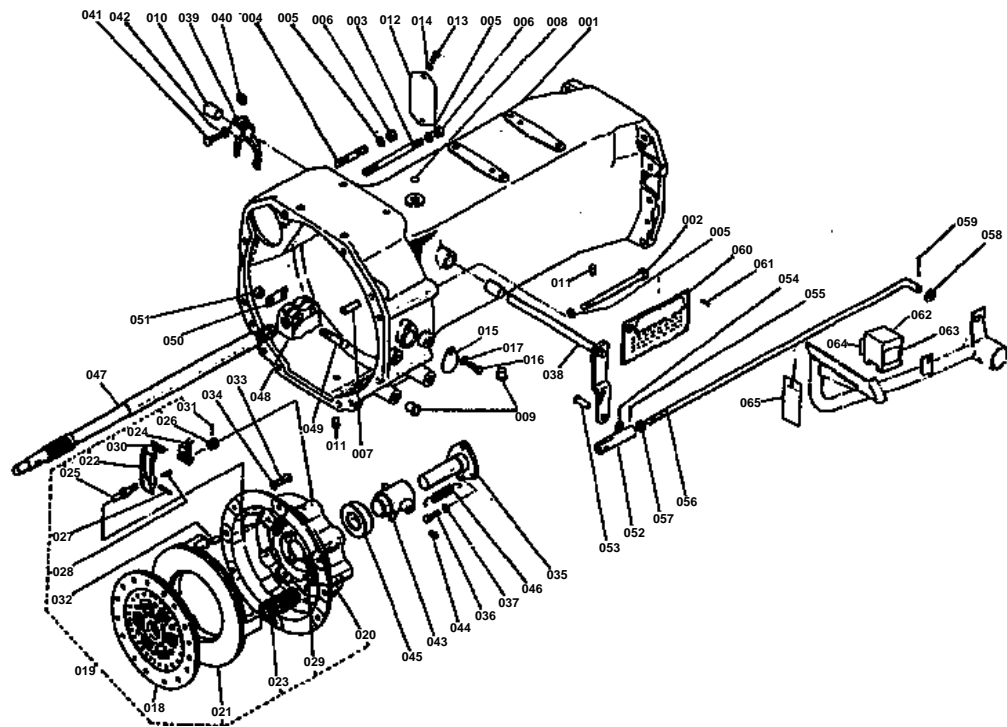


FRONT WHEEL

↔ Interchangeable; ≠ not interchangeable; ← new for old; → old for new

REF.No	Part No.	Description	Q'ty	S.No.	I/C	REMARKS	Weight (kgf)	Weight (lb)
001	32240-11115	KNUCKLE	2				0	0
002	32240-11482	COVER OIL SEAL	2				0	0
003	32240-11153	SEAL OIL	2				0	0
004	08101-06205	BEARING BALL	2				0.14	0.308
005	32150-11424	COLLAR	2				0	0
006	32240-11310	HUB FRONT WHEEL	2				3.2	7.04
007	08101-06206	BEARING BALL	2				0.196	0.4312
008	04011-10200	WASHER FLAT	2				0	0
009	02372-00200	NUT SLOTTED	2				0	0
010	05511-00435	PIN SPLIT	2				0	0
011	32240-11350	CAP FRONT WHEEL	2				0.065	0.143
012	32150-11362	GASKET	2				0	0
013	01150-10814	BOLT	6				0	0
014	04512-10080	WASHER LOCK	6				0	0
015	32270-11600	ASS'Y WHEEL FRONT	2				14.5	31.9
016	32270-11613	TIRE-TUBE	2				0	0
017	32270-11620	TIRE	2				6.3	13.86
018	32270-11630	TUBE	2				0.95	2.09
019	32270-11644	WHEEL	2				0	0
020	32270-11650	VALVE	2				0.002	0.0044
021	32270-11660	RIM NUT	2				0.005	0.011
022	32270-11670	HOUSING CORE	2				0.015	0.033
023	32270-11680	CORE VALVE	2				0.02	0.044
024	32270-11690	CAP VALVE	2				0	0
025	01173-51225	BOLT	12				0.033	0.0726
026	04512-10120	WASHER LOCK	12				0	0

CLUTCH HOUSING





CLUTCH HOUSING

↔ Interchangeable; ≠ not interchangeable; ← new for old; → old for new

REF.No	Part No.	Description	Q'ty	S.No.	I/C	REMARKS	Weight (kgf)	Weight (lb)
001	32240-14115	HOUSING CLUTCH	1				0	0
002	32240-14130	BOLT	7				0.126	0.2772
003	32240-14150	STUD	1				0.15	0.33
004	01570-51228	STUD	1				0.033	0.0726
005	04512-10120	WASHER LOCK	9				0	0
006	02173-50120	NUT	2				0	0
007	05012-01325	PIN STRAIGHT	2				0.028	0.0616
008	06311-80014	CAP SEALING	1				0	0
009	31220-14293	PLUG	18				0	0
010	32120-14762	BUSHING	2				0	0
011	06312-10010	PLUG	2				0.007	0.0154
012	32210-14160	COVER HOUSING	1				0.06	0.132
013	01150-50814	BOLT	2				0.01	0.022
014	04512-10080	WASHER LOCK	2				0	0
015	31220-14172	COVER HOUSING	1				0	0
016	01150-50814	BOLT	1				0.01	0.022
017	04512-10080	WASHER LOCK	1				0	0
018	32240-14303	ASS'Y DISK CLUTCH	1				0	0
019	32350-14503	ASS'Y PLATE PRESSURE	1				0	0
020	32270-14530	COVER CLUTCH	1				0	0
021	32270-14510	PLATE PRESSURE	1				0	0
022	32270-14540	LEVER RELEASE	3				0.058	0.1276
023	32350-14522	SPRING PRESSURE	6				0	0
024	32270-14630	SPRING	3				0.015	0.033
025	32270-14570	EYEBOLT	3				0.027	0.0594
026	32270-14580	NUT	3				0.015	0.033
027	32270-14560	PIN STRAIGHT	3				0.011	0.0242
028	32270-14550	STRACT RELEASE LEVER	3				0.01	0.022
029	32270-14620	PLATE LEVER	1				0.16	0.352
030	32270-14660	SPRING	3				0.007	0.0154
031	05511-00225	PIN SPLIT	3				0	0
032	05012-00612	PIN STRAIGHT	2				0.003	0.0066
033	01150-50816	BOLT	6				0.01	0.022
034	04512-10080	WASHER LOCK	6				0	0
035	32120-14153	GUIDE HUB	1				0	0
036	01153-50822	BOLT	3				0.011	0.0242
037	04512-10080	WASHER LOCK	3				0	0
038	32350-14713	SHAFT FORK	1				0	0
039	31150-14725	FORK	1				0	0
040	31150-14784	KEY FORK	1				0	0
041	01153-50822	BOLT	1				0.011	0.0242
042	04512-10080	WASHER LOCK	1				0	0
043	32150-14813	HUB CLUTCH RELEASE	1				0	0
044	06611-15010	NIPPLE GREASE	1				0.01	0.022
045	32270-14820	BEARING THRUST BALL	1				0	0
046	32150-14840	SPRING	1				0.005	0.011
047	32240-15112	SHAFT PROPELLER	1				0	0
048	32240-15310	COUPLING PROP.SHAFT	1				0.66	1.452
049	32240-15340	BOLT COUPLING	2				0.056	0.1232
050	31220-15370	STOPPER	1				0.005	0.011
051	02173-50120	NUT	2				0	0
052	32240-15630	JOINT FORKED	1				0.085	0.187
053	05112-50825	PIN JOINT	1				0.011	0.0242
054	04012-50080	WASHER LOCK	1				0.001	0.0022
055	05511-50215	PIN SPLIT	1				0.001	0.0022
056	32240-15642	ROD CLUTCH LEVER	1				0	0

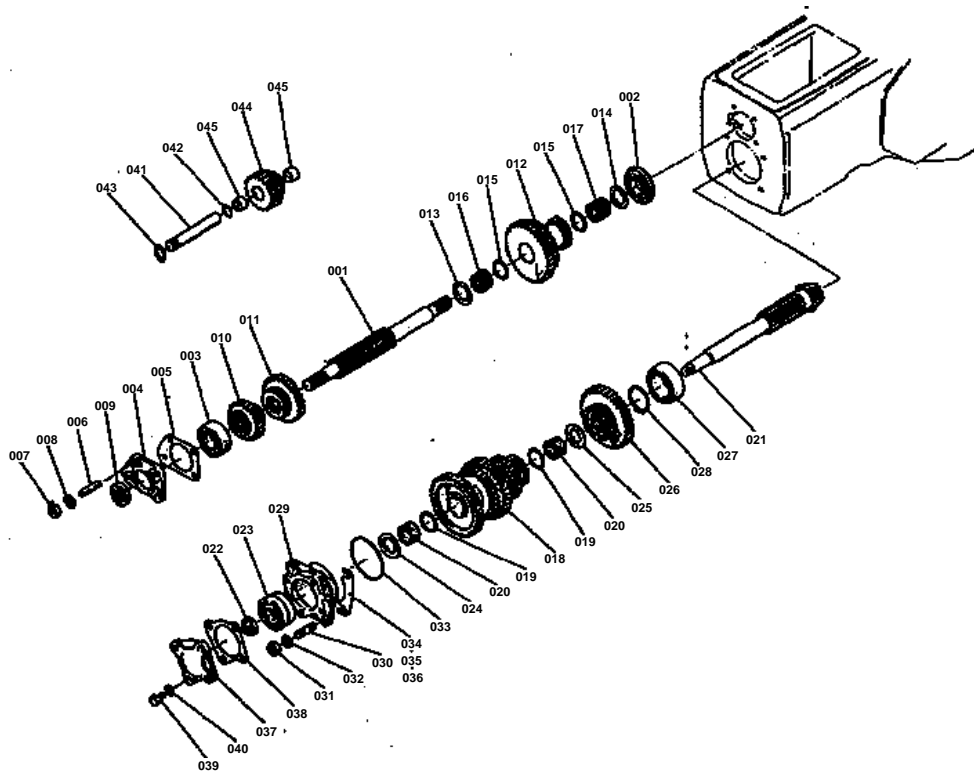


CLUTCH HOUSING

↔ Interchangeable; ≠ not interchangeable; ← new for old; → old for new

REF.No	Part No.	Description	Q'ty	S.No.	I/C	REMARKS	Weight (kgf)	Weight (lb)
057	02172-50120	NUT	1				0.01	0.022
058	04013-50120	WASHER FLAT	1				0	0
059	05511-50425	PIN SPLIT	1				0.003	0.0066
060	32240-19822	NAME PLATE MAIN	1				0	0
061	05614-10205	RIVET	4				0.001	0.0022
062	31220-15952	SPACER PEDAL	1				0	0
063	31220-15972	LABEL (1)	1				0	0
064	32130-15932	LABEL (2)	1				0	0
065	32140-15940	TAG WOODEN BROCK	1				0	0

TRANSMISSION (1)



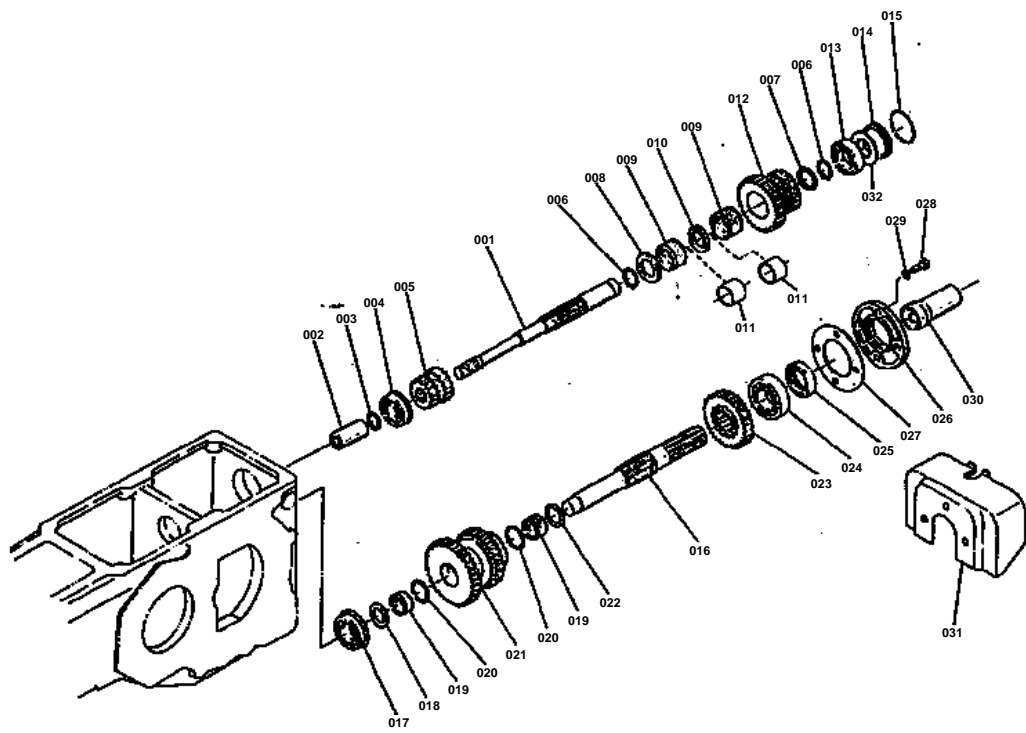


TRANSMISSION (1)

↔ Interchangeable; ≠ not interchangeable; ← new for old; → old for new

REF.No	Part No.	Description	Q'ty	S.No.	I/C	REMARKS	Weight (kgf)	Weight (lb)
001	32240-21510	SHAFT MAIN	1				1.7	3.74
002	08151-06305	BEARING BALL	1				0.233	0.5126
003	08241-05205	BEARING BALL	1				0.177	0.3894
004	32240-21540	GASE PROPELLER SHAFT	1				0.28	0.616
005	32240-21552	GASKET	1				0	0
006	01513-50820	STUD	4				0	0
007	02113-50080	NUT	4				0	0
008	04512-10080	WASHER LOCK	4				0	0
009	09500-25408	SEAL OIL	1				0.01	0.022
010	32240-21612	GEAR SPUR 18-22	1				0	0
011	32240-21650	GEAR SPUR 18-31	1				0.74	1.628
012	32240-21630	GEAR SPUR 18-32	1				2.48	5.456
013	32130-22680	COLLAR	1				0.012	0.0264
014	32240-21672	COLLAR	1				0	0
015	32240-21640	CIR-CLIP INTERNAL	2				0.002	0.0044
016	08822-83317	BEARING NEEDLE	1				0.021	0.0462
017	08822-83326	BEARING NEEDLE	1				0.032	0.0704
018	32240-21852	GEAR SPUR 17-23	1				0	0
019	32240-21820	CIR-CLIP INTERNAL	2				0.001	0.0022
020	08823-03517	BEARING NEEDLE	2				0.021	0.0462
021	32240-22115	PINION SHAFT	1				0	0
022	31220-22340	NUT	1				0.033	0.0726
023	08710-00003	BEARING TAPER ROLLER	1				0	0
024	32240-21672	COLLAR	1				0	0
025	32240-22222	COLLAR	1				0	0
026	32240-21920	GEAR SPUR 22-39	1				1.17	2.574
027	08241-03208	BEARING BALL	1				0.64	1.408
028	04612-10400	CIR-CLIP EXTERNAL	1				0	0
029	32240-22153	CASE BEARING	1				0	0
030	01517-51025	STUD	4				0	0
031	02117-50100	NUT	4				0	0
032	04512-10100	WASHER LOCK	4				0	0
033	04811-50850	O RING	1				0.003	0.0066
034	32240-22610	SHIM 0.5MM	2				0.001	0.0022
035	32240-22620	SHIM 0.2MM	4				0.001	0.0022
036	32240-22630	SHIM 0.1MM	4				0.001	0.0022
037	32240-22170	COVER BEARING CASE	1				0.38	0.836
038	32240-22182	GASKET	1				0	0
039	01173-51025	BOLT	4				0.021	0.0462
040	04512-10100	WASHER LOCK	4				0	0
041	32240-23110	SHAFT REVERSE	1				0.3	0.66
042	04811-00160	O RING	1				0.001	0.0022
043	04612-10200	CIR-CLIP EXTERNAL	1				0	0
044	32240-23133	GEAR SPUR 21	1				0	0
045	32240-23160	BUSHING	2				0.012	0.0264

TRANSMISSION (2)



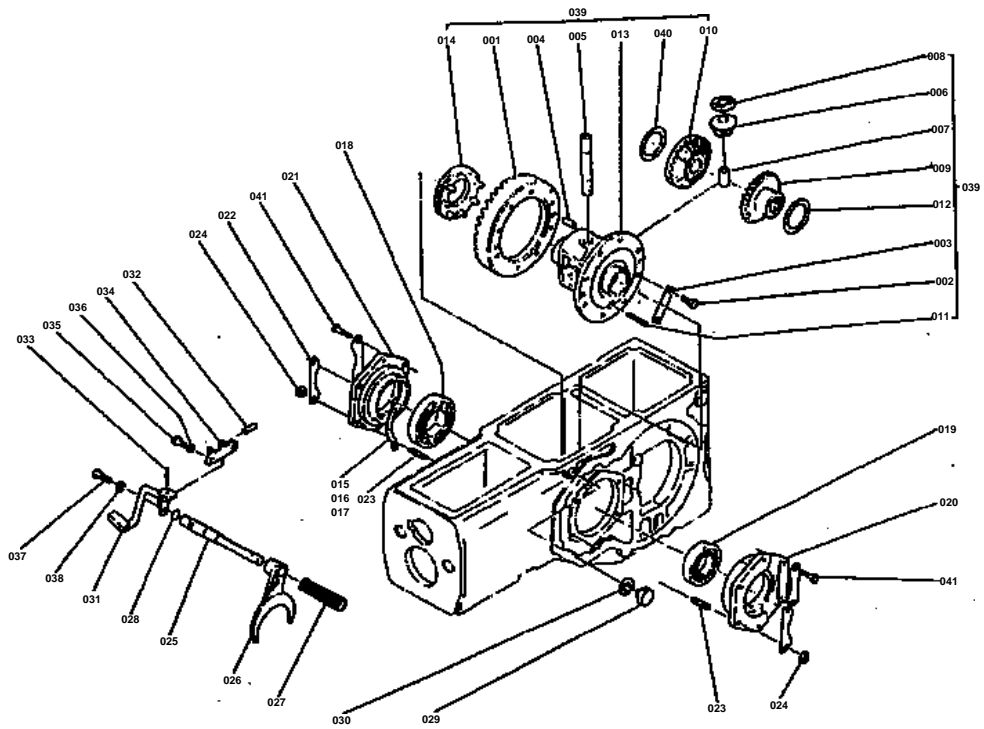


TRANSMISSION (2)

↔ Interchangeable; ≠ not interchangeable; ← new for old; → old for new

REF.No	Part No.	Description	Q'ty	S.No.	I/C	REMARKS	Weight (kgf)	Weight (lb)
001	32240-25283	SHAFT PTO DRIVE	1				1.15	2.53
002	32240-25472	COUPLING	1				0	0
003	04612-10240	CIR-CLIP EXTERNAL	1				0	0
004	08151-06305	BEARING BALL	1				0.233	0.5126
005	32240-25120	GEAR SPUR 16-19	1				0.47	1.034
006	04612-10300	CIR-CLIP EXTERNAL	2				0	0
007	32240-25172	COLLAR	1				0	0
008	32240-25163	COLLAR	1				0	0
009	08823-54230	BEARING NEEDLE	2				0.066	0.1452
010	32240-25182	COLLAR	1				0	0
011	32240-25240	COLLAR	2				0.06	0.132
012	32240-25134	GEAR SPUR 23-31	1				0	0
013	08101-06306	BEARING BALL	1				0.335	0.737
014	32240-21380	COVER BEARING	1				0.216	0.4752
015	32240-21390	O RING	1				0.002	0.0044
016	32240-25313	SHAFT PTO	1				0	0
017	08151-06305	BEARING BALL	1				0.233	0.5126
018	32240-21672	COLLAR	1				0	0
019	08823-03517	BEARING	2				0.021	0.0462
020	32240-21820	CIR-CLIP	2				0.001	0.0022
021	32240-25142	GEAR SPUR 23-36	1				0	0
022	32240-22222	COLLAR	1				0	0
023	32240-25152	GEAR SPUR	1				0	0
024	08101-06207	BEARING BALL	1				0.282	0.6204
025	09500-35558	SEAL OIL	1				0.02	0.044
026	32240-25412	COVER BEARING	1				0	0
027	32240-25423	GASKET	1				0	0
028	01170-51028	BOLT	4				0	0
029	04512-10100	WASHER LOCK	4				0	0
030	31220-25822	CAP	1				0	0
031	32240-25330	COVER PTO	1				2.82	6.204
032	31220-22810	SHIM	2				0.001	0.0022

TRANSMISSION (3)



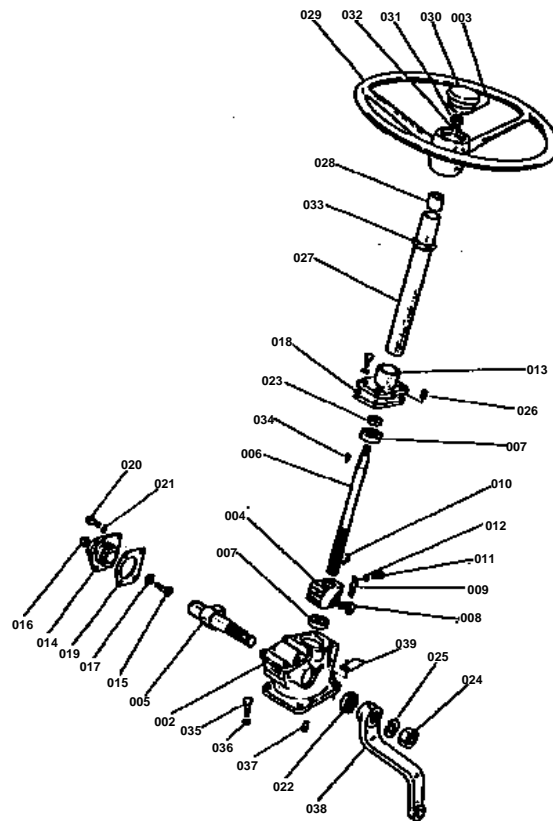


TRANSMISSION (3)

↔ Interchangeable; ≠ not interchangeable; ← new for old; → old for new

REF.No	Part No.	Description	Q'ty	S.No.	I/C	REMARKS	Weight (kgf)	Weight (lb)
001	32240-26122	GEAR SPIRAL BEVEL	1				0	0
002	32350-26250	BOLT	8				0.02	0.044
003	32350-26270	STOPPER	4				0.017	0.0374
004	32350-26280	PIN STRAIGHT	2				0.024	0.0528
005	32350-26344	SHAFT DIFF.PINION	1				0	0
006	32350-26354	PINION DIFFERENTIAL	2				0	0
007	32350-26365	BUSHING	2				0	0
008	32350-26394	WASHER DIFF.PINION	2				0	0
009	32350-26436	GEAR DIFF.SIDE 1	1				0	0
010	32350-26446	GEAR DIFF.SIDE 2	1				0	0
011	32350-26472	PIN SET	1				0.015	0.033
012	32350-26482	WASHER LOCK	2				0	0
013	32350-26515	CASE DIFFERENTIAL	1				0	0
014	32350-26612	SHIFTER DIFF.LOCK	1				0	0
015	32240-26150	SHIM 0.5	4				0.007	0.0154
016	32240-26160	SHIM 0.2	8				0.003	0.0066
017	32240-26170	SHIM 0.1	8				0.001	0.0022
018	08711-30210	BEARING TAPER ROLLER	1				0.528	1.1616
019	08711-30212	BEARING TAPER ROLLER	1				0.868	1.9096
020	32240-26552	CASE DIFF.BRG LH	1				0	0
021	32240-26562	CASE DIFF.BRG RH	1				0	0
022	32240-26590	STOPPER	4				0.008	0.0176
023	01515-51022	STUD	4				0.018	0.0396
024	02117-50100	NUT	4				0	0
025	32240-26620	ROD FORK	1				0.498	1.0956
026	32350-26630	FORK SHIFT	1				0.393	0.8646
027	31220-26640	SPRING	1				0.05	0.11
028	04811-00180	O RING	1				0.001	0.0022
029	32240-26640	PLUG	1				0.088	0.1936
030	04715-00400	GASKET	1				0.001	0.0022
031	32240-26652	PEDAL DIFF.LOCK	1				0	0
032	31220-26660	SHAFT DIFF.LOCK PEDA	1				0.021	0.0462
033	05411-10330	PIN SPRING	1				0	0
034	32240-26670	HOLDER DIFF.LOCK LEV	1				0.12	0.264
035	01173-51020	BOLT	2				0.017	0.0374
036	04512-10100	WASHER LOCK	2				0	0
037	01173-51030	BOLT	1				0.023	0.0506
038	02116-50100	NUT	1				0.004	0.0088
039	32350-26102	ASS'Y GEAR DIFF.	1				0	0
040	32350-26490	WASHER	2				0.015	0.033
041	01150-51025	BOLT	4				0	0

STEERING

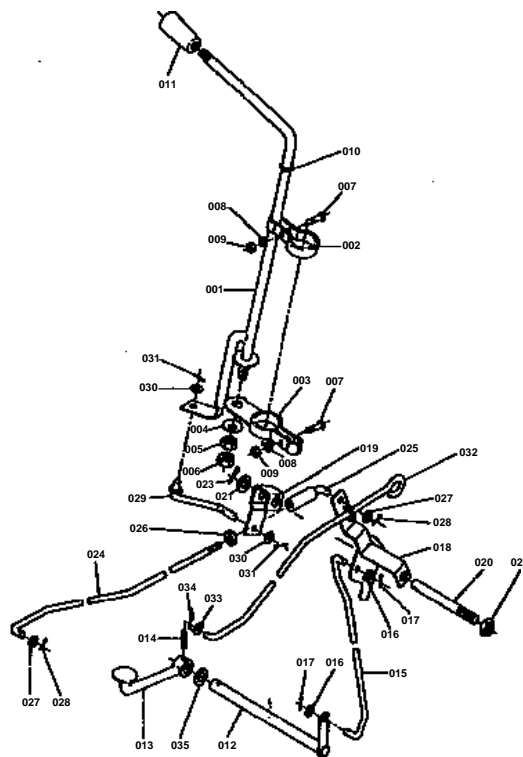


**STEERING**

↔ Interchangeable; ≠ not interchangeable; ← new for old; → old for new

REF.No	Part No.	Description	Q'ty	S.No.	I/C	REMARKS	Weight (kgf)	Weight (lb)
001	32240-16102	ASS'Y STEERING	1			INCLUDES REF.No.002 TO 033	0	0
002	32240-16112	CASE STEERING GEAR	1				0	0
003	32210-16830	RING SNAP	1				0.001	0.0022
004	32200-16240	RACK	1			ORDER WITH REF.No.006 008 TO 012	0	0
005	32200-16120	SHAFT SECTOR GEAR	1				0.94	2.068
006	32240-16210	SHAFT STEERING	1			ORDER WITH REF.No.004 008 TO 012	0	0
007	32200-16220	BEARING BALL	2				0.068	0.1496
008	32200-16230	TUBE BALL	4			ORDER WITH REF.No.004 006 009 TO 012	0	0
009	32200-16250	CLAMP TUBE	1			ORDER WITH REF.No.004 006 008 010 TO 012	0	0
010	07715-00401	BALL	58			ORDER WITH REF.No.004 006 008 009 011 01	0.001	0.0022
011	03014-50408	SCREW ROUND HEAD	2			ORDER WITH REF.No.004 006 008 TO 010 012	0.002	0.0044
012	32240-16100	WASHER LOCK TOOTHED	2			ORDER WITH REF.No.004 006 008 TO 011	10.5	23.1
013	32200-16340	COVER GEAR CASE	1				0	0
014	32200-16362	COVER SIDE	1				0	0
015	32130-16480	SCREW ADJUSTING	1				0.025	0.055
016	02016-50100	NUT	1				0.009	0.0198
017	32130-16490	SHIM	1				0.012	0.0264
018	32200-16350	SHIM	1				0.007	0.0154
019	32200-16370	GASKET	1				0.001	0.0022
020	01011-10820	BOLT	8				0	0
021	04512-10080	WASHER LOCK	8				0	0
022	09500-28408	SEAL OIL	1				0.008	0.0176
023	09500-19328	SEAL OIL	1				0.015	0.033
024	02017-50220	NUT	1				0	0
025	04512-10220	WASHER LOCK	1				0	0
026	06312-10020	PLUG	1				0.015	0.033
027	32240-16510	COLUM STREERING	1			ORDER WITH REF.No.033	1.54	3.388
028	32200-16520	BUSHING	1				0.045	0.099
029	32210-16813	WHEEL STEERING	1				0	0
030	32210-16820	CAP HANDLE	1				0.023	0.0506
031	02116-50210	NUT	1				0	0
032	04512-10120	WASHER LOCK	1				0	0
033	32150-16850	HOLDER POST	1			ORDER WITH REF.No.027	0.018	0.0396
034	05811-00519	KEY WOODRUFF	1				0.004	0.0088
035	01173-51025	BOLT	4				0.021	0.0462
036	04512-10100	WASHER LOCK	4				0	0
037	05011-01025	PIN STRAIGHT	2				0	0
038	32240-16912	ARM PITMAN	1				0	0
039	32150-29383	CLAMP	1				0	0

ACCEL PEDAL

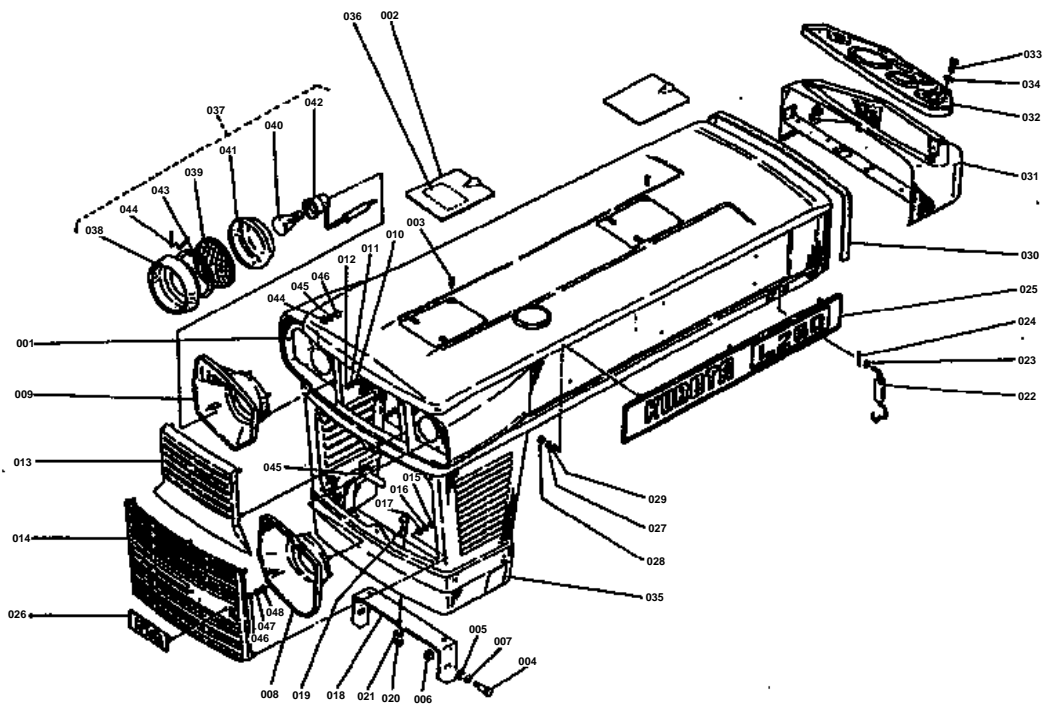


**ACCEL PEDAL**

↔ Interchangeable; ≠ not interchangeable; ← new for old; → old for new

REF.No	Part No.	Description	Q'ty	S.No.	I/C	REMARKS	Weight (kgf)	Weight (lb)
001	32240-17123	LEVER HAND ACCEL	1				0	0
002	32150-17145	HOLDER HAND LEVER	1				0	0
003	32210-17162	GUIDE HAND LEVER 2	1				0	0
004	32210-17190	SPRING	1				0.005	0.011
005	02117-50100	NUT	1				0	0
006	02116-50100	NUT	1				0.004	0.0088
007	01150-50822	BOLT	2				0.012	0.0264
008	04512-10080	WASHER LOCK	2				0	0
009	02113-50080	NUT	2				0	0
010	32150-29180	CAP	1				0.002	0.0044
011	32150-17130	GRIP LEVER	1				0.014	0.0308
012	32240-17513	SHAFT ACCEL PEDAL	1				0	0
013	32240-17523	PEDAL ACCELERATOR	1				0	0
014	05412-10420	PIN	1				0	0
015	32240-17543	ROD ACCELERATOR	1				0	0
016	04012-50060	WASHER LOCK	2				0.001	0.0022
017	05511-50212	PIN SPLIT	2				0.001	0.0022
018	32240-17553	LEVER ACCEL 1	1				0	0
019	32240-17560	LEVER ACCEL 2	1				0.044	0.0968
020	32240-17580	LEVER ACCEL 3	1				0.062	0.1364
021	04011-50100	WASHER LOCK	1				0.002	0.0044
022	02172-50100	NUT	1				0	0
023	05511-50320	PIN SPLIT	1				0.002	0.0044
024	32240-17222	ROD ACCEL	1				0	0
025	31220-17393	JOINT ROD	1				0	0
026	02012-50060	NUT	1				0	0
027	04012-50060	WASHER LOCK	2				0.001	0.0022
028	05511-50212	PIN SPLIT	2				0.001	0.0022
029	32240-17573	ROD HAND ACCEL	1				0	0
030	04012-50060	WASHER LOCK	2				0.001	0.0022
031	05511-50212	PIN SPLIT	2				0.001	0.0022
032	32240-17433	ROD ENGINE STOP	1				0	0
033	04012-50060	WASHER FLAT	1				0.001	0.0022
034	05511-50212	PIN SPLIT	1				0.001	0.0022
035	04013-50100	WASHER FLAT	1				0	0

HOOD

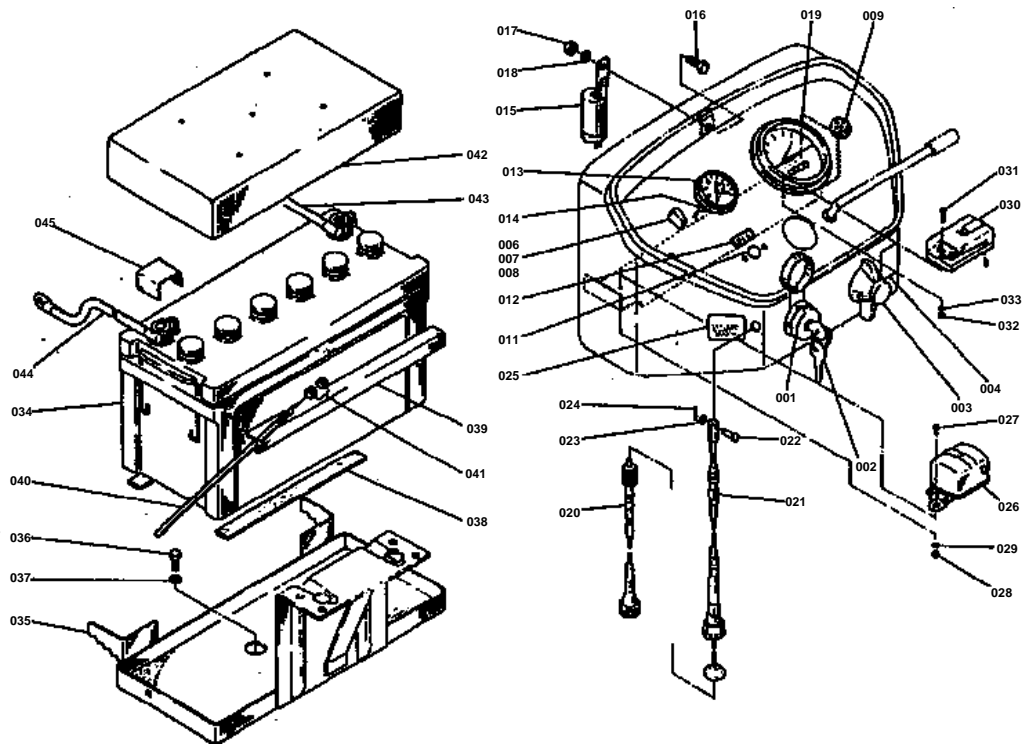


**HOOD**

↔ Interchangeable; ≠ not interchangeable; ← new for old; → old for new

REF.No	Part No.	Description	Q'ty	S.No.	I/C	REMARKS	Weight (kgf)	Weight (lb)
001	32240-18116	HOOD	1				0	0
002	32280-18123	COVER BONNET	2				0	0
003	32280-18180	CUSHION	4				0.001	0.0022
004	32240-18170	BOLT	2				0.062	0.1364
005	32150-18180	GASKET	2				0.005	0.011
006	02172-50120	NUT	2				0.01	0.022
007	04014-50160	WASHER FLAT	2				0.013	0.0286
008	32240-18153	GRILLE LAMP 1	1				0	0
009	32240-18163	GRILLE LAMP 2	1				0	0
010	02053-50050	NUT	8				0.001	0.0022
011	04512-10050	WASHER LOCK	8				0	0
012	04013-50050	WASHER FLAT	8				0	0
013	32240-18182	GRILLE HOOD 1	1				0	0
014	32240-18195	GRILLE HOOD 2	1				0	0
015	02053-50050	NUT	10				0.001	0.0022
016	04512-10050	WASHER FLAT	10				0	0
017	04013-50050	WASHER LOCK	10				0	0
018	32240-18212	PLATE STAY	1				0	0
019	01170-51022	BOLT	3				0	0
020	02117-50100	NUT	3				0	0
021	04512-10100	WASHER FLAT	3				0	0
022	31220-18149	HOOK HOOD	2				0	0
023	04012-50060	WASHER LOCK	2				0.001	0.0022
024	05511-50212	PIN SPLIT	2				0.001	0.0022
025	32240-18290	MARK SIDE KUBOTA	2				0.03	0.066
026	32240-18264	MARK FRONT KUBOTA	1				0	0
027	04512-10050	WASHER LOCK	6				0	0
028	02053-50050	NUT	6				0.001	0.0022
029	04013-50050	WASHER FLAT	6				0	0
030	32240-18130	CUSHION	1				0.085	0.187
031	32260-31110	INSTRUMENT PANEL	1				13	28.6
032	32240-31123	PANEL	1				0	0
033	03017-20820	SCREW BINDING HEAD	4				0	0
034	04013-20080	WASHER FLAT	4				0	0
035	32200-18390	LABEL DRAIN 1	1				0.001	0.0022
036	15101-94612	LABEL DRAINAGE	1				0	0
037	32240-33802	ASS'Y LAMP HEAD	2				0	0
038	32240-33810	RIM LAMP	2				0.06	0.132
039	32280-33830	LENS LAMP	2				0.098	0.2156
040	32120-33840	BULB LAMP	2				0.011	0.0242
041	32240-33870	REFLECTOR LAMP	2				0.135	0.297
042	32280-33850	CAP RUBBER	2				0.005	0.011
043	32280-33880	PACKING LENS	2				0.002	0.0044
044	32280-33890	SPRING CLAMP	8				0.001	0.0022
045	32240-34480	CLAMP	1				0.01	0.022
046	04013-50050	WASHER FLAT	8				0	0
047	04512-10050	WASHER LOCK	8				0	0
048	02053-50050	NUT	8				0.001	0.0022

METERS



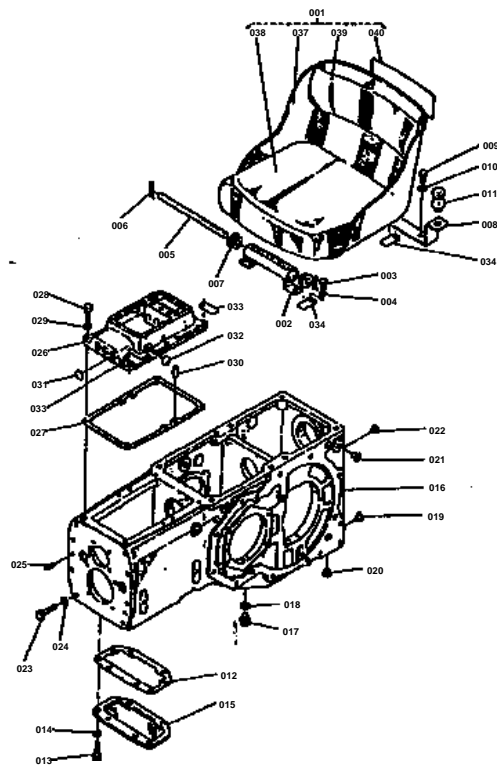


METERS

↔ Interchangeable; ≠ not interchangeable; ← new for old; → old for new

REF.No	Part No.	Description	Q'ty	S.No.	I/C	REMARKS	Weight (kgf)	Weight (lb)
001	31220-31802	SWITCH LIGHTING	1				0	0
002	31220-31812	KEY LIGHTING SWITCH	2				0	0
003	32210-32203	SWITCH STARTER	1				0	0
004	32210-32292	LABEL STARTER SWITCH	1				0	0
005	99999-99999	BLANK	0				0	0
006	32150-32603	SWITCH FLASHER	1			INCLUDES REF.No.007 008	0	0
007	32150-32610	KNOB FLASHER SWITCH	1				0.005	0.011
008	32150-32620	BODY	1				0	0
009	31220-32704	INDICATOR GLOW PLUG	1				0	0
010	99999-99999	BLANK	0				0	0
011	32210-31412	LAMP OIL	1				0	0
012	32240-31440	MARK OIL LAMP	1				0.001	0.0022
013	31180-31300	TEMPERATURE GAUGE	1				0.246	0.5412
014	04811-00090	O RING	1				0.001	0.0022
015	31870-33702	FLASHER	1				0	0
016	01150-50816	BOLT	1				0.01	0.022
017	02113-50080	NUT	1				0	0
018	04014-50080	WASHER FLAT	1				0.003	0.0066
019	32240-34670	METER TRACTOR	1				0.412	0.9064
020	32240-34652	CABLE TRACTOR METER	1				0	0
021	32240-34703	WIRE DECOMPRESS	1				0	0
022	05112-50516	PIN JOINT	1				0.003	0.0066
023	04012-50050	WASHER FLAT	1				0.001	0.0022
024	05511-11212	PIN SPLIT	1				0	0
025	32210-34793	LABEL DECOMPRESS	1				0	0
026	17105-64600	REGULATOR	1				0.389	0.8558
027	03014-50614	SCREW PAN HEAD	2				0.003	0.0066
028	02013-50060	NUT	2				0	0
029	04512-10060	WASHER LOCK	2				0	0
030	32210-33600	ASS'Y CASE FUSE	1				0.125	0.275
031	03014-50515	SCREW PAN HEAD	2				0	0
032	02053-50050	NUT	2				0.001	0.0022
033	04512-10050	WASHER LOCK	2				0	0
034	32260-33202	BATTERY	1				0	0
035	32240-33214	SUPPORT BATTERY	1				0	0
036	01150-50816	BOLT	8				0.01	0.022
037	04512-10080	WASHER LOCK	8				0	0
038	32350-33233	CUSHION	2				0	0
039	32350-33272	RETAINER BATTERY	1				0	0
040	32350-33292	BOLT HOOK	2				0	0
041	02013-50060	NUT	4				0	0
042	32350-33322	COVER BATTERY	1				0	0
043	32240-33333	CABLE BATTERY	1				0	0
044	32200-33380	CABLE EARTH	1				0.206	0.4532
045	31220-33390	CAP TERMINAL	1				0.006	0.0132
046	34159-31820	LABEL	1			NOT SHOWN IN FIG.	0.001	0.0022
047	31210-33133	LABEL	1			NOT SHOWN IN FIG.	0	0

SEAT AND MISSION CASE



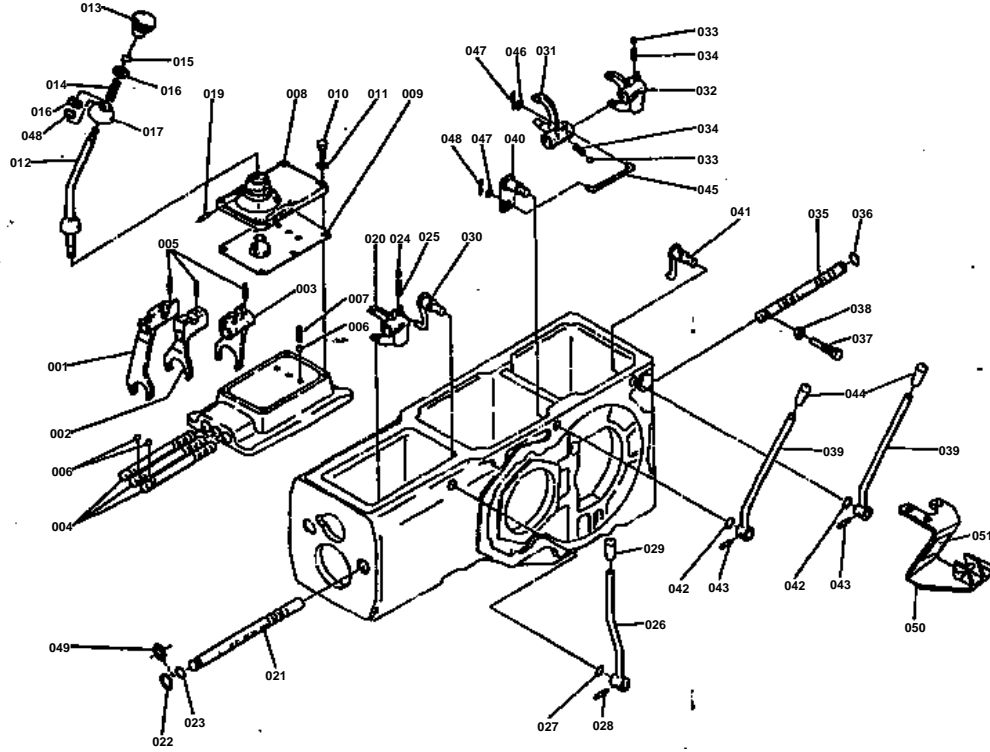


SEAT AND MISSION CASE

↔ Interchangeable; ≠ not interchangeable; ← new for old; → old for new

REF.No	Part No.	Description	Q'ty	S.No.	I/C	REMARKS	Weight (kgf)	Weight (lb)
001	32140-18405	ASS'Y SEAT	1				0	0
002	32240-18412	SUPPORT SEAT	1				0	0
003	01173-51018	BOLT	2				0.018	0.0396
004	04512-10100	WASHER LOCK	2				0	0
005	32160-18432	SHAFT SEAT SET	1				0	0
006	05515-11000	PIN SNAP	2				0	0
007	32160-18492	CUSHION	2				0	0
008	32240-18484	HOLDER CUSHION	1				0	0
009	01173-51018	BOLT	2				0.018	0.0396
010	04512-10100	WASHER LOCK	2				0	0
011	32240-18442	CUSHION	2				0	0
012	31220-21283	GASKET	1				0	0
013	01170-51022	BOLT	6				0	0
014	04512-10100	WASHER LOCK	6				0	0
015	31220-21272	COVER CASE UNDER	1				0	0
016	32240-21115	CASE TRANSMISSION	1				0	0
017	32240-21450	PLUG	1				0.114	0.2508
018	04717-02150	WASHER SEAL	1				0.004	0.0088
019	32210-27580	PLUG	6				0.001	0.0022
020	31220-14293	PLUG	14				0	0
021	32130-14270	PLUG	2				0.008	0.0176
022	32130-14290	PLUG	4				0.014	0.0308
023	01173-51232	BOLT	8				0.037	0.0814
024	04512-10120	WASHER LOCK	8				0	0
025	05012-01022	PIN STRAIGHT	2				0.014	0.0308
026	32240-21212	COVER TRANSMISSION C	1				0	0
027	32240-21222	GASKET	1				0	0
028	01153-50825	BOLT	5				0.012	0.0264
029	04512-10080	WASHER LOCK	6				0	0
030	05012-00820	PIN STRAIGHT	2				0.008	0.0176
031	06311-71020	PLUG EXPANSION	3				0	0
032	06311-71015	PLUG EXPANSION	1				0	0
033	32240-34490	CLAMP	2				0.003	0.0066
034	32150-29383	CLAMP	2				0	0
035	01153-50828	BOLT	1			NOT SHOWN IN FIG.	0.014	0.0308
036	01173-51265	BOLT	4			NOT SHOWN IN FIG.	0.063	0.1386
037	32140-18410	SEAT PLATE	1				4	8.8
038	32140-18450	CUSHION SEAT 1	1				0.46	1.012
039	32140-18460	CUSHION SEAT 2	1				0.212	0.4664
040	32140-18470	MARK KUBOTA	1				0.002	0.0044

SPEED CHANGE



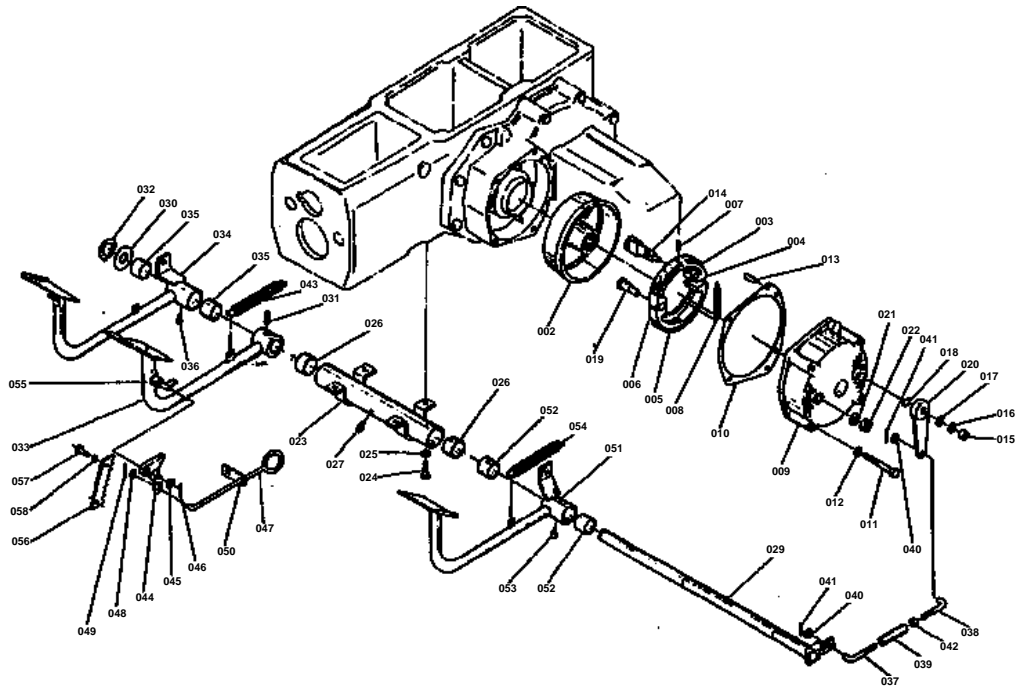


SPEED CHANGE

↔ Interchangeable; ≠ not interchangeable; ← new for old; → old for new

REF.No	Part No.	Description	Q'ty	S.No.	I/C	REMARKS	Weight (kgf)	Weight (lb)
001	32240-23513	FORK SHIFT	1				0	0
002	32240-23523	FORK SHIFT	1				0	0
003	32240-23534	FORK SHIFT	1				0	0
004	32240-23542	SHAFT FORK	3				0	0
005	05411-10630	PIN SPRING	3				0	0
006	07715-01607	BALL	5				0.006	0.0132
007	32240-24160	SPRING	3				0.005	0.011
008	32240-23713	BASE SPEED CHANGE	1				0	0
009	32290-23720	GASKET	1				0.06	0.132
010	01153-50822	BOLT	6				0.011	0.0242
011	04512-10080	WASHER LOCK	6				0	0
012	32240-23812	LEVER MAIN SPEED CHA	1				0	0
013	32150-23860	GRIP LEVER	1				0.037	0.0814
014	32240-23920	SPRING	1				0.007	0.0154
015	31220-23932	CIR-CLIP EXTERNAL	1				0	0
016	32240-23950	WASHER FLAT	2				0.002	0.0044
017	31220-23942	SHIELD LEVER	1				0	0
018	02116-50100	NUT	1			NOT SHOWN IN FIG.	0.004	0.0088
019	32240-23852	PIN	2				0	0
020	32240-24112	FORK SHIFT	1				0	0
021	32240-24133	SHAFT FORK 2	1				0	0
022	04612-10160	CIR-CLIP EXTERNAL	1				0	0
023	04811-00120	O RING	1				0.001	0.0022
024	07715-01607	BALL	1				0.006	0.0132
025	31220-24160	SPRING	1				0	0
026	32240-24412	LEVER AUX SPEED CHAN	1				0	0
027	04811-00150	O RING	1				0.001	0.0022
028	05412-10630	PIN SPRING	1				0	0
029	54201-23272	GRIP LEVER	1				0	0
030	32240-24432	LEVER FORK	1				0	0
031	32240-24610	FORK SHIFT	1				0.256	0.5632
032	32240-24620	FORK SHIFT	1				0.304	0.6688
033	07715-01607	BALL	2				0.006	0.0132
034	31220-24160	SPRING	2				0	0
035	32240-24633	SHAFT FORK	1				0	0
036	04811-00120	O RING	1				0.001	0.0022
037	32240-24182	SCREW SET	1				0	0
038	02112-50080	NUT	1				0.003	0.0066
039	32240-24843	LEVER PTO SPEED CHAN	2				0	0
040	32240-24853	LEVER FORK	1				0	0
041	32240-24863	LEVER FORK	1				0	0
042	04811-00150	O RING	2				0.001	0.0022
043	05412-10630	PIN SPRING	2				0	0
044	32150-24560	GRIP LEVER	2				0.026	0.0572
045	32240-24910	PTO SPEED CHANGE	1				0.05	0.11
046	04012-10080	WASHER FLAT	2				0	0
047	05511-10215	PIN SPLIT	2				0	0
048	04811-00120	O RING	1				0.001	0.0022
049	32240-24190	COLLAR	1				0.002	0.0044
050	32240-24870	GUIDE PTO SHIFT LEVE	1				0	0
051	32240-24920	LABEL PTO	1				0.001	0.0022
052	32240-23550	SPACER	1			NOT SHOWN IN FIG.	0	0

BRAKE



**BRAKE**

↔ Interchangeable; ≠ not interchangeable; ← new for old; → old for new

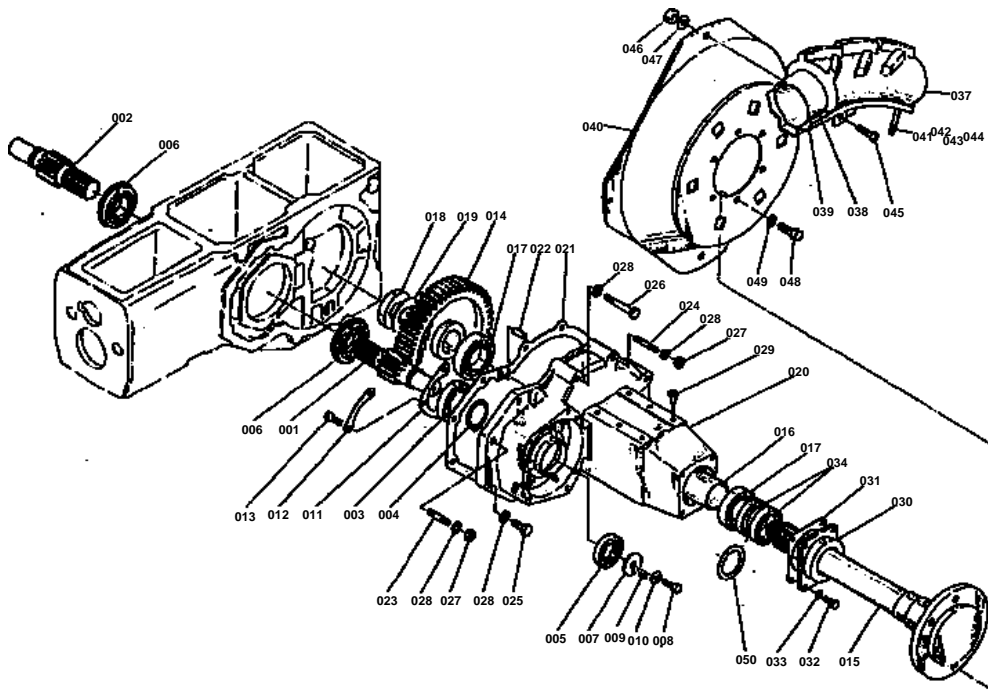
REF.No	Part No.	Description	Q'ty	S.No.	I/C	REMARKS	Weight (kgf)	Weight (lb)
001	32240-28100	ASS'Y BRAKE	2			INCLUDES REF.No.002 TO 010 014 TO 022	7.58	16.676
002	32240-28112	DRUM BRAKE	2				0	0
003	32240-28122	LINING BRAKE	2			ORDER BY RER.No.004	0	0
004	32240-28213	SHOE BRAKE 1	2			ORDER BY RER.No.003	0	0
005	32240-28122	LINING BRAKE	2			ORDER BY RER.No.006	0	0
006	32240-28223	SHOE BRAKE 2	2			ORDER BY RER.No.005 007	0	0
007	05612-40414	RIVET	24			ORDER BY RER.No.006	0.003	0.0066
008	31220-28134	SPRING	4				0	0
009	32240-28162	COVER BRAKE	2				0	0
010	32240-28170	GASKET	2				0.002	0.0044
011	01173-51080	BOLT	8				0.049	0.1078
012	04512-10100	WASHER LOCK	8				0	0
013	05012-01020	PIN STRAIGHT	4				0.02	0.044
014	32240-28243	CAM BRAKE	2				0	0
015	02117-50100	NUT	2				0	0
016	04512-10100	WASHER LOCK	2				0	0
017	04013-10100	WASHER FLAT	2				0	0
018	04811-00160	O RING	2				0.001	0.0022
019	32240-28312	PIN ANCHOR	2				0	0
020	32240-28362	LEVER BRAKE CAM	2				0	0
021	04512-10120	WASHER LOCK	2				0	0
022	02117-50120	NUT	2				0.011	0.0242
023	32240-28422	SUPPORT PEDAL SHAFT	1				0	0
024	01173-51225	BOLT	4				0.033	0.0726
025	04512-10120	WASHER LOCK	4				0	0
026	32150-28444	BUSHING	2				0	0
027	06611-15010	NIPPLE GREASE	1				0.01	0.022
029	32240-28413	SHAFT BRAKE PEDAL	1				0	0
030	32350-28573	COLLAR	1				0	0
031	05412-10845	PIN SPRING	1				0	0
032	04612-10280	CIR-CLIP EXTERNAL	1				0	0
033	32240-28613	PEDAL BRAKE LH	1				0	0
034	32240-28623	PEDAL BRAKE RH	1				0	0
035	32150-28444	BUSHING	2				0	0
036	06611-15010	NIPPLE GREASE	1				0.01	0.022
037	32240-28930	ROD BRAKE 1	2				0.062	0.1364
038	32240-28940	ROD BRAKE 2	2				0.062	0.1364
039	32350-28982	TURNBUCKLE	2				0	0
040	04012-50100	WASHER FLAT	4				0	0
041	05511-10320	PIN SPLIT	4				0	0
042	02116-50100	NUT	2				0.004	0.0088
043	32150-15842	SPRING	2				0	0
044	32240-28814	RATCHET	1				0	0
045	04011-50120	WASHER FLAT	1				0.005	0.011
046	05511-50425	PIN SPLIT	1				0.003	0.0066
047	32240-28873	ROD RATCHET	1				0	0
048	04012-50060	WASHER FLAT	1				0.001	0.0022
049	05511-10212	PIN SPLIT	1				0	0
050	32240-28882	GUIDE ROD	1				0	0
051	32240-15714	PEDAL CLUTCH	1				0	0
052	32150-28444	BUSHING	2				0	0
053	06611-15010	NIPPLE GREASE	1				0.01	0.022
054	32150-15842	SPRING	1				0	0

**BRAKE**

↔ Interchangeable; ≠ not interchangeable; ← new for old; → old for new

REF.No	Part No.	Description	Q'ty	S.No.	I/C	REMARKS	Weight (kgf)	Weight (lb)
055	32240-28850	SPRING	1				0.013	0.0286
056	32350-28834	GUIDE RATCHET	1				0	0
057	01150-50818	BOLT	2				0	0
058	04512-10080	WASHER LOCK	2				0	0

REAR WHEEL



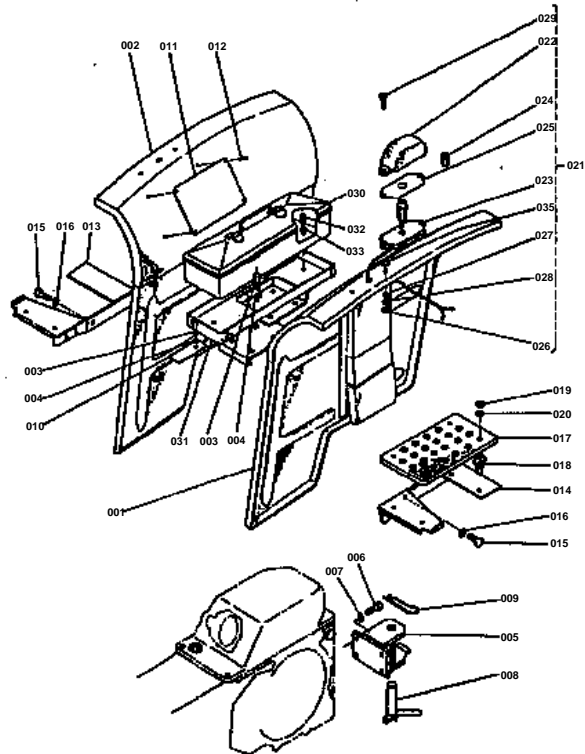


REAR WHEEL

↔ Interchangeable; ≠ not interchangeable; ← new for old; → old for new

REF.No	Part No.	Description	Q'ty	S.No.	I/C	REMARKS	Weight (kgf)	Weight (lb)
001	32240-26713	SHAFT DIFF.GEAR LH	1				0	0
002	32240-26723	SHAFT DIFF.GEAR RH	1				0	0
003	08101-06209	BEARING BALL	2				0.42	0.924
004	04612-10450	CIR-CLIP EXTERNAL	2				0	0
005	09504-56812	SEAL OIL	2				0.038	0.0836
006	08151-06208	BEARING BALL	2				0.373	0.8206
007	32240-26770	WASHER	2				0.048	0.1056
008	01173-51020	BOLT	2				0.017	0.0374
009	05012-00310	PIN STRAIGHT	2				0.001	0.0022
010	32120-22370	WASHER CLAW	2				0	0
011	32240-26780	RETAINER BEARING	2				0.063	0.1386
012	32240-26590	STOPPER	4				0.008	0.0176
013	01150-51018	BOLT	6				0	0
014	32240-26830	GEAR SPUR	2				8.4	18.48
015	32240-27115	AXLE REAR	2				0	0
016	32240-27140	COLLAR	2				1.7	3.74
017	08101-06210	BEARING BALL	4				0.45	0.99
018	32240-27282	NUT	2				0	0
019	32240-27290	WASHER	2				0.028	0.0616
020	32240-27313	CASE AXLE	2				0	0
021	32240-27332	GASKET AXLE CASE	2				0	0
022	05012-01016	PIN STRAIGHT	4				0.01	0.022
023	01570-51230	STUD	2				0.035	0.077
024	01570-51280	STUD	2				0.081	0.1782
025	01173-51235	BOLT	6				0.04	0.088
026	01173-51285	BOLT	10				0.084	0.1848
027	02173-50120	NUT	4				0	0
028	04512-10120	WASHER LOCK	20				0	0
029	31220-14293	PLUG	16				0	0
030	32240-27510	COVER AXLE CASE	2				0.73	1.606
031	32240-27522	GASKET	2				0	0
032	01153-50822	BOLT	8				0.011	0.0242
033	04512-10080	WASHER LOCK	8				0	0
034	09500-62809	SEAL OIL	4				0.03	0.066
035	32240-27610	REAR WHEEL LH	1			NOT SHOWN IN FIG.	0	0
036	32240-27690	REAR WHEEL RH	1			NOT SHOWN IN FIG.	0	0
037	32240-27622	TIRE	2				0	0
038	32240-27630	TUBE	2				0	0
039	32240-27650	RIM WHEEL REAR	2				0	0
040	32240-27660	DISK LH	2				14.7	32.34
040	31220-27664	DISK RH	2				0	0
041	32270-27710	NUT RIM	2				0.006	0.0132
042	32270-27730	HOUSING CORE	2				0.014	0.0308
043	32270-27740	CORE VALVE	2				0	0
044	32270-27750	CAP VALVE	2				0	0
045	31220-27684	BOLT	8				0	0
046	02173-50160	NUT	8				0	0
047	04512-10500	WASHER LOCK	8				0	0
048	01173-51430	BOLT	12				0.052	0.1144
049	04512-10140	WASHER LOCK	12				0	0
050	32240-27550	COLLAR	2				0.012	0.0264

REAR WHEEL COVER



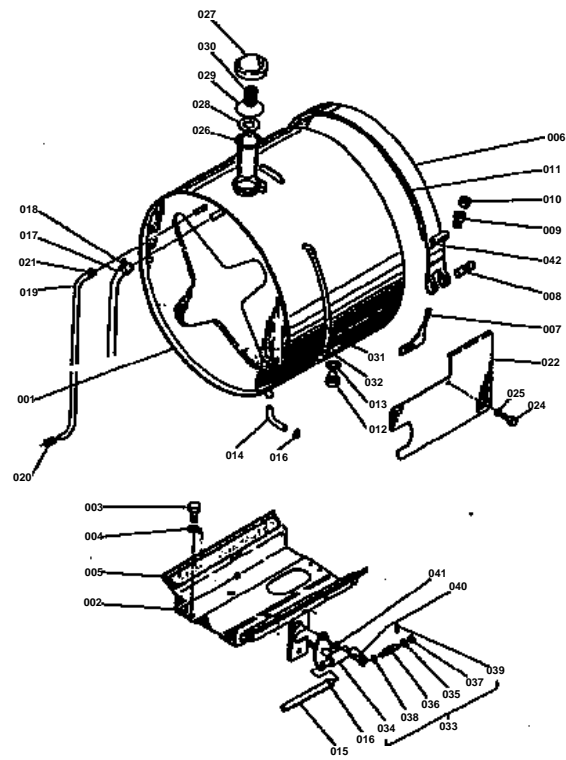


REAR WHEEL COVER

↔ Interchangeable; ≠ not interchangeable; ← new for old; → old for new

REF.No	Part No.	Description	Q'ty	S.No.	I/C	REMARKS	Weight (kgf)	Weight (lb)
001	32240-29115	FENDER LH	1				0	0
002	32240-29125	FENDER RH	1				0	0
003	01170-51425	BOLT	8				0.045	0.099
004	04512-10140	WASHER LOCK	8				0	0
005	32240-29713	HITCH	1				0	0
006	01173-51435	BOLT	4				0.056	0.1232
007	04512-10140	WASHER LOCK	4				0	0
008	31150-29722	PIN HITCH	1				0	0
009	32200-29730	PIN SNAP	1				0	0
010	31220-34470	CLAMP CORD	2				0.004	0.0088
011	32240-24970	MARK PTO CHANGE	1				0.001	0.0022
012	05614-10205	RIVET	4				0.001	0.0022
013	32240-29914	STEP RH	1				2.2	4.84
014	32260-29920	STEP LH	1				0	0
015	01170-51025	BOLT	4				0	0
016	04512-10100	WASHER LOCK	4				0	0
017	32240-29940	PLATE STEP	2				0.95	2.09
018	32160-29962	CUSHION	8				0	0
019	02012-50060	NUT	8				0	0
020	04014-50060	WASHER FLAT	8				0.001	0.0022
021	32240-34202	ASS'Y LAMP FLASHER	2				0	0
022	32240-34122	LENS LAMP	2				0	0
023	32240-34222	GASKET	2				0	0
024	32150-34140	LAMP	2				0.006	0.0132
025	32240-34272	SOCKET COMPLETE	2				0	0
026	02013-50060	NUT	4				0	0
027	04012-50060	WAHSER FLAT	4				0.001	0.0022
028	04512-10060	WASHER LOCK	4				0	0
029	03016-20625	SCREW CSK-HD	4				0	0
030	32240-18510	BOX TOOLS	1				1.28	2.816
031	32240-18564	SUPPORT TOOLS BOX	1				0	0
032	01150-50816	BOLT	1				0.01	0.022
033	04512-10080	WASHER LOCK	1				0	0
034	32150-29180	CAP	2			NOT SHOWN IN FIG.	0.002	0.0044
035	32240-34290	RING	2				0	0

FUEL TANK

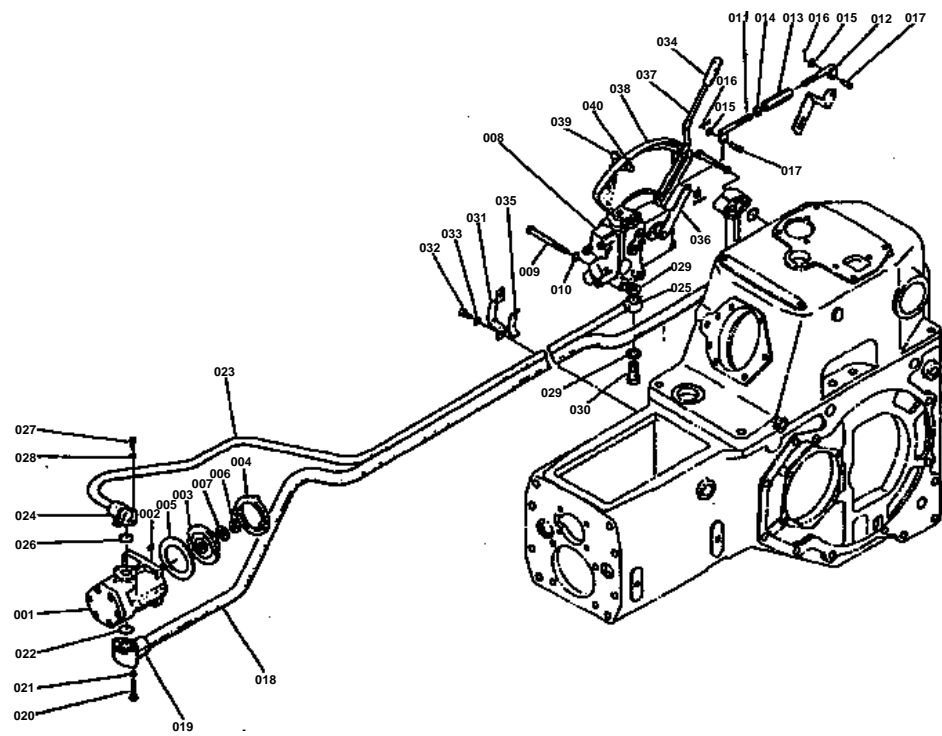


**FUEL TANK**

↔ Interchangeable; ≠ not interchangeable; ← new for old; → old for new

REF.No	Part No.	Description	Q'ty	S.No.	I/C	REMARKS	Weight (kgf)	Weight (lb)	
001	32240-35105	COMP.TANK FUEL	1			INCLUDES REF.No.026 TO 032	0	0	
002	32240-35274	SUPPORT FUEL TANK	1				0	0	
003	01170-51020	BOLT	4				0	0	
004	04512-10100	WASHER LOCK	4				0	0	
005	32240-35330	CUSHION	2				0.006	0.0132	
006	32240-35300	CLAMP FUEL TANK	1				0.203	0.4466	
007	32210-35283	BOLT HOOK	1				0	0	
008	32150-35292	WASHER	1				0	0	
009	32150-35380	NUT	1				0.012	0.0264	
010	02112-50080	NUT	1				0.003	0.0066	
011	32210-35340	CUSHION	1				0.028	0.0616	
012	06311-35030	PLUG	1				0.058	0.1276	
013	04718-01700	WASHER SEAL	1				0.003	0.0066	
014	32240-35513	PIPE FUEL 1	1				0.012	0.0264	
015	32240-35522	PIPE FUEL 2	1				0	0	
016	14301-42752	CLIP PIPE	4				0	0	
017	32240-35532	PIPE FUEL 3	1				0	0	
018	14301-42752	CLIP PIPE	2				0	0	
019	32240-35613	PIPE FUEL 4	1				0	0	
020	10101-42390	CLAMP PIPE	1				0.001	0.0022	
021	10013-41770	CLAMP PIPE	1				0.005	0.011	
022	32240-35283	COVER TANK SIDE LH	1				0	0	
023	99999-99999	BLANK	0				0	0	
024	01170-50816	BOLT	2				0	0	
025	04512-10080	WASHER LOCK	2				0	0	
026	10211-41350	FILTER	1				0	0	
027	14301-41260	CAP FUEL TANK	1				0.063	0.1386	
028	10211-41340	GASKET	1				0.003	0.0066	
029	10242-41312	RETAINER SPRING	1				ORDER WITH REF.No.030	0	0
030	10242-41272	SPRING	1				ORDER WITH REF.No.029	0	0
031	32240-35470	GAUGE FUEL	1				0	0	
032	10013-41770	CLAMP PIPE	2				0.005	0.011	
033	32240-35400	ASS'Y COCK FUEL	1				0.115	0.253	
034	32240-35410	BODY COCK	1				0	0	
035	32130-35430	WASHER	1				0.001	0.0022	
036	32130-35422	VALVE NEEDLE	1				0	0	
037	04611-10140	CIR-CLIP INTERNAL	1				0	0	
038	04811-00080	O RING	1				0.001	0.0022	
039	05411-12530	PIN SPRING	1				0	0	
040	01150-50816	BOLT	2				0.01	0.022	
041	04512-10080	WASHER LOCK	2				0	0	
042	32150-31490	CUSHION	2				0.002	0.0044	

OIL PRESSURE PUMP

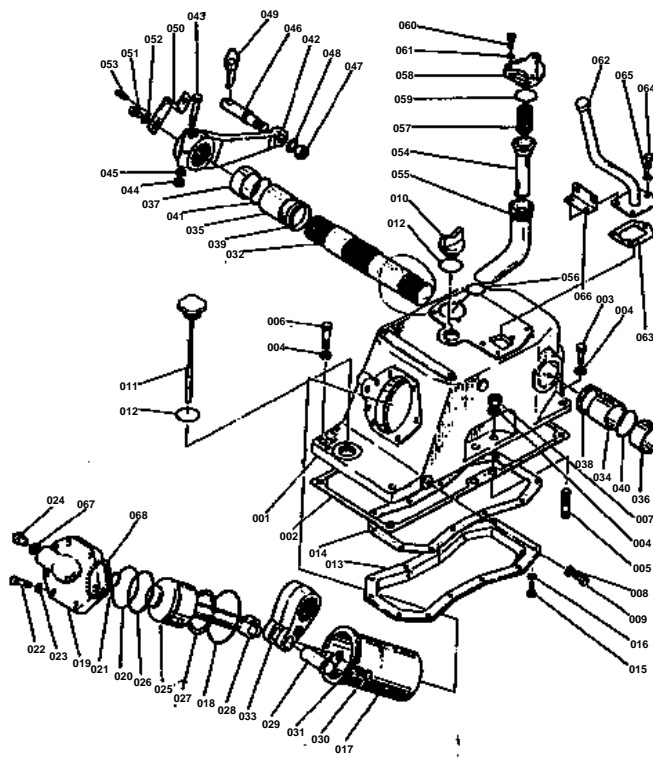


**OIL PRESSURE PUMP**

↔ Interchangeable; ≠ not interchangeable; ← new for old; → old for new

REF.No	Part No.	Description	Q'ty	S.No.	I/C	REMARKS	Weight (kgf)	Weight (lb)
001	32270-36103	PUMP OIL PRESSURE	1				0	0
002	32270-36210	KEY WOODRUFF	1				0.001	0.0022
003	31220-36312	JOINT OLDAM 1	1				0	0
004	31220-36320	JOINT OLDAM 2	1				0.11	0.242
005	31220-36390	COLLAR	1				0.084	0.1848
006	32270-37882	NUT	1				0	0
007	32270-37892	WASHER CLAW	1				0	0
008	32240-36404	VALVE CONTROL	1				0	0
009	01153-50885	BOLT	3				0.031	0.0682
010	04512-10080	WASHER LOCK	3				0	0
011	32240-41112	ROD CONTROL 1	1				0	0
012	32240-41122	ROD CONTROL 2	1				0	0
013	63733-42412	TURNBUCKLE	1				0	0
014	02012-50080	NUT	1				0.005	0.011
015	04012-50080	WASHER FLAT	2				0.001	0.0022
016	05511-10315	PIN SPLIT	2				0	0
017	05112-50818	PIN JOINT	2				0.008	0.0176
018	32260-38100	PIPE BREATHER	1			INCLUDES REF.No.019	0	0
019	32240-38152	FLANGE PIPE 1	2			ORDER BY REF.No.018	0	0
020	01153-50840	BOLT	4				0.018	0.0396
021	04512-10080	WASHER LOCK	4				0	0
022	04811-00210	O RING	2				0.001	0.0022
023	32260-38202	PIPE INTAKE	1			INCLUDES REF.No.024 025	0	0
024	32240-38232	FLANGE PIPE 2	1			ORDER BY REF.No.023	0	0
025	06211-30012	JOINT EYE	1			ORDER BY REF.No.024	0	0
026	04811-00210	O RING	1				0.001	0.0022
027	01411-50825	BOLT	2				0	0
028	04512-10080	WASHER LOCK	2				0	0
029	32150-38290	GASKET	2				0.003	0.0066
030	34150-38270	BOLT EYE JOINT	1				0.065	0.143
031	32350-38943	CLAMP PIPE	1				0	0
032	01150-50818	BOLT	2				0	0
033	04512-10080	WASHER LOCK	2				0	0
034	32150-17130	GRIP LEVER	1				0.014	0.0308
035	32130-38550	CUSHION	1				0.003	0.0066
036	32240-36840	LINK FEED BACK	1				0.086	0.1892
037	32240-36850	LEVER CONTROL	1				0.22	0.484
038	32240-36860	GUIDE LEVER	1				0.425	0.935
039	02810-50100	NUT	1				0	0
040	32240-36870	STOPPER LEVER	1				0.026	0.0572

OIL PRESSURE CYLINDER





OIL PRESSURE CYLINDER

↔ Interchangeable; ≠ not interchangeable; ← new for old; → old for new

REF.No	Part No.	Description	Q'ty	S.No.	I/C	REMARKS	Weight (kgf)	Weight (lb)
001	32240-37118	BLOCK OIL PRESSURE C	1				0	0
002	32240-37122	GASKET	1				0	0
003	01173-51432	BOLT	2				0.053	0.1166
004	04512-10140	WASHER LOCK	10				0	0
005	01517-51430	STUD	4				0.052	0.1144
006	01173-51440	BOLT	2				0.062	0.1364
007	02173-50140	NUT	4				0	0
008	04714-00200	GASKET	1				0.002	0.0044
009	06311-21020	PLUG	1				0	0
010	32240-21410	PLUG OIL FILTER	1				0.005	0.011
011	32290-21420	GAUGE OIL	1				0	0
012	04811-50300	O RING	2				0.001	0.0022
013	32240-37142	COVER CYL BLOCK UNDE	1				0	0
014	32240-37150	GASKET	1				0.026	0.0572
015	01150-50812	BOLT	12				0.009	0.0198
016	04512-10080	WASHER LOCK	12				0	0
017	32240-37132	LEVER CYLINDER	1				0	0
018	04811-50950	O RING	1				0.003	0.0066
019	32240-37233	COVER CYLINDER FRONT	1				0	0
020	04811-50750	O RING	1				0.002	0.0044
021	04811-00210	O RING	1				0.001	0.0022
022	01173-51240	BOLT	7				0.045	0.099
023	04512-10120	WASHER LOCK	7				0	0
024	06311-25030	PLUG	1				0.051	0.1122
025	32240-37312	PISTON OIL PRESSURE	1				0	0
026	04811-00700	O RING	1				0.008	0.0176
027	32240-37330	RING BACK UP	1				0.005	0.011
028	32240-37323	ROD OIL PRESSURE	1				0	0
029	32240-37340	PIN OIL PRESSURE CYL	1				0.2	0.44
030	01170-51018	BOLT	1				0.017	0.0374
031	04512-10100	WASHER LOCK	1				0	0
032	32240-37435	SHAFT OIL PRESSURE A	1				0	0
033	32240-37443	ARM OIL PRESSURE ARM	1				0	0
034	32240-37452	BUSHING	1				0	0
035	32240-37460	BUSHING	1				0	0
036	32240-37480	COLLAR	1				0.043	0.0946
037	32240-37490	COLLAR	1				0.064	0.1408
038	32240-37512	COLLAR	1				0	0
039	32240-37523	COLLAR	1				0	0
040	04811-50450	O RING	1				0.002	0.0044
041	04811-50500	O RING	1				0.001	0.0022
042	32240-37612	ARM LIFT	2				0	0
043	01173-51275	BOLT	2				0.071	0.1562
044	02176-50120	NUT	2				0.01	0.022
045	04512-10120	WASHER LOCK	2				0	0
046	32240-37692	PIN LIFT ROD	2				0	0
047	02173-50160	NUT	2				0	0
048	04512-10160	WASHER LOCK	2				0	0
049	34150-37642	PIN SET	2				0	0
050	32240-37652	LEVER CONTROL	1				0	0
051	01170-51220	BOLT	1				0.03	0.066
052	04512-10120	WASHER LOCK	1				0	0
053	05411-10412	PIN SPRING	1				0	0
054	32240-37713	FILTER OIL	1				0	0
055	32240-37720	SLEEVE OIL FILTER	1				0.216	0.4752
056	04811-50350	O RING	1				0.002	0.0044

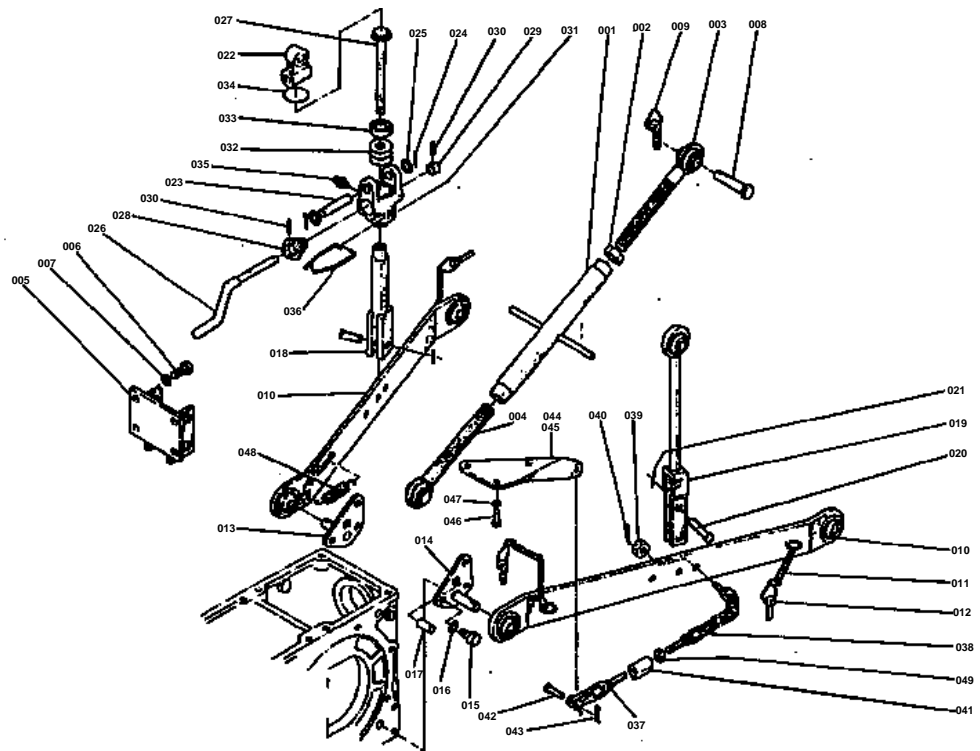


OIL PRESSURE CYLINDER

↔ Interchangeable; ≠ not interchangeable; ← new for old; → old for new

REF.No	Part No.	Description	Q'ty	S.No.	I/C	REMARKS	Weight (kgf)	Weight (lb)
057	32240-37740	SPRING	1				0.026	0.0572
058	32240-37750	PLUG	1				0.185	0.407
059	04811-50400	O RING	1				0.002	0.0044
060	01150-50820	BOLT	3				0.011	0.0242
061	04512-10080	WASHER LOCK	3				0	0
062	32290-37783	BREATHER	1				0	0
063	32240-37792	GASKET	1				0	0
064	01150-50820	BOLT	3				0.011	0.0242
065	04512-10080	WASHER LOCK	3				0	0
066	32240-29373	CLAMP CABLE	1				0	0
067	04714-00300	GASKET	1				0.002	0.0044
068	32240-37260	RING	1				0.002	0.0044

3-POINTS LINKAGE



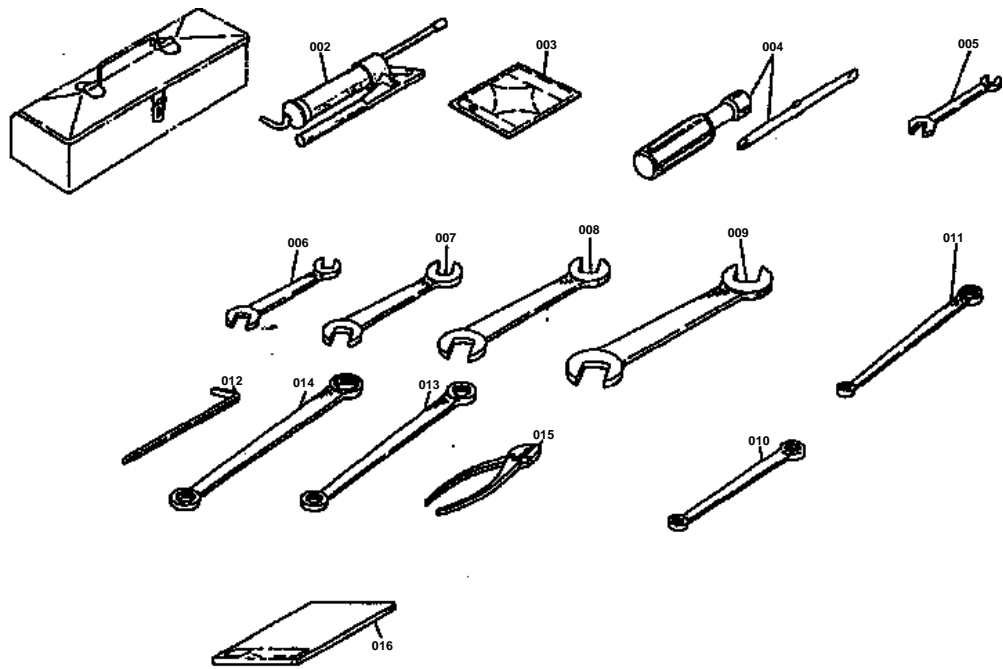


3-POINTS LINKAGE

↔ Interchangeable; ≠ not interchangeable; ← new for old; → old for new

REF.No	Part No.	Description	Q'ty	S.No.	I/C	REMARKS	Weight (kgf)	Weight (lb)
001	32244-71110	LINK TOP	1				1.01	2.222
002	32244-71180	NUT TOP LINK	1				0.057	0.1254
003	32244-71210	JOINT TOP LINK 1	1				0.97	2.134
004	32244-71220	JOINT TOP LINK 2	1				0.97	2.134
005	32244-71142	HOLDER TOP LINK	1				0	0
006	01173-11430	BOLT	4				0	0
007	04512-10140	WASHER LOCK	4				0	0
008	31150-71364	PIN JOINT	2				0	0
009	99221-22270	PIN SET	2				0	0
010	32244-71312	ASS'Y LINK LOWER	2			INCLUDES REF.No.011 012	0	0
011	31150-71820	CHAIN	4				0.022	0.0484
012	99221-22270	PIN SET	4				0	0
013	32244-71330	HOLDER LOWER LINK RH	1				0.6	1.32
014	32244-71340	HOLDER LOWER LINK LH	1				0.6	1.32
015	01173-51232	BOLT	6				0.037	0.0814
016	04512-10120	WASHER LOCK	6				0	0
017	05012-01625	PIN STRAIGHT	2				0.043	0.0946
018	32244-71523	ROD LIFT RH	1				0	0
019	32244-71542	ROD LIFT LH	1				0	0
020	32353-71584	PIN LIFT ROD	2				0	0
021	05511-50425	PIN SNAP	2				0.003	0.0066
022	31220-71572	JOINT GEAR CASE	1				0	0
023	32244-71570	PIN LIFT ROD	1				0.147	0.3234
024	05511-10435	PIN SPLIT	2				0	0
025	04011-00160	WASHER FLAT	2				0	0
026	32244-71610	HANDLE LIFT ROD	1				0.229	0.5038
027	32244-71640	GEAR LIFT ROD 1	1				0.4	0.88
028	32244-71650	GEAR LIFT ROD 2	1				0.126	0.2772
029	32244-71670	COLLAR	1				0.027	0.0594
030	05412-10622	PIN SPRING	2				0	0
031	32244-71712	CASE LIFT ROD GEAR	1				0	0
032	31220-71720	SHIM	3				0.001	0.0022
033	08481-00019	BEARING	1				0.074	0.1628
034	06311-70045	PLUG EXPANSION	1				0	0
035	06611-15010	NIPPLE GREASE	1				0.01	0.022
036	32244-71730	STOPPER HANDLE	1				0.027	0.0594
037	32244-71813	CHAIN CHECK 1	2				0.33	0.726
038	32283-71822	CHAIN CHECK 2	2				0	0
039	02374-50160	NUT SLOTTED	2				0.024	0.0528
040	05511-50435	PIN SPLIT	2				0.004	0.0088
041	32283-71840	TURNBUCKLE	2				0.7	1.54
042	32353-71892	PIN JOINT	2				0	0
043	63803-34392	PIN SNAP	2				0	0
044	32244-71913	HOLDER CHECK CHAIN 1	1				0	0
045	32244-71923	HOLDER CHECK CHAIN 2	1				0	0
046	01173-11430	BOLT	6				0	0
047	04512-10140	WASHER LOCK	6				0	0
048	31220-71894	SPRING	2				0	0
049	02152-50140	NUT	2				0.01	0.022

TOOLS





TOOLS

↔ Interchangeable; ≠ not interchangeable; ← new for old; → old for new

REF.No	Part No.	Description	Q'ty	S.No.	I/C	REMARKS	Weight (kgf)	Weight (lb)
001	32240-19090	ASS'Y TOOLS	1			NOT SHOWN IN FIG.	2.7	5.94
002	32240-18802	GUN GREASE	1				0	0
003	10242-95322	INHIBITOR FUR	1				0	0
004	32360-19300	SCREWDRIVER	1				0.07	0.154
005	07012-10809	WRENCH 8-9 OPEN END	1				0.022	0.0484
006	07012-11012	WRENCH 10-12 OPEN EN	1				0.041	0.0902
007	07012-11417	WRENCH 14-17 OPEN EN	1				0.084	0.1848
008	07012-11921	WRENCH 19-21 OPEN EN	1				0.17	0.374
009	07012-12326	WRENCH 23-26 OPEN EN	1				0.242	0.5324
010	07018-81214	WRENCH OFFSET 12-14	1				0.1	0.22
011	07018-81719	WRENCH OFFSET 17-19	1				0.192	0.4224
012	07014-00006	WRENCH KEY	1				0.03	0.066
013	07018-82123	WRENCH OFFSET 21-23	1				0.352	0.7744
014	07018-82224	WRENCH OFFSET 22-24	1				0.33	0.726
015	07211-10150	PLIERS	1				0.16	0.352
016	32240-19873	MANUAL INSTRUCTION	1				0	0