

Instructions for Parts Books

The heading at the top of the page will be the same for the picture of the parts as it is for the page with the part numbers.

Definition of column headings on part number pages:

REF.No → The number referring to the part on the picture page of the parts book.

Part No. → The number assigned to this part at the time of printing the parts book.

Description → Discription of part.

Q'ty → Quantity of part used on that page.

S.No. → Serial number range of the equipment that this part will fit.

>= Your serial number should be greater than or equal to the number shown.

<= Your serial number should be lesser than or equal to the serial number shown.

I/C → Interchangeability of part shown.

↔ The part shown will work for the older and later serial number.

The part shown is not interchangeable with the other serial number.

← new for old

→ old for new

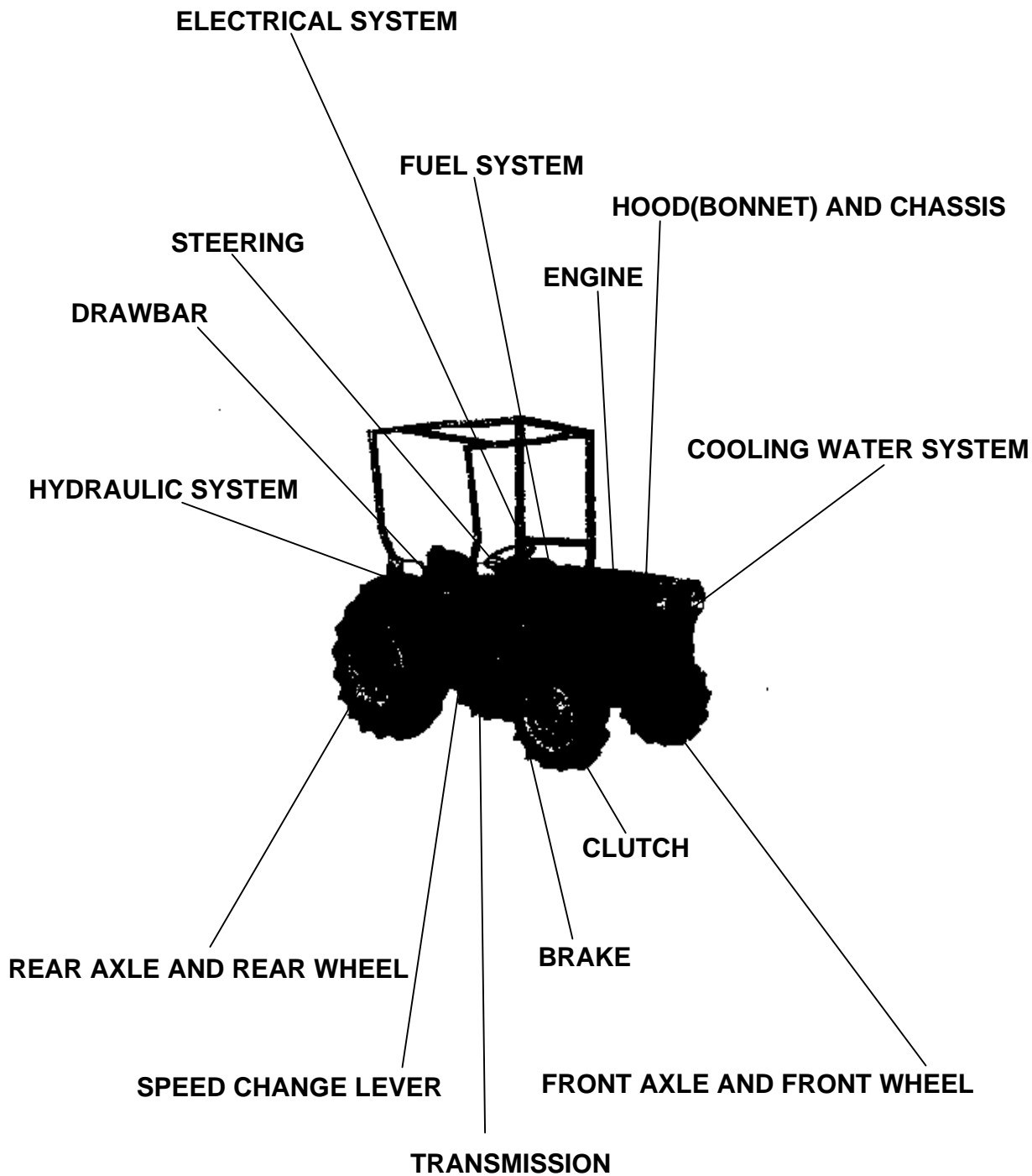
Remarks → Notes about this particular part. Sometimes this may say except [FR] or [CA]

Note about Country Codes:

The parts books we use in the United States of America may also contain information about a part that would be different in another country. It is important that you are aware of the country codes in some instances.

Symbol	Country
A	United States of America
CA	Canada
FR	France
GR	Greece
PO	Portugal
AU	Australia

If the remarks column says for example EXCEPT [FR] this part works in all countries except France. That means it will work here in the USA.

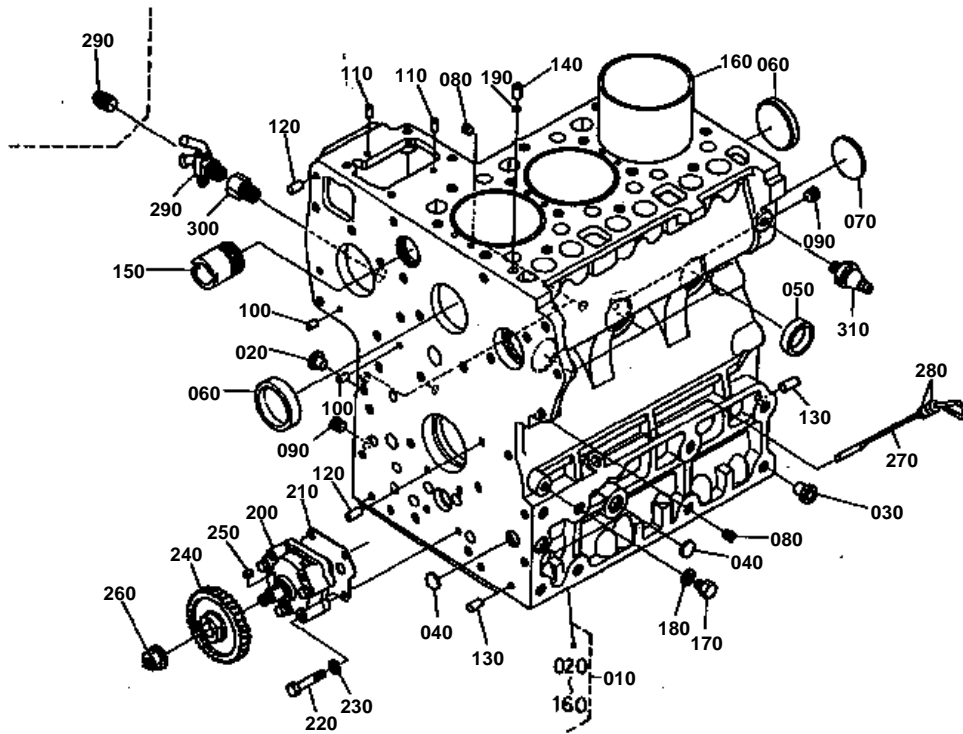


LABELS
ACCESSORIES AND SERVICE PARTS

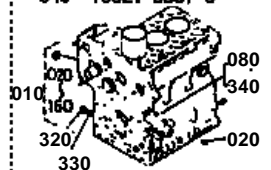
Item	Part No.	Description	Book	
ENGINE	01T001	CRANKCASE	100K0125	
	01T002	OIL PAN	100K0125	
	01T003	PISTON AND CRANKSHAFT	100K0125	
	01T004	MAIN BEARING CASE	100K0125	
	01T005	FLY WHEEL	100K0125	
	01T006	CYLINDER HEAD	100K0125	
	01T007	VALVE AND ROCKER ARM	100K0125	
	01T008	NOZZLE HOLDER AND GLOW PLUG	100K0125	
	01T009	NOZZLE HOLDER [COMPONENT PARTS]	100K0125	
	01T010	CYLINDER HEAD COVER	100K0125	
	01T011	BREATHER	100K0125	
	01T012	INLET MANIFOLD	100K0125	
	01T01301	AIR CLEANER	100K0125	
	01T01302	AIR CLEANER (DOUBLE)	100K0125	
	01T014	EXHAUST MANIFOLD	100K0125	
	01T01501	MUFFLER	100K0125	
	01T01502	UNDER MUFFLER	100K0125	
	01T016	CAMSHAFT	100K0125	
	01T017	GEAR CASE	100K0125	
	01T018	OIL FILTER [COMPONENT PARTS]	100K0125	
	01T019	WATER PUMP	100K0125	
	01T020	WATER FLANGE	100K0125	
	01T021	INJECTION PUMP AND FUEL CAMSHAFT	100K0125	
	01T022	INJECTION PUMP [COMPONENT PARTS]	100K0125	
01T023	SPEED CONTROL PLATE	100K0125		
01T024	GOVERNOR	100K0125		
COOLING WATER SYSTEM	01T028	RADIATOR	100K0125	
ELECTRICAL SYSTEM	01T029	DYNAMO AND FRONT PTO(OPTION)	100K0125	
	01T030	DYNAMO [COMPONENT PARTS]	100K0125	
ENGINE	01T025	HAND ACCELERATOR	100K0125	
FUEL SYSTEM	01T026	FUEL TANK	100K0125	
	01T027	FUEL FILTER	100K0125	
ELECTRICAL SYSTEM	01T031	STARTER	100K0125	
	01T03201	STARTER [COMPLNENT PARTS]	100K0125	
	01T03202	STARTER [COMPONENT PARTS]	100K0125	
	01T033	BATTERY	100K0125	
	01T034	PANEL 1	100K0125	
	01T035	PANEL 2	100K0125	
	01T036	PANEL 3	100K0125	
	01T03701	LIGHT [EXCEPT EUROPE]	100K0125	
	01T039	WORK LIGHT	100K0125	
	CLUTCH	01T041	CLUTCH	100K0125
01T042		CLUTCH LEVER	100K0125	
01T043		CLUTCH PEDAL	100K0125	
01T044		CLUTCH HOUSING	100K0125	
TRANSMISSION	01T045	TRANSMISSION CASE	100K0125	
	01T046	MAIN SHAFT	100K0125	
	01T047	COUNTER SHAFT	100K0125	
	01T048	PTO COUNTER SHAFT	100K0125	
	01T049	REVERSE SHAFT	100K0125	
SPEED CHANGE LEVER	01T050	MAIN GEAR SHIFT LEVER AND PTO GEAR SHIFT LEVER	100K0125	
	01T051	MAIN SHIFT FORK	100K0125	
	01T052	HI-LO GEAR SHIFT LEVER	100K0125	
	01T053	CREEP GEAR SHIFT LEVER	100K0125	
	01T054	PTO SHIFT FORK	100K0125	
	REAR AXLE AND REAR WHEEL	01T055	SPIRAL BEVEL GEAR	100K0125
		01T056	DIFFERENTIAL SYSTEM 1	100K0125
		01T057	DIFFERENTIAL SYSTEM 2	100K0125
01T058		DIFF LOCK PEDAL	100K0125	

Item	Part No.	Description	Book	
REAR AXLE AND REAR WHEEL	01T059	REAR AXLE	100K0125	
	01T060	AXLE CASE	100K0125	
BRAKE	01T06101	REAR WHEEL(12.4-24)	100K0125	
	01T062	BRAKE	100K0125	
	01T063	BRAKE PEDAL	100K0125	
	01T064	PARKING BRAKE LEVER	100K0125	
FRONT AXLE AND FRONT WHEEL	01T068	FRONT AXLE BRACKET	100K0125	
	01T071	DIFF.GEAR SHAFT	100K0125	
	01T072	DIFF.GEAR CASE	100K0125	
	01T073	FRONT AXLE SUPPORT	100K0125	
	01T074	PROPELLER SHAFT	100K0125	
	01T075	DRIVE CASE	100K0125	
	01T076	FRONT WHEEL(7-16)	100K0125	
	01T077	DRAG LINKAGE	100K0125	
	01T078	TIE ROD	100K0125	
	STEERING	01T079	MANUAL STEERING	100K0125
01T080		MANUAL STEERING [COMPONENT PARTS]	100K0125	
HYDRAULIC SYSTEM	01T081	HYDRAULIC PUMP	100K0125	
	01T08201	HYDRAULIC PUMP [COMPONENT PARTS]	100K0125	
	01T08202	HYDRAULIC PUMP [COMPONENT PARTS]	100K0125	
	01T083	HYDRAULIC OIL LINE	100K0125	
	01T084	HYDRAULIC OIL FILTER	100K0125	
	01T085	CONTROL VALVE	100K0125	
	01T086	CONTROL VALVE [COMPONENT PARTS]	100K0125	
	01T087	RELIEF VALVE	100K0125	
	01T088	RELIEF VALVE [COMPONENT PARTS]	100K0125	
	01T089	DRAFT CONTROL VALVE	100K0125	
	01T090	DRAFT CONTROL VALVE [COMPONENT PARTS]	100K0125	
	01T091	HYDRAULIC CYLINDER	100K0125	
	01T092	LIFT ARM	100K0125	
	01T093	3-POINT LINKAGE	100K0125	
	01T094	TOP LINKAGE BRACKET	100K0125	
	DRAWBAR	01T095	DRAWBAR AND HITCH	100K0125
		01T096	PTO SHAFT PROTECTOR	100K0125
HOOD(BONNET) AND CHASSIS	01T097	HOOD (BONNET)	100K0125	
	01T098	REARVIEW MIRROR	100K0125	
	01T099	UPPER FRAME	100K0125	
	01T10001	FENDER	100K0125	
	01T10002	FENDR	100K0125	
	01T101	TOOLS CASE	100K0125	
	01T10201	SEAT	100K0125	
	01T10202	SEAT [OPTION]	100K0125	
	01T103	S.M.V.EMBLEM BRACKET	100K0125	
	01T104	STEP	100K0125	
LABELS	01T105	LABEL 1	100K0125	
	01T106	LABEL 2	100K0125	
ACCESSORIES AND SERVICE PARTS	01T107	ACCESSORIES AND SERVICE PARTS	100K0125	

CRANKCASE



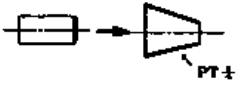
- 010 15301-0101-0
- 020 34150-2758-0
- 080 15221-3363-0
- 320 15221-3375-0
- 330 15109-3366-0
- 340 15521-3361-0



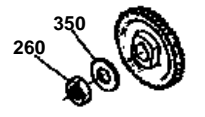
- 320 15521-3362-0



- 320 15521-9601-0



- 320 15521-9601-0
 - 260 15221-3568-0
 - 350 15221-3567-0
- Discontinuance

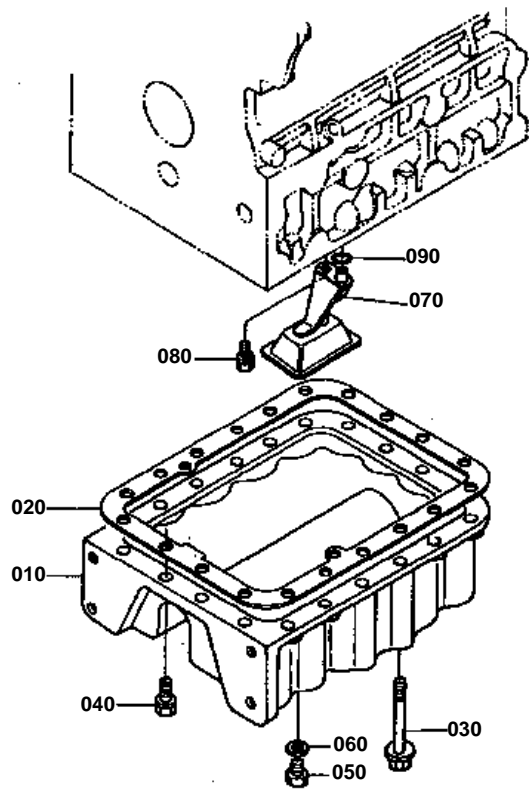




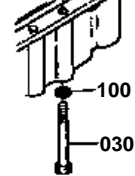
CRANKCASE

↔ Interchangeable; ≠ not interchangeable; ← new for old; → old for new

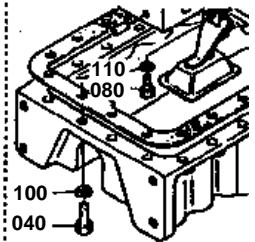
REF.No	Part No.	Description	Q'ty	S.No.	I/C	REMARKS	Weight (kgf)	Weight (lb)
010	15301-01010	COMP.CRANKCASE	1	≤=3550			0	0
010	15301-01012	COMP.CRANKCASE	1	≥=3551	≠		50	110
010	15301-01012	COMP.CRANKCASE	1	≤=11099		SOUTH WEST ASIA & ALGERIA	50	110
010	16111-01010	COMP.CRANKCASE	1	≥=11100	↔	SOUTH WEST ASIA & ALGERIA	55	121
020	34150-27580	PLUG	6	≤=3550			0.001	0.0022
020	34150-27580	PLUG	1	≥=3551			0.001	0.0022
030	32210-27580	PLUG BLIND	9	≥=3551			0.001	0.0022
040	06311-75015	PLUG	3	≤=8279			0.002	0.0044
040	06311-75018	PLUG	3	≥=8280	≠		0.004	0.0088
050	15221-03380	CAP SEALING	5				0.017	0.0374
060	15221-03390	CAP SEALING	2				0.03	0.066
060	15221-03390	CAP SEALING	2	≤=11099		SOUTH WEST ASIA & ALGERIA	0.03	0.066
060	16111-03390	CAP SEALING	2	≥=11100	↔	SOUTH WEST ASIA & ALGERIA	0.027	0.0594
070	06311-75045	PLUG	1				0.026	0.0572
080	15221-33630	PLUG PIN	5	≤=3550			0.001	0.0022
080	15221-33630	PLUG PIN	4	≥=3551			0.001	0.0022
080	15521-96020	PLUG	5	≥=4654	≠		0.003	0.0066
090	15221-33640	PLUG	1	≤=4653			0.003	0.0066
090	15521-96030	PLUG	2	≥=4654	≠		0.007	0.0154
100	05012-00408	PIN STRAIGHT	2				0.001	0.0022
110	05012-00609	PIN STRAIGHT	2				0.003	0.0066
120	05012-00612	PIN STRAIGHT	2				0.003	0.0066
130	05012-01018	PIN STRAIGHT	3				0.012	0.0264
140	15221-33650	PIN PIPE	1				0.004	0.0088
150	15221-72840	PIPE WATER	1				0.078	0.1716
160	15201-02310	LINER CYLINDER	3				0.57	1.254
170	15221-33610	PLUG	1				0.009	0.0198
180	15021-33660	GASKET	1				0.001	0.0022
190	15221-33700	O RING	1				0.001	0.0022
200	15321-35010	ASSY PUMP OIL	1				0.525	1.155
210	15221-35150	GASKET OIL PUMP	1				0	0
220	01053-50648	BOLT	4				0.01	0.022
230	04512-50060	WASHER SPRING	4				0	0
240	15221-35660	GEAR OIL PUMP DRIVE	1	≤=3550			0	0
240	15521-35660	GEAR OIL PUMP DRIVE	1	≥=3551	↔		0	0
240	19202-35660	GEAR OIL PUMP DRIVE	1	≥=6474	↔		0.23	0.506
250	05712-00410	KEY FEATHER	1				0.001	0.0022
260	15221-35680	NUT	1	≤=11885			0	0
260	15221-35682	NUT FLANGE	1	≥=11886	←		0.014	0.0308
270	15221-36410	GAUGE OIL	1				0.028	0.0616
280	04811-00050	O RING	2				0.001	0.0022
290	14412-73110	COCK DRAIN	1	≤=7235			0.09	0.198
290	15575-73100	COCK DRAIN	1	≥=7236	↔		0.065	0.143
290	06312-10020	PLUG	1			SOUTH WEST ASIA & ALGERIA	0.015	0.033
300	15291-73160	JOINT DRAIN COCK	1	≥=3551			0.04	0.088
310	15221-39013	SWITCH OIL	1				0.035	0.077
320	15221-33750	PLUG PIN	1	≤=3550			0.032	0.0704
320	15521-33630	PLUG PIN	1	≥=3551	≠		0.003	0.0066
320	15521-33620	PLUG PIN	1	≥=4057	≠		0.004	0.0088
320	15521-96010	PLUG	1	≥=4187	≠		0.01	0.022
320	15521-96010	PLUG PIN	1	≤=4653			0.01	0.022
330	15109-33660	GASKET	1	≤=3550			0.001	0.0022
340	15521-33610	PLUG.PIN	1	≥=3551			0.002	0.0044
340	15521-33610	PLUG PIN	1	≤=4653			0.002	0.0044
350	15221-35670	WASHER	1	≤=11885			0.005	0.011



- 030 15411-9101-0
- 100 04512-50100



- 040 01173-51035
- 080 01053-50816
- 100 04512-50100
- 110 04512-50080



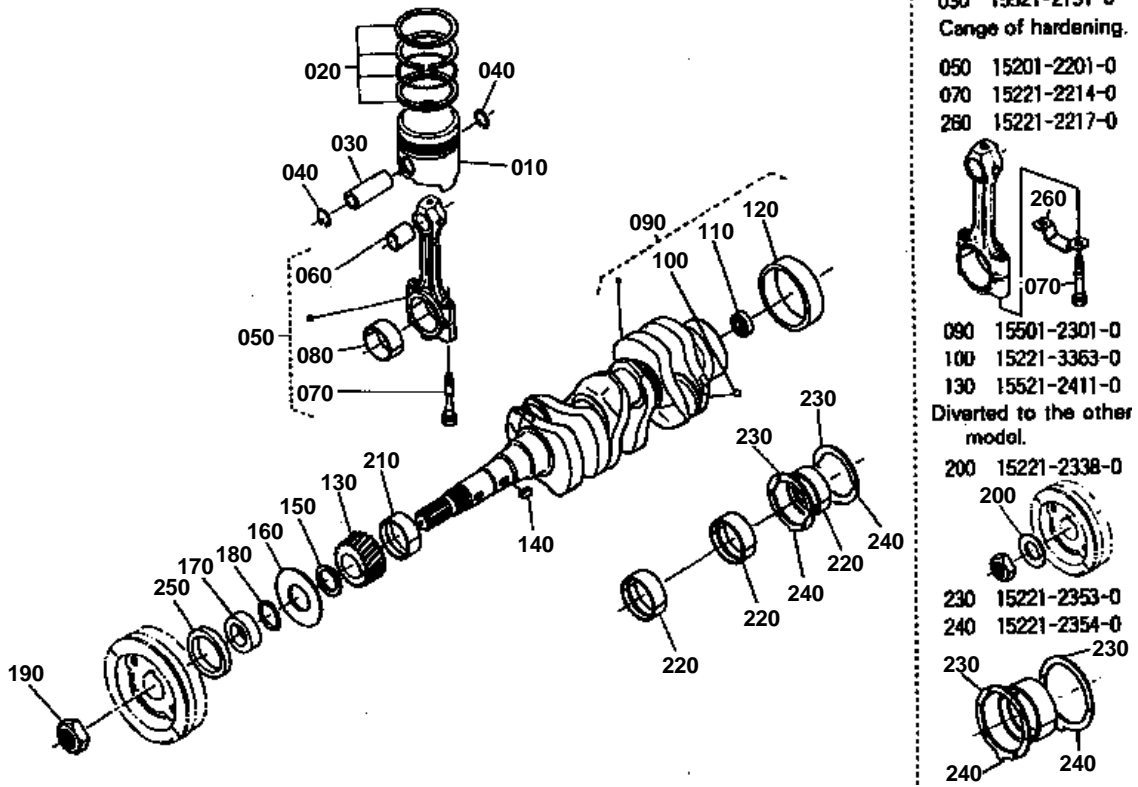


OIL PAN

↔ Interchangeable; ≠ not interchangeable; ← new for old; → old for new

REF.No	Part No.	Description	Q'ty	S.No.	I/C	REMARKS	Weight (kgf)	Weight (lb)
010	15301-01610	OIL PAN	1				11.4	25.08
020	15301-01620	GASKET OIL PAN	1				0	0
030	15411-91010	BOLT	4	<=11861			0	0
030	17377-91010	BOLT	4	>=11862	≠		0.08	0.176
040	01173-51035	BOLT	16	<=3550			0.025	0.055
040	01133-51035	BOLT	16	>=3551	↔		0.03	0.066
050	15221-33750	PLUG	2				0.032	0.0704
060	15109-33660	GASKET	2				0.001	0.0022
070	15301-32110	FILTER OIL	1				0.23	0.506
080	01053-50816	BOLT	1	<=3550			0.011	0.0242
080	01123-50816	BOLT	1	>=3551	↔		0.011	0.0242
090	04811-00140	O RING	1				0.001	0.0022
100	04512-50100	WASHER SPRING	20	<=3550			0	0
100	04512-50100	WASHER SPRING	4	>=3551			0	0
100	04512-50100	WASHER SPRING	4	<=11861			0	0
110	04512-50080	WASHER SPRING	1	<=3550			0	0







PISTON AND CRANKSHAFT

↔ Interchangeable; ≠ not interchangeable; ← new for old; → old for new

REF.No	Part No.	Description	Q'ty	S.No.	I/C	REMARKS	Weight (kgf)	Weight (lb)
010	15201-21110	PISTON	3			STD	0.54	1.188
010	15201-21910	PISTON	3			+0.5MM	0.545	1.199
020	15201-21052	ASSY PISTON RING	3			STD	0.06	0.132
020	15201-21092	ASSY PISTON RING	3			+0.5MM	0.06	0.132
030	15221-21310	PIN PISTON	3	<=3550			0	0
030	15521-21310	PIN PISTON	3	>=3551	↔		0.156	0.3432
040	15221-21330	CIR-CLIP PISTON PIN	6				0.002	0.0044
050	15201-22010	ASSY CONNECTING ROD	1	<=3550			0	0
050	15521-22010	ASSY CONNECTING ROD	3	>=3551	↔		0	0
050	15471-22012	ASSY CONNECTING ROD	3	>=11886	↔		0.76	1.672
060	15221-21980	BUSH PISTON PIN	3				0	0
070	15221-22140	BOLT CONNECTING ROD	6	<=3550			0	0
070	15521-22140	BOLT CONNECTING ROD	6	>=3551	↔		0	0
080	15221-22310	METAL CRANKPIN	3	<=11885		STD	0	0
080	15471-22310	METAL CRANKPIN	3	>=11886	←	STD	0.03	0.066
080	15221-22970	METAL CRANKPIN	3	<=11885		-0.2MM	0.04	0.088
080	15471-22970	METAL CRANKPIN	3	>=11886	←	-0.2MM	0.04	0.088
080	15221-22980	METAL CRANKPIN	3	<=11885		-0.4MM	0.04	0.088
080	15471-22980	METAL CRANKPIN	3	>=11886	←	-0.4MM	0.04	0.088
090	15321-23010	COMP.CRANKSHAFT	1	<=3550			13	28.6
090	15501-23010	COMP.CRANKSHAFT	1	>=3551	←		13.42	29.524
090	15568-23010	COMP.CRANKSHAFT	1	>=6984	≠		13.04	28.688
100	15131-01380	PLUG PIN	3	<=3550			0.001	0.0022
100	15221-33630	PLUG PIN	3	>=3551	←		0.001	0.0022
100	07715-03209	BALL	3	>=11755	↔		0.002	0.0044
110	08121-06002	BEARING BALL	1				0.03	0.066
120	19202-23280	SLEEVE CRANKSHAFT	1	>=6984			0.09	0.198
130	15221-24110	GEAR CRANKSHAFT	1	<=3550			0	0
130	15521-24110	GEAR CRANKSHAFT	1	>=3551	≠		0.34	0.748
140	05712-00720	KEY FEATHER	1				0.008	0.0176
150	15221-24130	COLLAR	1				0.015	0.033
160	15221-23310	SLINGER OIL	1	<=11885			0	0
160	15471-23312	SLINGER OIL	1	>=11886	←		0.008	0.0176
170	15221-23250	COLLAR CRANKSHAFT	1	<=6983			0	0
170	19202-23250	COLLAR CRANKSHAFT	1	>=6984	≠		0.065	0.143
180	04811-10300	O RING	1				0.001	0.0022
190	15221-23360	NUT CRANKSHAFT	1				0.11	0.242
200	15221-23380	WASHER CRANKSHAFT	1	<=11885			0.02	0.044
210	15221-23470	METAL CRANKSHAFT	1	<=11885		STD	0	0
210	17331-23470	METAL CRANKSHAFT	1	>=11886	←	STD	0.06	0.132
210	15221-23910	METAL CRANKSHAFT	1			-0.2MM	0	0
210	15221-23920	METAL CRANKSHAFT	1			-0.4MM	0	0
220	15221-23480	METAL CRANKSHAFT	3	<=11885		STD	0	0
220	17331-23480	METAL CRANKSHAFT	3	>=11886	←	STD	0.05	0.11
220	15221-23930	METAL CRANKSHAFT	3			-0.2MM	0.055	0.121
220	15221-23940	METAL CRANKSHAFT	3			-0.4MM	0.056	0.1232
230	15221-23530	METAL SIDE	2	<=3550		STD	0	0
230	15521-23530	METAL SIDE	2	>=3551	↔	STD	0.01	0.022
230	15221-23950	METAL SIDE	2			+0.2MM	0	0
230	15221-23960	METAL SIDE	2			+0.4MM	0	0
240	15221-23540	METAL SIDE	2	<=3550		STD	0	0
240	15521-23540	METAL SIDE	2	>=3551	↔	STD	0	0
240	19202-23540	METAL SIDE	2	>=7144	↔	STD	0.01	0.022
240	15221-23970	METAL SIDE	2	<=3550		+0.2MM	0.009	0.0198
240	19202-23970	METAL SIDE	2	>=3551	←	+0.2MM	0.01	0.022
240	15221-23980	METAL SIDE	2	<=3550		+0.4MM	0.009	0.0198
240	19202-23980	METAL SIDE	2	>=3551	←	+0.4MM	0.01	0.022
250	09550-00001	SEAL OIL	1				0.015	0.033

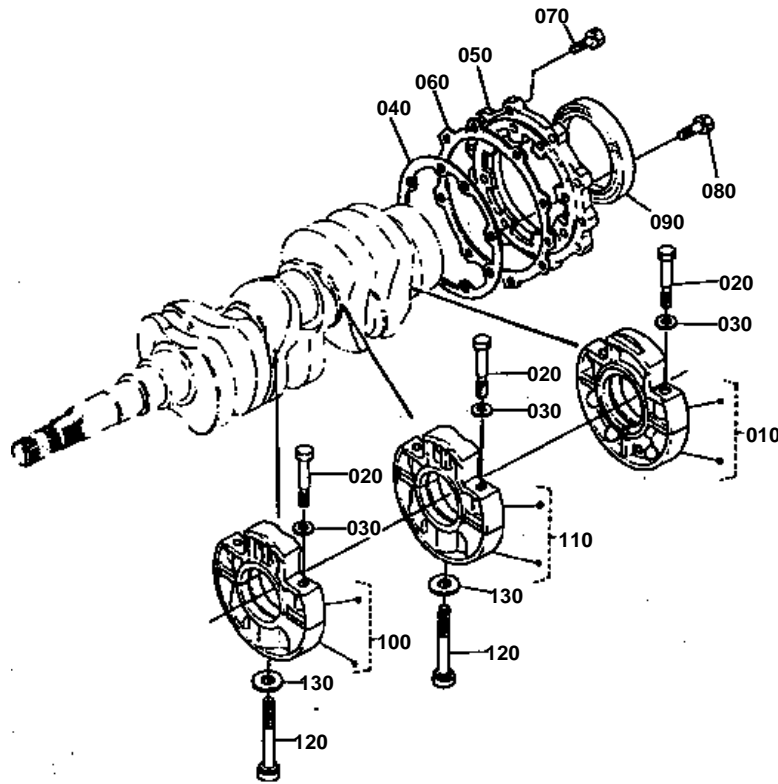


PISTON AND CRANKSHAFT

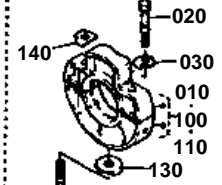
↔ Interchangeable; ≠ not interchangeable; ← new for old; → old for new

REF.No	Part No.	Description	Q'ty	S.No.	I/C	REMARKS	Weight (kgf)	Weight (lb)
260	15221-22170	WASHER ROD BOLT	3	←=3550			0.01	0.022

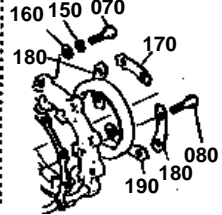
MAIN BEARING CASE



- 010 15221-0404-0
- 020 15221-0454-0
- 030 15221-0457-0
- 100 15221-0405-0
- 110 15321-0406-0
- 130 15291-0459-0
- 140 15221-0458-0



- 070 01053-50825
- 080 01053-50828
- 150 04512-50080
- 160 04012-50080
- 170 15221-0464-0
- 180 15221-0465-0
- 190 15221-0466-0



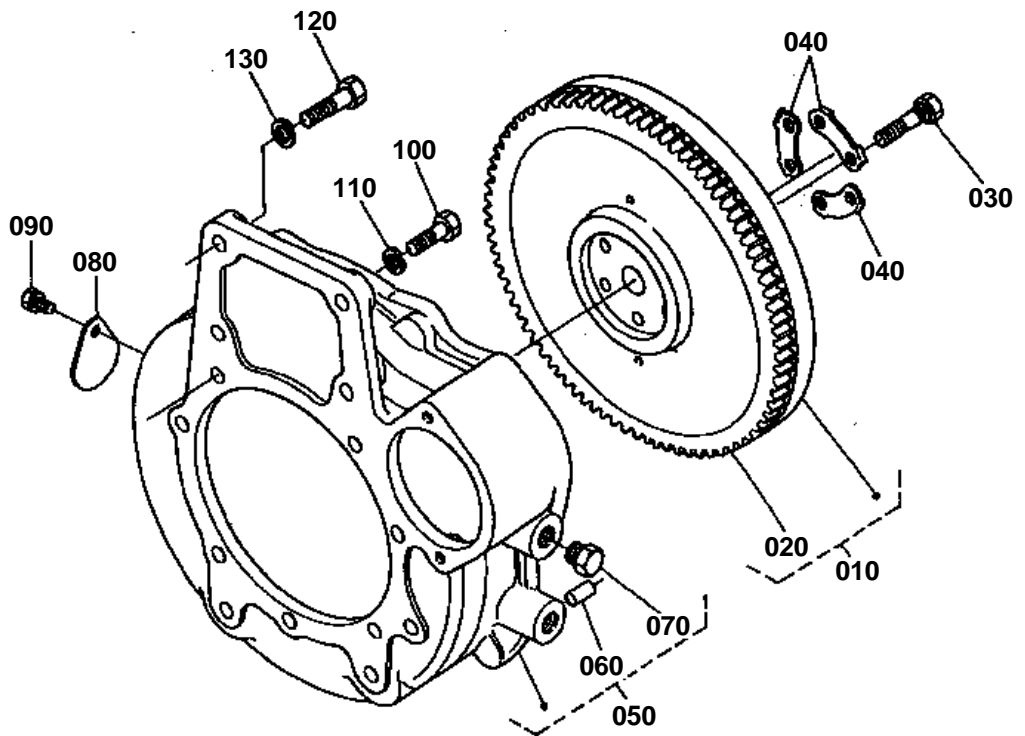


MAIN BEARING CASE

↔ Interchangeable; ≠ not interchangeable; ← new for old; → old for new

REF.No	Part No.	Description	Q'ty	S.No.	I/C	REMARKS	Weight (kgf)	Weight (lb)
010	15221-04040	ASSY CASE MAIN BRG.	1	<=3550			0	0
010	15521-04040	ASSY CASE MAIN BRG.	1	>=3551	↔		0	0
010	19202-04040	ASSY CASE MAIN BRG.	1	>=7144	↔		1.28	2.816
020	15221-04540	BOLT	6	<=3550			0	0
020	15521-04540	BOLT BEARING CASE	6	>=3551	↔		0	0
030	15221-04570	WASHER LOCK	3	<=3550			0.002	0.0044
030	15521-94010	WASHER PLAIN	6	>=3551	↔		0.001	0.0022
040	15221-04360	GASKET	1				0	0
050	15221-04810	COVER BEARING	1	<=6983			0.3	0.66
050	19202-04810	COVER BEARING CASE	1	>=6984	≠		0.36	0.792
060	15221-04820	GASKET	1				0	0
070	01053-50825	BOLT	8	<=3550			0.014	0.0308
070	01123-50825	BOLT	8	>=3551	↔		0.013	0.0286
080	01053-50828	BOLT	8	<=3550			0.014	0.0308
080	01123-50828	BOLT	8	>=3551	↔		0.014	0.0308
090	15221-04460	SEAL OIL	1	<=6983			0.06	0.132
090	19202-04460	SEAL OIL	1	>=6984	≠		0.055	0.121
100	15221-04050	ASSY CASE MAIN BRG.	1	<=3550			0	0
100	15521-04055	ASSY CASE MAIN BRG.	1	>=3551	↔		1.2	2.64
110	15321-04060	ASSY CASE MAIN BRG.	1	<=3550			0	0
110	15521-04065	ASSY CASE MAIN BRG.	1	>=3551	≠		1.225	2.695
120	15291-04560	BOLT	2				0.06	0.132
130	15291-04590	WASHER LOCK	2	<=3550			0.005	0.011
130	15521-94020	WASHER PLAIN	2	>=3551	↔		0.004	0.0088
140	15221-04580	WASHER LOCK	3	<=3550			0.003	0.0066
150	04512-50080	WASHER SPRING	8	<=3550			0	0
160	04012-50080	WASHER PLAIN	8	<=3550			0.001	0.0022
170	15221-04640	WASHER LOCK	1	<=3550			0.005	0.011
180	15221-04650	WASHER LOCK	2	<=3550			0.005	0.011
190	15221-04660	WASHER LOCK	1	<=3550			0.006	0.0132

FLY WHEEL



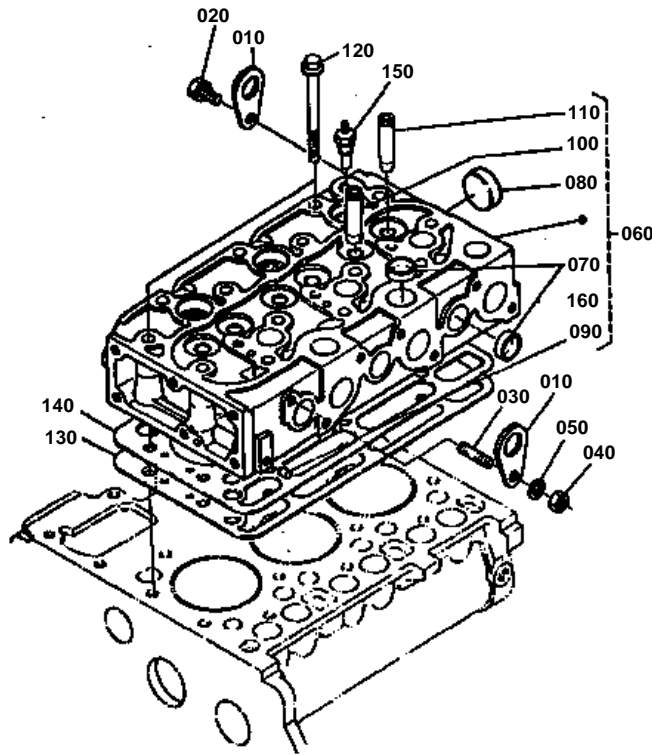


FLY WHEEL

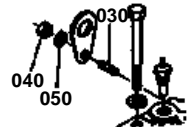
↔ Interchangeable; ≠ not interchangeable; ← new for old; → old for new

REF.No	Part No.	Description	Q'ty	S.No.	I/C	REMARKS	Weight (kgf)	Weight (lb)
010	15331-25010	COMP.FLYWHEEL	1	<=11820			0	0
010	15331-25014	COMP.FLYWHEEL	1	>=11821	←		15.9	34.98
020	15221-63820	GEAR RING	1				1.2	2.64
030	15321-25160	BOLT FLYWHEEL	6				0.05	0.11
040	15321-25170	WASHER FLYWHEEL	3				0.01	0.022
050	15341-04600	COMP.HOUSING F-W.	1				10.4	22.88
060	05012-01025	PIN STRAIGHT	2				0.016	0.0352
070	31220-14290	PLUG	4				0.002	0.0044
080	31220-14170	COVER	1				0.014	0.0308
090	01123-50814	BOLT	1				0	0
100	01073-51030	BOLT	11				0.028	0.0616
110	04512-50100	WASHER SPRING	11				0	0
120	01073-51240	BOLT	2				0.049	0.1078
130	04512-50120	WASHER SPRING	2				0	0

CYLINDER HEAD



- 030 01513-50816
- 040 02056-50080
- 050 04512-50080

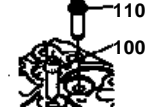


- 090 15261-9601-0



- 100 15521-1358-0

- 110 17311-1356-0

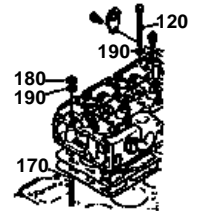


- 120 15221-0345-0

- 170 15221-0341-0

- 180 15221-0351-0

- 190 15221-0354-0



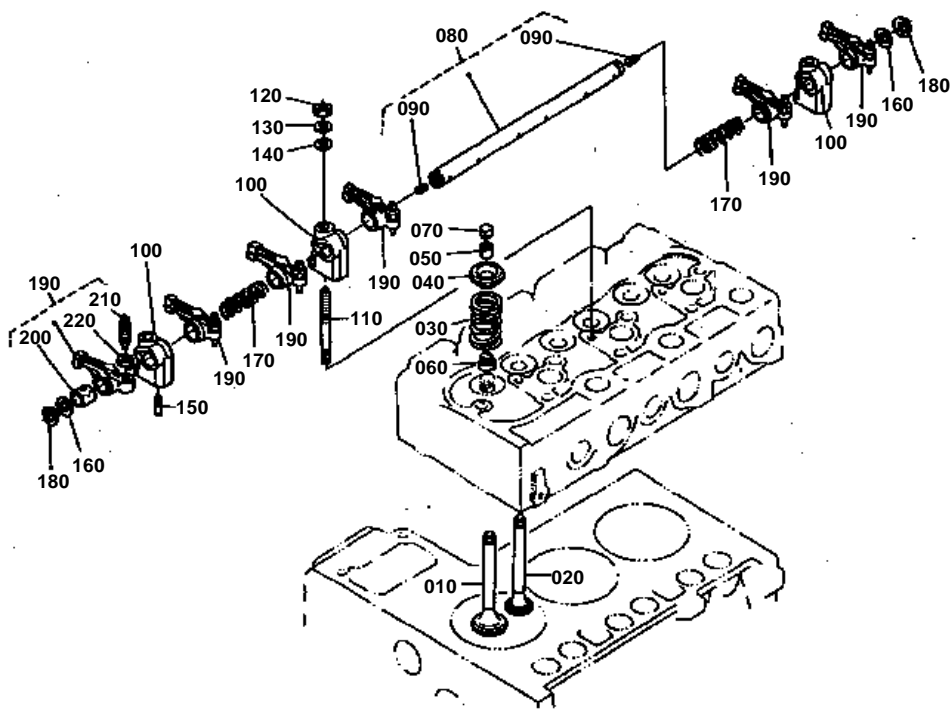


CYLINDER HEAD

↔ Interchangeable; ≠ not interchangeable; ← new for old; → old for new

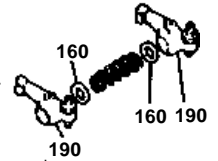
REF.No	Part No.	Description	Q'ty	S.No.	I/C	REMARKS	Weight (kgf)	Weight (lb)
010	15221-01750	HOOK ENGINE	2				0.04	0.088
020	01123-50816	BOLT	1	>=3551			0.011	0.0242
030	01513-50816	STUD	2	<=3550			0.009	0.0198
030	15521-91490	STUD	1	>=3551	↔		0	0
030	15471-91530	STUD	1	>=11097	↔		0.01	0.022
040	02056-50080	NUT	2	<=3550			0.005	0.011
040	02156-50080	NUT	1	>=3551	↔		0.004	0.0088
050	04512-50080	WASHER SPRING	2	<=3550			0	0
050	04512-50080	WASHER SPRING	1	>=3551			0	0
060	15301-03040	COMP.CYLINDER HEAD	1				15.1	33.22
070	15221-03370	CAP SEALING	9				0.01	0.022
080	15221-03490	CAP SEALING	1				0.02	0.044
090	15131-01380	PLUG PIN	2	<=5367			0.001	0.0022
090	15261-96010	PLUG	2	>=5368	≠		0.002	0.0044
100	15221-13580	GUIDE INLET VALVE	3	<=11861			0	0
100	15521-13580	GUIDE INLET VALVE	3	>=11862	↔		0	0
110	15601-13560	GUIDE EXHAUST VALVE	3	<=11861			0	0
110	17321-13560	GUIDE EXHAUST VALVE	3	>=11862	↔		0.02	0.044
120	15221-03450	BOLT CYLINDER HEAD	12	<=6252			0	0
120	19202-03450	BOLT CYLINDER HEAD	12	>=6253	↔		0.065	0.143
120	19202-03450	BOLT CYLINDER HEAD	14	>=11097			0.065	0.143
130	19282-03310	GASKET CYLINDER HEAD	1				0	0
140	15301-03320	SHIM CYL.HEAD GASKET	1				0.06	0.132
150	33400-75250	SWITCH THERMOMETER	1				0.033	0.0726
160	15291-03140	COMBUSTION CHAMBER	3				0.028	0.0616
170	15221-03410	STUD CYLINDER HEAD	2	<=6252			0	0
170	19202-03410	STUD CYLINDER HEAD	2	>=6253	↔		0.065	0.143
170	19202-03410	STUD CYLINDER HEAD	2	<=11097			0.065	0.143
180	15221-03510	NUT CYLINDER HEAD	2	<=6252			0.008	0.0176
180	19202-03510	NUT CYLINDER HEAD	2	>=6253	↔		0.012	0.0264
180	19202-03510	NUT CYLINDER HEAD	2	<=11097			0.012	0.0264
190	15221-03540	WASHER PLAIN	14	<=6252			0.003	0.0066

VALVE AND ROCKER ARM



110 15521-9150-0
Unified with
other type.

160 15221-1443-0
190 15221-1403-0



190 15521-1403-0



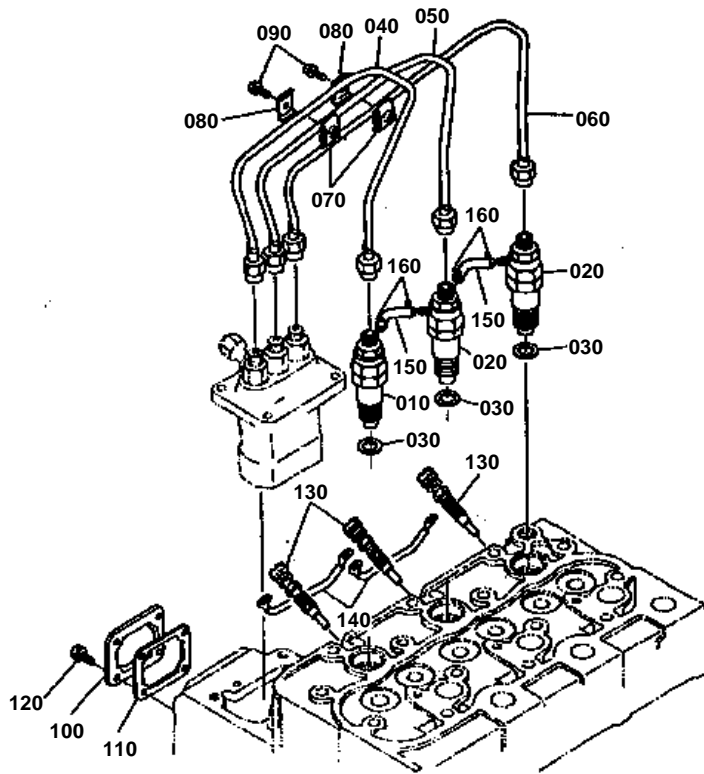


VALVE AND ROCKER ARM

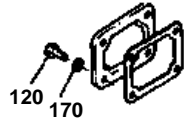
↔ Interchangeable; ≠ not interchangeable; ← new for old; → old for new

REF.No	Part No.	Description	Q'ty	S.No.	I/C	REMARKS	Weight (kgf)	Weight (lb)
010	15221-13110	VALVE INLET	3				0.062	0.1364
020	15221-13120	VALVE EXHAUST	3				0.054	0.1188
030	15221-13240	SPRING VALVE	6				0.036	0.0792
040	15221-13330	RETAINER VALVE SP.	6				0.03	0.066
050	15221-13360	COLLET VALVE SPRING	6				0	0
060	15221-13150	SEAL VALVE STEM	6				0.001	0.0022
070	15221-13280	CAP VALVE	6				0.006	0.0132
080	15321-14050	ASSY SHAFT R-ARM	1				0.25	0.55
090	03410-00808	SCREW SET	2				0.002	0.0044
100	15221-14350	BRACKET ROCKER ARM	3				0.044	0.0968
110	15221-14410	STUD	3	<=3550			0.028	0.0616
110	15521-91500	STUD	3	>=3551	≠		0.035	0.077
120	02156-50080	NUT	3				0.004	0.0088
130	04512-50080	WASHER SPRING	3				0	0
140	04012-50080	WASHER PLAIN	3				0.001	0.0022
150	15221-14420	SCREW SET	1				0.003	0.0066
160	15221-14430	WASHER	6	<=3550			0.002	0.0044
160	15221-14430	WASHER	2	>=3551	↔		0.002	0.0044
170	15221-14310	SPRING ROCKER ARM	2				0.005	0.011
180	04612-00140	CIR-CLIP EXTERNAL	2				0.001	0.0022
190	15221-14030	ASSY ROCKER ARM	6	<=3550			0	0
190	15521-14030	ASSY ROCKER ARM	6	>=3551	↔		0	0
190	15601-14030	ASSY ROCKER ARM	6	>=3857	←		0	0
200	15221-14180	BUSH ROCKER ARM	6				0.007	0.0154
210	15221-14230	SCREW ADJUSTING	6	<=3550			0.01	0.022
210	15521-14230	SCREW ADJUSTING	6	>=3551	↔		0.009	0.0198
220	15021-14240	NUT	6				0.003	0.0066

NOZZLE HOLDER AND GLOW PLUG



120 01053-50612
170 04512-50060



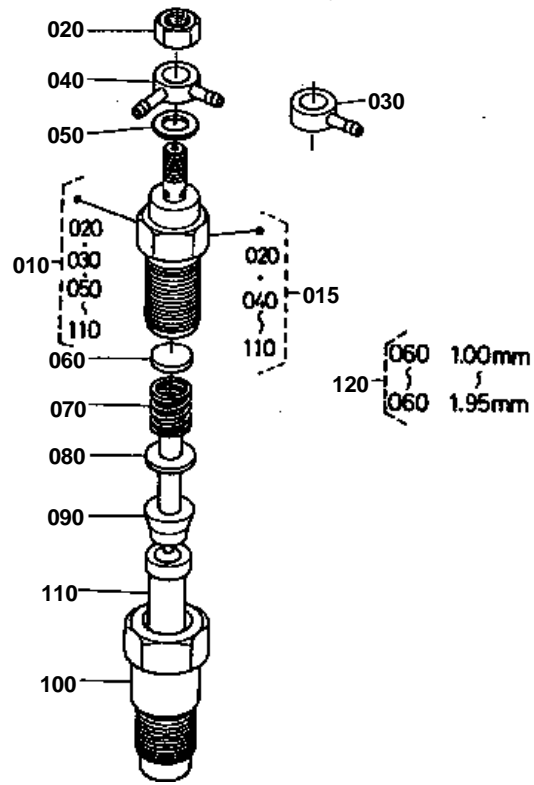


NOZZLE HOLDER AND GLOW PLUG

↔ Interchangeable; ≠ not interchangeable; ← new for old; → old for new

REF.No	Part No.	Description	Q'ty	S.No.	I/C	REMARKS	Weight (kgf)	Weight (lb)
010	15271-53000	ASSY HOLDER NOZZLE	1			REFER TO L.NO.0B08-R0 FOR COMPONENTS	0.26	0.572
020	15271-53020	ASSY HOLDER NOZZLE	2			REFER TO L.NO.0B08-R0 FOR COMPONENTS	0.26	0.572
030	17011-53620	GASKET	3				0.003	0.0066
040	15469-53710	PIPE INJECTION	1				0.13	0.286
050	15469-53720	PIPE INJECTION	1				0.132	0.2904
060	15469-53730	PIPE INJECTION	1				0.132	0.2904
070	15121-53850	CLAMP PIPE	2	<=11099			0	0
070	15841-53850	CLAMP PIPE	2	>=11100	↔		0.01	0.022
080	15121-53860	CLAMP PIPE	2	<=11099			0	0
080	15841-53860	CLAMP PIPE	2	>=11100	↔		0.009	0.0198
090	03024-50520	SCREW WITH WASHER	2				0.004	0.0088
100	15221-51650	COVER INJECTION PUMP	1				0.05	0.11
110	15221-51660	GASKET PUMP COVER	1				0	0
120	01053-50612	BOLT	4	<=3550			0.004	0.0088
120	01023-50612	BOLT	4	>=3551	↔		0.005	0.011
130	15221-65510	PLUG GLOW	3				0.03	0.066
140	15401-65560	CORD GLOW PLUG	2				0.005	0.011
150	15221-42510	PIPE FUEL OVER FLOW	2				0.005	0.011
160	10244-42320	CLIP PIPE	4				0.001	0.0022
170	04512-50060	WASHER SPRING	4	<=3550			0	0

NOZZLE HOLDER [COMPONENT PARTS]



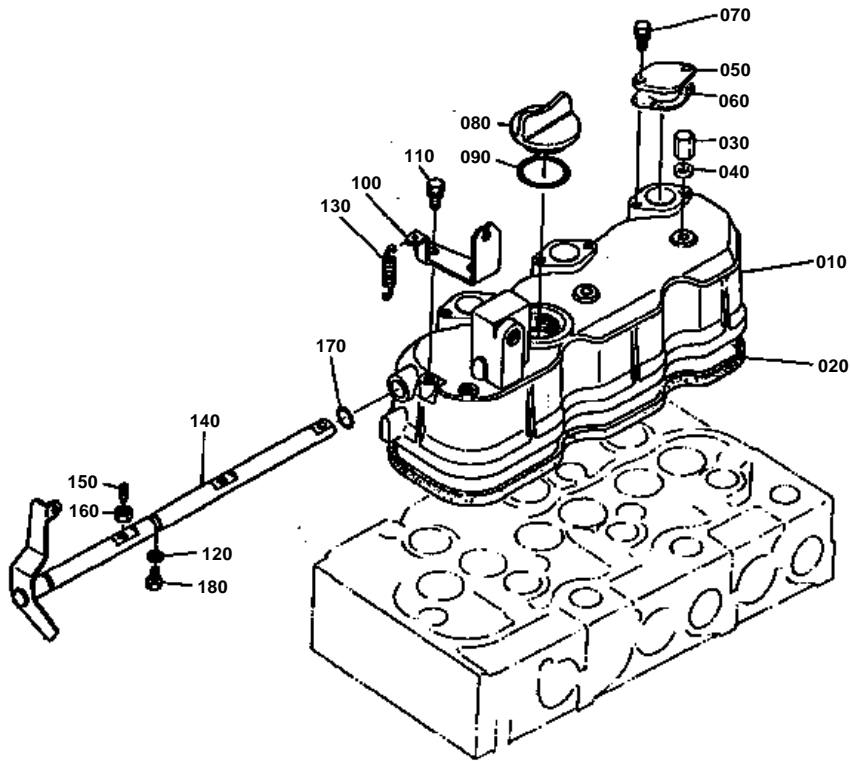


NOZZLE HOLDER [COMPONENT PARTS]

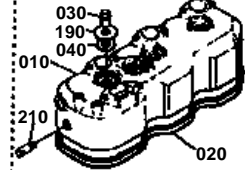
↔ Interchangeable; ≠ not interchangeable; ← new for old; → old for new

REF.No	Part No.	Description	Q'ty	S.No.	I/C	REMARKS	Weight (kgf)	Weight (lb)
010	15271-53000	ASSY HOLDER NOZZLE	1				0.26	0.572
015	15271-53020	ASSY HOLDER NOZZLE	2				0.26	0.572
020	15221-92020	NUT	3				0.011	0.0242
030	15221-95680	JOINT	1				0.021	0.0462
040	15221-95690	JOINT	2				0.022	0.0484
050	15221-94020	WASHER PLAIN	3				0.002	0.0044
060	15221-98110	WASHER ADJUSTING	3			1.00MM	0.001	0.0022
060	15221-98120	WASHER ADJUSTING	3			1.05MM	0.001	0.0022
060	15221-98130	WASHER ADJUSTING	3			1.10MM	0.001	0.0022
060	15221-98140	WASHER ADJUSTING	3			1.15MM	0.001	0.0022
060	15221-98150	WASHER ADJUSTING	3			1.20MM	0.001	0.0022
060	15221-98160	WASHER ADJUSTING	3			1.25MM	0.001	0.0022
060	15221-98170	WASHER ADJUSTING	3			1.30MM	0.001	0.0022
060	15221-98180	WASHER ADJUSTING	3			1.35MM	0.001	0.0022
060	15221-98190	WASHER ADJUSTING	3			1.40MM	0.002	0.0044
060	15221-98200	WASHER ADJUSTING	3			1.45MM	0.001	0.0022
060	15221-98210	WASHER ADJUSTING	3			1.50MM	0.001	0.0022
060	15221-98220	WASHER ADJUSTING	3			1.55MM	0.003	0.0066
060	15221-98230	WASHER ADJUSTING	3			1.60MM	0.003	0.0066
060	15221-98240	WASHER ADJUSTING	3			1.65MM	0.002	0.0044
060	15221-98250	WASHER ADJUSTING	3			1.70MM	0.002	0.0044
060	15221-98260	WASHER ADJUSTING	3			1.75MM	0.002	0.0044
060	15221-98270	WASHER ADJUSTING	3			1.80MM	0.002	0.0044
060	15221-98280	WASHER ADJUSTING	3			1.85MM	0.002	0.0044
060	15221-98290	WASHER ADJUSTING	3			1.90MM	0.002	0.0044
060	15221-98300	WASHER ADJUSTING	3			1.95MM	0.003	0.0066
070	15221-53170	SPRING NOZZLE	3				0.01	0.022
080	15221-53350	PIECE DISTANCE	3				0.016	0.0352
090	15221-53160	PUSH ROD	3				0.003	0.0066
100	15221-53280	NUT NOZZLE	3				0.068	0.1496
110	15021-53610	PIECE NOZZLE	3				0	0
120	15221-98100	ASSY WASHER	3				0.03	0.066

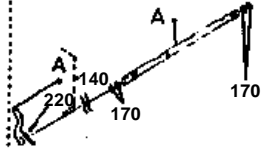
CYLINDER HEAD COVER



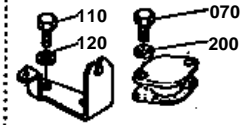
- 010 15321-1451-0
- 020 15321-1452-0
- 030 15221-1462-0
- 040 15221-1463-0
- 190 15221-1464-0
- 210 15221-6655-0



- 140 15321-6604-0
- 170 04811-06100
- 220 05411-00425



- 070 01053-50614
- 110 01053-50614
- 120 04512-50060
- 200 04512-50060



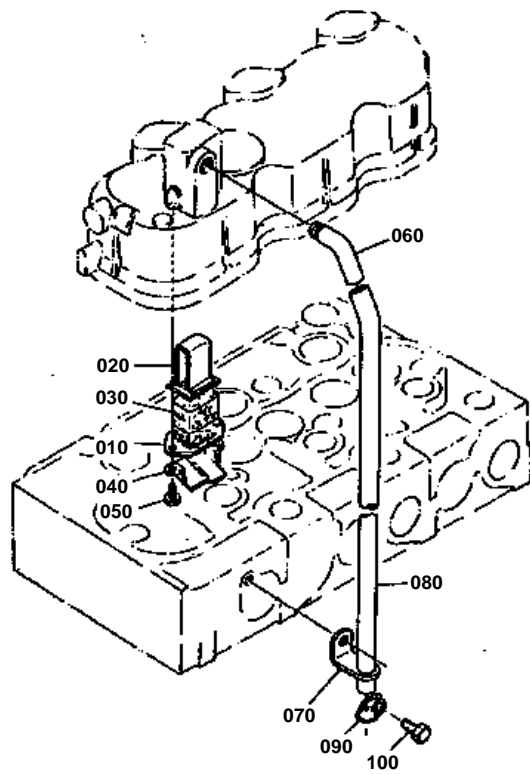


CYLINDER HEAD COVER

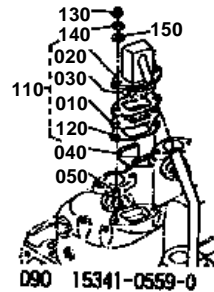
↔ Interchangeable; ≠ not interchangeable; ← new for old; → old for new

REF.No	Part No.	Description	Q'ty	S.No.	I/C	REMARKS	Weight (kgf)	Weight (lb)
010	15321-14510	COVER CYL.HEAD	1	<=3550			0.948	2.0856
010	15521-14510	COVER CYL.HEAD	1	>=3551	≠		1.22	2.684
020	15321-14520	GASKET HEAD COVER	1	<=3550			0.05	0.11
020	15521-14520	GASKET HEAD COVER	1	>=3551	≠		0.035	0.077
030	15221-14620	NUT HEAD COVER	3	<=3550			0.02	0.044
030	15451-92330	NUT CAP	3	>=3551	≠		0.015	0.033
040	15221-14630	GASKET	3	<=3550			0.003	0.0066
040	15021-33660	GASKET	3	>=3551	≠		0.001	0.0022
050	15221-66630	COVER DECOMP.OPENING	3				0.035	0.077
060	15221-66640	GASKET DECOMP.OPENIG	3				0	0
070	01053-50614	BOLT	6	<=3550			0.005	0.011
070	01023-50614	BOLT	6	>=3551	↔		0.005	0.011
080	15221-33140	PLUG OIL FILLER	1				0.038	0.0836
090	04811-50300	O RING	1				0.001	0.0022
100	15221-66190	HOLDER DECOMP.WIRE	1				0.055	0.121
110	01053-50614	BOLT	2	<=3550			0.005	0.011
110	01023-50614	BOLT	2	>=3551	↔		0.005	0.011
120	04512-50060	WASHER SPRING	3	<=3550			0	0
120	04512-50060	WASHER SPRING	1	>=3551			0	0
130	15221-66280	SPRING DECOMPRESS	1				0.008	0.0176
140	15321-66040	COMP.SHAFT DECOMP.	1	<=3550			0.44	0.968
140	15521-66040	COMP.SHAFT DECOMP.	1	>=3551	≠		0.385	0.847
150	15221-66350	BOLT DECOMPRESS	3				0.005	0.011
160	15221-66360	NUT DECOMPRESS	3				0.003	0.0066
170	04811-06100	O RING	4	<=3550			0.001	0.0022
170	04811-06100	O RING	1	>=3551			0.001	0.0022
180	15221-66410	BOLT	1				0.005	0.011
190	15221-14640	WASHER HEAD COVER	3	<=3550			0.017	0.0374
200	04512-50060	WASHER SPRING	6	<=3550			0	0
210	15221-66550	STOPPER DECOMP.SHAFT	1	<=3550			0.02	0.044
220	05411-00425	PIN SPRING	1	<=3550			0.001	0.0022

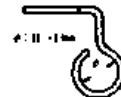
BREATHER



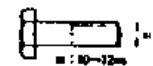
- 010 15241-0514-0
- 020 15241-0511-0
- 030 15241-0567-0
- 040 15241-0537-0
- 050 15221-8821-0
- 110 15241-0501-0
- 120 15321-0543-0
- 130 02056-50060
- 140 04512-50060
- 150 04012-50060



- 090 15341-0559-0



- 100 01173-51218



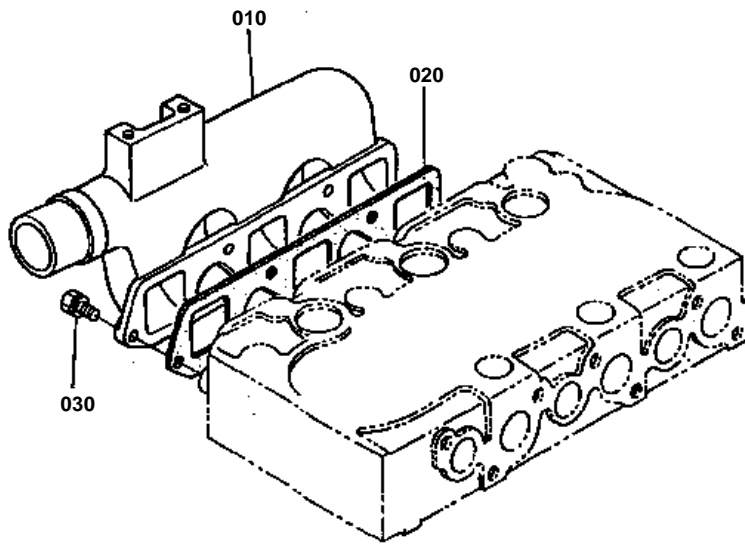


BREATHER

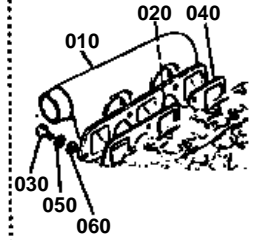
↔ Interchangeable; ≠ not interchangeable; ← new for old; → old for new

REF.No	Part No.	Description	Q'ty	S.No.	I/C	REMARKS	Weight (kgf)	Weight (lb)
010	15241-05140	PLATE ELEMENT	1	≤3550			0.009	0.0198
010	15521-05140	PLATE ELEMENT	1	≥3551	≠		0.005	0.011
020	15241-05110	BREATHER	1	≤3550			0.13	0.286
020	15521-05150	PLATE ELEMENT	1	≥3551	≠		0.01	0.022
030	15241-05670	ELEMENT BREATHER	1	≤3550			0.008	0.0176
030	15521-05670	ELEMENT BREATHER	1	≥3551	≠		0.01	0.022
040	15241-05370	OIL SHIELD BREATHER	1	≤3550			0.005	0.011
040	15521-05370	OIL SHIELD BREATHER	1	≥3551	≠		0.005	0.011
050	15221-88210	STUD	2	≤3550			0.005	0.011
050	15521-93310	SCREW WITH WASHER	2	≥3551	≠		0	0
060	15521-05550	JOINT BREATHER PIPE	1	≥3551			0.04	0.088
070	15401-05580	CLAMP PIPE	1				0.02	0.044
080	15401-05510	PIPE BREATHER	1	≤6092			0	0
080	15521-05510	PIPE BREATHER	1	≥6093	↔		0.075	0.165
090	15401-05590	CLAMP PIPE	1	≤3550			0.003	0.0066
090	15341-05590	CLAMP PIPE	1	≥3551	≠		0.003	0.0066
100	01173-51018	BOLT	1	≤3550			0.018	0.0396
100	01173-51218	BOLT	1	≥3551	≠		0.028	0.0616
110	15241-05010	ASSY BREATHER	1	≤3550			0.15	0.33
120	15321-05430	GASKET	2	≤3550			0	0
130	02056-50060	NUT	2	≤3550			0.002	0.0044
140	04512-50060	WASHER SPRING	2	≤3550			0	0
150	04012-50060	WASHER PLAIN	2	≤3550			0.001	0.0022

INLET MANIFOLD



- 010 15334-1176-0
- 020 15221-1182-0
- 030 01053-50822
- 040 15321-1183-0
- 050 04512-50080
- 060 04012-50080



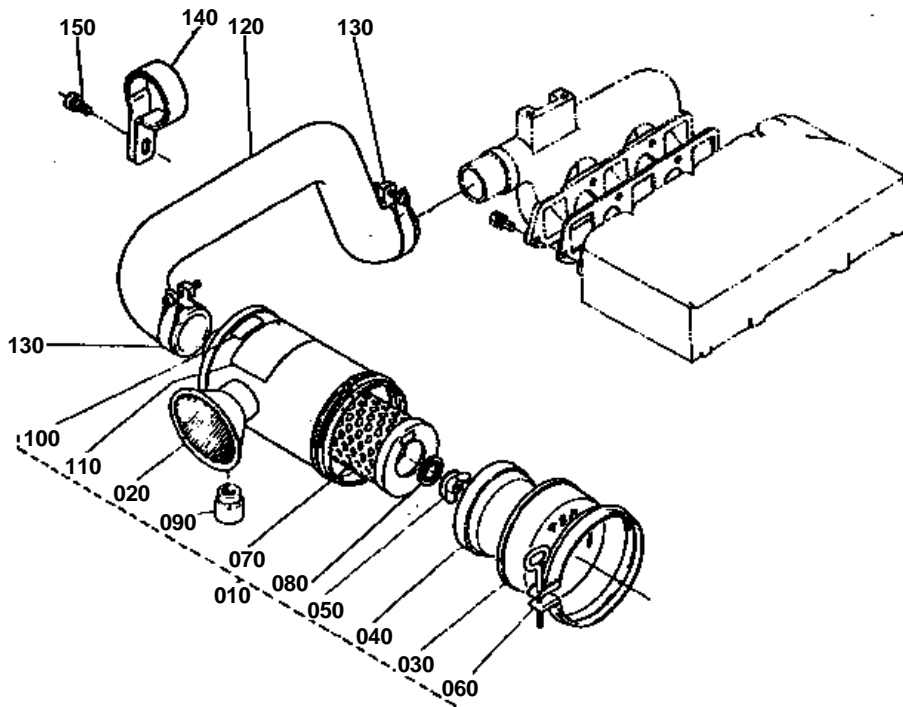


INLET MANIFOLD

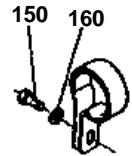
↔ Interchangeable; ≠ not interchangeable; ← new for old; → old for new

REF.No	Part No.	Description	Q'ty	S.No.	I/C	REMARKS	Weight (kgf)	Weight (lb)
010	15334-11760	MANIFOLD INLET	1	<=3550			0.84	1.848
010	15521-11760	MANIFOLD INLET	1	>=3551	↔		0.79	1.738
020	15221-11820	GASKET IN-MANIFOLD	1	<=3550			0.008	0.0176
020	15521-11820	GASKET IN-MANIFOLD	1	>=3551	≠		0	0
030	01053-50822	BOLT	5	<=3550			0.013	0.0286
030	01123-50822	BOLT	5	>=3551	↔		0.012	0.0264
040	15321-11830	GASKET IN-MANIFOLD	1	<=3550			0	0
050	04512-50080	WASHER SPRING	5	<=3550			0	0
060	04012-50080	WASHER PLAIN	5	<=3550			0.001	0.0022





150 01053-50812
160 04512-50080

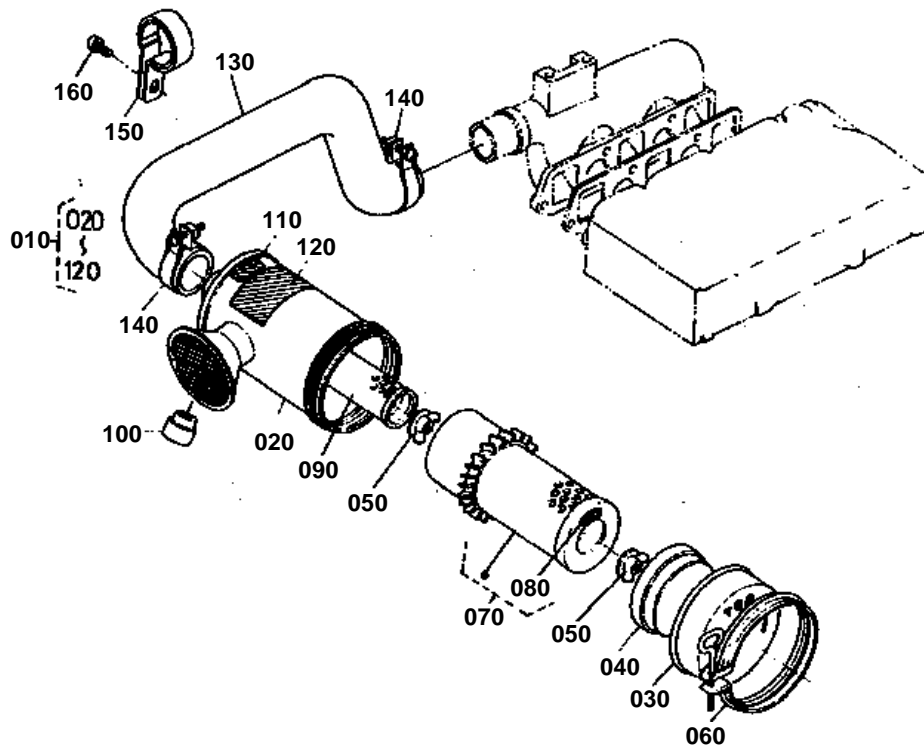


**AIR CLEANER**

↔ Interchangeable; ≠ not interchangeable; ← new for old; → old for new

REF.No	Part No.	Description	Q'ty	S.No.	I/C	REMARKS	Weight (kgf)	Weight (lb)
010	15401-11010	ASSY CLEANER AIR	1				2.9	6.38
020	15401-11150	BODY AIR CLEANER	1				1.15	2.53
030	15401-11160	COVER AIR CLEANER	1				0.38	0.836
040	15401-11410	COVER BAFFLE	1				0.05	0.11
050	15401-92620	ASSY NUT WING	1				0.01	0.022
060	15401-11070	ASSY BAND AIRCLEANER	1				0.115	0.253
070	15401-11080	ASSY ELEMENT CLEANER	1				0.74	1.628
080	15401-94430	WASHER WITH RUBBER	1				0.009	0.0198
090	15401-11090	ASSY INDICATOR	1				0.021	0.0462
100	15401-87750	MARK FORM	1				0.001	0.0022
110	15401-87450	LABEL AIR CLEANER	1				0.002	0.0044
120	15301-11620	PIPE INLET	1				0.66	1.452
130	15401-11720	BAND PIPE	2				0.05	0.11
140	15401-11700	ASSY HOLDER PIPE	1				0.08	0.176
150	01053-50812	BOLT	1	≤3550			0.009	0.0198
150	03004-50812	SCREW WITH WASHER	1	≥3551	↔		0.008	0.0176
160	04512-50080	WASHER SPRING	1	≤3550			0	0

AIR CLEANER (DOUBLE)



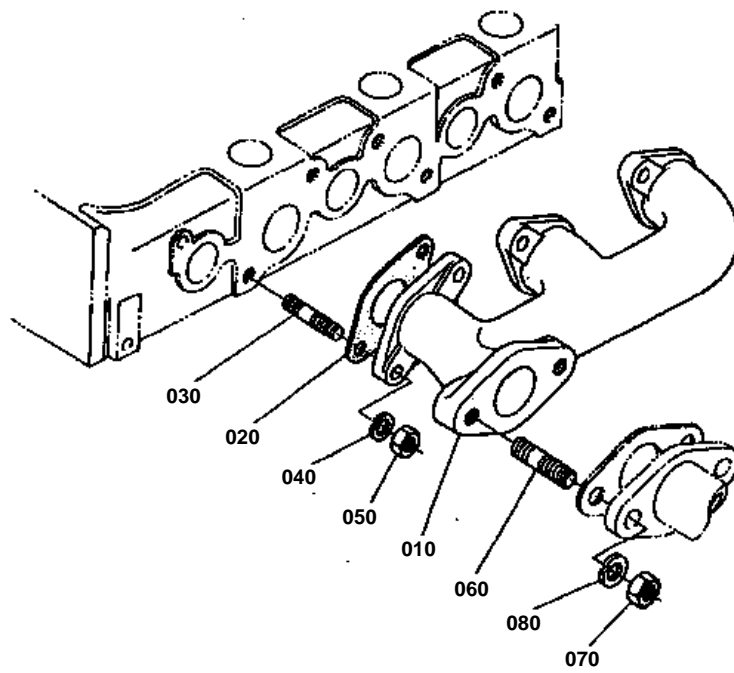


AIR CLEANER (DOUBLE)

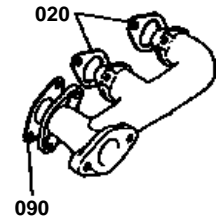
↔ Interchangeable; ≠ not interchangeable; ← new for old; → old for new

REF.No	Part No.	Description	Q'ty	S.No.	I/C	REMARKS	Weight (kgf)	Weight (lb)
010	15312-11010	ASSY CLEANER AIR	1				3	6.6
020	15312-11150	BODY AIR CLEANER	1				1.48	3.256
030	15401-11160	COVER AIR CLEANER	1				0.38	0.836
040	15401-11410	COVER BAFFLE	1				0.05	0.11
050	15401-92620	ASSY NUT WING	2				0.01	0.022
060	15401-11070	ASSY BAND AIRCLEANER	1				0.115	0.253
070	15287-11080	ASSY ELEMENT OUTER	1				0.75	1.65
080	15287-87480	LABEL ELEMENT A/C	1				0.005	0.011
090	15287-11490	ASSY ELEMENT INNER	1				0.25	0.55
100	15401-11090	ASSY INDICATOR	1				0.021	0.0462
110	15312-87750	MARK FORM	1				0.001	0.0022
120	15287-87450	LABEL AIR CLEANER	1				0.01	0.022
130	15301-11620	PIPE INLET	1				0.66	1.452
140	15401-11720	BAND PIPE	2				0.05	0.11
150	15401-11700	ASSY HOLDER PIPE	1				0.08	0.176
160	03004-50812	SCREW WITH WASHER	1				0.008	0.0176

EXHAUST MANIFOLD



020 15221-1235-0
090 15221-1236-0



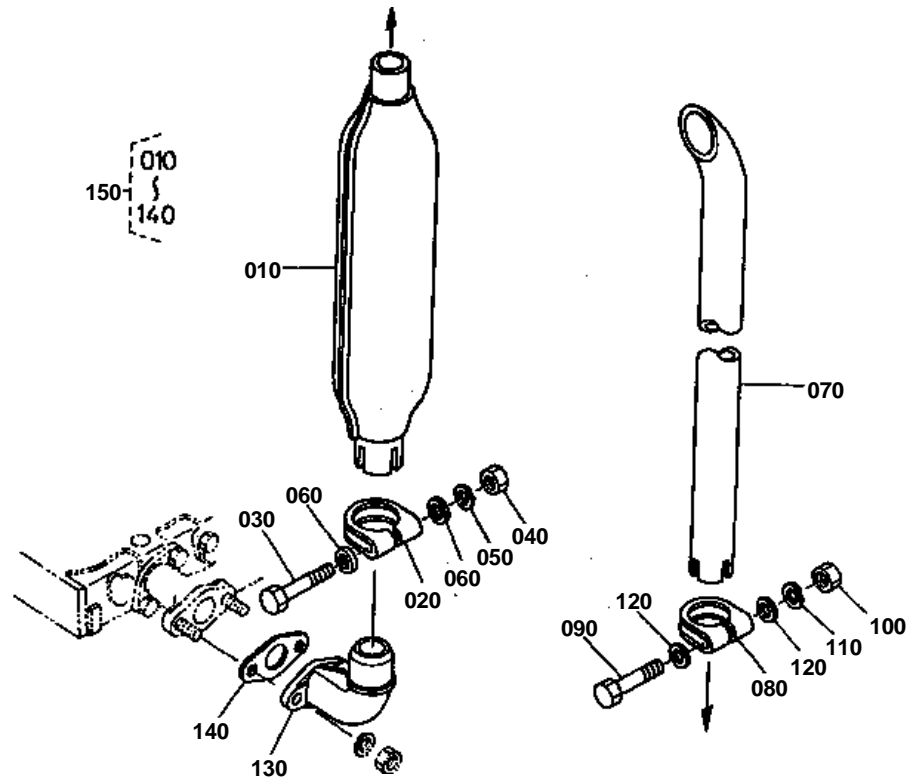


EXHAUST MANIFOLD

↔ Interchangeable; ≠ not interchangeable; ← new for old; → old for new

REF.No	Part No.	Description	Q'ty	S.No.	I/C	REMARKS	Weight (kgf)	Weight (lb)
010	15321-12310	MANIFOLD EXHAUST	1				1.46	3.212
020	15221-12350	GASKET EX-MANIFOLD	2	<=3550			0	0
020	15521-12350	GASKET EX-MANIFOLD	3	>=3551	↔		0	0
030	15221-91530	STUD	6				0.011	0.0242
040	04512-50080	WASHER SPRING	6				0	0
050	02156-50080	NUT	6				0.004	0.0088
060	15303-91560	STUD	2				0.023	0.0506
070	15021-12260	NUT	2				0.013	0.0286
080	04512-50100	WASHER SPRING	2				0	0
090	15221-12360	GASKET EX-MANIFOLD	1	<=3550			0	0

MUFFLER



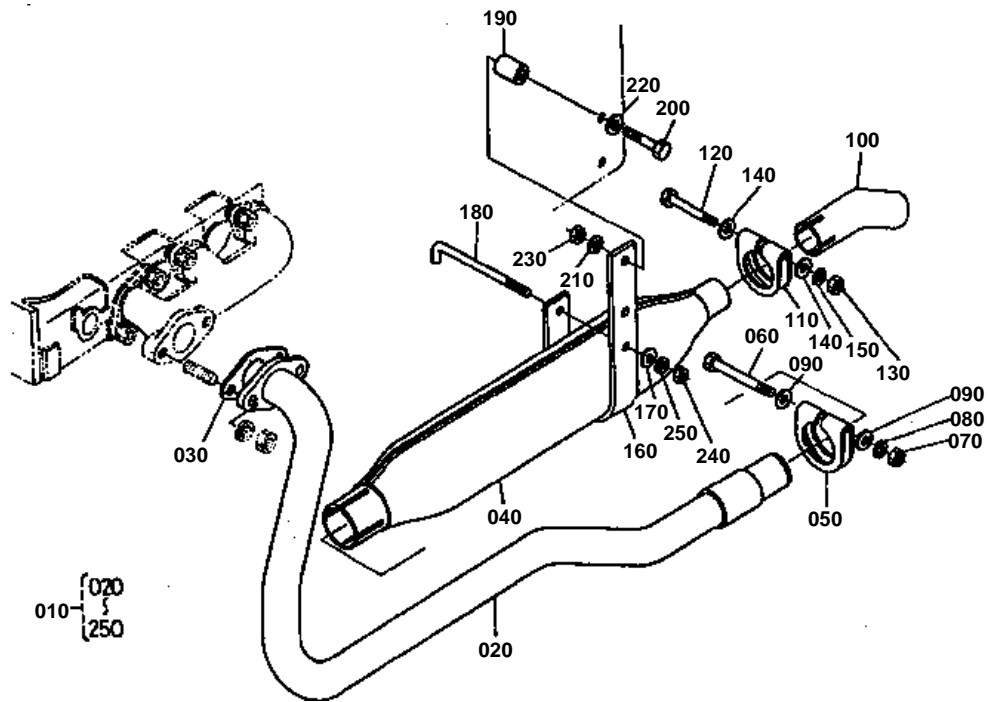


MUFFLER

↔ Interchangeable; ≠ not interchangeable; ← new for old; → old for new

REF.No	Part No.	Description	Q'ty	S.No.	I/C	REMARKS	Weight (kgf)	Weight (lb)
010	15221-12110	MUFFLER	1				0	0
020	15221-12130	BAND MUFFLER	1				0	0
030	01153-50878	BOLT	1				0.029	0.0638
040	02156-50080	NUT	1				0.004	0.0088
050	04512-50080	WASHER SPRING	1				0	0
060	04012-50080	WASHER PLAIN	2				0.001	0.0022
070	34219-12410	PIPE MUFFLER	1				0.54	1.188
080	15221-12430	BAND PIPE	1				0	0
090	01153-50860	BOLT	1				0.024	0.0528
100	02156-50080	NUT	1				0.004	0.0088
110	04512-50080	WASHER SPRING	1				0	0
120	04012-50080	WASHER PLAIN	2				0.001	0.0022
130	15401-12320	FLANGE MUFFLER	1				0	0
140	15221-12370	GASKET	1				0	0
150	35310-62100	ASSY MUFFLER UPWARD	1				6.5	14.3

UNDER MUFFLER



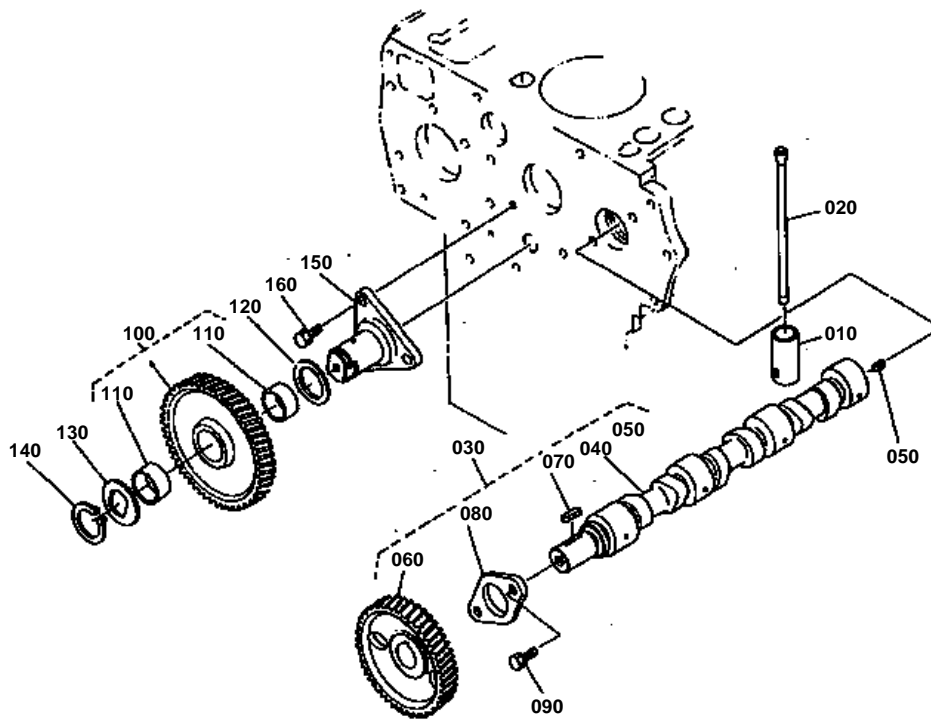


UNDER MUFFLER

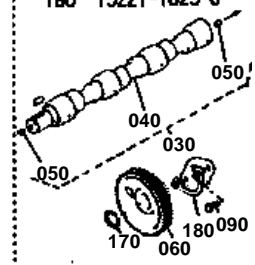
↔ Interchangeable; ≠ not interchangeable; ← new for old; → old for new

REF.No	Part No.	Description	Q'ty	S.No.	I/C	REMARKS	Weight (kgf)	Weight (lb)
010	35300-62100	ASSY MUFFLER UNDER	1				8.3	18.26
020	35300-62110	PIPE MUFFLER	1				2.7	5.94
030	15221-12370	GASKET	1				0	0
040	34159-62190	MUFFLER	1				2.29	5.038
050	15221-12130	BAND MUFFLER	1				0	0
060	01153-50878	BOLT	1				0.029	0.0638
070	02156-50080	NUT	1				0.004	0.0088
080	04512-50080	WASHER SPRING	1				0	0
090	04012-50080	WASHER PLAIN	2				0.001	0.0022
100	35110-62130	PIPE MUFFLER	1				0.16	0.352
110	15221-12430	BAND PIPE	1				0	0
120	01153-50865	BOLT	1				0.025	0.055
130	02156-50080	NUT	1				0.004	0.0088
140	04012-50080	WASHER PLAIN	2				0.001	0.0022
150	04512-50080	WASHER SPRING	1				0	0
160	35110-62160	SUPPORT MUFFLER	1	<=53678			0	0
160	35110-62165	SUPPORT MUFFLER	1	>=53679	←		0.6	1.32
170	04013-50080	WASHER PLAIN	1				0	0
180	35110-62170	BOLT	1				0.05	0.11
190	35300-62180	COLLAR	2				0.026	0.0572
200	01173-51050	BOLT	2				0.035	0.077
210	04512-50100	WASHER SPRING	2				0	0
220	04013-50100	WASHER PLAIN	2				0	0
230	02176-50100	NUT	2				0.005	0.011
240	02054-50080	NUT	1				0.005	0.011
250	04512-50080	WASHER SPRING	1				0	0

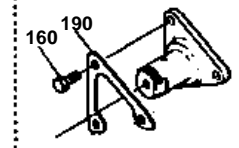
CAMSHAFT



- 030 15321-1601-0
- 040 15321-1615-0
- 050 15221-3363-0
- 060 15221-1651-0
- 090 01053-50818
- 170 04612-00240
- 180 15221-1625-0



- 120 15521-2436-0
- 130 15521-2437-0
- Change of material.
- 160 01053-50818
- 190 15221-2431-0



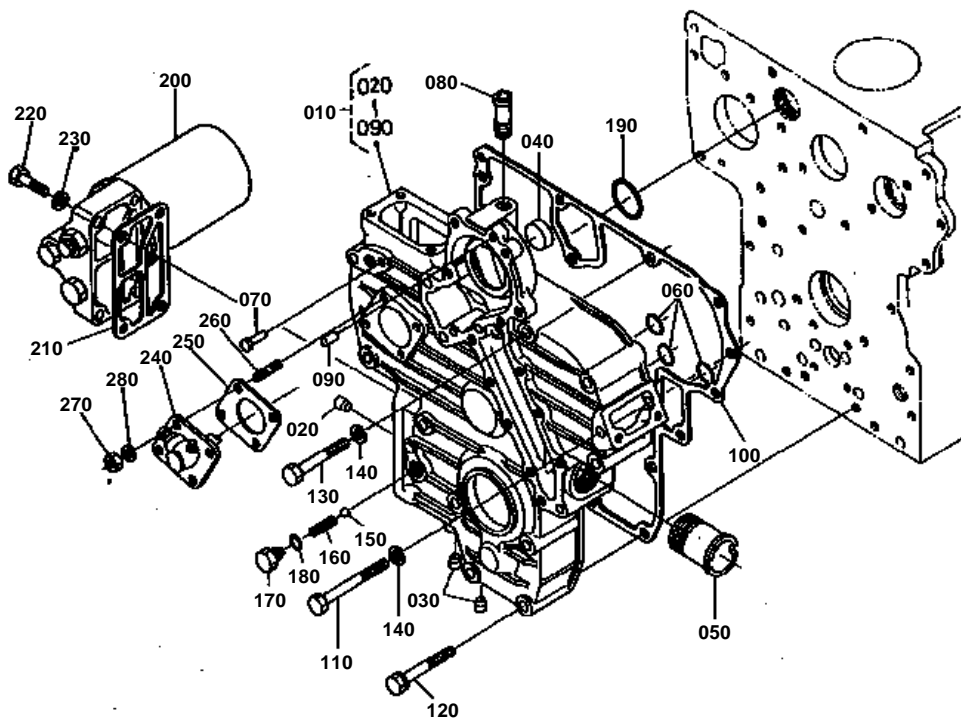


CAMSHAFT

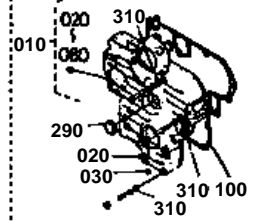
↔ Interchangeable; ≠ not interchangeable; ← new for old; → old for new

REF.No	Part No.	Description	Q'ty	S.No.	I/C	REMARKS	Weight (kgf)	Weight (lb)
010	15221-15550	TAPPET	6				0	0
020	15221-15110	PUSH ROD	6				0.05	0.11
030	15321-16010	ASSY CAMSHAFT	1	<=3550			0	0
030	15521-16010	ASSY CAMSHAFT	1	>=3551	↔		3.6	7.92
040	15321-16150	CAMSHAFT	1	<=3550			1.96	4.312
040	15521-16150	CAMSHAFT	1	>=3551	↔		1.79	3.938
050	15221-33630	PLUG PIN	2	<=3550			0.001	0.0022
050	15521-93610	SCREW SET	1	>=3551	↔		0.002	0.0044
060	15221-16510	GEAR CAMSHAFT	1	<=3550			0.85	1.87
060	15521-16510	GEAR CAMSHAFT	1	>=3551	↔		0.85	1.87
070	05712-00720	KEY FEATHER	1				0.008	0.0176
080	15221-16270	STOPPER CAMSHAFT	1				0.073	0.1606
090	01053-50818	BOLT	2	<=3550			0.011	0.0242
090	01123-50818	BOLT	2	>=3551	↔		0.012	0.0264
100	15221-24010	COMP.GEAR IDLE	1				0.5	1.1
110	15221-24980	BUSH IDLE GEAR	2				0.02	0.044
120	15221-24360	COLLAR IDLE GEAR	1	<=3550			0.02	0.044
120	15521-24360	COLLAR	1	>=3551	↔		0.015	0.033
130	15221-24370	COLLAR IDLE GEAR	1	<=3550			0.018	0.0396
130	15521-24370	COLLAR	1	>=3551	↔		0.015	0.033
140	15221-24320	CIR-CLIP IDLE GEAR	1				0.01	0.022
150	15221-24250	SHAFT IDLE GEAR	1				0.48	1.056
160	01053-50818	BOLT	3	<=3550			0.011	0.0242
160	01123-50818	BOLT	3	>=3551	↔		0.012	0.0264
170	04612-00240	CIR-CLIP EXTERNAL	1	<=3550			0.002	0.0044
180	15221-16250	WASHER STOPPER	1	<=3550			0.01	0.022
190	15221-24310	WASHER IDLE G. SHAFT	1	<=3550			0.01	0.022

GEAR CASE



- 010 15321-0402-0
- 020 15221-3362-0
- 030 15221-3364-0
- 100 15221-0413-0
- 290 15221-0349-0
- 310 04012-50080



- 110 01153-50885
- 120 15521-9101-0
- 130 01153-50870
- 140 04512-50080

Changed according to
REF. No. 010

- 300 04012-50060

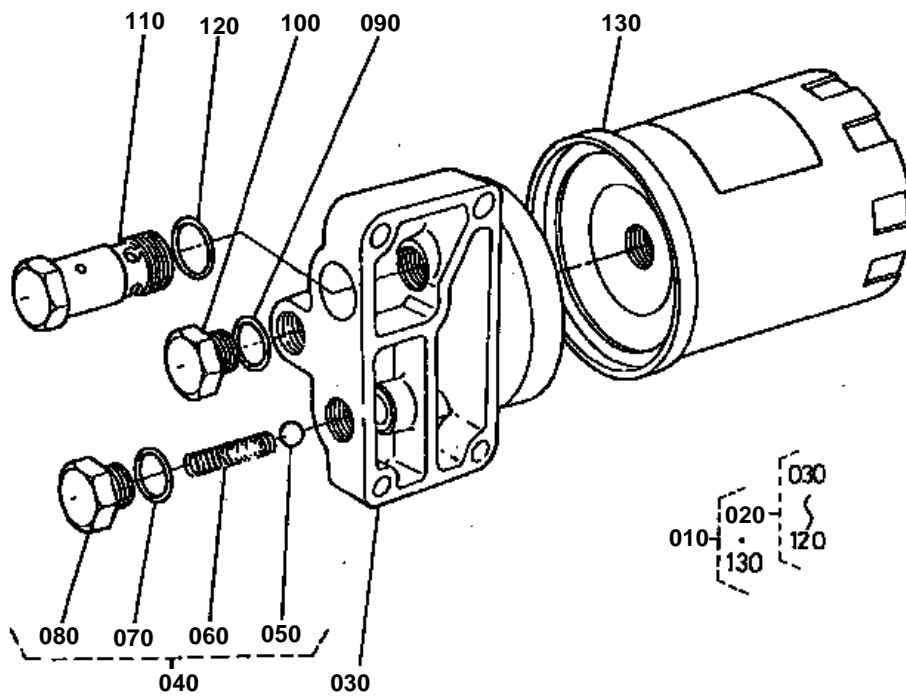




GEAR CASE

↔ Interchangeable; ≠ not interchangeable; ← new for old; → old for new

REF.No	Part No.	Description	Q'ty	S.No.	I/C	REMARKS	Weight (kgf)	Weight (lb)
010	15321-04020	COMP.CASE GEAR	1	<=3550			4.8	10.56
010	15341-04020	COMP.CASE GEAR	1	>=3551	≠		4.25	9.35
020	15221-33620	PLUG PIN	2	<=3550			0.002	0.0044
020	15221-33620	PLUG PIN	1	>=3551			0.002	0.0044
030	15221-33640	PLUG PIN	1	<=3550			0.003	0.0066
030	15221-33660	PLUG PIN	2	>=3551	≠		0.004	0.0088
040	15321-96260	CAP SEALING	1				0.014	0.0308
050	15221-72880	PIPE WATER	1				0.115	0.253
060	04811-00150	O RING	3				0.001	0.0022
070	15221-56280	PIN START SPRING	1				0.006	0.0132
080	15321-73340	PIPE WATER	1				0.016	0.0352
		RETURN						
090	05012-00612	PIN STRAIGHT	2	>=3551			0.003	0.0066
100	15221-04130	GASKET GEAR	1	<=3550			0	0
		CASE						
100	15601-04130	GASKET GEAR	1	>=3551	≠		0	0
		CASE						
100	15601-04132	GASKET GEAR	1	>=11886	←		0	0
		CASE						
110	01053-50885	BOLT	1	<=3550			0.031	0.0682
110	01153-50885	BOLT	4	>=3551			0.031	0.0682
120	15221-91040	BOLT	10	<=3550			0	0
120	15521-91010	BOLT	7	>=3551	≠		0	0
130	15321-91010	BOLT	3	<=3550			0.03	0.066
130	01153-50870	BOLT	4	>=3551	≠		0.026	0.0572
140	04512-50080	WASHER SPRING	14	<=3550			0	0
140	04512-50080	WASHER SPRING	15	>=3551			0	0
140	04512-50080	WASHER SPRING	8	<=11754			0	0
150	07715-00803	BALL	1				0.004	0.0088
160	15221-38440	SPRING	1				0.004	0.0088
170	15221-38420	CAP	1				0.025	0.055
180	04811-00100	O RING	1				0.001	0.0022
190	04811-40240	O RING	1				0.002	0.0044
200	15213-32020	ASSY FILTER OIL	1			REFER TO L.NO.0C01-L0 FOR COMPONENTS	0.89	1.958
210	15213-32320	GASKET	1				0	0
220	01153-50842	BOLT	4				0.018	0.0396
230	04512-50080	WASHER SPRING	4				0	0
240	37150-34660	CASE H/METER	1				0.32	0.704
		DRIVE						
250	15221-88130	GASKET H/METER	1				0	0
		UNIT						
260	15221-88210	STUD	4				0.005	0.011
270	02056-50060	NUT	4				0.002	0.0044
280	04512-50060	WASHER SPRING	4				0	0
290	15221-03490	CAP SEALING	1	<=3550			0.02	0.044
300	04012-50060	WASHER PLAIN	4	<=3550			0.001	0.0022
310	04012-50080	WASHER PLAIN	14	<=3550			0.001	0.0022



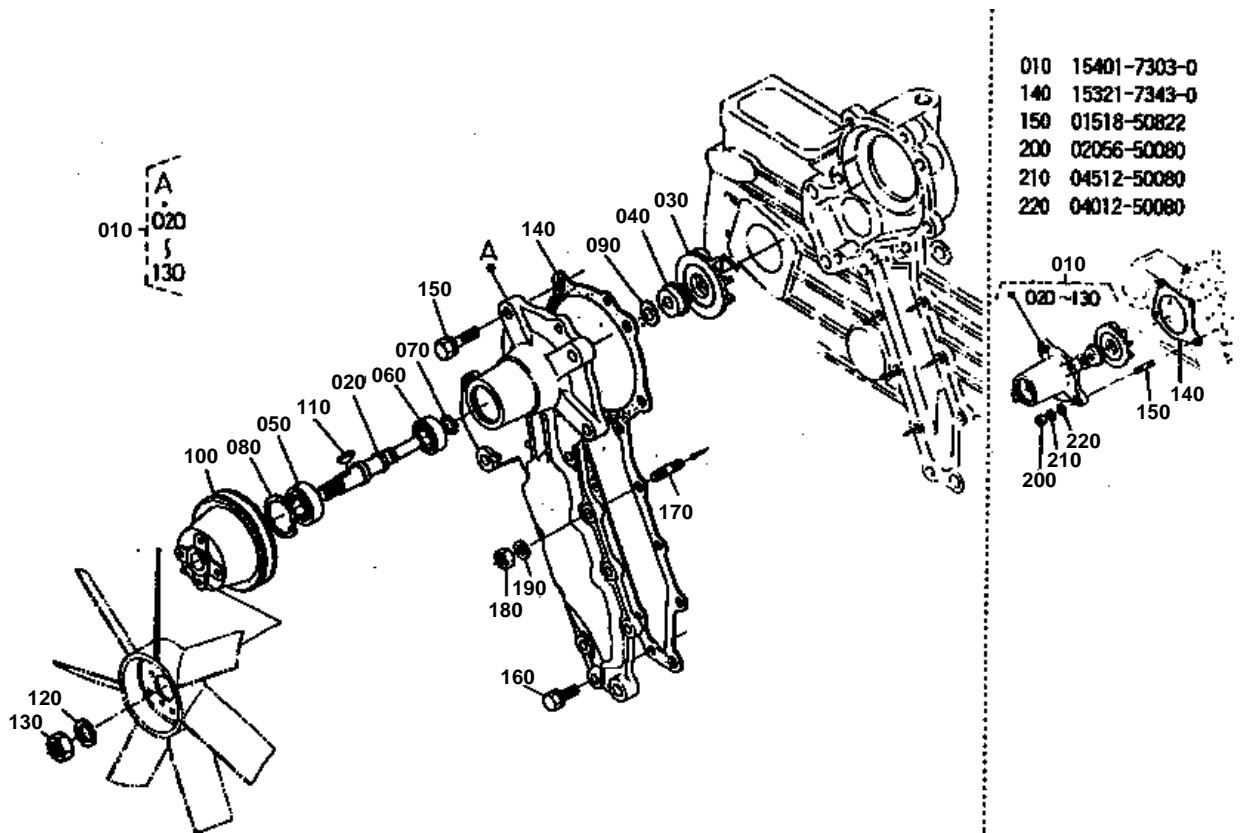


OIL FILTER [COMPONENT PARTS]

↔ Interchangeable; ≠ not interchangeable; ← new for old; → old for new

REF.No	Part No.	Description	Q'ty	S.No.	I/C	REMARKS	Weight (kgf)	Weight (lb)
010	15213-32020	ASSY FILTER OIL	1				0.89	1.958
020	15213-32070	ASSY COVER OIL FILTE	1				0.52	1.144
030	15213-32350	COVER	1				0.34	0.748
040	15101-32700	ASSY VALVE SAFETY	1				0.036	0.0792
050	15101-36970	VALVE SAFETY	1				0.004	0.0088
060	15101-36950	SPRING	1				0.002	0.0044
070	15101-36920	O RING	1				0.001	0.0022
080	15101-32940	PLUG	1				0.03	0.066
090	15213-36920	O RING	1				0.002	0.0044
100	15213-32940	PLUG	1				0.017	0.0374
110	15213-36070	COMP VALVE RELIEF	1				0.13	0.286
120	04811-00200	O RING	1				0.001	0.0022
130	15213-32090	CARTRIDGE OIL FILTER	1				0.358	0.7876

WATER PUMP





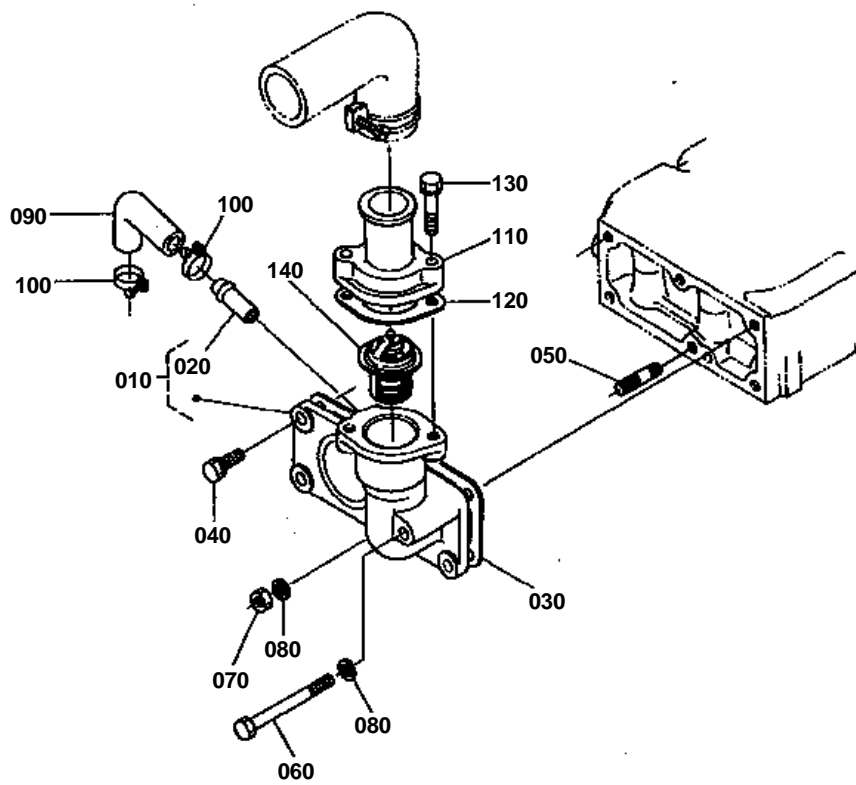
WATER PUMP

↔ Interchangeable; ≠ not interchangeable; ← new for old; → old for new

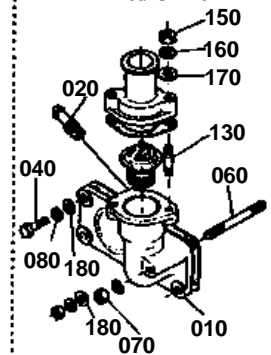
REF.No	Part No.	Description	Q'ty	S.No.	I/C	REMARKS	Weight (kgf)	Weight (lb)
010	15401-73030	ASSY PUMP WATER	1	≤3550			1.7	3.74
010	15301-73030	ASSY PUMP WATER	1	≥3551	≠		0	0
010	16111-73030	ASSY PUMP WATER	1	≥11886	↔		1.95	4.29
020	15321-73480	SHAFT WATER PUMP	1				0.19	0.418
030	15321-73510	IMPELLER WATER PUMP	1	≤11885			0.22	0.484
030	19202-73510	IMPELLER WATER PUMP	1	≥11886	≠		0.22	0.484
040	15121-73050	SET SEAL	1	≤11885			0	0
040	19202-73050	ASSY SEAL MECHANICAL	1	≥11886	≠		0.02	0.044
050	08143-06302	BEARING BALL	1				0.082	0.1804
060	08143-06202	BEARING BALL	1				0.043	0.0946
070	04612-00150	CIR-CLIP EXTERNAL	1				0.001	0.0022
080	04611-00420	CIR-CLIP INTERNAL	1				0.006	0.0132
090	15121-73620	SLINGER	1				0.002	0.0044
100	15401-74250	PULLEY FAN	1				0.73	1.606
110	05811-00416	KEY WOODRUFF	1				0.002	0.0044
120	04512-50140	WASHER SPRING	1				0	0
130	02076-50140	NUT	1				0.022	0.0484
140	15321-73430	GASKET WATER PUMP	1	≤3550			0	0
140	15341-73430	GASKET WATER PUMP	1	≥3551	≠		0	0
150	01518-50822	STUD	4	≤3550			0.012	0.0264
150	01123-50828	BOLT	4	≥3551	≠		0.014	0.0308
160	01023-50618	BOLT	4	≥3551			0.006	0.0132
170	15221-88210	STUD	5	≥3551			0.005	0.011
180	02056-50060	NUT	5	≥3551			0.002	0.0044
190	04512-50060	WASHER SPRING	5	≥3551			0	0
200	02056-50080	NUT	4	≤3550			0.005	0.011
210	04512-50080	WASHER SPRING	4	≤3550			0	0
220	04012-50080	WASHER PLAIN	4	≤3550			0.001	0.0022



WATER FLANGE



- 010 15321-7291-0
- 020 15321-7334-0
- 040 01053-50822
- 060 01513-50870
- 070 02056-50080
- 080 04512-50080
- 130 01518-50832
- 150 02056-50080
- 160 04512-50080
- 170 04012-50080
- 180 04012-50080



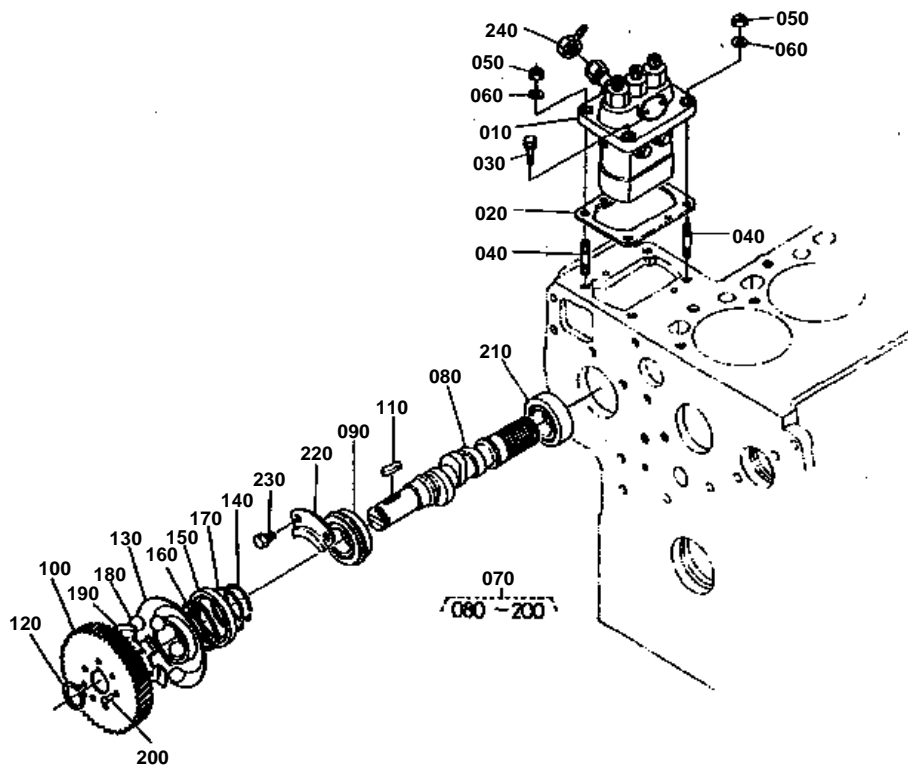


WATER FLANGE

↔ Interchangeable; ≠ not interchangeable; ← new for old; → old for new

REF.No	Part No.	Description	Q'ty	S.No.	I/C	REMARKS	Weight (kgf)	Weight (lb)
010	15321-72910	FLANGE WATER	1	≤11775			0	0
010	15321-72700	COMP.FLANGE WATER	1	≥11776	←		0	0
020	15321-73340	PIPE WATER RETURN	1	≤11775			0.016	0.0352
020	17331-73340	PIPE WATER RETURN	1	≥11776	≠		0	0
030	15221-72920	GASKET WATER FLANGE	1				0	0
040	01053-50822	BOLT	4	≤3550			0.013	0.0286
040	01123-50822	BOLT	4	≥3551	↔		0.012	0.0264
050	01513-50822	STUD	1				0.01	0.022
060	01513-50870	STUD	1	≤3550			0.029	0.0638
060	01153-50870	BOLT	1	≥3551	↔		0.026	0.0572
070	02056-50080	NUT	2	≤3550			0.005	0.011
070	02156-50080	NUT	1	≥3551	↔		0.004	0.0088
080	04512-50080	WASHER SPRING	6	≤3550			0	0
080	04512-50080	WASHER SPRING	2	≥3551	↔		0	0
090	15321-73350	PIPE WATER RETURN	1				0.02	0.044
100	15109-73360	BAND PIPE	2				0.01	0.022
110	15321-73260	COVER THERMOSTAT	1				0.107	0.2354
120	15321-73270	GASKET	1				0	0
130	01518-50832	STUD	2	≤3550			0.016	0.0352
130	01123-50835	BOLT	2	≥3551	↔		0.02	0.044
140	15321-73010	ASSY THERMOSTAT	1				0	0
150	02056-50080	NUT	2	≤3550			0.005	0.011
160	04512-50080	WASHER SPRING	2	≤3550			0	0
170	04012-50080	WASHER PLAIN	2	≤3550			0.001	0.0022
180	04012-50080	WASHER PLAIN	5	≤3550			0.001	0.0022

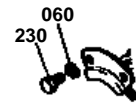
INJECTION PUMP AND FUEL CAMSHAFT



040 01513-50822
050 02156-50080
060 04512-50080

Change of numbers
according to adoption
of bolts.

060 04512-50080
230 01053-50814



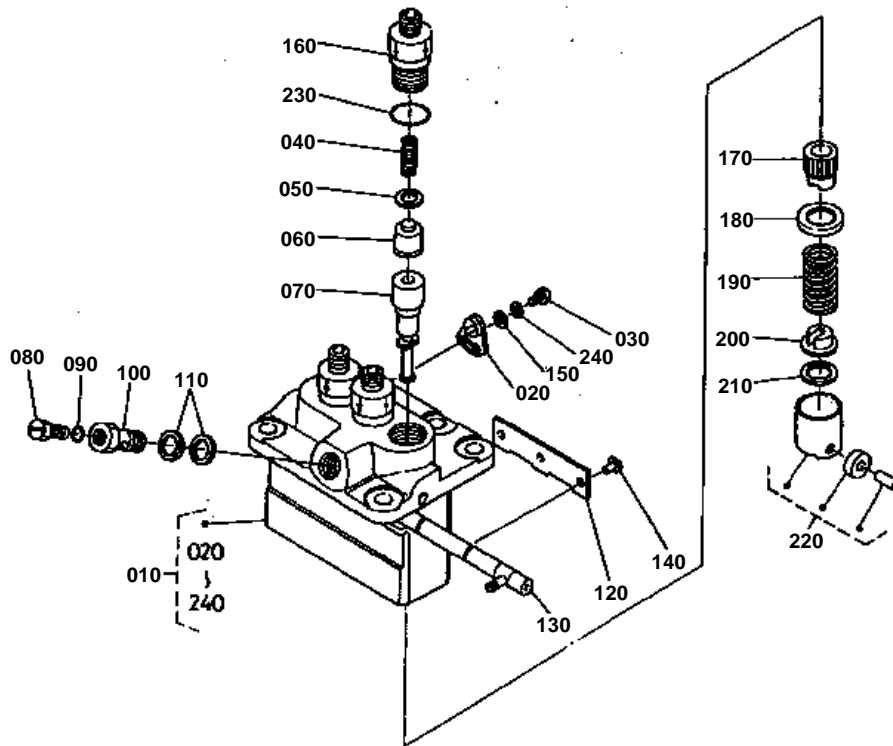


INJECTION PUMP AND FUEL CAMSHAFT

↔ Interchangeable; ≠ not interchangeable; ← new for old; → old for new

REF.No	Part No.	Description	Q'ty	S.No.	I/C	REMARKS	Weight (kgf)	Weight (lb)
010	15321-51010	ASSY PUMP INJECTION	1			REFER TO L.NO.0C04-R0 FOR COMPONENTS	2	4.4
020	15521-52110	SHIM	1			0.3MM	0.01	0.022
020	15321-52110	SHIM INJECTION PUMP	1			0.15MM	0	0
020	15511-52110	SHIM INJECTION PUMP	1			0.45MM	0	0
030	01123-50822	BOLT	2	>=3551			0.012	0.0264
040	01513-50822	STUD	4	<=3550			0.01	0.022
040	01513-50822	STUD	2	>=3551			0.01	0.022
040	15221-91530	STUD	2	>=11097	↔		0.011	0.0242
050	02056-50080	NUT	4	<=3550			0.005	0.011
050	02156-50080	NUT	2	>=3551	↔		0.004	0.0088
060	04512-50080	WASHER SPRING	6	<=3550			0	0
060	04512-50080	WASHER SPRING	2	>=3551	↔		0	0
070	15321-16020	ASSY CAMSHAFT FUEL	1				2.4	5.28
080	15321-16173	CAMSHAFT FUEL	1	<=11672			0	0
080	15521-16170	CAMSHAFT FUEL	1	>=11673	↔		0.88	1.936
090	08153-06205	BEARING BALL	1				0.13	0.286
100	15221-51150	GEAR INJECTION PUMP	1				0.82	1.804
110	05712-00525	KEY FEATHER	1				0.005	0.011
120	04612-00240	CIR-CLIP EXTERNAL	1				0.002	0.0044
130	15221-55450	SLEEVE GOVERNOR	1				0.19	0.418
140	15221-55470	CIR-CLIP GOV. SLEEVE	1				0.003	0.0066
150	15221-55690	CASE GOVERNOR BALL	1				0	0
160	07715-03205	BALL	39				0.001	0.0022
170	15221-55740	CIR-CLIP	1				0.002	0.0044
180	07715-03219	BALL	6				0.014	0.0308
190	15221-55650	GUIDE GOVERNOR BALL	1				0.038	0.0836
200	05611-10310	RIVET	6				0.001	0.0022
210	08103-06205	BEARING BALL	1				0.12	0.264
220	15221-16320	STOPPER	1				0.02	0.044
230	01053-50814	BOLT	2	<=3550			0.01	0.022
230	01123-50814	BOLT	2	>=3551	↔		0	0
240	14111-42410	JOINT	1				0.025	0.055

INJECTION PUMP [COMPONENT PARTS]



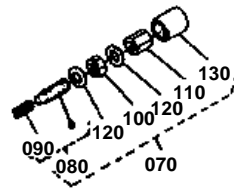
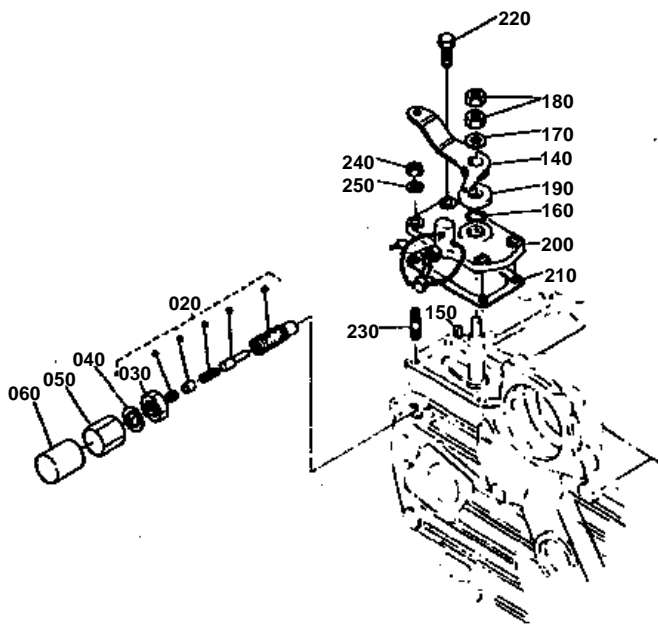


INJECTION PUMP [COMPONENT PARTS]

↔ Interchangeable; ≠ not interchangeable; ← new for old; → old for new

REF.No	Part No.	Description	Q'ty	S.No.	I/C	REMARKS	Weight (kgf)	Weight (lb)
010	15321-51010	ASSY PUMP INJECTION	1				2	4.4
020	14384-51390	PLATE ADJUSTING	2				0.006	0.0132
030	15221-91030	BOLT	2				0	0
040	15221-51230	SPRING DELIV.VALVE	3				0.002	0.0044
050	15221-51240	GASKET DELIV.VALVE	3				0.001	0.0022
060	15221-51030	VALVE DELIVERY	3				0.012	0.0264
070	15221-51050	PLUNGER PUMP	3				0.053	0.1166
080	15221-51350	SCREW AIR BREEDER	1				0.008	0.0176
090	14111-53380	GASKET	1				0.001	0.0022
100	15221-51320	SCREW FOLLOW	1				0.032	0.0704
110	15221-96650	GASKET	2				0.001	0.0022
120	19484-51460	PLATE	1				0.003	0.0066
130	15321-51060	RACK CONTROL	1				0.038	0.0836
140	14611-51250	PIN TAPPET GUIDE	3				0.003	0.0066
150	04013-50060	WASHER PLAIN	2				0	0
160	15601-51220	HOLDER DELIV.VALVE	3				0.055	0.121
170	15221-51382	SLEEVE CONTROL	3				0.011	0.0242
180	15221-51270	SEAT SPRING UPPER	2				0.004	0.0088
190	15221-51280	SPRING PLUNGER	3				0.015	0.033
200	15221-51290	SEAT SPRING LOWER	3				0.01	0.022
210	15221-51490	SHIM	3				0.002	0.0044
220	15221-51070	ASSY TAPPET	3				0.039	0.0858
230	14611-51200	O RING	3				0.001	0.0022
240	14952-51550	WASHER WAVE	2				0.002	0.0044

SPEED CONTROL PLATE



180 02112-50080



e : 13→12 mm

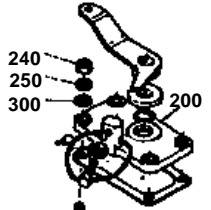
200 15221-5711-0

230 15221-8821-0

240 02056-50060

250 04512-50060

300 04012-50060



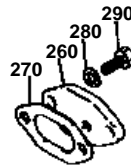
230

260 15401-0193-0

270 15221-0543-0

280 04512-50060

290 01053-50616

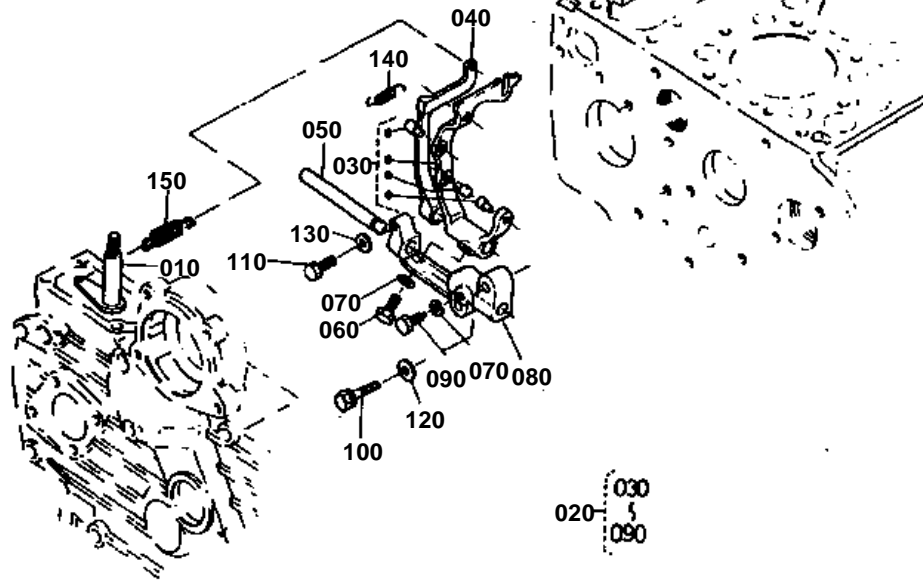




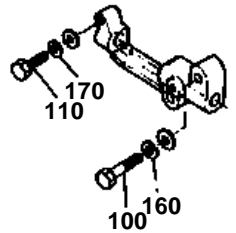
SPEED CONTROL PLATE

↔ Interchangeable; ≠ not interchangeable; ← new for old; → old for new

REF.No	Part No.	Description	Q'ty	S.No.	I/C	REMARKS	Weight (kgf)	Weight (lb)
010	99999-99999	BLANK	0				0	0
020	15301-54030	APPARATUS FUEL LIMIT	1				0.037	0.0814
030	14301-54250	NUT LOCK	1				0.005	0.011
040	15221-54150	GASKET	2				0.001	0.0022
050	14301-54220	NUT CAP	1				0.015	0.033
060	14301-54420	CAP	1				0.005	0.011
070	15321-54090	ASSY APPARATUS I/D.	1	<=3550			0.04	0.088
070	15521-54090	ASSY APPARATUS I/D.	1	>=3551	≠		0.045	0.099
080	15321-54100	ASSY BOLT ADJUSTING	1	<=3550			0.012	0.0264
080	15521-54100	ASSY BOLT ADJUSTING	1	>=3551	≠		0.015	0.033
090	15321-54260	SPRING	1	<=3550			0.005	0.011
090	15521-54260	SPRING	1	>=3551	≠		0.001	0.0022
100	15401-92010	NUT	1				0.01	0.022
110	15401-92330	NUT CAP	1	<=3550			0.01	0.022
110	15521-92330	NUT CAP	1	>=3551	≠		0.02	0.044
120	15021-33660	GASKET	2				0.001	0.0022
130	15401-54270	CAP	1	<=3550			0.004	0.0088
130	15521-54270	CAP	1	>=3551	≠		0.003	0.0066
140	15221-57150	LEVER SPEED CONTROL	1				0.07	0.154
150	05712-00408	KEY FEATHER	1				0.001	0.0022
160	04811-00120	O RING	1				0.001	0.0022
170	04013-50080	WASHER PLAIN	1				0	0
180	02052-50080	NUT	2	<=3550			0.004	0.0088
180	02112-50080	NUT	2	>=3551	↔		0.003	0.0066
190	17011-57384	COLLAR	1				0.03	0.066
200	15221-57110	PLATE SPEED CONTROL	1	<=8488			0	0
200	15221-57112	PLATE SPEED CONTROL	1	>=8489	↔		0.1	0.22
210	15221-57210	GASKET	1				0	0
220	01023-50620	BOLT	2				0.006	0.0132
230	15221-88210	STUD	4	<=3550			0.005	0.011
230	15221-88210	STUD	2	>=3551			0.005	0.011
240	02056-50060	NUT	4	<=3550			0.002	0.0044
240	02056-50060	NUT	2	>=3551			0.002	0.0044
250	04512-50060	WASHER SPRING	4	<=3550			0	0
250	04512-50060	WASHER SPRING	2	>=3551			0	0
260	15401-01930	COVER	1	<=3550			0.09	0.198
270	15221-05430	GASKET	1	<=3550			0	0
280	04512-50060	WASHER SPRING	2	<=3550			0	0
290	01053-50616	BOLT	2	<=3550			0.005	0.011
300	04012-50060	WASHER PLAIN	4	<=3550			0.001	0.0022



- 100 15221-9106-0
- 110 01053-50628
- 160 04512-50080
- 170 04512-50060





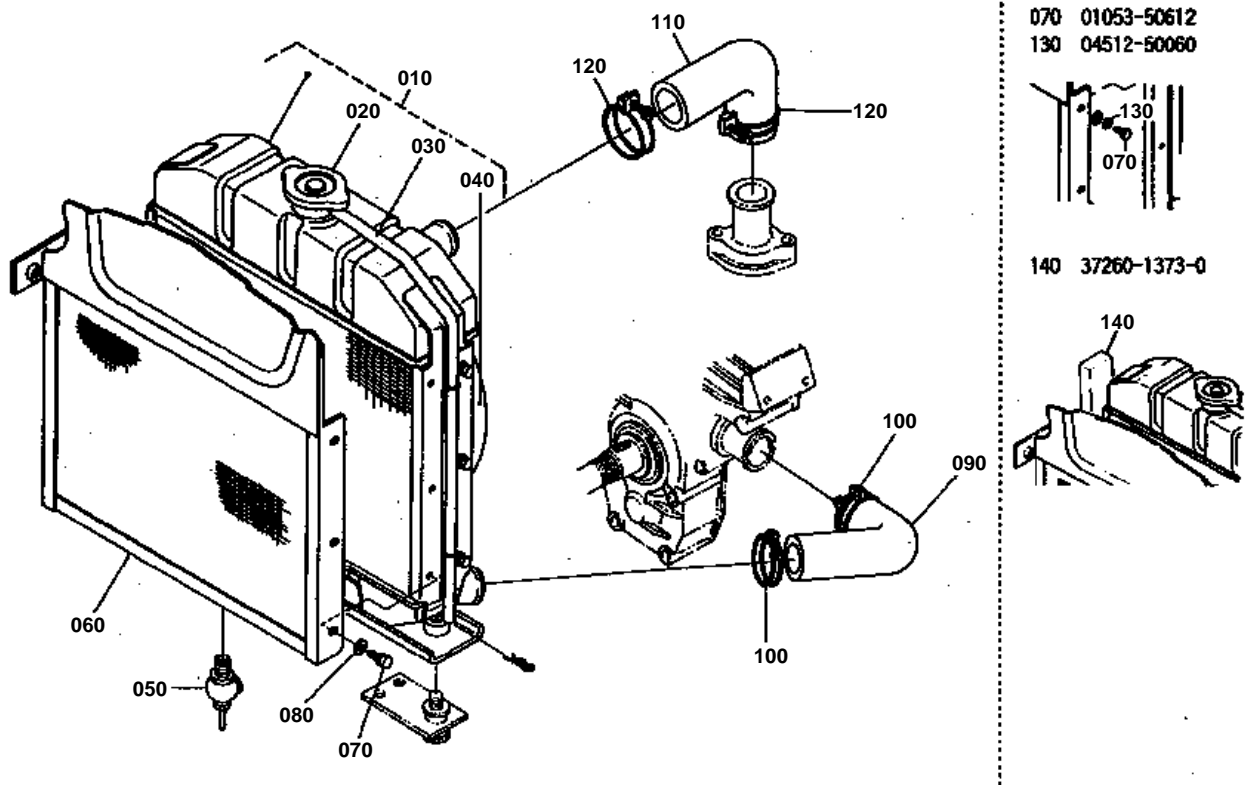
GOVERNOR

↔ Interchangeable; ≠ not interchangeable; ← new for old; → old for new

REF.No	Part No.	Description	Q'ty	S.No.	I/C	REMARKS	Weight (kgf)	Weight (lb)
010	15221-56020	COMP.LEVER GOVERNOR	1				0.06	0.132
020	15221-56050	ASSY LEVER FORK	1				0.385	0.847
030	15221-56040	COMP.LEVER FORK	1				0.144	0.3168
040	15221-56130	LEVER FORK	1				0.065	0.143
050	15221-56150	SHAFT FORK LEVER	1				0.1	0.22
060	15021-56240	BOLT LEVER SHAFT	1				0.005	0.011
070	04512-50060	WASHER SPRING	2				0	0
080	15221-56230	HOLDER FORK LEVER	1				0.1	0.22
090	15221-66410	BOLT	1				0.005	0.011
100	15221-91060	BOLT	2	<=3550			0.155	0.341
100	01123-50832	BOLT	2	>=3551	↔		0.016	0.0352
110	01053-50628	BOLT	1	<=3550			0.008	0.0176
110	01023-50628	BOLT	1	>=3551	↔		0.015	0.033
120	04012-50080	WASHER PLAIN	2				0.001	0.0022
130	04012-50060	WASHER PLAIN	1				0.001	0.0022
140	15221-56480	SPRING START	1				0.008	0.0176
150	15321-56410	SPRING GOVERNOR	1				0.01	0.022
160	04512-50080	WASHER SPRING	2	<=3550			0	0
170	04512-50060	WASHER SPRING	1	<=3550			0	0



RADIATOR

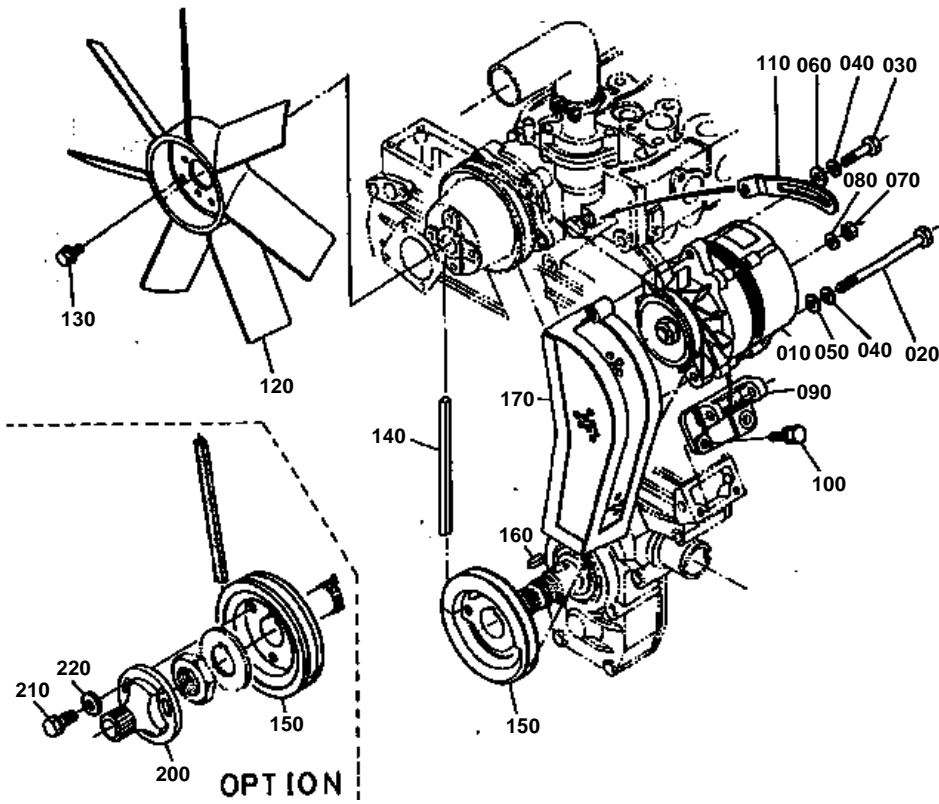




RADIATOR

↔ Interchangeable; ≠ not interchangeable; ← new for old; → old for new

REF.No	Part No.	Description	Q'ty	S.No.	I/C	REMARKS	Weight (kgf)	Weight (lb)
010	15411-72060	ASSY RADIATOR	1	<=1030			0	0
010	15301-72060	ASSY RADIATOR	1	>=1031	↔		7	15.4
010	15411-72062	ASSY RADIATOR	1	>=7246	←		7.5	16.5
020	15101-72030	CAP RADIATOR	1				0.075	0.165
030	15401-72710	PIPE WATER OVER FLOW	1				0.032	0.0704
040	15411-72330	SHROUD FAN	1				1.12	2.464
050	14301-73110	COCK DRAIN	1	<=7235			0.094	0.2068
050	15221-73100	COCK DRAIN	1	>=7236	↔		0.065	0.143
060	15411-72250	NET RADIATOR	1				1.44	3.168
070	01053-50612	BOLT	6	<=3550			0.004	0.0088
070	01023-50612	BOLT	6	>=3551	↔		0.005	0.011
080	04013-50060	WASHER PLAIN	6				0	0
090	15321-72850	PIPE WATER	1				0.181	0.3982
100	15108-72870	BAND	2				0.027	0.0594
110	15401-72940	PIPE WATER	1				0.145	0.319
120	15108-72870	BAND	2				0.027	0.0594
130	04512-50060	WASHER SPRING	6	<=3550			0	0
140	37260-13730	CUSHION	2	<=12180			0.02	0.044



020 15521-9103-0
030 01153-50835



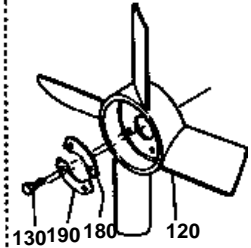
ℓ : 13-12mm

040 04512-50080
100 01053-50825



040 100

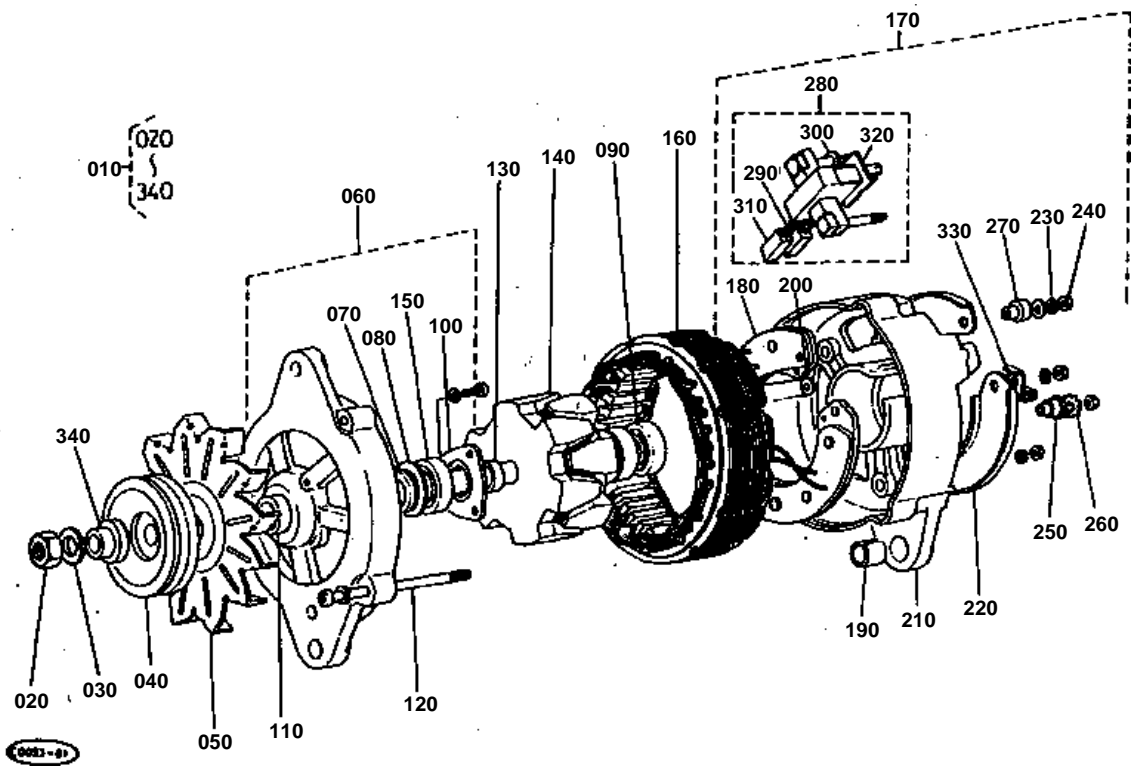
120 15401-7411-0
130 01053-50610
180 15321-7423-0
190 15321-7424-0



**DYNAMO AND FRONT PTO(OPTION)**

↔ Interchangeable; ≠ not interchangeable; ← new for old; → old for new

REF.No	Part No.	Description	Q'ty	S.No.	I/C	REMARKS	Weight (kgf)	Weight (lb)
010	15411-64010	ASSY DYNAMO	1			REFER TO L.NO.0C11-L0 FOR COMPONENTS	3.25	7.15
020	15221-91010	BOLT	1	≤=3550			0	0
020	15521-91030	BOLT	1	>=3551	↔		0	0
030	01053-50835	BOLT	1	≤=3550			0.016	0.0352
030	01153-50835	BOLT	1	>=3551	↔		0.016	0.0352
040	04512-50080	WASHER SPRING	4	≤=3550			0	0
040	04512-50080	WASHER SPRING	2	>=3551			0	0
050	04012-50080	WASHER PLAIN	2	≤=3550			0.001	0.0022
050	04012-50080	WASHER PLAIN	1	>=3551			0.001	0.0022
060	04015-50080	WASHER PLAIN	1				0	0
070	02056-50060	NUT	1				0.002	0.0044
080	04512-50060	WASHER SPRING	1				0	0
090	15321-64350	SUPPORT DYNAMO	1				0.29	0.638
100	01053-50825	BOLT	2	≤=3550			0.014	0.0308
100	01123-50825	BOLT	2	>=3551	↔		0.013	0.0286
110	15321-64420	STAY DYNAMO	1				0.1	0.22
120	15401-74110	FAN	1	≤=7244			0.34	0.748
120	15411-74110	FAN	1	>=7246	←		0.75	1.65
130	01053-50610	BOLT	4	≤=11885			0.004	0.0088
130	01754-50610	BOLT FLANGE	4	>=11886	≠		0.006	0.0132
140	15321-72530	BELT FAN	1	≤=3550			0.09	0.198
140	15521-97010	V BELT	1	>=3551	↔		0	0
150	15321-74280	PULLEY FAN DRIVE	1	≤=51017			0	0
150	15321-74284	PULLEY FAN DRIVE	1	>=51018	←		1.465	3.223
150	35220-99222	PULLEY FAN DRIVE	1			OPTION	1.71	3.762
160	05712-00720	KEY FEATHER	1				0.008	0.0176
170	34260-13860	COVER BELT LH	1				0	0
180	15321-74230	WASHER FAN	1	≤=11885			0.005	0.011
190	15321-74240	WASHER FAN	1	≤=11885			0.004	0.0088
200	35370-88530	FLANGE FRONT PTO	1			OPTION	0.57	1.254
210	01123-50825	BOLT	3			OPTION	0.013	0.0286
220	04013-50080	WASHER PLAIN	3			OPTION	0	0

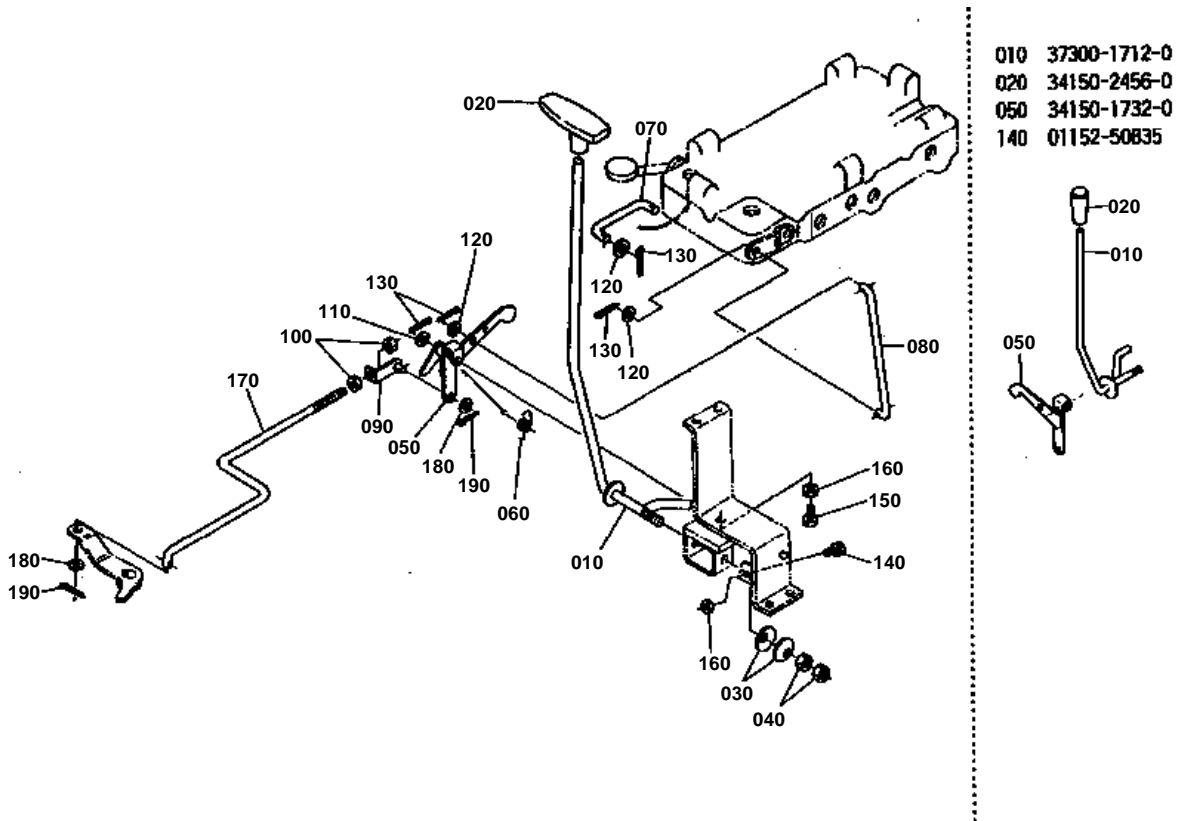


**DYNAMO [COMPONENT PARTS]**

↔ Interchangeable; ≠ not interchangeable; ← new for old; → old for new

REF.No	Part No.	Description	Q'ty	S.No.	I/C	REMARKS	Weight (kgf)	Weight (lb)
010	15411-64010	ASSY DYNAMO	1				3.25	7.15
020	15221-92010	NUT	1				0.012	0.0264
030	15221-94070	WASHER SPRING	1				0.008	0.0176
040	15221-64110	PULLEY DYNAMO	1				0.198	0.4356
050	15221-64130	FAN DYNAMO	1				0	0
060	15253-64020	FRAME DRIVE END	1				0.365	0.803
070	15221-64790	FELT OIL	1				0.001	0.0022
080	15221-64830	COVER FELT	1				0.003	0.0066
090	08121-06201	BEARING BALL	1				0.036	0.0792
100	15221-64710	PLATE RETAINER	1				0.018	0.0396
110	15221-64150	COLLAR	1				0.008	0.0176
120	15321-64260	BOLT THROUGH	3				0.008	0.0176
130	15221-64160	SPACER	1				0.006	0.0132
140	15606-64030	ARMATURE	1				1.34	2.948
150	08141-06202	BEARING BALL	1				0.043	0.0946
160	15606-64050	YOKE	1				0.76	1.672
170	15321-64070	ASSY FRAME END	1				0.52	1.144
180	15321-64850	ASSY RECTIFIER	1				0.134	0.2948
190	15221-64210	BUSH	1				0.007	0.0154
200	15321-64880	WASHER INSULATION	1				0.001	0.0022
210	15321-64060	FRAME END	1				0.298	0.6556
220	15321-64230	COVER END	1				0.029	0.0638
230	04512-50050	WASHER SPRING	5				0	0
240	15221-92030	NUT	5				0.001	0.0022
250	15321-64920	BUSH INSULATION	1				0.001	0.0022
260	04512-50060	WASHER SPRING	1				0	0
270	15221-64910	BUSH INSULATION	1				0.001	0.0022
280	15321-64310	ASSY HOLDER BRUSH	1				0.039	0.0858
290	15221-64330	SPRING BRUSH	2				0.001	0.0022
300	15221-64880	WASHER INSULATION	2				0.001	0.0022
310	15221-64090	BRUSH	2				0.002	0.0044
320	15321-64940	WASHER INSULATION	1				0.001	0.0022
330	15321-67570	CLAMP CORD	1				0.04	0.088
340	15321-64170	SPACER	1				0.007	0.0154

HAND ACCELERATOR



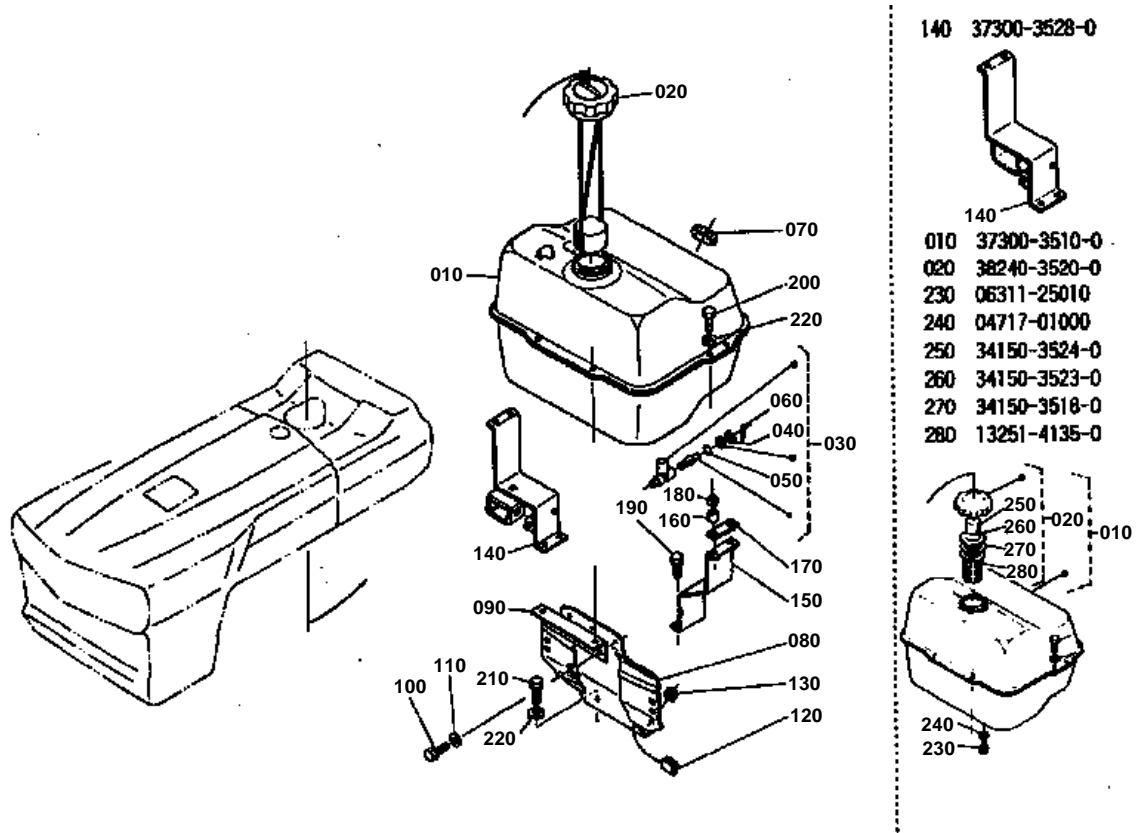


HAND ACCELERATOR

↔ Interchangeable; ≠ not interchangeable; ← new for old; → old for new

REF.No	Part No.	Description	Q'ty	S.No.	I/C	REMARKS	Weight (kgf)	Weight (lb)
010	37300-17120	LEVER HAND ACCEL.	1	≤14013			0.37	0.814
010	35170-17120	LEVER HAND ACCEL.	1	≥14014	≠		0.345	0.759
020	34150-24560	GRIP LEVER	1	≤50523			0	0
020	35320-17170	GRIP ACCEL.	1	≥50524	≠		0.018	0.0396
030	34260-17190	SPRING	2				0.002	0.0044
040	02118-50100	NUT	2				0.005	0.011
050	34150-17320	LINK ACCEL.	1	≤14013			0.09	0.198
050	35170-17320	LINK ACCEL.	1	≥14014	≠		0.12	0.264
060	34150-17260	SPRING	1				0.01	0.022
070	37150-17580	ROD ACCEL.	1				0.025	0.055
080	37300-17570	ROD ACCEL.	1				0.075	0.165
090	34150-17390	JOINT ROD	1				0.025	0.055
100	02012-50060	NUT	2				0	0
110	04012-50080	WASHER PLAIN	1				0.001	0.0022
120	04012-50060	WASHER PLAIN	4				0.001	0.0022
130	05511-50212	PIN SPLIT	5				0.001	0.0022
140	01152-50835	BOLT	1	≤13938			0.015	0.033
140	01155-50840	BOLT	1	≥13939	≠		0.02	0.044
150	01153-50825	BOLT	1	≥13939			0.012	0.0264
160	02112-50080	NUT	1	≤13938			0.003	0.0066
160	02112-50080	NUT	2	≥13939	↔		0.003	0.0066
170	37260-17360	ROD ACCEL.	1				0.145	0.319
180	04012-50060	WASHER PLAIN	2				0.001	0.0022
190	05511-50212	PIN SPLIT	2				0.001	0.0022

FUEL TANK



140 37300-3528-0



140

010 37300-3510-0

020 38240-3520-0

230 06311-25010

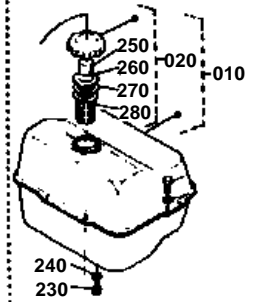
240 04717-01000

250 34150-3524-0

260 34150-3523-0

270 34150-3518-0

280 13251-4135-0



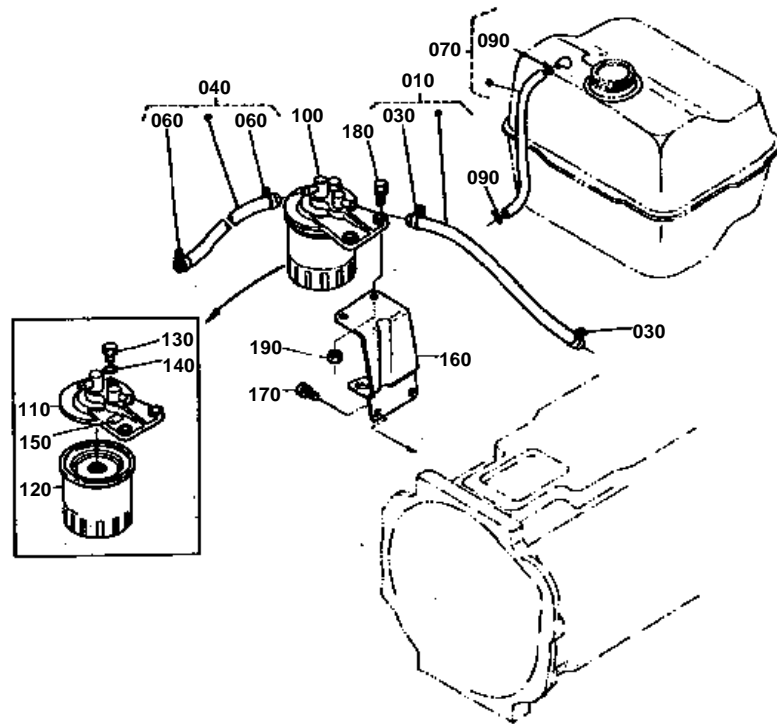


FUEL TANK

↔ Interchangeable; ≠ not interchangeable; ← new for old; → old for new

REF.No	Part No.	Description	Q'ty	S.No.	I/C	REMARKS	Weight (kgf)	Weight (lb)
010	37300-35100	ASSY TANK FUEL	1	<=51119			6.8	14.96
010	35348-35110	ASSY TANK FUEL	1	>=51120	←		6.8	14.96
020	38240-35200	ASSY CAP FUEL TANK	1	<=51119			0.06	0.132
020	35340-35220	ASSY CAP FUEL GAUGE	1	>=51120	≠		0.185	0.407
030	31220-35400	ASSY COCK FUEL	1				0.11	0.242
040	04611-00140	CIR-CLIP INTERNAL	1				0.001	0.0022
050	04811-00080	O RING	1				0.001	0.0022
060	05411-00330	PIN SPRING	1				0.001	0.0022
070	37300-35550	BUSH FUEL TANK	1				0.014	0.0308
080	37300-35270	SUPPORT FUEL TANK	1				2.3	5.06
090	37300-35260	BRACKET	1				0.196	0.4312
100	01133-51020	BOLT	3				0.02	0.044
110	04015-50100	WASHER PLAIN	3				0.016	0.0352
120	37150-13920	RUBBER PROTECTOR	1				0.005	0.011
130	32150-29180	CAP RUBBER	1				0.002	0.0044
140	37300-35280	STAY FUEL TANK.RH	1	<=13938			1.21	2.662
140	35300-35280	STAY FUEL TANK.RH	1	>=13939	≠		1.49	3.278
150	37300-35290	STAY FUEL TANK LH	1				0.93	2.046
160	37300-35140	SPACER	4				0.006	0.0132
170	37300-35130	CUSHION	2				0.007	0.0154
180	37300-35120	CUSHION	4				0.003	0.0066
190	01123-50816	BOLT	4				0.011	0.0242
200	01123-50830	BOLT	4				0.015	0.033
210	01123-50818	BOLT	2				0.012	0.0264
220	04015-50080	WASHER PLAIN	6				0	0
230	06311-25010	PLUG	1	<=51119			0.014	0.0308
240	04717-01000	WASHER WITH RUBBER	1	<=51119			0.001	0.0022
250	34150-35240	SPONGE	1	<=51119			0.001	0.0022
260	34150-35230	GASKET	1	<=51119			0.01	0.022
270	34150-35180	GASKET	1	<=51119			0.001	0.0022
280	13251-41350	FILTER FUEL	1	<=51119			0	0

FUEL FILTER

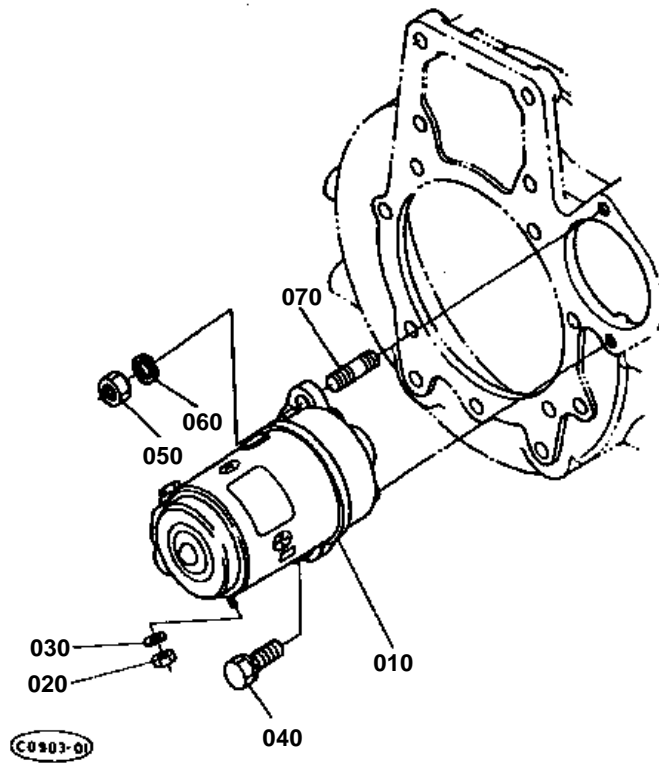


**FUEL FILTER**

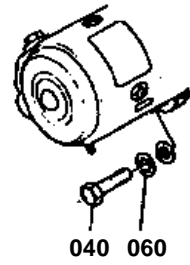
↔ Interchangeable; ≠ not interchangeable; ← new for old; → old for new

REF.No	Part No.	Description	Q'ty	S.No.	I/C	REMARKS	Weight (kgf)	Weight (lb)
010	37300-35500	ASSY PIPE FUEL	1				0.055	0.121
020	99999-99999	BLANK	0				0	0
030	14301-42750	CLIP PIPE	2				0.005	0.011
040	37260-35520	ASSY PIPE FUEL	1				0.06	0.132
050	99999-99999	BLANK	0				0	0
060	14301-42750	CLIP PIPE	2				0.005	0.011
070	34260-35550	ASSY PIPE FUEL	1				0.022	0.0484
080	99999-99999	BLANK	0				0	0
090	10244-42320	CLIP PIPE	2				0.001	0.0022
100	15291-43010	ASSY FILTER FUEL	1				0.555	1.221
110	15291-43210	COVER FILTER	1				0.23	0.506
120	15221-43080	ELEMENT FILTER	1				0	0
130	19222-43280	PLUG FILTER BREATHER	1				0.01	0.022
140	15108-43290	O RING	1				0.001	0.0022
150	15291-87760	MARK FORM	1				0.005	0.011
160	37300-35810	BRACKET FILTER	1				0.4	0.88
170	01123-50816	BOLT	2				0.011	0.0242
180	01123-50822	BOLT	2				0.012	0.0264
190	02114-50080	NUT	2				0.005	0.011

STARTER



040 01173-51030
060 04512-50100

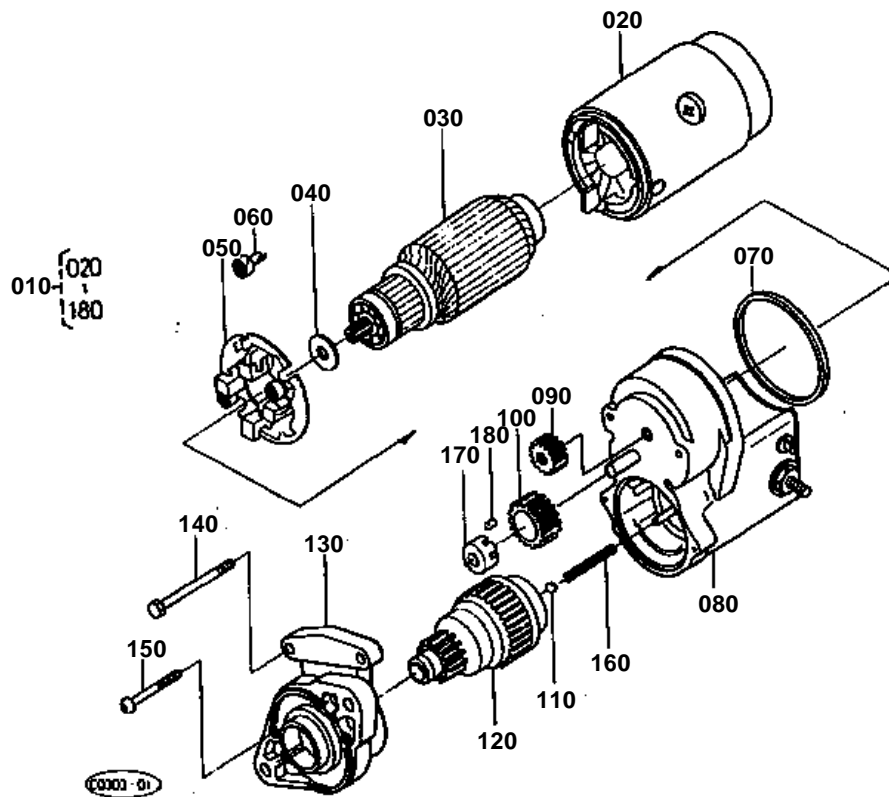




STARTER

↔ Interchangeable; ≠ not interchangeable; ← new for old; → old for new

REF.No	Part No.	Description	Q'ty	S.No.	I/C	REMARKS	Weight (kgf)	Weight (lb)
010	15401-63010	ASSY STARTER	1	<=13367		REFER TO L.NO.0C12-R0 FOR COMPONENTS	0	0
010	15521-63010	ASSY STARTER	1	>=13368	↔	REFER TO L.NO.0C12-R0 FOR COMPONENTS	0	0
010	15511-63010	ASSY STARTER	1	>=51434	↔	REFER TO L.NO.0C13-R0 FOR COMPONENTS	0	0
010	15461-63010	ASSY STARTER	1	>=53537	↔	REFER TO L.NO.0C13-R0 FOR COMPONENTS	3.8	8.36
020	02114-50080	NUT	1				0.005	0.011
030	04512-50080	WASHER SPRING	1				0	0
040	01173-51030	BOLT	1	<=13367			0.023	0.0506
040	01133-51030	BOLT	1	>=13368	↔		0.025	0.055
050	02176-50100	NUT	1				0.005	0.011
060	04512-50100	WASHER SPRING	2	<=13367			0	0
060	04512-50100	WASHER SPRING	1	>=13368			0	0
070	01517-51028	STUD	1				0.022	0.0484



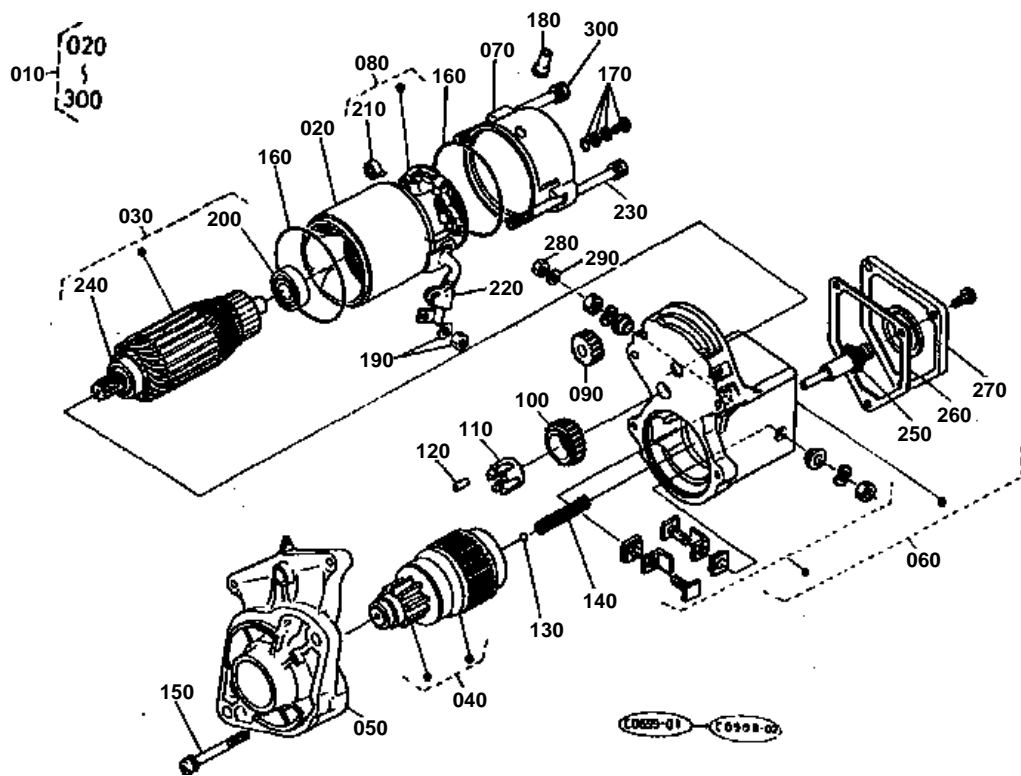


STARTER [COMPLNENT PARTS]
S.No.;10001 to 53536

↔ Interchangeable; ≠ not interchangeable; ← new for old; → old for new

REF.No	Part No.	Description	Q'ty	S.No.	I/C	REMARKS	Weight (kgf)	Weight (lb)
010	15401-63010	ASSY STARTER	1	≤13367			0	0
010	15521-63010	ASSY STARTER	1	≥13368	↔		0	0
020	15401-63080	YOKE	1				1.2	2.64
030	15401-63070	ARMATURE	1	≤13367			1.1	2.42
030	15521-63070	ARMATURE	1	≥13368	≠		0	0
040	15401-96670	GASKET	1	≤13367			0.001	0.0022
040	15521-96670	GASKET	1	≥13368	≠		0	0
050	15401-63380	HOLDER BRUSH	1				0.1	0.22
060	15401-63390	SPRING BRUSH	4				0.003	0.0066
070	15401-96660	GASKET	1				0.002	0.0044
080	15401-63020	SWITCH MAGNETIC	1	≤13367			1.3	2.86
080	15521-63020	SWITCH MAGNETIC	1	≥13368	≠		1.29	2.838
090	15401-63260	GEAR	1	≤13367			0.02	0.044
090	15521-63260	GEAR	1	≥13368	≠		0.03	0.066
100	15401-63270	GEAR	1	≤13367			0.043	0.0946
100	15521-63270	GEAR	1	≥13368	≠		0	0
110	15401-97130	BALL	1	≤13367			0.002	0.0044
110	15521-97130	BALL	1	≥13368	≠		0	0
120	15401-63040	SWITCH OVER RUNNING	1	≤13367			0.75	1.65
120	15521-63040	SWITCH OVER RUNNING	1	≥13368	≠		0.73	1.606
130	15401-63030	FRANE DRIVE END	1	≤13367			0.35	0.77
130	15521-63030	FRAME DRIVE END	1	≥13368	≠		0.455	1.001
140	15401-63320	BOLT THROUGH	2				0.017	0.0374
150	15401-93310	SCREW PAN HEAD	2				0.01	0.022
160	19212-63120	SPRING COMPRESSION C	1	≥13368			0.004	0.0088
170	19212-63110	RETAINER	1	≥13368			0.002	0.0044
180	19212-63100	ROLLER CLUTCH	5	≥13368			0.002	0.0044

STARTER [COMPONENT PARTS]

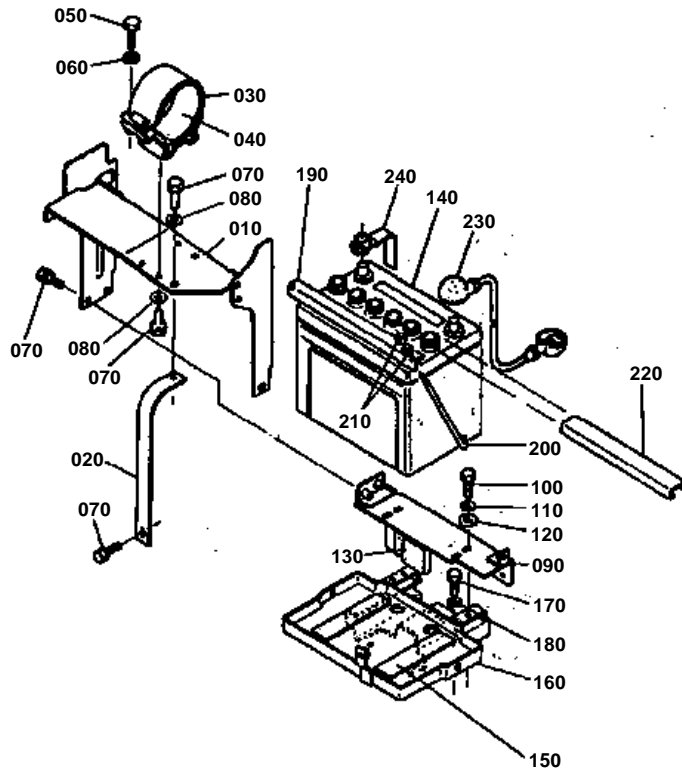




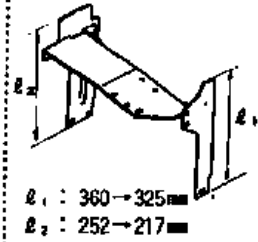
STARTER [COMPONENT PARTS]
S.No.;>=53537

↔ Interchangeable; ≠ not interchangeable; ← new for old; → old for new

REF.No	Part No.	Description	Q'ty	S.No.	I/C	REMARKS	Weight (kgf)	Weight (lb)
010	15511-63010	ASSY STARTER	1	>=51434			0	0
010	15461-63010	ASSY STARTER	1	>=53537	↔		3.8	8.36
020	15511-63080	ASSY YOKE	1	>=51434			0	0
020	15461-63080	ASSY YOKE	1	>=53537	≠		1.13	2.486
030	15511-63070	ASSY ARMATURE	1				1.05	2.31
040	15521-63040	ASSY CLUTCH	1	>=51434			0.73	1.606
040	15461-63040	ASSY CLUTCH	1	>=53537	≠		0	0
050	15511-63030	FRAME DRIVE END	1				0.32	0.704
060	15511-63020	ASSY SWITCH HAGNETIC	1	>=51434			1.165	2.563
060	15461-63020	ASSY SWITCH MAGNETIC	1	>=53537	≠		0	0
070	15511-63200	FRAME END	1				0.14	0.308
080	15511-63380	ASSY HOLDER BRUSH	1				0.09	0.198
090	15511-63260	GEAR	1				0.02	0.044
100	15401-63270	GEAR	1				0.043	0.0946
110	19212-63110	RETAINER	1				0.002	0.0044
120	19212-63100	ROLLER	5				0.002	0.0044
130	19212-97130	BALL	1				0.003	0.0066
140	19212-63120	SPRING	1				0.004	0.0088
150	15501-93310	SCREW PAN HEAD	2				0.01	0.022
160	15511-96660	O RING	2				0.005	0.011
170	15511-63760	ASSY BOLT	2				0.005	0.011
180	15511-63450	COVER	1				0.002	0.0044
190	13963-92010	NUT HEXAGON	1				0.005	0.011
200	15511-63530	BEARING BALL	1				0.025	0.055
210	15401-63390	SPRING BRUSH	4				0.003	0.0066
220	15504-63120	COVER CORD	1				0.06	0.132
230	19215-63320	BOLT THROUGH	2				0.03	0.066
240	15511-63500	BEARING BALL	1				0.04	0.088
250	15461-63990	PLUNGER	1				0.15	0.33
260	15461-63520	GASKET	1				0.01	0.022
270	15461-63510	COVER SOLENOID	1				0.06	0.132
280	19616-92010	NUT HEXAGON	1				0.04	0.088
290	04512-50080	WASHER SPRING	1				0	0
300	15621-63320	BOLT THROUGH	1				0.04	0.088

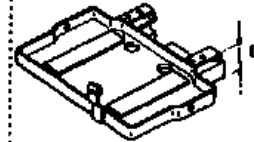


010 35300-1391-0



l_1 : 360 → 325mm
 l_2 : 252 → 217mm

160 35300-3321-0



t : 60 → 95mm

020 37260-1392-0

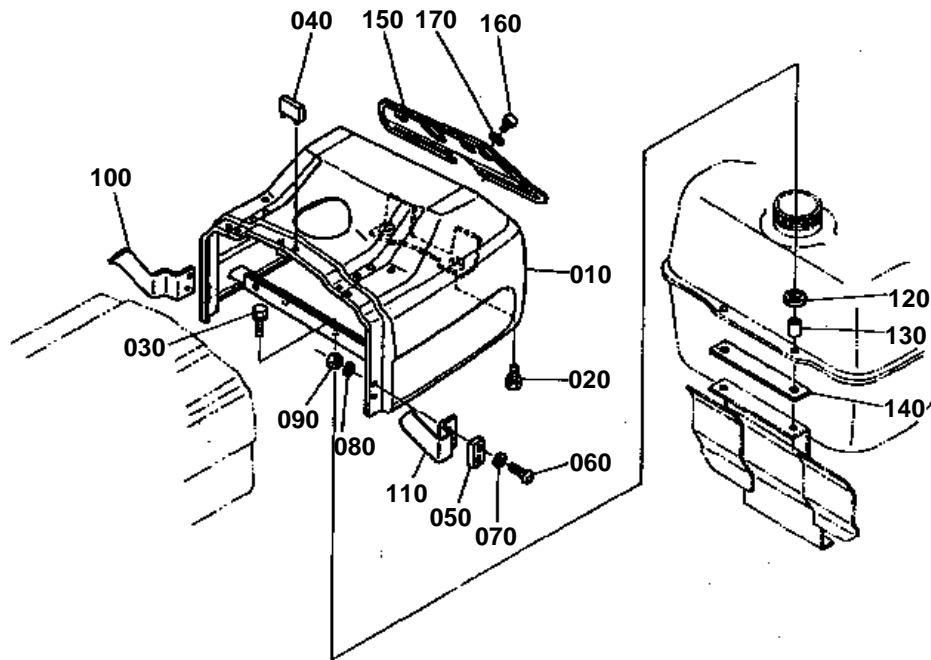


l : 310 → 275mm

**BATTERY**

↔ Interchangeable; ≠ not interchangeable; ← new for old; → old for new

REF.No	Part No.	Description	Q'ty	S.No.	I/C	REMARKS	Weight (kgf)	Weight (lb)
010	37260-13910	SUPPORT AIR CLEANER	1	<=10030			2.5	5.5
010	35300-13910	SUPPORT AIR CLEANER	1	>=10031	≠		4.4	9.68
020	37260-13920	STAY SUPPORT A/C	1	<=10030			0.504	1.1088
020	35300-13920	STAY SUPPORT A/C	1	>=10031	≠		0.235	0.517
030	34260-13960	BAND AIR CLEANER	1				0.675	1.485
040	34260-13970	CUSHION AIR CLEANER	1				0.065	0.143
050	01153-50838	BOLT	2				0.017	0.0374
060	04512-50080	WASHER SPRING	2				0	0
070	01123-50816	BOLT	9				0.011	0.0242
080	04013-50080	WASHER PLAIN	5				0	0
090	35300-13710	PLATE SHUTTER	1				1.55	3.41
100	01153-50822	BOLT	4				0.011	0.0242
110	04512-50080	WASHER SPRING	4				0	0
120	04015-50080	WASHER PLAIN	4				0	0
140	32360-33200	BATTERY DRY	1				18	39.6
150	32350-33230	CUSHION	2				0.03	0.066
160	37260-33210	SUPPORT BATTERY	1	<=10030			7	15.4
160	35300-33210	SUPPORT BATTERY	1	>=10031	≠		6.7	14.74
170	01173-51020	BOLT	4				0.017	0.0374
180	04512-50100	WASHER SPRING	4				0	0
190	32350-33270	RETAINER BATTERY	1				0.35	0.77
200	34260-33290	BOLT	2				0.08	0.176
210	02112-50080	NUT	4				0.003	0.0066
220	34260-33390	COVER BATTERY	1				0.053	0.1166
230	34260-33330	CORD BATTERY	1				0.25	0.55
240	34200-33380	CORD EARTH	1				0.19	0.418

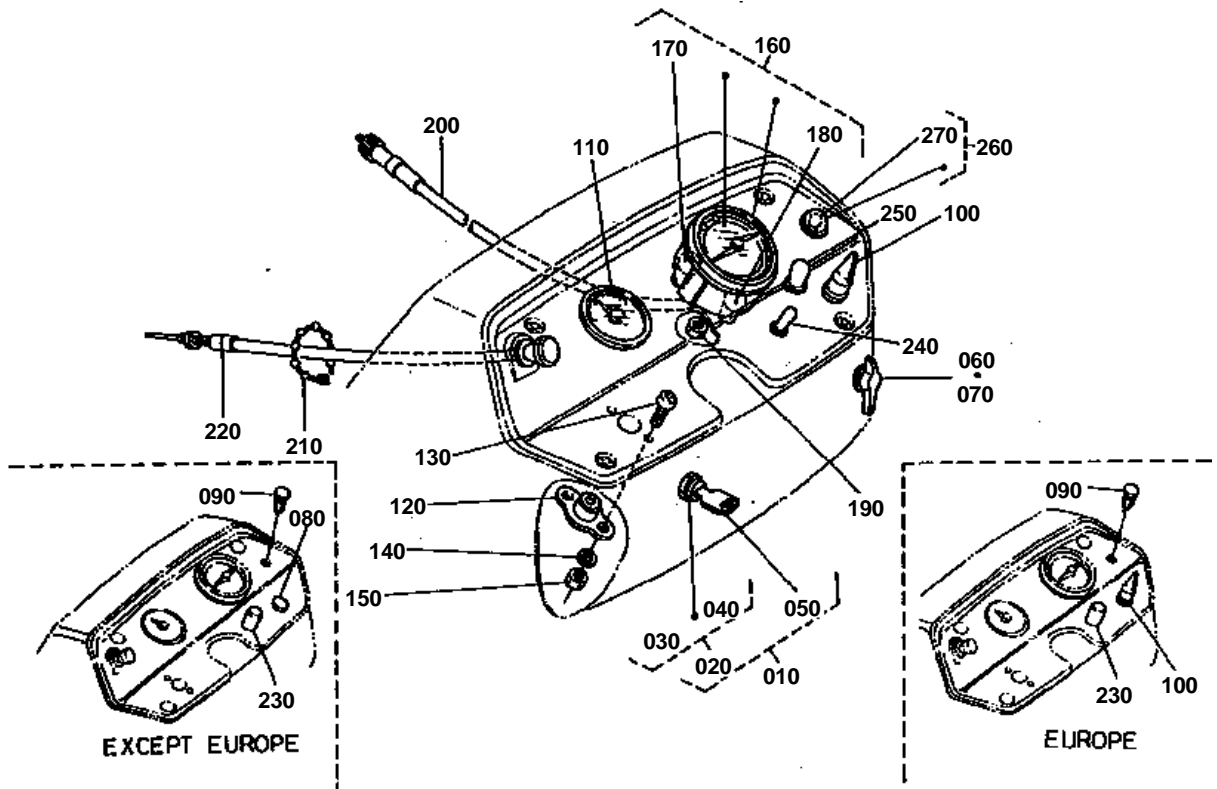




PANEL 1

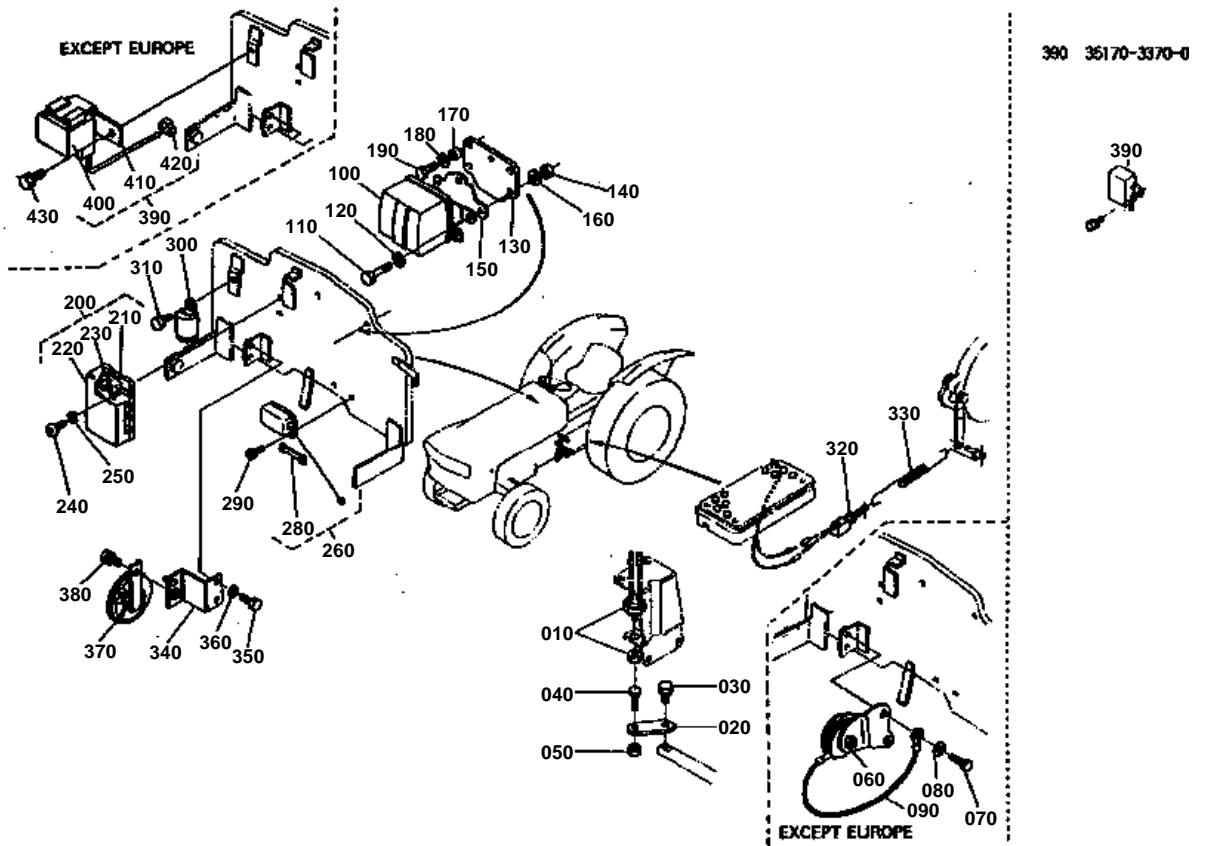
↔ Interchangeable; ≠ not interchangeable; ← new for old; → old for new

REF.No	Part No.	Description	Q'ty	S.No.	I/C	REMARKS	Weight (kgf)	Weight (lb)
010	35381-31110	PANEL	1				8	17.6
020	01123-50816	BOLT	2				0.011	0.0242
030	01123-50830	BOLT	2				0.015	0.033
040	33251-83490	CUSHION	3				0.008	0.0176
050	37150-18180	CUSHION	2				0.015	0.033
060	03054-50514	SCREW PAN HEAD	4				0.004	0.0088
070	04013-50050	WASHER PLAIN	4				0	0
080	04512-50050	WASHER SPRING	4				0	0
090	02054-50050	NUT	4				0.002	0.0044
100	37150-31180	GUIDE RH	1				0.07	0.154
110	37150-31190	GUIDE LH	1				0.065	0.143
120	37300-35120	CUSHION	2				0.003	0.0066
130	37300-35150	SPACER	2				0.005	0.011
140	37300-35160	CUSHION	1				0.025	0.055
150	37300-31120	DASHBOARD	1				0.526	1.1572
160	34150-31140	SCREW PAN HEAD	4				0.009	0.0198
170	04013-50080	WASHER PLAIN	4				0	0



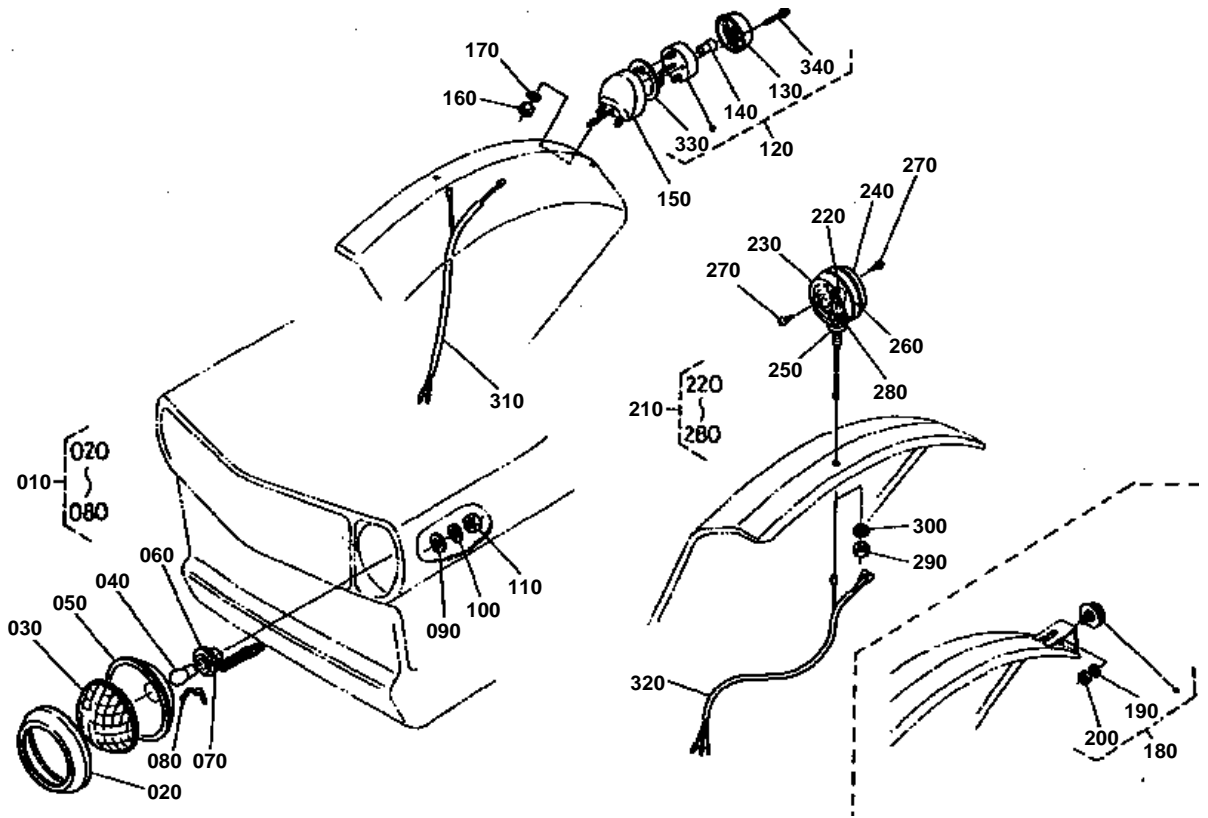
↔ Interchangeable; ≠ not interchangeable; ← new for old; → old for new

REF.No	Part No.	Description	Q'ty	S.No.	I/C	REMARKS	Weight (kgf)	Weight (lb)
010	37150-31800	ASSY SWITCH MAIN	1				0.2	0.44
020	37150-31820	SWITCH MAIN	1				0.19	0.418
030	37150-31910	NUT RING	1				0.3	0.66
040	37150-31920	GASKET	1				0.001	0.0022
050	37150-31810	KEY MAIN SWITCH	1				0.02	0.044
060	37150-32200	SWITCH STARTER	1				0.275	0.605
070	37150-32210	ASSY KNOB	1				0.02	0.044
080	35110-32420	PLUG	1				0.002	0.0044
090	38240-29570	CAP RUBBER	1				0.001	0.0022
100	37150-32600	SWITCH WINKER	1			EUROPE	0.05	0.11
110	34260-31300	THERMOMETER WATER	1				0.144	0.3168
110	35300-99330	THERMOMETER WATER	1			SOUTH WEST ASIA & ALGERIA	0.2	0.44
120	15231-65950	INDICATOR GLOW PLUG	1				0.045	0.099
130	03054-50510	SCREW PAN HEAD	2				0.003	0.0066
140	04512-50050	WASHER SPRING	2				0	0
150	02054-50050	NUT	2				0.002	0.0044
160	35300-34600	METER TRACTOR	1				0.41	0.902
170	32150-31740	BULB LIGHT	1				0.003	0.0066
180	34150-34620	BULB LIGHT	1				0.001	0.0022
190	02054-50050	NUT	1				0.002	0.0044
200	35300-34650	CABLE TRACTORMETER	1				0.213	0.4686
200	35300-99343	CABLE TRACTORMETER	1			SOUTH WEST ASIA & ALGERIA	0.22	0.484
210	34350-29380	BAND CORD	1				0.001	0.0022
220	35300-34700	WIRE DECOMPRESS	1				0.1	0.22
230	35151-32410	SWITCH HORN	1				0.025	0.055
240	35170-32700	ASSY SWITCH HAZARD	1	>=13939		EXCEPT EUROPE	0.04	0.088
250	54721-22330	CAP WATERPROOF	1	>=13939		EXCEPT EUROPE	0.002	0.0044
260	66711-55290	ASSY LAMP OIL	1	>=13939		EXCEPT EUROPE	0.016	0.0352
270	34150-34590	BULB	2	>=13939		EXCEPT EUROPE	0.001	0.0022



↔ Interchangeable; ≠ not interchangeable; ← new for old; → old for new

REF.No	Part No.	Description	Q'ty	S.No.	I/C	REMARKS	Weight (kgf)	Weight (lb)
010	37150-32240	SWITCH SAFETY	1				0.12	0.264
020	37150-34563	HOLDER SWITCH	1				0.045	0.099
030	01123-50820	BOLT	1				0.011	0.0242
040	01952-50830	BOLT WELD	1				0.014	0.0308
050	02112-50080	NUT	1				0.003	0.0066
100	33251-74010	ASSY REGULATOR	1				0.35	0.77
110	37300-33460	BOLT	3				0.005	0.011
120	04012-50060	WASHER PLAIN	3				0.001	0.0022
130	37300-33430	CUSHION	1				0.1	0.22
140	02014-50060	NUT	3				0.003	0.0066
150	37300-33420	COVER REGULATOR	1				0.07	0.154
160	37300-33440	CUSHION	3				0.001	0.0022
170	37300-33450	COLLAR	2				0.005	0.011
180	04015-50060	WASHER PLAIN	2				0	0
190	01202-50622	BOLT	2				0.007	0.0154
200	34260-33600	ASSY BOX FUSE	1				0.042	0.0924
210	34260-33610	CASE FUSE	1				0.042	0.0924
220	34260-33620	COVER FUSE CASE	1				0.01	0.022
230	34260-33630	FUSE	6				0.001	0.0022
240	03054-50520	SCREW PAN HEAD	2				0.005	0.011
250	04512-50050	WASHER SPRING	4				0	0
260	34260-33650	ASSY FUSE	1				0.035	0.077
270	99999-99999	BLANK	0				0	0
280	34260-33660	FUSE PLATE	1				0.002	0.0044
290	03054-50514	SCREW PAN HEAD	2				0.004	0.0088
300	34220-33700	UNIT FLASHER	1			EUROPE	0.035	0.077
310	01023-50616	BOLT	1			EUROPE	0.005	0.011
320	36330-75480	SWITCH STOP	1			EUROPE	0.08	0.176
330	35302-28720	SPRING	1			EUROPE	0.035	0.077
340	35302-32420	SUPPORT HORN	1			EUROPE	0	0
350	01053-50612	BOLT	2			EUROPE	0.004	0.0088
360	04512-50060	WASHER SPRING	2			EUROPE	0	0
370	66706-55710	HORN	1			EUROPE	0.37	0.814
380	01123-50814	BOLT	1			EUROPE	0	0
390	35170-33700	UNIT FLASHER	1	<=53642		EXCEPT EUROPE	0.06	0.132
390	32430-33700	ASSY HAZARD UNIT	1	>=53643	↔	EXCEPT EUROPE	0.095	0.209
400	32430-94260	BODY HAZARD UNIT	1	>=53643		EXCEPT EUROPE	0.045	0.099
410	32430-94270	BRACKET HAZARD UNIT	1	>=53643		EXCEPT EUROPE	0.015	0.033
420	32430-94280	HARNES HAZARD UNIT	1	>=53643		EXCEPT EUROPE	0.02	0.044
430	01202-50616	BOLT	1			EXCEPT EUROPE	0.006	0.0132

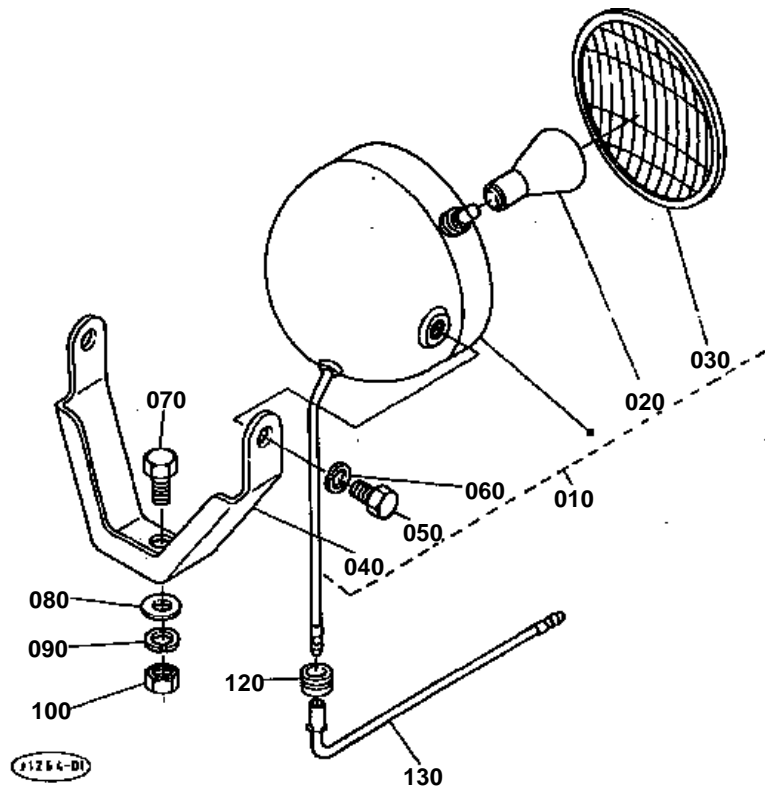




LIGHT [EXCEPT EUROPE]

↔ Interchangeable; ≠ not interchangeable; ← new for old; → old for new

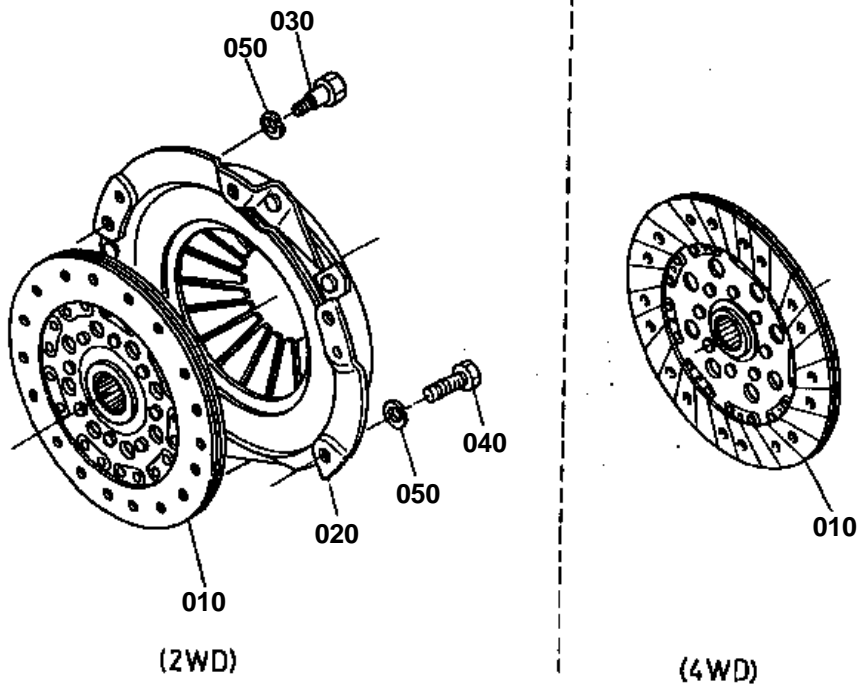
REF.No	Part No.	Description	Q'ty	S.No.	I/C	REMARKS	Weight (kgf)	Weight (lb)
010	32240-33800	ASSY LIGHT HEAD	2				0.33	0.726
010	35126-33800	ASSY LIGHT HEAD	2			ALGERIA	0.36	0.792
020	32240-33810	BODY	2				0.06	0.132
030	32280-33830	LENS	2				0.098	0.2156
040	32150-33840	BULB	2				0.014	0.0308
040	35126-33840	BULB	2			ALGERIA	0.012	0.0264
050	32240-33870	REFLECTOR	2				0.135	0.297
060	32280-33850	RUBBER DUSTING	2				0.005	0.011
070	32240-33880	COMP.CORD SOCKET	2				0.028	0.0616
080	37150-33860	CLIP	8				0.01	0.022
090	04013-50050	WASHER PLAIN	6				0	0
100	04512-50050	WASHER SPRING	6				0	0
110	02054-50050	NUT	6				0.002	0.0044
120	34350-34100	ASSY LIGHT TAIL	2	≠13939			0.13	0.286
130	34350-34120	LENS TAIL LIGHT	2	≠13939			0.05	0.11
140	34350-34140	BULB TAIL LIGHT	2	≠13939			0.008	0.0176
150	34350-34190	BRACKET TAIL LIGHT	2	≠13939			0.107	0.2354
160	02014-50060	NUT	4	≠13939			0.003	0.0066
170	04512-50060	WASHER SPRING	4	≠13939			0	0
180	53143-61240	ASSY REFLECTOR	2				0.009	0.0198
190	04512-50050	WASHER SPRING	2				0	0
200	02014-50050	NUT	2				0.002	0.0044
210	35450-75010	ASSY LIGHT FLASHER	2	≠13939			0.3	0.66
220	35450-75022	BULB HAZARD FLASHER	2	≠13939			0.008	0.0176
230	35450-75110	LENS	2	≠13939			0.07	0.154
240	35450-75050	LENS	2	≠13939			0.07	0.154
250	35450-75060	GASKET SEAL	2	≠13939			0.02	0.044
260	35450-75070	HOUSING	2	≠13939			0.04	0.088
270	35450-75080	SCREW	6	≠13939			0.005	0.011
280	35450-75090	ASSY SOCKET	2	≠13939			0.035	0.077
290	02114-50100	NUT	2	≠13939			0.005	0.011
300	04512-50100	WASHER SPRING	2	≠13939			0	0
310	35170-34360	WIRE HARNESS	1	≠13939			0.025	0.055
320	35170-34370	WIRE HARNESS	1	≠13939			0.035	0.077
330	34350-99220	GASKET	2	≠13939			0.01	0.022
340	03056-50335	SCREW	4	≠13939			0.001	0.0022



**WORK LIGHT**

↔ Interchangeable; ≠ not interchangeable; ← new for old; → old for new

REF.No	Part No.	Description	Q'ty	S.No.	I/C	REMARKS	Weight (kgf)	Weight (lb)
010	35305-31400	ASSY LIGHT WORKING	1				0	0
020	68331-53360	BULB LAMP	1				0.015	0.033
030	68331-53310	LENS	1				0.15	0.33
040	35305-31410	STAY LAMP	1				0.24	0.528
050	01153-50820	BOLT	2				0.012	0.0264
060	04512-50080	WASHER SPRING	2				0	0
070	01173-51018	BOLT	1				0.018	0.0396
080	04013-50100	WASHER PLAIN	1				0	0
090	04512-50100	WASHER SPRING	1				0	0
100	02176-50100	NUT	1				0.005	0.011
110	99999-99999	BLANK	0				0	0
120	33251-83910	CUSHION	1				0.001	0.0022
130	37300-34360	WIRE HARNESS	1				0.02	0.044



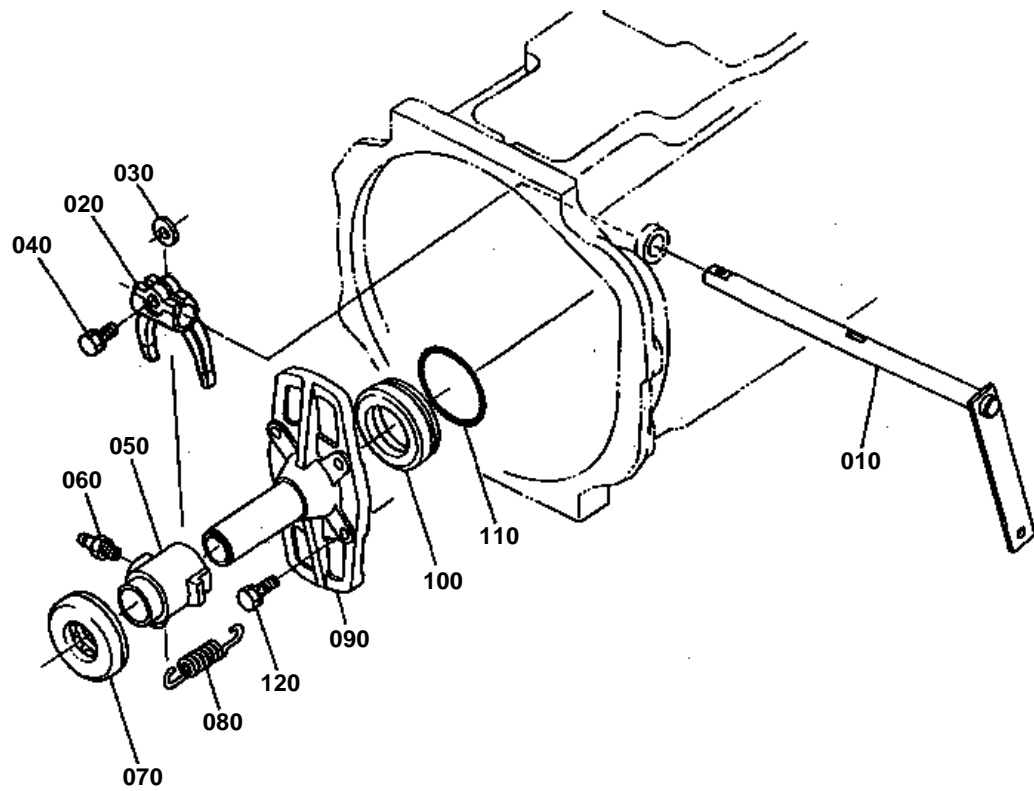


CLUTCH

↔ Interchangeable; ≠ not interchangeable; ← new for old; → old for new

REF.No	Part No.	Description	Q'ty	S.No.	I/C	REMARKS	Weight (kgf)	Weight (lb)
010	35290-14300	COMP.DISK CLUTCH	1	<=52966			0	0
010	32420-14300	COMP.DISK CLUTCH	1	>=52967	↔		0	0
020	37300-14500	ASSY PLATE PRESSURE	1				4.5	9.9
030	34220-14510	BOLT REAMER	2				0.013	0.0286
040	01153-50816	BOLT	4				0.01	0.022
050	04512-50080	WASHER SPRING	6				0	0

CLUTCH LEVER



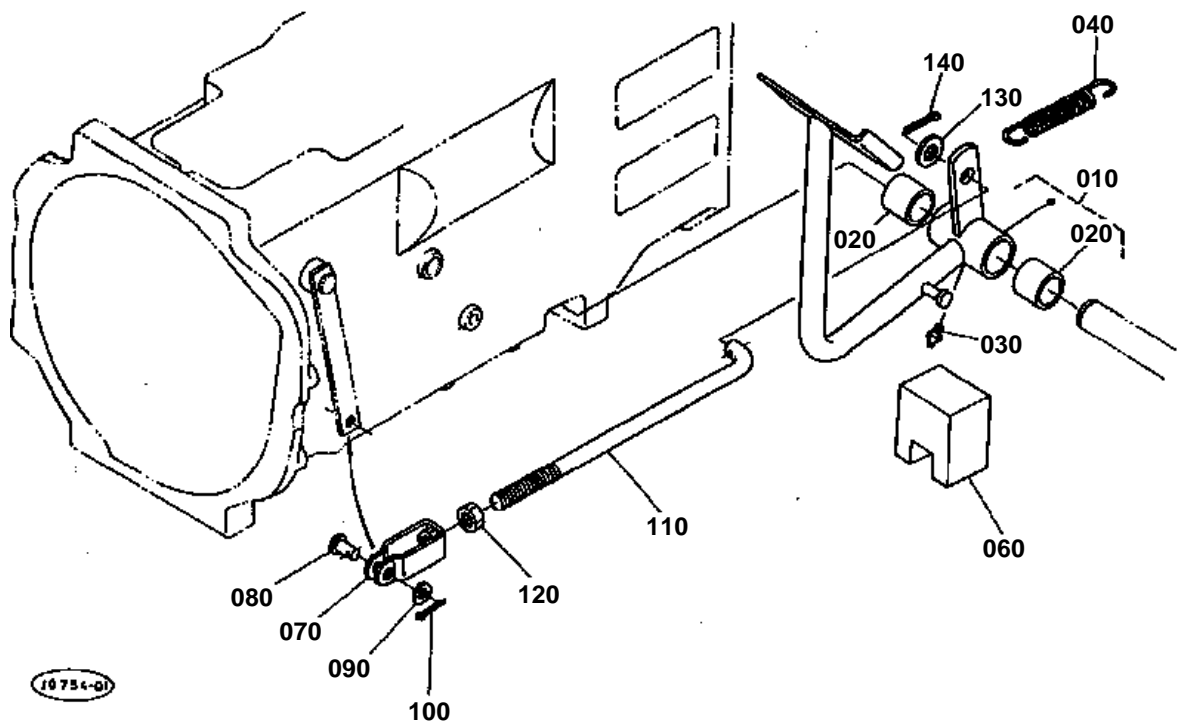


CLUTCH LEVER

↔ Interchangeable; ≠ not interchangeable; ← new for old; → old for new

REF.No	Part No.	Description	Q'ty	S.No.	I/C	REMARKS	Weight (kgf)	Weight (lb)
010	37220-14712	LEVER CLUTCH	1				0.475	1.045
020	31150-14720	FORK	1				0.24	0.528
030	31150-14780	KEY FORK	1				0.003	0.0066
040	01123-50822	BOLT	1				0.012	0.0264
050	37220-14810	HUB CLUTCH RELEASE	1				0	0
060	06613-10010	NIPPLE GREASE	1				0.006	0.0132
070	08490-00001	BEARING THRUST BALL	1				0.227	0.4994
080	34150-14840	SPRING	1				0.01	0.022
090	37150-15410	CASE PROPELLERSHAFT	1				0	0
100	37150-15420	SPACER	1				0.105	0.231
110	04811-50650	O RING	1				0.002	0.0044
120	01123-50830	BOLT	4				0.015	0.033

CLUTCH PEDAL



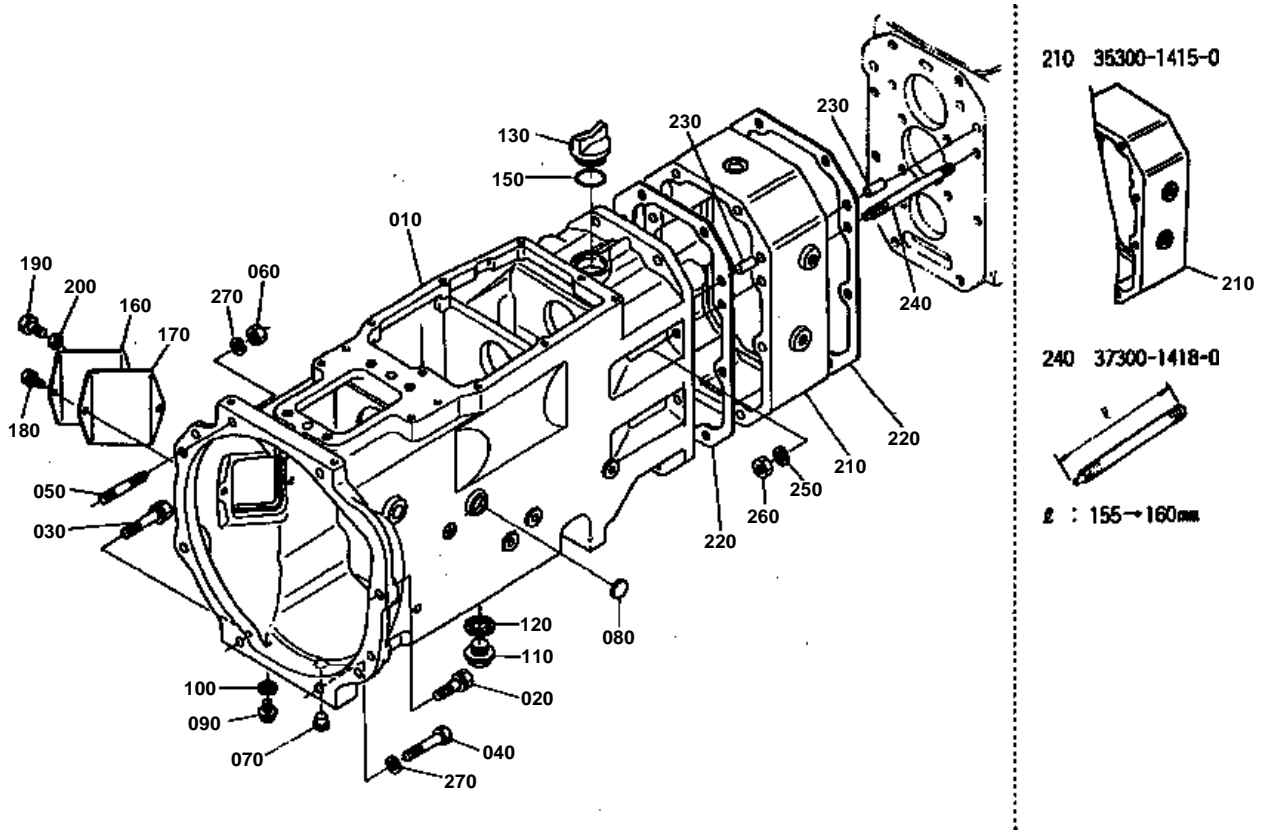


CLUTCH PEDAL

↔ Interchangeable; ≠ not interchangeable; ← new for old; → old for new

REF.No	Part No.	Description	Q'ty	S.No.	I/C	REMARKS	Weight (kgf)	Weight (lb)
010	37300-15710	PEDAL CLUTCH	1				1.47	3.234
020	34150-28430	BUSH	2				0.04	0.088
030	06613-10675	NIPPLE GREASE	1				0.003	0.0066
040	37150-15840	SPRING	1				0.06	0.132
050	99999-99999	BLANK	0				0	0
060	32240-15950	PIECE DISTANCE	1				0.045	0.099
070	34150-15630	JOINT	1				0.095	0.209
080	05122-50822	PIN JOINT	1				0.01	0.022
090	04012-50080	WASHER PLAIN	1				0.001	0.0022
100	05511-50218	PIN SPLIT	1				0.001	0.0022
110	34150-15640	ROD CLUTCH	1				0.195	0.429
120	02172-50120	NUT	1				0.01	0.022
130	04013-50120	WASHER PLAIN	1				0	0
140	05511-50425	PIN SPLIT	1				0.003	0.0066

CLUTCH HOUSING



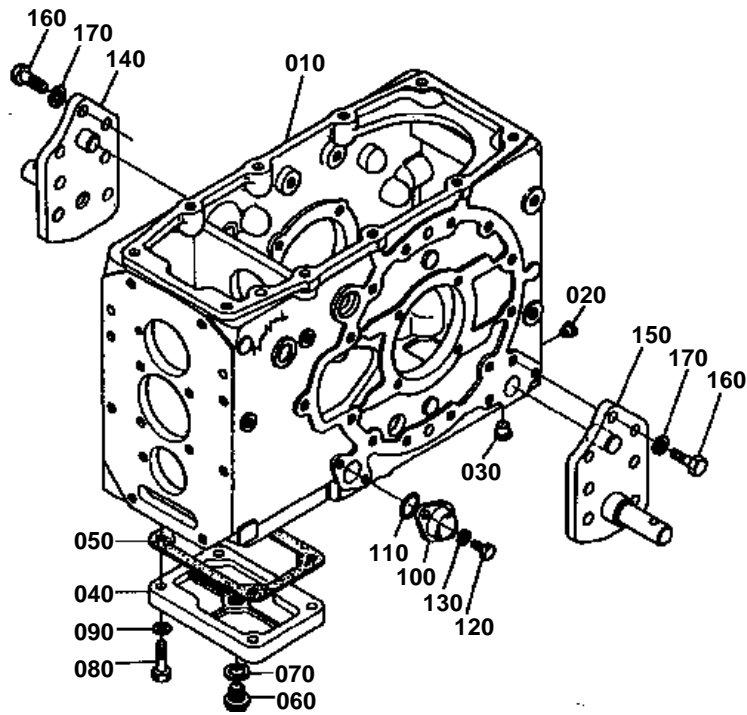


CLUTCH HOUSING

↔ Interchangeable; ≠ not interchangeable; ← new for old; → old for new

REF.No	Part No.	Description	Q'ty	S.No.	I/C	REMARKS	Weight (kgf)	Weight (lb)
010	37300-14110	HOUSING CLUTCH	1	<=51017			0	0
010	37300-14116	HOUSING CLUTCH	1	>=51018	←		48	105.6
020	01133-51040	BOLT	4				0.03	0.066
030	01133-51050	BOLT	1				0.035	0.077
040	01173-51070	BOLT	1				0.044	0.0968
050	37300-14130	STUD	2				0.345	0.759
060	37300-14190	NUT	2				0.009	0.0198
070	32210-27580	PLUG BLIND	6				0.001	0.0022
080	31301-14230	GAUGE OIL	1	>=51018			0.005	0.011
090	06311-55010	PLUG	2	<=51017			0.015	0.033
090	06311-55010	PLUG	1	>=51018			0.015	0.033
100	04717-01000	WASHER WITH RUBBER	2	<=51017			0.001	0.0022
100	04717-01000	WASHER WITH RUBBER	1	>=51018			0.001	0.0022
110	15512-96010	PLUG DRAIN	1				0.101	0.2222
120	04717-02150	WASHER WITH RUBBER	1				0.004	0.0088
130	32240-21410	PLUG	1	<=13367			0.005	0.011
130	38240-21410	PLUG	1	>=13368	↔		0.015	0.033
140	99999-99999	BLANK	0				0	0
150	04811-50300	O RING	1				0.001	0.0022
160	34150-14160	COVER HOUSING	1				0.15	0.33
170	34150-14170	GASKET HOUSING	1				0.03	0.066
180	01123-50816	BOLT	1				0.011	0.0242
190	01153-50825	BOLT	1				0.012	0.0264
200	02114-50080	NUT	1				0.005	0.011
210	35300-14150	SPACER	1	<=10030			8.3	18.26
210	37300-14150	SPACER	1	>=10031	↔		8.2	18.04
220	34150-14140	GASKET	2				0	0
230	37150-14150	PIN STRAIGHT	4	<=13297			0.125	0.275
230	05012-01018	PIN STRAIGHT	4	>=13298	↔		0.012	0.0264
240	37300-14180	STUD	8	<=12857			0	0
240	37300-14182	STUD	8	>=12858	←		0.095	0.209
250	04512-50100	WASHER SPRING	8				0	0
260	37300-14190	NUT	8				0.009	0.0198
270	04512-50100	WASHER SPRING	3				0	0

TRANSMISSION CASE



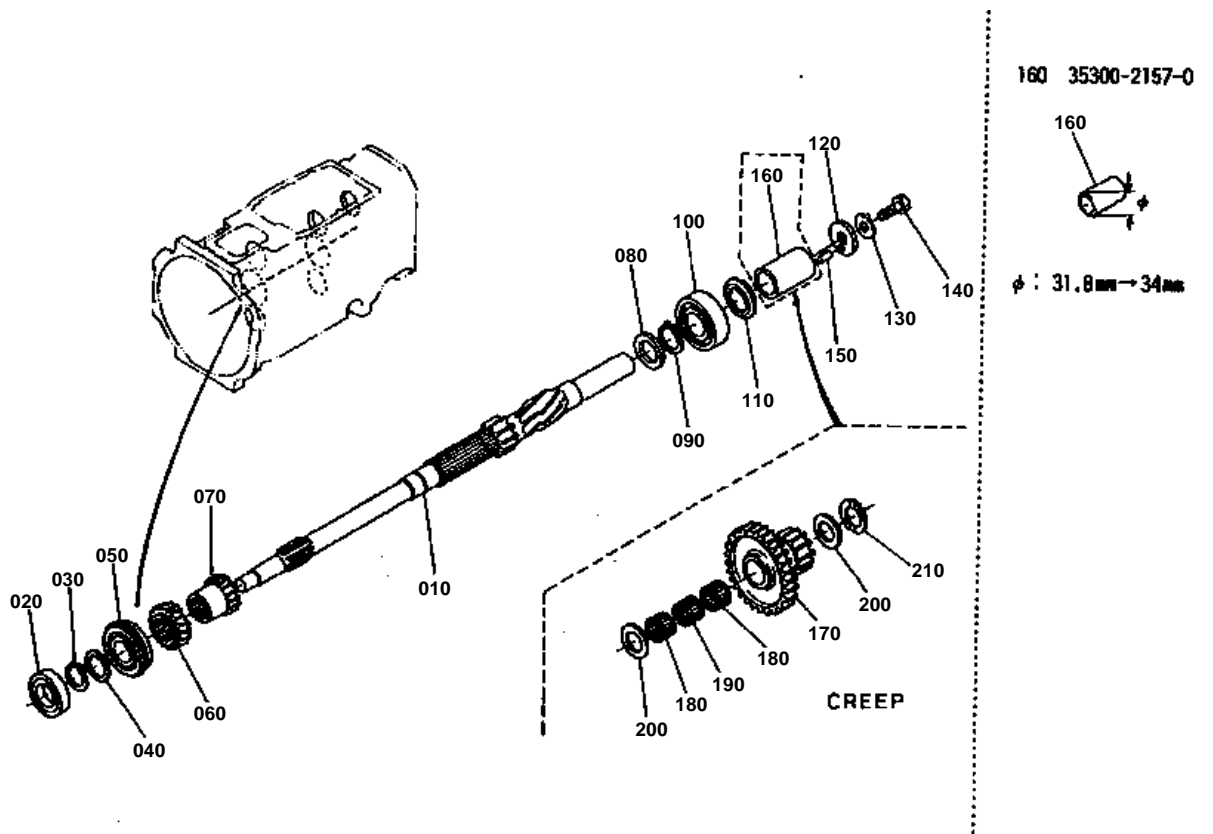


TRANSMISSION CASE

↔ Interchangeable; ≠ not interchangeable; ← new for old; → old for new

REF.No	Part No.	Description	Q'ty	S.No.	I/C	REMARKS	Weight (kgf)	Weight (lb)
010	37300-21110	CASE TRANSMISSION	1				37.5	82.5
020	32210-27580	PLUG BLIND	4				0.001	0.0022
030	31220-14290	PLUG	6				0.002	0.0044
050	37150-21282	GASKET	1				0	0
100	37150-37720	RETAINER	1				0.03	0.066
110	04811-10320	O RING	1				0.001	0.0022
120	01222-50816	BOLT	2				0.01	0.022
130	04512-50080	WASHER SPRING	2				0	0
140	37300-71220	HOLDER LOWER LINK RH	1				1.4	3.08
150	37300-71230	HOLDER LOWER LINK LH	1				1.5	3.3
160	01173-51230	BOLT	6				0.037	0.0814
170	04512-50120	WASHER SPRING	6				0	0

MAIN SHAFT



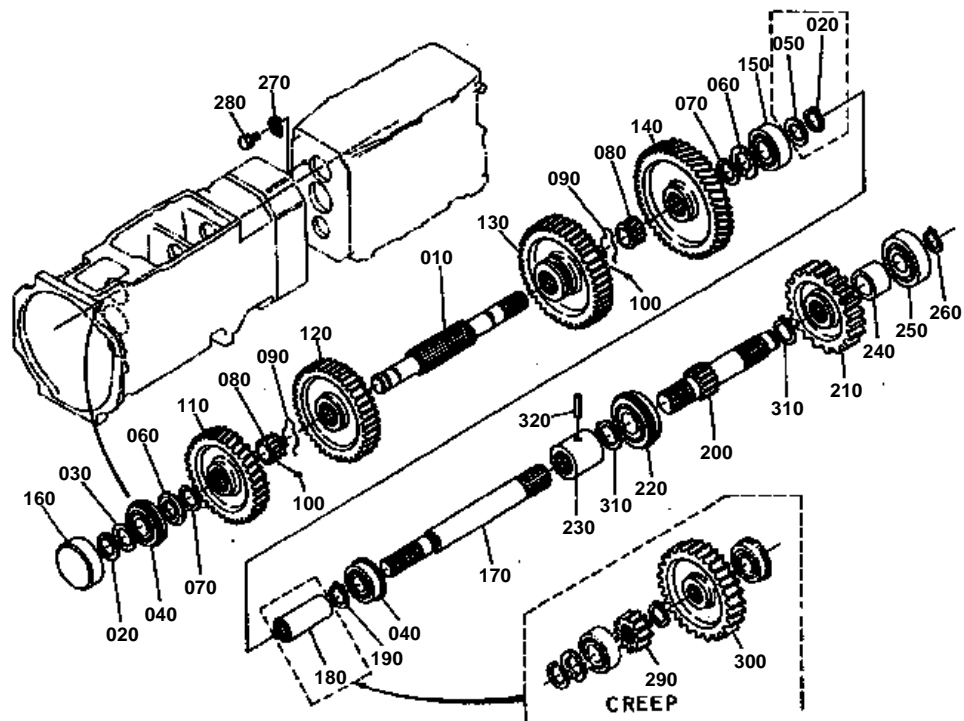


MAIN SHAFT

↔ Interchangeable; ≠ not interchangeable; ← new for old; → old for new

REF.No	Part No.	Description	Q'ty	S.No.	I/C	REMARKS	Weight (kgf)	Weight (lb)
010	37300-21510	SHAFT MAIN	1				2	4.4
020	09502-55210	SEAL OIL	1				0.025	0.055
030	37150-21551	CIR-CLIP EXTERNAL	1				0.005	0.011
040	34150-21560	WASHER	1				0.01	0.022
050	08150-00003	BEARING BALL	1	≤14683			0.25	0.55
050	35300-41280	BEARING BALL	1	≥14684	↔		0.235	0.517
060	35340-21532	GEAR	1	≤14053		24T	0.405	0.891
060	35340-21532	GEAR	1	≥14054	↔	24T	0.405	0.891
070	37150-21520	GEAR	1			17T	0.225	0.495
080	37150-21590	COLLAR	1				0.025	0.055
090	04612-00300	CIR-CLIP EXTERNAL	1				0.003	0.0066
100	08241-03206	BEARING BALL	1				0.302	0.6644
110	37300-21580	COLLAR	1				0.015	0.033
120	34260-21590	WASHER	1				0.04	0.088
130	38180-22370	WASHER WITH CLAW	1				0.005	0.011
140	34260-26260	BOLT	1				0.03	0.066
150	05012-00310	PIN STRAIGHT	1				0.001	0.0022
160	35300-21570	COLLAR DISTANCE	1	≤13772		WITHOUT CREEP	0	0
160	35300-21572	COLLAR DISTANCE	1	≥13773	←	WITHOUT CREEP	0.23	0.506
170	37300-21570	GEAR	1			WITH CREEP 17-45T	0.8	1.76
180	08822-53121	BEARING NEEDLE	2			WITH CREEP	0.027	0.0594
190	08822-53113	BEARING NEEDLE	1			WITH CREEP	0.02	0.044
200	34260-21530	WASHER	2			WITH CREEP	0.005	0.011
210	34260-21520	COLLAR	1			WITH CREEP	0.01	0.022

COUNTER SHAFT



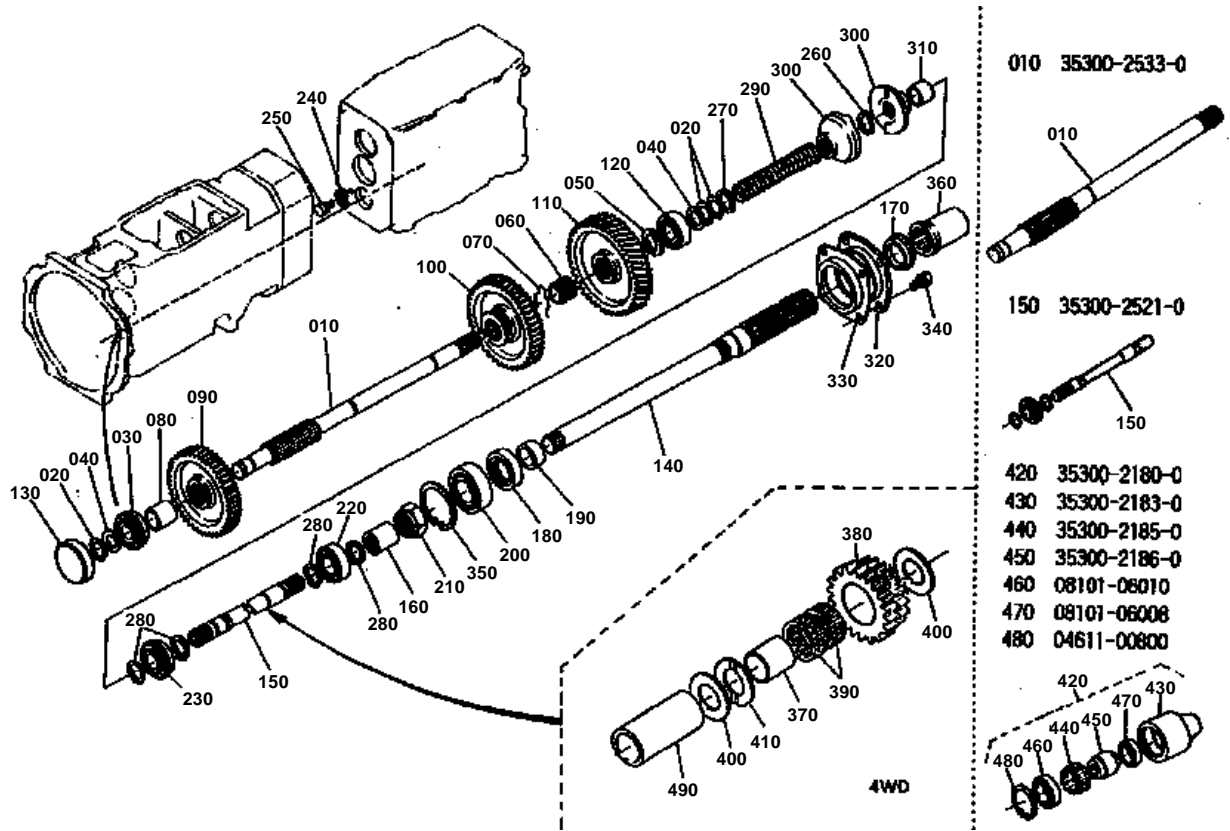


COUNTER SHAFT

↔ Interchangeable; ≠ not interchangeable; ← new for old; → old for new

REF.No	Part No.	Description	Q'ty	S.No.	I/C	REMARKS	Weight (kgf)	Weight (lb)
010	35300-21610	COUNTERSHAFT	1				1.115	2.453
020	37150-21551	CIR-CLIP EXTERNAL	2				0.005	0.011
030	34150-21560	WASHER	2				0.01	0.022
040	08151-06205	BEARING BALL	2				0.131	0.2882
050	34150-21560	WASHER	1			WITHOUT CREEP	0.01	0.022
060	37150-21760	COLLAR THRUST	2				0.017	0.0374
070	37150-21790	CIR-CLIP	2				0.001	0.0022
080	37150-21750	BOSS SPLINE	2				0.088	0.1936
090	37150-21780	CIR-CLIP	2	≤12180			0	0
090	35340-21780	CIR-CLIP	2	≥12181	←		0	0
090	35340-21782	CIR-CLIP	2	≥13939	←		0.007	0.0154
100	35340-21790	WIRE	2	≥12181			0	0
100	35340-21792	WIRE	2	≥13939	←		0.001	0.0022
110	35300-21710	GEAR	1	≤14053		31T	0	0
110	35340-21712	GEAR	1	≥14054	↔	31T	0.535	1.177
120	37150-21720	GEAR	1			41T	0.77	1.694
130	37150-21730	GEAR	1			45T	0.945	2.079
140	37150-21740	GEAR	1			45T	1.08	2.376
150	08241-03205	BEARING BALL	1				0	0
160	34150-21650	COVER BEARING	1				0.07	0.154
170	35300-21810	SHAFT CREEP SPEED	1				1.14	2.508
180	35300-21660	COUPLING	1			WITHOUT CREEP	0.19	0.418
190	37150-21551	CIR-CLIP EXTERNAL	1				0.005	0.011
200	35300-21910	SHAFT GEAR	1			12T	0.94	2.068
210	35300-21920	GEAR	1			21T	0.61	1.342
220	08151-06206	BEARING BALL	1				0.2	0.44
230	37300-21680	COUPLING	1				0.28	0.616
240	37300-21940	COLLAR DISTANCE	1				0.055	0.121
250	08101-06305	BEARING BALL	1				0.23	0.506
260	37150-21551	CIR-CLIP EXTERNAL	1				0.005	0.011
270	34150-21942	RETAINER BEARING	1				0.035	0.077
280	01123-50820	BOLT	1				0.011	0.0242
290	37300-21660	GEAR	1			14T WITH CREEP	0.115	0.253
300	37150-21830	GEAR	1			42T WITH CREEP	0.75	1.65
310	04612-00300	CIR-CLIP EXTERNAL	2				0.003	0.0066
320	05411-00540	PIN SPRING	1				0.004	0.0088

PTO COUNTER SHAFT



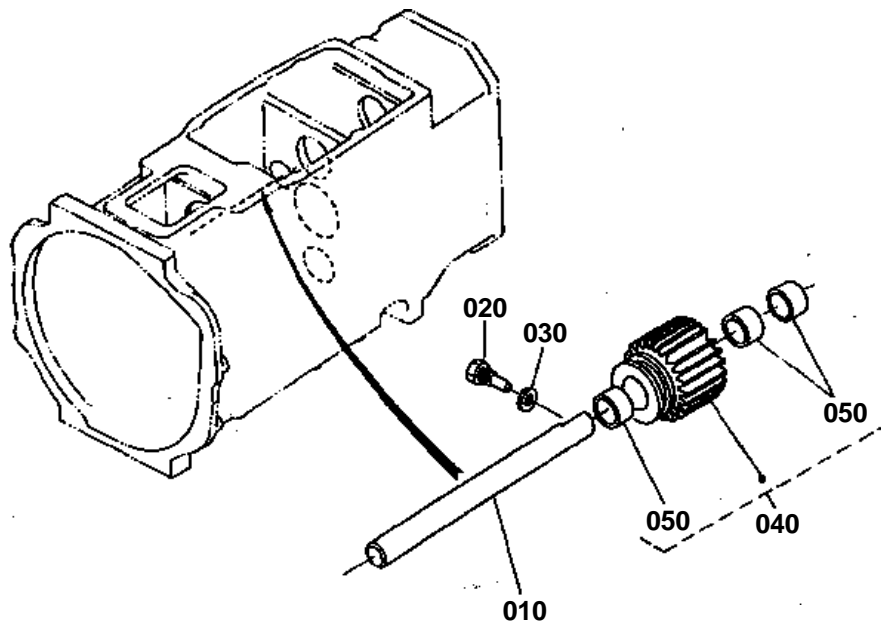


PTO COUNTER SHAFT

↔ Interchangeable; ≠ not interchangeable; ← new for old; → old for new

REF.No	Part No.	Description	Q'ty	S.No.	I/C	REMARKS	Weight (kgf)	Weight (lb)
010	35300-25330	COUNTERSHAFT PTO	1	←=51206			1.87	4.114
010	35300-25334	COUNTERSHAFT PTO	1	>=51207	≠		2	4.4
020	37150-21551	CIR-CLIP EXTERNAL	3				0.005	0.011
030	08151-06205	BEARING BALL	1				0.131	0.2882
040	34150-21560	WASHER	2				0.01	0.022
050	37150-21760	COLLAR THRUST	1				0.017	0.0374
060	37150-21750	BOSS SPLINE	1				0.088	0.1936
070	35340-21782	CIR-CLIP	1				0.007	0.0154
080	35110-21750	COLLAR	1				0.089	0.1958
090	37150-21720	GEAR	1			41T	0.77	1.694
100	37150-21730	GEAR	1			45T	0.945	2.079
110	37150-21740	GEAR	1			45T	1.08	2.376
120	08241-03205	BEARING BALL	1				0	0
130	34150-21650	COVER BEARING	1				0.07	0.154
140	37300-25310	SHAFT PTO	1				1.885	4.147
150	35300-25210	SHAFT PTO DRIVE	1	←=51206			0.684	1.5048
150	35300-25213	SHAFT PTO DRIVE	1	>=51207	≠		0.7	1.54
160	37150-21682	COUPLING	1				0.24	0.528
170	37150-25370	SLINGER	1				0.007	0.0154
180	37150-25360	SEAL OIL	1				0.025	0.055
190	37300-25350	COLLAR SEAL	1				0.032	0.0704
200	08101-06206	BEARING BALL	1				0.196	0.4312
210	34150-25320	NUT	1				0.03	0.066
220	08101-06205	BEARING BALL	1				0.14	0.308
230	08151-06205	BEARING BALL	1				0.131	0.2882
240	34150-21942	RETAINER BEARING	1				0.035	0.077
250	01123-50820	BOLT	1				0.011	0.0242
260	37150-21551	CIR-CLIP EXTERNAL	1	>=51207			0.005	0.011
270	35200-25220	COLLAR	1	>=51207			0.005	0.011
280	04612-00250	CIR-CLIP EXTERNAL	4				0.002	0.0044
290	35200-25230	SPRING ONE-WAY	1	>=51207			0.075	0.165
300	35200-25240	CAM CLUTCH	2	>=51207			0.485	1.067
310	35200-25250	COLLAR	1	>=51207			0.04	0.088
320	37150-25410	CASE BEARING	1				1.02	2.244
330	37150-25420	GASKET	1				0	0
340	01123-50822	BOLT	4				0.012	0.0264
350	04611-00620	CIR-CLIP INTERNAL	1				0.011	0.0242
360	31220-25820	CAP	1				0.055	0.121
370	37650-44170	RACE INNER	1				0.05	0.11
380	35310-44180	GEAR	1			17-23T	0.42	0.924
390	08823-03614	BEARING NEEDLE	2				0.022	0.0484
400	37150-25380	COLLAR	2				0.013	0.0286
410	37650-44280	WASHER THRUST	1				0.012	0.0264
420	35300-21800	ASSY CLUTCH ONEWAY	1	←=51206			3.65	8.03
430	35300-21830	CASE CLUTCH	1	←=51206			2.3	5.06
440	35300-21850	CLUTCH	1	←=51206			0.23	0.506
450	35300-21860	COUPLING	1	←=51206			0.7	1.54
460	08101-06010	BEARING BALL	1	←=51206			0.262	0.5764
470	08101-06008	BEARING BALL	1	←=51206			0.19	0.418
480	04611-00800	CIR-CLIP INTERNAL	1	←=51206			0.02	0.044
490	35310-44160	COLLAR	1				0.12	0.264

REVERSE SHAFT



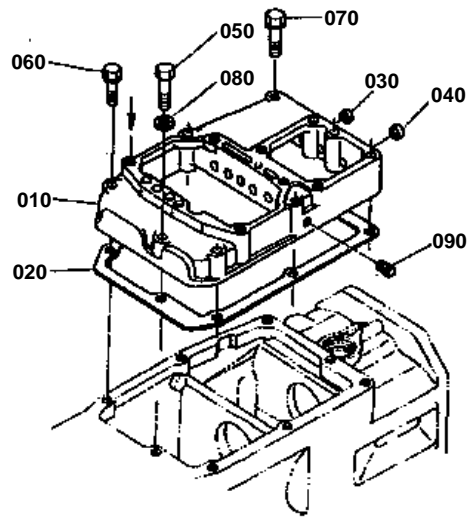
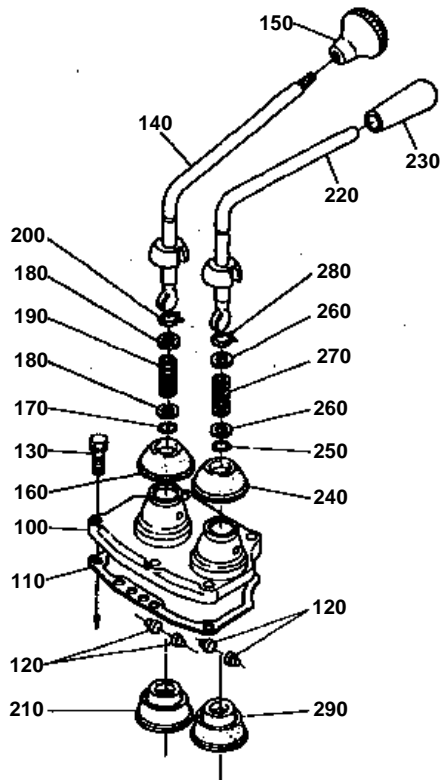


REVERSE SHAFT

↔ Interchangeable; ≠ not interchangeable; ← new for old; → old for new

REF.No	Part No.	Description	Q'ty	S.No.	I/C	REMARKS	Weight (kgf)	Weight (lb)
010	37300-23110	SHAFT REVERSE	1				0.47	1.034
020	37150-23120	SCREW SET	1				0.02	0.044
030	04717-00800	WASHER WITH RUBBER	1				0.001	0.0022
040	37150-23100	ASSY GEAR	1			22T	0.885	1.947
050	31220-26360	BUSH	3				0.015	0.033

MAIN GEAR SHIFT LEVER AND PTO GEAR SHIFT LEVER



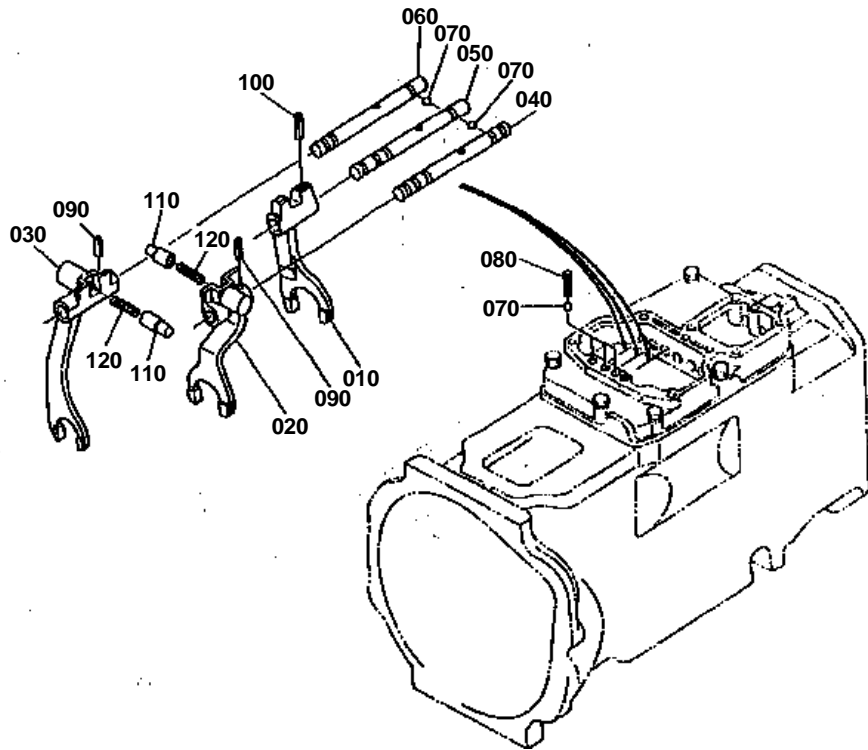


MAIN GEAR SHIFT LEVER AND PTO GEAR SHIFT LEVER

↔ Interchangeable; ≠ not interchangeable; ← new for old; → old for new

REF.No	Part No.	Description	Q'ty	S.No.	I/C	REMARKS	Weight (kgf)	Weight (lb)
010	37150-21210	COVER GEAR SHIFT	1				1.14	2.508
020	34650-59140	GASKET	1				0	0
030	34150-21250	PLUG	5				0.002	0.0044
040	34269-21250	PLUG	1				0	0
050	01153-50840	BOLT	1				0.018	0.0396
060	01123-50840	BOLT	2				0.018	0.0396
070	01123-50850	BOLT	3				0.02	0.044
080	04717-00800	WASHER WITH RUBBER	1				0.001	0.0022
090	06312-10010	PLUG	2				0.007	0.0154
100	37150-23710	BRACKET GEAR SHIFT	1				0.49	1.078
110	34150-23720	GASKET	1				0	0
120	34150-23740	PIN SET	4				0.002	0.0044
130	01123-50832	BOLT	5				0.016	0.0352
140	34150-23810	LEVER MAIN SHIFT	1				0.43	0.946
150	32150-23860	GRIP LEVER	1				0.037	0.0814
160	34150-23940	SHIELD LEVER	1				0.025	0.055
170	04811-00120	O RING	1				0.001	0.0022
180	32240-23950	WASHER	2				0.002	0.0044
190	32240-23920	SPRING	1				0.007	0.0154
200	31220-23930	CIR-CLIP EXTERNAL	1				0.001	0.0022
210	34150-23870	SHIELD	1				0	0
220	37150-24856	LEVER PTO GEAR SHIFT	1				0.395	0.869
230	34150-24920	GRIP LEVER	1	≤14292			0	0
230	06914-00130	GRIP LEVER	1	≥14293	↔		0.016	0.0352
240	34150-23940	SHIELD LEVER	1				0.025	0.055
250	04811-00120	O RING	1				0.001	0.0022
260	32240-23950	WASHER	2				0.002	0.0044
270	32240-23920	SPRING	1				0.007	0.0154
280	31220-23930	CIR-CLIP EXTERNAL	1				0.001	0.0022
290	34150-23870	SHIELD	1				0	0

MAIN SHIFT FORK



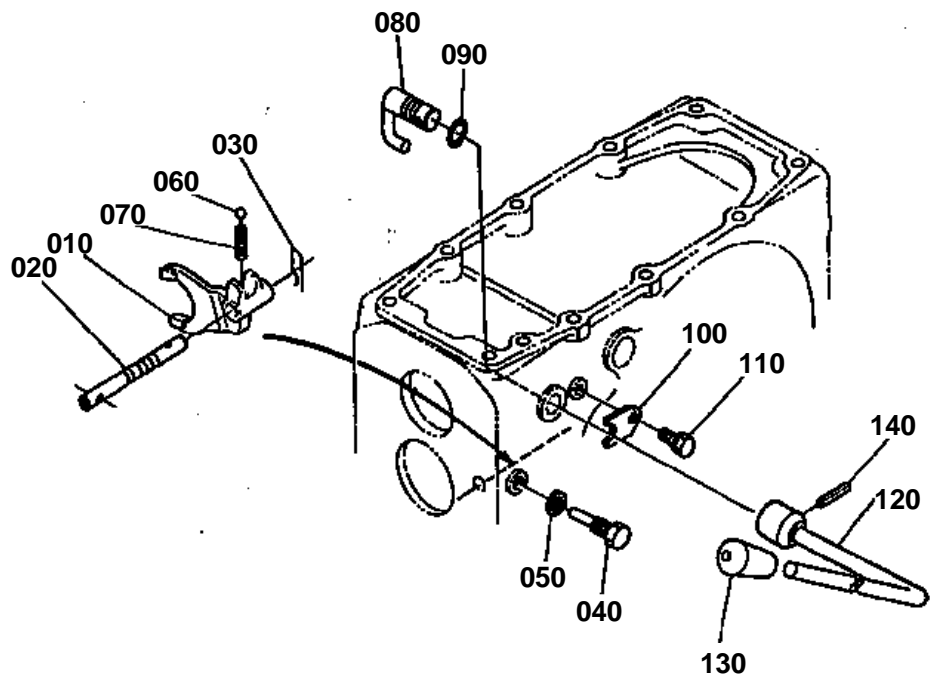


MAIN SHIFT FORK

↔ Interchangeable; ≠ not interchangeable; ← new for old; → old for new

REF.No	Part No.	Description	Q'ty	S.No.	I/C	REMARKS	Weight (kgf)	Weight (lb)
010	35305-23510	FORK SHIFT	1				0.19	0.418
020	35305-23520	FORK SHIFT	1				0.28	0.616
030	35305-23530	FORK SHIFT	1				0.29	0.638
040	37150-23540	ROD FORK	1				0.12	0.264
050	37150-23550	ROD FORK	1				0.12	0.264
060	37150-23570	ROD FORK	1				0.32	0.704
070	07715-01605	BALL	5				0.003	0.0066
080	62581-18230	SPRING	3				0.01	0.022
090	05411-00420	PIN SPRING	2				0.001	0.0022
100	05411-00430	PIN SPRING	1				0.002	0.0044
110	34150-23610	PIECE NEUTRAL	2				0.015	0.033
120	34150-23620	SPRING	2				0.003	0.0066

HI-LO GEAR SHIFT LEVER



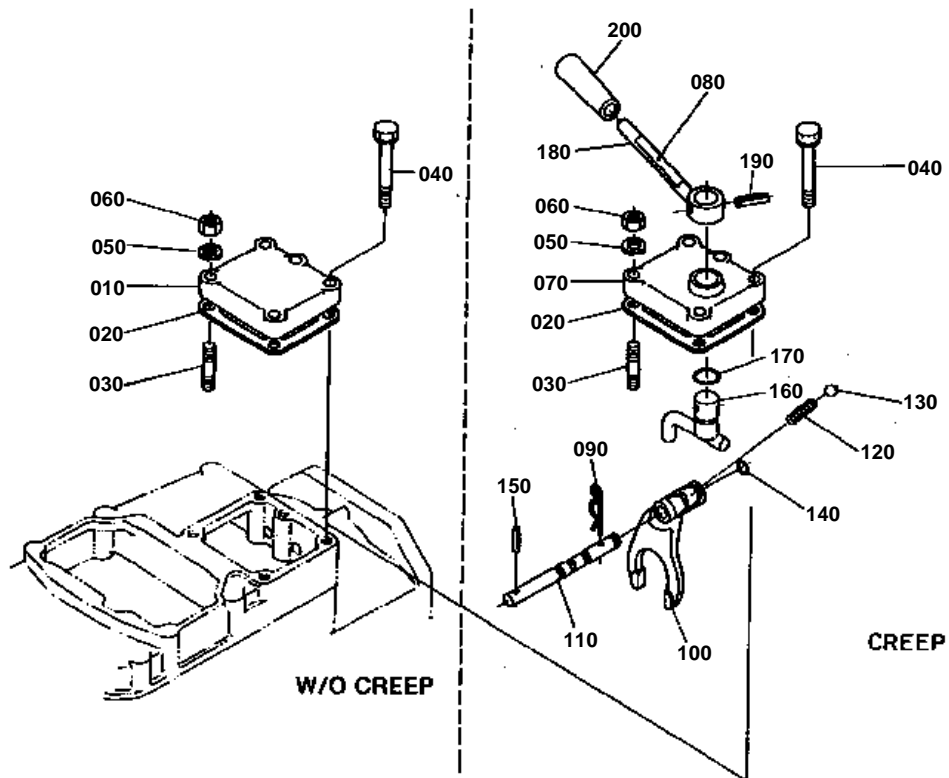


HI-LO GEAR SHIFT LEVER

↔ Interchangeable; ≠ not interchangeable; ← new for old; → old for new

REF.No	Part No.	Description	Q'ty	S.No.	I/C	REMARKS	Weight (kgf)	Weight (lb)
010	35300-24110	FORK SHIFT	1				0.2	0.44
020	37150-24130	SHAFT FORK	1				0.11	0.242
030	05515-51200	PIN SNAP	1				0	0
040	37150-23120	SCREW SET	1				0.02	0.044
050	04717-00800	WASHER WITH RUBBER	1				0.001	0.0022
060	07715-01605	BALL	1				0.003	0.0066
070	62581-18230	SPRING	1				0.01	0.022
080	37300-24310	LEVER SHIFT	1	≤13703			0	0
080	37150-24310	LEVER SHIFT	1	≥13704	↔		0.145	0.319
090	04811-00150	O RING	1				0.001	0.0022
100	34150-24350	STOPPER LEVER	1				0.015	0.033
110	01123-50816	BOLT	1				0.011	0.0242
120	35300-24430	LEVER HI-LO SHIFT	1				0.42	0.924
130	37300-24560	GRIP LEVER	1				0.02	0.044
140	05411-00628	PIN SPRING	1				0.004	0.0088

CREEP GEAR SHIFT LEVER



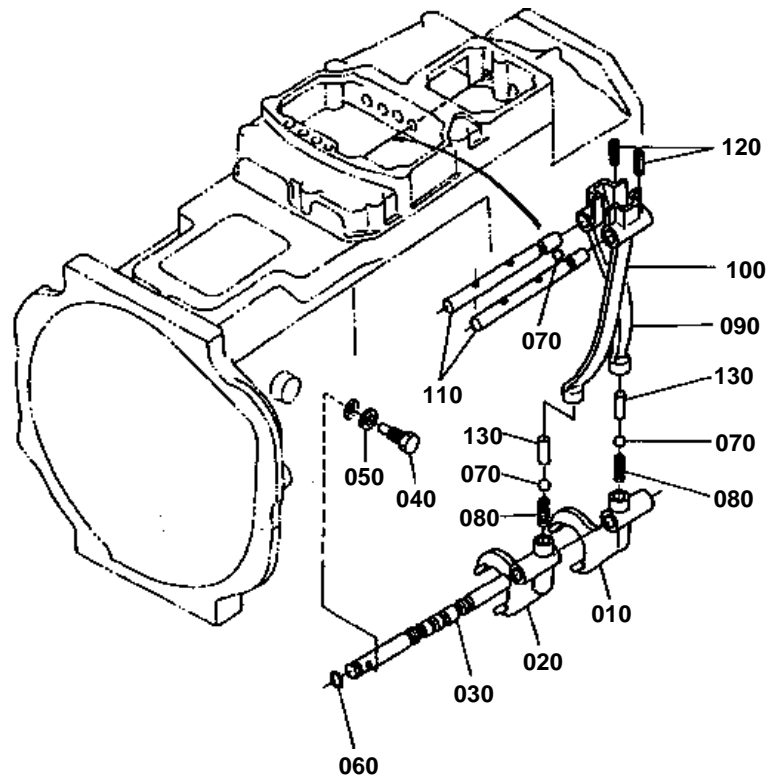


CREEP GEAR SHIFT LEVER

↔ Interchangeable; ≠ not interchangeable; ← new for old; → old for new

REF.No	Part No.	Description	Q'ty	S.No.	I/C	REMARKS	Weight (kgf)	Weight (lb)
010	35110-24830	COVER	1				0.536	1.1792
020	34650-59330	GASKET	1				0	0
030	01513-50828	STUD	3				0.013	0.0286
040	01123-50870	BOLT	2				0.029	0.0638
050	04512-50080	WASHER SPRING	3				0	0
060	02156-50080	NUT	3				0.004	0.0088
070	99716-94112	COVER	1				0.6	1.32
080	99586-94130	LABEL	1				0.001	0.0022
090	05515-51200	PIN SNAP	1				0	0
100	37150-24810	FORK CREEP SHIFT	1				0.2	0.44
110	37150-24820	SHAFT FORK	1				0.1	0.22
120	62581-18230	SPRING	1				0.01	0.022
130	07715-01605	BALL	1				0.003	0.0066
140	04811-00090	O RING	1				0.001	0.0022
150	05411-00430	PIN SPRING	1				0.002	0.0044
160	34650-59380	LEVER SHIFT	1				0.11	0.242
170	04811-00150	O RING	1				0.001	0.0022
180	37150-24840	LEVER SPEED CHANGE	1				0.113	0.2486
190	05411-00628	PIN SPRING	1				0.004	0.0088
200	06914-00100	GRIP LEVER	1				0.02	0.044

PTO SHIFT FORK





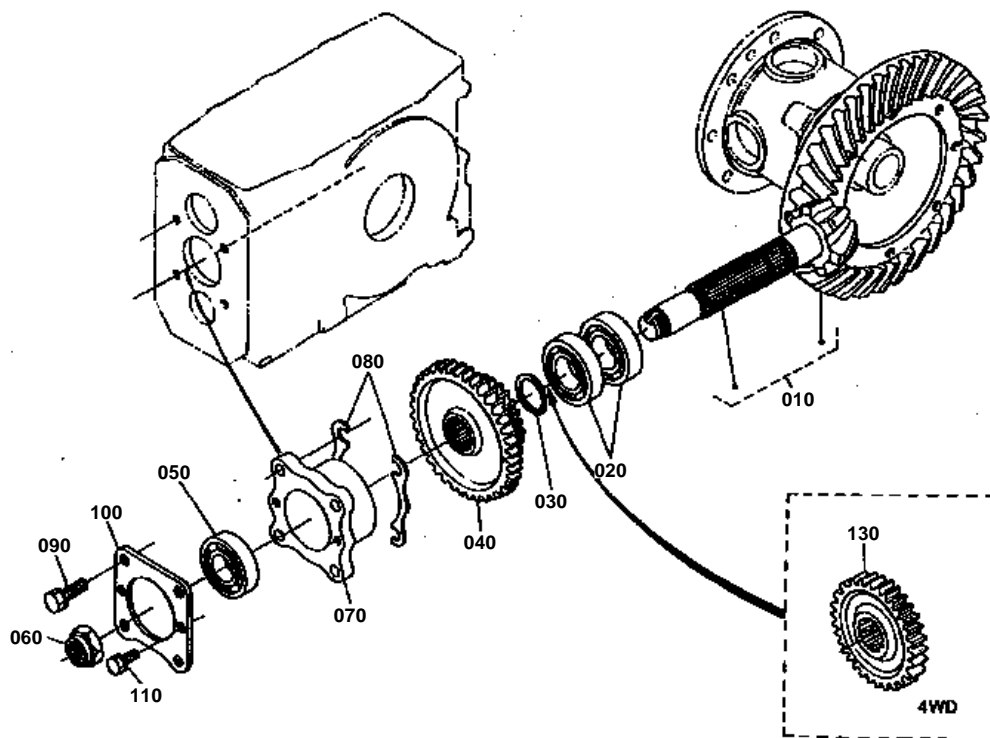
PTO SHIFT FORK

↔ Interchangeable; ≠ not interchangeable; ← new for old; → old for new

REF.No	Part No.	Description	Q'ty	S.No.	I/C	REMARKS	Weight (kgf)	Weight (lb)
010	37150-24610	FORK SHIFT	1				0.21	0.462
020	37150-24620	FORK SHIFT	1				0.05	0.11
030	37150-24630	SHAFT FORK	1				0.155	0.341
040	34150-24680	SCREW SET	1				0.015	0.033
050	04717-00800	WASHER WITH RUBBER	1				0.001	0.0022
060	04811-00090	O RING	1				0.001	0.0022
070	07715-01605	BALL	3				0.003	0.0066
080	62581-18230	SPRING	2				0.01	0.022
090	37150-24710	LEVER PTO	1	<=13752			0	0
090	35170-24710	LEVER PTO	1	>=13753	↔		0.26	0.572
100	37150-24720	LEVER PTO	1	<=13752			0	0
100	35170-24720	LEVER PTO	1	>=13753	↔		0.285	0.627
110	37150-24760	ROD FORK	2				0.13	0.286
120	05411-00425	PIN SPRING	2				0.001	0.0022
130	34150-24690	PIN	2				0.02	0.044



SPIRAL BEVEL GEAR

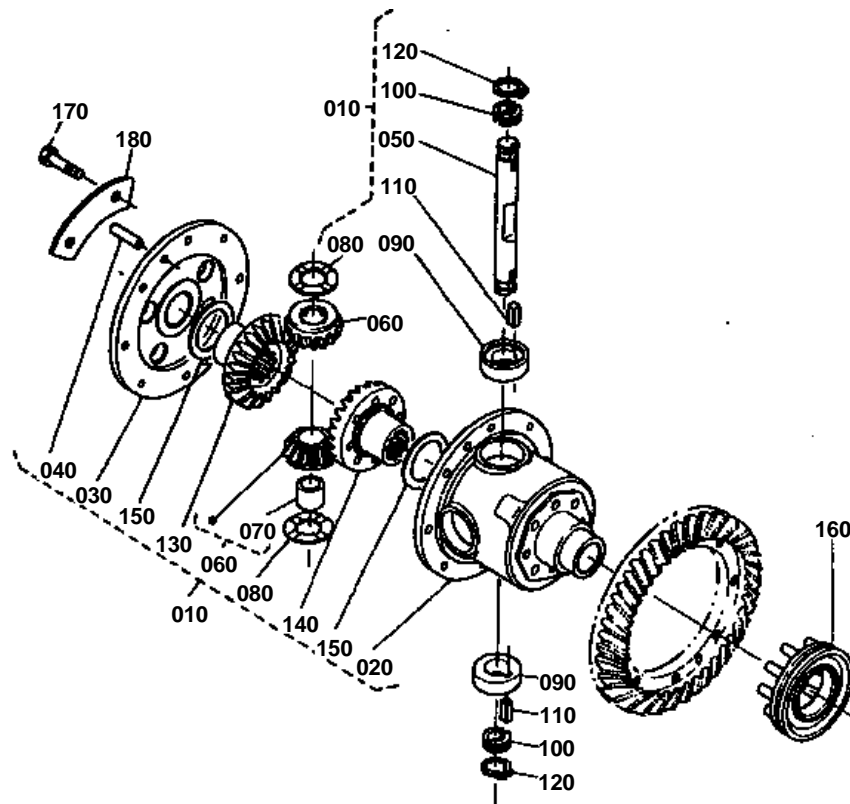




SPIRAL BEVEL GEAR

↔ Interchangeable; ≠ not interchangeable; ← new for old; → old for new

REF.No	Part No.	Description	Q'ty	S.No.	I/C	REMARKS	Weight (kgf)	Weight (lb)
010	35300-22100	ASSY GEAR BEVEL	1				5.3	11.66
020	08641-00306	BEARING ROLLER	2				0.37	0.814
030	04612-00300	CIR-CLIP EXTERNAL	1				0.003	0.0066
040	35300-21950	GEAR	1			15-37T	1.24	2.728
050	08710-00006	BEARING TAPER-ROLLER	1	≤50873			0	0
050	38240-22140	BEARING TAPER-ROLLER	1	≥50874	↔		0.56	1.232
060	31220-22340	NUT	1	≤52938			0.033	0.0726
060	35260-23252	NUT	1	≥52939	↔		0.04	0.088
070	37300-22150	CASE BEARING	1				0.56	1.232
080	34150-22610	SHIM	2			0.5MM	0.01	0.022
080	34150-22620	SHIM	4			0.2MM	0.005	0.011
080	34150-22630	SHIM	2			0.1MM	0.005	0.011
090	01133-51035	BOLT	4				0.03	0.066
100	34150-22170	COVER BEARING	1				0.16	0.352
110	01123-50816	BOLT	2				0.011	0.0242
120	99999-99999	BLANK	0				0	0
130	37770-44150	GEAR	1			32T	0.76	1.672

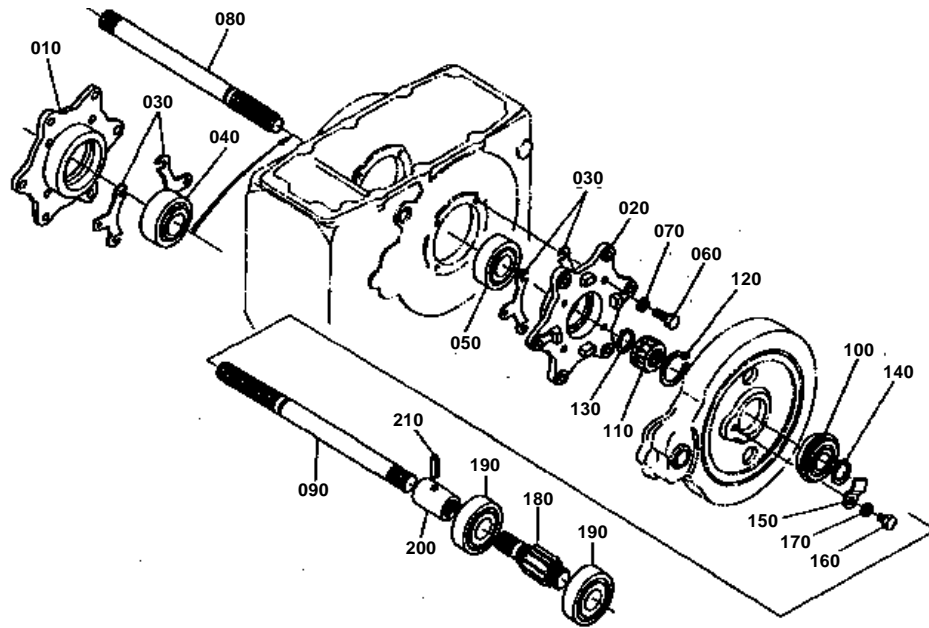




DIFFERENTIAL SYSTEM 1

↔ Interchangeable; ≠ not interchangeable; ← new for old; → old for new

REF.No	Part No.	Description	Q'ty	S.No.	I/C	REMARKS	Weight (kgf)	Weight (lb)
010	37300-26100	ASSY DIFFERENTIAL	1				7	15.4
020	37300-26510	CASE DIFFERENTIAL	1				2.5	5.5
030	37300-26520	COVER DIFF.CASE	1				1.35	2.97
040	37300-26530	PIN STRAIGHT	2				0.03	0.066
050	37300-26340	SHAFT DIFF.PINION	2				0.27	0.594
060	37300-26310	ASSY PINION DIFFEREN	4				0.17	0.374
070	31220-26360	BUSH	4				0.015	0.033
080	37300-26390	WASHER DIFF.PINION	4				0.02	0.044
090	37300-26370	BUSH	4				0.07	0.154
100	37300-26230	COLLAR SET	8			4.9MM	0.005	0.011
100	37300-26240	COLLAR SET	8			5.0MM	0.005	0.011
100	37300-26250	COLLAR SET	8			5.1MM	0.005	0.011
110	37300-26280	KEY	4				0.005	0.011
120	04612-00260	CIR-CLIP EXTERNAL	4				0.002	0.0044
130	37300-26430	GEAR DIFF.SIDE RH	1	<=50040			0.475	1.045
130	35300-26430	GEAR DIFF.SIDE RH	1	>=50041	↔		0.47	1.034
140	37300-26440	GEAR DIFF.SIDE LH	1	<=50040			0.63	1.386
140	35300-26440	GEAR DIFF.SIDE LH	1	>=50041	↔		0.63	1.386
150	37300-26480	WASHER SIDE GEAR	2			1.5MM	0.015	0.033
150	37300-26490	WASHER SIDE GEAR	2			1.6MM	0.015	0.033
160	31351-26610	SHIFTER DIFF.LOCK	1				0.43	0.946
170	37300-26260	BOLT	8				0.305	0.671
180	37300-26270	WASHER	4				0.015	0.033



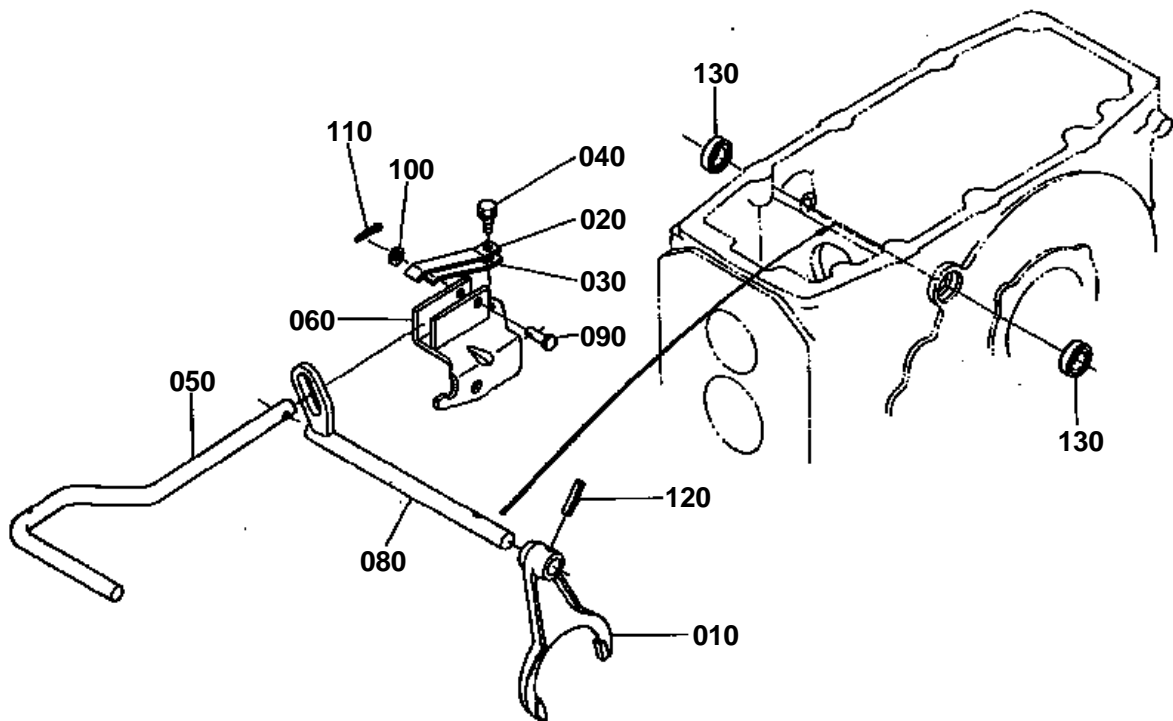


DIFFERENTIAL SYSTEM 2

↔ Interchangeable; ≠ not interchangeable; ← new for old; → old for new

REF.No	Part No.	Description	Q'ty	S.No.	I/C	REMARKS	Weight (kgf)	Weight (lb)
010	37300-26550	CASE DIFF.BEARING RH	1	<=52343			0	0
010	31351-26550	CASE DIFF.BEARING RH	1	>=52344	↔		1.47	3.234
020	37300-26560	CASE DIFF.BEARING LH	1	<=52343			0	0
020	31351-26560	CASE DIFF.BEARING LH	1	>=52344	↔		1.81	3.982
030	37150-26160	SHIM	12			0.2MM	0.005	0.011
030	37150-26170	SHIM	8			0.1MM	0.005	0.011
030	37150-26180	SHIM	4			0.5MM	0.01	0.022
040	08711-32011	BEARING TAPER-ROLLER	1				0.538	1.1836
050	08711-30209	BEARING TAPER-ROLLER	1				0.458	1.0076
060	01173-51030	BOLT	8				0.023	0.0506
070	04512-50100	WASHER SPRING	8				0	0
080	37260-26710	SHAFT DIFF GEAR RH	1				1.7	3.74
090	37260-26720	SHAFT DIFF GEAR LH	1				1.93	4.246
100	08151-06007	BEARING BALL	2				0.158	0.3476
110	37300-28190	BOSS SPLINE	2				0.105	0.231
120	04612-00450	CIR-CLIP EXTERNAL	2				0.007	0.0154
130	04612-00320	CIR-CLIP EXTERNAL	2				0.004	0.0088
140	04612-00350	CIR-CLIP EXTERNAL	2				0.01	0.022
150	34150-21942	RETAINER BEARING	2				0.035	0.077
160	01153-50818	BOLT	2				0.01	0.022
170	04512-50080	WASHER SPRING	2				0	0
180	37260-26750	SHAFT GEAR	2			12T	1.16	2.552
190	08100-00026	BEARING BALL	4				0.495	1.089
200	37300-28180	COUPLING	2				0.28	0.616
210	05411-00545	PIN SPRING	2				0.004	0.0088

DIFF.LOCK PEDAL



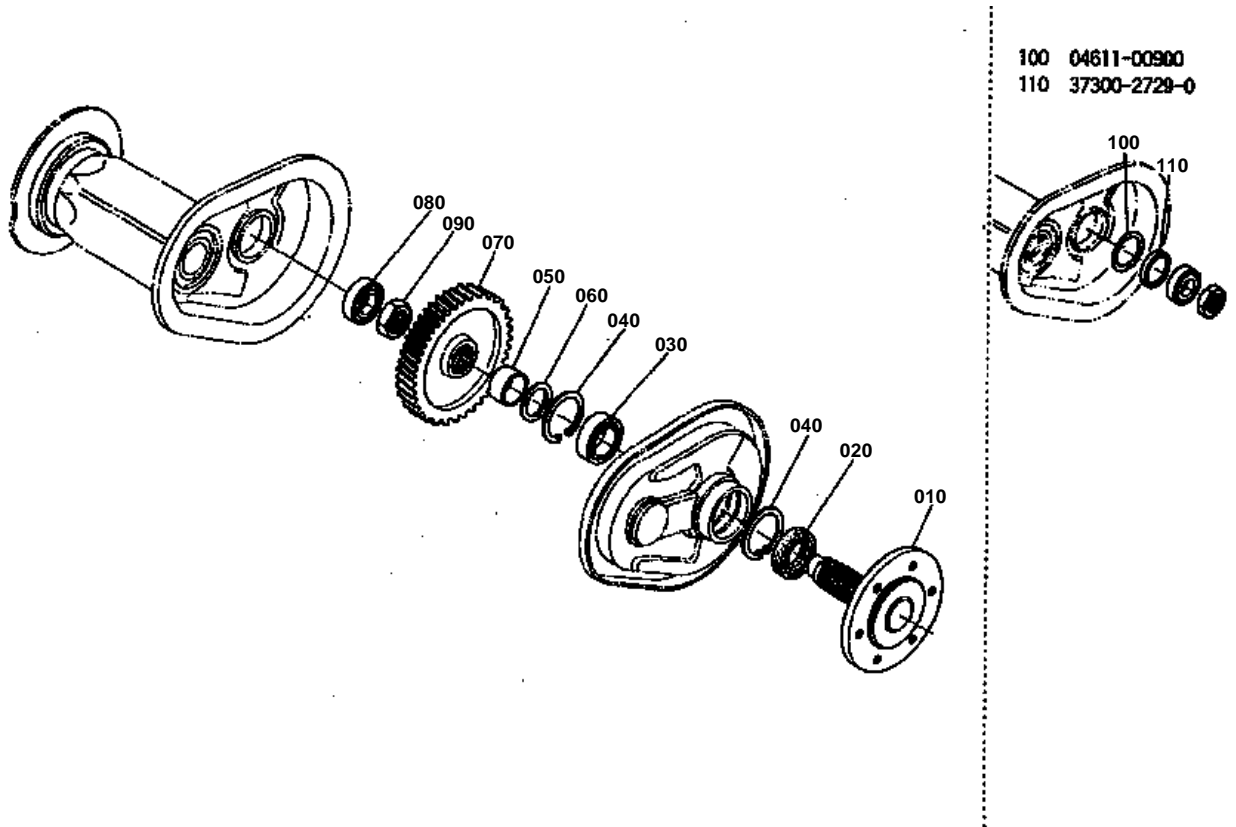


DIFF.LOCK PEDAL

↔ Interchangeable; ≠ not interchangeable; ← new for old; → old for new

REF.No	Part No.	Description	Q'ty	S.No.	I/C	REMARKS	Weight (kgf)	Weight (lb)
010	37300-26630	FORK SHIFT	1				0.43	0.946
020	37150-26643	SPRING	1				0.033	0.0726
030	37150-26660	SPRING	1				0.025	0.055
040	01123-50816	BOLT	1				0.011	0.0242
050	37300-26650	PEDAL DIFF.LOCK	1				0.635	1.397
060	37300-26670	BRACKET	1				0.655	1.441
070	99999-99999	BLANK	0				0	0
080	37300-26680	CAM DIFF.LOCK	1				0.252	0.5544
090	05122-50835	PIN JOINT	1				0.015	0.033
100	04012-50080	WASHER PLAIN	1				0.001	0.0022
110	05511-50218	PIN SPLIT	1				0.001	0.0022
120	05411-00630	PIN SPRING	1				0.004	0.0088
130	09500-16287	SEAL OIL	2				0.01	0.022

REAR AXLE

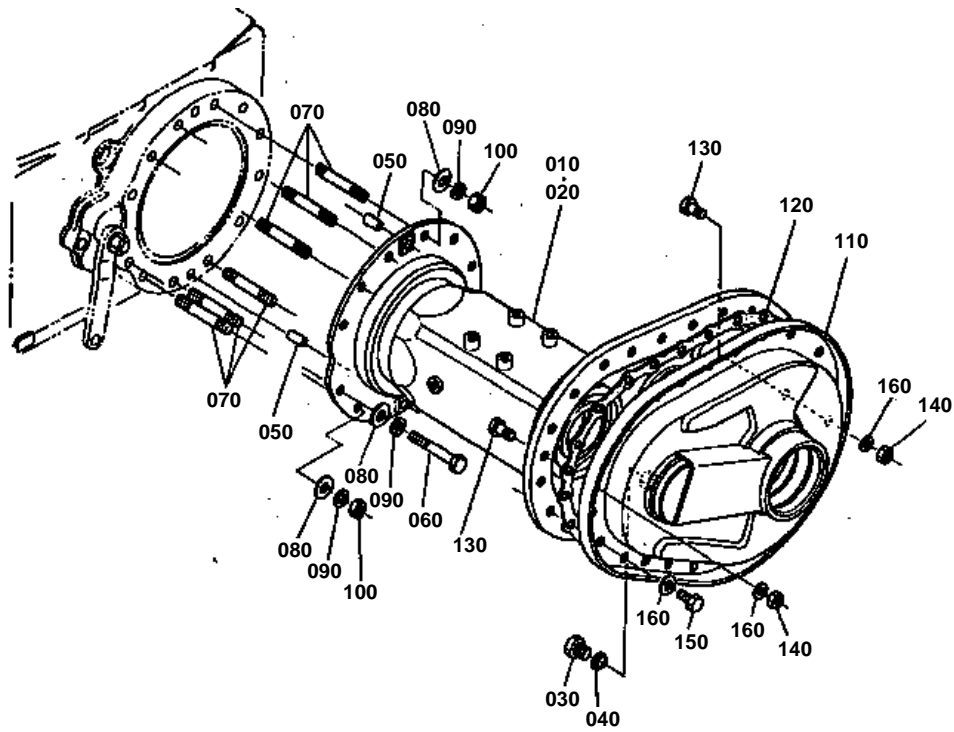




REAR AXLE

↔ Interchangeable; ≠ not interchangeable; ← new for old; → old for new

REF.No	Part No.	Description	Q'ty	S.No.	I/C	REMARKS	Weight (kgf)	Weight (lb)
010	37260-27110	AXLE REAR	2				11	24.2
020	37300-27560	SEAL OIL	2				0.172	0.3784
030	08101-06211	BEARING BALL	2				0.6	1.32
040	04611-01000	CIR-CLIP INTERNAL	4				0.042	0.0924
050	37260-27140	COLLAR	2				0.21	0.462
060	34350-27150	WASHER	2				0.015	0.033
070	37260-26830	GEAR	2			74T	8.5	18.7
080	08101-06308	BEARING BALL	2				0.63	1.386
090	37300-27280	NUT	2				0.135	0.297
100	04611-00900	CIR-CLIP INTERNAL	2	≤50040			0.031	0.0682
110	37300-27290	PLUG	2	≤50040			0.07	0.154

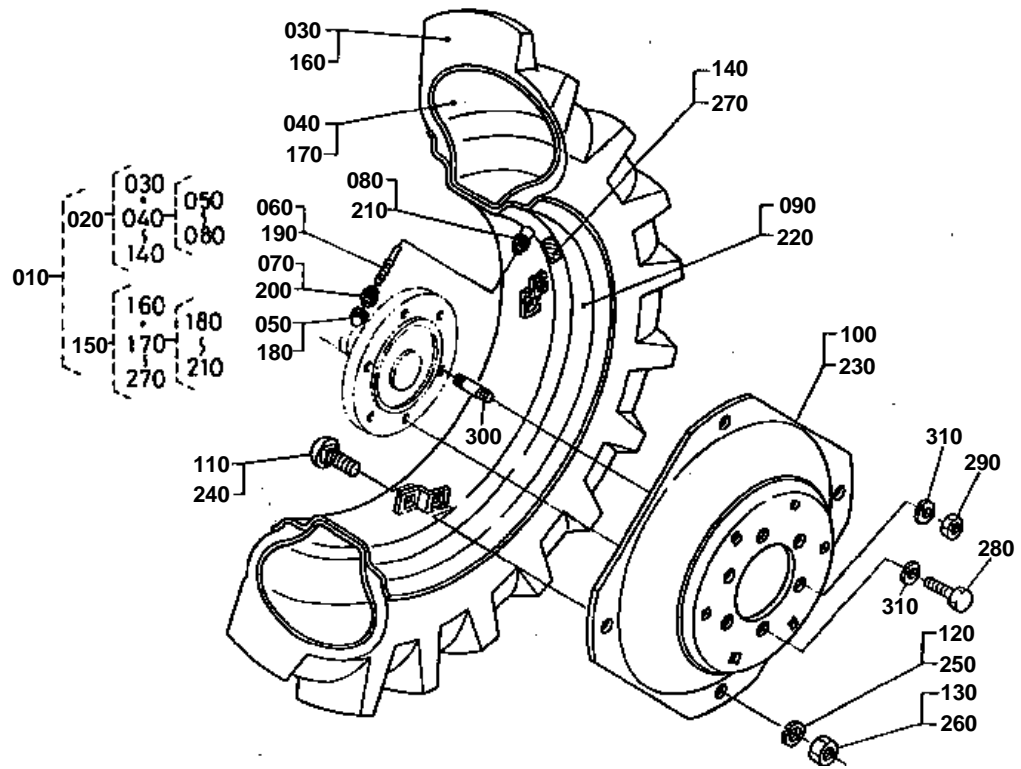




AXLE CASE

↔ Interchangeable; ≠ not interchangeable; ← new for old; → old for new

REF.No	Part No.	Description	Q'ty	S.No.	I/C	REMARKS	Weight (kgf)	Weight (lb)
010	35300-27310	CASE AXLE RH	1				16.7	36.74
020	35300-27320	CASE AXLE LH	1				16.5	36.3
030	06331-35016	PLUG	2				0.04	0.088
040	04717-01600	WASHER WITH RUBBER	2				0.003	0.0066
050	05012-01325	PIN STRAIGHT	4				0.028	0.0616
060	01173-51275	BOLT	8				0.071	0.1562
070	37300-27350	STUD	16				0.07	0.154
080	04013-50120	WASHER PLAIN	24				0	0
090	04512-50120	WASHER SPRING	24				0	0
100	37300-27360	NUT	16	<=13703			0	0
100	35340-27360	NUT	16	>=13704	↔		0.015	0.033
110	37300-27330	COVER AXLE CASE	2				9.2	20.24
120	37300-27340	GASKET	2				0	0
130	37150-27390	BOLT REAMER	4				0.02	0.044
140	02176-50100	NUT	4				0.005	0.011
150	01173-51022	BOLT	44				0.019	0.0418
160	04512-50100	WASHER SPRING	48				0	0

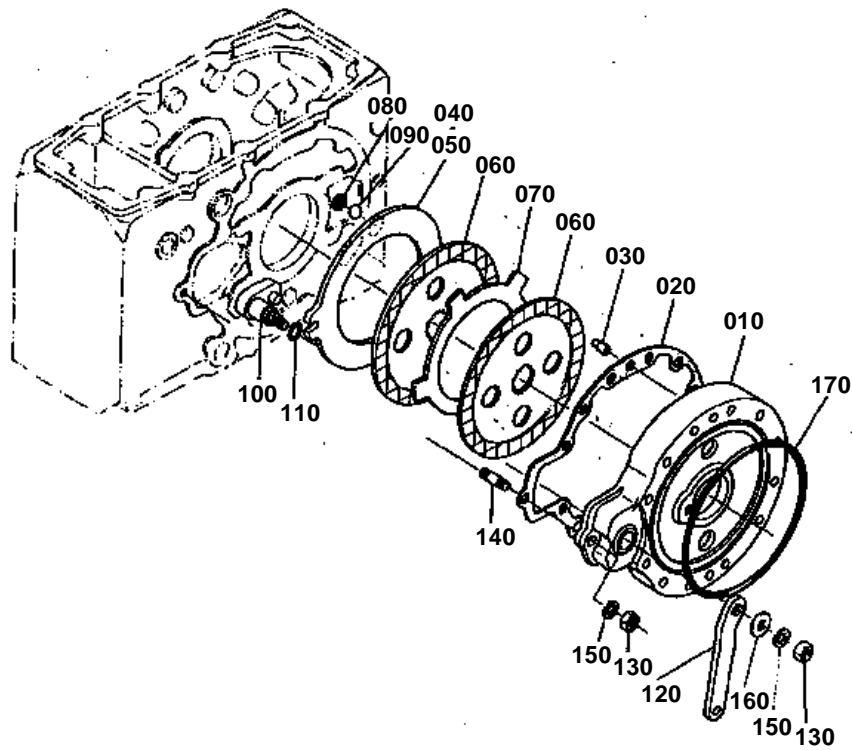




REAR WHEEL(12.4-24)

↔ Interchangeable; ≠ not interchangeable; ← new for old; → old for new

REF.No	Part No.	Description	Q'ty	S.No.	I/C	REMARKS	Weight (kgf)	Weight (lb)
010	37260-27600	ASSY REAR WHEEL	1			EXCEPT USA	170	374
020	70000-00061	ASSY REAR WHEEL LH	1			USA LOCAL SUPPLY	0	0
020	37260-27610	ASSY REAR WHEEL LH	1			EXCEPT USA	78	171.6
030	70000-00059	TIRE	1			USA LOCAL SUPPLY	0	0
030	37260-27620	TIRE	1			EXCEPT USA	35	77
040	70000-00052	TUBE	1			USA LOCAL SUPPLY	0	0
040	37260-27630	TUBE	1			EXCEPT USA	0	0
050	38240-11690	CAP VALVE	1				0.001	0.0022
060	32150-27740	CORE VALVE	1				0.003	0.0066
070	32270-27730	HOUSING VALVE CORE	1				0.014	0.0308
080	32270-27710	NUT RIM	1				0.006	0.0132
090	70000-00053	RIM	1			USA LOCAL SUPPLY	0	0
090	37260-27640	RIM REAR WHEEL	1			EXCEPT USA	0	0
100	34220-27660	DISK	1				0	0
110	31220-27680	BOLT	4				0.09	0.198
120	04512-50160	WASHER SPRING	4				0	0
130	02174-50160	NUT	4				0.022	0.0484
140	32430-27930	LABEL TIRE LH	1				0.001	0.0022
150	70000-00060	ASSY REAR WHEEL RH	1			USA LOCAL SUPPLY	0	0
150	37260-27690	ASSY REAR WHEEL RH	1			EXCEPT USA	0	0
160	70000-00059	TIRE	1			USA LOCAL SUPPLY	0	0
160	37260-27620	TIRE	1			EXCEPT USA	35	77
170	70000-00052	TUBE	1			USA LOCAL SUPPLY	0	0
170	37260-27630	TUBE	1			EXCEPT USA	0	0
180	38240-11690	CAP VALVE	1				0.001	0.0022
190	32150-27740	CORE VALVE	1				0.003	0.0066
200	32270-27730	HOUSING VALVE CORE	1				0.014	0.0308
210	32270-27710	NUT RIM	1				0.006	0.0132
220	70000-00053	RIM	1			USA LOCAL SUPPLY	0	0
220	37260-27640	RIM REAR WHEEL	1			EXCEPT USA	0	0
230	34220-27660	DISK	1				0	0
240	31220-27680	BOLT	4				0.09	0.198
250	04512-50160	WASHER SPRING	4				0	0
260	02174-50160	NUT	4				0.022	0.0484
270	32430-27940	LABEL TIRE RH	1				0.001	0.0022
280	01173-51630	BOLT	8				0.071	0.1562
290	02176-50160	NUT	4				0.021	0.0462
300	01517-51632	STUD	4				0.076	0.1672
310	04512-50160	WASHER SPRING	12				0	0

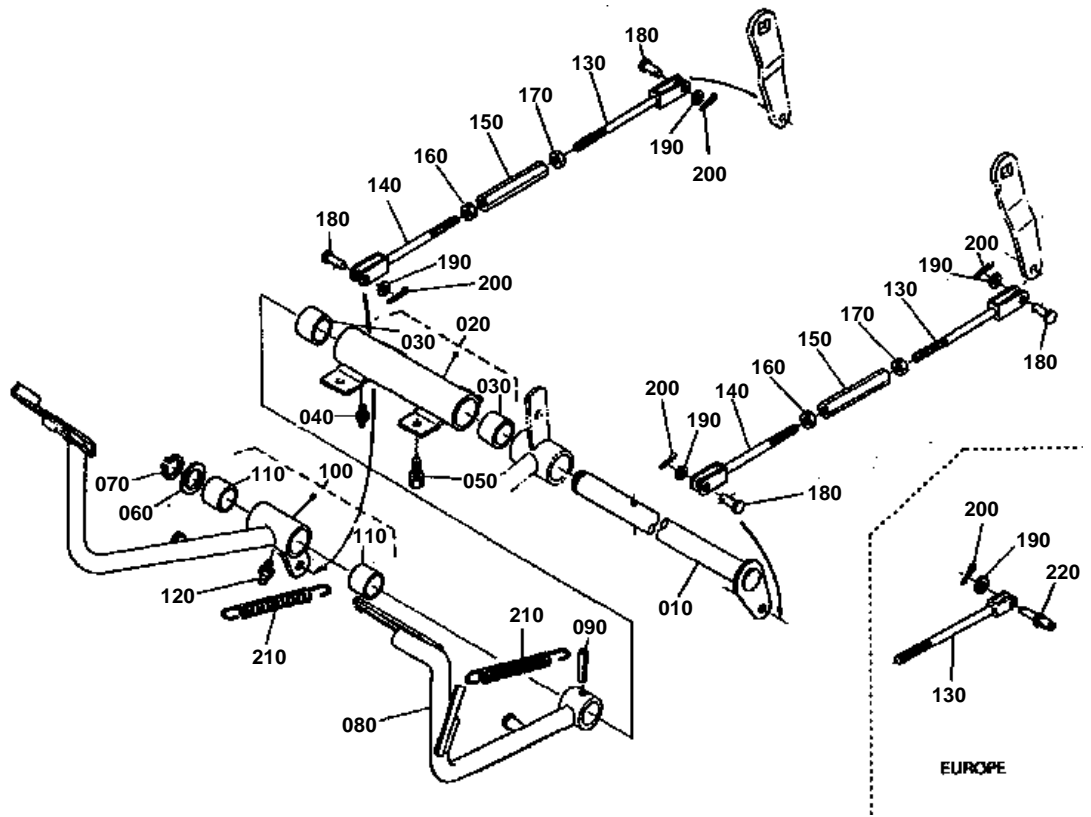


**BRAKE**

↔ Interchangeable; ≠ not interchangeable; ← new for old; → old for new

REF.No	Part No.	Description	Q'ty	S.No.	I/C	REMARKS	Weight (kgf)	Weight (lb)
010	37300-28150	CASE BRAKE	2				6.9	15.18
020	37260-28160	GASKET	2				0	0
030	37300-28170	PIN STRAIGHT	4				0.025	0.055
040	37150-28240	PLATE CAM LH	1				1.13	2.486
050	37150-28270	PLATE CAM RH	1				1.08	2.376
060	37150-28200	DISK BRAKE	4				0	0
070	37720-28170	PLATE	2				0.422	0.9284
080	37150-28250	SEAT BALL	12				0.003	0.0066
090	07715-00805	BALL	12				0.016	0.0352
100	37720-28216	CAM BRAKE	2				0.34	0.748
110	04811-00180	O RING	2				0.001	0.0022
120	37720-28220	LEVER CAM	2				0.28	0.616
130	02176-50120	NUT	4				0.01	0.022
140	01574-51240	STUD	2				0	0
150	04512-50120	WASHER SPRING	4				0	0
160	04013-50120	WASHER PLAIN	2				0	0
170	37300-27440	O RING	2				0.01	0.022

BRAKE PEDAL

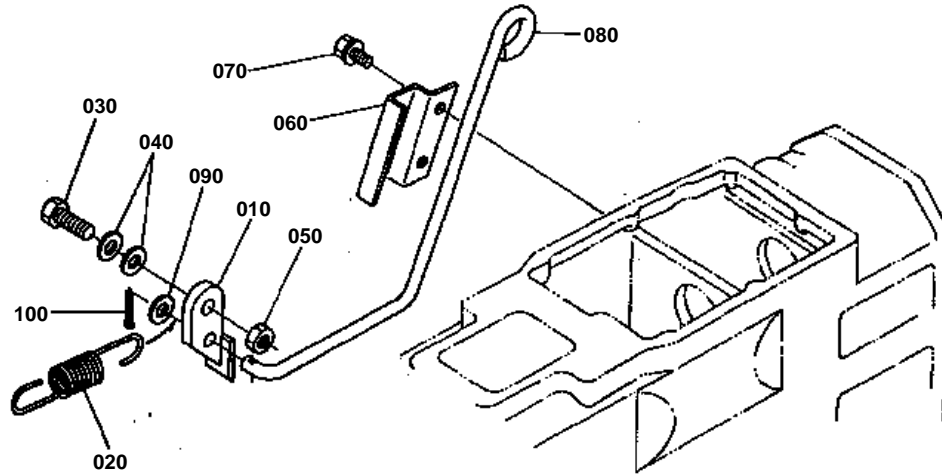


**BRAKE PEDAL**

↔ Interchangeable; ≠ not interchangeable; ← new for old; → old for new

REF.No	Part No.	Description	Q'ty	S.No.	I/C	REMARKS	Weight (kgf)	Weight (lb)
010	37150-28410	SHAFT BRAKE PEDAL	1				1.43	3.146
020	37150-28420	SUPPORT PEDAL SHAFT	1				0.95	2.09
030	34150-28430	BUSH	2				0.04	0.088
040	06613-10675	NIPPLE GREASE	1				0.003	0.0066
050	01133-51020	BOLT	4				0.02	0.044
060	32150-28460	COLLAR	1				0.007	0.0154
070	04612-00250	CIR-CLIP EXTERNAL	1				0.002	0.0044
080	35300-28610	PEDAL BRAKE LH	1				1.5	3.3
090	05411-00840	PIN SPRING	1				0.008	0.0176
100	35300-28620	PEDAL BRAKE RH	1				1.53	3.366
110	34150-28430	BUSH	2				0.04	0.088
120	06613-10675	NIPPLE GREASE	1				0.003	0.0066
130	37300-28930	ROD BRAKE	2				0.23	0.506
140	37300-28940	ROD BRAKE	2				0.23	0.506
150	37300-28980	TURNBUCKLE	2				0.15	0.33
160	37300-28990	NUT	2				0.015	0.033
170	02174-50140	NUT	2				0.014	0.0308
180	05122-50825	PIN JOINT	4			EXCEPT EUROPE	0.011	0.0242
180	05122-50825	PIN JOINT	3			EUROPE	0.011	0.0242
190	04012-50080	WASHER PLAIN	4				0.001	0.0022
200	05511-50215	PIN SPLIT	4				0.001	0.0022
210	37150-15840	SPRING	2				0.06	0.132
220	35302-28710	PIN	1			EUROPE	0.015	0.033

PARKING BRAKE LEVER



070 01153-50812
075 04512-50080



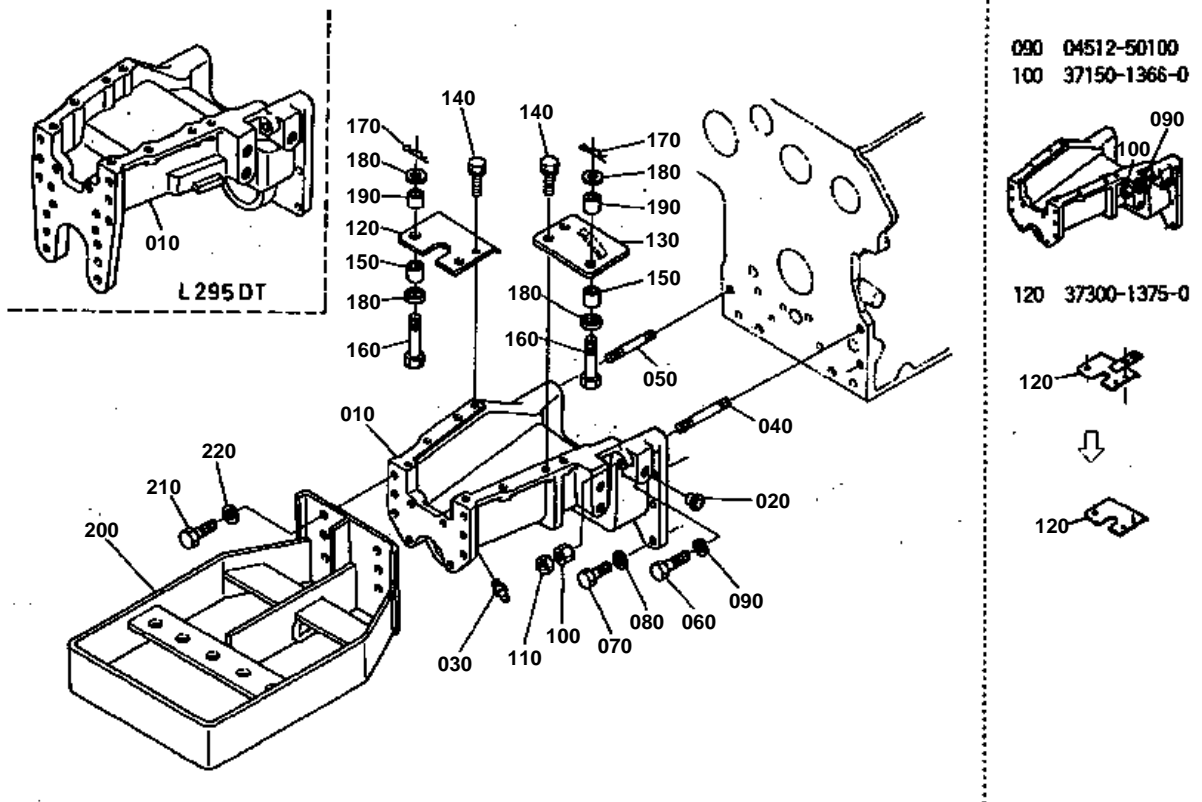


PARKING BRAKE LEVER

↔ Interchangeable; ≠ not interchangeable; ← new for old; → old for new

REF.No	Part No.	Description	Q'ty	S.No.	I/C	REMARKS	Weight (kgf)	Weight (lb)
010	34150-28810	RATCHET	1				0.045	0.099
020	37150-28850	SPRING	1				0.005	0.011
030	34150-28820	BOLT	1				0.04	0.088
040	04011-50120	WASHER PLAIN	2				0.005	0.011
050	02174-50120	NUT	1				0.01	0.022
060	34150-28880	GUIDE RATCHET	1				0.04	0.088
070	01153-50812	BOLT	2	←=53721			0.008	0.0176
070	01754-50812	BOLT FLANGE	2	>=53722	←		0.01	0.022
075	04512-50080	WASHER SPRING	2	←=53721			0	0
080	34150-28870	ROD RATCHET	1				0.09	0.198
090	04012-50060	WASHER PLAIN	1				0.001	0.0022
100	05511-50215	PIN SPLIT	1				0.001	0.0022

FRONT AXLE BRACKET

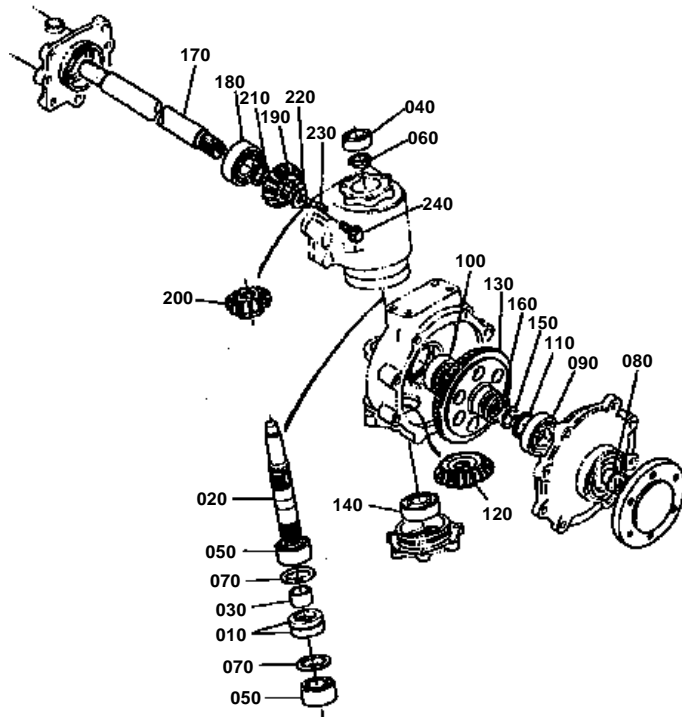




FRONT AXLE BRACKET

↔ Interchangeable; ≠ not interchangeable; ← new for old; → old for new

REF.No	Part No.	Description	Q'ty	S.No.	I/C	REMARKS	Weight (kgf)	Weight (lb)
010	37800-44710	BRACKET FRONT AXLE	1	<=13367			0	0
010	35350-44710	BRACKET FRONT AXLE	1	>=13368	↔		0	0
010	35350-44713	BRACKET FRONT AXLE	1	>=50554	≠		19	41.8
020	31220-14290	PLUG	3				0.002	0.0044
040	34260-13640	STUD	2	<=50523			0.074	0.1628
040	34260-13640	STUD	1	>=50524	↔		0.074	0.1628
050	35260-13630	STUD	1	>=50524			0.08	0.176
060	01173-51035	BOLT	1				0.025	0.055
070	01173-51235	BOLT	4				0.04	0.088
080	04512-50120	WASHER SPRING	4				0	0
090	04512-50100	WASHER SPRING	3	<=13772			0	0
090	04512-50100	WASHER SPRING	1	>=13773			0	0
100	37150-13660	NUT	2	<=13772			0.02	0.044
100	37300-14190	NUT	2	>=13773	↔		0.009	0.0198
110	02116-50100	NUT	2	>=13773			0.004	0.0088
120	37300-13750	SUPPORT RADIATOR RH	1	<=14053			0.38	0.836
120	35340-13750	SUPPORT RADIATOR RH	1	>=14054	↔		0.33	0.726
130	37300-13760	SUPPORT RADIATOR LH	1				0.36	0.792
140	01133-51020	BOLT	4				0.02	0.044
150	15111-72180	CUSHION	2				0.015	0.033
160	15108-72380	BOLT	2				0.04	0.088
170	05515-51000	PIN SNAP	2				0	0
180	15111-72200	WASHER	4				0.013	0.0286
190	15111-72190	CUSHION	2				0.016	0.0352
200	35300-13810	BUMPER	1				12.5	27.5
210	01173-51225	BOLT	6				0.033	0.0726
220	04512-50120	WASHER SPRING	6				0	0



010 37800-4349-0

010 2 Pieces

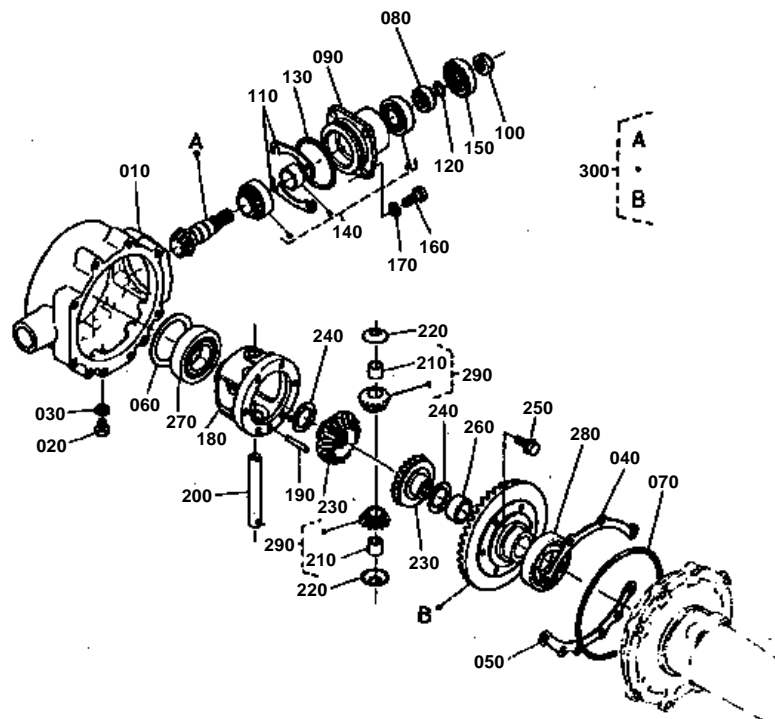
010 1 Piece

010 35316-4349-0

**DIFF.GEAR SHAFT**

↔ Interchangeable; ≠ not interchangeable; ← new for old; → old for new

REF.No	Part No.	Description	Q'ty	S.No.	I/C	REMARKS	Weight (kgf)	Weight (lb)
010	37800-43490	SEAL OIL	4	<=14053			0	0
010	35316-43490	SEAL OIL	2	>=14054	←		0.11	0.242
020	37800-43460	SHAFT BEVEL GEAR	2				2	4.4
030	37800-43480	COLLAR SEAL	2				0.136	0.2992
040	08101-06305	BEARING BALL	2				0.23	0.506
050	08241-05207	BEARING BALL	4				0.458	1.0076
060	37800-43420	COLLAR SPLIT	2				0.025	0.055
070	04611-00720	CIR-CLIP INTERNAL	4				0.018	0.0396
080	37800-43610	AXLE	2				4.7	10.34
090	08101-06209	BEARING BALL	2				0.42	0.924
100	08101-06208	BEARING BALL	2				0.355	0.781
110	37800-43670	COLLAR THRUST	2				0.03	0.066
120	37800-43650	PINION BEVEL	2			15T	0.908	1.9976
130	37800-43660	GEAR BEVEL	2			40T	5.7	12.54
140	08101-06209	BEARING BALL	2				0.42	0.924
150	37800-43680	CIR-CLIP	2				0	0
160	37800-43690	RETAINER RING	2				0.03	0.066
170	37800-43810	SHAFT YOKE	2				3	6.6
180	08101-06209	BEARING BALL	2				0.42	0.924
190	37800-43820	PINION BEVEL	2			13T	0.776	1.7072
200	37800-43830	GEAR BEVEL	2			15T	0.748	1.6456
210	37800-43840	COLLAR	2				0.012	0.0264
220	37800-43850	COLLAR	2				0.025	0.055
230	05411-00310	PIN SPRING	2				0.001	0.0022
240	37800-43870	BOLT	2				0.026	0.0572



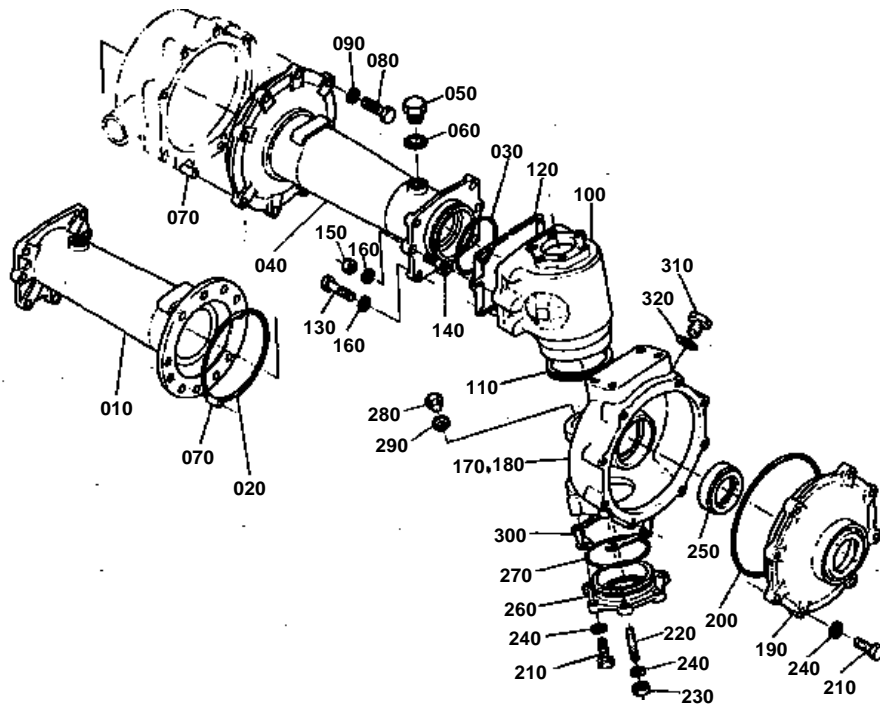


DIFF.GEAR CASE

↔ Interchangeable; ≠ not interchangeable; ← new for old; → old for new

REF.No	Part No.	Description	Q'ty	S.No.	I/C	REMARKS	Weight (kgf)	Weight (lb)
010	37800-43110	CASE GEAR	1				8.1	17.82
020	06331-35012	PLUG	1				0.022	0.0484
030	04717-01200	WASHER WITH RUBBER	1				0.002	0.0044
040	37800-43180	SHIM	2			0.2MM	0.004	0.0088
040	37800-43190	SHIM	2			0.1MM	0.005	0.011
050	37800-43130	SHIM	2			0.2MM	0.005	0.011
050	37800-43160	SHIM	2			0.1MM	0.007	0.0154
060	37800-43140	SHIM	2			0.2MM	0.01	0.022
060	34160-43340	SHIM	2			0.1MM	0.003	0.0066
070	34160-43440	O RING	1				0.005	0.011
080	37800-43220	COLLAR SEAL	1				0.08	0.176
090	37800-43233	CASE PINION BEARING	1				1.21	2.662
100	34150-25330	NUT	1				0.04	0.088
110	37800-43270	SHIM	6			0.2MM	0.003	0.0066
110	37800-43280	SHIM	4			0.1MM	0.002	0.0044
120	04811-00340	O RING	1				0.002	0.0044
130	04811-50800	O RING	1				0.003	0.0066
140	37800-43290	ASSY BEARING TAPER R	1				0.725	1.595
150	09500-45629	SEAL OIL	1				0.023	0.0506
160	01176-51028	BOLT	4				0.023	0.0506
170	04512-50100	WASHER SPRING	4				0	0
180	37800-43310	CASE DIFFERENTIAL	1				2.11	4.642
190	37650-43320	PIN SET	1				0.01	0.022
200	37650-43330	SHAFT DIFF.PINION	1				0.3	0.66
210	31220-26360	BUSH	2				0.015	0.033
220	31220-26390	WASHER DIFF.PINION	2	<=53745			0	0
220	31351-26390	WASHER DIFF.PINION	2	>=53746	↔		0.012	0.0264
230	34150-26435	GEAR DIFF.SIDE RH	2	<=13703			0	0
230	32580-43330	GEAR DIFF.SIDE RH	2	>=13704	↔		0.49	1.078
240	31220-26480	WASHER	2				0.015	0.033
240	31220-26490	WASHER	2				0.02	0.044
240	37150-26480	WASHER	2				0.016	0.0352
250	37800-43870	BOLT	6				0.026	0.0572
260	37650-43360	BUSH	1				0.039	0.0858
270	08101-06211	BEARING BALL	1				0.6	1.32
280	08101-06210	BEARING BALL	1				0.45	0.99
290	31220-26300	ASSY PINION DIFF.	1				0.155	0.341
300	35310-43200	ASSY GEAR BEVEL	1	<=13752			3.6	7.92
300	35310-43202	ASSY GEAR BEVEL	1	>=13753	≠		3.8	8.36

FRONT AXLE SUPPORT



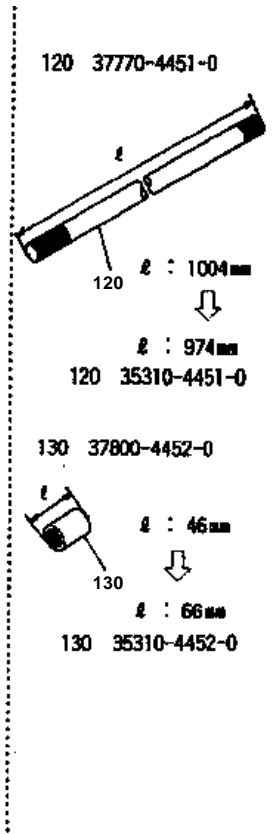
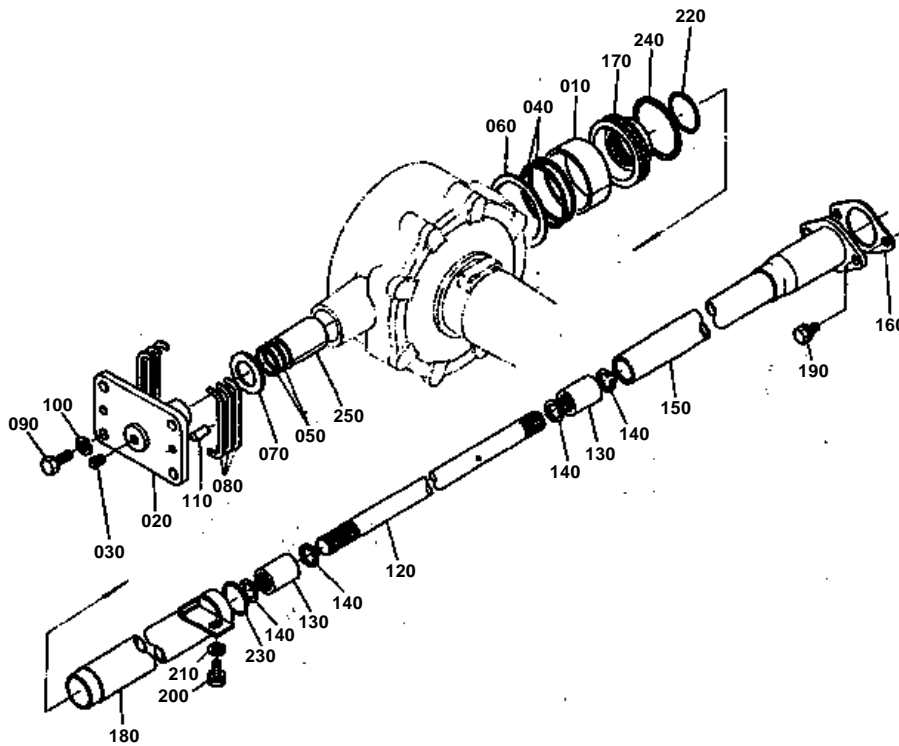


FRONT AXLE SUPPORT

↔ Interchangeable; ≠ not interchangeable; ← new for old; → old for new

REF.No	Part No.	Description	Q'ty	S.No.	I/C	REMARKS	Weight (kgf)	Weight (lb)
010	37800-43410	SUPPORT RH	1				11.35	24.97
020	04811-51450	O RING	2				0.005	0.011
030	04811-50900	O RING	2				0.003	0.0066
040	37800-43430	SUPPORT LH	1				12.1	26.62
050	06331-35020	PLUG	2				0.068	0.1496
060	04717-02000	WASHER WITH RUBBER	2				0.004	0.0088
070	05012-01020	PIN STRAIGHT	2				0.02	0.044
080	37800-43400	BOLT	19				0.043	0.0946
090	04512-50120	WASHER SPRING	19				0	0
100	37800-43440	CASE BEVEL GEAR	2				5	11
110	37800-43470	SEAL DUST	2				0.005	0.011
120	37800-43450	SHIM	8			0.2MM	0.004	0.0088
120	37800-43560	SHIM	8			0.1MM	0.005	0.011
130	37800-43400	BOLT	10				0.043	0.0946
140	37800-43500	STUD	4				0.045	0.099
150	37800-43600	NUT	4				0.025	0.055
160	04512-50120	WASHER SPRING	14				0	0
170	37800-43510	CASE AXLE LH	1				9	19.8
180	37800-43540	CASE AXLE RH	1				9.9	21.78
190	37800-43520	FLANGE AXLE	2				3.9	8.58
200	37800-43550	O RING	2				0.01	0.022
210	01153-50825	BOLT	24				0.012	0.0264
220	01518-50822	STUD	4				0.012	0.0264
230	02156-50080	NUT	4				0.004	0.0088
240	04512-50080	WASHER SPRING	28				0	0
250	37800-43530	SEAL OIL	2				0.098	0.2156
260	37800-43580	CASE BEARING	2				0.77	1.694
270	04811-50900	O RING	2				0.003	0.0066
280	06331-35012	PLUG	2				0.022	0.0484
290	04717-01200	WASHER WITH RUBBER	2				0.002	0.0044
300	37650-43590	SHIM	8			0.2MM	0.002	0.0044
300	37650-43570	SHIM	8			0.1MM	0.004	0.0088
310	06331-35020	PLUG	2				0.068	0.1496
320	04717-02000	WASHER WITH RUBBER	2				0.004	0.0088

PROPELLER SHAFT

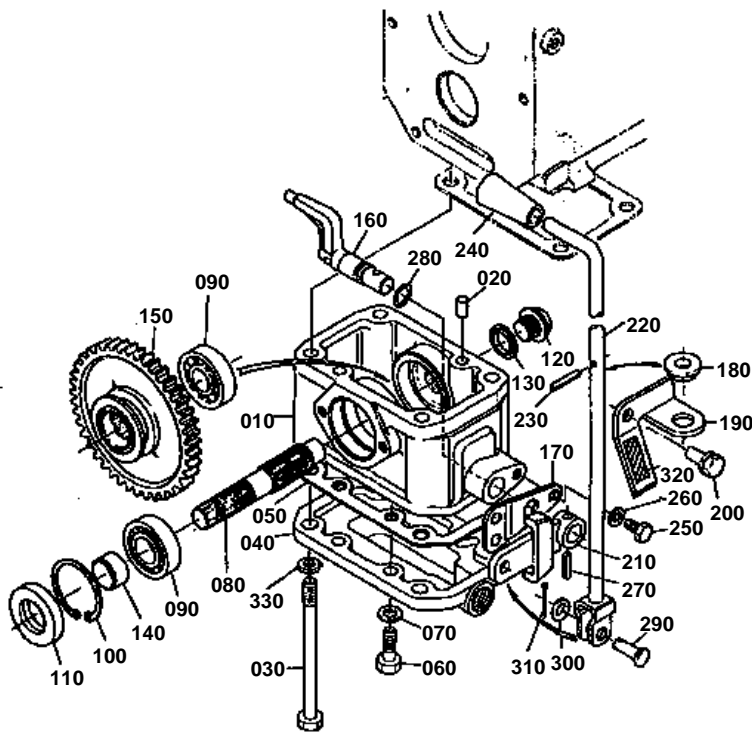




PROPELLER SHAFT

↔ Interchangeable; ≠ not interchangeable; ← new for old; → old for new

REF.No	Part No.	Description	Q'ty	S.No.	I/C	REMARKS	Weight (kgf)	Weight (lb)
010	37800-44630	BUSH	1				0.116	0.2552
020	37800-44610	PIN CENTER	1	≤50934			0	0
020	37800-44613	PIN CENTER	1	≥50935	←		1.35	2.97
030	06312-10010	PLUG	1				0.007	0.0154
040	04811-50750	O RING	2				0.002	0.0044
050	04811-50350	O RING	2				0.002	0.0044
060	37800-44640	COLLAR THRUST	1				0.045	0.099
070	37800-44672	COLLAR THRUST	1				0.05	0.11
080	37800-44650	SHIM	20			0.2MM	0.003	0.0066
080	37800-44660	SHIM	2			1.0MM	0.01	0.022
090	37800-43400	BOLT	4				0.043	0.0946
100	04512-50120	WASHER SPRING	4				0	0
110	05012-01025	PIN STRAIGHT	2				0.016	0.0352
120	37770-44510	SHAFT PROPELLER	1	≤13752			3.9	8.58
120	35310-44510	SHAFT PROPELLER	1	≥13753	≠		3.75	8.25
130	37800-44520	COUPLING	2	≤13752			0.16	0.352
130	35310-44520	COUPLING	2	≥13753	≠		0.24	0.528
140	04612-00250	CIR-CLIP EXTERNAL	5				0.002	0.0044
150	37800-44570	COVER PROPELLERSHAFT	1	≤13752			1.26	2.772
150	35310-44570	COVER PROPELLERSHAFT	1	≥13753	←		1.14	2.508
160	37650-44540	GASKET	1				0	0
170	37800-44580	COVER SEAL	1				0.345	0.759
180	37770-44590	COVER PROPELLERSHAFT	1				0.645	1.419
190	01123-50816	BOLT	2				0.011	0.0242
200	01133-51020	BOLT	1				0.02	0.044
210	04013-50100	WASHER PLAIN	1				0	0
220	04811-00420	O RING	1				0.002	0.0044
230	04811-50350	O RING	1				0.002	0.0044
240	04811-50750	O RING	1				0.002	0.0044
250	37800-44620	BUSH	1				0.09	0.198



080 37800-4419-0



080

ℓ : 148.5mm



ℓ : 168.5mm

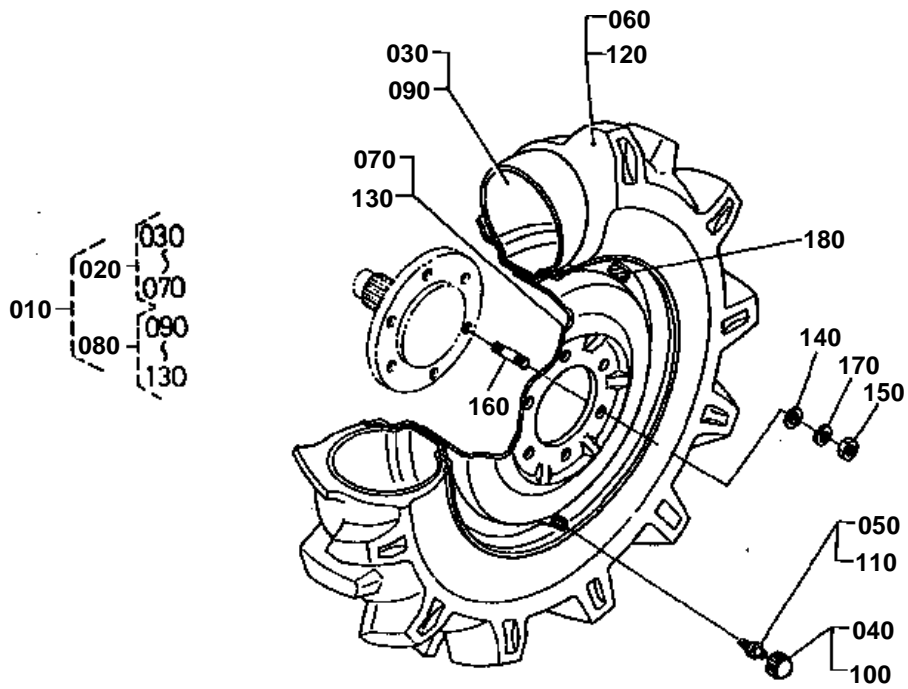
080 35310-4419-0



DRIVE CASE

↔ Interchangeable; ≠ not interchangeable; ← new for old; → old for new

REF.No	Part No.	Description	Q'ty	S.No.	I/C	REMARKS	Weight (kgf)	Weight (lb)
010	37800-44110	CASE DRIVE	1				3.6	7.92
020	37150-14150	PIN STRAIGHT	2	≤13177			0.125	0.275
020	05012-01018	PIN STRAIGHT	2	≥13178	↔		0.012	0.0264
030	37800-44120	BOLT	4				0.11	0.242
040	37800-44130	COVER PTO	1				1.11	2.442
050	37800-44140	GASKET	1				0.007	0.0154
060	01173-51028	BOLT	4				0.022	0.0484
070	04512-50100	WASHER SPRING	4				0	0
080	37800-44190	SHAFT	1	≤13752			0.598	1.3156
080	35310-44190	SHAFT	1	≥13753	≠		0.67	1.474
090	08101-06205	BEARING BALL	2				0.14	0.308
100	04611-00520	CIR-CLIP INTERNAL	1				0.009	0.0198
110	09503-05211	SEAL OIL	1				0.022	0.0484
120	15512-96010	PLUG DRAIN	2				0.101	0.2222
130	04717-02150	WASHER WITH RUBBER	2				0.004	0.0088
140	37800-44210	SLEEVE	1				0.015	0.033
150	35310-44230	GEAR	1			46T	1.24	2.728
160	37800-44310	LEVER SHIFT	1				0.146	0.3212
170	37800-44350	GUIDE LEVER	1				0.042	0.0924
180	37800-44390	RUBBER	1				0.005	0.011
190	37800-44380	SUPPORT LEVER	1				0.1	0.22
200	01133-51020	BOLT	1				0.02	0.044
210	37800-44360	LEVER CHANGE	1	≤13772			0	0
210	35310-44360	LEVER CHANGE	1	≥13773	↔		0.21	0.462
220	37800-44400	LEVER	1				0.495	1.089
230	05411-00430	PIN SPRING	1				0.002	0.0044
240	54201-23270	GRIP	1				0.02	0.044
250	01153-50814	BOLT	1				0.009	0.0198
260	04512-50080	WASHER SPRING	1				0	0
270	05411-00625	PIN SPRING	1				0.004	0.0088
280	04811-00150	O RING	1				0.001	0.0022
290	05122-51022	PIN JOINT	1				0.014	0.0308
300	04013-50100	WASHER PLAIN	1				0	0
310	05511-50318	PIN SPLIT	1				0.001	0.0022
320	35310-44900	MARK	1				0.001	0.0022
330	04512-50120	WASHER SPRING	4				0	0

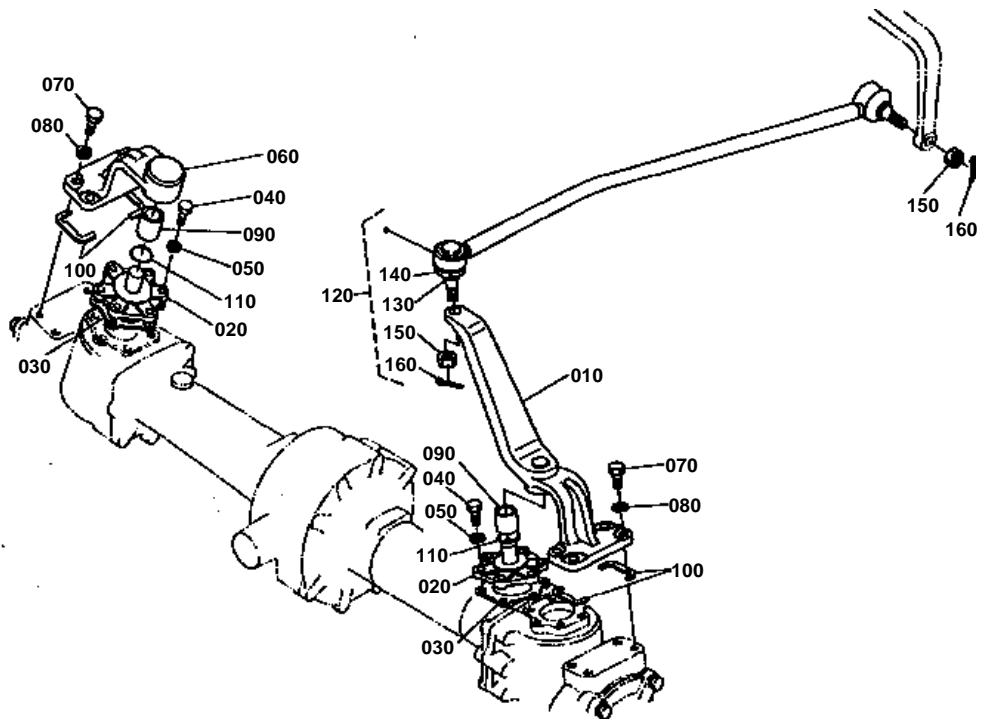


**FRONT WHEEL(7-16)**

↔ Interchangeable; ≠ not interchangeable; ← new for old; → old for new

REF.No	Part No.	Description	Q'ty	S.No.	I/C	REMARKS	Weight (kgf)	Weight (lb)
010	35310-43700	ASSY FRONT WHEEL	1				50	110
020	35310-43710	ASSY FRONT WHEEL RH	1				24	52.8
030	35220-43750	TUBE	1				1.13	2.486
040	38240-11690	CAP VALVE	1				0.001	0.0022
050	32150-27740	CORE VALVE	1				0.003	0.0066
060	35220-43740	TIRE	1				11	24.2
070	35310-43730	WHEEL	1				11	24.2
080	35310-43720	ASSY FRONT WHEEL LH	1				25	55
090	35220-43750	TUBE	1				1.13	2.486
100	38240-11690	CAP VALVE	1				0.001	0.0022
110	32150-27740	CORE VALVE	1				0.003	0.0066
120	35220-43740	TIRE	1				11	24.2
130	35310-43730	WHEEL	1				11	24.2
140	04013-50120	WASHER PLAIN	12	<=14664			0	0
140	35180-43790	WASHER PLAIN	12	>=14665	←		0.013	0.0286
150	02176-50120	NUT	12				0.01	0.022
160	01574-51225	STUD	12				0.034	0.0748
170	04512-50120	WASHER SPRING	12				0	0
180	35300-11700	LABEL AIR PRESSURE	1				0.001	0.0022

DRAG LINKAGE



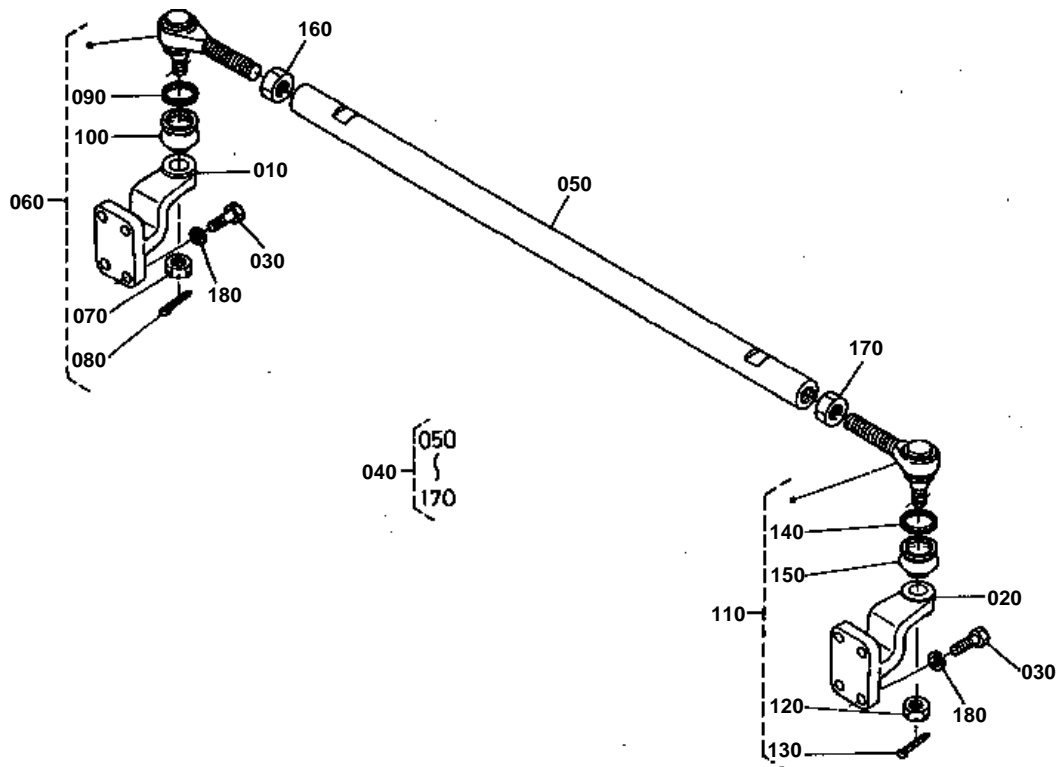


DRAG LINKAGE

↔ Interchangeable; ≠ not interchangeable; ← new for old; → old for new

REF.No	Part No.	Description	Q'ty	S.No.	I/C	REMARKS	Weight (kgf)	Weight (lb)
010	37800-43910	END DRAG LINK	1				2.38	5.236
020	37800-43920	PIN KNUCKLE	2				0.536	1.1792
030	37800-43980	GASKET	2				0	0
040	01153-50822	BOLT	12				0.011	0.0242
050	04512-50080	WASHER SPRING	12				0	0
060	37800-43900	SUPPORT KNUCKLE RH	1				1.265	2.783
070	01173-51028	BOLT	8				0.022	0.0484
080	04512-50100	WASHER SPRING	8				0	0
090	37800-43890	BUSH	2				0.035	0.077
100	37650-43860	SHIM	12				0.001	0.0022
110	04811-00260	O RING	2				0.001	0.0022
120	37770-43960	COMP.LINK DRAG	1	<=14664			0	0
120	35310-43960	COMP.LINK DRAG	1	>=14665	↔		3	6.6
130	35270-12650	COVER DUST	2	>=14665			0.01	0.022
140	35270-12660	CLIP	2	>=14665			0.005	0.011
150	33251-62750	NUT	2	<=13752			0	0
150	35270-12670	NUT	2	>=13753	↔		0.014	0.0308
160	05511-50328	PIN SPLIT	2				0.002	0.0044

TIE ROD

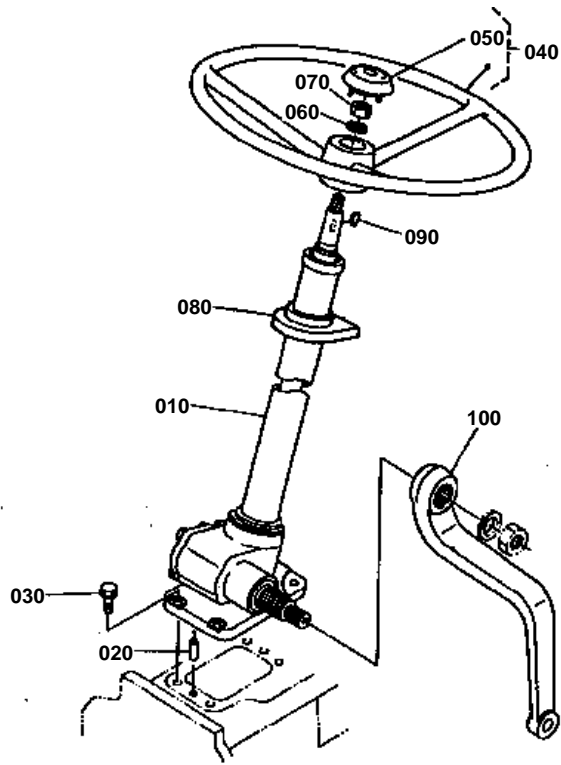




TIE ROD

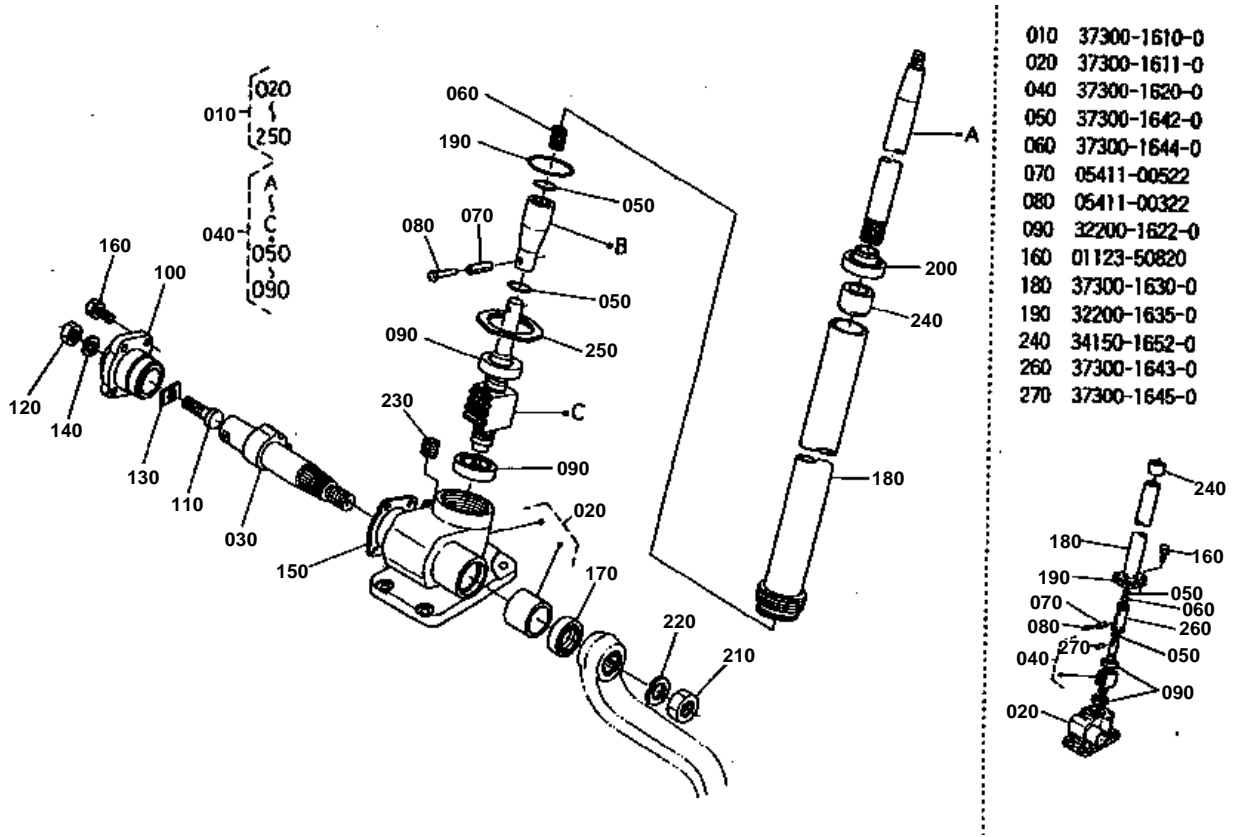
↔ Interchangeable; ≠ not interchangeable; ← new for old; → old for new

REF.No	Part No.	Description	Q'ty	S.No.	I/C	REMARKS	Weight (kgf)	Weight (lb)
010	37800-43943	ARM KNUCKLE RH	1				0.92	2.024
020	37800-43953	ARM KNUCKLE LH	1				0.948	2.0856
030	01173-51032	BOLT	8				0.024	0.0528
040	37800-44040	ASSY ROD TIE	1	≤14664			0	0
040	35310-44040	ASSY ROD TIE	1	≥14665	↔		3.14	6.908
050	37800-44000	ROD TIE	1	≤14664			2.2	4.84
050	35310-44000	ROD TIE	1	≥14665	≠		2.15	4.73
060	36200-62930	ASSY END TIE ROD	1	≤14664			0	0
060	38630-44780	ASSY END TIE ROD RH	1	≥14665	≠		0.47	1.034
070	33251-62750	NUT	1	≤13752			0	0
070	35270-12670	NUT	1	≥13753	↔		0.014	0.0308
070	38430-12440	NUT	1	≥14665	≠		0.015	0.033
080	05511-50328	PIN SPLIT	1	≤13752			0.002	0.0044
080	05511-50325	PIN SPLIT	1	≥13753	↔		0.002	0.0044
090	35270-12660	CLIP	1	≤14664			0.005	0.011
090	38430-12430	CLIP	1	≥14665	≠		0.003	0.0066
100	35270-12650	COVER DUST	1	≤14664			0.01	0.022
100	38430-12530	COVER DUST	1	≥14665	≠		0.01	0.022
110	37800-44010	ASSY END TIE ROD LH	1	≤14664			0	0
110	38630-44790	ASSY END TIE ROD LH	1	≥14665	≠		0.47	1.034
120	33251-62750	NUT	1	≤13752			0	0
120	35270-12670	NUT	1	≥13753	↔		0.014	0.0308
120	38430-12440	NUT	1	≥14665	≠		0.015	0.033
130	05511-50328	PIN SPLIT	1	≤13752			0.002	0.0044
130	05511-50325	PIN SPLIT	1	≥13753	↔		0.002	0.0044
140	38430-12430	CLIP	1	≥14665			0.003	0.0066
150	38430-12530	COVER DUST	1	≥14665			0.01	0.022
160	33251-62920	NUT	1	≤14664			0.022	0.0484
160	02172-50200	NUT	1	≥14665	≠		0.03	0.066
170	37800-44030	NUT	1	≤14664			0.025	0.055
170	38630-44980	NUT	1	≥14665	≠		0.01	0.022
180	04512-50100	WASHER SPRING	8				0	0



↔ Interchangeable; ≠ not interchangeable; ← new for old; → old for new

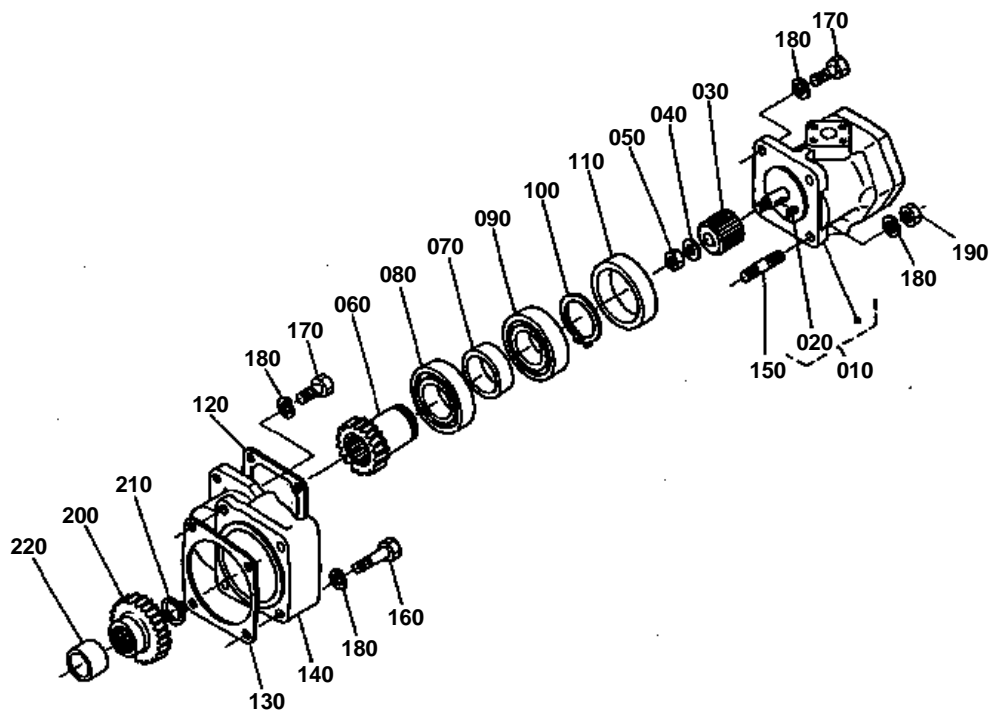
REF.No	Part No.	Description	Q'ty	S.No.	I/C	REMARKS	Weight (kgf)	Weight (lb)
010	37300-16100	ASSY STEERING	1	<=50040		REFER TO L.NO.0F04-R0 FOR COMPONENTS	0	0
010	35305-16100	ASSY STEERING	1	>=50041	≠	REFER TO L.NO.0F04-R0 FOR COMPONENTS	8	17.6
020	37150-27370	PIN STRAIGHT	2				0.009	0.0198
030	01123-51028	BOLT	4				0.025	0.055
040	37150-16800	ASSY HANDLE STRG.	1				2.3	5.06
050	37150-16820	CAP HANDLE	1				0.026	0.0572
060	04512-50120	WASHER SPRING	1				0	0
070	02172-50120	NUT	1				0.01	0.022
080	37300-16850	HOLDER POST	1				0.025	0.055
090	05811-00519	KEY WOODRUFF	1				0.004	0.0088
100	37800-43930	ARM PITMAN	1				1.59	3.498



↔ Interchangeable; ≠ not interchangeable; ← new for old; → old for new

REF.No	Part No.	Description	Q'ty	S.No.	I/C	REMARKS	Weight (kgf)	Weight (lb)
010	37300-16100	ASSY STEERING	1	≤50040			0	0
010	35305-16100	ASSY STEERING	1	≥50041	≠		8	17.6
020	37300-16110	BOX GEAR	1	≤50040			3.2	7.04
020	35340-16110	BOX GEAR	1	≥50041	≠		3.1	6.82
030	32200-16120	SHAFT SECTOR	1				0.94	2.068
040	37300-16200	COMP.NUT BALL	1	≤50040			0	0
040	35305-16200	COMP.NUT BALL	1	≥50041	≠		1.865	4.103
050	37300-16420	O RING	2	≤50040			0.005	0.011
050	35340-16420	O RING	2	≥50041	≠		0.005	0.011
060	37300-16440	SPACER	1	≤50040			0.04	0.088
060	35340-16440	SPRING COIL	1	≥50041	≠		0.01	0.022
070	05411-00522	PIN SPRING	2	≤50040			0.002	0.0044
070	05411-00522	PIN SPRING	1	≥50041			0.002	0.0044
080	05411-00322	PIN SPRING	2	≤50040			0.001	0.0022
080	35350-66820	RIVET	1	≥50041	≠		0.003	0.0066
090	32200-16220	BEARING	2	≤50040			0.068	0.1496
090	38430-16210	BEARING BALL	2	≥50041	≠		0.07	0.154
100	37300-16360	COVER SIDE	1				0.545	1.199
110	32130-16480	SCREW ADJUSTING	1				0.025	0.055
120	02116-50100	NUT	1				0.004	0.0088
130	32130-16490	SHIM ADJUSTING	1	≤50040			0.012	0.0264
130	34150-16440	COLLAR ADJUSTING	1	≥50041	≠	1.5+0.035/0.015MM	0.002	0.0044
130	34150-16450	COLLAR ADJUSTING	1	≥50041		1.5+0.065/0.045MM	0.002	0.0044
130	34150-16460	COLLAR ADJUSTING	1	≥50041		1.5+0.095/0.075MM	0.002	0.0044
130	34150-16470	COLLAR ADJUSTING	1	≥50041		1.5+0.125/0.105MM	0.002	0.0044
130	34150-16480	COLLAR ADJUSTING	1	≥50041		1.5+0.155/0.135MM	0.002	0.0044
140	04714-00100	GASKET	1	≥50041			0.002	0.0044
150	32200-16370	GASKET	1				0.001	0.0022
160	01123-50820	BOLT	8	≤50040			0.011	0.0242
160	01123-50820	BOLT	4	≥50041			0.011	0.0242
170	09500-28408	SEAL OIL	1				0.008	0.0176
180	37300-16300	COMP.CULUMN STEERING	1	≤50040			1.35	2.97
180	35305-16300	COMP.CULUMN STEERING	1	≥50041	≠		1.29	2.838
190	32200-16350	SHIM	1	≤50040			0.007	0.0154
190	35340-16350	O RING	1	≥50041	≠		0.01	0.022
200	37300-16390	SEAL OIL	1				0.03	0.066
210	02174-50220	NUT	1				0.055	0.121
220	04512-50220	WASHER SPRING	1				0	0
230	06312-10020	PLUG	1				0.015	0.033
240	34150-16520	BUSH	1	≤50040			0.04	0.088
240	35305-16520	BUSH	1	≥50041	≠		0.04	0.088
250	35340-16590	NUT	1	≥50041			0.045	0.099
260	37300-16430	TUBE STEERING	1	≤50040			0.11	0.242
270	37300-16450	TUBE RUBBER	2	≤50040			0.001	0.0022

HYDRAULIC PUMP

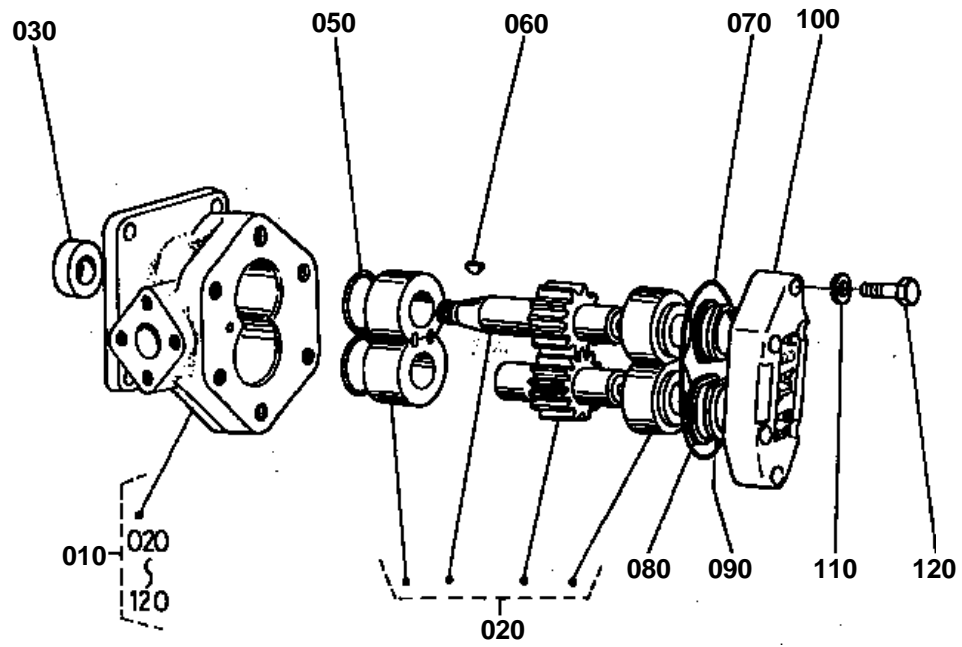




HYDRAULIC PUMP

↔ Interchangeable; ≠ not interchangeable; ← new for old; → old for new

REF.No	Part No.	Description	Q'ty	S.No.	I/C	REMARKS	Weight (kgf)	Weight (lb)
010	37150-36100	ASSY PUMP HYDRAULIC	1	<=14435		REFER TO L.NO.0F07-L0 FOR COMPONENTS	0	0
010	35110-76100	ASSY PUMP HYDRAULIC	1	>=14436	↔	REFER TO L.NO.0F07-R0 FOR COMPONENTS	1.9	4.18
020	32270-36210	KEY WOODRUFF	1	<=14435			0.001	0.0022
020	05811-00313	KEY WOODRUFF	1	>=14436	≠		0.001	0.0022
030	37300-37760	BOSS SPLINE	1				0.05	0.11
040	37300-37890	WASHER	1				0.002	0.0044
050	02156-50080	NUT	1				0.004	0.0088
060	37300-37830	GEAR	1			23T	0.175	0.385
070	37300-37770	RACE INNER	1				0.07	0.154
080	37300-37780	BEARING NEEDLE	1				0.11	0.242
090	08101-06907	BEARING BALL	1				0.073	0.1606
100	04612-00350	CIR-CLIP EXTERNAL	1				0.01	0.022
110	37300-37790	COLLAR	1				0.025	0.055
120	34150-37870	GASKET	1				0	0
130	34150-37860	GASKET	1				0	0
140	37300-37850	HOLDER PUMP	1				1.365	3.003
150	01513-50820	STUD	2				0	0
160	01153-50845	BOLT	2				0.018	0.0396
170	01153-50822	BOLT	4				0.011	0.0242
180	04512-50080	WASHER SPRING	8				0	0
190	02156-50080	NUT	2				0.004	0.0088
200	37300-37810	GEAR	1			18T	0.325	0.715
210	04612-00250	CIR-CLIP EXTERNAL	1				0.002	0.0044
220	34150-37820	COLLAR	1				0.05	0.11

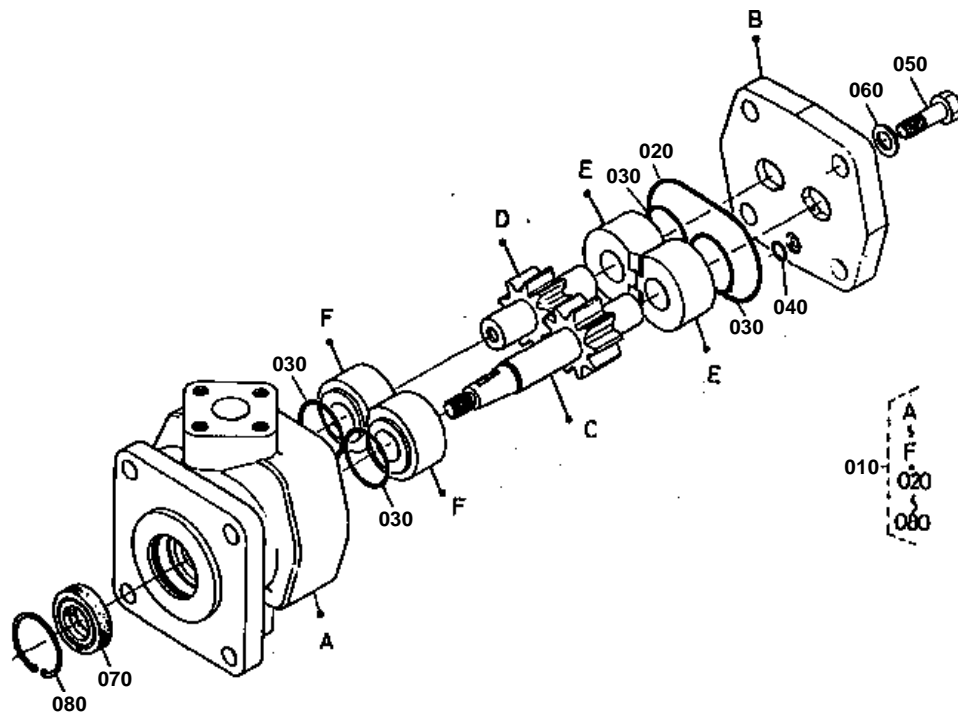




HYDRAULIC PUMP [COMPONENT PARTS]
S.No.;<=14435

↔ Interchangeable; ≠ not interchangeable; ← new for old; → old for new

REF.No	Part No.	Description	Q'ty	S.No.	I/C	REMARKS	Weight (kgf)	Weight (lb)
010	37150-36100	PUMP HYDRAULIC	1				0	0
020	37150-36200	ASSY GEAR AND BUSH	1				0.635	1.397
030	37150-36230	SEAL OIL	1				0.007	0.0154
040	99999-99999	BLANK	0				0	0
050	32270-36260	O RING	2				0.001	0.0022
060	32270-36210	KEY WOODRUFF	1				0.001	0.0022
070	32270-36220	O RING	1				0.001	0.0022
080	32270-36250	RING SEAL	2				0.001	0.0022
090	32270-36240	RING SUPPORT	2				0.005	0.011
100	37150-36180	COVER	1				0.25	0.55
110	04512-50080	WASHER SPRING	6				0	0
120	01156-50825	BOLT	6				0.013	0.0286



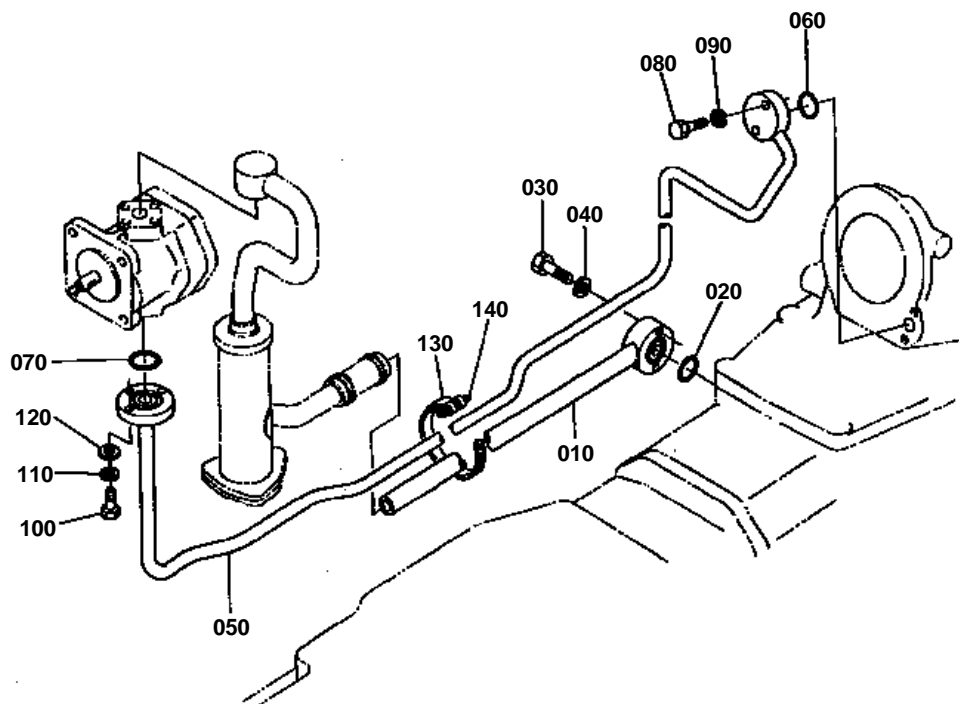


HYDRAULIC PUMP [COMPONENT PARTS]
S.No.;>=14436

↔ Interchangeable; ≠ not interchangeable; ← new for old; → old for new

REF.No	Part No.	Description	Q'ty	S.No.	I/C	REMARKS	Weight (kgf)	Weight (lb)
010	35110-76100	ASSY PUMP HYDRAULIC	1				1.9	4.18
020	04810-50550	O RING	1				0.002	0.0044
030	38180-76172	SQUARE RING	4				0.002	0.0044
040	04810-00050	O RING	1				0.001	0.0022
050	01156-51030	BOLT	4				0.02	0.044
060	04011-50100	WASHER PLAIN	4				0.002	0.0044
070	31381-76190	SEAL OIL	1				0.007	0.0154
080	04611-00280	CIR-CLIP INTERNAL	1				0.002	0.0044

HYDRAULIC OIL LINE



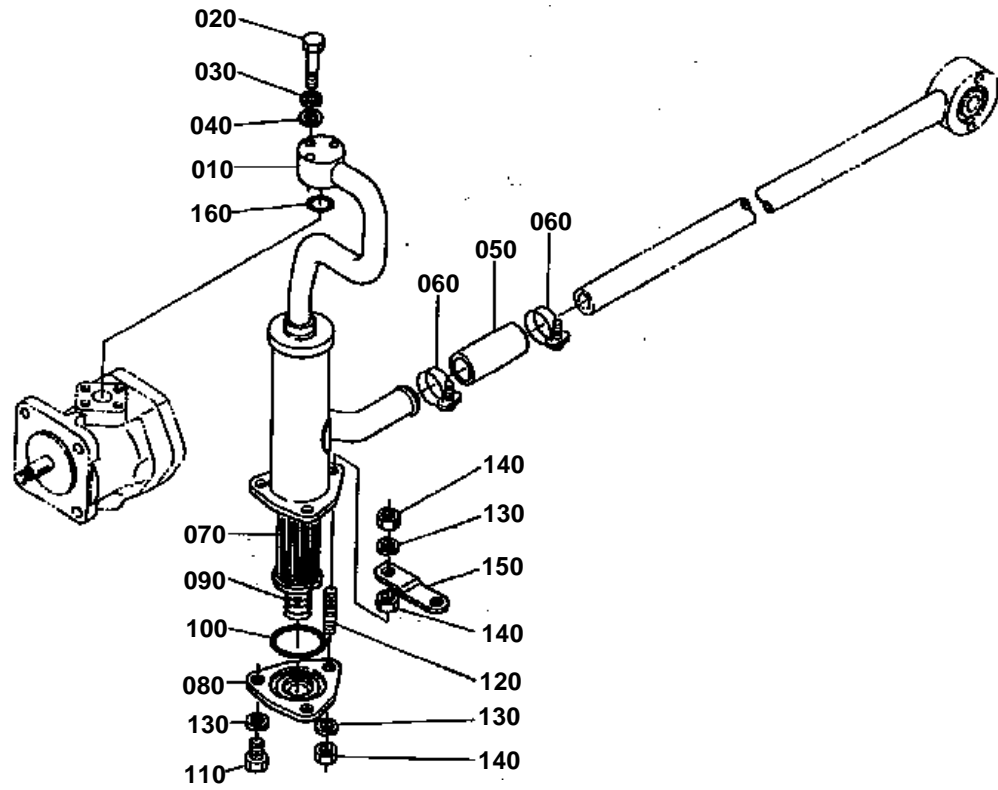


HYDRAULIC OIL LINE

↔ Interchangeable; ≠ not interchangeable; ← new for old; → old for new

REF.No	Part No.	Description	Q'ty	S.No.	I/C	REMARKS	Weight (kgf)	Weight (lb)
010	37260-38110	PIPE INLET	1				1.34	2.948
020	04811-00200	O RING	1				0.001	0.0022
030	01153-50850	BOLT	2				0.02	0.044
040	04512-50080	WASHER SPRING	2				0	0
050	37260-38210	COMP.PIPE DELIVERY	1				0.97	2.134
060	04810-00120	O RING	1				0.001	0.0022
070	04810-00200	O RING	1				0.001	0.0022
080	01153-50830	BOLT	2				0	0
090	04512-50080	WASHER SPRING	2				0	0
100	01053-50628	BOLT	3				0.008	0.0176
110	04512-50060	WASHER SPRING	3				0	0
120	04013-50060	WASHER PLAIN	3				0	0
130	33251-82760	BAND PIPE	1				0.016	0.0352
140	33430-82760	PIN BAND	1				0.004	0.0088

HYDRAULIC OIL FILTER



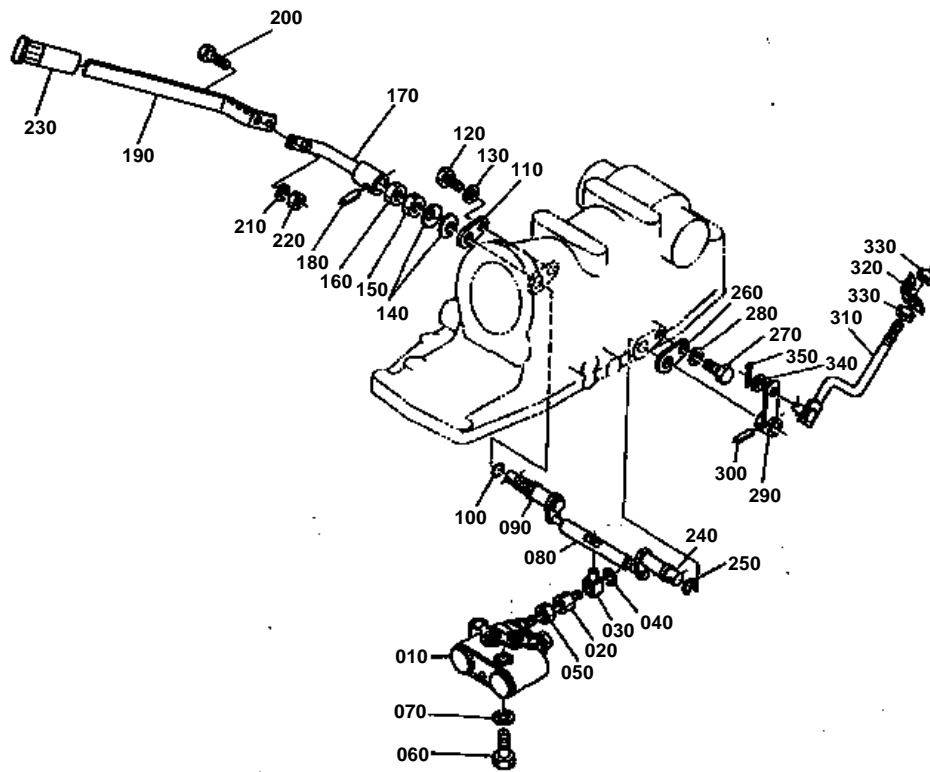


HYDRAULIC OIL FILTER

↔ Interchangeable; ≠ not interchangeable; ← new for old; → old for new

REF.No	Part No.	Description	Q'ty	S.No.	I/C	REMARKS	Weight (kgf)	Weight (lb)
010	37260-38120	COMP POT FILTER	1				1.2	2.64
020	01053-50645	BOLT	3				0.012	0.0264
030	04512-50060	WASHER SPRING	3				0	0
040	04013-50060	WASHER PLAIN	3				0	0
050	34350-37770	PIPE RUBBER	1	≤53745			0	0
050	34350-37774	PIPE RUBBER	1	≥53746	←		0.06	0.132
060	34350-37780	CLAMP	2				0.02	0.044
070	37300-37710	FILTER OIL	1				0.145	0.319
080	34350-37742	COVER FILTER	1				0.319	0.7018
090	37300-37740	SPRING	1				0.005	0.011
100	04811-50600	O RING	1				0.002	0.0044
110	01153-50820	BOLT	2				0.012	0.0264
120	37260-38170	STUD	1				0.06	0.132
130	04512-50080	WASHER SPRING	4				0	0
140	02114-50080	NUT	3				0.005	0.011
150	37260-38180	CLAMP	1				0.03	0.066
160	04811-00200	O RING	1				0.001	0.0022

CONTROL VALVE



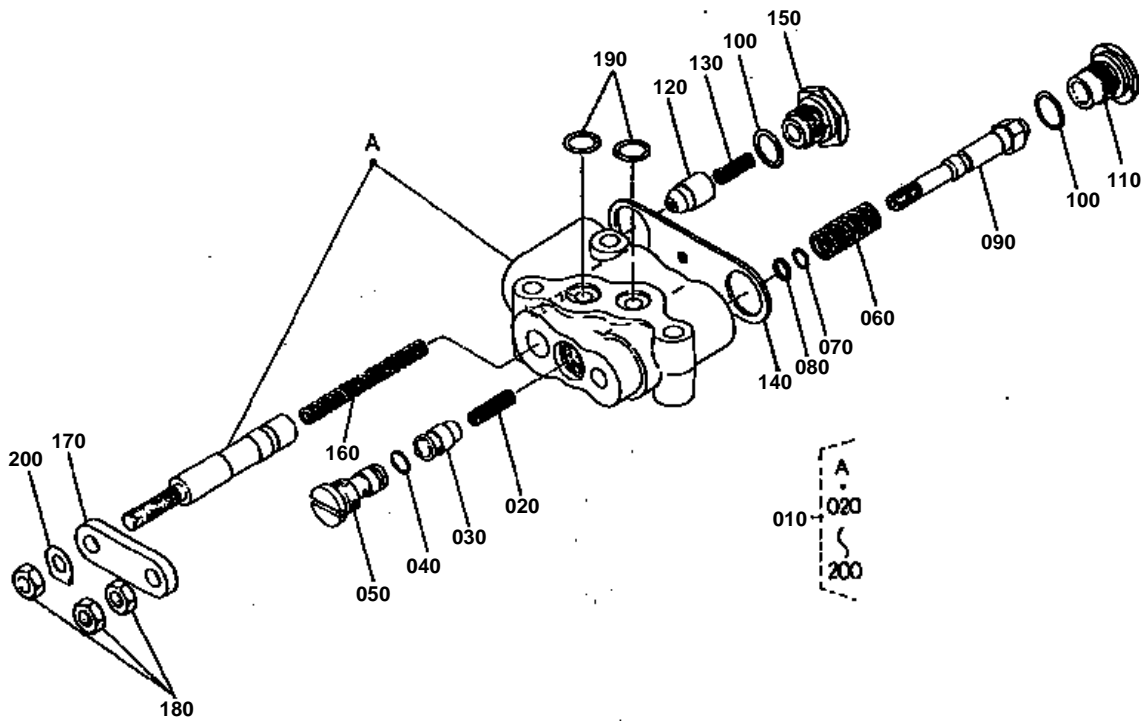


CONTROL VALVE

↔ Interchangeable; ≠ not interchangeable; ← new for old; → old for new

REF.No	Part No.	Description	Q'ty	S.No.	I/C	REMARKS	Weight (kgf)	Weight (lb)
010	37150-36400	VALVE CONTROL	1			REFER TO L.NO.0F10-L0 FOR COMPONENTS	1.675	3.685
020	37150-36410	JOINT SPOOL	1				0.001	0.0022
030	37150-36420	JOINT SPOOL	1				0.02	0.044
040	04613-00060	CIR-CLIP EXTERNAL	1				0	0
050	02112-50080	NUT	1				0.003	0.0066
060	01153-50850	BOLT	3				0.02	0.044
070	04512-50080	WASHER SPRING	3				0	0
080	37150-36430	LEVER SPOOL DRIVE	1				0.09	0.198
090	37150-37650	ARM CONTROL	1				0.11	0.242
100	04811-00110	O RING	1				0.001	0.0022
110	34260-36890	SET PLATE	1				0.009	0.0198
120	01153-50816	BOLT	1				0.01	0.022
130	04512-50080	WASHER SPRING	1				0	0
140	34260-36880	SPRING PLATE	2				0.006	0.0132
150	02172-50140	NUT	1				0.01	0.022
160	02174-50140	NUT	1				0.014	0.0308
170	37300-36840	LEVER CONTROL	1				0.195	0.429
180	05411-00522	PIN SPRING	2				0.002	0.0044
190	35212-36850	LEVER CONTROL	1				0.178	0.3916
200	01053-50616	BOLT	2				0.005	0.011
210	04512-50060	WASHER SPRING	2				0	0
220	02056-50060	NUT	2				0.002	0.0044
230	34350-36890	GRIP LEVER	1				0.016	0.0352
240	37150-37670	SHAFT LEVER	1				0.085	0.187
250	04811-00110	O RING	1				0.001	0.0022
260	34260-36890	SET PLATE	1				0.009	0.0198
270	01153-50816	BOLT	1				0.01	0.022
280	04512-50080	WASHER SPRING	1				0	0
290	37150-37680	LEVER FEED BACK	1				0.05	0.11
300	05411-00420	PIN SPRING	1				0.001	0.0022
310	37220-37690	ROD FEED BACK	1				0.055	0.121
320	37220-37640	ROD CONTROL	1				0.025	0.055
330	02114-50080	NUT	2				0.005	0.011
340	04013-50080	WASHER PLAIN	2				0	0
350	05511-50215	PIN SPLIT	2				0.001	0.0022

CONTROL VALVE [COMPONENT PARTS]



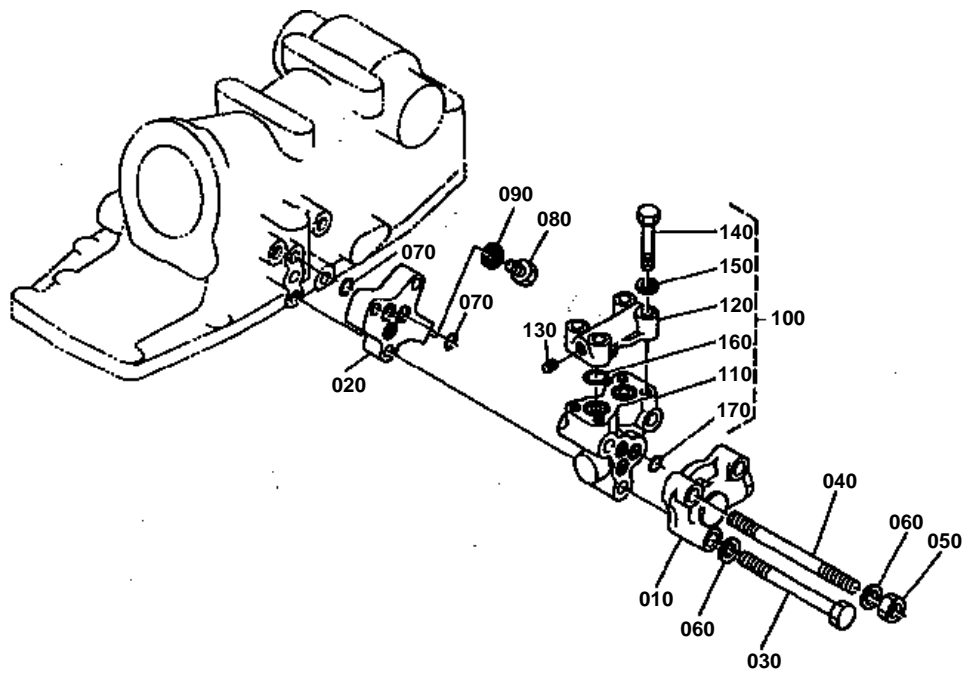


CONTROL VALVE [COMPONENT PARTS]

↔ Interchangeable; ≠ not interchangeable; ← new for old; → old for new

REF.No	Part No.	Description	Q'ty	S.No.	I/C	REMARKS	Weight (kgf)	Weight (lb)
010	37150-36400	VALVE CONTROL	1				1.675	3.685
020	37150-36580	SPRING	1				0.005	0.011
030	37150-36590	VALVE CHECK	1				0.015	0.033
040	04811-00090	O RING	1				0.001	0.0022
050	37150-36440	SEAT	1				0.035	0.077
060	37150-36450	SPRING	1				0.005	0.011
070	04811-00070	O RING	1				0.001	0.0022
080	37150-36630	RING BACK UP	1				0.001	0.0022
090	37150-36460	POPPET	1				0.005	0.011
100	04811-00150	O RING	2				0.001	0.0022
110	37150-36470	PLUG SEAT	1				0.04	0.088
120	37150-36480	VALVE UNLOAD	1				0.02	0.044
130	37150-36490	SPRING	1				0.005	0.011
140	37150-36510	PLATE	1				0.035	0.077
150	37150-36520	PLUG	1				0.043	0.0946
160	37150-36530	SPRING RETURN	1				0.01	0.022
170	37150-36540	PLATE	1				0.145	0.319
180	37150-36550	NUT	3				0.005	0.011
190	04811-00120	O RING	2				0.001	0.0022
200	37150-36560	WASHER LOCK	1				0.01	0.022

RELIEF VALVE

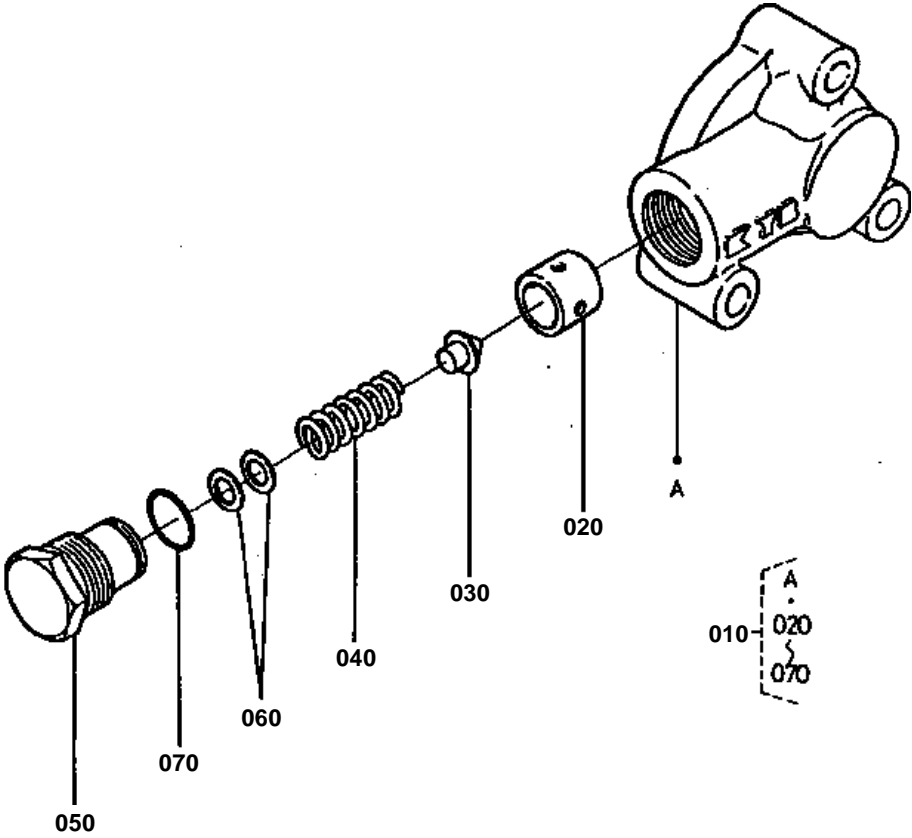




RELIEF VALVE

↔ Interchangeable; ≠ not interchangeable; ← new for old; → old for new

REF.No	Part No.	Description	Q'ty	S.No.	I/C	REMARKS	Weight (kgf)	Weight (lb)
010	37300-36600	ASSY VALVE RELIEF	1			REFER TO L.NO.0F11-L0 FOR COMPONENTS	0.885	1.947
020	37150-36610	SPACER VALVE	1				0.14	0.308
030	35300-36810	BOLT	2				0.048	0.1056
040	35300-36820	STUD	1				0.05	0.11
050	02156-50080	NUT	1				0.004	0.0088
060	04512-50080	WASHER SPRING	3				0	0
070	04810-00140	O RING	6				0.001	0.0022
080	06331-35010	PLUG	1				0.012	0.0264
090	04717-01000	WASHER WITH RUBBER	1				0.001	0.0022
100	35300-36700	ASSY BLOCK HYD OUTL	1				2	4.4
110	35300-36710	BLOCK HYDRAULIC OUTL	1			1.6	3.52	
120	35300-36720	COVER HYD.BLOCK	1			0.385	0.847	
130	31351-37150	PLUG	1			0.007	0.0154	
140	01153-50840	BOLT	4			0.018	0.0396	
150	04512-50080	WASHER SPRING	4			0	0	
160	04810-00200	O RING	2			0.001	0.0022	
170	04810-00120	O RING	3			0.001	0.0022	



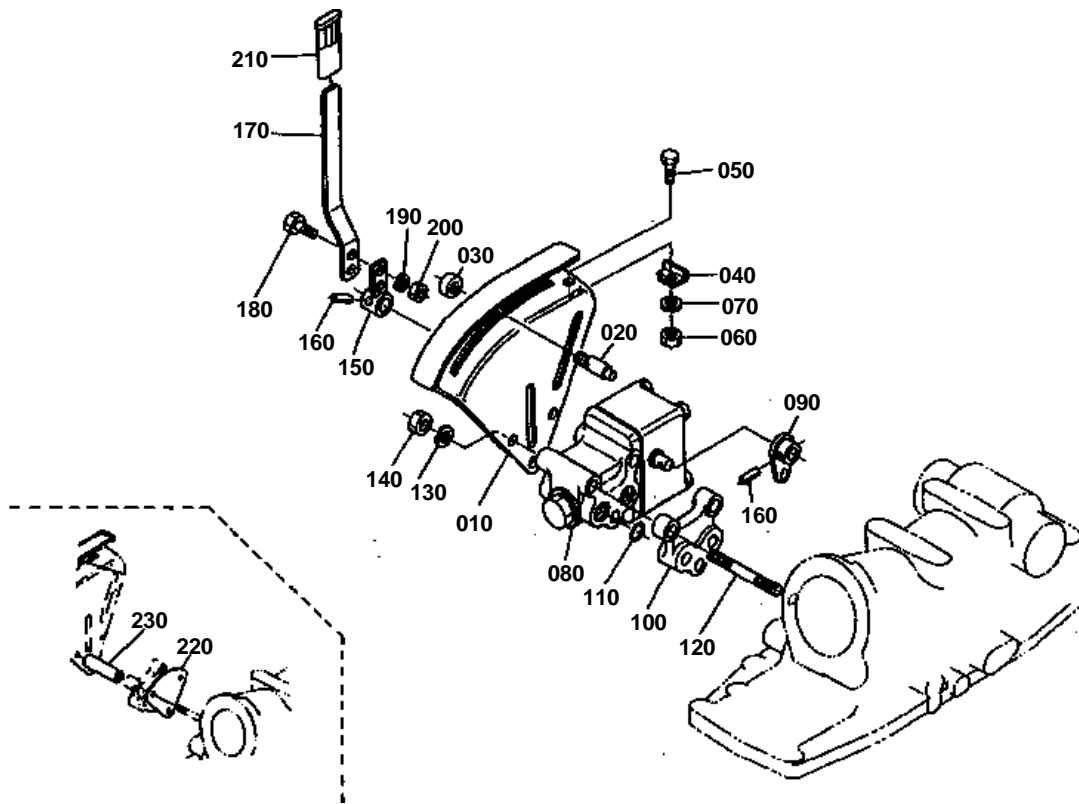


RELIEF VALVE [COMPONENT PARTS]

↔ Interchangeable; ≠ not interchangeable; ← new for old; → old for new

REF.No	Part No.	Description	Q'ty	S.No.	I/C	REMARKS	Weight (kgf)	Weight (lb)
010	37300-36600	ASSY VALVE RELIEF	1				0.885	1.947
020	34220-36740	SEAT	1				0.016	0.0352
030	34220-36750	POPPET	1				0.002	0.0044
040	34220-36760	SPRING	1				0.01	0.022
050	34220-36770	PLUG	1				0.05	0.11
060	34220-36780	SHIM	1				0.001	0.0022
070	04811-10160	O RING	1				0.001	0.0022

DRAFT CONTROL VALVE



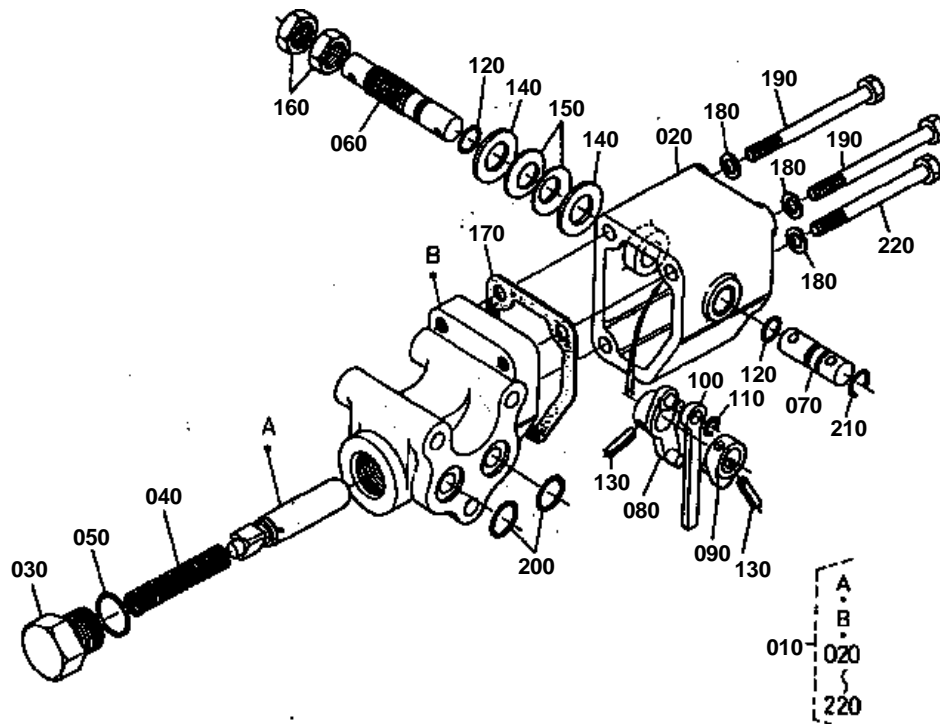


DRAFT CONTROL VALVE

↔ Interchangeable; ≠ not interchangeable; ← new for old; → old for new

REF.No	Part No.	Description	Q'ty	S.No.	I/C	REMARKS	Weight (kgf)	Weight (lb)
010	37300-36860	GUIDE HYD.LEVER	1				0.985	2.167
020	37300-36910	STOPPER	1				0.05	0.11
030	37300-36920	NUT	1				0.046	0.1012
040	37300-36930	STOPPER	1				0.02	0.044
050	01173-51018	BOLT	1				0.018	0.0396
060	02118-50100	NUT	1				0.005	0.011
070	04512-50100	WASHER SPRING	1				0	0
080	37300-41100	ASSY VALVE DRAFT CON	1			REFER TO L.NO.0F12-R0 FOR COMPONENTS	3.2	7.04
090	37300-41190	LEVER FEED BACK	1				0.056	0.1232
100	37300-41210	SPACER	1	≤53615			0	0
100	37300-41212	SPACER	1	≥53616	←		0.135	0.297
110	04810-00160	O RING	2				0.001	0.0022
120	37300-41250	STUD	3				0.04	0.088
130	04512-50080	WASHER SPRING	3				0	0
140	02156-50080	NUT	3				0.004	0.0088
150	37300-41220	LEVER DRAFT CONTROL	1				0.042	0.0924
160	05411-00522	PIN SPRING	2				0.002	0.0044
170	35212-41230	LEVER DRAFT CONTROL	1				0.14	0.308
180	01053-50616	BOLT	2				0.005	0.011
190	04512-50060	WASHER SPRING	2				0	0
200	02056-50060	NUT	2				0.002	0.0044
210	34350-36890	GRIP LEVER	1				0.016	0.0352
220	34260-37160	PLATE	1			WITHOUT DRAFT	0.04	0.088
230	35300-36870	COLLAR	3			WITHOUT DRAFT	0.069	0.1518

DRAFT CONTROL VALVE [COMPONENT PARTS]



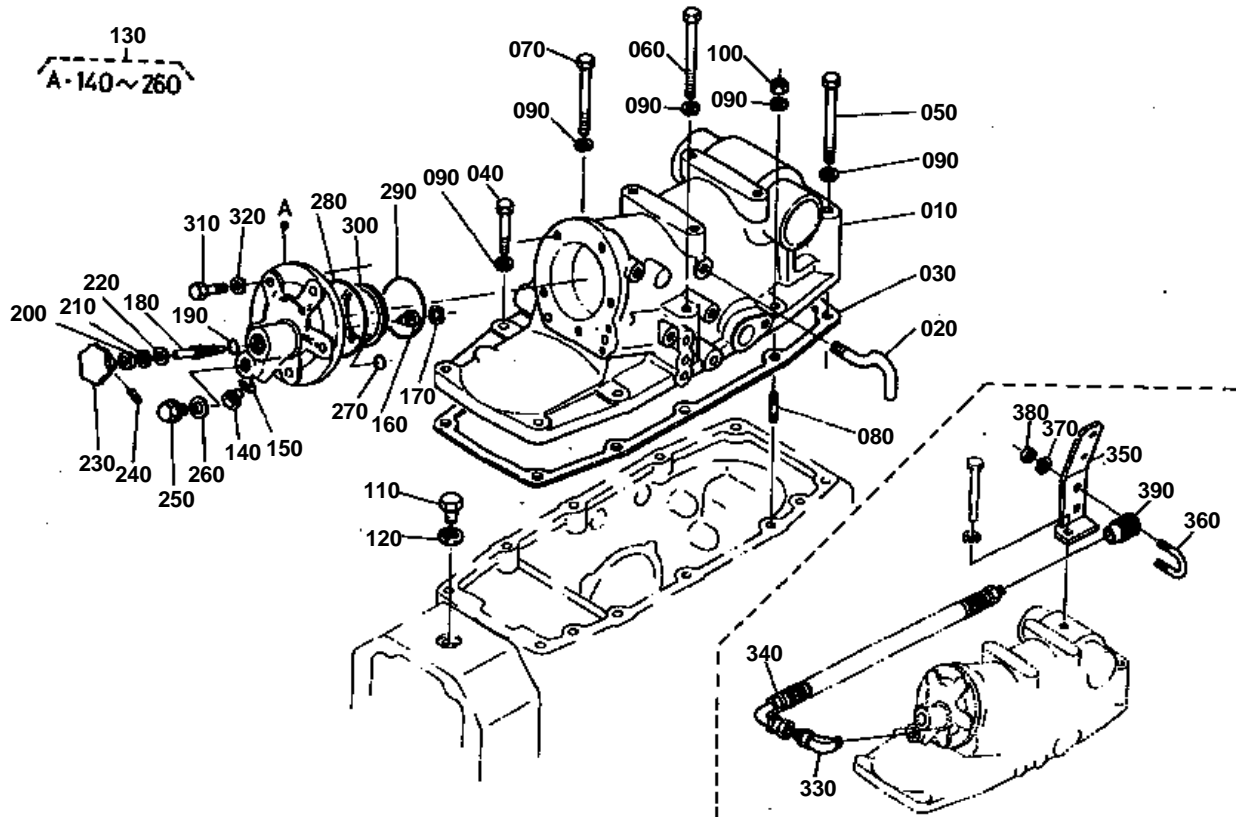


DRAFT CONTROL VALVE [COMPONENT PARTS]

↔ Interchangeable; ≠ not interchangeable; ← new for old; → old for new

REF.No	Part No.	Description	Q'ty	S.No.	I/C	REMARKS	Weight (kgf)	Weight (lb)
010	37300-41100	ASSY VALVE DRAFT CON	1				3.2	7.04
020	37300-41120	COVER	1				1.05	2.31
030	37300-41140	PLUG	1				0.098	0.2156
040	37300-41150	SPRING	1				0.01	0.022
050	04811-00180	O RING	1				0.001	0.0022
060	37300-41160	SHAFT	1				0.065	0.143
070	37300-41170	SHAFT	1				0.03	0.066
080	37300-41180	ARM	1				0.03	0.066
090	32240-36630	ARM	1				0.015	0.033
100	37300-41270	LINK	1				0.012	0.0264
110	04613-00050	CIR-CLIP EXTERNAL	1				0	0
120	04811-00090	O RING	2				0.001	0.0022
130	05411-00518	PIN SPRING	2				0.002	0.0044
140	04011-50140	WASHER PLAIN	2				0.007	0.0154
150	37300-41280	SPRING PLATE	2				0.005	0.011
160	02172-50140	NUT	2				0.01	0.022
170	37300-41290	GASKET	1				0.001	0.0022
180	04512-50080	WASHER SPRING	3				0	0
190	01153-50875	BOLT	2				0.028	0.0616
200	04810-00160	O RING	2				0.001	0.0022
210	37300-41360	CIR-CLIP	1				0.001	0.0022
220	01153-50870	BOLT	1				0.026	0.0572

HYDRAULIC CYLINDER



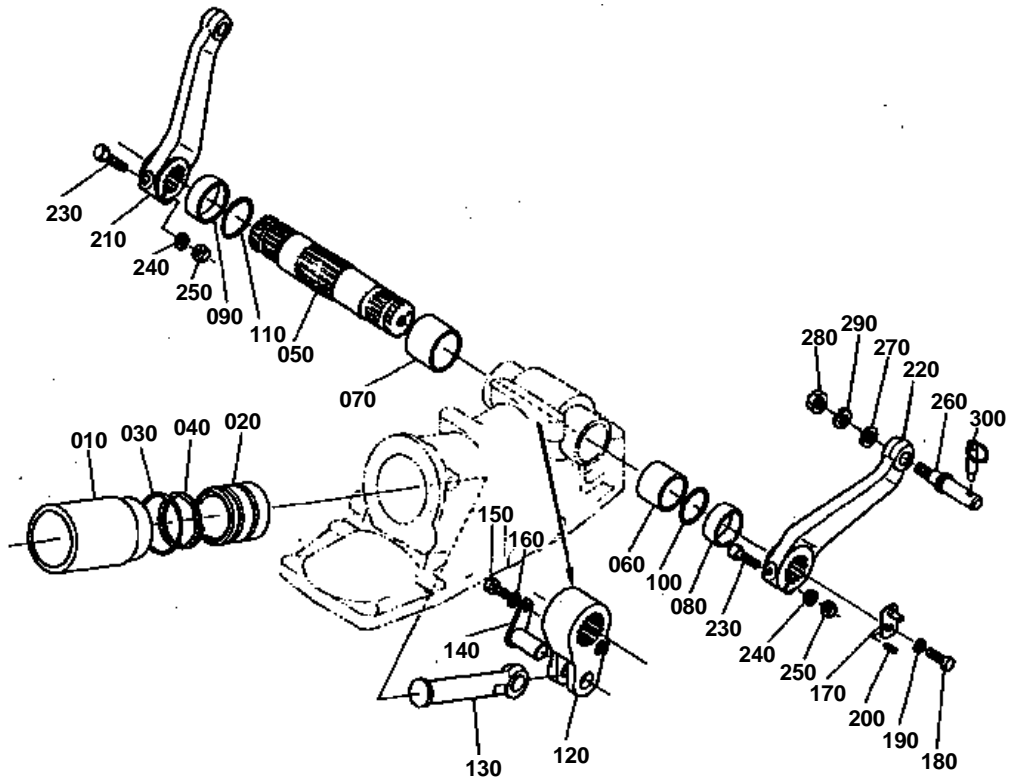


HYDRAULIC CYLINDER

↔ Interchangeable; ≠ not interchangeable; ← new for old; → old for new

REF.No	Part No.	Description	Q'ty	S.No.	I/C	REMARKS	Weight (kgf)	Weight (lb)
010	37300-37110	CYLINDER HYD.	1	<=13752			0	0
010	35340-37110	CYLINDER HYD.	1	>=13753	↔		22.9	50.38
020	34260-37270	PIPE BREATHER	1	<=50873			0.03	0.066
020	35170-37270	PIPE BREATHER	1	>=50874	←		0.03	0.066
030	37150-37120	GASKET	1				0	0
040	01173-51240	BOLT	4				0.045	0.099
050	34260-37180	BOLT	2				0.115	0.253
060	01173-51295	BOLT	1				0.086	0.1892
070	01173-51201	BOLT	1				0.094	0.2068
080	01574-51240	STUD	2				0	0
090	04512-50120	WASHER SPRING	10				0	0
100	02176-50120	NUT	2				0.01	0.022
110	06311-35030	PLUG	1				0.058	0.1276
120	04717-01700	WASHER WITH RUBBER	1				0.003	0.0066
130	37300-37200	ASSY COVER HYD.CYL.	1				3.7	8.14
140	37150-36740	PLUG	1				0.025	0.055
150	04724-00100	GASKET	1				0.001	0.0022
160	34150-37250	COLLAR ADJUSTING	1				0.01	0.022
170	04611-00180	CIR-CLIP INTERNAL	1				0.001	0.0022
180	34150-37220	SCREW ADJUSTING	1				0.025	0.055
190	04810-00100	O RING	1				0.001	0.0022
200	09230-08164	SEAL OIL	1				0.001	0.0022
210	34150-37260	CIR-CLIP INTERNAL	1				0.001	0.0022
220	04012-50080	WASHER PLAIN	1				0.001	0.0022
230	34150-37230	GRIP	1				0.04	0.088
240	05411-00418	PIN SPRING	1				0.001	0.0022
250	37150-36730	PLUG	1				0.03	0.066
260	37150-36720	GASKET	1				0.01	0.022
270	04810-00140	O RING	1				0.001	0.0022
280	04811-51000	O RING	1				0.003	0.0066
290	04810-50800	O RING	1				0.002	0.0044
300	37300-37260	RING BACK UP	1				0.002	0.0044
310	01173-51240	BOLT	5				0.045	0.099
320	04512-50120	WASHER SPRING	5				0	0
330	35300-99270	ELBOW	1			ALGERIA	0.49	1.078
340	35300-99280	HOSE HYD.	1			ALGERIA	0.06	0.132
350	35340-99460	BRACKET JOINT	1			ALGERIA	0.3	0.66
360	35340-99470	U BOLT	1			ALGERIA	0.03	0.066
370	04512-50060	WASHER SPRING	2			ALGERIA	0	0
380	02014-50060	NUT	2			ALGERIA	0.003	0.0066
390	99999-99999	COUPLER FEMALE	1			ALGERIA LOCAL SUPPLY	0	0

LIFT ARM

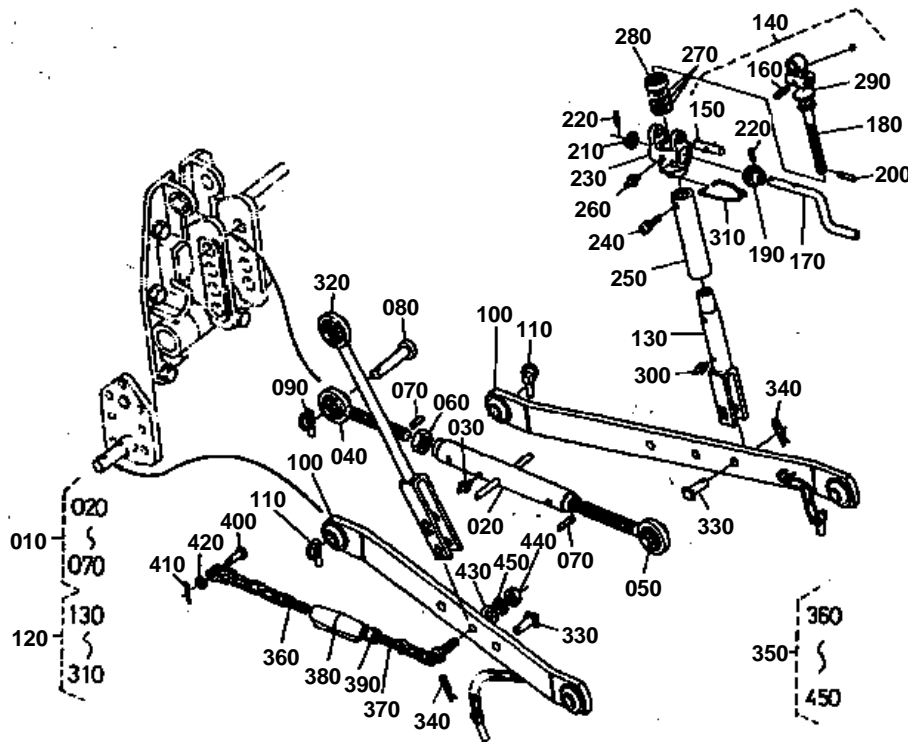


**LIFT ARM**

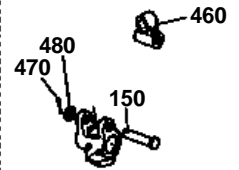
↔ Interchangeable; ≠ not interchangeable; ← new for old; → old for new

REF.No	Part No.	Description	Q'ty	S.No.	I/C	REMARKS	Weight (kgf)	Weight (lb)
010	37300-37130	LINER CYLINDER	1				2.54	5.588
020	37300-37310	PISTON HYD.	1				1.76	3.872
030	04810-00750	O RING	2				0.003	0.0066
040	34350-37330	RING BACK UP	1				0.004	0.0088
050	34260-37430	SHAFT HYD.ARM	1				3.2	7.04
060	32240-37450	BUSH	1				0	0
070	32240-37460	BUSH	1				0	0
080	37300-37480	COLLAR	1				0.01	0.022
090	37300-37490	COLLAR	1				0.01	0.022
100	04811-50450	O RING	1				0.002	0.0044
110	04811-50500	O RING	1				0.001	0.0022
120	37220-37440	ARM HYDRAULIC	1				1.71	3.762
130	37300-37320	ROD HYD.	1				0.5	1.1
140	32240-37340	PIN SET	1				0.2	0.44
150	01173-51018	BOLT	1				0.018	0.0396
160	04512-50100	WASHER SPRING	1				0	0
170	37300-37660	LINK CONTROL	1				0.04	0.088
180	01173-51222	BOLT	1				0.031	0.0682
190	04512-50120	WASHER SPRING	1				0	0
200	05411-00414	PIN SPRING	1				0.001	0.0022
210	32240-37610	ARM LIFT	2	≤12180			2.2	4.84
210	35300-37610	ARM LIFT RH	1	≥12181	≠		2.76	6.072
220	35300-37620	ARM LIFT LH	1	≥12181			2.72	5.984
230	01173-51275	BOLT	2	≤12180			0.071	0.1562
230	01173-51280	BOLT	2	≥12181	≠		0.1	0.22
240	04512-50120	WASHER SPRING	2				0	0
250	02176-50120	NUT	2				0.01	0.022
260	37300-37690	PIN LIFT ROD	2	≤14053			0	0
260	32240-37695	PIN LIFT ROD	2	≥14054	↔		0.2	0.44
260	30442-37690	PIN LIFT ROD	2	≥53722	≠		0.205	0.451
270	04011-50180	WASHER PLAIN	2	≥53722			0.012	0.0264
280	02176-50160	NUT	2				0.021	0.0462
290	04512-50160	WASHER SPRING	2				0	0
300	34150-37640	PIN SET	2				0.06	0.132

3-POINT LINKAGE



- 150 32244-7157-0
- 460 31220-7157-0
- 470 05511-50435
- 480 04011-50160



- 210 32244-7187-0





3-POINT LINKAGE

↔ Interchangeable; ≠ not interchangeable; ← new for old; → old for new

REF.No	Part No.	Description	Q'ty	S.No.	I/C	REMARKS	Weight (kgf)	Weight (lb)
010	37307-71100	ASSY LINK TOP	1	≤51119			0	0
010	35340-71100	ASSY LINK TOP	1	≥51120	↔		0	0
020	32244-71110	LINK TOP	1	≤51119			1.01	2.222
020	35340-71110	LINK TOP	1	≥51120	≠		0	0
030	67211-42940	NIPPLE GREASE	1	≥51120			0.001	0.0022
040	37307-71210	JOINT TOP LINK	1	≤51119			1.05	2.31
040	35340-71210	JOINT TOP LINK	1	≥51120	≠		1.06	2.332
050	37307-71220	JOINT TOP LINK	1	≤51119			1.065	2.343
050	35340-71220	JOINT TOP LINK	1	≥51120	≠		1.06	2.332
060	32244-71180	NUT TOP LINK	1				0.057	0.1254
070	05411-00425	PIN SPRING	2	≤51119			0.001	0.0022
070	05411-00430	PIN SPRING	2	≥51120	≠		0.002	0.0044
080	37307-71360	PIN JOINT	2				0	0
090	37307-71280	PIN SET	2	≤13789			0	0
090	34150-37640	PIN SET	2	≥13790	↔		0.06	0.132
100	37267-71310	COMP.LINK LOWER	2				8.4	18.48
110	37307-71280	PIN SET	2	≤13789			0	0
110	34150-37640	PIN SET	2	≥13790	↔		0.06	0.132
120	37267-71560	ASSY ADJUSTER	1				3.8	8.36
130	37267-71520	ROD LIFT LOWER	1				0.955	2.101
140	31351-71590	ASSY JOINT GEAR CASE	1				0.59	1.298
150	32244-71570	PIN LIFT ROD	1	≤13367			0.147	0.3234
150	38247-71550	PIN LIFT ROD	1	≥13368	≠		0.11	0.242
160	05411-00532	PIN SPRING	1	≥13368			0.003	0.0066
170	32244-71610	HANDLE LIFT ROD	1	≤52966			0.229	0.5038
170	31351-71660	HANDLE LIFT ROD	1	≥52967	↔		0.235	0.517
180	32244-71640	GEAR LIFT ROD	1				0.4	0.88
190	32244-71650	GEAR LIFT ROD	1				0.126	0.2772
200	05411-00420	PIN SPRING	1				0.001	0.0022
210	32244-71670	COLLAR	1	≤52966			0.027	0.0594
210	31351-71670	WASHER PLAIN	1	≥52967	↔		0.002	0.0044
220	05411-00622	PIN SPRING	2				0.003	0.0066
230	34264-71710	CASE LIFT ROD GEAR	1	≤52966			0	0
230	31351-71710	CASE LIFT ROD GEAR	1	≥52967	↔		0.85	1.87
240	01202-50612	BOLT	1				0.005	0.011
250	34264-71704	PIPE	1				0.49	1.078
260	06613-10675	NIPPLE GREASE	1				0.003	0.0066
270	31220-71720	SHIM	3				0.001	0.0022
280	32294-71770	BEARING THRUST BALL	1				0.073	0.1606
290	06311-75045	PLUG	1				0.026	0.0572
300	06613-10675	NIPPLE GREASE	1				0.003	0.0066
310	32244-71730	STOPPER HANDLE	1				0.027	0.0594
320	37267-71540	ROD LIFT LH	1				1.81	3.982
330	34354-71580	PIN LIFT ROD	2				0.09	0.198
340	05515-51600	PIN SNAP	2				0.007	0.0154
350	37267-71800	ASSY CHAIN CHECK	2				2.1	4.62
360	37267-71810	CHAIN CHECK	2				0.665	1.463
370	37307-71820	CHAIN CHECK	2				0.775	1.705
380	36200-91190	TURNBUCKLE	2				0.63	1.386
390	02154-50160	NUT	2				0.025	0.055
400	32353-71890	PIN	2				0.041	0.0902
410	05511-50425	PIN SPLIT	2				0.003	0.0066
420	04013-50120	WASHER PLAIN	2				0	0
430	37307-71830	WASHER CHECK CHAIN	2				0.29	0.638
440	02174-50180	NUT	2				0.029	0.0638
450	04512-50180	WASHER SPRING	2				0	0
460	31220-71570	JOITN GEAR CASE	1	≤13367			0	0
470	05511-50435	PIN SPLIT	1	≤13367			0.004	0.0088

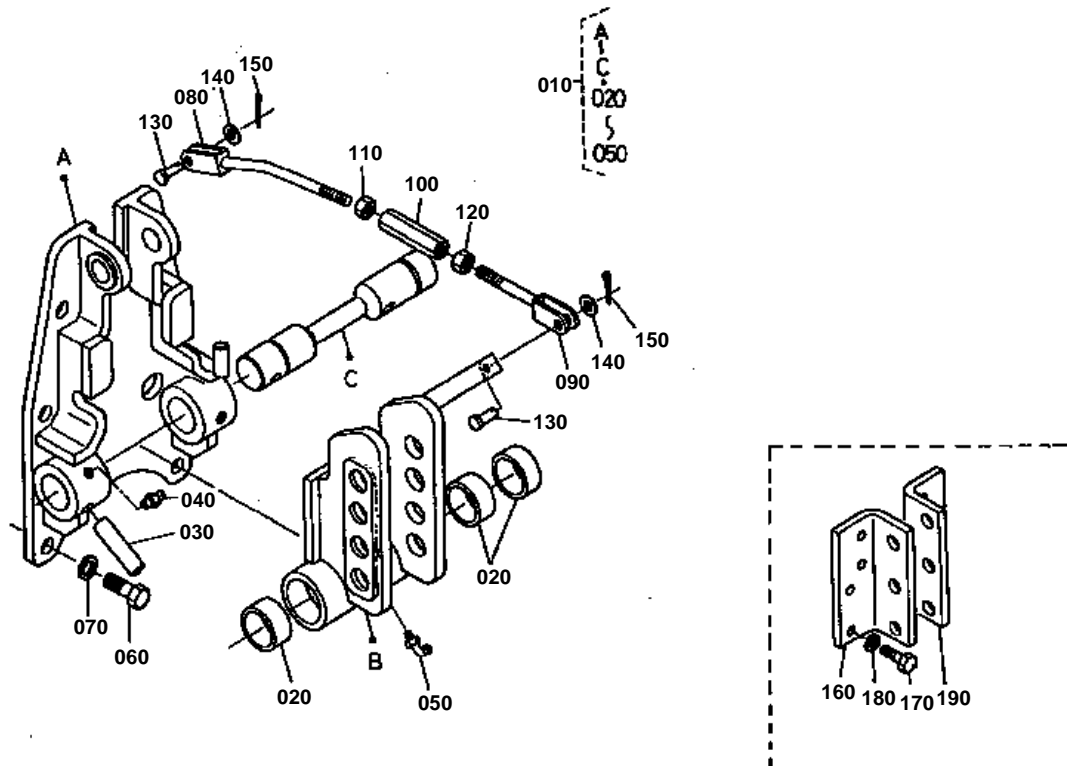


3-POINT LINKAGE

↔ Interchangeable; ≠ not interchangeable; ← new for old; → old for new

REF.No	Part No.	Description	Q'ty	S.No.	I/C	REMARKS	Weight (kgf)	Weight (lb)
480	04011-50160	WASHER PLAIN	1	←=13367			0	0

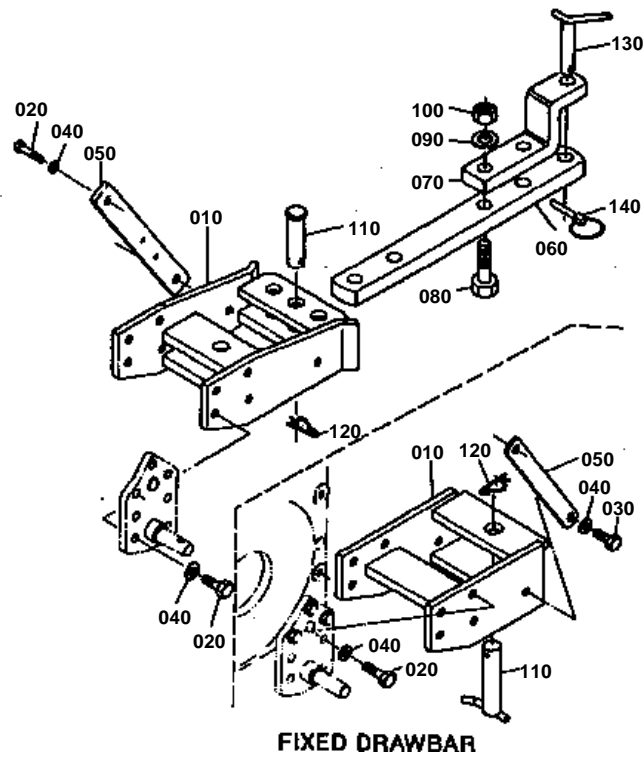
TOP LINKAGE BRACKET



**TOP LINKAGE BRACKET**

↔ Interchangeable; ≠ not interchangeable; ← new for old; → old for new

REF.No	Part No.	Description	Q'ty	S.No.	I/C	REMARKS	Weight (kgf)	Weight (lb)
010	35300-41400	COMP BRACKET LINK	1	<=51130		WITH DRAFT	0	0
010	35300-41404	COMP BRACKET LINK	1	>=51131	←	WITH DRAFT	8.35	18.37
020	37300-41450	BUSH	3			WITH DRAFT	0.03	0.066
030	37300-41440	PIN STRAIGHT	2			WITH DRAFT	0.055	0.121
040	06613-10010	NIPPLE GREASE	1			WITH DRAFT	0.006	0.0132
050	06613-20010	NIPPLE GREASE	2			WITH DRAFT	0.01	0.022
060	01173-51228	BOLT	6			WITH DRAFT	0.036	0.0792
070	04512-50120	WASHER SPRING	6			WITH DRAFT	0	0
080	37300-41310	ROD DRAFT CONTROL	1			WITH DRAFT	0.07	0.154
090	37300-41320	ROD DRAFT CONTROL	1			WITH DRAFT	0.04	0.088
100	66591-42410	TURNBUCKLE	1			WITH DRAFT	0.046	0.1012
110	02114-50080	NUT	1			WITH DRAFT	0.005	0.011
120	37300-41330	NUT	1			WITH DRAFT	0.005	0.011
130	05122-50818	PIN JOINT	2			WITH DRAFT	0.008	0.0176
140	04012-50080	WASHER PLAIN	2			WITH DRAFT	0.001	0.0022
150	05511-50218	PIN SPLIT	2			WITH DRAFT	0.001	0.0022
160	37267-71150	HOLDER TOP LINK LH	1			WITHOUT DRAFT	1.155	2.541
170	01173-51228	BOLT	8			WITHOUT DRAFT	0.036	0.0792
180	04512-50120	WASHER SPRING	8			WITHOUT DRAFT	0	0
190	37267-71140	HOLDER TOP LINK RH	1			WITHOUT DRAFT	1.15	2.53



FIXED DRAWBAR

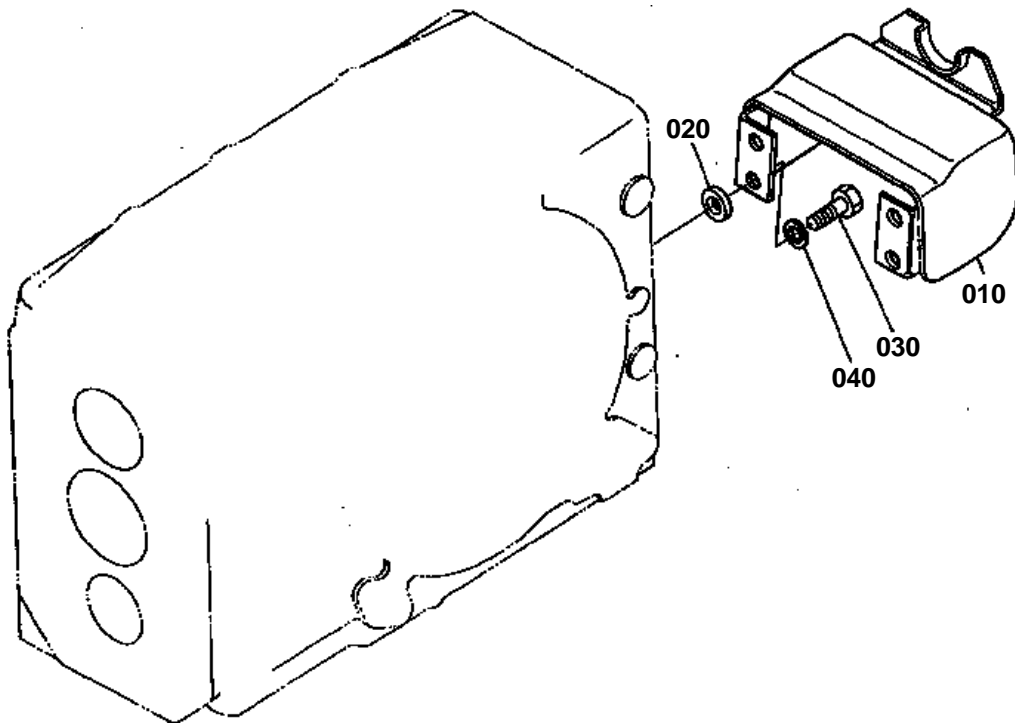


DRAWBAR AND HITCH

↔ Interchangeable; ≠ not interchangeable; ← new for old; → old for new

REF.No	Part No.	Description	Q'ty	S.No.	I/C	REMARKS	Weight (kgf)	Weight (lb)
010	37300-29710	FRAME DRAWBAR	1			SWINGING DRAWBAR	9.6	21.12
010	35300-29710	HITCH	1			FIXED DRAWBAR	6.7	14.74
020	01173-51430	BOLT	12			SWINGING DRAWBAR	0.052	0.1144
020	01173-51430	BOLT	8			FIXED DRAWBAR	0.052	0.1144
030	01173-51425	BOLT	4			FIXED DRAWBAR	0.047	0.1034
040	04512-50140	WASHER SPRING	12				0	0
050	37300-29720	LINK SUPPORT	2			SWINGING DRAWBAR	1.2	2.64
050	35300-29720	LINK SUPPORT	2			FIXED DRAWBAR	0.305	0.671
060	99553-78210	DRAWBAR	1				5.84	12.848
070	99533-78240	DRAWBAR	1				2.22	4.884
080	01173-51665	BOLT	2				0.117	0.2574
090	04512-50160	WASHER SPRING	2				0	0
100	02174-50160	NUT	2				0.022	0.0484
110	37300-29780	PIN JOINT	3			SWINGING DRAWBAR	0.31	0.682
110	34260-29720	PIN HITCH	1			FIXED DRAWBAR	0.4	0.88
120	37300-29790	PIN SNAP	3	≤12180		SWINGING DRAWBAR	0	0
120	70515-16330	PIN SPRING	3	≥12181	↔	SWINGING DRAWBAR	0.028	0.0616
120	70515-16330	PIN SPRING	1			FIXED DRAWBAR	0.028	0.0616
130	99533-78250	PIN	1				0.61	1.342
140	34150-37640	PIN SET	1				0.06	0.132





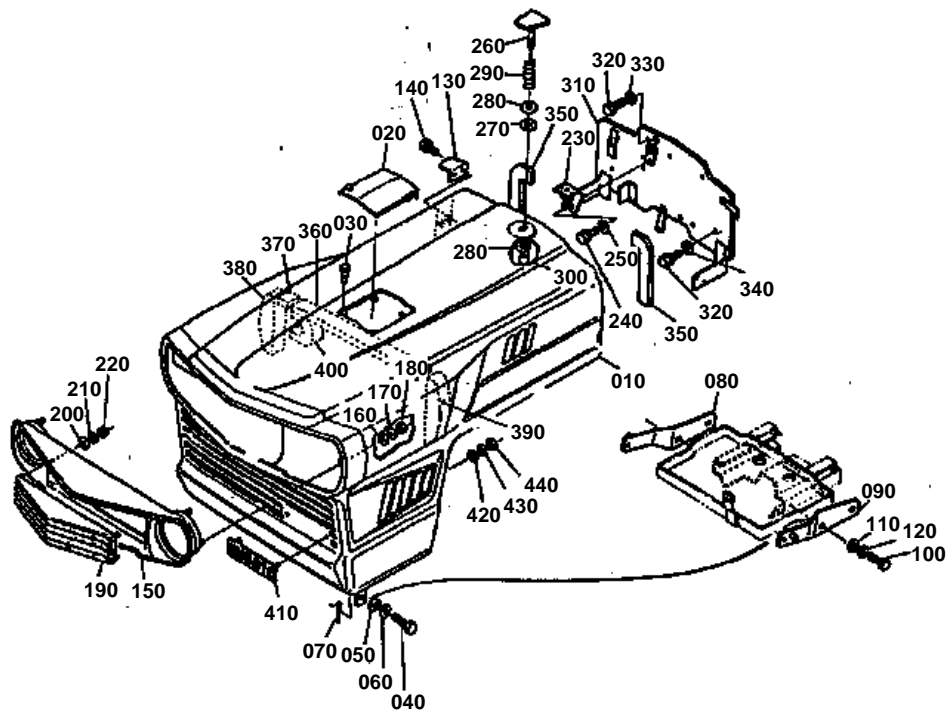


PTO SHAFT PROTECTOR

↔ Interchangeable; ≠ not interchangeable; ← new for old; → old for new

REF.No	Part No.	Description	Q'ty	S.No.	I/C	REMARKS	Weight (kgf)	Weight (lb)
010	35110-25330	PROTECTOR SHAFT PTO	1				1.435	3.157
020	35114-25340	COLLAR	2				0.02	0.044
030	01173-51235	BOLT	4				0.04	0.088
040	04512-50120	WASHER SPRING	4				0	0

HOOD (BONNET)



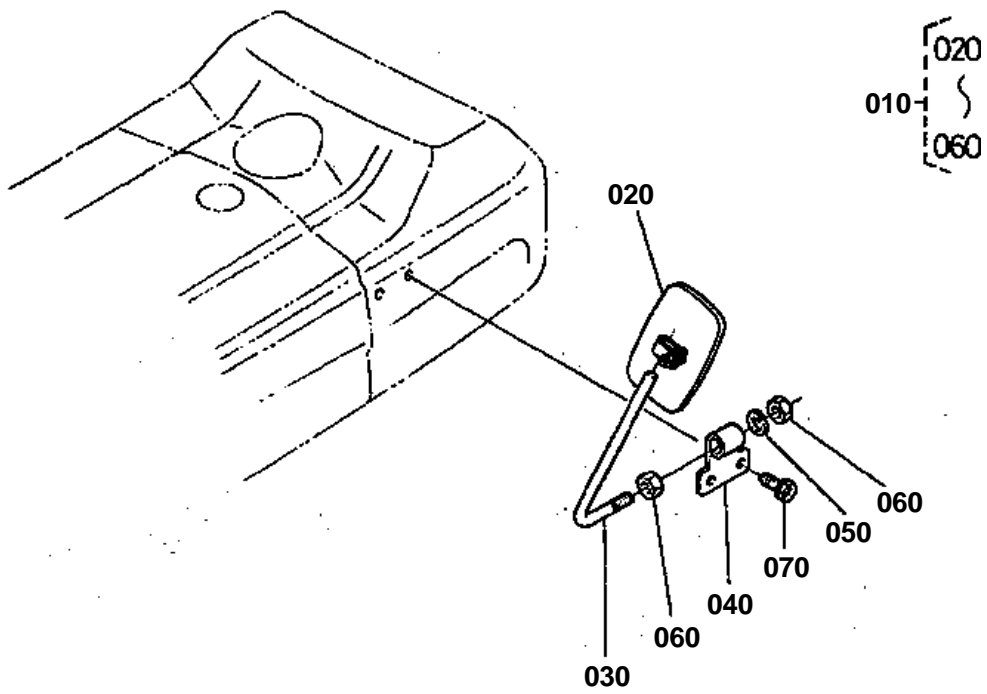


HOOD (BONNET)

↔ Interchangeable; ≠ not interchangeable; ← new for old; → old for new

REF.No	Part No.	Description	Q'ty	S.No.	I/C	REMARKS	Weight (kgf)	Weight (lb)
010	37260-18110	COMP.BONNET	1				21	46.2
010	35306-18110	COMP.BONNET	1			EUROPE	22.4	49.28
020	37300-18120	COVER BONNET	1				0.225	0.495
030	32280-18180	CUSHION	2				0.001	0.0022
040	34150-18170	BOLT	2				0.04	0.088
050	34150-18180	CUSHION	2				0.003	0.0066
060	04013-50120	WASHER PLAIN	2				0	0
070	05511-50425	PIN SPLIT	2				0.003	0.0066
080	35300-18120	SUPPORT BONNET RH	1				0.69	1.518
090	35300-18130	SUPPORT BONNET LH	1				0.89	1.958
100	01173-51230	BOLT	4				0.037	0.0814
110	04015-50120	WASHER PLAIN	4				0	0
120	04512-50120	WASHER SPRING	4				0	0
130	37300-18170	HOOK	1				0.06	0.132
140	01202-50616	BOLT	2				0.006	0.0132
150	34350-18150	GRILLE LIGHT	1				0.91	2.002
150	35306-18150	GRILLE LIGHT	1			EUROPE	5.55	12.21
160	04015-50050	WASHER PLAIN	4				0.004	0.0088
160	04015-50060	WASHER PLAIN	4			EUROPE	0	0
170	04512-50050	WASHER SPRING	4				0	0
170	04512-50060	WASHER SPRING	4			EUROPE	0	0
180	02054-50050	NUT	4				0.002	0.0044
180	02014-50060	NUT	4			EUROPE	0.003	0.0066
190	34350-18160	GRILLE LAMP	1				0.186	0.4092
200	04012-50060	WASHER PLAIN	4				0.001	0.0022
210	04512-50060	WASHER SPRING	4				0	0
220	02014-50060	NUT	4				0.003	0.0066
230	37300-18220	HOLDER BONNET	1				0.125	0.275
240	01123-50818	BOLT	2				0.012	0.0264
250	04013-50080	WASHER PLAIN	2				0	0
260	33251-83460	PIN BONNET	1				0.045	0.099
270	04711-00100	GASKET	1				0.001	0.0022
280	04013-50100	WASHER PLAIN	2				0	0
290	34150-37740	SPRING	1				0.003	0.0066
300	33251-83480	SPACER	1				0.001	0.0022
310	37300-18060	PLATE SHUTTER	1				2.1	4.62
320	01123-50816	BOLT	3				0.011	0.0242
330	04015-50080	WASHER PLAIN	1				0	0
340	04012-50080	WASHER PLAIN	2				0.001	0.0022
350	38430-18040	CUSHION	2				0.01	0.022
360	37300-18020	CUSHION UPPER	1				0.02	0.044
370	37300-18030	CUSHION UPPER	2				0.002	0.0044
380	35300-18040	CUSHION RH	2			≤=50399	0.05	0.11
380	35300-18040	CUSHION RH	1			≥=50400	0.05	0.11
390	35300-18050	CUSHION LH	1			≥=50400	0.085	0.187
400	37300-18080	CUSHION CENTER	1				0.01	0.022
410	32240-18260	MARK KUBOTA FRONT	1				0.027	0.0594
420	04013-50050	WASHER PLAIN	2				0	0
430	04512-50050	WASHER SPRING	2				0	0
440	02054-50050	NUT	2				0.002	0.0044

REARVIEW MIRROR



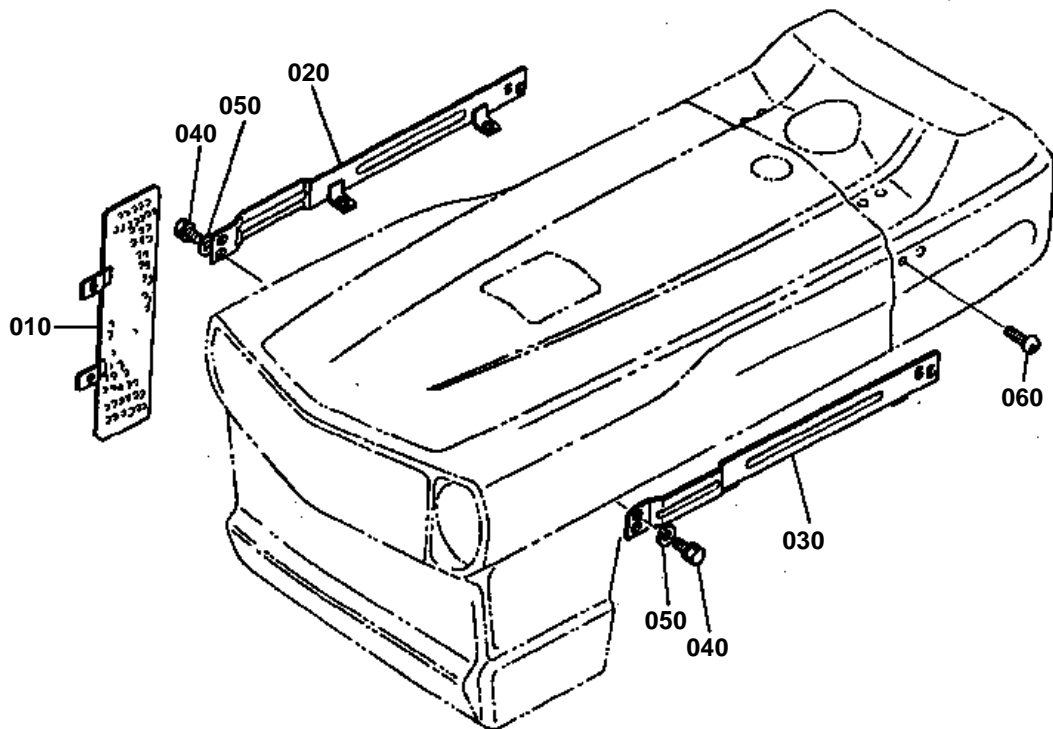


REARVIEW MIRROR

↔ Interchangeable; ≠ not interchangeable; ← new for old; → old for new

REF.No	Part No.	Description	Q'ty	S.No.	I/C	REMARKS	Weight (kgf)	Weight (lb)
010	35302-18300	ASSY MIRROR REARVIEW	1				0.5	1.1
020	37150-18350	MIRROR REARVIEW	1				0.268	0.5896
030	37150-18320	SUPPORT R.MIRROR	1				0.16	0.352
040	35302-18340	HOLDER	1				0.065	0.143
050	04512-50100	WASHER SPRING	1				0	0
060	02018-50100	NUT	2				0.011	0.0242
070	01123-50816	BOLT	2				0.011	0.0242

UPPER FRAME

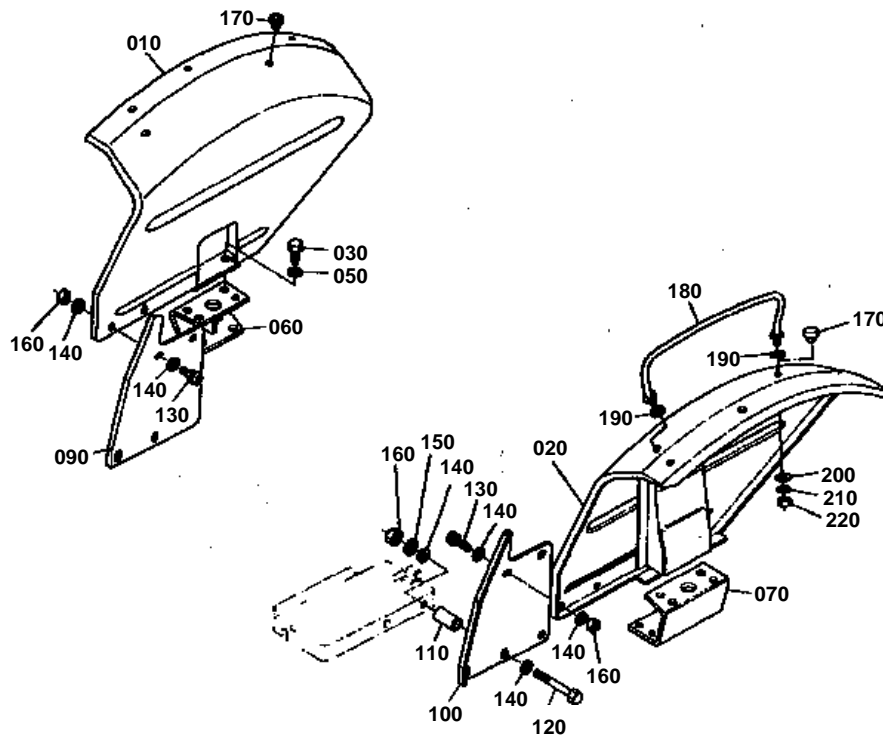




UPPER FRAME

↔ Interchangeable; ≠ not interchangeable; ← new for old; → old for new

REF.No	Part No.	Description	Q'ty	S.No.	I/C	REMARKS	Weight (kgf)	Weight (lb)
010	35300-13850	COVER FAN	1				0.38	0.836
020	37260-13550	FRAME UPPER	1				0.7	1.54
030	37260-13560	FRAME UPPER	1				0.8	1.76
040	01123-50818	BOLT	8				0.012	0.0264
050	04013-50080	WASHER PLAIN	8				0	0
060	03004-50812	SCREW WITH WASHER	8				0.008	0.0176

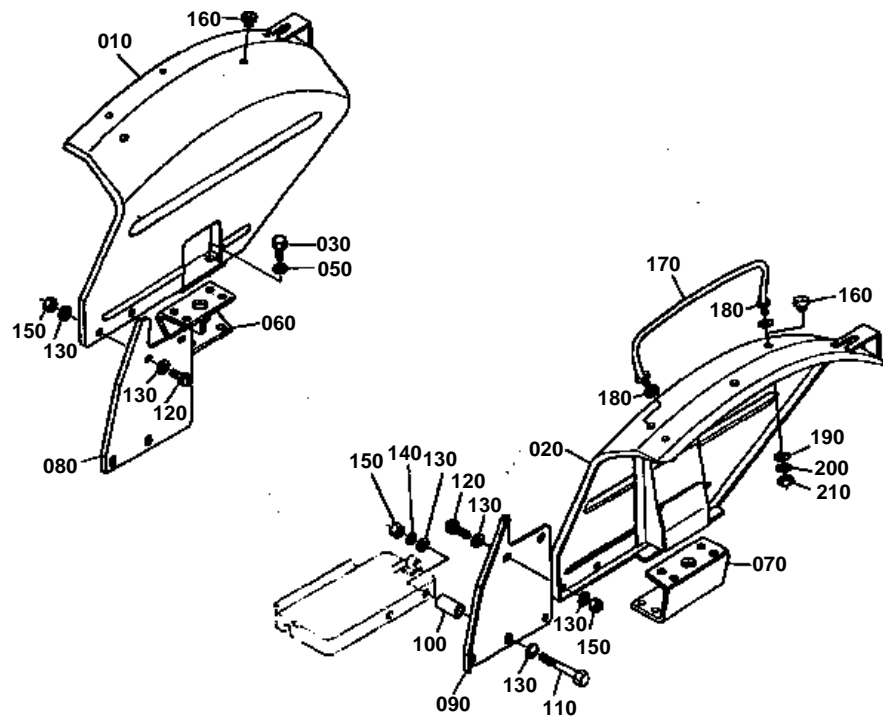




FENDER

↔ Interchangeable; ≠ not interchangeable; ← new for old; → old for new

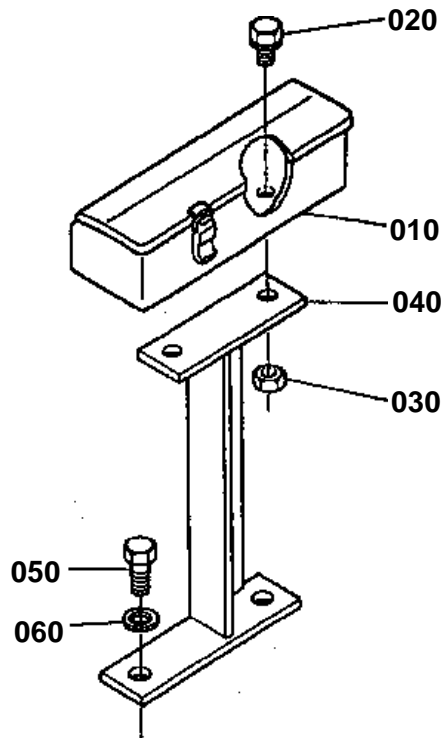
REF.No	Part No.	Description	Q'ty	S.No.	I/C	REMARKS	Weight (kgf)	Weight (lb)
010	37150-29110	COMP.FENDER RH	1	<=13938			6.9	15.18
010	35112-29110	COMP.FENDER RH	1	>=13939	≠		7.5	16.5
020	37150-29120	COMP.FENDER LH	1	<=13938			7	15.4
020	35112-29120	COMP.FENDER LH	1	>=13939	≠		7	15.4
030	01173-51222	BOLT	12				0.031	0.0682
040	99999-99999	BLANK	0				0	0
050	04512-50120	WASHER SPRING	12				0	0
060	37260-29210	BRACKET FENDER RH	1				2.44	5.368
070	37260-29220	BRACKET FENDER LH	1				2.6	5.72
080	99999-99999	BLANK	0				0	0
090	37260-29310	STAY FENDER RH	1				1.15	2.53
100	35300-29320	STAY FENDER LH	1				1.26	2.772
110	35300-29330	SPACER FENDER	4				0.03	0.066
120	01153-50850	BOLT	4				0.02	0.044
130	03004-50820	SCREW WITH WASHER	4				0.011	0.0242
140	04015-50080	WASHER PLAIN	16				0	0
150	04512-50080	WASHER SPRING	4				0	0
160	02114-50080	NUT	8				0.005	0.011
170	34159-34290	PLUG	6				0.004	0.0088
180	35170-29170	BALUSTRAD	2	>=13939			0.69	1.518
190	32260-29180	CUSHION	4	>=13939			0.005	0.011
200	04013-50140	WASHER PLAIN	4	>=13939			0	0
210	04512-50140	WASHER SPRING	4	>=13939			0	0
220	02174-50140	NUT	4	>=13939			0.014	0.0308



**FENDR**

↔ Interchangeable; ≠ not interchangeable; ← new for old; → old for new

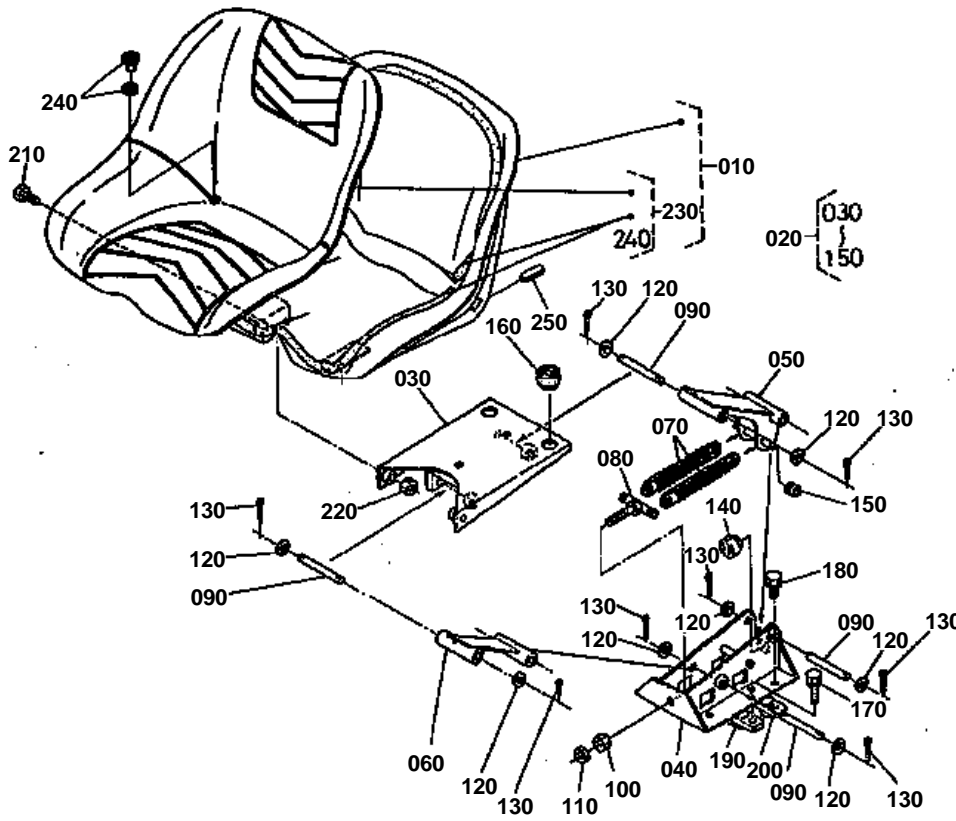
REF.No	Part No.	Description	Q'ty	S.No.	I/C	REMARKS	Weight (kgf)	Weight (lb)
010	37150-29110	COMP.FENDER RH	1				6.9	15.18
020	37150-29120	COMP.FENDER LH	1				7	15.4
030	01173-51222	BOLT	12				0.031	0.0682
040	99999-99999	BLANK	0				0	0
050	04512-50120	WASHER SPRING	12				0	0
060	37260-29210	BRACKET FENDER RH	1				2.44	5.368
070	37260-29220	BRACKET FENDER LH	1				2.6	5.72
080	37260-29310	STAY FENDER RH	1				1.15	2.53
090	35300-29320	STAY FENDER LH	1				1.26	2.772
100	35300-29330	SPACER FENDER	4				0.03	0.066
110	01153-50850	BOLT	4				0.02	0.044
120	03004-50820	SCREW WITH WASHER	4				0.011	0.0242
130	04015-50080	WASHER PLAIN	16				0	0
140	04512-50080	WASHER SPRING	4				0	0
150	02114-50080	NUT	8				0.005	0.011
160	34159-34290	PLUG	6				0.004	0.0088



**TOOLS CASE**

↔ Interchangeable; ≠ not interchangeable; ← new for old; → old for new

REF.No	Part No.	Description	Q'ty	S.No.	I/C	REMARKS	Weight (kgf)	Weight (lb)
010	37150-18510	CASE TOOLS	1	≤52676			0	0
010	37150-18514	CASE TOOLS	1	≥52677	←		1	2.2
020	01133-51020	BOLT	2				0.02	0.044
030	02118-50100	NUT	2				0.005	0.011
040	35302-18550	STAY TOOLS CASE	1				0.51	1.122
050	01173-51228	BOLT	2				0.036	0.0792
060	04512-50120	WASHER SPRING	2				0	0



080 34269-1846-0



070 34119-1845-0

080 35258-1846-0

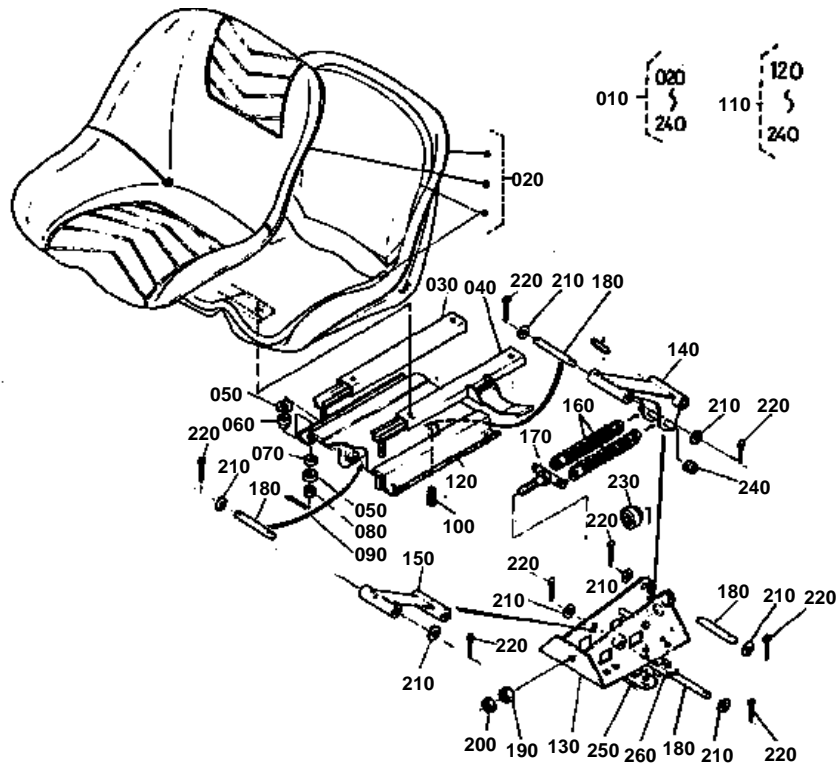




SEAT

↔ Interchangeable; ≠ not interchangeable; ← new for old; → old for new

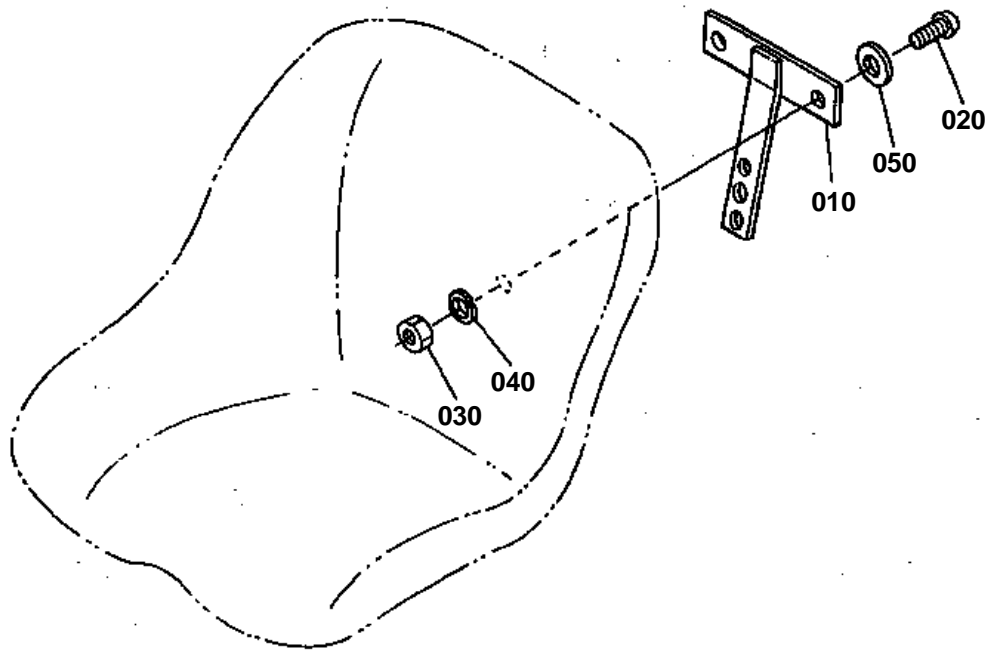
REF.No	Part No.	Description	Q'ty	S.No.	I/C	REMARKS	Weight (kgf)	Weight (lb)
010	35110-85010	ASSY SEAT	1	<=53615			0	0
010	35110-85014	ASSY SEAT	1	>=53616	←		0	0
020	35110-18400	ASSY SUSPENTION SEAT	1	<=51271			4.3	9.46
020	35170-18400	ASSY SUSPENTION SEAT	1	>=51272	↔		4.1	9.02
030	34269-18410	SUPPORT SEAT	1				1.1	2.42
040	34269-18420	SUPPORT SEAT	1				1.11	2.442
050	35258-18430	ARM	1				0.67	1.474
060	34269-18440	ARM	1				0.475	1.045
070	34119-18450	SPRING SEAT	2	<=51271			0.117	0.2574
070	35170-18450	SPRING SEAT	2	>=51272	≠		0.165	0.363
080	34269-18460	BOLT ADJUST	1	<=13367			0.075	0.165
080	35258-18460	BOLT ADJUST	1	>=13368	↔		0.08	0.176
080	35170-18460	BOLT ADJUST	1	>=51272	≠		0.07	0.154
090	34269-18490	PIN	4				0.06	0.132
100	02118-50100	NUT	1				0.005	0.011
110	02116-50100	NUT	1				0.004	0.0088
120	04013-50100	WASHER PLAIN	8				0	0
130	05511-50220	PIN SPLIT	8				0.001	0.0022
140	32160-18440	CUSHION	1				0.013	0.0286
150	35258-18480	ROLLER	2				0.005	0.011
160	32160-18440	CUSHION	2				0.013	0.0286
170	01133-51020	BOLT	6				0.02	0.044
180	01133-51038	BOLT	2				0.03	0.066
190	35300-18460	SPACER SEAT FRONT	1				0.37	0.814
200	35300-18470	SPACER SEAT REAR	1				0.53	1.166
210	35110-18470	BOLT	2				0.012	0.0264
220	02114-50080	NUT	2				0.005	0.011
230	35110-99100	ASSY COVER SEAT	1				0.52	1.144
240	35110-85050	EYELET	4				0.005	0.011
250	35110-85060	PROTECTOR	3				0.01	0.022



**SEAT [OPTION]**

↔ Interchangeable; ≠ not interchangeable; ← new for old; → old for new

REF.No	Part No.	Description	Q'ty	S.No.	I/C	REMARKS	Weight (kgf)	Weight (lb)
010	35340-85000	SUSPENSION SEAT ADJ	1				14.3	31.46
020	35340-85010	ASSY SEAT	1				7.2	15.84
030	35340-18210	SEAT ADJUST RH	1				0.78	1.716
040	35340-18220	SEAT ADJUST LH	1				0.97	2.134
050	15111-72200	WASHER	8				0.013	0.0286
060	35340-18230	CUSHION	4				0.014	0.0308
070	35340-18240	CUSHION	4				0.004	0.0088
080	02372-50100	NUT	4				0.005	0.011
090	05511-52520	PIN SPLIT	4				0.001	0.0022
100	03004-50816	SCREW WITH WASHER	4				0.01	0.022
110	35340-18700	ASSY SUSPENTION SEAT	1				5.5	12.1
120	35340-18410	SUPPORT SEAT	1				12.7	27.94
130	35340-18420	SUPPORT SEAT	1				1.12	2.464
140	35258-18430	ARM	1				0.67	1.474
150	34269-18440	ARM	1				0.475	1.045
160	35170-18450	SPRING SEAT	2				0.165	0.363
170	35170-18460	BOLT ADJUST	1				0.07	0.154
180	34269-18490	PIN	4				0.06	0.132
190	02118-50100	NUT	1				0.005	0.011
200	02116-50100	NUT	1				0.004	0.0088
210	04013-50100	WASHER PLAIN	8				0	0
220	05511-50220	PIN SPLIT	8				0.001	0.0022
230	32160-18440	CUSHION	1				0.013	0.0286
240	35258-18480	ROLLER	2				0.005	0.011
250	35300-18460	SPACER SEAT FRONT	2				0.37	0.814
260	35300-18470	SPACER SEAT REAR	1				0.53	1.166

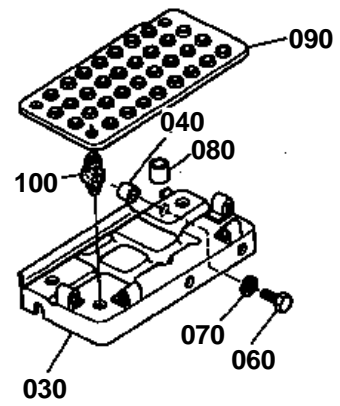
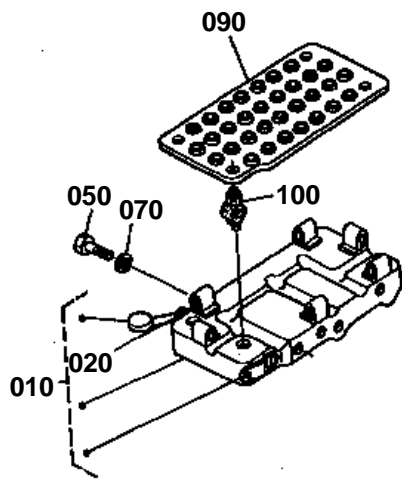




S.M.V.EMBLEM BRACKET

↔ Interchangeable; ≠ not interchangeable; ← new for old; → old for new

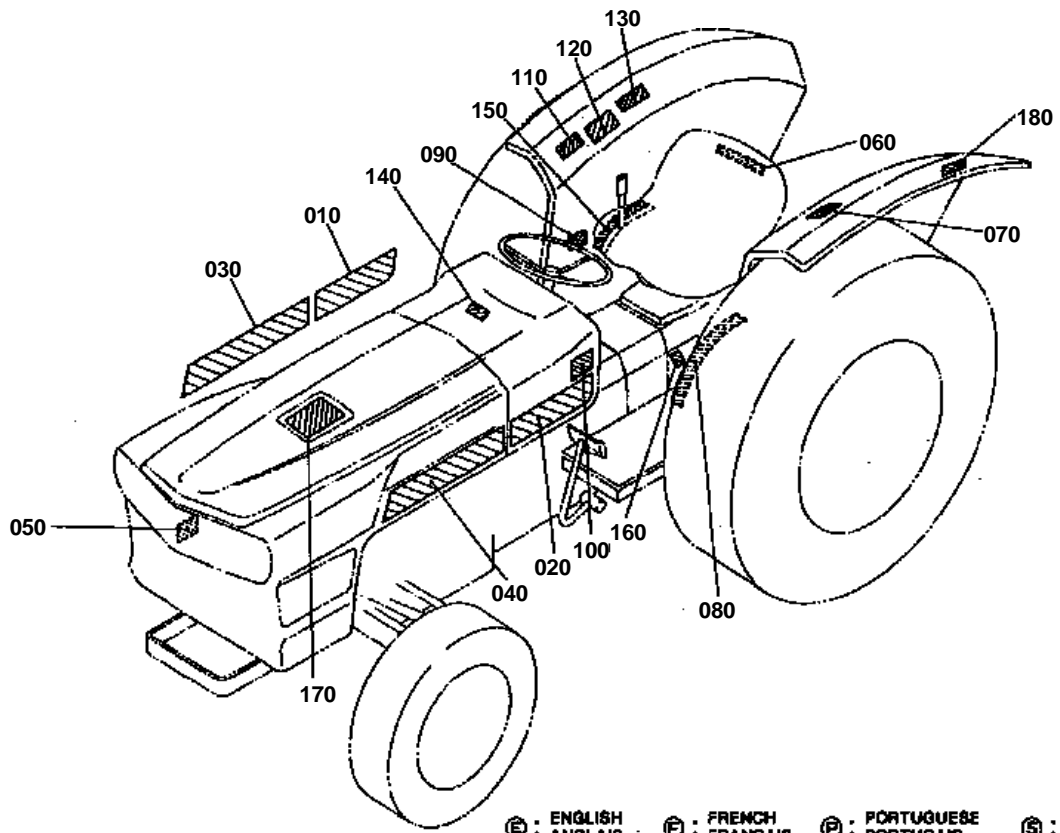
REF.No	Part No.	Description	Q'ty	S.No.	I/C	REMARKS	Weight (kgf)	Weight (lb)
010	35320-18480	BKT.TRIANGLE PLATE	1	≧13939			0.22	0.484
020	03014-50616	SCREW PAN HEAD	2	≧13939			0.003	0.0066
030	02014-50060	NUT	2	≧13939			0.003	0.0066
040	04512-50060	WASHER SPRING	2	≧13939			0	0
050	04012-50060	WASHER PLAIN	2	≧13939			0.001	0.0022



**STEP**

↔ Interchangeable; ≠ not interchangeable; ← new for old; → old for new

REF.No	Part No.	Description	Q'ty	S.No.	I/C	REMARKS	Weight (kgf)	Weight (lb)
010	37300-29910	COMP.STEP RH	1	≤13367			2.4	5.28
010	35300-29910	COMP.STEP RH	1	≥13368	↔		0	0
020	34150-17530	SPRING	1				0.005	0.011
030	37300-29920	STEP LH	1	≤13367			2.5	5.5
030	35300-29920	COMP.STEP LH	1	≥13368	↔		0	0
030	35306-29920	STEP LH	1			EUROPE	2.5	5.5
040	62252-53220	COLLAR	1				0.008	0.0176
050	01173-51016	BOLT	7				0.012	0.0264
060	01173-51035	BOLT	1				0.025	0.055
070	04512-50100	WASHER SPRING	8				0	0
080	34150-29130	TUBE VINYL	1				0.001	0.0022
090	37300-29930	SEAT STEP	2				1.15	2.53
100	37300-29940	CUSHION	8				0.013	0.0286



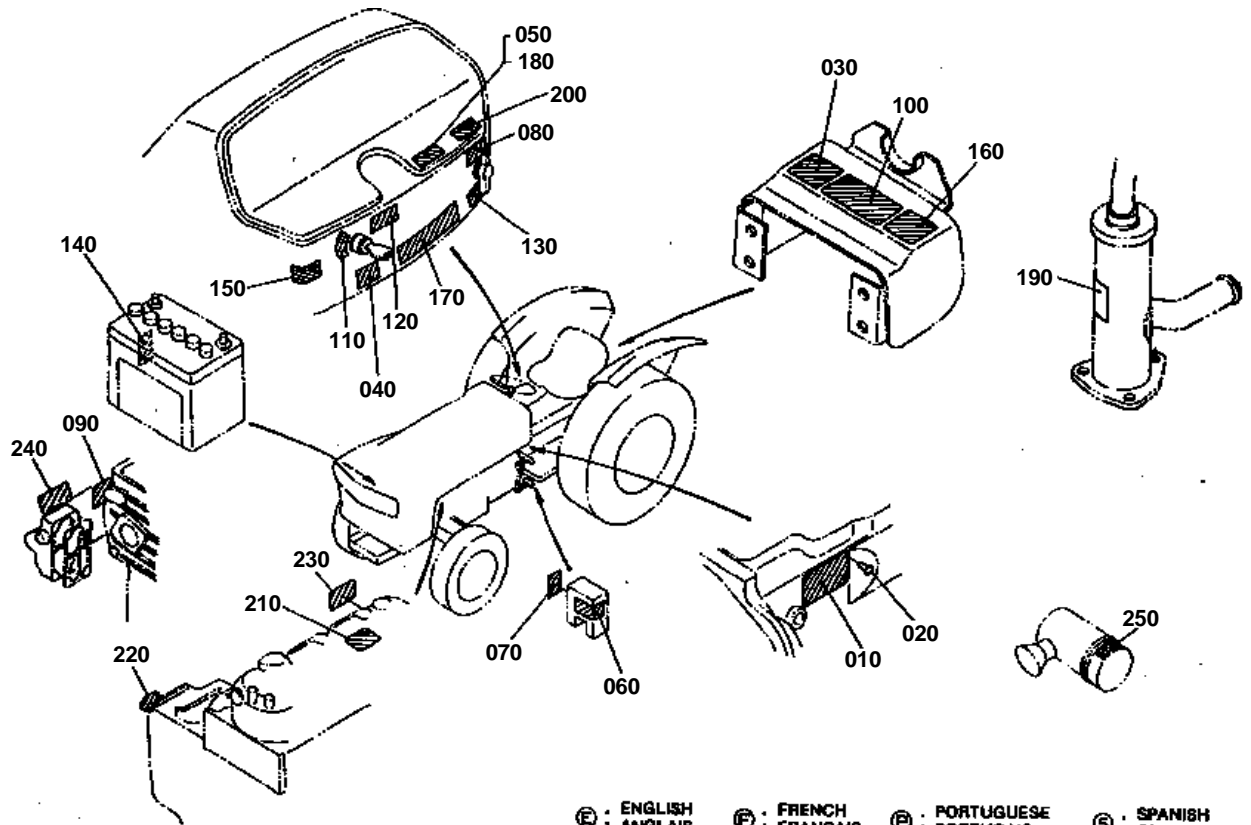
Ⓔ : ENGLISH Ⓔ : FRENCH Ⓔ : PORTUGUESE Ⓔ : SPANISH
Ⓔ : ANGLAIS Ⓔ : FRANÇAIS Ⓔ : PORTUGAIS Ⓔ : ESPAÑOL



LABEL 1

↔ Interchangeable; ≠ not interchangeable; ← new for old; → old for new

REF.No	Part No.	Description	Q'ty	S.No.	I/C	REMARKS	Weight (kgf)	Weight (lb)
010	37300-18760	MARK SIDE KUBOTA RH	1				0.01	0.022
020	37300-18770	MARK SIDE KUBOTA LH	1				0.02	0.044
030	35310-18780	MARK MODEL RH	1				0.009	0.0198
040	35310-18790	MARK MODEL LH	1				0.02	0.044
050	15103-94590	LABEL DRAIN	1			ENGLISH	0.001	0.0022
050	35176-18360	LABEL DRAIN	1			FRENCH	0.001	0.0022
050	35172-18360	LABEL DRAIN	1			PORTUGUESE	0	0
050	35247-18360	LABEL DRAIN	1			SPANISH	0.001	0.0022
060	32140-18470	MARK KUBOTA	1				0.002	0.0044
070	35300-21480	LABEL OIL	1			ENGLISH	0.004	0.0088
080	35300-24580	MARK HI-LO SHIFT	1			ENGLISH	0.01	0.022
080	35340-24580	LABEL HI-LO SHIFT	1			FRENCH PORTUGUESE SPANISH	0.001	0.0022
090	35110-26690	LABEL DIFF.LOCK	1			ENGLISH	0.005	0.011
090	35176-26690	LABEL DIFF.LOCK	1			FRENCH PORTUGUESE SPANISH	0.001	0.0022
100	35820-98632	LABEL START CAUTION	1			ENGLISH	0.003	0.0066
110	35110-34930	LABEL PL INSTRUCTION	1			ENGLISH	0.004	0.0088
110	35176-34930	LABEL PL INSTRUCTION	1			FRENCH	0.001	0.0022
110	35172-34930	LABEL PL INSTRUCTION	1			PORTUGUESE	0.005	0.011
110	35247-34390	LABEL PL INSTRUCTION	1			SPANISH	0.004	0.0088
120	35260-34912	LABEL SAFETY	1			ENGLISH	0	0
120	35176-34910	LABEL SAFETY	1			FRENCH	0.01	0.022
120	35172-34910	LABEL SAFETY	1			PORTUGUESE	0.01	0.022
120	35247-34910	LABEL SAFETY	1			SPANISH	0.001	0.0022
130	35260-29782	LABEL ROPS CAUTION	1			ENGLISH	0.001	0.0022
140	35110-35250	LABEL OIL FILLER	1			ENGLISH	0.005	0.011
140	35176-35250	LABEL OIL FILLER	1			FRENCH	0.025	0.055
140	35172-35250	LABEL OIL FILLER	1			PORTUGUESE	0	0
140	35247-35250	LABEL OIL FILLER	1			SPANISH	0.001	0.0022
150	35212-36980	LABEL CONTROL	1			ENGLISH FRENCH	0.005	0.011
150	35258-36980	LABEL CONTROL	1			PORTUGUESE	0.001	0.0022
150	35307-36980	LABEL CONTROL	1			SPANISH	0.004	0.0088
160	35350-44900	LABEL 4WD CHANGE	1				0.001	0.0022
170	15409-94610	LABEL RADIATOR	1			ENGLISH	0.001	0.0022
170	15227-87610	LABEL RADIATOR	1			FRENCH	0	0
170	15328-87610	LABEL RADIATOR	1			PORTUGUESE	0.001	0.0022
170	35247-94610	LABEL RADIATOR	1			SPANISH	0.001	0.0022
180	35265-33710	LABEL WORK LIGHT	1			ENGLISH FRENCH	0.001	0.0022



Ⓔ : ENGLISH ANGLAIS Ⓕ : FRENCH FRANÇAIS Ⓖ : PORTUGUESE PORTUGAIS Ⓒ : SPANISH ESPAÑOL

↔ Interchangeable; ≠ not interchangeable; ← new for old; → old for new

REF.No	Part No.	Description	Q'ty	S.No.	I/C	REMARKS	Weight (kgf)	Weight (lb)
010	35310-19830	NAME PLATE	1			ENGLISH	0.004	0.0088
010	35311-19830	NAME PLATE	1			FRENCH	0	0
010	35312-19830	NAME PLATE	1			PORTUGUESE	0	0
010	35317-19830	NAME PLATE	1			SPANISH	0.006	0.0132
020	34152-57920	RIVET	4				0.001	0.0022
030	35200-25340	LABEL PTO	1			ENGLISH	0.002	0.0044
040	99586-94120	LABEL INSTRUCTION	1			ENGLISH FRENCH WITH CREEP	0.002	0.0044
060	32170-15930	LABEL PEDAL	1			ENGLISH	0.001	0.0022
060	35176-15930	LABEL PEDAL	1			FRENCH	0.005	0.011
060	35172-15930	LABEL PEDAL	1			PORTUGUESE	0.002	0.0044
060	35247-15930	LABEL PEDAL	1			SPANISH	0.001	0.0022
070	31220-15970	MARK SPACER	1				0.001	0.0022
080	35110-17610	LABEL ENGINE STOP	1			ENGLISH FRENCH PORTUGUESE	0.002	0.0044
090	15103-94590	LABEL DRAIN CAUTION	1			ENGLISH	0.001	0.0022
090	15227-87590	LABEL DRAIN CAUTION	1			FRENCH	0.001	0.0022
090	15328-87590	LABEL DRAIN CAUTION	1			PORTUGUESE	0.002	0.0044
090	35247-94590	LABEL DRAIN CAUTION	1			SPANISH	0.001	0.0022
100	35110-21990	LABEL ONE WAY CLUTCH	1			ENGLISH FRENCH	0.001	0.0022
110	34150-31830	LABEL MAIN SWITCH	1			ENGLISH	0.001	0.0022
110	35176-31830	LABEL MAIN SWITCH	1			FRENCH PORTUGUESE SPANISH	0.001	0.0022
120	34159-31840	LABEL MAIN SWITCH	1			ENGLISH	0.001	0.0022
130	35110-32290	LABEL STARTER SWITCH	1			ENGLISH	0.001	0.0022
130	35170-32290	LABEL STARTER SWITCH	1			FRENCH	0.001	0.0022
130	35302-32290	LABEL STARTER SWITCH	1			PORTUGUESE	0	0
130	35247-32290	LABEL STARTER SWITCH	1			SPANISH	0.001	0.0022
140	31210-33130	LABEL BATTERY	1			ENGLISH	0.002	0.0044
140	35340-33130	LABEL BATTERY	1			FRENCH	0.002	0.0044
140	35172-33130	LABEL BATTERY	1			PORTUGUESE	0.001	0.0022
140	35247-33130	LABEL BATTERY	1			SPANISH	0.001	0.0022
150	34159-34790	LABEL DECOMPRESS	1			ENGLISH	0.002	0.0044
160	35260-29790	LABEL DRAWBAR	1			ENGLISH	0.002	0.0044
170	34159-34920	LABEL INSTRUCTION	1			ENGLISH	0.002	0.0044
170	35340-34920	LABEL INSTRUCTION	1			FRENCH	0.025	0.055
170	35302-34920	LABEL INSTRUCTION	1			PORTUGUESE	0.005	0.011
170	35247-34920	LABEL INSTRUCTION	1			SPANISH	0.001	0.0022
180	35320-31840	LABEL HAZARD MARK	1			ENGLISH	0.005	0.011
190	34269-37750	LABEL OIL FILTER	1			ENGLISH	0.004	0.0088
190	35176-37750	LABEL OIL FILTER	1			FRENCH	0.02	0.044
190	35172-37750	LABEL OIL FILTER	1			PORTUGUESE	0.001	0.0022
190	35247-37750	LABEL OIL FILTER	1			SPANISH	0.001	0.0022
200	35176-32560	LABEL TURN SIGNAL	1			FRENCH	0.001	0.0022
210	15303-88310	LABEL OIL	1			ENGLISH	0.001	0.0022
210	15342-99410	LABEL OIL	1			FRENCH	0.001	0.0022
210	15315-87310	LABEL OIL	1			PORTUGUESE	0	0
210	35247-88310	LABEL OIL	1			SPANISH	0.001	0.0022
220	15222-87210	LABEL CAUTION	1			ENGLISH	0.001	0.0022
220	15227-87210	LABEL CAUTION	1			FRENCH	0	0
220	15328-87210	LABEL CAUTION	1			PORTUGUESE	0.002	0.0044
220	35247-87210	LABEL CAUTION	1			SPANISH	0.001	0.0022
230	15222-88210	LABEL CAUTION	1			ENGLISH	0.003	0.0066
230	15227-87680	LABEL CAUTION	1			FRENCH	0.001	0.0022
230	15328-87680	LABEL CAUTION	1			PORTUGUESE	0.001	0.0022
230	35247-88210	LABEL CAUTION	1			SPANISH	0.001	0.0022
240	15227-87390	LABEL OIL FILTER	1			FRENCH	0.002	0.0044
240	15328-87390	LABEL OIL FILTER	1			PORTUGUESE	0.001	0.0022
240	35247-94400	LABEL OIL FILLER	1			SPANISH	0.001	0.0022
250	15401-87450	LABEL AIR CLEANER	1			ENGLISH	0.002	0.0044
250	15227-87450	LABEL AIR CLEANER	1			FRENCH	0.001	0.0022
250	15328-87450	LABEL AIR CLEANER	1			PORTUGUESE	0.002	0.0044



LABEL 2

↔ Interchangeable; ≠ not interchangeable; ← new for old; → old for new

REF.No	Part No.	Description	Q'ty	S.No.	I/C	REMARKS	Weight (kgf)	Weight (lb)
250	15287-87450	LABEL AIR CLEANER	1			FRENCH DOUBLE	0.01	0.022

IMAGE NOT AVAILABLE



ACCESSORIES AND SERVICE PARTS

↔ Interchangeable; ≠ not interchangeable; ← new for old; → old for new

REF.No	Part No.	Description	Q'ty	S.No.	I/C	REMARKS	Weight (kgf)	Weight (lb)
010	35300-19715	MANUAL INSTRUCTION	1			USA(ENGLISH)	0	0
010	35301-19713	MANUAL INSTRUCTION	1			EUROPE(FRENCH)	0.185	0.407
010	35302-19713	MANUAL INSTRUCTION	1			EUROPE(PORTUGUESE)	0.165	0.363
010	35307-19710	MANUAL INSTRUCTION	1			EXCEPT USA EUROPE(SPANISH)	0.18	0.396
010	35308-19713	MANUAL INSTRUCTION	1			EXCEPT USA(ENGLISH)	0.43	0.946
020	35306-19772	LIST PARTS	1			EUROPE(FRENCH/PORTUGUESE)	0.37	0.814
020	35307-19770	LIST PARTS	1			EXCEPT USA EUROPE(SPANISH)	0.3	0.66
030	35300-19100	ASSY TOOLS STANDARD	1			REF.No.040 TO 130	1.48	3.256
040	07115-56143	SCREW DRIVER	1				0.04	0.088
050	07011-10013	SPANNER	1				0.05	0.11
060	07012-13032	SPANNER	1				0.47	1.034
070	07012-10809	SPANNER	1				0.022	0.0484
080	07012-11012	SPANNER	1				0.041	0.0902
090	07012-11417	SPANNER	1				0.084	0.1848
100	07012-11922	SPANNER	1				0.2	0.44
110	07012-12427	SPANNER	1				0.32	0.704
120	07018-81719	WRENCH OFFSET	1				0.192	0.4224
130	07211-10150	PLIERS	1				0.16	0.352
140	30442-18800	SQUEEZER OIL	1				0	0
150	10261-95320	INHIBITOR RADIATOR	1				0.05	0.11
160	15221-31850	WRENCH FILTER	1				0	0
170	37150-31810	KEY MAIN SWITCH	1				0.02	0.044
180	35300-99320	HOSE HYDRAULIC	1			SOUTH WEST ASIA	0.535	1.177