

Instructions for Parts Books

The heading at the top of the page will be the same for the picture of the parts as it is for the page with the part numbers.

Definition of column headings on part number pages:

REF.No → The number referring to the part on the picture page of the parts book.

Part No. → The number assigned to this part at the time of printing the parts book.

Description → Description of part.

Q'ty → Quantity of part used on that page.

S.No. → Serial number range of the equipment that this part will fit.

>= Your serial number should be greater than or equal to the number shown.

<= Your serial number should be lesser than or equal to the serial number shown.

I/C → Interchangeability of part shown.

↔ The part shown will work for the older and later serial number.

The part shown is not interchangeable with the other serial number.

← new for old

→ old for new

Remarks → Notes about this particular part. Sometimes this may say except [FR] or [CA]

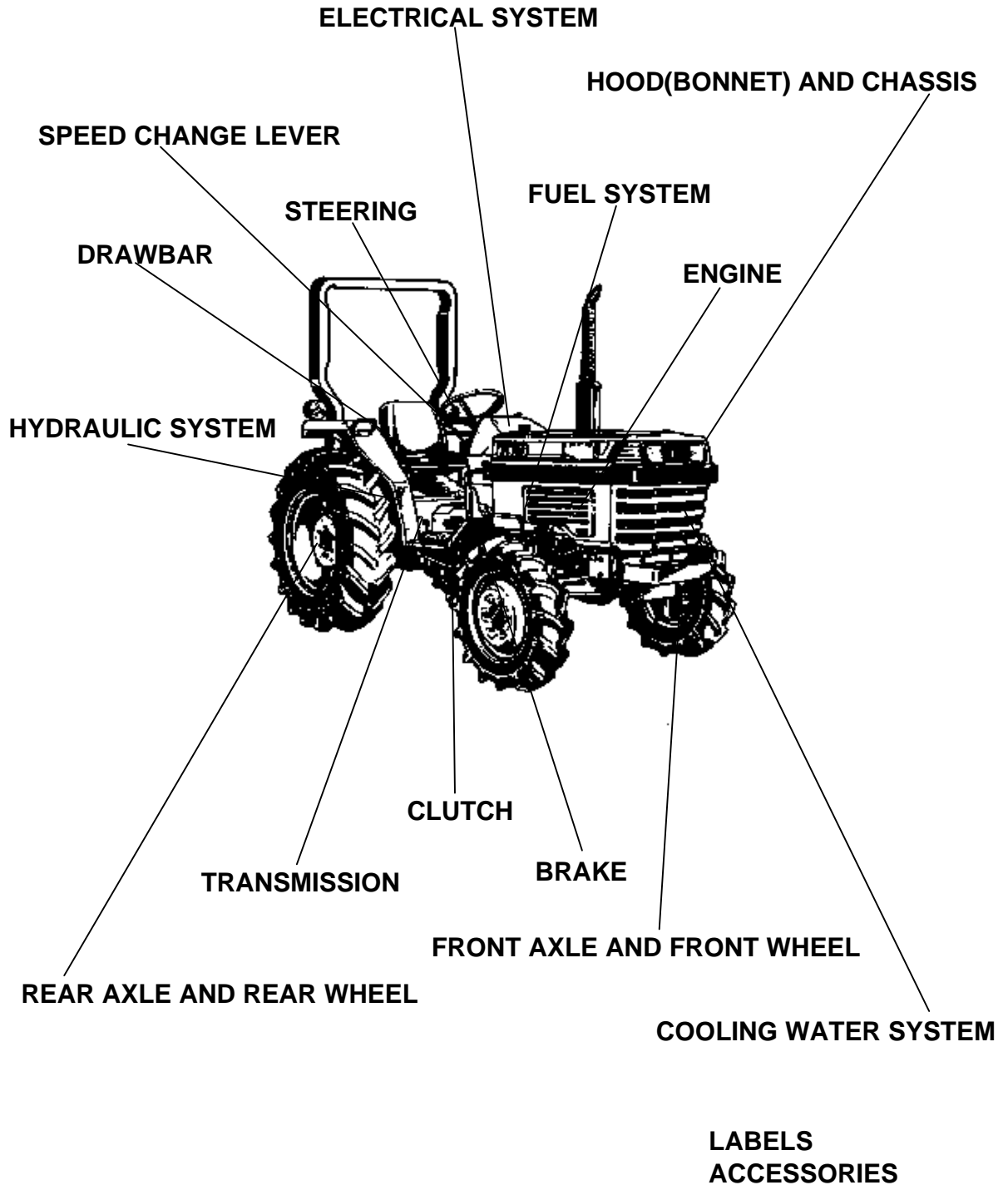
Note about Country Codes:

The parts books we use in the United States of America may also contain information about a part that would be different in another country. It is important that you are aware of the country codes in some instances.

Symbol	Country
A	United States of America
CA	Canada
FR	France
GR	Greece
PO	Portugal
AU	Australia

If the remarks column says for example EXCEPT [FR] this part works in all countries except France. That means it will work here in the USA.

ALL PRODUCT INDEX
L3250DT

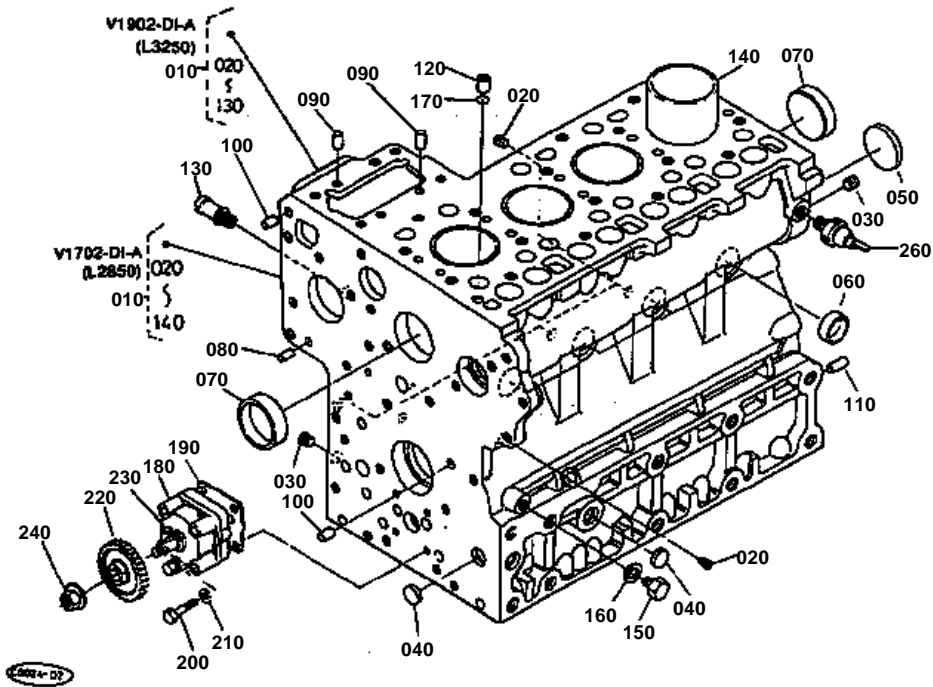


Item	Part No.	Description	Book	
ENGINE	01T001	CRANKCASE	100K0329	
	01T002	OIL PAN	100K0329	
	01T003	PISTON AND CRANKSHAFT	100K0329	
	01T004	MAIN BEARING CASE	100K0329	
	01T00501	FLYWHEEL(DC)	100K0329	
	01T006	CYLINDER HEAD	100K0329	
	01T007	VALVE AND ROCKER ARM	100K0329	
	01T008	NOZZLE AND GLOW PLUG	100K0329	
	01T009	CYLINDER HEAD COVER	100K0329	
	01T010	INLET MANIFOLD	100K0329	
	01T015	CAMSHAFT	100K0329	
	01T016	GEAR CASE	100K0329	
	01T017	WATER PUMP	100K0329	
	01T018	WATER FLANGE	100K0329	
	01T019	FUEL CAMSHAFT	100K0329	
	01T020	INJECTION PUMP	100K0329	
	01T021	INJECTION PUMP [COMPONENT PARTS]	100K0329	
	01T022	ENGINE STOP LEVER	100K0329	
	01T023	SPEED CONTROL PLATE 1	100K0329	
	01T025	GOVERNOR	100K0329	
	01T01101	AIR CLEANER	100K0329	
	01T01102	DOUBLE AIR CLEANER [OPTION]	100K0329	
	01T012	PRE-CLEANER [OPTION]	100K0329	
	01T013	EXHAUST MANIFOLD	100K0329	
	01T01401	MUFFLER	100K0329	
	01T01402	UNDER MUFFLER [OPTION]	100K0329	
	01T026	STOP ROD	100K0329	
	01T027	ACCELERATOR LEVER	100K0329	
	01T028	ACCELLERATOR LINKAGE	100K0329	
	FUEL SYSTEM	01T029	FUEL TANK	100K0329
		01T030	FUEL FILTER	100K0329
		01T031	FUEL FILTER [COMPONENT PARTS]	100K0329
	COOLING WATER SYSTEM	01T032	FAN	100K0329
01T033		WATER PIPE	100K0329	
01T034		RADIATOR	100K0329	
01T035		SHUTTER	100K0329	
ELECTRICAL SYSTEM	01T036	DYNAMO	100K0329	
	01T037	DYNAMO [COMPONENT PARTS]	100K0329	
	01T038	STARTER	100K0329	
	01T039	STARTER [COMPONENT PARTS]	100K0329	
	01T040	BATTERY	100K0329	
	01T04101	SWITCH AND REGULATOR EXCEPT [FR]	100K0329	
	01T04201	PANEL [WITH EASY CHECKER]	100K0329	
	01T04301	LIGHT EXCEPT [FR]	100K0329	
01T04501	ELECTRICAL WIRING [WITH EASY CHECKER] EXCEPT [FR]	100K0329		
CLUTCH	01T04601	CLUTCH (DC)	100K0329	
	01T04701	CLUTCH LEVER (DC)	100K0329	
	01T048	CLUTCH PEDAL	100K0329	
	01T049	CLUTCH HOUSING	100K0329	
TRANSMISSION	01T050	TRANSMISSION CASE	100K0329	
	01T05101	MAIN SHAFT (DC)	100K0329	
	01T05202	COUNTER SHAFT [SYNCHRO MESH]	100K0329	
	01T053	COUNTER SHAFT 2	100K0329	
	01T054	PTO COUNTER SHAFT 1 (DC)	100K0329	
	01T055	PTO COUNTER SHAFT 2 (DC)	100K0329	
	01T057	PTO SHAFT	100K0329	
	01T059	REVERSE SHAFT	100K0329	
SPEED CHANGE LEVER	01T060	MAIN AND SHUTTLE GEAR SHIFT LEVER	100K0329	
	01T061	MAIN GEAR SHIFT LINKAGE SYSTEM	100K0329	

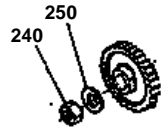
Item	Part No.	Description	Book	
SPEED CHANGE LEVER	01T06202	MAIN GEAR SHIFT FORK [SYNCHRO MESH]	100K0329	
	01T063	SHUTTLE GEAR SHIFT FORK	100K0329	
	01T064	HI-LO GEAR SHIFT FORK	100K0329	
	01T066	SPEED CHANGE INTERLOCK	100K0329	
	01T06701	PTO GEAR SHIFT FORK (DC)	100K0329	
	01T068	PTO GEAR SHIFT LEVER	100K0329	
	01T069	PTO INTERLOCK	100K0329	
	REAR AXLE AND REAR WHEEL	01T070	SPIRAL BEVEL PINION	100K0329
		01T071	REAR DIFFERENTIAL	100K0329
		01T072	DIFF.LOCK PEDAL	100K0329
01T073		REAR AXLE	100K0329	
01T07403		REAR WHEEL (13.6-24)	100K0329	
01T07404		REAR WHEEL (13.6-26)	100K0329	
01T07406		REAR WHEEL (355/80-D20)	100K0329	
BRAKE	01T075	BRAKE	100K0329	
	01T076	BRAKE PEDAL	100K0329	
	FRONT AXLE AND FRONT WHEEL	01T081	FRONT AXLE	100K0329
01T082		FRONT AXLE CASE	100K0329	
01T083		DIFF.GEAR SHAFT	100K0329	
01T084		FRONT DIFF.CASE	100K0329	
01T085		FRONT DIFFERENTIAL	100K0329	
01T086		PROPELLER SHAFT	100K0329	
01T087		FRONT WHEELDRIVE CASE	100K0329	
01T08802		FRONT WHEEL (8-16)	100K0329	
01T08804		FRONT WHEEL (212/80-D15)	100K0329	
STEERING		01T089	FRONT AXLE FRAME	100K0329
		01T091	STEERING LINKAGE	100K0329
		01T09202	STEERING (PS)	100K0329
		01T09302	STEERING (PS) [COMPONENT PARTS]	100K0329
		01T094	BEVEL GEAR CASE	100K0329
		01T09501	STEERING HANDLE [OLD TYPE]	100K0329
		01T09502	STEERING HANDLE [NEW TYPE]	100K0329
		01T096	ORCHARD KIT [OPTION]	100K0329
	HYDRAULIC SYSTEM	01T09702	HYDRAULIC PUMP (PS)	100K0329
		01T09802	HYDRAULIC PUMP (PS) [COMPONENT PARTS]	100K0329
		01T099	HYDRAULIC OIL FILTER	100K0329
01T10001		HYDRAULIC OIL LINE	100K0329	
01T10002		HYDRAULIC OIL LINE (PS)	100K0329	
01T101		HYDRAULIC BLOCK	100K0329	
01T102		CONTROL VALVE	100K0329	
01T10302		CONTROL VALVE [COMPONENT PARTS]	100K0329	
01T104		DRAFT CONTROL VALVE	100K0329	
01T105		DRAFT CONTROL VALVE [COMPONENT PARTS]	100K0329	
01T106		CYLINDER FRONT COVER	100K0329	
01T107		HYDRAULIC CYLINDER	100K0329	
01T108		LIFT ARM	100K0329	
01T109		POSITION LEVER	100K0329	
01T110		FEED BACK LEVER	100K0329	
01T111		AUX.CONTROL VALVE 1 [OPTION]	100K0329	
01T112		AUX.CONTROL VALVE 2 [OPTION]	100K0329	
01T113		AUX.CONTROL VALVE [COMPONENT PARTS]	100K0329	
01T114		3-POINT LINKAGE 1	100K0329	
01T115		3-POINT LINKAGE 2	100K0329	
01T116	TOP LINKAGE BRACKET	100K0329		
DRAWBAR	01T11701	DRAWBAR EXCEPT [FR]	100K0329	
	01T11703	SWINGING DRAWBAR [OPTION]	100K0329	
HOOD(BONNET) AND CHASSIS	01T11802	FRONT GRILLE [NEW TYPE]	100K0329	
	01T11901	LIGHT GRILLE EXCEPT [FR]	100K0329	
	01T12002	FRONT GRILLE SUPPORT [NEW TYPE]	100K0329	
	01T121	HOOD (BONNET)	100K0329	

Item	Part No.	Description	Book
HOOD(BONNET) AND CHASSIS	01T12202	SIDE COVER [NEW TYPE]	100K0329
	01T123	REAR HOOD(BONNET)	100K0329
	01T12402	MAIN AND PTO CHANGE COVER [NEW TYPE]	100K0329
	01T125	FENDER	100K0329
	01T12602	FLOOR SEAT [NEW TYPE]	100K0329
	01T12701	SEAT EXCEPT [FR]	100K0329
	01T128	FOOT COVER	100K0329
LABELS	01T12902	STEP [NEW TYPE]	100K0329
	01T13001	LABEL 1 EXCEPT [FR]	100K0329
	01T13101	LABEL 2 EXCEPT [FR]	100K0329
ACCESSORIES	01T132	ACCESSORIES AND SERVICE PARTS	100K0329

CRANKCASE



240 15221-3568-0
250 15221-3567-0



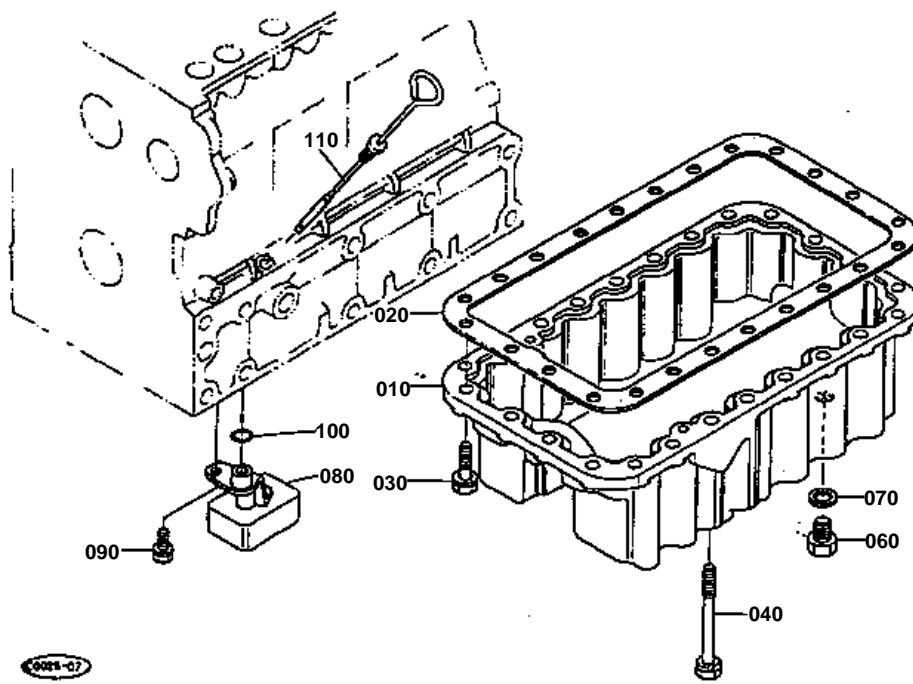


CRANKCASE

↔ Interchangeable; ≠ not interchangeable; ← new for old; → old for new

REF.No	Part No.	Description	Q'ty	S.No.	I/C	REMARKS	Weight (kgf)	Weight (lb)
010	17362-01010	COMP.CRANKCASE	1				62	136.4
020	15521-96020	PLUG	6				0.003	0.0066
030	15521-96030	PLUG	2				0.007	0.0154
040	06311-75018	PLUG	3				0.004	0.0088
050	06311-75045	PLUG	1				0.026	0.0572
060	15221-03380	CAP,SEALING	6				0.017	0.0374
070	15221-03390	CAP,SEALING	2				0.03	0.066
080	05012-00408	PIN,STRAIGHT	2				0.001	0.0022
090	05012-00609	PIN,STRAIGHT	2				0.003	0.0066
100	05012-00612	PIN,STRAIGHT	2				0.003	0.0066
110	05012-01018	PIN,STRAIGHT	1				0.012	0.0264
120	15221-33650	PIN,PIPE	1				0.004	0.0088
130	15321-73340	PIPE,WATER RETURN	1				0.016	0.0352
150	15221-33610	PLUG	1				0.009	0.0198
160	15021-33660	GASKET	1				0.001	0.0022
170	15221-33700	O RING	1				0.001	0.0022
180	15471-35010	ASSY PUMP,OIL	1				0	0
190	15221-35150	GASKET,OIL PUMP	1				0	0
200	01053-50650	BOLT	4				0.011	0.0242
210	04512-50060	WASHER,SPRING	4				0	0
220	19202-35660	GEAR,OIL PUMP DRIVE	1				0.23	0.506
230	05712-00410	KEY,FEATHER	1				0.001	0.0022
240	15221-35682	NUT,FLANGE	1				0.014	0.0308
260	15531-39010	SWITCH,OIL	1				0.032	0.0704

OIL PAN



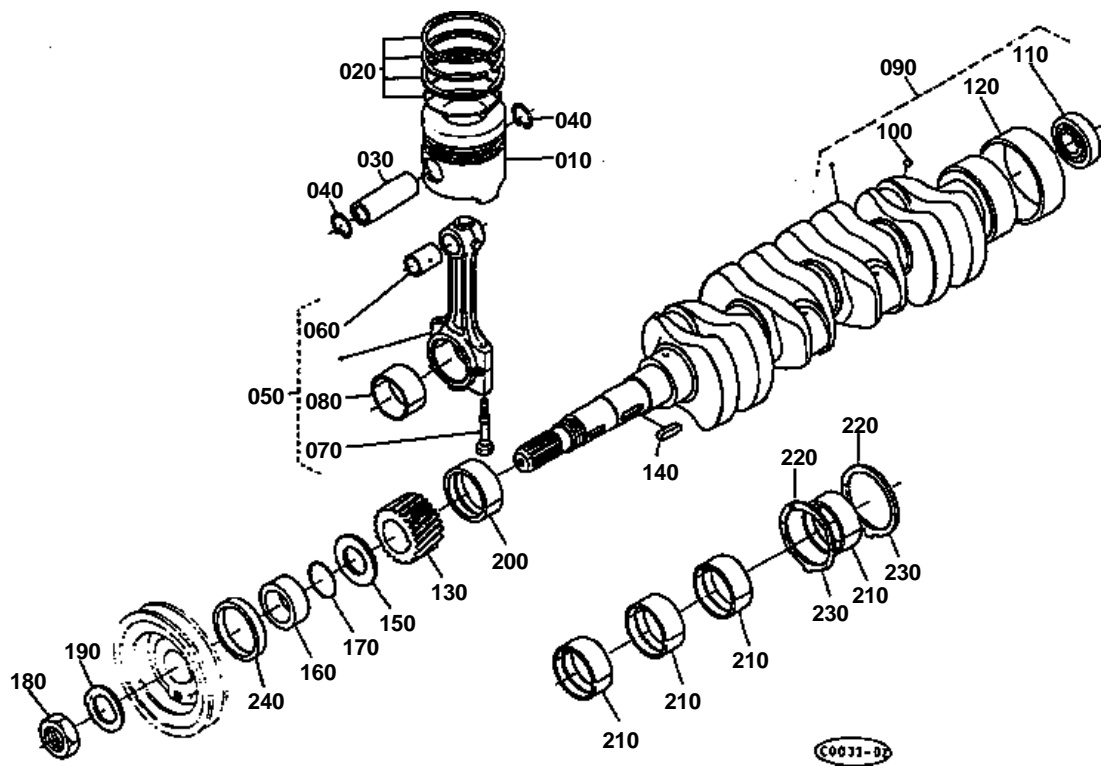


OIL PAN

↔ Interchangeable; ≠ not interchangeable; ← new for old; → old for new

REF.No	Part No.	Description	Q'ty	S.No.	I/C	REMARKS	Weight (kgf)	Weight (lb)
010	15461-01610	OIL PAN	1	<=12402			12.8	28.16
010	17341-01610	OIL PAN	1	>=12403	≠		4.1	9.02
020	15401-01620	GASKET,OIL PAN	1				0	0
030	01133-51028	BOLT	22				0.027	0.0594
040	17377-91010	BOLT	2				0.08	0.176
060	15221-33750	PLUG	2	<=12402			0.032	0.0704
060	15261-33750	PLUG	2	>=12403	≠		0.034	0.0748
070	15109-33660	GASKET	2				0.001	0.0022
080	15411-32110	FILTER,OIL	1				0.24	0.528
090	01123-50814	BOLT	1				0	0
100	04811-00160	RING	1				0.001	0.0022
110	17331-36410	GAUGE,OIL	1	<=12384			0.05	0.11
110	17325-36410	GAUGE,OIL	1	>=12385	↔		0.03	0.066

PISTON AND CRANKSHAFT





PISTON AND CRANKSHAFT

↔ Interchangeable; ≠ not interchangeable; ← new for old; → old for new

REF.No	Part No.	Description	Q'ty	S.No.	I/C	REMARKS	Weight (kgf)	Weight (lb)
010	17365-21120	PISTON	4			STD	0.555	1.221
010	17365-21920	PISTON	4			+0.5	0.53	1.166
020	15521-21050	ASSY PISTON RING	4			STD	0.06	0.132
020	15521-21092	ASSY PISTON RING	4			+0.5	0.055	0.121
030	14901-21310	PIN,PISTON	4				0.17	0.374
040	14109-21330	CLIP,PISTON PIN	8				0.015	0.033
050	17311-22010	ASSY CONNECTING ROD	4				0.885	1.947
060	17331-21980	BUSH,PISTON PIN	4				0.025	0.055
070	15521-22140	BOLT,CONNECTING ROD	8				0	0
080	17311-22310	METAL,CRANKPIN	4			STD	0.045	0.099
080	17331-22970	METAL,CRANKPIN	4			-0.2	0.05	0.11
080	17331-22980	METAL,CRANKPIN	4			-0.4	0.045	0.099
090	17355-23010	COMP.CRANKSHAFT	1				17.2	37.84
100	07715-03209	BALL	4				0.002	0.0044
110	08121-06002	BEARING,BALL	1				0.03	0.066
120	19202-23280	SLEEVE,CRANKSHAFT	1				0.09	0.198
130	15471-24110	GEAR,CRANKSHAFT	1				0.375	0.825
140	05712-00720	KEY,FEATHER	1				0.008	0.0176
150	15471-23310	SLINGER,OIL	1				0	0
160	19202-23250	COLLAR,CRANKSHAFT	1				0.065	0.143
170	04811-10300	RING	1				0.001	0.0022
180	15221-23360	NUT,CRANKSHAFT	1				0.11	0.242
190	17331-23380	WASHER,CRANKSHAFT	1				0.019	0.0418
200	17311-23470	METAL,CRANKSHAFT	1			STD	0	0
200	17331-23910	METAL,CRANKSHAFT	1			-0.2	0	0
200	17331-23920	METAL,CRANKSHAFT	1			-0.4	0	0
210	17311-23480	METAL,CRANKSHAFT	4				0.045	0.099
210	17331-23930	METAL,CRANKSHAFT	4			-0.2	0	0
210	17331-23940	METAL,CRANKSHAFT	4			-0.4	0	0
220	15521-23530	METAL,SIDE	2			STD	0.01	0.022
220	15221-23950	METAL,SIDE	2			+0.2	0	0
220	15221-23960	METAL,SIDE	2			+0.4	0	0
230	19202-23540	METAL,SIDE	2			STD	0.01	0.022
230	19202-23970	METAL,SIDE	2			+0.2	0.01	0.022
230	19202-23980	METAL,SIDE	2			+0.4	0.01	0.022
240	09550-00001	SEAL,OIL	1				0.015	0.033

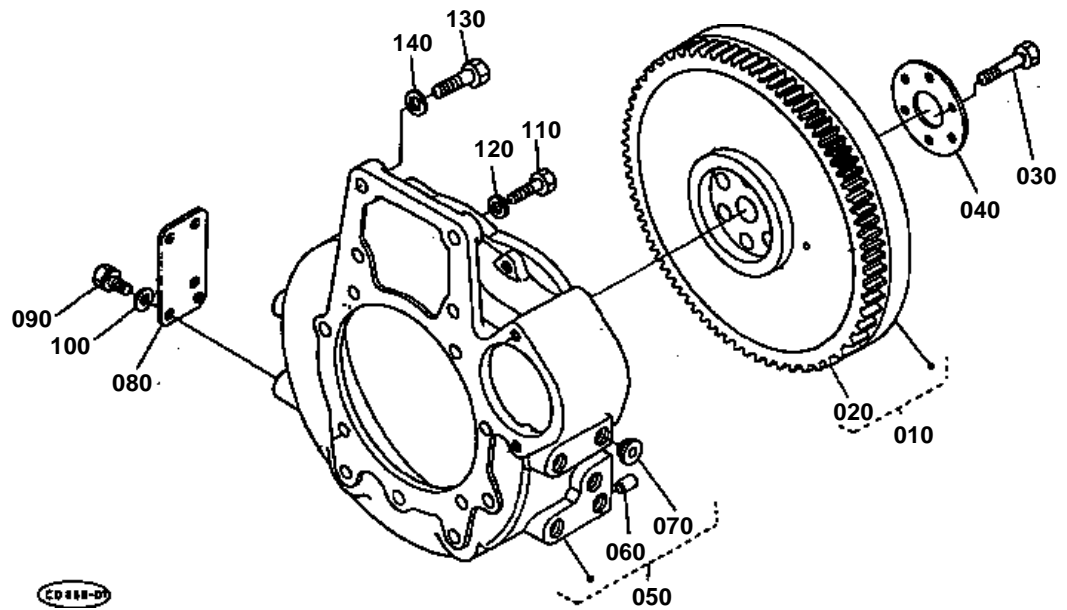


MAIN BEARING CASE

↔ Interchangeable; ≠ not interchangeable; ← new for old; → old for new

REF.No	Part No.	Description	Q'ty	S.No.	I/C	REMARKS	Weight (kgf)	Weight (lb)
010	19202-04040	ASSY CASE,MAIN BRG.	1				1.28	2.816
020	15521-04540	BOLT,BEARING CASE	8				0	0
030	15521-94010	WASHER,PLAIN	8				0.001	0.0022
040	15221-04360	GASKET	1				0	0
050	19202-04810	COVER,BEARING CASE	1				0.36	0.792
060	15221-04820	GASKET	1				0	0
070	01123-50825	BOLT	8				0.013	0.0286
080	01123-50828	BOLT	8				0.014	0.0308
090	19202-04460	SEAL,OIL	1				0.055	0.121
100	17331-04050	ASSY CASE,BEARING	1				0	0
110	17331-04060	ASSY CASE,MAIN BRG.	1				0	0
120	17345-04070	ASSY CASE,MAIN BRG.	1				0	0
130	15291-04560	BOLT	3				0.06	0.132
140	15521-94020	WASHER,PLAIN	3				0.004	0.0088

FLYWHEEL(DC)

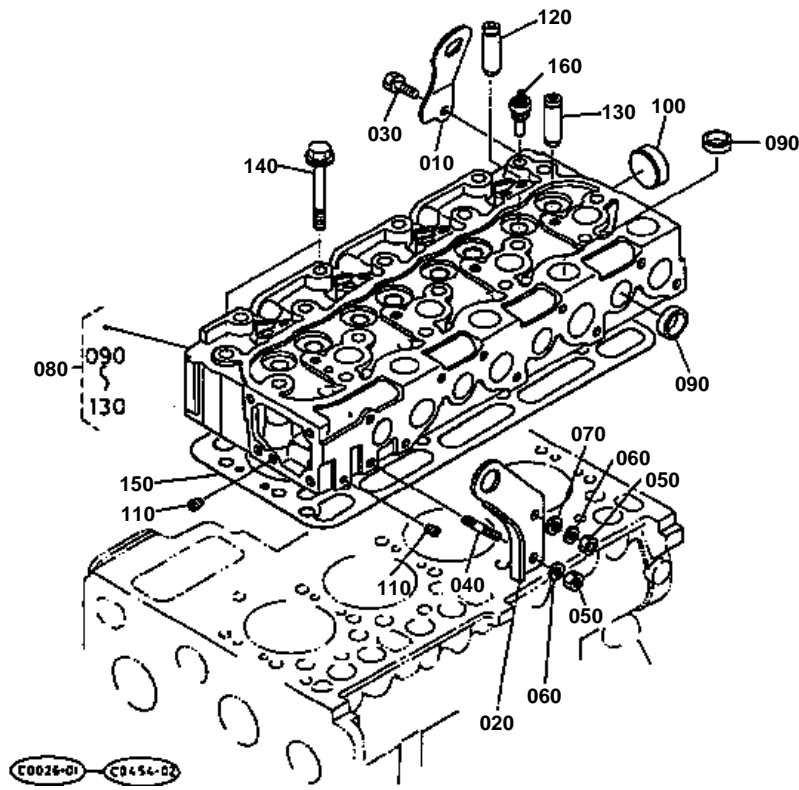


**FLYWHEEL(DC)**

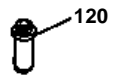
↔ Interchangeable; ≠ not interchangeable; ← new for old; → old for new

REF.No	Part No.	Description	Q'ty	S.No.	I/C	REMARKS	Weight (kgf)	Weight (lb)
010	17356-25012	COMP.FLYWHEEL	1				14.65	32.23
020	15221-63820	GEAR,RING	1				1.2	2.64
030	15471-25160	BOLT,FLYWHEEL	6				0.05	0.11
040	15521-25170	WASHER,FLYWHEEL	1				0.06	0.132
050	17356-04600	COMP.HOUSING,F-W.	1				15.8	34.76
060	05012-01025	PIN,STRAIGHT	2				0.016	0.0352
070	31220-14290	PLUG	5				0.002	0.0044
080	15577-14290	COVER	1				0.23	0.506
090	01170-51420	BOLT	4				0.04	0.088
100	04011-50140	WASHER,PLAIN	4				0.007	0.0154
110	01073-51030	BOLT	11				0.028	0.0616
120	04512-50100	WASHER,SPRING	11				0	0
130	01073-51240	BOLT	2				0.049	0.1078
140	04512-50120	WASHER,SPRING	2				0	0

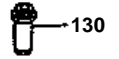
CYLINDER HEAD



120 17331-1358-0

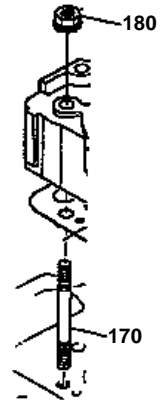


130 17331-1356-0



170 19202-0341-0

180 19202-0351-0

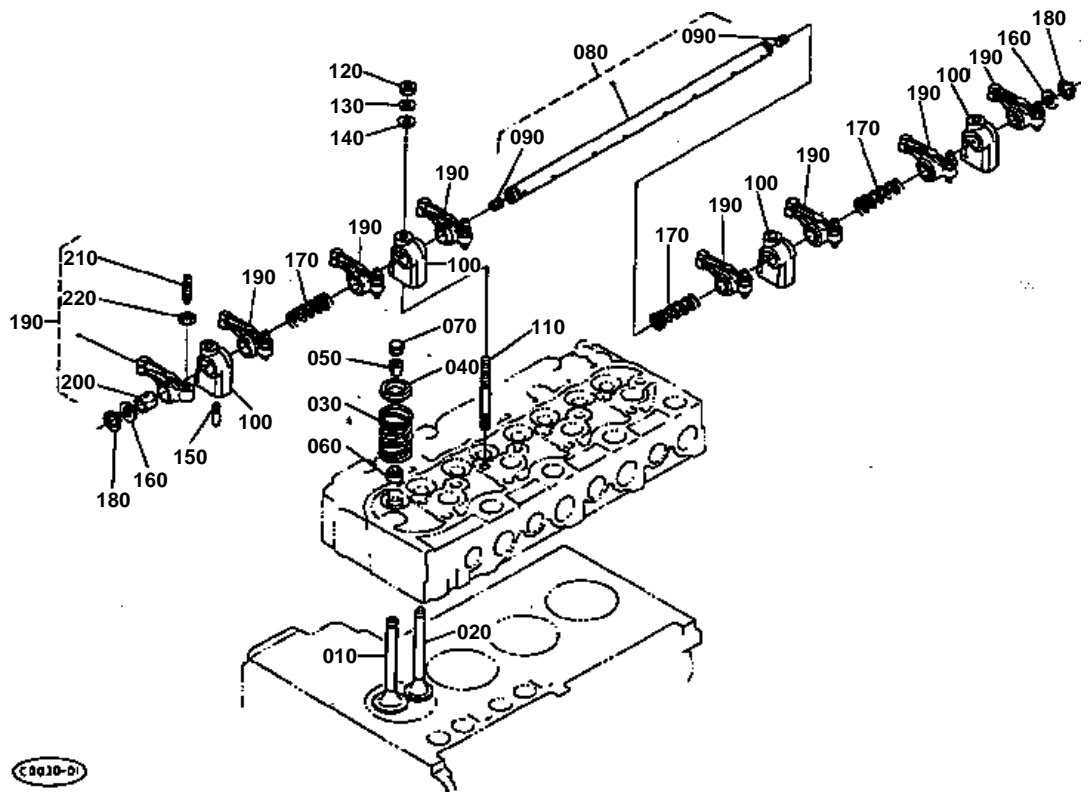


**CYLINDER HEAD**

↔ Interchangeable; ≠ not interchangeable; ← new for old; → old for new

REF.No	Part No.	Description	Q'ty	S.No.	I/C	REMARKS	Weight (kgf)	Weight (lb)
010	17331-01750	HOOK,ENGINE	1				0.09	0.198
020	15471-01740	HOOK,ENGINE	1				0.18	0.396
030	01123-50816	BOLT	1				0.011	0.0242
040	15471-91530	STUD	2				0.01	0.022
050	02156-50080	NUT	2				0.004	0.0088
060	04512-50080	WASHER,SPRING	2				0	0
070	04012-50080	WASHER,PLAIN	1				0.001	0.0022
080	17345-03040	COMP.CYLINDER HEAD	1				10	22
090	15221-03370	CAP,SEALING	12				0.01	0.022
100	15221-03490	CAP,SEALING	1				0.02	0.044
110	15261-96010	PLUG	2				0.002	0.0044
120	17311-13580	GUIDE,INLET VALVE	4	<=12234			0	0
120	17321-13580	GUIDE,INLET VALVE	4	>=12235	↔		0.015	0.033
130	17311-13560	GUIDE,EXHAUST VALVE	4	<=12234			0	0
130	17321-13560	GUIDE,EXHAUST VALVE	4	>=12235	↔		0.02	0.044
140	19202-03450	BOLT,CYLINDER HEAD	18				0.065	0.143
150	17365-03310	GASKET,CYLINDER HEAD	1				0	0
160	31351-32830	THERMO UNIT	1				0.02	0.044

VALVE AND ROCKER ARM





VALVE AND ROCKER ARM

↔ Interchangeable; ≠ not interchangeable; ← new for old; → old for new

REF.No	Part No.	Description	Q'ty	S.No.	I/C	REMARKS	Weight (kgf)	Weight (lb)
010	17331-13110	VALVE,INLET	4				0.065	0.143
020	17331-13120	VALVE,EXHAUST	4				0.061	0.1342
030	15221-13240	SPRING,VALVE	8				0.036	0.0792
040	15221-13330	RETAINER,VALVE SP.	8				0.03	0.066
050	15221-13360	COLLET,VALVE SPRING	8				0	0
060	15221-13150	SEAL,VALVE STEM	8				0.001	0.0022
070	15221-13280	CAP,VALVE	8				0.006	0.0132
080	15401-14050	ASSY SHAFT,R-ARM	1				0.335	0.737
090	03410-00808	SCREW,SET	2				0.002	0.0044
100	15221-14350	BRACKET,ROCKER ARM	4				0.044	0.0968
110	15521-91500	STUD	4				0.035	0.077
120	02156-50080	NUT	4				0.004	0.0088
130	04512-50080	WASHER,SPRING	4				0	0
140	04012-50080	WASHER,PLAIN	4				0.001	0.0022
150	15221-14420	SCREW,SET	1				0.003	0.0066
160	15221-14430	WASHER	2				0.002	0.0044
170	15221-14310	SPRING,ROCKER ARM	3				0.005	0.011
180	04612-00140	CIR-CLIP,EXTERNAL	2				0.001	0.0022
190	15601-14030	ASSY ROCKER ARM	8				0	0
200	15221-14180	BUSH,ROCKER ARM	8				0.007	0.0154
210	15521-14230	SCREW,ADJUSTING	8				0.009	0.0198
220	15021-14240	NUT	8				0.003	0.0066

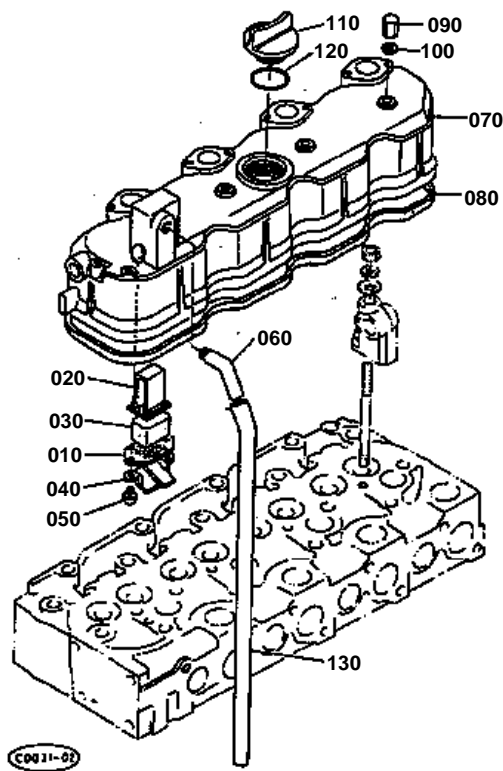


NOZZLE AND GLOW PLUG

↔ Interchangeable; ≠ not interchangeable; ← new for old; → old for new

REF.No	Part No.	Description	Q'ty	S.No.	I/C	REMARKS	Weight (kgf)	Weight (lb)
010	17391-53000	ASSY NOZZLE	4				0.16	0.352
020	17371-53450	CLAMP,NOZZLE	4				0.035	0.077
030	17371-53460	SPACER,NOZZLE	4				0.015	0.033
040	17331-53710	PIPE,INJECTION	1				0.14	0.308
050	17331-53720	PIPE,INJECTION	1				0.14	0.308
060	17331-53730	PIPE,INJECTION	1				0.13	0.286
070	17345-53740	PIPE,INJECTION	1				0.142	0.3124
080	15841-53850	CLAMP,PIPE	3				0.01	0.022
090	15841-53860	CLAMP,PIPE	3				0.009	0.0198
100	03024-50520	SCREW,WITH WASHER	3				0.004	0.0088
110	17331-65510	PLUG,GLOW	4				0.05	0.11
120	17331-65560	CORD,GLOW PLUG	3				0.005	0.011
130	17331-42510	PIPE,FUEL OVER FLOW	3				0.006	0.0132
140	17331-42500	ASSY PIPE,OVER FLOW	1				0.02	0.044
150	14971-42750	CLIP,PIPE	6				0.001	0.0022
160	14971-42750	CLIP,PIPE	1				0.001	0.0022
170	10244-42320	CLIP,PIPE	1				0.001	0.0022
180	17331-53180	SEAL	4				0.001	0.0022
190	17371-99220	SEAL,COMPRESSION	4				0.001	0.0022

CYLINDER HEAD COVER



140 15401-0558-0



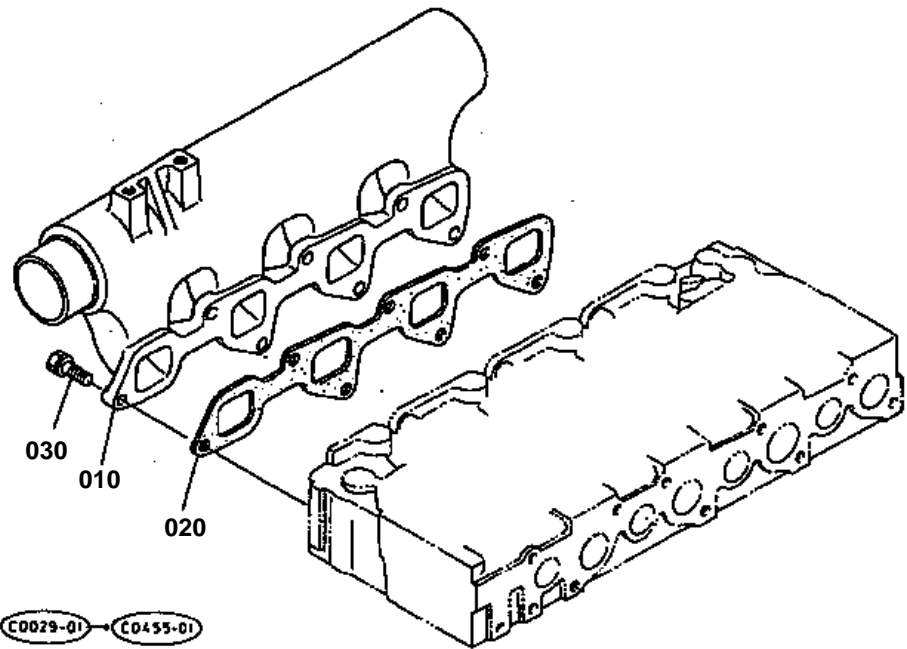


CYLINDER HEAD COVER

↔ Interchangeable; ≠ not interchangeable; ← new for old; → old for new

REF.No	Part No.	Description	Q'ty	S.No.	I/C	REMARKS	Weight (kgf)	Weight (lb)
010	15521-05140	PLATE,ELEMENT	1				0.005	0.011
020	15521-05150	PLATE,ELEMENT	1				0.01	0.022
030	15521-05670	ELEMENT,BREATHER	1				0.01	0.022
040	15521-05370	OIL SHIELD,BREATHER	1				0.005	0.011
050	15521-93310	SCREW,WITH WASHER	2				0	0
060	15521-05550	JOINT,BREATHER PIPE	1				0.04	0.088
070	15469-14510	COVER,CYL.HEAD	1				1.51	3.322
080	15471-14520	GASKET,HEAD COVER	1				0.05	0.11
090	15451-92330	NUT,CAP	4				0.015	0.033
100	15021-33660	GASKET	4				0.001	0.0022
110	15221-33140	PLUG,OIL FILLER	1				0.038	0.0836
120	04811-50300	RING	1				0.001	0.0022
130	17331-05510	PIPE,BREATHER	1				0.065	0.143

INLET MANIFOLD



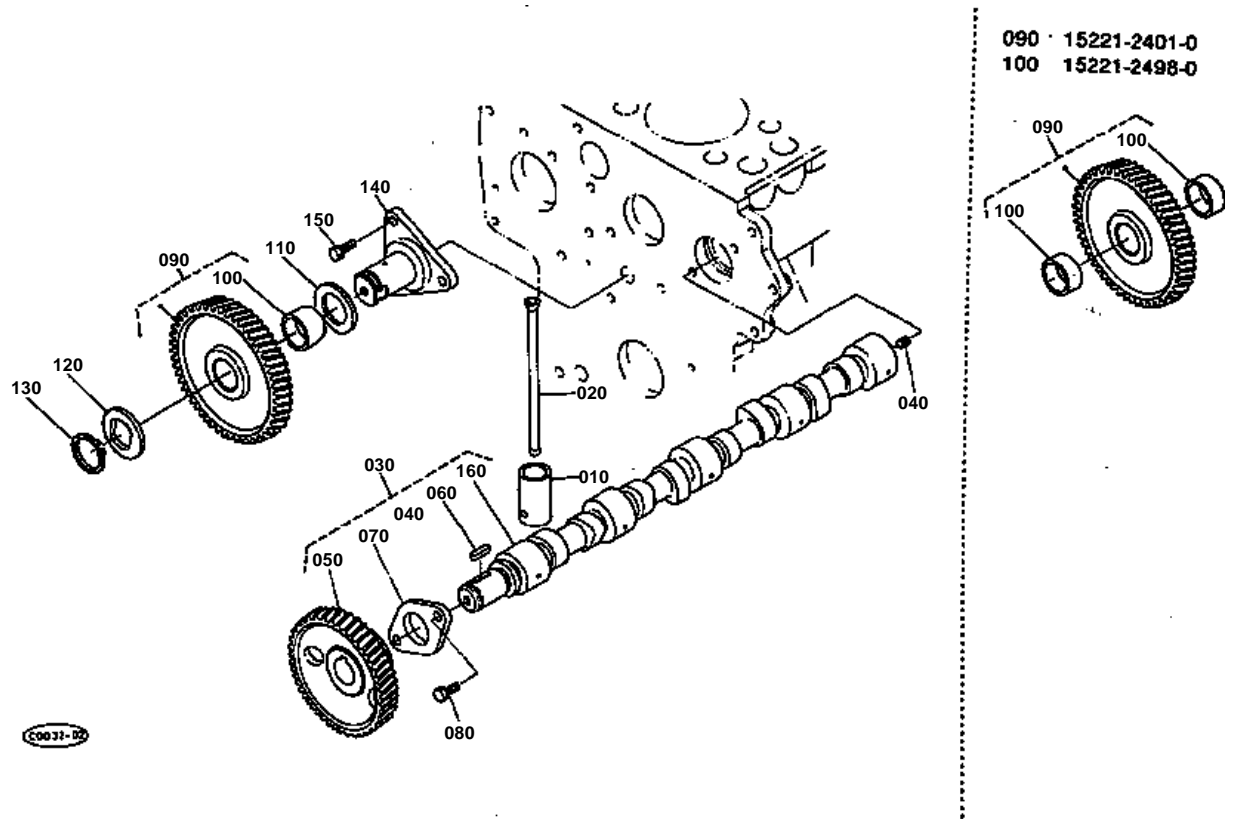


INLET MANIFOLD

↔ Interchangeable; ≠ not interchangeable; ← new for old; → old for new

REF.No	Part No.	Description	Q'ty	S.No.	I/C	REMARKS	Weight (kgf)	Weight (lb)
010	17345-11760	MANIFOLD,INLET	1				1.5	3.3
020	17345-11820	GASKET,IN-MANIFOLD	1				0	0
030	01123-50822	BOLT	7				0.012	0.0264

CAMSHAFT



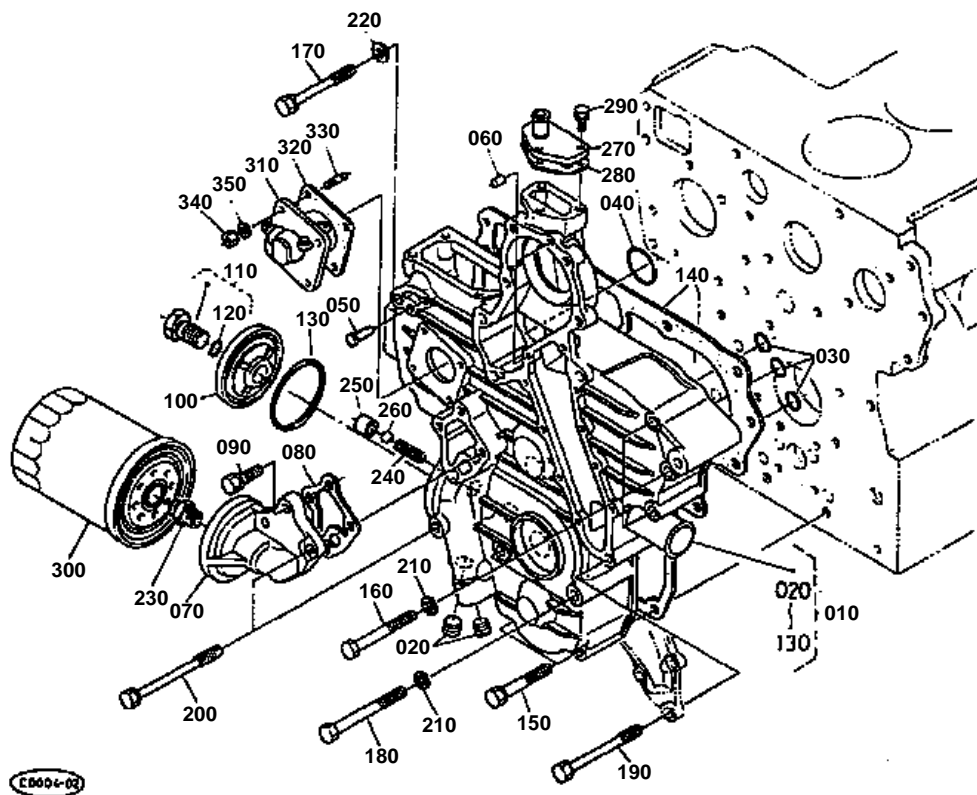


CAMSHAFT

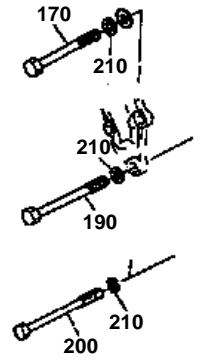
↔ Interchangeable; ≠ not interchangeable; ← new for old; → old for new

REF.No	Part No.	Description	Q'ty	S.No.	I/C	REMARKS	Weight (kgf)	Weight (lb)
010	15221-15550	TAPPET	8				0	0
020	15221-15110	PUSH ROD	8				0.05	0.11
030	17345-16010	ASSY CAMSHAFT	1				4.2	9.24
040	15521-93610	SCREW,SET	1				0.002	0.0044
050	15521-16510	GEAR,CAMSHAFT	1				0.85	1.87
060	05712-00720	KEY,FEATHER	1				0.008	0.0176
070	15221-16270	STOPPER,CAMSHAFT	1				0.073	0.1606
080	01123-50818	BOLT	2				0.012	0.0264
090	17331-24010	COMP.GEAR,IDLE	1				1.11	2.442
100	17331-24980	BUSH,IDLE GEAR	1				0.06	0.132
110	17331-24360	COLLAR	1				0.02	0.044
120	17331-24370	COLLAR	1				0.02	0.044
130	15451-95390	CIR-CLIP,EXTERNAL	1				0.007	0.0154
140	17331-24250	SHAFT,IDLE GEAR	1				0.575	1.265
150	01123-50818	BOLT	3				0.012	0.0264
160	17345-16150	CAMSHAFT	1				2.3	5.06

GEAR CASE



- 170 15521-9101-0
- 180 15521-9102-0
- 200 17331-9103-0
- 210 04512-50080



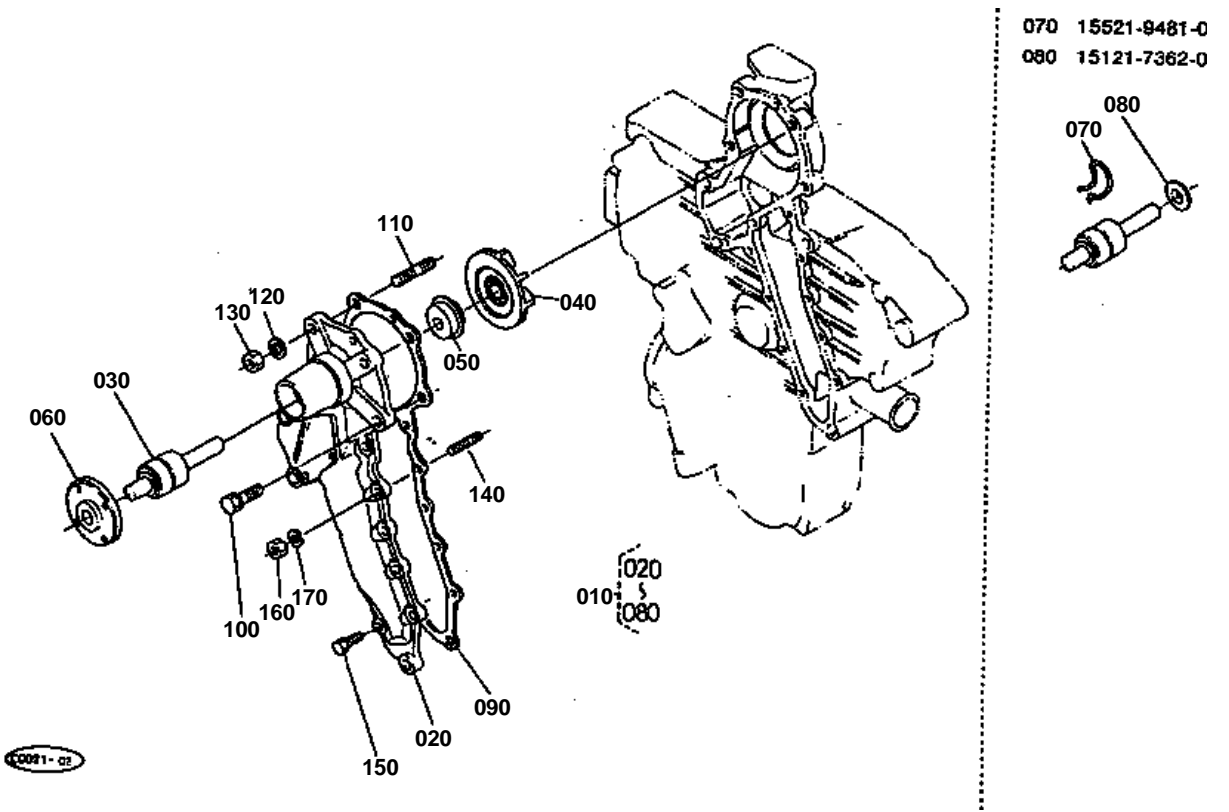


GEAR CASE

↔ Interchangeable; ≠ not interchangeable; ← new for old; → old for new

REF.No	Part No.	Description	Q'ty	S.No.	I/C	REMARKS	Weight (kgf)	Weight (lb)
010	17331-04020	COMP.CASE,GEAR	1				0	0
020	17331-96040	PLUG	2				0.005	0.011
030	04811-00150	RING	3				0.001	0.0022
040	04811-00360	RING	1				0.002	0.0044
050	15221-56280	PIN,START SPRING	1				0.006	0.0132
060	05012-00612	PIN,STRAIGHT	2				0.003	0.0066
070	17331-32610	SUPPORT,OIL FILTER	1				0.275	0.605
080	17331-32620	GASKET	1				0	0
090	01123-50825	BOLT	3				0.013	0.0286
100	17331-32880	COVER	1				0.075	0.165
110	17331-32910	COMP BOLT	1				0.07	0.154
120	04811-00150	RING	1				0.001	0.0022
130	19202-96830	O RING	1				0.01	0.022
140	17331-04130	GASKET,GEAR CASE	1				0	0
150	01123-50860	BOLT	3				0.026	0.0572
160	01153-50870	BOLT	3				0.026	0.0572
170	17367-91010	BOLT	2				0.005	0.011
180	01153-50880	BOLT	2				0.03	0.066
190	17367-91020	BOLT	3				0.035	0.077
200	17367-91030	BOLT	2				0.02	0.044
210	04512-50080	WASHER,SPRING	5				0	0
220	04012-50080	WASHER,PLAIN	1				0.001	0.0022
230	15521-32290	JOINT,PIPE	1				0	0
240	15241-36950	SPRING	1				0.004	0.0088
250	15521-36930	SEAT,VALVE	1				0.015	0.033
260	07715-03213	BALL	1				0.004	0.0088
270	15521-73320	FLANGE,WATER RETURN	1				0.04	0.088
280	15521-73330	GASKET	1				0	0
290	01023-50620	BOLT	3				0.006	0.0132
300	15521-32430	CARTRIDGE,OIL FILTER	1				0	0
310	38240-34660	CASE,H/METER DRIVE	1				0.335	0.737
320	15221-88130	GASKET,H/METER UNIT	1				0	0
330	15221-88210	STUD	4				0.005	0.011
340	02056-50060	NUT	4				0.002	0.0044
350	04512-50060	WASHER,SPRING	4				0	0

WATER PUMP



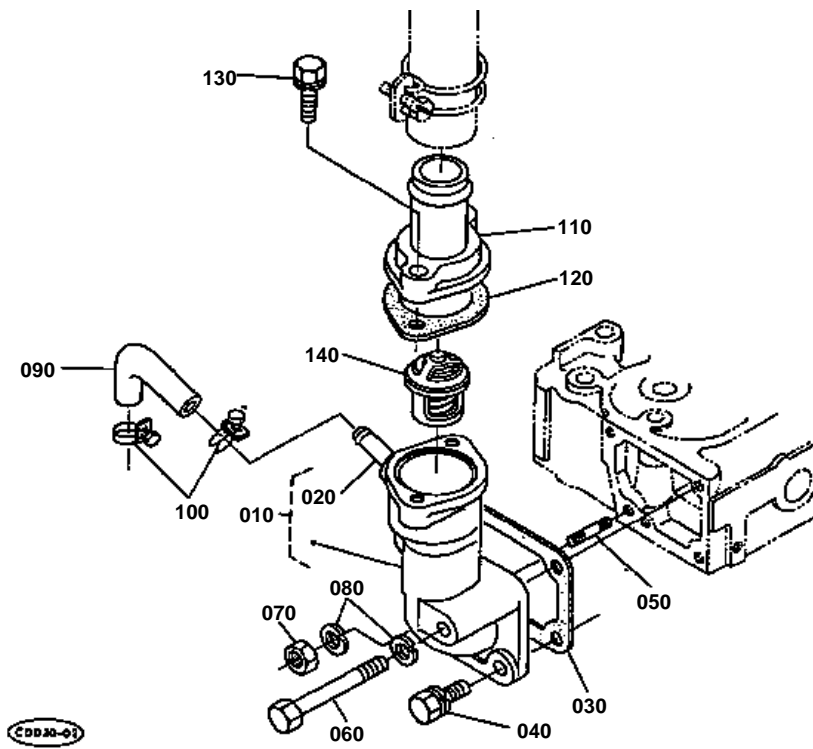


WATER PUMP

↔ Interchangeable; ≠ not interchangeable; ← new for old; → old for new

REF.No	Part No.	Description	Q'ty	S.No.	I/C	REMARKS	Weight (kgf)	Weight (lb)
010	16412-73030	ASSY PUMP,WATER	1				1.21	2.662
020	17331-73410	BODY,WATER PUMP	1				0.51	1.122
030	15521-73550	BEARING,BALL	1				0.235	0.517
040	15521-73510	IMPELLER,WATER PUMP	1				0.22	0.484
050	19202-73050	ASSY SEAL,MECHANICAL	1				0.02	0.044
060	15521-73520	FLANGE,WATER PUMP	1				0.25	0.55
090	17331-73430	GASKET,WATER PUMP	1				0	0
100	01123-50828	BOLT	2				0.014	0.0308
110	15521-91510	STUD	2				0.012	0.0264
120	04512-50080	WASHER,SPRING	2				0	0
130	02156-50080	NUT	2				0.004	0.0088
140	15221-88210	STUD	1				0.005	0.011
150	01023-50618	BOLT	8				0.006	0.0132
160	02056-50060	NUT	1				0.002	0.0044
170	04512-50060	WASHER,SPRING	1				0	0

WATER FLANGE



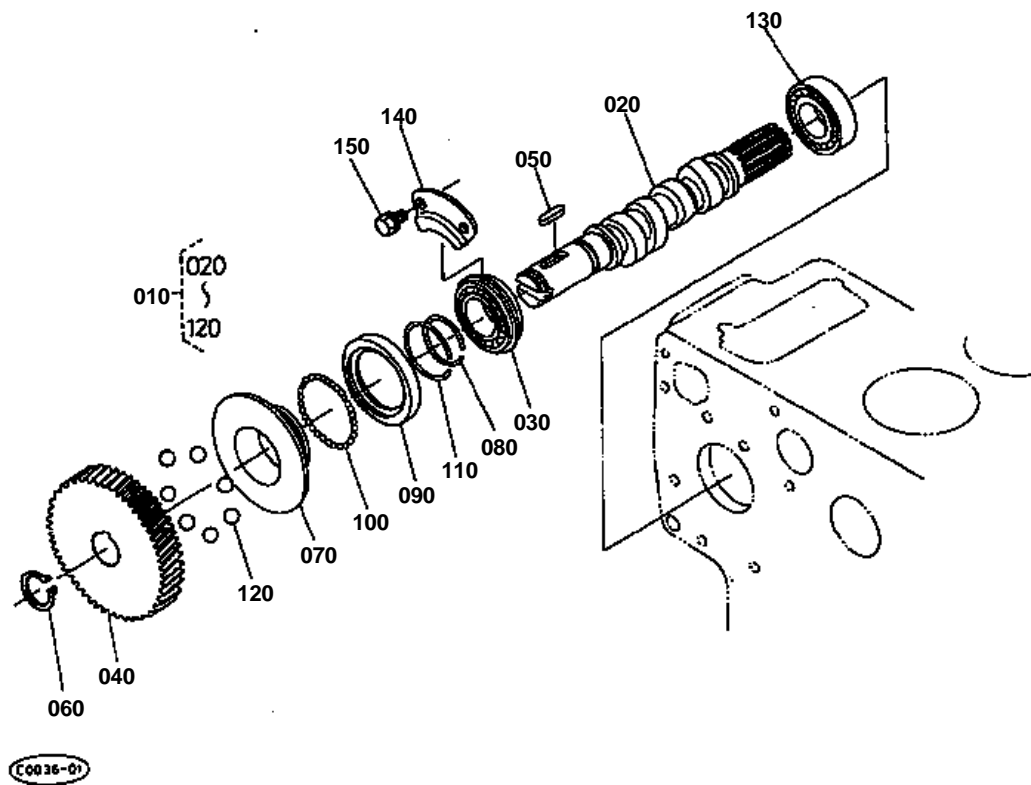


WATER FLANGE

↔ Interchangeable; ≠ not interchangeable; ← new for old; → old for new

REF.No	Part No.	Description	Q'ty	S.No.	I/C	REMARKS	Weight (kgf)	Weight (lb)
010	17331-72702	COMP.FLANGE,WATER	1				0	0
020	17331-73340	PIPE,WATER RETURN	1				0	0
030	15521-72920	GASKET,WATER FLANGE	1				0	0
040	01123-50822	BOLT	2				0.012	0.0264
050	01513-50822	STUD	1				0.01	0.022
060	01153-50870	BOLT	1				0.026	0.0572
070	02156-50080	NUT	1				0.004	0.0088
080	04512-50080	WASHER,SPRING	2				0	0
090	15521-73340	PIPE,WATER RETURN	1				0.025	0.055
100	15109-73360	BAND,PIPE	2				0.01	0.022
110	15321-73260	COVER,THERMOSTAT	1				0.107	0.2354
120	15321-73270	GASKET	1				0	0
130	01123-50835	BOLT	2				0.02	0.044
140	15321-73010	ASSY THERMOSTAT	1				0	0

FUEL CAMSHAFT

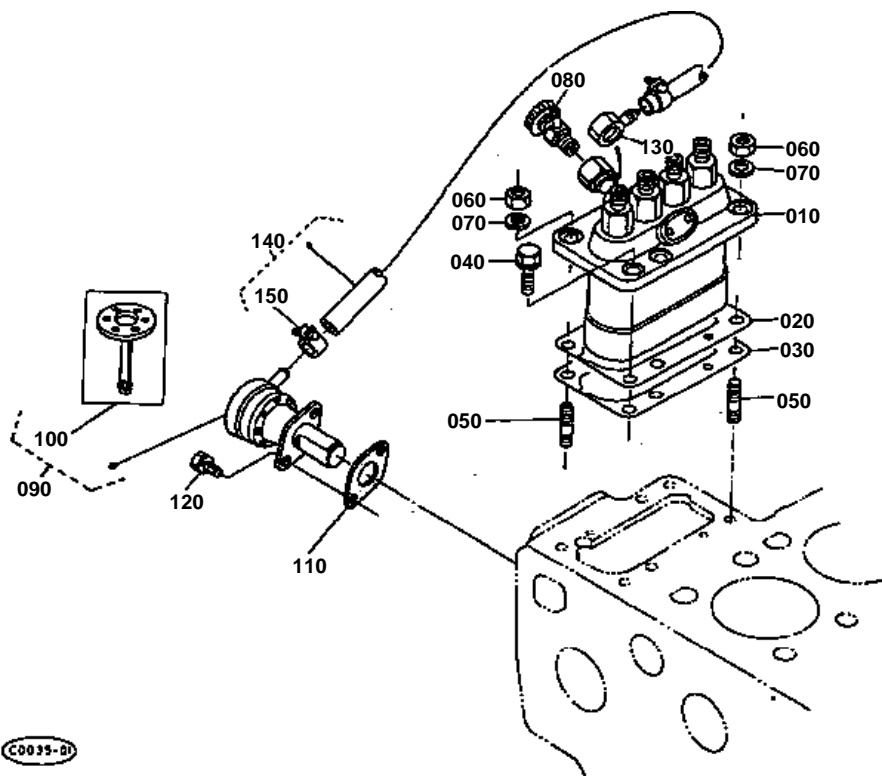


**FUEL CAMSHAFT**

↔ Interchangeable; ≠ not interchangeable; ← new for old; → old for new

REF.No	Part No.	Description	Q'ty	S.No.	I/C	REMARKS	Weight (kgf)	Weight (lb)
010	17345-16020	ASSY CAMSHAFT,FUEL	1				3	6.6
020	15471-16170	CAMSHAFT,FUEL	1				0.96	2.112
030	08153-06205	BEARING,BALL	1				0.13	0.286
040	15611-51150	GEAR,INJECTION PUMP	1				1.035	2.277
050	05712-00525	KEY,FEATHER	1				0.005	0.011
060	04612-00240	CIR-CLIP,EXTERNAL	1				0.002	0.0044
070	15611-55450	SLEEVE,GOVERNOR	1				0.117	0.2574
080	15221-55470	CIR-CLIP,GOV. SLEEVE	1				0.003	0.0066
090	15611-55690	CASE,GOVERNOR BALL	1				0.03	0.066
100	07715-03205	BALL	39				0.001	0.0022
110	15221-55740	CIR-CLIP	1				0.002	0.0044
120	07715-00403	BALL	7				0.03	0.066
130	08240-00001	BEARING,BALL	1				0.19	0.418
140	15221-16320	STOPPER	1				0.02	0.044
150	01123-50814	BOLT	2				0	0

INJECTION PUMP



C9035-01

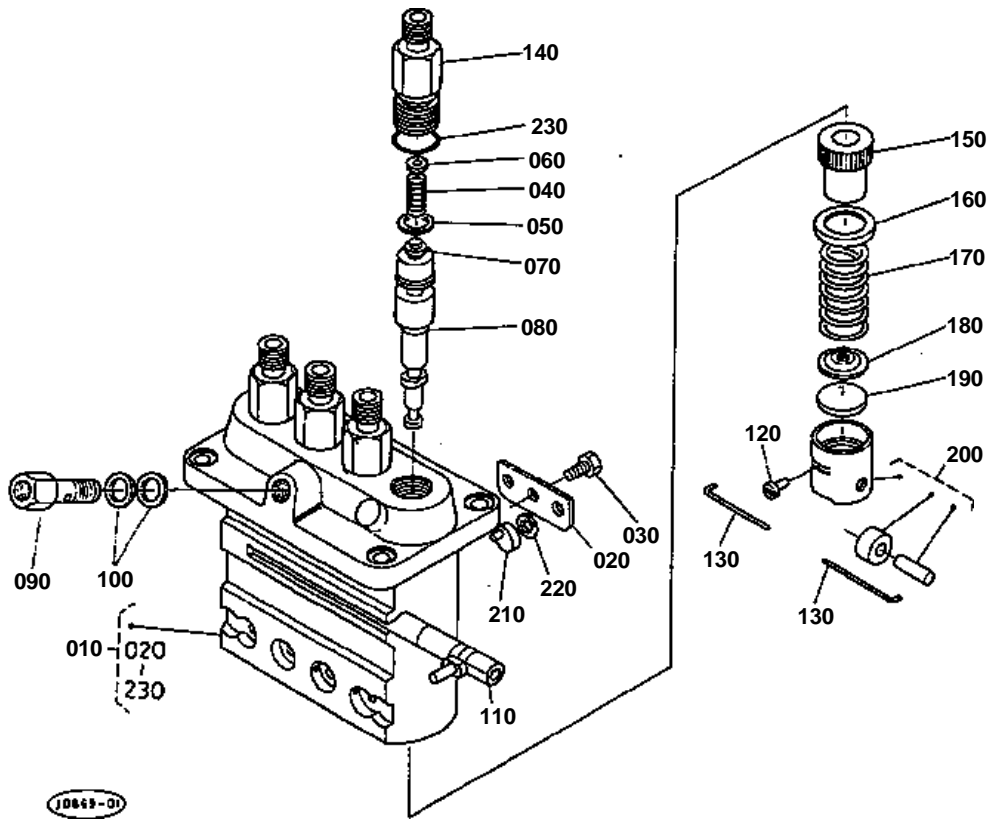


INJECTION PUMP

↔ Interchangeable; ≠ not interchangeable; ← new for old; → old for new

REF.No	Part No.	Description	Q'ty	S.No.	I/C	REMARKS	Weight (kgf)	Weight (lb)
010	17371-51010	ASSY PUMP, INJECTION	1			REFER TO L.No.0B16-R0 FOR COMPONENTS	2.8	6.16
020	15401-52110	SHIM,INJECTION PUMP	1			0.15MM	0	0
030	15461-52110	SHIM,INJECTION PUMP	2			0.45MM	0	0
040	01123-50822	BOLT	4				0.012	0.0264
050	15221-91530	STUD	2				0.011	0.0242
060	02156-50080	NUT	2				0.004	0.0088
070	04512-50080	WASHER,SPRING	2				0	0
080	14311-60504	ASSY COCK,JET START	1				0.034	0.0748
090	15381-52030	ASSY PUMP,FUEL	1				0	0
100	15381-52040	COMP.DIAPHRAGM	1				0	0
110	15241-52140	GASKET,FUEL PUMP	1				0	0
120	01023-50616	BOLT	2				0.005	0.011
130	15401-95690	JOINT	1				0.04	0.088
140	15471-42010	ASSY PIPE,FUEL	1				0.035	0.077
150	14301-42750	CLIP,PIPE	2				0.005	0.011

INJECTION PUMP [COMPONENT PARTS]



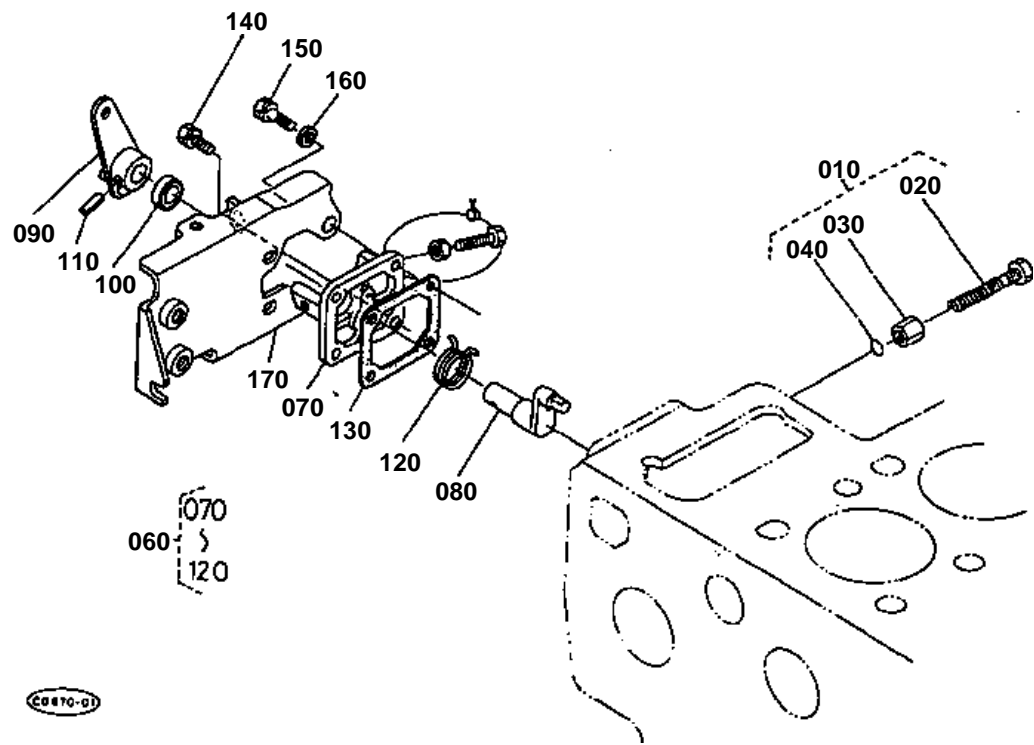


INJECTION PUMP [COMPONENT PARTS]

↔ Interchangeable; ≠ not interchangeable; ← new for old; → old for new

REF.No	Part No.	Description	Q'ty	S.No.	I/C	REMARKS	Weight (kgf)	Weight (lb)
010	17371-51010	ASSY PUMP,INJECTION	1				2.8	6.16
020	17371-51390	PLATE,ADJUSTING	1				0.032	0.0704
030	15331-91010	BOLT	3				0.034	0.0748
040	17371-51230	SPRING,DELIV.VALVE	4				0.005	0.011
050	15331-51240	GASKET,DELIV.VALVE	4				0.001	0.0022
060	17371-51160	SEAT,SPRING	4				0.005	0.011
070	17371-51030	VALVE,DELIVERY	4				0.015	0.033
080	17301-51050	PLUNGER,PUMP	4				0.05	0.11
090	15471-51320	SCREW,FOLLOW	1				0.032	0.0704
100	15401-96650	GASKET	2				0.001	0.0022
110	17371-51060	RACK,CONTROL	1				0.02	0.044
120	15331-51250	PIN,TAPPET GUIDE	4				0.001	0.0022
130	17345-51430	PIN,CLAMP	2				0.005	0.011
140	15331-51220	HOLDER,DELIV.VALVE	4				0.053	0.1166
150	15331-51380	SLEEVE,CONTROL	4				0.012	0.0264
160	15331-51270	SEAT,SPRING UPPER	4				0.001	0.0022
170	17331-51280	SPRING,PLUNGER	4				0.017	0.0374
180	15331-51290	SEAT,SPRING LOWER	4				0.001	0.0022
190	15381-51490	SHIM	4				0.008	0.0176
200	15331-51070	ASSY TAPPET	4				0.036	0.0792
210	15331-51480	COLLAR	3				0.005	0.011
220	04512-50060	WASHER,SPRING	3				0	0
230	15331-96760	O RING	4				0.001	0.0022

ENGINE STOP LEVER



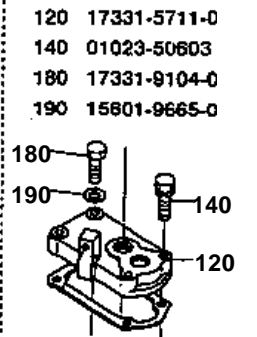
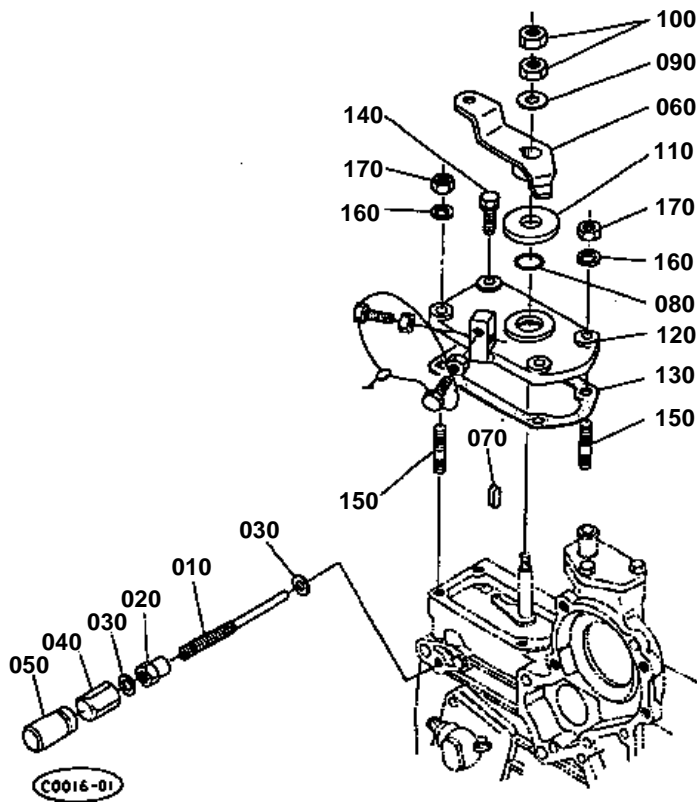


ENGINE STOP LEVER

↔ Interchangeable; ≠ not interchangeable; ← new for old; → old for new

REF.No	Part No.	Description	Q'ty	S.No.	I/C	REMARKS	Weight (kgf)	Weight (lb)
010	17377-54090	ASSY APPARATUS,I/D.	1				0.02	0.044
020	17377-54100	ASSY BOLT,ADJUSTING	1				0.02	0.044
030	15471-92010	NUT	1				0.07	0.154
040	04811-00060	RING	1				0.001	0.0022
050	99999-99999	BLANK	0				0	0
060	17331-57700	ASSY LEVER,ENG.STOP	1				0	0
070	15471-51650	COVER,INJECTION PUMP	1				0	0
080	17331-57740	SHAFT,LEVER	1				0.04	0.088
090	17331-57720	LEVER,ENGINE STOP	1				0.05	0.11
100	15471-57980	SEAL,OIL	1				0.001	0.0022
110	05411-00420	PIN,SPRING	1				0.001	0.0022
120	15471-57920	SPRING,RETURN	1				0.005	0.011
130	15221-51660	GASKET,PUMP COVER	1				0	0
140	01023-50618	BOLT	1				0.006	0.0132
150	01023-50622	BOLT	3				0.005	0.011
160	04012-50060	WASHER,PLAIN	3				0.001	0.0022
170	15471-60110	SUPPORT,SOLENOID	1				0.295	0.649

SPEED CONTROL PLATE 1



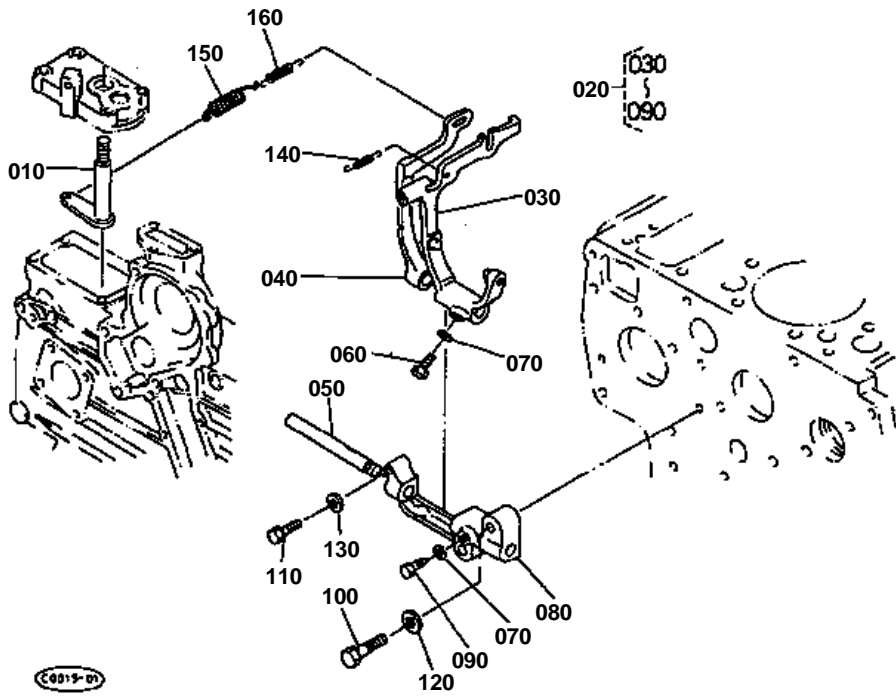
- 120 17331-5711-0
- 140 01023-50603
- 180 17331-9104-0
- 190 15801-9665-0



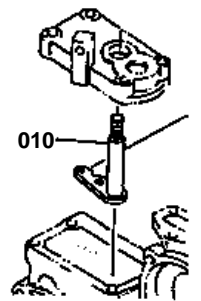
SPEED CONTROL PLATE 1

↔ Interchangeable; ≠ not interchangeable; ← new for old; → old for new

REF.No	Part No.	Description	Q'ty	S.No.	I/C	REMARKS	Weight (kgf)	Weight (lb)
010	15601-54120	BOLT,ADJUSTING	1				0.011	0.0242
020	15601-92010	NUT	1				0	0
030	15601-96650	GASKET	2				0.001	0.0022
040	15601-54220	NUT,CAP	1				0	0
050	16241-54420	CAP	1				0.004	0.0088
060	15469-57150	LEVER,SPEED CONTROL	1				0.06	0.132
070	05712-00408	KEY,FEATHER	1				0.001	0.0022
080	04811-00120	RING	1				0.001	0.0022
090	04013-50080	WASHER,PLAIN	1				0	0
100	02112-50080	NUT	2				0.003	0.0066
110	17011-57380	DISK,FRICITION	1				0	0
120	15521-57114	PLATE,SPEED CONTROL	1				0	0
130	17331-57210	GASKET	1				0	0
140	01023-50625	BOLT	2				0.007	0.0154
150	15221-88210	STUD	2				0.005	0.011
160	04512-50060	WASHER,SPRING	2				0	0
170	02056-50060	NUT	2				0.002	0.0044



010 17331-5602-0

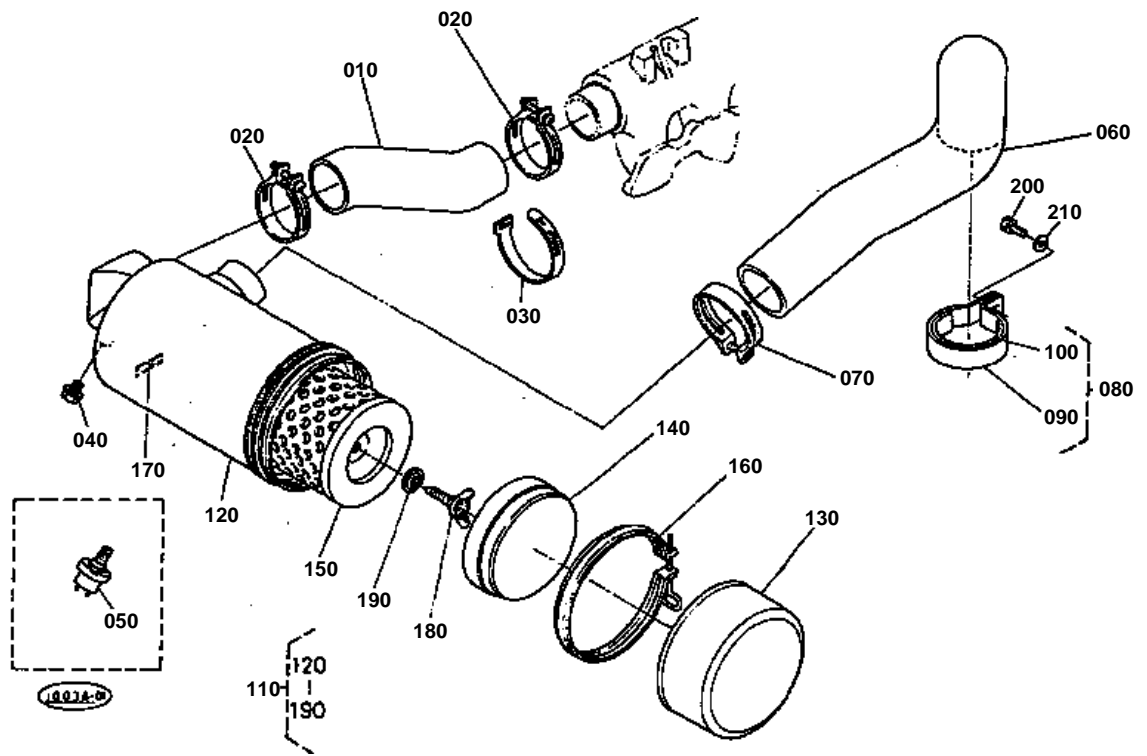


**GOVERNOR**

↔ Interchangeable; ≠ not interchangeable; ← new for old; → old for new

REF.No	Part No.	Description	Q'ty	S.No.	I/C	REMARKS	Weight (kgf)	Weight (lb)
010	15601-56020	COMP.LEVER,GOVERNOR	1				0.055	0.121
020	17365-56050	ASSY LEVER,FORK	1				0.41	0.902
030	17365-56040	COMP.LEVER,FORK	1				0.19	0.418
040	17331-56130	LEVER,FORK	1				0.065	0.143
050	15221-56150	SHAFT,FORK LEVER	1				0.1	0.22
060	15021-56240	BOLT,LEVER SHAFT	1				0.005	0.011
070	04512-50060	WASHER,SPRING	2				0	0
080	15221-56230	HOLDER,FORK LEVER	1				0.1	0.22
090	15221-66410	BOLT	1				0.005	0.011
100	01123-50832	BOLT	2				0.016	0.0352
110	01023-50628	BOLT	1				0.015	0.033
120	04012-50080	WASHER,PLAIN	2				0.001	0.0022
130	04012-50060	WASHER,PLAIN	1				0.001	0.0022
140	15611-56480	SPRING,START	1				0.001	0.0022
150	17331-56410	SPRING,GOVERNOR	1				0	0
160	17371-56420	SPRING,GOVERNOR	1				0.02	0.044

AIR CLEANER

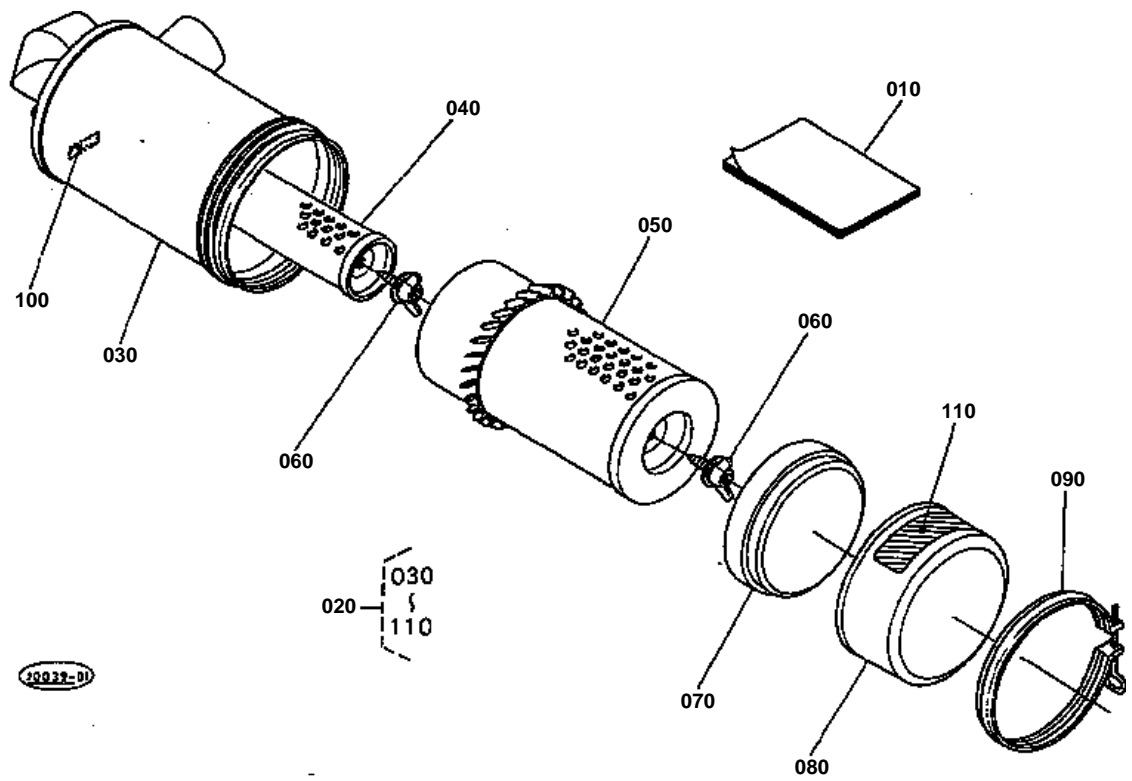


**AIR CLEANER**

↔ Interchangeable; ≠ not interchangeable; ← new for old; → old for new

REF.No	Part No.	Description	Q'ty	S.No.	I/C	REMARKS	Weight (kgf)	Weight (lb)
010	32430-18090	PIPE,INLET	1				0.32	0.704
020	15606-11720	BAND,PIPE	2				0.035	0.077
030	55311-41260	BAND,CORD	1				0.007	0.0154
050	55611-81420	SENCER,AIR CLEANER	1			EASY CHECKER TYPE	0.05	0.11
060	32430-18100	PIPE,INLET	1				1.01	2.222
070	68811-42270	BAND,PIPE	1				0.04	0.088
080	32430-18140	ASSY HOLDER,PIPE	1				0.09	0.198
090	32430-18150	HOLDER,INLET PIPE	1				0.07	0.154
100	15471-11690	PROTECTOR,INLET PIPE	1				0.025	0.055
110	17355-11010	ASSY CLEANER,AIR	1				4	8.8
120	17355-11150	BODY,AIR CLEANER	1				2.25	4.95
130	15471-11160	COVER,AIR CLEANER	1				0.42	0.924
140	15606-11410	COVER,BAFFLE	1				0.115	0.253
150	15606-11080	ASSY ELEMENT,CLEANER	1				1.15	2.53
160	15606-11070	ASSY BAND,AIRCLEANER	1				0.125	0.275
170	17355-87750	MARK,FORM	1				0.001	0.0022
180	15606-92620	BOLT,WING	1				0.055	0.121
190	15401-94430	WASHER,WITH RUBBER	1				0.009	0.0198
200	01123-50816	BOLT	2				0.011	0.0242
210	04015-50080	WASHER,PLAIN	2				0	0

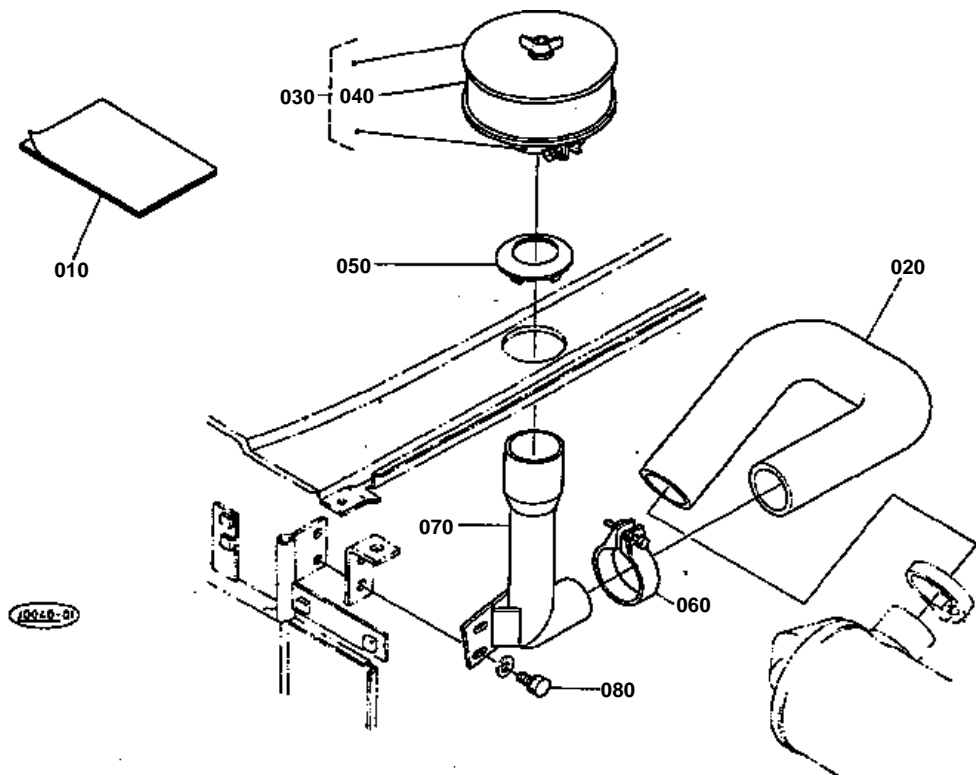
DOUBLE AIR CLEANER [OPTION]



**DOUBLE AIR CLEANER [OPTION]**

↔ Interchangeable; ≠ not interchangeable; ← new for old; → old for new

REF.No	Part No.	Description	Q'ty	S.No.	I/C	REMARKS	Weight (kgf)	Weight (lb)
010	32430-98410	MANUAL,INSTRUCTION	1				0.02	0.044
020	17356-11010	ASSY CLEANER,AIR(W)	1				4.18	9.196
030	17356-11150	BODY,AIR CLEANER	1				2.3	5.06
040	17381-11180	ASSY ELEMENT,INNER	1				0.325	0.715
050	15606-11080	ASSY ELEMENT,CLEANER	1				1.15	2.53
060	15401-92620	ASSY NUT,WING	2				0.01	0.022
070	15606-11410	COVER,BAFFLE	1				0.115	0.253
080	15471-11160	COVER,AIR CLEANER	1				0.42	0.924
090	15606-11070	ASSY BAND,AIRCLEANER	1				0.125	0.275
100	17356-87750	MARK,FORM	1				0.005	0.011
110	15222-93450	LABEL,AIR CLEANER	1				0.001	0.0022



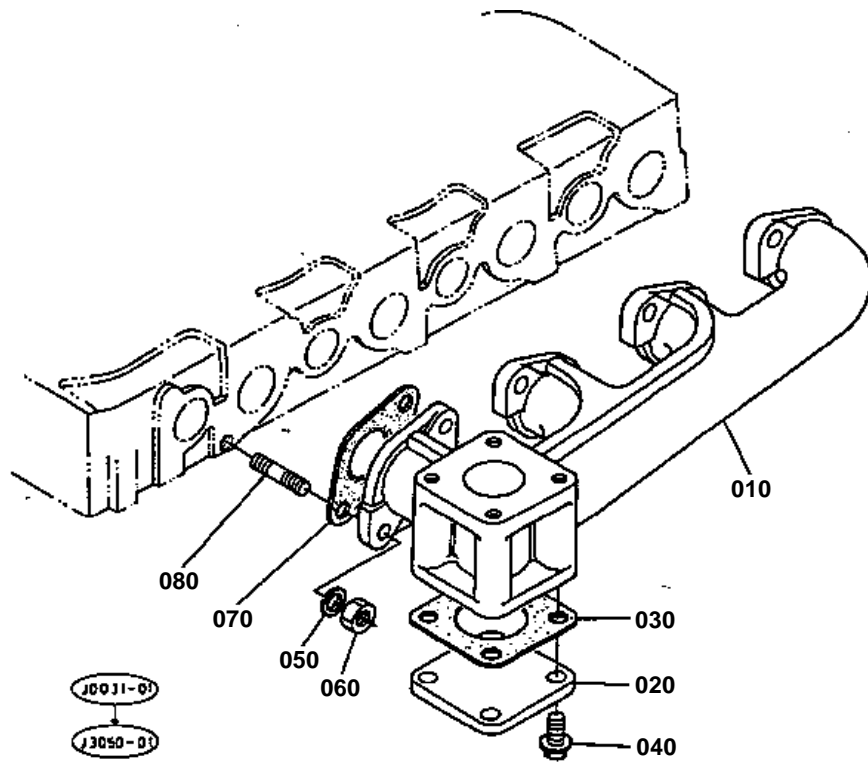


PRE-CLEANER [OPTION]

↔ Interchangeable; ≠ not interchangeable; ← new for old; → old for new

REF.No	Part No.	Description	Q'ty	S.No.	I/C	REMARKS	Weight (kgf)	Weight (lb)
010	32430-98310	MANUAL,INSTRUCTION	1				0.005	0.011
020	32430-64710	PIPE,INLET	1				0.765	1.683
030	32530-96110	ASSY PRECLEANER	1				0.76	1.672
040	32530-96170	CHAMBER,DUST	1				0.2	0.44
050	32430-64730	COVER	1				0.025	0.055
060	15401-11720	BAND,PIPE	1				0.05	0.11
070	32430-64750	PIPE,PRE CLEANER	1				0.7	1.54
080	01123-50820	BOLT	2				0.011	0.0242

EXHAUST MANIFOLD



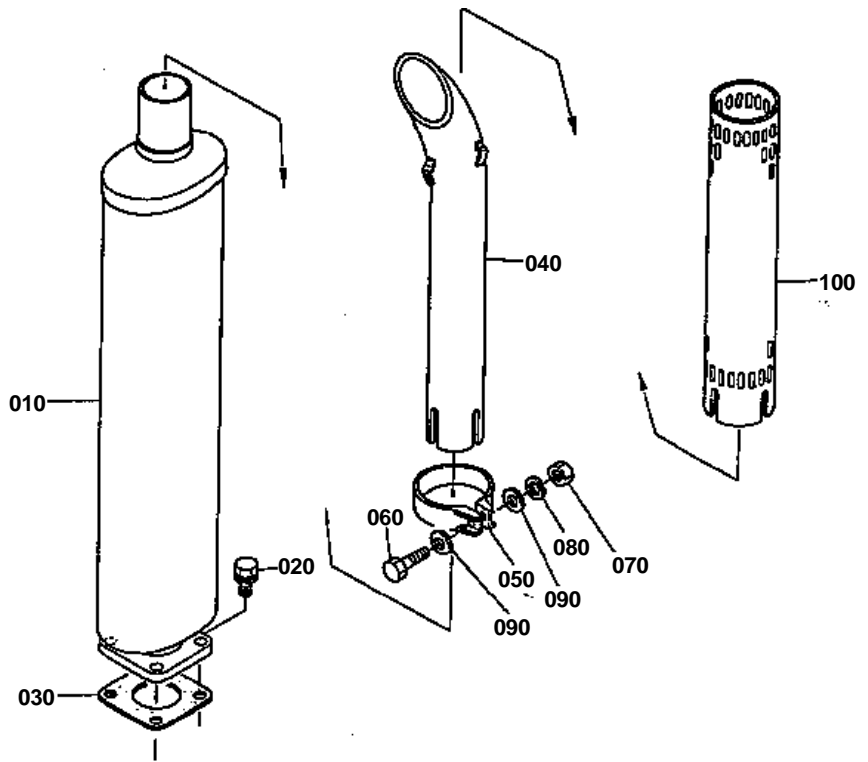


EXHAUST MANIFOLD

↔ Interchangeable; ≠ not interchangeable; ← new for old; → old for new

REF.No	Part No.	Description	Q'ty	S.No.	I/C	REMARKS	Weight (kgf)	Weight (lb)
010	17355-12310	MANIFOLD,EXHAUST	1				0	0
020	17355-92850	COVER,MANIFOLD	1				0	0
030	15471-12230	GASKET,MUFFLER	1				0	0
040	01123-50820	BOLT	4				0.011	0.0242
050	04512-50080	WASHER,SPRING	8				0	0
060	02156-50080	NUT	8				0.004	0.0088
070	15521-12350	GASKET,EX-MANIFOLD	4				0	0
080	15221-91530	STUD	8				0.011	0.0242

MUFFLER

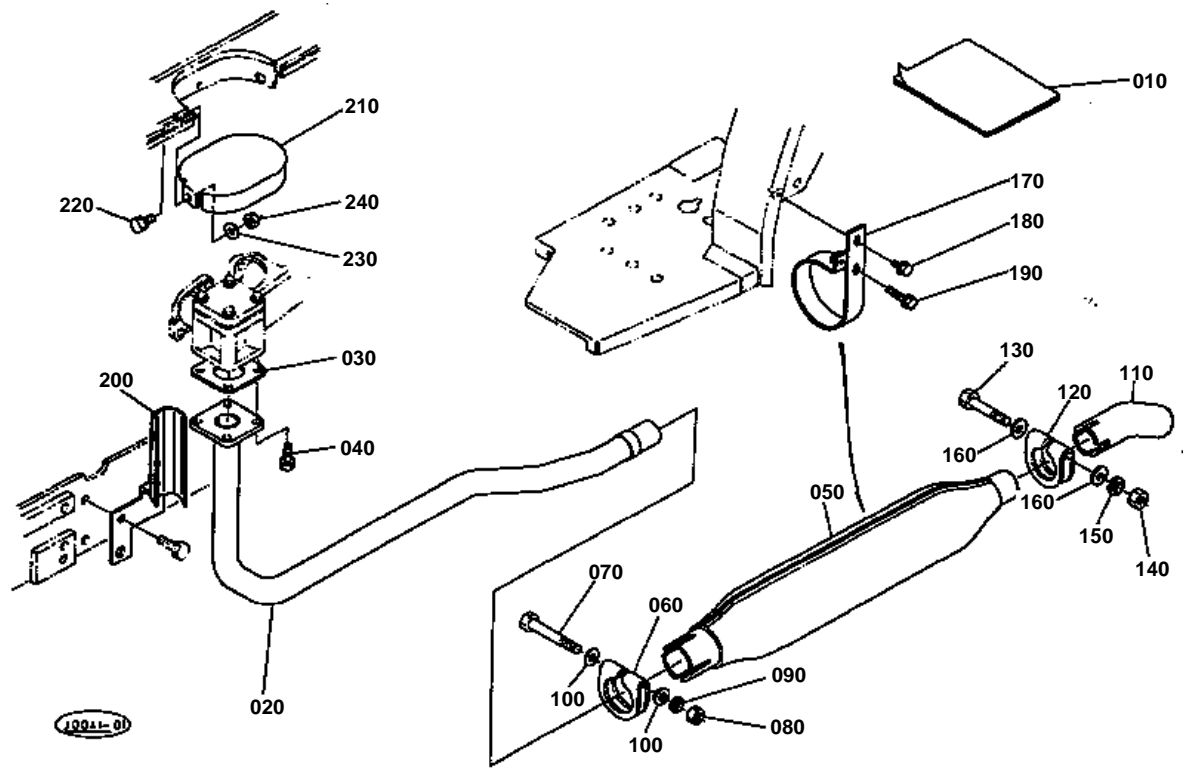


**MUFFLER**

↔ Interchangeable; ≠ not interchangeable; ← new for old; → old for new

REF.No	Part No.	Description	Q'ty	S.No.	I/C	REMARKS	Weight (kgf)	Weight (lb)
010	17356-12110	MUFFLER	1			EXCEPT [FR]	6.5	14.3
020	01123-50825	BOLT	4				0.013	0.0286
030	15471-12230	GASKET,MUFFLER	1				0	0
040	17321-12410	PIPE,MUFFLER	1				0.955	2.101
050	17331-12140	BAND,MUFFLER	1				0	0
060	15521-91040	BOLT	1				0.017	0.0374
070	15521-92010	NUT	1				0.004	0.0088
080	15521-94070	WASHER,SPRING	1				0.003	0.0066
090	15521-94040	WASHER,PLAIN	2				0.001	0.0022
100	17321-12660	COVER,MUFFLER PIPE	1				0.44	0.968

UNDER MUFFLER [OPTION]

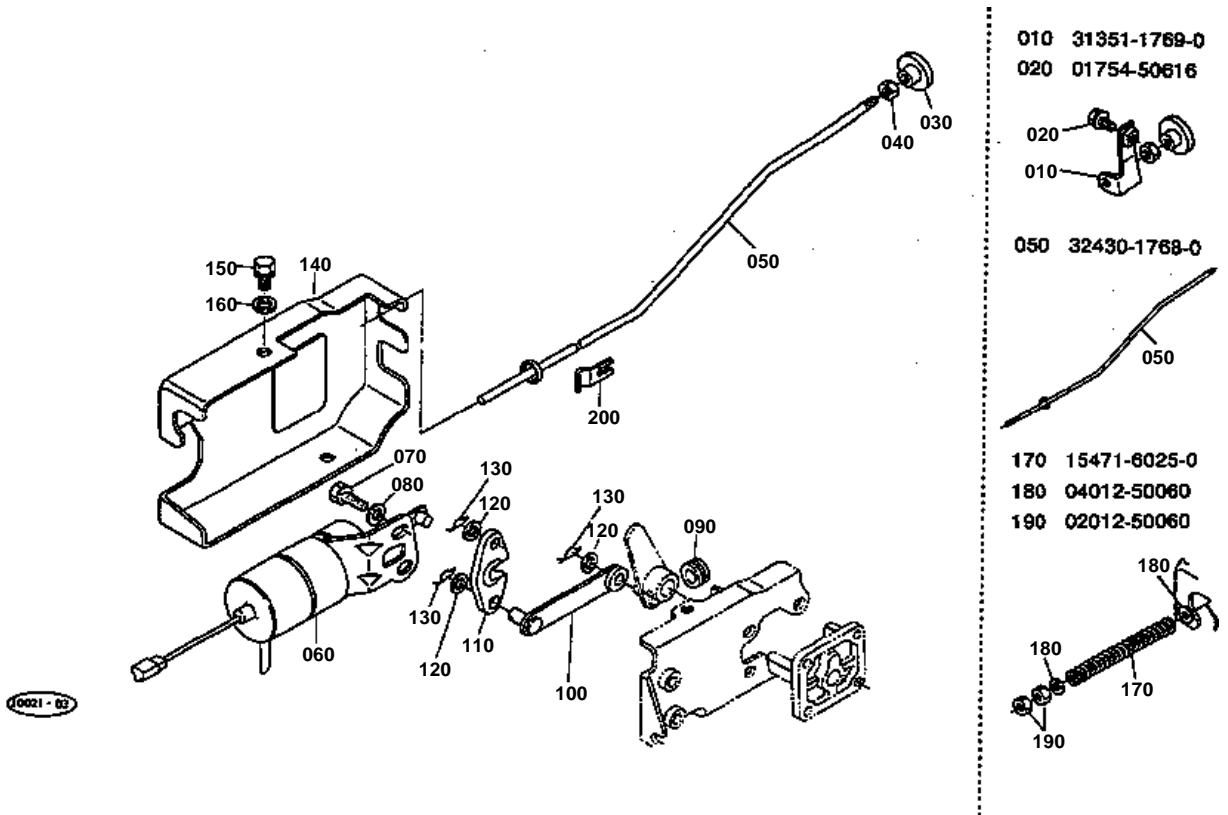


**UNDER MUFFLER [OPTION]**

↔ Interchangeable; ≠ not interchangeable; ← new for old; → old for new

REF.No	Part No.	Description	Q'ty	S.No.	I/C	REMARKS	Weight (kgf)	Weight (lb)
010	32430-98213	MANUAL,INSTRUCTION	1				0.004	0.0088
020	32430-64513	PIPE,MUFFLER	1				2.3	5.06
030	15471-12230	GASKET,MUFFLER	1				0	0
040	01123-50825	BOLT	4				0.013	0.0286
050	32431-12110	MUFFLER	1				2.2	4.84
060	32430-12130	BAND,MUFFLER	1				0	0
070	01153-50880	BOLT	1				0.03	0.066
080	02156-50080	NUT	1				0.004	0.0088
090	04512-50080	WASHER,SPRING	1				0	0
100	04012-50080	WASHER,PLAIN	2				0.001	0.0022
110	32430-62130	PIPE,MUFFLER	1				0.15	0.33
120	32430-12430	BAND,PIPE	1				0	0
130	01153-50865	BOLT	1				0.025	0.055
140	02156-50080	NUT	1				0.004	0.0088
150	04512-50080	WASHER,SPRING	1				0	0
160	04012-50080	WASHER,PLAIN	2				0.001	0.0022
170	32430-64550	SUPPORT,MUFFLER	1				0.34	0.748
180	01754-50812	BOLT,FLANGE	1				0.01	0.022
190	01754-50825	BOLT,FLANGE	1				0.01	0.022
200	31339-26150	COVER	1				0	0
210	99064-34130	COVER	1				0.21	0.462
220	01125-50820	BOLT	3				0	0
230	04013-50080	WASHER,PLAIN	3				0	0
240	02114-50080	NUT	3				0.005	0.011

STOP ROD

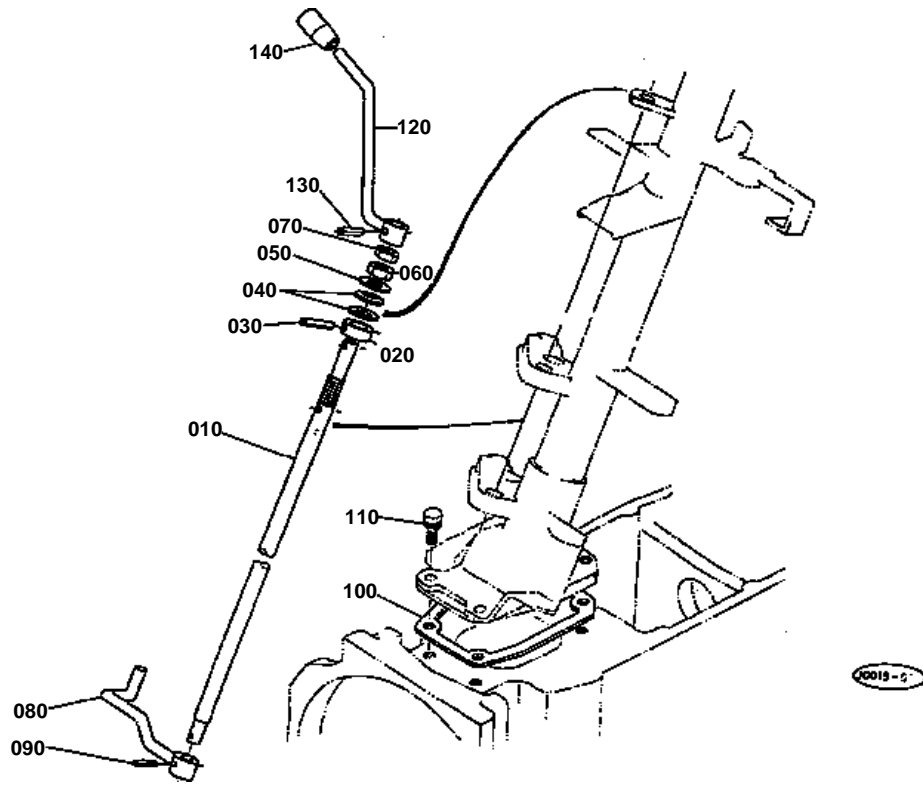


**STOP ROD**

↔ Interchangeable; ≠ not interchangeable; ← new for old; → old for new

REF.No	Part No.	Description	Q'ty	S.No.	I/C	REMARKS	Weight (kgf)	Weight (lb)
030	35260-17160	KNOB	1				0.015	0.033
040	02014-50060	NUT	1				0.003	0.0066
050	32430-17683	ROD,STOP	1				0.155	0.341
060	15471-60010	SOLENOID,STOP	1				0.415	0.913
070	01123-50816	BOLT	2				0.011	0.0242
080	04012-50080	WASHER,PLAIN	2				0.001	0.0022
090	66591-54580	RUBBER,RELEASE ROD	1				0.003	0.0066
100	17331-60150	LEVER,STOP	1				0.025	0.055
110	15471-60162	LEVER,STOP	1				0.007	0.0154
120	04012-50060	WASHER,PLAIN	3				0.001	0.0022
130	15471-94810	PIN,SNAP	3				0	0
140	15461-60120	COVER,SOLENOID	1				0.16	0.352
150	01023-50612	BOLT	2				0.005	0.011
160	04012-50060	WASHER,PLAIN	2				0.001	0.0022
200	38430-17180	SPRING	1				0.1	0.22

ACCELERATOR LEVER



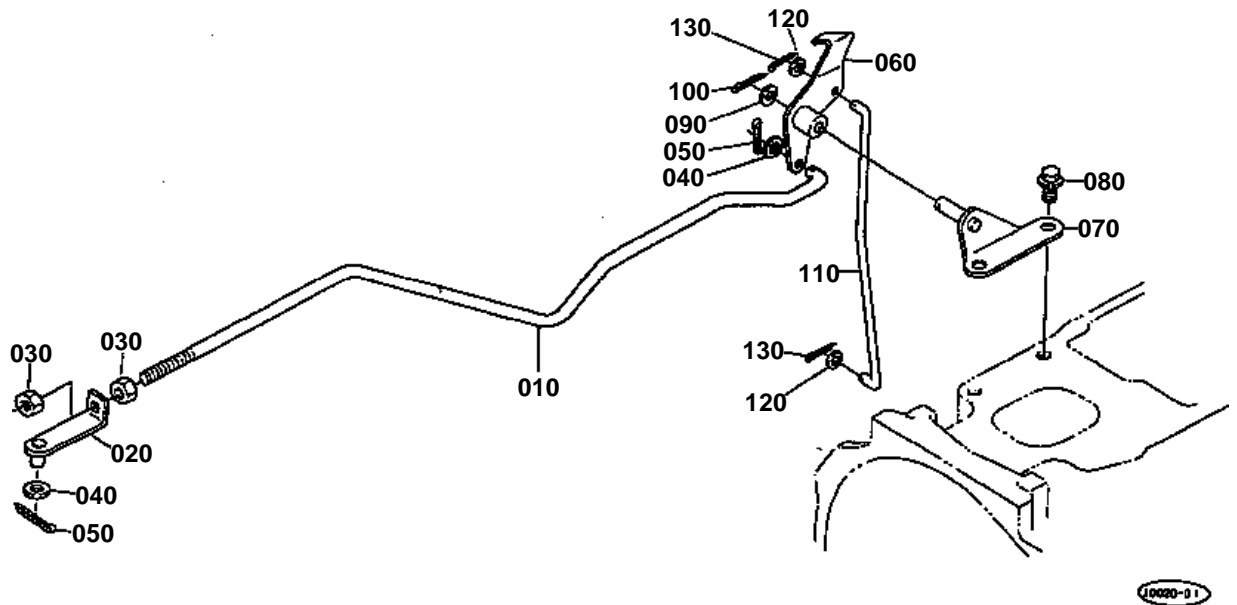


ACCELERATOR LEVER

↔ Interchangeable; ≠ not interchangeable; ← new for old; → old for new

REF.No	Part No.	Description	Q'ty	S.No.	I/C	REMARKS	Weight (kgf)	Weight (lb)
010	31351-17410	SHAFT,ACCEL.CONTROL	1	≤50370			0.525	1.155
010	30400-17410	SHAFT,ACCEL.CONTROL	1	≥50371	≠		0.52	1.144
020	31351-17420	COLLAR	1				0.04	0.088
030	05411-00528	PIN,SPRING	1				0.003	0.0066
040	31351-17440	SPRING	2				0.004	0.0088
050	04013-50140	WASHER,PLAIN	1				0	0
060	02076-50140	NUT	1				0.022	0.0484
070	02172-50140	NUT	1				0.01	0.022
080	31351-17430	ARM,ACCELERATOR	1				0.12	0.264
090	05411-00525	PIN,SPRING	1				0.002	0.0044
100	31351-17450	GASKET	1				0	0
110	01173-51018	BOLT	4				0.018	0.0396
120	32430-17550	LEVER,ACCEL.	1				0.15	0.33
130	05411-00525	PIN,SPRING	1				0.002	0.0044
140	31351-17560	GRIP,LEVER	1				0.01	0.022

ACCELERATOR LINKAGE



10080-01

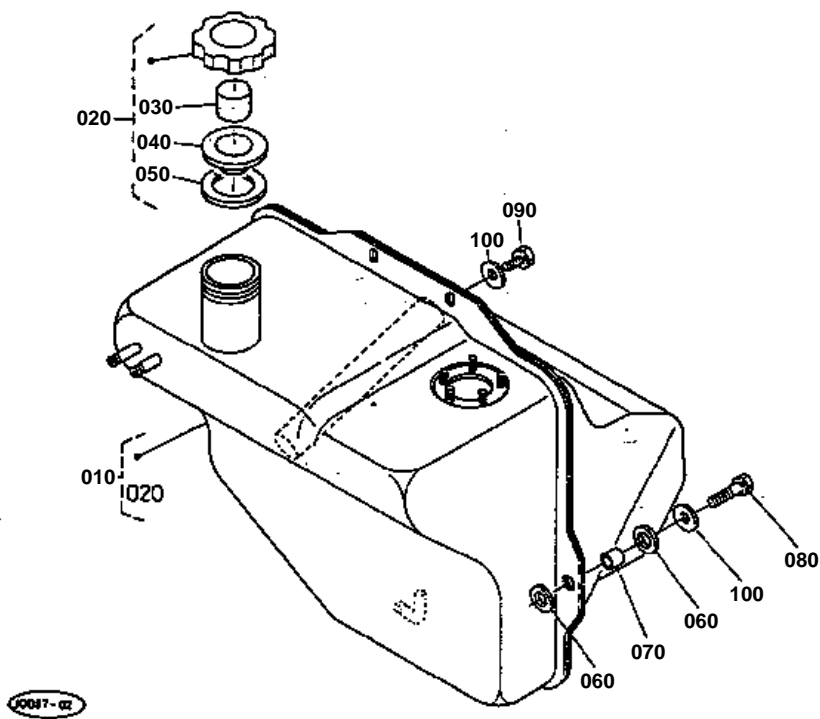


ACCELERATOR LINKAGE

↔ Interchangeable; ≠ not interchangeable; ← new for old; → old for new

REF.No	Part No.	Description	Q'ty	S.No.	I/C	REMARKS	Weight (kgf)	Weight (lb)
010	31351-17610	ROD,ACCEL.	1				0.16	0.352
020	34150-17390	JOINT,ROD	1				0.025	0.055
030	02012-50060	NUT	2				0	0
040	04012-50060	WASHER,PLAIN	2				0.001	0.0022
050	05511-50218	PIN,SPLIT	2				0.001	0.0022
060	31351-17624	LINK,ACCEL.	1				0.11	0.242
070	31351-17630	SUPPORT,ACCEL.LINK	1				0.2	0.44
080	01774-51220	BOLT,FLANGE	2				0.03	0.066
090	04011-50120	WASHER,PLAIN	1				0.005	0.011
100	05511-50320	PIN,SPLIT	1				0.002	0.0044
110	31351-17650	ROD,ACCELERATOR	1				0.06	0.132
120	04012-50060	WASHER,PLAIN	2				0.001	0.0022
130	05511-50218	PIN,SPLIT	2				0.001	0.0022

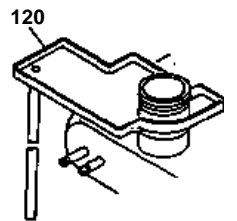
FUEL TANK



110 31351-3518-0



120 31351-3513-0

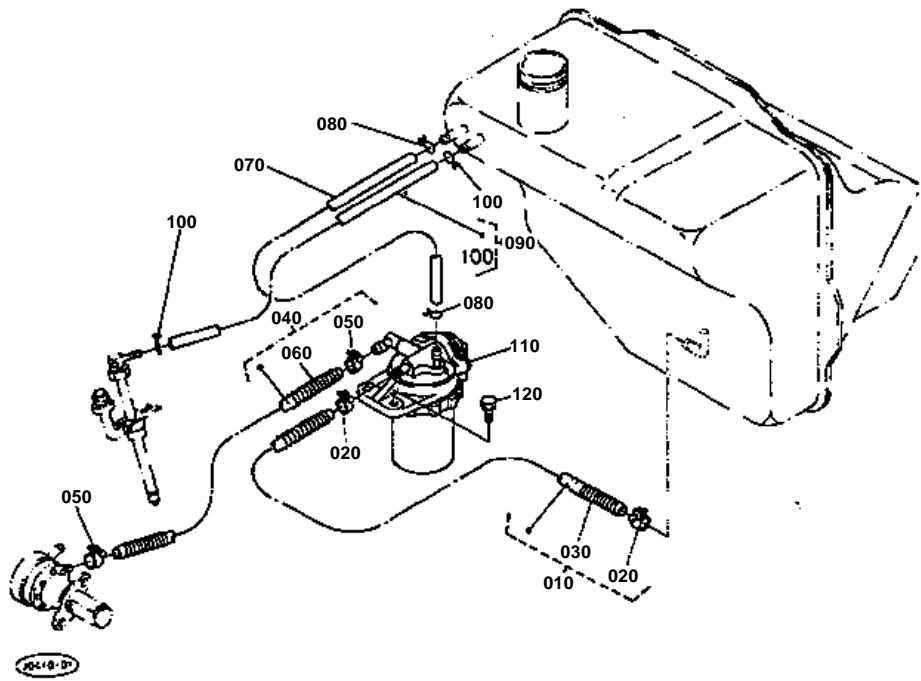


**FUEL TANK**

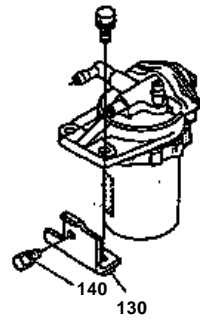
↔ Interchangeable; ≠ not interchangeable; ← new for old; → old for new

REF.No	Part No.	Description	Q'ty	S.No.	I/C	REMARKS	Weight (kgf)	Weight (lb)
010	31351-35100	ASSY TANK,FUEL	1				0	0
020	38240-35200	ASSY CAP,FUEL TANK	1				0.06	0.132
030	34150-35240	SPONGE	1				0.001	0.0022
040	34150-35230	GASKET	1				0.01	0.022
050	34150-35180	GASKET	1				0.001	0.0022
060	37300-35120	CUSHION	4				0.003	0.0066
070	37300-35140	SPACER	2				0.006	0.0132
080	01123-50825	BOLT	2				0.013	0.0286
090	01123-50816	BOLT	2				0.011	0.0242
100	04015-50080	WASHER,PLAIN	4				0	0

FUEL FILTER



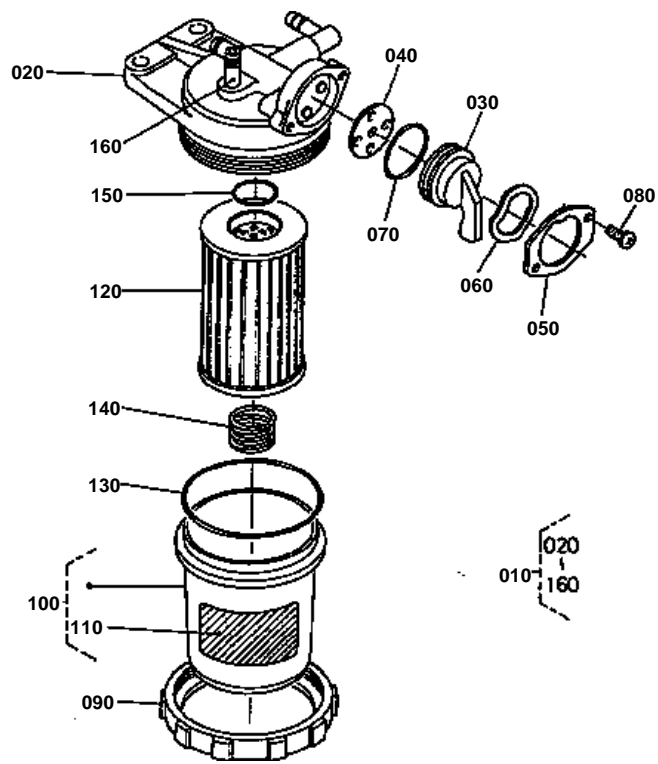
130. 31351-3571-0
140 01123-50816



**FUEL FILTER**

↔ Interchangeable; ≠ not interchangeable; ← new for old; → old for new

REF.No	Part No.	Description	Q'ty	S.No.	I/C	REMARKS	Weight (kgf)	Weight (lb)
010	31351-35510	ASSY PIPE,FUEL	1				0.06	0.132
020	14301-42750	CLIP,PIPE	2				0.005	0.011
030	31351-93610	SPRING,PIPE PROTECT.	1				0.01	0.022
040	31351-35520	ASSY PIPE,FUEL	1				0.09	0.198
050	14971-42750	CLIP,PIPE	2				0.001	0.0022
060	31351-93630	SPRING,PIPE PROTECT.	1				0.02	0.044
070	31351-35530	PIPE,FUEL	1				0.03	0.066
080	14301-42750	CLIP,PIPE	2				0.005	0.011
090	31351-35540	ASSY PIPE,FUEL	1				0.02	0.044
100	14971-42750	CLIP,PIPE	2				0.001	0.0022
110	19271-43010	ASSY FILTER,FUEL	1			EXCEPT [FR],[CA]	0	0
120	01123-50822	BOLT	2				0.012	0.0264



**FUEL FILTER [COMPONENT PARTS]**

↔ Interchangeable; ≠ not interchangeable; ← new for old; → old for new

REF.No	Part No.	Description	Q'ty	S.No.	I/C	REMARKS	Weight (kgf)	Weight (lb)
010	19271-43010	ASSY FILTER,FUEL	1			EXCEPT [FR],[CA]	0	0
020	15521-43112	ASSY BODY	1				0	0
030	15521-43522	HANDLE,FILTER	1				0.04	0.088
040	15521-43672	GASKET	1				0.001	0.0022
050	15521-43552	RETAINER,HANDLE	1				0.01	0.022
060	15521-43542	PLATE,THRUST	1				0.001	0.0022
070	04811-10290	RING	1				0.001	0.0022
080	15521-93310	SCREW,WITH WASHER	2				0	0
090	15521-43150	RING,RETAINER	1				0.14	0.308
100	19271-43100	ASSY POT,FILTER	1			EXCEPT [FR],[CA]	0	0
110	19271-87210	LABEL,CAUTION	1			EXCEPT [FR],[CA]	0.001	0.0022
120	15521-43160	ELEMENT,FILTER	1				0.07	0.154
130	04811-50650	RING	1				0.002	0.0044
140	15521-43930	SPRING	1				0.004	0.0088
150	04811-00160	RING	1				0.001	0.0022
160	15521-43282	JOINT,BREATHER	1				0.005	0.011

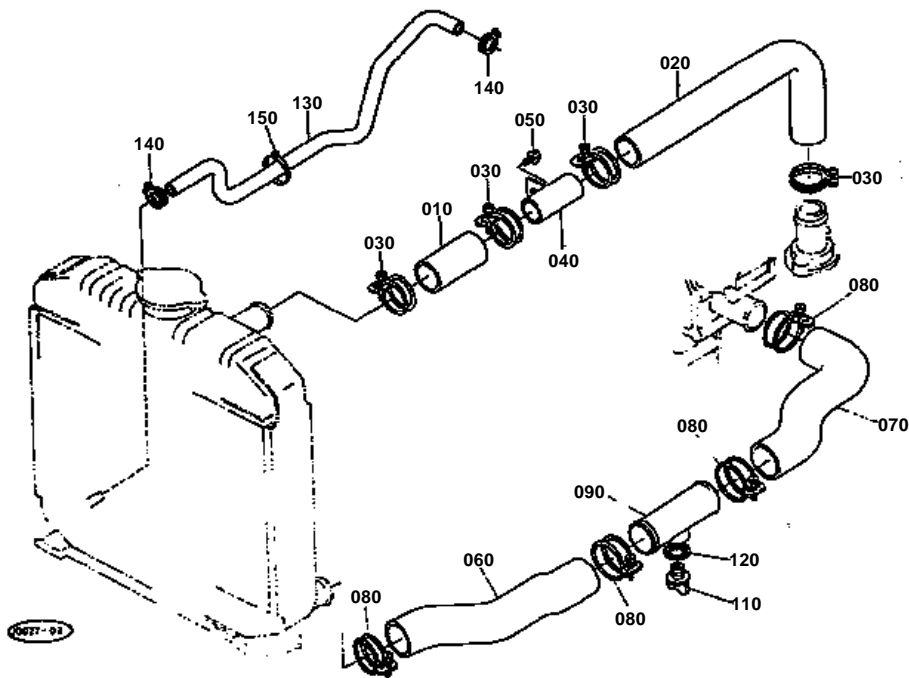


FAN

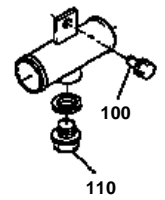
↔ Interchangeable; ≠ not interchangeable; ← new for old; → old for new

REF.No	Part No.	Description	Q'ty	S.No.	I/C	REMARKS	Weight (kgf)	Weight (lb)
010	31351-17860	COUPLING	1				0.205	0.451
020	01754-50625	BOLT,FLANGE	4				0.008	0.0176
040	31351-17870	SPACER	1				0.03	0.066
050	31351-17880	DISK,COUPLING	2				0.01	0.022
060	04012-50080	WASHER,PLAIN	2				0.001	0.0022
070	01123-50830	BOLT	2				0.015	0.033
080	31351-17890	SHAFT,JOINT	1				0.15	0.33
090	04012-50080	WASHER,PLAIN	4				0.001	0.0022
100	01123-50816	BOLT	2				0.011	0.0242
110	31351-17900	SHAFT,DRIVE	1				0.33	0.726
120	04012-50080	WASHER,PLAIN	4				0.001	0.0022
130	01123-50820	BOLT	2				0.011	0.0242
140	02156-50080	NUT	2				0.004	0.0088
150	31351-17910	SHAFT,JOINT	1				0.2	0.44
160	04012-50080	WASHER,PLAIN	4				0.001	0.0022
170	01123-50816	BOLT	2				0.011	0.0242
180	02374-50140	NUT	1				0.015	0.033
190	05511-50325	PIN,SPLIT	1				0.002	0.0044
200	31351-17932	SUPPORT,FAN	1				0	0
210	31351-17940	SUPPORT,BEARING	1				0.24	0.528
220	08141-06203	BEARING,BALL	2				0.064	0.1408
230	04611-00400	CIR-CLIP,INTERNAL	2				0.005	0.011
240	04013-50080	WASHER,PLAIN	4				0	0
250	01123-50816	BOLT	4				0.011	0.0242
260	17351-74250	PULLEY,FAN	1				0.26	0.572
270	17362-74110	FAN	1				0.935	2.057
280	01754-50612	BOLT,FLANGE	4				0.005	0.011
300	15469-97010	V BELT	1				0.095	0.209

WATER PIPE



100 01754-50816
110 06311-25030





WATER PIPE

↔ Interchangeable; ≠ not interchangeable; ← new for old; → old for new

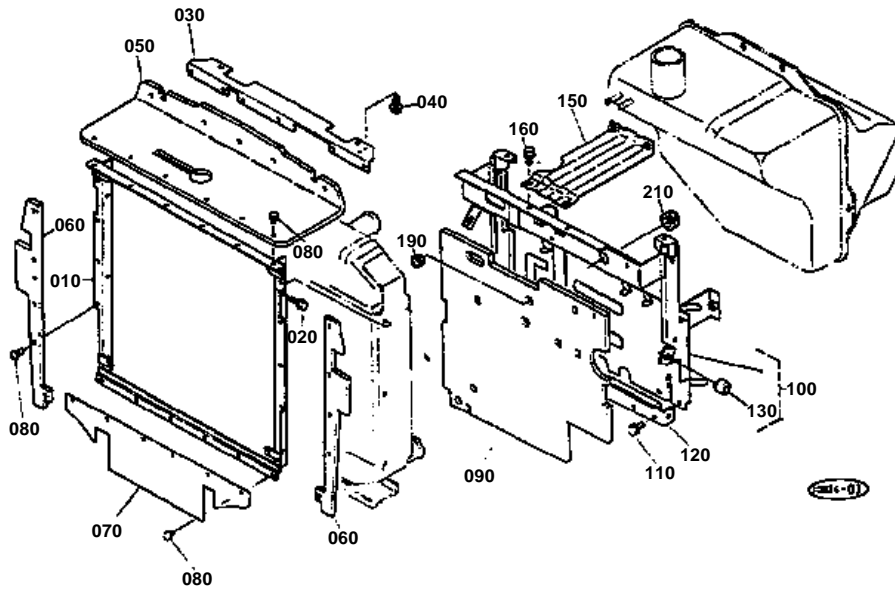
REF.No	Part No.	Description	Q'ty	S.No.	I/C	REMARKS	Weight (kgf)	Weight (lb)
010	31351-18010	PIPE,WATER	1				0.06	0.132
020	31351-18020	PIPE,WATER	1				0.25	0.55
030	15108-72870	BAND	4				0.027	0.0594
040	31351-18030	JOINT,WATER PIPE	1				0.15	0.33
050	01754-50816	BOLT,FLANGE	1				0.011	0.0242
060	32430-18050	PIPE,WATER	1				0.18	0.396
070	32430-18060	PIPE,WATER	1				0.19	0.418
080	15108-72870	BAND	4				0.027	0.0594
090	32430-18070	BASE,DRAIN COCK	1				0.165	0.363
110	31349-61420	PLUG,DRAIN	1				0.01	0.022
120	04717-01700	WASHER,WITH RUBBER	1				0.003	0.0066
130	31351-18570	HOSE,DRAIN	1				0.16	0.352
140	68171-63630	BAND,HOSE	2				0.013	0.0286
150	53581-64150	BAND,CORD	1				0.002	0.0044

**RADIATOR**

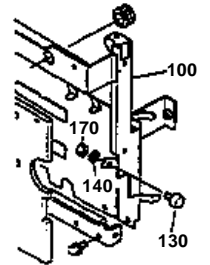
↔ Interchangeable; ≠ not interchangeable; ← new for old; → old for new

REF.No	Part No.	Description	Q'ty	S.No.	I/C	REMARKS	Weight (kgf)	Weight (lb)
010	17355-72060	ASSY RADIATOR	1				5.9	12.98
020	17355-72330	SHROUD,FAN	1				1.51	3.322
030	15272-72020	ASSY CAP	1				0.071	0.1562
040	17355-72400	ASSY TANK,RESERVE	1			WITH EASY CHECKER	0.5	1.1
050	54911-21720	CAP	1				0.008	0.0176
060	54911-21730	GASKET	1				0.004	0.0088
070	17325-72440	PIPE,WATER OVER FLOW	1				0.065	0.143
080	68111-42390	PIPE,WATER OVER FLOW	1				0.04	0.088
090	15501-72470	CLIP,PIPE	2				0.005	0.011
100	15501-88210	LABEL,CAUTION	1				0.005	0.011
110	15521-72992	SWITCH,WATER LEVEL	1			WITH EASY CHECKER	0.06	0.132
120	34350-29380	BAND,CORD	1				0.001	0.0022
130	15111-72180	CUSHION	2				0.015	0.033
140	15111-72190	CUSHION	2				0.016	0.0352
150	15108-72380	BOLT	2				0.04	0.088
160	15111-72200	WASHER	4				0.013	0.0286
170	05515-51000	PIN,SNAP	2				0	0
180	38240-13370	CLAMP,PIPE	1				0.005	0.011
190	01123-50814	BOLT	1				0	0
200	32430-13950	STAY,TANK	1				0	0
210	01754-50816	BOLT,FLANGE	2				0.011	0.0242
220	32430-17712	GUIDE,RADIATOR NET	1				1.1	2.42
230	01754-50610	BOLT,FLANGE	6				0.006	0.0132
240	32430-17720	NET,RADIATOR	1				1.46	3.212
250	31351-17740	CLAMP	2				0.01	0.022

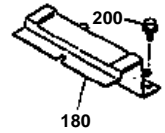
SHUTTER



- 100 31351-3521-0
- 130 33251-8518-0
- 140 04512-50100
- 170 02118-50100



- 180 31351-3526-2
- 200 01754-50818

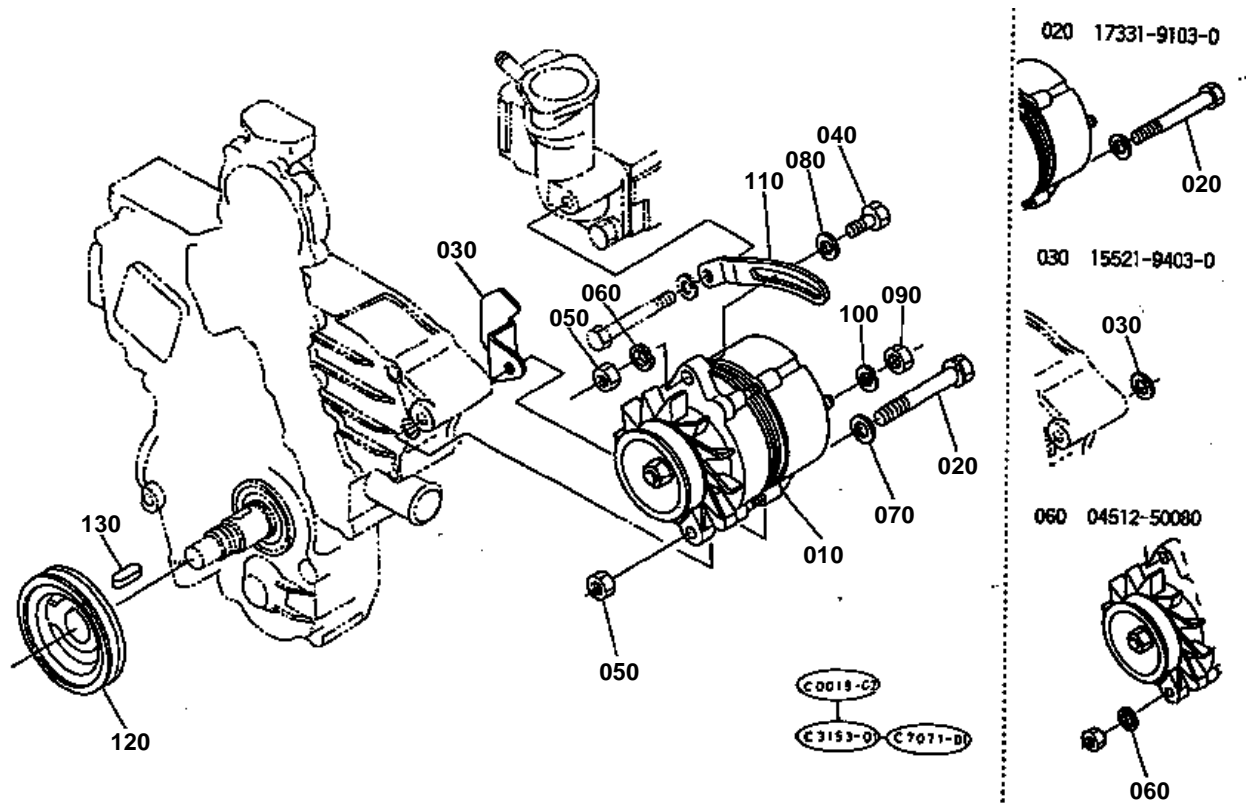




SHUTTER

↔ Interchangeable; ≠ not interchangeable; ← new for old; → old for new

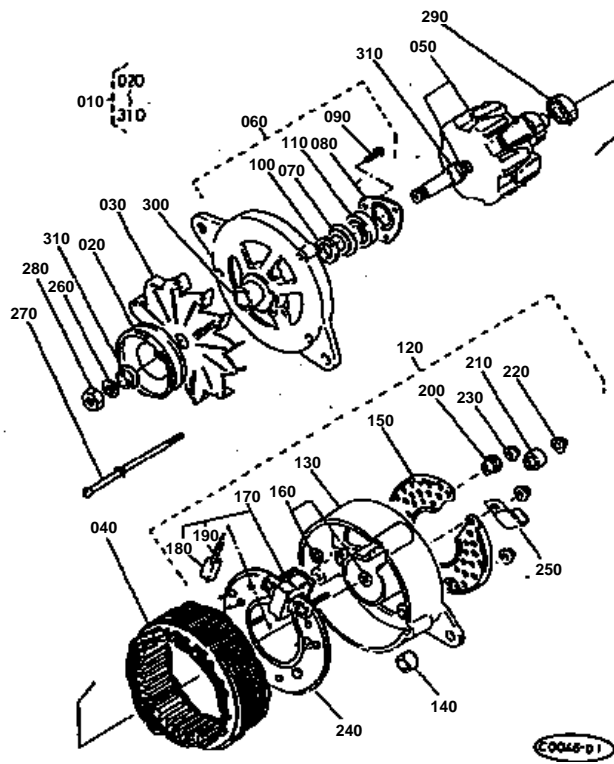
REF.No	Part No.	Description	Q'ty	S.No.	I/C	REMARKS	Weight (kgf)	Weight (lb)
010	32430-17762	FRAME,SHUTTER	1				0.8	1.76
020	01754-50610	BOLT,FLANGE	6				0.006	0.0132
030	32430-17772	PLATE,SHUTTER	1				0.15	0.33
040	01754-50816	BOLT,FLANGE	2				0.011	0.0242
050	31351-17783	SHUTTER	1				0.155	0.341
060	32430-17790	SHUTTER	2				0.035	0.077
070	32430-17800	SHUTTER	1				0	0
080	38430-29372	CLIP,BUTTON	25				0.001	0.0022
100	31351-99100	ASSY PLATE,SHUTTER	1				4.6	10.12
110	01754-50816	BOLT,FLANGE	4				0.011	0.0242
120	31351-35230	SUPPORT,SHUTTER	1				0.345	0.759
130	30400-17980	RUBBER,BLOCK	2				0.01	0.022
150	31351-35250	STAY,FUEL TANK	1				0.38	0.836
160	01754-50812	BOLT,FLANGE	3				0.01	0.022
190	32150-29180	CAP,RUBBER	2				0.002	0.0044
210	37100-18080	CUSHION	1				0.002	0.0044



**DYNAMO**

↔ Interchangeable; ≠ not interchangeable; ← new for old; → old for new

REF.No	Part No.	Description	Q'ty	S.No.	I/C	REMARKS	Weight (kgf)	Weight (lb)
010	15763-64010	ASSY DYNAMO	1			REFER TO L.NO.0C12-L0 FOR COMPONENTS.	3.47	7.634
020	17367-91030	BOLT	1				0.02	0.044
030	17367-05580	CLAMP,PIPE	1				0	0
040	01153-50830	BOLT	1				0	0
050	02156-50080	NUT	2				0.004	0.0088
060	04512-50080	WASHER,SPRING	1				0	0
070	04012-50080	WASHER,PLAIN	1				0.001	0.0022
080	04015-50080	WASHER,PLAIN	1				0	0
090	02056-50060	NUT	1				0.002	0.0044
100	04512-50060	WASHER,SPRING	1				0	0
110	15321-64420	STAY,DYNAMO	1				0.1	0.22
120	17371-74280	PULLEY,FAN DRIVE	1				0.98	2.156
130	05712-00720	KEY,FEATHER	1				0.008	0.0176

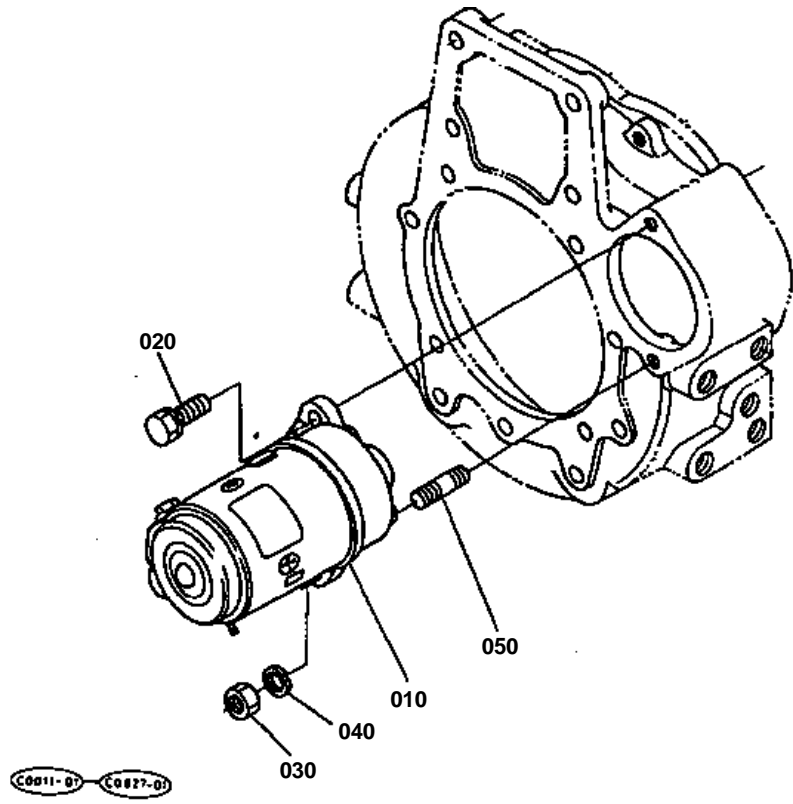


**DYNAMO [COMPONENT PARTS]**

↔ Interchangeable; ≠ not interchangeable; ← new for old; → old for new

REF.No	Part No.	Description	Q'ty	S.No.	I/C	REMARKS	Weight (kgf)	Weight (lb)
010	15763-64010	ASSY DYNAMO	1				3.47	7.634
020	15471-64110	PULLEY,DYNAMO	1				0.435	0.957
030	15253-64130	FAN,DYNAMO	1				0.18	0.396
040	15606-64050	YOKE	1				0.76	1.672
050	15253-64030	ARMATURE	1				1.46	3.212
060	15253-64020	FRAME,DRIVE END	1				0.365	0.803
070	15221-64830	COVER,FELT	1				0.003	0.0066
080	15221-64710	PLATE,RETAINER	1				0.018	0.0396
090	01053-50516	BOLT	3				0.003	0.0066
100	15221-64790	FELT,OIL	1				0.001	0.0022
110	08141-06202	BEARING,BALL	1				0.043	0.0946
120	15253-64070	ASSY FRAME,END	1				0.55	1.21
130	15253-64060	FRAME,END	1				0.29	0.638
140	15221-64210	BUSH	1				0.007	0.0154
150	15253-64230	COVER,END	1				0.02	0.044
160	15321-64880	WASHER,INSULATION	2				0.001	0.0022
170	15253-64310	ASSY HOLDER,BRUSH	1				0.04	0.088
180	15221-64090	BRUSH	2				0.002	0.0044
190	15221-64330	SPRING,BRUSH	2				0.001	0.0022
200	15321-64910	BUSH,INSULATION	1				0.001	0.0022
210	15321-64920	BUSH,INSULATION	1				0.001	0.0022
220	15451-94080	WASHER	5				0.001	0.0022
230	14182-92030	NUT	2				0.003	0.0066
240	15321-64850	ASSY RECTIFIER	1				0.134	0.2948
250	15321-67570	CLAMP,CORD	1				0.04	0.088
260	15221-94070	WASHER,SPRING	1				0.008	0.0176
270	15321-64260	BOLT,THROUGH	3				0.008	0.0176
280	15221-92010	NUT	1				0.012	0.0264
290	08121-06201	BEARING,BALL	1				0.036	0.0792
300	15221-64150	COLLAR	1				0.008	0.0176
310	15321-64170	SPACER	2				0.007	0.0154

STARTER



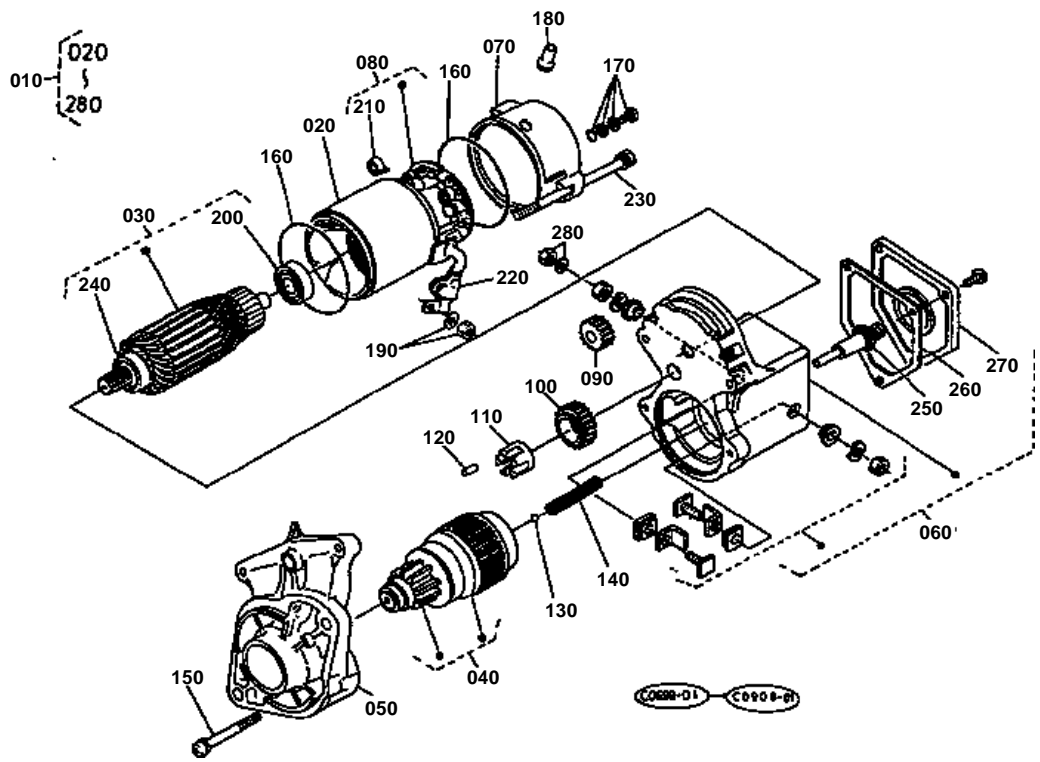


STARTER

↔ Interchangeable; ≠ not interchangeable; ← new for old; → old for new

REF.No	Part No.	Description	Q'ty	S.No.	I/C	REMARKS	Weight (kgf)	Weight (lb)
010	15461-63010	ASSY STARTER	1			REFER TO L.NO.0C13-R0 FOR COMPONENTS.	3.8	8.36
020	01133-51030	BOLT	1				0.025	0.055
030	02176-50100	NUT	1				0.005	0.011
040	04512-50100	WASHER, SPRING	1				0	0
050	01517-51028	STUD	1				0.022	0.0484

STARTER [COMPONENT PARTS]

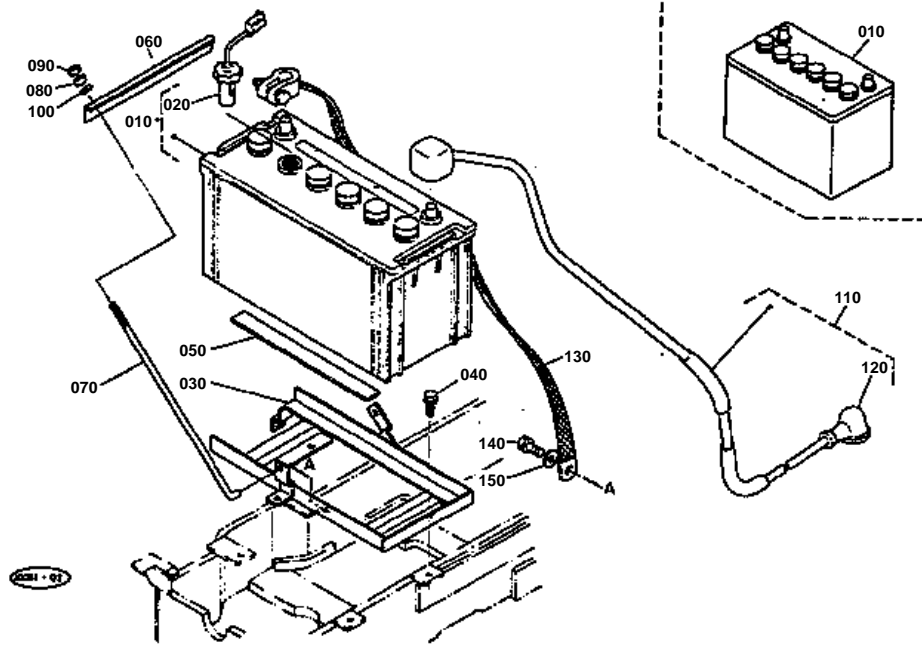


**STARTER [COMPONENT PARTS]**

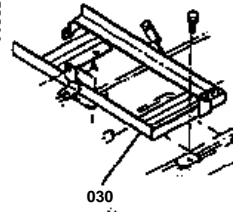
↔ Interchangeable; ≠ not interchangeable; ← new for old; → old for new

REF.No	Part No.	Description	Q'ty	S.No.	I/C	REMARKS	Weight (kgf)	Weight (lb)
010	15461-63010	ASSY STARTER	1				3.8	8.36
020	15461-63080	ASSY YOKE	1				1.13	2.486
030	15511-63070	ASSY ARMATURE	1				1.05	2.31
040	15461-63040	ASSY CLUTCH	1				0	0
050	15511-63030	FRAME,DRIVE END	1				0.32	0.704
060	15461-63020	ASSY SWITCH,MAGNETIC	1				0	0
070	15511-63200	FRAME,END	1				0.14	0.308
080	15511-63380	ASSY HOLDER,BRUSH	1				0.09	0.198
090	15511-63260	GEAR	1				0.02	0.044
100	15401-63270	GEAR	1				0.043	0.0946
110	19212-63110	RETAINER	1				0.002	0.0044
120	19212-63100	ROLLER	5				0.002	0.0044
130	19212-97130	BALL	1				0.003	0.0066
140	19212-63120	SPRING	1				0.004	0.0088
150	15501-93310	SCREW,PAN HEAD	2				0.01	0.022
160	15511-96660	O RING	2				0.005	0.011
170	15511-63760	ASSY BOLT	2				0.005	0.011
180	15511-63450	COVER	1				0.002	0.0044
190	13963-92010	NUT,HEXAGON	1				0.005	0.011
200	15511-63530	BEARING,BALL	1				0.025	0.055
210	15401-63390	SPRING,BRUSH	4				0.003	0.0066
220	15504-63120	COVER,CORD	1				0.06	0.132
230	19215-63320	BOLT,THROUGH	2				0.03	0.066
240	15511-63500	BEARING,BALL	1				0.04	0.088
250	15461-63990	PLUNGER	1				0.15	0.33
260	15461-63520	GASKET	1				0.01	0.022
270	15461-63510	COVER,SOLENOID	1				0.06	0.132
280	04512-50080	NUT,HEXAGON	1				0	0

BATTERY



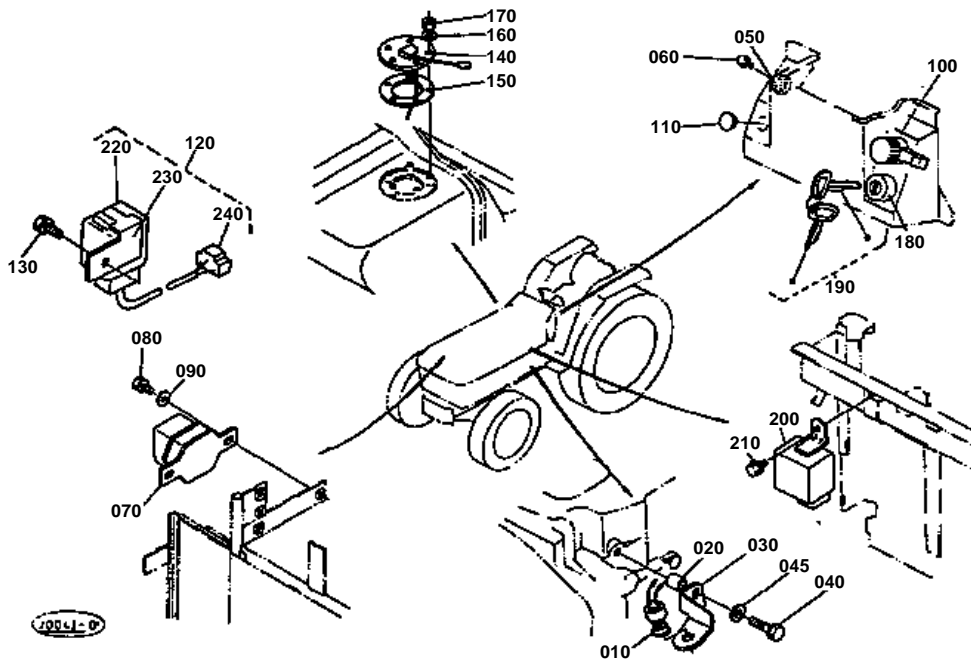
030 92430-1381-0



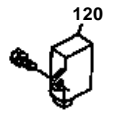
**BATTERY**

↔ Interchangeable; ≠ not interchangeable; ← new for old; → old for new

REF.No	Part No.	Description	Q'ty	S.No.	I/C	REMARKS	Weight (kgf)	Weight (lb)
010	32430-33200	ASSY BATTERY, DRY	1			WITH EASY CHECKER	18.4	40.48
020	38240-33370	SENER, BATTERY	1			WITH EASY CHECKER	0.03	0.066
030	32430-13815	SUPPORT, BATTERY	1				1.37	3.014
040	01754-50816	BOLT, FLANGE	3				0.011	0.0242
050	31351-13820	CUSHION, BATTERY	2				0.015	0.033
060	31351-33110	RETAINER, BATTERY	1				0.11	0.242
070	38240-33290	BOLT, HOOK	2				0	0
080	31351-33140	NUT	2				0.004	0.0088
090	02014-50060	NUT	2				0.003	0.0066
100	04015-50060	WASHER, PLAIN	2				0	0
110	31351-33330	CORD, BATTERY	1				0.45	0.99
120	31351-94030	CAP, BATTERY RUBBER	1				0.01	0.022
130	31351-33340	CORD, EARTH	1				0	0
140	01123-50814	BOLT	1				0	0
150	04013-50080	WASHER, PLAIN	1				0	0



120 35170-3370-0

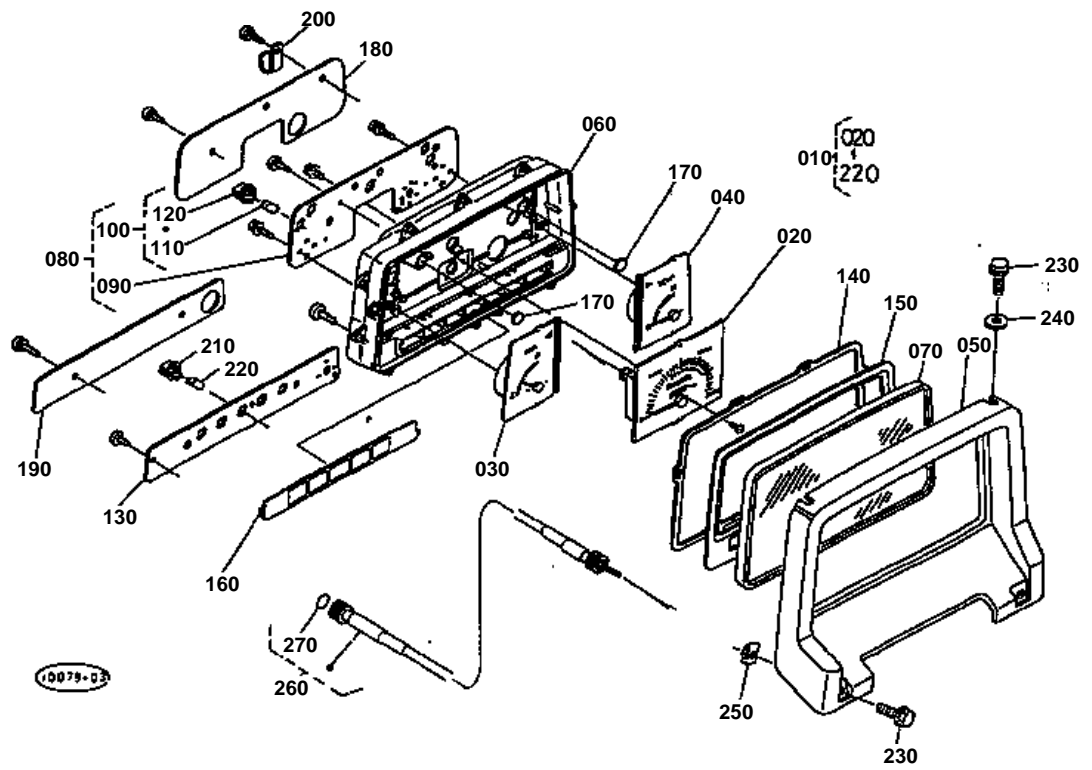


**SWITCH AND REGULATOR EXCEPT [FR]**

↔ Interchangeable; ≠ not interchangeable; ← new for old; → old for new

REF.No	Part No.	Description	Q'ty	S.No.	I/C	REMARKS	Weight (kgf)	Weight (lb)
010	37150-32240	SWITCH,SAFETY	1				0.12	0.264
020	31351-32272	SPACER,BRACKET	1				0.035	0.077
030	31351-32250	BRACKET,SWITCH	1				0.08	0.176
040	01133-51040	BOLT	1				0.03	0.066
045	04011-50100	WASHER,PLAIN	1				0.002	0.0044
050	17345-65950	INDICATOR,GLOW PLUG	1				0.075	0.165
060	01754-50816	BOLT,FLANGE	2				0.011	0.0242
070	33251-74010	ASSY REGULATOR	1				0.35	0.77
080	01023-50612	BOLT	2				0.005	0.011
090	04013-50060	WASHER,PLAIN	2				0	0
100	31351-32100	SWITCH,COMBINATION	1				0.105	0.231
110	30430-82670	PLUG,BLIND	1				0.001	0.0022
120	32430-33700	ASSY HAZARD UNIT	1				0.095	0.209
130	01202-50616	BOLT	1				0.006	0.0132
140	31331-31202	UNIT FUEL	1				0.13	0.286
150	36330-75310	GASKET	1				0.005	0.011
160	04013-50050	WASHER,PLAIN	5				0	0
170	02054-50050	NUT	5				0.002	0.0044
180	32430-31820	SWITCH,MAIN	1				0.285	0.627
190	35260-31850	ASSY KEY,MAIN SWITCH	1				0	0
200	31351-31410	TIMER	1				0	0
210	01754-50610	BOLT,FLANGE	1				0.006	0.0132
220	32430-94260	BODY,HAZARD UNIT	1				0.045	0.099
230	32430-94270	BRACKET,HAZARD UNIT	1				0.015	0.033
240	32430-94280	HARNES,HAZARD UNIT	1				0.02	0.044

PANEL [WITH EASY CHECKER]

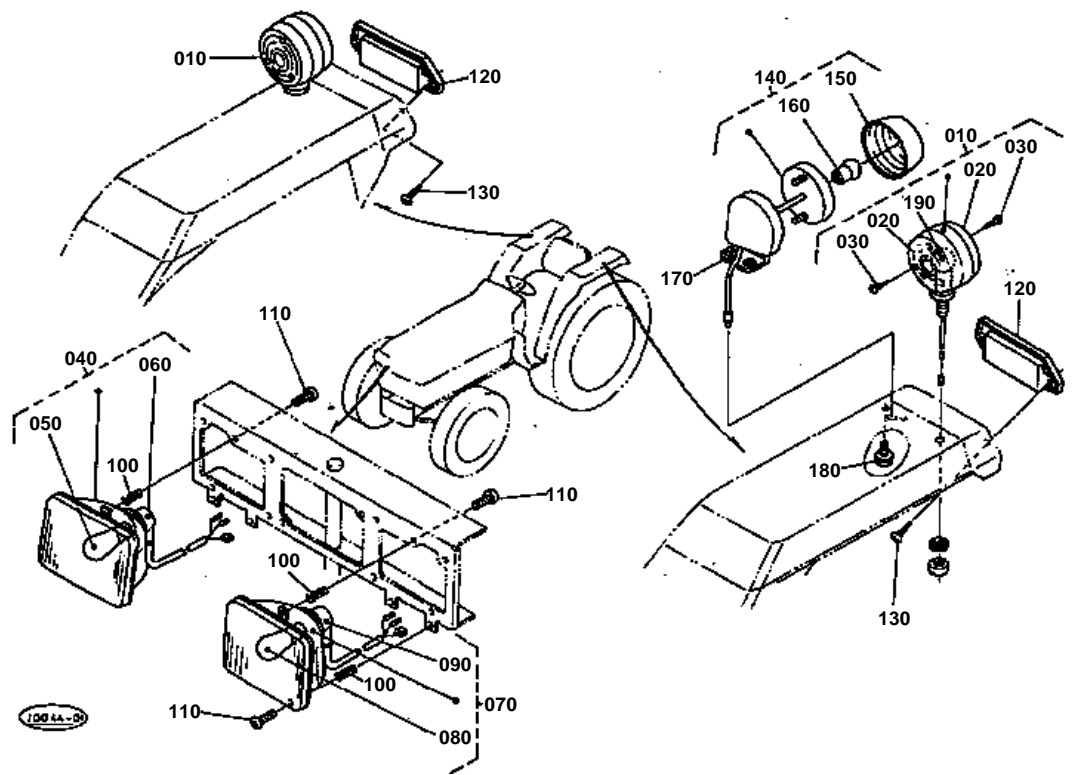




PANEL [WITH EASY CHECKER]

↔ Interchangeable; ≠ not interchangeable; ← new for old; → old for new

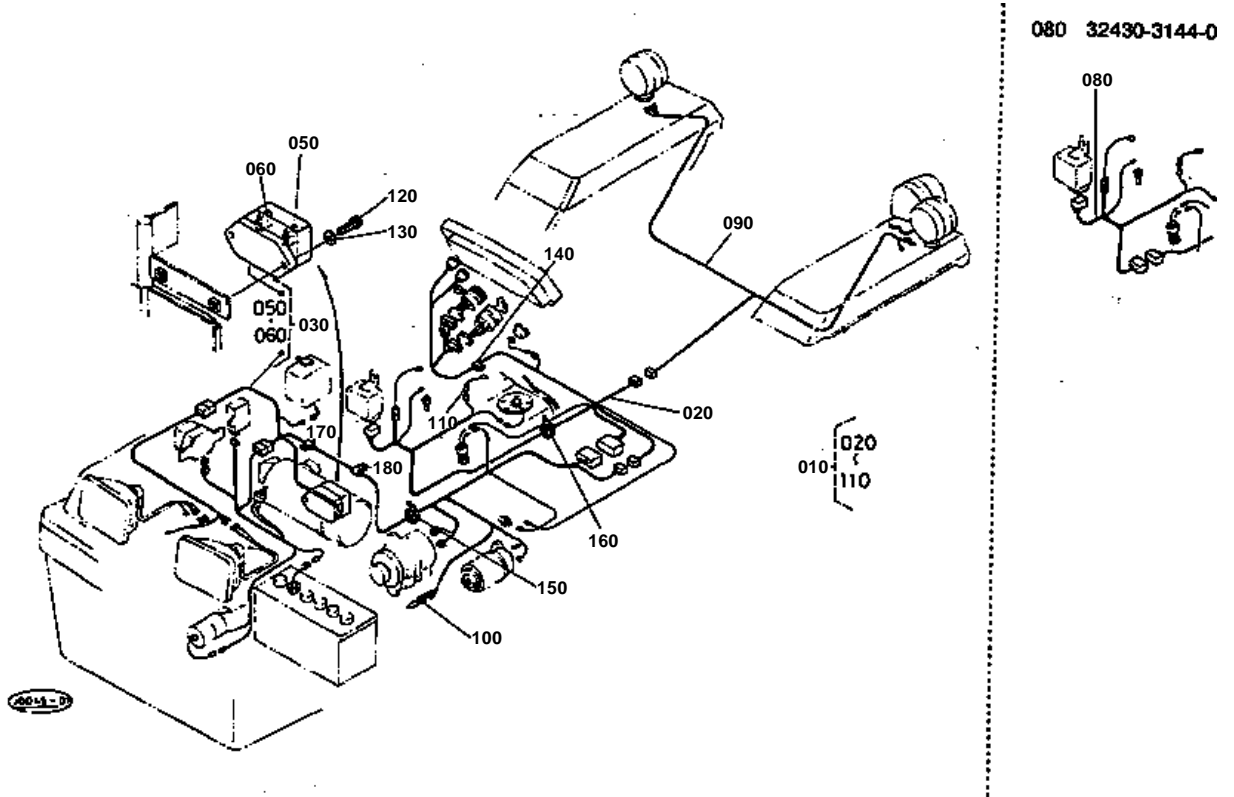
REF.No	Part No.	Description	Q'ty	S.No.	I/C	REMARKS	Weight (kgf)	Weight (lb)
010	32430-31120	ASSY BOARD,PANEL	1				0	0
020	31351-93710	ASSY TACHOMETER	1				0	0
030	31351-93720	ASSY GAUGE,FUEL	1				0.125	0.275
040	31351-93870	ASSY GAUGE,TEMP.	1				0.115	0.253
050	31351-93740	HOOD	1				0.46	1.012
060	31351-93750	CASE	1				0.5	1.1
070	31351-93760	GLASS,WITH GASKET	1				0.475	1.045
080	31351-93770	ASSY PLATE	1				0.06	0.132
090	31351-93780	ASSY PLATE	1				0	0
100	38240-31460	ASSY LAMP	5				0.015	0.033
110	38240-31470	BULB	5				0.01	0.022
120	38240-31480	SOCKET	5				0.001	0.0022
130	32430-93780	ASSY PLATE	1				0.1	0.22
140	31351-93790	GASKET,RUBBER	1				0.055	0.121
150	31351-93800	PLATE,WIND	1				0.18	0.396
160	32430-93810	LENS	1				0.04	0.088
170	31351-93820	LENS	2				0.005	0.011
180	31351-93830	CASE	1				0.2	0.44
190	31351-93840	CASE	1				0.13	0.286
200	31351-93850	CLAMP	2				0.04	0.088
210	38240-31480	SOCKET	5				0.001	0.0022
220	38240-31470	BULB	5				0.01	0.022
230	31351-18790	BOLT,FLANGE	4				0.007	0.0154
240	31351-18860	WASHER	2				0.002	0.0044
250	38240-29250	NUT,SPRING	2				0.005	0.011
260	38240-34654	CABLE,FLEXIBLE	1				0	0
270	04811-10080	RING	1				0.001	0.0022



**LIGHT EXCEPT [FR]**

↔ Interchangeable; ≠ not interchangeable; ← new for old; → old for new

REF.No	Part No.	Description	Q'ty	S.No.	I/C	REMARKS	Weight (kgf)	Weight (lb)
010	32530-33610	ASSY LIGHT,HAZARD	2				0.5	1.1
020	32530-91510	LENS,HAZARD LIGHT	4				0.085	0.187
030	32530-91520	SCREW	12				0.001	0.0022
040	31351-33370	ASSY LIGHT,HEAD RH	1				0.7	1.54
050	38240-33870	BULB	1				0	0
060	31351-93600	COMP.CORD,SOCKET	1				0.065	0.143
070	31351-33380	ASSY LIGHT,HEAD LH	1				0.38	0.836
080	38240-33870	BULB	1				0	0
090	31351-93600	COMP.CORD,SOCKET	1				0.065	0.143
100	38240-33860	SPRING,LIGHT	6				0.001	0.0022
110	03054-50520	SCREW,PAN HEAD	6				0.005	0.011
120	31351-33900	ASSY REFLECTOR	2				0.088	0.1936
130	03514-50510	SCREW	4				0.002	0.0044
140	34350-34100	ASSY LIGHT,TAIL	1				0.13	0.286
150	34350-34120	LENS,TAIL LIGHT	1				0.05	0.11
160	34350-34140	BULB,TAIL LIGHT	1				0.008	0.0176
170	32480-34190	HOLDER,TAIL LIGHT	1				0.15	0.33
180	01754-50612	BOLT,FLANGE	2				0.005	0.011
190	32530-91530	BULB,LIGHT	2				0.02	0.044

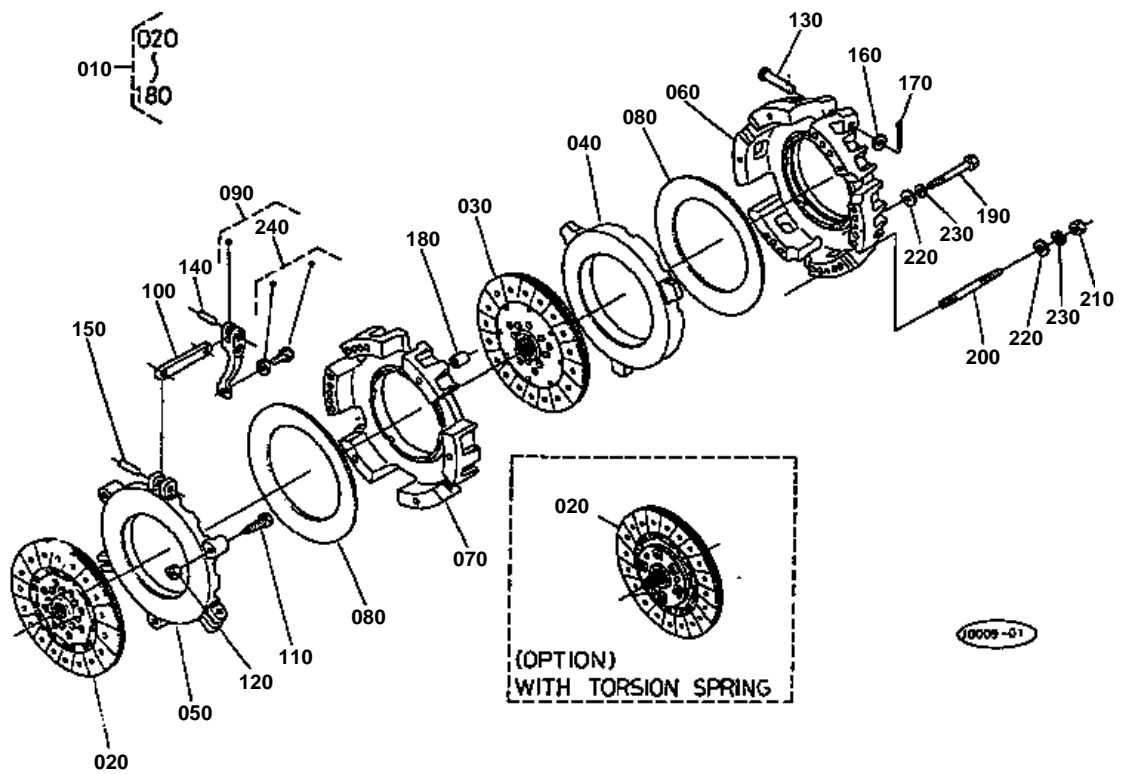


**ELECTRICAL WIRING [WITH EASY CHECKER] EXCEPT [FR]**

↔ Interchangeable; ≠ not interchangeable; ← new for old; → old for new

REF.No	Part No.	Description	Q'ty	S.No.	I/C	REMARKS	Weight (kgf)	Weight (lb)
010	32430-31402	ASSY WIRE HARNESS	1				1.53	3.366
020	32430-31420	WIRE HARNESS	1				0.615	1.353
030	32430-31430	WIRE HARNESS	1				0.775	1.705
040	99999-99999	BLANK	0				0	0
050	31351-33630	FUSE	6			10A	0.002	0.0044
060	31351-33640	FUSE	3			15A	0.002	0.0044
070	99999-99999	BLANK	0				0	0
090	32430-31340	WIRE HARNESS	1				0.155	0.341
100	38430-34530	LINK,FUSIBLE	1				0.01	0.022
110	31351-31352	WIRE HARNESS	1				0.005	0.011
120	01023-50616	BOLT	2				0.005	0.011
140	79153-35380	CLAMP	2				0.02	0.044
150	55311-41260	BAND,CORD	1				0.007	0.0154
160	53581-64150	BAND,CORD	1				0.002	0.0044
170	13816-67580	CLAMP,CORD	2				0.004	0.0088
180	13824-67580	CLAMP,CORD	1				0.006	0.0132

CLUTCH (DC)



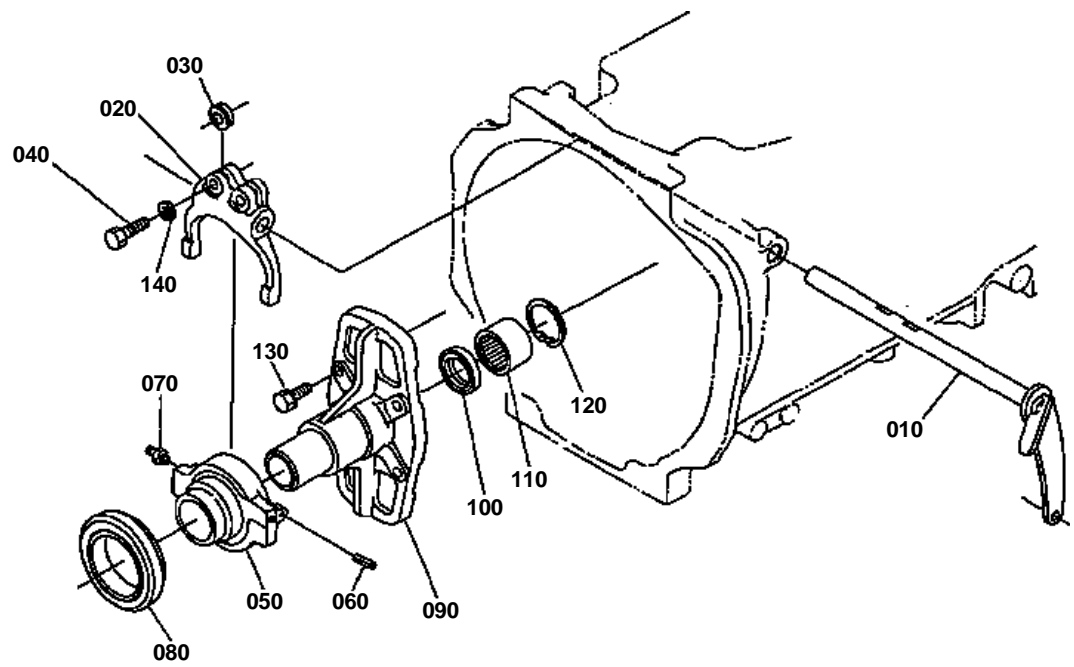


CLUTCH (DC)

↔ Interchangeable; ≠ not interchangeable; ← new for old; → old for new

REF.No	Part No.	Description	Q'ty	S.No.	I/C	REMARKS	Weight (kgf)	Weight (lb)
010	32440-14200	ASSY CLUTCH,DUAL	1				17	37.4
020	35350-99140	COMP.DISK,CLUTCH	1				1	2.2
020	38150-14400	COMP.DISK,CLUTCH	1			OPTION	1.2	2.64
030	32425-14450	COMP.DISK,CLUTCH	1				1	2.2
040	38260-14430	PLATE,PRESSURE	1				2.1	4.62
050	32430-14440	PLATE,PRESSURE	1				3	6.6
060	32430-14410	COVER,CLUTCH	1				4.2	9.24
070	32430-14420	COVER,CLUTCH	1				4.2	9.24
080	32430-14520	SPRING,DIAPHRAGM	2				0.33	0.726
090	35290-99030	KIT LEVER,RELEASE	1				0.415	0.913
100	38260-14530	COMP ROD,RELEASE	3				0.08	0.176
110	35290-14580	BOLT	3				0.035	0.077
120	02176-50100	NUT	3				0.005	0.011
130	38260-14560	PIN,JOINT	3				0.022	0.0484
140	34370-14570	PIN,STRAIGHT	3				0.016	0.0352
150	38260-14580	PIN,STRAIGHT	3				0.015	0.033
160	04012-50080	WASHER,PLAIN	3				0.001	0.0022
170	38260-14590	PIN,SPLIT	3				0.001	0.0022
180	34370-14590	PIPE,KNOCK	3				0.01	0.022
190	01153-50870	BOLT	4				0.026	0.0572
200	01513-50870	STUD	2				0.029	0.0638
210	02156-50080	NUT	2				0.004	0.0088
220	04013-50080	WASHER,PLAIN	6				0	0
230	04512-50080	WASHER,SPRING	6				0	0
240	35290-14600	KIT,BOLT NUT	1				0.05	0.11

CLUTCH LEVER (DC)



00010 - 01



CLUTCH LEVER (DC)

↔ Interchangeable; ≠ not interchangeable; ← new for old; → old for new

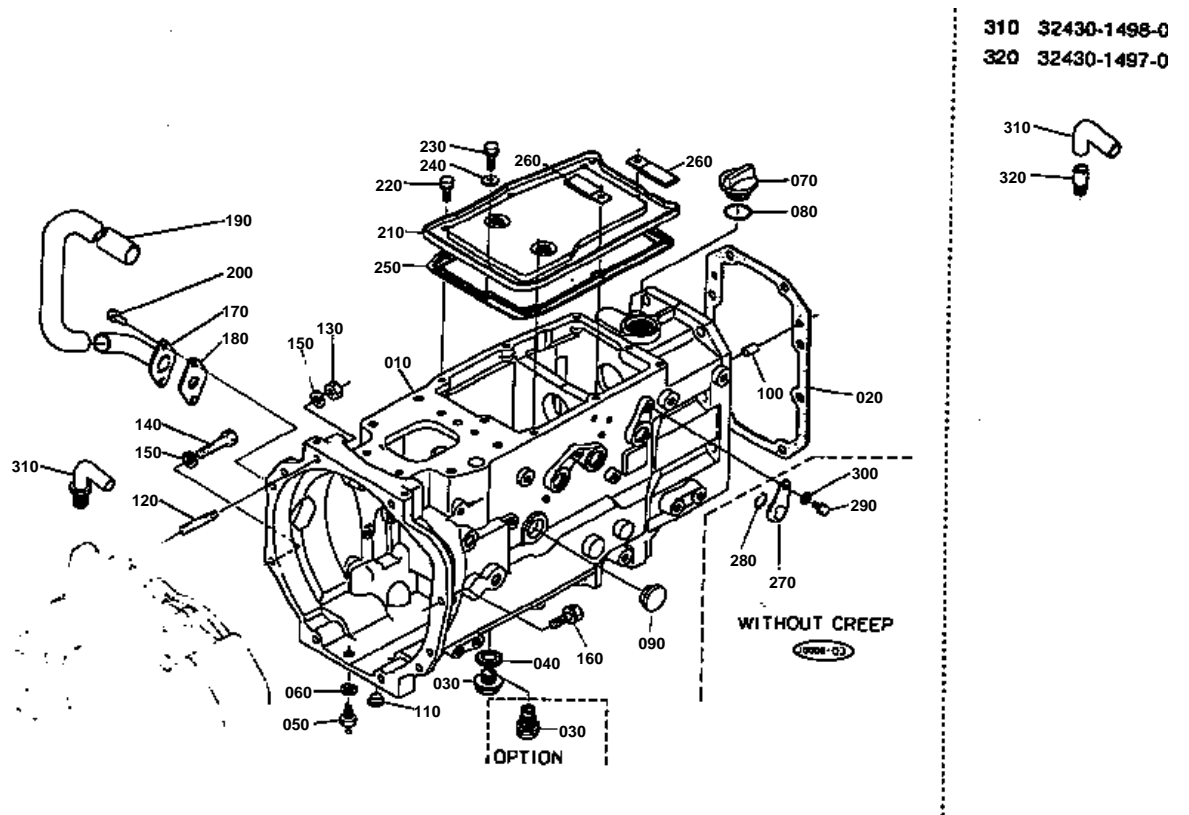
REF.No	Part No.	Description	Q'ty	S.No.	I/C	REMARKS	Weight (kgf)	Weight (lb)
010	31351-14710	LEVER,CLUTCH	1				0.59	1.298
020	38430-14720	FORK,CLUTCH RELEASE	1				0.41	0.902
030	31150-14780	KEY,FORK	2				0.003	0.0066
040	31351-14750	BOLT	2				0.017	0.0374
050	31351-14812	HUB,CLUTCH RELEASE	1				0	0
060	05411-00312	PIN,SPRING	2				0.001	0.0022
070	06613-10675	NIPPLE,GREASE	1				0.003	0.0066
080	38430-14820	BEARING,THRUST BALL	1				0.27	0.594
090	31351-15450	CASE,SHAFT	1				0.53	1.166
100	09500-35477	SEAL,OIL	1				0.012	0.0264
110	08813-84820	BEARING,NEEDLE	1				0.06	0.132
120	31351-15460	CIR-CLIP,INTERNAL	1				0.004	0.0088
130	01123-50830	BOLT	4				0.015	0.033
140	04512-50080	WASHER,SPRING	2				0	0

**CLUTCH PEDAL**

↔ Interchangeable; ≠ not interchangeable; ← new for old; → old for new

REF.No	Part No.	Description	Q'ty	S.No.	I/C	REMARKS	Weight (kgf)	Weight (lb)
010	32430-15600	ASSY ROD,CLUTCH	1	≤50533			0.34	0.748
010	32430-15603	ASSY ROD,CLUTCH	1	≥50534	≠		0.34	0.748
020	31395-83080	ROD,CLUTCH	1				0.11	0.242
030	32430-15640	ROD,CLUTCH	1	≤50533			0.1	0.22
030	32430-15643	ROD,CLUTCH	1	≥50534	≠		0.11	0.242
040	37720-28980	TURNBUCKLE	1				0.099	0.2178
050	37720-28990	NUT	1				0.008	0.0176
060	02172-50120	NUT	1				0.01	0.022
070	04013-50120	WASHER,PLAIN	1				0	0
080	05511-50425	PIN,SPLIT	1				0.003	0.0066
090	37150-15840	SPRING	1				0.06	0.132
100	05112-50822	PIN,JOINT	1				0.01	0.022
110	04012-50080	WASHER,PLAIN	1				0.001	0.0022
120	05511-50220	PIN,SPLIT	1				0.001	0.0022
130	32430-15702	ASSY PEDAL,CLUTCH	1	≤50533		DC	1	2.2
130	32430-15704	ASSY PEDAL,CLUTCH	1	≥50534	≠	DC	1.59	3.498
140	38180-28670	BUSH	2				0.02	0.044
150	06613-10675	NIPPLE,GREASE	1				0.003	0.0066
160	31351-15934	STOPPER,PEDAL	1				0.1	0.22
170	01754-50820	BOLT,FLANGE	2				0.015	0.033
180	04512-50080	WASHER,SPRING	2				0	0
190	02114-50080	NUT	2				0.005	0.011
200	32440-15730	BUSH	1	≤50533			0.001	0.0022
200	32440-15732	BUSH	1	≥50534	≠		0.001	0.0022
220	32430-15950	PIECE,DISTANCE	1			DC	0.05	0.11

CLUTCH HOUSING

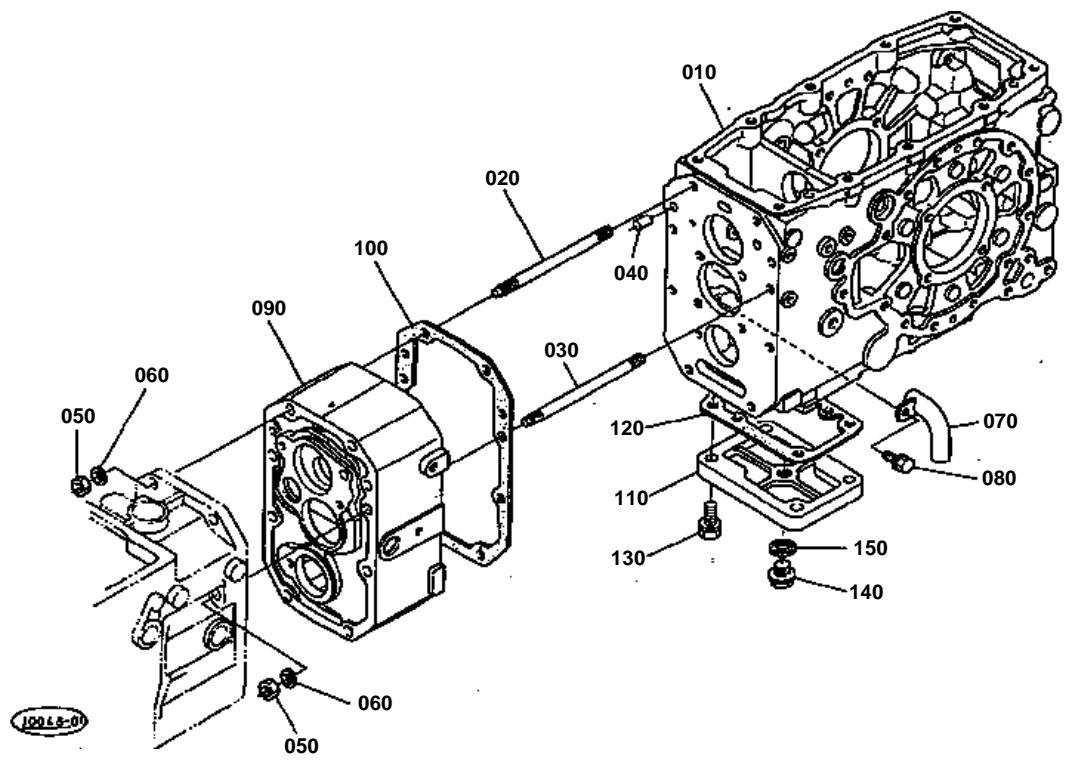


**CLUTCH HOUSING**

↔ Interchangeable; ≠ not interchangeable; ← new for old; → old for new

REF.No	Part No.	Description	Q'ty	S.No.	I/C	REMARKS	Weight (kgf)	Weight (lb)
010	32440-14130	HOUSING,CLUTCH	1				54.5	119.9
020	35340-14140	GASKET	1				0.01	0.022
030	34150-14260	PLUG,DRAIN	1				0	0
030	32420-67020	PLUG,MAGNETO	1			OPTION	0.115	0.253
040	04717-02150	WASHER,WITH RUBBER	1				0.004	0.0088
050	32430-14270	KIT PLUG	1				0.04	0.088
060	04512-50140	WASHER,SPRING	1				0	0
070	38430-21410	PLUG	1				0.045	0.099
080	04811-50300	RING	1				0.001	0.0022
090	38240-14210	GAUGE,OIL	1				0.01	0.022
100	05012-01022	PIN,STRAIGHT	2				0.014	0.0308
110	32210-27580	PLUG,BLIND	10				0.001	0.0022
120	31351-14120	STUD	3				0.05	0.11
130	02118-50100	NUT	3				0.005	0.011
140	01173-51065	BOLT	4				0.04	0.088
150	04512-50100	WASHER,SPRING	7				0	0
160	01133-51040	BOLT	1				0.03	0.066
170	32430-14170	COVER,HOUSING	1				0.14	0.308
180	32430-14180	GASKET	1				0.01	0.022
190	32430-14190	PIPE,RUBBER	1				0.155	0.341
200	01123-50816	BOLT	2				0.011	0.0242
210	31351-14210	COVER	1				0.89	1.958
220	01123-50814	BOLT	7				0	0
230	01754-50812	BOLT,FLANGE	1				0.01	0.022
240	04717-00800	WASHER,WITH RUBBER	1				0.001	0.0022
250	31351-14220	GASKET	1				0	0
260	13816-67580	CLAMP,CORD	2			EXCEPT [FR]	0.004	0.0088
270	32430-23370	PLUG,CREEP PIN	1			WITHOUT CREEP	0.06	0.132
280	04811-00200	RING	1			WITHOUT CREEP	0.001	0.0022
290	01754-50812	BOLT,FLANGE	2			WITHOUT CREEP	0.01	0.022
300	04717-00800	WASHER,WITH RUBBER	1			WITHOUT CREEP	0.001	0.0022
310	32430-14990	BREATHER	1				0.025	0.055

TRANSMISSION CASE



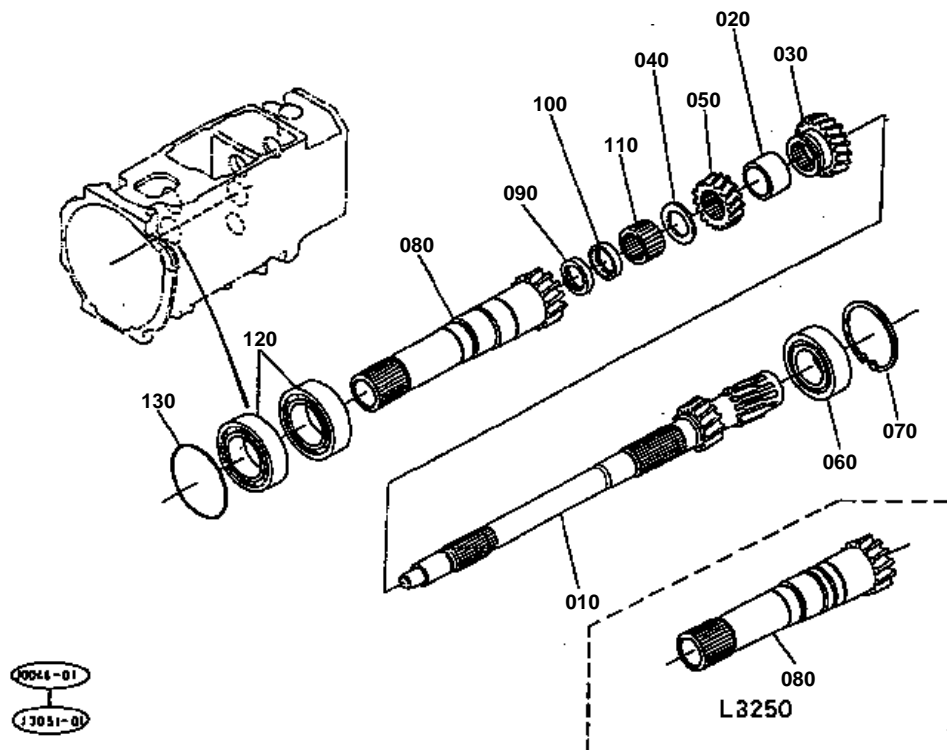


TRANSMISSION CASE

↔ Interchangeable; ≠ not interchangeable; ← new for old; → old for new

REF.No	Part No.	Description	Q'ty	S.No.	I/C	REMARKS	Weight (kgf)	Weight (lb)
010	32440-21110	CASE,TRANSMISSION	1				0	0
020	35260-14180	STUD	7				0.14	0.308
030	31361-14160	STUD	1				0.15	0.33
040	05012-01018	PIN,STRAIGHT	2				0.012	0.0264
050	02176-50120	NUT	8				0.01	0.022
060	04512-50120	WASHER,SPRING	8				0	0
070	32430-21250	PIPE	1				0.065	0.143
080	01754-50812	BOLT,FLANGE	1				0.01	0.022
090	31361-21150	CASE,MID	1				9.85	21.67
100	35340-14140	GASKET	1				0.01	0.022

MAIN SHAFT (DC)



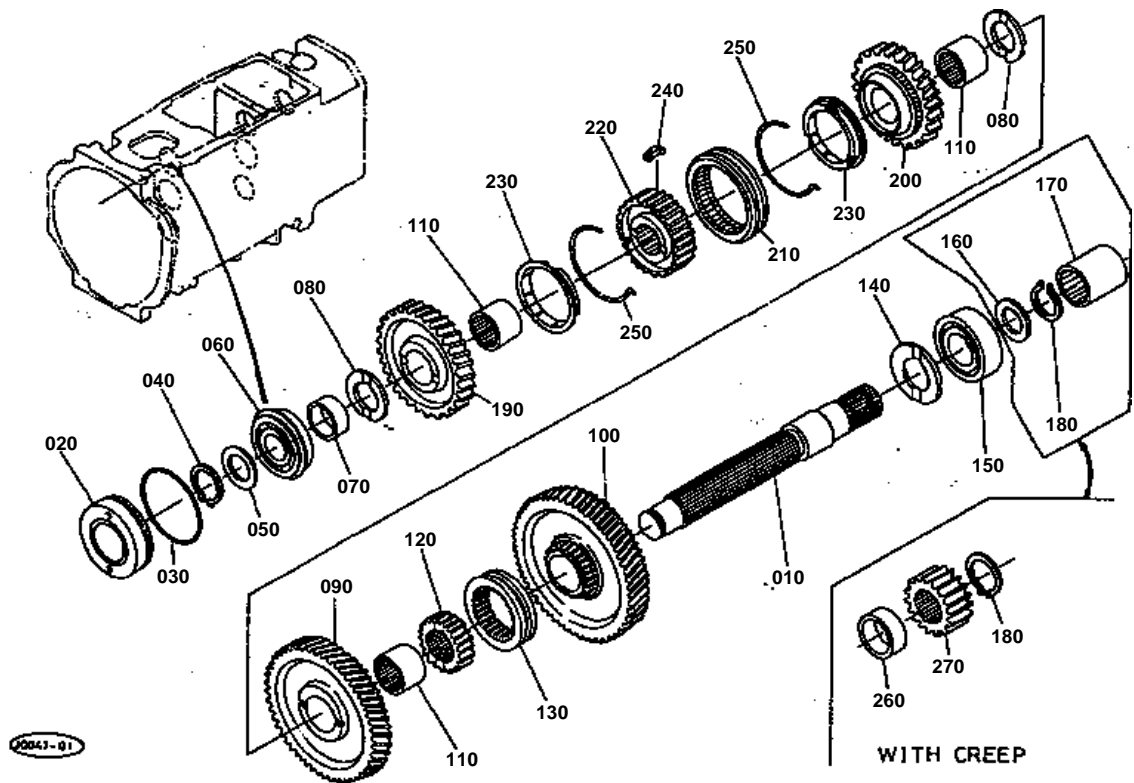


MAIN SHAFT (DC)

↔ Interchangeable; ≠ not interchangeable; ← new for old; → old for new

REF.No	Part No.	Description	Q'ty	S.No.	I/C	REMARKS	Weight (kgf)	Weight (lb)
010	32440-21620	SHAFT	1				1.74	3.828
020	31351-21560	COLLAR	1				0.06	0.132
030	32430-21523	GEAR	1			23T	0.345	0.759
040	31351-21550	WASHER	1				0.002	0.0044
050	32430-21540	GEAR	1			18T	0.18	0.396
060	35890-41290	BEARING,BALL	1			[FR]	0.233	0.5126
070	04611-00620	CIR-CLIP,INTERNAL	1				0.011	0.0242
080	32440-21350	GEAR,SHAFT	1			17T	0.935	2.057
090	36730-24330	SEAL,FIRST SHAFT	1				0.005	0.011
100	31351-21370	GUIDE	1				0.05	0.11
110	08822-53117	BEARING,NEEDLE	1				0.025	0.055
120	32440-21320	BEARING,BALL	2				0.19	0.418
130	04811-10710	RING	1				0.001	0.0022

COUNTER SHAFT [SYNCHRO MESH]

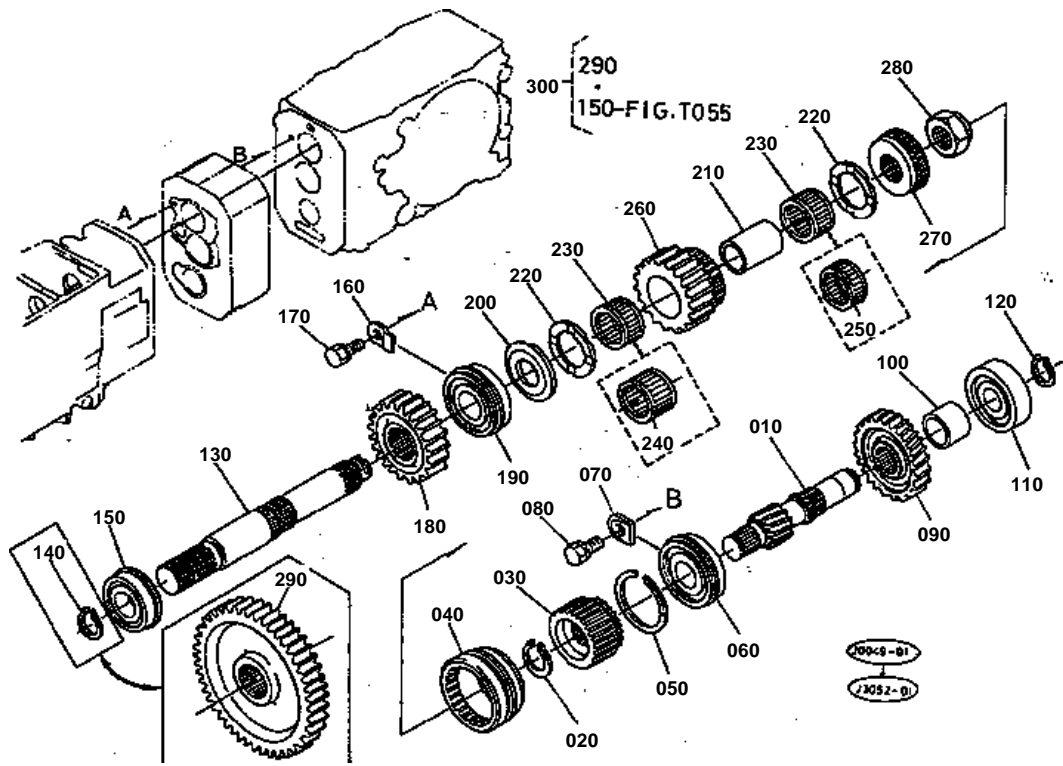


**COUNTER SHAFT [SYNCHRO MESH]**

↔ Interchangeable; ≠ not interchangeable; ← new for old; → old for new

REF.No	Part No.	Description	Q'ty	S.No.	I/C	REMARKS	Weight (kgf)	Weight (lb)
010	31351-21610	COUNTERSHAFT	1				1.02	2.244
020	38240-21650	COVER,BEARING	1				0.09	0.198
030	04811-50550	RING	1				0.002	0.0044
040	37150-21551	CIR-CLIP,EXTERNAL	1				0.005	0.011
050	34150-21560	WASHER	1			2.0MM	0.01	0.022
050	38450-23780	WASHER	1			2.3MM	0.01	0.022
050	38450-23790	WASHER	1			2.5MM	0.01	0.022
060	38280-21690	BEARING,BALL	1				0.135	0.297
070	32430-21770	COLLAR	1				0.045	0.099
080	32430-21760	COLLAR,THRUST	2				0.03	0.066
090	32440-21730	GEAR	1			42T	0	0
100	31351-21740	GEAR	1			45T	1.09	2.398
110	31351-21790	RING,INNER	3				0.05	0.11
120	31351-21780	BOSS,SPLINE	1				0.08	0.176
130	31351-21750	SHIFTER	1				0.14	0.308
140	38240-21760	COLLAR,THRUST	1				0.02	0.044
150	08241-03205	BEARING,BALL	1				0	0
160	34150-21560	WASHER	1			WITHOUT CREEP	0.01	0.022
170	35300-21660	COUPLING	1			WITHOUT CREEP	0.19	0.418
180	37150-21551	CIR-CLIP,EXTERNAL	1				0.005	0.011
190	32430-21470	GEAR	1			37T	0	0
200	32430-21482	GEAR	1			32T	0.675	1.485
210	32430-21410	SHIFTER	1				0	0
220	32430-21420	COUPLING	1				0	0
230	32430-21432	RING,SYNCHRONIZER	2				0.045	0.099
240	32430-21440	KEY,SYNCHRONIZER	3				0.004	0.0088
250	32430-21460	SPRING	2				0.003	0.0066

COUNTER SHAFT 2



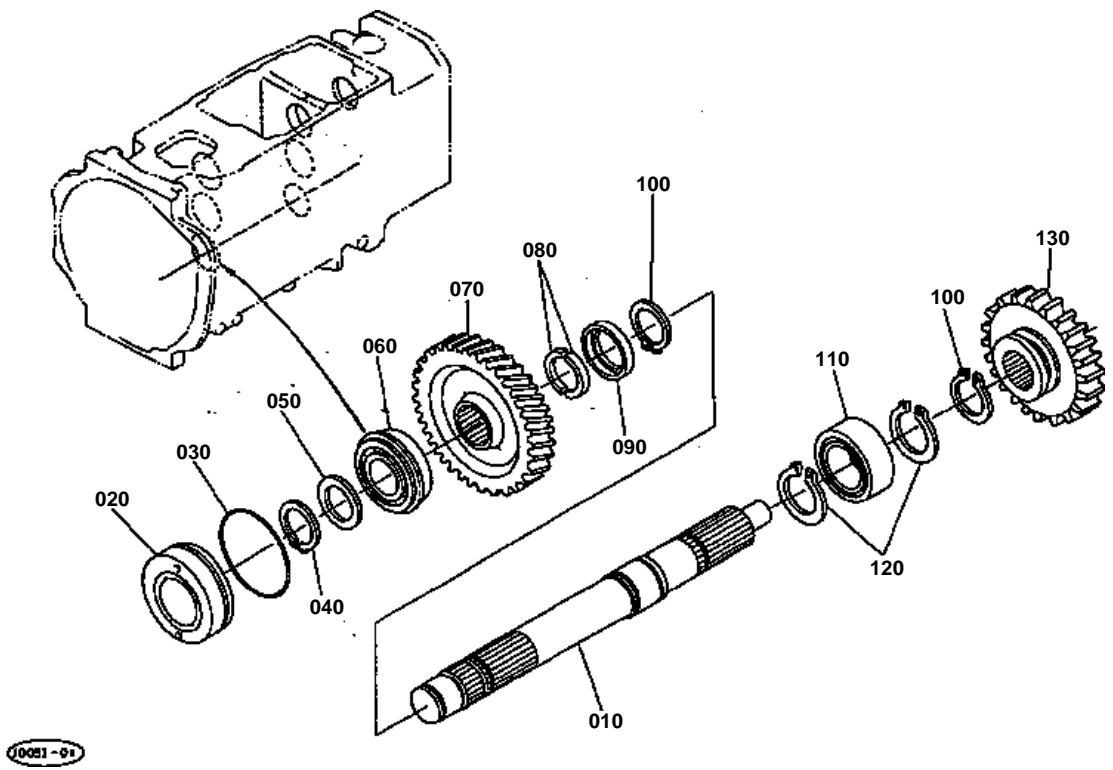


COUNTER SHAFT 2

↔ Interchangeable; ≠ not interchangeable; ← new for old; → old for new

REF.No	Part No.	Description	Q'ty	S.No.	I/C	REMARKS	Weight (kgf)	Weight (lb)
010	32430-21910	GEAR,SHAFT	1			13T	0.78	1.716
020	37150-21551	CIR-CLIP,EXTERNAL	1				0.005	0.011
030	35260-23270	BOSS,SPLINE	1				0.3	0.66
040	35260-23299	SHIFTER	1				0.325	0.715
050	35260-23280	CLIP	1				0	0
060	35300-41280	BEARING,BALL	1				0.235	0.517
070	34150-21942	RETAINER,BEARING	1				0.035	0.077
080	01123-50820	BOLT	1				0.011	0.0242
090	32430-21922	GEAR	1			28T EXCEPT [FR]	0.585	1.287
100	32430-21980	COLLAR	1			EXCEPT [FR]	0	0
110	08101-06305	BEARING,BALL	1				0.23	0.506
120	37150-21551	CIR-CLIP,EXTERNAL	1				0.005	0.011
130	31361-22510	COUNTERSHAFT	1				0	0
140	37150-21551	CIR-CLIP,EXTERNAL	1			WITHOUT CREEP	0.005	0.011
150	08151-06205	BEARING,BALL	1				0.131	0.2882
160	35260-23300	RETAINER,BEARING	2				0.02	0.044
170	01123-50816	BOLT	2				0.011	0.0242
180	31361-22520	GEAR	1			24T	0.63	1.386
190	32440-22530	BEARING,ROLLER	1				0.27	0.594
200	38430-21762	COLLAR,THRUST	1				0.035	0.077
210	31361-22540	RING,INNER	1				0.115	0.253
220	35260-23240	WASHER	2				0.01	0.022
240	32440-22570	BEARING,NEEDLE	1				0.055	0.121
250	08823-23916	BEARING,NEEDLE	1				0.031	0.0682
260	31361-22550	GEAR	1			23T	0.62	1.364
270	35260-23260	BOSS,SPLINE	1				0.17	0.374
280	35260-23252	NUT	1				0.04	0.088

PTO COUNTER SHAFT 1 (DC)



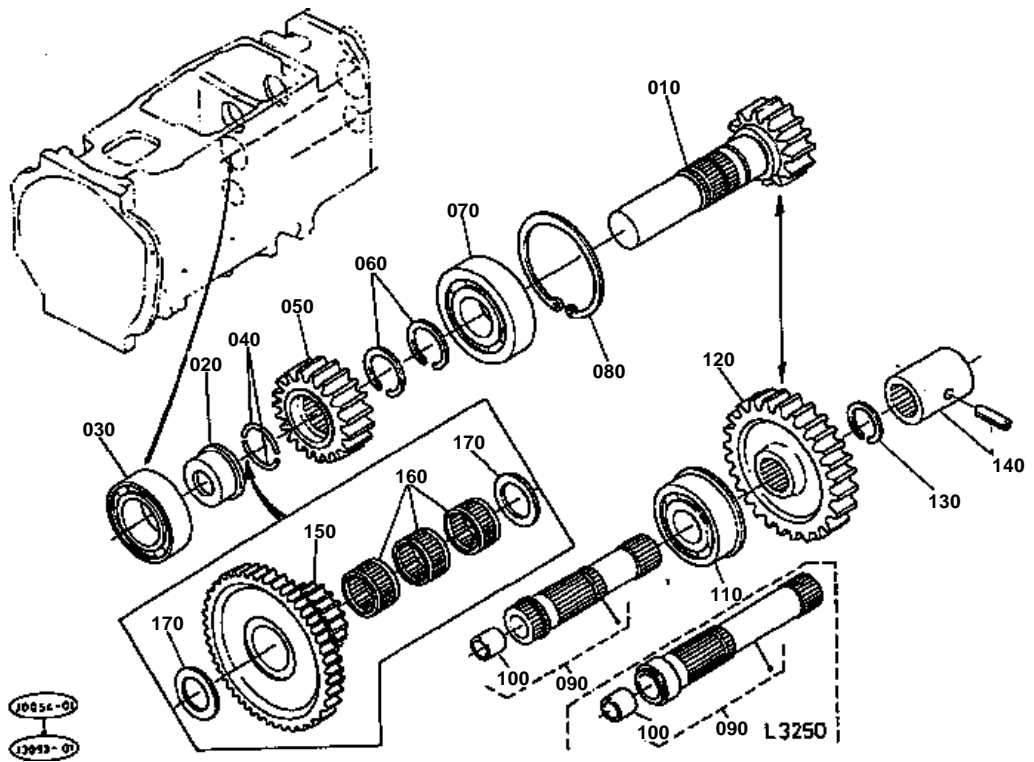


PTO COUNTER SHAFT 1 (DC)

↔ Interchangeable; ≠ not interchangeable; ← new for old; → old for new

REF.No	Part No.	Description	Q'ty	S.No.	I/C	REMARKS	Weight (kgf)	Weight (lb)
010	32430-25110	SHAFT,PTO CONTER	1				1.39	3.058
020	38240-21650	COVER,BEARING	1				0.09	0.198
030	04811-50550	RING	1				0.002	0.0044
040	37150-21551	CIR-CLIP,EXTERNAL	1				0.005	0.011
050	34150-21560	WASHER	1				0.01	0.022
060	31301-22640	BEARING,BALL	1				0.13	0.286
070	32440-25120	GEAR	1			37T	0.76	1.672
080	31351-25220	COLLAR	2				0.005	0.011
090	31351-25230	COLLAR	1				0.012	0.0264
100	04612-00280	CIR-CLIP,EXTERNAL	2				0.003	0.0066
110	35340-25380	BEARING,ROLLER	1				0.175	0.385
120	31351-21930	CIR-CLIP,EXTERNAL	2				0.004	0.0088
130	31351-25170	GEAR	1			23T	0.52	1.144

PTO COUNTER SHAFT 2 (DC)





PTO COUNTER SHAFT 2 (DC)

↔ Interchangeable; ≠ not interchangeable; ← new for old; → old for new

REF.No	Part No.	Description	Q'ty	S.No.	I/C	REMARKS	Weight (kgf)	Weight (lb)
010	32440-25290	SHAFT,PTO GEAR	1			12T	0.855	1.881
020	31351-25240	SPACER,BEARING	1				0.08	0.176
030	38430-21580	BEARING,BALL	1				0	0
040	31351-25270	CLIP	2				0.003	0.0066
050	31351-25260	GEAR	1			18T	0.31	0.682
060	38430-25540	CIR-CLIP,EXTERNAL	2				0.004	0.0088
070	36540-41130	BEARING,BALL	1				0.34	0.748
080	04611-00720	CIR-CLIP,INTERNAL	1				0.018	0.0396
090	32440-25150	ASSY COUNTERSHAFT	1				0	0
100	31351-21830	BUSH	1				0.005	0.011
110	32440-25180	BEARING,BALL	1				0.2	0.44
120	32440-25190	GEAR	1			30T	1	2.2
130	38430-25540	CIR-CLIP,EXTERNAL	1				0.004	0.0088
140	38430-25220	COUPLING	1				0	0

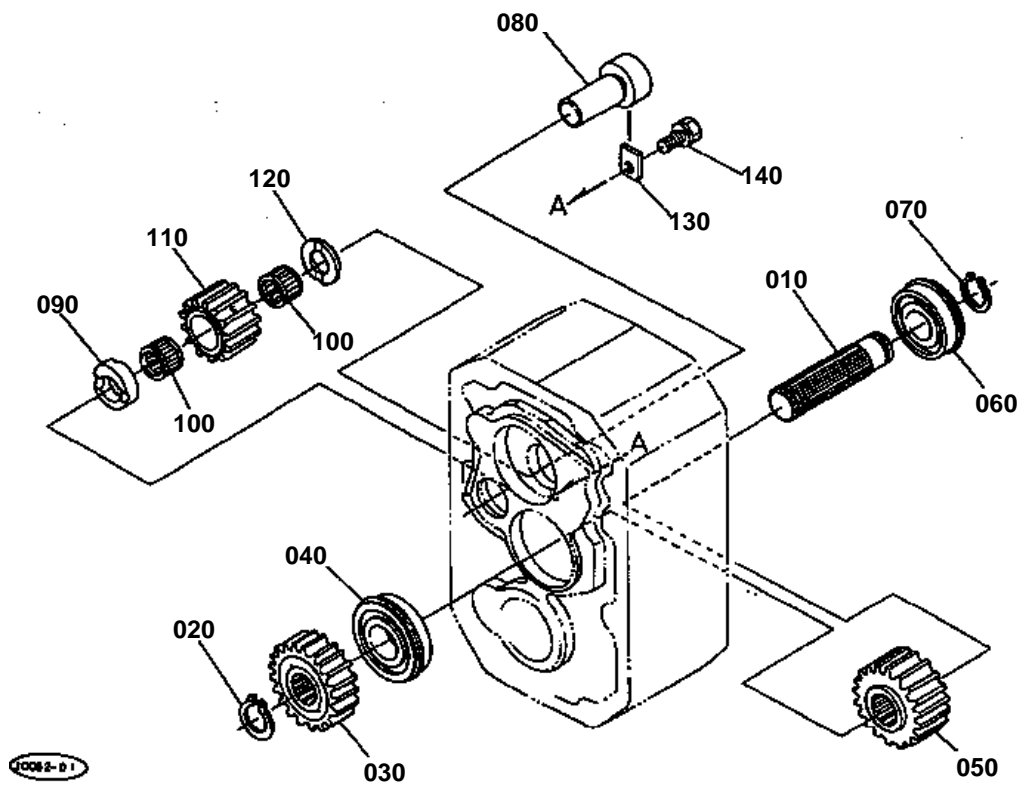


PTO SHAFT

↔ Interchangeable; ≠ not interchangeable; ← new for old; → old for new

REF.No	Part No.	Description	Q'ty	S.No.	I/C	REMARKS	Weight (kgf)	Weight (lb)
010	32440-25210	SHAFT,PTO DRIVE	1				0	0
020	08151-06006	BEARING,BALL	1				0.12	0.264
030	34150-21942	RETAINER,BEARING	1				0.035	0.077
040	01123-50822	BOLT	1				0.012	0.0264
050	04612-00300	CIR-CLIP,EXTERNAL	1				0.003	0.0066
060	35340-25380	BEARING,ROLLER	1				0.175	0.385
090	04612-00300	CIR-CLIP,EXTERNAL	1				0.003	0.0066
100	31301-25220	COUPLING	1				0.16	0.352
110	32440-25310	SHAFT,PTO	1				0	0
120	35340-25350	COLLAR,SEAL	1				0.03	0.066
130	38430-25330	BEARING,BALL	1				0.23	0.506
140	35340-25320	NUT	1				0.05	0.11
150	31391-25410	CASE,BEARING	1				1.28	2.816
160	04611-00650	CIR-CLIP,INTERNAL	1				0.011	0.0242
170	35340-25360	SEAL,OIL	1				0.024	0.0528
180	38240-25370	SLINGER	1				0.004	0.0088
190	04811-50800	RING	1				0.003	0.0066
200	01123-50840	BOLT	4				0.018	0.0396
210	32430-44180	GEAR	1			19-32T	0.765	1.683
230	08823-03720	BEARING,NEEDLE	1				0.03	0.066
240	38430-25232	COLLAR,THRUST	2				0.02	0.044
270	31220-25820	CAP	1				0.055	0.121

REVERSE SHAFT



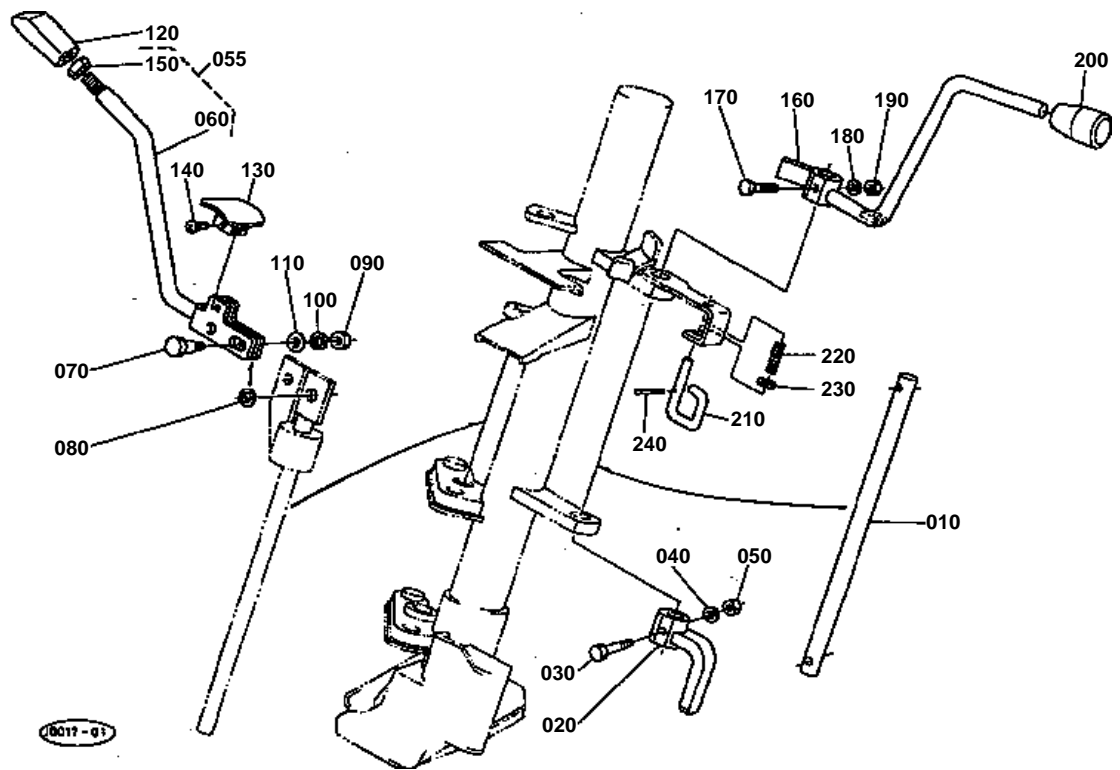


REVERSE SHAFT

↔ Interchangeable; ≠ not interchangeable; ← new for old; → old for new

REF.No	Part No.	Description	Q'ty	S.No.	I/C	REMARKS	Weight (kgf)	Weight (lb)
010	31361-22610	SHAFT,REVERSE	1				0.34	0.748
020	37150-21551	CIR-CLIP,EXTERNAL	1				0.005	0.011
030	31361-22620	GEAR	1			22T	0	0
040	31361-22530	BEARING,ROLLER	1				0.27	0.594
050	31361-22630	GEAR	1			19T	0.52	1.144
060	31361-22640	BEARING,BALL	1				0.18	0.396
070	04612-00220	CIR-CLIP,EXTERNAL	1				0.001	0.0022
080	31361-22710	SHAFT,REVERSE	1				0	0
090	31361-22770	COLLAR	1				0.025	0.055
100	08822-02617	BEARING,NEEDLE	2				0.02	0.044
110	31361-22720	GEAR	1			15T	0	0
120	31361-22780	COLLAR	1				0.01	0.022
130	35260-23210	STOPPER	1				0.005	0.011
140	01123-50816	BOLT	1				0.011	0.0242

MAIN AND SHUTTLE GEAR SHIFT LEVER





MAIN AND SHUTTLE GEAR SHIFT LEVER

↔ Interchangeable; ≠ not interchangeable; ← new for old; → old for new

REF.No	Part No.	Description	Q'ty	S.No.	I/C	REMARKS	Weight (kgf)	Weight (lb)
010	32430-17370	SHAFT,SHUTTLE CONT.	1				0.44	0.968
020	32430-17380	ARM,SHUTTLE CHANGE	1				0.2	0.44
030	31351-17150	BOLT,REAMER	1				0.01	0.022
040	04512-50060	WASHER,SPRING	1				0	0
050	02056-50060	NUT	1				0.002	0.0044
055	32430-17400	ASSY LEVER,M-CHANGE	1				0.34	0.748
060	32430-17460	LEVER,MAIN S-CHANGE	1				0.335	0.737
070	31351-17080	BOLT	2				0.03	0.066
080	31351-24090	SHIM	2				0.005	0.011
090	02114-50080	NUT	2				0.005	0.011
100	04512-50080	WASHER,SPRING	2				0	0
110	04013-50080	WASHER,PLAIN	2				0	0
120	31351-17470	GRIP,LEVER	1				0.03	0.066
150	02116-50100	NUT	1				0.004	0.0088
160	32430-17510	LEVER,SHUTTLE CHANGE	1				0.4	0.88
170	31351-17150	BOLT,REAMER	1				0.01	0.022
180	04512-50060	WASHER,SPRING	1				0	0
190	02056-50060	NUT	1				0.002	0.0044
200	31351-17530	GRIP,LEVER	1				0	0
210	32430-17570	PIN,SHUTTLE LOCK	1				0.03	0.066
220	32430-17580	SPRING	1				0.002	0.0044
230	04013-50060	WASHER,PLAIN	1				0	0
240	05511-50218	PIN,SPLIT	1				0.001	0.0022

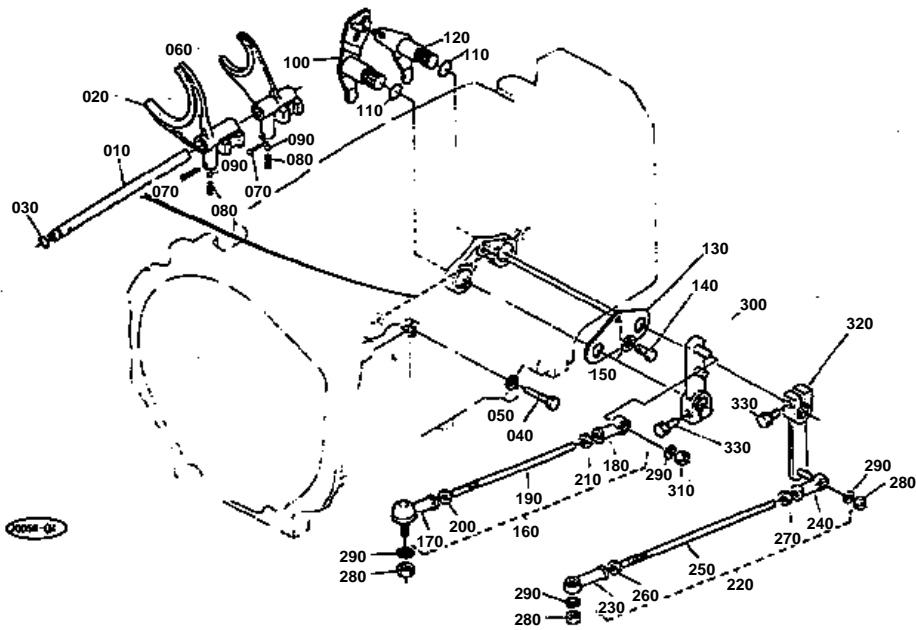


MAIN GEAR SHIFT LINKAGE SYSTEM

↔ Interchangeable; ≠ not interchangeable; ← new for old; → old for new

REF.No	Part No.	Description	Q'ty	S.No.	I/C	REMARKS	Weight (kgf)	Weight (lb)
010	31351-17112	SHAFT,MAIN CONTROL	1				0.58	1.276
020	32430-17130	ASSY BRACKET,PIVOT	1				0.24	0.528
030	31351-17142	ARM,SELECT	1	≤50370			0.15	0.33
030	30400-17140	ARM,SELECT	1	≥50371	≠		0.16	0.352
040	31351-17150	BOLT,REAMER	1				0.01	0.022
050	04512-50060	WASHER,SPRING	1				0	0
060	02056-50060	NUT	1				0.002	0.0044
070	32430-17170	COMP.ARM,SHIFT UPPER	1				0	0
080	08511-01610	BUSH	2				0.005	0.011
090	32430-17200	COMP.ARM,SHIFT LOWER	1				0	0
100	08511-01610	BUSH	2				0.005	0.011
110	31351-17230	SPACER	1				0.06	0.132
120	31351-17240	PIN,LOCK	2				0.06	0.132
130	31351-17250	SPRING	2				0.01	0.022
140	31351-17270	PLATE,JOINT	2				0.23	0.506
150	04013-50080	WASHER,PLAIN	4				0	0
160	04512-50080	WASHER,SPRING	4				0	0
170	02112-50080	NUT	4				0.003	0.0066
180	31351-17290	SHAFT,LINK	1				0.1	0.22
190	04013-50100	WASHER,PLAIN	1				0	0
200	04512-50100	WASHER,SPRING	1				0	0
210	02176-50100	NUT	1				0.005	0.011
220	31351-17302	COMP.LINK,CONNECT	1				0.15	0.33
230	08511-01412	BUSH	2				0.004	0.0088
240	31351-17340	COMP.LINK,CONNECT	1				0.17	0.374
250	08511-01412	BUSH	2				0.004	0.0088
260	08511-01612	BUSH	2				0.005	0.011
270	06613-30010	NIPPLE,GREASE	1				0.01	0.022
280	06613-10675	NIPPLE,GREASE	1				0.003	0.0066
290	06613-10675	NIPPLE,GREASE	1				0.003	0.0066
300	04012-50060	WASHER,PLAIN	1				0.001	0.0022
310	04012-50060	WASHER,PLAIN	1				0.001	0.0022

MAIN GEAR SHIFT FORK [SYNCHRO MESH]



120 31351-2317-0



170 31351-2421-0

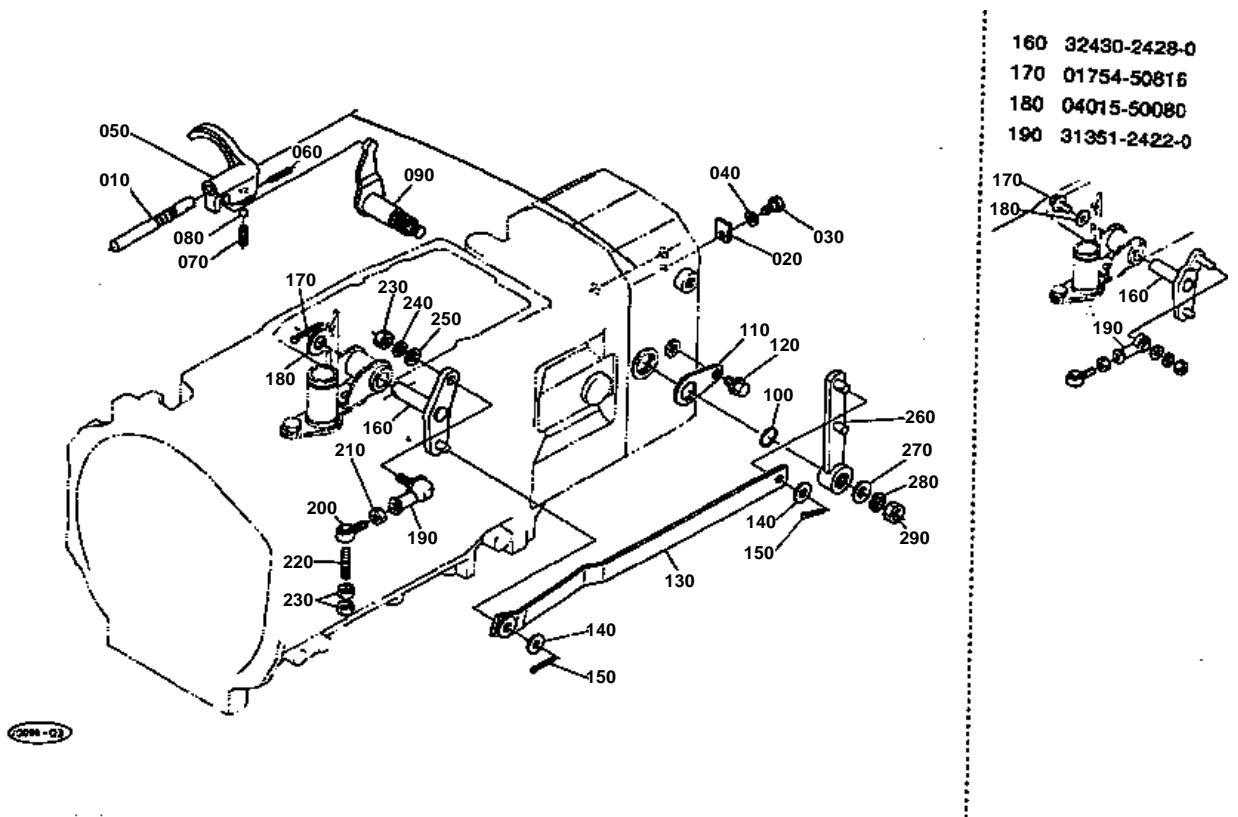


**MAIN GEAR SHIFT FORK [SYNCHRO MESH]**

↔ Interchangeable; ≠ not interchangeable; ← new for old; → old for new

REF.No	Part No.	Description	Q'ty	S.No.	I/C	REMARKS	Weight (kgf)	Weight (lb)
010	32430-23110	SHAFT,S-CHANGE FORK	1				0.18	0.396
020	32430-23140	FORK,S-CHANGE SHIFT	1				0.29	0.638
030	04811-00090	RING	1				0.001	0.0022
040	31351-23120	BOLT	1				0.01	0.022
050	04717-00800	WASHER,WITH RUBBER	1				0.001	0.0022
060	31351-23140	FORK,SHIFT	1				0.285	0.627
070	05511-50322	PIN,SPLIT	2				0.002	0.0044
080	62581-18230	SPRING	2				0.01	0.022
090	07715-01605	BALL	2				0.003	0.0066
100	31351-23163	ARM,S-CHANGE FRONT	1				0.2	0.44
110	04811-00200	RING	2				0.001	0.0022
120	31351-23173	ARM,MAIN S-CHANGE	1				0.15	0.33
130	31351-23180	PLATE	1				0.06	0.132
140	31351-23200	BOLT	1				0.005	0.011
150	04411-50080	WASHER LOCK,TOOTHED	1				0.001	0.0022
160	31351-24103	ASSY ROD,CHANGE	1				0.08	0.176
170	54721-31850	BALL,LINK	1				0.065	0.143
180	31351-24220	SCREW,ROD-END RH	1				0.04	0.088
190	31351-24240	ROD,CHANGE	1				0.25	0.55
200	31351-24260	NUT	1				0.005	0.011
210	02112-50080	NUT	1				0.003	0.0066
220	31351-24200	ASSY ROD,CHANGE	1				0.15	0.33
230	31351-24210	SCREW,ROD-END LH	1				0.04	0.088
240	31351-24220	SCREW,ROD-END RH	1				0.04	0.088
250	31351-24250	ROD,CHANGE	1				0.105	0.231
260	31351-24260	NUT	1				0.005	0.011
270	02112-50080	NUT	1				0.003	0.0066
280	02156-50080	NUT	3				0.004	0.0088
290	04512-50080	WASHER,SPRING	4				0	0
300	32430-23152	LEVER	1				0.155	0.341
310	02112-50080	NUT	1				0.003	0.0066
320	31351-23130	LEVER	1				0.14	0.308
330	01123-50830	BOLT	2				0.015	0.033

SHUTTLE GEAR SHIFT FORK



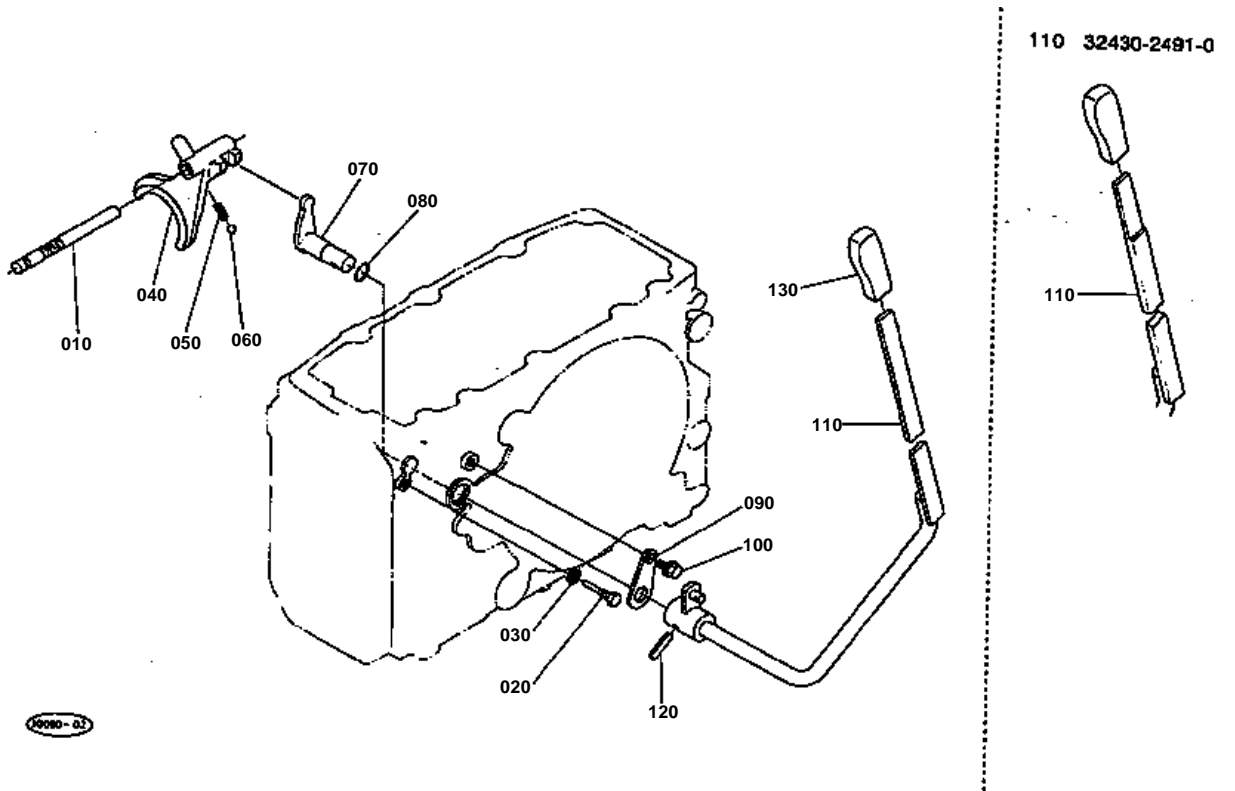


SHUTTLE GEAR SHIFT FORK

↔ Interchangeable; ≠ not interchangeable; ← new for old; → old for new

REF.No	Part No.	Description	Q'ty	S.No.	I/C	REMARKS	Weight (kgf)	Weight (lb)
010	31361-23210	SHAFT,FORK	1				0.095	0.209
020	35260-23210	STOPPER	1				0.005	0.011
030	01153-50812	BOLT	1				0.008	0.0176
040	04512-50080	WASHER,SPRING	1				0	0
050	31361-23200	ASSY FORK,SHUTTLE	1				0.31	0.682
060	05411-00320	PIN,SPRING	1				0.001	0.0022
070	62581-18230	SPRING	1				0.01	0.022
080	07715-01605	BALL	1				0.003	0.0066
090	31361-23260	ARM,SHUTTLE	1				0.22	0.484
100	04811-00200	RING	1				0.001	0.0022
110	31351-23380	STOPPER,S-CHANGE ARM	1				0.03	0.066
120	01754-50812	BOLT,FLANGE	1				0.01	0.022
130	32430-24270	ROD,SHUTTLE	1				0.305	0.671
140	04013-50100	WASHER,PLAIN	2				0	0
150	05511-50318	PIN,SPLIT	2				0.001	0.0022
160	32430-24283	ARM,CONNECTING	1				0.21	0.462
170	05511-50330	PIN,SPLIT	1				0.005	0.011
180	04011-50160	WASHER,PLAIN	1				0	0
190	54721-31840	BALL,LINK	1				0.065	0.143
200	31351-24310	SCREW,ROD-END RH	1				0.035	0.077
210	02112-50080	NUT	1				0.003	0.0066
220	31351-17390	STUD	1				0.015	0.033
230	02156-50080	NUT	3				0.004	0.0088
240	04512-50080	WASHER,SPRING	1				0	0
250	04013-50080	WASHER,PLAIN	1				0	0
260	32430-23280	LEVER,SHUTTLE	1				0.27	0.594
270	04013-50120	WASHER,PLAIN	1				0	0
280	04512-50120	WASHER,SPRING	1				0	0
290	02172-50120	NUT	1				0.01	0.022

HI-LO GEAR SHIFT FORK



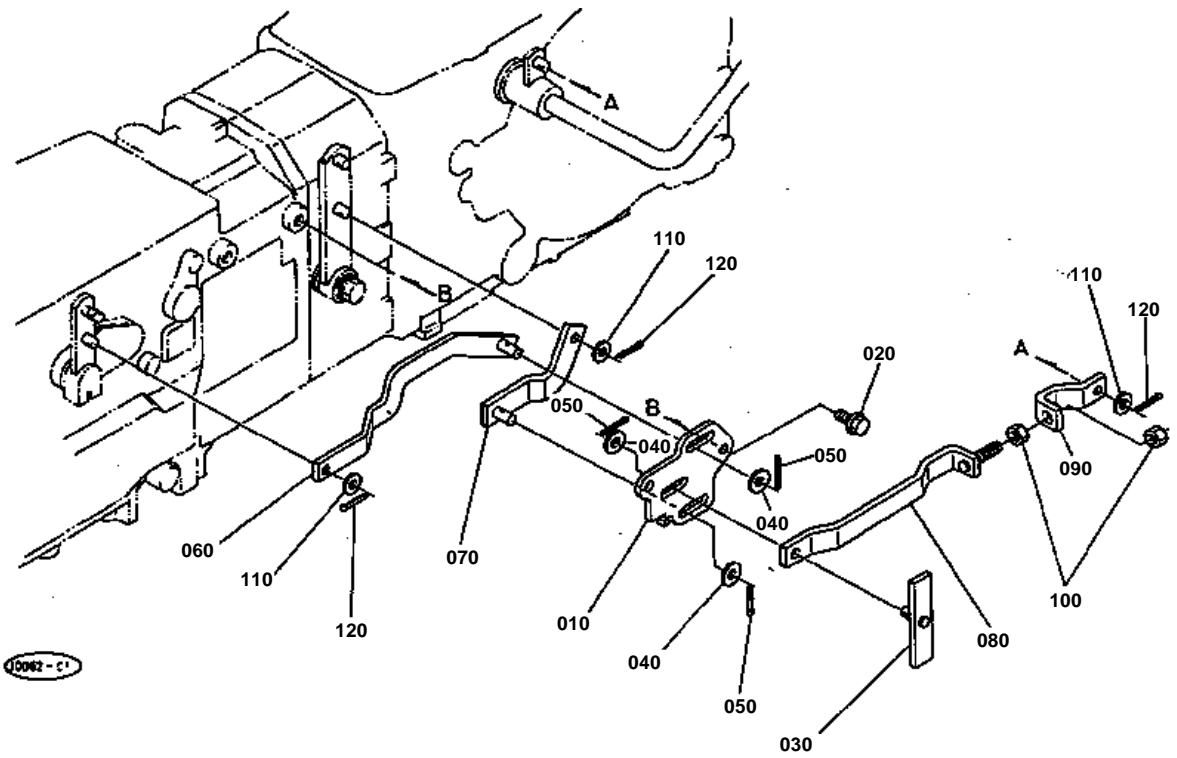


HI-LO GEAR SHIFT FORK

↔ Interchangeable; ≠ not interchangeable; ← new for old; → old for new

REF.No	Part No.	Description	Q'ty	S.No.	I/C	REMARKS	Weight (kgf)	Weight (lb)
010	32430-23410	SHAFT,FORK	1				0.115	0.253
020	31351-23420	BOLT	1				0.02	0.044
030	04717-00800	WASHER,WITH RUBBER	1				0.001	0.0022
040	32430-23440	FORK,AUX.S-C SHIFT	1				0.36	0.792
050	62581-18230	SPRING	1				0.01	0.022
060	07715-01605	BALL	1				0.003	0.0066
070	32430-23460	ARM,AUX.S-CHANGE	1				0.18	0.396
080	04811-00200	RING	1				0.001	0.0022
090	31351-23380	STOPPER,S-CHANGE ARM	1				0.03	0.066
100	01754-50812	BOLT,FLANGE	1				0.01	0.022
110	32430-24916	LEVER,AUX.S-CHANGE	1				1.17	2.574
120	05411-00836	PIN,SPRING	1				0.008	0.0176
130	31351-24970	GRIP,LEVER	1				0.05	0.11

SPEED CHANGE INTERLOCK



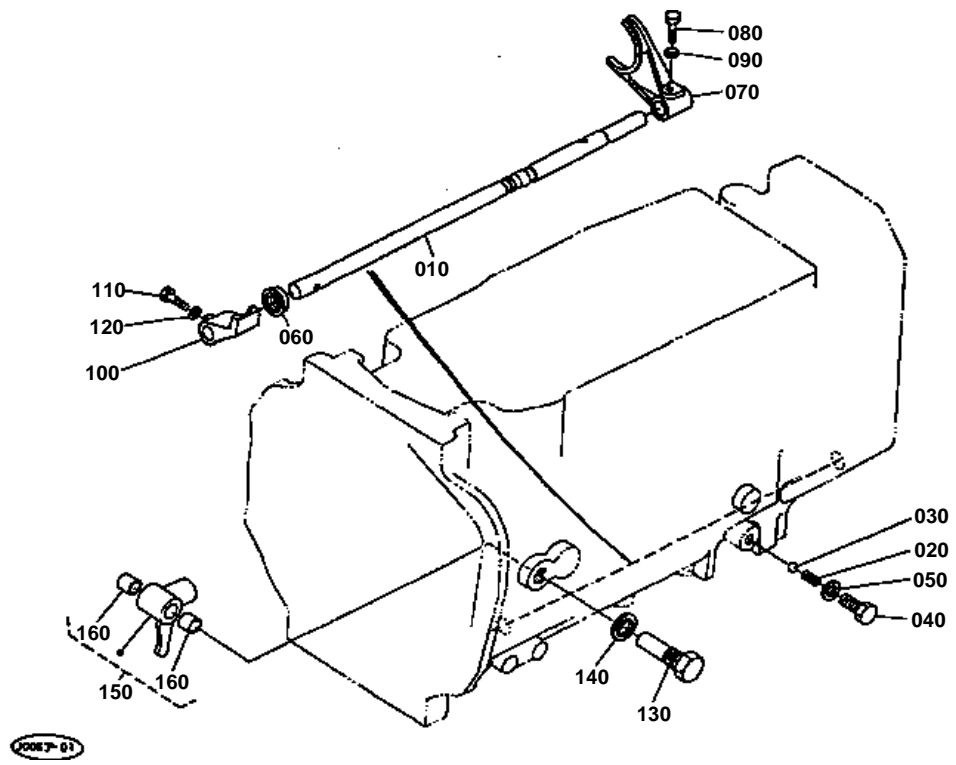


SPEED CHANGE INTERLOCK

↔ Interchangeable; ≠ not interchangeable; ← new for old; → old for new

REF.No	Part No.	Description	Q'ty	S.No.	I/C	REMARKS	Weight (kgf)	Weight (lb)
010	32430-24840	PLATE,INTERLOCKER	1				0.195	0.429
020	01774-51018	BOLT,FLANGE	2				0.02	0.044
030	32430-24890	INTERLOCKER	1				0.09	0.198
040	04011-50100	WASHER,PLAIN	3				0.002	0.0044
050	05511-50318	PIN,SPLIT	3				0.001	0.0022
060	32430-24860	ROD,MAIN S-CHANGE	1				0.26	0.572
070	32430-24850	ROD,SHUTTLE	1				0.12	0.264
080	32430-24870	ROD,AUX.S-CHANGE	1				0.21	0.462
090	32430-24880	ROD,AUX.S-CHANGE	1				0.07	0.154
100	02176-50100	NUT	2				0.005	0.011
110	04012-50080	WASHER,PLAIN	3				0.001	0.0022
120	05511-50215	PIN,SPLIT	3				0.001	0.0022

PTO GEAR SHIFT FORK (DC)

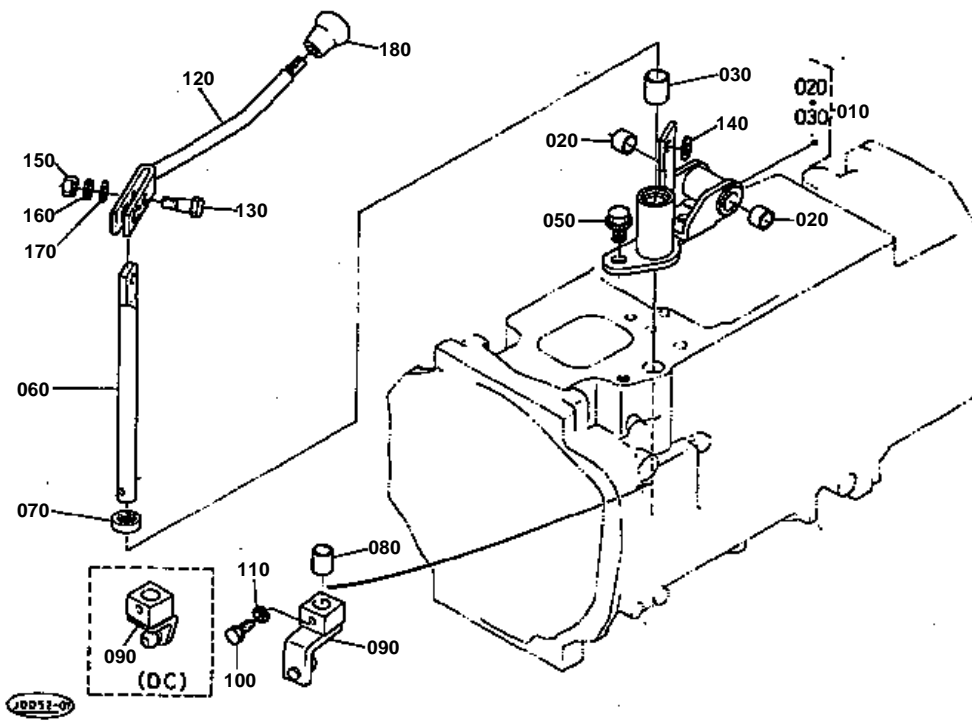


**PTO GEAR SHIFT FORK (DC)**

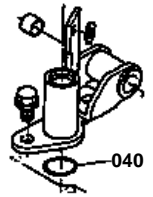
↔ Interchangeable; ≠ not interchangeable; ← new for old; → old for new

REF.No	Part No.	Description	Q'ty	S.No.	I/C	REMARKS	Weight (kgf)	Weight (lb)
010	31351-23620	ROD,FORK LOWER	1				0.5	1.1
020	62581-18230	SPRING	1				0.01	0.022
030	07715-03211	BALL	1				0.003	0.0066
040	01173-51020	BOLT	1				0.017	0.0374
050	04717-01000	WASHER,WITH RUBBER	1				0.001	0.0022
060	31351-23530	SEAL,OIL	1				0.01	0.022
070	31351-23660	FORK,SHIFT REAR	1				0.17	0.374
080	31351-23570	BOLT,FORK LOCK	1				0.007	0.0154
090	04512-50060	WASHER,SPRING	1				0	0
100	31351-23682	SHIFTER,LOWER	1				0.13	0.286
110	31351-23570	BOLT,FORK LOCK	1				0.007	0.0154
120	04512-50060	WASHER,SPRING	1				0	0
130	31351-23740	SHAFT,FULCRUM	1				0.09	0.198
140	04717-01600	WASHER,WITH RUBBER	1				0.003	0.0066
150	31351-23760	COMP.HOLDER,FORK ROD	1				0.155	0.341
160	08511-01412	BUSH	2				0.004	0.0088

PTO GEAR SHIFT LEVER



040 04811-10220



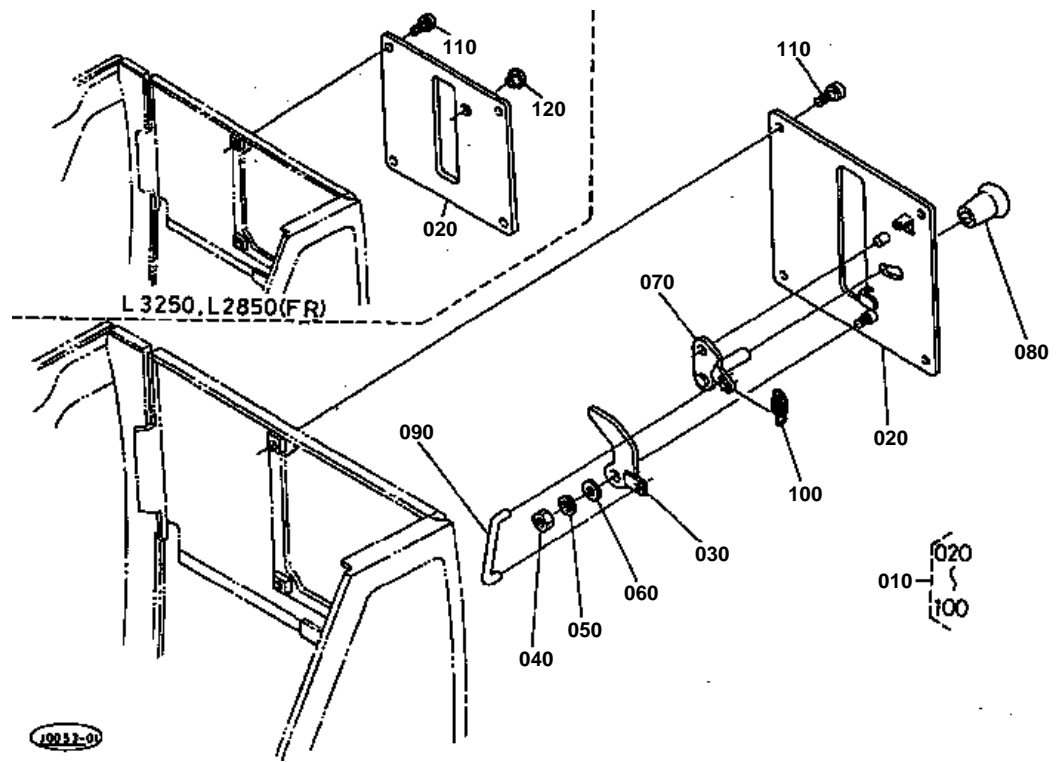


PTO GEAR SHIFT LEVER

↔ Interchangeable; ≠ not interchangeable; ← new for old; → old for new

REF.No	Part No.	Description	Q'ty	S.No.	I/C	REMARKS	Weight (kgf)	Weight (lb)
010	32430-23900	COMP.BRACKET,LEVER	1				0.705	1.551
020	08511-01612	BUSH	2				0.005	0.011
030	08511-01620	BUSH	1				0.008	0.0176
050	01774-51220	BOLT,FLANGE	2				0.03	0.066
060	31361-23810	ROD,SPEED CHANGE	1				0.35	0.77
070	31351-23820	SEAL,OIL	1				0.005	0.011
080	08511-01620	BUSH	1				0.008	0.0176
090	32430-23860	HOLDER,FORK ROD	1			DC	0.185	0.407
100	31351-23570	BOLT,FORK LOCK	1				0.007	0.0154
110	04512-50060	WASHER,SPRING	1				0	0
120	32430-24110	LEVER,PTO	1				0.26	0.572
130	31351-17080	BOLT	2				0.03	0.066
140	31351-24090	SHIM	2				0.005	0.011
150	02114-50080	NUT	2				0.005	0.011
160	04512-50080	WASHER,SPRING	2				0	0
170	04013-50080	WASHER,PLAIN	2				0	0
180	31351-24130	GRIP,LEVER	1				0.03	0.066

PTO INTERLOCK



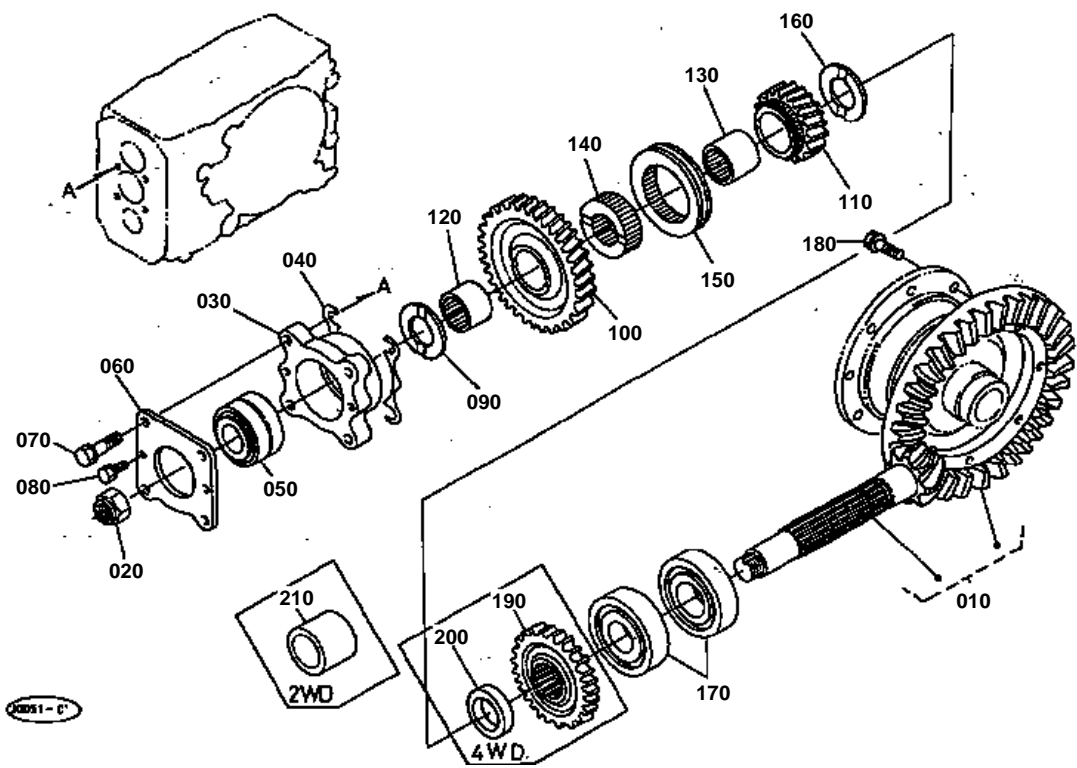


PTO INTERLOCK

↔ Interchangeable; ≠ not interchangeable; ← new for old; → old for new

REF.No	Part No.	Description	Q'ty	S.No.	I/C	REMARKS	Weight (kgf)	Weight (lb)
020	32425-24150	GUIDE,LEVER	1			[FR]	0.37	0.814
110	31351-24190	SCREW,WITH WASHER	4				0.02	0.044
120	38240-29290	PLUG	1				0.001	0.0022

SPIRAL BEVEL PINION



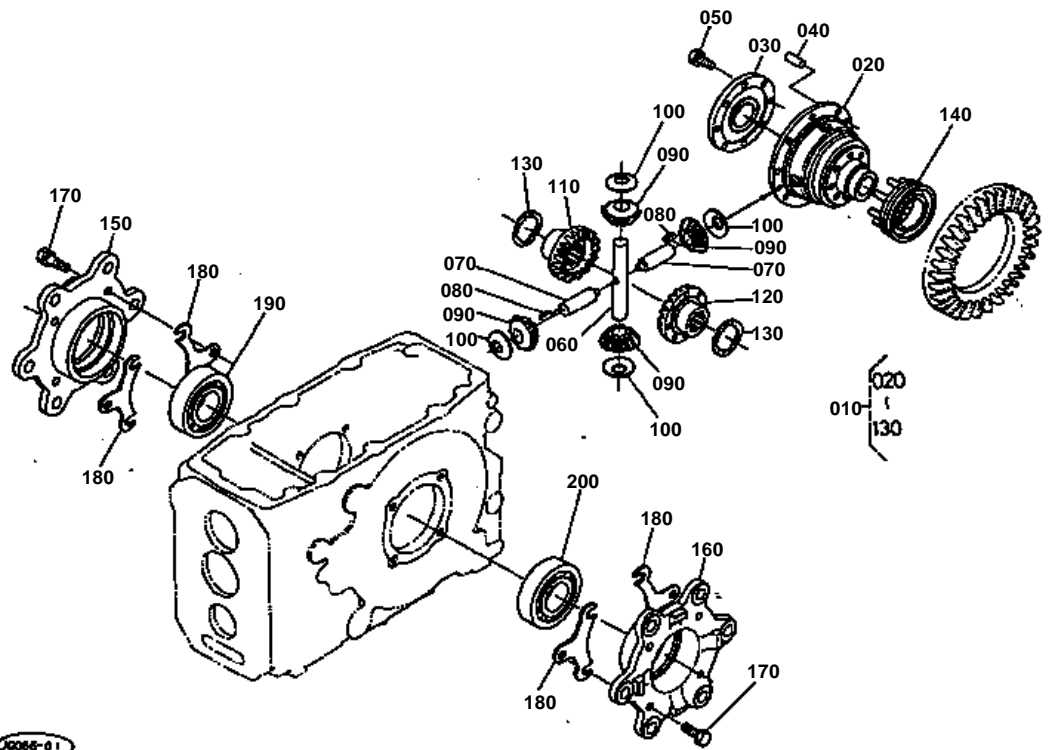


SPIRAL BEVEL PINION

↔ Interchangeable; ≠ not interchangeable; ← new for old; → old for new

REF.No	Part No.	Description	Q'ty	S.No.	I/C	REMARKS	Weight (kgf)	Weight (lb)
010	35300-22100	ASSY BEVEL,SPIRAL	1			8-39T	5.3	11.66
020	35260-23252	NUT	1				0.04	0.088
030	37300-22150	CASE,BEARING	1				0.56	1.232
040	34150-22610	SHIM	2			0.5MM	0.01	0.022
040	34150-22620	SHIM	4			0.2MM	0.005	0.011
040	34150-22630	SHIM	2			0.1MM	0.005	0.011
050	38240-22140	BEARING,TAPER-ROLLER	1				0.56	1.232
060	34150-22170	COVER,BEARING	1				0.16	0.352
070	01133-51035	BOLT	4				0.03	0.066
080	01123-50816	BOLT	2				0.011	0.0242
090	38450-25230	COLLAR,THRUST	1				0.025	0.055
100	32430-22410	GEAR	1			45T	1.02	2.244
110	32440-22420	GEAR	1			16T	0.4	0.88
120	32430-22430	RING,INNER	1				0.07	0.154
130	32440-22440	RING,INNER	1				0.08	0.176
140	32430-22450	BOSS,SPLINE	1				0.21	0.462
150	38450-21750	SHIFTER	1				0.22	0.484
160	38450-25230	COLLAR,THRUST	1				0.025	0.055
170	08641-00306	BEARING,ROLLER	2				0.37	0.814
180	37800-43870	BOLT	8				0.026	0.0572
190	31363-44170	GEAR	1				0.36	0.792
200	32440-22460	COLLAR	1				0.07	0.154

REAR DIFFERENTIAL



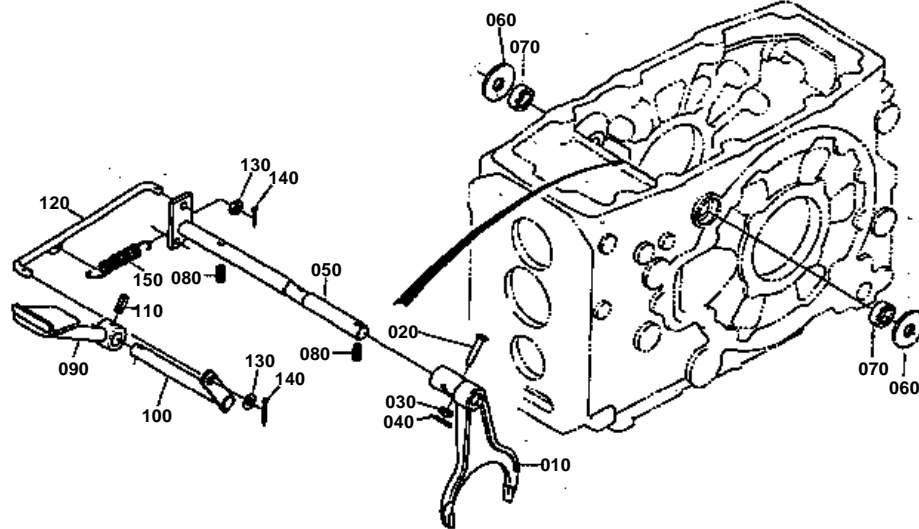


REAR DIFFERENTIAL

↔ Interchangeable; ≠ not interchangeable; ← new for old; → old for new

REF.No	Part No.	Description	Q'ty	S.No.	I/C	REMARKS	Weight (kgf)	Weight (lb)
010	31351-26100	ASSY DIFFERENTIAL	1				6.8	14.96
020	38240-26514	CASE,DIFFERENTIAL	1				0	0
030	38240-26523	COVER,DIFF.CASE	1				0	0
040	37300-28170	PIN,STRAIGHT	2				0.025	0.055
050	01133-51025	BOLT	8				0.023	0.0506
060	35430-26340	SHAFT,DIFF.PINION	1				0.31	0.682
070	35430-26330	SHAFT,DIFF.PINION	2				0.136	0.2992
080	31220-26280	KEY,FEATHER	2				0.005	0.011
090	35430-26350	PINION,DIFF.	4				0.16	0.352
100	31220-26390	WASHER,DIFF.PINION	4				0	0
110	37300-26430	GEAR,DIFF.SIDE RH	1				0.475	1.045
120	37300-26440	GEAR,DIFF.SIDE LH	1				0.63	1.386
130	31351-26470	WASHER,SIDE GEAR	2			1.5MM	0.01	0.022
130	31351-26480	WASHER,SIDE GEAR	2			1.6MM	0.015	0.033
130	31351-26490	WASHER,SIDE GEAR	2			1.7MM	0.016	0.0352
140	31351-26610	SHIFTER,DIFF.LOCK	1				0.43	0.946
150	31351-26550	CASE,DIFF.BEARING RH	1				1.47	3.234
160	31351-26560	CASE,DIFF.BEARING LH	1				1.81	3.982
170	01133-51030	BOLT	8				0.025	0.055
180	37150-26160	SHIM	12			0.2MM	0.005	0.011
180	37150-26170	SHIM	8			0.1MM	0.005	0.011
180	37150-26180	SHIM	4			0.5MM	0.01	0.022
190	08711-32011	BEARING,TAPER-ROLLER	1				0.538	1.1836
200	08711-30209	BEARING,TAPER-ROLLER	1				0.458	1.0076

DIFF.LOCK PEDAL



0087-03

060 31351-2669-0

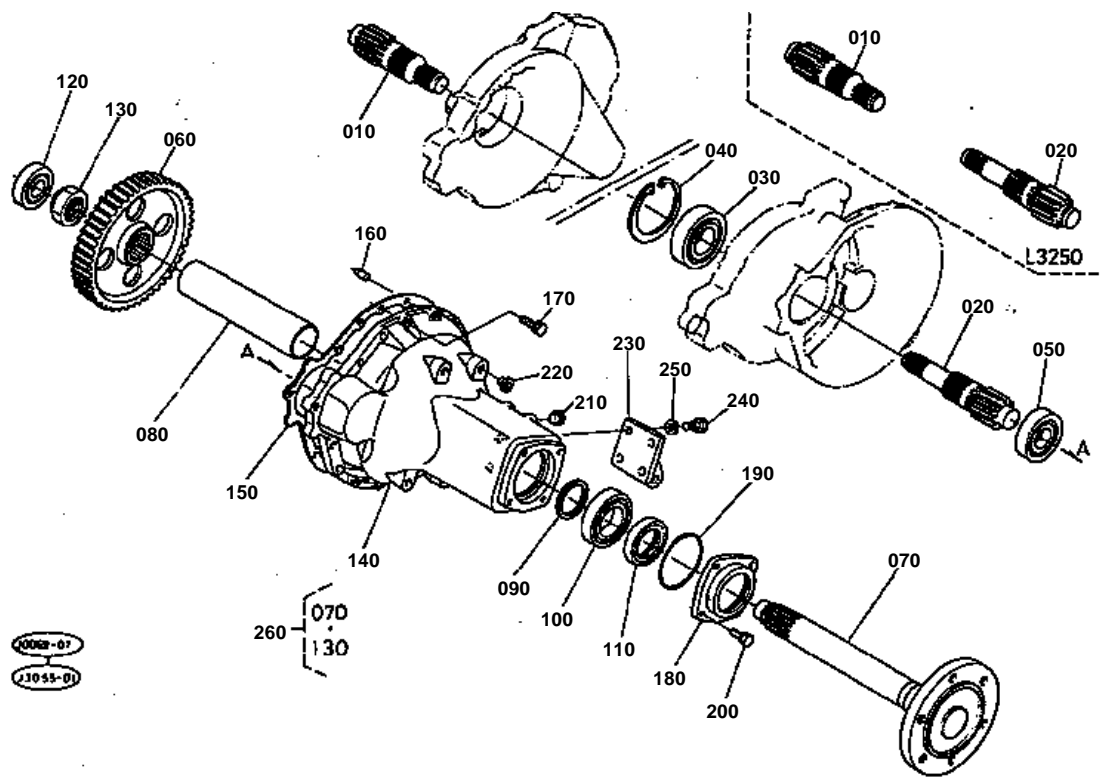


**DIFF.LOCK PEDAL**

↔ Interchangeable; ≠ not interchangeable; ← new for old; → old for new

REF.No	Part No.	Description	Q'ty	S.No.	I/C	REMARKS	Weight (kgf)	Weight (lb)
010	31351-26630	FORK,SHIFT	1				0.465	1.023
020	31351-26620	PIN,JOINT	1				0.008	0.0176
030	04013-50060	WASHER,PLAIN	1				0	0
040	05511-50212	PIN,SPLIT	1				0.001	0.0022
050	31351-26680	SHAFT,DIFF.LOCK FORK	1				0.48	1.056
060	04014-50160	WASHER,PLAIN	2				0.013	0.0286
070	09500-16287	SEAL,OIL	2				0.01	0.022
080	05411-00630	PIN,SPRING	2				0.004	0.0088
090	32480-26640	PEDAL,DIFF.LOCK	1				0	0
100	30442-26660	SHAFT,DIFF.LOCK	1				0	0
110	05411-00625	PIN,SPRING	1				0.004	0.0088
120	31351-26670	ROD,DIFF.LOCK	1				0.1	0.22
130	04012-50080	WASHER,PLAIN	2				0.001	0.0022
140	05511-50215	PIN,SPLIT	2				0.001	0.0022
150	37150-15840	SPRING	1				0.06	0.132

REAR AXLE



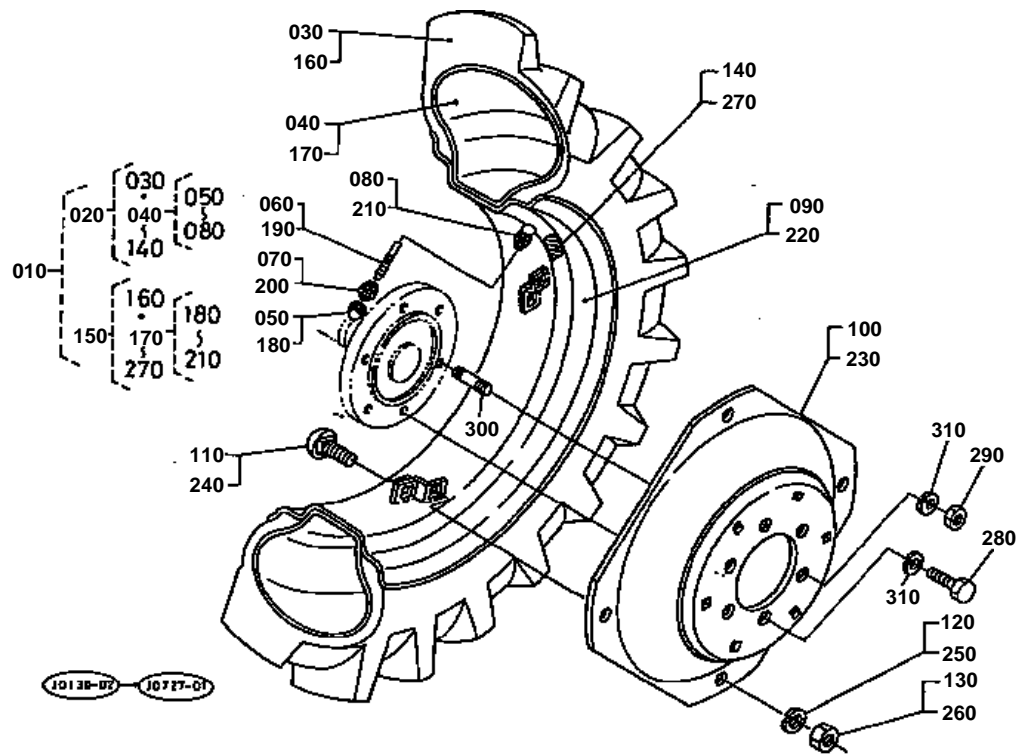


REAR AXLE

↔ Interchangeable; ≠ not interchangeable; ← new for old; → old for new

REF.No	Part No.	Description	Q'ty	S.No.	I/C	REMARKS	Weight (kgf)	Weight (lb)
010	32440-26710	SHAFT,DIFF.GEAR RH	1			11T	1.96	4.312
020	32440-26720	SHAFT,DIFF.GEAR LH	1			11T	2.23	4.906
030	08101-06309	BEARING,BALL	2				0.82	1.804
040	04611-01000	CIR-CLIP,INTERNAL	2				0.042	0.0924
050	08100-00026	BEARING,BALL	2				0.495	1.089
060	32440-26830	GEAR	2			60T	6.6	14.52
070	32430-27114	AXLE,REAR	2				11	24.2
080	32430-27140	SPACER	2				0	0
090	31351-27150	WASHER	2				0	0
100	08101-06210	BEARING,BALL	2				0.45	0.99
110	34260-27560	SEAL,OIL	2				0.098	0.2156
120	36540-41130	BEARING,BALL	2				0.34	0.748
130	70631-15730	NUT	2				0.15	0.33
140	32440-27330	CASE,REAR AXLE	2				17.4	38.28
150	32430-27350	GASKET,AXLE CASE	2				0	0
160	37150-27370	PIN,STRAIGHT	4				0.009	0.0198
170	01133-51035	BOLT	18				0.03	0.066
180	32430-27160	COVER,AXLE CASE	2				0.6	1.32
190	04811-51000	RING	2				0.003	0.0066
200	01133-51025	BOLT	8				0.023	0.0506
210	31220-14290	PLUG	12			[A]	0.002	0.0044
220	32210-27580	PLUG,BLIND	8				0.001	0.0022

REAR WHEEL (13.6-24)



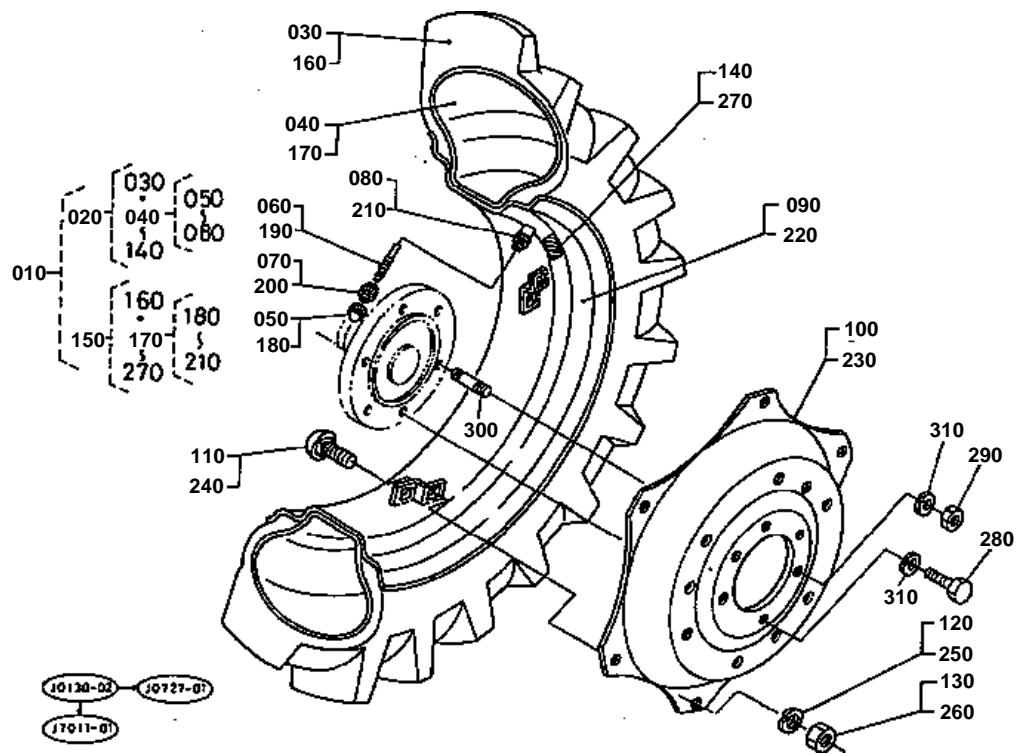


REAR WHEEL (13.6-24)

↔ Interchangeable; ≠ not interchangeable; ← new for old; → old for new

REF.No	Part No.	Description	Q'ty	S.No.	I/C	REMARKS	Weight (kgf)	Weight (lb)
010	32480-27800	ASSY REAR WHEEL	1				0	0
020	32480-27810	ASSY REAR WHEEL RH	1				86	189.2
030	31361-27820	TIRE	1				20	44
040	31361-27830	TUBE	1				4.4	9.68
050	38240-11690	CAP,VALVE	1				0.001	0.0022
060	32150-27740	CORE,VALVE	1				0.003	0.0066
070	32270-27730	HOUSING,VALVE CORE	1				0.014	0.0308
080	32270-27710	NUT,RIM	1				0.006	0.0132
090	32480-27850	RIM	1				20	44
100	32470-27660	DISK	1				13.5	29.7
110	31220-27680	BOLT	4				0.09	0.198
120	04512-50160	WASHER,SPRING	4				0	0
130	02074-50160	NUT	4				0.029	0.0638
140	32480-27980	LABEL,TIRE RH	1				0.001	0.0022
150	32480-27910	ASSY REAR WHEEL LH	1				86	189.2
160	31361-27820	TIRE	1				20	44
170	31361-27830	TUBE	1				4.4	9.68
180	38240-11690	CAP,VALVE	1				0.001	0.0022
190	32150-27740	CORE,VALVE	1				0.003	0.0066
200	32270-27730	HOUSING,VALVE CORE	1				0.014	0.0308
210	32270-27710	NUT,RIM	1				0.006	0.0132
220	32480-27850	RIM	1				20	44
230	32470-27660	DISK	1				13.5	29.7
240	31220-27680	BOLT	4				0.09	0.198
250	04512-50160	WASHER,SPRING	4				0	0
260	02074-50160	NUT	4				0.029	0.0638
270	32480-27970	LABEL,TIRE LH	1				0.001	0.0022
280	01073-51630	BOLT	8				0.079	0.1738
290	02076-50160	NUT	4				0.03	0.066
300	01517-51632	STUD	4				0.076	0.1672
310	04512-50160	WASHER,SPRING	12				0	0

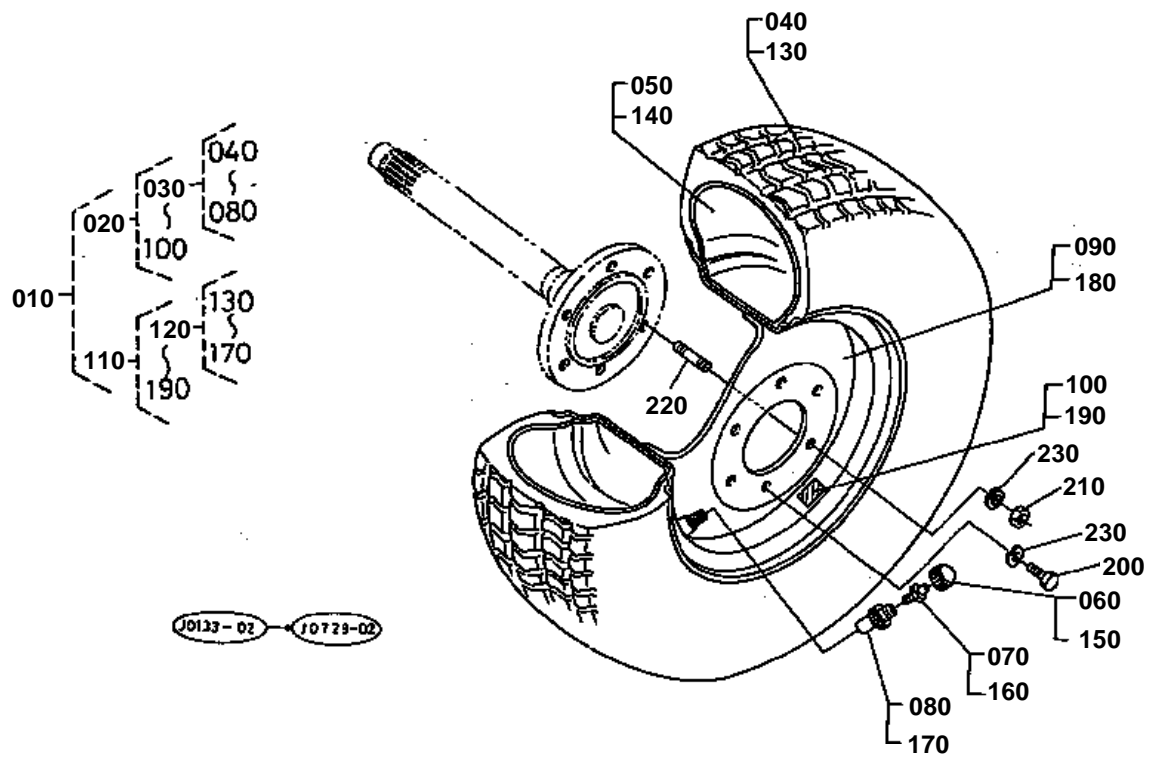
REAR WHEEL (13.6-26)



**REAR WHEEL (13.6-26)**

↔ Interchangeable; ≠ not interchangeable; ← new for old; → old for new

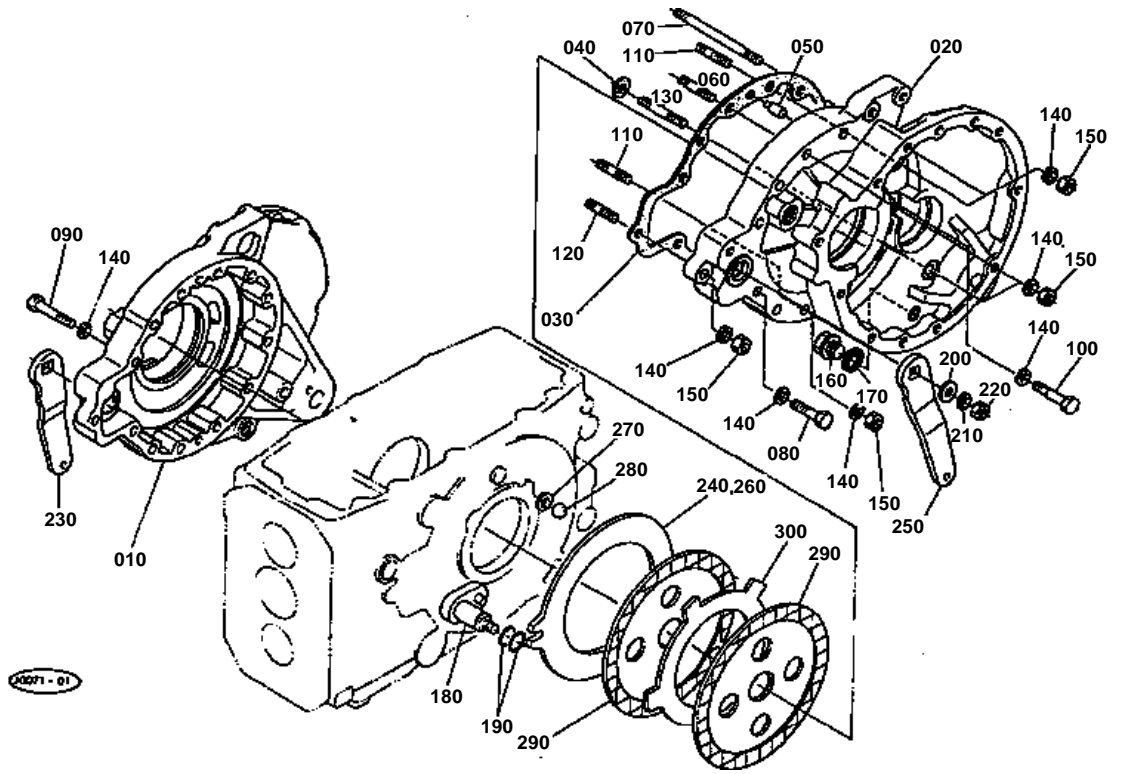
REF.No	Part No.	Description	Q'ty	S.No.	I/C	REMARKS	Weight (kgf)	Weight (lb)
010	32440-27800	ASSY REAR WHEEL	1				88	193.6
020	32440-27810	ASSY REAR WHEEL RH	1				88	193.6
030	38430-27820	TIRE	1				39	85.8
040	38430-27630	TUBE	1				4	8.8
050	38240-11690	CAP,VALVE	1				0.001	0.0022
060	32150-27740	CORE,VALVE	1				0.003	0.0066
070	32270-27730	HOUSING,VALVE CORE	1				0.014	0.0308
080	32270-27710	NUT,RIM	1				0.006	0.0132
090	32440-27850	RIM	1				22.78	50.116
100	32440-27860	DISK	1				16.3	35.86
110	31220-27680	BOLT	6				0.09	0.198
120	04512-50160	WASHER,SPRING	6				0	0
130	02074-50160	NUT	6				0.029	0.0638
140	32440-27980	LABEL,TIRE RH	1				0.001	0.0022
150	32440-27910	ASSY REAR WHEEL LH	1				0	0
160	38430-27820	TIRE	1				39	85.8
170	38430-27630	TUBE	1				4	8.8
180	38240-11690	CAP,VALVE	1				0.001	0.0022
190	32150-27740	CORE,VALVE	1				0.003	0.0066
200	32270-27730	HOUSING,VALVE CORE	1				0.014	0.0308
210	32270-27710	NUT,RIM	1				0.006	0.0132
220	32440-27850	RIM	1				22.78	50.116
230	32440-27860	DISK	1				16.3	35.86
240	31220-27680	BOLT	6				0.09	0.198
250	04512-50160	WASHER,SPRING	6				0	0
260	02074-50160	NUT	6				0.029	0.0638
270	32440-27970	LABEL,TIRE LH	1				0.001	0.0022
280	01073-51630	BOLT	8				0.079	0.1738
290	02076-50160	NUT	4				0.03	0.066
300	01517-51632	STUD	4				0.076	0.1672
310	04512-50160	WASHER,SPRING	12				0	0



**REAR WHEEL (355/80-D20)**

↔ Interchangeable; ≠ not interchangeable; ← new for old; → old for new

REF.No	Part No.	Description	Q'ty	S.No.	I/C	REMARKS	Weight (kgf)	Weight (lb)
010	32480-27700	ASSY REAR WHEEL	1				133	292.6
020	32480-27710	ASSY REAR WHEEL LH	1				66.5	146.3
030	36346-49300	ASSY TIRE	1				0	0
040	36346-49310	TIRE,REAR	1				40	88
050	36346-49320	TUBE,TIRE	1				7.8	17.16
060	38240-11690	CAP,VALVE	1				0.001	0.0022
070	32150-27740	CORE,VALVE	1				0.003	0.0066
080	32270-27730	HOUSING,VALVE CORE	1				0.014	0.0308
090	32480-27950	WHEEL	1				23.4	51.48
100	32480-27870	LABEL,TIRE LH	1				0.001	0.0022
110	32480-27720	ASSY REAR WHEEL RH	1				66.5	146.3
120	36346-49300	ASSY TIRE	1				0	0
130	36346-49310	TIRE,REAR	1				40	88
140	36346-49320	TUBE,TIRE	1				7.8	17.16
150	38240-11690	CAP,VALVE	1				0.001	0.0022
160	32150-27740	CORE,VALVE	1				0.003	0.0066
170	32270-27730	HOUSING,VALVE CORE	1				0.014	0.0308
180	32480-27950	WHEEL	1				23.4	51.48
190	32480-27880	LABEL,TIRE RH	1				0.001	0.0022
200	01073-51630	BOLT	8				0.079	0.1738
210	02076-50160	NUT	4				0.03	0.066
220	01517-51632	STUD	4				0.076	0.1672
230	04512-50160	WASHER,SPRING	12				0	0

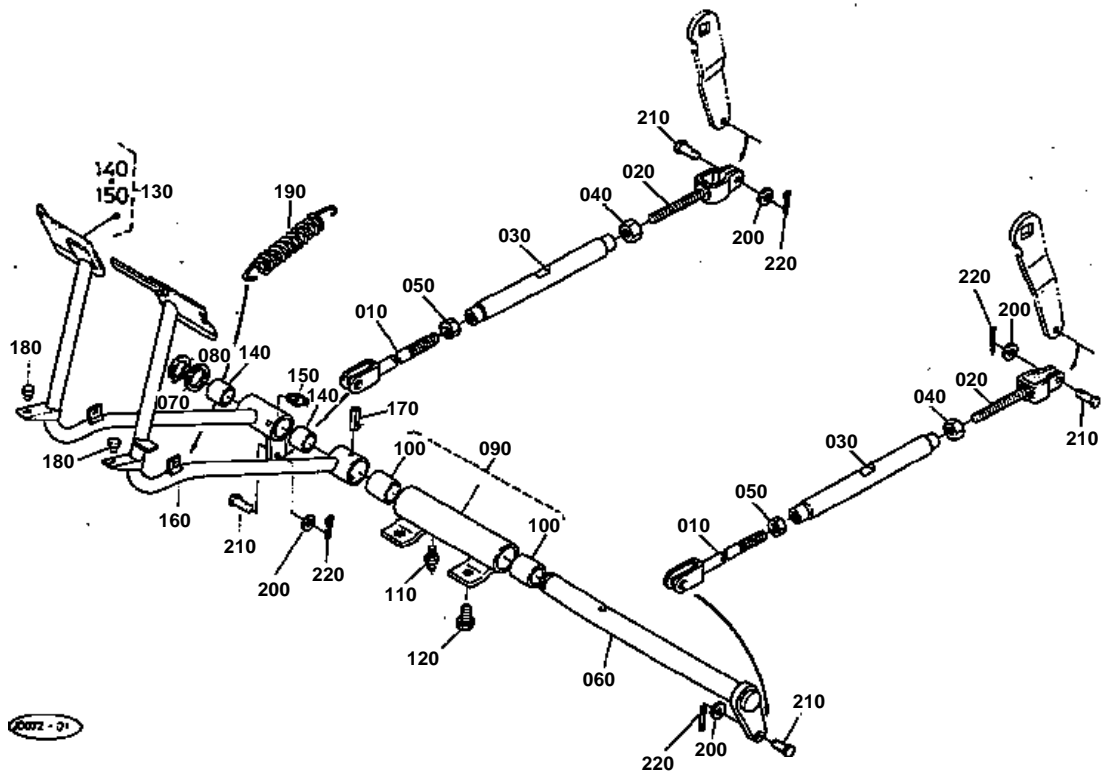


**BRAKE**

↔ Interchangeable; ≠ not interchangeable; ← new for old; → old for new

REF.No	Part No.	Description	Q'ty	S.No.	I/C	REMARKS	Weight (kgf)	Weight (lb)
010	32440-28130	CASE,BRAKE RH	1				0	0
020	32440-28150	CASE,BRAKE LH	1				0	0
030	37260-28160	GASKET	2				0	0
040	32430-28190	GASKET	2				0.002	0.0044
050	37150-27370	PIN,STRAIGHT	4				0.009	0.0198
060	37150-27350	STUD	6				0.06	0.132
070	32430-27360	STUD	2				0.12	0.264
080	01173-51260	BOLT	5				0.06	0.132
090	01173-51260	BOLT	1				0.06	0.132
100	01176-51260	BOLT	2				0.06	0.132
110	01574-51260	STUD	8				0	0
120	01574-51235	STUD	2				0	0
130	01574-51280	STUD	2				0.08	0.176
140	04512-50120	WASHER,SPRING	28				0	0
150	02176-50120	NUT	20				0.01	0.022
160	34150-14260	PLUG,DRAIN	2				0	0
170	04717-02150	WASHER,WITH RUBBER	2				0.004	0.0088
180	31351-28210	CAM,BRAKE	2				0.35	0.77
190	04811-00220	RING	4				0.001	0.0022
200	04015-50120	WASHER,PLAIN	2				0	0
210	04512-50120	WASHER,SPRING	2				0	0
220	02174-50120	NUT	2				0.01	0.022
230	37150-28224	LEVER,BRAKE CAM RH	1				0.32	0.704
240	37150-28270	PLATE,CAM RH	1				1.08	2.376
250	37150-28234	LEVER,BRAKE CAM LH	1				0.3	0.66
260	37150-28240	PLATE,CAM LH	1				1.13	2.486
270	37150-28250	SEAT,BALL	12				0.003	0.0066
280	07715-00805	BALL	12				0.016	0.0352
290	37150-28200	DISK,BRAKE	4				0	0
300	37720-28170	PLATE	2				0.422	0.9284

BRAKE PEDAL

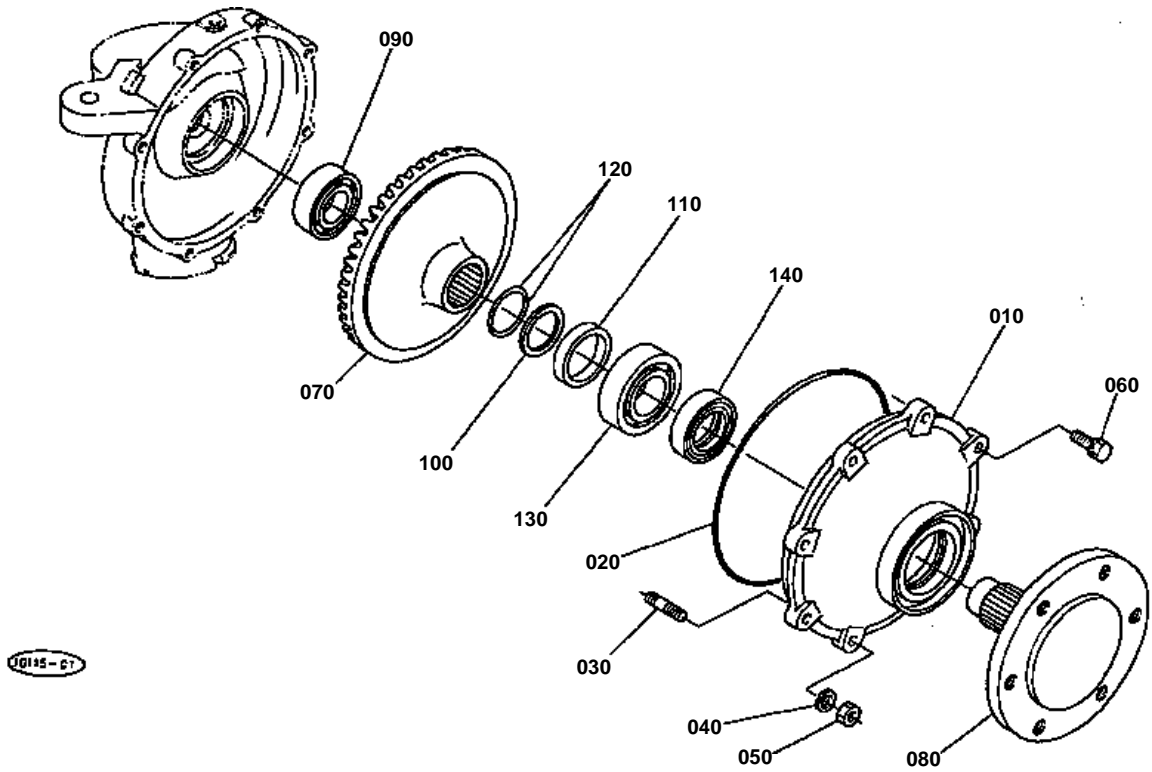


**BRAKE PEDAL**

↔ Interchangeable; ≠ not interchangeable; ← new for old; → old for new

REF.No	Part No.	Description	Q'ty	S.No.	I/C	REMARKS	Weight (kgf)	Weight (lb)
010	35340-28930	ROD,BRAKE	2				0.19	0.418
020	37220-91090	ROD,BRAKE	2				0.125	0.275
030	38240-28980	TURNBUCKLE	2				0.29	0.638
040	37300-28990	NUT	2				0.015	0.033
050	02174-50140	NUT	2				0.014	0.0308
060	31351-28410	SHAFT,BRAKE PEDAL	1				1.45	3.19
070	32150-28460	COLLAR	1				0.007	0.0154
080	04612-00250	CIR-CLIP,EXTERNAL	1				0.002	0.0044
090	38240-28420	SUPPORT,PEDAL SHAFT	1				0.93	2.046
100	34150-28430	BUSH	2				0.04	0.088
110	06613-10675	NIPPLE,GREASE	1				0.003	0.0066
120	01133-51020	BOLT	4				0.02	0.044
130	32430-28600	ASSY PEDAL,BRAKE RH	1				1.685	3.707
140	38180-28670	BUSH	2				0.02	0.044
150	06613-10675	NIPPLE,GREASE	1				0.003	0.0066
160	32430-28630	PEDAL,BRAKE LH	1				1.66	3.652
170	05411-00840	PIN,SPRING	1				0.008	0.0176
180	31355-83130	CUSHION	2				0.003	0.0066
190	37150-15840	SPRING	2				0.06	0.132
200	04012-50080	WASHER,PLAIN	4				0.001	0.0022
210	05112-50828	PIN,JOINT	4				0.013	0.0286
220	05511-50215	PIN,SPLIT	4				0.001	0.0022

FRONT AXLE



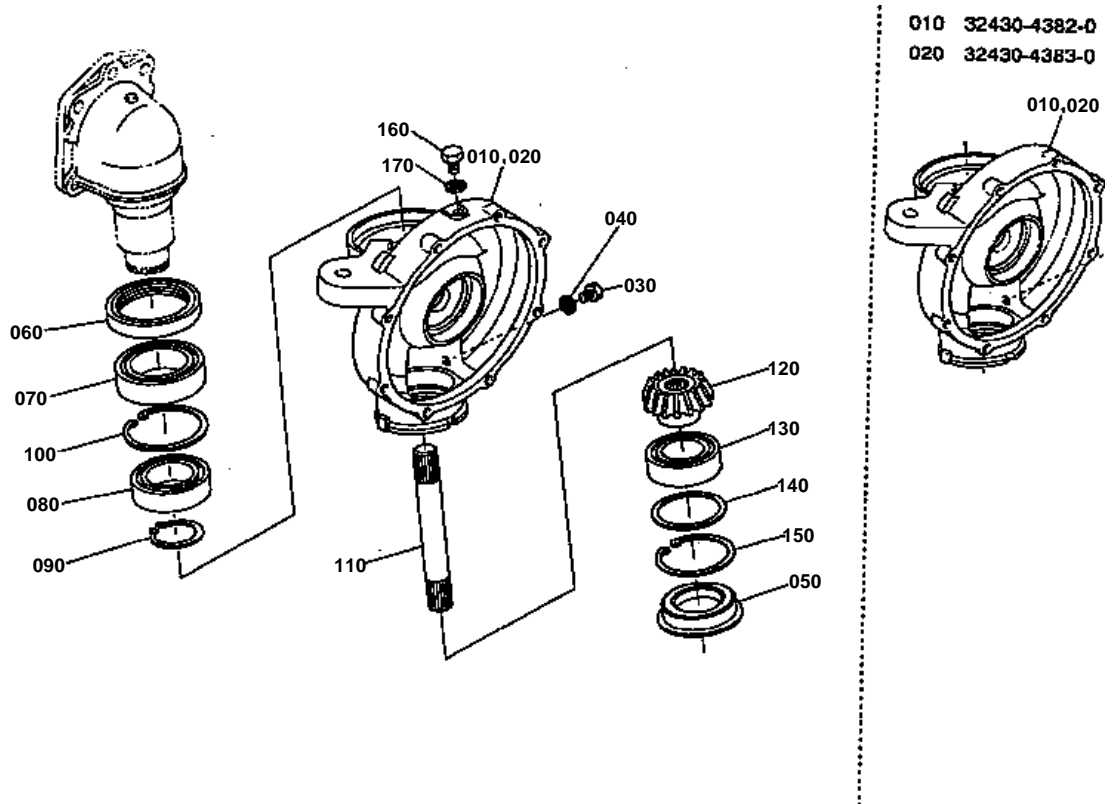


FRONT AXLE

↔ Interchangeable; ≠ not interchangeable; ← new for old; → old for new

REF.No	Part No.	Description	Q'ty	S.No.	I/C	REMARKS	Weight (kgf)	Weight (lb)
010	32430-44110	FLANGE,AXLE	2				0	0
020	31353-44130	O RING	2				0.01	0.022
030	01513-50825	STUD	4				0	0
040	04512-50080	WASHER,SPRING	4				0	0
050	02156-50080	NUT	4				0.004	0.0088
060	01123-50825	BOLT	12				0.013	0.0286
070	32430-43940	GEAR,BEVEL	2			42T	5.7	12.54
080	32430-43960	AXLE	2				4.36	9.592
090	08101-06207	BEARING,BALL	2				0.282	0.6204
100	38440-43670	COLLAR,THRUST	2				0.035	0.077
110	38440-43690	RETAINER,RING	2				0.042	0.0924
120	38440-43680	CIR-CLIP	4				0.02	0.044
130	08101-06208	BEARING,BALL	2				0.355	0.781
140	38440-43530	SEAL,OIL	2				0.097	0.2134

FRONT AXLE CASE



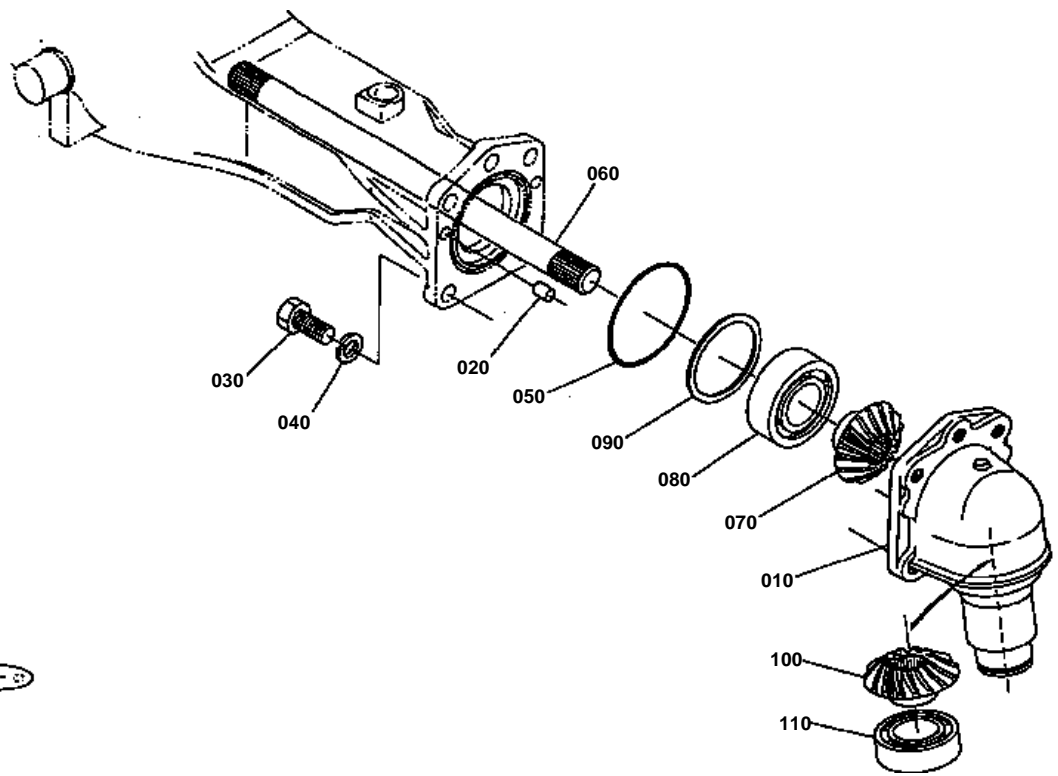
1011-CT



FRONT AXLE CASE

↔ Interchangeable; ≠ not interchangeable; ← new for old; → old for new

REF.No	Part No.	Description	Q'ty	S.No.	I/C	REMARKS	Weight (kgf)	Weight (lb)
010	32440-43820	CASE,AXLE LH	1				0	0
020	32440-43830	CASE,AXLE RH	1				0	0
030	06331-35012	PLUG	2				0.022	0.0484
040	04717-01200	WASHER,WITH RUBBER	2				0.002	0.0044
050	31353-43850	PLUG	2				0.075	0.165
060	32440-43870	SEAL,OIL	2				0	0
070	08101-06013	BEARING,BALL	2				0.42	0.924
080	08101-06010	BEARING,BALL	2				0.262	0.5764
090	04612-00500	CIR-CLIP,EXTERNAL	2				0.009	0.0198
100	04611-00800	CIR-CLIP,INTERNAL	2				0.02	0.044
110	32430-43910	SHAFT,BEVEL GEAR	2				0.78	1.716
120	32440-43930	GEAR,BEVEL	2			12T	0.595	1.309
130	32440-43920	BEARING,BALL	2				0.245	0.539
140	31353-43460	SHIM	2			0.8MM	0.01	0.022
140	31353-43480	SHIM	2			1.2MM	0.015	0.033
140	31353-44030	SHIM	2			1.6MM	0.02	0.044
140	31353-44040	SHIM	2			1.8MM	0.02	0.044
140	31353-44050	SHIM	2			2.0MM	0.02	0.044
140	31353-44060	SHIM	2			2.3MM	0.025	0.055
140	31353-44070	SHIM	2			2.6MM	0.04	0.088
150	04611-00750	CIR-CLIP,INTERNAL	2				0.019	0.0418
160	06331-35010	PLUG	2				0.012	0.0264
170	04717-01000	WASHER,WITH RUBBER	2				0.001	0.0022

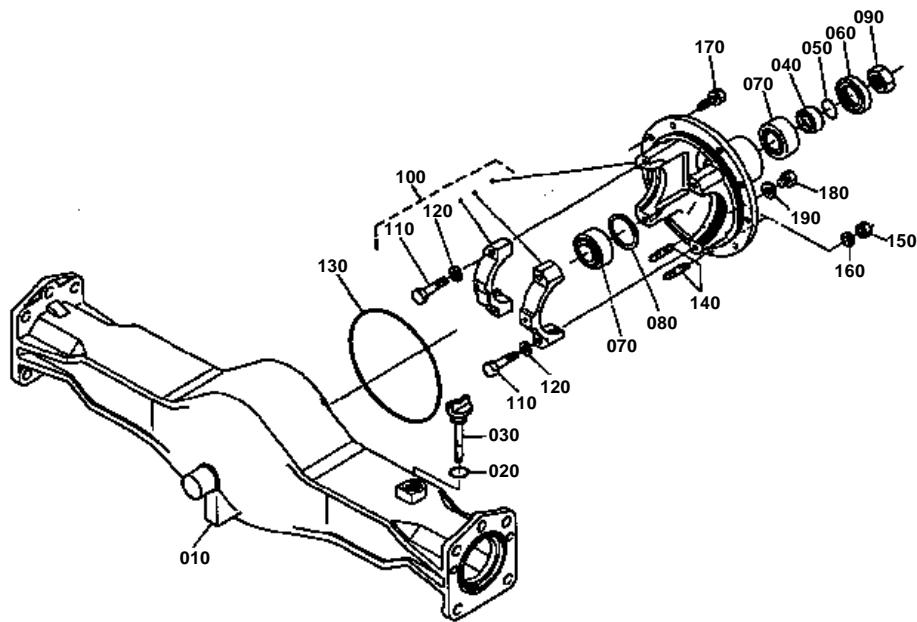


**DIFF.GEAR SHAFT**

↔ Interchangeable; ≠ not interchangeable; ← new for old; → old for new

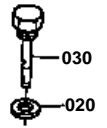
REF.No	Part No.	Description	Q'ty	S.No.	I/C	REMARKS	Weight (kgf)	Weight (lb)
010	32440-43610	CASE,BEVEL GEAR	2				3.4	7.48
020	31353-43880	PIN,STRAIGHT	4				0.02	0.044
030	01176-51435	BOLT	10				0.056	0.1232
040	04512-50140	WASHER,SPRING	10				0	0
050	04811-10850	RING	2				0.002	0.0044
060	32440-43630	SHAFT,DIFF GEAR LH	2				1.5	3.3
070	31353-43650	GEAR,BEVEL	2			13T	0.46	1.012
080	08101-06208	BEARING,BALL	2				0.355	0.781
090	31353-43750	SHIM	2			0.4MM	0.008	0.0176
090	31353-43760	SHIM	2			0.6MM	0.01	0.022
090	31353-43770	SHIM	2			0.8MM	0.015	0.033
090	31353-43780	SHIM	2			1.0MM	0.014	0.0308
090	31353-43790	SHIM	2			1.2MM	0.015	0.033
100	31353-43660	GEAR,BEVEL	2			15T	0.5	1.1
110	36920-40090	BEARING,BALL	2				0.1	0.22

FRONT DIFF.CASE



0118-0A

020 04717-02000
030 31353-4312-0



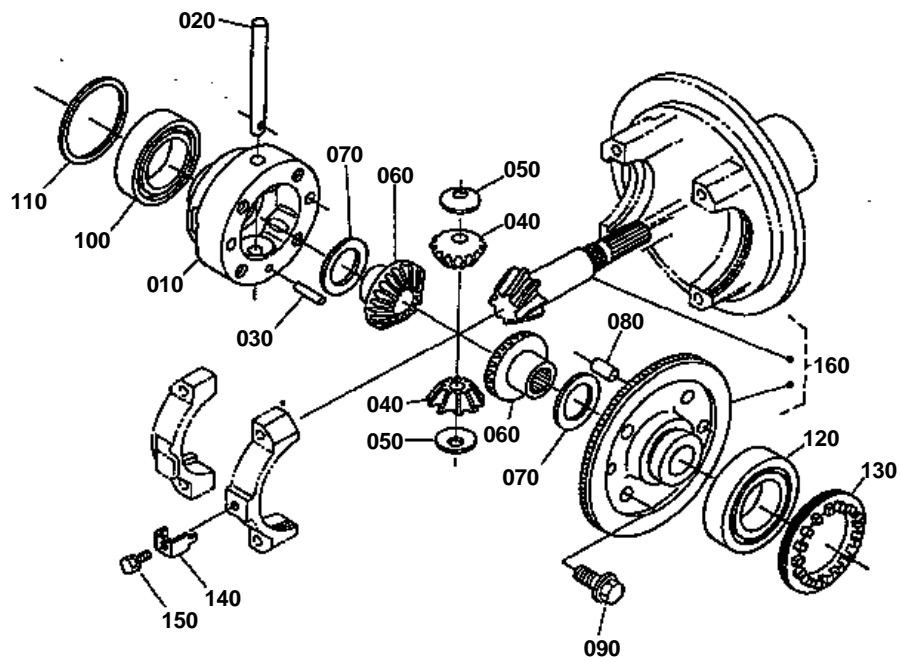


FRONT DIFF.CASE

↔ Interchangeable; ≠ not interchangeable; ← new for old; → old for new

REF.No	Part No.	Description	Q'ty	S.No.	I/C	REMARKS	Weight (kgf)	Weight (lb)
010	32430-43110	CASE,FRONT AXLE	1				0	0
010	32430-43113	CASE,FRONT AXLE	1		≠		19.5	42.9
020	04811-00180	RING	1				0.001	0.0022
030	31353-43122	GAUGE,OIL	1				0.015	0.033
040	31353-43220	COLLAR,SEAL	1				0.035	0.077
050	04811-10250	RING	1				0.001	0.0022
060	09500-32528	SEAL,OIL	1				0.017	0.0374
070	31353-43240	ROLLER,TAPER	2				0.23	0.506
080	31353-43140	SHIM	1			0.4MM	0.003	0.0066
080	31353-43150	SHIM	1			0.6MM	0.001	0.0022
080	31353-43160	SHIM	1			0.8MM	0.01	0.022
080	31353-43170	SHIM	1			1.0MM	0.006	0.0132
080	31353-43180	SHIM	1			1.2MM	0.003	0.0066
090	35260-23252	NUT	1				0.04	0.088
100	31353-43260	ASSY CASE,PINION BRG	1				5	11
110	01173-51040	BOLT	4				0.028	0.0616
120	04512-50100	WASHER,SPRING	4				0	0
130	31353-43250	O RING	1				0.005	0.011
140	01517-51022	STUD	2				0	0
150	02176-50100	NUT	2				0.005	0.011
160	04512-50100	WASHER,SPRING	2				0	0
170	01133-51025	BOLT	8				0.023	0.0506
180	06331-35012	PLUG	1				0.022	0.0484
190	04717-01200	WASHER,WITH RUBBER	1				0.002	0.0044

FRONT DIFFERENTIAL



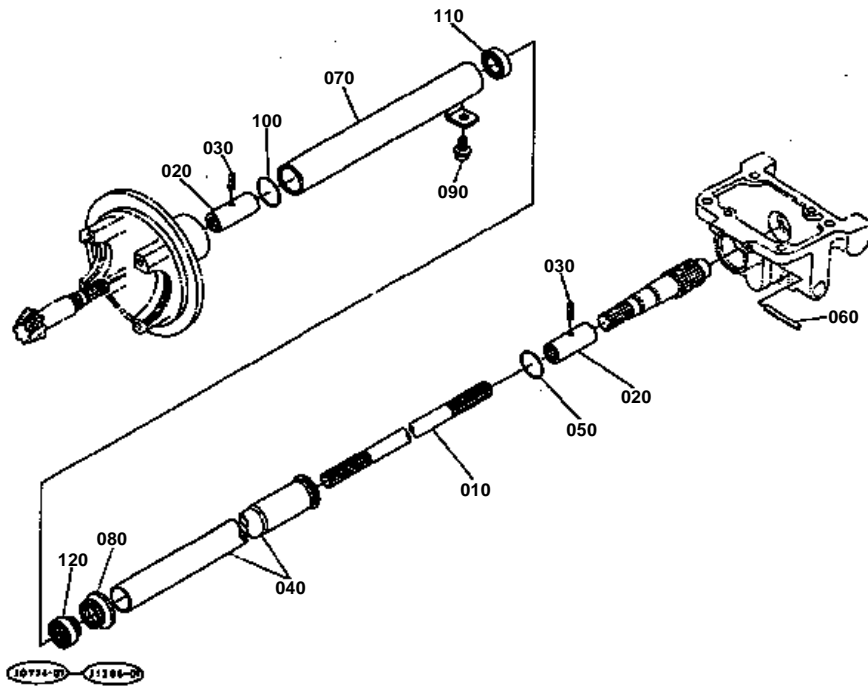
0111-01

**FRONT DIFFERENTIAL**

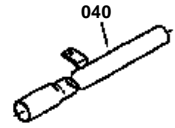
↔ Interchangeable; ≠ not interchangeable; ← new for old; → old for new

REF.No	Part No.	Description	Q'ty	S.No.	I/C	REMARKS	Weight (kgf)	Weight (lb)
010	31353-43312	CASE,DIFFERENTIAL	1				1.62	3.564
020	31353-43330	SHAFT,PINION	1				0.13	0.286
030	05012-00628	PIN,STRAIGHT	1				0.006	0.0132
040	31353-43343	PINION,DIFF.	2				0.1	0.22
050	67121-56670	COLLAR,PINION THRUST	2				0.006	0.0132
060	31353-43353	GEAR,DIFF.SIDE	2				0.19	0.418
070	67211-15160	SHIM	2			1.0MM	0.01	0.022
070	67211-15170	SHIM	2			0.8MM	0.008	0.0176
070	67211-15180	SHIM	2			1.2MM	0.01	0.022
070	31353-43360	SHIM	2			0.6MM	0.01	0.022
070	31353-43370	SHIM	2			0.4MM	0.01	0.022
080	31353-43413	PIN,STRAIGHT	2				0.01	0.022
090	36280-42320	BOLT	4				0.042	0.0924
100	08101-06009	BEARING,BALL	1				0.22	0.484
110	31353-43440	SHIM	1			0.4MM	0.005	0.011
110	31353-43450	SHIM	1			0.6MM	0.01	0.022
110	31353-43460	SHIM	1			0.8MM	0.01	0.022
110	31353-43470	SHIM	1			1.0MM	0.01	0.022
110	31353-43480	SHIM	1			1.2MM	0.015	0.033
120	08101-06209	BEARING,BALL	1				0.42	0.924
130	31353-43510	SCREW,ADJUSTING	1				0.16	0.352
140	31353-43530	WASHER,LOCK	1				0.012	0.0264
150	01023-50610	BOLT	1				0.005	0.011
160	31353-99120	ASSY GEAR,SPIRAL DT	1			7-34T	2.3	5.06

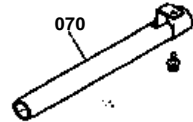
PROPELLER SHAFT



040 32430-4454-0



070 32430-4454-0



130 32430-4456-0

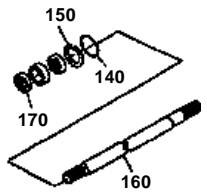


140 04811-10380

150 04811-00380

160 32430-4453-0

170 09500-20377



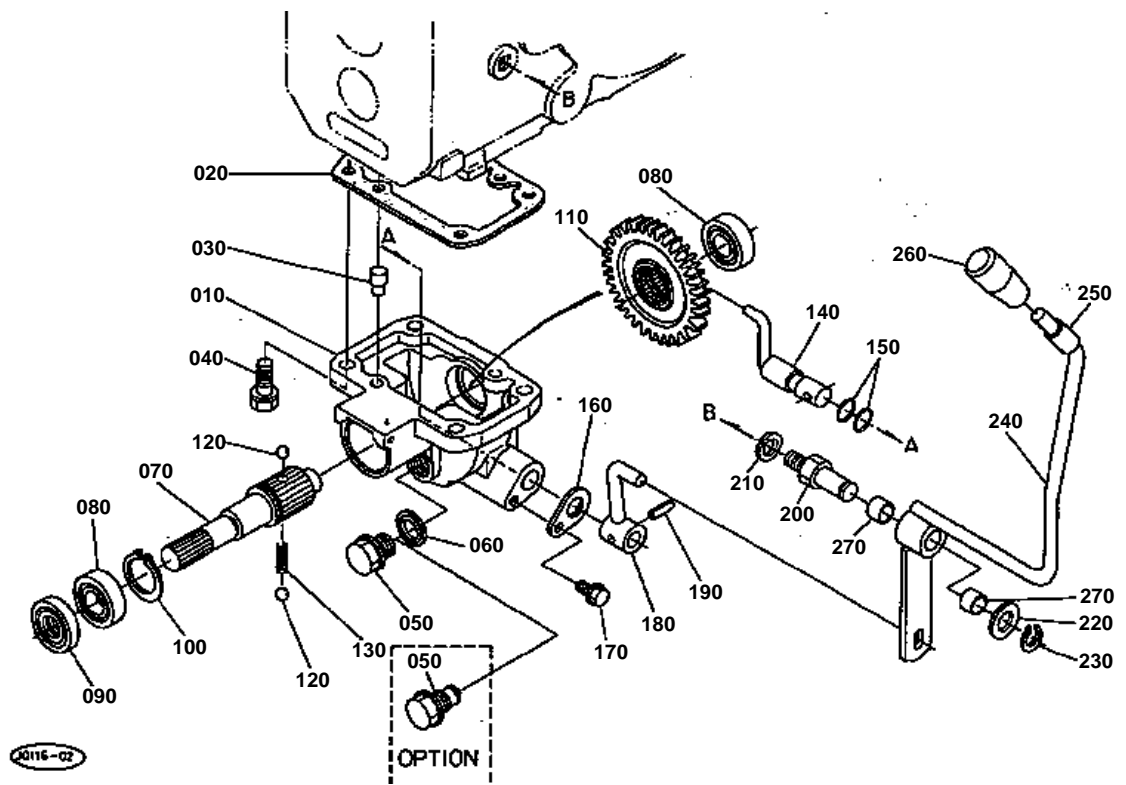


PROPELLER SHAFT

↔ Interchangeable; ≠ not interchangeable; ← new for old; → old for new

REF.No	Part No.	Description	Q'ty	S.No.	I/C	REMARKS	Weight (kgf)	Weight (lb)
010	32430-44513	SHAFT,PROPELLER	1				2.6	5.72
020	31353-44520	COUPLING	2				0	0
030	05411-00430	PIN,SPRING	2				0.002	0.0044
040	32430-44544	COVER,SHAFT	1				1.06	2.332
050	04811-00410	RING	1				0.002	0.0044
060	05411-00560	PIN,SPRING	1				0.006	0.0132
070	31353-44550	COVER,SHAFT	1				0.74	1.628
080	31353-44570	SEAL	1				0.005	0.011
090	01774-51016	BOLT,FLANGE	2				0.02	0.044
100	04811-00420	RING	1				0.002	0.0044
110	08101-06904	BEARING,BALL	1				0.02	0.044
110	08141-06904	BEARING,BALL	1		≠		0.05	0.11
120	32430-44590	RING,OUTER	1				0.01	0.022

FRONT WHEELDRIVE CASE

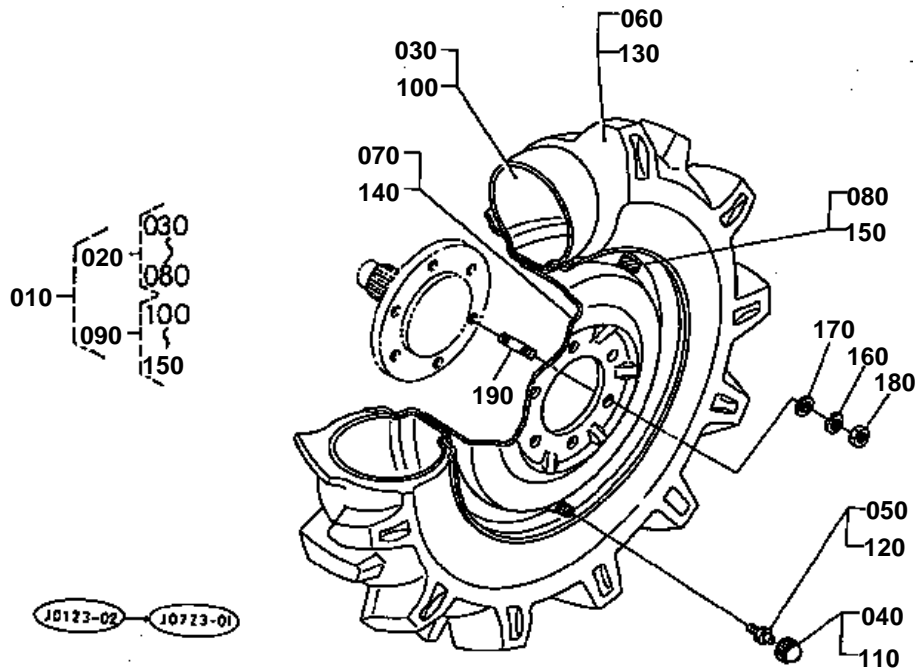




FRONT WHEELDRIVE CASE

↔ Interchangeable; ≠ not interchangeable; ← new for old; → old for new

REF.No	Part No.	Description	Q'ty	S.No.	I/C	REMARKS	Weight (kgf)	Weight (lb)
010	32430-44210	CASE,DRIVE	1				0.95	2.09
020	37150-21282	GASKET	1				0	0
030	32430-44450	PIN,KNOCK	2				0.01	0.022
040	01133-51235	BOLT	4				0.05	0.11
050	34150-14260	PLUG,DRAIN	1				0	0
050	32420-67020	PLUG,MAGNETO	1			OPTION	0.115	0.253
060	04717-02150	WASHER,WITH RUBBER	1				0.004	0.0088
070	32430-44220	SHAFT,DRIVE	1				0.655	1.441
080	08101-06204	BEARING,BALL	2				0.102	0.2244
090	09502-04710	SEAL,OIL	1				0.022	0.0484
100	36740-41150	CIR-CLIP,EXTERNAL	1				0.01	0.022
110	32430-99310	GEAR,SHIFT 33T	1				0.635	1.397
120	07715-01605	BALL	2				0.003	0.0066
130	32430-44250	SPRING	1				0.004	0.0088
140	31353-44310	LEVER,SHIFT	1				0.16	0.352
150	04811-00150	RING	2				0.001	0.0022
160	31353-44330	STOPPER,LEVER	1				0.01	0.022
170	01754-50816	BOLT,FLANGE	1				0.011	0.0242
180	32430-44360	LEVER,CHANGE	1				0.145	0.319
190	05411-00625	PIN,SPRING	1				0.004	0.0088
200	32430-44390	FULCRUM,LEVER	1				0.16	0.352
210	04512-50140	WASHER,SPRING	1				0	0
220	04011-50180	WASHER,PLAIN	1				0.012	0.0264
230	04612-00180	CIR-CLIP,EXTERNAL	1				0.001	0.0022
240	32430-44380	LEVER,ON-OFF(DT)	1				0	0
250	32430-44470	PIPE	1				0.01	0.022
260	31351-17530	GRIP,LEVER	1				0	0
270	08511-01810	BUSH	2				0.005	0.011



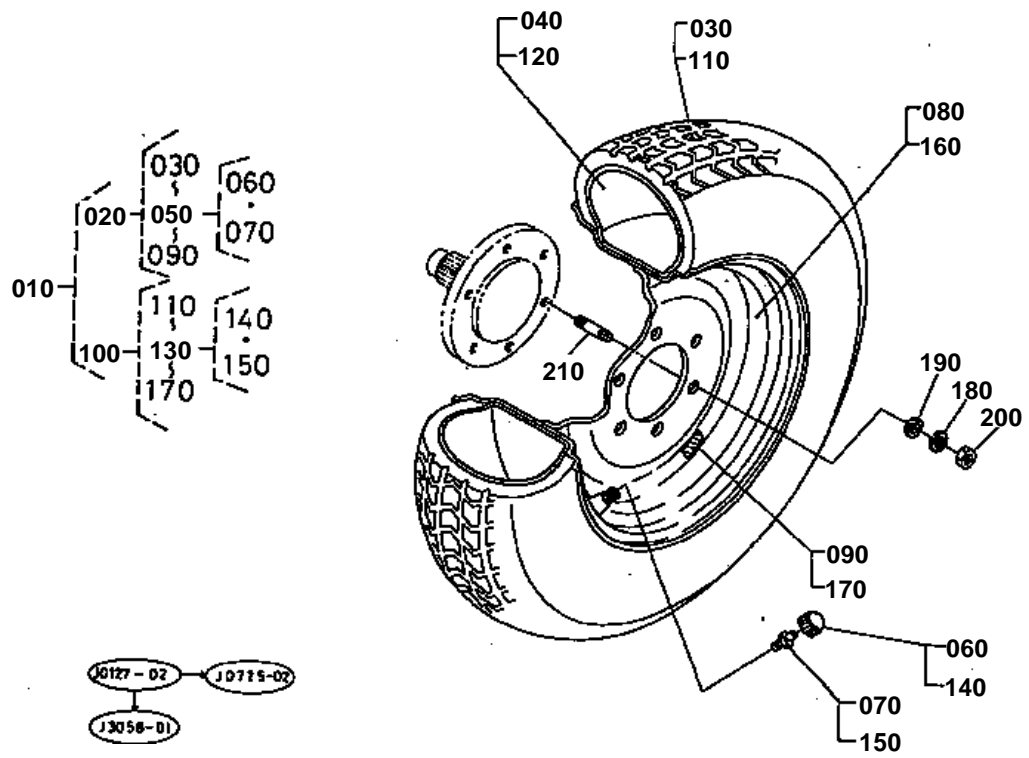


FRONT WHEEL (8-16)

↔ Interchangeable; ≠ not interchangeable; ← new for old; → old for new

REF.No	Part No.	Description	Q'ty	S.No.	I/C	REMARKS	Weight (kgf)	Weight (lb)
010	32440-43700	ASSY FRONT WHEEL	1				0	0
020	32440-43710	ASSY FRONT WHEEL RH	1				0	0
030	96018-05120	TUBE	1				1.6	3.52
040	38240-11690	CAP, VALVE	1				0.001	0.0022
050	32150-27740	CORE, VALVE	1				0.003	0.0066
060	32570-44830	TIRE	1				15.5	34.1
070	32470-43730	WHEEL	1				11.48	25.256
080	32440-11750	LABEL, TIRE RH	1				0.001	0.0022
090	32440-43720	ASSY FRONT WHEEL LH	1				32	70.4
100	96018-05120	TUBE	1				1.6	3.52
110	38240-11690	CAP, VALVE	1				0.001	0.0022
120	32150-27740	CORE, VALVE	1				0.003	0.0066
130	32570-44830	TIRE	1				15.5	34.1
140	32470-43730	WHEEL	1				11.48	25.256
150	32440-11740	LABEL, TIRE LH	1				0	0
160	04512-50140	WASHER, SPRING	12				0	0
170	04013-50140	WASHER, PLAIN	12				0	0
180	02176-50140	NUT	12				0.014	0.0308
190	35450-49160	STUD	12				0.05	0.11

FRONT WHEEL (212/80-D15)

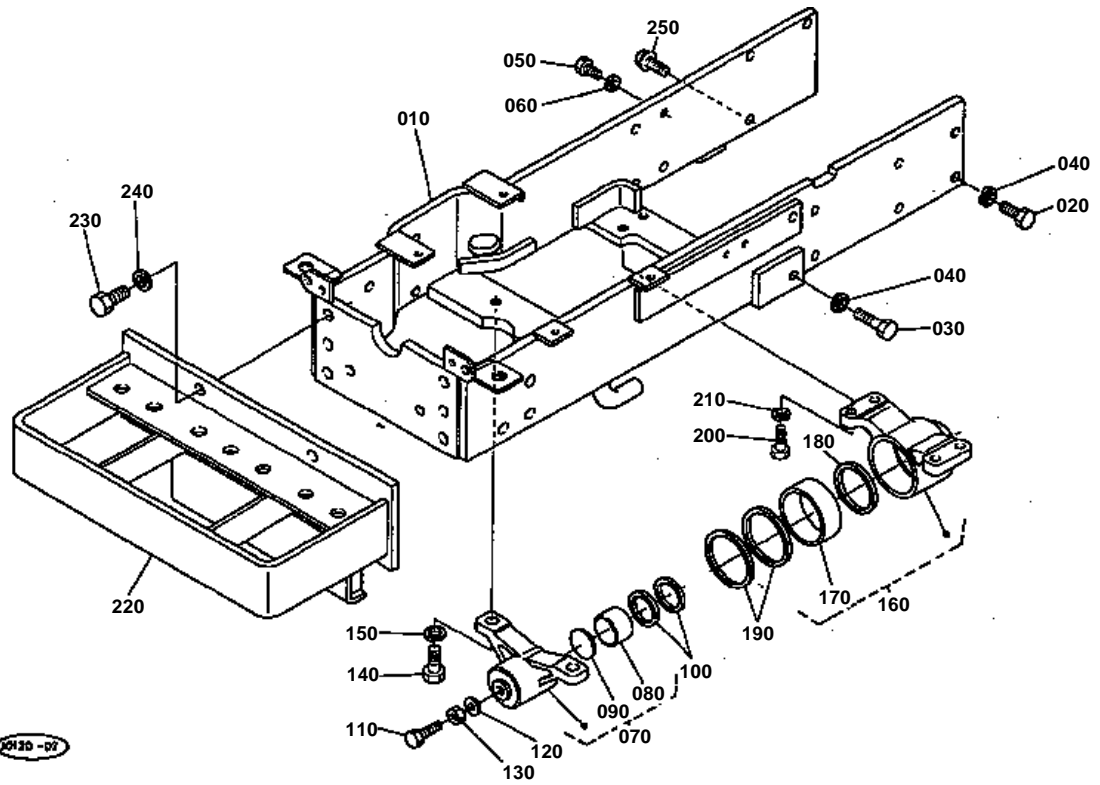


**FRONT WHEEL (212/80-D15)**

↔ Interchangeable; ≠ not interchangeable; ← new for old; → old for new

REF.No	Part No.	Description	Q'ty	S.No.	I/C	REMARKS	Weight (kgf)	Weight (lb)
010	32480-11500	ASSY FRONT WHEEL	1				49	107.8
020	32480-11510	ASSY FRONT WHEEL RH	1				24.5	53.9
030	96016-53130	TIRE	1				12	26.4
040	96016-53120	TUBE	1				1.71	3.762
050	34159-11850	VALVE,TIRE	1				0.013	0.0286
060	38240-11690	CAP,VALVE	1				0.001	0.0022
070	32150-27740	CORE,VALVE	1				0.003	0.0066
080	32480-11840	ASSY WHEEL	1				10.84	23.848
090	32480-11680	LABEL,TIRE RH	1				0.001	0.0022
100	32480-11520	ASSY FRONT WHEEL LH	1				24.5	53.9
110	96016-53130	TIRE	1				12	26.4
120	96016-53120	TUBE	1				1.71	3.762
130	34159-11850	VALVE,TIRE	1				0.013	0.0286
140	38240-11690	CAP,VALVE	1				0.001	0.0022
150	32150-27740	CORE,VALVE	1				0.003	0.0066
160	32480-11840	ASSY WHEEL	1				10.84	23.848
170	32480-11670	LABEL,TIRE LH	1				0.001	0.0022
180	04512-50140	WASHER,SPRING	12				0	0
190	04013-50140	WASHER,PLAIN	12				0	0
200	02176-50140	NUT	12				0.014	0.0308
210	35450-49160	STUD	12				0.05	0.11

FRONT AXLE FRAME



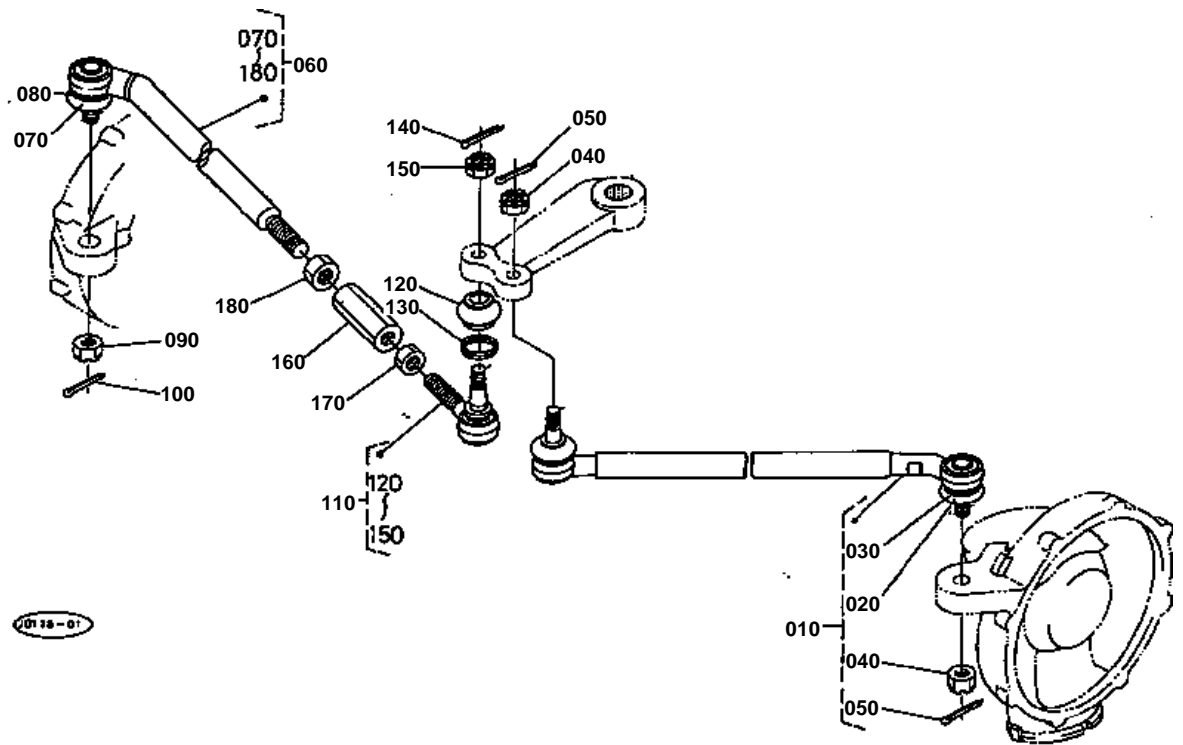


FRONT AXLE FRAME

↔ Interchangeable; ≠ not interchangeable; ← new for old; → old for new

REF.No	Part No.	Description	Q'ty	S.No.	I/C	REMARKS	Weight (kgf)	Weight (lb)
010	32430-44710	FRAME,FRONT AXLE	1				30.8	67.76
020	01176-51235	BOLT	9				0.041	0.0902
030	01176-51245	BOLT	4				0.05	0.11
040	04512-50120	WASHER,SPRING	13				0	0
050	01176-51030	BOLT	1				0	0
060	04512-50100	WASHER,SPRING	1				0	0
070	32440-44700	ASSY BRACKET,F-AXLE	1				1.125	2.475
080	08511-04025	BUSH	1				0.05	0.11
090	31393-44670	COLLAR	1				0.03	0.066
100	31393-44830	SEAL,OIL	2				0.005	0.011
110	01173-51230	BOLT	1				0.037	0.0814
120	31353-44770	WASHER,SEAL	1				0.005	0.011
130	02172-50120	NUT	1				0.01	0.022
140	01173-51430	BOLT	2				0.052	0.1144
150	04512-50140	WASHER,SPRING	2				0	0
160	31353-44800	ASSY BRACKET,F-AXLE	1				0	0
170	38440-44630	BUSH	1				0.1	0.22
180	31353-44830	COLLAR,THRUST	1				0.03	0.066
190	38440-44820	SEAL,OIL	2				0.01	0.022
200	38240-13180	BOLT,REAMER	4				0.04	0.088
210	04512-50120	WASHER,SPRING	4				0	0
220	32430-44880	BUMPER	1				12.05	26.51
230	01173-51435	BOLT	4				0.056	0.1232
240	04512-50140	WASHER,SPRING	4				0	0
250	01774-51225	BOLT,FLANGE	1				0.04	0.088

STEERING LINKAGE





STEERING LINKAGE

↔ Interchangeable; ≠ not interchangeable; ← new for old; → old for new

REF.No	Part No.	Description	Q'ty	S.No.	I/C	REMARKS	Weight (kgf)	Weight (lb)
010	32430-44610	ASSY ROD,TIE LH	1				0	0
020	38240-12650	COVER,DUST	2				0.01	0.022
030	38240-12660	CLIP	2				0.005	0.011
040	38240-12830	NUT	2				0.008	0.0176
050	05511-50325	PIN,SPLIT	2				0.002	0.0044
060	32430-44640	ASSY ROD,TIE RH	1				2	4.4
070	38240-12650	COVER,DUST	1				0.01	0.022
080	38240-12660	CLIP	1				0.005	0.011
090	38240-12830	NUT	1				0.008	0.0176
100	05511-50325	PIN,SPLIT	1				0.002	0.0044
110	38440-44780	ASSY END,TIE ROD RH	1				0.322	0.7084
120	38240-12650	COVER,DUST	1				0.01	0.022
130	38240-12660	CLIP	1				0.005	0.011
140	05511-50325	PIN,SPLIT	1				0.002	0.0044
150	38240-12830	NUT	1				0.008	0.0176
160	31353-44663	ROD,TIE OUTER	1				0.26	0.572
170	02174-50160	NUT	1				0.022	0.0484
180	38630-44980	NUT	1				0.01	0.022

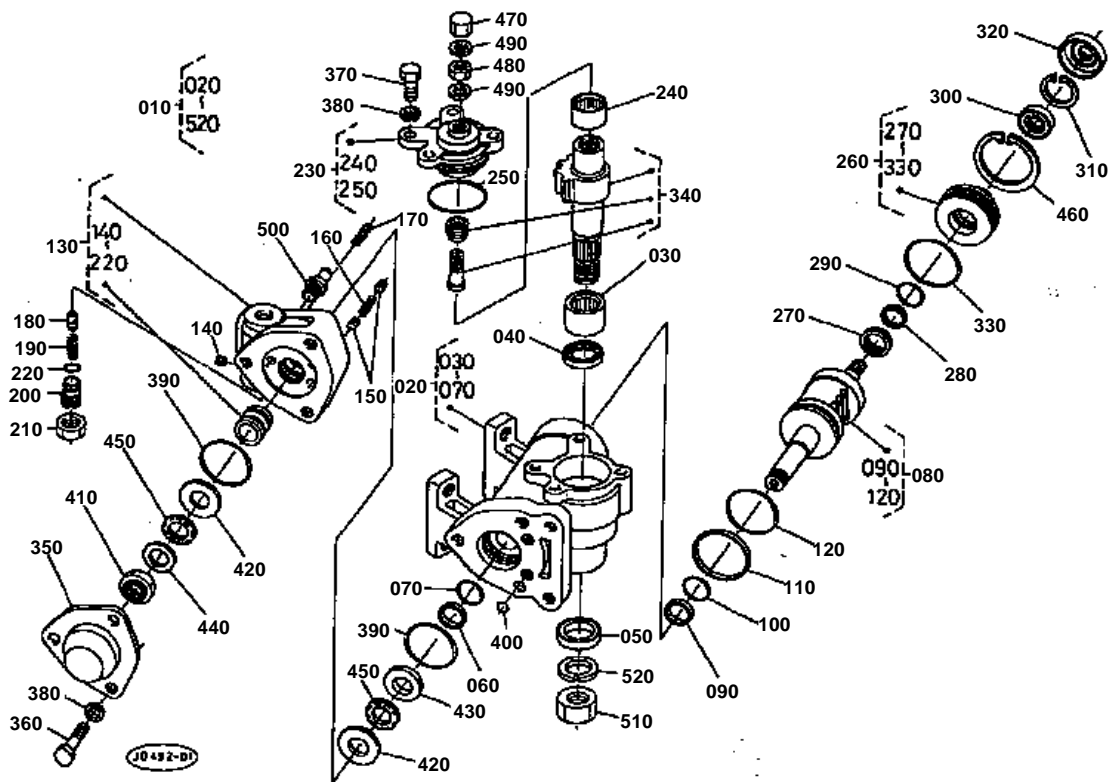


STEERING (PS)

↔ Interchangeable; ≠ not interchangeable; ← new for old; → old for new

REF.No	Part No.	Description	Q'ty	S.No.	I/C	REMARKS	Weight (kgf)	Weight (lb)
010	30400-66100	ASSY STEERING, POWER	1			REFER TO L.NO.0G14-L0 FOR COMPONENTS.	12.9	28.38
020	01173-51430	BOLT	6				0.052	0.1144
030	04512-50140	WASHER,SPRING	8				0	0
040	31351-45410	SUPPORT,STEERING	1				0	0
050	01173-51435	BOLT	2				0.056	0.1232
060	31351-45440	ARM,PITMAN	1				1.15	2.53
070	31351-45384	SHAFT,JOINT	1				0.185	0.407
080	31351-45390	SEAL	1				0.004	0.0088

STEERING (PS) [COMPONENT PARTS]

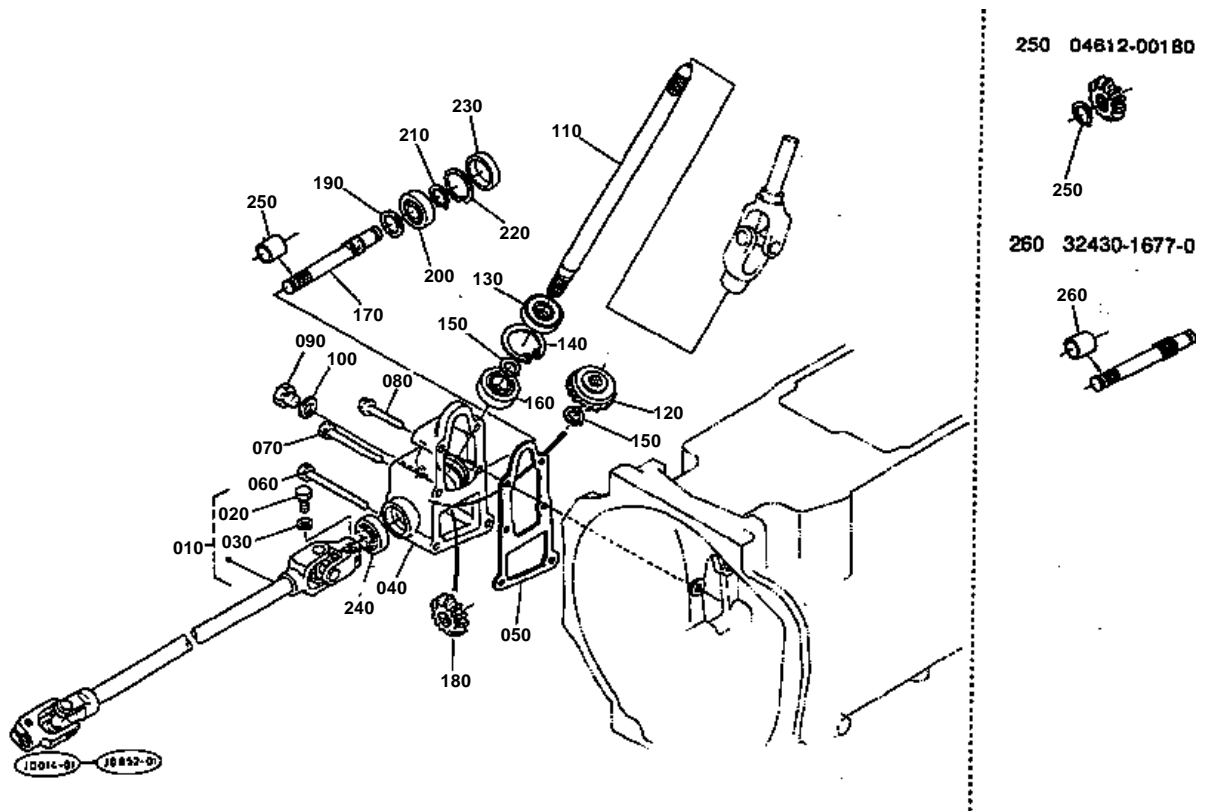


**STEERING (PS) [COMPONENT PARTS]**

↔ Interchangeable; ≠ not interchangeable; ← new for old; → old for new

REF.No	Part No.	Description	Q'ty	S.No.	I/C	REMARKS	Weight (kgf)	Weight (lb)
010	30400-66100	ASSY STEERING,POWER	1				12.9	28.38
020	31351-66110	ASSY BOX,GEAR	1				1	2.2
030	31351-66130	BEARING,NEEDLE	1				0.03	0.066
040	35270-16140	GASKET	1				0.005	0.011
050	35270-16150	SEAL,OIL	1				0.015	0.033
060	35270-16160	RING	1				0.002	0.0044
070	04811-10300	RING	1				0.001	0.0022
080	30400-66200	ASSY NUT,BALL	1				2.4	5.28
090	35270-16160	RING	1				0.002	0.0044
100	04811-10300	RING	1				0.001	0.0022
110	31351-66280	RING	1				0.002	0.0044
120	04811-50550	RING	1				0.002	0.0044
130	30400-66300	ASSY VALVE	1				1.85	4.07
140	38430-66790	PLUG	2				0.003	0.0066
150	38430-66330	PISTON	4				0.005	0.011
160	38430-66350	SPRING	2				0.003	0.0066
170	30400-66340	SPRING	2				0.01	0.022
180	31351-66360	POPPET	1				0.005	0.011
190	38430-66380	SPRING	1				0.015	0.033
200	31351-66370	SCREW,ADJUSTING	1				0.047	0.1034
210	31351-66380	NUT	1				0.022	0.0484
220	31351-66390	O RING	1				0.001	0.0022
230	35270-16400	ASSY COVER,SIDE	1				0.75	1.65
240	35270-16420	BEARING,NEEDLE	1				0.045	0.099
250	04811-50600	RING	1				0.002	0.0044
260	31351-66500	ASSY COVER,TOP	1				0.3	0.66
270	35270-16320	BEARING,NEEDLE	1				0.02	0.044
280	35270-16160	RING	1				0.002	0.0044
290	04811-10300	RING	1				0.001	0.0022
300	31351-66530	SEAL,OIL	1				0.01	0.022
310	04611-00320	CIR-CLIP,INTERNAL	1				0.002	0.0044
320	31351-66540	SEAL,DUST	1				0.02	0.044
330	35270-16340	O RING	1				0.003	0.0066
340	31351-66600	ASSY SHAFT,SECTOR	1				1.105	2.431
350	31351-66710	COVER,END	1				0.23	0.506
360	31351-66720	BOLT	3				0.04	0.088
370	35270-16650	BOLT	4				0.02	0.044
380	04512-50100	WASHER,SPRING	7				0	0
390	04811-10700	RING	2				0.001	0.0022
400	04811-00080	RING	2				0.001	0.0022
410	38430-66650	NUT	1				0.065	0.143
420	38430-66630	RING,DRIVE	2				0.06	0.132
430	38430-66610	RING,DRIVE	1				0.05	0.11
440	35270-16660	RING,DRIVE	1				0.01	0.022
450	38430-66640	BEARING,NEEDLE	2				0.01	0.022
460	04611-00630	CIR-CLIP,INTERNAL	1				0.012	0.0264
470	35270-16700	NUT,CAP	1				0.11	0.242
480	35270-16670	NUT	1				0.005	0.011
490	35270-16690	GASKET	2				0.001	0.0022
500	31351-66730	CONNECTOR	1				0.01	0.022
510	02076-50220	NUT	1				0.07	0.154
520	04512-50220	WASHER,SPRING	1				0	0

BEVEL GEAR CASE



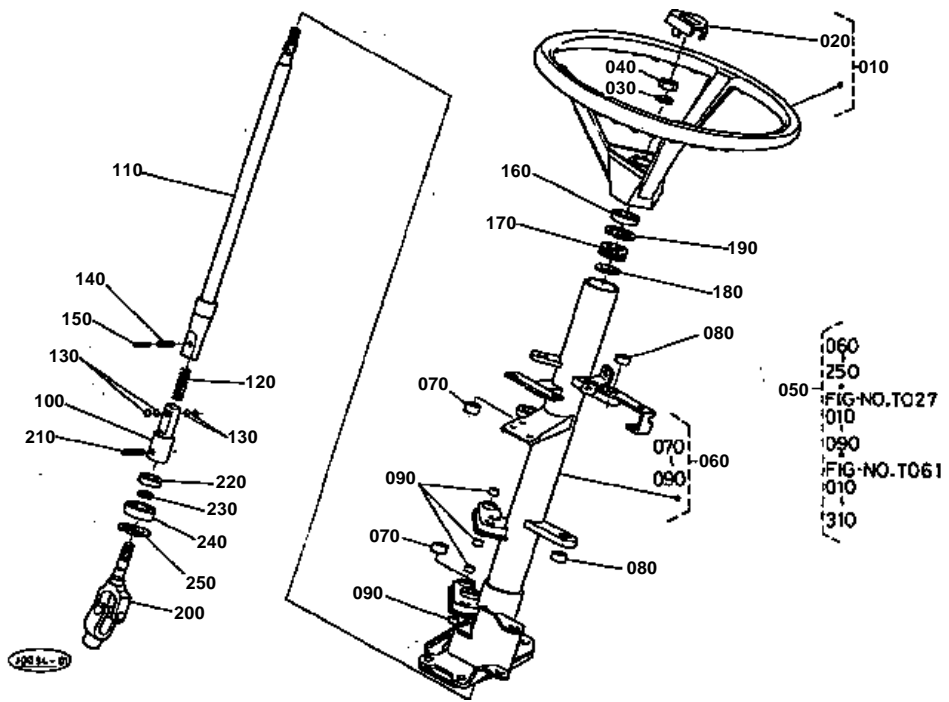


BEVEL GEAR CASE

↔ Interchangeable; ≠ not interchangeable; ← new for old; → old for new

REF.No	Part No.	Description	Q'ty	S.No.	I/C	REMARKS	Weight (kgf)	Weight (lb)
010	32430-16672	ASSY SHAFT,JOINT	1			POWER STRG.	1.6	3.52
020	01156-50825	BOLT	2				0.013	0.0286
030	04512-50080	WASHER,SPRING	2				0	0
040	31351-16510	CASE,BEVEL GEAR	1				1.645	3.619
050	31351-16520	GASKET	1				0	0
060	01123-50880	BOLT	2				0.03	0.066
070	01123-50870	BOLT	2				0.029	0.0638
080	01754-50845	BOLT,FLANGE	2				0.021	0.0462
090	06331-35010	PLUG	1				0.012	0.0264
100	04717-01000	WASHER,WITH RUBBER	1				0.001	0.0022
110	31351-16630	SHAFT,JOINT	1				0.39	0.858
120	32430-16540	GEAR,BEVEL	1				0	0
130	09500-15357	SEAL,OIL	1				0.01	0.022
140	04611-00350	CIR-CLIP,INTERNAL	1				0.003	0.0066
150	04612-00150	CIR-CLIP,EXTERNAL	2				0.001	0.0022
160	08101-06202	BEARING,BALL	1				0.044	0.0968
170	31351-16650	SHAFT,JOINT	1				0.2	0.44
180	31391-16730	GEAR,BEVEL	1				0	0
190	31351-16570	SHIM	1			0.8MM	0.005	0.011
190	31351-16580	SHIM	1			1.0MM	0.01	0.022
190	31351-16590	SHIM	1			1.2MM	0.005	0.011
200	08101-06003	BEARING,BALL	1				0.037	0.0814
210	04612-00170	CIR-CLIP,EXTERNAL	1				0.001	0.0022
220	04611-00350	CIR-CLIP,INTERNAL	1				0.003	0.0066
230	31351-16610	PLUG	1				0.015	0.033
240	09500-16267	SEAL,OIL	1				0.005	0.011

STEERING HANDLE [OLD TYPE]



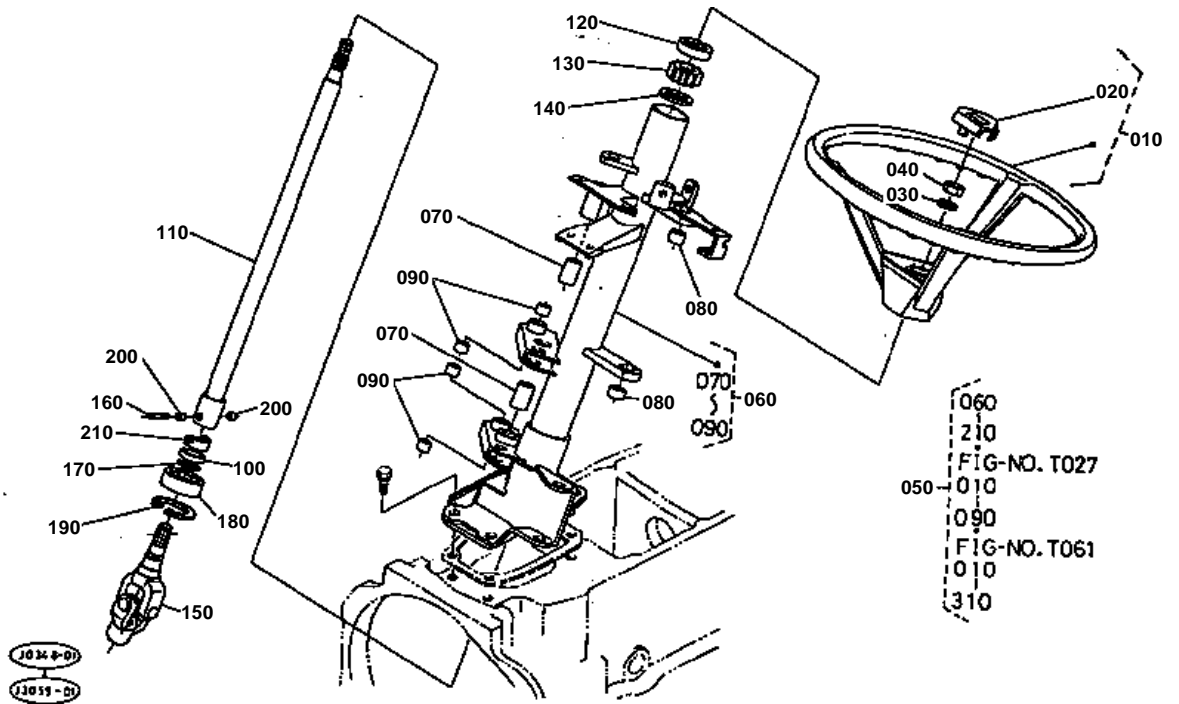


STEERING HANDLE [OLD TYPE]
S.No.;<=50370

↔ Interchangeable; ≠ not interchangeable; ← new for old; → old for new

REF.No	Part No.	Description	Q'ty	S.No.	I/C	REMARKS	Weight (kgf)	Weight (lb)
010	31351-16060	ASSY WHEEL,STEERING	1				0	0
020	31351-16080	PAD,STEERING	1				0	0
030	04512-50120	WASHER,SPRING	1				0	0
040	02176-50120	NUT	1				0.01	0.022
050	32430-16805	ASSY POST,STEERING	1	<=50370			9.2	20.24
060	32430-16814	COMP.POST,STEERING	1				4.7	10.34
070	08511-01625	BUSH	2				0.01	0.022
080	08511-01610	BUSH	2				0.005	0.011
090	08511-01210	BUSH	4				0.005	0.011
100	32430-16920	SHAFT,STEERING	1	<=50370			0.18	0.396
110	32430-16930	SHAFT,STEERING	1	<=50370			0.835	1.837
120	31391-16940	SPRING	1	<=50370			0.005	0.011
130	04811-00060	RING	4	<=50370			0.001	0.0022
140	05411-00522	PIN,SPRING	1	<=50370			0.002	0.0044
150	05411-00322	PIN,SPRING	1	<=50370			0.001	0.0022
160	30400-16920	SEAL,OIL	1				0.015	0.033
170	30400-16930	BUSH,STEERING POST	1				0.015	0.033
180	31351-16940	WASHER	1				0.007	0.0154
200	31351-16960	SHAFT,STEERING	1				0.395	0.869
210	05411-00425	PIN,SPRING	1				0.001	0.0022
220	09400-15377	SEAL,OIL	1				0.012	0.0264
230	04612-00150	CIR-CLIP,EXTERNAL	1				0.001	0.0022
240	08141-06302	BEARING,BALL	1				0.083	0.1826
250	04611-00420	CIR-CLIP,INTERNAL	1				0.006	0.0132

STEERING HANDLE [NEW TYPE]

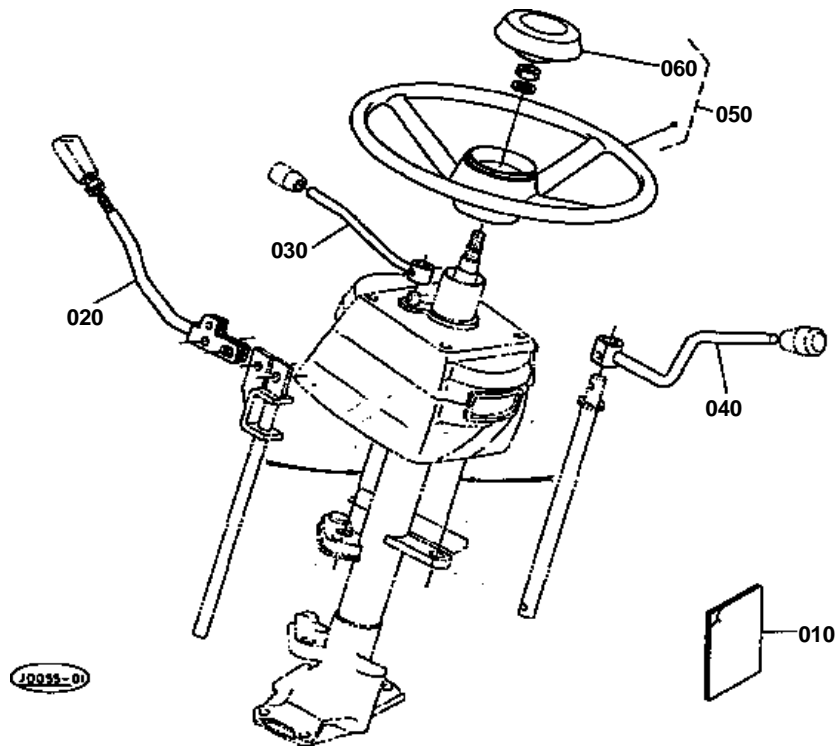




STEERING HANDLE [NEW TYPE]
S.No.;>=50371

↔ Interchangeable; ≠ not interchangeable; ← new for old; → old for new

REF.No	Part No.	Description	Q'ty	S.No.	I/C	REMARKS	Weight (kgf)	Weight (lb)
010	31351-16060	ASSY WHEEL,STEERING	1				0	0
020	31351-16080	PAD,STEERING	1				0	0
030	04512-50120	WASHER,SPRING	1				0	0
040	02176-50120	NUT	1				0.01	0.022
050	32420-16800	ASSY POST,STEERING	1	>=50371			10.3	22.66
060	32430-16814	COMP.POST,STEERING	1				4.7	10.34
070	08511-01625	BUSH	2				0.01	0.022
080	08511-01610	BUSH	2				0.005	0.011
090	08511-01210	BUSH	4				0.005	0.011
100	09400-15377	SEAL,OIL	1				0.012	0.0264
110	32420-16915	SHAFT,STEERING	1	>=50371			0.95	2.09
120	30400-16920	SEAL,OIL	1	>=50371			0.015	0.033
130	30400-16930	BUSH,STEERING POST	1	>=50371			0.015	0.033
140	31351-16940	WASHER	1				0.007	0.0154
150	31351-16960	SHAFT,STEERING	1				0.395	0.869
160	05411-00425	PIN,SPRING	1				0.001	0.0022
170	04612-00150	CIR-CLIP,EXTERNAL	1				0.001	0.0022
180	08141-06302	BEARING,BALL	1				0.083	0.1826
190	04611-00420	CIR-CLIP,INTERNAL	1				0.006	0.0132
200	30400-16970	CUSHION	2	>=50371			0.001	0.0022
210	30400-16980	SPRING,SET	2	>=50371			0.04	0.088

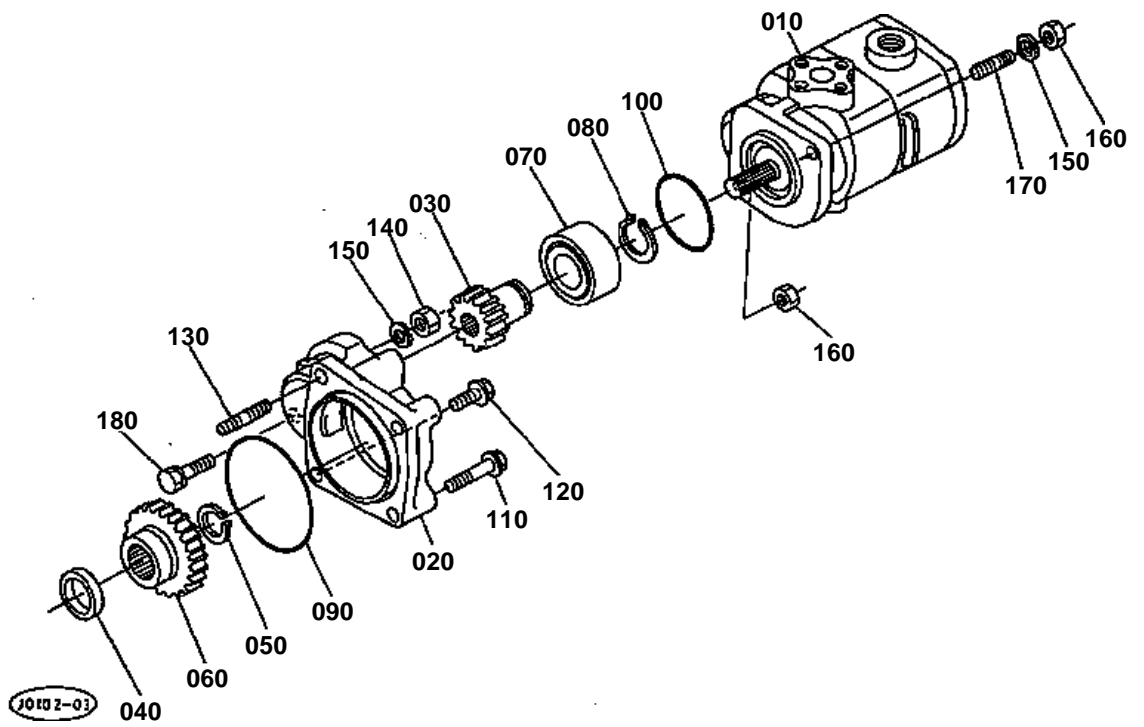


**ORCHARD KIT [OPTION]**

↔ Interchangeable; ≠ not interchangeable; ← new for old; → old for new

REF.No	Part No.	Description	Q'ty	S.No.	I/C	REMARKS	Weight (kgf)	Weight (lb)
010	32430-98810	MANUAL,INSTRUCTION	1				0	0
020	32430-28120	LEVER,MAIN CHANGE	1				0.32	0.704
030	32430-28110	LEVER,ACCEL.	1				0.135	0.297
040	32430-98830	LEVER,SHUTTLE CHANGE	1				0.315	0.693
050	32430-98840	ASSY WHEEL,STEERING	1				0	0
060	66611-41420	CAP,STEERING WHEEL	1				0.026	0.0572

HYDRAULIC PUMP (PS)



**HYDRAULIC PUMP (PS)**

↔ Interchangeable; ≠ not interchangeable; ← new for old; → old for new

REF.No	Part No.	Description	Q'ty	S.No.	I/C	REMARKS	Weight (kgf)	Weight (lb)
010	31391-76103	ASSY PUMP, HYDRAULIC	1			REFER TO L.NO.0H04-L0 FOR COMPONENTS.	3.19	7.018
020	31351-38610	HOLDER,PUMP	1				0	0
020	31351-38613	HOLDER,PUMP	1		←		0.38	0.836
030	31391-76520	GEAR	1			17T	0.16	0.352
040	35370-37820	COLLAR	1				0.015	0.033
050	15471-95360	CIR-CLIP,EXTERNAL	1				0.004	0.0088
060	31391-37810	GEAR	1			34T	0.33	0.726
070	08241-05205	BEARING,BALL	1				0.177	0.3894
080	04612-00250	CIR-CLIP,EXTERNAL	1				0.002	0.0044
090	04811-10850	RING	1				0.002	0.0044
100	04811-10500	RING	1				0.001	0.0022
110	01754-50840	BOLT,FLANGE	2				0.02	0.044
120	01754-50820	BOLT,FLANGE	1				0.015	0.033
130	38240-36330	STUD	1				0.008	0.0176
140	02156-50080	NUT	1				0.004	0.0088
150	04512-50080	WASHER,SPRING	2				0	0
160	02156-50080	NUT	2				0.004	0.0088
170	01513-50820	STUD	1				0	0
180	01123-50835	BOLT	1				0.02	0.044

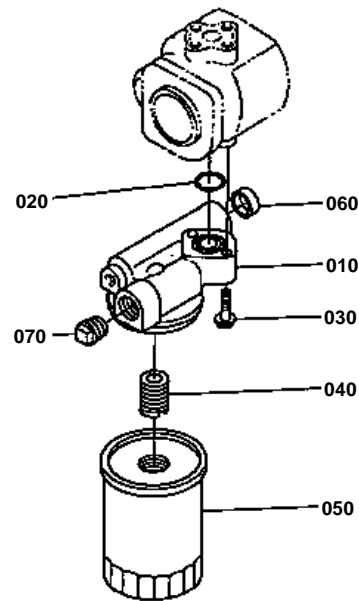
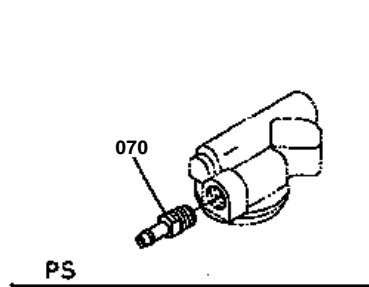


HYDRAULIC PUMP (PS) [COMPONENT PARTS]

↔ Interchangeable; ≠ not interchangeable; ← new for old; → old for new

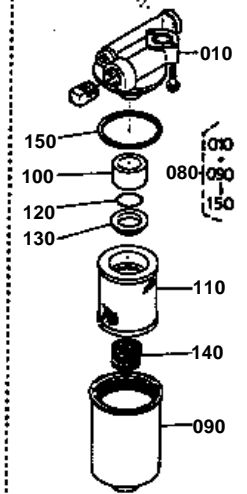
REF.No	Part No.	Description	Q'ty	S.No.	I/C	REMARKS	Weight (kgf)	Weight (lb)
010	31391-76103	ASSY PUMP, HYDRAULIC	1				3.19	7.018
020	31391-76302	COMP. GEAR, HYD. PUMP	1				0.51	1.122
030	31391-76502	COMP. GEAR, HYD. PUMP	1				0.29	0.638
040	38180-76172	SQUARE RING	8				0.002	0.0044
050	31381-76390	SEAL, OIL	1				0.01	0.022
060	31391-76480	BOLT, FLANGE	4				0.065	0.143
070	04611-00300	CIR-CLIP, INTERNAL	1				0.004	0.0088
080	05012-00612	PIN, STRAIGHT	2				0.003	0.0066
090	04810-50550	RING	2				0.002	0.0044
100	04810-00050	RING	1				0.001	0.0022
110	04810-00180	RING	1				0.001	0.0022

HYDRAULIC OIL FILTER



00099-01

- 010 31391-3871-0
- 080 31391-3880-0
- 090 31391-3881-0
- 100 31391-3882-0
- 110 31391-3883-0
- 120 31391-3884-0
- 130 31391-3885-0
- 140 31391-3886-0
- 150 31391-3887-0



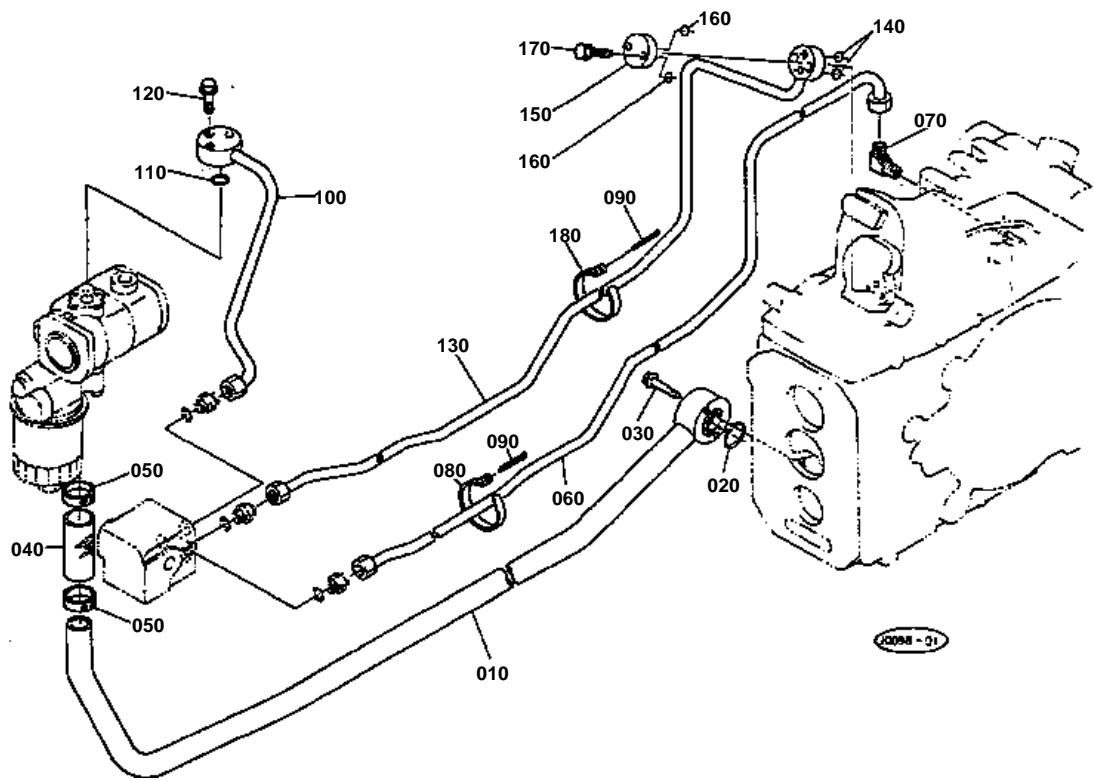


HYDRAULIC OIL FILTER

↔ Interchangeable; ≠ not interchangeable; ← new for old; → old for new

REF.No	Part No.	Description	Q'ty	S.No.	I/C	REMARKS	Weight (kgf)	Weight (lb)
010	31351-38710	BRACKET,FILTER	1				0.4	0.88
020	04811-00200	RING	1				0.001	0.0022
030	01754-50840	BOLT,FLANGE	2				0.02	0.044
040	38240-37780	JOINT,SCREW	1				0.03	0.066
050	38430-37710	CARTRIDGE,OIL FILTER	1				0.42	0.924
060	31351-38720	COVER,BLIND	1				0.005	0.011
070	31351-45360	PLUG	1			POWER STRG.	0.055	0.121

HYDRAULIC OIL LINE



10-2008

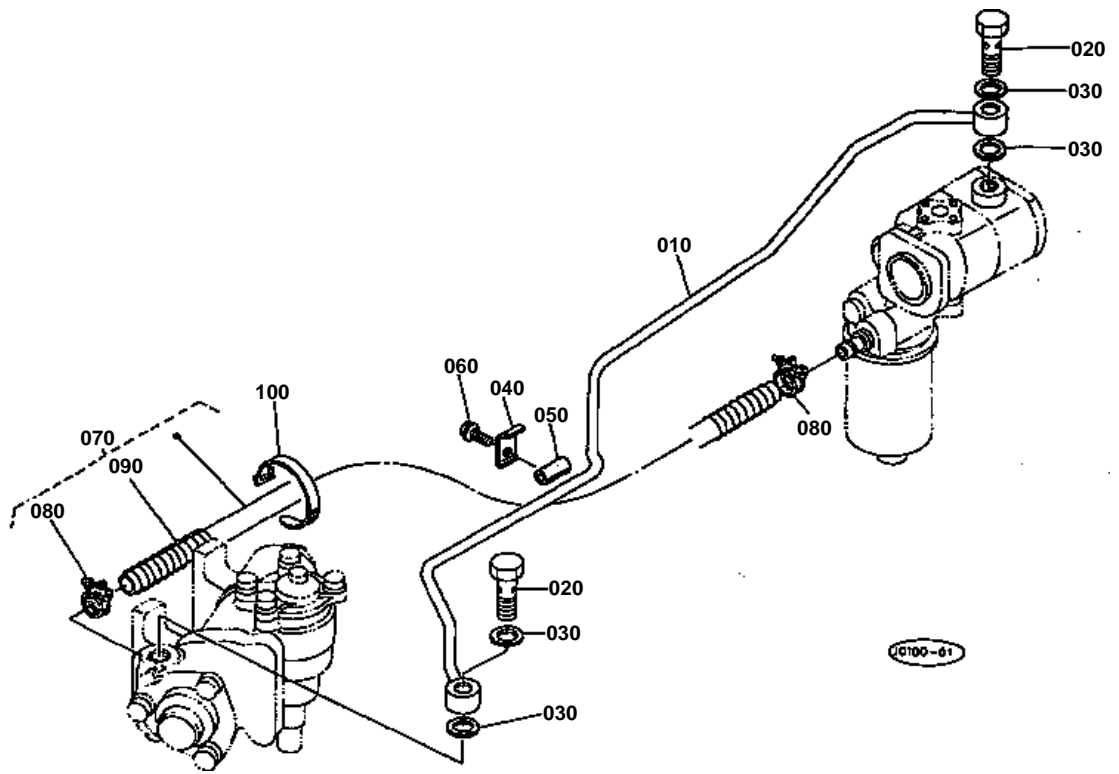


HYDRAULIC OIL LINE

↔ Interchangeable; ≠ not interchangeable; ← new for old; → old for new

REF.No	Part No.	Description	Q'ty	S.No.	I/C	REMARKS	Weight (kgf)	Weight (lb)
010	31361-38120	COMP.PIPE,INLET	1				1.6	3.52
020	04810-00250	RING	1				0.001	0.0022
030	01754-50845	BOLT,FLANGE	2				0.021	0.0462
040	34350-37774	PIPE,RUBBER	1				0.06	0.132
050	31351-38180	BAND,PIPE	2				0.02	0.044
060	32430-37550	ASSY PIPE,RETURN	1				0.7	1.54
070	70764-62730	BODY,ELBOW	1				0	0
080	33251-82760	BAND,PIPE	1				0.016	0.0352
090	33430-82760	PIN,BAND	2				0.004	0.0088
100	32430-38210	COMP.PIPE,DELIVERY	1				0.485	1.067
110	04810-00200	RING	1				0.001	0.0022
120	01754-50830	BOLT,FLANGE	3				0.01	0.022
130	32430-38240	COMP.PIPE,DELIVERY	1				0.8	1.76
140	04810-00100	RING	2				0.001	0.0022
150	31351-38310	CAP	1				0.135	0.297
160	04810-00120	RING	2				0.001	0.0022
170	01123-50850	BOLT	2				0.02	0.044
180	67111-53770	BAND,PIPE	1				0.01	0.022

HYDRAULIC OIL LINE (PS)



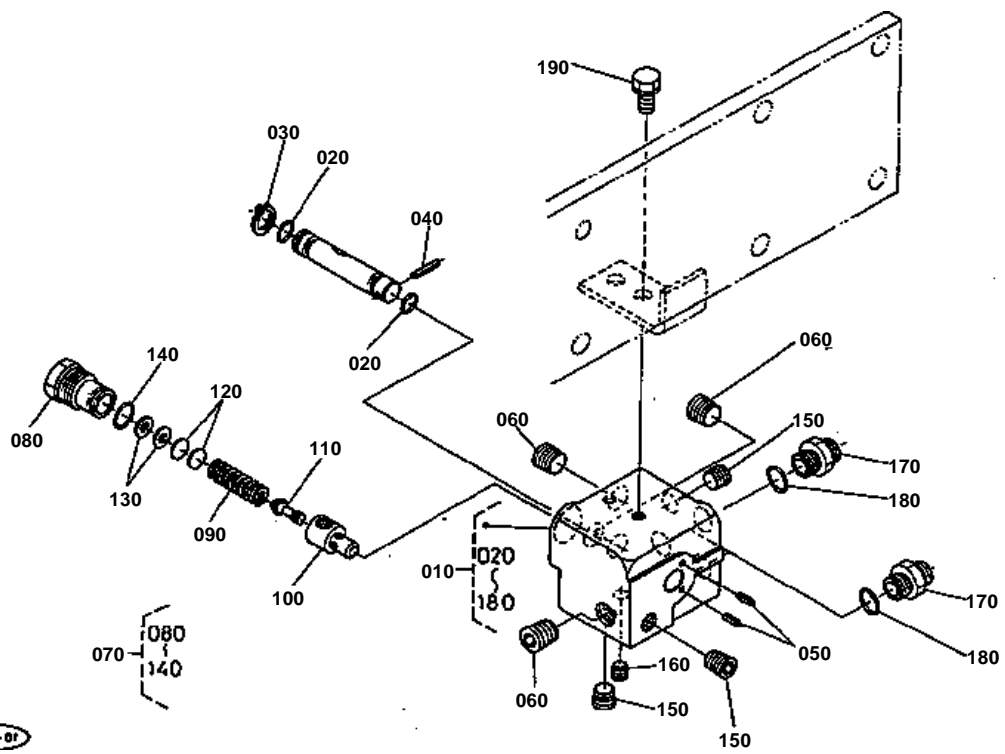


HYDRAULIC OIL LINE (PS)

↔ Interchangeable; ≠ not interchangeable; ← new for old; → old for new

REF.No	Part No.	Description	Q'ty	S.No.	I/C	REMARKS	Weight (kgf)	Weight (lb)
010	31351-45214	COMP.PIPE,DELIVERY	1				0.32	0.704
020	66591-36250	JOINT	2				0.08	0.176
030	67111-37180	GASKET	4				0.003	0.0066
040	31351-45260	HOLDER,PIPE	1				0.02	0.044
050	31351-45270	PIPE,RUBBER	1				0.005	0.011
060	01754-50820	BOLT,FLANGE	1				0.015	0.033
070	31351-45300	ASSY PIPE,RETURN	1				0.25	0.55
080	38430-45150	CLAMP	2				0.015	0.033
090	31351-45330	SPRING,PROTECTOR	1				0.055	0.121
100	34350-29380	BAND,CORD	1				0.001	0.0022

HYDRAULIC BLOCK

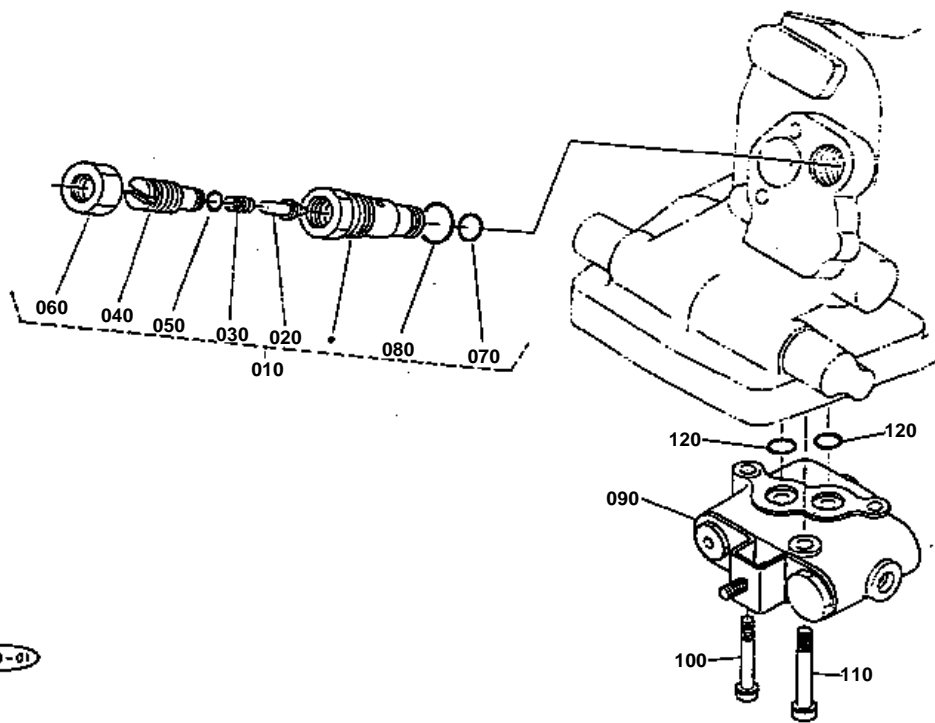


**HYDRAULIC BLOCK**

↔ Interchangeable; ≠ not interchangeable; ← new for old; → old for new

REF.No	Part No.	Description	Q'ty	S.No.	I/C	REMARKS	Weight (kgf)	Weight (lb)
010	32430-37500	ASSY BLOCK,FRONT HYD	1				2.2	4.84
020	04810-06100	RING	2				0.001	0.0022
030	04612-00140	CIR-CLIP,EXTERNAL	1				0.001	0.0022
040	05411-00320	PIN,SPRING	1				0.001	0.0022
050	05411-00310	PIN,SPRING	2				0.001	0.0022
060	32430-37530	PLUG	3				0.02	0.044
070	31351-37900	ASSY VALVE,RELIEF	1				0.1	0.22
080	31351-37910	PLUG	1				0.06	0.132
090	31351-37920	SPRING	1				0.02	0.044
100	31351-37930	SEAT	1				0.02	0.044
110	31351-37940	POPPET	1				0.005	0.011
120	31351-37950	SHIM	5			0.4MM	0.001	0.0022
120	31351-37960	SHIM	2			0.2MM	0.001	0.0022
120	31351-37970	SHIM	2			0.1MM	0.001	0.0022
130	04013-50050	WASHER,PLAIN	2				0	0
140	04811-10160	RING	1				0.001	0.0022
150	31351-37150	PLUG	3				0.007	0.0154
160	31351-37160	PLUG	1				0.003	0.0066
170	99063-37180	BODY,NIPPLE	3				0	0
180	04810-00140	RING	3				0.001	0.0022
190	01123-50816	BOLT	2				0.011	0.0242

CONTROL VALVE



090 31391-3900-0



090

16283-01

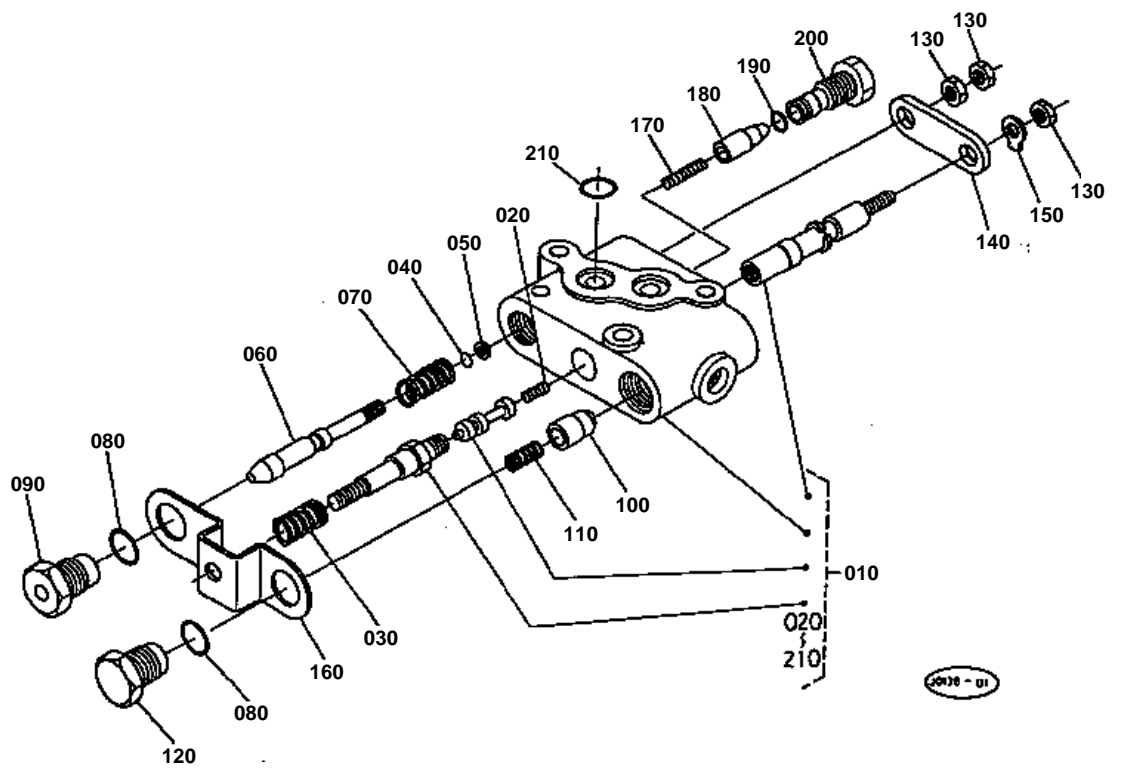


CONTROL VALVE

↔ Interchangeable; ≠ not interchangeable; ← new for old; → old for new

REF.No	Part No.	Description	Q'ty	S.No.	I/C	REMARKS	Weight (kgf)	Weight (lb)
010	31351-37800	ASSY VALVE, SAFETY	1				0.17	0.374
020	38240-39122	VALVE	1				0.01	0.022
030	38240-39170	SPRING,VALVE	1				0.005	0.011
040	38240-39130	STOPPER,SPRING	1				0.05	0.11
050	04811-00090	RING	1				0.001	0.0022
060	02172-50160	NUT	1				0.017	0.0374
070	04810-00120	RING	1				0.001	0.0022
080	04811-00180	RING	1				0.001	0.0022
090	32430-39100	ASSY VALVE, CONTROL	1			REFER TO L.NO.0H09-L0 FOR COMPONENTS.	1.63	3.586
100	01123-50845	BOLT	1				0.02	0.044
110	01123-50850	BOLT	2				0.02	0.044
120	04810-00120	RING	2				0.001	0.0022

CONTROL VALVE [COMPONENT PARTS]

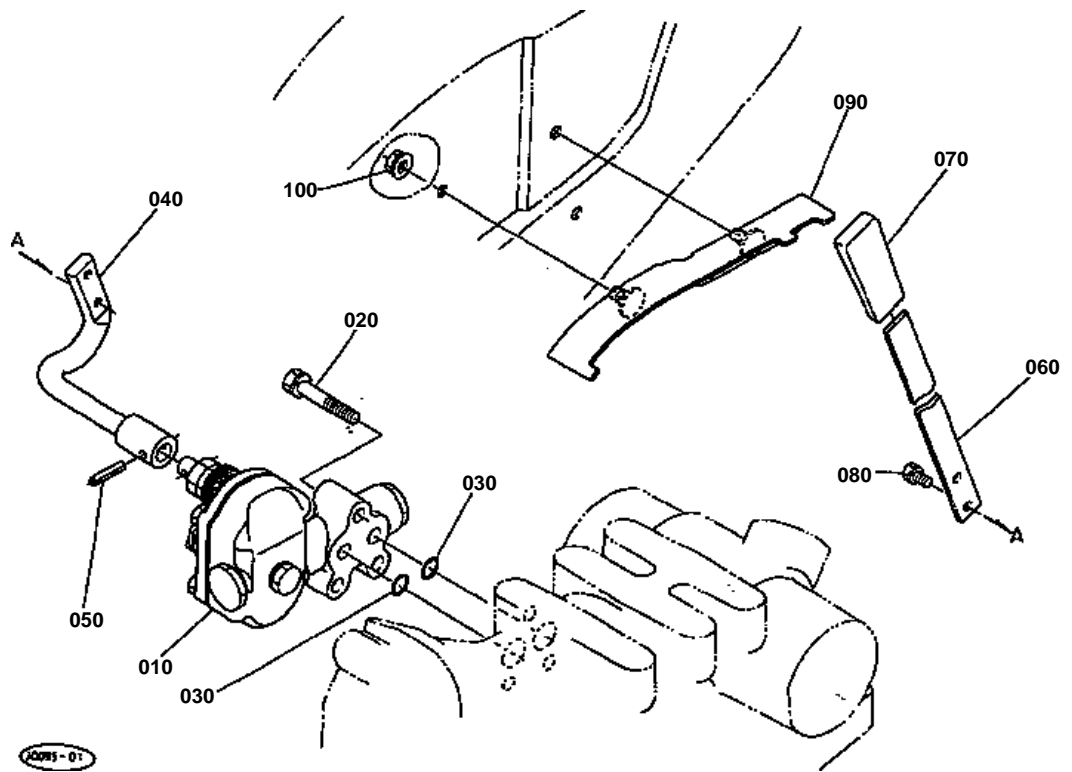


**CONTROL VALVE [COMPONENT PARTS]**

↔ Interchangeable; ≠ not interchangeable; ← new for old; → old for new

REF.No	Part No.	Description	Q'ty	S.No.	I/C	REMARKS	Weight (kgf)	Weight (lb)
010	32430-39100	ASSY VALVE,CONTROL	1				1.63	3.586
020	32430-39150	SPRING	1				0.002	0.0044
030	32430-39160	SPRING,RETURN	1				0.005	0.011
040	04811-00070	RING	1				0.001	0.0022
050	37150-36630	RING,BACK UP	1				0.001	0.0022
060	37150-36460	POPPET	1				0.005	0.011
070	37150-36450	SPRING	1				0.005	0.011
080	04811-00150	RING	2				0.001	0.0022
090	37150-36470	PLUG,SEAT	1				0.04	0.088
100	37150-36480	VALVE,UNLOAD	1				0.02	0.044
110	37150-36490	SPRING	1				0.005	0.011
120	37150-36520	PLUG	1				0.043	0.0946
130	02112-50080	NUT	3				0.003	0.0066
140	37150-36540	PLATE	1				0.145	0.319
150	37150-36560	WASHER,LOCK	1				0.01	0.022
160	32430-39240	PLATE	1				0.045	0.099
170	37150-36580	SPRING	1				0.005	0.011
180	37150-36590	VALVE,CHECK	1				0.015	0.033
190	04810-00090	RING	1				0.001	0.0022
200	37150-36440	SEAT	1				0.035	0.077
210	04810-00120	RING	2				0.001	0.0022

DRAFT CONTROL VALVE



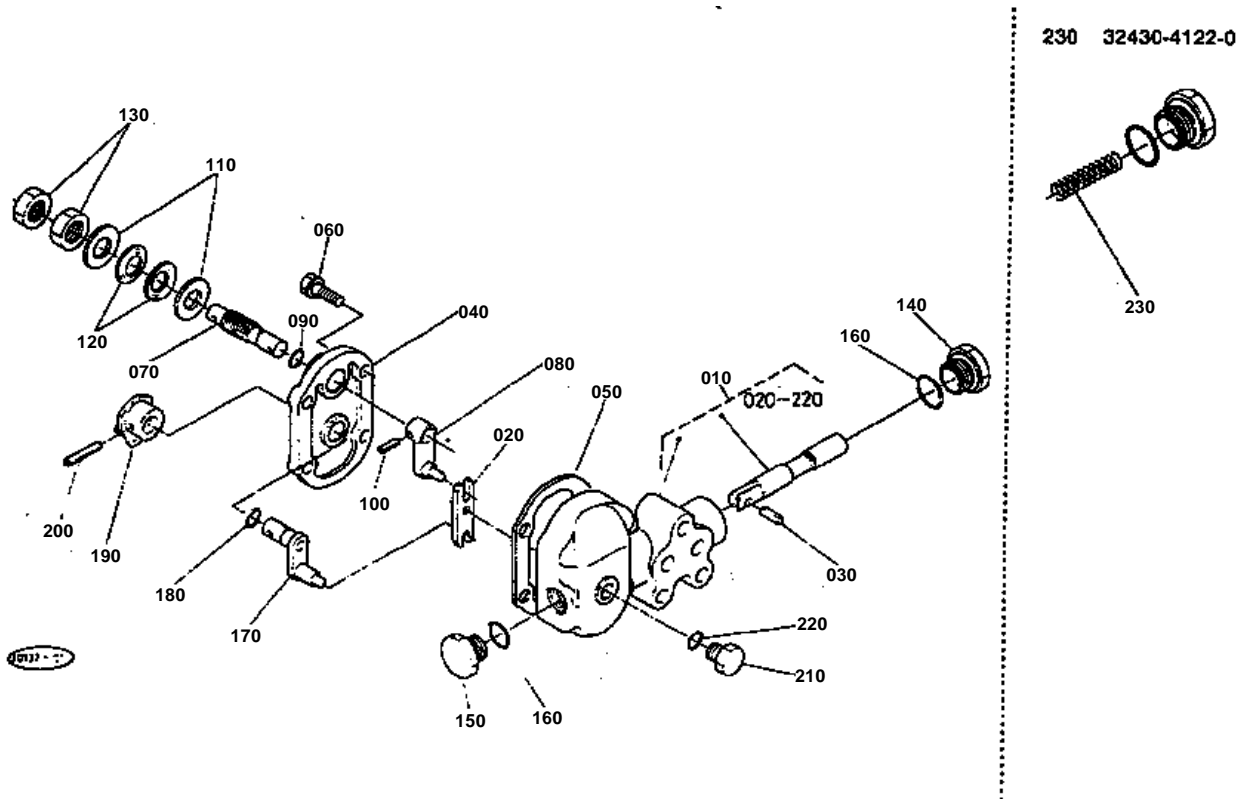


DRAFT CONTROL VALVE

↔ Interchangeable; ≠ not interchangeable; ← new for old; → old for new

REF.No	Part No.	Description	Q'ty	S.No.	I/C	REMARKS	Weight (kgf)	Weight (lb)
010	32430-41100	ASSY VALVE,DRAFT CON	1			REFER TO L.NO.0H10-L0 FOR COMPONENTS.	0	0
020	01123-50845	BOLT	3				0.02	0.044
030	04810-00140	RING	2				0.001	0.0022
040	32430-41240	LEVER,DRAFT CON.	1				0.3	0.66
050	05411-00525	PIN,SPRING	1				0.002	0.0044
060	32430-41250	LEVER,DRAFT CON.	1				0.165	0.363
070	31351-36880	GRIP,LEVER	1				0.04	0.088
080	01023-50612	BOLT	2				0.005	0.011
090	32440-41260	GUIDE,DRAFT LEVER	1				0.165	0.363
100	31351-11080	NUT,FLANGE	2				0.007	0.0154

DRAFT CONTROL VALVE [COMPONENT PARTS]

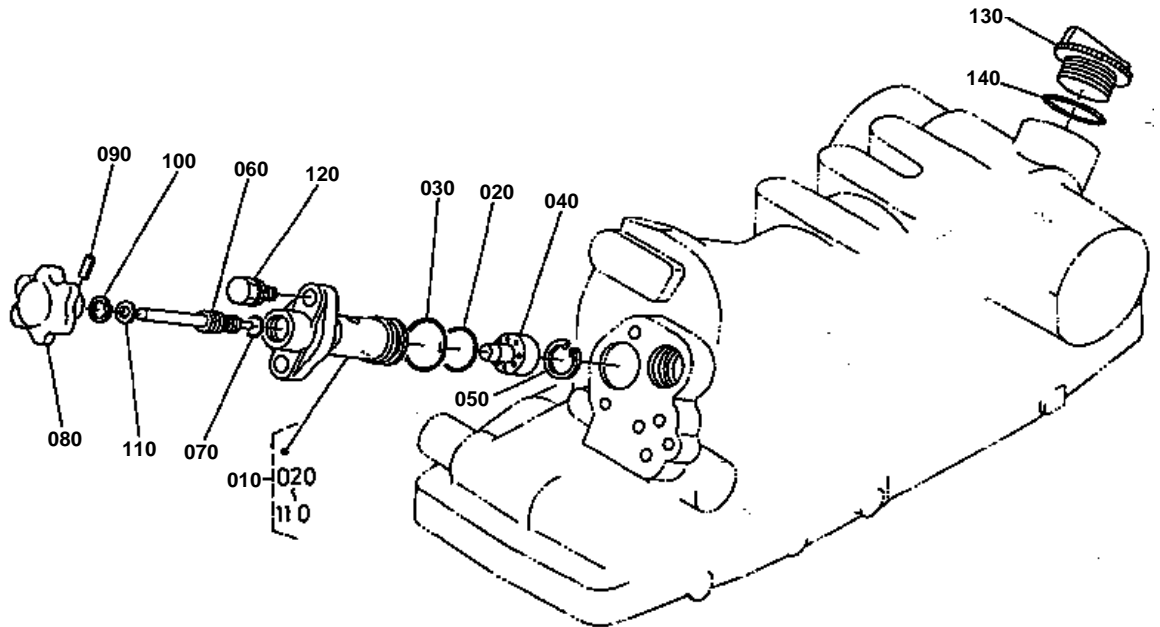


**DRAFT CONTROL VALVE [COMPONENT PARTS]**

↔ Interchangeable; ≠ not interchangeable; ← new for old; → old for new

REF.No	Part No.	Description	Q'ty	S.No.	I/C	REMARKS	Weight (kgf)	Weight (lb)
010	32430-41100	ASSY VALVE,DRAFT CON	1				0	0
020	32430-41130	LEVER,SPOOL DRIVE	1				0.02	0.044
030	05411-00614	PIN,SPRING	1				0.002	0.0044
040	32430-41140	COVER,VALVE	1				0.43	0.946
050	32430-41150	GASKET	1				0.001	0.0022
060	01123-50825	BOLT	4				0.013	0.0286
070	32430-41160	SHAFT,CONTROL LEVER	1				0.06	0.132
080	32430-41200	ARM,CONTROL	1				0.03	0.066
090	04810-00090	RING	1				0.001	0.0022
100	05411-00516	PIN,SPRING	1				0.002	0.0044
110	04013-50140	WASHER,PLAIN	2				0	0
120	37300-41280	SPRING,PLATE	2				0.005	0.011
130	02172-50140	NUT	2				0.01	0.022
140	32430-41170	PLUG	1				0.04	0.088
150	32430-41230	PLUG	1				0.06	0.132
160	04810-00180	RING	2				0.001	0.0022
170	32430-41180	SHAFT,BACK LEVER	1				0.05	0.11
180	04810-00090	RING	1				0.001	0.0022
190	32430-41190	LEVER,FEED BACK	1				0.04	0.088
200	05411-00520	PIN,SPRING	1				0.002	0.0044
210	32430-41280	PLUG	1				0.025	0.055
220	04810-00110	RING	1				0.001	0.0022

CYLINDER FRONT COVER





CYLINDER FRONT COVER

↔ Interchangeable; ≠ not interchangeable; ← new for old; → old for new

REF.No	Part No.	Description	Q'ty	S.No.	I/C	REMARKS	Weight (kgf)	Weight (lb)
010	31351-37200	ASSY COVER,CYL.FRONT	1				0.3	0.66
020	04810-00220	RING	1				0.001	0.0022
030	04810-06250	O RING	1				0.001	0.0022
040	38240-37250	COLLAR,ADJUSTING	1				0.01	0.022
050	04611-00160	CIR-CLIP,INTERNAL	1				0.001	0.0022
060	31351-37220	SHAFT,HYD.AJUST.	1				0.04	0.088
070	04810-00100	RING	1				0.001	0.0022
080	34150-37230	GRIP	1				0.04	0.088
090	05411-00418	PIN,SPRING	1				0.001	0.0022
100	34150-37260	CIR-CLIP,INTERNAL	1				0.001	0.0022
110	04012-50080	WASHER,PLAIN	1				0.001	0.0022
120	01123-50825	BOLT	2				0.013	0.0286
130	38240-21410	PLUG	1				0.015	0.033
140	04811-50300	RING	1				0.001	0.0022

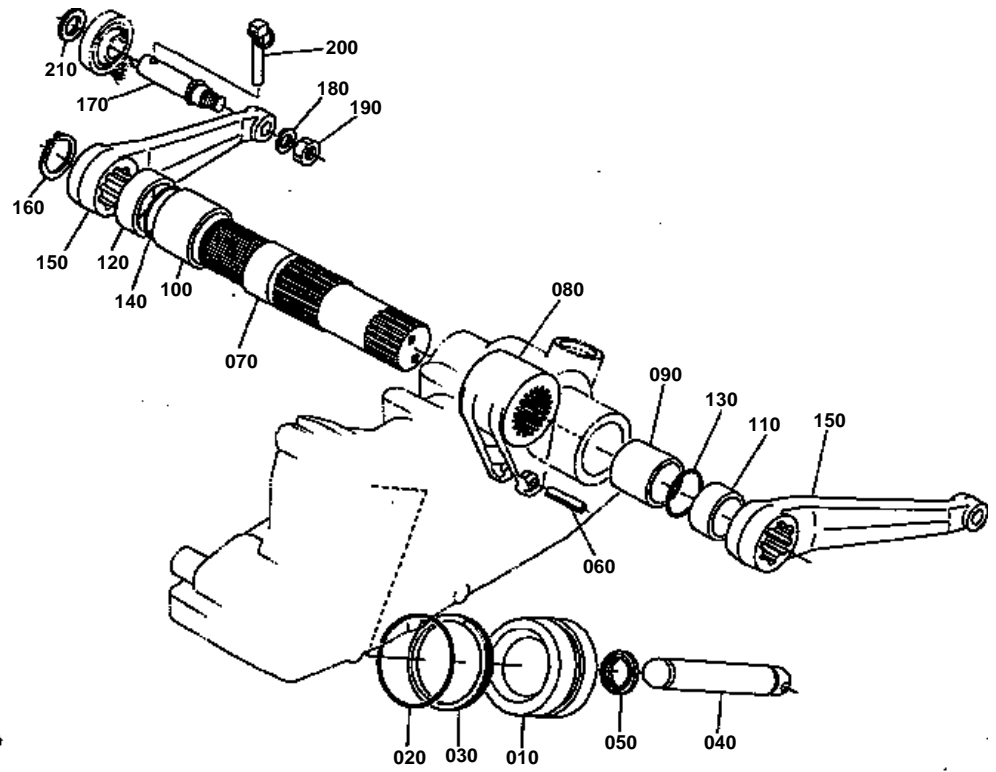


HYDRAULIC CYLINDER

↔ Interchangeable; ≠ not interchangeable; ← new for old; → old for new

REF.No	Part No.	Description	Q'ty	S.No.	I/C	REMARKS	Weight (kgf)	Weight (lb)
010	32430-37110	CYLINDER,HYD.	1				0	0
020	37150-37120	GASKET	1				0	0
030	01574-51240	STUD	2				0	0
040	01133-51245	BOLT	8				0.055	0.121
050	02176-50120	NUT	2				0.01	0.022
060	04512-50120	WASHER,SPRING	2				0	0
070	37150-36730	PLUG	1				0.03	0.066
080	37150-36720	GASKET	1				0.01	0.022
090	31351-37160	PLUG	3				0.003	0.0066
100	31351-37280	COVER,CYL.LH	1				0.12	0.264
110	06312-10010	PLUG	1				0.007	0.0154
120	01123-50825	BOLT	3				0.013	0.0286
130	04810-00100	RING	3				0.001	0.0022
140	36200-21610	BREATHER	1				0.008	0.0176
150	32430-37140	BREATHER	1				0.04	0.088

LIFT ARM

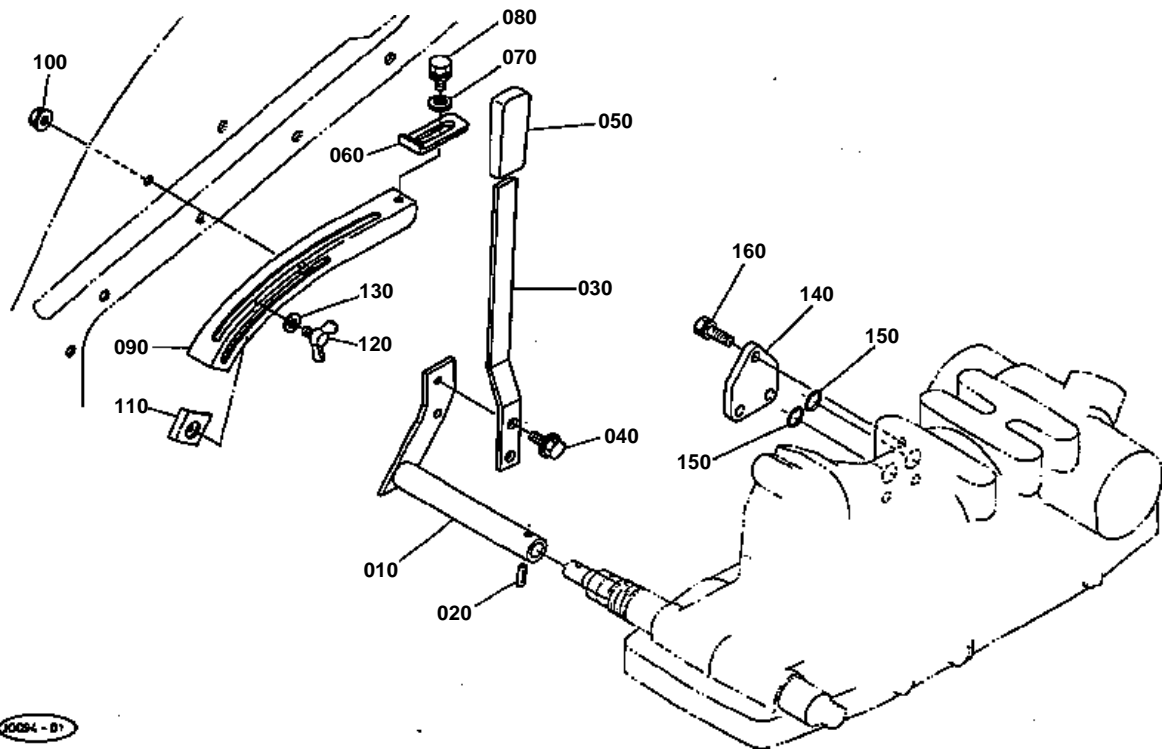


**LIFT ARM**

↔ Interchangeable; ≠ not interchangeable; ← new for old; → old for new

REF.No	Part No.	Description	Q'ty	S.No.	I/C	REMARKS	Weight (kgf)	Weight (lb)
010	31351-37310	PISTON,HYD.	1				1.375	3.025
020	04811-00750	RING	1				0.008	0.0176
030	34350-37330	RING,BACK UP	1				0.004	0.0088
040	31351-37320	ROD,HYD.	1				0.605	1.331
050	31351-37330	GUIDE,HYD.ROD	1				0.003	0.0066
060	05411-00656	PIN,SPRING	1				0.006	0.0132
070	31351-37430	SHAFT,HYD.ARM	1				3.2	7.04
080	31351-37440	ARM,HYDRAULIC	1				0	0
090	32240-37450	BUSH	1				0	0
100	32240-37460	BUSH	1				0	0
110	34150-37480	COLLAR	1				0.005	0.011
120	37300-37490	COLLAR	1				0.01	0.022
130	04811-50450	RING	1				0.002	0.0044
140	04811-50500	RING	1				0.001	0.0022
150	38240-37613	ARM,LIFT	2				2.1	4.62
160	04612-00450	CIR-CLIP,EXTERNAL	1				0.007	0.0154
170	30442-37690	PIN,LIFT ROD	2				0.205	0.451
180	04512-50160	WASHER,SPRING	2				0	0
190	02174-50160	NUT	2				0.022	0.0484
200	34150-37640	PIN,SET	2				0.06	0.132
210	04011-50180	WASHER,PLAIN	2				0.012	0.0264

POSITION LEVER



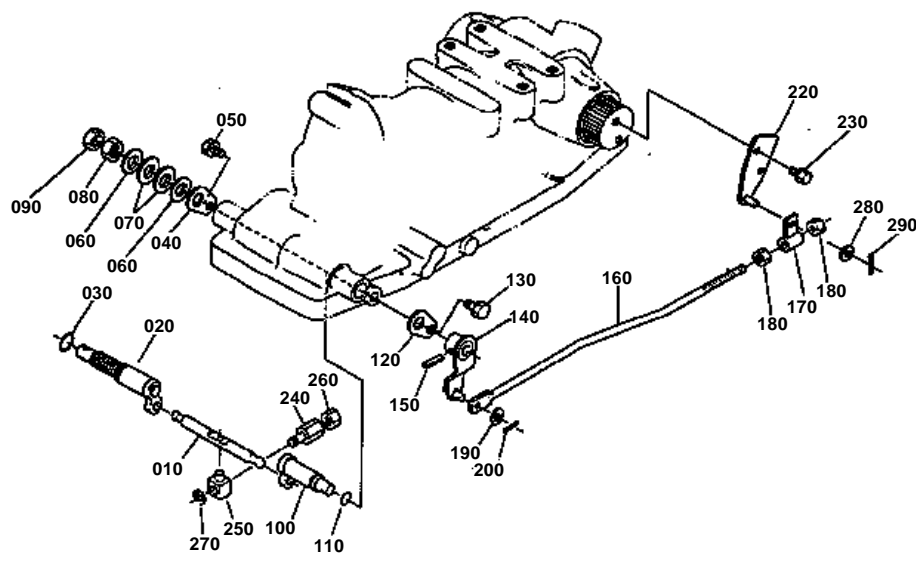


POSITION LEVER

↔ Interchangeable; ≠ not interchangeable; ← new for old; → old for new

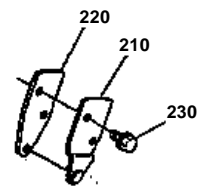
REF.No	Part No.	Description	Q'ty	S.No.	I/C	REMARKS	Weight (kgf)	Weight (lb)
010	32430-36850	LEVER,POSITION	1				0.42	0.924
020	05411-00525	PIN,SPRING	1				0.002	0.0044
030	31351-36860	LEVER,POSITION	1				0.14	0.308
040	01754-50616	BOLT,FLANGE	2				0.006	0.0132
050	31351-36880	GRIP,LEVER	1				0.04	0.088
060	38240-36930	STOPPER	1				0.02	0.044
070	04015-50080	WASHER,PLAIN	1				0	0
080	01123-50816	BOLT	1				0.011	0.0242
090	30442-36810	GUIDE,HYD.LEVER	1				0	0
100	31351-11080	NUT,FLANGE	2				0.007	0.0154
110	31351-36910	STOPPER	1				0.02	0.044
120	01811-50610	BOLT,WING	1				0.014	0.0308
130	04013-50060	WASHER,PLAIN	1				0	0

FEED BACK LEVER



0002-03

- 210 31351-3771-0
- 220 31351-3772-0
- 230 01754-50816





FEED BACK LEVER

↔ Interchangeable; ≠ not interchangeable; ← new for old; → old for new

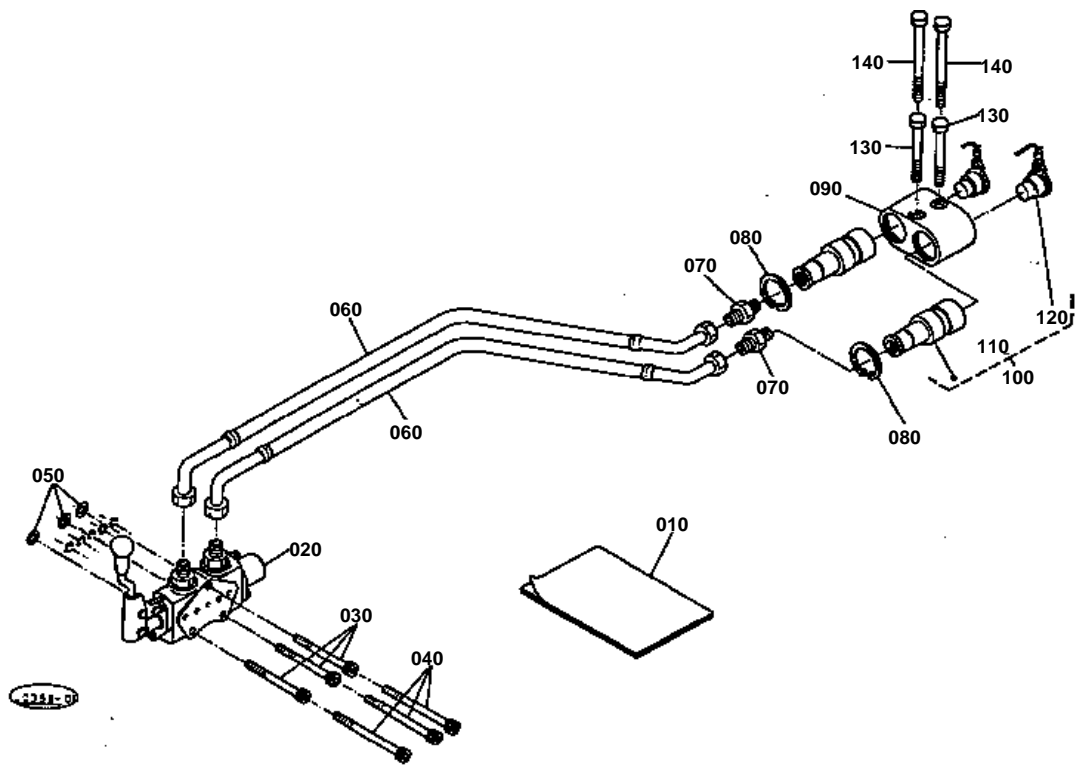
REF.No	Part No.	Description	Q'ty	S.No.	I/C	REMARKS	Weight (kgf)	Weight (lb)
010	31351-37640	LEVER,SPOOL DRIVE	1				0.05	0.11
020	31351-37650	ARM,CONTROL	1				0.16	0.352
030	04811-00140	RING	1				0.001	0.0022
040	31351-37660	SET PLATE	1				0.01	0.022
050	01123-50816	BOLT	1				0.011	0.0242
060	04013-50140	WASHER,PLAIN	2				0	0
070	34260-36880	SPRING,PLATE	2				0.006	0.0132
080	02174-50140	NUT	1				0.014	0.0308
090	02172-50140	NUT	1				0.01	0.022
100	31351-37750	SHAFT,BACK LEVER	1				0.1	0.22
110	04811-00120	RING	1				0.001	0.0022
120	38240-36890	SET PLATE	1				0.013	0.0286
130	01123-50816	BOLT	1				0.011	0.0242
140	31351-37760	LEVER,FEED BACK	1				0.08	0.176
150	05411-00525	PIN,SPRING	1				0.002	0.0044
160	31351-37770	ROD,FEED BACK	1				0.12	0.264
170	31351-37780	ROD,CONTROL	1				0.03	0.066
180	02114-50080	NUT	2				0.005	0.011
190	04013-50080	WASHER,PLAIN	1				0	0
200	05511-50218	PIN,SPLIT	1				0.001	0.0022
220	31351-37720	LINK,CONTROL	1				0	0
230	01754-50812	BOLT,FLANGE	2				0.01	0.022
240	67531-38280	JOINT,SPOOL	1				0.17	0.374
250	37150-36420	JOINT,SPOOL	1				0.02	0.044
260	02112-50080	NUT	1				0.003	0.0066
270	04613-00060	CIR-CLIP,EXTERNAL	1				0	0
280	04013-50080	WASHER,PLAIN	1				0	0
290	05511-50215	PIN,SPLIT	1				0.001	0.0022



AUX.CONTROL VALVE 1 [OPTION]

↔ Interchangeable; ≠ not interchangeable; ← new for old; → old for new

REF.No	Part No.	Description	Q'ty	S.No.	I/C	REMARKS	Weight (kgf)	Weight (lb)
010	99063-93500	MANUAL, CONSTRUCTION	1				0.03	0.066
020	99063-93100	ASSY VALVE,AUX.CON.	1			REFER TO L.NO.0H16-L0 FOR COMPONENTS.	4	8.8
030	99063-93300	CONNECTOR	1				0.496	1.0912
040	99063-93350	HOLDER, AUX.CON.VALVE	1				2.5	5.5
050	99063-93370	STAY,COUPLER	1				0.79	1.738
060	99063-93390	STAY,HAZARD LIGHT	1				0.18	0.396
070	35861-82610	SUPPORT,COUPLER	1				0.82	1.804
080	35861-82032	ASSY COUPLER, FEMALE	2				0.32	0.704
090	35861-94510	O RING	2			NOT SHOWN IN FIG.	0.002	0.0044
100	35861-94520	PLUG,COUPLER	2				0.005	0.011
110	04611-00380	CIR-CLIP,INTERNAL	2				0.004	0.0088
120	99063-93410	ADAPTER	2				0.07	0.154
130	99063-93450	HOSE	2				0.37	0.814
140	99063-93470	HOSE,NYLON	1			1140L	0.39	0.858
150	99063-93480	HOSE,NYLON	1			1330L	0.39	0.858
160	04811-06100	RING	2				0.001	0.0022
170	99063-93490	BOLT	1				0.01	0.022
180	01153-50860	BOLT	2				0.024	0.0528
190	31351-37160	PLUG	1				0.003	0.0066
200	01153-51220	BOLT	3				0.03	0.066
210	04512-50120	WASHER,SPRING	3				0	0
220	02156-50080	NUT	4				0.004	0.0088
230	04512-50100	WASHER,SPRING	1				0	0
240	02176-50100	NUT	1				0.005	0.011
250	04512-50080	WASHER,SPRING	11				0	0
260	02156-50120	NUT	1				0.01	0.022
270	01153-50820	BOLT	7				0.012	0.0264
280	01153-50835	BOLT	2				0.016	0.0352
290	38740-49250	CLAMP	1				0.035	0.077
300	34350-29380	BAND,CORD	1				0.001	0.0022
310	04013-50080	WASHER,PLAIN	5				0	0

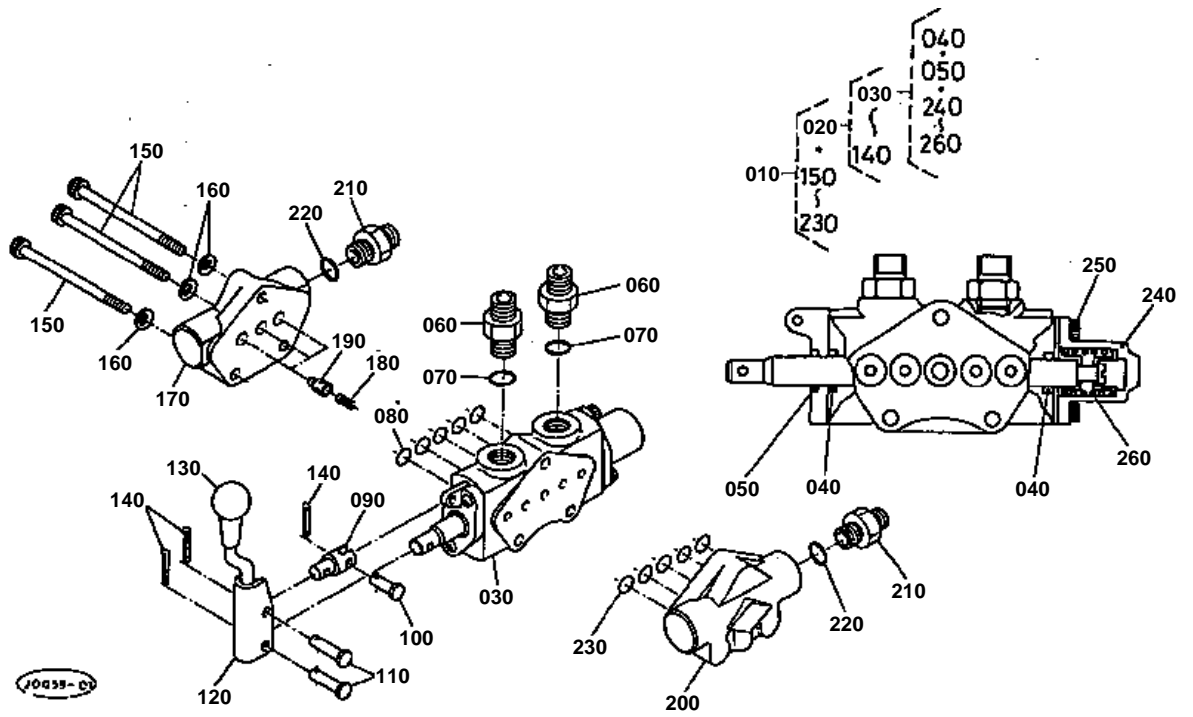


**AUX.CONTROL VALVE 2 [OPTION]**

↔ Interchangeable; ≠ not interchangeable; ← new for old; → old for new

REF.No	Part No.	Description	Q'ty	S.No.	I/C	REMARKS	Weight (kgf)	Weight (lb)
010	99063-94500	MANUAL, CONSTRUCTION	1				0.1	0.22
020	99063-94100	VALVE,CONTROL	1			REFER TO L.NO.0H16-L0 FOR COMPONENTS.	1.9	4.18
030	01311-10800	BOLT	3				0.015	0.033
040	01311-10806	BOLT	3				0.053	0.1166
050	99063-94180	PATCH	3				0.001	0.0022
060	99063-93450	HOSE	2				0.37	0.814
070	99063-93410	ADAPTER	2				0.07	0.154
080	04611-00380	CIR-CLIP,INTERNAL	2				0.004	0.0088
090	35861-82610	SUPPORT,COUPLER	2				0.82	1.804
100	35861-82032	ASSY COUPLER, FEMALE	2				0.32	0.704
110	35861-94510	O RING	2			NOT SHOWN IN FIG.	0.002	0.0044
120	35861-94520	PLUG,COUPLER	2				0.005	0.011
130	01153-50802	BOLT	2				0.045	0.099
140	01153-50809	BOLT	2				0	0

AUX.CONTROL VALVE [COMPONENT PARTS]

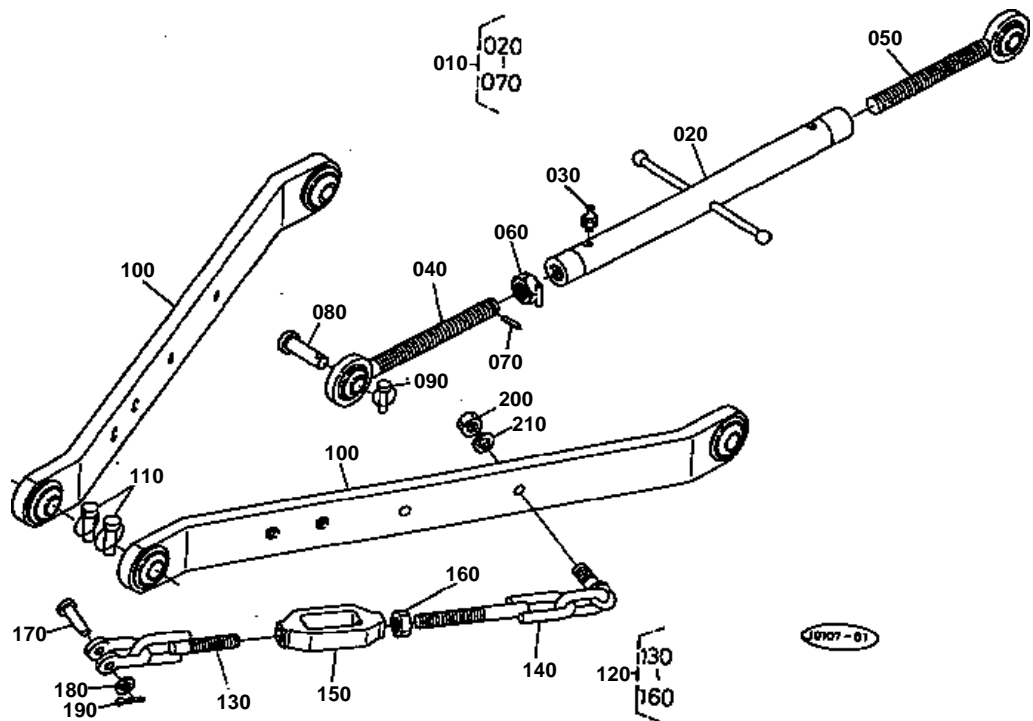


**AUX.CONTROL VALVE [COMPONENT PARTS]**

↔ Interchangeable; ≠ not interchangeable; ← new for old; → old for new

REF.No	Part No.	Description	Q'ty	S.No.	I/C	REMARKS	Weight (kgf)	Weight (lb)
010	99063-93100	ASSY VALVE,AUX.CON.	1				4	8.8
020	99063-94100	VALVE,CONTROL	1				1.9	4.18
030	99063-93180	ASSY CASING	1				1.66	3.652
040	39791-31016	SEAL,PENTA	2				0	0
050	99063-94140	SCRAPER	1				0.01	0.022
060	99063-93150	NIPPLE,HOSE	2				0.045	0.099
070	04811-00140	RING	2				0.001	0.0022
080	04811-00110	RING	5				0.001	0.0022
090	99063-93210	LINK,LEVER	1				0.05	0.11
100	05122-50521	PIN,JOINT	1				0	0
110	05122-50524	PIN,JOINT	2				0	0
120	99063-93220	LEVER	1				0.24	0.528
130	99063-93230	GRIP	1				0.035	0.077
140	05511-50210	PIN,SPLIT	3				0.001	0.0022
150	01311-10865	BOLT	3				0.03	0.066
160	99063-93130	SPRING,PLATE	3				0.01	0.022
170	99063-93140	SECTION,INLET	1				1	2.2
180	99063-93160	SPRING	2				0.01	0.022
190	99063-93170	POPPET	2				0.02	0.044
200	99063-93190	SECTION,OUTLET	1				0.97	2.134
210	99063-93150	NIPPLE,HOSE	2				0.045	0.099
220	04811-00140	RING	2				0.001	0.0022
230	04811-00110	RING	5				0.001	0.0022
240	39782-59251	CAP,END	1				0.04	0.088
250	01350-10516	BOLT	2				0.005	0.011
260	39782-59181	SPRING	1				0.03	0.066

3-POINT LINKAGE 1



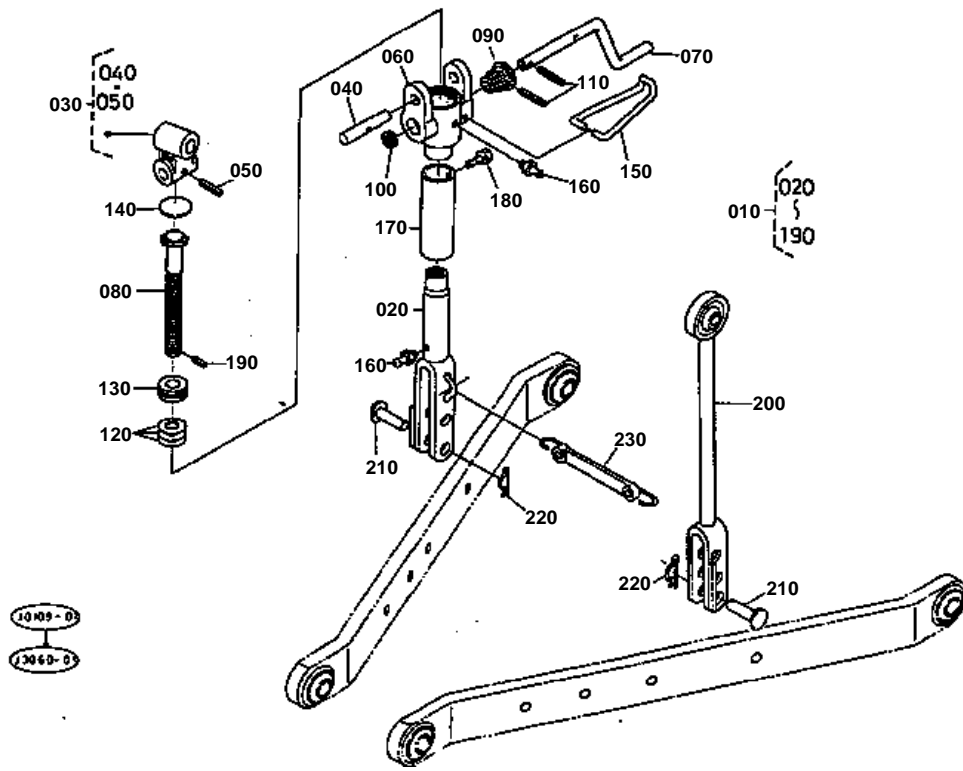


3-POINT LINKAGE 1

↔ Interchangeable; ≠ not interchangeable; ← new for old; → old for new

REF.No	Part No.	Description	Q'ty	S.No.	I/C	REMARKS	Weight (kgf)	Weight (lb)
010	32430-71100	ASSY LINK, TOP	1				0	0
020	32430-71110	LINK, TOP	1				1.4	3.08
030	67211-42940	NIPPLE, GREASE	2				0.001	0.0022
040	35340-71210	JOINT, TOP LINK	1				1.06	2.332
050	35340-71220	JOINT, TOP LINK	1				1.06	2.332
060	32244-71180	NUT, TOP LINK	1				0.057	0.1254
070	05411-00430	PIN, SPRING	2				0.002	0.0044
080	37307-71360	PIN, JOINT	2				0	0
090	34150-37640	PIN, SET	2				0.06	0.132
100	32440-71310	COMP. LINK, LOWER	2				0	0
110	34150-37640	PIN, SET	4				0.06	0.132
120	32430-71800	ASSY CHAIN, CHECK	2				1.53	3.366
130	31351-71810	JOINT, CHAIN	2				0.4	0.88
140	31351-71820	JOINT, CHAIN	2				0.55	1.21
150	32430-71840	TURNBUCKLE	2				0.555	1.221
160	02052-50160	NUT	2				0.025	0.055
170	32353-71890	PIN	2				0.041	0.0902
180	04013-50120	WASHER, PLAIN	2				0	0
190	05511-50425	PIN, SPLIT	2				0.003	0.0066
200	02074-50160	NUT	2				0.029	0.0638
210	04512-50160	WASHER, SPRING	2				0	0

3-POINT LINKAGE 2



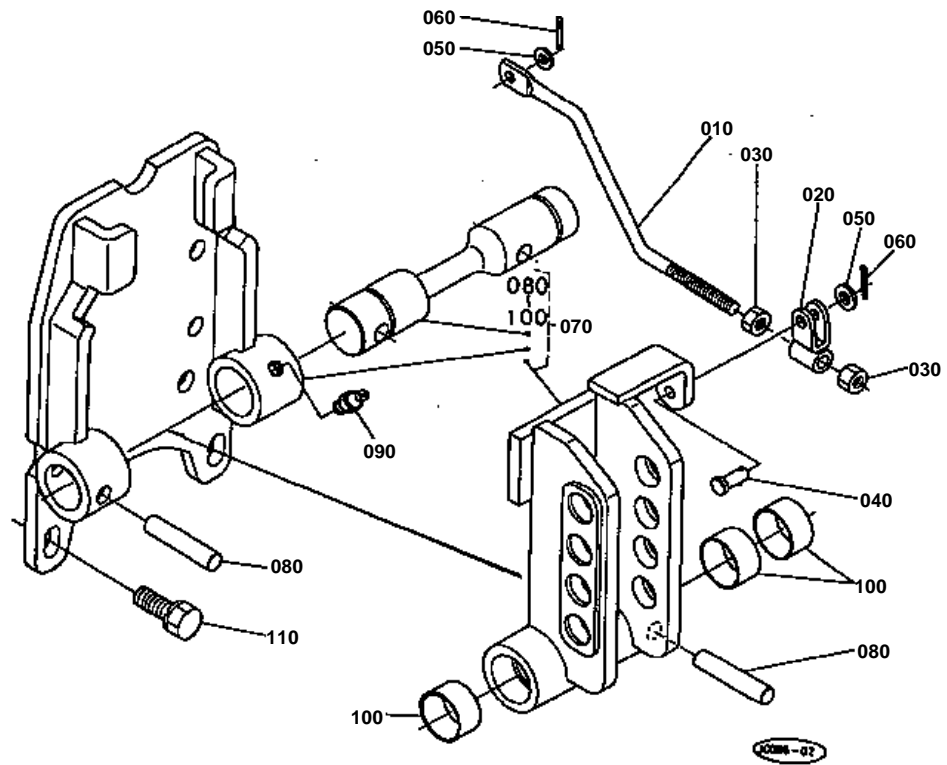


3-POINT LINKAGE 2

↔ Interchangeable; ≠ not interchangeable; ← new for old; → old for new

REF.No	Part No.	Description	Q'ty	S.No.	I/C	REMARKS	Weight (kgf)	Weight (lb)
010	32440-71560	ASSY ADJUSTER	1				3.55	7.81
020	32440-71520	ROD,LIFT LOWER	1				1.09	2.398
030	31351-71590	ASSY JOINT,GEAR CASE	1				0.59	1.298
040	38247-71550	PIN,LIFT ROD	1				0.11	0.242
050	05411-00532	PIN,SPRING	1				0.003	0.0066
060	31351-71710	CASE,LIFT ROD GEAR	1				0.85	1.87
070	31351-71660	HANDLE,LIFT ROD	1				0.235	0.517
080	31351-71640	GEAR,LIFT ROD	1				0.36	0.792
090	32244-71650	GEAR,LIFT ROD	1				0.126	0.2772
100	31351-71670	WASHER,PLAIN	1				0.002	0.0044
110	05411-00622	PIN,SPRING	2				0.003	0.0066
120	31220-71720	SHIM	3				0.001	0.0022
130	32294-71770	BEARING,THRUST BALL	1				0.073	0.1606
140	06311-75045	PLUG	1				0.026	0.0572
150	32244-71730	STOPPER,HANDLE	1				0.027	0.0594
160	06613-10675	NIPPLE,GREASE	2				0.003	0.0066
170	31351-71700	PIPE	1				0.2	0.44
180	01202-50612	BOLT	1				0.005	0.011
190	05411-00320	PIN,SPRING	1				0.001	0.0022
200	32440-71540	ROD,LIFT LH	1				0	0
210	38747-71582	PIN,LIFT ROD	2				0.1	0.22
220	05515-51600	PIN,SNAP	2				0.007	0.0154
230	38187-71750	COMP.RUBBER	1				0	0

TOP LINKAGE BRACKET

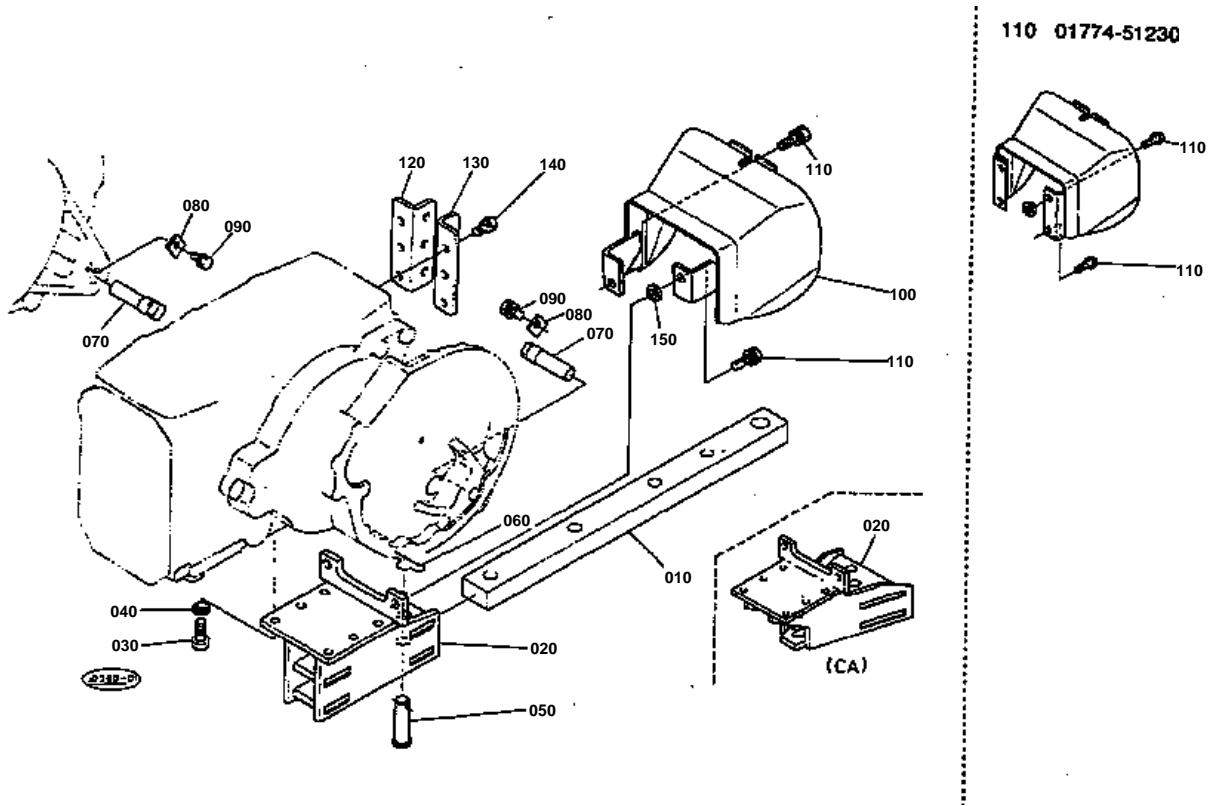




TOP LINKAGE BRACKET

↔ Interchangeable; ≠ not interchangeable; ← new for old; → old for new

REF.No	Part No.	Description	Q'ty	S.No.	I/C	REMARKS	Weight (kgf)	Weight (lb)
010	32430-41310	ROD,DRAFT CONTROL	1			WITH DRAFT	0.09	0.198
020	35260-41320	HOLDER,CONTROL	1			WITH DRAFT	0.03	0.066
030	02112-50080	NUT	2			WITH DRAFT	0.003	0.0066
040	05122-50818	PIN,JOINT	1			WITH DRAFT	0.008	0.0176
050	04012-50080	WASHER,PLAIN	2			WITH DRAFT	0.001	0.0022
060	05511-50218	PIN,SPLIT	2			WITH DRAFT	0.001	0.0022
070	32430-41400	COMP HOLDER,TOP LINK	1			WITH DRAFT	0	0
080	37300-41440	PIN,STRAIGHT	2			WITH DRAFT	0.055	0.121
090	06613-10010	NIPPLE,GREASE	2			WITH DRAFT	0.006	0.0132
100	37300-41450	BUSH	3			WITH DRAFT	0.03	0.066
110	01133-51230	BOLT	6			WITH DRAFT	0.04	0.088

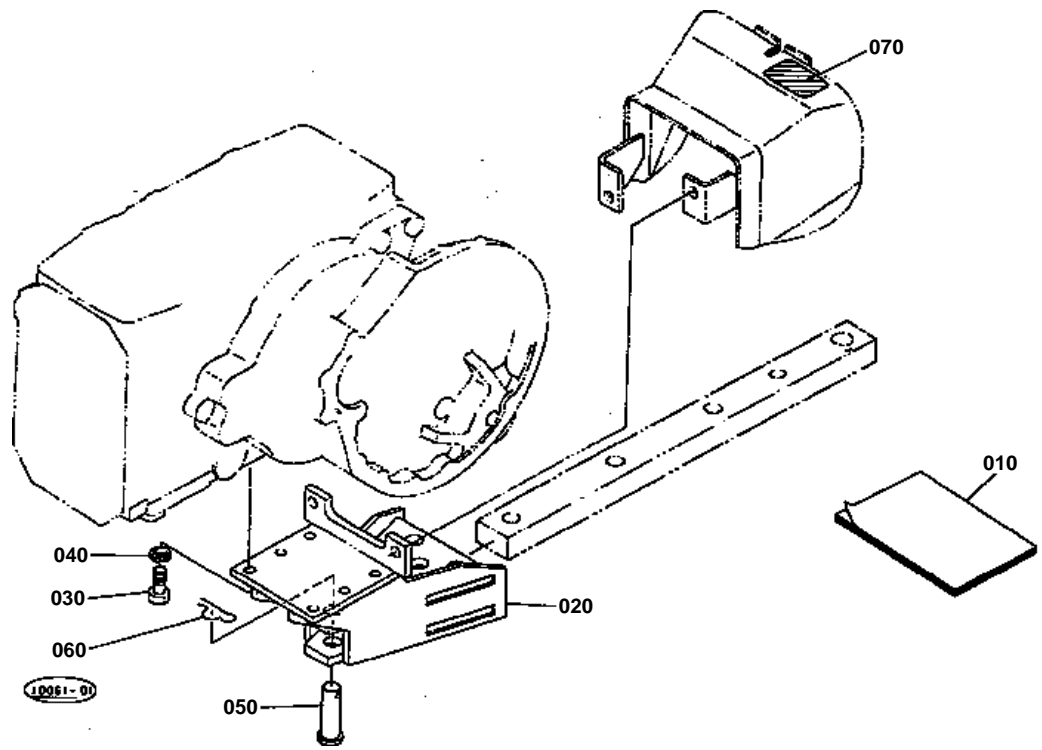




DRAWBAR EXCEPT [FR]

↔ Interchangeable; ≠ not interchangeable; ← new for old; → old for new

REF.No	Part No.	Description	Q'ty	S.No.	I/C	REMARKS	Weight (kgf)	Weight (lb)
010	32430-29710	DRAWBAR	1				0	0
020	32420-29730	FRAME,DRAWBAR	1			EXCEPT [CA]	6.4	14.08
030	01173-51430	BOLT	6				0.052	0.1144
040	04512-50140	WASHER,SPRING	6				0	0
050	05112-52070	PIN,JOINT	1				0.186	0.4092
060	05515-51600	PIN,SNAP	1				0.007	0.0154
070	32430-29820	PIN,LOWER LINK	2				0.25	0.55
080	32430-29830	SET PLATE	2				0.016	0.0352
090	01133-51020	BOLT	2				0.02	0.044
110	01133-51235	BOLT	4				0.05	0.11



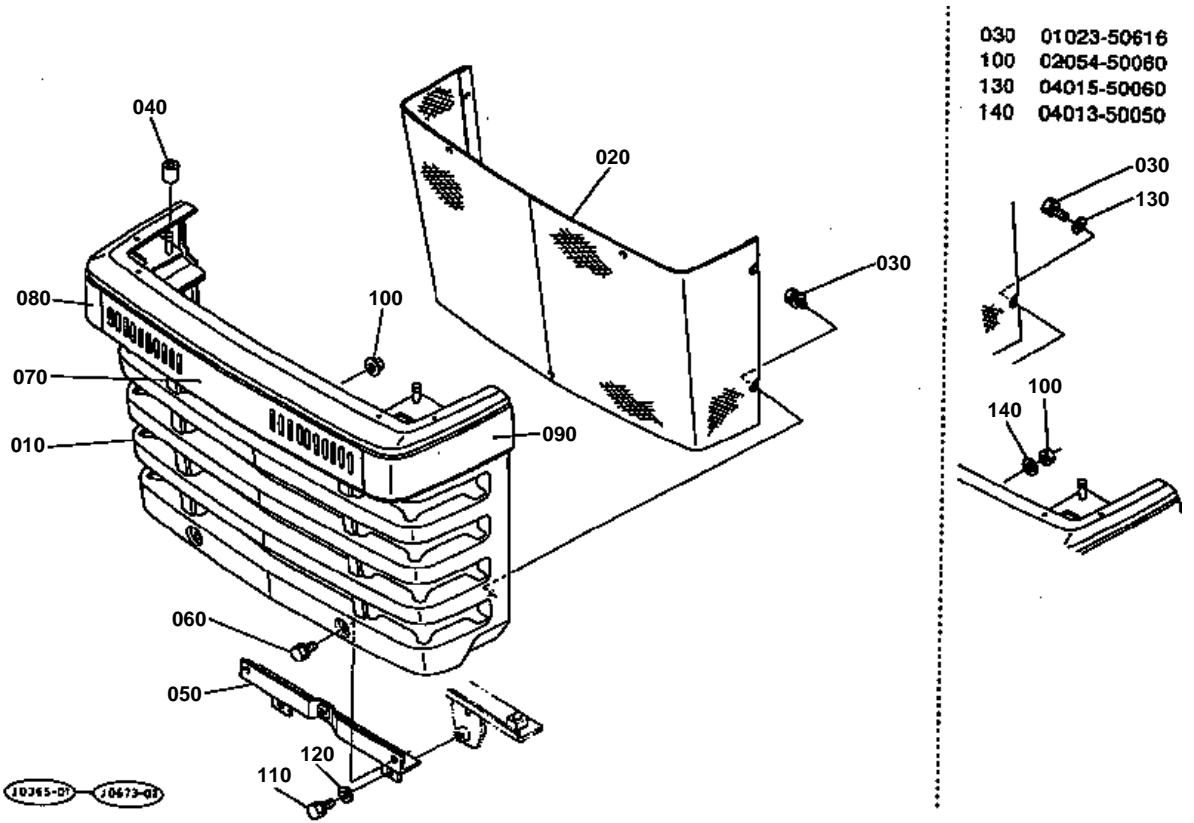


SWINGING DRAWBAR [OPTION]

↔ Interchangeable; ≠ not interchangeable; ← new for old; → old for new

REF.No	Part No.	Description	Q'ty	S.No.	I/C	REMARKS	Weight (kgf)	Weight (lb)
010	32430-98510	MANUAL,INSTRUCTION	1				0.01	0.022
020	32430-29730	FRAME,DRAWBAR	1				7.85	17.27
030	01173-51430	BOLT	6				0.052	0.1144
040	04512-50140	WASHER,SPRING	6				0	0
050	05112-52070	PIN,JOINT	3				0.186	0.4092
060	05515-51600	PIN,SNAP	3				0.007	0.0154
070	35260-25340	LABEL,PTO(DRAWBAR)	1				0.005	0.011

FRONT GRILLE [NEW TYPE]

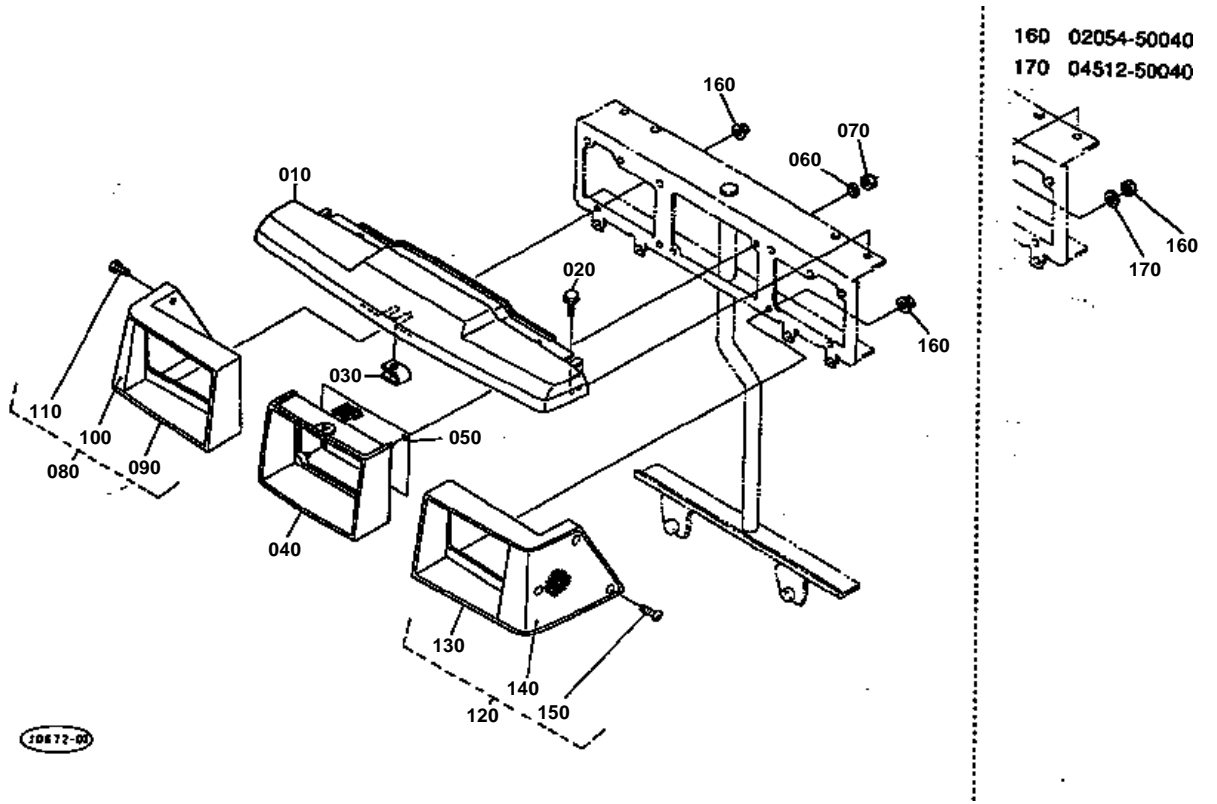


**FRONT GRILLE [NEW TYPE]**

↔ Interchangeable; ≠ not interchangeable; ← new for old; → old for new

REF.No	Part No.	Description	Q'ty	S.No.	I/C	REMARKS	Weight (kgf)	Weight (lb)
010	30400-18230	GRILLE,FRONT	1				0	0
020	32430-18250	NET,FRONT GRILLE	1				0.41	0.902
030	30442-15230	BOLT	7				0.01	0.022
040	31351-18260	PIPE	2				0.001	0.0022
050	30400-18280	RETAINER,GRILLE	1				0	0
060	01754-50816	BOLT,FLANGE	2				0.011	0.0242
070	32430-94170	BELT,GRILLE FRONT	1				0.145	0.319
080	32430-94180	BELT,GRILLE RH	1				0.07	0.154
090	32430-94190	BELT,GRILLE LH	1				0.07	0.154
100	02761-50050	NUT,FLANGE	8				0.005	0.011
110	01123-50818	BOLT	2				0.012	0.0264
120	04013-50080	WASHER,PLAIN	2				0	0

LIGHT GRILLE EXCEPT [FR]

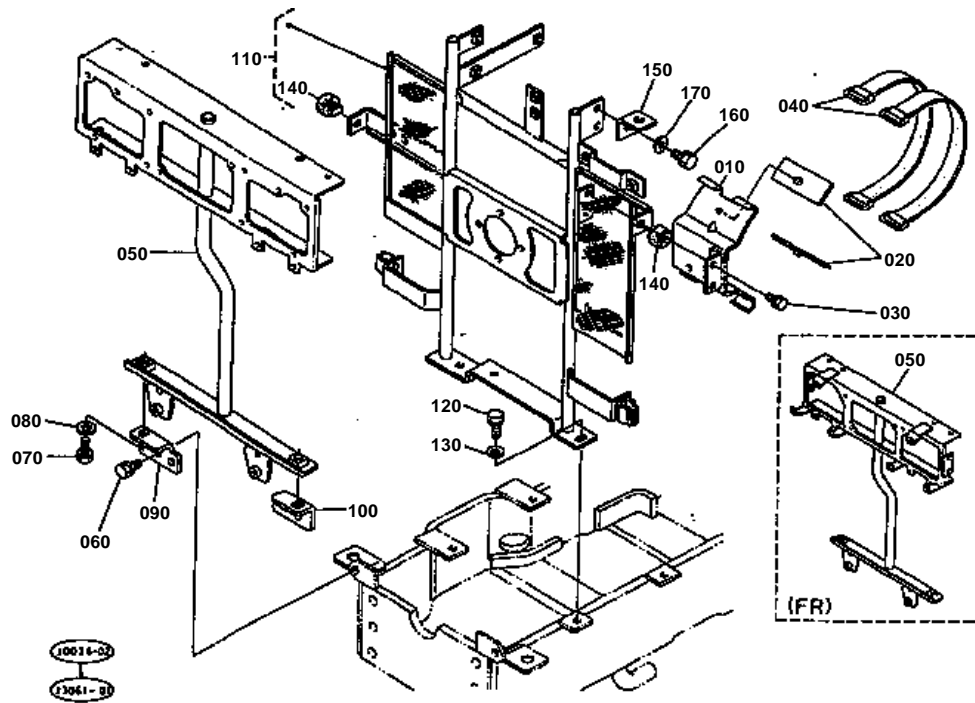


**LIGHT GRILLE EXCEPT [FR]**

↔ Interchangeable; ≠ not interchangeable; ← new for old; → old for new

REF.No	Part No.	Description	Q'ty	S.No.	I/C	REMARKS	Weight (kgf)	Weight (lb)
010	30400-18160	ROOF,FRONT	1				0.42	0.924
020	01754-50616	BOLT,FLANGE	3				0.006	0.0132
030	38240-29250	NUT,SPRING	1				0.005	0.011
040	31351-18170	GRILLE,LIGHT MIDDLE	1				0.118	0.2596
050	31351-18180	NET,GRILLE	1				0.025	0.055
060	04512-50040	WASHER,SPRING	2				0	0
070	02054-50040	NUT	2				0.001	0.0022
080	31351-18190	GRILLE,LIGHT RH	1				0.24	0.528
090	31351-93500	FRAME,LIGHT GRILLE	1				0.16	0.352
100	31351-93520	LENS RH	1				0.06	0.132
110	03514-50312	SCREW	3				0.001	0.0022
120	31351-18200	GRILLE,LIGHT LH	1				0.25	0.55
130	31351-93510	FRAME,LIGHT GRILLE	1				0.15	0.33
140	31351-93530	LENS LH	1				0.066	0.1452
150	03514-50312	SCREW	3				0.001	0.0022
160	02761-50040	NUT,FLANGE	8				0.002	0.0044

FRONT GRILLE SUPPORT [NEW TYPE]

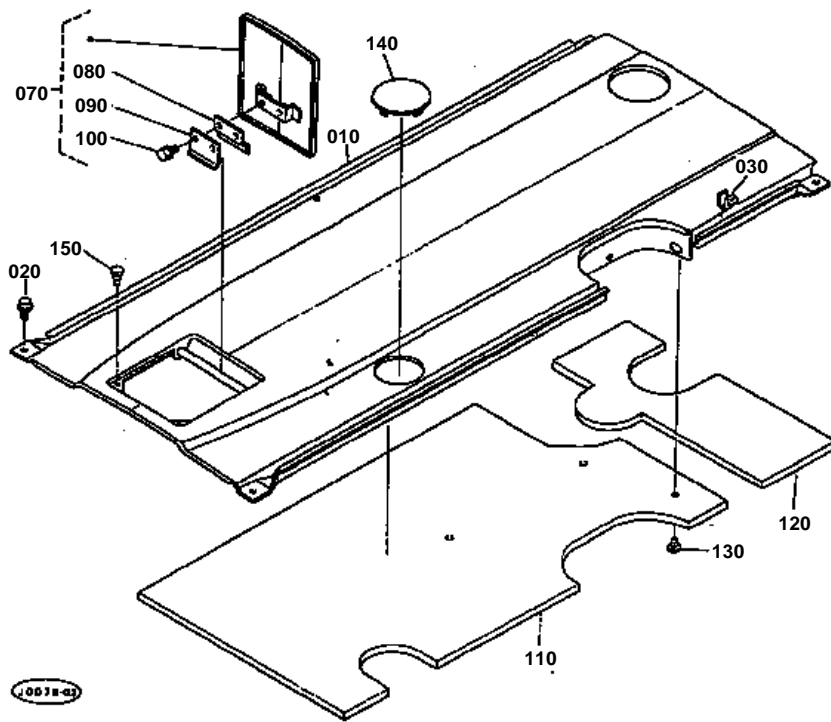


**FRONT GRILLE SUPPORT [NEW TYPE]**

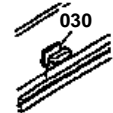
↔ Interchangeable; ≠ not interchangeable; ← new for old; → old for new

REF.No	Part No.	Description	Q'ty	S.No.	I/C	REMARKS	Weight (kgf)	Weight (lb)
010	32430-13910	SUPPORT,AIR CLEANER	1				0.435	0.957
020	38430-13970	CUSHION	2				0.015	0.033
030	01754-50816	BOLT,FLANGE	2				0.011	0.0242
040	38430-13980	BAND,AIR CLEANER	2				0.07	0.154
050	32430-18310	SUPPORT,GRILLE	1			EXCEPT [FR]	3.1	6.82
060	01133-51020	BOLT	2				0.02	0.044
070	01123-50820	BOLT	2				0.011	0.0242
080	04015-50080	WASHER,PLAIN	2				0	0
090	32430-18320	STAY,FRONT GRILLE LH	1				0.08	0.176
100	32430-18330	STAY,FRONT GRILLE RH	1				0.09	0.198
110	32430-99100	ASSY SUPPORT,BONNET	1				4.3	9.46
120	01123-50816	BOLT	2				0.011	0.0242
130	04015-50080	WASHER,PLAIN	1				0	0
140	30400-17980	RUBBER,BLOCK	2				0.01	0.022
150	31351-18394	SUPPORT,BONNET	2				0.04	0.088
160	01123-50816	BOLT	4				0.011	0.0242
170	04015-50080	WASHER,PLAIN	4				0	0

HOOD (BONNET)



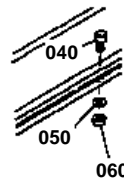
030 31351-1862-0



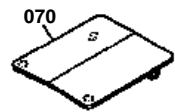
040 31351-1874-0

050 04512-50050

060 02054-50050



070 31351-1861-0



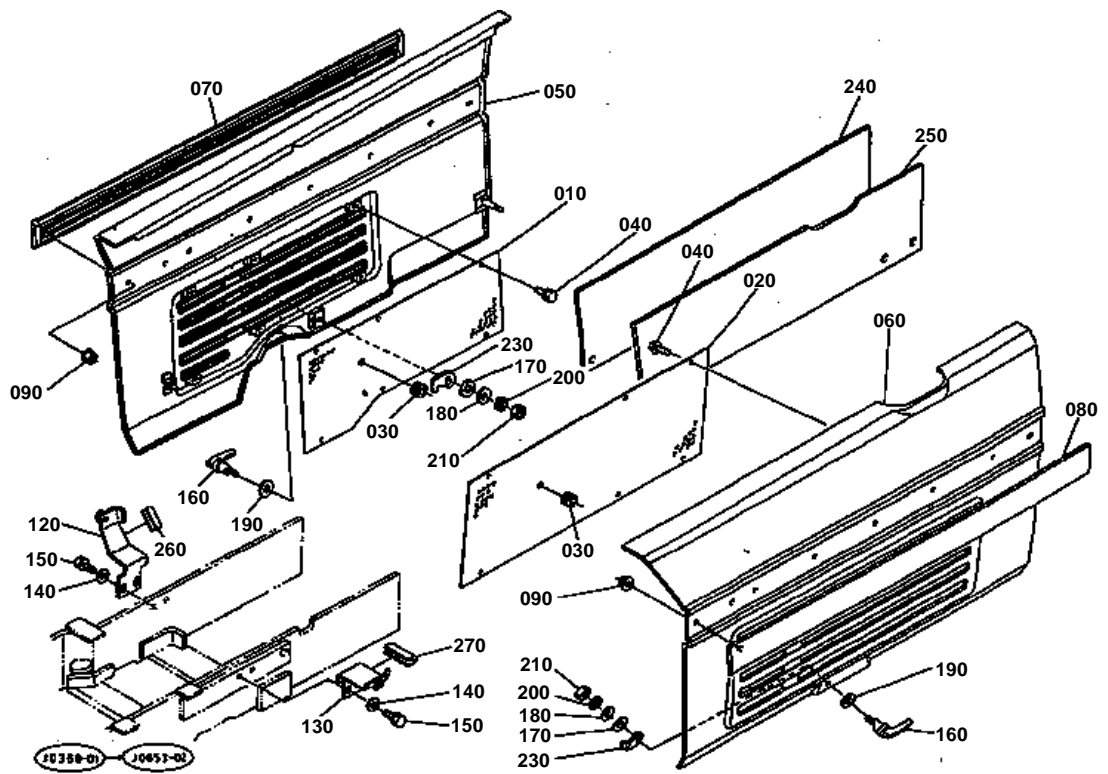


HOOD (BONNET)

↔ Interchangeable; ≠ not interchangeable; ← new for old; → old for new

REF.No	Part No.	Description	Q'ty	S.No.	I/C	REMARKS	Weight (kgf)	Weight (lb)
010	30590-18600	COMP.BONNET,UPPER	1				6.2	13.64
020	01754-50616	BOLT,FLANGE	4				0.006	0.0132
030	30442-18622	CUSHION	5				0	0
070	30400-18612	ASSY COVER,BONNET	1				0.22	0.484
080	30400-94080	SPRING,BONNET COVER	1				0.012	0.0264
090	30400-94090	SPRING,BONNET COVER	1				0	0
100	01754-50616	BOLT,FLANGE	2				0.006	0.0132
140	32480-18760	CAP,PRE CLEANER	1				0.02	0.044
150	32280-18180	CUSHION	2				0.001	0.0022

SIDE COVER [NEW TYPE]



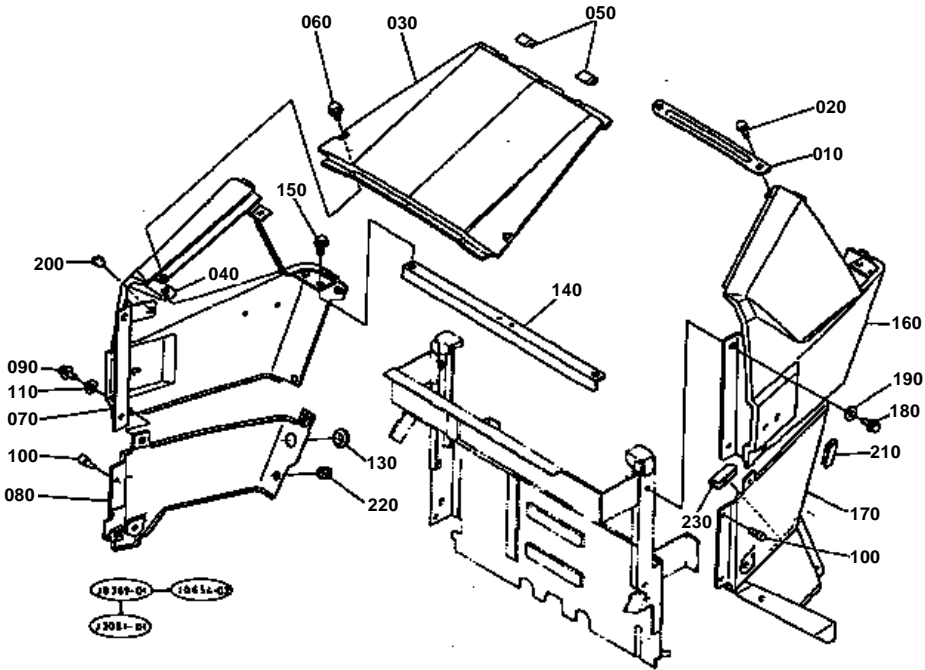


SIDE COVER [NEW TYPE]

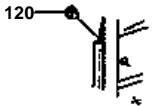
↔ Interchangeable; ≠ not interchangeable; ← new for old; → old for new

REF.No	Part No.	Description	Q'ty	S.No.	I/C	REMARKS	Weight (kgf)	Weight (lb)
010	30400-18140	NET,BONNET SIDE RH	1				0.34	0.748
020	30400-18150	NET,BONNET SIDE LH	1				0.48	1.056
030	38240-18220	CUSHION	2				0.003	0.0066
040	01754-50610	BOLT,FLANGE	12				0.006	0.0132
050	32480-18630	COMP BOARD,SIDE RH	1				4.15	9.13
060	32480-18640	COMP BOARD,SIDE LH	1				6.7	14.74
070	31351-18680	COMP BELT,SIDE RH	1				0.54	1.188
080	31351-18690	COMP BELT,SIDE LH	1				0.54	1.188
090	02761-50050	NUT,FLANGE	14				0.005	0.011
100	99999-99999	BLANK	0				0	0
110	99999-99999	BLANK	0				0	0
120	31351-18710	SUPPORT,HOOK RH	1				0.21	0.462
130	31351-18720	SUPPORT,HOOK LH	1				0.185	0.407
140	04013-50080	WASHER,PLAIN	4				0	0
150	01123-50816	BOLT	4				0.011	0.0242
160	32430-18242	HANDLE,BONNET COVER	2				0.055	0.121
170	33251-83950	WASHER,SPRING	2				0.001	0.0022
180	04012-50080	WASHER,PLAIN	2				0.001	0.0022
190	33251-83850	WASHER,HANDLE	2				0.001	0.0022
200	04512-50080	WASHER,SPRING	2				0	0
210	02114-50080	NUT	2				0.005	0.011
220	99999-99999	BLANK	0				0	0
230	31351-18582	HOOK,BONNET COVER	2				0.05	0.11
260	31351-34310	SEAL	1				0.001	0.0022
270	31351-34320	RUBBER,PROTECTOR	1				0.003	0.0066

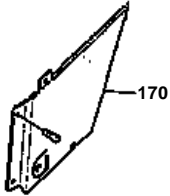
REAR HOOD(BONNET)



120 38240-2929-0



170 31351-1885-0

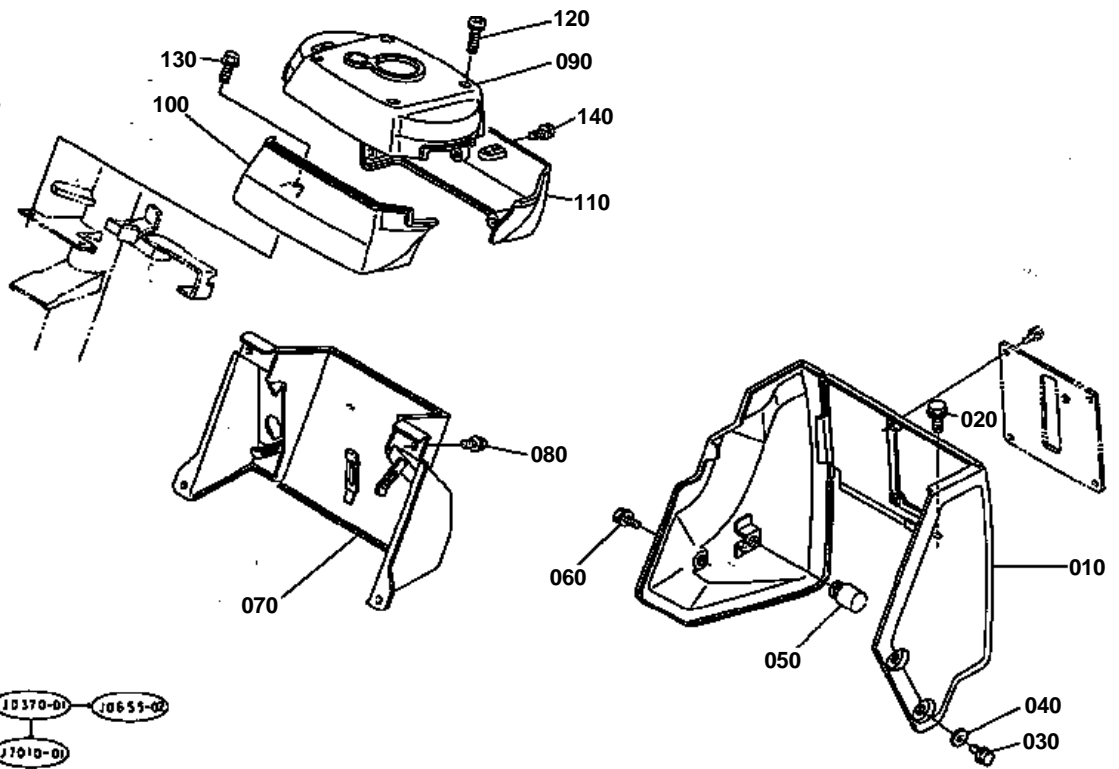


**REAR HOOD(BONNET)**

↔ Interchangeable; ≠ not interchangeable; ← new for old; → old for new

REF.No	Part No.	Description	Q'ty	S.No.	I/C	REMARKS	Weight (kgf)	Weight (lb)
010	31351-18890	REINFORCING	1				0.04	0.088
020	01754-50616	BOLT,FLANGE	2				0.006	0.0132
030	30400-18770	ROOF,REAR	1				0.47	1.034
040	38240-29250	NUT,SPRING	2				0.005	0.011
050	31351-18780	RUBBER	2				0.08	0.176
060	01754-50612	BOLT,FLANGE	2				0.005	0.011
070	30400-18810	COMP.BONNET,RH	1				1.12	2.464
080	30400-18840	COMP.BONNET,REAR RH	1				0.375	0.825
090	01754-50612	BOLT,FLANGE	3				0.005	0.011
100	38240-18080	CUSHION,BONNET	3				0.001	0.0022
110	04013-50080	WASHER,PLAIN	2				0	0
130	32150-29180	CAP,RUBBER	1				0.002	0.0044
140	31351-18880	SUPPORT,BONNET	1				0	0
150	01754-50616	BOLT,FLANGE	2				0.006	0.0132
160	30400-18820	COMP.BONNET,REAR LH	1				1.1	2.42
170	30400-18850	COMP BONNET,REAR LH	1				0.78	1.716
180	01754-50612	BOLT,FLANGE	3				0.005	0.011
190	04013-50080	WASHER,PLAIN	2				0	0
200	38240-29570	PLUG	2				0.001	0.0022
230	37150-13920	CUSHION	1				0.005	0.011

MAIN AND PTO CHANGE COVER [NEW TYPE]

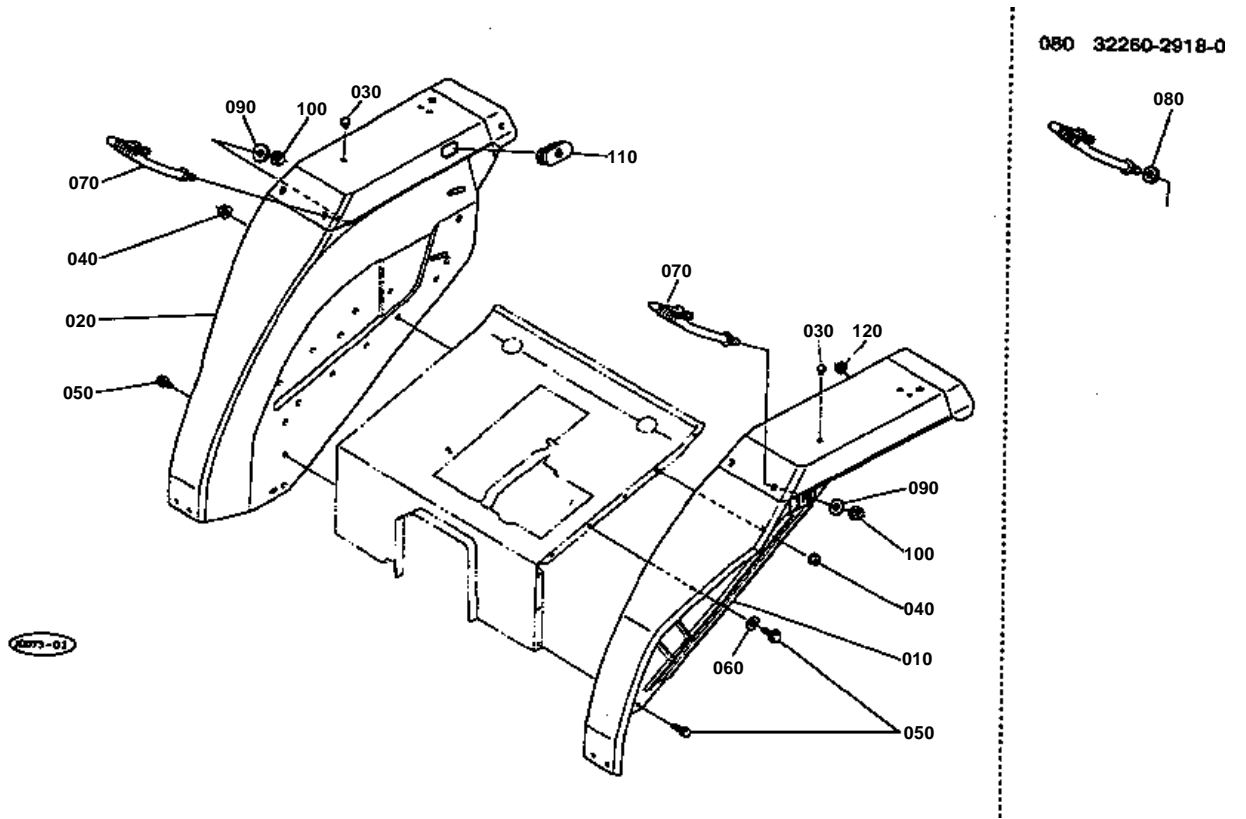




MAIN AND PTO CHANGE COVER [NEW TYPE]

↔ Interchangeable; ≠ not interchangeable; ← new for old; → old for new

REF.No	Part No.	Description	Q'ty	S.No.	I/C	REMARKS	Weight (kgf)	Weight (lb)
010	32480-24020	COMP.COVER,PTO	1				0	0
020	01754-50812	BOLT,FLANGE	1				0.01	0.022
030	01754-50612	BOLT,FLANGE	2				0.005	0.011
040	04013-50060	WASHER,PLAIN	2				0	0
050	31351-24330	CUSHION	1				0.005	0.011
060	01754-50812	BOLT,FLANGE	1				0.01	0.022
070	32470-24410	BOARD,SWITCH	1				0	0
080	01754-50612	BOLT,FLANGE	4				0.005	0.011
090	31351-24425	COVER,CHANGE UPPER	1				0	0
100	31351-24430	COVER,CHANGE FRONT	1				0.095	0.209
110	30400-24440	COVER,CHANGE REAR	1				0.095	0.209
120	31351-24450	SCREW,WITH WASHER	4				0.08	0.176
130	01754-50816	BOLT,FLANGE	2				0.011	0.0242
140	31351-24460	SCREW,WITH WASHER	3				0.004	0.0088



**FENDER**

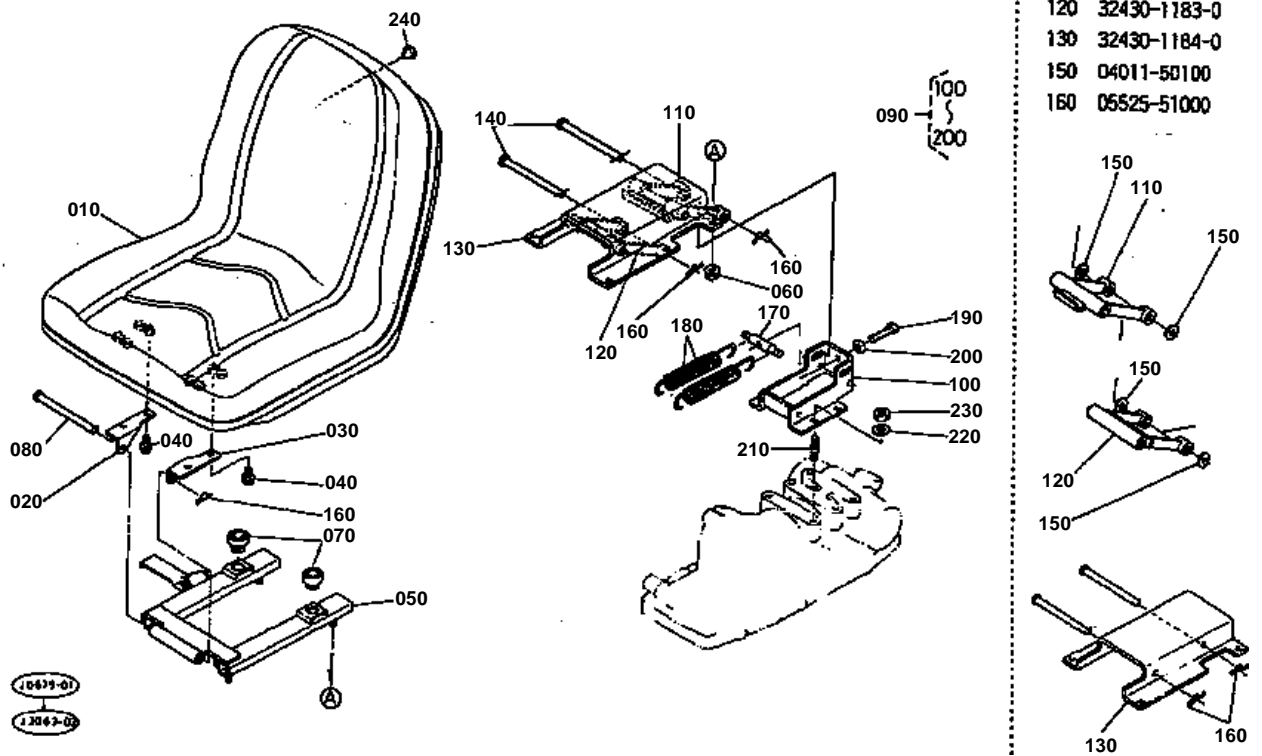
↔ Interchangeable; ≠ not interchangeable; ← new for old; → old for new

REF.No	Part No.	Description	Q'ty	S.No.	I/C	REMARKS	Weight (kgf)	Weight (lb)
010	32440-29010	COMP.FENDER,LH	1				13	28.6
020	32440-29030	COMP.FENDER,RH	1				12	26.4
030	31301-29070	PLUG,BLIND	2				0.001	0.0022
040	31351-11080	NUT,FLANGE	2				0.007	0.0154
050	01754-50812	BOLT,FLANGE	18				0.01	0.022
060	04013-50080	WASHER,PLAIN	1				0	0
070	31351-29440	RAIL,HAND	2				0	0
090	04013-50140	WASHER,PLAIN	4				0	0
100	02174-50140	NUT	4				0.014	0.0308
110	31351-29490	GROMMET	1				0.003	0.0066
120	32150-29180	CAP,RUBBER	1				0.002	0.0044

**FLOOR SEAT [NEW TYPE]**

↔ Interchangeable; ≠ not interchangeable; ← new for old; → old for new

REF.No	Part No.	Description	Q'ty	S.No.	I/C	REMARKS	Weight (kgf)	Weight (lb)
010	32480-29050	COMP.SEAT,FLOOR	1				0	0
020	32480-24350	COVER,FLOOR	1				0	0
030	01754-50610	BOLT,FLANGE	4				0.006	0.0132
040	31351-24360	CAP	1				0	0
050	32150-29180	CAP,RUBBER	1				0.002	0.0044
060	32480-29130	COVER,REAR	1				1.6	3.52
070	01754-50610	BOLT,FLANGE	5				0.006	0.0132
080	31351-29220	SUPPORT,FENDER RH	1				0	0
090	32430-29230	SUPPORT,FENDER LH	1				0	0
100	01133-51020	BOLT	2				0.02	0.044
110	01133-51220	BOLT	4				0.04	0.088
120	30400-29260	CUSHION,UPPER	2				0.05	0.11
130	31351-29270	CUSHION,LOWER	2				0.045	0.099
140	30400-29280	SPACER	2				0.04	0.088
150	30400-29310	RETAINER,CUSHION	2				0.29	0.638
160	01133-51270	BOLT	2				0.06	0.132
170	32480-29410	STEP,REAR	1				0.25	0.55
180	01754-50812	BOLT,FLANGE	4				0.01	0.022
190	32480-29420	HANGER,TOP LINK	1				0	0
200	01123-50835	BOLT	2				0.02	0.044
210	02156-50080	NUT	2				0.004	0.0088
220	66591-51130	PLUG,BLIND	4				0.001	0.0022



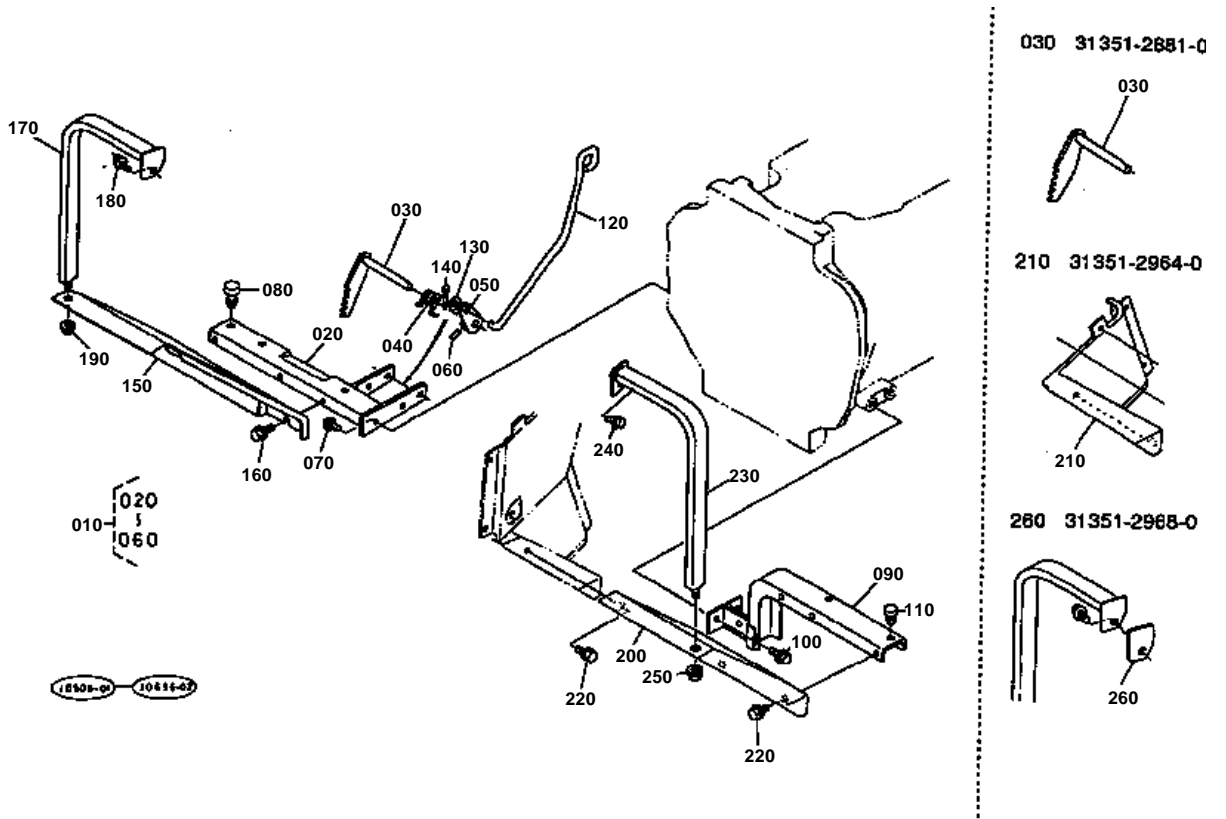


SEAT EXCEPT [FR]

↔ Interchangeable; ≠ not interchangeable; ← new for old; → old for new

REF.No	Part No.	Description	Q'ty	S.No.	I/C	REMARKS	Weight (kgf)	Weight (lb)
010	32420-72960	SEAT	1				0	0
020	32430-18450	BRACKET,SEAT RH	1				0.08	0.176
030	32430-18460	BRACKET,SEAT LH	1				0.08	0.176
040	01754-50816	BOLT,FLANGE	4				0.011	0.0242
050	32430-18430	COMP ADJUSTER,SEAT	1				0	0
060	31351-11100	NUT,FLANGE	4				0.095	0.209
070	32160-18440	CUSHION	2				0.013	0.0286
080	32430-11850	PIN,JOINT	1				0.08	0.176
090	32430-11800	ASSY SUSPENTION,SEAT	1				3.85	8.47
100	32430-11810	BASE,SEAT SUSPENTION	1				0.5	1.1
110	32430-11820	LINK,SUPPORT	1	≤50404			0.38	0.836
110	32430-11822	LINK,SUPPORT	1	>50405	≠		0.42	0.924
120	32430-11830	LINK,SUPPORT	1	≤50404			0.4	0.88
120	32430-11832	LINK,SUPPORT	1	>50405	≠		0.39	0.858
130	32430-11840	SUPPORT,SEAT	1	≤50404			1.845	4.059
130	32430-11843	SUPPORT,SEAT	1	>50405	≠		1.31	2.882
140	32430-11850	PIN,JOINT	4				0.08	0.176
150	04011-50100	WASHER,PLAIN	4	≤50404			0.002	0.0044
160	05525-51000	PIN,SNAP	5	≤50404			0	0
160	05525-51000	PIN,SNAP	3	>50405	≠		0	0
170	32430-11860	ROD,ADJUSTER	1				0.085	0.187
180	32430-11870	SPRING	2				0.27	0.594
190	01172-51045	BOLT	1				0	0
200	04011-50100	WASHER,PLAIN	1				0.002	0.0044
210	01517-51020	STUD	4				0.019	0.0418
220	04512-50100	WASHER,SPRING	4				0	0
230	02118-50100	NUT	4				0.005	0.011
240	66591-51130	PLUG,BLIND	2				0.001	0.0022

FOOT COVER

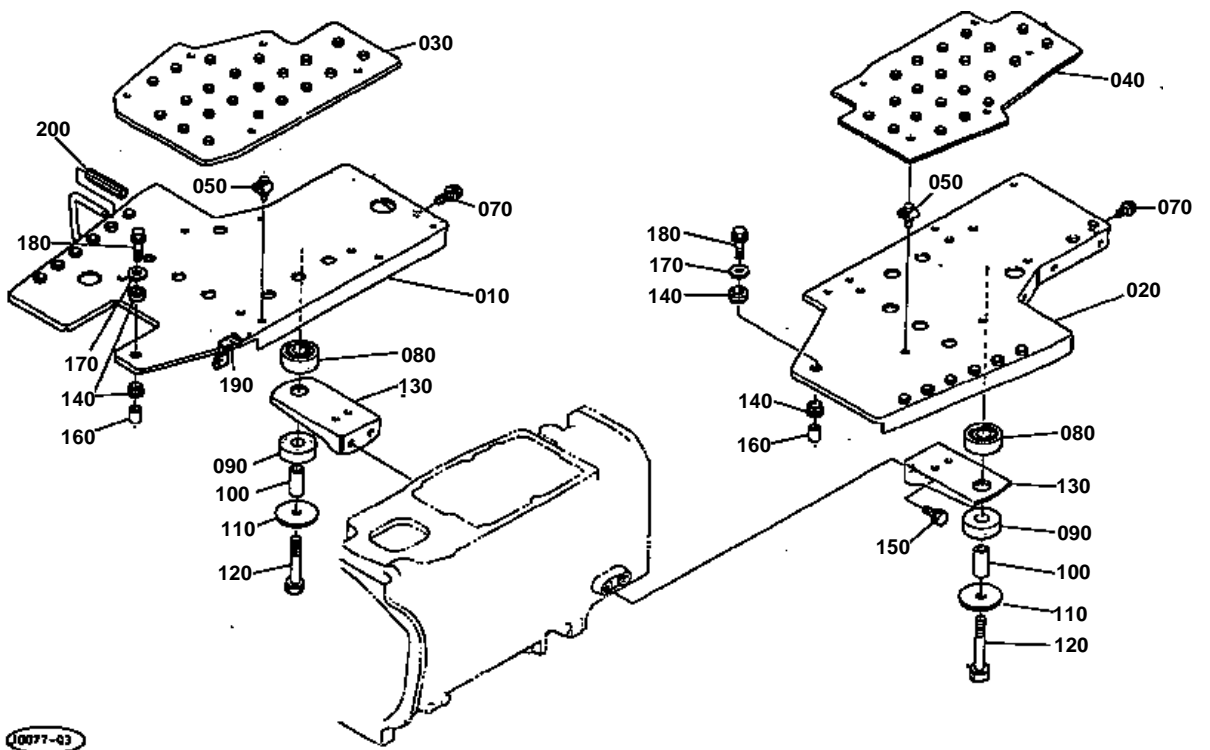




FOOT COVER

↔ Interchangeable; ≠ not interchangeable; ← new for old; → old for new

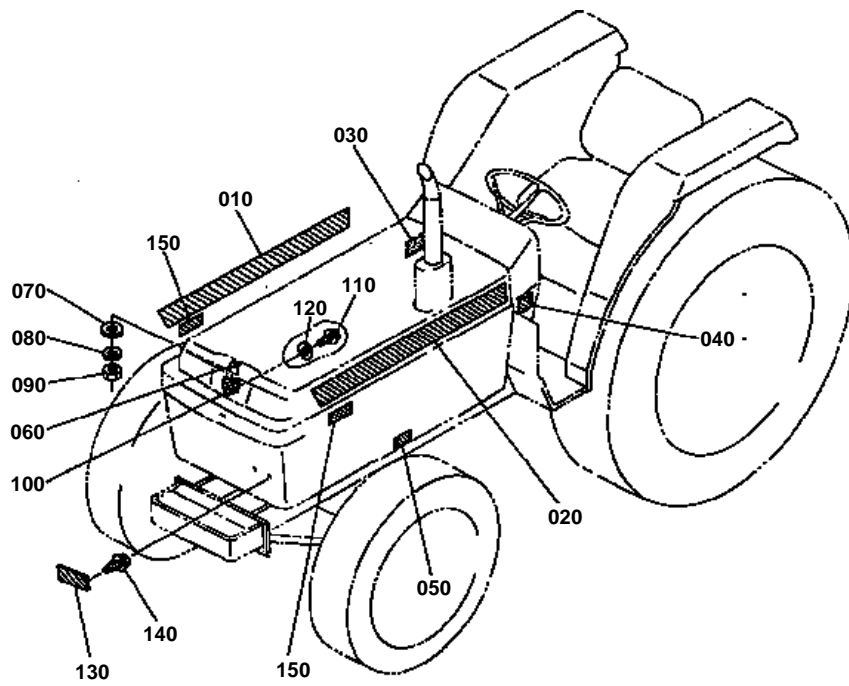
REF.No	Part No.	Description	Q'ty	S.No.	I/C	REMARKS	Weight (kgf)	Weight (lb)
010	31351-29500	ASSY SUPPORT,STEP RH	1				0.775	1.705
020	31351-29510	SUPPORT,STEP RH	1				0.63	1.386
030	31351-28812	LOCK,BRAKE	1				0.14	0.308
040	31351-28850	SPRING,BRAKE	1				0.01	0.022
050	31351-28880	LEVER,PARKING	1				0.04	0.088
060	05411-00418	PIN,SPRING	1				0.001	0.0022
070	01754-50845	BOLT,FLANGE	2				0.021	0.0462
080	38240-29870	CUSHION	2				0.004	0.0088
090	31351-29520	SUPPORT,STEP LH	1				0.73	1.606
100	01754-50816	BOLT,FLANGE	2				0.011	0.0242
110	38240-29870	CUSHION	1				0.004	0.0088
120	31351-28870	ROD,PARKING	1				0.08	0.176
130	04012-50060	WASHER,PLAIN	1				0.001	0.0022
140	05511-50218	PIN,SPLIT	1				0.001	0.0022
150	30400-29610	COVER,FOOT RH	1				0.6	1.32
160	01754-50610	BOLT,FLANGE	3				0.006	0.0132
170	32480-29660	STAY,FOOT COVER RH	1				0.24	0.528
180	01754-50816	BOLT,FLANGE	1				0.011	0.0242
190	31351-11080	NUT,FLANGE	1				0.007	0.0154
200	30400-29630	COVER,FOOT LH	1				0.45	0.99
220	01754-50610	BOLT,FLANGE	4				0.006	0.0132
230	32480-29670	STAY,FOOT COVER LH	1				0.235	0.517
240	01754-50816	BOLT,FLANGE	1				0.011	0.0242
250	31351-11080	NUT,FLANGE	1				0.007	0.0154



**STEP [NEW TYPE]**

↔ Interchangeable; ≠ not interchangeable; ← new for old; → old for new

REF.No	Part No.	Description	Q'ty	S.No.	I/C	REMARKS	Weight (kgf)	Weight (lb)
010	32440-29910	COMP.STEP,RH	1				3.65	8.03
020	32440-29920	COMP.STEP,LH	1				0	0
060	99999-99999	BLANK	0				0	0
070	01754-50812	BOLT,FLANGE	10				0.01	0.022
080	30400-29260	CUSHION,UPPER	2				0.05	0.11
090	31351-29270	CUSHION,LOWER	2				0.045	0.099
100	30400-29280	SPACER	2				0.04	0.088
110	30400-29320	RETAINER,CUSHION	2				0.07	0.154
120	01133-51270	BOLT	2				0.06	0.132
130	31351-29550	SUPPORT,STEP REAR	2				0.45	0.99
140	31351-29580	CUSHION	4				0.004	0.0088
150	01133-51016	BOLT	4				0.015	0.033
160	31351-29590	COLLAR	2				0.01	0.022
170	04015-50080	WASHER,PLAIN	2				0	0
180	01754-50830	BOLT,FLANGE	2				0.01	0.022
190	31351-17660	SPRING,ACCEL.	1				0.008	0.0176
200	32430-17590	PIPE,ACCEL,RUBBER	1				0.01	0.022

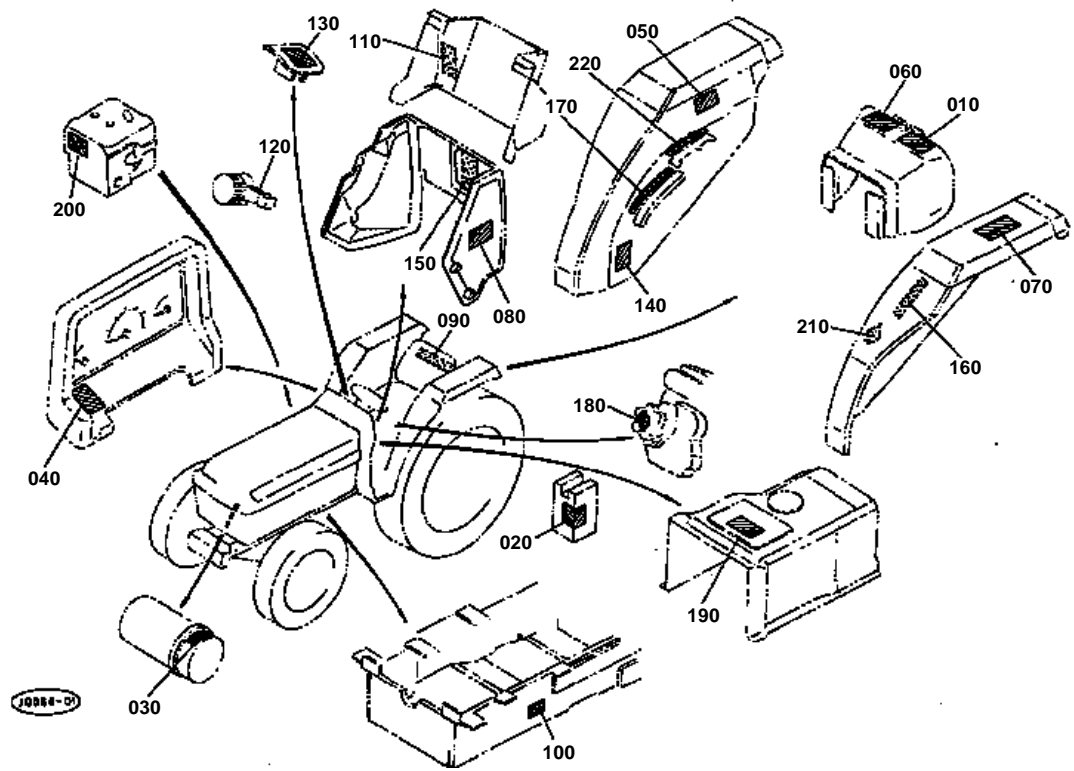


20103-01

**LABEL 1 EXCEPT [FR]**

↔ Interchangeable; ≠ not interchangeable; ← new for old; → old for new

REF.No	Part No.	Description	Q'ty	S.No.	I/C	REMARKS	Weight (kgf)	Weight (lb)
010	32440-65100	MARK,MODEL RH	1				0.05	0.11
020	32440-65110	MARK,MODEL LH	1				0.055	0.121
030	31351-65242	LABEL,SIDE RH	1				0.003	0.0066
040	31351-65252	LABEL,SIDE LH	1				0.003	0.0066
050	32430-65270	LABEL,HANDLE	2				0.001	0.0022
060	31351-65180	MASCOT	1				0.01	0.022
070	04013-50040	WASHER,PLAIN	1				0	0
080	04512-50040	WASHER,SPRING	1				0	0
090	02054-50040	NUT	1				0.001	0.0022
100	32430-65320	EMBLEM	1				0.07	0.154
110	38430-18270	SCREW	2				0.002	0.0044
120	04015-50050	WASHER,PLAIN	2				0.004	0.0088
130	32430-65330	MARK,KUBOTA	1				0.04	0.088
140	38430-18270	SCREW	2				0.002	0.0044
150	31353-65820	MARK,4WD	2				0.002	0.0044



**LABEL 2 EXCEPT [FR]**

↔ Interchangeable; ≠ not interchangeable; ← new for old; → old for new

REF.No	Part No.	Description	Q'ty	S.No.	I/C	REMARKS	Weight (kgf)	Weight (lb)
010	35200-25340	LABEL,PTO	1				0.002	0.0044
020	35176-15930	LABEL,PEDAL	1				0.005	0.011
030	15222-93450	LABEL,AIR CLEANER	1				0.001	0.0022
040	35260-25050	LABEL,SHUTTLE	1				0.01	0.022
050	35260-29782	LABEL,ROPS CAUTION	1				0.001	0.0022
060	35260-29790	LABEL,DRAWBAR	1				0.002	0.0044
070	35260-34912	LABEL,SAFETY	1				0	0
080	35820-98632	LABEL,START CAUTION	1				0.003	0.0066
100	32430-65450	NAME PLATE,BODY	1				0.004	0.0088
110	32430-65510	LABEL,MAIN SWITCH	1				0.001	0.0022
120	32530-65530	LABEL,HAZARD MARK	1				0.001	0.0022
140	32430-65650	LABEL,DIFF.LOCK	1				0.001	0.0022
150	32440-65730	LABEL,PTO S-CHANGE	1				0.001	0.0022
160	32430-65740	LABEL,AUX.S-CHANGE	1				0.003	0.0066
170	32430-65760	LABEL,POSITION CON.	1				0.003	0.0066
180	31351-65780	LABEL,HYD.ADJUST.	1				0.001	0.0022
200	32430-65790	LABEL,HYD.BLOCK	1				0.01	0.022
210	32430-65810	LABEL,CHANGE	1				0.001	0.0022
220	32430-65770	LABEL,DRAFT CON.	1				0.001	0.0022

IMAGE NOT AVAILABLE



ACCESSORIES AND SERVICE PARTS

↔ Interchangeable; ≠ not interchangeable; ← new for old; → old for new

REF.No	Part No.	Description	Q'ty	S.No.	I/C	REMARKS	Weight (kgf)	Weight (lb)
010	32430-19717	MANUAL,INSTRUCTION	1			EXCEPT [FR]	0	0
030	01073-51630	BOLT	8			REF.No.030 TO 060 FOR REAR WHEEL	0.079	0.1738
040	02076-50160	NUT	4			REF.No.030 TO 060 FOR REAR WHEEL	0.03	0.066
050	01517-51632	STUD	4			REF.No.030 TO 060 FOR REAR WHEEL	0.076	0.1672
060	04512-50160	WASHER,SPRING	12			REF.No.030 TO 060 FOR REAR WHEEL	0	0
070	04512-50140	WASHER,SPRING	12			REF.No.070 TO 100 FOR FRONT WHEEL	0	0
080	04013-50140	WASHER,PLAIN	12			REF.No.070 TO 100 FOR FRONT WHEEL	0	0
090	02176-50140	NUT	12			REF.No.070 TO 100 FOR FRONT WHEEL	0.014	0.0308
100	35450-49160	STUD	12			REF.No.070 TO 100 FOR FRONT WHEEL	0.05	0.11
110	35260-31850	ASSY KEY,MAIN SWITCH	1				0	0