

# Instructions for Parts Books

The heading at the top of the page will be the same for the picture of the parts as it is for the page with the part numbers.

Definition of column headings on part number pages:

**REF.No** → The number referring to the part on the picture page of the parts book.

**Part No.** → The number assigned to this part at the time of printing the parts book.

**Description** → Description of part.

**Q'ty** → Quantity of part used on that page.

**S.No.** → Serial number range of the equipment that this part will fit.

>= Your serial number should be greater than or equal to the number shown.

<= Your serial number should be lesser than or equal to the serial number shown.

**I/C** → Interchangeability of part shown.

↔ The part shown will work for the older and later serial number.

# The part shown is not interchangeable with the other serial number.

← new for old

→ old for new

**Remarks** → Notes about this particular part. Sometimes this may say except [FR] or [CA]

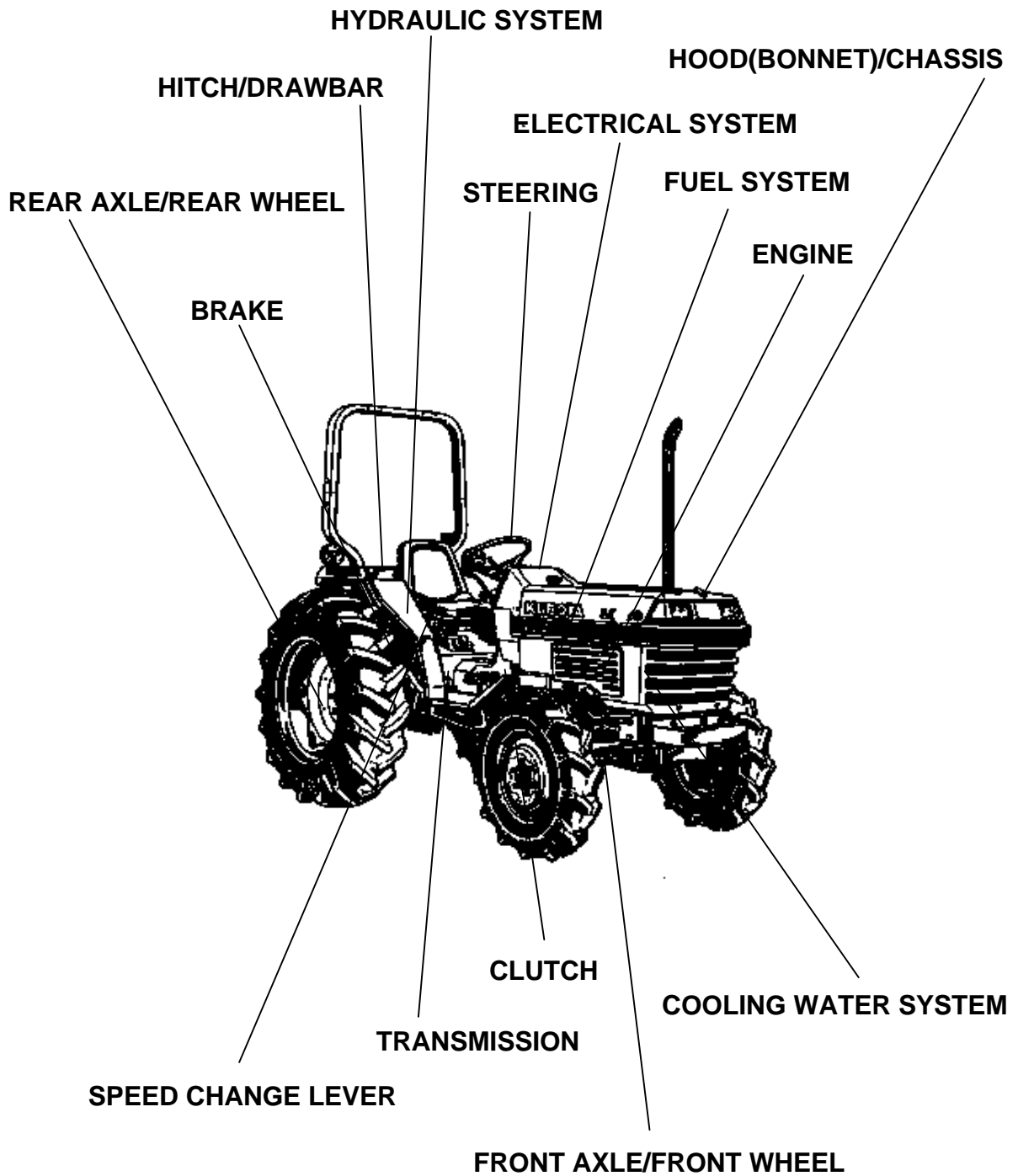
## Note about Country Codes:

The parts books we use in the United States of America may also contain information about a part that would be different in another country. It is important that you are aware of the country codes in some instances.

Symbol	Country
A	United States of America
CA	Canada
FR	France
GR	Greece
PO	Portugal
AU	Australia

If the remarks column says for example EXCEPT [FR] this part works in all countries except France. That means it will work here in the USA.

ALL PRODUCT INDEX  
L3650F



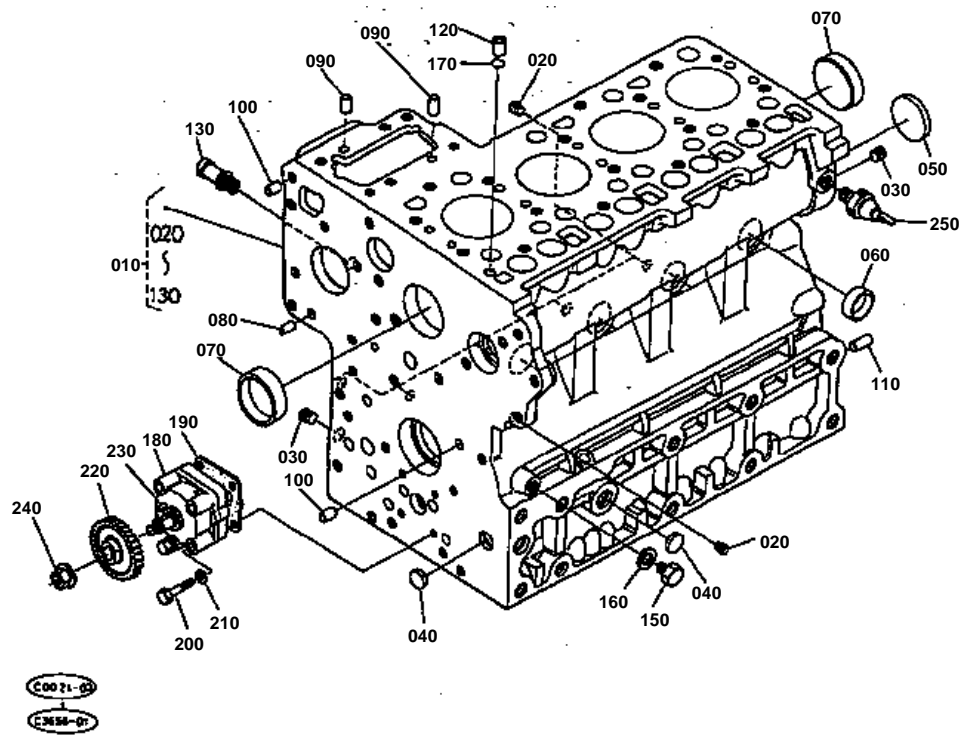
LABELS  
ACCESSORIES

Item	Part No.	Description	Book
<b>ENGINE</b>	01T001	CRANKCASE	100K0023
	01T002	OIL PAN	100K0023
	01T003	PISTON AND CRANKSHAFT	100K0023
	01T004	MAIN BEARING CASE	100K0023
	01T00501	FLYWHEEL [WITH DUAL CLUTCH]	100K0023
	01T006	CYLINDER HEAD	100K0023
	01T007	VALVE AND ROCKER ARM	100K0023
	01T008	NOZZLE AND GLOW PLUG	100K0023
	01T009	CYLINDER HEAD COVER	100K0023
	01T010	INLET MANIFOLD	100K0023
	01T01101	AIR CLEANER	100K0023
	01T01102	DOUBLE AIR CLEANER [OPTION]	100K0023
	01T012	PRE-CLEANER [OPTION]	100K0023
	01T01301	EXHAUST MANIFOLD AND MUFFLER	100K0023
	01T01302	UNDER MUFFLER [OPTION]	100K0023
	01T014	CAMSHAFT	100K0023
	01T015	GEAR CASE	100K0023
	01T016	WATER PUMP	100K0023
	01T017	WATER FLANGE AND THERMOSTAT	100K0023
	01T018	FUEL CAMSHAFT	100K0023
	01T019	INJECTION PUMP	100K0023
	01T020	INJECTION PUMP [COMPONENT PARTS]	100K0023
	01T021	ENGINE STOP LEVER	100K0023
	01T022	SPEED CONTROL PLATE	100K0023
01T023	GOVERNOR	100K0023	
01T024	STOP ROD	100K0023	
01T02501	ACCELERATOR LEVER	100K0023	
01T026	ACCELERATOR LINKAGE	100K0023	
<b>FUEL SYSTEM</b>	01T027	FUEL TANK	100K0023
	01T028	FUEL FILTER	100K0023
<b>COOLING WATER SYSTEM</b>	01T029	FUEL FILTER [COMPONENT PARTS]	100K0023
	01T03002	FAN [NEW TYPE]	100K0023
<b>ELECTRICAL SYSTEM</b>	01T031	WATER PIPE	100K0023
	01T032	RADIATOR	100K0023
	01T033	RESERVE TANK	100K0023
	01T034	SHUTTER	100K0023
<b>CLUTCH</b>	01T03501	DYNAMO [A]	100K0023
	01T03601	DYNAMO [COMPONENT PARTS] [A]	100K0023
	01T037	STARTER	100K0023
	01T038	STARTER [COMPONENT PARTS]	100K0023
	01T039	BATTERY	100K0023
	01T040	SWITCH	100K0023
	01T041	PANEL	100K0023
	01T042	LIGHT	100K0023
<b>TRANSMISSION</b>	01T04301	ELECTRICAL WIRING [A]	100K0023
	01T04401	CLUTCH [DUAL CLUTCH]	100K0023
	01T04501	CLUTCH LEVER [WITH DUAL CLUTCH]	100K0023
	01T04601	CLUTCH PEDAL [WITH DUAL CLUTCH]	100K0023
<b>SPEED CHANGE LEVER</b>	01T04701	CLUTCH HOUSING [WITH DUAL CLUTCH]	100K0023
	01T048	TRANSMISSION CASE	100K0023
	01T04901	MAIN SHAFT [WITH DUAL CLUTCH]	100K0023
	01T05002	COUNTERSHAFT 1 [SYNCHRO MESH]	100K0023
	01T051	COUNTERSHAFT 2	100K0023
	01T052	PTO COUNTERSHAFT 1 [WITH DUAL CLUTCH]	100K0023
	01T053	PTO COUNTERSHAFT 2 [WITH DUAL CLUTCH]	100K0023
	01T05502	PTO SHAFT [W/O I.MID PTO]	100K0023
	01T057	REVERSE SHAFT	100K0023
	01T05801	MAIN AND SHUTTLE GEAR SHIFT LEVER	100K0023
01T05901	MAIN GEAR SHIFT LINKAGE SYSTEM	100K0023	

Item	Part No.	Description	Book
SPEED CHANGE LEVER	01T06002	MAIN GEAR SHIFT FORK [SYNCHRO MESH]	100K0023
	01T061	SHUTTLE GEAR SHIFT FORK	100K0023
	01T062	HI-LO GEAR SHIFT FORK	100K0023
	01T06501	PTO GEAR SHIFT FORK [WITH DUAL CLUTCH]	100K0023
	01T066	PTO GEAR SHIFT LEVER	100K0023
	01T067	PTO LEVER GUIDE	100K0023
REAR AXLE/REAR WHEEL	01T068	SPIRAL BEVEL PINION	100K0023
	01T069	REAR DIFFERENTIAL	100K0023
	01T070	DIFFERENTIAL LOCK PEDAL	100K0023
	01T071	REAR AXLE	100K0023
	01T07205	REAR WHEEL (13.6-26 FL17)	100K0023
	01T07207	REAR WHEEL (355/80-D20 PD)	100K0023
BRAKE	01T07208	REAR WHEEL (21.5L-16.1 R3)	100K0023
	01T073	BRAKE	100K0023
	01T074	BRAKE PEDAL	100K0023
FRONT AXLE/FRONT WHEEL	01T075	FRONT AXLE	100K0023
	01T076	KNUKLE SHAFT	100K0023
STEERING	01T07702	FRONT WHEEL (6.00-16 FSR)	100K0023
	01T07703	FRONT WHEEL (6.00-16 F2) [A]	100K0023
	01T07704	FRONT WHEEL (25X8.50-14 PD)	100K0023
	01T07705	FRONT WHEEL (25X8.50-14 NHS) [A]	100K0023
	01T07706	FRONT WHEEL (29X12.50-15 NHS)	100K0023
	01T078	FRONT AXLE FRAME	100K0023
	01T08901	STEERING LINKAGE	100K0023
	01T09101	STEERING (PS)	100K0023
	01T09201	STEERING (PS) [COMPONENT PARTS]	100K0023
	01T093	BEVEL GEAR CASE	100K0023
HYDRAULIC SYSTEM	01T09401	STEERING HANDLE	100K0023
	01T095	ORCHARD KIT [OPTION]	100K0023
	01T096	HYDRAULIC PUMP (PS)	100K0023
	01T097	HYDRAULIC PUMP (PS) [COMPONENT PARTS]	100K0023
	01T09801	HYDRAULIC OIL FILTER	100K0023
	01T09901	HYDRAULIC OIL LINE [WITH DUAL CLUTCH]	100K0023
	01T10101	HYDRAULIC OIL LINE (PS)	100K0023
	01T103	HYDRAULIC BLOCK	100K0023
	01T104	CONTROL VALVE	100K0023
	01T105	CONTROL VALVE [COMPONENT PARTS]	100K0023
	01T106	DRAFT CONTROL VALVE [OPTION]	100K0023
	01T10702	DRAFT CONTROL VALVE [COMPONENT PARTS]	100K0023
	01T108	HYDRAULIC CYLINDER	100K0023
	01T109	LIFT ARM	100K0023
	01T110	POSITION LEVER	100K0023
01T111	FEED BACK LEVER	100K0023	
01T112	AUX.CONTROL VALVE 1 [OPTION]	100K0023	
01T113	AUX.CONTROL VALVE 2 [OPTION]	100K0023	
01T114	AUX.CONTROL VALVE [COMPONENT PARTS]	100K0023	
HITCH/DRAWBAR	01T115	3-POINT LINKEGE 1	100K0023
	01T116	3-POINT LINKEGE 2	100K0023
	01T117	TOP LINKAGE BRACKET [OPTION]	100K0023
	01T11801	DRAWBAR	100K0023
	01T11802	CLEVIS-DRAWBAR [OPTION]	100K0023
HOOD(BONNET)/CHASSIS	01T11803	SWINGING DRAWBAR [OPTION]	100K0023
	01T119	FRONT GRILLE	100K0023
	01T120	FRONT GRILLE SUPPORT	100K0023
	01T121	HOOD (BONNET)	100K0023
	01T122	SIDE COVER	100K0023
	01T123	REAR HOOD (REAR BONNET)	100K0023
	01T124	MAIN AND PTO CHANGE COVER	100K0023
	01T125	FENDER	100K0023

Item	Part No.	Description	Book
HOOD(BONNET)/CHASSIS	01T126	FLOOR SEAT	100K0023
	01T127	SEAT	100K0023
	01T12801	FOOT COVER [W/O WET CLUTCH]	100K0023
	01T129	STEP	100K0023
	01T130	ROPS	100K0023
LABELS	01T131	LABEL 1	100K0023
	01T132	LABEL 2	100K0023
ACCESSORIES	01T133	ACCESSORIES AND SERVICE PARTS	100K0023

# CRANKCASE

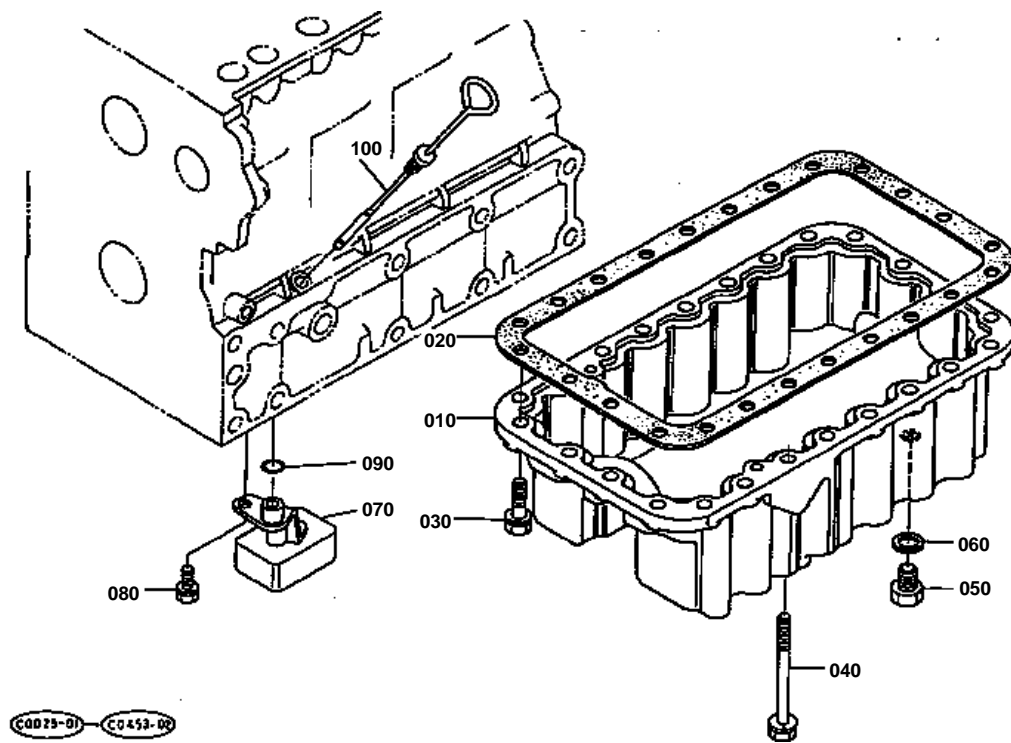


**CRANKCASE**

↔ Interchangeable; ≠ not interchangeable; ← new for old; → old for new

REF.No	Part No.	Description	Q'ty	S.No.	I/C	REMARKS	Weight (kgf)	Weight (lb)
010	17362-01010	COMP.CRANKCASE	1				54.5	119.9
020	15521-96020	PLUG	6				0.003	0.0066
030	15521-96030	PLUG	2				0.007	0.0154
040	06311-75018	PLUG	3				0.004	0.0088
050	06311-75045	PLUG	1				0.026	0.0572
060	15221-03380	CAP SEALING	6				0.017	0.0374
070	15221-03390	CAP SEALING	2				0.03	0.066
080	05012-00408	PIN STRAIGHT	2				0.001	0.0022
090	05012-00609	PIN STRAIGHT	2				0.003	0.0066
100	05012-00612	PIN STRAIGHT	2				0.003	0.0066
110	05012-01018	PIN STRAIGHT	1				0.012	0.0264
120	15221-33650	PIN PIPE	1				0.004	0.0088
130	15321-73340	PIPE WATER RETURN	1				0.016	0.0352
140	99999-99999	BLANK	0				0	0
150	15221-33610	PLUG	1				0.009	0.0198
160	15021-33660	GASKET	1				0.001	0.0022
170	15221-33700	O RING	1				0.001	0.0022
180	15471-35010	ASSY PUMP OIL	1				0	0
190	15221-35150	GASKET OIL PUMP	1				0	0
200	01053-50650	BOLT	4				0.011	0.0242
210	04512-50060	WASHER SPRING	4				0	0
220	19202-35660	GEAR OIL PUMP DRIVE	1				0.23	0.506
230	05712-00410	KEY FEATHER	1				0.001	0.0022
240	15221-35682	NUT FLANGE	1				0.014	0.0308
250	15531-39010	SWITCH OIL	1				0.032	0.0704

# OIL PAN





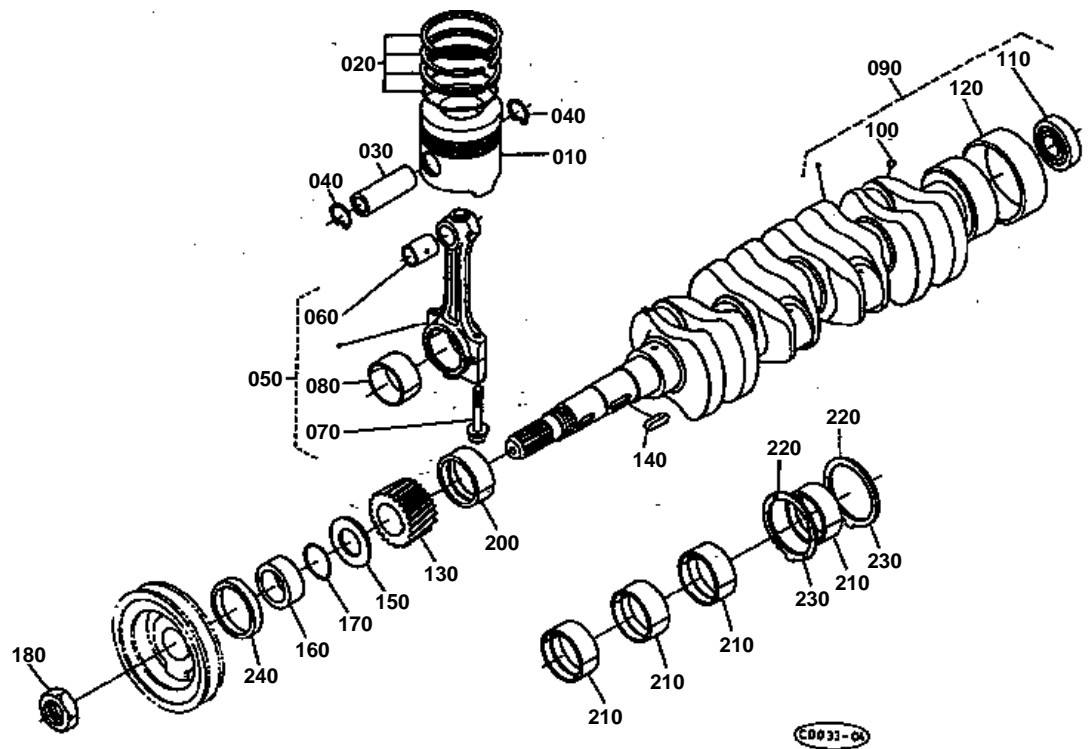


# OIL PAN

↔ Interchangeable; ≠ not interchangeable; ← new for old; → old for new

REF.No	Part No.	Description	Q'ty	S.No.	I/C	REMARKS	Weight (kgf)	Weight (lb)
010	17341-01610	OIL PAN	1				4.1	9.02
020	15401-01620	GASKET OIL PAN	1				0	0
030	01133-51028	BOLT	22				0.027	0.0594
040	17377-91010	BOLT	2				0.08	0.176
050	15261-33750	PLUG	2				0.034	0.0748
060	15109-33660	GASKET	2				0.001	0.0022
070	15411-32110	FILTER OIL	1				0.24	0.528
080	01123-50814	BOLT	1				0	0
090	04811-00160	O RING	1				0	0
100	17325-36410	GAUGE OIL	1				0.03	0.066

# PISTON AND CRANKSHAFT



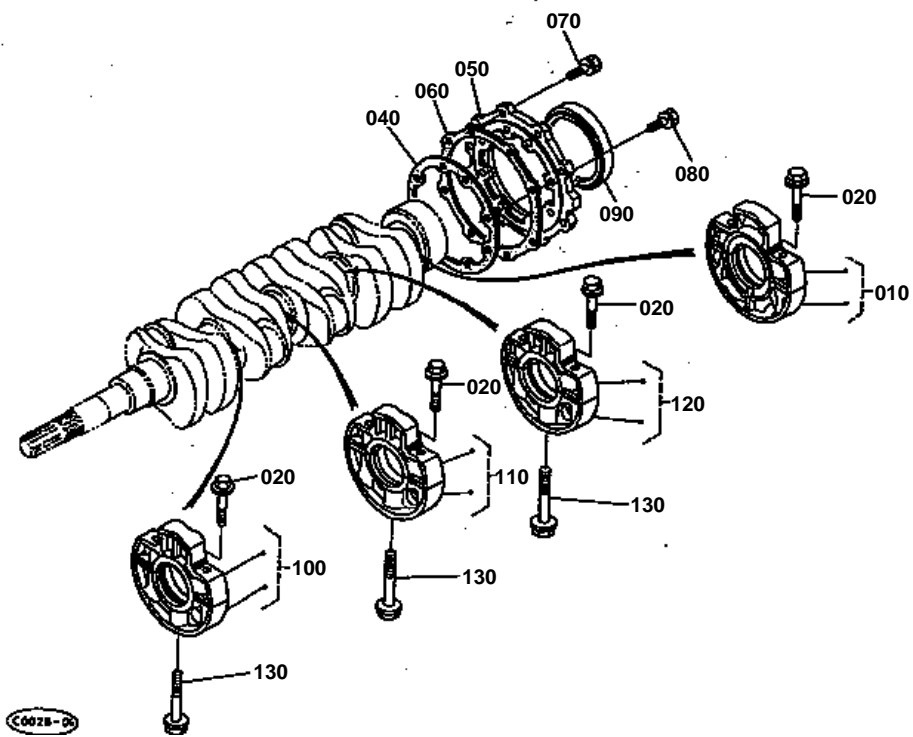


# PISTON AND CRANKSHAFT

↔ Interchangeable; ≠ not interchangeable; ← new for old; → old for new

REF.No	Part No.	Description	Q'ty	S.No.	I/C	REMARKS	Weight (kgf)	Weight (lb)
010	17365-21120	PISTON	4			STD	0.555	1.221
010	17365-21920	PISTON	4			+0.50MM	0.53	1.166
020	15521-21050	ASSY PISTON RING	4			STD	0.06	0.132
020	15521-21092	ASSY PISTON RING	4			+0.50MM	0.055	0.121
030	14901-21310	PIN PISTON	4				0.17	0.374
040	14109-21330	CLIP PISTON PIN	8				0.001	0.0022
050	17311-22010	ASSY CONNECTING ROD	4				0.885	1.947
060	17331-21980	BUSH PISTON PIN	4				0.025	0.055
070	15521-22142	BOLT CONNECTING ROD	8				0.026	0.0572
080	17311-22310	METAL CRANKPIN	4			STD	0.045	0.099
080	17331-22970	METAL CRANKPIN	4			-0.20MM	0.05	0.11
080	17331-22980	METAL CRANKPIN	4			-0.40MM	0.045	0.099
090	17355-23010	COMP.CRANKSHAFT	1				17.2	37.84
100	07715-00401	BALL	4				0.001	0.0022
110	08121-06002	BEARING BALL	1				0.03	0.066
120	19202-23280	SLEEVE CRANKSHAFT	1				0.09	0.198
130	15471-24110	GEAR CRANKSHAFT	1				0.375	0.825
140	05712-00720	KEY FEATHER	1				0.008	0.0176
150	15471-23312	SLINGER OIL	1				0.008	0.0176
160	19202-23250	COLLAR CRANKSHAFT	1				0.065	0.143
170	04811-10300	O RING	1				0.001	0.0022
180	15221-23360	NUT CRANKSHAFT	1				0.11	0.242
190	99999-99999	BLANK	0				0	0
200	17311-23470	METAL CRANKSHAFT	1			STD	0	0
200	17331-23910	METAL CRANKSHAFT	1			-0.20MM	0	0
200	17331-23920	METAL CRANKSHAFT	1			-0.40MM	0	0
210	17311-23480	METAL CRANKSHAFT	4			STD	0.045	0.099
210	17331-23930	METAL CRANKSHAFT	4			-0.20MM	0	0
210	17331-23940	METAL CRANKSHAFT	4			-0.40MM	0	0
220	15521-23530	METAL SIDE	2			STD	0.01	0.022
220	15221-23950	METAL SIDE	2			+0.20MM	0	0
220	15221-23960	METAL SIDE	2			+0.40MM	0	0
230	19202-23540	METAL SIDE	2			STD	0.01	0.022
230	19202-23970	METAL SIDE	2			+0.20MM	0.01	0.022
230	19202-23980	METAL SIDE	2			+0.40MM	0.01	0.022
240	09550-00001	SEAL OIL	1				0.015	0.033

# MAIN BEARING CASE



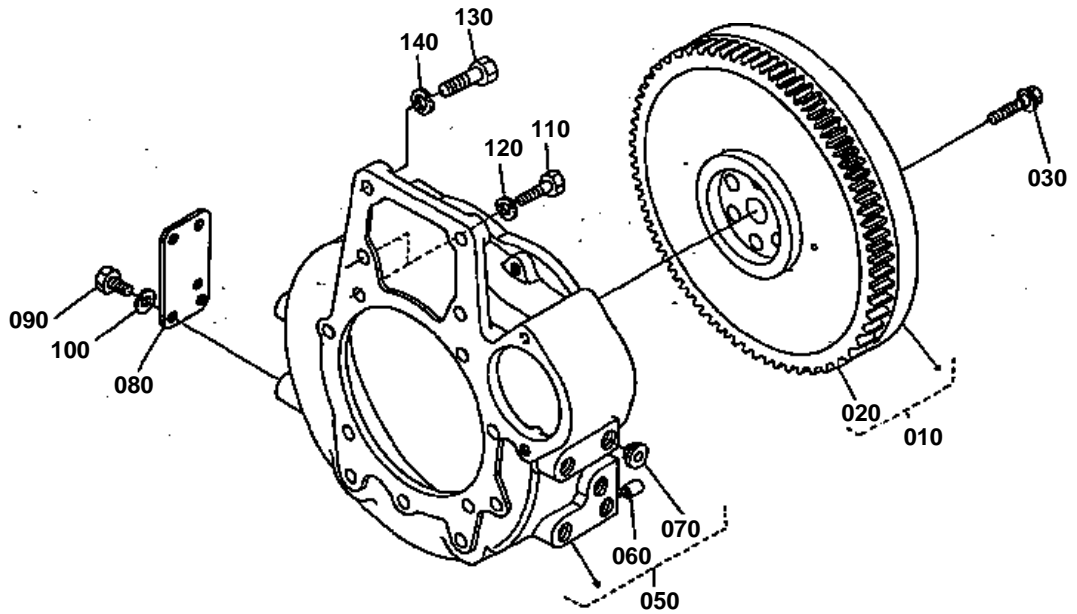


# MAIN BEARING CASE

↔ Interchangeable; ≠ not interchangeable; ← new for old; → old for new

REF.No	Part No.	Description	Q'ty	S.No.	I/C	REMARKS	Weight (kgf)	Weight (lb)
010	19202-04040	ASSY CASE MAIN BRG.	1				1.28	2.816
020	15601-04540	BOLT BEARING CASE	8				0.034	0.0748
030	99999-99999	BLANK	0				0	0
040	15221-04360	GASKET	1				0	0
050	19202-04810	COVER BEARING CASE	1				0.36	0.792
060	15201-04820	GASKET BRG.CASE COV.	1				0	0
070	01123-50825	BOLT	8				0.013	0.0286
080	01123-50828	BOLT	8				0.014	0.0308
090	19202-04460	SEAL OIL	1				0.055	0.121
100	17331-04050	ASSY CASE BEARING	1				0	0
110	17331-04060	ASSY CASE BEARING	1				0	0
120	17345-04073	ASSY CASE BEARING	1				1.27	2.794
130	15601-04560	BOLT BEARING CASE	3				0.06	0.132

FLYWHEEL [WITH DUAL CLUTCH]



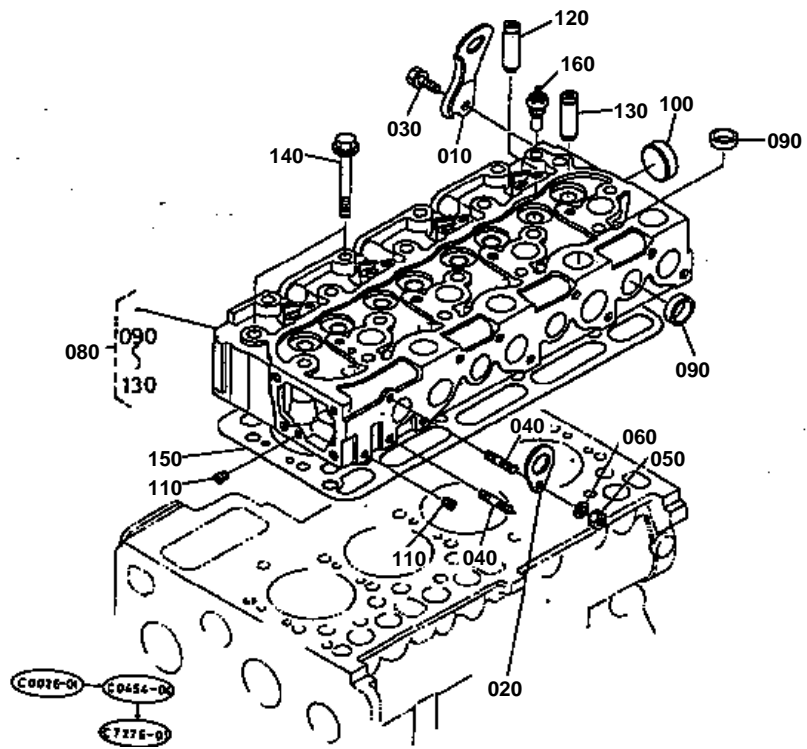
CD 865-02

**FLYWHEEL [WITH DUAL CLUTCH]**

↔ Interchangeable; ≠ not interchangeable; ← new for old; → old for new

REF.No	Part No.	Description	Q'ty	S.No.	I/C	REMARKS	Weight (kgf)	Weight (lb)
010	17356-25012	COMP.FLYWHEEL	1				14.65	32.23
020	15221-63820	GEAR RING	1				1.2	2.64
030	15471-25162	BOLT FLYWHEEL	6				0.05	0.11
040	99999-99999	BLANK	0				0	0
050	17356-04600	COMP.HOUSING F-W.	1				15.8	34.76
060	05012-01018	PIN STRAIGHT	2				0.012	0.0264
070	31220-14290	PLUG	5				0.002	0.0044
080	15577-14290	COVER	1				0.23	0.506
090	01173-51420	BOLT	4				0.041	0.0902
100	04011-50140	WASHER PLAIN	4				0.007	0.0154
110	01073-51030	BOLT	11				0.028	0.0616
120	04512-50100	WASHER SPRING	11				0	0
130	01073-51240	BOLT	2				0.049	0.1078
140	04512-50120	WASHER SPRING	2				0	0

# CYLINDER HEAD





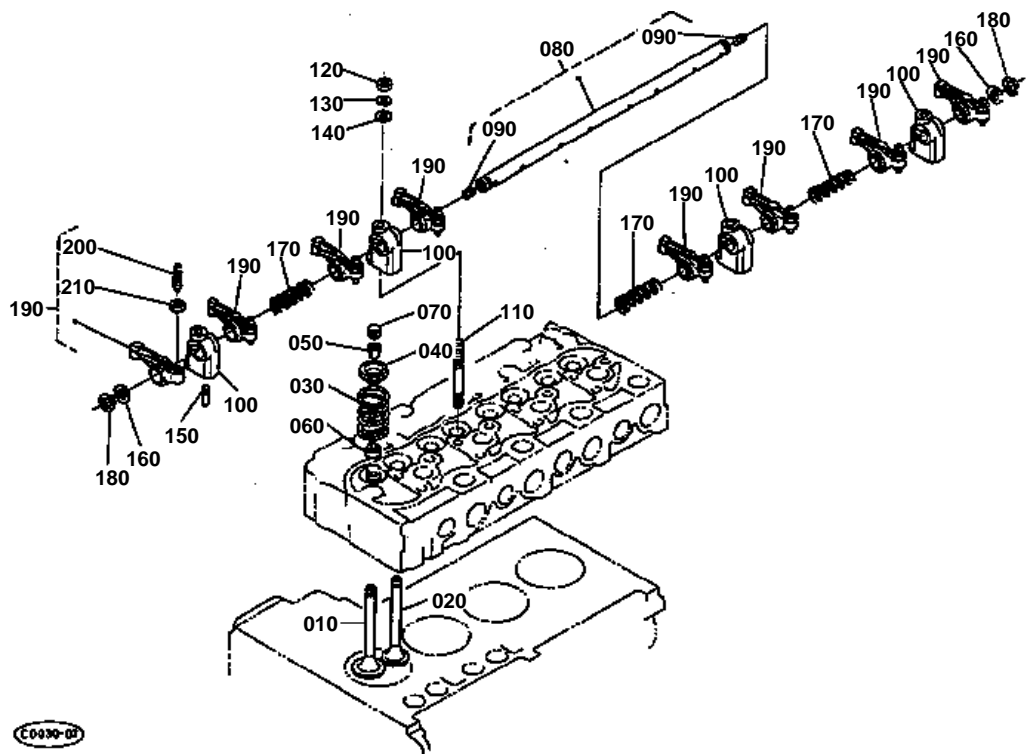


## CYLINDER HEAD

↔ Interchangeable; ≠ not interchangeable; ← new for old; → old for new

REF.No	Part No.	Description	Q'ty	S.No.	I/C	REMARKS	Weight (kgf)	Weight (lb)
010	15221-01750	HOOK ENGINE	1				0.04	0.088
020	17331-01750	HOOK ENGINE	1				0.09	0.198
030	01123-50816	BOLT	1				0	0
040	15471-91530	STUD	2				0.01	0.022
050	02156-50080	NUT	1				0.004	0.0088
060	04512-50080	WASHER SPRING	1				0	0
070	99999-99999	BLANK	0				0	0
080	16743-03042	COMP.CYLINDER HEAD	1				0	0
090	15221-03370	CAP SEALING	12				0.01	0.022
100	15221-03490	CAP SEALING	1				0.02	0.044
110	15261-96010	PLUG	2				0.002	0.0044
120	17321-13580	GUIDE INLET VALVE	4				0.015	0.033
130	17321-13560	GUIDE EXHAUST VALVE	4				0.02	0.044
140	19202-03450	BOLT CYLINDER HEAD	18				0.065	0.143
150	17365-03310	GASKET CYLINDER HEAD	1				0	0
160	31351-32830	THERMO UNIT	1				0.02	0.044

# VALVE AND ROCKER ARM



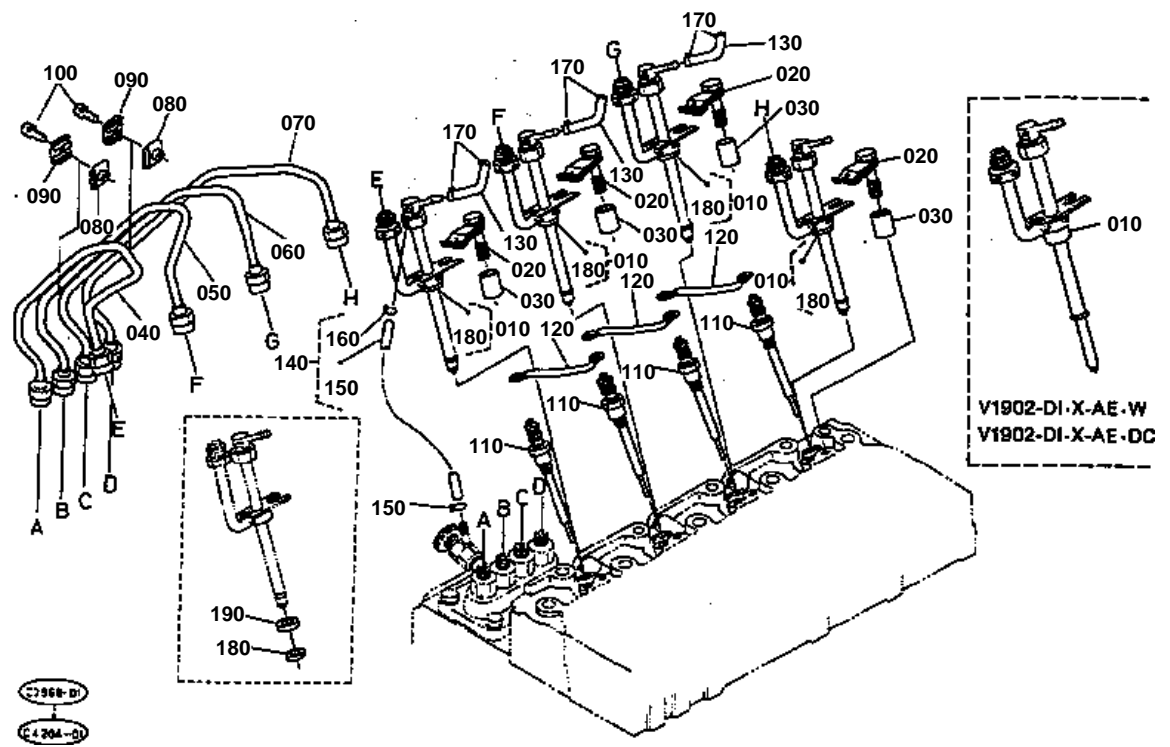


## VALVE AND ROCKER ARM

↔ Interchangeable; ≠ not interchangeable; ← new for old; → old for new

REF.No	Part No.	Description	Q'ty	S.No.	I/C	REMARKS	Weight (kgf)	Weight (lb)
010	17111-13110	VALVE INLET	4				0.08	0.176
020	17111-13120	VALVE EXHAUST	4				0.07	0.154
030	15221-13240	SPRING VALVE	8				0.036	0.0792
040	15221-13330	RETAINER VALVE SP.	8				0.03	0.066
050	15221-13360	COLLET VALVE SPRING	8			SET	0	0
060	15221-13150	SEAL VALVE STEM	8				0.001	0.0022
070	15221-13280	CAP VALVE	8				0.006	0.0132
080	15401-14050	ASSY SHAFT R-ARM	1				0.335	0.737
090	03410-00808	SCREW SET	2				0.002	0.0044
100	15221-14350	BRACKET ROCKER ARM	4				0.044	0.0968
110	15521-91500	STUD	4				0.035	0.077
120	02156-50080	NUT	4				0.004	0.0088
130	04512-50080	WASHER SPRING	4				0	0
140	04012-50080	WASHER PLAIN	4				0.001	0.0022
150	15221-14420	SCREW SET	1				0.003	0.0066
160	15221-14430	WASHER	2				0.002	0.0044
170	15221-14310	SPRING ROCKER ARM	3				0.005	0.011
180	04612-00140	CIR-CLIP EXTERNAL	2				0.001	0.0022
190	15621-14030	ASSY ROCKER ARM	8				0.1	0.22
200	15521-14230	SCREW ADJUSTING	8				0.009	0.0198
210	15021-14240	NUT	8				0.003	0.0066

# NOZZLE AND GLOW PLUG



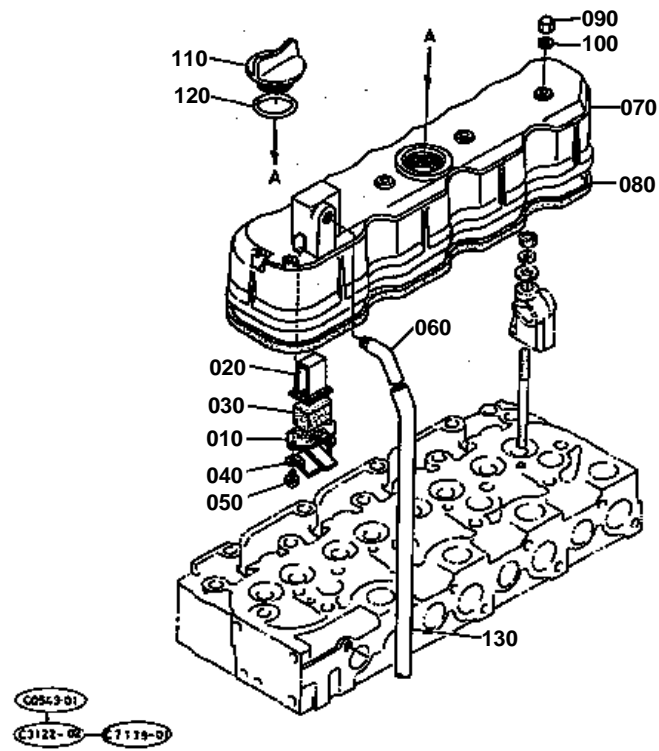


## NOZZLE AND GLOW PLUG

↔ Interchangeable; ≠ not interchangeable; ← new for old; → old for new

REF.No	Part No.	Description	Q'ty	S.No.	I/C	REMARKS	Weight (kgf)	Weight (lb)
010	16705-53000	ASSY NOZZLE	4				0.15	0.33
020	17371-53450	CLAMP NOZZLE	4				0.035	0.077
030	17371-53460	SPACER NOZZLE	4				0.015	0.033
040	17331-53710	PIPE INJECTION	1				0.14	0.308
050	17331-53720	PIPE INJECTION	1				0.14	0.308
060	17331-53730	PIPE INJECTION	1				0.13	0.286
070	17345-53740	PIPE INJECTION	1				0.142	0.3124
080	15841-53850	CLAMP PIPE	3				0.01	0.022
090	15841-53860	CLAMP PIPE	3				0.009	0.0198
100	03024-50520	SCREW WITH WASHER	3				0.004	0.0088
110	17331-65510	PLUG GLOW	4				0.05	0.11
120	17331-65560	CORD GLOW PLUG	3				0.005	0.011
130	09661-40095	TUBE FUEL	3				0.01	0.022
140	17331-42500	ASSY PIPE OVER FLOW	1				0.02	0.044
150	14971-42750	CLIP PIPE	1				0.001	0.0022
160	10244-42320	CLIP PIPE	1				0.001	0.0022
170	10244-42320	CLIP PIPE	6				0.001	0.0022
180	17111-53180	SEAL CARBON STOP	4				0.001	0.0022
190	17111-53480	SEAL DUST	4				0.001	0.0022

# CYLINDER HEAD COVER



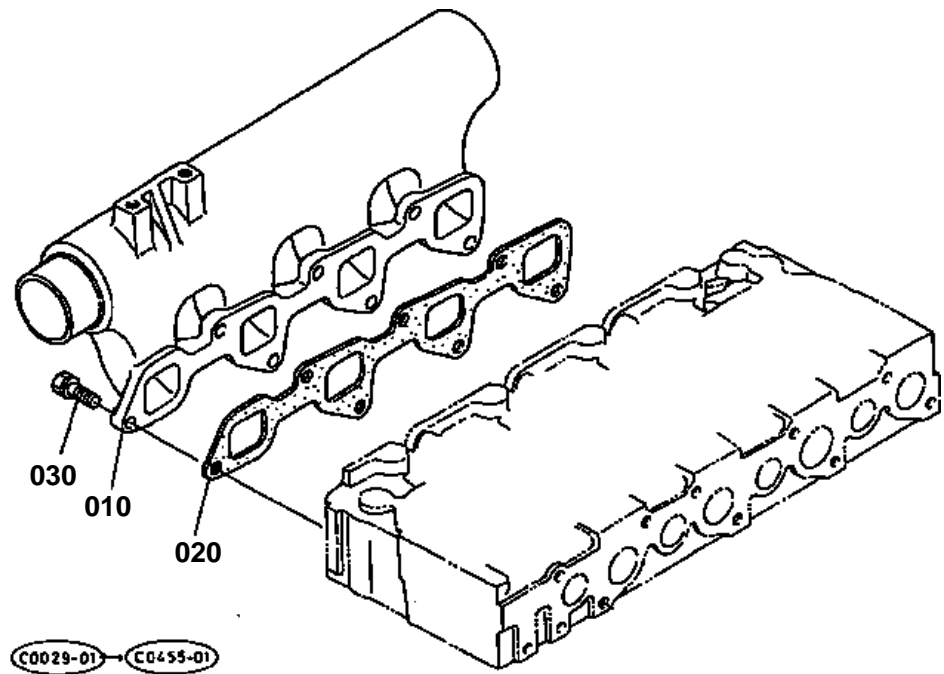


## CYLINDER HEAD COVER

↔ Interchangeable; ≠ not interchangeable; ← new for old; → old for new

REF.No	Part No.	Description	Q'ty	S.No.	I/C	REMARKS	Weight (kgf)	Weight (lb)
010	15521-05140	PLATE ELEMENT	1				0.005	0.011
020	15521-05150	PLATE ELEMENT	1				0.01	0.022
030	15521-05670	ELEMENT BREATHER	1				0.01	0.022
040	15521-05370	OIL SHIELD BREATHER	1				0.005	0.011
050	15521-93310	SCREW WITH WASHER	2				0	0
060	17365-05550	JOINT BREATHER PIPE	1				0.065	0.143
070	15434-14510	COVER CYL.HEAD	1				1.315	2.893
080	15471-14520	GASKET HEAD COVER	1				0.05	0.11
090	15451-92330	NUT CAP	4				0.008	0.0176
100	15021-33660	GASKET	4				0.001	0.0022
110	15221-33140	PLUG OIL FILLER	1				0.038	0.0836
120	04811-50300	O RING	1				0	0
130	17331-05510	PIPE BREATHER	1				0.065	0.143

INLET MANIFOLD





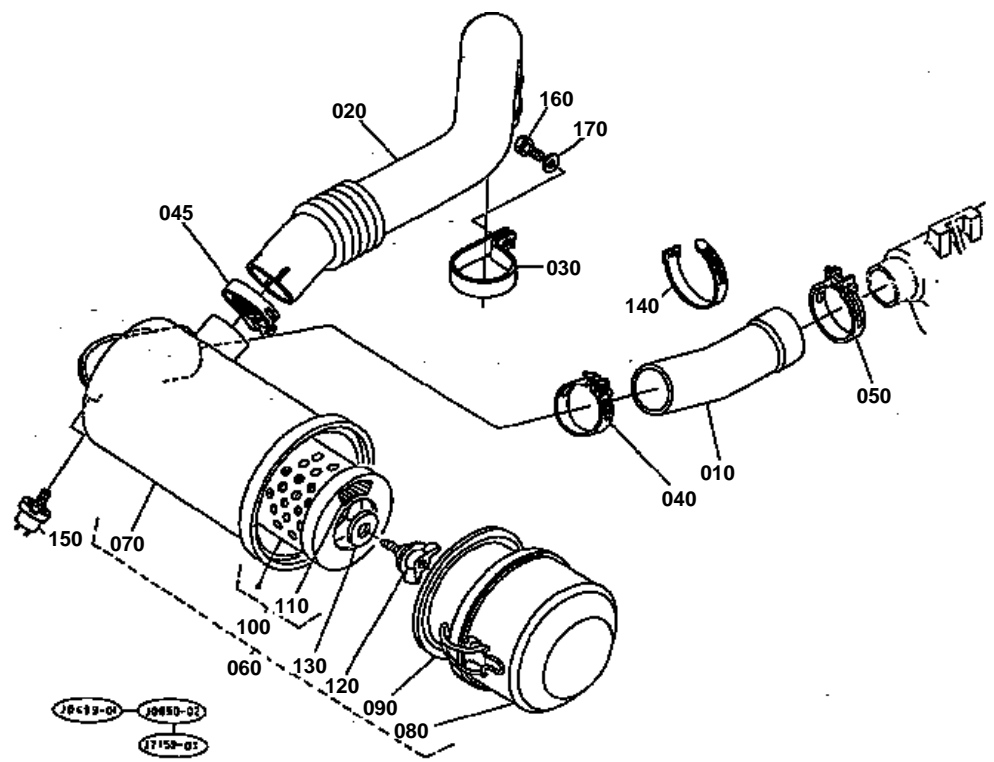


# INLET MANIFOLD

↔ Interchangeable; ≠ not interchangeable; ← new for old; → old for new

REF.No	Part No.	Description	Q'ty	S.No.	I/C	REMARKS	Weight (kgf)	Weight (lb)
010	16743-11760	MANIFOLD INLET	1				1.47	3.234
020	17111-11820	GASKET IN-MANIFOLD	1				0	0
030	01123-50822	BOLT	7				0.012	0.0264

# AIR CLEANER

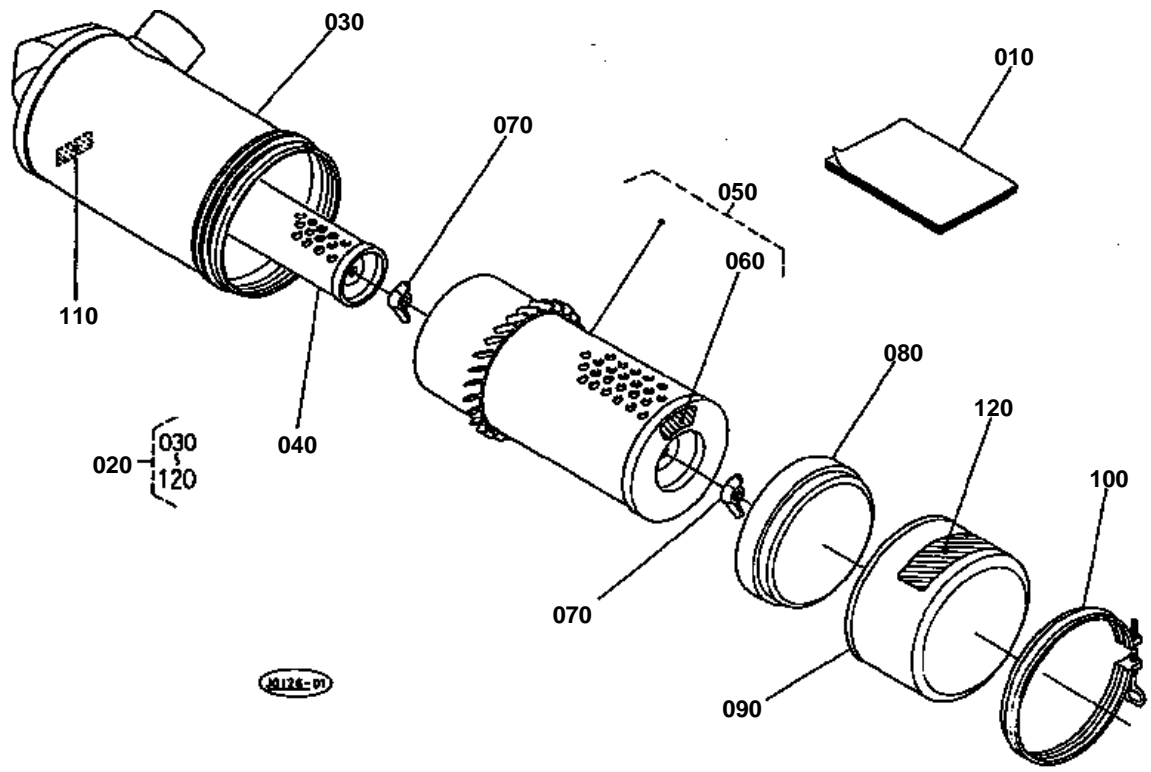


**AIR CLEANER**

↔ Interchangeable; ≠ not interchangeable; ← new for old; → old for new

REF.No	Part No.	Description	Q'ty	S.No.	I/C	REMARKS	Weight (kgf)	Weight (lb)
010	31351-18090	PIPE INLET	1				0.29	0.638
020	35080-88510	PIPE INLET	1				0.255	0.561
030	30300-88530	HOLDER INLET PIPE	1				0.06	0.132
040	15401-11720	BAND PIPE	1				0.03	0.066
045	15221-11720	BAND PIPE	1				0.03	0.066
050	31351-18110	BAND PIPE	1				0.04	0.088
060	17325-11010	ASSY CLEANER AIR	1				3	6.6
070	17325-11150	BODY AIR CLEANER	1				2.1	4.62
080	15521-11160	ASSY PAN DUST	1				0.317	0.6974
090	15521-11410	COVER BAFFLE	1				0.17	0.374
100	17325-11080	ASSY ELEMENT CLEANER	1				0.8	1.76
110	15227-87480	LABEL ELEMENT A/C	1				0.004	0.0088
120	15521-92620	BOLT WING	1				0.06	0.132
130	15521-94430	WASHER WITH RUBBER	1				0.008	0.0176
140	55311-41260	BAND CORD	1				0.007	0.0154
150	55611-81420	SENCER AIR CLEANER	1				0.05	0.11
160	01123-50816	BOLT	1				0	0
170	04015-50080	WASHER PLAIN	1				0	0

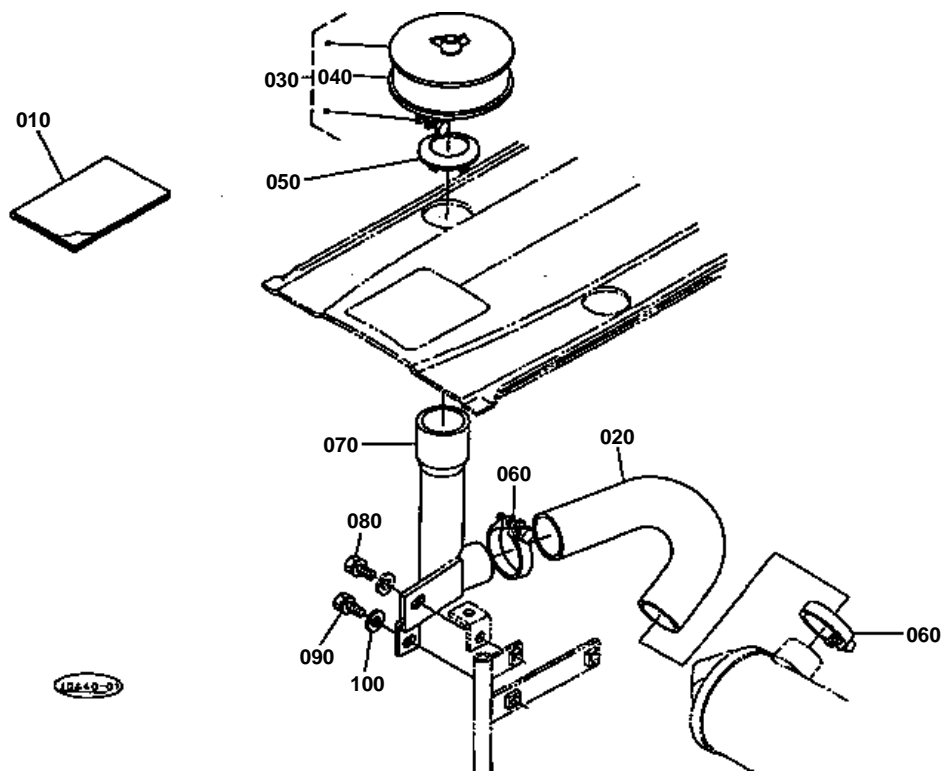
DOUBLE AIR CLEANER [OPTION]



**DOUBLE AIR CLEANER [OPTION]**

↔ Interchangeable; ≠ not interchangeable; ← new for old; → old for new

REF.No	Part No.	Description	Q'ty	S.No.	I/C	REMARKS	Weight (kgf)	Weight (lb)
010	32430-98412	MANUAL INSTRUCTION	1				0	0
020	17326-11010	ASSY CLEANER AIR(W)	1				2.86	6.292
030	17326-11150	BODY AIR CLEANER	1				1.9	4.18
040	15287-11490	ASSY ELEMENT INNER	1				0.25	0.55
050	15287-11080	ASSY OUTER ELEMENT	1				0.75	1.65
060	15287-87480	LABEL ELEMENT A/C	1				0.005	0.011
070	15401-92620	ASSY NUT WING	2				0.01	0.022
080	15401-11410	COVER BAFFLE	1				0.05	0.11
090	15401-11160	COVER AIR CLEANER	1				0.38	0.836
100	15401-11070	ASSY BAND AIRCLEANER	1				0.115	0.253
110	17326-87750	MARK FORM	1				0.001	0.0022
120	15222-93450	LABEL AIR CLEANER	1				0.001	0.0022



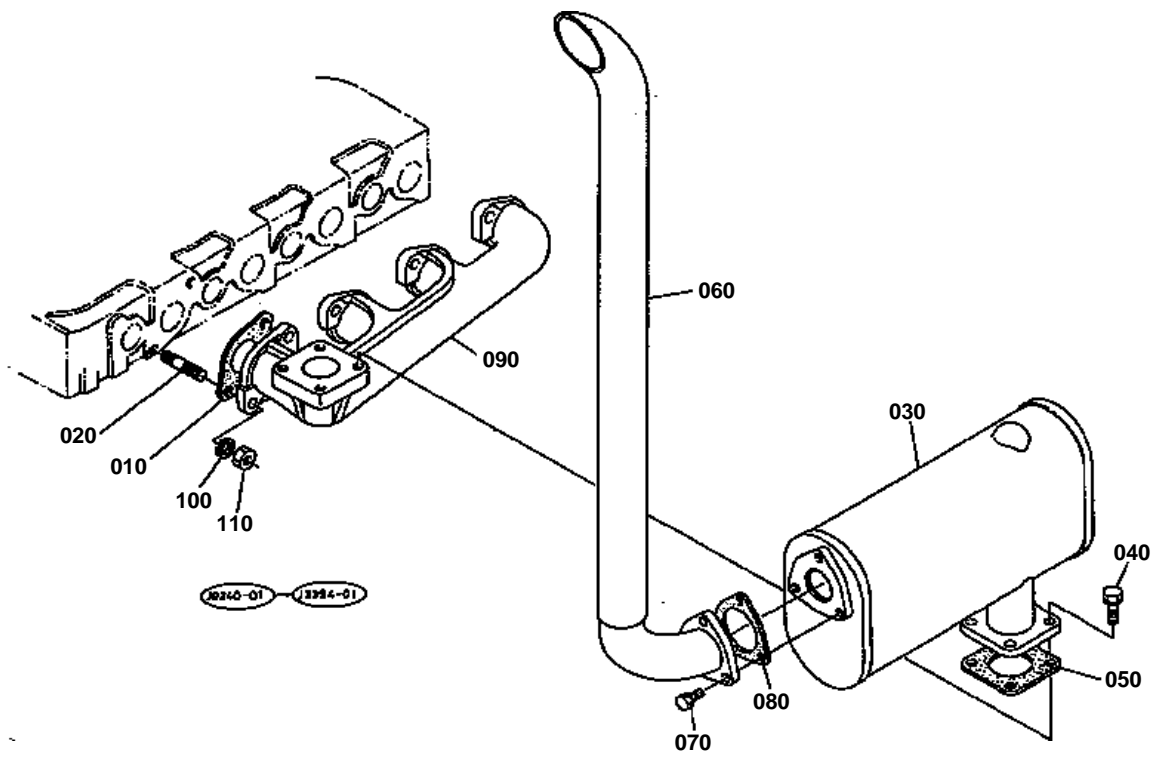


PRE-CLEANER [OPTION]

↔ Interchangeable; ≠ not interchangeable; ← new for old; → old for new

REF.No	Part No.	Description	Q'ty	S.No.	I/C	REMARKS	Weight (kgf)	Weight (lb)
010	35080-98310	MANUAL INSTRUCTION	1				0.015	0.033
020	35080-64710	PIPE INLET	1				0.42	0.924
030	32530-96110	ASSY PRECLEANER	1				0.76	1.672
040	32530-96170	CHAMBER DUST	1				0.2	0.44
050	32430-64730	COVER	1				0.025	0.055
060	15401-11720	BAND PIPE	2				0.03	0.066
070	35080-64750	PIPE PRE-CLEANER	1				0.735	1.617
080	01123-50820	BOLT	1				0.011	0.0242
090	01023-50618	BOLT	1				0.006	0.0132
100	04013-50060	WASHER PLAIN	1				0	0

EXHAUST MANIFOLD AND MUFFLER





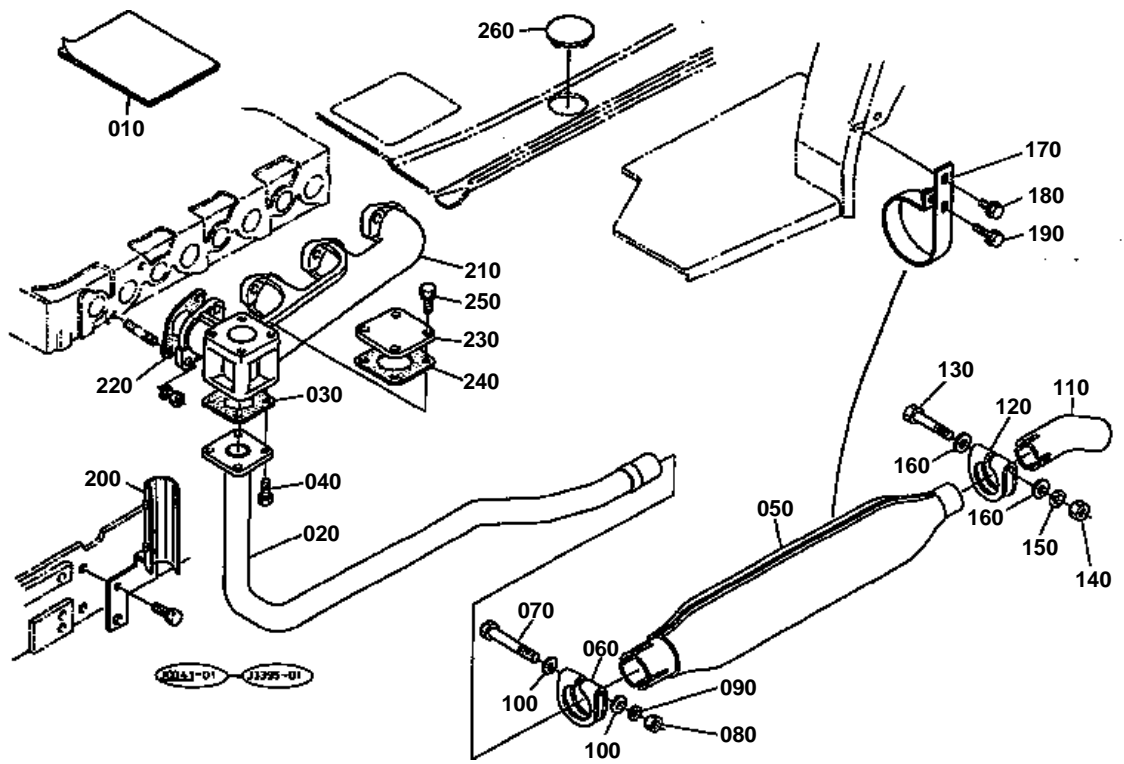


# EXHAUST MANIFOLD AND MUFFLER

↔ Interchangeable; ≠ not interchangeable; ← new for old; → old for new

REF.No	Part No.	Description	Q'ty	S.No.	I/C	REMARKS	Weight (kgf)	Weight (lb)
010	15521-12350	GASKET EX-MANIFOLD	4				0	0
020	15221-91530	STUD	8				0.011	0.0242
030	35080-88710	MUFFLER	1				5.8	12.76
040	01123-50825	BOLT	4				0.013	0.0286
050	15471-12230	GASKET MUFFLER	1				0	0
060	35080-88770	PIPE MUFFLER	1				1.87	4.114
070	01123-50820	BOLT	3				0.011	0.0242
080	17381-12380	GASKET MUFFLER	1				0	0
090	17377-12310	MANIFOLD EXHAUST	1				0	0
100	04512-50080	WASHER SPRING	8				0	0
110	02156-50080	NUT	8				0.004	0.0088

UNDER MUFFLER [OPTION]

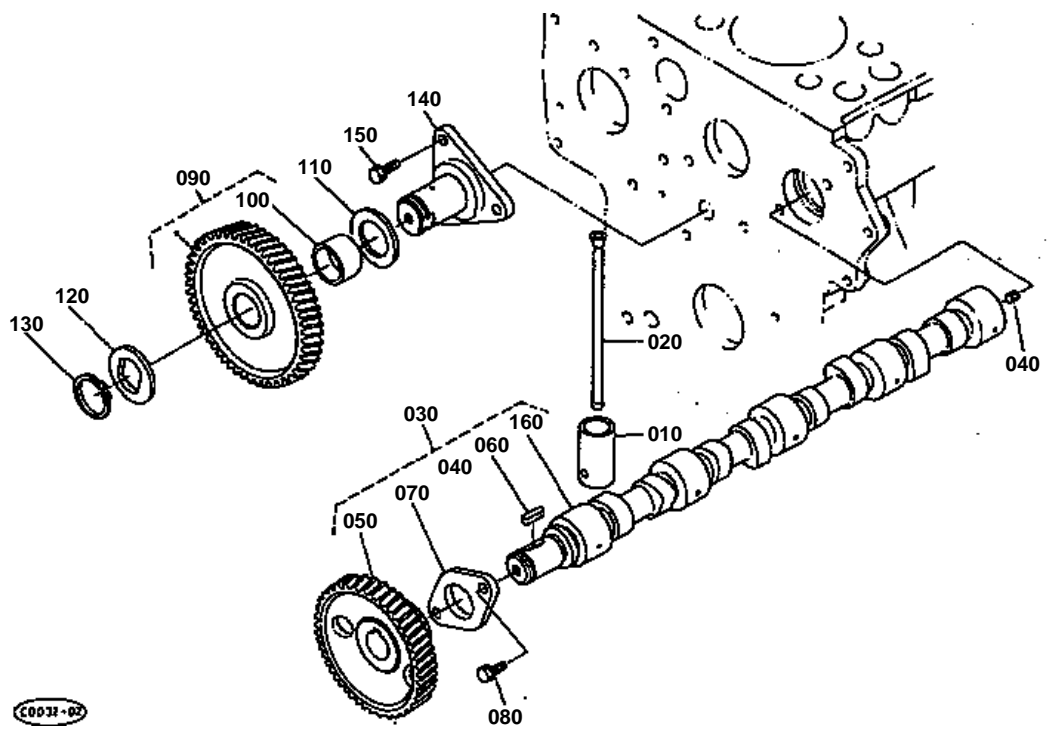


**UNDER MUFFLER [OPTION]**

↔ Interchangeable; ≠ not interchangeable; ← new for old; → old for new

REF.No	Part No.	Description	Q'ty	S.No.	I/C	REMARKS	Weight (kgf)	Weight (lb)
010	32430-98213	MANUAL INSTRUCTION	1				0.004	0.0088
020	32430-64513	PIPE MUFFLER	1				2.3	5.06
030	15471-12230	GASKET MUFFLER	1				0	0
040	01123-50825	BOLT	4				0.013	0.0286
050	32431-12110	MUFFLER	1				2.2	4.84
060	32430-12130	BAND MUFFLER	1				0	0
070	01153-50880	BOLT	1				0.03	0.066
080	02156-50080	NUT	1				0.004	0.0088
090	04512-50080	WASHER SPRING	1				0	0
100	04012-50080	WASHER PLAIN	2				0.001	0.0022
110	32430-62130	PIPE MUFFLER	1				0	0
120	32430-12430	BAND PIPE	1				0	0
130	01153-50865	BOLT	1				0.025	0.055
140	02156-50080	NUT	1				0.004	0.0088
150	04512-50080	WASHER SPRING	1				0	0
160	04012-50080	WASHER PLAIN	2				0.001	0.0022
170	32430-64550	SUPPORT MUFFLER	1				0.34	0.748
180	01754-50812	BOLT FLANGE	1				0.01	0.022
190	01754-50825	BOLT FLANGE	1				0.01	0.022
200	31339-26150	COVER	1				0	0
210	17355-12310	MANIFOLD EXHAUST	1				0	0
220	15521-12350	GASKET EX-MANIFOLD	4				0	0
230	17355-92850	COVER MANIFOLD	1				0	0
240	15471-12230	GASKET MUFFLER	1				0	0
250	01123-50820	BOLT	4				0.011	0.0242
260	32480-18760	CAP PRE CLEANER	1				0.02	0.044

# CAMSHAFT

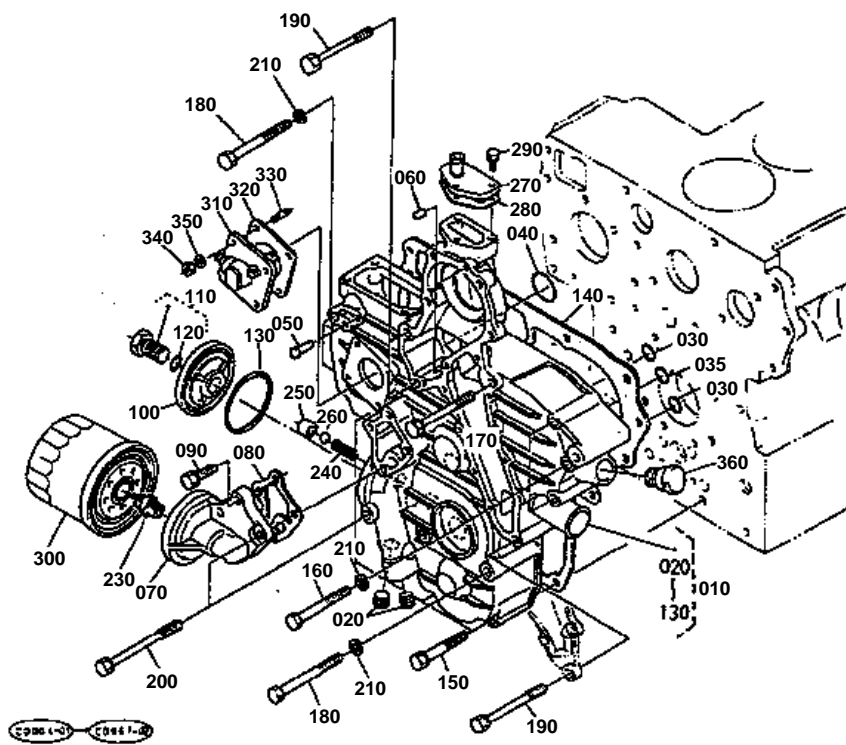


**CAMSHAFT**

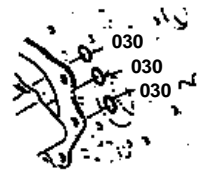
↔ Interchangeable; ≠ not interchangeable; ← new for old; → old for new

REF.No	Part No.	Description	Q'ty	S.No.	I/C	REMARKS	Weight (kgf)	Weight (lb)
010	15221-15550	TAPPET	8				0	0
020	15221-15110	PUSH ROD	8				0.05	0.11
030	17345-16010	ASSY CAMSHAFT	1				3.3	7.26
040	15521-93610	SCREW SET	1				0.002	0.0044
050	15521-16510	GEAR CAMSHAFT	1				0.85	1.87
060	05712-00720	KEY FEATHER	1				0.008	0.0176
070	15221-16270	STOPPER CAMSHAFT	1				0.073	0.1606
080	01123-50818	BOLT	2				0.012	0.0264
090	17331-24010	COMP.GEAR IDLE	1				1.11	2.442
100	17331-24980	BUSH IDLE GEAR	1				0.06	0.132
110	17331-24360	COLLAR	1				0.02	0.044
120	17331-24370	COLLAR	1				0.02	0.044
130	15451-95390	CIR-CLIP EXTERNAL	1				0.007	0.0154
140	17331-24250	SHAFT IDLE GEAR	1				0.575	1.265
150	01123-50818	BOLT	3				0.012	0.0264
160	17345-16150	CAMSHAFT	1				2.3	5.06

# GEAR CASE



030 04811-00150



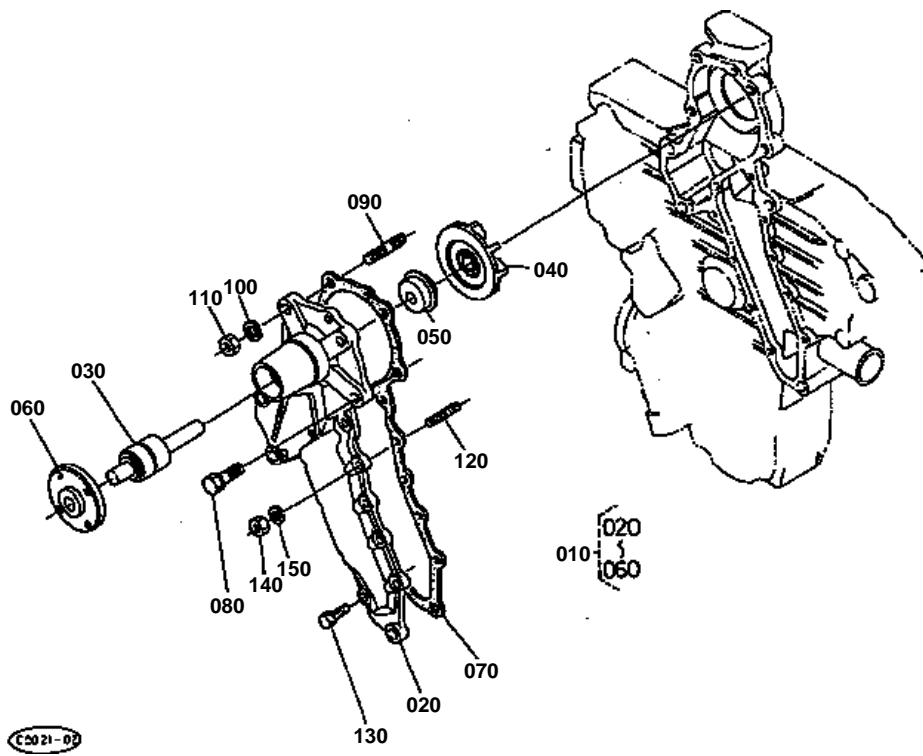


## GEAR CASE

↔ Interchangeable; ≠ not interchangeable; ← new for old; → old for new

REF.No	Part No.	Description	Q'ty	S.No.	I/C	REMARKS	Weight (kgf)	Weight (lb)
010	16705-04022	COMP.CASE GEAR	1		≠		2.5	5.5
020	17331-96040	PLUG	2				0.005	0.011
030	04811-00150	O RING	2				0	0
035	04811-00200	O RING	1				0	0
040	04811-00360	O RING	1				0	0
050	15221-56280	PIN START SPRING	1				0.006	0.0132
060	05012-00612	PIN STRAIGHT	2				0.003	0.0066
070	17331-32610	SUPPORT OIL FILTER	1				0.275	0.605
080	17331-32620	GASKET	1				0	0
090	01123-50825	BOLT	3				0.013	0.0286
100	17331-32880	COVER	1				0.075	0.165
110	17331-32910	COMP BOLT	1				0.07	0.154
120	04811-00150	O RING	1				0	0
130	19202-96830	O RING	1				0.01	0.022
140	17391-04130	GASKET GEAR CASE	1				0	0
150	01123-50860	BOLT	3				0.002	0.0044
160	01153-50870	BOLT	3				0.026	0.0572
170	17367-91010	BOLT	1				0.005	0.011
180	01153-50880	BOLT	3				0.03	0.066
190	17367-91020	BOLT	3				0.035	0.077
200	17367-91030	BOLT	2				0.02	0.044
210	04512-50080	WASHER SPRING	6				0	0
220	99999-99999	BLANK	0				0	0
230	15521-32290	JOINT PIPE	1				0	0
240	15241-36950	SPRING	1				0.004	0.0088
250	15521-36930	SEAT VALVE	1				0.015	0.033
260	07715-03213	BALL	1				0.004	0.0088
270	15521-73320	FLANGE WATER RETURN	1				0.04	0.088
280	15521-73330	GASKET	1				0	0
290	01023-50620	BOLT	3				0.006	0.0132
300	17321-32430	CARTRIDGE OIL FILTER	1				0	0
310	38240-34660	CASE H/METER DRIVE	1				0.335	0.737
320	15221-88130	GASKET H/METER UNIT	1				0	0
330	15221-88210	STUD	4				0.005	0.011
340	02056-50060	NUT	4				0.002	0.0044
350	04512-50060	WASHER SPRING	4				0	0
360	15571-33140	PLUG OIL FILLER	1				0.03	0.066

# WATER PUMP





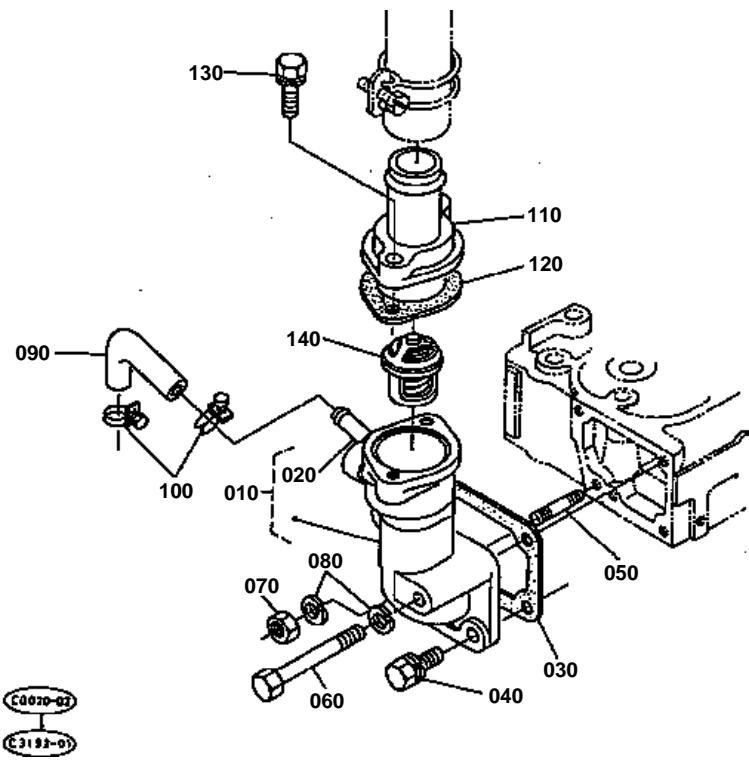


# WATER PUMP

↔ Interchangeable; ≠ not interchangeable; ← new for old; → old for new

REF.No	Part No.	Description	Q'ty	S.No.	I/C	REMARKS	Weight (kgf)	Weight (lb)
010	16412-73030	ASSY PUMP WATER	1				0	0
020	17331-73410	BODY WATER PUMP	1				0.51	1.122
030	15521-73550	BEARING BALL	1				0.235	0.517
040	15521-73510	IMPELLER WATER PUMP	1				0.22	0.484
050	19202-73050	ASSY SEAL MECHANICAL	1				0.02	0.044
060	15521-73520	FLANGE WATER PUMP	1				0.25	0.55
070	17331-73430	GASKET WATER PUMP	1				0	0
080	01123-50828	BOLT	2				0.014	0.0308
090	15521-91510	STUD	2				0.012	0.0264
100	04512-50080	WASHER SPRING	2				0	0
110	02156-50080	NUT	2				0.004	0.0088
120	15221-88210	STUD	1				0.005	0.011
130	01023-50618	BOLT	8				0.006	0.0132
140	02056-50060	NUT	1				0.002	0.0044
150	04512-50060	WASHER SPRING	1				0	0

# WATER FLANGE AND THERMOSTAT



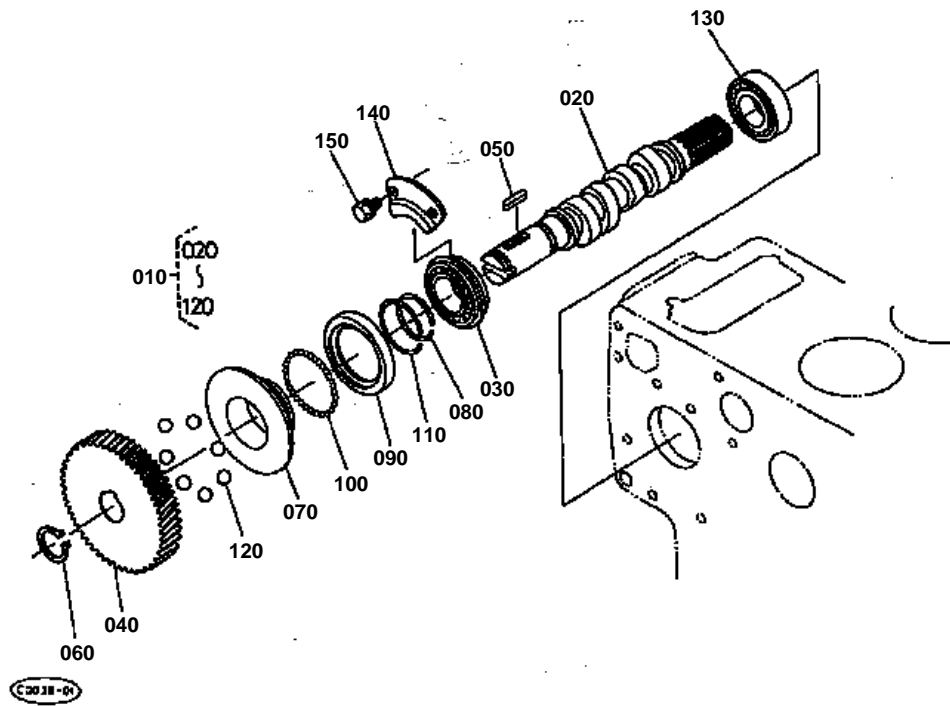


# WATER FLANGE AND THERMOSTAT

↔ Interchangeable; ≠ not interchangeable; ← new for old; → old for new

REF.No	Part No.	Description	Q'ty	S.No.	I/C	REMARKS	Weight (kgf)	Weight (lb)
010	17331-72702	COMP.FLANGE WATER	1				0	0
020	17331-73340	PIPE WATER RETURN	1				0	0
030	15521-72920	GASKET WATER FLANGE	1				0	0
040	01123-50822	BOLT	2				0.012	0.0264
050	01513-50822	STUD	1				0.01	0.022
060	01153-50870	BOLT	1				0.026	0.0572
070	02156-50080	NUT	1				0.004	0.0088
080	04512-50080	WASHER SPRING	2				0	0
090	15521-73340	PIPE WATER RETURN	1				0.025	0.055
100	15109-73360	BAND PIPE	2				0.01	0.022
110	15321-73260	COVER THERMOSTAT	1				0.107	0.2354
120	15321-73270	GASKET	1				0	0
130	01123-50835	BOLT	2				0.02	0.044
140	15321-73010	ASSY THERMOSTAT	1				0	0

# FUEL CAMSHAFT

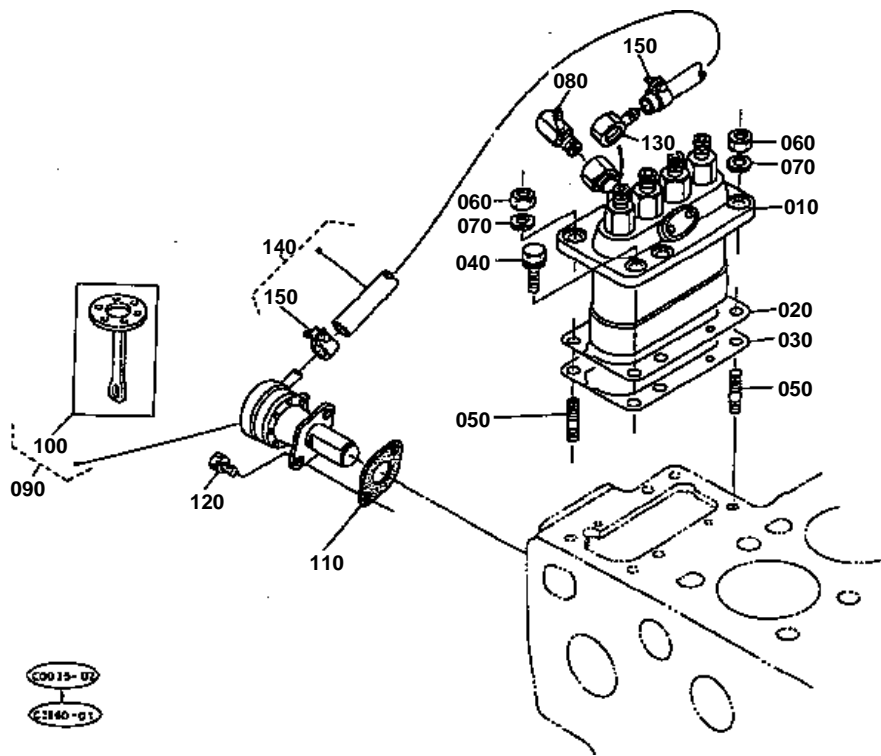


**FUEL CAMSHAFT**

↔ Interchangeable; ≠ not interchangeable; ← new for old; → old for new

REF.No	Part No.	Description	Q'ty	S.No.	I/C	REMARKS	Weight (kgf)	Weight (lb)
010	17345-16020	ASSY CAMSHAFT FUEL	1				3	6.6
020	15471-16170	CAMSHAFT FUEL	1				0.96	2.112
030	08153-06205	BEARING BALL	1				0.13	0.286
040	15611-51150	GEAR INJECTION PUMP	1				1.035	2.277
050	05712-00525	KEY FEATHER	1				0.005	0.011
060	04612-00240	CIR-CLIP EXTERNAL	1				0.002	0.0044
070	15611-55450	SLEEVE GOVERNOR	1				0.117	0.2574
080	15221-55470	CIR-CLIP GOV. SLEEVE	1				0.003	0.0066
090	15611-55690	CASE GOVERNOR BALL	1				0.03	0.066
100	07715-03205	BALL	39				0.001	0.0022
110	15221-55740	CIR-CLIP	1				0.002	0.0044
120	07715-00403	BALL	7				0.03	0.066
130	08240-00001	BEARING BALL	1				0.19	0.418
140	15221-16320	STOPPER	1				0.02	0.044
150	01123-50814	BOLT	2				0	0

# INJECTION PUMP



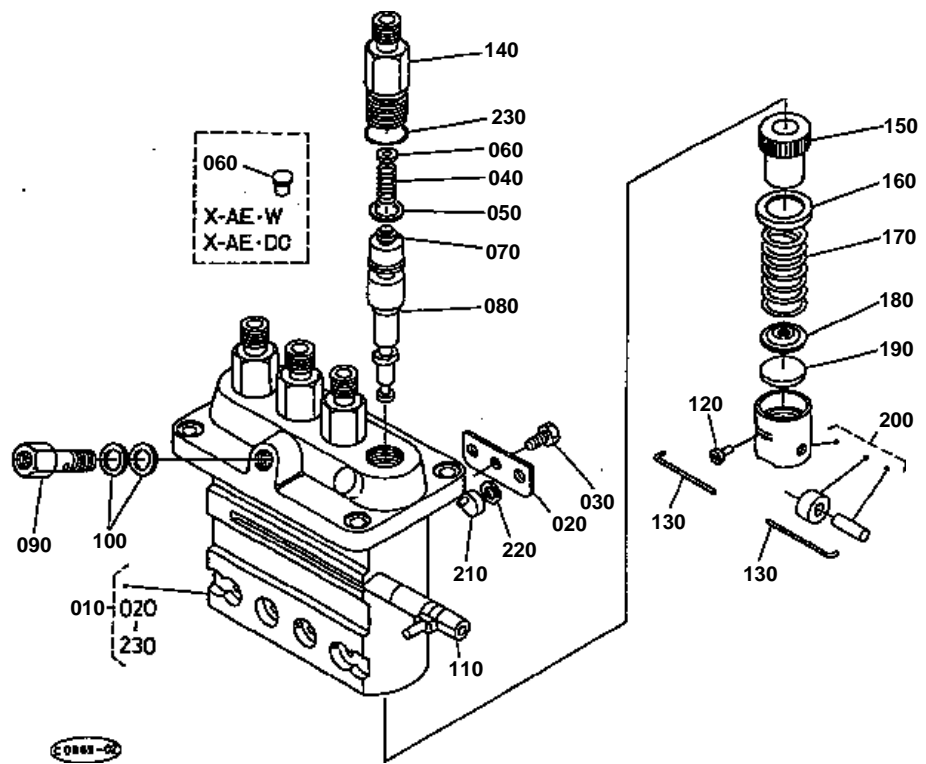


# INJECTION PUMP

↔ Interchangeable; ≠ not interchangeable; ← new for old; → old for new

REF.No	Part No.	Description	Q'ty	S.No.	I/C	REMARKS	Weight (kgf)	Weight (lb)
010	17351-51010	ASSY PUMP INJECTION	1				3	6.6
020	15401-52110	SHIM	1			0.15MM	0	0
030	15461-52110	SHIM INJECTION PUMP	2			0.45MM	0	0
040	01123-50822	BOLT	4				0.012	0.0264
050	15221-91530	STUD	2				0.011	0.0242
060	02156-50080	NUT	2				0.004	0.0088
070	04512-50080	WASHER SPRING	2				0	0
080	15748-60570	ASSY ORIFICE	1				0.02	0.044
090	15381-52030	ASSY PUMP FUEL	1				0	0
100	15381-52040	COMP.DIAPHRAGM	1				0	0
110	15241-52140	GASKET FUEL PUMP	1				0	0
120	01023-50616	BOLT	2				0.005	0.011
130	15401-95690	JOINT	1				0.04	0.088
140	15471-42010	ASSY PIPE FUEL	1				0.035	0.077
150	14301-42750	CLIP PIPE	2				0.005	0.011

INJECTION PUMP [COMPONENT PARTS]



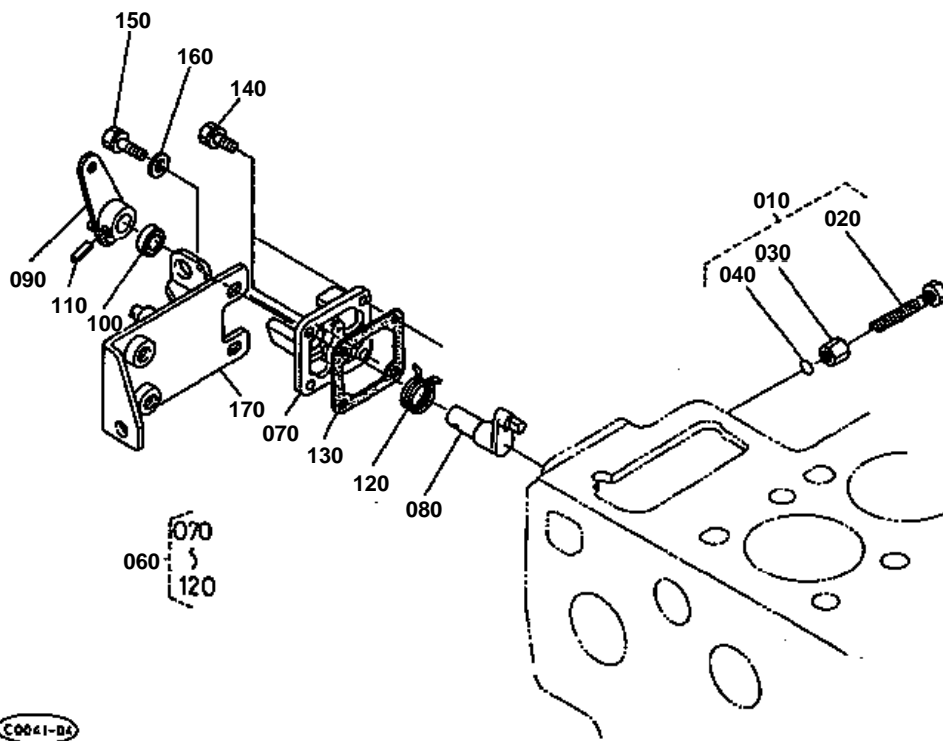


**INJECTION PUMP [COMPONENT PARTS]**

↔ Interchangeable; ≠ not interchangeable; ← new for old; → old for new

REF.No	Part No.	Description	Q'ty	S.No.	I/C	REMARKS	Weight (kgf)	Weight (lb)
010	17351-51010	ASSY PUMP INJECTION	1				3	6.6
020	17371-51390	PLATE ADJUSTING	1				0.032	0.0704
030	15331-91010	BOLT	3				0.034	0.0748
040	17371-51230	SPRING DELIV.VALVE	4				0.005	0.011
050	15331-51240	GASKET DELIV.VALVE	4				0.001	0.0022
060	15549-51160	SPACER	4				0.002	0.0044
070	17351-51030	VALVE DELIVERY	4				0.01	0.022
080	17301-51050	PLUNGER PUMP	4				0.05	0.11
090	15471-51320	SCREW FOLLOW	1				0.032	0.0704
100	15401-96650	GASKET	2				0.001	0.0022
110	17371-51060	RACK CONTROL	1				0.02	0.044
120	15331-51250	PIN TAPPET GUIDE	4				0.001	0.0022
130	17345-51430	PIN CLAMP	2				0.005	0.011
140	15331-51220	HOLDER DELIV.VALVE	4				0.053	0.1166
150	15331-51380	SLEEVE CONTROL	4				0.012	0.0264
160	15331-51270	SEAT SPRING UPPER	4				0.001	0.0022
170	17331-51280	SPRING PLUNGER	4				0.017	0.0374
180	15331-51290	SEAT SPRING LOWER	4				0.001	0.0022
190	15381-51490	SHIM	4				0.008	0.0176
200	15331-51070	ASSY TAPPET	4				0.036	0.0792
210	15331-51480	COLLAR	3				0.005	0.011
220	04512-50060	WASHER SPRING	3				0	0
230	15331-96760	O RING	4				0.001	0.0022

# ENGINE STOP LEVER



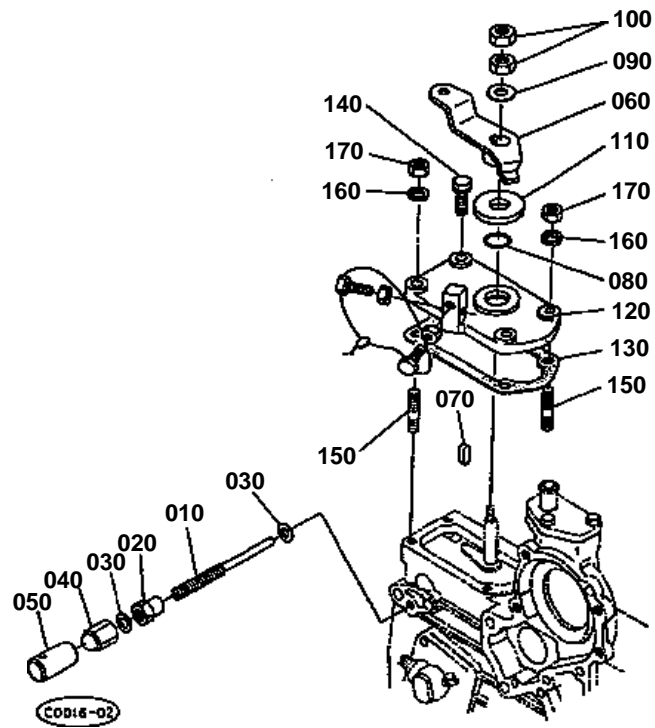


## ENGINE STOP LEVER

↔ Interchangeable; ≠ not interchangeable; ← new for old; → old for new

REF.No	Part No.	Description	Q'ty	S.No.	I/C	REMARKS	Weight (kgf)	Weight (lb)
010	17377-54090	ASSY APPARATUS I/D.	1				0.02	0.044
020	17377-54100	ASSY BOLT ADJUSTING	1				0.015	0.033
030	15471-92010	NUT	1				0.07	0.154
040	04811-00060	O RING	1				0	0
050	99999-99999	BLANK	0				0	0
060	17331-57702	ASSY LEVER ENG.STOP	1				0.19	0.418
070	15471-51652	COVER INJECTION PUMP	1				0.02	0.044
080	17331-57740	SHAFT LEVER	1				0.04	0.088
090	17331-57720	LEVER ENGINE STOP	1				0.05	0.11
100	15471-57980	SEAL OIL	1				0.001	0.0022
110	05411-00420	PIN SPRING	1				0.001	0.0022
120	15471-57920	SPRING RETURN	1				0.005	0.011
130	15221-51660	GASKET PUMP COVER	1				0	0
140	01023-50618	BOLT	2				0.006	0.0132
150	01023-50622	BOLT	2				0.005	0.011
160	04012-50060	WASHER PLAIN	2				0.001	0.0022
170	17315-60110	SUPPORT SOLENOID	1				0.185	0.407

# SPEED CONTROL PLATE

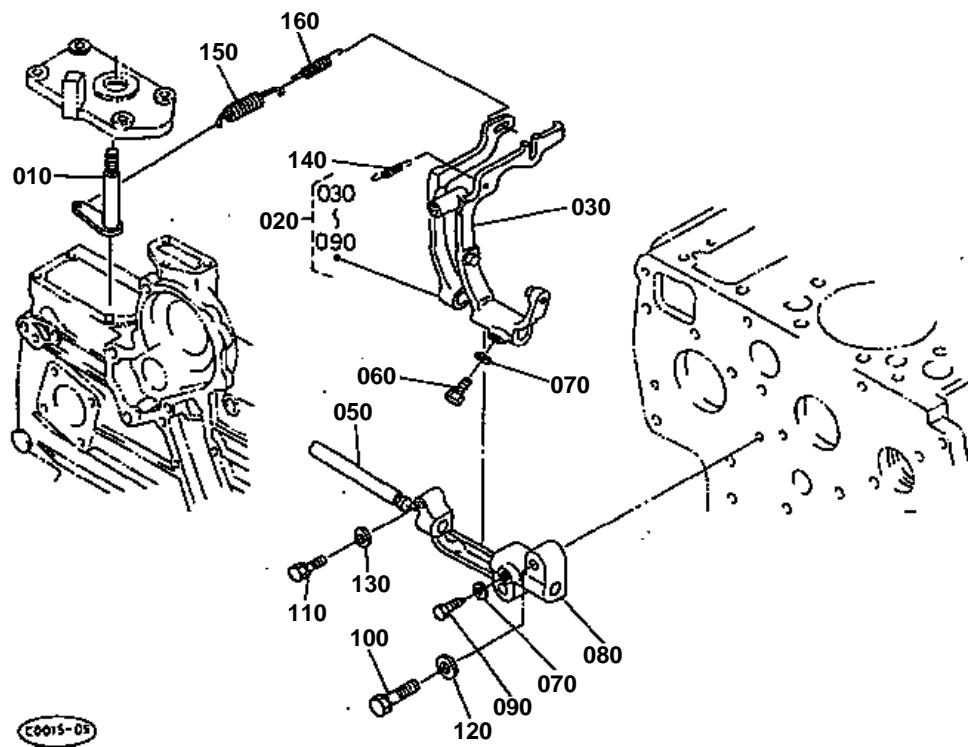




## SPEED CONTROL PLATE

↔ Interchangeable; ≠ not interchangeable; ← new for old; → old for new

REF.No	Part No.	Description	Q'ty	S.No.	I/C	REMARKS	Weight (kgf)	Weight (lb)
010	15601-54120	BOLT ADJUSTING	1				0.011	0.0242
020	15601-92010	NUT	1				0	0
030	15601-96650	GASKET	2				0.001	0.0022
040	15841-14620	NUT CAP	1				0.01	0.022
050	16241-54420	CAP	1				0	0
060	15469-57150	LEVER SPEED CONTROL	1				0.06	0.132
070	05712-00408	KEY FEATHER	1				0.001	0.0022
080	04811-00120	O RING	1				0	0
090	04013-50080	WASHER PLAIN	1				0	0
100	02112-50080	NUT	2				0.003	0.0066
110	17011-57384	COLLAR	1				0.03	0.066
120	15521-57114	PLATE SPEED CONTROL	1				0	0
130	17331-57210	GASKET	1				0	0
140	01023-50625	BOLT	2				0.007	0.0154
150	15221-88210	STUD	2				0.005	0.011
160	04512-50060	WASHER SPRING	2				0	0
170	02056-50060	NUT	2				0.002	0.0044

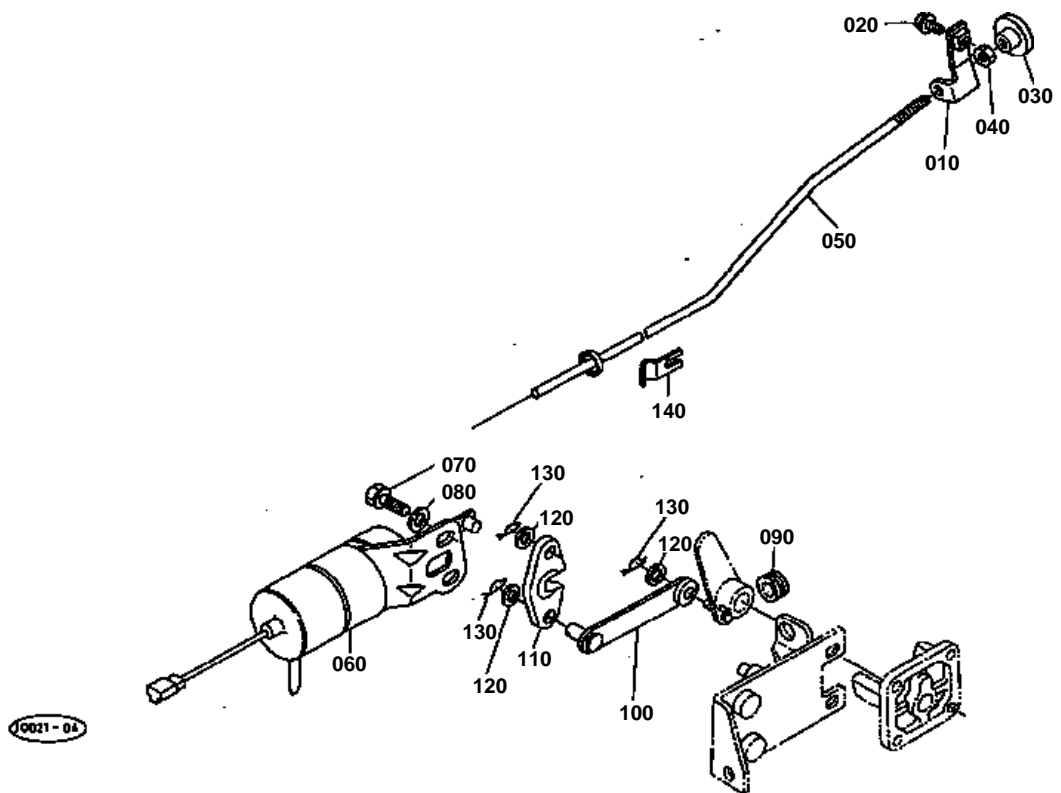


**GOVERNOR**

↔ Interchangeable; ≠ not interchangeable; ← new for old; → old for new

REF.No	Part No.	Description	Q'ty	S.No.	I/C	REMARKS	Weight (kgf)	Weight (lb)
010	15601-56020	COMP.LEVER GOVERNOR	1				0.055	0.121
020	16743-56050	ASSY LEVER FORK	1				0.415	0.913
030	16743-56040	COMP.LEVER FORK	1				0.19	0.418
040	99999-99999	BLANK	0				0	0
050	15221-56150	SHAFT FORK LEVER	1				0.1	0.22
060	15021-56240	BOLT LEVER SHAFT	1				0.005	0.011
070	04512-50060	WASHER SPRING	2				0	0
080	15221-56230	HOLDER FORK LEVER	1				0.1	0.22
090	15221-66410	BOLT	1				0.005	0.011
100	01123-50832	BOLT	2				0.016	0.0352
110	01023-50628	BOLT	1				0.015	0.033
120	04012-50080	WASHER PLAIN	2				0.001	0.0022
130	04012-50060	WASHER PLAIN	1				0.001	0.0022
140	15611-56480	SPRING START	1				0.001	0.0022
150	17331-56410	SPRING GOVERNOR	1				0	0
160	17371-56420	SPRING GOVERNOR	1				0.02	0.044

# STOP ROD



0021 - 04



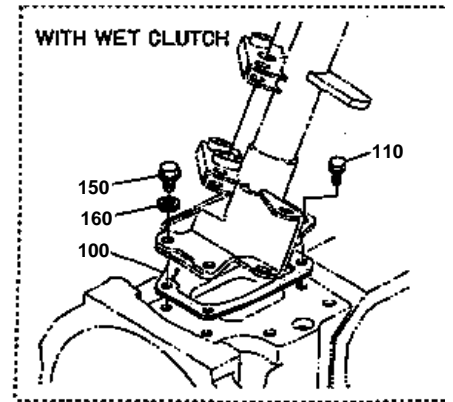
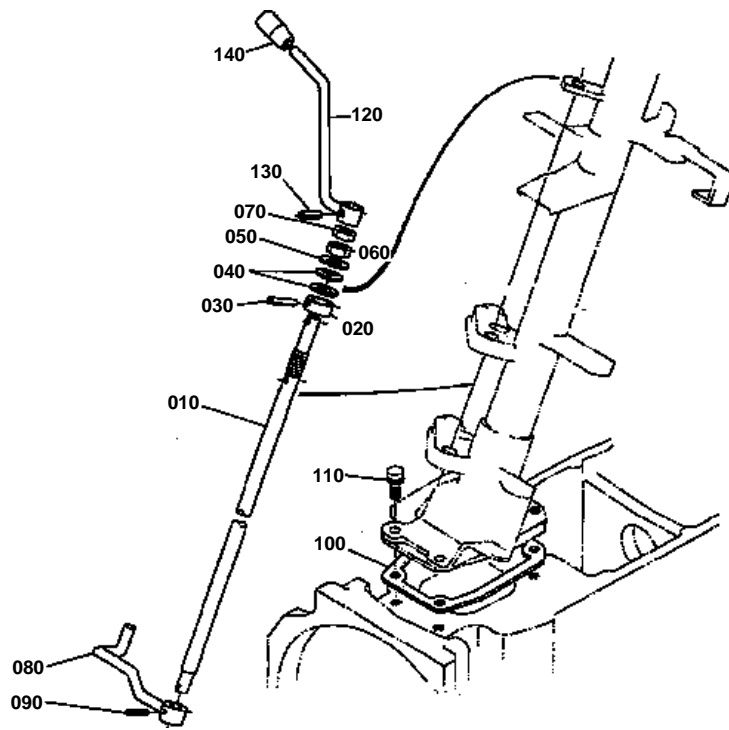


# STOP ROD

↔ Interchangeable; ≠ not interchangeable; ← new for old; → old for new

REF.No	Part No.	Description	Q'ty	S.No.	I/C	REMARKS	Weight (kgf)	Weight (lb)
010	31351-17690	GUIDE STOP ROD	1				0.015	0.033
020	01754-50616	BOLT FLANGE	1				0.006	0.0132
030	35260-17160	KNOB	1				0.015	0.033
040	02014-50060	NUT	1				0.002	0.0044
050	32430-17683	ROD STOP	1				0.155	0.341
060	15471-60010	SOLENOID STOP	1				0.35	0.77
070	01123-50816	BOLT	2				0	0
080	04012-50080	WASHER PLAIN	2				0.001	0.0022
090	66591-54580	RUBBER RELEASE ROD	1				0.002	0.0044
100	17331-60150	LEVER STOP	1				0.025	0.055
110	15471-60162	LEVER STOP	1				0.007	0.0154
120	04012-50060	WASHER PLAIN	3				0.001	0.0022
130	15471-94810	PIN SNAP	3				0	0
140	38430-17180	SPRING	1				0.1	0.22

# ACCELERATOR LEVER



10015-01

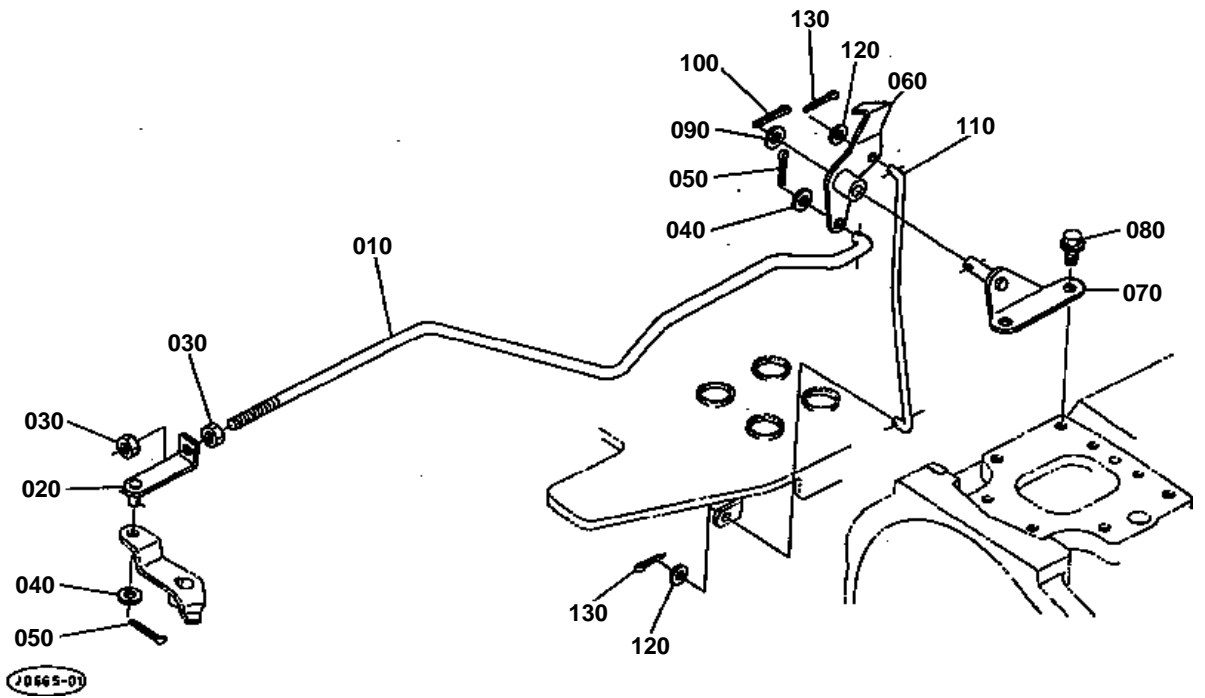


# ACCELERATOR LEVER

↔ Interchangeable; ≠ not interchangeable; ← new for old; → old for new

REF.No	Part No.	Description	Q'ty	S.No.	I/C	REMARKS	Weight (kgf)	Weight (lb)
010	31351-17415	SHAFT ACCEL.CONTROL	1				0.54	1.188
020	31351-17420	COLLAR	1				0.035	0.077
030	05411-00528	PIN SPRING	1				0.003	0.0066
040	31351-17440	SPRING	2				0.004	0.0088
050	04013-50140	WASHER PLAIN	1				0	0
060	02076-50140	NUT	1				0.022	0.0484
070	02172-50140	NUT	1				0.01	0.022
080	31351-17430	ARM ACCELERATOR	1				0.12	0.264
090	05411-00525	PIN SPRING	1				0.002	0.0044
100	31351-17450	GASKET	1				0	0
110	01173-51018	BOLT	4			W/O WET CLUTCH	0.018	0.0396
120	32430-17550	LEVER ACCEL.	1				0.15	0.33
130	05411-00525	PIN SPRING	1				0.002	0.0044
140	31351-17560	GRIP LEVER	1				0.01	0.022

# ACCELERATOR LINKAGE



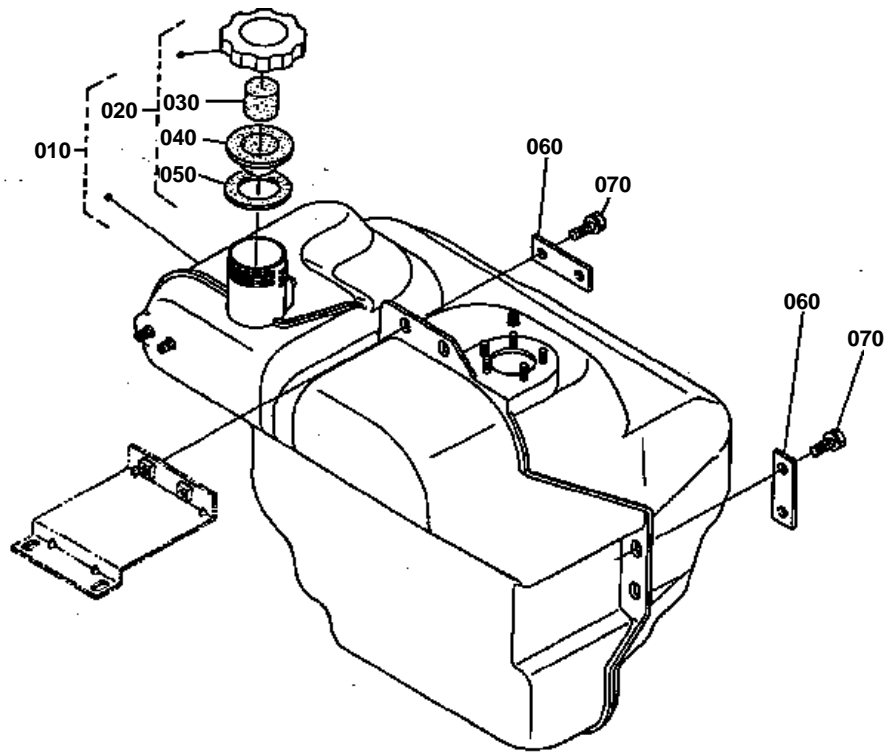


## ACCELERATOR LINKAGE

↔ Interchangeable; ≠ not interchangeable; ← new for old; → old for new

REF.No	Part No.	Description	Q'ty	S.No.	I/C	REMARKS	Weight (kgf)	Weight (lb)
010	31351-17610	ROD ACCEL.	1				0.16	0.352
020	34150-17390	JOINT ROD	1				0.025	0.055
030	02012-50060	NUT	2				0	0
040	04012-50060	WASHER PLAIN	2				0.001	0.0022
050	05511-50218	PIN SPLIT	2				0.001	0.0022
060	31351-17624	LINK ACCEL.	1				0.11	0.242
070	31351-17630	SUPPORT ACCEL.LINK	1				0.2	0.44
080	01774-51220	BOLT FLANGE	2				0.03	0.066
090	04011-50120	WASHER PLAIN	1				0.005	0.011
100	05511-50320	PIN SPLIT	1				0.002	0.0044
110	31351-17650	ROD ACCELERATOR	1				0.06	0.132
120	04012-50060	WASHER PLAIN	2				0.001	0.0022
130	05511-50218	PIN SPLIT	2				0.001	0.0022

# FUEL TANK

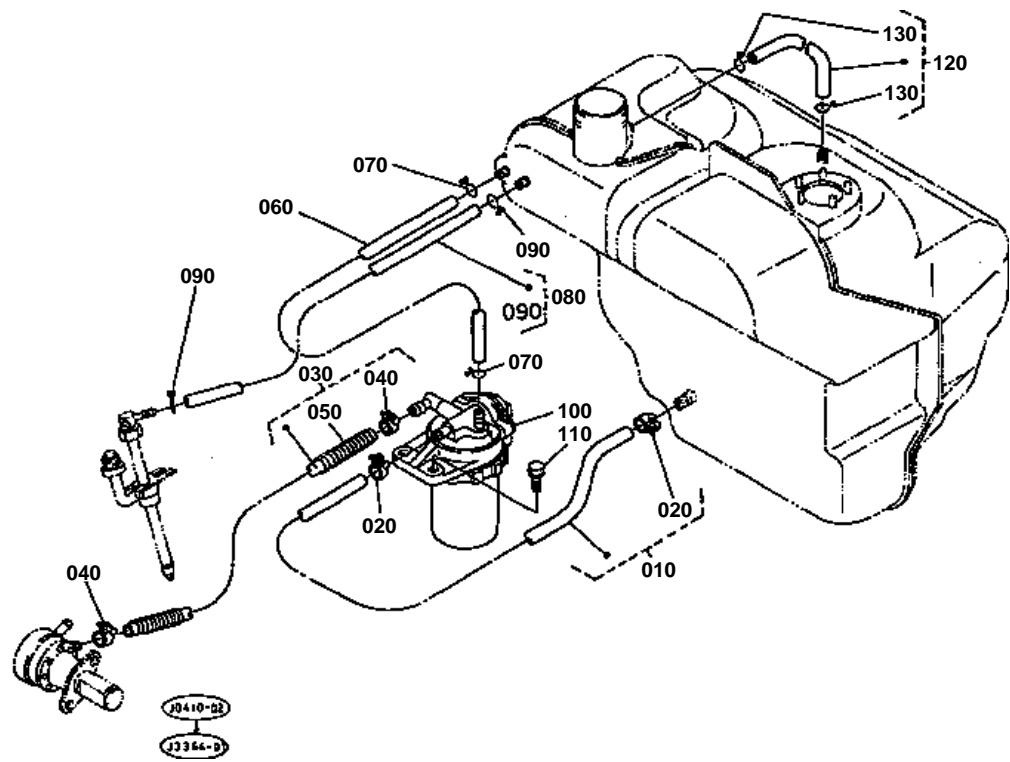


**FUEL TANK**

↔ Interchangeable; ≠ not interchangeable; ← new for old; → old for new

REF.No	Part No.	Description	Q'ty	S.No.	I/C	REMARKS	Weight (kgf)	Weight (lb)
010	35080-35100	ASSY TANK FUEL	1				4	8.8
020	38240-35200	ASSY CAP FUEL TANK	1				0.06	0.132
030	34150-35240	SPONGE	1				0.001	0.0022
040	34150-35230	GASKET	1				0.01	0.022
050	34150-35180	GASKET	1				0.001	0.0022
060	35080-35150	PLATE	3				0.04	0.088
070	01023-50620	BOLT	6				0.006	0.0132

# FUEL FILTER



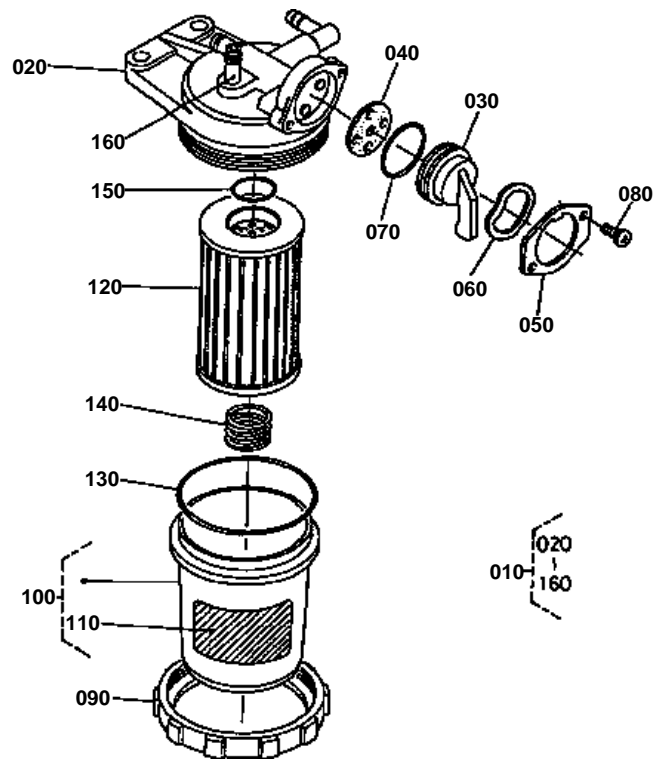


**FUEL FILTER**

↔ Interchangeable; ≠ not interchangeable; ← new for old; → old for new

REF.No	Part No.	Description	Q'ty	S.No.	I/C	REMARKS	Weight (kgf)	Weight (lb)
010	35080-35510	ASSY PIPE FUEL	1				0.035	0.077
020	35080-35560	CLIP PIPE	2				0.005	0.011
030	31351-35520	ASSY PIPE FUEL	1				0.09	0.198
040	14301-42750	CLIP PIPE	2				0.005	0.011
050	31351-93630	SPRING PIPE PROTECT.	1				0.02	0.044
060	31351-35530	PIPE FUEL	1				0.03	0.066
070	14971-42750	CLIP PIPE	2				0.001	0.0022
080	31351-35540	ASSY PIPE FUEL	1				0.02	0.044
090	14971-42750	CLIP PIPE	2				0.001	0.0022
100	19271-43010	ASSY FILTER FUEL	1			[A]	0	0
100	17397-43010	ASSY FILTER FUEL	1			[CA]	0	0
110	01123-50822	BOLT	2				0.012	0.0264
120	35080-35550	ASSY PIPE FUEL	1				0.015	0.033
130	14971-42750	CLIP PIPE	2				0.001	0.0022

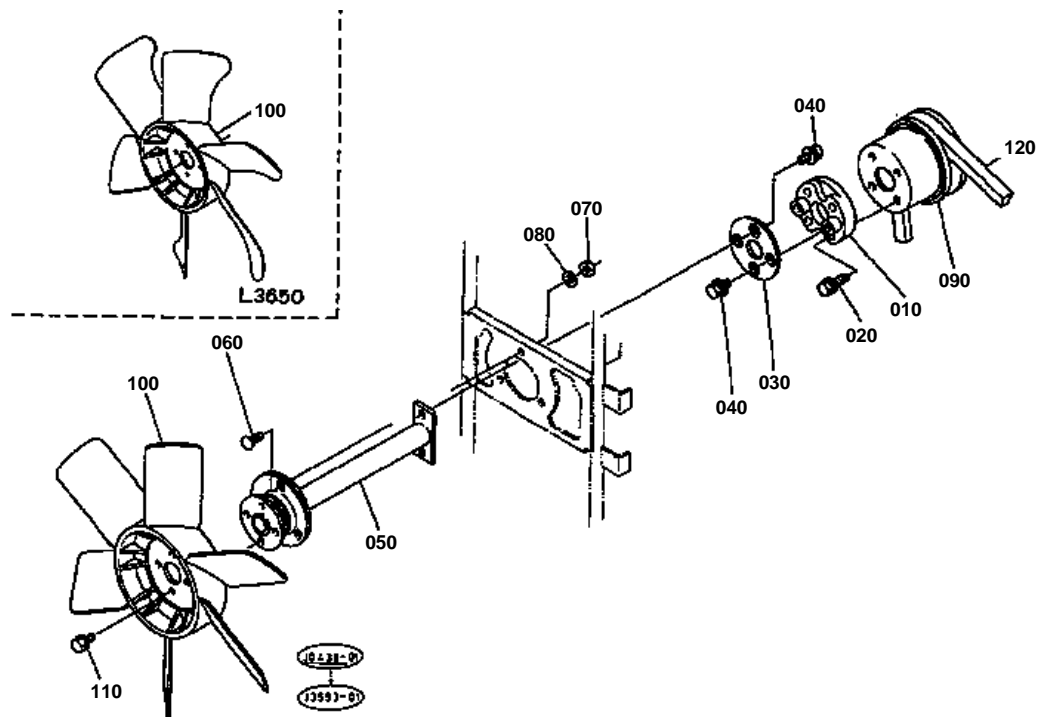
FUEL FILTER [COMPONENT PARTS]



**FUEL FILTER [COMPONENT PARTS]**

↔ Interchangeable; ≠ not interchangeable; ← new for old; → old for new

REF.No	Part No.	Description	Q'ty	S.No.	I/C	REMARKS	Weight (kgf)	Weight (lb)
010	19271-43010	ASSY FILTER FUEL	1			[A]	0	0
010	17397-43010	ASSY FILTER FUEL	1			[CA]	0	0
020	15521-43112	ASSY BODY	1				0	0
030	15521-43522	HANDLE FILTER	1				0.04	0.088
040	15521-43672	GASKET	1				0.001	0.0022
050	15521-43552	RETAINER HANDLE	1				0.01	0.022
060	15521-43542	PLATE THRUST	1				0.001	0.0022
070	04811-10290	O RING	1				0.001	0.0022
080	15521-93310	SCREW WITH WASHER	2				0	0
090	15521-43150	RING RETAINER	1				0.14	0.308
100	19271-43100	ASSY POT FILTER	1			[A]	0	0
100	17397-43100	ASSY POT FILTER	1			[CA]	0	0
110	19271-87210	LABEL CAUTION	1			[A]	0.001	0.0022
110	17397-87210	LABEL CAUTION	1			[CA]	0	0
120	15521-43160	ELEMENT FILTER	1				0.07	0.154
130	04811-50650	O RING	1				0.002	0.0044
140	15521-43930	SPRING	1				0.004	0.0088
150	04811-00160	O RING	1				0	0
160	15521-43282	JOINT BREATHER	1				0.005	0.011

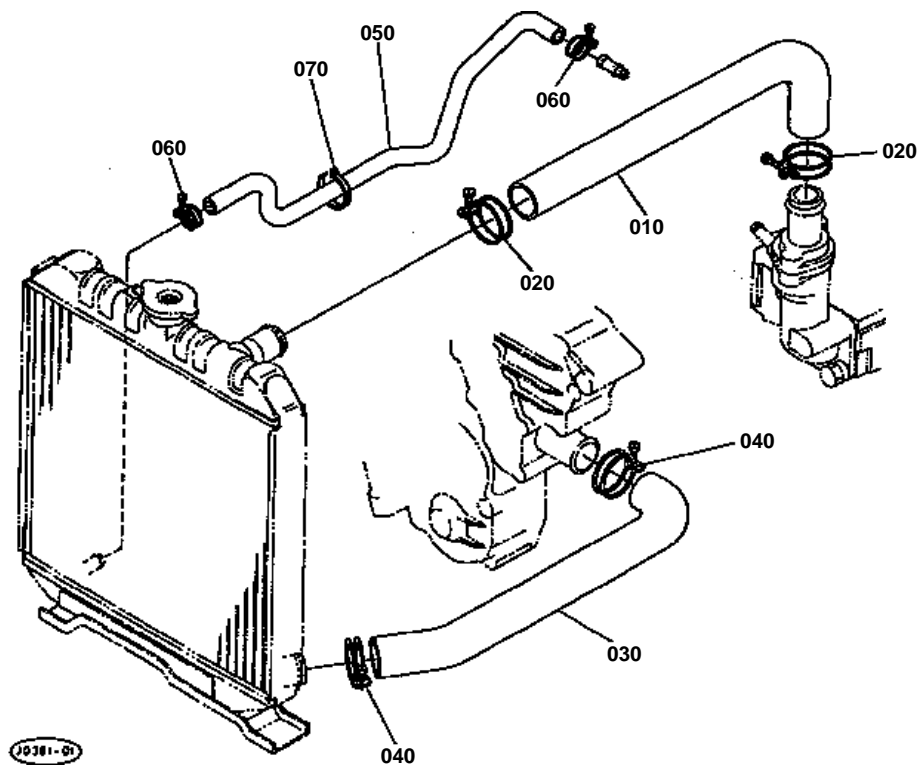


**FAN [NEW TYPE]**

↔ Interchangeable; ≠ not interchangeable; ← new for old; → old for new

REF.No	Part No.	Description	Q'ty	S.No.	I/C	REMARKS	Weight (kgf)	Weight (lb)
010	34070-40370	COUPLING	1				0.08	0.176
020	01754-50625	BOLT FLANGE	4				0.008	0.0176
030	34070-40380	DISK FAN SHAFT	1				0.02	0.044
040	01125-50816	BOLT	4				0	0
050	35080-17850	COMP.SUPPORT FAN	1				0.86	1.892
060	34070-40330	BOLT	3				0.005	0.011
070	02104-50060	NUT	3				0	0
080	04512-50060	WASHER SPRING	3				0	0
090	16415-74250	PULLEY FAN	1				0.265	0.583
100	15809-74110	FAN	1				1.1	2.42
110	01754-50612	BOLT FLANGE	4				0.005	0.011
120	16743-97010	V BELT	1				0	0

WATER PIPE



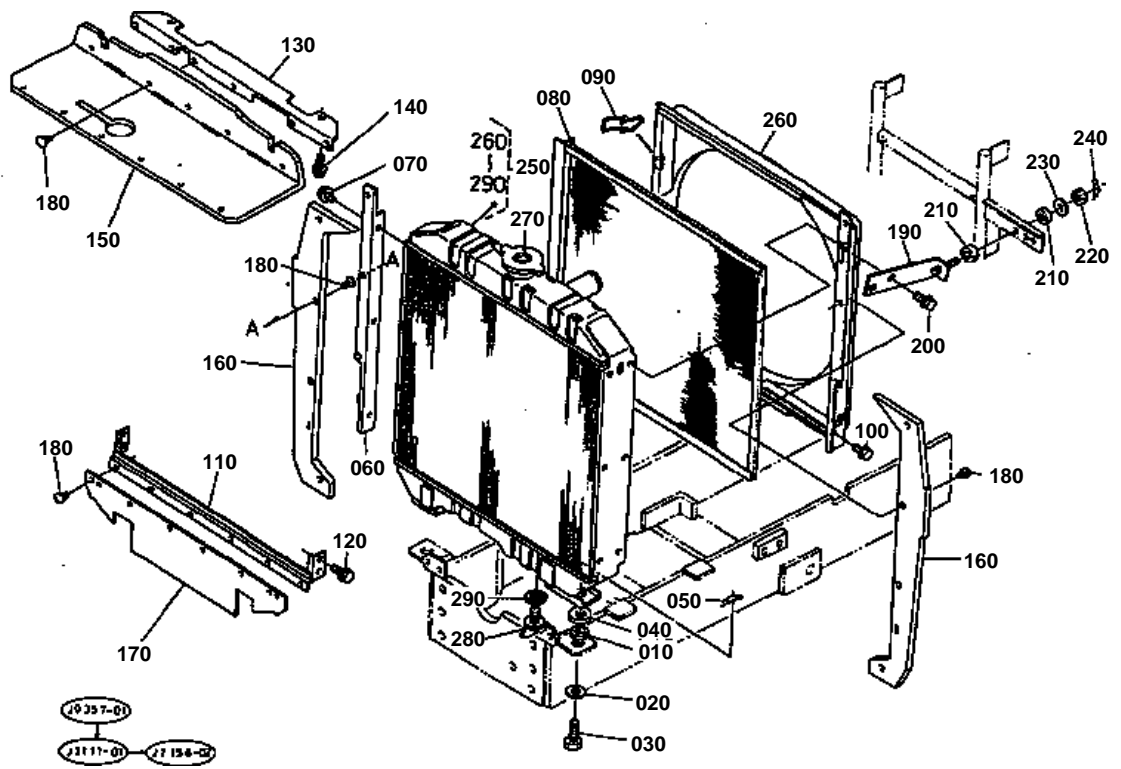


# WATER PIPE

↔ Interchangeable; ≠ not interchangeable; ← new for old; → old for new

REF.No	Part No.	Description	Q'ty	S.No.	I/C	REMARKS	Weight (kgf)	Weight (lb)
010	30400-88310	PIPE WATER	1				0.315	0.693
020	15108-72870	BAND	2				0.027	0.0594
030	30400-88360	PIPE WATER	1				0.33	0.726
040	15108-72870	BAND	2				0.027	0.0594
050	31351-18570	HOSE DRAIN	1				0.16	0.352
060	68171-63630	BAND HOSE	2				0.013	0.0286
070	53581-64150	BAND CORD	1				0.002	0.0044

# RADIATOR



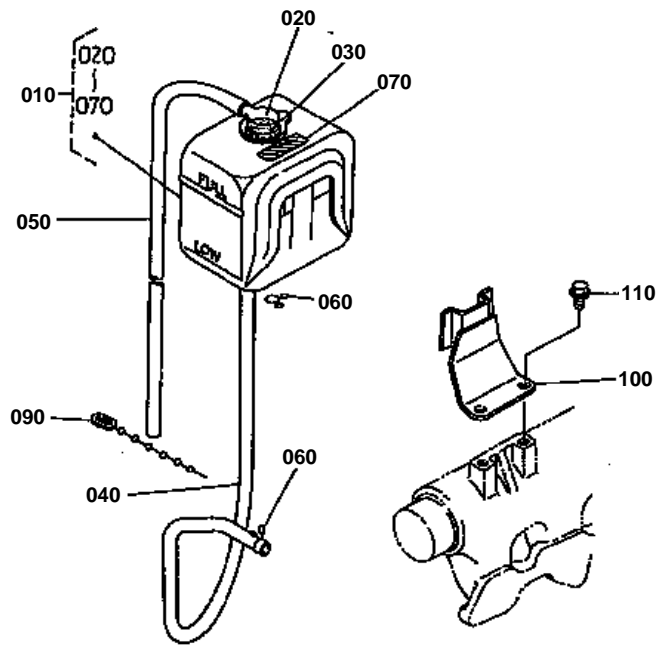


**RADIATOR**

↔ Interchangeable; ≠ not interchangeable; ← new for old; → old for new

REF.No	Part No.	Description	Q'ty	S.No.	I/C	REMARKS	Weight (kgf)	Weight (lb)
010	15111-72190	CUSHION	2				0.016	0.0352
020	04015-50100	WASHER PLAIN	2				0.016	0.0352
030	35080-13310	BOLT RADIATOR	2				0.03	0.066
040	15111-72200	WASHER	2				0.013	0.0286
050	05515-51000	PIN SNAP	2				0	0
060	34680-17710	FRAME SHUTTER	1				0.13	0.286
070	01754-50610	BOLT FLANGE	3				0.006	0.0132
080	35080-17720	NET RADIATOR	1				0.14	0.308
090	31351-17740	CLAMP	2				0.01	0.022
100	01754-50610	BOLT FLANGE	2				0.006	0.0132
110	34680-17760	FRAME SHUTTER	1				0.105	0.231
120	01754-50610	BOLT FLANGE	2				0.006	0.0132
130	32430-17772	PLATE SHUTTER	1				0.15	0.33
140	01754-50816	BOLT FLANGE	2				0.011	0.0242
150	30400-17782	SHUTTER	1				0.2	0.44
160	34680-17790	SHUTTER	2				0.045	0.099
170	32430-17803	SHUTTER	1				0.07	0.154
180	38430-29372	CLIP BUTTON	18				0.001	0.0022
190	34680-17830	SUPPORT RADIATOR	1				0.1	0.22
200	01754-50610	BOLT FLANGE	2				0.006	0.0132
210	30400-17840	RUBBER CUSHION	2				0.005	0.011
220	02114-50080	NUT	1				0.005	0.011
230	04015-50080	WASHER PLAIN	1				0	0
240	05515-50800	PIN SNAP	1				0	0
250	16743-72060	ASSY RADIATOR	1				7	15.4
260	16475-72330	SHROUD FAN	1				1.46	3.212
270	15272-72020	ASSY CAP	1				0.071	0.1562
280	15231-73110	COCK DRAIN	1				0.006	0.0132
290	15231-96690	GASKET	1				0.001	0.0022

# RESERVE TANK



10 211-0 13177-02

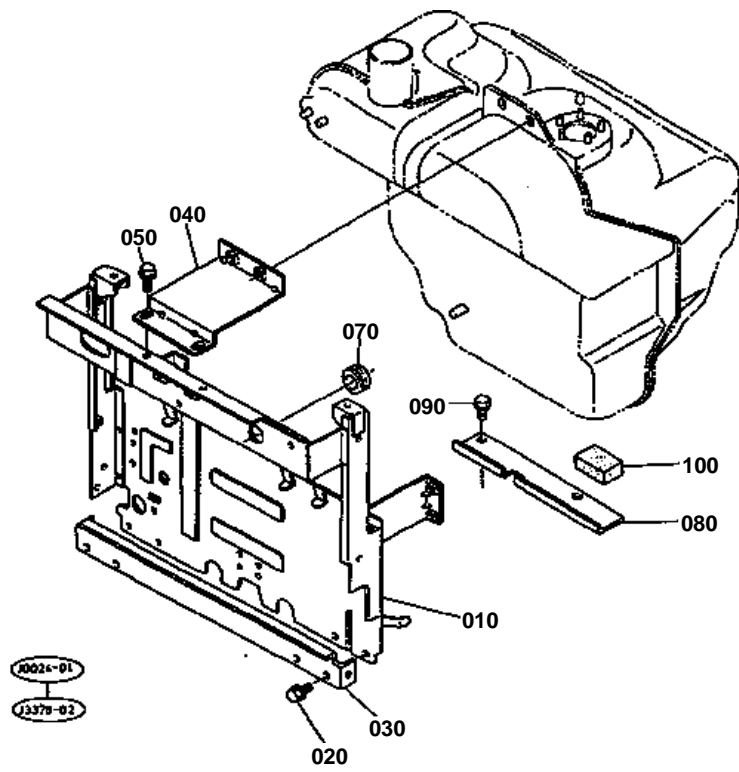


## RESERVE TANK

↔ Interchangeable; ≠ not interchangeable; ← new for old; → old for new

REF.No	Part No.	Description	Q'ty	S.No.	I/C	REMARKS	Weight (kgf)	Weight (lb)
010	17355-72380	ASSY TANK RESERVE	1				0.33	0.726
020	15272-72420	CAP	1				0.03	0.066
030	15272-72430	GASKET	1				0	0
040	17325-72440	PIPE OVER FLOW WATER	1				0.065	0.143
050	68111-42390	PIPE WATER OVER FLOW	1				0.04	0.088
060	15501-72470	CLIP PIPE	2				0.005	0.011
070	15501-88210	LABEL CAUTION	1				0.005	0.011
080	99999-99999	BLANK	0				0	0
090	34350-29380	BAND CORD	1				0.001	0.0022
100	32430-13954	STAY TANK	1				0.125	0.275
110	01754-50816	BOLT FLANGE	2				0.011	0.0242

# SHUTTER

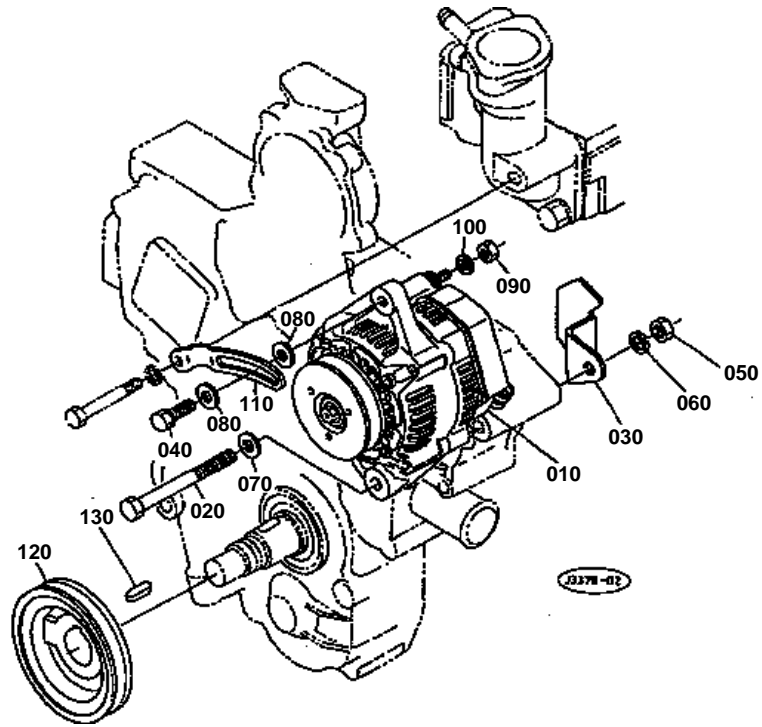




# SHUTTER

↔ Interchangeable; ≠ not interchangeable; ← new for old; → old for new

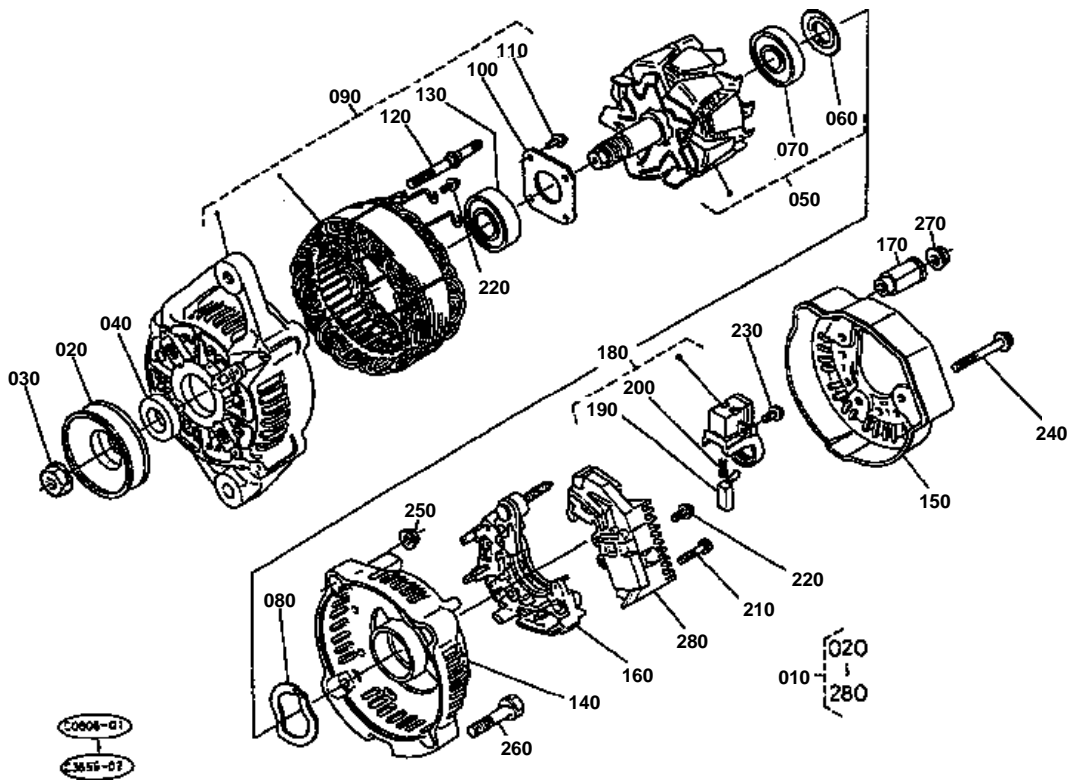
REF.No	Part No.	Description	Q'ty	S.No.	I/C	REMARKS	Weight (kgf)	Weight (lb)
010	35080-35213	PLATE SHUTTER	1		←		4.7	10.34
020	01754-50812	BOLT FLANGE	4				0.01	0.022
030	31351-35230	SUPPORT SHUTTER	1				0.345	0.759
040	35080-35250	STAY FUEL TANK	1				0.36	0.792
050	30400-15100	BOLT FLANGE	2				0.01	0.022
060	99999-99999	BLANK	0				0	0
070	37100-18080	RUBBER CUSHION	1				0.002	0.0044
080	35080-35260	STAY FUEL TANK	1				0.18	0.396
090	01123-50816	BOLT	2				0	0
100	35080-35180	CUSHION	2				0.03	0.066



**DYNAMO [A]**

↔ Interchangeable; ≠ not interchangeable; ← new for old; → old for new

REF.No	Part No.	Description	Q'ty	S.No.	I/C	REMARKS	Weight (kgf)	Weight (lb)
010	16705-64010	ASSY ALTERNATOR	1				0	0
020	01173-51000	BOLT	1				0.06	0.132
030	17367-05583	CLAMP PIPE	1				0.04	0.088
040	01123-50830	BOLT	1				0.015	0.033
050	02156-50100	NUT	1				0.005	0.011
060	04512-50100	WASHER SPRING	1				0	0
070	04011-50100	WASHER PLAIN	1				0.002	0.0044
080	04015-50080	WASHER PLAIN	2				0	0
090	02056-50060	NUT	1				0.002	0.0044
100	04512-50060	WASHER SPRING	1				0	0
110	16705-64420	STAY DYNAMO	1				0.1	0.22
120	17345-74280	PULLEY FAN DRIVE	1				0.94	2.068
130	05712-00720	KEY FEATHER	1				0.008	0.0176



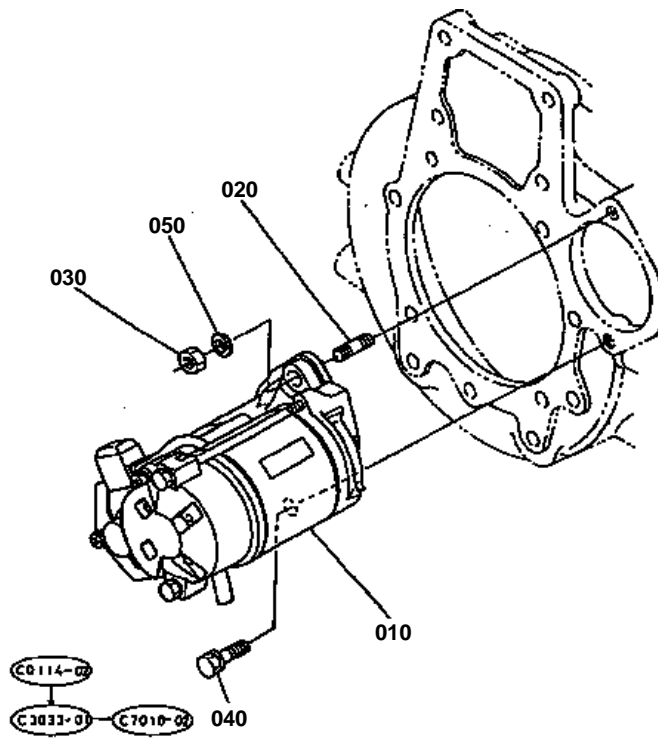


**DYNAMO [COMPONENT PARTS] [A]**

↔ Interchangeable; ≠ not interchangeable; ← new for old; → old for new

REF.No	Part No.	Description	Q'ty	S.No.	I/C	REMARKS	Weight (kgf)	Weight (lb)
010	16705-64010	ASSY ALTERNATOR	1				0	0
020	15881-64110	PULLEY DYNAMO	1				0.16	0.352
030	15881-92010	NUT	1				0.02	0.044
040	15881-64150	COLLAR	1				0.004	0.0088
050	15881-64040	ROTOR	1				0	0
060	15881-64800	COVER BEARING	1				0.001	0.0022
070	15881-64770	BEARING BALL	1				0.04	0.088
080	15881-64810	WASHER THRUST	1				0.002	0.0044
090	16705-64020	FRAME DRIVE END	1				1.175	2.585
100	15881-64710	PLATE RETAINER	1				0.01	0.022
110	15881-93010	SCREW ROUND HEAD	4				0.003	0.0066
120	15881-64260	BOLT THROUGH	2				0.01	0.022
130	15881-64780	BEARING BALL	1				0.05	0.11
140	16241-64060	FRAME END	1				0.2	0.44
150	16241-64230	COVER END	1				0	0
160	16241-64850	ASSY RECTIFIER	1				0	0
170	16241-64900	BUSH INSULATION	1				0.007	0.0154
180	15881-64310	HOLDER BRUSH	1				0.025	0.055
190	15881-64090	BRUSH	2				0.002	0.0044
200	15881-64330	SPRING BRUSH	2				0.002	0.0044
210	15881-93020	SCREW ROUND HEAD	2				0.005	0.011
220	15881-93030	SCREW ROUND HEAD	6				0.003	0.0066
230	15881-93040	SCREW ROUND HEAD	1				0.003	0.0066
240	15881-91040	BOLT	3				0.005	0.011
250	15881-92020	NUT	2				0.02	0.044
260	15881-91050	BOLT	2				0.01	0.022
270	14182-92030	NUT	1				0.003	0.0066
280	15881-64600	ASSY REGULATOR	1				0	0

# STARTER



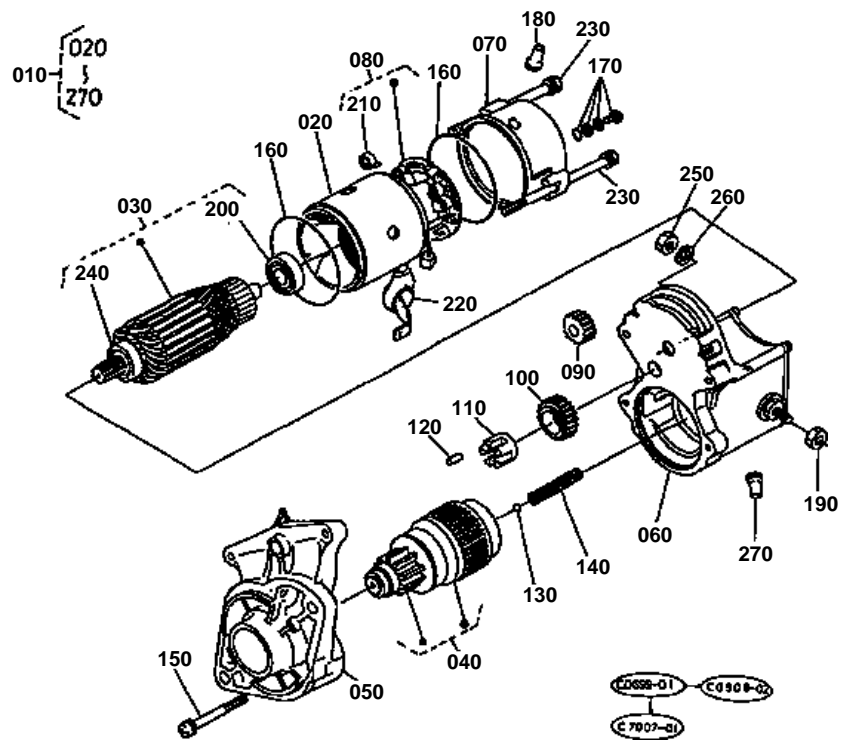


# STARTER

↔ Interchangeable; ≠ not interchangeable; ← new for old; → old for new

REF.No	Part No.	Description	Q'ty	S.No.	I/C	REMARKS	Weight (kgf)	Weight (lb)
010	17341-63010	ASSY STARTER	1				3.65	8.03
020	01517-51028	STUD	1				0.022	0.0484
030	02176-50100	NUT	1				0.005	0.011
040	01133-51030	BOLT	1				0.025	0.055
050	04512-50100	WASHER SPRING	1				0	0

STARTER [COMPONENT PARTS]

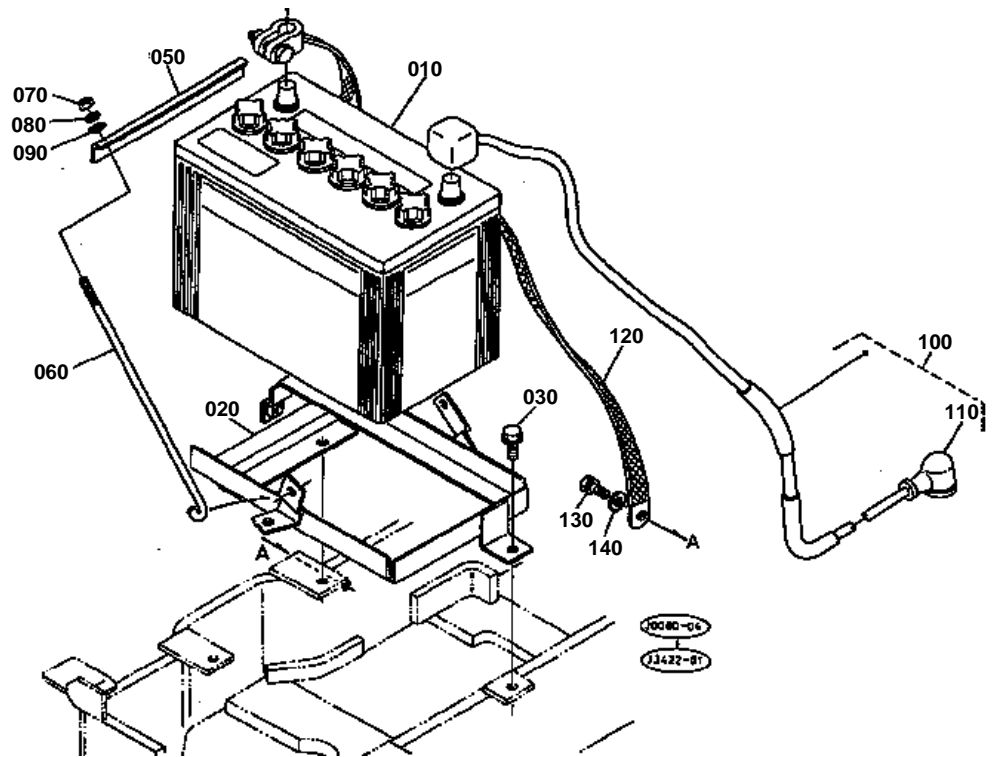


**STARTER [COMPONENT PARTS]**

↔ Interchangeable; ≠ not interchangeable; ← new for old; → old for new

REF.No	Part No.	Description	Q'ty	S.No.	I/C	REMARKS	Weight (kgf)	Weight (lb)
010	17341-63010	ASSY STARTER	1				3.65	8.03
020	15461-63080	ASSY YOKE	1				1.13	2.486
030	15511-63070	ASSY ARMATURE	1				1.05	2.31
040	15471-63040	ASSY CLUTCH	1				0.72	1.584
050	15511-63030	FRAME DRIVE END	1				0.32	0.704
060	17341-63020	ASSY SWITCH MAGNETIC	1				1.135	2.497
070	15511-63200	FRAME END	1				0.14	0.308
080	17341-63380	ASSY HOLDER BRUSH	1				0.095	0.209
090	15511-63260	GEAR	1				0.02	0.044
100	15401-63270	GEAR	1				0.043	0.0946
110	19212-63110	RETAINER	1				0.002	0.0044
120	19212-63100	ROLLER	5				0.002	0.0044
130	19212-97130	BALL	1				0.003	0.0066
140	19212-63120	SPRING	1				0.004	0.0088
150	15501-93310	SCREW PAN HEAD	2				0.01	0.022
160	15511-96660	O RING	2				0.005	0.011
170	15511-63760	ASSY BOLT	2				0.005	0.011
180	15511-63450	COVER	1				0.002	0.0044
190	13963-92010	NUT HEXAGON	1				0.005	0.011
200	15511-63530	BEARING BALL	1				0.025	0.055
210	15401-63390	SPRING BRUSH	4				0.003	0.0066
220	17381-63450	COVER	1				0.01	0.022
230	19215-63320	BOLT THROUGH	2				0.03	0.066
240	15511-63500	BEARING BALL	1				0.04	0.088
250	19616-92010	NUT HEXAGON	1				0.04	0.088
260	04512-50080	WASHER SPRING	1				0	0
270	17311-63450	COVER	1				0.005	0.011

# BATTERY

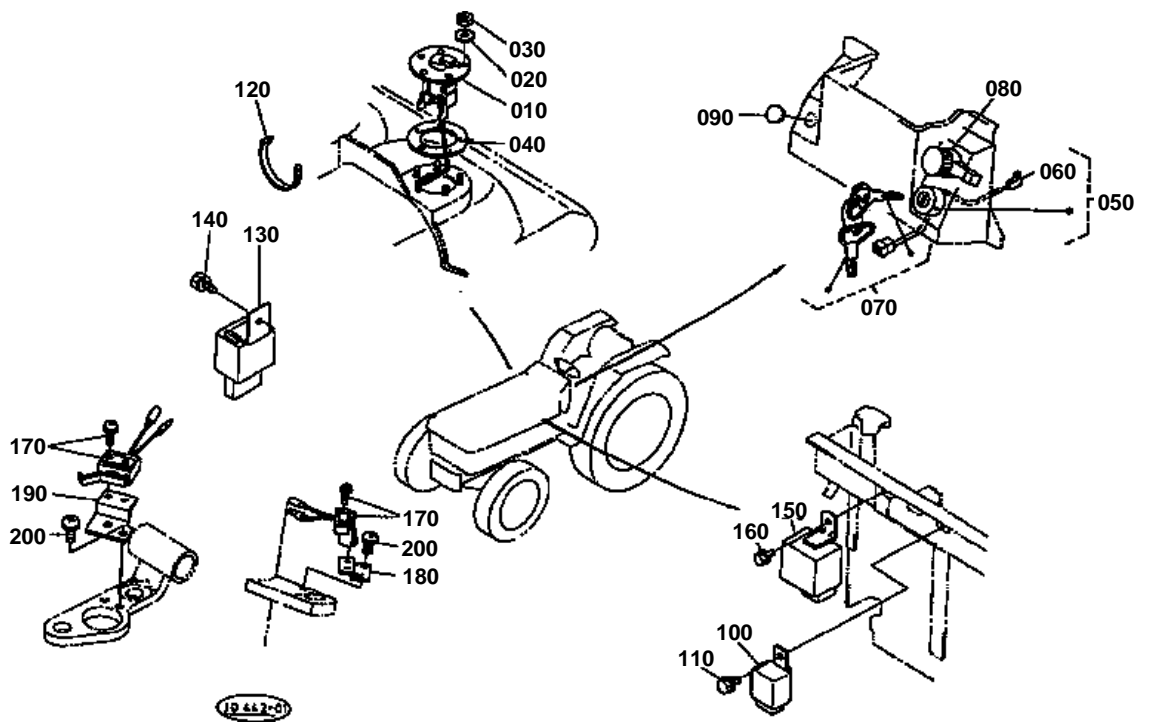


**BATTERY**

↔ Interchangeable; ≠ not interchangeable; ← new for old; → old for new

REF.No	Part No.	Description	Q'ty	S.No.	I/C	REMARKS	Weight (kgf)	Weight (lb)
010	32410-33100	BATTERY DRY(DR)	1				14	30.8
020	35080-13810	SUPPORT BATTERY	1				1.13	2.486
030	01754-50816	BOLT FLANGE	3				0.011	0.0242
040	99999-99999	BLANK	0				0	0
050	31351-33110	RETAINER BATTERY	1				0.11	0.242
060	38240-33290	BOLT HOOK	2				0	0
070	02014-50060	NUT	2				0.002	0.0044
080	04512-50060	WASHER SPRING	2				0	0
090	04015-50060	WASHER PLAIN	2				0	0
100	31351-33330	CORD BATTERY	1				0.45	0.99
110	31351-94030	CAP BATTERY RUBBER	1				0.01	0.022
120	31351-33340	CORD EARTH	1				0	0
130	01123-50814	BOLT	1				0	0
140	04013-50080	WASHER PLAIN	1				0	0

# SWITCH



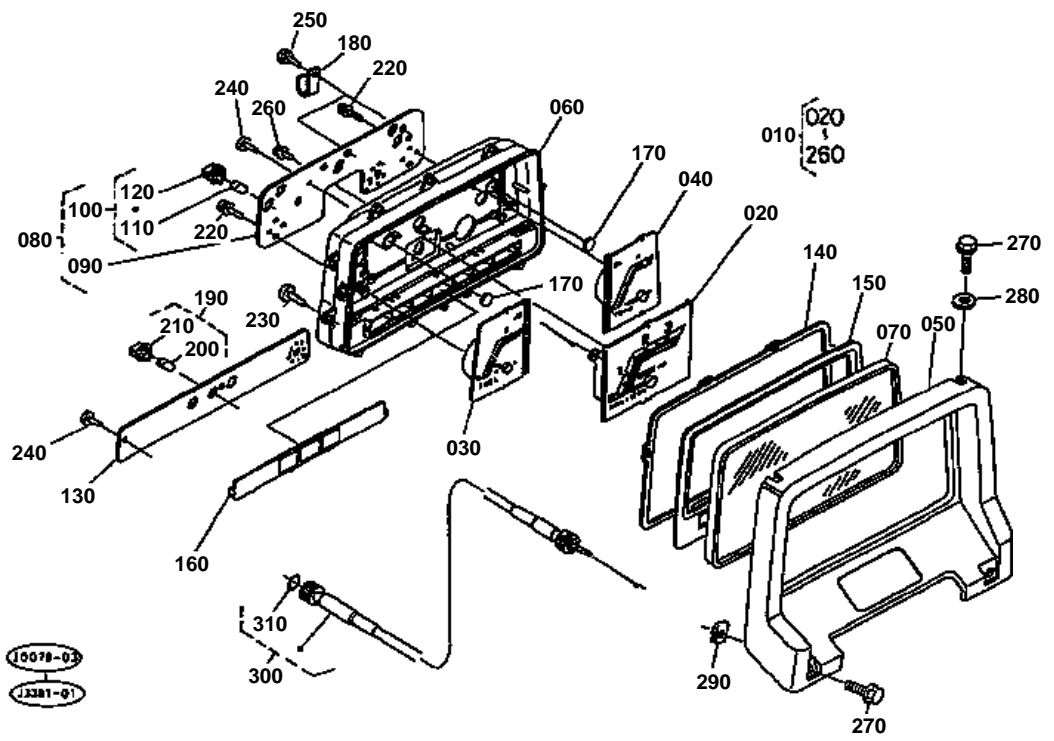


**SWITCH**

↔ Interchangeable; ≠ not interchangeable; ← new for old; → old for new

REF.No	Part No.	Description	Q'ty	S.No.	I/C	REMARKS	Weight (kgf)	Weight (lb)
010	35080-31200	UNIT FUEL	1				0.23	0.506
020	04013-50050	WASHER PLAIN	5				0	0
030	02054-50050	NUT	5				0.002	0.0044
040	36330-75310	GASKET	1				0.005	0.011
050	35080-31820	SWITCH MAIN	1				0.3	0.66
060	35080-31830	HARNES MAIN SWITCH	1				0.02	0.044
070	35260-31852	ASSY KEY MAIN SWITCH	1				0.03	0.066
080	31351-32100	SWITCH COMBINATION	1				0.105	0.231
090	30430-82670	PLUG BLIND	1				0.001	0.0022
100	35800-75070	RELAY STARTER	1				0.08	0.176
110	01754-50610	BOLT FLANGE	1				0.006	0.0132
120	55311-41260	BAND CORD	1				0.007	0.0154
130	32400-33700	HAZARD UNIT	1				0.07	0.154
140	01202-50616	BOLT	1				0.006	0.0132
150	31351-31410	TIMER	1				0	0
160	01754-50610	BOLT FLANGE	1				0.006	0.0132
170	30442-74930	SWITCH MARKER	2				0.015	0.033
180	35080-32213	STAY NEUTRAL SWITCH	1				0.015	0.033
190	35080-32232	STAY NEUTRAL SWITCH	1				0.01	0.022
200	03024-50508	SCREW WITH WASHER	4				0.002	0.0044

PANEL



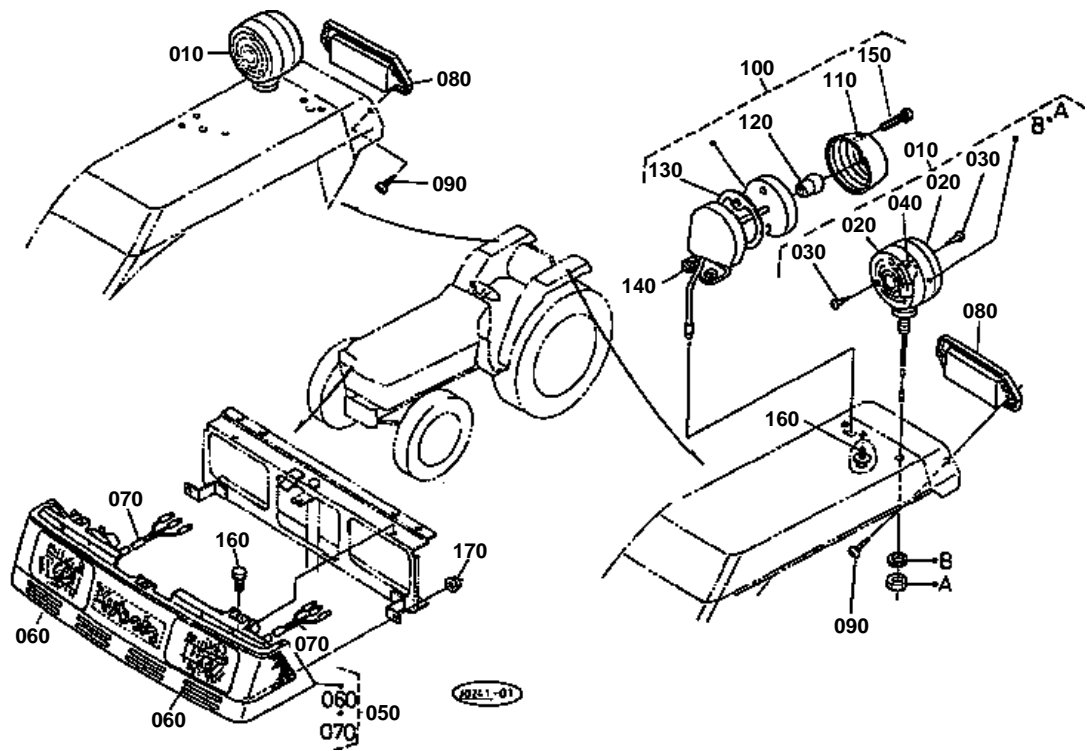


## PANEL

↔ Interchangeable; ≠ not interchangeable; ← new for old; → old for new

REF.No	Part No.	Description	Q'ty	S.No.	I/C	REMARKS	Weight (kgf)	Weight (lb)
010	35080-31120	ASSY BOARD PANEL	1				1.5	3.3
020	35080-93710	ASSY TACHOMETER	1				0.22	0.484
030	34670-93720	ASSY GAUGE FUEL	1				0.06	0.132
040	34670-93730	ASSY GAUGE TEMP.	1				0.12	0.264
050	31351-93740	HOOD	1				0.46	1.012
060	34670-93750	CASE	1				0.47	1.034
070	31351-93760	GLASS WITH GASKET	1				0.475	1.045
080	34670-93770	ASSY PLATE	1				0.185	0.407
090	34670-93780	ASSY PLATE SUB	1				0.05	0.11
100	38240-31460	ASSY LAMP	5				0.015	0.033
110	38240-31470	BULB	5				0.01	0.022
120	38240-31480	SOCKET	5				0.001	0.0022
130	35080-93780	ASSY PLATE	1				0.03	0.066
140	31351-93790	GASKET RUBBER	1				0.055	0.121
150	31351-93800	PLATE WIND	1				0.18	0.396
160	35080-93810	LENS	1				0.04	0.088
170	31351-93820	LENS	2				0.005	0.011
180	31351-93850	CLAMP	2				0.04	0.088
190	38240-31460	ASSY LAMP	3				0.015	0.033
200	38240-31470	BULB	3				0.01	0.022
210	38240-31480	SOCKET	3				0.001	0.0022
220	32530-94930	SCREW WITH WASHER	6				0.005	0.011
230	03514-50420	SCREW	11				0.002	0.0044
240	35533-76210	SCREW	6				0.002	0.0044
250	35533-76180	SCREW	2				0.001	0.0022
260	32530-94900	SCREW WITH WASHER	2				0.002	0.0044
270	31351-18790	BOLT FLANGE	4				0.007	0.0154
280	31351-18860	WASHER	2				0.002	0.0044
290	38240-29250	NUT SPRING	2				0.005	0.011
300	38240-34655	CABLE FLEXIBLE	1				0.22	0.484
310	04811-10080	O RING	1				0.001	0.0022

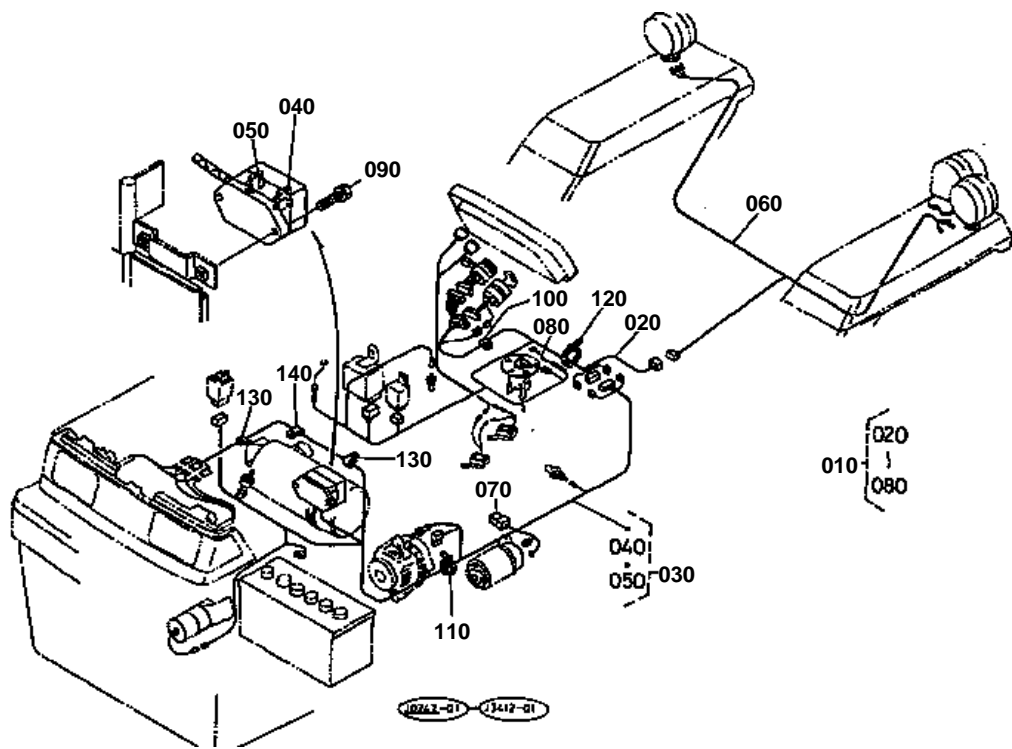
# LIGHT



**LIGHT**

↔ Interchangeable; ≠ not interchangeable; ← new for old; → old for new

REF.No	Part No.	Description	Q'ty	S.No.	I/C	REMARKS	Weight (kgf)	Weight (lb)
010	32530-33610	ASSY LIGHT HAZARD	2				0.38	0.836
020	32530-91510	LENS HAZARD LIGHT	4				0.085	0.187
030	32530-91520	SCREW	12				0.001	0.0022
040	32530-91530	BULB LIGHT	2				0.02	0.044
050	35080-33370	ASSY LIGHT HEAD	1				1.5	3.3
060	38430-33870	BULB	2				0.023	0.0506
070	34670-93600	COMP.CORD SOCKET	2				0.065	0.143
080	31351-33900	ASSY REFLECTOR	2				0.088	0.1936
090	03514-50510	SCREW	4				0.002	0.0044
100	34350-34100	ASSY LIGHT TAIL	1				0.13	0.286
110	34350-34120	LENS TAIL LIGHT	1				0.05	0.11
120	34350-34140	BULB TAIL LIGHT	1				0.008	0.0176
130	34350-99220	GASKET LENS	1				0.01	0.022
140	32480-34190	HOLDER TAIL LIGHT	1				0.15	0.33
150	03056-50335	SCREW	2				0.001	0.0022
160	01754-50612	BOLT FLANGE	2				0.005	0.011
170	02751-50060	NUT FLANGE	2				0.005	0.011



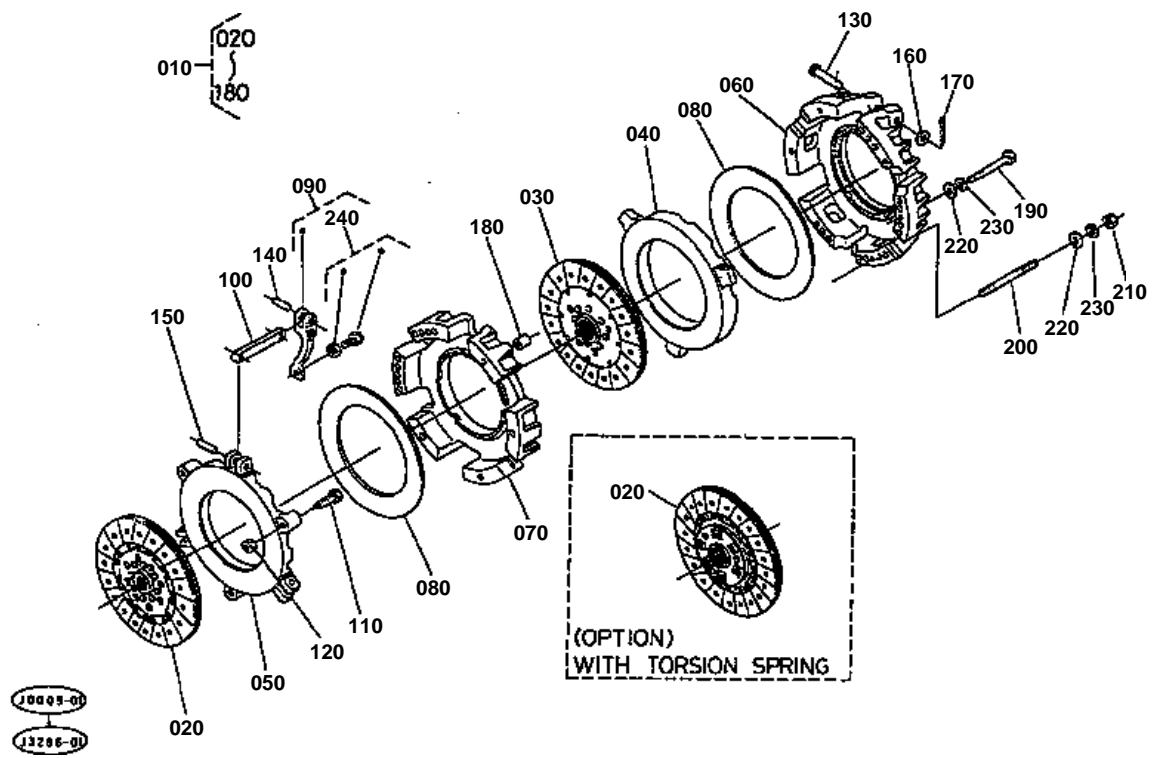


# ELECTRICAL WIRING [A]

↔ Interchangeable; ≠ not interchangeable; ← new for old; → old for new

REF.No	Part No.	Description	Q'ty	S.No.	I/C	REMARKS	Weight (kgf)	Weight (lb)
010	35080-31600	ASSY WIRE HARNESS	1				1.36	2.992
020	35080-31620	WIRE HARNESS	1				0.63	1.386
030	35080-31630	WIRE HARNESS	1				0.6	1.32
040	31351-33630	FUSE	5			10A	0.002	0.0044
050	31351-33640	FUSE	3			15A	0.002	0.0044
060	32430-31340	WIRE HARNESS	1				0.155	0.341
070	34670-34530	FUSE	1				0.003	0.0066
080	31351-31352	WIRE HARNESS	1				0.005	0.011
090	01023-50616	BOLT	2				0.005	0.011
100	79153-35380	CLAMP	2				0.02	0.044
110	55311-41260	BAND CORD	1				0.007	0.0154
120	53581-64150	BAND CORD	1				0.002	0.0044
130	13816-67580	CLAMP CORD	2				0.004	0.0088
140	13824-67580	CLAMP CORD	1				0.006	0.0132

CLUTCH [DUAL CLUTCH]



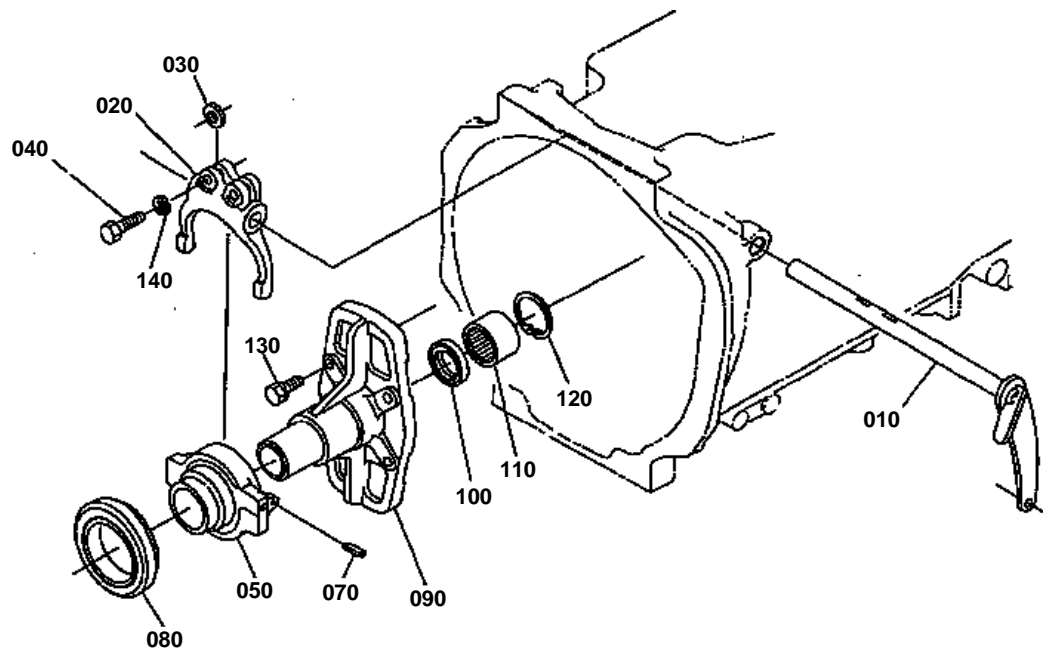


**CLUTCH [DUAL CLUTCH]**

↔ Interchangeable; ≠ not interchangeable; ← new for old; → old for new

REF.No	Part No.	Description	Q'ty	S.No.	I/C	REMARKS	Weight (kgf)	Weight (lb)
010	35080-14290	ASSY CLUTCH DUAL	1				17	37.4
020	35080-14460	COMP.DISK CLUTCH	1				0.9	1.98
020	38150-14400	COMP.DISK CLUTCH	1			OPTION	1.2	2.64
030	32425-14450	COMP.DISK CLUTCH	1				1	2.2
040	38260-14430	PLATE PRESSURE	1				2.1	4.62
050	32430-14440	PLATE PRESSURE	1				3	6.6
060	32430-14410	COVER CLUTCH	1				4.2	9.24
070	32430-14420	COVER CLUTCH	1				4.2	9.24
080	32430-14520	SPRING DIAPHRAGM	2				0.33	0.726
090	35290-99030	KIT LEVER RELEASE	1				0.415	0.913
100	38260-14530	COMP ROD RELEASE	3				0.08	0.176
110	35290-14580	BOLT	3				0.035	0.077
120	02176-50100	NUT	3				0.005	0.011
130	38260-14560	PIN JOINT	3				0.022	0.0484
140	34370-14570	PIN STRAIGHT	3				0.016	0.0352
150	38260-14580	PIN STRAIGHT	3				0.015	0.033
160	04012-50080	WASHER PLAIN	3				0.001	0.0022
170	38260-14590	PIN SPLIT	3				0.001	0.0022
180	34370-14590	PIPE KNOCK	3				0.01	0.022
190	01153-50870	BOLT	4				0.026	0.0572
200	01513-50870	STUD	2				0.029	0.0638
210	02156-50080	NUT	2				0.004	0.0088
220	04013-50080	WASHER PLAIN	6				0	0
230	04512-50080	WASHER SPRING	6				0	0
240	35290-14600	KIT BOLT NUT	1				0.05	0.11

CLUTCH LEVER [WITH DUAL CLUTCH]



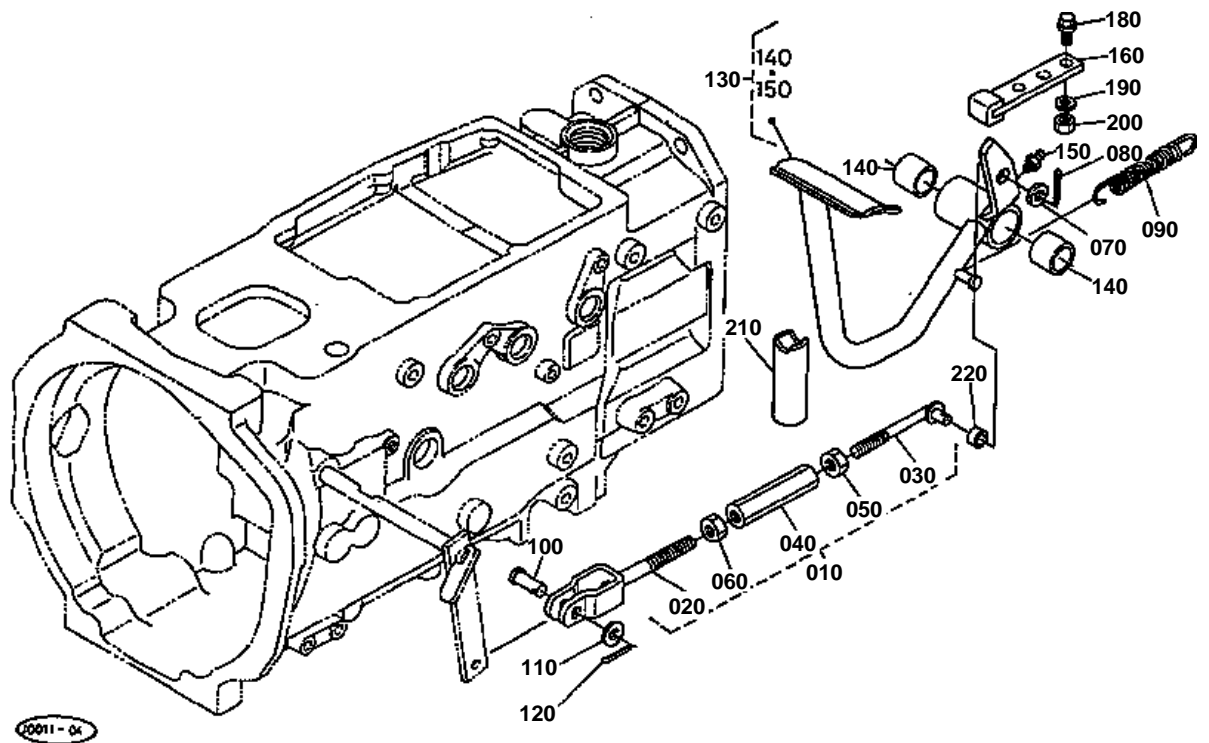
0010 - 02

**CLUTCH LEVER [WITH DUAL CLUTCH]**

↔ Interchangeable; ≠ not interchangeable; ← new for old; → old for new

REF.No	Part No.	Description	Q'ty	S.No.	I/C	REMARKS	Weight (kgf)	Weight (lb)
010	31351-14710	LEVER CLUTCH	1				0.59	1.298
020	38430-14720	FORK CLUTCH RELEASE	1				0.41	0.902
030	31150-14780	KEY FORK	2				0.003	0.0066
040	31351-14750	BOLT	2				0.017	0.0374
050	31351-14813	HUB CLUTCH RELEASE	1				0.45	0.99
060	99999-99999	BLANK	0				0	0
070	05411-00312	PIN SPRING	2				0.001	0.0022
080	38430-14820	BEARING THRUST BALL	1				0.27	0.594
090	31351-15450	CASE SHAFT	1				0.53	1.166
100	09500-35477	SEAL OIL	1				0.012	0.0264
110	08813-84820	BEARING NEEDLE	1				0.06	0.132
120	31351-15460	CIR-CLIP INTERNAL	1				0.004	0.0088
130	01123-50830	BOLT	4				0.015	0.033
140	04512-50080	WASHER SPRING	2				0	0

CLUTCH PEDAL [WITH DUAL CLUTCH]

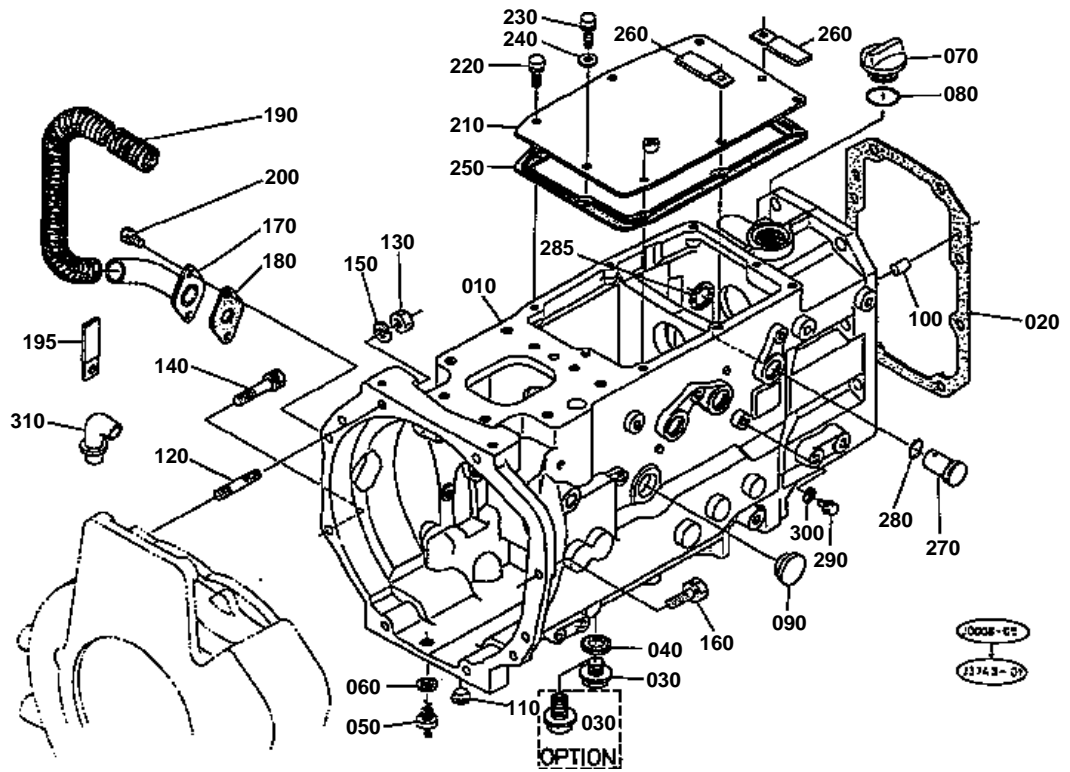


**CLUTCH PEDAL [WITH DUAL CLUTCH]**

↔ Interchangeable; ≠ not interchangeable; ← new for old; → old for new

REF.No	Part No.	Description	Q'ty	S.No.	I/C	REMARKS	Weight (kgf)	Weight (lb)
010	32430-15603	ASSY ROD CLUTCH	1				0.34	0.748
020	31395-83080	ROD CLUTCH	1				0.11	0.242
030	32430-15643	ROD CLUTCH	1				0.11	0.242
040	37720-28980	TURNBUCKLE	1				0.099	0.2178
050	37720-28990	NUT	1				0.008	0.0176
060	02172-50120	NUT	1				0.01	0.022
070	04013-50120	WASHER PLAIN	1				0	0
080	05511-50425	PIN SPLIT	1				0.003	0.0066
090	37150-15840	SPRING	1				0.06	0.132
100	05112-50822	PIN JOINT	1				0.01	0.022
110	04012-50080	WASHER PLAIN	1				0.001	0.0022
120	05511-50220	PIN SPLIT	1				0.001	0.0022
130	32430-15704	ASSY PEDAL CLUTCH	1				1.59	3.498
140	38180-28670	BUSH	2				0.02	0.044
150	06613-10675	NIPPLE GREASE	1				0.003	0.0066
160	31351-15934	STOPPER PEDAL	1				0.1	0.22
170	99999-99999	BLANK	0				0	0
180	01754-50820	BOLT FLANGE	2				0.015	0.033
190	04512-50080	WASHER SPRING	2				0	0
200	02114-50080	NUT	2				0.005	0.011
210	32430-15950	PIECE DISTANCE	1				0.05	0.11
220	32440-15732	BUSH	1				0.001	0.0022

# CLUTCH HOUSING [WITH DUAL CLUTCH]

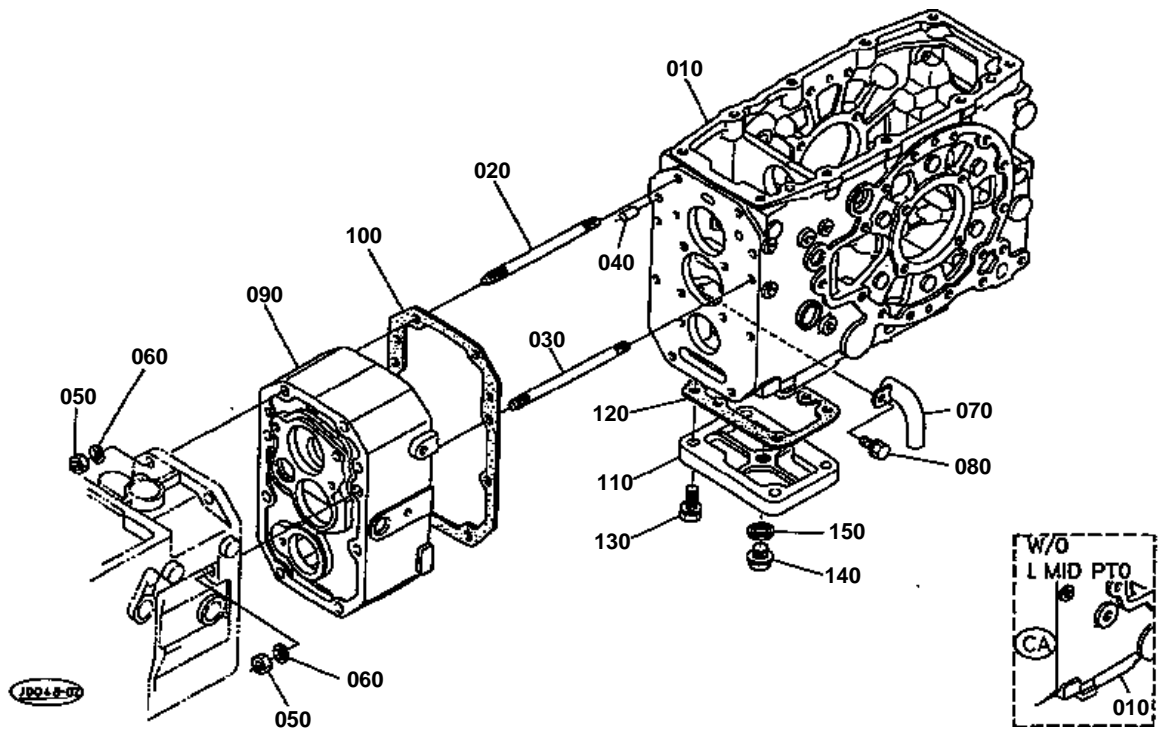


**CLUTCH HOUSING [WITH DUAL CLUTCH]**

↔ Interchangeable; ≠ not interchangeable; ← new for old; → old for new

REF.No	Part No.	Description	Q'ty	S.No.	I/C	REMARKS	Weight (kgf)	Weight (lb)
010	32440-14134	HOUSING CLUTCH	1				50.05	110.11
020	35340-14140	GASKET	1				0	0
030	15512-96010	PLUG	1				0.101	0.2222
030	32420-67020	PLUG MAGNET	1			OPTION	0.115	0.253
040	04717-02150	WASHER WITH RUBBER	1				0.004	0.0088
050	32430-14270	KIT PLUG	1				0.04	0.088
060	04512-50140	WASHER SPRING	1				0	0
070	38430-21410	PLUG	1				0.045	0.099
080	04811-50300	O RING	1				0	0
090	38240-14210	GAUGE OIL	1				0.01	0.022
100	05012-01022	PIN STRAIGHT	2				0.014	0.0308
110	32210-27580	PLUG BLIND	10				0.001	0.0022
120	38430-14130	STUD	3				0.045	0.099
130	37300-14190	NUT	3				0.009	0.0198
140	01136-51065	BOLT	4				0.045	0.099
150	04512-50100	WASHER SPRING	3				0	0
160	01136-51040	BOLT	1				0.03	0.066
170	32430-14170	COVER HOUSING	1				0.14	0.308
180	32430-14180	GASKET	1				0.01	0.022
190	35080-14190	TUBE	1				0.03	0.066
195	13824-67580	CLAMP CORD	1				0.006	0.0132
200	01123-50816	BOLT	2				0	0
210	31351-14210	COVER	1				0.89	1.958
220	01123-50814	BOLT	7				0	0
230	01754-50816	BOLT FLANGE	1				0.011	0.0242
240	04717-00800	WASHER WITH RUBBER	1				0.001	0.0022
250	31351-14220	GASKET	1				0	0
260	13816-67580	CLAMP CORD	2				0.004	0.0088
270	35080-23370	PIN JOINT	1			W/O CREEP	0.1	0.22
280	04811-00200	O RING	1			W/O CREEP	0	0
285	35080-23350	CLIP	1			W/O CREEP	0.005	0.011
290	01754-50812	BOLT FLANGE	1			W/O CREEP	0.01	0.022
300	04717-00800	WASHER WITH RUBBER	1			W/O CREEP	0.001	0.0022
310	32430-14990	BREATHER	1				0.025	0.055

# TRANSMISSION CASE





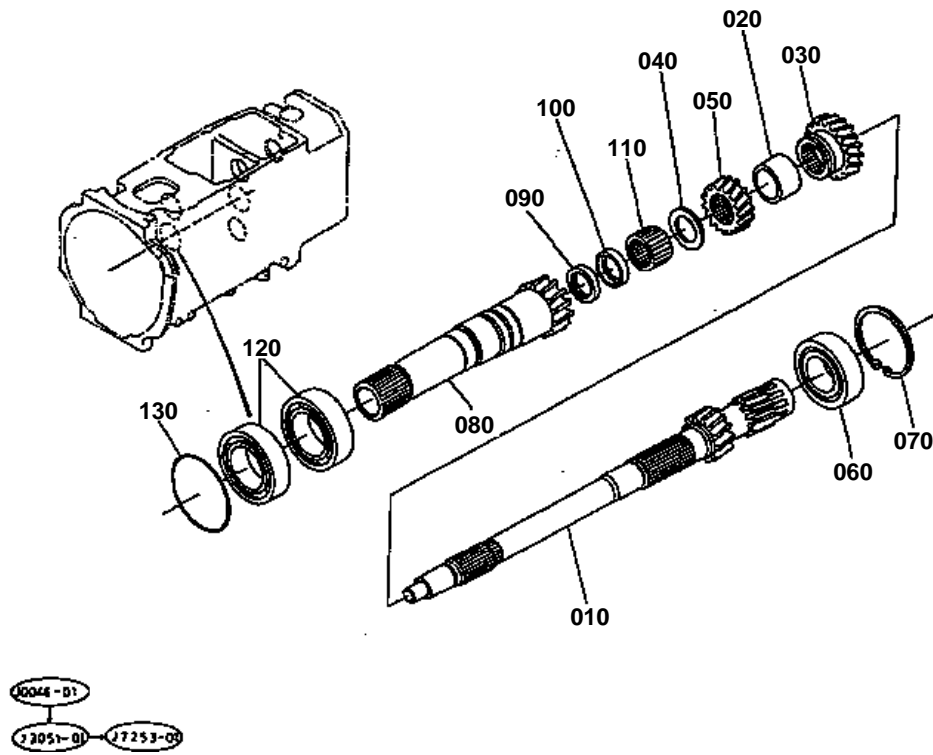


# TRANSMISSION CASE

↔ Interchangeable; ≠ not interchangeable; ← new for old; → old for new

REF.No	Part No.	Description	Q'ty	S.No.	I/C	REMARKS	Weight (kgf)	Weight (lb)
010	32440-21112	CASE TRANSMISSION	1			[A] W/O I.MID PTO	32	70.4
010	32440-21112	CASE TRANSMISSION	1			[CA]	32	70.4
020	35260-14180	STUD	7				0.14	0.308
030	31361-14160	STUD	1				0.15	0.33
040	05012-01018	PIN STRAIGHT	2				0.012	0.0264
050	02176-50120	NUT	8				0.01	0.022
060	04512-50120	WASHER SPRING	8				0	0
070	32430-21250	PIPE	1				0.065	0.143
080	01754-50812	BOLT FLANGE	1				0.01	0.022
090	31361-21150	CASE MID	1			W/O WET CLUTCH	9.85	21.67
100	35340-14140	GASKET	1				0	0
110	37150-21272	COVER	1				0.33	0.726
120	37150-21282	GASKET	1				0	0
130	01133-51235	BOLT	4				0.043	0.0946
140	06331-35012	PLUG	1				0.022	0.0484
150	04717-01200	WASHER WITH RUBBER	1				0.002	0.0044

MAIN SHAFT [WITH DUAL CLUTCH]



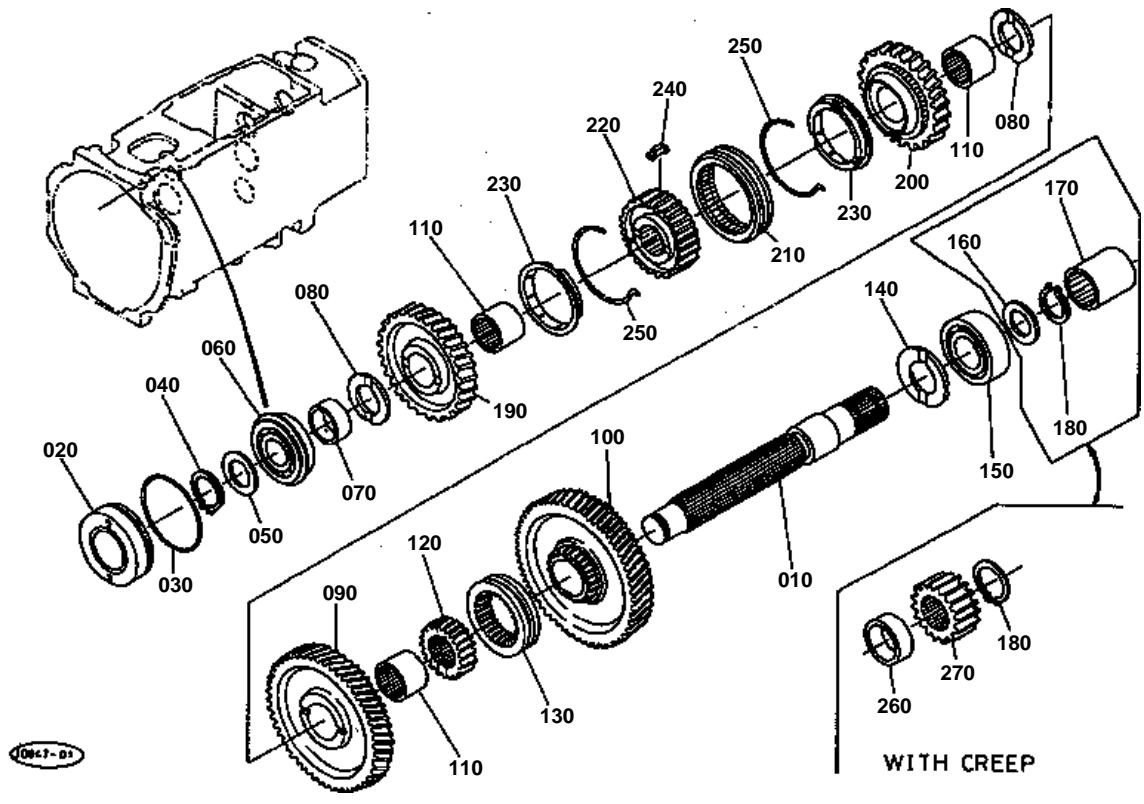


# MAIN SHAFT [WITH DUAL CLUTCH]

↔ Interchangeable; ≠ not interchangeable; ← new for old; → old for new

REF.No	Part No.	Description	Q'ty	S.No.	I/C	REMARKS	Weight (kgf)	Weight (lb)
010	32440-21620	SHAFT MAIN	1				1.74	3.828
020	35080-21560	COLLAR	1				0.05	0.11
030	32430-21523	GEAR	1			23T	0.345	0.759
040	31351-21550	WASHER	1				0.002	0.0044
050	32430-21542	GEAR	1			18T	0.195	0.429
060	35890-41290	BEARING BALL	1				0.233	0.5126
070	04611-00620	CIR-CLIP INTERNAL	1				0.011	0.0242
080	32440-21350	SHAFT GEAR	1			17T	0.935	2.057
090	36730-24330	SEAL FIRST SHAFT	1				0.005	0.011
100	31351-21370	GUIDE	1				0.05	0.11
110	08822-53117	BEARING NEEDLE	1				0.025	0.055
120	32440-21320	BEARING BALL	2				0.19	0.418
130	04811-10710	O RING	1				0.001	0.0022

COUNTERSHAFT 1 [SYNCHRO MESH]

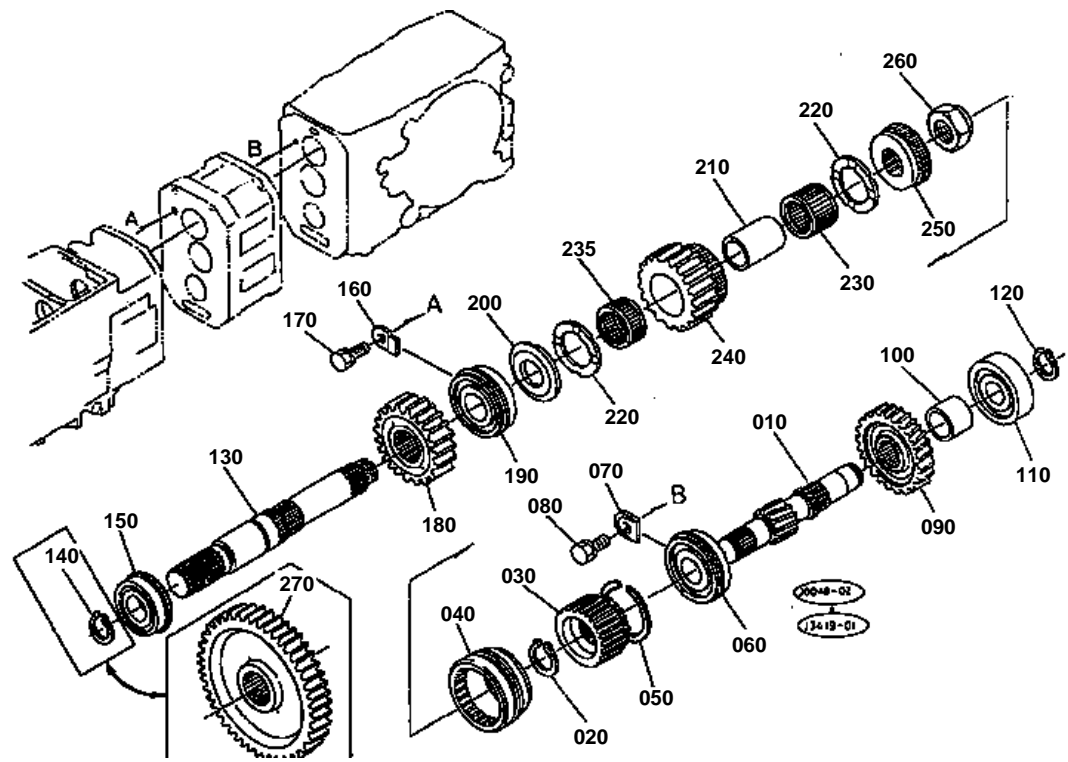


**COUNTERSHAFT 1 [SYNCHRO MESH]**

↔ Interchangeable; ≠ not interchangeable; ← new for old; → old for new

REF.No	Part No.	Description	Q'ty	S.No.	I/C	REMARKS	Weight (kgf)	Weight (lb)
010	31351-21610	COUNTERSHAFT	1				1.02	2.244
020	38240-21650	COVER BEARING	1				0.09	0.198
030	04811-50550	O RING	1				0.002	0.0044
040	37150-21551	CIR-CLIP EXTERNAL	1				0.005	0.011
050	34150-21560	WASHER	1			2.0MM	0.01	0.022
050	38450-23780	WASHER	1			2.3MM	0.01	0.022
050	38450-23790	WASHER	1			2.5MM	0.01	0.022
060	38280-21690	BEARING BALL	1				0.135	0.297
070	32430-21770	COLLAR	1				0.045	0.099
080	31351-21760	COLLAR THRUST	2				0.03	0.066
090	32440-21733	GEAR	1			42T	1.12	2.464
100	31351-21740	GEAR	1			45T	1.09	2.398
110	31351-21790	RING INNER	3				0.05	0.11
120	31351-21780	BOSS SPLINE	1				0.08	0.176
130	31351-21750	SHIFTER	1				0.14	0.308
140	38240-21760	COLLAR THRUST	1				0.02	0.044
150	67311-14520	BEARING BALL	1				0.125	0.275
160	32430-21290	COLLAR	1			W/O CREEP	0.02	0.044
170	35300-21660	COUPLING	1			W/O CREEP	0.19	0.418
180	37150-21551	CIR-CLIP EXTERNAL	1				0.005	0.011
190	32430-21472	GEAR	1			37T	0.83	1.826
200	32430-21482	GEAR	1			32T	0.675	1.485
210	32430-21410	SHIFTER	1				0	0
220	32430-21422	COUPLING	1				0.3	0.66
230	32430-21432	RING SYNCHRONIZER	2				0.045	0.099
240	32430-21440	KEY SYNCHRONIZER	3				0.004	0.0088
250	32430-21460	SPRING	2				0.01	0.022

# COUNTERSHAFT 2

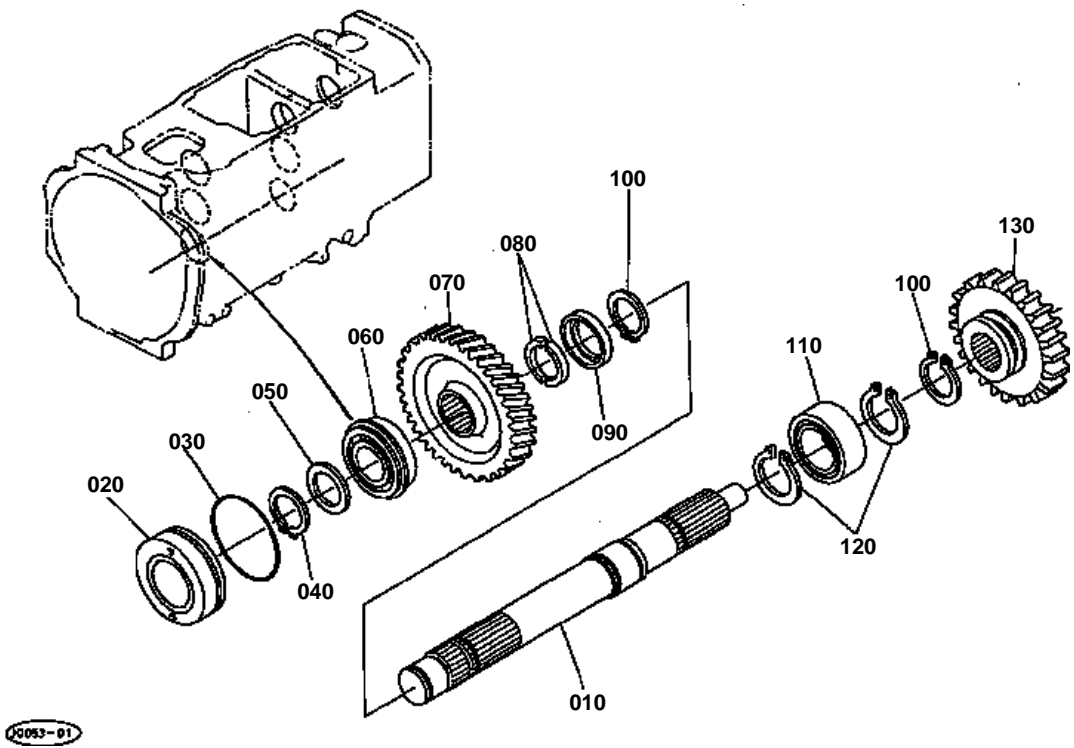


**COUNTERSHAFT 2**

↔ Interchangeable; ≠ not interchangeable; ← new for old; → old for new

REF.No	Part No.	Description	Q'ty	S.No.	I/C	REMARKS	Weight (kgf)	Weight (lb)
010	32430-21910	GEAR-SHAFT	1			13T	0.78	1.716
020	37150-21551	CIR-CLIP EXTERNAL	1				0.005	0.011
030	35260-23270	BOSS SPLINE	1				0.3	0.66
040	35260-23299	SHIFTER	1				0.325	0.715
050	35260-23280	CLIP	1				0	0
060	35300-41280	BEARING BALL	1				0.235	0.517
070	34150-21942	RETAINER BEARING	1				0.035	0.077
080	01123-50820	BOLT	1				0.011	0.0242
090	32430-21922	GEAR	1			28T	0.585	1.287
100	32430-21990	COLLAR	1				0.1	0.22
110	08101-06305	BEARING BALL	1				0.23	0.506
120	37150-21551	CIR-CLIP EXTERNAL	1				0.005	0.011
130	31361-22514	COUNTERSHAFT	1				1.055	2.321
140	37150-21551	CIR-CLIP EXTERNAL	1			W/O CREEP	0.005	0.011
150	08151-06205	BEARING BALL	1				0.131	0.2882
160	35260-23300	RETAINER BEARING	2				0.02	0.044
170	01123-50816	BOLT	2				0	0
180	31361-22520	GEAR	1			24T	0.63	1.386
190	32440-22530	BEARING ROLLER	1				0.27	0.594
200	38430-21762	COLLAR THRUST	1				0.035	0.077
210	31361-22540	RING INNER	1				0.115	0.253
220	35260-23240	WASHER	2				0.01	0.022
230	32440-22570	BEARING NEEDLE	1				0.055	0.121
235	35080-22560	BEARING NEEDLE	1				0.05	0.11
240	31361-22550	GEAR	1			23T	0.62	1.364
250	35260-23260	BOSS SPLINE	1				0.17	0.374
260	35260-23252	NUT	1				0.04	0.088

PTO COUNTERSHAFT 1 [WITH DUAL CLUTCH]

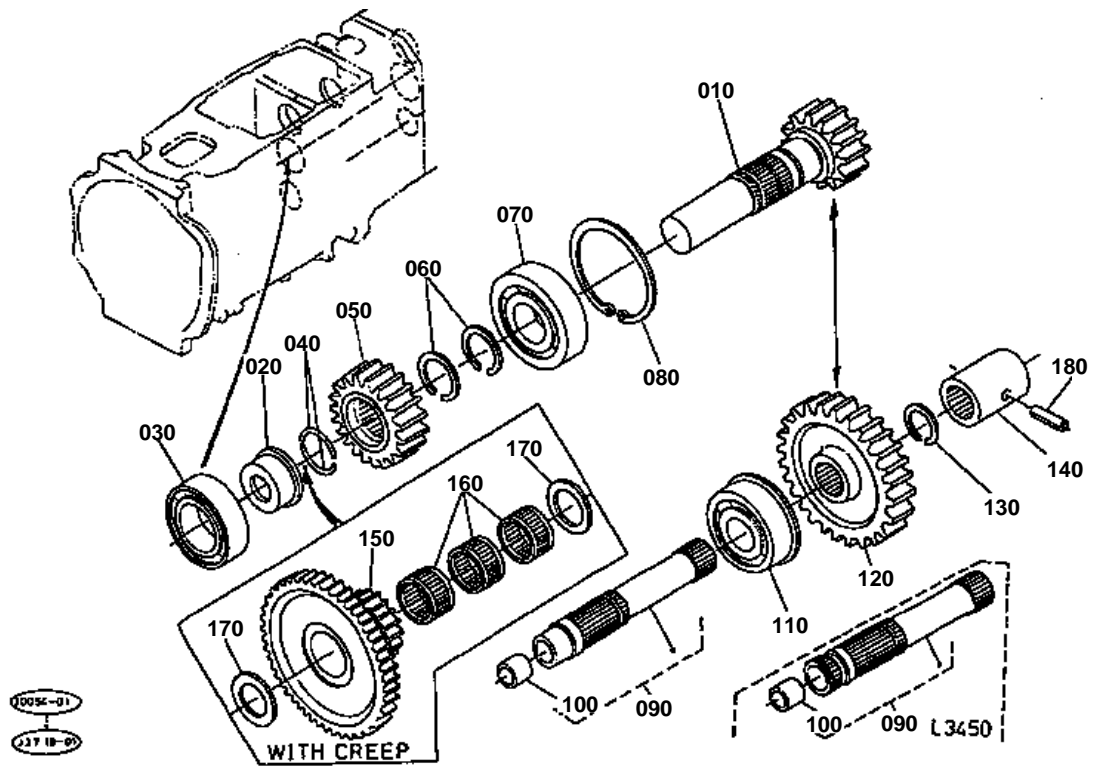




**PTO COUNTERSHAFT 1 [WITH DUAL CLUTCH]**

↔ Interchangeable; ≠ not interchangeable; ← new for old; → old for new

REF.No	Part No.	Description	Q'ty	S.No.	I/C	REMARKS	Weight (kgf)	Weight (lb)
010	32430-25110	COUNTERSHAFT PTO	1				1.39	3.058
020	38240-21650	COVER BEARING	1				0.09	0.198
030	04811-50550	O RING	1				0.002	0.0044
040	37150-21551	CIR-CLIP EXTERNAL	1				0.005	0.011
050	34150-21560	WASHER	1			2.0MM	0.01	0.022
060	31301-22640	BEARING BALL	1				0.13	0.286
070	32440-25120	GEAR	1			37T	0.76	1.672
080	31351-25220	COLLAR	2				0.005	0.011
090	31351-25230	COLLAR	1				0.012	0.0264
100	04612-00280	CIR-CLIP EXTERNAL	2				0.003	0.0066
110	35340-25380	BEARING ROLLER	1				0.175	0.385
120	31351-21930	CIR-CLIP EXTERNAL	2				0.004	0.0088
130	31351-25170	GEAR(DC)	1			23T	0.52	1.144

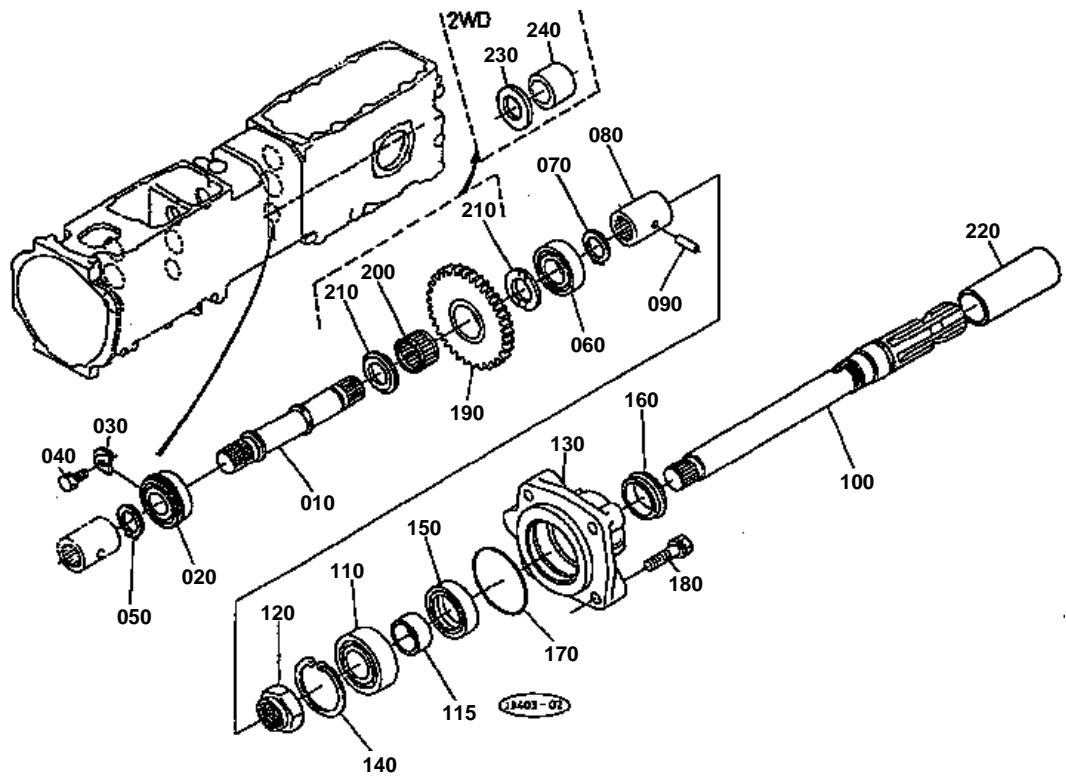


**PTO COUNTERSHAFT 2 [WITH DUAL CLUTCH]**

↔ Interchangeable; ≠ not interchangeable; ← new for old; → old for new

REF.No	Part No.	Description	Q'ty	S.No.	I/C	REMARKS	Weight (kgf)	Weight (lb)
010	32440-25290	SHAFT PTO GEAR	1			12T	0.855	1.881
020	31351-25240	SPACER BEARING	1				0.08	0.176
030	36920-40090	BEARING BALL	1				0.1	0.22
040	31351-25270	CLIP	2				0.003	0.0066
050	31351-25260	GEAR(DC)	1			18T	0.31	0.682
060	38430-25540	CIR-CLIP EXTERNAL	2				0.004	0.0088
070	36540-41130	BEARING BALL	1				0.34	0.748
080	04611-00720	CIR-CLIP INTERNAL	1				0.018	0.0396
090	32440-25152	ASSY COUNTERSHAFT	1				0.8	1.76
100	31351-21830	BUSH	1				0.005	0.011
110	32440-25180	BEARING BALL	1				0.2	0.44
120	32440-25190	GEAR	1			30T	1	2.2
130	38430-25540	CIR-CLIP EXTERNAL	1				0.004	0.0088
140	31301-25220	COUPLING	1				0.16	0.352
180	05411-00540	PIN SPRING	1				0.004	0.0088

PTO SHAFT [W/O I.MID PTO]

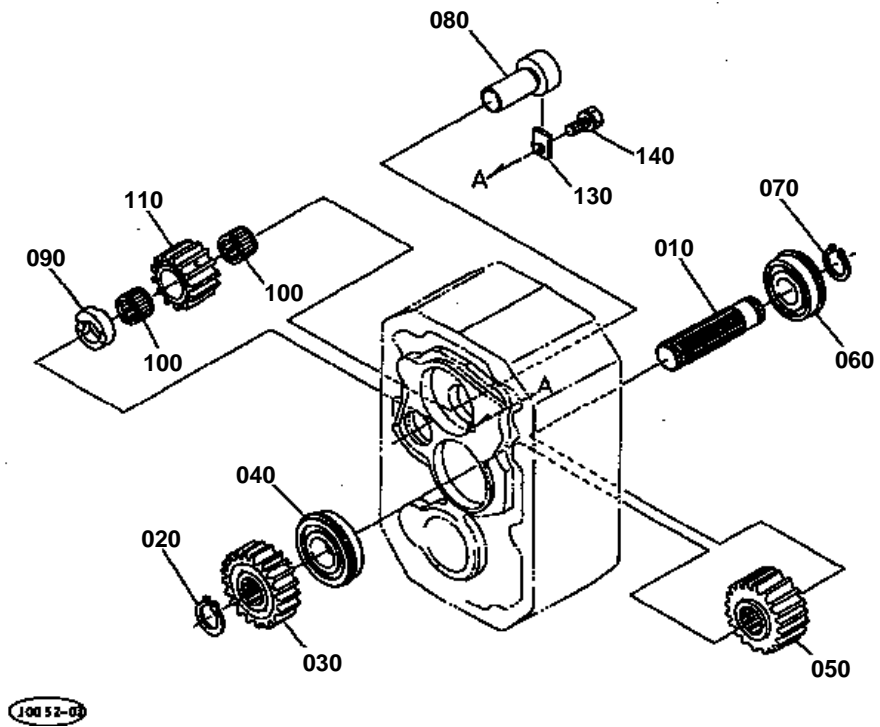


**PTO SHAFT [W/O I.MID PTO]**

↔ Interchangeable; ≠ not interchangeable; ← new for old; → old for new

REF.No	Part No.	Description	Q'ty	S.No.	I/C	REMARKS	Weight (kgf)	Weight (lb)
010	32440-25213	SHAFT PTO DRIVE	1				0.92	2.024
020	08151-06006	BEARING BALL	1				0.12	0.264
030	34150-21942	RETAINER BEARING	1				0.035	0.077
040	01123-50822	BOLT	1				0.012	0.0264
050	04612-00300	CIR-CLIP EXTERNAL	1				0.003	0.0066
060	35340-25380	BEARING ROLLER	1				0.175	0.385
070	04612-00300	CIR-CLIP EXTERNAL	1				0.003	0.0066
080	31301-25220	COUPLING	1				0.16	0.352
090	05411-00540	PIN SPRING	1				0.004	0.0088
100	32440-25313	SHAFT PTO	1				2.2	4.84
110	38430-25330	BEARING BALL	1				0	0
115	35340-25350	COLLAR SEAL	1				0.03	0.066
120	35340-25320	NUT	1				0.05	0.11
130	31391-25410	CASE BEARING	1				1.28	2.816
140	04611-00650	CIR-CLIP INTERNAL	1				0.011	0.0242
150	35340-25360	SEAL OIL	1				0.024	0.0528
160	38240-25370	SLINGER	1				0.004	0.0088
170	04811-50800	O RING	1				0.003	0.0066
180	01123-50840	BOLT	4				0.018	0.0396
220	31220-25820	CAP	1				0.055	0.121
230	34150-21560	WASHER	1				0.01	0.022
240	32430-25590	COLLAR	1				0.09	0.198

# REVERSE SHAFT



10052-03

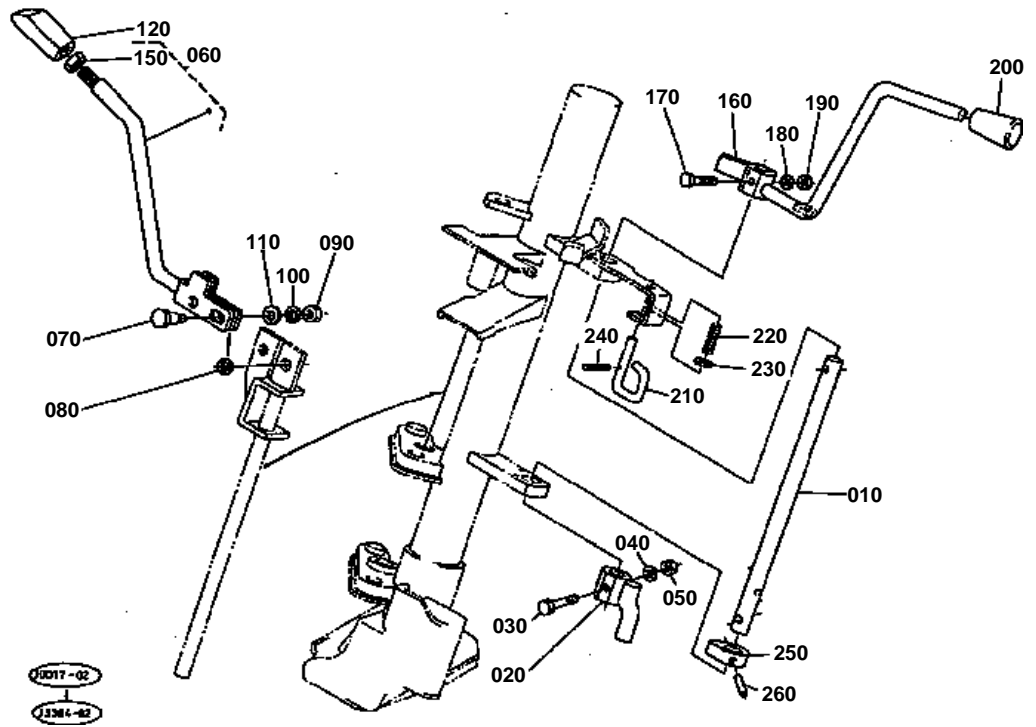


## REVERSE SHAFT

↔ Interchangeable; ≠ not interchangeable; ← new for old; → old for new

REF.No	Part No.	Description	Q'ty	S.No.	I/C	REMARKS	Weight (kgf)	Weight (lb)
010	31361-22610	SHAFT REVERSE	1				0.34	0.748
020	37150-21551	CIR-CLIP EXTERNAL	1				0.005	0.011
030	31361-22623	GEAR	1			22T	0.54	1.188
040	31361-22530	BEARING ROLLER	1				0.27	0.594
050	31361-22630	GEAR	1			19T	0.52	1.144
060	31361-22640	BEARING BALL	1				0.18	0.396
070	04612-00220	CIR-CLIP EXTERNAL	1				0.001	0.0022
080	31361-22712	SHAFT REVERSE	1				0.26	0.572
090	31361-22770	COLLAR	1				0.025	0.055
100	08822-02617	BEARING NEEDLE	2				0.02	0.044
110	31361-22723	GEAR	1			15T	0.3	0.66
120	99999-99999	BLANK	0				0	0
130	35260-23210	STOPPER	1				0.005	0.011
140	01123-50816	BOLT	1				0	0

# MAIN AND SHUTTLE GEAR SHIFT LEVER





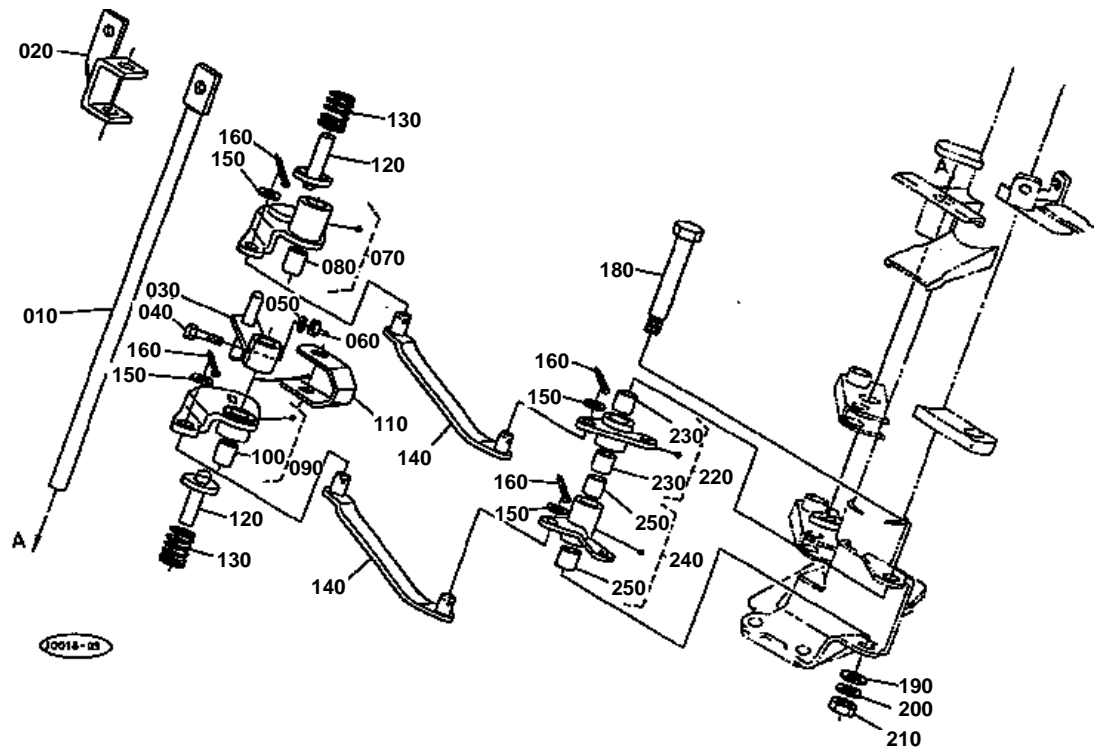


## MAIN AND SHUTTLE GEAR SHIFT LEVER

↔ Interchangeable; ≠ not interchangeable; ← new for old; → old for new

REF.No	Part No.	Description	Q'ty	S.No.	I/C	REMARKS	Weight (kgf)	Weight (lb)
010	35080-17370	SHAFT SHUTTLE CONT.	1				0	0
020	32430-17380	ARM SHUTTLE CHANGE	1				0.2	0.44
030	31351-17150	BOLT REAMER	1				0.01	0.022
040	04512-50060	WASHER SPRING	1				0	0
050	02056-50060	NUT	1				0.002	0.0044
060	32430-17402	ASSY LEVER M-CHANGE	1				0.335	0.737
070	31351-17080	BOLT	2				0.03	0.066
080	31351-24090	SHIM	2				0.005	0.011
090	02114-50080	NUT	2				0.005	0.011
100	04512-50080	WASHER SPRING	2				0	0
110	04013-50080	WASHER PLAIN	2				0	0
120	31351-17470	GRIP LEVER	1				0.03	0.066
130	99999-99999	BLANK	0				0	0
140	99999-99999	BLANK	0				0	0
150	02116-50100	NUT	1				0.004	0.0088
160	32430-17510	LEVER SHUTTLE CHANGE	1				0.4	0.88
170	31351-17150	BOLT REAMER	1				0.01	0.022
180	04512-50060	WASHER SPRING	1				0	0
190	02056-50060	NUT	1				0.002	0.0044
200	06914-00120	GRIP LEVER	1				0.018	0.0396
210	32430-17570	PIN SHUTTLE LOCK	1				0.03	0.066
220	32430-17580	SPRING	1				0.002	0.0044
230	04013-50060	WASHER PLAIN	1				0	0
240	05511-50218	PIN SPLIT	1				0.001	0.0022
250	35080-32220	CAM NEUTRAL SWITCH	1				0.02	0.044
260	05411-00635	PIN SPRING	1				0.005	0.011

# MAIN GEAR SHIFT LINKAGE SYSTEM



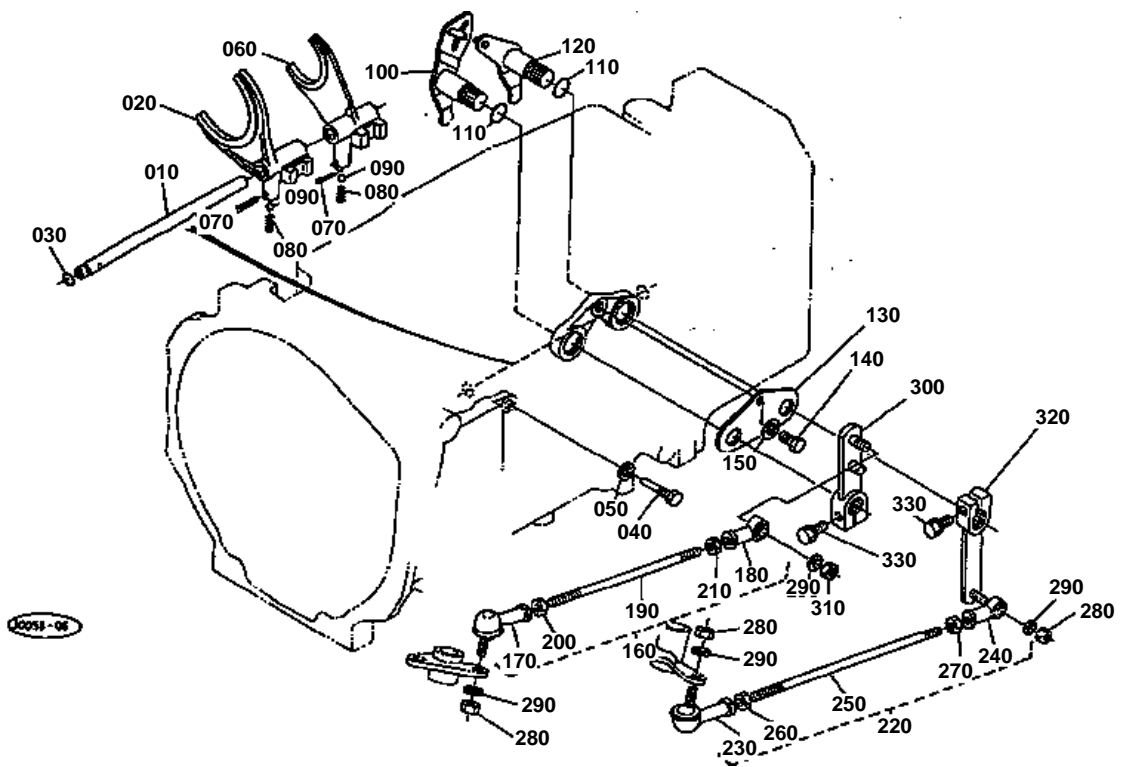


## MAIN GEAR SHIFT LINKAGE SYSTEM

↔ Interchangeable; ≠ not interchangeable; ← new for old; → old for new

REF.No	Part No.	Description	Q'ty	S.No.	I/C	REMARKS	Weight (kgf)	Weight (lb)
010	31351-17112	SHAFT MAIN CONTROL	1				0.58	1.276
020	31351-17123	BRACKET	1				0.2	0.44
030	30400-17140	ARM SELECT	1				0.16	0.352
040	31351-17150	BOLT REAMER	1				0.01	0.022
050	04512-50060	WASHER SPRING	1				0	0
060	02056-50060	NUT	1				0.002	0.0044
070	31351-17170	COMP.ARM SHIFT UPPER	1				0.35	0.77
080	08511-01625	BUSH	1				0.01	0.022
090	31351-17200	COMP.ARM SHIFT LOWER	1				0.36	0.792
100	08511-01625	BUSH	1				0.01	0.022
110	31351-17230	SPACER	1				0.06	0.132
120	31351-17240	PIN LOCK	2				0.06	0.132
130	31351-17250	SPRING	2				0.01	0.022
140	32430-17270	PLATE JOINT	2				0.24	0.528
150	04011-50120	WASHER PLAIN	4				0.005	0.011
160	05511-50425	PIN SPLIT	4				0.003	0.0066
170	99999-99999	BLANK	0				0	0
180	31351-17290	SHAFT LINK	1				0.1	0.22
190	04013-50100	WASHER PLAIN	1				0	0
200	04512-50100	WASHER SPRING	1				0	0
210	02176-50100	NUT	1				0.005	0.011
220	31351-17302	COMP.LINK CONECT	1				0.15	0.33
230	08511-01412	BUSH	2				0.004	0.0088
240	31351-17342	COMP.LINK CONECT	1				0.17	0.374
250	08511-01412	BUSH	2				0.004	0.0088

MAIN GEAR SHIFT FORK [SYNCHRO MESH]

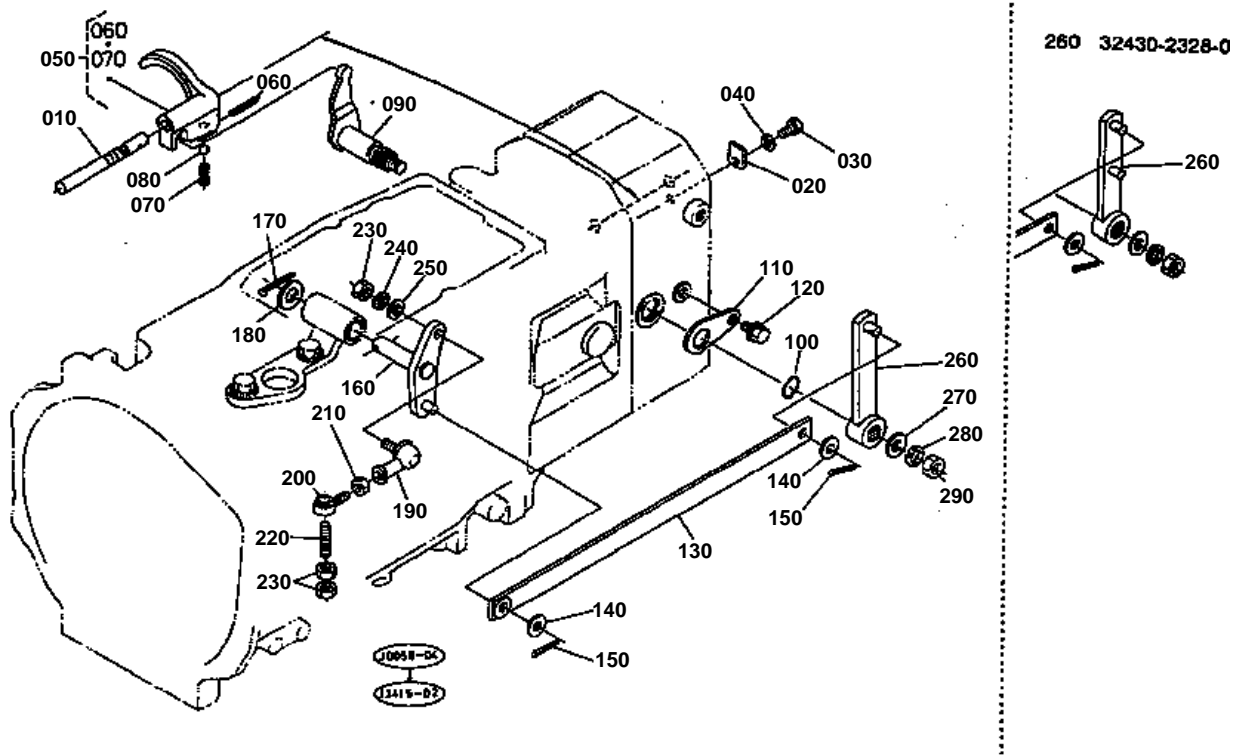


**MAIN GEAR SHIFT FORK [SYNCHRO MESH]**

↔ Interchangeable; ≠ not interchangeable; ← new for old; → old for new

REF.No	Part No.	Description	Q'ty	S.No.	I/C	REMARKS	Weight (kgf)	Weight (lb)
010	32430-23110	SHAFT S-CHANGE FORK	1				0.18	0.396
020	32430-23140	FORK S-CHANGE SHIFT	1				0.29	0.638
030	04811-00090	O RING	1				0	0
040	31351-23120	BOLT	1				0.01	0.022
050	04717-00800	WASHER WITH RUBBER	1				0.001	0.0022
060	31351-23140	FORK MAIN SHIFT	1				0.285	0.627
070	05511-50322	PIN SPLIT	2				0.002	0.0044
080	62231-18530	SPRING	2				0.01	0.022
090	07715-01605	BALL	2				0.003	0.0066
100	31351-23163	ARM MAIN SHIFT	1				0.2	0.44
110	04811-00200	O RING	2				0	0
120	31351-23173	ARM MAIN SHIFT	1				0.15	0.33
130	31351-23180	PLATE	1				0.06	0.132
140	31351-23200	BOLT	1				0.005	0.011
150	04411-50080	WASHER TOOTHED	1				0.001	0.0022
160	31351-24103	ASSY ROD CHANGE	1				0.08	0.176
170	54721-31850	BALL LINK	1				0.065	0.143
180	31351-24220	SCREW ROD-END RH	1				0.04	0.088
190	31351-24240	ROD CHANGE	1				0.25	0.55
200	31351-24260	NUT	1				0.005	0.011
210	02112-50080	NUT	1				0.003	0.0066
220	31351-24203	ASSY ROD CHANGE	1				0.08	0.176
230	54721-31850	BALL LINK	1				0.065	0.143
240	31351-24220	SCREW ROD-END RH	1				0.04	0.088
250	31351-24250	ROD CHANGE	1				0.105	0.231
260	31351-24260	NUT	1				0.005	0.011
270	02112-50080	NUT	1				0.003	0.0066
280	02156-50080	NUT	3				0.004	0.0088
290	04512-50080	WASHER SPRING	4				0	0
300	32430-23152	LEVER	1				0.155	0.341
310	02112-50080	NUT	1				0.003	0.0066
320	31351-23130	LEVER	1				0.14	0.308
330	01123-50830	BOLT	2				0.015	0.033

# SHUTTLE GEAR SHIFT FORK



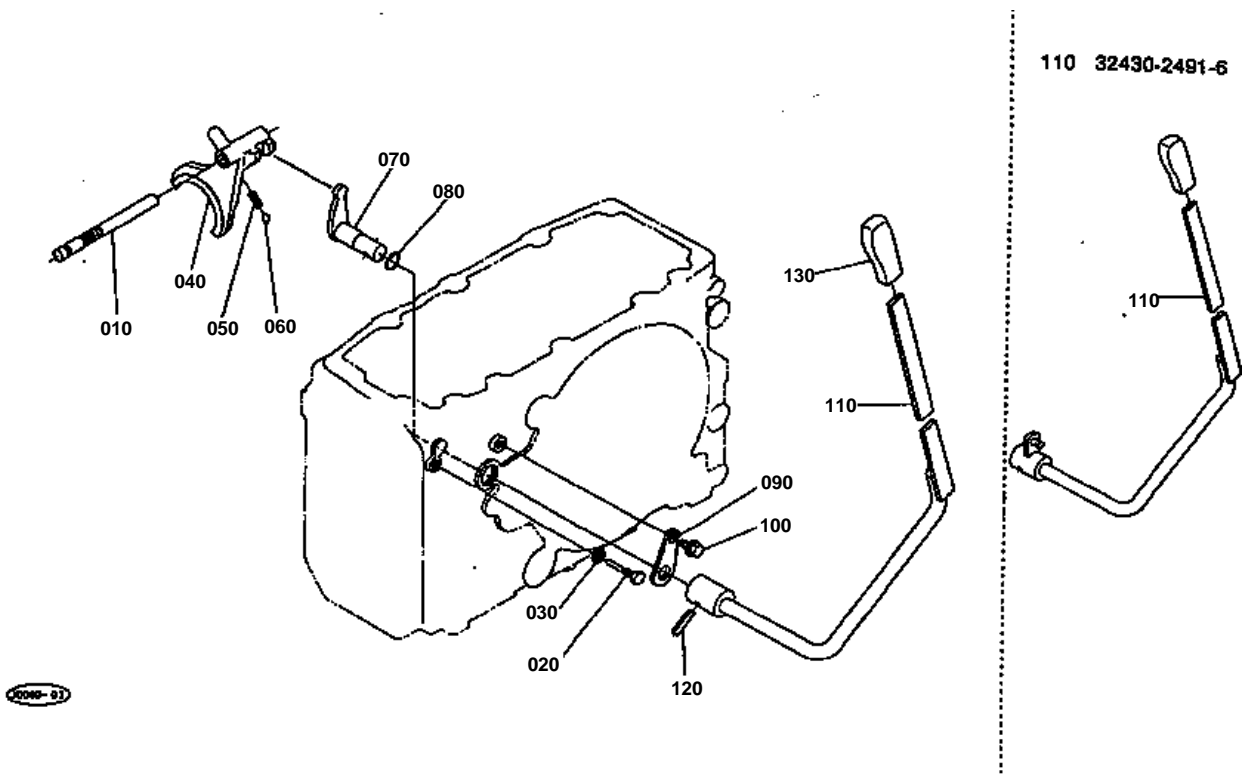


# SHUTTLE GEAR SHIFT FORK

↔ Interchangeable; ≠ not interchangeable; ← new for old; → old for new

REF.No	Part No.	Description	Q'ty	S.No.	I/C	REMARKS	Weight (kgf)	Weight (lb)
010	31361-23210	SHAFT FORK	1				0.095	0.209
020	35260-23210	STOPPER	1				0.005	0.011
030	01153-50812	BOLT	1				0.008	0.0176
040	04512-50080	WASHER SPRING	1				0	0
050	31361-23200	ASSY FORK SHUTTLE	1				0.31	0.682
060	05411-00320	PIN SPRING	1				0.001	0.0022
070	62231-18530	SPRING	1				0.01	0.022
080	07715-01605	BALL	1				0.003	0.0066
090	31361-23260	ARM SHUTTLE	1				0.22	0.484
100	04811-00200	O RING	1				0	0
110	31351-23380	STOPPER S-CHANGE ARM	1				0.03	0.066
120	01754-50812	BOLT FLANGE	1				0.01	0.022
130	32430-24270	ROD SHUTTLE	1				0.305	0.671
140	04013-50100	WASHER PLAIN	2				0	0
150	05511-50318	PIN SPLIT	2				0.001	0.0022
160	32430-24283	ARM CONNECTING	1				0.21	0.462
170	05511-50330	PIN SPLIT	1				0.005	0.011
180	04011-50160	WASHER PLAIN	1				0	0
190	54721-31840	BALL LINK	1				0.065	0.143
200	31351-24310	SCREW ROD-END RH	1				0.035	0.077
210	02112-50080	NUT	1				0.003	0.0066
220	31351-17390	STUD	1				0.015	0.033
230	02156-50080	NUT	3				0.004	0.0088
240	04512-50080	WASHER SPRING	1				0	0
250	04013-50080	WASHER PLAIN	1				0	0
260	32430-23283	LEVER SHUTTLE	1				0.265	0.583
270	04013-50120	WASHER PLAIN	1				0	0
280	04512-50120	WASHER SPRING	1				0	0
290	02172-50120	NUT	1				0.01	0.022

# HI-LO GEAR SHIFT FORK





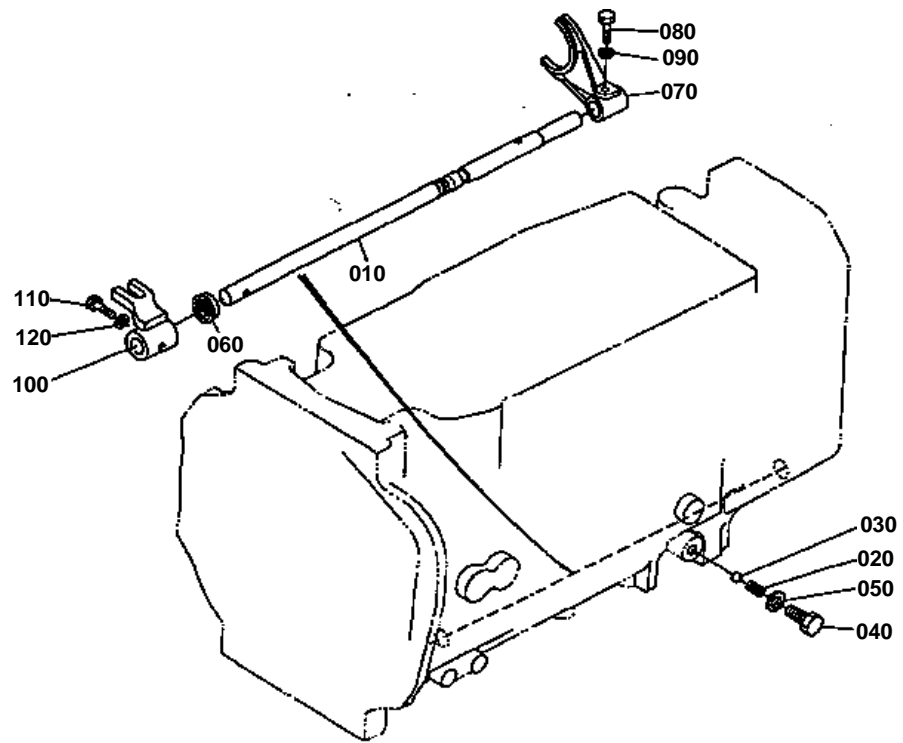


# HI-LO GEAR SHIFT FORK

↔ Interchangeable; ≠ not interchangeable; ← new for old; → old for new

REF.No	Part No.	Description	Q'ty	S.No.	I/C	REMARKS	Weight (kgf)	Weight (lb)
010	32430-23410	SHAFT HI-LO FORK	1				0.115	0.253
020	31351-23420	BOLT	1				0.02	0.044
030	04717-00800	WASHER WITH RUBBER	1				0.001	0.0022
040	32430-23440	FORK HI-LO SHIFT	1				0.36	0.792
050	62231-18530	SPRING	1				0.01	0.022
060	07715-01605	BALL	1				0.003	0.0066
070	32430-23460	ARM HI-LO SHIFT	1				0.18	0.396
080	04811-00200	O RING	1				0	0
090	31351-23380	STOPPER S-CHANGE ARM	1				0.03	0.066
100	01754-50812	BOLT FLANGE	1				0.01	0.022
110	32430-24917	LEVER HI-LO SHIFT	1				1.15	2.53
120	05411-00836	PIN SPRING	1				0.008	0.0176
130	31351-24970	GRIP LEVER	1				0.05	0.11

PTO GEAR SHIFT FORK [WITH DUAL CLUTCH]



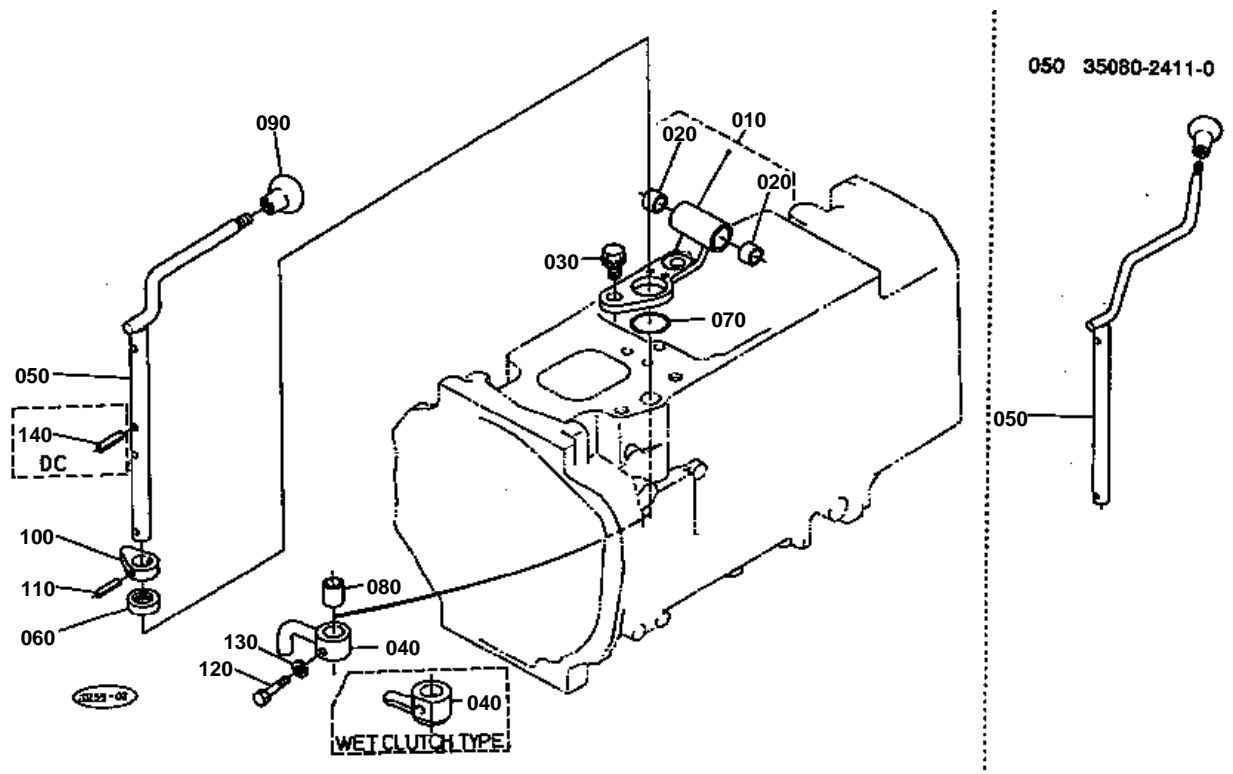
20063-02

**PTO GEAR SHIFT FORK [WITH DUAL CLUTCH]**

↔ Interchangeable; ≠ not interchangeable; ← new for old; → old for new

REF.No	Part No.	Description	Q'ty	S.No.	I/C	REMARKS	Weight (kgf)	Weight (lb)
010	31351-23620	ROD FORK LOWER	1				0.5	1.1
020	62231-18530	SPRING	1				0.01	0.022
030	07715-03211	BALL	1				0.003	0.0066
040	01173-51020	BOLT	1				0.017	0.0374
050	04717-01000	WASHER WITH RUBBER	1				0.001	0.0022
060	31351-23530	SEAL OIL	1				0.01	0.022
070	31351-23660	FORK SHIFT REAR	1				0.17	0.374
080	31351-23570	BOLT FORK LOCK	1				0.007	0.0154
090	04512-50060	WASHER SPRING	1				0	0
100	35080-23690	SHIFTER	1				0.185	0.407
110	38150-23570	BOLT	1				0.01	0.022
120	04512-50060	WASHER SPRING	1				0	0

# PTO GEAR SHIFT LEVER



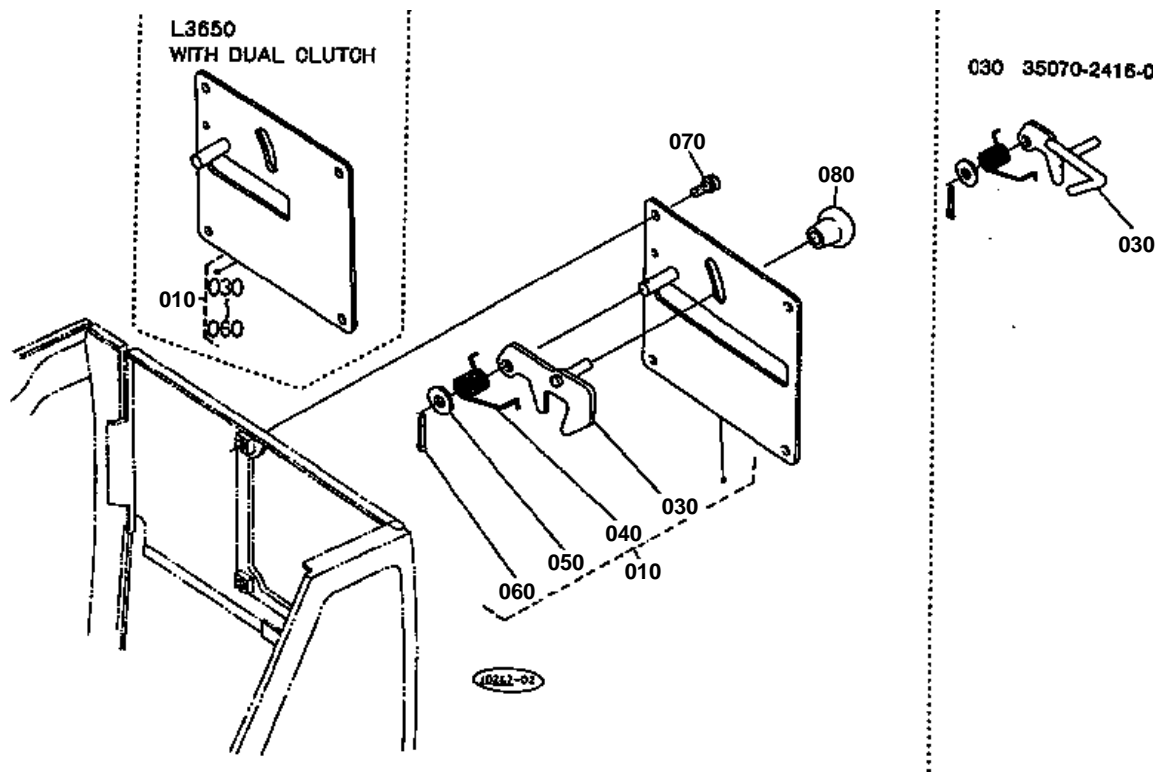


# PTO GEAR SHIFT LEVER

↔ Interchangeable; ≠ not interchangeable; ← new for old; → old for new

REF.No	Part No.	Description	Q'ty	S.No.	I/C	REMARKS	Weight (kgf)	Weight (lb)
010	35080-23900	COMP.BRACKET LEVER	1				0	0
020	08511-01612	BUSH	2				0.005	0.011
030	01774-51225	BOLT FLANGE	2				0.04	0.088
040	35080-23860	ARM	1			WITH DUAL CLUTCH	0.11	0.242
050	35080-24115	LEVER PTO SHIFT	1		←		0.58	1.276
060	31381-76390	SEAL OIL	1				0.01	0.022
070	04811-10310	O RING	1				0.001	0.0022
080	08511-01620	BUSH	2				0.008	0.0176
090	31351-24130	GRIP LEVER	1				0.03	0.066
100	35080-32220	CAM NEUTRAL SWITCH	1				0.02	0.044
110	05411-00635	PIN SPRING	1				0.005	0.011
120	38150-23570	BOLT	1				0.01	0.022
130	04512-50060	WASHER SPRING	1				0	0
140	05411-00622	PIN SPRING	2			WITH DUAL CLUTCH	0.003	0.0066

# PTO LEVER GUIDE



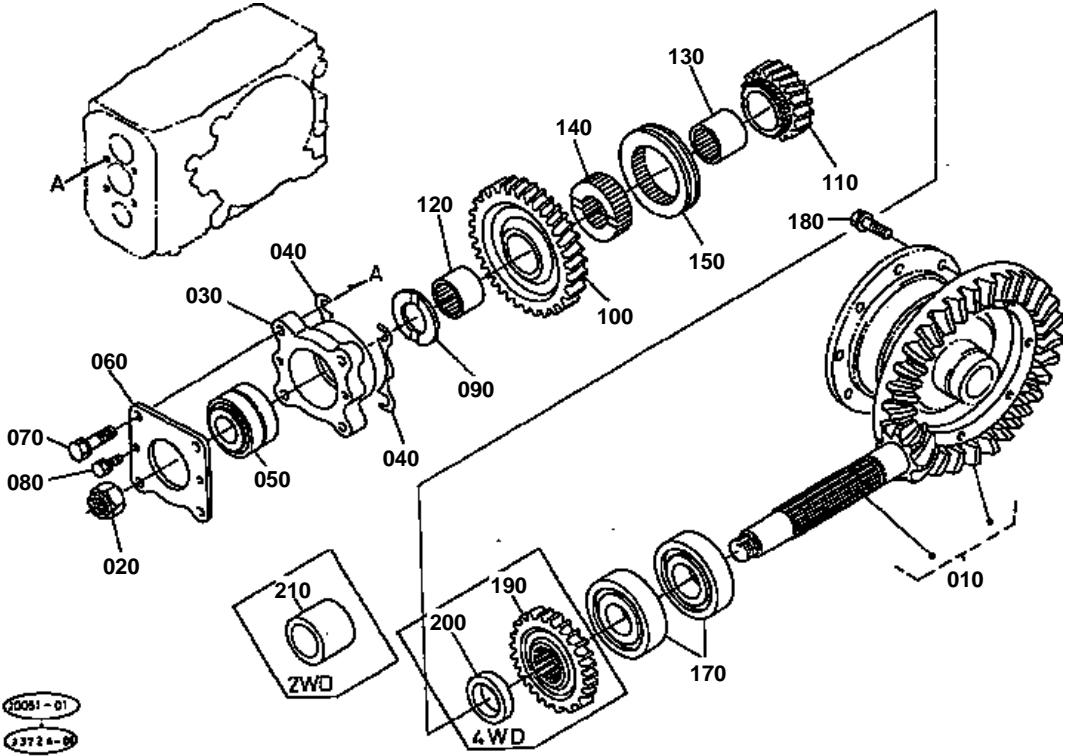


## PTO LEVER GUIDE

↔ Interchangeable; ≠ not interchangeable; ← new for old; → old for new

REF.No	Part No.	Description	Q'ty	S.No.	I/C	REMARKS	Weight (kgf)	Weight (lb)
010	35080-24140	ASSY GUIDE PTO LEVER	1			WITH DUAL CLUTCH	0.48	1.056
020	99999-99999	BLANK	0				0	0
030	35070-24164	STOPPER	1				0.075	0.165
040	35070-24190	SPRING	1				0.007	0.0154
050	04012-50080	WASHER PLAIN	1				0.001	0.0022
060	05511-50212	PIN SPLIT	1				0.001	0.0022
070	31351-24190	SCREW WITH WASHER	4				0.02	0.044
080	54121-31250	GRIP LEVER	1				0.01	0.022

SPIRAL BEVEL PINION







# SPIRAL BEVEL PINION

↔ Interchangeable; ≠ not interchangeable; ← new for old; → old for new

REF.No	Part No.	Description	Q'ty	S.No.	I/C	REMARKS	Weight (kgf)	Weight (lb)
010	35300-22100	ASSY GEAR BEVEL	1			8-39T	4.7	10.34
020	35260-23252	NUT	1				0.04	0.088
030	37300-22150	CASE BEARING	1				0.56	1.232
040	34150-22610	SHIM	2			0.5MM	0.01	0.022
040	34150-22620	SHIM	4			0.2MM	0.005	0.011
040	34150-22630	SHIM	2			0.1MM	0.005	0.011
050	38240-22140	BEARING TAPER-ROLLER	1				0	0
060	34150-22170	COVER BEARING	1				0.16	0.352
070	01133-51035	BOLT	4				0.03	0.066
080	01123-50816	BOLT	2				0	0
090	38450-25230	COLLAR THRUST	1				0.025	0.055
100	32430-22410	GEAR	1			45T	1.02	2.244
110	32440-22420	GEAR	1			20T	0.4	0.88
120	32430-22430	RING INNER	1				0.07	0.154
130	32440-22440	RING INNER	1				0.08	0.176
140	32430-22450	BOSS SPLINE	1				0.21	0.462
150	38430-21750	SHIFTER	1				0.165	0.363
160	99999-99999	BLANK	0				0	0
170	08641-00306	BEARING ROLLER	2				0.37	0.814
180	37800-43870	BOLT	8				0.026	0.0572
210	32440-22480	COLLAR	1				0.16	0.352

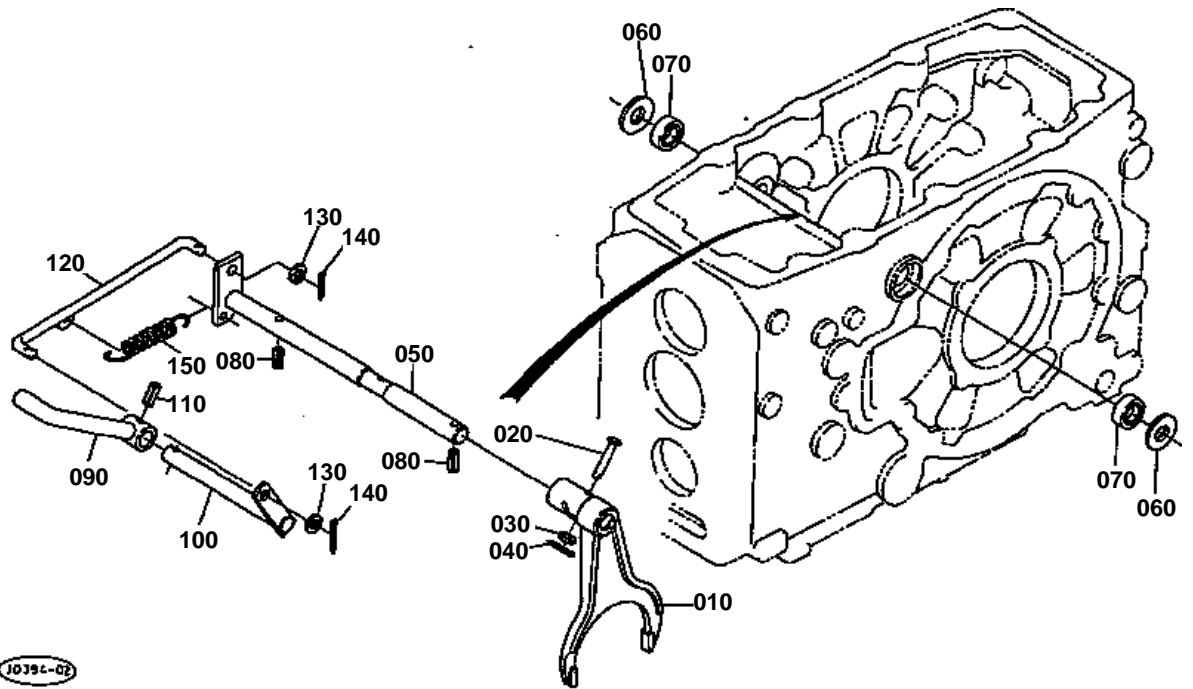


**REAR DIFFERENTIAL**

↔ Interchangeable; ≠ not interchangeable; ← new for old; → old for new

REF.No	Part No.	Description	Q'ty	S.No.	I/C	REMARKS	Weight (kgf)	Weight (lb)
010	31351-26100	ASSY DIFFERENTIAL	1				6.8	14.96
020	38240-26514	CASE DIFFERENTIAL	1				0	0
030	38240-26523	COVER DIFF.CASE	1				0	0
040	37300-28170	PIN STRAIGHT	2				0.025	0.055
050	01133-51025	BOLT	8				0.023	0.0506
060	35430-26340	SHAFT DIFF.PINION	1				0.31	0.682
070	35430-26330	SHAFT DIFF.PINION	2				0.136	0.2992
080	31220-26280	KEY FEATHER	2				0.005	0.011
090	35430-26350	PINION DIFF.	4				0.16	0.352
100	31351-26390	WASHER DIFF.PINION	4				0.012	0.0264
110	37300-26430	GEAR DIFF.SIDE RH	1				0.475	1.045
120	37300-26440	GEAR DIFF.SIDE LH	1				0.63	1.386
130	31351-26470	WASHER SIDE GEAR	2			1.5MM	0.01	0.022
130	31351-26480	WASHER SIDE GEAR	2			1.6MM	0.015	0.033
130	31351-26490	WASHER SIDE GEAR	2			1.7MM	0.016	0.0352
140	31351-26610	SHIFTER DIFF.LOCK	1				0.43	0.946
150	31351-26550	CASE DIFF.BEARING RH	1				1.47	3.234
160	31351-26560	CASE DIFF.BEARING LH	1				1.81	3.982
170	01133-51030	BOLT	8				0.025	0.055
180	37150-26160	SHIM	12			0.2MM	0.005	0.011
180	37150-26170	SHIM	8			0.1MM	0.005	0.011
180	37150-26180	SHIM	4			0.5MM	0.01	0.022
190	08711-32011	BEARING TAPER-ROLLER	1				0.538	1.1836
200	08711-30209	BEARING TAPER-ROLLER	1				0.458	1.0076

# DIFFERENTIAL LOCK PEDAL





## DIFFERENTIAL LOCK PEDAL

↔ Interchangeable; ≠ not interchangeable; ← new for old; → old for new

REF.No	Part No.	Description	Q'ty	S.No.	I/C	REMARKS	Weight (kgf)	Weight (lb)
010	31351-26630	FORK SHIFT	1				0	0
020	31351-26620	PIN JOINT	1				0.008	0.0176
030	04013-50060	WASHER PLAIN	1				0	0
040	05511-50212	PIN SPLIT	1				0.001	0.0022
050	31351-26680	SHAFT DIFF.LOCK FORK	1				0.48	1.056
060	04014-50160	WASHER PLAIN	2				0.013	0.0286
070	09500-16287	SEAL OIL	2				0.01	0.022
080	05411-00630	PIN SPRING	2				0.004	0.0088
090	30400-26640	PEDAL DIFF.LOCK	1				0.22	0.484
100	30442-26660	SHAFT DIFF.LOCK	1				0	0
110	05411-00625	PIN SPRING	1				0.004	0.0088
120	31351-26670	ROD DIFF.LOCK	1				0.1	0.22
130	04012-50080	WASHER PLAIN	2				0.001	0.0022
140	05511-50215	PIN SPLIT	2				0.001	0.0022
150	37150-15840	SPRING	1				0.06	0.132



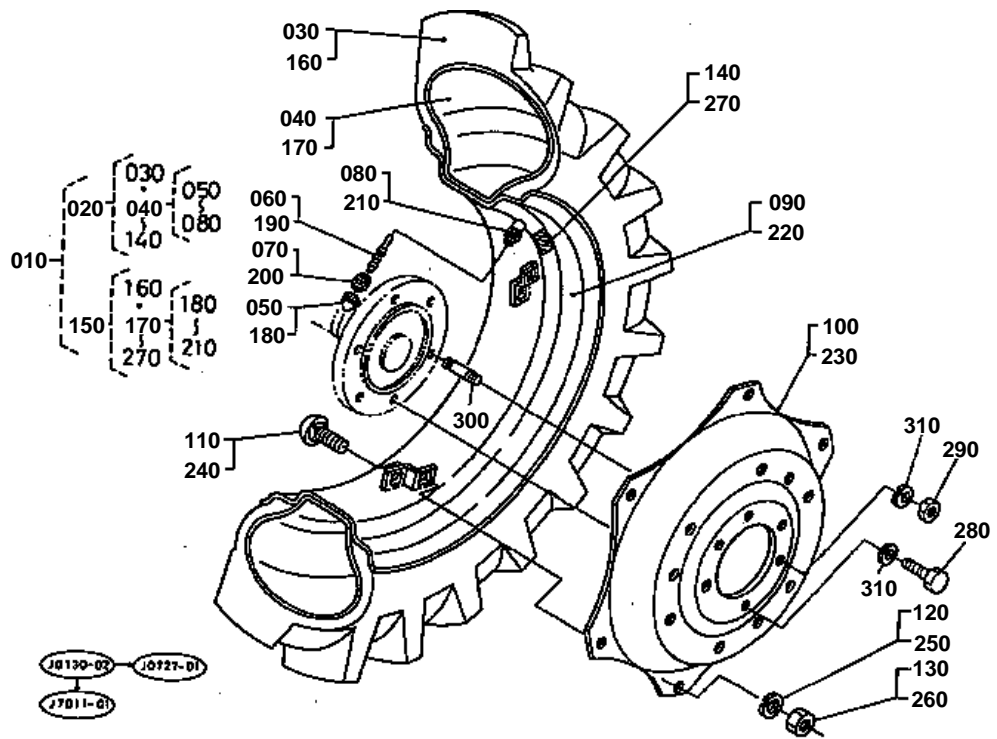


## REAR AXLE

↔ Interchangeable; ≠ not interchangeable; ← new for old; → old for new

REF.No	Part No.	Description	Q'ty	S.No.	I/C	REMARKS	Weight (kgf)	Weight (lb)
010	32440-26710	SHAFT DIFF.GEAR RH	1			11T	1.96	4.312
020	32440-26720	SHAFT DIFF.GEAR LH	1			11T	2.23	4.906
030	08101-06309	BEARING BALL	2				0.82	1.804
040	04611-01000	CIR-CLIP INTERNAL	2				0.042	0.0924
050	08100-00026	BEARING BALL	2				0.495	1.089
060	32440-26830	GEAR	2			60T	6.6	14.52
070	32430-27115	AXLE REAR	2				11	24.2
080	32430-27144	SPACER	2				1.7	3.74
090	08101-06210	BEARING BALL	2				0.45	0.99
100	04611-00900	CIR-CLIP INTERNAL	2				0.037	0.0814
110	31359-44510	SEAL OIL	2				0.18	0.396
120	36540-41130	BEARING BALL	2				0.34	0.748
130	70631-15730	NUT	2				0.15	0.33
140	32440-27332	CASE REAR AXLE	2				0	0
150	32430-27352	GASKET AXLE CASE	2				0	0
160	37150-27370	PIN STRAIGHT	4				0.009	0.0198
170	01133-51035	BOLT	18				0.03	0.066
180	31220-14290	PLUG	12				0.002	0.0044
190	32210-27580	PLUG BLIND	8				0.001	0.0022

REAR WHEEL (13.6-26 FL17)





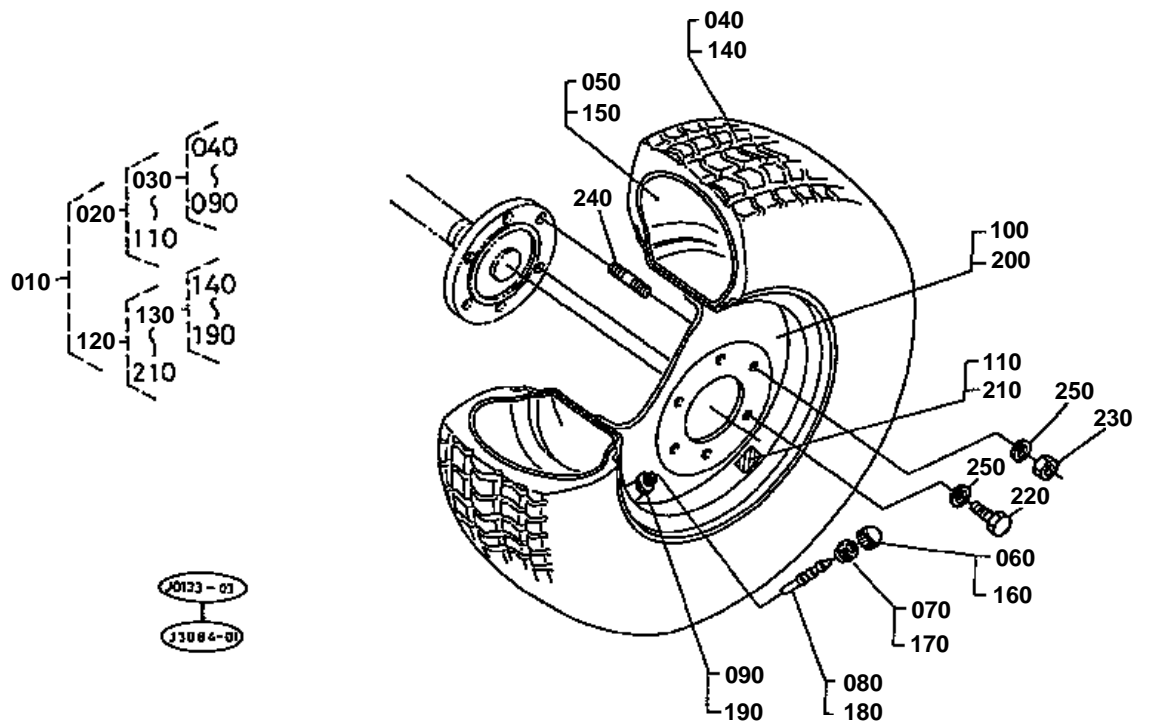


REAR WHEEL (13.6-26 FL17)

↔ Interchangeable; ≠ not interchangeable; ← new for old; → old for new

REF.No	Part No.	Description	Q'ty	S.No.	I/C	REMARKS	Weight (kgf)	Weight (lb)
010	32440-27800	ASSY REAR WHEEL	1				88	193.6
020	32440-27810	ASSY REAR WHEEL RH	1				88	193.6
030	38430-27820	TIRE	1				39	85.8
040	38430-27630	TUBE	1				4	8.8
050	38240-11690	CAP VALVE	1				0.001	0.0022
060	32150-27740	CORE VALVE	1				0.003	0.0066
070	32270-27730	HOUSING VALVE CORE	1				0.014	0.0308
080	32270-27710	NUT RIM	1				0.006	0.0132
090	32440-27850	RIM	1				23	50.6
100	32440-27860	DISK	1				16.3	35.86
110	31220-27680	BOLT	6				0.09	0.198
120	04512-50160	WASHER SPRING	6				0	0
130	02074-50160	NUT	6				0.029	0.0638
140	32440-27980	LABEL TIRE RH	1				0.001	0.0022
150	32440-27910	ASSY REAR WHEEL LH	1				0	0
160	38430-27820	TIRE	1				39	85.8
170	38430-27630	TUBE	1				4	8.8
180	38240-11690	CAP VALVE	1				0.001	0.0022
190	32150-27740	CORE VALVE	1				0.003	0.0066
200	32270-27730	HOUSING VALVE CORE	1				0.014	0.0308
210	32270-27710	NUT RIM	1				0.006	0.0132
220	32440-27850	RIM	1				23	50.6
230	32440-27860	DISK	1				16.3	35.86
240	31220-27680	BOLT	6				0.09	0.198
250	04512-50160	WASHER SPRING	6				0	0
260	02074-50160	NUT	6				0.029	0.0638
270	32440-27970	LABEL TIRE LH	1				0.001	0.0022
280	01073-51630	BOLT	8				0.079	0.1738
290	02076-50160	NUT	4				0.03	0.066
300	01517-51632	STUD	4				0.076	0.1672
310	04512-50160	WASHER SPRING	12				0	0

REAR WHEEL (355/80-D20 PD)

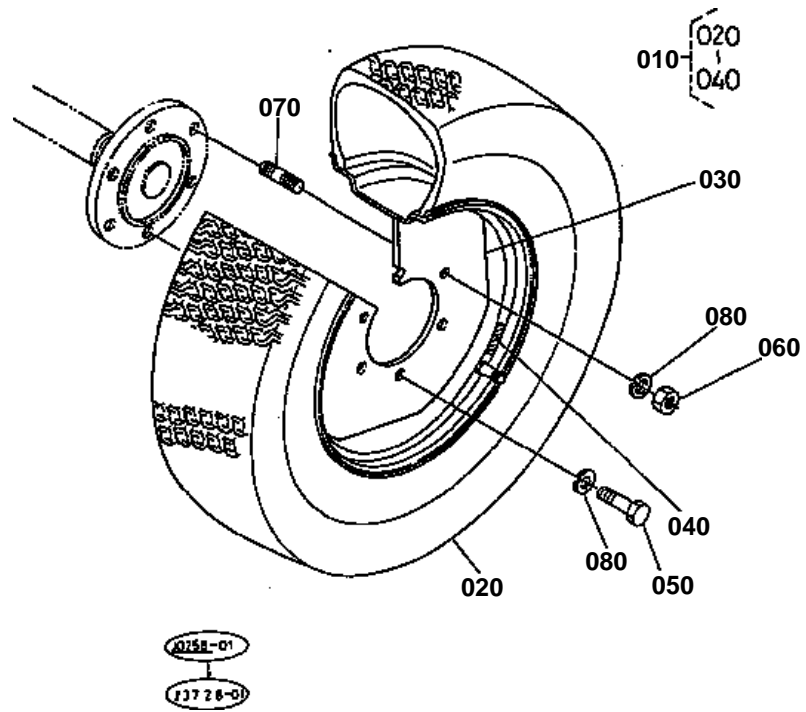


**REAR WHEEL (355/80-D20 PD)**

↔ Interchangeable; ≠ not interchangeable; ← new for old; → old for new

REF.No	Part No.	Description	Q'ty	S.No.	I/C	REMARKS	Weight (kgf)	Weight (lb)
010	32480-27700	ASSY REAR WHEEL	1				133	292.6
020	32480-27710	ASSY REAR WHEEL LH	1				66.5	146.3
030	36346-49300	ASSY TUBE TIRE	1				0	0
040	36346-49310	TIRE REAR	1				40	88
050	36346-49320	TUBE TIRE	1				6.2	13.64
060	38240-11690	CAP VALVE	1				0.001	0.0022
070	32270-27730	HOUSING VALVE CORE	1				0.014	0.0308
080	32150-27740	CORE VALVE	1				0.003	0.0066
090	32270-27710	NUT RIM	1				0.006	0.0132
100	32480-27950	WHEEL	1				23.4	51.48
110	32480-27870	LABEL TIRE LH	1				0.001	0.0022
120	32480-27720	ASSY REAR WHEEL RH	1				66.5	146.3
130	36346-49300	ASSY TUBE TIRE	1				0	0
140	36346-49310	TIRE REAR	1				40	88
150	36346-49320	TUBE TIRE	1				6.2	13.64
160	38240-11690	CAP VALVE	1				0.001	0.0022
170	32270-27730	HOUSING VALVE CORE	1				0.014	0.0308
180	32150-27740	CORE VALVE	1				0.003	0.0066
190	32270-27710	NUT RIM	1				0.006	0.0132
200	32480-27950	WHEEL	1				23.4	51.48
210	32480-27880	LABEL TIRE RH	1				0.001	0.0022
220	01073-51630	BOLT	8				0.079	0.1738
230	02076-50160	NUT	4				0.03	0.066
240	01517-51632	STUD	4				0.076	0.1672
250	04512-50160	WASHER SPRING	12				0	0

REAR WHEEL (21.5L-16.1 R3)

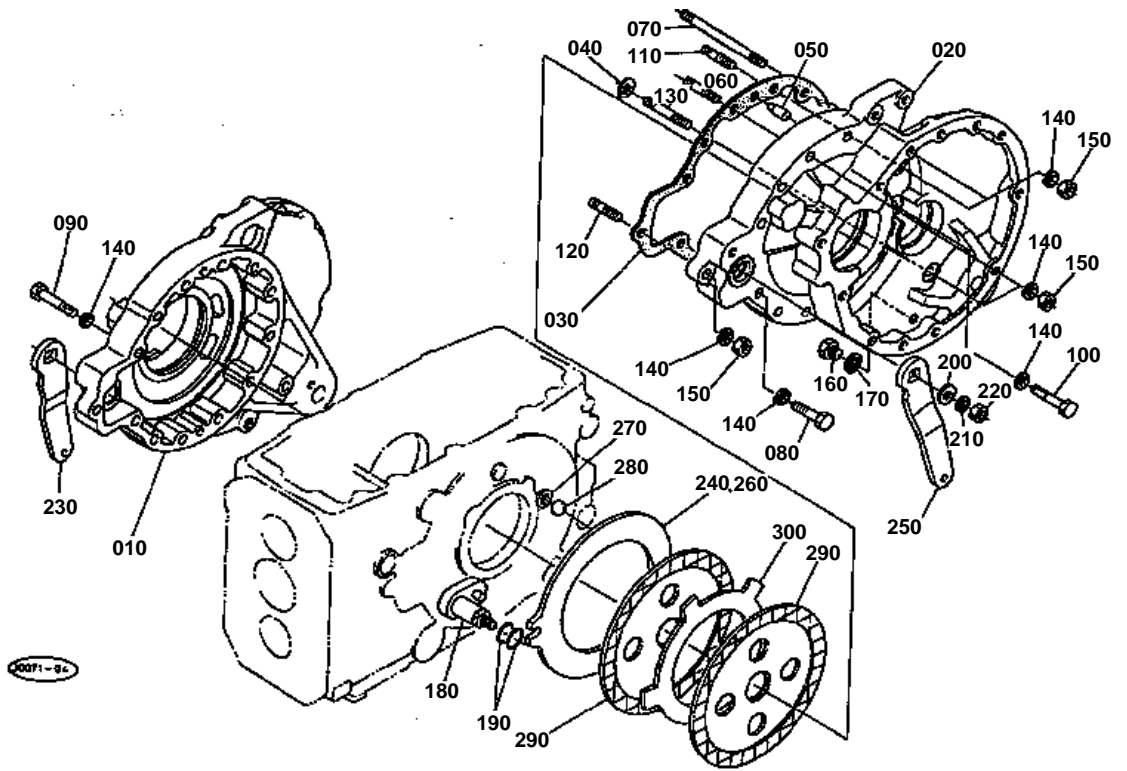


**REAR WHEEL (21.5L-16.1 R3)**

↔ Interchangeable; ≠ not interchangeable; ← new for old; → old for new

REF.No	Part No.	Description	Q'ty	S.No.	I/C	REMARKS	Weight (kgf)	Weight (lb)
010	35080-27700	ASSY TIRE	2			RESERVED BY KTC	0	0
020	35080-27710	TIRE	2			RESERVED BY KTC	0	0
030	35080-27720	WHEEL	2			RESERVED BY KTC	0	0
040	35080-27730	LABEL TIRE	2			RESERVED BY KTC	0	0
050	01073-51630	BOLT	8				0.079	0.1738
060	02076-50160	NUT	4				0.03	0.066
070	01517-51632	STUD	4				0.076	0.1672
080	04512-50160	WASHER SPRING	12				0	0

# BRAKE

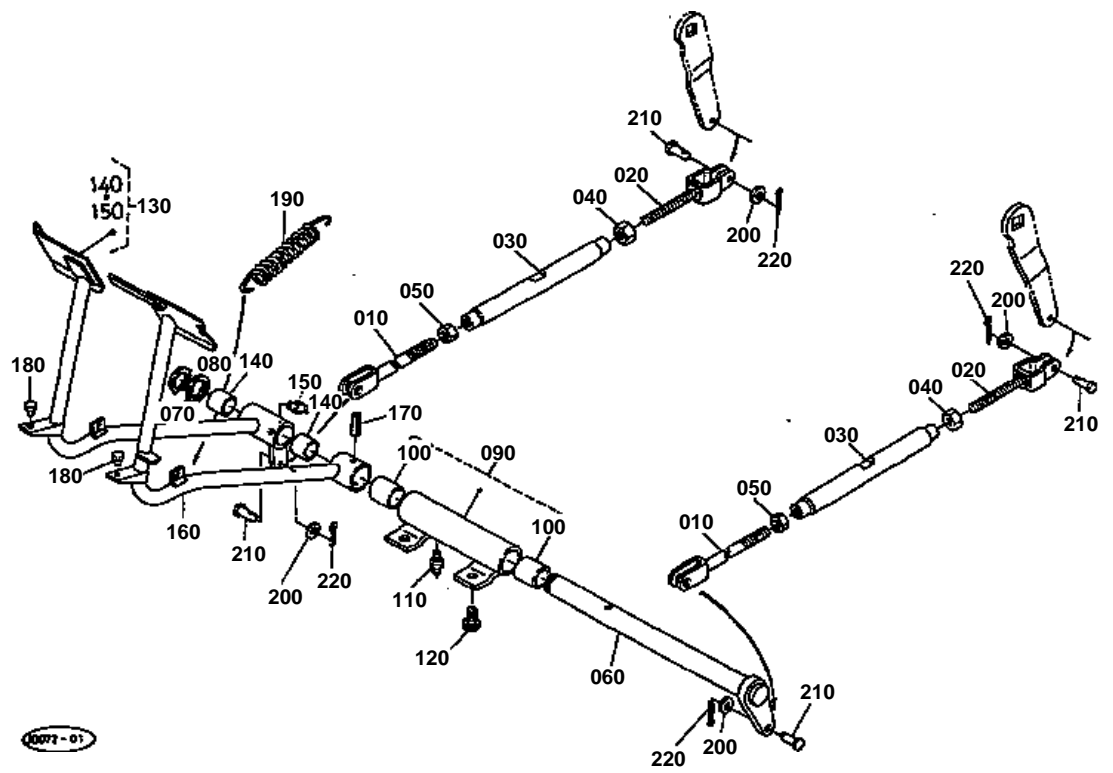


**BRAKE**

↔ Interchangeable; ≠ not interchangeable; ← new for old; → old for new

REF.No	Part No.	Description	Q'ty	S.No.	I/C	REMARKS	Weight (kgf)	Weight (lb)
010	32440-28133	CASE BRAKE RH	1				0	0
020	32440-28153	CASE BRAKE LH	1				0	0
030	37260-28160	GASKET	2				0	0
040	32430-28190	GASKET	2				0	0
050	37150-27370	PIN STRAIGHT	4				0.009	0.0198
060	37150-27350	STUD	6				0.06	0.132
070	32430-27360	STUD	2				0.12	0.264
080	01173-51260	BOLT	5				0.06	0.132
090	01173-51260	BOLT	1				0.06	0.132
100	01176-51260	BOLT	2				0.06	0.132
110	01574-51260	STUD	8				0	0
120	01574-51235	STUD	2				0	0
130	01574-51280	STUD	2				0.08	0.176
140	04512-50120	WASHER SPRING	28				0	0
150	02176-50120	NUT	20				0.01	0.022
160	06331-35012	PLUG	2				0.022	0.0484
170	04717-01200	WASHER WITH RUBBER	2				0.002	0.0044
180	31351-28210	CAM BRAKE	2				0.35	0.77
190	04811-00220	O RING	4				0	0
200	04015-50120	WASHER PLAIN	2				0	0
210	04512-50120	WASHER SPRING	2				0	0
220	02174-50120	NUT	2				0.01	0.022
230	37150-28224	LEVER BRAKE CAM RH	1				0.32	0.704
240	37150-28270	PLATE CAM RH	1				1.08	2.376
250	37150-28234	LEVER BRAKE CAM LH	1				0.3	0.66
260	37150-28240	PLATE CAM LH	1				1.13	2.486
270	37150-28250	SEAT BALL	12				0.003	0.0066
280	07715-00805	BALL	12				0.016	0.0352
290	37150-28200	DISK BRAKE	4				0	0
300	37720-28170	PLATE	2				0.342	0.7524

# BRAKE PEDAL



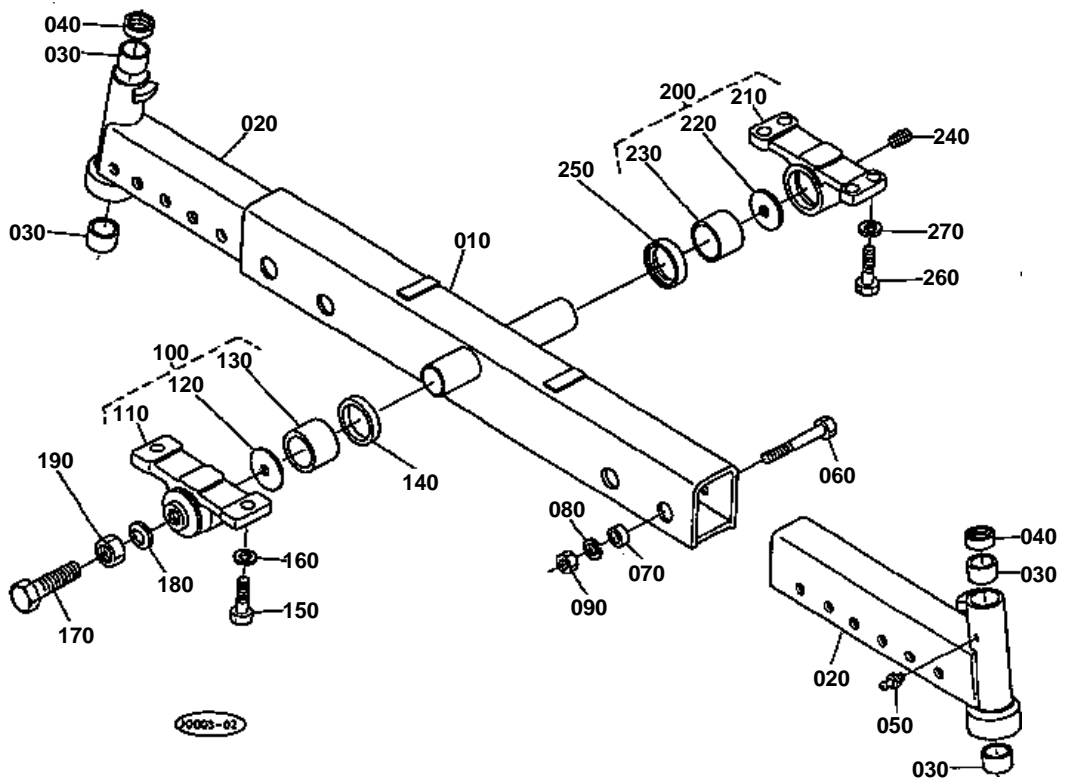


**BRAKE PEDAL**

↔ Interchangeable; ≠ not interchangeable; ← new for old; → old for new

REF.No	Part No.	Description	Q'ty	S.No.	I/C	REMARKS	Weight (kgf)	Weight (lb)
010	35340-28930	ROD BRAKE	2				0.19	0.418
020	37220-91090	ROD BRAKE	2				0.125	0.275
030	38240-28980	TURNBUCKLE	2				0.29	0.638
040	37300-28990	NUT	2				0.015	0.033
050	02174-50140	NUT	2				0.014	0.0308
060	31351-28410	SHAFT BRAKE PEDAL	1				1.45	3.19
070	32150-28460	COLLAR	1				0.007	0.0154
080	04612-00250	CIR-CLIP EXTERNAL	1				0.002	0.0044
090	38240-28420	SUPPORT PEDAL SHAFT	1				0.93	2.046
100	34150-28430	BUSH	2				0.04	0.088
110	06613-10675	NIPPLE GREASE	1				0.003	0.0066
120	01133-51020	BOLT	4				0.02	0.044
130	32430-28600	ASSY PEDAL BRAKE RH	1				1.685	3.707
140	38180-28670	BUSH	2				0.02	0.044
150	06613-10675	NIPPLE GREASE	1				0.003	0.0066
160	32430-28630	PEDAL BRAKE LH	1				1.66	3.652
170	05411-00840	PIN SPRING	1				0.008	0.0176
180	31355-83130	CUSHION	2				0.003	0.0066
190	37150-15840	SPRING	2				0.06	0.132
200	04012-50080	WASHER PLAIN	4				0.001	0.0022
210	05112-50828	PIN JOINT	4				0.013	0.0286
220	05511-50215	PIN SPLIT	4				0.001	0.0022

# FRONT AXLE

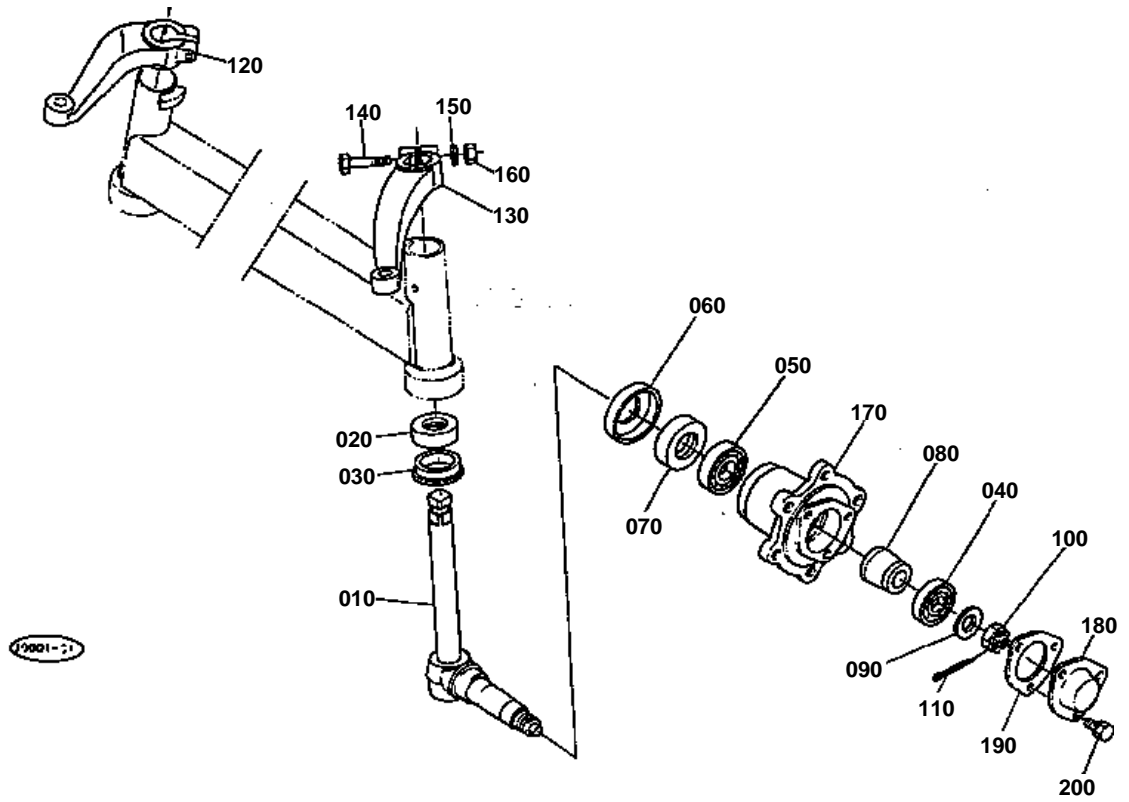


**FRONT AXLE**

↔ Interchangeable; ≠ not interchangeable; ← new for old; → old for new

REF.No	Part No.	Description	Q'ty	S.No.	I/C	REMARKS	Weight (kgf)	Weight (lb)
010	32430-13110	AXLE FRONT MIDDLE	1				14.4	31.68
020	32430-13120	AXLE FRONT OUTER	2				0	0
030	38240-13130	BUSH	4				0.015	0.033
040	38240-13140	SEAL OIL	2				0.004	0.0088
050	06613-10010	NIPPLE GREASE	2				0.006	0.0132
060	01173-51495	BOLT	4				0.13	0.286
070	38240-13150	COLLAR	4				0.04	0.088
080	04512-50140	WASHER SPRING	4				0	0
090	02176-50140	NUT	4				0.014	0.0308
100	38430-13660	ASSY BRACKET	1				1.6	3.52
110	38430-13670	BRACKET	1				1.5	3.3
120	38240-13430	WASHER THRUST	1				0.032	0.0704
130	08511-04025	BUSH	1				0.05	0.11
140	38240-13160	SEAL OIL	1				0.005	0.011
150	01173-51435	BOLT	2				0.056	0.1232
160	04512-50140	WASHER SPRING	2				0	0
170	38630-44760	BOLT	1				0.08	0.176
180	38440-44750	WASHER SEAL	1				0.003	0.0066
190	02176-50160	NUT	1				0.021	0.0462
200	38240-13690	ASSY BRACKET	1				0.2	0.44
210	38240-13680	BRACKET	1				1.5	3.3
220	38240-13430	WASHER THRUST	1				0.032	0.0704
230	08511-04025	BUSH	1				0.05	0.11
240	06312-10010	PLUG	1				0.007	0.0154
250	38240-13160	SEAL OIL	1				0.005	0.011
260	38240-13180	BOLT REAMER	4				0.04	0.088
270	04512-50120	WASHER SPRING	4				0	0

# KNUKLE SHAFT

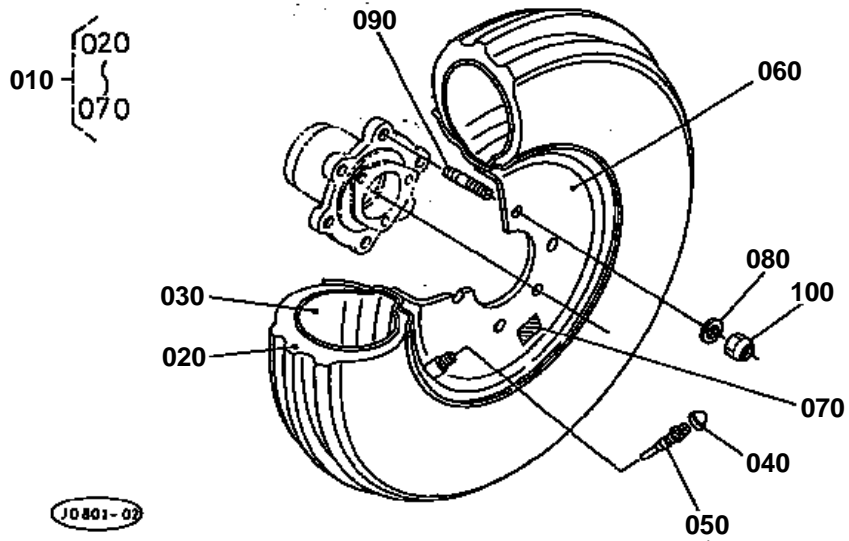




# KNUCKLE SHAFT

↔ Interchangeable; ≠ not interchangeable; ← new for old; → old for new

REF.No	Part No.	Description	Q'ty	S.No.	I/C	REMARKS	Weight (kgf)	Weight (lb)
010	35300-11110	COMP.SHAFT KNUCKLE	2				2.7	5.94
020	32150-11510	BEARING THRUST BALL	2				0.14	0.308
030	37300-11430	SEAL OIL	2				0.05	0.11
040	08101-06205	BEARING BALL	2				0.14	0.308
050	08101-06206	BEARING BALL	2				0.196	0.4312
060	32240-11480	COVER DUST	2				0.08	0.176
070	37300-11160	SEAL OIL	2				0.08	0.176
080	38240-11420	SPACER	2				0.205	0.451
090	04011-50200	WASHER PLAIN	2				0.015	0.033
100	02372-50200	NUT	2				0.024	0.0528
110	05511-50430	PIN SPLIT	2				0.004	0.0088
120	31351-11210	ARM KNUCKLE RH	1				0	0
130	31351-11220	ARM KNUCKLE LH	1				0	0
140	32240-11270	BOLT	2				0.066	0.1452
150	04512-50120	WASHER SPRING	2				0	0
160	02176-50120	NUT	2				0.01	0.022
170	35340-11310	HUB FRONT WHEEL	2				3.74	8.228
180	32240-11350	CAP FRONT WHEEL	2				0.065	0.143
190	32150-11360	GASKET	2				0	0
200	01123-50814	BOLT	6				0	0

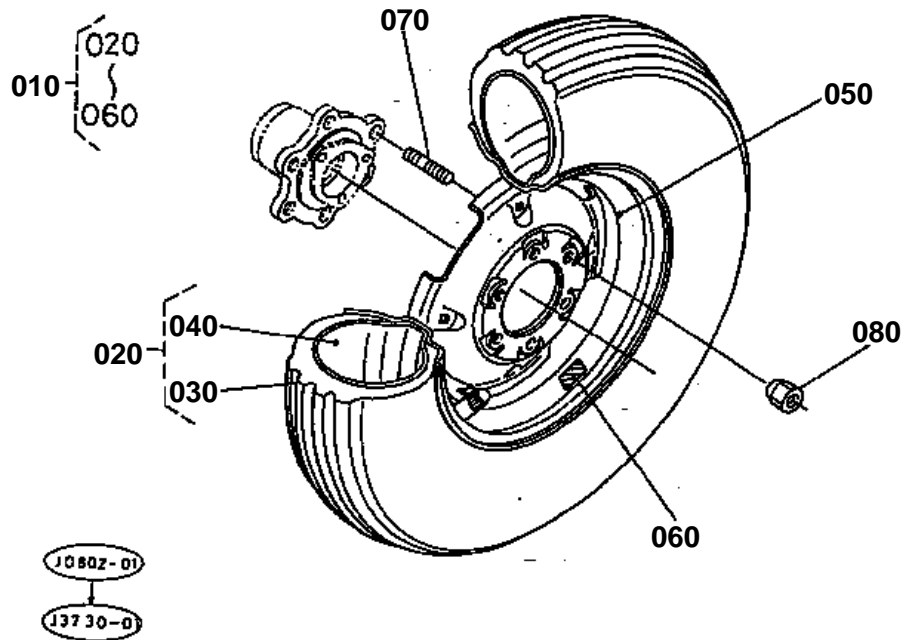




# FRONT WHEEL (6.00-16 FSR)

↔ Interchangeable; ≠ not interchangeable; ← new for old; → old for new

REF.No	Part No.	Description	Q'ty	S.No.	I/C	REMARKS	Weight (kgf)	Weight (lb)
010	32440-11600	ASSY FRONT WHEEL	2				20	44
020	31830-11620	TIRE FRONT WHEEL	2				10	22
030	31830-11610	TUBE	2				0.9	1.98
040	38240-11690	CAP VALVE	2				0.001	0.0022
050	32150-27740	CORE VALVE	2				0.003	0.0066
060	32440-11640	DISK FRONT WHEEL	2				9	19.8
070	32440-11570	LABEL TIRE	2				0.001	0.0022
080	04512-50140	WASHER SPRING	12				0	0
090	01517-51428	STUD	12				0.05	0.11
100	35340-11390	NUT	12				0.03	0.066





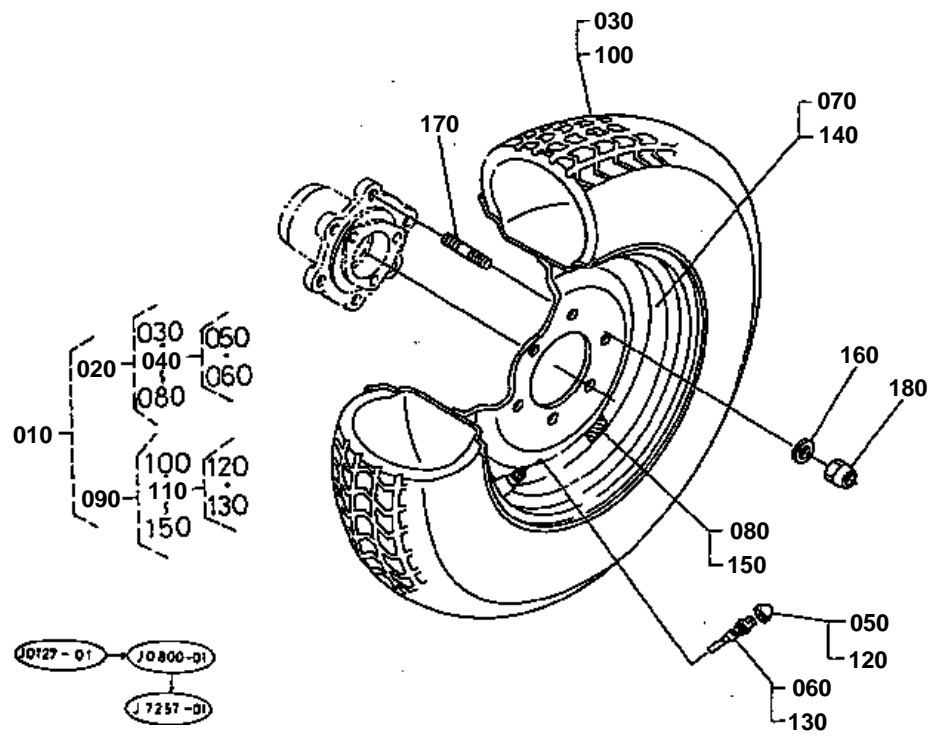


# FRONT WHEEL (6.00-16 F2) [A]

↔ Interchangeable; ≠ not interchangeable; ← new for old; → old for new

REF.No	Part No.	Description	Q'ty	S.No.	I/C	REMARKS	Weight (kgf)	Weight (lb)
010	35080-11600	ASSY FRONT WHEEL	2			RESERVED BY KTC	0	0
020	35080-11610	ASSY TIRE	2			RESERVED BY KTC	0	0
030	35080-11620	TIRE	2			RESERVED BY KTC	0	0
040	35080-11630	TUBE	2			RESERVED BY KTC	0	0
050	35080-11650	WHEEL	2			RESERVED BY KTC	0	0
060	35080-11660	LABEL TIRE	2			RESERVED BY KTC	0	0
070	01517-51428	STUD	12				0.05	0.11
080	35340-11390	NUT	12				0.03	0.066

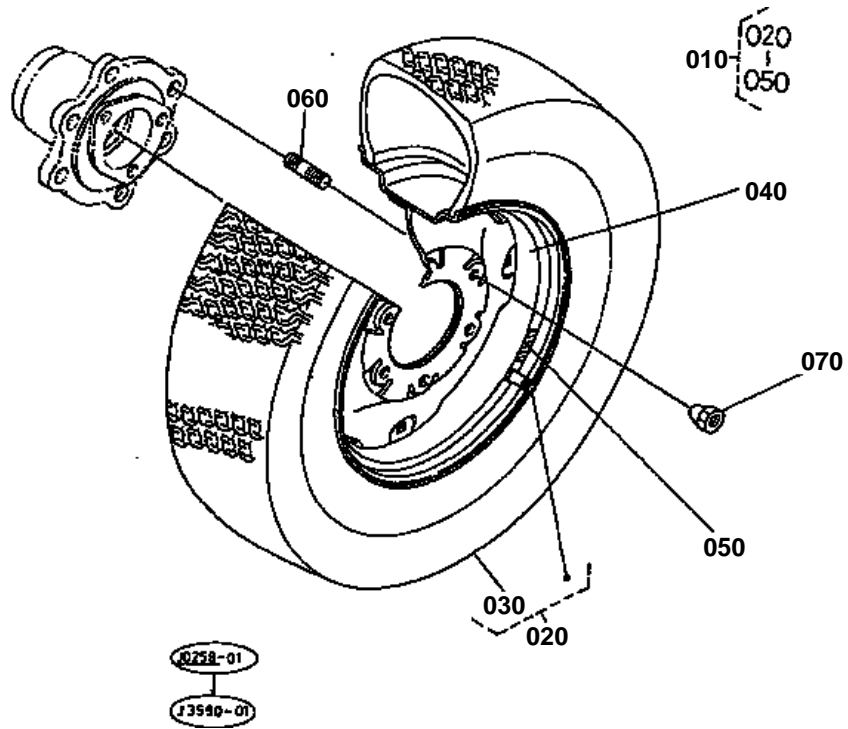
FRONT WHEEL (25X8.50-14 PD)



**FRONT WHEEL (25X8.50-14 PD)**

↔ Interchangeable; ≠ not interchangeable; ← new for old; → old for new

REF.No	Part No.	Description	Q'ty	S.No.	I/C	REMARKS	Weight (kgf)	Weight (lb)
010	32480-11600	ASSY FRONT WHEEL	1				38	83.6
020	32480-11610	ASSY FRONT WHEEL RH	1				0	0
030	35230-11810	TIRE	1				8	17.6
040	34159-11850	VALVE TIRE	1				0.013	0.0286
050	38240-11690	CAP VALVE	1				0.001	0.0022
060	32150-27740	CORE VALVE	1				0.003	0.0066
070	32480-11650	ASSY WHEEL	1				10	22
080	32480-11720	LABEL TIRE RH	1				0.001	0.0022
090	32480-11620	ASSY FRONT WHEEL LH	1				0	0
100	35230-11810	TIRE	1				8	17.6
110	34159-11850	VALVE TIRE	1				0.013	0.0286
120	38240-11690	CAP VALVE	1				0.001	0.0022
130	32150-27740	CORE VALVE	1				0.003	0.0066
140	32480-11650	ASSY WHEEL	1				10	22
150	32480-11710	LABEL TIRE LH	1				0.001	0.0022
160	04512-50140	WASHER SPRING	12				0	0
170	01517-51428	STUD	12				0.05	0.11
180	35340-11390	NUT	12				0.03	0.066



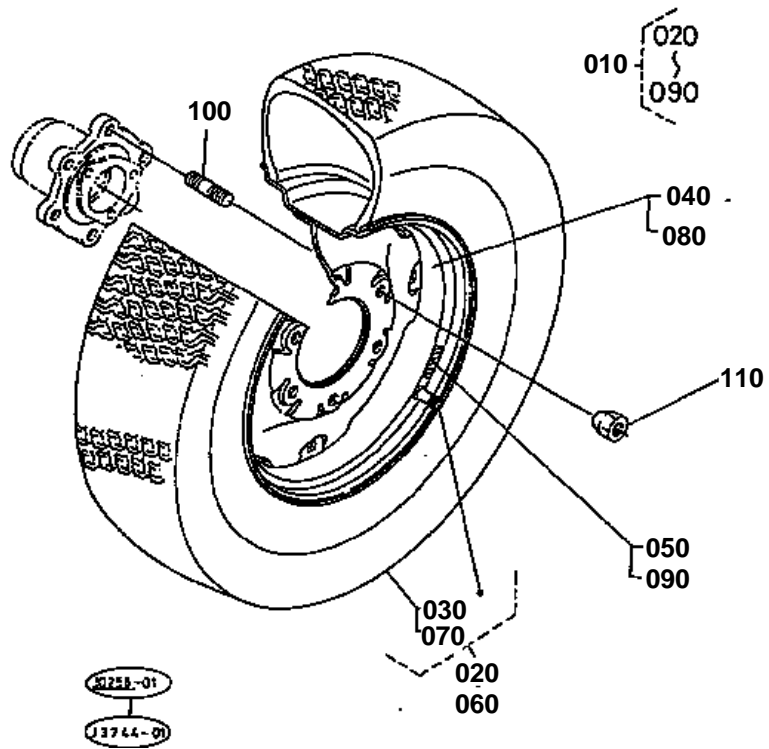


# FRONT WHEEL (25X8.50-14 NHS) [A]

↔ Interchangeable; ≠ not interchangeable; ← new for old; → old for new

REF.No	Part No.	Description	Q'ty	S.No.	I/C	REMARKS	Weight (kgf)	Weight (lb)
010	35070-11600	ASSY FRONT WHEEL	2			RESERVED BY KTC	0	0
020	35070-11810	ASSY TIRE	2			RESERVED BY KTC	0	0
030	35070-11820	TIRE	2			RESERVED BY KTC	0	0
040	35070-11650	WHEEL	2			RESERVED BY KTC	0	0
050	35070-11660	LABEL TIRE	2			RESERVED BY KTC	0	0
060	01517-51428	STUD	12				0.05	0.11
070	35340-11390	NUT	12				0.03	0.066

FRONT WHEEL (29X12.50-15 NHS)



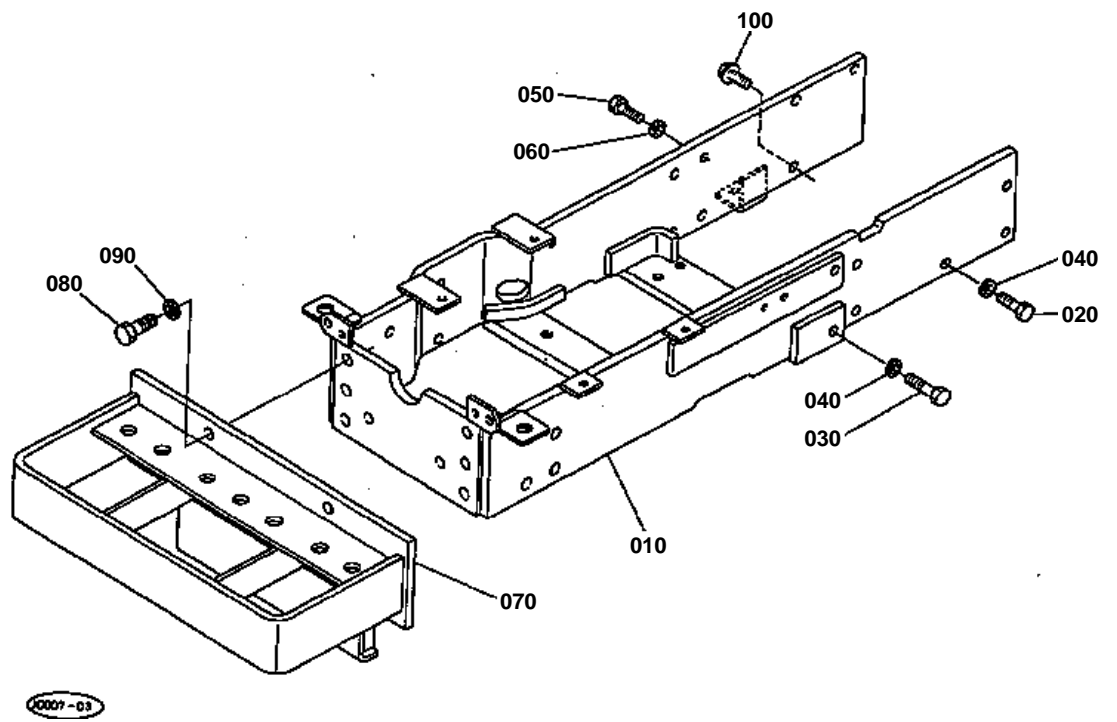


# FRONT WHEEL (29X12.50-15 NHS)

↔ Interchangeable; ≠ not interchangeable; ← new for old; → old for new

REF.No	Part No.	Description	Q'ty	S.No.	I/C	REMARKS	Weight (kgf)	Weight (lb)
010	35080-11500	ASSY TIRE	1			RESERVED BY KTC	0	0
020	35080-11510	TIRE RH	1			RESERVED BY KTC	0	0
030	35080-11530	TIRE	1			RESERVED BY KTC	0	0
040	35080-11540	WHEEL	1			RESERVED BY KTC	0	0
050	35080-11550	LABEL TIRE RH	1			RESERVED BY KTC	0	0
060	35080-11520	TIRE LH	1			RESERVED BY KTC	0	0
070	35080-11530	TIRE	1			RESERVED BY KTC	0	0
080	35080-11540	WHEEL	1			RESERVED BY KTC	0	0
090	35080-11560	LABEL TIRE LH	1			RESERVED BY KTC	0	0
100	01517-51428	STUD	12				0.05	0.11
110	35340-11390	NUT	12				0.03	0.066

# FRONT AXLE FRAME





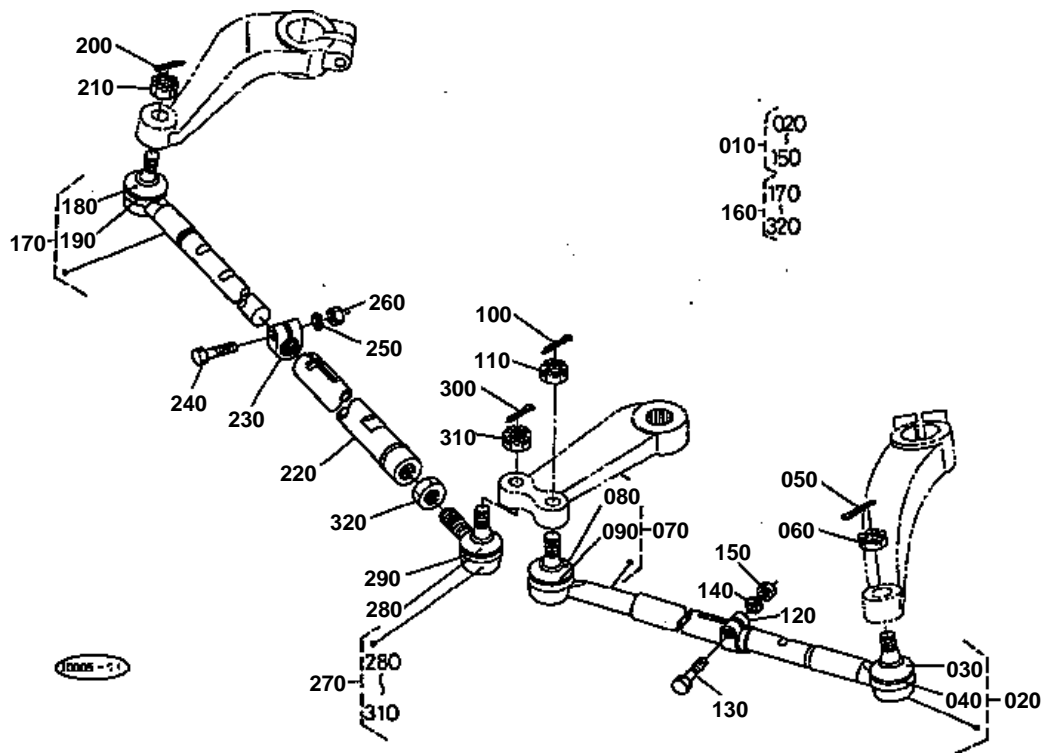


# FRONT AXLE FRAME

↔ Interchangeable; ≠ not interchangeable; ← new for old; → old for new

REF.No	Part No.	Description	Q'ty	S.No.	I/C	REMARKS	Weight (kgf)	Weight (lb)
010	32430-13615	FRAME FRONT AXLE	1				28.5	62.7
020	01176-51235	BOLT	9				0.041	0.0902
030	01176-51245	BOLT	4				0.05	0.11
040	04512-50120	WASHER SPRING	13				0	0
050	01176-51030	BOLT	1				0	0
060	04512-50100	WASHER SPRING	1				0	0
070	32430-44880	BUMPER	1				12.05	26.51
080	01173-51435	BOLT	4				0.056	0.1232
090	04512-50140	WASHER SPRING	4				0	0
100	01774-51225	BOLT FLANGE	1				0.04	0.088

# STEERING LINKAGE

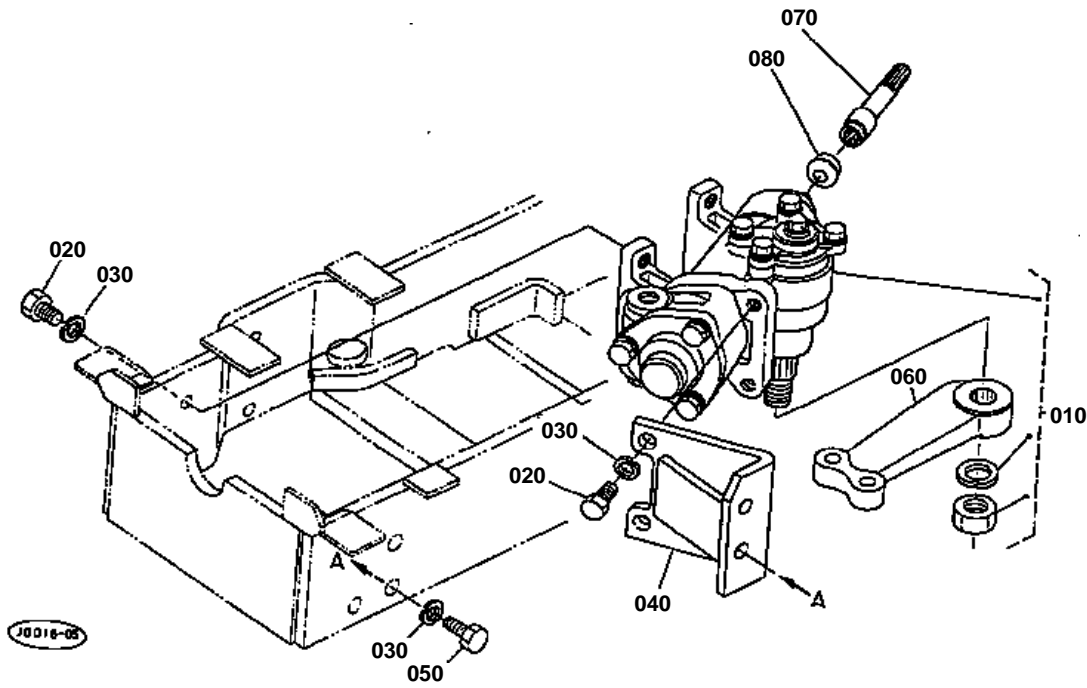




## STEERING LINKAGE

↔ Interchangeable; ≠ not interchangeable; ← new for old; → old for new

REF.No	Part No.	Description	Q'ty	S.No.	I/C	REMARKS	Weight (kgf)	Weight (lb)
010	32430-12400	ASSY ROD TIE LH	1				2.15	4.73
020	32430-12410	COMP.ROD TIE	1				0.855	1.881
030	38240-12650	COVER DUST	1				0.01	0.022
040	38240-12660	CLIP	1				0.005	0.011
050	05511-50325	PIN SPLIT	1				0.002	0.0044
060	38240-12830	NUT	1				0.008	0.0176
070	32430-12450	ROD TIE LH	1				1.17	2.574
080	38240-12650	COVER DUST	1				0.01	0.022
090	38240-12660	CLIP	1				0.005	0.011
100	05511-50325	PIN SPLIT	1				0.002	0.0044
110	38240-12830	NUT	1				0.008	0.0176
120	33251-62860	CLAMP TIE ROD	1				0.078	0.1716
130	38430-12560	BOLT	1				0.35	0.77
140	04512-50100	WASHER SPRING	1				0	0
150	02176-50100	NUT	1				0.005	0.011
160	32430-12500	ASSY ROD TIE RH	1				1.95	4.29
170	32430-12410	COMP.ROD TIE	1				0.855	1.881
180	38240-12650	COVER DUST	1				0.01	0.022
190	38240-12660	CLIP	1				0.005	0.011
200	05511-50325	PIN SPLIT	1				0.002	0.0044
210	38240-12830	NUT	1				0.008	0.0176
220	32430-12520	ROD TIE OUTER	1				0.64	1.408
230	33251-62860	CLAMP TIE ROD	1				0.078	0.1716
240	38430-12560	BOLT	1				0.35	0.77
250	04512-50100	WASHER SPRING	1				0	0
260	02176-50100	NUT	1				0.005	0.011
270	38440-44780	ASSY END TIE ROD RH	1				0.322	0.7084
280	38240-12650	COVER DUST	1				0.01	0.022
290	38240-12660	CLIP	1				0.005	0.011
300	05511-50325	PIN SPLIT	1				0.002	0.0044
310	38240-12830	NUT	1				0.008	0.0176
320	02174-50160	NUT	1				0.022	0.0484



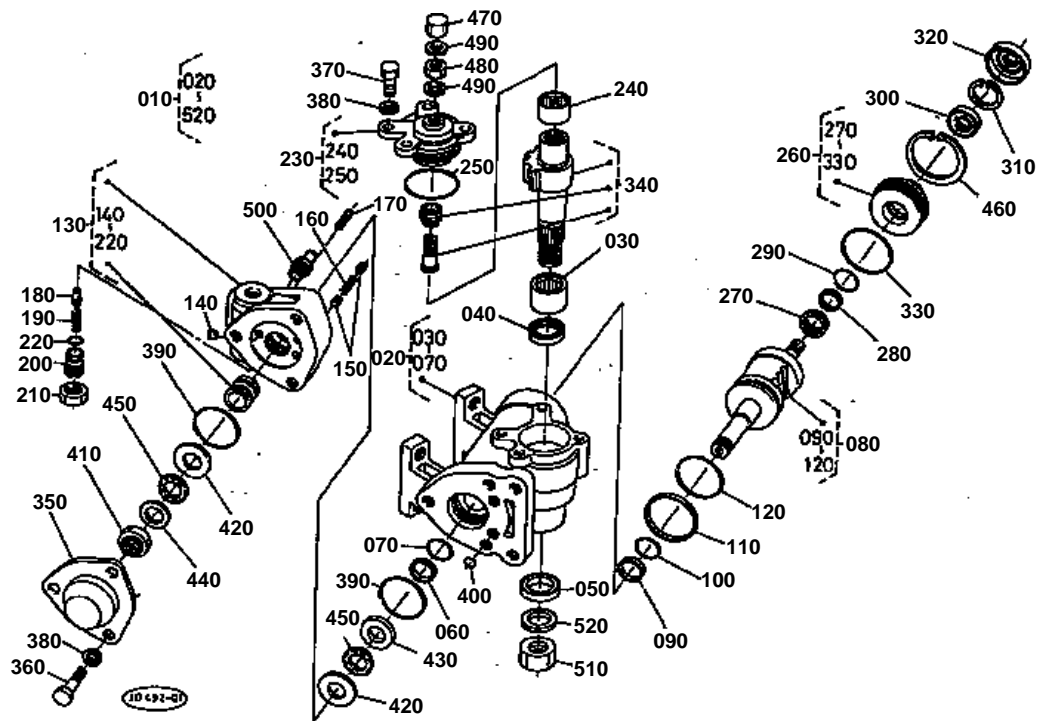


## STEERING (PS)

↔ Interchangeable; ≠ not interchangeable; ← new for old; → old for new

REF.No	Part No.	Description	Q'ty	S.No.	I/C	REMARKS	Weight (kgf)	Weight (lb)
010	30400-66100	ASSY STEERING POWER	1				12.9	28.38
020	01173-51430	BOLT	6				0.001	0.0022
030	04512-50140	WASHER SPRING	8				0	0
040	31351-45410	SUPPORT STEERING	1				0	0
050	01173-51435	BOLT	2				0.056	0.1232
060	31351-45440	ARM PITMAN	1				1.15	2.53
070	31351-45384	SHAFT JOINT	1				0.185	0.407
080	31351-45390	SEAL	1				0.004	0.0088

STEERING (PS) [COMPONENT PARTS]



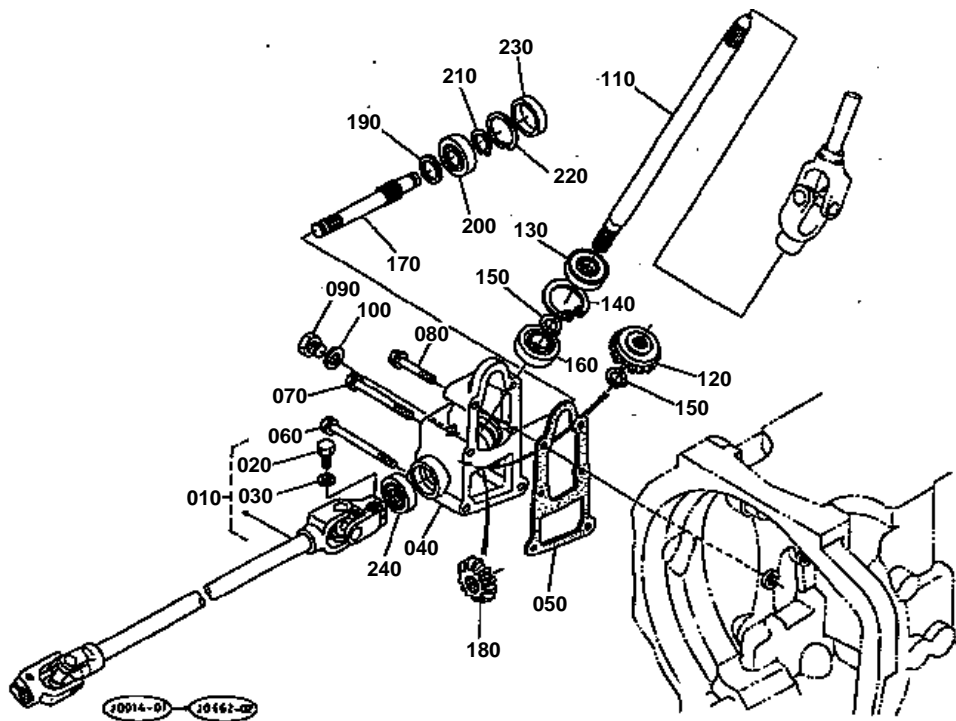


STEERING (PS) [COMPONENT PARTS]

↔ Interchangeable; ≠ not interchangeable; ← new for old; → old for new

REF.No	Part No.	Description	Q'ty	S.No.	I/C	REMARKS	Weight (kgf)	Weight (lb)
010	30400-66100	ASSY STEERING POWER	1				12.9	28.38
020	31351-66110	ASSY BOX GEAR	1				1	2.2
030	31351-66130	BEARING NEEDLE	1				0.03	0.066
040	35270-16140	GASKET	1				0.005	0.011
050	35270-16150	SEAL OIL	1				0.015	0.033
060	35270-16160	RING	1				0.002	0.0044
070	04811-10300	O RING	1				0.001	0.0022
080	30400-66200	ASSY NUT BALL	1				2.4	5.28
090	35270-16160	RING	1				0.002	0.0044
100	04811-10300	O RING	1				0.001	0.0022
110	31351-66280	RING	1				0.002	0.0044
120	04811-50550	O RING	1				0.002	0.0044
130	30400-66300	ASSY VALVE	1				1.85	4.07
140	38430-66790	PLUG	2				0.003	0.0066
150	38430-66330	PISTON	4				0.005	0.011
160	38430-66350	SPRING	2				0.003	0.0066
170	30400-66340	SPRING	2				0.01	0.022
180	31351-66360	POPPET	1				0.005	0.011
190	38430-66380	SPRING	1				0.015	0.033
200	31351-66370	SCREW ADJUSTING	1				0.047	0.1034
210	31351-66380	NUT	1				0.022	0.0484
220	31351-66390	O RING	1				0.001	0.0022
230	35270-16400	ASSY COVER SIDE	1				0.75	1.65
240	35270-16420	BEARING NEEDLE	1				0.045	0.099
250	04811-50600	O RING	1				0.002	0.0044
260	31351-66500	ASSY COVER TOP	1				0.3	0.66
270	35270-16320	BEARING NEEDLE	1				0.02	0.044
280	35270-16160	RING	1				0.002	0.0044
290	04811-10300	O RING	1				0.001	0.0022
300	31351-66530	SEAL OIL	1				0.01	0.022
310	04611-00320	CIR-CLIP INTERNAL	1				0.002	0.0044
320	31351-66540	SEAL DUST	1				0.02	0.044
330	35270-16340	O RING	1				0.003	0.0066
340	31351-66600	ASSY SHAFT SECTOR	1				1.105	2.431
350	31351-66710	COVER END	1				0.23	0.506
360	31351-66720	BOLT	3				0.04	0.088
370	35270-16650	BOLT	4				0.02	0.044
380	04512-50100	WASHER SPRING	7				0	0
390	04811-10700	O RING	2				0.001	0.0022
400	04811-00080	O RING	2				0	0
410	38430-66650	NUT	1				0.065	0.143
420	38430-66630	RING DRIVE	2				0.06	0.132
430	38430-66610	RING DRIVE	1				0.05	0.11
440	35270-16660	RING DRIVE	1				0.01	0.022
450	38430-66640	BEARING NEEDLE	2				0.01	0.022
460	04611-00630	CIR-CLIP INTERNAL	1				0.012	0.0264
470	35270-16700	NUT CAP	1				0.11	0.242
480	35270-16670	NUT	1				0.005	0.011
490	35270-16690	GASKET	2				0.001	0.0022
500	31351-66730	CONNECTOR	1				0.01	0.022
510	02076-50220	NUT	1				0.07	0.154
520	04512-50220	WASHER SPRING	1				0	0

# BEVEL GEAR CASE



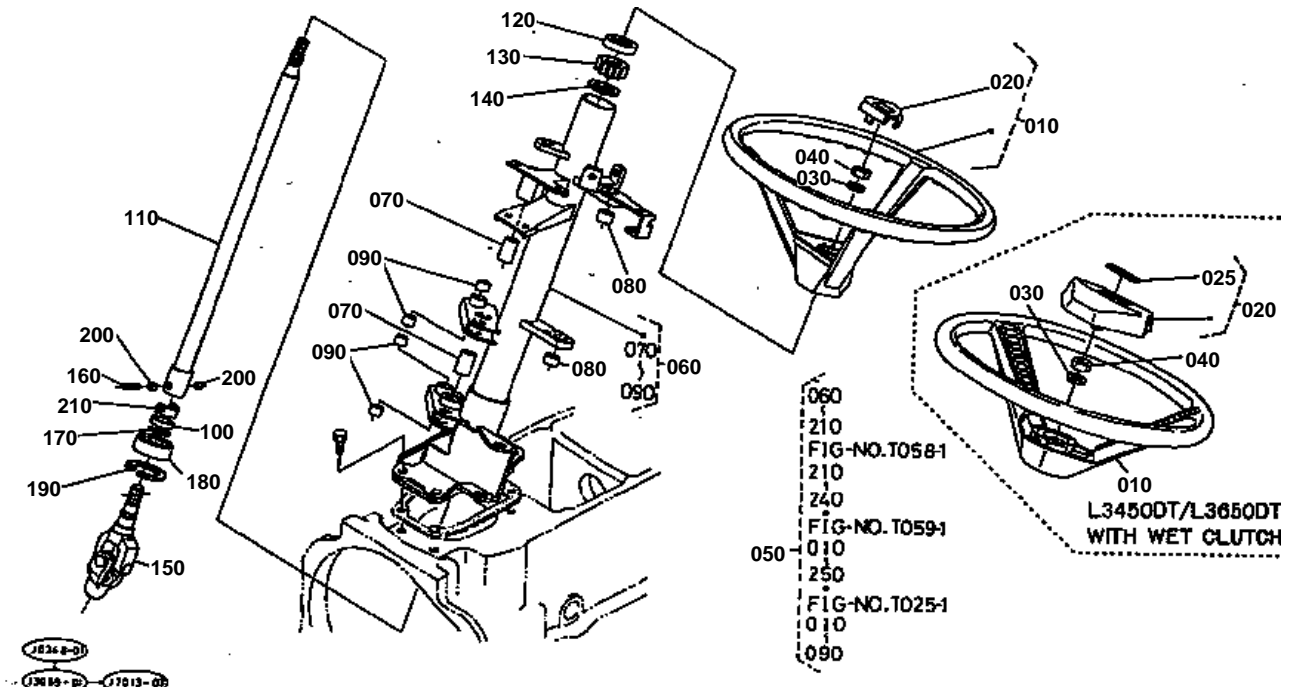


**BEVEL GEAR CASE**

↔ Interchangeable; ≠ not interchangeable; ← new for old; → old for new

REF.No	Part No.	Description	Q'ty	S.No.	I/C	REMARKS	Weight (kgf)	Weight (lb)
010	32430-16672	ASSY SHAFT JOINT	1				1.6	3.52
020	01156-50825	BOLT	2				0.013	0.0286
030	04512-50080	WASHER SPRING	2				0	0
040	31351-16510	CASE BEVEL GEAR	1				1.645	3.619
050	31351-16520	GASKET	1				0	0
060	01123-50880	BOLT	2				0.03	0.066
070	01123-50870	BOLT	2				0.029	0.0638
080	01754-50845	BOLT FLANGE	2				0.021	0.0462
090	06331-35010	PLUG	1				0.012	0.0264
100	04717-01000	WASHER WITH RUBBER	1				0.001	0.0022
110	31351-16630	SHAFT JOINT	1				0.39	0.858
120	32430-16540	GEAR BEVEL	1			14T	0	0
130	09500-15357	SEAL OIL	1				0.01	0.022
140	04611-00350	CIR-CLIP INTERNAL	1				0.003	0.0066
150	04612-00150	CIR-CLIP EXTERNAL	2				0.001	0.0022
160	08101-06202	BEARING BALL	1				0.044	0.0968
170	31351-16650	SHAFT JOINT	1				0.2	0.44
180	31391-16730	GEAR BEVEL	1			14T	0	0
190	31351-16570	SHIM	1			0.8MM	0.005	0.011
190	31351-16580	SHIM	1			1.0MM	0.01	0.022
190	31351-16590	SHIM	1			1.2MM	0.005	0.011
200	08101-06003	BEARING BALL	1				0.037	0.0814
210	04612-00170	CIR-CLIP EXTERNAL	1				0.001	0.0022
220	04611-00350	CIR-CLIP INTERNAL	1				0.003	0.0066
230	31351-16610	PLUG	1				0.015	0.033
240	09500-16267	SEAL OIL	1				0.005	0.011

# STEERING HANDLE

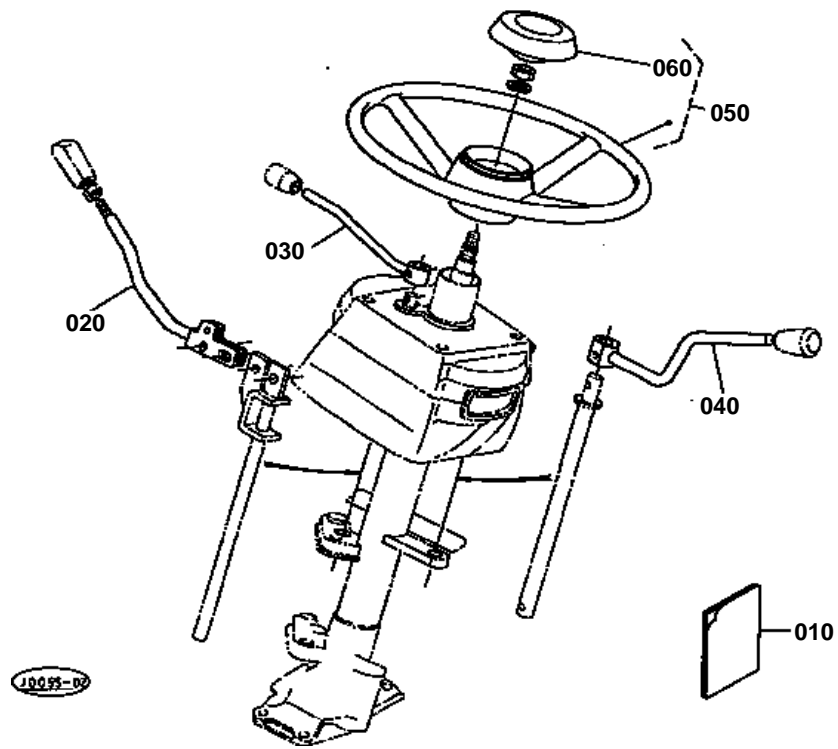




## STEERING HANDLE

↔ Interchangeable; ≠ not interchangeable; ← new for old; → old for new

REF.No	Part No.	Description	Q'ty	S.No.	I/C	REMARKS	Weight (kgf)	Weight (lb)
010	31351-16063	ASSY WHEEL STEERING	1				2.4	5.28
020	31351-16082	PAD STEERING	1				0.07	0.154
030	04512-50120	WASHER SPRING	1				0	0
040	02176-50120	NUT	1				0.01	0.022
050	35080-16800	ASSY POST STEERING	1				15.5	34.1
060	35080-16810	COMP.POST STEERING	1				3.8	8.36
070	08511-01625	BUSH	2				0.01	0.022
080	08511-01610	BUSH	2				0.005	0.011
090	08511-01210	BUSH	4				0.005	0.011
100	09400-15377	SEAL OIL	1				0.012	0.0264
110	32420-16915	SHAFT STEERING	1				0.95	2.09
120	30400-16920	SEAL OIL	1				0.015	0.033
130	30400-16930	BUSH STEERING POST	1				0.015	0.033
140	31351-16940	WASHER	1				0.007	0.0154
150	31351-16960	SHAFT STEERING	1				0.395	0.869
160	05411-00425	PIN SPRING	1				0.001	0.0022
170	04612-00150	CIR-CLIP EXTERNAL	1				0.001	0.0022
180	08141-06302	BEARING BALL	1				0.083	0.1826
190	04611-00420	CIR-CLIP INTERNAL	1				0.006	0.0132
200	30400-16970	CUSHION	2				0.001	0.0022
210	30400-16980	SPRING SET	2				0.04	0.088

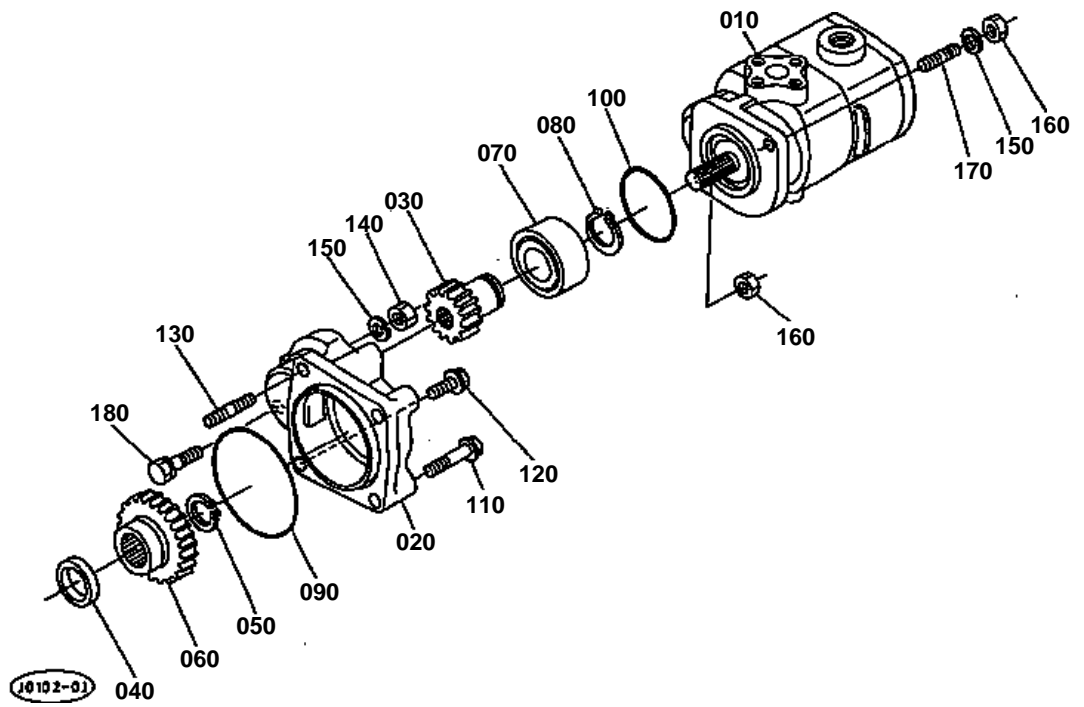


**ORCHARD KIT [OPTION]**

↔ Interchangeable; ≠ not interchangeable; ← new for old; → old for new

REF.No	Part No.	Description	Q'ty	S.No.	I/C	REMARKS	Weight (kgf)	Weight (lb)
010	32430-98810	MANUAL INSTRUCTION	1				0	0
020	32430-28120	LEVER MAIN CHANGE	1				0.32	0.704
030	32430-28110	LEVER ACCEL.	1				0.135	0.297
040	32430-98830	LEVER SHUTTLE CHANGE	1				0.315	0.693
050	32400-16800	ASSY WHEEL STEERING	1				1.96	4.312
060	32400-16820	CAP STEERING WHEEL	1				0.05	0.11

# HYDRAULIC PUMP (PS)

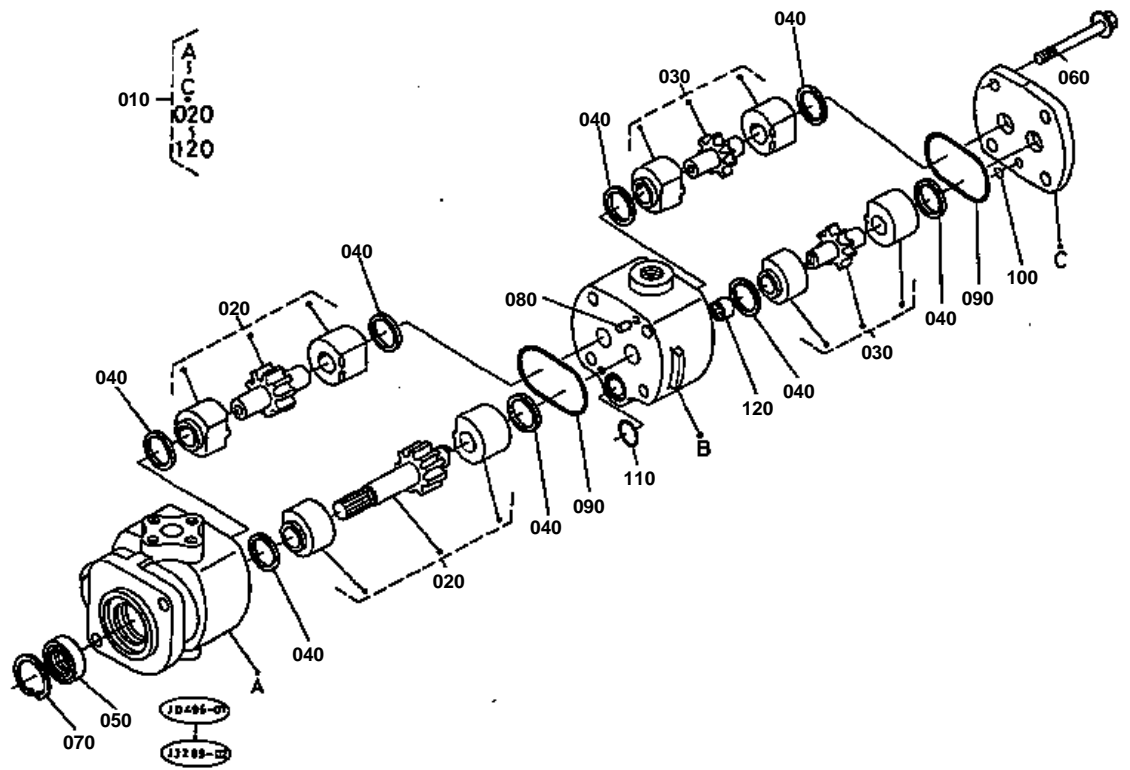




## HYDRAULIC PUMP (PS)

↔ Interchangeable; ≠ not interchangeable; ← new for old; → old for new

REF.No	Part No.	Description	Q'ty	S.No.	I/C	REMARKS	Weight (kgf)	Weight (lb)
010	31391-76103	ASSY PUMP HYDRAULIC	1				3.19	7.018
020	31351-38613	HOLDER PUMP	1				0.38	0.836
030	31391-76520	GEAR	1			17T	0.16	0.352
040	35370-37820	COLLAR	1				0.015	0.033
050	15471-95360	CIR-CLIP EXTERNAL	1				0.004	0.0088
060	31391-37810	GEAR	1			34T	0.33	0.726
070	08241-05205	BEARING BALL	1				0.177	0.3894
080	04612-00250	CIR-CLIP EXTERNAL	1				0.002	0.0044
090	04811-10850	O RING	1				0.002	0.0044
100	04811-10500	O RING	1				0.001	0.0022
110	01754-50840	BOLT FLANGE	2				0.02	0.044
120	01754-50820	BOLT FLANGE	1				0.015	0.033
130	38240-36330	STUD	1				0.008	0.0176
140	02156-50080	NUT	1				0.004	0.0088
150	04512-50080	WASHER SPRING	2				0	0
160	02156-50080	NUT	2				0.004	0.0088
170	01513-50820	STUD	1				0	0
180	01123-50835	BOLT	1				0.02	0.044





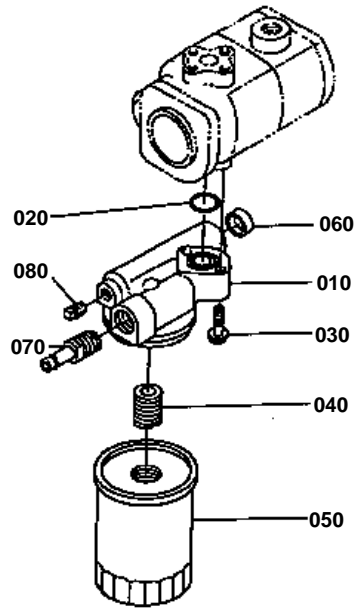


# HYDRAULIC PUMP (PS) [COMPONENT PARTS]

↔ Interchangeable; ≠ not interchangeable; ← new for old; → old for new

REF.No	Part No.	Description	Q'ty	S.No.	I/C	REMARKS	Weight (kgf)	Weight (lb)
010	31391-76103	ASSY PUMP HYDRAULIC	1				3.19	7.018
020	31391-76302	COMP.GEAR HYD.PUMP	1			W/O WET CLUTCH	0.51	1.122
030	31391-76502	COMP.GEAR HYD.PUMP	1				0.29	0.638
040	38180-76172	SQUARE RING	8				0.002	0.0044
050	31381-76390	SEAL OIL	1				0.01	0.022
060	01754-51090	BOLT FLANGE	4			W/O WET CLUTCH	0.05	0.11
070	04611-00300	CIR-CLIP INTERNAL	1				0.004	0.0088
080	05012-00612	PIN STRAIGHT	2				0.003	0.0066
090	04810-50550	O RING	2				0.002	0.0044
100	04810-00050	O RING	1				0	0
110	04810-00180	O RING	1				0	0
120	37410-76470	COUPLING	1				0.01	0.022

# HYDRAULIC OIL FILTER



00089-01

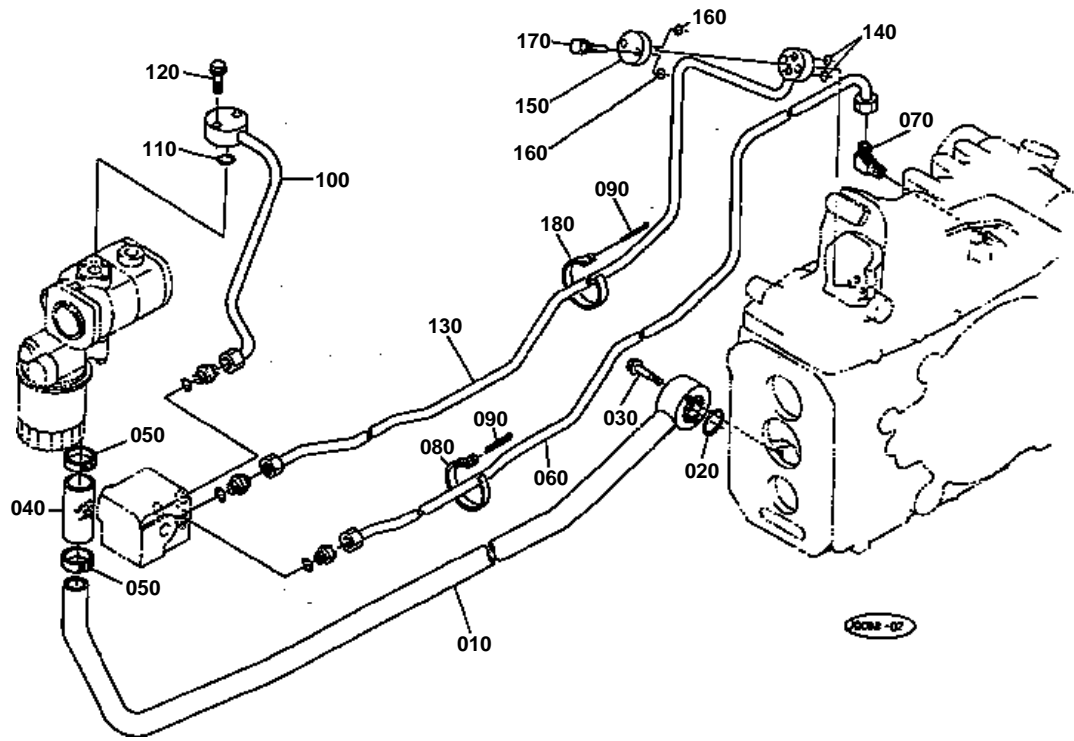


# HYDRAULIC OIL FILTER

↔ Interchangeable; ≠ not interchangeable; ← new for old; → old for new

REF.No	Part No.	Description	Q'ty	S.No.	I/C	REMARKS	Weight (kgf)	Weight (lb)
010	31351-38710	BRACKET FILTER	1				0.4	0.88
020	04811-00200	O RING	1				0	0
030	01754-50840	BOLT FLANGE	2				0.02	0.044
040	38240-37780	JOINT SCREW	1				0.03	0.066
050	30400-37710	CARTRIDGE OIL FILTER	1				0.4	0.88
060	31351-38720	COVER BLIND	1				0.005	0.011
070	31351-45360	PLUG	1				0.055	0.121
080	06312-10010	PLUG	2				0.007	0.0154

HYDRAULIC OIL LINE [WITH DUAL CLUTCH]



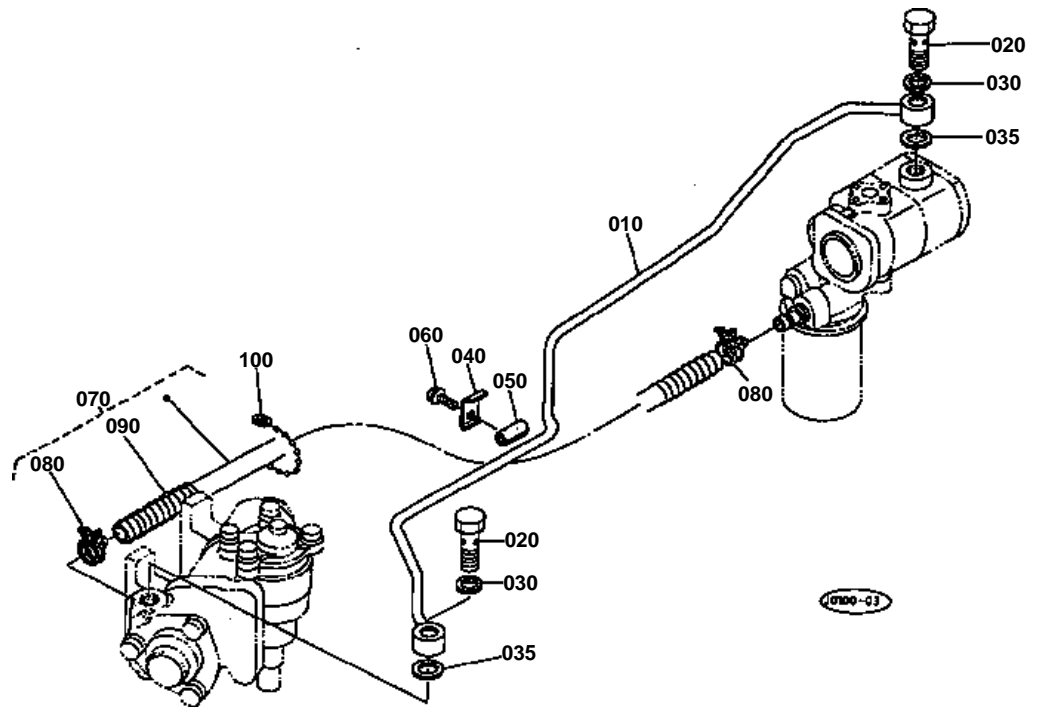


# HYDRAULIC OIL LINE [WITH DUAL CLUTCH]

↔ Interchangeable; ≠ not interchangeable; ← new for old; → old for new

REF.No	Part No.	Description	Q'ty	S.No.	I/C	REMARKS	Weight (kgf)	Weight (lb)
010	31361-38120	COMP.PIPE INLET	1				1.6	3.52
020	04810-00250	O RING	1				0	0
030	01754-50845	BOLT FLANGE	2				0.021	0.0462
040	34350-37774	PIPE RUBBER	1				0.06	0.132
050	31351-38180	BAND PIPE	2				0.02	0.044
060	32430-37550	ASSY PIPE RETURN	1				0.7	1.54
070	70764-62730	BODY ELBOW	1				0	0
080	33251-82760	BAND PIPE	1				0.016	0.0352
090	33430-82760	PIN BAND	2				0.004	0.0088
100	32430-38210	COMP.PIPE DELIVERY	1				0.485	1.067
110	04810-00200	O RING	1				0	0
120	01754-50830	BOLT FLANGE	2				0.05	0.11
130	32430-38240	COMP.PIPE DELIVERY	1				0.8	1.76
140	04810-00100	O RING	2				0	0
150	31351-38310	CAP	1				0.135	0.297
160	04810-00120	O RING	2				0	0
170	01123-50850	BOLT	2				0.02	0.044
180	67111-53770	BAND PIPE	1				0.01	0.022

# HYDRAULIC OIL LINE (PS)



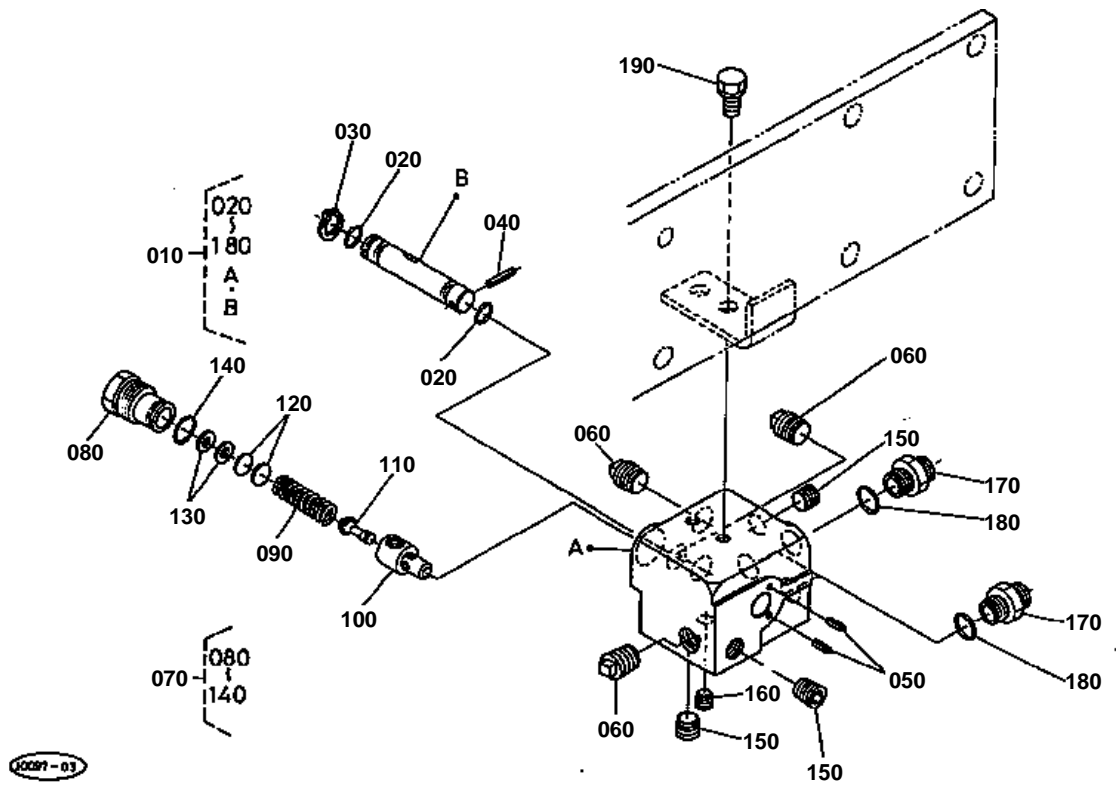


# HYDRAULIC OIL LINE (PS)

↔ Interchangeable; ≠ not interchangeable; ← new for old; → old for new

REF.No	Part No.	Description	Q'ty	S.No.	I/C	REMARKS	Weight (kgf)	Weight (lb)
010	31351-45214	COMP.PIPE DELIVERY	1				0.32	0.704
020	66591-36250	JOINT	2				0.08	0.176
030	67111-37180	GASKET	2				0.003	0.0066
035	67401-36720	GASKET	2				0.005	0.011
040	31351-45260	HOLDER PIPE	1				0.02	0.044
050	31351-45270	PIPE RUBBER	1				0.005	0.011
060	01754-50820	BOLT FLANGE	1				0.015	0.033
070	31351-45300	ASSY PIPE RETURN	1				0.25	0.55
080	38430-45150	CLAMP	2				0.015	0.033
090	31351-45330	SPRING PROTECTOR	1				0.055	0.121
100	34350-29380	BAND CORD	1				0.001	0.0022

# HYDRAULIC BLOCK





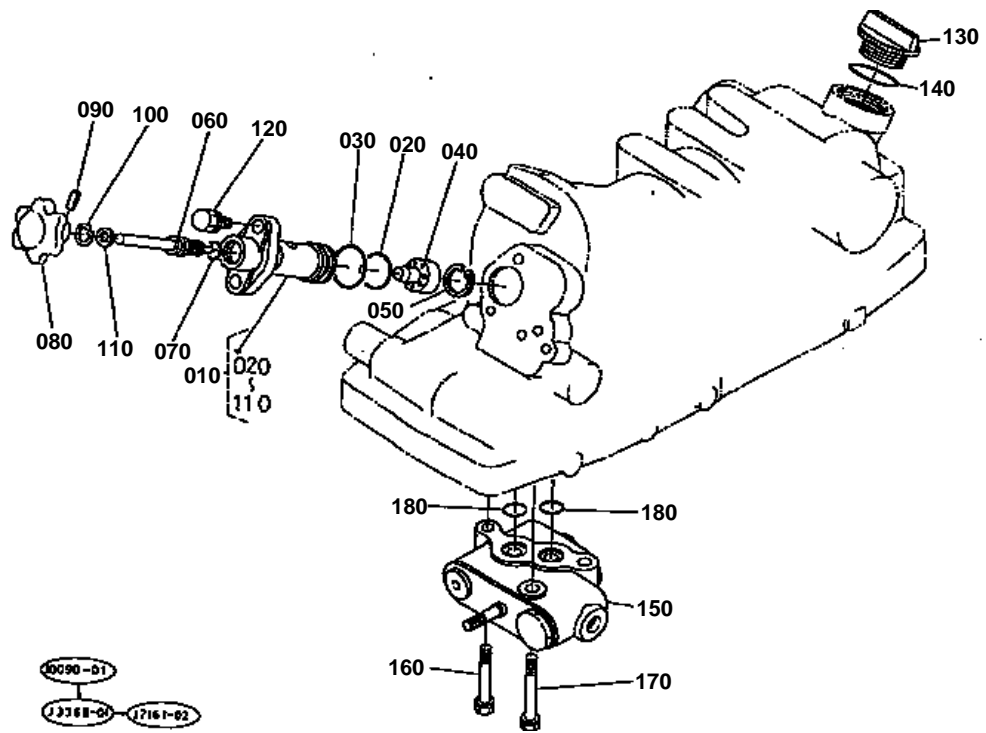


# HYDRAULIC BLOCK

↔ Interchangeable; ≠ not interchangeable; ← new for old; → old for new

REF.No	Part No.	Description	Q'ty	S.No.	I/C	REMARKS	Weight (kgf)	Weight (lb)
010	35080-37500	ASSY BLOCK FRONT HYD	1				2.15	4.73
020	04810-06100	O RING	2				0	0
030	04612-00140	CIR-CLIP EXTERNAL	1				0.001	0.0022
040	05411-00320	PIN SPRING	1				0.001	0.0022
050	05411-00310	PIN SPRING	2				0.001	0.0022
060	06312-10030	PLUG	3				0.029	0.0638
070	31351-37900	ASSY VALVE RELIEF	1				0.1	0.22
080	31351-37910	PLUG	1				0.06	0.132
090	31351-37920	SPRING	1				0.02	0.044
100	31351-37930	SEAT	1				0.02	0.044
110	31351-37940	POPPET	1				0.005	0.011
120	31351-37950	SHIM	5			0.4MM	0.001	0.0022
120	31351-37960	SHIM	2			0.2MM	0.001	0.0022
120	31351-37970	SHIM	2			0.1MM	0.001	0.0022
130	04013-50050	WASHER PLAIN	2				0	0
140	04811-10160	O RING	1				0.001	0.0022
150	31351-37150	PLUG	3				0.007	0.0154
160	31351-37160	PLUG	1				0.003	0.0066
170	99063-37180	BODY NIPPLE	3				0	0
180	04810-00140	O RING	3				0	0
190	01123-50816	BOLT	2				0	0

# CONTROL VALVE





## CONTROL VALVE

↔ Interchangeable; ≠ not interchangeable; ← new for old; → old for new

REF.No	Part No.	Description	Q'ty	S.No.	I/C	REMARKS	Weight (kgf)	Weight (lb)
010	31351-37200	ASSY COVER CYL.FRONT	1				0.3	0.66
020	04810-00220	O RING	1				0	0
030	04810-06250	O RING	1				0	0
040	38240-37250	COLLAR ADJUSTING	1				0.01	0.022
050	04611-00160	CIR-CLIP INTERNAL	1				0.001	0.0022
060	31351-37220	SHAFT HYD.ADJUST.	1				0.04	0.088
070	04810-00100	O RING	1				0	0
080	34150-37230	GRIP	1				0.04	0.088
090	05411-00418	PIN SPRING	1				0.001	0.0022
100	34150-37260	CIR-CLIP INTERNAL	1				0.001	0.0022
110	04012-50080	WASHER PLAIN	1				0.001	0.0022
120	01123-50825	BOLT	2				0.013	0.0286
130	38240-21410	PLUG	1				0.015	0.033
140	04811-50300	O RING	1				0	0
150	35080-39100	ASSY VALVE CONTROL	1				1.6	3.52
160	01123-50845	BOLT	1				0.02	0.044
170	01123-50850	BOLT	2				0.02	0.044
180	04810-00120	O RING	2				0	0

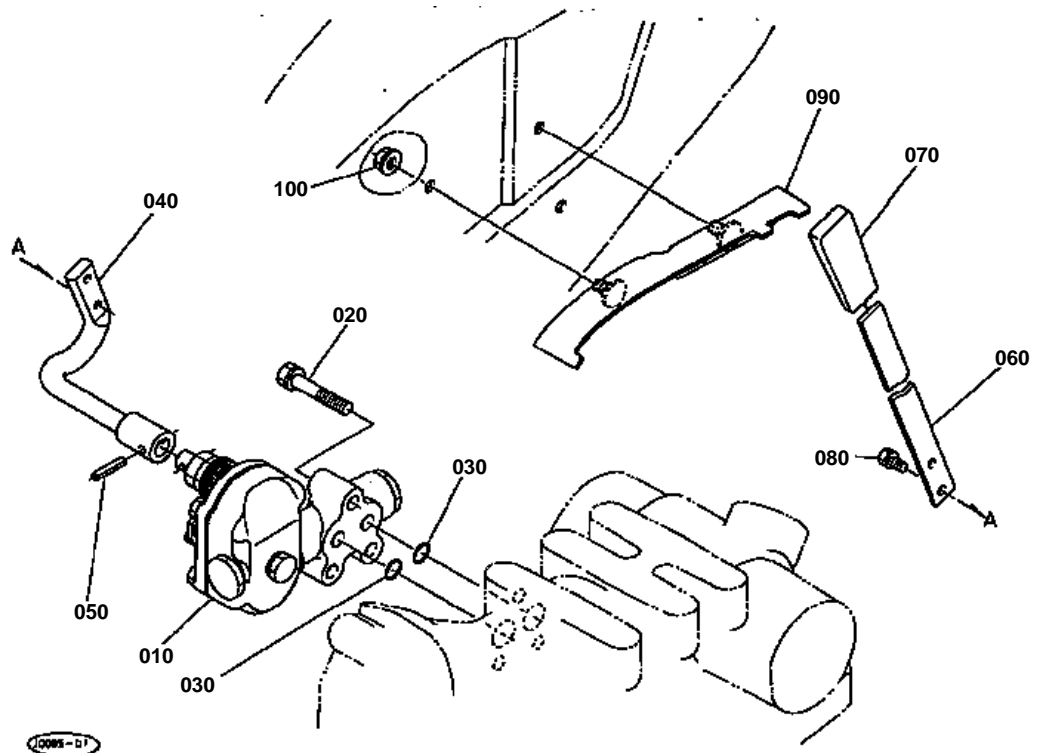


**CONTROL VALVE [COMPONENT PARTS]**

↔ Interchangeable; ≠ not interchangeable; ← new for old; → old for new

REF.No	Part No.	Description	Q'ty	S.No.	I/C	REMARKS	Weight (kgf)	Weight (lb)
010	35080-39100	ASSY VALVE CONTROL	1				1.6	3.52
020	31351-39130	SPRING SPOOL	1				0.005	0.011
030	31351-39140	PLUG	1				0.05	0.11
040	35080-39150	POPPET	1				0.02	0.044
050	67531-38470	SPRING	1				0.001	0.0022
060	04811-00160	O RING	1				0	0
070	35080-39170	PLUG	1				0.035	0.077
080	31391-39180	POPPET	1				0.015	0.033
090	31391-39190	SPRING	1				0.001	0.0022
100	04810-00090	O RING	1				0	0
110	35080-39200	PLUG	1				0.04	0.088
120	35080-39220	POPPET	1				0.035	0.077
130	31351-39190	SPRING	1				0.008	0.0176
140	31351-39240	PLATE	1				0.05	0.11
150	35080-39250	PLATE JOINT	1				0.045	0.099
160	01311-10814	BOLT	1				0.012	0.0264
170	02112-50080	NUT	2				0.003	0.0066
180	04811-00050	O RING	1				0	0
190	31351-39290	RING BACK UP	1				0.001	0.0022
200	04810-06100	O RING	1				0	0

DRAFT CONTROL VALVE [OPTION]



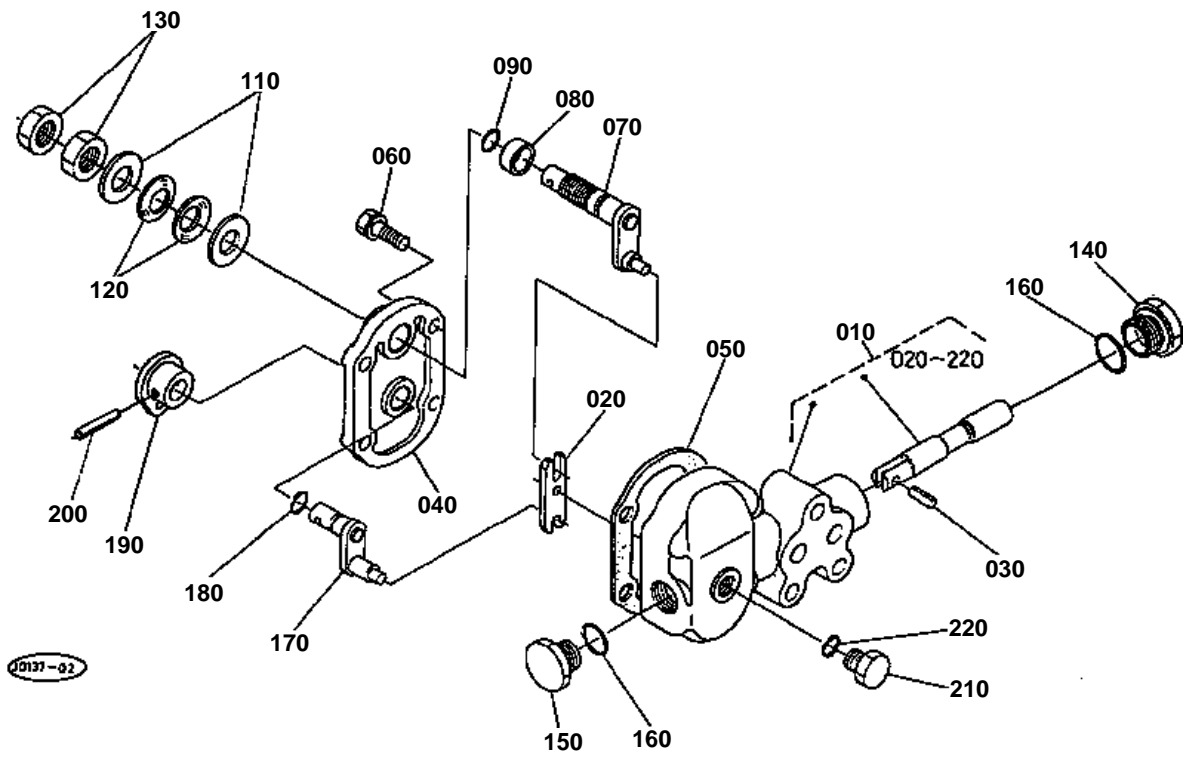


## DRAFT CONTROL VALVE [OPTION]

↔ Interchangeable; ≠ not interchangeable; ← new for old; → old for new

REF.No	Part No.	Description	Q'ty	S.No.	I/C	REMARKS	Weight (kgf)	Weight (lb)
010	35080-41100	ASSY VALVE DRAFT CON	1				2.5	5.5
020	01123-50845	BOLT	3				0.02	0.044
030	04810-00140	O RING	2				0	0
040	35080-41240	LEVER DRAFT CON.	1				0.285	0.627
050	05411-00525	PIN SPRING	1				0.002	0.0044
060	35080-41250	LEVER DRAFT CON.	1				0.155	0.341
070	31351-36880	GRIP LEVER	1				0.04	0.088
080	01023-50612	BOLT	2				0.005	0.011
090	32440-41260	GUIDE DRAFT LEVER	1				0.165	0.363
100	31351-11080	NUT FLANGE	2				0.007	0.0154

DRAFT CONTROL VALVE [COMPONENT PARTS]



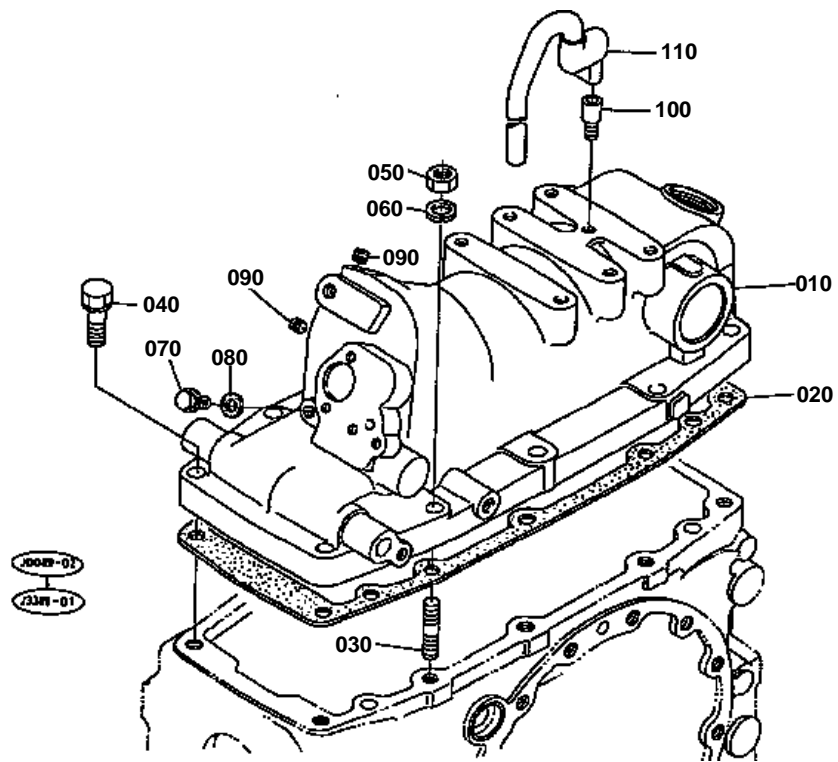


**DRAFT CONTROL VALVE [COMPONENT PARTS]**

↔ Interchangeable; ≠ not interchangeable; ← new for old; → old for new

REF.No	Part No.	Description	Q'ty	S.No.	I/C	REMARKS	Weight (kgf)	Weight (lb)
010	35080-41100	ASSY VALVE DFART CON	1				2.5	5.5
020	35080-41130	LEVER SPOOL DRIVE	1				0.02	0.044
030	05411-00614	PIN SPRING	1				0.002	0.0044
040	35080-41140	COVER VALVE	1				0.39	0.858
050	35080-41150	GASKET	1				0.005	0.011
060	01123-50830	BOLT	4				0.015	0.033
070	35080-41160	ARM CONTROL	1				0.09	0.198
080	35080-41270	COLLAR	1				0.015	0.033
090	04811-06100	O RING	1				0	0
100	99999-99999	BLANK	0				0	0
110	04013-50140	WASHER PLAIN	2				0	0
120	37300-41280	SPRING PLATE	2				0.005	0.011
130	02172-50140	NUT	2				0.01	0.022
140	35080-41170	PLUG	1				0.04	0.088
150	35080-41230	PLUG	1				0.06	0.132
160	04811-00180	O RING	2				0	0
170	35080-41180	ARM FEED BACK	1				0.05	0.11
180	04811-00090	O RING	1				0	0
190	35080-41190	LEVER FEED BACK	1				0.05	0.11
200	05411-00520	PIN SPRING	1				0.002	0.0044
210	35080-41280	PLUG	1				0.025	0.055
220	04811-00110	O RING	1				0	0

# HYDRAULIC CYLINDER



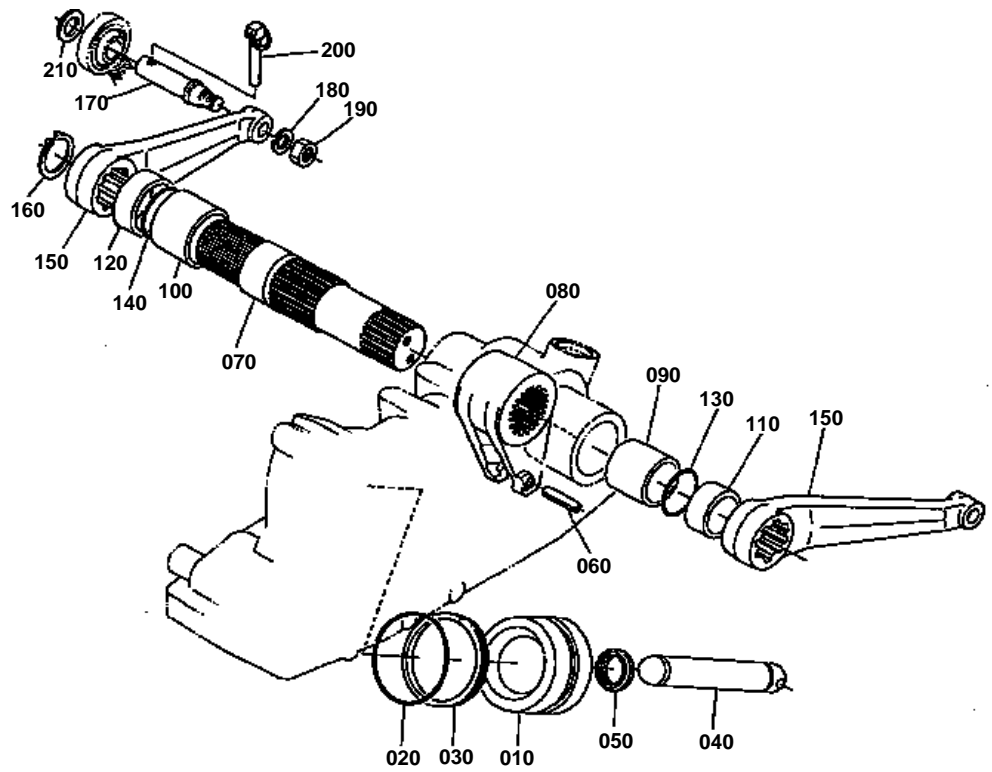


# HYDRAULIC CYLINDER

↔ Interchangeable; ≠ not interchangeable; ← new for old; → old for new

REF.No	Part No.	Description	Q'ty	S.No.	I/C	REMARKS	Weight (kgf)	Weight (lb)
010	35080-37110	CASE HYD.CYLINDER	1				20.7	45.54
020	37150-37120	GASKET	1				0	0
030	01574-51245	STUD	2				0.051	0.1122
040	01133-51245	BOLT	8				0.055	0.121
050	02176-50120	NUT	2				0.01	0.022
060	04512-50120	WASHER SPRING	2				0	0
070	37150-36730	PLUG	1				0.03	0.066
080	37150-36720	GASKET	1				0.01	0.022
090	31351-37160	PLUG	5				0.003	0.0066
100	36200-21610	BREATHER	1				0.008	0.0176
110	32430-37140	BREATHER	1				0.04	0.088

# LIFT ARM



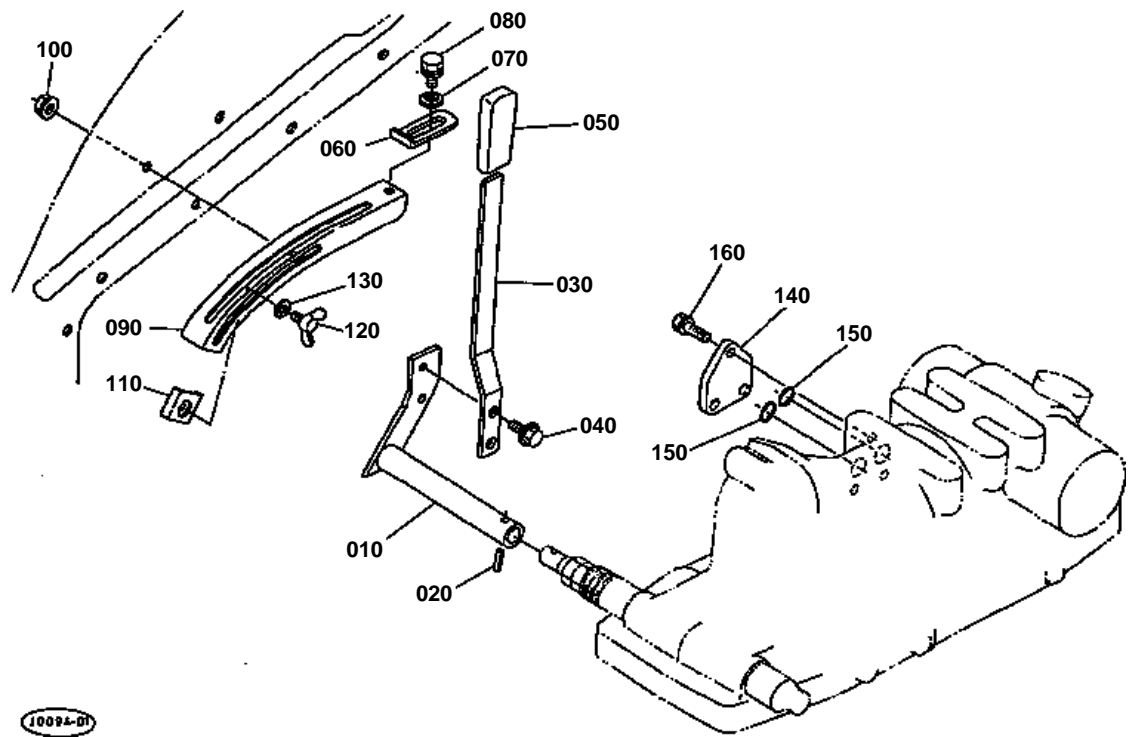


## LIFT ARM

↔ Interchangeable; ≠ not interchangeable; ← new for old; → old for new

REF.No	Part No.	Description	Q'ty	S.No.	I/C	REMARKS	Weight (kgf)	Weight (lb)
010	31351-37310	PISTON HYD.	1				1.375	3.025
020	04810-00750	O RING	1				0.003	0.0066
030	34350-37330	RING BACK UP	1				0.004	0.0088
040	31351-37320	ROD HYD.	1				0.605	1.331
050	31351-37330	GUIDE HYD.ROD	1				0.003	0.0066
060	05411-00656	PIN SPRING	1				0.006	0.0132
070	31321-37430	SHAFT HYD.ARM	1				2.22	4.884
080	31321-37440	ARM HYDRAULIC	1				0	0
090	31321-37450	BUSH	1				0.09	0.198
100	34150-37460	BUSH	1				0.062	0.1364
110	34150-37480	COLLAR	1				0.005	0.011
120	34150-37490	COLLAR	1				0.002	0.0044
130	04811-50450	O RING	1				0	0
140	04811-06400	O RING	1				0	0
150	30401-37610	ARM LIFT	2				2.1	4.62
160	04612-00400	CIR-CLIP EXTERNAL	1				0.005	0.011
170	30442-37690	PIN LIFT ROD	2				0.2	0.44
180	04512-50160	WASHER SPRING	2				0	0
190	02174-50160	NUT	2				0.022	0.0484
200	34150-37640	PIN SET	2				0.06	0.132
210	04011-50180	WASHER PLAIN	2				0.012	0.0264

# POSITION LEVER



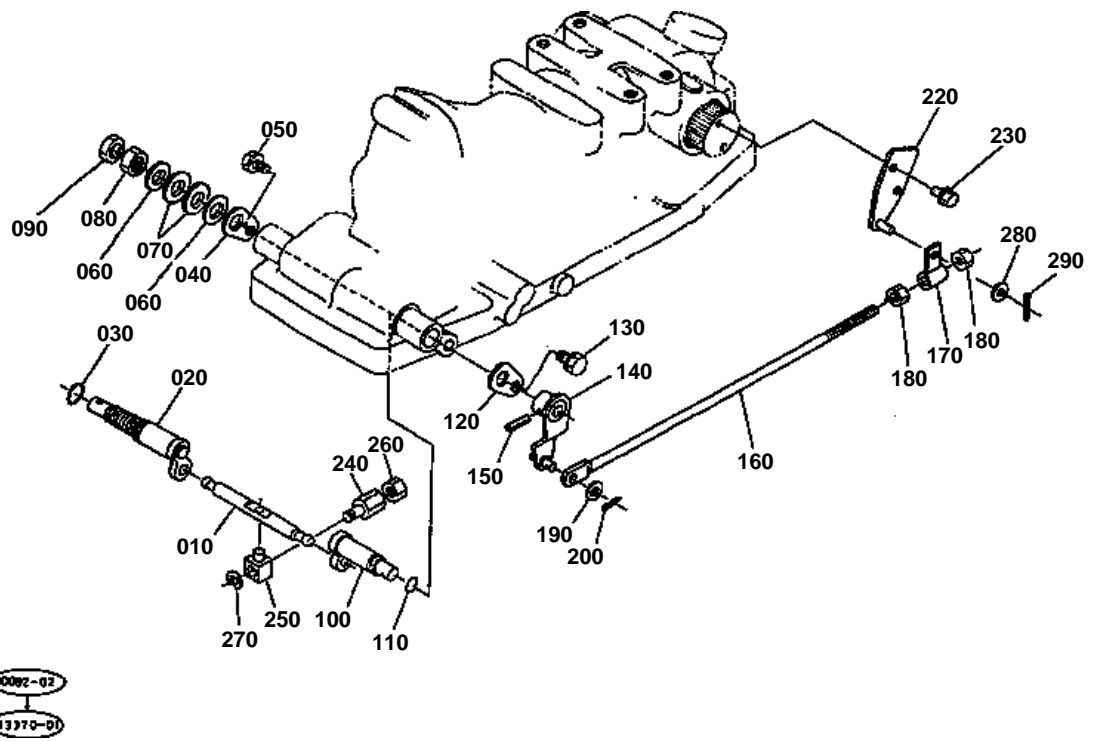


# POSITION LEVER

↔ Interchangeable; ≠ not interchangeable; ← new for old; → old for new

REF.No	Part No.	Description	Q'ty	S.No.	I/C	REMARKS	Weight (kgf)	Weight (lb)
010	32430-36850	LEVER POSITION	1				0.42	0.924
020	05411-00525	PIN SPRING	1				0.002	0.0044
030	31351-36860	LEVER POSITION	1				0.14	0.308
040	01754-50616	BOLT FLANGE	2				0.006	0.0132
050	31351-36880	GRIP LEVER	1				0.04	0.088
060	38240-36930	STOPPER	1				0.02	0.044
070	04015-50080	WASHER PLAIN	1				0	0
080	01123-50816	BOLT	1				0	0
090	30442-36810	GUIDE HYD.LEVER	1				0	0
100	31351-11080	NUT FLANGE	2				0.007	0.0154
110	31351-36910	STOPPER	1				0.02	0.044
120	01811-50610	BOLT WING	1				0.014	0.0308
130	04013-50060	WASHER PLAIN	1				0	0
140	32430-41210	COVER CYL.SIDE LH	1			W/O DRAFT	0.11	0.242
150	04810-00140	O RING	2			W/O DRAFT	0	0
160	01123-50820	BOLT	3			W/O DRAFT	0.011	0.0242

# FEED BACK LEVER





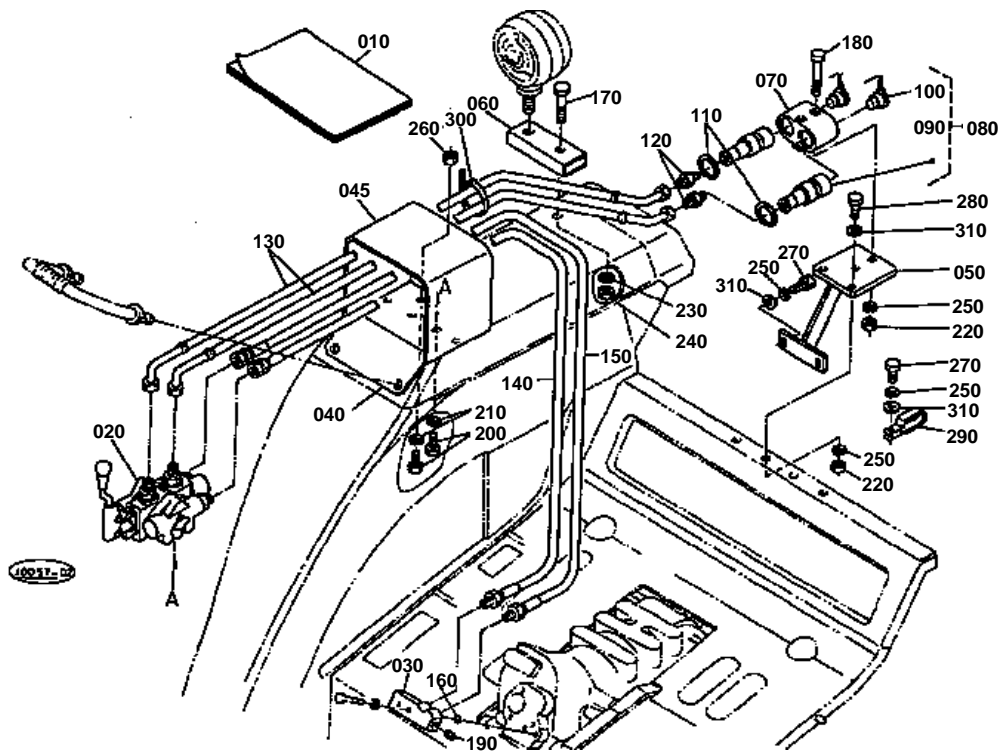


## FEED BACK LEVER

↔ Interchangeable; ≠ not interchangeable; ← new for old; → old for new

REF.No	Part No.	Description	Q'ty	S.No.	I/C	REMARKS	Weight (kgf)	Weight (lb)
010	31351-37640	LEVER SPOOL DRIVE	1				0.05	0.11
020	31351-37650	ARM CONTROL	1				0.16	0.352
030	04811-00140	O RING	1				0	0
040	31351-37660	SET PLATE	1				0.01	0.022
050	01123-50816	BOLT	1				0	0
060	04013-50140	WASHER PLAIN	2				0	0
070	34260-36880	SPRING PLATE	2				0.006	0.0132
080	02174-50140	NUT	1				0.014	0.0308
090	02172-50140	NUT	1				0.01	0.022
100	31351-37750	SHAFT BACK LEVER	1				0.1	0.22
110	04811-00120	O RING	1				0	0
120	38240-36890	SET PLATE	1				0.013	0.0286
130	01123-50816	BOLT	1				0	0
140	31351-37760	LEVER FEED BACK	1				0.08	0.176
150	05411-00525	PIN SPRING	1				0.002	0.0044
160	31321-37770	ROD FEED BACK	1				0.12	0.264
170	31351-37780	ROD CONTROL	1				0.03	0.066
180	02114-50080	NUT	2				0.005	0.011
190	04013-50080	WASHER PLAIN	1				0	0
200	05511-50218	PIN SPLIT	1				0.001	0.0022
210	99999-99999	BLANK	0				0	0
220	31351-37720	LINK CONTROL	1				0	0
230	01754-50812	BOLT FLANGE	2				0.01	0.022
240	67531-38280	JOINT SPOOL	1				0.17	0.374
250	37150-36420	JOINT SPOOL	1				0.02	0.044
260	02112-50080	NUT	1				0.003	0.0066
270	04613-00060	CIR-CLIP EXTERNAL	1				0	0
280	04013-50080	WASHER PLAIN	1				0	0
290	05511-50215	PIN SPLIT	1				0.001	0.0022

AUX.CONTROL VALVE 1 [OPTION]

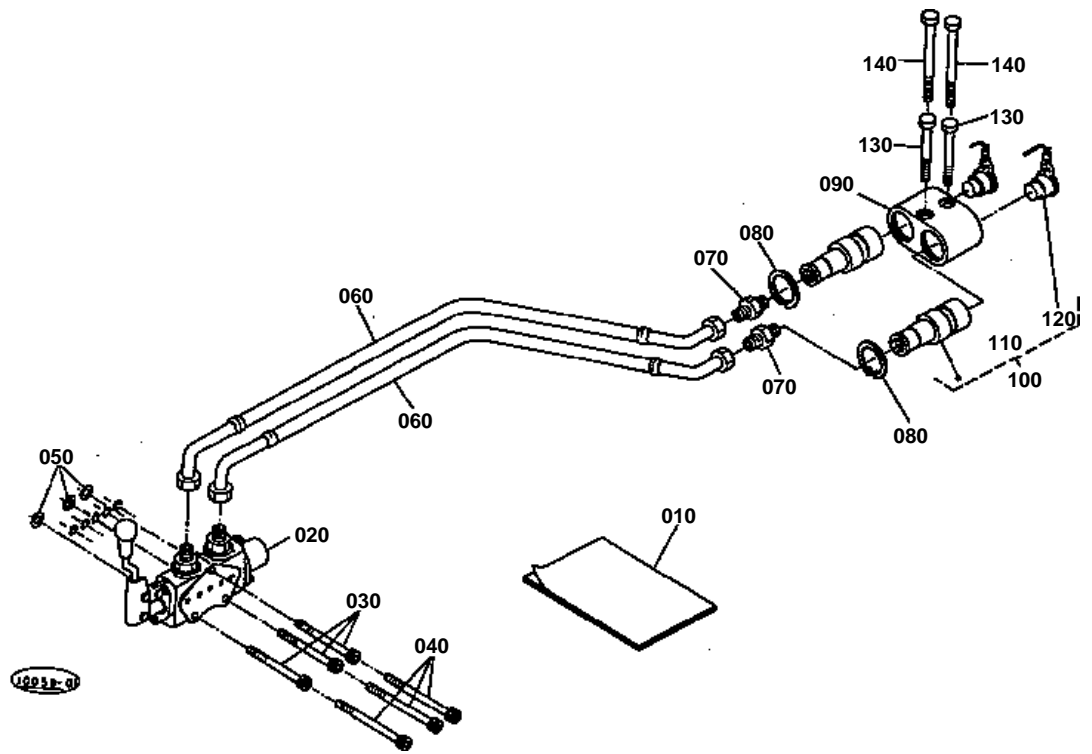




## AUX.CONTROL VALVE 1 [OPTION]

↔ Interchangeable; ≠ not interchangeable; ← new for old; → old for new

REF.No	Part No.	Description	Q'ty	S.No.	I/C	REMARKS	Weight (kgf)	Weight (lb)
010	99063-93502	MANUAL	1				0	0
020	99063-93100	ASSY VALVE AUX.CON.	1				4	8.8
030	99063-93300	CONNECTOR	1				0.496	1.0912
040	99063-93850	HOLDER AUX.CON.LOWER	1				0	0
045	99063-93860	HOLDER AUX.CON.UPPER	1				0	0
050	99063-93870	STAY COUPLER	1				0.8	1.76
060	99063-93890	STAY HAZARD LIGHT	1				0.185	0.407
070	99063-93800	SUPPORT COUPLER	1				0.75	1.65
080	35861-82032	ASSY COUPLER FEMALE	2				0.32	0.704
090	35861-94510	O RING	2			NOT SHOWN IN FIG.	0.002	0.0044
100	35861-94520	PLUG COUPLER	2				0.005	0.011
110	04611-00380	CIR-CLIP INTERNAL	2				0.004	0.0088
120	99063-93410	ADAPTER	2				0.07	0.154
130	99063-93450	HOSE	2				0.37	0.814
140	99063-93470	HOSE NYLON	1			1140L	0.39	0.858
150	99063-93480	HOSE NYLON	1			1330L	0.39	0.858
160	04811-06100	O RING	2				0	0
170	99063-93490	BOLT	1				0.01	0.022
180	01153-50860	BOLT	2				0.024	0.0528
190	31351-37160	PLUG	1				0.003	0.0066
200	01153-51220	BOLT	3				0.03	0.066
210	04512-50120	WASHER SPRING	3				0	0
220	02156-50080	NUT	4				0.004	0.0088
230	04512-50100	WASHER SPRING	1				0	0
240	02176-50100	NUT	1				0.005	0.011
250	04512-50080	WASHER SPRING	11				0	0
260	02156-50120	NUT	1				0.01	0.022
270	01153-50820	BOLT	7				0.012	0.0264
280	01153-50835	BOLT	2				0.016	0.0352
290	38740-49250	CLAMP	1				0.035	0.077
300	34350-29380	BAND CORD	1				0.001	0.0022
310	04013-50080	WASHER PLAIN	5				0	0

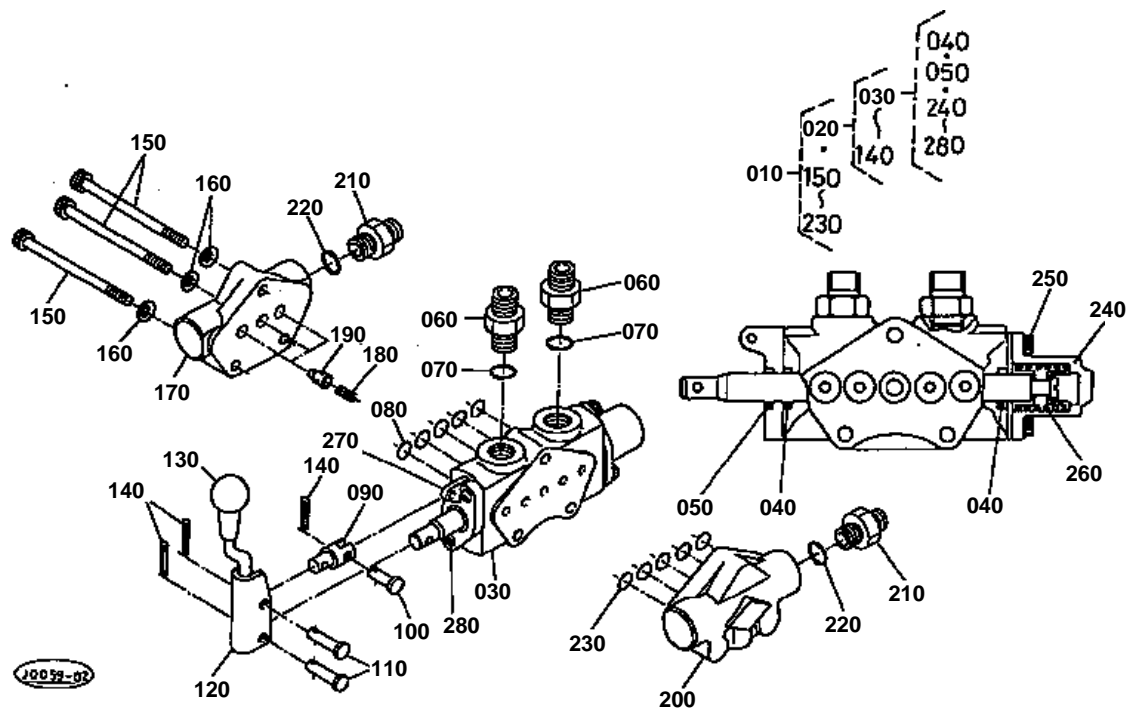


**AUX.CONTROL VALVE 2 [OPTION]**

↔ Interchangeable; ≠ not interchangeable; ← new for old; → old for new

REF.No	Part No.	Description	Q'ty	S.No.	I/C	REMARKS	Weight (kgf)	Weight (lb)
010	99063-94500	MANUAL CONSTRUCTION	1				0.1	0.22
020	99063-94100	VALVE CONTROL	1				1.9	4.18
030	01311-10800	BOLT	3				0.015	0.033
040	01311-10806	BOLT	3				0.053	0.1166
050	99063-94180	PATCH	3				0.001	0.0022
060	99063-93450	HOSE	2				0.37	0.814
070	99063-93410	ADAPTER	2				0.07	0.154
080	04611-00380	CIR-CLIP INTERNAL	2				0.004	0.0088
090	99063-93800	SUPPORT COUPLER	1				0.75	1.65
100	35861-82032	ASSY COUPLER FEMALE	2				0.32	0.704
110	35861-94510	O RING	2			NOT SHOWN IN FIG.	0.002	0.0044
120	35861-94520	PLUG COUPLER	2				0.005	0.011
130	01153-50802	BOLT	2				0.04	0.088
140	01153-50809	BOLT	2				0	0

AUX.CONTROL VALVE [COMPONENT PARTS]

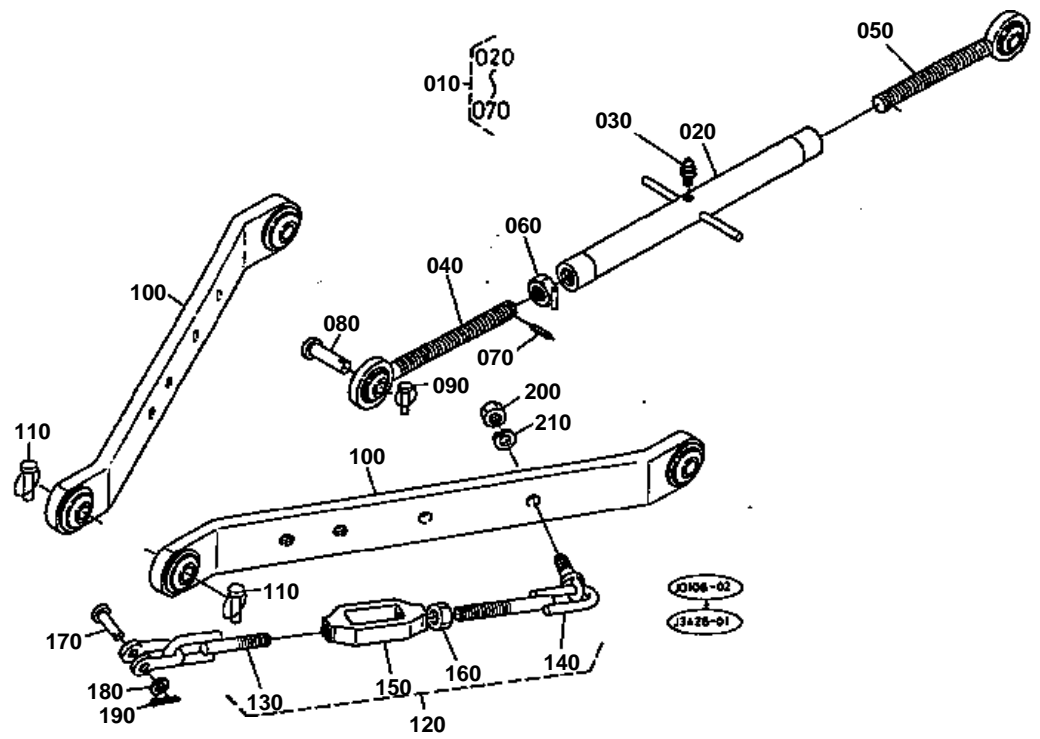


**AUX.CONTROL VALVE [COMPONENT PARTS]**

↔ Interchangeable; ≠ not interchangeable; ← new for old; → old for new

REF.No	Part No.	Description	Q'ty	S.No.	I/C	REMARKS	Weight (kgf)	Weight (lb)
010	99063-93100	ASSY VALVE AUX.CON.	1				4	8.8
020	99063-94100	VALVE CONTROL	1				1.9	4.18
030	99063-93180	ASSY CASING	1				1.66	3.652
040	39791-31016	SEAL PENTA	2				0	0
050	99063-94140	SCRAPER	1				0.01	0.022
060	99063-93150	NIPPLE HOSE	2				0.045	0.099
070	04811-00140	O RING	2				0	0
080	04811-00110	O RING	5				0	0
090	99063-93210	LINK LEVER	1				0.05	0.11
100	05122-50520	PIN JOINT	1				0.003	0.0066
110	05122-50524	PIN JOINT	2				0	0
120	99063-93220	LEVER	1				0.24	0.528
130	99063-93230	GRIP	1				0.035	0.077
140	05511-50210	PIN SPLIT	3				0.001	0.0022
150	01311-10865	BOLT	3				0.03	0.066
160	99063-93130	SPRING PLATE	3				0.01	0.022
170	99063-93140	SECTION INLET	1				1	2.2
180	99063-93160	SPRING	2				0.01	0.022
190	99063-93170	POPPET	2				0.02	0.044
200	99063-93190	SECTION OUTLET	1				0.97	2.134
210	99063-93150	NIPPLE HOSE	2				0.045	0.099
220	04811-00140	O RING	2				0	0
230	04811-00110	O RING	5				0	0
240	39782-59251	CAP END	1				0.04	0.088
250	01350-10516	BOLT	2				0.005	0.011
260	39782-59181	SPRING	1				0.03	0.066
270	39782-59261	HOLDER LEVER LINK	1				0.07	0.154
280	01350-10510	BOLT	2				0.003	0.0066

3-POINT LINKEGE 1





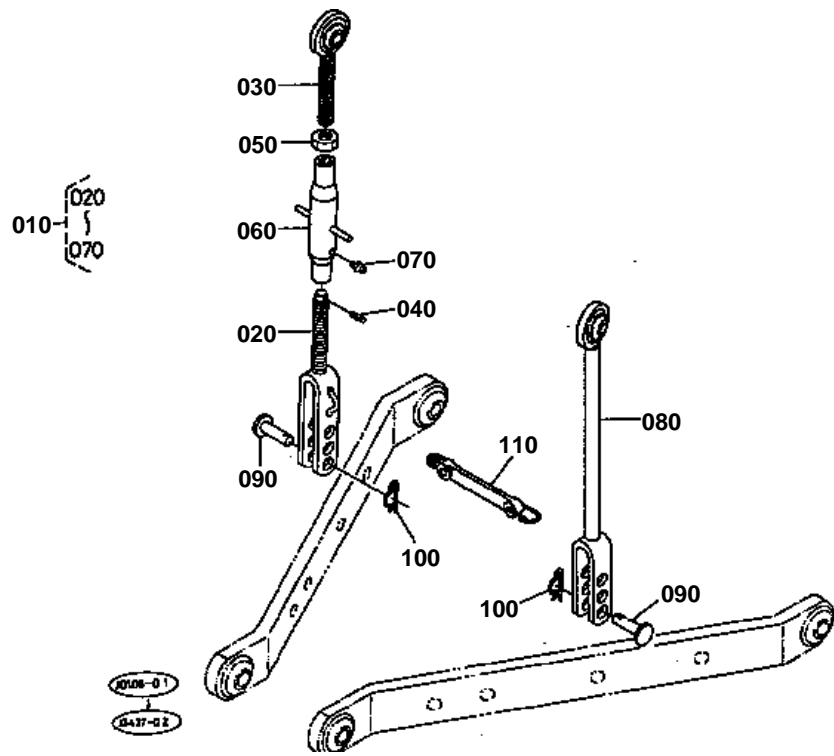


### 3-POINT LINKEGE 1

↔ Interchangeable; ≠ not interchangeable; ← new for old; → old for new

REF.No	Part No.	Description	Q'ty	S.No.	I/C	REMARKS	Weight (kgf)	Weight (lb)
010	35080-71100	ASSY LINK TOP	1				3.6	7.92
020	35340-71113	LINK TOP	1				1.265	2.783
030	67211-42940	NIPPLE GREASE	1				0.001	0.0022
040	35340-71210	JOINT TOP LINK	1				1.06	2.332
050	35340-71220	JOINT TOP LINK	1				1.06	2.332
060	32244-71180	NUT TOP LINK	1				0.057	0.1254
070	05411-00430	PIN SPRING	2				0.002	0.0044
080	37307-71360	PIN JOINT	2				0	0
090	34150-37640	PIN SET	2				0.06	0.132
100	35080-71310	COMP.LINK LOWER	2				7.85	17.27
110	34150-37640	PIN SET	4				0.06	0.132
120	35080-71800	ASSY CHAIN CHECK	2				0	0
130	31351-71810	JOINT CHAIN	2				0.4	0.88
140	35080-71820	JOINT CHAIN	2				0.5	1.1
150	32430-71840	TURNBUCKLE	2				0	0
160	02052-50160	NUT	2				0.025	0.055
170	32353-71890	PIN	2				0.041	0.0902
180	04013-50120	WASHER PLAIN	2				0	0
190	05511-50425	PIN SPLIT	2				0.003	0.0066
200	02074-50160	NUT	2				0.029	0.0638
210	04512-50160	WASHER SPRING	2				0	0

3-POINT LINKEGE 2



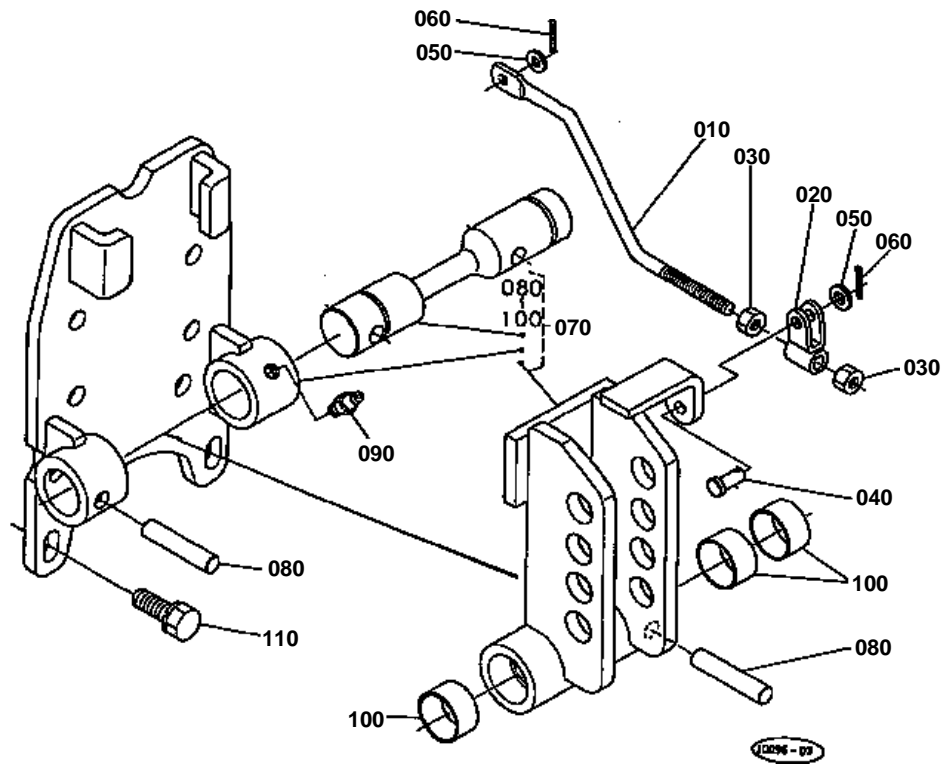


### 3-POINT LINKEGE 2

↔ Interchangeable; ≠ not interchangeable; ← new for old; → old for new

REF.No	Part No.	Description	Q'ty	S.No.	I/C	REMARKS	Weight (kgf)	Weight (lb)
010	35080-71560	ASSY ROD LIFT RH	1				0	0
020	35080-71520	ROD LIFT LOWER	1				0.88	1.936
030	31331-71510	ROD LIFT UPPER	1				0.58	1.276
040	05411-00320	PIN SPRING	1				0.001	0.0022
050	35110-71570	NUT	1				0.05	0.11
060	38187-71770	ROD LIFT MIDDLE	1				0.54	1.188
070	06613-10675	NIPPLE GREASE	1				0.003	0.0066
080	35080-71540	ROD LIFT LH	1				1.6	3.52
090	38747-71582	PIN LIFT ROD	2				0.1	0.22
100	05515-51600	PIN SNAP	2				0.007	0.0154
110	35080-71750	COMP.RUBBER	1				0.065	0.143

TOP LINKAGE BRACKET [OPTION]



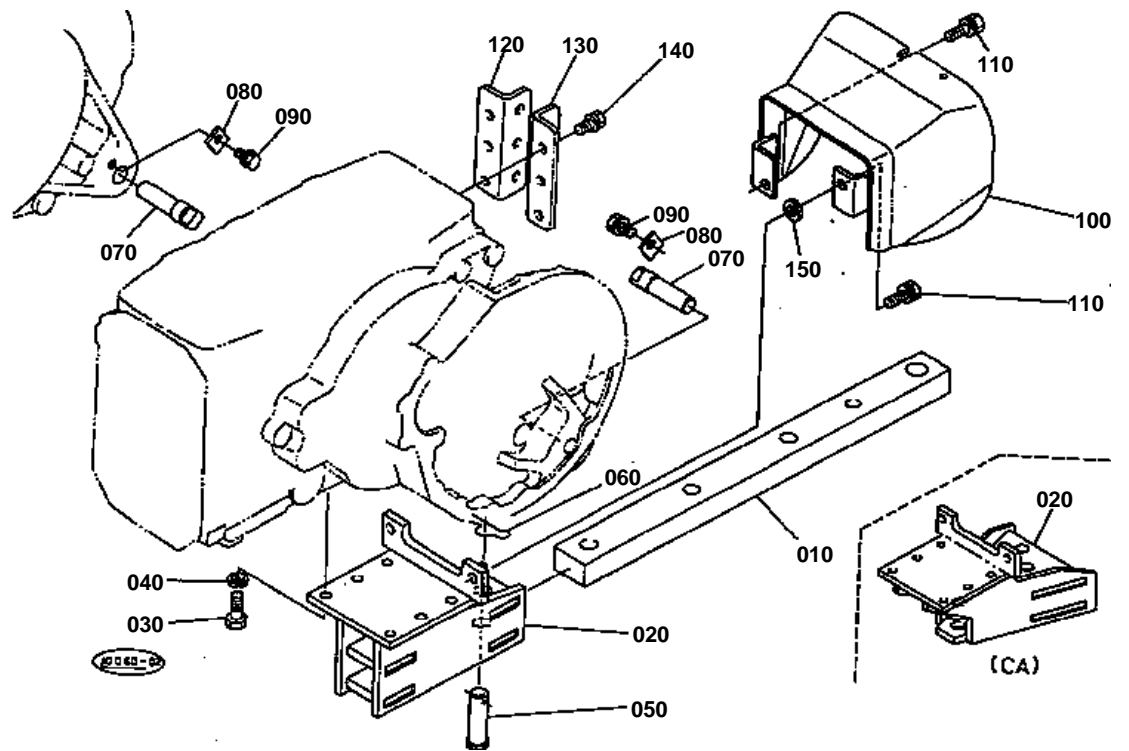


# TOP LINKAGE BRACKET [OPTION]

↔ Interchangeable; ≠ not interchangeable; ← new for old; → old for new

REF.No	Part No.	Description	Q'ty	S.No.	I/C	REMARKS	Weight (kgf)	Weight (lb)
010	35080-41310	ROD DRAFT CONTROL	1			WITH DRAFT	0	0
020	35260-41320	HOLDER CONTROL	1			WITH DRAFT	0.03	0.066
030	02112-50080	NUT	2			WITH DRAFT	0.003	0.0066
040	05122-50818	PIN JOINT	1			WITH DRAFT	0.008	0.0176
050	04012-50080	WASHER PLAIN	2			WITH DRAFT	0.001	0.0022
060	05511-50218	PIN SPLIT	2			WITH DRAFT	0.001	0.0022
070	35080-41400	COMP HOLDER TOP LINK	1			WITH DRAFT	6.85	15.07
080	37300-41440	PIN STRAIGHT	2			WITH DRAFT	0.055	0.121
090	06613-10010	NIPPLE GREASE	2			WITH DRAFT	0.006	0.0132
100	37300-41450	BUSH	3			WITH DRAFT	0.03	0.066
110	01133-51230	BOLT	6			WITH DRAFT	0.04	0.088

DRAWBAR



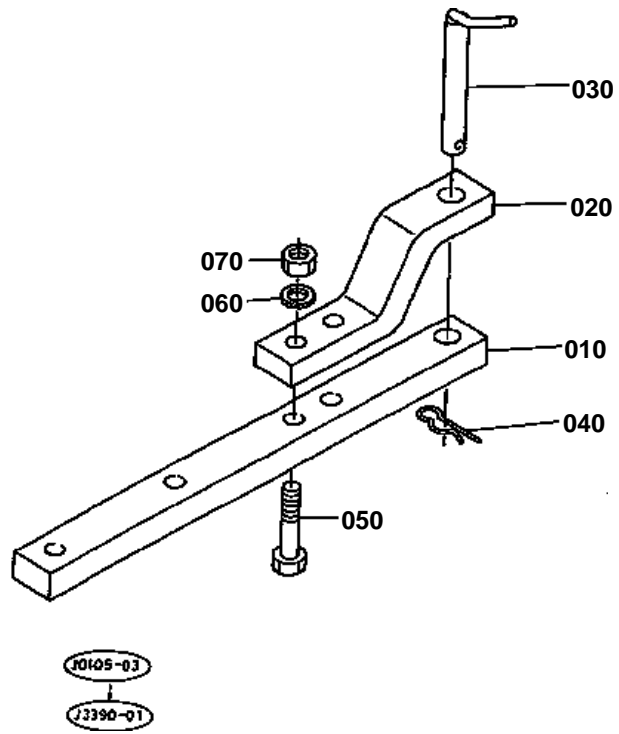


# DRAWBAR

↔ Interchangeable; ≠ not interchangeable; ← new for old; → old for new

REF.No	Part No.	Description	Q'ty	S.No.	I/C	REMARKS	Weight (kgf)	Weight (lb)
010	35070-29710	DRAWBAR	1				7	15.4
020	32420-29730	FRAME DRAWBAR	1			[A]	6.15	13.53
020	35080-29730	FRAME DRAWBAR	1			[CA]	0	0
030	01173-51430	BOLT	6				0.001	0.0022
040	04512-50140	WASHER SPRING	6				0	0
050	05112-52070	PIN JOINT	1				0.186	0.4092
060	05515-51600	PIN SNAP	1				0.007	0.0154
070	32430-29820	PIN LOWER LINK	2				0.25	0.55
080	32430-29830	SET PLATE	2				0.016	0.0352
090	01133-51020	BOLT	2				0.02	0.044
100	35080-25440	PROTECTOR PTO	1				2.34	5.148
110	01133-51235	BOLT	4				0.043	0.0946
120	99571-22140	HOLDER TOP LINK RH	1			WITH POSITION	0.96	2.112
130	99571-22150	HOLDER TOP LINK LH	1			WITH POSITION	0.99	2.178
140	01133-51230	BOLT	6			WITH POSITION	0.04	0.088
150	35114-25340	COLLAR	2				0.02	0.044

CLEVIS-DRAWBAR [OPTION]



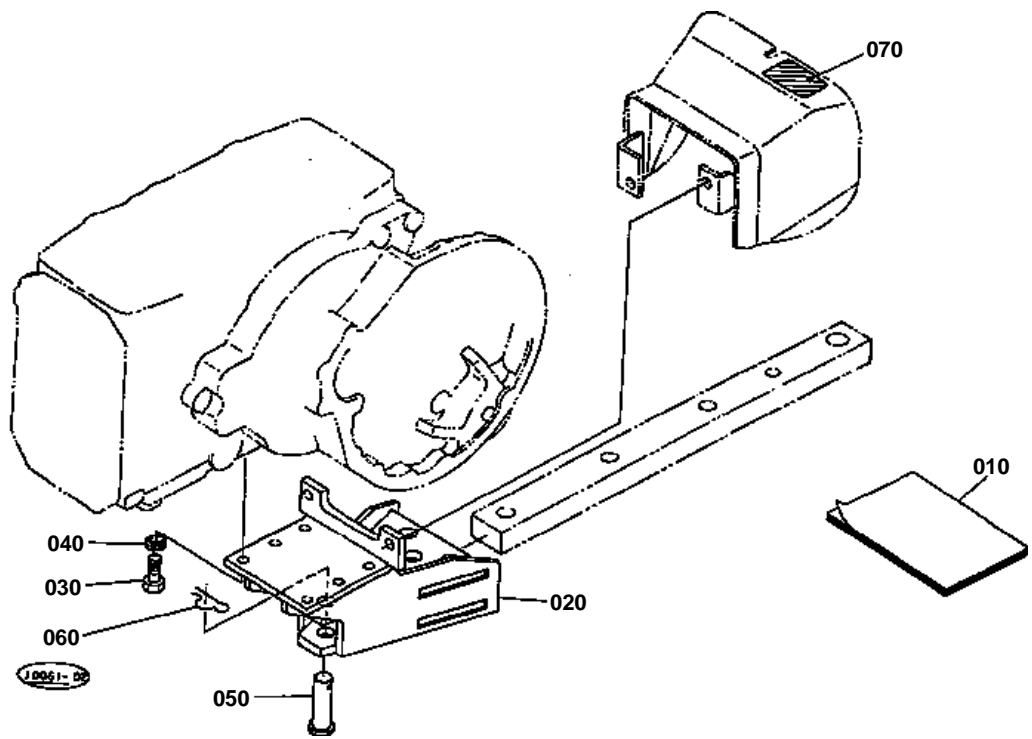


**CLEVIS-DRAWBAR [OPTION]**

↔ Interchangeable; ≠ not interchangeable; ← new for old; → old for new

REF.No	Part No.	Description	Q'ty	S.No.	I/C	REMARKS	Weight (kgf)	Weight (lb)
010	35080-29710	DRAWBAR	1				7	15.4
020	35080-29720	HITCH DRAWBAR	1				2.8	6.16
030	99533-78250	PIN	1				0.6	1.32
040	70515-16330	PIN SPRING	1				0.03	0.066
050	01173-51680	BOLT	2				0.14	0.308
060	04512-50160	WASHER SPRING	2				0	0
070	02174-50160	NUT	2				0.022	0.0484

SWINGING DRAWBAR [OPTION]



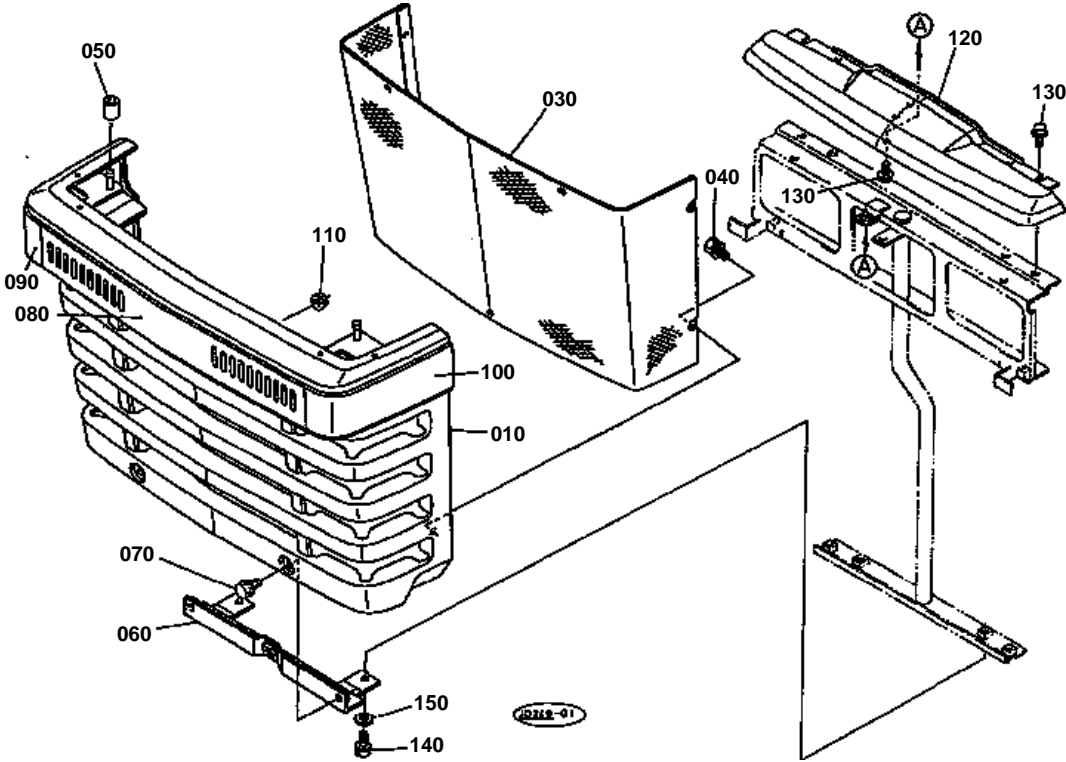


## SWINGING DRAWBAR [OPTION]

↔ Interchangeable; ≠ not interchangeable; ← new for old; → old for new

REF.No	Part No.	Description	Q'ty	S.No.	I/C	REMARKS	Weight (kgf)	Weight (lb)
010	32430-98510	MANUAL INSTRUCTION	1				0.01	0.022
020	35080-29730	FRAME DRAWBAR	1				0	0
030	01173-51430	BOLT	6				0.001	0.0022
040	04512-50140	WASHER SPRING	6				0	0
050	05112-52070	PIN JOINT	3				0.186	0.4092
060	05515-51600	PIN SNAP	3				0.007	0.0154
070	35260-25340	LABEL PTO CAUTION	1				0.005	0.011

FRONT GRILLE

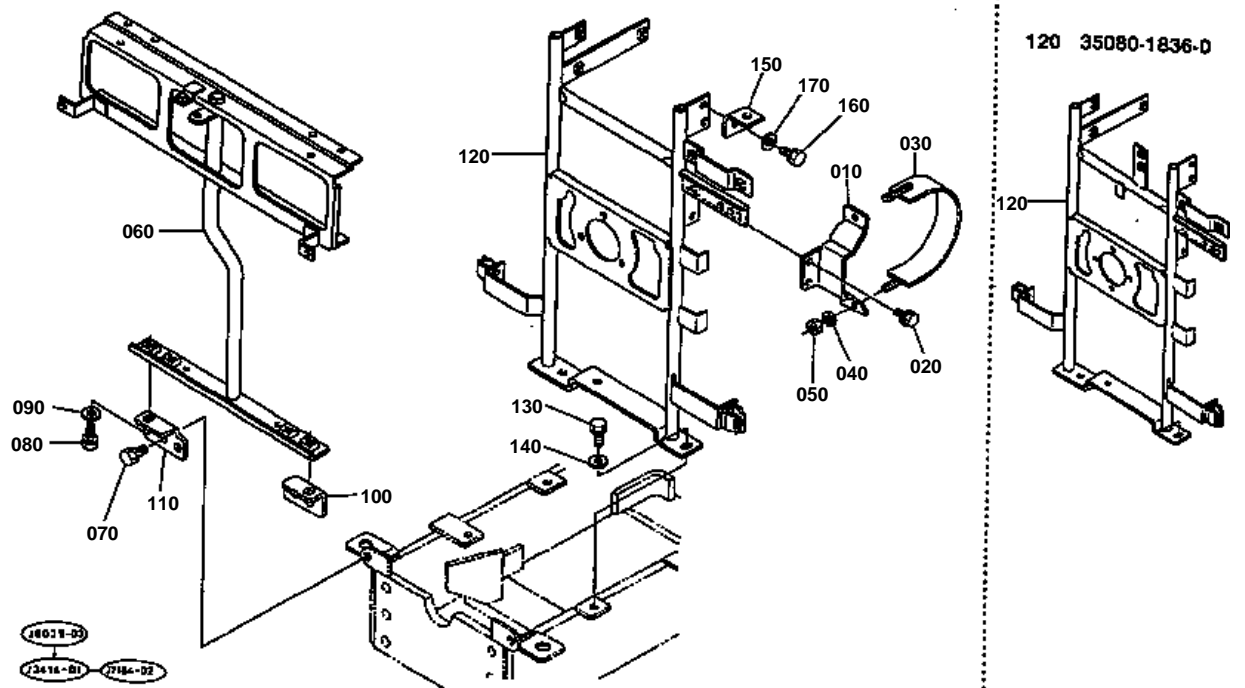


**FRONT GRILLE**

↔ Interchangeable; ≠ not interchangeable; ← new for old; → old for new

REF.No	Part No.	Description	Q'ty	S.No.	I/C	REMARKS	Weight (kgf)	Weight (lb)
010	30400-18230	GRILLE FRONT	1				0	0
020	99999-99999	BLANK	0				0	0
030	30590-18250	NET FRONT GRILLE	1				0.385	0.847
040	30442-15230	BOLT	7				0.01	0.022
050	31351-18260	PIPE	2				0.001	0.0022
060	35080-18280	RETAINER GRILLE	1				0.27	0.594
070	01754-50816	BOLT FLANGE	2				0.011	0.0242
080	32430-94170	BELT GRILLE FRONT	1				0.145	0.319
090	32430-94180	BELT GRILLE RH	1				0.07	0.154
100	32430-94190	BELT GRILLE LH	1				0.07	0.154
110	02761-50050	NUT FLANGE	8				0.002	0.0044
120	34670-18160	ROOF FRONT	1				0.345	0.759
130	01754-50616	BOLT FLANGE	3				0.006	0.0132
140	01123-50816	BOLT	2				0	0
150	04015-50080	WASHER PLAIN	2				0	0

# FRONT GRILLE SUPPORT



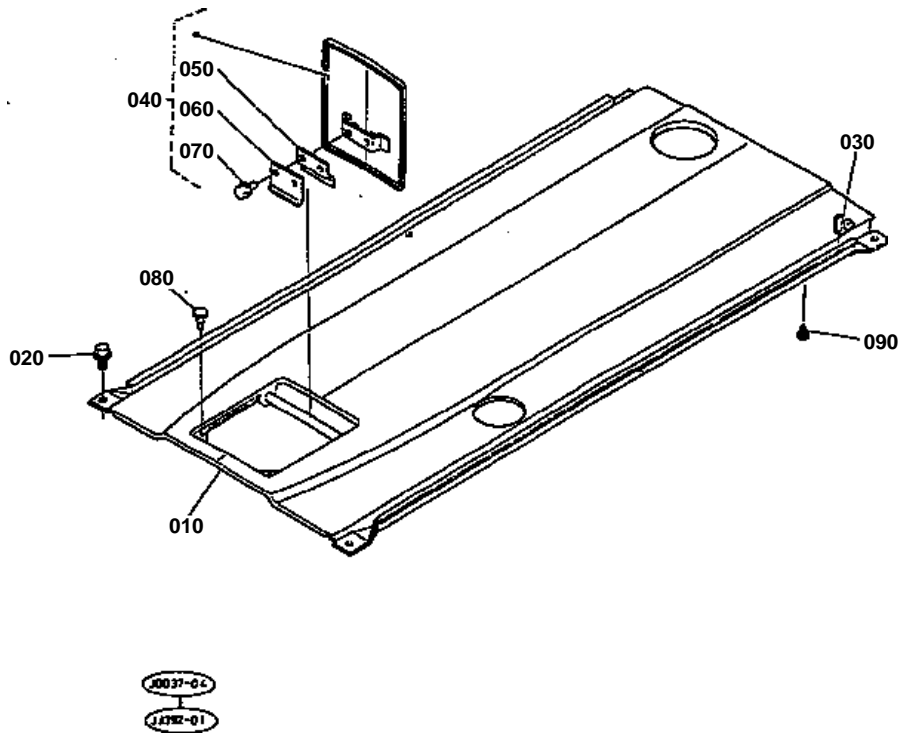


# FRONT GRILLE SUPPORT

↔ Interchangeable; ≠ not interchangeable; ← new for old; → old for new

REF.No	Part No.	Description	Q'ty	S.No.	I/C	REMARKS	Weight (kgf)	Weight (lb)
010	31351-13910	SUPPORT AIR CLEANER	1				0.25	0.55
020	01754-50816	BOLT FLANGE	2				0.011	0.0242
030	31351-13920	BAND AIR CLEANER	1				0.16	0.352
040	04512-50080	WASHER SPRING	2				0	0
050	02114-50080	NUT	2				0.005	0.011
060	35080-18310	SUPPORT GRILLE	1				2	4.4
070	01133-51020	BOLT	2				0.02	0.044
080	01123-50820	BOLT	2				0.011	0.0242
090	04015-50080	WASHER PLAIN	2				0	0
100	32430-18320	STAY FRONT GRILLE LH	1				0.08	0.176
110	32430-18330	STAY FRONT GRILLE RH	1				0.09	0.198
120	35080-18362	SUPPORT BONNET	1				3.8	8.36
130	01123-50816	BOLT	2				0	0
140	04015-50080	WASHER PLAIN	1				0	0
150	31351-18394	SUPPORT BONNET	2				0.04	0.088
160	01123-50816	BOLT	4				0	0
170	04015-50080	WASHER PLAIN	4				0	0

# HOOD (BONNET)





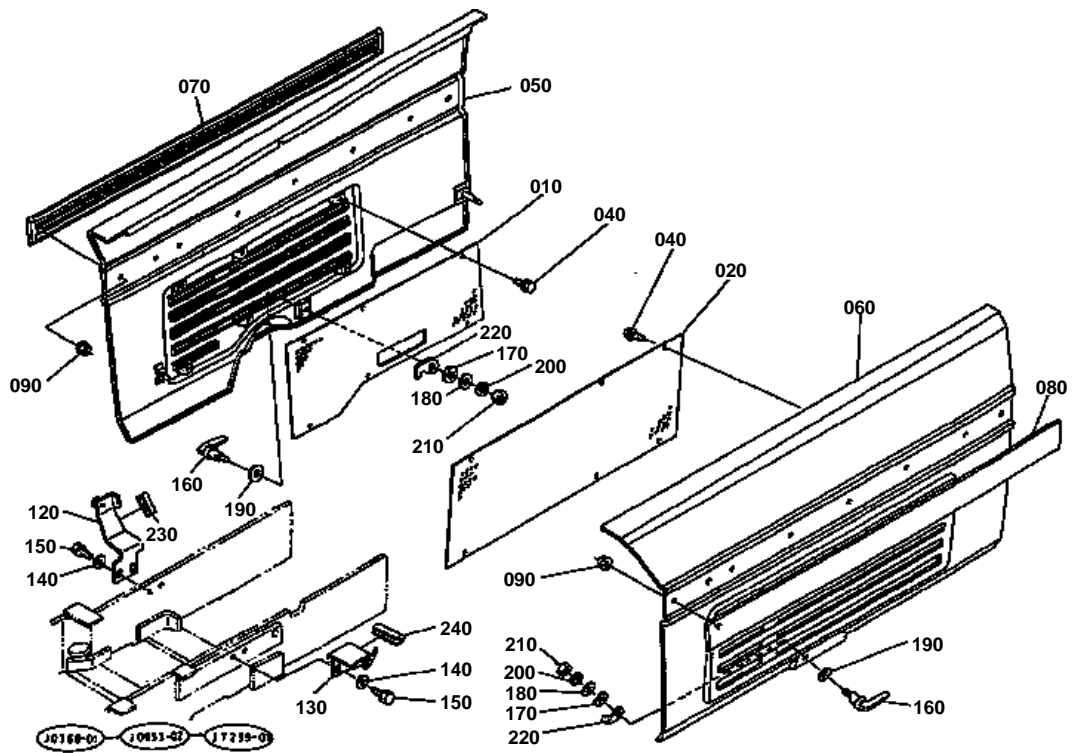


## HOOD (BONNET)

↔ Interchangeable; ≠ not interchangeable; ← new for old; → old for new

REF.No	Part No.	Description	Q'ty	S.No.	I/C	REMARKS	Weight (kgf)	Weight (lb)
010	30442-18600	COMP.BONNET UPPER	1				5.6	12.32
020	01754-50616	BOLT FLANGE	4				0.006	0.0132
030	30442-18624	CUSHION	4				0	0
040	30400-18612	ASSY COVER BONNET	1				0.22	0.484
050	30400-94080	SPRING BONNET COVER	1				0.012	0.0264
060	30400-94090	SPRING BONNET COVER	1				0	0
070	01754-50616	BOLT FLANGE	2				0.006	0.0132
080	32280-18180	CUSHION	2				0.001	0.0022
090	38430-29372	CLIP BUTTON	1				0.001	0.0022

# SIDE COVER

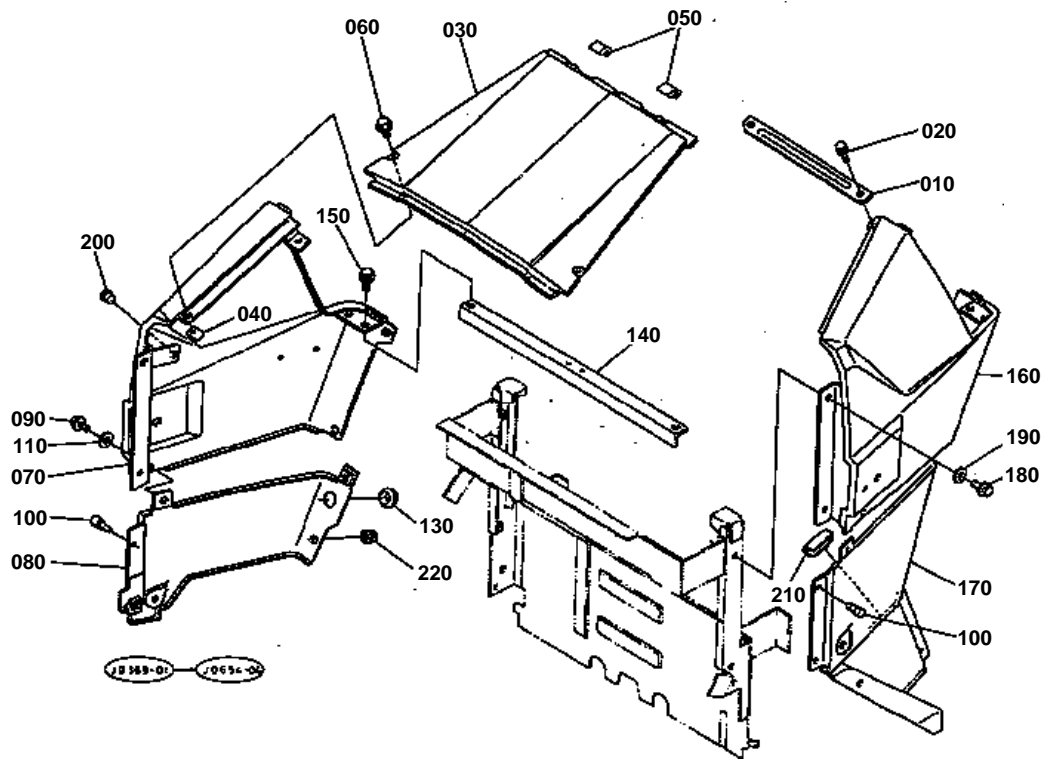


**SIDE COVER**

↔ Interchangeable; ≠ not interchangeable; ← new for old; → old for new

REF.No	Part No.	Description	Q'ty	S.No.	I/C	REMARKS	Weight (kgf)	Weight (lb)
010	35080-18140	NET BONNET SIDE RH	1				0.16	0.352
020	35080-18150	NET BONNET SIDE LH	1				0.23	0.506
030	99999-99999	BLANK	0				0	0
040	01754-50610	BOLT FLANGE	12				0.006	0.0132
050	32480-18630	COMP.BONNET SIDE RH	1				4.15	9.13
060	32484-18640	COMP.BONNET SIDE LH	1				6	13.2
070	31351-18680	COMP BELT SIDE RH	1				0.54	1.188
080	31351-18690	COMP BELT SIDE LH	1				0.54	1.188
090	02761-50050	NUT FLANGE	14				0.002	0.0044
100	99999-99999	BLANK	0				0	0
110	99999-99999	BLANK	0				0	0
120	31351-18710	SUPPORT HOOK RH	1				0.21	0.462
130	31351-18720	SUPPORT HOOK LH	1				0.185	0.407
140	04013-50080	WASHER PLAIN	4				0	0
150	01123-50816	BOLT	4				0	0
160	32430-18242	HANDLE BONNET COVER	2				0.055	0.121
170	33251-83950	WASHER SPRING	2				0.001	0.0022
180	04012-50080	WASHER PLAIN	2				0.001	0.0022
190	33251-83850	WASHER HANDLE	2				0.001	0.0022
200	04512-50080	WASHER SPRING	2				0	0
210	02114-50080	NUT	2				0.005	0.011
220	31351-18582	HOOK BONNET COVER	2				0.05	0.11
230	31351-34320	RUBBER PROTECTOR	1				0.003	0.0066
240	31351-34310	SEAL	1				0.001	0.0022

# REAR HOOD (REAR BONNET)



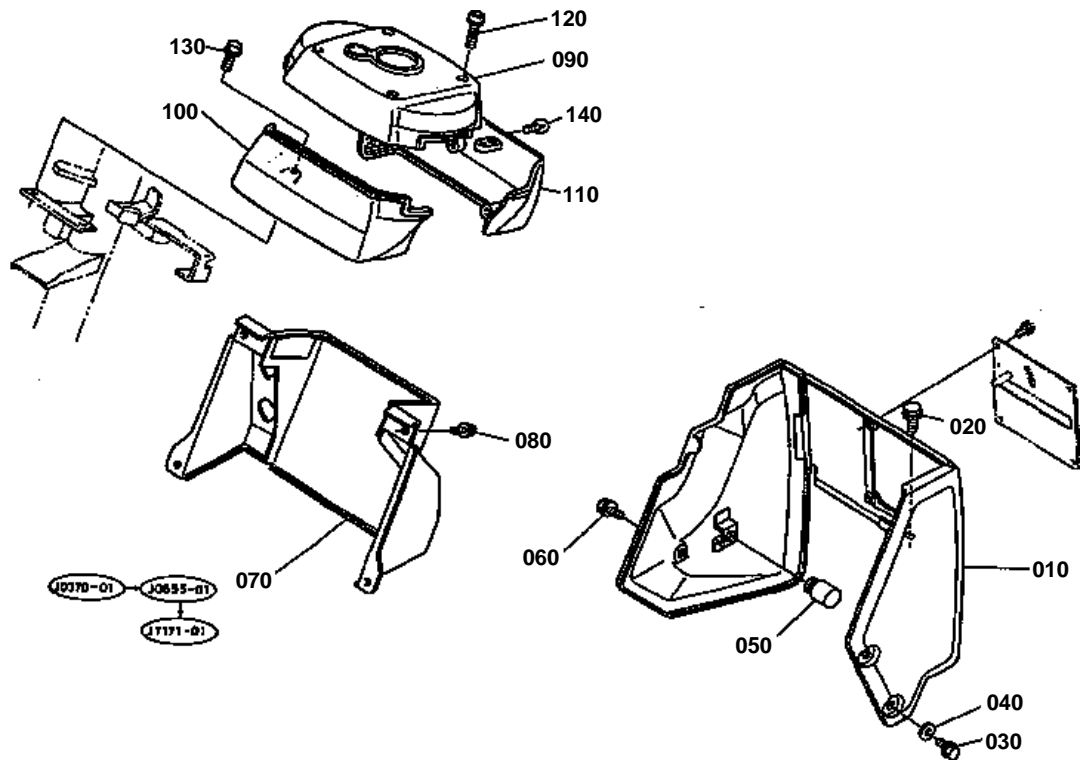


## REAR HOOD (REAR BONNET)

↔ Interchangeable; ≠ not interchangeable; ← new for old; → old for new

REF.No	Part No.	Description	Q'ty	S.No.	I/C	REMARKS	Weight (kgf)	Weight (lb)
010	31351-18890	REINFORCE	1				0.04	0.088
020	01754-50616	BOLT FLANGE	2				0.006	0.0132
030	30400-18770	ROOF REAR	1				0.47	1.034
040	38240-29250	NUT SPRING	2				0.005	0.011
050	31351-18780	RUBBER	2				0.08	0.176
060	01754-50612	BOLT FLANGE	2				0.005	0.011
070	30400-18810	COMP BONNET REAR RH	1				1.12	2.464
080	30400-18840	COMP.BONNET REAR RH	1				0.375	0.825
090	01754-50612	BOLT FLANGE	3				0.005	0.011
100	38240-18080	CUSHION BONNET	3				0.001	0.0022
110	04013-50080	WASHER PLAIN	2				0	0
120	99999-99999	BLANK	0				0	0
130	32150-29180	CAP RUBBER	1				0.002	0.0044
140	31351-18884	SUPPORT BONNET	1				0.2	0.44
150	01754-50616	BOLT FLANGE	2				0.006	0.0132
160	30400-18820	COMP.BONNET REAR LH	1				1.1	2.42
170	30400-18850	COMP BONNET REAR LH	1				0.78	1.716
180	01754-50612	BOLT FLANGE	3				0.005	0.011
190	04013-50080	WASHER PLAIN	2				0	0
200	38240-29570	PLUG	2				0.001	0.0022
210	37150-13920	CUSHION	1				0.005	0.011
220	31351-18830	CUSHION	1				0.015	0.033

MAIN AND PTO CHANGE COVER

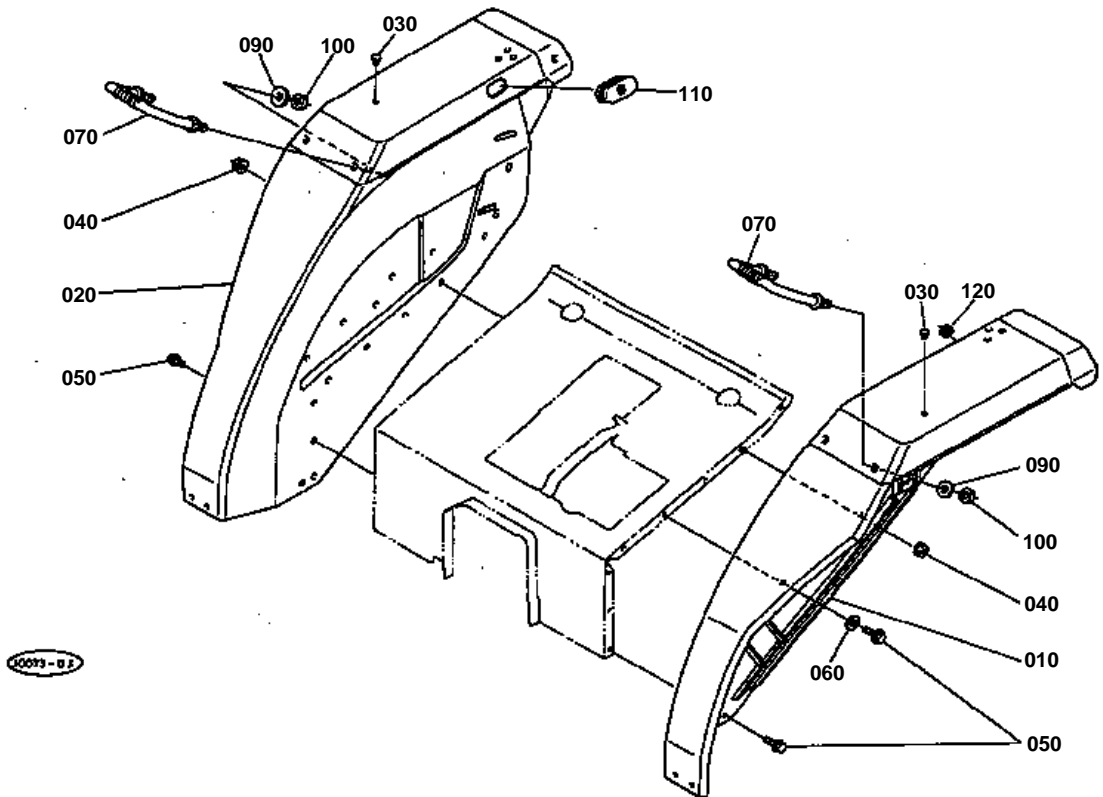




# MAIN AND PTO CHANGE COVER

↔ Interchangeable; ≠ not interchangeable; ← new for old; → old for new

REF.No	Part No.	Description	Q'ty	S.No.	I/C	REMARKS	Weight (kgf)	Weight (lb)
010	32480-24020	COMP.COVER PTO	1				0	0
020	01754-50812	BOLT FLANGE	1				0.01	0.022
030	01754-50612	BOLT FLANGE	2				0.005	0.011
040	04013-50060	WASHER PLAIN	2				0	0
050	31351-24330	CUSHION	1				0.005	0.011
060	01754-50812	BOLT FLANGE	1				0.01	0.022
070	35080-24410	BOARD SWITCH	1				0.63	1.386
080	01754-50612	BOLT FLANGE	4				0.005	0.011
090	31351-24426	COVER CHANGE UPPER	1				0.17	0.374
100	31351-24430	COVER CHANGE FRONT	1				0.095	0.209
110	30400-24440	COVER CHANGE REAR	1				0.095	0.209
120	31351-24450	SCREW WITH WASHER	4				0.08	0.176
130	01754-50816	BOLT FLANGE	2				0.011	0.0242
140	31351-24460	SCREW WITH WASHER	3				0.004	0.0088





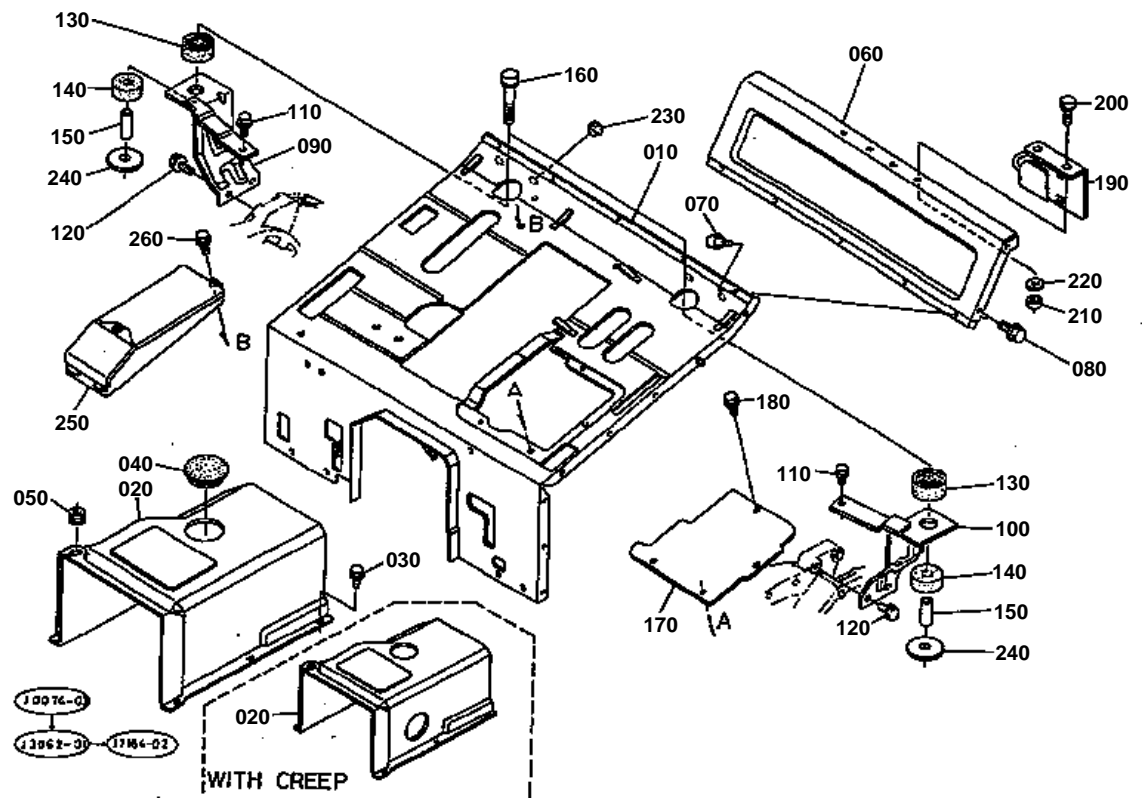


# FENDER

↔ Interchangeable; ≠ not interchangeable; ← new for old; → old for new

REF.No	Part No.	Description	Q'ty	S.No.	I/C	REMARKS	Weight (kgf)	Weight (lb)
010	32440-29010	COMP.FENDER LH	1				12	26.4
020	32440-29030	COMP.FENDER RH	1				12	26.4
030	30430-82670	PLUG BLIND	2				0.001	0.0022
040	31351-11080	NUT FLANGE	2				0.007	0.0154
050	01754-50812	BOLT FLANGE	18				0.01	0.022
060	04013-50080	WASHER PLAIN	1				0	0
070	31351-29440	BALUSTRADE	2				0	0
080	99999-99999	BLANK	0				0	0
090	04013-50140	WASHER PLAIN	4				0	0
100	02174-50140	NUT	4				0.014	0.0308
110	31351-29490	GROMMET	1				0.003	0.0066
120	32150-29180	CAP RUBBER	1				0.002	0.0044

# FLOOR SEAT



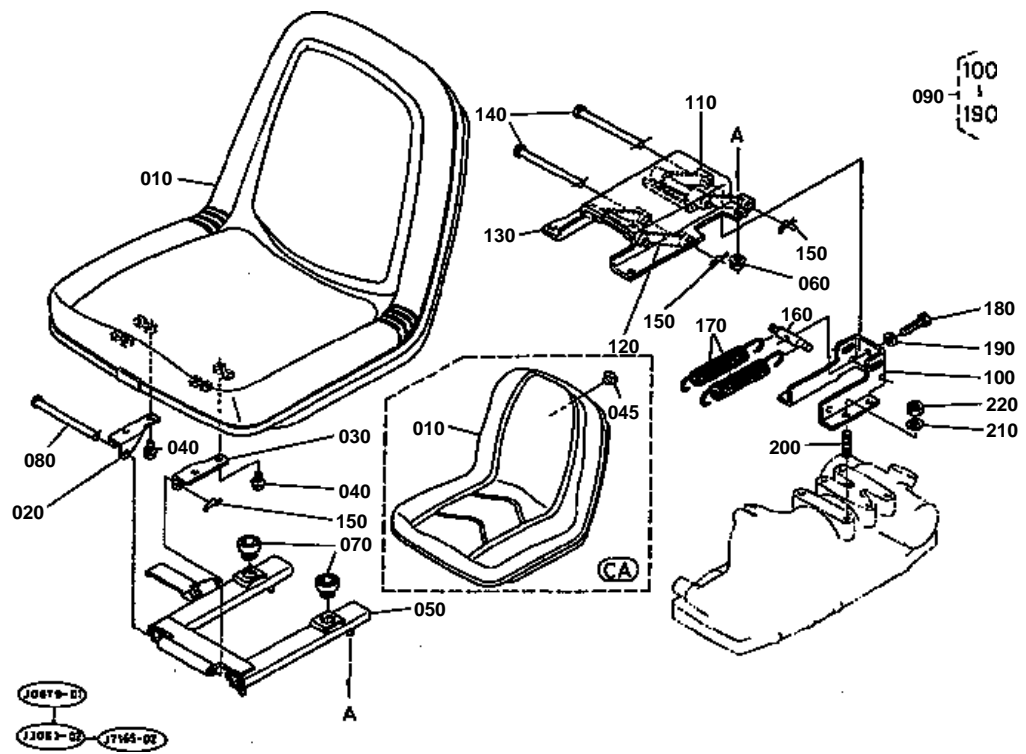


# FLOOR SEAT

↔ Interchangeable; ≠ not interchangeable; ← new for old; → old for new

REF.No	Part No.	Description	Q'ty	S.No.	I/C	REMARKS	Weight (kgf)	Weight (lb)
010	32421-72032	COMP.SEAT FLOOR	1				0	0
020	32480-24350	COVER FLOOR	1			W/O CREEP	0	0
020	32480-24340	COVER FLOOR	1			WITH CREEP	1.72	3.784
030	01754-50610	BOLT FLANGE	4				0.006	0.0132
040	31351-24360	CAP	1				0	0
050	32150-29180	CAP RUBBER	1				0.002	0.0044
060	32480-29130	COVER REAR	1				1.6	3.52
070	01754-50610	BOLT FLANGE	5				0.006	0.0132
080	01754-50816	BOLT FLANGE	4				0.011	0.0242
090	35080-29220	SUPPORT FENDER RH	1				0.89	1.958
100	35080-29230	SUPPORT FENDER LH	1				0.895	1.969
110	01133-51020	BOLT	2				0.02	0.044
120	01133-51220	BOLT	4				0.04	0.088
130	30400-29260	CUSHION UPPER	2				0.05	0.11
140	31351-29270	CUSHION LOWER	2				0.045	0.099
150	30400-29280	SPACER	2				0.04	0.088
160	01133-51275	BOLT	2				0.02	0.044
170	32480-29410	STEP REAR	1				0.25	0.55
180	01754-50812	BOLT FLANGE	3				0.01	0.022
190	32480-29420	HANGER TOP LINK	1				0	0
200	01123-50835	BOLT	2				0.02	0.044
210	02156-50080	NUT	2				0.004	0.0088
220	04015-50080	WASHER PLAIN	2				0	0
230	66591-51130	PLUG BLIND	4				0.001	0.0022
240	30400-29320	RETAINER CUSHION	2				0.07	0.154
250	30400-29362	CASE TOOLS	1				1.37	3.014
260	01754-50816	BOLT FLANGE	3				0.011	0.0242

SEAT



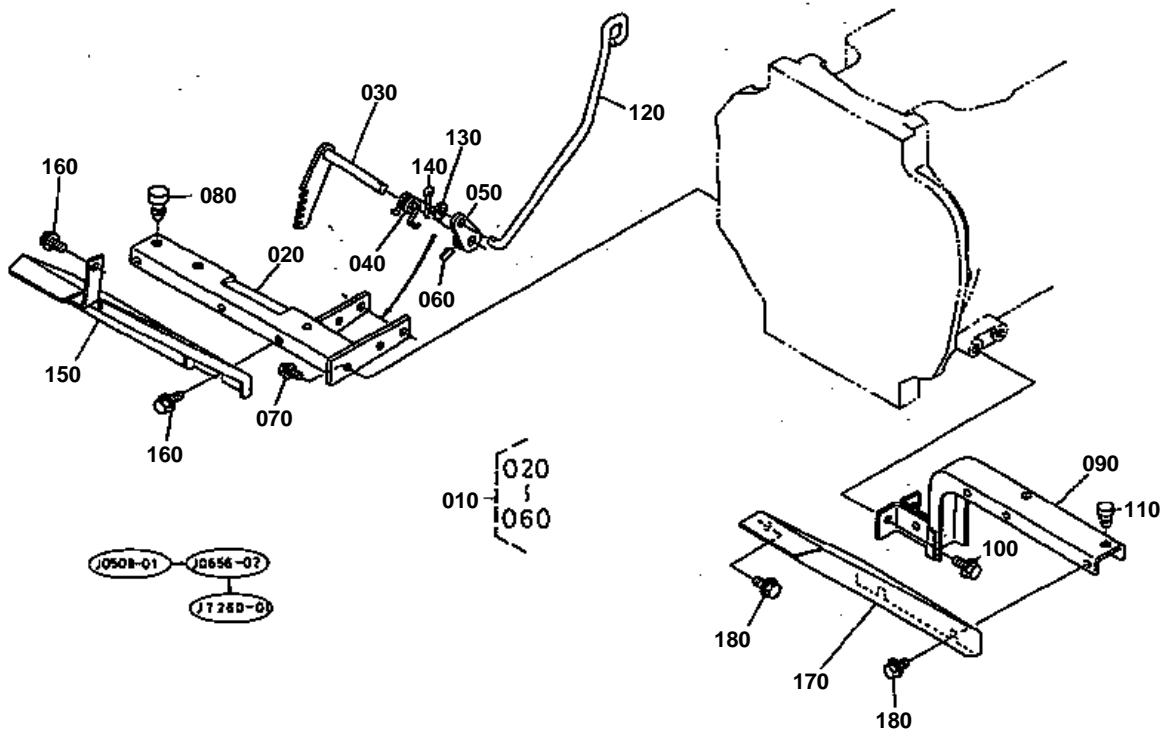


## SEAT

↔ Interchangeable; ≠ not interchangeable; ← new for old; → old for new

REF.No	Part No.	Description	Q'ty	S.No.	I/C	REMARKS	Weight (kgf)	Weight (lb)
010	35080-18400	SEAT	1			[A] RESERVED BY KTC	0	0
010	32420-72962	SEAT	1			[CA]	8	17.6
020	32430-18450	BRACKET SEAT RH	1				0.08	0.176
030	32430-18460	BRACKET SEAT LH	1				0.08	0.176
040	01754-50816	BOLT FLANGE	4				0.011	0.0242
045	66591-51130	PLUG BLIND	2			[CA]	0.001	0.0022
050	32430-18430	COMP ADJUSTER SEAT	1				0	0
060	31351-11100	NUT FLANGE	4				0.095	0.209
070	32160-18440	RUBBER CUSHION	2				0.013	0.0286
080	32430-11853	PIN JOINT	1				0.08	0.176
090	32430-11800	ASSY SUSPENSION SEAT	1				3.85	8.47
100	32430-11810	BASE SEAT SUSPENTION	1				0.5	1.1
110	32430-11822	LINK SUPPORT	1				0.42	0.924
120	32430-11832	LINK SUPPORT	1				0.39	0.858
130	32430-11843	SUPPORT SEAT	1				1.31	2.882
140	32430-11853	PIN JOINT	4				0.08	0.176
150	05525-51000	PIN SNAP	3				0	0
160	32430-11860	ROD ADJUSTER	1				0.085	0.187
170	32430-11870	SPRING	2				0.27	0.594
180	01172-51045	BOLT	1				0	0
190	04011-50100	WASHER PLAIN	1				0.002	0.0044
200	01517-51020	STUD	4				0.019	0.0418
210	04512-50100	WASHER SPRING	4				0	0
220	02118-50100	NUT	4				0.005	0.011

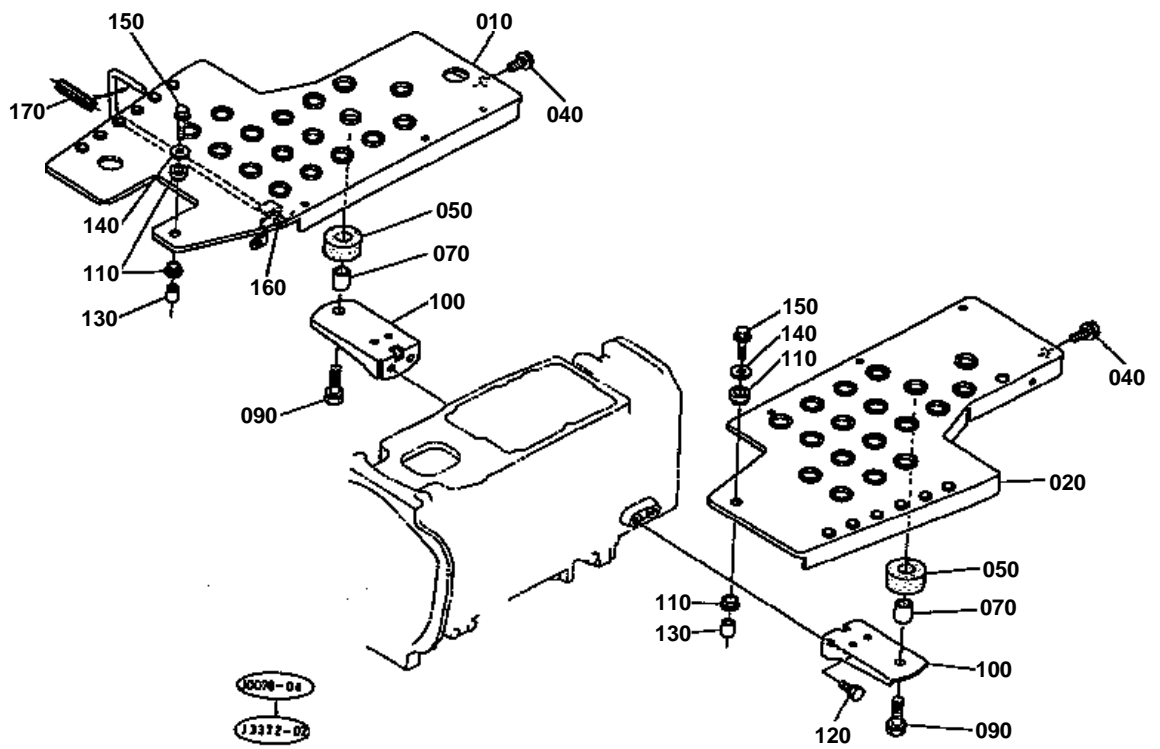
FOOT COVER [W/O WET CLUTCH]



**FOOT COVER [W/O WET CLUTCH]**

↔ Interchangeable; ≠ not interchangeable; ← new for old; → old for new

REF.No	Part No.	Description	Q'ty	S.No.	I/C	REMARKS	Weight (kgf)	Weight (lb)
010	31351-29500	ASSY SUPPORT STEP RH	1				0.775	1.705
020	31351-29510	SUPPORT STEP RH	1				0.63	1.386
030	31351-28812	LOCK BRAKE	1				0.14	0.308
040	31351-28850	SPRING BRAKE	1				0.01	0.022
050	31351-28880	LEVER PARKING	1				0.04	0.088
060	05411-00418	PIN SPRING	1				0.001	0.0022
070	01754-50845	BOLT FLANGE	2				0.021	0.0462
080	38240-29870	CUSHION	2				0.004	0.0088
090	31351-29520	SUPPORT STEP LH	1				0.73	1.606
100	01754-50816	BOLT FLANGE	2				0.011	0.0242
110	38240-29870	CUSHION	1				0.004	0.0088
120	31351-28870	ROD PARKING	1				0.08	0.176
130	04012-50060	WASHER PLAIN	1				0.001	0.0022
140	05511-50218	PIN SPLIT	1				0.001	0.0022
150	35080-29610	COVER FOOT RH	1				0.57	1.254
160	01754-50610	BOLT FLANGE	3				0.006	0.0132
170	35080-29630	COVER FOOT LH	1				0.4	0.88
180	01754-50610	BOLT FLANGE	4				0.006	0.0132

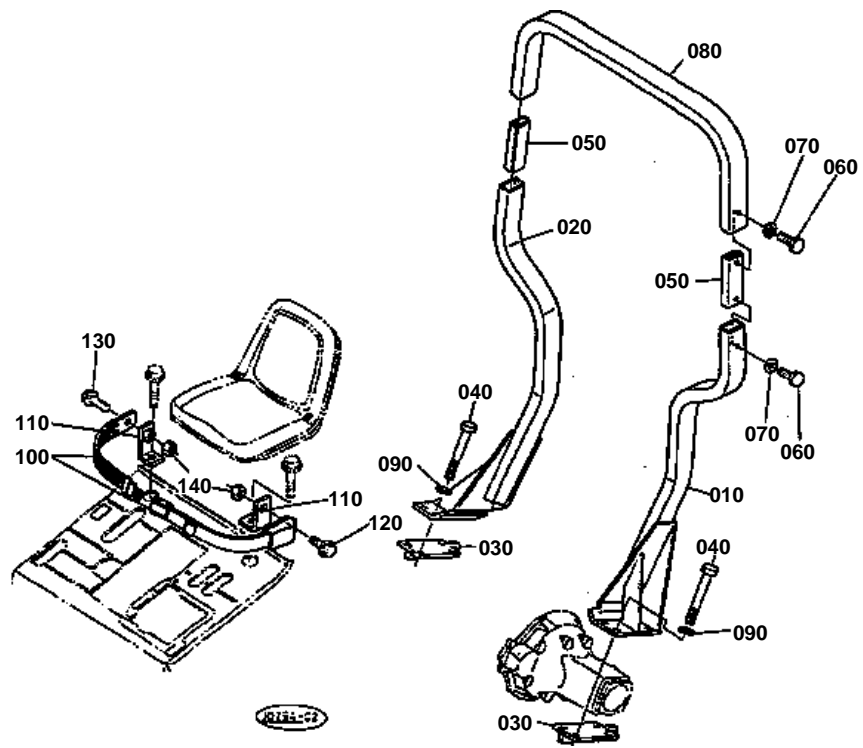




**STEP**

↔ Interchangeable; ≠ not interchangeable; ← new for old; → old for new

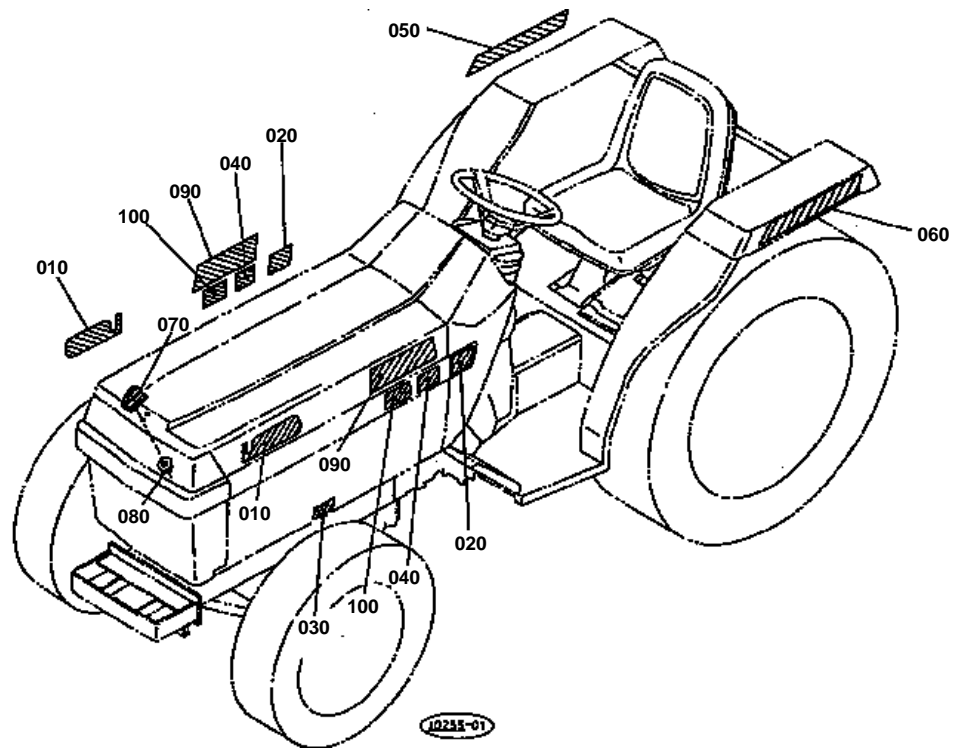
REF.No	Part No.	Description	Q'ty	S.No.	I/C	REMARKS	Weight (kgf)	Weight (lb)
010	32440-29910	COMP.STEP RH	1				3.65	8.03
020	32440-29923	COMP.STEP LH	1				2.6	5.72
030	99999-99999	BLANK	0				0	0
040	01754-50812	BOLT FLANGE	10				0.01	0.022
050	35080-29260	CUSHION STEP	2				0.055	0.121
060	99999-99999	BLANK	0				0	0
070	35080-29280	SPACER STEP	2				0.05	0.11
080	99999-99999	BLANK	0				0	0
090	01133-51240	BOLT	2				0.05	0.11
100	35080-29550	SUPPORT STEP REAR	2				0.45	0.99
110	31351-29580	CUSHION	4				0.004	0.0088
120	01133-51016	BOLT	4				0.015	0.033
130	31351-29590	COLLAR	2				0.01	0.022
140	04015-50080	WASHER PLAIN	2				0	0
150	01754-50830	BOLT FLANGE	2				0.05	0.11
160	31351-17660	SPRING ACCEL.	1				0.008	0.0176
170	32430-17590	PIPE ACCEL.RUBBER	1				0.01	0.022



**ROPS**

↔ Interchangeable; ≠ not interchangeable; ← new for old; → old for new

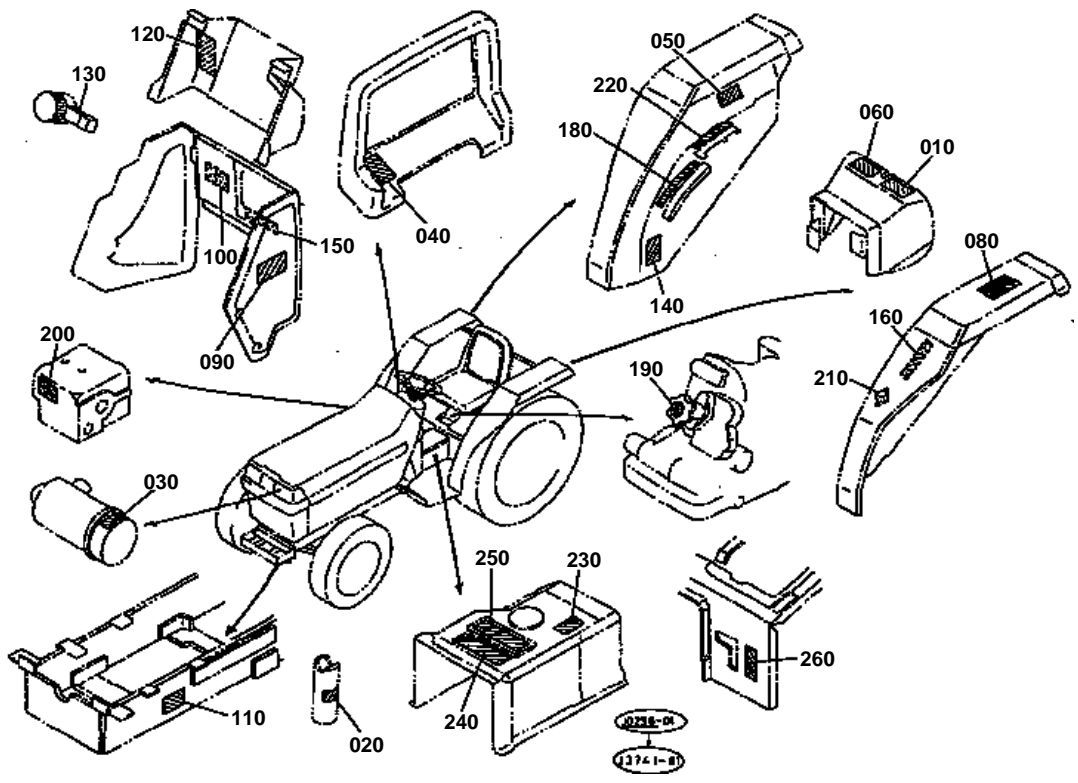
REF.No	Part No.	Description	Q'ty	S.No.	I/C	REMARKS	Weight (kgf)	Weight (lb)
010	35080-34770	FRAME ROPS LH	1				18	39.6
020	35080-34780	FRAME ROPS RH	1				18.5	40.7
030	38150-34730	BRACKET CHAIN	2				2.44	5.368
040	32430-34740	BOLT	8				0.3	0.66
050	32430-34750	BRACKET JOINT	2				0	0
060	01173-51428	BOLT	4				0.049	0.1078
070	04512-50140	WASHER SPRING	4				0	0
080	35080-34760	FRAME ROPS UPPER	1				10.5	23.1
090	04512-50140	WASHER SPRING	8				0	0
100	35080-18550	ASSY BELT SEAT	1				0	0
110	35080-18480	BRACKET SEAT BELT	2				0.1	0.22
120	01774-51025	BOLT FLANGE	1				0.02	0.044
130	01774-51030	BOLT FLANGE	1				0.02	0.044
140	02116-50100	NUT	2				0.004	0.0088



**LABEL 1**

↔ Interchangeable; ≠ not interchangeable; ← new for old; → old for new

REF.No	Part No.	Description	Q'ty	S.No.	I/C	REMARKS	Weight (kgf)	Weight (lb)
010	35080-65100	MARK MODEL	2				0.015	0.033
020	32400-65240	LABEL SIDE	2				0.005	0.011
030	32430-65270	LABEL HANDLE	2				0.001	0.0022
070	38150-65180	EMBLEM	1				0.02	0.044
080	02761-50040	NUT FLANGE	1				0.002	0.0044
090	35080-65350	LABEL KUBOTA	2				0.001	0.0022





**LABEL 2**

↔ Interchangeable; ≠ not interchangeable; ← new for old; → old for new

REF.No	Part No.	Description	Q'ty	S.No.	I/C	REMARKS	Weight (kgf)	Weight (lb)
010	35200-25340	LABEL PTO WARNING	1			[A]	0.002	0.0044
010	35260-25340	LABEL PTO WARNING	1			[CA] ENGLISH	0.005	0.011
010	35261-25340	LABEL PTO WARNING	1			[CA] FRENCH	0.003	0.0066
020	35176-15930	LABEL PEDAL	1			W/O WET CLUTCH	0.005	0.011
030	15222-93450	LABEL AIR CLEANER	1				0.001	0.0022
030	15227-87450	LABEL AIR CLEANER	1			[CA] FRENCH	0.001	0.0022
040	35260-25050	LABEL SHUTTLE	1				0.01	0.022
040	35261-25050	LABEL SHUTTLE	1			[CA] FRENCH	0.001	0.0022
050	35260-29782	LABEL ROPS WARNING	1				0.001	0.0022
050	35871-98640	LABEL ROPS	1			[CA] FRENCH	0.002	0.0044
060	35260-29790	LABEL DRAWBAR	1				0.002	0.0044
060	35871-98660	LABEL DRAWBAR	1			[CA] FRENCH	0.001	0.0022
070	99999-99999	BLANK	0				0	0
080	35260-34913	LABEL SAFETY	1				0	0
080	35261-34910	LABEL SAFETY	1			[CA] FRENCH	0.006	0.0132
090	35820-98632	LABEL START WARNING	1				0.003	0.0066
090	32530-65930	LABEL START WARNING	1			[CA] FRENCH	0.001	0.0022
100	35080-65280	LABEL KEY STOP	1				0.001	0.0022
100	35081-65280	LABEL KEY STOP	1			[CA] FRENCH	0.02	0.044
110	32430-65453	NAME PLATE	1				0.005	0.011
120	32430-65510	LABEL MAIN SWITCH	1				0.001	0.0022
130	32539-65530	LABEL HAZARD MARK	1				0.001	0.0022
140	30590-99140	LABEL DIFF.LOCK	1				0.005	0.011
150	35080-65500	LABEL PTO SHIFT	1			WITH DUAL CLUTCH	0.002	0.0044
160	32430-65740	LABEL HI-LO SHIFT	1				0.003	0.0066
170	99999-99999	BLANK	0				0	0
180	32430-65760	LABEL POSITION CON.	1				0.003	0.0066
180	32431-65760	LABEL POSITION CON.	1			[CA] FRENCH	0.003	0.0066
190	31351-65780	LABEL HYD.ADJUST.	1				0.001	0.0022
190	32530-65800	LABEL HYD.ADJUST.	1			[CA] FRENCH	0.001	0.0022
200	32430-65790	LABEL HYD.BLOCK	1				0.01	0.022
220	32430-65770	LABEL DRAFT CON.	1				0.001	0.0022
220	32431-65770	LABEL DRAFT CON.	1			[CA] FRENCH	0.003	0.0066
240	32431-65750	LABEL MID-PTO	1			[CA] FRENCH	0.001	0.0022

**IMAGE NOT AVAILABLE**





## ACCESSORIES AND SERVICE PARTS

↔ Interchangeable; ≠ not interchangeable; ← new for old; → old for new

REF.No	Part No.	Description	Q'ty	S.No.	I/C	REMARKS	Weight (kgf)	Weight (lb)
010	35080-19713	MANUAL INSTRUCTION	1			[A]	0	0
010	35080-19760	MANUAL INSTRUCTION	1			[CA] ENGLISH	0	0
010	35080-19770	MANUAL INSTRUCTION	1			[CA] FRENCH	0	0
020	35260-31852	ASSY KEY MAIN SWITCH	1				0.03	0.066
030	01073-51630	BOLT	8			FOR REAR WHEEL	0.079	0.1738
040	02076-50160	NUT	4			FOR REAR WHEEL	0.03	0.066
050	01517-51632	STUD	4			FOR REAR WHEEL	0.076	0.1672
060	04512-50160	WASHER SPRING	12			FOR REAR WHEEL	0	0
070	01517-51428	STUD	12			FOR FRONT WHEEL	0.05	0.11
080	35340-11390	NUT	12			FOR FRONT WHEEL	0.03	0.066
090	04512-50140	WASHER SPRING	12			FOR FRONT WHEEL	0	0