

Instructions for Parts Books

The heading at the top of the page will be the same for the picture of the parts as it is for the page with the part numbers.

Definition of column headings on part number pages:

REF.No → The number referring to the part on the picture page of the parts book.

Part No. → The number assigned to this part at the time of printing the parts book.

Description → Description of part.

Q'ty → Quantity of part used on that page.

S.No. → Serial number range of the equipment that this part will fit.

>= Your serial number should be greater than or equal to the number shown.

<= Your serial number should be lesser than or equal to the serial number shown.

I/C → Interchangeability of part shown.

↔ The part shown will work for the older and later serial number.

The part shown is not interchangeable with the other serial number.

← new for old

→ old for new

Remarks → Notes about this particular part. Sometimes this may say except [FR] or [CA]

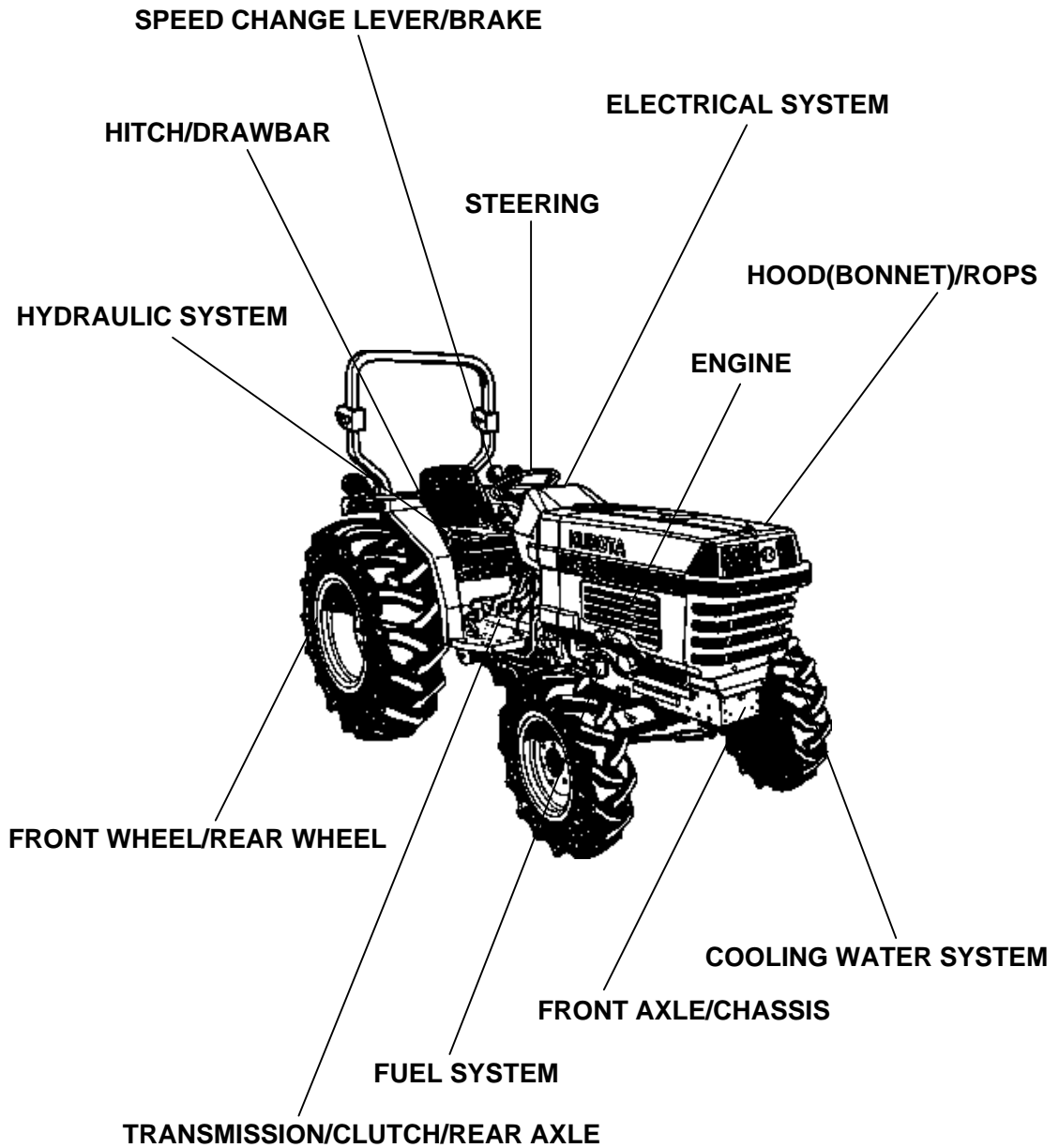
Note about Country Codes:

The parts books we use in the United States of America may also contain information about a part that would be different in another country. It is important that you are aware of the country codes in some instances.

Symbol	Country
A	United States of America
CA	Canada
FR	France
GR	Greece
PO	Portugal
AU	Australia

If the remarks column says for example EXCEPT [FR] this part works in all countries except France. That means it will work here in the USA.

**ALL PRODUCT INDEX
L4300DT**



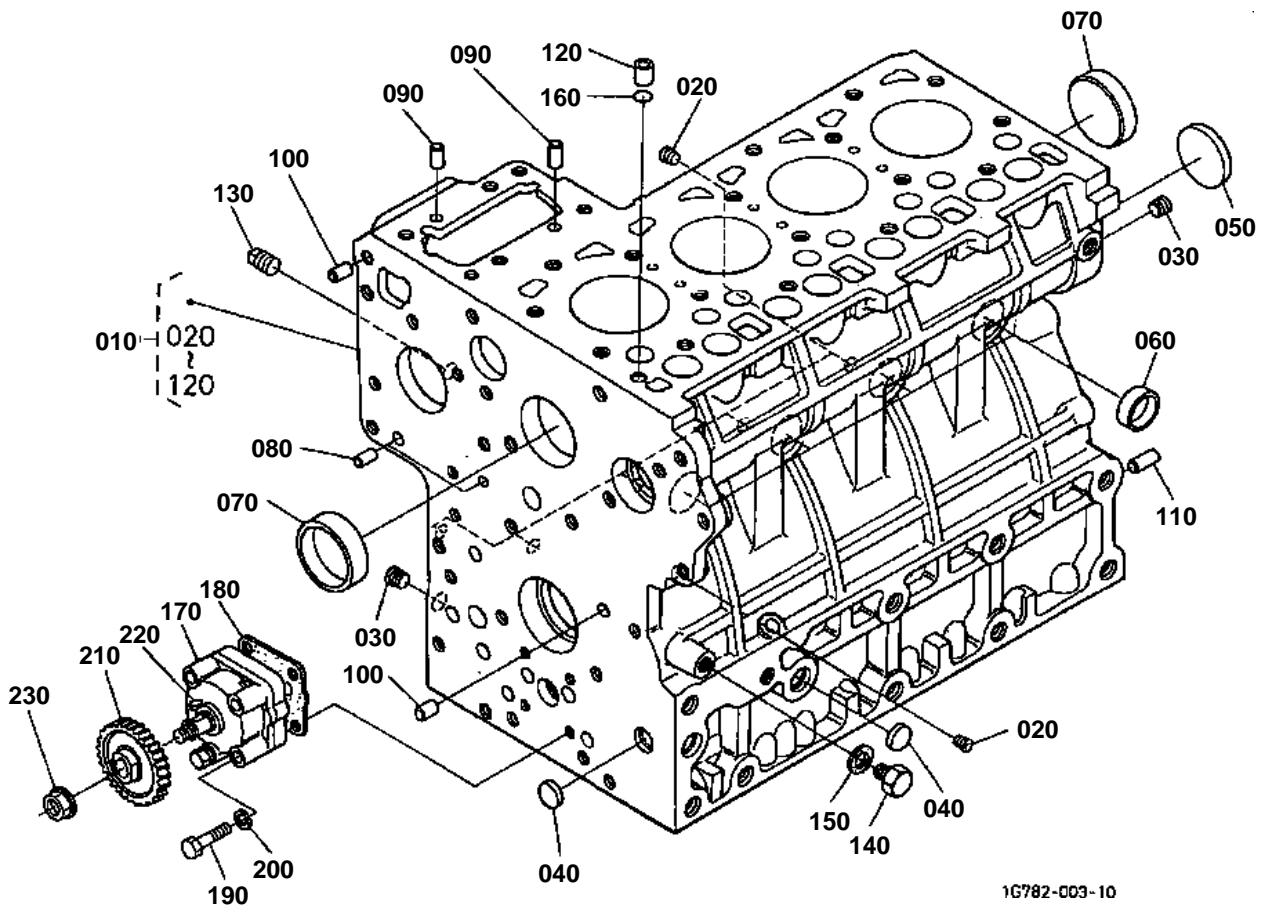
**LABELS
ACCESSORIES
OPTION**

Item	Part No.	Description	Book	
ENGINE	010001	CRANKCASE	100K0654	
	010002	OIL PAN	100K0654	
	010003	CYLINDER HEAD	100K0654	
	010004	GEAR CASE	100K0654	
	010005	HEAD COVER	100K0654	
	010100	MAIN BEARING CASE	100K0654	
	010101	CAMSHAFT AND IDLE GEAR SHAFT	100K0654	
	010102	PISTON AND CRANKSHAFT	100K0654	
	01010302	FLYWHEEL [4WD]	100K0654	
	010105	FUEL CAMSHAFT	100K0654	
	010200	ENGINE STOP LEVER	100K0654	
	010202	INJECTION PUMP	100K0654	
	010203	INJECTION PUMP [COMPONENT PARTS]	100K0654	
	010204	GOVERNOR	100K0654	
	010205	SPEED CONTROL PLATE	100K0654	
	010206	NOZZLE HOLDER AND GLOW PLUG	100K0654	
	010207	NOZZLE HOLDER [COMPONENT PARTS]	100K0654	
	010500	WATER FLANGE AND THERMOSTAT	100K0654	
	010501	WATER PUMP	100K0654	
	010600	VALVE AND ROCKER ARM	100K0654	
	010601	INLET MANIFOLD	100K0654	
	010901	UPPER GASKET KIT	100K0654	
	010902	LOWER GASKET KIT	100K0654	
	010603	EXHAUST MANIFOLD/MUFFLER	100K0654	
	010604	AIR CLEANER	100K0654	
	01A003	ENGINE STOP ROD	100K0654	
	01A010	ACCELERATOR LEVER	100K0654	
	01A025	ACCELERATOR LINKAGE	100K0654	
	FUEL SYSTEM	01A101	FUEL TANK	100K0654
		01A110	FUEL PIPE AND FUEL FILTER	100K0654
		01A130	FUEL FILTER [COMPONENT PARTS]	100K0654
	COOLING WATER SYSTEM	01A401	FAN	100K0654
		01A410	WATER PIPE	100K0654
01A420		RADIATOR	100K0654	
01A430		RESERVE TANK	100K0654	
ELECTRICAL SYSTEM	01A515	ALTERNATOR	100K0654	
	01A520	ALTERNATOR [COMPONENT PARTS]	100K0654	
	01A525	STARTER	100K0654	
	01A530	STARTER [COMPONENT PARTS]	100K0654	
	01A535	BATTERY	100K0654	
	01B102	SWITCH 1	100K0654	
	01B103	SWITCH 2	100K0654	
	01B115	PANEL BOARD	100K0654	
	01B120	PANEL BOARD [COMPONENT PARTS]	100K0654	
	01B301	LIGHT	100K0654	
	01B501	ELECTRICAL WIRING	100K0654	
TRANSMISSION/CLUTCH/REAR AXLE	01C101	CLUTCH	100K0654	
	01C201	CLUTCH LEVER	100K0654	
	01C301	CLUTCH PEDAL	100K0654	
	01C40102	CLUTCH HOUSING	100K0654	
	01C410	MID CASE	100K0654	
	01C42002	TRANSMISSION CASE	100K0654	
	01D101	MAIN SHAFT	100K0654	
	01D105	COUNTERSHAFT	100K0654	

Item	Part No.	Description	Book	
TRANSMISSION/CLUTCH/REAR AXLE	01D116	REVERSE SHAFT	100K0654	
	01D117	RANGE GEAR SHAFT	100K0654	
	01D12502	SPIRAL BEVEL PINION	100K0654	
	01D127	REAR DIFFERENTIAL	100K0654	
	01D130	PTO COUNTERSHAFT	100K0654	
	01D132	PTO CLUTCH	100K0654	
	01D13502	PTO SHAFT	100K0654	
	01D201	MAIN GEAR SHIFT FORK	100K0654	
	01D217	RANGE GEAR SHIFT FORK	100K0654	
	01D225	DIFFERENTIAL LOCK SHIFT FORK	100K0654	
	01D301	REAR AXLE	100K0654	
	SPEED CHANGE LEVER/BRAKE	01D401	BRAKE	100K0654
		01D405	BRAKE ROD 1	100K0654
		01D410	BRAKE ROD 2	100K0654
		01E101	MAIN GEAR SHIFT LEVER	100K0654
01E110		RANGE GEAR SHIFT LEVER	100K0654	
01E122		PTO CLUTCH CONTROL LEVER	100K0654	
01E127		PTO CLUTCH VALVE [COMPONENT PARTS]	100K0654	
01E140		FRONT WHEEL DRIVE LEVER	100K0654	
01E201		BRAKE PEDAL	100K0654	
FRONT AXLE/CHASSIS		01F10502	FRONT AXLE FRAME	100K0654
	01F120	PROPELLER SHAFT	100K0654	
	01F122	FRONT WHEEL DRIVE SHAFT	100K0654	
	01F125	FRONT DIFFERENTIAL CASE	100K0654	
	01F135	FRONT DIFFERENTIAL	100K0654	
	01F140	FRONT AXLE CASE	100K0654	
	01F145	DIFFERENTIAL GEAR SHAFT	100K0654	
	01F150	FRONT AXLE	100K0654	
	STEERING	01G101	STEERING HANDLE	100K0654
		01G110	STEERING CONTROLLER	100K0654
01G12002		STEERING LINKAGE (TIE ROD)	100K0654	
01H11002		STEERING CYLINDER	100K0654	
01H115		STEERING CYLINDER [COMPONENT PARTS]	100K0654	
HYDRAULIC SYSTEM		01H120	HYDRAULIC PUMP	100K0654
		01H125	HYDRAULIC PUMP [COMPONENT PARTS]	100K0654
	01H145	REGULATOR VALVE	100K0654	
	01H205	HYDRAULIC OIL LINE(INLET)	100K0654	
	01H210	HYDRAULIC OIL LINE(DELIVERY)	100K0654	
	01H215	HYDRAULIC OIL LINE (PS)	100K0654	
	01H230	PTO HYDRAULIC OIL LINE	100K0654	
	01H235	HYDRAULIC OUTLET BLOCK	100K0654	
	01H301	HYDRAULIC CYLINDER	100K0654	
	01H320	LIFT ARM	100K0654	
	01H330	FEED BACK LEVER	100K0654	
	01H405	CONTROL VALVE	100K0654	
	01H410	CONTROL VALVE [COMPONENT PARTS]	100K0654	
	01H440	POSITION CONTROL LEVER	100K0654	
	HITCH/DRAWBAR	01J105	TOP LINK	100K0654
01J110		3-POINT LINKAGE 1 (LOWER LINK)	100K0654	
01J115		3-POINT LINKAGE 2 (LIFT ROD)	100K0654	
01K105		DRAWBAR	100K0654	
01K125		PTO PROTECTOR	100K0654	

Item	Part No.	Description	Book	
HOOD(BONNET)/ROPS	01L101	FRONT GRILLE	100K0654	
	01L105	HOOD(BONNET)	100K0654	
	01L110	HOOD(BONNET) SIDE	100K0654	
	01L130	SHUTTER PLATE	100K0654	
	01L201	PANEL FRAME	100K0654	
	01L210	FENDER	100K0654	
	01L213	FENDER SUPPORT	100K0654	
	01L220	SEAT	100K0654	
	01L225	STEP	100K0654	
	01L240	TOOL BOX	100K0654	
	01L30101	ROPS [RIGID ROPS TYPE]	100K0654	
	01L30102	ROPS [FOLDABLE ROPS TYPE]	100K0654	
	01L501	SMV EMBLEM	100K0654	
	FRONT WHEEL/REAR WHEEL	01P10103	FRONT WHEEL (8.3-16)	100K0654
		01P10104	FRONT WHEEL (10-16.5)	100K0654
01P10105		FRONT WHEEL (27*8.5-15)	100K0654	
01P10106		FRONT WHEEL (27*10.5-15)	100K0654	
01P10107		FRONT WHEEL (29*12.50-15)	100K0654	
01P11001		REAR WHEEL (13.6-24)	100K0654	
01P11002		REAR WHEEL (14.9-24)	100K0654	
01P11003		REAR WHEEL (17.5-24)	100K0654	
01P11004		REAR WHEEL (41*14.00-20)	100K0654	
01P11005		REAR WHEEL (21.5L-16.1)	100K0654	
LABELS		01R105	LABEL 1	100K0654
		01R110	LABEL 2	100K0654
ACCESSORIES OPTION		01S105	ACCESSORIES AND SERVICE PARTS	100K0654
		01T130	POSITION CONTROL LEVER (WITH DRAFT) [OPTION]	100K0654
		01T135	DRAFT CONTROL LEVER (WITH DRAFT) [OPTION]	100K0654
	01T140	TOP LINK HOLDER (WITH DRAFT) [OPTION]	100K0654	
	01T145	SWINGING DRAWBAR/CLEVIS DRAWBAR [OPTION]	100K0654	
	01T15001	AUXILIARY CONTROL VALVE LEVER 1 [OPTION]	100K0654	
	01T15002	AUXILIARY CONTROL VALVE LEVER 2 [OPTION]	100K0654	
	01T15003	AUXILIARY CONTROL VALVE LEVER 3 [OPTION]	100K0654	
	01T15501	AUXILIARY CONTROL VALVE COUPLER 1 [OPTION]	100K0654	
	01T15502	AUXILIARY CONTROL VALVE COUPLER 2 [OPTION]	100K0654	
	01T15503	AUXILIARY CONTROL VALVE COUPLER 3 [OPTION]	100K0654	

CRANKCASE



1G782-003-10

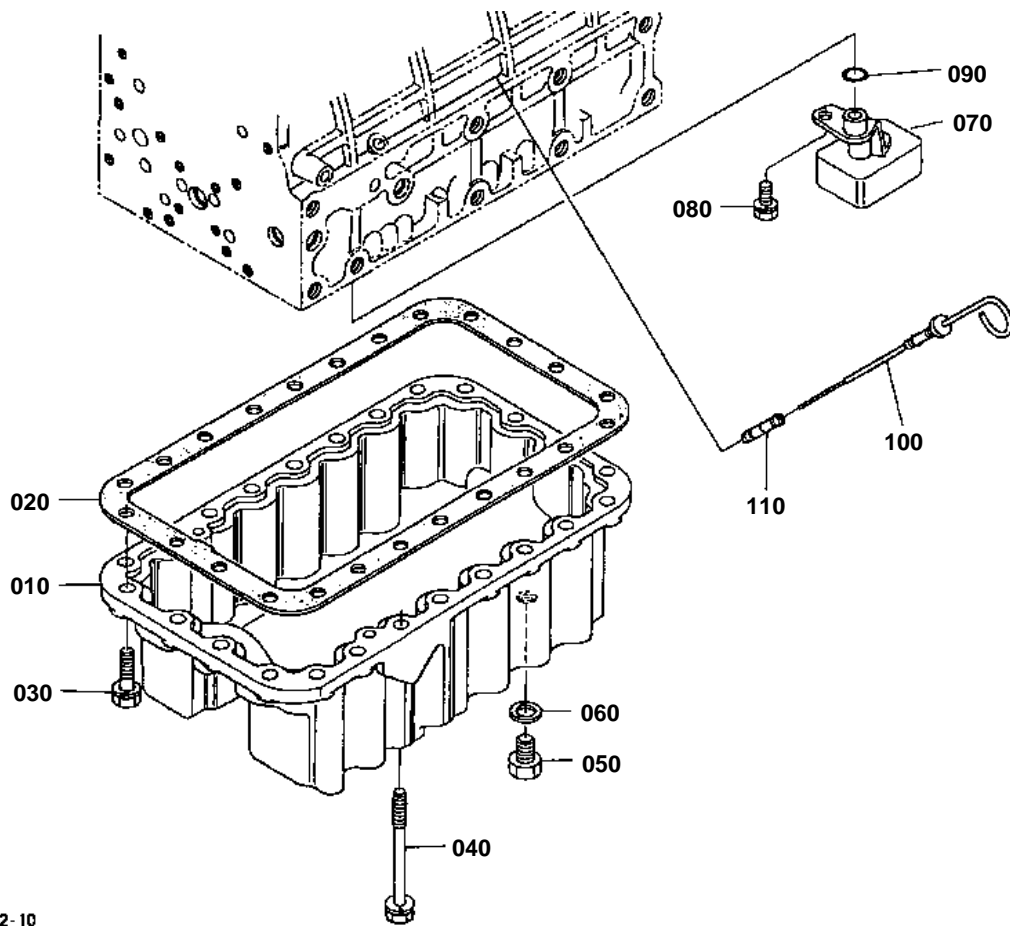


CRANKCASE

↔ Interchangeable; ≠ not interchangeable; ← new for old; → old for new

REF.No	Part No.	Description	Q'ty	S.No.	I/C	REMARKS	Weight (kgf)	Weight (lb)
010	16497-01012	COMP.CRANKCASE	1				0	0
020	15521-96020	PLUG	6				0.003	0.0066
030	15521-96030	PLUG	2				0.007	0.0154
040	17391-96160	PLUG EXPANSION	3				0.003	0.0066
050	06311-75045	PLUG EXPANSION	1				0.026	0.0572
060	15221-03380	CAP SEALING	6				0.017	0.0374
070	15221-03390	CAP SEALING	2				0.03	0.066
080	05012-00408	PIN STRAIGHT	2				0.001	0.0022
090	05012-00609	PIN STRAIGHT	2				0.003	0.0066
100	05012-00612	PIN STRAIGHT	2				0.003	0.0066
110	05012-01018	PIN STRAIGHT	1				0.012	0.0264
120	15221-33650	PIN PIPE	1				0.004	0.0088
130	06312-10020	PLUG	1				0.015	0.033
140	15221-33610	PLUG	1				0.009	0.0198
150	15021-33660	GASKET	1				0.001	0.0022
160	15221-33700	O RING	1				0.001	0.0022
170	15471-35012	ASSY PUMP OIL	1				0.55	1.21
180	1A021-35150	GASKET OIL PUMP	1				0.001	0.0022
190	01053-50650	BOLT	4				0.011	0.0242
200	04512-60060	WASHER SPRING	4				0.001	0.0022
210	19202-35660	GEAR OIL PUMP DRIVE	1				0.23	0.506
220	05712-00410	KEY FEATHER	1				0.001	0.0022
230	15221-35682	NUT FLANGE	1				0.014	0.0308

OIL PAN



1G782-002-10

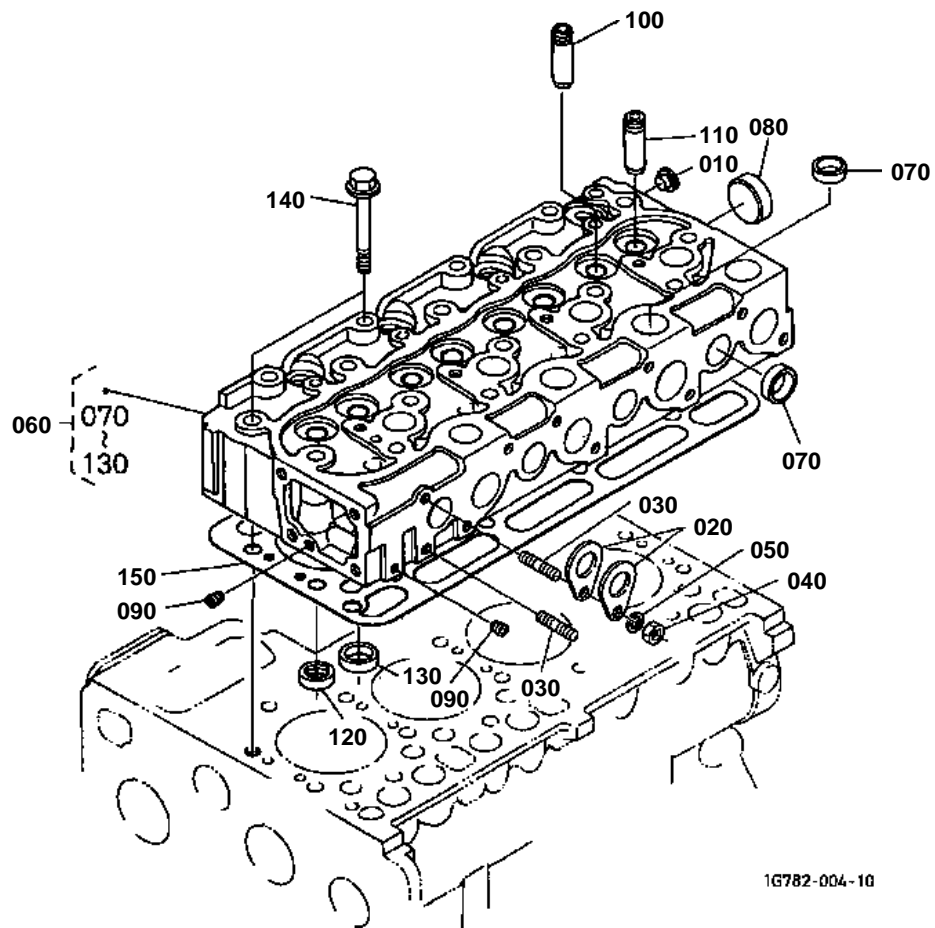


OIL PAN

↔ Interchangeable; ≠ not interchangeable; ← new for old; → old for new

REF.No	Part No.	Description	Q'ty	S.No.	I/C	REMARKS	Weight (kgf)	Weight (lb)
010	17341-01610	OIL PAN	1				4.1	9.02
020	15815-01620	GASKET OIL PAN	1				0.03	0.066
030	01133-51028	BOLT	22				0.027	0.0594
040	17377-91010	BOLT	2				0.08	0.176
050	16427-33750	PLUG DRAIN	2				0	0
060	6C090-58960	GASKET	2				0.002	0.0044
070	15411-32110	FILTER OIL	1				0.24	0.528
080	01123-60814	BOLT	1				0.008	0.0176
090	04811-00160	O RING	1				0.001	0.0022
100	1G851-36410	GAUGE OIL	1				0.04	0.088
110	17456-36420	GUIDE OIL GAUGE	1				0.033	0.0726

CYLINDER HEAD



1G782-004-10

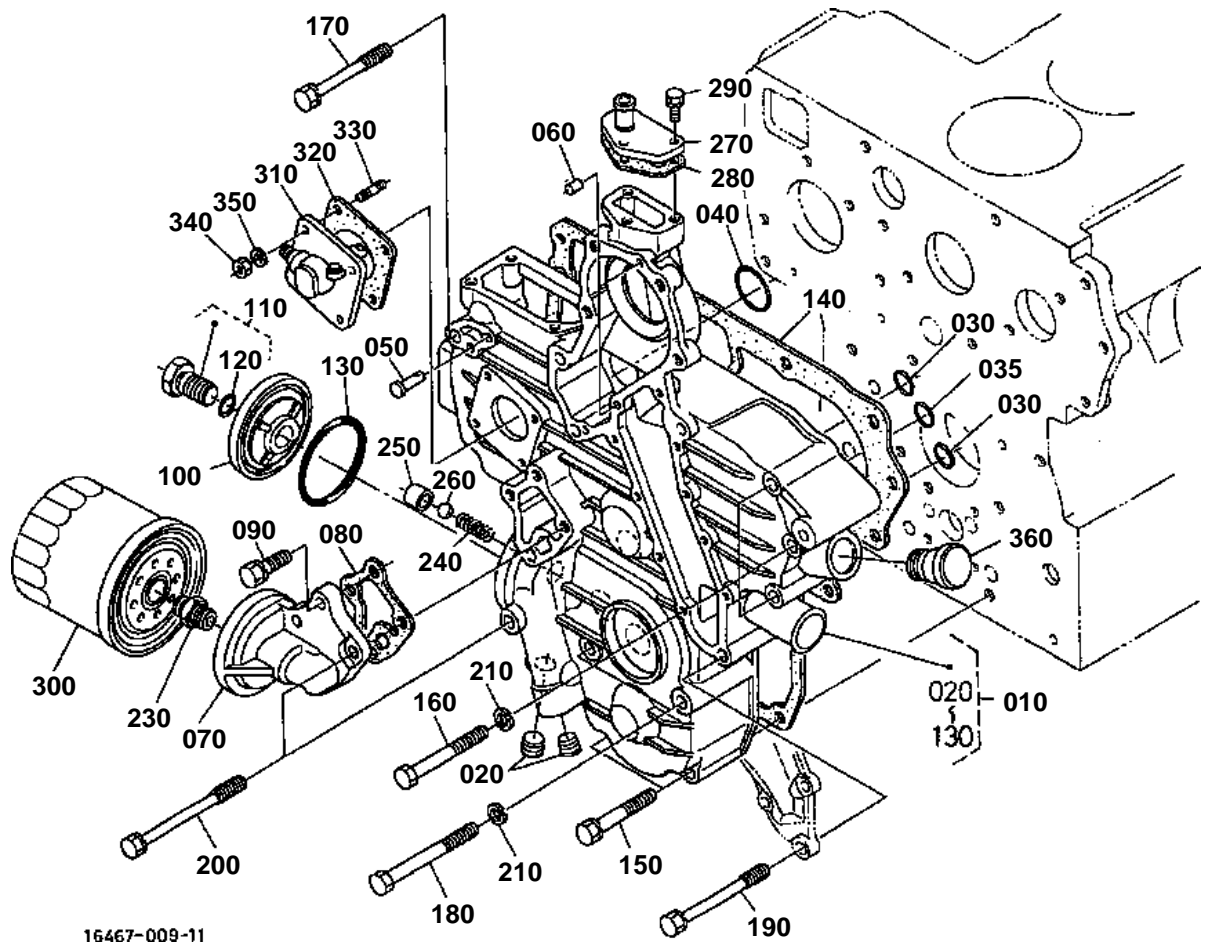


CYLINDER HEAD

↔ Interchangeable; ≠ not interchangeable; ← new for old; → old for new

REF.No	Part No.	Description	Q'ty	S.No.	I/C	REMARKS	Weight (kgf)	Weight (lb)
010	09980-10075	CAP PROTECTOR	1				0.001	0.0022
020	15221-01750	HOOK ENGINE	2				0.04	0.088
030	15471-91530	STUD	2				0.01	0.022
040	02156-50080	NUT	1				0.004	0.0088
050	04512-60080	WASHER SPRING	1				0.002	0.0044
060	16429-03040	COMP.CYLINDER HEAD	1				19.1	42.02
070	15221-03370	CAP SEALING	12				0.01	0.022
080	15221-03490	CAP SEALING	1				0.02	0.044
090	15261-96010	PLUG	2				0.002	0.0044
100	17321-13580	GUIDE INLET VALVE	4				0.015	0.033
110	17321-13560	GUIDE EXHAUST VALVE	4				0.02	0.044
120	16415-13620	SEAT INLET VALVE	4				0.01	0.022
130	16415-13612	SEAT EXHAUST VALVE	4				0.01	0.022
140	19013-03450	BOLT CYLINDER HEAD	18				0.077	0.1694
150	19077-03310	GASKET CYLINDER HEAD	1				0.13	0.286

GEAR CASE



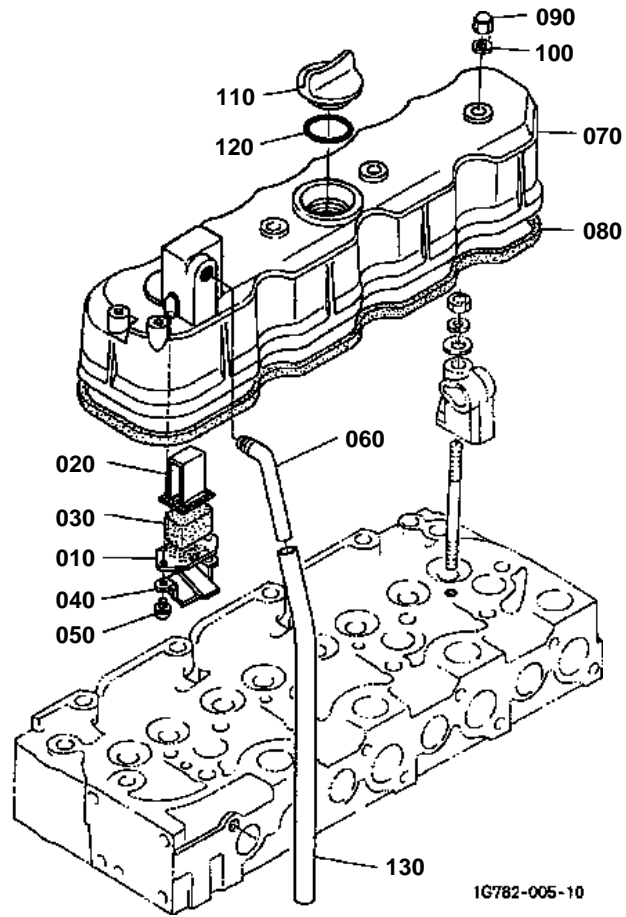


GEAR CASE

↔ Interchangeable; ≠ not interchangeable; ← new for old; → old for new

REF.No	Part No.	Description	Q'ty	S.No.	I/C	REMARKS	Weight (kgf)	Weight (lb)
010	16705-04032	ASSY CASE GEAR	1				4.2	9.24
020	16241-96020	PLUG	2				0.015	0.033
030	04811-00150	O RING	2				0.001	0.0022
035	04811-00200	O RING	1				0.001	0.0022
040	04811-00360	O RING	1				0.002	0.0044
050	15221-56280	PIN START SPRING	1				0.006	0.0132
060	05012-00612	PIN STRAIGHT	2				0.003	0.0066
070	17331-32610	SUPPORT OIL FILTER	1				0.275	0.605
080	17326-32620	GASKET	1				0.005	0.011
090	01123-50825	BOLT	3				0.013	0.0286
100	17331-32880	COVER	1				0.075	0.165
110	17331-32910	COMP BOLT	1				0.07	0.154
120	04811-00150	O RING	1				0.001	0.0022
130	19202-96830	O RING	1				0.01	0.022
140	17326-04132	GASKET GEAR CASE	1				0.03	0.066
150	01123-50860	BOLT	3				0.026	0.0572
160	01153-50870	BOLT	3				0.026	0.0572
170	17367-91010	BOLT	2				0.005	0.011
180	01153-50880	BOLT	2				0.03	0.066
190	17367-91020	BOLT	3				0.035	0.077
200	17367-91030	BOLT	2				0.02	0.044
210	04512-60080	WASHER SPRING	5				0.002	0.0044
230	15521-32293	JOINT PIPE	1				0	0
240	15241-36950	SPRING	1				0.004	0.0088
250	15521-36930	SEAT VALVE	1				0.015	0.033
260	07715-03213	BALL	1				0.004	0.0088
270	15521-73320	FLANGE WATER RETURN	1				0.04	0.088
280	1A021-73330	GASKET RETURN FLANGE	1				0.001	0.0022
290	01023-50620	BOLT	3				0.006	0.0132
300	16414-32430	CARTRIDGE OIL FILTER	1				0	0
310	38240-34660	ASSY GEAR CASE H/M	1				0.335	0.737
320	15296-88130	GASKET H/METER UNIT	1				0.002	0.0044
330	15221-88210	STUD	4				0.005	0.011
340	02056-50060	NUT	4				0.002	0.0044
350	04512-60060	WASHER SPRING	4				0.001	0.0022
360	15571-33140	PLUG OIL FILLER	1				0.03	0.066

HEAD COVER



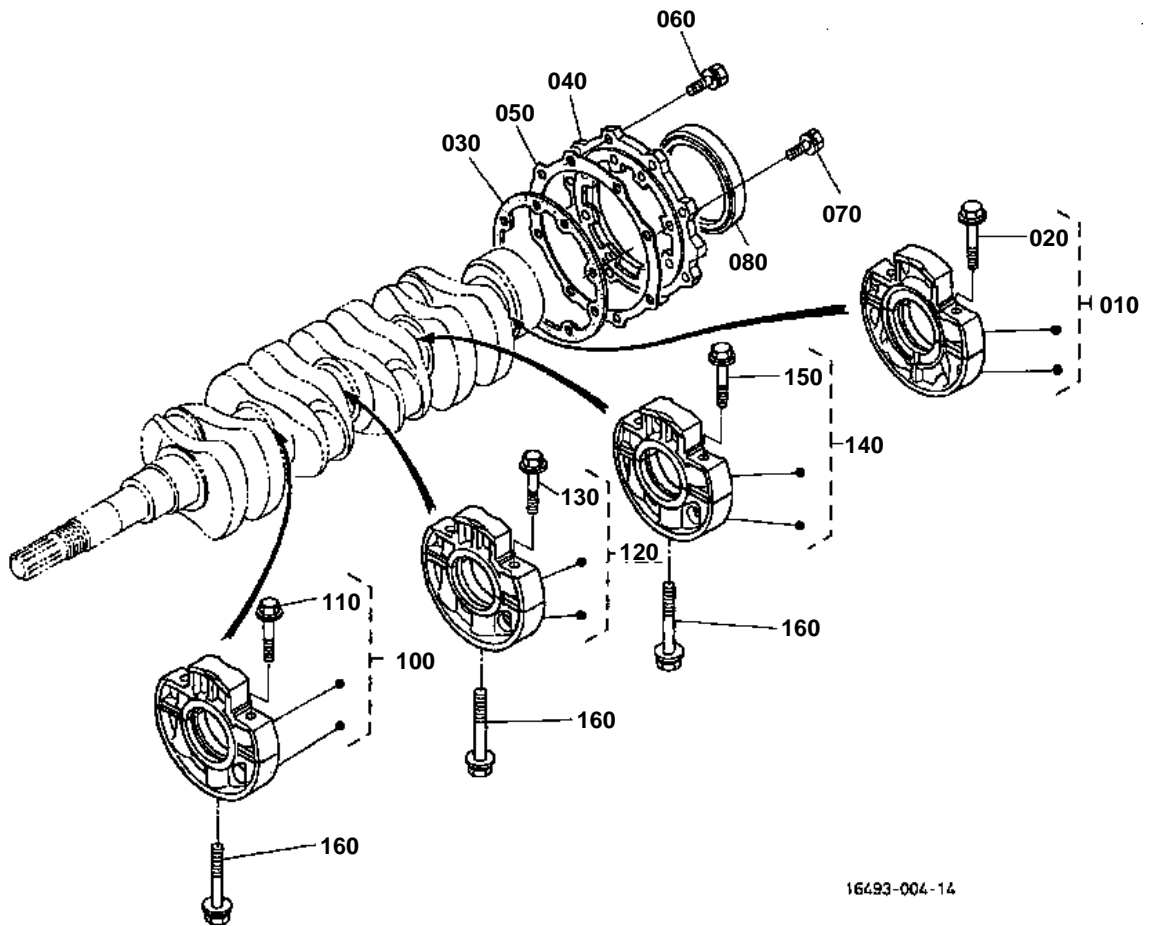


HEAD COVER

↔ Interchangeable; ≠ not interchangeable; ← new for old; → old for new

REF.No	Part No.	Description	Q'ty	S.No.	I/C	REMARKS	Weight (kgf)	Weight (lb)
010	15521-05140	PLATE B/THER ELEMENT	1				0.005	0.011
020	15521-05150	PLATE B/THER ELEMENT	1				0.01	0.022
030	15521-05670	ELEMENT BREATHER	1				0.01	0.022
040	15521-05370	OIL SHIELD BREATHER	1				0.005	0.011
050	03034-50510	SCREW WITH WASHER	2				0.003	0.0066
060	17365-05550	JOINT BREATHER	1				0.065	0.143
070	15434-14510	COVER CYL.HEAD	1				1.315	2.893
080	15471-14520	GASKET HEAD COVER	1				0.05	0.11
090	15451-92330	NUT	4				0.015	0.033
100	15021-33660	GASKET	4				0.001	0.0022
110	15852-33140	PLUG OIL FILLER	1				0.038	0.0836
120	04811-50300	O RING	1				0.001	0.0022
130	15837-05510	PIPE BREATHER	1				0.06	0.132

MAIN BEARING CASE



16493-004-14

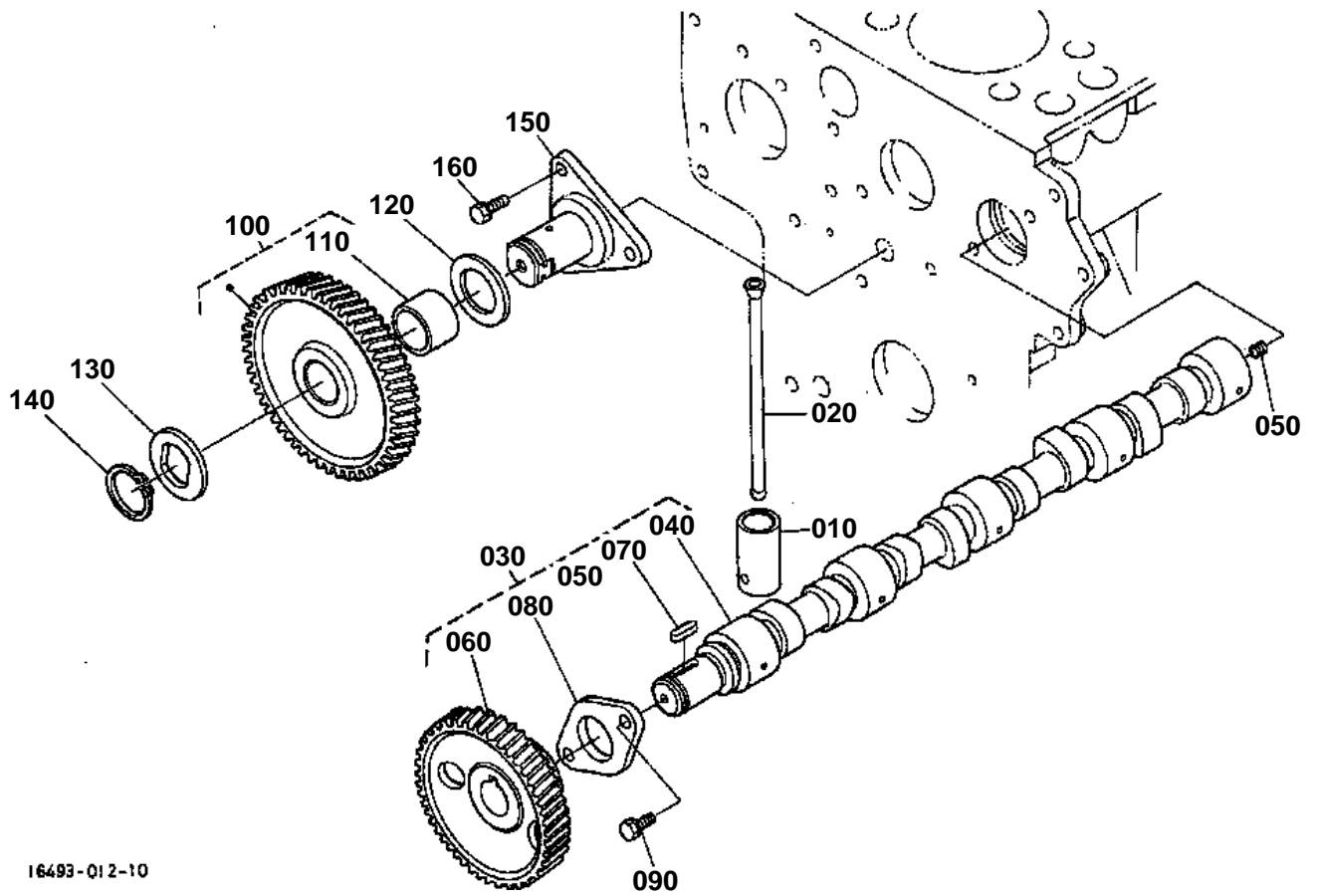


MAIN BEARING CASE

↔ Interchangeable; ≠ not interchangeable; ← new for old; → old for new

REF.No	Part No.	Description	Q'ty	S.No.	I/C	REMARKS	Weight (kgf)	Weight (lb)
010	19013-07090	ASSY BRG.CASE WHEEL	1				1.55	3.41
020	19013-04540	BOLT BEARING CASE	2				0.038	0.0836
030	19077-04360	GASKET BEARING CASE	1				0.004	0.0088
040	19013-04813	COVER BEARING CASE	1				0.41	0.902
050	1A091-04820	GASKET CASE COVER	1				0.006	0.0132
060	01123-50825	BOLT	8				0.013	0.0286
070	01123-50828	BOLT	8				0.014	0.0308
080	19202-04460	SEAL OIL	1				0.055	0.121
100	19013-07040	ASSY BRG.CASE MAIN	1				1.5	3.3
110	19013-04540	BOLT BEARING CASE	2				0.038	0.0836
120	19013-07050	ASSY BRG.CASE MAIN	1				1.495	3.289
130	19013-04540	BOLT BEARING CASE	2				0.038	0.0836
140	19013-07060	ASSY BRG.CASE MAIN	1				1.52	3.344
150	19013-04540	BOLT BEARING CASE	2				0.038	0.0836
160	15601-04560	BOLT BEARING CASE	3				0.06	0.132

CAMSHAFT AND IDLE GEAR SHAFT



16493-012-10

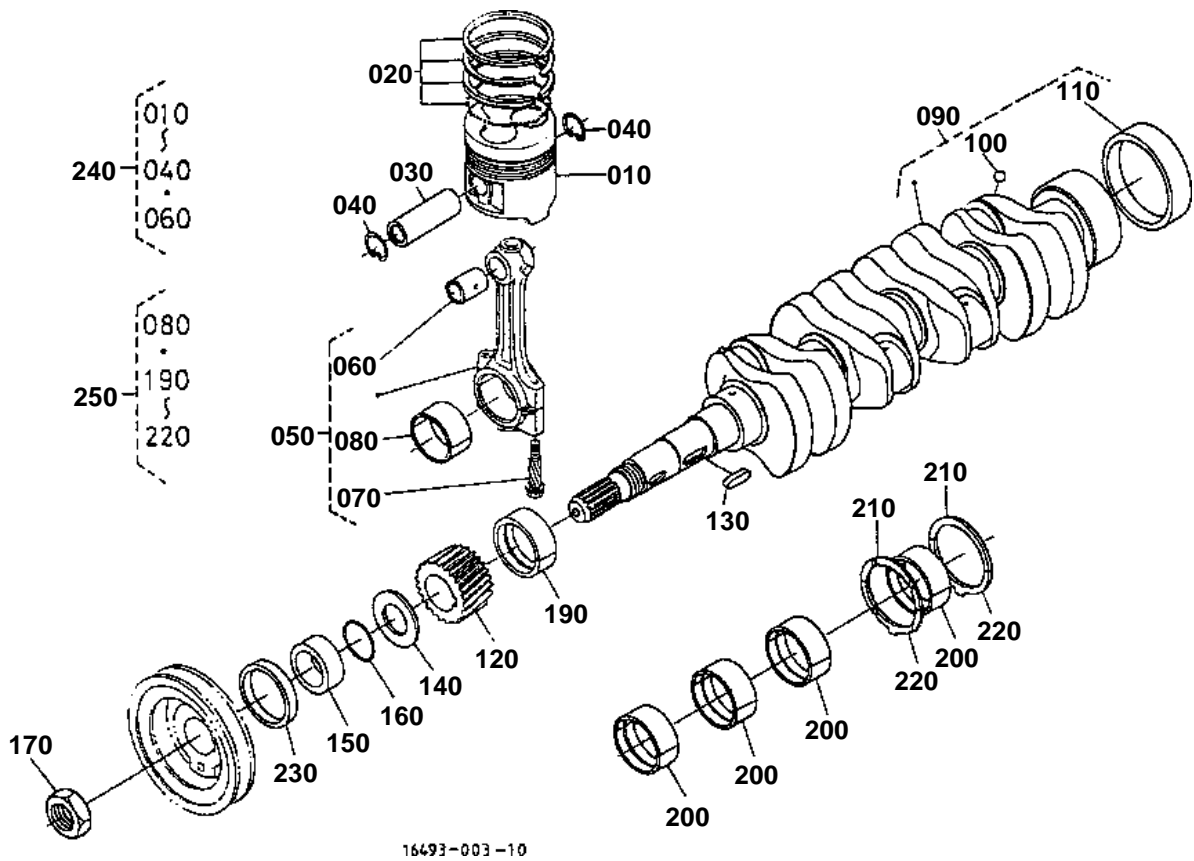


CAMSHAFT AND IDLE GEAR SHAFT

↔ Interchangeable; ≠ not interchangeable; ← new for old; → old for new

REF.No	Part No.	Description	Q'ty	S.No.	I/C	REMARKS	Weight (kgf)	Weight (lb)
010	15601-15550	TAPPET	8				0.08	0.176
020	19013-15110	PUSH ROD	8				0.05	0.11
030	17343-16010	ASSY CAMSHAFT	1				4.2	9.24
040	17343-16150	CAMSHAFT	1				2.2	4.84
050	15521-93610	SCREW SET	1				0.002	0.0044
060	15521-16510	GEAR CAM	1				0.85	1.87
070	05712-00720	KEY FEATHER	1				0.008	0.0176
080	15221-16270	STOPPER CAMSHAFT	1				0.073	0.1606
090	01123-50818	BOLT	2				0.012	0.0264
100	16427-24010	COMP.GEAR IDLE	1				1.2	2.64
110	16427-24980	BUSH IDLE GEAR	1				0.07	0.154
120	16427-24360	COLLAR	1				0.02	0.044
130	16427-24370	COLLAR	1				0.02	0.044
140	15451-95400	CIR CLIP EXTERNAL	1				0.01	0.022
150	16427-24250	SHAFT IDLE GEAR	1				0.65	1.43
160	01123-50818	BOLT	3				0.012	0.0264

PISTON AND CRANKSHAFT



16493-003-10

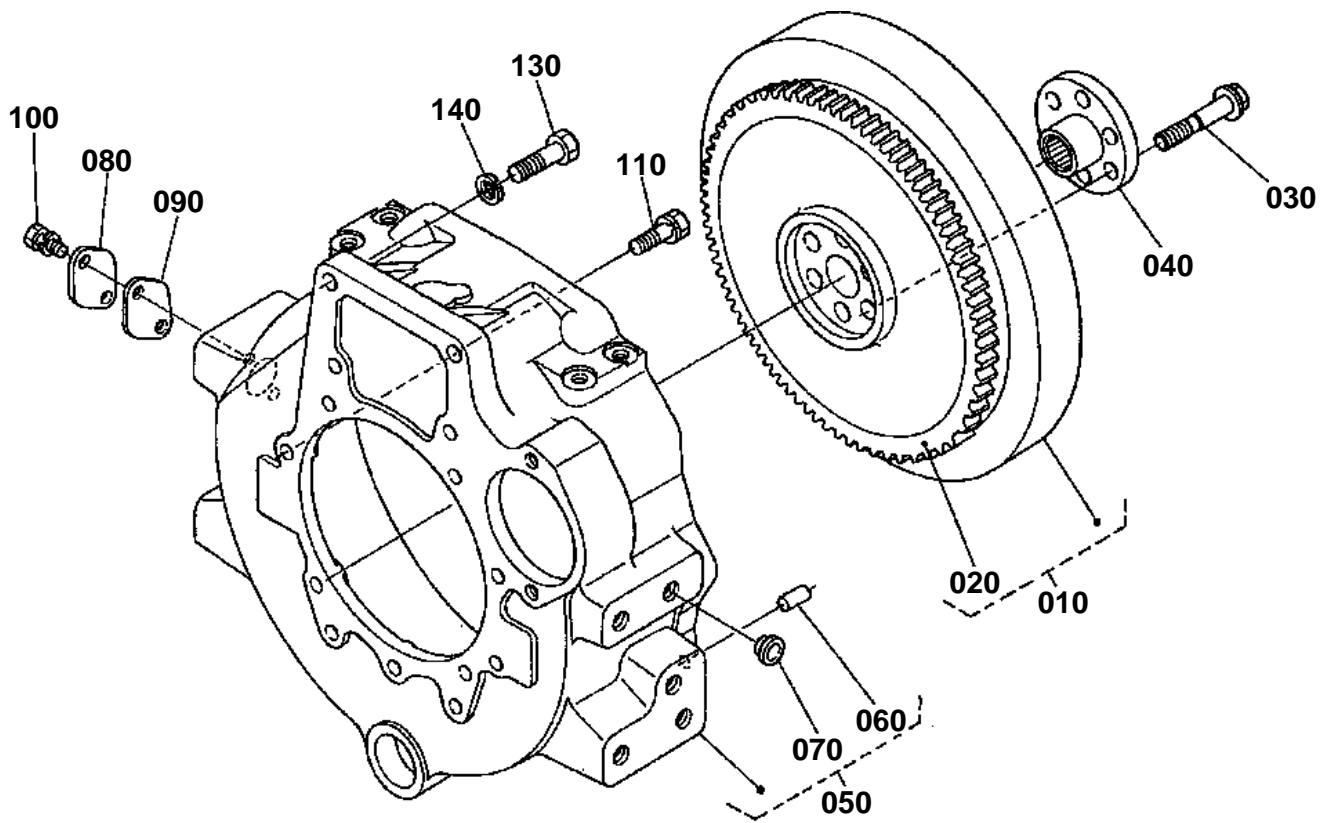


PISTON AND CRANKSHAFT

↔ Interchangeable; ≠ not interchangeable; ← new for old; → old for new

REF.No	Part No.	Description	Q'ty	S.No.	I/C	REMARKS	Weight (kgf)	Weight (lb)
010	19077-21110	PISTON	4			STD	0.58	1.276
010	19077-21910	PISTON	4			+0.5mm	0.585	1.287
020	17331-21050	ASSY PISTON RING	4			STD	0.065	0.143
020	17331-21090	ASSY PISTON RING	4			+0.5mm	0.065	0.143
030	14901-21310	PIN PISTON	4				0.17	0.374
040	14109-21330	CIR CLIP INTERNAL	8				0.015	0.033
050	17311-22010	ASSY CONNECTING ROD	4				0.885	1.947
060	17331-21980	BUSH PISTON PIN	4				0.025	0.055
070	15521-22142	BOLT CONNECTING ROD	8				0.026	0.0572
080	17311-22310	METAL CRANKPIN	4			STD SET	0.045	0.099
080	17331-22970	METAL CRANKPIN	4			-0.2mm SET	0.05	0.11
080	17331-22980	METAL CRANKPIN	4			-0.4mm SET	0.045	0.099
090	16641-23010	COMP.CRANKSHAFT	1				17	37.4
100	07715-00401	BALL	4				0.001	0.0022
110	19202-23280	BUSH CRANKSHAFT	1				0.09	0.198
120	15471-24110	GEAR CRANK	1				0.375	0.825
130	05712-00720	KEY FEATHER	1				0.008	0.0176
140	15471-23312	SLINGER OIL	1				0.008	0.0176
150	19202-23250	COLLAR CRANKSHAFT	1				0.065	0.143
160	04811-10300	O RING	1				0.001	0.0022
170	15221-23360	NUT CRANKSHAFT	1				0.11	0.242
190	17311-23472	METAL CRANKSHAFT	1			STD	0	0
190	17311-23910	METAL CRANKSHAFT	1			-0.2mm	0.05	0.11
190	17311-23920	METAL CRANKSHAFT	1			-0.4mm	0.06	0.132
200	17311-23480	METAL CRANKSHAFT	4			STD SET	0.045	0.099
200	17311-23930	METAL CRANKSHAFT	4			-0.2mm SET	0.05	0.11
200	17311-23940	METAL CRANKSHAFT	4			-0.4mm SET	0.06	0.132
210	15521-23530	METAL SIDE	2			STD	0.01	0.022
210	15521-23950	METAL SIDE	2			+0.2mm	0.01	0.022
210	15521-23960	METAL SIDE	2			+0.4mm	0.01	0.022
220	19202-23540	METAL SIDE	2			STD	0.01	0.022
220	19202-23970	METAL SIDE	2			+0.2mm	0.01	0.022
220	19202-23980	METAL SIDE	2			+0.4mm	0.01	0.022
230	19202-04140	SEAL OIL	1				0.015	0.033
240	07916-26940	KIT RING PISTON	4			STD	0.87	1.914
240	07916-26950	KIT RING PISTON	4			+0.5mm	0.88	1.936
250	07916-28000	KIT METAL ENGINE	4			STD	0.42	0.924
250	07916-28742	KIT METAL ENGINE	1			-0.2mm	0.55	1.21
250	07916-28752	KIT METAL ENGINE	1			-0.4mm	0.55	1.21

FLYWHEEL [4WD]



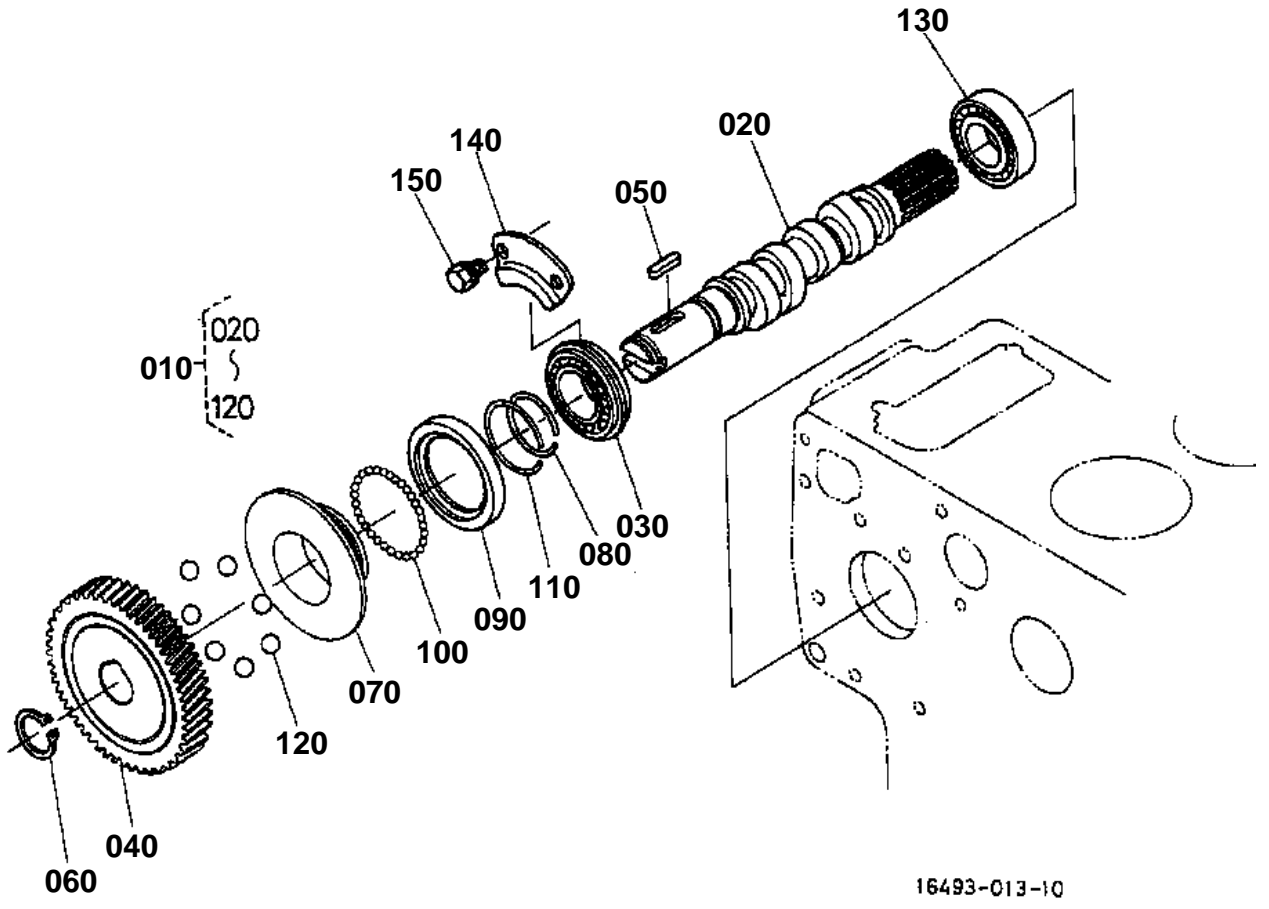
16493-001-22

**FLYWHEEL [4WD]**

↔ Interchangeable; ≠ not interchangeable; ← new for old; → old for new

REF.No	Part No.	Description	Q'ty	S.No.	I/C	REMARKS	Weight (kgf)	Weight (lb)
010	16493-25050	COMP.FLYWHEEL	1				30	66
020	15221-63820	GEAR RING	1				1.2	2.64
030	17394-25160	BOLT FLYWHEEL	6				0.07	0.154
040	35080-14010	HUB SPLINE	1				0.44	0.968
050	TA040-20102	COMP.HOUSING F-W	1				18.2	40.04
060	05012-01018	PIN STRAIGHT	2				0.012	0.0264
070	31220-14290	PLUG	9				0.002	0.0044
080	15521-04680	COVER	1				0.035	0.077
090	15521-04790	PACKING COVER	1				0.005	0.011
100	01123-50816	BOLT	2				0.011	0.0242
110	16427-91010	BOLT	11				0.004	0.0088
130	01073-51240	BOLT	2				0.049	0.1078
140	04512-60120	WASHER SPRING	2				0.005	0.011

FUEL CAMSHAFT



16493-013-10

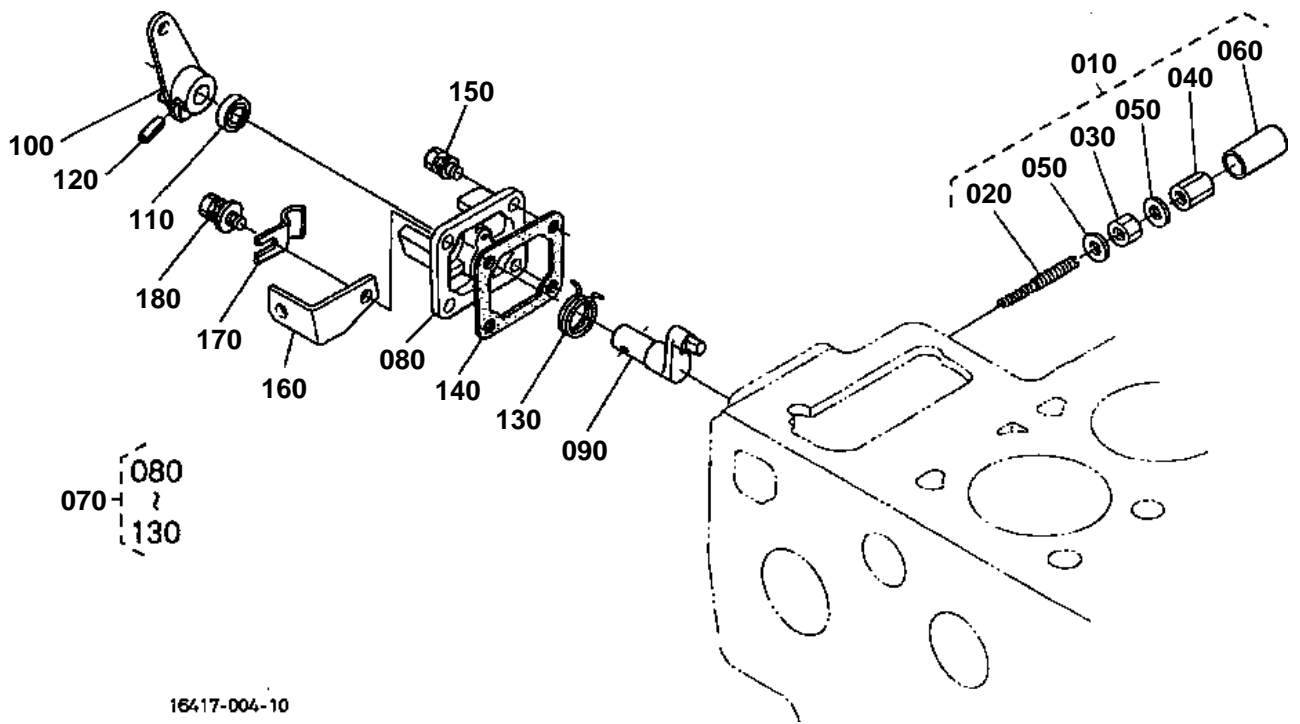


FUEL CAMSHAFT

↔ Interchangeable; ≠ not interchangeable; ← new for old; → old for new

REF.No	Part No.	Description	Q'ty	S.No.	I/C	REMARKS	Weight (kgf)	Weight (lb)
010	19077-16020	ASSY CAMSHAFT FUEL	1				3	6.6
020	19077-16170	CAMSHAFT FUEL	1				1.12	2.464
030	08153-06205	BEARING BALL	1				0.13	0.286
040	16415-51150	GEAR INJECTION PUMP	1				1.075	2.365
050	05712-00525	KEY FEATHER	1				0.005	0.011
060	04612-00240	CIR CLIP EXTERNAL	1				0.002	0.0044
070	15611-55450	SLEEVE GOVERNOR	1				0.117	0.2574
080	15221-55470	CIR-CLIP GOV. SLEEVE	1				0.003	0.0066
090	15611-55690	CASE GOVERNOR BALL	1				0.03	0.066
100	07715-03205	BALL	39				0.001	0.0022
110	15221-55740	CIR-CLIP	1				0.002	0.0044
120	07715-00403	BALL	7				0.03	0.066
130	08240-00001	BEARING BALL	1				0.19	0.418
140	15221-16320	STOPPER FUEL C/SHAFT	1				0.02	0.044
150	01123-60814	BOLT	2				0.008	0.0176

ENGINE STOP LEVER



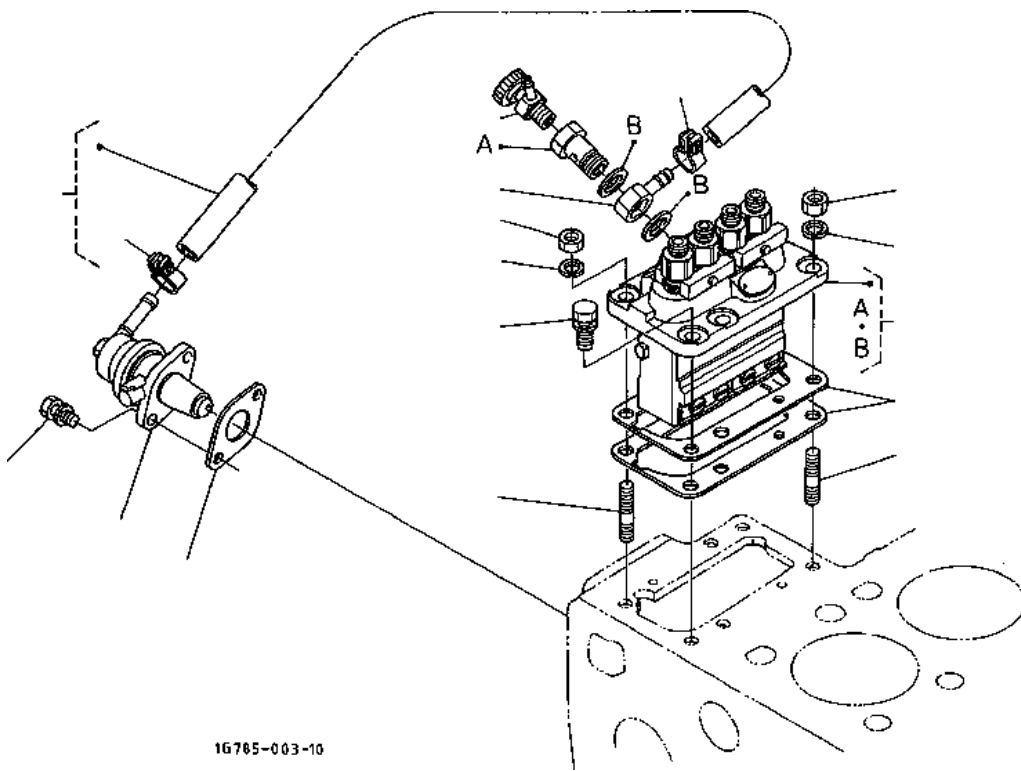


ENGINE STOP LEVER

↔ Interchangeable; ≠ not interchangeable; ← new for old; → old for new

REF.No	Part No.	Description	Q'ty	S.No.	I/C	REMARKS	Weight (kgf)	Weight (lb)
010	15521-54090	APPARATUS IDLING	1				0.045	0.099
020	15521-54100	ASSY BOLT ADJUSTMENT	1				0.015	0.033
030	15401-92010	NUT	1				0.01	0.022
040	15521-92330	NUT	1				0.02	0.044
050	15021-33660	GASKET	2				0.001	0.0022
060	15521-54270	CAP	1				0.003	0.0066
070	17331-57702	ASSY LEVER ENG.STOP	1				0.19	0.418
080	15471-51652	COVER INJECTION PUMP	1				0.02	0.044
090	17331-57740	SHAFT LEVER	1				0.04	0.088
100	17331-57720	LEVER ENGINE STOP	1				0.05	0.11
110	15471-57980	SEAL OIL	1				0.001	0.0022
120	05411-00420	PIN SPRING	1				0.001	0.0022
130	15471-57920	SPRING RETURN	1				0.005	0.011
140	1A021-51660	GASKET PUMP COVER	1				0.003	0.0066
150	01023-50618	BOLT	3				0.006	0.0132
160	32330-17170	SUPPORT	1				0.02	0.044
170	38430-17180	SPRING	1				0.1	0.22
180	01025-50620	BOLT	1				0.02	0.044

INJECTION PUMP



16785-003-10

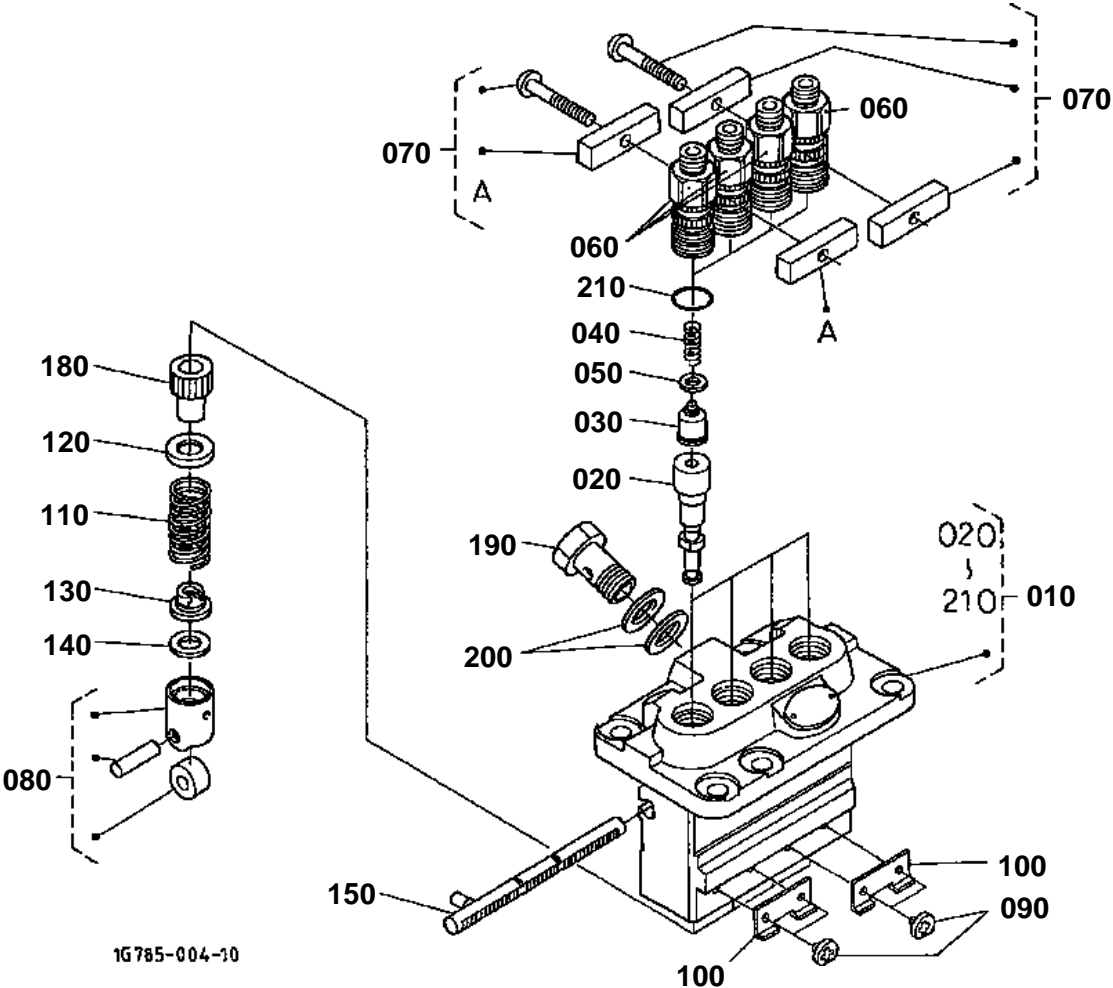


INJECTION PUMP

↔ Interchangeable; ≠ not interchangeable; ← new for old; → old for new

REF.No	Part No.	Description	Q'ty	S.No.	I/C	REMARKS	Weight (kgf)	Weight (lb)
010	15401-95690	JOINT EYE	1				0.04	0.088
020	1G762-51010	ASSY PUMP INJECTION	1			REFER TO L.No.C08-R FOR COMPONENTS.	2.5	5.5
030	19077-52090	SHIM INJECTION PUMP	1			0.20mm	0.006	0.0132
030	19077-52110	SHIM INJECTION PUMP	1			0.25mm	0.002	0.0044
030	19077-52120	SHIM INJECTION PUMP	1			0.30mm	0.01	0.022
040	01123-50822	BOLT	4				0.012	0.0264
050	15221-91530	STUD	2				0.011	0.0242
060	02156-50080	NUT	2				0.004	0.0088
070	04512-60080	WASHER SPRING	2				0.002	0.0044
080	14311-60504	ASSY COCK JET START	1				0.034	0.0748
090	17121-52030	ASSY PUMP FUEL	1				0.13	0.286
100	1A021-52140	GASKET FUEL PUMP	1				0.001	0.0022
110	01023-50616	BOLT	2				0.005	0.011
120	32400-35510	ASSY PIPE FUEL	1				0.035	0.077
130	14301-42750	CLIP PIPE	2				0.005	0.011

INJECTION PUMP [COMPONENT PARTS]



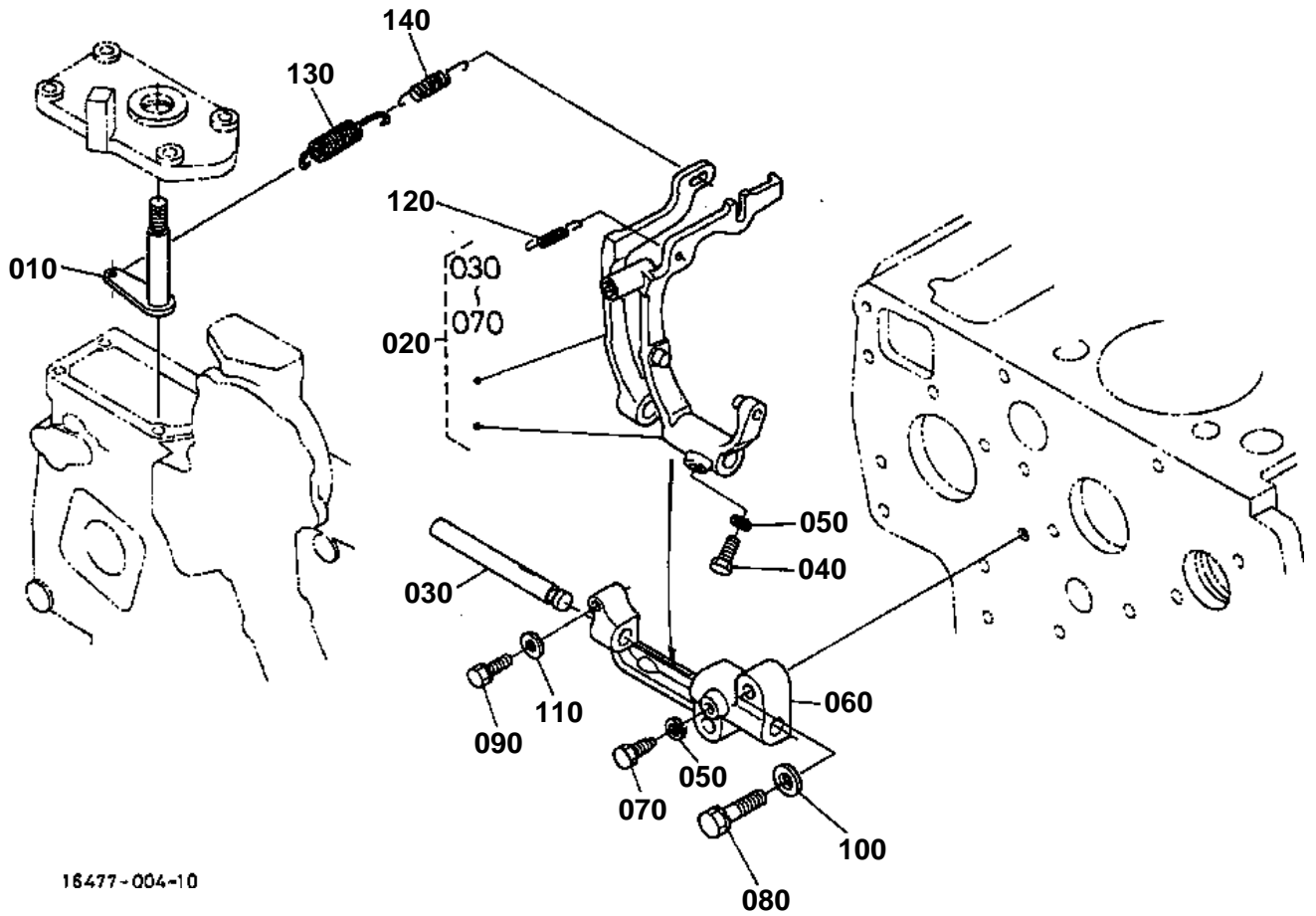


INJECTION PUMP [COMPONENT PARTS]

↔ Interchangeable; ≠ not interchangeable; ← new for old; → old for new

REF.No	Part No.	Description	Q'ty	S.No.	I/C	REMARKS	Weight (kgf)	Weight (lb)
010	1G762-51010	ASSY PUMP INJECTION	1				2.5	5.5
020	16454-51050	PLUNGER PUMP	4				0.05	0.11
030	16454-51030	VALVE DELIVERY.	4				0.015	0.033
040	16454-51230	SPRING DELIV.VALVE	4				0.005	0.011
050	15221-51240	GASKET DELIV.VALVE	4				0.001	0.0022
060	16415-51220	HOLDER DELIV.VALVE	4				0.07	0.154
070	16475-51610	ASSY PLATE LOCK	2				0.06	0.132
080	15221-51070	ASSY TAPPET	4				0.039	0.0858
090	14611-51250	PIN TAPPET GUIDE	4				0.003	0.0066
100	14611-51440	PLATE	2				0.005	0.011
110	15221-51280	SPRING PLUNGER	4				0.015	0.033
120	15221-51270	SEAT SPRING UPPER	4				0.004	0.0088
130	15221-51290	SEAT SPRING LOWER	4				0.01	0.022
140	19077-51490	SHIM	4				0.001	0.0022
150	15401-51060	RACK CONTROL	1				0.05	0.11
180	15221-51382	SLEEVE CONTROL	4				0.011	0.0242
190	15471-51320	SCREW FOLLOW	1				0.032	0.0704
200	15401-96650	GASKET	2				0.001	0.0022
210	14611-51200	O RING	4				0.001	0.0022

GOVERNOR

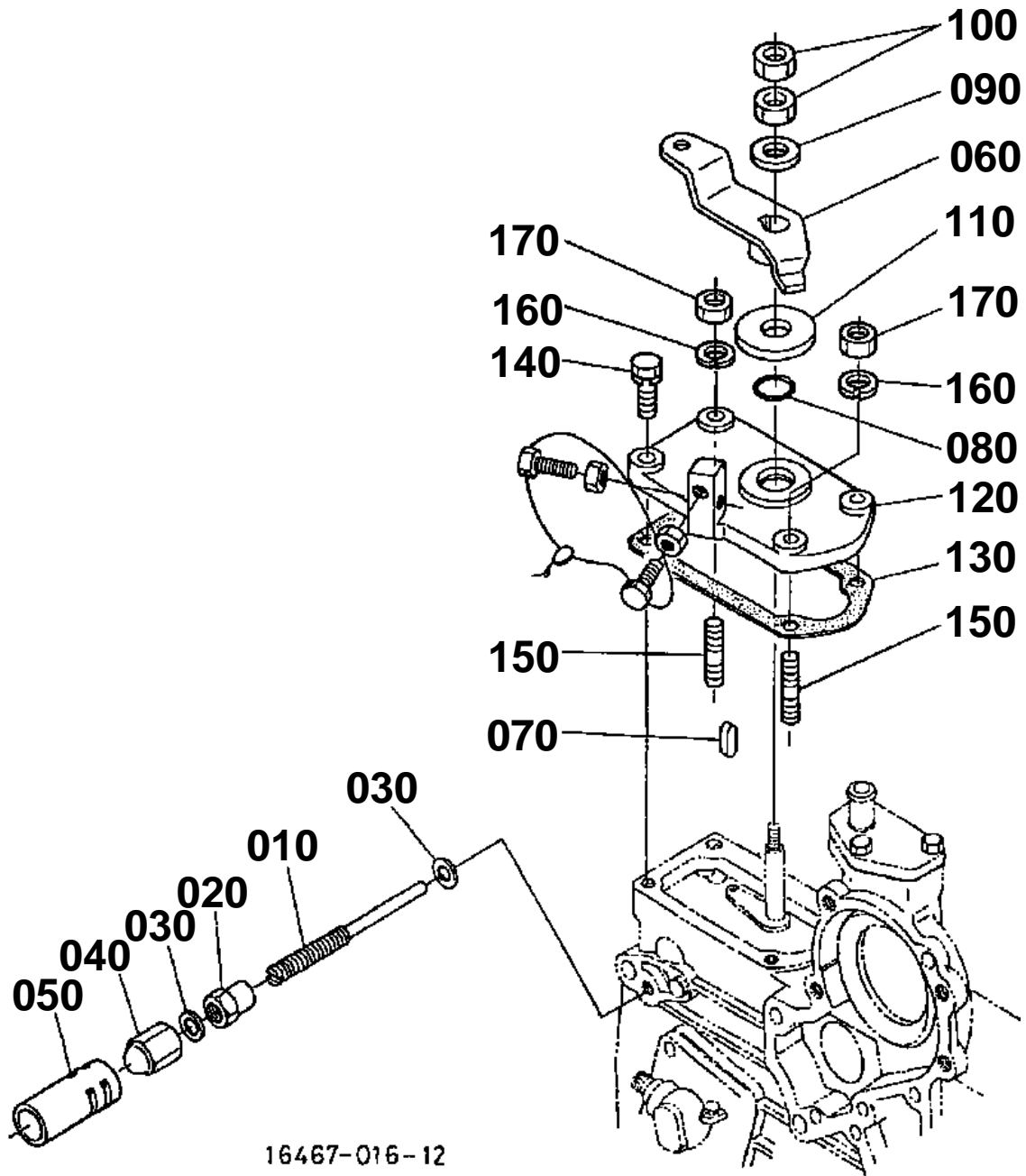


**GOVERNOR**

↔ Interchangeable; ≠ not interchangeable; ← new for old; → old for new

REF.No	Part No.	Description	Q'ty	S.No.	I/C	REMARKS	Weight (kgf)	Weight (lb)
010	15601-56020	COMP.LEVER GOVERNOR	1				0.055	0.121
020	1G782-56050	ASSY LEVER FORK	1				0.4	0.88
030	15221-56150	SHAFT FORK LEVER	1				0.1	0.22
040	15021-56240	BOLT LEVER SHAFT	1				0.005	0.011
050	04512-60060	WASHER SPRING	2				0.001	0.0022
060	15221-56230	HOLDER FORK LEVER	1				0.1	0.22
070	15221-66410	BOLT	1				0.005	0.011
080	01123-50832	BOLT	2				0.016	0.0352
090	01023-50628	BOLT	1				0.015	0.033
100	04012-50080	WASHER PLAIN	2				0.001	0.0022
110	04012-50060	WASHER PLAIN	1				0.001	0.0022
120	15611-56480	SPRING START	1				0.001	0.0022
130	19077-56412	SPRING	1				0.01	0.022
140	16415-56420	SPRING GOVERNOR	1				0.002	0.0044

SPEED CONTROL PLATE



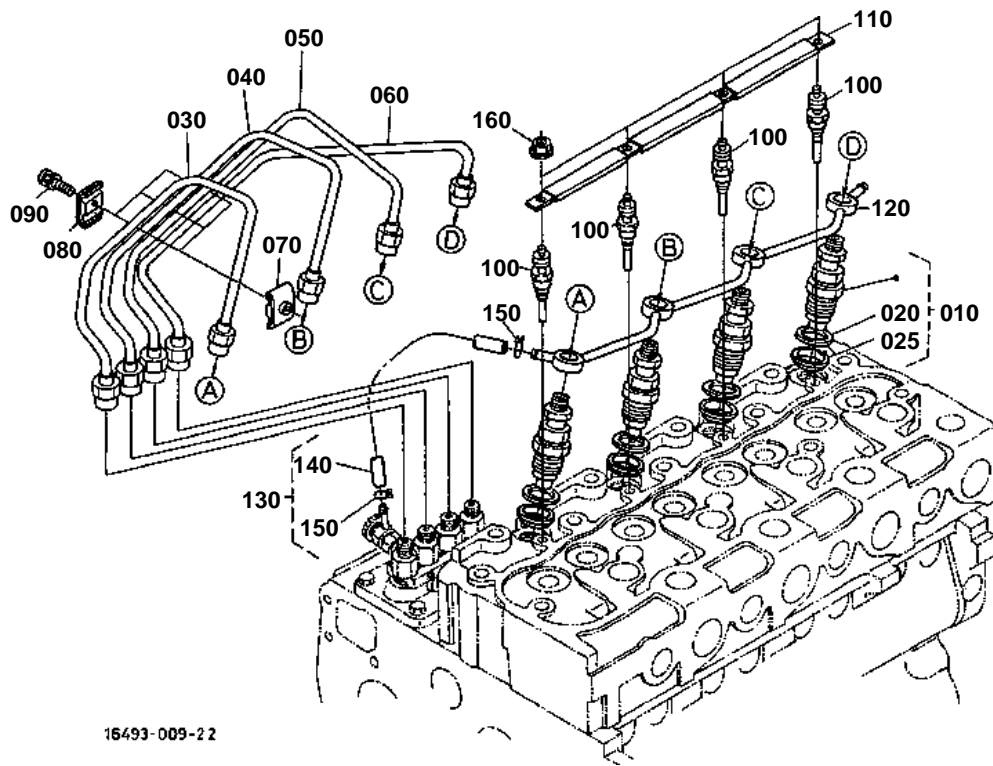


SPEED CONTROL PLATE

↔ Interchangeable; ≠ not interchangeable; ← new for old; → old for new

REF.No	Part No.	Description	Q'ty	S.No.	I/C	REMARKS	Weight (kgf)	Weight (lb)
010	15601-54120	BOLT ADJUSTING	1				0.011	0.0242
020	15601-92012	NUT	1				0.006	0.0132
030	15601-96650	GASKET	2				0.001	0.0022
040	15841-14620	NUT	1				0.01	0.022
050	1G833-54290	PIPE LOCK	1				0.012	0.0264
060	15469-57150	LEVER SPEED CONTROL	1				0.06	0.132
070	05712-00408	KEY FEATHER	1				0.001	0.0022
080	04811-00120	O RING	1				0.001	0.0022
090	04013-60080	WASHER PLAIN	1				0.002	0.0044
100	02112-50080	NUT	2				0.003	0.0066
110	15521-57240	COLLAR	1				0.002	0.0044
120	15521-57115	PLATE SPEED CONTROL	1				0.1	0.22
130	15439-57210	GASKET	1				0.005	0.011
140	01023-50625	BOLT	2				0.007	0.0154
150	15221-88210	STUD	2				0.005	0.011
160	04512-60060	WASHER SPRING	2				0.001	0.0022
170	02056-50060	NUT	2				0.002	0.0044

NOZZLE HOLDER AND GLOW PLUG



16493-009-2 2

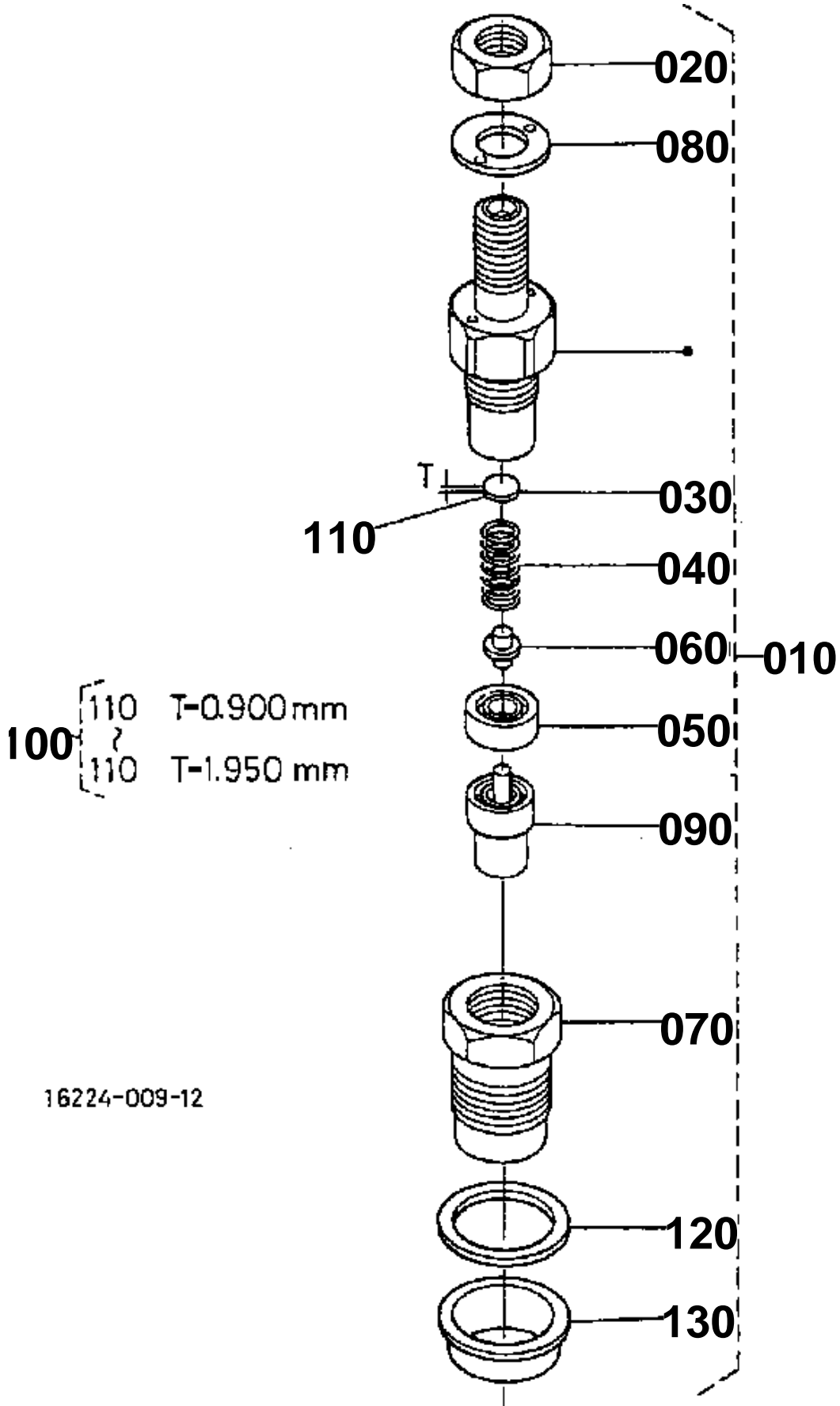


NOZZLE HOLDER AND GLOW PLUG

↔ Interchangeable; ≠ not interchangeable; ← new for old; → old for new

REF.No	Part No.	Description	Q'ty	S.No.	I/C	REMARKS	Weight (kgf)	Weight (lb)
010	16454-53900	KIT HOLDER NOZZLE	4			REFER TO L.No.C10-R FOR COMPONENTS.	0.14	0.308
020	15841-53622	GASKET	4				0.002	0.0044
025	19077-53650	SEAL HEAT	4				0.005	0.011
030	19077-53714	PIPE INJECTION	1				0.14	0.308
040	19077-53723	PIPE INJECTION	1				0.14	0.308
050	19077-53733	PIPE INJECTION	1				0.12	0.264
060	19077-53743	PIPE INJECTION	1				0.13	0.286
070	15841-53850	CLAMP PIPE	3				0.01	0.022
080	15841-53860	CLAMP PIPE	3				0.009	0.0198
090	03024-50520	SCREW WITH WASHER	3				0.004	0.0088
100	19077-65510	GLOW PLUG	4				0.03	0.066
110	16475-65560	CORD GLOW PLUG	1				0.02	0.044
120	16454-42502	ASSY PIPE OVER FLOW	1				0.06	0.132
130	34070-42633	ASSY TUBE FUEL	1				0.025	0.055
140	09661-40400	TUBE FUEL	1				0.02	0.044
150	14971-42750	CLIP PIPE	2				0.001	0.0022
160	02761-50040	NUT FLANGE	4				0.002	0.0044

NOZZLE HOLDER [COMPONENT PARTS]



16224-009-12

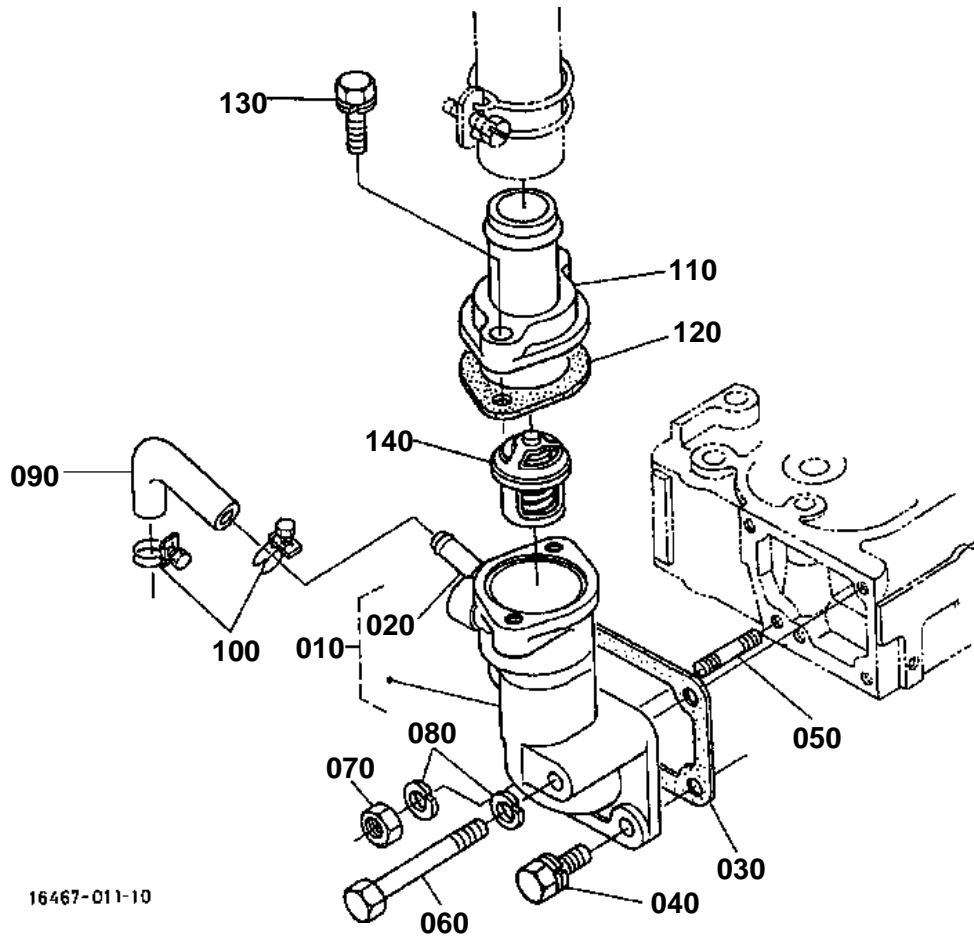


NOZZLE HOLDER [COMPONENT PARTS]

↔ Interchangeable; ≠ not interchangeable; ← new for old; → old for new

REF.No	Part No.	Description	Q'ty	S.No.	I/C	REMARKS	Weight (kgf)	Weight (lb)
010	16454-53900	KIT HOLDER NOZZLE	4				0.14	0.308
020	15841-92030	NUT	4				0.005	0.011
030	15841-53230	WASHER ADJUSTING	4				0.001	0.0022
040	16475-53170	SPRING NOZZLE	4				0.005	0.011
050	15841-53350	PIECE DISTANCE	4				0.004	0.0088
060	15841-53160	PUSH ROD	4				0.001	0.0022
070	16475-53280	NUT NOZZLE	4				0.03	0.066
080	15841-94040	WASHER	4				0.001	0.0022
090	16454-53610	PIECE NOZZLE	4				0.024	0.0528
100	15841-98100	ASSY WASHER ADJUST	4				0.043	0.0946
110	15841-53230	WASHER ADJUSTING	4			0.900mm	0.001	0.0022
110	15841-98510	WASHER ADJUSTING	4			0.925mm	0.001	0.0022
110	15841-98520	WASHER ADJUSTING	4			0.950mm	0.001	0.0022
110	15841-98530	WASHER ADJUSTING	4			0.975mm	0.001	0.0022
110	15841-98540	WASHER ADJUSTING	4			1.000mm	0.001	0.0022
110	15841-98550	WASHER ADJUSTING	4			1.025mm	0.001	0.0022
110	15841-98560	WASHER ADJUSTING	4			1.050mm	0.001	0.0022
110	15841-98570	WASHER ADJUSTING	4			1.075mm	0.001	0.0022
110	15841-98580	WASHER ADJUSTING	4			1.100mm	0.001	0.0022
110	15841-98590	WASHER ADJUSTING	4			1.125mm	0.001	0.0022
110	15841-98600	WASHER ADJUSTING	4			1.150mm	0.001	0.0022
110	15841-98610	WASHER ADJUSTING	4			1.175mm	0.001	0.0022
110	15841-98620	WASHER ADJUSTING	4			1.200mm	0.001	0.0022
110	15841-98630	WASHER ADJUSTING	4			1.225mm	0.001	0.0022
110	15841-98640	WASHER ADJUSTING	4			1.250mm	0.001	0.0022
110	15841-98650	WASHER ADJUSTING	4			1.275mm	0.001	0.0022
110	15841-98660	WASHER ADJUSTING	4			1.300mm	0.001	0.0022
110	15841-98670	WASHER ADJUSTING	4			1.325mm	0.001	0.0022
110	15841-98680	WASHER ADJUSTING	4			1.350mm	0.001	0.0022
110	15841-98690	WASHER ADJUSTING	4			1.375mm	0.001	0.0022
110	15841-98700	WASHER ADJUSTING	4			1.400mm	0.001	0.0022
110	15841-98710	WASHER ADJUSTING	4			1.425mm	0.001	0.0022
110	15841-98720	WASHER ADJUSTING	4			1.450mm	0.001	0.0022
110	15841-98730	WASHER ADJUSTING	4			1.475mm	0.001	0.0022
110	15841-98740	WASHER ADJUSTING	4			1.500mm	0.001	0.0022
110	15841-98750	WASHER ADJUSTING	4			1.525mm	0.001	0.0022
110	15841-98760	WASHER ADJUSTING	4			1.550mm	0.001	0.0022
110	15841-98770	WASHER ADJUSTING	4			1.575mm	0.001	0.0022
110	15841-98780	WASHER ADJUSTING	4			1.600mm	0.002	0.0044
110	15841-98790	WASHER ADJUSTING	4			1.625mm	0.001	0.0022
110	15841-98800	WASHER ADJUSTING	4			1.650mm	0.001	0.0022
110	15841-98810	WASHER ADJUSTING	4			1.675mm	0.004	0.0088
110	15841-98820	WASHER ADJUSTING	4			1.700mm	0.001	0.0022
110	15841-98830	WASHER ADJUSTING	4			1.725mm	0.001	0.0022
110	15841-98840	WASHER ADJUSTING	4			1.750mm	0.001	0.0022
110	15841-98850	WASHER ADJUSTING	4			1.775mm	0.001	0.0022
110	15841-98860	WASHER ADJUSTING	4			1.800mm	0.001	0.0022
110	15841-98870	WASHER ADJUSTING	4			1.825mm	0.001	0.0022
110	15841-98880	WASHER ADJUSTING	4			1.850mm	0.001	0.0022
110	15841-98890	WASHER ADJUSTING	4			1.875mm	0.001	0.0022
110	15841-98900	WASHER ADJUSTING	4			1.900mm	0.001	0.0022
110	15841-98910	WASHER ADJUSTING	4			1.925mm	0.001	0.0022
110	15841-98920	WASHER ADJUSTING	4			1.950mm	0.001	0.0022
120	15841-53622	GASKET	4				0.002	0.0044
130	19077-53650	SEAL HEAT	4				0.005	0.011

WATER FLANGE AND THERMOSTAT



16467-011-10

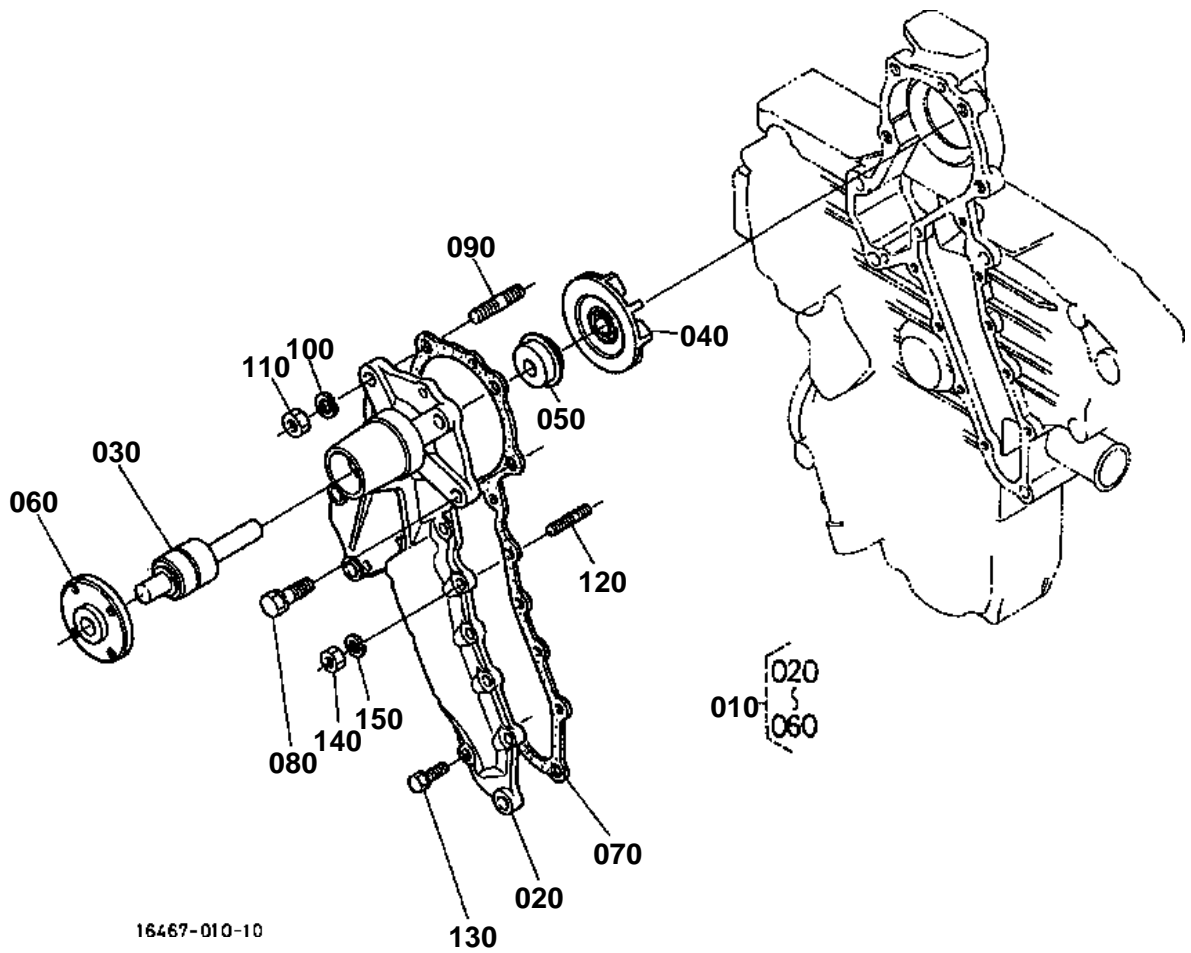


WATER FLANGE AND THERMOSTAT

↔ Interchangeable; ≠ not interchangeable; ← new for old; → old for new

REF.No	Part No.	Description	Q'ty	S.No.	I/C	REMARKS	Weight (kgf)	Weight (lb)
010	17331-72703	COMP.FLANGE WATER	1				0.36	0.792
020	17331-73342	PIPE WATER RETURN	1				0.01	0.022
030	1A021-72920	GASKET WATER FLANGE	1				0.002	0.0044
040	01123-50820	BOLT	2				0.011	0.0242
050	15221-91530	STUD	1				0.011	0.0242
060	01153-50875	BOLT	1				0.028	0.0616
070	02156-50080	NUT	1				0.004	0.0088
080	04512-60080	WASHER SPRING	2				0.002	0.0044
090	15521-73340	PIPE WATER RETURN	1				0.025	0.055
100	15109-73360	BAND PIPE	2				0.01	0.022
110	15321-73260	COVER THERMOSTAT	1				0.107	0.2354
120	1A021-73270	GASKET THERMO.COVER	1				0.001	0.0022
130	01123-50835	BOLT	2				0.02	0.044
140	19434-73014	ASSY THERMOSTAT	1				0	0

WATER PUMP



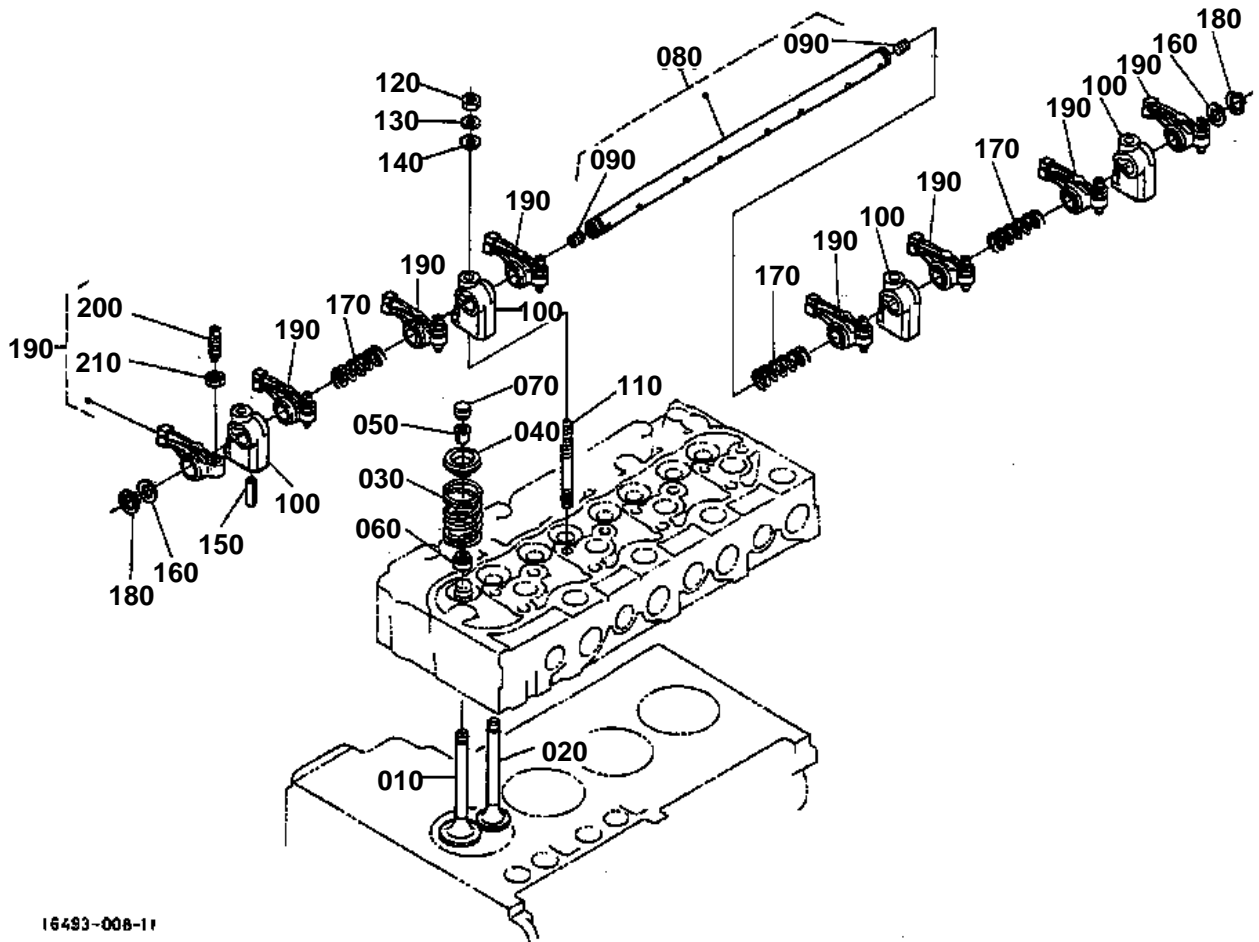


WATER PUMP

↔ Interchangeable; ≠ not interchangeable; ← new for old; → old for new

REF.No	Part No.	Description	Q'ty	S.No.	I/C	REMARKS	Weight (kgf)	Weight (lb)
010	16412-73030	ASSY PUMP WATER	1				1.21	2.662
020	17331-73410	BODY WATER PUMP	1				0.51	1.122
030	15521-73550	BEARING	1				0.235	0.517
040	16661-73510	IMPELLER	1				0.195	0.429
050	16661-73050	ASSY SEAL MECHANICAL	1				0.025	0.055
060	15521-73520	FLANGE WATER PUMP	1				0.25	0.55
070	1A021-73430	GASKET WATER PUMP	1				0.007	0.0154
080	01123-50828	BOLT	3				0.014	0.0308
090	15521-91510	STUD	1				0.012	0.0264
100	04512-60080	WASHER SPRING	1				0.002	0.0044
110	02156-50080	NUT	1				0.004	0.0088
120	15221-88210	STUD	1				0.005	0.011
130	01023-50618	BOLT	8				0.006	0.0132
140	02056-50060	NUT	1				0.002	0.0044
150	04512-60060	WASHER SPRING	1				0.001	0.0022

VALVE AND ROCKER ARM



16493-008-11

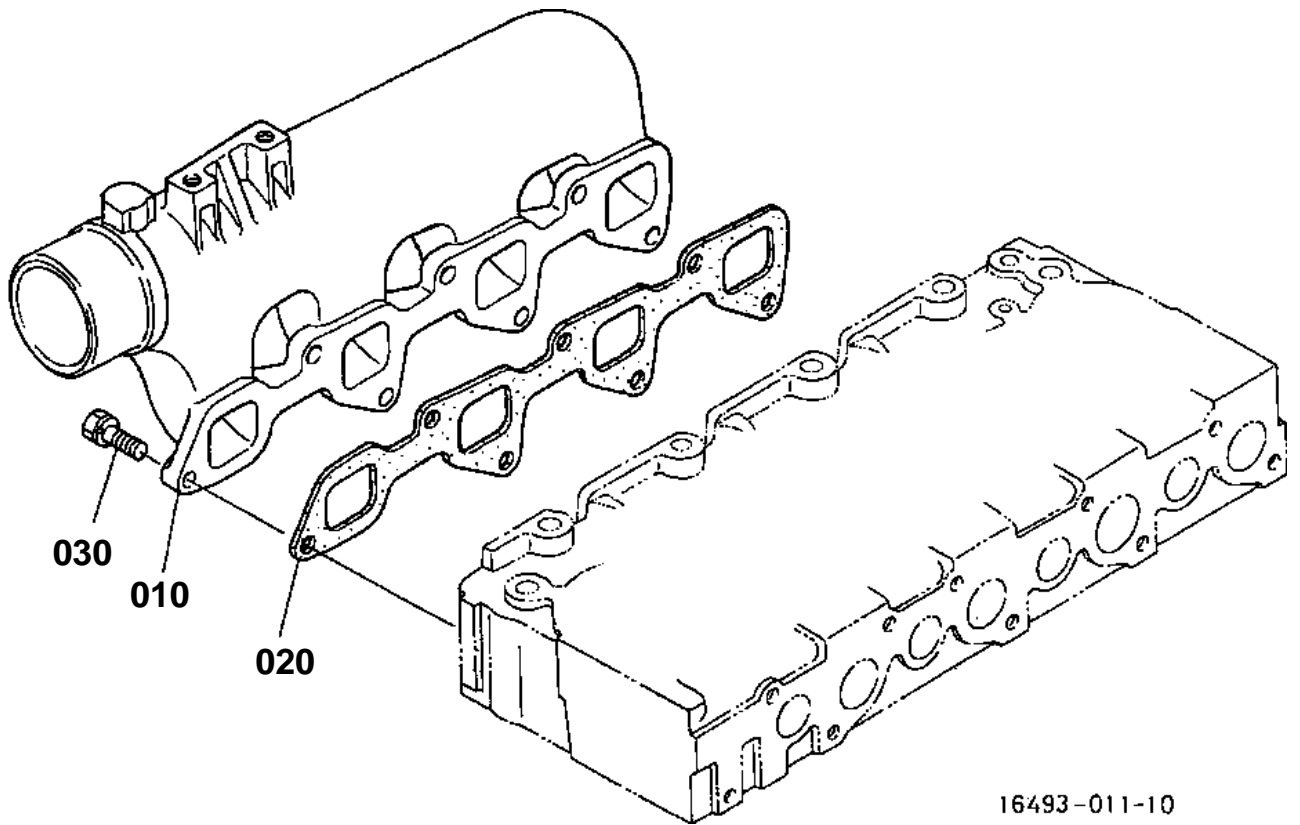


VALVE AND ROCKER ARM

↔ Interchangeable; ≠ not interchangeable; ← new for old; → old for new

REF.No	Part No.	Description	Q'ty	S.No.	I/C	REMARKS	Weight (kgf)	Weight (lb)
010	16484-13110	VALVE INLET	4				0.05	0.11
020	16484-13120	VALVE EXHAUST	4				0.1	0.22
030	15221-13240	SPRING VALVE	8				0.036	0.0792
040	15221-13330	RETAINER VALVE SP.	8				0.03	0.066
050	15221-13980	COLLET VALVE SPRING	8			SET	0.005	0.011
060	15221-13150	SEAL VALVE STEM	8				0.001	0.0022
070	15221-13280	CAP VALVE	8				0.006	0.0132
080	15401-14052	ASSY SHAFT R-ARM	1				0.32	0.704
090	03410-00808	SCREW SET	2				0.002	0.0044
100	15221-14350	BRACKET ROCKER ARM	4				0.044	0.0968
110	15521-91500	STUD	4				0.035	0.077
120	02156-50080	NUT	4				0.004	0.0088
130	04512-60080	WASHER SPRING	4				0.002	0.0044
140	04012-50080	WASHER PLAIN	4				0.001	0.0022
150	05411-00528	PIN SPRING	1				0.003	0.0066
160	15221-14430	WASHER R-ARM.SHAFT	2				0.002	0.0044
170	15221-14310	SPRING ROCKER ARM	3				0.005	0.011
180	04612-00140	CIR CLIP EXTERNAL	2				0.001	0.0022
190	15621-14030	ASSY ROCKER ARM	8				0.1	0.22
200	15521-14230	SCREW ADJUSTING	8				0.009	0.0198
210	15021-14240	NUT	8				0.003	0.0066

INLET MANIFOLD



16493-011-10

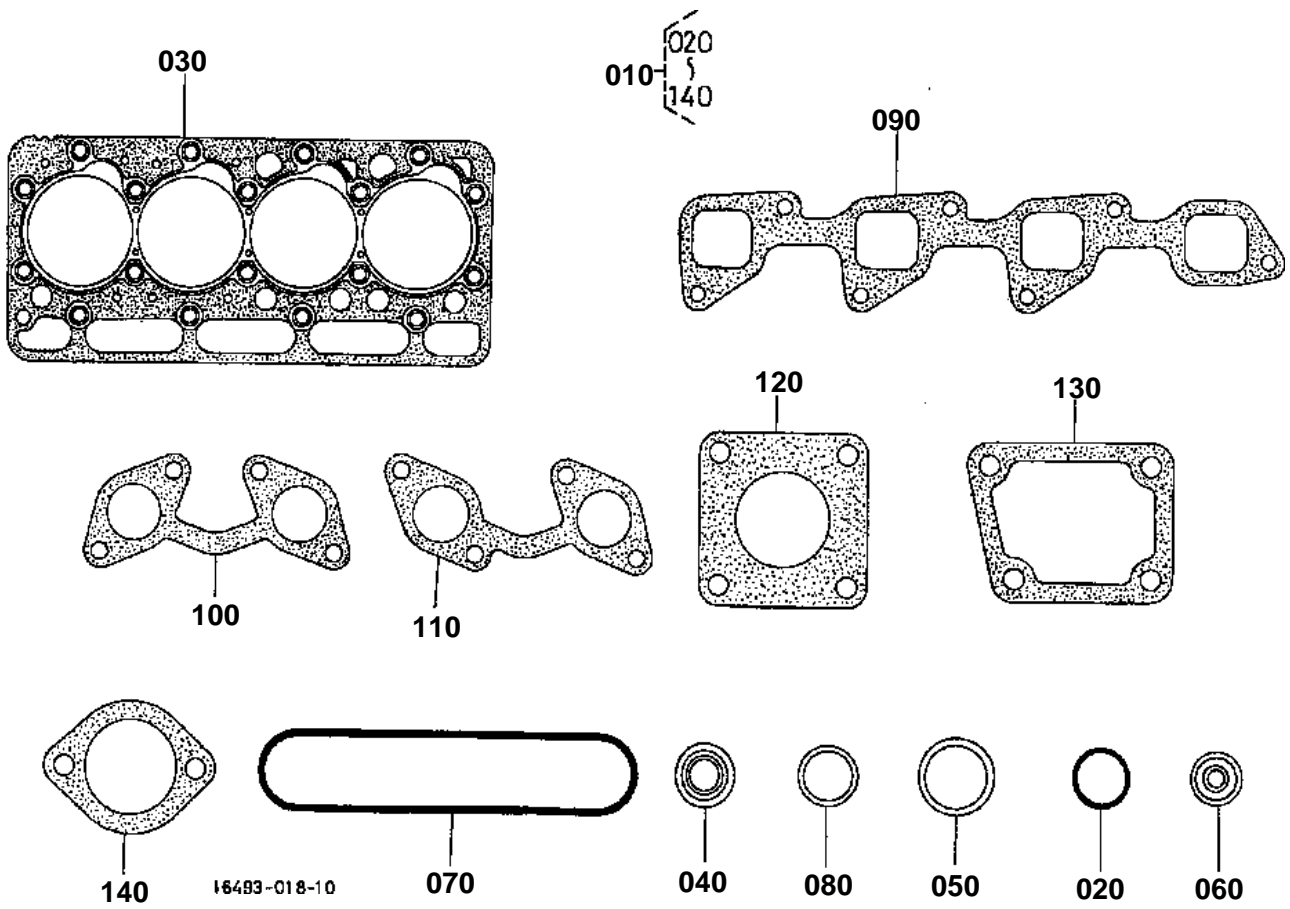


INLET MANIFOLD

↔ Interchangeable; ≠ not interchangeable; ← new for old; → old for new

REF.No	Part No.	Description	Q'ty	S.No.	I/C	REMARKS	Weight (kgf)	Weight (lb)
010	16475-11760	MANIFOLD INLET	1				1.16	2.552
020	16423-11820	GASKET IN-MANIFOLD	1				0.018	0.0396
030	01123-50822	BOLT	7				0.012	0.0264

UPPER GASKET KIT



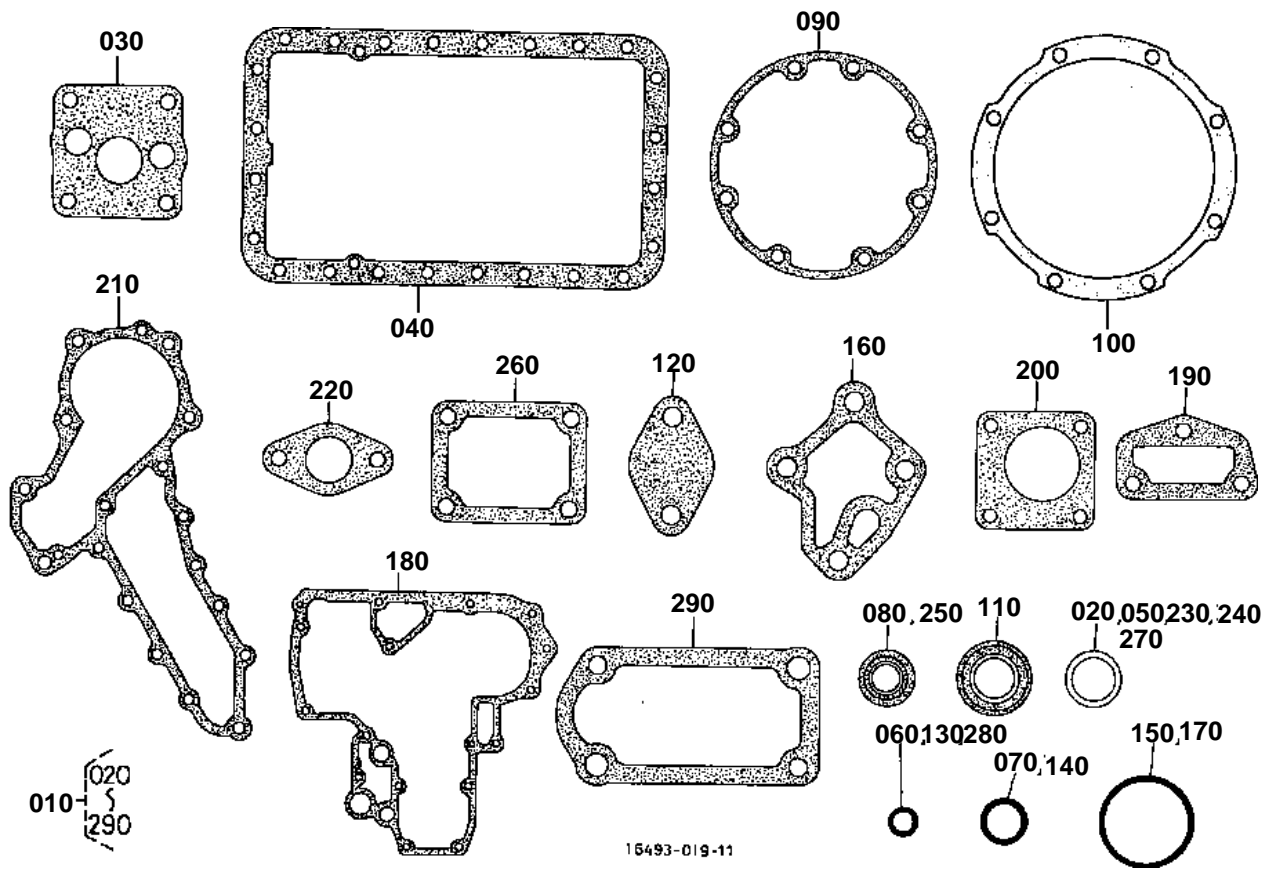


UPPER GASKET KIT

↔ Interchangeable; ≠ not interchangeable; ← new for old; → old for new

REF.No	Part No.	Description	Q'ty	S.No.	I/C	REMARKS	Weight (kgf)	Weight (lb)
010	07916-27747	KIT GASKET UPPER	1				0	0
020	15221-33700	O RING	1				0.001	0.0022
030	19077-03310	GASKET CYLINDER HEAD	1				0.13	0.286
040	15221-13150	SEAL VALVE STEM	8				0.001	0.0022
050	15841-53622	GASKET	4				0.002	0.0044
060	19077-53650	SEAL HEAT	4				0.005	0.011
070	15471-14520	GASKET HEAD COVER	1				0.05	0.11
080	15021-33660	GASKET	4				0.001	0.0022
090	16423-11820	GASKET IN-MANIFOLD	1				0.018	0.0396
100	1A091-12350	GASKET EX-MANIFOLD	1				0.02	0.044
110	1A091-12360	GASKET EX-MANIFOLD	1				0.02	0.044
120	T0070-16420	GASKET MUFFLER	1				0.016	0.0352
130	1A021-72920	GASKET WATER FLANGE	1				0.002	0.0044
140	1A021-73270	GASKET THERMO.COVER	1				0.001	0.0022

LOWER GASKET KIT



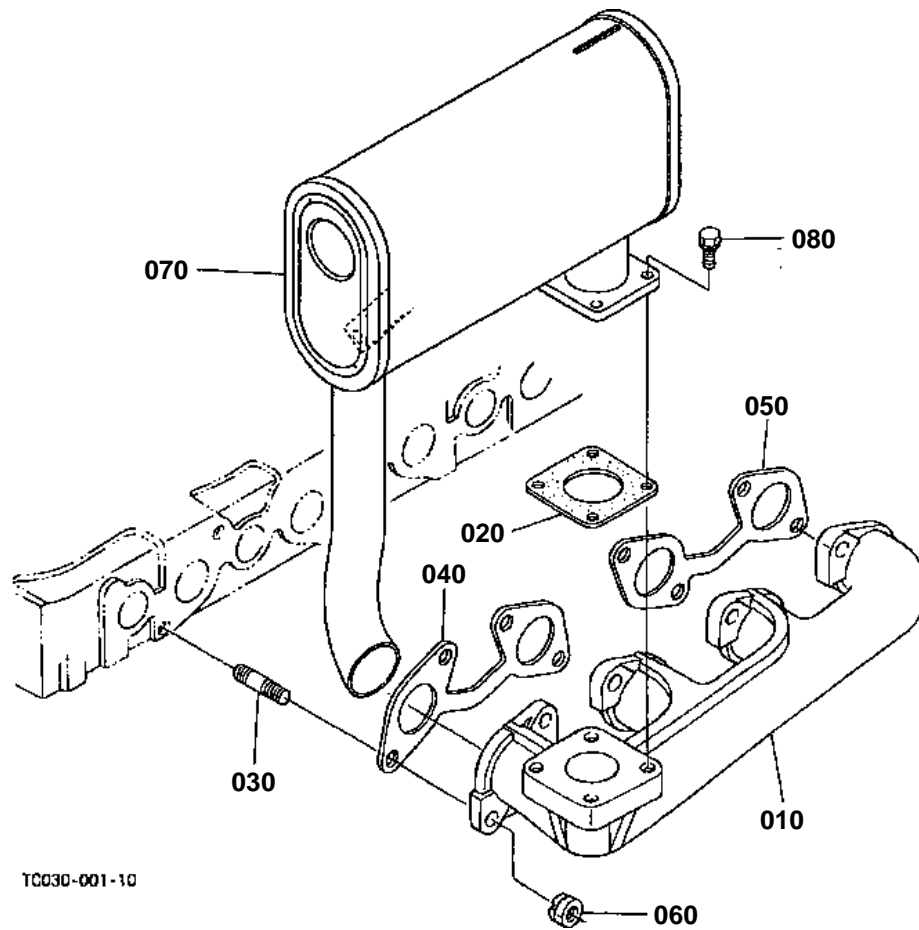


LOWER GASKET KIT

↔ Interchangeable; ≠ not interchangeable; ← new for old; → old for new

REF.No	Part No.	Description	Q'ty	S.No.	I/C	REMARKS	Weight (kgf)	Weight (lb)
010	07916-27756	KIT GASKET LOWER	1				0	0
020	15021-33660	GASKET	1				0.001	0.0022
030	1A021-35150	GASKET OIL PUMP	1				0.001	0.0022
040	15815-01620	GASKET OIL PAN	1				0.03	0.066
050	6C090-58960	GASKET	2				0.002	0.0044
060	04811-00160	O RING	1				0.001	0.0022
070	04811-10300	O RING	1				0.001	0.0022
080	19202-04140	SEAL OIL	1				0.015	0.033
090	19077-04360	GASKET BEARING CASE	1				0.004	0.0088
100	1A091-04820	GASKET CASE COVER	1				0.006	0.0132
110	19202-04460	SEAL OIL	1				0.055	0.121
120	15521-04790	PACKING COVER	1				0.005	0.011
130	04811-00150	O RING	2				0.001	0.0022
140	04811-00200	O RING	1				0.001	0.0022
150	04811-00360	O RING	1				0.002	0.0044
160	17326-32620	GASKET	1				0.005	0.011
170	19202-96830	O RING	1				0.01	0.022
180	17326-04132	GASKET GEAR CASE	1				0.03	0.066
190	1A021-73330	GASKET RETURN FLANGE	1				0.001	0.0022
200	15296-88130	GASKET H/METER UNIT	1				0.002	0.0044
210	1A021-73430	GASKET WATER PUMP	1				0.007	0.0154
220	1A021-52140	GASKET FUEL PUMP	1				0.001	0.0022
230	15401-96650	GASKET	2				0.001	0.0022
240	15021-33660	GASKET	2				0.001	0.0022
250	15471-57980	SEAL OIL	1				0.001	0.0022
260	1A021-51660	GASKET PUMP COVER	1				0.003	0.0066
270	15601-96650	GASKET	2				0.001	0.0022
280	04811-00120	O RING	1				0.001	0.0022
290	15439-57210	GASKET	1				0.005	0.011

EXHAUST MANIFOLD/MUFFLER



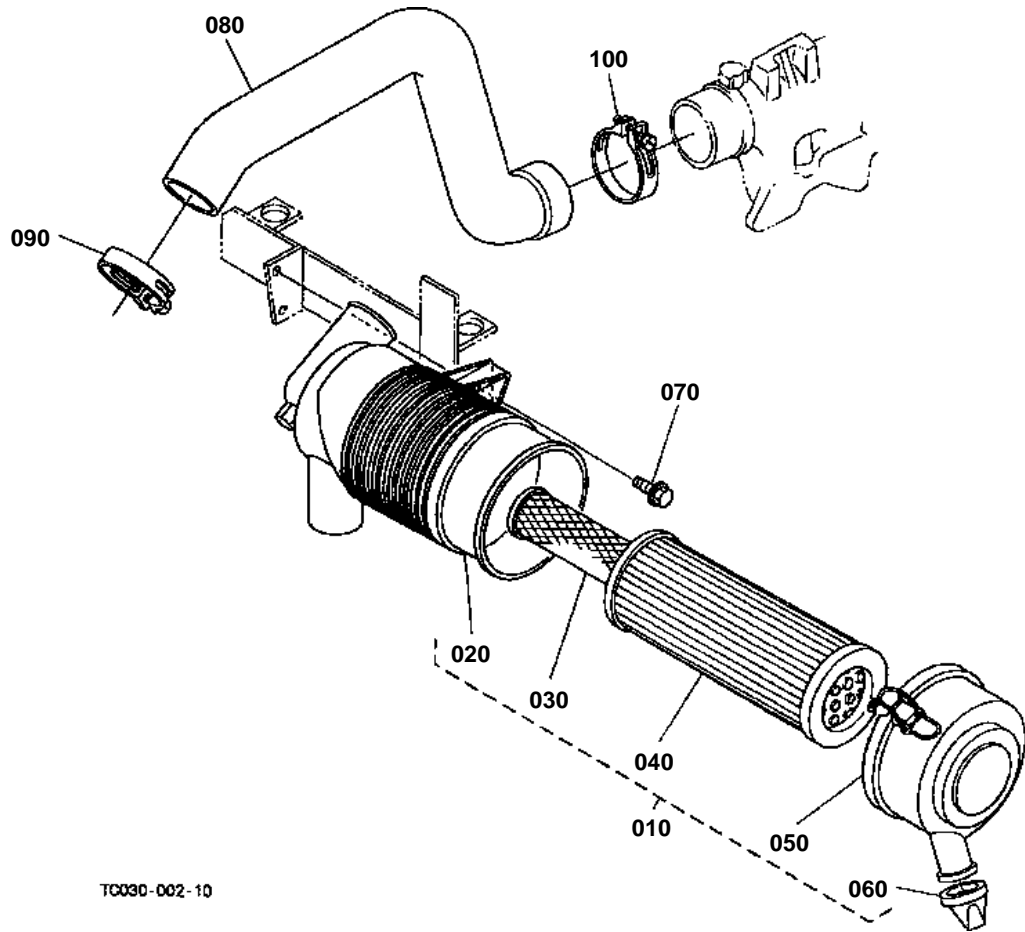


EXHAUST MANIFOLD/MUFFLER

↔ Interchangeable; ≠ not interchangeable; ← new for old; → old for new

REF.No	Part No.	Description	Q'ty	S.No.	I/C	REMARKS	Weight (kgf)	Weight (lb)
010	17377-12312	MANIFOLD EXHAUST	1				2.95	6.49
020	T0070-16420	GASKET MUFFLER	1				0.016	0.0352
030	15221-91530	STUD	8				0.011	0.0242
040	1A091-12350	GASKET EX-MANIFOLD	1				0.02	0.044
050	1A091-12360	GASKET EX-MANIFOLD	1				0.02	0.044
060	16429-92010	NUT	8				0.007	0.0154
070	TC030-16410	MUFFLER	1				0	0
080	01123-50822	BOLT	4				0.012	0.0264

AIR CLEANER



TC030-002-10

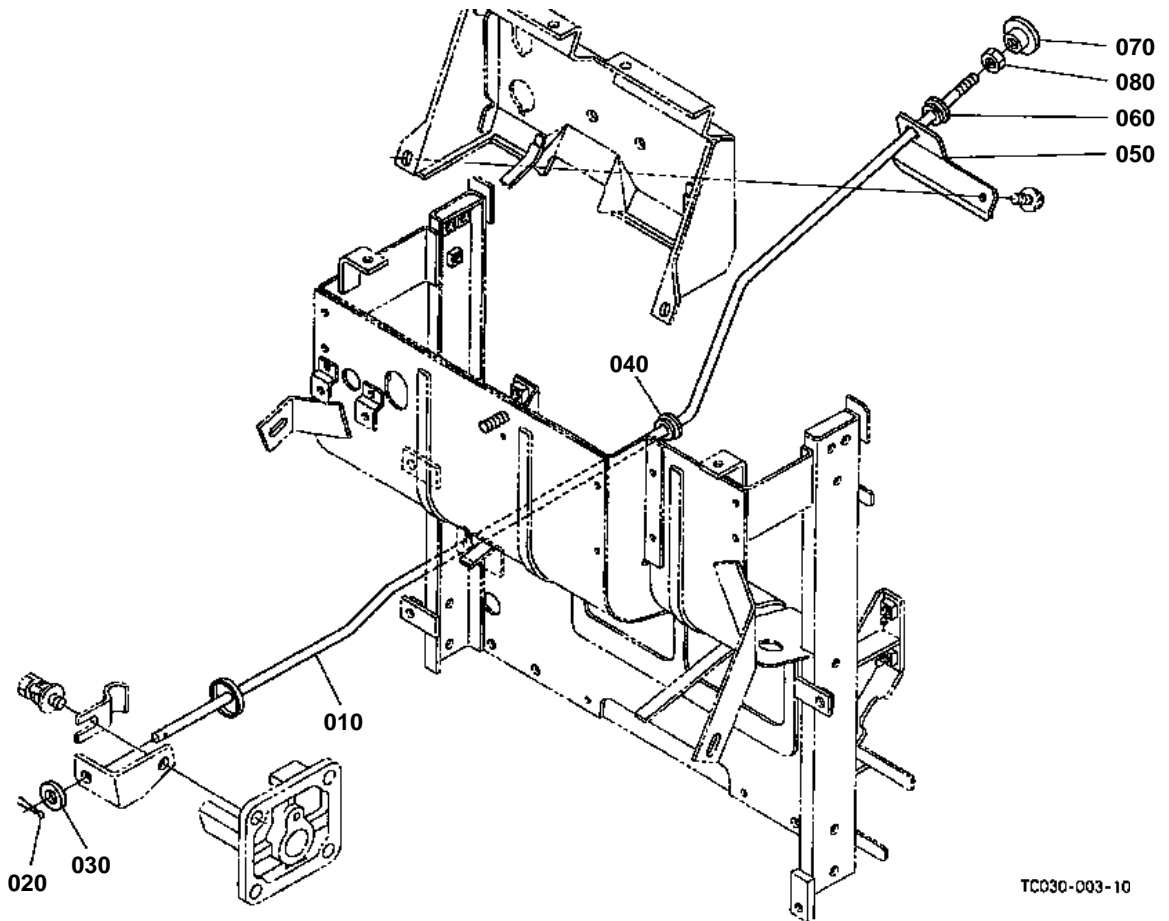


AIR CLEANER

↔ Interchangeable; ≠ not interchangeable; ← new for old; → old for new

REF.No	Part No.	Description	Q'ty	S.No.	I/C	REMARKS	Weight (kgf)	Weight (lb)
010	TC030-93200	ASSY CLEANER AIR(W)	1				0	0
020	TA140-93210	COMP.BODY A/C	1				0.425	0.935
030	TA040-93220	ASSY ELEMENT INNER	1				0.195	0.429
040	TA040-93230	ASSY ELEMENT OUTER	1				0.56	1.232
050	TA140-93240	ASSY COVER A/C	1				0.305	0.671
060	TA040-93250	VALVE EVACUATOR	1				0.011	0.0242
070	01754-50816	BOLT FLANGE	2				0.011	0.0242
080	TC030-16330	HOSE	1				0	0
090	T0270-35560	CLAMP HOSE	1				0.035	0.077
100	31351-18110	BAND PIPE	1				0.04	0.088

ENGINE STOP ROD



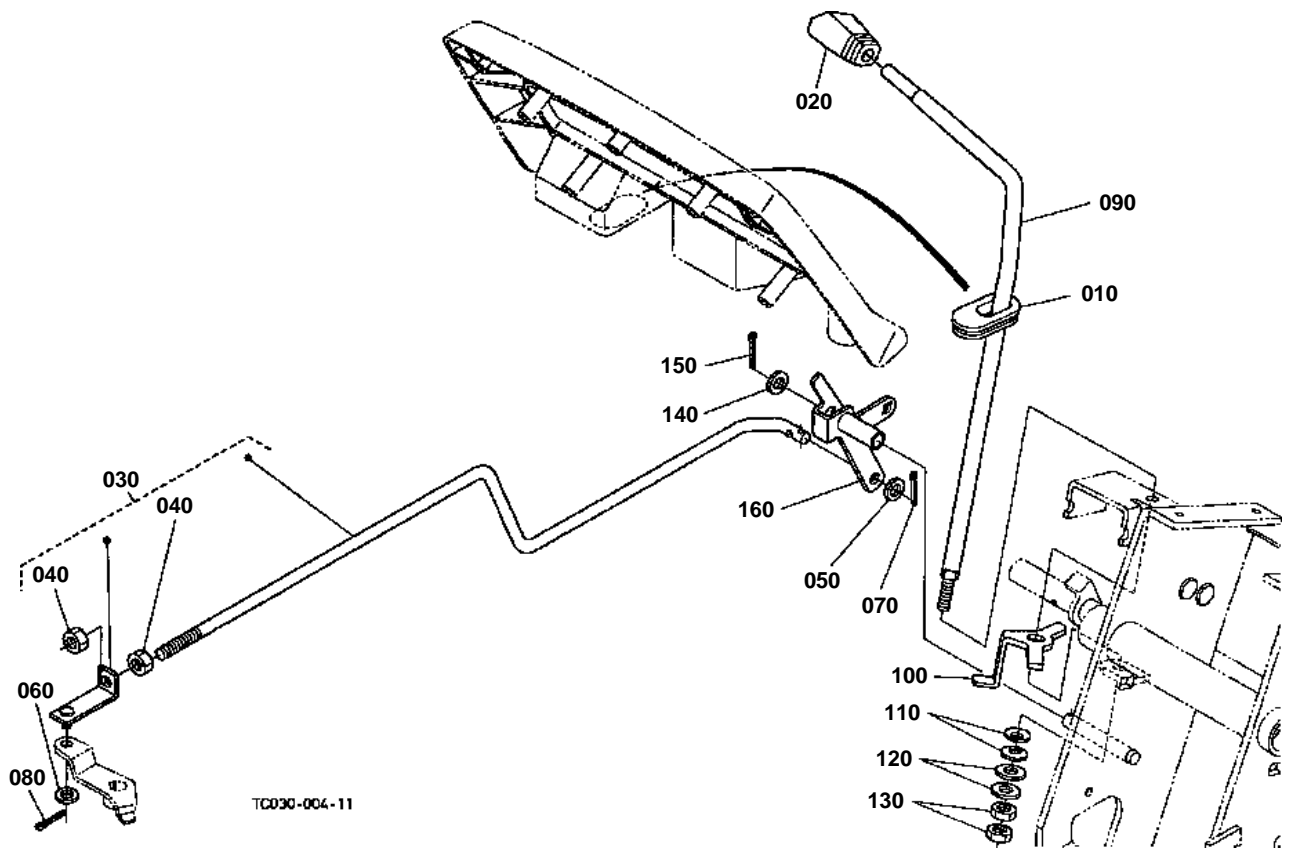


ENGINE STOP ROD

↔ Interchangeable; ≠ not interchangeable; ← new for old; → old for new

REF.No	Part No.	Description	Q'ty	S.No.	I/C	REMARKS	Weight (kgf)	Weight (lb)
010	TC030-17150	ROD STOP	1				0	0
020	05511-50212	PIN SPLIT	1				0.001	0.0022
030	04013-60060	WASHER PLAIN	1				0.001	0.0022
040	66591-54580	RUBBER RELEASE ROD	1				0.003	0.0066
050	TC030-17190	SUPPORT	1				0	0
060	66591-54580	RUBBER RELEASE ROD	1				0.003	0.0066
070	32330-17180	KNOB	1				0.009	0.0198
080	02012-60060	NUT	1				0.005	0.011

ACCELERATOR LEVER



TC030-004-11

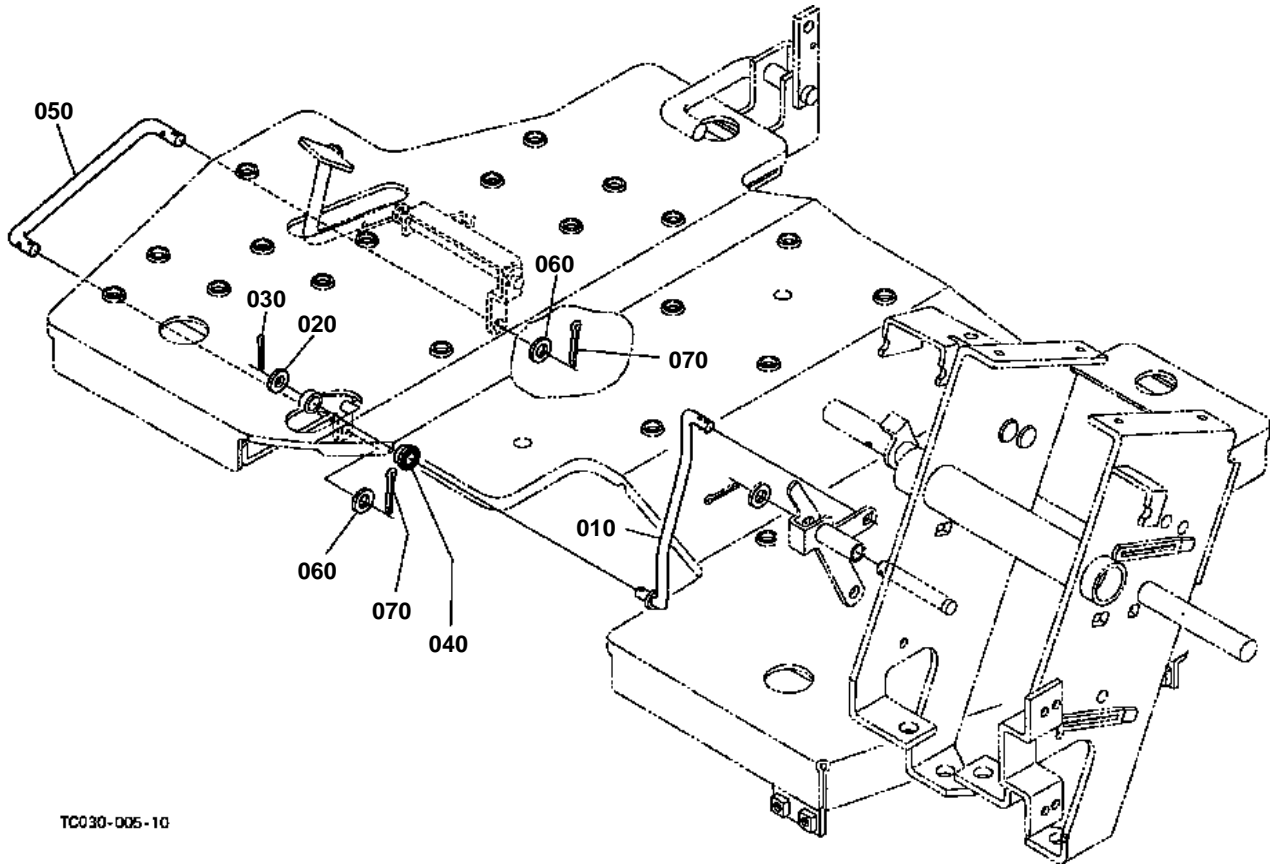


ACCELERATOR LEVER

↔ Interchangeable; ≠ not interchangeable; ← new for old; → old for new

REF.No	Part No.	Description	Q'ty	S.No.	I/C	REMARKS	Weight (kgf)	Weight (lb)
010	TC020-43154	GROMMET HAND ACCEL.	1				0	0
020	TA040-49873	GRIP	1				0.024	0.0528
030	TC030-42900	ASSY ROD ACCEL.	1				0	0
040	02112-50080	NUT	2				0.003	0.0066
050	04012-50080	WASHER PLAIN	1				0.001	0.0022
060	04012-50060	WASHER PLAIN	1				0.001	0.0022
070	05511-50218	PIN SPLIT	1				0.001	0.0022
080	05511-51612	PIN SPLIT	1				0.001	0.0022
090	TC020-17122	ROD HAND ACCELERATOR	1				0.41	0.902
100	TC020-44722	LEVER ACCEL.ARM	1				0.012	0.0264
110	37410-44760	SPRING	2				0.005	0.011
120	04015-60080	WASHER PLAIN	2				0.01	0.022
130	02156-50080	NUT	2				0.004	0.0088
140	04013-60100	WASHER PLAIN	1				0.004	0.0088
150	05511-50318	PIN SPLIT	1				0.001	0.0022
160	TC030-17320	LINK ACCEL.	1				0	0

ACCELERATOR LINKAGE



TC030-005-10

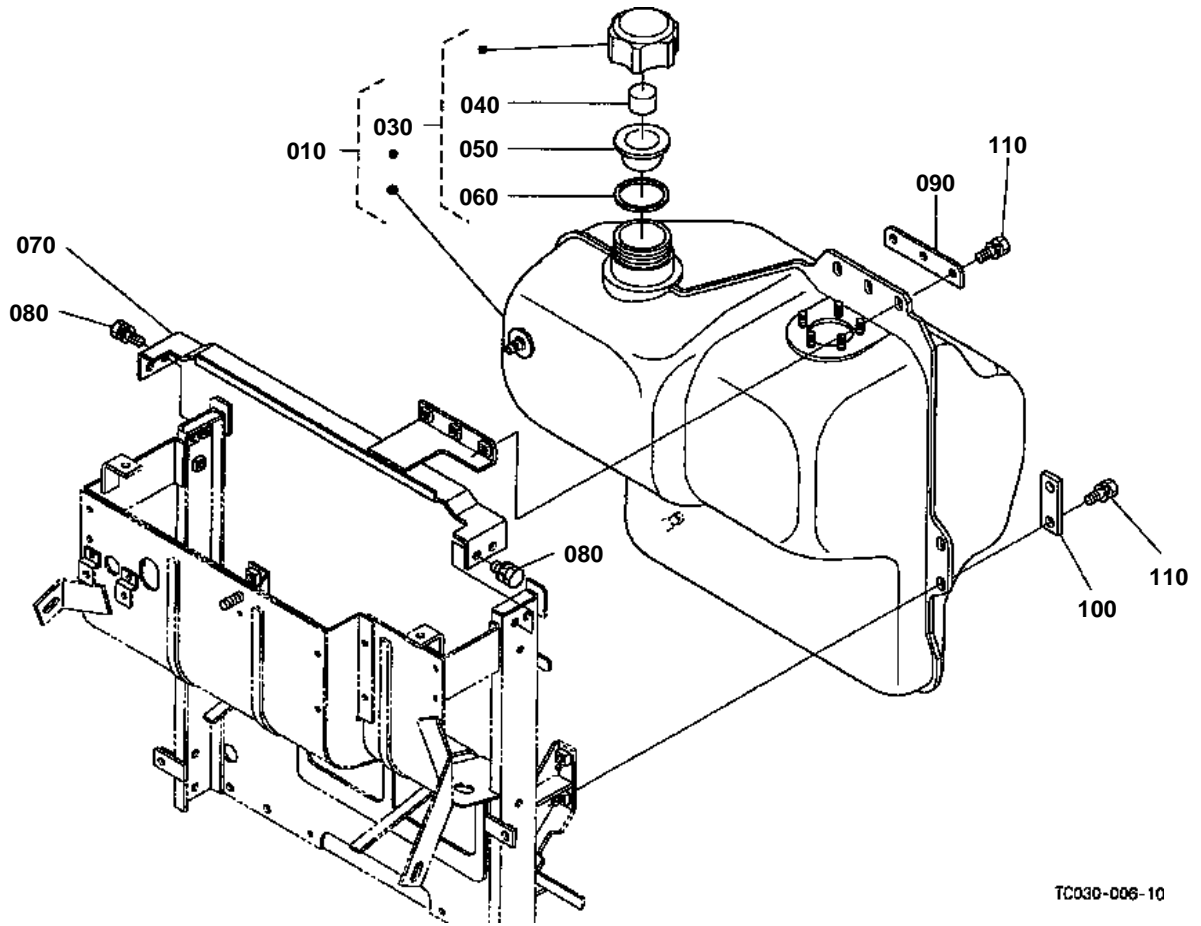


ACCELERATOR LINKAGE

↔ Interchangeable; ≠ not interchangeable; ← new for old; → old for new

REF.No	Part No.	Description	Q'ty	S.No.	I/C	REMARKS	Weight (kgf)	Weight (lb)
010	TC030-17570	ROD ACCEL.	1				0	0
020	04012-50060	WASHER PLAIN	1				0.001	0.0022
030	05511-50218	PIN SPLIT	1				0.001	0.0022
040	T0070-76460	CUSHION	1				0.006	0.0132
050	TC030-17580	ROD ACCEL.	1				0	0
060	04012-50080	WASHER PLAIN	2				0.001	0.0022
070	05511-50218	PIN SPLIT	2				0.001	0.0022

FUEL TANK



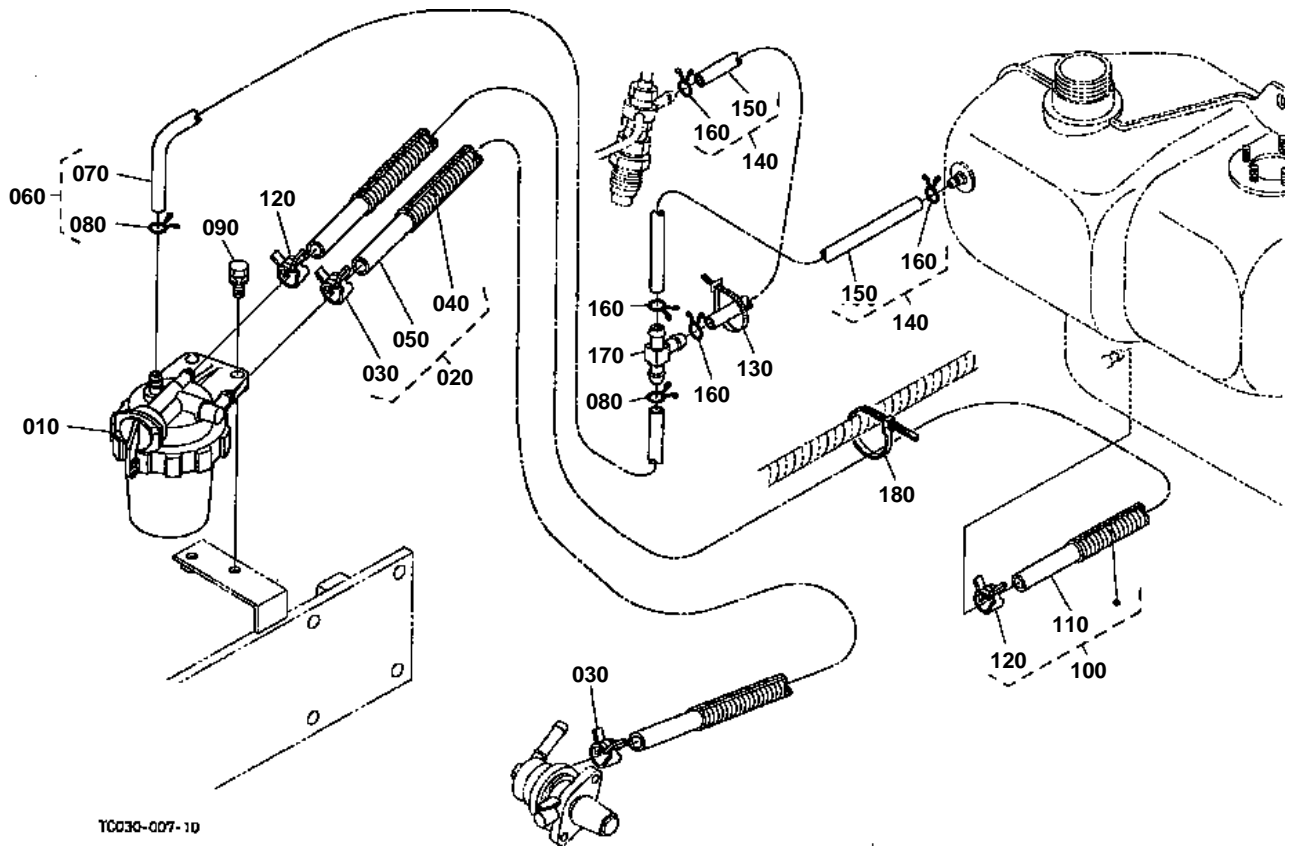


FUEL TANK

↔ Interchangeable; ≠ not interchangeable; ← new for old; → old for new

REF.No	Part No.	Description	Q'ty	S.No.	I/C	REMARKS	Weight (kgf)	Weight (lb)
010	TC020-35100	ASSY TANK FUEL	1				0	0
030	T1060-42020	ASSY CAP FUEL TANK	1				0.042	0.0924
040	34150-35240	SPONGE	1				0.001	0.0022
050	34150-35230	GASKET	1				0.01	0.022
060	T1060-42090	GASKET	1				0.002	0.0044
070	TC030-42092	STAY FUEL TANK	1				0	0
080	01023-50616	BOLT	4				0.005	0.011
090	TC030-42120	PLATE FUEL TANK	1				0	0
100	T1060-42080	PLATE FUEL TANK	2				0.033	0.0726
110	01123-50820	BOLT	7				0.011	0.0242

FUEL PIPE AND FUEL FILTER



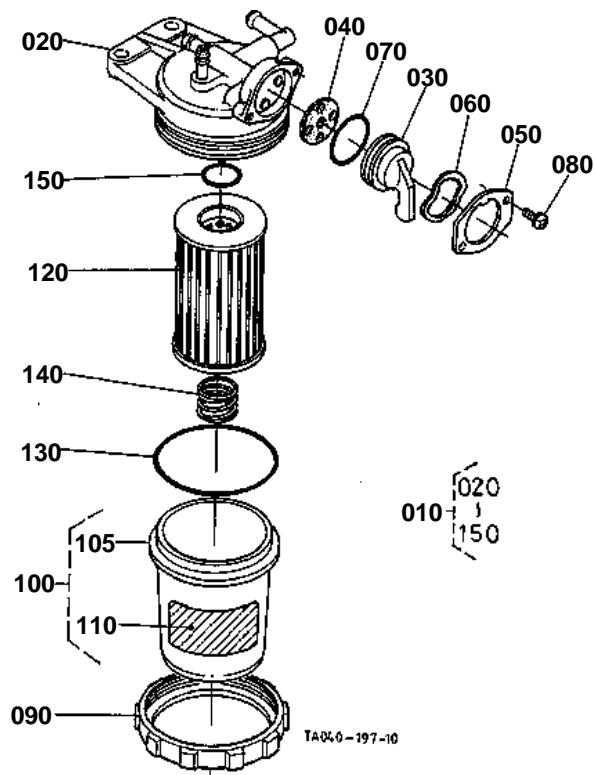


FUEL PIPE AND FUEL FILTER

↔ Interchangeable; ≠ not interchangeable; ← new for old; → old for new

REF.No	Part No.	Description	Q'ty	S.No.	I/C	REMARKS	Weight (kgf)	Weight (lb)
010	15521-43015	ASSY FILTER FUEL	1			REFER TO L.No.D02-L FOR COMPONENTS.	0.59	1.298
020	34530-42620	ASSY TUBE FUEL	1				0.055	0.121
030	09318-88125	CLAMP HOSE	2				0.001	0.0022
040	34530-42670	TUBE	1				0.01	0.022
050	09661-80300	TUBE FUEL	1				0.04	0.088
060	34070-42633	ASSY TUBE FUEL	1				0.025	0.055
070	09661-40400	TUBE FUEL	1				0.02	0.044
080	14971-42750	CLIP PIPE	2				0.001	0.0022
090	01123-50825	BOLT	2				0.013	0.0286
100	TC030-42610	ASSY TUBE FUEL	1				0	0
110	09661-80625	TUBE FUEL	1				0	0
120	09318-88125	CLAMP HOSE	2				0.001	0.0022
130	53581-64150	BAND CORD	1				0.002	0.0044
140	TC030-42630	ASSY TUBE FUEL	2				0	0
150	09661-40300	TUBE FUEL	2				0.016	0.0352
160	14971-42750	CLIP PIPE	4				0.001	0.0022
170	15101-42570	JOINT PIPE	1				0.006	0.0132
180	55311-41260	BAND CORD	1				0.007	0.0154

FUEL FILTER [COMPONENT PARTS]

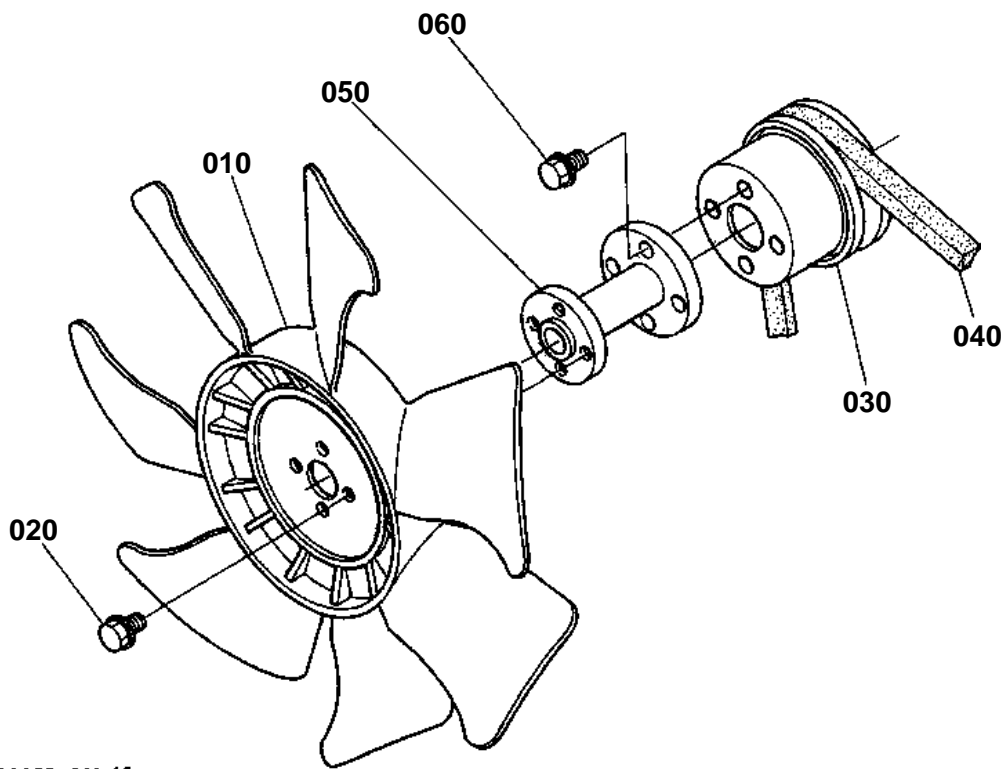




FUEL FILTER [COMPONENT PARTS]

↔ Interchangeable; ≠ not interchangeable; ← new for old; → old for new

REF.No	Part No.	Description	Q'ty	S.No.	I/C	REMARKS	Weight (kgf)	Weight (lb)
010	15521-43015	ASSY FILTER FUEL	1				0.59	1.298
020	15521-43114	ASSY BODY	1				0.235	0.517
030	15521-43522	HANDLE FILTER	1				0.04	0.088
040	15521-43672	GASKET	1				0.001	0.0022
050	15521-43552	RETAINER HANDLE	1				0.01	0.022
060	15521-43542	PLATE THRUST	1				0.001	0.0022
070	04811-10290	O RING	1				0.001	0.0022
080	03054-50308	SCREW PAN-HEAD	2				0.005	0.011
090	15521-43150	RING RETAINER	1				0.14	0.308
100	15521-43100	ASSY CUP FILTER	1				0.05	0.11
105	15521-43130	CUP FILTER	1				0.1	0.22
110	16873-88430	LABEL FUEL FILTER	1				0.001	0.0022
120	15521-43160	ELEMENT FILTER	1				0.07	0.154
130	04811-50650	O RING	1				0.002	0.0044
140	15521-43930	SPRING	1				0.004	0.0088
150	04811-00160	O RING	1				0.001	0.0022



T0070-011-10

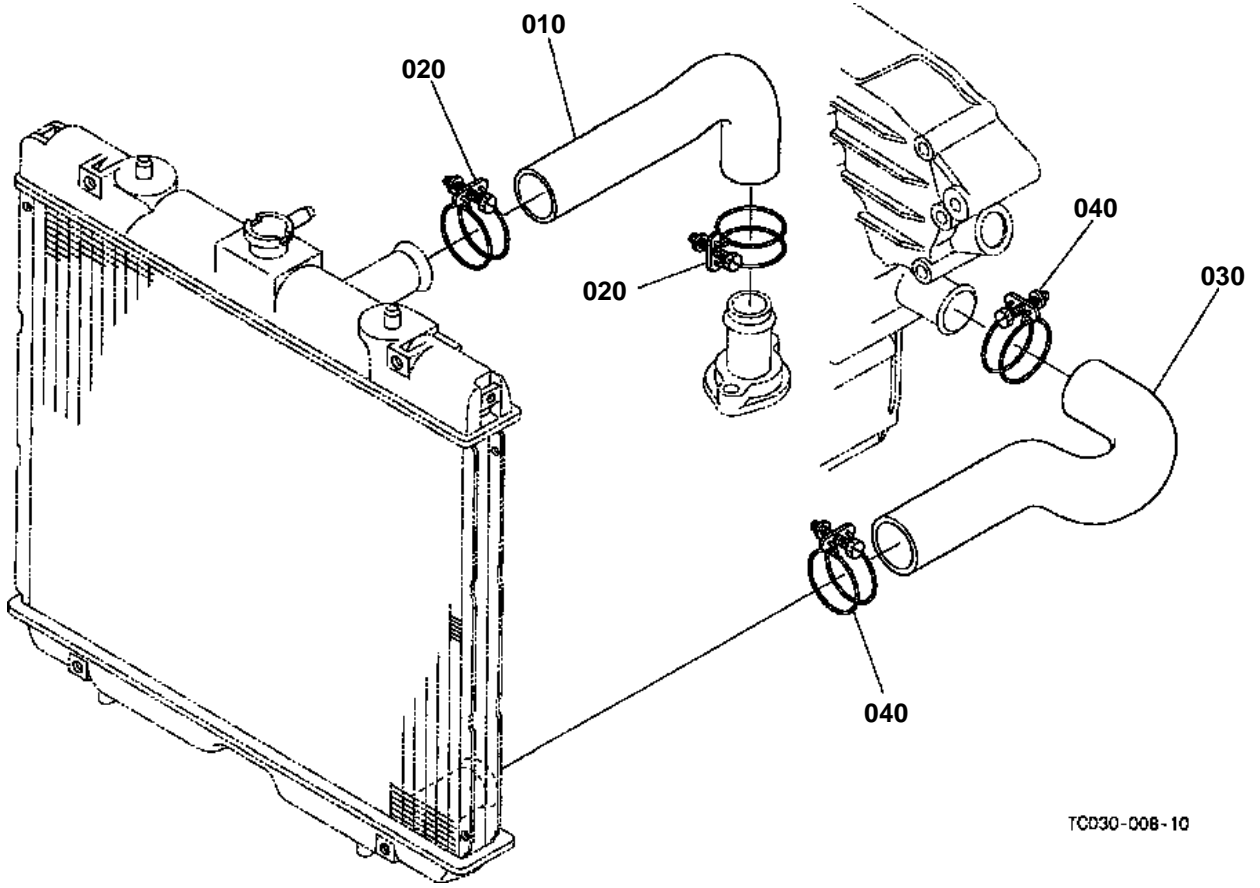


FAN

↔ Interchangeable; ≠ not interchangeable; ← new for old; → old for new

REF.No	Part No.	Description	Q'ty	S.No.	I/C	REMARKS	Weight (kgf)	Weight (lb)
010	34030-16210	FAN	1				0.96	2.112
020	01754-50612	BOLT FLANGE	4				0.005	0.011
030	17351-74250	PULLEY FAN	1				0.26	0.572
040	15471-97010	V BELT	1				0.12	0.264
050	T0070-16222	FLANGE FAN	1				0.195	0.429
060	01754-50625	BOLT FLANGE	4				0.008	0.0176

WATER PIPE



TC030-008-10

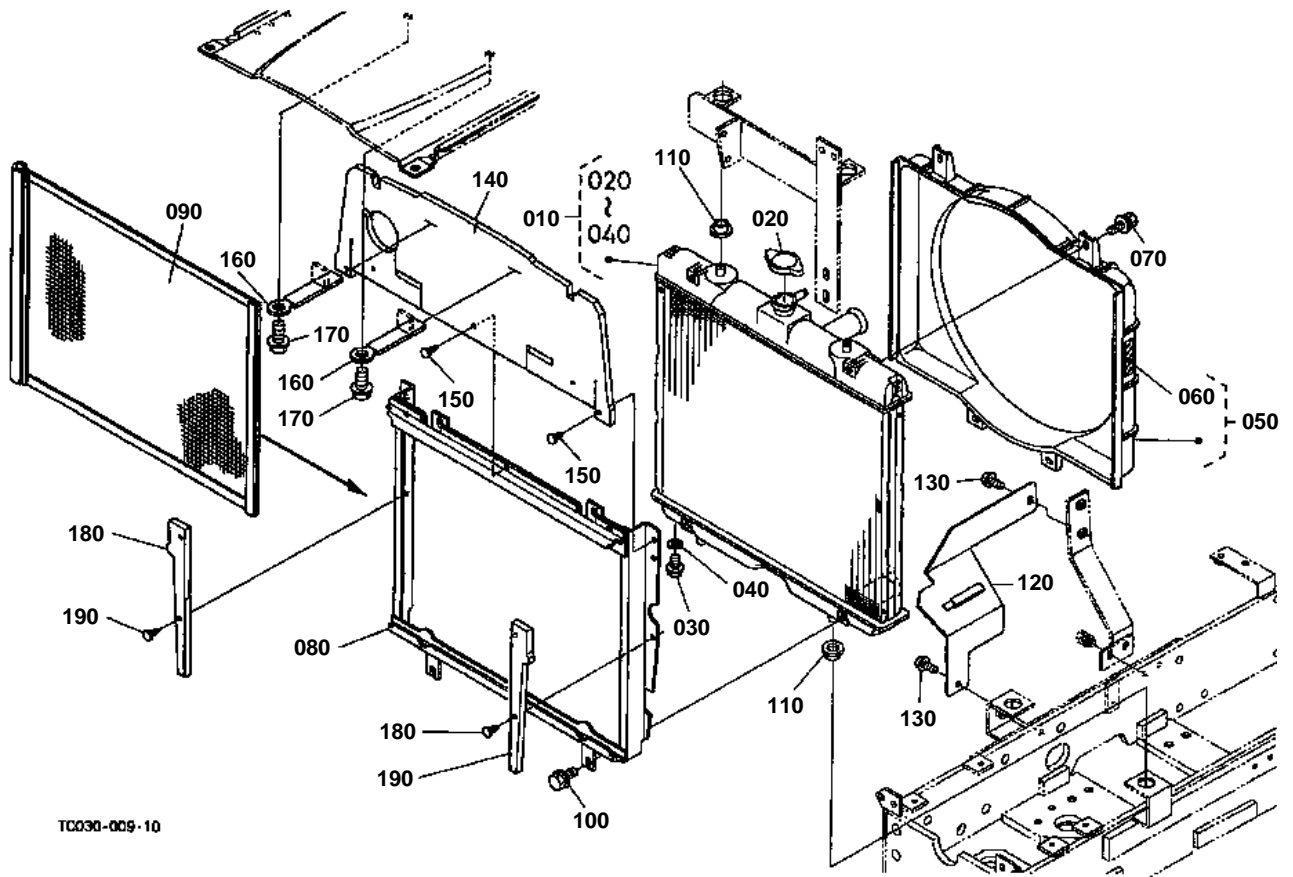


WATER PIPE

↔ Interchangeable; ≠ not interchangeable; ← new for old; → old for new

REF.No	Part No.	Description	Q'ty	S.No.	I/C	REMARKS	Weight (kgf)	Weight (lb)
010	TC030-72940	PIPE WATER	1				0	0
020	15108-72870	BAND	2				0.027	0.0594
030	TC030-88360	PIPE WATER	1				0	0
040	15108-72870	BAND	2				0.027	0.0594

RADIATOR



TC030-009-10

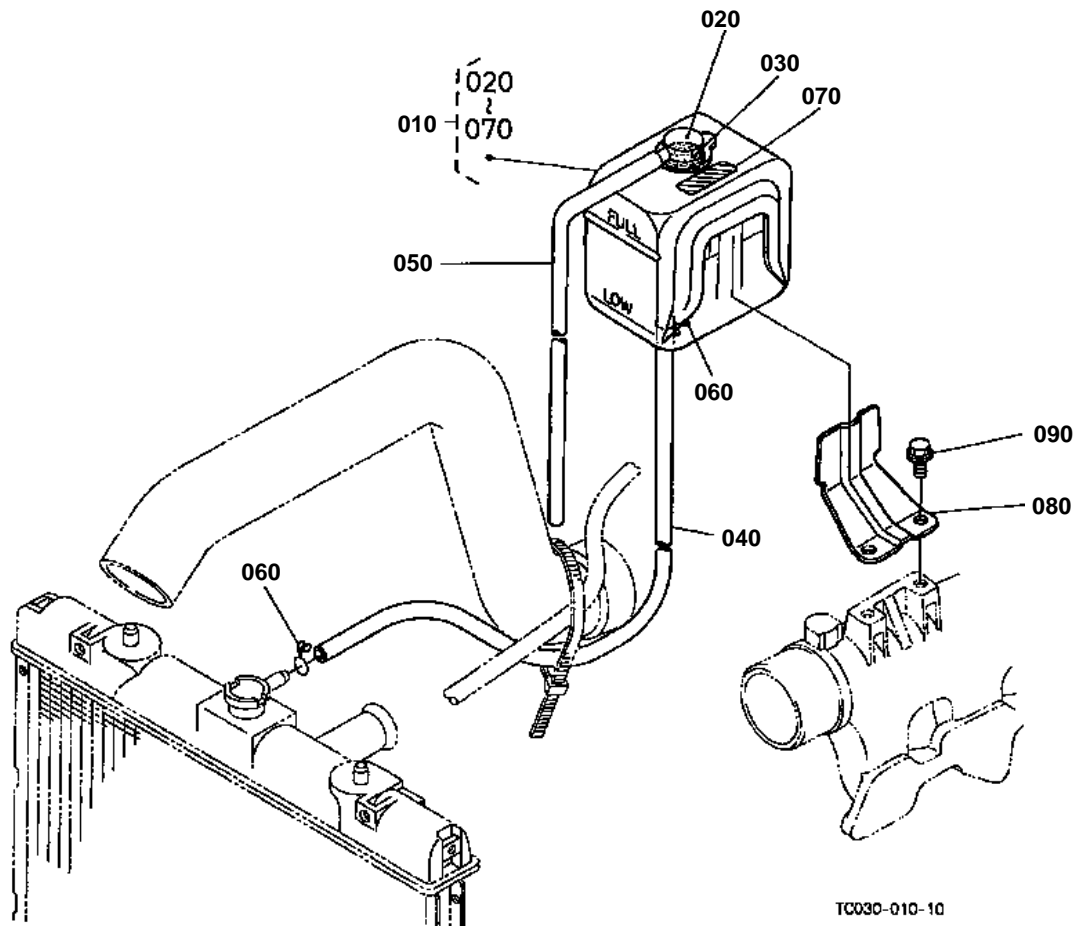


RADIATOR

↔ Interchangeable; ≠ not interchangeable; ← new for old; → old for new

REF.No	Part No.	Description	Q'ty	S.No.	I/C	REMARKS	Weight (kgf)	Weight (lb)
010	TC020-16000	ASSY RADIATOR	1				2.7	5.94
020	15101-72030	CAP RADIATOR	1				0.075	0.165
030	16504-73220	PLUG DRAIN	1				0.006	0.0132
040	15231-96690	GASKET	1				0.001	0.0022
050	TC020-16050	KIT SHUROUD FAN	1				0	0
060	32751-49580	LABEL FAN BELT	1				0.001	0.0022
070	01205-50616	BOLT	4				0.007	0.0154
080	TC030-17730	GUIDE	1				0	0
090	TC020-17740	NET RADIATOR	1				0	0
100	01754-50610	BOLT FLANGE	4				0.006	0.0132
110	34070-16030	RUBBER	4				0.015	0.033
120	TC030-16190	COVER RADIATOR FAN	1				0	0
130	01754-50812	BOLT FLANGE	2				0.01	0.022
140	TC030-45780	SHUTTER UPPER	1				0	0
150	38430-29372	CLIP BUTTON	5				0.001	0.0022
160	13816-67580	CLAMP CORD	2				0.004	0.0088
170	01754-50812	BOLT FLANGE	2				0.01	0.022
180	TC030-17790	SHUTTER SIDE	2				0	0
190	38430-29372	CLIP BUTTON	4				0.001	0.0022

RESERVE TANK



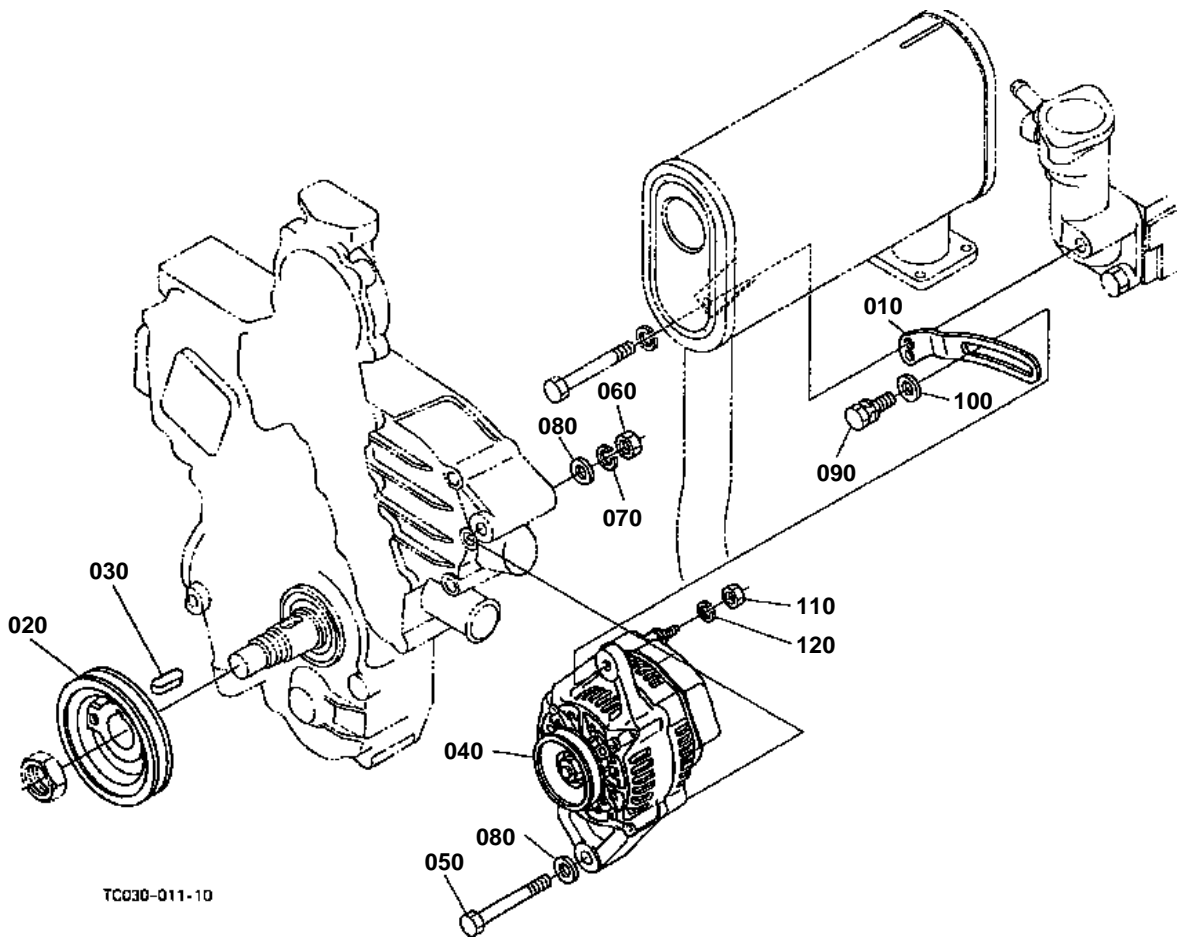


RESERVE TANK

↔ Interchangeable; ≠ not interchangeable; ← new for old; → old for new

REF.No	Part No.	Description	Q'ty	S.No.	I/C	REMARKS	Weight (kgf)	Weight (lb)
010	68841-42360	TANK RESERVE	1				0.48	1.056
020	15272-72420	CAP	1				0.03	0.066
030	15531-72432	GASKET	1				0.002	0.0044
040	17325-72440	PIPE WATER OVER FLOW	1				0.065	0.143
050	68111-42390	PIPE WATER OVER FLOW	1				0.04	0.088
060	15501-72470	CLIP PIPE	2				0.005	0.011
070	15501-88210	LABEL CAUTION	1				0.005	0.011
080	T0070-16710	STAY RESERVE TANK	1				0.09	0.198
090	01754-50816	BOLT FLANGE	2				0.011	0.0242

ALTERNATOR



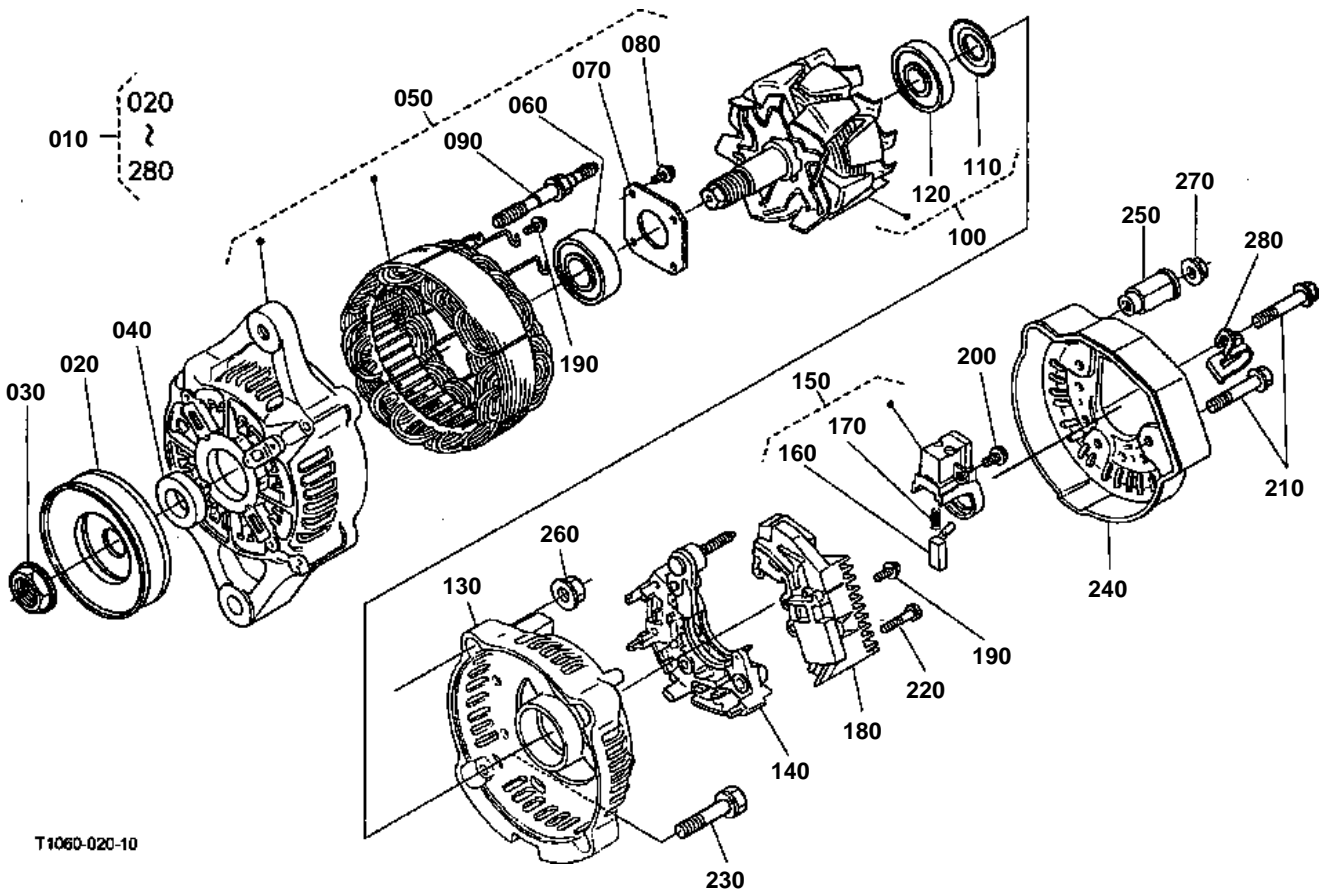


ALTERNATOR

↔ Interchangeable; ≠ not interchangeable; ← new for old; → old for new

REF.No	Part No.	Description	Q'ty	S.No.	I/C	REMARKS	Weight (kgf)	Weight (lb)
010	TA040-74020	STAY ALTERNATOR	1				0.09	0.198
020	17371-74280	PULLEY FAN DRIVE	1				0.98	2.156
030	05712-00720	KEY FEATHER	1			REFER TO L.No.D05-L FOR COMPONENTS.	0.008	0.0176
040	T1060-15600	ASSY ALTERNATOR	1				2.5	5.5
050	01173-51000	BOLT	1				0.06	0.132
060	02176-50100	NUT	1				0.005	0.011
070	04512-60100	WASHER SPRING	1				0.002	0.0044
080	04013-60100	WASHER PLAIN	2				0.004	0.0088
090	01123-50830	BOLT	1				0.015	0.033
100	04015-60080	WASHER PLAIN	1				0.01	0.022
110	02056-50060	NUT	1				0.002	0.0044
120	04512-60060	WASHER SPRING	1				0.001	0.0022

ALTERNATOR [COMPONENT PARTS]



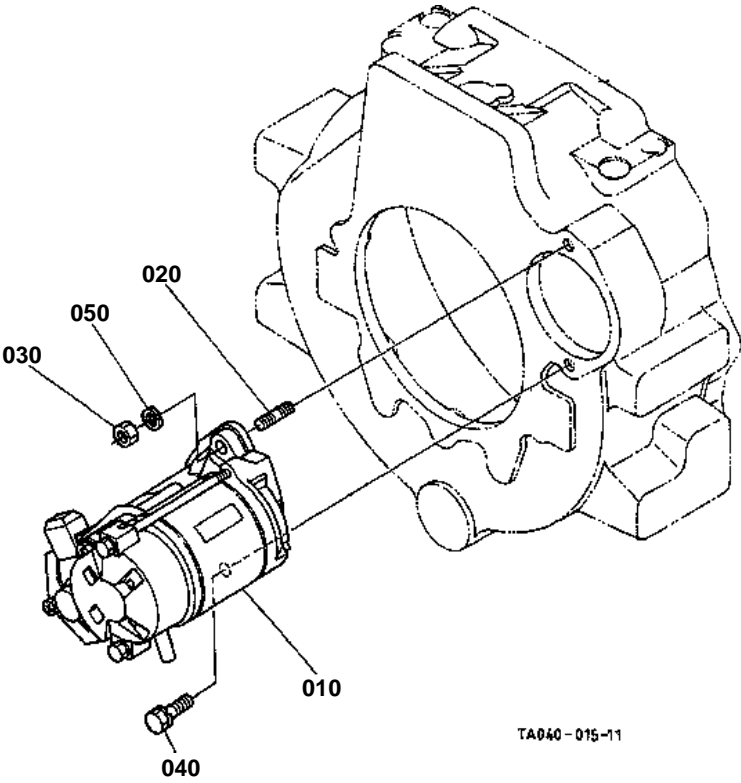


ALTERNATOR [COMPONENT PARTS]

↔ Interchangeable; ≠ not interchangeable; ← new for old; → old for new

REF.No	Part No.	Description	Q'ty	S.No.	I/C	REMARKS	Weight (kgf)	Weight (lb)
010	T1060-15600	ASSY ALTERNATOR	1				2.5	5.5
020	16427-64110	PULLEY ALTERNATOR	1				0.2	0.44
030	15881-92010	NUT	1				0.02	0.044
040	15881-64150	COLLAR	1				0.004	0.0088
050	T1060-15620	ASSY FRAME DRIVE END	1				0	0
060	16652-64780	BEARING BALL	1				0.05	0.11
070	15881-64710	PLATE RETAINER	1				0.01	0.022
080	15881-93010	SCREW ROUND HEAD	4				0.003	0.0066
090	15881-64260	BOLT THROUGH	2				0.01	0.022
100	66436-64040	ROTOR	1				1.2	2.64
110	15881-64800	COVER BEARING	1				0.001	0.0022
120	16652-64770	BEARING BALL	1				0.045	0.099
130	16241-64060	FRAME END	1				0.2	0.44
140	16241-64850	ASSY RECTIFIER	1				0.16	0.352
150	16652-64310	HOLDER BRUSH	1				0.025	0.055
160	15881-64090	BRUSH	2				0.002	0.0044
170	15881-64330	SPRING BRUSH	2				0.002	0.0044
180	16483-64600	ASSY REGULATOR	1				0.08	0.176
190	15881-93030	SCREW ROUND HEAD	6				0.003	0.0066
200	15881-93040	SCREW ROUND HEAD	1				0.003	0.0066
210	15881-91040	BOLT	3				0.005	0.011
220	15881-93020	SCREW ROUND HEAD	2				0.005	0.011
230	15881-91050	BOLT	2				0.01	0.022
240	16241-64230	COVER END	1				0.035	0.077
250	16241-64900	BUSH INSULATION	1				0.007	0.0154
260	15881-92020	NUT	2				0.02	0.044
270	14182-92030	NUT	1				0.003	0.0066
280	17369-67570	CLAMP CORD	1				0.001	0.0022

STARTER



TA040-015-11

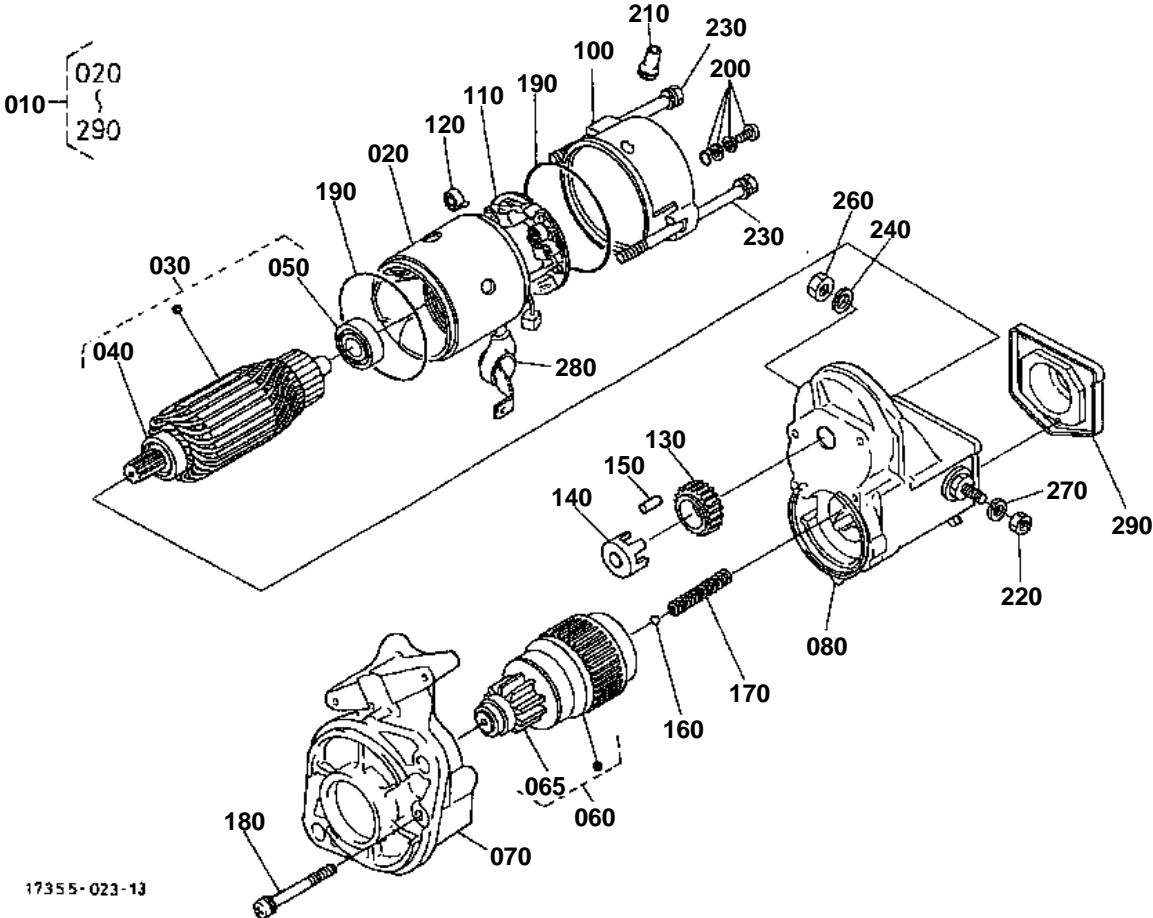


STARTER

↔ Interchangeable; ≠ not interchangeable; ← new for old; → old for new

REF.No	Part No.	Description	Q'ty	S.No.	I/C	REMARKS	Weight (kgf)	Weight (lb)
010	17341-63010	ASSY STARTER	1			REFER TO L.No.D06-L FOR COMPONENTS.	3.65	8.03
020	01517-51028	STUD	1				0.022	0.0484
030	02176-50100	NUT	1				0.005	0.011
040	01133-51030	BOLT	1				0.025	0.055
050	04512-60100	WASHER SPRING	1				0.002	0.0044

STARTER [COMPONENT PARTS]



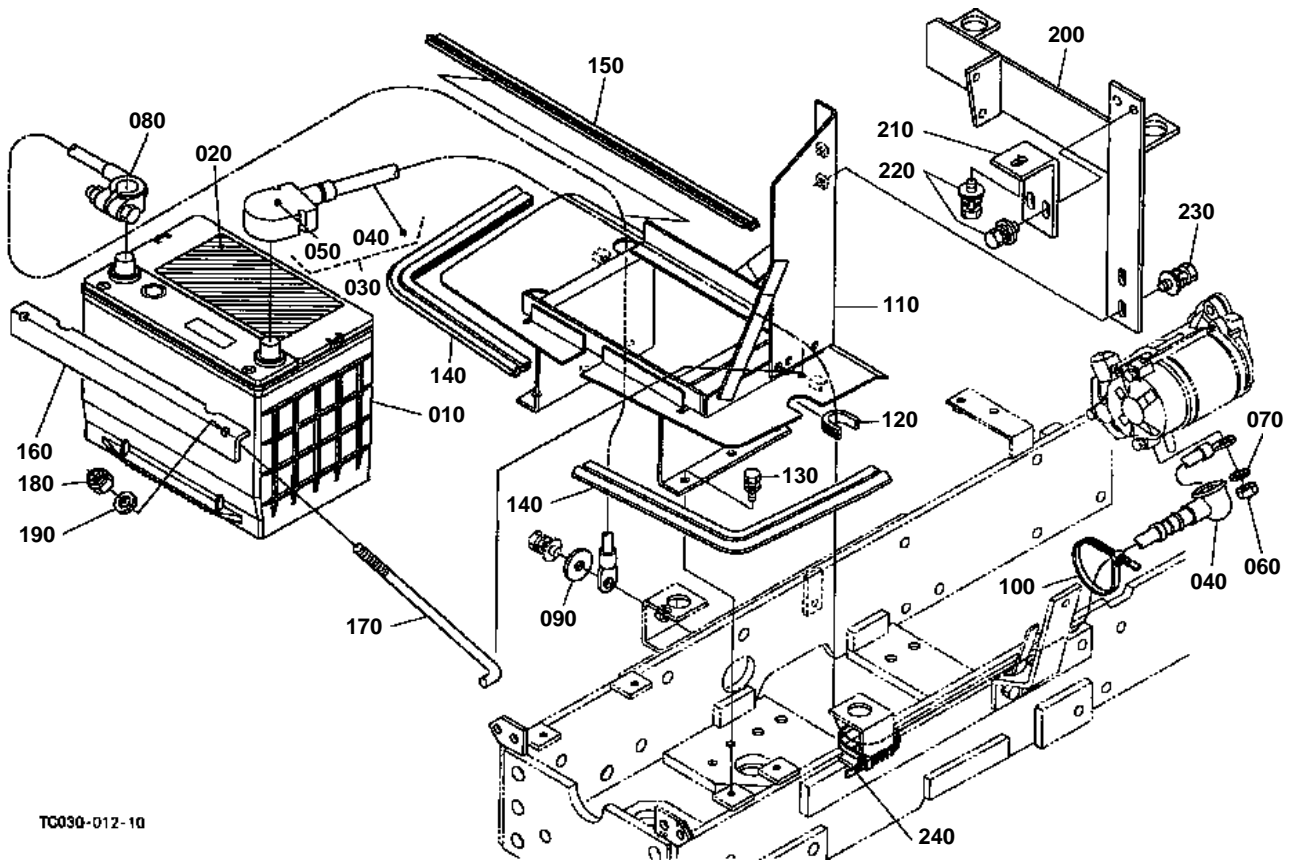


STARTER [COMPONENT PARTS]

↔ Interchangeable; ≠ not interchangeable; ← new for old; → old for new

REF.No	Part No.	Description	Q'ty	S.No.	I/C	REMARKS	Weight (kgf)	Weight (lb)
010	17341-63010	ASSY STARTER	1				3.65	8.03
020	11197-63080	ASSY YOKE	1				0.92	2.024
030	11197-63070	ASSY ARMATURE	1				0.8	1.76
040	11460-63500	BEARING	1				0.03	0.066
050	11460-63530	BEARING	1				0.02	0.044
060	17341-63040	CLUTCH OVER RUNNING	1				0.2	0.44
065	17381-63280	PINION BEVEL	1				0.07	0.154
070	17341-63030	FRAME DRIVE END	1				0.44	0.968
080	15621-63020	ASSY SWITCH MAGNETIC	1				1.17	2.574
100	17341-63200	FRAME END	1				0.13	0.286
110	17381-63380	ASSY HOLDER BRUSH	1				0.05	0.11
120	15401-63390	SPRING BRUSH	4				0.003	0.0066
130	11460-63270	GEAR	1				0.04	0.088
140	11460-63110	RETAINER	1				0.01	0.022
150	19212-63100	ROLLER	5				0.002	0.0044
160	19212-97130	BALL	1				0.003	0.0066
170	11460-63120	SPRING	1				0.01	0.022
180	11460-93310	BOLT	2				0.01	0.022
190	15511-96660	O RING	2				0.005	0.011
200	15511-63760	ASSY BOLT	2				0.005	0.011
210	16285-63570	PIPE DRAIN	1				0.005	0.011
220	13963-92010	NUT HEXAGON	1				0.005	0.011
230	11197-63320	BOLT	2				0.02	0.044
240	13801-94100	WASHER SPRING	1				0.002	0.0044
260	16285-92010	NUT HEXAGON	1				0.005	0.011
270	04512-60080	WASHER SPRING	1				0.002	0.0044
280	11173-63130	COVER TERMINAL	1				0.007	0.0154
290	16285-98050	ASSY COVER	1				0.048	0.1056

BATTERY



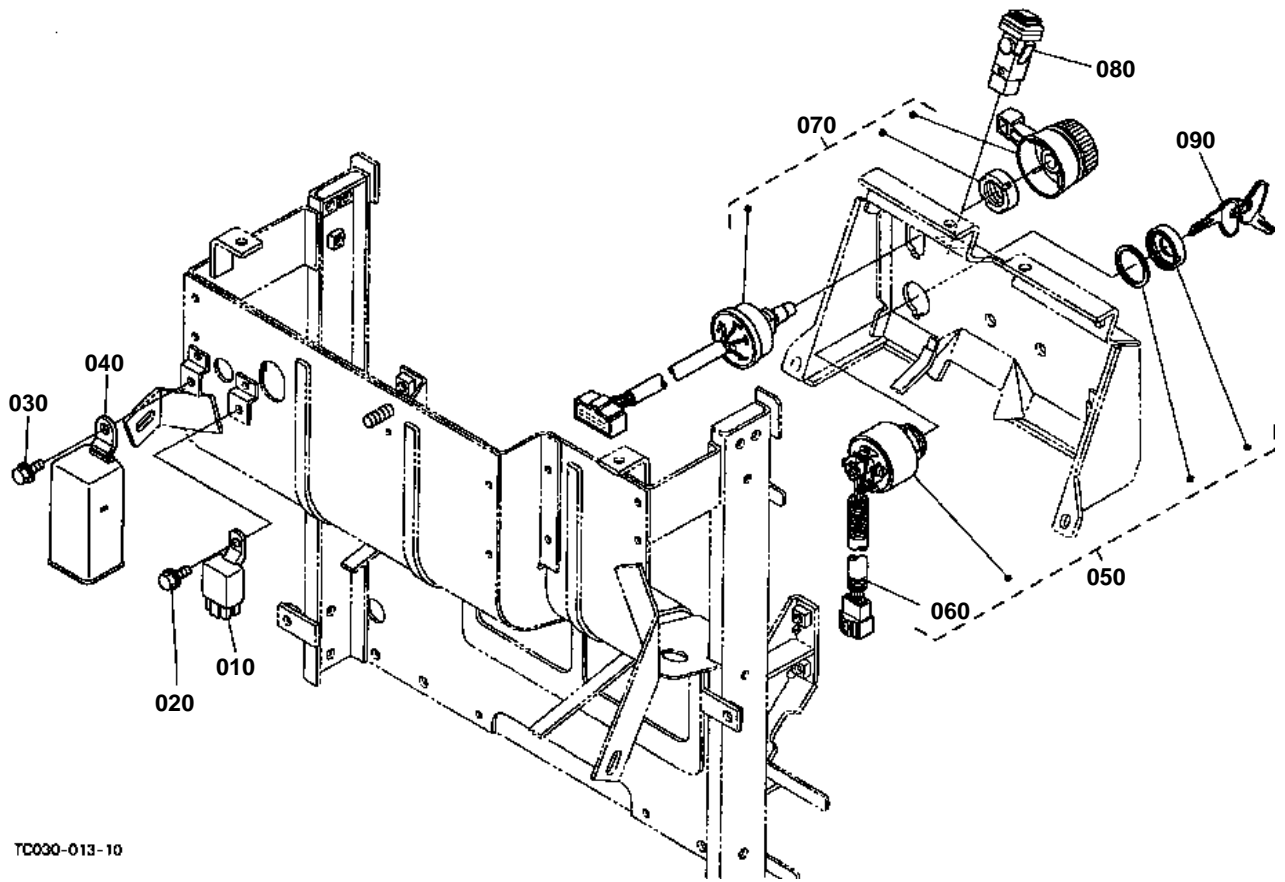
TC030-012-10

**BATTERY**

↔ Interchangeable; ≠ not interchangeable; ← new for old; → old for new

REF.No	Part No.	Description	Q'ty	S.No.	I/C	REMARKS	Weight (kgf)	Weight (lb)
010	-----	BATTERY	1			80D26L/NOT SALE	0	0
020	TC030-30120	LABEL BATTERY	1				0	0
030	TA240-30120	CORD BATTERY	1				0.485	1.067
040	T0070-30130	CAP	1				0.015	0.033
050	T0070-30140	CAP	1				0.012	0.0264
060	02114-50080	NUT	1				0.005	0.011
070	04512-60080	WASHER SPRING	1				0.002	0.0044
080	37220-33380	CORD EARTH	1				0.21	0.462
090	04015-60080	WASHER PLAIN	1				0.01	0.022
100	55311-41260	BAND CORD	2				0.007	0.0154
110	TC030-45710	SUPPORT BATTERY	1				0	0
120	30430-82770	CUSHION	1				0.005	0.011
130	01123-50816	BOLT	4				0.011	0.0242
140	TC030-42330	SHIELD	2				0	0
150	TC030-42340	SHIELD	1				0	0
160	TC020-33110	HOLDER BATTERY	1				0.22	0.484
170	38240-33295	BOLT HOOK	2				0.05	0.11
180	02552-50060	NUT LOCK	2				0.002	0.0044
190	04015-60060	WASHER PLAIN	2				0.005	0.011
200	TC030-45960	SUPPORT BONNET	1				0	0
210	TC030-45950	SUPPORT BONNET	1				0	0
220	01125-60820	BOLT	3				0.015	0.033
230	01125-60820	BOLT	2				0.015	0.033
240	44366-68380	BAND CORD	1				0.01	0.022

SWITCH 1



TC030-013-10

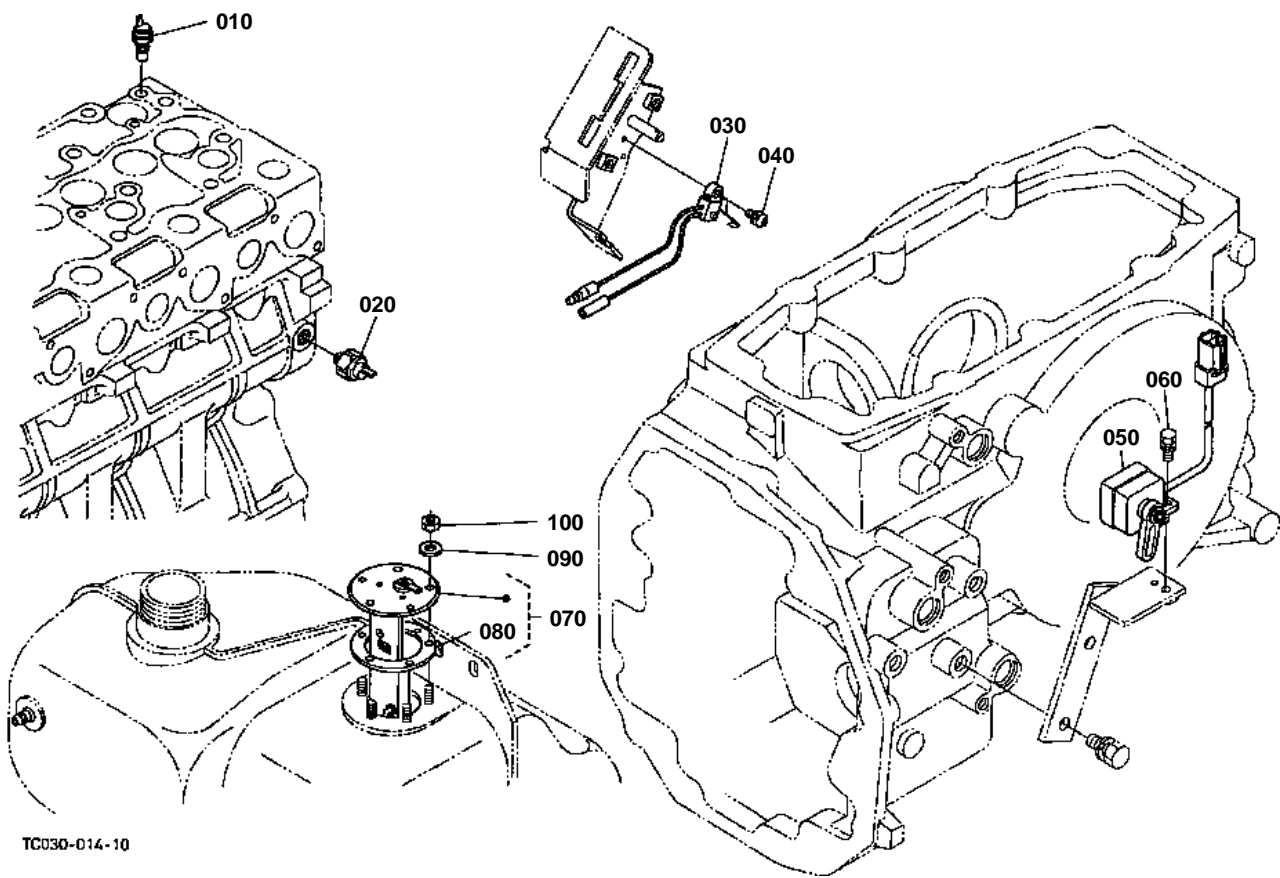


SWITCH 1

↔ Interchangeable; ≠ not interchangeable; ← new for old; → old for new

REF.No	Part No.	Description	Q'ty	S.No.	I/C	REMARKS	Weight (kgf)	Weight (lb)
010	68881-53540	COMP.RELAY	1				0.04	0.088
020	01754-50610	BOLT FLANGE	1				0.006	0.0132
030	01754-50610	BOLT FLANGE	1				0.006	0.0132
040	3F240-75430	UNIT FLASHER	1				0.06	0.132
050	TC020-31820	SWITCH MAIN	1				0.242	0.5324
060	35080-31830	HARNES MAIN SWITCH	1				0.02	0.044
070	31351-32100	SWITCH COMBINATION	1				0.105	0.231
080	TA140-30910	SWITCH HAZARD	1				0.115	0.253
090	35260-31852	ASSY KEY MAIN SWITCH	1				0.02	0.044

SWITCH 2



TC030-014-10

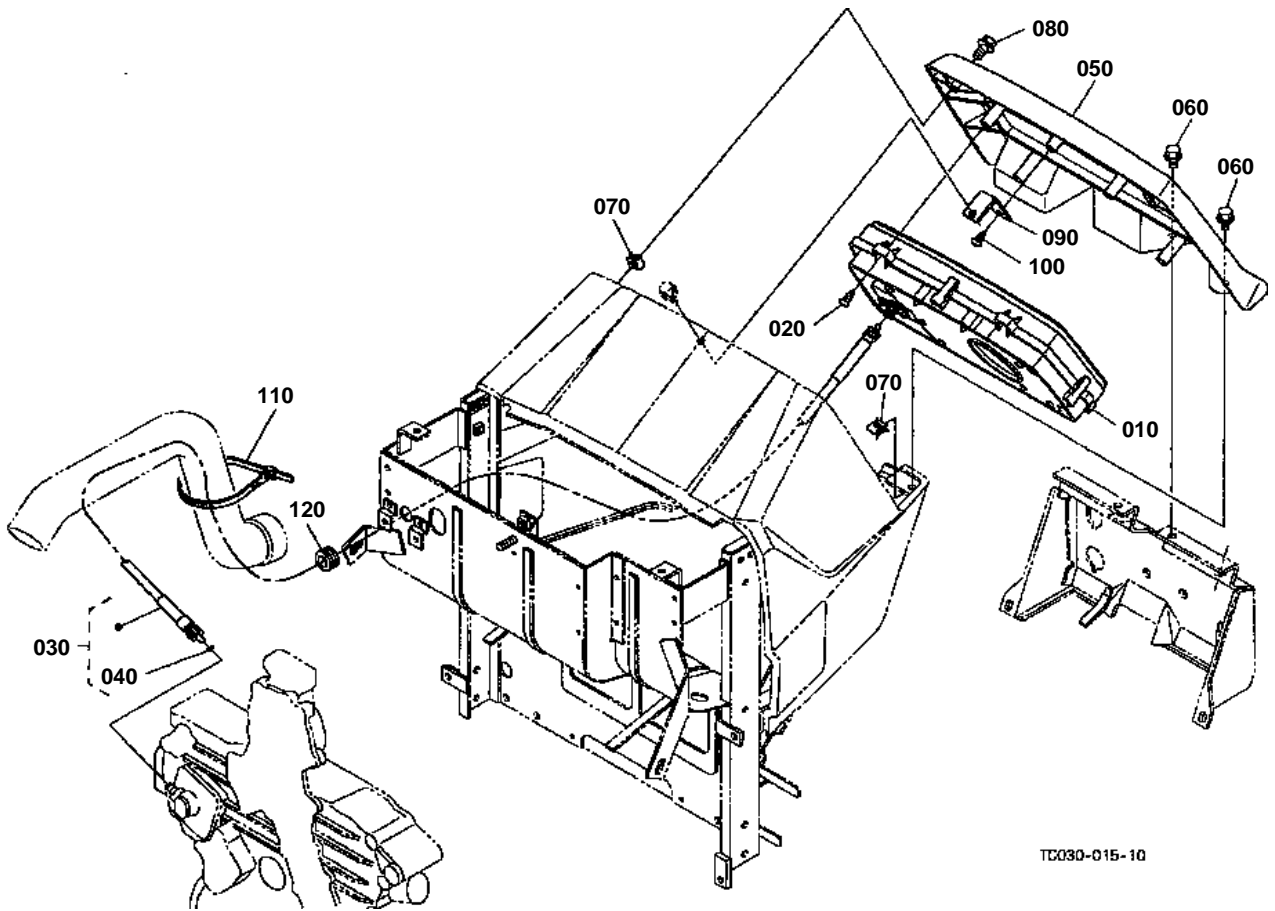


SWITCH 2

↔ Interchangeable; ≠ not interchangeable; ← new for old; → old for new

REF.No	Part No.	Description	Q'ty	S.No.	I/C	REMARKS	Weight (kgf)	Weight (lb)
010	32330-32830	SENSOR WATER TEMP.	1				0.01	0.022
020	15531-39010	SWITCH OIL	1				0.032	0.0704
030	TA040-43900	SWITCH LEVER	1				0.008	0.0176
040	03024-50414	SCREW WITH WASHER	1				0.002	0.0044
050	T1060-42784	SWITCH	1				0.065	0.143
060	01023-50616	BOLT	1				0.005	0.011
070	TC020-31202	UNIT FUEL	1				0.55	1.21
080	6A320-85812	GASKET GAUGE	1				0	0
090	04013-60050	WASHER PLAIN	5				0.001	0.0022
100	02054-50050	NUT	5				0.002	0.0044

PANEL BOARD



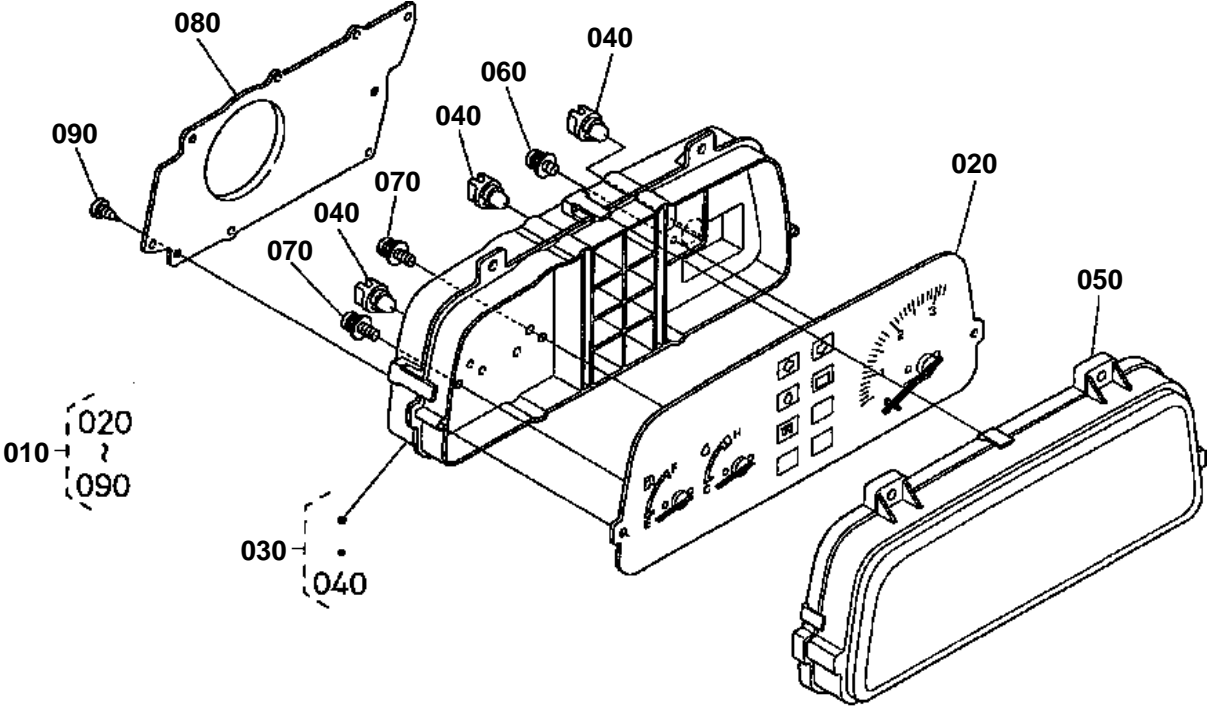


PANEL BOARD

↔ Interchangeable; ≠ not interchangeable; ← new for old; → old for new

REF.No	Part No.	Description	Q'ty	S.No.	I/C	REMARKS	Weight (kgf)	Weight (lb)
010	TC020-30210	ASSY PANEL	1			REFER TO L.No.D08-R FOR COMPONENTS.	0	0
020	03614-50620	SCREW TAPPING	4				0.003	0.0066
030	TA040-30610	ASSY CABLE FLEXIBLE	1				0.25	0.55
040	04811-10080	O RING	1				0.001	0.0022
050	TC020-43020	COVER METER PANEL	1				0.4	0.88
060	30400-19060	BOLT FLANGE	4				0.006	0.0132
070	38240-29250	NUT SPRING	4				0.005	0.011
080	TA049-18870	BOLT FLANGE	2				0.008	0.0176
090	TC020-43030	STAY METER COVER	1				0.012	0.0264
100	03614-50616	SCREW TAPPING	1				0.004	0.0088
110	55311-41260	BAND CORD	1				0.007	0.0154
120	37410-51760	GROMMET	1				0.003	0.0066

PANEL BOARD [COMPONENT PARTS]



TC020-021-10

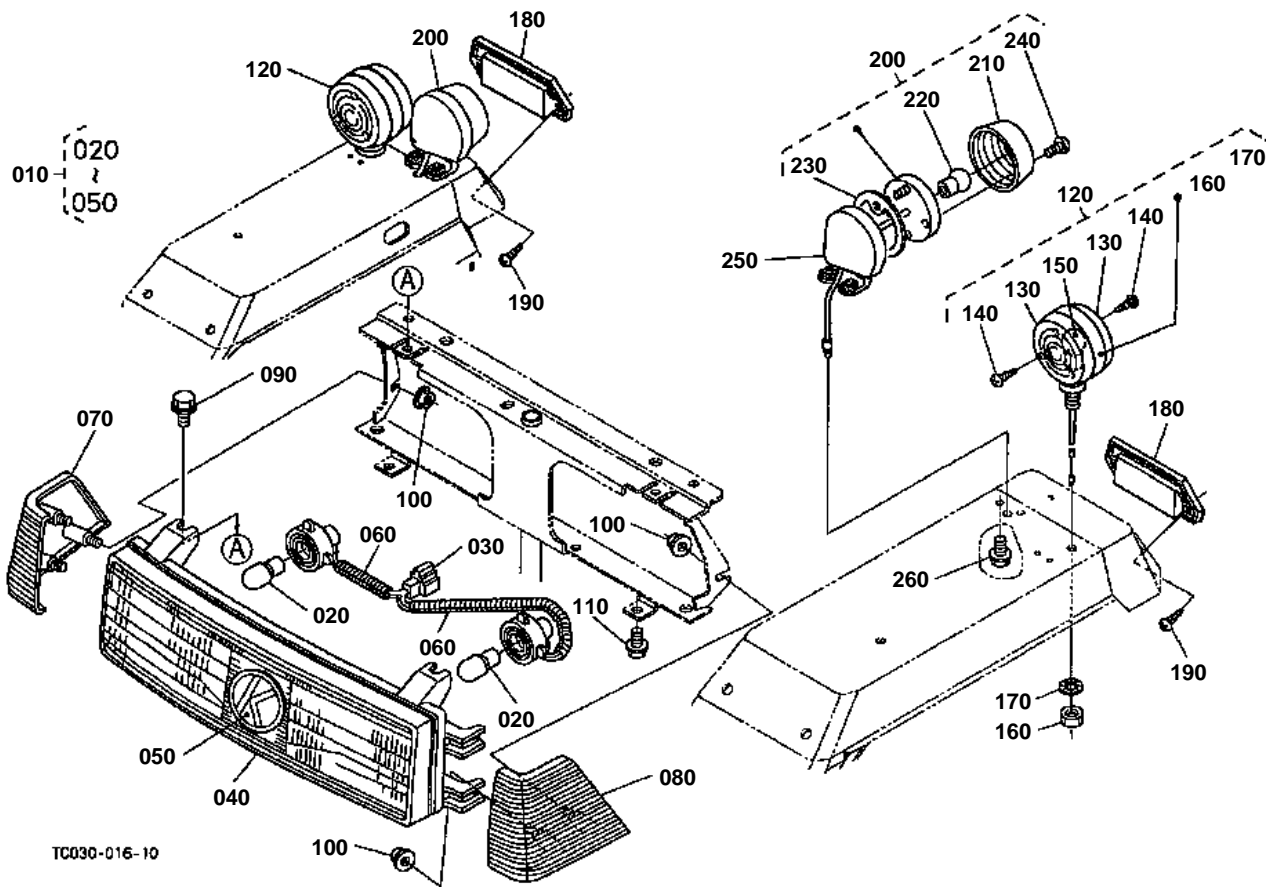


PANEL BOARD [COMPONENT PARTS]

↔ Interchangeable; ≠ not interchangeable; ← new for old; → old for new

REF.No	Part No.	Description	Q'ty	S.No.	I/REMARKS	Weight (kgf)	Weight (lb)
010	TC020-30210	ASSY PANEL	1			0	0
020	TC020-30220	COMP.METER	1			0	0
030	TC020-30250	ASSY CASE	1			0	0
040	6C040-55140	ASSY BULB	7		1.7W	0.003	0.0066
050	TC020-30260	GLASS	1			0	0
060	6C040-55150	SCREW	2			0.002	0.0044
070	6C040-55160	SCREW	6			0.002	0.0044
080	TC020-30270	COVER	1			0	0
090	6C040-55180	SCREW	3			0.003	0.0066

LIGHT

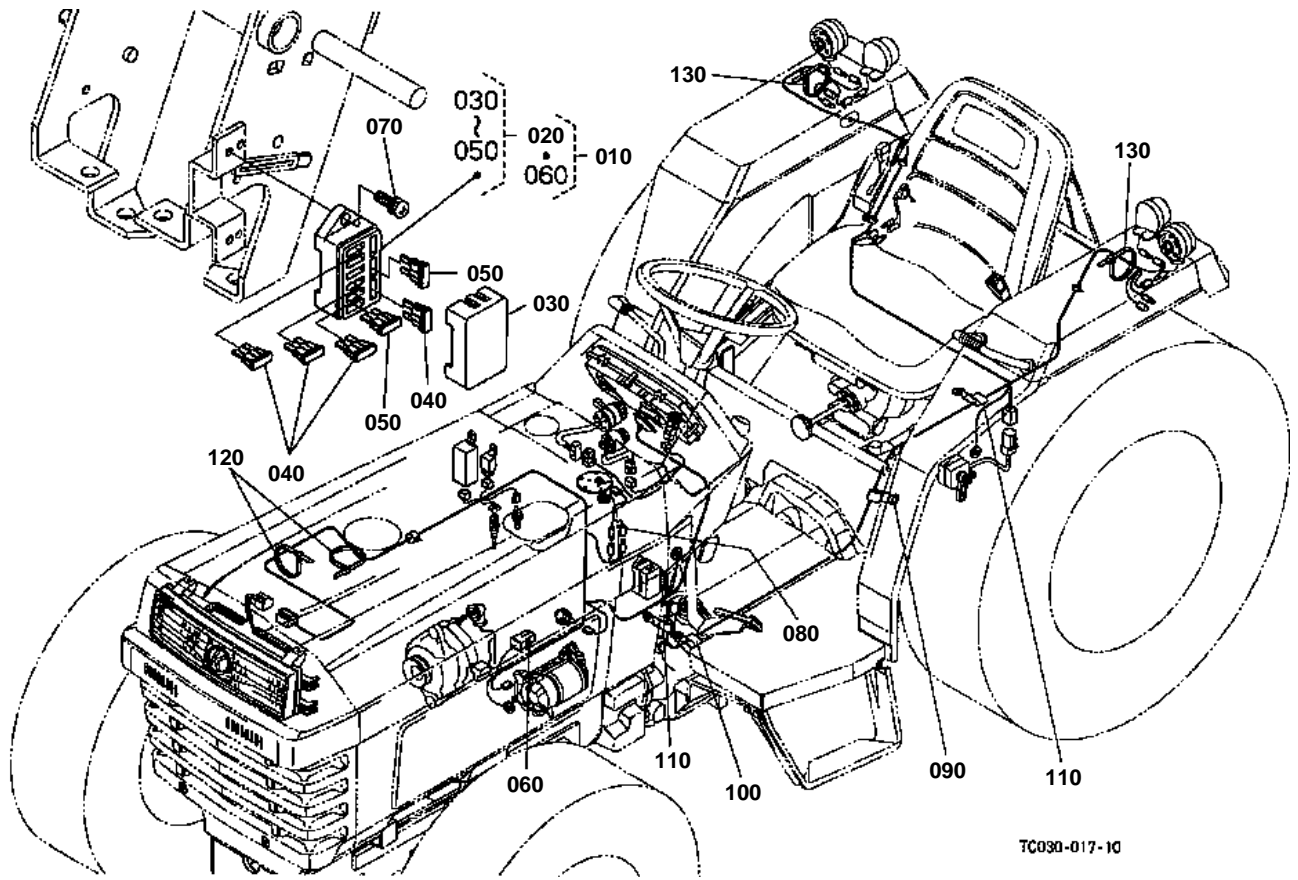


**LIGHT**

↔ Interchangeable; ≠ not interchangeable; ← new for old; → old for new

REF.No	Part No.	Description	Q'ty	S.No.	I/C	REMARKS	Weight (kgf)	Weight (lb)
010	TA140-99060	ASSY LIGHT HEAD	1				0.68	1.496
020	34070-99010	BULB	2			25W	0.02	0.044
030	T0270-99090	ASSY WIRE HARNESS	1				0.05	0.11
040	TA140-99100	UNIT LAMP	1				0	0
050	TA140-49500	MARK SYMBOL	1				0.013	0.0286
060	32721-63150	TUBE	2				0.003	0.0066
070	TC020-99070	GRILLE LIGHT RH	1				0.097	0.2134
080	TC020-99080	GRILLE LIGHT LH	1				0.097	0.2134
090	30400-19060	BOLT FLANGE	2				0.006	0.0132
100	02761-50050	NUT FLANGE	6				0.005	0.011
110	01754-50612	BOLT FLANGE	2				0.005	0.011
120	32530-33610	ASSY LIGHT HAZARD	2				0.5	1.1
130	32530-91510	LENS HAZARD LIGHT	4				0.085	0.187
140	32530-91520	SCREW TAPPING	12				0.001	0.0022
150	32530-91530	BULB LIGHT	2			27W	0.02	0.044
160	02114-50100	NUT	2				0.005	0.011
170	04411-50100	WASHER TOOTHED	2				0.001	0.0022
180	31351-33900	ASSY REFLECTOR	2				0.088	0.1936
190	03514-50510	SCREW TAPPING	4				0.002	0.0044
200	34350-34100	ASSY LIGHT TAIL	2				0.13	0.286
210	34350-34120	LENS TAIL LIGHT	2				0.05	0.11
220	34350-34140	BULB TAIL LIGHT	2			23W/8W	0.008	0.0176
230	34350-99220	GASKET LENS	2				0.01	0.022
240	03056-50335	SCREW	2				0.001	0.0022
250	32480-34190	HOLDER TAIL LIGHT	2				0.15	0.33
260	01754-50612	BOLT FLANGE	4				0.005	0.011

ELECTRICAL WIRING



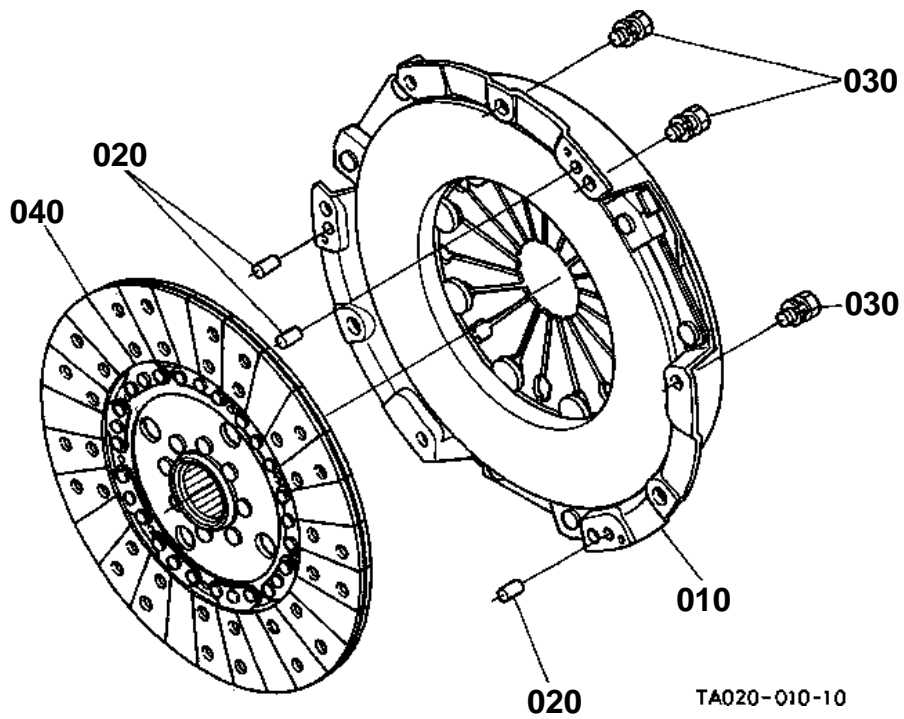


ELECTRICAL WIRING

↔ Interchangeable; ≠ not interchangeable; ← new for old; → old for new

REF.No	Part No.	Description	Q'ty	S.No.	I/C	REMARKS	Weight (kgf)	Weight (lb)
010	TC030-30313	WIRE HARNESS MAIN	1				0	0
020	32330-34450	ASSY BOX FUSE	1				0.077	0.1694
030	32330-34460	COVER FUSE BOX	1				0	0
040	31351-33630	FUSE	4			10A	0.002	0.0044
050	31351-33640	FUSE	2			15A	0.002	0.0044
060	34670-34530	FUSE	1			40A	0.003	0.0066
070	31391-31140	SCREW	2				0.01	0.022
080	32330-34390	WIRE HARNESS	1				0.014	0.0308
090	13824-67580	CLAMP CORD	1				0.006	0.0132
100	13816-67580	CLAMP CORD	1				0.004	0.0088
110	35340-29380	CLAMP CORD	2				0.01	0.022
120	55311-41260	BAND CORD	2				0.007	0.0154
130	53581-64150	BAND CORD	2				0.002	0.0044

CLUTCH



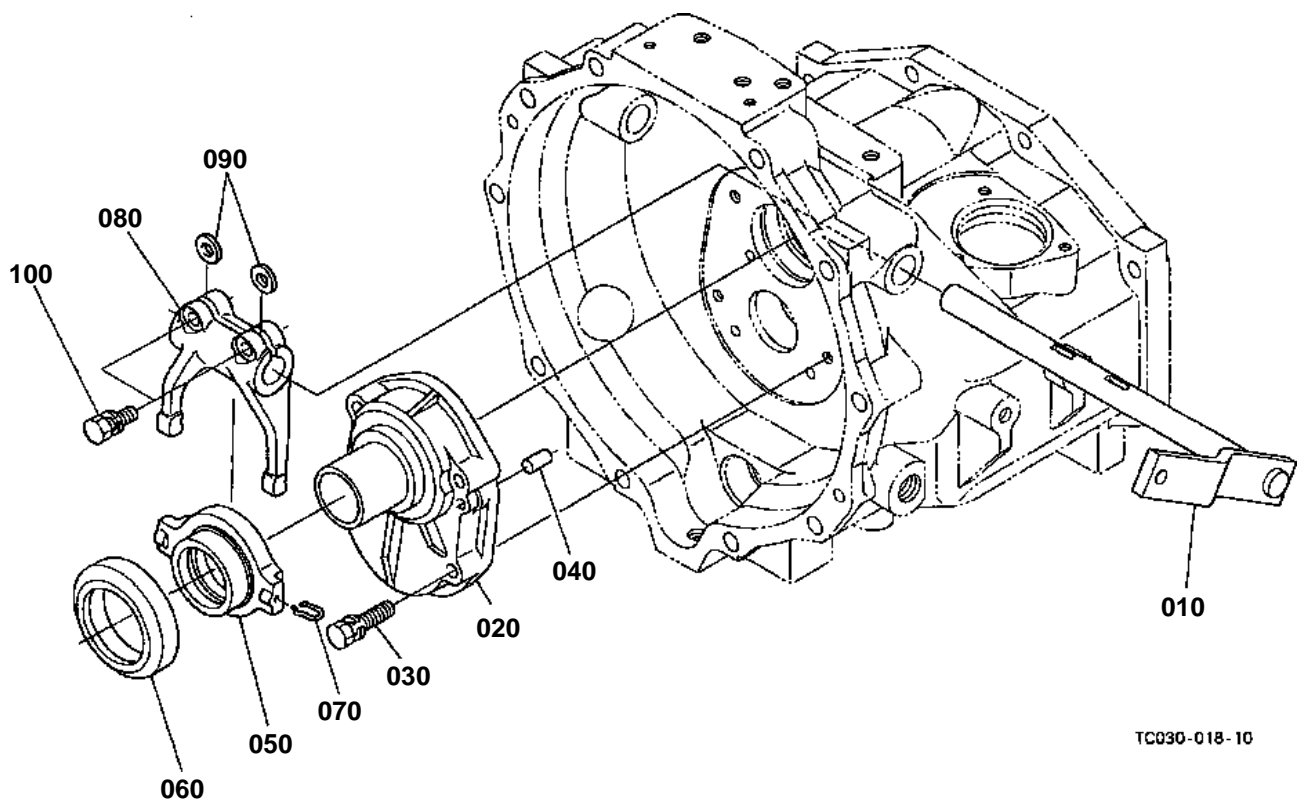


CLUTCH

↔ Interchangeable; ≠ not interchangeable; ← new for old; → old for new

REF.No	Part No.	Description	Q'ty	S.No.	I/C	REMARKS	Weight (kgf)	Weight (lb)
010	TA020-20600	ASSY PLATE PRESSURE	1				6.5	14.3
020	05012-00612	PIN STRAIGHT	3				0.003	0.0066
030	01123-60816	BOLT	9				0.01	0.022
040	TA020-20500	COMP.DISK CLUTCH	1				1.045	2.299

CLUTCH LEVER



TC030-018-10

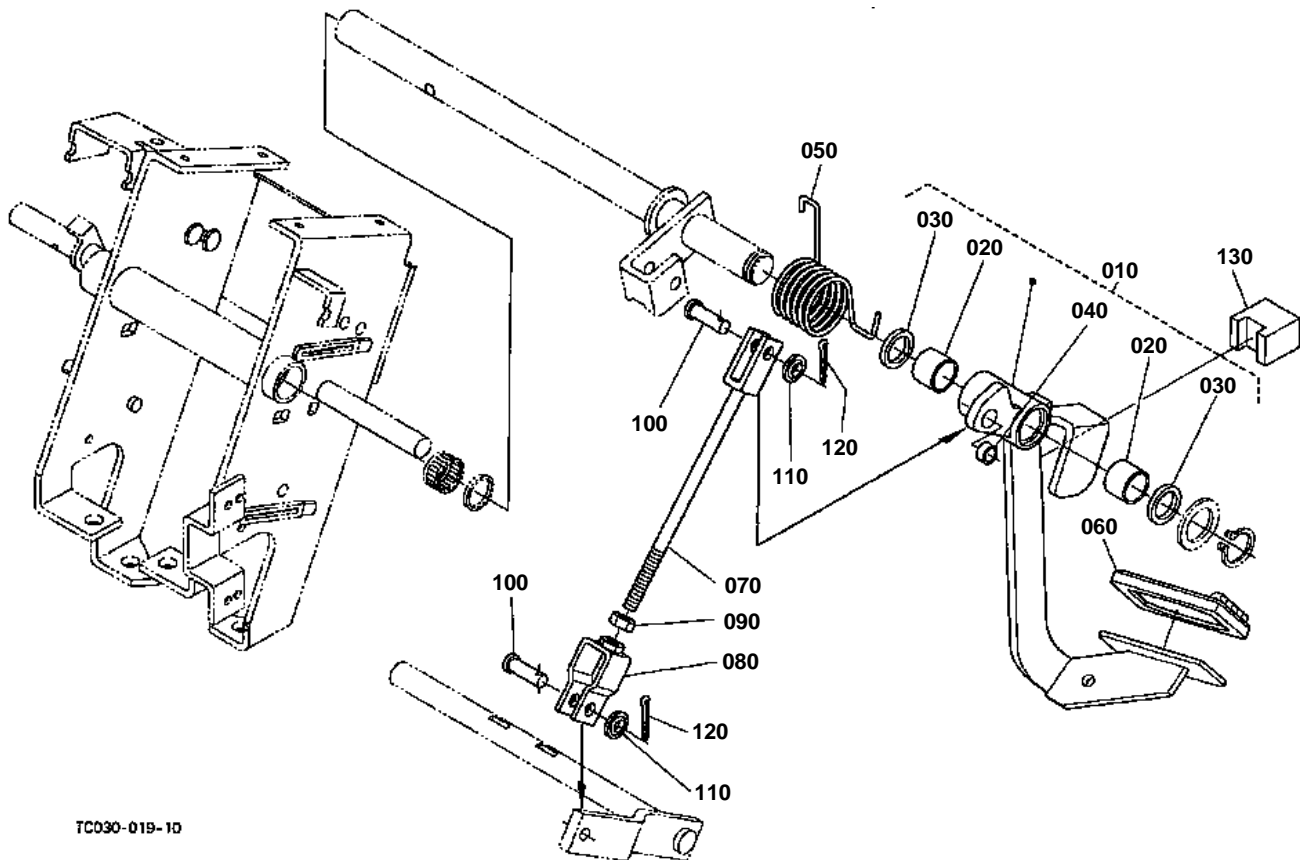


CLUTCH LEVER

↔ Interchangeable; ≠ not interchangeable; ← new for old; → old for new

REF.No	Part No.	Description	Q'ty	S.No.	I/C	REMARKS	Weight (kgf)	Weight (lb)
010	TC030-21170	LEVER CLUTCH	1				0	0
020	TA040-21100	CASE PROPELLER SHAFT	1				0.66	1.452
030	01123-50845	BOLT	4				0.02	0.044
040	05012-00818	PIN STRAIGHT	2				0.008	0.0176
050	TA040-21150	HOLDER CLUTCH	1				0.4	0.88
060	TA040-20700	BEARING RELEASE	1				0.28	0.616
070	TA040-21210	PIN SNAP	2				0.002	0.0044
080	TA040-21200	FORK CLUTCH RELEASE	1				0.54	1.188
090	31150-14780	KEY FORK	2				0.003	0.0066
100	01123-50825	BOLT	2				0.013	0.0286

CLUTCH PEDAL



TC030-019-10

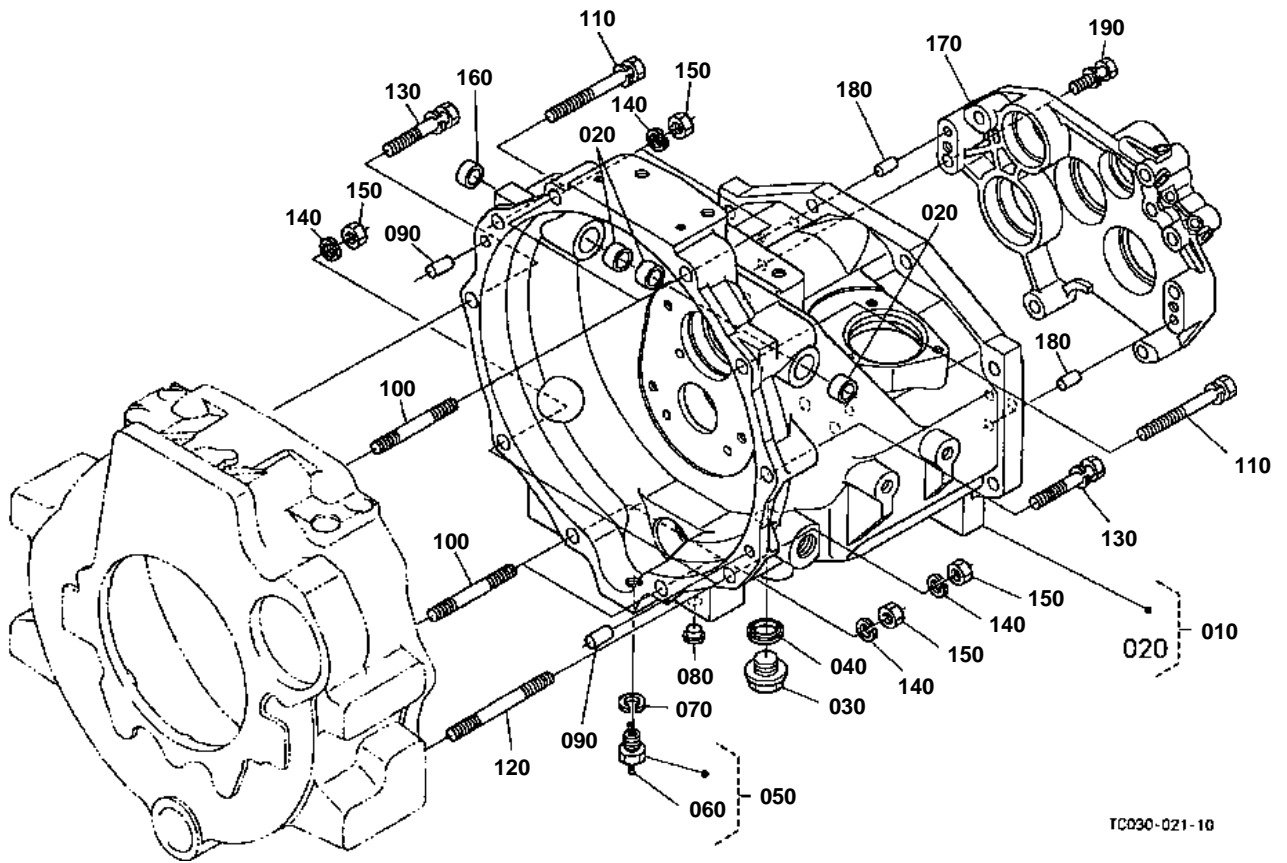


CLUTCH PEDAL

↔ Interchangeable; ≠ not interchangeable; ← new for old; → old for new

REF.No	Part No.	Description	Q'ty	S.No.	I/C	REMARKS	Weight (kgf)	Weight (lb)
010	TC030-44050	COMP.PEDAL CLUTCH	1				0	0
020	08511-02520	BUSH	2				0.02	0.044
030	34070-44140	SEAL OIL	2				0.005	0.011
040	TC030-44030	BUSH	1				0	0
050	TC030-44160	SPRING	1				0	0
060	37410-44120	COVER PEDAL	1				0.08	0.176
070	TC030-44462	ROD CLUTCH	1				0	0
080	34070-44470	U JOINT	1				0.08	0.176
090	02176-50100	NUT	1				0.005	0.011
100	05122-61028	PIN JOINT	2				0.02	0.044
110	04717-01000	WASHER WITH RUBBER	2				0.001	0.0022
120	05511-50318	PIN SPLIT	2				0.001	0.0022
130	TC030-15950	SPACER CLUTCH	1				0	0

CLUTCH HOUSING



TC030-021-10

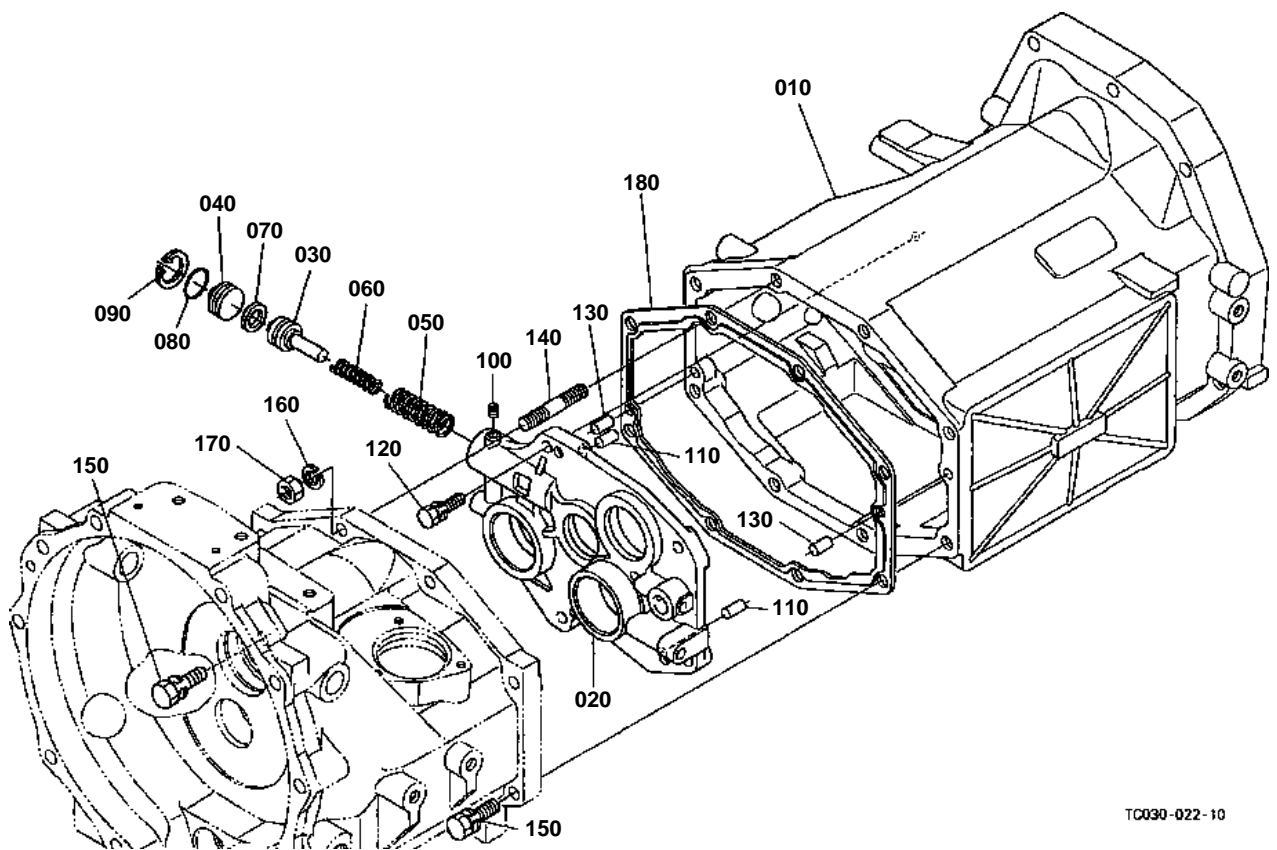


CLUTCH HOUSING

↔ Interchangeable; ≠ not interchangeable; ← new for old; → old for new

REF.No	Part No.	Description	Q'ty	S.No.	I/C	REMARKS	Weight (kgf)	Weight (lb)
010	TC030-99200	ASSY HOUSING CLUTCH	1				0	0
020	08511-01915	BUSH	3				0.01	0.022
030	15512-96010	PLUG DRAIN	1				0.101	0.2222
040	04717-02150	WASHER WITH RUBBER	1				0.004	0.0088
050	32430-14270	KIT PLUG	1				0.04	0.088
060	05511-50430	PIN SPLIT	1				0.004	0.0088
070	04512-60140	WASHER SPRING	1				0.006	0.0132
080	32210-27580	PLUG	10				0.001	0.0022
090	05012-01018	PIN STRAIGHT	2				0.012	0.0264
100	01574-51265	STUD	4				0.067	0.1474
110	01133-51295	BOLT	2				0	0
120	01574-51285	STUD	2				0.085	0.187
130	01133-51265	BOLT	2				0.065	0.143
140	04512-60120	WASHER SPRING	6				0.005	0.011
150	02176-50120	NUT	6				0.01	0.022
160	31351-38720	PLUG	1				0.005	0.011
170	TC030-20250	HOLDER BEARING	1				0	0
180	05012-00818	PIN STRAIGHT	2				0.008	0.0176
190	01133-51055	BOLT	5				0.04	0.088

MID CASE



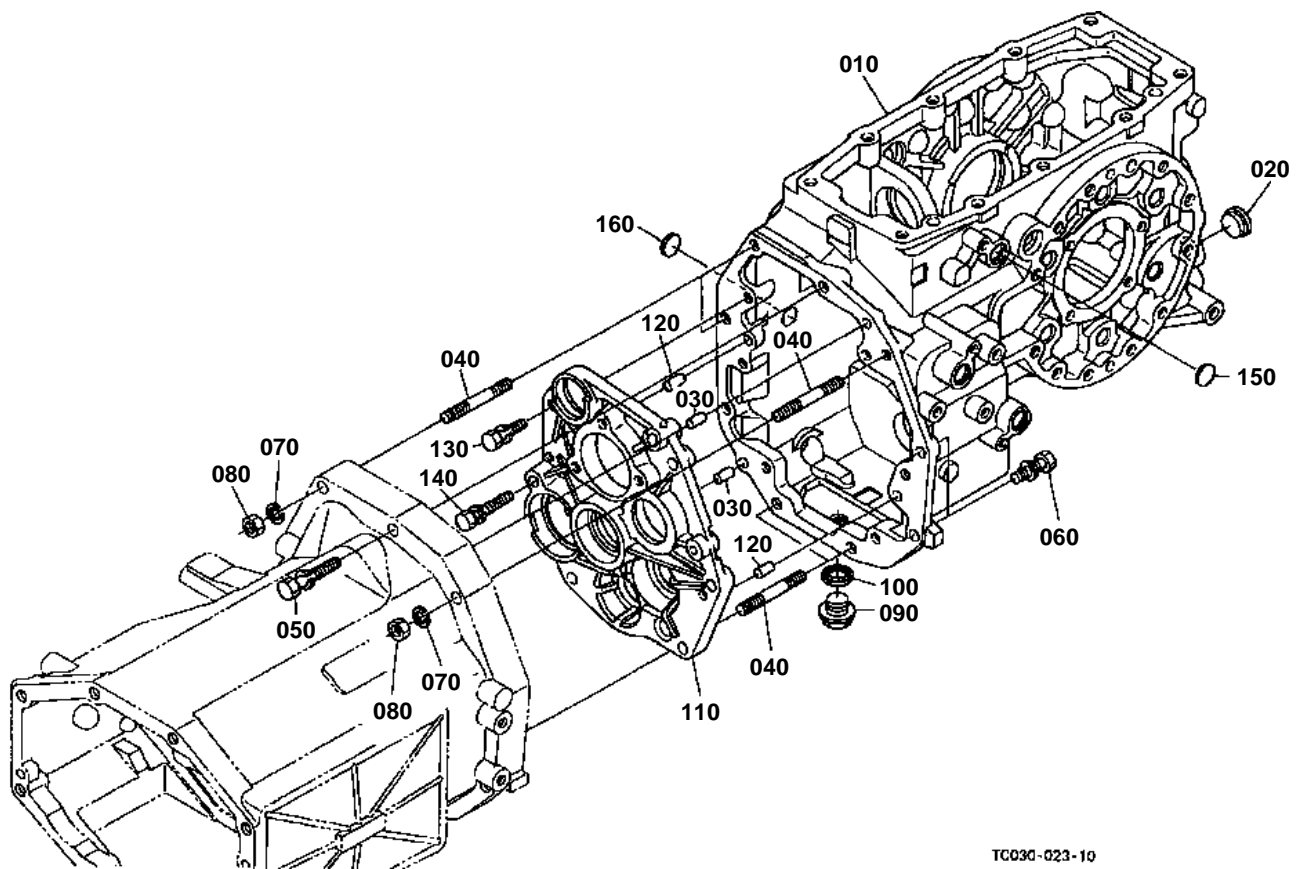
TC030-022-10

**MID CASE**

↔ Interchangeable; ≠ not interchangeable; ← new for old; → old for new

REF.No	Part No.	Description	Q'ty	S.No.	I/C	REMARKS	Weight (kgf)	Weight (lb)
010	TC030-20300	CASE MID I-PTO	1				0	0
020	TA040-69200	HOLDER	1				3.7	8.14
030	TA040-69210	PISTON	1				0.09	0.198
040	TA040-69220	COVER	1				0.06	0.132
050	TA040-69230	SPRING	1				0.039	0.0858
060	TA040-69240	SPRING	1				0.024	0.0528
070	34076-65170	SEAL PISTON	1				0.005	0.011
080	04811-06230	O RING	1				0.001	0.0022
090	04611-00280	CIR CLIP INTERNAL	1				0.002	0.0044
100	32420-67380	PLUG	1				0.005	0.011
110	05012-00818	PIN STRAIGHT	2				0.008	0.0176
120	01133-51035	BOLT	4				0.03	0.066
130	05012-01018	PIN STRAIGHT	2				0.012	0.0264
140	35340-14182	STUD	6				0.05	0.11
150	01133-51240	BOLT	2				0.05	0.11
160	04512-60120	WASHER SPRING	6				0.005	0.011
170	35340-27360	NUT	6				0.015	0.033
180	TC030-90380	GASKET MID CASE	1				0.021	0.0462

TRANSMISSION CASE



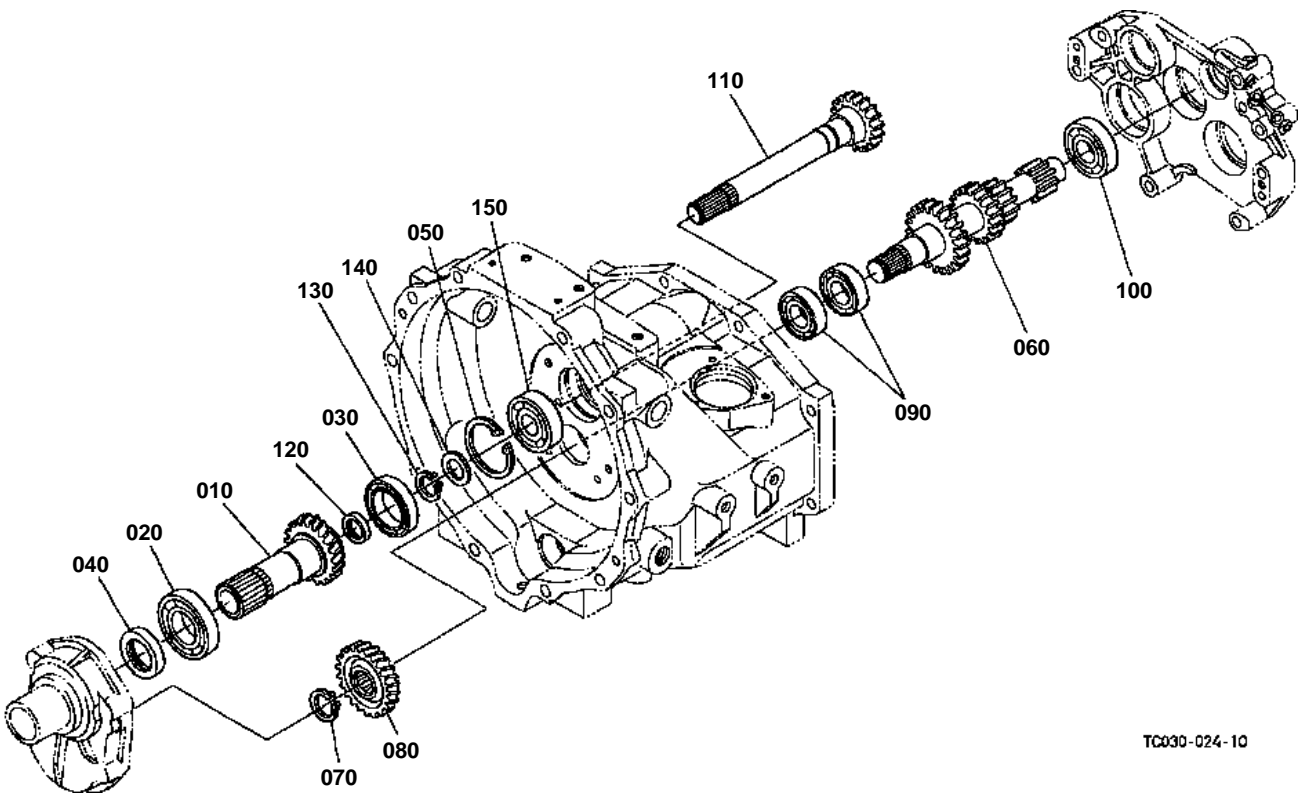


TRANSMISSION CASE

↔ Interchangeable; ≠ not interchangeable; ← new for old; → old for new

REF.No	Part No.	Description	Q'ty	S.No.	I/C	REMARKS	Weight (kgf)	Weight (lb)
010	TA040-20402	CASE TRANSMISSION	1				41	90.2
020	31301-14230	GAUGE OIL	1				0.005	0.011
030	05012-01018	PIN STRAIGHT	2				0.012	0.0264
040	01574-61260	STUD	6				0.05	0.11
050	01133-51260	BOLT	1				0.06	0.132
060	01133-51235	BOLT	2				0.05	0.11
070	04512-60120	WASHER SPRING	5				0.005	0.011
080	02176-50120	NUT	5				0.01	0.022
090	15512-96010	PLUG DRAIN	1				0.101	0.2222
100	04717-02150	WASHER WITH RUBBER	1				0.004	0.0088
110	TA040-20454	HOLDER BEARING	1				4.5	9.9
120	05012-01018	PIN STRAIGHT	2				0.012	0.0264
130	01133-51040	BOLT	5				0.03	0.066
140	01133-51060	BOLT	1				0.042	0.0924
150	34076-60470	PLUG	1				0.005	0.011
160	34076-60470	PLUG	1				0.005	0.011

MAIN SHAFT



TC030-024-10

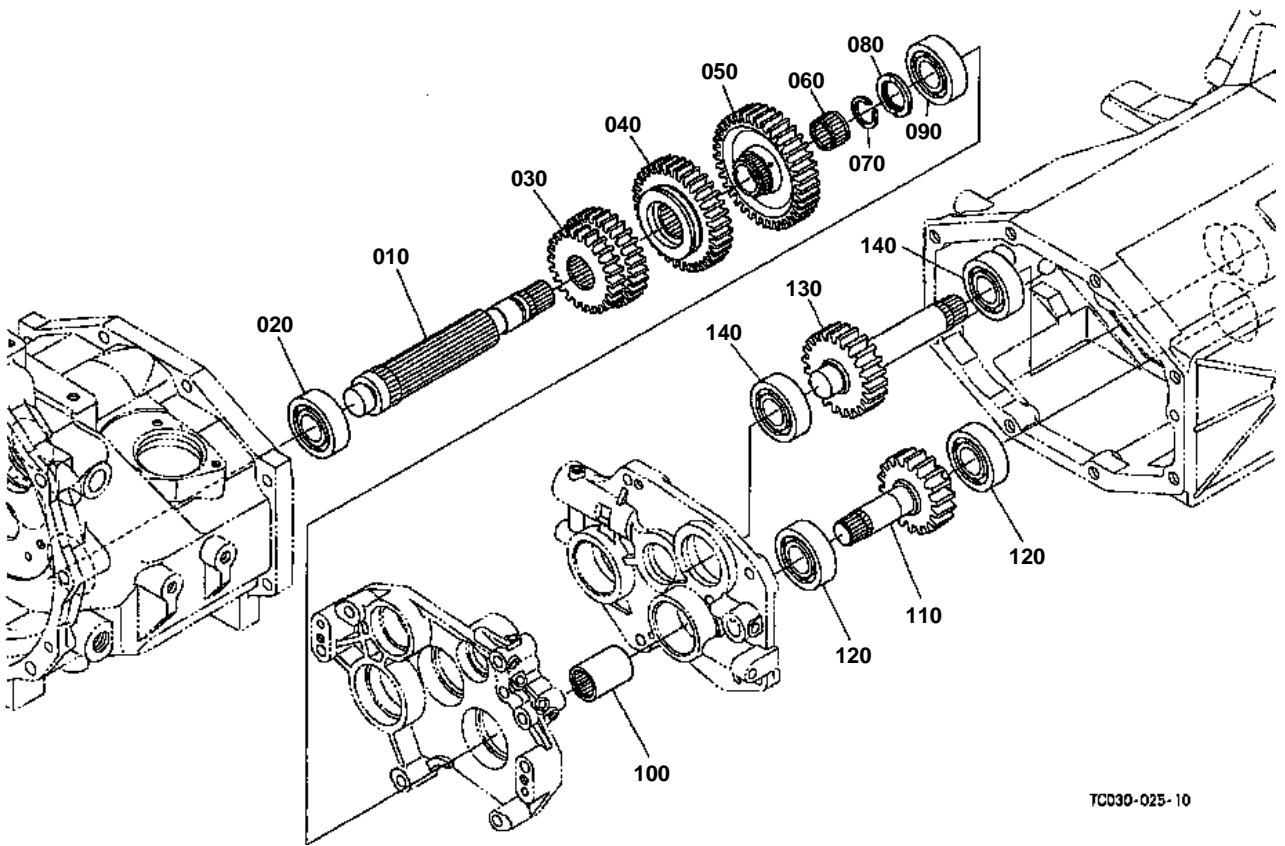


MAIN SHAFT

↔ Interchangeable; ≠ not interchangeable; ← new for old; → old for new

REF.No	Part No.	Description	Q'ty	S.No.	I/C	REMARKS	Weight (kgf)	Weight (lb)
010	TA040-21300	GEAR-SHAFT	1			24T	0.75	1.65
020	08101-06207	BEARING BALL	1				0.282	0.6204
030	08101-06908	BEARING BALL	1				0.11	0.242
040	09500-35529	SEAL OIL	1				0.017	0.0374
050	04611-00620	CIR CLIP INTERNAL	1				0.011	0.0242
060	TC030-22100	GEAR-SHAFT MAIN	1			22-18-13-10T	0	0
070	37150-21551	CIR CLIP EXTERNAL	1				0.005	0.011
080	TA040-22110	GEAR	1			27T	0.425	0.935
090	37410-57190	BEARING BALL	2				0.14	0.308
100	35890-41290	BEARING BALL	1				0.233	0.5126
110	TC030-23100	GEAR-SHAFT I-PTO	1			18T	0	0
120	36730-24330	SEAL FIRST SHAFT	1				0.005	0.011
130	37150-21551	CIR CLIP EXTERNAL	1				0.005	0.011
140	34150-21560	WASHER	1				0.01	0.022
150	35890-41290	BEARING BALL	1				0.233	0.5126

COUNTERSHAFT



TC030-025-10

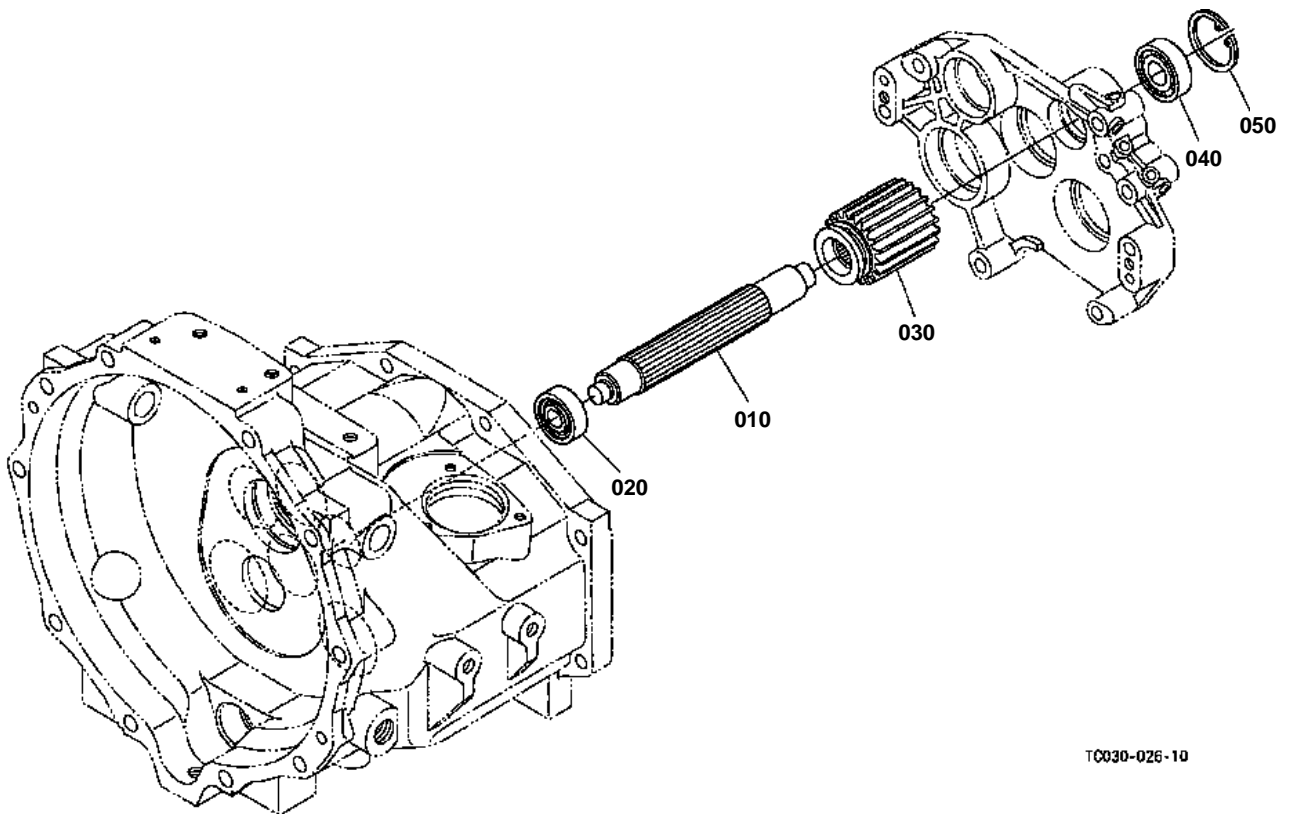


COUNTERSHAFT

↔ Interchangeable; ≠ not interchangeable; ← new for old; → old for new

REF.No	Part No.	Description	Q'ty	S.No.	I/C	REMARKS	Weight (kgf)	Weight (lb)
010	TC030-22200	COUNTERSHAFT	1				0	0
020	08101-06305	BEARING BALL	1				0.23	0.506
030	TC030-23210	GEAR	1			24-29T	0	0
040	TC030-22230	GEAR	1			34T	0	0
050	TC030-22240	GEAR	1			37T	0	0
060	08822-53020	BEARING NEEDLE	1				0.023	0.0506
070	37150-21790	CIR-CLIP	1				0.001	0.0022
080	34070-22250	COLLAR THRUST	1				0.015	0.033
090	08101-06305	BEARING BALL	1				0.23	0.506
100	37150-21682	COUPLING	1				0.24	0.528
110	TC030-22400	GEAR-SHAFT	1			18T	0	0
120	08101-06305	BEARING BALL	2				0.23	0.506
130	TC030-22500	GEAR-SHAFT	1			22T	0	0
140	08101-06305	BEARING BALL	2				0.23	0.506

REVERSE SHAFT



TC030-026-10

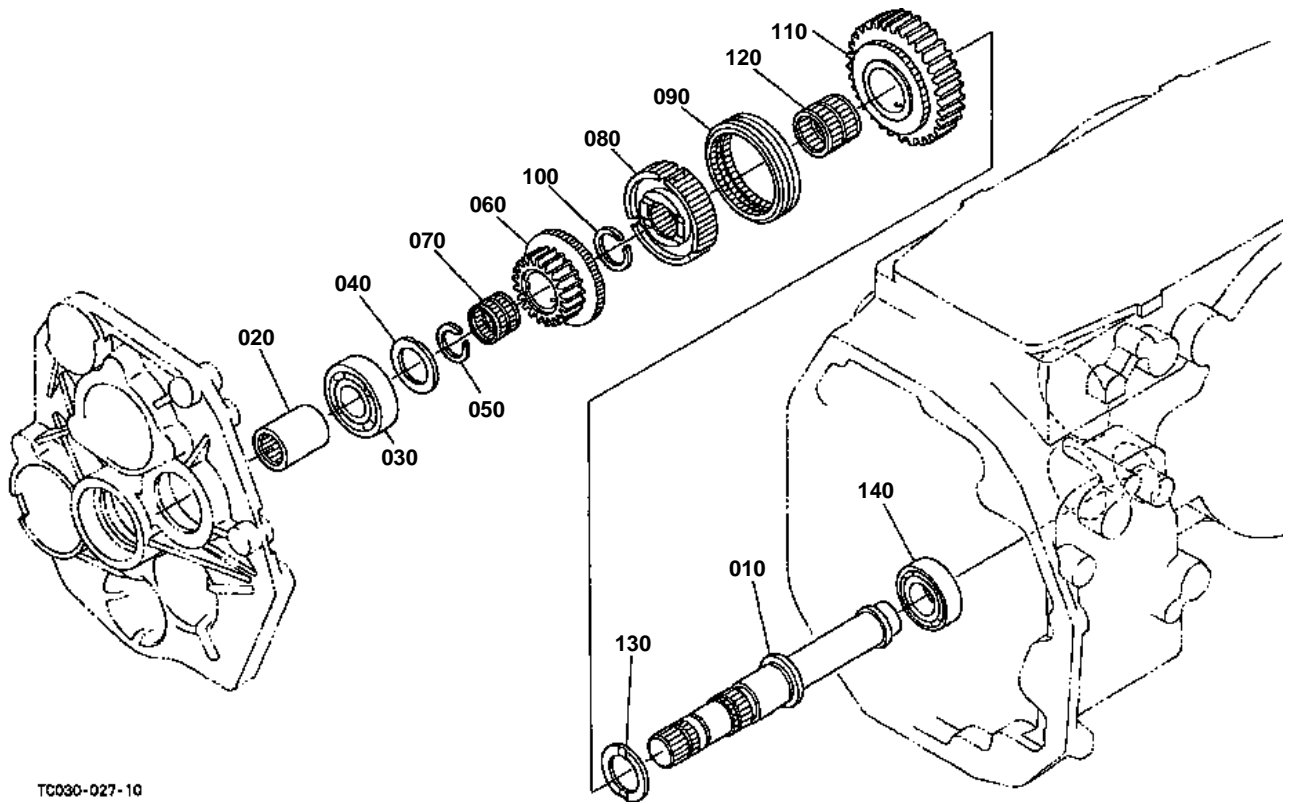


REVERSE SHAFT

↔ Interchangeable; ≠ not interchangeable; ← new for old; → old for new

REF.No	Part No.	Description	Q'ty	S.No.	I/C	REMARKS	Weight (kgf)	Weight (lb)
010	TC030-23110	SHAFT BACK	1				0	0
020	TC030-23850	BEARING MID CASE	1				0.08	0.176
030	TC030-23130	GEAR	1			20T	0	0
040	34070-22560	BEARING BALL	1				0.1	0.22
050	04611-00470	CIR CLIP INTERNAL	1				0.006	0.0132

RANGE GEAR SHAFT



TC030-027-10

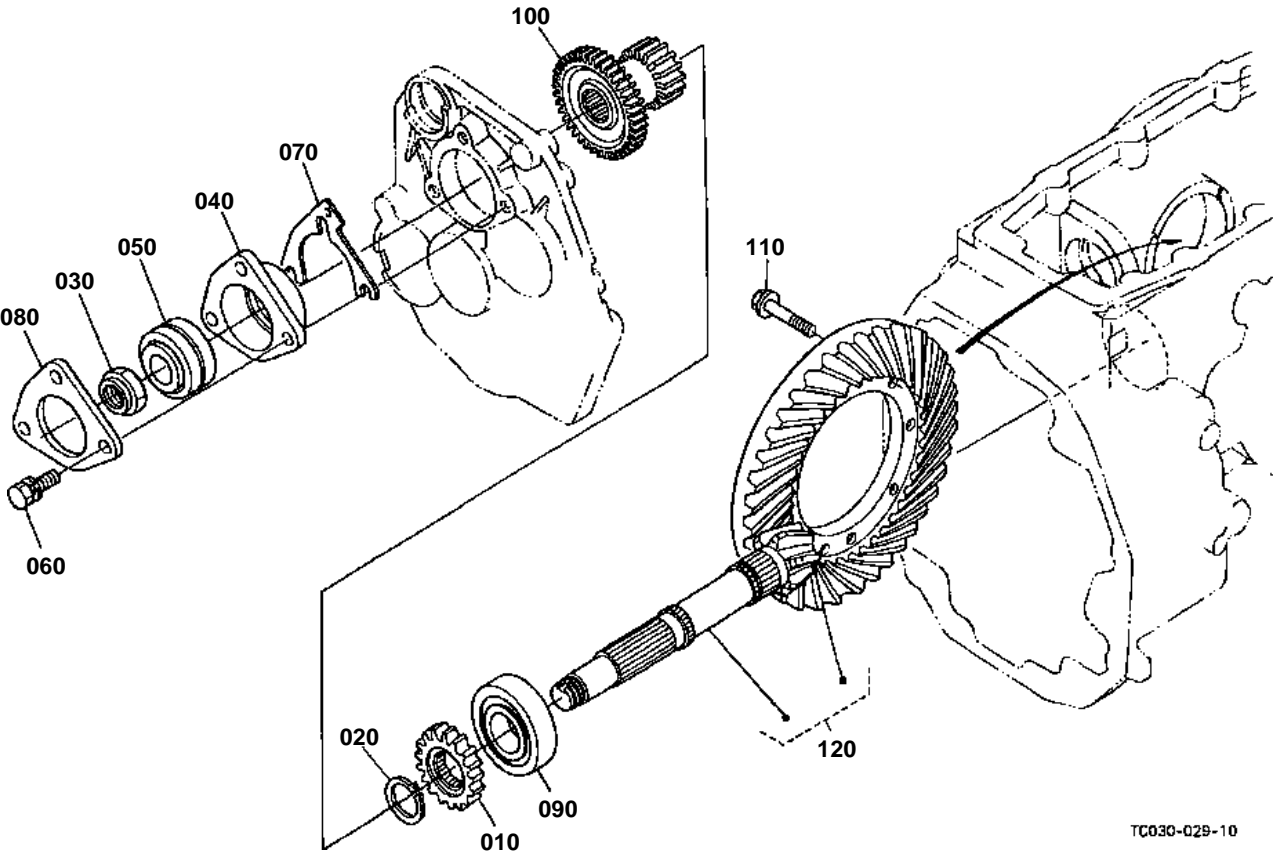


RANGE GEAR SHAFT

↔ Interchangeable; ≠ not interchangeable; ← new for old; → old for new

REF.No	Part No.	Description	Q'ty	S.No.	I/C	REMARKS	Weight (kgf)	Weight (lb)
010	TA040-22600	SHAFT RANGE GEAR	1				1.14	2.508
020	37150-21682	COUPLING	1				0.24	0.528
030	08101-06305	BEARING BALL	1				0.23	0.506
040	34076-62650	COLLAR THRUST	1				0.01	0.022
050	37150-21790	CIR-CLIP	1				0.001	0.0022
060	TC030-22610	GEAR	1			21T	0	0
070	TA040-22630	BEARING NEEDLE	1				0.02	0.044
080	TA040-22250	COUPLING	1				0.33	0.726
090	34076-62253	SHIFTER	1				0.235	0.517
100	37410-14540	CIR-CLIP	1				0.03	0.066
110	TA040-22620	GEAR	1			33T	1.36	2.992
120	TA040-22640	BEARING NEEDLE	1				0.05	0.11
130	38450-23230	COLLAR	1				0.024	0.0528
140	08101-06205	BEARING BALL	1				0.14	0.308

SPIRAL BEVEL PINION



TC030-029-10

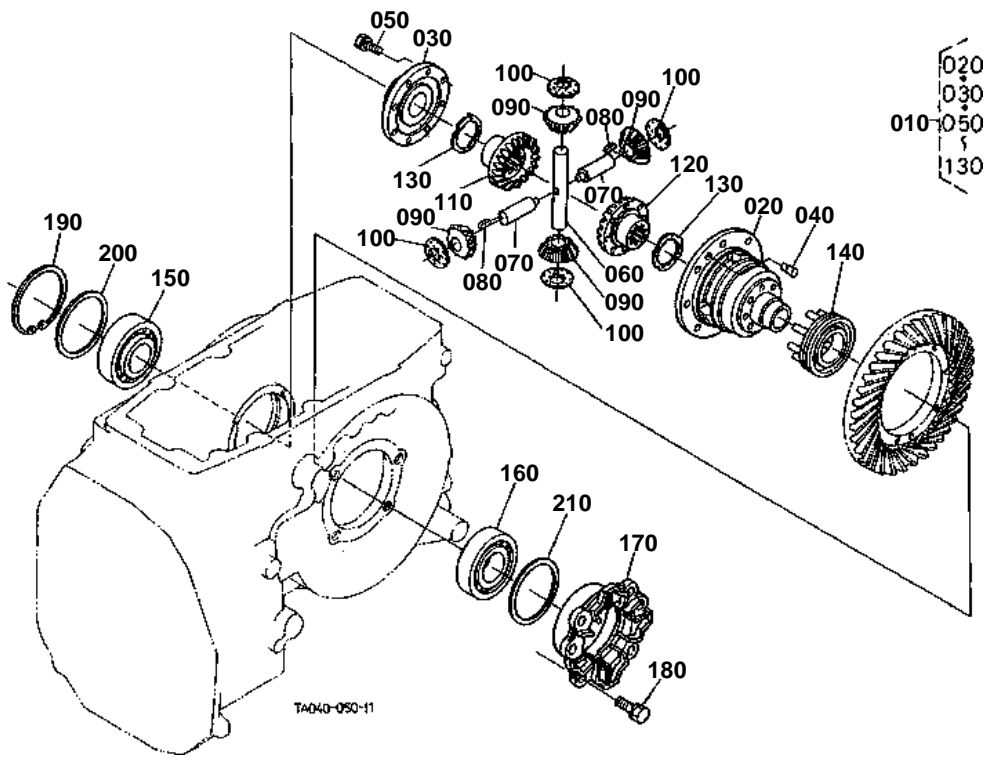


SPIRAL BEVEL PINION

↔ Interchangeable; ≠ not interchangeable; ← new for old; → old for new

REF.No	Part No.	Description	Q'ty	S.No.	I/C	REMARKS	Weight (kgf)	Weight (lb)
010	TA040-15110	GEAR 4WD	1			17T	0.22	0.484
020	04612-00350	CIR CLIP EXTERNAL	1				0.01	0.022
030	35260-23252	NUT	1				0.04	0.088
040	34070-22772	CASE	1				0	0
050	38240-22140	BEARING TAPER-ROLLER	1				0.56	1.232
060	01133-51040	BOLT	3				0.03	0.066
070	34070-22860	SHIM	2			0.5mm	0.015	0.033
070	34070-22870	SHIM	4			0.2mm	0.004	0.0088
070	34070-22880	SHIM	2			0.1mm	0.005	0.011
080	34070-22780	COVER BEARING	1				0.21	0.462
090	34070-22740	BEARING ROLLER	1				0.51	1.122
100	TC030-21710	GEAR	1			39-16T	0	0
110	37800-43870	BOLT	8				0.026	0.0572
120	TA040-99340	ASSY GEAR BEVEL	1			6-37T	6.1	13.42

REAR DIFFERENTIAL

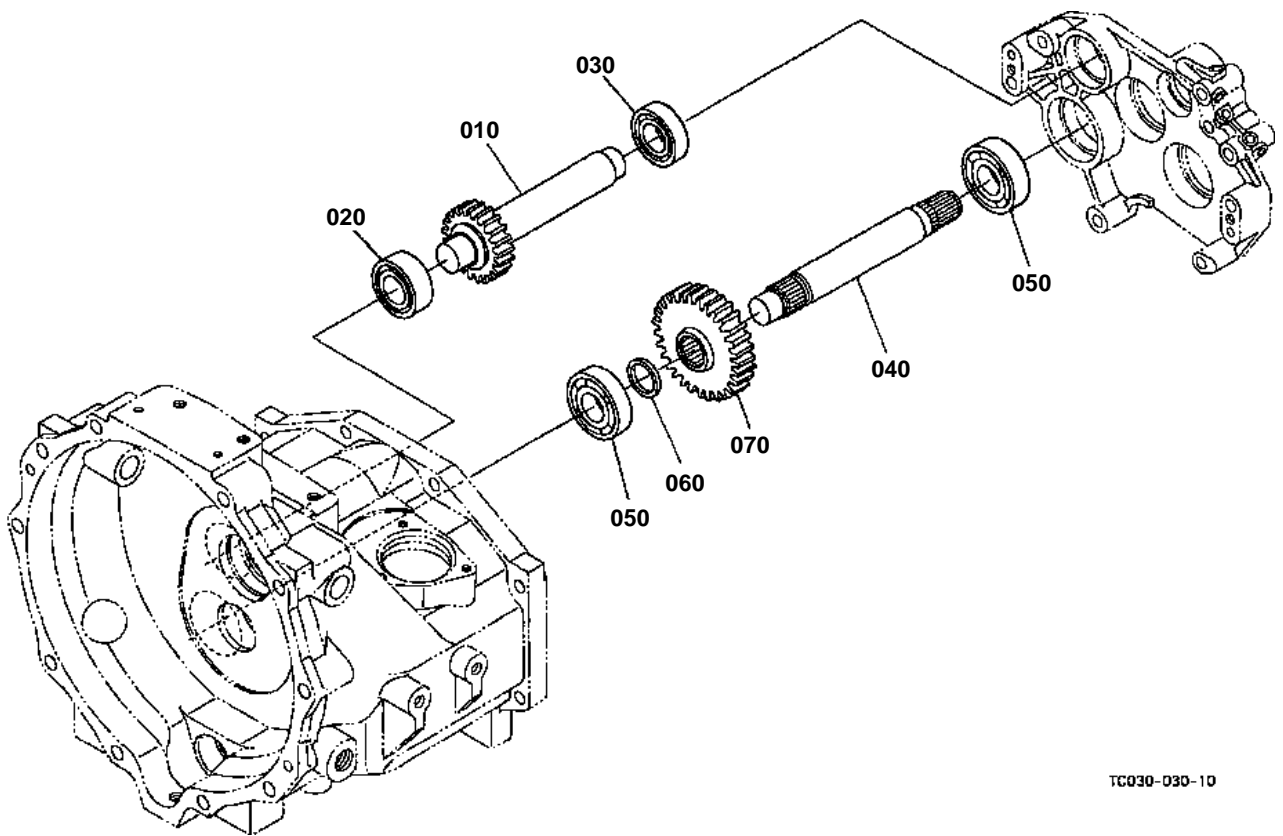


**REAR DIFFERENTIAL**

↔ Interchangeable; ≠ not interchangeable; ← new for old; → old for new

REF.No	Part No.	Description	Q'ty	S.No.	I/C	REMARKS	Weight (kgf)	Weight (lb)
010	3A011-32204	ASSY DIFFERENTIAL	1				6.2	13.64
020	3A011-32710	CASE DIFFERENTIAL	1				3.35	7.37
030	3A011-32044	COVER DIFF.CASE	1				0.795	1.749
040	37300-28170	PIN STRAIGHT	2				0.025	0.055
050	01133-51025	BOLT	8				0.023	0.0506
060	35430-26340	SHAFT DIFF.PINION	1				0.31	0.682
070	35430-26330	SHAFT DIFF.PINION	2				0.136	0.2992
080	31220-26280	KEY FEATHER	2				0.005	0.011
090	35430-26350	PINION DIFF.	4				0.16	0.352
100	31351-26390	WASHER DIFF.PINION	4				0.012	0.0264
110	37300-26430	GEAR DIFF.SIDE RH	1				0.475	1.045
120	37300-26440	GEAR DIFF.SIDE LH	1				0.63	1.386
130	31351-26470	WASHER SIDE GEAR	2			1.5mm	0.01	0.022
130	31351-26480	WASHER SIDE GEAR	2			1.6mm	0.015	0.033
130	31351-26490	WASHER SIDE GEAR	2			1.7mm	0.016	0.0352
130	3A011-32760	COLLAR THRUST	2			1.8mm	0.01	0.022
130	3A011-32780	COLLAR THRUST	2			2.0mm	0.01	0.022
140	31351-26610	SHIFTER DIFF.LOCK	1				0.43	0.946
150	08711-32011	BEARING TAPER-ROLLER	1				0.538	1.1836
160	08711-30209	BEARING TAPER-ROLLER	1				0.458	1.0076
170	34070-28360	SUPPORT DIFF.	1				0.405	0.891
180	01133-51025	BOLT	4				0.023	0.0506
190	04611-00900	CIR CLIP INTERNAL	1				0.031	0.0682
200	37410-16810	SHIM DIFFERENTIAL	1			0.4mm	0.01	0.022
200	37410-16820	SHIM DIFFERENTIAL	1			0.5mm	0.01	0.022
200	37410-16830	SHIM DIFFERENTIAL	1			0.6mm	0.01	0.022
200	37410-16840	SHIM DIFFERENTIAL	1			0.7mm	0.01	0.022
200	37410-16850	SHIM DIFFERENTIAL	1			0.8mm	0.008	0.0176
200	37410-16860	SHIM DIFFERENTIAL	1			0.9mm	0.009	0.0198
200	37410-16870	SHIM DIFFERENTIAL	1			1.0mm	0.01	0.022
200	37410-16880	SHIM DIFFERENTIAL	1			1.2mm	0.011	0.0242
200	37410-16890	SHIM DIFFERENTIAL	1			1.4mm	0.015	0.033
210	34070-28210	SHIM	1			0.4mm	0.01	0.022
210	34070-28230	SHIM	1			0.6mm	0.015	0.033
210	34070-28250	SHIM	1			0.8mm	0.015	0.033
210	34070-28270	SHIM	1			1.0mm	0.015	0.033
210	34070-28290	SHIM	1			1.2mm	0.02	0.044
210	34070-28310	SHIM	1			1.6mm	0.025	0.055

PTO COUNTERSHAFT



TC030-030-10

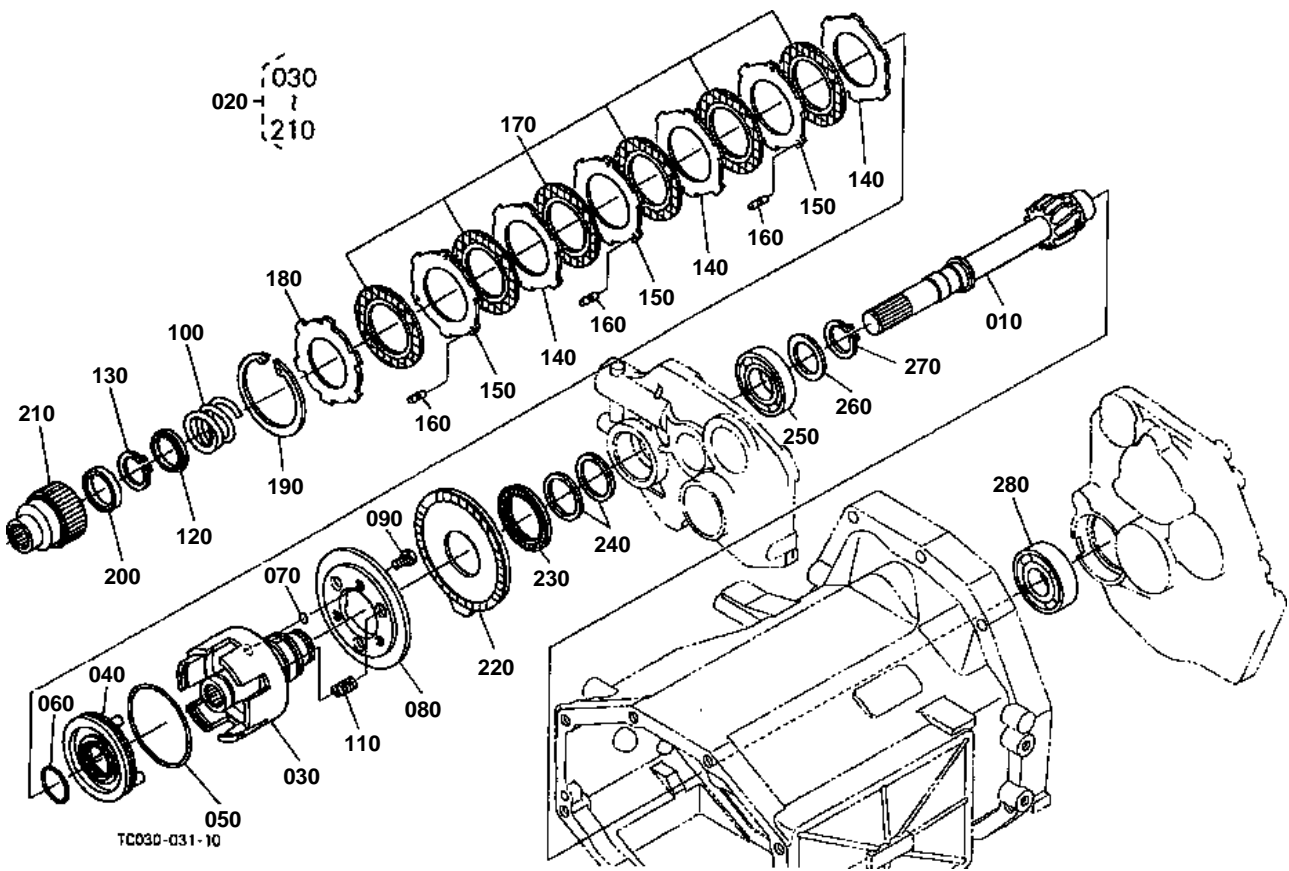


PTO COUNTERSHAFT

↔ Interchangeable; ≠ not interchangeable; ← new for old; → old for new

REF.No	Part No.	Description	Q'ty	S.No.	I/C	REMARKS	Weight (kgf)	Weight (lb)
010	TC030-23200	GEAR-SHAFT I-PTO	1			21T	0	0
020	33740-31180	BEARING ROLLER	1				0.22	0.484
030	08101-06205	BEARING BALL	1				0.14	0.308
040	TC030-23150	COUNTERSHAFT I-PTO	1				0	0
050	08101-06305	BEARING BALL	2				0.23	0.506
060	TC030-23230	COLLAR	1				0	0
070	TA040-23160	GEAR I-PTO	1			33T	0.915	2.013

PTO CLUTCH



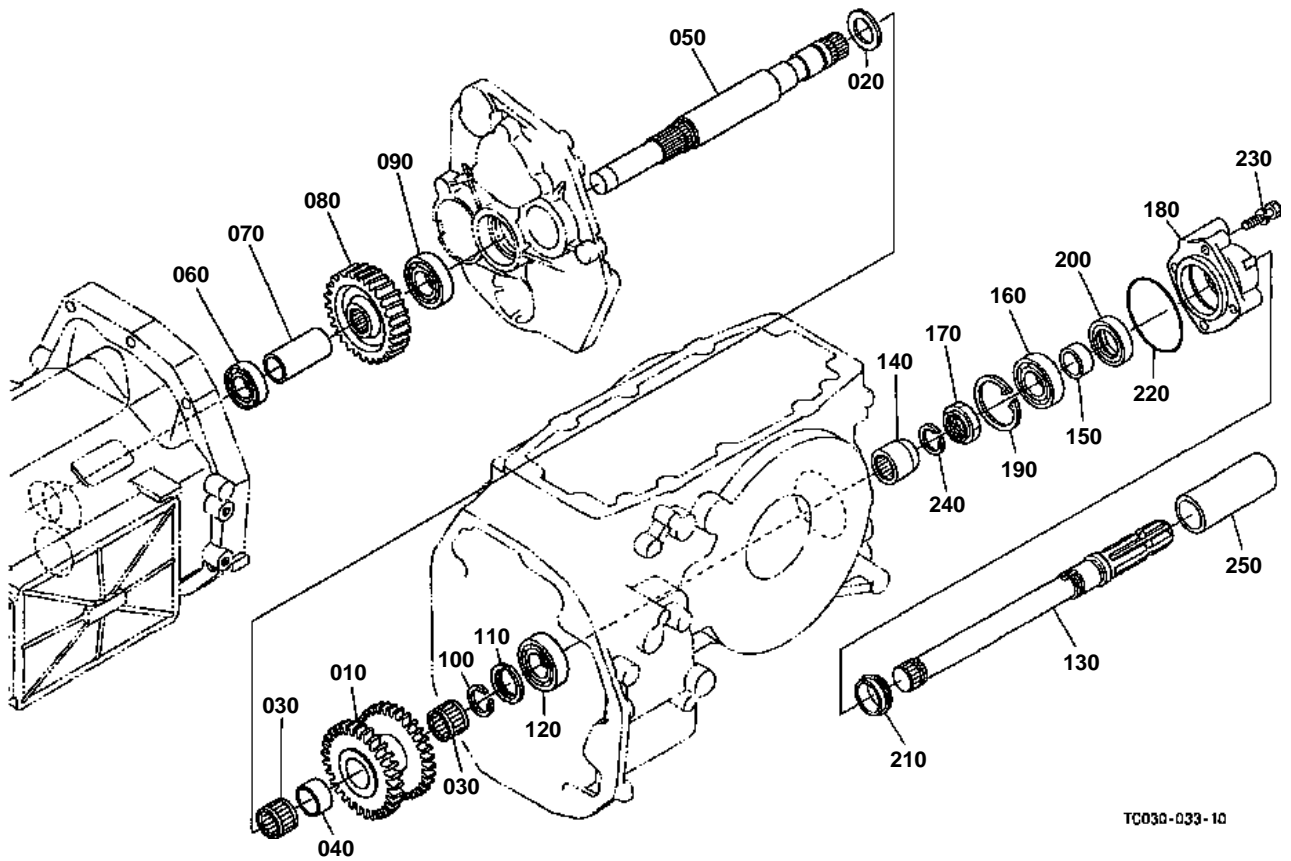


PTO CLUTCH

↔ Interchangeable; ≠ not interchangeable; ← new for old; → old for new

REF.No	Part No.	Description	Q'ty	S.No.	I/C	REMARKS	Weight (kgf)	Weight (lb)
010	TA040-23500	GEAR-SHAFT I-PTO	1			12T	1.48	3.256
020	TA040-69000	ASSY CLUTCH I-PTO	1				3.6	7.92
030	TA040-69012	CASE PTO CLUTCH	1				1.555	3.421
040	TA040-69020	PISTON	1				0.395	0.869
050	31501-72330	D RING OUTER	1				0.005	0.011
060	31501-72470	D RING INNER	1				0.001	0.0022
070	04811-00100	O RING	3				0.001	0.0022
080	TA040-69030	PLATE BRAKE	1				0.5	1.1
090	TA040-69040	BOLT	3				0.004	0.0088
100	TA040-69050	SPRING RETURN	1				0.075	0.165
110	TA040-69060	SPRING RETURN	3				0.008	0.0176
120	31501-72370	WASHER	1				0.018	0.0396
130	04612-00350	CIR CLIP EXTERNAL	1				0.01	0.022
140	TA040-69070	PLATE	3				0.036	0.0792
150	TA040-69080	PLATE	3				0.036	0.0792
160	TA040-69090	RUBBER	9				0.001	0.0022
170	34070-15250	DISK CLUTCH	6				0.04	0.088
180	TA040-69100	PLATE BACK	1				0.127	0.2794
190	04611-00920	CIR CLIP INTERNAL	1				0.04	0.088
200	08101-06807	BEARING BALL	1				0.03	0.066
210	TA040-69113	HUB CLUTCH	1				0.365	0.803
220	TA040-69150	DISK BRAKE	1				0.41	0.902
230	TA040-69160	BEARING NEEDLE	1				0.029	0.0638
240	31501-72403	RING SEAL	2				0.005	0.011
250	08101-06207	BEARING BALL	1				0.282	0.6204
260	69331-24330	COLLAR DISTANCE	1				0.012	0.0264
270	36740-41150	CIR CLIP EXTERNAL	1				0.01	0.022
280	36540-41130	BEARING BALL	1				0.34	0.748

PTO SHAFT



TC030-033-10

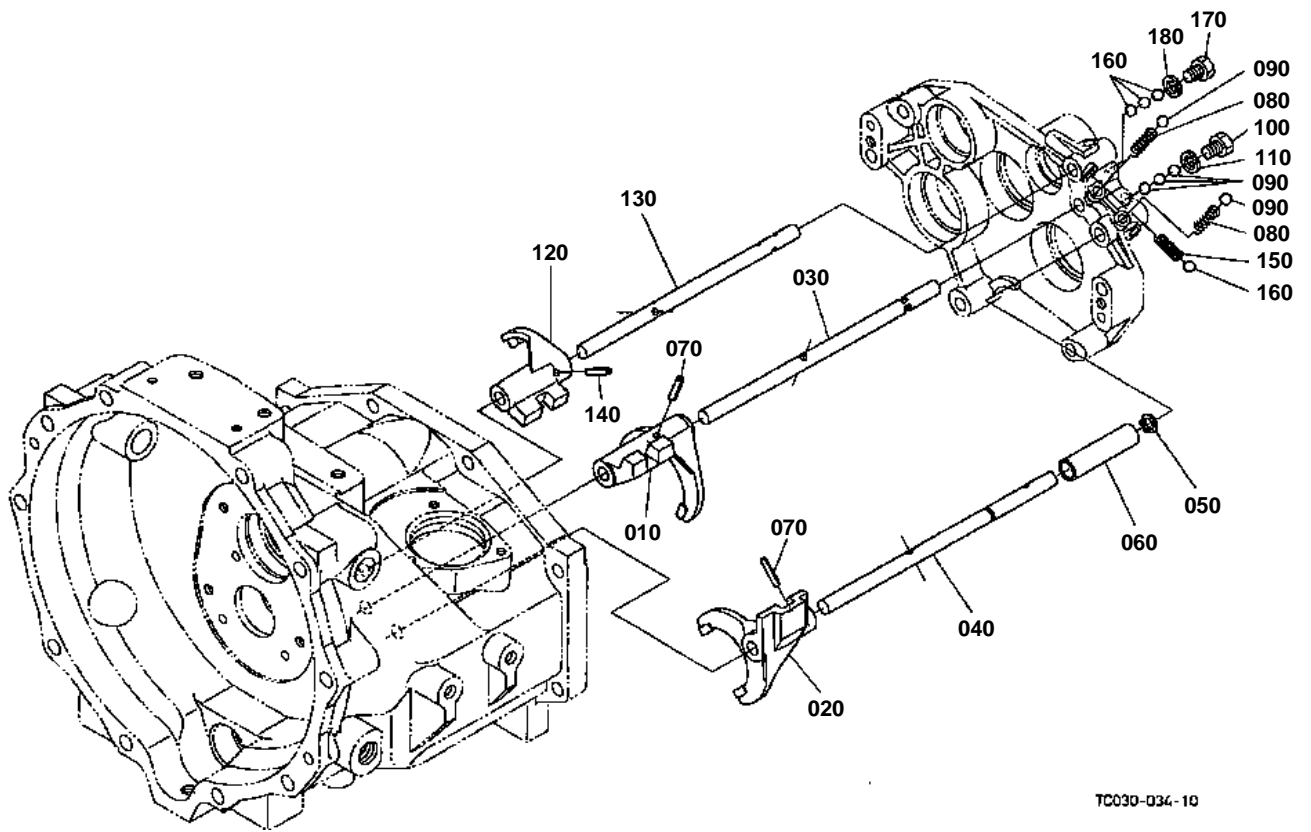


PTO SHAFT

↔ Interchangeable; ≠ not interchangeable; ← new for old; → old for new

REF.No	Part No.	Description	Q'ty	S.No.	I/C	REMARKS	Weight (kgf)	Weight (lb)
010	TA040-15120	GEAR	1			29-31T	1.75	3.85
020	38430-25233	COLLAR THRUST	1				0	0
030	08823-03526	BEARING NEEDLE	2				0.035	0.077
040	TA040-15130	COLLAR	1				0.022	0.0484
050	TC030-23600	SHAFT PTO DRIVE	1				0	0
060	37410-57190	BEARING BALL	1				0.14	0.308
070	TC030-23640	COLLAR PTO	1				0	0
080	TA040-23610	GEAR PTO	1			30T	1.43	3.146
090	76550-34140	BEARING BALL	1				0.21	0.462
100	37410-15280	CIR CLIP EXTERNAL	1				0.005	0.011
110	34550-23360	COLLAR THRUST	1				0.025	0.055
120	37410-57330	BEARING BALL	1				0.2	0.44
130	TA040-23700	SHAFT PTO	1				2.1	4.62
140	TA040-23660	COUPLING PTO	1				0.165	0.363
150	35340-25350	COLLAR OIL SEAL	1				0.03	0.066
160	38430-25330	BEARING BALL	1				0.23	0.506
170	35340-25320	NUT	1				0.05	0.11
180	31391-25410	CASE BEARING	1				1.28	2.816
190	04611-00650	CIR CLIP INTERNAL	1				0.011	0.0242
200	35340-25360	SEAL OIL	1				0.024	0.0528
210	38240-25370	SLINGER	1				0.004	0.0088
220	04811-50800	O RING	1				0.003	0.0066
230	01123-50840	BOLT	4				0.018	0.0396
240	38430-25540	CIR CLIP EXTERNAL	1				0.004	0.0088
250	31220-25820	CAP	1				0.055	0.121

MAIN GEAR SHIFT FORK



TC030-034-10

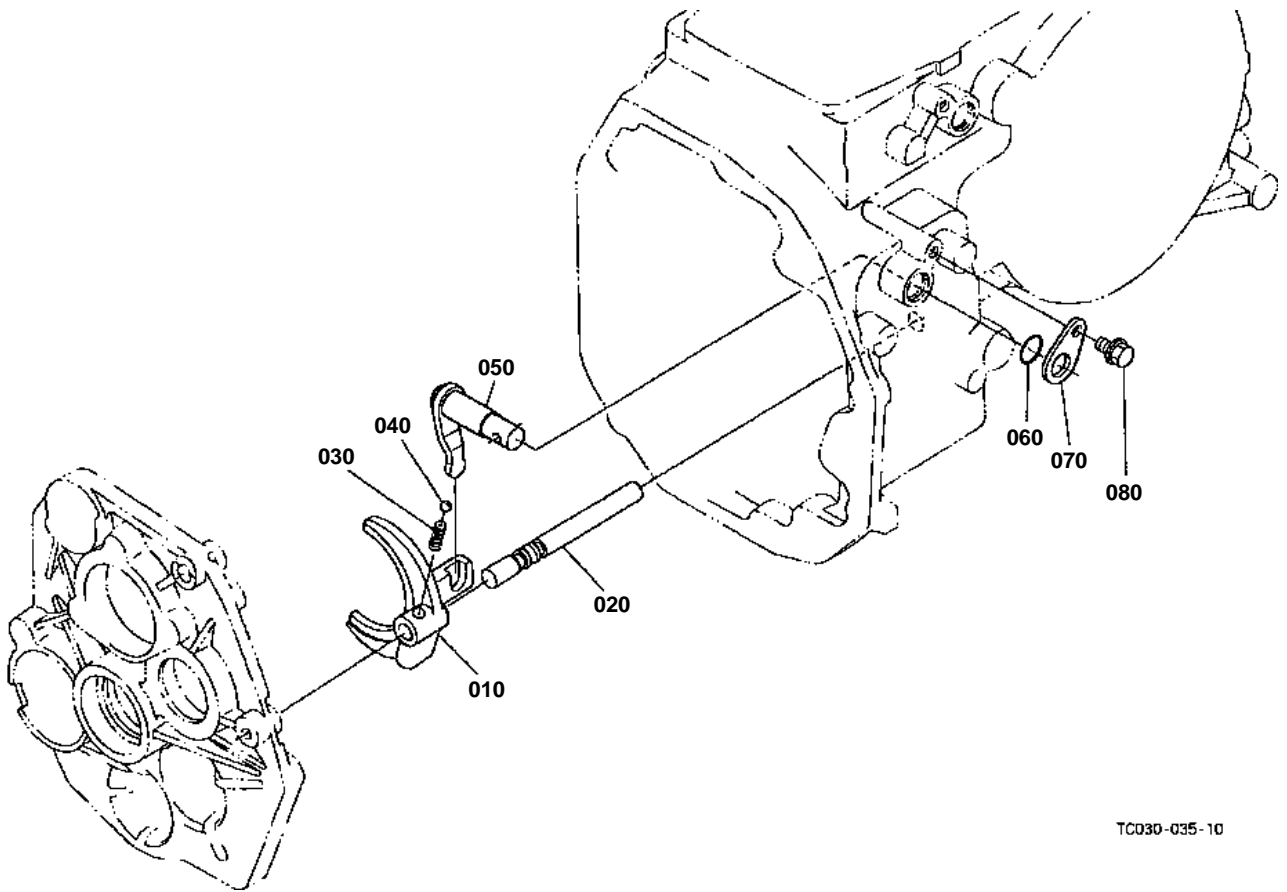


MAIN GEAR SHIFT FORK

↔ Interchangeable; ≠ not interchangeable; ← new for old; → old for new

REF.No	Part No.	Description	Q'ty	S.No.	I/C	REMARKS	Weight (kgf)	Weight (lb)
010	TC030-23513	FORK MAIN SHIFT	1				0	0
020	TC030-23523	FORK MAIN SHIFT	1				0	0
030	TC030-23540	ROD FORK	1				0	0
040	TC030-23550	ROD FORK	1				0.222	0.4884
050	04612-00120	CIR CLIP EXTERNAL	1				0.001	0.0022
060	TC030-23560	COLLAR	1				0	0
070	05411-00525	PIN SPRING	2				0.002	0.0044
080	62231-18530	SPRING	2				0.01	0.022
090	07715-01605	BALL	5				0.003	0.0066
100	34070-24190	BOLT	1				0.015	0.033
110	04512-60100	WASHER SPRING	1				0.002	0.0044
120	TC030-23534	FORK SHIFT	1				0	0
130	TC030-23570	ROD FORK	1				0.208	0.4576
140	05411-00525	PIN SPRING	1				0.002	0.0044
150	62231-18530	SPRING	1				0.01	0.022
160	07715-01605	BALL	4				0.003	0.0066
170	34070-24190	BOLT	1				0.015	0.033
180	04512-60100	WASHER SPRING	1				0.002	0.0044

RANGE GEAR SHIFT FORK



TC030-035-10

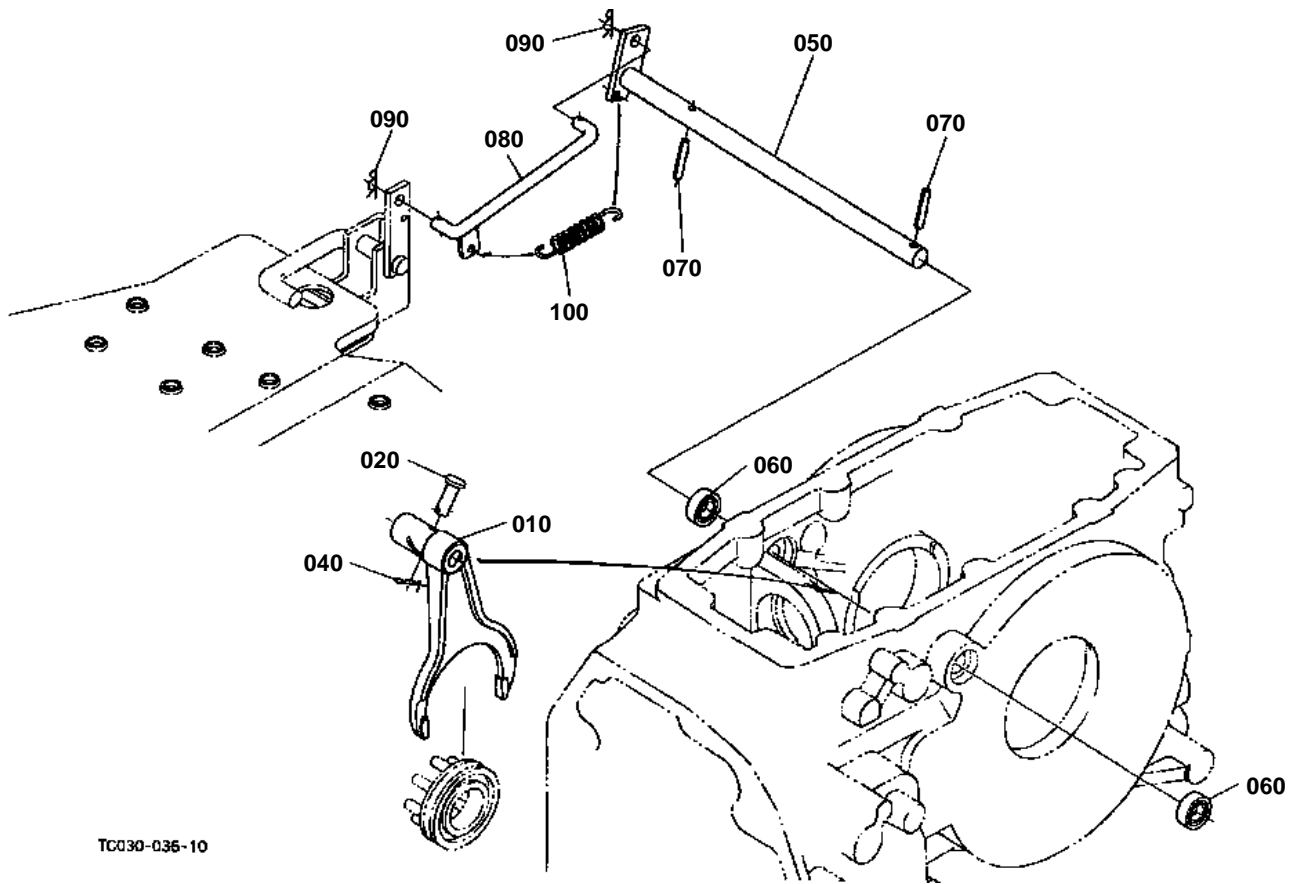


RANGE GEAR SHIFT FORK

↔ Interchangeable; ≠ not interchangeable; ← new for old; → old for new

REF.No	Part No.	Description	Q'ty	S.No.	I/C	REMARKS	Weight (kgf)	Weight (lb)
010	TA040-24400	FORK RANGE SHIFT	1				0.37	0.814
020	TA040-24410	ROD FORK	1				0.175	0.385
030	62231-18530	SPRING	1				0.01	0.022
040	07715-01605	BALL	1				0.003	0.0066
050	TA040-24422	ARM RANGE SHIFT	1				0.21	0.462
060	04811-00200	O RING	1				0.001	0.0022
070	34070-24350	STOPPER	1				0.02	0.044
080	01754-50812	BOLT FLANGE	1				0.01	0.022

DIFFERENTIAL LOCK SHIFT FORK



TC030-036-10

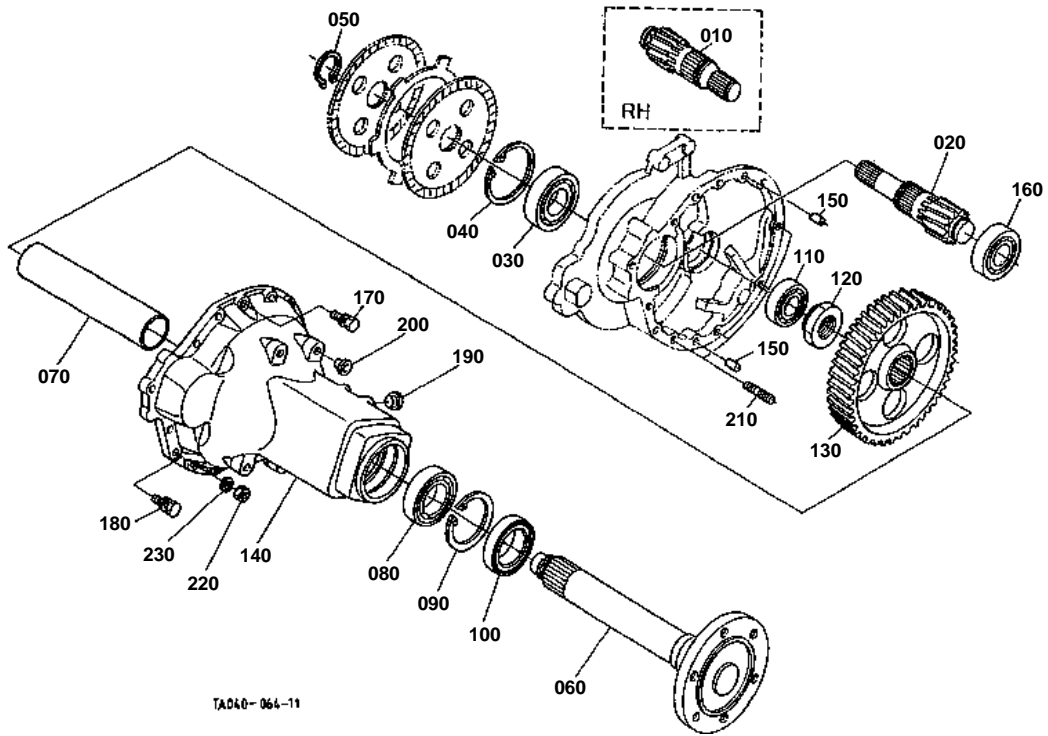


DIFFERENTIAL LOCK SHIFT FORK

↔ Interchangeable; ≠ not interchangeable; ← new for old; → old for new

REF.No	Part No.	Description	Q'ty	S.No.	I/C	REMARKS	Weight (kgf)	Weight (lb)
010	31351-26630	FORK DIFF.LOCK SHIFT	1				0.465	1.023
020	31351-26620	PIN JOINT	1				0.008	0.0176
040	50080-34110	PIN SNAP	1				0.001	0.0022
050	34070-28402	SHAFT FORK	1				0.545	1.199
060	09500-16287	SEAL OIL	2				0.01	0.022
070	05411-00635	PIN SPRING	2				0.005	0.011
080	T0070-28414	ROD DIFF.LOCK	1				0.08	0.176
090	05515-60800	PIN SNAP	2				0.002	0.0044
100	37150-15840	SPRING	1				0.06	0.132

REAR AXLE



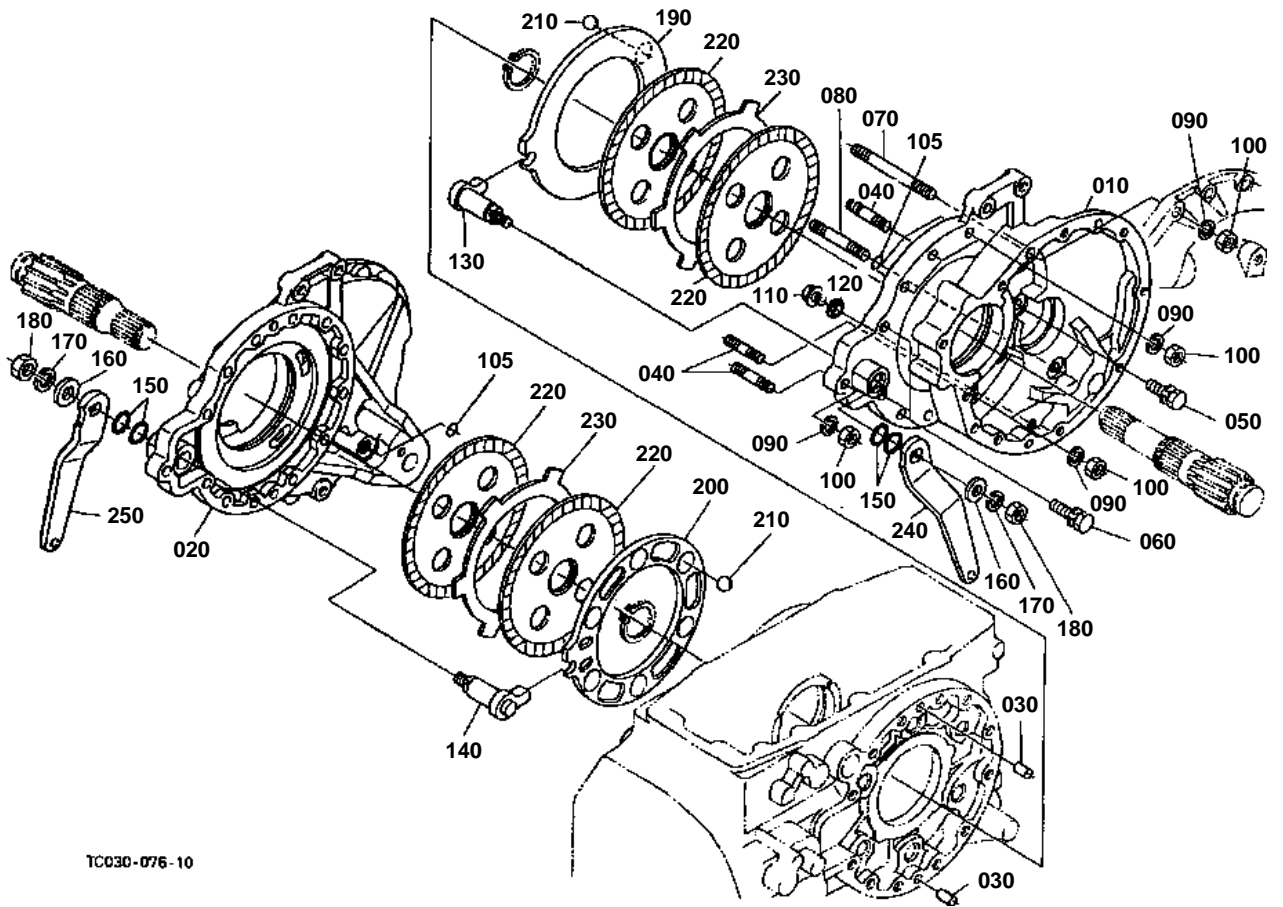


REAR AXLE

↔ Interchangeable; ≠ not interchangeable; ← new for old; → old for new

REF.No	Part No.	Description	Q'ty	S.No.	I/C	REMARKS	Weight (kgf)	Weight (lb)
010	TA040-26710	SHAFT DIFF.GEAR RH	1			11T	2	4.4
020	TA040-26720	SHAFT DIFF.GEAR LH	1			11T	2.2	4.84
030	08101-06309	BEARING BALL	2				0.82	1.804
040	04611-01000	CIR CLIP INTERNAL	2				0.042	0.0924
050	04612-00450	CIR CLIP EXTERNAL	2				0.007	0.0154
060	32430-27115	AXLE REAR	2				11	24.2
070	32430-27144	SPACER	2				1.7	3.74
080	08101-06210	BEARING BALL	2				0.45	0.99
090	04611-00900	CIR CLIP INTERNAL	2				0.031	0.0682
100	31359-44510	SEAL OIL	2				0.18	0.396
110	TA140-25000	BEARING BALL	2				0.342	0.7524
120	70631-15730	NUT	2				0.15	0.33
130	32440-26830	GEAR	2			60T	6.6	14.52
140	32440-27334	CASE REAR AXLE	2				19	41.8
150	37150-27370	PIN STRAIGHT	4				0.009	0.0198
160	08100-00026	BEARING BALL	2				0.495	1.089
170	01133-51035	BOLT	10				0.03	0.066
180	01133-51240	BOLT	2				0.05	0.11
190	31220-14290	PLUG	12				0.002	0.0044
200	32210-27580	PLUG	8				0.001	0.0022
210	34070-20313	STUD	8				0.045	0.099
220	37300-14190	NUT	8				0.009	0.0198
230	04512-60100	WASHER SPRING	8				0.002	0.0044

BRAKE



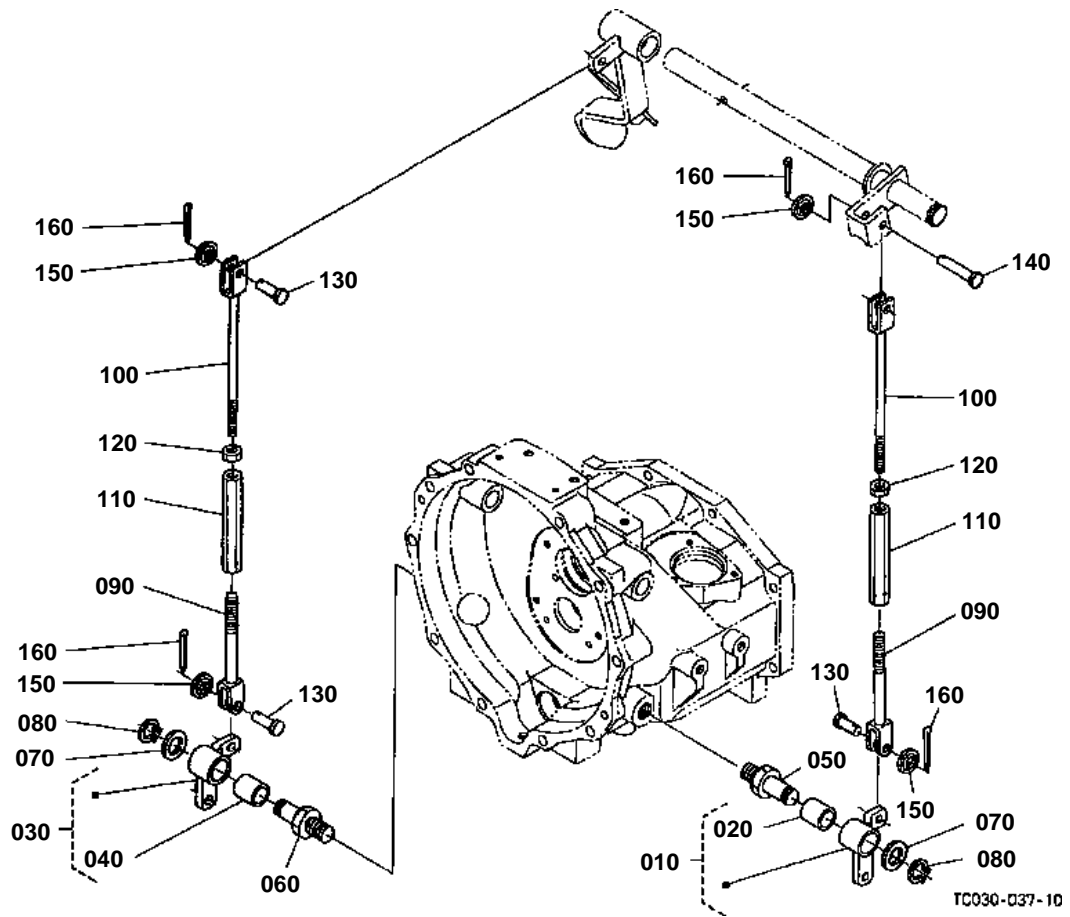
TCC30-076-10

**BRAKE**

↔ Interchangeable; ≠ not interchangeable; ← new for old; → old for new

REF.No	Part No.	Description	Q'ty	S.No.	I/C	REMARKS	Weight (kgf)	Weight (lb)
010	TA040-28617	CASE BRAKE LH	1				14.6	32.12
020	TA040-28627	CASE BRAKE RH	1				14.6	32.12
030	05012-01018	PIN STRAIGHT	4				0.012	0.0264
040	01574-61240	STUD	16				0.045	0.099
050	01133-51235	BOLT	2				0.05	0.11
060	01133-51245	BOLT	6				0.055	0.121
070	01574-51200	STUD	2				0.1	0.22
080	01574-61260	STUD	2				0.05	0.11
090	04512-60120	WASHER SPRING	20				0.005	0.011
100	02176-50120	NUT	20				0.01	0.022
105	04811-10120	O RING	2				0.001	0.0022
110	06331-45010	PLUG	2				0.02	0.044
120	04717-01000	WASHER WITH RUBBER	2				0.001	0.0022
130	34070-28715	CAM BRAKE LH	1				0.285	0.627
140	34070-28725	CAM BRAKE RH	1				0.285	0.627
150	04811-00220	O RING	4				0.001	0.0022
160	04015-60120	WASHER PLAIN	2				0.022	0.0484
170	04512-60120	WASHER SPRING	2				0.005	0.011
180	02174-50120	NUT	2				0.01	0.022
190	34070-28770	PLATE BRAKE CAM LH	1				1.11	2.442
200	34070-28780	PLATE BRAKE CAM RH	1				1.09	2.398
210	07715-00805	BALL	12				0.016	0.0352
220	T1060-28200	DISK BRAKE MAIN	4				0.75	1.65
230	37720-28170	PLATE	2				0.422	0.9284
240	34070-44615	LEVER BRAKE CAM LH	1				0.41	0.902
250	34070-44623	LEVER BRAKE CAM RH	1				0.41	0.902

BRAKE ROD 1

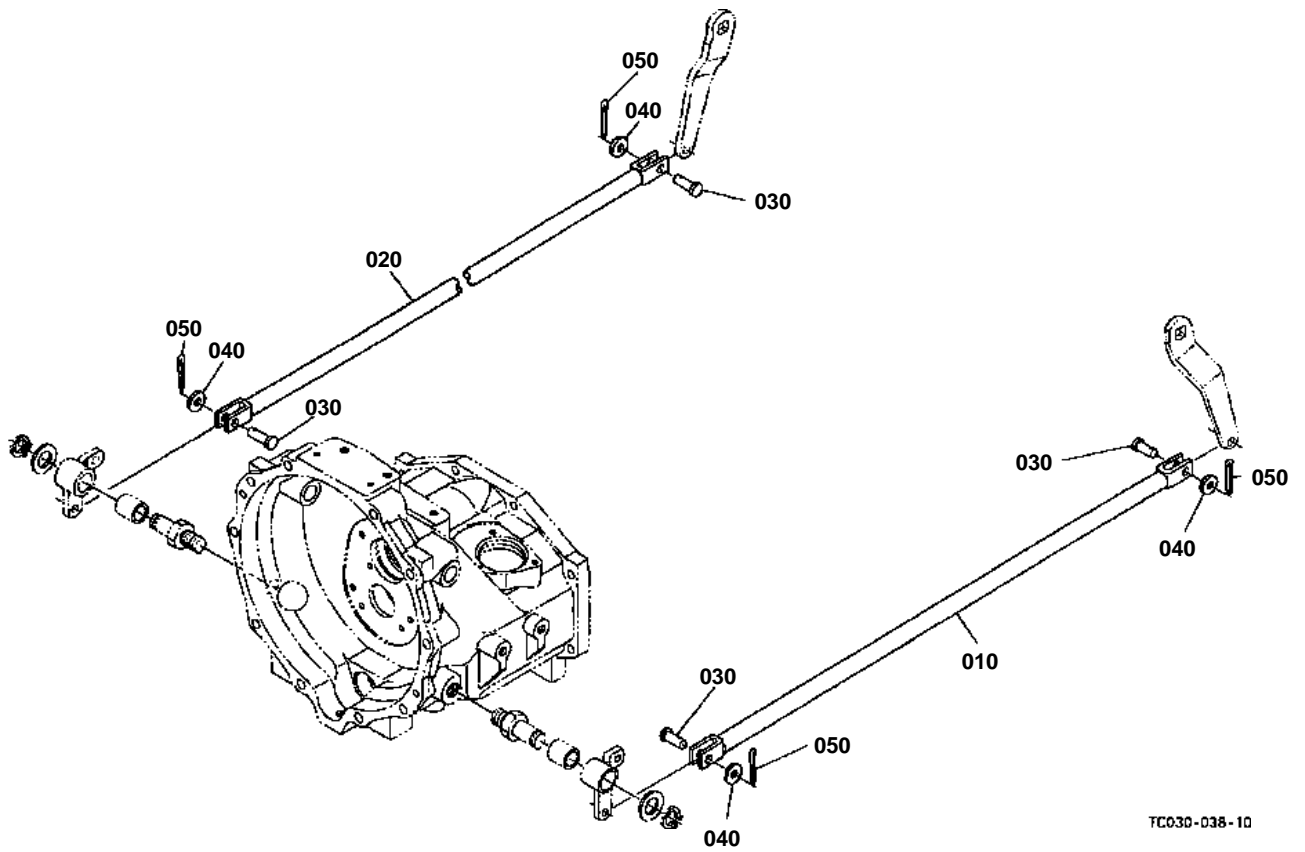


**BRAKE ROD 1**

↔ Interchangeable; ≠ not interchangeable; ← new for old; → old for new

REF.No	Part No.	Description	Q'ty	S.No.	I/C	REMARKS	Weight (kgf)	Weight (lb)
010	TC030-44810	ASSY LEVER BRAKE LH	1				0	0
020	34070-44890	BUSH	1				0.035	0.077
030	34070-44910	ASSY LEVER BRAKE RH	1				0	0
040	34070-44890	BUSH	1				0.035	0.077
050	34070-44870	SHAFT BRAKE LH	1				0.225	0.495
060	34070-44880	SHAFT BRAKE RH	1				0.22	0.484
070	04011-50200	WASHER PLAIN	2				0.015	0.033
080	04612-00200	CIR CLIP EXTERNAL	2				0.001	0.0022
090	34070-44840	ROD BRAKE LOWER	2				0.13	0.286
100	TC030-76200	ROD BRAKE UPPER	2				0	0
110	32350-28980	TURNBUCKLE	2				0.124	0.2728
120	02116-50100	NUT	2				0.004	0.0088
130	05122-61028	PIN JOINT	3				0.02	0.044
140	05122-61045	PIN JOINT	1				0.005	0.011
150	04717-01000	WASHER WITH RUBBER	4				0.001	0.0022
160	05511-50318	PIN SPLIT	4				0.001	0.0022

BRAKE ROD 2



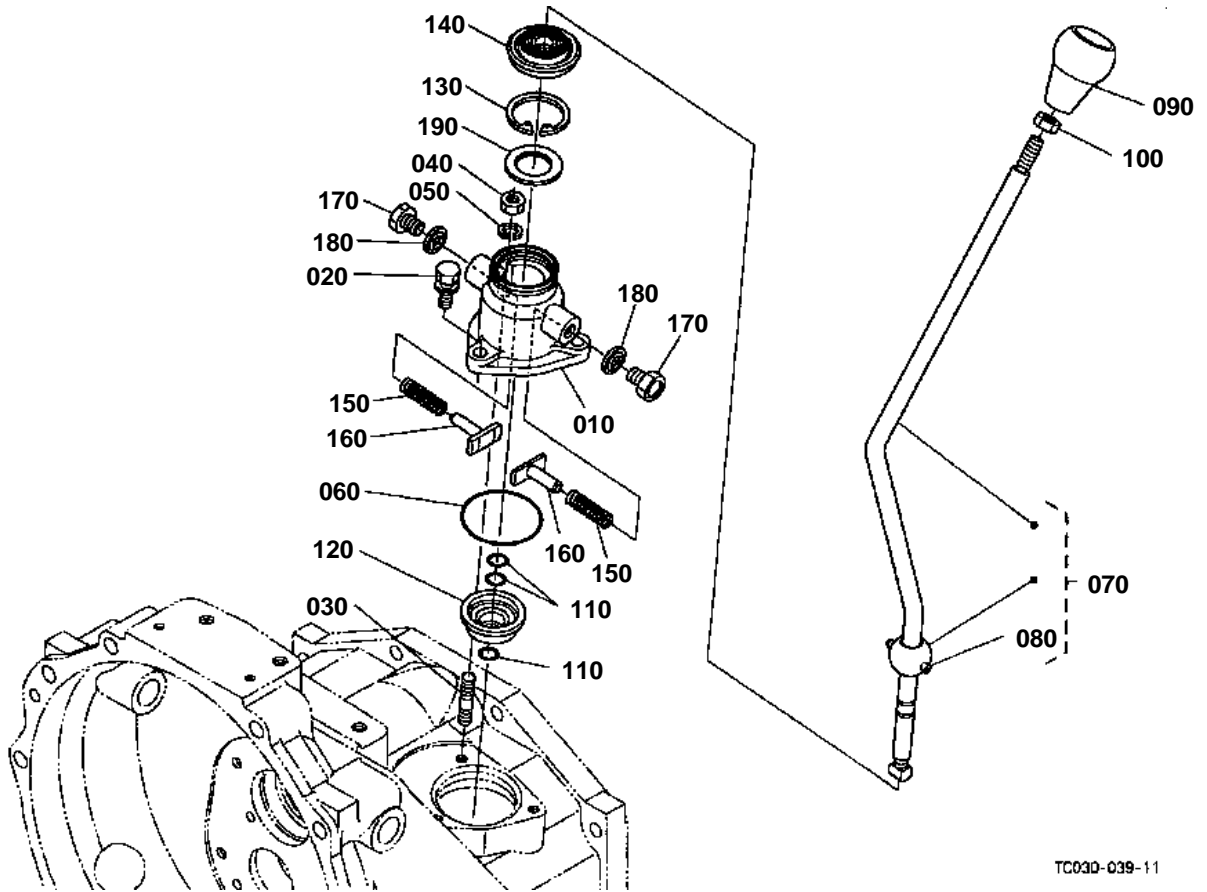
TC030-038-10

**BRAKE ROD 2**

↔ Interchangeable; ≠ not interchangeable; ← new for old; → old for new

REF.No	Part No.	Description	Q'ty	S.No.	I/C	REMARKS	Weight (kgf)	Weight (lb)
010	34030-44630	ROD BRAKE LH	1				1.125	2.475
020	34030-44640	ROD BRAKE RH	1				0.99	2.178
030	05122-61028	PIN JOINT	4				0.02	0.044
040	04013-60100	WASHER PLAIN	4				0.004	0.0088
050	05511-50318	PIN SPLIT	4				0.001	0.0022

MAIN GEAR SHIFT LEVER



TC030-039-11

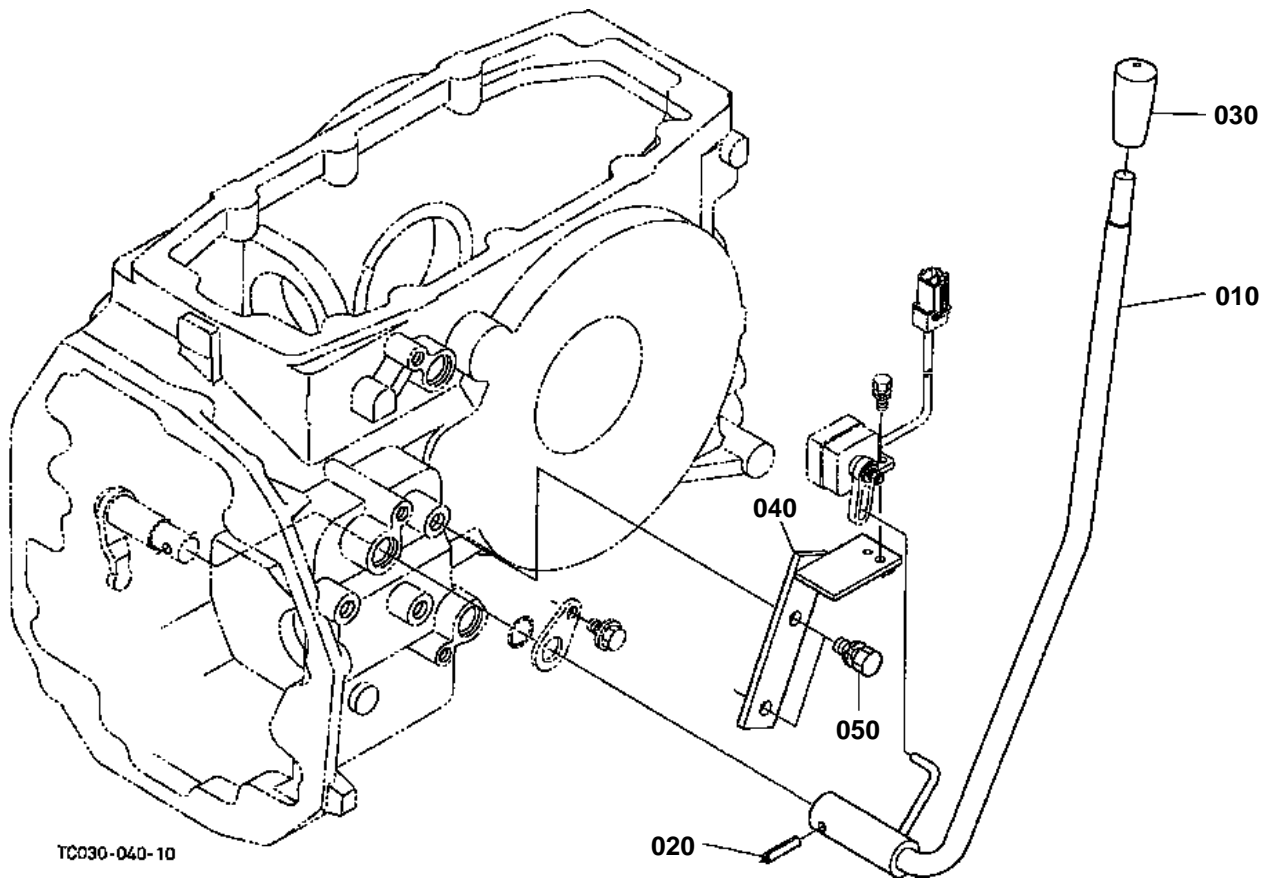


MAIN GEAR SHIFT LEVER

↔ Interchangeable; ≠ not interchangeable; ← new for old; → old for new

REF.No	Part No.	Description	Q'ty	S.No.	I/C	REMARKS	Weight (kgf)	Weight (lb)
010	TC030-23712	BASE MAIN SHIFT	1				0	0
020	01123-50822	BOLT	2				0.012	0.0264
030	01513-50822	STUD	1				0.01	0.022
040	02114-50080	NUT	1				0.005	0.011
050	04512-60100	WASHER SPRING	1				0.002	0.0044
060	04811-50600	O RING	1				0.002	0.0044
070	TC030-23810	LEVER MAIN SHIFT	1				0	0
080	05411-00640	PIN SPRING	1				0.006	0.0132
090	TC030-49850	GRIP MAIN SHIFT	1				0	0
100	02176-50100	NUT	1				0.005	0.011
110	04810-00120	O RING	3				0.001	0.0022
120	T0270-23870	SHIELD	1				0.018	0.0396
130	04611-00420	CIR CLIP INTERNAL	1				0.006	0.0132
140	T0270-24970	SHIELD	1				0.015	0.033
150	T0070-24760	SPRING PTO SHIFT	2				0.005	0.011
160	T0070-24810	POPPET PTO SHIFT	2				0.02	0.044
170	T0070-24820	PLUG PTO SHIFT	2				0.015	0.033
180	04717-01200	WASHER WITH RUBBER	2				0.002	0.0044
190	TC030-24780	COLLAR MAIN SHIFT	1				0	0

RANGE GEAR SHIFT LEVER



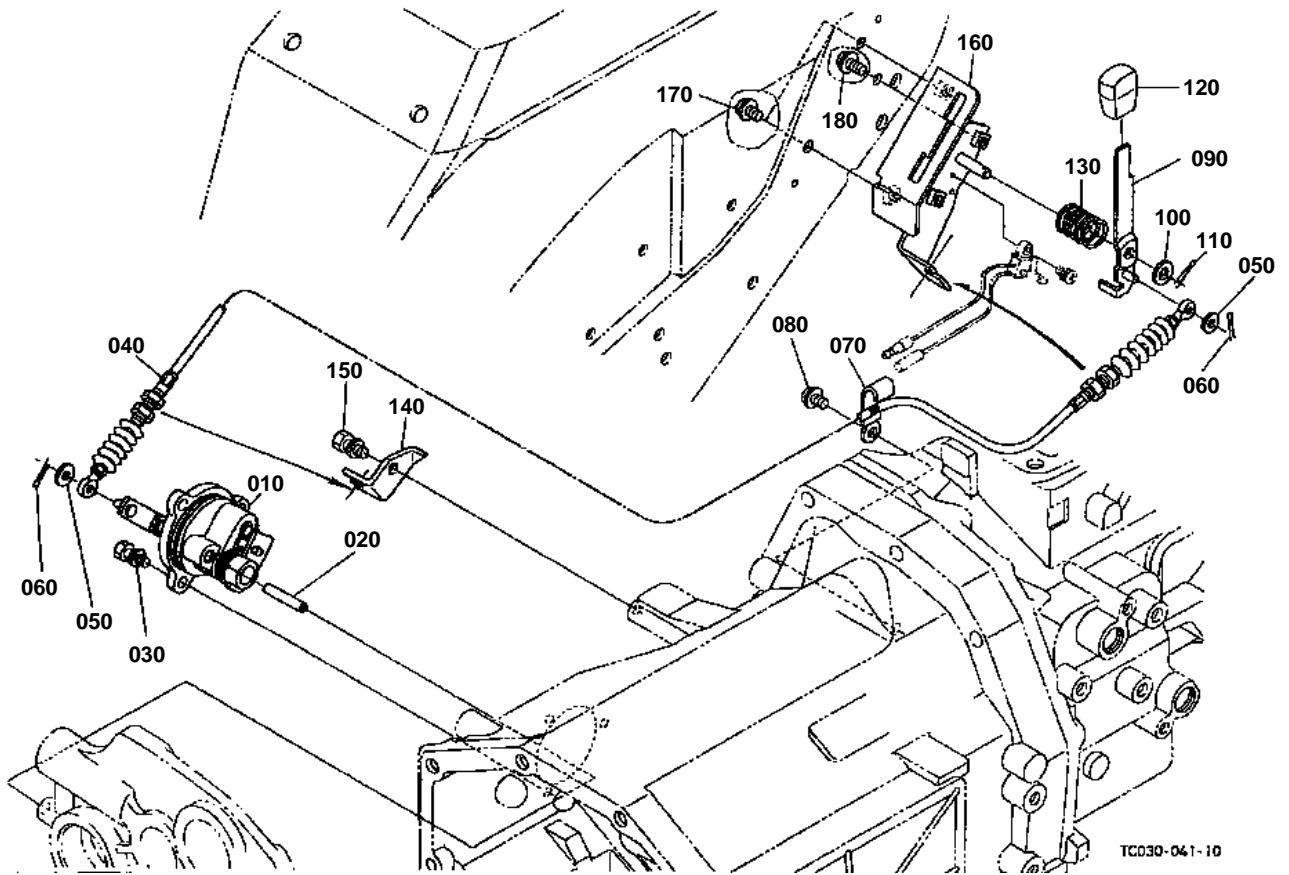


RANGE GEAR SHIFT LEVER

↔ Interchangeable; ≠ not interchangeable; ← new for old; → old for new

REF.No	Part No.	Description	Q'ty	S.No.	I/C	REMARKS	Weight (kgf)	Weight (lb)
010	TC030-24430	LEVER RANGE SHIFT	1				0	0
020	05411-00628	PIN SPRING	1				0.004	0.0088
030	TC020-24560	GRIP LEVER	1				0.016	0.0352
040	TC030-43570	STAY RANGE SWITCH	1				0	0
050	01133-51020	BOLT	1				0.02	0.044

PTO CLUTCH CONTROL LEVER



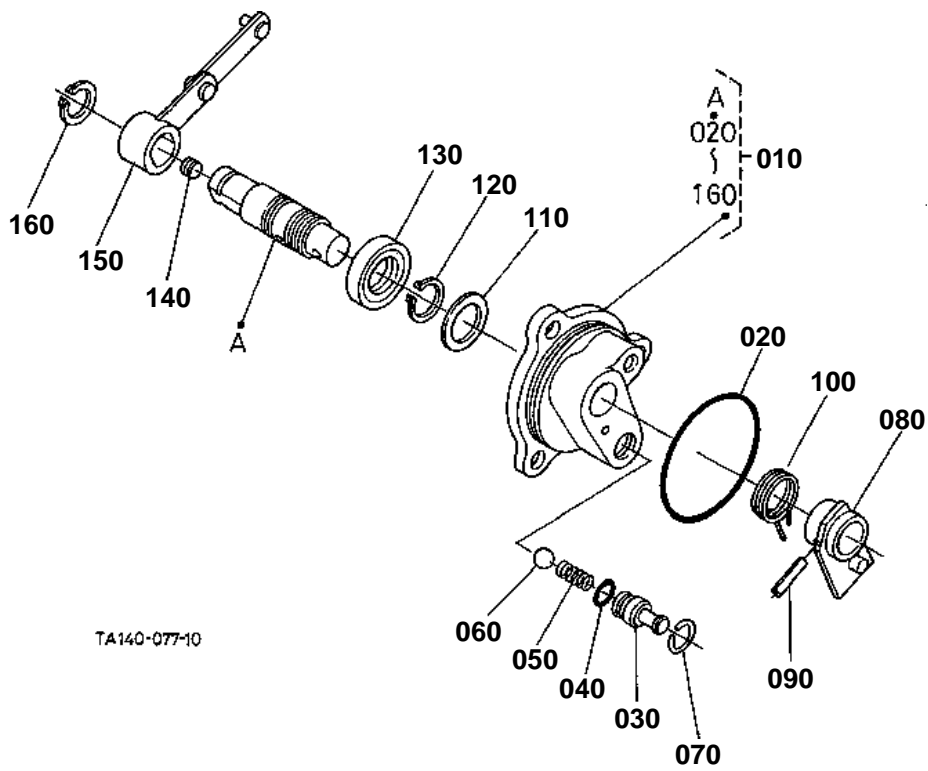


PTO CLUTCH CONTROL LEVER

↔ Interchangeable; ≠ not interchangeable; ← new for old; → old for new

REF.No	Part No.	Description	Q'ty	S.No.	I/C	REMARKS	Weight (kgf)	Weight (lb)
010	TA040-69300	ASSY VALVE I-PTO	1			REFER TO L.No.E09-L FOR COMPONENTS.	0.955	2.101
020	36530-27273	PIPE HYDRAULIC	1				0.005	0.011
030	01123-50820	BOLT	3				0.011	0.0242
040	TC030-24653	WIRE PTO	1				0	0
050	04012-50060	WASHER PLAIN	2				0.001	0.0022
060	05511-51612	PIN SPLIT	2				0.001	0.0022
070	13816-67580	CLAMP CORD	1				0.004	0.0088
080	01754-50812	BOLT FLANGE	1				0.01	0.022
090	TA040-69710	LEVER I-PTO	1				0.053	0.1166
100	04013-60080	WASHER PLAIN	1				0.002	0.0044
110	05511-50215	PIN SPLIT	1				0.001	0.0022
120	36919-27820	GRIP PTO LEVER	1				0.015	0.033
130	33251-29630	SPRING	1				0.013	0.0286
140	TA040-69600	STAY WIRE	1				0.046	0.1012
150	01123-60814	BOLT	1				0.008	0.0176
160	TC030-47612	GUIDE PTO LEVER	1				0	0
170	01754-50812	BOLT FLANGE	2				0.01	0.022
180	01754-50816	BOLT FLANGE	1				0.011	0.0242

PTO CLUTCH VALVE [COMPONENT PARTS]



TA140-077-10

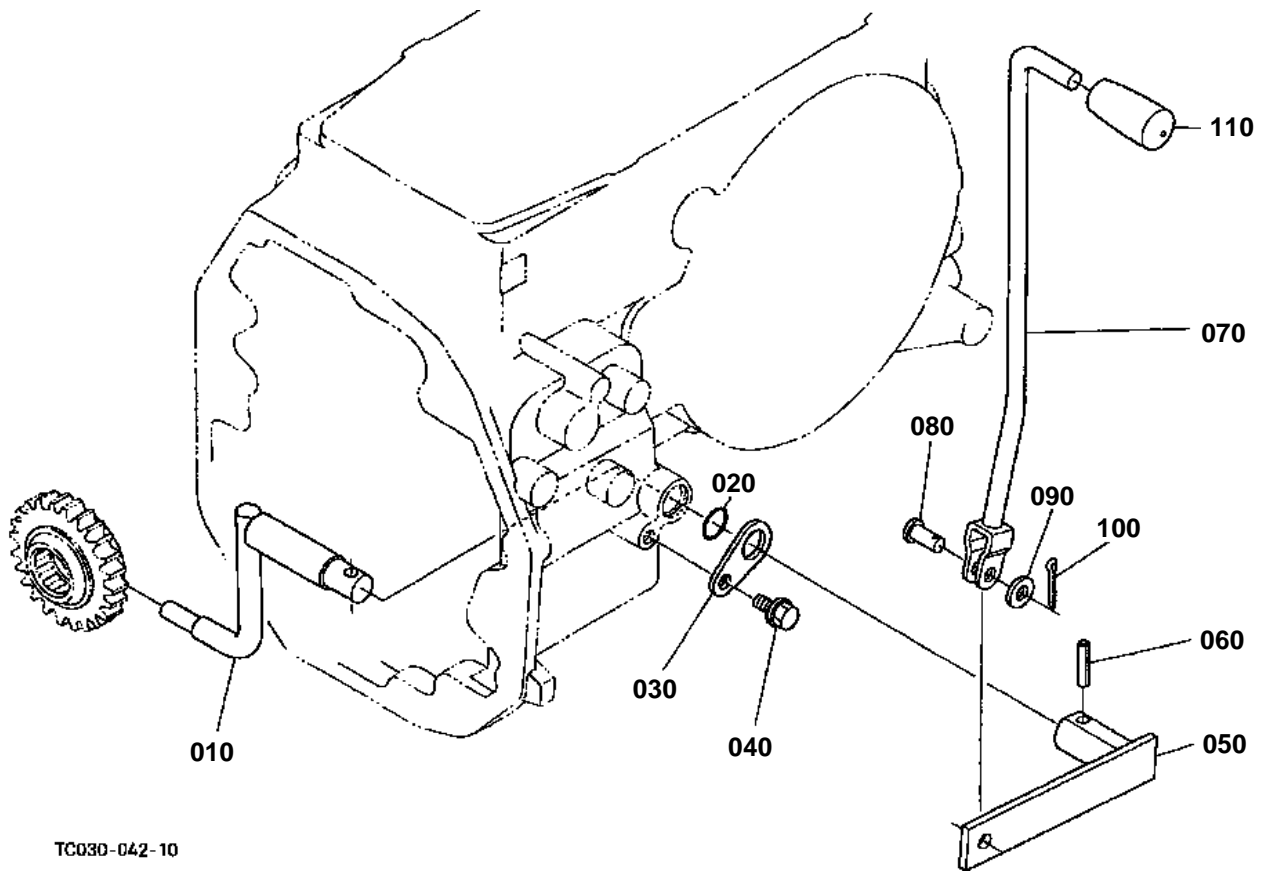


PTO CLUTCH VALVE [COMPONENT PARTS]

↔ Interchangeable; ≠ not interchangeable; ← new for old; → old for new

REF.No	Part No.	Description	Q'ty	S.No.	I/C	REMARKS	Weight (kgf)	Weight (lb)
010	TA040-69300	ASSY VALVE I-PTO	1				0.955	2.101
020	04811-06630	O RING	1				0.001	0.0022
030	TA040-69320	PLUG	1				0.006	0.0132
040	04811-00090	O RING	1				0.001	0.0022
050	TA040-69330	SPRING	1				0.001	0.0022
060	07715-03209	BALL	1				0.002	0.0044
070	67401-03690	RING	1				0.001	0.0022
080	TA040-69340	LEVER VALVE ROTOR	1				0.057	0.1254
090	05411-00522	PIN SPRING	1				0.002	0.0044
100	TA040-69360	SPRING	1				0.014	0.0308
110	50770-12180	COLLAR THRUST	1				0.003	0.0066
120	04612-00200	CIR CLIP EXTERNAL	1				0.001	0.0022
130	09500-20358	SEAL OIL	1				0.01	0.022
140	67511-36640	PLUG	1				0.003	0.0066
150	TA040-69370	LEVER VALVE	1				0.075	0.165
160	04612-00180	CIR CLIP EXTERNAL	1				0.001	0.0022

FRONT WHEEL DRIVE LEVER



TC030-042-10

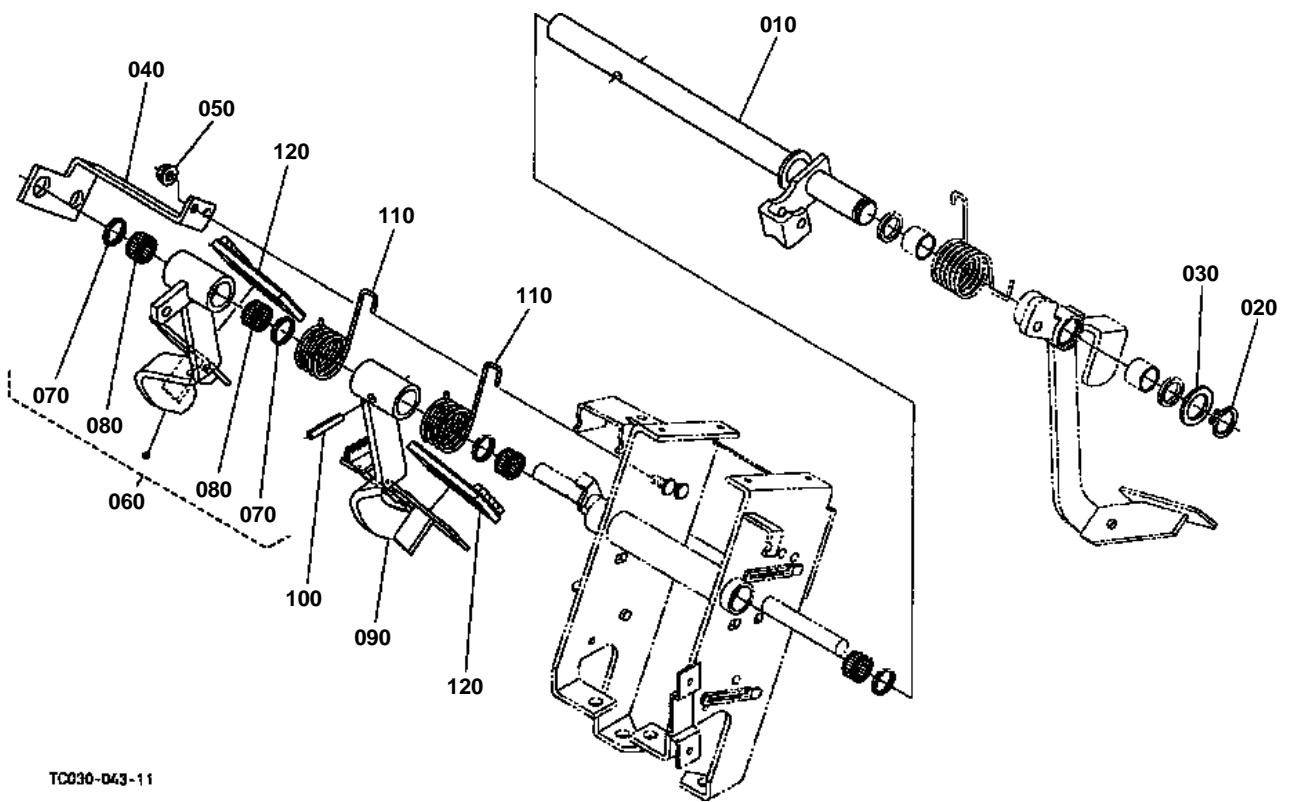


FRONT WHEEL DRIVE LEVER

↔ Interchangeable; ≠ not interchangeable; ← new for old; → old for new

REF.No	Part No.	Description	Q'ty	S.No.	I/C	REMARKS	Weight (kgf)	Weight (lb)
010	TA040-15180	LEVER SHIFT	1				0.405	0.891
020	04811-00200	O RING	1				0.001	0.0022
030	34070-24350	STOPPER	1				0.02	0.044
040	01754-50812	BOLT FLANGE	1				0.01	0.022
050	TC030-15470	LEVER FRONT DRIVE	1				0	0
060	05411-00630	PIN SPRING	1				0.004	0.0088
070	TC030-44400	ROD	1				0	0
080	05122-51022	PIN JOINT	1				0.014	0.0308
090	04013-60100	WASHER PLAIN	1				0.004	0.0088
100	05511-50318	PIN SPLIT	1				0.001	0.0022
110	32330-24560	GRIP LEVER	1				0.015	0.033

BRAKE PEDAL



TC030-043-11

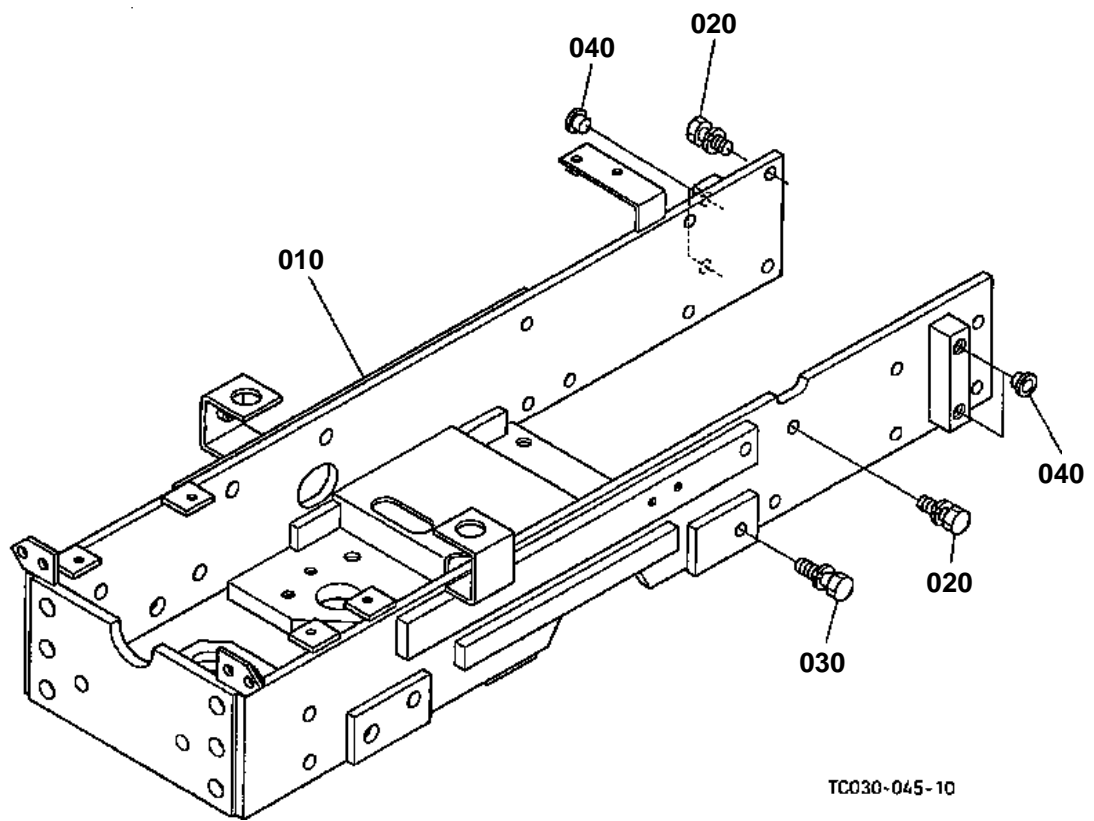


BRAKE PEDAL

↔ Interchangeable; ≠ not interchangeable; ← new for old; → old for new

REF.No	Part No.	Description	Q'ty	S.No.	I/C	REMARKS	Weight (kgf)	Weight (lb)
010	TC030-44010	SHAFT PEDAL	1				0	0
020	04612-00250	CIR CLIP EXTERNAL	1				0.002	0.0044
030	04011-50250	WASHER PLAIN	1				0.027	0.0594
040	TC030-44070	SUPPORT SHAFT PEDAL	1				0	0
050	02751-50080	NUT FLANGE	2				0.006	0.0132
060	TC030-44100	ASSY PEDAL BRAKE RH	1				0	0
070	34070-44140	SEAL OIL	2				0.005	0.011
080	34070-44360	BEARING NEEDLE	2				0.012	0.0264
090	TC030-44110	PEDAL BRAKE LH	1				0	0
100	05411-00840	PIN SPRING	1				0.008	0.0176
110	TC030-44170	SPRING	2				0	0
120	37410-44120	COVER PEDAL	2				0.08	0.176

FRONT AXLE FRAME



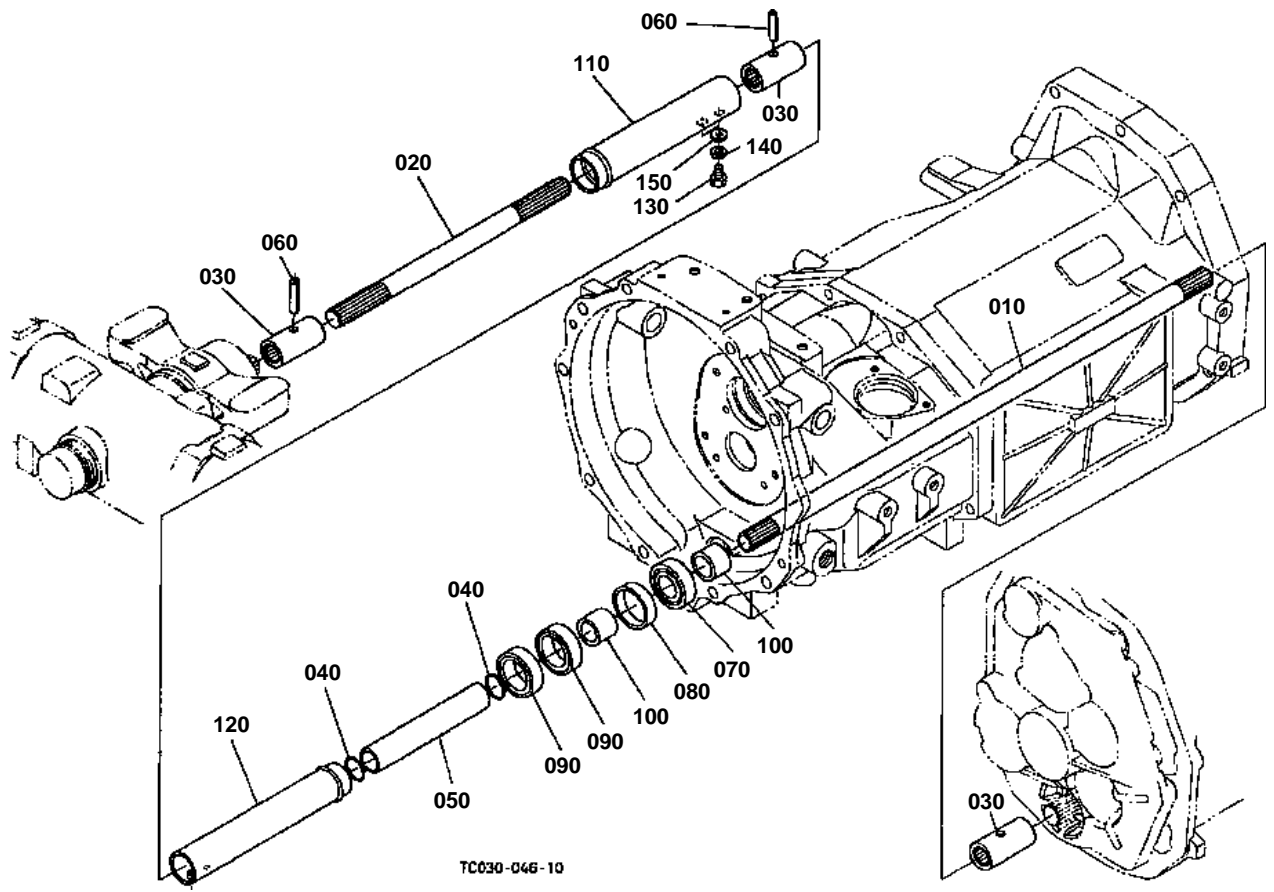


FRONT AXLE FRAME

↔ Interchangeable; ≠ not interchangeable; ← new for old; → old for new

REF.No	Part No.	Description	Q'ty	S.No.	I/C	REMARKS	Weight (kgf)	Weight (lb)
010	TC030-14000	COMP.FRAME F-AXLE	1				0	0
020	01133-51230	BOLT	11				0.04	0.088
030	01133-51240	BOLT	4				0.05	0.11
040	31220-14290	PLUG	4				0.002	0.0044

PROPELLER SHAFT



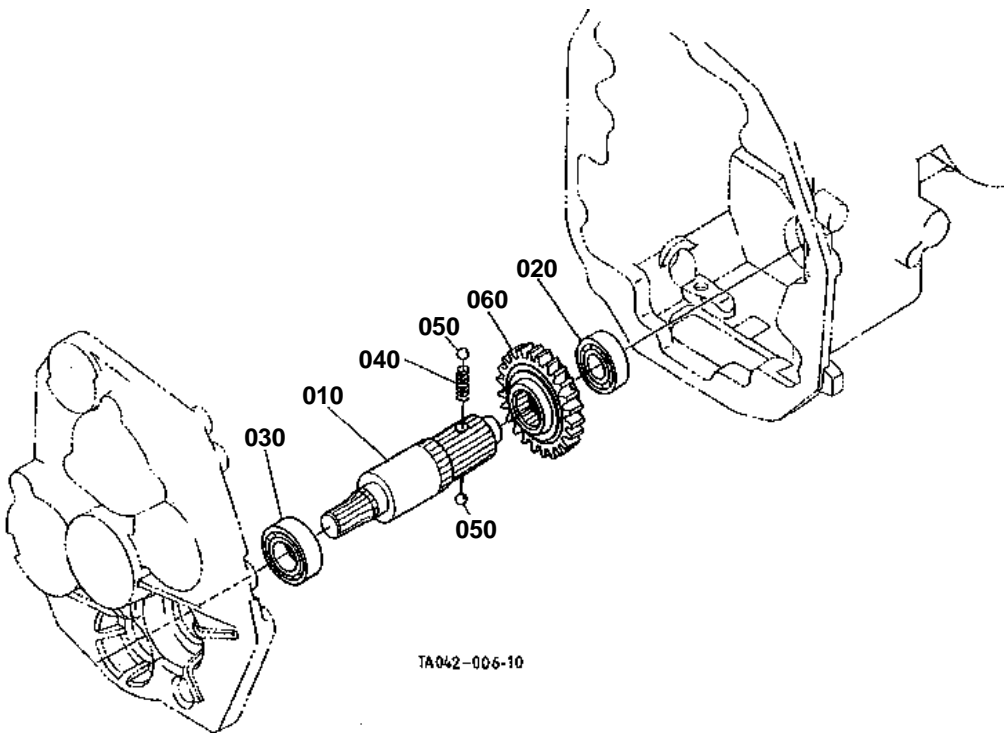


PROPELLER SHAFT

↔ Interchangeable; ≠ not interchangeable; ← new for old; → old for new

REF.No	Part No.	Description	Q'ty	S.No.	I/C	REMARKS	Weight (kgf)	Weight (lb)
010	TA040-14640	SHAFT PROPELLER	1				1.9	4.18
020	TA040-14633	SHAFT PROPELLER	1				0.79	1.738
030	T0070-14710	COUPLING	3				0.16	0.352
040	TA040-82180	O RING	2				0.001	0.0022
050	TA040-14720	SPACER	1				0.21	0.462
060	05411-00430	PIN SPRING	2				0.002	0.0044
070	08101-06904	BEARING BALL	1				0.02	0.044
080	34070-14650	COLLAR	1				0.01	0.022
090	09500-25388	SEAL OIL	2				0.01	0.022
100	53582-53520	SLEEVE	2				0.015	0.033
110	TA040-14574	COVER SHAFT FRONT	1				0.33	0.726
120	TA040-14580	COVER SHAFT REAR	1				0.25	0.55
130	01053-50510	BOLT	2				0.002	0.0044
140	04512-60050	WASHER SPRING	2				0.002	0.0044
150	04012-50050	WASHER PLAIN	2				0.001	0.0022

FRONT WHEEL DRIVE SHAFT



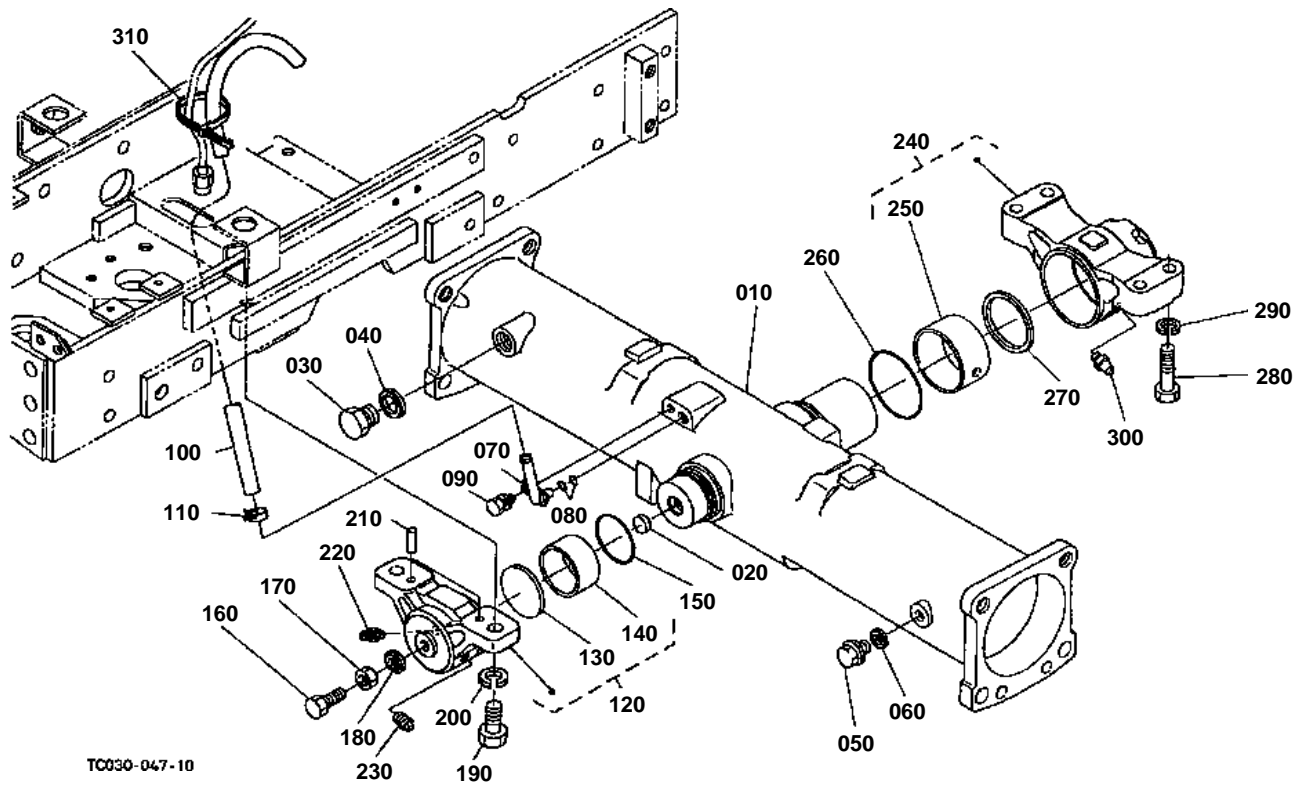


FRONT WHEEL DRIVE SHAFT

↔ Interchangeable; ≠ not interchangeable; ← new for old; → old for new

REF.No	Part No.	Description	Q'ty	S.No.	I/C	REMARKS	Weight (kgf)	Weight (lb)
010	TA040-15220	SHAFT DRIVE	1				1.125	2.475
020	34070-22560	BEARING BALL	1				0.1	0.22
030	37410-57190	BEARING BALL	1				0.14	0.308
040	35260-24110	SPRING	1				0.02	0.044
050	07715-01605	BALL	2				0.003	0.0066
060	TA040-15170	GEAR 4WD SHIFT	1			24T	0.625	1.375

FRONT DIFFERENTIAL CASE



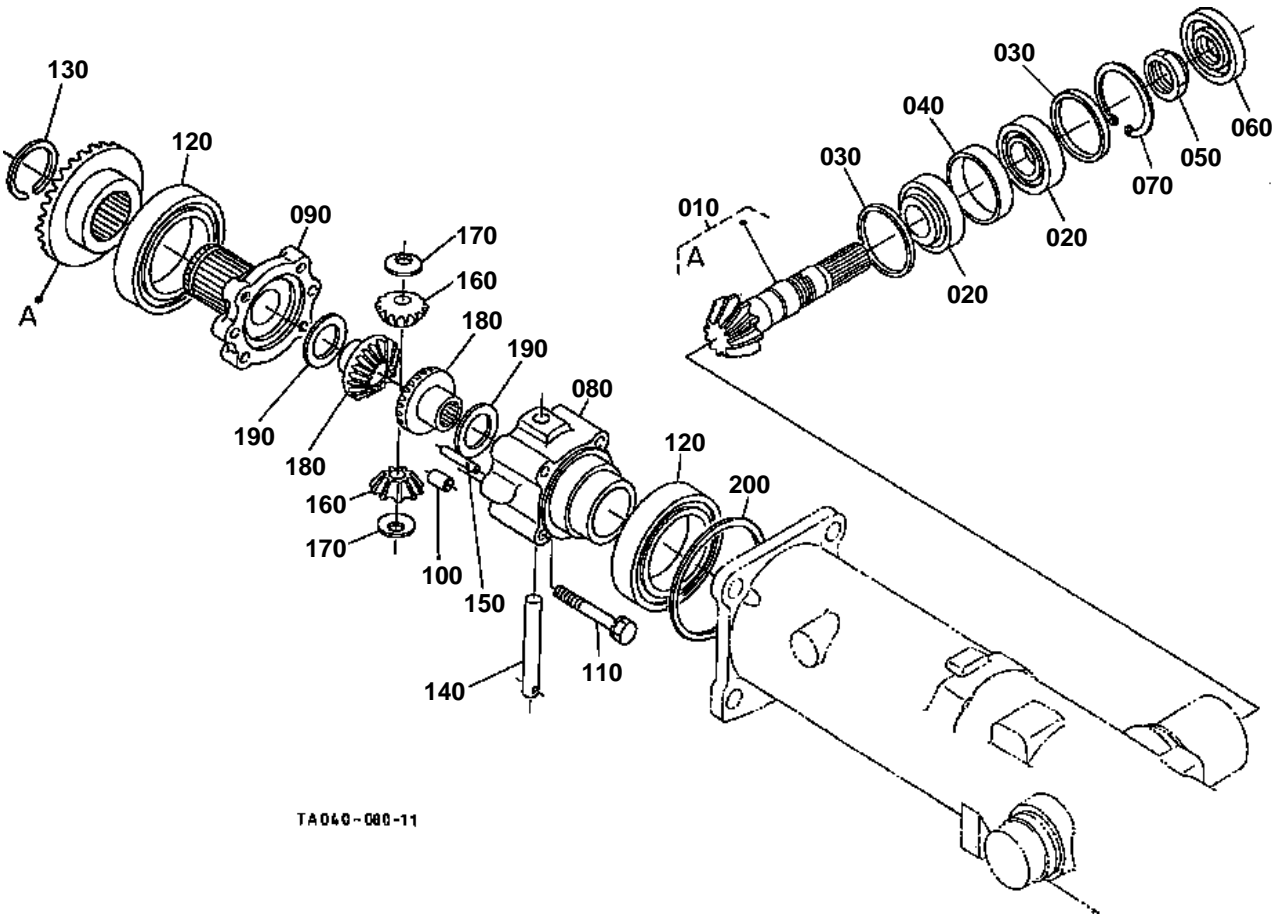


FRONT DIFFERENTIAL CASE

↔ Interchangeable; ≠ not interchangeable; ← new for old; → old for new

REF.No	Part No.	Description	Q'ty	S.No.	I/C	REMARKS	Weight (kgf)	Weight (lb)
010	TA040-12003	CASE FRONT AXLE	1				19.3	42.46
020	31321-38720	PLUG	1				0.005	0.011
030	06331-35020	PLUG	1				0.068	0.1496
040	04717-02000	WASHER WITH RUBBER	1				0.004	0.0088
050	06331-45010	PLUG	1				0.02	0.044
060	04717-01000	WASHER WITH RUBBER	1				0.001	0.0022
070	TA040-12910	PIPE BREATHER	1				0.017	0.0374
080	04811-00080	O RING	2				0.001	0.0022
090	01123-60814	BOLT	1				0.008	0.0176
100	09663-80725	TUBE FUEL	1				0.08	0.176
110	09318-88115	CLAMP HOSE	1				0.002	0.0044
120	TA140-13552	ASSY HOLDER FRONT	1				1.485	3.267
130	37410-56180	COLLAR THRUST	1				0.07	0.154
140	08511-05020	BUSH	1				0.06	0.132
150	04811-00490	O RING	1				0.002	0.0044
160	01173-51030	BOLT	1				0.023	0.0506
170	02118-50100	NUT	1				0.005	0.011
180	31351-16250	WASHER SEAL	1				0.015	0.033
190	TA040-13570	BOLT	2				0.08	0.176
200	04512-60160	WASHER SPRING	2				0.01	0.022
210	05012-00818	PIN STRAIGHT	2				0.008	0.0176
220	06613-10010	NIPPLE GREASE	1				0.006	0.0132
230	06312-10010	PLUG	1				0.007	0.0154
240	TA140-13600	ASSY HOLDER REAR	1				3.2	7.04
250	TA140-13640	BUSH	1				0.09	0.198
260	04811-50700	O RING	1				0.002	0.0044
270	34070-13620	COLLAR THRUST	1				0.05	0.11
290	04512-60120	WASHER SPRING	4				0.005	0.011
300	06613-10010	NIPPLE GREASE	1				0.006	0.0132
310	53581-64150	BAND CORD	1				0.002	0.0044

FRONT DIFFERENTIAL



TA040-080-11

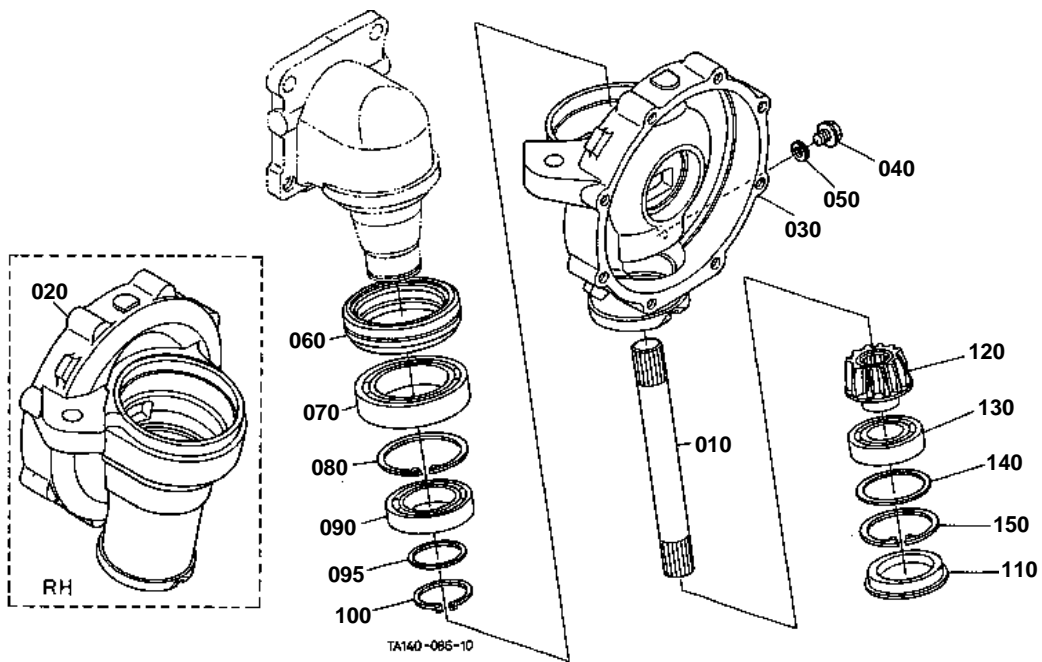


FRONT DIFFERENTIAL

↔ Interchangeable; ≠ not interchangeable; ← new for old; → old for new

REF.No	Part No.	Description	Q'ty	S.No.	I/C	REMARKS	Weight (kgf)	Weight (lb)
010	TA040-12013	ASSY GEAR BEVEL	1			9-23T	0	0
020	34070-12200	BEARING TAPER-ROLLER	2				0.305	0.671
030	34070-12060	COLLAR	2			5.8mm	0.015	0.033
030	34070-12070	COLLAR	2			5.9mm	0.015	0.033
030	34070-12080	COLLAR	2			6.0mm	0.015	0.033
030	34070-12090	COLLAR	2			6.1mm	0.015	0.033
030	34070-12100	COLLAR	2			6.2mm	0.02	0.044
040	34070-12130	COLLAR	1			9.8mm	0.03	0.066
040	34070-12140	COLLAR	1			9.9mm	0.02	0.044
040	34070-12150	COLLAR	1			10.0mm	0.03	0.066
040	34070-12160	COLLAR	1			10.1mm	0.03	0.066
040	34070-12170	COLLAR	1			10.2mm	0.03	0.066
050	37410-56710	NUT	1				0.03	0.066
060	34070-12220	SEAL OIL	1				0.03	0.066
070	04611-00580	CIR CLIP INTERNAL	1				0.005	0.011
080	34070-12250	CASE DIFF.	1				1.895	4.169
090	32751-12260	CASE DIFF.	1				0.9	1.98
100	05012-01020	PIN STRAIGHT	2				0.02	0.044
110	01133-51075	BOLT	4				0.03	0.066
120	08101-06212	BEARING BALL	2				0.78	1.716
130	34070-12280	CIR CLIP EXTERNAL	1				0.005	0.011
140	31353-43330	SHAFT PINION	1				0.13	0.286
150	05012-00628	PIN STRAIGHT	1				0.006	0.0132
160	31353-43343	PINION DIFF.	2			12T	0.1	0.22
170	67121-56670	COLLAR PINION THRUST	2				0.006	0.0132
180	31353-43353	GEAR DIFF.SIDE	2			24T	0.19	0.418
190	67211-15160	SHIM	2			1.0mm	0.01	0.022
190	67211-15170	SHIM	2			0.8mm	0.008	0.0176
190	67211-15180	SHIM	2			1.2mm	0.01	0.022
190	31353-43360	SHIM	2			0.6mm	0.01	0.022
190	31353-43370	SHIM	2			0.4mm	0.01	0.022
200	34070-12300	SHIM	1			1.6mm	0.02	0.044
200	34070-12310	SHIM	1			1.8mm	0.03	0.066
200	34070-12320	SHIM	1			2.0mm	0.03	0.066
200	34070-12330	SHIM	1			2.2mm	0.03	0.066
200	34070-12340	SHIM	1			2.4mm	0.035	0.077

FRONT AXLE CASE

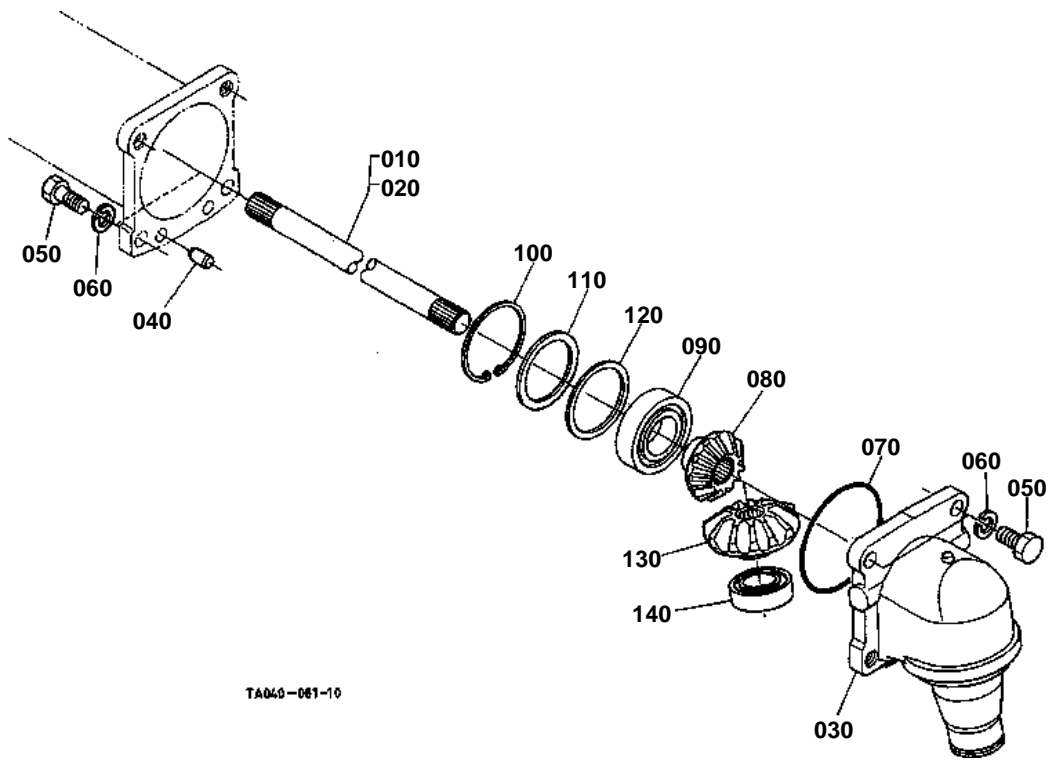




↔ Interchangeable; ≠ not interchangeable; ← new for old; → old for new

REF.No	Part No.	Description	Q'ty	S.No.	I/C	REMARKS	(kgf)	Weight
010	TA040-13016						0.73	
	TA040-13026						8.75	
	06331-45010						8.75	
	04717-01000						0.02	
	TA140-13040						0.001	
	08101-06014						0.155	
	04611-00800						0.6	
	08101-06010						0.02	
	TA140-12080						0.262	
	TA140-12100						0.007	
	TA140-12120						0.008	
	TA140-12120						0.01	
	TA140-12140						0.011	
	TA140-12160						0.013	
	04612-00500						0.009	
	34070-13100						0.03	
	TA040-13200						0.48	
	08101-06207						0.282	
	37410-57160						0.01	
	37410-57170						0.011	
	34070-12610						0.015	
	34070-12620						0.015	
	34070-12630						0.015	
	34070-12640						0.02	
	34070-12650						0.02	
	04611-00720						0.018	

DIFFERENTIAL GEAR SHAFT



TA040-061-10

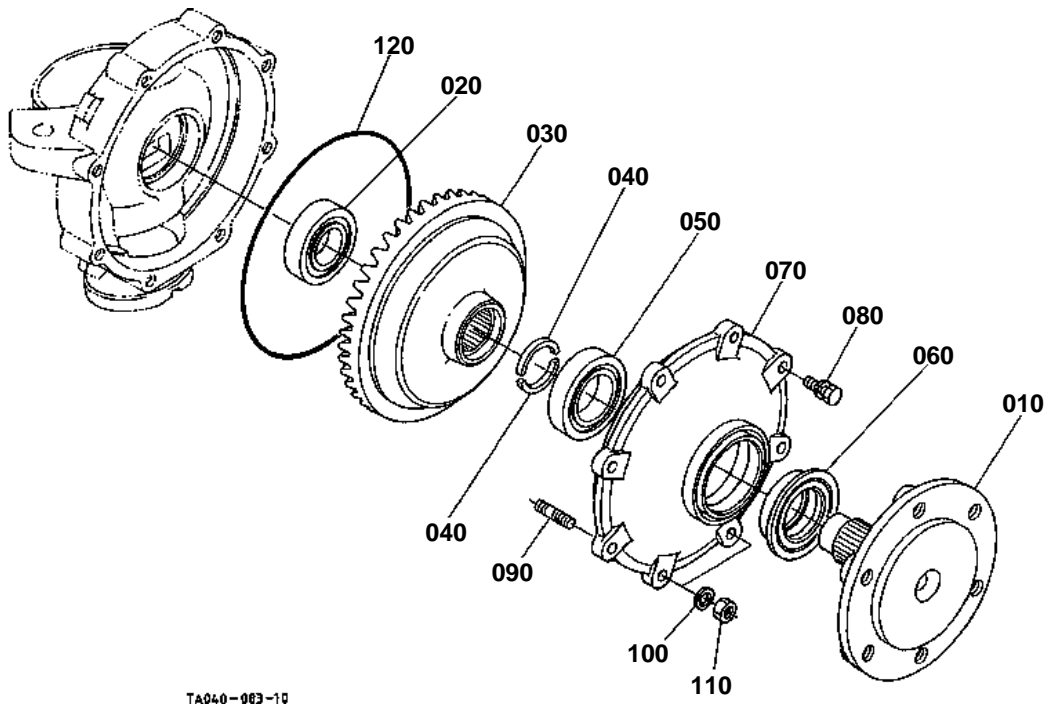


DIFFERENTIAL GEAR SHAFT

↔ Interchangeable; ≠ not interchangeable; ← new for old; → old for new

REF.No	Part No.	Description	Q'ty	S.No.	I/C	REMARKS	Weight (kgf)	Weight (lb)
	T0070-12450						1.77	
	T0070-12460						1.1	
	TA140-12800						4.4	
	31353-43880						0.02	
	01173-51435						0.056	
	04512-60140						0.006	
	04811-51050						0.003	
	TA040-12520						0.37	
	08101-06307						0.44	
	04611-00800						0.02	
	TA040-12702						0.035	
	31353-43750						0.008	
	31353-43760						0.01	
	31353-43770						0.015	
	31353-43780						0.014	
	31353-43790						0.015	
	TA040-12530						0.67	
	08101-06207						0.282	

FRONT AXLE



TA040-083-10

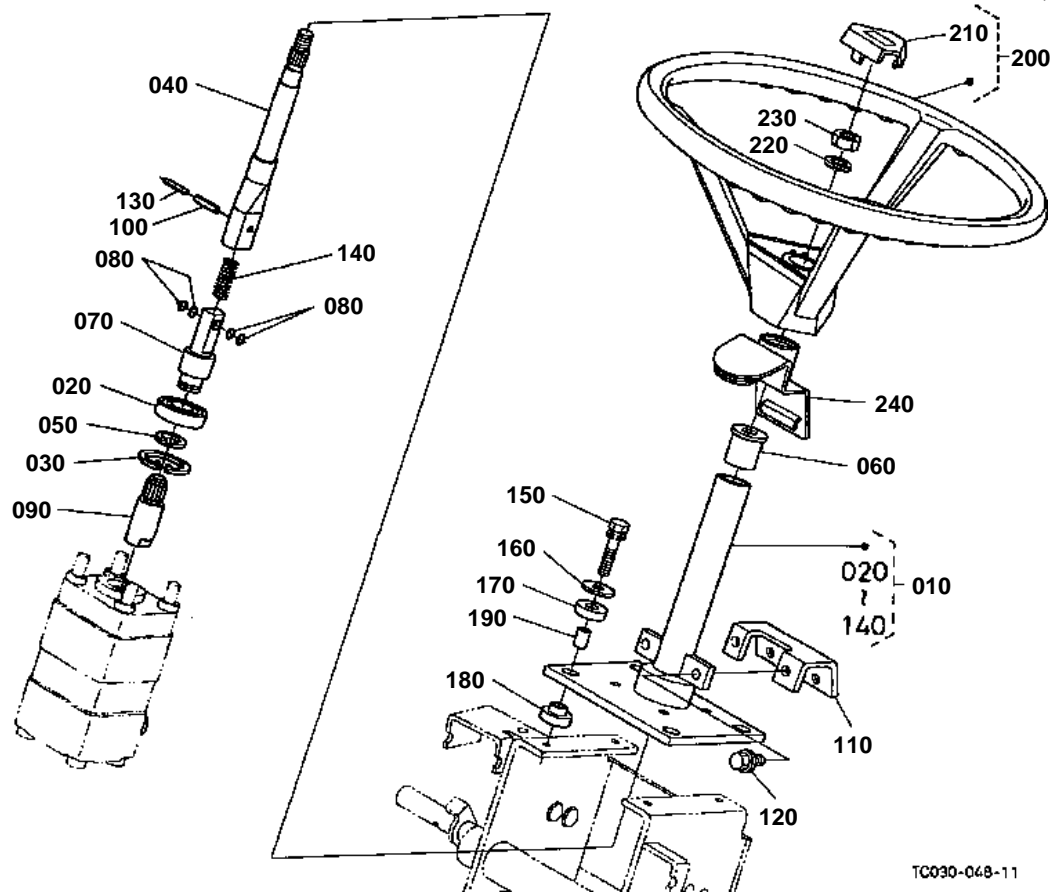


FRONT AXLE

↔ Interchangeable; ≠ not interchangeable; ← new for old; → old for new

REF.No	Part No.	Description	Q'ty	S.No.	I/C	REMARKS	Weight (kgf)	Weight (lb)
010	34070-13330	AXLE FRONT	2				3.5	7.7
020	TA140-13140	BEARING BALL	2				0.29	0.638
030	34070-13210	GEAR BEVEL	2			42T	5.45	11.99
040	34070-13350	COLLAR	4				0.01	0.022
050	TA140-13150	BEARING BALL	2				0.37	0.814
060	34070-13370	SEAL OIL	2				0.1	0.22
070	TA040-13133	COVER FRONT AXLE	2				3.05	6.71
080	01123-50825	BOLT	12				0.013	0.0286
090	01513-60825	STUD	4				0.012	0.0264
100	04512-60080	WASHER SPRING	4				0.002	0.0044
110	02156-50080	NUT	4				0.004	0.0088
120	31353-44130	O RING	2				0.01	0.022

STEERING HANDLE



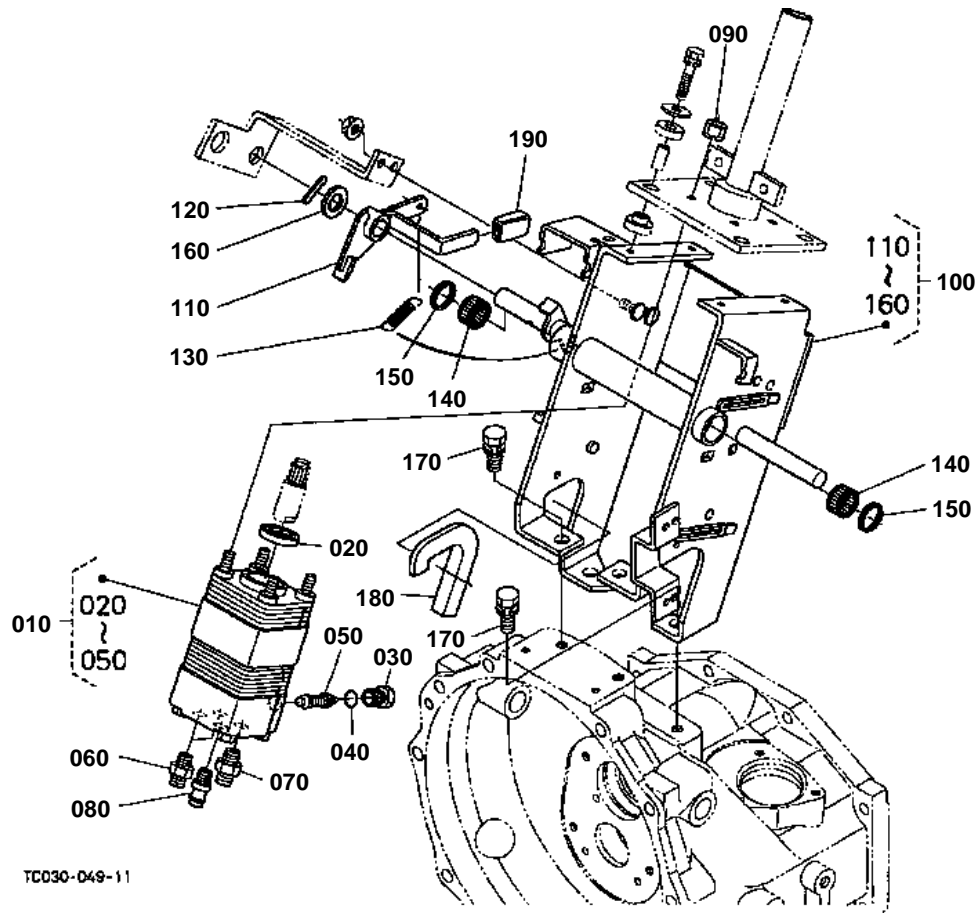


STEERING HANDLE

↔ Interchangeable; ≠ not interchangeable; ← new for old; → old for new

REF.No	Part No.	Description	Q'ty	S.No.	I/C	REMARKS	Weight (kgf)	Weight (lb)
010	TC030-43600	ASSY POST STEERING	1				0	0
020	08121-06004	BEARING BALL	1				0.075	0.165
030	04611-00420	CIR CLIP INTERNAL	1				0.006	0.0132
040	TC030-43680	SHAFT STEERING	1				0	0
050	36919-30040	CIR-CLIP	1				0.001	0.0022
060	TC030-41340	BUSH	1				0	0
070	TC030-43690	SHAFT STEERING	1				0	0
080	04811-00060	O RING	4				0.001	0.0022
090	35080-40170	SHAFT JOINT	1				0.11	0.242
100	05411-00522	PIN SPRING	1				0.002	0.0044
110	TC030-43620	STAY STEERING POST	1				0	0
120	01754-50816	BOLT FLANGE	2				0.011	0.0242
130	05411-00322	PIN SPRING	1				0.001	0.0022
140	31391-16940	SPRING	1				0.005	0.011
150	01023-50635	BOLT	4				0.01	0.022
160	04015-60060	WASHER PLAIN	4				0.005	0.011
170	TC030-46132	CUSHION	4				0	0
180	TC030-63222	CUSHION LOWER	4				0	0
190	TC030-63210	COLLAR	4				0	0
200	31351-16063	ASSY WHEEL STEERING	1				2.4	5.28
210	31351-16082	PAD STEERING	1				0.07	0.154
220	04512-60120	WASHER SPRING	1				0.005	0.011
230	02176-50120	NUT	1				0.01	0.022
240	TC030-16862	COVER POST P-STRG.	1				0	0

STEERING CONTROLLER



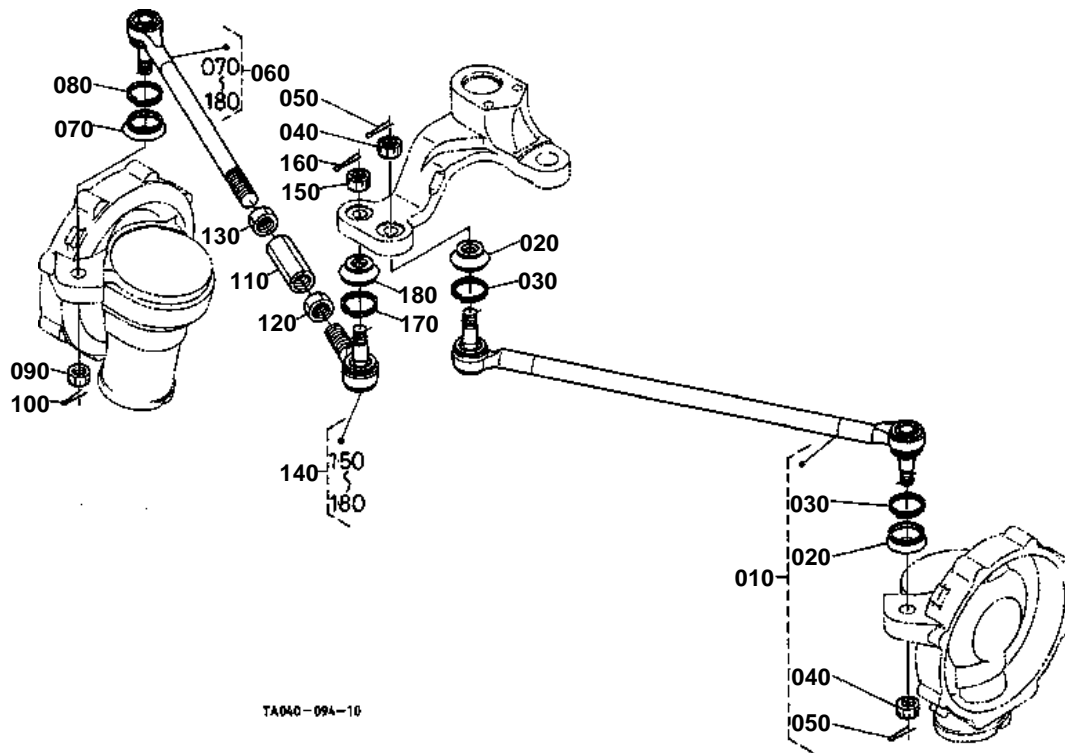


STEERING CONTROLLER

↔ Interchangeable; ≠ not interchangeable; ← new for old; → old for new

REF.No	Part No.	Description	Q'ty	S.No.	I/C	REMARKS	Weight (kgf)	Weight (lb)
010	TA040-37002	CONTROLLER STEERING	1				4.8	10.56
020	09500-19387	SEAL OIL	1				0.012	0.0264
030	35070-40840	PLUG	1				0.042	0.0924
040	04810-00150	O RING	1				0.001	0.0022
050	35080-40870	COMP.VALVE RELIEF	1				0.018	0.0396
060	56713-28140	ADAPTER CYLINDER	2				0.03	0.066
070	T0180-37300	JOINT	1				0.06	0.132
080	31391-66810	JOINT	1				0.04	0.088
090	16429-92010	NUT	4				0.007	0.0154
100	TC030-45680	COMP.SUPPORT P-STRG.	1				0	0
110	TC030-44410	LOCK PARKING LEVER	1				0	0
120	05411-00532	PIN SPRING	1				0.003	0.0066
130	36330-83420	SPRING LOCK	1				0.006	0.0132
140	34070-44360	BEARING NEEDLE	2				0.012	0.0264
150	34070-44140	SEAL OIL	2				0.005	0.011
160	04011-50180	WASHER PLAIN	1				0.012	0.0264
170	01133-51225	BOLT	4				0.038	0.0836
180	TC030-43330	GROMMET	1				0	0
190	TA140-43560	GRIP	1				0.022	0.0484

STEERING LINKAGE (TIE ROD)



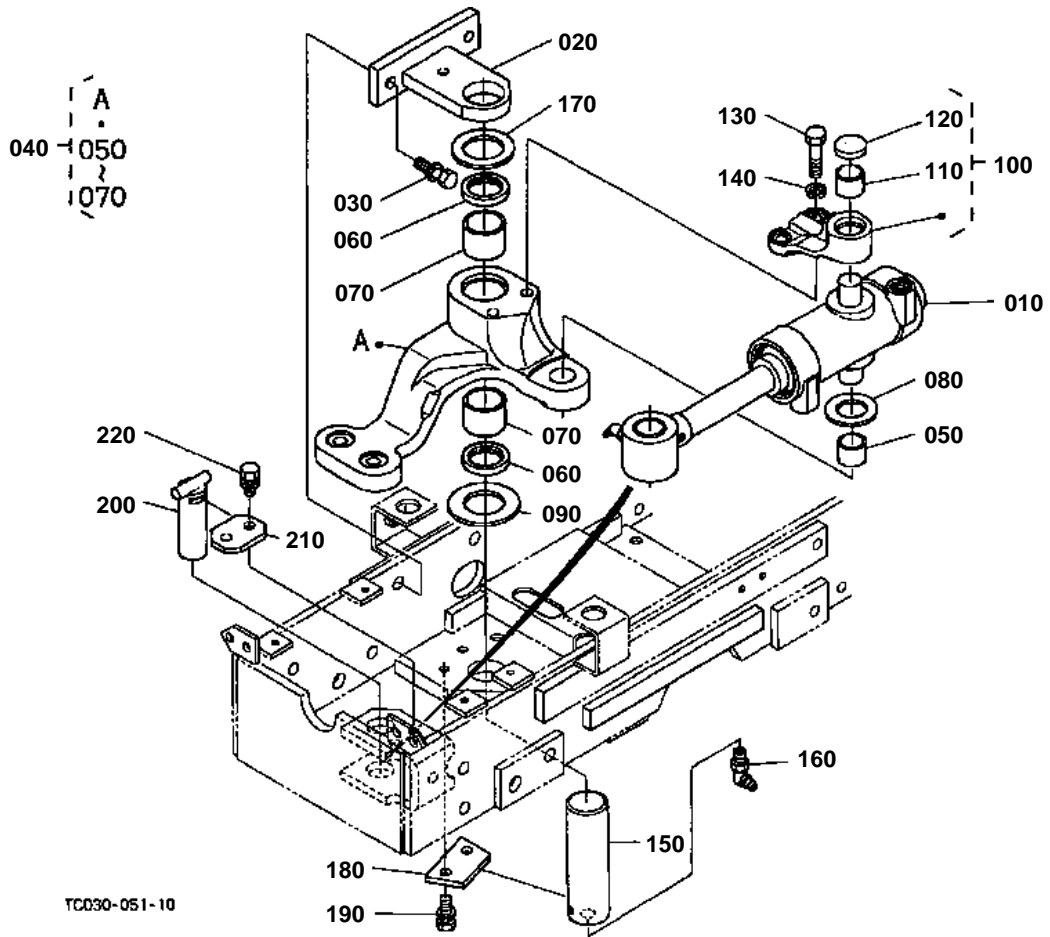


STEERING LINKAGE (TIE ROD)

↔ Interchangeable; ≠ not interchangeable; ← new for old; → old for new

REF.No	Part No.	Description	Q'ty	S.No.	I/C	REMARKS	Weight (kgf)	Weight (lb)
010	TA040-13700	ASSY ROD TIE LH	1				2.08	4.576
020	32580-44780	COVER DUST	2				0.01	0.022
030	35270-12660	CLIP	2				0.005	0.011
040	36330-62750	NUT	2				0.022	0.0484
050	05511-50328	PIN SPLIT	2				0.002	0.0044
060	TA040-13740	ASSY ROD TIE RH	1				2	4.4
070	32580-44780	COVER DUST	1				0.01	0.022
080	35270-12660	CLIP	1				0.005	0.011
090	36330-62750	NUT	1				0.022	0.0484
100	05511-50328	PIN SPLIT	1				0.002	0.0044
110	32570-44720	ROD ADJUSTING	1				0.21	0.462
120	02172-50200	NUT	1				0.03	0.066
130	38630-44980	NUT	1				0.01	0.022
140	32580-44770	COMP.END TIE ROD RH	1				0.49	1.078
150	36330-62750	NUT	1				0.022	0.0484
160	05511-50328	PIN SPLIT	1				0.002	0.0044
170	35270-12660	CLIP	1				0.005	0.011
180	32580-44780	COVER DUST	1				0.01	0.022

STEERING CYLINDER



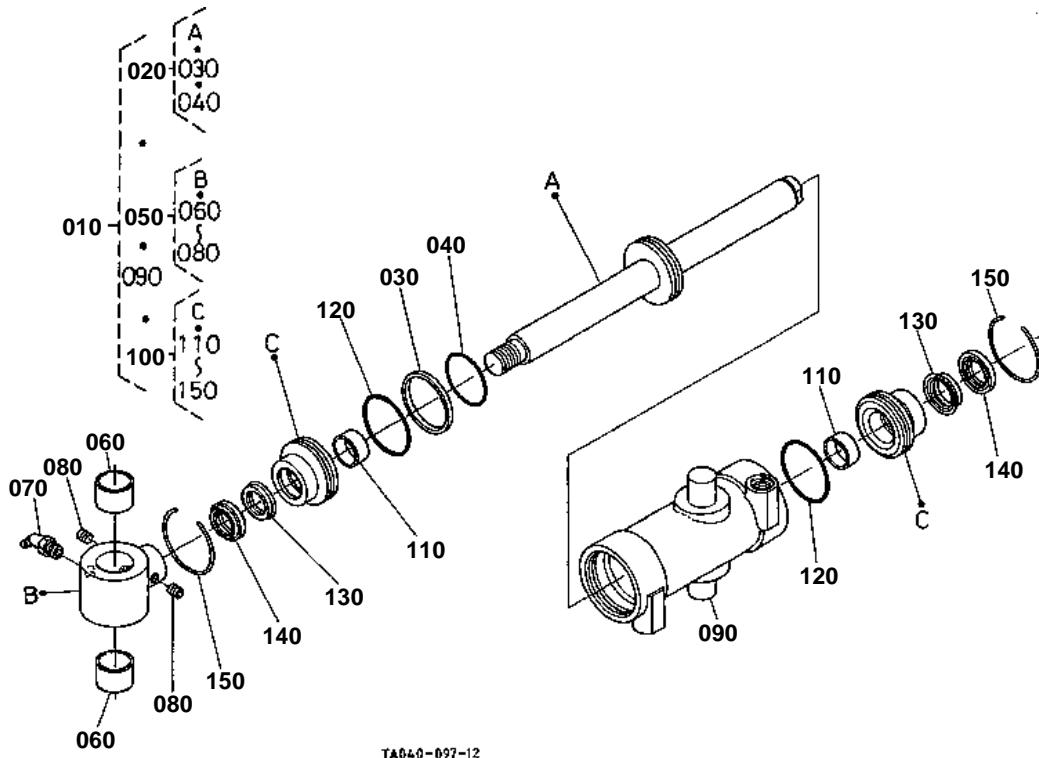


STEERING CYLINDER

↔ Interchangeable; ≠ not interchangeable; ← new for old; → old for new

REF.No	Part No.	Description	Q'ty	S.No.	I/C	REMARKS	Weight (kgf)	Weight (lb)
010	TA040-37803	ASSY CYLINDER STRG.	1			REFER TO L.No.F04-R FOR COMPONENTS.	4.85	10.67
020	TA040-14310	SUPPORT SHAFT	1				1.15	2.53
030	01133-51235	BOLT	2				0.05	0.11
040	TA040-17132	ASSY ARM PITMAN	1				4.95	10.89
050	08511-02420	BUSH	1				0.018	0.0396
060	38240-13160	SEAL OIL	2				0.005	0.011
070	52200-22430	BUSH	2				0.05	0.11
080	TA040-17200	WASHER	1				0.01	0.022
090	TA040-17210	WASHER	1				0.03	0.066
100	TA140-17100	ASSY ARM PITMAN	1				0.6	1.32
110	08511-02420	BUSH	1				0.018	0.0396
120	69331-11160	PLUG	1				0.008	0.0176
130	TA040-17190	BOLT REAMER	2				0.035	0.077
140	04512-60100	WASHER SPRING	2				0.002	0.0044
150	TA040-17162	SHAFT PITMAN ARM	1				1.33	2.926
160	06616-25010	NIPPLE GREASE	1				0.008	0.0176
170	TA040-17250	WASHER	1				0.016	0.0352
180	TA040-17262	PLATE SHAFT	1				0.08	0.176
190	01133-51025	BOLT	2				0.023	0.0506
200	TA040-17173	SHAFT ROD END	1				0.4	0.88
210	TA040-17150	PLATE ROD END	1				0.055	0.121
220	01133-51016	BOLT	2				0.015	0.033

STEERING CYLINDER [COMPONENT PARTS]



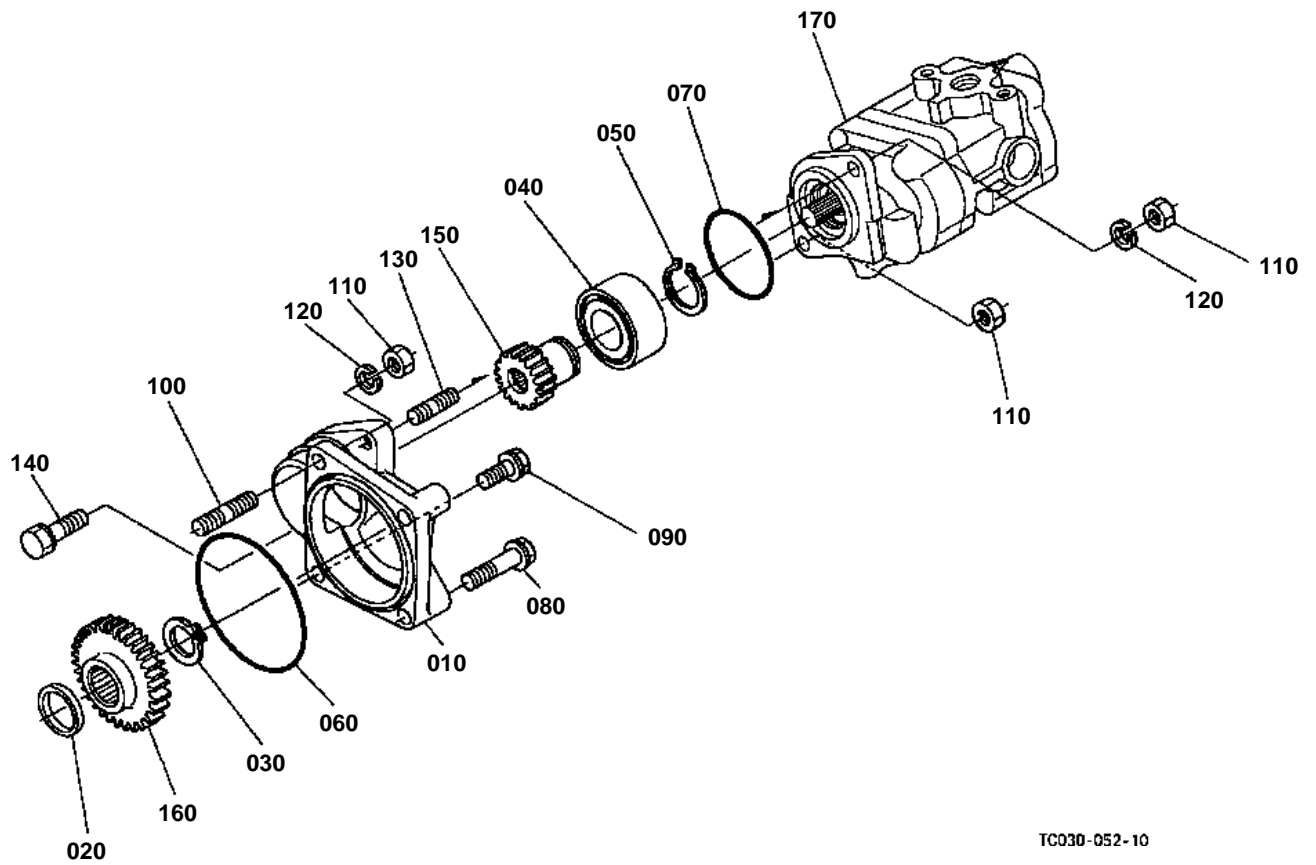


STEERING CYLINDER [COMPONENT PARTS]

↔ Interchangeable; ≠ not interchangeable; ← new for old; → old for new

REF.No	Part No.	Description	Q'ty	S.No.	I/C	REMARKS	Weight (kgf)	Weight (lb)
010	TA040-37803	ASSY CYLINDER STRG.	1				4.85	10.67
020	TA040-37814	ASSY ROD	1				1.55	3.41
030	TA040-37570	GASKET PISTON	1				0.002	0.0044
040	04811-00450	O RING	1				0.002	0.0044
050	TA040-37860	ASSY END ROD	1				0.7	1.54
060	08511-02820	BUSH	2				0.029	0.0638
070	06613-20010	NIPPLE GREASE	1				0.01	0.022
080	03653-50610	SCREW SET	2				0.001	0.0022
090	TA040-37874	TUBE CYLINDER	1				1.91	4.202
100	TA040-37840	ASSY COVER CYLINDER	2				0.365	0.803
110	08511-02512	BUSH	2				0.03	0.066
120	04810-50500	O RING	2				0.005	0.011
130	TA040-37560	GASKET ROD	2				0.002	0.0044
140	TA040-37580	SEAL DUST	2				0.002	0.0044
150	TA040-37880	CIR-CLIP	2				0.005	0.011

HYDRAULIC PUMP



TC030-052-10

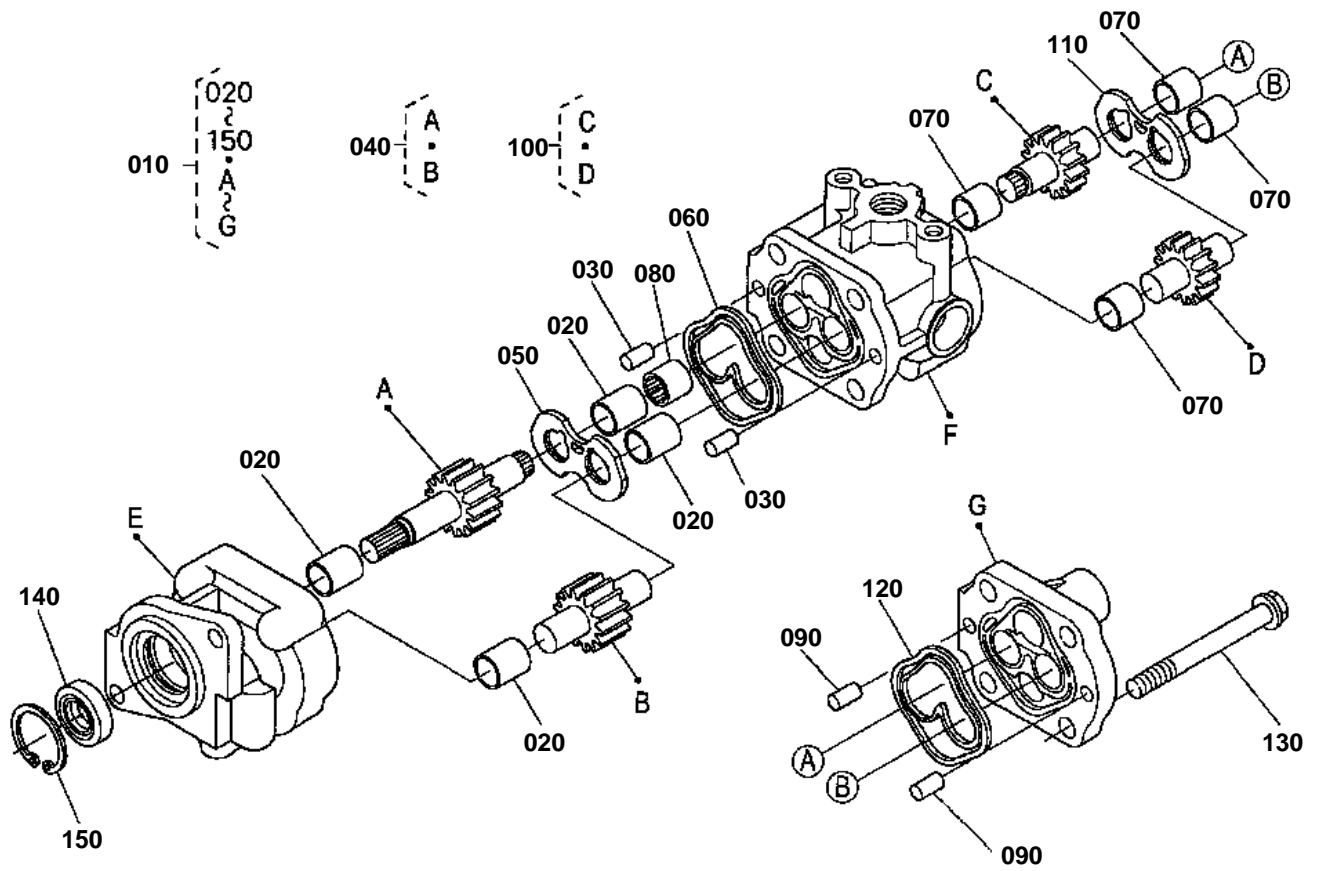


HYDRAULIC PUMP

↔ Interchangeable; ≠ not interchangeable; ← new for old; → old for new

REF.No	Part No.	Description	Q'ty	S.No.	I/C	REMARKS	Weight (kgf)	Weight (lb)
010	34070-33612	HOLDER PUMP	1				0.375	0.825
020	35370-37820	COLLAR	1				0.015	0.033
030	15471-95360	CIR CLIP EXTERNAL	1				0.004	0.0088
040	08241-05205	BEARING BALL	1				0.177	0.3894
050	04612-00250	CIR CLIP EXTERNAL	1				0.002	0.0044
060	04811-10850	O RING	1				0.002	0.0044
070	T1060-36620	O RING	1				0.001	0.0022
080	01754-50840	BOLT FLANGE	2				0.02	0.044
090	01754-50820	BOLT FLANGE	1				0.015	0.033
100	38240-36330	STUD	1				0.008	0.0176
110	02156-50080	NUT	3				0.004	0.0088
120	04512-60080	WASHER SPRING	2				0.002	0.0044
130	01513-60820	STUD	1				0.015	0.033
140	01123-50835	BOLT	1				0.02	0.044
150	T1060-36820	GEAR PUMP DRIVE	1			17T	0.165	0.363
160	31391-37810	GEAR	1			34T	0.33	0.726
170	T1150-36400	ASSY PUMP HYDRAULIC	1			REFER TO L.No.F05-R FOR COMPONENTS.	0	0

HYDRAULIC PUMP [COMPONENT PARTS]



T1080-126-10

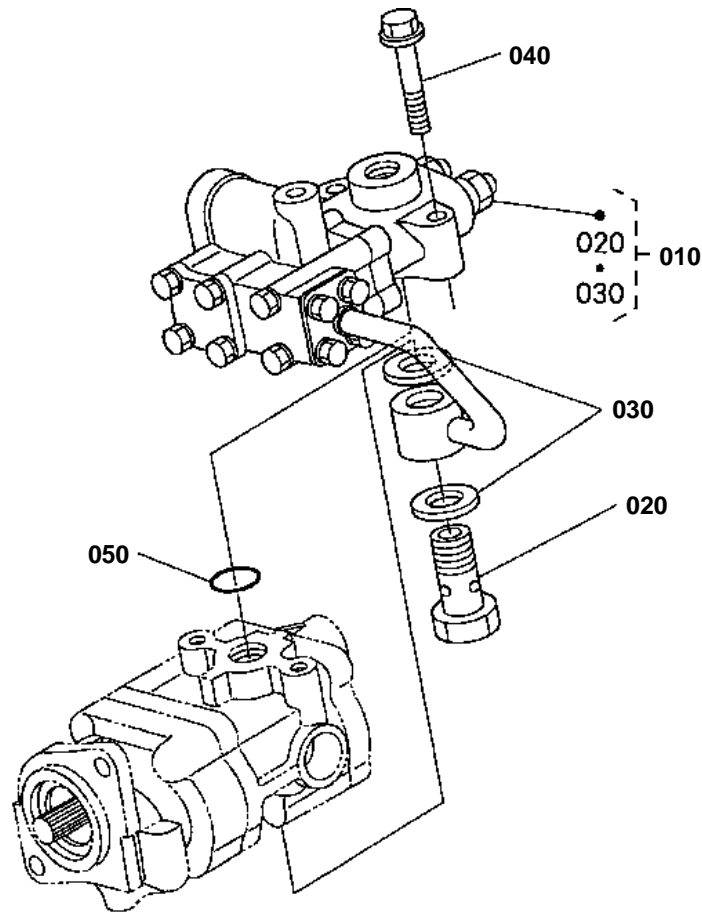


HYDRAULIC PUMP [COMPONENT PARTS]

↔ Interchangeable; ≠ not interchangeable; ← new for old; → old for new

REF.No	Part No.	Description	Q'ty	S.No.	I/C	REMARKS	Weight (kgf)	Weight (lb)
010	T1150-36400	ASSY PUMP HYDRAULIC	1				0	0
020	K3511-36760	BUSH	4				0.01	0.022
030	05012-00814	PIN STRAIGHT	2				0.006	0.0132
040	T1060-36450	COMP.GEAR HYD.PUMP	1				0.33	0.726
050	6C140-36350	PLATE SIDE	1				0.05	0.11
060	6C040-36342	RING DOUBLE	1				0.003	0.0066
070	6A100-37230	BUSH	4				0.005	0.011
080	6A100-37430	COUPLING	1				0.01	0.022
090	05012-00814	PIN STRAIGHT	2				0.006	0.0132
100	T1060-36550	COMP.GEAR HYD.PUMP	1				0.2	0.44
110	6C140-36350	PLATE SIDE	1				0.05	0.11
120	6C040-36342	RING DOUBLE	1				0.003	0.0066
130	01754-51090	BOLT FLANGE	4				0.05	0.11
140	31381-76390	SEAL OIL	1				0.01	0.022
150	04611-00300	CIR CLIP INTERNAL	1				0.004	0.0088

REGULATOR VALVE



TC030-053-10

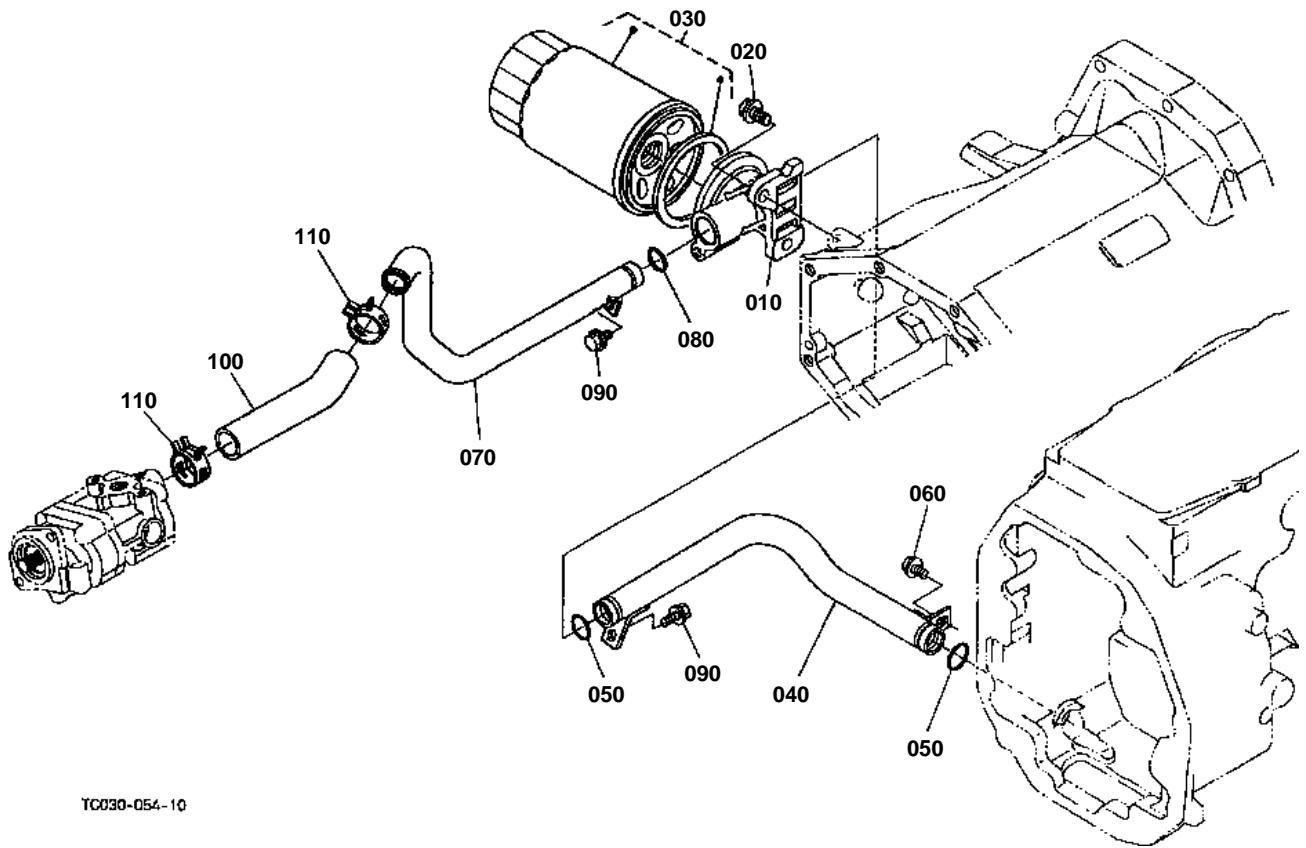


REGULATOR VALVE

↔ Interchangeable; ≠ not interchangeable; ← new for old; → old for new

REF.No	Part No.	Description	Q'ty	S.No.	I/C	REMARKS	Weight (kgf)	Weight (lb)
010	T1060-19000	ASSY VALVE REGULATOR	1				1.68	3.696
020	66591-36250	JOINT	1				0.08	0.176
030	67111-37180	GASKET	2				0.003	0.0066
040	01754-50840	BOLT FLANGE	2				0.02	0.044
050	04811-00200	O RING	1				0.001	0.0022

HYDRAULIC OIL LINE(INLET)



TC030-054-10

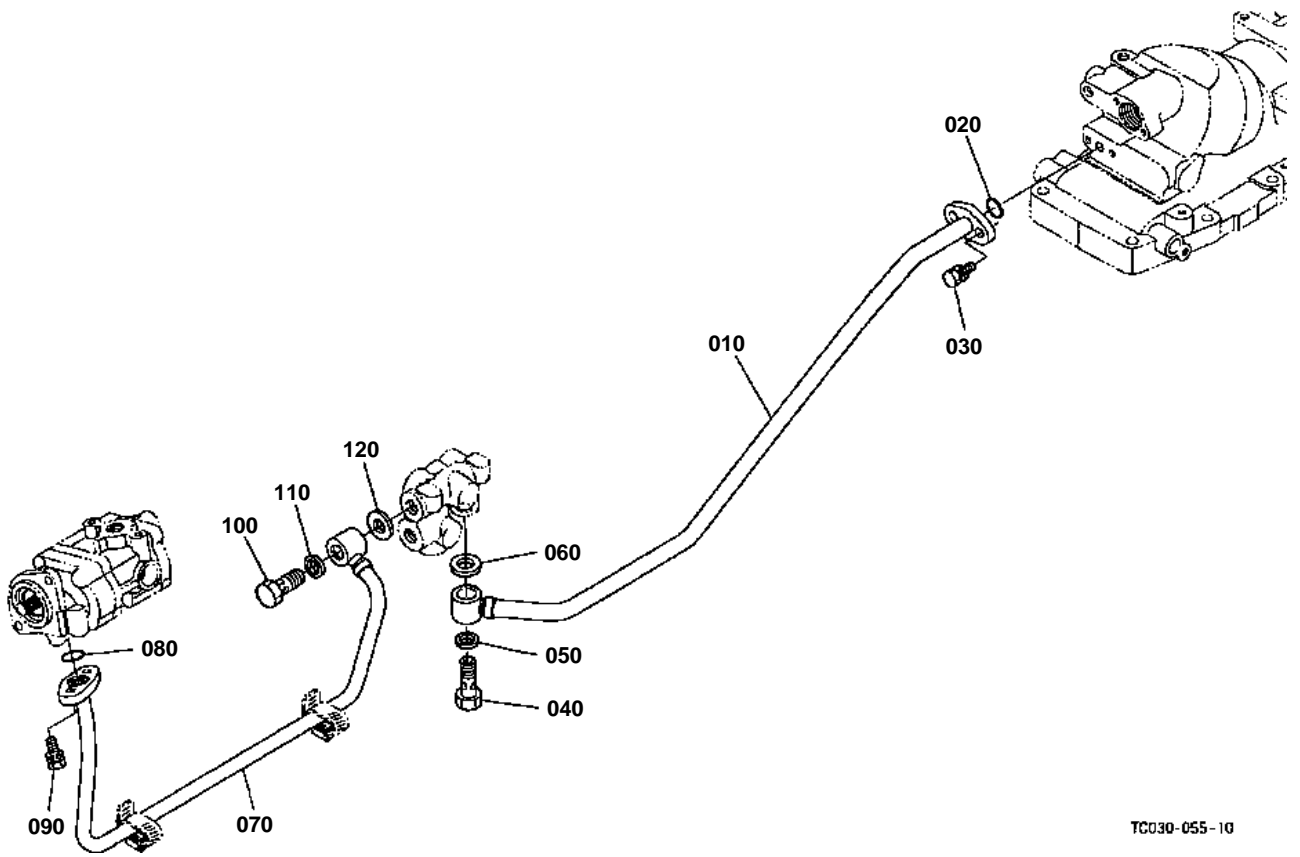


HYDRAULIC OIL LINE(INLET)

↔ Interchangeable; ≠ not interchangeable; ← new for old; → old for new

REF.No	Part No.	Description	Q'ty	S.No.	I/C	REMARKS	Weight (kgf)	Weight (lb)
010	TA040-33212	BRACKET FILTER	1				0.525	1.155
020	01774-61020	BOLT FLANGE	2				0.022	0.0484
030	T0070-37710	CARTRIDGE OIL FILTER	1				0.725	1.595
040	TA040-33362	PIPE INLET	1				0.42	0.924
050	04811-07230	O RING	2				0.001	0.0022
060	01754-50812	BOLT FLANGE	1				0.01	0.022
070	TC030-33320	PIPE INLET	1				0	0
080	04810-07230	O RING	1				0.001	0.0022
090	01754-50816	BOLT FLANGE	2				0.011	0.0242
100	TC030-33340	HOSE INLET	1				0	0
110	31351-38180	BAND PIPE	2				0.02	0.044

HYDRAULIC OIL LINE(DELIVERY)



TC030-055-10

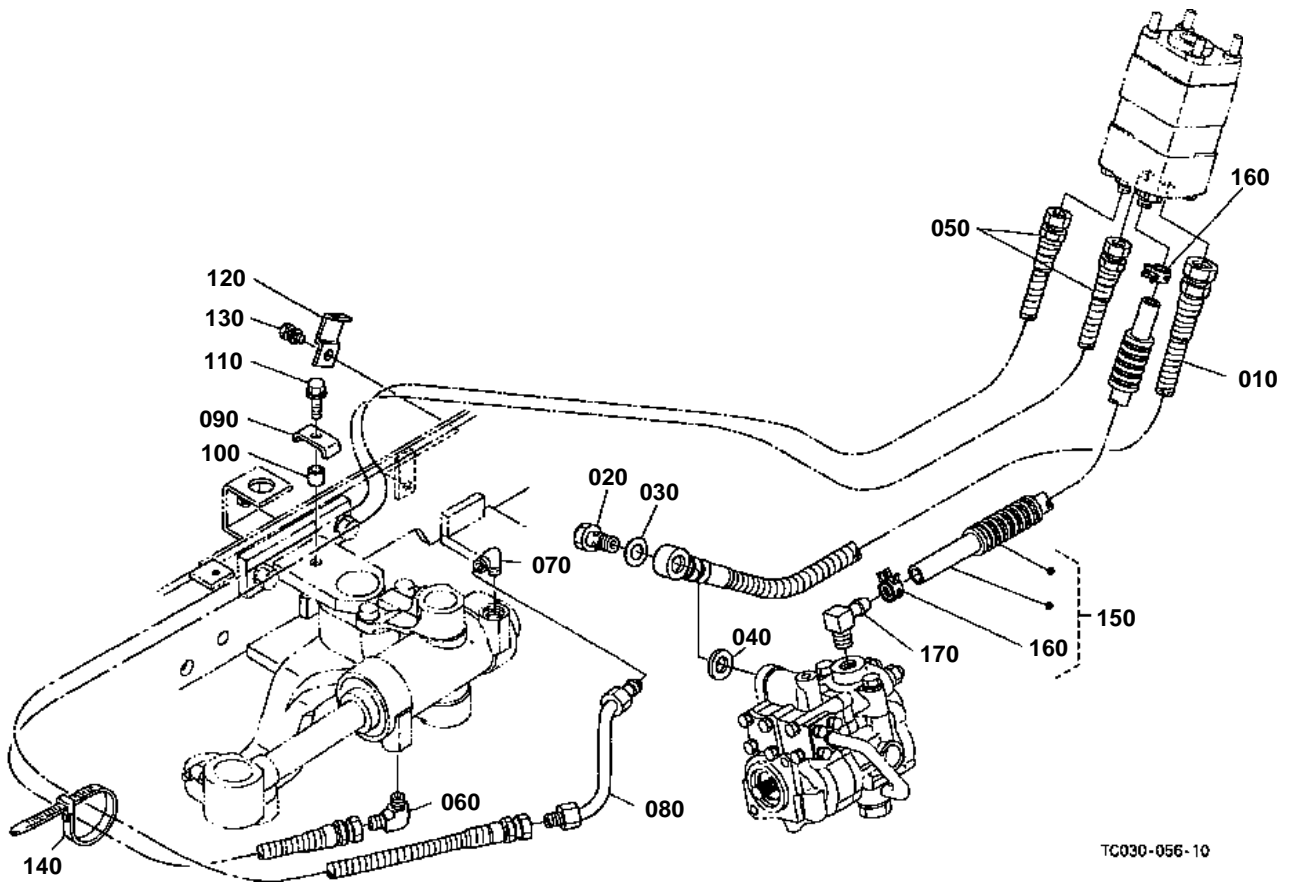


HYDRAULIC OIL LINE(DELIVERY)

↔ Interchangeable; ≠ not interchangeable; ← new for old; → old for new

REF.No	Part No.	Description	Q'ty	S.No.	I/C	REMARKS	Weight (kgf)	Weight (lb)
010	TA040-33412	COMP.PIPE DELIVERY	1				0.555	1.221
020	04810-00180	O RING	1				0.001	0.0022
030	01123-50820	BOLT	2				0.011	0.0242
040	66591-36250	JOINT	1				0.08	0.176
050	67111-37180	GASKET	1				0.003	0.0066
060	67401-36720	GASKET	1				0.005	0.011
070	TC030-33420	COMP.PIPE DELIVERY	1				0	0
080	04810-00180	O RING	1				0.001	0.0022
090	01123-50820	BOLT	2				0.011	0.0242
100	66591-36250	JOINT	1				0.08	0.176
110	67111-37180	GASKET	1				0.003	0.0066
120	67401-36720	GASKET	1				0.005	0.011

HYDRAULIC OIL LINE (PS)



TC030-056-10

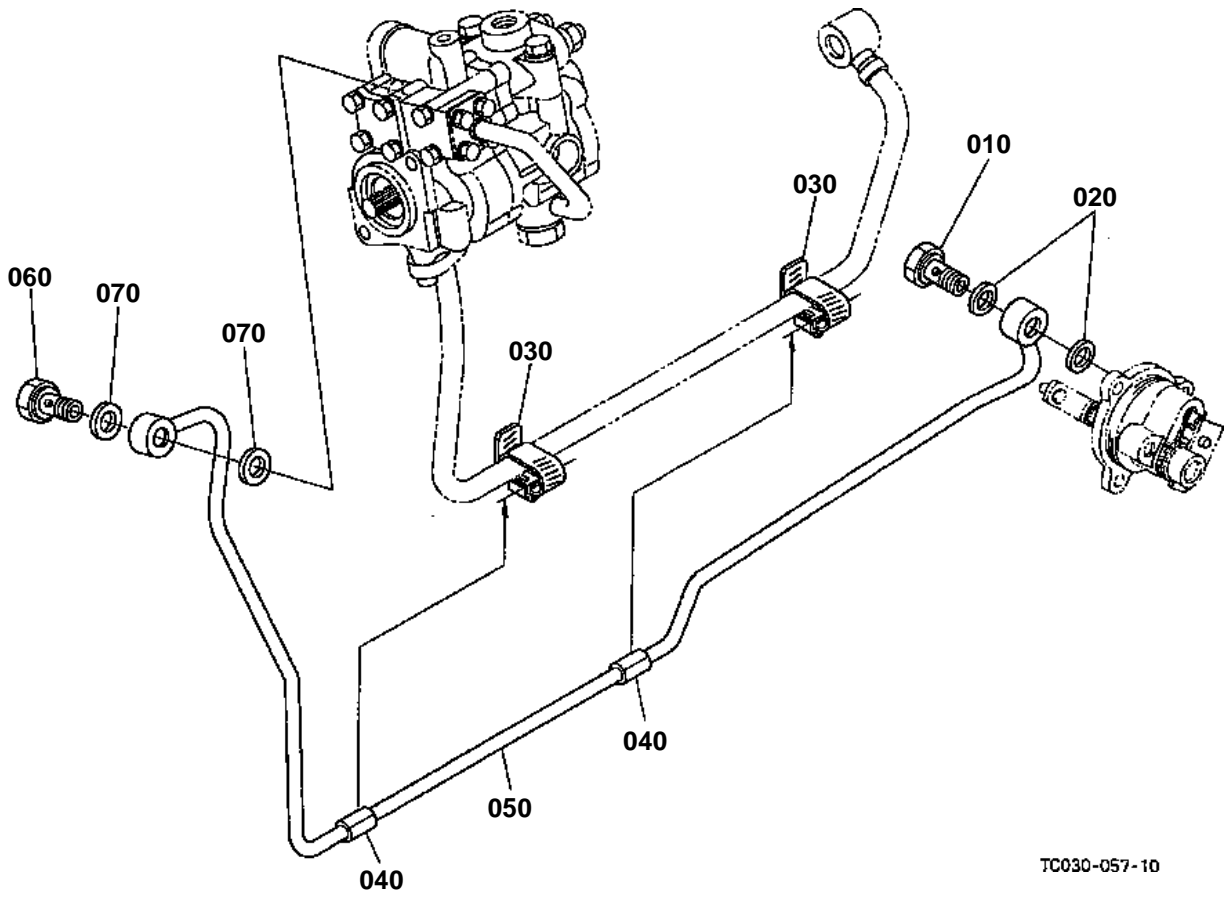


HYDRAULIC OIL LINE (PS)

↔ Interchangeable; ≠ not interchangeable; ← new for old; → old for new

REF.No	Part No.	Description	Q'ty	S.No.	I/C	REMARKS	Weight (kgf)	Weight (lb)
010	TC030-33510	HOSE DELIVERY	1				0	0
020	66591-36250	JOINT	1				0.08	0.176
030	67111-37180	GASKET	1				0.003	0.0066
040	TA040-37180	GASKET	1				0.004	0.0088
050	TA020-33520	HOSE DELIVERY	2				0.26	0.572
060	56713-28130	ADAPTER CYLINDER	1				0.052	0.1144
070	06014-51022	JOINT	1				0.031	0.0682
080	TA040-33563	COMP.PIPE POWER STRG	1				0.095	0.209
090	TA040-33280	HOLDER HOSE	1				0.019	0.0418
100	TA040-33290	COLLAR	1				0.005	0.011
110	01754-50830	BOLT FLANGE	1				0.01	0.022
120	TA040-33300	HOLDER HOSE	1				0.027	0.0594
130	01123-60814	BOLT	1				0.008	0.0176
140	55311-41260	BAND CORD	1				0.007	0.0154
150	TC030-33530	ASSY HOSE RETURN	1				0	0
160	T1060-33630	BAND PIPE	2				0.006	0.0132
170	34070-36910	JOINT	1				0.07	0.154

PTO HYDRAULIC OIL LINE



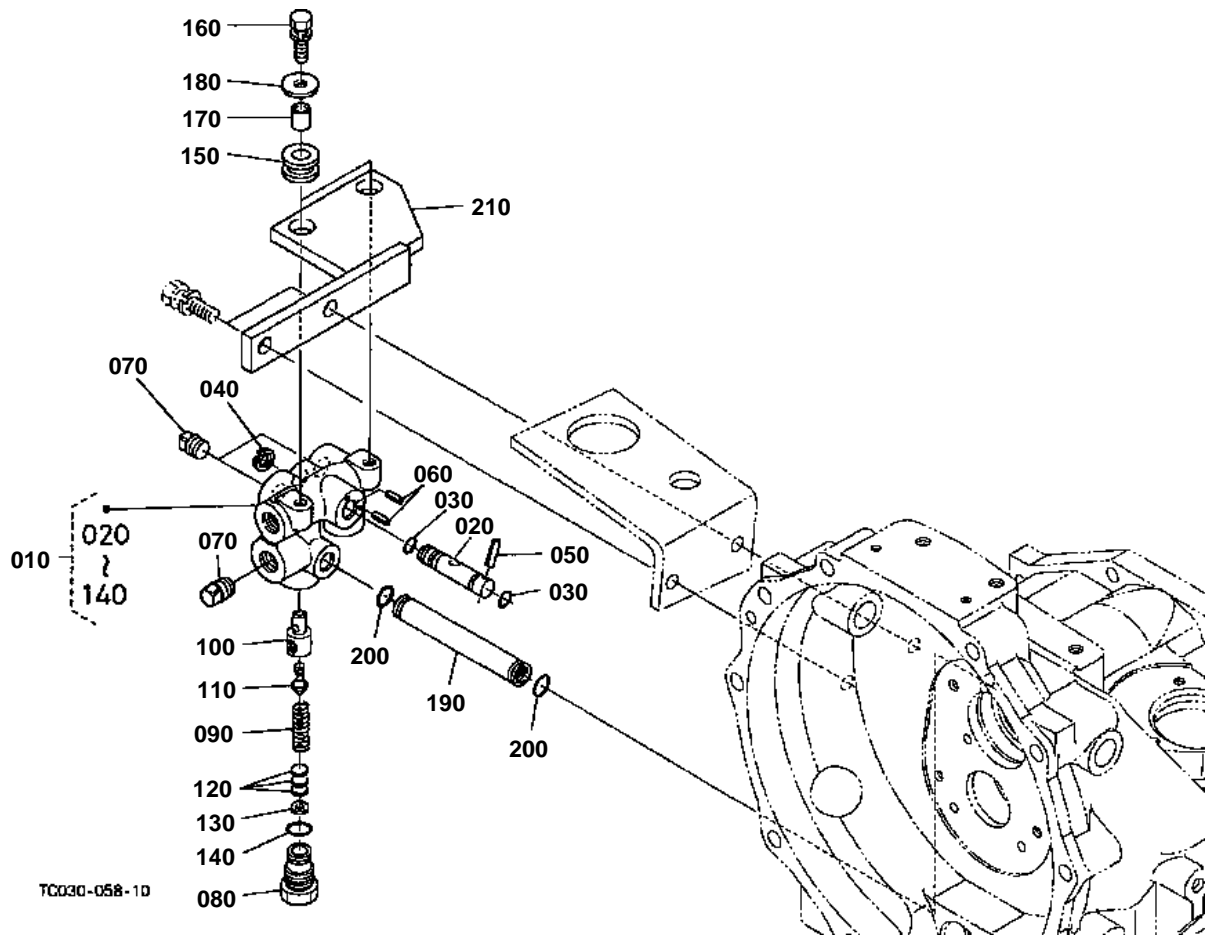


PTO HYDRAULIC OIL LINE

↔ Interchangeable; ≠ not interchangeable; ← new for old; → old for new

REF.No	Part No.	Description	Q'ty	S.No.	I/C	REMARKS	Weight (kgf)	Weight (lb)
010	TA040-69402	ASSY BOLT	1				0.045	0.099
020	04714-00200	GASKET	2				0.002	0.0044
030	67955-36230	CLAMP	2				0.023	0.0506
040	31351-45270	PIPE RUBBER	2				0.005	0.011
050	TC030-69930	COMP.PIPE I-PTO	1				0	0
060	34076-66590	BOLT JOINT	1				0.05	0.11
070	04714-00200	GASKET	2				0.002	0.0044

HYDRAULIC OUTLET BLOCK



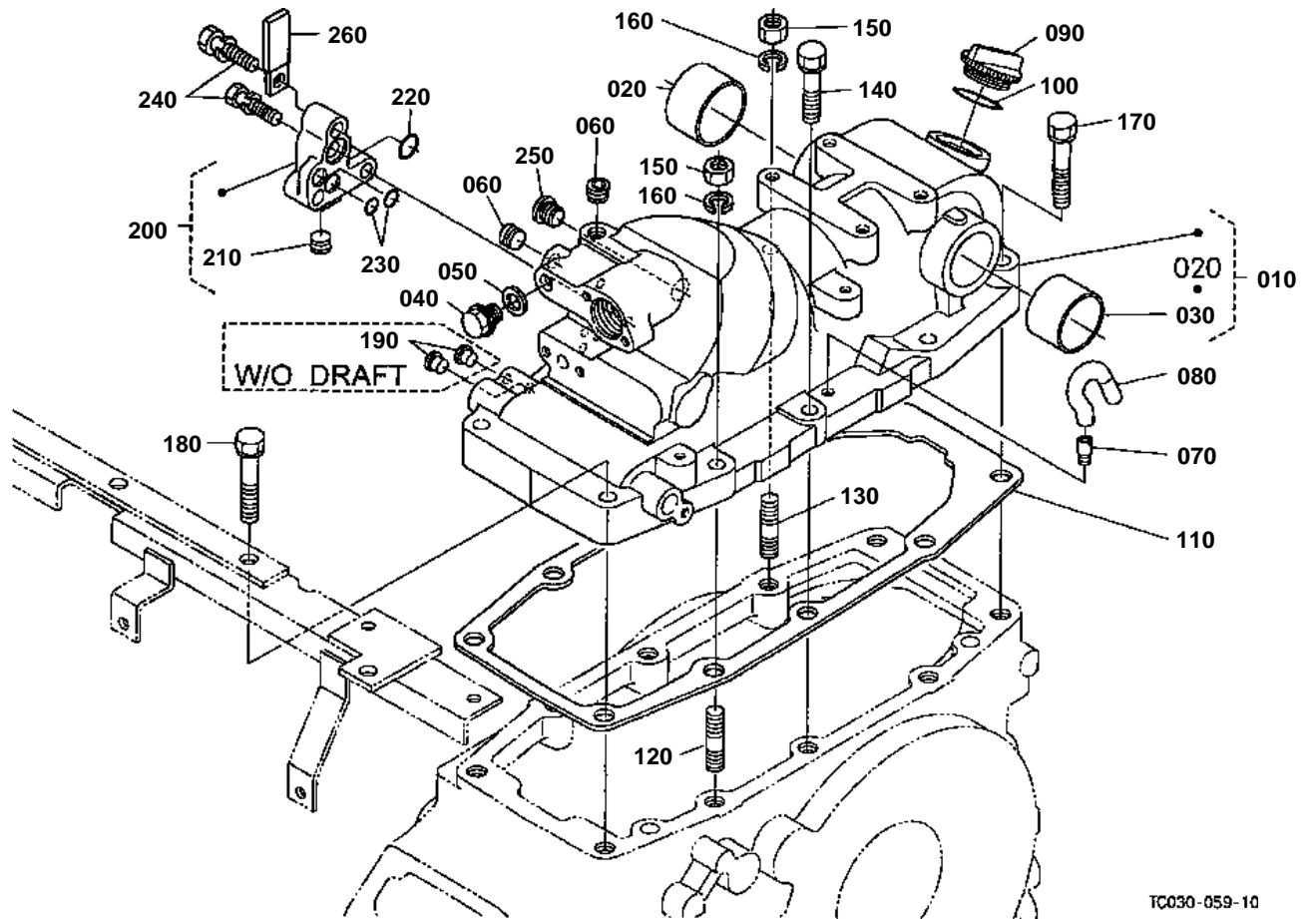


HYDRAULIC OUTLET BLOCK

↔ Interchangeable; ≠ not interchangeable; ← new for old; → old for new

REF.No	Part No.	Description	Q'ty	S.No.	I/C	REMARKS	Weight (kgf)	Weight (lb)
010	TA040-37500	ASSY BLOCK FRONT HYD	1				1.545	3.399
020	TA040-37520	SPOOL	1				0.067	0.1474
030	04810-06100	O RING	2				0.001	0.0022
040	04612-00140	CIR CLIP EXTERNAL	1				0.001	0.0022
050	05411-00320	PIN SPRING	1				0.001	0.0022
060	05411-00310	PIN SPRING	2				0.001	0.0022
070	06312-10030	PLUG	3				0.029	0.0638
080	31351-37910	PLUG	1				0.06	0.132
090	31351-37920	SPRING RELIEF	1				0.02	0.044
100	31351-37930	SEAT RELIEF VALVE	1				0.02	0.044
110	31351-37940	POPPET	1				0.005	0.011
120	31351-37950	SHIM	5			0.4mm	0.001	0.0022
120	31351-37960	SHIM	2			0.2mm	0.001	0.0022
120	31351-37970	SHIM	2			0.1mm	0.001	0.0022
130	04013-60050	WASHER PLAIN	2				0.001	0.0022
140	04811-10160	O RING	1				0.001	0.0022
150	TA040-37590	CUSHION	2				0.006	0.0132
160	01123-50828	BOLT	2				0.014	0.0308
170	TA040-37600	COLLAR	2				0.009	0.0198
180	04015-60080	WASHER PLAIN	2				0.01	0.022
190	TA040-37550	PIPE RETURN	1				0.052	0.1144
200	04811-00110	O RING	2				0.001	0.0022
210	TC030-37540	BRACKET HYD.BLOCK	1				0	0

HYDRAULIC CYLINDER



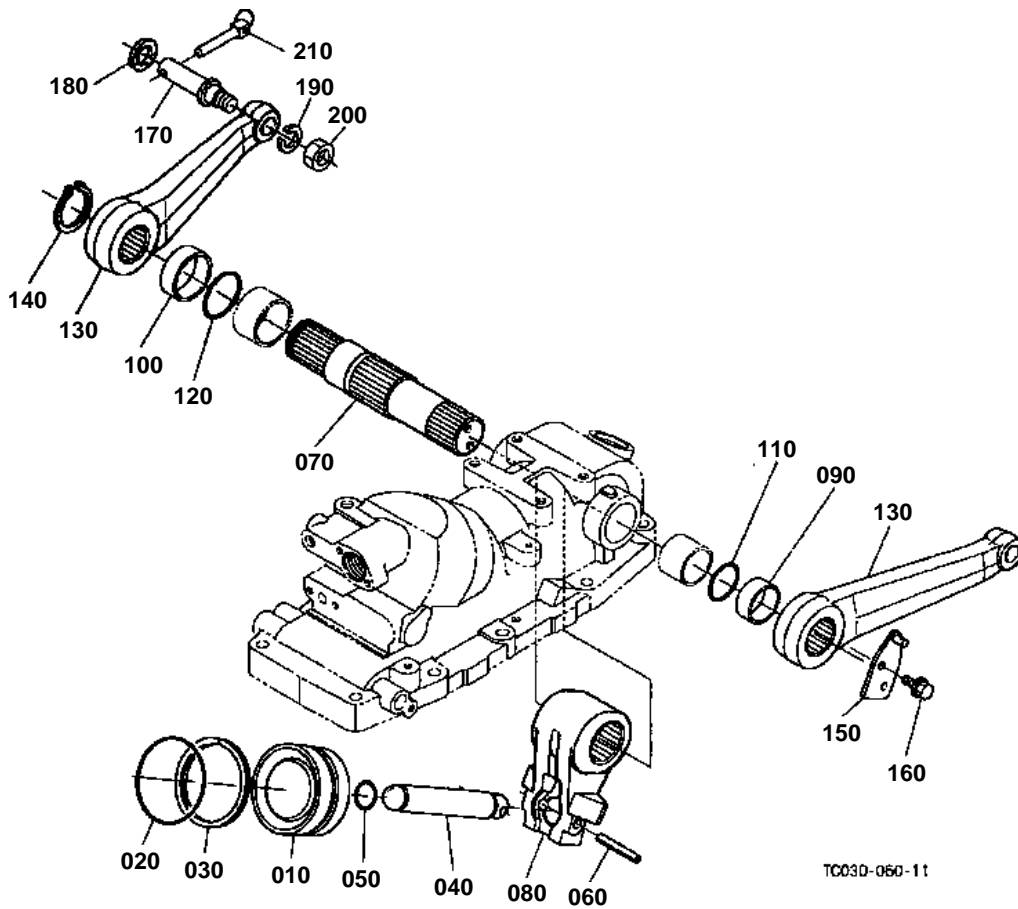


HYDRAULIC CYLINDER

↔ Interchangeable; ≠ not interchangeable; ← new for old; → old for new

REF.No	Part No.	Description	Q'ty	S.No.	I/C	REMARKS	Weight (kgf)	Weight (lb)
010	TC030-99350	ASSY CASE CYLINDER	1				0	0
020	30400-37450	BUSH	1				0.09	0.198
030	30400-37460	BUSH	1				0.065	0.143
040	37150-36730	PLUG	1				0.03	0.066
050	37150-36720	GASKET	1				0.01	0.022
060	31351-37150	PLUG	2				0.007	0.0154
070	36200-21610	BREATHER	1				0.008	0.0176
080	31351-37140	BREATHER	1				0.01	0.022
090	38240-21410	PLUG	1				0.015	0.033
100	04811-50300	O RING	1				0.001	0.0022
110	TA150-37120	GASKET	1				0.1	0.22
120	01574-51245	STUD	1				0.051	0.1122
130	01574-51245	STUD	1				0.051	0.1122
140	01133-51245	BOLT	4				0.055	0.121
150	02176-50120	NUT	2				0.01	0.022
160	04512-60120	WASHER SPRING	2				0.005	0.011
170	01133-51260	BOLT	2				0.06	0.132
180	01133-51265	BOLT	2				0.065	0.143
190	66591-51130	PLUG	2			W/O DRAFT	0.001	0.0022
200	TA040-36620	ASSY COVER CYLINDER	1			W/O REMOTE CONTROL VALVE	0.3	0.66
210	31351-37150	PLUG	1			W/O REMOTE CONTROL VALVE	0.007	0.0154
220	04810-00140	O RING	1			W/O REMOTE CONTROL VALVE	0.001	0.0022
230	04810-00100	O RING	2			W/O REMOTE CONTROL VALVE	0.001	0.0022
240	01123-50835	BOLT	3			W/O REMOTE CONTROL VALVE	0.02	0.044
250	TA040-36650	PLUG	1			W/O REMOTE CONTROL VALVE	0.005	0.011
260	13816-67580	CLAMP CORD	1				0.004	0.0088

LIFT ARM



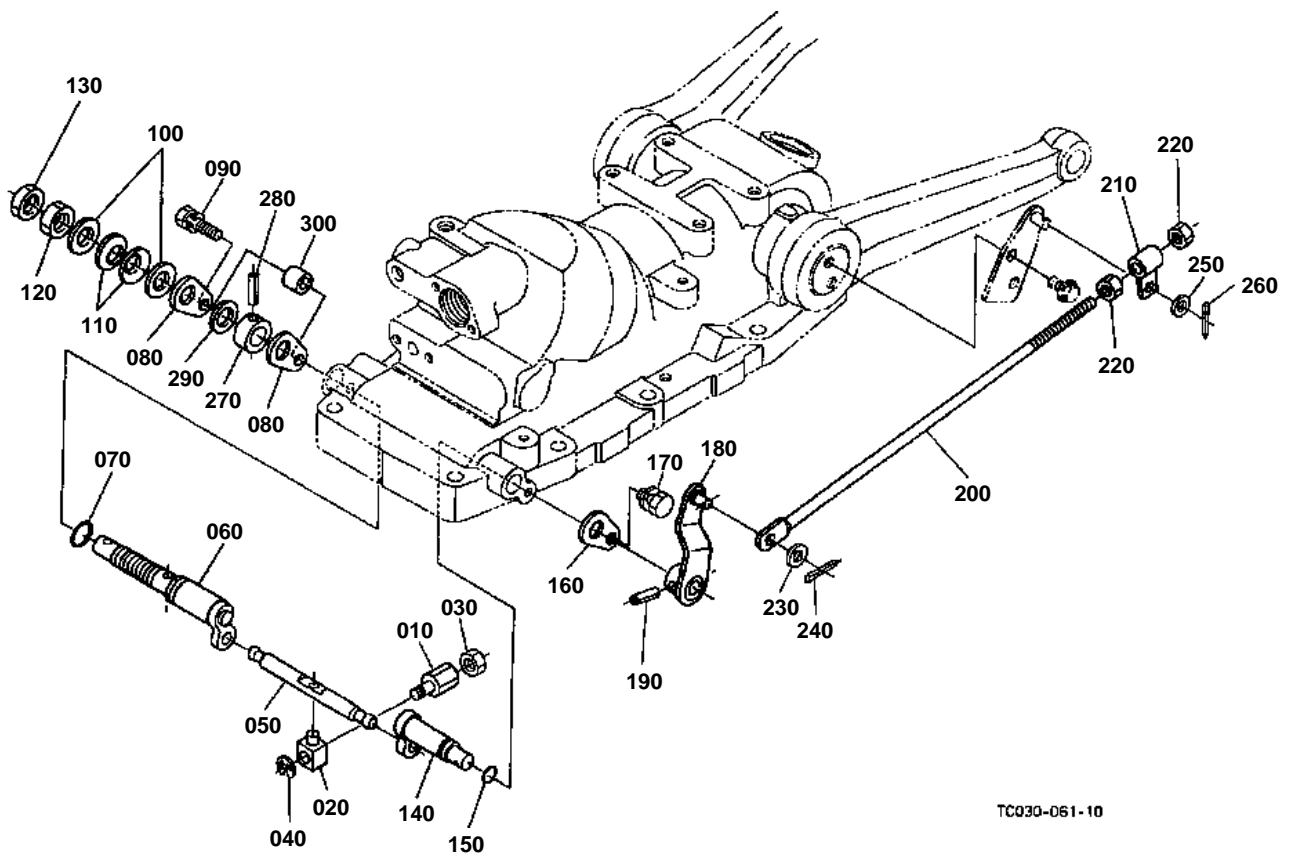


LIFT ARM

↔ Interchangeable; ≠ not interchangeable; ← new for old; → old for new

REF.No	Part No.	Description	Q'ty	S.No.	I/C	REMARKS	Weight (kgf)	Weight (lb)
010	34070-34214	PISTON HYD.	1				0	0
020	04810-00800	O RING	1				0.009	0.0198
030	31391-37330	RING BACK UP	1				0.005	0.011
040	31351-37320	ROD HYD.	1				0.605	1.331
050	04810-00240	O RING	1				0.001	0.0022
060	05411-00656	PIN SPRING	1				0.006	0.0132
070	TA150-37430	SHAFT HYD.ARM	1				2.2	4.84
080	TA040-34234	ARM HYDRAULIC	1				0	0
090	34150-37490	COLLAR	1				0.002	0.0044
100	34150-37480	COLLAR	1				0.005	0.011
110	04811-06400	O RING	1				0.001	0.0022
120	04811-50450	O RING	1				0.002	0.0044
130	TA040-34610	ARM LIFT	2				2.22	4.884
140	04612-00400	CIR CLIP EXTERNAL	1				0.005	0.011
150	T0070-36010	LINK CONTROL	1				0.07	0.154
160	01754-50812	BOLT FLANGE	2				0.01	0.022
170	30442-37690	PIN LIFT ROD	2				0.205	0.451
180	04011-50180	WASHER PLAIN	2				0.012	0.0264
190	04512-60160	WASHER SPRING	2				0.01	0.022
200	02174-50160	NUT	2				0.022	0.0484
210	34150-37640	PIN SET	2				0.06	0.132

FEED BACK LEVER



TC030-061-10

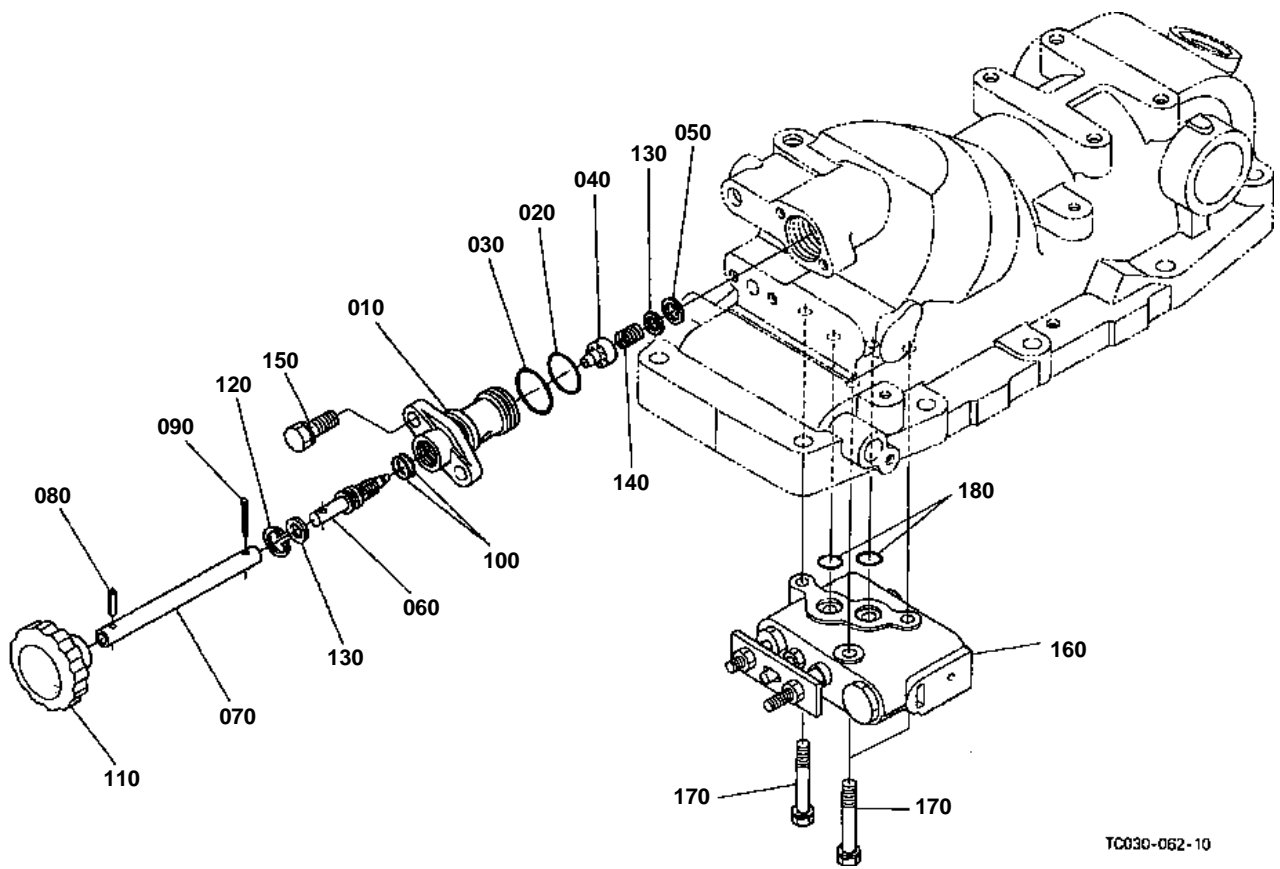


FEED BACK LEVER

↔ Interchangeable; ≠ not interchangeable; ← new for old; → old for new

REF.No	Part No.	Description	Q'ty	S.No.	I/C	REMARKS	Weight (kgf)	Weight (lb)
010	67531-38280	JOINT SPOOL	1				0.17	0.374
020	TA040-36420	JOINT SPOOL	1				0.022	0.0484
030	02112-50080	NUT	1				0.003	0.0066
040	04613-50060	CIR CLIP EXTERNAL	1				0.001	0.0022
050	31351-37640	LEVER SPOOL DRIVE	1				0.05	0.11
060	TA140-37650	ARM CONTROL	1				0	0
070	04811-00140	O RING	1				0.001	0.0022
080	31351-37660	SET PLATE	2				0.01	0.022
090	01123-50830	BOLT	1				0.015	0.033
100	04013-60140	WASHER PLAIN	2				0.01	0.022
110	34260-36880	SPRING PLATE	2				0.006	0.0132
120	02174-50140	NUT	1				0.014	0.0308
130	02172-50140	NUT	1				0.01	0.022
140	31351-37750	SHAFT BACK LEVER	1				0.1	0.22
150	04811-00120	O RING	1				0.001	0.0022
160	38240-36890	SET PLATE	1				0.013	0.0286
170	01123-50816	BOLT	1				0.011	0.0242
180	31351-37760	LEVER FEED BACK	1				0.08	0.176
190	05411-00525	PIN SPRING	1				0.002	0.0044
200	31321-37770	ROD FEED BACK	1				0.12	0.264
210	31351-37780	ROD CONTROL	1				0.03	0.066
220	02114-50080	NUT	2				0.005	0.011
230	04013-60080	WASHER PLAIN	1				0.002	0.0044
240	05511-50218	PIN SPLIT	1				0.001	0.0022
250	04013-60080	WASHER PLAIN	1				0.002	0.0044
260	05511-50215	PIN SPLIT	1				0.001	0.0022
270	TA140-36900	SPACER	1				0	0
280	05411-00528	PIN SPRING	1				0.003	0.0066
290	TA140-36920	PLATE FRICTION	1				0	0
300	TA140-36930	SPACER	1				0	0

CONTROL VALVE



TC030-062-10

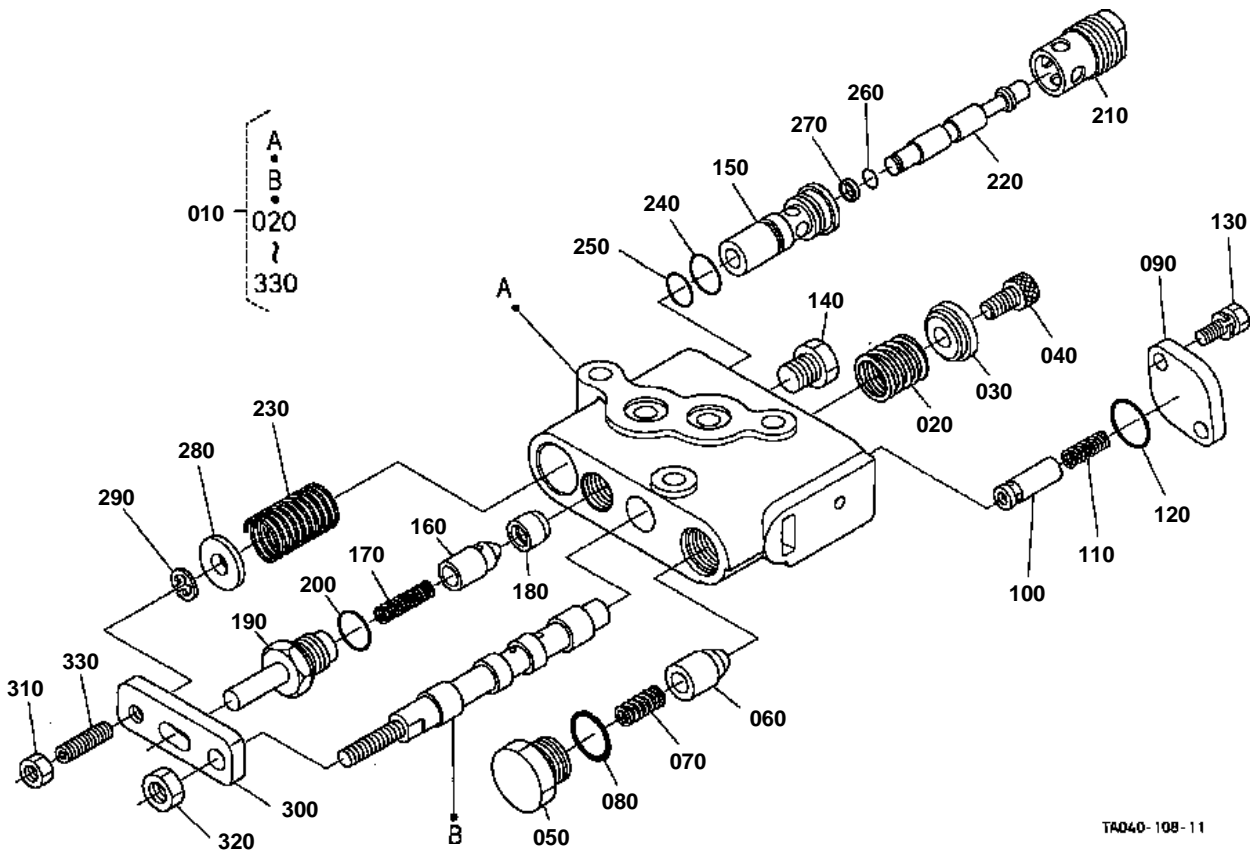


CONTROL VALVE

↔ Interchangeable; ≠ not interchangeable; ← new for old; → old for new

REF.No	Part No.	Description	Q'ty	S.No.	I/C	REMARKS	Weight (kgf)	Weight (lb)
010	31351-37210	COVER CYL.FRONT	1				0.315	0.693
020	04810-00220	O RING	1				0.001	0.0022
030	04810-06250	O RING	1				0.001	0.0022
040	38240-37250	COLLAR ADJUSTING	1				0.01	0.022
050	04611-00160	CIR CLIP INTERNAL	1				0.001	0.0022
060	T0070-34510	SHAFT	1				0.04	0.088
070	TC030-34570	PIPE	1				0	0
080	05411-00414	PIN SPRING	1				0.001	0.0022
090	05511-50425	PIN SPLIT	1				0.003	0.0066
100	04810-00100	O RING	2				0.001	0.0022
110	T0070-34560	GRIP	1				0.011	0.0242
120	34150-37260	CIR CLIP INTERNAL	1				0.001	0.0022
130	04012-50080	WASHER PLAIN	2				0.001	0.0022
140	30812-37360	SPRING	1				0.005	0.011
150	01123-50825	BOLT	2				0.013	0.0286
160	31351-39604	ASSY VALVE CONTROL	1			REFER TO L.No.F11-L FOR COMPONENTS.	0	0
170	TA040-36400	BOLT	3				0.02	0.044
180	04810-00120	O RING	2				0.001	0.0022

CONTROL VALVE [COMPONENT PARTS]



TAD40-108-11

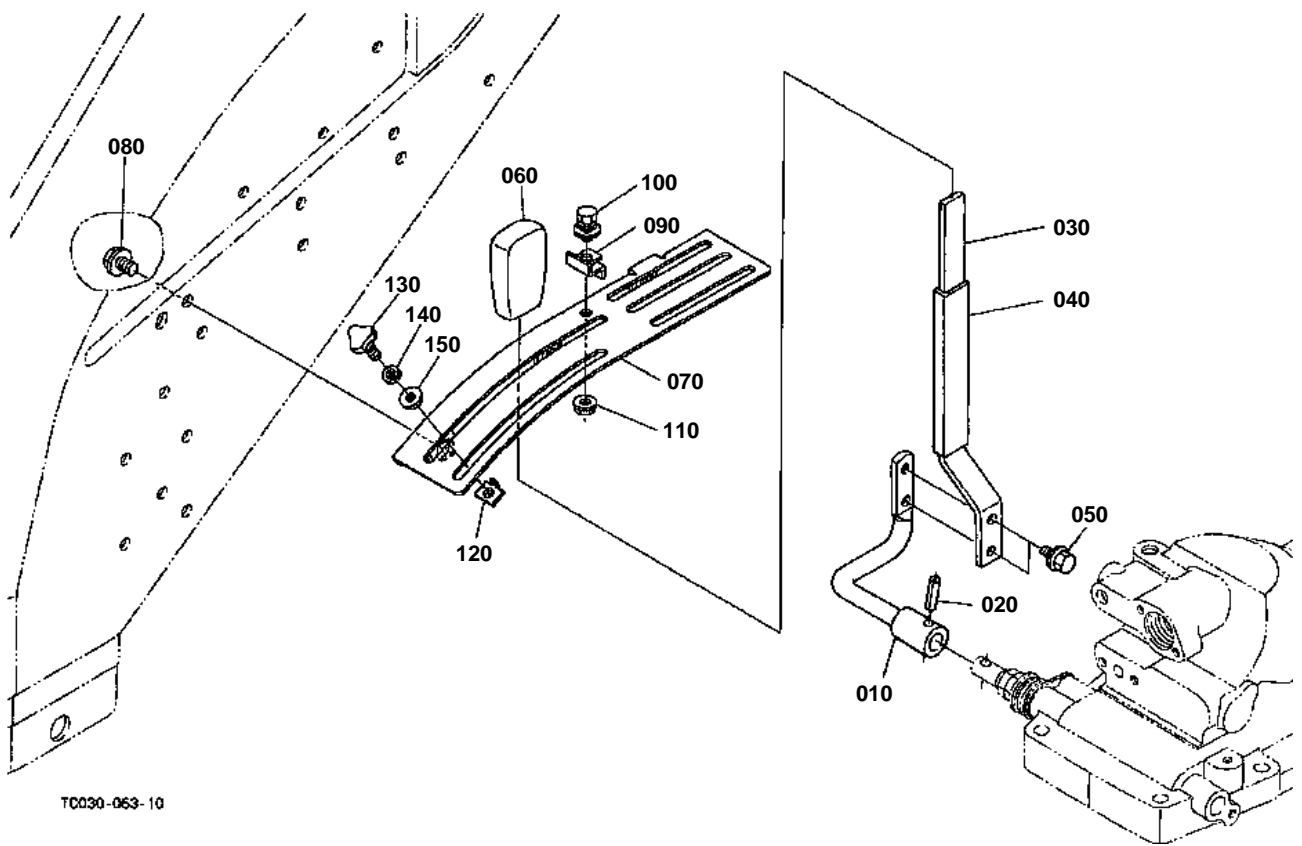


CONTROL VALVE [COMPONENT PARTS]

↔ Interchangeable; ≠ not interchangeable; ← new for old; → old for new

REF.No	Part No.	Description	Q'ty	S.No.	I/C	REMARKS	Weight (kgf)	Weight (lb)
010	31351-39604	ASSY VALVE CONTROL	1				0	0
020	31351-39630	SPRING SPOOL	1				0.02	0.044
030	31351-39640	HOLDER SPRING	1				0.02	0.044
040	01311-10814	BOLT HEX-SOC-HD	1				0.012	0.0264
050	31351-39650	PLUG	1				0.04	0.088
060	31351-39150	POPPET	1				0.02	0.044
070	67531-38470	SPRING	1				0.001	0.0022
080	04811-00140	O RING	1				0.001	0.0022
090	31351-39660	PLATE	1				0.05	0.11
100	31351-39670	POPPET	1				0.01	0.022
110	31351-39680	SPRING	1				0.01	0.022
120	04810-00160	O RING	1				0.001	0.0022
130	01023-50616	BOLT	2				0.005	0.011
140	06331-35010	PLUG	1				0.012	0.0264
150	T0430-37600	SLEEVE	1				0	0
160	T0430-37580	POPPET	1				0	0
170	31391-39190	SPRING	1				0.001	0.0022
180	T0430-37530	SEAT CHECK VALVE	1				0	0
190	31351-37670	PLUG	1				0	0
200	04811-00120	O RING	1				0.001	0.0022
210	31351-37620	PLUG	1				0	0
220	T0430-37610	POPPET	1				0	0
230	T0430-37620	SPRING	1				0	0
240	04811-05120	O RING	1				0.001	0.0022
250	04811-05110	O RING	1				0.001	0.0022
260	04811-00050	O RING	1				0.001	0.0022
270	31351-39290	RING BACK UP	1				0.001	0.0022
280	T0430-37640	WASHER PLAIN	1				0	0
290	04613-50060	CIR CLIP EXTERNAL	1				0.001	0.0022
300	31351-39752	PLATE	1				0	0
310	02014-50060	NUT	1				0.003	0.0066
320	02114-50080	NUT	1				0.005	0.011
330	03650-50622	SCREW SET	1				0	0

POSITION CONTROL LEVER



TC030-063-10

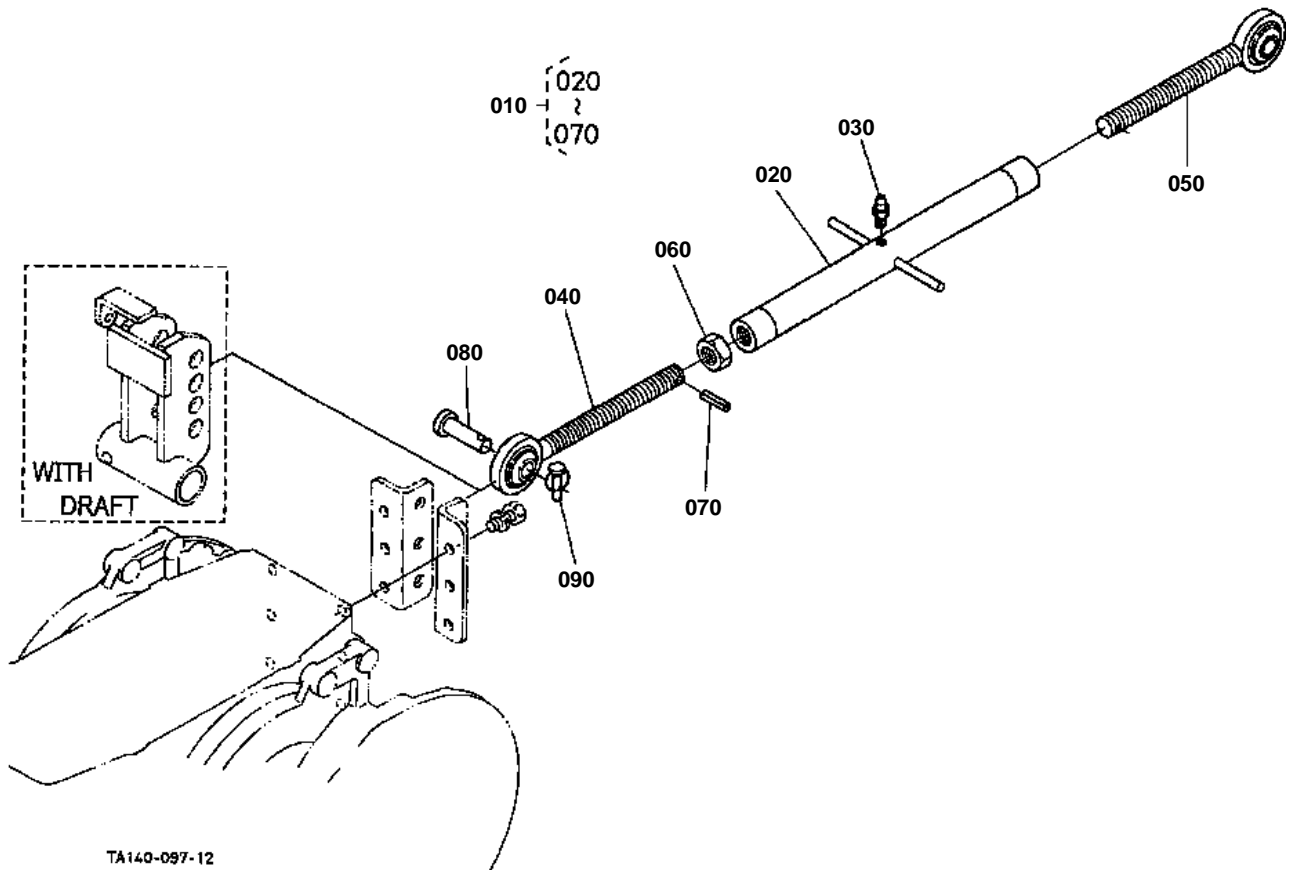


POSITION CONTROL LEVER

↔ Interchangeable; ≠ not interchangeable; ← new for old; → old for new

REF.No	Part No.	Description	Q'ty	S.No.	I/C	REMARKS	Weight (kgf)	Weight (lb)
010	TA140-36110	LEVER POSITION	1			W/O DRAFT	0	0
020	05411-00525	PIN SPRING	1			W/O DRAFT	0.002	0.0044
030	TA040-36120	LEVER POSITION	1			W/O DRAFT	0.21	0.462
040	TA040-36132	TUBE LEVER	1			W/O DRAFT	0.01	0.022
050	01754-50616	BOLT FLANGE	2			W/O DRAFT	0.006	0.0132
060	52300-32640	GRIP LEVER	1				0.04	0.088
070	TC030-47600	GUIDE HYD.LEVER	1				0	0
080	01754-50812	BOLT FLANGE	3				0.01	0.022
090	TC030-36130	STOPPER	1				0	0
100	01125-60816	BOLT	1				0.01	0.022
110	02751-50080	NUT FLANGE	1				0.006	0.0132
120	T1060-36170	STOPPER	1				0.005	0.011
130	37410-52610	SCREW KNOB	1				0.015	0.033
140	04512-60060	WASHER SPRING	1				0.001	0.0022
150	31351-18860	WASHER	1				0.002	0.0044

TOP LINK



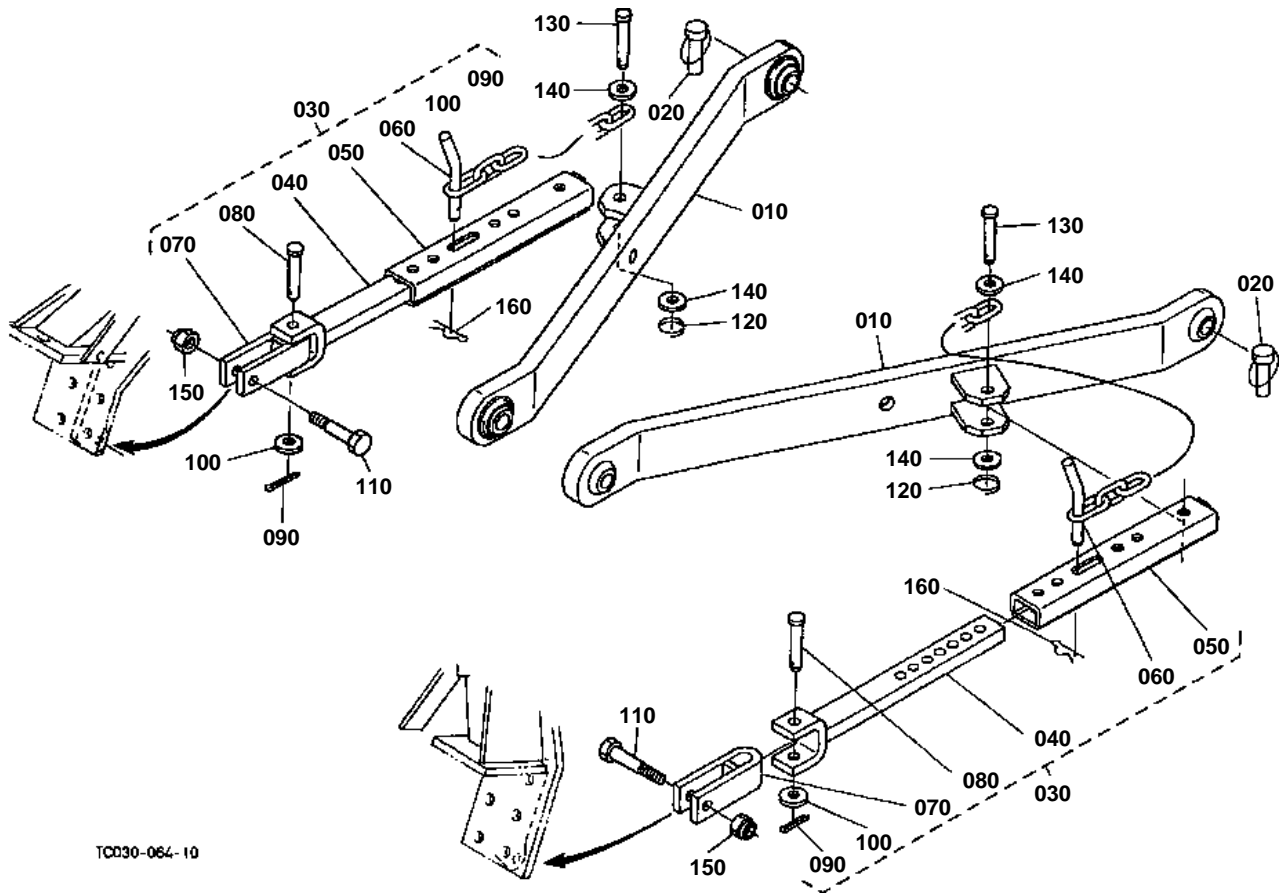


TOP LINK

↔ Interchangeable; ≠ not interchangeable; ← new for old; → old for new

REF.No	Part No.	Description	Q'ty	S.No.	I/C	REMARKS	Weight (kgf)	Weight (lb)
010	35080-71100	ASSY LINK TOP	1				3.6	7.92
020	35340-71113	LINK TOP	1				1.265	2.783
030	67211-42940	NIPPLE GREASE	1				0.001	0.0022
040	35340-71210	JOINT TOP LINK	1				1.06	2.332
050	35340-71220	JOINT TOP LINK	1				1.06	2.332
060	32244-71180	NUT TOP LINK	1				0.057	0.1254
070	05411-00430	PIN SPRING	2				0.002	0.0044
080	31150-71360	PIN JOINT	2				0.166	0.3652
090	34150-37640	PIN SET	2				0.06	0.132

3-POINT LINKAGE 1 (LOWER LINK)



TC030-064-10

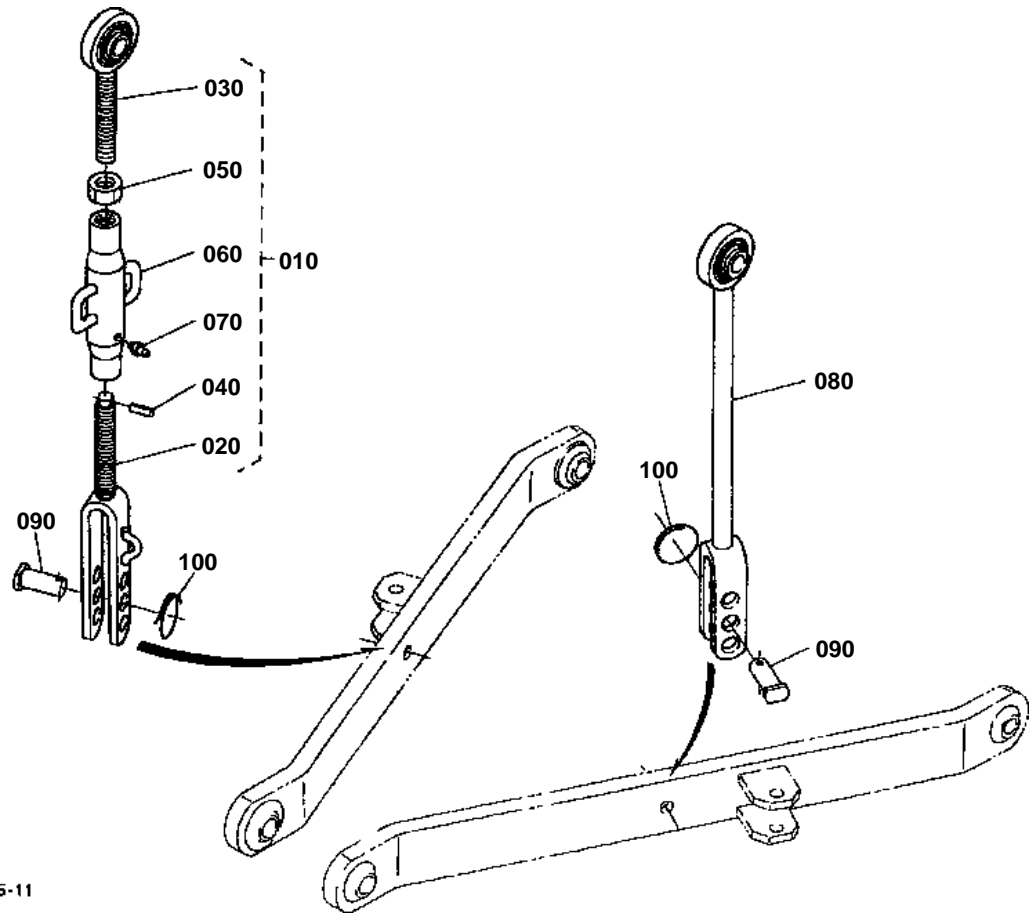


3-POINT LINKAGE 1 (LOWER LINK)

↔ Interchangeable; ≠ not interchangeable; ← new for old; → old for new

REF.No	Part No.	Description	Q'ty	S.No.	I/C	REMARKS	Weight (kgf)	Weight (lb)
010	TA140-71312	COMP.LINK LOWER	2				8	17.6
020	34150-37640	PIN SET	2				0.06	0.132
030	TA140-39604	ASSY STABILIZER	2				2.85	6.27
040	TA140-39610	COMP.STAB.FRONT	2				1.17	2.574
050	TA140-39620	COMP.STAB.BEAR	2				0.895	1.969
060	TA140-39630	COMP.JOINT	2				0.23	0.506
070	TA140-39643	COMP.JOINT	2				0.48	1.056
080	05122-51265	PIN JOINT	2				0.06	0.132
090	05511-50428	PIN SPLIT	2				0.004	0.0088
100	04011-50120	WASHER PLAIN	2				0.005	0.011
110	TA140-39850	BOLT STABILIZER	2				0.06	0.132
120	67156-34340	RING SNAP	2				0.01	0.022
130	TA140-39820	PIN STABILIZER REAR	2				0.064	0.1408
140	04011-50120	WASHER PLAIN	4				0.005	0.011
150	02576-50120	NUT LOCK	2				0.011	0.0242
160	05515-61200	PIN SNAP	2				0.005	0.011

3-POINT LINKAGE 2 (LIFT ROD)



TC030-055-11

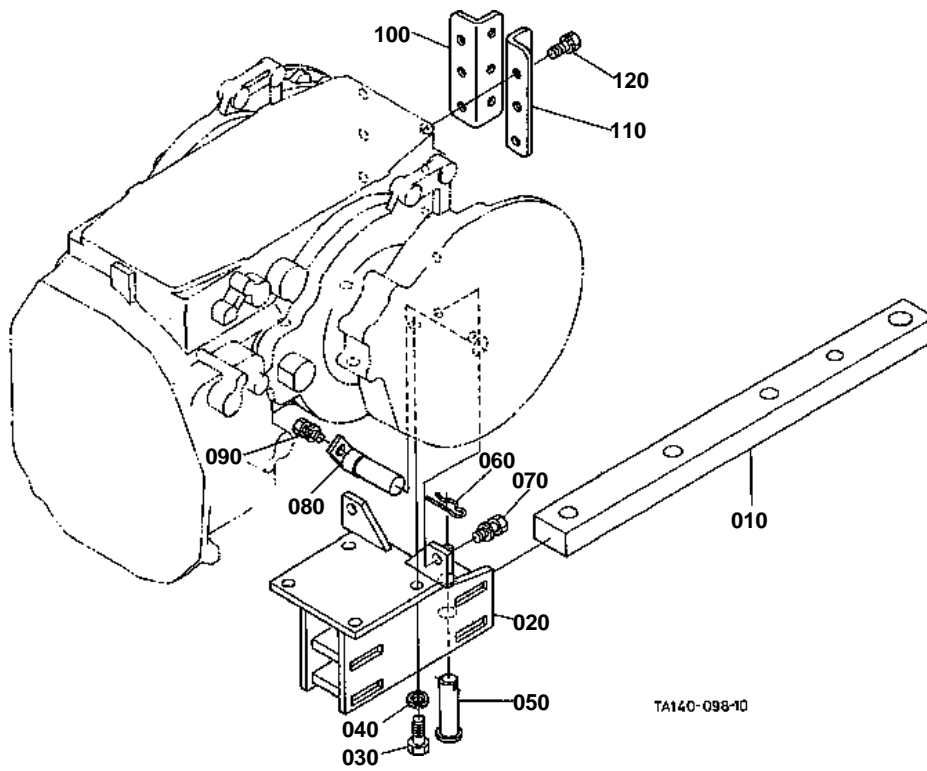


3-POINT LINKAGE 2 (LIFT ROD)

↔ Interchangeable; ≠ not interchangeable; ← new for old; → old for new

REF.No	Part No.	Description	Q'ty	S.No.	I/C	REMARKS	Weight (kgf)	Weight (lb)
010	32751-71560	ASSY ROD LIFT RH	1				1.98	4.356
020	35080-71520	ROD LIFT LOWER	1				0.88	1.936
030	31331-71510	ROD LIFT UPPER	1				0.58	1.276
040	05411-00320	PIN SPRING	1				0.001	0.0022
050	35110-71570	NUT	1				0.05	0.11
060	32751-39350	TURNBUCKLE	1				0.485	1.067
070	06613-10675	NIPPLE GREASE	1				0.003	0.0066
080	35080-71540	ROD LIFT LH	1				1.6	3.52
090	38747-71582	PIN LIFT ROD	2				0.1	0.22
100	67156-34340	RING SNAP	2				0.01	0.022

DRAWBAR



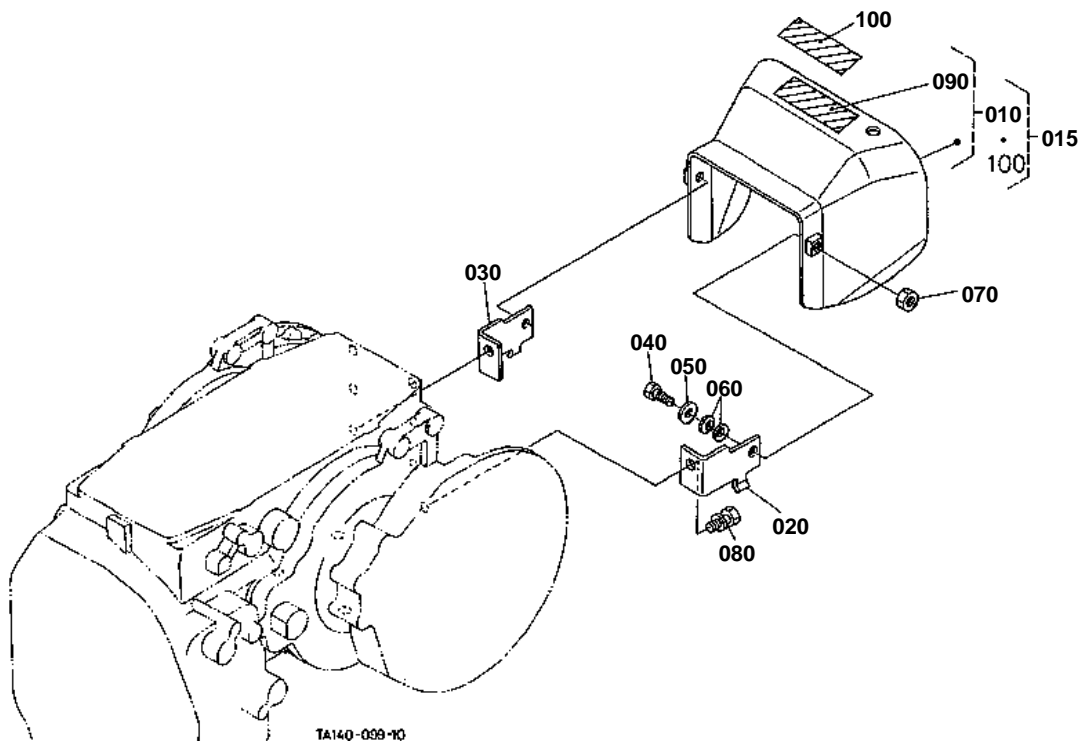


DRAWBAR

↔ Interchangeable; ≠ not interchangeable; ← new for old; → old for new

REF.No	Part No.	Description	Q'ty	S.No.	I/C	REMARKS	Weight (kgf)	Weight (lb)
010	35070-29710	DRAWBAR	1				6.7	14.74
020	TA040-29730	FRAME DRAWBAR	1				6.2	13.64
030	01176-51430	BOLT	4				0.052	0.1144
040	04512-60140	WASHER SPRING	4				0.006	0.0132
050	05122-52070	PIN JOINT	1				0.186	0.4092
060	05515-51600	PIN SNAP	1				0.007	0.0154
070	01133-51230	BOLT	2				0.04	0.088
080	TA040-39410	PIN LOWER LINK	2				0.25	0.55
090	01133-51020	BOLT	2				0.02	0.044
100	99571-22140	HOLDER TOP LINK RH	1			W/O DRAFT	0.99	2.178
110	99571-22150	HOLDER TOP LINK LH	1			W/O DRAFT	0.99	2.178
120	01133-51230	BOLT	6			W/O DRAFT	0.04	0.088

PTO PROTECTOR



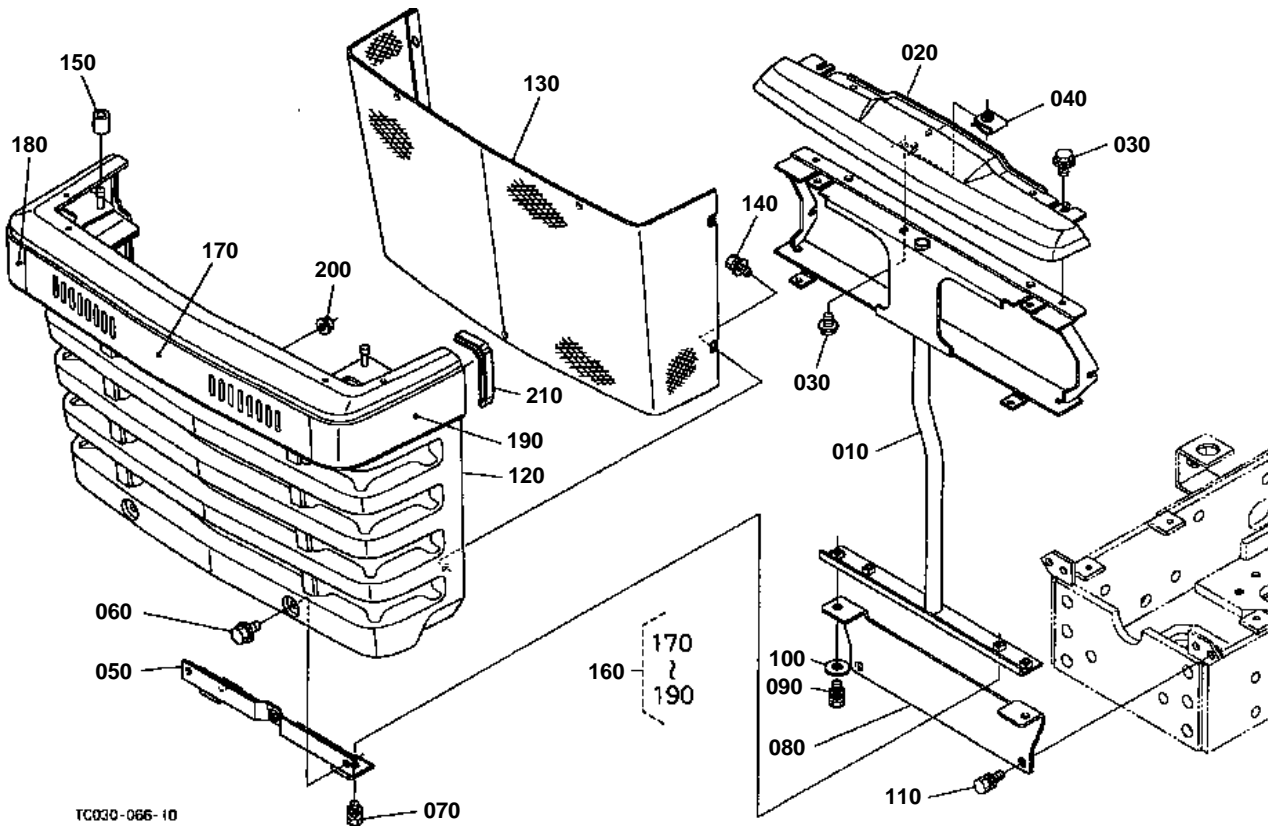


PTO PROTECTOR

↔ Interchangeable; ≠ not interchangeable; ← new for old; → old for new

REF.No	Part No.	Description	Q'ty	S.No.	I/C	REMARKS	Weight (kgf)	Weight (lb)
010	TA140-99570	KIT COVER PTO (A)	1			ENGLISH	2.1	4.62
015	TA141-99570	KIT COVER PTO (B)	1			FRENCH	2.1	4.62
020	TA040-23752	STAY	1				0.19	0.418
030	TA040-23762	STAY	1				0.19	0.418
040	01173-51025	BOLT	2				0.021	0.0462
050	04013-60100	WASHER PLAIN	2				0.004	0.0088
060	62151-42412	SPRING PLATE	4				0.002	0.0044
070	02116-50100	NUT	2				0.004	0.0088
080	01133-51225	BOLT	2				0.038	0.0836
090	TA040-49590	LABEL PTO WARNING	1			ENGLISH	0.002	0.0044
100	TA041-49590	LABEL PTO WARNING	1			FRENCH	0.005	0.011

FRONT GRILLE



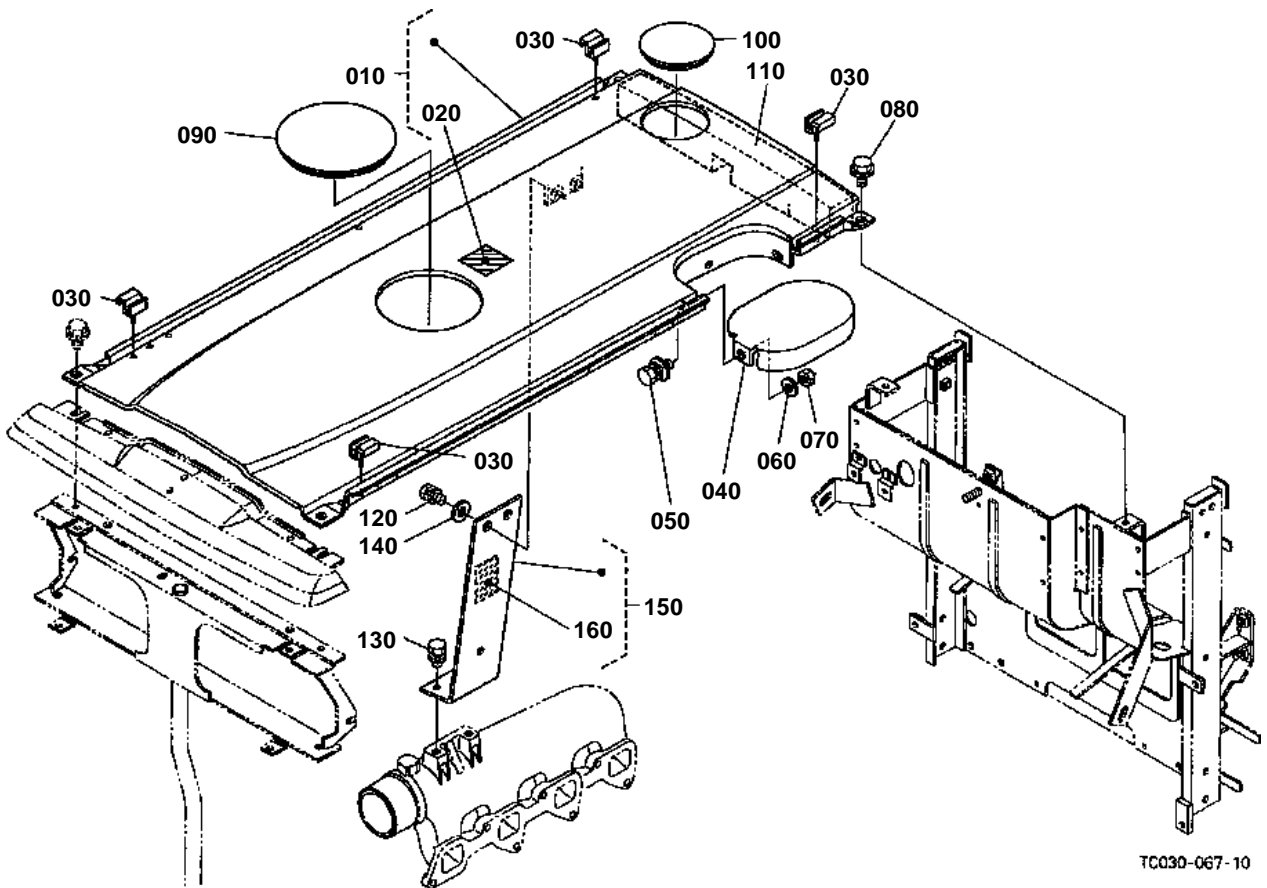


FRONT GRILLE

↔ Interchangeable; ≠ not interchangeable; ← new for old; → old for new

REF.No	Part No.	Description	Q'ty	S.No.	I/C	REMARKS	Weight (kgf)	Weight (lb)
010	TC030-18310	POST FRONT GRILLE	1				0	0
020	TC020-18163	ROOF FRONT	1				0	0
030	01754-50612	BOLT FLANGE	3				0.005	0.011
040	38240-29250	NUT SPRING	1				0.005	0.011
050	TC030-18280	BRACKET	1				0	0
060	01754-50812	BOLT FLANGE	2				0.01	0.022
070	01123-50816	BOLT	2				0.011	0.0242
080	TC030-18320	COVER F-GRILLE LOWER	1				0	0
090	01123-50820	BOLT	2				0.011	0.0242
100	04015-60080	WASHER PLAIN	2				0.01	0.022
110	01133-51020	BOLT	2				0.02	0.044
120	30400-18234	GRILLE FRONT	1				0	0
130	TC020-18250	NET FRONT GRILLE	1				0.465	1.023
140	30442-15230	BOLT	7				0.01	0.022
150	31351-18260	PIPE	2				0.001	0.0022
160	TC020-18700	ASSY BELT FRONT	1				0	0
170	TC020-94170	BELT GRILLE FRONT	1				0.125	0.275
180	TC020-94180	BELT GRILLE RH	1				0.062	0.1364
190	TC020-94190	BELT GRILLE LH	1				0.062	0.1364
200	02761-50050	NUT FLANGE	8				0.005	0.011
210	35533-90160	CUSHION	1				0.006	0.0132

HOOD(BONNET)



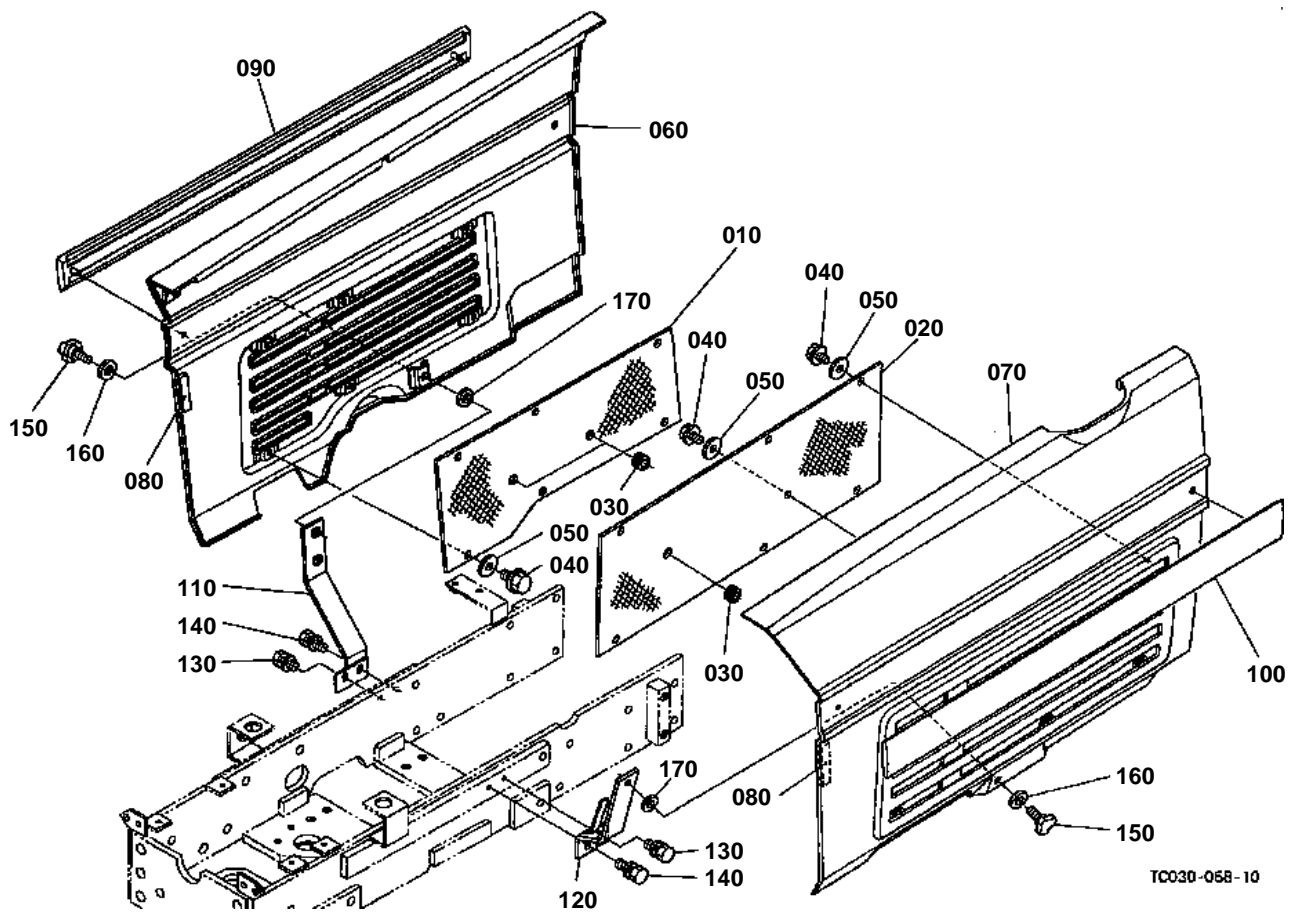
TC030-067-10



HOOD(BONNET)

↔ Interchangeable; ≠ not interchangeable; ← new for old; → old for new

REF.No	Part No.	Description	Q'ty	S.No.	I/C	REMARKS	Weight (kgf)	Weight (lb)
010	TC030-18550	KIT BONNET UPPER	1				0	0
020	32330-49540	LABEL CAUTION	1				0.001	0.0022
030	30442-18625	CUSHION	5				0.005	0.011
040	35010-34130	COVER	1				0.2	0.44
050	01125-60820	BOLT	3				0.015	0.033
060	04013-60080	WASHER PLAIN	3				0.002	0.0044
070	02114-50080	NUT	3				0.005	0.011
080	01754-50616	BOLT FLANGE	4				0.006	0.0132
090	TC030-18610	CAP BONNET	1				0	0
100	TC030-18620	CAP BONNET	1				0	0
110	TC030-18650	SPONGE BONNET	1				0	0
120	01123-50818	BOLT	2				0.012	0.0264
130	01123-50820	BOLT	2				0.011	0.0242
140	04015-60080	WASHER PLAIN	2				0.01	0.022
150	TC030-18380	KIT SUPPORT BONNET	1				0	0
160	32751-49580	LABEL FAN BELT	1				0.001	0.0022



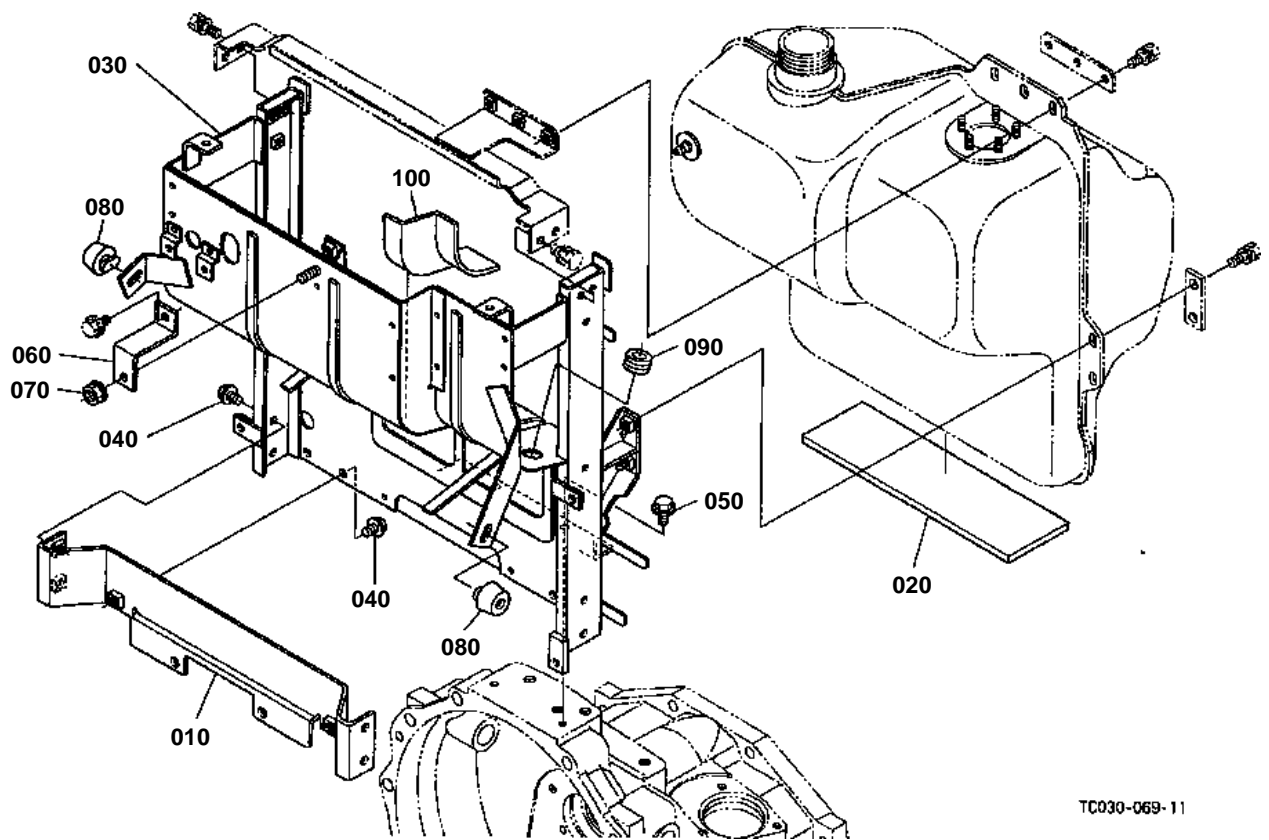


HOOD(BONNET) SIDE

↔ Interchangeable; ≠ not interchangeable; ← new for old; → old for new

REF.No	Part No.	Description	Q'ty	S.No.	I/C	REMARKS	Weight (kgf)	Weight (lb)
010	TC020-18140	NET BONNET SIDE RH	1				0.195	0.429
020	TC020-18150	NET BONNET SIDE LH	1				0.285	0.627
030	38240-18220	CUSHION	3				0.003	0.0066
040	01754-50608	BOLT FLANGE	13				0.005	0.011
050	04015-60060	WASHER PLAIN	13				0.005	0.011
060	TC030-18630	COMP.BONNET SIDE RH	1				0	0
070	TC030-18640	COMP.BONNET SIDE LH	1				0	0
080	32400-18950	CUSHION BONNET	2				0.01	0.022
090	TC020-18680	BELT SIDE RH	1				0.44	0.968
100	TC020-18690	BELT SIDE LH	1				0.44	0.968
110	TC030-18710	SOPPORT HOOK RH	1				0	0
120	TC030-18720	SUPPORT HOOK LH	1				0	0
130	01123-60814	BOLT	2				0.008	0.0176
140	01123-50818	BOLT	2				0.012	0.0264
150	01820-50825	BOLT KNOB	2				0.028	0.0616
160	04015-60080	WASHER PLAIN	2				0.01	0.022
170	32400-18220	RUBBER KNOB BOLT	2				0.001	0.0022

SHUTTER PLATE



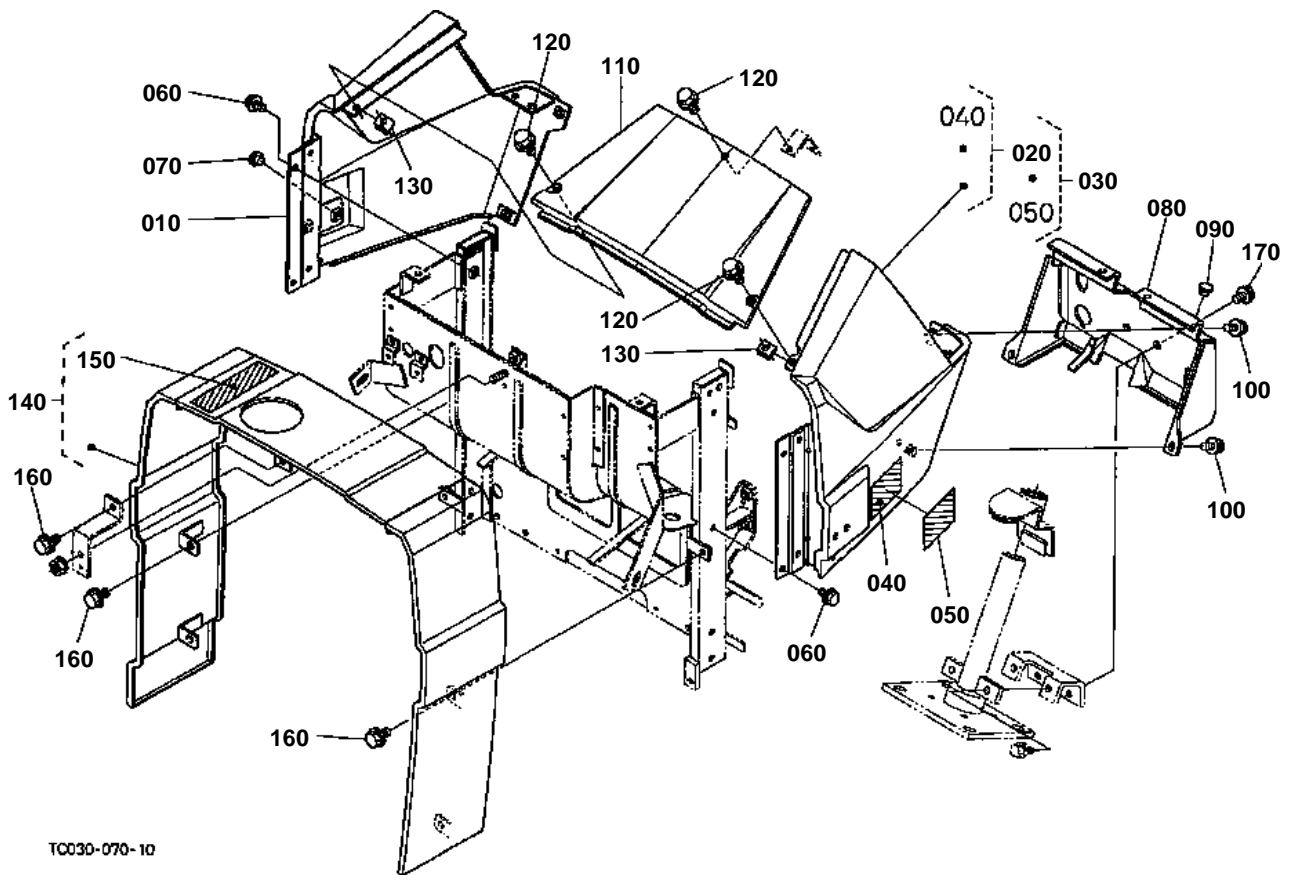


SHUTTER PLATE

↔ Interchangeable; ≠ not interchangeable; ← new for old; → old for new

REF.No	Part No.	Description	Q'ty	S.No.	I/C	REMARKS	Weight (kgf)	Weight (lb)
010	TC030-35230	SUPPORT SHUTTER	1				0	0
020	TC030-35180	CUSHION TANK	1				0	0
030	TC030-35210	PLATE SHUTTER	1				0	0
040	01754-50816	BOLT FLANGE	6				0.011	0.0242
050	01754-50812	BOLT FLANGE	2				0.01	0.022
060	TC030-35222	BRACKET EXTENSION	1				0	0
070	02751-50080	NUT FLANGE	1				0.006	0.0132
080	30400-17980	RUBBER BLOCK	2				0.01	0.022
090	32150-29180	CAP RUBBER	1				0.002	0.0044
100	TC030-35240	BOOT SHUTTER	1				0	0

PANEL FRAME



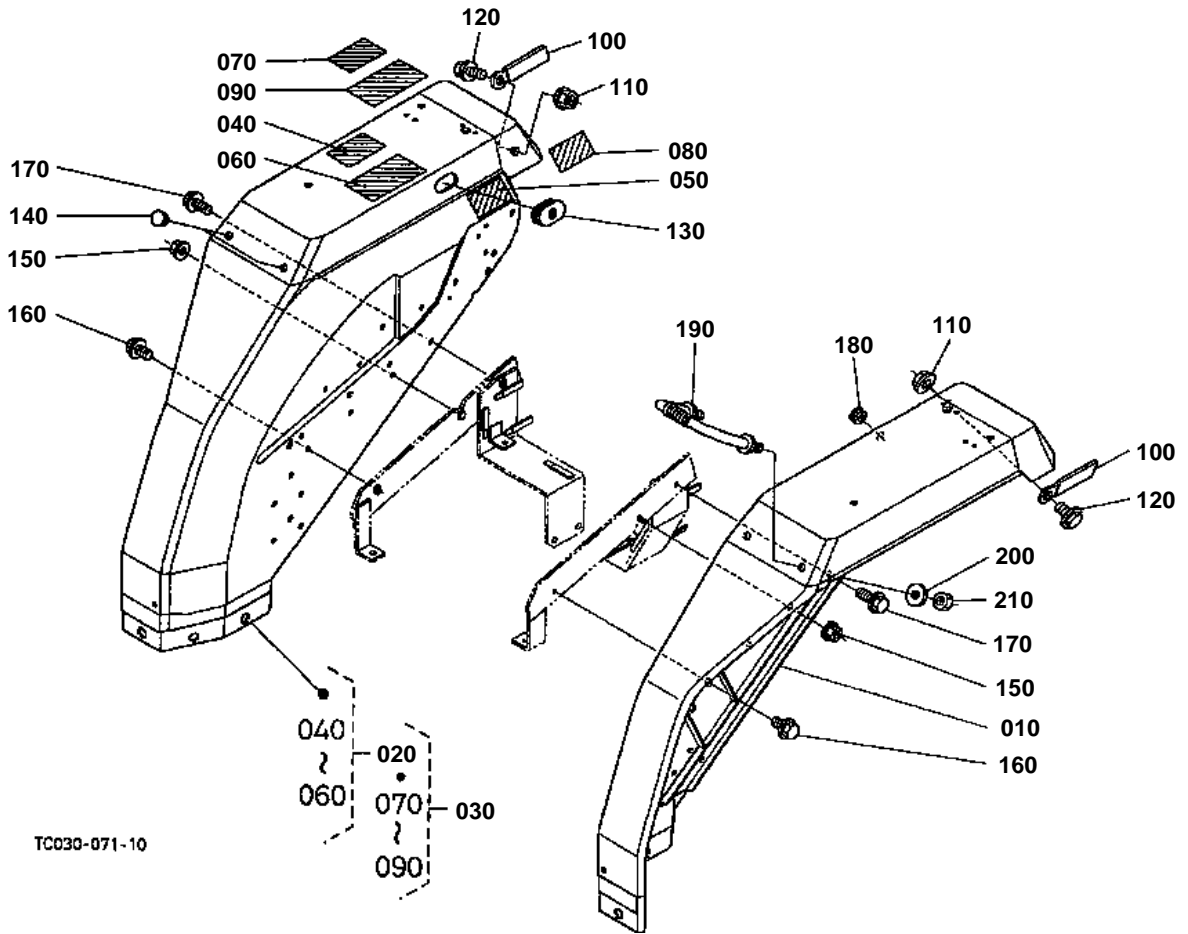


PANEL FRAME

↔ Interchangeable; ≠ not interchangeable; ← new for old; → old for new

REF.No	Part No.	Description	Q'ty	S.No.	I/C	REMARKS	Weight (kgf)	Weight (lb)
010	TC030-18810	COMP.BONNET REAR RH	1				0	0
020	TC030-18920	KIT BONNET REAR LH A	1			ENGLISH	0	0
030	TC030-18930	KIT BONNET REAR LH B	1			FRENCH	0	0
040	TA040-49650	LABEL START CAUTION	1			ENGLISH	0.004	0.0088
050	TA041-49650	LABEL START CAUTION	1			FRENCH	0.004	0.0088
060	01754-50612	BOLT FLANGE	4				0.005	0.011
070	38240-29570	PLUG	2				0.001	0.0022
080	TC010-43413	BOARD SWITCH	1				0	0
090	35110-32420	PLUG	1				0.002	0.0044
100	30400-19060	BOLT FLANGE	4				0.006	0.0132
110	32330-18770	ROOF REAR	1				0.465	1.023
120	30400-19060	BOLT FLANGE	3				0.006	0.0132
130	38240-29250	NUT SPRING	2				0.005	0.011
140	TC030-18890	KIT BONNET EXTENSION	1				0	0
150	TA040-49562	LABEL FUEL	1				0.002	0.0044
160	01754-50812	BOLT FLANGE	5				0.01	0.022
170	30400-18870	BOLT FLANGE	2				0.01	0.022

FENDER

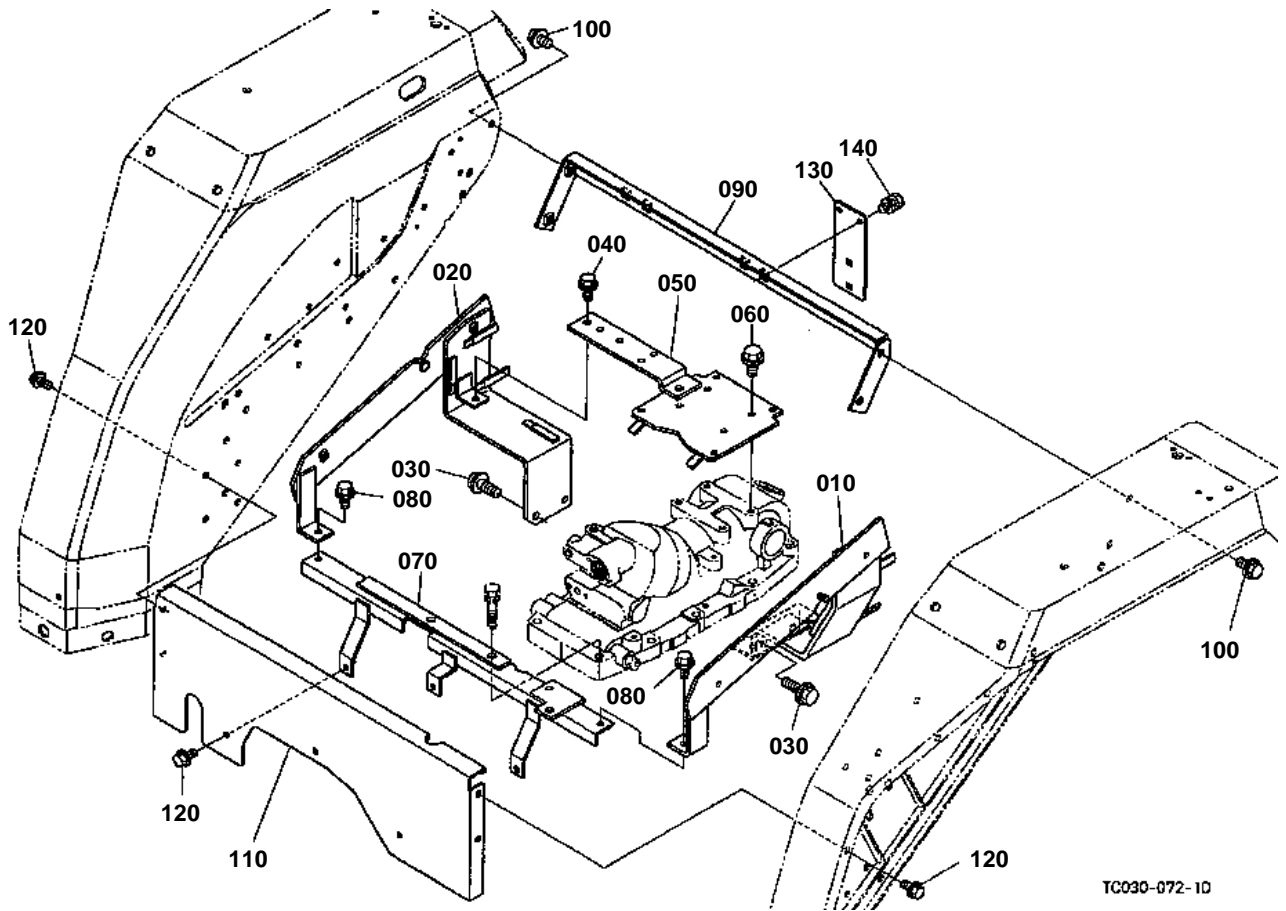


**FENDER**

↔ Interchangeable; ≠ not interchangeable; ← new for old; → old for new

REF.No	Part No.	Description	Q'ty	S.No.	I/C	REMARKS	Weight (kgf)	Weight (lb)
010	TC030-29012	COMP.FENDER LH	1				0	0
020	TC030-47100	KIT FENDER RH (A)	1			ENGLISH	0	0
030	TC030-47110	KIT FENDER RH (B)	1			FRENCH	0	0
040	TA040-49320	LABEL ROPS WARNING	1			ENGLISH	0.001	0.0022
050	TA040-49350	LABEL DRAWBAR	1			ENGLISH	0.002	0.0044
060	35260-34913	LABEL SAFETY	1			ENGLISH	0.005	0.011
070	TA040-49150	LABEL ROPS WARNING	1			FRENCH	0.003	0.0066
080	TA041-49350	LABEL DRAWBAR	1			FRENCH	0.003	0.0066
090	TA041-65700	LABEL SAFETY	1			FRENCH	0.01	0.022
100	37150-34460	CLAMP CORD	2				0.03	0.066
110	02771-60100	NUT FLANGE	2				0.01	0.022
120	01774-51016	BOLT FLANGE	2				0.02	0.044
130	31351-29490	GROMMET	1				0.003	0.0066
140	30810-29170	PLUG	2				0.003	0.0066
150	02751-50080	NUT FLANGE	2				0.006	0.0132
160	01754-50820	BOLT FLANGE	2				0.015	0.033
170	01754-50825	BOLT FLANGE	2				0.01	0.022
180	32150-29180	CAP RUBBER	1				0.002	0.0044
190	34670-29440	HANDRAIL	1				0.1	0.22
200	04013-60140	WASHER PLAIN	2				0.01	0.022
210	02174-50140	NUT	2				0.014	0.0308

FENDER SUPPORT



TC030-072-10

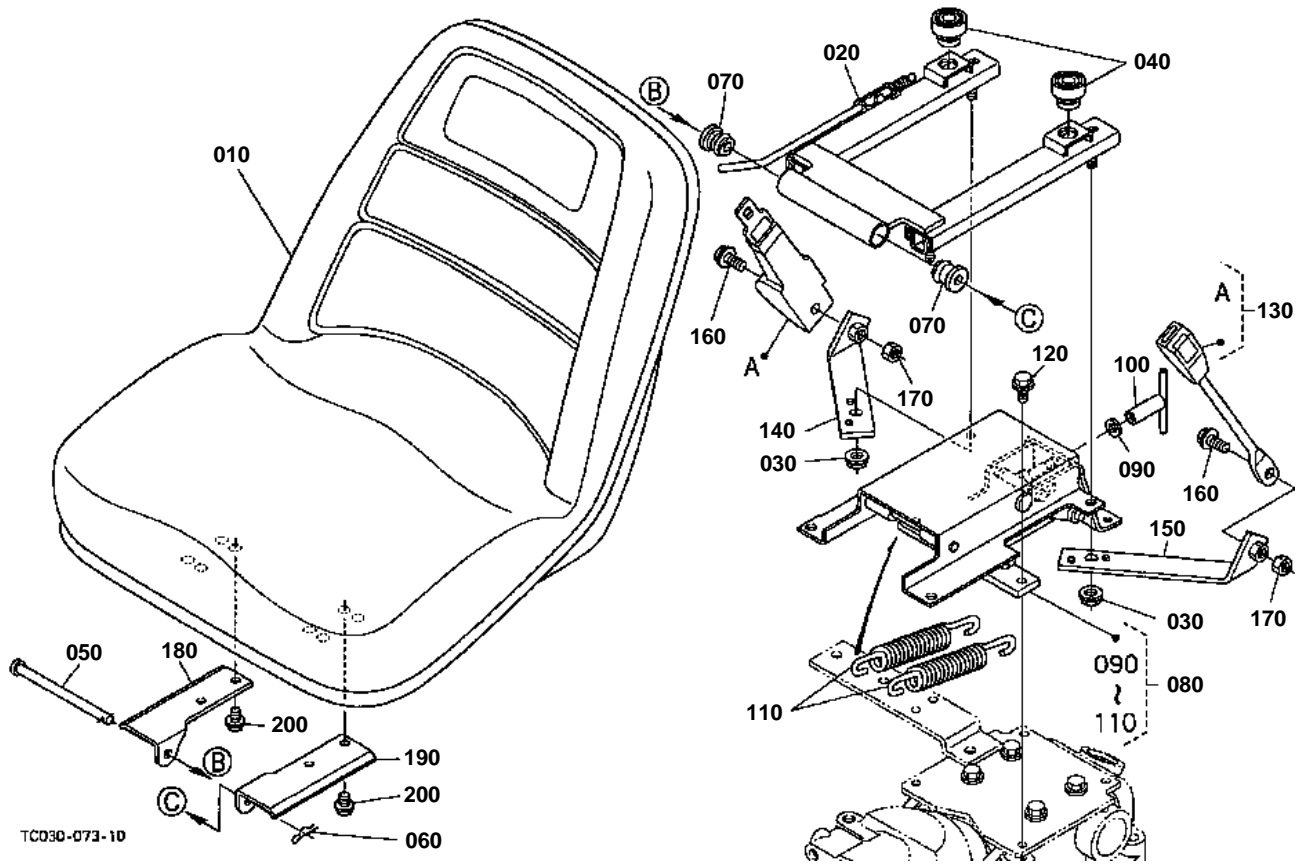


FENDER SUPPORT

↔ Interchangeable; ≠ not interchangeable; ← new for old; → old for new

REF.No	Part No.	Description	Q'ty	S.No.	I/C	REMARKS	Weight (kgf)	Weight (lb)
010	TC030-29210	SUPPORT FENDER LH	1				0	0
020	TC030-29220	SUPPORT FENDER RH	1				0	0
030	01774-51230	BOLT FLANGE	4				0.043	0.0946
040	01754-50820	BOLT FLANGE	1				0.015	0.033
050	TC030-29230	SUPPORT SEAT	1				0	0
060	01774-61020	BOLT FLANGE	4				0.022	0.0484
070	TC030-29242	STAY FENDER	1				0	0
080	01754-50820	BOLT FLANGE	2				0.015	0.033
090	TC030-29440	SUPPORT FENDER	1				0	0
100	01774-51016	BOLT FLANGE	4				0.02	0.044
110	TC030-47212	COVER FLOOR SEAT	1				0	0
120	01754-50816	BOLT FLANGE	7				0.011	0.0242
130	TC030-29430	BRACKET SMV	1				0	0
140	01123-50820	BOLT	2				0.011	0.0242

SEAT

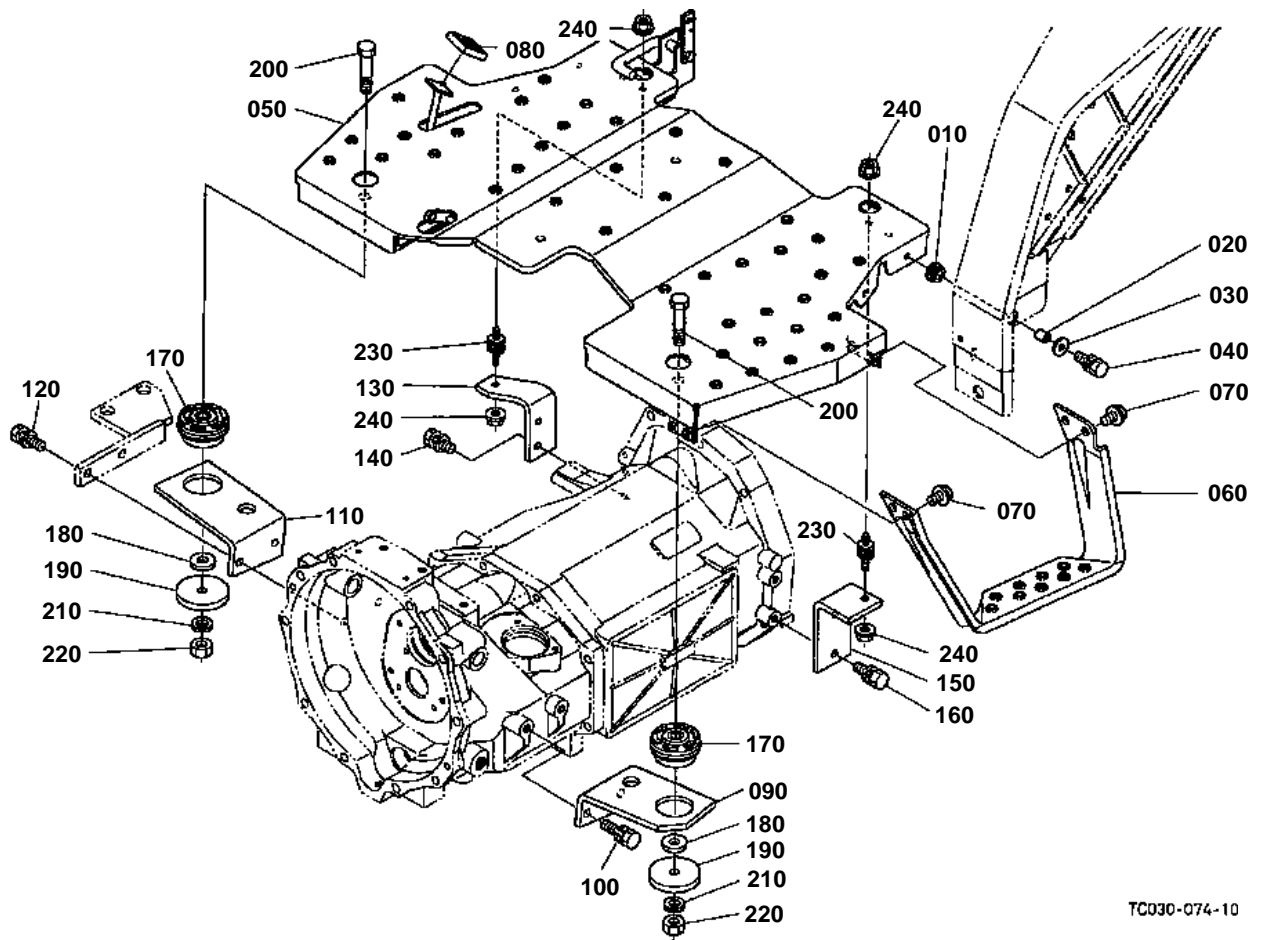


**SEAT**

↔ Interchangeable; ≠ not interchangeable; ← new for old; → old for new

REF.No	Part No.	Description	Q'ty	S.No.	I/C	REMARKS	Weight (kgf)	Weight (lb)
010	6C070-88720	SEAT	1				0	0
020	TC030-18430	ASSY ADJUSTER SEAT	1				0	0
030	02783-50100	NUT FLANGE	4				0.01	0.022
040	32160-18440	CUSHION	2				0.013	0.0286
050	38240-18470	PIN SEAT	1				0.085	0.187
060	05516-61000	PIN SNAP	1				0.003	0.0066
070	37150-18490	CUSHION	2				0.014	0.0308
080	TC030-11800	ASSY SUSPENSION SEAT	1				0	0
090	04011-50100	WASHER PLAIN	1				0.002	0.0044
100	TA040-11860	NUT ADJUSTING	1				0.605	1.331
110	TA040-11870	SPRING SEAT	2				0.26	0.572
120	01754-50820	BOLT FLANGE	4				0.015	0.033
130	6C040-72252	ASSY BELT SEAT	1				0.2	0.44
140	TA040-18482	BRACKET SEAT BELT RH	1				0.27	0.594
150	TC030-18490	BRACKET SEAT BELT LH	1				0	0
160	01774-51025	BOLT FLANGE	2				0.02	0.044
170	02116-50100	NUT	2				0.004	0.0088
180	TC030-18450	BRACKET SEAT RH	1				0	0
190	TC030-18460	BRACKET SEAT LH	1				0	0
200	01754-50816	BOLT FLANGE	4				0.011	0.0242

STEP



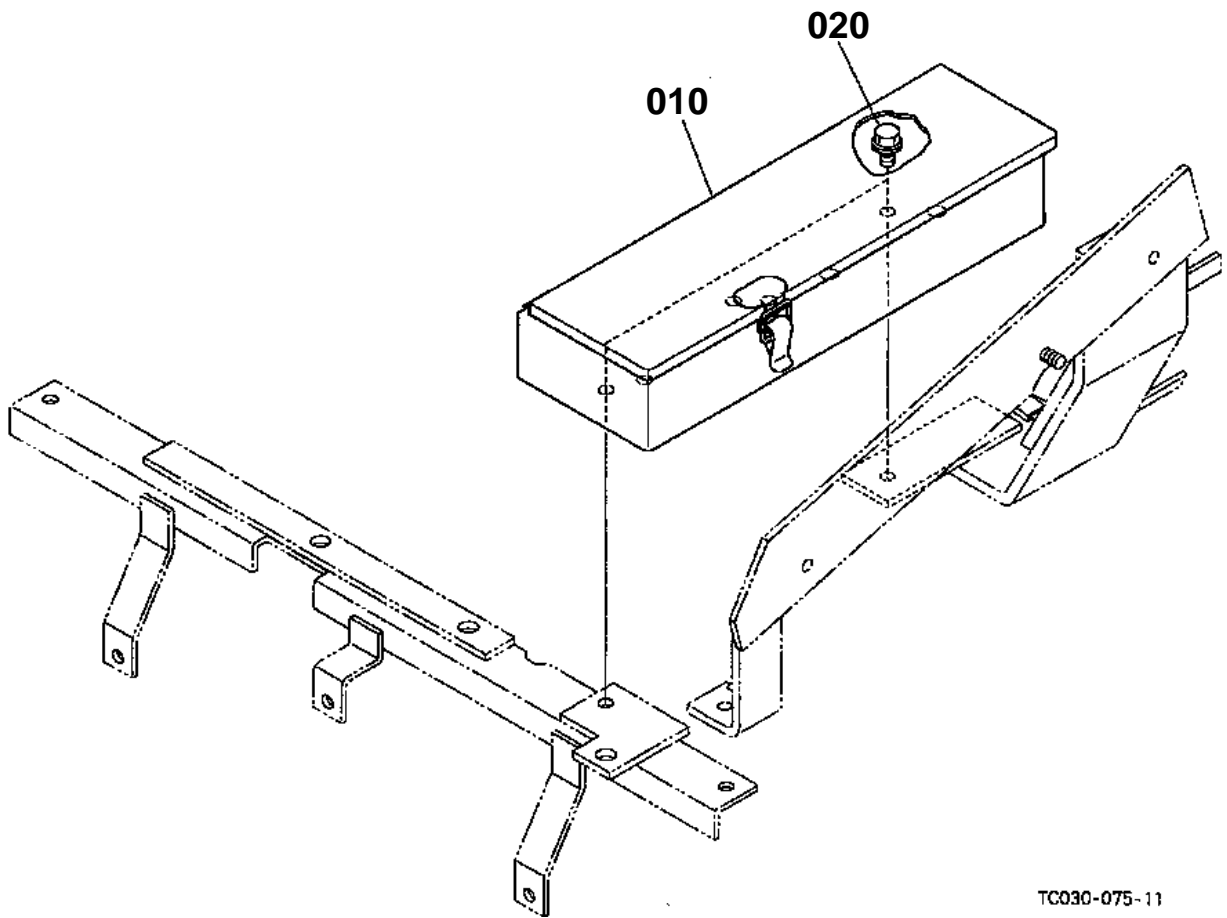
TC030-074-10



↔ Interchangeable; ≠ not interchangeable; ← new for old; → old for new

REF.No	Part No.	Description	Q'ty	S.No.	I/C	REMARKS	Weight (kgf)
010	TC030-29130						0.005
	3A211-53500						
	01123-50830						0.015
	TC030-29920						
	TA140-47470						0.985
	01754-50816						0.011
	37410-44850						0.01
	TC030-29140						
	01133-51230						0.04
	TC030-29150						
	01133-51240						0.05
	TC030-47410						
	01133-51025						0.023
	TC030-47420						
	01133-51025						0.023
	T1060-47310						0.155
	04011-50140						0.007
	T1060-47320						0.104
	01173-51465						0.092
	04512-60140						0.006
	02176-50140						0.014
	TC030-47350						
	02751-50080						0.006

TOOL BOX



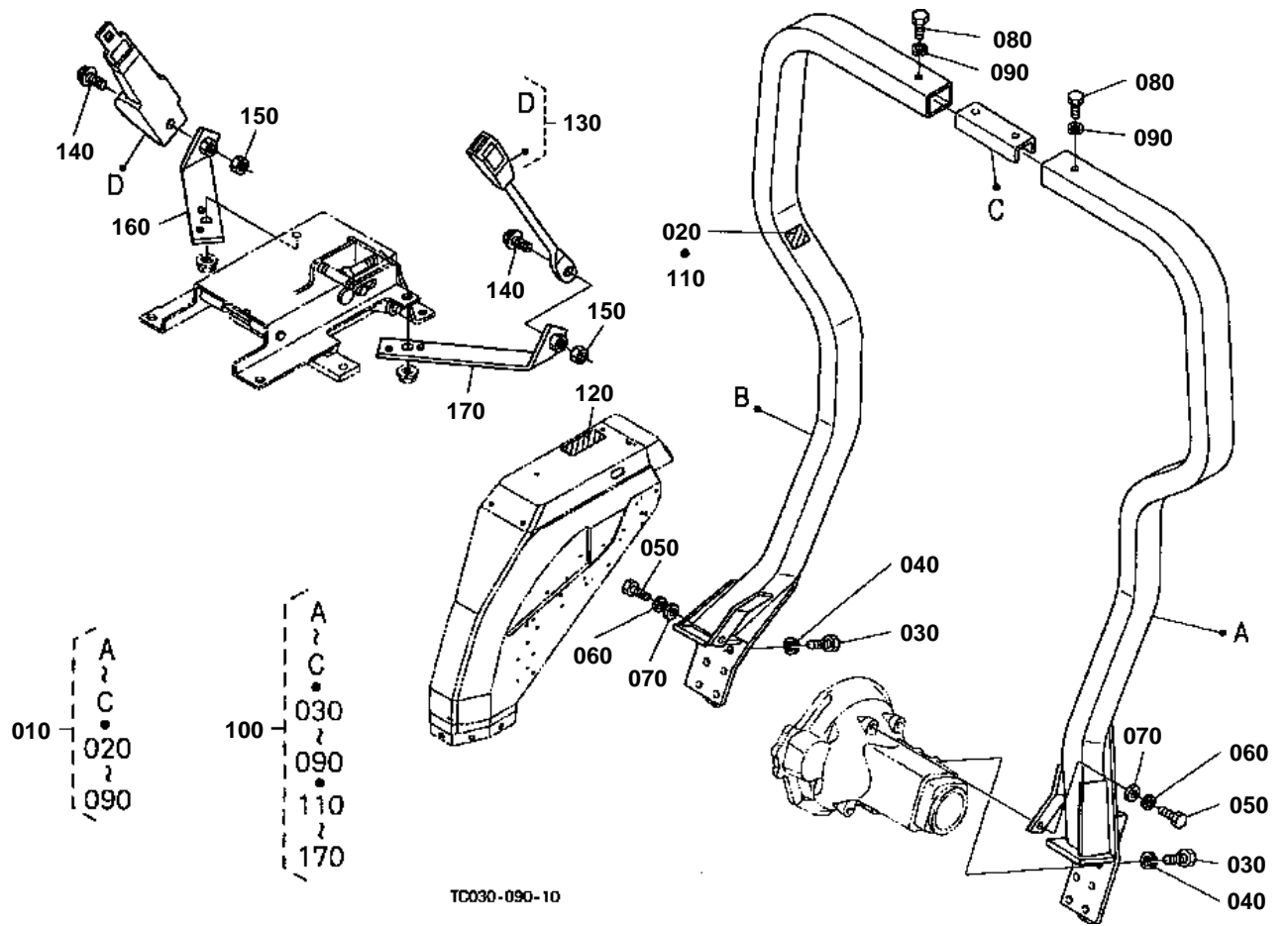
TC030-075-11



↔ Interchangeable; ≠ not interchangeable; ← new for old; → old for new

REF.No	Part No.	Description	Q'ty	S.No.	I/C	REMARKS	(kgf)	Weight
010	01754-50816						0.94 0.011	

ROPS [RIGID ROPS TYPE]

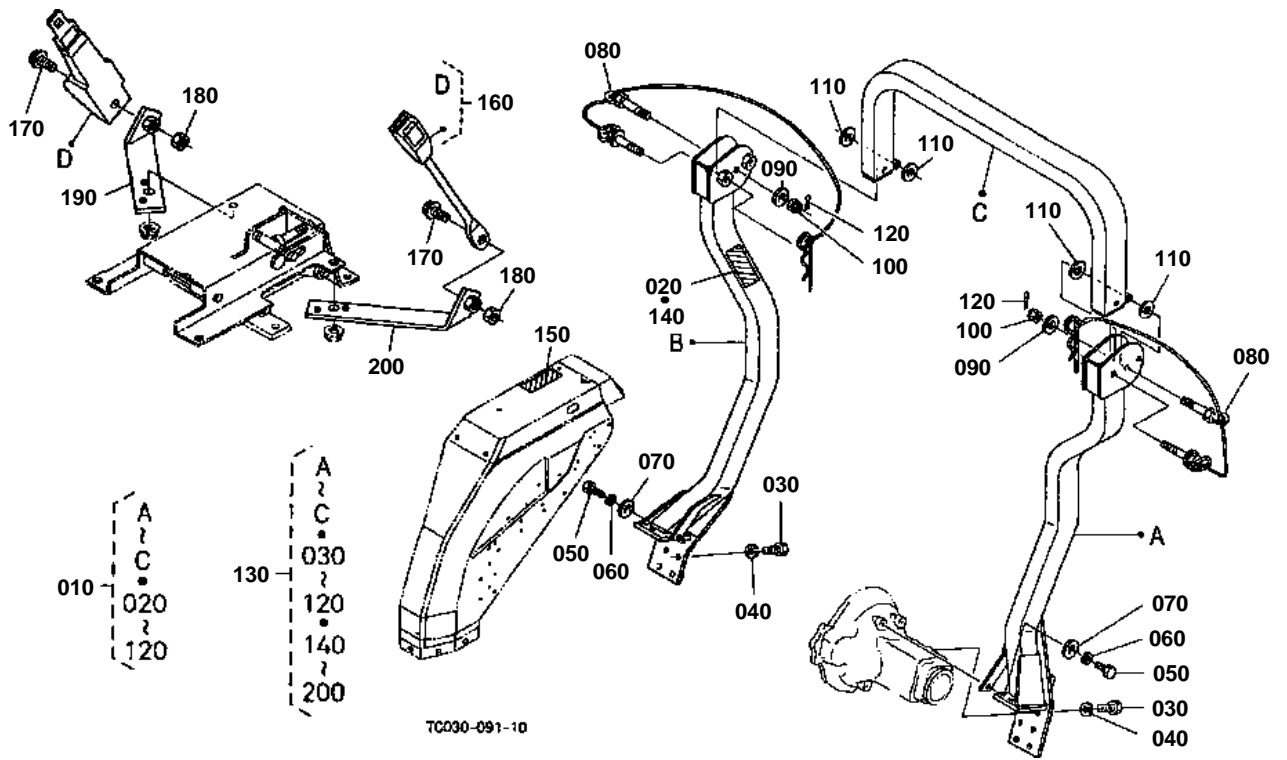


**ROPS [RIGID ROPS TYPE]**

↔ Interchangeable; ≠ not interchangeable; ← new for old; → old for new

					REMARKS	Weight (kgf)	Weight (lb)
010	TA140-48510	ASSY ROPS	1			0	0
020	6C140-47460	LABEL ROPS WARNING	1			0	0
030	01176-51430	BOLT	12			0.052	0.1144
040	0Y450-50090	WASHER SPRING	12			0	0
050	01073-51230	BOLT	2			0.041	0.0902
060	04512-60120	WASHER SPRING	2			0.005	0.011
070	04013-60120	WASHER PLAIN	2			0.01	0.022
080	0Y109-50920	BOLT	2			0	0
090	0Y450-50090	WASHER SPRING	2			0	0
100	TA140-48442	KIT ROPS REPLACEMENT	1			0	0
110	6C140-47460	LABEL ROPS WARNING	1		ENGLISH	0	0
110	6C141-47460	LABEL ROPS WARNING	1		FRENCH	0	0
120	TA040-49320	LABEL ROPS WARNING	1		ENGLISH	0.001	0.0022
120	TA040-49150	LABEL ROPS WARNING	1		FRENCH	0.003	0.0066
130	6C040-72252	ASSY BELT SEAT	1			0.2	0.44
140	01774-51025	BOLT FLANGE	2			0.02	0.044
150	02116-50100	NUT	2			0.004	0.0088
160	TA040-18482	BRACKET SEAT BELT RH	1			0.27	0.594
170	TC030-18490	BRACKET SEAT BELT LH	1			0	0

ROPS [FOLDABLE ROPS TYPE]



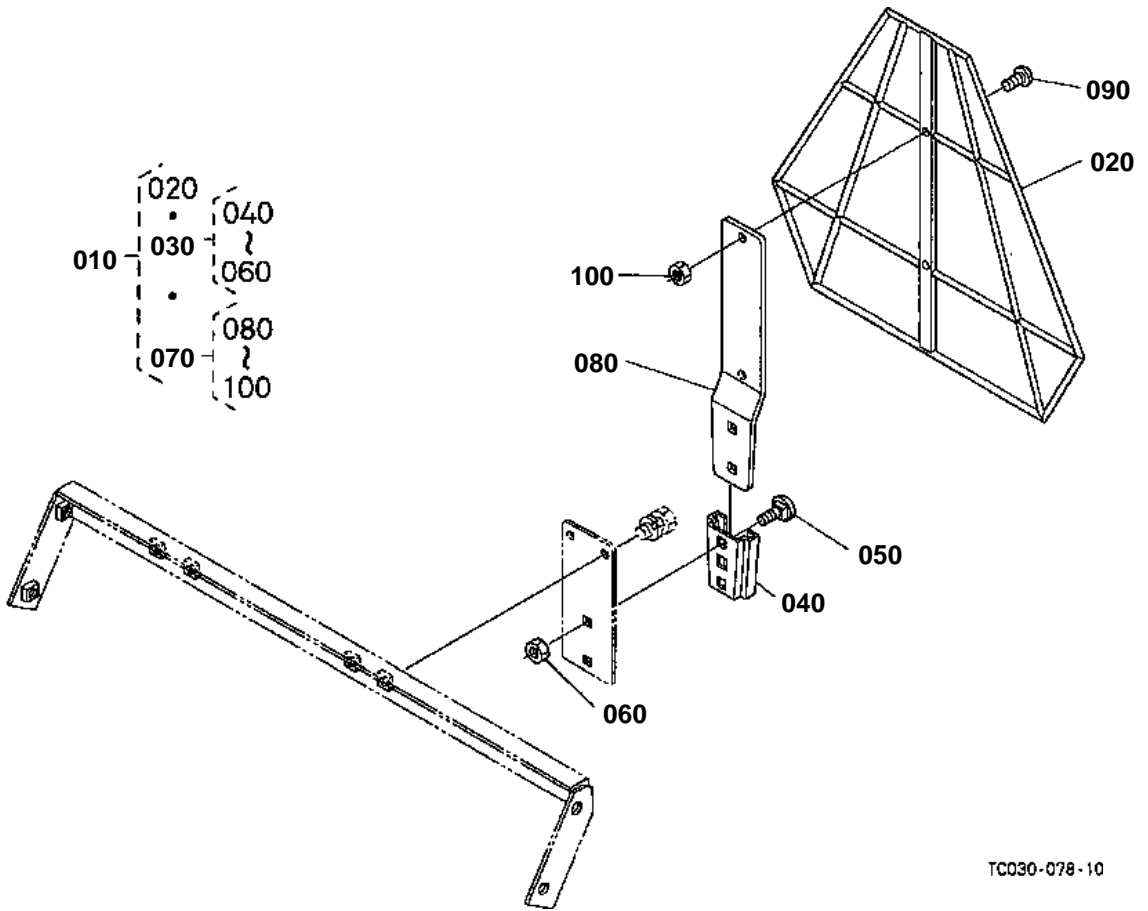


ROPS [FOLDABLE ROPS TYPE]

↔ Interchangeable; ≠ not interchangeable; ← new for old; → old for new

					REMARKS	Weight (kgf)	Weight (lb)
010	TA240-48510	ASSY ROPS	1			0	0
020	3A111-95540	LABEL ROPS CAUTION	1		ENGLISH	0	0
030	01176-51430	BOLT	12			0.052	0.1144
040	0Y450-50090	WASHER SPRING	12			0	0
050	01073-51230	BOLT	2			0.041	0.0902
060	04512-60120	WASHER SPRING	2			0.005	0.011
070	04013-60120	WASHER PLAIN	2			0.01	0.022
080	TA240-48750	SET BOLT	2			0	0
090	04013-60160	WASHER PLAIN	2			0.01	0.022
100	02254-50160	NUT	2			0.04	0.088
110	04013-60160	WASHER PLAIN	4			0.01	0.022
120	05511-50430	PIN SPLIT	2			0.004	0.0088
130	TA240-48442	KIT ROPS REPLACEMENT	1			0	0
140	3A111-95540	LABEL ROPS CAUTION	1		ENGLISH	0	0
140	3A112-95540	LABEL ROPS CAUTION	1		FRENCH	0.003	0.0066
150	TA240-98480	LABEL ROPS WARNING	1		ENGLISH	0.001	0.0022
150	3A112-98480	LABEL ROPS WARNING	1		FRNCH	0.004	0.0088
160	6C040-72252	ASSY BELT SEAT	1			0.2	0.44
170	01774-51025	BOLT FLANGE	2			0.02	0.044
180	02116-50100	NUT	2			0.004	0.0088
190	TA040-18482	BRACKET SEAT BELT RH	1			0.27	0.594
200	TC030-18490	BRACKET SEAT BELT LH	1			0	0

SMV EMBLEM



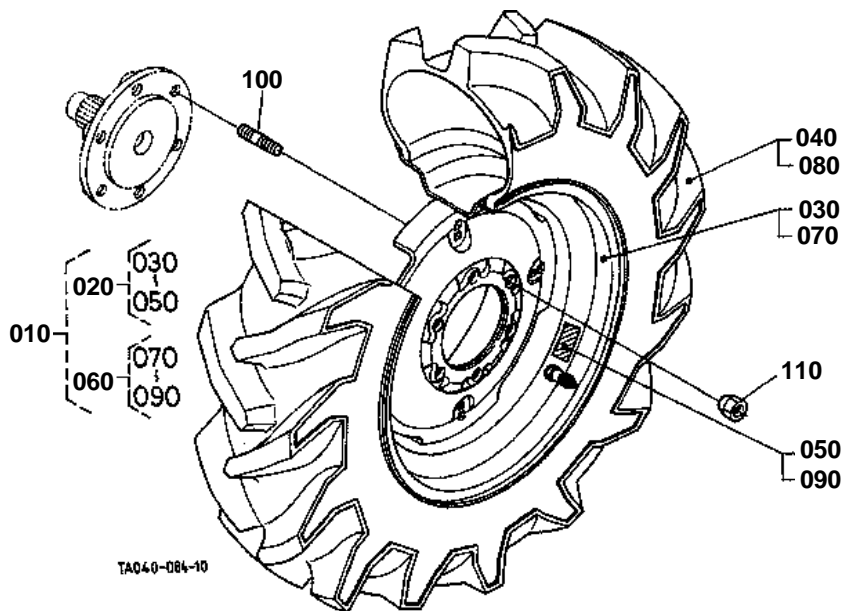


SMV EMBLEM

↔ Interchangeable; ≠ not interchangeable; ← new for old; → old for new

REF.No	Part No.	Description	Q'ty	S.No.	I/C	REMARKS	Weight (kgf)	Weight (lb)
010	7L500-89900	SMV SIGN KIT	1				0	0
020	7L500-89910	SIGN SMV	1				0	0
030	7L500-89920	SOCKET SMV SIGN	1				0	0
040	7L500-89930	SOCKET-MTG SMV	1				0	0
050	7L500-89940	BOLT SQUARE NECK	2				0	0
060	7L500-89950	NUT	2				0	0
070	7L500-89960	SPADE SMV SIGN	1				0	0
080	7L500-89970	BRACKET SMV	1				0	0
090	7L500-89980	VIS	2				0	0
100	7L500-89990	NUT	2				0	0

FRONT WHEEL (8.3-16)



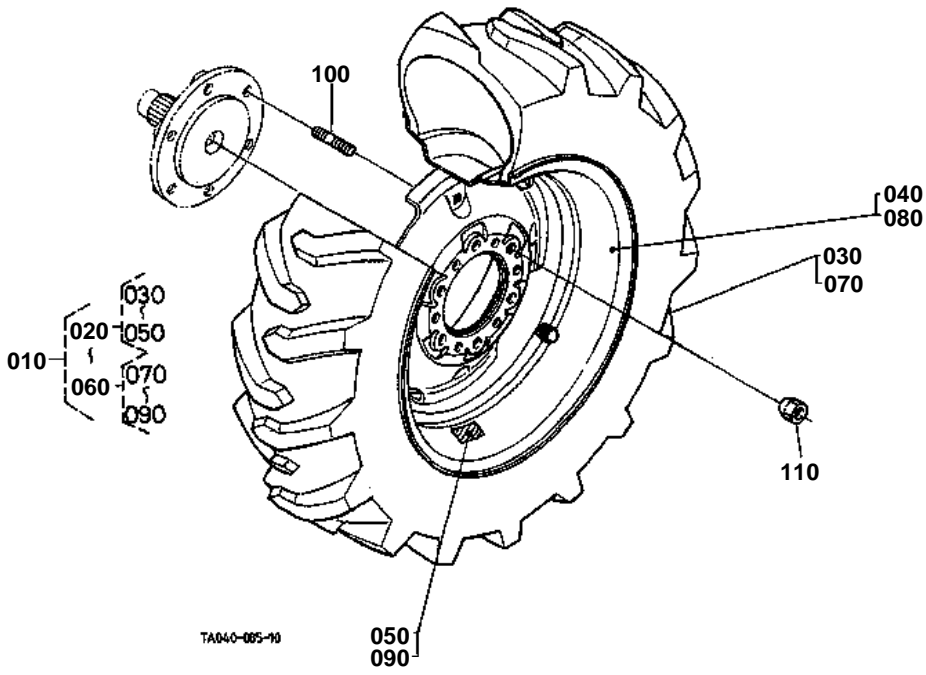


FRONT WHEEL (8.3-16)

↔ Interchangeable; ≠ not interchangeable; ← new for old; → old for new

REF.No	Part No.	Description	Q'ty	S.No.	I/C	REMARKS	Weight (kgf)	Weight (lb)
010	66434-17610	ASSY TIRE	1				0	0
020	66434-17620	ASSY TIRE LH	1				0	0
030	66434-17640	WHEEL	1				0	0
040	66434-17650	TIRE	1				0	0
050	66434-17660	LABEL TIRE LH	1				0	0
060	66434-17630	ASSY TIRE RH	1				0	0
070	66434-17640	WHEEL	1				0	0
080	66434-17650	TIRE	1				0	0
090	66434-17670	LABEL TIRE RH	1				0	0
100	TA150-49160	STUD WHEEL	12				0	0
110	35340-11390	NUT	12				0.03	0.066

FRONT WHEEL (10-16.5)



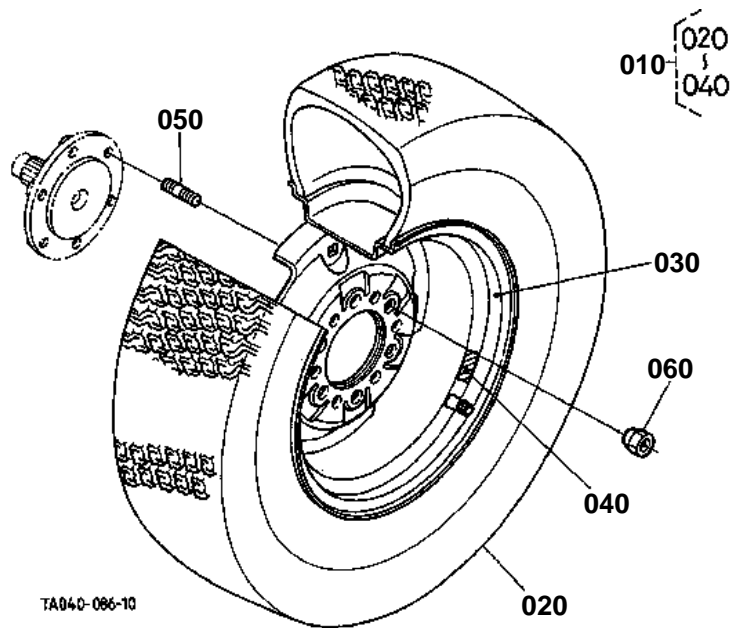


FRONT WHEEL (10-16.5)

↔ Interchangeable; ≠ not interchangeable; ← new for old; → old for new

					REMARKS	Weight (kgf)	Weight (lb)
010	TA040-10900	ASSY FRONT WHEEL	1			0	0
020	TA040-10910	ASSY FRONT WHEEL RH	1			0	0
030	35080-11930	TIRE	1			0	0
040	TA040-42420	WHEEL	1			0	0
050	TA040-10950	LABEL TIRE RH	1			0	0
060	TA040-10920	ASSY FRONT WHEEL LH	1			0	0
070	35080-11930	TIRE	1			0	0
080	TA040-42420	WHEEL	1			0	0
090	TA040-10960	LABEL TIRE LH	1			0	0
100	TA150-49160	STUD WHEEL	12			0	0
110	35340-11390	NUT	12			0.03	0.066

FRONT WHEEL (27*8.5-15)



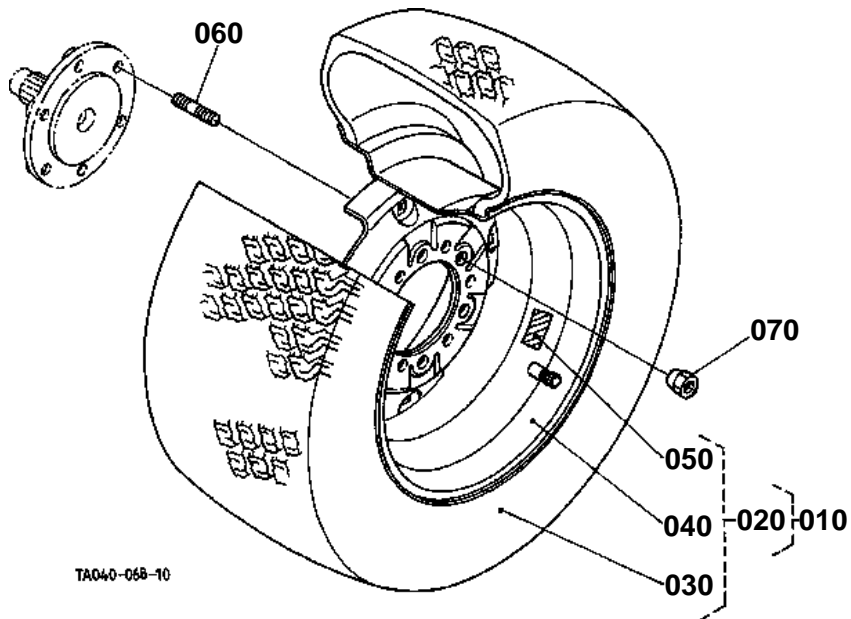


FRONT WHEEL (27*8.5-15)

↔ Interchangeable; ≠ not interchangeable; ← new for old; → old for new

					REMARKS	Weight (kgf)	Weight (lb)
010	TA040-10500	ASSY FRONT WHEEL	2			0	0
020	67002-17630	TIRE	2			0	0
030	TA040-10550	WHEEL	2			0	0
040	TA040-10560	LABEL TIRE	2			0	0
050	TA150-49160	STUD WHEEL	12			0	0
060	35340-11390	NUT	12			0.03	0.066

FRONT WHEEL (27*10.5-15)



TA040-068-10

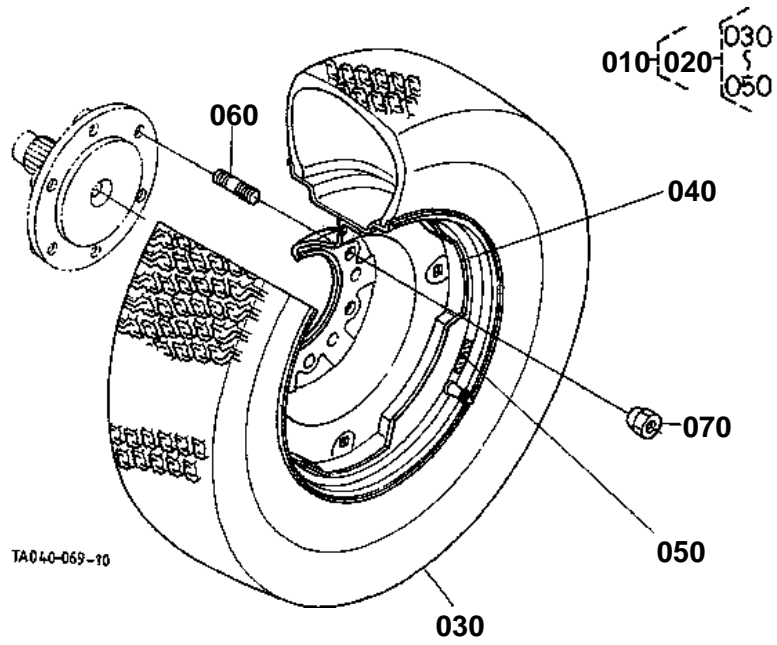


FRONT WHEEL (27*10.5-15)

↔ Interchangeable; ≠ not interchangeable; ← new for old; → old for new

REF.No	Part No.	Description	Q'ty	S.No.	I/C	REMARKS	Weight (kgf)	Weight (lb)
010	35080-11700	ASSY TIRE	1				0	0
020	35080-11710	TIRE ASSY	2				0	0
030	35080-11720	TIRE	2				0	0
040	35998-01430	WHEEL	2				0	0
050	35080-11730	LABEL TIRE	2				0	0
060	TA150-49160	STUD WHEEL	12				0	0
070	35340-11390	NUT	12				0.03	0.066

FRONT WHEEL (29*12.50-15)



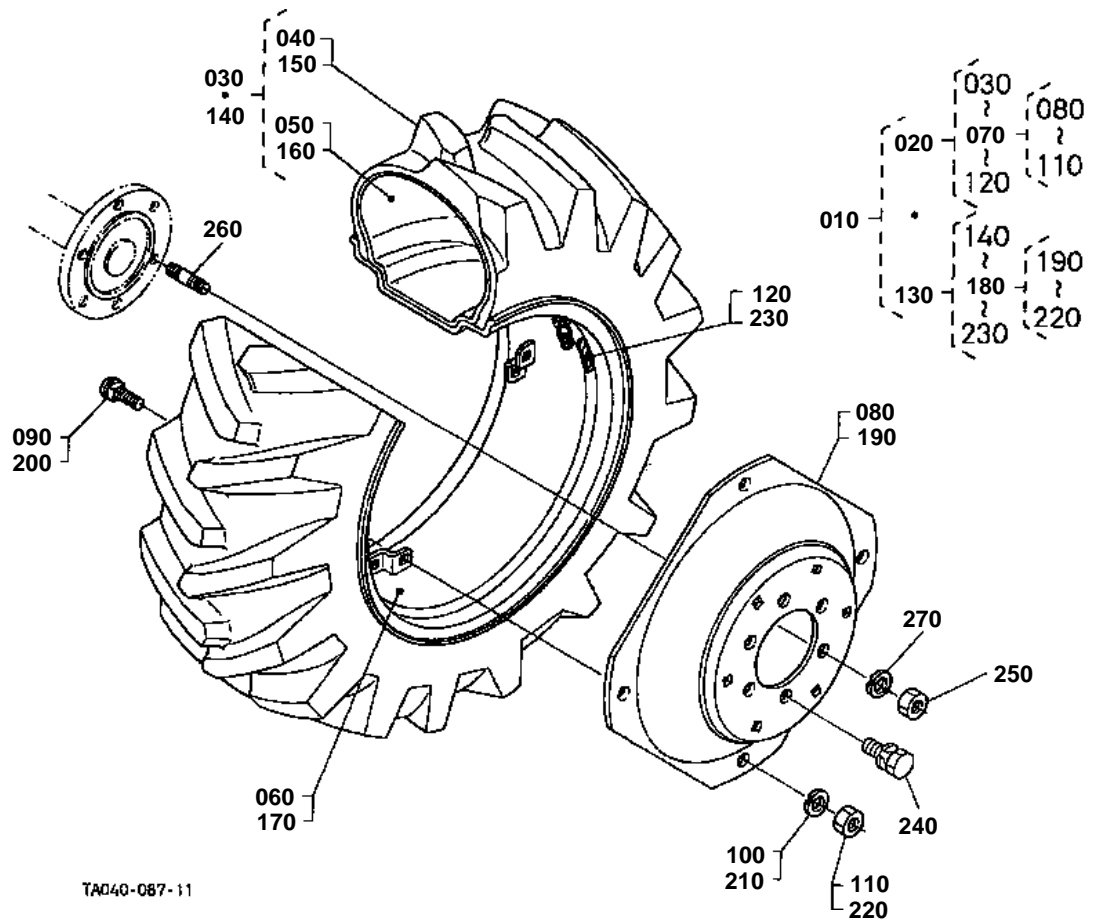


FRONT WHEEL (29*12.50-15)

↔ Interchangeable; ≠ not interchangeable; ← new for old; → old for new

REF.No	Part No.	Description	Q'ty	S.No.	I/C	REMARKS	Weight (kgf)	Weight (lb)
010	35080-11500	ASSY TIRE	1				0	0
020	35080-11510	TIRE ASSY	2				0	0
030	35080-11530	TIRE	2				0	0
040	35080-11540	WHEEL	2				0	0
050	35080-11550	LABEL TIRE	2				0	0
060	TA150-49160	STUD WHEEL	12				0	0
070	35340-11390	NUT	12				0.03	0.066

REAR WHEEL (13.6-24)



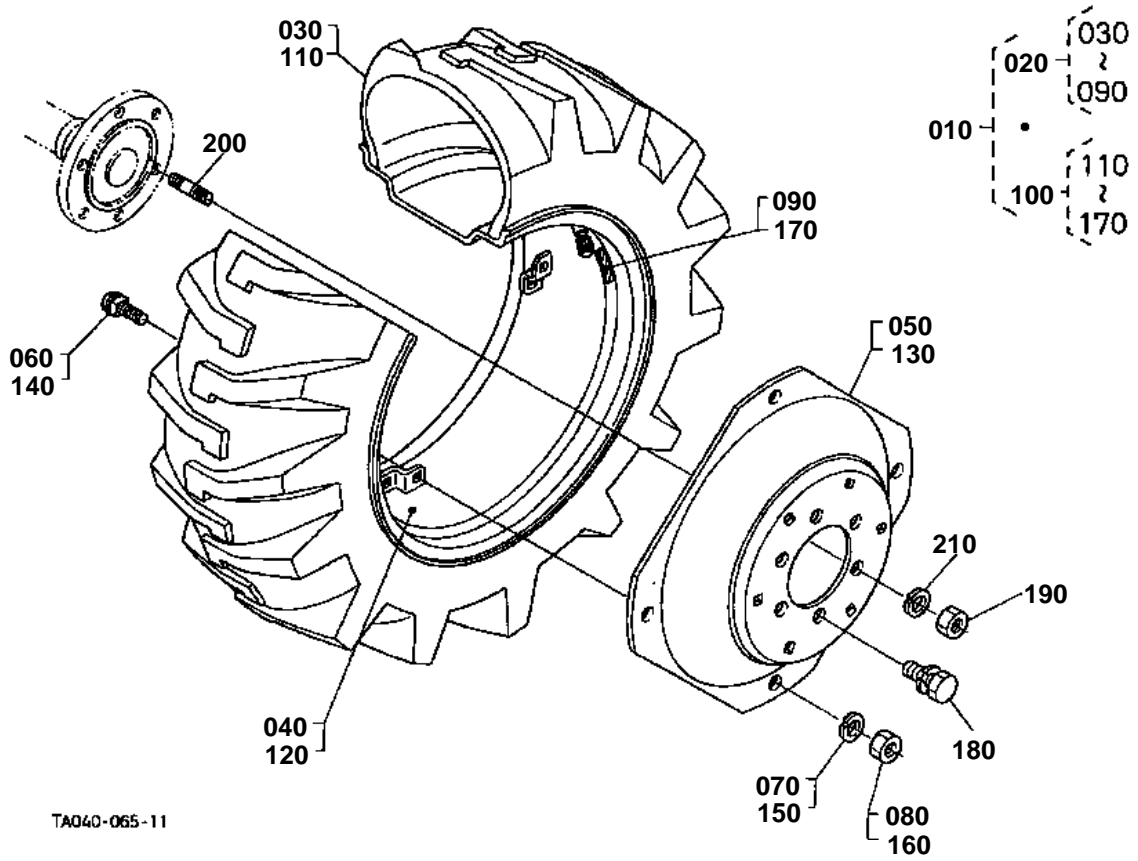


REAR WHEEL (13.6-24)

↔ Interchangeable; ≠ not interchangeable; ← new for old; → old for new

REF.No	Part No.	Description	Q'ty	S.No.	I/C	REMARKS	Weight (kgf)	Weight (lb)
010	35070-27800	ASSY REAR WHEEL	1				0	0
020	35070-27810	ASSY REAR WHEEL RH	1				0	0
030	35070-27870	ASSY REAR WHEEL	1				0	0
040	35070-27820	TIRE	1				0	0
050	35070-27830	TUBE	1				0	0
060	35070-27850	RIM	1				0	0
070	35070-27650	ASSY DISK	1				0	0
080	35080-27660	DISK	1				0	0
090	31220-27680	BOLT	4				0.09	0.198
100	04512-60160	WASHER SPRING	4				0.01	0.022
110	02174-50160	NUT	4				0.022	0.0484
120	35070-27980	LABEL TIRE RH	1				0	0
130	35070-27910	ASSY REAR WHEEL LH	1				0	0
140	35070-27870	ASSY REAR WHEEL	1				0	0
150	35070-27820	TIRE	1				0	0
160	35070-27830	TUBE	1				0	0
170	35070-27850	RIM	1				0	0
180	35070-27650	ASSY DISK	1				0	0
190	35080-27660	DISK	1				0	0
200	31220-27680	BOLT	4				0.09	0.198
210	04512-60160	WASHER SPRING	4				0.01	0.022
220	02174-50160	NUT	4				0.022	0.0484
230	35070-27970	LABEL TIRE LH	1				0	0
240	01033-51630	BOLT	8				0	0
250	02076-50160	NUT	4				0.03	0.066
260	01517-51632	STUD	4				0.076	0.1672
270	04512-60160	WASHER SPRING	4				0.01	0.022

REAR WHEEL (14.9-24)



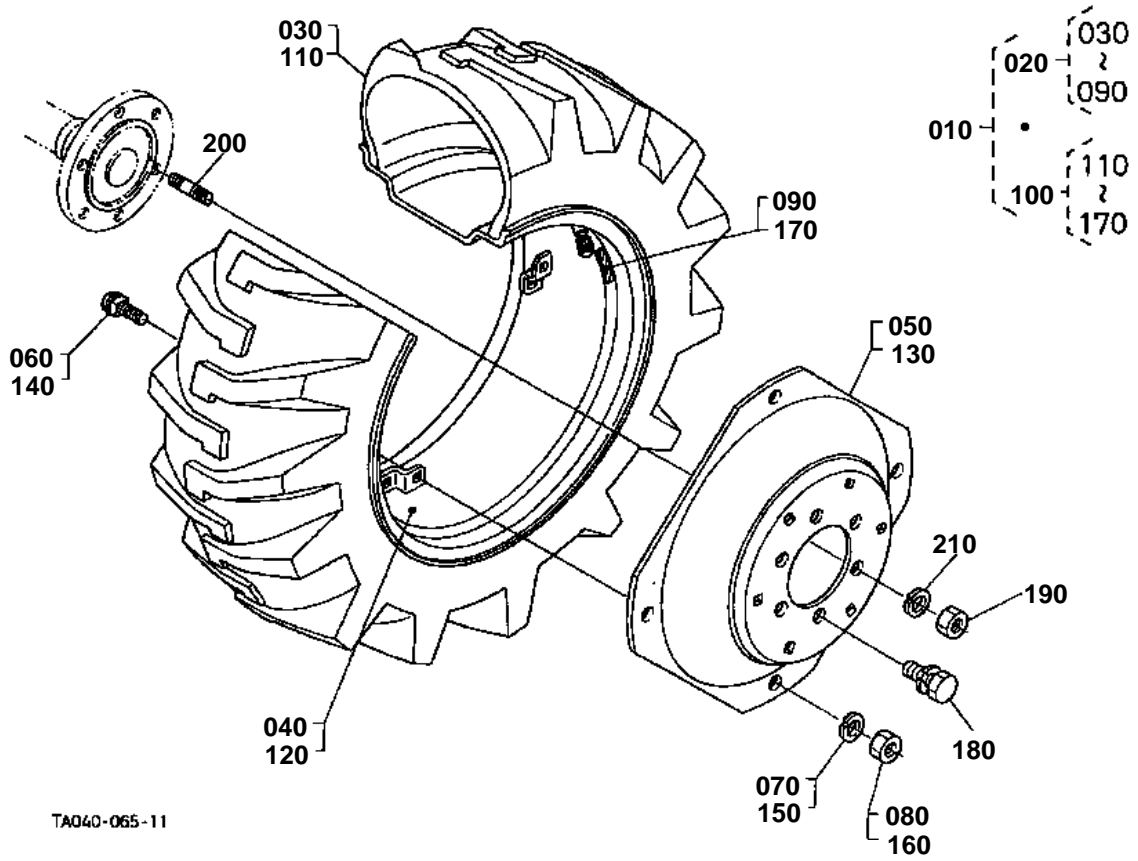


REAR WHEEL (14.9-24)

↔ Interchangeable; ≠ not interchangeable; ← new for old; → old for new

REF.No	Part No.	Description	Q'ty	S.No.	I/C	REMARKS	Weight (kgf)	Weight (lb)
010	TA040-27802	ASSY REAR WHEEL	1				0	0
020	TA040-27812	ASSY REAR WHEEL RH	1				0	0
030	32550-40410	ASSY TIRE	1				0	0
040	35070-27850	RIM	1				0	0
050	35080-27660	DISK	1				0	0
060	T1150-27680	BOLT RIM	4				0	0
070	04512-60160	WASHER SPRING	4				0.01	0.022
080	02176-50160	NUT	4				0.021	0.0462
090	TA040-27980	LABEL TIRE RH	1				0	0
100	TA040-27912	ASSY REAR WHEEL LH	1				0	0
110	32550-40410	ASSY TIRE	1				0	0
120	35070-27850	RIM	1				0	0
130	35080-27660	DISK	1				0	0
140	T1150-27680	BOLT RIM	4				0	0
150	04512-60160	WASHER SPRING	4				0.01	0.022
160	02176-50160	NUT	4				0.021	0.0462
170	TA040-27970	LABEL TIRE LH	1				0	0
180	01033-51630	BOLT	8				0	0
190	02076-50160	NUT	4				0.03	0.066
200	01517-51632	STUD	4				0.076	0.1672
210	04512-60160	WASHER SPRING	4				0.01	0.022

REAR WHEEL (17.5-24)

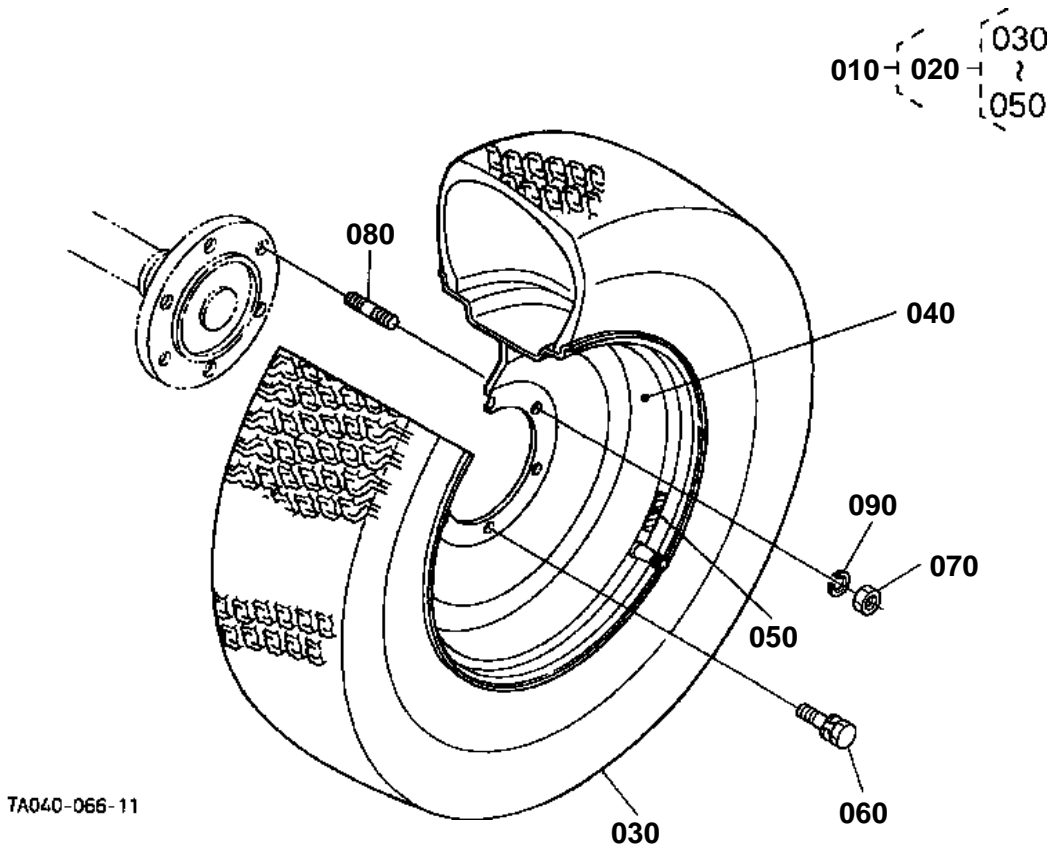


**REAR WHEEL (17.5-24)**

↔ Interchangeable; ≠ not interchangeable; ← new for old; → old for new

REF.No	Part No.	Description	Q'ty	S.No.	I/C	REMARKS	Weight (kgf)	Weight (lb)
010	TA040-27700	ASSY REAR WHEEL	1				0	0
020	TA040-27710	ASSY REAR WHEEL RH	1				0	0
030	TA040-27730	TIRE	1				0	0
040	35060-27840	RIM	1				0	0
050	35080-27660	DISK	1				0	0
060	75599-07760	HEXAGONE BOLT	4				0	0
070	70070-02009	WASHER	4				0	0
080	75599-31010	HEX.NUT	4				0	0
090	TA040-27750	LABEL TIRE RH	1				0	0
100	TA040-27720	ASSY REAR WHEEL LH	1				0	0
110	TA040-27730	TIRE	1				0	0
120	35060-27840	RIM	1				0	0
130	35080-27660	DISK	1				0	0
140	75599-07760	HEXAGONE BOLT	4				0	0
150	70070-02009	WASHER	4				0	0
160	75599-31010	HEX.NUT	4				0	0
170	TA040-27760	LABEL TIRE LH	1				0	0
180	01033-51630	BOLT	8				0	0
190	02076-50160	NUT	4				0.03	0.066
200	01517-51632	STUD	4				0.076	0.1672
210	04512-60160	WASHER SPRING	4				0.01	0.022

REAR WHEEL (41*14.00-20)

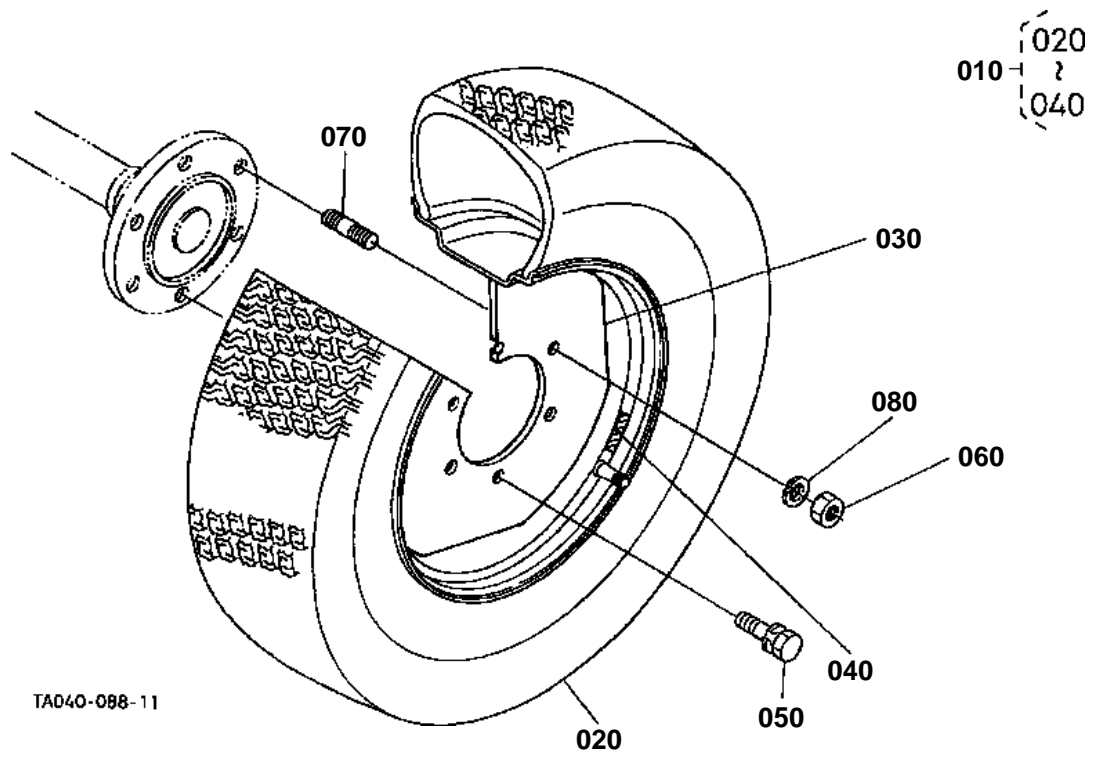


**REAR WHEEL (41*14.00-20)**

↔ Interchangeable; ≠ not interchangeable; ← new for old; → old for new

REF.No	Part No.	Description	Q'ty	S.No.	I/C	REMARKS	Weight (kgf)	Weight (lb)
010	35080-27900	ASSY REAR WHEEL	1				0	0
020	35080-27910	ASSY REAR WHEEL	2				0	0
030	35998-01880	ASSY TIRE REAR	2				0	0
040	35080-27950	WHEEL	2				0	0
050	35080-27870	LABEL TIRE	2				0	0
060	01033-51630	BOLT	8				0	0
070	02076-50160	NUT	4				0.03	0.066
080	01517-51632	STUD	4				0.076	0.1672
090	04512-60160	WASHER SPRING	4				0.01	0.022

REAR WHEEL (21.5L-16.1)

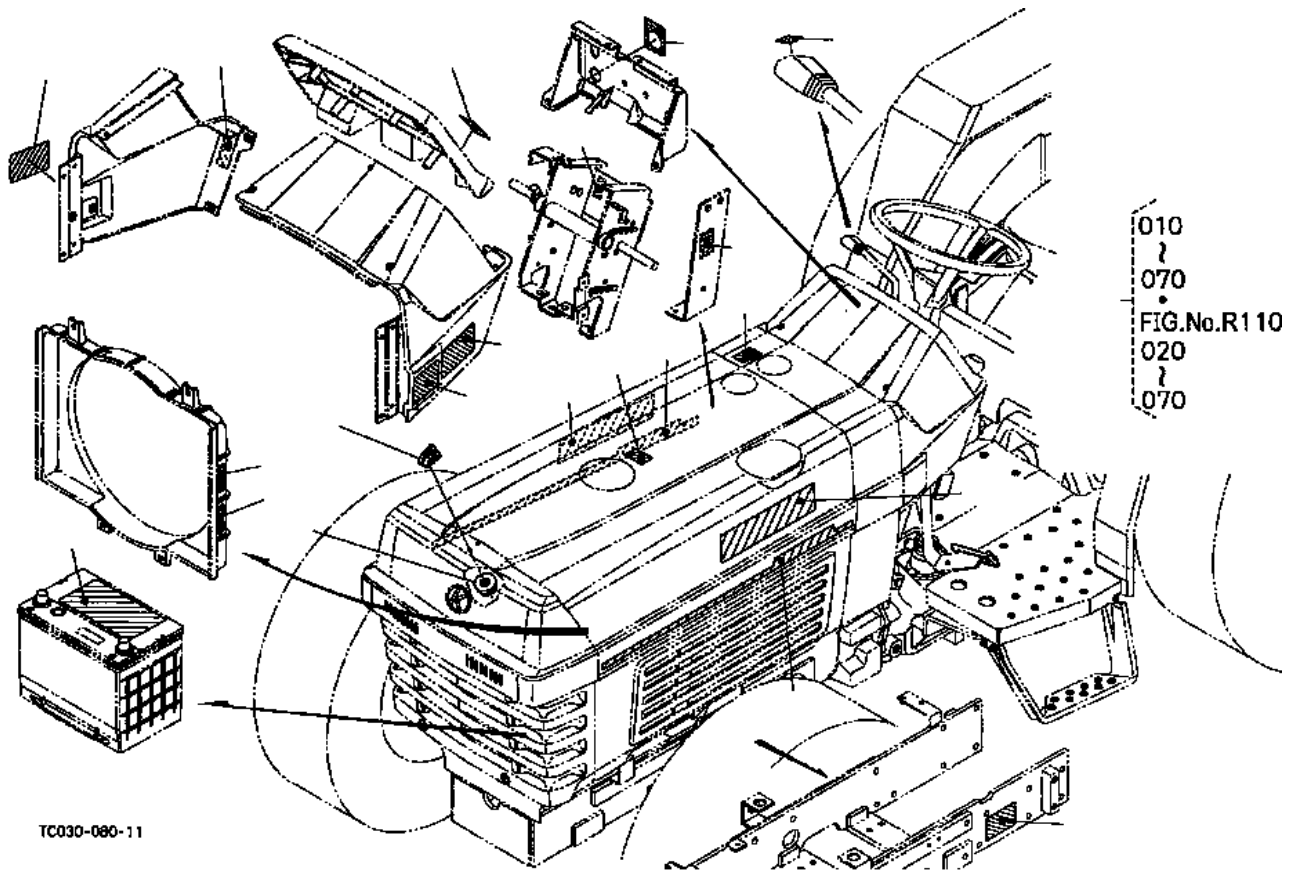




REAR WHEEL (21.5L-16.1)

↔ Interchangeable; ≠ not interchangeable; ← new for old; → old for new

REF.No	Part No.	Description	Q'ty	S.No.	I/C	REMARKS	Weight (kgf)	Weight (lb)
010	TA140-27700	ASSY TIRE	2				0	0
020	32550-42510	ASSY TIRE	2				0	0
030	35080-27720	WHEEL	2				0	0
040	35080-27732	LABEL TIRE	2				0	0
050	01033-51630	BOLT	8				0	0
060	02076-50160	NUT	4				0.03	0.066
070	01517-51632	STUD	4				0.076	0.1672
080	04512-60160	WASHER SPRING	4				0.01	0.022



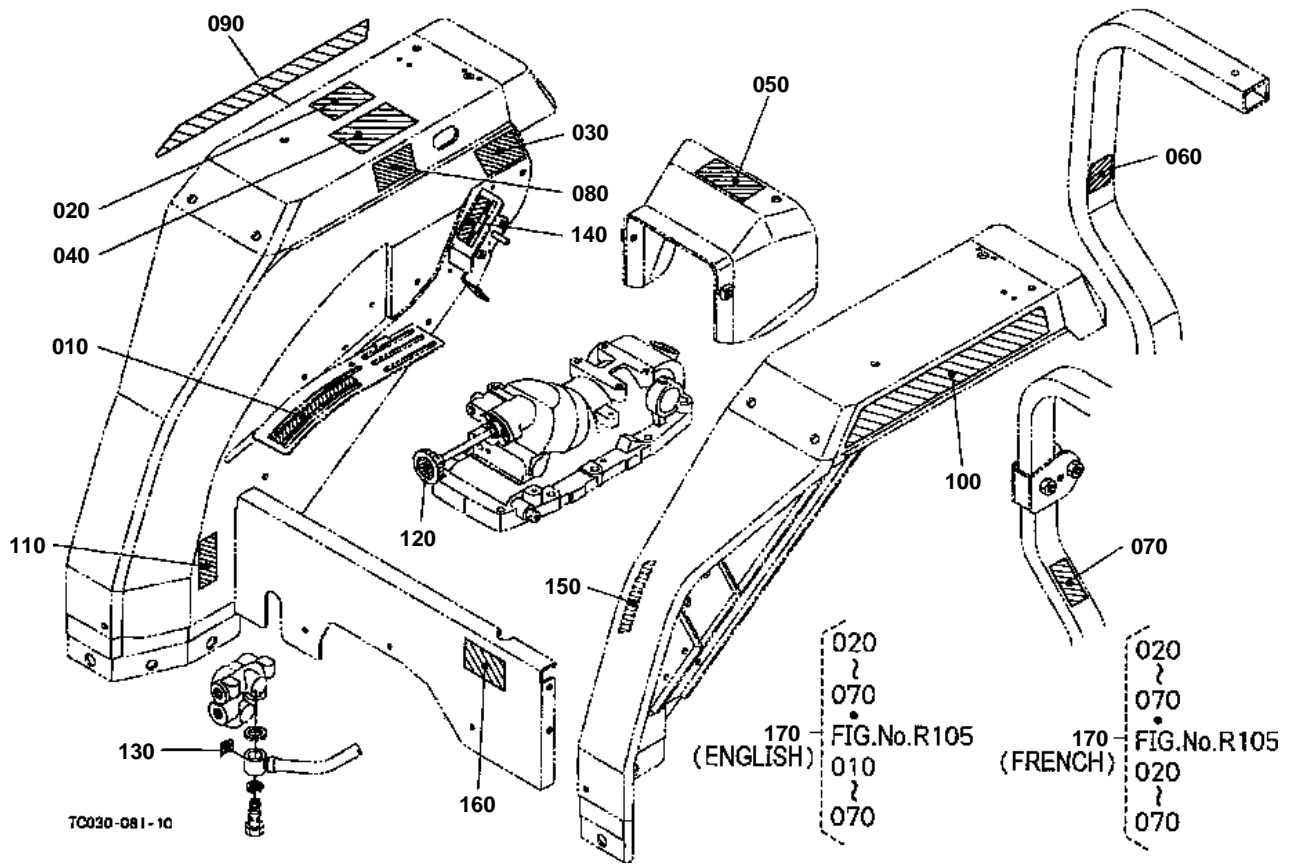
TC030-090-11

010
·
070
·
FIG.No.R110
020
·
070

**LABEL 1**

↔ Interchangeable; ≠ not interchangeable; ← new for old; → old for new

REF.No	Part No.	Description	Q'ty	S.No.	I/C	REMARKS	Weight (kgf)	Weight (lb)
010	TC030-30120	LABEL BATTERY	1			ENGLISH	0	0
010	TC031-30150	LABEL BATTERY	1			FRENCH	0	0
020	TA040-49650	LABEL START CAUTION	1			ENGLISH	0.004	0.0088
020	TA041-49650	LABEL START CAUTION	1			FRENCH	0.004	0.0088
030	32751-49580	LABEL FAN BELT	2				0.001	0.0022
040	TC030-49580	LABEL MUFFLER	1				0	0
050	TA040-49562	LABEL FUEL	1				0.002	0.0044
060	35260-25050	LABEL SHUTTLE	1				0.01	0.022
070	32330-49540	LABEL CAUTION	1				0.001	0.0022
080	32330-17610	LABEL ENGINE STOP	1				0.001	0.0022
090	38150-65180	EMBLEM	1				0.02	0.044
100	02761-50040	NUT FLANGE	1				0.002	0.0044
110	35080-65350	LABEL KUBOTA	2				0.001	0.0022
120	TC020-65240	LABEL SIDE	2				0.002	0.0044
130	TC030-65120	MARK MODEL RH	1				0	0
140	TC030-65130	MARK MODEL LH	1				0	0
150	-----	NAME PLATE	1			NOT SALE	0	0
160	TC020-65510	LABEL MAIN SWITCH	1				0.001	0.0022
170	TA040-49460	LABEL PARKING	1				0.001	0.0022
180	TA040-49370	MARK ACCEL.GRIP	1				0.001	0.0022
190	TC030-99500	KIT LABEL SAFETY (A)	1			ENGLISH	0	0
190	TC031-99500	KIT LABEL SAFETY (B)	1			FRENCH	0	0





LABEL 2

↔ Interchangeable; ≠ not interchangeable; ← new for old; → old for new

REF.No	Part No.	Description	Q'ty	S.No.	I/C	REMARKS	Weight (kgf)	Weight (lb)
010	TA040-49500	MARK POSITION	1				0.002	0.0044
020	TA040-49320	LABEL ROPS WARNING	1			ENGLISH/RIGID ROPS TYPE	0.001	0.0022
020	TA040-49150	LABEL ROPS WARNING	1			FRENCH/RIGID ROPS TYPE	0.003	0.0066
020	TA240-98480	LABEL ROPS WARNING	1			ENGLISH/FOLDABLE ROPS TYPE	0.001	0.0022
020	3A112-98480	LABEL ROPS WARNING	1			FRENCH/FOLDABLE ROPS TYPE	0.004	0.0088
030	TA040-49350	LABEL DRAWBAR	1			ENGLISH	0.002	0.0044
030	TA041-49350	LABEL DRAWBAR	1			FRENCH	0.003	0.0066
040	35260-34913	LABEL SAFETY	1			ENGLISH	0.005	0.011
040	TA041-65700	LABEL SAFETY	1			FRENCH	0.01	0.022
050	TA040-49590	LABEL PTO WARNING	1			ENGLISH	0.002	0.0044
050	TA041-49590	LABEL PTO WARNING	1			FRENCH	0.005	0.011
060	6C140-47460	LABEL ROPS WARNING	1			ENGLISH/RIGID ROPS TYPE	0	0
060	6C141-47460	LABEL ROPS WARNING	1			FRENCH/RIGID ROPS TYPE	0	0
070	3A111-95540	LABEL ROPS CAUTION	1			ENGLISH/FOLDABLE ROPS TYPE	0	0
070	3A112-95540	LABEL ROPS CAUTION	1			FRENCH/FOLDABLE ROPS TYPE	0.003	0.0066
080	TA040-49302	LABEL I-PTO CAUTION	1				0.001	0.0022
090	TC020-65820	LABEL	1				0.007	0.0154
100	TC020-65830	LABEL	1				0.007	0.0154
110	TA040-49760	MARK DIFF.LOCK	1				0.001	0.0022
120	31351-65780	LABEL HYD.ADJUST.	1				0.001	0.0022
130	32430-65790	LABEL HYD.BLOCK	1				0.01	0.022
140	TA040-49160	MARK REAR PTO	1				0.001	0.0022
150	32330-24580	LABEL RANGE SHIFT	1				0.002	0.0044
160	TC030-98650	LABEL 4WD	1				0	0
170	TC030-99500	KIT LABEL SAFETY (A)	1			ENGLISH	0	0
170	TC031-99500	KIT LABEL SAFETY (B)	1			FRENCH	0	0

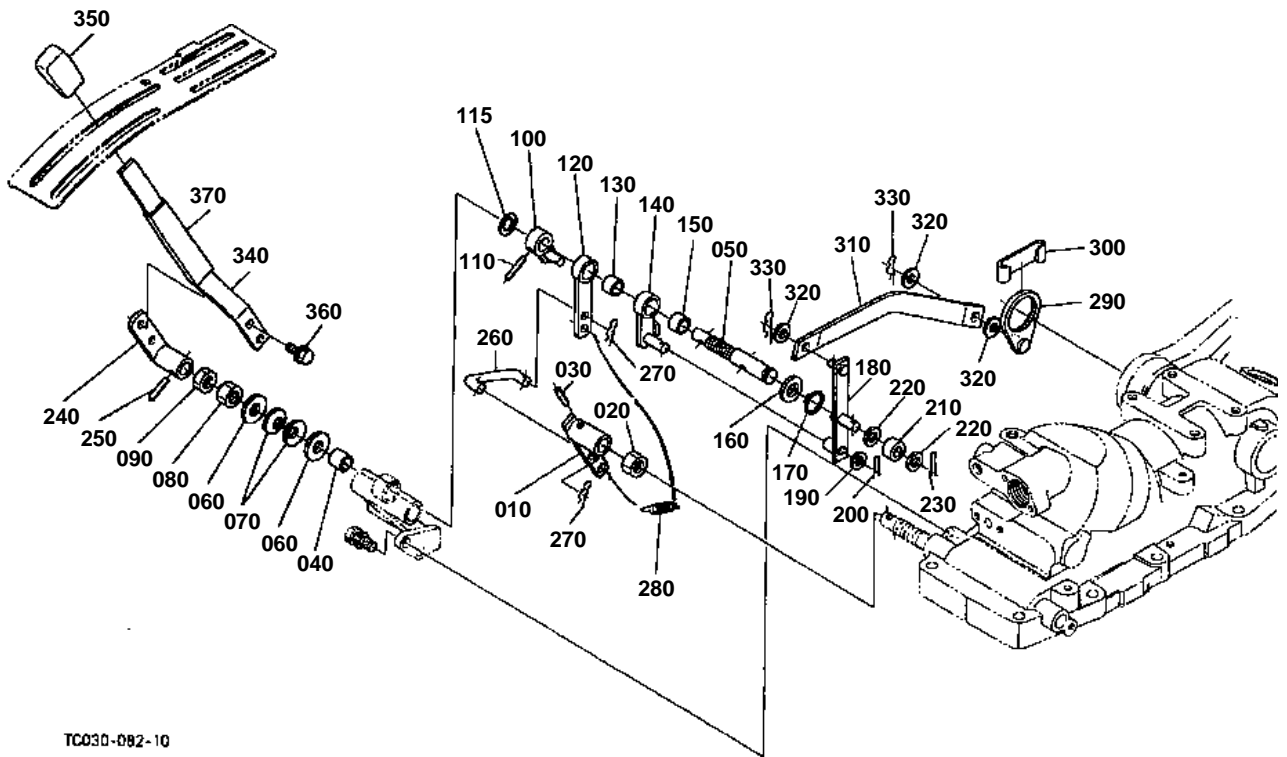


ACCESSORIES AND SERVICE PARTS

↔ Interchangeable; ≠ not interchangeable; ← new for old; → old for new

REF.No	Part No.	Description	Q'ty	S.No.	I/C	REMARKS	Weight (kgf)	Weight (lb)
010	TC030-19710	MANUAL INSTRUCTION	1			ENGLISH	0	0
010	TC031-19710	MANUAL INSTRUCTION	1			FRENCH	0	0
020	TA150-49160	STUD WHEEL	12			FOR FRONT WHEEL	0	0
030	35340-11390	NUT	12			FOR FRONT WHEEL	0.03	0.066
040	04512-60140	WASHER SPRING	12			FOR FRONT WHEEL	0.006	0.0132
050	01033-51630	BOLT	8			FOR REAR WHEEL	0	0
060	02076-50160	NUT	4			FOR REAR WHEEL	0.03	0.066
070	01517-51632	STUD	4			FOR REAR WHEEL	0.076	0.1672
080	04512-60160	WASHER SPRING	4			FOR REAR WHEEL	0.01	0.022
090	35260-31852	ASSY KEY MAIN SWITCH	1				0.02	0.044

POSITION CONTROL LEVER (WITH DRAFT) [OPTION]



TC030-082-10

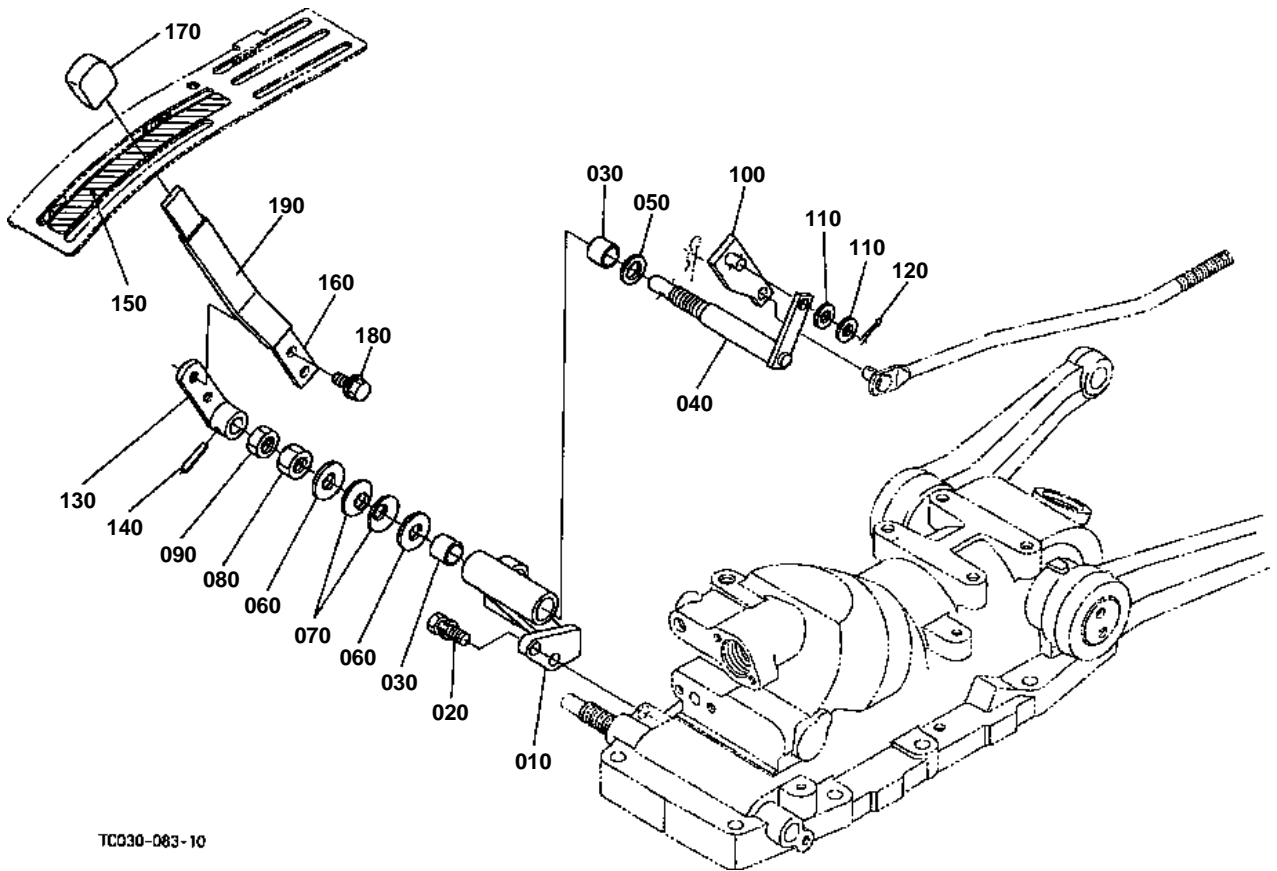


POSITION CONTROL LEVER (WITH DRAFT) [OPTION]
(AVEC TYPE DE EFFORT) [OPTION]

↔ Interchangeable; ≠ not interchangeable; ← new for old; → old for new

REF.No	Part No.	Description	Q'ty	S.No.	I/C	REMARKS	Weight (kgf)	Weight (lb)
010	TA140-38310	LINK CONTROL	1				0	0
020	02174-50140	NUT	1				0.014	0.0308
030	05411-00525	PIN SPRING	1				0.002	0.0044
040	08511-01615	BUSH	1				0.01	0.022
050	TA040-38122	SHAFT DRAFT	1				0.14	0.308
060	04013-60140	WASHER PLAIN	2				0.01	0.022
070	34260-36880	SPRING PLATE	2				0.006	0.0132
080	02174-50140	NUT	1				0.014	0.0308
090	02172-50140	NUT	1				0.01	0.022
100	TA040-38142	LINK DRAFT	1				0.065	0.143
110	05411-00525	PIN SPRING	1				0.002	0.0044
115	04714-00300	GASKET	1				0.002	0.0044
120	TA040-38150	LINK DRAFT	1				0.065	0.143
130	08511-01612	BUSH	1				0.005	0.011
140	TA040-38160	LINK DRAFT	1				0.07	0.154
150	08511-01612	BUSH	1				0.005	0.011
160	04011-60160	WASHER PLAIN	1				0.01	0.022
170	04612-00160	CIR CLIP EXTERNAL	1				0.001	0.0022
180	TA040-38170	LINK DRAFT	1				0.095	0.209
190	04012-50080	WASHER PLAIN	1				0.001	0.0022
200	05511-50215	PIN SPLIT	1				0.001	0.0022
210	TA040-38190	COLLAR	1				0.02	0.044
220	04011-50100	WASHER PLAIN	2				0.002	0.0044
230	05511-50320	PIN SPLIT	1				0.002	0.0044
240	TA040-38212	LEVER POSITION	1				0.13	0.286
250	05411-00525	PIN SPRING	1				0.002	0.0044
260	TA040-38322	ROD CONTROL	1				0.045	0.099
270	05525-50800	PIN SNAP	2				0.001	0.0022
280	36919-27830	SPRING	1				0.01	0.022
290	TA040-38262	HOLDER	1				0.06	0.132
300	TA040-38270	STOPPER	1				0.033	0.0726
310	TA040-38282	ROD POSITION	1				0.145	0.319
320	04012-50080	WASHER PLAIN	3				0.001	0.0022
330	05525-50800	PIN SNAP	2				0.001	0.0022
340	TA040-38230	LEVER POSITION	1				0.18	0.396
350	52300-32640	GRIP LEVER	1				0.04	0.088
360	01754-50612	BOLT FLANGE	2				0.005	0.011
370	TA040-36132	TUBE LEVER	1				0.01	0.022

DRAFT CONTROL LEVER (WITH DRAFT) [OPTION]



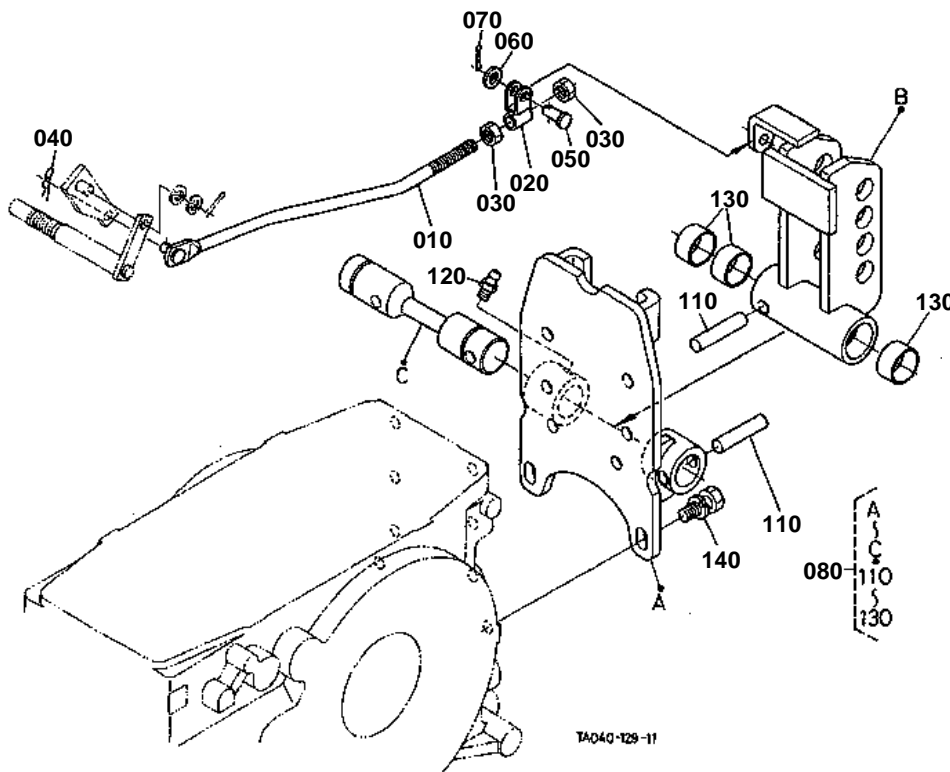


DRAFT CONTROL LEVER (WITH DRAFT) [OPTION]
[OPTION]

↔ Interchangeable; ≠ not interchangeable; ← new for old; → old for new

REF.No	Part No.	Description	Q'ty	S.No.	I/C	REMARKS	Weight (kgf)	Weight (lb)
010	TA040-38114	STAY	1				0.255	0.561
020	01123-50822	BOLT	2				0.012	0.0264
030	08511-01615	BUSH	2				0.01	0.022
040	TA040-38132	SHAFT DRAFT	1				0.22	0.484
050	04714-00300	GASKET	1				0.002	0.0044
060	04013-60140	WASHER PLAIN	2				0.01	0.022
070	34260-36880	SPRING PLATE	2				0.006	0.0132
080	02174-50140	NUT	1				0.014	0.0308
090	02172-50140	NUT	1				0.01	0.022
100	TA040-38182	LEVER CAM	1				0.085	0.187
110	04012-50080	WASHER PLAIN	2				0.001	0.0022
120	05511-50215	PIN SPLIT	1				0.001	0.0022
130	TA040-38222	LEVER DRAFT	1				0.095	0.209
140	05411-00525	PIN SPRING	1				0.002	0.0044
150	TA040-49520	MARK DRAFT	1				0.003	0.0066
160	TA040-38240	LEVER DRAFT	1				0.16	0.352
170	37410-43560	GRIP LEVER	1				0.025	0.055
180	01754-50612	BOLT FLANGE	2				0.005	0.011
190	TA040-36132	TUBE LEVER	1				0.01	0.022

TOP LINK HOLDER (WITH DRAFT) [OPTION]



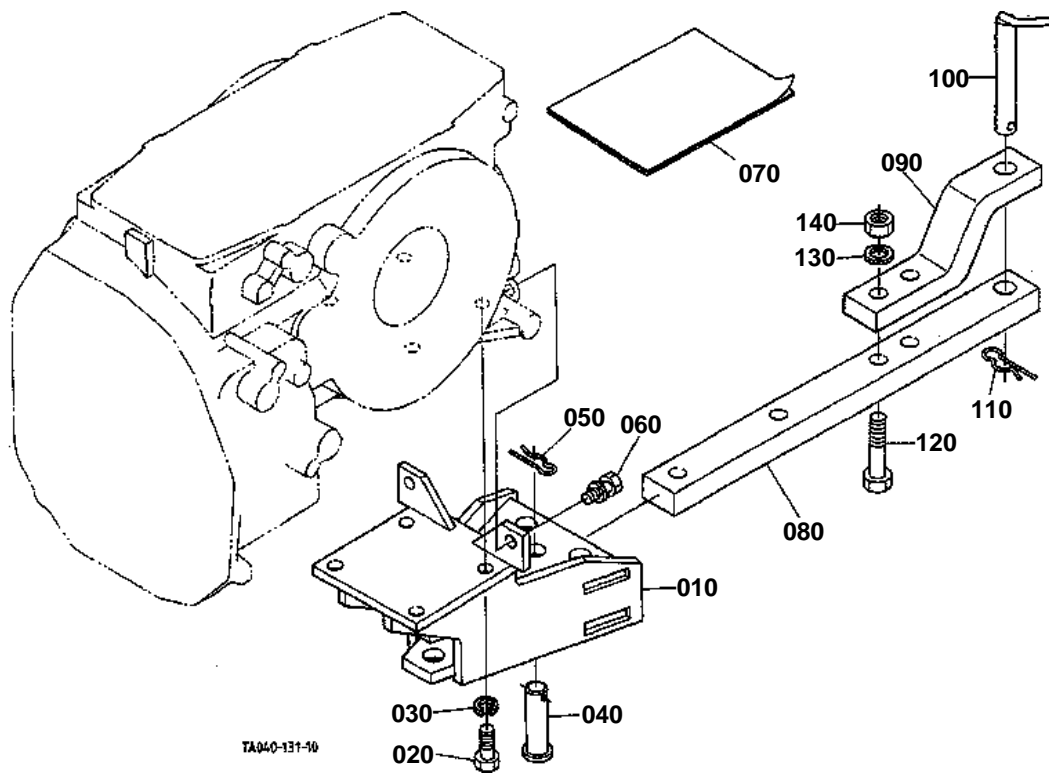


TOP LINK HOLDER (WITH DRAFT) [OPTION]
[OPTION]

↔ Interchangeable; ≠ not interchangeable; ← new for old; → old for new

REF.No	Part No.	Description	Q'ty	S.No.	I/C	REMARKS	Weight (kgf)	Weight (lb)
010	TA040-38360	ROD DRAFT	1				0.192	0.4224
020	TA040-38350	HOLDER	1				0.033	0.0726
030	02116-50100	NUT	2				0.004	0.0088
040	05525-50800	PIN SNAP	1				0.001	0.0022
050	05122-50818	PIN JOINT	1				0.008	0.0176
060	04012-50080	WASHER PLAIN	1				0.001	0.0022
070	05511-50218	PIN SPLIT	1				0.001	0.0022
080	35080-41400	COMP HOLDER TOP LINK	1				6.85	15.07
110	37300-41440	PIN STRAIGHT	2				0.055	0.121
120	06613-10010	NIPPLE GREASE	2				0.006	0.0132
130	37300-41450	BUSH	3				0.03	0.066
140	01133-51230	BOLT	6				0.04	0.088

SWINGING DRAWBAR/CLEVIS DRAWBAR [OPTION]



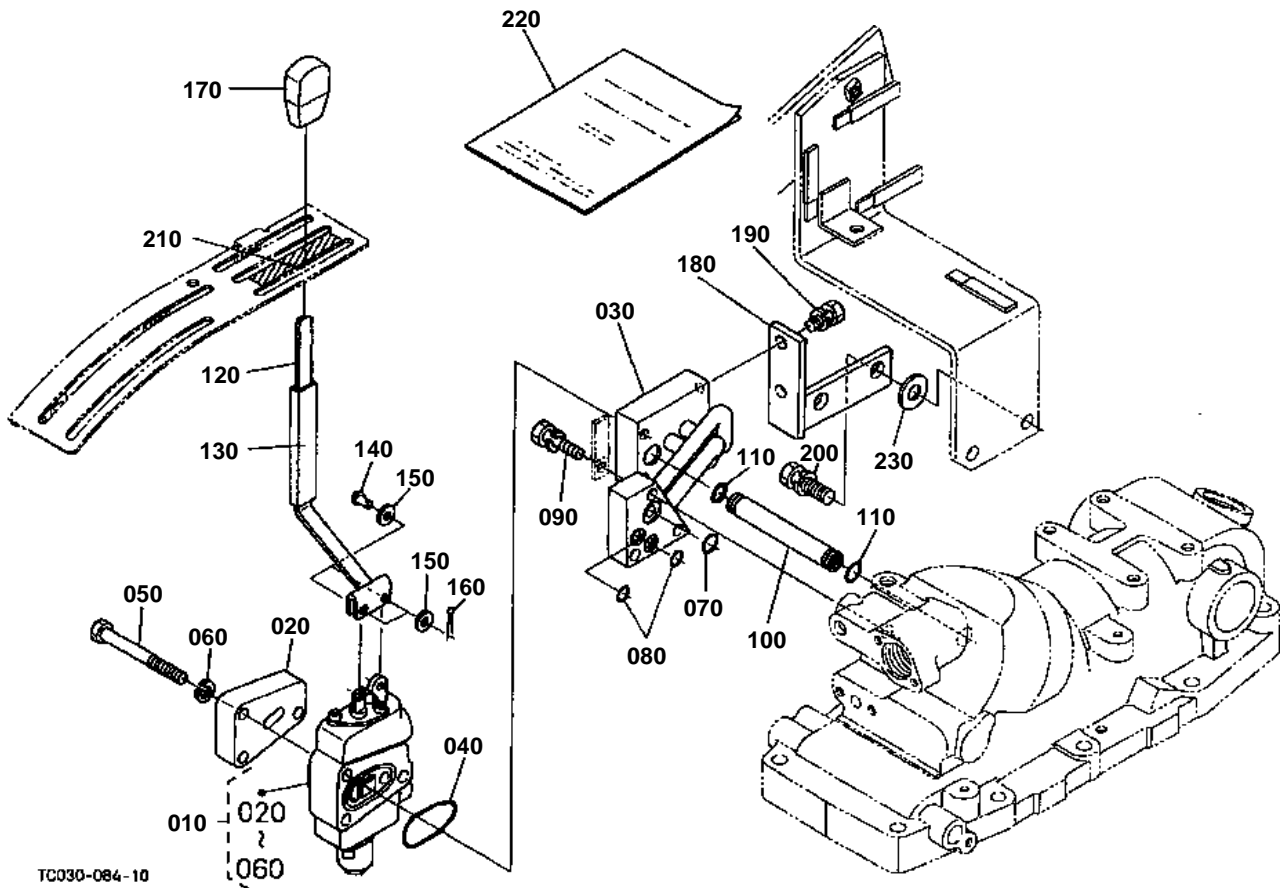


SWINGING DRAWBAR/CLEVIS DRAWBAR [OPTION]
[OPTION]

↔ Interchangeable; ≠ not interchangeable; ← new for old; → old for new

REF.No	Part No.	Description	Q'ty	S.No.	I/C	REMARKS	Weight (kgf)	Weight (lb)
010	TA040-29830	FRAME SWING DRAWBAR	1				7.9	17.38
020	01176-51430	BOLT	4				0.052	0.1144
030	04512-60140	WASHER SPRING	4				0.006	0.0132
040	05112-52070	PIN JOINT	3				0.186	0.4092
050	05515-51600	PIN SNAP	3				0.007	0.0154
060	01133-51230	BOLT	2				0.04	0.088
070	TA040-98520	MANUAL ASSEMBLY	1				0.005	0.011
080	35080-29710	DRAWBAR	1				7	15.4
090	35080-29720	HITCH DRAWBAR	1				2.8	6.16
100	99533-78250	PIN	1				0.61	1.342
110	70515-16330	PIN SPRING	1				0.028	0.0616
120	01173-51680	BOLT	2				0.14	0.308
130	04512-60160	WASHER SPRING	2				0.01	0.022
140	02174-50160	NUT	2				0.022	0.0484

AUXILIARY CONTROL VALVE LEVER 1 [OPTION]



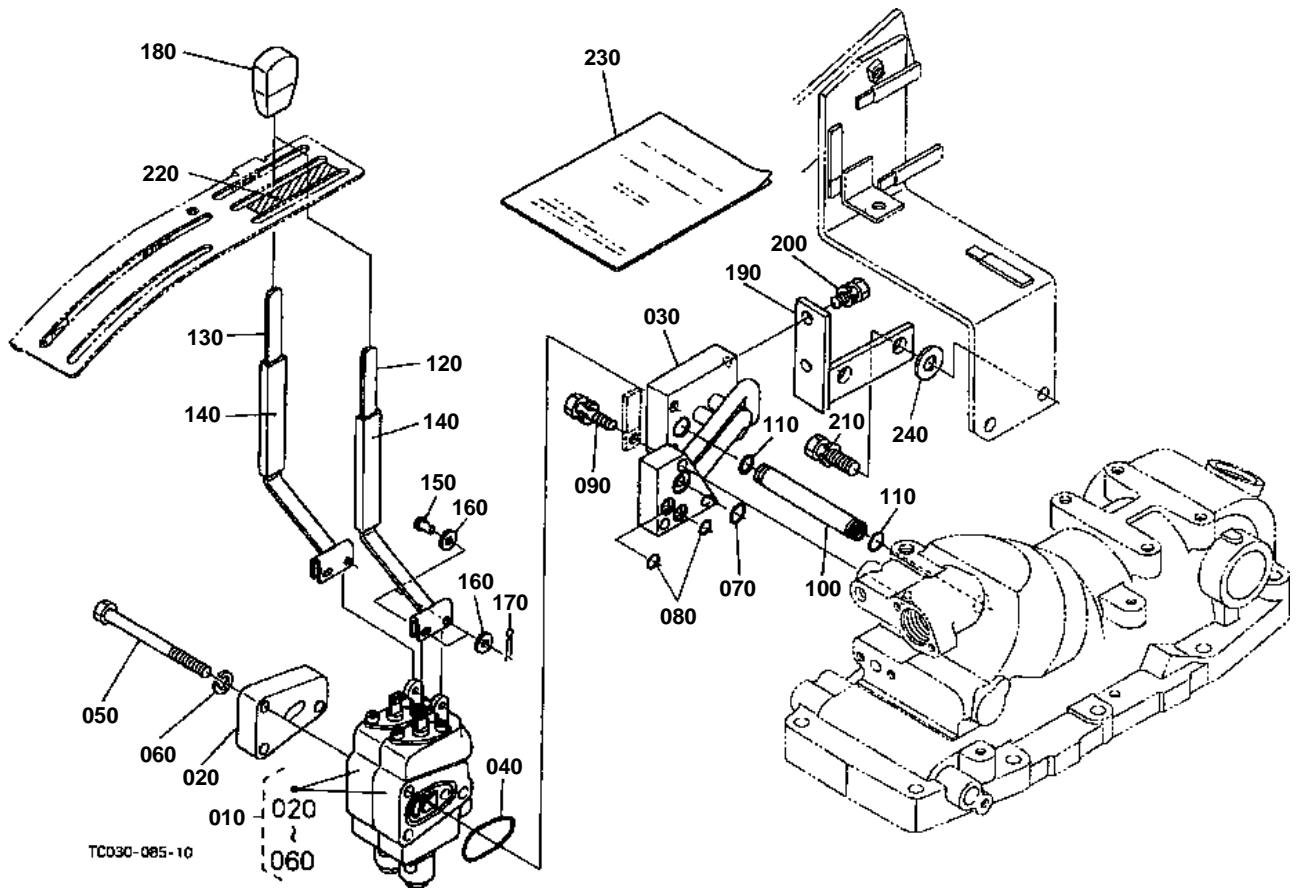
TC030-084-10

**AUXILIARY CONTROL VALVE LEVER 1 [OPTION]**

↔ Interchangeable; ≠ not interchangeable; ← new for old; → old for new

REF.No	Part No.	Description	Q'ty	S.No.	I/C	REMARKS	Weight (kgf)	Weight (lb)
010	TA040-96500	ASSY VALVE AUX.CON.	1				3.3	7.26
020	TA040-96122	COVER AUX.CON.VALVE	1				0.475	1.045
030	TA040-96142	ASSY PIPE CONT.VALVE	1				1.4	3.08
040	04811-50400	O RING	1				0.002	0.0044
050	01153-50870	BOLT	3				0.026	0.0572
060	04512-60080	WASHER SPRING	3				0.002	0.0044
070	04810-00140	O RING	1				0.001	0.0022
080	04810-00100	O RING	2				0.001	0.0022
090	01123-50835	BOLT	3				0.02	0.044
100	TA040-96150	PIPE RETURN	1				0.045	0.099
110	04811-00110	O RING	2				0.001	0.0022
120	TA040-96220	LEVER AUX.CON.VALVE	1				0.11	0.242
130	TA040-96250	TUBE LEVER	1				0.007	0.0154
140	68021-32790	PIN	2				0.004	0.0088
150	04012-50050	WASHER PLAIN	4				0.001	0.0022
160	05511-51210	PIN SPLIT	2				0.001	0.0022
170	31355-82290	GRIP LEVER	1				0.015	0.033
180	TA040-96160	STAY AUX.CONT.VALVE	1				0.25	0.55
190	01123-50820	BOLT	2				0.011	0.0242
200	01133-51235	BOLT	2				0.05	0.11
210	TA040-49610	MARK AUX.CONT.VALVE	1				0.001	0.0022
220	TA040-98140	MANUAL ASSEMBLY	1				0.015	0.033
230	04015-60120	WASHER PLAIN	2				0.022	0.0484

AUXILIARY CONTROL VALVE LEVER 2 [OPTION]

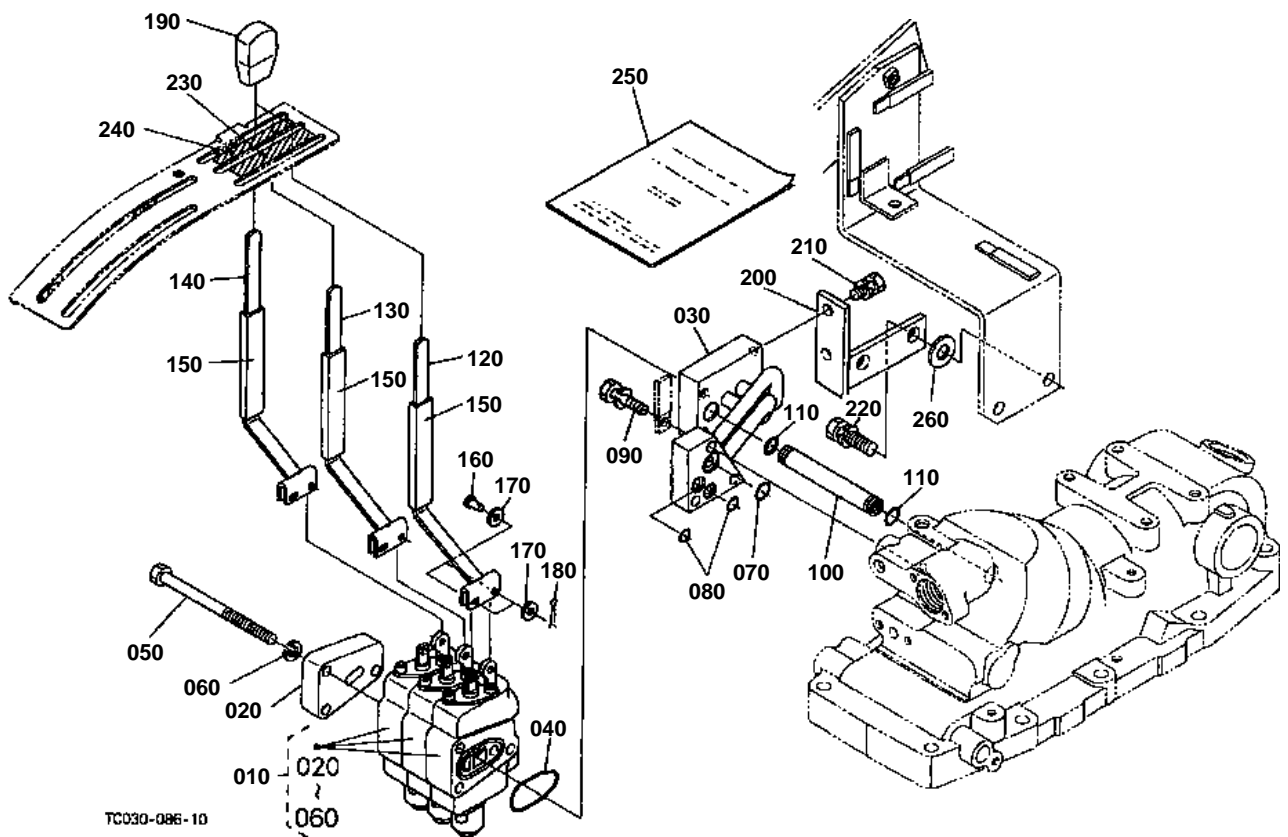


**AUXILIARY CONTROL VALVE LEVER 2 [OPTION]**

↔ Interchangeable; ≠ not interchangeable; ← new for old; → old for new

REF.No	Part No.	Description	Q'ty	S.No.	I/C	REMARKS	Weight (kgf)	Weight (lb)
010	TA040-96102	ASSY VALVE AUX.CON.	1				4.7	10.34
020	TA040-96122	COVER AUX.CON.VALVE	1				0.475	1.045
030	TA040-96142	ASSY PIPE CONT.VALVE	1				1.4	3.08
040	04811-50400	O RING	1				0.002	0.0044
050	01153-50800	BOLT	3				0.036	0.0792
060	04512-60080	WASHER SPRING	3				0.002	0.0044
070	04810-00140	O RING	1				0.001	0.0022
080	04810-00100	O RING	2				0.001	0.0022
090	01123-50835	BOLT	3				0.02	0.044
100	TA040-96150	PIPE RETURN	1				0.045	0.099
110	04811-00110	O RING	2				0.001	0.0022
120	TA040-96220	LEVER AUX.CON.VALVE	1				0.11	0.242
130	TA040-96234	LEVER AUX.CON.VALVE	1				0.1	0.22
140	TA040-96250	TUBE LEVER	2				0.007	0.0154
150	68021-32790	PIN	4				0.004	0.0088
160	04012-50050	WASHER PLAIN	8				0.001	0.0022
170	05511-51210	PIN SPLIT	4				0.001	0.0022
180	31355-82290	GRIP LEVER	2				0.015	0.033
190	TA040-96160	STAY AUX.CONT.VALVE	1				0.25	0.55
200	01123-50820	BOLT	2				0.011	0.0242
210	01133-51235	BOLT	2				0.05	0.11
220	TA040-49610	MARK AUX.CONT.VALVE	1				0.001	0.0022
230	TA040-98140	MANUAL ASSEMBLY	1				0.015	0.033
240	04015-60120	WASHER PLAIN	2				0.022	0.0484

AUXILIARY CONTROL VALVE LEVER 3 [OPTION]

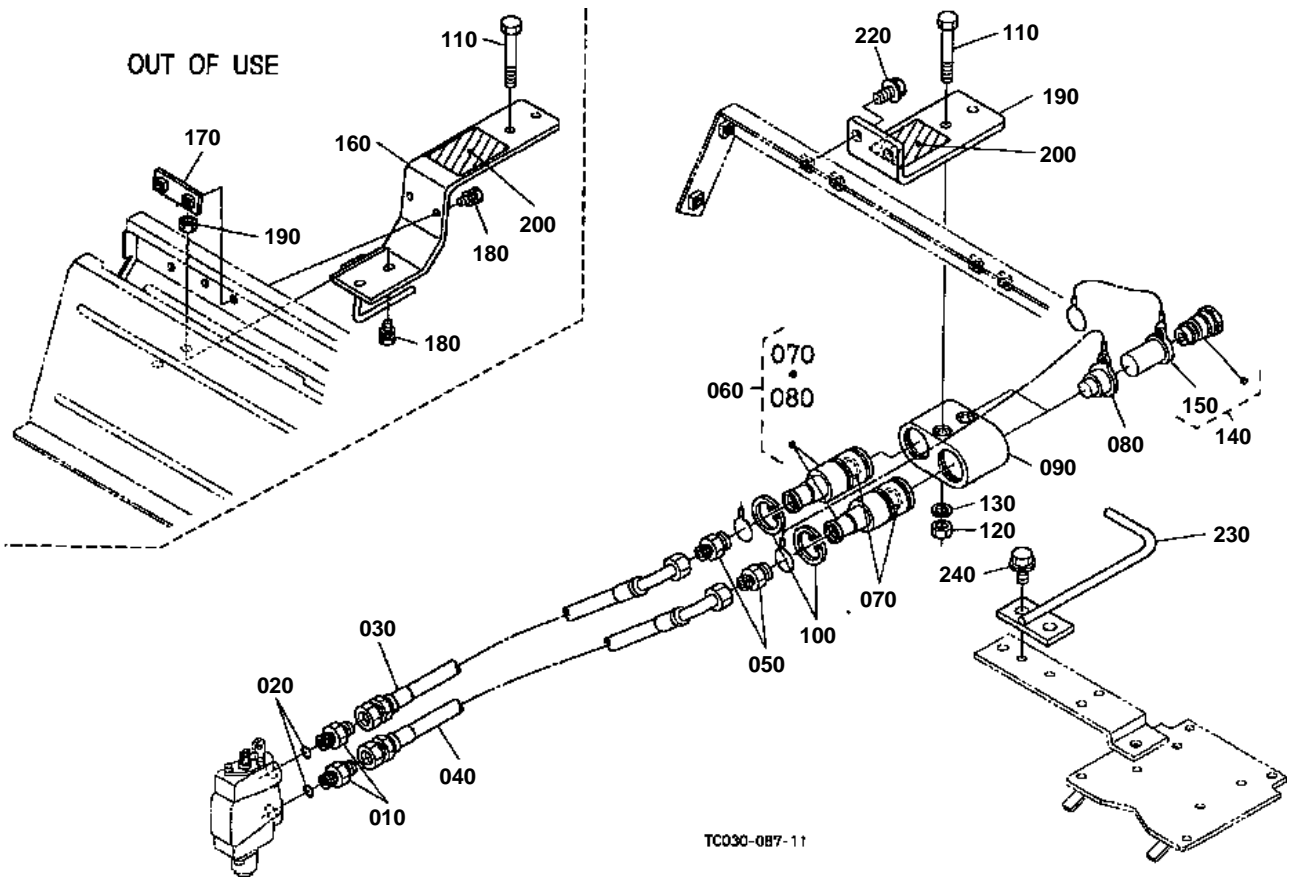


**AUXILIARY CONTROL VALVE LEVER 3 [OPTION]**

↔ Interchangeable; ≠ not interchangeable; ← new for old; → old for new

REF.No	Part No.	Description	Q'ty	S.No.	I/C	REMARKS	Weight (kgf)	Weight (lb)
010	TA040-96300	ASSY VALVE AUX.CON.	1				6.1	13.42
020	TA040-96122	COVER AUX.CON.VALVE	1				0.475	1.045
030	TA040-96142	ASSY PIPE CONT.VALVE	1				1.4	3.08
040	04811-50400	O RING	1				0.002	0.0044
050	45404-95180	BOLT	3				0.05	0.11
060	04512-60080	WASHER SPRING	3				0.002	0.0044
070	04810-00140	O RING	1				0.001	0.0022
080	04810-00100	O RING	2				0.001	0.0022
090	01123-50835	BOLT	3				0.02	0.044
100	TA040-96150	PIPE RETURN	1				0.045	0.099
110	04811-00110	O RING	2				0.001	0.0022
120	TA040-96220	LEVER AUX.CON.VALVE	1				0.11	0.242
130	TA040-96234	LEVER AUX.CON.VALVE	1				0.1	0.22
140	TA040-96240	LEVER AUX.CON.VALVE	1				0.105	0.231
150	TA040-96250	TUBE LEVER	3				0.007	0.0154
160	68021-32790	PIN	6				0.004	0.0088
170	04012-50050	WASHER PLAIN	12				0.001	0.0022
180	05511-51210	PIN SPLIT	6				0.001	0.0022
190	31355-82290	GRIP LEVER	3				0.015	0.033
200	TA040-96160	STAY AUX.CONT.VALVE	1				0.25	0.55
210	01123-50820	BOLT	2				0.011	0.0242
220	01133-51235	BOLT	2				0.05	0.11
230	TA040-49610	MARK AUX.CONT.VALVE	1				0.001	0.0022
240	TA040-49630	MARK AUX.CONT.VALVE	1				0.001	0.0022
250	TA040-98140	MANUAL ASSEMBLY	1				0.015	0.033
260	04015-60120	WASHER PLAIN	2				0.022	0.0484

AUXILIARY CONTROL VALVE COUPLER 1 [OPTION]



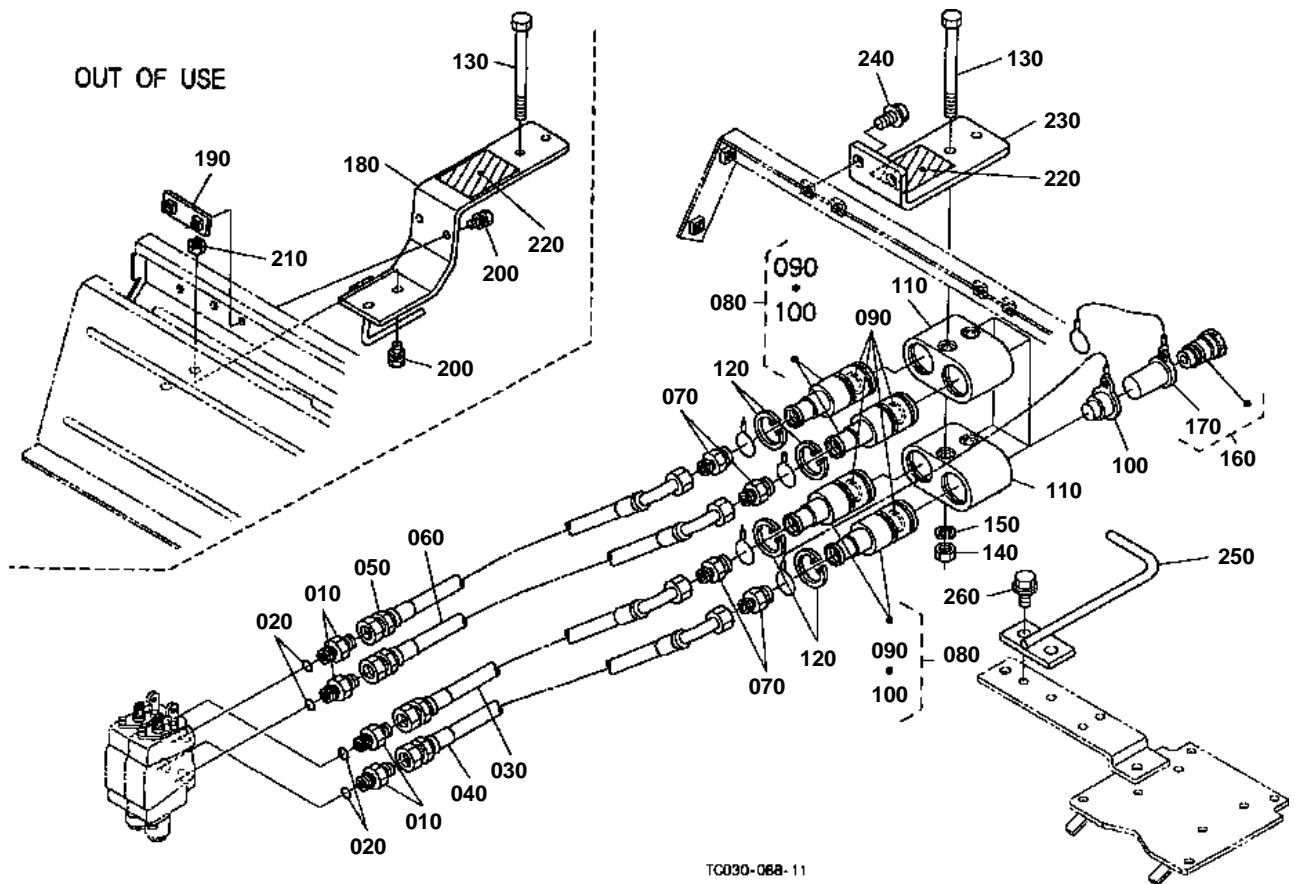


AUXILIARY CONTROL VALVE COUPLER 1 [OPTION]

↔ Interchangeable; ≠ not interchangeable; ← new for old; → old for new

REF.No	Part No.	Description	Q'ty	S.No.	I/C	REMARKS	Weight (kgf)	Weight (lb)
010	70726-61130	ADAPTER	2				0.055	0.121
020	04811-00140	O RING	2				0.001	0.0022
030	TA040-96410	HOSE AUX.CONT.VALVE	1				0.308	0.6776
040	TA040-96420	HOSE AUX.CONT.VALVE	1				0.314	0.6908
050	99063-93410	ADAPTER	2				0.07	0.154
060	35861-82032	ASSY COUPLER FEMALE	2				0.32	0.704
070	35861-94510	O RING	2				0.002	0.0044
080	35861-94520	PLUG COUPLER	2				0.005	0.011
090	35893-82610	SUPPORT COUPLER	1				0.715	1.573
100	04611-00380	CIR CLIP INTERNAL	2				0.004	0.0088
110	01153-50865	BOLT	2				0.025	0.055
120	02156-50080	NUT	2				0.004	0.0088
130	04512-60080	WASHER SPRING	2				0.002	0.0044
140	35861-82190	ASSY COUPLER MALE	2				0.086	0.1892
150	35861-94530	CAP	2				0	0
160	TA040-96480	STAY COUPLER	1			OUT OFF USE	1.12	2.464
170	TA040-96490	STAY COUPLER	1			OUT OFF USE	0.073	0.1606
180	01123-50820	BOLT	4			OUT OFF USE	0.011	0.0242
190	02114-50080	NUT	2			OUT OFF USE	0.005	0.011
200	TA040-49670	MARK COUPLER	1				0.001	0.0022
210	TC030-96480	STAY COUPLER	1				0	0
220	01774-61020	BOLT FLANGE	2				0.022	0.0484
230	TC030-96490	SUPPORT HOSE CLAMP	1				0	0
240	01754-50820	BOLT FLANGE	2				0.015	0.033

AUXILIARY CONTROL VALVE COUPLER 2 [OPTION]



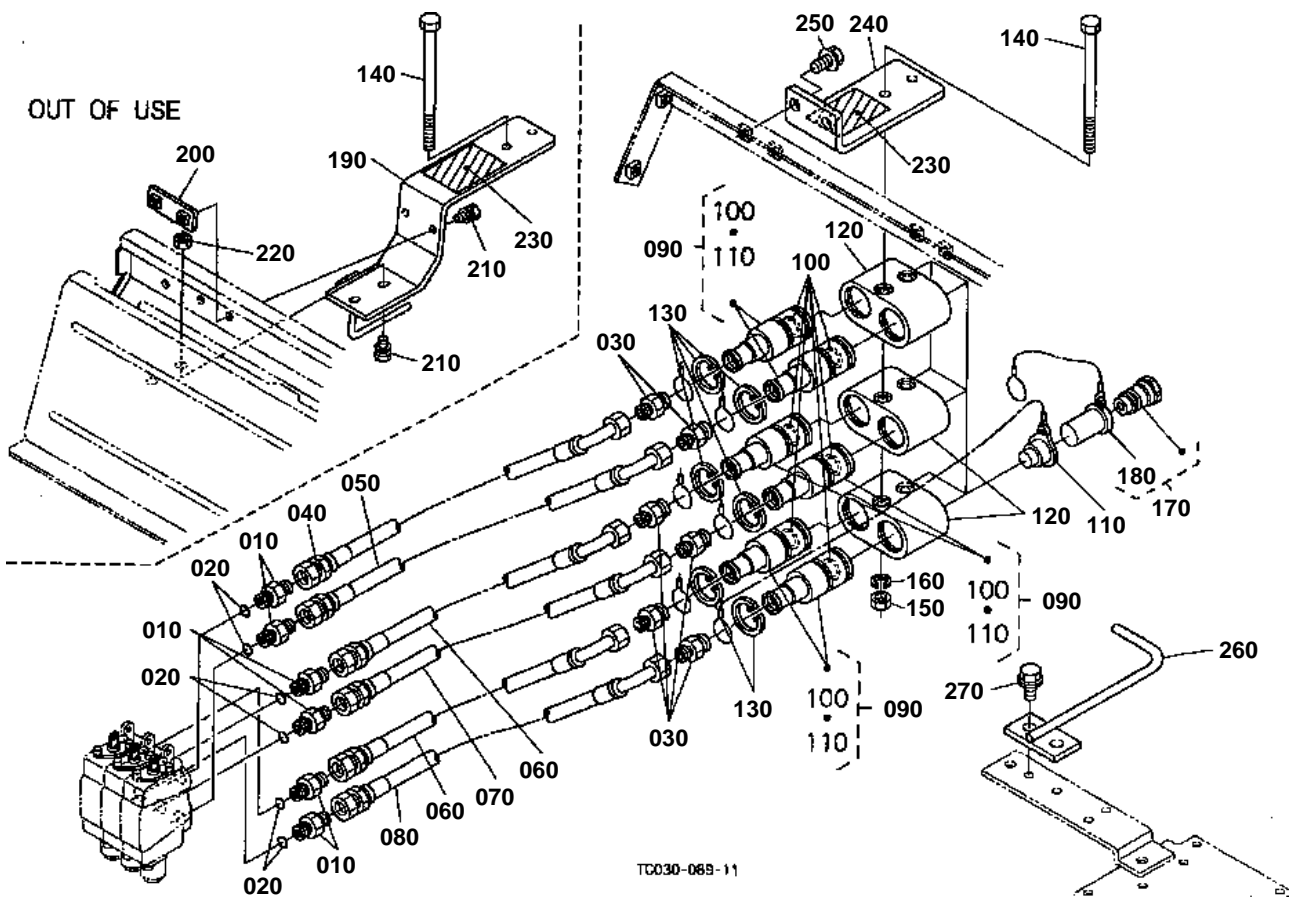


AUXILIARY CONTROL VALVE COUPLER 2 [OPTION]

↔ Interchangeable; ≠ not interchangeable; ← new for old; → old for new

REF.No	Part No.	Description	Q'ty	S.No.	I/C	REMARKS	Weight (kgf)	Weight (lb)
010	70726-61130	ADAPTER	4				0.055	0.121
020	04811-00140	O RING	4				0.001	0.0022
030	TA040-96410	HOSE AUX.CONT.VALVE	1				0.308	0.6776
040	TA040-96420	HOSE AUX.CONT.VALVE	1				0.314	0.6908
050	TA040-96430	HOSE AUX.CONT.VALVE	1				0.295	0.649
060	TA040-96440	HOSE AUX.CONT.VALVE	1				0.302	0.6644
070	99063-93410	ADAPTER	4				0.07	0.154
080	35861-82032	ASSY COUPLER FEMALE	4				0.32	0.704
090	35861-94510	O RING	4				0.002	0.0044
100	35861-94520	PLUG COUPLER	4				0.005	0.011
110	35893-82610	SUPPORT COUPLER	2				0.715	1.573
120	04611-00380	CIR CLIP INTERNAL	4				0.004	0.0088
130	01153-50802	BOLT	2				0.045	0.099
140	02156-50080	NUT	2				0.004	0.0088
150	04512-60080	WASHER SPRING	2				0.002	0.0044
160	35861-82190	ASSY COUPLER MALE	4				0.086	0.1892
170	35861-94530	CAP	4				0	0
180	TA040-96480	STAY COUPLER	1			OUT OF USE	1.12	2.464
190	TA040-96490	STAY COUPLER	1			OUT OF USE	0.073	0.1606
200	01123-50820	BOLT	4			OUT OF USE	0.011	0.0242
210	02114-50080	NUT	2			OUT OF USE	0.005	0.011
220	TA040-49620	MARK COUPLER	1				0.001	0.0022
230	TC030-96480	STAY COUPLER	1				0	0
240	01774-61020	BOLT FLANGE	2				0.022	0.0484
250	TC030-96490	SUPPORT HOSE CLAMP	1				0	0
260	01754-50820	BOLT FLANGE	2				0.015	0.033

AUXILIARY CONTROL VALVE COUPLER 3 [OPTION]





AUXILIARY CONTROL VALVE COUPLER 3 [OPTION]

↔ Interchangeable; ≠ not interchangeable; ← new for old; → old for new

REF.No	Part No.	Description	Q'ty	S.No.	I/C	REMARKS	Weight (kgf)	Weight (lb)
010	70726-61130	ADAPTER	6				0.055	0.121
020	04811-00140	O RING	6				0.001	0.0022
030	99063-93410	ADAPTER	6				0.07	0.154
040	TA040-96410	HOSE AUX.CONT.VALVE	1				0.308	0.6776
050	TA040-96420	HOSE AUX.CONT.VALVE	1				0.314	0.6908
060	TA040-96430	HOSE AUX.CONT.VALVE	2				0.295	0.649
070	TA040-96440	HOSE AUX.CONT.VALVE	1				0.302	0.6644
080	TA040-96450	HOSE AUX.CONT.VALVE	1				0.3	0.66
090	35861-82032	ASSY COUPLER FEMALE	6				0.32	0.704
100	35861-94510	O RING	6				0.002	0.0044
110	35861-94520	PLUG COUPLER	6				0.005	0.011
120	35893-82610	SUPPORT COUPLER	3				0.715	1.573
130	04611-00380	CIR CLIP INTERNAL	6				0.004	0.0088
140	35340-99540	BOLT	2				0.06	0.132
150	02156-50080	NUT	2				0.004	0.0088
160	04512-60080	WASHER SPRING	2				0.002	0.0044
170	35861-82190	ASSY COUPLER MALE	6				0.086	0.1892
180	35861-94530	CAP	6				0	0
190	TA040-96480	STAY COUPLER	1			OUT OF USE	1.12	2.464
200	TA040-96490	STAY COUPLER	1			OUT OF USE	0.073	0.1606
210	01123-50820	BOLT	4			OUT OF USE	0.011	0.0242
220	02114-50080	NUT	2			OUT OF USE	0.005	0.011
230	TA040-49640	MARK COUPLER	1				0.002	0.0044
240	TC030-96480	STAY COUPLER	1				0	0
250	01774-61020	BOLT FLANGE	2				0.022	0.0484
260	TC030-96490	SUPPORT HOSE CLAMP	1				0	0
270	01754-50820	BOLT FLANGE	2				0.015	0.033