

Instructions for Parts Books

The heading at the top of the page will be the same for the picture of the parts as it is for the page with the part numbers.

Definition of column headings on part number pages:

REF.No → The number referring to the part on the picture page of the parts book.

Part No. → The number assigned to this part at the time of printing the parts book.

Description → Description of part.

Q'ty → Quantity of part used on that page.

S.No. → Serial number range of the equipment that this part will fit.

>= Your serial number should be greater than or equal to the number shown.

<= Your serial number should be lesser than or equal to the serial number shown.

I/C → Interchangeability of part shown.

↔ The part shown will work for the older and later serial number.

The part shown is not interchangeable with the other serial number.

← new for old

→ old for new

Remarks → Notes about this particular part. Sometimes this may say except [FR] or [CA]

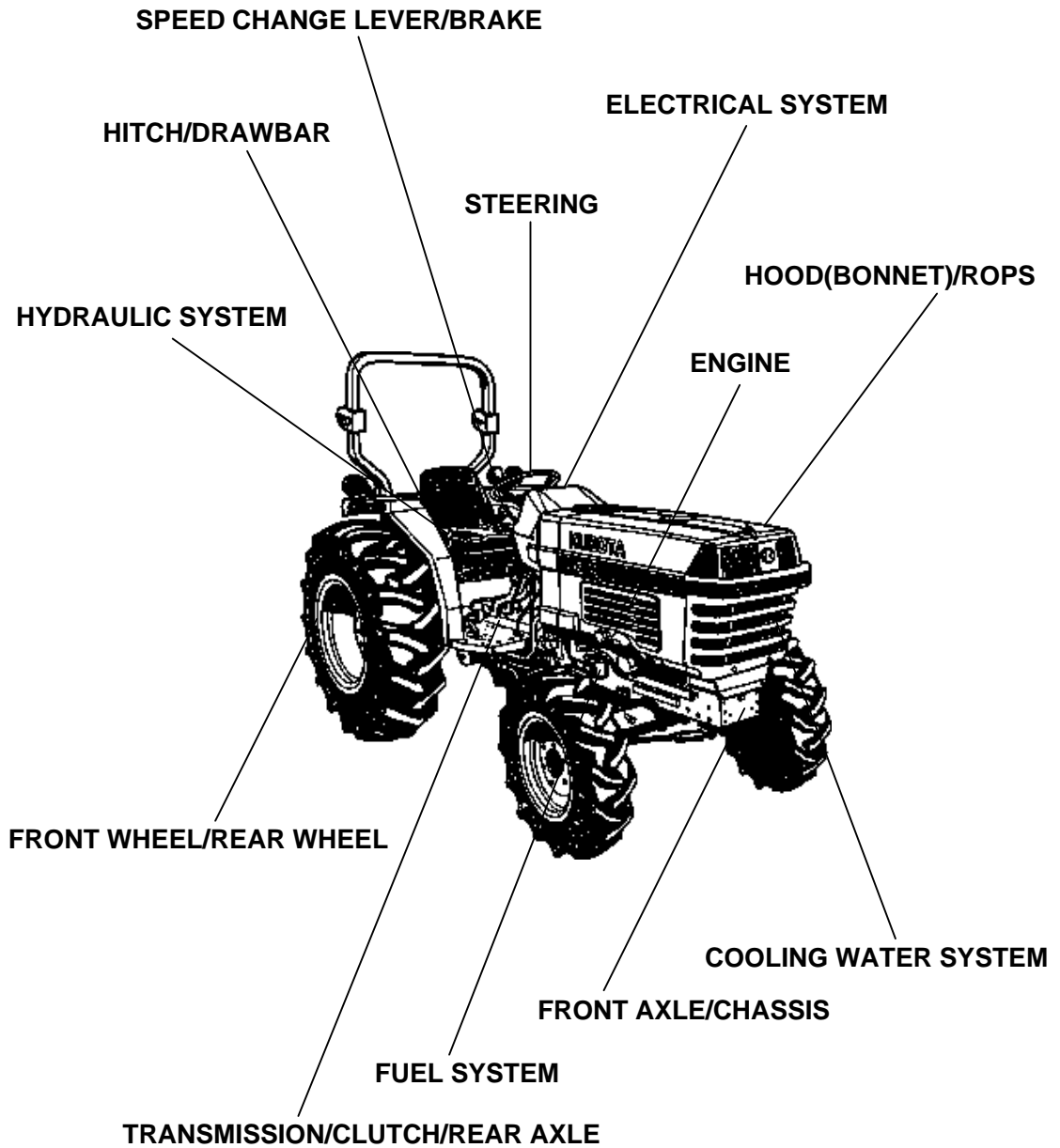
Note about Country Codes:

The parts books we use in the United States of America may also contain information about a part that would be different in another country. It is important that you are aware of the country codes in some instances.

Symbol	Country
A	United States of America
CA	Canada
FR	France
GR	Greece
PO	Portugal
AU	Australia

If the remarks column says for example EXCEPT [FR] this part works in all countries except France. That means it will work here in the USA.

**ALL PRODUCT INDEX
L4300F**



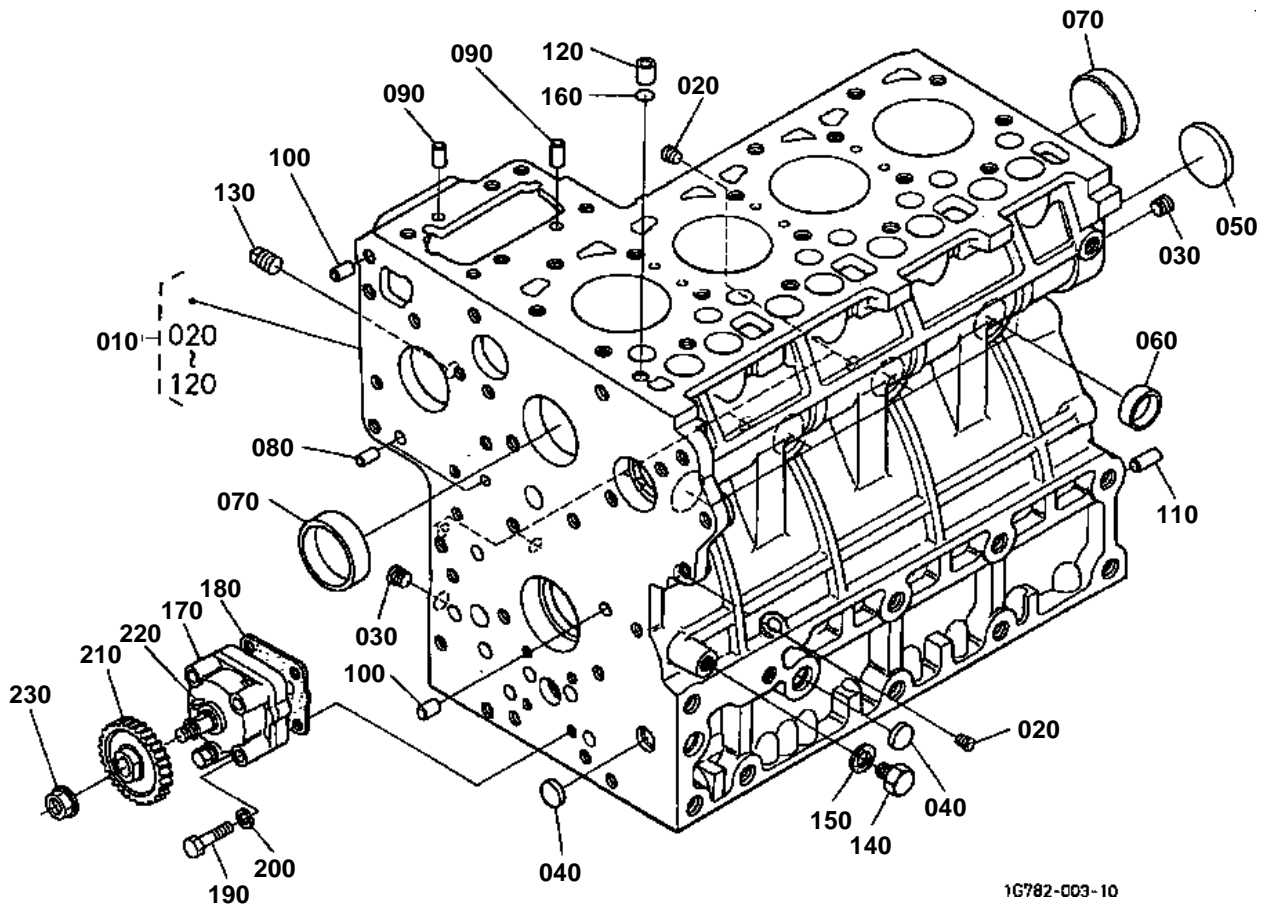
**LABELS
ACCESSORIES
OPTION**

Item	Part No.	Description	Book	
ENGINE	010001	CRANKCASE	100K0655	
	010002	OIL PAN	100K0655	
	010003	CYLINDER HEAD	100K0655	
	010004	GEAR CASE	100K0655	
	010005	HEAD COVER	100K0655	
	010100	MAIN BEARING CASE	100K0655	
	010101	CAMSHAFT AND IDLE GEAR SHAFT	100K0655	
	010102	PISTON AND CRANKSHAFT	100K0655	
	01010302	FLYWHEEL [4WD]	100K0655	
	010105	FUEL CAMSHAFT	100K0655	
	010200	ENGINE STOP LEVER	100K0655	
	010202	INJECTION PUMP	100K0655	
	010204	GOVERNOR	100K0655	
	010205	SPEED CONTROL PLATE	100K0655	
	010206	NOZZLE HOLDER AND GLOW PLUG	100K0655	
	010207	NOZZLE HOLDER [COMPONENT PARTS]	100K0655	
	010500	WATER FLANGE AND THERMOSTAT	100K0655	
	010501	WATER PUMP	100K0655	
	010600	VALVE AND ROCKER ARM	100K0655	
	010601	INLET MANIFOLD	100K0655	
	010901	UPPER GASKET KIT	100K0655	
	010902	LOWER GASKET KIT	100K0655	
	010603	EXHAUST MANIFOLD/MUFFLER	100K0655	
	010604	AIR CLEANER	100K0655	
	01A003	ENGINE STOP ROD	100K0655	
	01A010	ACCELERATOR LEVER	100K0655	
	01A025	ACCELERATOR LINKAGE	100K0655	
	FUEL SYSTEM	01A101	FUEL TANK	100K0655
		01A110	FUEL PIPE AND FUEL FILTER	100K0655
	COOLING WATER SYSTEM	01A130	FUEL FILTER [COMPONENT PARTS]	100K0655
		01A401	FAN	100K0655
		01A410	WATER PIPE	100K0655
	ELECTRICAL SYSTEM	01A420	RADIATOR	100K0655
01A430		RESERVE TANK	100K0655	
01A515		ALTERNATOR	100K0655	
01A520		ALTERNATOR [COMPONENT PARTS]	100K0655	
01A525		STARTER	100K0655	
01A530		STARTER [COMPONENT PARTS]	100K0655	
01A535		BATTERY	100K0655	
01B102		SWITCH 1	100K0655	
01B103		SWITCH 2	100K0655	
01B115		PANEL BOARD	100K0655	
TRANSMISSION/CLUTCH/REAR AXLE	01B120	PANEL BOARD [COMPONENT PARTS]	100K0655	
	01B301	LIGHT	100K0655	
	01B501	ELECTRICAL WIRING	100K0655	
	01C101	CLUTCH	100K0655	
	01C201	CLUTCH LEVER	100K0655	
	01C301	CLUTCH PEDAL	100K0655	
	01C40101	CLUTCH HOUSING	100K0655	
	01C410	MID CASE	100K0655	
	01C42001	TRANSMISSION CASE	100K0655	
	01D101	MAIN SHAFT	100K0655	
	01D105	COUNTERSHAFT	100K0655	
	01D116	REVERSE SHAFT	100K0655	
	01D117	RANGE GEAR SHAFT	100K0655	
	01D12501	SPIRAL BEVEL PINION	100K0655	
01D127	REAR DIFFERENTIAL	100K0655		

Item	Part No.	Description	Book	
TRANSMISSION/CLUTCH/REAR AXLE	01D130	PTO COUNTERSHAFT	100K0655	
	01D132	PTO CLUTCH	100K0655	
	01D13501	PTO SHAFT	100K0655	
	01D201	MAIN GEAR SHIFT FORK	100K0655	
	01D217	RANGE GEAR SHIFT FORK	100K0655	
	01D225	DIFFERENTIAL LOCK SHIFT FORK	100K0655	
	01D301	REAR AXLE	100K0655	
	SPEED CHANGE LEVER/BRAKE	01D401	BRAKE	100K0655
		01D405	BRAKE ROD 1	100K0655
		01D410	BRAKE ROD 2	100K0655
01E101		MAIN GEAR SHIFT LEVER	100K0655	
01E110		RANGE GEAR SHIFT LEVER	100K0655	
01E122		PTO CLUTCH CONTROL LEVER	100K0655	
01E127		PTO CLUTCH VALVE [COMPONENT PARTS]	100K0655	
01E201		BRAKE PEDAL	100K0655	
FRONT AXLE/CHASSIS		01F10501	FRONT AXLE FRAME	100K0655
		01F110	FRONT AXLE	100K0655
	01F115	KNUCKLE SHAFT	100K0655	
STEERING	01G101	STEERING HANDLE	100K0655	
	01G110	STEERING CONTROLLER	100K0655	
	01G12001	STEERING LINKAGE (TIE ROD)	100K0655	
	01H11001	STEERING CYLINDER	100K0655	
	01H115	STEERING CYLINDER [COMPONENT PARTS]	100K0655	
HYDRAULIC SYSTEM	01H120	HYDRAULIC PUMP	100K0655	
	01H125	HYDRAULIC PUMP [COMPONENT PARTS]	100K0655	
	01H145	REGULATOR VALVE	100K0655	
	01H205	HYDRAULIC OIL LINE(INLET)	100K0655	
	01H210	HYDRAULIC OIL LINE(DELIVERY)	100K0655	
	01H215	HYDRAULIC OIL LINE (PS)	100K0655	
	01H230	PTO HYDRAULIC OIL LINE	100K0655	
	01H235	HYDRAULIC OUTLET BLOCK	100K0655	
	01H301	HYDRAULIC CYLINDER	100K0655	
	01H320	LIFT ARM	100K0655	
	01H330	FEED BACK LEVER	100K0655	
	01H405	CONTROL VALVE	100K0655	
	01H410	CONTROL VALVE [COMPONENT PARTS]	100K0655	
	01H440	POSITION CONTROL LEVER	100K0655	
	01J105	TOP LINK	100K0655	
	01J110	3-POINT LINKAGE 1 (LOWER LINK)	100K0655	
	01J115	3-POINT LINKAGE 2 (LIFT ROD)	100K0655	
	HITCH/DRAWBAR	01K105	DRAWBAR	100K0655
		01K125	PTO PROTECTOR	100K0655
	HOOD(BONNET)/ROPS	01L101	FRONT GRILLE	100K0655
01L105		HOOD(BONNET)	100K0655	
01L110		HOOD(BONNET) SIDE	100K0655	
01L130		SHUTTER PLATE	100K0655	
01L201		PANEL FRAME	100K0655	
01L210		FENDER	100K0655	
01L213		FENDER SUPPORT	100K0655	
01L220		SEAT	100K0655	
01L225		STEP	100K0655	
01L240		TOOL BOX	100K0655	
01L30101		ROPS [RIGID ROPS TYPE]	100K0655	
01L30102	ROPS [FOLDABLE ROPS TYPE]	100K0655		
	01L501	SMV EMBLEM	100K0655	

Item	Part No.	Description	Book
FRONT WHEEL/REAR WHEEL	01P10101	FRONT WHEEL (6.00-16)	100K0655
	01P10102	FRONT WHEEL (7.5L-15)	100K0655
	01P10106	FRONT WHEEL (27*10.5-15)	100K0655
	01P10107	FRONT WHEEL (29*12.50-15)	100K0655
	01P11001	REAR WHEEL (13.6-24)	100K0655
	01P11002	REAR WHEEL (14.9-24)	100K0655
	01P11005	REAR WHEEL (21.5L-16.1)	100K0655
LABELS	01R105	LABEL 1	100K0655
	01R110	LABEL 2	100K0655
ACCESSORIES OPTION	01S105	ACCESSORIES AND SERVICE PARTS	100K0655
	01T130	POSITION CONTROL LEVER (WITH DRAFT) [OPTION]	100K0655
	01T135	DRAFT CONTROL LEVER (WITH DRAFT) [OPTION]	100K0655
	01T140	TOP LINK HOLDER (WITH DRAFT) [OPTION]	100K0655
	01T145	SWINGING DRAWBAR/CLEVIS DRAWBAR [OPTION]	100K0655
	01T15001	AUXILIARY CONTROL VALVE LEVER 1 [OPTION]	100K0655
	01T15002	AUXILIARY CONTROL VALVE LEVER 2 [OPTION]	100K0655
	01T15003	AUXILIARY CONTROL VALVE LEVER 3 [OPTION]	100K0655
	01T15501	AUXILIARY CONTROL VALVE COUPLER 1 [OPTION]	100K0655
	01T15502	AUXILIARY CONTROL VALVE COUPLER 2 [OPTION]	100K0655
	01T15503	AUXILIARY CONTROL VALVE COUPLER 3 [OPTION]	100K0655

CRANKCASE



1G782-003-10

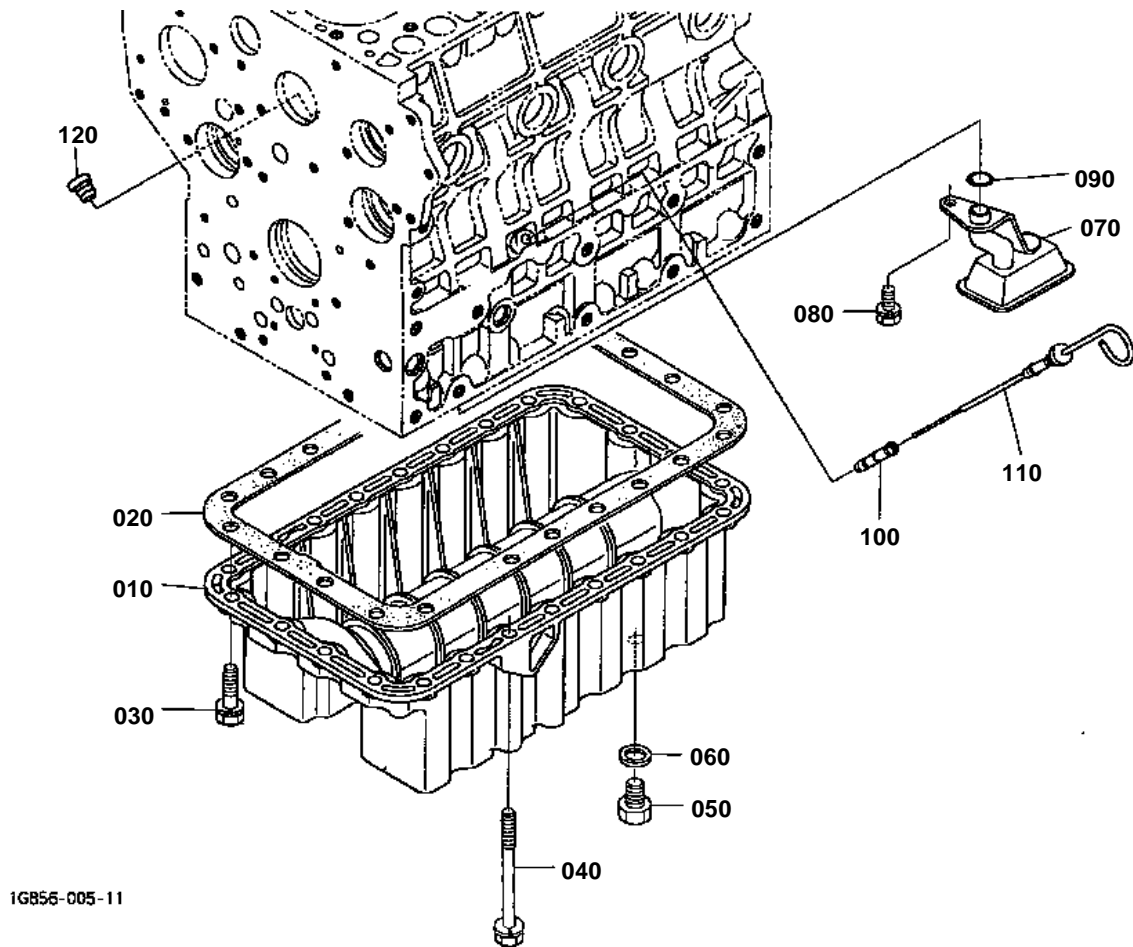


CRANKCASE

↔ Interchangeable; ≠ not interchangeable; ← new for old; → old for new

REF.No	Part No.	Description	Q'ty	S.No.	I/C	REMARKS	Weight (kgf)	Weight (lb)
010	16497-01012	COMP.CRANKCASE	1	<=1Y2848			40	88
010	16497-01014	COMP.CRANKCASE	1	>=2A0001	←		62	136.4
020	15521-96020	PLUG	6				0.003	0.0066
030	15521-96030	PLUG	2				0.007	0.0154
040	17391-96160	PLUG EXPANSION	3				0.003	0.0066
050	06311-75045	PLUG EXPANSION	1				0.026	0.0572
060	15221-03380	CAP SEALING	6				0.017	0.0374
070	15221-03390	CAP SEALING	2				0.03	0.066
080	05012-00408	PIN STRAIGHT	2				0.001	0.0022
090	05012-00609	PIN STRAIGHT	2				0.003	0.0066
100	05012-00612	PIN STRAIGHT	2				0.003	0.0066
110	05012-01018	PIN STRAIGHT	1				0.012	0.0264
120	15221-33650	PIN PIPE	1				0.004	0.0088
130	06312-10020	PLUG	1				0.016	0.0352
140	15221-33610	PLUG	1				0.009	0.0198
150	15021-33660	GASKET	1				0.001	0.0022
160	15221-33700	O RING	1				0.001	0.0022
170	15471-35012	ASSY PUMP OIL	1				0.55	1.21
180	1A021-35150	GASKET OIL PUMP	1				0.001	0.0022
190	01053-50650	BOLT	4				0.011	0.0242
200	04512-60060	WASHER SPRING	4				0.001	0.0022
210	19202-35660	GEAR OIL PUMP DRIVE	1				0.23	0.506
220	05712-00410	KEY FEATHER	1				0.001	0.0022
230	15221-35682	NUT FLANGE	1				0.014	0.0308

OIL PAN



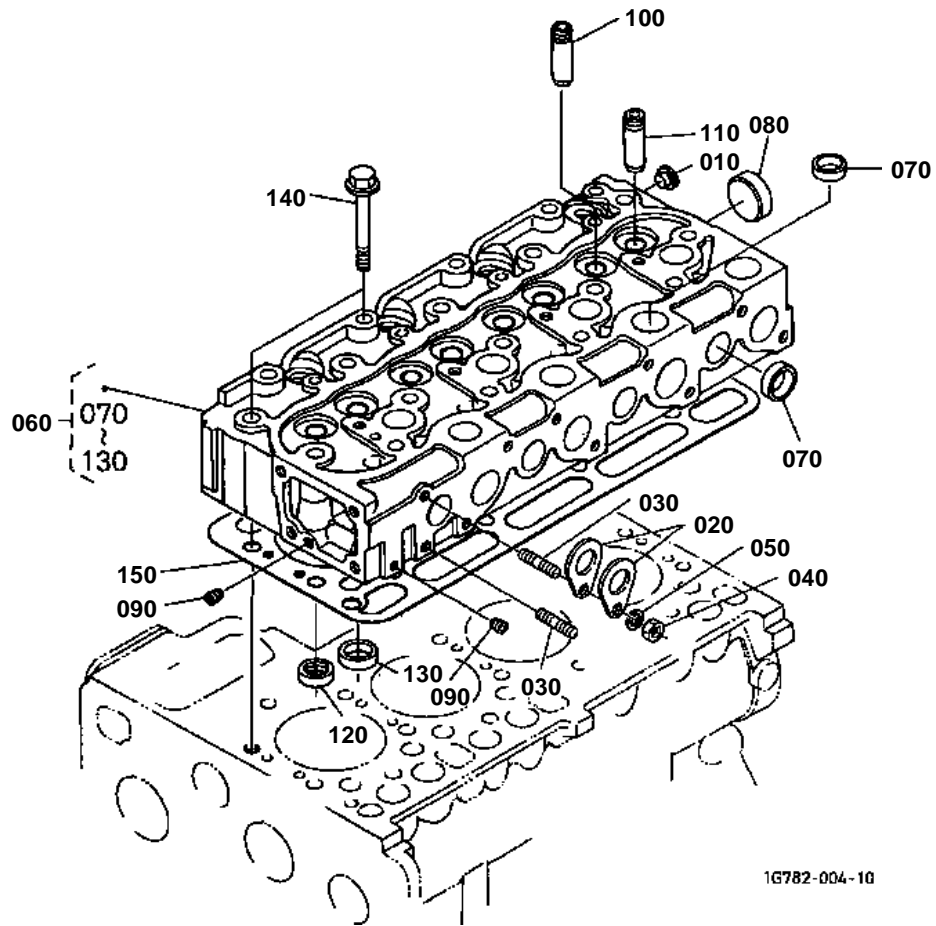


OIL PAN

↔ Interchangeable; ≠ not interchangeable; ← new for old; → old for new

REF.No	Part No.	Description	Q'ty	S.No.	I/C	REMARKS	Weight (kgf)	Weight (lb)
010	17341-01610	OIL PAN	1				4.1	9.02
020	15815-01620	GASKET OIL PAN	1				0.03	0.066
030	01133-51028	BOLT	22				0.027	0.0594
040	17377-91010	BOLT	2				0.08	0.176
050	16427-33750	PLUG DRAIN	2				0.03	0.066
060	6C090-58960	GASKET	2				0.002	0.0044
070	15411-32110	FILTER OIL	1				0.24	0.528
080	01123-60814	BOLT	1				0.01	0.022
090	04811-00160	O RING	1				0	0
090	04817-00160	O RING	1		←		0.001	0.0022
100	1G851-36410	GAUGE OIL	1				0.04	0.088
110	17456-36420	GUIDE OIL GAUGE	1				0.03	0.066
120	16414-33640	PLUG OIL GAUGE	1	>=2A0001			0.003	0.0066

CYLINDER HEAD



1G782-004-10

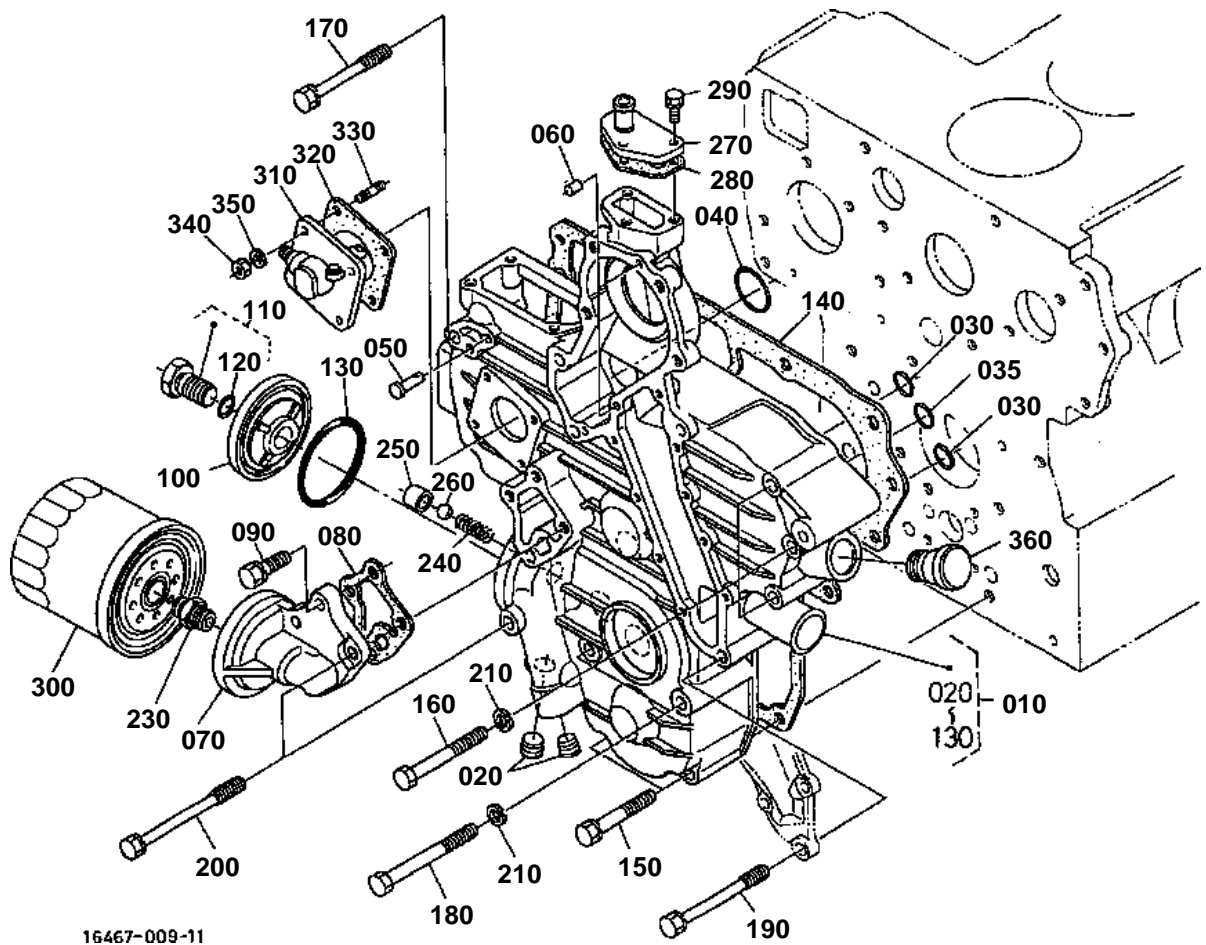


CYLINDER HEAD

↔ Interchangeable; ≠ not interchangeable; ← new for old; → old for new

REF.No	Part No.	Description	Q'ty	S.No.	I/C	REMARKS	Weight (kgf)	Weight (lb)
010	09980-10075	CAP PROTECTOR	1				0.001	0.0022
020	15221-01750	HOOK ENGINE	2				0.04	0.088
030	15471-91530	STUD	2				0.01	0.022
040	02156-50080	NUT	1				0.004	0.0088
050	04512-60080	WASHER SPRING	1				0.002	0.0044
060	16429-03040	COMP.CYLINDER HEAD	1				19.1	42.02
070	15221-03370	CAP SEALING	12				0.01	0.022
080	15221-03490	CAP SEALING	1				0.02	0.044
090	15261-96010	PLUG	2				0.002	0.0044
100	17321-13580	GUIDE INLET VALVE	4				0.015	0.033
110	17321-13560	GUIDE EXHAUST VALVE	4				0.02	0.044
120	16415-13620	SEAT INLET VALVE	4				0.01	0.022
130	16415-13612	SEAT EXHAUST VALVE	4				0.01	0.022
140	19013-03450	BOLT CYLINDER HEAD	18				0.077	0.1694
150	19077-03310	GASKET CYLINDER HEAD	1				0.13	0.286

GEAR CASE



16467-009-11

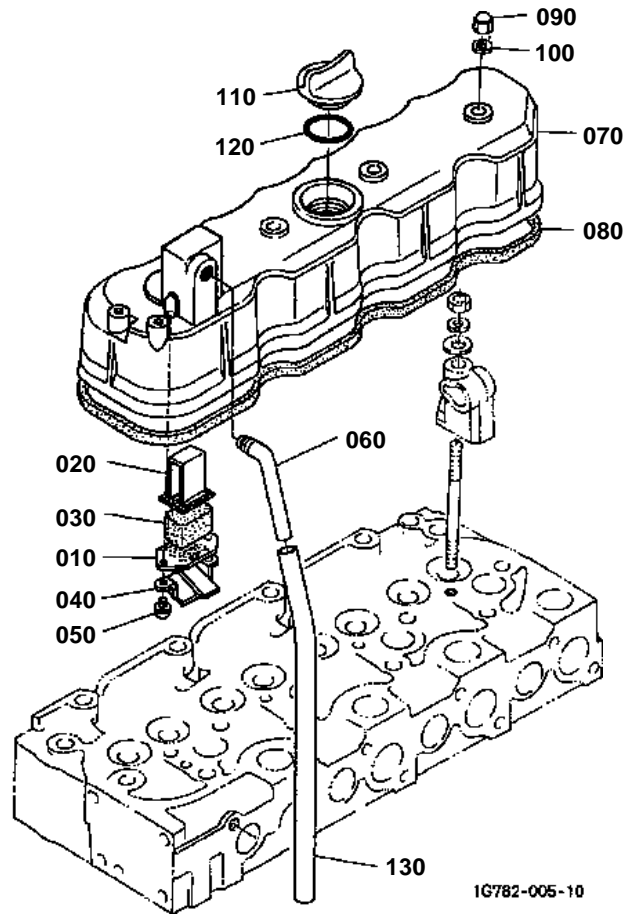


GEAR CASE

↔ Interchangeable; ≠ not interchangeable; ← new for old; → old for new

REF.No	Part No.	Description	Q'ty	S.No.	I/C	REMARKS	Weight (kgf)	Weight (lb)
010	16705-04032	ASSY CASE GEAR	1				4.2	9.24
020	16241-96020	PLUG	2				0.015	0.033
030	04811-00150	O RING	2				0	0
030	04817-00150	O RING	2		←		0.001	0.0022
035	04811-00200	O RING	1				0	0
035	04817-00200	O RING	1		←		0.011	0.0242
040	04811-00360	O RING	1				0	0
040	04817-00360	O RING	1		←		0.001	0.0022
050	15221-56280	PIN START SPRING	1				0.006	0.0132
060	05012-00612	PIN STRAIGHT	2				0.003	0.0066
070	17331-32610	SUPPORT OIL FILTER	1				0.275	0.605
080	17326-32620	GASKET	1				0.005	0.011
090	01123-50825	BOLT	3				0.013	0.0286
100	17331-32880	COVER	1				0.075	0.165
110	17331-32910	COMP BOLT	1				0.07	0.154
120	04811-00150	O RING	1				0	0
120	04817-00150	O RING	1		←		0.001	0.0022
130	19202-96830	O RING	1				0.01	0.022
140	17326-04132	GASKET GEAR CASE	1				0.03	0.066
150	01123-50860	BOLT	3				0.002	0.0044
160	01153-50870	BOLT	3				0.026	0.0572
170	17367-91010	BOLT	2				0.005	0.011
180	01153-50880	BOLT	2				0.03	0.066
190	17367-91020	BOLT	3				0.035	0.077
200	17367-91030	BOLT	2				0.02	0.044
210	04512-60080	WASHER SPRING	5				0.002	0.0044
220	99999-99999	BLANK	0				0	0
230	15521-32293	JOINT PIPE	1				0.05	0.11
240	15241-36950	SPRING	1				0.004	0.0088
250	15521-36930	SEAT VALVE	1				0.015	0.033
260	07715-03213	BALL	1				0.004	0.0088
270	15521-73320	FLANGE WATER RETURN	1				0.04	0.088
280	1A021-73330	GASKET RETURN FLANGE	1				0.001	0.0022
290	01023-50620	BOLT	3				0.006	0.0132
300	16414-32430	CARTRIDGE OIL FILTER	1				0.54	1.188
310	38240-34660	ASSY GEAR CASE H/M	1				0.335	0.737
320	15296-88130	GASKET H/METER UNIT	1				0.002	0.0044
330	15221-88210	STUD	4				0.005	0.011
340	02056-50060	NUT	4				0.002	0.0044
350	04512-60060	WASHER SPRING	4				0.001	0.0022
360	15571-33140	PLUG OIL FILLER	1	<=1L4203			0.03	0.066
360	16427-33140	PLUG OIL FILLER	1	>=1N0001	←		0.025	0.055

HEAD COVER



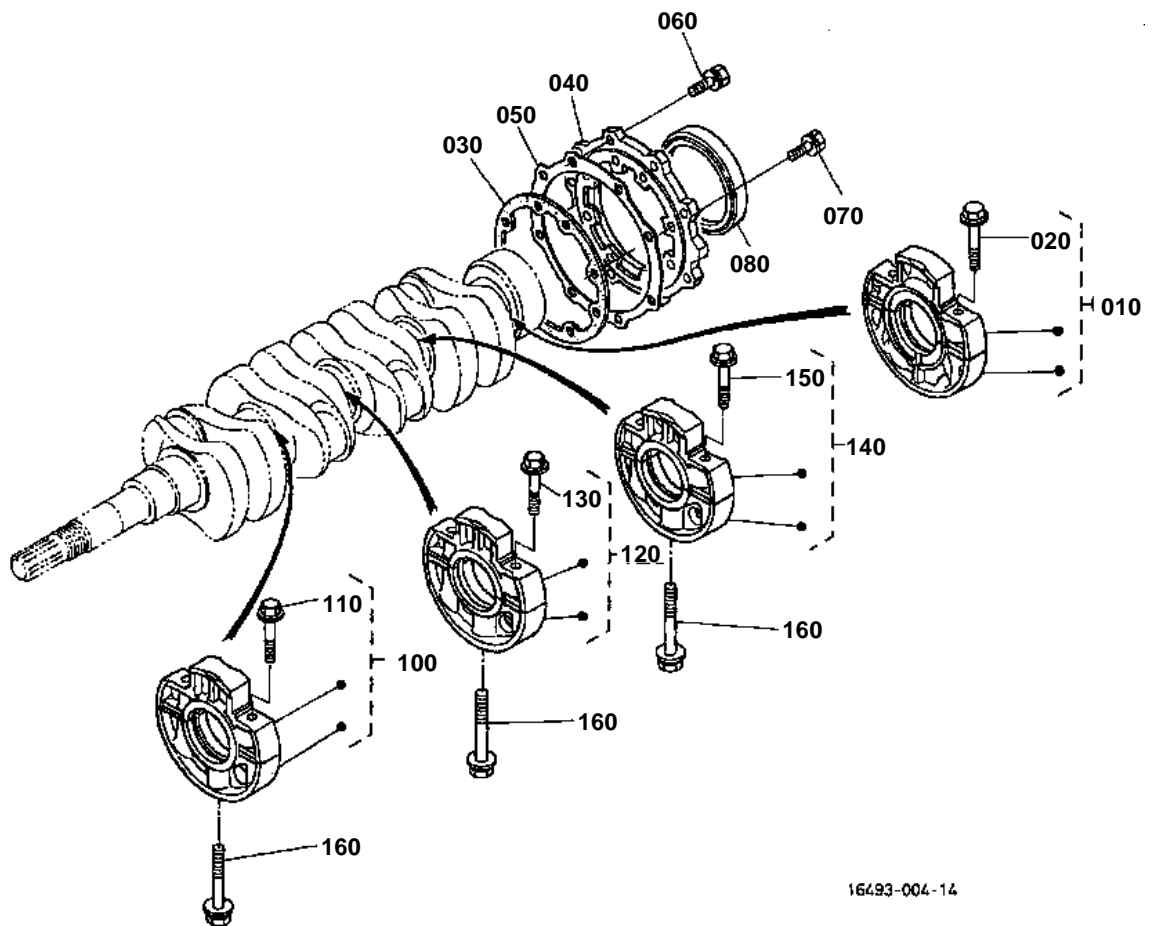


HEAD COVER

↔ Interchangeable; ≠ not interchangeable; ← new for old; → old for new

REF.No	Part No.	Description	Q'ty	S.No.	I/C	REMARKS	Weight (kgf)	Weight (lb)
010	15521-05140	PLATE B/THER ELEMENT	1				0.005	0.011
020	15521-05150	PLATE B/THER ELEMENT	1				0.01	0.022
030	15521-05670	ELEMENT BREATHER	1				0.01	0.022
040	15521-05370	OIL SHIELD BREATHER	1				0.005	0.011
050	03034-50510	SCREW WITH WASHER	2				0.003	0.0066
060	17365-05550	JOINT BREATHER	1				0.065	0.143
070	15434-14510	COVER CYL.HEAD	1				1.315	2.893
080	15471-14520	GASKET HEAD COVER	1				0.05	0.11
090	15451-92330	NUT	4				0.008	0.0176
100	15021-33660	GASKET	4				0.001	0.0022
110	15852-33140	PLUG OIL FILLER	1				0.038	0.0836
120	04811-50300	O RING	1				0	0
120	04817-50300	O RING	1		←		0.001	0.0022
130	15837-05510	PIPE BREATHER	1				0.06	0.132

MAIN BEARING CASE



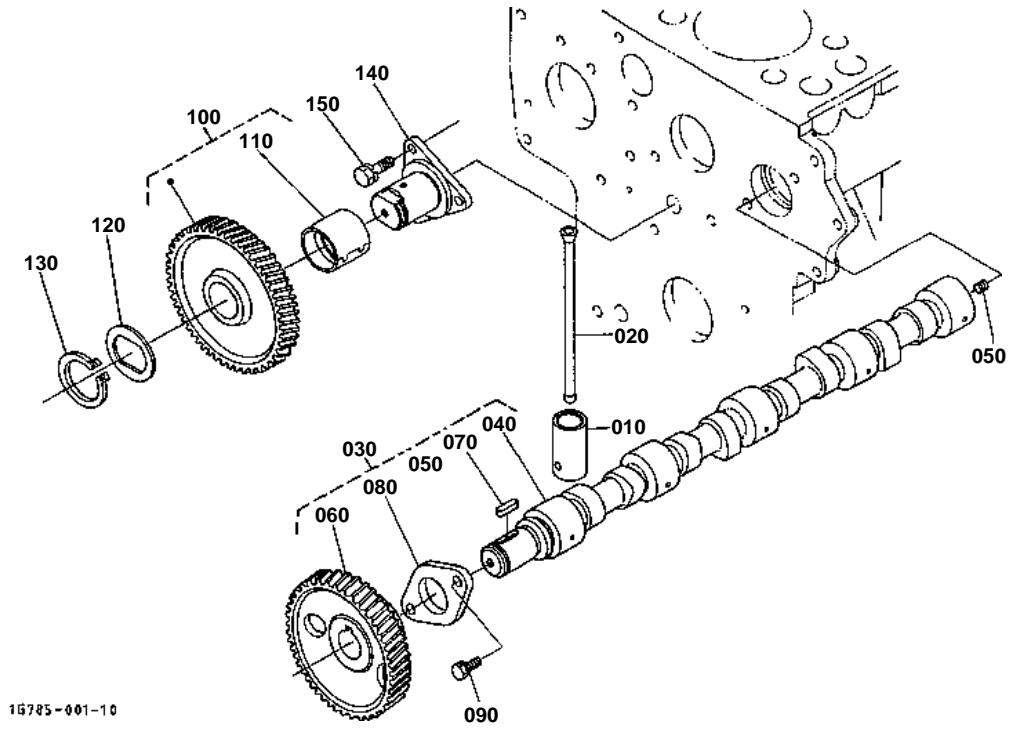


MAIN BEARING CASE

↔ Interchangeable; ≠ not interchangeable; ← new for old; → old for new

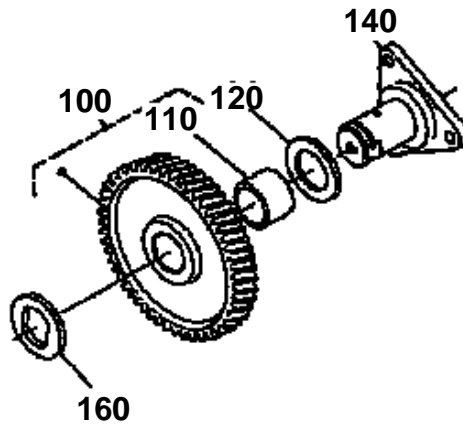
REF.No	Part No.	Description	Q'ty	S.No.	I/C	REMARKS	Weight (kgf)	Weight (lb)
010	19013-07090	ASSY BRG.CASE WHEEL	1				1.55	3.41
020	19013-04540	BOLT BEARING CASE	2				0.038	0.0836
030	19077-04360	GASKET BEARING CASE	1				0.004	0.0088
040	19013-04813	COVER BEARING CASE	1				0.41	0.902
050	1A091-04820	GASKET CASE COVER	1				0.006	0.0132
060	01123-50825	BOLT	8				0.013	0.0286
070	01123-50828	BOLT	8				0.014	0.0308
080	19202-04460	SEAL OIL	1				0.055	0.121
090	99999-99999	BLANK	0				0	0
100	19013-07040	ASSY BRG.CASE MAIN	1				1.5	3.3
110	19013-04540	BOLT BEARING CASE	2				0.038	0.0836
120	19013-07050	ASSY BRG.CASE MAIN	1				1.495	3.289
130	19013-04540	BOLT BEARING CASE	2				0.038	0.0836
140	19013-07060	ASSY BRG.CASE MAIN	1				1.52	3.344
150	19013-04540	BOLT BEARING CASE	2				0.038	0.0836
160	15601-04560	BOLT BEARING CASE	3				0.06	0.132

CAMSHAFT AND IDLE GEAR SHAFT



1G785-001-10

100 16427-2401-0
110 16427-2498-0
120 16427-2436-0
140 16427-2425-0
160 16427-2437-0



1G782-801-10

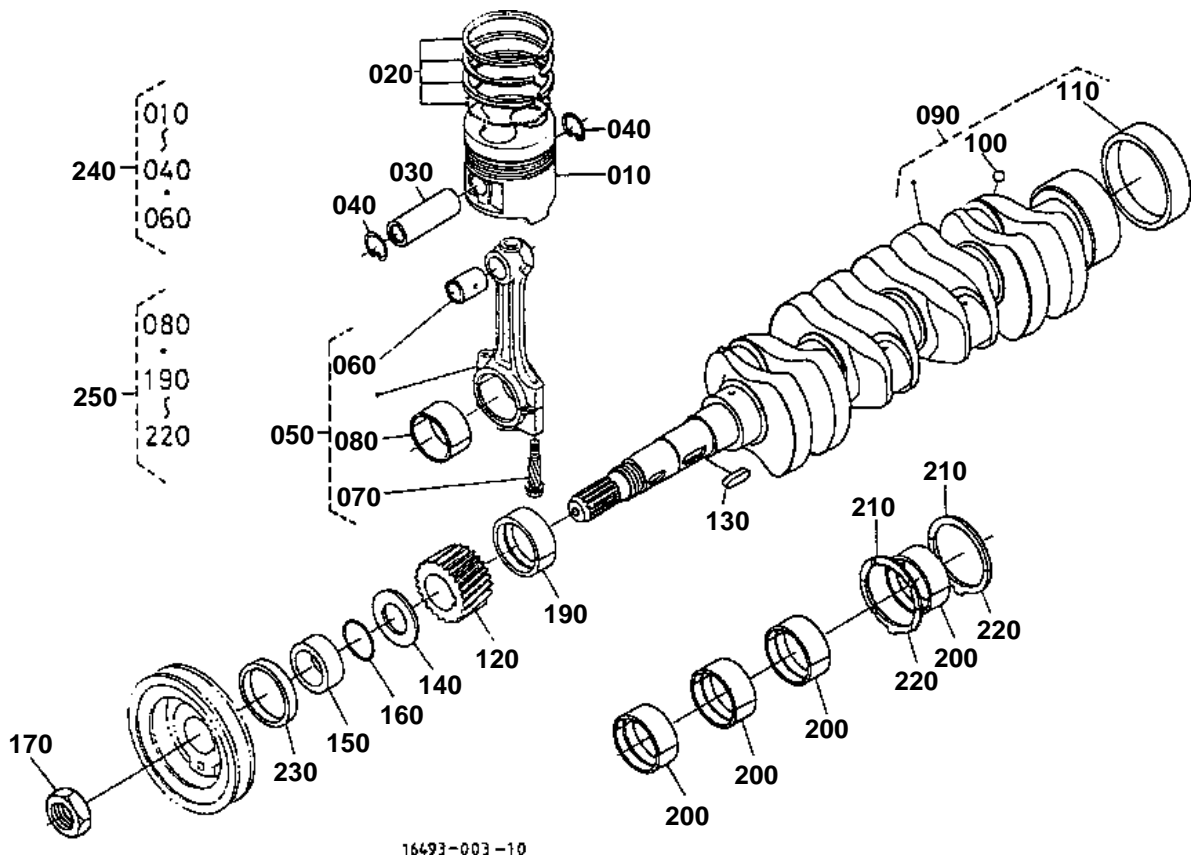


CAMSHAFT AND IDLE GEAR SHAFT

↔ Interchangeable; ≠ not interchangeable; ← new for old; → old for new

REF.No	Part No.	Description	Q'ty	S.No.	I/C	REMARKS	Weight (kgf)	Weight (lb)
010	15601-15550	TAPPET	8				0.08	0.176
020	19013-15110	PUSH ROD	8				0.05	0.11
030	17343-16010	ASSY CAMSHAFT	1				4.2	9.24
040	17343-16150	CAMSHAFT	1				2.2	4.84
050	15521-93610	SCREW SET	1				0.002	0.0044
060	15521-16510	GEAR CAM	1	<=1W2630			0.85	1.87
060	15521-16514	GEAR CAM	1	>=1Y0001	←		0.85	1.87
070	05712-00720	KEY FEATHER	1				0.008	0.0176
080	15221-16270	STOPPER CAMSHAFT	1				0.073	0.1606
090	01123-50818	BOLT	2				0.012	0.0264
100	16427-24010	COMP.GEAR IDLE	1	<=1W2630			1.2	2.64
100	1A053-24010	COMP.GEAR IDLE	1	>=1Y0001	←		0	0
100	1G791-24010	COMP.GEAR IDLE	1	>=2A0001	←		1.195	2.629
110	16427-24980	BUSH IDLE GEAR	1	<=1W2630			0.07	0.154
110	1A021-24980	BUSH IDLE GEAR	1	>=1Y0001	←		0.072	0.1584
120	16427-24360	COLLAR	1	<=1W2630			0.02	0.044
120	1A021-24370	COLLAR	1	>=1Y0001	≠		0.022	0.0484
130	15451-95400	CIR CLIP EXTERNAL	1				0.01	0.022
140	16427-24250	SHAFT IDLE GEAR	1	<=1W2630			0.65	1.43
140	1A021-24250	SHAFT IDLE GEAR	1	>=1Y0001	≠		0.685	1.507
150	01123-50818	BOLT	3				0.012	0.0264
160	16427-24370	COLLAR	1	<=1W2630			0.02	0.044

PISTON AND CRANKSHAFT



16493-003-10

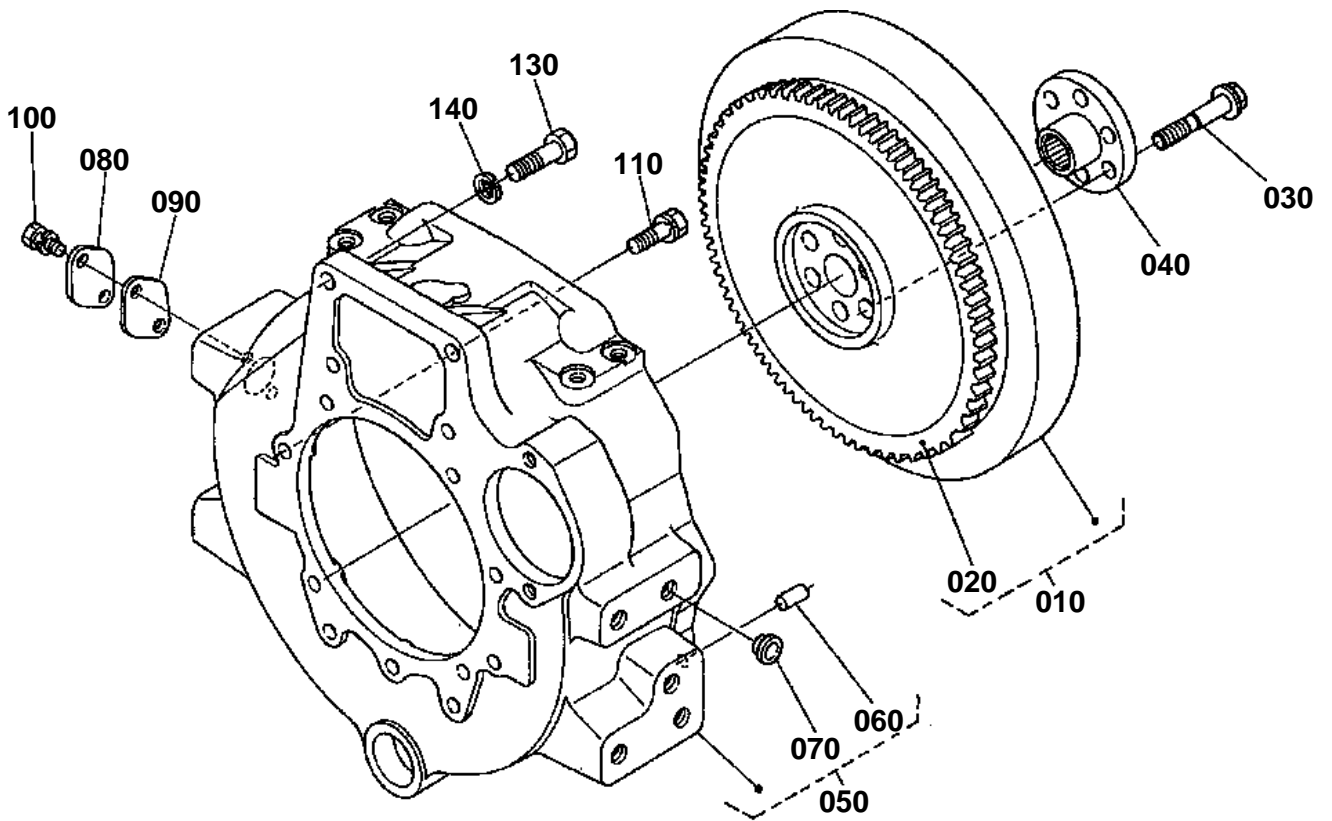


PISTON AND CRANKSHAFT

↔ Interchangeable; ≠ not interchangeable; ← new for old; → old for new

REF.No	Part No.	Description	Q'ty	S.No.	I/C	REMARKS	Weight (kgf)	Weight (lb)
010	19077-21110	PISTON	4			STD	0.58	1.276
010	19077-21910	PISTON	4			+0.5mm	0.585	1.287
020	17331-21050	ASSY PISTON RING	4			STD	0.065	0.143
020	17331-21090	ASSY PISTON RING	4			+0.5mm	0.065	0.143
030	14901-21310	PIN PISTON	4				0.17	0.374
040	14109-21330	CIR CLIP INTERNAL	8				0.001	0.0022
050	17311-22010	ASSY CONNECTING ROD	4				0.885	1.947
060	17331-21980	BUSH PISTON PIN	4				0.025	0.055
070	15521-22142	BOLT CONNECTING ROD	8				0.026	0.0572
080	17311-22310	METAL CRANKPIN	4			STD SET	0.045	0.099
080	17331-22970	METAL CRANKPIN	4			-0.2mm SET	0.05	0.11
080	17331-22980	METAL CRANKPIN	4			-0.4mm SET	0.045	0.099
090	16641-23010	COMP.CRANKSHAFT	1				17	37.4
100	07715-00401	BALL	4				0.001	0.0022
110	19202-23280	BUSH CRANKSHAFT	1				0.09	0.198
120	15471-24110	GEAR CRANK	1				0.375	0.825
130	05712-00720	KEY FEATHER	1				0.008	0.0176
140	15471-23312	SLINGER OIL	1				0.008	0.0176
150	19202-23250	COLLAR CRANKSHAFT	1				0.065	0.143
160	04811-10300	O RING	1				0.001	0.0022
170	15221-23360	NUT CRANKSHAFT	1				0.11	0.242
180	99999-99999	BLANK	0				0	0
190	17311-23472	METAL CRANKSHAFT	1			STD	0.06	0.132
190	17311-23910	METAL CRANKSHAFT	1			-0.2mm	0.05	0.11
190	17311-23920	METAL CRANKSHAFT	1			-0.4mm	0.06	0.132
200	17311-23480	METAL CRANKSHAFT	4			STD SET	0.045	0.099
200	17311-23930	METAL CRANKSHAFT	4			-0.2mm SET	0.05	0.11
200	17311-23940	METAL CRANKSHAFT	4			-0.4mm SET	0.06	0.132
210	15521-23530	METAL SIDE	2			STD	0.01	0.022
210	15521-23950	METAL SIDE	2			+0.2mm	0.01	0.022
210	15521-23960	METAL SIDE	2			+0.4mm	0.01	0.022
220	19202-23540	METAL SIDE	2			STD	0.01	0.022
220	19202-23970	METAL SIDE	2			+0.2mm	0.01	0.022
220	19202-23980	METAL SIDE	2			+0.4mm	0.01	0.022
230	19202-04140	SEAL OIL	1				0.015	0.033
240	07916-26940	KIT RING PISTON	4			STD	0.87	1.914
240	07916-26950	KIT RING PISTON	4			+0.5mm	0.68	1.496
250	07916-28000	KIT METAL ENGINE	4			STD	0.42	0.924
250	07916-28742	KIT METAL ENGINE	1			-0.2mm	0.55	1.21
250	07916-28752	KIT METAL ENGINE	1			-0.4mm	0.55	1.21

FLYWHEEL [4WD]



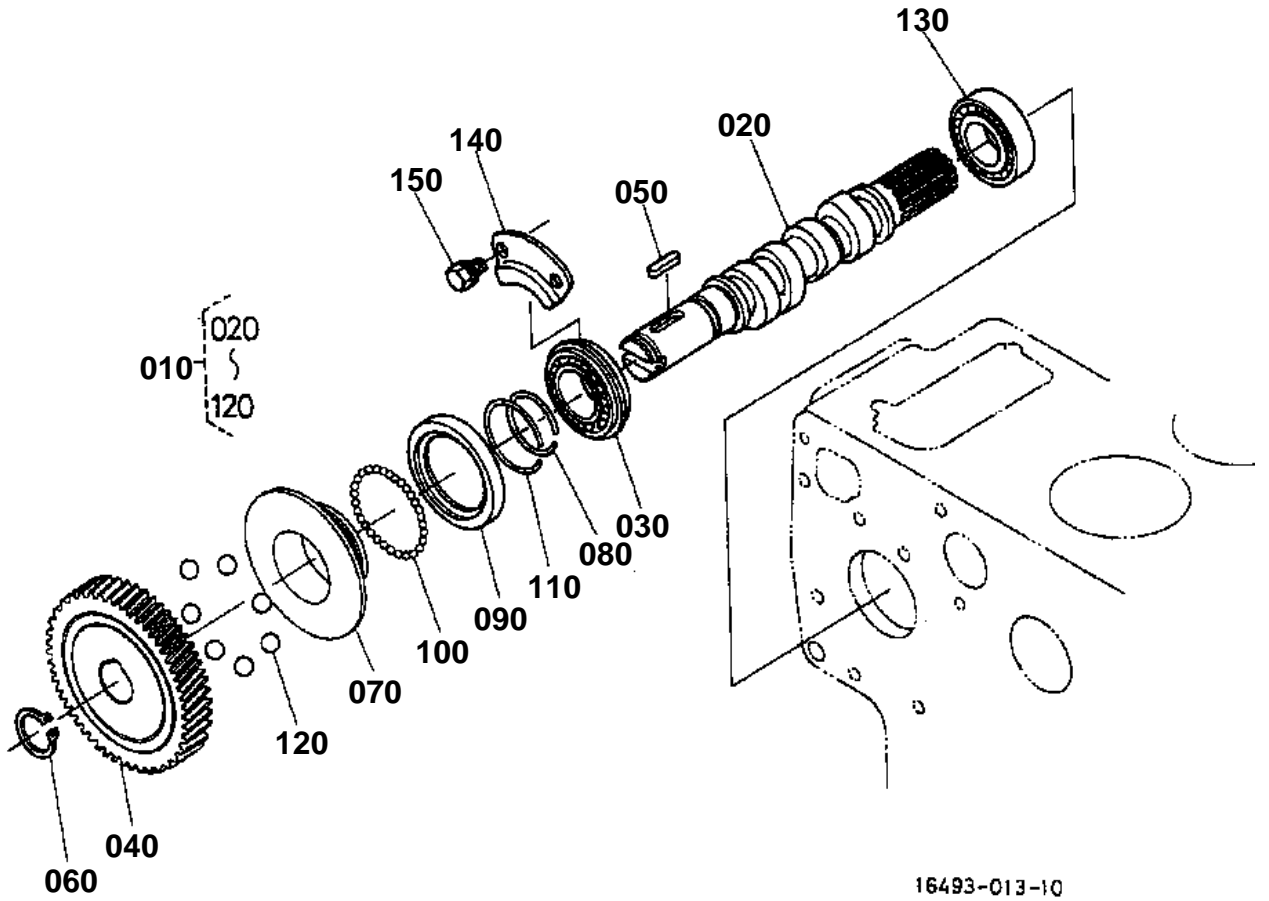
16493-001-22

**FLYWHEEL [4WD]**

↔ Interchangeable; ≠ not interchangeable; ← new for old; → old for new

REF.No	Part No.	Description	Q'ty	S.No.	I/C	REMARKS	Weight (kgf)	Weight (lb)
010	16493-25050	COMP.FLYWHEEL	1				30	66
020	15221-63820	GEAR RING	1				1.2	2.64
030	17394-25160	BOLT FLYWHEEL	6				0.07	0.154
040	35080-14010	HUB SPLINE	1				0.44	0.968
050	TA040-20102	COMP.HOUSING F-W	1				17.55	38.61
060	05012-01018	PIN STRAIGHT	2				0.012	0.0264
070	31220-14290	PLUG	9				0.002	0.0044
080	15521-04680	COVER	1				0.035	0.077
090	15521-04790	PACKING COVER	1				0.005	0.011
100	01123-60816	BOLT	2				0.01	0.022
110	16427-91010	BOLT	11				0.004	0.0088
120	99999-99999	BLANK	0				0	0
130	01073-51240	BOLT	2				0.049	0.1078
140	04512-60120	WASHER SPRING	2				0.005	0.011

FUEL CAMSHAFT



16493-013-10

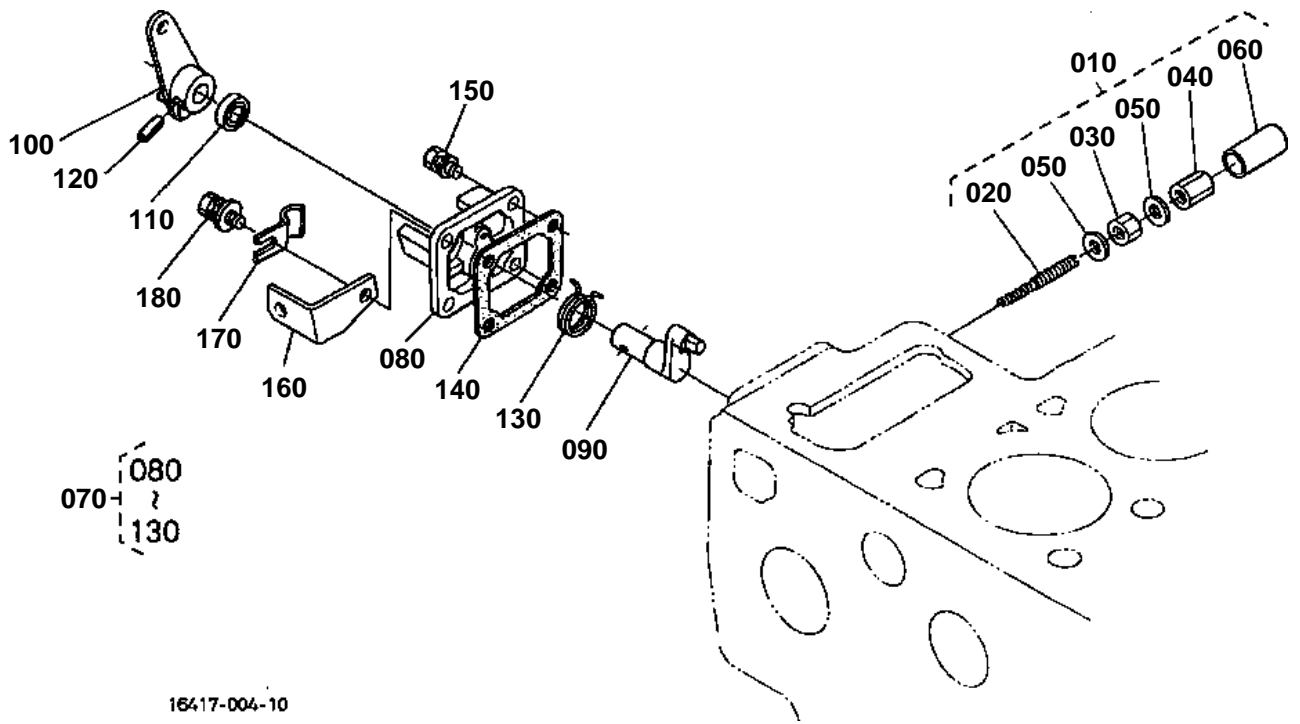


FUEL CAMSHAFT

↔ Interchangeable; ≠ not interchangeable; ← new for old; → old for new

REF.No	Part No.	Description	Q'ty	S.No.	I/C	REMARKS	Weight (kgf)	Weight (lb)
010	19077-16020	ASSY CAMSHAFT FUEL	1				3	6.6
020	19077-16170	CAMSHAFT FUEL	1				1.12	2.464
030	08153-06205	BEARING BALL	1				0.13	0.286
040	16415-51150	GEAR INJECTION PUMP	1				1.075	2.365
050	05712-00525	KEY FEATHER	1				0.005	0.011
060	04612-00240	CIR CLIP EXTERNAL	1				0.002	0.0044
070	15611-55450	SLEEVE GOVERNOR	1				0.117	0.2574
080	15221-55470	CIR-CLIP GOV. SLEEVE	1				0.003	0.0066
090	15611-55690	CASE GOVERNOR BALL	1				0.03	0.066
100	07715-03205	BALL	39				0.001	0.0022
110	15221-55740	CIR-CLIP	1				0.002	0.0044
120	07715-00403	BALL	7				0.03	0.066
130	08240-00001	BEARING BALL	1	≤2Y4625			0.19	0.418
130	19077-97300	BEARING BALL	1	>=3A0001	≠		0.175	0.385
140	15221-16320	STOPPER FUEL C/SHAFT	1				0.02	0.044
150	01123-60814	BOLT	2				0.01	0.022

ENGINE STOP LEVER



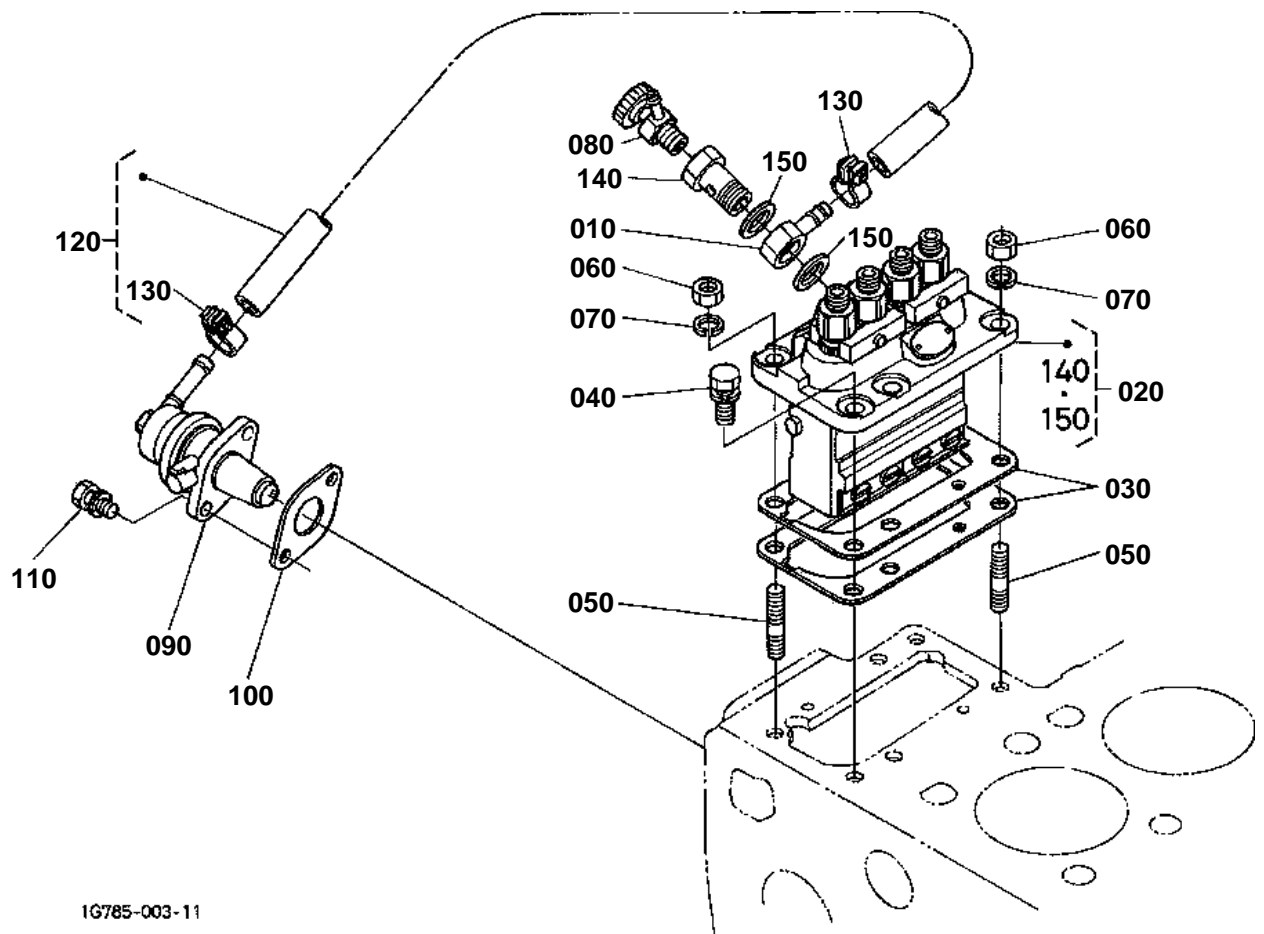


ENGINE STOP LEVER

↔ Interchangeable; ≠ not interchangeable; ← new for old; → old for new

REF.No	Part No.	Description	Q'ty	S.No.	I/C	REMARKS	Weight (kgf)	Weight (lb)
010	15521-54090	APPARATUS IDLING	1				0.045	0.099
020	15521-54100	ASSY BOLT ADJUSTMENT	1				0.015	0.033
030	15401-92010	NUT	1				0.01	0.022
040	15521-92330	NUT	1				0.02	0.044
050	15021-33660	GASKET	2				0.001	0.0022
060	15521-54270	CAP	1				0.003	0.0066
070	17331-57702	ASSY LEVER ENG.STOP	1				0.19	0.418
080	15471-51652	COVER INJECTION PUMP	1				0.02	0.044
090	17331-57740	SHAFT LEVER	1				0.04	0.088
100	17331-57720	LEVER ENGINE STOP	1				0.05	0.11
110	15471-57980	SEAL OIL	1				0.001	0.0022
120	05411-00420	PIN SPRING	1				0.001	0.0022
130	15471-57920	SPRING RETURN	1				0.005	0.011
140	1A021-51660	GASKET PUMP COVER	1				0.003	0.0066
150	01023-50618	BOLT	3				0.006	0.0132
160	32330-17170	SUPPORT	1				0.02	0.044
170	38430-17180	SPRING	1				0.1	0.22
180	01025-50620	BOLT	1				0.02	0.044

INJECTION PUMP



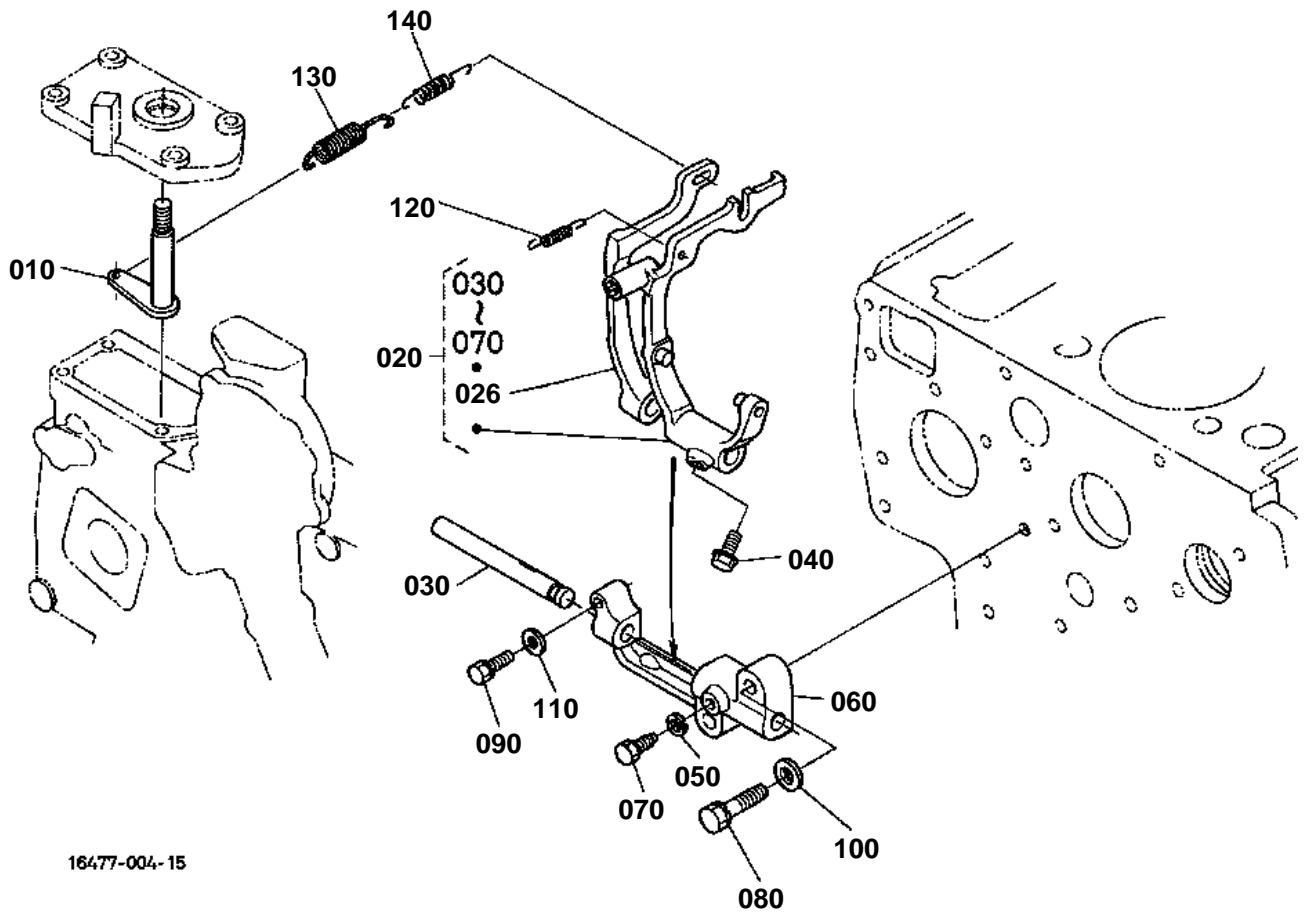


INJECTION PUMP

↔ Interchangeable; ≠ not interchangeable; ← new for old; → old for new

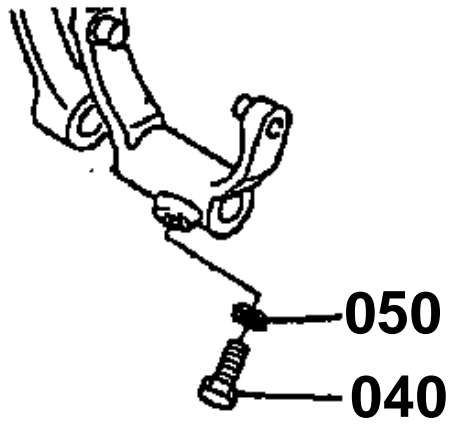
REF.No	Part No.	Description	Q'ty	S.No.	I/C	REMARKS	Weight (kgf)	Weight (lb)
010	15401-95690	JOINT EYE	1				0.04	0.088
020	1G762-51010	ASSY PUMP INJECTION	1				2.5	5.5
030	19077-52090	SHIM INJECTION PUMP	1	≤2G4502		0.20mm	0.006	0.0132
030	19077-52092	SHIM INJECTION PUMP	1	≥2J0001	≠	0.20mm	0.006	0.0132
030	19077-52110	SHIM INJECTION PUMP	1	≤2G4502		0.25mm	0.002	0.0044
030	19077-52113	SHIM INJECTION PUMP	1	≥2J0001	≠	0.25mm	0.002	0.0044
030	19077-52120	SHIM INJECTION PUMP	1	≤2G4502		0.30mm	0.01	0.022
030	19077-52123	SHIM INJECTION PUMP	1	≥2J0001	≠	0.30mm	0.01	0.022
040	01123-50822	BOLT	4				0.012	0.0264
050	15221-91530	STUD	2				0.011	0.0242
060	02156-50080	NUT	2				0.004	0.0088
070	04512-60080	WASHER SPRING	2				0.002	0.0044
080	14311-60504	ASSY COCK JET START	1				0.034	0.0748
090	17121-52030	ASSY PUMP FUEL	1				0.13	0.286
100	1A021-52140	GASKET FUEL PUMP	1				0.001	0.0022
110	01023-50616	BOLT	2				0.005	0.011
120	32400-35510	ASSY PIPE FUEL	1				0.035	0.077
130	14301-42750	CLIP PIPE	2				0.005	0.011
140	15471-51320	SCREW FOLLOW	1				0.032	0.0704
150	15401-96650	GASKET	2				0.001	0.0022

GOVERNOR



16477-004-15

040 15021-5624-0
050 04512-60060



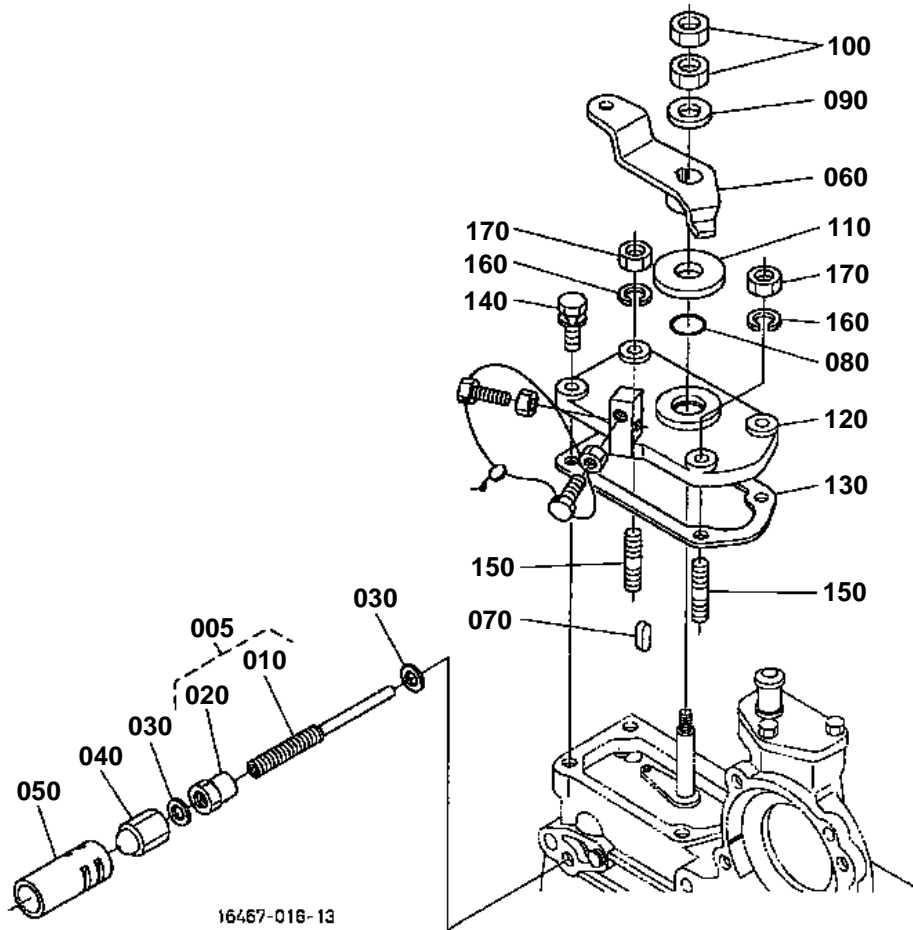
1G782-802-10

**GOVERNOR**

↔ Interchangeable; ≠ not interchangeable; ← new for old; → old for new

REF.No	Part No.	Description	Q'ty	S.No.	I/C	REMARKS	Weight (kgf)	Weight (lb)
010	15601-56020	COMP.LEVER GOVERNOR	1				0.055	0.121
020	1G782-56050	ASSY LEVER FORK	1				0.4	0.88
026	17331-56130	LEVER FORK	1				0.065	0.143
030	15221-56150	SHAFT FORK LEVER	1	←=2A3094			0.1	0.22
030	1G911-56150	SHAFT FORK LEVER	1	≥=2C0001	≠		0.05	0.11
040	15021-56240	BOLT LEVER SHAFT	1	←=2A3094			0.005	0.011
040	01754-50618	BOLT FLANGE	1	≥=2C0001	≠		0.01	0.022
050	04512-60060	WASHER SPRING	2	←=2A3094			0.001	0.0022
050	04512-60060	WASHER SPRING	1	≥=2C0001			0.001	0.0022
060	15221-56230	HOLDER FORK LEVER	1				0.1	0.22
070	15221-66410	BOLT	1				0.005	0.011
080	01123-50832	BOLT	2				0.016	0.0352
090	01023-50628	BOLT	1				0.015	0.033
100	04012-50080	WASHER PLAIN	2				0.001	0.0022
110	04012-50060	WASHER PLAIN	1				0.001	0.0022
120	15611-56480	SPRING START	1				0.001	0.0022
130	19077-56412	SPRING	1				0.01	0.022
140	16415-56420	SPRING GOVERNOR	1				0.002	0.0044

SPEED CONTROL PLATE



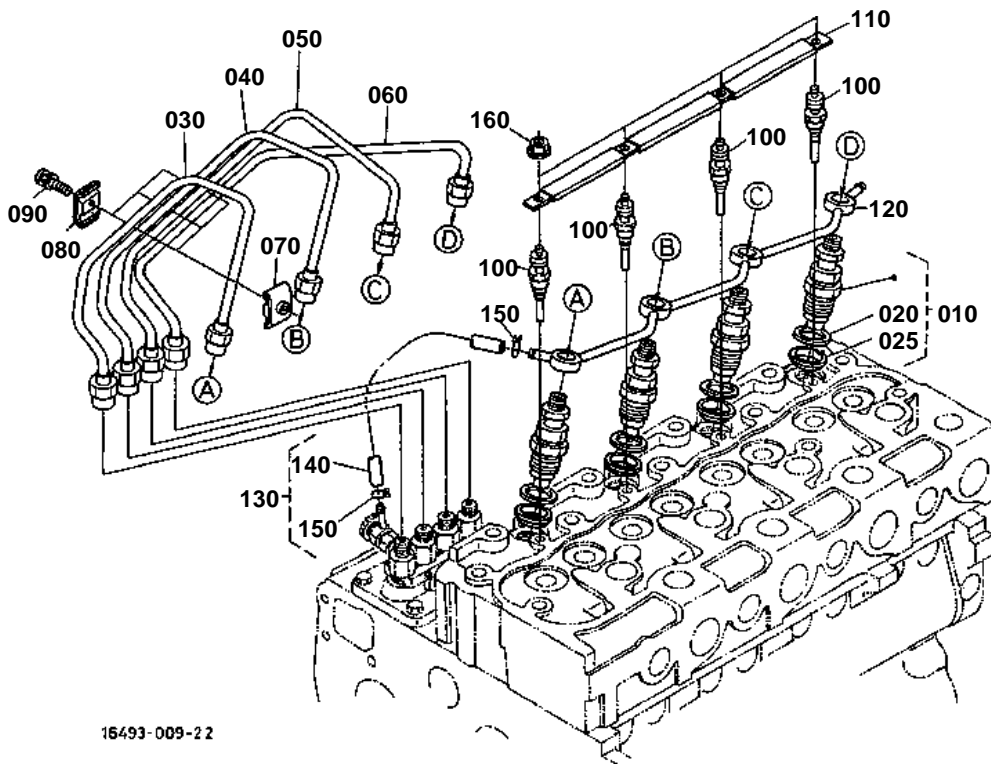


SPEED CONTROL PLATE

↔ Interchangeable; ≠ not interchangeable; ← new for old; → old for new

REF.No	Part No.	Description	Q'ty	S.No.	I/C	REMARKS	Weight (kgf)	Weight (lb)
005	1A021-54350	ASSY BOLT ADJUSTMENT	1	>=2C0001			0.015	0.033
010	15601-54120	BOLT ADJUSTING	1	<=2A3094			0.011	0.0242
010	1A021-54120	BOLT ADJUSTING	1	>=2C0001	←		0	0
020	15601-92012	NUT	1				0.006	0.0132
030	15601-96650	GASKET	2				0.001	0.0022
040	15841-14620	NUT	1				0.01	0.022
050	99999-99999	PIPE LOCK	1				0	0
060	15469-57150	LEVER SPEED CONTROL	1				0.06	0.132
070	05712-00408	KEY FEATHER	1				0.001	0.0022
080	04811-00120	O RING	1				0	0
080	04817-00120	O RING	1		←		0.001	0.0022
090	04013-60080	WASHER PLAIN	1				0.002	0.0044
100	02112-50080	NUT	2				0.003	0.0066
110	15521-57240	COLLAR	1				0.002	0.0044
120	15521-57115	PLATE SPEED CONTROL	1				0.1	0.22
130	15439-57210	GASKET	1				0.005	0.011
140	01023-50625	BOLT	2				0.007	0.0154
150	15221-88210	STUD	2				0.005	0.011
160	04512-60060	WASHER SPRING	2				0.001	0.0022
170	02056-50060	NUT	2				0.002	0.0044

NOZZLE HOLDER AND GLOW PLUG



16493-009-22

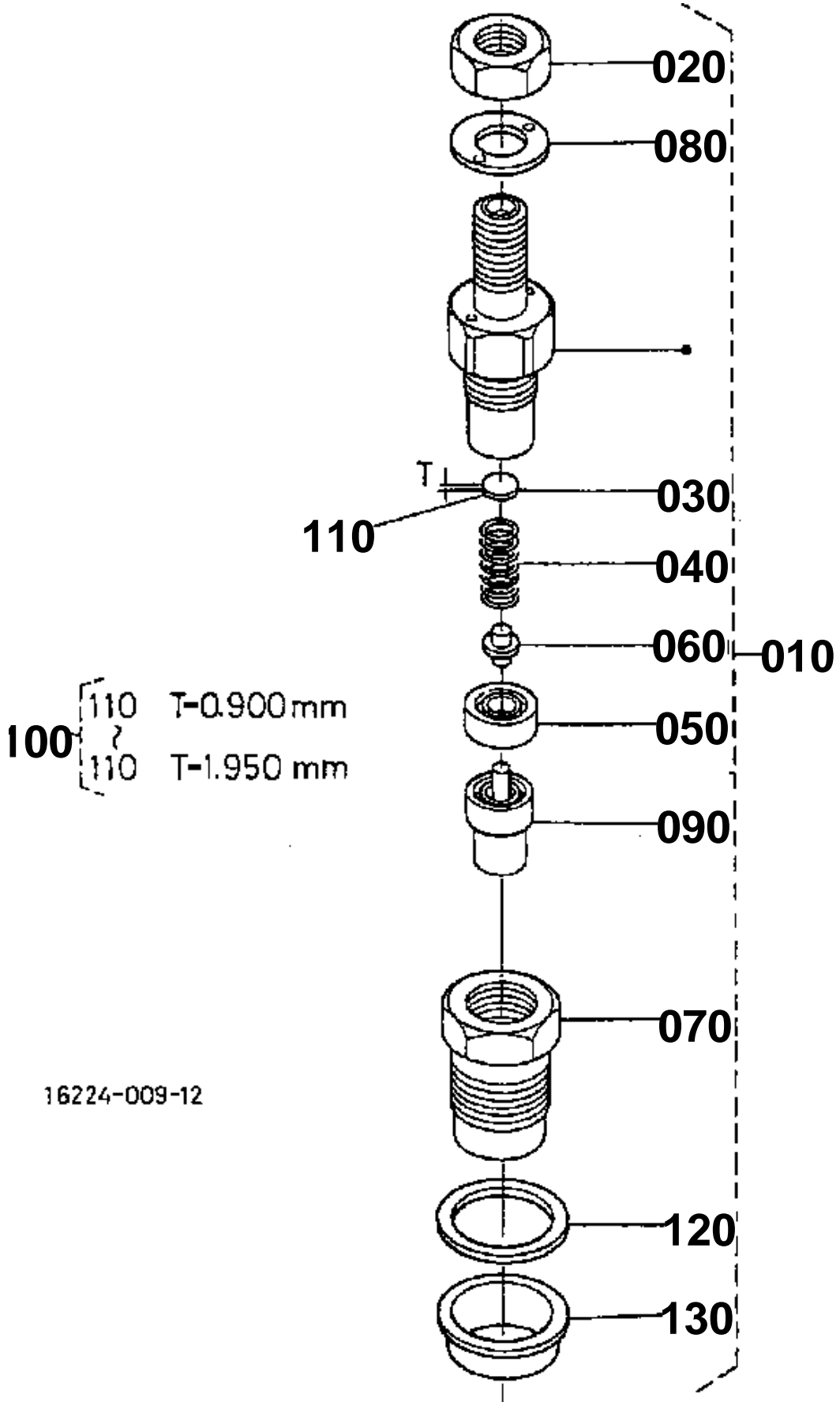


NOZZLE HOLDER AND GLOW PLUG

↔ Interchangeable; ≠ not interchangeable; ← new for old; → old for new

REF.No	Part No.	Description	Q'ty	S.No.	I/C	REMARKS	Weight (kgf)	Weight (lb)
010	16454-53900	KIT HOLDER NOZZLE	4				0.013	0.0286
020	15841-53622	GASKET	4				0.002	0.0044
025	19077-53650	SEAL HEAT	4				0.005	0.011
030	19077-53714	PIPE INJECTION	1				0.14	0.308
040	19077-53723	PIPE INJECTION	1				0.14	0.308
050	19077-53733	PIPE INJECTION	1				0.12	0.264
060	19077-53743	PIPE INJECTION	1				0.13	0.286
070	15841-53850	CLAMP PIPE	3				0.01	0.022
080	15841-53860	CLAMP PIPE	3				0.009	0.0198
090	03024-50520	SCREW WITH WASHER	3				0.004	0.0088
100	19077-65510	GLOW PLUG	4				0.03	0.066
110	16475-65560	CORD GLOW PLUG	1				0.02	0.044
120	16454-42502	ASSY PIPE OVER FLOW	1				0.06	0.132
130	34070-42633	ASSY TUBE FUEL	1				0.025	0.055
140	09661-40400	TUBE FUEL	1				0.02	0.044
150	14971-42750	CLIP PIPE	2				0.001	0.0022
160	02761-50040	NUT FLANGE	4				0.002	0.0044

NOZZLE HOLDER [COMPONENT PARTS]



16224-009-12

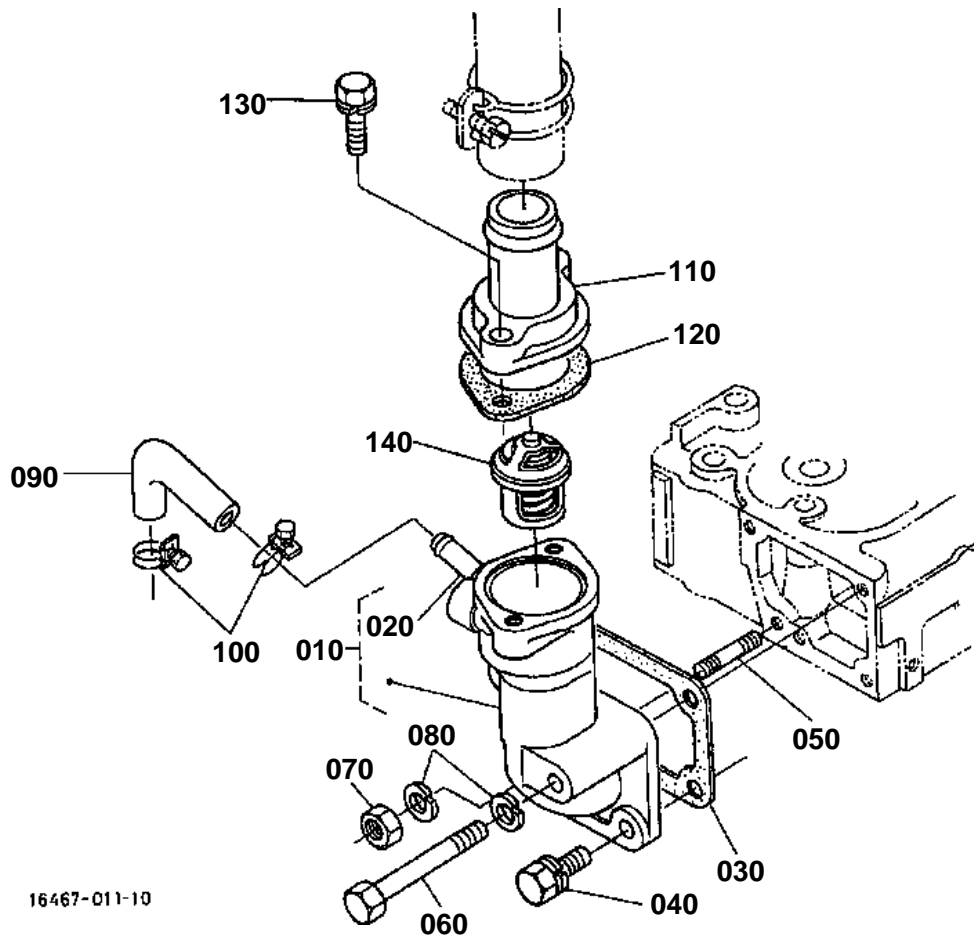


NOZZLE HOLDER [COMPONENT PARTS]

↔ Interchangeable; ≠ not interchangeable; ← new for old; → old for new

REF.No	Part No.	Description	Q'ty	S.No.	I/C	REMARKS	Weight (kgf)	Weight (lb)
010	16454-53900	KIT HOLDER NOZZLE	4				0.013	0.0286
020	15841-92030	NUT	4				0.005	0.011
030	15841-53230	WASHER ADJUSTING	4				0.001	0.0022
040	16475-53170	SPRING NOZZLE	4				0.005	0.011
050	15841-53350	PIECE DISTANCE	4				0.004	0.0088
060	15841-53160	PUSH ROD	4				0.001	0.0022
070	16475-53280	NUT NOZZLE	4				0.03	0.066
080	15841-94040	WASHER	4				0.001	0.0022
090	16454-53610	PIECE NOZZLE	4				0.024	0.0528
100	15841-98100	ASSY WASHER ADJUST	4				0.043	0.0946
110	15841-53230	WASHER ADJUSTING	4			0.900mm	0.001	0.0022
110	15841-98510	WASHER ADJUSTING	4			0.925mm	0.001	0.0022
110	15841-98520	WASHER ADJUSTING	4			0.950mm	0.001	0.0022
110	15841-98530	WASHER ADJUSTING	4			0.975mm	0.001	0.0022
110	15841-98540	WASHER ADJUSTING	4			1.000mm	0.001	0.0022
110	15841-98550	WASHER ADJUSTING	4			1.025mm	0.001	0.0022
110	15841-98560	WASHER ADJUSTING	4			1.050mm	0.001	0.0022
110	15841-98570	WASHER ADJUSTING	4			1.075mm	0.001	0.0022
110	15841-98580	WASHER ADJUSTING	4			1.100mm	0.001	0.0022
110	15841-98590	WASHER ADJUSTING	4			1.125mm	0.001	0.0022
110	15841-98600	WASHER ADJUSTING	4			1.150mm	0.001	0.0022
110	15841-98610	WASHER ADJUSTING	4			1.175mm	0.001	0.0022
110	15841-98620	WASHER ADJUSTING	4			1.200mm	0.001	0.0022
110	15841-98630	WASHER ADJUSTING	4			1.225mm	0.001	0.0022
110	15841-98640	WASHER ADJUSTING	4			1.250mm	0.001	0.0022
110	15841-98650	WASHER ADJUSTING	4			1.275mm	0.001	0.0022
110	15841-98660	WASHER ADJUSTING	4			1.300mm	0.001	0.0022
110	15841-98670	WASHER ADJUSTING	4			1.325mm	0.001	0.0022
110	15841-98680	WASHER ADJUSTING	4			1.350mm	0.001	0.0022
110	15841-98690	WASHER ADJUSTING	4			1.375mm	0.001	0.0022
110	15841-98700	WASHER ADJUSTING	4			1.400mm	0.001	0.0022
110	15841-98710	WASHER ADJUSTING	4			1.425mm	0.001	0.0022
110	15841-98720	WASHER ADJUSTING	4			1.450mm	0.001	0.0022
110	15841-98730	WASHER ADJUSTING	4			1.475mm	0.001	0.0022
110	15841-98740	WASHER ADJUSTING	4			1.500mm	0.001	0.0022
110	15841-98750	WASHER ADJUSTING	4			1.525mm	0.001	0.0022
110	15841-98760	WASHER ADJUSTING	4			1.550mm	0.001	0.0022
110	15841-98770	WASHER ADJUSTING	4			1.575mm	0.001	0.0022
110	15841-98780	WASHER ADJUSTING	4			1.600mm	0.002	0.0044
110	15841-98790	WASHER ADJUSTING	4			1.625mm	0.001	0.0022
110	15841-98800	WASHER ADJUSTING	4			1.650mm	0.001	0.0022
110	15841-98810	WASHER ADJUSTING	4			1.675mm	0.004	0.0088
110	15841-98820	WASHER ADJUSTING	4			1.700mm	0.001	0.0022
110	15841-98830	WASHER ADJUSTING	4			1.725mm	0.001	0.0022
110	15841-98840	WASHER ADJUSTING	4			1.750mm	0.001	0.0022
110	15841-98850	WASHER ADJUSTING	4			1.775mm	0.001	0.0022
110	15841-98860	WASHER ADJUSTING	4			1.800mm	0.001	0.0022
110	15841-98870	WASHER ADJUSTING	4			1.825mm	0.001	0.0022
110	15841-98880	WASHER ADJUSTING	4			1.850mm	0.001	0.0022
110	15841-98890	WASHER ADJUSTING	4			1.875mm	0.001	0.0022
110	15841-98900	WASHER ADJUSTING	4			1.900mm	0.001	0.0022
110	15841-98910	WASHER ADJUSTING	4			1.925mm	0.001	0.0022
110	15841-98920	WASHER ADJUSTING	4			1.950mm	0.001	0.0022
120	15841-53622	GASKET	4				0.002	0.0044
130	19077-53650	SEAL HEAT	4				0.005	0.011

WATER FLANGE AND THERMOSTAT



16467-011-10

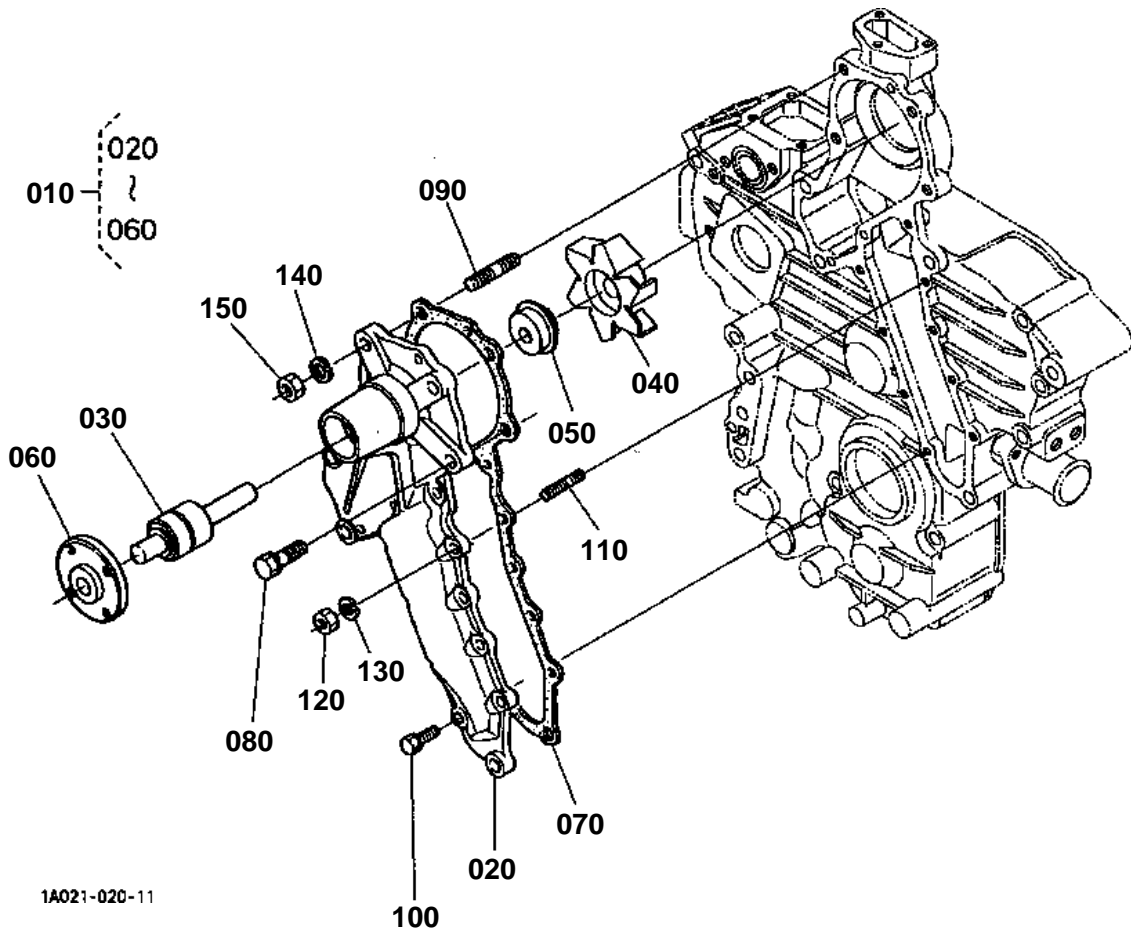


WATER FLANGE AND THERMOSTAT

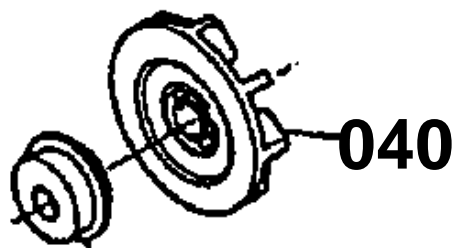
↔ Interchangeable; ≠ not interchangeable; ← new for old; → old for new

REF.No	Part No.	Description	Q'ty	S.No.	I/C	REMARKS	Weight (kgf)	Weight (lb)
010	17331-72703	COMP.FLANGE WATER	1				0.36	0.792
020	17331-73342	PIPE WATER RETURN	1				0.01	0.022
030	1A021-72920	GASKET WATER FLANGE	1				0.002	0.0044
040	01123-50820	BOLT	2				0.011	0.0242
050	15221-91530	STUD	1				0.011	0.0242
060	01153-50875	BOLT	1				0.028	0.0616
070	02156-50080	NUT	1				0.004	0.0088
080	04512-60080	WASHER SPRING	2				0.002	0.0044
090	15521-73340	PIPE WATER RETURN	1				0.025	0.055
100	15109-73360	BAND PIPE	2				0.01	0.022
110	15321-73260	COVER THERMOSTAT	1				0.107	0.2354
120	1A021-73270	GASKET THERMO.COVER	1	<=2E4526			0	0
120	16221-73270	GASKET THERMOSTAT	1	>=1G0001	←		0.013	0.0286
130	01123-50835	BOLT	2				0.02	0.044
140	19434-73014	ASSY THERMOSTAT	1				0.07	0.154

WATER PUMP



040 16661-7351-0



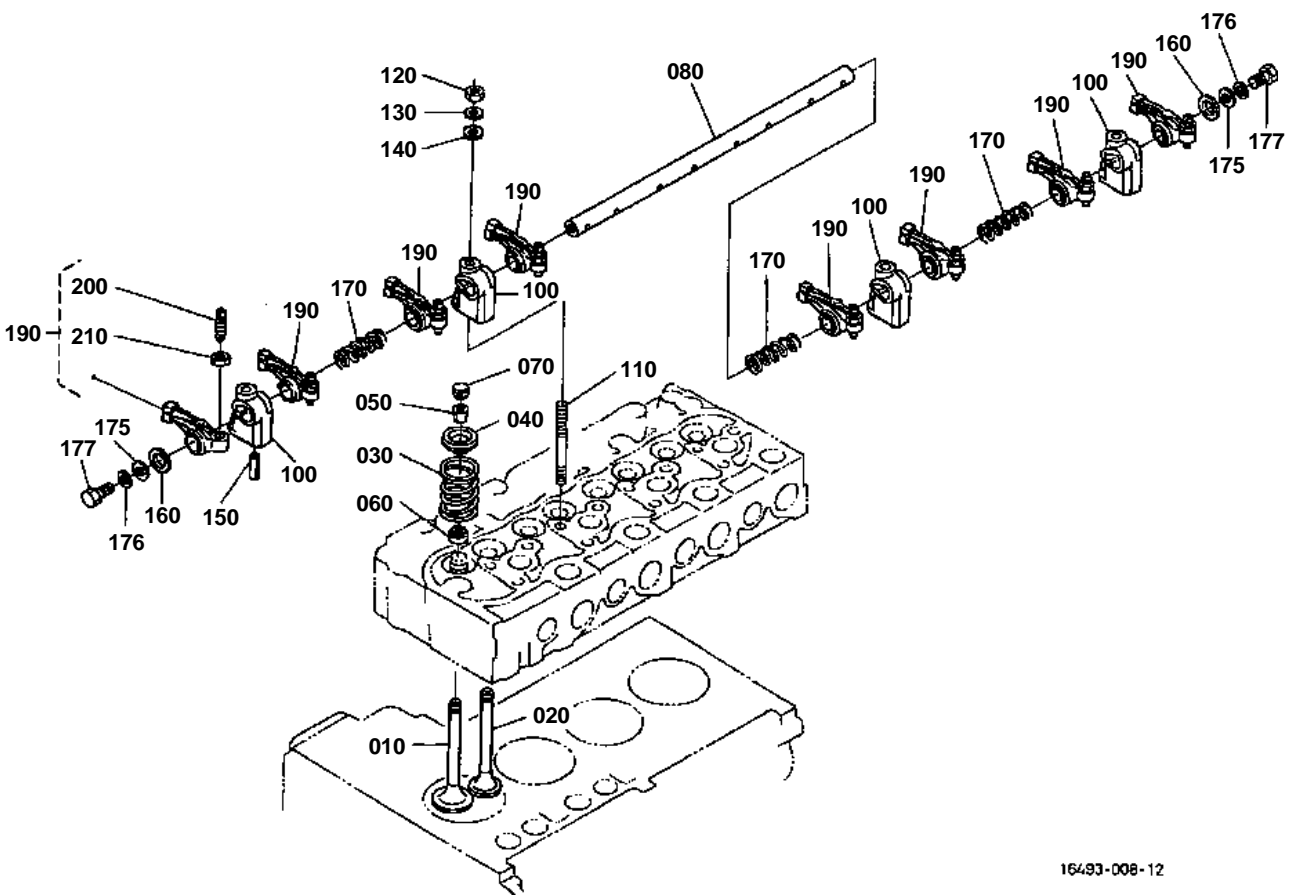
1G782-803-10

**WATER PUMP**

↔ Interchangeable; ≠ not interchangeable; ← new for old; → old for new

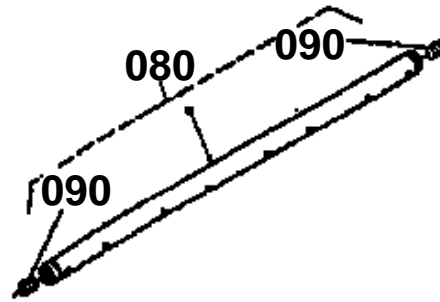
REF.No	Part No.	Description	Q'ty	S.No.	I/C	REMARKS	Weight (kgf)	Weight (lb)
010	16412-73033	ASSY PUMP WATER	1	<=1W2630			0	0
010	1A021-73030	ASSY PUMP WATER	1	>=1Y0001	←		1	2.2
020	17331-73410	BODY WATER PUMP	1				0.51	1.122
030	15521-73550	BEARING	1				0.235	0.517
040	16661-73510	IMPELLER WATER PUMP	1	<=1W2630			0.195	0.429
040	1A021-73510	IMPELLER WATER PUMP	1	>=1Y0001	←		0.065	0.143
050	16661-73050	ASSY SEAL MECHANICAL	1				0.025	0.055
060	15521-73520	FLANGE WATER PUMP	1				0.25	0.55
070	1A021-73430	GASKET WATER PUMP	1				0.007	0.0154
080	01123-50828	BOLT	3				0.014	0.0308
090	15521-91510	STUD	1				0.012	0.0264
100	01023-50618	BOLT	8				0.006	0.0132
110	15221-88210	STUD	1				0.005	0.011
120	02056-50060	NUT	1				0.002	0.0044
130	04512-60080	WASHER SPRING	1				0.002	0.0044
140	04512-60060	WASHER SPRING	1				0.001	0.0022
150	02156-50080	NUT	1				0.004	0.0088

VALVE AND ROCKER ARM



16493-008-12

080 15401-1405-2
090 03410-00808



180 04612-00140



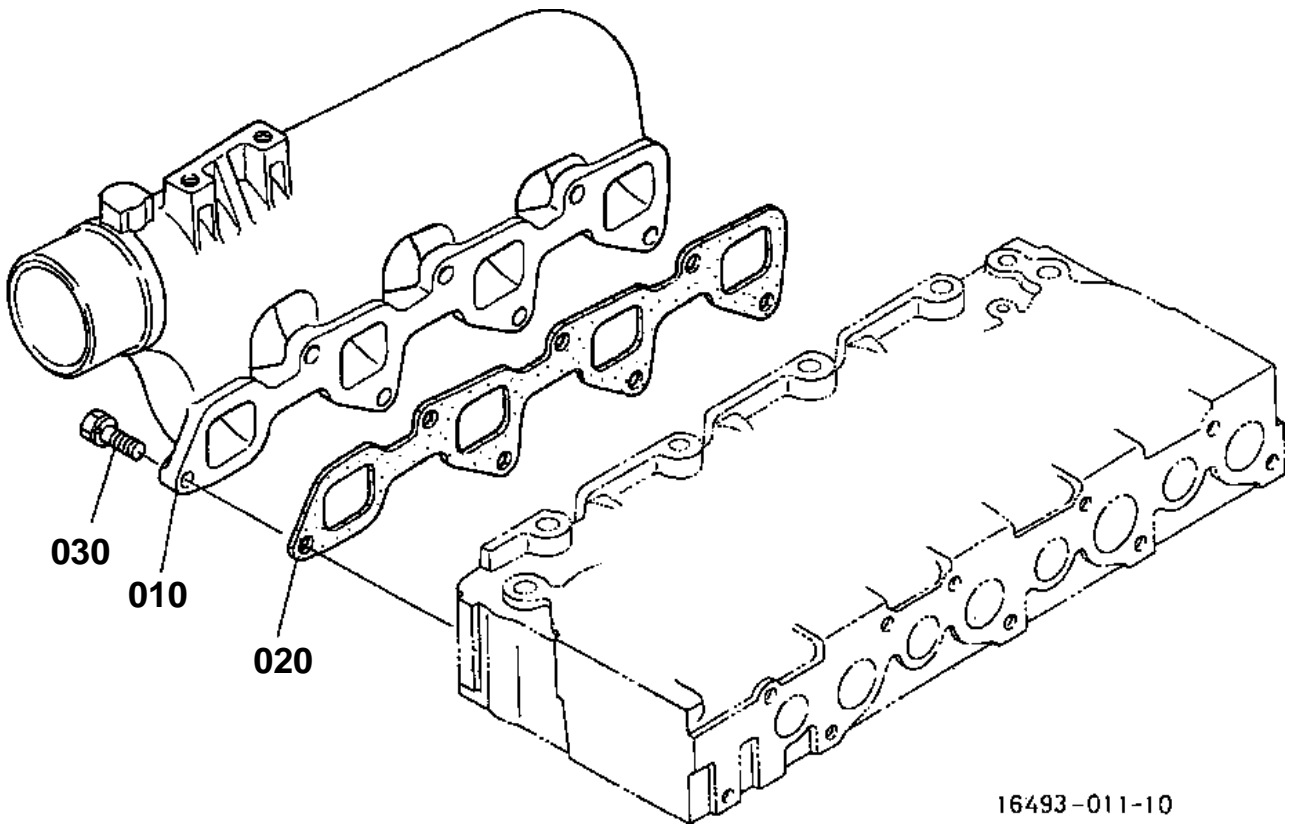
16493-807-10

**VALVE AND ROCKER ARM**

↔ Interchangeable; ≠ not interchangeable; ← new for old; → old for new

REF.No	Part No.	Description	Q'ty	S.No.	I/C	REMARKS	Weight (kgf)	Weight (lb)
010	16484-13110	VALVE INLET	4				0.06	0.132
020	16484-13120	VALVE EXHAUST	4				0.13	0.286
030	15221-13240	SPRING VALVE	8				0.036	0.0792
040	15221-13330	RETAINER VALVE SP.	8				0.03	0.066
050	15221-13980	COLLET VALVE SPRING	8			SET	0.002	0.0044
060	15221-13150	SEAL VALVE STEM	8				0.001	0.0022
070	15221-13280	CAP VALVE	8				0.006	0.0132
080	15401-14052	ASSY SHAFT R-ARM	1	←=1Y2848			0.32	0.704
080	1A091-14260	SHAFT ROCKER ARM	1	≧=2A0001	≠		0.313	0.6886
090	03410-50808	SCREW SET	2	←=1Y2848			0.002	0.0044
100	15221-14350	BRACKET ROCKER ARM	4				0.044	0.0968
110	15521-91500	STUD	4				0.035	0.077
120	02156-50080	NUT	4				0.004	0.0088
130	04512-60080	WASHER SPRING	4				0.002	0.0044
140	04012-50080	WASHER PLAIN	4				0.001	0.0022
150	05411-00528	PIN SPRING	1				0.003	0.0066
160	15221-14430	WASHER R-ARM.SHAFT	2				0.002	0.0044
170	15221-14310	SPRING ROCKER ARM	3				0.005	0.011
175	04013-60080	WASHER PLAIN	2	≧=2A0001			0.002	0.0044
176	04512-60080	WASHER SPRING	2	≧=2A0001			0.002	0.0044
177	01153-50812	BOLT	2	≧=2A0001			0.008	0.0176
180	04612-00140	CIR CLIP EXTERNAL	2	←=1Y2848			0.001	0.0022
190	15621-14030	ASSY ROCKER ARM	8				0.1	0.22
200	15521-14230	SCREW ADJUSTING	8				0.009	0.0198
210	15021-14240	NUT	8				0.003	0.0066

INLET MANIFOLD



16493-011-10

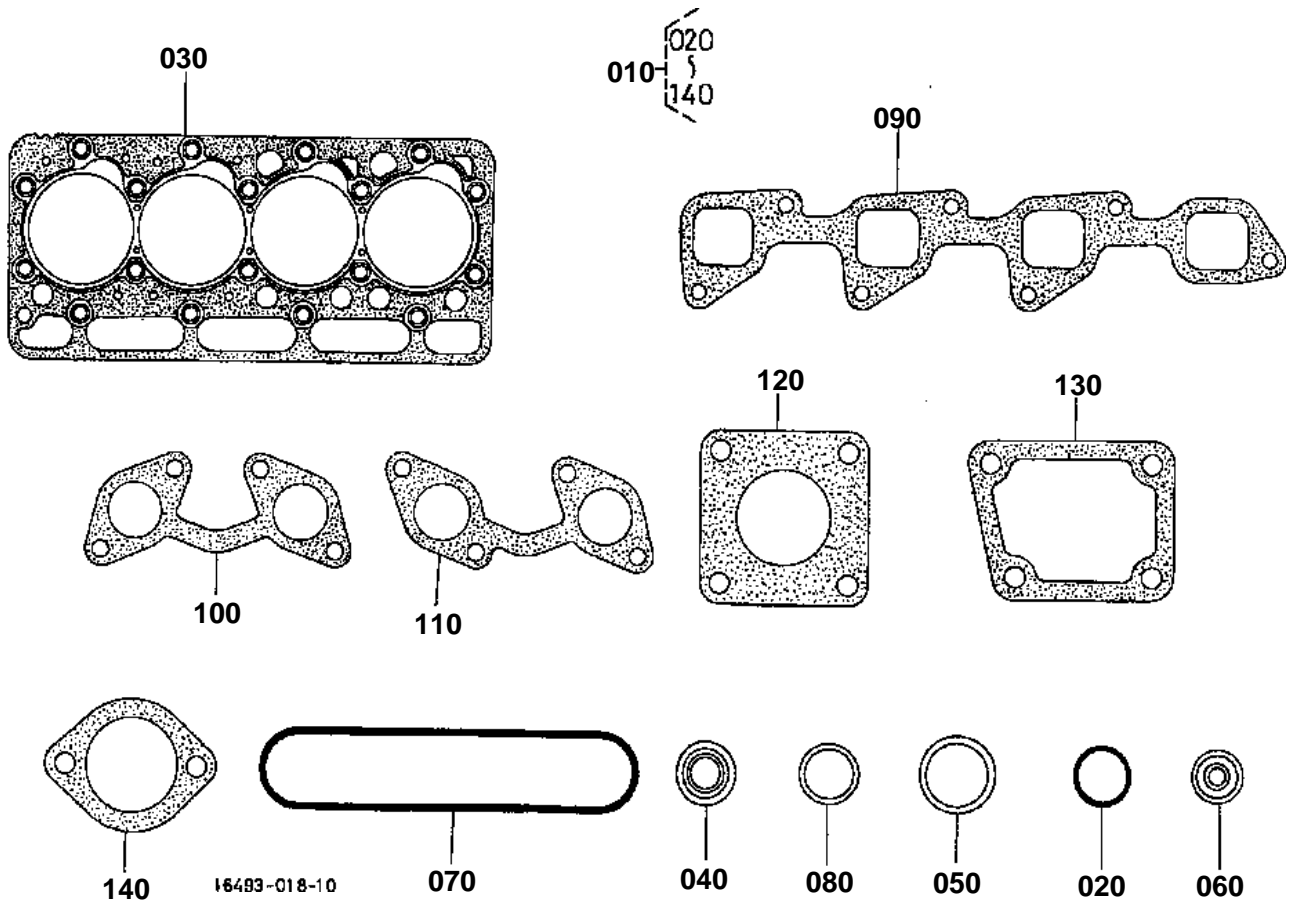


INLET MANIFOLD

↔ Interchangeable; ≠ not interchangeable; ← new for old; → old for new

REF.No	Part No.	Description	Q'ty	S.No.	I/C	REMARKS	Weight (kgf)	Weight (lb)
010	16475-11760	MANIFOLD INLET	1	<=1Y2848			1.16	2.552
010	16429-11760	MANIFOLD INLET	1	>=2A0001	←		1.19	2.618
020	16423-11820	GASKET IN-MANIFOLUDO	1			NOT SALE	0	0
020	1A091-11822	GASKET IN-MANIFOLD	1		↔		0.007	0.0154
030	01123-50822	BOLT	7				0.012	0.0264

UPPER GASKET KIT



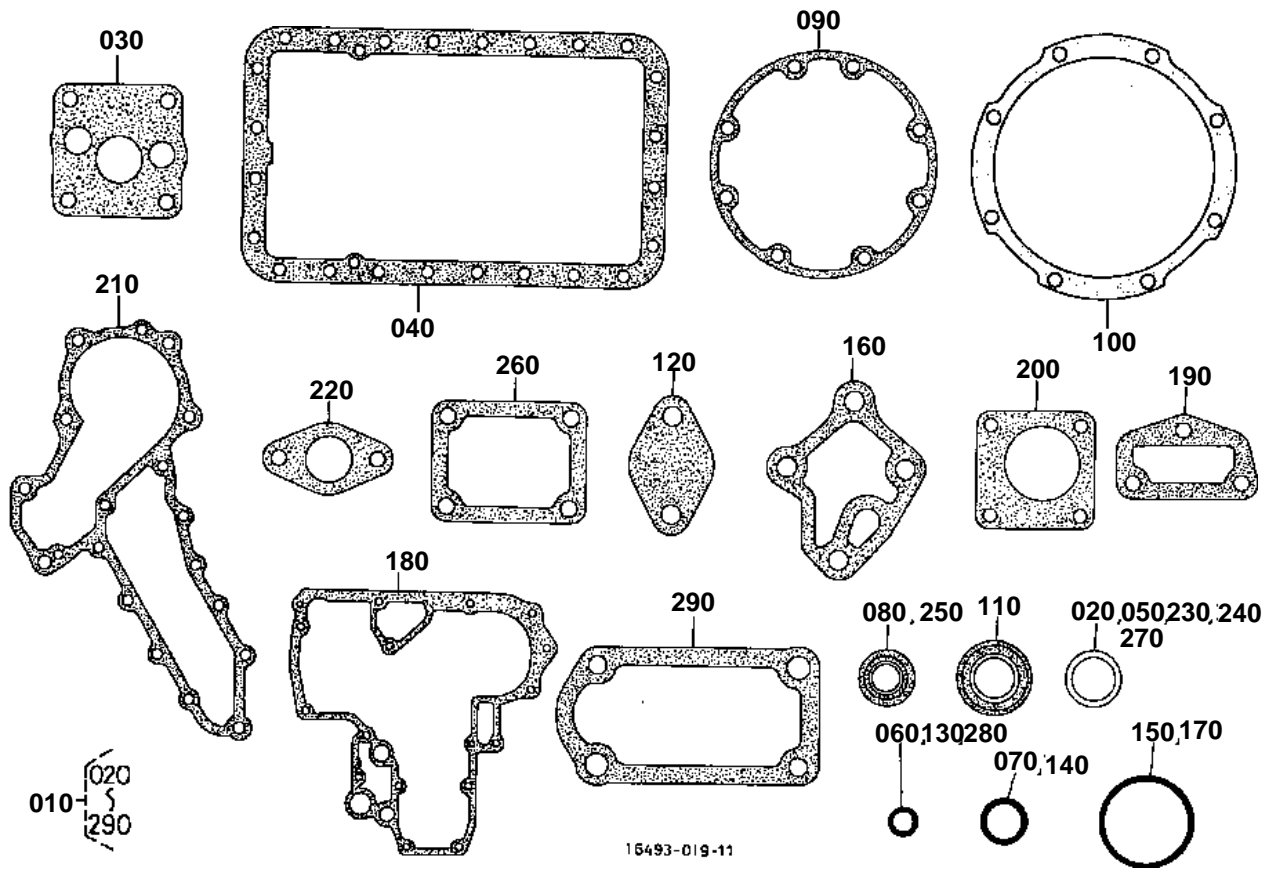


UPPER GASKET KIT

↔ Interchangeable; ≠ not interchangeable; ← new for old; → old for new

REF.No	Part No.	Description	Q'ty	S.No.	I/C	REMARKS	Weight (kgf)	Weight (lb)
010	07916-27747	KIT GASKET UPPER	1				0.38	0.836
020	15221-33700	O RING	1				0.001	0.0022
030	19077-03310	GASKET CYLINDER HEAD	1				0.13	0.286
040	15221-13150	SEAL VALVE STEM	8				0.001	0.0022
050	15841-53622	GASKET	4				0.002	0.0044
060	19077-53650	SEAL HEAT	4				0.005	0.011
070	15471-14520	GASKET HEAD COVER	1				0.05	0.11
080	15021-33660	GASKET	4				0.001	0.0022
090	16423-11820	GASKET IN-MANIFOLUDO	1			NOT SALE	0	0
090	1A091-11822	GASKET IN-MANIFOLD	1		↔		0.007	0.0154
100	1A091-12350	GASKET EX-MANIFOLD	1				0.02	0.044
110	1A091-12360	GASKET EX-MANIFOLD	1				0.02	0.044
120	T0070-16420	GASKET MUFFLER	1				0.016	0.0352
130	1A021-72920	GASKET WATER FLANGE	1				0.002	0.0044
140	1A021-73270	GASKET THERMO.COVER	1	<=2E4526			0	0
140	16221-73270	GASKET THERMOSTAT	1	>=1G0001	←		0.013	0.0286

LOWER GASKET KIT



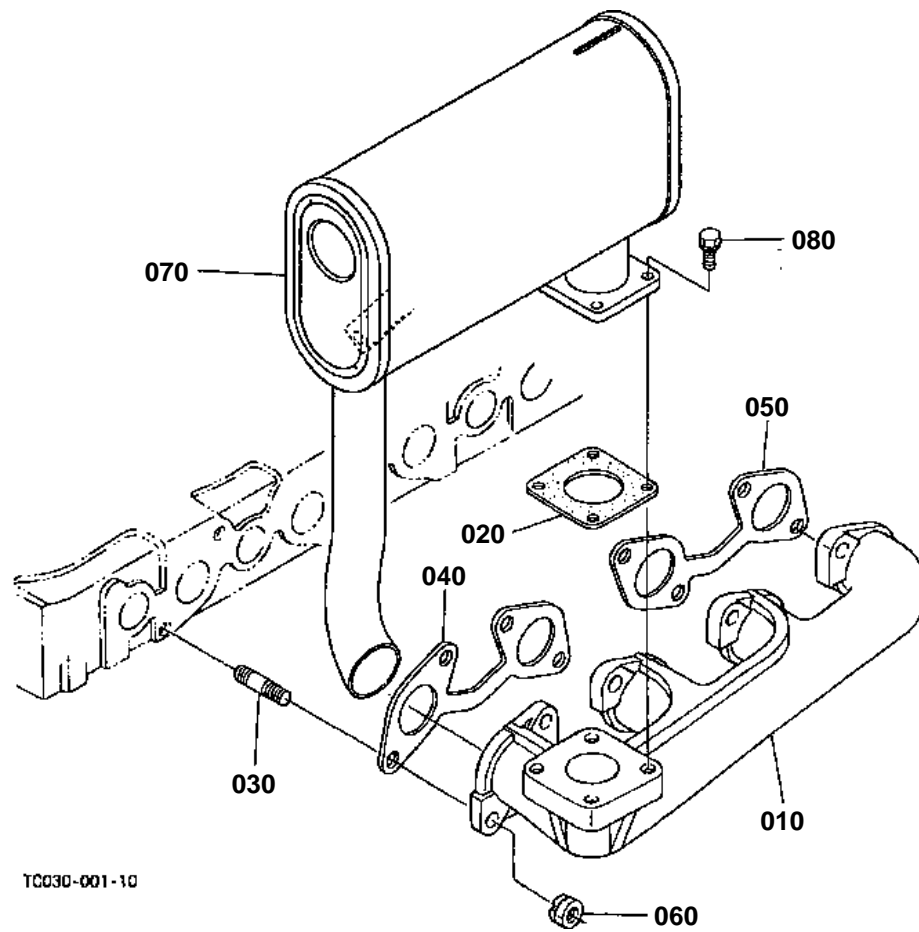


LOWER GASKET KIT

↔ Interchangeable; ≠ not interchangeable; ← new for old; → old for new

REF.No	Part No.	Description	Q'ty	S.No.	I/C	REMARKS	Weight (kgf)	Weight (lb)
010	07916-27756	KIT GASKET LOWER	1				0.3	0.66
020	15021-33660	GASKET	1				0.001	0.0022
030	1A021-35150	GASKET OIL PUMP	1				0.001	0.0022
040	15815-01620	GASKET OIL PAN	1				0.03	0.066
050	6C090-58960	GASKET	2				0.002	0.0044
060	04811-00160	O RING	1				0	0
060	04817-00160	O RING	1		←		0.001	0.0022
070	04811-10300	O RING	1				0.001	0.0022
080	19202-04140	SEAL OIL	1				0.015	0.033
090	19077-04360	GASKET BEARING CASE	1				0.004	0.0088
100	1A091-04820	GASKET CASE COVER	1				0.006	0.0132
110	19202-04460	SEAL OIL	1				0.055	0.121
120	15521-04790	PACKING COVER	1				0.005	0.011
130	04811-00150	O RING	2				0	0
130	04817-00150	O RING	2		←		0.001	0.0022
140	04811-00200	O RING	1				0	0
140	04817-00200	O RING	1		←		0.011	0.0242
150	04811-00360	O RING	1				0	0
150	04817-00360	O RING	1		←		0.001	0.0022
160	17326-32620	GASKET	1				0.005	0.011
170	19202-96830	O RING	1				0.01	0.022
180	17326-04132	GASKET GEAR CASE	1				0.03	0.066
190	1A021-73330	GASKET RETURN FLANGE	1				0.001	0.0022
200	15296-88130	GASKET H/METER UNIT	1				0.002	0.0044
210	1A021-73430	GASKET WATER PUMP	1				0.007	0.0154
220	1A021-52140	GASKET FUEL PUMP	1				0.001	0.0022
230	15401-96650	GASKET	2				0.001	0.0022
240	15021-33660	GASKET	2				0.001	0.0022
250	15471-57980	SEAL OIL	1				0.001	0.0022
260	1A021-51660	GASKET PUMP COVER	1				0.003	0.0066
270	15601-96650	GASKET	2				0.001	0.0022
280	04811-00120	O RING	1				0	0
280	04817-00120	O RING	1		←		0.001	0.0022
290	15439-57210	GASKET	1				0.005	0.011

EXHAUST MANIFOLD/MUFFLER



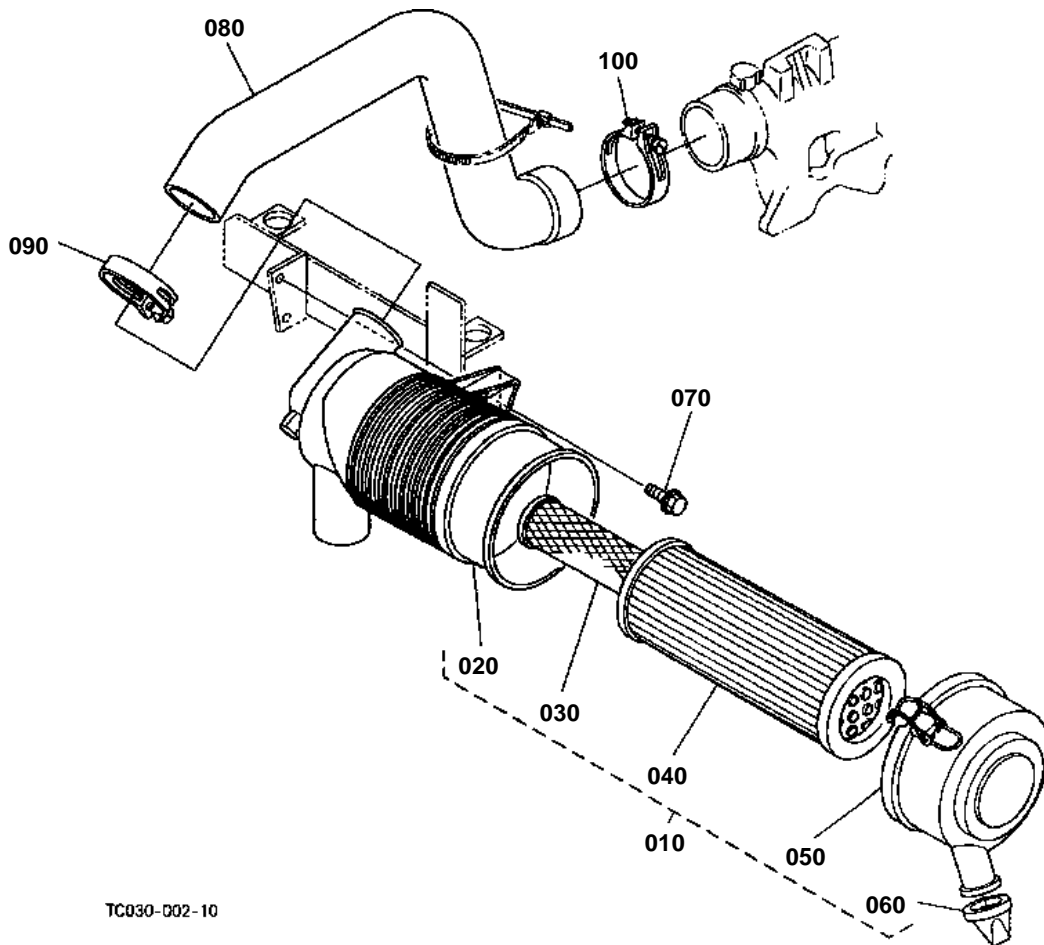


EXHAUST MANIFOLD/MUFFLER

↔ Interchangeable; ≠ not interchangeable; ← new for old; → old for new

REF.No	Part No.	Description	Q'ty	S.No.	I/C	REMARKS	Weight (kgf)	Weight (lb)
010	17377-12312	MANIFOLD EXHAUST	1				2.9	6.38
020	T0070-16420	GASKET MUFFLER	1				0.016	0.0352
030	15221-91530	STUD	8				0.011	0.0242
040	1A091-12350	GASKET EX-MANIFOLD	1				0.02	0.044
050	1A091-12360	GASKET EX-MANIFOLD	1				0.02	0.044
060	16429-92010	NUT	8				0.007	0.0154
070	TC030-16410	MUFFLER	1	<=10469			0	0
070	TC030-16412	MUFFLER	1	>=10470	←		6.2	13.64
080	01123-50822	BOLT	4	<=10260			0.012	0.0264
080	01128-50825	BOLT	4	>=10261	←		0.015	0.033

AIR CLEANER



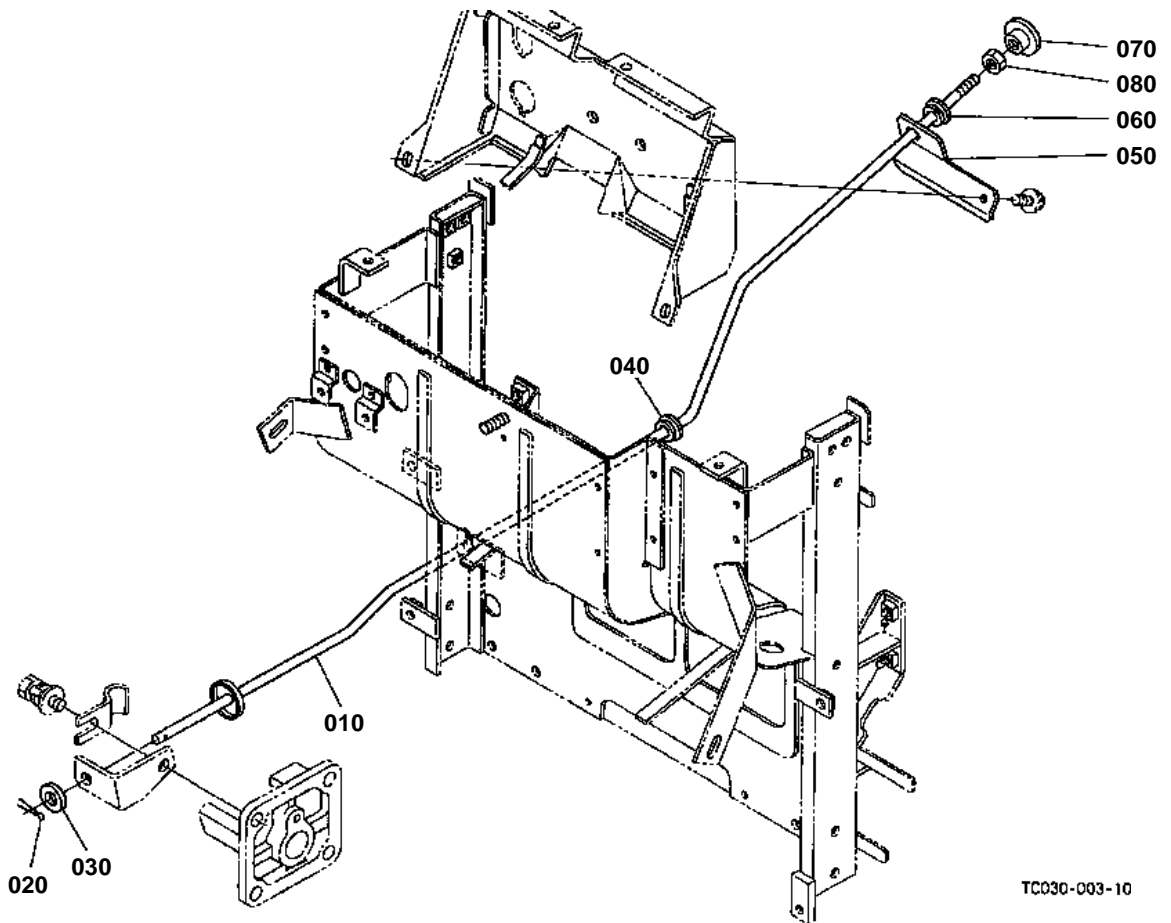
TC030-002-10

**AIR CLEANER**

↔ Interchangeable; ≠ not interchangeable; ← new for old; → old for new

REF.No	Part No.	Description	Q'ty	S.No.	I/C	REMARKS	Weight (kgf)	Weight (lb)
010	TC030-93200	ASSY CLEANER AIR(W)	1				1.2	2.64
020	TA140-93210	COMP.BODY A/C	1				0.425	0.935
030	TA040-93220	ASSY ELEMENT INNER	1				0.195	0.429
040	TA040-93230	ASSY ELEMENT OUTER	1				0.56	1.232
050	TA140-93240	ASSY COVER A/C	1				0.305	0.671
060	TA040-93250	VALVE EVACUATOR	1				0.011	0.0242
070	01754-50816	BOLT FLANGE	2				0.011	0.0242
080	TC030-16330	HOSE	1				0.74	1.628
090	T0270-35560	CLAMP HOSE	1				0.035	0.077
100	31351-18110	BAND PIPE	1				0.04	0.088

ENGINE STOP ROD



TC030-003-10

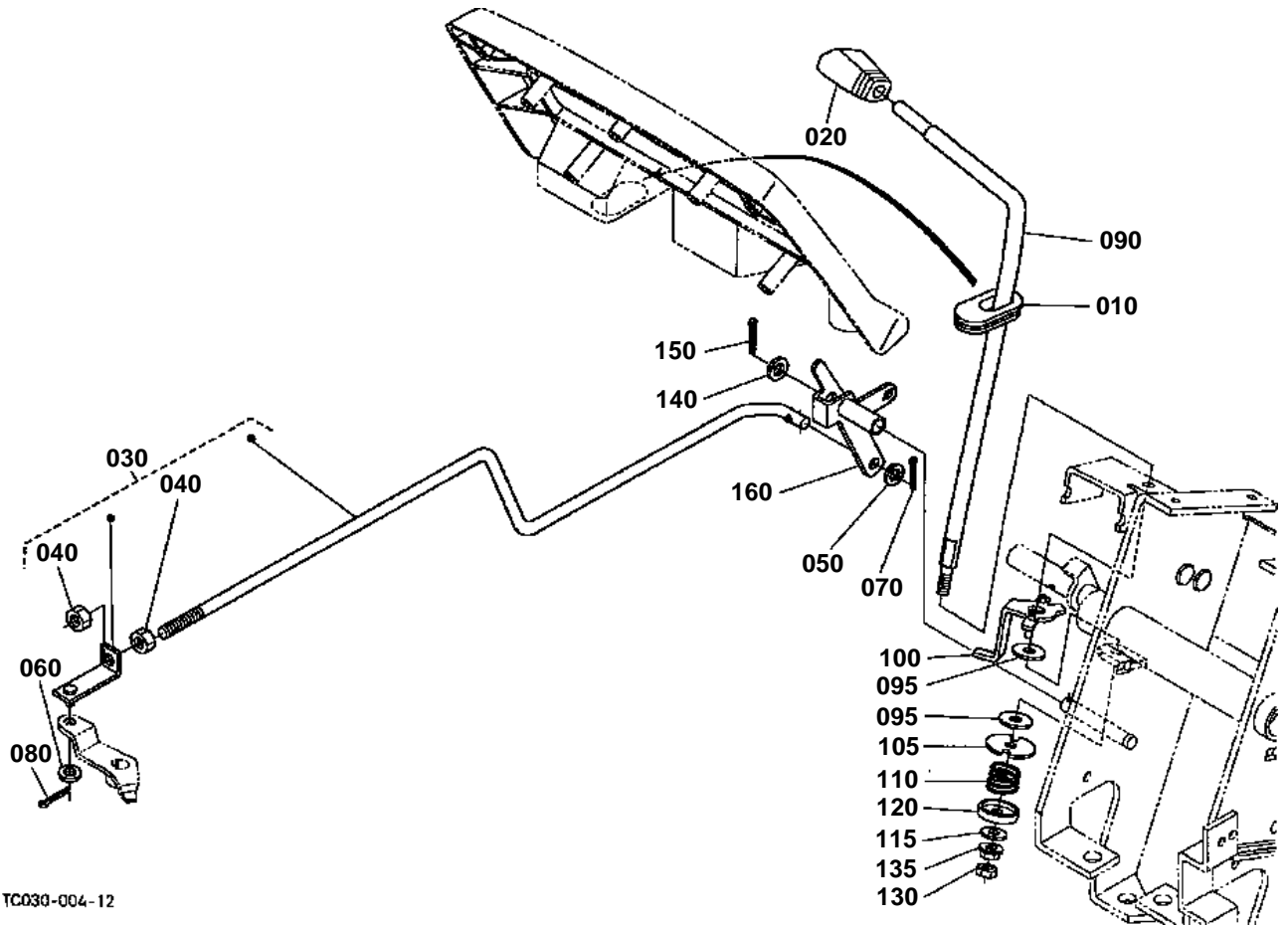


ENGINE STOP ROD

↔ Interchangeable; ≠ not interchangeable; ← new for old; → old for new

REF.No	Part No.	Description	Q'ty	S.No.	I/C	REMARKS	Weight (kgf)	Weight (lb)
010	TC030-17150	ROD STOP	1				0.225	0.495
020	05511-50212	PIN SPLIT	1				0.001	0.0022
030	04013-60060	WASHER PLAIN	1				0.001	0.0022
040	66591-54580	RUBBER RELEASE ROD	1				0.003	0.0066
050	TC030-17194	SUPPORT	1				0.1	0.22
060	66591-54580	RUBBER RELEASE ROD	1				0.003	0.0066
070	32330-17180	KNOB	1				0.009	0.0198
080	02012-60060	NUT	1				0.005	0.011

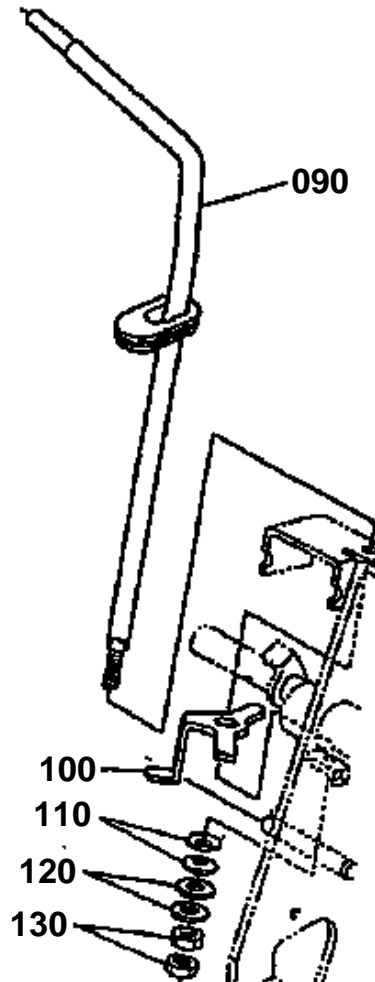
ACCELERATOR LEVER



TC030-004-12

ACCELERATOR LEVER

- 090 TC020-1712-2
- 100 TC020-4472-2
- 110 37410-4476-0
- 120 04015-60080
- 130 02156-50080



1G782-804-10

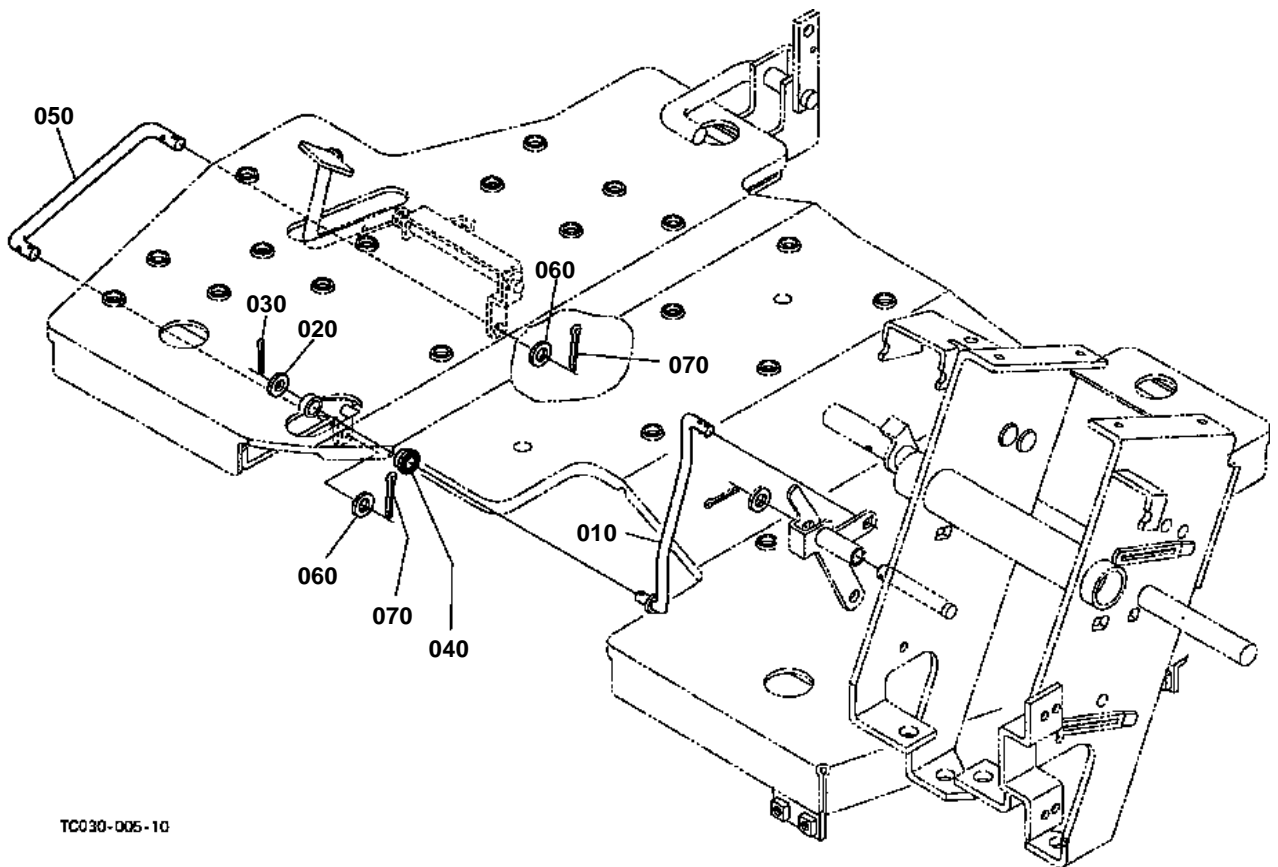


ACCELERATOR LEVER

↔ Interchangeable; ≠ not interchangeable; ← new for old; → old for new

REF.No	Part No.	Description	Q'ty	S.No.	I/C	REMARKS	Weight (kgf)	Weight (lb)
010	TC020-43154	GROMMET HAND ACCEL.	1				0.007	0.0154
020	TA040-49873	GRIP	1				0.024	0.0528
030	TC030-42900	ASSY ROD ACCEL.	1				0.26	0.572
040	02112-50080	NUT	2				0.003	0.0066
050	04012-50080	WASHER PLAIN	1				0.001	0.0022
060	04012-50060	WASHER PLAIN	1				0.001	0.0022
070	05511-50218	PIN SPLIT	1				0.001	0.0022
080	05511-51612	PIN SPLIT	1				0.001	0.0022
090	TC020-17122	ROD HAND ACCELERATOR	1	≤10426			0.41	0.902
090	TC050-17122	ROD HAND ACCELERATOR	1	≥10427	≠		0.415	0.913
095	TC050-42860	PLATE FRICTION	2	≥10427			0.003	0.0066
100	TC020-44722	LEVER ACCEL.ARM	1	≤10426			0.012	0.0264
100	TC050-44720	LEVER ACCEL.ARM	1	≥10427	≠		0.07	0.154
105	T1060-42840	WASHER	1	≥10427			0.02	0.044
110	37410-44760	SPRING	2	≤10426			0.005	0.011
110	33251-10320	SPRING ACCEL.LEVER	1	≥10427	≠		0.012	0.0264
115	04015-60080	WASHER PLAIN	1	≥10427			0.01	0.022
120	04015-60080	WASHER PLAIN	2	≤10426			0.01	0.022
120	TC050-10270	CAP SPRING	1	≥10427	≠		0.023	0.0506
130	02156-50080	NUT	2	≤10426			0.004	0.0088
130	02114-50080	NUT	1	≥10427	≠		0.005	0.011
135	02751-50080	NUT FLANGE	1	≥10427			0.006	0.0132
140	04013-60100	WASHER PLAIN	1				0.003	0.0066
150	05511-50318	PIN SPLIT	1				0.001	0.0022
160	TC030-17320	LINK ACCEL.	1				0.1	0.22

ACCELERATOR LINKAGE



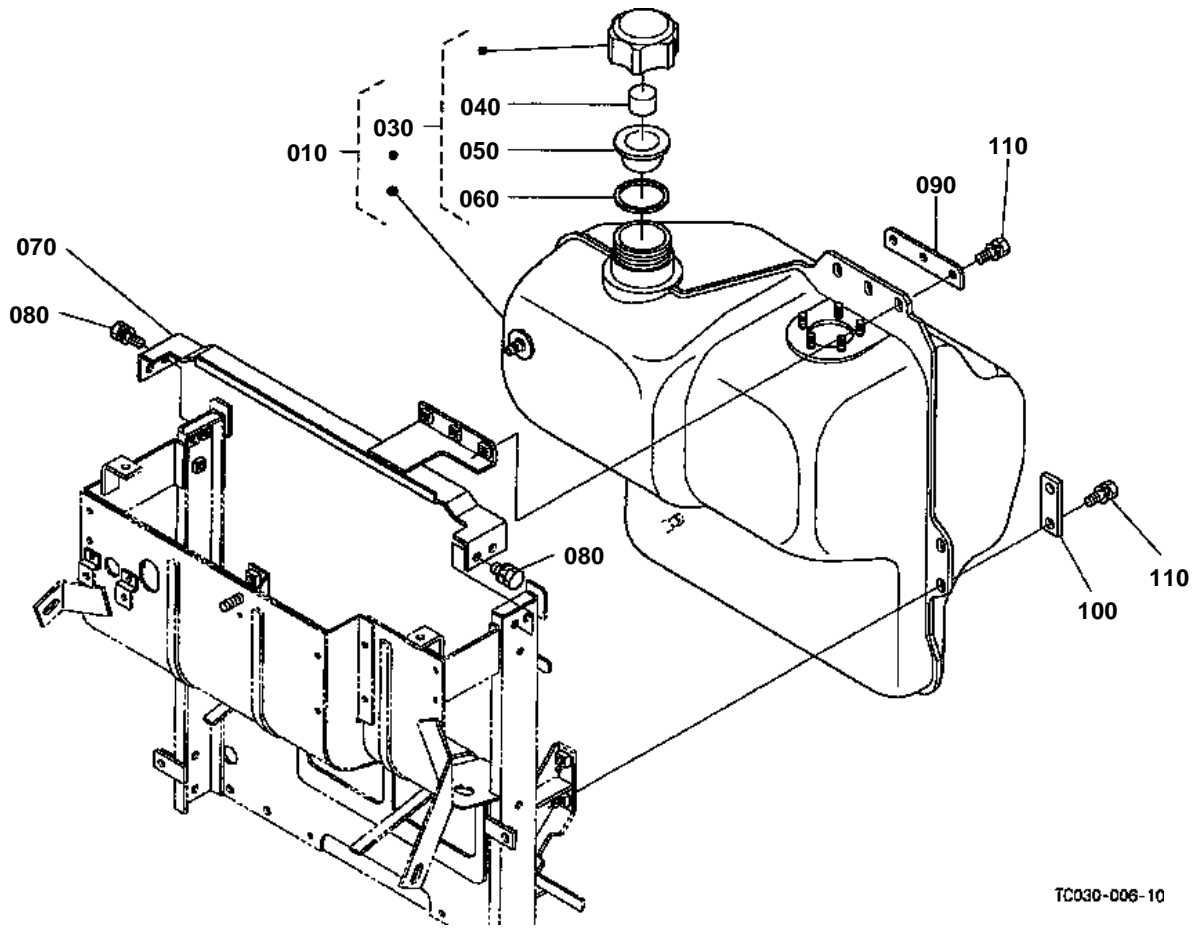


ACCELERATOR LINKAGE

↔ Interchangeable; ≠ not interchangeable; ← new for old; → old for new

REF.No	Part No.	Description	Q'ty	S.No.	I/C	REMARKS	Weight (kgf)	Weight (lb)
010	TC030-17570	ROD ACCEL.	1				0.069	0.1518
020	04012-50080	WASHER PLAIN	1				0.001	0.0022
030	05511-50218	PIN SPLIT	1				0.001	0.0022
040	T0070-76460	CUSHION	1				0.006	0.0132
050	TC030-17580	ROD ACCEL.	1				0.105	0.231
060	04012-50080	WASHER PLAIN	2				0.001	0.0022
070	05511-50218	PIN SPLIT	2				0.001	0.0022

FUEL TANK



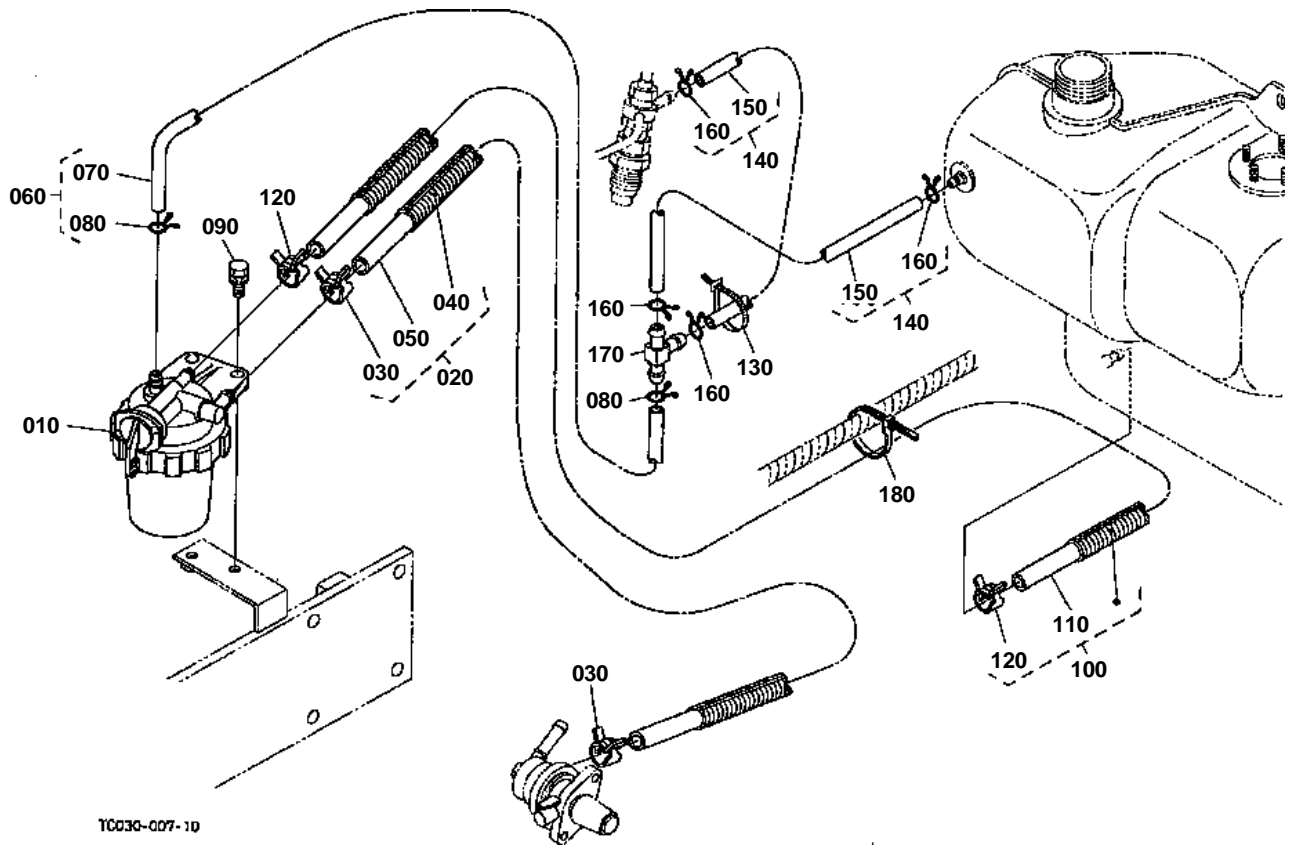


FUEL TANK

↔ Interchangeable; ≠ not interchangeable; ← new for old; → old for new

REF.No	Part No.	Description	Q'ty	S.No.	I/C	REMARKS	Weight (kgf)	Weight (lb)
010	TC020-35100	ASSY TANK FUEL	1				3.242	7.1324
020	99999-99999	BLANK	0				0	0
030	T1060-42020	ASSY CAP FUEL TANK	1				0.042	0.0924
040	34150-35240	SPONGE	1				0.001	0.0022
050	34150-35230	GASKET	1				0.01	0.022
060	T1060-42090	GASKET	1				0.002	0.0044
070	TC030-42092	STAY FUEL TANK	1				0.635	1.397
080	01023-50616	BOLT	4				0.005	0.011
090	TC030-42120	PLATE FUEL TANK	1				0.046	0.1012
100	T1060-42080	PLATE FUEL TANK	2				0.033	0.0726
110	01123-50820	BOLT	7				0.011	0.0242

FUEL PIPE AND FUEL FILTER



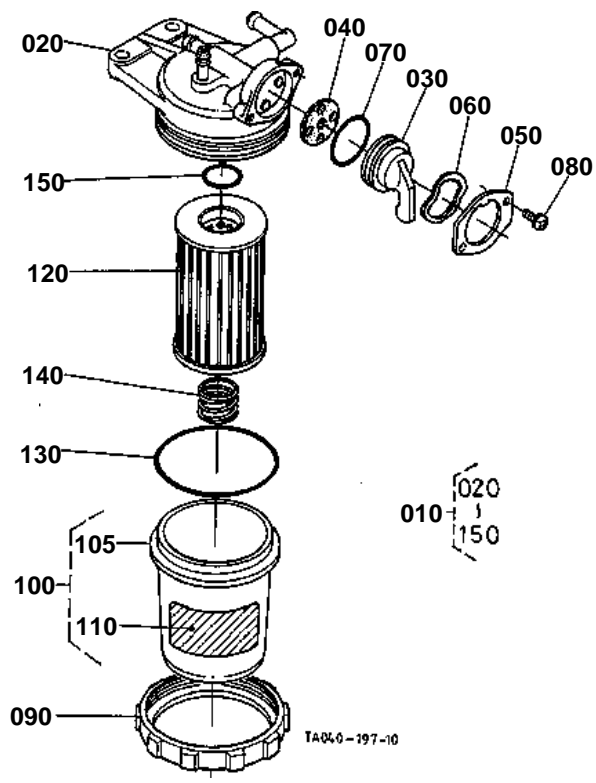


FUEL PIPE AND FUEL FILTER

↔ Interchangeable; ≠ not interchangeable; ← new for old; → old for new

REF.No	Part No.	Description	Q'ty	S.No.	I/C	REMARKS	Weight (kgf)	Weight (lb)
010	15521-43015	ASSY FILTER FUEL	1				0.59	1.298
020	34530-42620	ASSY TUBE FUEL	1				0.055	0.121
030	09318-88125	CLAMP HOSE	2				0.001	0.0022
040	34530-42670	TUBE PIPE	1				0.01	0.022
050	09661-80300	TUBE FUEL	1				0.04	0.088
060	34070-42633	ASSY TUBE FUEL	1				0.025	0.055
070	09661-40400	TUBE FUEL	1				0.02	0.044
080	14971-42750	CLIP PIPE	2				0.001	0.0022
090	01123-50825	BOLT	2				0.013	0.0286
100	TC030-42610	ASSY TUBE FUEL	1				0.095	0.209
110	09661-80625	TUBE FUEL	1				0.08	0.176
120	09318-88125	CLAMP HOSE	2				0.001	0.0022
130	53581-64150	BAND CORD	1				0.002	0.0044
140	TC030-42630	ASSY TUBE FUEL	2				0.016	0.0352
150	09661-40300	TUBE FUEL	2				0.016	0.0352
160	14971-42750	CLIP PIPE	4				0.001	0.0022
170	15101-42570	JOINT PIPE	1				0.006	0.0132
180	55311-41260	BAND CORD	1				0.007	0.0154

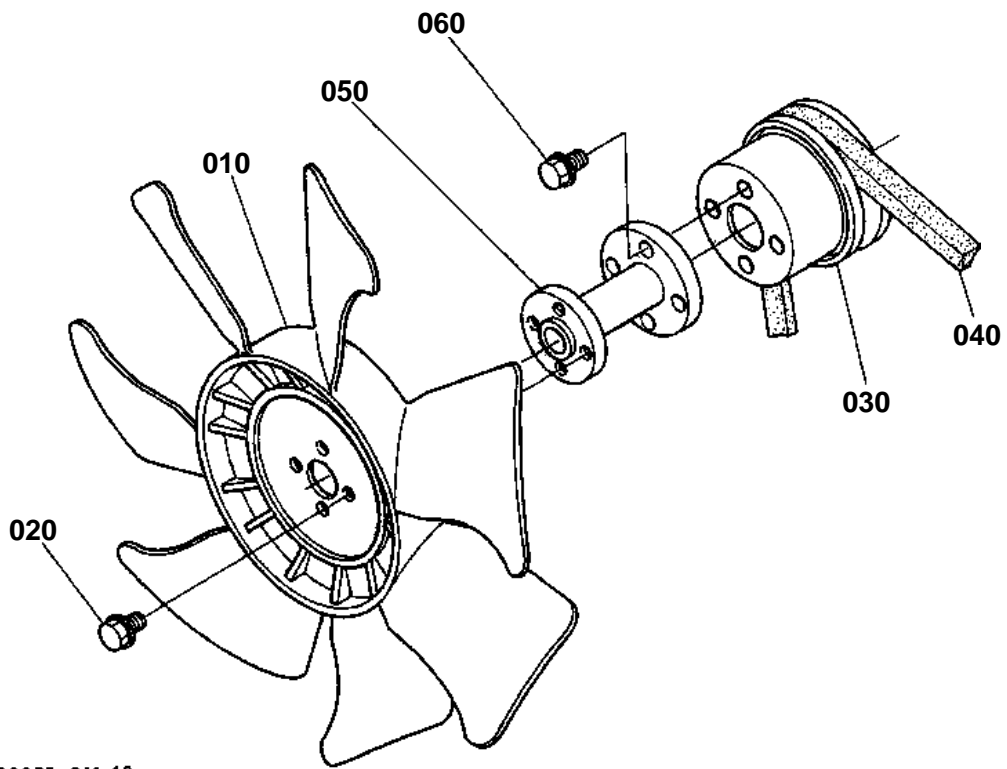
FUEL FILTER [COMPONENT PARTS]



**FUEL FILTER [COMPONENT PARTS]**

↔ Interchangeable; ≠ not interchangeable; ← new for old; → old for new

REF.No	Part No.	Description	Q'ty	S.No.	I/C	REMARKS	Weight (kgf)	Weight (lb)
010	15521-43015	ASSY FILTER FUEL	1				0.59	1.298
020	15521-43114	ASSY BODY	1				0.235	0.517
030	15521-43522	HANDLE FILTER	1				0.04	0.088
040	15521-43672	GASKET	1				0.001	0.0022
050	15521-43552	RETAINER HANDLE	1				0.01	0.022
060	15521-43542	PLATE THRUST	1				0.001	0.0022
070	04811-10290	O RING	1				0.001	0.0022
080	03054-50308	SCREW PAN-HEAD	2				0.005	0.011
090	15521-43150	RING RETAINER	1				0.14	0.308
100	15521-43100	ASSY CUP FILTER	1				0.05	0.11
105	15521-43130	CUP FILTER	1				0.1	0.22
110	16873-88430	LABEL FUEL FILTER	1				0.001	0.0022
120	15521-43160	ELEMENT FILTER	1				0.07	0.154
130	04811-50650	O RING	1				0.002	0.0044
140	15521-43930	SPRING	1				0.004	0.0088
150	04811-00160	O RING	1				0	0
150	04816-00160	O RING	1		↔		0.003	0.0066



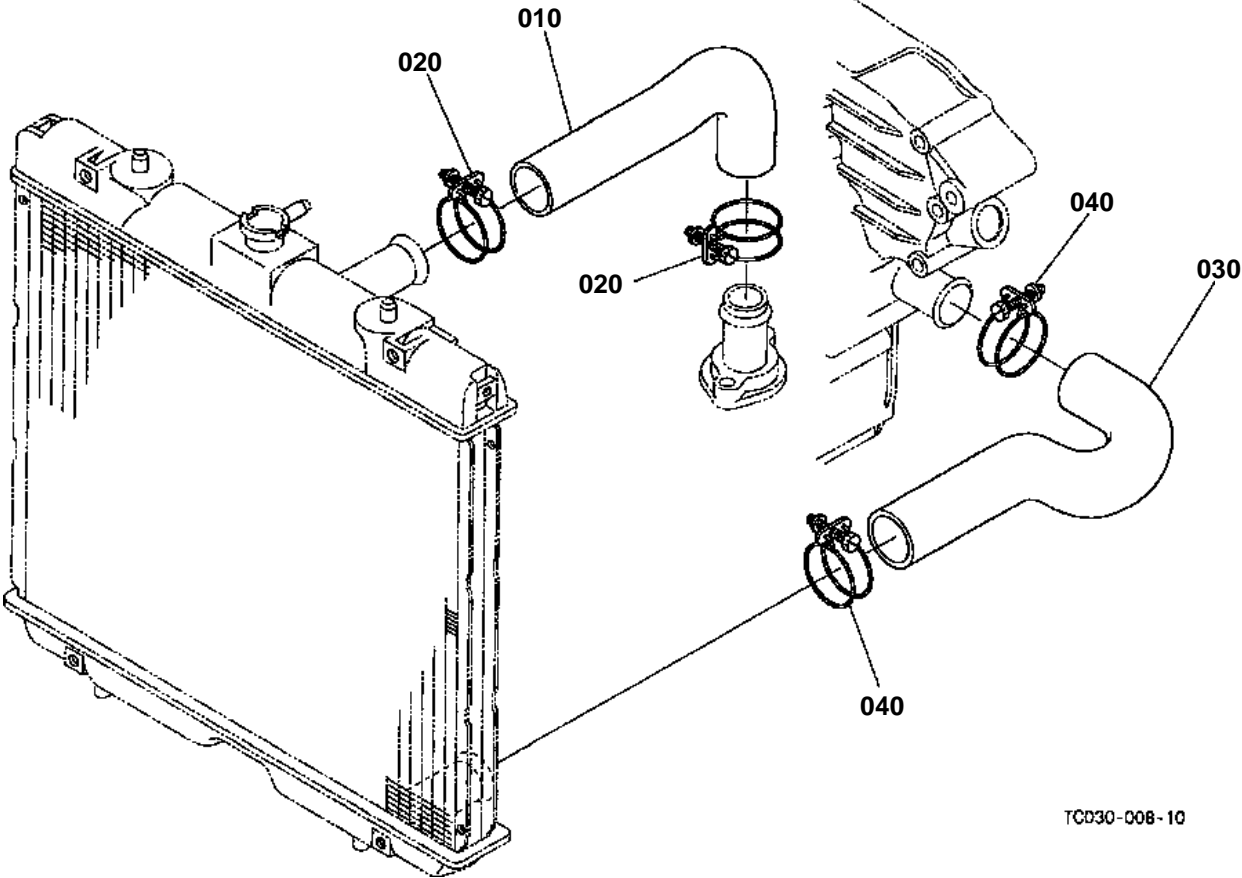
T0070-011-10

**FAN**

↔ Interchangeable; ≠ not interchangeable; ← new for old; → old for new

REF.No	Part No.	Description	Q'ty	S.No.	I/C	REMARKS	Weight (kgf)	Weight (lb)
010	34030-16210	FAN	1				0.96	2.112
020	01754-50612	BOLT FLANGE	4				0.005	0.011
030	17351-74250	PULLEY FAN	1				0.262	0.5764
040	15471-97010	V BELT	1				0.12	0.264
050	T0070-16222	FLANGE FAN	1				0.195	0.429
060	01754-50625	BOLT FLANGE	4				0.008	0.0176

WATER PIPE



TC030-008-10

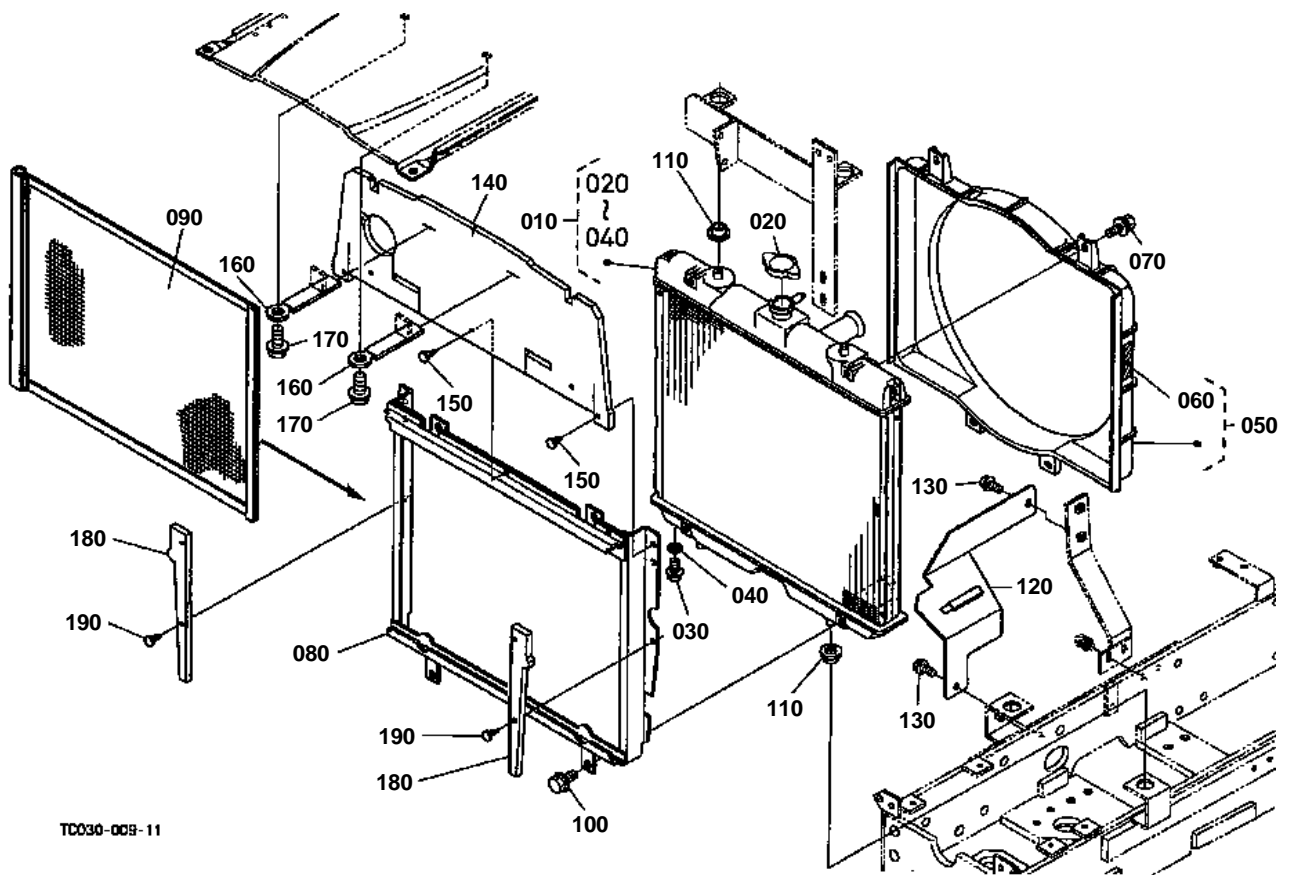


WATER PIPE

↔ Interchangeable; ≠ not interchangeable; ← new for old; → old for new

REF.No	Part No.	Description	Q'ty	S.No.	I/C	REMARKS	Weight (kgf)	Weight (lb)
010	TC030-72940	PIPE WATER	1				0.22	0.484
020	15108-72870	BAND	2				0.027	0.0594
030	TC030-88360	HOSE RADIATOR LOWER	1				0.23	0.506
040	15108-72870	BAND	2				0.027	0.0594

RADIATOR



TC030-009-11

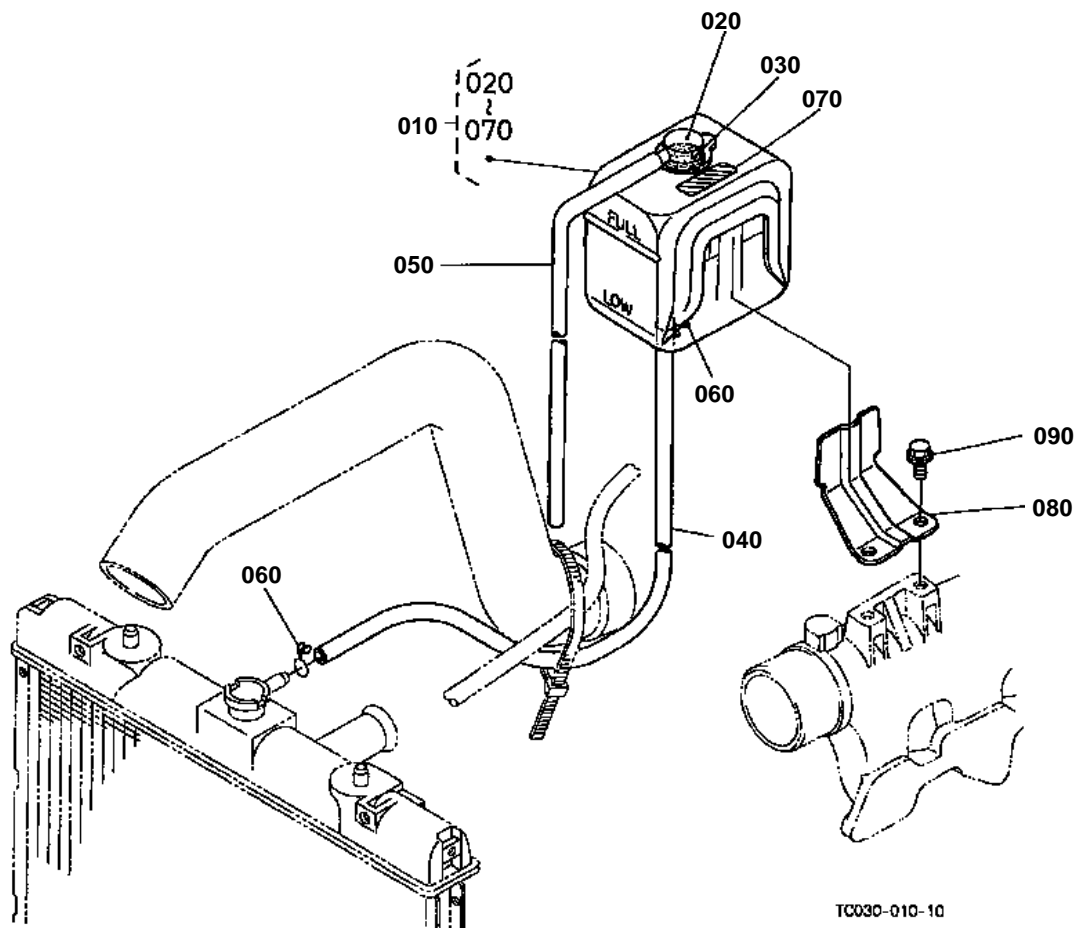


RADIATOR

↔ Interchangeable; ≠ not interchangeable; ← new for old; → old for new

REF.No	Part No.	Description	Q'ty	S.No.	I/C	REMARKS	Weight (kgf)	Weight (lb)
010	TC020-16000	ASSY RADIATOR	1				2.7	5.94
020	17580-16060	CAP RADIATOR	1				0.04	0.088
030	16504-73220	PLUG DRAIN	1				0.006	0.0132
040	15231-96690	GASKET	1				0.001	0.0022
050	TC020-16050	KIT SHUROUD FAN	1				0.43	0.946
060	32751-49580	LABEL FAN BELT	1				0.001	0.0022
070	01205-50616	BOLT	4				0.007	0.0154
080	TC030-17730	GUIDE	1				0.8	1.76
090	TC020-17740	NET RADIATOR	1				0.185	0.407
100	01754-50610	BOLT FLANGE	4				0.006	0.0132
110	34070-16030	RUBBER	4				0.015	0.033
120	TC030-16190	COVER RADIATOR FAN	1				0.435	0.957
130	01754-50812	BOLT FLANGE	2				0.01	0.022
140	TC030-45780	SHUTTER UPPER	1				0.1	0.22
150	38430-29372	CLIP BUTTON	5				0.001	0.0022
160	13816-67580	CLAMP CORD	2				0.004	0.0088
170	01754-50812	BOLT FLANGE	2				0.01	0.022
180	TC030-17790	SHUTTER SIDE	2				0.006	0.0132
190	38430-29372	CLIP BUTTON	4				0.001	0.0022

RESERVE TANK



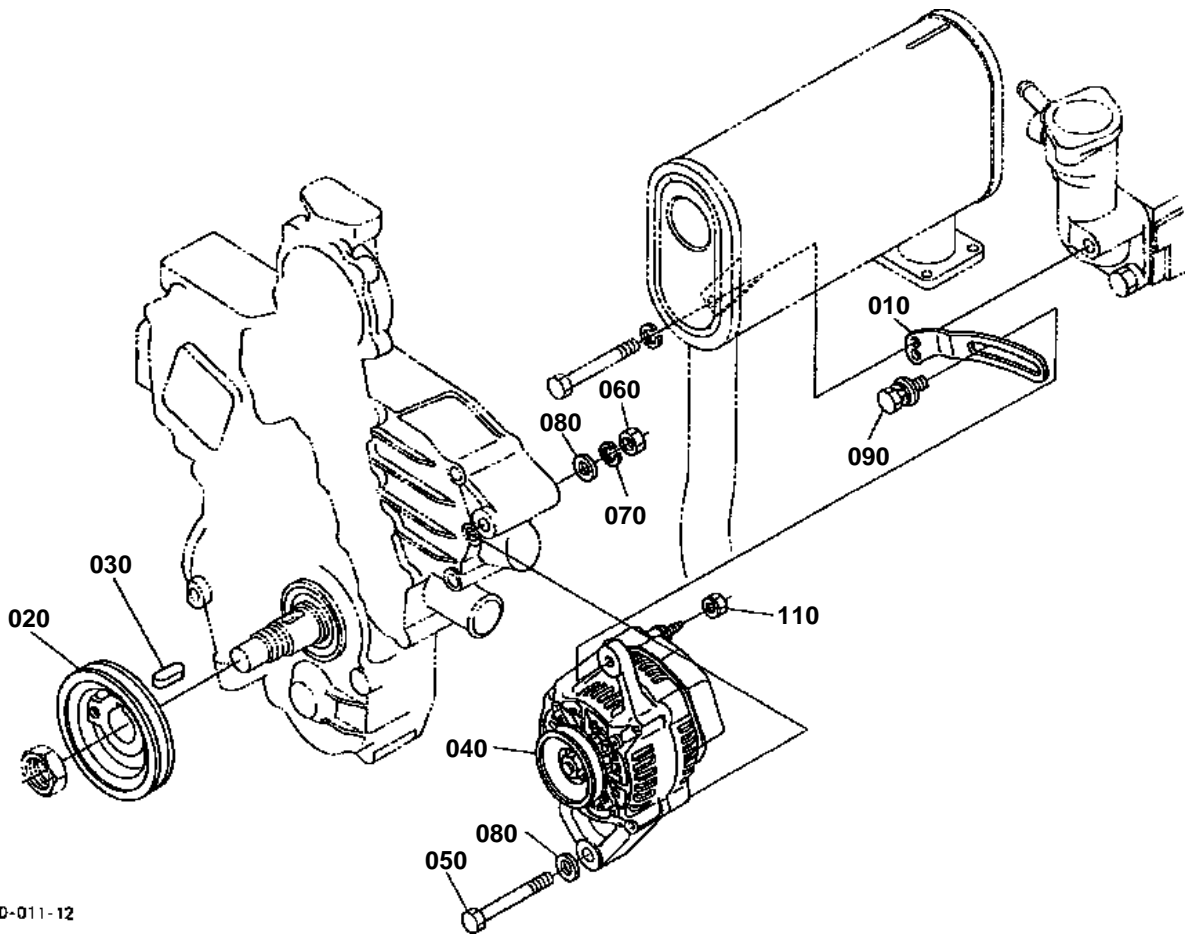


RESERVE TANK

↔ Interchangeable; ≠ not interchangeable; ← new for old; → old for new

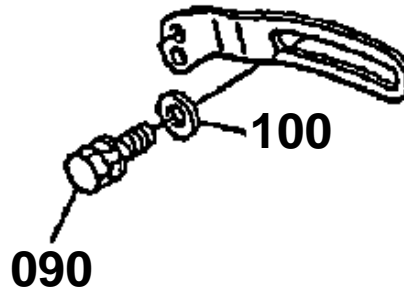
REF.No	Part No.	Description	Q'ty	S.No.	I/C	REMARKS	Weight (kgf)	Weight (lb)
010	68841-42360	TANK RESERVE	1				0.48	1.056
020	15272-72420	CAP	1				0.03	0.066
030	15531-72432	GASKET	1				0.002	0.0044
040	17325-72440	PIPE WATER OVER FLOW	1				0.065	0.143
050	68111-42390	PIPE WATER OVER FLOW	1				0.04	0.088
060	15501-72470	CLIP PIPE	2				0.005	0.011
070	15501-88210	LABEL CAUTION	1				0.005	0.011
080	T0070-16710	STAY RESERVE TANK	1				0.09	0.198
090	01754-50816	BOLT FLANGE	2				0.011	0.0242

ALTERNATOR

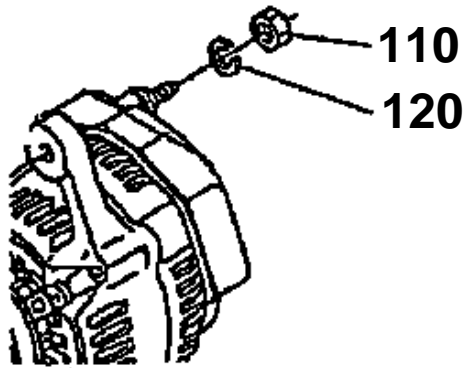


TC030-011-12

090 01123-50830
100 04015-60080



110 02056-50060
120 04512-60060



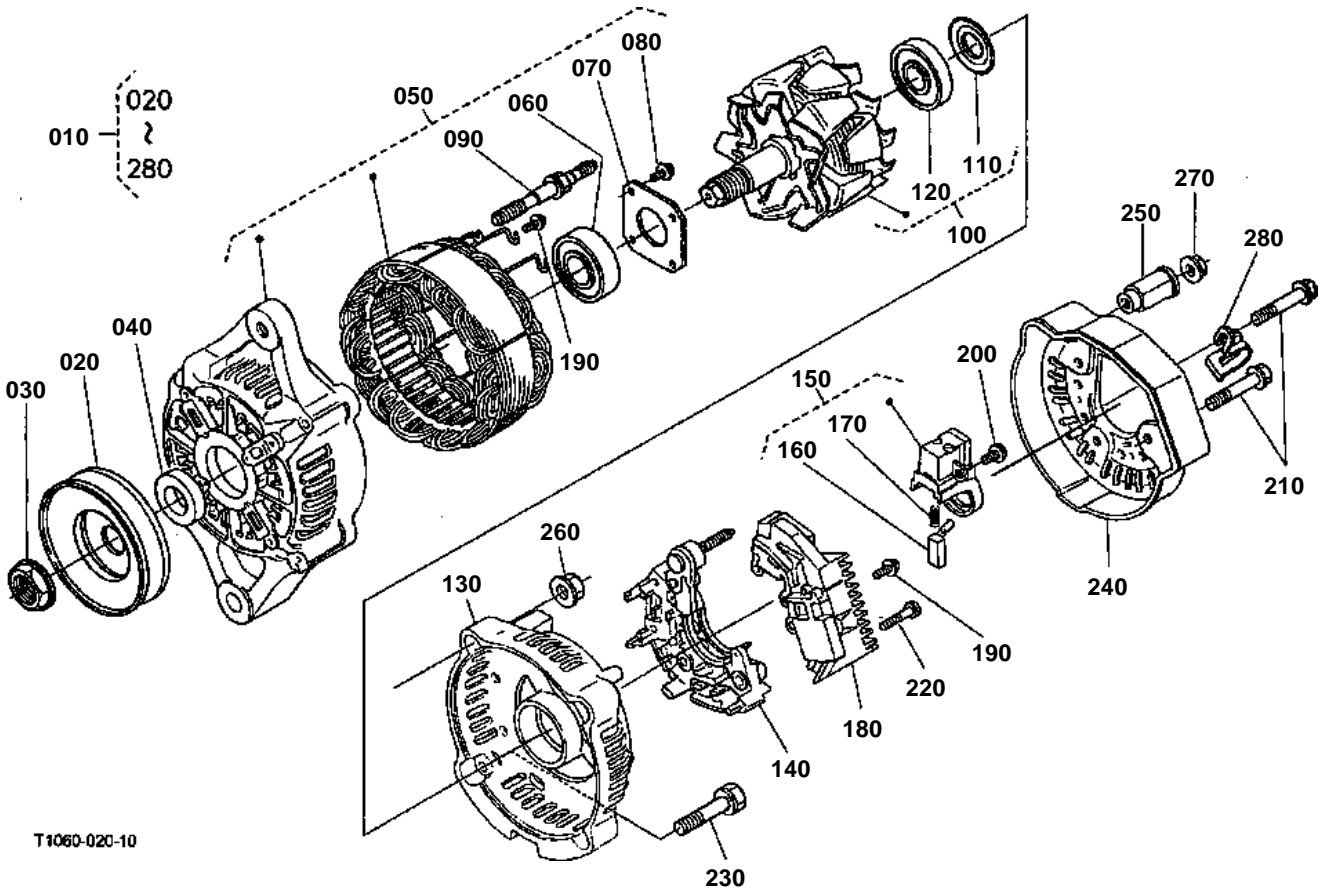
TC030-800-11

**ALTERNATOR**

↔ Interchangeable; ≠ not interchangeable; ← new for old; → old for new

REF.No	Part No.	Description	Q'ty	S.No.	I/C	REMARKS	Weight (kgf)	Weight (lb)
010	TA040-74020	STAY ALTERNATOR	1				0.09	0.198
020	17371-74280	PULLEY FAN DRIVE	1				0.98	2.156
030	05712-00720	KEY FEATHER	1				0.008	0.0176
040	T1060-15600	ASSY ALTERNATOR	1	≤10271			0	0
040	T1060-15603	ASSY ALTERNATOR	1	≥10272	←		2.5	5.5
040	T1060-15680	ASSY ALTERNATOR	1	≥10379	←		3.05	6.71
050	01173-51000	BOLT	1				0.06	0.132
060	02176-50100	NUT	1				0.005	0.011
070	04512-60100	WASHER SPRING	1				0.002	0.0044
080	04013-60100	WASHER PLAIN	2				0.003	0.0066
090	01123-50830	BOLT	1	≤10271			0.015	0.033
090	01127-50830	BOLT	1	≥10272	←		0.023	0.0506
100	04015-60080	WASHER PLAIN	1	≤10271			0.01	0.022
110	02056-50060	NUT	1	≤10426			0.002	0.0044
110	12264-92020	NUT SPRING WASHER M	1	≥10427	≠		0.05	0.11
120	04512-60060	WASHER SPRING	1	≤10426			0.001	0.0022

ALTERNATOR [COMPONENT PARTS]



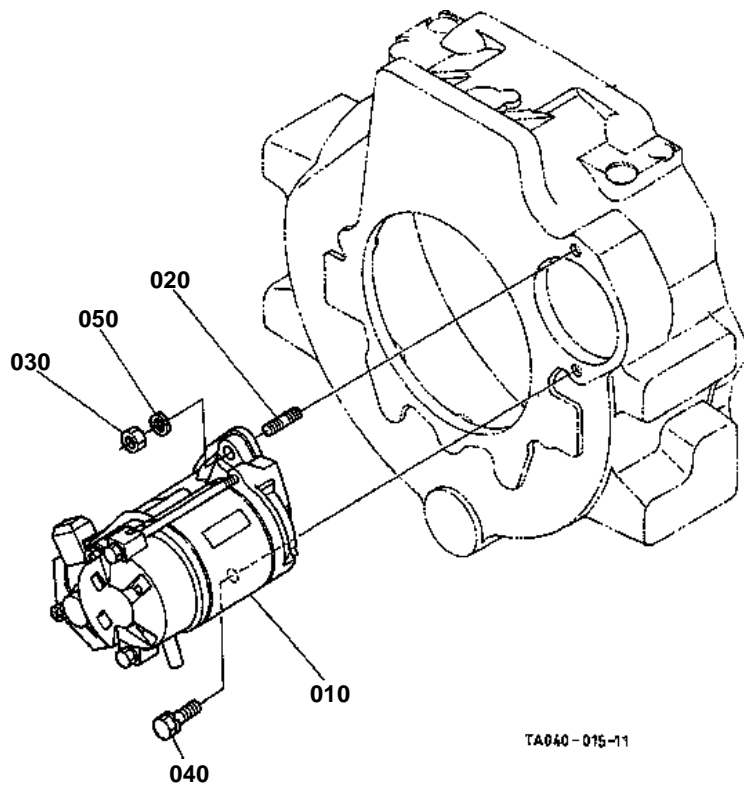


ALTERNATOR [COMPONENT PARTS]

↔ Interchangeable; ≠ not interchangeable; ← new for old; → old for new

REF.No	Part No.	Description	Q'ty	S.No.	I/C	REMARKS	Weight (kgf)	Weight (lb)
010	T1060-15600	ASSY ALTERNATOR	1	≤10271			0	0
010	T1060-15603	ASSY ALTERNATOR	1	≥10272	←		2.5	5.5
010	T1060-15680	ASSY ALTERNATOR	1	≥10332	←		3.05	6.71
020	16427-64110	PULLEY ALTERNATOR	1				0.2	0.44
030	15881-92010	NUT	1				0.02	0.044
040	15881-64150	COLLAR	1				0.004	0.0088
050	T1060-15620	ASSY FRAME DRIVE END	1	≤10271			1.11	2.442
050	66436-64020	ASSY FRAME DRIVE END	1	≥10272	≠		1.11	2.442
060	16652-64780	BEARING BALL	1				0.05	0.11
070	15881-64710	PLATE RETAINER	1				0.01	0.022
080	15881-93010	SCREW ROUND HEAD	4				0.003	0.0066
090	15881-64260	BOLT THROUGH	2				0.01	0.022
100	66436-64040	ROTOR	1				1.2	2.64
110	15881-64800	COVER BEARING	1				0.001	0.0022
120	16652-64770	BEARING BALL	1				0.045	0.099
130	16241-64060	FRAME END	1				0.2	0.44
140	16241-64850	ASSY RECTIFIER	1				0.16	0.352
150	16652-64310	HOLDER BRUSH	1				0.025	0.055
160	15881-64090	BRUSH	2				0.002	0.0044
170	15881-64330	SPRING BRUSH	2				0.002	0.0044
180	16483-64600	ASSY REGULATOR	1	≤10331			0.08	0.176
180	66436-64600	ASSY REGULATOR	1	≥10332	←		0.08	0.176
190	15881-93030	SCREW ROUND HEAD	6				0.003	0.0066
200	15881-93040	SCREW ROUND HEAD	1				0.003	0.0066
210	15881-91040	BOLT	3				0.005	0.011
220	15881-93020	SCREW ROUND HEAD	2				0.005	0.011
230	15881-91050	BOLT	2				0.01	0.022
240	16241-64230	COVER END	1	≤10271			0	0
240	16231-64230	COVER END	1	≥10272	≠		0.035	0.077
250	16241-64900	BUSH INSULATION	1				0.007	0.0154
260	15881-92020	NUT	2				0.02	0.044
270	14182-92030	NUT	1				0.003	0.0066
280	17369-67570	CLAMP CORD	1				0.001	0.0022

STARTER



TA040-015-11

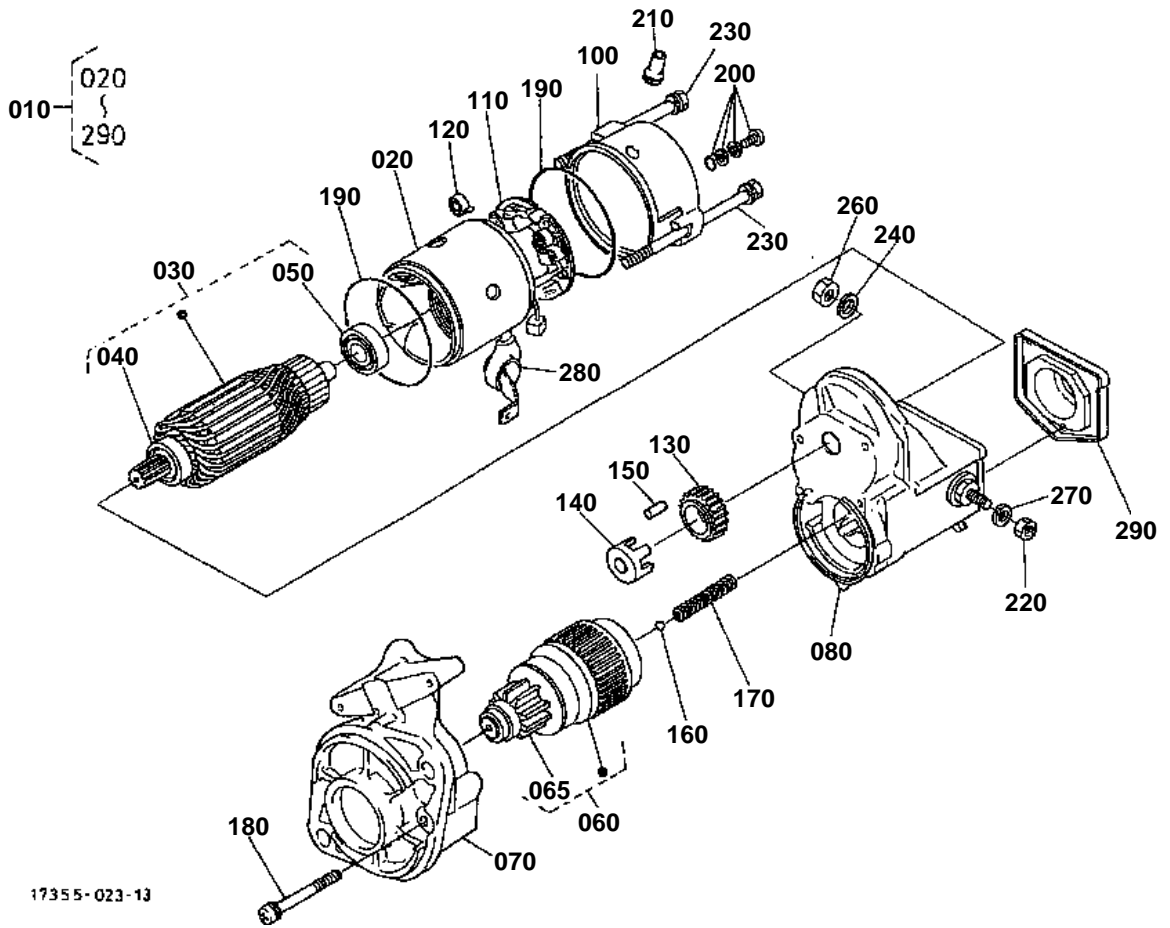


STARTER

↔ Interchangeable; ≠ not interchangeable; ← new for old; → old for new

REF.No	Part No.	Description	Q'ty	S.No.	I/C	REMARKS	Weight (kgf)	Weight (lb)
010	17341-63010	ASSY STARTER	1				3.65	8.03
020	01517-51028	STUD	1				0.022	0.0484
030	02176-50100	NUT	1				0.005	0.011
040	01133-51030	BOLT	1				0.025	0.055
050	04512-60100	WASHER SPRING	1				0.002	0.0044

STARTER [COMPONENT PARTS]



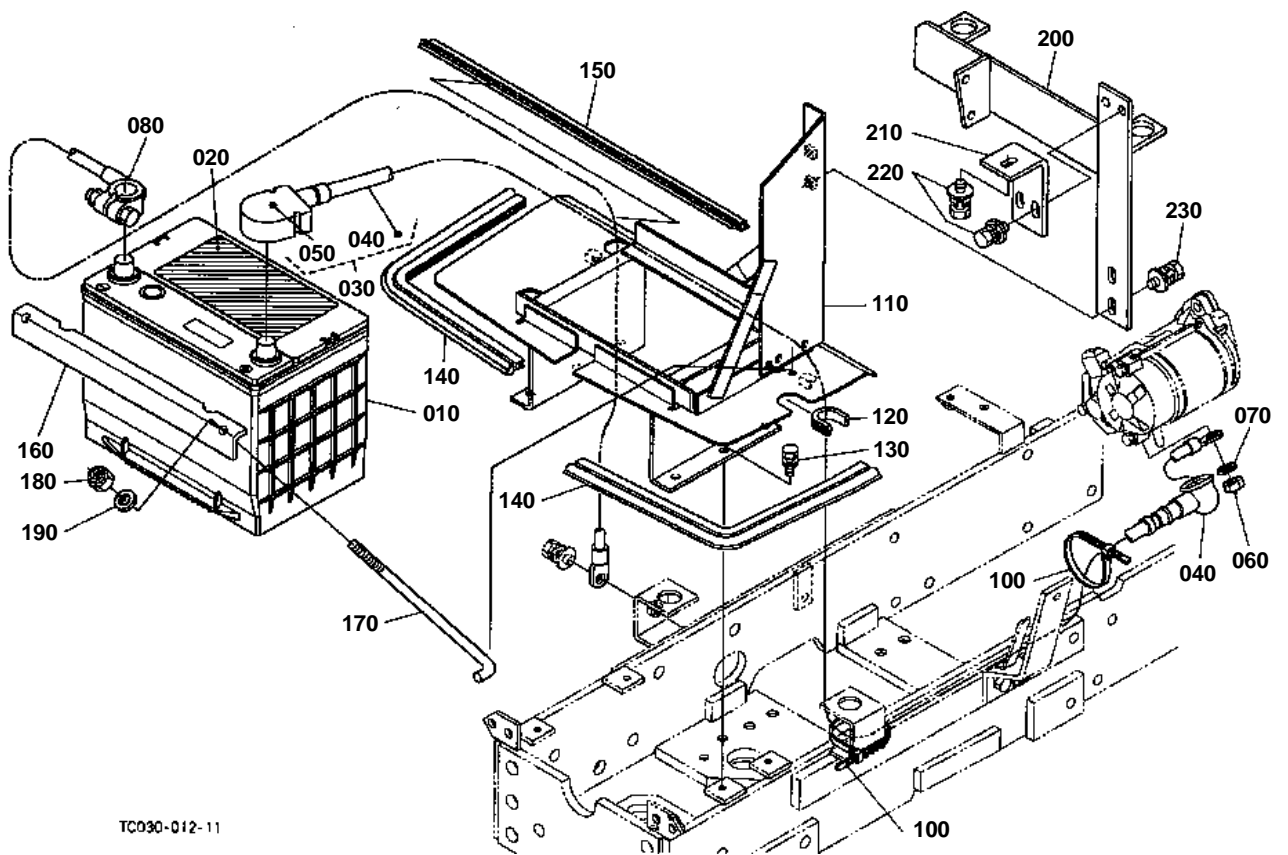


STARTER [COMPONENT PARTS]

↔ Interchangeable; ≠ not interchangeable; ← new for old; → old for new

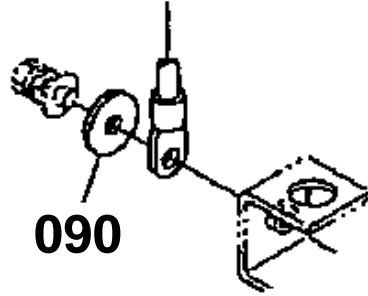
REF.No	Part No.	Description	Q'ty	S.No.	I/C	REMARKS	Weight (kgf)	Weight (lb)
010	17341-63010	ASSY STARTER	1				3.65	8.03
020	11197-63080	ASSY YOKE	1				0.92	2.024
030	11197-63070	ASSY ARMATURE	1				0.8	1.76
040	11460-63500	BEARING	1				0.03	0.066
050	11460-63530	BEARING	1				0.02	0.044
060	17341-63040	CLUTCH OVER RUNNING	1				0.2	0.44
065	17381-63280	PINION BEVEL	1				0.07	0.154
070	17341-63030	FRAME DRIVE END	1				0.44	0.968
080	15621-63020	ASSY SWITCH MAGNETIC	1				1.17	2.574
090	99999-99999	BLANK	0				0	0
100	17341-63200	FRAME END	1				0.13	0.286
110	17381-63380	ASSY HOLDER BRUSH	1				0.05	0.11
120	15401-63390	SPRING BRUSH	4				0.003	0.0066
130	11460-63270	GEAR	1				0.04	0.088
140	11460-63110	RETAINER	1				0.01	0.022
150	19212-63100	ROLLER	5				0.002	0.0044
160	19212-97130	BALL	1				0.003	0.0066
170	11460-63120	SPRING	1				0.01	0.022
180	11460-93310	BOLT	2				0.01	0.022
190	15511-96660	O RING	2				0.005	0.011
200	15511-63760	ASSY BOLT	2				0.005	0.011
210	16285-63570	PIPE DRAIN	1				0.005	0.011
220	13963-92010	NUT HEXAGON	1				0.005	0.011
230	11197-63320	BOLT	2				0.02	0.044
240	13801-94100	WASHER SPRING	1				0.002	0.0044
250	99999-99999	BLANK	0				0	0
260	16285-92010	NUT HEXAGON	1				0.005	0.011
270	04512-60080	WASHER SPRING	1				0.002	0.0044
280	11173-63130	COVER TERMINAL	1				0.007	0.0154
290	16285-98050	ASSY COVER	1				0.048	0.1056

BATTERY



TC030-012-11

090 04015-60080



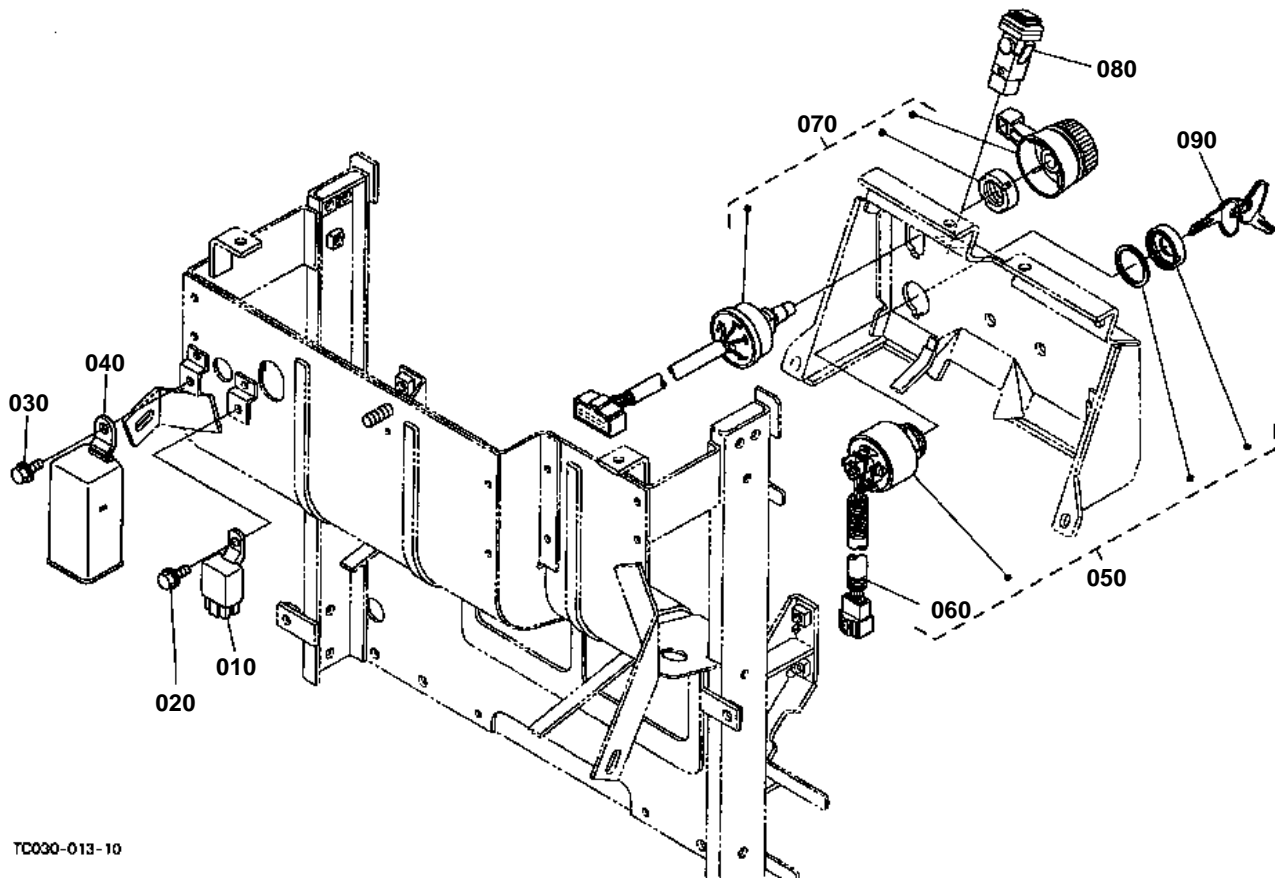
TC030-801-10

**BATTERY**

↔ Interchangeable; ≠ not interchangeable; ← new for old; → old for new

REF.No	Part No.	Description	Q'ty	S.No.	I/C	REMARKS	Weight (kgf)	Weight (lb)
010	99999-99999	BATTERY	1			80D26L	0	0
020	TC030-30120	LABEL BATTERY	1				0.003	0.0066
030	TA240-30120	CORD BATTERY	1				0.485	1.067
040	T0070-30130	CAP	1				0.015	0.033
050	T0070-30140	CAP	1				0.012	0.0264
060	02114-50080	NUT	1				0.005	0.011
070	04512-60080	WASHER SPRING	1				0.002	0.0044
080	37220-33380	CORD EARTH	1				0.21	0.462
090	04015-60080	WASHER PLAIN	1	←=10271			0.01	0.022
100	55311-41260	BAND CORD	2				0.007	0.0154
110	TC030-45710	SUPPORT BATTERY	1				3.6	7.92
120	30430-82770	CUSHION	1				0.005	0.011
130	01123-60816	BOLT	4				0.01	0.022
140	TC030-42330	SHIELD	2				0.05	0.11
150	TC030-42340	SHIELD	1				0.06	0.132
160	TC020-33110	HOLDER BATTERY	1				0.22	0.484
170	38240-33295	BOLT HOOK	2				0.05	0.11
180	02552-50060	NUT LOCK	2				0.002	0.0044
190	04015-60060	WASHER PLAIN	2				0.005	0.011
200	TC030-45960	SUPPORT BONNET	1				1.335	2.937
210	TC030-45950	SUPPORT BONNET	1				0.15	0.33
220	01125-60820	BOLT	3				0.015	0.033
230	01125-60820	BOLT	2				0.015	0.033
240	44366-68380	BAND CORD	1				0.01	0.022

SWITCH 1



TC030-013-10

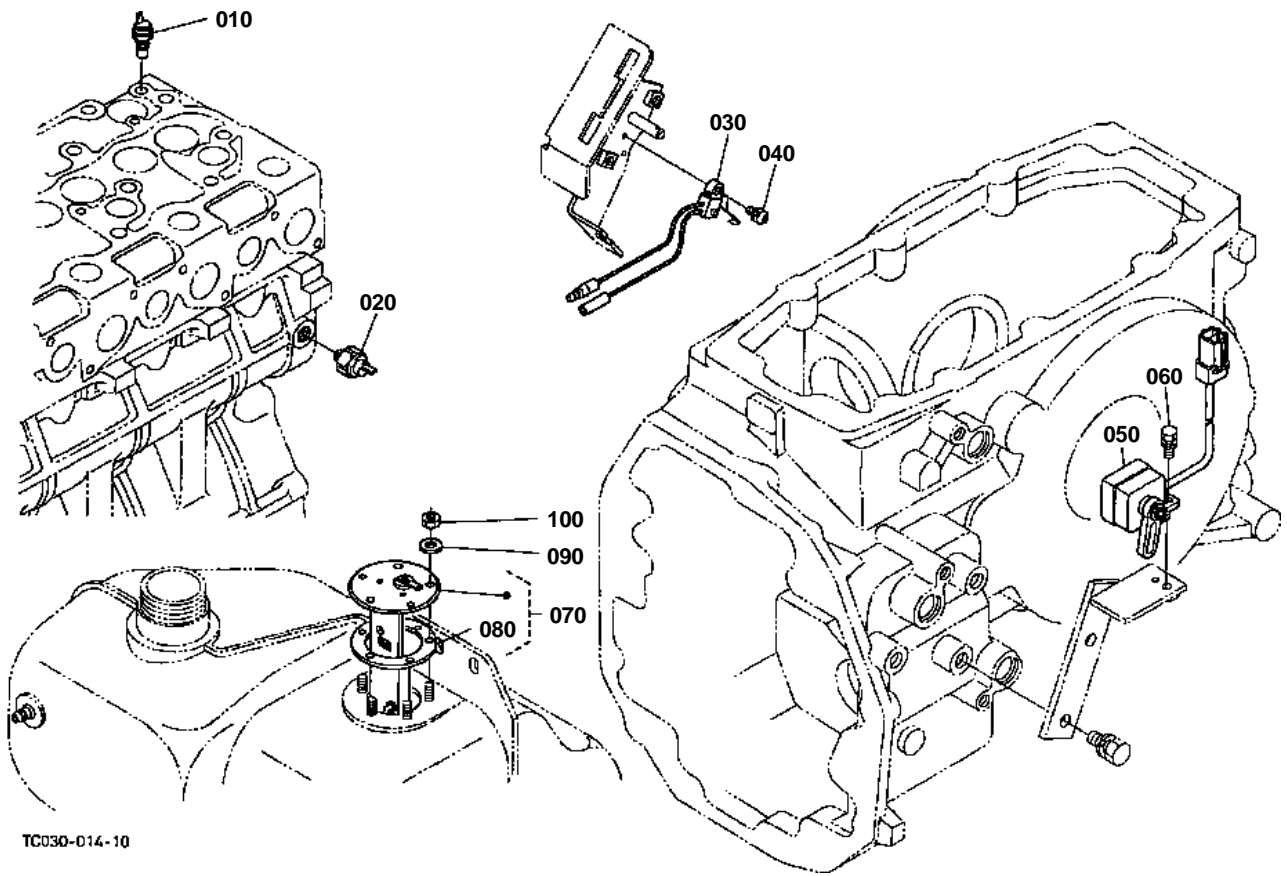


SWITCH 1

↔ Interchangeable; ≠ not interchangeable; ← new for old; → old for new

REF.No	Part No.	Description	Q'ty	S.No.	I/C	REMARKS	Weight (kgf)	Weight (lb)
010	68881-53540	COMP.RELAY	1				0.04	0.088
020	01754-50610	BOLT FLANGE	1				0.006	0.0132
030	01754-50610	BOLT FLANGE	1	≤10271			0.006	0.0132
030	01754-50612	BOLT FLANGE	1	≥10272	←		0.005	0.011
040	3F240-75430	UNIT FLASHER	1				0.06	0.132
050	TC020-31820	SWITCH MAIN	1				0.242	0.5324
060	35080-31830	HARNESS MAIN SWITCH	1				0.02	0.044
070	31351-32100	SWITCH COMBINATION	1				0.105	0.231
080	TA140-30910	SWITCH HAZARD	1				0.115	0.253
090	35260-31852	ASSY KEY MAIN SWITCH	1				0.08	0.176

SWITCH 2



TC030-014-10

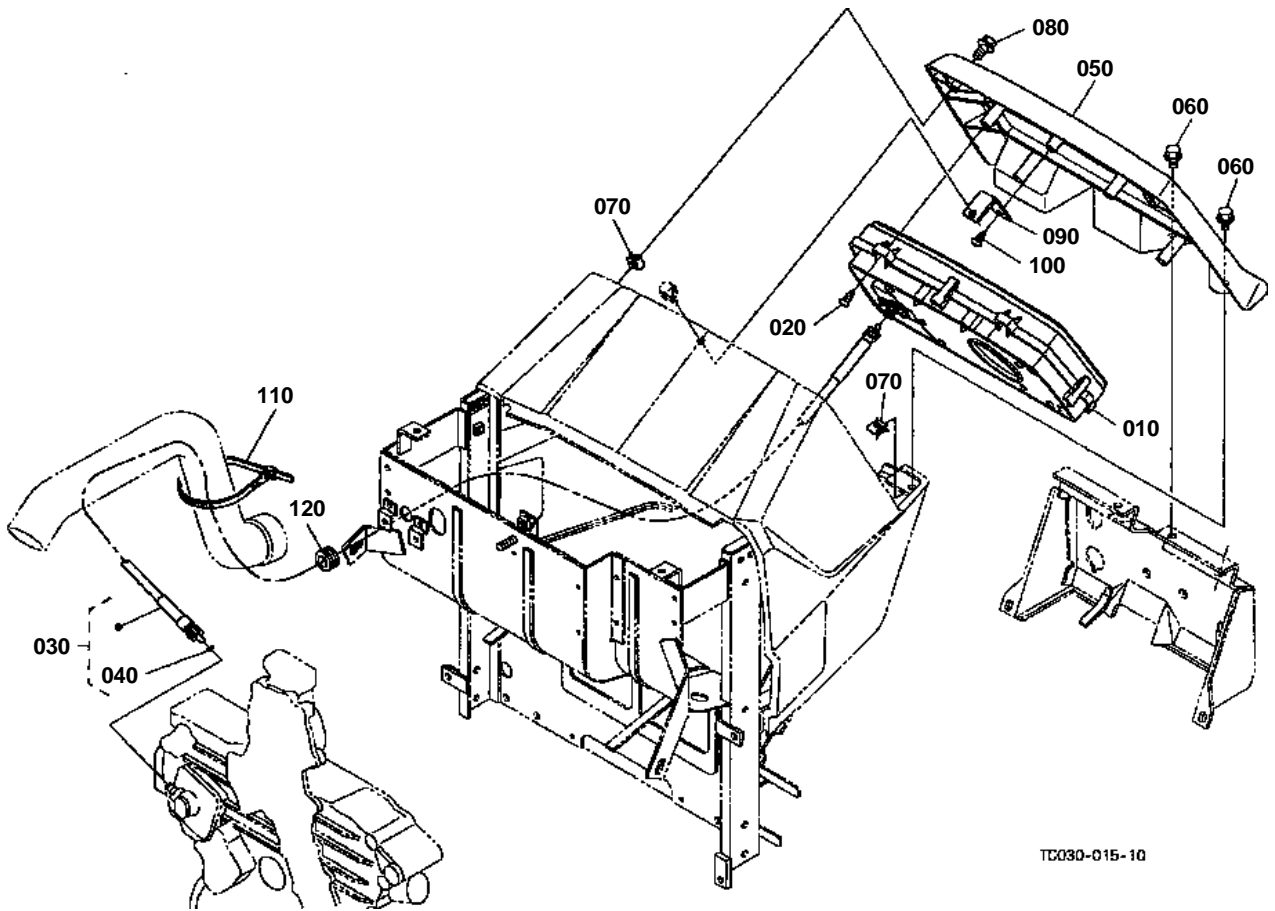


SWITCH 2

↔ Interchangeable; ≠ not interchangeable; ← new for old; → old for new

REF.No	Part No.	Description	Q'ty	S.No.	I/C	REMARKS	Weight (kgf)	Weight (lb)
010	32330-32830	SENSOR WATER TEMP.	1				0.01	0.022
020	15531-39010	SWITCH OIL	1				0.032	0.0704
030	TA040-43900	SWITCH LEVER	1				0.008	0.0176
040	03024-50414	SCREW WITH WASHER	1				0.002	0.0044
050	T1060-42784	SWITCH	1	≤10243		NOT SALE	0	0
050	T1060-42785	SWITCH	1	≥10244	←	NOT SALE	0.065	0.143
050	T1060-42786	SWITCH	1	≥10291	←		0.135	0.297
060	01023-50616	BOLT	1				0.005	0.011
070	TC020-31202	UNIT FUEL	1				0.15	0.33
080	6A320-85812	GASKET GAUGE	1				0.005	0.011
090	04013-60050	WASHER PLAIN	5				0.001	0.0022
100	02054-50050	NUT	5				0.002	0.0044

PANEL BOARD



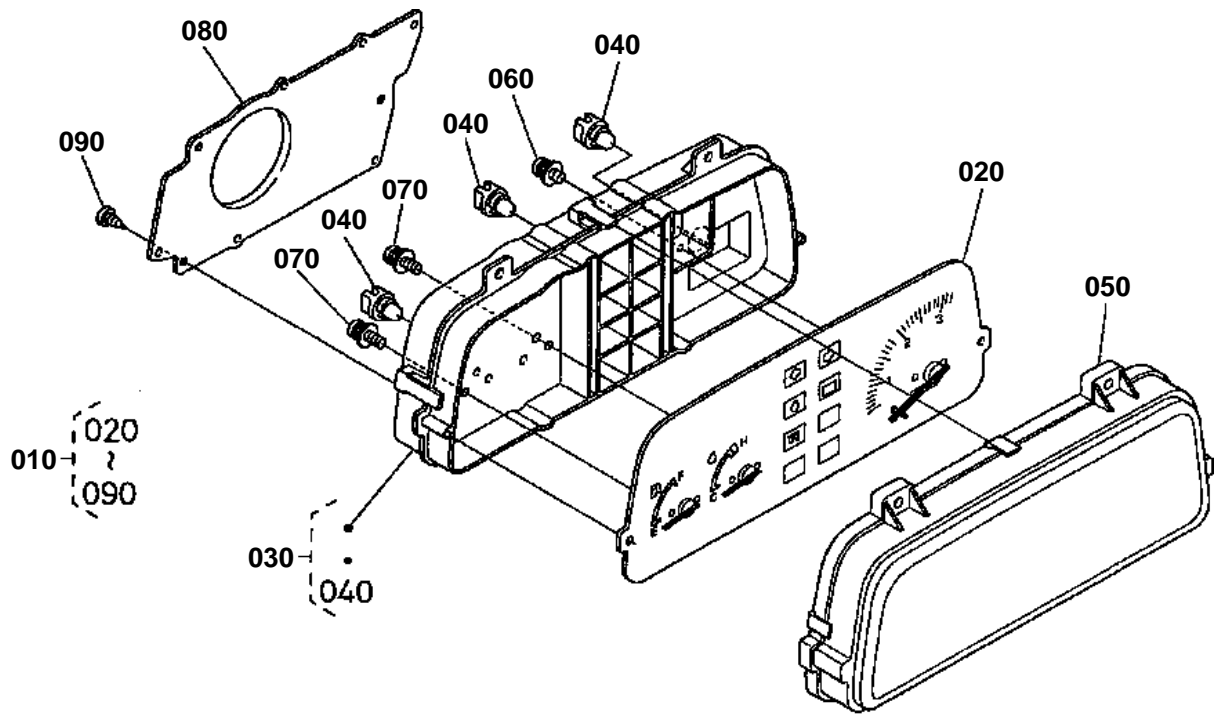


PANEL BOARD

↔ Interchangeable; ≠ not interchangeable; ← new for old; → old for new

REF.No	Part No.	Description	Q'ty	S.No.	I/C	REMARKS	Weight (kgf)	Weight (lb)
010	TC020-30210	ASSY PANEL	1				0.8	1.76
020	03614-50620	SCREW TAPPING	4				0.003	0.0066
030	TA040-30610	ASSY CABLE FLEXIBLE	1				0.25	0.55
040	04811-10080	O RING	1				0.001	0.0022
050	TC020-43020	COVER METER PANEL	1				0.4	0.88
060	30400-19060	BOLT FLANGE	4				0.006	0.0132
070	38240-29250	NUT SPRING	4				0.005	0.011
080	TA049-18870	BOLT FLANGE	2				0.008	0.0176
090	TC020-43030	STAY METER COVER	1				0.012	0.0264
100	03614-50616	SCREW TAPPING	1				0.004	0.0088
110	55311-41260	BAND CORD	1				0.007	0.0154
120	37410-51760	GROMMET	1				0.003	0.0066

PANEL BOARD [COMPONENT PARTS]



TC020-021-10

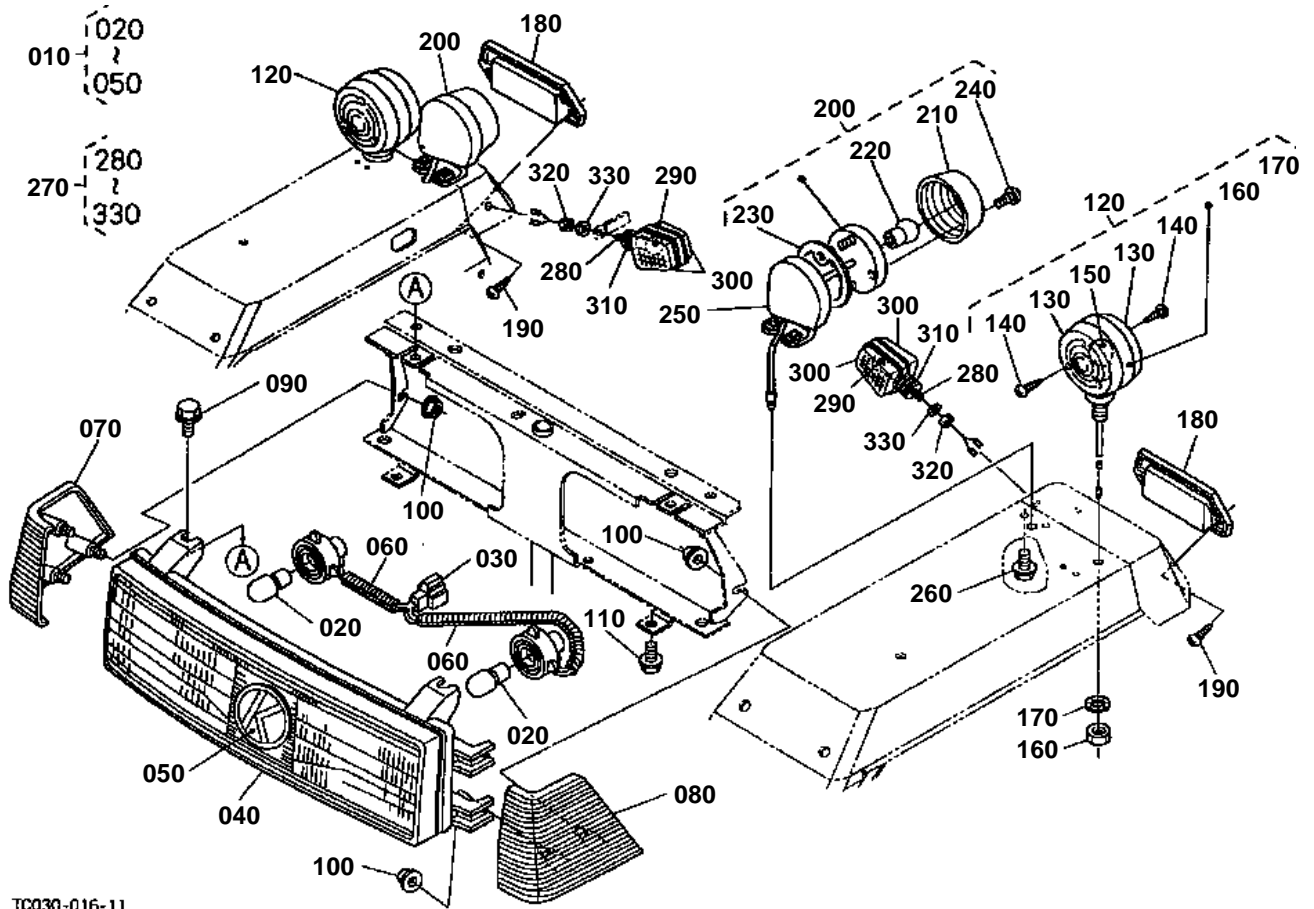


PANEL BOARD [COMPONENT PARTS]

↔ Interchangeable; ≠ not interchangeable; ← new for old; → old for new

REF.No	Part No.	Description	Q'ty	S.No.	I/C	REMARKS	Weight (kgf)	Weight (lb)
010	TC020-30210	ASSY PANEL	1				0.8	1.76
020	TC020-30220	COMP.METER	1				0.37	0.814
030	TC020-30250	ASSY CASE	1				0.31	0.682
040	6C040-55140	ASSY BULB	7			1.7W	0.003	0.0066
050	TC020-30260	GLASS	1				0.175	0.385
060	6C040-55150	SCREW	2				0.002	0.0044
070	6C040-55160	SCREW	6				0.002	0.0044
080	TC020-30270	COVER	1				0.075	0.165
090	6C040-55180	SCREW	3				0.003	0.0066

LIGHT



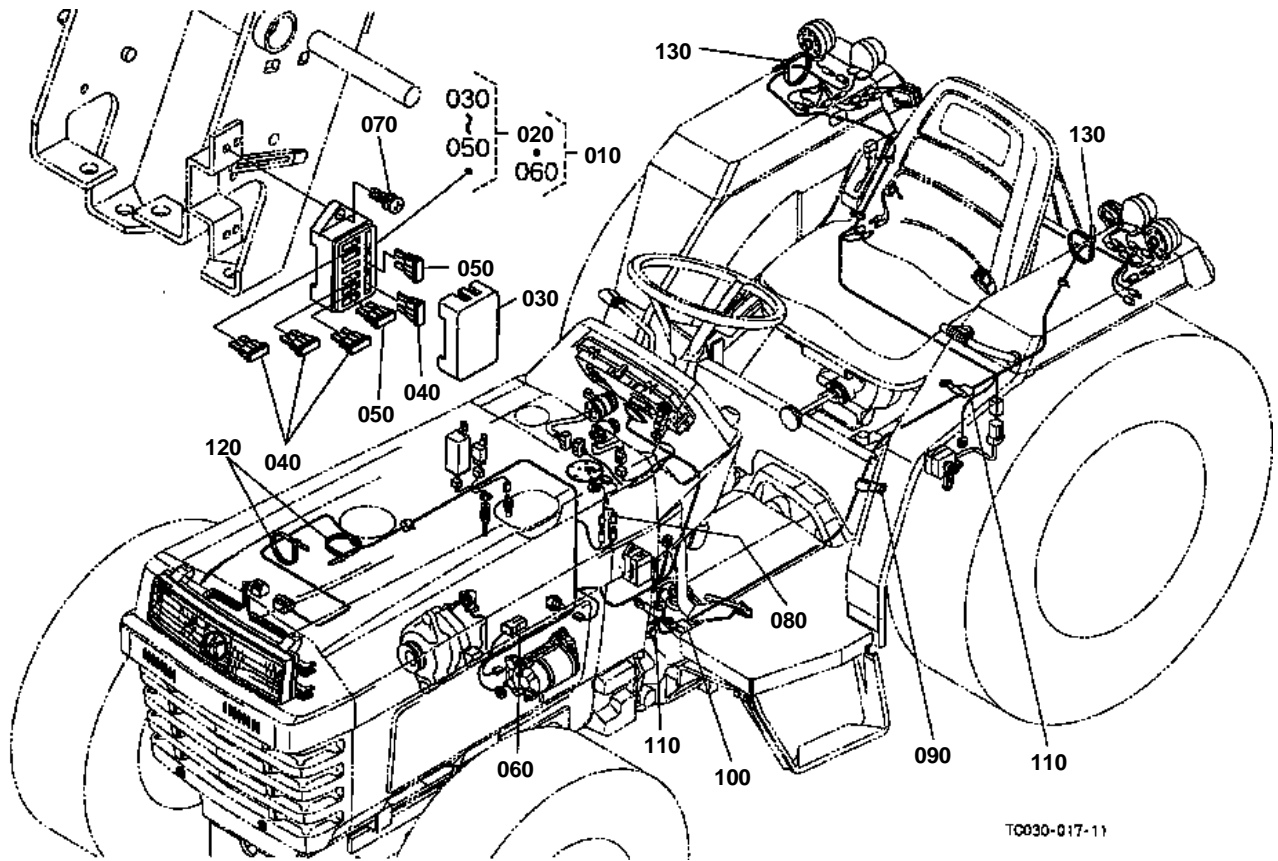
TC030-016-11

**LIGHT**

↔ Interchangeable; ≠ not interchangeable; ← new for old; → old for new

REF.No	Part No.	Description	Q'ty	S.No.	I/C	REMARKS	Weight (kgf)	Weight (lb)
010	TA140-99060	ASSY LIGHT HEAD	1				0.68	1.496
020	34070-99010	BULB	2			25W	0.02	0.044
030	T0270-99090	ASSY WIRE HARNESS	1				0.05	0.11
040	TA140-99100	UNIT LAMP	1				0.6	1.32
050	TA140-49500	MARK SYMBOL	1				0.013	0.0286
060	32721-63150	TUBE PIPE	2				0.003	0.0066
070	TC020-99070	GRILLE LIGHT RH	1				0.097	0.2134
080	TC020-99080	GRILLE LIGHT LH	1				0.097	0.2134
090	30400-19060	BOLT FLANGE	2				0.006	0.0132
100	02761-50050	NUT FLANGE	6				0.002	0.0044
110	01754-50612	BOLT FLANGE	2				0.005	0.011
120	32530-33610	ASSY LIGHT HAZARD	2				0.5	1.1
130	32530-91510	LENS HAZARD LIGHT	4				0.085	0.187
140	32530-91520	SCREW TAPPING	12				0.001	0.0022
150	32530-91530	BULB LIGHT	2			27W	0.02	0.044
160	02114-50100	NUT	2				0.005	0.011
170	04411-50100	WASHER TOOTHED	2				0.001	0.0022
180	31351-33900	ASSY REFLECTOR	2				0.088	0.1936
190	03514-50510	SCREW TAPPING	4				0.002	0.0044
200	34350-34100	ASSY LIGHT TAIL	2				0.13	0.286
210	34350-34120	LENS TAIL LIGHT	2				0.05	0.11
220	34350-34140	BULB TAIL LIGHT	2			23W/8W	0.008	0.0176
230	34350-99220	GASKET LENS	2				0.01	0.022
240	03056-50335	SCREW	2				0.001	0.0022
250	32480-34190	HOLDER TAIL LIGHT	2				0.15	0.33
260	01754-50612	BOLT FLANGE	4				0.005	0.011
270	37410-52290	ASSY WINKER LAMP	2	≧10379			0.145	0.319
270	TC020-52290	LAMP TURN SIGNAL	2	≧10601	←		0.11	0.242
280	37410-52710	ASSY BODY	2	≧10379			0.055	0.121
280	TC020-52710	ASSY BODY	2	≧10601	←		0.055	0.121
290	37410-52720	BULB	2	≧10379		12V20W	0.02	0.044
300	37410-52730	LENS	2	≧10379			0.025	0.055
310	37410-52740	GASKET	2	≧10379			0.025	0.055
310	TC020-52740	GASKET	2	≧10601	←		0.02	0.044
320	02116-50100	NUT	2	≧10379			0.004	0.0088
330	04411-50100	WASHER TOOTHED	2	≧10379			0.001	0.0022

ELECTRICAL WIRING



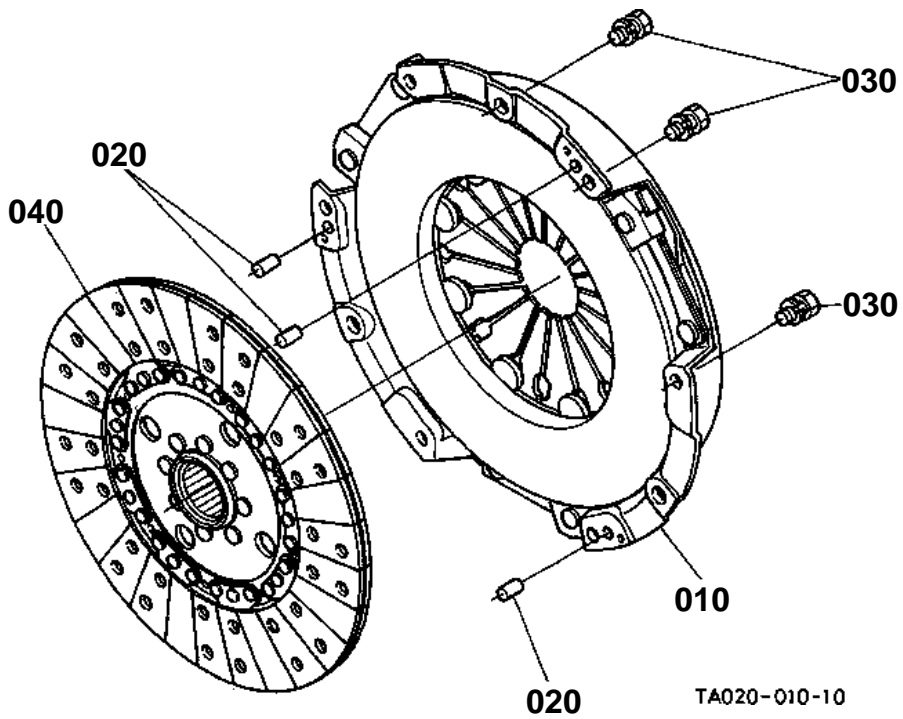


ELECTRICAL WIRING

↔ Interchangeable; ≠ not interchangeable; ← new for old; → old for new

REF.No	Part No.	Description	Q'ty	S.No.	I/C	REMARKS	Weight (kgf)	Weight (lb)
010	TC030-30313	WIRE HARNESS MAIN	1	<=10378			0	0
010	TC030-30314	WIRE HARNESS MAIN	1	>=10379	←		1.18	2.596
020	32330-34450	ASSY BOX FUSE	1				0.077	0.1694
030	32330-34460	COVER FUSE BOX	1				0.009	0.0198
040	31351-33630	FUSE	4			10A	0.002	0.0044
050	31351-33640	FUSE	2			15A	0.002	0.0044
060	34670-34530	FUSE	1			40A	0.003	0.0066
070	31391-31140	SCREW	2				0.01	0.022
080	32330-34390	WIRE HARNESS F.TANK	1				0.014	0.0308
090	13824-67580	CLAMP CORD	1				0.006	0.0132
100	13816-67580	CLAMP CORD	1				0.004	0.0088
110	35340-29380	CLAMP CORD	2				0.01	0.022
120	55311-41260	BAND CORD	2				0.007	0.0154
130	53581-64150	BAND CORD	2				0.002	0.0044

CLUTCH



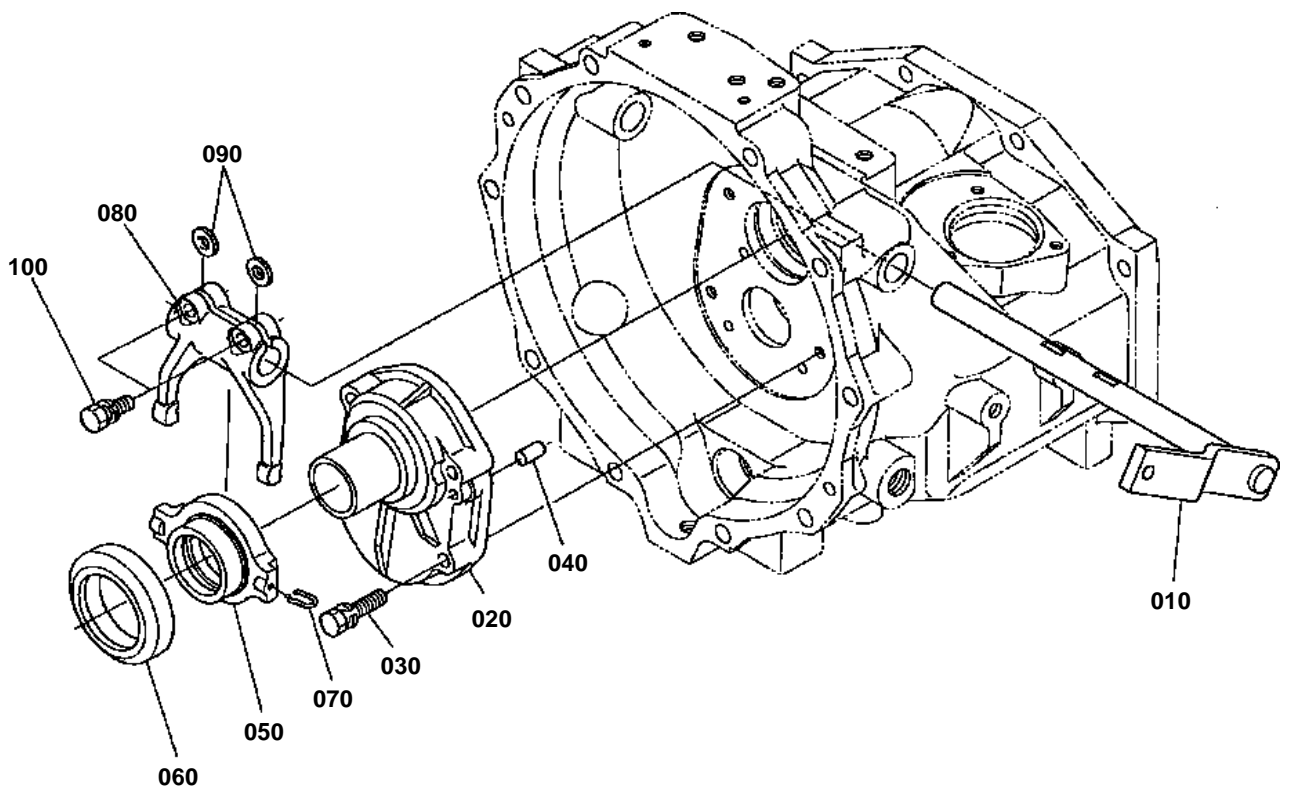


CLUTCH

↔ Interchangeable; ≠ not interchangeable; ← new for old; → old for new

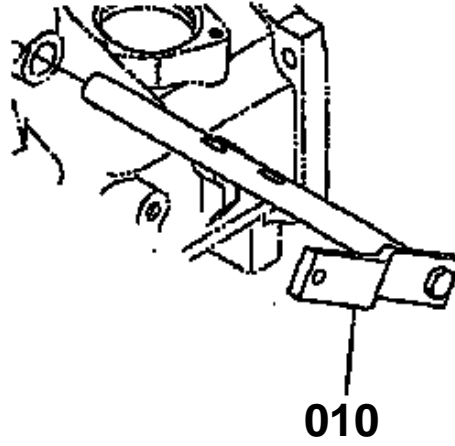
REF.No	Part No.	Description	Q'ty	S.No.	I/C	REMARKS	Weight (kgf)	Weight (lb)
010	TA020-20600	ASSY PLATE PRESSURE	1				6.5	14.3
020	05012-00612	PIN STRAIGHT	3				0.003	0.0066
030	01123-60816	BOLT	9				0.01	0.022
040	TA020-20500	COMP.DISK CLUTCH	1				1.045	2.299

CLUTCH LEVER



TC030-018-11

010 TC030-2117-0



TC030-809-10

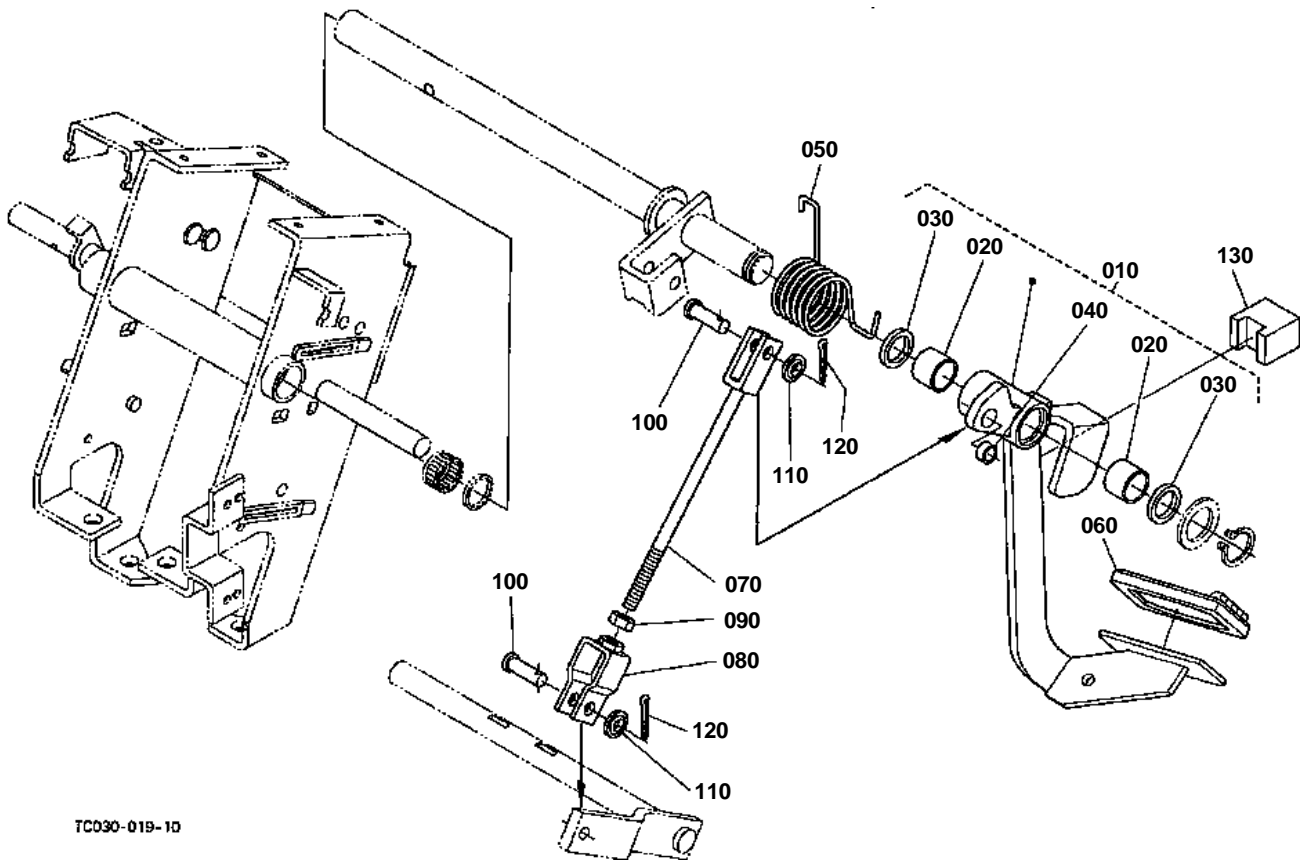


CLUTCH LEVER

↔ Interchangeable; ≠ not interchangeable; ← new for old; → old for new

REF.No	Part No.	Description	Q'ty	S.No.	I/C	REMARKS	Weight (kgf)	Weight (lb)
010	TC030-21170	LEVER CLUTCH	1	<=10378			0	0
010	TC030-21172	LEVER CLUTCH	1	>=10379	←		1.06	2.332
020	TA040-21100	CASE PROPELLER SHAFT	1				0.66	1.452
030	01123-50845	BOLT	4				0.02	0.044
040	05012-00818	PIN STRAIGHT	2				0.013	0.0286
050	TA040-21150	HOLDER CLUTCH	1				0.4	0.88
060	TA040-20700	BEARING RELEASE	1				0.28	0.616
070	TA040-21210	PIN SNAP	2				0.002	0.0044
080	TA040-21200	FORK CLUTCH RELEASE	1				0.54	1.188
090	31150-14780	KEY FORK	2				0.003	0.0066
100	01123-50825	BOLT	2				0.013	0.0286

CLUTCH PEDAL



TC030-019-10

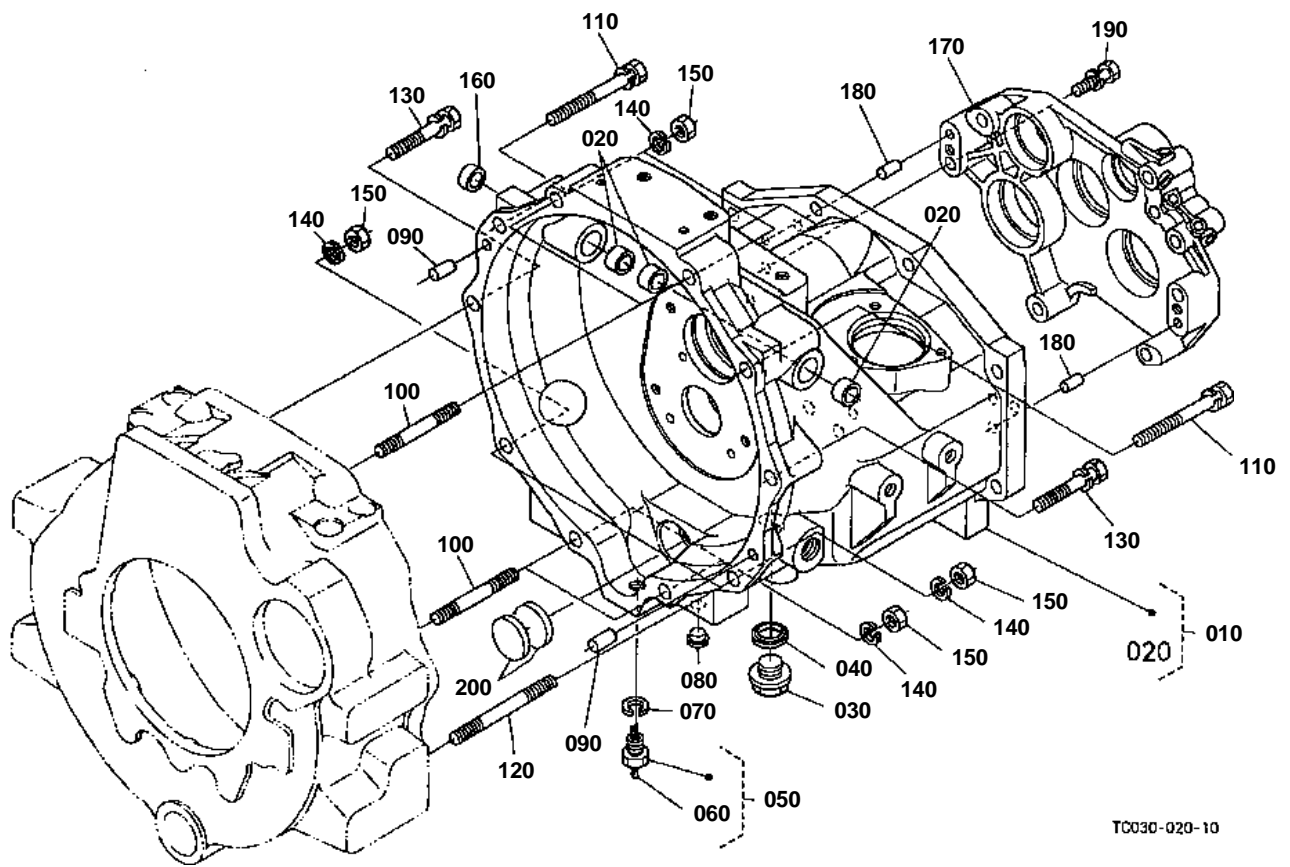


CLUTCH PEDAL

↔ Interchangeable; ≠ not interchangeable; ← new for old; → old for new

REF.No	Part No.	Description	Q'ty	S.No.	I/C	REMARKS	Weight (kgf)	Weight (lb)
010	TC030-44050	COMP.PEDAL CLUTCH	1				1.49	3.278
020	08511-02520	BUSH	2				0.02	0.044
030	34070-44140	SEAL OIL	2				0.005	0.011
040	TC030-44030	BUSH	1				0.001	0.0022
050	TC030-44160	SPRING	1				0.1	0.22
060	37410-44120	COVER PEDAL	1				0.08	0.176
070	TC030-44462	ROD CLUTCH	1				0.16	0.352
080	34070-44470	U JOINT	1				0.08	0.176
090	02176-50100	NUT	1				0.005	0.011
100	05122-61028	PIN JOINT	2				0.02	0.044
110	04717-01000	WASHER WITH RUBBER	2				0.001	0.0022
120	05511-50318	PIN SPLIT	2				0.001	0.0022
130	TC030-15950	SPACER CLUTCH	1				0.015	0.033

CLUTCH HOUSING



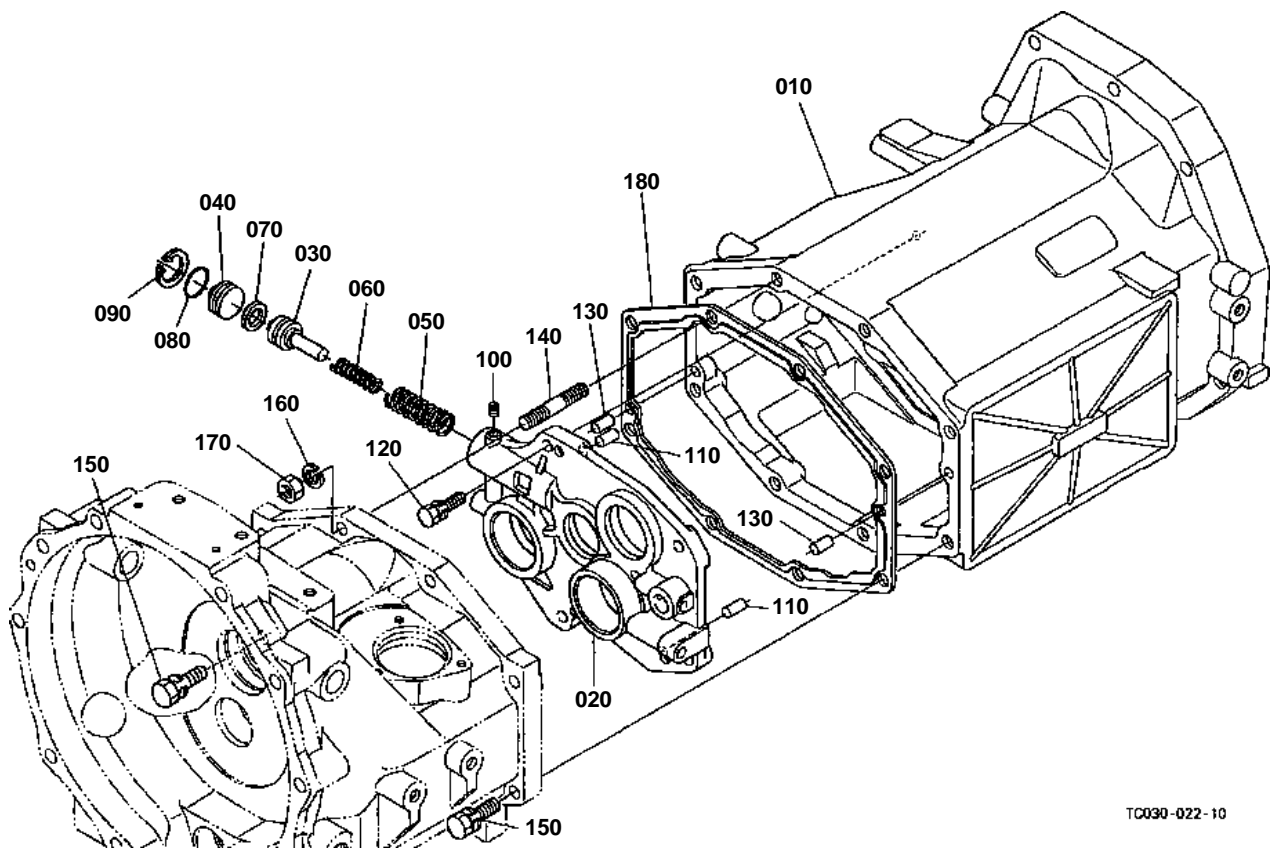


CLUTCH HOUSING

↔ Interchangeable; ≠ not interchangeable; ← new for old; → old for new

REF.No	Part No.	Description	Q'ty	S.No.	I/C	REMARKS	Weight (kgf)	Weight (lb)
010	TC030-99200	ASSY HOUSING CLUTCH	1				41	90.2
020	08511-01915	BUSH	3				0.01	0.022
030	15512-96010	PLUG DRAIN	1				0.101	0.2222
040	04717-02150	WASHER WITH RUBBER	1				0.004	0.0088
050	32430-14270	KIT PLUG	1				0.04	0.088
060	05511-50430	PIN SPLIT	1				0.004	0.0088
070	04512-60140	WASHER SPRING	1				0.008	0.0176
080	32210-27580	PLUG	10				0.001	0.0022
090	05012-01018	PIN STRAIGHT	2				0.012	0.0264
100	01574-51265	STUD	4				0.067	0.1474
110	01133-51295	BOLT	2				0.092	0.2024
120	01574-51285	STUD	2				0.085	0.187
130	01133-51265	BOLT	2				0.065	0.143
140	04512-60120	WASHER SPRING	6				0.005	0.011
150	02176-50120	NUT	6				0.01	0.022
160	31351-38720	PLUG	1				0.005	0.011
170	TC030-20250	HOLDER BEARING	1				3.9	8.58
180	05012-00818	PIN STRAIGHT	2				0.013	0.0286
190	01133-51055	BOLT	5				0.039	0.0858
200	34070-12230	PLUG	2				0.02	0.044

MID CASE



TC030-022-10

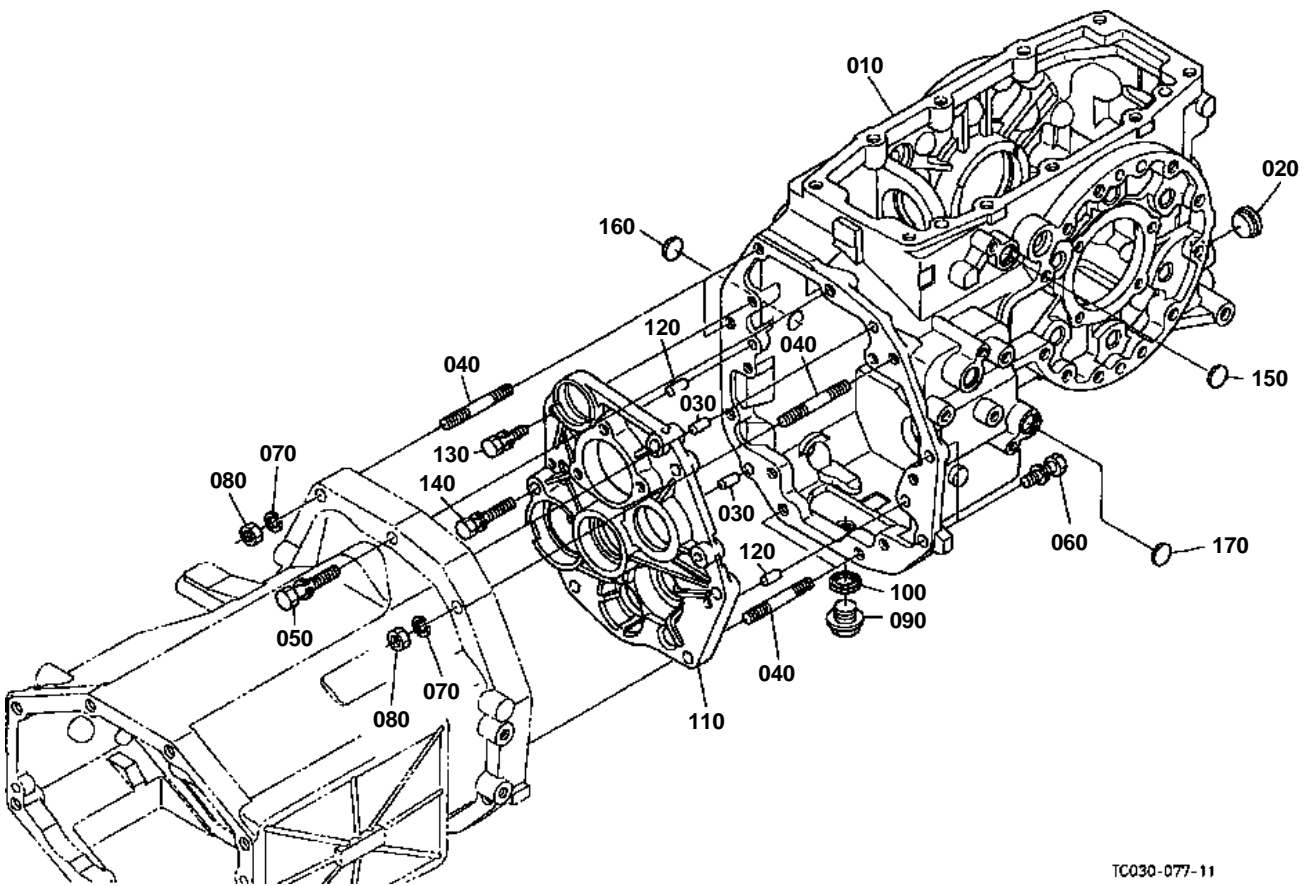


MID CASE

↔ Interchangeable; ≠ not interchangeable; ← new for old; → old for new

REF.No	Part No.	Description	Q'ty	S.No.	I/C	REMARKS	Weight (kgf)	Weight (lb)
010	TC030-20300	CASE MID I-PTO	1	<=10378			0	0
010	TC030-20303	CASE MID I-PTO	1	>=10379	←		39	85.8
020	TA040-69200	HOLDER	1				3.7	8.14
030	TA040-69210	PISTON	1				0.09	0.198
040	TA040-69220	COVER	1				0.06	0.132
050	TA040-69230	SPRING	1				0.039	0.0858
060	TA040-69240	SPRING	1				0.024	0.0528
070	34076-65170	SEAL PISTON	1				0.005	0.011
080	04811-06230	O RING	1				0	0
080	04817-06230	O RING	1		←		0.001	0.0022
080	04816-06230	O RING	1		←		0.002	0.0044
090	04611-00280	CIR CLIP INTERNAL	1				0.002	0.0044
100	32420-67380	PLUG	1				0.005	0.011
110	05012-00818	PIN STRAIGHT	2				0.013	0.0286
120	01133-51035	BOLT	4				0.03	0.066
130	05012-01018	PIN STRAIGHT	2				0.012	0.0264
140	35340-14182	STUD	6				0.05	0.11
150	01133-51240	BOLT	2	<=10632			0.05	0.11
150	01138-51240	BOLT	2	>=10633	←		0.046	0.1012
160	04512-60120	WASHER SPRING	6				0.005	0.011
170	35340-27360	NUT	6				0.015	0.033
180	TC030-90380	GASKET MID CASE	1				0.021	0.0462

TRANSMISSION CASE



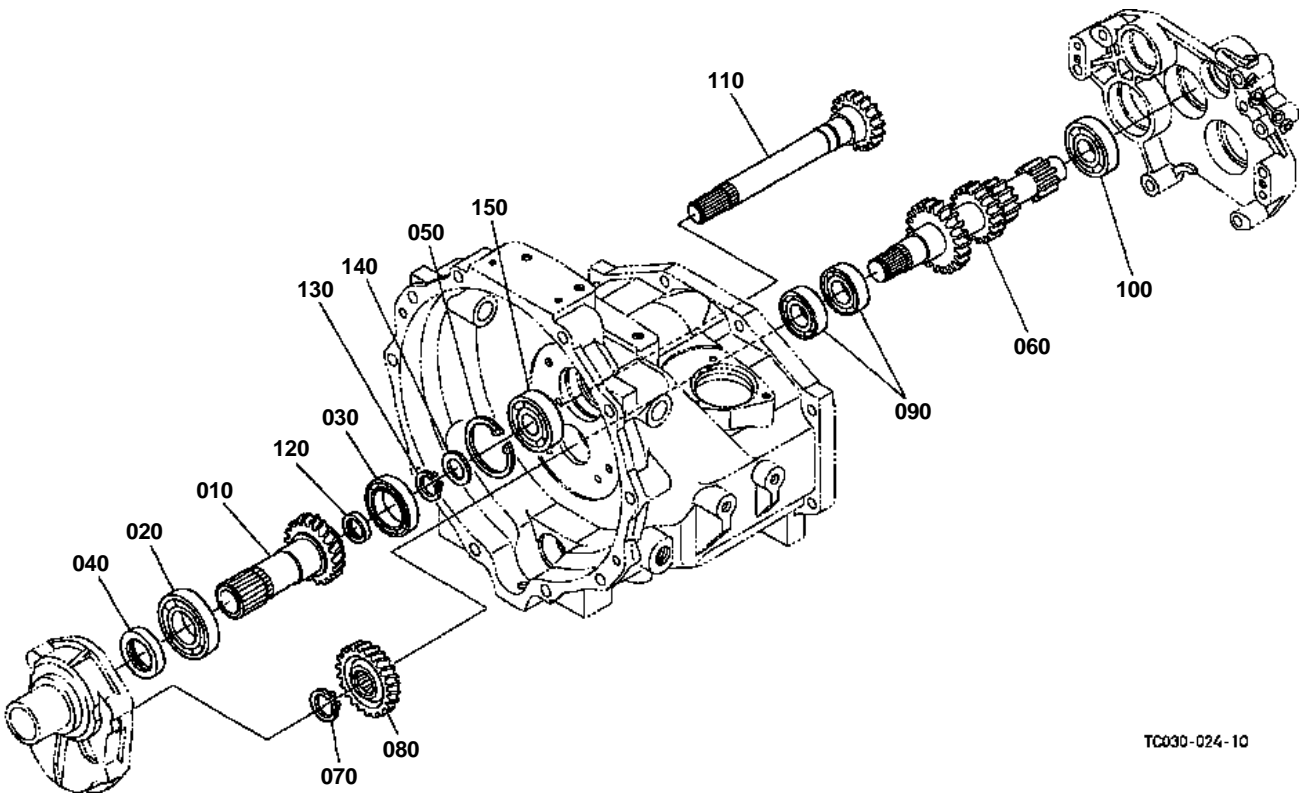


TRANSMISSION CASE

↔ Interchangeable; ≠ not interchangeable; ← new for old; → old for new

REF.No	Part No.	Description	Q'ty	S.No.	I/C	REMARKS	Weight (kgf)	Weight (lb)
010	TA040-20404	CASE TRANSMISSION	1	<=10378			41	90.2
010	TA040-20404	CASE TRANSMISSION	1	>=10379	←		41	90.2
020	31301-14230	GAUGE OIL	1				0.005	0.011
030	05012-01018	PIN STRAIGHT	2				0.012	0.0264
040	01574-61260	STUD	6				0.05	0.11
050	01133-51260	BOLT	1				0.06	0.132
060	01133-51235	BOLT	2				0.043	0.0946
070	04512-60120	WASHER SPRING	5				0.005	0.011
080	02176-50120	NUT	5				0.01	0.022
090	15512-96010	PLUG DRAIN	1				0.101	0.2222
100	04717-02150	WASHER WITH RUBBER	1				0.004	0.0088
110	TC030-20450	HOLDER BEARING	1				4.7	10.34
120	05012-01018	PIN STRAIGHT	2				0.012	0.0264
130	01133-51040	BOLT	5				0.03	0.066
140	01133-51060	BOLT	1				0.042	0.0924
150	34076-60470	PLUG	1				0.005	0.011
160	34076-60470	PLUG	1				0.005	0.011
170	34076-60470	PLUG	1				0.005	0.011

MAIN SHAFT



TC030-024-10

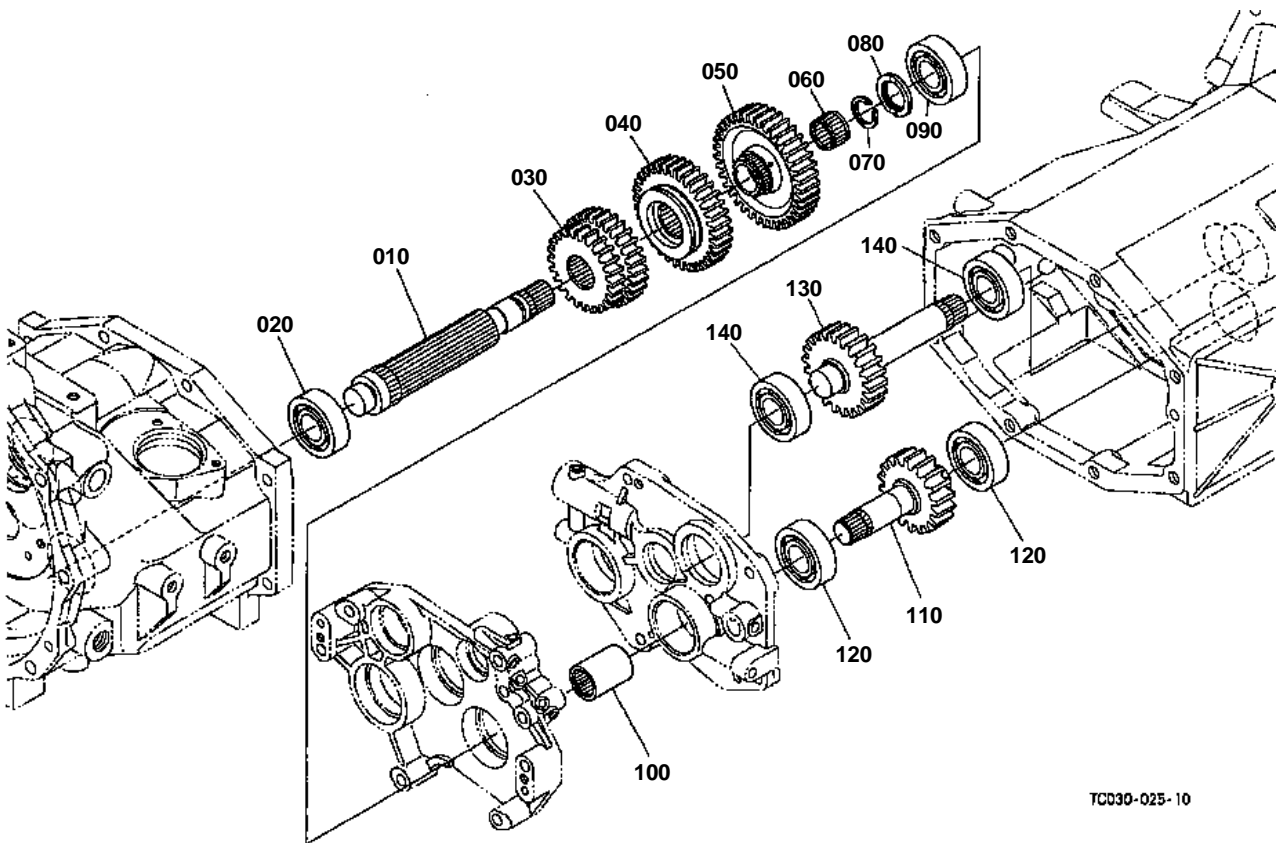


MAIN SHAFT

↔ Interchangeable; ≠ not interchangeable; ← new for old; → old for new

REF.No	Part No.	Description	Q'ty	S.No.	I/C	REMARKS	Weight (kgf)	Weight (lb)
010	TA040-21300	GEAR-SHAFT	1			24T	0.75	1.65
020	08101-06207	BEARING BALL	1				0.282	0.6204
030	08101-06908	BEARING BALL	1				0.11	0.242
040	09500-35529	SEAL OIL	1				0.017	0.0374
050	04611-00620	CIR CLIP INTERNAL	1				0.011	0.0242
060	TC030-22100	GEAR-SHAFT MAIN	1			22-18-13-10T	2	4.4
070	37150-21551	CIR CLIP EXTERNAL	1				0.005	0.011
080	TA040-22110	GEAR	1			27T	0.425	0.935
090	37410-57190	BEARING BALL	2				0.14	0.308
100	35890-41290	BEARING BALL	1				0.233	0.5126
110	TC030-23100	GEAR-SHAFT I-PTO	1			18T	1.12	2.464
120	36730-24330	SEAL FIRST SHAFT	1				0.005	0.011
130	37150-21551	CIR CLIP EXTERNAL	1				0.005	0.011
140	34150-21560	WASHER	1				0.01	0.022
150	35890-41290	BEARING BALL	1				0.233	0.5126

COUNTERSHAFT



TC030-025-10

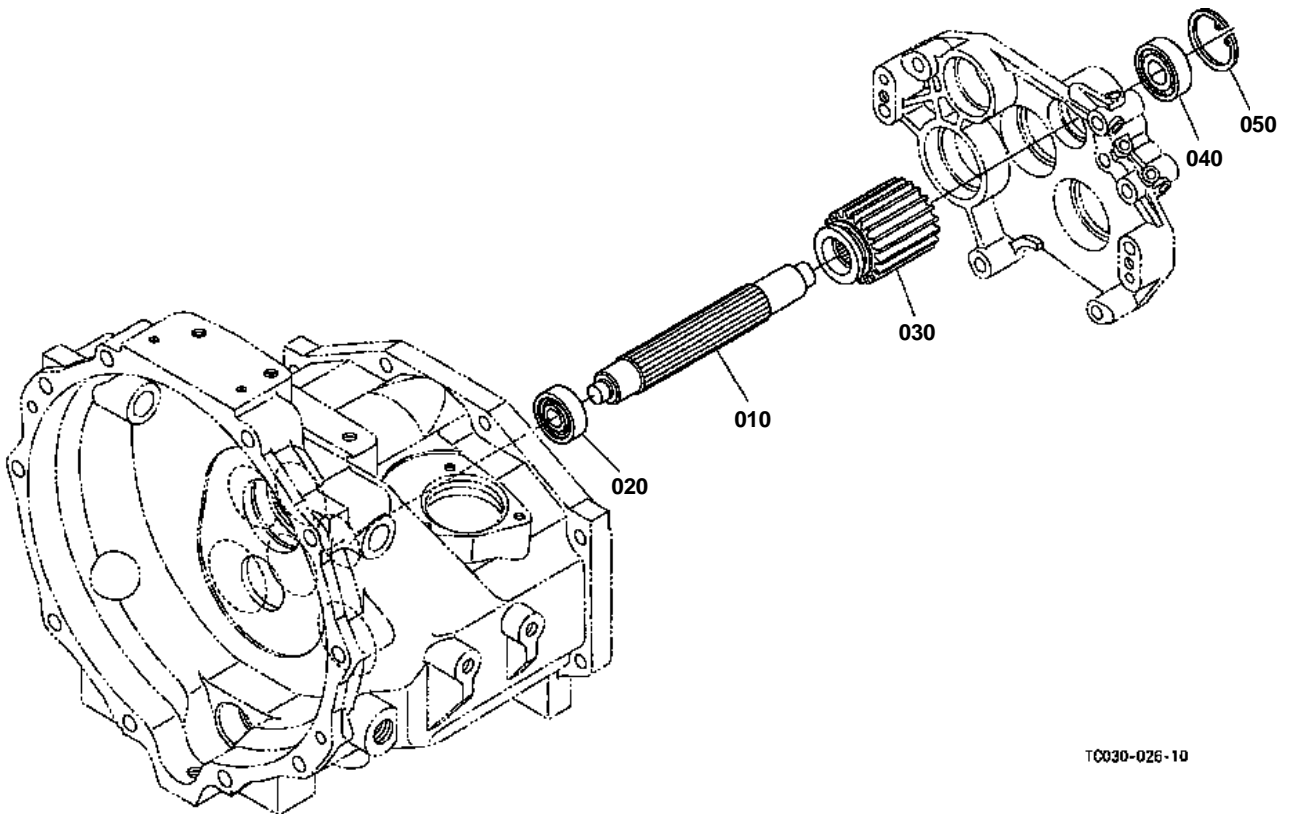


COUNTERSHAFT

↔ Interchangeable; ≠ not interchangeable; ← new for old; → old for new

REF.No	Part No.	Description	Q'ty	S.No.	I/C	REMARKS	Weight (kgf)	Weight (lb)
010	TC030-22200	COUNTERSHAFT	1				1.445	3.179
020	08101-06305	BEARING BALL	1				0.23	0.506
030	TC030-23210	GEAR	1			24-29T	1.185	2.607
040	TC030-22230	GEAR	1			34T	1.115	2.453
050	TC030-22240	GEAR	1			37T	1.16	2.552
060	08822-53020	BEARING NEEDLE	1				0.023	0.0506
070	37150-21790	CIR-CLIP	1				0.001	0.0022
080	34070-22250	COLLAR THRUST	1				0.015	0.033
090	08101-06305	BEARING BALL	1				0.23	0.506
100	37150-21682	COUPLING	1				0.24	0.528
110	TC030-22400	GEAR-SHAFT	1			18T	1.015	2.233
120	08101-06305	BEARING BALL	2				0.23	0.506
130	TC030-22500	GEAR-SHAFT	1			22T	1.475	3.245
140	08101-06305	BEARING BALL	2				0.23	0.506

REVERSE SHAFT



T0030-026-10

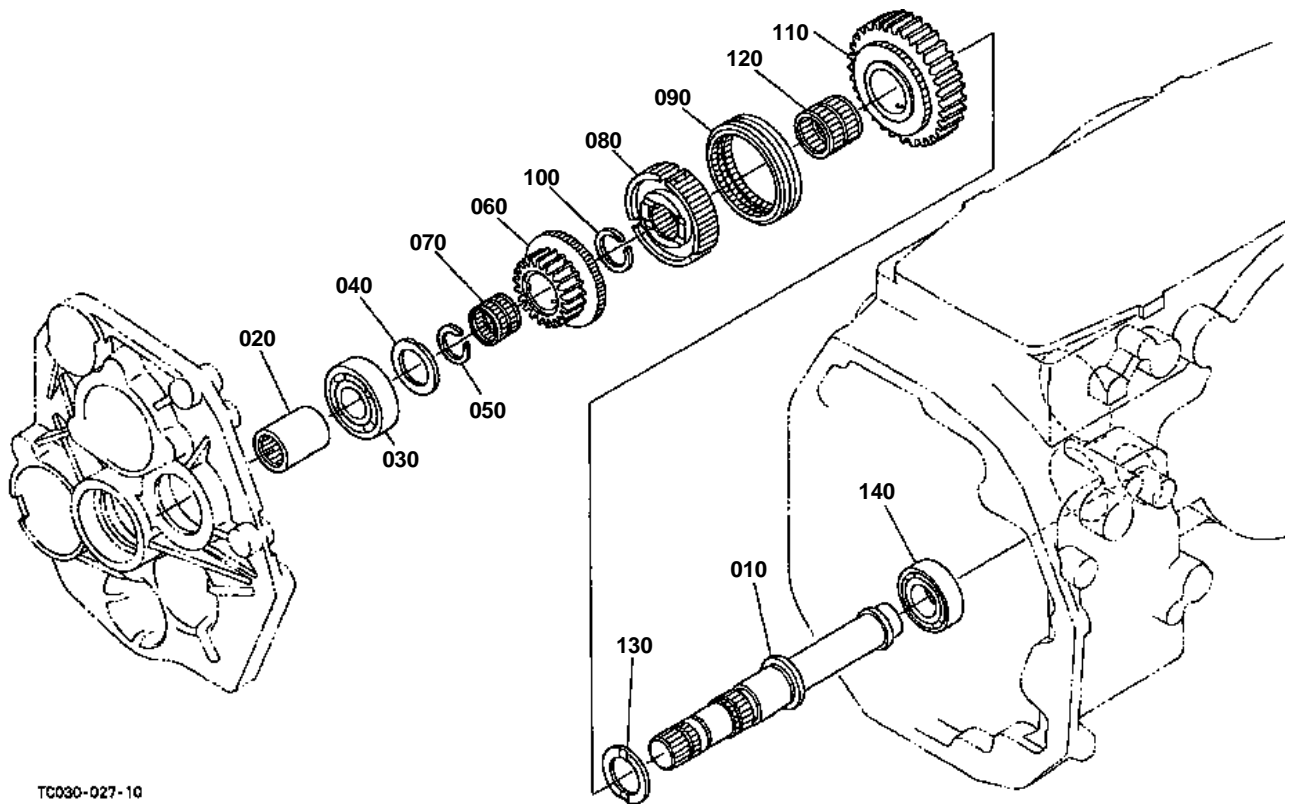


REVERSE SHAFT

↔ Interchangeable; ≠ not interchangeable; ← new for old; → old for new

REF.No	Part No.	Description	Q'ty	S.No.	I/C	REMARKS	Weight (kgf)	Weight (lb)
010	TC030-23110	SHAFT BACK	1				0.995	2.189
020	TC030-23850	BEARING MID CASE	1				0.08	0.176
030	TC030-23130	GEAR	1			20T	1.02	2.244
040	34070-22560	BEARING BALL	1				0.1	0.22
050	04611-00470	CIR CLIP INTERNAL	1				0.006	0.0132

RANGE GEAR SHAFT



TC030-027-10

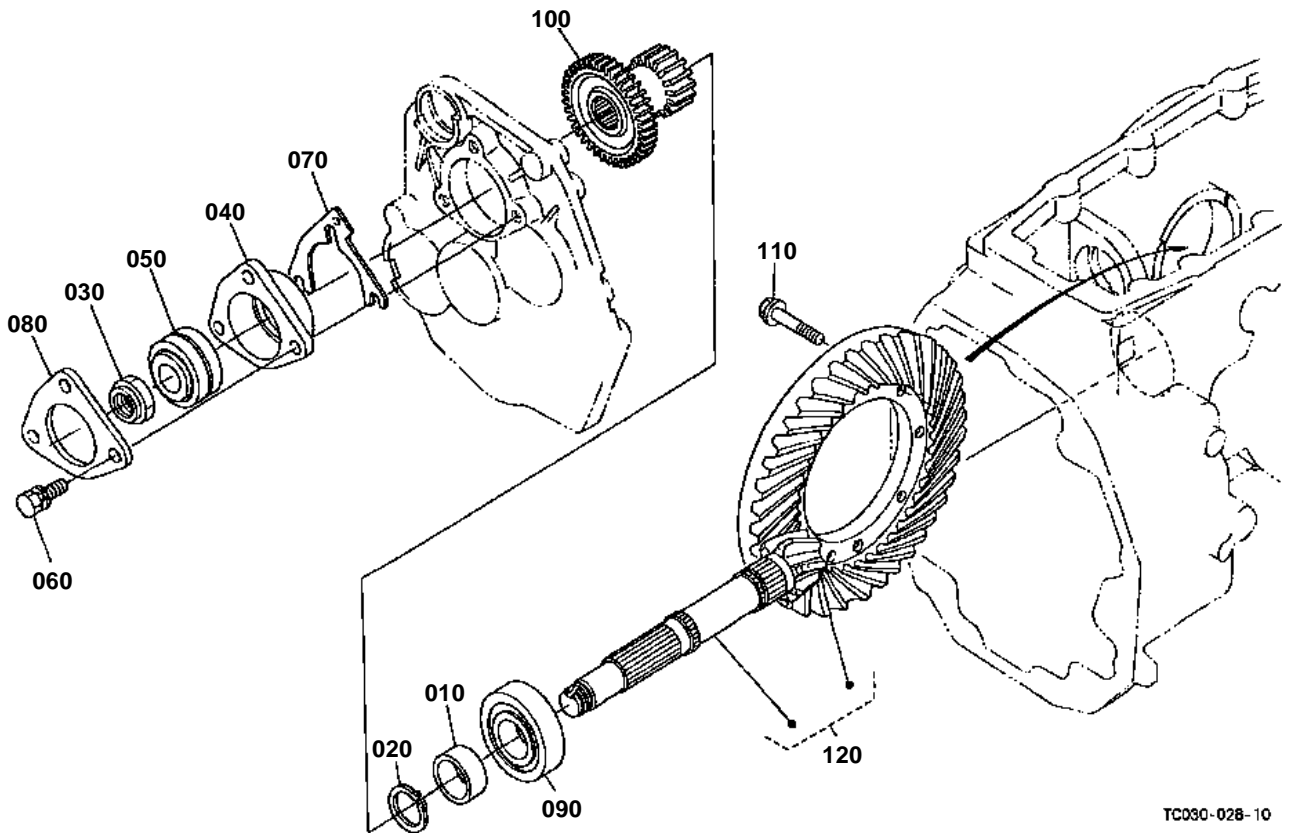


RANGE GEAR SHAFT

↔ Interchangeable; ≠ not interchangeable; ← new for old; → old for new

REF.No	Part No.	Description	Q'ty	S.No.	I/C	REMARKS	Weight (kgf)	Weight (lb)
010	TA040-22600	SHAFT RANGE GEAR	1				1.14	2.508
020	37150-21682	COUPLING	1				0.24	0.528
030	08101-06305	BEARING BALL	1				0.23	0.506
040	34076-62650	COLLAR THRUST	1				0.01	0.022
050	37150-21790	CIR-CLIP	1				0.001	0.0022
060	TC030-22610	GEAR	1			21T	0.405	0.891
070	TA040-22630	BEARING NEEDLE	1				0.02	0.044
080	TA040-22250	COUPLING	1				0.33	0.726
090	34076-62253	SHIFTER	1				0.235	0.517
100	37410-14540	CIR-CLIP	1				0.03	0.066
110	TA040-22620	GEAR	1			33T	1.36	2.992
120	TA040-22640	BEARING NEEDLE	1				0.05	0.11
130	38450-23230	COLLAR	1				0.024	0.0528
140	08101-06205	BEARING BALL	1				0.14	0.308

SPIRAL BEVEL PINION



TC030-028-10

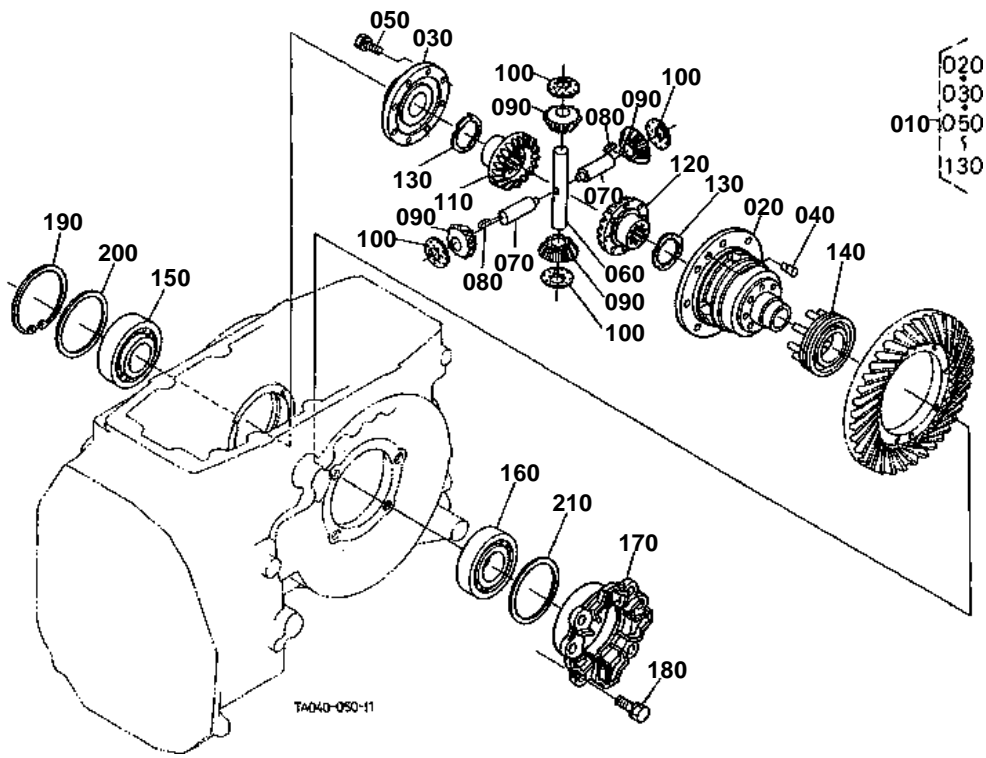


SPIRAL BEVEL PINION

↔ Interchangeable; ≠ not interchangeable; ← new for old; → old for new

REF.No	Part No.	Description	Q'ty	S.No.	I/C	REMARKS	Weight (kgf)	Weight (lb)
010	34070-22790	COLLAR	1				0.145	0.319
020	04612-00350	CIR CLIP EXTERNAL	1				0.01	0.022
030	35260-23252	NUT	1				0.04	0.088
040	34070-22772	CASE	1				0.475	1.045
050	38240-22140	BEARING TAPER-ROLLER	1				0	0
060	01133-51040	BOLT	3				0.03	0.066
070	34070-22860	SHIM	2			0.5mm	0.015	0.033
070	34070-22870	SHIM	4			0.2mm	0.004	0.0088
070	34070-22880	SHIM	2			0.1mm	0.005	0.011
080	34070-22780	COVER BEARING	1				0.21	0.462
090	34070-22740	BEARING ROLLER	1				0.51	1.122
100	TC030-21710	GEAR	1			39-16T	1.24	2.728
110	37800-43870	BOLT	8				0.026	0.0572
120	TA040-99340	ASSY GEAR BEVEL	1			6-37T	6.1	13.42

REAR DIFFERENTIAL



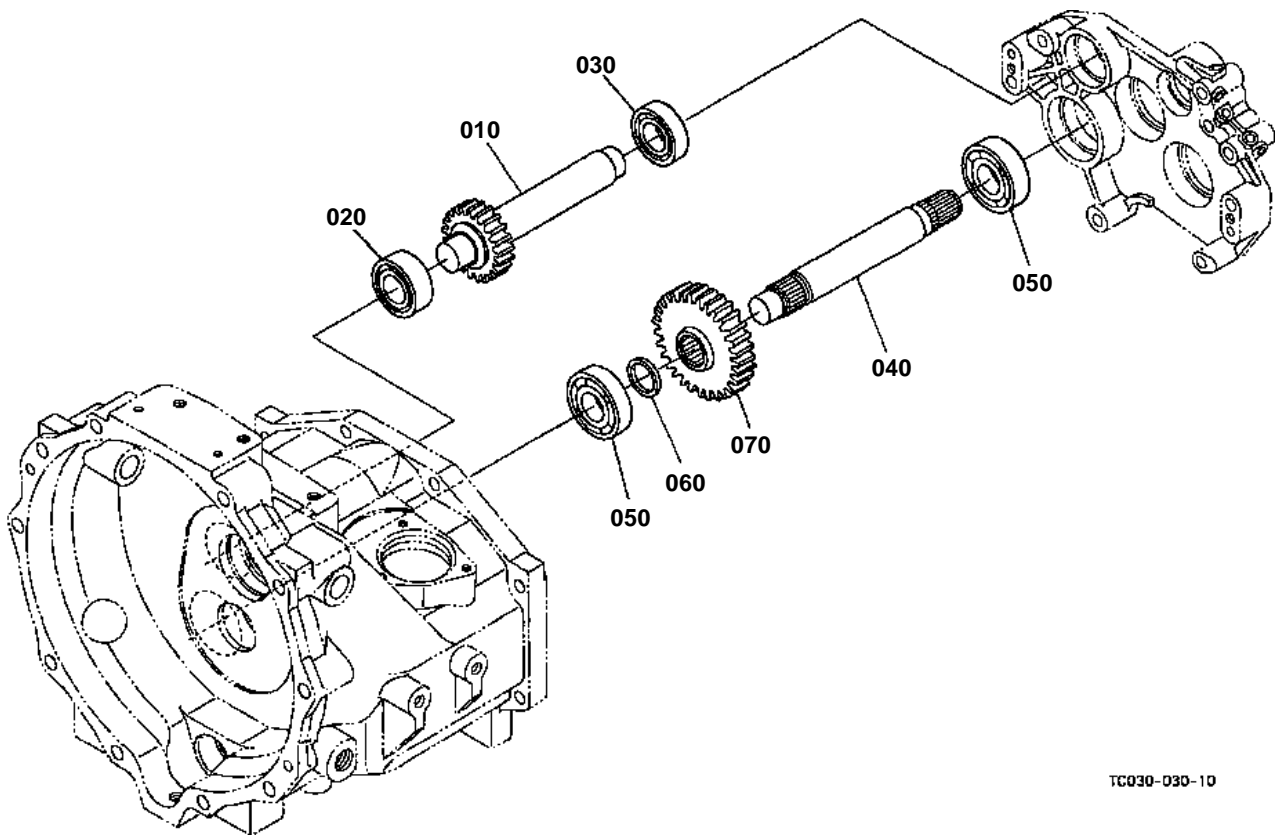


REAR DIFFERENTIAL

↔ Interchangeable; ≠ not interchangeable; ← new for old; → old for new

REF.No	Part No.	Description	Q'ty	S.No.	I/C	REMARKS	Weight (kgf)	Weight (lb)
010	3A011-32204	ASSY DIFFERENTIAL	1				6.2	13.64
020	3A011-32710	CASE DIFFERENTIAL	1				3.35	7.37
030	3A011-32044	COVER DIFF.CASE	1				0.795	1.749
040	37300-28170	PIN STRAIGHT	2				0.025	0.055
050	01133-51025	BOLT	8				0.023	0.0506
060	35430-26340	SHAFT DIFF.PINION	1				0.31	0.682
070	35430-26330	SHAFT DIFF.PINION	2				0.136	0.2992
080	31220-26280	KEY FEATHER	2				0.005	0.011
090	35430-26350	PINION DIFF.	4				0.16	0.352
100	31351-26390	WASHER DIFF.PINION	4				0.012	0.0264
110	37300-26430	GEAR DIFF.SIDE RH	1				0.475	1.045
120	37300-26440	GEAR DIFF.SIDE LH	1				0.63	1.386
130	31351-26470	WASHER SIDE GEAR	2			1.5mm	0.01	0.022
130	31351-26480	WASHER SIDE GEAR	2			1.6mm	0.015	0.033
130	31351-26490	WASHER SIDE GEAR	2			1.7mm	0.016	0.0352
130	3A011-32760	COLLAR THRUST	2			1.8mm	0.01	0.022
130	3A011-32780	COLLAR THRUST	2			2.0mm	0.01	0.022
140	31351-26610	SHIFTER DIFF.LOCK	1				0.43	0.946
150	08711-32011	BEARING TAPER-ROLLER	1	≤10619			0.538	1.1836
150	T0330-26450	BEARING TAPER-ROLLER	1	≥10620	≠		0.545	1.199
160	08711-30209	BEARING TAPER-ROLLER	1				0.458	1.0076
170	34070-28360	SUPPORT DIFF.	1				0.405	0.891
180	01133-51025	BOLT	4				0.023	0.0506
190	04611-00900	CIR CLIP INTERNAL	1				0.037	0.0814
200	37410-16810	SHIM DIFFERENTIAL	1			0.4mm	0.01	0.022
200	37410-16820	SHIM DIFFERENTIAL	1			0.5mm	0.01	0.022
200	37410-16830	SHIM DIFFERENTIAL	1			0.6mm	0.01	0.022
200	37410-16840	SHIM DIFFERENTIAL	1			0.7mm	0.01	0.022
200	37410-16850	SHIM DIFFERENTIAL	1			0.8mm	0.008	0.0176
200	37410-16860	SHIM DIFFERENTIAL	1			0.9mm	0.009	0.0198
200	37410-16870	SHIM DIFFERENTIAL	1			1.0mm	0.01	0.022
200	37410-16880	SHIM DIFFERENTIAL	1			1.2mm	0.011	0.0242
200	37410-16890	SHIM DIFFERENTIAL	1			1.4mm	0.015	0.033
210	34070-28210	SHIM	1			0.4mm	0.01	0.022
210	34070-28230	SHIM	1			0.6mm	0.015	0.033
210	34070-28250	SHIM	1			0.8mm	0.015	0.033
210	34070-28270	SHIM	1			1.0mm	0.015	0.033
210	34070-28290	SHIM	1			1.2mm	0.02	0.044
210	34070-28310	SHIM	1			1.4mm	0.025	0.055

PTO COUNTERSHAFT



TC030-030-10

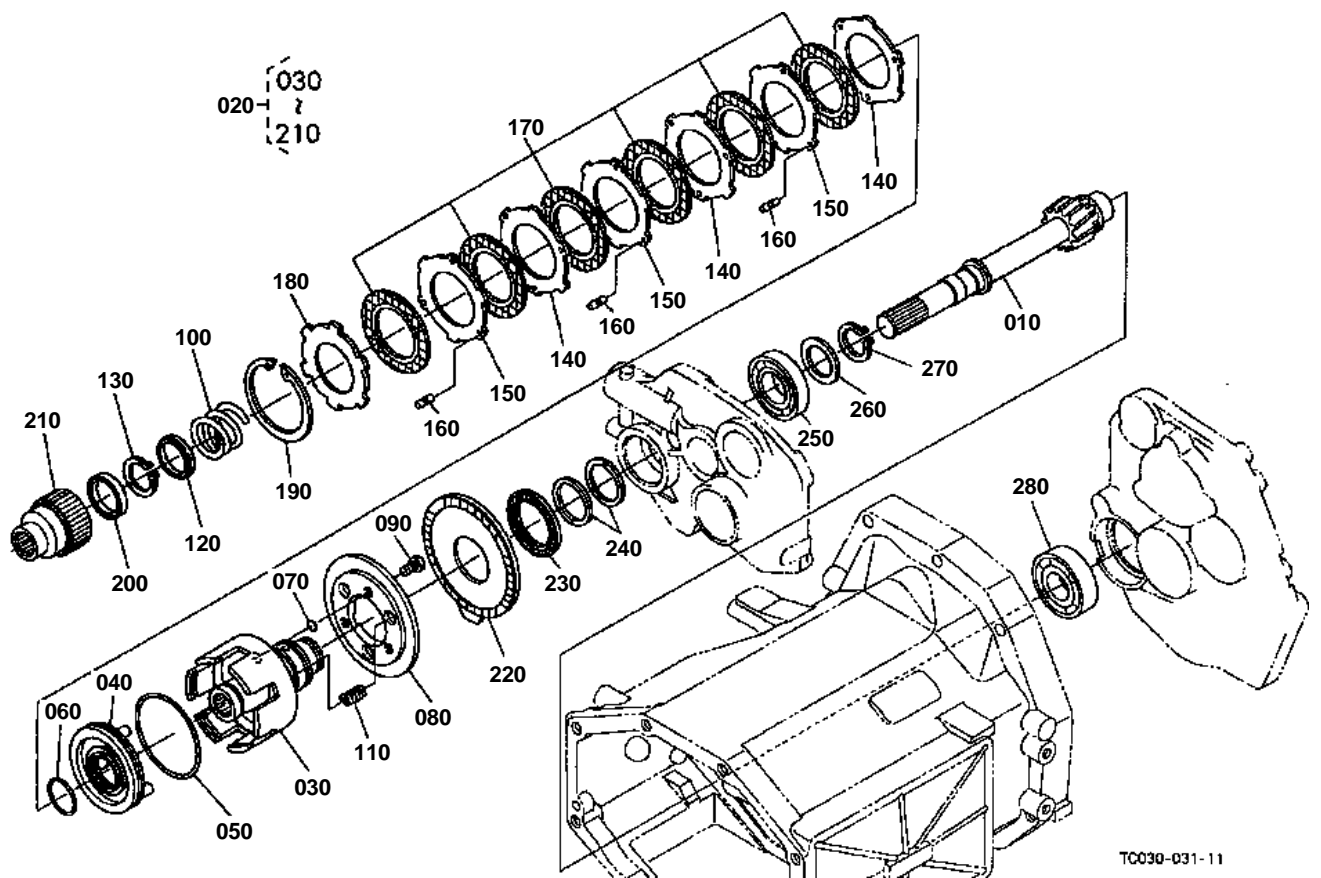


PTO COUNTERSHAFT

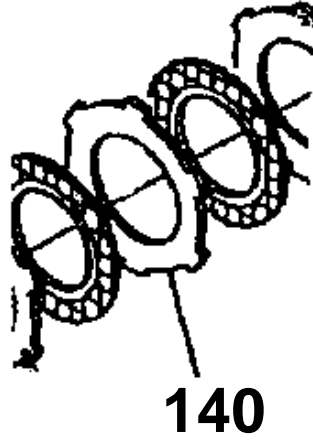
↔ Interchangeable; ≠ not interchangeable; ← new for old; → old for new

REF.No	Part No.	Description	Q'ty	S.No.	I/C	REMARKS	Weight (kgf)	Weight (lb)
010	TC030-23200	GEAR-SHAFT I-PTO	1			21T	1.55	3.41
020	33740-31180	BEARING ROLLER	1				0.22	0.484
030	08101-06205	BEARING BALL	1				0.14	0.308
040	TC030-23150	COUNTERSHAFT I-PTO	1				1.12	2.464
050	08101-06305	BEARING BALL	2				0.23	0.506
060	TC030-23230	COLLAR	1				0.011	0.0242
070	TA040-23160	GEAR I-PTO	1			33T	0.915	2.013

PTO CLUTCH



140 TA040-6907-0



TC030-802-10

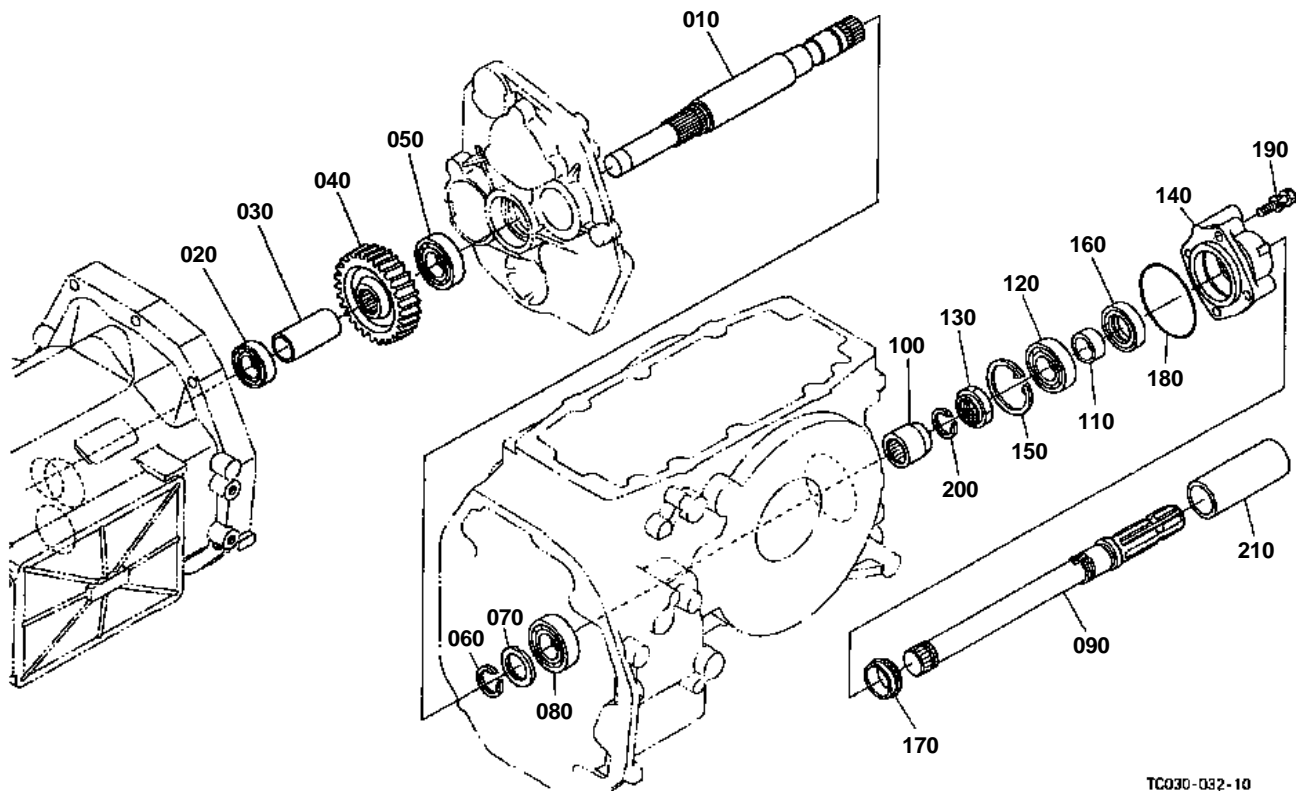


PTO CLUTCH

↔ Interchangeable; ≠ not interchangeable; ← new for old; → old for new

REF.No	Part No.	Description	Q'ty	S.No.	I/C	REMARKS	Weight (kgf)	Weight (lb)
010	TA040-23500	GEAR-SHAFT I-PTO	1			12T	1.48	3.256
020	TA040-69000	ASSY CLUTCH I-PTO	1				3.6	7.92
030	TA040-69012	CASE PTO CLUTCH	1				1.555	3.421
040	TA040-69020	PISTON	1				0.395	0.869
050	31501-72330	D RING OUTER	1				0.005	0.011
060	31501-72470	D RING INNER	1				0.001	0.0022
070	04811-00100	O RING	3				0	0
070	04817-00100	O RING	3		←		0.001	0.0022
070	04816-00100	O RING	3		←		0.01	0.022
080	TA040-69030	PLATE BRAKE	1				0.5	1.1
090	TA040-69040	BOLT	3				0.004	0.0088
100	TA040-69050	SPRING RETURN	1				0.075	0.165
110	TA040-69060	SPRING RETURN	3				0.008	0.0176
120	31501-72370	WASHER	1				0.018	0.0396
130	04612-00350	CIR CLIP EXTERNAL	1				0.01	0.022
140	TA040-69070	PLATE	3	<=10260			0.036	0.0792
140	TA040-69080	PLATE	3	>=10261	←		0.036	0.0792
150	TA040-69080	PLATE	3				0.036	0.0792
160	TA040-69090	RUBBER	9				0.001	0.0022
170	34070-15250	DISK CLUTCH	6				0.04	0.088
180	TA040-69100	PLATE BACK	1				0.127	0.2794
190	04611-00920	CIR CLIP INTERNAL	1				0.04	0.088
200	08101-06807	BEARING BALL	1				0.03	0.066
210	TA040-69113	HUB CLUTCH	1				0.365	0.803
220	TA040-69150	DISK BRAKE	1				0.41	0.902
230	TA040-69160	BEARING NEEDLE	1				0.029	0.0638
240	31501-72403	RING SEAL	2				0.005	0.011
250	08101-06207	BEARING BALL	1				0.282	0.6204
260	69331-24330	COLLAR DISTANCE	1				0.012	0.0264
270	36740-41150	CIR CLIP EXTERNAL	1				0.01	0.022
280	36540-41130	BEARING BALL	1				0.34	0.748

PTO SHAFT



TC030-032-10

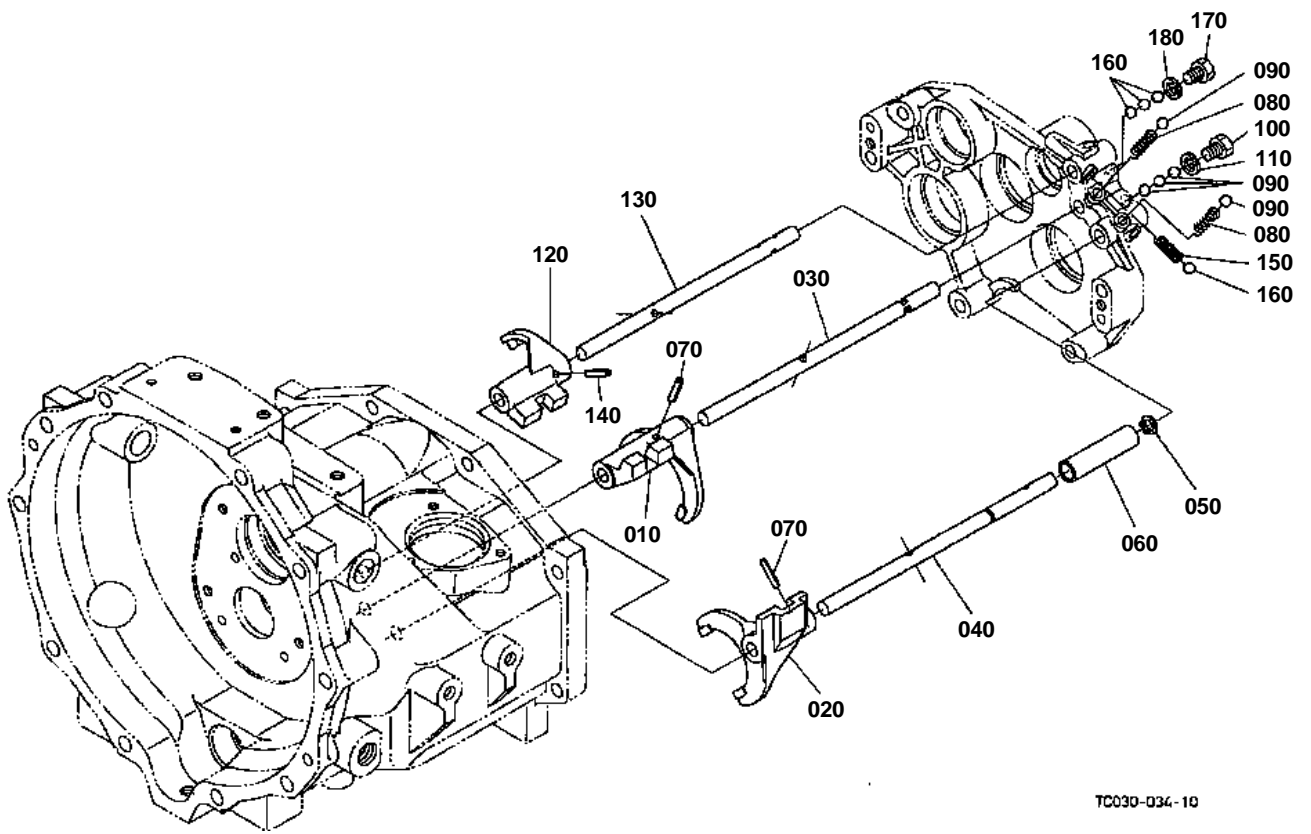


PTO SHAFT

↔ Interchangeable; ≠ not interchangeable; ← new for old; → old for new

REF.No	Part No.	Description	Q'ty	S.No.	I/C	REMARKS	Weight (kgf)	Weight (lb)
010	TC030-23600	SHAFT PTO DRIVE	1				2.4	5.28
020	37410-57190	BEARING BALL	1				0.14	0.308
030	TC030-23640	COLLAR PTO	1				0.24	0.528
040	TA040-23610	GEAR PTO	1			30T	1.43	3.146
050	76550-34140	BEARING BALL	1				0.21	0.462
060	37410-15280	CIR CLIP EXTERNAL	1				0.005	0.011
070	34550-23360	COLLAR THRUST	1				0.025	0.055
080	37410-57330	BEARING BALL	1				0.2	0.44
090	TA040-23700	SHAFT PTO	1				2.1	4.62
100	TA040-23660	COUPLING PTO	1				0.165	0.363
110	35340-25350	COLLAR OIL SEAL	1				0.03	0.066
120	38430-25330	BEARING BALL	1				0	0
130	35340-25320	NUT	1				0.05	0.11
140	31391-25410	CASE BEARING	1				1.28	2.816
150	04611-00650	CIR CLIP INTERNAL	1				0.011	0.0242
160	35340-25360	SEAL OIL	1				0.024	0.0528
170	38240-25370	SLINGER	1				0.004	0.0088
180	04811-50800	O RING	1				0.003	0.0066
190	01123-50840	BOLT	4				0.018	0.0396
200	38430-25540	CIR CLIP EXTERNAL	1				0.004	0.0088
210	31220-25820	CAP	1				0.055	0.121

MAIN GEAR SHIFT FORK



TC030-034-10

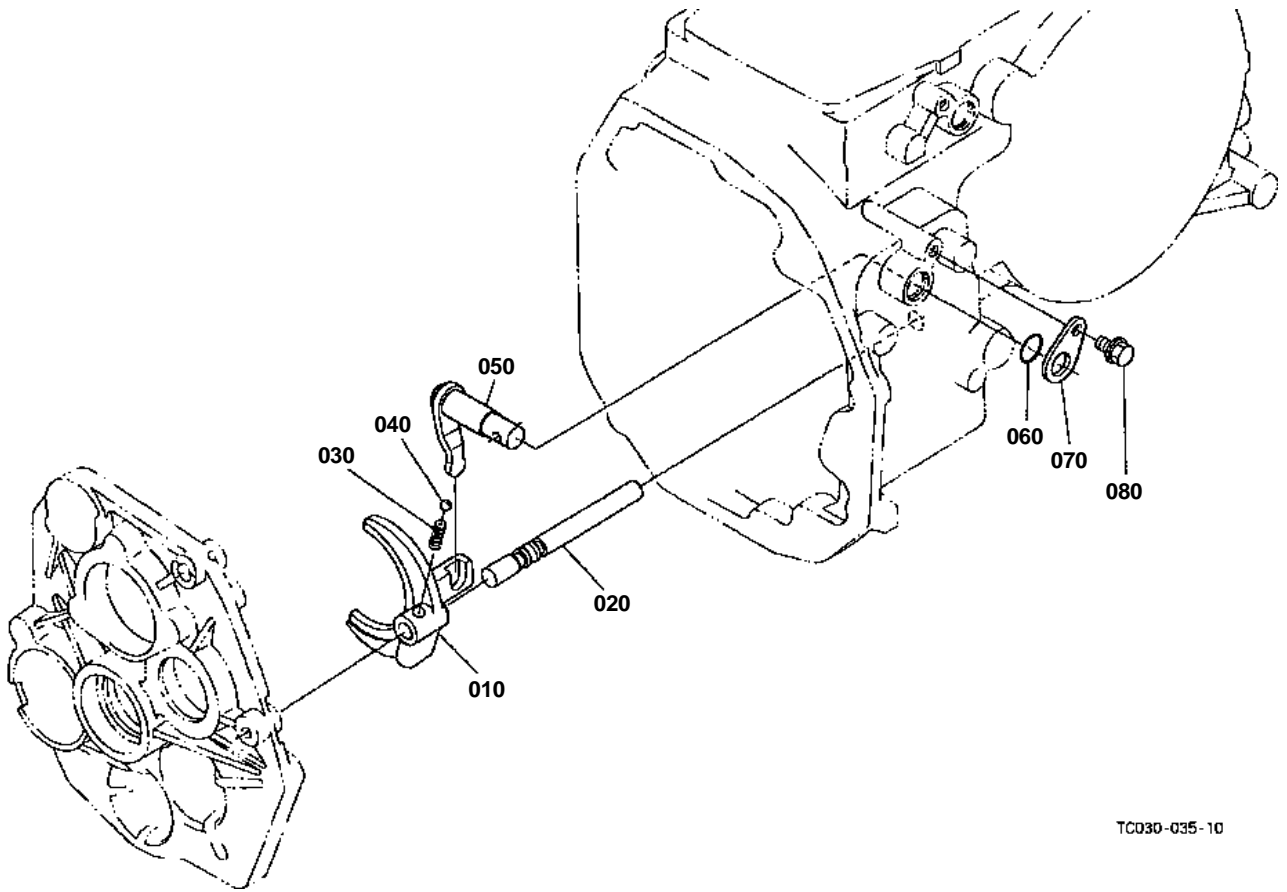


MAIN GEAR SHIFT FORK

↔ Interchangeable; ≠ not interchangeable; ← new for old; → old for new

REF.No	Part No.	Description	Q'ty	S.No.	I/C	REMARKS	Weight (kgf)	Weight (lb)
010	TC030-23513	FORK MAIN SHIFT	1	≤10426			0.39	0.858
010	TC030-23514	FORK MAIN SHIFT	1	≥10427	←		0.39	0.858
020	TC030-23523	FORK MAIN SHIFT	1	≤10426			0	0
020	TC030-23524	FORK MAIN SHIFT	1	≥10427	←		0.37	0.814
030	TC030-23540	ROD FORK	1				0.225	0.495
040	TC030-23550	ROD FORK	1	≤10469		NOT SALE	0	0
040	TC030-23552	ROD FORK	1	≥10470	←		0.222	0.4884
050	04612-00120	CIR CLIP EXTERNAL	1				0.001	0.0022
060	TC030-23560	COLLAR	1				0.058	0.1276
070	05411-00525	PIN SPRING	2				0.002	0.0044
080	62231-18530	SPRING	2				0.01	0.022
090	07715-01605	BALL	5				0.003	0.0066
100	34070-24190	BOLT	1				0.015	0.033
110	04512-60100	WASHER SPRING	1				0.002	0.0044
120	TC030-23534	FORK SHIFT	1				0.225	0.495
130	TC030-23570	ROD FORK	1				0.208	0.4576
140	05411-00525	PIN SPRING	1				0.002	0.0044
150	62231-18530	SPRING	1				0.01	0.022
160	07715-01605	BALL	4				0.003	0.0066
170	34070-24190	BOLT	1				0.015	0.033
180	04512-60100	WASHER SPRING	1				0.002	0.0044

RANGE GEAR SHIFT FORK



TC030-035-10

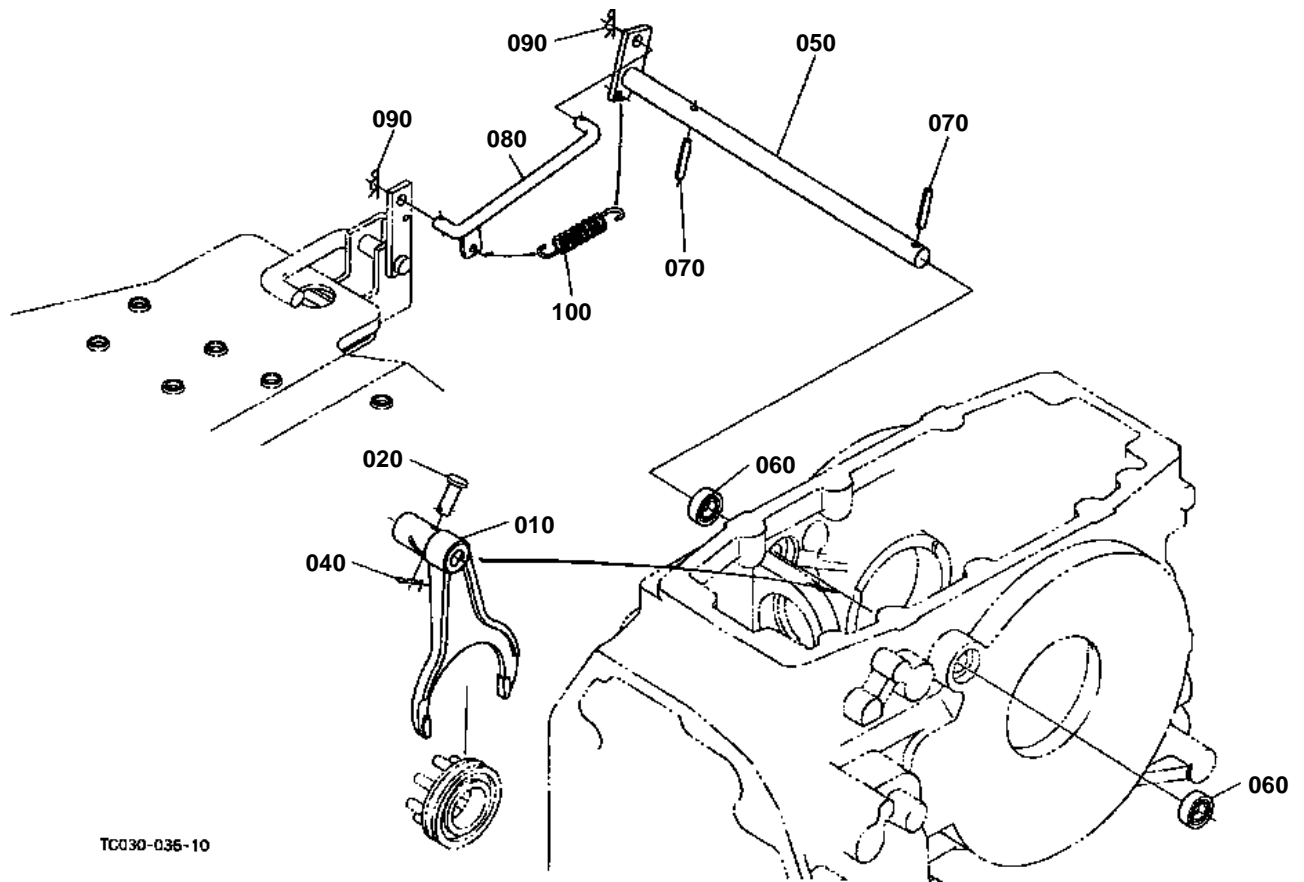


RANGE GEAR SHIFT FORK

↔ Interchangeable; ≠ not interchangeable; ← new for old; → old for new

REF.No	Part No.	Description	Q'ty	S.No.	I/C	REMARKS	Weight (kgf)	Weight (lb)
010	TA040-24400	FORK RANGE SHIFT	1				0.37	0.814
020	TA040-24410	ROD FORK	1				0.175	0.385
030	62231-18530	SPRING	1				0.01	0.022
040	07715-01605	BALL	1				0.003	0.0066
050	TA040-24422	ARM RANGE SHIFT	1				0.21	0.462
060	04811-00200	O RING	1				0	0
060	04816-00200	O RING	1		←		0.003	0.0066
070	34070-24350	STOPPER	1				0.02	0.044
080	01754-50812	BOLT FLANGE	1				0.01	0.022

DIFFERENTIAL LOCK SHIFT FORK



TC030-036-10

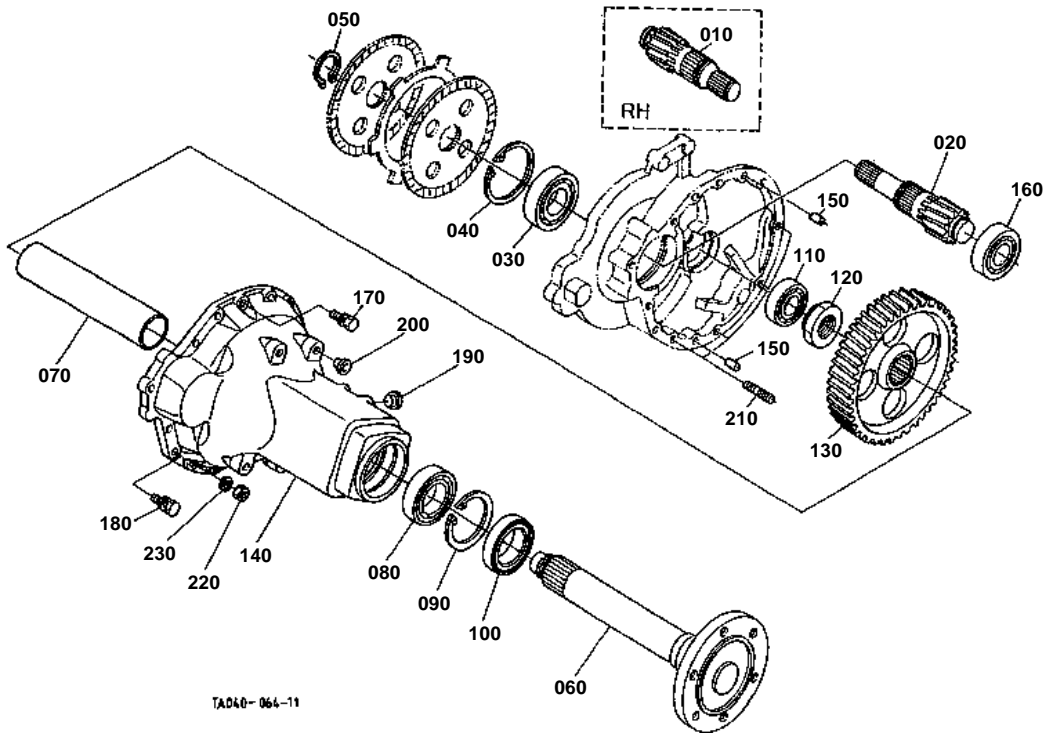


DIFFERENTIAL LOCK SHIFT FORK

↔ Interchangeable; ≠ not interchangeable; ← new for old; → old for new

REF.No	Part No.	Description	Q'ty	S.No.	I/C	REMARKS	Weight (kgf)	Weight (lb)
010	31351-26630	FORK DIFF.LOCK SHIFT	1	<=10271		NOT SALE	0	0
010	31351-26632	FORK DIFF.LOCK SHIFT	1	>=10272	←		0.465	1.023
020	31351-26620	PIN JOINT	1				0.008	0.0176
030	99999-99999	BLANK	0				0	0
040	50080-34110	PIN SNAP	1				0.001	0.0022
050	34070-28402	SHAFT FORK	1				0.545	1.199
060	09500-16287	SEAL OIL	2				0.01	0.022
070	05411-00635	PIN SPRING	2				0.005	0.011
080	T0070-28414	ROD DIFF.LOCK	1				0.08	0.176
090	05515-60800	PIN SNAP	2				0.002	0.0044
100	37150-15840	SPRING	1				0.06	0.132

REAR AXLE



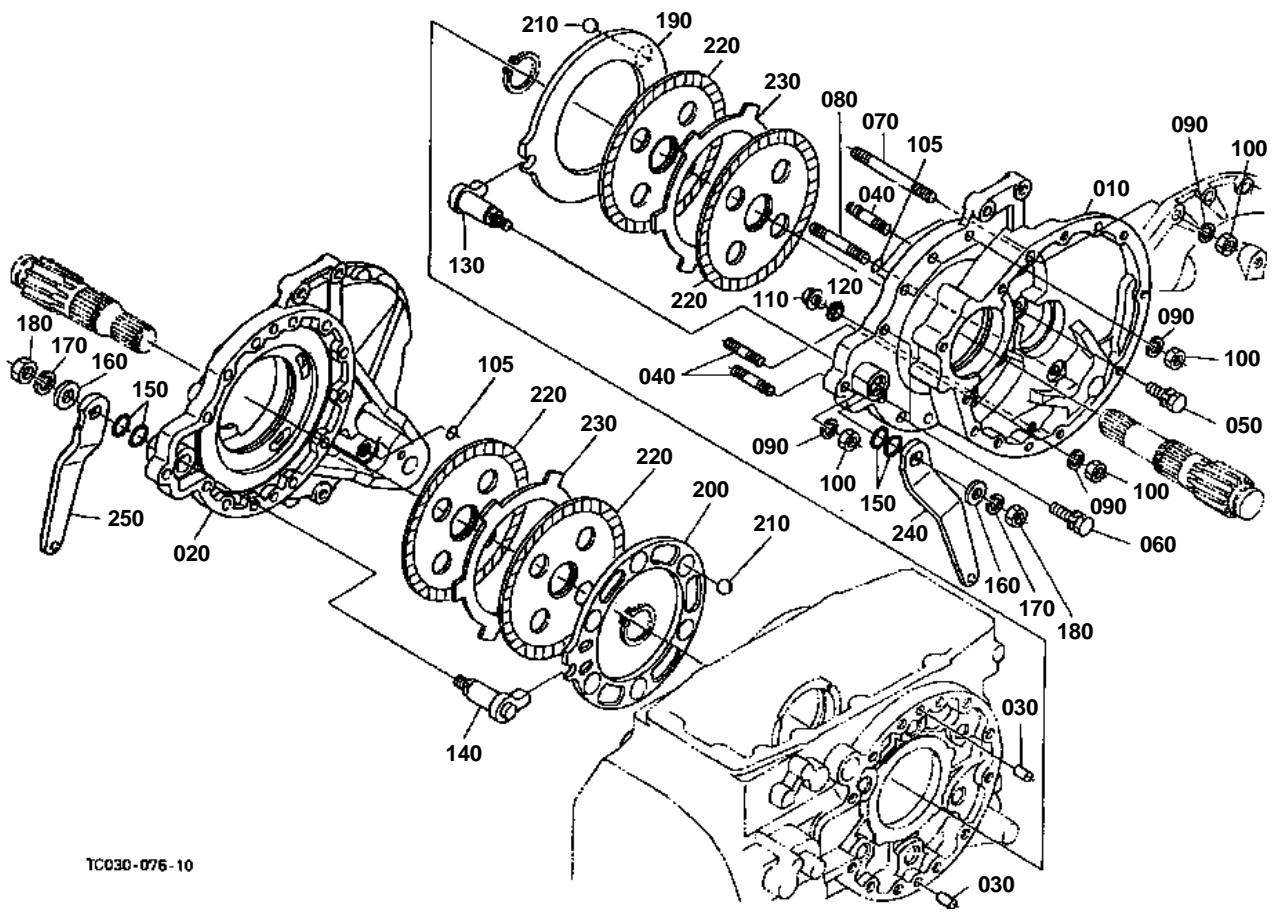
TAD60-064-11

**REAR AXLE**

↔ Interchangeable; ≠ not interchangeable; ← new for old; → old for new

REF.No	Part No.	Description	Q'ty	S.No.	I/C	REMARKS	Weight (kgf)	Weight (lb)
010	TA040-26710	SHAFT DIFF.GEAR RH	1			11T	2	4.4
020	TA040-26720	SHAFT DIFF.GEAR LH	1			11T	2.2	4.84
030	08101-06309	BEARING BALL	2				0.82	1.804
040	04611-01000	CIR CLIP INTERNAL	2				0.042	0.0924
050	04612-00450	CIR CLIP EXTERNAL	2				0.007	0.0154
060	32430-27115	AXLE REAR	2				11	24.2
070	32430-27144	SPACER	2				1.7	3.74
080	08101-06210	BEARING BALL	2				0.45	0.99
090	04611-00900	CIR CLIP INTERNAL	2				0.037	0.0814
100	31359-44510	SEAL OIL	2				0.18	0.396
110	TA140-25000	BEARING BALL	2				0.342	0.7524
120	70631-15730	NUT	2				0.15	0.33
130	32440-26830	GEAR	2				6.6	14.52
140	32440-27334	CASE REAR AXLE	2	<=10600			19	41.8
140	32440-27335	CASE REAR AXLE	2	>=10601	←		19	41.8
150	37150-27370	PIN STRAIGHT	4				0.009	0.0198
160	08100-00026	BEARING BALL	2				0.495	1.089
170	01133-51035	BOLT	10				0.03	0.066
180	01133-51240	BOLT	2				0.05	0.11
190	31220-14290	PLUG	12				0.002	0.0044
200	32210-27580	PLUG	8				0.001	0.0022
210	34070-20313	STUD	8				0.045	0.099
220	37300-14190	NUT	8				0.009	0.0198
230	04512-60100	WASHER SPRING	8				0.002	0.0044

BRAKE



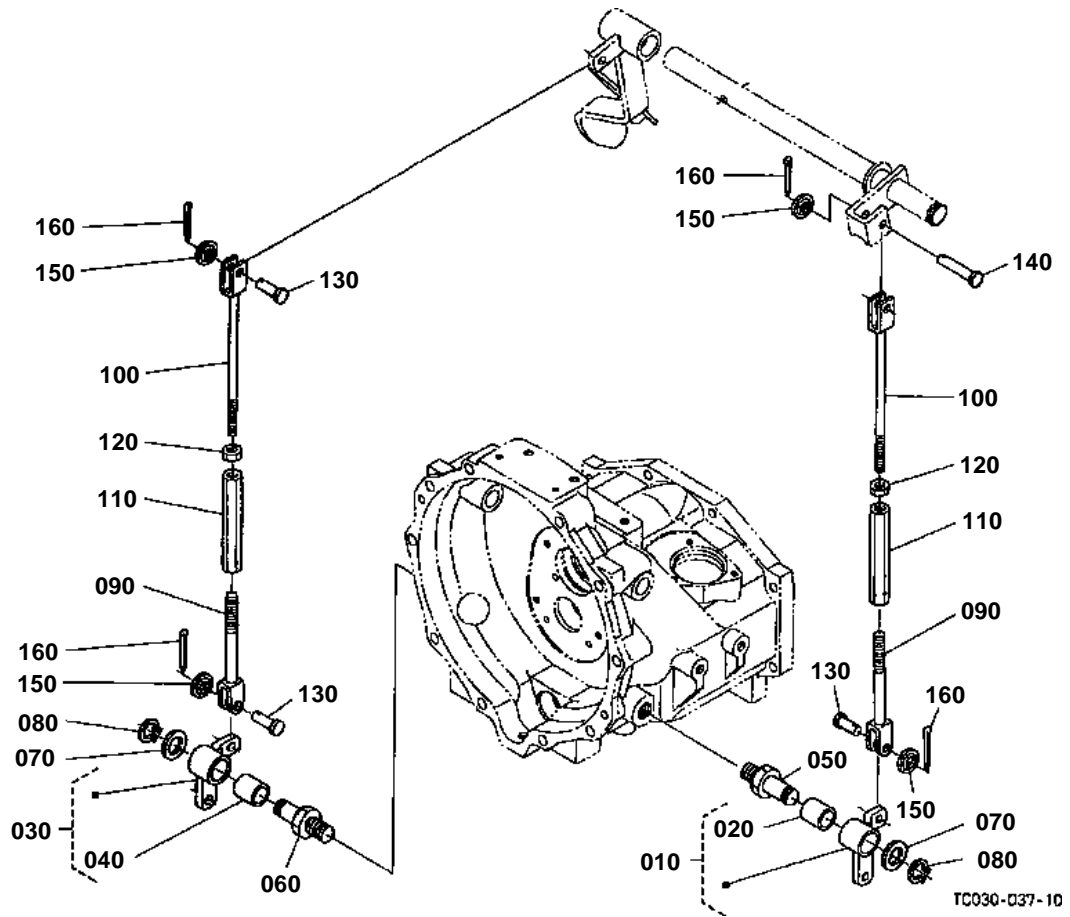
TCC30-076-10

**BRAKE**

↔ Interchangeable; ≠ not interchangeable; ← new for old; → old for new

REF.No	Part No.	Description	Q'ty	S.No.	I/C	REMARKS	Weight (kgf)	Weight (lb)
010	TA040-28617	CASE BRAKE LH	1	<=10469		NOT SALE	0	0
010	TA040-28618	CASE BRAKE LH	1	>=10470	←		14.6	32.12
020	TA040-28627	CASE BRAKE RH	1	<=10469		NOT SALE	0	0
020	TA040-28628	CASE BRAKE RH	1	>=10470	←		14.6	32.12
030	05012-01018	PIN STRAIGHT	4				0.012	0.0264
040	01574-61240	STUD	16				0.045	0.099
050	01133-51235	BOLT	2				0.043	0.0946
060	01133-51245	BOLT	6				0.055	0.121
070	01574-51200	STUD	2				0.1	0.22
080	01574-61260	STUD	2				0.05	0.11
090	04512-60120	WASHER SPRING	20				0.005	0.011
100	02176-50120	NUT	20				0.01	0.022
105	04811-10120	O RING	2				0.001	0.0022
110	06331-45010	PLUG	2				0.02	0.044
120	04717-01000	WASHER WITH RUBBER	2				0.001	0.0022
130	34070-28715	CAM BRAKE LH	1				0.285	0.627
140	34070-28725	CAM BRAKE RH	1				0.285	0.627
150	04811-00220	O RING	4				0	0
150	04817-00220	O RING	4		←		0.001	0.0022
150	04816-00220	O RING	4		←		0.003	0.0066
160	04015-60120	WASHER PLAIN	2				0.022	0.0484
170	04512-60120	WASHER SPRING	2				0.005	0.011
180	02174-50120	NUT	2				0.01	0.022
190	34070-28770	PLATE BRAKE CAM LH	1				1.11	2.442
200	34070-28780	PLATE BRAKE CAM RH	1				1.14	2.508
210	07715-00805	BALL	12				0.016	0.0352
220	T1060-28200	DISK BRAKE MAIN	4				0.75	1.65
230	37720-28170	PLATE	2				0.342	0.7524
240	34070-44615	LEVER BRAKE CAM LH	1				0.41	0.902
250	34070-44623	LEVER BRAKE CAM RH	1				0.41	0.902

BRAKE ROD 1

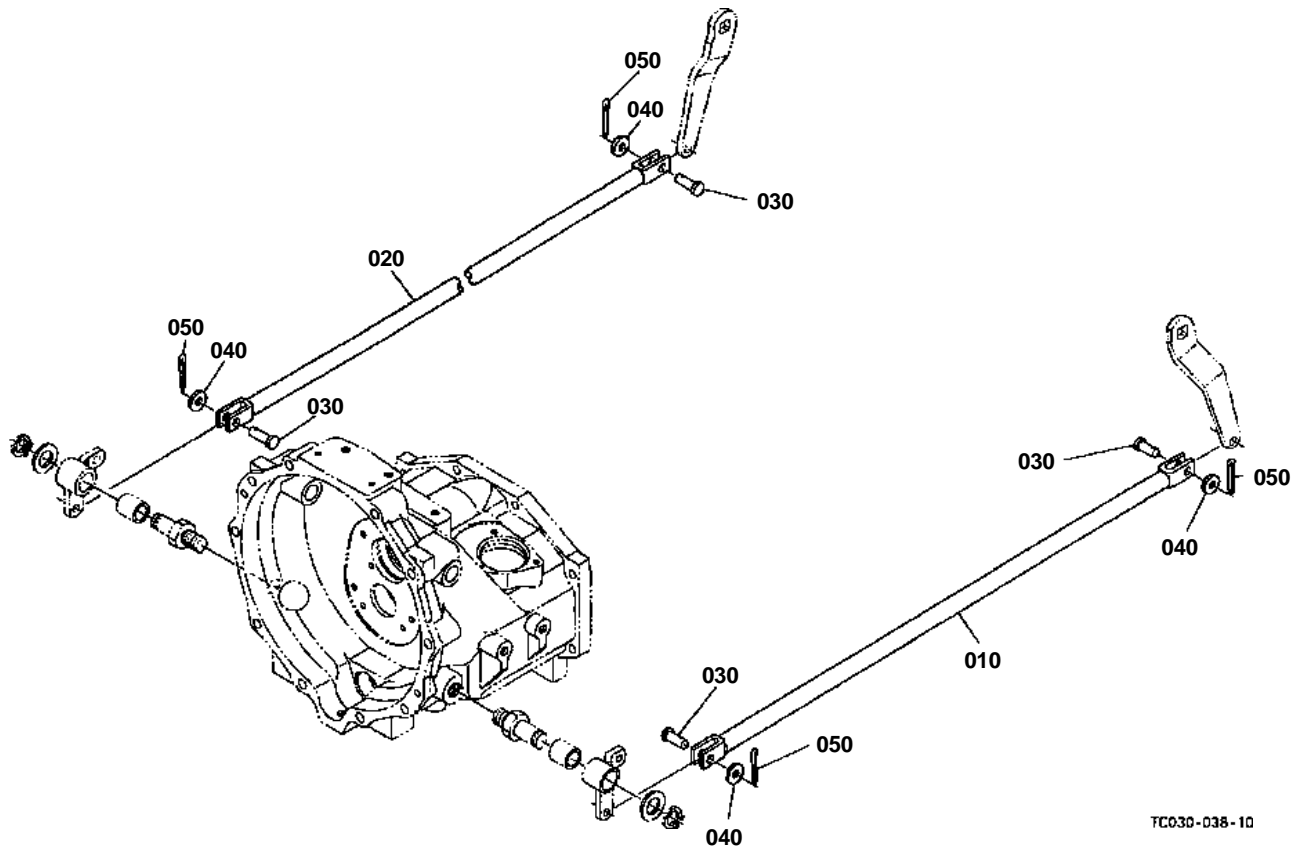


**BRAKE ROD 1**

↔ Interchangeable; ≠ not interchangeable; ← new for old; → old for new

REF.No	Part No.	Description	Q'ty	S.No.	I/C	REMARKS	Weight (kgf)	Weight (lb)
010	TC030-44810	ASSY LEVER BRAKE LH	1				0.255	0.561
020	34070-44890	BUSH	1				0.035	0.077
030	34070-44910	ASSY LEVER BRAKE RH	1				0.26	0.572
040	34070-44890	BUSH	1				0.035	0.077
050	34070-44870	SHAFT BRAKE LH	1				0.225	0.495
060	34070-44880	SHAFT BRAKE RH	1				0.22	0.484
070	04011-50200	WASHER PLAIN	2				0.015	0.033
080	04612-00200	CIR CLIP EXTERNAL	2				0.001	0.0022
090	34070-44840	ROD BRAKE LOWER	2				0.13	0.286
100	TC030-76200	ROD BRAKE UPPER	2				0.165	0.363
110	32350-28980	TURNBUCKLE	2				0.124	0.2728
120	02116-50100	NUT	2				0.004	0.0088
130	05122-61028	PIN JOINT	3				0.02	0.044
140	05122-61045	PIN JOINT	1				0.005	0.011
150	04717-01000	WASHER WITH RUBBER	4				0.001	0.0022
160	05511-50318	PIN SPLIT	4				0.001	0.0022

BRAKE ROD 2



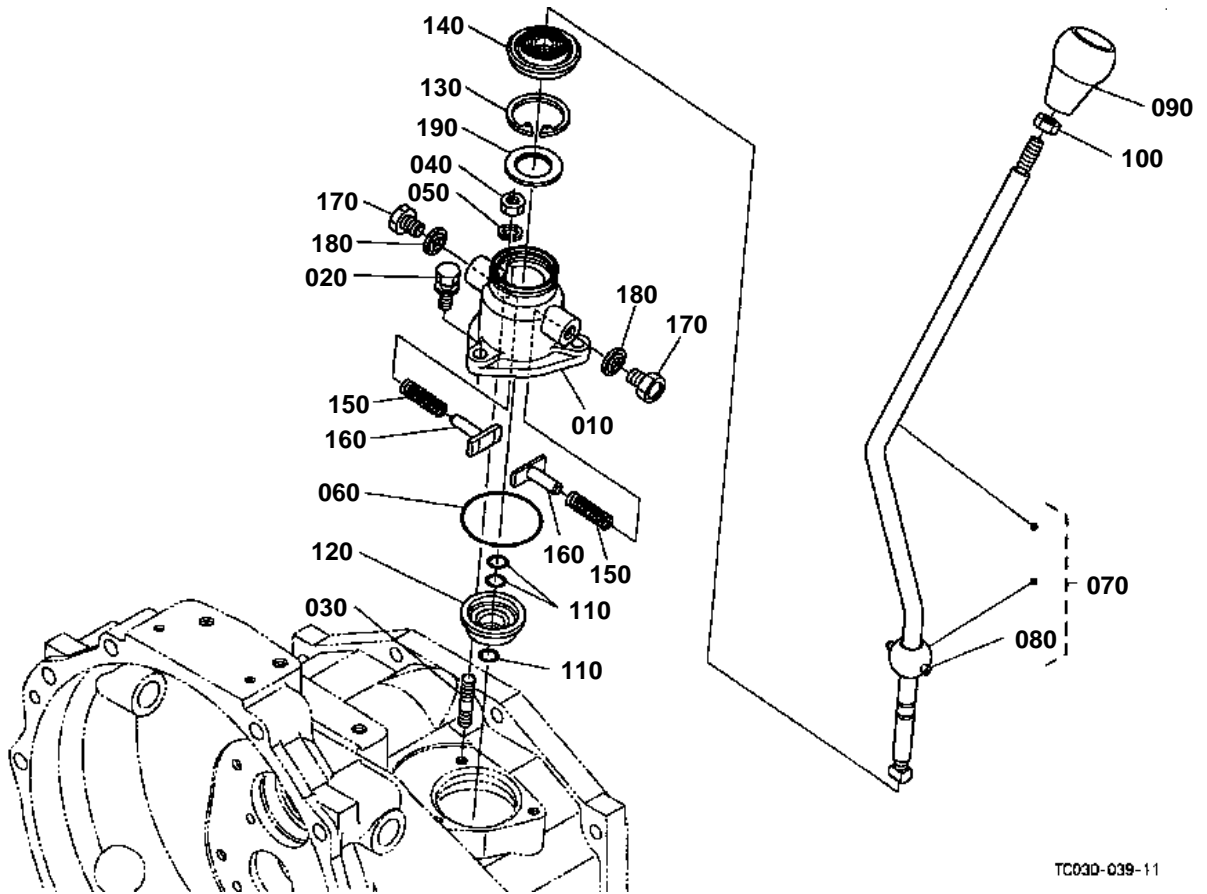
TC030-038-10

**BRAKE ROD 2**

↔ Interchangeable; ≠ not interchangeable; ← new for old; → old for new

REF.No	Part No.	Description	Q'ty	S.No.	I/C	REMARKS	Weight (kgf)	Weight (lb)
010	34030-44630	ROD BRAKE LH	1				1.125	2.475
020	34030-44640	ROD BRAKE RH	1				0.99	2.178
030	05122-61028	PIN JOINT	4				0.02	0.044
040	04013-60100	WASHER PLAIN	4				0.003	0.0066
050	05511-50318	PIN SPLIT	4				0.001	0.0022

MAIN GEAR SHIFT LEVER



TC030-039-11

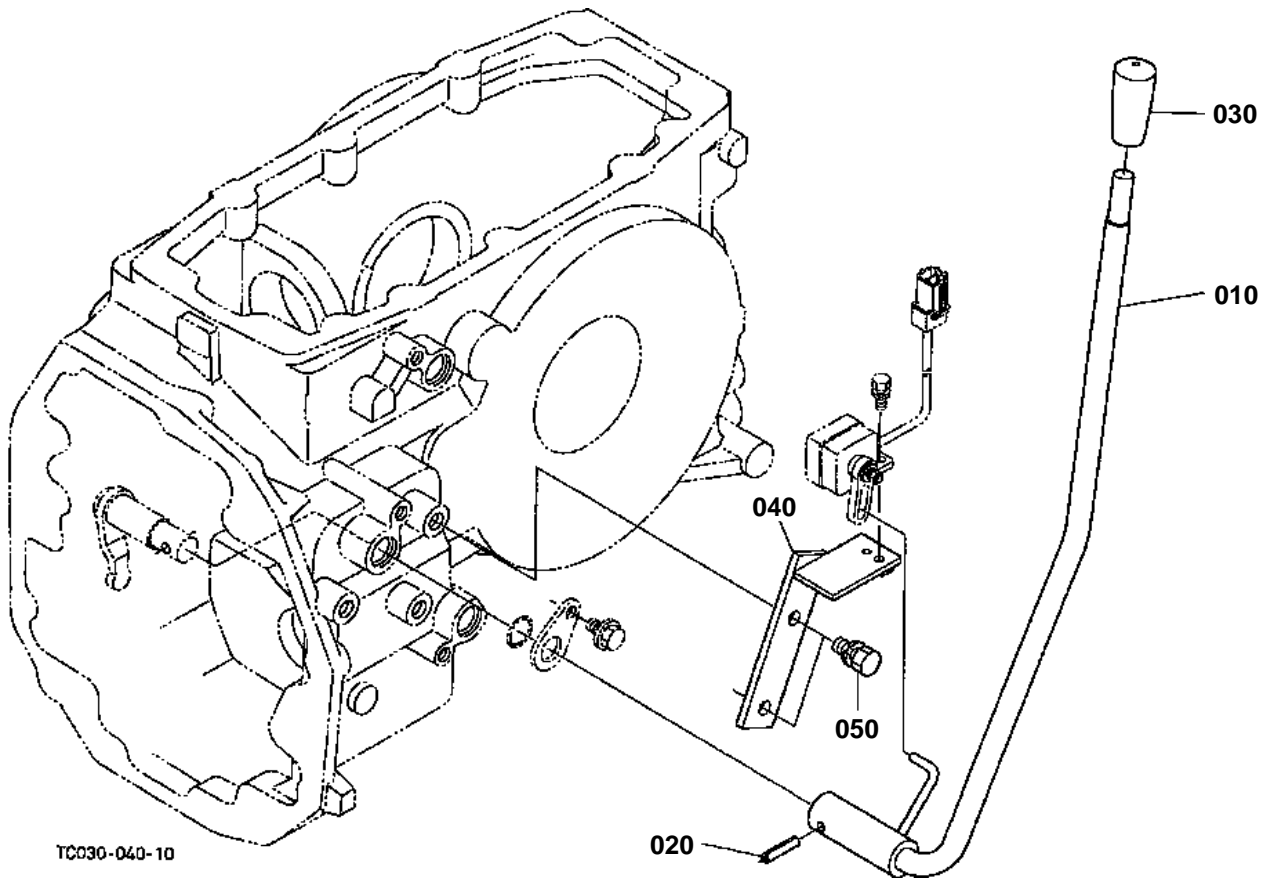


MAIN GEAR SHIFT LEVER

↔ Interchangeable; ≠ not interchangeable; ← new for old; → old for new

REF.No	Part No.	Description	Q'ty	S.No.	I/C	REMARKS	Weight (kgf)	Weight (lb)
010	TC030-23712	BASE MAIN SHIFT	1				0.36	0.792
020	01123-50822	BOLT	2	≤10271			0.012	0.0264
020	01123-50820	BOLT	2	≥10272	←		0.011	0.0242
030	01513-50822	STUD	1	≤10271			0.01	0.022
030	01513-60825	STUD	1	≥10272	←		0.012	0.0264
040	02114-50080	NUT	1				0.005	0.011
050	04512-60100	WASHER SPRING	1				0.002	0.0044
060	04811-50600	O RING	1				0.002	0.0044
070	TC030-23810	LEVER MAIN SHIFT	1	≤10290		NOT SALE	0.71	1.562
070	TC030-23812	LEVER MAIN SHIFT	1	≥10291	←		0.71	1.562
080	05411-00640	PIN SPRING	1				0.006	0.0132
090	TC030-49850	GRIP MAIN SHIFT	1				0.085	0.187
100	02176-50100	NUT	1	≤10271			0.005	0.011
100	02116-50100	NUT	1	≥10272	←		0.004	0.0088
110	04810-00120	O RING	3	≤10271			0	0
110	04811-00120	O RING	3	≥10272	←		0	0
110	04810-00120	O RING	3	≥10332	←		0	0
110	04817-00120	O RING	3		←		0.001	0.0022
120	T0270-23870	SHIELD	1				0.018	0.0396
130	04611-00420	CIR CLIP INTERNAL	1				0.006	0.0132
140	T0270-24970	SHIELD	1				0.015	0.033
150	T0070-24760	SPRING PTO SHIFT	2				0.005	0.011
160	T0070-24810	POPPET PTO SHIFT	2				0.02	0.044
170	T0070-24820	PLUG PTO SHIFT	2				0.015	0.033
180	04717-01200	WASHER WITH RUBBER	2				0.002	0.0044
190	TC030-24780	COLLAR MAIN SHIFT	1				0.016	0.0352

RANGE GEAR SHIFT LEVER



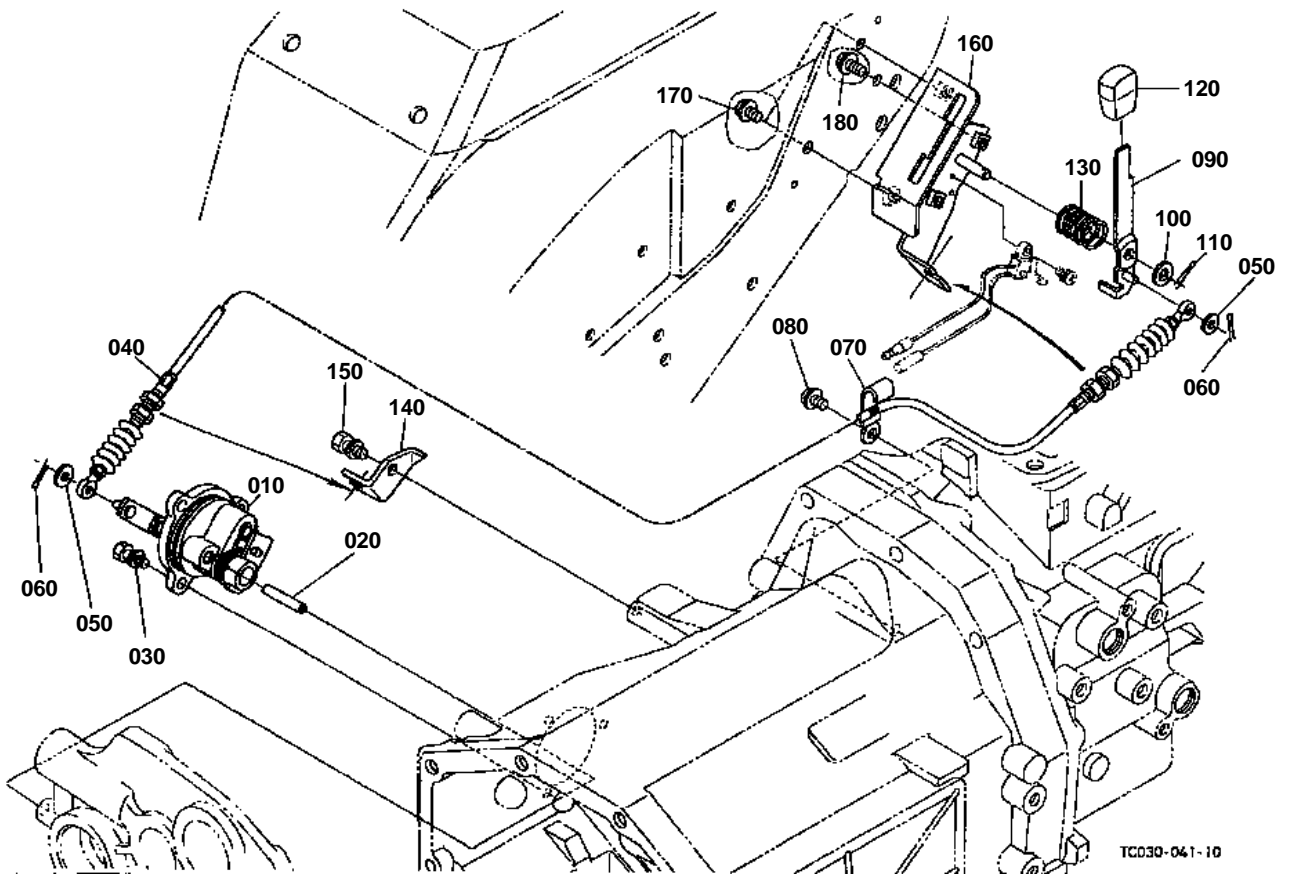


RANGE GEAR SHIFT LEVER

↔ Interchangeable; ≠ not interchangeable; ← new for old; → old for new

REF.No	Part No.	Description	Q'ty	S.No.	I/C	REMARKS	Weight (kgf)	Weight (lb)
010	TC030-24430	LEVER RANGE SHIFT	1				1.2	2.64
020	05411-00628	PIN SPRING	1				0.004	0.0088
030	TC020-24560	GRIP LEVER	1				0.016	0.0352
040	TC030-43570	STAY RANGE SWITCH	1				0.22	0.484
050	01133-51020	BOLT	1				0.02	0.044

PTO CLUTCH CONTROL LEVER



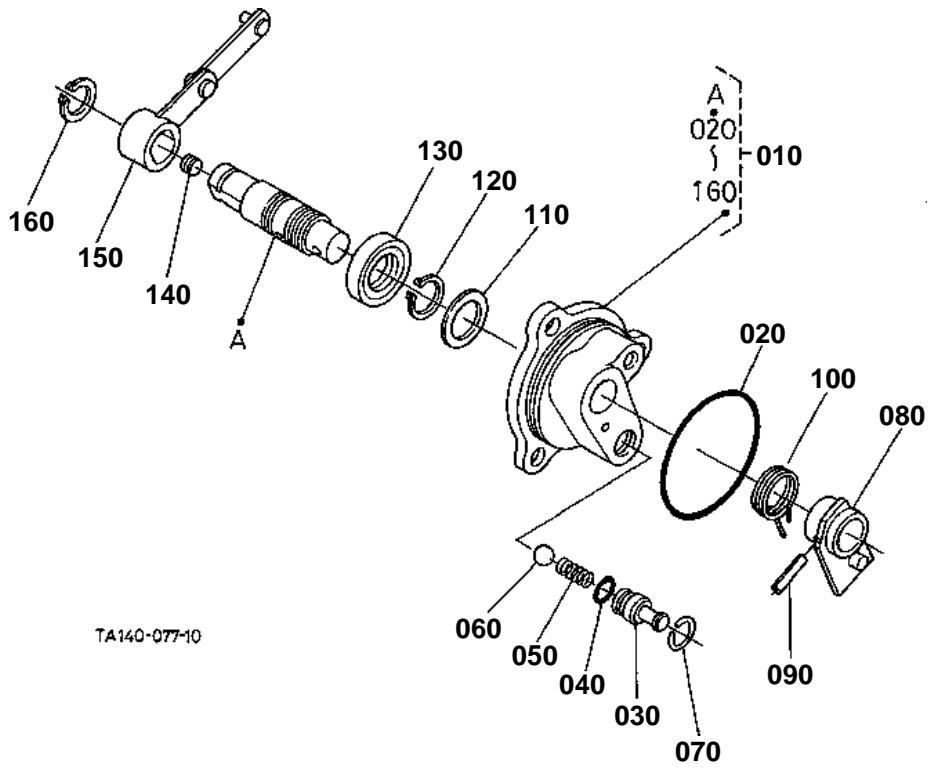


PTO CLUTCH CONTROL LEVER

↔ Interchangeable; ≠ not interchangeable; ← new for old; → old for new

REF.No	Part No.	Description	Q'ty	S.No.	I/C	REMARKS	Weight (kgf)	Weight (lb)
010	TA040-69300	ASSY VALVE I-PTO	1				0.955	2.101
020	36530-27273	PIPE HYDRAULIC	1				0.005	0.011
030	01123-50820	BOLT	3				0.011	0.0242
040	TC030-24653	WIRE PTO	1				0.155	0.341
050	04012-50060	WASHER PLAIN	2				0.001	0.0022
060	05511-51612	PIN SPLIT	2				0.001	0.0022
070	13816-67580	CLAMP CORD	1				0.004	0.0088
080	01754-50812	BOLT FLANGE	1				0.01	0.022
090	TA040-69710	LEVER I-PTO	1				0.053	0.1166
100	04013-60080	WASHER PLAIN	1				0.002	0.0044
110	05511-50215	PIN SPLIT	1				0.001	0.0022
120	36919-27820	GRIP PTO LEVER	1				0.015	0.033
130	33251-29630	SPRING	1				0.013	0.0286
140	TA040-69600	STAY WIRE	1				0.046	0.1012
150	01123-60816	BOLT	1				0.01	0.022
160	TC030-47612	GUIDE PTO LEVER	1				0.36	0.792
170	01754-50812	BOLT FLANGE	2				0.01	0.022
180	01754-50816	BOLT FLANGE	1				0.011	0.0242

PTO CLUTCH VALVE [COMPONENT PARTS]



TA140-077-10

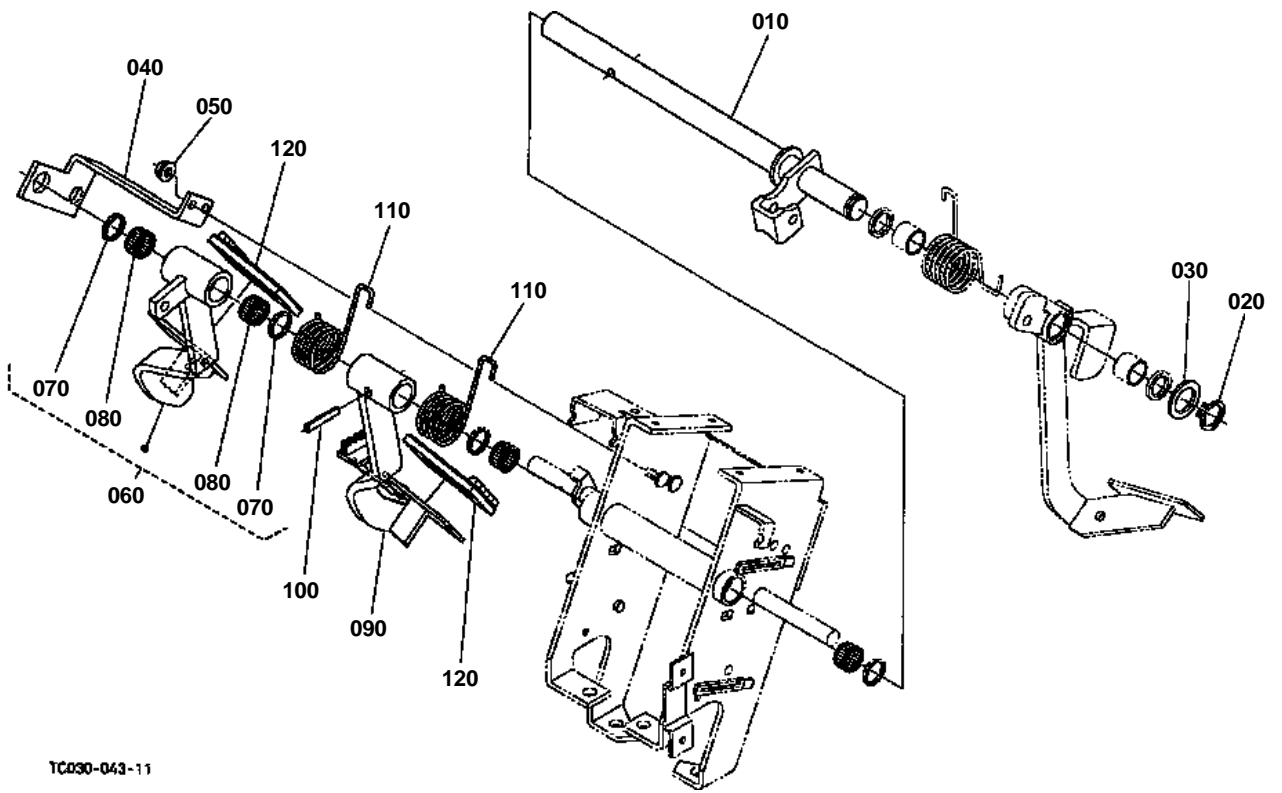


PTO CLUTCH VALVE [COMPONENT PARTS]

↔ Interchangeable; ≠ not interchangeable; ← new for old; → old for new

REF.No	Part No.	Description	Q'ty	S.No.	I/C	REMARKS	Weight (kgf)	Weight (lb)
010	TA040-69300	ASSY VALVE I-PTO	1				0.955	2.101
020	04811-06630	O RING	1				0.001	0.0022
030	TA040-69320	PLUG	1				0.006	0.0132
040	04811-00090	O RING	1				0	0
040	04817-00090	O RING	1		←		0.001	0.0022
050	TA040-69330	SPRING	1				0.001	0.0022
060	07715-03209	BALL	1				0.002	0.0044
070	67401-03690	RING	1				0.001	0.0022
080	TA040-69340	LEVER VALVE ROTOR	1				0.057	0.1254
090	05411-00522	PIN SPRING	1				0.002	0.0044
100	TA040-69360	SPRING	1				0.014	0.0308
110	50770-12180	COLLAR THRUST	1				0.003	0.0066
120	04612-00200	CIR CLIP EXTERNAL	1				0.001	0.0022
130	09500-20358	SEAL OIL	1				0.01	0.022
140	67511-36640	PLUG	1				0.003	0.0066
150	TA040-69370	LEVER VALVE	1				0.075	0.165
160	04612-00180	CIR CLIP EXTERNAL	1				0.001	0.0022

BRAKE PEDAL



TC030-043-11

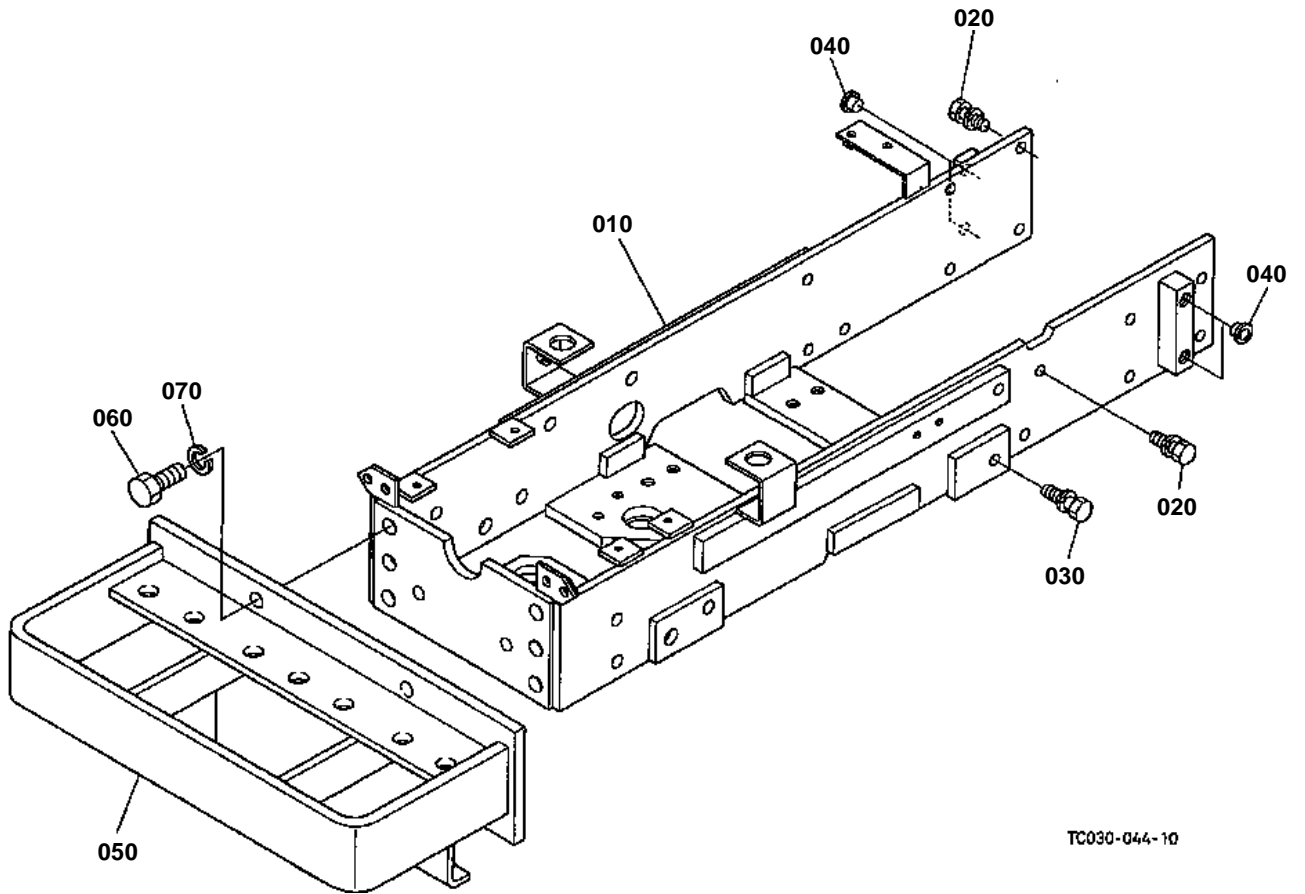


BRAKE PEDAL

↔ Interchangeable; ≠ not interchangeable; ← new for old; → old for new

REF.No	Part No.	Description	Q'ty	S.No.	I/C	REMARKS	Weight (kgf)	Weight (lb)
010	TC030-44010	SHAFT PEDAL	1				2	4.4
020	04612-00250	CIR CLIP EXTERNAL	1				0.002	0.0044
030	04011-50250	WASHER PLAIN	1				0.027	0.0594
040	TC030-44070	SUPPORT SHAFT PEDAL	1				0.38	0.836
050	02751-50080	NUT FLANGE	2				0.006	0.0132
060	TC030-44100	ASSY PEDAL BRAKE RH	1				1.27	2.794
070	34070-44140	SEAL OIL	2				0.005	0.011
080	34070-44360	BEARING NEEDLE	2				0.012	0.0264
090	TC030-44110	PEDAL BRAKE LH	1				1.24	2.728
100	05411-00840	PIN SPRING	1				0.008	0.0176
110	TC030-44170	SPRING	2				0.07	0.154
120	37410-44120	COVER PEDAL	2				0.08	0.176

FRONT AXLE FRAME



TC030-044-10

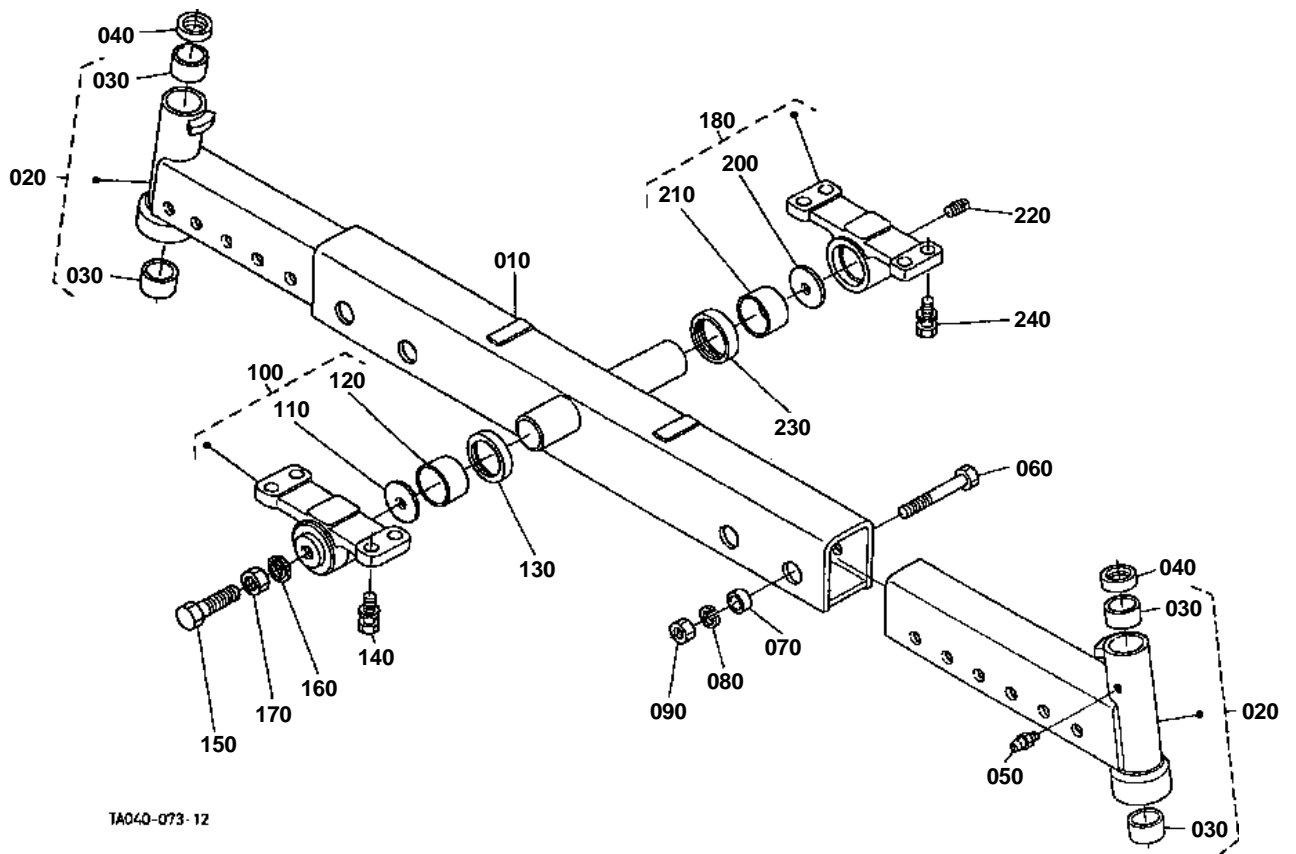


FRONT AXLE FRAME

↔ Interchangeable; ≠ not interchangeable; ← new for old; → old for new

REF.No	Part No.	Description	Q'ty	S.No.	I/C	REMARKS	Weight (kgf)	Weight (lb)
010	TC030-11000	COMP.FRAME F-AXLE	1				30	66
020	01133-51230	BOLT	11				0.04	0.088
030	01133-51240	BOLT	4				0.05	0.11
040	31220-14290	PLUG	4				0.002	0.0044
050	32430-44880	BUMPER	1				12.05	26.51
060	01173-51435	BOLT	4				0.056	0.1232
070	04512-60140	WASHER SPRING	4				0.008	0.0176

FRONT AXLE



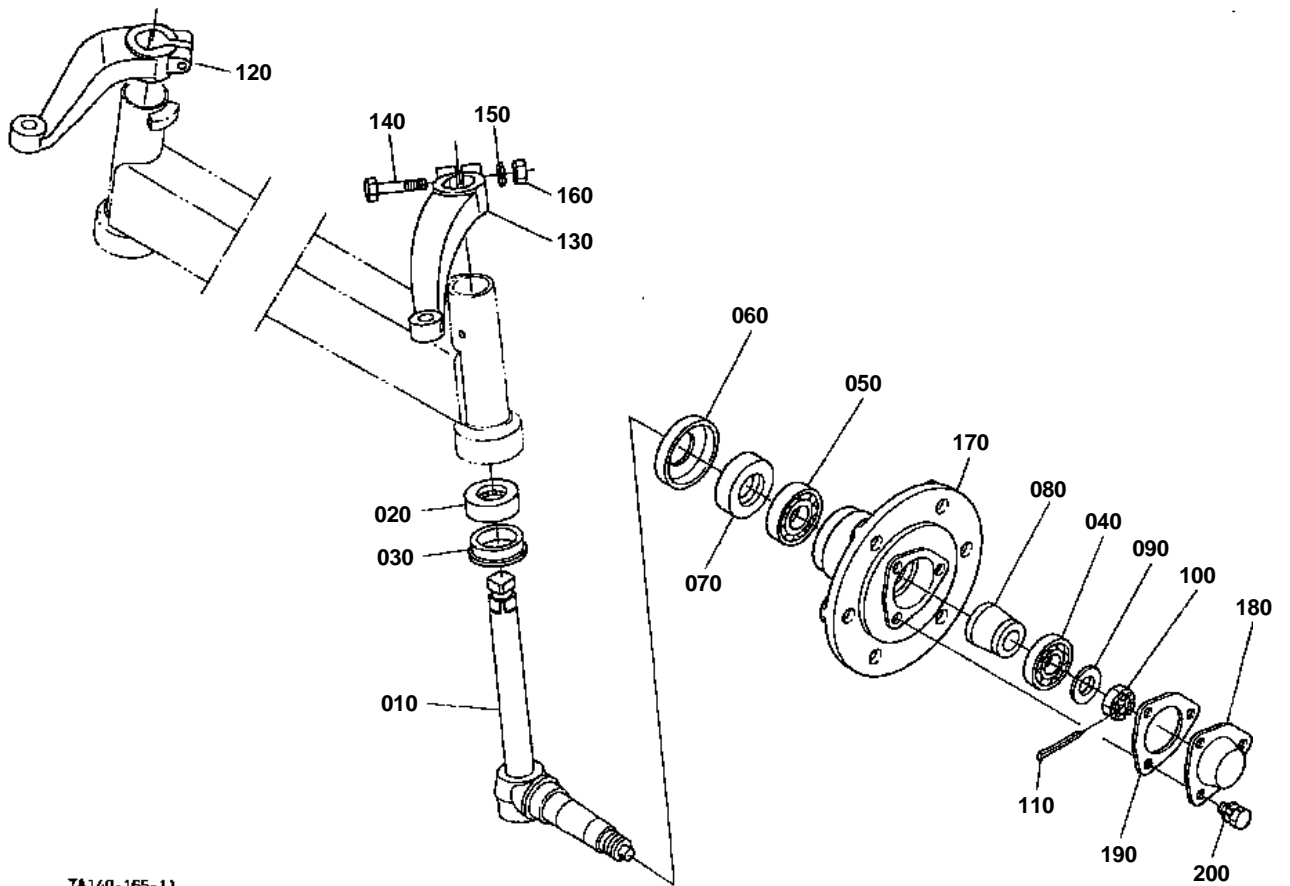
TA040-073-12

**FRONT AXLE**

↔ Interchangeable; ≠ not interchangeable; ← new for old; → old for new

REF.No	Part No.	Description	Q'ty	S.No.	I/C	REMARKS	Weight (kgf)	Weight (lb)
010	TC030-13110	AXLE FRONT INNER	1				14.8	32.56
020	TC030-13120	AXLE FRONT OUTER	2				5.1	11.22
030	38240-13130	BUSH	4				0.015	0.033
040	38240-13140	SEAL OIL	2				0.004	0.0088
050	06613-10010	NIPPLE GREASE	2				0.006	0.0132
060	01173-51495	BOLT	4				0.13	0.286
070	38240-13150	COLLAR	4				0.04	0.088
080	04512-60140	WASHER SPRING	4				0.008	0.0176
090	02176-50140	NUT	4				0.014	0.0308
100	TA040-11500	ASSY HOLDER FRONT	1				1.58	3.476
110	38240-13430	WASHER THRUST	1				0.032	0.0704
120	08511-04025	BUSH	1				0.05	0.11
130	38240-13160	SEAL OIL	1				0.005	0.011
140	01133-51228	BOLT	4				0.04	0.088
150	38630-44760	BOLT	1				0.08	0.176
160	38440-44750	WASHER SEAL	1				0.003	0.0066
170	02176-50160	NUT	1				0.025	0.055
180	38240-13690	ASSY BRACKET	1				0.2	0.44
190	99999-99999	BLANK	0				0	0
200	38240-13430	WASHER THRUST	1				0.032	0.0704
210	08511-04025	BUSH	1				0.05	0.11
220	06312-10010	PLUG	1				0.007	0.0154
230	38240-13160	SEAL OIL	1				0.005	0.011
240	01133-51228	BOLT	4				0.04	0.088

KNUCKLE SHAFT



TA140-165-11

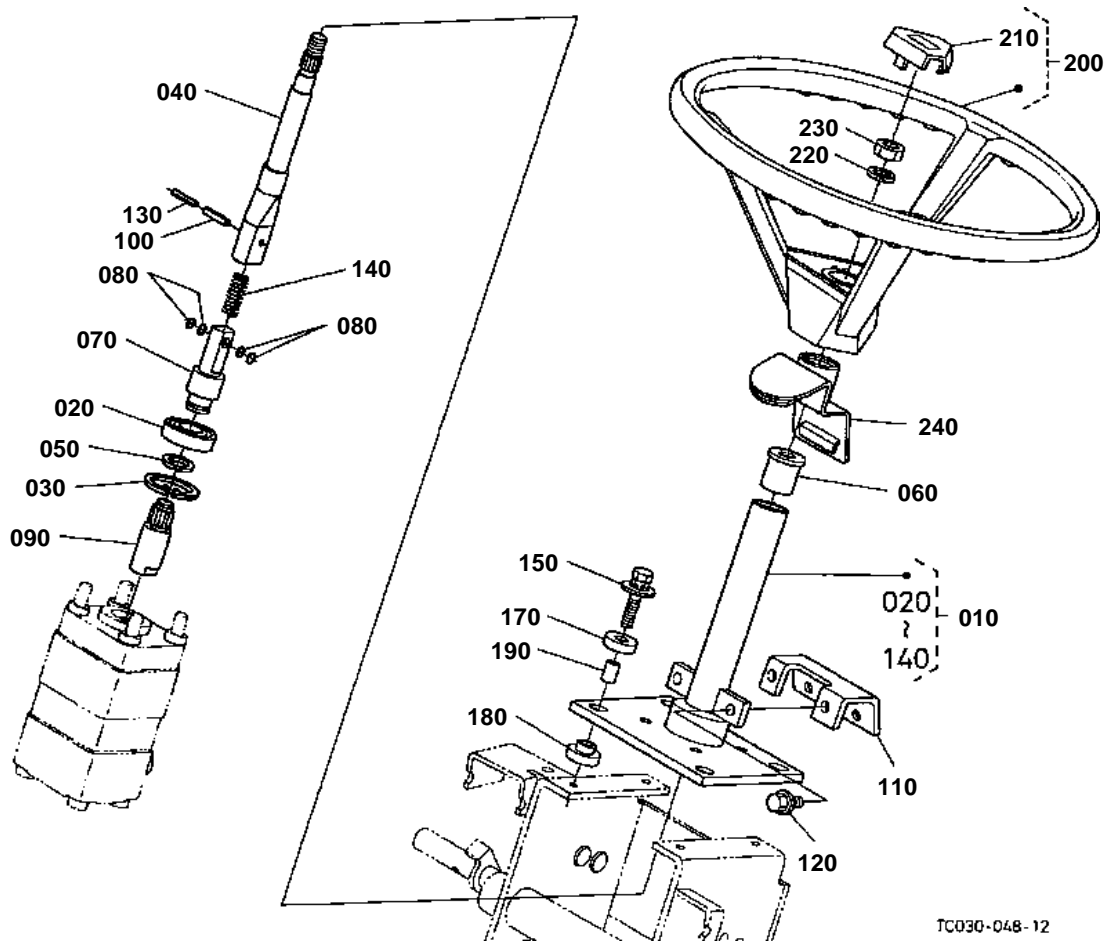


KNUCKLE SHAFT

↔ Interchangeable; ≠ not interchangeable; ← new for old; → old for new

REF.No	Part No.	Description	Q'ty	S.No.	I/C	REMARKS	Weight (kgf)	Weight (lb)
010	35300-11110	COMP.SHAFT KNUCKLE	2				2.7	5.94
020	32150-11510	BEARING THRUST BALL	2				0.14	0.308
030	37300-11430	SEAL OIL	2				0.05	0.11
040	08101-06205	BEARING BALL	2				0.14	0.308
050	08101-06206	BEARING BALL	2				0.196	0.4312
060	32240-11480	COVER DUST	2				0.08	0.176
070	37300-11160	SEAL OIL	2				0.08	0.176
080	38240-11420	SPACER	2				0.205	0.451
090	04011-50200	WASHER PLAIN	2				0.015	0.033
100	02372-50200	NUT	2				0.024	0.0528
110	05511-50430	PIN SPLIT	2				0.004	0.0088
120	31351-11210	ARM KNUCKLE RH	1	≤10450			0	0
120	31351-11212	ARM KNUCKLE RH	1	≥10451	←		1.3	2.86
130	31351-11220	ARM KNUCKLE LH	1	≤10450			0	0
130	31351-11222	ARM KNUCKLE LH	1	≥10451	←		0	0
140	32240-11270	BOLT	2				0.066	0.1452
150	04512-60120	WASHER SPRING	2				0.005	0.011
160	02176-50120	NUT	2				0.01	0.022
170	35340-11310	HUB FRONT WHEEL	2				3.74	8.228
180	32240-11350	CAP FRONT WHEEL	2				0.065	0.143
190	32330-11360	GASKET	2				0.005	0.011
200	01123-60814	BOLT	6				0.01	0.022

STEERING HANDLE



TC030-048-12

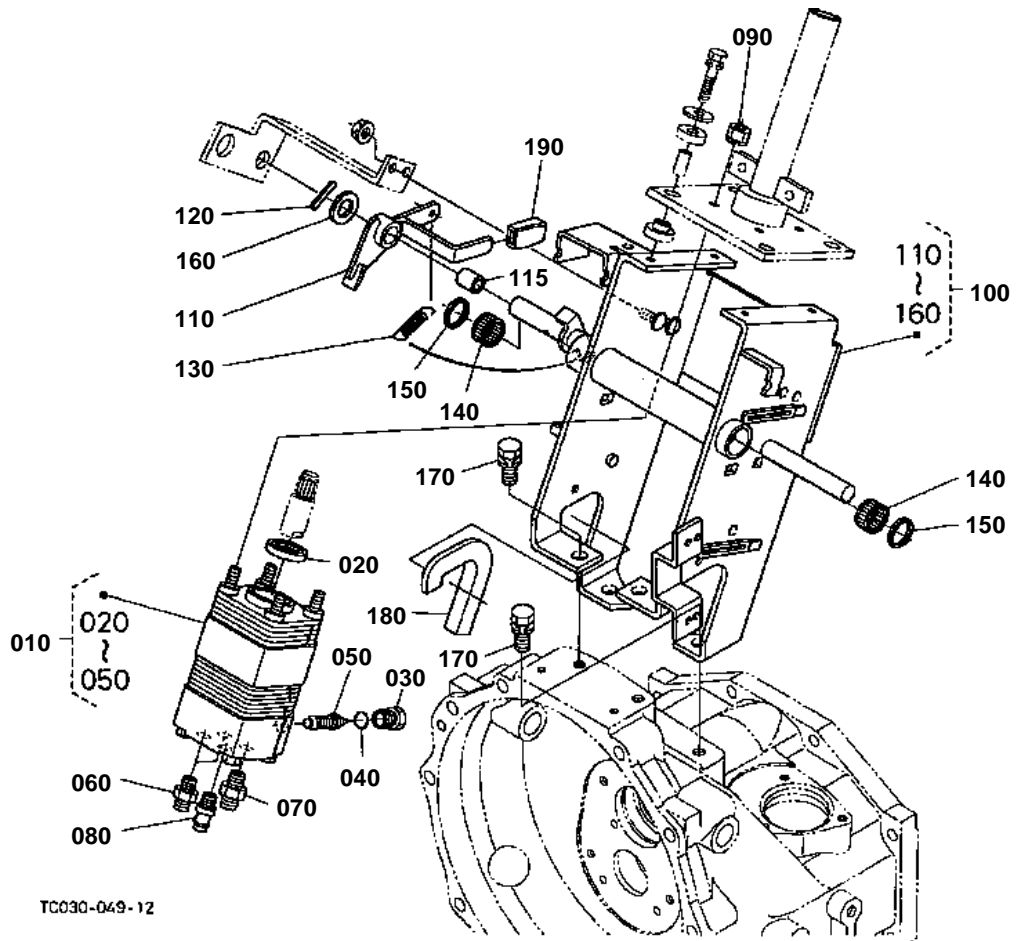


STEERING HANDLE

↔ Interchangeable; ≠ not interchangeable; ← new for old; → old for new

REF.No	Part No.	Description	Q'ty	S.No.	I/C	REMARKS	Weight (kgf)	Weight (lb)
010	TC030-43600	ASSY POST STEERING	1				1.68	3.696
020	08121-06004	BEARING BALL	1				0.075	0.165
030	04611-00420	CIR CLIP INTERNAL	1				0.006	0.0132
040	TC030-43680	SHAFT STEERING	1				0.335	0.737
050	36919-30040	CIR-CLIP	1				0.001	0.0022
060	TC030-41340	BUSH	1				0.015	0.033
070	TC030-43690	SHAFT STEERING	1				0.15	0.33
080	04811-00060	O RING	4				0	0
080	04817-00060	O RING	4		←		0.002	0.0044
090	35080-40170	SHAFT JOINT	1				0.11	0.242
100	05411-00522	PIN SPRING	1				0.002	0.0044
110	TC030-43620	STAY STEERING POST	1				0.185	0.407
120	01754-50816	BOLT FLANGE	2				0.011	0.0242
130	05411-00322	PIN SPRING	1				0.001	0.0022
140	31391-16940	SPRING	1				0.005	0.011
150	01027-50635	BOLT	4				0.013	0.0286
160	99999-99999	BLANK	0				0	0
170	TC030-46132	CUSHION	4				0.004	0.0088
180	TC030-63222	CUSHION LOWER	4				0.004	0.0088
190	TC030-63210	COLLAR	4				0.007	0.0154
200	31351-16063	ASSY WHEEL STEERING	1				2.4	5.28
210	31351-16082	PAD STEERING	1				0.07	0.154
220	04512-60120	WASHER SPRING	1				0.005	0.011
230	02176-50120	NUT	1				0.01	0.022
240	TC030-16862	COVER POST P-STRG.	1				0.04	0.088

STEERING CONTROLLER



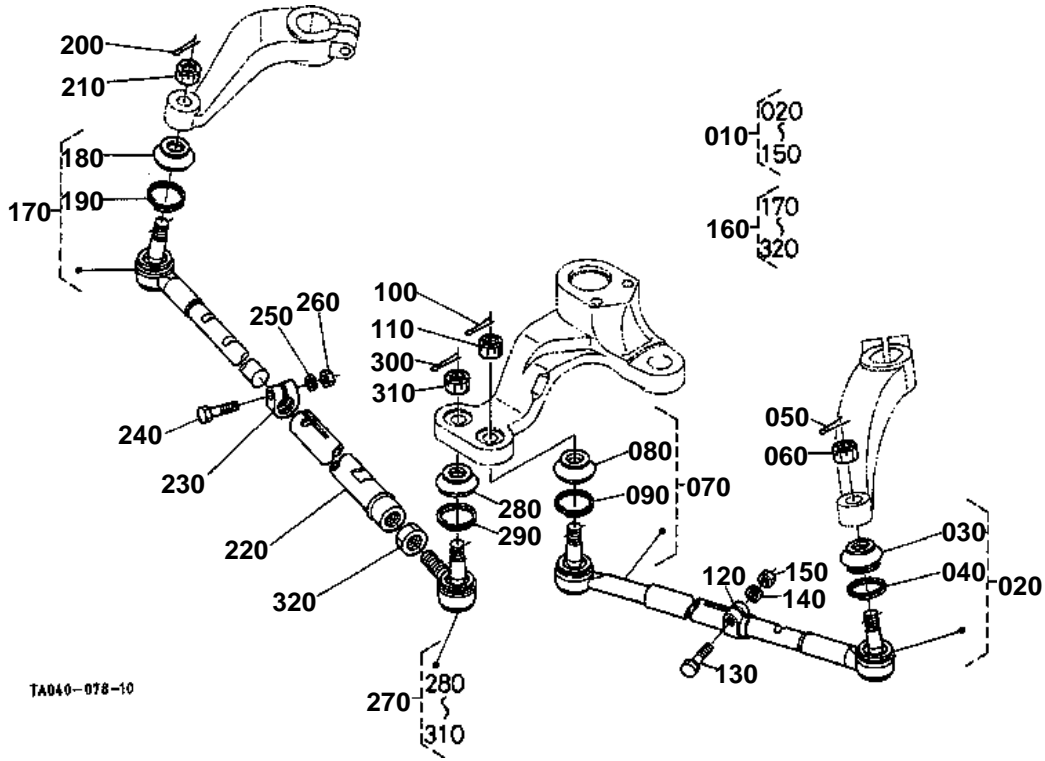


STEERING CONTROLLER

↔ Interchangeable; ≠ not interchangeable; ← new for old; → old for new

REF.No	Part No.	Description	Q'ty	S.No.	I/C	REMARKS	Weight (kgf)	Weight (lb)
010	TA040-37102	CONTROLLER STEERING	1				4.59	10.098
020	09500-19387	SEAL OIL	1				0.012	0.0264
030	35070-40840	PLUG	1				0.042	0.0924
040	04810-00150	O RING	1				0	0
040	04817-00150	O RING	1		←		0.001	0.0022
050	TA040-40870	COMP.VALVE RELIEF	1				0.02	0.044
060	56713-28140	ADAPTER CYLINDER	2				0.03	0.066
070	T0180-37300	JOINT	1				0.06	0.132
080	31391-66810	JOINT PIPE	1				0.04	0.088
090	16429-92010	NUT	4				0.007	0.0154
100	TC030-45683	COMP.SUPPORT P-STRG.	1	<=10243		NOT SALE	0	0
100	TC030-45684	COMP.SUPPORT P-STRG.	1	>=10244	←		0	0
100	TC030-45685	COMP.SUPPORT P-STRG.	1	>=10272	←		0	0
100	TC030-45686	COMP.SUPPORT P-STRG.	1	>=10332	←		6.7	14.74
110	TC030-44410	LOCK PARKING LEVER	1	<=10260		NOT SALE	0	0
110	TC030-44413	LOCK PARKING LEVER	1	>=10261	←		0.195	0.429
115	08511-01820	BUSH	1	>=10261			0.009	0.0198
120	05411-00532	PIN SPRING	1				0.003	0.0066
130	36330-83420	SPRING LOCK	1				0.006	0.0132
140	34070-44360	BEARING NEEDLE	2				0.012	0.0264
150	34070-44140	SEAL OIL	2				0.005	0.011
160	04011-50180	WASHER PLAIN	1				0.012	0.0264
170	01133-51225	BOLT	4				0.035	0.077
180	TC030-43330	GROMMET	1				0.034	0.0748
190	TA140-43560	GRIP	1				0.022	0.0484

STEERING LINKAGE (TIE ROD)

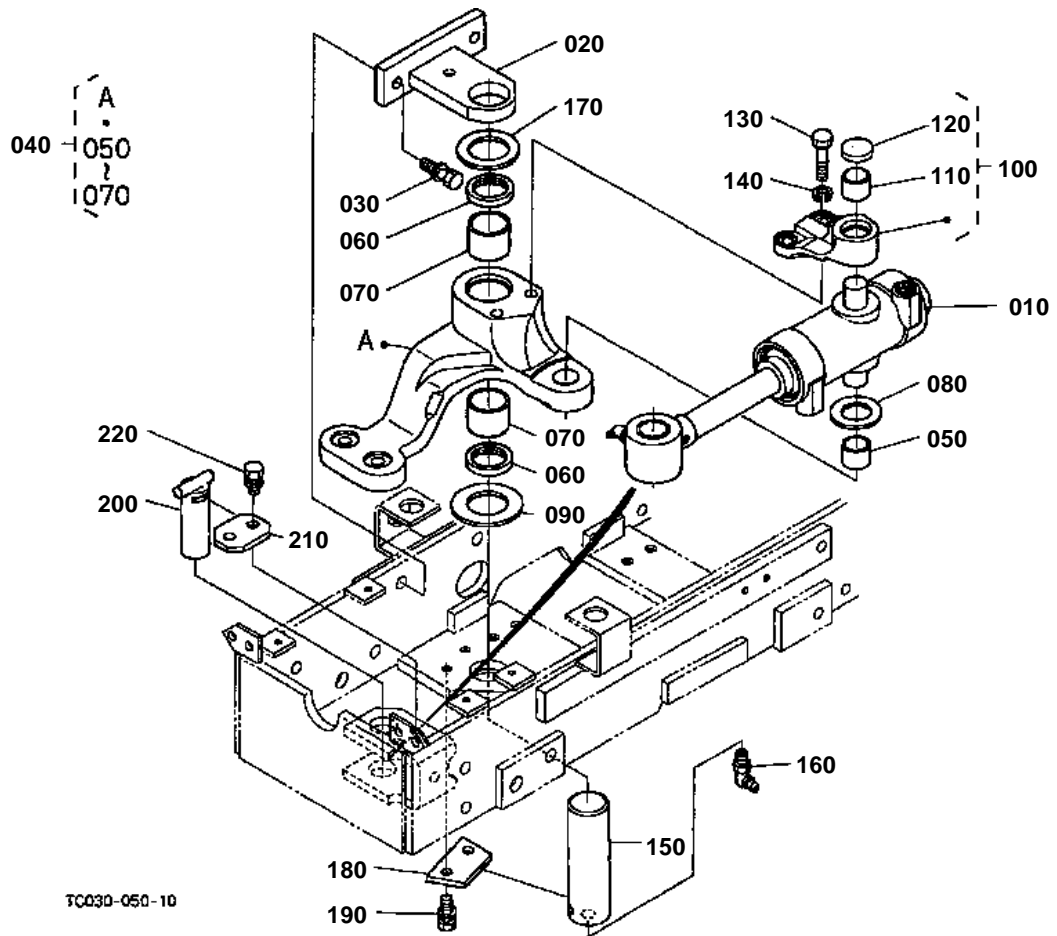


**STEERING LINKAGE (TIE ROD)**

↔ Interchangeable; ≠ not interchangeable; ← new for old; → old for new

REF.No	Part No.	Description	Q'ty	S.No.	I/C	REMARKS	Weight (kgf)	Weight (lb)
010	32430-12400	ASSY ROD TIE LH	1				2.15	4.73
020	32430-12410	COMP.ROD TIE	1	≤10331			0.855	1.881
020	32430-12412	COMP.ROD TIE	1	≥10332	←		0.855	1.881
030	38240-12650	COVER DUST	1				0.01	0.022
040	38240-12660	CLIP	1				0.005	0.011
050	05511-50325	PIN SPLIT	1				0.002	0.0044
060	38240-12830	NUT	1				0.008	0.0176
070	32430-12450	ROD TIE LH	1				1.17	2.574
080	38240-12650	COVER DUST	1				0.01	0.022
090	38240-12660	CLIP	1				0.005	0.011
100	05511-50325	PIN SPLIT	1				0.002	0.0044
110	38240-12830	NUT	1				0.008	0.0176
120	33251-62860	CLAMP TIE ROD	1				0.078	0.1716
130	38430-12560	BOLT	1				0.35	0.77
140	04512-60100	WASHER SPRING	1				0.002	0.0044
150	02176-50100	NUT	1				0.005	0.011
160	32430-12500	ASSY ROD TIE RH	1	≤10671			1.95	4.29
160	TC050-12502	ASSY ROD TIE RH	1	≥10672	←		2.1	4.62
170	32430-12410	COMP.ROD TIE	1	≤10331			0.855	1.881
170	32430-12412	COMP.ROD TIE	1	≥10332	←		0.855	1.881
180	38240-12650	COVER DUST	1				0.01	0.022
190	38240-12660	CLIP	1				0.005	0.011
200	05511-50325	PIN SPLIT	1				0.002	0.0044
210	38240-12830	NUT	1				0.008	0.0176
220	32430-12520	ROD TIE OUTER	1				0.64	1.408
230	33251-62860	CLAMP TIE ROD	1				0.078	0.1716
240	38430-12560	BOLT	1				0.35	0.77
250	04512-60100	WASHER SPRING	1				0.002	0.0044
260	02176-50100	NUT	1				0.005	0.011
270	38440-44780	ASSY END TIE ROD RH	1				0.322	0.7084
280	38240-12650	COVER DUST	1				0.01	0.022
290	38240-12660	CLIP	1				0.005	0.011
300	05511-50325	PIN SPLIT	1				0.002	0.0044
310	38240-12830	NUT	1				0.008	0.0176
320	02172-50160	NUT	1				0.017	0.0374

STEERING CYLINDER



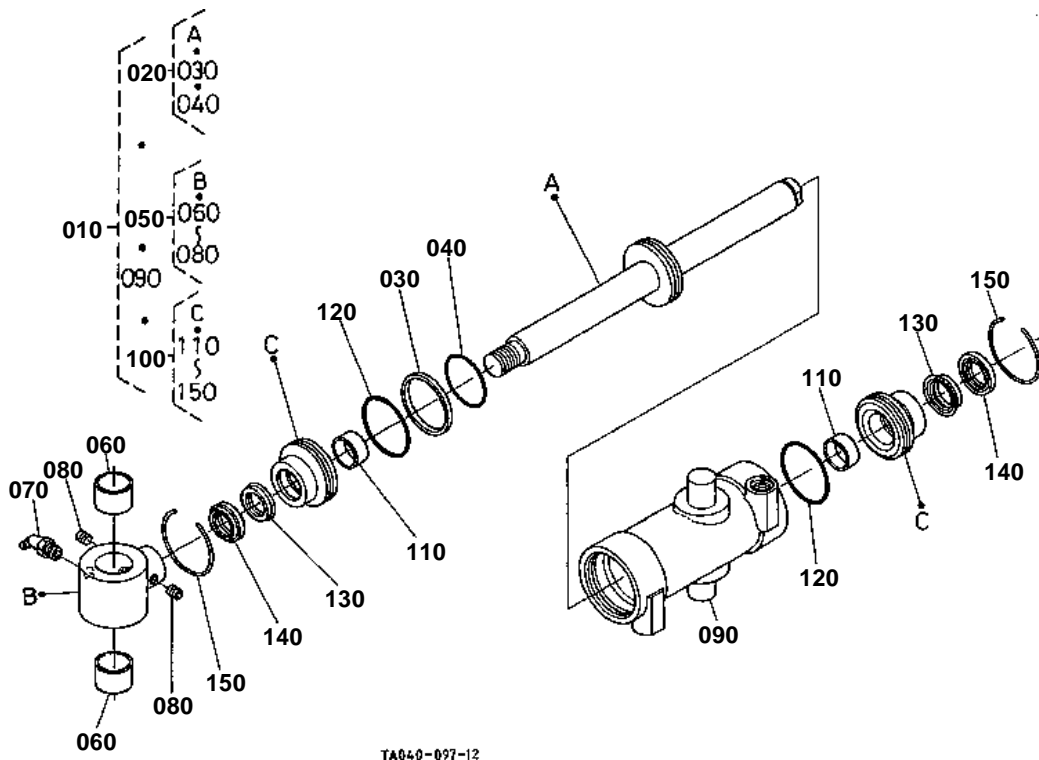


STEERING CYLINDER

↔ Interchangeable; ≠ not interchangeable; ← new for old; → old for new

REF.No	Part No.	Description	Q'ty	S.No.	I/C	REMARKS	Weight (kgf)	Weight (lb)
010	TA040-37803	ASSY CYLINDER STRG.	1	<=10487			0	0
010	TA040-37806	ASSY CYLINDER STRG.	1	>=10488	←		4.85	10.67
020	TA040-14310	SUPPORT SHAFT	1				1.15	2.53
030	01133-51235	BOLT	2				0.043	0.0946
040	TA040-11132	ASSY ARM PITMAN	1				4.9	10.78
050	08511-02420	BUSH	1				0.018	0.0396
060	38240-13160	SEAL OIL	2				0.005	0.011
070	52200-22430	BUSH	2				0.05	0.11
080	TA040-17200	WASHER	1				0.01	0.022
090	TA040-17210	WASHER	1				0.03	0.066
100	TA140-17100	ASSY ARM PITMAN	1				0	0
110	08511-02420	BUSH	1				0.018	0.0396
120	69331-11160	PLUG	1				0.008	0.0176
130	TA040-17190	BOLT REAMER	2				0.03	0.066
140	04512-60100	WASHER SPRING	2				0.002	0.0044
150	TA040-17162	SHAFT PITMAN ARM	1				1.3	2.86
160	06616-25010	NIPPLE GREASE	1				0.008	0.0176
170	TA040-17250	WASHER	1				0.016	0.0352
180	TA040-17262	PLATE SHAFT	1				0.08	0.176
190	01133-51025	BOLT	2				0.023	0.0506
200	TA040-17173	SHAFT ROD END	1				0.4	0.88
210	TA040-17150	PLATE ROD END	1				0.055	0.121
220	01133-51016	BOLT	2				0.015	0.033

STEERING CYLINDER [COMPONENT PARTS]



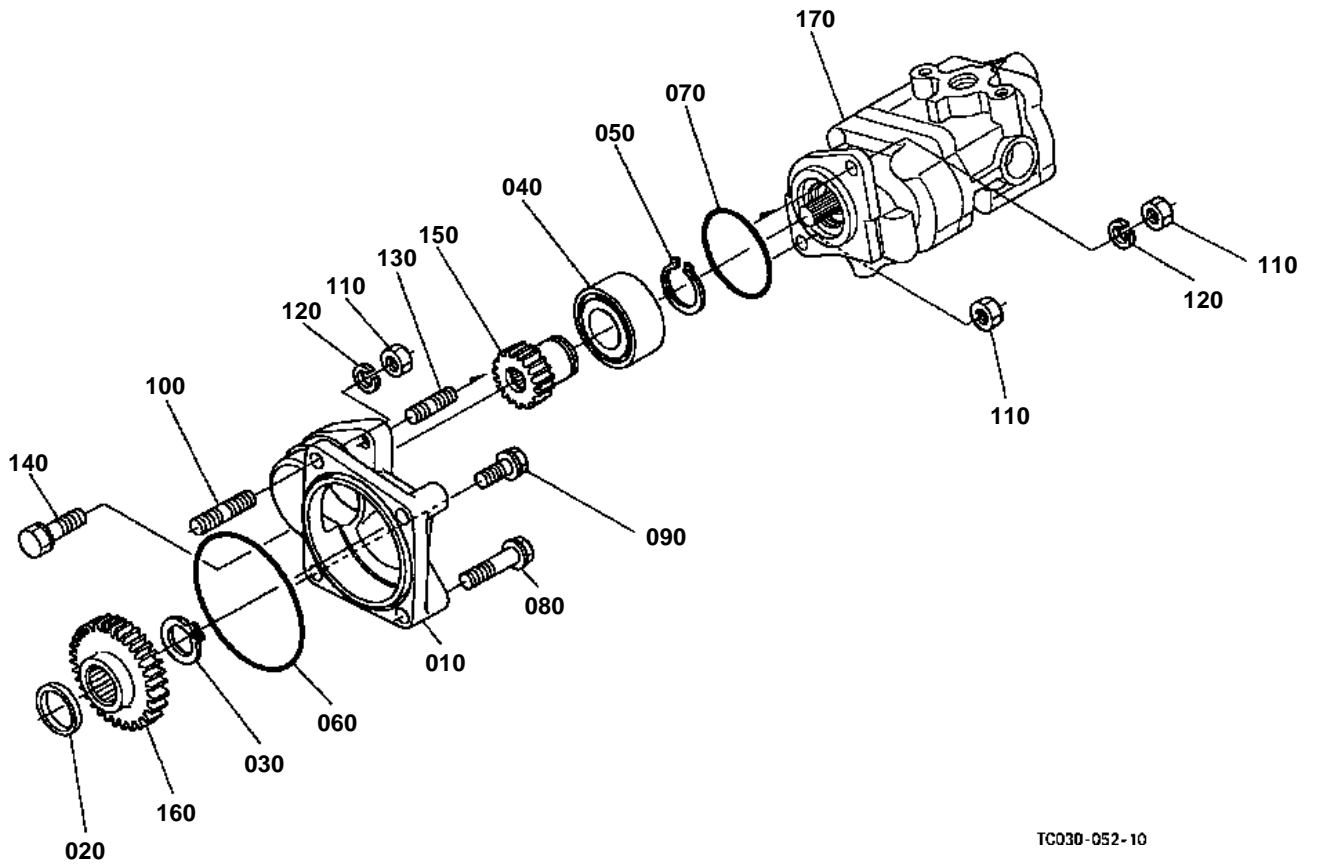


STEERING CYLINDER [COMPONENT PARTS]

↔ Interchangeable; ≠ not interchangeable; ← new for old; → old for new

REF.No	Part No.	Description	Q'ty	S.No.	I/C	REMARKS	Weight (kgf)	Weight (lb)
010	TA040-37803	ASSY CYLINDER STRG.	1	<=10487			0	0
010	TA040-37806	ASSY CYLINDER STRG.	1	>=10488	←		4.85	10.67
020	TA040-37814	ASSY ROD	1				1.55	3.41
030	TA040-37570	GASKET PISTON	1				0.002	0.0044
040	04811-00450	O RING	1				0	0
040	04816-00450	O RING	1		←		0.002	0.0044
050	TA040-37860	ASSY END ROD	1				0.7	1.54
060	08511-02820	BUSH	2				0.029	0.0638
070	06613-20010	NIPPLE GREASE	1				0.01	0.022
080	03653-50610	SCREW SET	2				0.001	0.0022
090	TA040-37874	TUBE CYLINDER	1	<=10487			1.91	4.202
090	TA040-37875	TUBE CYLINDER	1	>=10488	←		1.845	4.059
100	TA040-37840	ASSY COVER CYLINDER	2				0.365	0.803
110	08511-02512	BUSH	2				0.03	0.066
120	04817-50500	O RING	2				0.003	0.0066
120	04817-50500	O RING	1		←		0.003	0.0066
130	TA040-37560	GASKET ROD	2				0.002	0.0044
140	TA040-37580	SEAL DUST	2				0.002	0.0044
150	TA040-37880	CIR-CLIP	2				0.005	0.011

HYDRAULIC PUMP



TC030-052-10

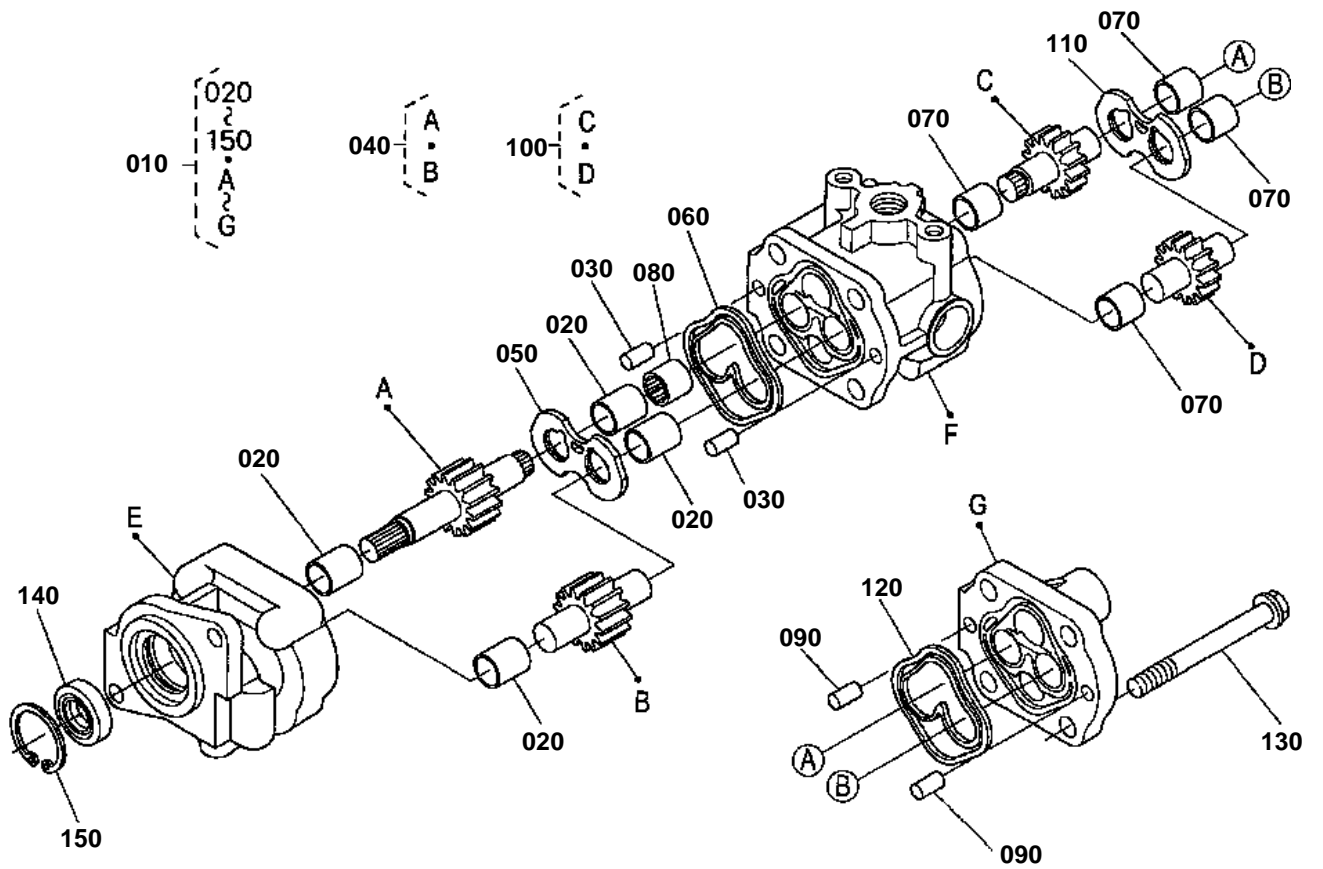


HYDRAULIC PUMP

↔ Interchangeable; ≠ not interchangeable; ← new for old; → old for new

REF.No	Part No.	Description	Q'ty	S.No.	I/C	REMARKS	Weight (kgf)	Weight (lb)
010	34070-33612	HOLDER PUMP	1				0.375	0.825
020	35370-37820	COLLAR	1				0.015	0.033
030	15471-95360	CIR CLIP EXTERNAL	1				0.004	0.0088
040	08241-05205	BEARING BALL	1				0.177	0.3894
050	04612-00250	CIR CLIP EXTERNAL	1				0.002	0.0044
060	04811-10850	O RING	1				0.002	0.0044
070	T1060-36620	O RING	1				0.001	0.0022
080	01754-50840	BOLT FLANGE	2				0.02	0.044
090	01754-50820	BOLT FLANGE	1				0.015	0.033
100	38240-36330	STUD	1				0.008	0.0176
110	02156-50080	NUT	3				0.004	0.0088
120	04512-60080	WASHER SPRING	2				0.002	0.0044
130	01513-60820	STUD	1				0.015	0.033
140	01123-50835	BOLT	1				0.02	0.044
150	T1060-36820	GEAR PUMP DRIVE	1			17T	0.165	0.363
160	31391-37810	GEAR	1			34T	0.33	0.726
170	T1150-36400	ASSY PUMP HYDRAULIC	1	<=10523			2.5	5.5
170	T1150-36403	ASSY PUMP HYDRAULIC	1	>=10524	←		2.75	6.05

HYDRAULIC PUMP [COMPONENT PARTS]



T1080-126-10

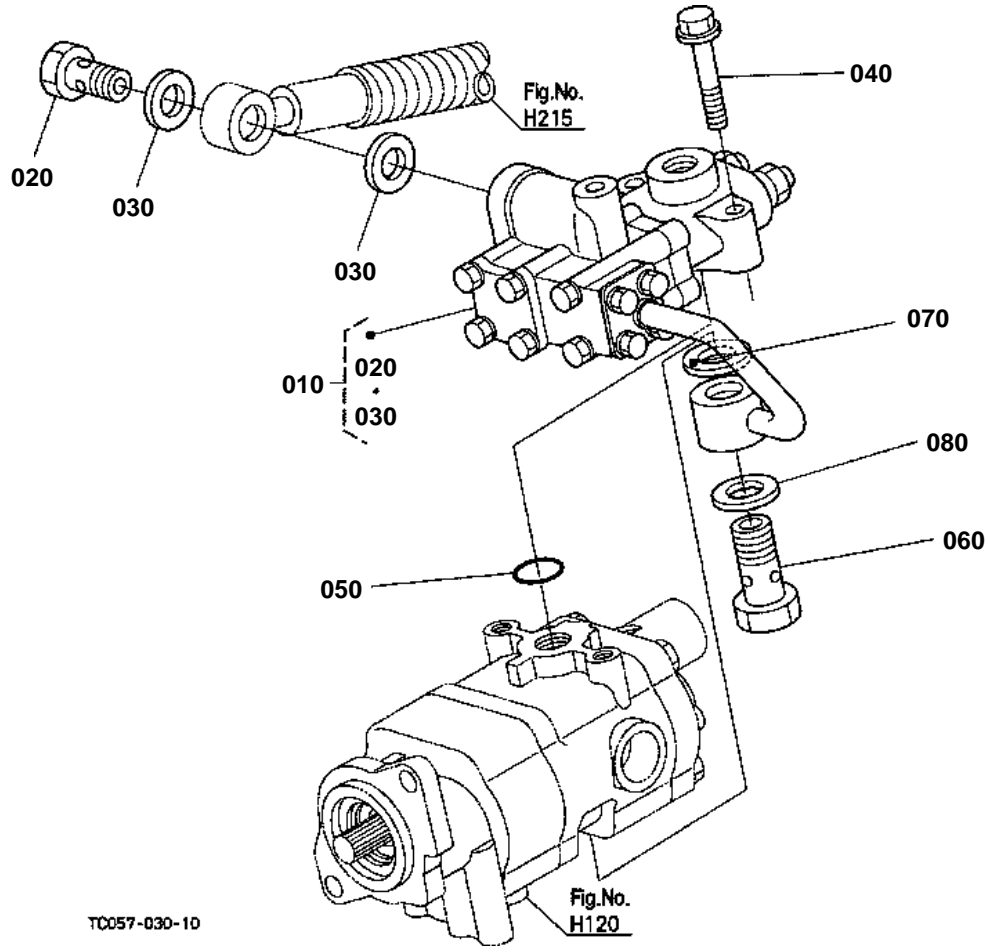


HYDRAULIC PUMP [COMPONENT PARTS]

↔ Interchangeable; ≠ not interchangeable; ← new for old; → old for new

REF.No	Part No.	Description	Q'ty	S.No.	I/C	REMARKS	Weight (kgf)	Weight (lb)
010	T1150-36400	ASSY PUMP HYDRAULIC	1	≤10523			2.5	5.5
010	T1150-36403	ASSY PUMP HYDRAULIC	1	≥10524	←		2.75	6.05
020	K3511-36760	BUSH	4	≤10523			0	0
020	K3511-36762	BUSH	4	≥10524	←		0.01	0.022
030	05012-00814	PIN STRAIGHT	2				0.006	0.0132
040	T1060-36450	COMP.GEAR HYD.PUMP	1				0.33	0.726
050	6C140-36350	PLATE SIDE	1				0.05	0.11
060	6C040-36342	RING DOUBLE	1	≤10523			0	0
060	6C040-36344	RING DOUBLE	1	≥10524	←		0.003	0.0066
070	6A100-37230	BUSH	4	≤10523			0.005	0.011
070	6A100-37232	BUSH	4	≥10524	←		0.005	0.011
080	6A100-37430	COUPLING	1				0.01	0.022
090	05012-00814	PIN STRAIGHT	2				0.006	0.0132
100	T1060-36550	COMP.GEAR HYD.PUMP	1				0.2	0.44
110	6C140-36350	PLATE SIDE	1				0.05	0.11
120	6C040-36342	RING DOUBLE	1	≤10523			0	0
120	6C040-36344	RING DOUBLE	1	≥10524	←		0.003	0.0066
130	01754-51090	BOLT FLANGE	4				0.05	0.11
140	31381-76390	SEAL OIL	1				0.01	0.022
150	04611-00300	CIR CLIP INTERNAL	1				0.004	0.0088

REGULATOR VALVE



TC057-030-10

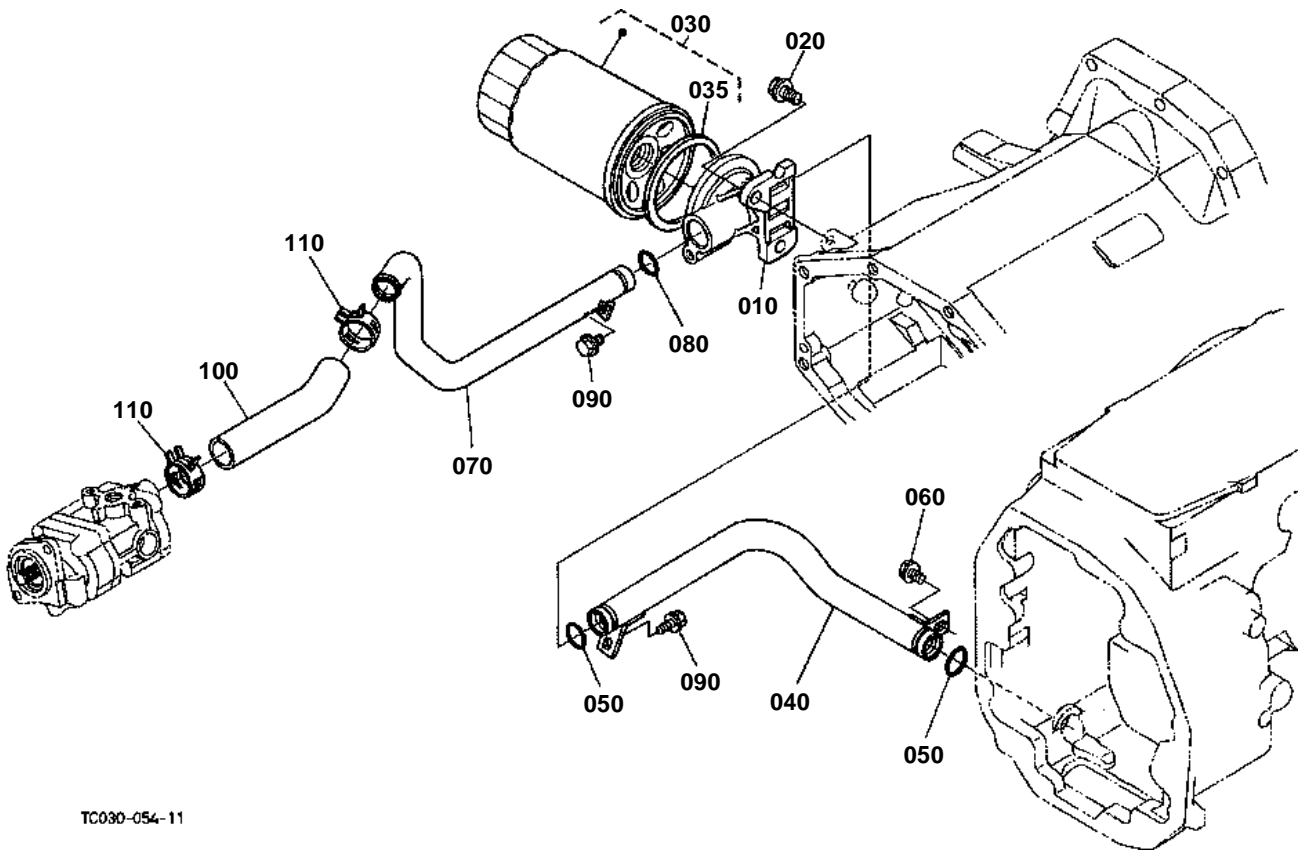


REGULATOR VALVE

↔ Interchangeable; ≠ not interchangeable; ← new for old; → old for new

REF.No	Part No.	Description	Q'ty	S.No.	I/C	REMARKS	Weight (kgf)	Weight (lb)
010	T1060-19000	ASSY VALVE REGULATOR	1	<=10600			1.68	3.696
010	T1060-19050	ASSY VALVE REGULATOR	1	>=10601	←		1.65	3.63
020	66591-36250	JOINT	1				0.08	0.176
030	67111-37180	GASKET	2				0.003	0.0066
040	01754-50840	BOLT FLANGE	2				0.02	0.044
050	04811-00200	O RING	1				0	0
050	04817-00200	O RING	1		←		0.011	0.0242
060	66591-36250	JOINT	1				0.08	0.176
070	67111-37180	GASKET	1				0.003	0.0066
080	TA040-37180	GASKET	1				0.004	0.0088

HYDRAULIC OIL LINE(INLET)



TC030-054-11

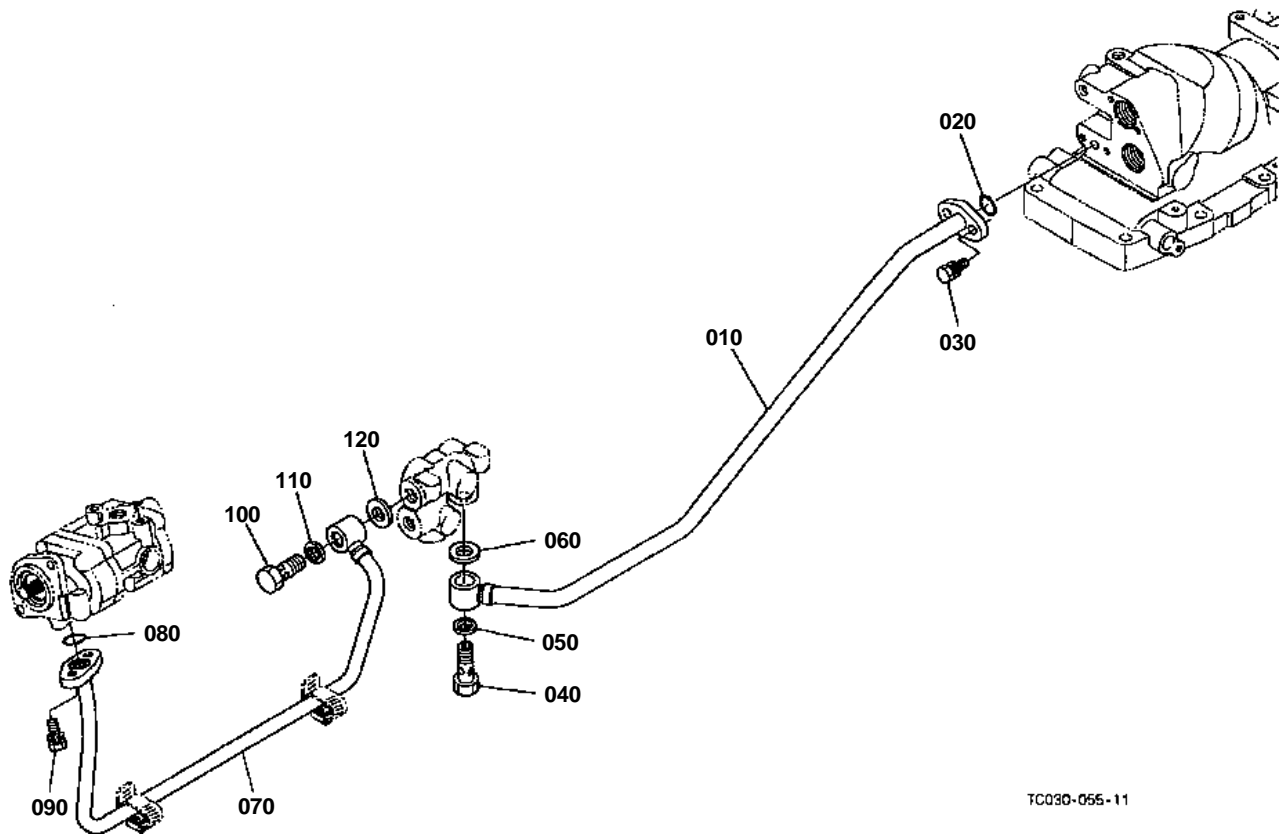


HYDRAULIC OIL LINE(INLET)

↔ Interchangeable; ≠ not interchangeable; ← new for old; → old for new

REF.No	Part No.	Description	Q'ty	S.No.	I/C	REMARKS	Weight (kgf)	Weight (lb)
010	TA040-33212	BRACKET FILTER	1				0.525	1.155
020	01774-61020	BOLT FLANGE	2				0.022	0.0484
030	T0070-37710	CARTRIDGE OIL FILTER	1				0.725	1.595
035	T0070-37720	MAGNET OIL FILTER	1				0.04	0.088
040	TA040-33362	PIPE INLET	1				0.42	0.924
050	04811-07230	O RING	2				0	0
050	04817-07230	O RING	2		←		0.005	0.011
050	04816-07230	O RING	2		←		0.002	0.0044
060	01754-50812	BOLT FLANGE	1				0.01	0.022
070	TC030-33320	PIPE INLET	1				0.43	0.946
080	04810-07230	O RING	1				0	0
080	04817-07230	O RING	1		←		0.005	0.011
090	01754-50816	BOLT FLANGE	2				0.011	0.0242
100	TC030-33340	HOSE INLET	1				0.112	0.2464
110	31351-38180	BAND PIPE	2				0.02	0.044

HYDRAULIC OIL LINE(DELIVERY)



TC030-055-11

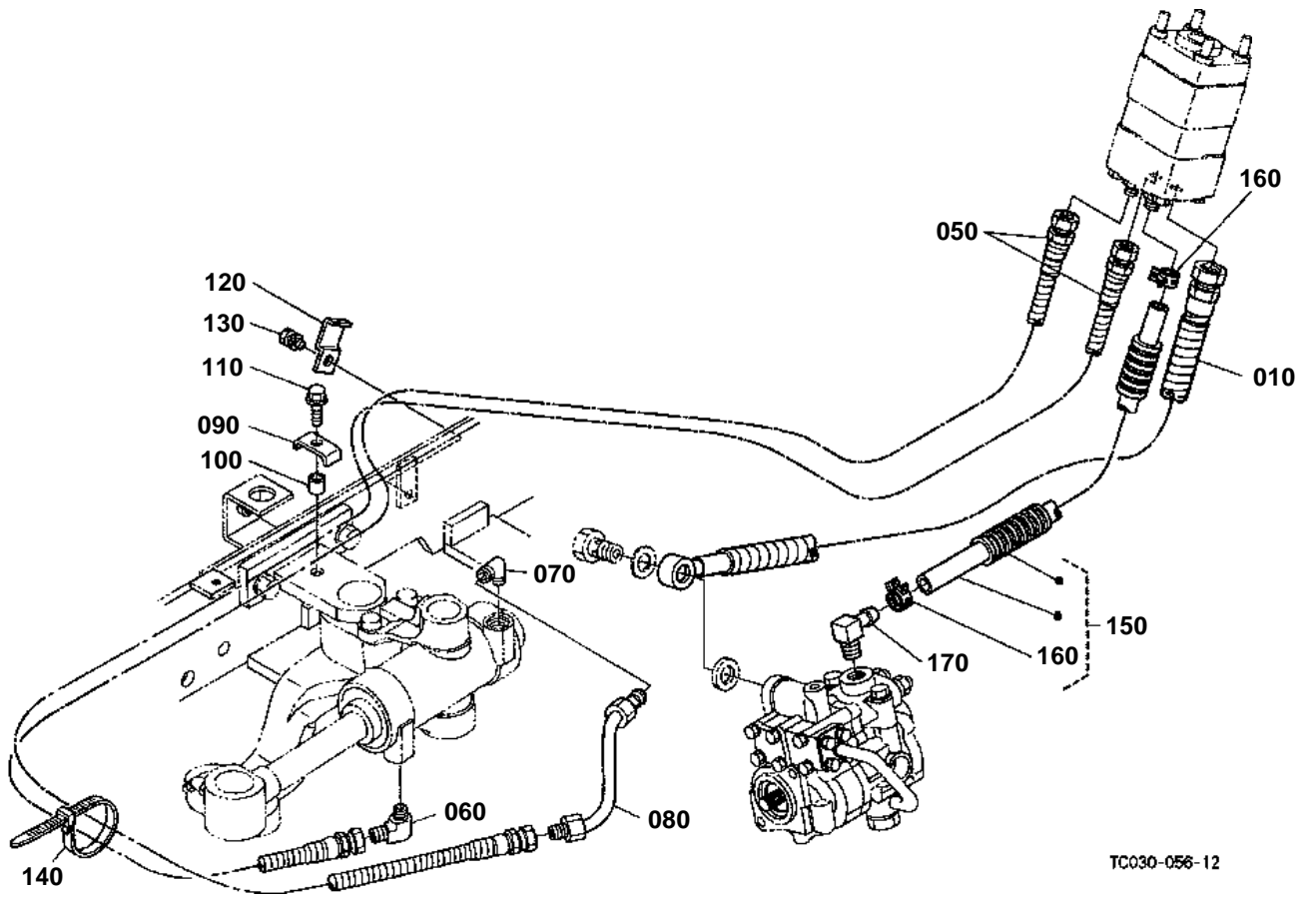


HYDRAULIC OIL LINE(DELIVERY)

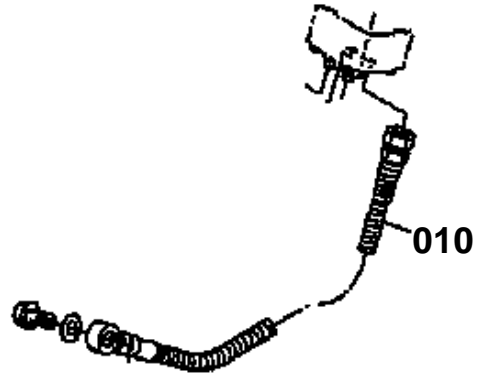
↔ Interchangeable; ≠ not interchangeable; ← new for old; → old for new

REF.No	Part No.	Description	Q'ty	S.No.	I/C	REMARKS	Weight (kgf)	Weight (lb)
010	TA040-33412	COMP.PIPE DELIVERY	1				0.555	1.221
020	04810-00180	O RING	1				0	0
020	04817-00180	O RING	1				0.003	0.0066
030	01123-50820	BOLT	2		←		0.011	0.0242
040	66591-36250	JOINT	1				0.08	0.176
050	67111-37180	GASKET	1				0.003	0.0066
060	67401-36720	GASKET	1				0.005	0.011
070	TC030-33420	COMP.PIPE DELIVERY	1				0.565	1.243
080	04810-00180	O RING	1				0	0
080	04817-00180	O RING	1		←		0.003	0.0066
090	01123-50820	BOLT	2				0.011	0.0242
100	66591-36250	JOINT	1				0.08	0.176
110	67111-37180	GASKET	1				0.003	0.0066
120	67401-36720	GASKET	1				0.005	0.011

HYDRAULIC OIL LINE (PS)



010 TC030-3351-0



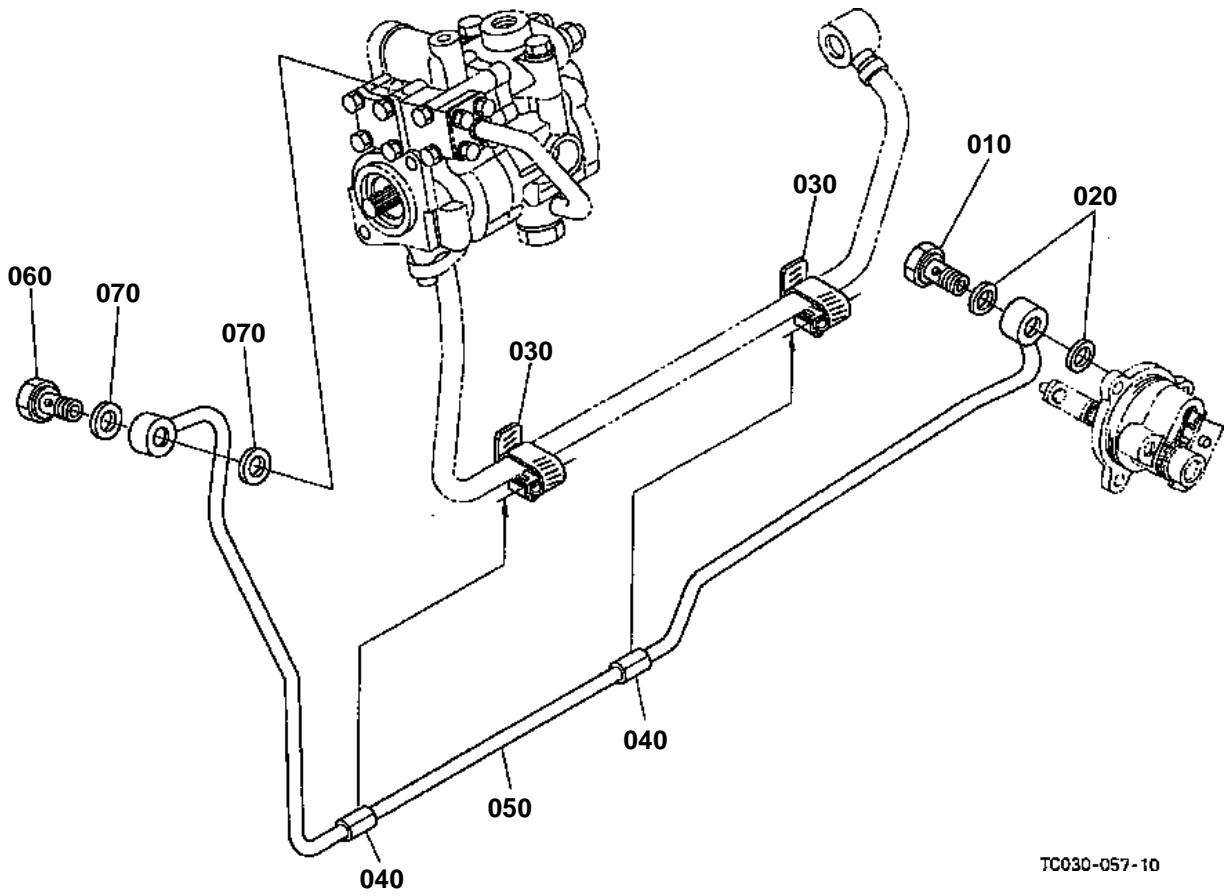
TC030-811-10

**HYDRAULIC OIL LINE (PS)**

↔ Interchangeable; ≠ not interchangeable; ← new for old; → old for new

REF.No	Part No.	Description	Q'ty	S.No.	I/C	REMARKS	Weight (kgf)	Weight (lb)
010	TC030-33510	HOSE DELIVERY	1	≤10331			0.445	0.979
010	TC050-33510	HOSE DELIVERY	1	≥10332	←		0.45	0.99
020	99999-99999	BLANK	0				0	0
030	99999-99999	BLANK	0				0	0
040	99999-99999	BLANK	0				0	0
050	TA020-33520	HOSE DELIVERY	2	≤10426			0	0
050	TA020-33525	HOSE DELIVERY	2	≥10427	←		0.26	0.572
060	56713-28130	ADAPTER CYLINDER	1				0.052	0.1144
070	06014-51022	JOINT	1	≤10271			0.031	0.0682
070	06014-51023	JOINT	1	≥10272	≠		0.06	0.132
080	TA040-33563	COMP.PIPE POWER STRG	1	≤10260			0.095	0.209
080	TA040-33564	COMP.PIPE POWER STRG	1	≥10261	≠		0.095	0.209
090	TA040-33280	HOLDER HOSE	1				0.019	0.0418
100	TA040-33290	COLLAR	1				0.005	0.011
110	01754-50830	BOLT FLANGE	1				0.05	0.11
120	TA040-33300	HOLDER HOSE	1				0.027	0.0594
130	01123-60814	BOLT	1	≤10271			0.01	0.022
130	01123-60816	BOLT	1	≥10272	←		0.01	0.022
140	55311-41260	BAND CORD	1				0.007	0.0154
150	TC030-33530	ASSY HOSE RETURN	1				0.18	0.396
160	T1060-33630	BAND PIPE	2				0.006	0.0132
170	34070-36910	JOINT	1				0.07	0.154

PTO HYDRAULIC OIL LINE



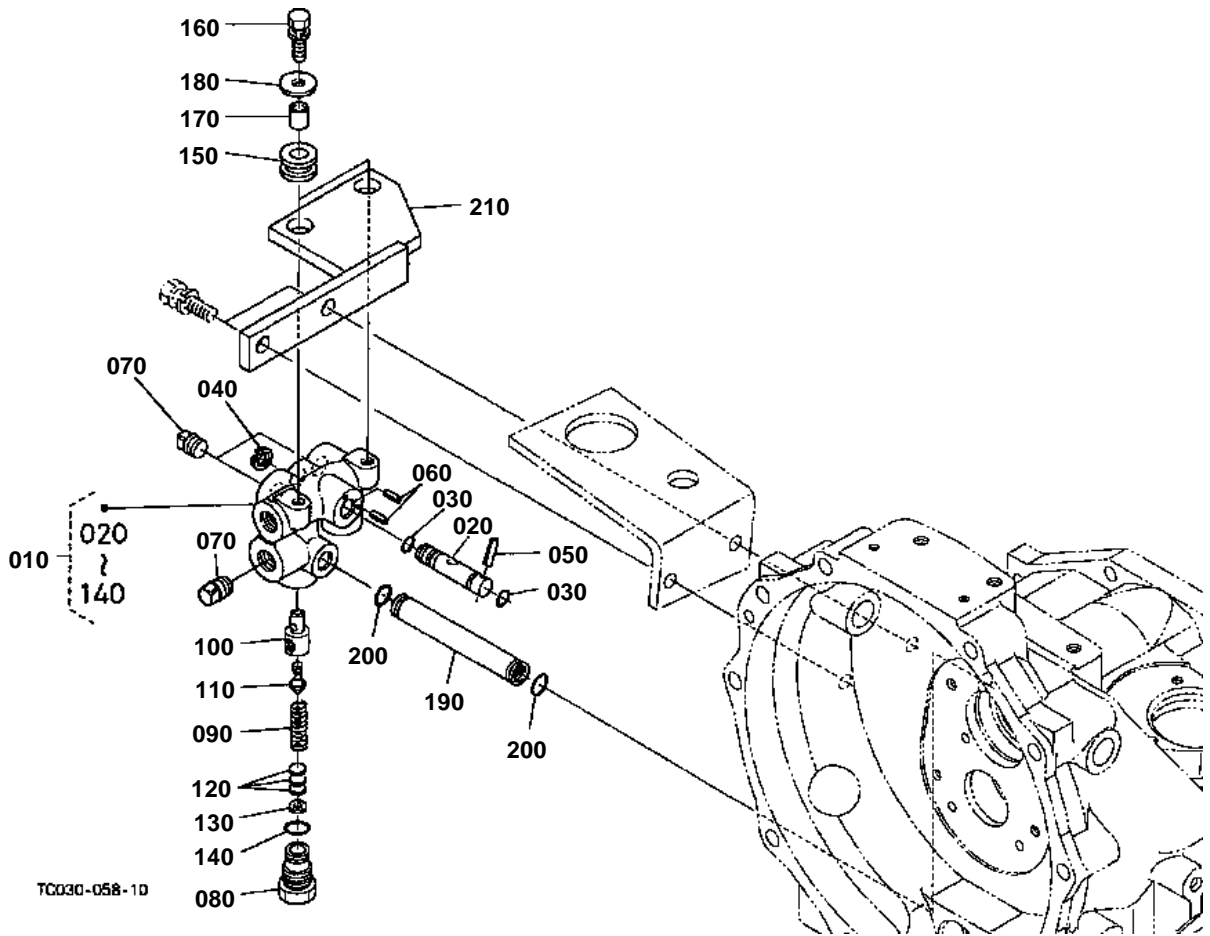


PTO HYDRAULIC OIL LINE

↔ Interchangeable; ≠ not interchangeable; ← new for old; → old for new

REF.No	Part No.	Description	Q'ty	S.No.	I/C	REMARKS	Weight (kgf)	Weight (lb)
010	TA040-69402	ASSY BOLT	1				0.045	0.099
020	04714-00200	GASKET	2				0.002	0.0044
030	67955-36230	CLAMP	2				0.023	0.0506
040	31351-45270	PIPE RUBBER	2				0.005	0.011
050	TC030-69930	COMP.PIPE I-PTO	1				0.305	0.671
060	34076-66590	BOLT JOINT	1				0.05	0.11
070	04714-00200	GASKET	2				0.002	0.0044

HYDRAULIC OUTLET BLOCK



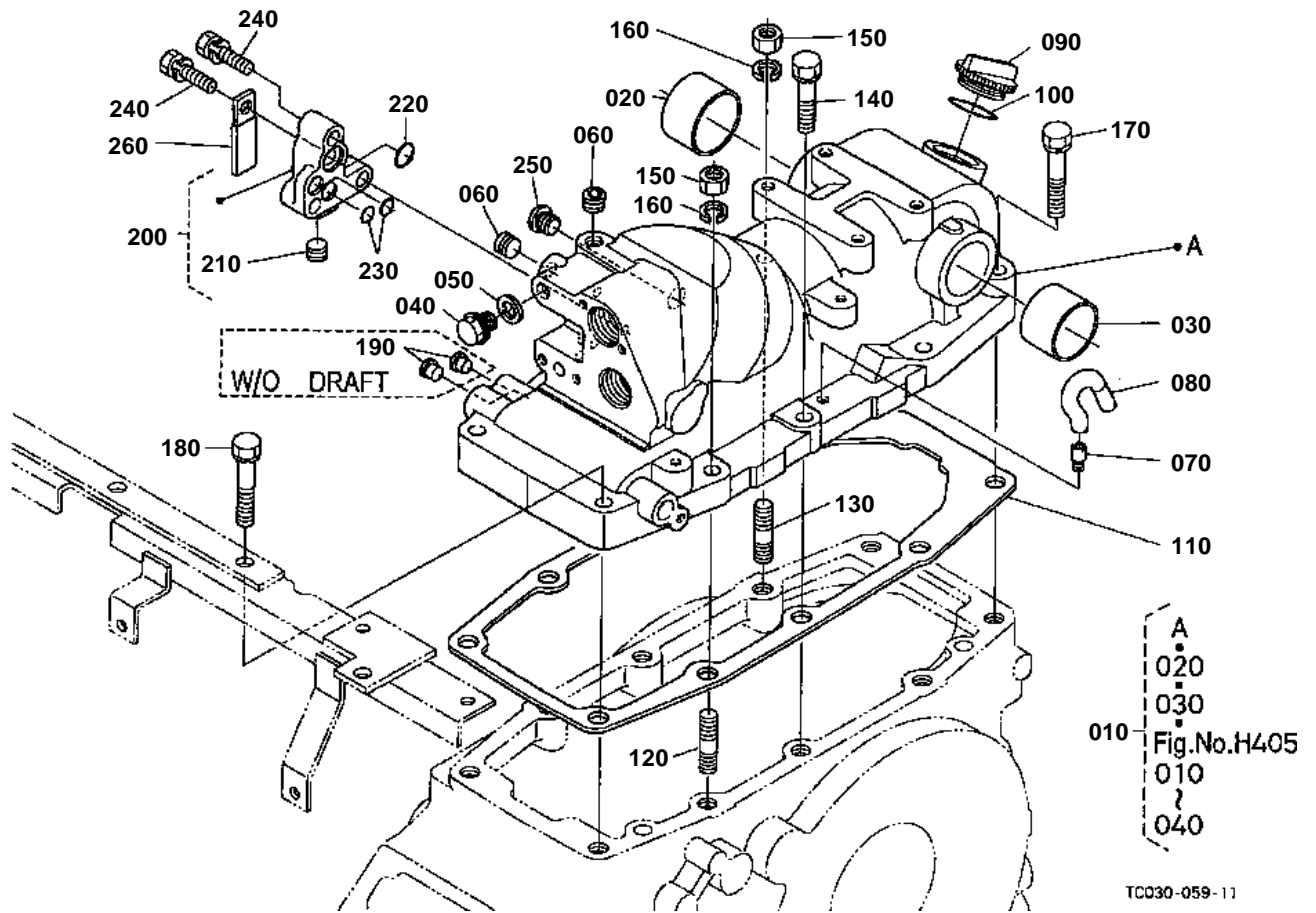


HYDRAULIC OUTLET BLOCK

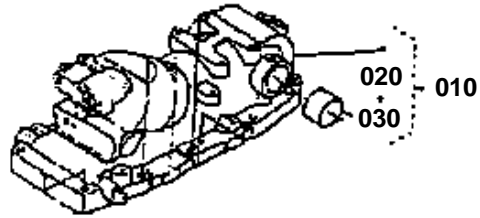
↔ Interchangeable; ≠ not interchangeable; ← new for old; → old for new

REF.No	Part No.	Description	Q'ty	S.No.	I/C	REMARKS	Weight (kgf)	Weight (lb)
010	TA040-37500	ASSY BLOCK FRONT HYD	1				1.545	3.399
020	TA040-37520	SPOOL	1				0.067	0.1474
030	04810-06100	O RING	2				0	0
030	04817-06100	O RING	2		←		0.001	0.0022
040	04612-00140	CIR CLIP EXTERNAL	1				0.001	0.0022
050	05411-00320	PIN SPRING	1				0.001	0.0022
060	05411-00310	PIN SPRING	2				0.001	0.0022
070	06312-10030	PLUG	3				0.029	0.0638
080	31351-37910	PLUG	1				0.06	0.132
090	31351-37920	SPRING RELIEF	1				0.02	0.044
100	31351-37930	SEAT RELIEF VALVE	1				0.02	0.044
110	31351-37940	POPPET	1				0.005	0.011
120	31351-37950	SHIM	5			0.4mm	0.001	0.0022
120	31351-37960	SHIM	2			0.2mm	0.001	0.0022
120	31351-37970	SHIM	2			0.1mm	0.001	0.0022
130	04013-60050	WASHER PLAIN	2				0.001	0.0022
140	04811-10160	O RING	1				0.001	0.0022
150	TA040-37590	CUSHION	2				0.006	0.0132
160	01123-50828	BOLT	2				0.014	0.0308
170	TA040-37600	COLLAR	2				0.009	0.0198
180	04015-60080	WASHER PLAIN	2				0.01	0.022
190	TA040-37550	PIPE RETURN	1				0.052	0.1144
200	04811-00110	O RING	2				0	0
200	04817-00110	O RING	2		←		0.001	0.0022
200	04816-00110	O RING	2		←		0.001	0.0022
210	TC030-37540	BRACKET HYD.BLOCK	1				0.895	1.969

HYDRAULIC CYLINDER



010 TC030-9935-0



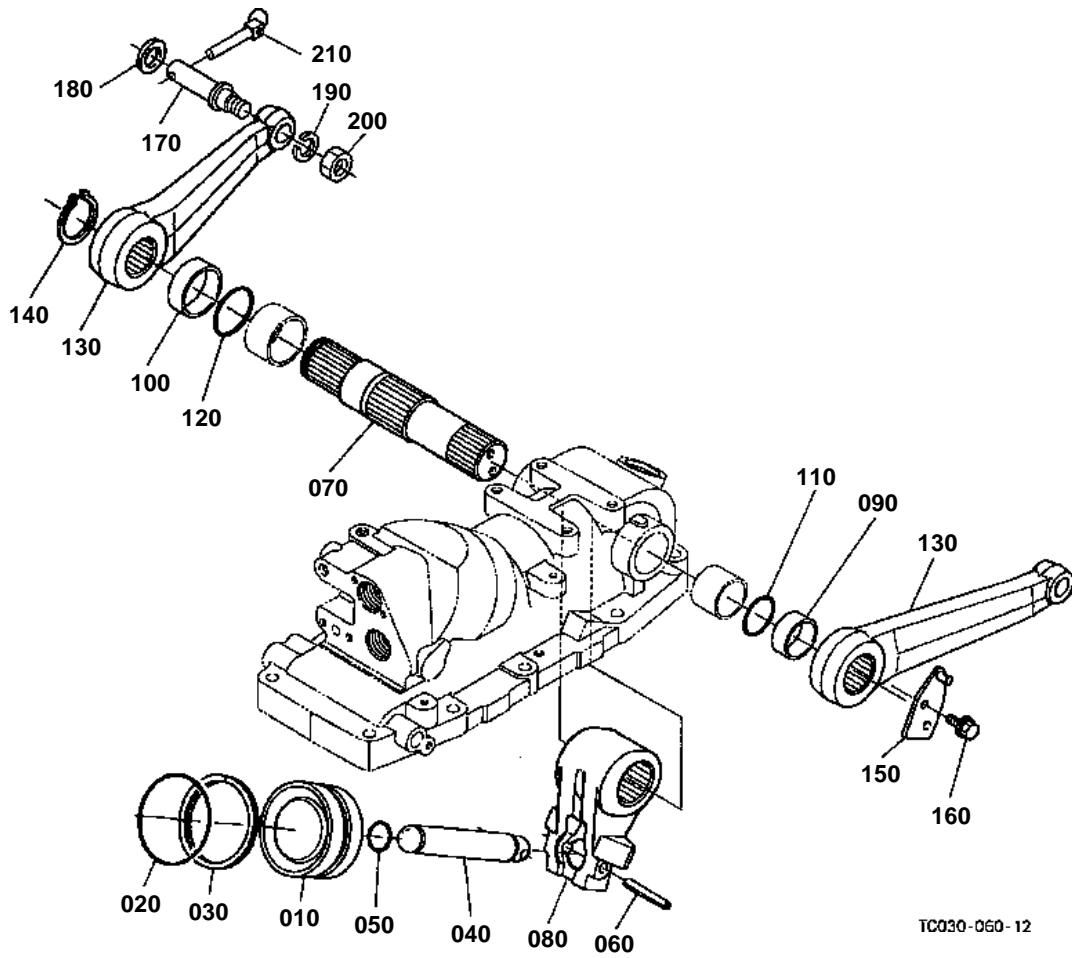
TC030-813-10

**HYDRAULIC CYLINDER**

↔ Interchangeable; ≠ not interchangeable; ← new for old; → old for new

REF.No	Part No.	Description	Q'ty	S.No.	I/C	REMARKS	Weight (kgf)	Weight (lb)
010	TC030-99350	ASSY CASE CYLINDER	1	<=10487			22.5	49.5
010	TC050-99360	ASSY CASE CYLINDER	1	>=10488	←		23	50.6
020	30400-37450	BUSH	1				0.09	0.198
030	30400-37460	BUSH	1				0.065	0.143
040	37150-36730	PLUG	1				0.03	0.066
050	37150-36720	GASKET	1				0.01	0.022
060	31351-37150	PLUG	2				0.007	0.0154
070	36200-21610	BREATHER	1				0.008	0.0176
080	31351-37140	BREATHER	1				0.01	0.022
090	38240-21410	PLUG	1				0.015	0.033
100	04811-50300	O RING	1				0	0
100	04817-50300	O RING	1		←		0.001	0.0022
110	TA150-37120	GASKET	1				0.1	0.22
120	01574-51245	STUD	1				0.051	0.1122
130	01574-51245	STUD	1				0.051	0.1122
140	01133-51245	BOLT	4				0.055	0.121
150	02176-50120	NUT	2				0.01	0.022
160	04512-60120	WASHER SPRING	2				0.005	0.011
170	01133-51260	BOLT	2				0.06	0.132
180	01133-51265	BOLT	2				0.065	0.143
190	66591-51130	PLUG	2			W/O DRAFT	0.001	0.0022
200	TA040-36620	ASSY COVER CYLINDER	1			W/O REMOTE CONTROL VALVE	0.3	0.66
210	31351-37150	PLUG	1			W/O REMOTE CONTROL VALVE	0.007	0.0154
220	04810-00140	O RING	1			W/O REMOTE CONTROL VALVE	0	0
220	04817-00140	O RING	1		↔	W/O REMOTE CONTROL VALVE	0.001	0.0022
230	04810-00100	O RING	2			W/O REMOTE CONTROL VALVE	0	0
230	04817-00100	O RING	2		↔	W/O REMOTE CONTROL VALVE	0.001	0.0022
240	01123-50835	BOLT	3			W/O REMOTE CONTROL VALVE	0.02	0.044
250	TA040-36650	PLUG	1			W/O REMOTE CONTROL VALVE	0.005	0.011
260	13824-67580	CLAMP CORD	1				0.006	0.0132

LIFT ARM



TC030-060-12

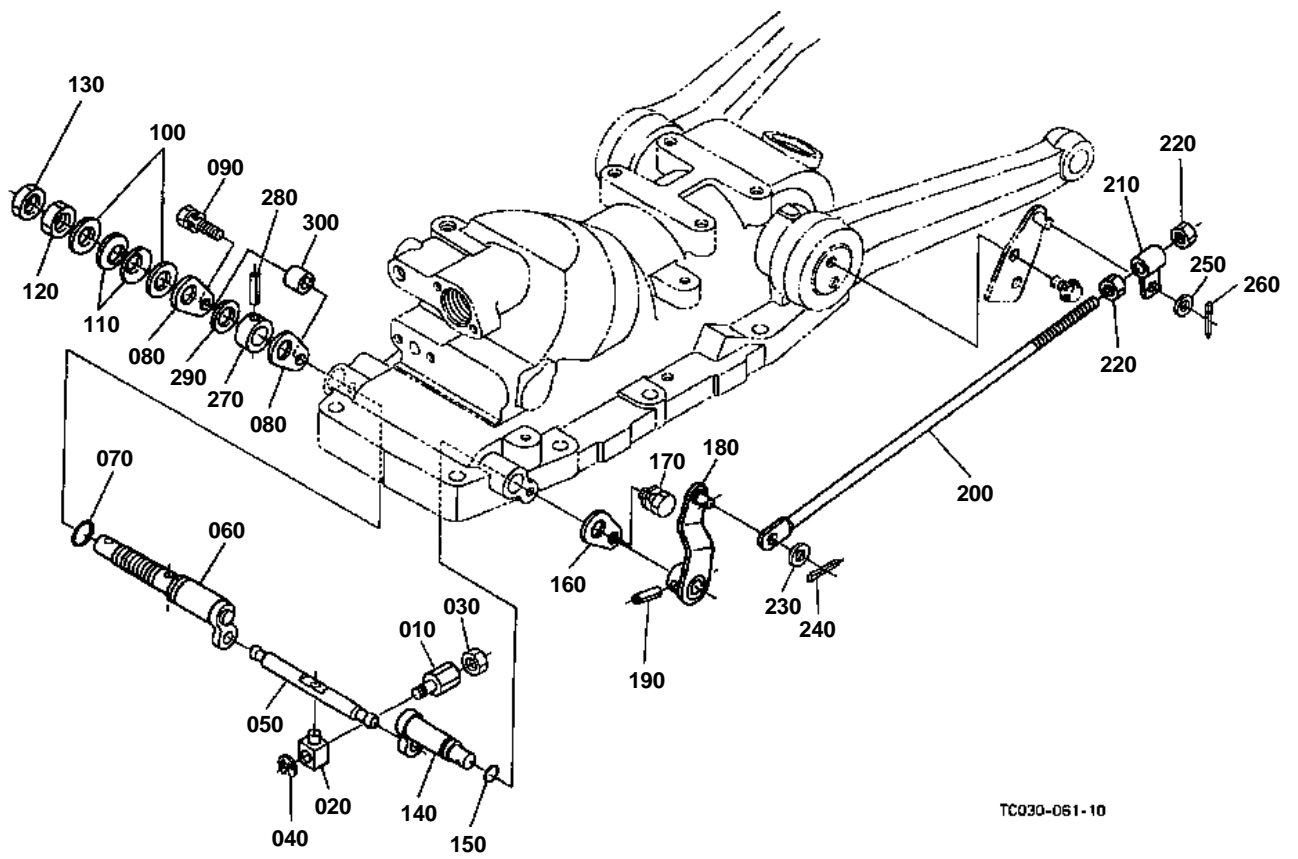


LIFT ARM

↔ Interchangeable; ≠ not interchangeable; ← new for old; → old for new

REF.No	Part No.	Description	Q'ty	S.No.	I/C	REMARKS	Weight (kgf)	Weight (lb)
010	34070-34214	PISTON HYD.	1				1.585	3.487
020	04810-00800	O RING	1				0.009	0.0198
030	31391-37330	RING BACK UP	1				0.005	0.011
040	31351-37320	ROD HYD.	1				0.605	1.331
050	04810-00240	O RING	1				0	0
050	04817-00240	O RING	1		←		0.003	0.0066
060	05411-00656	PIN SPRING	1				0.006	0.0132
070	TA150-37430	SHAFT HYD.ARM	1				2.2	4.84
080	TA040-34234	ARM HYDRAULIC	1				2.2	4.84
090	34150-37490	COLLAR	1				0.002	0.0044
100	34150-37480	COLLAR	1				0.005	0.011
110	04811-06400	O RING	1				0	0
110	04817-06400	O RING	1		←		0.003	0.0066
120	04811-50450	O RING	1				0	0
120	04817-50450	O RING	1		←		0.003	0.0066
130	TA040-34610	ARM LIFT	2				2.22	4.884
140	04612-00400	CIR CLIP EXTERNAL	1				0.005	0.011
150	T0070-36010	LINK CONTROL	1				0.07	0.154
160	01754-50812	BOLT FLANGE	2				0.01	0.022
170	30442-37690	PIN LIFT ROD	2				0.205	0.451
180	04011-50180	WASHER PLAIN	2				0.012	0.0264
190	04512-60160	WASHER SPRING	2				0.01	0.022
200	02174-50160	NUT	2				0.022	0.0484
210	34150-37640	PIN SET	2				0.06	0.132

FEED BACK LEVER

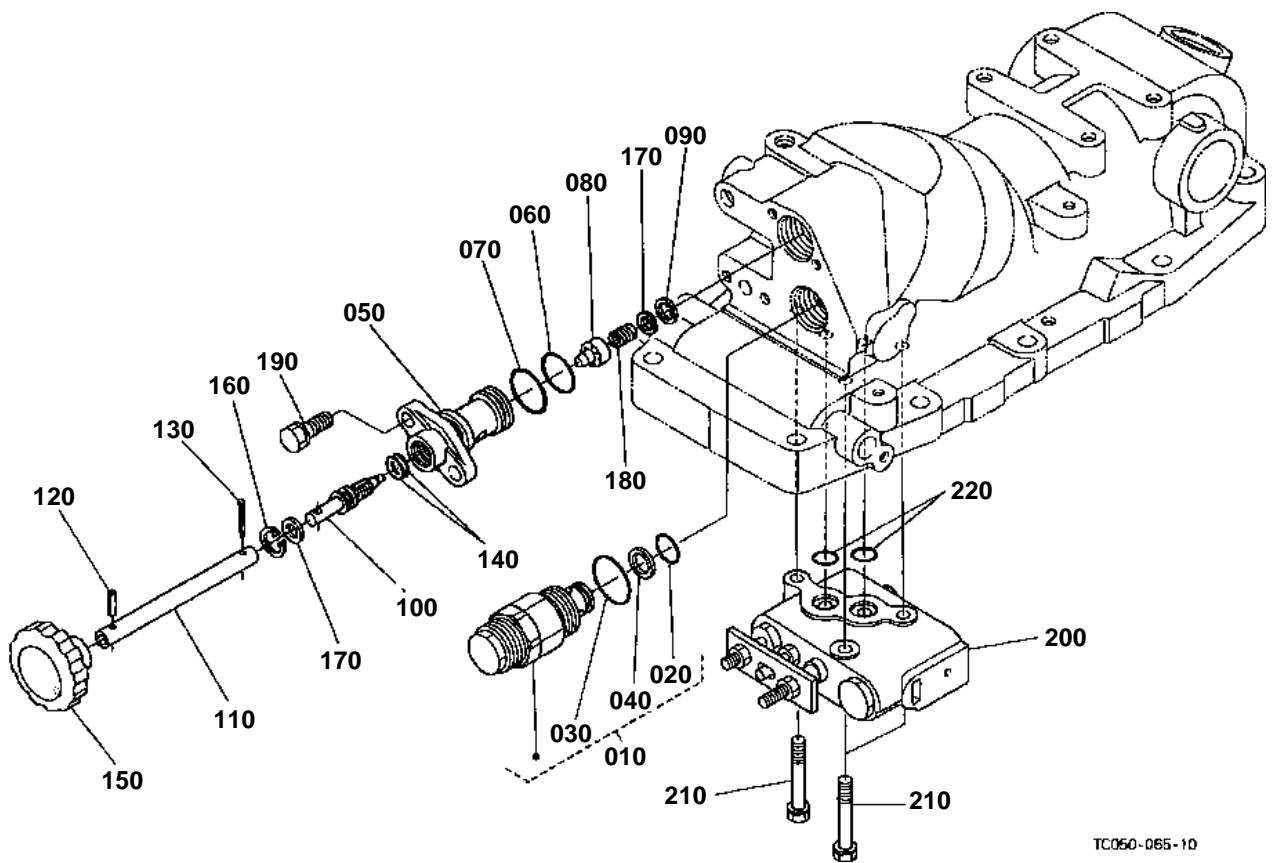


**FEED BACK LEVER**

↔ Interchangeable; ≠ not interchangeable; ← new for old; → old for new

REF.No	Part No.	Description	Q'ty	S.No.	I/C	REMARKS	Weight (kgf)	Weight (lb)
010	67531-38280	JOINT SPOOL	1				0.17	0.374
020	TA040-36420	JOINT SPOOL	1				0.022	0.0484
030	02112-50080	NUT	1				0.003	0.0066
040	04613-50060	CIR CLIP EXTERNAL	1				0.001	0.0022
050	31351-37640	LEVER SPOOL DRIVE	1				0.05	0.11
060	TA140-37650	ARM CONTROL	1				0.162	0.3564
070	04811-00140	O RING	1				0	0
070	04817-00140	O RING	1		←		0.001	0.0022
080	31351-37660	SET PLATE	2				0.01	0.022
090	01123-50830	BOLT	1				0.015	0.033
100	04013-60140	WASHER PLAIN	2				0.01	0.022
110	34260-36880	SPRING PLATE	2				0.006	0.0132
120	02174-50140	NUT	1				0.014	0.0308
130	02172-50140	NUT	1				0.01	0.022
140	31351-37750	SHAFT BACK LEVER	1				0.1	0.22
150	04811-00120	O RING	1				0	0
150	04816-00120	O RING	1		←		0.001	0.0022
160	38240-36890	SET PLATE	1				0.013	0.0286
170	01123-60816	BOLT	1				0.01	0.022
180	31351-37760	LEVER FEED BACK	1				0.08	0.176
190	05411-00525	PIN SPRING	1				0.002	0.0044
200	31321-37770	ROD FEED BACK	1				0.12	0.264
210	31351-37780	ROD CONTROL	1				0.03	0.066
220	02114-50080	NUT	2				0.005	0.011
230	04013-60080	WASHER PLAIN	1				0.002	0.0044
240	05511-50218	PIN SPLIT	1				0.001	0.0022
250	04013-60080	WASHER PLAIN	1				0.002	0.0044
260	05511-50215	PIN SPLIT	1				0.001	0.0022
270	TA140-36900	SPACER	1				0.031	0.0682
280	05411-00528	PIN SPRING	1				0.003	0.0066
290	TA140-36920	PLATE FRICTION	1				0.002	0.0044
300	TA140-36930	SPACER	1				0.014	0.0308

CONTROL VALVE



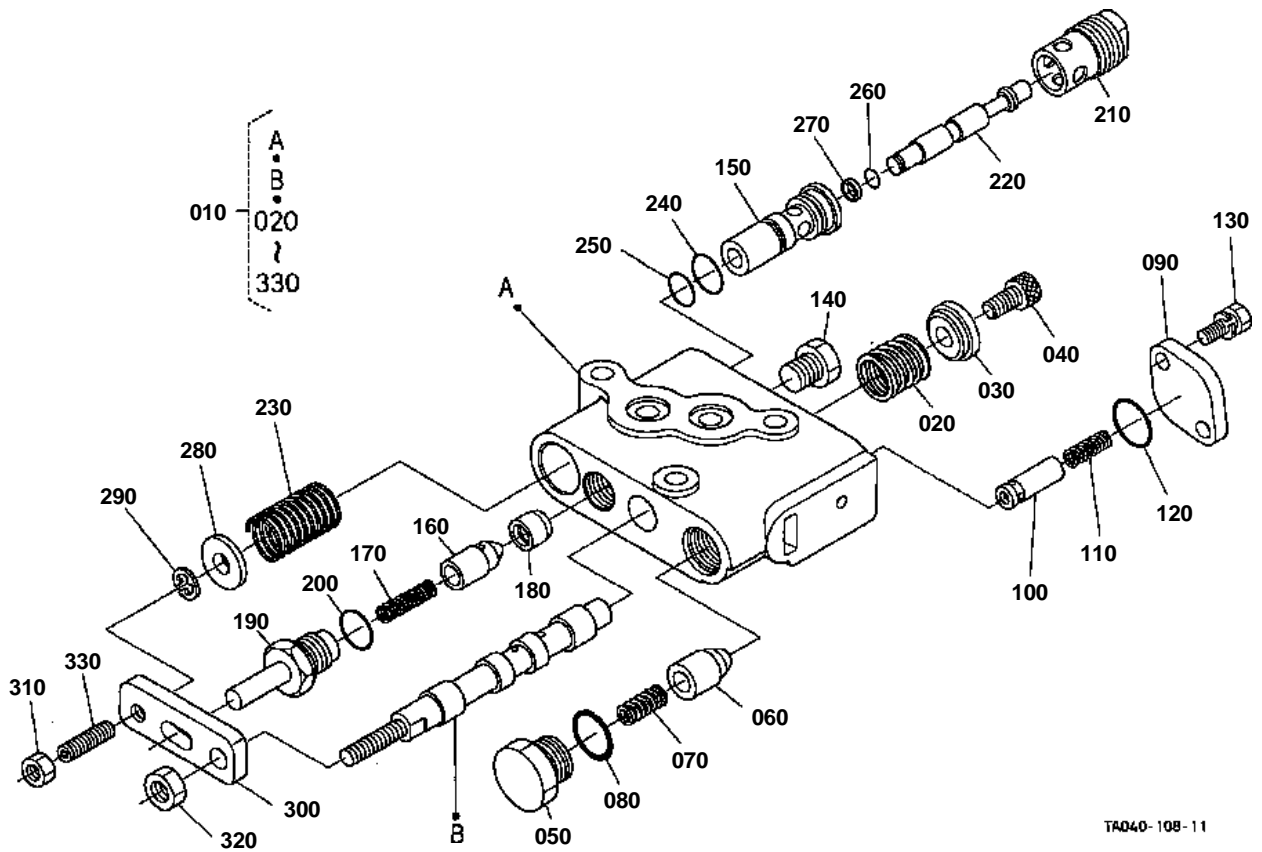
TC050-065-10

**CONTROL VALVE**

↔ Interchangeable; ≠ not interchangeable; ← new for old; → old for new

REF.No	Part No.	Description	Q'ty	S.No.	I/C	REMARKS	Weight (kgf)	Weight (lb)
010	TC050-39000	ASSY VALVE SAFETY	1				0.4	0.88
010	YW125-00102	ASSY VALVE SAFETY	1		↔		0	0
020	04810-00160	O RING	1				0	0
020	04817-00160	O RING	1		←		0.001	0.0022
030	04815-06280	O RING	1				0	0
030	04817-06280	O RING	1		←		0.002	0.0044
040	33770-94040	RING BACK UP	1	<=10722			0.002	0.0044
040	YT133-00160	RING BACK UP	1	>=10723	←		0.001	0.0022
050	31351-37210	COVER CYL.FRONT	1				0.315	0.693
060	04810-00220	O RING	1				0	0
060	04817-00220	O RING	1		←		0.001	0.0022
070	04810-06250	O RING	1				0	0
070	04817-06250	O RING	1		←		0.001	0.0022
080	38240-37250	COLLAR ADJUSTING	1				0.01	0.022
090	04611-00160	CIR CLIP INTERNAL	1				0.001	0.0022
100	T0070-34510	SHAFT	1				0.04	0.088
110	TC030-34570	PIPE	1				0.027	0.0594
120	05411-00414	PIN SPRING	1				0.001	0.0022
130	05511-50425	PIN SPLIT	1				0.003	0.0066
140	04810-00100	O RING	2				0	0
140	04817-00100	O RING	2		←		0.001	0.0022
150	T0070-34560	GRIP	1				0.011	0.0242
160	34150-37260	CIR CLIP INTERNAL	1				0.001	0.0022
170	04012-50080	WASHER PLAIN	2				0.001	0.0022
180	30812-37360	SPRING	1				0.005	0.011
190	01123-50825	BOLT	2				0.013	0.0286
200	31351-39604	ASSY VALVE CONTROL	1				1.9	4.18
210	TA040-36400	BOLT	3				0.02	0.044
220	04810-00120	O RING	2				0	0
220	04817-00120	O RING	2		←		0.001	0.0022

CONTROL VALVE [COMPONENT PARTS]



TA040-108-11

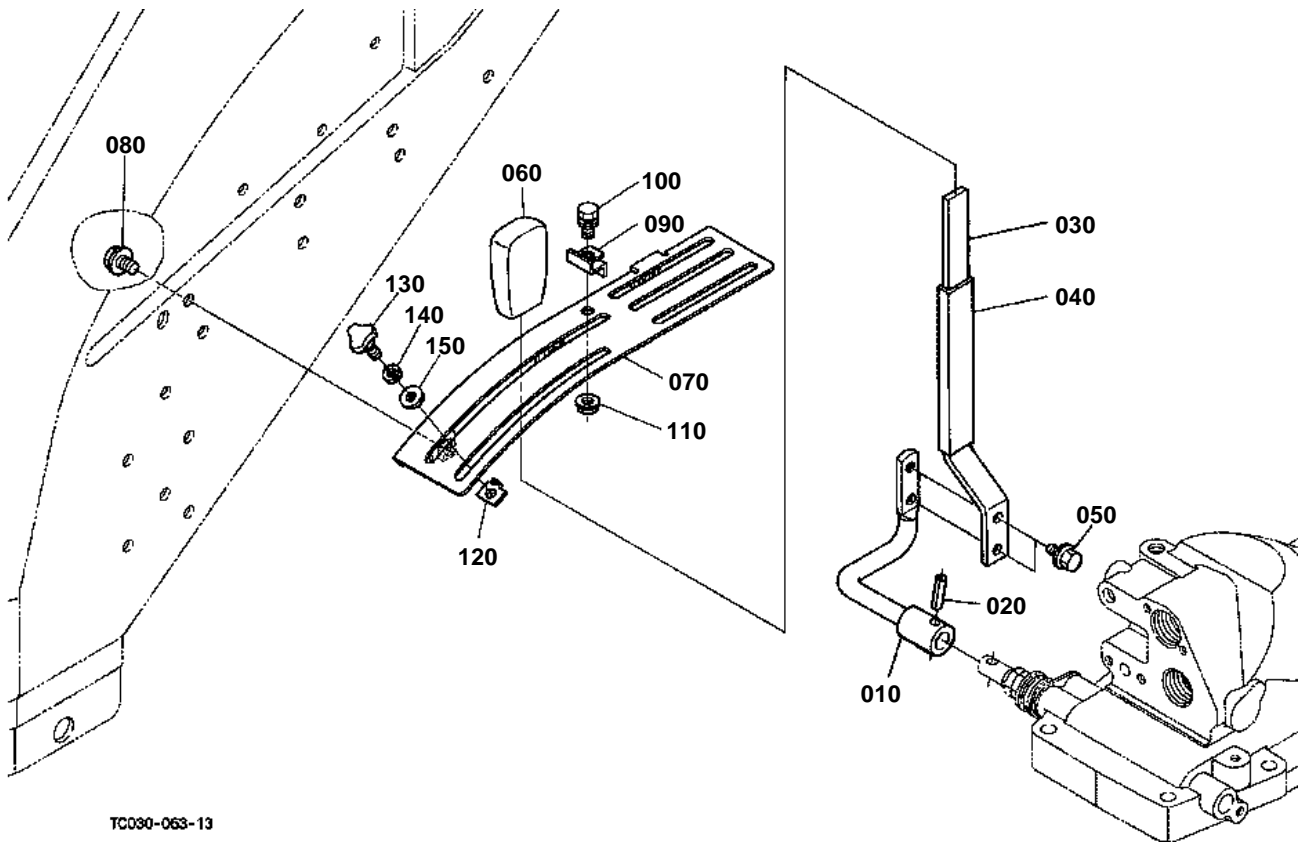


CONTROL VALVE [COMPONENT PARTS]

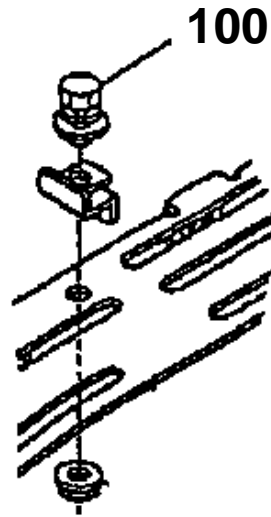
↔ Interchangeable; ≠ not interchangeable; ← new for old; → old for new

REF.No	Part No.	Description	Q'ty	S.No.	I/C	REMARKS	Weight (kgf)	Weight (lb)
010	31351-39604	ASSY VALVE CONTROL	1				1.9	4.18
020	31351-39630	SPRING SPOOL	1				0.02	0.044
030	31351-39640	HOLDER SPRING	1				0.02	0.044
040	01311-10814	BOLT HEX-SOC-HD	1				0.012	0.0264
050	31351-39650	PLUG	1				0.04	0.088
060	31351-39150	POPPET	1				0.02	0.044
070	67531-38470	SPRING	1				0.001	0.0022
080	04811-00140	O RING	1				0	0
080	04817-00140	O RING	1		←		0.001	0.0022
090	31351-39660	PLATE	1				0.05	0.11
100	31351-39670	POPPET	1				0.01	0.022
110	31351-39680	SPRING	1				0.01	0.022
120	04810-00160	O RING	1				0	0
120	04817-00160	O RING	1		←		0.001	0.0022
130	01023-50616	BOLT	2				0.005	0.011
140	06331-35010	PLUG	1				0.012	0.0264
150	T0430-37600	SLEEVE	1				0.05	0.11
160	T0430-37580	POPPET	1				0.01	0.022
170	31391-39190	SPRING	1				0.001	0.0022
180	T0430-37530	SEAT CHECK VALVE	1				0.005	0.011
190	31351-37670	PLUG	1				0.038	0.0836
200	04811-00120	O RING	1				0	0
200	04817-00120	O RING	1		←		0.001	0.0022
210	31351-37620	PLUG	1				0.045	0.099
220	T0430-37610	POPPET	1				0.018	0.0396
230	T0430-37620	SPRING	1				0.009	0.0198
240	04811-05120	O RING	1				0	0
240	04817-05120	O RING	1		←		0.001	0.0022
250	04811-05110	O RING	1				0	0
250	04817-05110	O RING	1		←		0.005	0.011
260	04811-00050	O RING	1				0	0
260	04816-00050	O RING	1		←		0.001	0.0022
270	31351-39290	RING BACK UP	1				0.001	0.0022
280	T0430-37640	WASHER PLAIN	1				0.002	0.0044
290	04613-50060	CIR CLIP EXTERNAL	1				0.001	0.0022
300	31351-39752	PLATE	1				0.05	0.11
310	02014-50060	NUT	1				0.002	0.0044
320	02114-50080	NUT	1				0.005	0.011
330	03650-50622	SCREW SET	1				0.004	0.0088

POSITION CONTROL LEVER



100 01125-60816



TC030-812-10

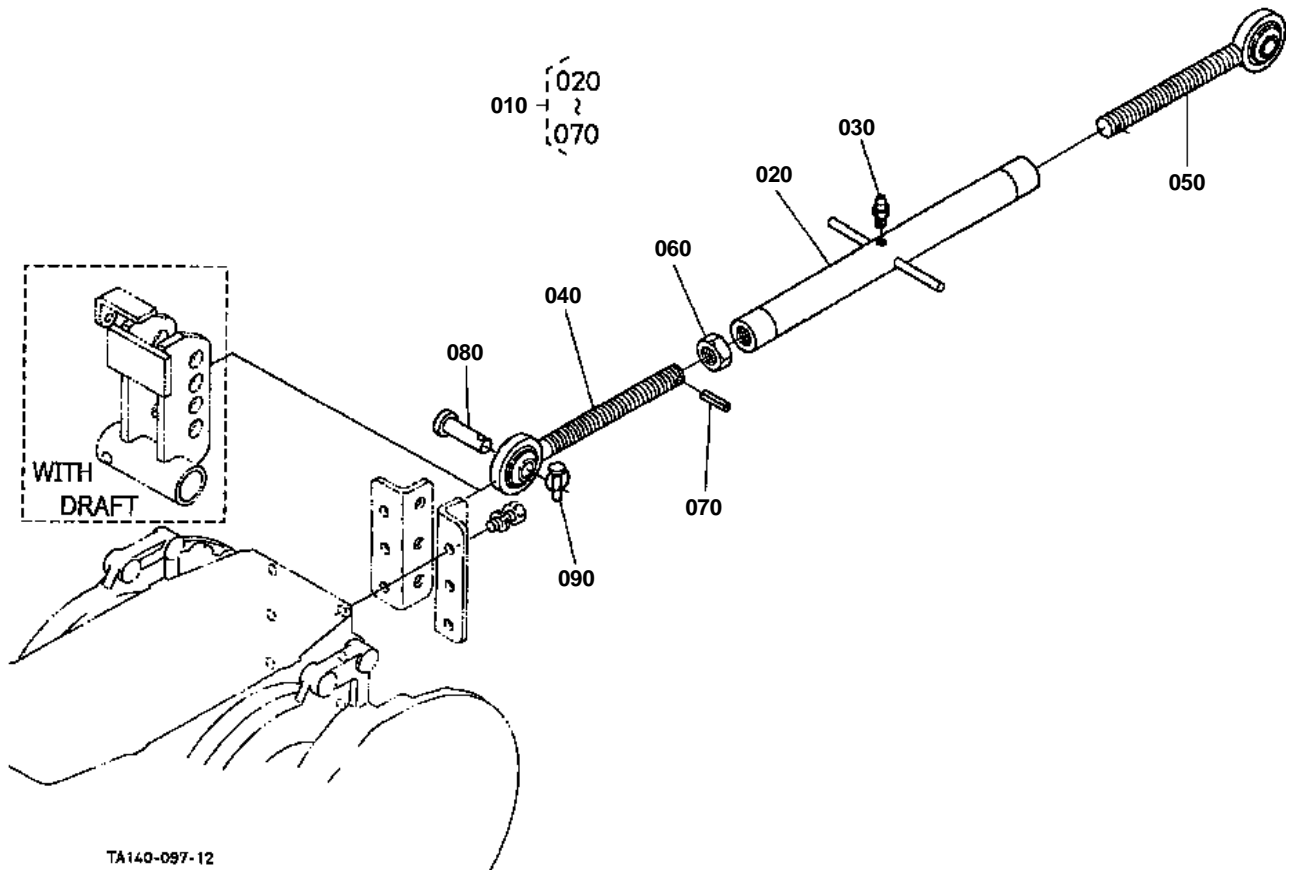


POSITION CONTROL LEVER

↔ Interchangeable; ≠ not interchangeable; ← new for old; → old for new

REF.No	Part No.	Description	Q'ty	S.No.	I/C	REMARKS	Weight (kgf)	Weight (lb)
010	TA140-36110	LEVER POSITION	1			W/O DRAFT	0.265	0.583
020	05411-00525	PIN SPRING	1			W/O DRAFT	0.002	0.0044
030	TA040-36120	LEVER POSITION	1			W/O DRAFT	0.21	0.462
040	TA040-36132	TUBE LEVER	1			W/O DRAFT	0.01	0.022
050	01754-50616	BOLT FLANGE	2			W/O DRAFT	0.006	0.0132
060	52300-32640	GRIP LEVER	1				0.04	0.088
070	TC030-47600	GUIDE HYD.LEVER	1				0.35	0.77
080	01754-50812	BOLT FLANGE	3				0.01	0.022
090	TC030-36130	STOPPER	1				0.011	0.0242
100	01125-60816	BOLT	1	≤10331			0.01	0.022
100	01123-60816	BOLT	1	≥10332	←		0.01	0.022
110	02751-50080	NUT FLANGE	1				0.006	0.0132
120	T1060-36170	STOPPER	1				0.005	0.011
120	34070-36140	STOPPER	1		↔		0.005	0.011
130	37410-52610	SCREW KNOB	1				0.015	0.033
140	04512-60060	WASHER SPRING	1				0.001	0.0022
150	31351-18860	WASHER	1				0.002	0.0044

TOP LINK



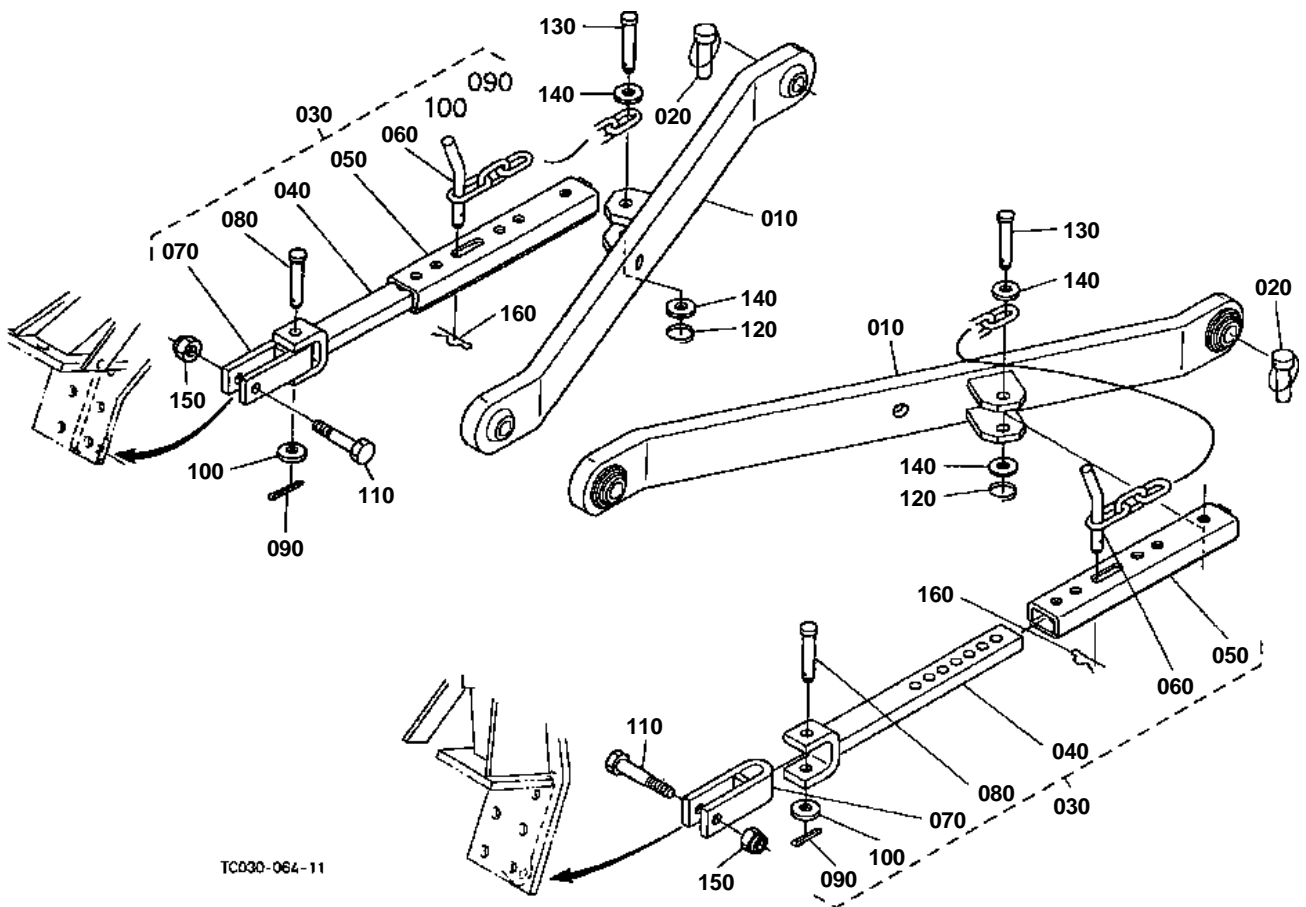


TOP LINK

↔ Interchangeable; ≠ not interchangeable; ← new for old; → old for new

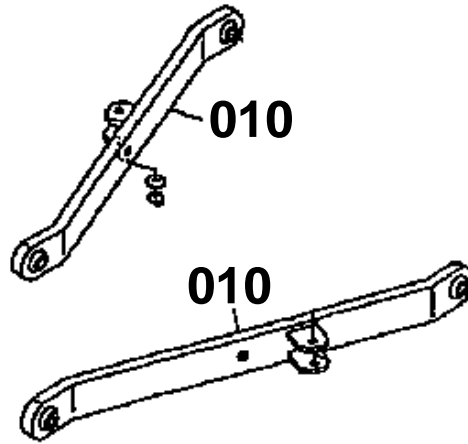
REF.No	Part No.	Description	Q'ty	S.No.	I/C	REMARKS	Weight (kgf)	Weight (lb)
010	35080-71100	ASSY LINK TOP	1				3.6	7.92
020	35340-71113	LINK TOP	1				1.265	2.783
030	67211-42940	NIPPLE GREASE	1				0.001	0.0022
040	35340-71210	JOINT TOP LINK	1				1.06	2.332
050	35340-71220	JOINT TOP LINK	1				1.06	2.332
060	32244-71180	NUT TOP LINK	1				0.057	0.1254
070	05411-00430	PIN SPRING	2				0.002	0.0044
080	31150-71360	PIN JOINT	2				0.166	0.3652
090	34150-37640	PIN SET	2				0.06	0.132

3-POINT LINKAGE 1 (LOWER LINK)



TC030-064-11

010 TA140-7131-2



TC030-804-10

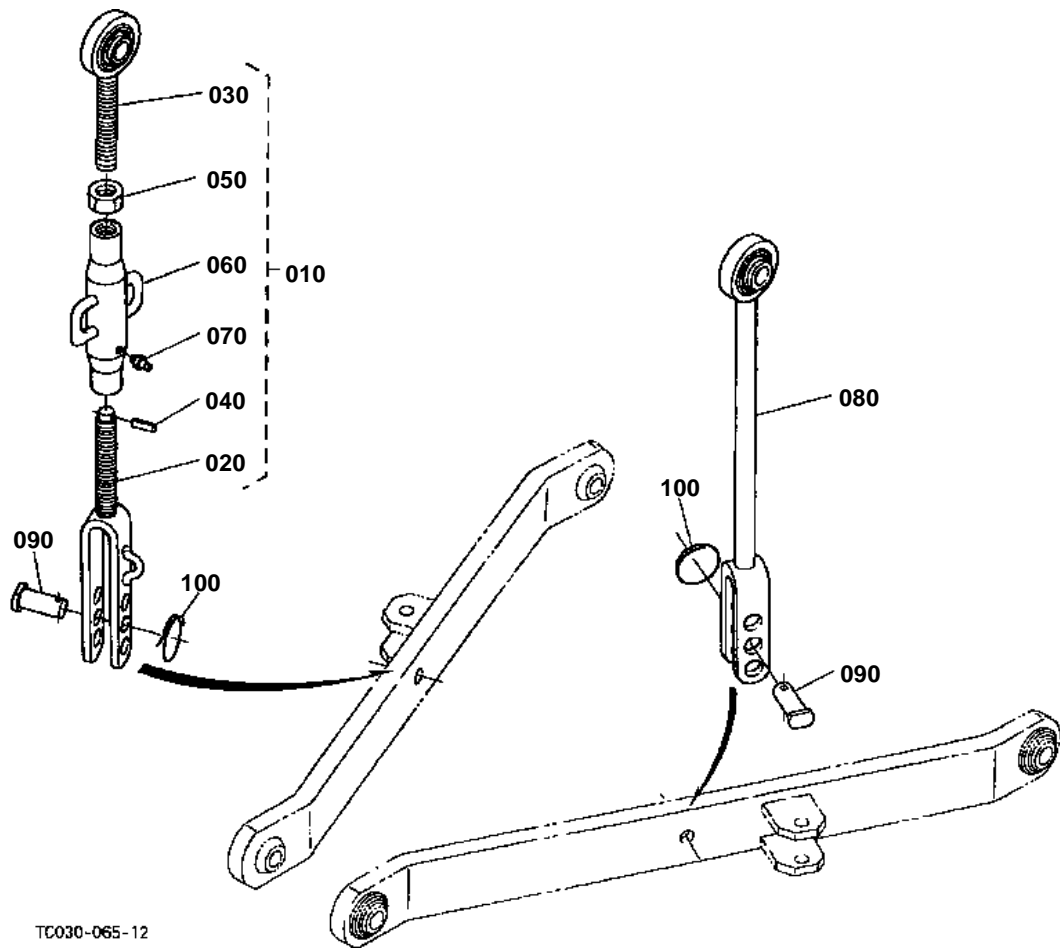


3-POINT LINKAGE 1 (LOWER LINK)

↔ Interchangeable; ≠ not interchangeable; ← new for old; → old for new

REF.No	Part No.	Description	Q'ty	S.No.	I/C	REMARKS	Weight (kgf)	Weight (lb)
010	TA140-71312	COMP.LINK LOWER	2	<=10260			0	0
010	TA140-71313	COMP.LINK LOWER	2	>=10261	←		7.6	16.72
020	34150-37640	PIN SET	2				0.06	0.132
030	TA140-39604	ASSY STABILIZER	2				2.85	6.27
040	TA140-39610	COMP.STAB.FRONT	2				1.17	2.574
050	TA140-39620	COMP.STAB.REAR	2				0.895	1.969
060	TA140-39630	COMP.JOINT	2				0.23	0.506
070	TA140-39643	COMP.JOINT	2				0.48	1.056
080	05122-51265	PIN JOINT	2	<=10426			0.06	0.132
080	TA140-39820	PIN STABILIZER REAR	1	>=10427	←		0.064	0.1408
090	05511-50428	PIN SPLIT	2				0.004	0.0088
100	04011-50120	WASHER PLAIN	2				0.005	0.011
110	TA140-39850	BOLT STABILIZER	2				0.06	0.132
120	67156-34340	RING SNAP	2				0.01	0.022
130	TA140-39820	PIN STABILIZER REAR	2				0.064	0.1408
140	04011-50120	WASHER PLAIN	4				0.005	0.011
150	02576-50120	NUT LOCK	2	<=10426			0.011	0.0242
150	02572-50120	NUT LOCK	2	>=10427	←		0.014	0.0308
160	05515-61200	PIN SNAP	2	<=10331			0.005	0.011
160	TC050-51200	PIN SNAP	2	>=10332	←		0.005	0.011

3-POINT LINKAGE 2 (LIFT ROD)



TC030-065-12

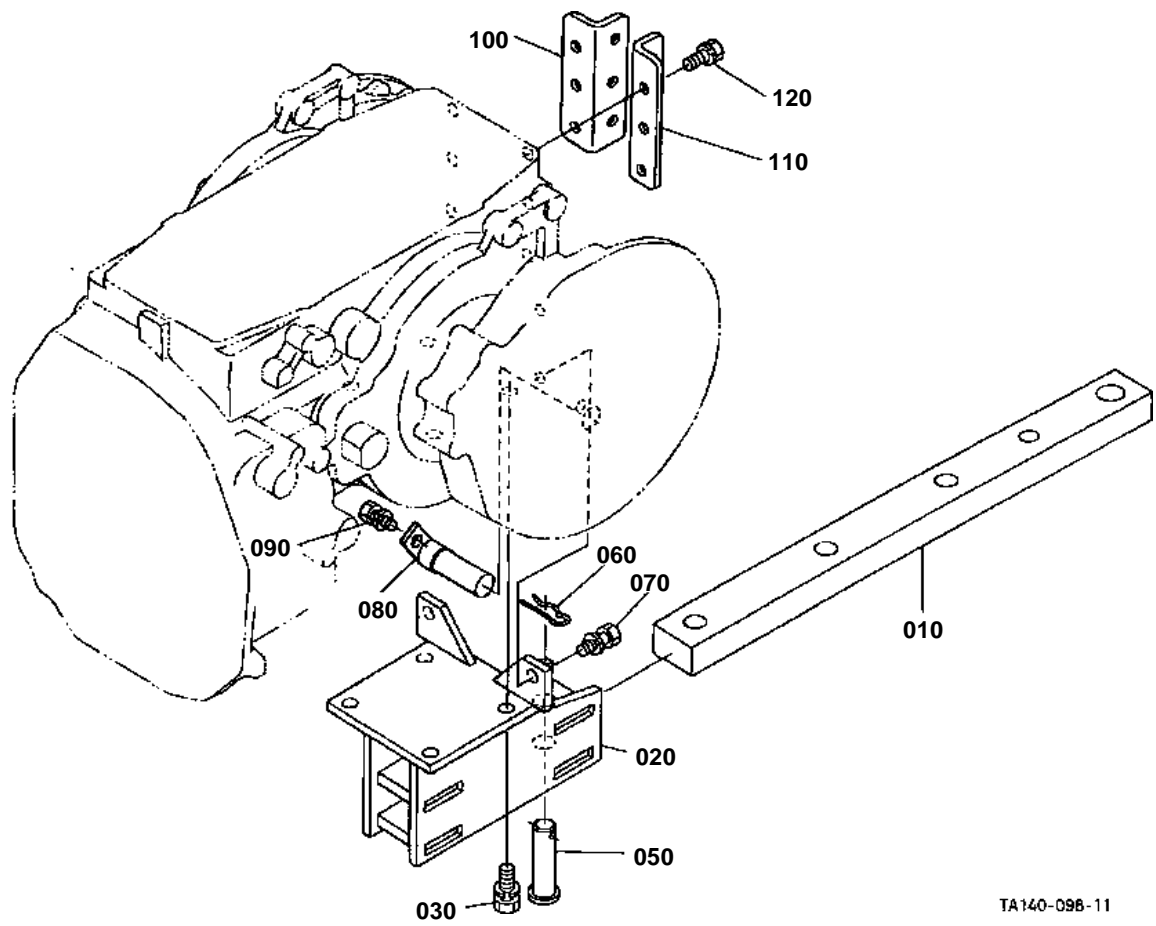


3-POINT LINKAGE 2 (LIFT ROD)

↔ Interchangeable; ≠ not interchangeable; ← new for old; → old for new

REF.No	Part No.	Description	Q'ty	S.No.	I/C	REMARKS	Weight (kgf)	Weight (lb)
010	32751-71560	ASSY ROD LIFT RH	1				1.98	4.356
020	35080-71520	ROD LIFT LOWER	1				0.88	1.936
030	31331-71510	ROD LIFT UPPER	1				0.58	1.276
040	05411-00320	PIN SPRING	1				0.001	0.0022
050	35110-71570	NUT	1				0.05	0.11
060	32751-39350	TURNBUCKLE	1				0.485	1.067
060	TA040-39350	TURNBUCKLE	1		↔		0.55	1.21
070	06613-10675	NIPPLE GREASE	1				0.003	0.0066
080	35080-71540	ROD LIFT LH	1				1.6	3.52
090	38747-71582	PIN LIFT ROD	2				0.1	0.22
100	67156-34340	RING SNAP	2				0.01	0.022

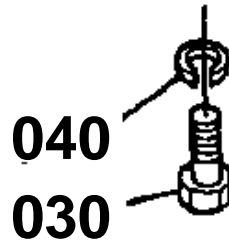
DRAWBAR



TA140-09B-11

030 01176-51430

040 04512-60140



TC030-805-10

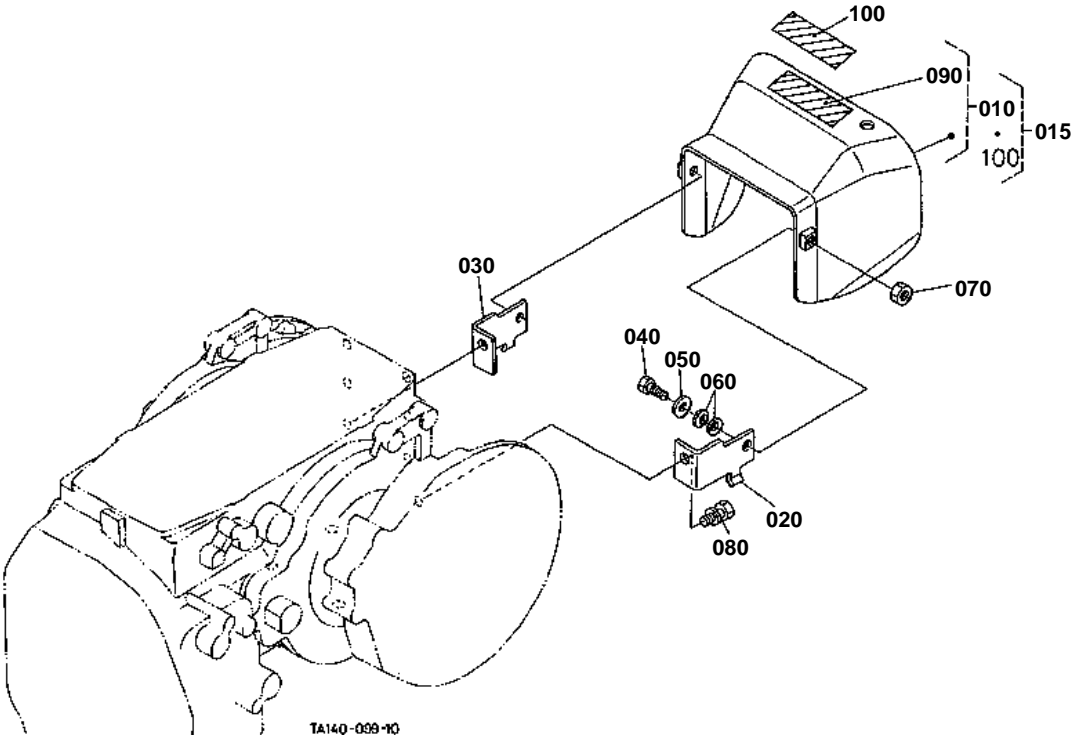


DRAWBAR

↔ Interchangeable; ≠ not interchangeable; ← new for old; → old for new

REF.No	Part No.	Description	Q'ty	S.No.	I/C	REMARKS	Weight (kgf)	Weight (lb)
010	35070-29710	DRAWBAR	1				7	15.4
020	TA040-29730	FRAME DRAWBAR	1				6.2	13.64
030	01176-51430	BOLT	4	<=10243			0.052	0.1144
030	01138-51430	BOLT	4	>=10244	←		0.19	0.418
040	04512-60140	WASHER SPRING	4	<=10243			0.008	0.0176
050	05122-52070	PIN JOINT	1				0.186	0.4092
060	05515-51600	PIN SNAP	1				0.007	0.0154
070	01133-51230	BOLT	2				0.04	0.088
080	TA040-39410	PIN LOWER LINK	2	<=10271			0	0
080	TA040-39412	PIN LOWER LINK	2	>=10272	←		0.25	0.55
090	01133-51020	BOLT	2				0.02	0.044
100	99571-22140	HOLDER TOP LINK RH	1			W/O DRAFT	0.96	2.112
110	99571-22150	HOLDER TOP LINK LH	1			W/O DRAFT	0.99	2.178
120	01133-51230	BOLT	6			W/O DRAFT	0.04	0.088

PTO PROTECTOR



TA140-099-10

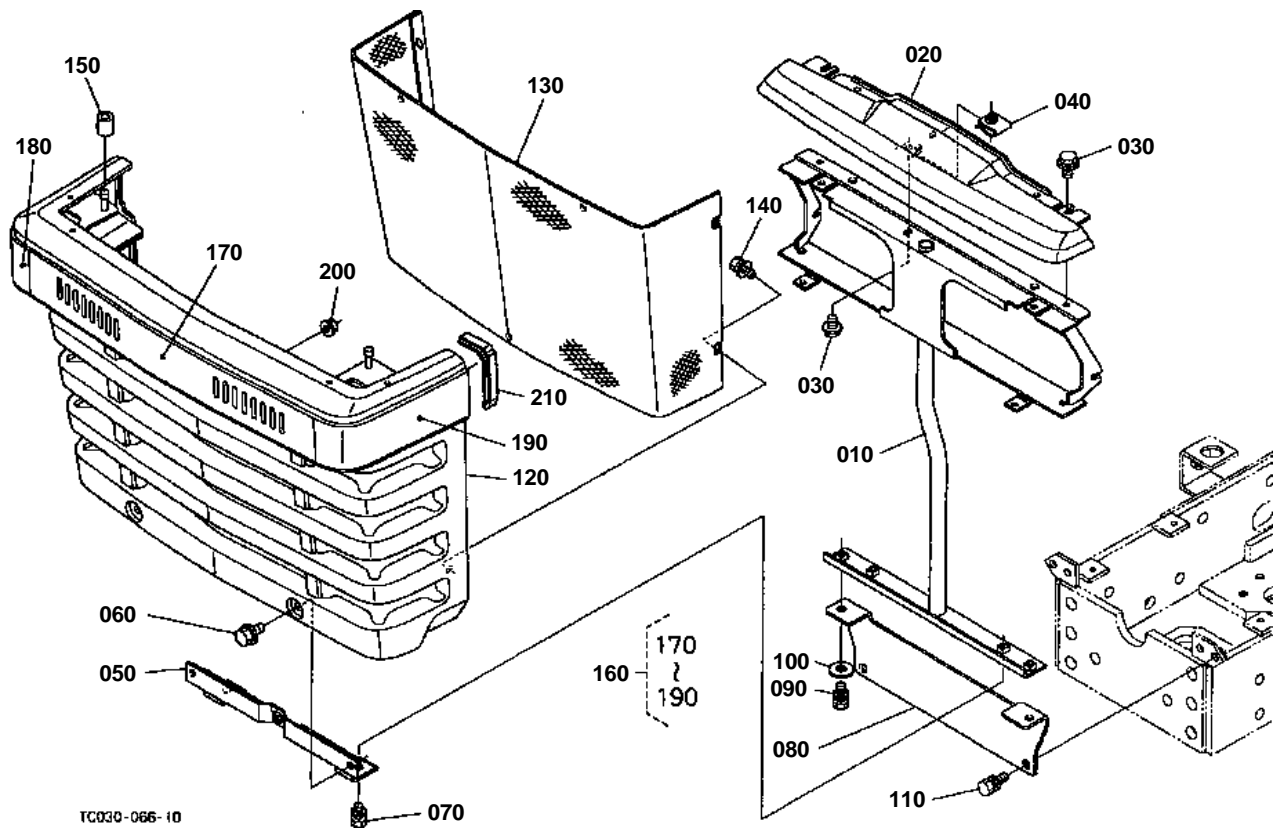


PTO PROTECTOR

↔ Interchangeable; ≠ not interchangeable; ← new for old; → old for new

REF.No	Part No.	Description	Q'ty	S.No.	I/C	REMARKS	Weight (kgf)	Weight (lb)
010	TA140-99570	KIT COVER PTO (A)	1			ENGLISH	2.1	4.62
015	TA141-99570	KIT COVER PTO (B)	1			FRENCH	2.1	4.62
020	TA040-23752	STAY	1				0.19	0.418
030	TA040-23762	STAY	1				0.19	0.418
040	01173-51025	BOLT	2				0.021	0.0462
050	04013-60100	WASHER PLAIN	2				0.003	0.0066
060	62151-42412	SPRING PLATE	4				0.002	0.0044
070	02116-50100	NUT	2				0.004	0.0088
080	01133-51225	BOLT	2				0.035	0.077
090	TA040-49590	LABEL PTO WARNING	1			ENGLISH	0.002	0.0044
100	TA041-49590	LABEL PTO WARNING	1			FRENCH	0.001	0.0022

FRONT GRILLE



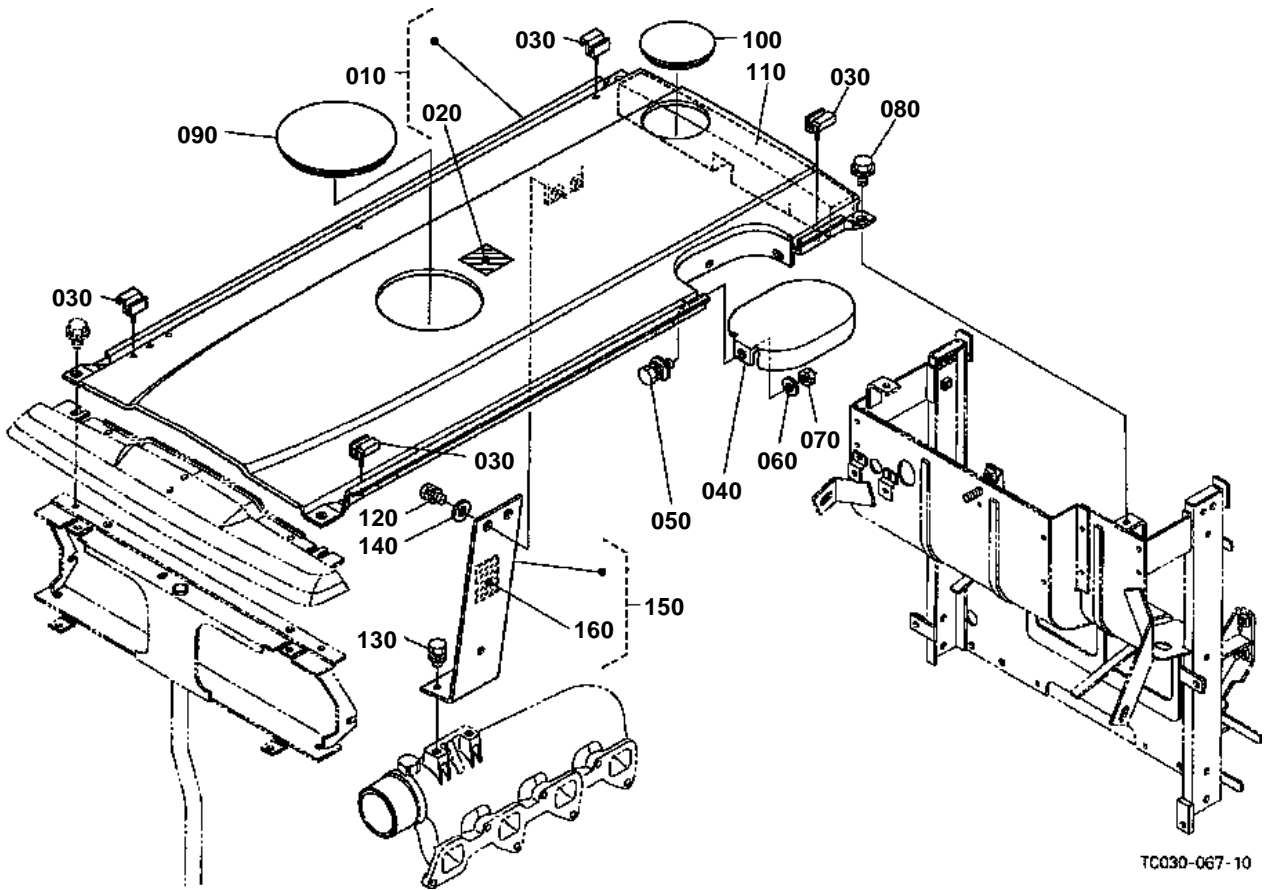


FRONT GRILLE

↔ Interchangeable; ≠ not interchangeable; ← new for old; → old for new

REF.No	Part No.	Description	Q'ty	S.No.	I/C	REMARKS	Weight (kgf)	Weight (lb)
010	TC030-18310	POST FRONT GRILLE	1				1.55	3.41
020	TC020-18163	ROOF FRONT	1				0.335	0.737
030	01754-50612	BOLT FLANGE	3				0.005	0.011
040	38240-29250	NUT SPRING	1				0.005	0.011
050	TC030-18280	BRACKET	1				0.265	0.583
060	01754-50812	BOLT FLANGE	2				0.01	0.022
070	01123-60816	BOLT	2				0.01	0.022
080	TC030-18320	COVER F-GRILLE LOWER	1				0.69	1.518
090	01123-50820	BOLT	2				0.011	0.0242
100	04015-60080	WASHER PLAIN	2				0.01	0.022
110	01133-51020	BOLT	2				0.02	0.044
120	30400-18234	GRILLE FRONT	1				3.8	8.36
130	TC020-18250	NET FRONT GRILLE	1				0.465	1.023
140	30442-15230	BOLT	7				0.01	0.022
150	31351-18260	PIPE	2				0.001	0.0022
160	TC020-18700	ASSY BELT FRONT	1				0.249	0.5478
170	TC020-94170	BELT GRILLE FRONT	1				0.125	0.275
180	TC020-94180	BELT GRILLE RH	1				0.062	0.1364
190	TC020-94190	BELT GRILLE LH	1				0.062	0.1364
200	02761-50050	NUT FLANGE	8				0.002	0.0044
210	35533-90160	CUSHION	1				0.006	0.0132

HOOD(BONNET)



TC030-067-10

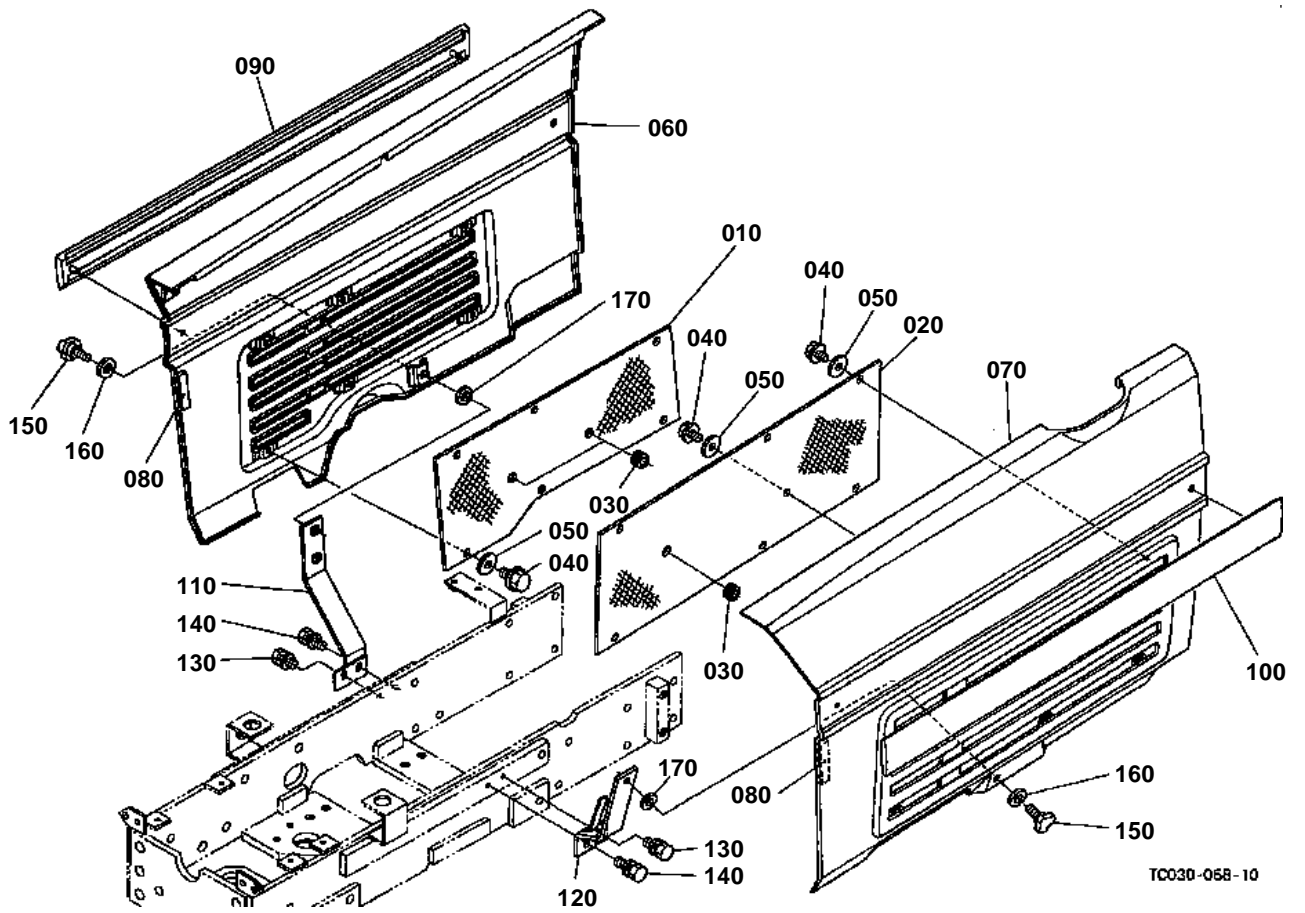


HOOD(BONNET)

↔ Interchangeable; ≠ not interchangeable; ← new for old; → old for new

REF.No	Part No.	Description	Q'ty	S.No.	I/C	REMARKS	Weight (kgf)	Weight (lb)
010	TC030-18550	KIT BONNET UPPER	1				5	11
020	32330-49540	LABEL CAUTION	1				0.001	0.0022
030	30442-18625	CUSHION	5				0.005	0.011
040	35010-34130	COVER	1				0.2	0.44
050	01125-60820	BOLT	3				0.015	0.033
060	04013-60080	WASHER PLAIN	3				0.002	0.0044
070	02114-50080	NUT	3				0.005	0.011
080	01754-50616	BOLT FLANGE	4				0.006	0.0132
090	TC030-18610	CAP BONNET	1				0.086	0.1892
100	TC030-18620	CAP BONNET	1				0.035	0.077
110	TC030-18650	SPONGE BONNET	1				0.115	0.253
120	01123-50818	BOLT	2				0.012	0.0264
130	01123-50820	BOLT	2				0.011	0.0242
140	04015-60080	WASHER PLAIN	2				0.01	0.022
150	TC030-18380	KIT SUPPORT BONNET	1				0.7	1.54
160	32751-49580	LABEL FAN BELT	1				0.001	0.0022

HOOD(BONNET) SIDE



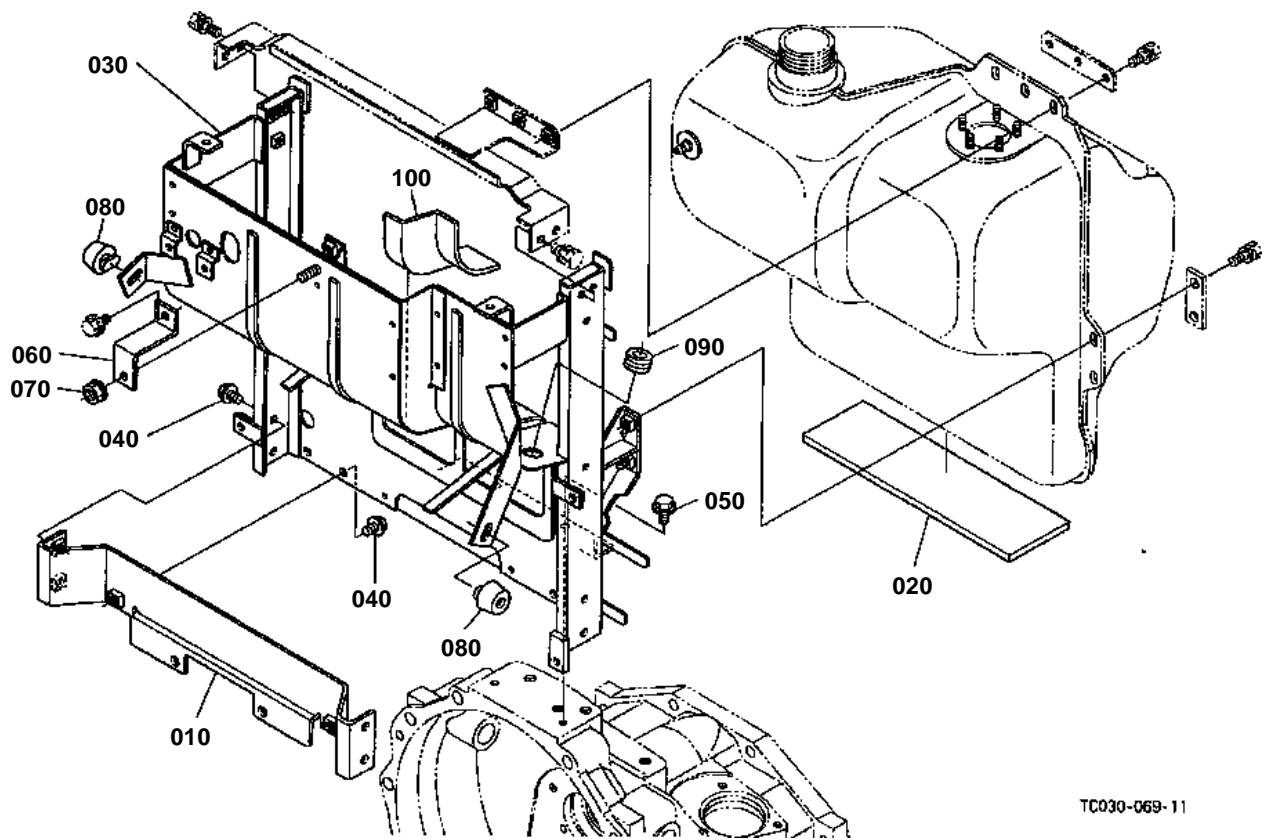


HOOD(BONNET) SIDE

↔ Interchangeable; ≠ not interchangeable; ← new for old; → old for new

REF.No	Part No.	Description	Q'ty	S.No.	I/C	REMARKS	Weight (kgf)	Weight (lb)
010	TC020-18140	NET BONNET SIDE RH	1				0.195	0.429
020	TC020-18150	NET BONNET SIDE LH	1				0.285	0.627
030	38240-18220	CUSHION	3				0.003	0.0066
040	01754-50608	BOLT FLANGE	13				0.005	0.011
050	04015-60060	WASHER PLAIN	13				0.005	0.011
060	TC030-18630	COMP.BONNET SIDE RH	1				3.8	8.36
070	TC030-18640	COMP.BONNET SIDE LH	1				3.8	8.36
080	32400-18950	CUSHION BONNET	2				0.01	0.022
090	TC020-18680	BELT SIDE RH	1				0.44	0.968
100	TC020-18690	BELT SIDE LH	1				0.44	0.968
110	TC030-18710	SOPPORT HOOK RH	1				0.49	1.078
120	TC030-18720	SUPPORT HOOK LH	1				0.42	0.924
130	01123-60814	BOLT	2				0.01	0.022
140	01123-50818	BOLT	2				0.012	0.0264
150	01820-50825	BOLT KNOB	2	<=10632			0.028	0.0616
150	01820-50830	BOLT KNOB	2	>=10633	←		0.041	0.0902
160	04015-60080	WASHER PLAIN	2				0.01	0.022
170	32400-18220	RUBBER KNOB BOLT	2				0.001	0.0022

SHUTTER PLATE



TC030-069-11

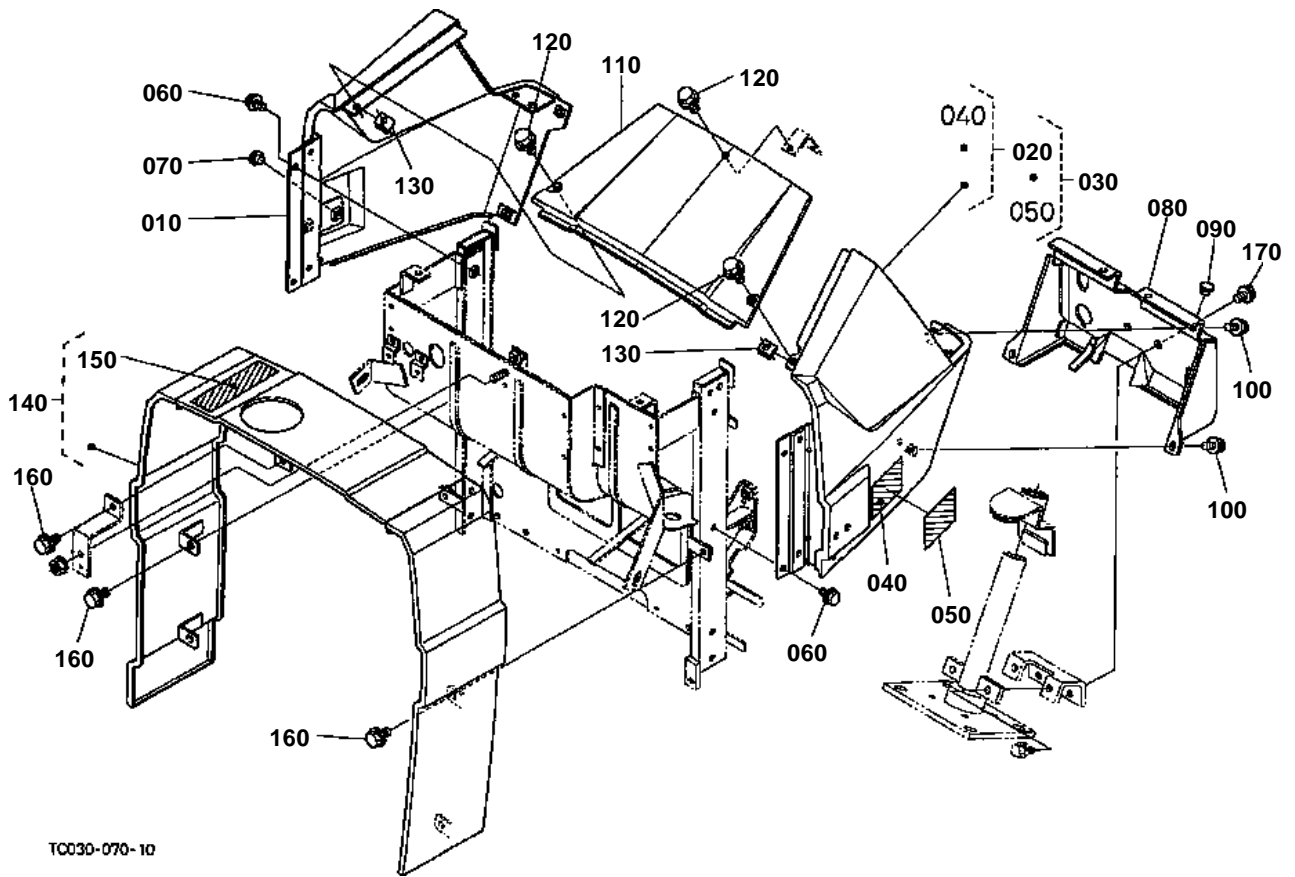


SHUTTER PLATE

↔ Interchangeable; ≠ not interchangeable; ← new for old; → old for new

REF.No	Part No.	Description	Q'ty	S.No.	I/C	REMARKS	Weight (kgf)	Weight (lb)
010	TC030-35230	SUPPORT SHUTTER	1				0.95	2.09
020	TC030-35180	CUSHION TANK	1				0.166	0.3652
030	TC030-35210	PLATE SHUTTER	1	<=10619			0	0
030	TC030-35216	PLATE SHUTTER	1	>=10620	←		7.2	15.84
040	01754-50816	BOLT FLANGE	6				0.011	0.0242
050	01754-50812	BOLT FLANGE	2				0.01	0.022
060	TC030-35222	BRACKET EXTENSION	1				0.08	0.176
070	02751-50080	NUT FLANGE	1				0.006	0.0132
080	30400-17980	RUBBER BLOCK	2				0.01	0.022
090	32150-29180	CAP RUBBER	1				0.002	0.0044
100	TC030-35240	BOOT SHUTTER	1				0.02	0.044

PANEL FRAME



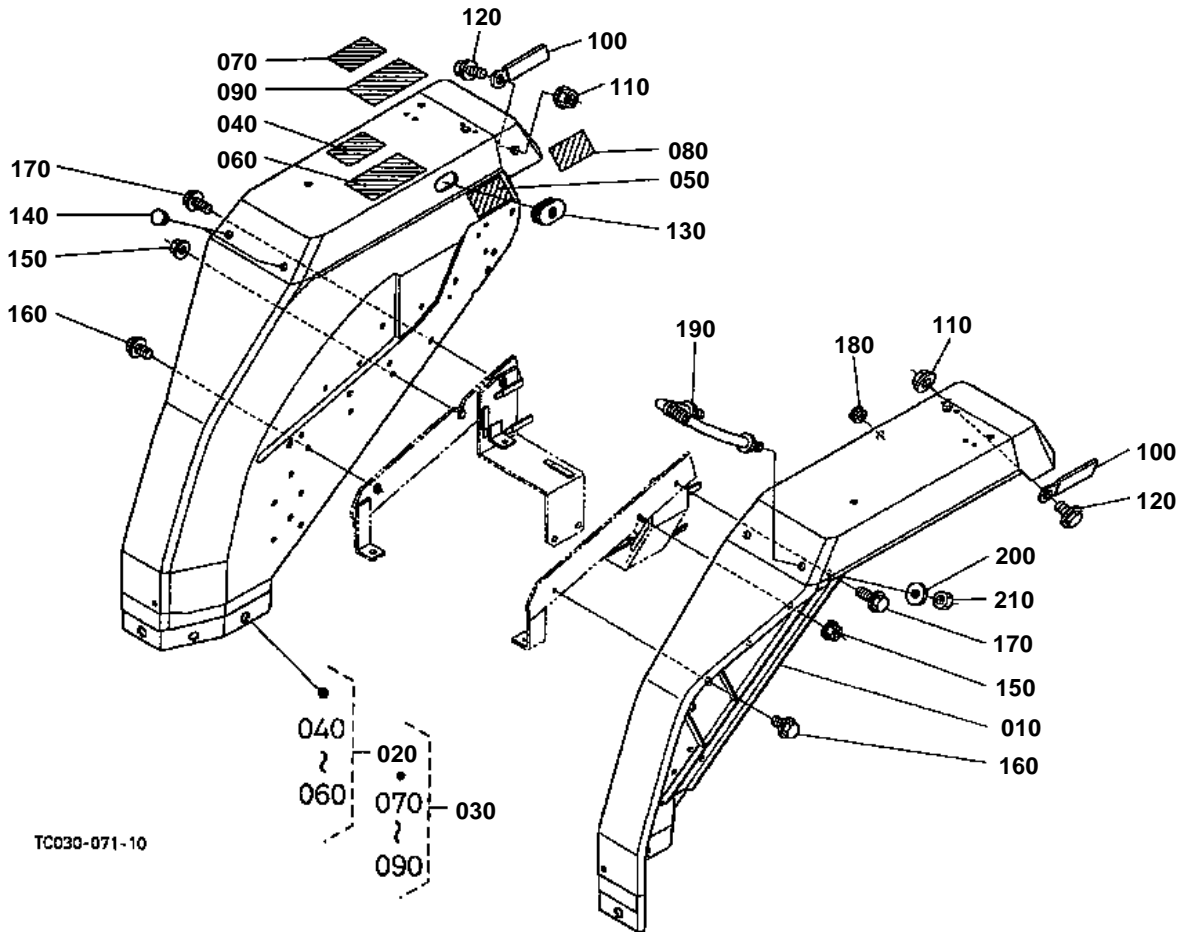


PANEL FRAME

↔ Interchangeable; ≠ not interchangeable; ← new for old; → old for new

REF.No	Part No.	Description	Q'ty	S.No.	I/C	REMARKS	Weight (kgf)	Weight (lb)
010	TC030-18810	COMP.BONNET REAR RH	1				1.05	2.31
020	TC030-18920	KIT BONNET REAR LH A	1			ENGLISH	1.21	2.662
030	TC030-18930	KIT BONNET REAR LH B	1			FRENCH	1.21	2.662
040	TA040-49650	LABEL START CAUTION	1			ENGLISH	0.004	0.0088
050	TA041-49650	LABEL START CAUTION	1			FRENCH	0.004	0.0088
060	01754-50612	BOLT FLANGE	4				0.005	0.011
070	38240-29570	PLUG	2				0.001	0.0022
080	TC010-43413	BOARD SWITCH	1				0.55	1.21
090	35110-32420	PLUG	1				0.002	0.0044
100	30400-19060	BOLT FLANGE	4				0.006	0.0132
110	32330-18770	ROOF REAR	1				0.465	1.023
120	30400-19060	BOLT FLANGE	3				0.006	0.0132
130	38240-29250	NUT SPRING	2				0.005	0.011
140	TC030-18890	KIT BONNET EXTENSION	1				2.2	4.84
150	TA040-49562	LABEL FUEL	1				0.002	0.0044
160	01754-50812	BOLT FLANGE	5				0.01	0.022
170	30400-18870	BOLT FLANGE	2				0.01	0.022

FENDER



TCC33-071-10

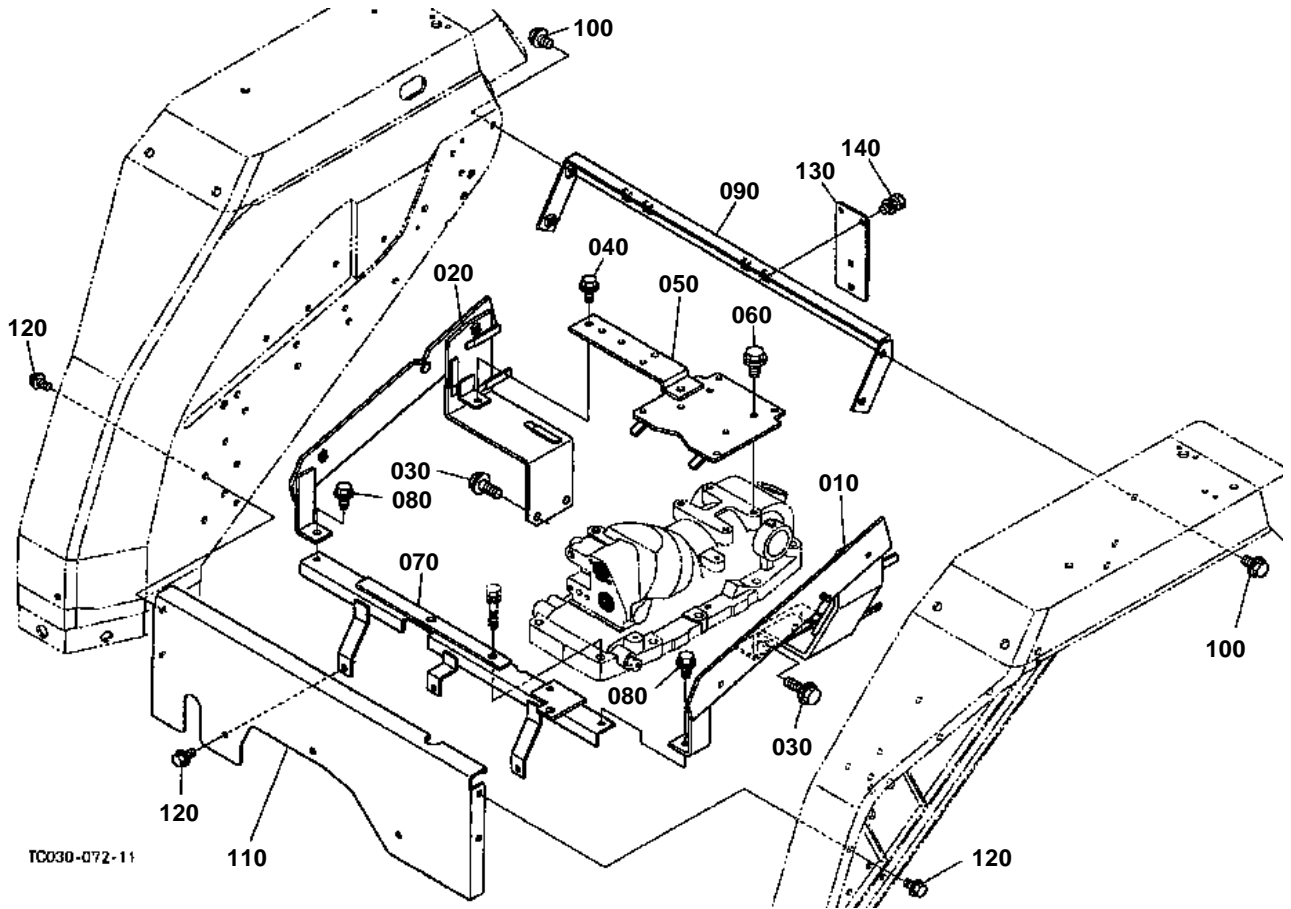


FENDER

↔ Interchangeable; ≠ not interchangeable; ← new for old; → old for new

REF.No	Part No.	Description	Q'ty	S.No.	I/C	REMARKS	Weight (kgf)	Weight (lb)
010	TC030-29012	COMP.FENDER LH	1				9.6	21.12
020	TC030-47100	KIT FENDER RH (A)	1	≤10600		ENGLISH	9.3	20.46
020	TC030-47102	KIT FENDER RH (A)	1	≥10601	←	ENGLISH	9.3	20.46
030	TC030-47110	KIT FENDER RH (B)	1	≤10600		FRENCH	9.3	20.46
030	TC030-47112	KIT FENDER RH (B)	1	≥10601	←	FRENCH	9.3	20.46
040	TA040-49320	LABEL ROPS WARNING	1			ENGLISH	0.001	0.0022
050	TA040-49350	LABEL DRAWBAR	1			ENGLISH	0.002	0.0044
060	35260-34913	LABEL SAFETY	1	≤10600		ENGLISH NOT SALE	0.005	0.011
060	35260-34914	LABEL SAFETY	1	≥10601	←	ENGLISH	0.005	0.011
070	TA040-49150	LABEL ROPS WARNING	1			FRENCH	0.003	0.0066
080	TA041-49350	LABEL DRAWBAR	1			FRENCH	0.003	0.0066
090	TA041-65700	LABEL SAFETY	1	≤10600		FRENCH	0	0
090	TA041-65702	LABEL SAFETY	1	≥10601		FRENCH	0.01	0.022
100	37150-34460	CLAMP CORD	2				0.03	0.066
110	02771-60100	NUT FLANGE	2				0.01	0.022
120	01774-51016	BOLT FLANGE	2				0.02	0.044
130	31351-29490	GROMMET	1				0.003	0.0066
140	30810-29170	PLUG	2				0.003	0.0066
150	02751-50080	NUT FLANGE	2				0.006	0.0132
160	01754-50820	BOLT FLANGE	2				0.015	0.033
170	01754-50825	BOLT FLANGE	2				0.01	0.022
180	32150-29180	CAP RUBBER	1				0.002	0.0044
190	34670-29440	HANDRAIL	1				0.1	0.22
200	04013-60140	WASHER PLAIN	2				0.01	0.022
210	02174-50140	NUT	2				0.014	0.0308

FENDER SUPPORT

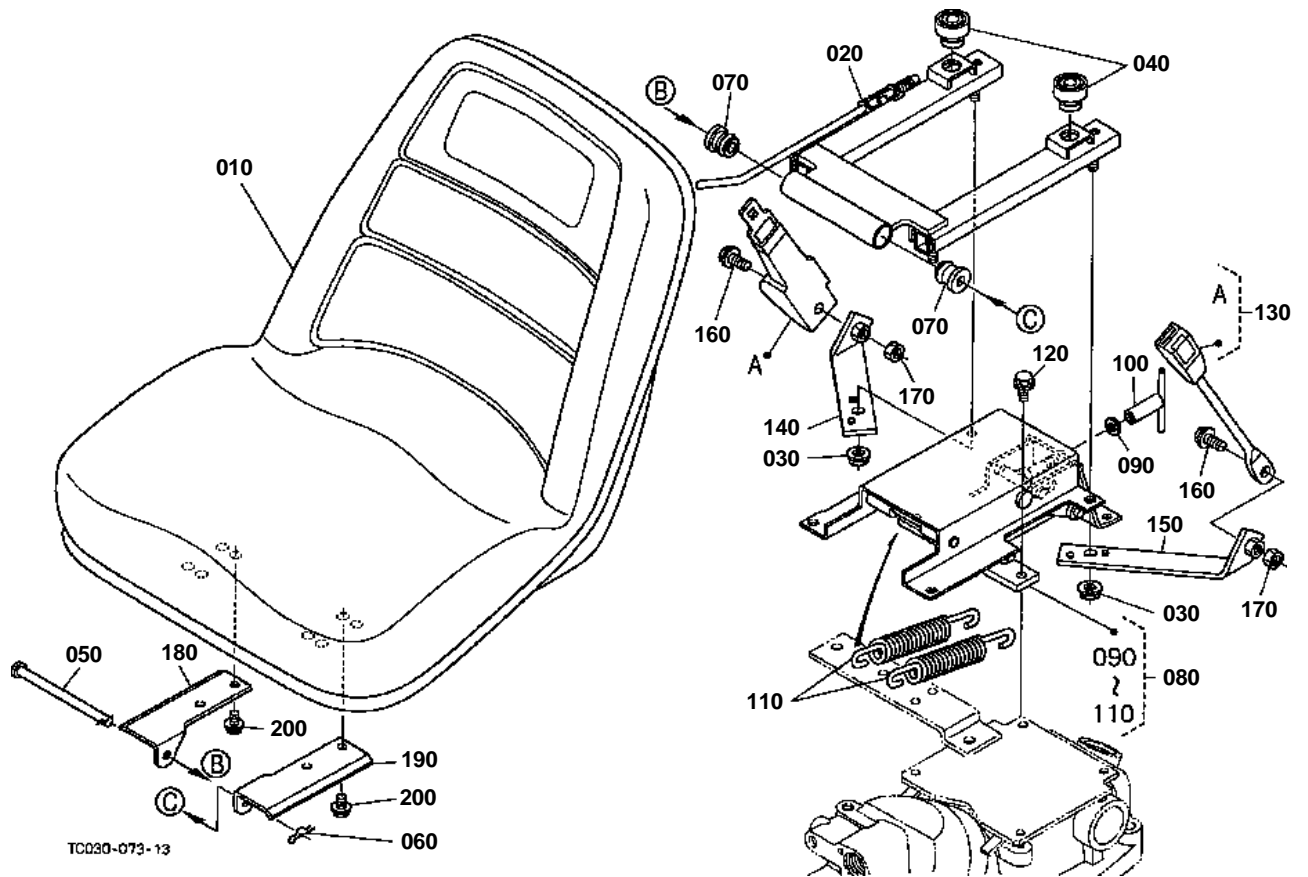




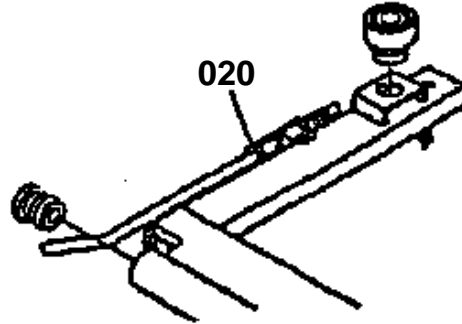
FENDER SUPPORT

↔ Interchangeable; ≠ not interchangeable; ← new for old; → old for new

REF.No	Part No.	Description	Q'ty	S.No.	I/C	REMARKS	Weight (kgf)	Weight (lb)
010	TC030-29210	SUPPORT FENDER LH	1				4.3	9.46
020	TC030-29220	SUPPORT FENDER RH	1				3.25	7.15
030	01774-51230	BOLT FLANGE	4				0.043	0.0946
040	01754-50820	BOLT FLANGE	1				0.015	0.033
050	TC030-29230	SUPPORT SEAT	1	≤10290			1.81	3.982
050	TC030-29232	SUPPORT SEAT	1	≥10291	←		1.81	3.982
060	01774-61020	BOLT FLANGE	4				0.022	0.0484
070	TC030-29242	STAY FENDER	1				1.735	3.817
080	01754-50820	BOLT FLANGE	2				0.015	0.033
090	TC030-29440	SUPPORT FENDER	1				1.3	2.86
100	01774-51016	BOLT FLANGE	4				0.02	0.044
110	TC030-47212	COVER FLOOR SEAT	1				0.5	1.1
120	01754-50816	BOLT FLANGE	7				0.011	0.0242
130	TC030-29430	BRACKET SMV	1				0.24	0.528
140	01123-50820	BOLT	2				0.011	0.0242

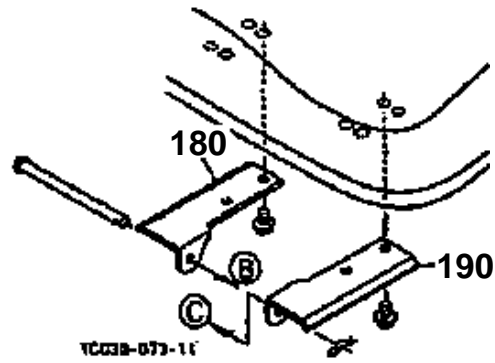


020 TC030-1843-0



180 TC030-1845-0

190 TC030-1846-0



TC030-806-11

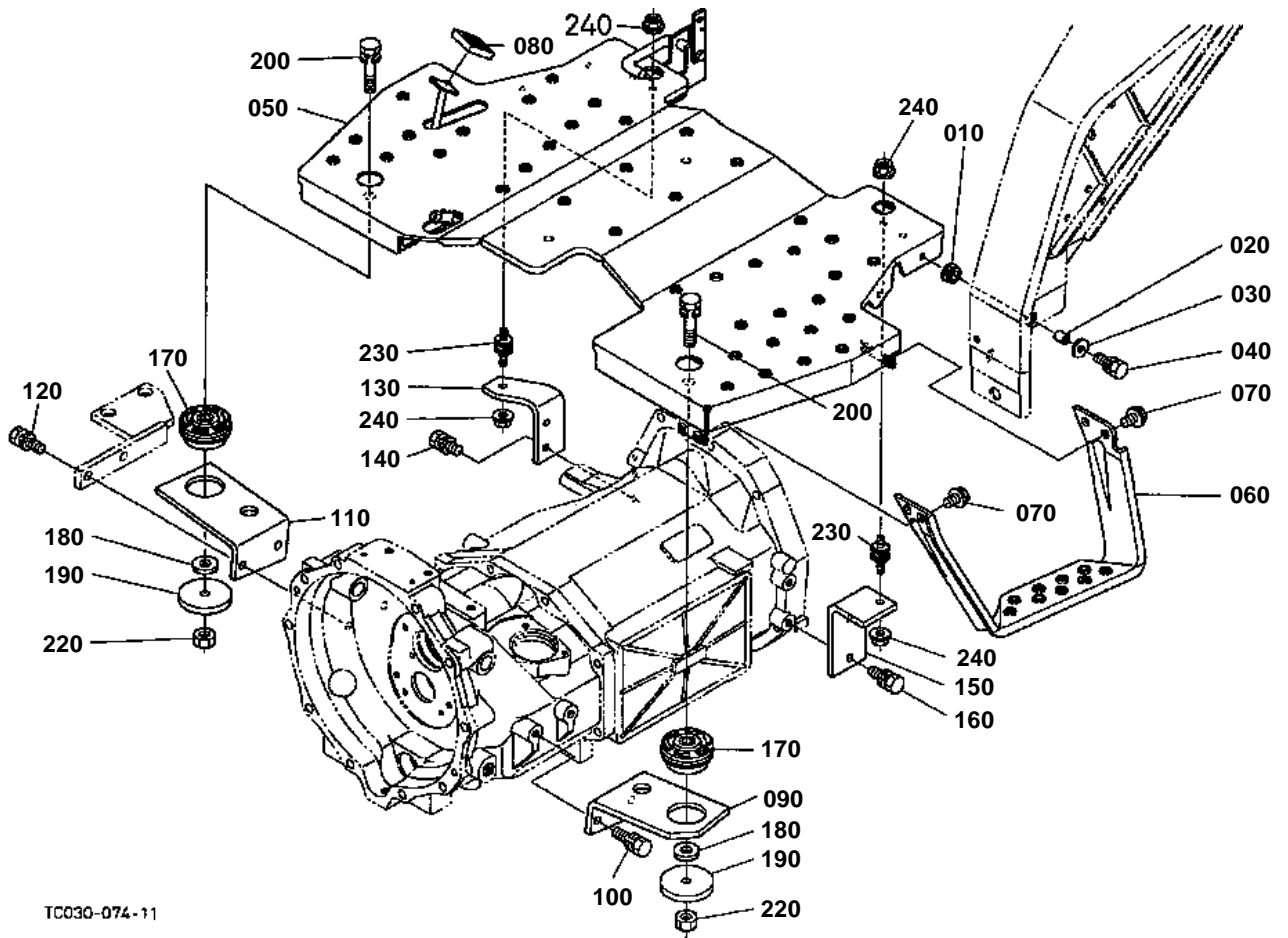


SEAT

↔ Interchangeable; ≠ not interchangeable; ← new for old; → old for new

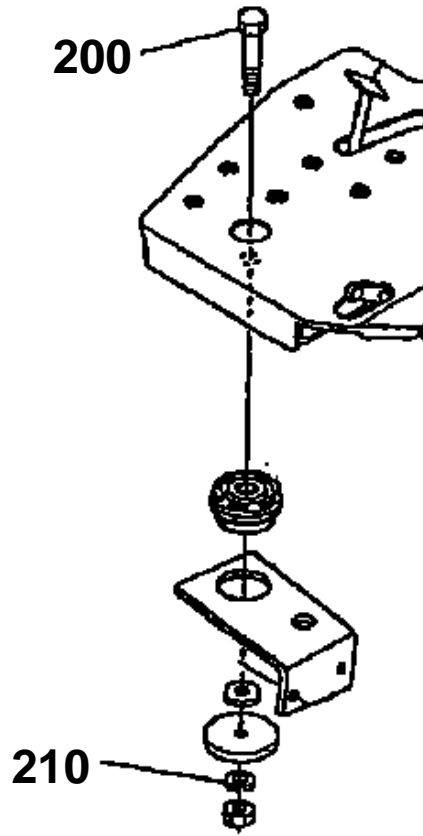
REF.No	Part No.	Description	Q'ty	S.No.	I/C	REMARKS	Weight (kgf)	Weight (lb)
010	6C070-88720	SEAT	1				8.4	18.48
020	TC030-18430	ASSY ADJUSTER SEAT	1	<=10271			2.35	5.17
020	TC030-18432	ASSY ADJUSTER SEAT	1	>=10272	≠		0.5	1.1
020	TC030-18434	ASSY ADJUSTER SEAT	1	>=10272	←		2.35	5.17
030	02783-50100	NUT FLANGE	4				0.01	0.022
040	32160-18440	CUSHION	2				0.013	0.0286
050	38240-18470	PIN SEAT	1				0.085	0.187
060	05516-61000	PIN SNAP	1				0.003	0.0066
070	37150-18490	CUSHION	2				0.014	0.0308
080	TC030-11800	ASSY SUSPENSION SEAT	1				4	8.8
090	04011-50100	WASHER PLAIN	1				0.002	0.0044
100	TA040-11860	NUT ADJUSTING	1				0.605	1.331
110	TA040-11870	SPRING SEAT	2				0.26	0.572
120	01754-50820	BOLT FLANGE	4				0.015	0.033
130	6C040-72252	ASSY BELT SEAT	1	<=10378		NOT SALE	0	0
130	6C040-72253	ASSY BELT SEAT	1	>=10379	←		0.9	1.98
140	TA040-18482	BRACKET SEAT BELT RH	1				0.27	0.594
150	TC030-18490	BRACKET SEAT BELT LH	1				0.3	0.66
160	01774-51025	BOLT FLANGE	2				0.02	0.044
170	02116-50100	NUT	2				0.004	0.0088
180	TC030-18450	BRACKET SEAT RH	1	<=10290			0	0
180	TC030-18452	BRACKET SEAT RH	1	>=10291	←		0.26	0.572
190	TC030-18460	BRACKET SEAT LH	1	<=10290			0	0
190	TC030-18462	BRACKET SEAT LH	1	>=10291	←		0.26	0.572
200	01754-50816	BOLT FLANGE	4				0.011	0.0242

STEP



TC030-074-11

200 01173-51465
210 04512-60140



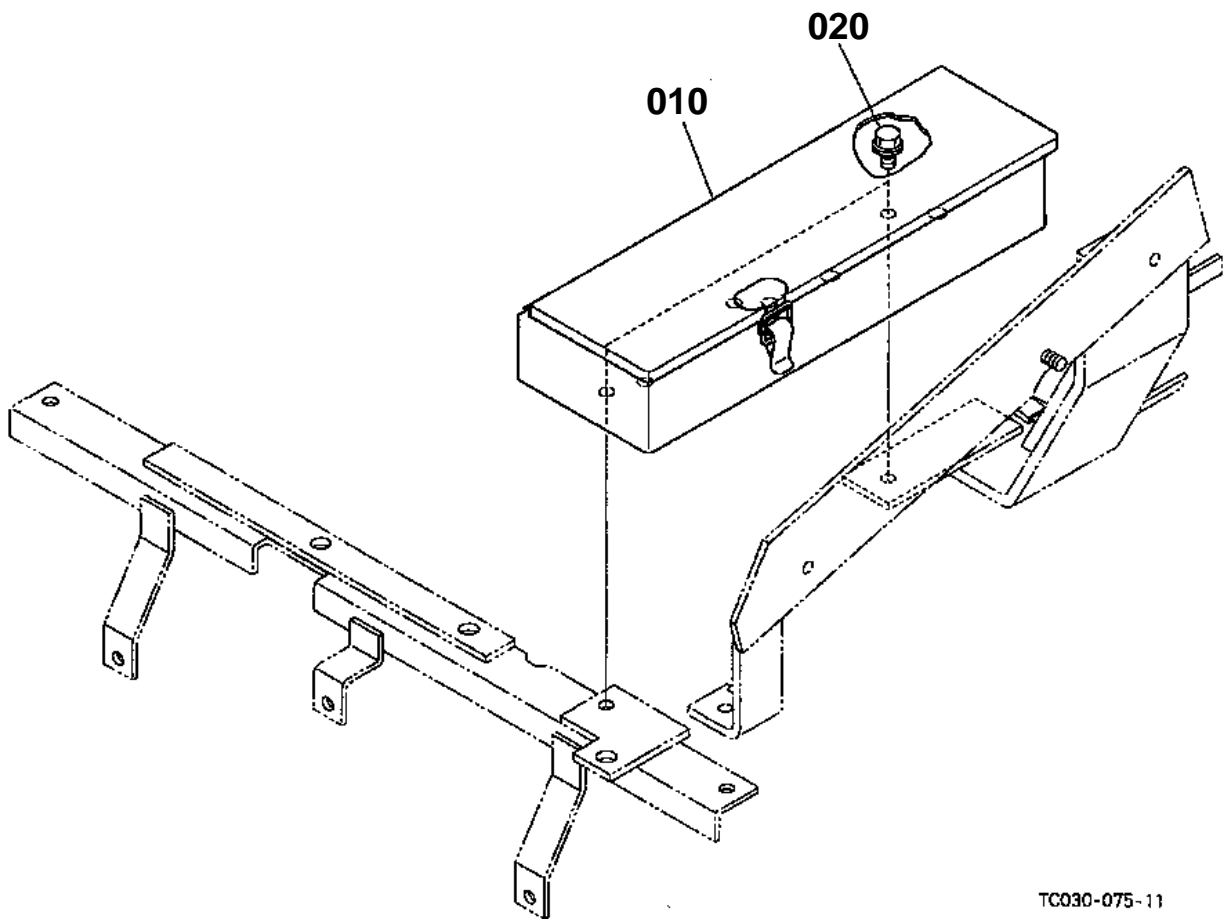
TC030-807-10

**STEP**

↔ Interchangeable; ≠ not interchangeable; ← new for old; → old for new

REF.No	Part No.	Description	Q'ty	S.No.	I/C	REMARKS	Weight (kgf)	Weight (lb)
010	3A111-87360	CUSHION	6				0.005	0.011
020	TC030-29130	COLLAR	6				0.005	0.011
030	3A211-53500	WASHER PLAIN	6				0.011	0.0242
040	01123-50830	BOLT	6				0.015	0.033
050	TC030-29920	COMP.STEP	1				14.8	32.56
060	TA140-47470	STEP AID LH	1				0.985	2.167
070	01754-50816	BOLT FLANGE	4				0.011	0.0242
080	37410-44850	COVER ACCEL.PEDAL	1				0.01	0.022
090	TC030-29140	BRACKET STEP FRON.LH	1				1.325	2.915
100	01133-51230	BOLT	2				0.04	0.088
110	TC030-29150	BRACKET STEP FRON.RH	1				1.325	2.915
120	01133-51240	BOLT	2				0.05	0.11
130	TC030-47410	BRACKET STEP REAR RH	1				0.53	1.166
140	01133-51025	BOLT	2				0.023	0.0506
150	TC030-47420	BRACKET STEP REAR LH	1				0.755	1.661
160	01133-51025	BOLT	2				0.023	0.0506
170	T1060-47310	CUSHION	2				0.155	0.341
180	04011-50140	WASHER PLAIN	2				0.007	0.0154
190	T1060-47320	WASHER	2				0.104	0.2288
200	01173-51465	BOLT	2	<=10271			0.092	0.2024
200	01133-51465	BOLT	2	>=10272	←		0	0
200	01133-51475	BOLT	2	>=10451	←		0.105	0.231
210	04512-60140	WASHER SPRING	2	<=10271			0.008	0.0176
220	02176-50140	NUT	2				0.014	0.0308
230	TC030-47350	CUSHION	2				0.038	0.0836
240	02751-50080	NUT FLANGE	4				0.006	0.0132

TOOL BOX

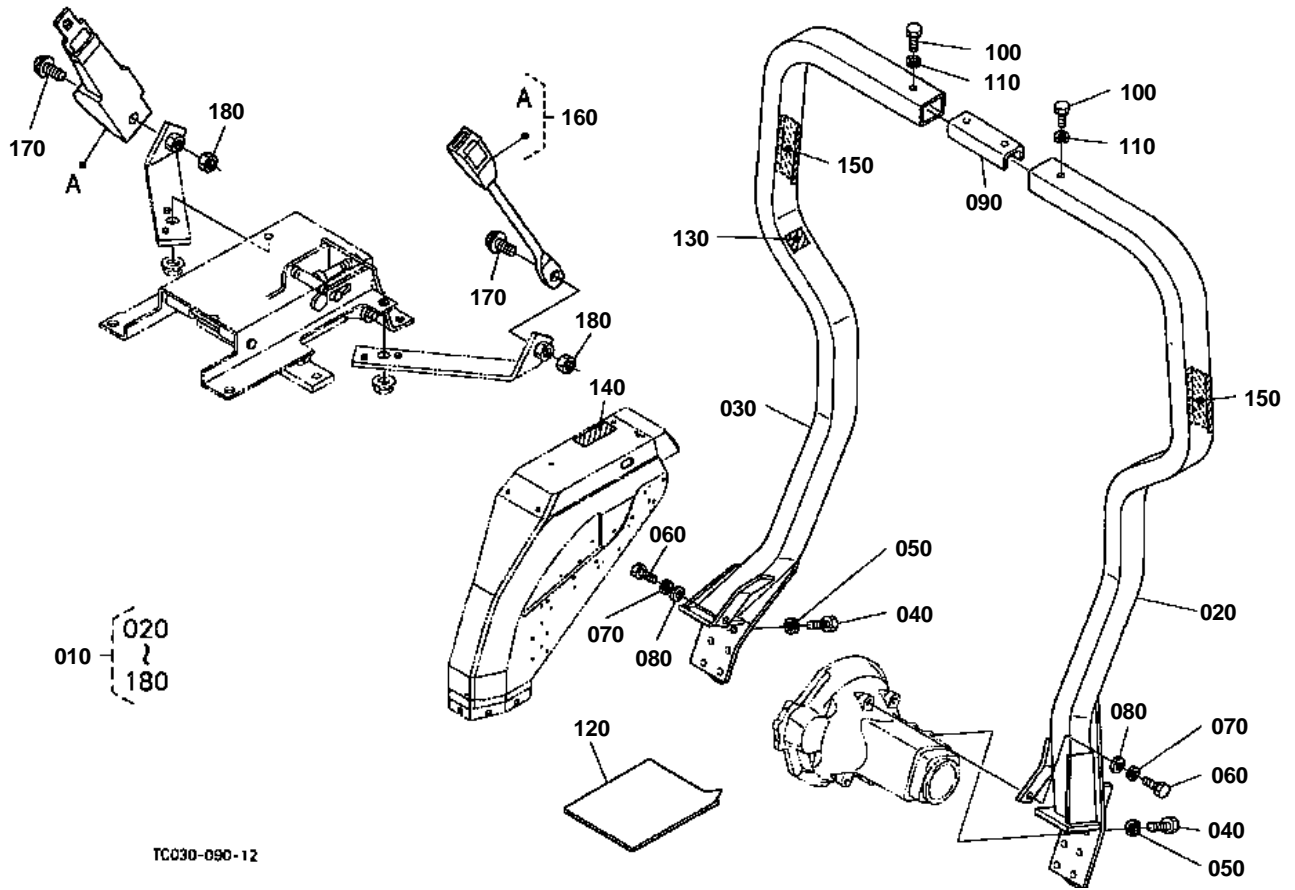


TC030-075-11

**TOOL BOX**

↔ Interchangeable; ≠ not interchangeable; ← new for old; → old for new

REF.No	Part No.	Description	Q'ty	S.No.	I/C	REMARKS	Weight (kgf)	Weight (lb)
010	32310-18510	CASE TOOLS	1				0.94	2.068
020	01754-50816	BOLT FLANGE	2				0.011	0.0242

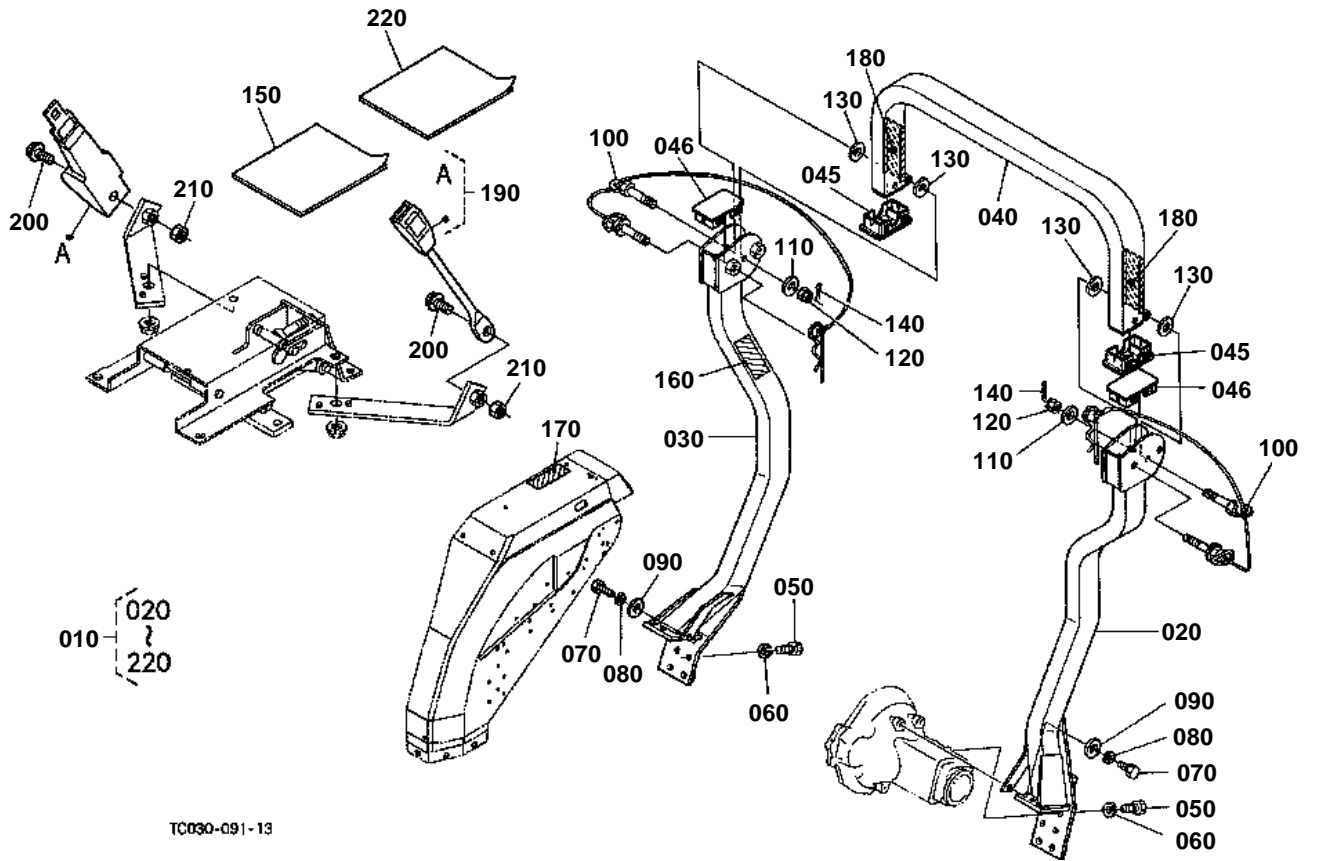




ROPS [RIGID ROPS TYPE]

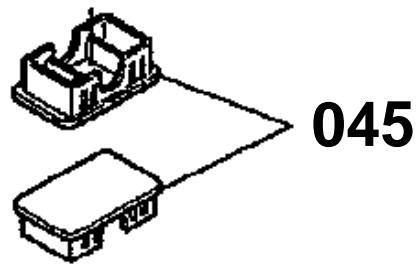
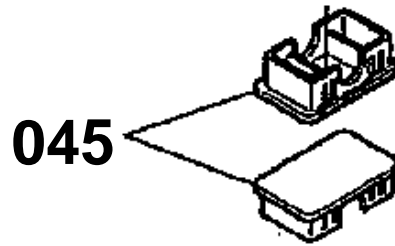
↔ Interchangeable; ≠ not interchangeable; ← new for old; → old for new

REF.No	Part No.	Description	Q'ty	S.No.	I/C	REMARKS	Weight (kgf)	Weight (lb)
010	TA140-48442	KIT ROPS REPLACEMENT	1	<=10378			0	0
010	TA140-48444	KIT ROPS REPLACEMENT	1	>=10379	←		0	0
010	TA140-48445	KIT ROPS REPLACEMENT	1	>=10601	←		0	0
020	99999-99999	COMP.FRAME LH	1				0	0
030	99999-99999	COMP.FRAME RH	1				0	0
040	01176-51430	BOLT	12				0.052	0.1144
050	0Y450-50090	WASHER SPRING	12				0.007	0.0154
060	01073-51230	BOLT	2				0.041	0.0902
070	04512-60120	WASHER SPRING	2				0.005	0.011
080	04013-60120	WASHER PLAIN	2				0.01	0.022
090	99999-99999	PLATE	1				0	0
100	0Y109-50920	BOLT	2				0.001	0.0022
110	0Y450-50090	WASHER SPRING	2				0.007	0.0154
120	99999-99999	MANUAL INSTRUCTION	1				0	0
130	6C140-47460	LABEL ROPS WARNING	1			ENGLISH	0.001	0.0022
130	6C141-47460	LABEL ROPS WARNING	1			FRENCH	0.001	0.0022
140	TA040-49320	LABEL ROPS WARNING	1			ENGLISH	0.001	0.0022
140	TA040-49150	LABEL ROPS WARNING	1			FRENCH	0.003	0.0066
150	6C140-54990	REFLECTOR LABEL	2	>=10379			0.003	0.0066
160	6C040-72252	ASSY BELT SEAT	1	<=10378		NOT SALE	0	0
160	6C040-72253	ASSY BELT SEAT	1	>=10379	←		0.9	1.98
160	TA040-18503	ASSY BELT SEAT	1			OUT OF USE	0.825	1.815
170	01774-51025	BOLT FLANGE	2				0.02	0.044
180	02116-50100	NUT	2				0.004	0.0088



TC030-091-13

045 TC050-4877-2



TC030-814-10

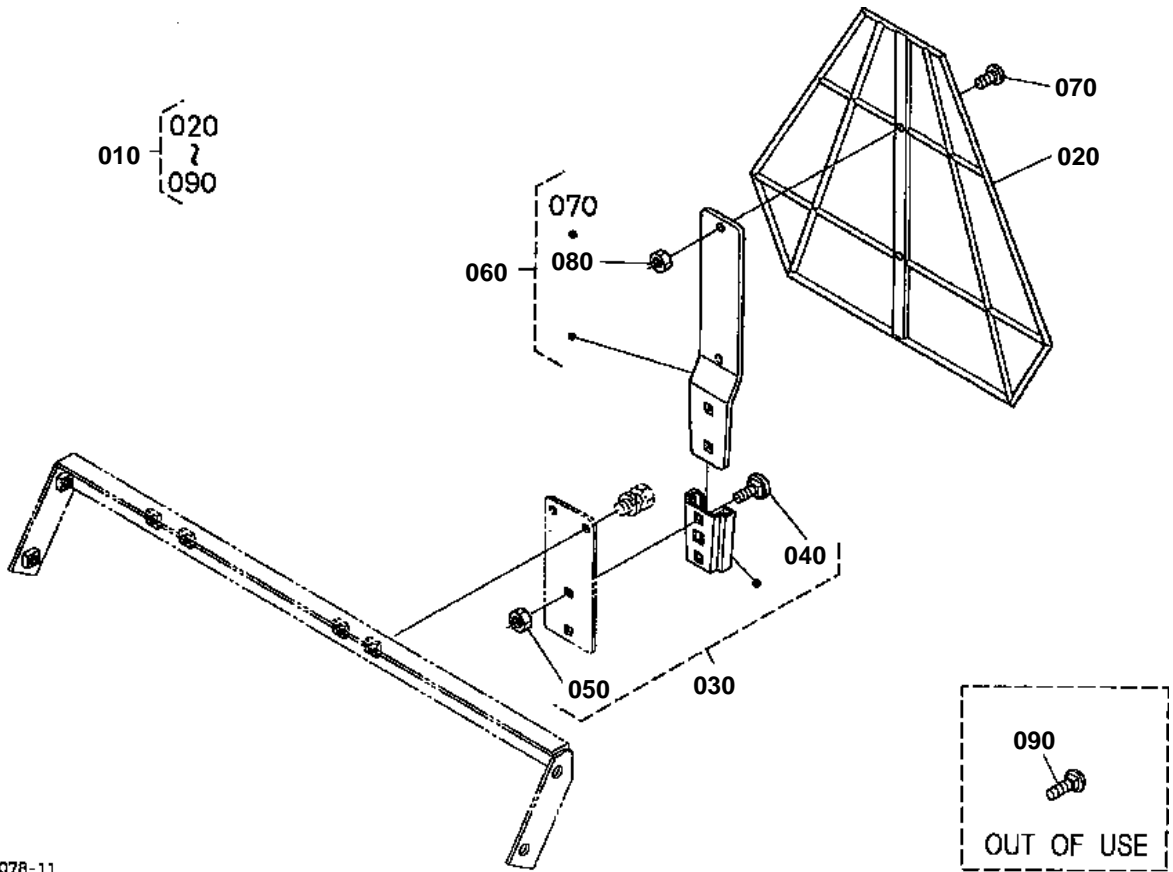


ROPS [FOLDABLE ROPS TYPE]

↔ Interchangeable; ≠ not interchangeable; ← new for old; → old for new

REF.No	Part No.	Description	Q'ty	S.No.	I/C	REMARKS	Weight (kgf)	Weight (lb)
010	TA240-48442	KIT ROPS REPLACEMENT	1	<=10378			0	0
010	TA240-48444	KIT ROPS REPLACEMENT	1	>=10379	←		0	0
010	TA240-48445	KIT ROPS REPLACEMENT	1	>=10601	←		0	0
020	99999-99999	COMP.FRAME LH	1				0	0
030	99999-99999	COMP.FRAME RH	1				0	0
040	99999-99999	FRAME UPPER	1				0	0
045	TC050-48772	COVER ROPS	4	>=10601			0.03	0.066
045	TC050-48772	COVER ROPS	2	>=10620			0.03	0.066
046	TC020-48770	COVER ROPS	2	>=10620			0	0
050	01176-51430	BOLT	12				0.052	0.1144
060	0Y450-50090	WASHER SPRING	12				0.007	0.0154
070	01073-51230	BOLT	2				0.041	0.0902
080	04512-60120	WASHER SPRING	2				0.005	0.011
090	04013-60120	WASHER PLAIN	2				0.01	0.022
100	TA240-48750	SET BOLT	2	<=10131		NOT SALE	0	0
100	TA240-48752	SET BOLT	2	>=10132	←		0.435	0.957
110	04013-60160	WASHER PLAIN	2				0.01	0.022
120	02254-50160	NUT	2				0.04	0.088
130	04013-60160	WASHER PLAIN	4				0.01	0.022
140	05511-50430	PIN SPLIT	2				0.004	0.0088
150	99999-99999	MANUAL INSTRUCTION	1				0	0
160	3A111-95540	LABEL ROPS CAUTION	1			ENGLISH	0.003	0.0066
160	3A112-95540	LABEL ROPS CAUTION	1			FRENCH	0.003	0.0066
170	TA240-98480	LABEL ROPS WARNING	1			ENGLISH	0.005	0.011
170	3A112-98480	LABEL ROPS WARNING	1			FRNCH	0.004	0.0088
180	6C140-54990	REFLECTOR LABEL	2	>=10379			0.003	0.0066
190	6C040-72252	ASSY BELT SEAT	1	<=10378		NOT SALE	0	0
190	6C040-72253	ASSY BELT SEAT	1	>=10379	←		0.9	1.98
190	TA040-18503	ASSY BELT SEAT	1			OUT OF USE	0.825	1.815
200	01774-51025	BOLT FLANGE	2				0.02	0.044
210	02116-50100	NUT	2				0.004	0.0088
220	TA240-48680	MANUAL INSTRUCTION	1				0.025	0.055

SMV EMBLEM



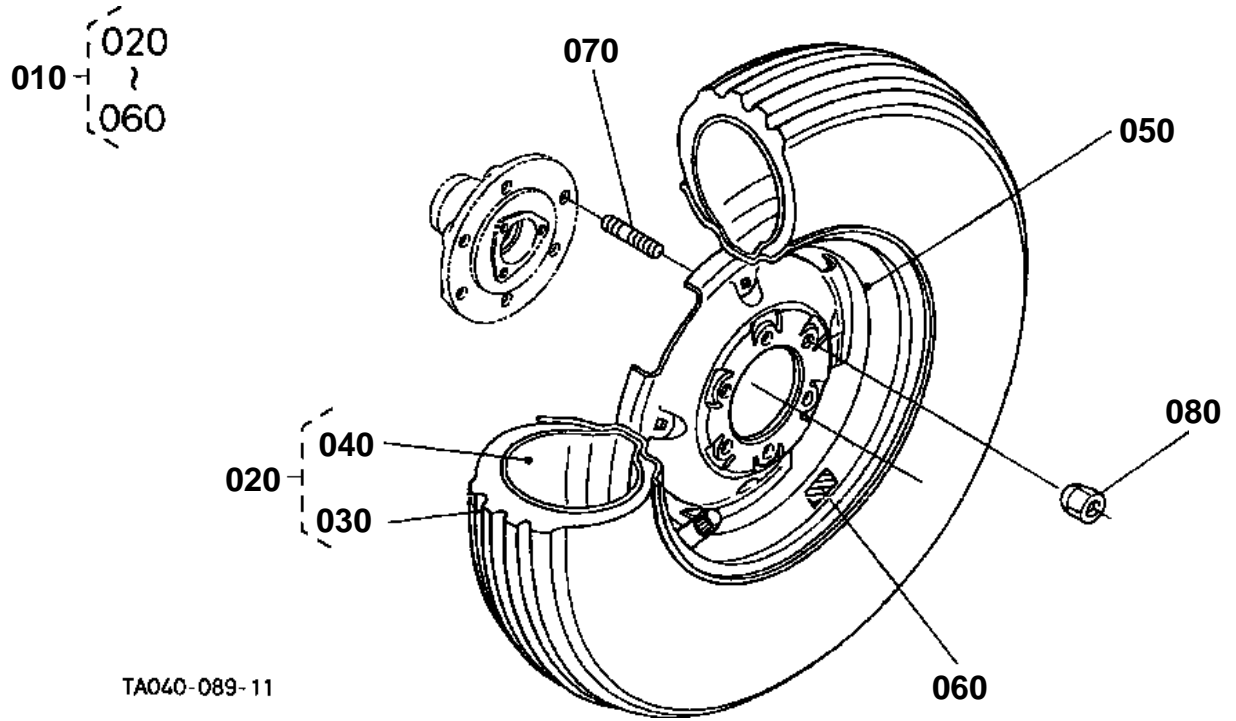
TC030-078-11

**SMV EMBLEM**

↔ Interchangeable; ≠ not interchangeable; ← new for old; → old for new

REF.No	Part No.	Description	Q'ty	S.No.	I/C	REMARKS	Weight (kgf)	Weight (lb)
010	99999-99999	SMV SIGN KIT	1				0	0
020	7L500-89910	SIGN SMV	1				0.32	0.704
030	7L500-89920	SOCKET SMV SIGN	1				0.1	0.22
040	7L500-89940	BOLT SQUARE NECK	2				0.01	0.022
050	7L500-89950	NUT	2				0.004	0.0088
060	7L500-89960	SPADE SMV SIGN	1				0.24	0.528
070	7L500-89980	VIS	2				0.02	0.044
080	7L500-89990	NUT	2				0.001	0.0022
090	7L500-89810	BOLT SQUARE NECK	2			OUT OF USE	0.011	0.0242

FRONT WHEEL (6.00-16)



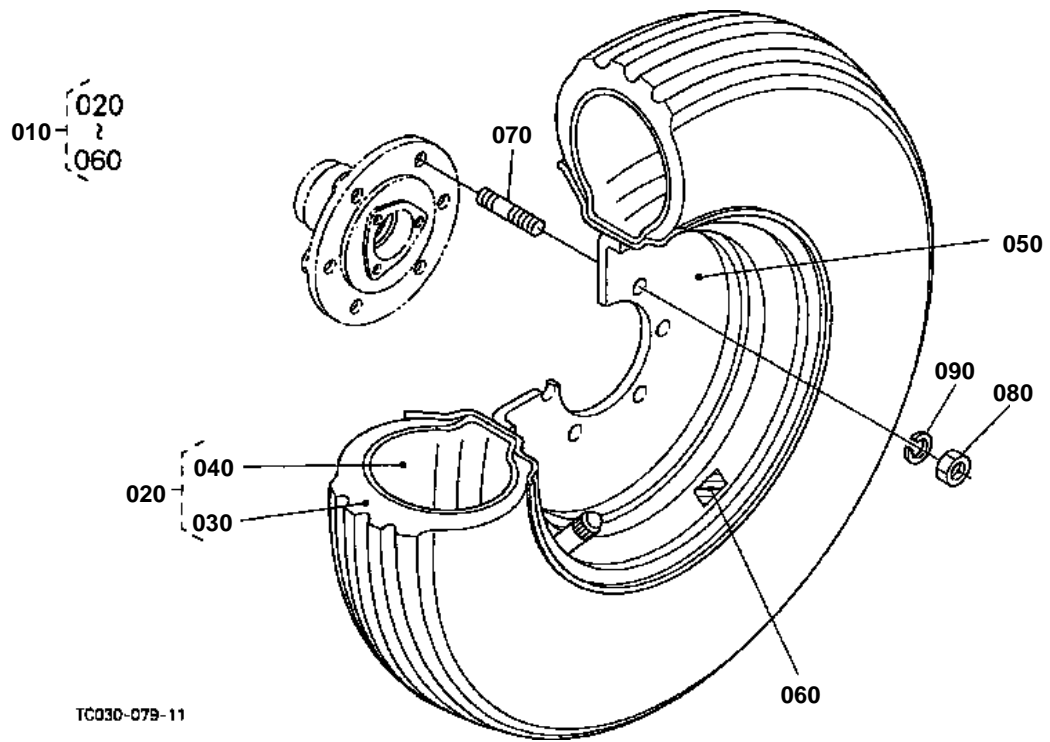
TA040-089-11

**FRONT WHEEL (6.00-16)**

↔ Interchangeable; ≠ not interchangeable; ← new for old; → old for new

REF.No	Part No.	Description	Q'ty	S.No.	I/C	REMARKS	Weight (kgf)	Weight (lb)
010	35080-11600	ASSY FRONT WHEEL	2				0	0
020	35080-11610	ASSY TIRE	2				0	0
030	35080-11620	TIRE	2				0	0
040	35080-11630	TUBE	2				0	0
050	35080-11652	WHEEL	2				0	0
060	35080-11660	LABEL TIRE	2				0	0
070	TA150-49160	STUD WHEEL	12				0.05	0.11
080	35340-11390	NUT	12				0.03	0.066

FRONT WHEEL (7.5L-15)



TC030-079-11

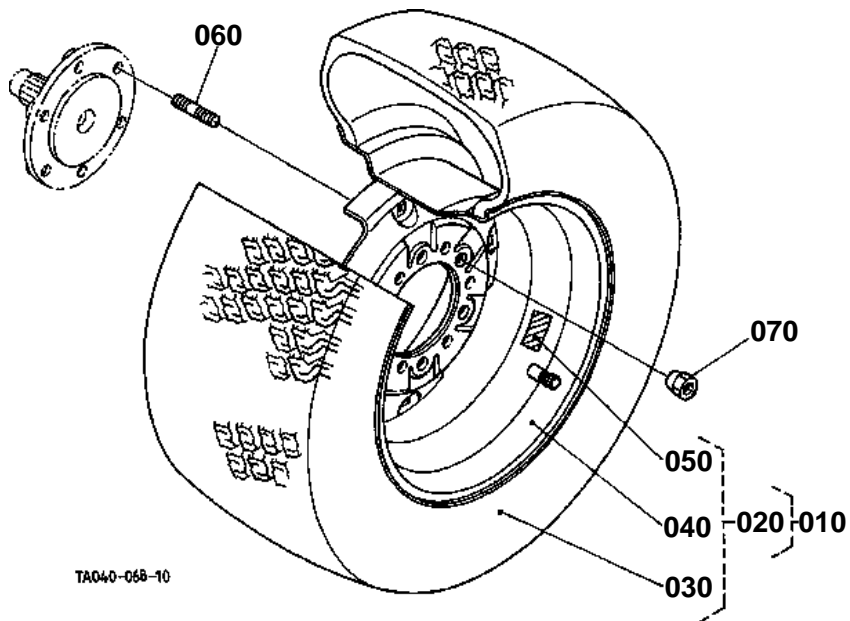


FRONT WHEEL (7.5L-15)

↔ Interchangeable; ≠ not interchangeable; ← new for old; → old for new

REF.No	Part No.	Description	Q'ty	S.No.	I/C	REMARKS	Weight (kgf)	Weight (lb)
010	TC030-11600	ASSY FRONT WHEEL	2				0	0
020	TC030-11610	ASSY TIRE	2				0	0
030	TC030-11620	TIRE	2				0	0
040	TC030-11630	TUBE	2				0	0
050	TC030-11650	WHEEL	2				0	0
060	TC030-11660	LABEL TIRE	2				0	0
070	TA150-49160	STUD WHEEL	12				0.05	0.11
080	35340-11390	NUT	12				0.03	0.066
090	04512-60140	WASHER SPRING	12				0.008	0.0176

FRONT WHEEL (27*10.5-15)



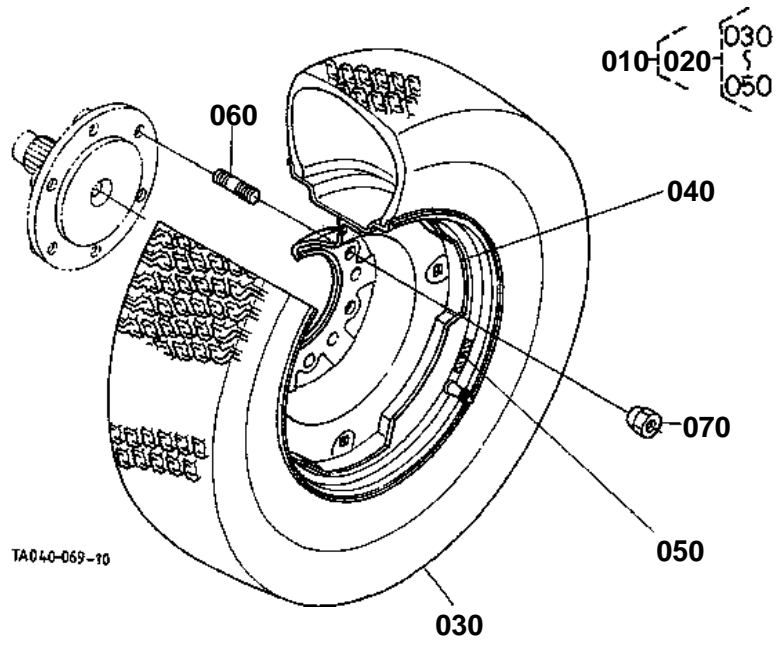


FRONT WHEEL (27*10.5-15)

↔ Interchangeable; ≠ not interchangeable; ← new for old; → old for new

REF.No	Part No.	Description	Q'ty	S.No.	I/C	REMARKS	Weight (kgf)	Weight (lb)
010	35080-11700	ASSY TIRE	1				0	0
020	35080-11710	TIRE ASSY	2				0	0
030	35080-11720	TIRE	2				0	0
040	35998-01430	WHEEL	2				0	0
050	35080-11730	LABEL TIRE	2				0	0
060	TA150-49160	STUD WHEEL	12				0.05	0.11
070	35340-11390	NUT	12				0.03	0.066

FRONT WHEEL (29*12.50-15)



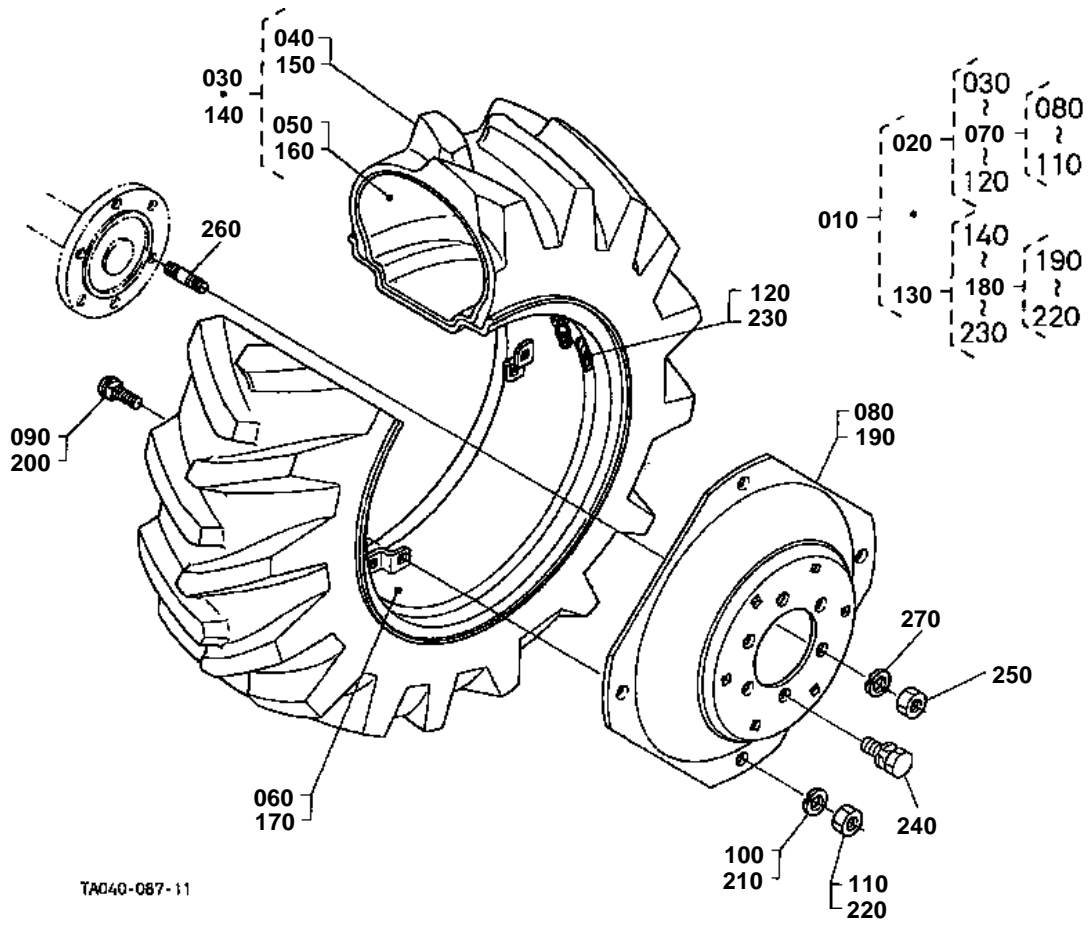


FRONT WHEEL (29*12.50-15)

↔ Interchangeable; ≠ not interchangeable; ← new for old; → old for new

REF.No	Part No.	Description	Q'ty	S.No.	I/C	REMARKS	Weight (kgf)	Weight (lb)
010	35080-11500	ASSY TIRE	1				0	0
020	35080-11510	TIRE ASSY	2				0	0
030	35080-11530	TIRE	2				0	0
040	35080-11540	WHEEL	2				0	0
050	35080-11550	LABEL TIRE	2				0	0
060	TA150-49160	STUD WHEEL	12				0.05	0.11
070	35340-11390	NUT	12				0.03	0.066

REAR WHEEL (13.6-24)



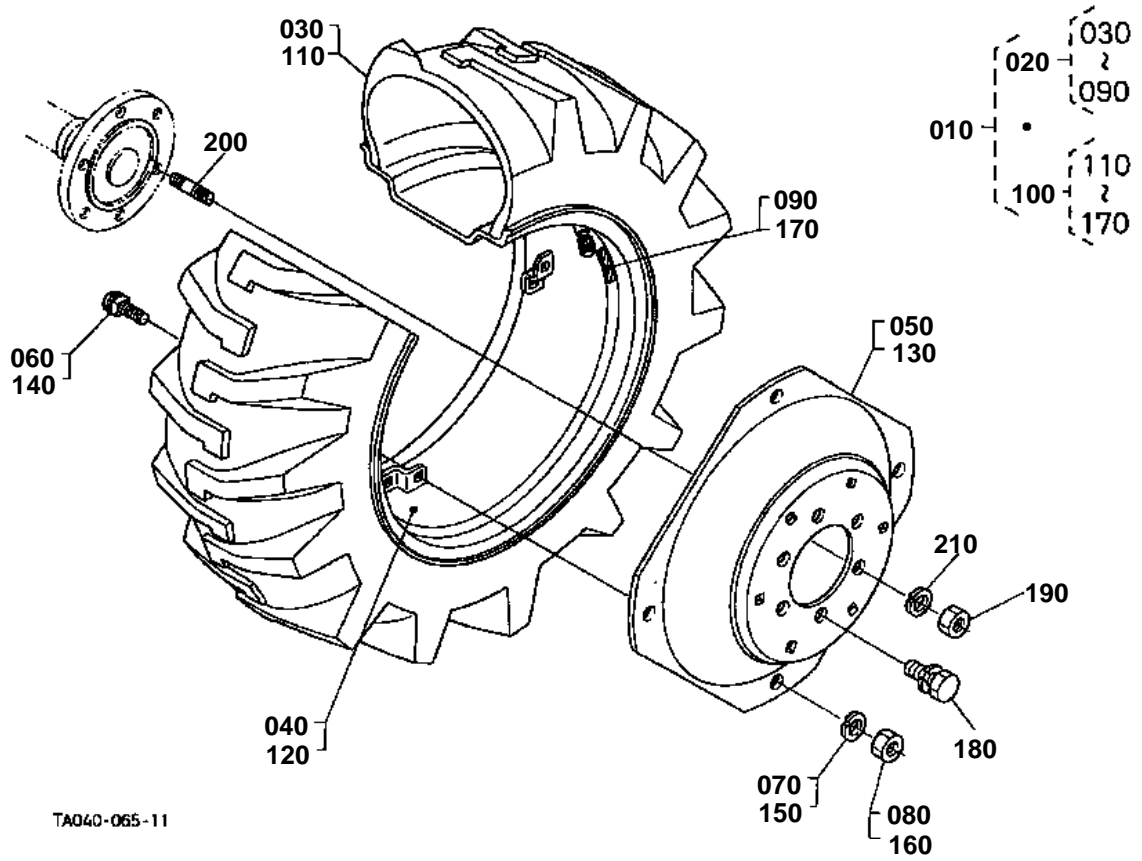


REAR WHEEL (13.6-24)

↔ Interchangeable; ≠ not interchangeable; ← new for old; → old for new

REF.No	Part No.	Description	Q'ty	S.No.	I/C	REMARKS	Weight (kgf)	Weight (lb)
010	35070-27800	ASSY REAR WHEEL	1				0	0
020	35070-27810	ASSY REAR WHEEL RH	1				0	0
030	35070-27870	ASSY REAR WHEEL	1				0	0
040	35070-27820	TIRE	1				0	0
050	35070-27830	TUBE	1				0	0
060	35070-27850	RIM	1				0	0
070	35070-27650	ASSY DISK	1				0	0
080	35080-27660	DISK	1				0	0
090	31220-27680	BOLT	4				0.09	0.198
100	04512-60160	WASHER SPRING	4				0.01	0.022
110	02174-50160	NUT	4				0.022	0.0484
120	35070-27980	LABEL TIRE RH	1				0	0
130	35070-27910	ASSY REAR WHEEL LH	1				0	0
140	35070-27870	ASSY REAR WHEEL	1				0	0
150	35070-27820	TIRE	1				0	0
160	35070-27830	TUBE	1				0	0
170	35070-27850	RIM	1				0	0
180	35070-27650	ASSY DISK	1				0	0
190	35080-27660	DISK	1				0	0
200	31220-27680	BOLT	4				0.09	0.198
210	04512-60160	WASHER SPRING	4				0.01	0.022
220	02174-50160	NUT	4				0.022	0.0484
230	35070-27970	LABEL TIRE LH	1				0	0
240	01033-51630	BOLT	8				0.09	0.198
250	02076-50160	NUT	4				0.03	0.066
260	01517-51635	STUD	4				0.078	0.1716
270	04512-60160	WASHER SPRING	4				0.01	0.022

REAR WHEEL (14.9-24)



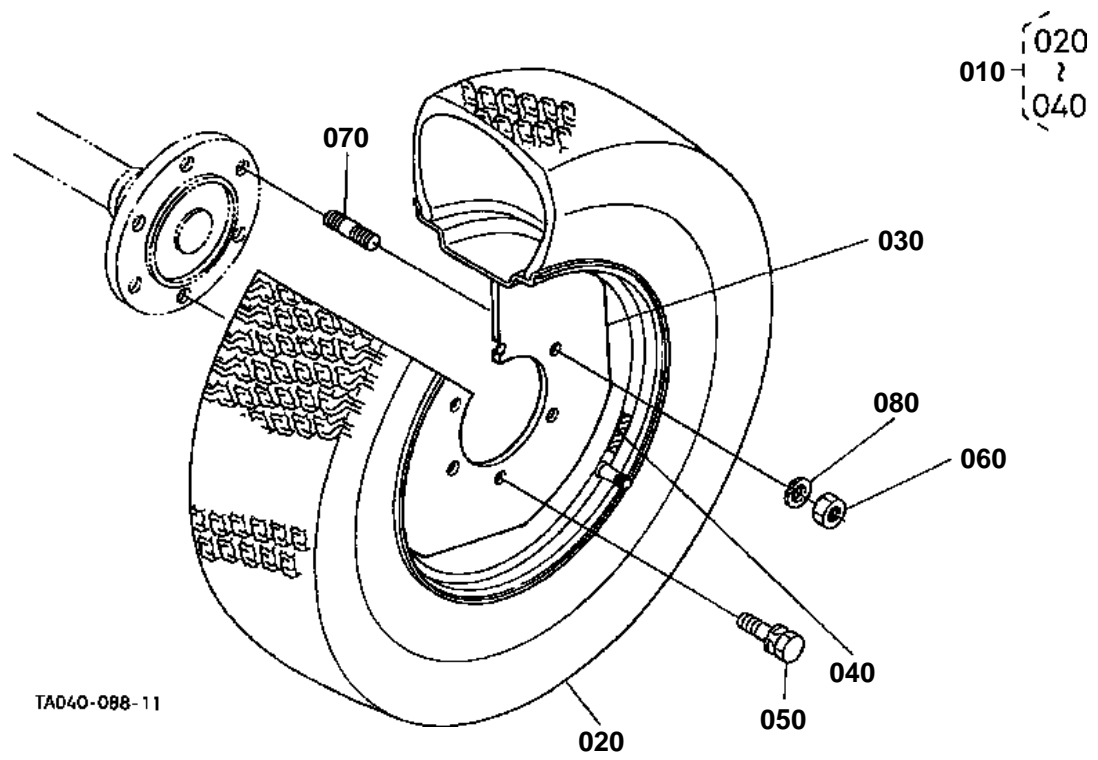


REAR WHEEL (14.9-24)

↔ Interchangeable; ≠ not interchangeable; ← new for old; → old for new

REF.No	Part No.	Description	Q'ty	S.No.	I/C	REMARKS	Weight (kgf)	Weight (lb)
010	TA040-27802	ASSY REAR WHEEL	1				0	0
020	TA040-27812	ASSY REAR WHEEL RH	1				0	0
030	32550-40410	ASSY TIRE	1				0	0
040	35070-27850	RIM	1				0	0
050	35080-27660	DISK	1				0	0
060	T1150-27680	BOLT RIM	4				0.09	0.198
070	04512-60160	WASHER SPRING	4				0.01	0.022
080	02176-50160	NUT	4				0.025	0.055
090	TA040-27980	LABEL TIRE RH	1				0	0
100	TA040-27912	ASSY REAR WHEEL LH	1				0	0
110	32550-40410	ASSY TIRE	1				0	0
120	35070-27850	RIM	1				0	0
130	35080-27660	DISK	1				0	0
140	T1150-27680	BOLT RIM	4				0.09	0.198
150	04512-60160	WASHER SPRING	4				0.01	0.022
160	02176-50160	NUT	4				0.025	0.055
170	TA040-27970	LABEL TIRE LH	1				0	0
180	01033-51630	BOLT	8				0.09	0.198
190	02076-50160	NUT	4				0.03	0.066
200	01517-51635	STUD	4				0.078	0.1716
210	04512-60160	WASHER SPRING	4				0.01	0.022

REAR WHEEL (21.5L-16.1)

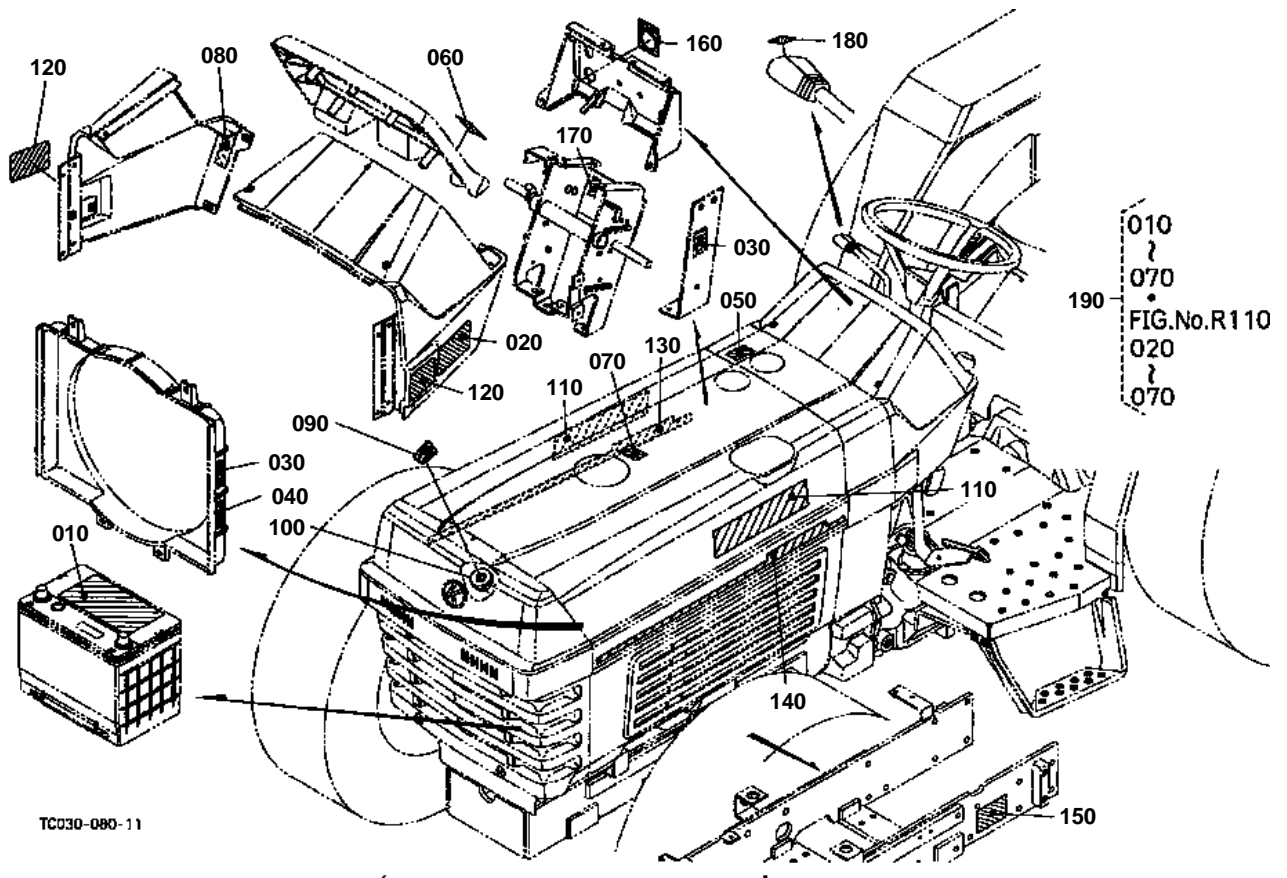


**REAR WHEEL (21.5L-16.1)**

↔ Interchangeable; ≠ not interchangeable; ← new for old; → old for new

REF.No	Part No.	Description	Q'ty	S.No.	I/C	REMARKS	Weight (kgf)	Weight (lb)
010	TA140-27700	ASSY TIRE	2				0	0
020	32550-42510	ASSY TIRE	2				0	0
030	35080-27720	WHEEL	2				0	0
040	35080-27732	LABEL TIRE	2				0	0
050	01033-51630	BOLT	8				0.09	0.198
060	02076-50160	NUT	4				0.03	0.066
070	01517-51635	STUD	4				0.078	0.1716
080	04512-60160	WASHER SPRING	4				0.01	0.022

LABEL 1

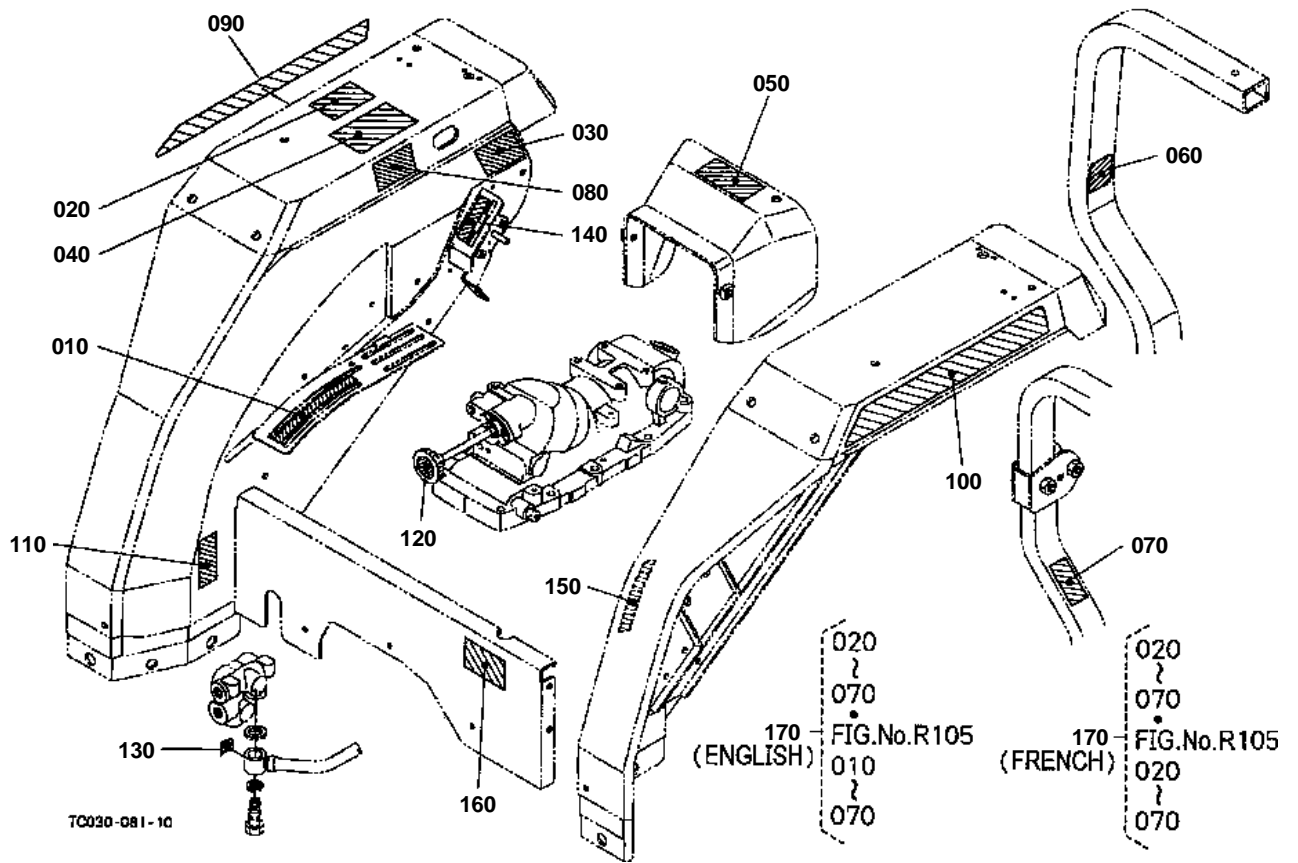




LABEL 1

↔ Interchangeable; ≠ not interchangeable; ← new for old; → old for new

REF.No	Part No.	Description	Q'ty	S.No.	I/C	REMARKS	Weight (kgf)	Weight (lb)
010	TC030-30120	LABEL BATTERY	1			ENGLISH	0.003	0.0066
010	TC031-30150	LABEL BATTERY	1			FRENCH	0.004	0.0088
020	TA040-49650	LABEL START CAUTION	1			ENGLISH	0.004	0.0088
020	TA041-49650	LABEL START CAUTION	1			FRENCH	0.004	0.0088
030	32751-49580	LABEL FAN BELT	2				0.001	0.0022
040	TC030-49580	LABEL MUFFLER	1				0.001	0.0022
050	TA040-49562	LABEL FUEL	1				0.002	0.0044
060	35260-25050	LABEL SHUTTLE	1			ENGLISH	0.01	0.022
060	35261-25050	LABEL SHUTTLE	1			FRENCH	0.001	0.0022
070	32330-49540	LABEL CAUTION	1				0.001	0.0022
080	32330-17610	LABEL ENGINE STOP	1				0.001	0.0022
090	38150-65180	EMBLEM	1				0.02	0.044
100	02761-50040	NUT FLANGE	1				0.002	0.0044
110	35080-65350	LABEL KUBOTA	2				0.001	0.0022
120	TC020-65240	LABEL SIDE	2				0.002	0.0044
130	TC030-65100	MARK MODEL RH	1				0.013	0.0286
140	TC030-65110	MARK MODEL LH	1				0.011	0.0242
150	99999-99999	NAME PLATE	1			NOT SALE	0	0
160	TC020-65510	LABEL MAIN SWITCH	1				0.001	0.0022
170	TA040-49460	LABEL PARKING	1	≤10331			0.001	0.0022
170	34670-65050	LABEL PARKING	1	≥10332	←		0.001	0.0022
180	TA040-49370	MARK ACCEL.GRIP	1				0.001	0.0022
190	TC030-99500	KIT LABEL SAFETY (A)	1	≤10600		ENGLISH	0.035	0.077
190	TC030-99502	KIT LABEL SAFETY (A)	1	≥10601	←	ENGLISH	0.035	0.077
190	TC031-99500	KIT LABEL SAFETY (B)	1	≤10600		FRENCH NOT SALE	0.035	0.077
190	TC031-99502	KIT LABEL SAFETY (B)	1	≥10601	←	FRENCH	0.035	0.077





LABEL 2

↔ Interchangeable; ≠ not interchangeable; ← new for old; → old for new

REF.No	Part No.	Description	Q'ty	S.No.	I/C	REMARKS	Weight (kgf)	Weight (lb)
010	TA040-49500	MARK POSITION	1				0.002	0.0044
020	TA040-49320	LABEL ROPS WARNING	1			ENGLISH/RIGID ROPS TYPE	0.001	0.0022
020	TA040-49150	LABEL ROPS WARNING	1			FRENCH/RIGID ROPS TYPE	0.003	0.0066
020	TA240-98480	LABEL ROPS WARNING	1			ENGLISH/FOLDABLE ROPS TYPE	0.005	0.011
020	3A112-98480	LABEL ROPS WARNING	1			FRENCH/FOLDABLE ROPS TYPE	0.004	0.0088
030	TA040-49350	LABEL DRAWBAR	1			ENGLISH	0.002	0.0044
030	TA041-49350	LABEL DRAWBAR	1			FRENCH	0.003	0.0066
040	35260-34913	LABEL SAFETY	1	<=10600		ENGLISH NOT SALE	0.005	0.011
040	35260-34914	LABEL SAFETY	1	>=10601	←	ENGLISH	0.005	0.011
040	TA041-65700	LABEL SAFETY	1	<=10600		FRENCH	0	0
040	TA041-65702	LABEL SAFETY	1	>=10601	←	FRENCH	0.01	0.022
050	TA040-49590	LABEL PTO WARNING	1			ENGLISH	0.002	0.0044
050	TA041-49590	LABEL PTO WARNING	1			FRENCH	0.001	0.0022
060	6C140-47460	LABEL ROPS WARNING	1			ENGLISH/RIGID ROPS TYPE	0.001	0.0022
060	6C141-47460	LABEL ROPS WARNING	1			FRENCH/RIGID ROPS TYPE	0.001	0.0022
070	3A111-95540	LABEL ROPS CAUTION	1			ENGLISH/FOLDABLE ROPS TYPE	0.003	0.0066
070	3A112-95540	LABEL ROPS CAUTION	1			FRENCH/FOLDABLE ROPS TYPE	0.003	0.0066
080	TA040-49302	LABEL I-PTO CAUTION	1			ENGLISH	0.001	0.0022
080	TA041-49300	LABEL I-PTO CAUTION	1			FRENCH	0.003	0.0066
090	TC020-65620	LABEL	1				0.007	0.0154
100	TC020-65630	LABEL	1				0.007	0.0154
110	TA040-49760	MARK DIFF.LOCK	1				0.001	0.0022
120	31351-65780	LABEL HYD.ADJUST.	1			ENGLISH	0.001	0.0022
120	32530-65800	LABEL HYD.ADJUST.	1			FRENCH	0.001	0.0022
130	32430-65790	LABEL HYD.BLOCK	1				0.01	0.022
140	TA040-49160	MARK REAR PTO	1				0.001	0.0022
150	32330-24580	LABEL RANGE SHIFT	1				0.002	0.0044
170	TC030-99500	KIT LABEL SAFETY (A)	1	<=10600		ENGLISH	0.035	0.077
170	TC030-99502	KIT LABEL SAFETY (A)	1	>=10601	←	ENGLISH	0.035	0.077
170	TC031-99500	KIT LABEL SAFETY (B)	1	<=10600		FRENCH NOT SALE	0.035	0.077
170	TC031-99502	KIT LABEL SAFETY (B)	1	>=10601	←	FRENCH	0.035	0.077

**ACCESSORIES AND SERVICE PARTS
ACCESSOIRES ET PIECES DE SERVICE
SONTIGES ZUBEHOER UND SERVICE-TEILE**

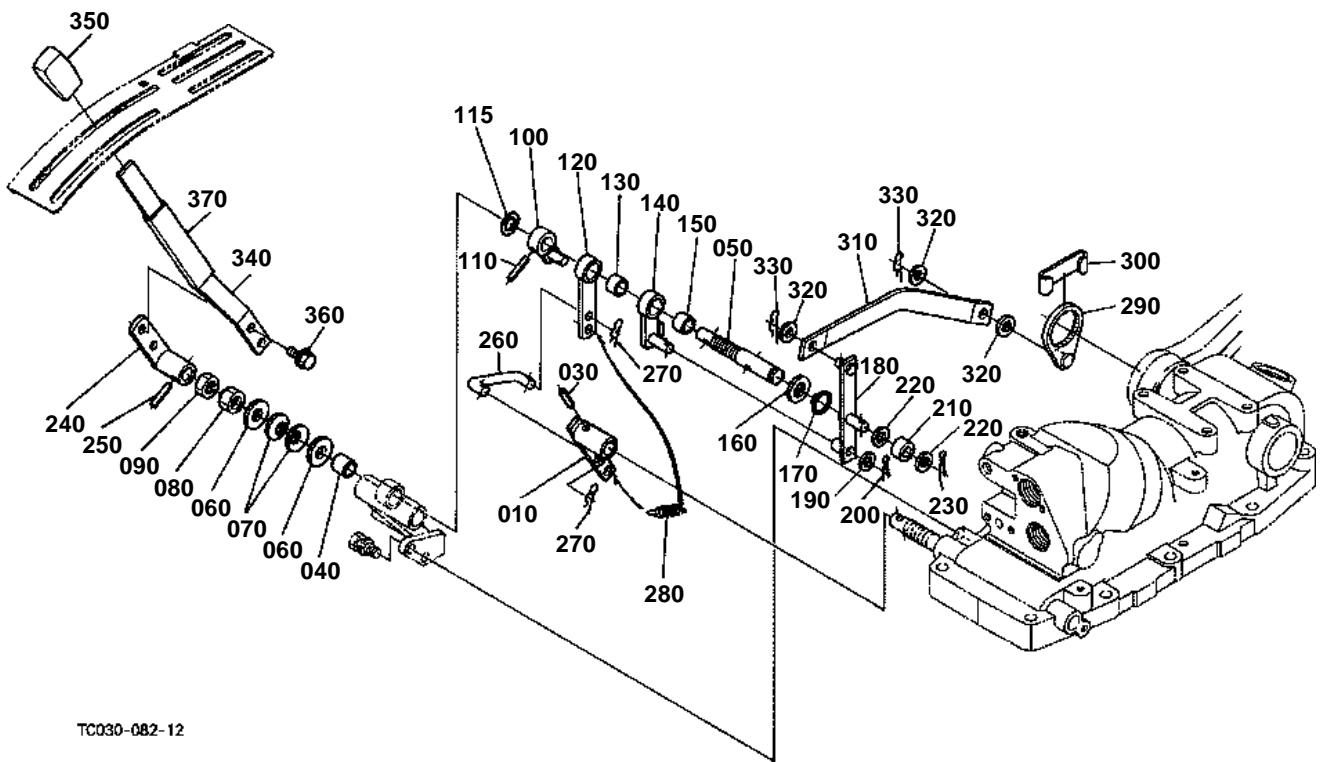
TITLE-001-10

**ACCESSORIES AND SERVICE PARTS**

↔ Interchangeable; ≠ not interchangeable; ← new for old; → old for new

REF.No	Part No.	Description	Q'ty	S.No.	I/C	REMARKS	Weight (kgf)	Weight (lb)
010	TC030-19710	MANUAL INSTRUCTION	1			ENGLISH	0.167	0.3674
010	TC031-19710	MANUAL INSTRUCTION	1			FRENCH	0.17	0.374
015	99999-99999	STATEMENT WARRANTY	1				0	0
020	TA150-49160	STUD WHEEL	12			FOR FRONT WHEEL	0.05	0.11
030	35340-11390	NUT	12			FOR FRONT WHEEL	0.03	0.066
040	04512-60140	WASHER SPRING	12			FOR FRONT WHEEL	0.008	0.0176
050	01033-51630	BOLT	8			FOR REAR WHEEL	0.09	0.198
060	02076-50160	NUT	4			FOR REAR WHEEL	0.03	0.066
070	01517-51635	STUD	4				0.078	0.1716
080	04512-60160	WASHER SPRING	4			FOR REAR WHEEL	0.01	0.022
090	35260-31852	ASSY KEY MAIN SWITCH	1				0.08	0.176

POSITION CONTROL LEVER (WITH DRAFT) [OPTION]



TC030-082-12

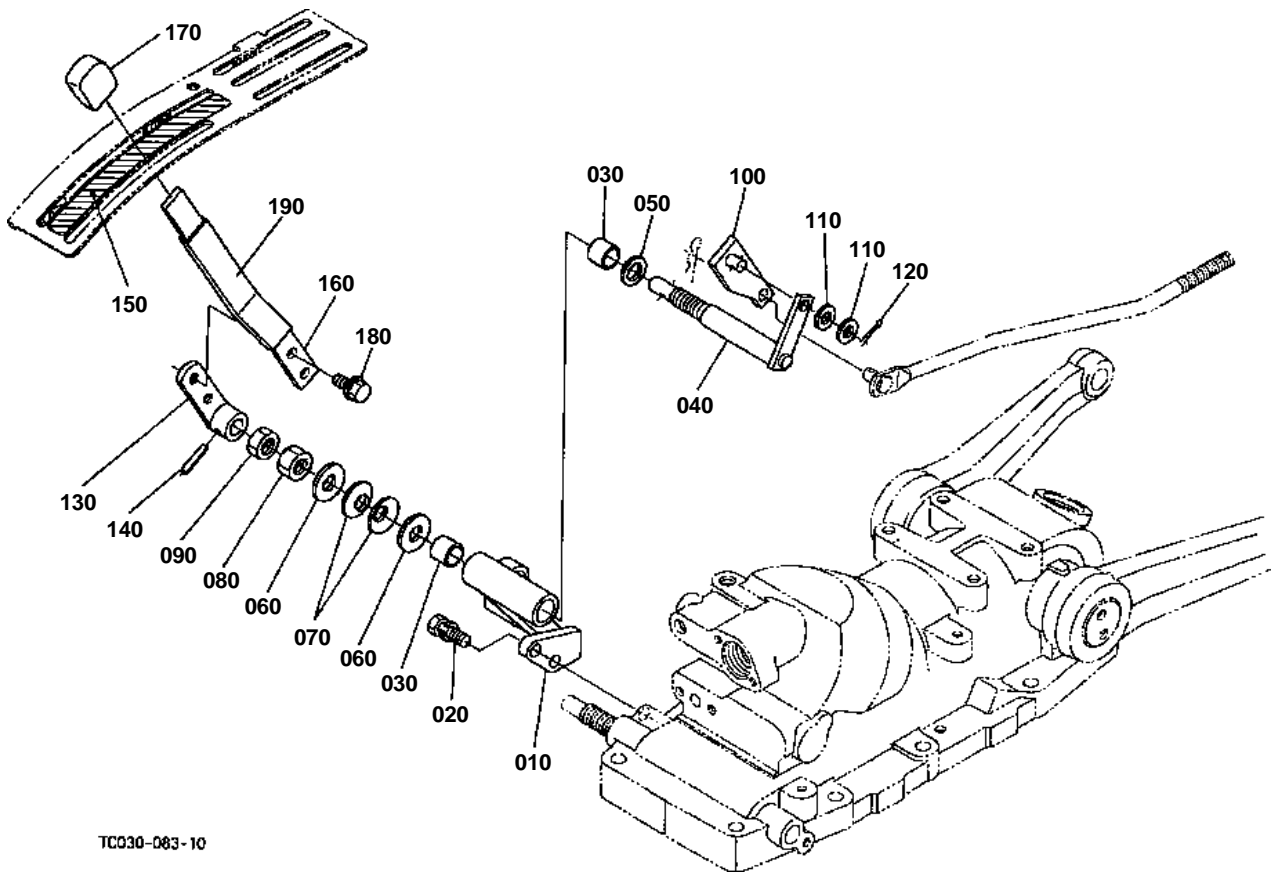


POSITION CONTROL LEVER (WITH DRAFT) [OPTION]
(AVEC TYPE DE EFFORT) [OPTION]

↔ Interchangeable; ≠ not interchangeable; ← new for old; → old for new

REF.No	Part No.	Description	Q'ty	S.No.	I/C	REMARKS	Weight (kgf)	Weight (lb)
010	TA140-38310	LINK CONTROL	1				0.13	0.286
020	99999-99999	BLANK	0				0	0
030	05411-00525	PIN SPRING	1				0.002	0.0044
040	08511-01615	BUSH	1				0.01	0.022
050	TA040-38122	SHAFT DRAFT	1				0.14	0.308
060	04013-60140	WASHER PLAIN	2				0.01	0.022
070	34260-36880	SPRING PLATE	2				0.006	0.0132
080	02174-50140	NUT	1				0.014	0.0308
090	02172-50140	NUT	1				0.01	0.022
100	TA040-38142	LINK DRAFT	1				0.065	0.143
110	05411-00525	PIN SPRING	1				0.002	0.0044
115	04714-00300	GASKET	1				0.002	0.0044
120	TA040-38150	LINK DRAFT	1				0.065	0.143
130	08511-01612	BUSH	1				0.005	0.011
140	TA040-38160	LINK DRAFT	1				0.07	0.154
150	08511-01612	BUSH	1				0.005	0.011
160	04011-60160	WASHER PLAIN	1				0.01	0.022
170	04612-00160	CIR CLIP EXTERNAL	1				0.001	0.0022
180	TA040-38170	LINK DRAFT	1				0.095	0.209
190	04012-50080	WASHER PLAIN	1				0.001	0.0022
200	05511-50215	PIN SPLIT	1				0.001	0.0022
210	TA040-38190	COLLAR	1				0.02	0.044
220	04011-50100	WASHER PLAIN	2				0.002	0.0044
230	05511-50320	PIN SPLIT	1				0.002	0.0044
240	TA040-38212	LEVER POSITION	1				0.13	0.286
250	05411-00525	PIN SPRING	1				0.002	0.0044
260	TA040-38322	ROD CONTROL	1				0.045	0.099
270	05525-50800	PIN SNAP	2				0.001	0.0022
280	36919-27830	SPRING	1				0.01	0.022
290	TA040-38262	HOLDER	1				0.06	0.132
300	TA040-38270	STOPPER	1				0.033	0.0726
310	TA040-38282	ROD DRAFT	1				0.145	0.319
320	04012-50080	WASHER PLAIN	3				0.001	0.0022
330	05525-50800	PIN SNAP	2				0.001	0.0022
340	TA040-38230	LEVER POSITION	1				0.18	0.396
350	52300-32640	GRIP LEVER	1				0.04	0.088
360	01754-50612	BOLT FLANGE	2				0.005	0.011
370	TA040-36132	TUBE LEVER	1				0.01	0.022

DRAFT CONTROL LEVER (WITH DRAFT) [OPTION]



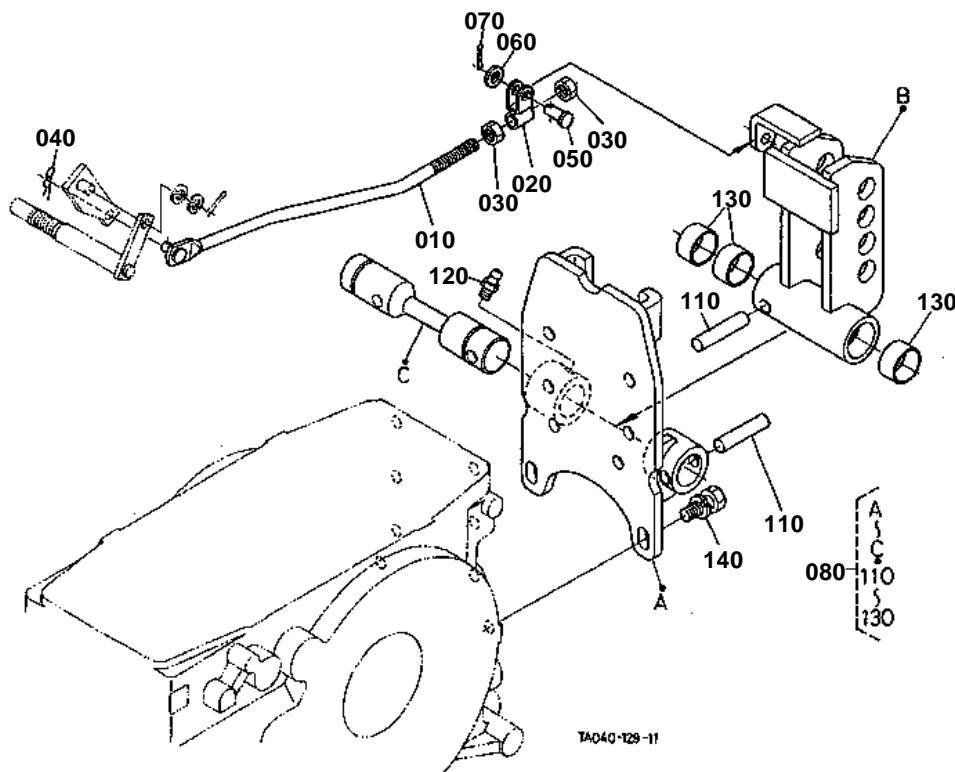


DRAFT CONTROL LEVER (WITH DRAFT) [OPTION]
[OPTION]

↔ Interchangeable; ≠ not interchangeable; ← new for old; → old for new

REF.No	Part No.	Description	Q'ty	S.No.	I/C	REMARKS	Weight (kgf)	Weight (lb)
010	TA040-38114	STAY	1				0.255	0.561
020	01123-50822	BOLT	2				0.012	0.0264
030	08511-01615	BUSH	2				0.01	0.022
040	TA040-38132	SHAFT DRAFT	1				0.22	0.484
050	04714-00300	GASKET	1				0.002	0.0044
060	04013-60140	WASHER PLAIN	2				0.01	0.022
070	34260-36880	SPRING PLATE	2				0.006	0.0132
080	02174-50140	NUT	1				0.014	0.0308
090	02172-50140	NUT	1				0.01	0.022
100	TA040-38182	LEVER CAM	1				0.085	0.187
110	04012-50080	WASHER PLAIN	2				0.001	0.0022
120	05511-50215	PIN SPLIT	1				0.001	0.0022
130	TA040-38222	LEVER DRAFT	1				0.095	0.209
140	05411-00525	PIN SPRING	1				0.002	0.0044
150	TA040-49520	MARK DRAFT	1				0.003	0.0066
160	TA040-38240	LEVER DRAFT	1				0.16	0.352
170	37410-43560	GRIP LEVER	1				0.025	0.055
180	01754-50612	BOLT FLANGE	2				0.005	0.011
190	TA040-36132	TUBE LEVER	1				0.01	0.022

TOP LINK HOLDER (WITH DRAFT) [OPTION]



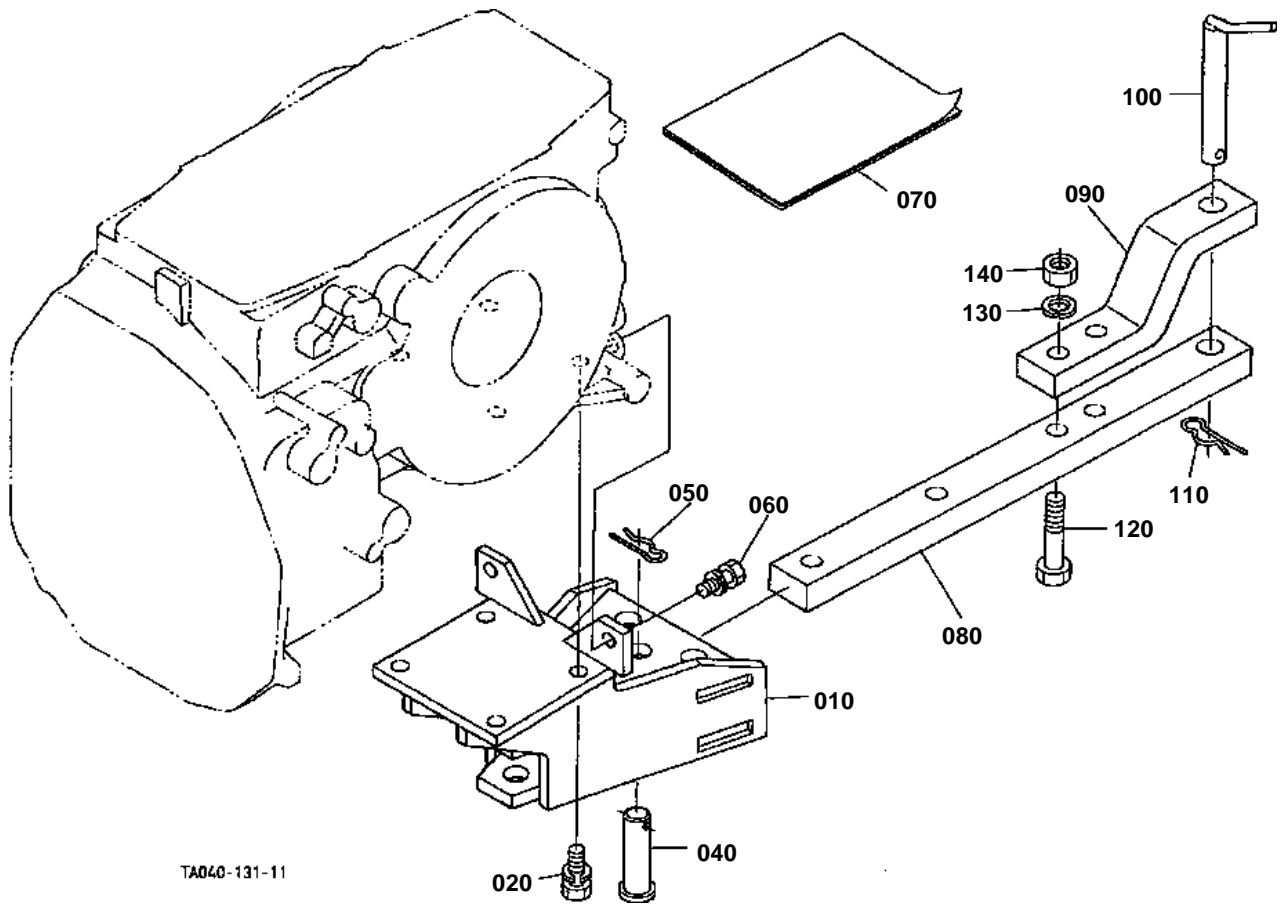


TOP LINK HOLDER (WITH DRAFT) [OPTION]
[OPTION]

↔ Interchangeable; ≠ not interchangeable; ← new for old; → old for new

REF.No	Part No.	Description	Q'ty	S.No.	I/C	REMARKS	Weight (kgf)	Weight (lb)
010	TA040-38360	ROD DRAFT	1				0.192	0.4224
020	TA040-38350	HOLDER	1				0.033	0.0726
030	02116-50100	NUT	2				0.004	0.0088
040	05525-50800	PIN SNAP	1				0.001	0.0022
050	05122-50818	PIN JOINT	1				0.008	0.0176
060	04012-50080	WASHER PLAIN	1				0.001	0.0022
070	05511-50218	PIN SPLIT	1				0.001	0.0022
080	35080-41400	COMP HOLDER TOP LINK	1				6.85	15.07
090	99999-99999	BLANK	0				0	0
100	99999-99999	BLANK	0				0	0
110	37300-41440	PIN STRAIGHT	2				0.055	0.121
120	06613-10010	NIPPLE GREASE	2				0.006	0.0132
130	37300-41450	BUSH	3				0.03	0.066
140	01133-51230	BOLT	6				0.04	0.088

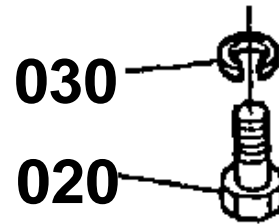
SWINGING DRAWBAR/CLEVIS DRAWBAR [OPTION]



TA040-131-11

020 01176-51430

030 04512-60140



TC030-808-10

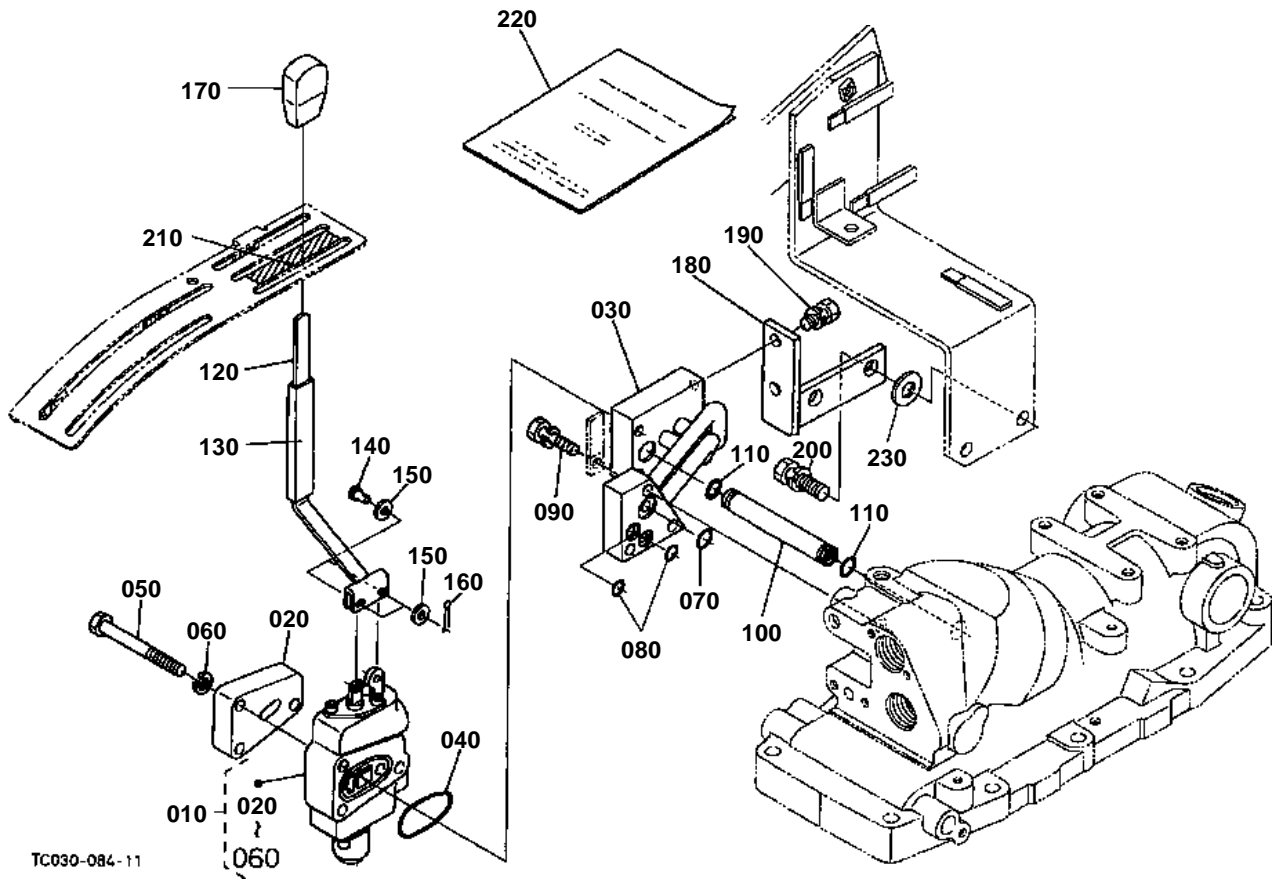


SWINGING DRAWBAR/CLEVIS DRAWBAR [OPTION]
[OPTION]

↔ Interchangeable; ≠ not interchangeable; ← new for old; → old for new

REF.No	Part No.	Description	Q'ty	S.No.	I/C	REMARKS	Weight (kgf)	Weight (lb)
010	TA040-29830	FRAME SWING DRAWBAR	1	<=10271			0	0
010	TA040-29832	FRAME SWING DRAWBAR	1	>=10272	←		2.1	4.62
020	01176-51430	BOLT	4	<=10243			0.052	0.1144
020	01138-51430	BOLT	4	>=10244	←		0.19	0.418
030	04512-60140	WASHER SPRING	4	<=10243			0.008	0.0176
040	05112-52070	PIN JOINT	3				0.186	0.4092
050	05515-51600	PIN SNAP	3				0.007	0.0154
060	01133-51230	BOLT	2				0.04	0.088
070	TA040-98520	MANUAL ASSEMBLY	1				0.005	0.011
080	35080-29710	DRAWBAR	1				7	15.4
090	35080-29720	HITCH DRAWBAR	1				2.8	6.16
100	99533-78250	PIN	1				0.6	1.32
110	70515-16330	PIN SPRING	1				0.03	0.066
120	01173-51680	BOLT	2				0.14	0.308
130	04512-60160	WASHER SPRING	2				0.01	0.022
140	02174-50160	NUT	2				0.022	0.0484

AUXILIARY CONTROL VALVE LEVER 1 [OPTION]



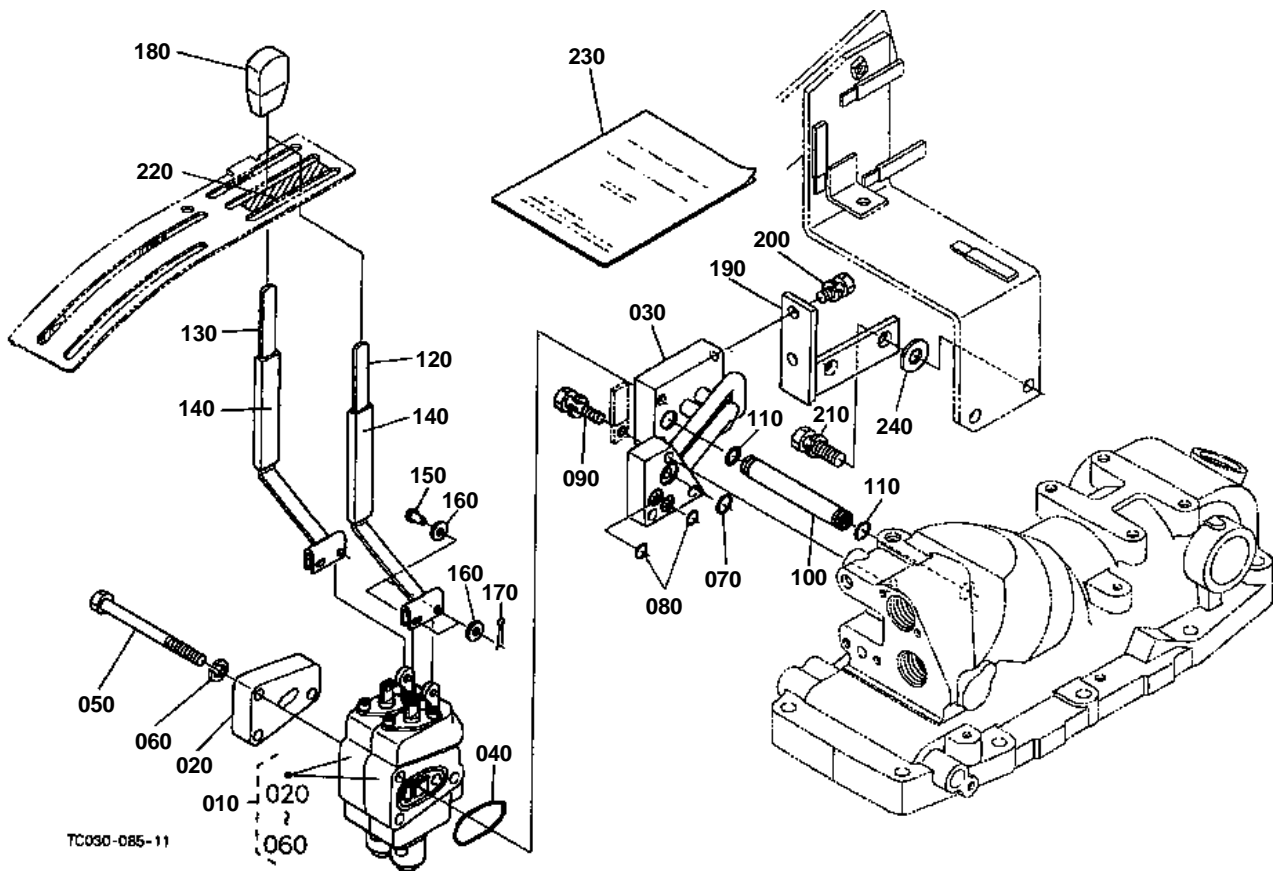


AUXILIARY CONTROL VALVE LEVER 1 [OPTION]

↔ Interchangeable; ≠ not interchangeable; ← new for old; → old for new

REF.No	Part No.	Description	Q'ty	S.No.	I/C	REMARKS	Weight (kgf)	Weight (lb)
010	TA040-96500	ASSY VALVE AUX.CON.	1				3.3	7.26
020	TA040-96122	COVER AUX.CON.VALVE	1	<=10450			0	0
020	TA040-96123	COVER AUX.CON.VALVE	1	>=10451	←		0.475	1.045
030	TA040-96142	ASSY PIPE CONT.VALVE	1				1.4	3.08
040	04811-50400	O RING	1				0	0
040	04817-50400	O RING	1		←		0.003	0.0066
050	01153-50870	BOLT	3				0.026	0.0572
060	04512-60080	WASHER SPRING	3				0.002	0.0044
070	04810-00140	O RING	1				0	0
070	04817-00140	O RING	1		←		0.001	0.0022
080	04810-00100	O RING	2				0	0
080	04817-00100	O RING	2		←		0.001	0.0022
090	01123-50835	BOLT	3				0.02	0.044
100	TA040-96150	PIPE RETURN	1				0.045	0.099
110	04811-00110	O RING	2				0	0
110	04817-00110	O RING	2		←		0.001	0.0022
120	TA040-96220	LEVER AUX.CON.VALVE	1				0.11	0.242
130	TA040-96250	TUBE LEVER	1				0.007	0.0154
140	68021-32790	PIN	2				0.004	0.0088
150	04012-50050	WASHER PLAIN	4				0.001	0.0022
160	05511-51210	PIN SPLIT	2				0.001	0.0022
170	31355-82290	GRIP LEVER	1				0.015	0.033
180	TA040-96160	STAY AUX.CONT.VALVE	1				0.25	0.55
190	01123-50820	BOLT	2				0.011	0.0242
200	01133-51235	BOLT	2				0.043	0.0946
210	TA040-49610	MARK AUX.CONT.VALVE	1				0.001	0.0022
220	TA040-98140	MANUAL ASSEMBLY	1	<=10426			0.015	0.033
220	TA040-98142	MANUAL ASSEMBLY	1	>=10427	←		0.015	0.033
230	04015-60120	WASHER PLAIN	2				0.022	0.0484

AUXILIARY CONTROL VALVE LEVER 2 [OPTION]



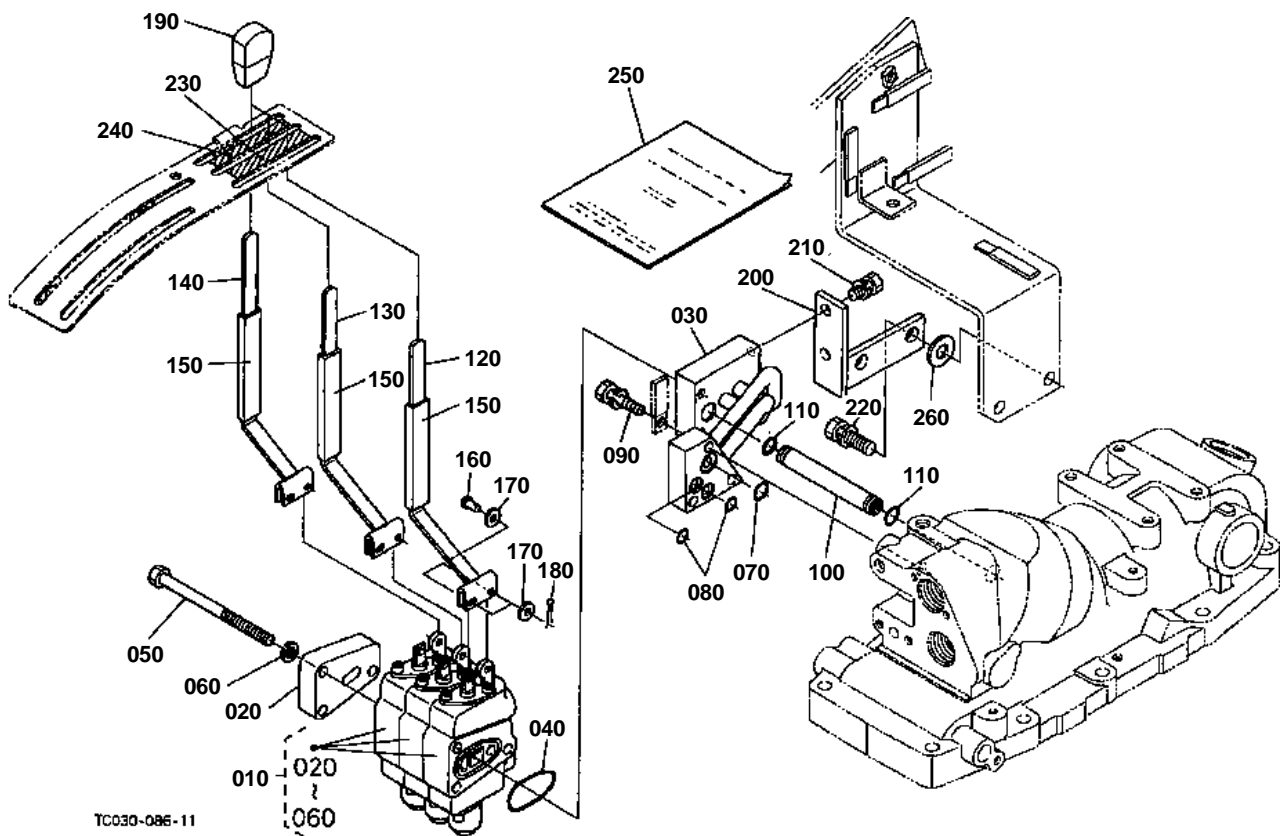


AUXILIARY CONTROL VALVE LEVER 2 [OPTION]

↔ Interchangeable; ≠ not interchangeable; ← new for old; → old for new

REF.No	Part No.	Description	Q'ty	S.No.	I/C	REMARKS	Weight (kgf)	Weight (lb)
010	TA040-96102	ASSY VALVE AUX.CON.	1				4.7	10.34
020	TA040-96122	COVER AUX.CON.VALVE	1	<=10450			0	0
020	TA040-96123	COVER AUX.CON.VALVE	1	>=10451	←		0.475	1.045
030	TA040-96142	ASSY PIPE CONT.VALVE	1				1.4	3.08
040	04811-50400	O RING	1				0	0
040	04817-50400	O RING	1		←		0.003	0.0066
050	01153-50800	BOLT	3				0.036	0.0792
060	04512-60080	WASHER SPRING	3				0.002	0.0044
070	04810-00140	O RING	1				0	0
070	04817-00140	O RING	1		←		0.001	0.0022
080	04810-00100	O RING	2				0	0
080	04817-00100	O RING	2		←		0.001	0.0022
090	01123-50835	BOLT	3				0.02	0.044
100	TA040-96150	PIPE RETURN	1				0.045	0.099
110	04811-00110	O RING	2				0	0
110	04817-00110	O RING	2		←		0.001	0.0022
120	TA040-96220	LEVER AUX.CON.VALVE	1				0.11	0.242
130	TA040-96234	LEVER AUX.CON.VALVE	1				0.1	0.22
140	TA040-96250	TUBE LEVER	2				0.007	0.0154
150	68021-32790	PIN	4				0.004	0.0088
160	04012-50050	WASHER PLAIN	8				0.001	0.0022
170	05511-51210	PIN SPLIT	4				0.001	0.0022
180	31355-82290	GRIP LEVER	2				0.015	0.033
190	TA040-96160	STAY AUX.CONT.VALVE	1				0.25	0.55
200	01123-50820	BOLT	2				0.011	0.0242
210	01133-51235	BOLT	2				0.043	0.0946
220	TA040-49610	MARK AUX.CONT.VALVE	1				0.001	0.0022
230	TA040-98140	MANUAL ASSEMBLY	1	<=10426			0.015	0.033
230	TA040-98142	MANUAL ASSEMBLY	1	>=10427	←		0.015	0.033
240	04015-60120	WASHER PLAIN	2				0.022	0.0484

AUXILIARY CONTROL VALVE LEVER 3 [OPTION]



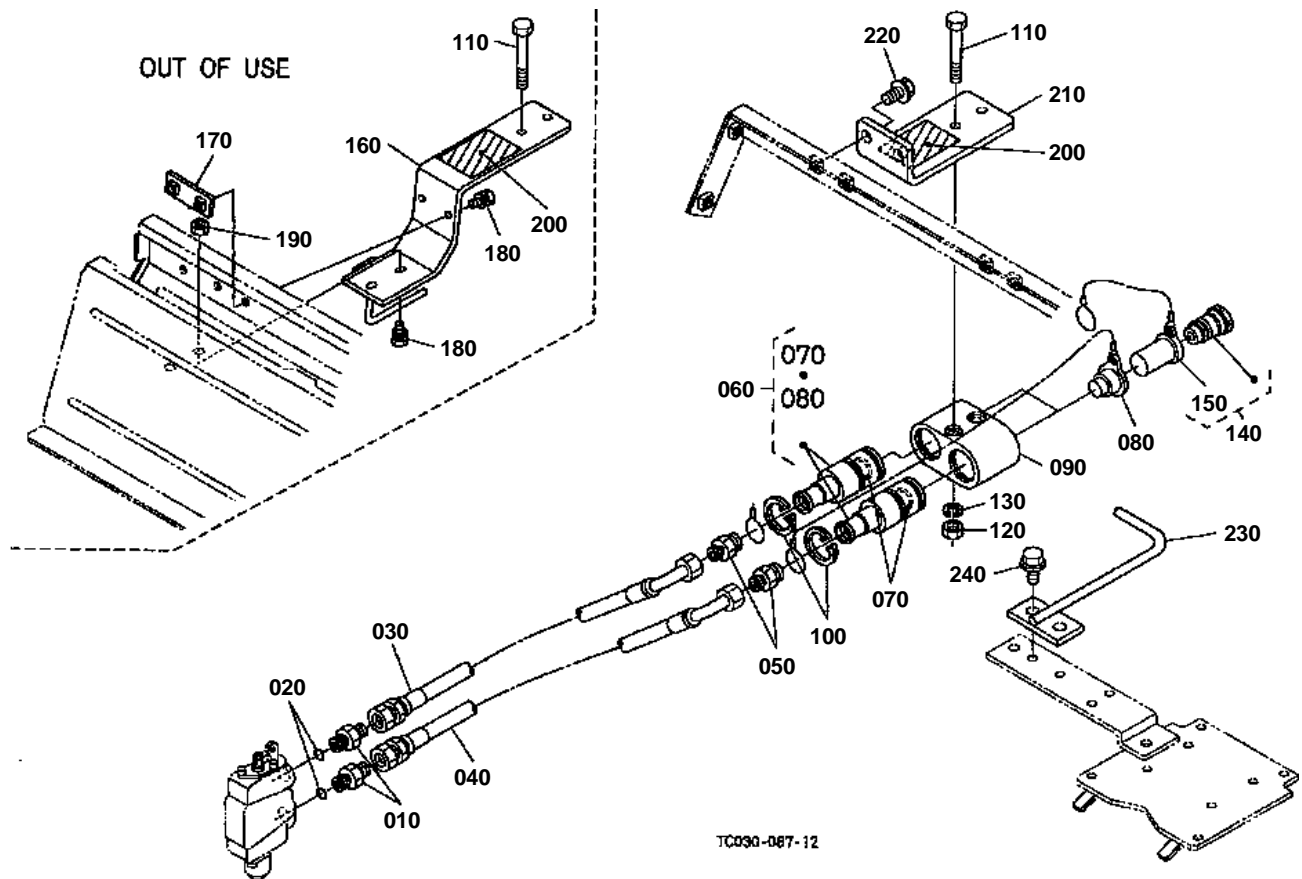


AUXILIARY CONTROL VALVE LEVER 3 [OPTION]

↔ Interchangeable; ≠ not interchangeable; ← new for old; → old for new

REF.No	Part No.	Description	Q'ty	S.No.	I/C	REMARKS	Weight (kgf)	Weight (lb)
010	TA040-96300	ASSY VALVE AUX.CON.	1				6.1	13.42
020	TA040-96122	COVER AUX.CON.VALVE	1	<=10450			0	0
020	TA040-96123	COVER AUX.CON.VALVE	1	>=10451	←		0.475	1.045
030	TA040-96142	ASSY PIPE CONT.VALVE	1				1.4	3.08
040	04811-50400	O RING	1				0	0
040	04817-50400	O RING	1		←		0.003	0.0066
050	45404-95180	BOLT	3				0.05	0.11
060	04512-60080	WASHER SPRING	3				0.002	0.0044
070	04810-00140	O RING	1				0	0
070	04817-00140	O RING	1		←		0.001	0.0022
080	04810-00100	O RING	2				0	0
080	04817-00100	O RING	2		←		0.001	0.0022
090	01123-50835	BOLT	3				0.02	0.044
100	TA040-96150	PIPE RETURN	1				0.045	0.099
110	04811-00110	O RING	2				0	0
110	04817-00110	O RING	2		←		0.001	0.0022
120	TA040-96220	LEVER AUX.CON.VALVE	1				0.11	0.242
130	TA040-96234	LEVER AUX.CON.VALVE	1				0.1	0.22
140	TA040-96240	LEVER AUX.CON.VALVE	1				0.105	0.231
150	TA040-96250	TUBE LEVER	3				0.007	0.0154
160	68021-32790	PIN	6				0.004	0.0088
170	04012-50050	WASHER PLAIN	12				0.001	0.0022
180	05511-51210	PIN SPLIT	6				0.001	0.0022
190	31355-82290	GRIP LEVER	3				0.015	0.033
200	TA040-96160	STAY AUX.CONT.VALVE	1				0.25	0.55
210	01123-50820	BOLT	2				0.011	0.0242
220	01133-51235	BOLT	2				0.043	0.0946
230	TA040-49610	MARK AUX.CONT.VALVE	1				0.001	0.0022
240	TA040-49630	MARK AUX.CONT.VALVE	1				0.001	0.0022
250	TA040-98140	MANUAL ASSEMBLY	1	<=10426			0.015	0.033
250	TA040-98142	MANUAL ASSEMBLY	1	>=10427	←		0.015	0.033
260	04015-60120	WASHER PLAIN	2				0.022	0.0484

AUXILIARY CONTROL VALVE COUPLER 1 [OPTION]



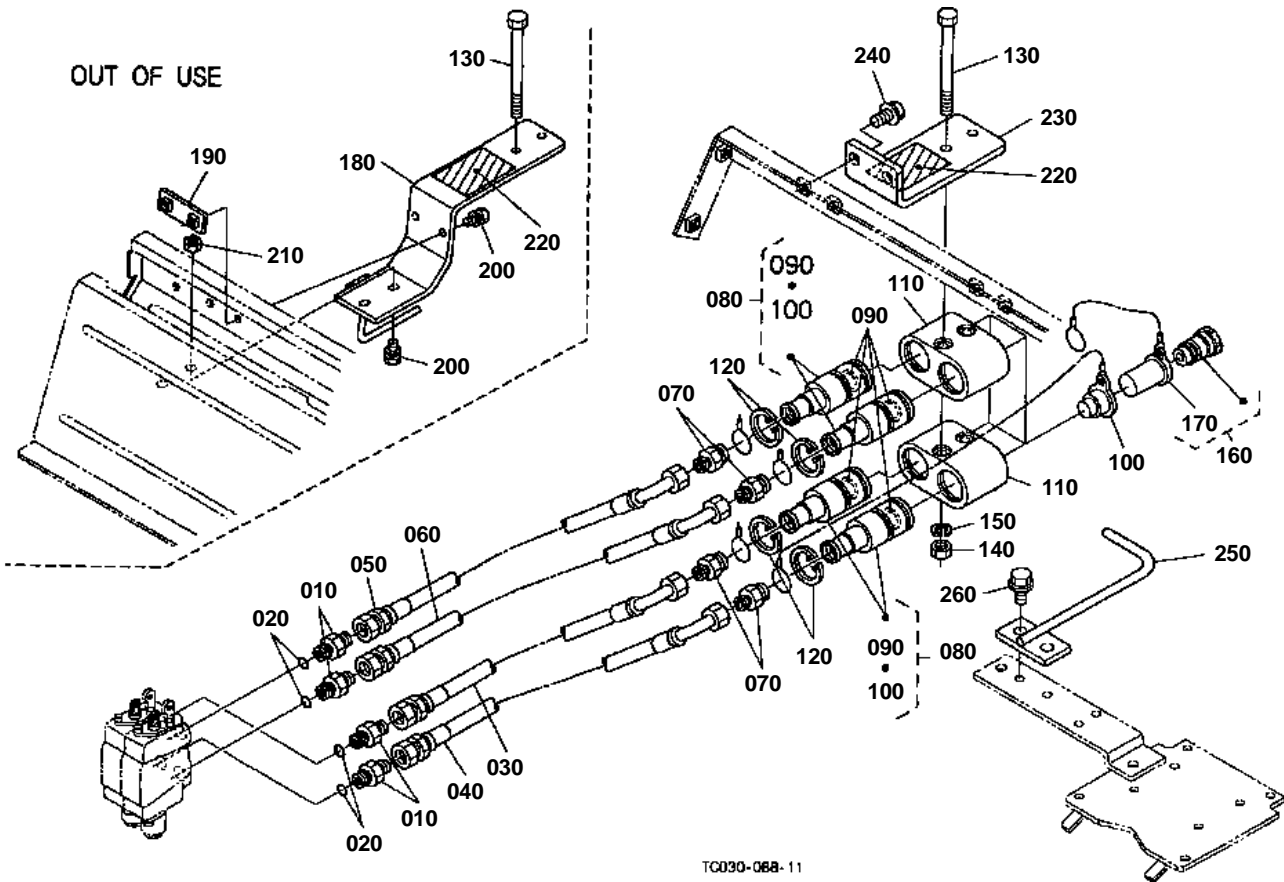


AUXILIARY CONTROL VALVE COUPLER 1 [OPTION]

↔ Interchangeable; ≠ not interchangeable; ← new for old; → old for new

REF.No	Part No.	Description	Q'ty	S.No.	I/C	REMARKS	Weight (kgf)	Weight (lb)
010	70726-61130	ADAPTER	2				0.055	0.121
020	04811-00140	O RING	2				0	0
020	04817-00140	O RING	2				0.001	0.0022
020	04816-00140	O RING	2		←		0.002	0.0044
030	TA040-96410	HOSE AUX.CONT.VALVE	1		←		0.308	0.6776
040	TA040-96420	HOSE AUX.CONT.VALVE	1				0.314	0.6908
050	99063-93410	ADAPTER	2				0.07	0.154
060	35861-82032	ASSY COUPLER FEMALE	2				0.32	0.704
070	35861-94510	O RING	2				0.002	0.0044
080	35861-94520	PLUG COUPLER	2				0.005	0.011
090	35893-82610	SUPPORT COUPLER	1				0.73	1.606
100	04611-00380	CIR CLIP INTERNAL	2				0.004	0.0088
110	01153-50865	BOLT	2				0.025	0.055
120	02156-50080	NUT	2				0.004	0.0088
130	04512-60080	WASHER SPRING	2				0.002	0.0044
140	35861-82190	ASSY COUPLER MALE	2				0.086	0.1892
150	35861-94530	CAP	2				0.007	0.0154
160	TA040-96480	STAY COUPLER	1			OUT OFF USE	1.12	2.464
170	TA040-96490	STAY COUPLER	1			OUT OFF USE	0.073	0.1606
180	01123-50820	BOLT	4			OUT OFF USE	0.011	0.0242
190	02114-50080	NUT	2			OUT OFF USE	0.005	0.011
200	TA040-49670	MARK COUPLER	1				0.001	0.0022
210	TC030-96480	STAY COUPLER	1				0.55	1.21
220	01774-61020	BOLT FLANGE	2				0.022	0.0484
230	TC030-96490	SUPPORT HOSE CLAMP	1				0.17	0.374
240	01754-50820	BOLT FLANGE	2				0.015	0.033

AUXILIARY CONTROL VALVE COUPLER 2 [OPTION]



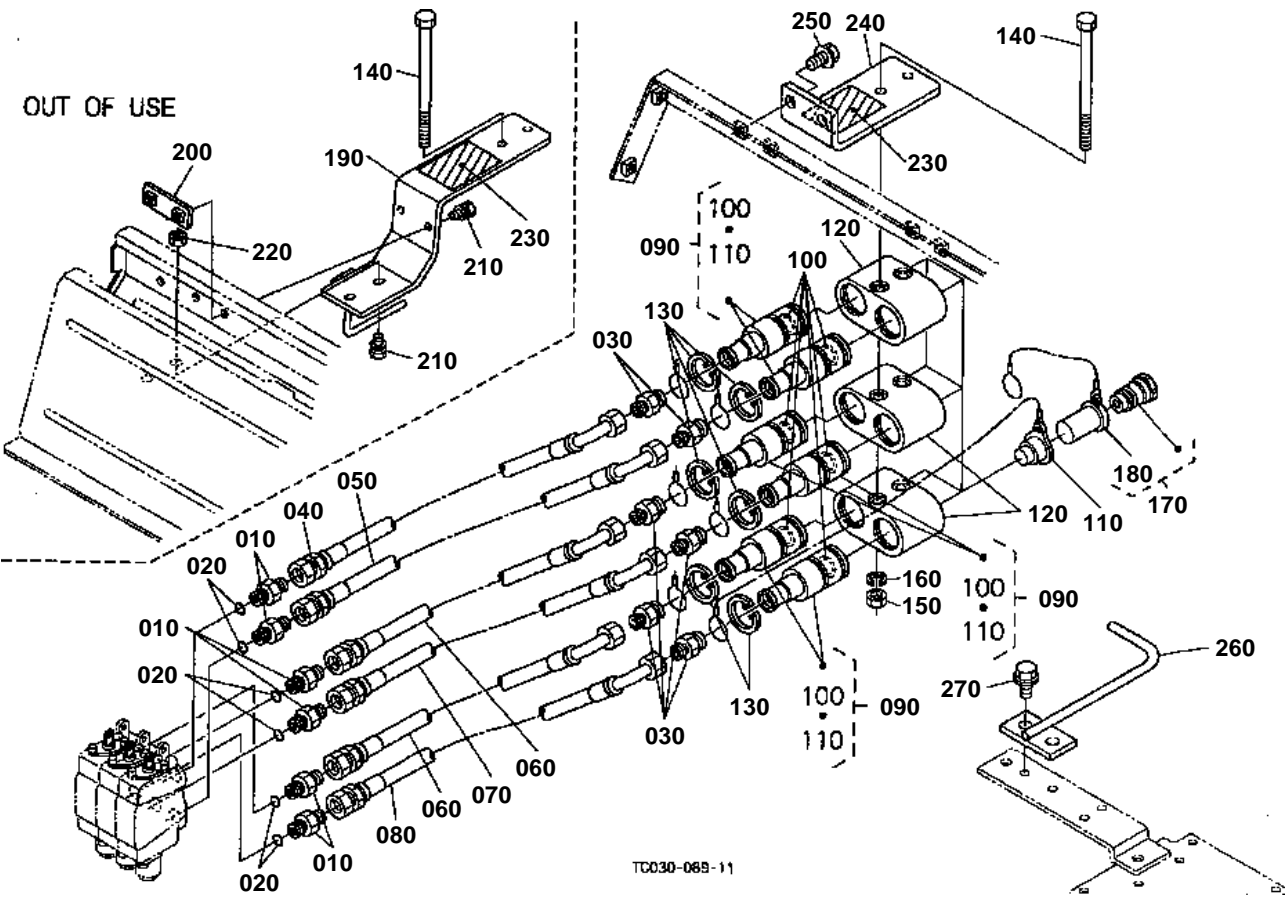


AUXILIARY CONTROL VALVE COUPLER 2 [OPTION]

↔ Interchangeable; ≠ not interchangeable; ← new for old; → old for new

REF.No	Part No.	Description	Q'ty	S.No.	I/C	REMARKS	Weight (kgf)	Weight (lb)
010	70726-61130	ADAPTER	4				0.055	0.121
020	04811-00140	O RING	4				0	0
020	04817-00140	O RING	4		←		0.001	0.0022
020	04816-00140	O RING	4		←		0.002	0.0044
030	TA040-96410	HOSE AUX.CONT.VALVE	1				0.308	0.6776
040	TA040-96420	HOSE AUX.CONT.VALVE	1				0.314	0.6908
050	TA040-96430	HOSE AUX.CONT.VALVE	1				0.295	0.649
060	TA040-96440	HOSE AUX.CONT.VALVE	1				0.302	0.6644
070	99063-93410	ADAPTER	4				0.07	0.154
080	35861-82032	ASSY COUPLER FEMALE	4				0.32	0.704
090	35861-94510	O RING	4				0.002	0.0044
100	35861-94520	PLUG COUPLER	4				0.005	0.011
110	35893-82610	SUPPORT COUPLER	2				0.73	1.606
120	04611-00380	CIR CLIP INTERNAL	4				0.004	0.0088
130	01153-50802	BOLT	2				0.04	0.088
140	02156-50080	NUT	2				0.004	0.0088
150	04512-60080	WASHER SPRING	2				0.002	0.0044
160	35861-82190	ASSY COUPLER MALE	4				0.086	0.1892
170	35861-94530	CAP	4				0.007	0.0154
180	TA040-96480	STAY COUPLER	1			OUT OF USE	1.12	2.464
190	TA040-96490	STAY COUPLER	1			OUT OF USE	0.073	0.1606
200	01123-50820	BOLT	4			OUT OF USE	0.011	0.0242
210	02114-50080	NUT	2			OUT OF USE	0.005	0.011
220	TA040-49620	MARK COUPLER	1				0.001	0.0022
230	TC030-96480	STAY COUPLER	1				0.55	1.21
240	01774-61020	BOLT FLANGE	2				0.022	0.0484
250	TC030-96490	SUPPORT HOSE CLAMP	1				0.17	0.374
260	01754-50820	BOLT FLANGE	2				0.015	0.033

AUXILIARY CONTROL VALVE COUPLER 3 [OPTION]





AUXILIARY CONTROL VALVE COUPLER 3 [OPTION]

↔ Interchangeable; ≠ not interchangeable; ← new for old; → old for new

REF.No	Part No.	Description	Q'ty	S.No.	I/C	REMARKS	Weight (kgf)	Weight (lb)
010	70726-61130	ADAPTER	6				0.055	0.121
020	04811-00140	O RING	6				0	0
020	04817-00140	O RING	6		←		0.001	0.0022
020	04816-00140	O RING	6		←		0.002	0.0044
030	99063-93410	ADAPTER	6				0.07	0.154
040	TA040-96410	HOSE AUX.CONT.VALVE	1				0.308	0.6776
050	TA040-96420	HOSE AUX.CONT.VALVE	1				0.314	0.6908
060	TA040-96430	HOSE AUX.CONT.VALVE	2				0.295	0.649
070	TA040-96440	HOSE AUX.CONT.VALVE	1				0.302	0.6644
080	TA040-96450	HOSE AUX.CONT.VALVE	1				0.3	0.66
090	35861-82032	ASSY COUPLER FEMALE	6				0.32	0.704
100	35861-94510	O RING	6				0.002	0.0044
110	35861-94520	PLUG COUPLER	6				0.005	0.011
120	35893-82610	SUPPORT COUPLER	3				0.73	1.606
130	04611-00380	CIR CLIP INTERNAL	6				0.004	0.0088
140	35340-99540	BOLT	2				0.06	0.132
150	02156-50080	NUT	2				0.004	0.0088
160	04512-60080	WASHER SPRING	2				0.002	0.0044
170	35861-82190	ASSY COUPLER MALE	6				0.086	0.1892
180	35861-94530	CAP	6				0.007	0.0154
190	TA040-96480	STAY COUPLER	1			OUT OF USE	1.12	2.464
200	TA040-96490	STAY COUPLER	1			OUT OF USE	0.073	0.1606
210	01123-50820	BOLT	4			OUT OF USE	0.011	0.0242
220	02114-50080	NUT	2			OUT OF USE	0.005	0.011
230	TA040-49640	MARK COUPLER	1				0.002	0.0044
240	TC030-96480	STAY COUPLER	1				0.55	1.21
250	01774-61020	BOLT FLANGE	2				0.022	0.0484
260	TC030-96490	SUPPORT HOSE CLAMP	1				0.17	0.374
270	01754-50820	BOLT FLANGE	2				0.015	0.033