

# Instructions for Parts Books

The heading at the top of the page will be the same for the picture of the parts as it is for the page with the part numbers.

Definition of column headings on part number pages:

**REF.No** → The number referring to the part on the picture page of the parts book.

**Part No.** → The number assigned to this part at the time of printing the parts book.

**Description** → Description of part.

**Q'ty** → Quantity of part used on that page.

**S.No.** → Serial number range of the equipment that this part will fit.

>= Your serial number should be greater than or equal to the number shown.

<= Your serial number should be lesser than or equal to the serial number shown.

**I/C** → Interchangeability of part shown.

↔ The part shown will work for the older and later serial number.

# The part shown is not interchangeable with the other serial number.

← new for old

→ old for new

**Remarks** → Notes about this particular part. Sometimes this may say except [FR] or [CA]

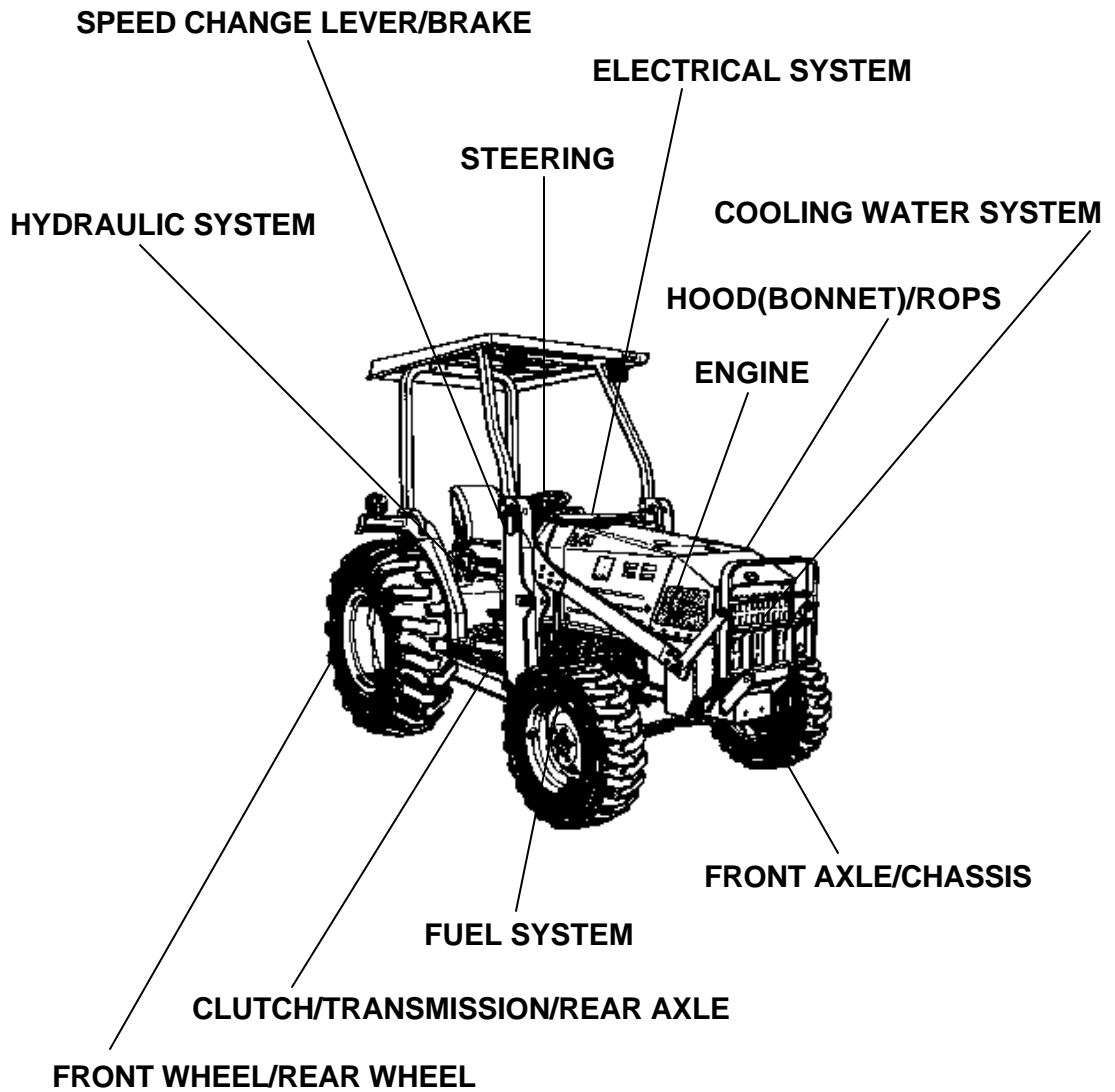
## Note about Country Codes:

The parts books we use in the United States of America may also contain information about a part that would be different in another country. It is important that you are aware of the country codes in some instances.

Symbol	Country
A	United States of America
CA	Canada
FR	France
GR	Greece
PO	Portugal
AU	Australia

If the remarks column says for example EXCEPT [FR] this part works in all countries except France. That means it will work here in the USA.

ALL PRODUCT INDEX  
L48



LABELS

OPTION

ACCESSORIES

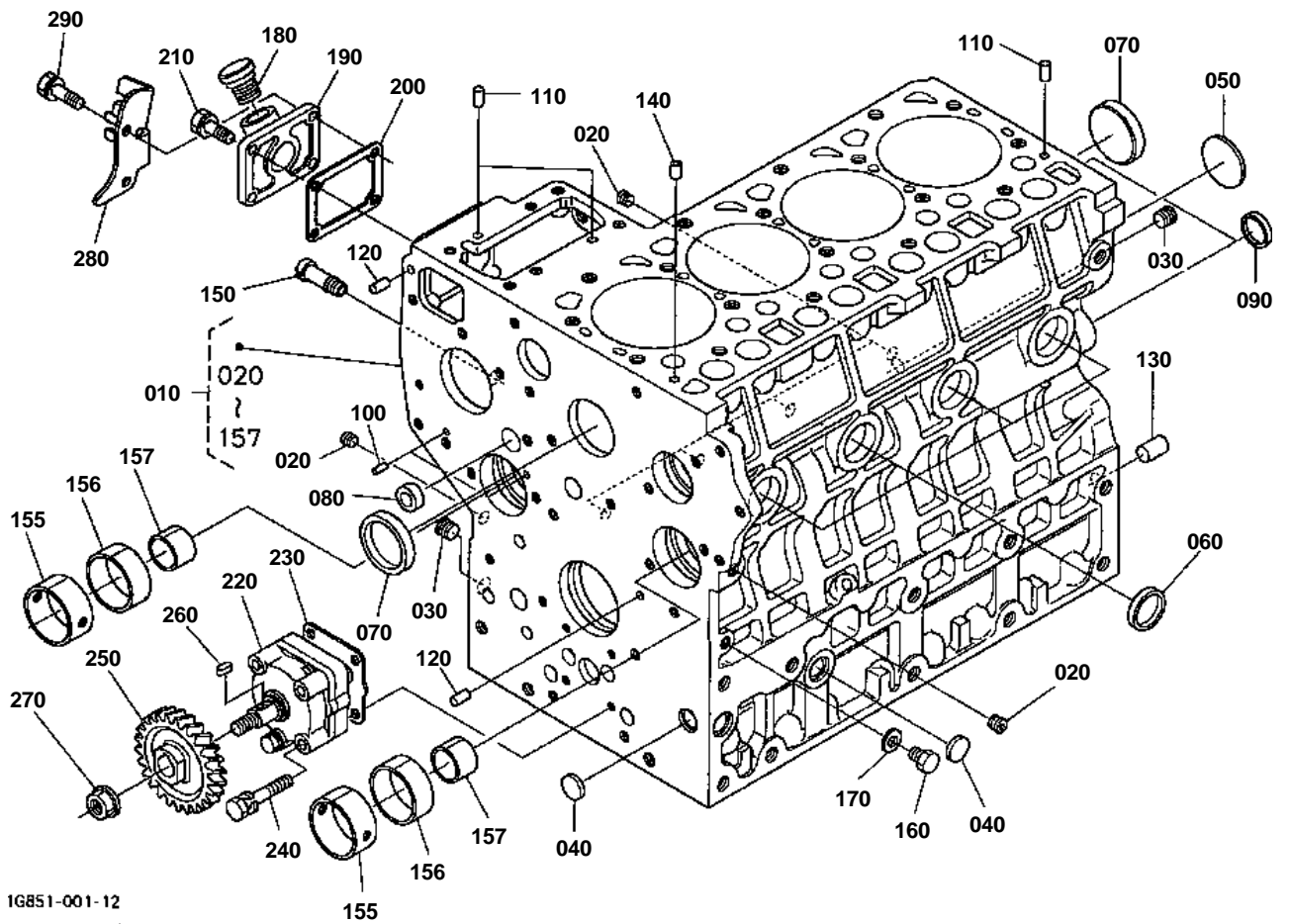
Item	Part No.	Description	Book	
ENGINE	010001	CRANKCASE	100K0632	
	010002	OIL PAN	100K0632	
	010003	CYLINDER HEAD	100K0632	
	010004	GEAR CASE	100K0632	
	010005	HEAD COVER [OLD TYPE]	100K0632	
	01000501	HEAD COVER [NEW TYPE]	100K0632	
	010100	MAIN BEARING CASE	100K0632	
	010101	CAMSHAFT AND IDLE GEAR SHAFT	100K0632	
	010102	PISTON AND CRANKSHAFT	100K0632	
	010103	FLYWHEEL	100K0632	
	010105	FUEL CAMSHAFT	100K0632	
	010106	BALANCER	100K0632	
	010200	ENGINE STOP LEVER	100K0632	
	010202	INJECTION PUMP	100K0632	
	010204	GOVERNOR	100K0632	
	010205	SPEED CONTROL PLATE	100K0632	
	010206	NOZZLE HOLDER AND GLOW PLUG	100K0632	
	010207	NOZZLE HOLDER [COMPONENT PARTS]	100K0632	
	010500	WATER FLANGE AND THERMOSTAT	100K0632	
	010501	WATER PUMP	100K0632	
	010600	VALVE AND ROCKER ARM	100K0632	
	010601	INLET MANIFOLD	100K0632	
	010603	EXHAUST MANIFOLD/MUFFLER	100K0632	
	010604	AIR CLEANER	100K0632	
	010901	UPPER GASKET KIT	100K0632	
	010902	LOWER GASKET KIT	100K0632	
	01A010	ACCELERATOR LEVER	100K0632	
	FUEL SYSTEM	01A101	FUEL TANK	100K0632
		01A110	FUEL PIPE	100K0632
		01A120	FUEL FILTER	100K0632
	COOLING WATER SYSTEM	01A130	FUEL FILTER [COMPONENT PARTS]	100K0632
		01A401	FAN	100K0632
		01A410	WATER PIPE	100K0632
ELECTRICAL SYSTEM	01A420	RADIATOR	100K0632	
	01A430	RESERVE TANK	100K0632	
	01A515	ALTERNATOR	100K0632	
	01A520	ALTERNATOR [COMPONENT PARTS]	100K0632	
	01A525	STARTER	100K0632	
	01A530	STARTER [COMPONENT PARTS]	100K0632	
	01A535	BATTERY	100K0632	
	01B102	SWITCH 1 [OLD TYPE]	100K0632	
	01B10201	SWITCH 1 [NEW TYPE]	100K0632	
	01B103	SWITCH 2	100K0632	
01B104	SWITCH 3	100K0632		
01B115	PANEL BOARD	100K0632		
01B120	PANEL BOARD [COMPONENT PARTS]	100K0632		
01B303	HEAD LIGHT	100K0632		
01B311	HAZARD LIGHT	100K0632		
01B312	TAIL LIGHT [OLD TYPE]	100K0632		
01B31201	REAR LAMP [NEW TYPE]	100K0632		
01B503	ELECTRICAL WIRING (FRONT) [OLD TYPE]	100K0632		
01B50301	ELECTRICAL WIRING (FRONT) [NEW TYPE]	100K0632		

Item	Part No.	Description	Book	
ELECTRICAL SYSTEM	01B507	ELECTRICAL WIRING (REAR) [OLD TYPE]	100K0632	
	01B50701	ELECTRICAL WIRING (REAR) [NEW TYPE]	100K0632	
CLUTCH/TRANSMISSION/REAR AXLE	01C101	CLUTCH	100K0632	
	01C201	CLUTCH LEVER	100K0632	
	01C301	CLUTCH PEDAL	100K0632	
	01C401	CLUTCH HOUSING	100K0632	
	01C410	MID CASE	100K0632	
	01C420	TRANSMISSION CASE	100K0632	
	01C422	REAR AXLE CASE	100K0632	
	01C440	HST	100K0632	
	01C445	HST [COMPONENT PARTS]	100K0632	
	01D101	MAIN SHAFT	100K0632	
	01D103	INPUT SHAFT	100K0632	
	01D107	OUTPUT SHAFT	100K0632	
	01D125	SPIRAL BEVEL PINION	100K0632	
	01D127	REAR DIFFERENTIAL	100K0632	
	01D132	PTO CLUTCH	100K0632	
	01D135	PTO SHAFT	100K0632	
	01D217	RANGE GEAR SHIFT FORK	100K0632	
	01D225	DIFFERENTIAL LOCK SHIFT FORK	100K0632	
	01D301	REAR AXLE	100K0632	
	SPEED CHANGE LEVER/BRAKE	01D401	BRAKE	100K0632
		01D405	BRAKE ROD 1	100K0632
		01D410	BRAKE ROD 2	100K0632
		01E108	NEUTRAL HOLDER LINK	100K0632
01E109		SPEED CONTROL PEDAL	100K0632	
01E110		RANGE GEAR SHIFT LEVER	100K0632	
01E125		PTO GEAR SHIFT LEVER	100K0632	
01E140		FRONT WHEEL DRIVE LEVER	100K0632	
01E201		BRAKE PEDAL	100K0632	
FRONT AXLE/CHASSIS		01F105	FRONT AXLE FRAME	100K0632
	01F120	PROPELLER SHAFT	100K0632	
	01F122	FRONT WHEEL DRIVE SHAFT	100K0632	
	01F125	FRONT DIFFERENTIAL CASE	100K0632	
	01F127	BEVEL GEAR (FRONT)	100K0632	
	01F130	DIFFERENTIAL(FRONT)	100K0632	
	01F140	FRONT AXLE CASE	100K0632	
	01F145	DIFFERENTIAL GEAR SHAFT	100K0632	
	01F150	FRONT AXLE	100K0632	
	STEERING	01G101	STEERING HANDLE	100K0632
01G110		STEERING CONTROLLER	100K0632	
01G115		STEERING CONTROLLER [COMPONENT PARTS]	100K0632	
HYDRAULIC SYSTEM	01H110	STEERING CYLINDER	100K0632	
	01H115	STEERING CYLINDER [COMPONENT PARTS]	100K0632	
	01H120	HYDRAULIC PUMP(SIDE)	100K0632	
	01H125	HYDRAULIC PUMP(SIDE) [COMPONENT PARTS]	100K0632	
	01H130	HYDRAULIC PUMP(FRONT)	100K0632	
	01H135	HYDRAULIC PUOMP(FRONT) [COMPONENT PARTS]	100K0632	
	01H201	HYDRAULIC OIL LINE(SUCTION)	100K0632	
01H210	HYDRAULIC OIL LINE(DELIVERY)	100K0632		

Item	Part No.	Description	Book	
HYDRAULIC SYSTEM	01H211	HYDRAULIC OUTLET BLOCK [COMPONENT PARTS]	100K0632	
	01H215	HYDRAULIC OIL LINE (PS)	100K0632	
	01H240	HYDRAULIC PIPE(HST)	100K0632	
	01H245	OIL COOLER	100K0632	
	01H250	HYDRAULIC OIL LINE(SWING)	100K0632	
	01H251	SWING CONTROL BLOCK [COMPONENT PARTS]	100K0632	
	01H301	HYDRAULIC CYLINDER	100K0632	
	01H320	LIFT ARM	100K0632	
	01H330	FEED BACK LEVER	100K0632	
	01H405	CONTROL VALVE	100K0632	
	01H41001	CONTROL VALVE [COMPONENT PARTS][OLD TYPE]	100K0632	
	01H41002	CONTROL VALVE [COMPONENT PARTS][NEW TYPE]	100K0632	
	01H440	POSITION CONTROL LEVER	100K0632	
	01H460	DIRECTIONAL VALVE LEVER	100K0632	
	01H461	HYDRAULIC CONTROL BLOCK[COMPONENT PARTS]	100K0632	
	01J101	TOP LINK HOLDER	100K0632	
	01J105	TOP LINK	100K0632	
	01J110	3-POINT LINKAGE 1 (LOWER LINK)	100K0632	
	01J115	3-POINT LINKAGE 2 (LIFT ROD)	100K0632	
	HOOD(BONNET)/ROPS	01K125	PTO PROTECTOR	100K0632
		01L101	FRONT GRILLE	100K0632
		01L105	HOOD(BONNET)	100K0632
		01L110	HOOD(BONNET) SIDE	100K0632
		01L130	SHUTTER PLATE	100K0632
		01L201	PANEL FRAME	100K0632
		01L210	FENDER	100K0632
		01L215	FLOOR SEAT	100K0632
		01L220	SEAT [OLD TYPE]	100K0632
		01L22001	SEAT [NEW TYPE]	100K0632
		01L222	SEAT SUSPENSION 1 [COMPONENT PARTS]	100K0632
		01L223	SEAT SUSPENSION 2 [COMPONENT PARTS]	100K0632
		01L225	STEP	100K0632
		01L230	MAIN FRAME	100K0632
		01L320	ROPS/FOPS	100K0632
01L501		SMV EMBLEM	100K0632	
FRONT WHEEL/REAR WHEEL		01P101	FRONT WHEEL (10-16.5)	100K0632
		01P10101	FRONT WHEEL (11L-16SL R3)	100K0632
	01P110	REAR WHEEL (17.5L-24)	100K0632	
	01P11001	REAR WHEEL (16.9-24 R3)	100K0632	
LABELS	01R105	LABEL 1	100K0632	
	01R110	LABEL 2	100K0632	
ACCESSORIES OPTION	01S105	ACCESSORIES AND SERVICE PARTS	100K0632	
	01T102	PRECLEANER KIT [OPTION]	100K0632	
	01T105	WORKING LIGHT KIT [OPTION]	100K0632	
	01T106	HORN KIT [OPTION]	100K0632	
	01T107	BACK BUZZER KIT [OPTION]	100K0632	
	01T123	STAY KIT	100K0632	
	01T146	DRAWBAR KIT [OPTION]	100K0632	

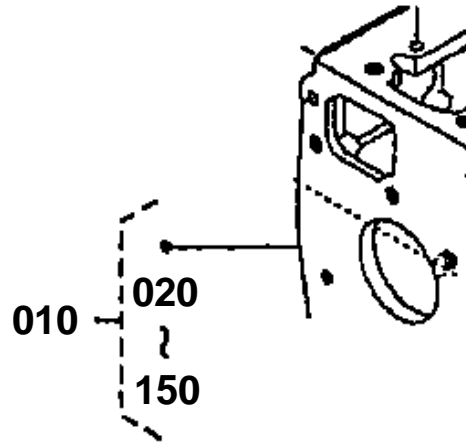
Item	Part No.	Description	Book
OPTION	01T165	TOOL BOX KIT [OPTION]	100K0632

# CRANKCASE



1G851-001-12

010 1G851-0101-0



1G851-800-10



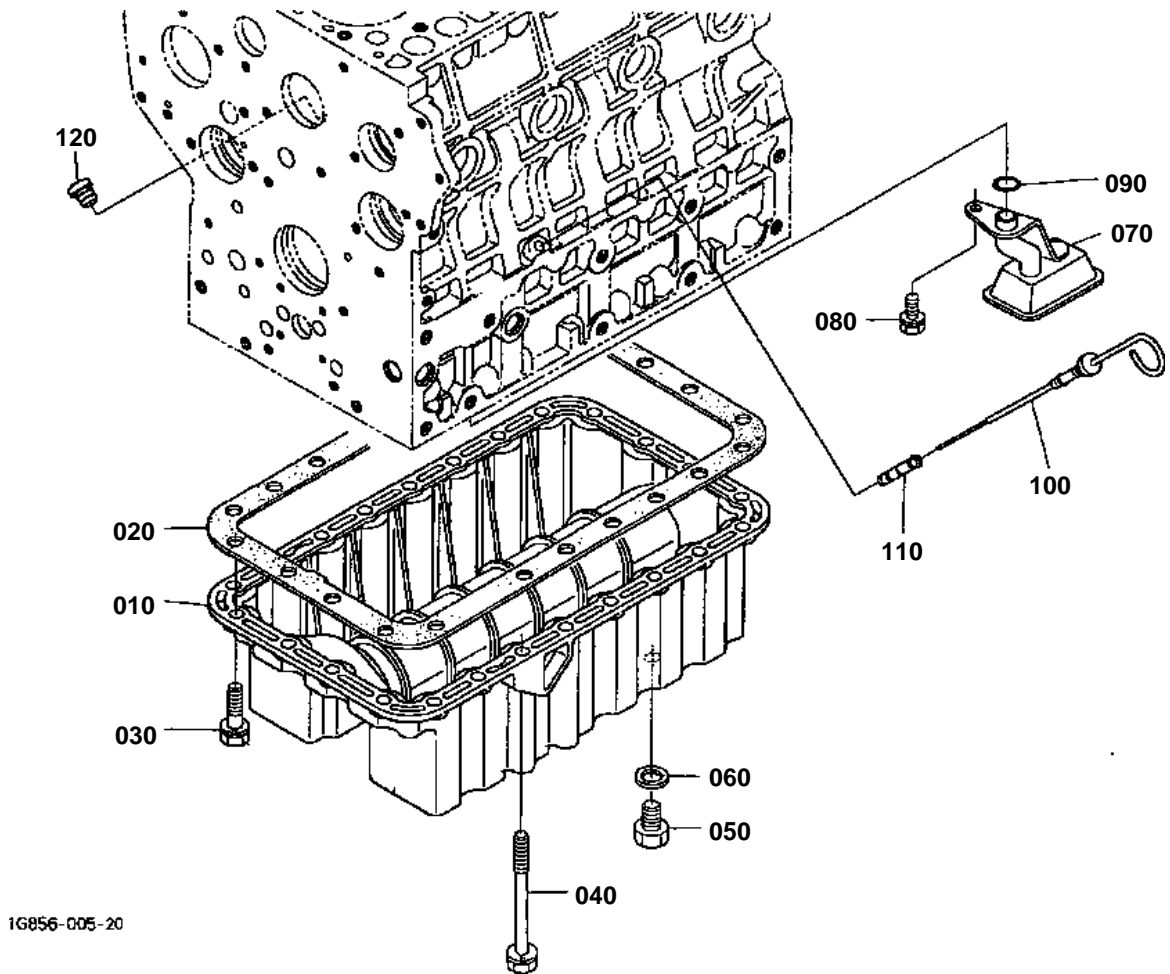


CRANKCASE

↔ Interchangeable; ≠ not interchangeable; ← new for old; → old for new

REF.No	Part No.	Description	Q'ty	S.No.	I/C	REMARKS	Weight (kgf)	Weight (lb)
010	1G851-01010	COMP.CRANKCASE	1	<=2C0797		NOT SALE	54.5	119.9
010	1A091-01013	COMP.CRANKCASE	1	>=2E0001	↔		54.5	119.9
020	15521-96020	PLUG	6				0.003	0.0066
030	15521-96030	PLUG	2				0.007	0.0154
040	17391-96160	PLUG EXPANSION	3				0.003	0.0066
050	06311-75045	PLUG EXPANSION	1				0.026	0.0572
060	15221-03380	CAP SEALING	6				0.017	0.0374
070	15221-03390	CAP SEALING	2				0.03	0.066
080	15261-03370	CAP SEALING	1				0.005	0.011
090	1A091-03380	PLUG WEIGHT SHAFT	2				0.005	0.011
100	05012-00408	PIN STRAIGHT	2				0.001	0.0022
110	05012-00609	PIN STRAIGHT	3				0.003	0.0066
120	05012-00612	PIN STRAIGHT	2				0.003	0.0066
130	05012-01018	PIN STRAIGHT	1				0.012	0.0264
140	15221-33650	PIN PIPE	1				0.004	0.0088
150	15321-73340	PIPE WATER RETURN	1				0.016	0.0352
155	1A091-26990	METAL WEIGHT SHAFT	2				0.026	0.0572
156	1A091-26980	METAL WEIGHT SHAFT	2				0.022	0.0484
157	1A091-26970	METAL WEIGHT SHAFT	2				0.012	0.0264
160	15221-33610	PLUG	1				0.009	0.0198
160	15469-33610	PLUG	1		«		0.008	0.0176
170	15021-33660	GASKET	1				0.001	0.0022
180	15571-33140	PLUG OIL FILLER	1	<=1L0037			0.03	0.066
180	16427-33140	PLUG OIL FILLER	1	>=1N0001	↔		0.025	0.055
190	1A021-33110	FLANGE OIL FILLER	1				0.07	0.154
200	1A021-51660	GASKET PUMP COVER	1				0.003	0.0066
210	01023-50618	BOLT	2				0.006	0.0132
220	1E013-35010	ASSY PUMP OIL	1				0.57	1.254
230	1A021-35150	GASKET OIL PUMP	1				0.001	0.0022
240	01023-60650	BOLT	4				0.015	0.033
250	19202-35660	GEAR OIL PUMP DRIVE	1				0.23	0.506
260	05712-00410	KEY FEATHER	1				0.001	0.0022
270	15221-35682	NUT FLANGE	1				0.014	0.0308
280	1A053-57480	BRACKET ACCEL.CABLE	1	<=1S0045			0.077	0.1694
280	1A053-57482	BRACKET ACCEL.CABLE	1	>=1U0001	↔		0.077	0.1694
290	01023-50622	BOLT	2				0.005	0.011

OIL PAN



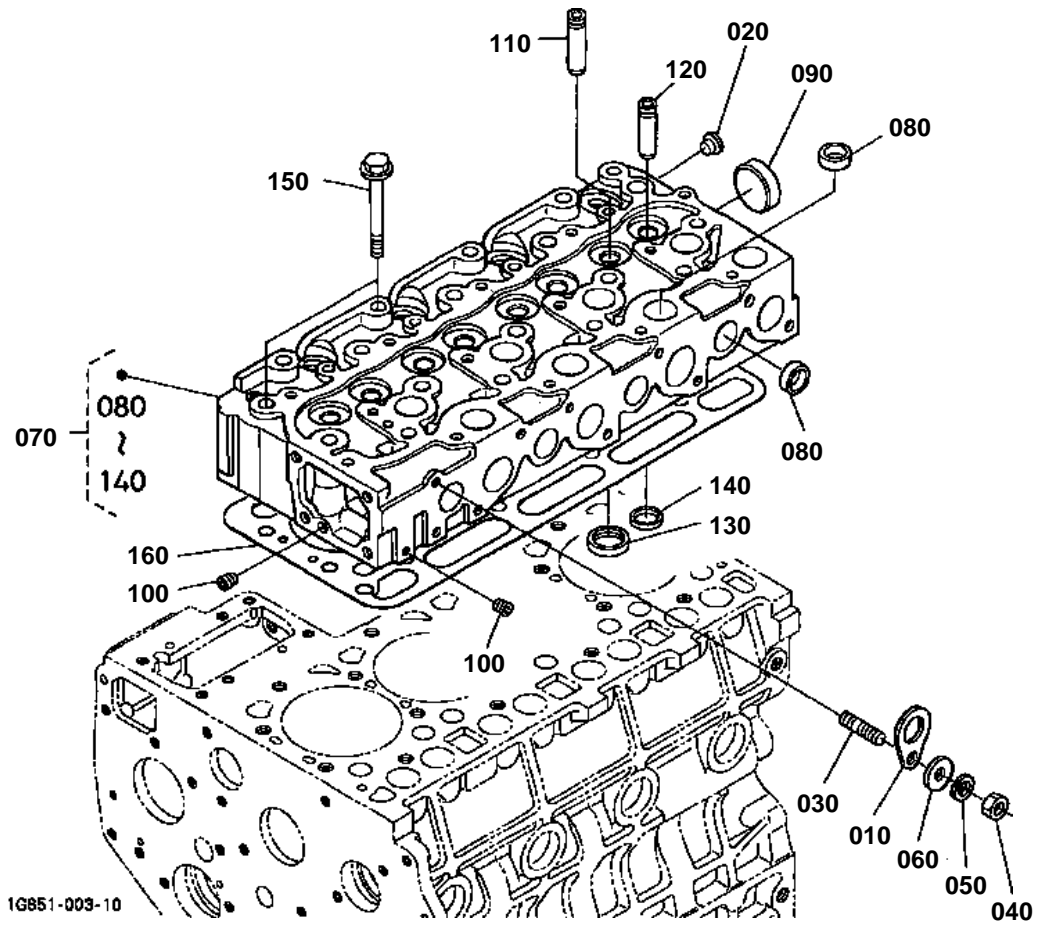


# OIL PAN

↔ Interchangeable; ≠ not interchangeable; ← new for old; → old for new

REF.No	Part No.	Description	Q'ty	S.No.	I/C	REMARKS	Weight (kgf)	Weight (lb)
010	17341-01610	OIL PAN	1				4.1	9.02
020	1A091-01620	GASKET OIL PAN	1				0.018	0.0396
030	01133-51028	BOLT	22				0.027	0.0594
040	17377-91010	BOLT	2				0.08	0.176
050	16427-33750	PLUG DRAIN	2				0.03	0.066
060	6C090-58960	GASKET	2				0.002	0.0044
070	15411-32110	FILTER OIL	1				0.24	0.528
080	01123-60814	BOLT	1				0.01	0.022
090	04811-00160	O RING	1				0	0
090	04817-00160	O RING	1		↔		0.001	0.0022
100	1G851-36410	GAUGE OIL	1	<=4J1225			0.04	0.088
100	1G851-36413	GAUGE OIL	1	>=4L0001	↔		0.04	0.088
110	17456-36420	GUIDE OIL GAUGE	1				0.03	0.066
120	16414-33640	PLUG OIL GAUGE	1	>=2A0001			0.003	0.0066

# CYLINDER HEAD



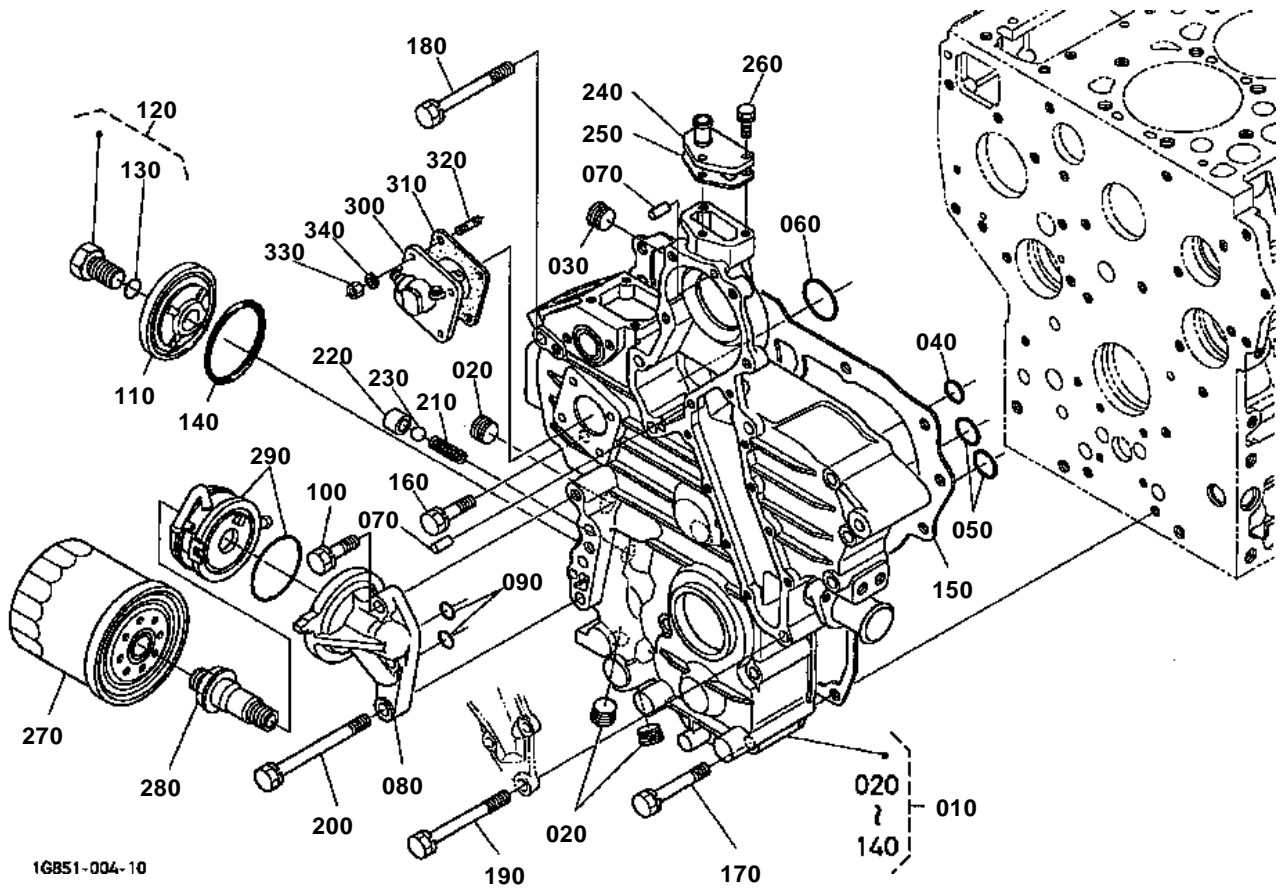


## CYLINDER HEAD

↔ Interchangeable; ≠ not interchangeable; ← new for old; → old for new

REF.No	Part No.	Description	Q'ty	S.No.	I/C	REMARKS	Weight (kgf)	Weight (lb)
010	15221-01750	HOOK ENGINE	1				0.04	0.088
020	09980-10075	CAP PROTECTOR	1				0.001	0.0022
030	15471-91530	STUD	2				0.01	0.022
040	02156-50080	NUT	1				0.004	0.0088
050	04512-60080	WASHER SPRING	1				0.002	0.0044
060	04012-50080	WASHER PLAIN	1				0.001	0.0022
070	1G851-03040	COMP.CYLINDER HEAD	1	<=2A0939			0	0
070	1G851-03042	COMP.CYLINDER HEAD	1	>=2C0001	↔		20	44
070	1G851-03043	COMP.CYLINDER HEAD	1	>=4N0001	↔		20	44
080	15221-03370	CAP SEALING	12				0.01	0.022
090	15221-03490	CAP SEALING	1				0.02	0.044
100	15261-96010	PLUG	2				0.002	0.0044
110	17321-13580	GUIDE INLET VALVE	4				0.015	0.033
120	17321-13560	GUIDE EXHAUST VALVE	4				0.02	0.044
130	16415-13620	SEAT INLET VALVE	4				0.01	0.022
140	16415-13612	SEAT EXHAUST VALVE	4				0.01	0.022
150	19013-03450	BOLT CYLINDER HEAD	18				0.077	0.1694
160	1G790-03310	GASKET CYL.HEAD	1	<=3Q0358			0.29	0.638
160	1G790-03312	GASKET CYL.HEAD	1	>=3S0001	↔		0.29	0.638

# GEAR CASE



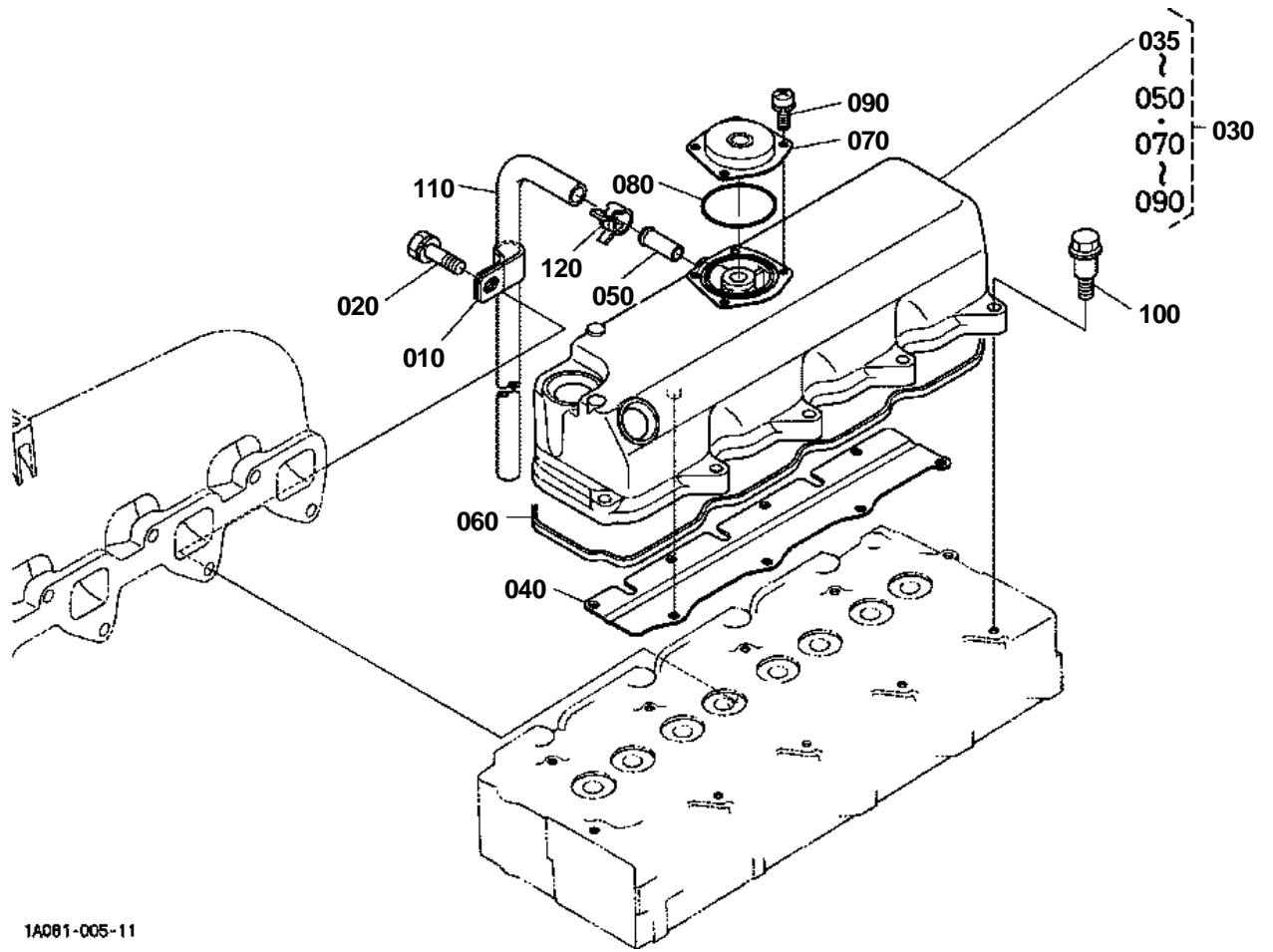


## GEAR CASE

↔ Interchangeable; ≠ not interchangeable; ← new for old; → old for new

REF.No	Part No.	Description	Q'ty	S.No.	I/C	REMARKS	Weight (kgf)	Weight (lb)
010	1G851-04010	ASSY CASE GEAR	1	<=1G0116			4.54	9.988
010	1G851-04013	ASSY CASE GEAR	1	>=1J0001	1		4.54	9.988
020	16241-96020	PLUG	3				0.015	0.033
030	1A021-96020	PLUG	1				0.015	0.033
040	04811-00150	O RING	1				0	0
040	04817-00150	O RING	1		↔		0.001	0.0022
050	04811-00220	O RING	2				0	0
050	04817-00220	O RING	2		↔		0.001	0.0022
060	04811-00360	O RING	1				0	0
060	04817-00360	O RING	1		↔		0.001	0.0022
070	05012-00612	PIN STRAIGHT	2				0.003	0.0066
080	1A021-32610	BASE OIL FILTER	1				0.25	0.55
090	04811-00150	O RING	2				0	0
090	04817-00150	O RING	2		↔		0.001	0.0022
100	01123-50835	BOLT	2				0.02	0.044
110	17331-32880	COVER	1				0.075	0.165
120	17331-32910	COMP BOLT	1				0.07	0.154
130	04811-00150	O RING	1				0	0
130	04817-00150	O RING	1		↔		0.001	0.0022
140	19202-96830	O RING	1				0.01	0.022
150	1A091-04130	GASKET GEAR CASE	1				0.018	0.0396
160	01123-50835	BOLT	1				0.02	0.044
170	01123-50870	BOLT	7				0.029	0.0638
180	17367-91010	BOLT	2				0.005	0.011
190	17367-91020	BOLT	3				0.035	0.077
200	1A021-91010	BOLT	1				0.045	0.099
210	15241-36950	SPRING	1				0.004	0.0088
220	15521-36930	SEAT VALVE	1				0.015	0.033
230	07715-03213	BALL	1				0.004	0.0088
240	15521-73320	FLANGE WATER RETURN	1				0.04	0.088
250	1A021-73330	GASKET RETURN FLANGE	1				0.001	0.0022
260	01023-50620	BOLT	3				0.006	0.0132
270	17321-32433	CARTRIDGE OIL FILTER	1	<=YY0033			0	0
270	16414-32430	CARTRIDGE OIL FILTER	1	>=1A0001	↔		0.54	1.188
280	1G622-37080	CONNECTOR	1				0.145	0.319
290	1A024-37010	ASSY COOLER OIL	1				0.66	1.452
300	38240-34660	ASSY GEAR CASE H/M	1				0.335	0.737
310	15296-88130	GASKET H/METER UNIT	1				0.002	0.0044
310	1G751-88130	GASKET HOUR METER	1		«		0.001	0.0022
320	15221-88210	STUD	4				0.005	0.011
330	02056-50060	NUT	4				0.002	0.0044
340	04512-60060	WASHER SPRING	4				0.001	0.0022

HEAD COVER [OLD TYPE]



1A081-005-11



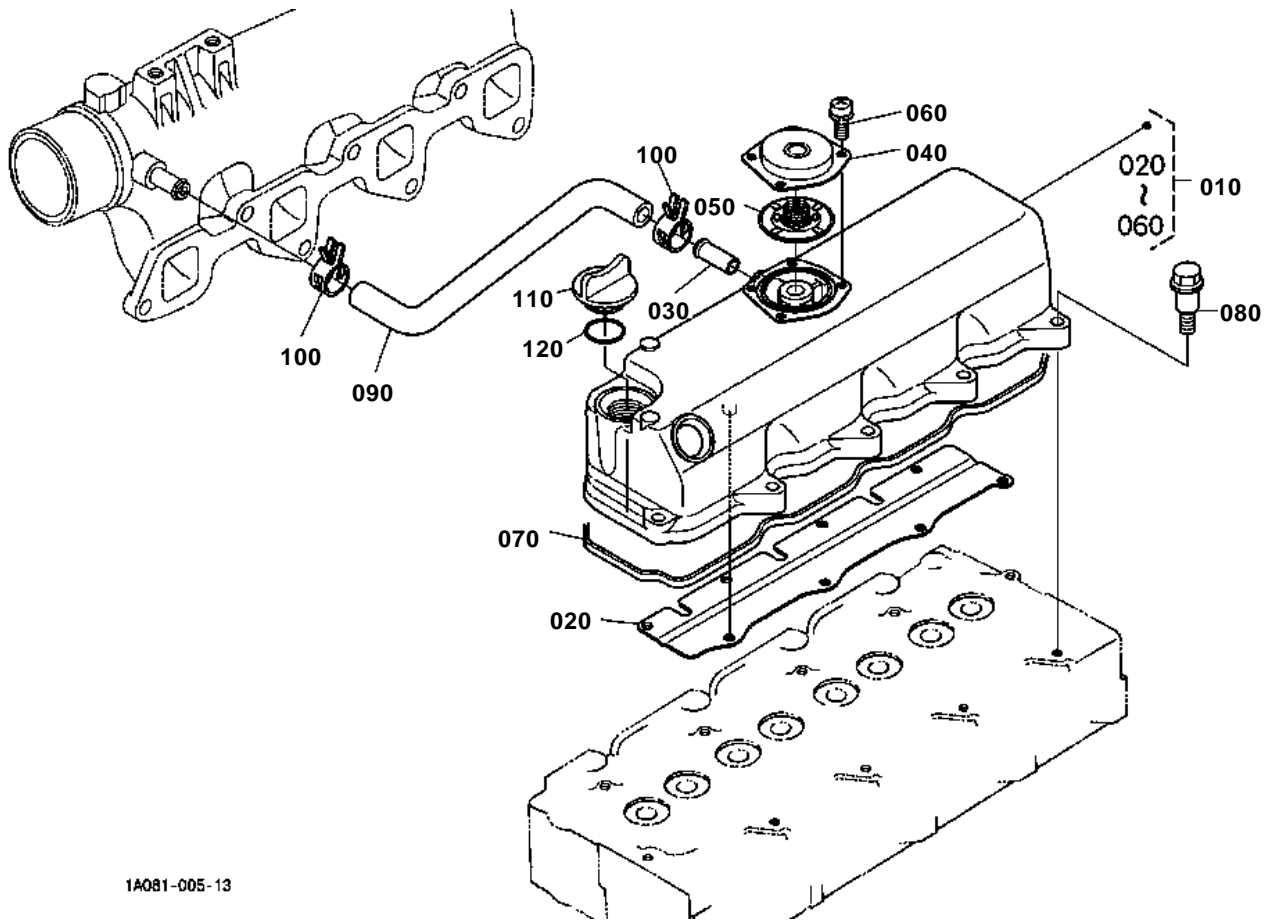
**HEAD COVER [OLD TYPE]**

S.No.;&lt;=3W0451

↔ Interchangeable; ≠ not interchangeable; ← new for old; → old for new

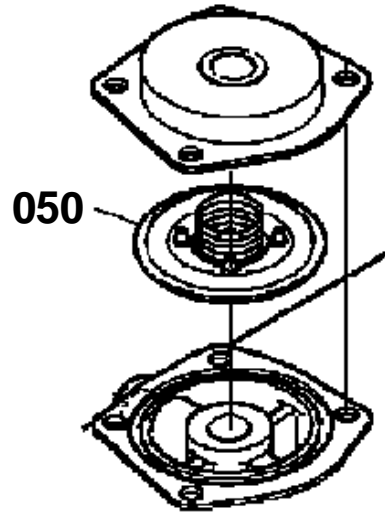
REF.No	Part No.	Description	Q'ty	S.No.	I/C	REMARKS	Weight (kgf)	Weight (lb)
010	1A021-05580	CLAMP BREATHER TUBE	1	<=1N0124			0.03	0.066
010	1A091-05580	CLAMP BREATHER TUBE	1	>=1Q0001	→		0.006	0.0132
020	01123-50822	BOLT	1				0.012	0.0264
030	1A091-14500	ASSY COVER CYL.HEAD	1	<=1Q0023			1.525	3.355
030	1A091-14502	ASSY COVER CYL.HEAD	1	>=1S0001	↑		1.525	3.355
035	1G911-14510	COVER CYL.HEAD	1				1.34	2.948
040	1G911-05370	SHIELD BREATHER	1				0.14	0.308
050	17331-73342	PIPE WATER RETURN	1				0.01	0.022
060	1G911-14520	GASKET HEAD COVER	1				0.025	0.055
070	1A021-05120	COVER BREATHER	1				0.039	0.0858
080	1A021-05430	O RING BREATHER	1				0.001	0.0022
090	03024-50510	SCREW WITH WASHER	4				0.002	0.0044
100	1G911-91020	BOLT	10	<=2A0939			0.015	0.033
100	1G911-91022	BOLT	10	>=2C0001	↑		0.015	0.033
110	1A053-05510	TUBE BREATHER	1				0.005	0.011
120	09318-88150	CLAMP HOSE	1				0.004	0.0088

HEAD COVER [NEW TYPE]



1A081-005-13

050 1G911-0520-0



1G814-800-20

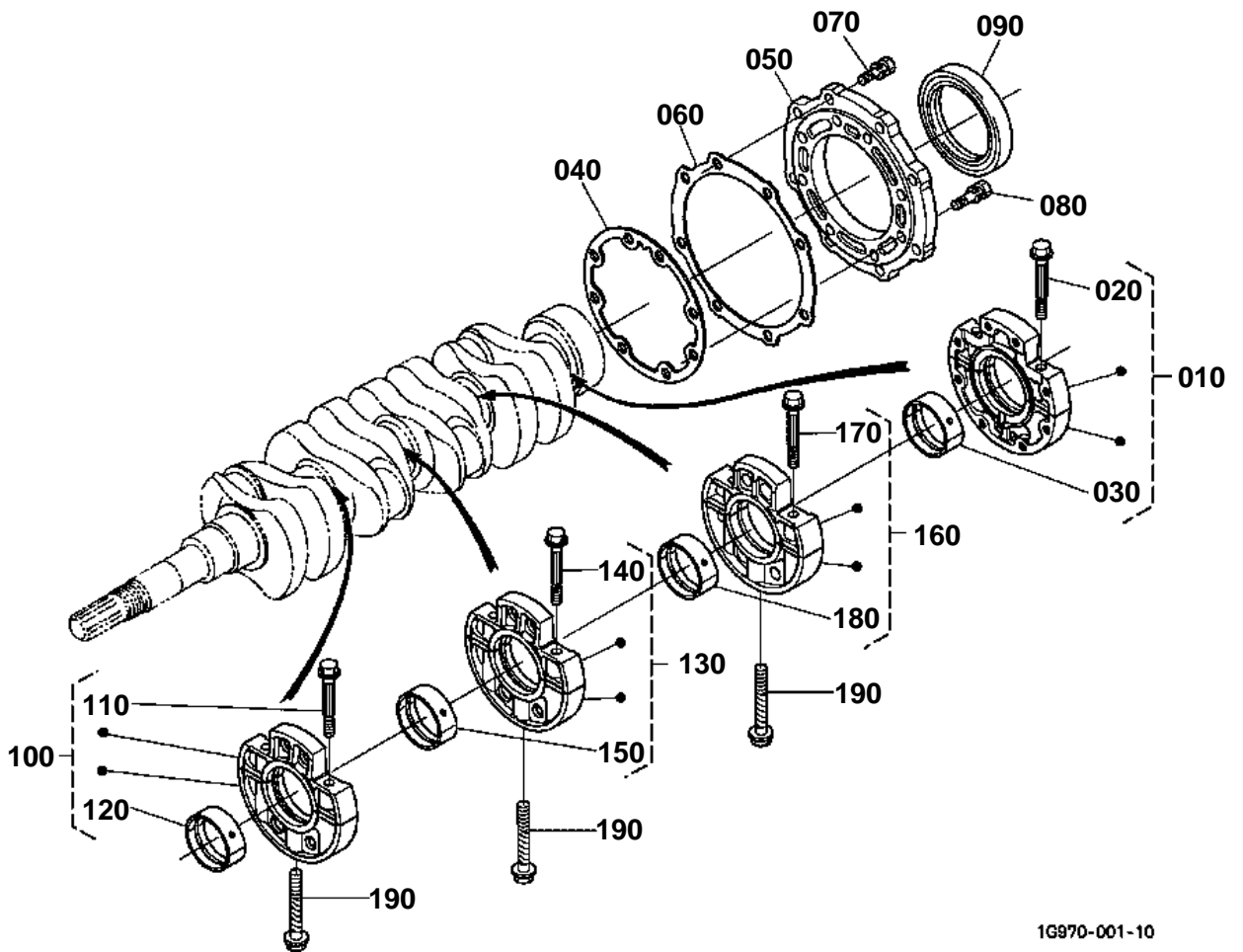
**HEAD COVER [NEW TYPE]**

S.No.;&gt;=3Y0001

↔ Interchangeable; ≠ not interchangeable; ← new for old; → old for new

REF.No	Part No.	Description	Q'ty	S.No.	I/C	REMARKS	Weight (kgf)	Weight (lb)
010	1G790-14503	ASSY COVER CYL.HEAD	1	<=4J1225			1.6	3.52
010	1G790-14504	ASSY COVER CYL.HEAD	1	>=4L0001	→		1.6	3.52
020	1G911-05370	SHIELD BREATHER	1				0.14	0.308
030	17331-73342	PIPE WATER RETURN	1				0.01	0.022
040	1G911-05120	COVER BREATHER	1				0.045	0.099
050	1G911-05200	COMP.VALVE BREATHER	1	<=4J1225			0	0
050	1G911-05202	COMP.VALVE BREATHER	1	>=4L0001	→		0.01	0.022
060	03024-50510	SCREW WITH WASHER	4				0.002	0.0044
070	1G911-14520	GASKET HEAD COVER	1				0.025	0.055
080	1G911-91022	BOLT	10				0.015	0.033
090	1G780-05510	TUBE BREATHER	1				0.06	0.132
100	09318-88180	CLAMP HOSE	2				0.01	0.022
110	15852-33140	PLUG OIL FILLER	1				0.038	0.0836
120	04817-50300	O RING	1				0.001	0.0022

MAIN BEARING CASE



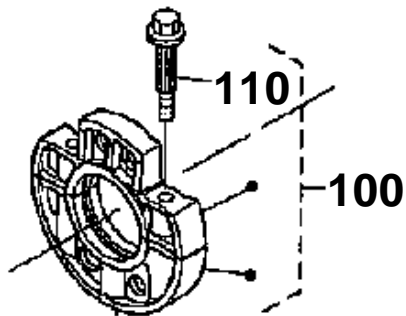
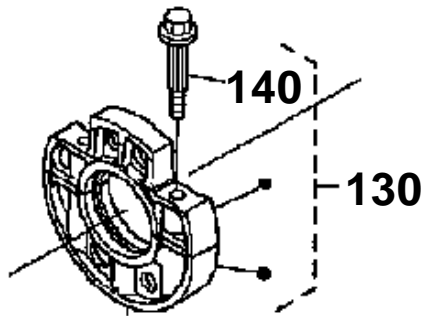
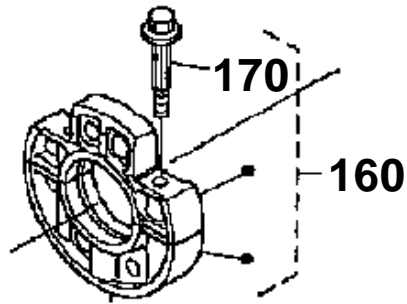
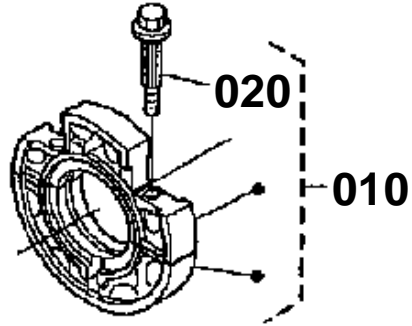
MAIN BEARING CASE

010 1A091-0709-2

100 1A091-0704-2

130 1A091-0705-2

160 1A091-0706-2



1G851-804-10

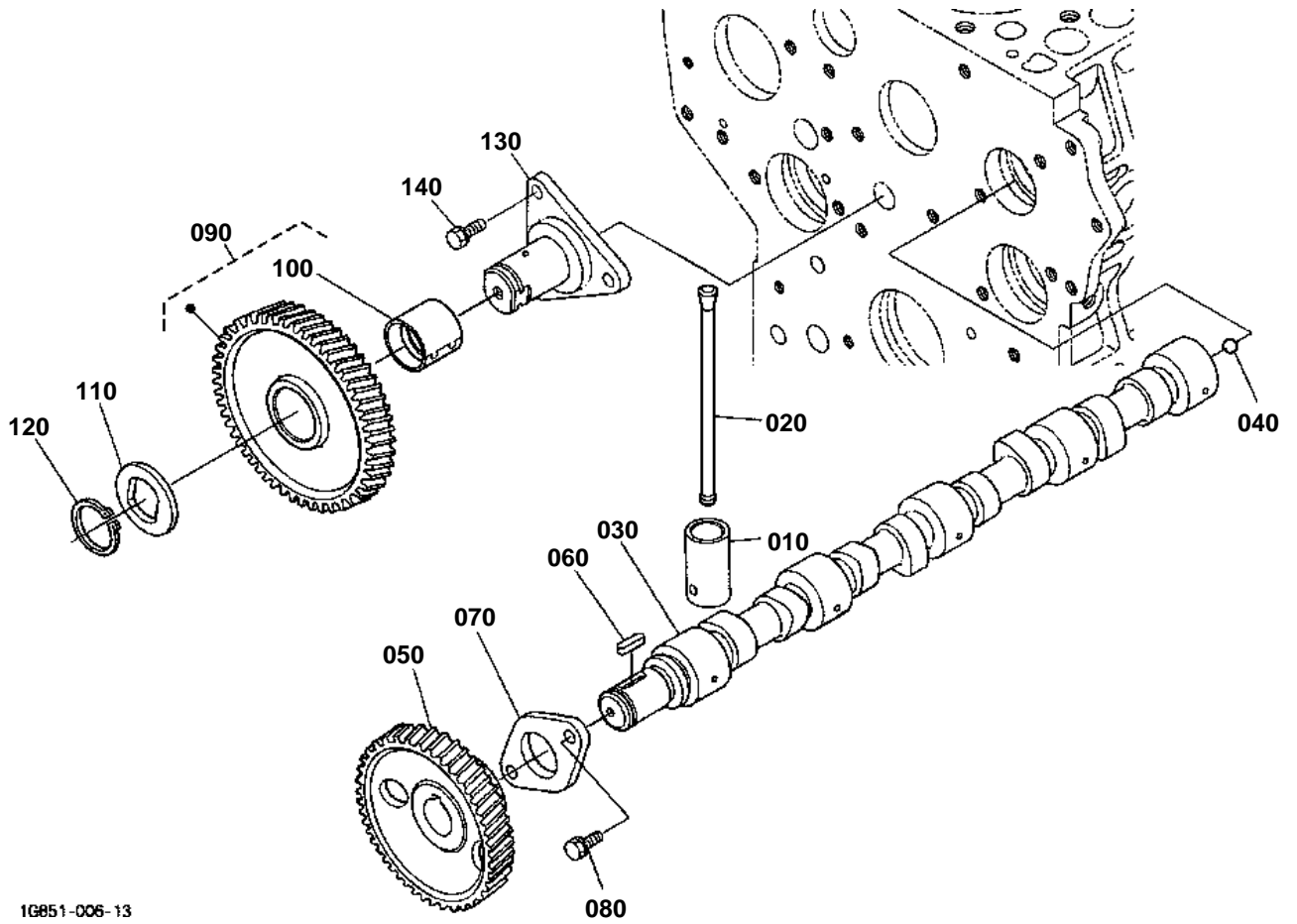


MAIN BEARING CASE

↔ Interchangeable; ≠ not interchangeable; ← new for old; → old for new

REF.No	Part No.	Description	Q'ty	S.No.	I/C	REMARKS	Weight (kgf)	Weight (lb)
010	1A091-07090	ASSY BRG.CASE WHEEL	1	≤1A0142			0	0
010	1A091-07092	ASSY BRG.CASE WHEEL	1	≥1C0001	→		0	0
010	1A091-07093	ASSY BRG.CASE WHEEL	1	≥3U0001	→		1.435	3.157
020	19013-04540	BOLT BEARING CASE	2	≤1A0142			0.038	0.0836
020	1A091-04540	BOLT BEARING CASE	2	≥1C0001	↑		0.035	0.077
030	1A091-23480	METAL CRANKSHAFT	1	≥3U0001		STD SET	0.05	0.11
040	1A091-04360	GASKET BEARING CASE	1	≤3N0574			0	0
040	1A091-04362	GASKET BEARING CASE	1	≥3Q0001	→		0.005	0.011
050	1G851-04810	COVER BEARING CASE	1				0.495	1.089
060	1A091-04820	GASKET CASE COVER	1				0.006	0.0132
070	01123-50825	BOLT	8				0.013	0.0286
080	01123-50828	BOLT	8				0.014	0.0308
090	19202-04460	SEAL OIL	1				0.055	0.121
100	1A091-07040	ASSY BRG.CASE MAIN	1	≤1A0142			0	0
100	1A091-07042	ASSY BRG.CASE MAIN	1	≥1C0001	→		0	0
100	1A091-07043	ASSY BRG.CASE MAIN	1	≥3U0001	→		1.34	2.948
110	19013-04540	BOLT BEARING CASE	2	≤1A0142			0.038	0.0836
110	1A091-04540	BOLT BEARING CASE	2	≥1C0001	↑		0.035	0.077
120	1A091-23480	METAL CRANKSHAFT	1	≥3U0001		STD SET	0.05	0.11
130	1A091-07050	ASSY BRG.CASE MAIN	1	≤1A0142			0	0
130	1A091-07052	ASSY BRG.CASE MAIN	1	≥1C0001	→		0	0
130	1A091-07053	ASSY BRG.CASE MAIN	1	≥3U0001	→		1.34	2.948
140	19013-04540	BOLT BEARING CASE	2	≤1A0142			0.038	0.0836
140	1A091-04540	BOLT BEARING CASE	2	≥1C0001	↑		0.035	0.077
150	1A091-23480	METAL CRANKSHAFT	1	≥3U0001		STD SET	0.05	0.11
160	1A091-07060	ASSY BRG.CASE MAIN	1	≤1A0142			0	0
160	1A091-07062	ASSY BRG.CASE MAIN	1	≥1C0001	→		0	0
160	1A091-07063	ASSY BRG.CASE MAIN	1	≥3U0001	→		1.445	3.179
170	19013-04540	BOLT BEARING CASE	2	≤1A0142			0.038	0.0836
170	1A091-04540	BOLT BEARING CASE	2	≥1C0001	↑		0.035	0.077
180	1A091-23480	METAL CRANKSHAFT	1	≥3U0001		STD SET	0.05	0.11
190	15601-04560	BOLT BEARING CASE	3				0.06	0.132

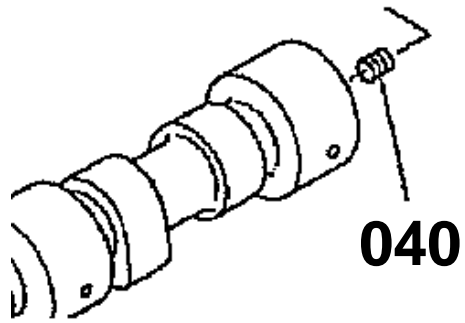
CAMSHAFT AND IDLE GEAR SHAFT



1G851-006-13



040 15521-9361-0



1G851-802-10

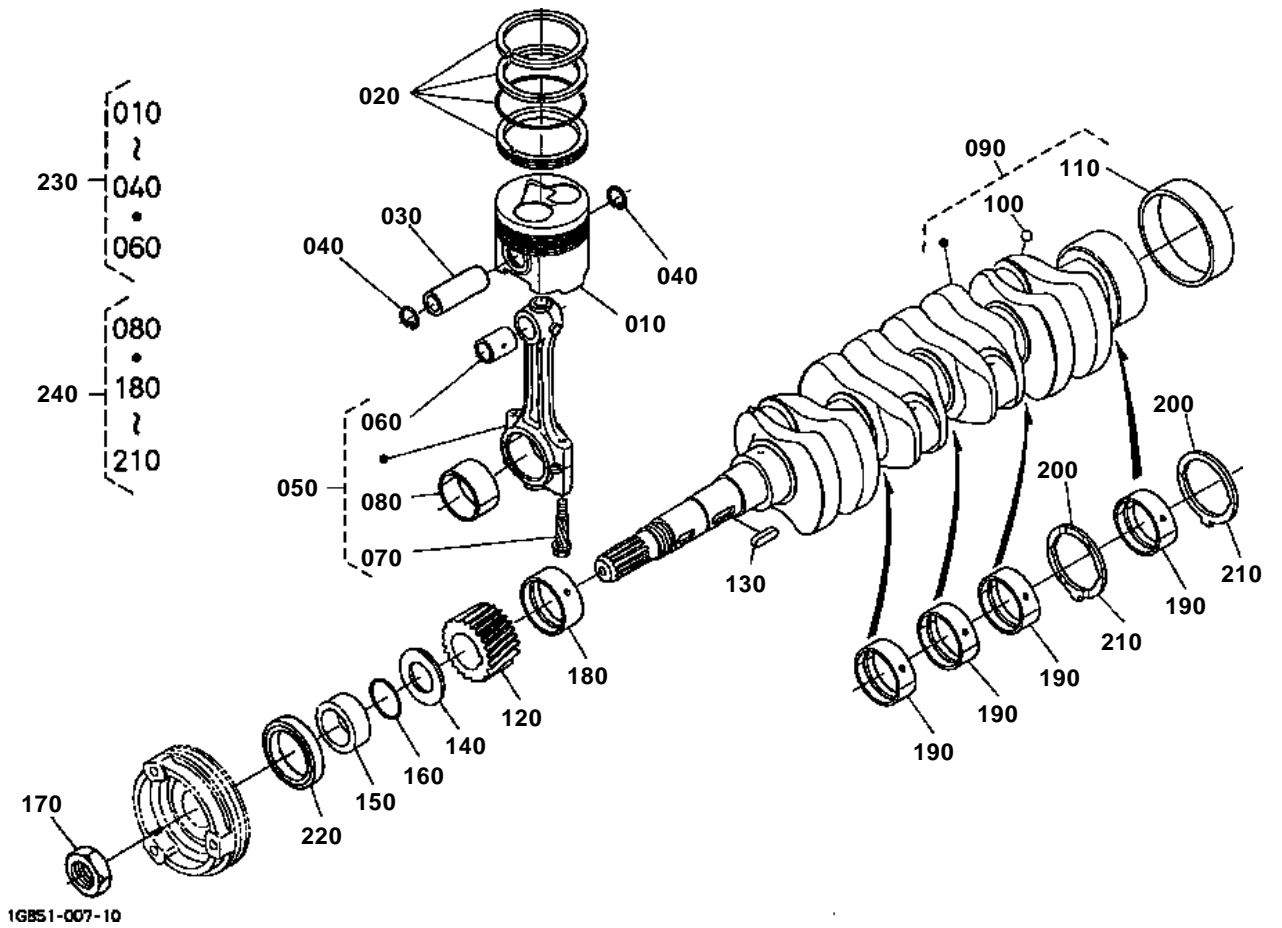


## CAMSHAFT AND IDLE GEAR SHAFT

↔ Interchangeable; ≠ not interchangeable; ← new for old; → old for new

REF.No	Part No.	Description	Q'ty	S.No.	I/C	REMARKS	Weight (kgf)	Weight (lb)
010	15601-15550	TAPPET	8				0.08	0.176
020	1A091-15110	PUSH ROD	8				0.042	0.0924
030	1A091-16150	CAMSHAFT	1	≤3N0574			2.3	5.06
030	1A091-16152	CAMSHAFT	1	≥3Q0001	1		2.3	5.06
040	15521-93610	SCREW SET	1	≤3N0574			0.002	0.0044
040	07715-00401	BALL	1	≥3Q0001	1		0.001	0.0022
050	1A091-16510	GEAR CAM	1	≤3E0843			0.8	1.76
050	1A091-16513	GEAR CAM	1	≥3G0001	1		0.8	1.76
060	05712-00720	KEY FEATHER	1				0.008	0.0176
070	15221-16270	STOPPER CAMSHAFT	1				0.073	0.1606
080	01123-50818	BOLT	2				0.012	0.0264
090	1A091-24010	COMP.GEAR IDLE	1				1.21	2.662
100	1A021-24980	BUSH IDLE GEAR	1				0.072	0.1584
110	1A021-24370	COLLAR	1				0.022	0.0484
120	15451-95400	CIR CLIP EXTERNAL	1				0.01	0.022
130	1A021-24250	SHAFT IDLE GEAR	1				0.685	1.507
140	01123-50818	BOLT	3				0.012	0.0264

PISTON AND CRANKSHAFT



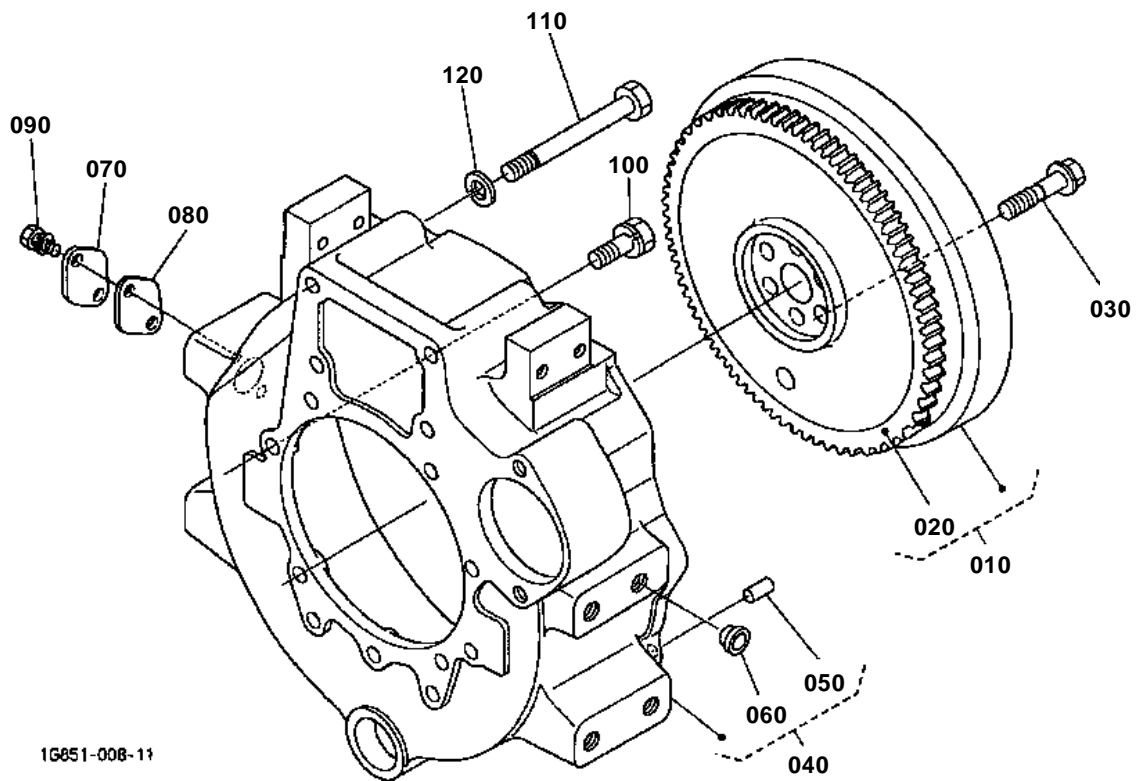


## PISTON AND CRANKSHAFT

↔ Interchangeable; ≠ not interchangeable; ← new for old; → old for new

REF.No	Part No.	Description	Q'ty	S.No.	I/C	REMARKS	Weight (kgf)	Weight (lb)
010	1A091-21110	PISTON	4	<=1J0102		STD	0	0
010	1A091-21112	PISTON	4	>=1L0001	↔	STD	0.545	1.199
010	1A091-21900	PISTON	4	<=1L0037		+0.25mm	0	0
010	1A091-21902	PISTON	4	>=1N0001	↔	+0.25mm	0.545	1.199
020	1A091-21050	ASSY PISTON RING	4			STD	0.055	0.121
020	1A091-21090	ASSY PISTON RING	4			+0.25mm	0.045	0.099
030	14901-21310	PIN PISTON	4				0.17	0.374
040	14109-21330	CIR CLIP INTERNAL	8				0.001	0.0022
050	17311-22010	ASSY CONNECTING ROD	4				0.885	1.947
060	17331-21980	BUSH PISTON PIN	4				0.025	0.055
070	15521-22142	BOLT CONNECTING ROD	8				0.026	0.0572
080	17311-22310	METAL CRANKPIN	4			STD SET	0.045	0.099
080	17311-22970	METAL CRANKPIN	4			-0.20mm SET	0.05	0.11
080	17311-22980	METAL CRANKPIN	4			-0.40mm SET	0.045	0.099
090	1G851-23012	COMP.CRANKSHAFT	1	<=3C0647			18.1	39.82
090	1G851-23012	COMP.CRANKSHAFT	1	>=3E0001	↔		18.1	39.82
100	07715-00401	BALL	4				0.001	0.0022
110	19202-23280	BUSH CRANKSHAFT	1				0.09	0.198
120	1A021-24110	GEAR CRANKSHAFT	1				0.445	0.979
130	05712-00730	KEY FEATHER	1				0.011	0.0242
140	15471-23312	SLINGER OIL	1				0.008	0.0176
150	19202-23250	COLLAR CRANKSHAFT	1				0.065	0.143
160	04811-10300	O RING	1				0.001	0.0022
170	15221-23360	NUT CRANKSHAFT	1				0.11	0.242
180	1A091-23470	METAL CRANKSHAFT	1			STD	0.062	0.1364
180	1A091-23910	METAL CRANKSHAFT	1			-0.20mm	0.065	0.143
180	1A091-23920	METAL CRANKSHAFT	1			-0.40mm	0.065	0.143
190	1A091-23480	METAL CRANKSHAFT	2			STD SET	0.05	0.11
190	1A091-23930	METAL CRANKSHAFT	2			-0.20mm SET	0.06	0.132
190	1A091-23940	METAL CRANKSHAFT	2			-0.40mm SET	0.065	0.143
200	1A091-23530	METAL SIDE	2			STD	0.009	0.0198
200	1A091-23950	METAL SIDE	2			+0.20mm	0.005	0.011
200	1A091-23960	METAL SIDE	2			+0.40mm	0.005	0.011
210	1A091-23540	METAL SIDE	2			STD	0.009	0.0198
210	1A091-23970	METAL SIDE	2			+0.20mm	0.005	0.011
210	1A091-23980	METAL SIDE	2			+0.40mm	0.005	0.011
220	19202-04140	SEAL OIL	1				0.015	0.033
230	07916-24770	KIT RING PISTON	4			STD	0.84	1.848
230	07916-24780	KIT RING PISTON	4			+0.25mm	0.82	1.804
240	07916-24790	KIT METAL ENGINE	1			STD	0.43	0.946
240	07916-24800	KIT METAL ENGINE	1			-0.20mm	0.5	1.1
240	07916-25010	KIT METAL ENGINE	1			-0.40mm	0.52	1.144

FLYWHEEL

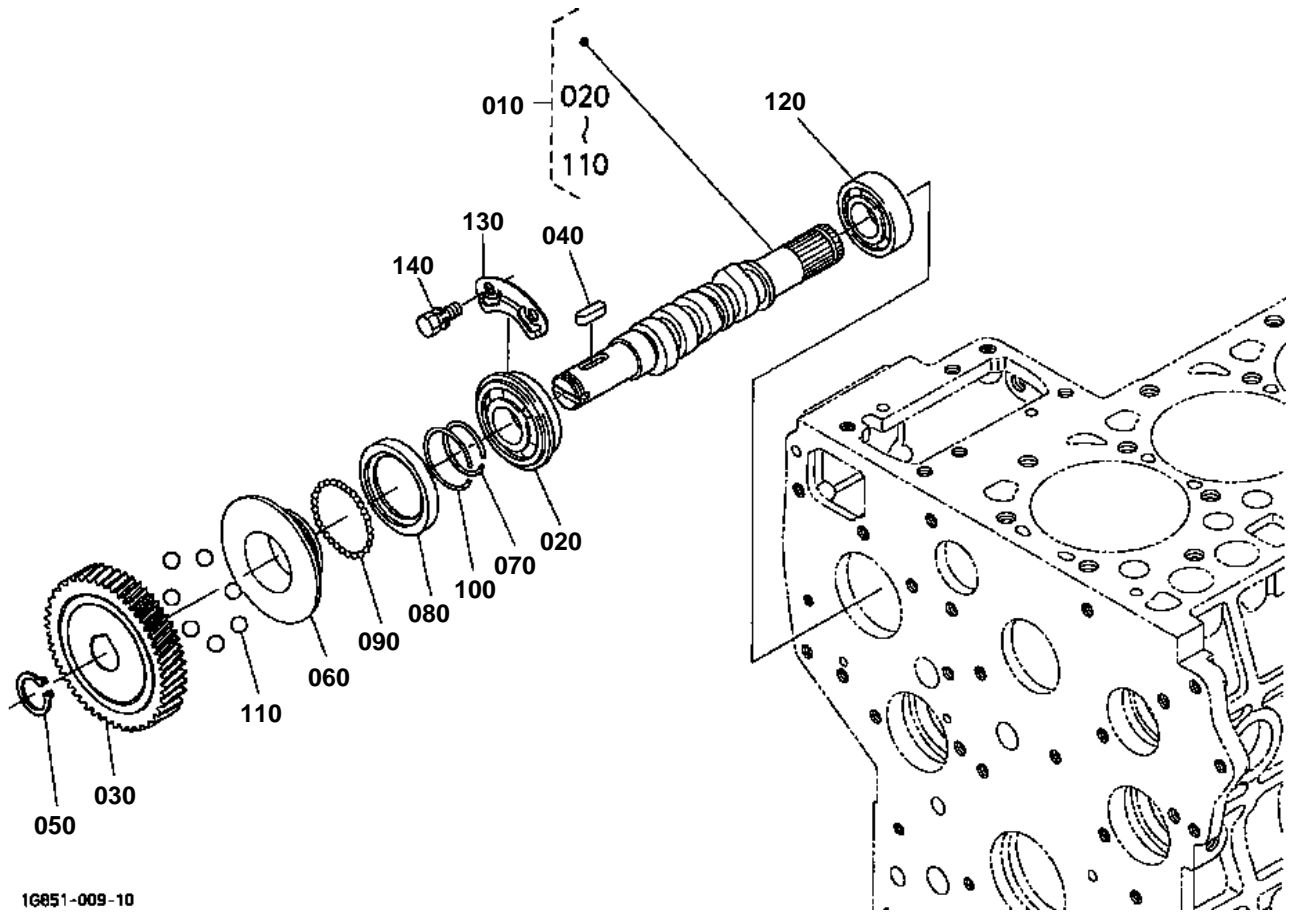


**FLYWHEEL**

↔ Interchangeable; ≠ not interchangeable; ← new for old; → old for new

REF.No	Part No.	Description	Q'ty	S.No.	I/C	REMARKS	Weight (kgf)	Weight (lb)
010	1G851-25010	COMP.FLYWHEEL	1				31	68.2
020	1A021-63820	GEAR RING	1				1.5	3.3
030	15521-25162	BOLT FLYWHEEL	6				0.05	0.11
040	T1040-20100	COMP.HOUSING F-W.	1				21.2	46.64
050	05012-01018	PIN STRAIGHT	2				0.012	0.0264
060	31220-14290	PLUG	8				0.002	0.0044
070	15521-04680	COVER	1				0.035	0.077
080	15521-04790	PACKING COVER	1				0.005	0.011
090	01123-60816	BOLT	2				0.01	0.022
100	16427-91010	BOLT	11				0.004	0.0088
110	01073-51202	BOLT	2				0.11	0.242
120	04512-60120	WASHER SPRING	2				0.005	0.011

FUEL CAMSHAFT



1G851-009-10



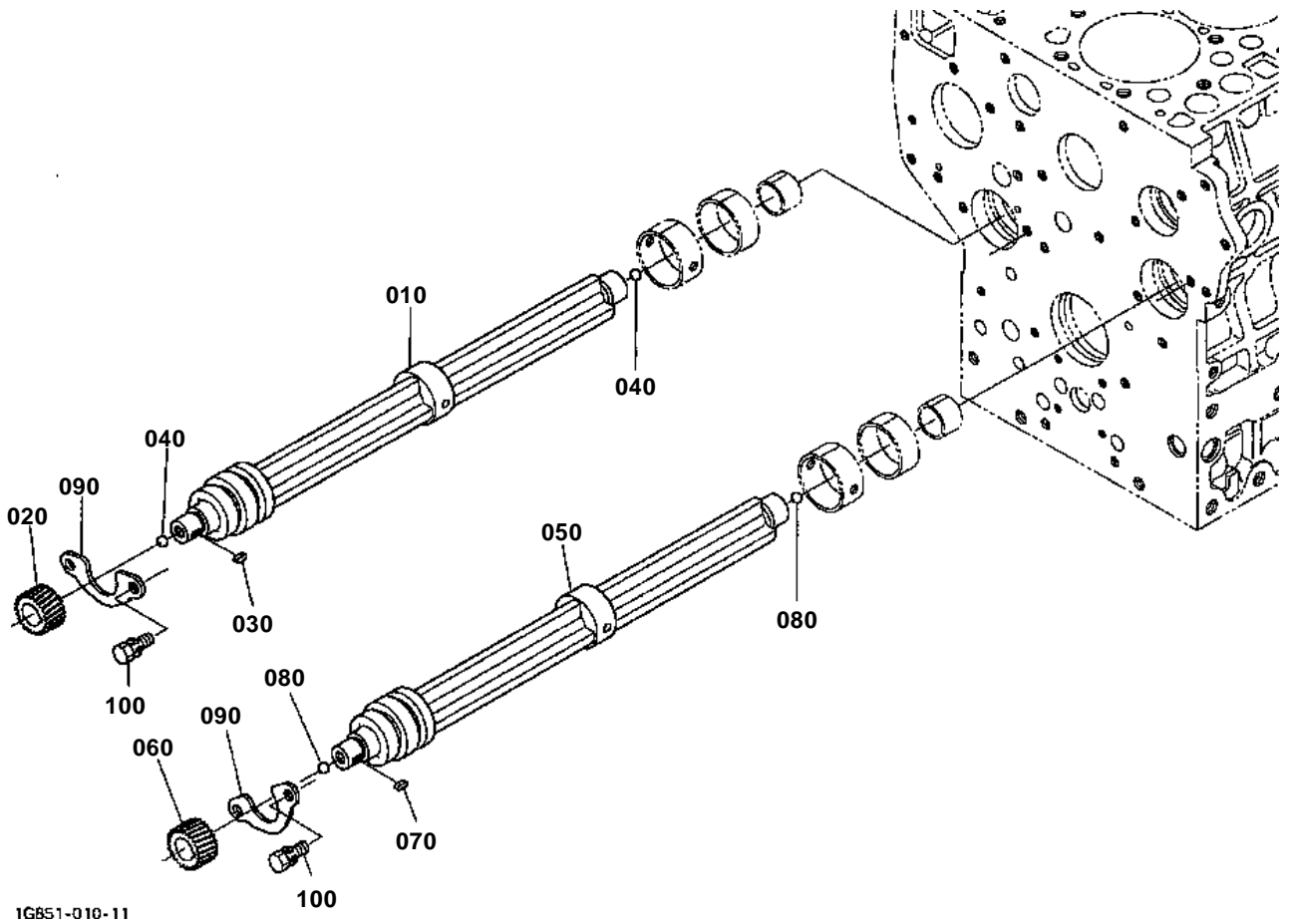
# FUEL CAMSHAFT

↔ Interchangeable; ≠ not interchangeable; ← new for old; → old for new

REF.No	Part No.	Description	Q'ty	S.No.	I/C	REMARKS	Weight (kgf)	Weight (lb)
010	1A091-16020	ASSY CAMSHAFT FUEL	1				3.13	6.886
020	1A091-51750	BEARING BALL	1	<=2J0298			0	0
020	1A091-51752	BEARING BALL	1	>=2L0001	↔		0.24	0.528
030	16415-51150	GEAR INJECTION PUMP	1				1.075	2.365
040	05712-00525	KEY FEATHER	1				0.005	0.011
050	04612-00240	CIR CLIP EXTERNAL	1				0.002	0.0044
060	15611-55450	SLEEVE GOVERNOR	1				0.117	0.2574
070	15221-55470	CIR-CLIP GOV. SLEEVE	1				0.003	0.0066
080	15611-55690	CASE GOVERNOR BALL	1				0.03	0.066
090	07715-03205	BALL	39				0.001	0.0022
100	15221-55740	CIR-CLIP	1				0.002	0.0044
110	07715-00403	BALL	7				0.03	0.066
120	08240-00001	BEARING BALL	1	<=2Y0666			0.19	0.418
120	19077-97300	BEARING BALL	1	>=3A0001	↔		0.175	0.385
130	1A091-16320	STOPPER FUEL C/SHAFT	1				0.014	0.0308
140	01123-60814	BOLT	2				0.01	0.022



BALANCER

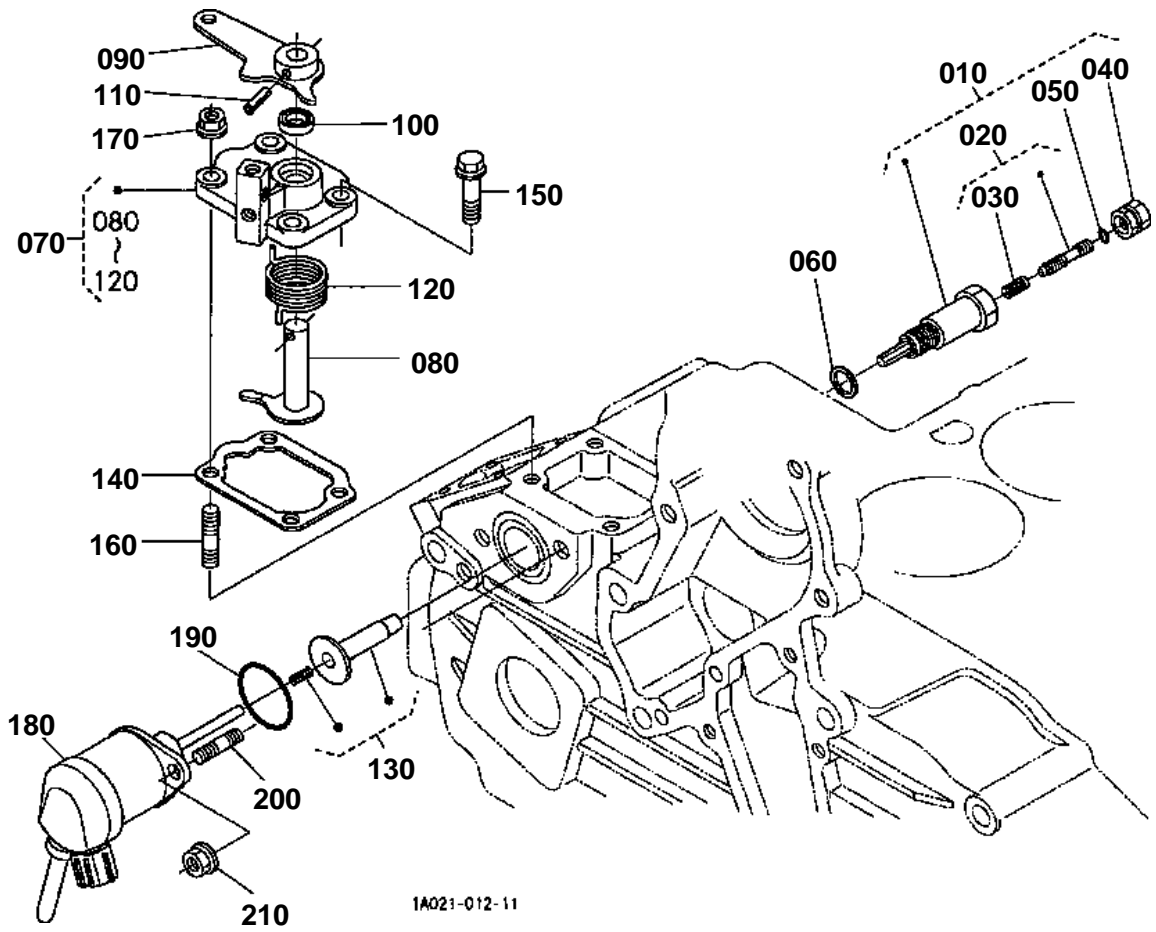


**BALANCER**

↔ Interchangeable; ≠ not interchangeable; ← new for old; → old for new

REF.No	Part No.	Description	Q'ty	S.No.	I/C	REMARKS	Weight (kgf)	Weight (lb)
010	1A091-26330	SHAFT SUCTION	1				2.49	5.478
020	1A091-26450	GEAR BALANCER	1	<=2C0797			0	0
020	1A091-26452	GEAR BALANCER	1	>=2E0001	↔		0.055	0.121
030	05712-00410	KEY FEATHER	1				0.001	0.0022
040	07715-00401	BALL	2				0.001	0.0022
050	1A091-26310	SHAFT EXHAUST	1				2.58	5.676
060	1A091-26440	GEAR BALANCER	1				0.055	0.121
070	05712-00410	KEY FEATHER	1				0.001	0.0022
080	07715-00401	BALL	2				0.001	0.0022
090	1A091-26592	STOPPER WEIGHT SHAFT	2				0.04	0.088
100	01123-50818	BOLT	4				0.012	0.0264

ENGINE STOP LEVER



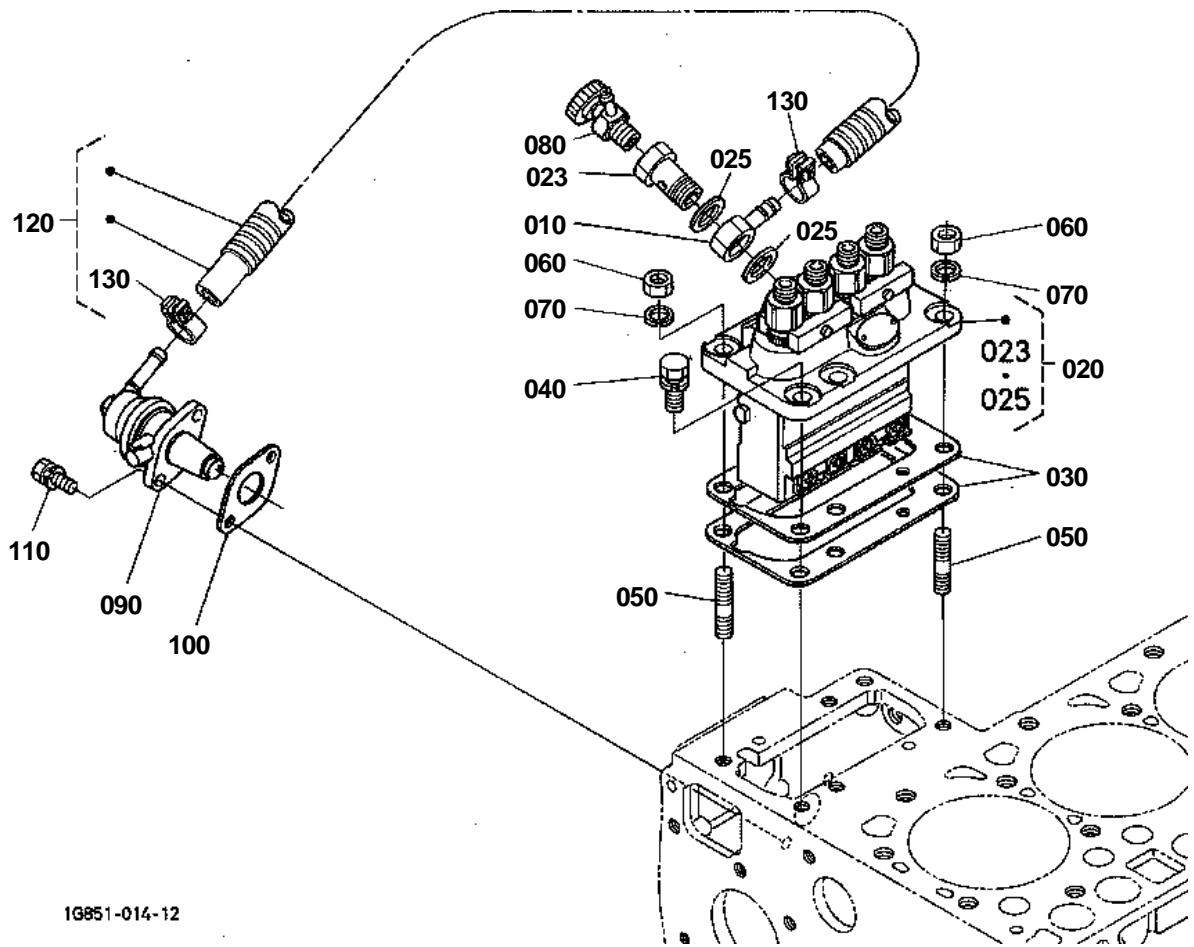


## ENGINE STOP LEVER

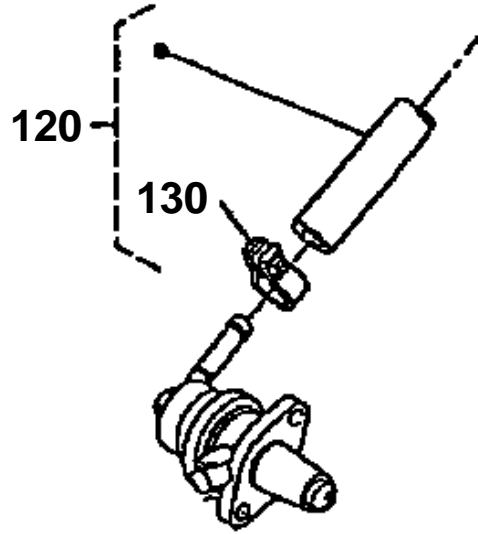
↔ Interchangeable; ≠ not interchangeable; ← new for old; → old for new

REF.No	Part No.	Description	Q'ty	S.No.	I/C	REMARKS	Weight (kgf)	Weight (lb)
010	1A021-54160	APPARATUS IDLING	1				0.103	0.2266
020	1G911-54100	ASSY BOLT ADJUSTMENT	1				0.008	0.0176
030	15521-54260	SPRING	1				0.001	0.0022
040	1G911-92010	NUT SPRING	1				0.015	0.033
050	04814-00060	O RING	1				0.001	0.0022
060	04724-00140	GASKET	1				0.002	0.0044
070	1A021-57700	ASSY LEVER ENG.STOP	1				0.184	0.4048
080	1A021-57710	COMP.LEVER STOP	1				0.038	0.0836
090	1A021-57720	LEVER ENGINE STOP	1				0.055	0.121
100	15471-57980	SEAL OIL	1				0.001	0.0022
110	05411-00420	PIN SPRING	1				0.001	0.0022
120	1A021-57920	SPRING RETURN	1				0.01	0.022
130	1A021-56602	COMP.GUIDE SOLENOID	1				0.007	0.0154
140	1A021-57210	GASKET PLATE	1				0.001	0.0022
150	01023-50620	BOLT	2				0.006	0.0132
160	15221-88210	STUD	2				0.005	0.011
170	02751-50060	NUT FLANGE	2				0.005	0.011
180	1A021-60013	ASSY SOLENOID	1				0.29	0.638
190	04814-06310	O RING	1				0.002	0.0044
200	15221-88210	STUD	2				0.005	0.011
210	02761-50060	NUT FLANGE	2				0.003	0.0066

# INJECTION PUMP



120 14681-4201-0



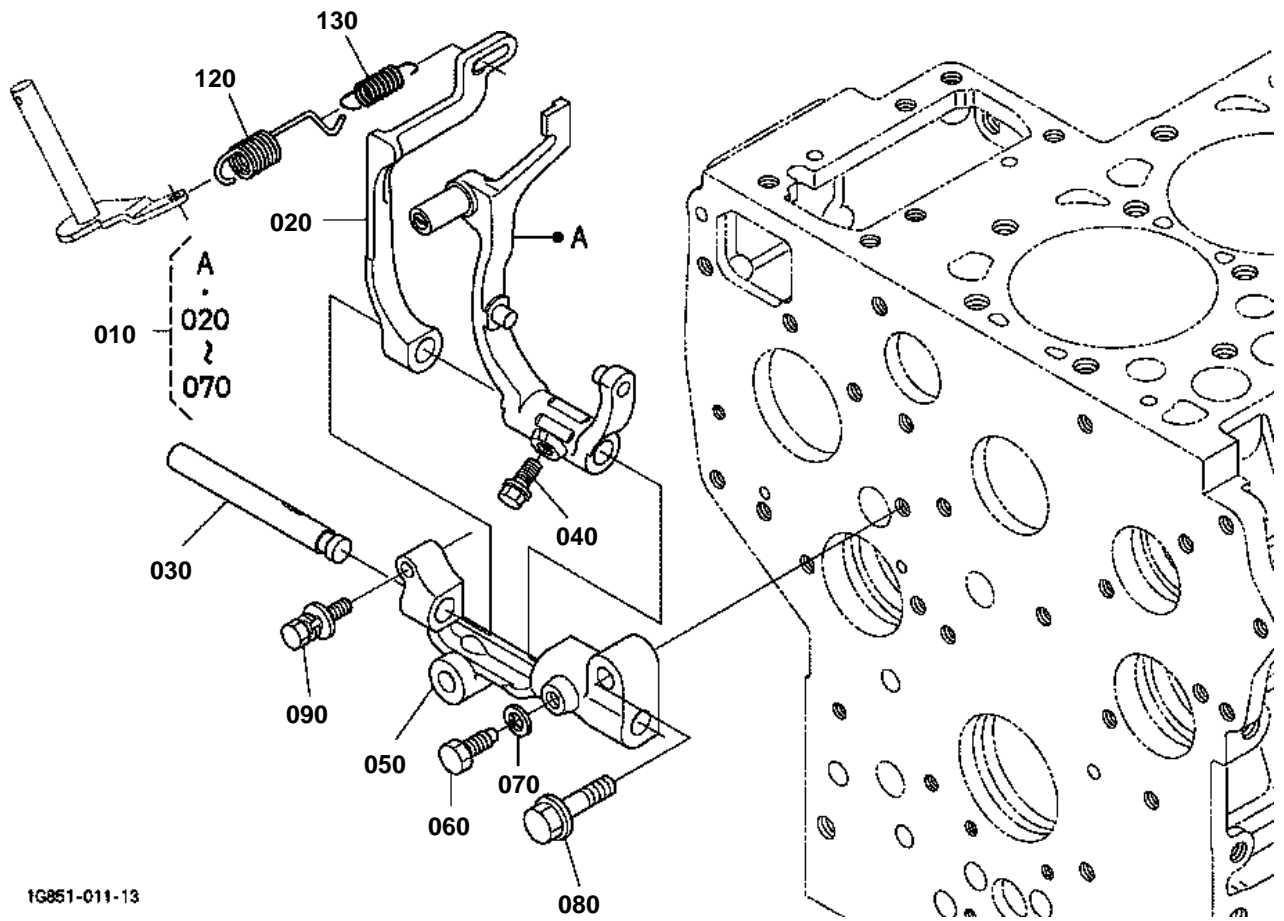
32771-807-10

**INJECTION PUMP**

↔ Interchangeable; ≠ not interchangeable; ← new for old; → old for new

REF.No	Part No.	Description	Q'ty	S.No.	I/C	REMARKS	Weight (kgf)	Weight (lb)
010	15401-95690	JOINT EYE	1				0.04	0.088
020	1G762-51010	ASSY PUMP INJECTION	1				2.5	5.5
023	15471-51320	SCREW HOLLOW	1				0.032	0.0704
025	15401-96650	GASKET	2				0.001	0.0022
030	19077-52090	SHIM INJECTION PUMP	1	<=2G0462		0.20mm	0	0
030	19077-52092	SHIM INJECTION PUMP	1	>=2J0001	1	0.20mm	0.006	0.0132
030	19077-52113	SHIM INJECTION PUMP	1	>=2J0001	1	0.25mm	0.002	0.0044
030	19077-52123	SHIM INJECTION PUMP	1	>=2J0001	1	0.30mm	0.01	0.022
040	01123-50822	BOLT	4				0.012	0.0264
050	15221-91530	STUD	2				0.011	0.0242
060	02156-50080	NUT	2				0.004	0.0088
070	04512-60080	WASHER SPRING	2				0.002	0.0044
080	14311-60504	ASSY COCK JET START	1				0.034	0.0748
090	17121-52030	ASSY PUMP FUEL	1				0.13	0.286
100	1A021-52140	GASKET FUEL PUMP	1				0.001	0.0022
100	1G751-52140	GASKET FUEL PUMP	1			<<	0.001	0.0022
110	01023-50616	BOLT	2				0.005	0.011
120	14681-42010	ASSY PIPE FUEL	1				0.04	0.088
120	T1060-42600	ASSY TUBE FUEL	1			<<	0.043	0.0946
130	14301-42750	CLIP PIPE	2				0.005	0.011

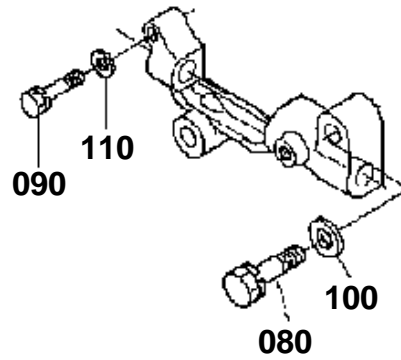
GOVERNOR



1G851-011-13



080 01123-50832  
090 01023-50628  
100 04012-50080  
110 04012-50060



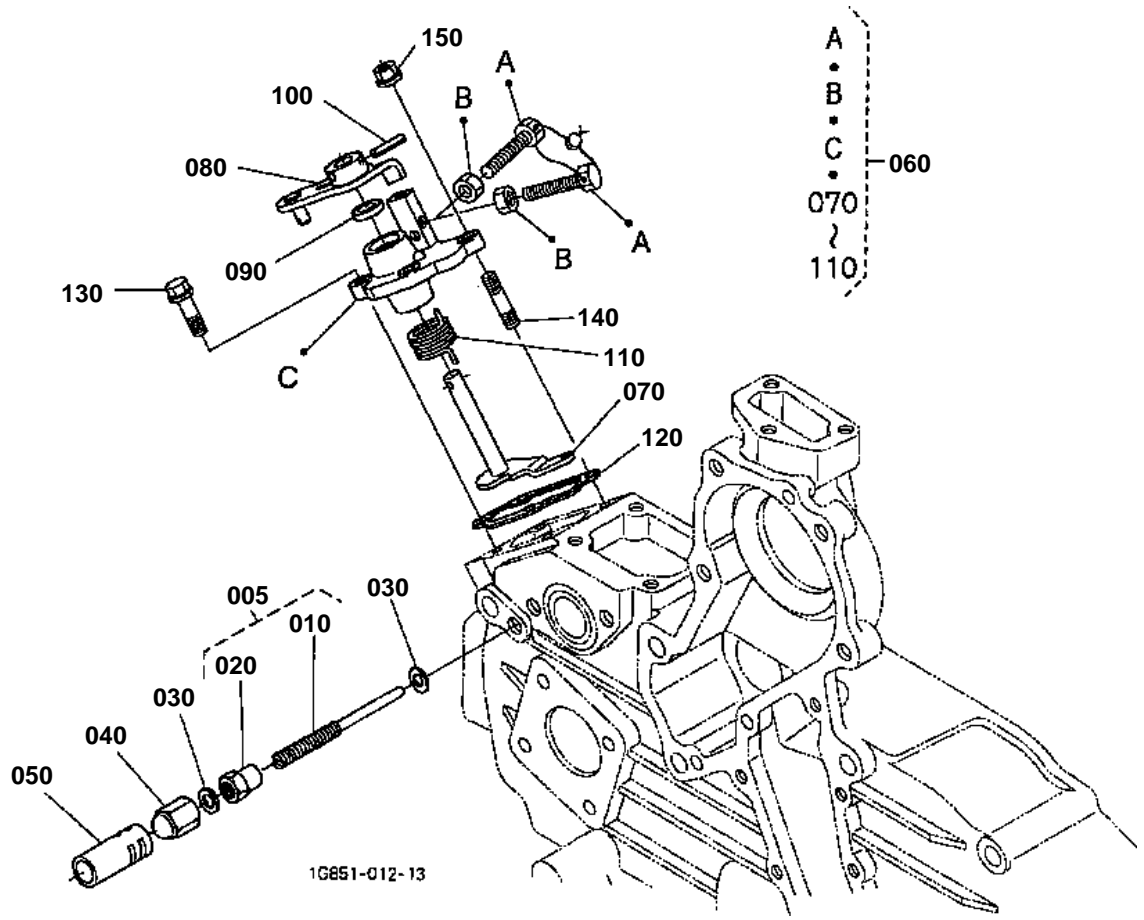
**32771-823-10**

**GOVERNOR**

↔ Interchangeable; ≠ not interchangeable; ← new for old; → old for new

REF.No	Part No.	Description	Q'ty	S.No.	I/C	REMARKS	Weight (kgf)	Weight (lb)
010	1A091-56050	ASSY LEVER FORK	1	≤YS0182			0	0
010	1A091-56053	ASSY LEVER FORK	1	≥YU0001	↔		0.355	0.781
020	1A021-56132	LEVER FORK	1	≤3A0423			0	0
020	1A021-56133	LEVER FORK	1	≥3C0001	↔		0.035	0.077
030	1G911-56150	SHAFT FORK LEVER	1				0.05	0.11
040	01754-50618	BOLT FLANGE	1				0.01	0.022
050	1A091-56230	HOLDER FORK LEVER	1				0.085	0.187
060	15221-66410	BOLT	1				0.005	0.011
070	04512-60060	WASHER SPRING	1				0.001	0.0022
080	01123-50832	BOLT	2	≤3Q0358			0.016	0.0352
080	01754-50830	BOLT FLANGE	2	≥3S0001	↔		0.05	0.11
090	01023-50628	BOLT	1	≤3Q0358			0.015	0.033
090	01025-50630	BOLT	1	≥3S0001	↔		0.009	0.0198
100	04012-50080	WASHER PLAIN	2	≤3Q0358			0.001	0.0022
110	04012-50060	WASHER PLAIN	1	≤3Q0358			0.001	0.0022
120	1A001-56410	SPRING GOVERNOR	1				0.006	0.0132
130	1A021-56420	SPRING GOVERNOR	1				0.002	0.0044

SPEED CONTROL PLATE



010 15601-5412-0

010



1G783-801-10

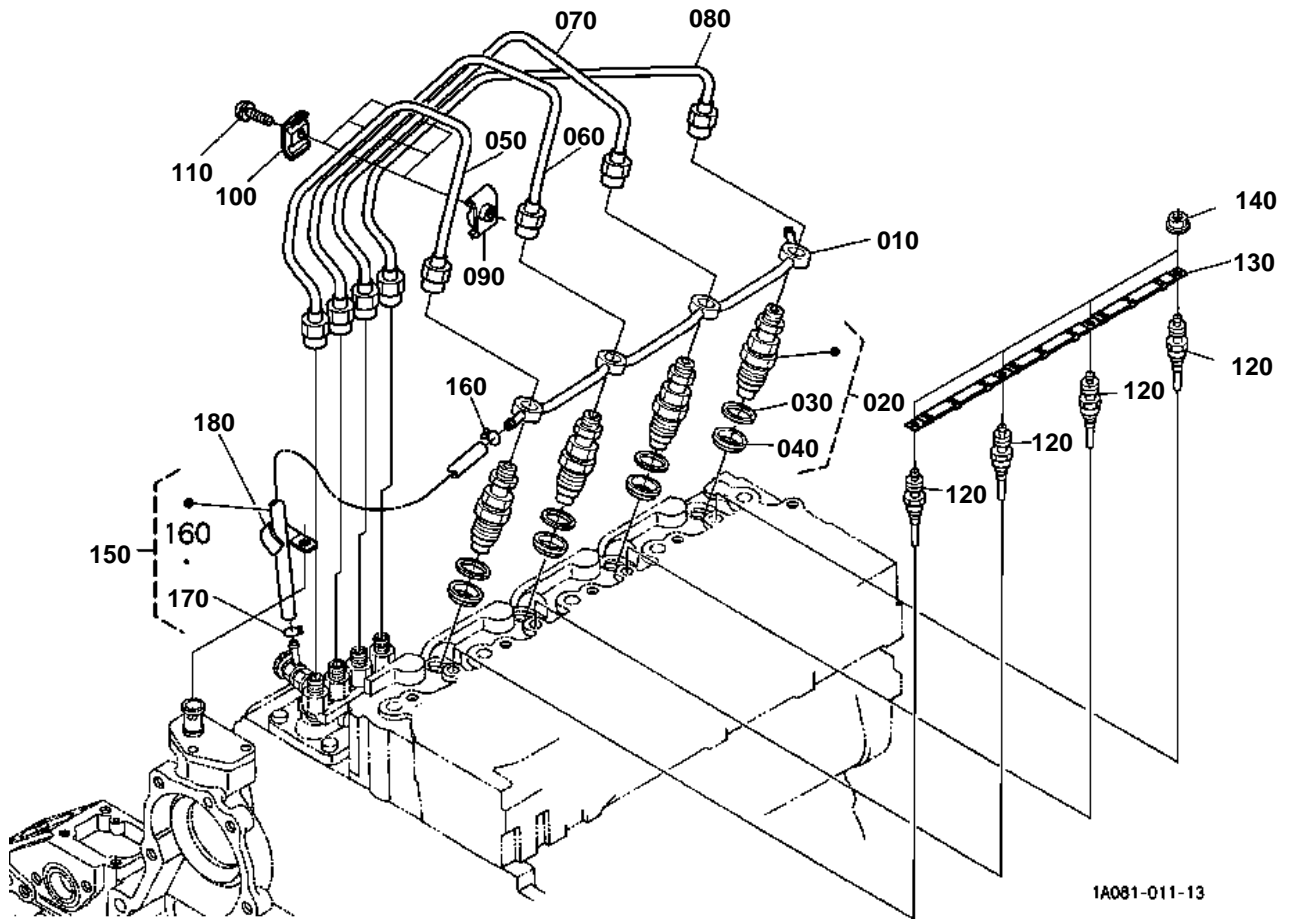


## SPEED CONTROL PLATE

↔ Interchangeable; ≠ not interchangeable; ← new for old; → old for new

REF.No	Part No.	Description	Q'ty	S.No.	I/C	REMARKS	Weight (kgf)	Weight (lb)
005	1A021-54350	ASSY BOLT ADJUSTMENT	1	>=2C0001			0.015	0.033
010	15601-54120	BOLT ADJUSTING	1	<=2A0939			0.011	0.0242
010	1A021-54120	BOLT ADJUSTING	1	>=2C0001	-		0.009	0.0198
020	15601-92012	NUT	1				0.006	0.0132
030	15601-96650	GASKET	2				0.001	0.0022
040	15841-14620	NUT	1				0.01	0.022
050	99999-99999	PIPE LOCK	1				0	0
060	1A053-57000	ASSY PLATE CONTROL	1				0.21	0.462
070	1A021-56020	COMP.LEVER GOVERNOR	1				0.046	0.1012
080	1A053-57150	LEVER SPEED CONTROL	1				0.051	0.1122
090	15471-57980	SEAL OIL	1				0.001	0.0022
100	05411-00420	PIN SPRING	1				0.001	0.0022
110	1A021-57920	SPRING RETURN	1				0.01	0.022
120	1A021-57210	GASKET PLATE	1				0.001	0.0022
130	01023-50620	BOLT	2				0.006	0.0132
140	15221-88210	STUD	2				0.005	0.011
150	02761-50060	NUT FLANGE	2				0.003	0.0066

NOZZLE HOLDER AND GLOW PLUG



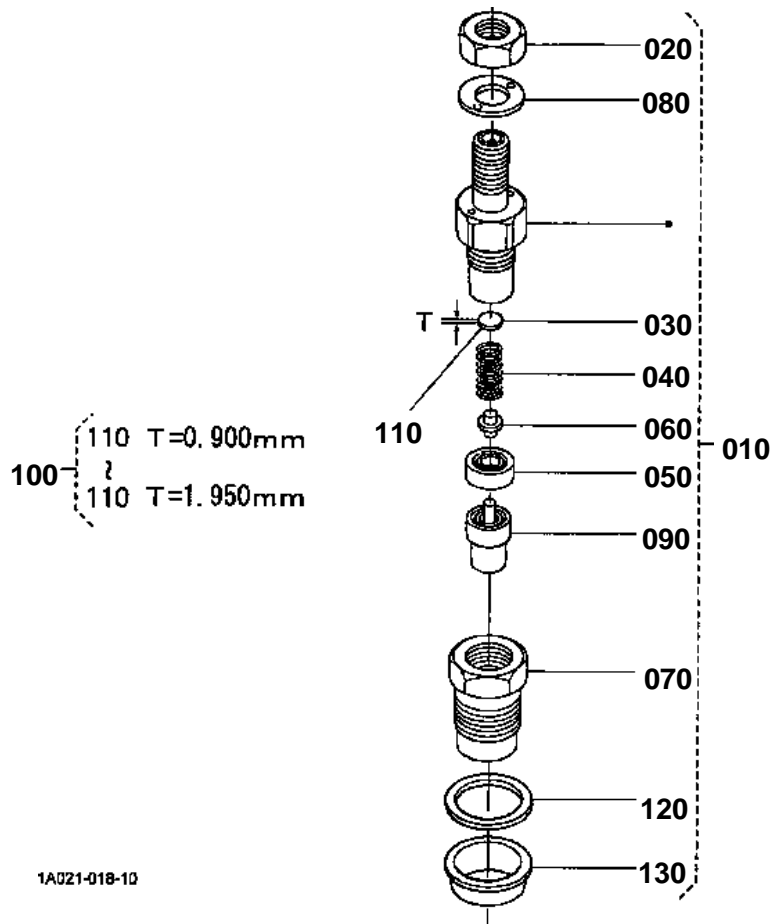


# NOZZLE HOLDER AND GLOW PLUG

↔ Interchangeable; ≠ not interchangeable; ← new for old; → old for new

REF.No	Part No.	Description	Q'ty	S.No.	I/C	REMARKS	Weight (kgf)	Weight (lb)
010	16454-42502	ASSY PIPE OVER FLOW	1				0.06	0.132
020	16454-53900	KIT HOLDER NOZZLE	1				0.013	0.0286
030	15841-53622	GASKET	4				0.002	0.0044
040	19077-53650	SEAL HEAT	4				0.005	0.011
050	19077-53714	PIPE INJECTION	1				0.14	0.308
060	19077-53723	PIPE INJECTION	1				0.14	0.308
070	19077-53733	PIPE INJECTION	1				0.12	0.264
080	19077-53743	PIPE INJECTION	1				0.13	0.286
090	15841-53850	CLAMP PIPE	3				0.01	0.022
100	15841-53860	CLAMP PIPE	3				0.009	0.0198
110	03024-50520	SCREW WITH WASHER	3				0.004	0.0088
120	19077-65510	GLOW PLUG	4				0.03	0.066
130	16475-65560	CORD GLOW PLUG	1				0.02	0.044
130	1G778-65560	CORD GLOW PLUG	1		<<		0.02	0.044
140	02761-50040	NUT FLANGE	4				0.002	0.0044
150	17331-42500	ASSY PIPE OVER FLOW	1				0.02	0.044
160	14971-42750	CLIP PIPE	1				0.001	0.0022
170	10244-42320	CLIP PIPE	1				0.001	0.0022
180	15241-67580	CLAMP CORD	1				0.004	0.0088

NOZZLE HOLDER [COMPONENT PARTS]



1A021-018-10





## NOZZLE HOLDER [COMPONENT PARTS]

↔ Interchangeable; ≠ not interchangeable; ← new for old; → old for new

REF.No	Part No.	Description	Q'ty	S.No.	I/C	REMARKS	Weight (kgf)	Weight (lb)
010	16454-53900	KIT HOLDER NOZZLE	4				0.013	0.0286
020	15841-92030	NUT	4				0.005	0.011
030	15841-53230	WASHER ADJUSTING	4				0.001	0.0022
040	16475-53170	SPRING NOZZLE	4				0.005	0.011
050	15841-53350	PIECE DISTANCE	4				0.004	0.0088
060	15841-53160	PUSH ROD	4				0.001	0.0022
070	16475-53280	NUT NOZZLE	4				0.03	0.066
080	15841-94040	WASHER	4				0.001	0.0022
090	16454-53610	PIECE NOZZLE	4				0.024	0.0528
100	15841-98100	ASSY WASHER ADJUST	4			OPTION	0.043	0.0946
110	15841-53230	WASHER ADJUSTING	4			0.900mm	0.001	0.0022
110	15841-98510	WASHER ADJUSTING	4			0.925mm	0.001	0.0022
110	15841-98520	WASHER ADJUSTING	4			0.950mm	0.001	0.0022
110	15841-98530	WASHER ADJUSTING	4			0.975mm	0.001	0.0022
110	15841-98540	WASHER ADJUSTING	4			1.000mm	0.001	0.0022
110	15841-98550	WASHER ADJUSTING	4			1.025mm	0.001	0.0022
110	15841-98560	WASHER ADJUSTING	4			1.050mm	0.001	0.0022
110	15841-98570	WASHER ADJUSTING	4			1.075mm	0.001	0.0022
110	15841-98580	WASHER ADJUSTING	4			1.100mm	0.001	0.0022
110	15841-98590	WASHER ADJUSTING	4			1.125mm	0.001	0.0022
110	15841-98600	WASHER ADJUSTING	4			1.150mm	0.001	0.0022
110	15841-98610	WASHER ADJUSTING	4			1.175mm	0.001	0.0022
110	15841-98620	WASHER ADJUSTING	4			1.200mm	0.001	0.0022
110	15841-98630	WASHER ADJUSTING	4			1.225mm	0.001	0.0022
110	15841-98640	WASHER ADJUSTING	4			1.250mm	0.001	0.0022
110	15841-98650	WASHER ADJUSTING	4			1.275mm	0.001	0.0022
110	15841-98660	WASHER ADJUSTING	4			1.300mm	0.001	0.0022
110	15841-98670	WASHER ADJUSTING	4			1.325mm	0.001	0.0022
110	15841-98680	WASHER ADJUSTING	4			1.350mm	0.001	0.0022
110	15841-98690	WASHER ADJUSTING	4			1.375mm	0.001	0.0022
110	15841-98700	WASHER ADJUSTING	4			1.400mm	0.001	0.0022
110	15841-98710	WASHER ADJUSTING	4			1.425mm	0.001	0.0022
110	15841-98720	WASHER ADJUSTING	4			1.450mm	0.001	0.0022
110	15841-98730	WASHER ADJUSTING	4			1.475mm	0.001	0.0022
110	15841-98740	WASHER ADJUSTING	4			1.500mm	0.001	0.0022
110	15841-98750	WASHER ADJUSTING	4			1.525mm	0.001	0.0022
110	15841-98760	WASHER ADJUSTING	4			1.550mm	0.001	0.0022
110	15841-98770	WASHER ADJUSTING	4			1.575mm	0.001	0.0022
110	15841-98780	WASHER ADJUSTING	4			1.600mm	0.002	0.0044
110	15841-98790	WASHER ADJUSTING	4			1.625mm	0.001	0.0022
110	15841-98800	WASHER ADJUSTING	4			1.650mm	0.001	0.0022
110	15841-98810	WASHER ADJUSTING	4			1.675mm	0.004	0.0088
110	15841-98820	WASHER ADJUSTING	4			1.700mm	0.001	0.0022
110	15841-98830	WASHER ADJUSTING	4			1.725mm	0.001	0.0022
110	15841-98840	WASHER ADJUSTING	4			1.750mm	0.001	0.0022
110	15841-98850	WASHER ADJUSTING	4			1.775mm	0.001	0.0022
110	15841-98860	WASHER ADJUSTING	4			1.800mm	0.001	0.0022
110	15841-98870	WASHER ADJUSTING	4			1.825mm	0.001	0.0022
110	15841-98880	WASHER ADJUSTING	4			1.850mm	0.001	0.0022
110	15841-98890	WASHER ADJUSTING	4			1.875mm	0.001	0.0022
110	15841-98900	WASHER ADJUSTING	4			1.900mm	0.001	0.0022

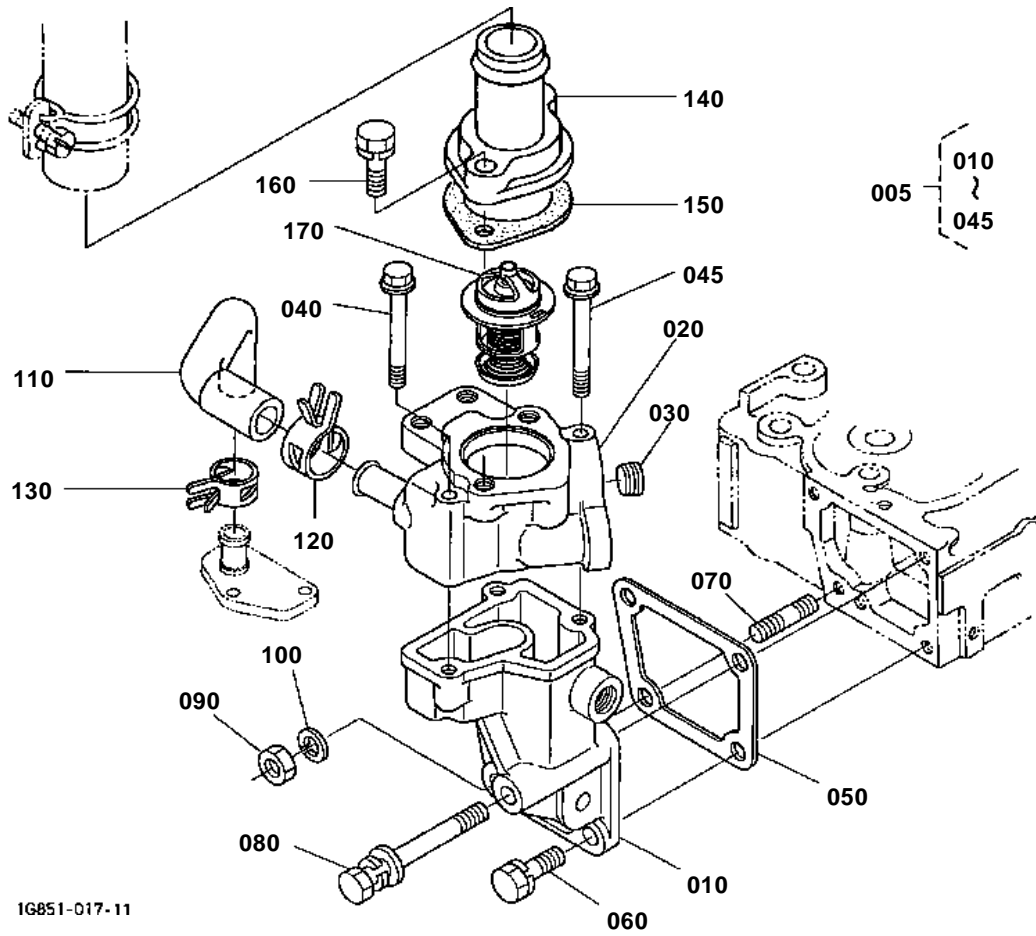


## NOZZLE HOLDER [COMPONENT PARTS]

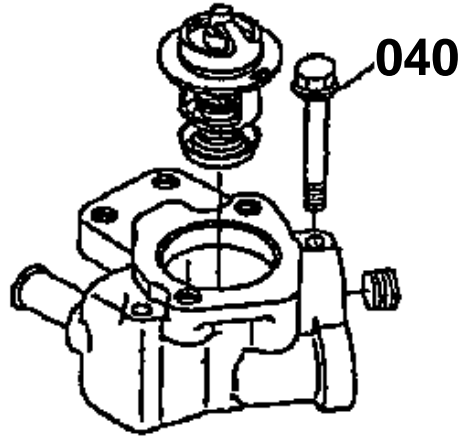
↔ Interchangeable; ≠ not interchangeable; ← new for old; → old for new

REF.No	Part No.	Description	Q'ty	S.No.	I/C	REMARKS	Weight (kgf)	Weight (lb)
110	15841-98910	WASHER ADJUSTING	4			1.925mm	0.001	0.0022
110	15841-98920	WASHER ADJUSTING	4			1.950mm	0.001	0.0022
120	15841-53622	GASKET	4				0.002	0.0044
130	19077-53650	SEAL HEAT	4				0.005	0.011

WATER FLANGE AND THERMOSTAT



040 01754-50660



32771-804-10

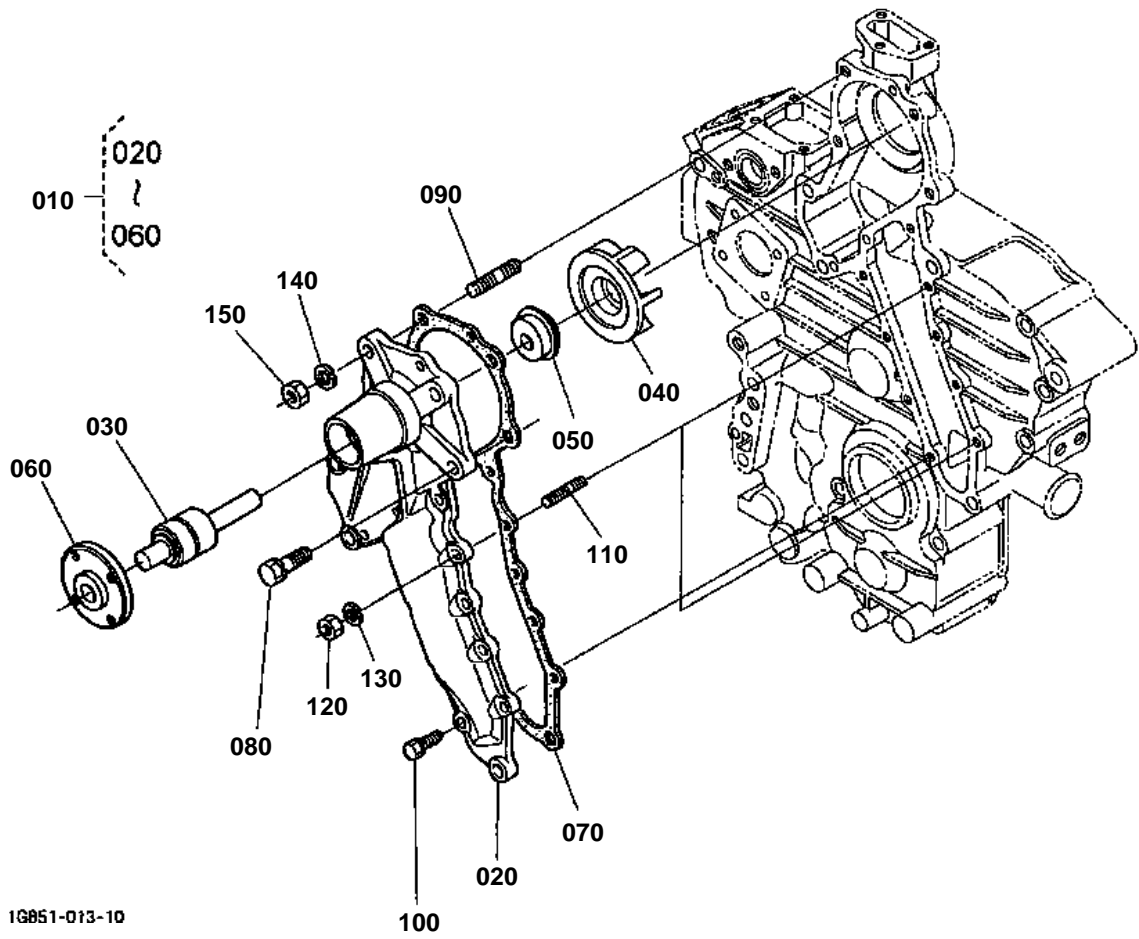


**WATER FLANGE AND THERMOSTAT**

↔ Interchangeable; ≠ not interchangeable; ← new for old; → old for new

REF.No	Part No.	Description	Q'ty	S.No.	I/C	REMARKS	Weight (kgf)	Weight (lb)
005	1A021-72706	COMP.FLANGE WATER	1				0.82	1.804
010	1A021-72810	FLANGE WATER	1	≤1N0124		NOT SALE ORDER BY REF.No.005	0	0
010	1A021-72813	FLANGE WATER	1	≤1Q0001	↔	NOT SALE ORDER BY REF.No.005	0.37	0.814
020	1A021-72910	FLANGE WATER	1			NOT SALE	0	0
020	1A021-72913	FLANGE WATER	1	≤1C0140	≠		0.375	0.825
020	1A021-72914	FLANGE WATER	1	≥1E0001	1		0.375	0.825
030	1A021-96020	PLUG	1				0.015	0.033
040	01754-50660	BOLT FLANGE	3	≤1C0140			0.02	0.044
040	01754-50660	BOLT FLANGE	2	≥1E0001			0.02	0.044
045	01754-50665	BOLT FLANGE	1	≥1E0001			0.01	0.022
050	1A021-72920	GASKET WATER FLANGE	1				0.002	0.0044
060	01123-50822	BOLT	2				0.012	0.0264
070	15221-91530	STUD	1				0.011	0.0242
080	01125-50880	BOLT	1	≤1S0045			0.035	0.077
080	1A021-91020	BOLT	1	≥1U0001	1		0.032	0.0704
090	02156-50080	NUT	1				0.004	0.0088
100	04512-60080	WASHER SPRING	1				0.002	0.0044
110	1A021-73340	PIPE WATER RETURN	1				0.032	0.0704
120	09318-88200	CLAMP HOSE	1				0.004	0.0088
130	09318-88180	CLAMP HOSE	1				0.01	0.022
140	15321-73260	COVER THERMOSTAT	1				0.107	0.2354
150	1A021-73270	GASKET THERMO.COVER	1	≤2E0375			0	0
150	16221-73270	GASKET THERMOSTAT	1	≥2G0001	↔		0.01	0.022
160	01123-50835	BOLT	2				0.02	0.044
170	1A021-73012	ASSY THERMOSTAT	1				0.079	0.1738

# WATER PUMP



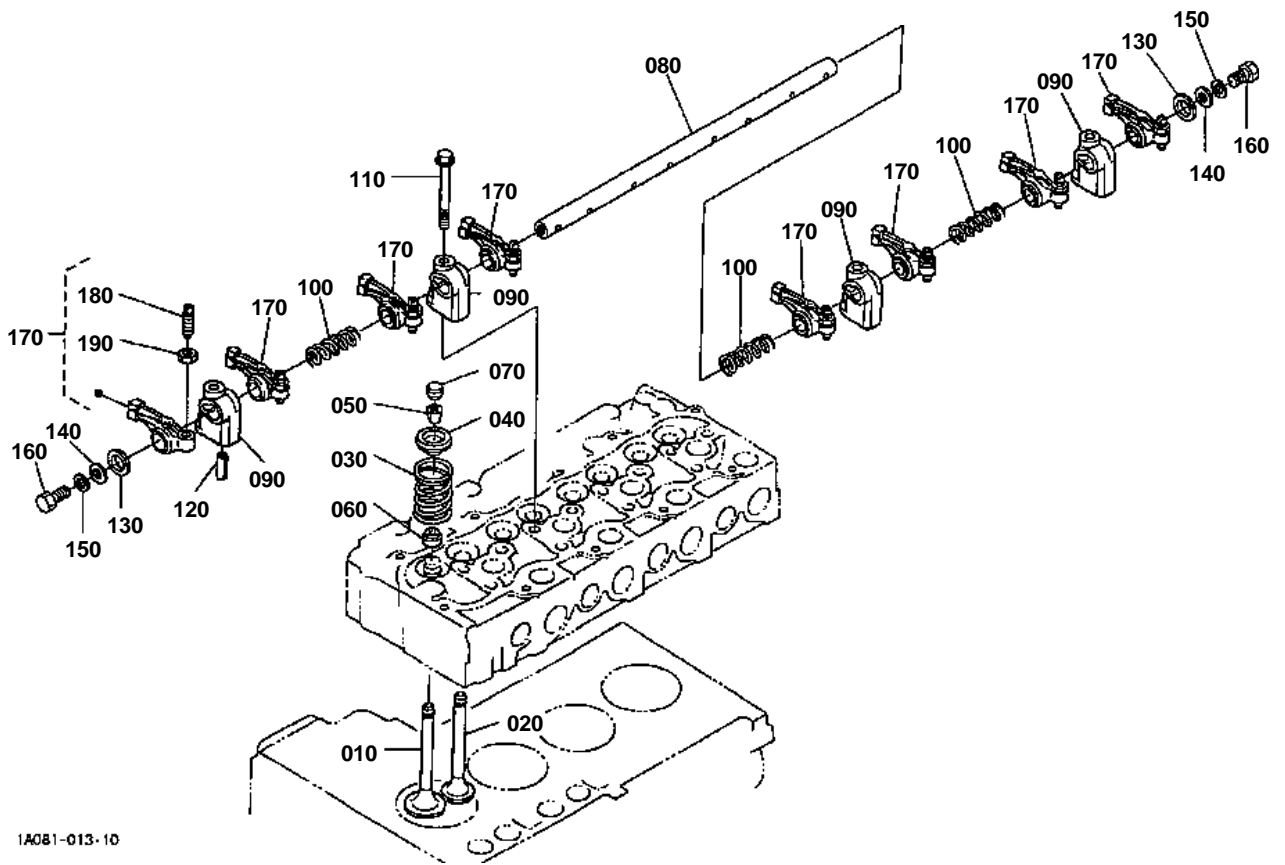
1G851-013-10

**WATER PUMP**

↔ Interchangeable; ≠ not interchangeable; ← new for old; → old for new

REF.No	Part No.	Description	Q'ty	S.No.	I/C	REMARKS	Weight (kgf)	Weight (lb)
010	1A091-73030	ASSY PUMP WATER	1	<=1G0116			1.14	2.508
010	1A021-73030	ASSY PUMP WATER	1	>=1J0001	1		1	2.2
020	17331-73410	BODY WATER PUMP	1				0.51	1.122
030	15521-73550	BEARING	1				0.235	0.517
040	1A091-73510	IMPELLER WATER PUMP	1	<=1G0116			0.13	0.286
040	1A021-73510	IMPELLER WATER PUMP	1	>=1J0001	↔		0.065	0.143
050	16661-73050	ASSY SEAL MECHANICAL	1				0.025	0.055
060	15521-73520	FLANGE WATER PUMP	1				0.25	0.55
070	1A021-73430	GASKET WATER PUMP	1				0.007	0.0154
080	01123-50828	BOLT	3				0.014	0.0308
090	15521-91510	STUD	1				0.012	0.0264
090	01518-50822	STUD	1		<<		0.012	0.0264
100	01023-50618	BOLT	7				0.006	0.0132
110	15221-88210	STUD	2				0.005	0.011
120	02056-50060	NUT	2				0.002	0.0044
130	04512-60060	WASHER SPRING	2				0.001	0.0022
140	04512-60080	WASHER SPRING	1				0.002	0.0044
150	02156-50080	NUT	1				0.004	0.0088

VALVE AND ROCKER ARM



1A081-013-10



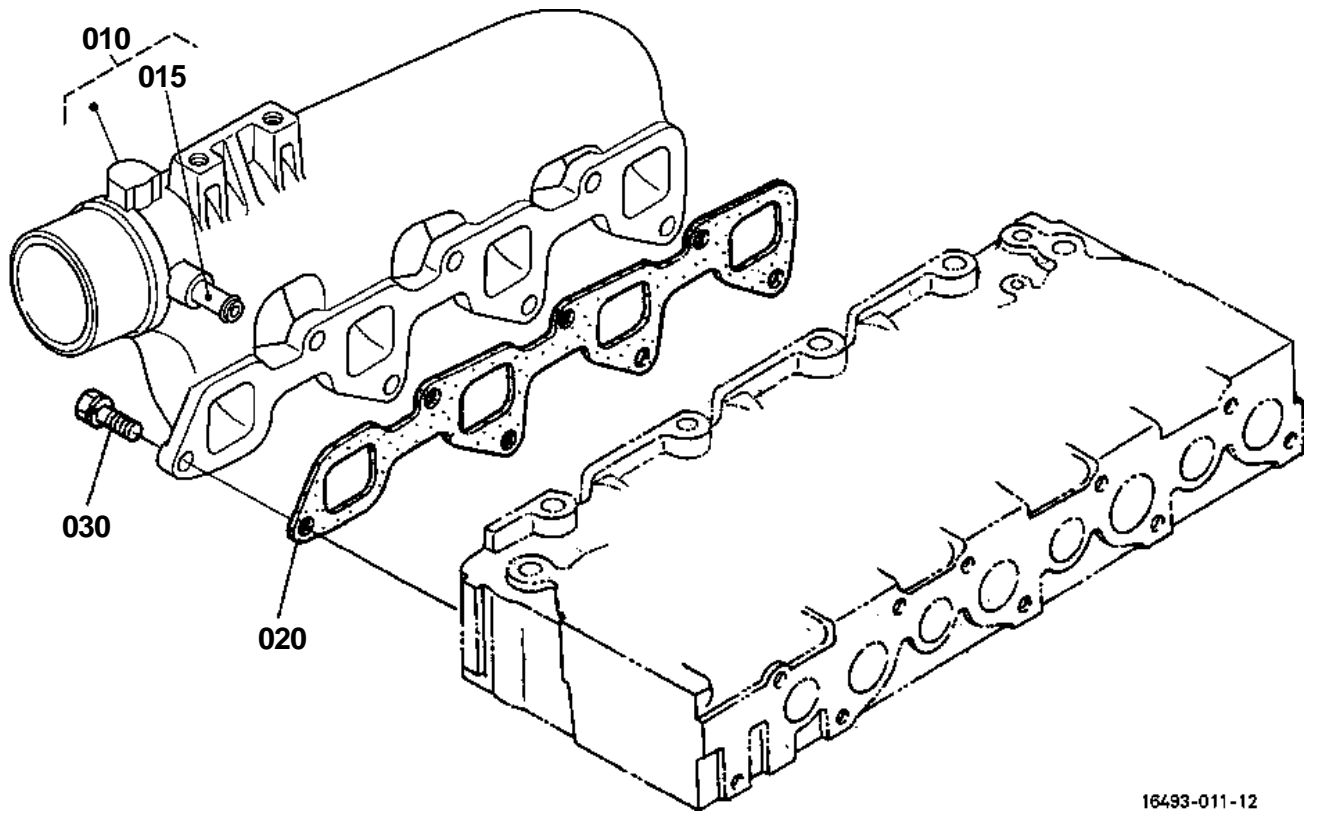


## VALVE AND ROCKER ARM

↔ Interchangeable; ≠ not interchangeable; ← new for old; → old for new

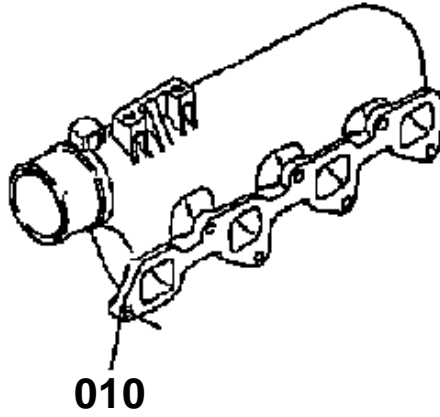
REF.No	Part No.	Description	Q'ty	S.No.	I/C	REMARKS	Weight (kgf)	Weight (lb)
010	16484-13110	VALVE INLET	4				0.06	0.132
020	16484-13120	VALVE EXHAUST	4				0.13	0.286
030	15221-13240	SPRING VALVE	8				0.036	0.0792
040	15221-13330	RETAINER VALVE SP.	8				0.03	0.066
050	15221-13980	COLLET VALVE SPRING	8			SET	0.002	0.0044
060	15221-13150	SEAL VALVE STEM	8	<=3S0409			0.001	0.0022
060	15221-13153	SEAL VALVE STEM	8	>=3U0001	→		0.001	0.0022
070	15221-13280	CAP VALVE	8				0.006	0.0132
080	1A091-14260	SHAFT ROCKER ARM	1				0.313	0.6886
090	15221-14350	BRACKET ROCKER ARM	4				0.044	0.0968
100	15221-14310	SPRING ROCKER ARM	3				0.005	0.011
110	01754-50855	BOLT FLANGE	4				0.02	0.044
120	05411-00528	PIN SPRING	1				0.003	0.0066
130	15221-14430	WASHER R-ARM.SHAFT	2				0.002	0.0044
140	04013-60080	WASHER PLAIN	2				0.002	0.0044
150	04512-60080	WASHER SPRING	2				0.002	0.0044
160	01153-50812	BOLT	2				0.008	0.0176
170	15621-14030	ASSY ROCKER ARM	8				0.1	0.22
180	15521-14230	SCREW ADJUSTING	8				0.009	0.0198
190	15021-14240	NUT	8				0.003	0.0066

INLET MANIFOLD

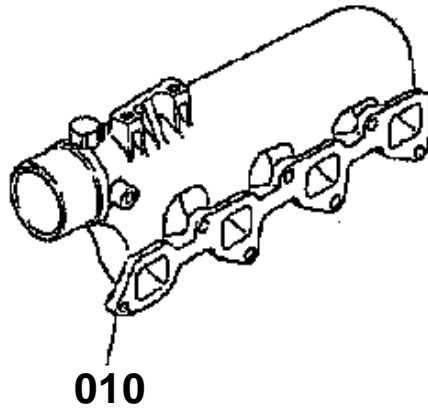


16493-011-12

**010 16475-1176-0**



**010 16429-1176-0**



**16493-808-11**

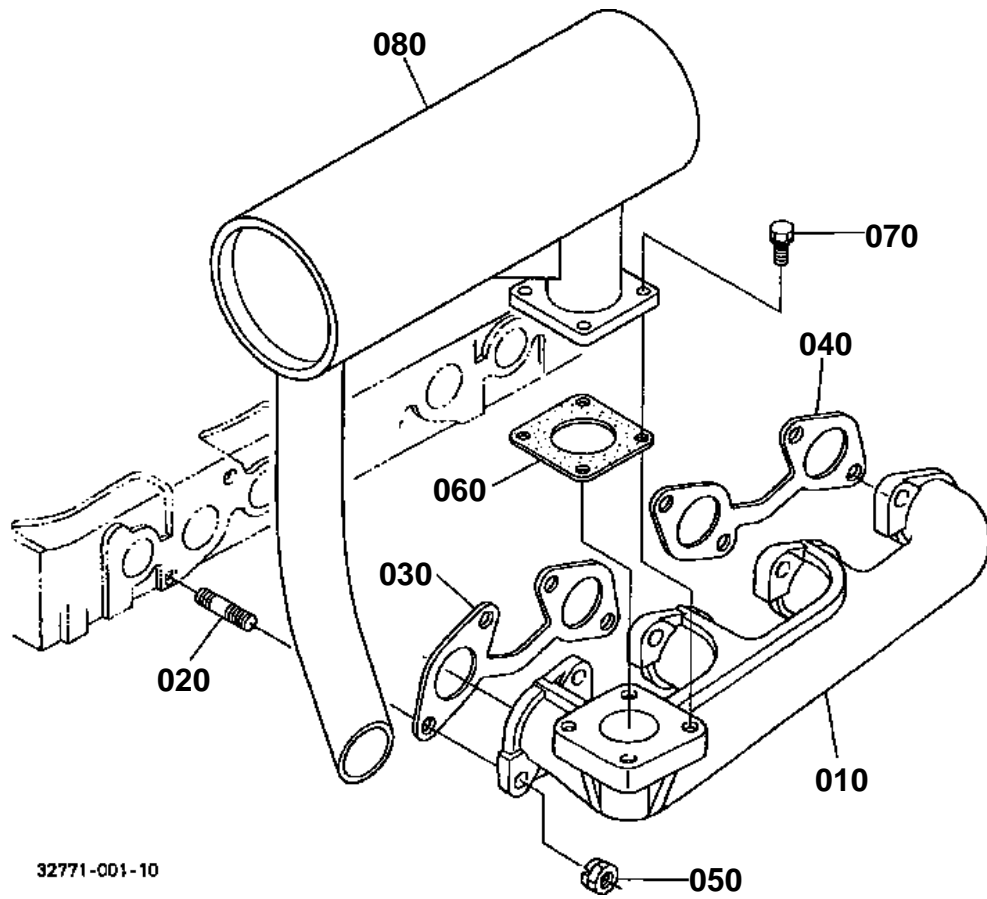


# INLET MANIFOLD

↔ Interchangeable; ≠ not interchangeable; ← new for old; → old for new

REF.No	Part No.	Description	Q'ty	S.No.	I/C	REMARKS	Weight (kgf)	Weight (lb)
010	16475-11760	MANIFOLD INLET	1	<=1Y0379			1.16	2.552
010	16429-11760	MANIFOLD INLET	1	>=2A0001	↔		1.19	2.618
010	1G780-11772	ASSY MANIFOLD INLET	1	>=3Y0001	↔		1.15	2.53
015	17331-73342	PIPE WATER RETURN	1	>=3Y0001			0.01	0.022
020	1A091-11820	GASKET IN-MANIFOLD	1	<=2Q0260			0.007	0.0154
020	1A091-11822	GASKET IN-MANIFOLD	1	>=2S0001	↔		0.007	0.0154
030	01123-50822	BOLT	6	<=3W0451			0.012	0.0264
030	01123-50822	BOLT	7	>=3Y0001			0.012	0.0264

EXHAUST MANIFOLD/MUFFLER



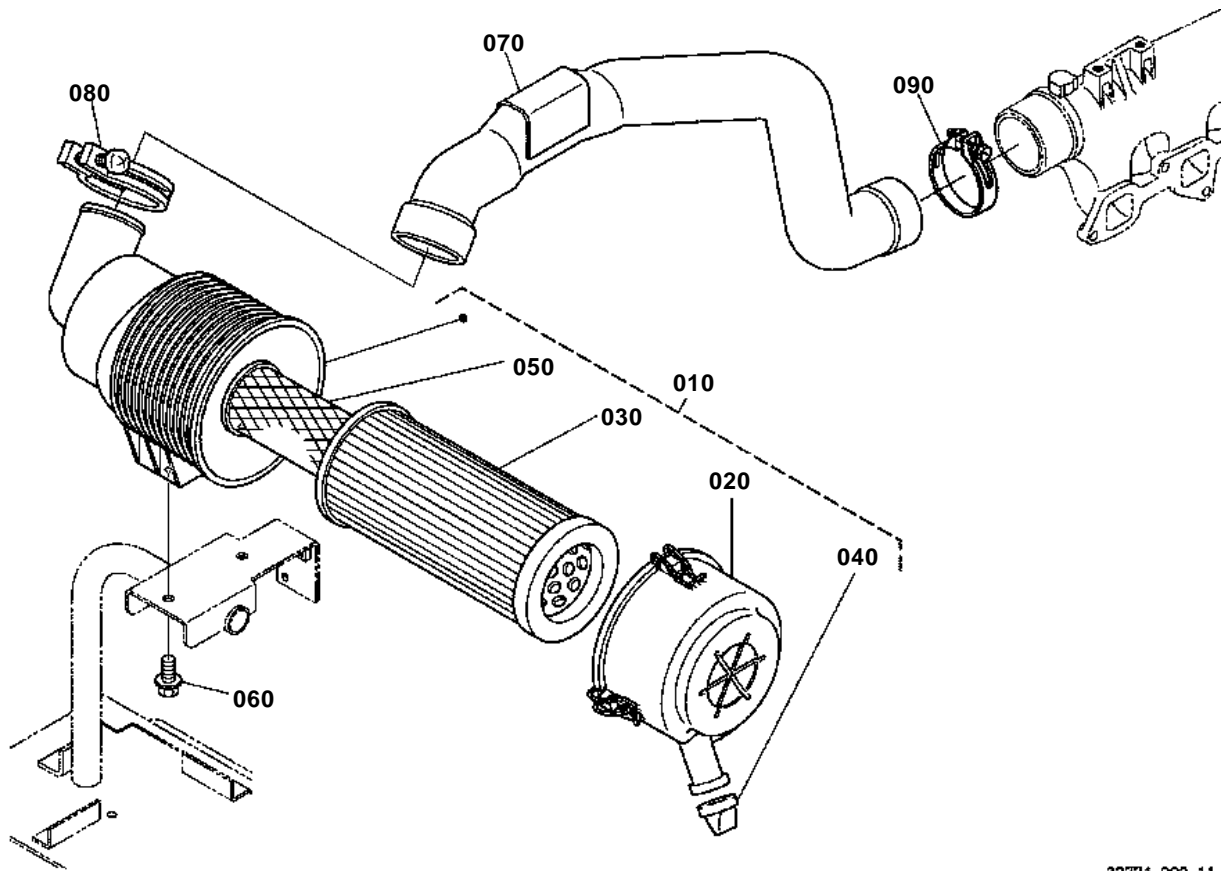


## EXHAUST MANIFOLD/MUFFLER

↔ Interchangeable; ≠ not interchangeable; ← new for old; → old for new

REF.No	Part No.	Description	Q'ty	S.No.	I/C	REMARKS	Weight (kgf)	Weight (lb)
010	17377-12312	MANIFOLD EXHAUST	1				2.9	6.38
020	15221-91530	STUD	8				0.011	0.0242
030	1A091-12350	GASKET EX-MANIFOLD	1				0.02	0.044
040	1A091-12360	GASKET EX-MANIFOLD	1				0.02	0.044
050	16429-92010	NUT	8				0.007	0.0154
060	T0070-16420	GASKET MUFFLER	1				0.016	0.0352
070	01123-50822	BOLT	4				0.012	0.0264
080	32771-16412	MUFFLER	1				0	0

AIR CLEANER



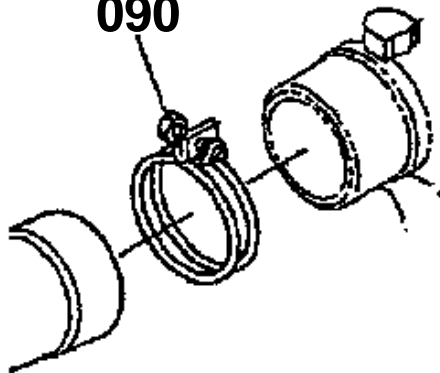
32771-002-11

080 68811-4227-0  
090 09318-89069

080



090



32771-819-10



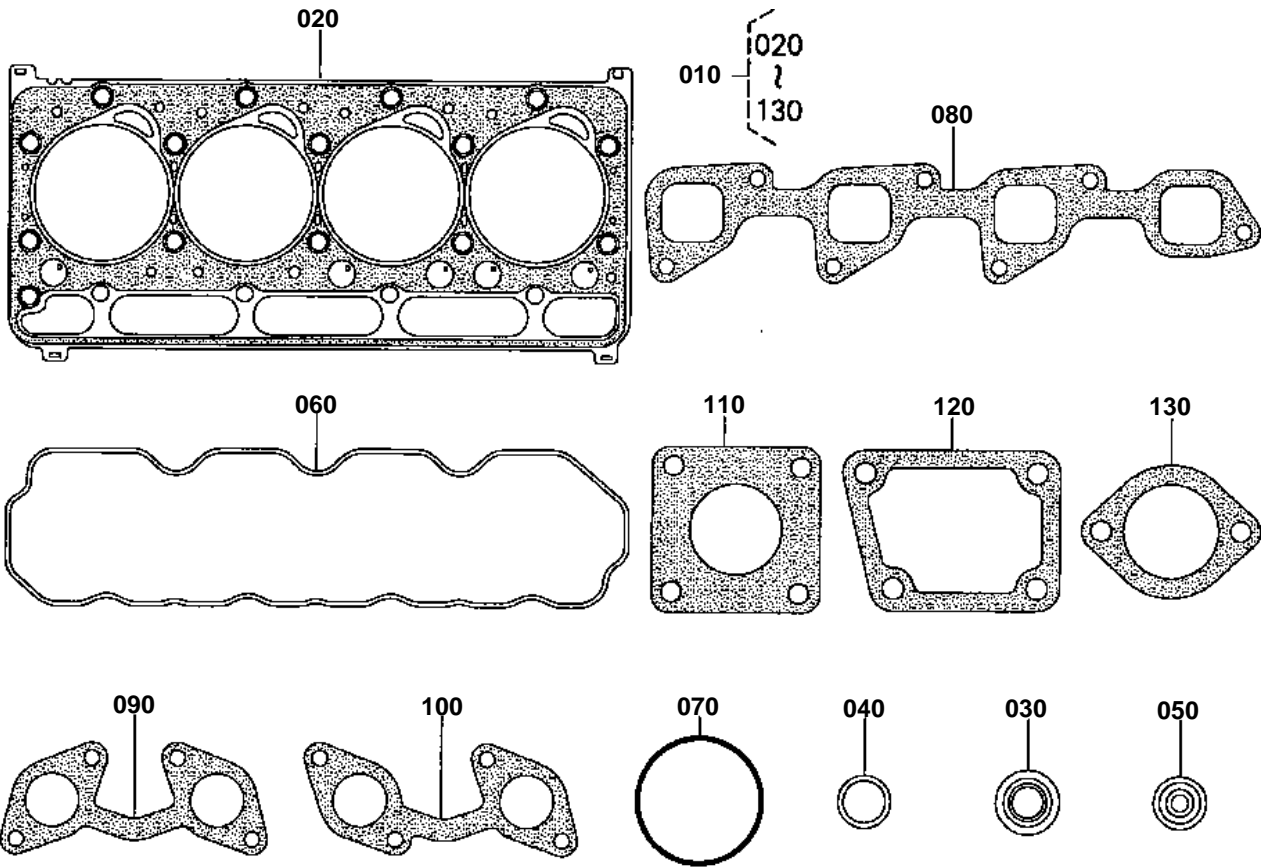


# AIR CLEANER

↔ Interchangeable; ≠ not interchangeable; ← new for old; → old for new

REF.No	Part No.	Description	Q'ty	S.No.	I/C	REMARKS	Weight (kgf)	Weight (lb)
010	32771-16310	ASSY CLEANER AIR	1				1.7	3.74
020	32771-16370	ASSY COVER A/C	1				0.47	1.034
030	R1401-42270	ELEMENT OUTER	1				0.5	1.1
040	R1401-42290	VALVE EVACUATOR	1				0.01	0.022
050	R2401-42280	ELEMENT INNER	1				0.3	0.66
060	01754-50818	BOLT FLANGE	2				0.011	0.0242
070	32771-16300	HOSE	1				1.045	2.299
080	68811-42270	BAND PIPE	1				0.04	0.088
080	T1170-35560	CLAMP HOSE	1			<<	0.04	0.088
090	09318-89069	CLAMP HOSE	1	<=52362			0.04	0.088
090	31351-18110	BAND PIPE	1	>=52363	1		0.04	0.088

UPPER GASKET KIT



1G851-015-10

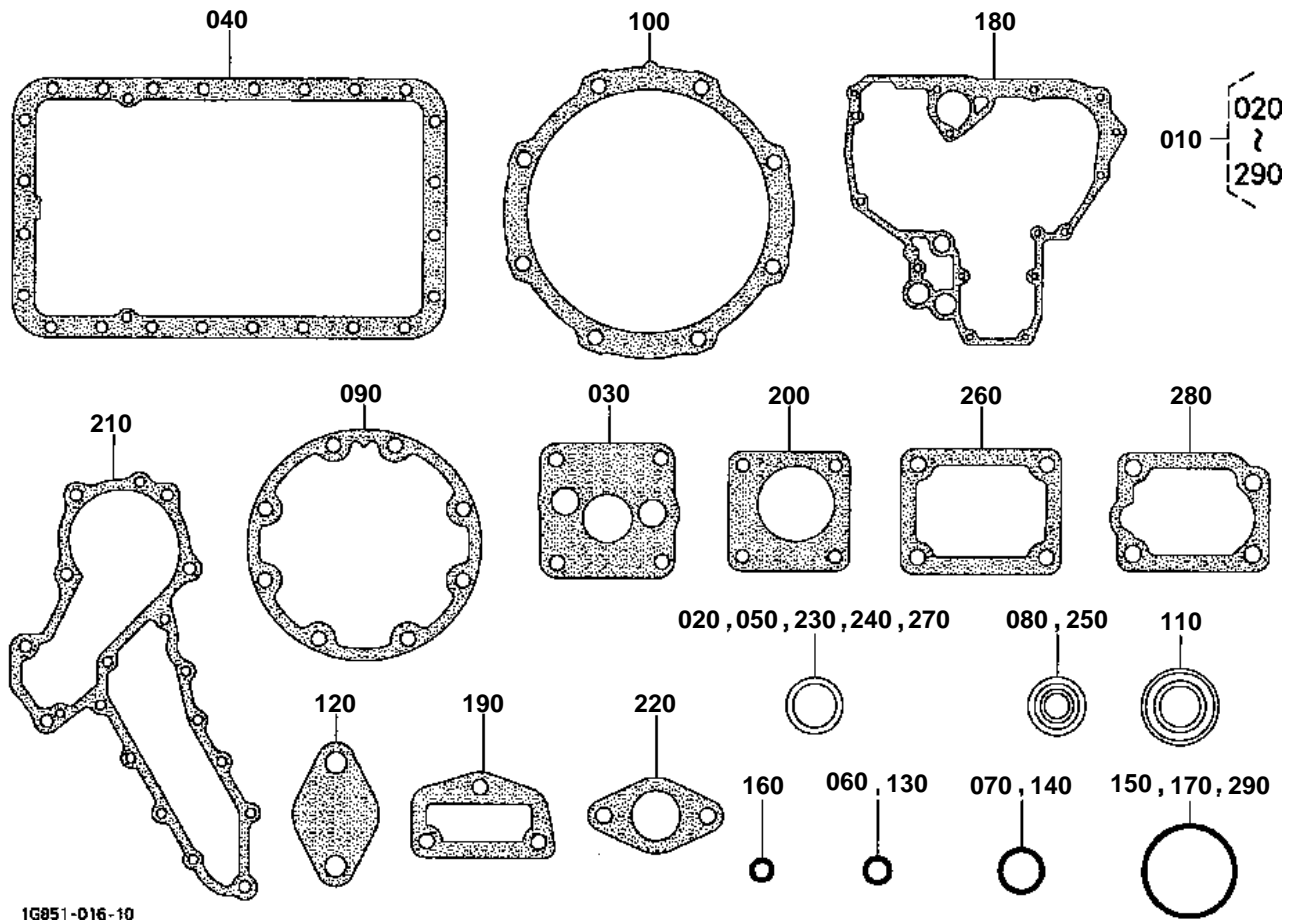


# UPPER GASKET KIT

↔ Interchangeable; ≠ not interchangeable; ← new for old; → old for new

REF.No	Part No.	Description	Q'ty	S.No.	I/C	REMARKS	Weight (kgf)	Weight (lb)
010	07916-24705	KIT GASKET UPPER	1				0.5	1.1
020	1G790-03310	GASKET CYL.HEAD	1	<=3Q0358			0.29	0.638
020	1G790-03312	GASKET CYL.HEAD	1	>=3S0001	↔		0.29	0.638
030	15221-13150	SEAL VALVE STEM	8	<=3S0409			0.001	0.0022
030	15221-13153	SEAL VALVE STEM	8	>=3U0001	↔		0.001	0.0022
040	15841-53622	GASKET	4				0.002	0.0044
050	19077-53650	SEAL HEAT	4				0.005	0.011
060	1G911-14520	GASKET HEAD COVER	1				0.025	0.055
070	1A021-05430	O RING BREATHER	1	<=3W0451			0.001	0.0022
080	1A091-11820	GASKET IN-MANIFOLD	1	<=2Q0260			0.007	0.0154
080	1A091-11822	GASKET IN-MANIFOLD	1	>=2S0001	↔		0.007	0.0154
090	1A091-12350	GASKET EX-MANIFOLD	1				0.02	0.044
100	1A091-12360	GASKET EX-MANIFOLD	1				0.02	0.044
110	T0070-16420	GASKET MUFFLER	1				0.016	0.0352
120	1A021-72920	GASKET WATER FLANGE	1				0.002	0.0044
130	1A021-73270	GASKET THERMO.COVER	1	<=2E0375			0	0
130	16221-73270	GASKET THERMOSTAT	1	>=2G0001	↔		0.01	0.022

LOWER GASKET KIT



1G851-016-10

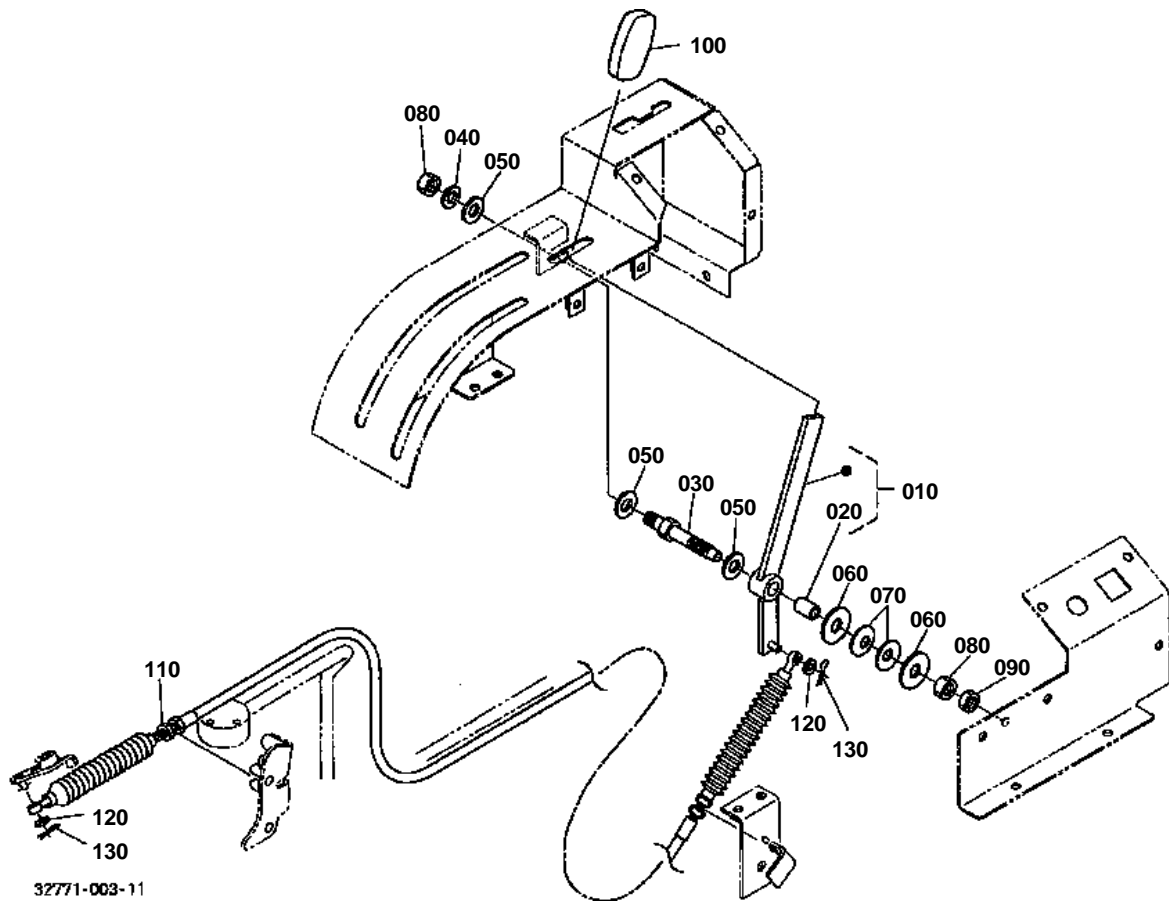


LOWER GASKET KIT

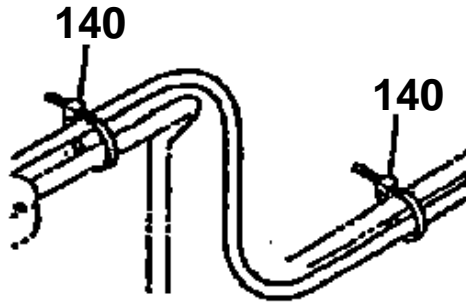
↔ Interchangeable; ≠ not interchangeable; ← new for old; → old for new

REF.No	Part No.	Description	Q'ty	S.No.	I/C	REMARKS	Weight (kgf)	Weight (lb)
010	07916-24715	KIT GASKET LOWER	1				0.3	0.66
020	15021-33660	GASKET	1				0.001	0.0022
030	1A021-35150	GASKET OIL PUMP	1				0.001	0.0022
040	1A091-01620	GASKET OIL PAN	1				0.018	0.0396
050	6C090-58960	GASKET	2				0.002	0.0044
060	04811-00160	O RING	1				0	0
060	04816-00160	O RING	1		→		0.003	0.0066
070	04811-10300	O RING	1				0.001	0.0022
080	19202-04140	SEAL OIL	1				0.015	0.033
090	1A091-04360	GASKET BEARING CASE	1	≤=3N0574			0	0
090	1A091-04362	GASKET BEARING CASE	1	≥=3Q0001	→		0.005	0.011
100	1A091-04820	GASKET CASE COVER	1				0.006	0.0132
110	19202-04460	SEAL OIL	1				0.055	0.121
120	15521-04790	PACKING COVER	1				0.005	0.011
130	04811-00150	O RING	4				0	0
130	04816-00150	O RING	4		→		0.003	0.0066
140	04811-00220	O RING	2				0	0
140	04816-00220	O RING	2		→		0.003	0.0066
150	04811-00360	O RING	1				0	0
150	04816-00360	O RING	1		→		0.003	0.0066
160	04814-00060	O RING	1				0.001	0.0022
170	19202-96830	O RING	1				0.01	0.022
180	1A091-04130	GASKET GEAR CASE	1				0.018	0.0396
190	1A021-73330	GASKET RETURN FLANGE	1				0.001	0.0022
200	15296-88130	GASKET H/METER UNIT	1				0.002	0.0044
200	1G751-88130	GASKET HOUR METER	1		←		0.001	0.0022
210	1A021-73430	GASKET WATER PUMP	1				0.007	0.0154
220	1A021-52140	GASKET FUEL PUMP	1				0.001	0.0022
220	1G751-52140	GASKET FUEL PUMP	1		←		0.001	0.0022
230	15401-96650	GASKET	2				0.001	0.0022
240	04724-00140	GASKET	2				0.002	0.0044
250	15471-57980	SEAL OIL	2				0.001	0.0022
260	1A021-51660	GASKET PUMP COVER	1				0.003	0.0066
270	15601-96650	GASKET	2				0.001	0.0022
280	1A021-57210	GASKET PLATE	2				0.001	0.0022
290	04814-06310	O RING	1				0.002	0.0044

# ACCELERATOR LEVER



**140 53581-6415-0**



**32771-805-10**



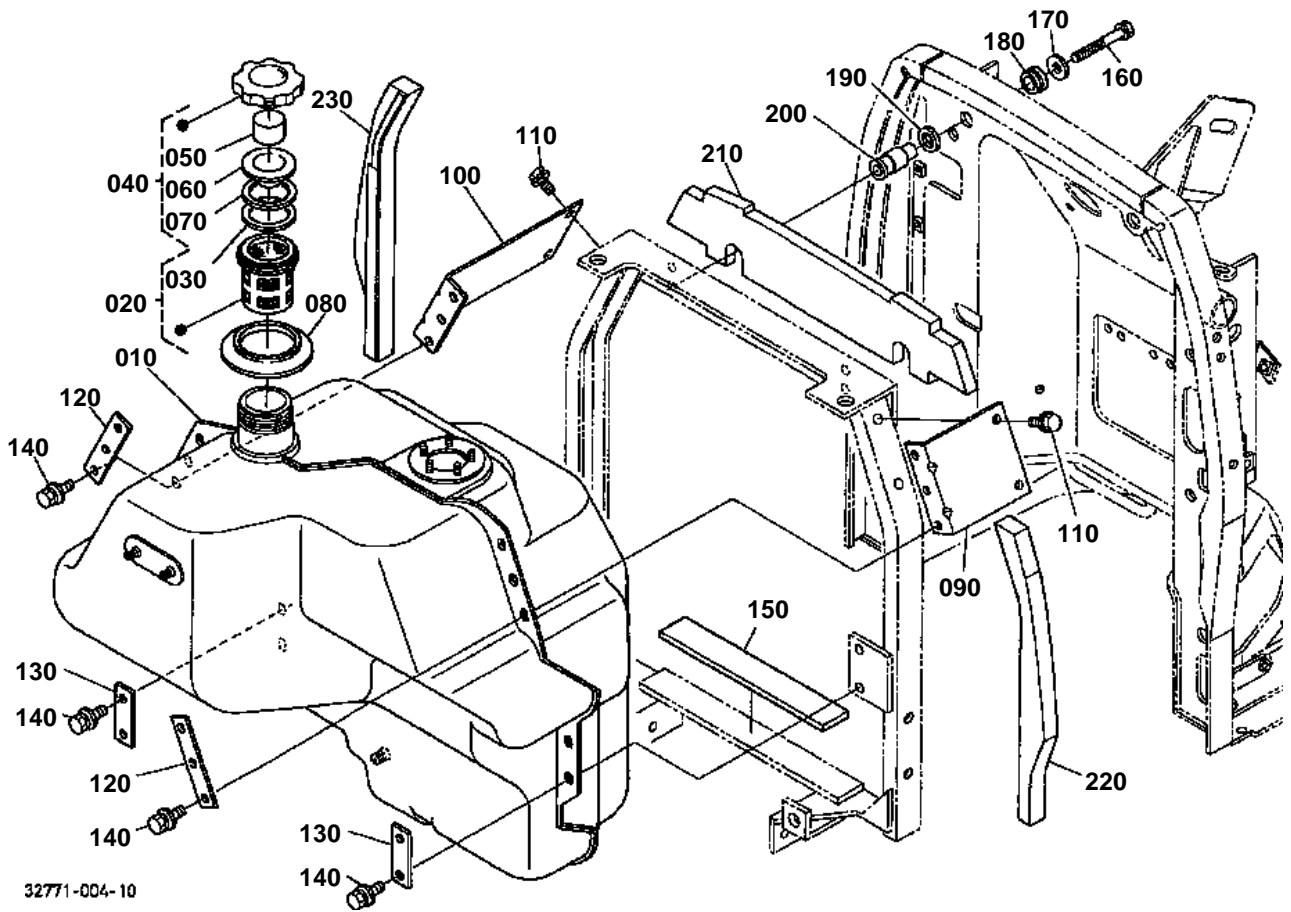
## ACCELERATOR LEVER

↔ Interchangeable; ≠ not interchangeable; ← new for old; → old for new

REF.No	Part No.	Description	Q'ty	S.No.	I/C	REMARKS	Weight (kgf)	Weight (lb)
010	32771-42800	ASSY LEVER ACCEL.	1				0.27	0.594
020	08511-01220	BUSH	1				0.004	0.0088
030	32771-44772	SHAFT ACCEL LEVER	1				0.085	0.187
040	04512-60120	WASHER SPRING	1				0.005	0.011
050	04013-60120	WASHER PLAIN	3				0.01	0.022
060	04015-60120	WASHER PLAIN	2				0.022	0.0484
070	67800-44720	SPRING	2				0.005	0.011
080	02174-50120	NUT	2				0.01	0.022
090	02172-50120	NUT	1				0.01	0.022
100	TA040-24490	GRIP LEVER	1				0.033	0.0726
110	32771-44730	WIRE ACCEL.	1				0.5	1.1
120	04012-50060	WASHER PLAIN	2				0.001	0.0022
130	05511-51612	PIN SPLIT	2				0.001	0.0022
140	53581-64150	BAND CORD	2	←=50591			0.002	0.0044



# FUEL TANK

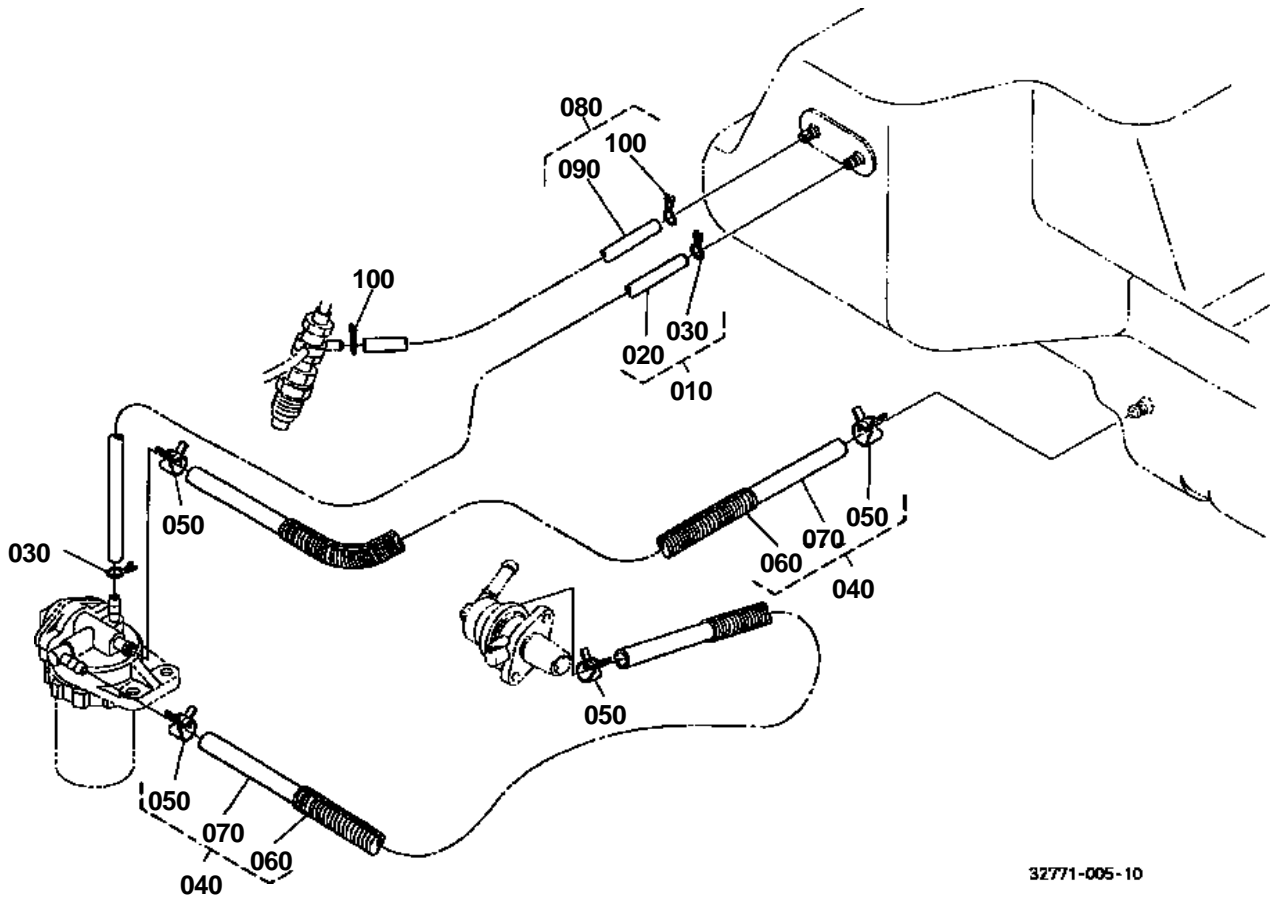


**FUEL TANK**

↔ Interchangeable; ≠ not interchangeable; ← new for old; → old for new

REF.No	Part No.	Description	Q'ty	S.No.	I/C	REMARKS	Weight (kgf)	Weight (lb)
010	34550-42010	TANK FUEL	1	<=50730			0	0
010	34550-42013	TANK FUEL	1	>=50731	↔		0	0
020	35450-41060	ASSY FILTER FUEL	1				0.01	0.022
030	10211-41340	GASKET	1				0.003	0.0066
040	34550-42030	ASSY CAP FUEL TANK	1				0.06	0.132
050	34150-35240	SPONGE	1				0.001	0.0022
060	34150-35230	GASKET	1				0.01	0.022
070	34150-35180	GASKET	1				0.001	0.0022
080	36330-04120	CAP	1				0.015	0.033
090	34550-42180	SUPPORT LH	1				0.35	0.77
100	34550-42190	SUPPORT RH	1				0.57	1.254
110	01754-50816	BOLT FLANGE	4				0.011	0.0242
120	34550-42120	PLATE FUEL TANK	2				0.055	0.121
130	T1060-42080	PLATE FUEL TANK	2				0.033	0.0726
140	01025-50620	BOLT	10				0.02	0.044
150	32771-42050	CUSHION	1				0.14	0.308
160	01123-50875	BOLT	2				0.04	0.088
170	04015-60080	WASHER PLAIN	2				0.01	0.022
180	34070-42060	CUSHION	2				0.005	0.011
190	04011-50140	WASHER PLAIN	2				0.007	0.0154
200	34070-42070	SPACER	2				0.07	0.154
210	T0070-42513	SHUTTER	1				0.03	0.066
220	T0070-42523	SHUTTER	1				0.019	0.0418
230	34550-81640	SHUTTER	1				0.016	0.0352

FUEL PIPE



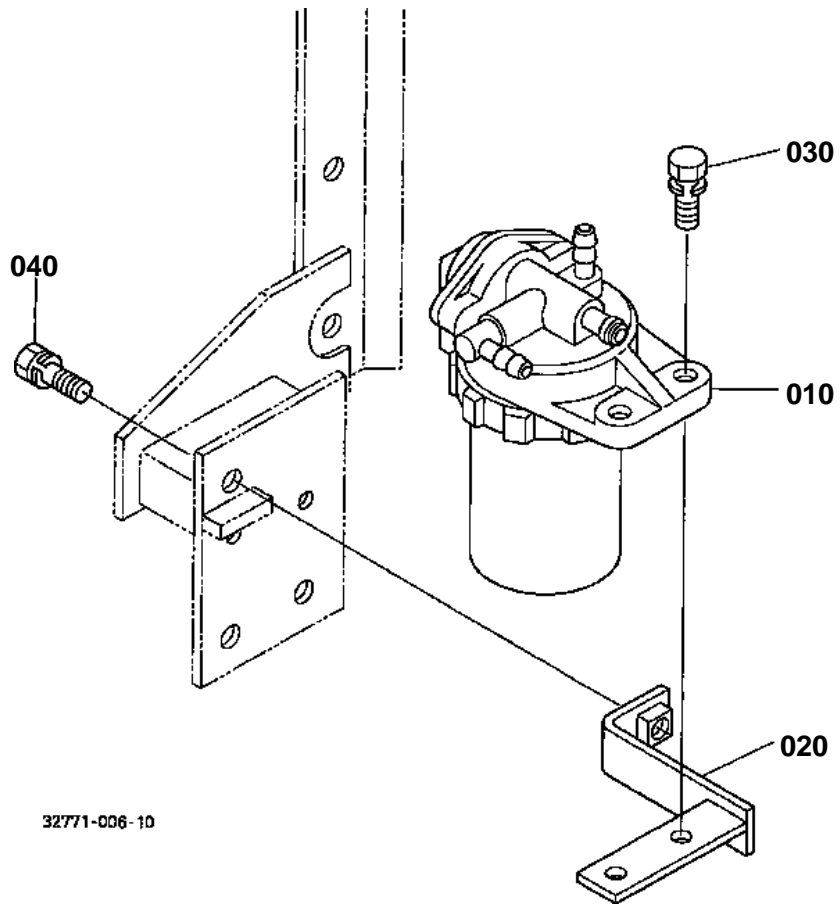


## FUEL PIPE

↔ Interchangeable; ≠ not interchangeable; ← new for old; → old for new

REF.No	Part No.	Description	Q'ty	S.No.	I/C	REMARKS	Weight (kgf)	Weight (lb)
010	32771-42640	ASSY TUBE FUEL	1				0.036	0.0792
020	09661-40675	TUBE FUEL	1				0.03	0.066
030	14971-42750	CLIP PIPE	2				0.001	0.0022
045	34530-42620	ASSY TUBE FUEL	2				0.055	0.121
050	09318-88125	CLAMP HOSE	4				0.001	0.0022
060	34530-42670	TUBE PIPE	2				0.01	0.022
070	09661-80300	TUBE FUEL	2				0.04	0.088
080	3A011-04490	ASSY TUBE FUEL	1				0.045	0.099
090	09661-40575	TUBE FUEL	1				0.031	0.0682
100	14971-42750	CLIP PIPE	2				0.001	0.0022

FUEL FILTER



32771-006-10

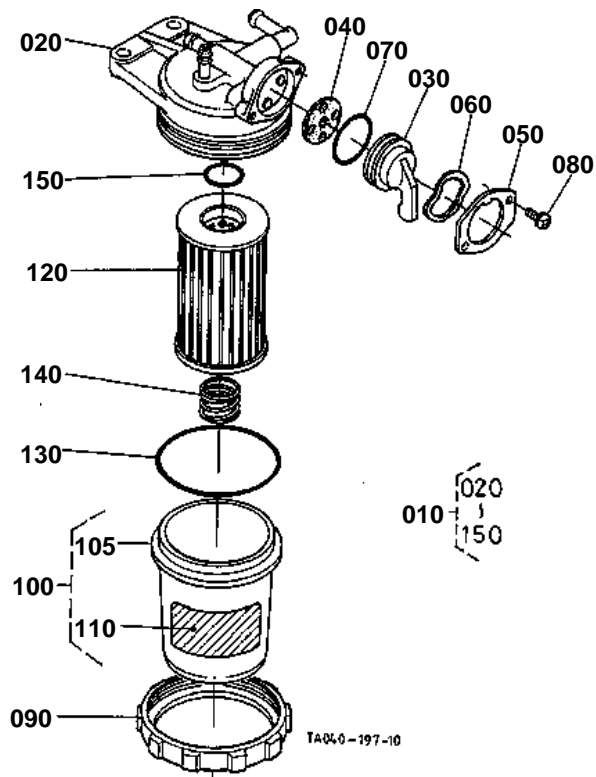


## FUEL FILTER

↔ Interchangeable; ≠ not interchangeable; ← new for old; → old for new

REF.No	Part No.	Description	Q'ty	S.No.	I/C	REMARKS	Weight (kgf)	Weight (lb)
010	15521-43015	ASSY FILTER FUEL	1				0.59	1.298
020	32771-42350	BRACKET FUEL FILTER	1				0.18	0.396
030	01123-50825	BOLT	2				0.013	0.0286
040	01133-51020	BOLT	1				0.02	0.044

FUEL FILTER [COMPONENT PARTS]

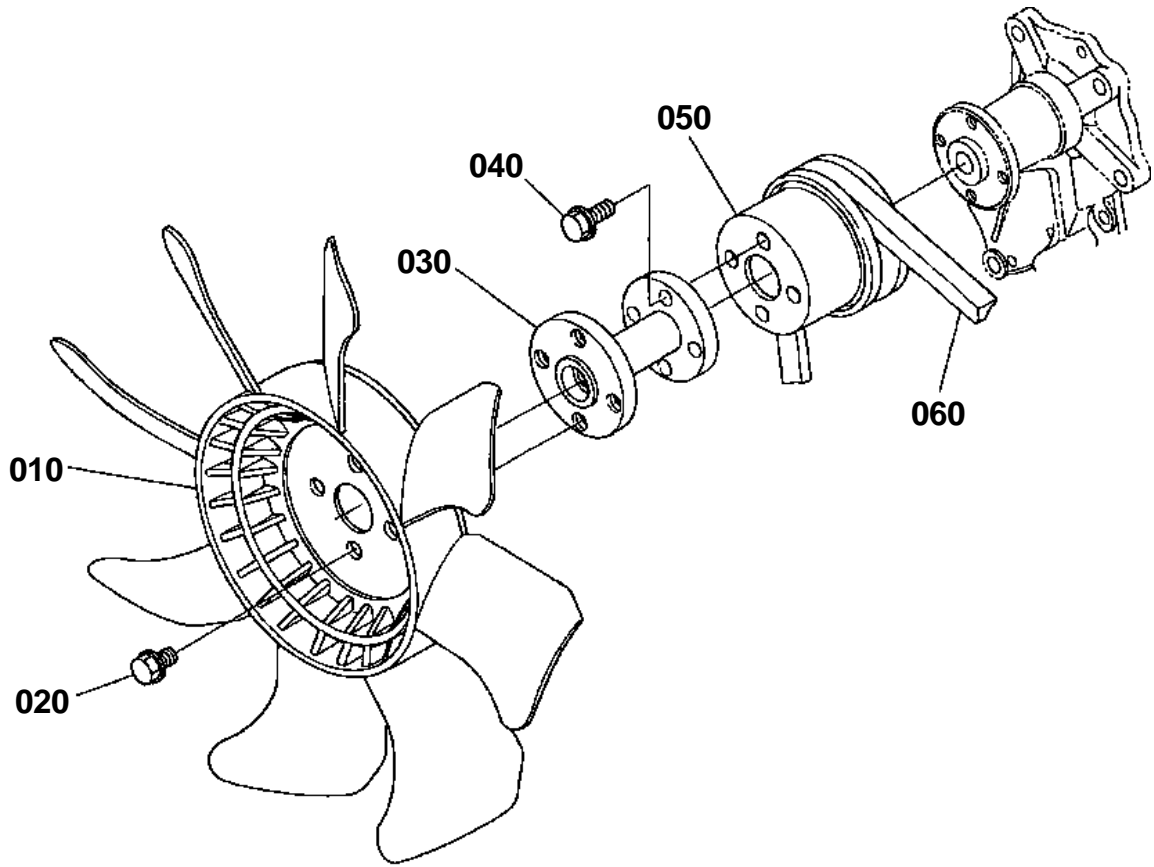


**FUEL FILTER [COMPONENT PARTS]**

↔ Interchangeable; ≠ not interchangeable; ← new for old; → old for new

REF.No	Part No.	Description	Q'ty	S.No.	I/C	REMARKS	Weight (kgf)	Weight (lb)
010	15521-43015	ASSY FILTER FUEL	1				0.59	1.298
020	15521-43114	ASSY BODY	1				0.235	0.517
030	15521-43522	HANDLE FILTER	1				0.04	0.088
040	15521-43672	GASKET	1				0.001	0.0022
050	15521-43552	RETAINER HANDLE	1				0.01	0.022
060	15521-43542	PLATE THRUST	1				0.001	0.0022
070	04811-10290	O RING	1				0.001	0.0022
080	03054-50308	SCREW PAN-HEAD	2				0.005	0.011
090	15521-43150	RING RETAINER	1				0.14	0.308
100	15521-43100	ASSY CUP FILTER	1				0.05	0.11
105	15521-43130	CUP FILTER	1				0.1	0.22
110	16873-88430	LABEL FUEL	1				0.001	0.0022
120	15521-43160	ELEMENT FILTER	1				0.07	0.154
130	04811-50650	O RING	1				0.002	0.0044
140	15521-43930	SPRING	1				0.004	0.0088
150	04811-00160	O RING	1				0	0
150	04816-00160	O RING	1		<<		0.003	0.0066





32771-007-10

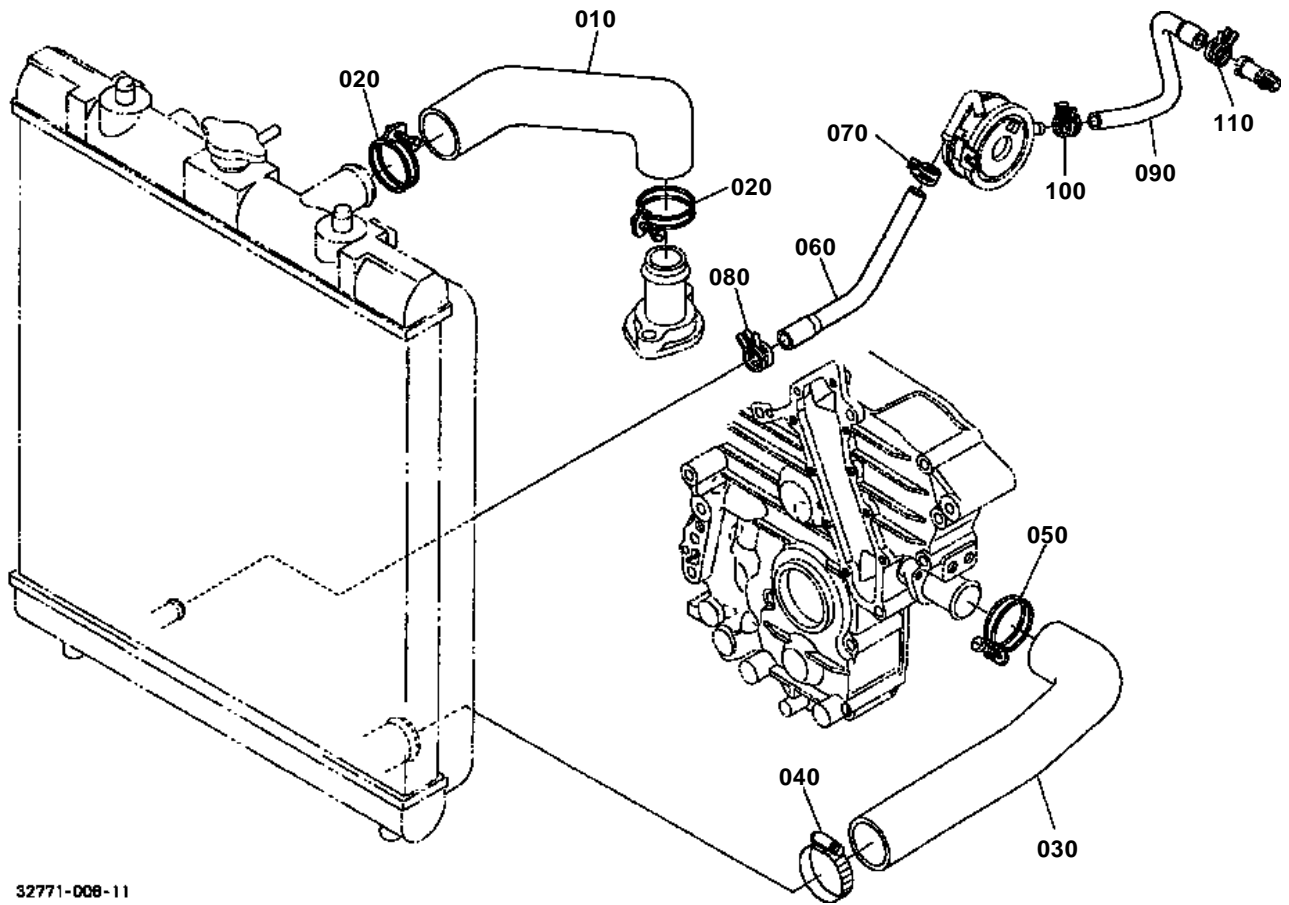


# FAN

↔ Interchangeable; ≠ not interchangeable; ← new for old; → old for new

REF.No	Part No.	Description	Q'ty	S.No.	I/C	REMARKS	Weight (kgf)	Weight (lb)
010	34550-16210	FAN	1				1.19	2.618
020	01754-50816	BOLT FLANGE	4				0.011	0.0242
030	34550-16222	FLANGE FAN	1				0.25	0.55
040	01754-50625	BOLT FLANGE	4				0.008	0.0176
050	15471-74250	PULLEY FAN	1				0.3	0.66
060	15469-97010	V BELT A	1				0.095	0.209

WATER PIPE



32771-008-11

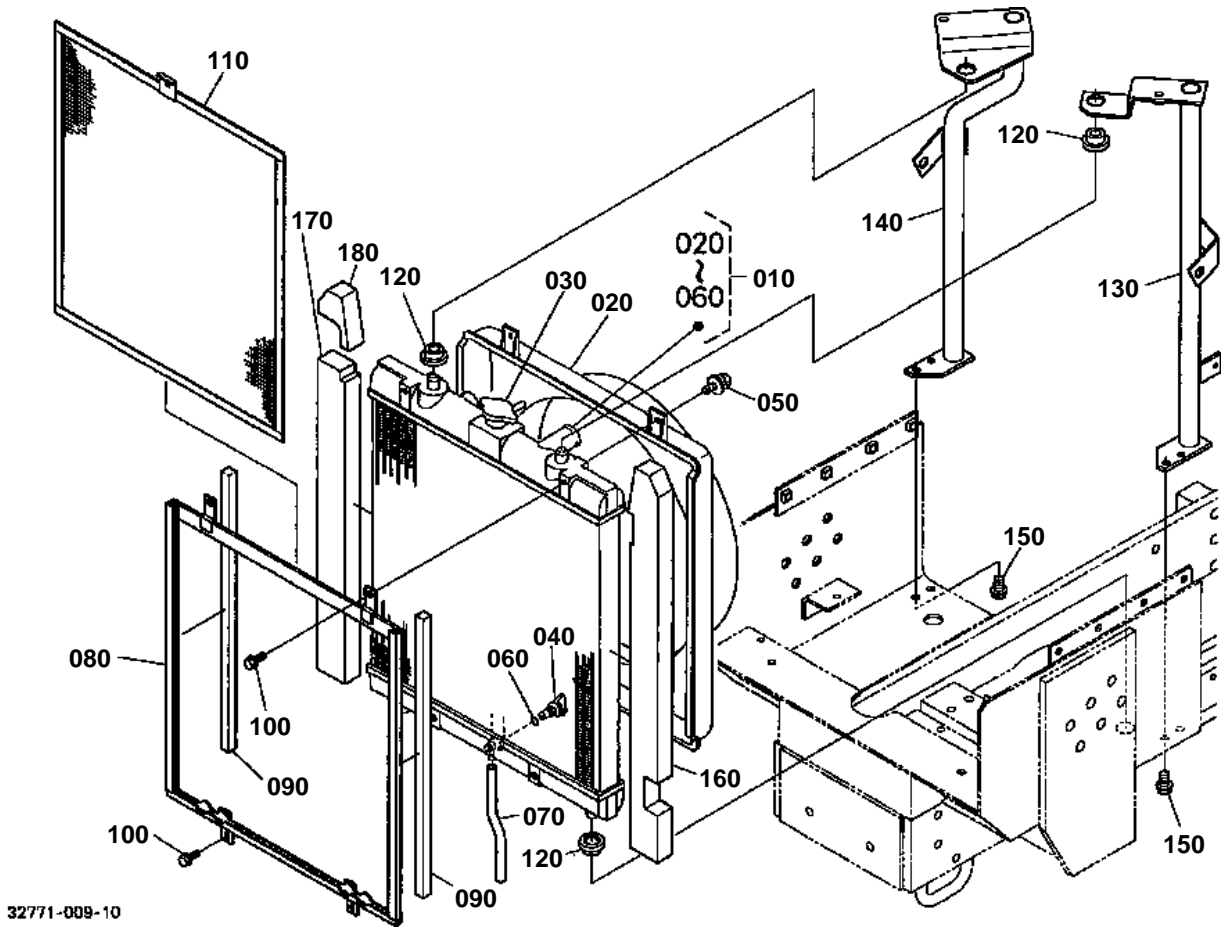


# WATER PIPE

↔ Interchangeable; ≠ not interchangeable; ← new for old; → old for new

REF.No	Part No.	Description	Q'ty	S.No.	I/C	REMARKS	Weight (kgf)	Weight (lb)
010	T0180-16120	HOSE	1				0.265	0.583
020	15108-72870	BAND	2				0.027	0.0594
030	34070-80390	HOSE	1				0.27	0.594
040	66704-58250	CLAMP	1				0.025	0.055
050	15108-72870	BAND	1				0.027	0.0594
060	32771-16160	HOSE	1	<=51194			0	0
060	32771-16162	HOSE	1	>=51195	→		0.03	0.066
070	16241-73360	BAND PIPE	1				0.003	0.0066
080	09318-88185	CLAMP HOSE	1				0.004	0.0088
090	1A024-37152	HOSE OIL COOLER	1				0.035	0.077
100	16241-73360	BAND PIPE	1				0.003	0.0066
110	09318-88180	CLAMP HOSE	1				0.01	0.022

# RADIATOR

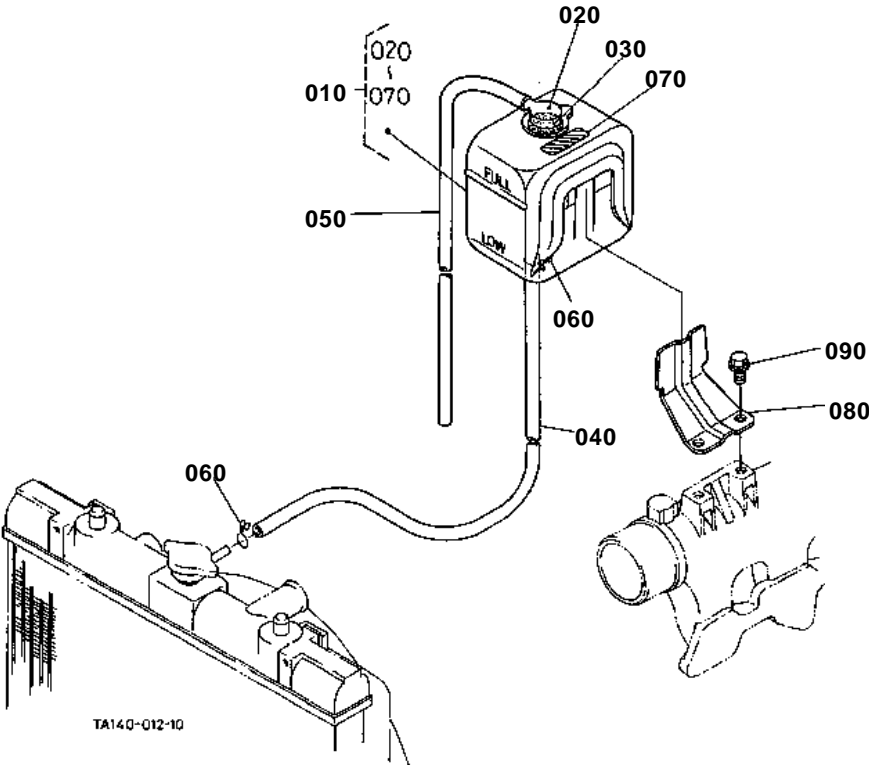


**RADIATOR**

↔ Interchangeable; ≠ not interchangeable; ← new for old; → old for new

REF.No	Part No.	Description	Q'ty	S.No.	I/C	REMARKS	Weight (kgf)	Weight (lb)
010	TA140-16000	ASSY RADIATOR	1				4.1	9.02
020	TA140-16020	SHROUD FAN	1				0.95	2.09
030	TA140-16060	CAP RADIATOR	1				0	0
030	17580-16060	CAP RADIATOR	1		<<		0.04	0.088
040	34070-16070	PLUG DRAIN	1				0.005	0.011
050	01029-50616	BOLT	4				0.01	0.022
060	34070-16090	O RING	1				0.001	0.0022
070	34070-16080	HOSE DRAIN	1				0.005	0.011
080	32771-16040	GUIDE	1				0.65	1.43
090	32771-16050	SPONGE	2				0.009	0.0198
100	01754-50610	BOLT FLANGE	4				0.006	0.0132
110	32771-16240	NET RADIATOR	1				0.405	0.891
120	34070-16030	RUBBER	4				0.015	0.033
130	32771-16213	SUPPORT RADIATOR LH	1				1.48	3.256
140	32771-16233	SUPPORT RADIATOR RH	1				1.68	3.696
150	01774-51016	BOLT FLANGE	4				0.02	0.044
160	32771-41170	SPONGE	1				0.032	0.0704
170	32771-41180	SPONGE	1				0.022	0.0484
180	32771-41190	SPONGE	1				0.005	0.011

RESERVE TANK





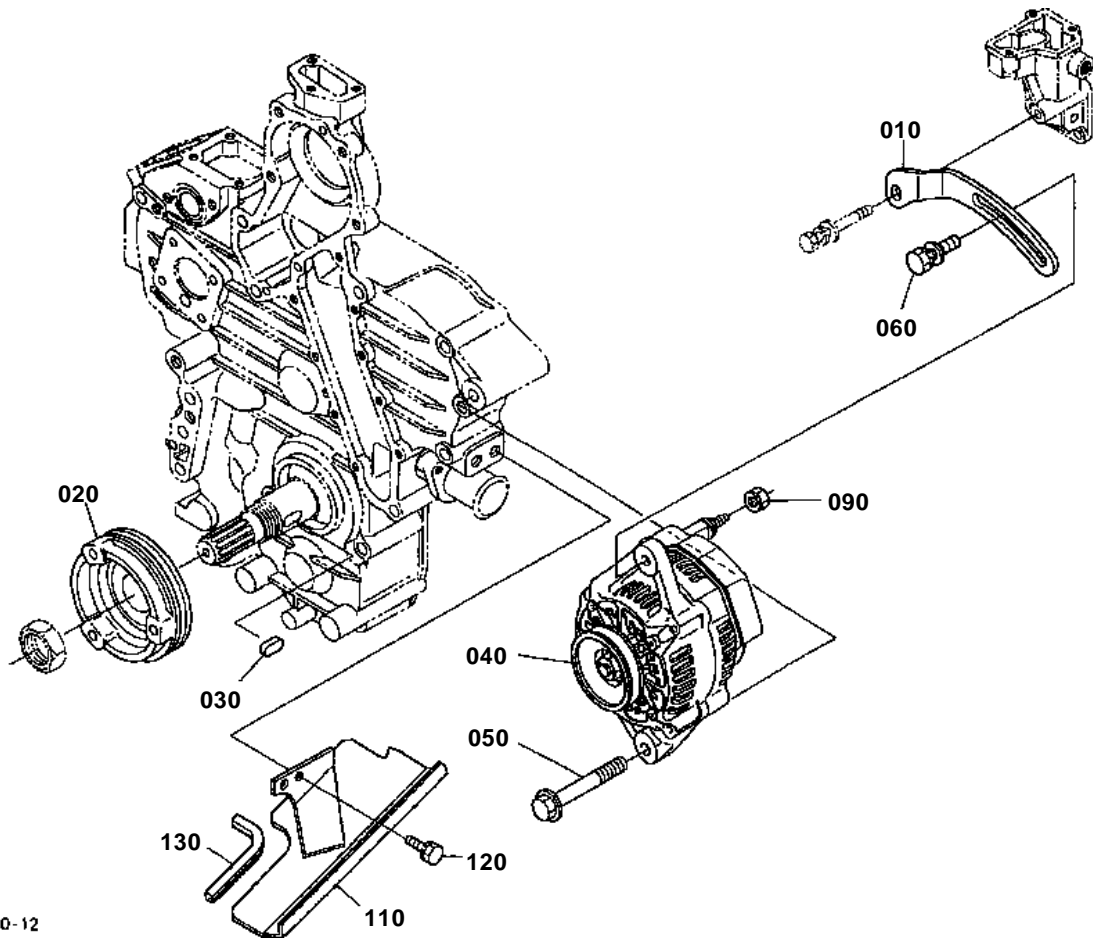
## RESERVE TANK

↔ Interchangeable; ≠ not interchangeable; ← new for old; → old for new

REF.No	Part No.	Description	Q'ty	S.No.	I/C	REMARKS	Weight (kgf)	Weight (lb)
010	68841-42360	TANK RESERVE	1				0.48	1.056
020	15272-72420	CAP	1				0.03	0.066
030	15531-72432	GASKET	1				0.002	0.0044
040	17325-72440	PIPE WATER OVER FLOW	1				0.065	0.143
050	68111-42390	PIPE WATER OVER FLOW	1				0.04	0.088
060	15501-72470	CLIP PIPE	2				0.005	0.011
070	15501-88210	LABEL CAUTION	1				0.005	0.011
080	T0070-16710	STAY RESERVE TANK	1				0.09	0.198
090	01754-50816	BOLT FLANGE	2				0.011	0.0242



# ALTERNATOR



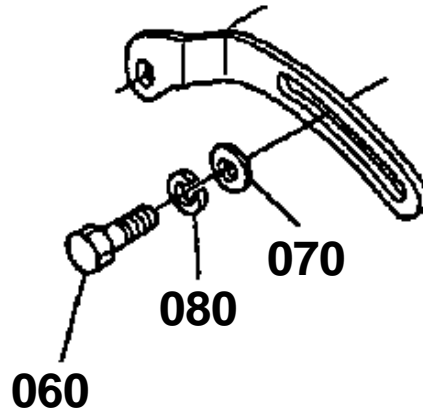
32771-010-12

ALTERNATOR

060 01153-60830

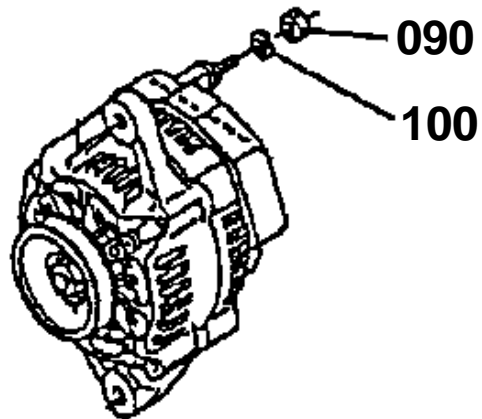
070 04015-60080

080 04512-60080



090 02056-50060

100 04512-60060



32771-816-11

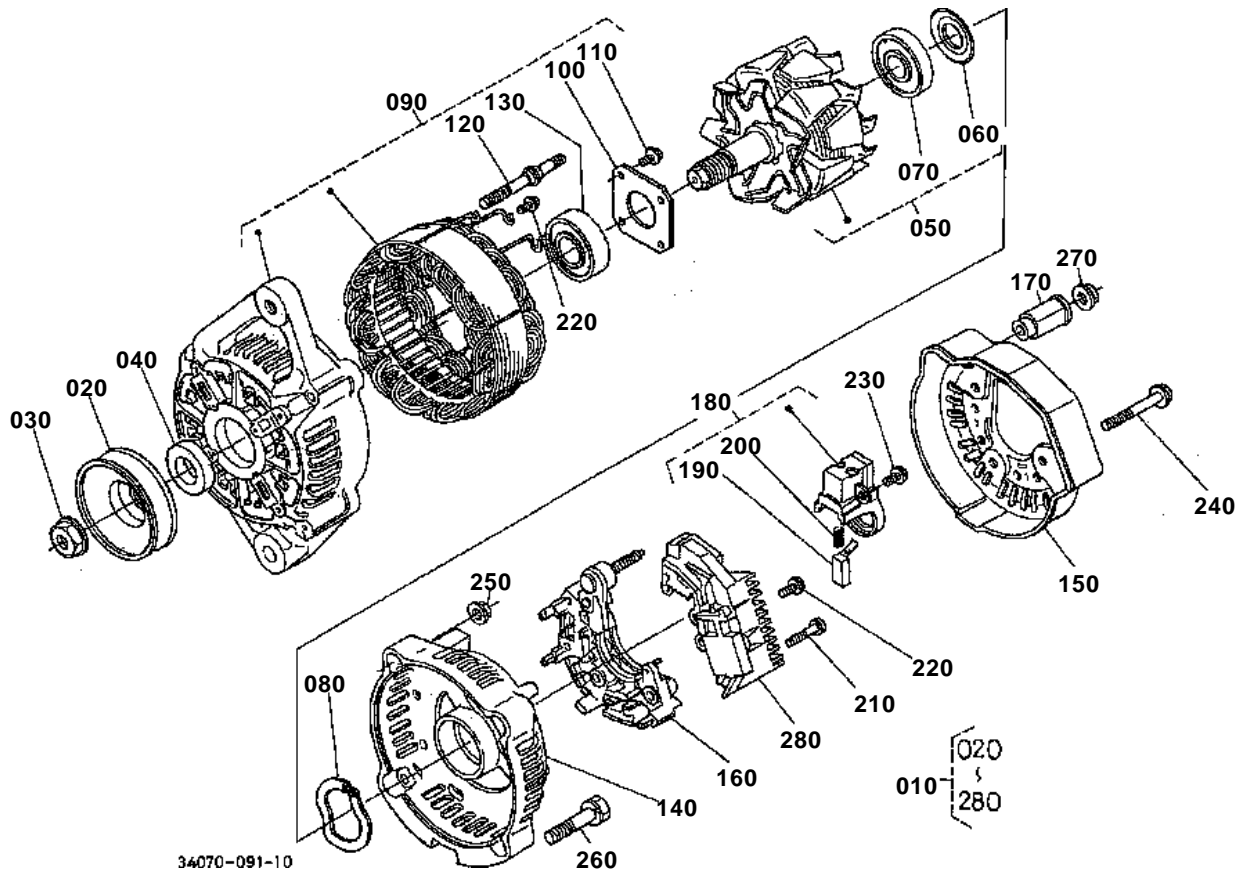


# ALTERNATOR

↔ Interchangeable; ≠ not interchangeable; ← new for old; → old for new

REF.No	Part No.	Description	Q'ty	S.No.	I/C	REMARKS	Weight (kgf)	Weight (lb)
010	1A033-64420	STAY DYNAMO	1				0.135	0.297
020	1G851-74280	PULLEY FAN DRIVE	1	<=50338			0	0
020	1G851-74282	PULLEY FAN DRIVE	1	>=50339	↔		1.2	2.64
030	05712-00720	KEY FEATHER	1				0.008	0.0176
040	34070-75600	ASSY ALTERNATOR	1	<=51486			0	0
040	34070-75602	ASSY ALTERNATOR	1	>=51487	↔		2.85	6.27
050	01754-51070	BOLT FLANGE	1				0.01	0.022
060	01153-60830	BOLT	1	<=51832			0.01	0.022
060	01127-50830	BOLT	1	>=51833	↔		0.023	0.0506
070	04015-60080	WASHER PLAIN	1	<=51832			0.01	0.022
080	04512-60080	WASHER SPRING	1	<=51832			0.002	0.0044
090	02056-50060	NUT	1	<=51714			0.002	0.0044
090	12264-92020	NUT SPRING WASHER M	1	>=51715	↔		0.05	0.11
100	04512-60060	WASHER SPRING	1	<=51714			0.001	0.0022
110	32771-13863	PLATE	1				0.53	1.166
120	01123-50818	BOLT	2				0.012	0.0264
130	3G700-83610	TRIM	1				0.014	0.0308

ALTERNATOR [COMPONENT PARTS]



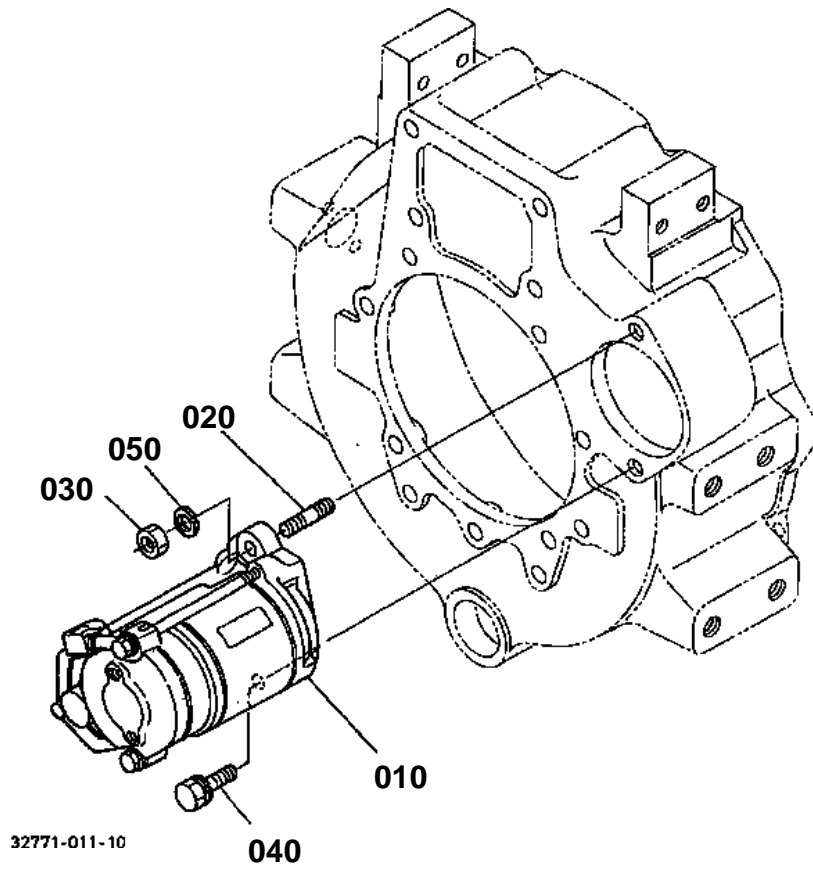


## ALTERNATOR [COMPONENT PARTS]

↔ Interchangeable; ≠ not interchangeable; ← new for old; → old for new

REF.No	Part No.	Description	Q'ty	S.No.	I/C	REMARKS	Weight (kgf)	Weight (lb)
010	34070-75600	ASSY ALTERNATOR	1	<=51486			0	0
010	34070-75602	ASSY ALTERNATOR	1	>=51487	↔		2.85	6.27
020	16427-64110	PULLEY ALTERNATOR	1				0.2	0.44
030	15881-92010	NUT	1				0.02	0.044
040	15881-64150	COLLAR	1				0.004	0.0088
050	15881-64040	ROTOR	1	<=51486			0	0
050	66436-64040	ROTOR	1	>=51487	↔		1.2	2.64
060	15881-64800	COVER BEARING	1				0.001	0.0022
070	16652-64770	BEARING BALL	1				0.045	0.099
080	15881-64810	WASHER THRUST	1				0.002	0.0044
090	66436-64020	FRAME DRIVE END	1				1.11	2.442
100	15881-64710	PLATE RETAINER	1				0.01	0.022
110	15881-93010	SCREW ROUND HEAD	4				0.003	0.0066
120	15881-64260	BOLT THROUGH	2				0.01	0.022
130	15881-64780	BEARING BALL	1	<=51486			0.05	0.11
130	16652-64780	BEARING BALL	1	>=51487	↔		0.05	0.11
140	16241-64060	FRAME END	1				0.2	0.44
150	16241-64230	COVER END	1	<=51486			0	0
150	16231-64230	COVER END	1	>=51487	↔		0.035	0.077
160	16241-64850	ASSY RECTIFIER	1				0	0
160	16231-64850	ASSY RECTIFIER	1		↔		0.18	0.396
170	16241-64900	BUSH INSULATION	1				0.007	0.0154
180	15881-64310	HOLDER BRUSH	1	<=51458			0.025	0.055
180	16652-64310	HOLDER BRUSH	1	>=51459	↔		0.025	0.055
190	15881-64090	BRUSH	2				0.002	0.0044
200	15881-64330	SPRING BRUSH	2				0.002	0.0044
210	15881-93020	SCREW ROUND HEAD	2				0.005	0.011
220	15881-93030	SCREW ROUND HEAD	6				0.003	0.0066
230	15881-93040	SCREW ROUND HEAD	1				0.003	0.0066
240	15881-91040	BOLT	3				0.005	0.011
250	15881-92020	NUT	2				0.02	0.044
260	15881-91050	BOLT	2				0.01	0.022
270	14182-92030	NUT	1				0.003	0.0066
280	1K531-64600	ASSY REGULATOR	1				0.08	0.176

STARTER



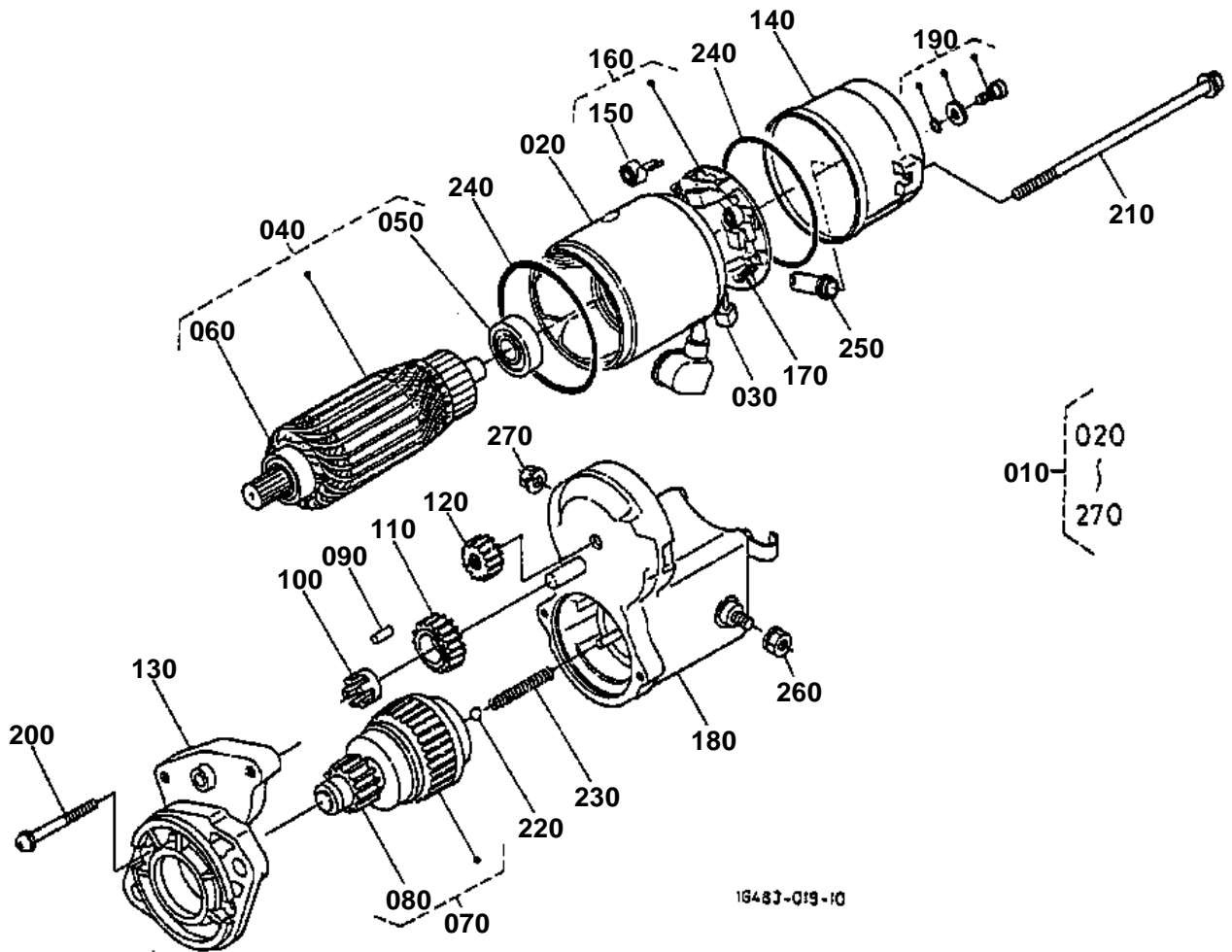


# STARTER

↔ Interchangeable; ≠ not interchangeable; ← new for old; → old for new

REF.No	Part No.	Description	Q'ty	S.No.	I/C	REMARKS	Weight (kgf)	Weight (lb)
010	17123-63016	ASSY STARTER	1				5.1	11.22
020	01517-51028	STUD	1				0.022	0.0484
030	02176-50100	NUT	1				0.005	0.011
040	01133-51030	BOLT	1				0.025	0.055
050	04512-60100	WASHER SPRING	1				0.002	0.0044

STARTER [COMPONENT PARTS]





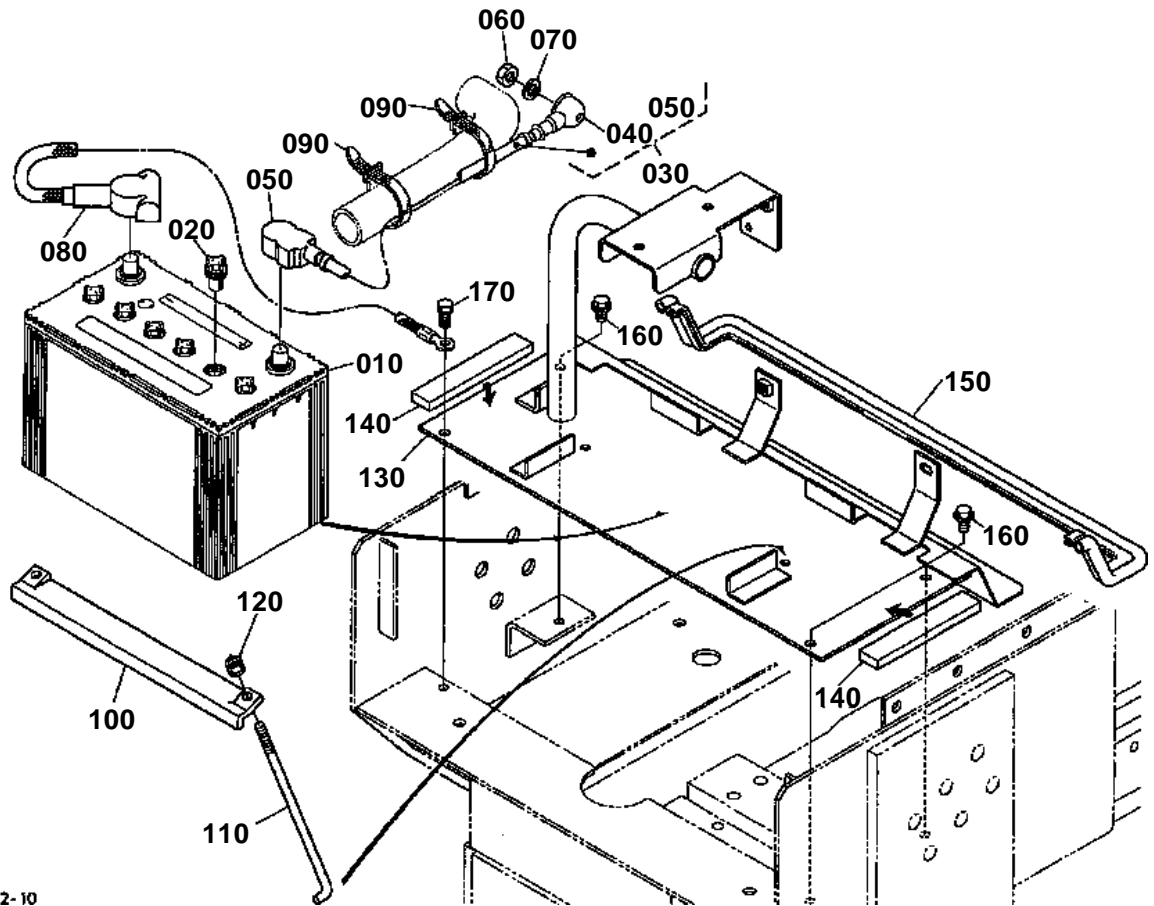


## STARTER [COMPONENT PARTS]

↔ Interchangeable; ≠ not interchangeable; ← new for old; → old for new

REF.No	Part No.	Description	Q'ty	S.No.	I/C	REMARKS	Weight (kgf)	Weight (lb)
010	17123-63016	ASSY STARTER	1				5.1	11.22
020	17123-63080	YOKE	1				1.46	3.212
030	15425-63400	KIT BRUSH	2				0.02	0.044
040	17123-63070	ARMATURE	1				1.16	2.552
050	17123-63500	BEARING	1				0.03	0.066
060	11460-63500	BEARING	1				0.03	0.066
070	17123-63040	CLUTCH OVER RUNNING	1				0.56	1.232
080	17311-63280	GEAR PINION	1				0.08	0.176
090	19212-63100	ROLLER	5				0.002	0.0044
100	11460-63110	RETAINER	1				0.01	0.022
110	11460-63270	GEAR	1				0.04	0.088
120	17123-63260	GEAR	1				0.02	0.044
130	17123-63030	FRAME DRIVE END	1				0.45	0.99
140	17123-63200	FRAME END	1				0.15	0.33
150	15425-63390	SPRING BRUSH	4				0.04	0.088
160	17123-63380	HOLDER BRUSH	1				0.12	0.264
170	17123-63140	SPRING	4				0.005	0.011
180	17123-63024	ASSY SWITCH MAGNETIC	1				0.96	2.112
190	17123-93310	SCREW	2				0.003	0.0066
200	17123-93320	SCREW	2				0.01	0.022
210	17123-63320	BOLT THROUGH	2				0.03	0.066
220	19212-97130	BALL	1				0.003	0.0066
230	11460-63120	SPRING	1				0.01	0.022
240	15511-96660	O RING	2				0.005	0.011
250	16285-63570	PIPE DRAIN	1				0.005	0.011
260	13963-92010	NUT HEXAGON	1				0.005	0.011
270	16285-92010	NUT HEXAGON	1				0.005	0.011

BATTERY



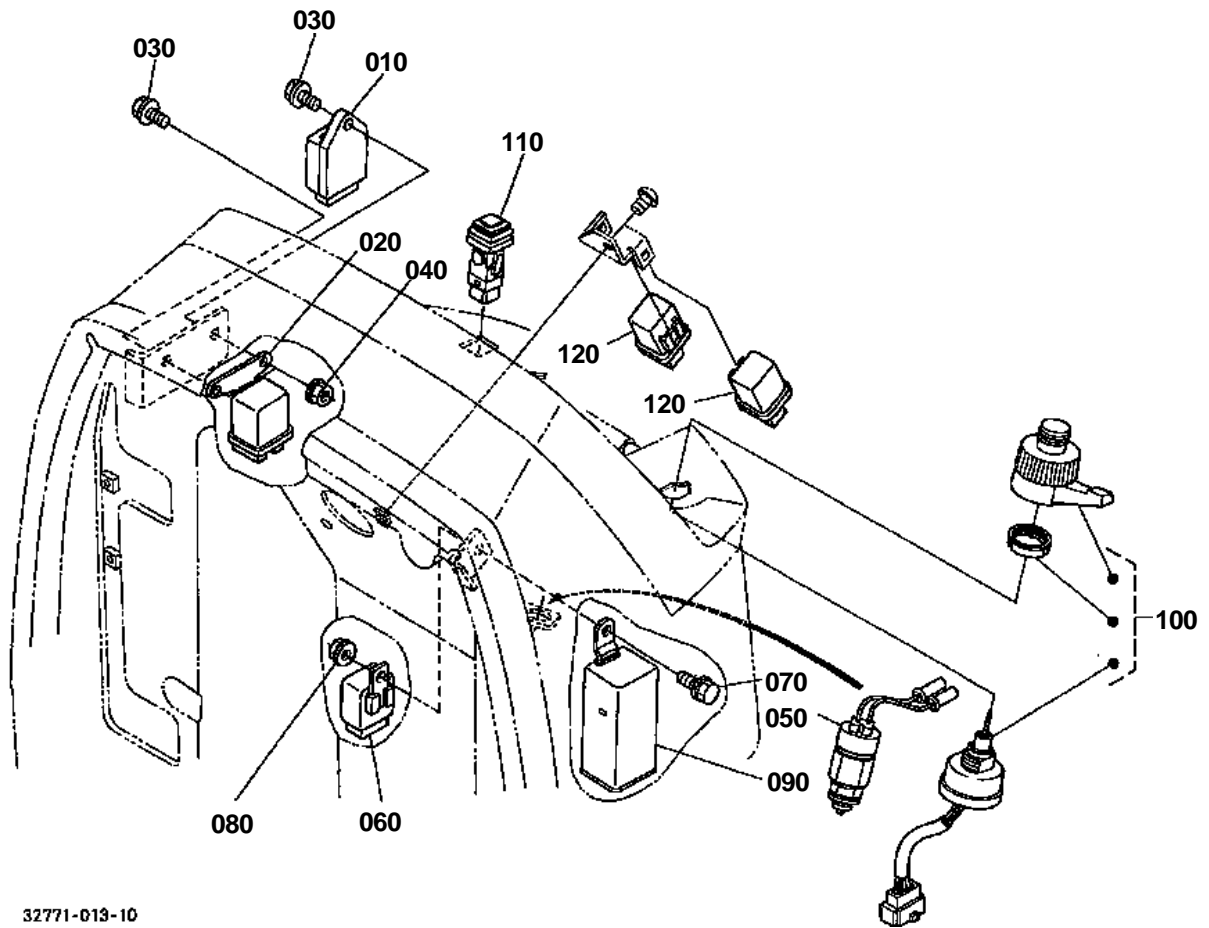
32771-012-10

**BATTERY**

↔ Interchangeable; ≠ not interchangeable; ← new for old; → old for new

REF.No	Part No.	Description	Q'ty	S.No.	I/C	REMARKS	Weight (kgf)	Weight (lb)
010	99999-99999	BATTERY	1			80D26R-MF	0	0
020	TA040-30160	CAP BATTERY	6				0.01	0.022
030	TA240-30120	CORD BATTERY	1				0.485	1.067
040	T0070-30130	CAP	1				0.015	0.033
050	T0070-30140	CAP	1				0.012	0.0264
060	02114-50080	NUT	1				0.005	0.011
070	04512-60080	WASHER SPRING	1				0.002	0.0044
080	TA140-33340	CORD EARTH	1				0.17	0.374
090	55311-41260	BAND CORD	2				0.007	0.0154
100	T1060-40110	RETAINER BATTERY	1				0.2	0.44
110	T0430-40120	BOLT HOOK	2				0.042	0.0924
120	76611-56730	NUT LOCK	2				0.005	0.011
120	02552-50060	NUT LOCK	2			-	0.002	0.0044
130	32771-14110	SUPPORT BATTERY	1				4.65	10.23
140	32771-14120	SPONGE	2				0.003	0.0066
150	32771-41240	SHIELD	1				0.1	0.22
160	01754-50816	BOLT FLANGE	3				0.011	0.0242
170	01125-60820	BOLT	1				0.015	0.033

SWITCH 1 [OLD TYPE]



32771-013-10

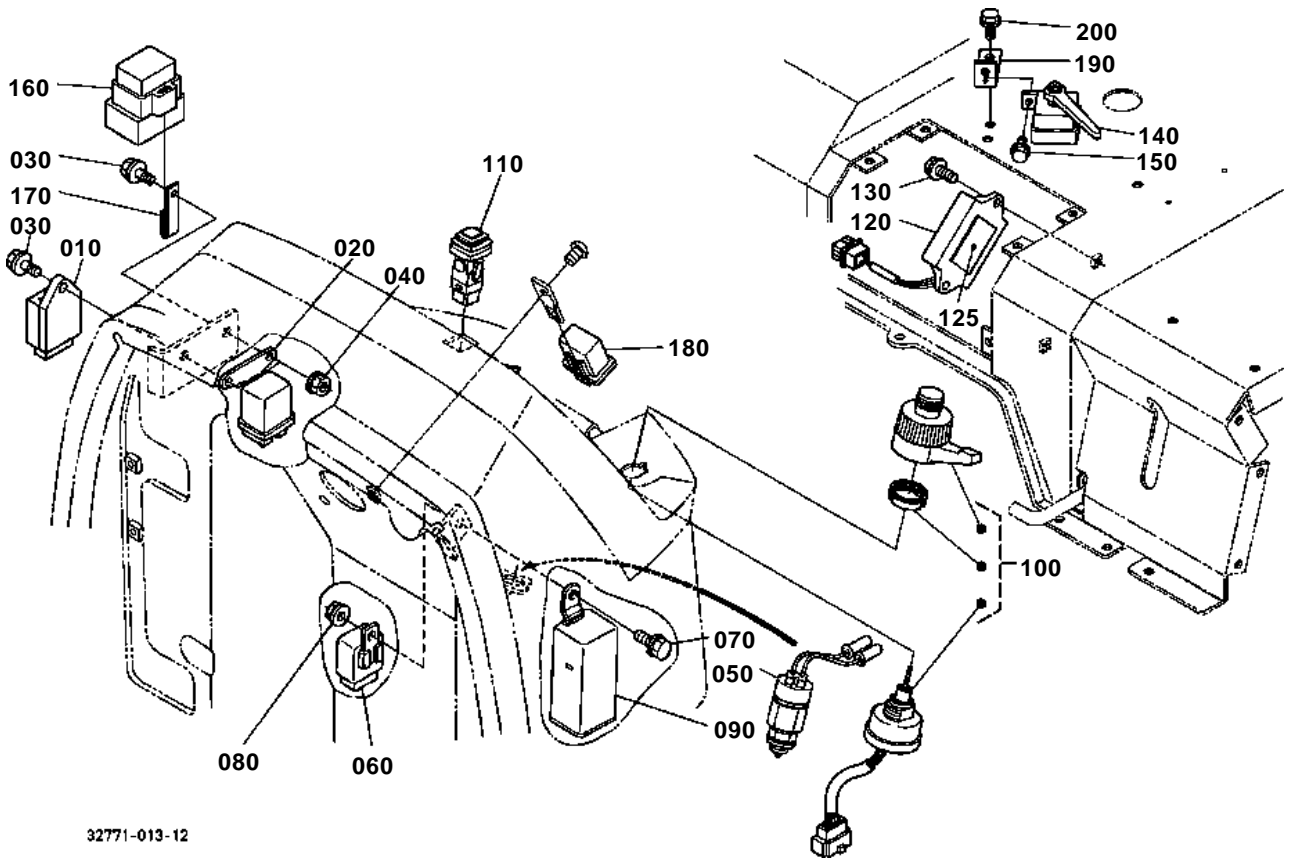
**SWITCH 1 [OLD TYPE]**

S.No.;&lt;=52526

↔ Interchangeable; ≠ not interchangeable; ← new for old; → old for new

REF.No	Part No.	Description	Q'ty	S.No.	I/C	REMARKS	Weight (kgf)	Weight (lb)
010	16415-65660	CONTROLLER	1				0.07	0.154
020	16415-65600	RELAY GLOW	1				0.1	0.22
030	01754-50616	BOLT FLANGE	2				0.006	0.0132
040	02751-50060	NUT FLANGE	2				0.005	0.011
050	37150-32240	SWITCH SAFETY	1				0.12	0.264
060	35800-75070	RELAY STARTER	1				0.08	0.176
070	01754-50616	BOLT FLANGE	1				0.006	0.0132
080	02751-50060	NUT FLANGE	1				0.005	0.011
090	3F240-75430	UNIT FLASHER	1				0.06	0.132
100	37410-55120	SWITCH COMBINATION	1				0.15	0.33
110	TA140-30910	SWITCH HAZARD	1				0.115	0.253
120	36919-75030	RELAY	2				0.038	0.0836

SWITCH 1 [NEW TYPE]



32771-013-12

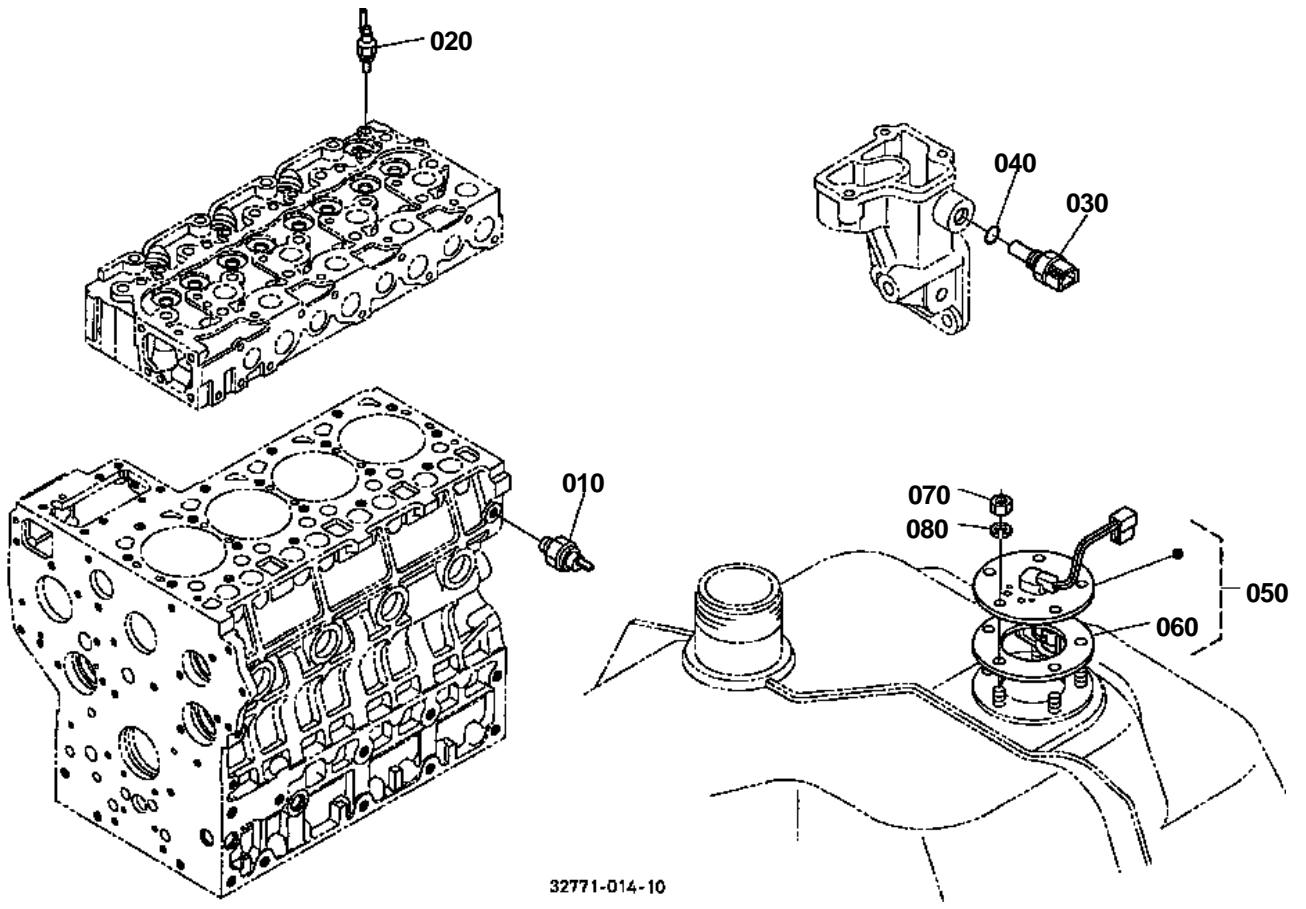
**SWITCH 1 [NEW TYPE]**

S.No.;&gt;=52527

↔ Interchangeable; ≠ not interchangeable; ← new for old; → old for new

REF.No	Part No.	Description	Q'ty	S.No.	I/C	REMARKS	Weight (kgf)	Weight (lb)
010	16415-65660	CONTROLLER	1				0.07	0.154
020	16415-65600	RELAY GLOW	1				0.1	0.22
030	01754-50616	BOLT FLANGE	2				0.006	0.0132
040	02751-50060	NUT FLANGE	2				0.005	0.011
050	37150-32240	SWITCH SAFETY	1				0.12	0.264
060	35800-75070	RELAY STARTER	1				0.08	0.176
070	01754-50616	BOLT FLANGE	1				0.006	0.0132
080	02751-50060	NUT FLANGE	1				0.005	0.011
090	3F240-75430	UNIT FLASHER	1				0.06	0.132
100	37410-55120	SWITCH COMBINATION	1				0.15	0.33
110	TA140-30910	SWITCH HAZARD	1				0.115	0.253
120	K3511-55222	CONTROLLER	1				0.18	0.396
125	3G710-71540	GASKET	1	>=60001			0.002	0.0044
130	01754-50620	BOLT FLANGE	2				0.007	0.0154
140	TD060-47902	SWITCH SEAT	1				0.03	0.066
150	01754-50612	BOLT FLANGE	1				0.005	0.011
160	T1060-33710	RELAY GLOW	1				0.07	0.154
170	32771-30810	STAY RELAY	1				0	0
180	36919-75030	RELAY	1				0.038	0.0836
190	32771-47290	STAY SEAT SWITCH	1	>=52527			0	0
200	01754-50816	BOLT FLANGE	2	>=52527			0.011	0.0242

SWITCH 2



32771-014-10



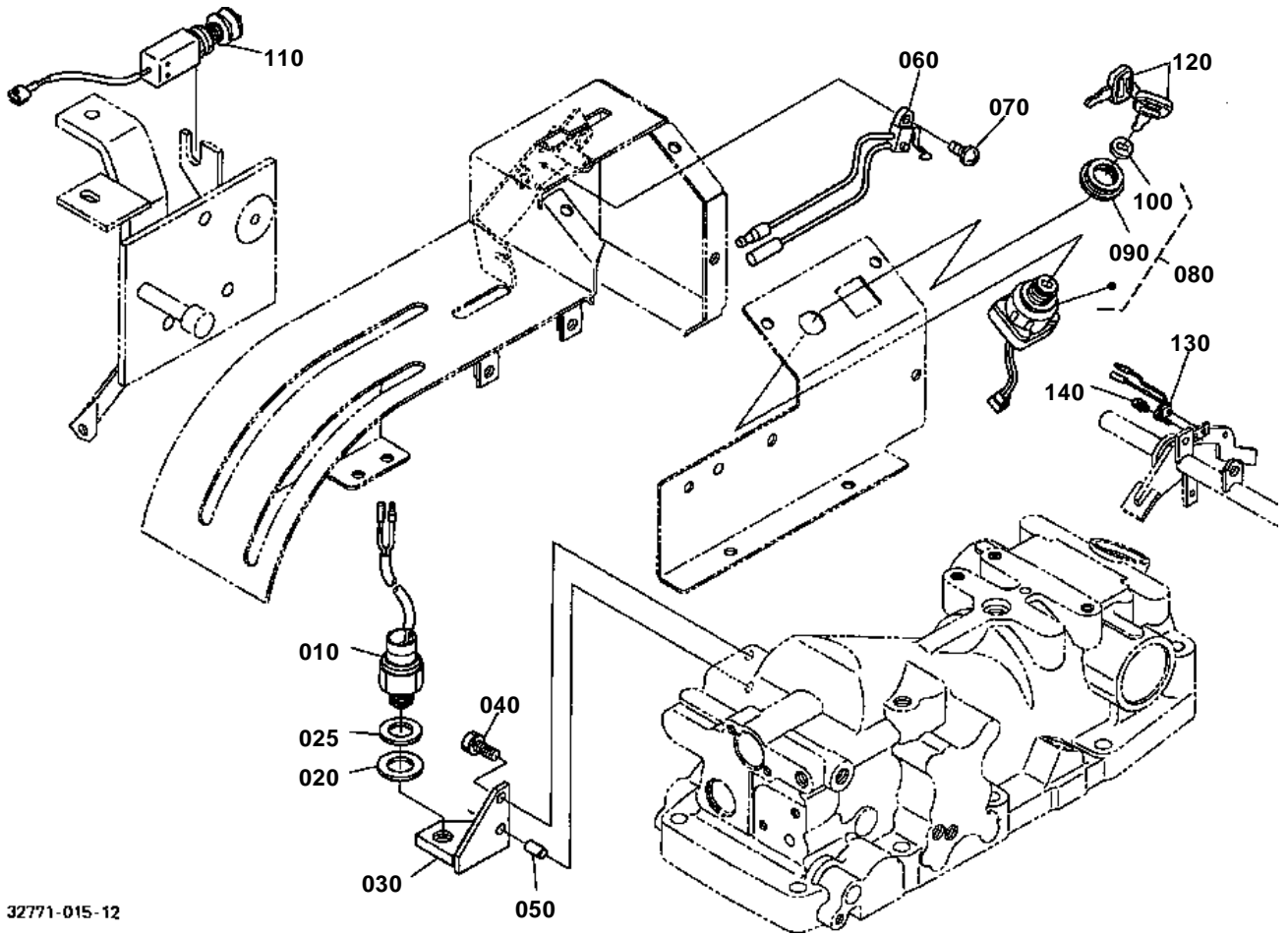


## SWITCH 2

↔ Interchangeable; ≠ not interchangeable; ← new for old; → old for new

REF.No	Part No.	Description	Q'ty	S.No.	I/C	REMARKS	Weight (kgf)	Weight (lb)
010	15531-39010	SWITCH OIL	1				0.032	0.0704
020	31351-32830	SENSOR THERMO	1				0.02	0.044
030	16415-83040	SENSOR THERMO	1				0.03	0.066
040	04811-00100	O RING	1				0	0
040	04816-00100	O RING	1				0.001	0.0022
050	34550-31203	ASSY GAUGE FUEL	1				0.415	0.913
060	67980-54740	GASKET	1				0.005	0.011
070	02054-50050	NUT	5				0.002	0.0044
080	04512-60050	WASHER SPRING	5				0.002	0.0044

SWITCH 3



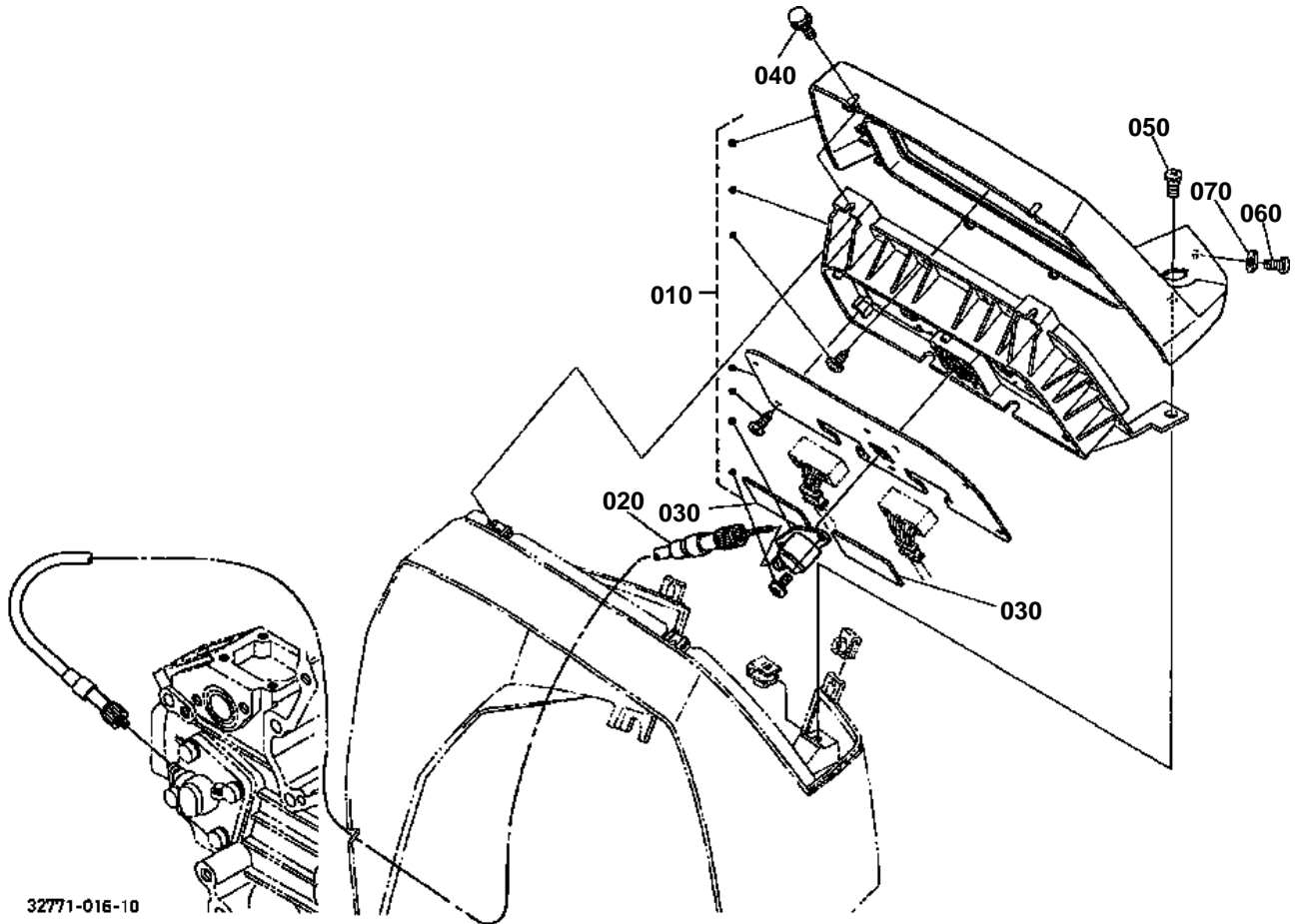
32771-015-12

**SWITCH 3**

↔ Interchangeable; ≠ not interchangeable; ← new for old; → old for new

REF.No	Part No.	Description	Q'ty	S.No.	I/C	REMARKS	Weight (kgf)	Weight (lb)
010	T0270-24880	SWITCH STARTER	1				0.06	0.132
020	04011-50140	WASHER PLAIN	1				0.007	0.0154
025	44312-16250	SHIM	1	>=50562			0.002	0.0044
030	32771-23163	STAY NEUTRAL SWITCH	1				0	0
040	01123-50818	BOLT	1				0.012	0.0264
050	05012-00814	PIN STRAIGHT	1				0.006	0.0132
060	TA040-43900	SWITCH LEVER	1				0.008	0.0176
070	03024-50414	SCREW WITH WASHER	1				0.002	0.0044
080	32771-31820	SWITCH STARTER	1	<=52106			0	0
080	32771-31822	SWITCH STARTER	1	>=52107	→		0.105	0.231
090	RC411-53940	NUT	1				0.005	0.011
100	RC411-53952	COVER	1				0.001	0.0022
110	59700-42840	SWITCH	1				0.09	0.198
120	RC411-53933	KEY STARTER	1				0.018	0.0396
130	TA040-43900	SWITCH LEVER	1				0.008	0.0176
140	05012-00814	PIN STRAIGHT	1				0.006	0.0132

PANEL BOARD



32771-016-10

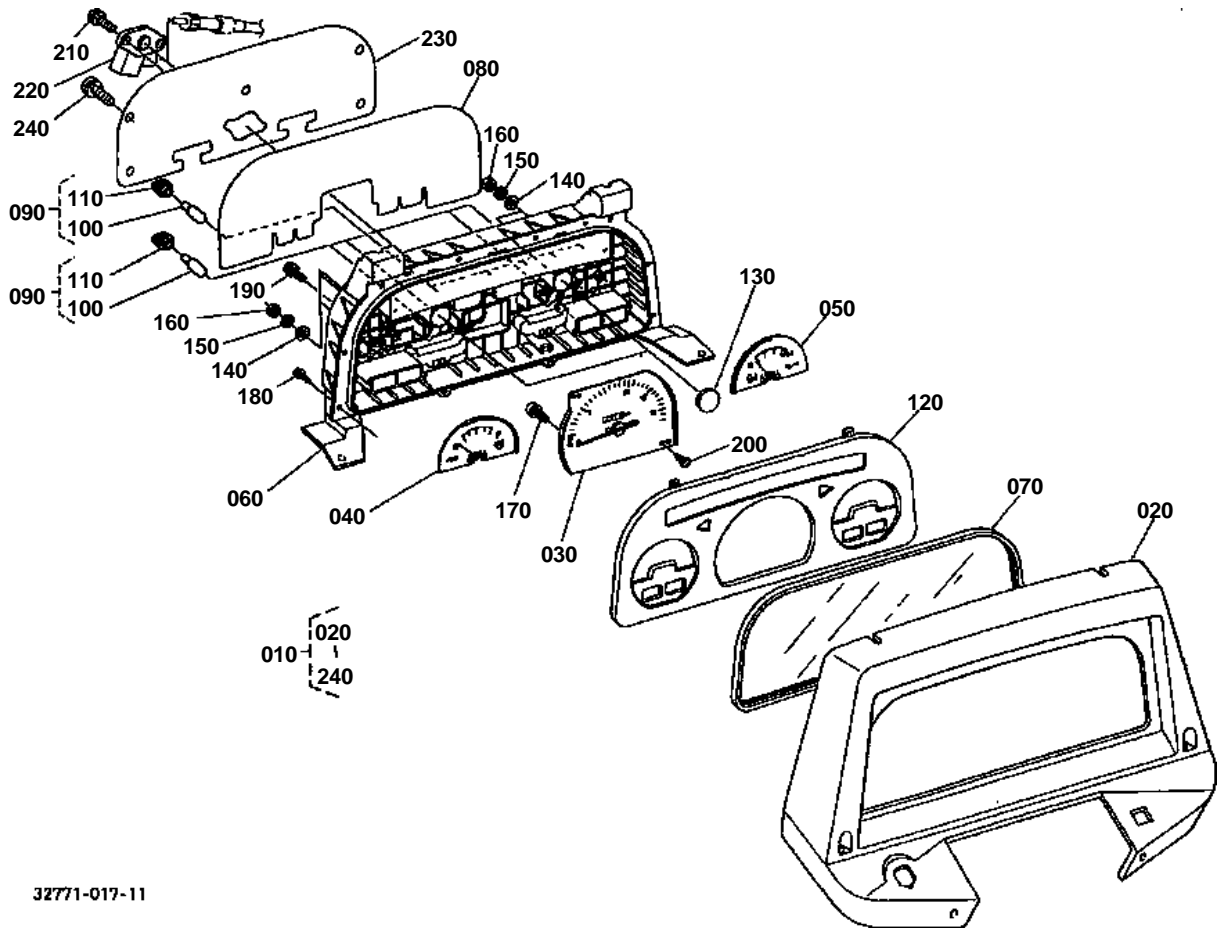


PANEL BOARD

↔ Interchangeable; ≠ not interchangeable; ← new for old; → old for new

REF.No	Part No.	Description	Q'ty	S.No.	I/C	REMARKS	Weight (kgf)	Weight (lb)
010	32771-30210	ASSY PANEL	1				3.1	6.82
020	34530-30610	ASSY CABLE FLEXIBLE	1				0.24	0.528
030	34070-99410	SEAL PANEL	2	<=51194			0	0
030	34070-99412	SEAL PANEL	2	>=51195	↔		0.005	0.011
040	34070-41110	BOLT SET	2				0.01	0.022
050	31391-31140	SCREW	2				0.01	0.022
060	37410-54990	SCREW	2				0.003	0.0066
070	04013-60040	WASHER PLAIN	2				0.002	0.0044

PANEL BOARD [COMPONENT PARTS]



32771-017-11

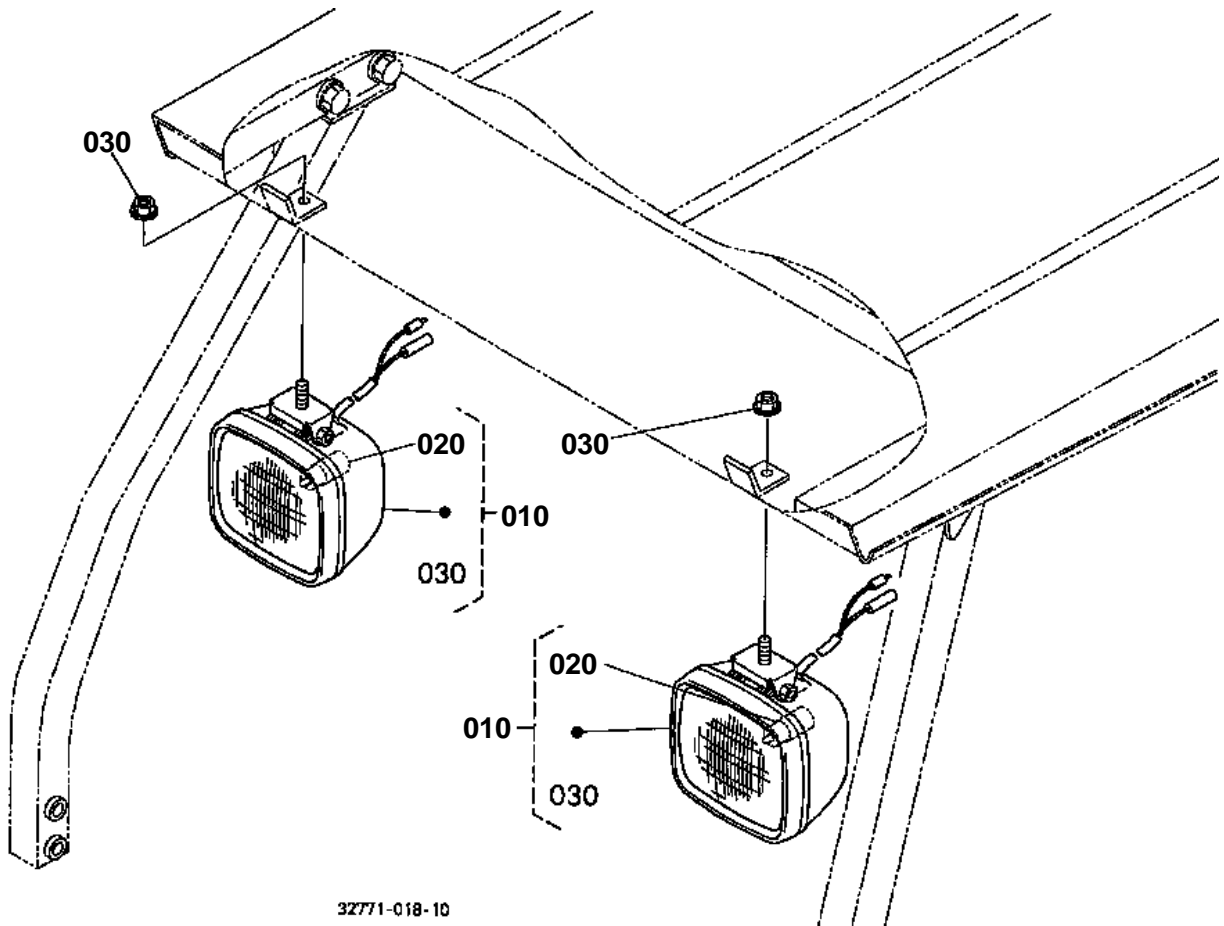


PANEL BOARD [COMPONENT PARTS]

↔ Interchangeable; ≠ not interchangeable; ← new for old; → old for new

REF.No	Part No.	Description	Q'ty	S.No.	I/C	REMARKS	Weight (kgf)	Weight (lb)
010	32771-30210	ASSY PANEL	1				3.1	6.82
020	TA040-76620	HOOD PANEL	1				0.5	1.1
030	TA040-30220	ASSY TACHOMETER	1				0.22	0.484
040	TA040-30230	ASSY METER FUEL	1				0.08	0.176
050	TA040-30240	ASSY THERMOMETER	1				0.08	0.176
060	32771-30250	CASE	1				0.87	1.914
070	34070-30260	GLASS	1				0.485	1.067
080	TA040-30270	ASSY PLATE	1				0.135	0.297
090	38240-31460	ASSY LAMP ELECTRIC	9				0.015	0.033
100	38240-31470	BULB	9			3.4W	0.01	0.022
110	38240-31480	SOCKET	9				0.001	0.0022
120	34070-30280	PLATE WINDOW	1				0.21	0.462
130	34070-30170	LENS	2				0.005	0.011
140	66426-81100	WASHER PLAIN	5				0.001	0.0022
150	04512-60040	WASHER SPRING	5				0.002	0.0044
160	02054-50040	NUT	5				0.001	0.0022
170	32530-94900	SCREW WITH WASHER	2				0.002	0.0044
180	03514-50425	SCREW TAPPING	10				0.001	0.0022
190	35533-76230	SCREW WITH WASHER	1				0.002	0.0044
200	34070-30290	SCREW TAPPING	2				0.01	0.022
210	35533-76160	SCREW WITH WASHER	2				0.001	0.0022
220	34550-30180	ADAPTER	1				0.05	0.11
230	34550-30190	CASE LOWER	1				0.295	0.649
240	03514-50414	SCREW TAPPING	6				0.001	0.0022

# HEAD LIGHT





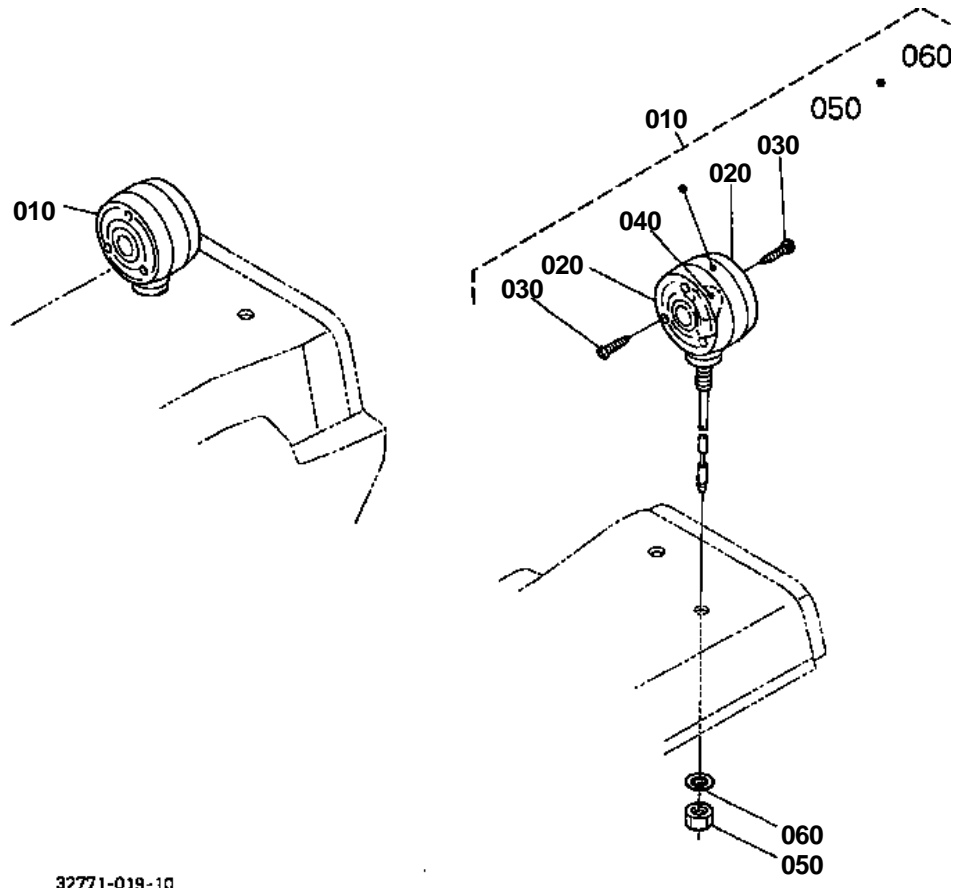


# HEAD LIGHT

↔ Interchangeable; ≠ not interchangeable; ← new for old; → old for new

REF.No	Part No.	Description	Q'ty	S.No.	I/C	REMARKS	Weight (kgf)	Weight (lb)
010	3F740-75910	LIGHT WORK	2				0.36	0.792
020	3G710-75900	BULB	2			55W	0.007	0.0154
030	02763-60080	NUT FLANGE	2				0.005	0.011

HAZARD LIGHT



32771-019-10

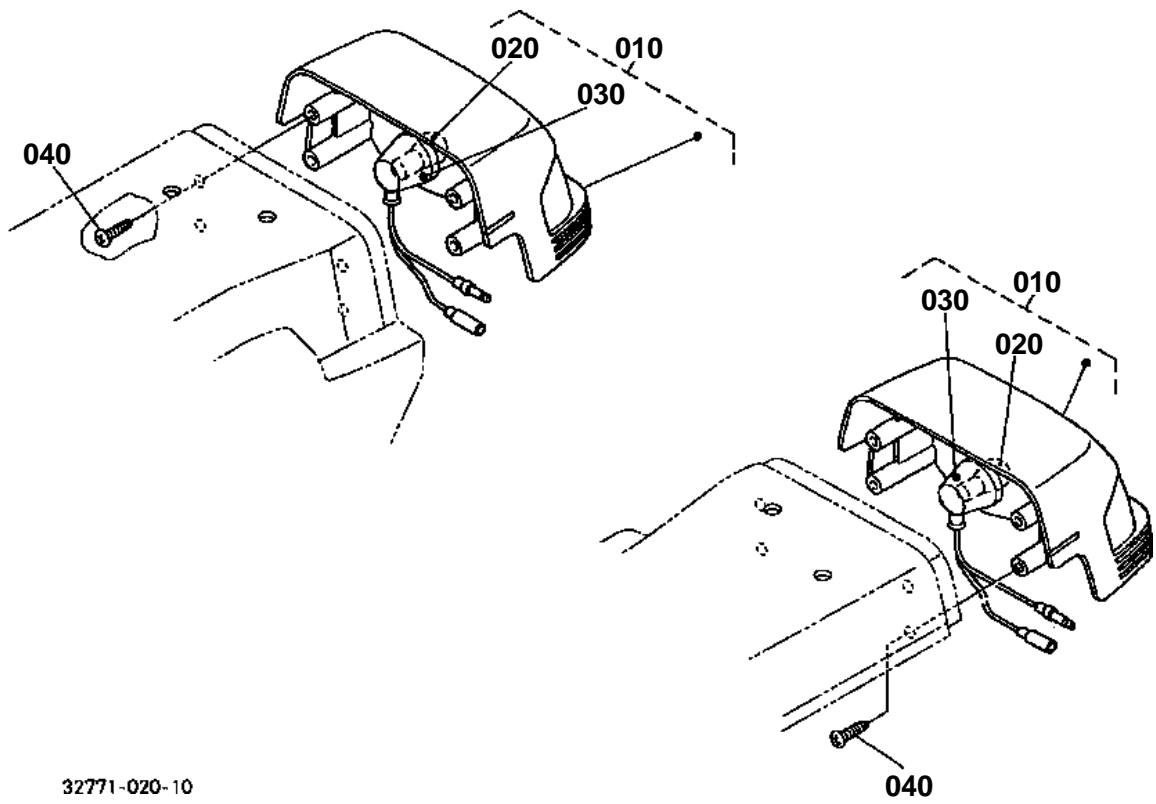


# HAZARD LIGHT

↔ Interchangeable; ≠ not interchangeable; ← new for old; → old for new

REF.No	Part No.	Description	Q'ty	S.No.	I/C	REMARKS	Weight (kgf)	Weight (lb)
010	32530-33610	ASSY LIGHT HAZARD	2				0.38	0.836
020	32530-91510	LENS HAZARD LIGHT	4				0.085	0.187
030	32530-91520	SCREW TAPPING	12				0.001	0.0022
040	32530-91530	BULB LIGHT	2			27W	0.02	0.044
050	02114-50100	NUT	2				0.005	0.011
060	04411-50100	WASHER TOOTHED	2				0.001	0.0022

TAIL LIGHT [OLD TYPE]



32771-020-10

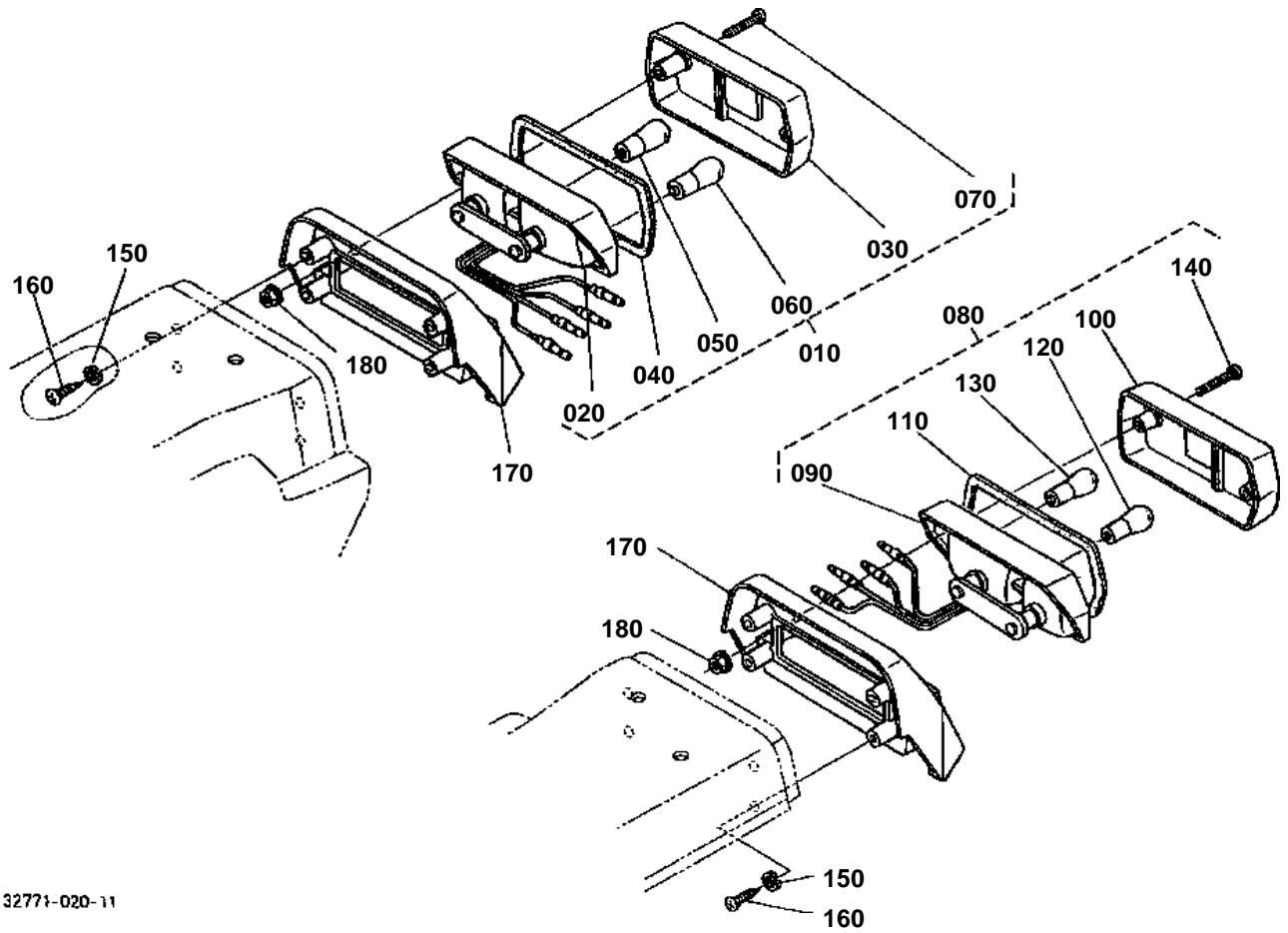
**TAIL LIGHT [OLD TYPE]**

S.No.;&lt;=51662

↔ Interchangeable; ≠ not interchangeable; ← new for old; → old for new

REF.No	Part No.	Description	Q'ty	S.No.	I/C	REMARKS	Weight (kgf)	Weight (lb)
010	TA040-30020	LIGHT TAIL	2				0.5	1.1
020	TA040-99110	BULB LIGHT	2			8W	0.01	0.022
030	TA040-99120	CORD	2				0.03	0.066
040	03614-50614	SCREW TAPPING	8				0.005	0.011

REAR LAMP [NEW TYPE]



32771-020-11

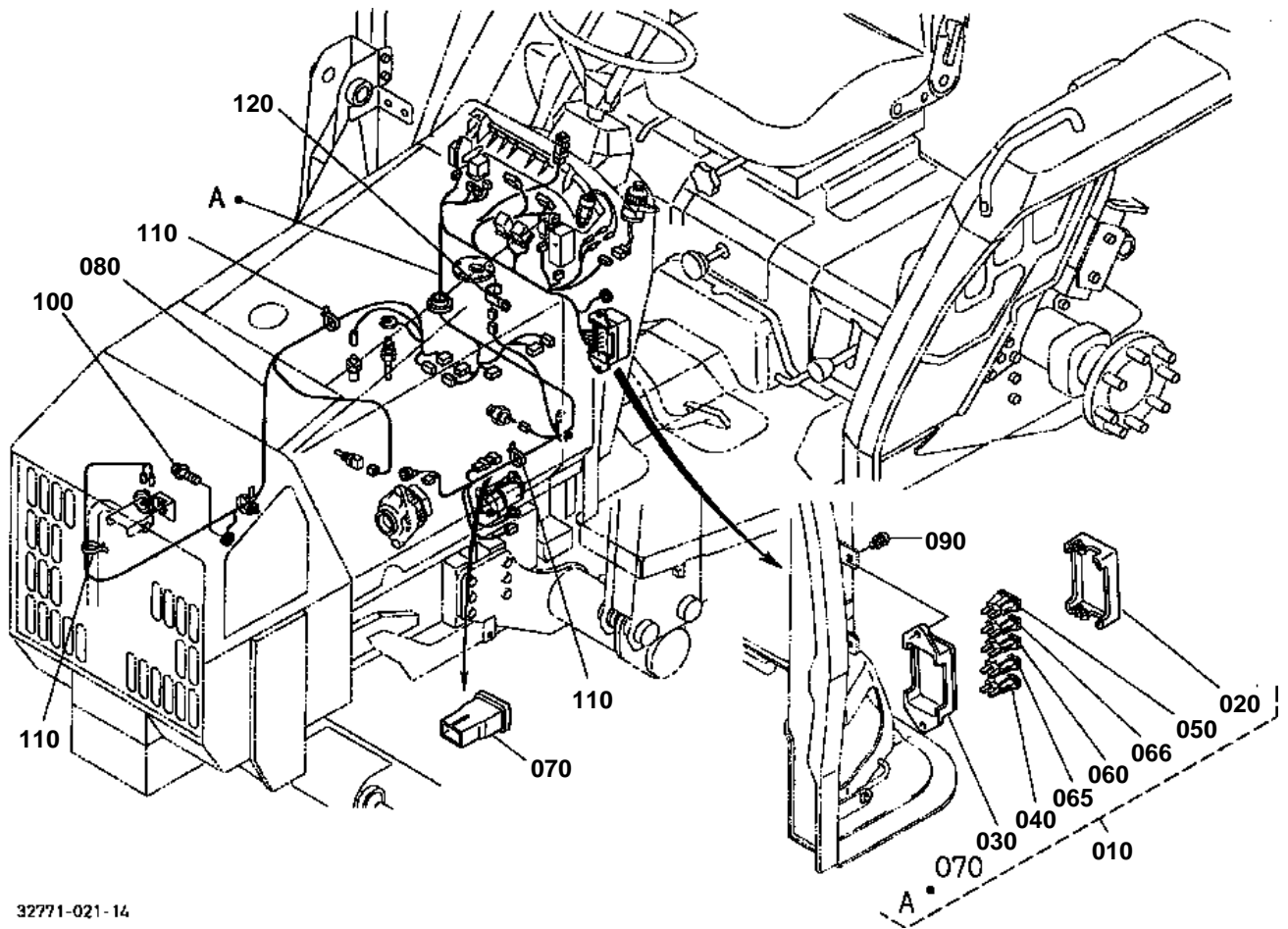
**REAR LAMP [NEW TYPE]**

S.No.;&gt;=51663

↔ Interchangeable; ≠ not interchangeable; ← new for old; → old for new

REF.No	Part No.	Description	Q'ty	S.No.	I/C	REMARKS	Weight (kgf)	Weight (lb)
010	31301-34303	ASSY LIGHT COMBI.RH	1				0.4	0.88
020	31301-34320	BODY RH	1				0.18	0.396
030	31301-34340	LENS	1				0.105	0.231
040	31391-34350	GASKET	1				0.002	0.0044
050	31391-34360	BULB	1				0.018	0.0396
060	31301-34370	BULB	1				0.02	0.044
070	31391-34380	SCREW	2				0	0
070	T1150-34380	SCREW	2		<<		0.006	0.0132
080	31301-34313	ASSY LIGHT COMBI.LH	1				0.32	0.704
090	31301-34330	BODY LH	1				0.21	0.462
100	31301-34340	LENS	1				0.105	0.231
110	31391-34350	GASKET	1				0.002	0.0044
120	31391-34360	BULB	1				0.018	0.0396
130	31301-34370	BULB	1				0.02	0.044
140	31391-34380	SCREW	2				0	0
140	T1150-34380	SCREW	2		<<		0.006	0.0132
150	04512-60060	WASHER SPRING	8				0.001	0.0022
160	03614-50614	SCREW TAPPING	8				0.005	0.011
170	34040-68960	HOLDER	2				0.23	0.506
180	02761-50050	NUT FLANGE	4				0.002	0.0044

ELECTRICAL WIRING (FRONT) [OLD TYPE]



32771-021-14



120 58056-9125-0



32771-801-10

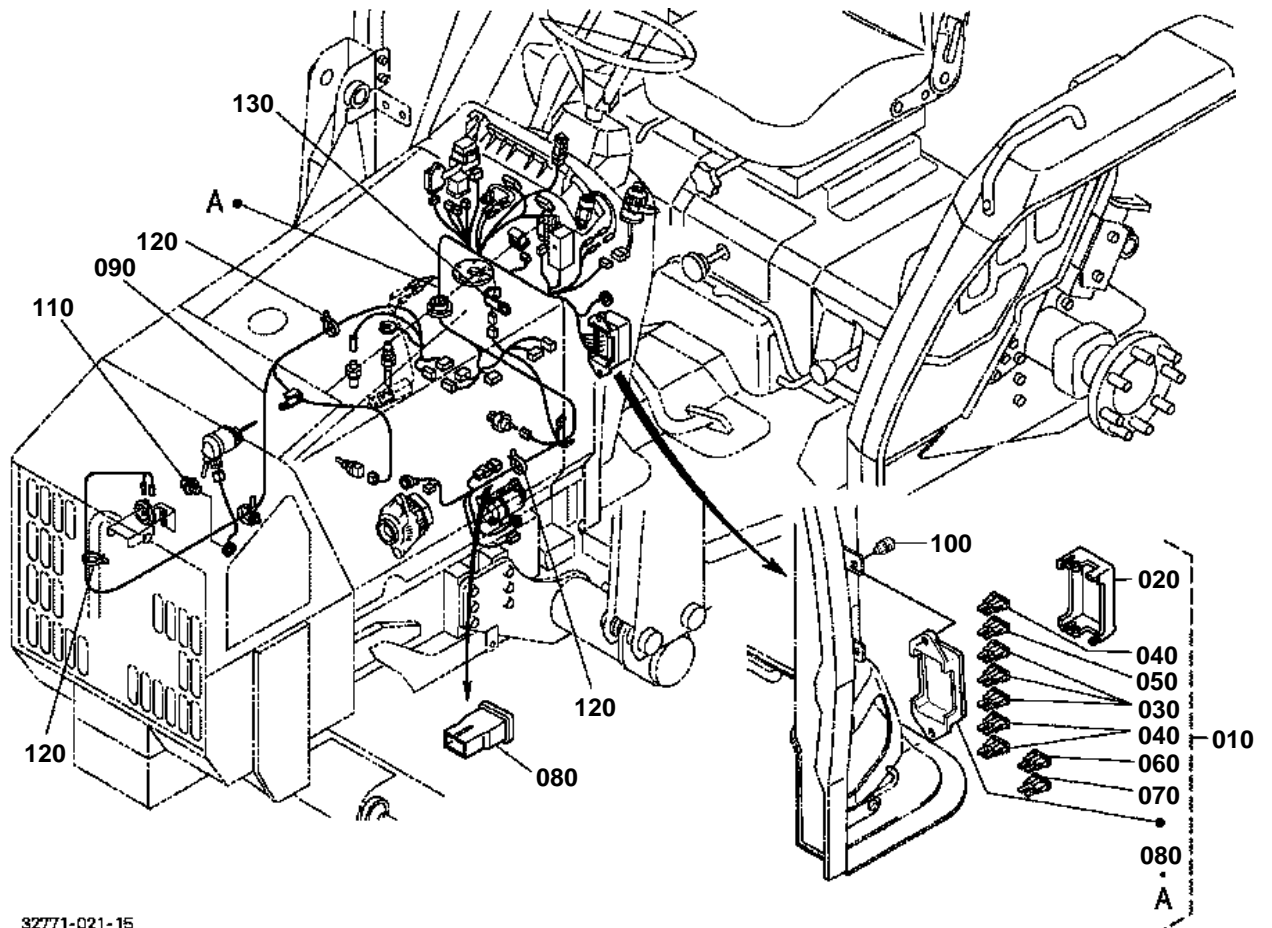
**ELECTRICAL WIRING (FRONT) [OLD TYPE]**

S.No.;&lt;=52526

↔ Interchangeable; ≠ not interchangeable; ← new for old; → old for new

REF.No	Part No.	Description	Q'ty	S.No.	I/C	REMARKS	Weight (kgf)	Weight (lb)
010	32771-30310	WIRE HARNESS	1	<=50561			0	0
010	32771-30313	WIRE HARNESS	1	>=50562	→		0	0
010	32771-30314	WIRE HARNESS	1	>=51663	→		1.2	2.64
020	32771-30410	COVER FUSE BOX	1	<=51662			0.02	0.044
020	32771-30412	COVER FUSE BOX	1	>=51663	↑		0.02	0.044
030	35533-77350	ASSY CASE FUSE	1				0.04	0.088
040	36730-75550	FUSE	2			10A	0.001	0.0022
050	35820-75560	FUSE	4			15A	0.002	0.0044
060	66426-80010	FUSE AUTO	1			5A	0.01	0.022
065	36730-75550	FUSE	1			10A	0.001	0.0022
066	35820-75560	FUSE	1			15A	0.002	0.0044
070	35080-34530	FUSE	1			50A	0.015	0.033
080	32771-30323	WIRE HARNESS	1				0.265	0.583
090	03024-50520	SCREW WITH WASHER	2				0.004	0.0088
100	01754-50608	BOLT FLANGE	1				0.005	0.011
110	53581-64150	BAND CORD	3				0.002	0.0044
120	58056-91250	CLAMP CORD	1	<=50591			0.002	0.0044
120	15241-67580	CLAMP CORD	1	<=50591			0.004	0.0088

ELECTRICAL WIRING (FRONT) [NEW TYPE]



32771-021-15

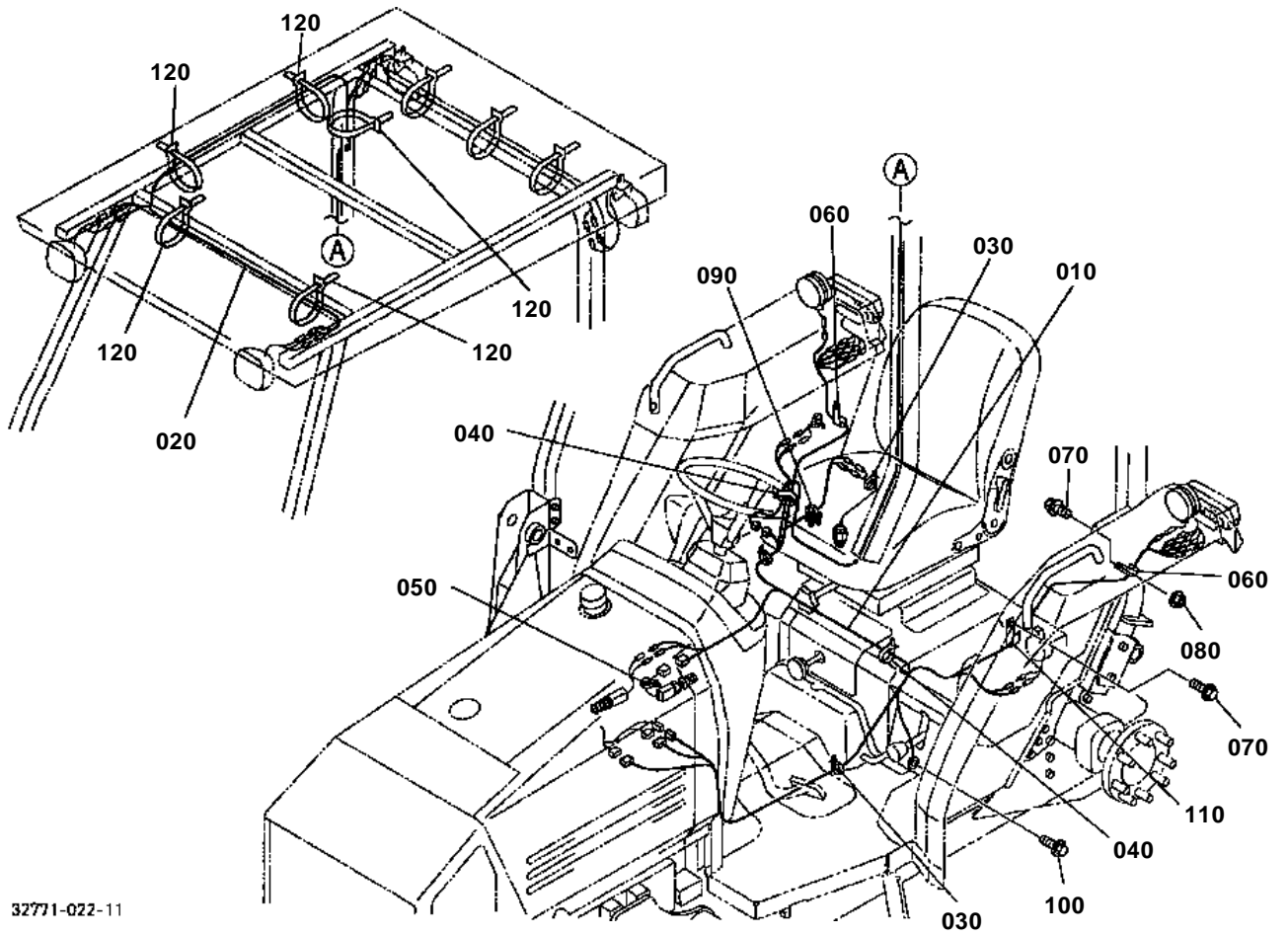
**ELECTRICAL WIRING (FRONT) [NEW TYPE]**

S.No.;&gt;=52527

↔ Interchangeable; ≠ not interchangeable; ← new for old; → old for new

REF.No	Part No.	Description	Q'ty	S.No.	I/C	REMARKS	Weight (kgf)	Weight (lb)
010	32771-30510	WIRE HARNESS	1				0	0
020	32771-30610	COVER FUSE BOX	1				0	0
030	36730-75550	FUSE	3			10A	0.001	0.0022
040	35820-75560	FUSE	3			15A	0.002	0.0044
050	37410-55520	FUSE	1			5A	0.002	0.0044
060	36730-75550	FUSE	1			10A	0.001	0.0022
070	35820-75560	FUSE	1			15A	0.002	0.0044
080	35080-34530	FUSE	1			50A	0.015	0.033
090	32771-30520	WIRE HARNESS	1				0	0
100	03024-50520	SCREW WITH WASHER	2				0.004	0.0088
110	01754-50608	BOLT FLANGE	1				0.005	0.011
120	53581-64150	BAND CORD	3				0.002	0.0044
130	15241-67580	CLAMP CORD	1				0.004	0.0088

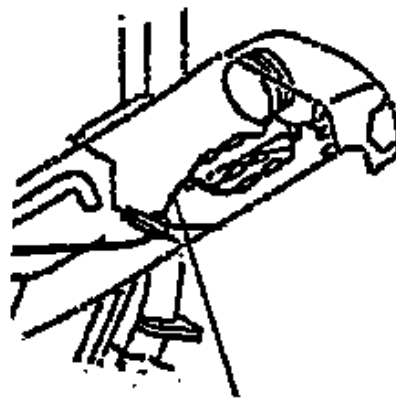
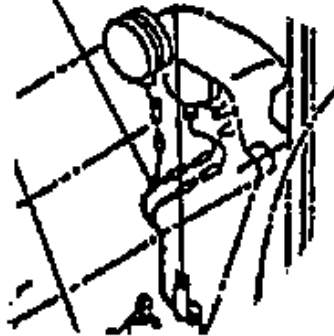
ELECTRICAL WIRING (REAR) [OLD TYPE]



32771-022-11

010 32771-3033-0

010



010

32771-818-10

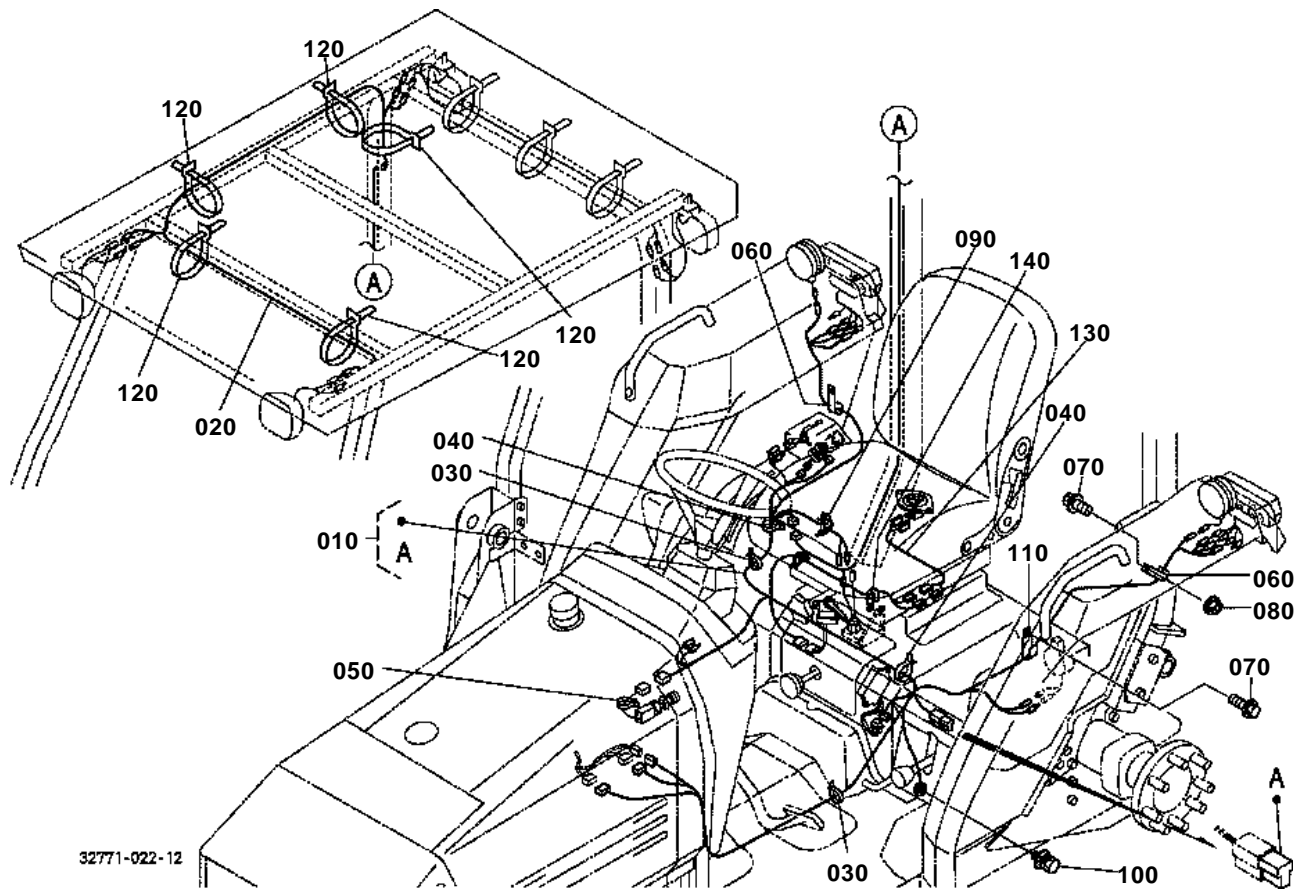
**ELECTRICAL WIRING (REAR) [OLD TYPE]**

S.No.;&lt;=52526

↔ Interchangeable; ≠ not interchangeable; ← new for old; → old for new

REF.No	Part No.	Description	Q'ty	S.No.	I/C	REMARKS	Weight (kgf)	Weight (lb)
010	32771-30330	WIRE HARNESS	1	<=51662			0.65	1.43
010	32771-30333	WIRE HARNESS	1	>=51663	1		0.65	1.43
020	32771-30340	WIRE HARNESS H/LIGHT	1				0.235	0.517
030	53581-64150	BAND CORD	2				0.002	0.0044
040	55311-41260	BAND CORD	2				0.007	0.0154
050	44366-68380	BAND CORD	1				0.01	0.022
060	37150-34460	CLAMP CORD	2				0.004	0.0088
070	01754-51016	BOLT FLANGE	2				0.02	0.044
080	02771-60100	NUT FLANGE	1				0.01	0.022
090	3A111-77330	CLAMP CORD	1				0.001	0.0022
100	01135-51016	BOLT	1				0.02	0.044
110	37150-34460	CLAMP CORD	1				0.004	0.0088
120	32751-96300	BAND WORK LIGHT	5				0.005	0.011

ELECTRICAL WIRING (REAR) [NEW TYPE]



32771-022-12



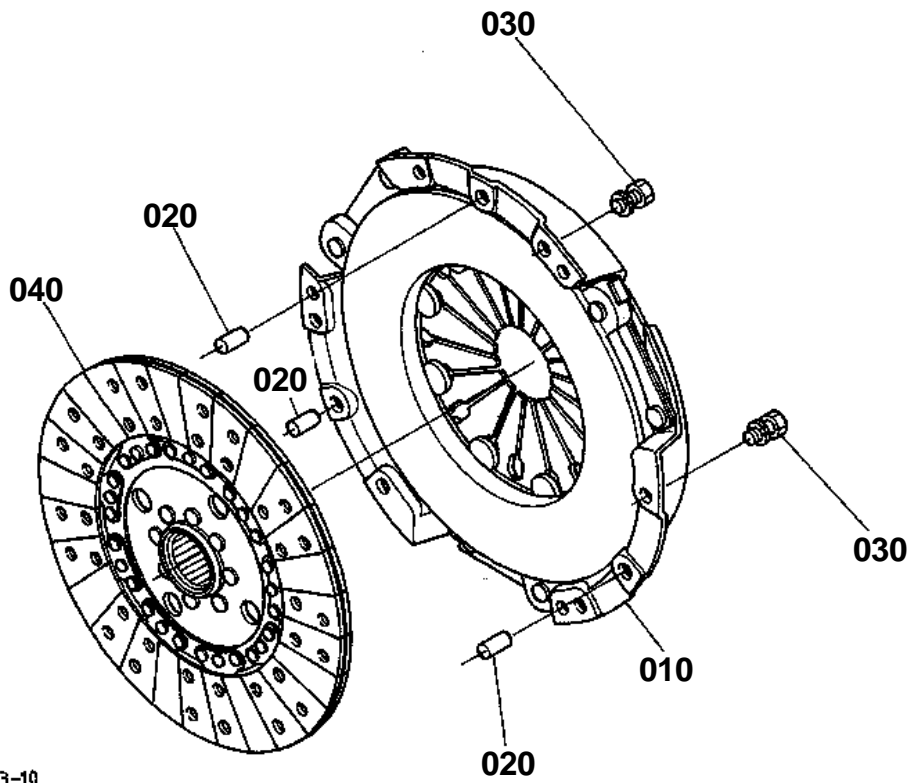
**ELECTRICAL WIRING (REAR) [NEW TYPE]**

S.No.;&gt;=52527

↔ Interchangeable; ≠ not interchangeable; ← new for old; → old for new

REF.No	Part No.	Description	Q'ty	S.No.	I/C	REMARKS	Weight (kgf)	Weight (lb)
010	32771-30530	WIRE HARNESS	1				0	0
020	32771-30340	WIRE HARNESS H/LIGHT	1				0.235	0.517
030	53581-64150	BAND CORD	2				0.002	0.0044
040	55311-41260	BAND CORD	2				0.007	0.0154
050	44366-68380	BAND CORD	1				0.01	0.022
060	37150-34460	CLAMP CORD	2				0.004	0.0088
070	01754-51016	BOLT FLANGE	2				0.02	0.044
080	02771-60100	NUT FLANGE	1				0.01	0.022
090	3A111-77330	CLAMP CORD	1				0.001	0.0022
100	01135-51016	BOLT	1				0.02	0.044
110	37150-34460	CLAMP CORD	1				0.004	0.0088
120	32751-96300	BAND WORK LIGHT	5				0.005	0.011
130	32771-30560	WIRE HARNESS	1	<=60668			0	0
130	32771-30562	WIRE HARNESS	1	>=60669	↔		0	0
140	13824-67580	CLAMP CORD	1				0.006	0.0132

CLUTCH



TA040-023-10

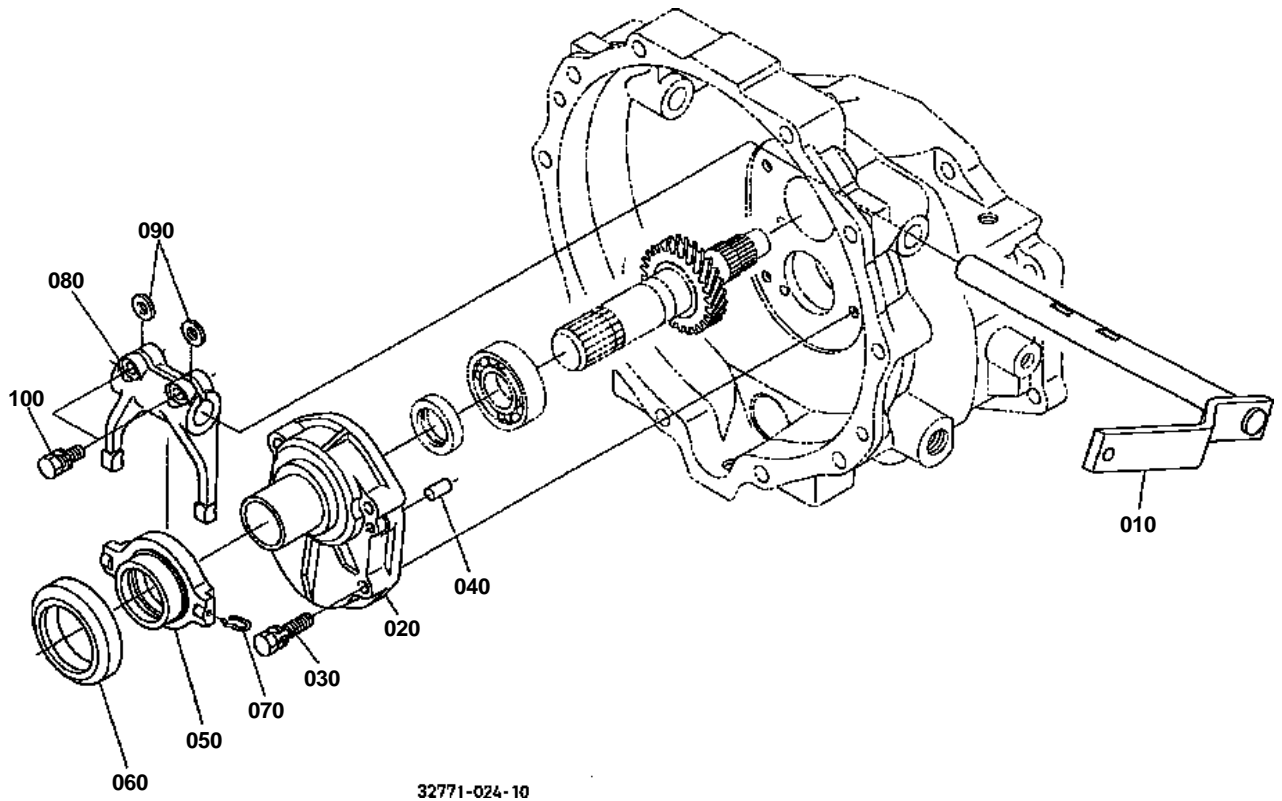


# CLUTCH

↔ Interchangeable; ≠ not interchangeable; ← new for old; → old for new

REF.No	Part No.	Description	Q'ty	S.No.	I/C	REMARKS	Weight (kgf)	Weight (lb)
010	TA040-20600	ASSY PLATE PRESSURE	1				7.5	16.5
020	05012-01018	PIN STRAIGHT	3				0.012	0.0264
030	01123-60816	BOLT	6				0.01	0.022
040	32771-20500	COMP.DISK CLUTCH	1				0	0
040	TA040-20500	COMP.DISK CLUTCH	1		<<		0	0
040	TD060-20500	COMP.DISK CLUTCH	1		<<		1.13	2.486

CLUTCH LEVER



32771-024-10

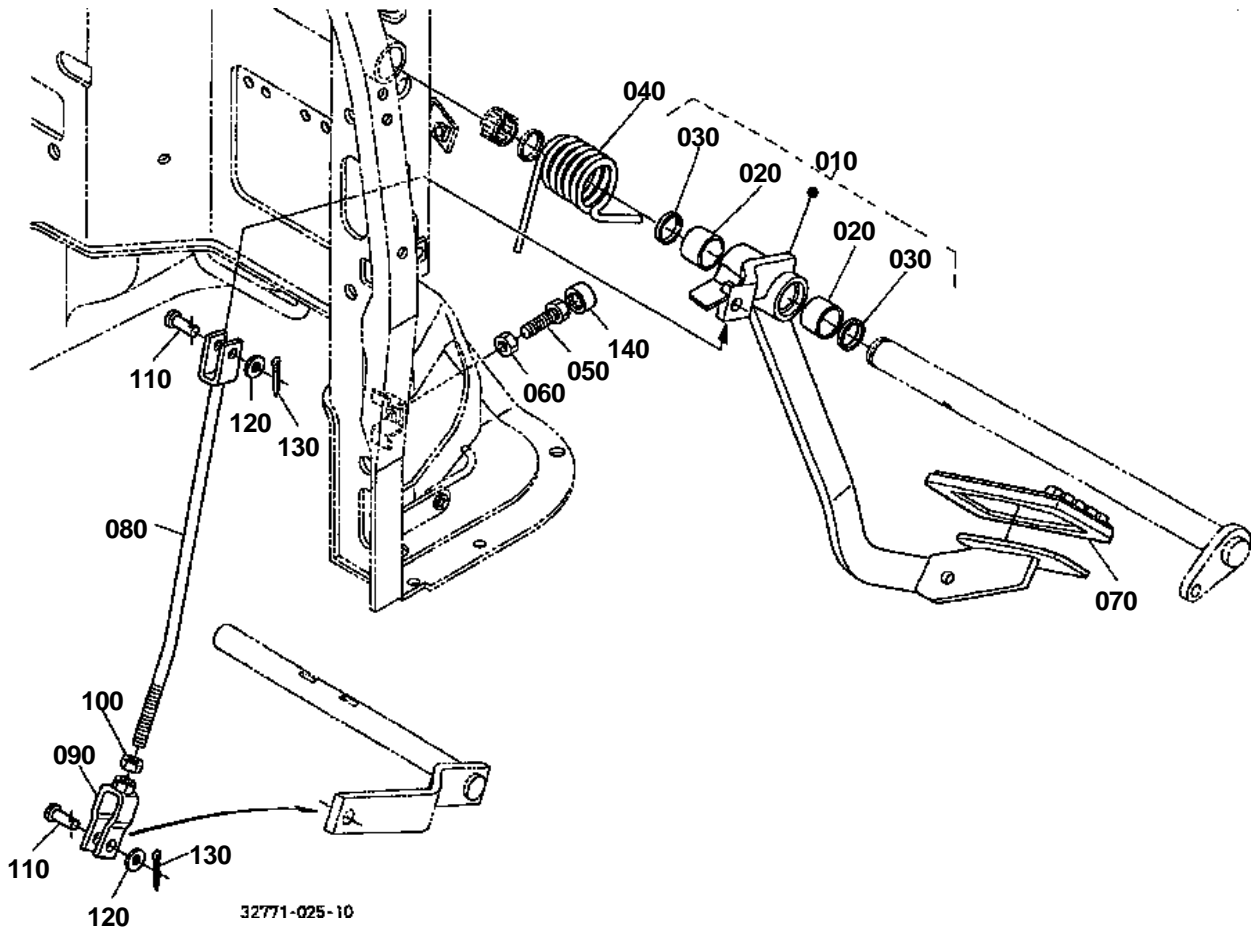


## CLUTCH LEVER

↔ Interchangeable; ≠ not interchangeable; ← new for old; → old for new

REF.No	Part No.	Description	Q'ty	S.No.	I/C	REMARKS	Weight (kgf)	Weight (lb)
010	TA040-21172	LEVER CLUTCH	1				1.3	2.86
020	TA040-21100	CASE PROPELLER SHAFT	1				0.66	1.452
030	01123-50845	BOLT	4				0.02	0.044
040	05012-00818	PIN STRAIGHT	2				0.013	0.0286
050	TA040-21150	HOLDER CLUTCH	1				0.4	0.88
060	TA040-20700	BEARING RELEASE	1				0.29	0.638
070	TA040-21210	PIN SNAP	2				0.002	0.0044
080	TA040-21200	FORK CLUTCH RELEASE	1				0.54	1.188
090	31150-14780	KEY FORK	2				0.003	0.0066
100	01123-50825	BOLT	2				0.013	0.0286

CLUTCH PEDAL



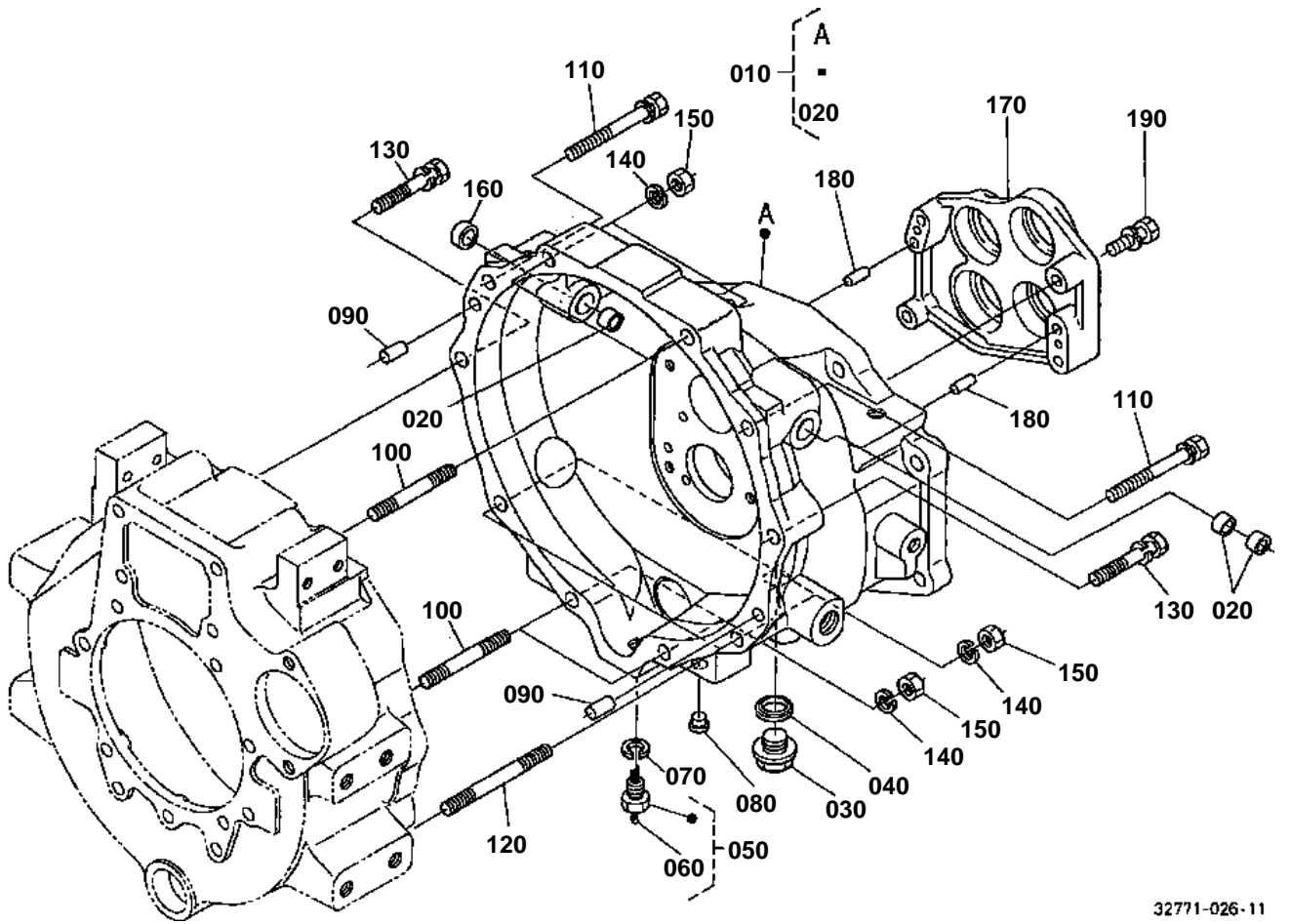


# CLUTCH PEDAL

↔ Interchangeable; ≠ not interchangeable; ← new for old; → old for new

REF.No	Part No.	Description	Q'ty	S.No.	I/C	REMARKS	Weight (kgf)	Weight (lb)
010	TA240-44050	COMP.PEDAL CLUTCH	1				1.56	3.432
020	08511-02520	BUSH	2				0.02	0.044
030	34070-44140	SEAL OIL	2				0.005	0.011
040	TA040-44160	SPRING	1				0.108	0.2376
050	01073-51030	BOLT	1				0.028	0.0616
060	02116-50100	NUT	1				0.004	0.0088
070	37410-44120	COVER PEDAL	1	<=60897			0.08	0.176
070	T2050-44120	COVER PEDAL	1	>=60898	↔		0.07	0.154
080	32771-44460	ROD CLUTCH	1				0.26	0.572
090	34070-44470	U JOINT	1				0.08	0.176
100	02176-50100	NUT	1				0.005	0.011
110	05122-61028	PIN JOINT	2				0.02	0.044
120	04013-60100	WASHER PLAIN	2				0.003	0.0066
130	05511-50318	PIN SPLIT	2				0.001	0.0022
140	T0270-47490	CUSHION	1				0.002	0.0044

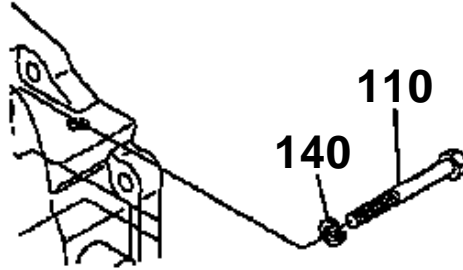
CLUTCH HOUSING



32771-026-11



110 01173-51295  
140 04512-60120



32771-808-10

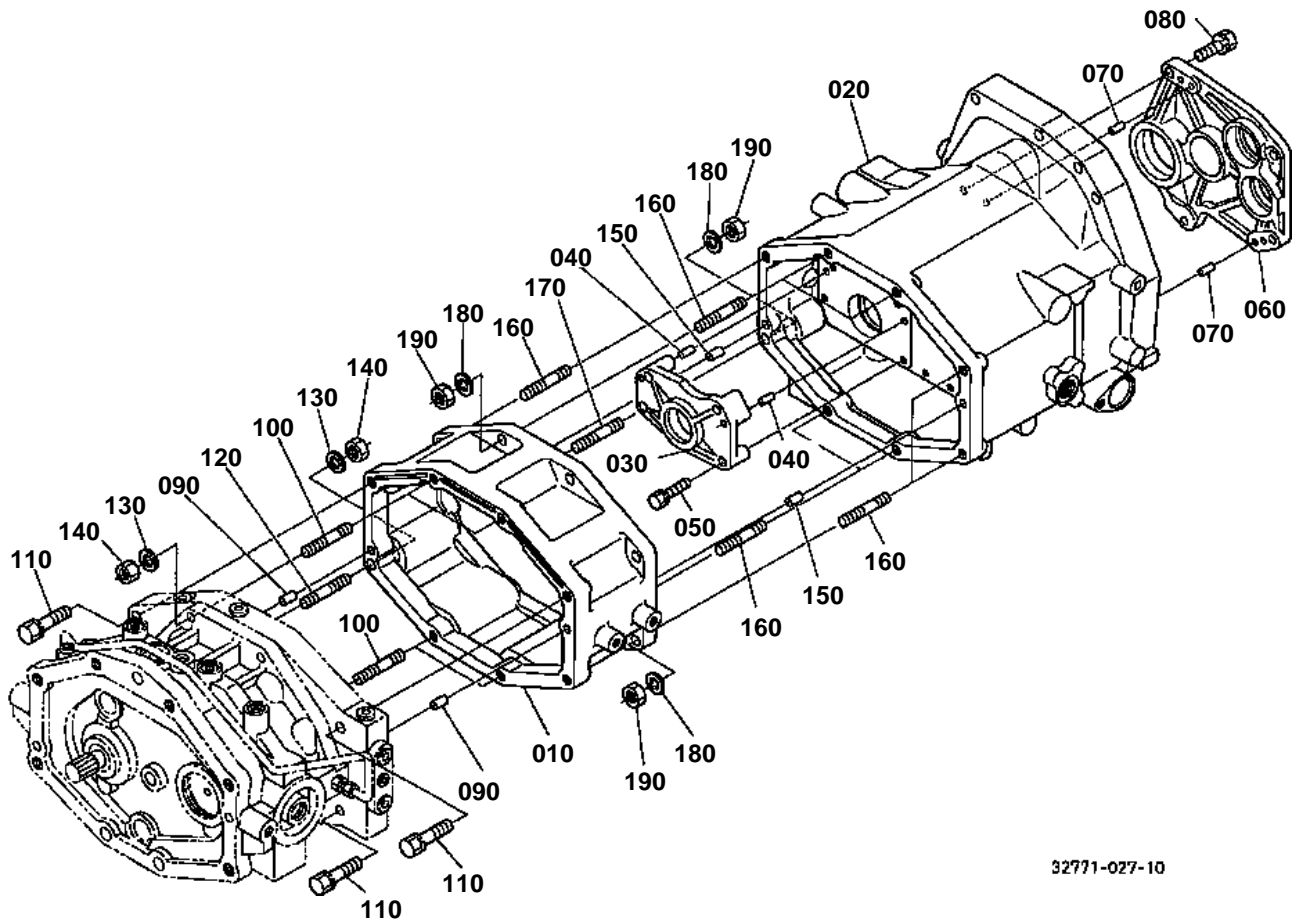


## CLUTCH HOUSING

↔ Interchangeable; ≠ not interchangeable; ← new for old; → old for new

REF.No	Part No.	Description	Q'ty	S.No.	I/C	REMARKS	Weight (kgf)	Weight (lb)
010	TA250-51150	ASSY HOUSING CLUTCH	1				31.5	69.3
020	08511-01915	BUSH	3				0.01	0.022
030	15512-96010	PLUG DRAIN	1				0.101	0.2222
040	04717-02150	WASHER WITH RUBBER	1				0.004	0.0088
050	32430-14270	KIT PLUG	1				0.04	0.088
060	05511-50430	PIN SPLIT	1				0.004	0.0088
070	04512-60140	WASHER SPRING	1				0.008	0.0176
080	32210-27580	PLUG	6				0.001	0.0022
090	05012-01018	PIN STRAIGHT	2				0.012	0.0264
100	01574-51265	STUD	4				0.067	0.1474
110	01173-51295	BOLT	2	<=51077			0.086	0.1892
110	01133-51295	BOLT	2	>=51078	-		0.092	0.2024
120	01574-51285	STUD	2				0.085	0.187
130	01133-51265	BOLT	2				0.065	0.143
140	04512-60120	WASHER SPRING	8	<=51077			0.005	0.011
140	04512-60120	WASHER SPRING	6	>=51078			0.005	0.011
150	02176-50120	NUT	6				0.01	0.022
160	31351-38720	PLUG	1				0.005	0.011
170	32771-51250	HOLDER BEARING	1				1.6	3.52
180	05012-00818	PIN STRAIGHT	2				0.013	0.0286
190	01123-50845	BOLT	4				0.02	0.044

MID CASE



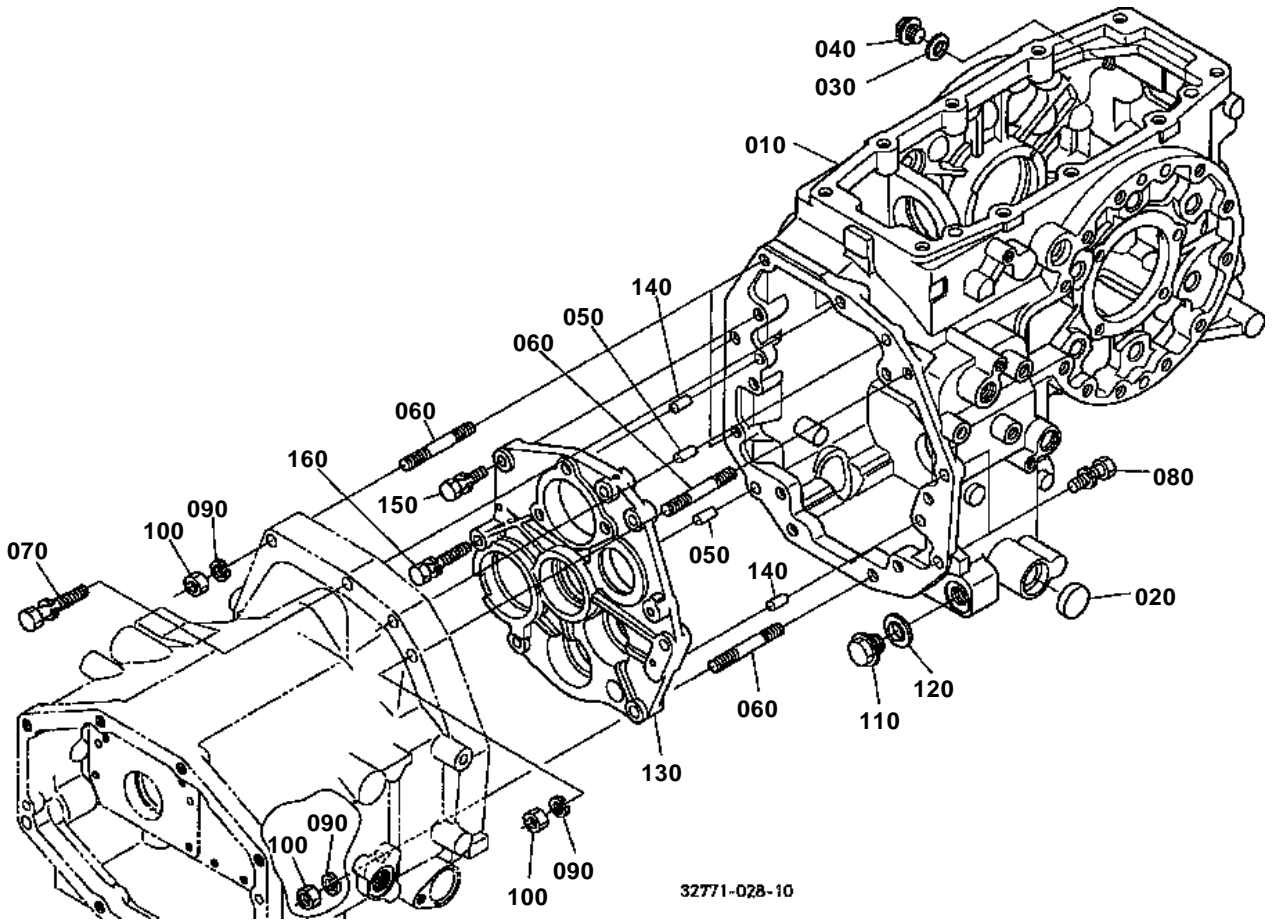
32771-027-10

**MID CASE**

↔ Interchangeable; ≠ not interchangeable; ← new for old; → old for new

REF.No	Part No.	Description	Q'ty	S.No.	I/C	REMARKS	Weight (kgf)	Weight (lb)
010	32771-20270	CASE MID-SPACER	1				12.3	27.06
020	32771-50320	CASE MID HST	1				34	74.8
030	TA240-50330	HOLDER BEARING	1				0.94	2.068
040	05012-00818	PIN STRAIGHT	2				0.013	0.0286
050	01123-50850	BOLT	4				0.02	0.044
060	TA240-51350	HOLDER MID-BRG.PTO	1				2.4	5.28
070	05012-00818	PIN STRAIGHT	2				0.013	0.0286
080	01133-51030	BOLT	4				0.025	0.055
090	05012-01018	PIN STRAIGHT	2				0.012	0.0264
100	TA240-50220	STUD	4				0.062	0.1364
110	01138-51255	BOLT	3				0.06	0.132
120	TA240-50210	STUD	1				0.071	0.1562
130	04512-60120	WASHER SPRING	5				0.005	0.011
140	35340-27360	NUT	5				0.015	0.033
150	05012-01018	PIN STRAIGHT	2				0.012	0.0264
160	35340-14182	STUD	7				0.05	0.11
170	TA240-50210	STUD	1				0.071	0.1562
180	04512-60120	WASHER SPRING	8				0.005	0.011
190	35340-27360	NUT	8				0.015	0.033

TRANSMISSION CASE



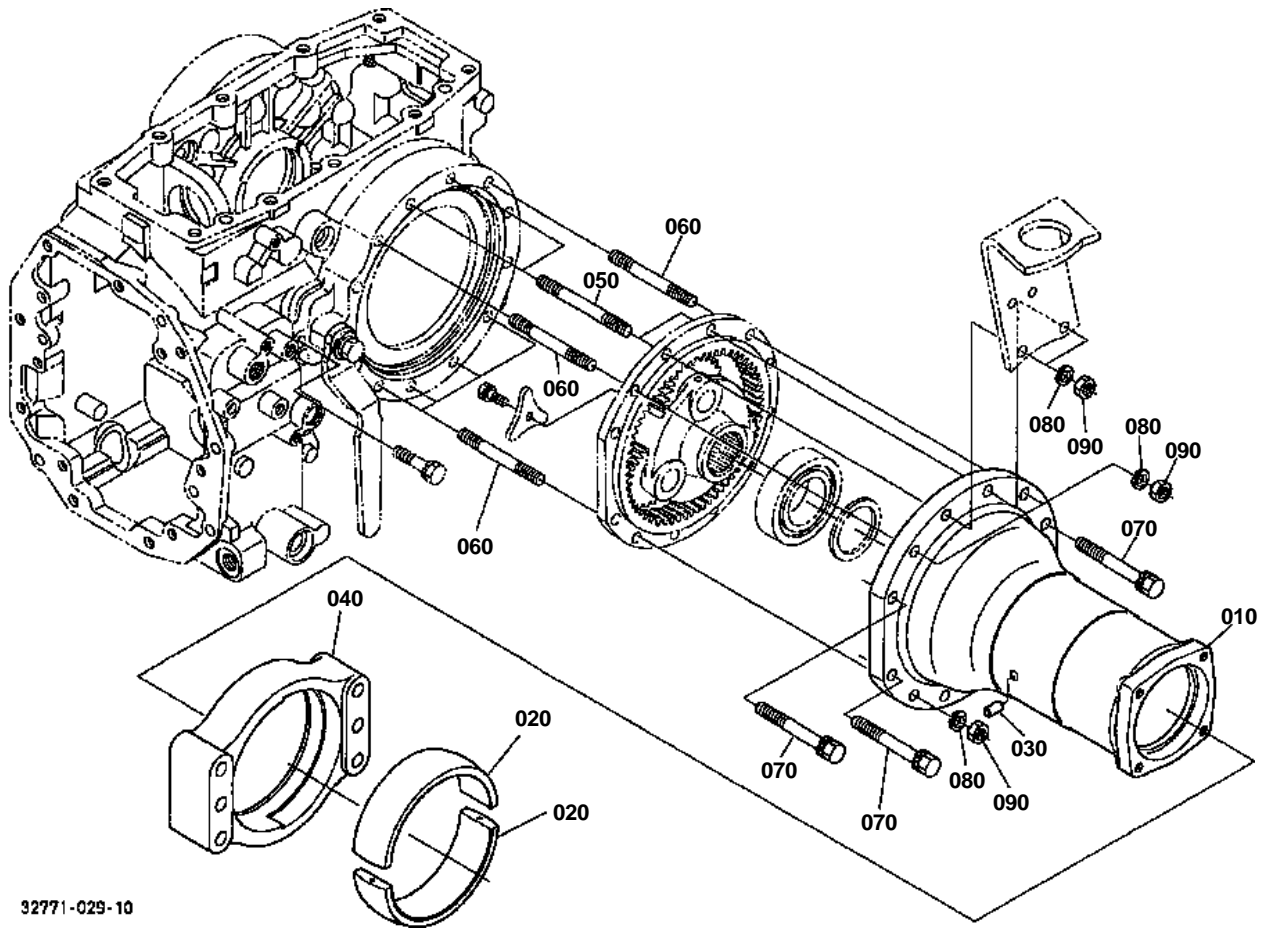


## TRANSMISSION CASE

↔ Interchangeable; ≠ not interchangeable; ← new for old; → old for new

REF.No	Part No.	Description	Q'ty	S.No.	I/C	REMARKS	Weight (kgf)	Weight (lb)
010	32771-20403	CASE TRANSMISSION	1				41.5	91.3
020	62182-14340	PLUG	1				0.01	0.022
020	69331-11160	PLUG	1		«		0.008	0.0176
030	04717-01700	WASHER WITH RUBBER	1				0.003	0.0066
040	06311-25030	PLUG	1				0.051	0.1122
050	05012-01018	PIN STRAIGHT	2				0.012	0.0264
060	TA150-28910	STUD	6				0.06	0.132
070	01138-51260	BOLT	1				0.32	0.704
080	01138-51235	BOLT	2				0.21	0.462
090	04512-60120	WASHER SPRING	6				0.005	0.011
100	35340-27360	NUT	6				0.015	0.033
110	15512-96010	PLUG DRAIN	1				0.101	0.2222
120	04717-02150	WASHER WITH RUBBER	1				0.004	0.0088
130	TA240-50450	HOLDER BEARING	1				4.7	10.34
140	05012-01018	PIN STRAIGHT	2				0.012	0.0264
150	01133-51040	BOLT	5				0.03	0.066
160	01133-51060	BOLT	1				0.042	0.0924

REAR AXLE CASE



32771-029-10

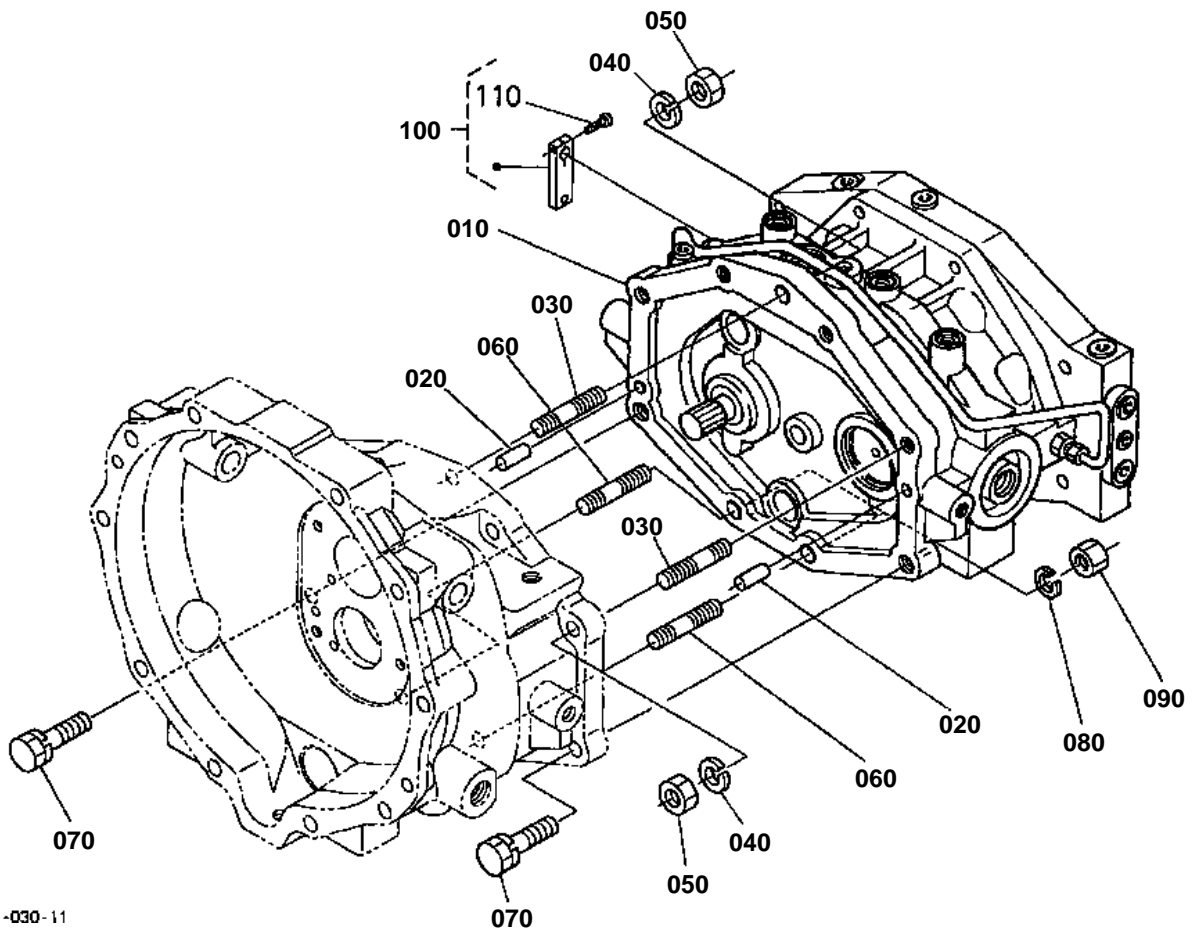


## REAR AXLE CASE

↔ Interchangeable; ≠ not interchangeable; ← new for old; → old for new

REF.No	Part No.	Description	Q'ty	S.No.	I/C	REMARKS	Weight (kgf)	Weight (lb)
010	32771-27330	CASE REAR AXLE	2				14.3	31.46
020	32771-28110	COLLAR MAIN FRAME	4				0.845	1.859
030	05012-01018	PIN STRAIGHT	2				0.012	0.0264
040	32771-28100	HOLDER MAIN FRAME	2				5.9	12.98
050	31351-28172	STUD	4				0.105	0.231
060	01574-51200	STUD	12				0.1	0.22
070	01133-51200	BOLT	8				0.095	0.209
080	04512-60120	WASHER SPRING	16				0.005	0.011
090	35340-27360	NUT	16				0.015	0.033





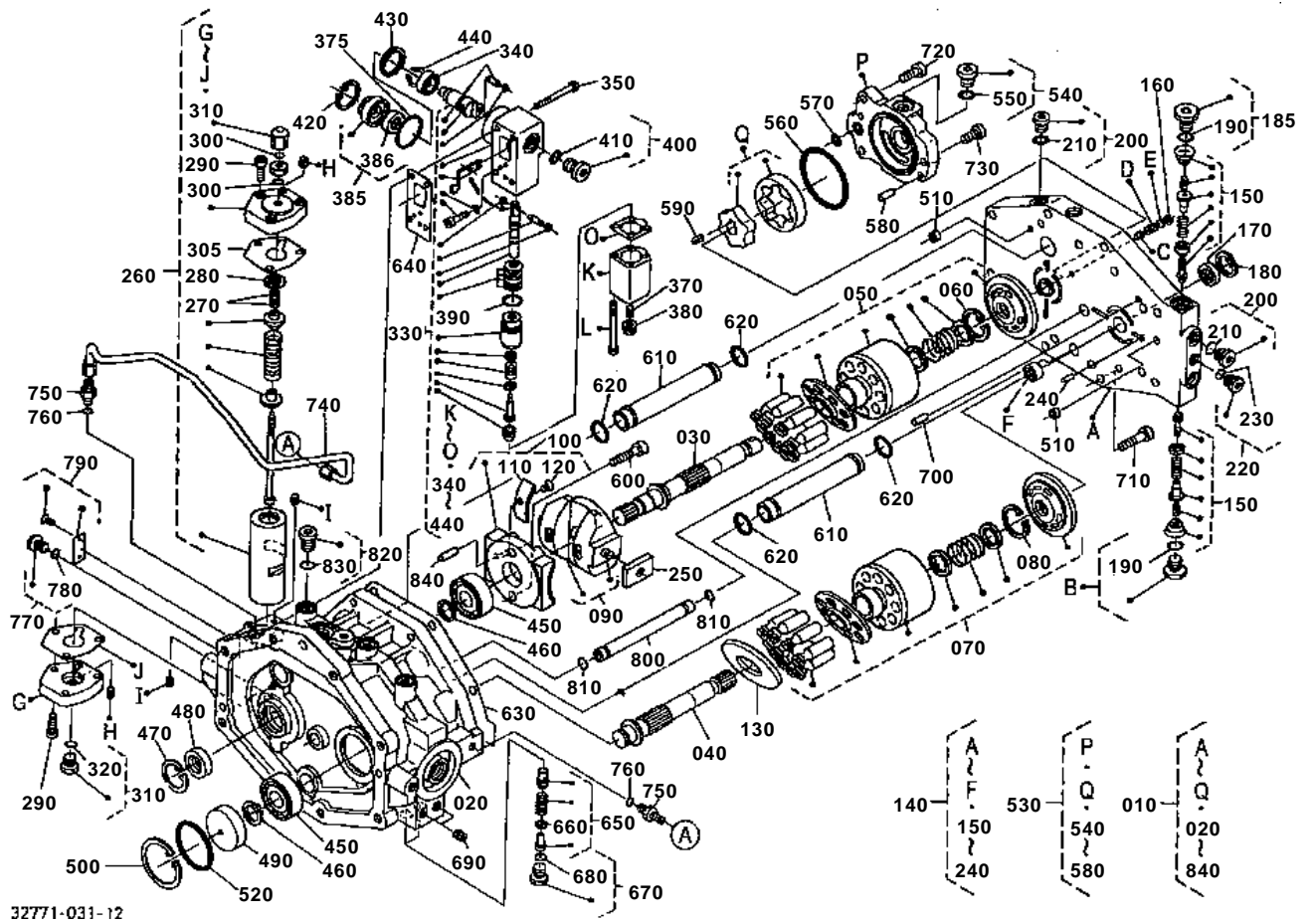
32771-030-11



HST

↔ Interchangeable; ≠ not interchangeable; ← new for old; → old for new

REF.No	Part No.	Description	Q'ty	S.No.	I/C	REMARKS	Weight (kgf)	Weight (lb)
010	32771-58000	ASSY HST	1	<=51486		NOT SALE	63.5	139.7
010	TA240-58005	ASSY HST	1	>=51487	1		62	136.4
020	05012-01018	PIN STRAIGHT	2				0.012	0.0264
030	TA240-50280	STUD	5				0.066	0.1452
040	04512-60140	WASHER SPRING	5				0.008	0.0176
050	TA240-50240	NUT	5				0.009	0.0198
060	TA240-50210	STUD	2				0.071	0.1562
070	01138-51240	BOLT	2				0.046	0.1012
080	04512-60120	WASHER SPRING	2				0.005	0.011
090	35340-27360	NUT	2				0.015	0.033
100	32771-59550	ASSY LEVER REGULATOR	1	>=51487			0.075	0.165
110	01350-10520	BOLT HEX-SOC-HD	1	>=51487			0.004	0.0088



32771-031-12

850 32771-5955-0

860 32771-5935-0

870 01350-10520



32771-815-10



HST [COMPONENT PARTS]

↔ Interchangeable; ≠ not interchangeable; ← new for old; → old for new

REF.No	Part No.	Description	Q'ty	S.No.	I/C	REMARKS	Weight (kgf)	Weight (lb)
010	32771-58000	ASSY HST	1	<=51486		NOT SALE	63.5	139.7
010	TA240-58005	ASSY HST	1	>=51487	1		62	136.4
020	TA240-58114	CASE HST	1				27	59.4
030	TA240-58120	SHAFT PUMP	1				0.995	2.189
040	TA240-58130	SHAFT MOTOR	1				0.85	1.87
050	TA240-58500	ASSY ROTARY PUMP	1				3	6.6
060	04611-00350	CIR CLIP INTERNAL	1				0.003	0.0066
070	TA240-58600	ASSY ROTARY MOTOR	1				3	6.6
080	04611-00350	CIR CLIP INTERNAL	1				0.003	0.0066
090	TA240-58700	ASSY SWASH PLATE	1				1.105	2.431
100	TA240-58800	ASSY BRACKET	1				0.785	1.727
110	TA240-58820	METAL	2				0.01	0.022
120	03056-50510	SCREW CSK-HD	2				0.001	0.0022
130	TA240-58140	PLATE	1				0.166	0.3652
140	TA240-58900	ASSY COVER PORTBLOCK	1				14	30.8
150	TA240-59000	ASSY VALVE HIGH	2				0.05	0.11
160	04611-00160	CIR CLIP INTERNAL	1				0.001	0.0022
170	58700-11290	SEAL OIL	1				0.012	0.0264
180	04611-00400	CIR CLIP INTERNAL	1				0.005	0.011
185	TA240-58960	ASSY PLUG	2				0.04	0.088
190	04810-00180	O RING	2				0	0
190	04817-00180	O RING	2		<<		0.003	0.0066
200	TA240-58210	ASSY PLUG	5				0.026	0.0572
210	04810-00140	O RING	5				0	0
210	04817-00140	O RING	5		<<		0.001	0.0022
220	TA240-58310	ASSY PLUG	1				0.018	0.0396
230	04810-00110	O RING	1				0	0
230	04817-00110	O RING	1		<<		0.001	0.0022
240	05012-00614	PIN STRAIGHT	2				0.004	0.0088
250	TA240-58150	GUIDE	1				0.028	0.0616
260	TA240-59100	ASSY PISTON	1				2.64	5.808
270	02052-50080	NUT	2				0.004	0.0088
280	04611-00280	CIR CLIP INTERNAL	1				0.002	0.0044
290	01311-10825	BOLT HEX-SOC-HD	6				0.02	0.044
300	04810-00110	O RING	2				0	0
300	04817-00110	O RING	2		<<		0.001	0.0022
305	TA240-59210	GASKET	2				0.004	0.0088
310	TA240-58310	ASSY PLUG	1				0.018	0.0396
320	04811-00110	O RING	1				0	0
320	04816-00110	O RING	1		<<		0.001	0.0022
330	32771-59300	ASSY REGULATOR	1	<=51486			2	4.4
330	TA240-59303	ASSY REGULATOR	1	>=51487	1		1.985	4.367
340	08101-06804	BEARING BALL	1				0.01	0.022
350	01350-10545	BOLT HEX-SOC-HD	4				0.008	0.0176
360	99999-99999	BLANK	0				0	0
370	03650-50825	SCREW SET	1				0.07	0.154
375	TA240-59450	O RING	1				0.001	0.0022
380	TA240-59280	NUT	1				0.007	0.0154
385	TA240-59800	ASSY CASE	1				0.067	0.1474
386	TA240-59820	SEAL OIL	1				0.005	0.011
390	04811-00210	O RING	1				0	0



## HST [COMPONENT PARTS]

↔ Interchangeable; ≠ not interchangeable; ← new for old; → old for new

REF.No	Part No.	Description	Q'ty	S.No.	I/C	REMARKS	Weight (kgf)	Weight (lb)
390	04816-00210	O RING	1		↔		0.004	0.0088
400	TA240-58210	ASSY PLUG	1				0.026	0.0572
410	04810-00140	O RING	1				0	0
410	04817-00140	O RING	1		«		0.001	0.0022
420	04611-00400	CIR CLIP INTERNAL	1				0.005	0.011
430	TA240-59290	COLLAR	1				0.005	0.011
440	04612-00190	CIR CLIP EXTERNAL	1				0.001	0.0022
450	38450-21980	BEARING BALL	2				0.225	0.495
460	04612-00250	CIR CLIP EXTERNAL	2				0.002	0.0044
470	04611-00400	CIR CLIP INTERNAL	1				0.005	0.011
480	58700-11290	SEAL OIL	1				0.012	0.0264
490	TA240-58160	COVER DISTANCE PIECE	1				0.34	0.748
500	04611-00650	CIR CLIP INTERNAL	1				0.011	0.0242
510	TA240-58170	GASKET	2				0.001	0.0022
520	04811-50650	O RING	1				0.002	0.0044
530	TA240-59500	ASSY PUMP	1				1	2.2
540	TA240-58310	ASSY PLUG	1				0.018	0.0396
550	04810-00110	O RING	1				0	0
550	04817-00110	O RING	1		«		0.001	0.0022
560	04811-50900	O RING	1				0.003	0.0066
570	04811-00180	O RING	1				0	0
570	04816-00180	O RING	1		«		0.002	0.0044
580	TA240-58230	PIN STRAIGHT	2				0.009	0.0198
590	05912-00510	KEY STRAIGHT	1				0.002	0.0044
600	01311-10825	BOLT HEX-SOC-HD	2				0.02	0.044
610	TA240-58180	PIPE PTO	2				0.17	0.374
620	04811-00280	O RING	4				0	0
620	04816-00280	O RING	4		↔		0.003	0.0066
630	TA240-58190	GASKET	1				0.013	0.0286
640	TA240-58200	GASKET	1				0.003	0.0066
650	TA240-59600	ASSY VALVE LOW	2				0.05	0.11
660	TA240-59630	SHIM	1			0.5mm	0.001	0.0022
660	TA240-59640	SHIM	1	>=52255		0.2mm	0.001	0.0022
670	TA240-58210	ASSY PLUG	2				0.026	0.0572
680	04810-00140	O RING	2				0	0
680	04817-00140	O RING	2		«		0.001	0.0022
690	TA240-58220	PLUG	2				0.01	0.022
700	TA240-58230	PIN STRAIGHT	2				0.009	0.0198
710	TA240-58240	BOLT HEX-SOC-HD	8				0.051	0.1122
720	TA240-58250	BOLT HEX-SOC-HD	2				0.072	0.1584
730	TA240-58260	BOLT HEX-SOC-HD	1				0.044	0.0968
740	TA240-58273	PIPE	1				0.135	0.297
750	TA240-58280	NIPPLE	2				0.036	0.0792
760	04810-00110	O RING	2				0	0
760	04817-00110	O RING	2		«		0.001	0.0022
770	TA240-58290	ASSY PLUG	1				0.011	0.0242
780	04810-00080	O RING	1				0	0
780	04817-00080	O RING	1		«		0.001	0.0022
790	32771-59700	ASSY PLATE	1				0.003	0.0066
800	TA240-58300	PIPE	1				0.095	0.209
810	04811-00150	O RING	2				0	0

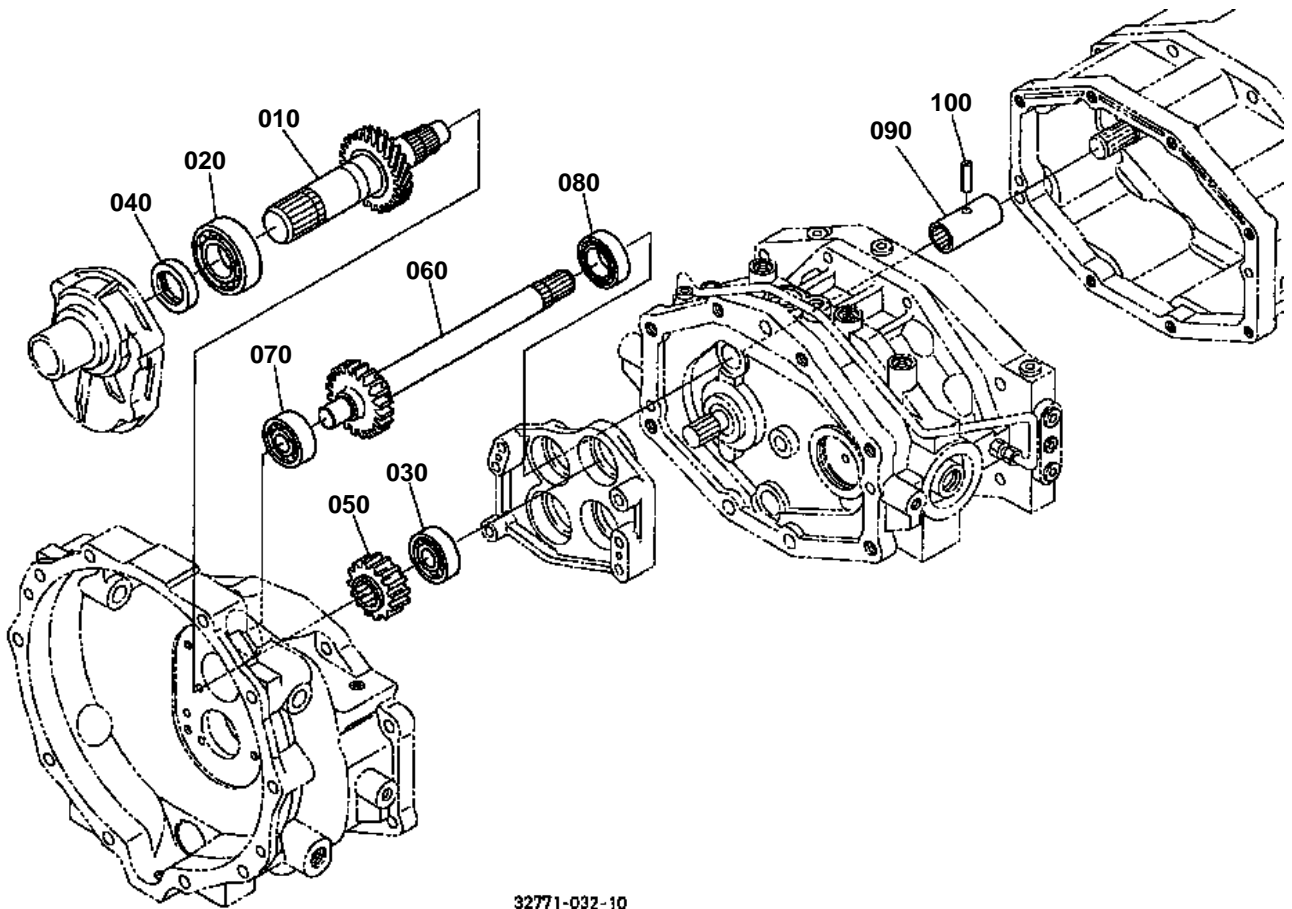


# HST [COMPONENT PARTS]

↔ Interchangeable; ≠ not interchangeable; ← new for old; → old for new

REF.No	Part No.	Description	Q'ty	S.No.	I/C	REMARKS	Weight (kgf)	Weight (lb)
810	04816-00150	O RING	2		↔		0.003	0.0066
820	TA240-58310	ASSY PLUG	3				0.018	0.0396
830	04810-00110	O RING	3				0	0
830	04817-00110	O RING	3		↔		0.001	0.0022
840	TA240-58320	PIN STRAIGHT	1				0.002	0.0044
850	32771-59550	ASSY LEVER REGULATOR	1	<=51486			0.075	0.165
860	32771-59350	LEVER REGULATOR	1	<=51486		NOT SALE	0.073	0.1606
870	01350-10520	BOLT HEX-SOC-HD	1	<=51486			0.004	0.0088

MAIN SHAFT



32771-032-10



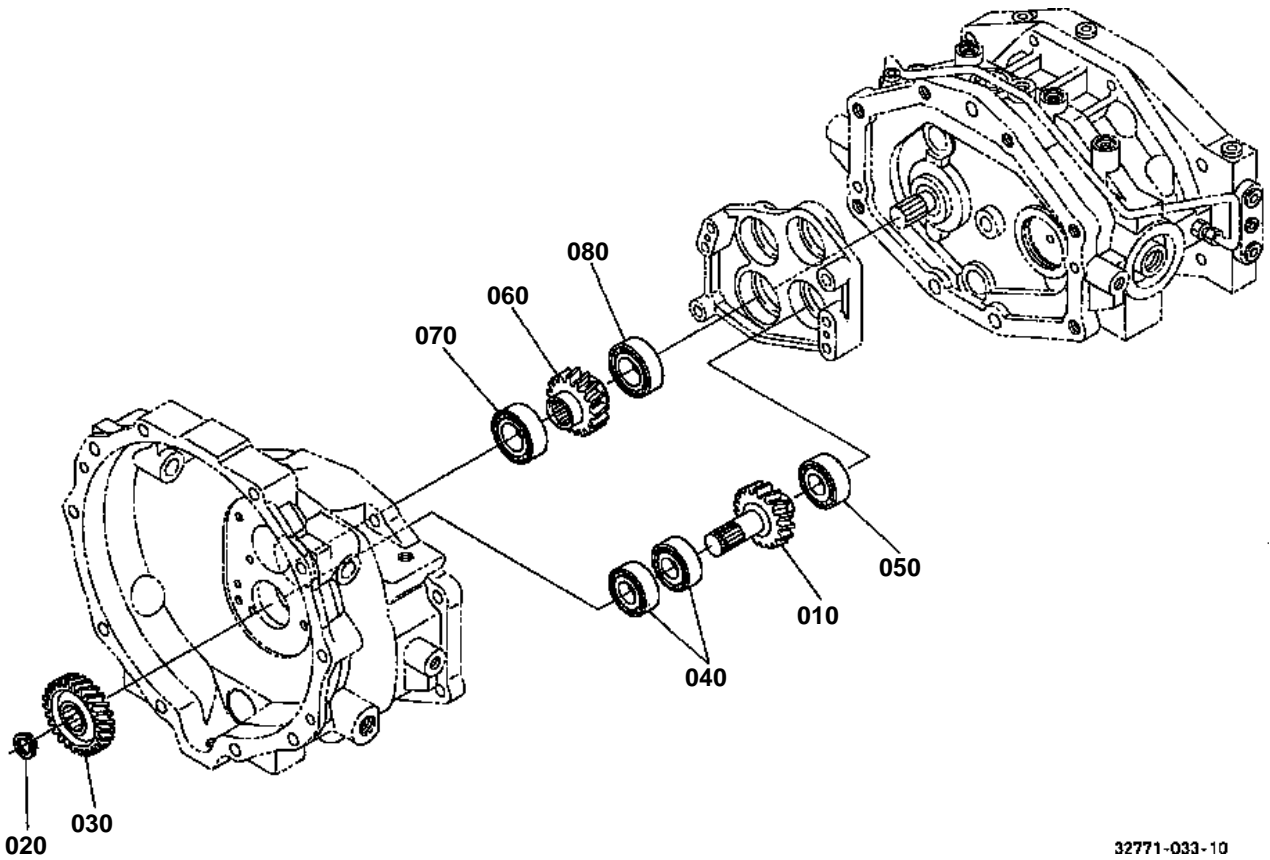


# MAIN SHAFT

↔ Interchangeable; ≠ not interchangeable; ← new for old; → old for new

REF.No	Part No.	Description	Q'ty	S.No.	I/C	REMARKS	Weight (kgf)	Weight (lb)
010	32771-51400	GEAR-SHAFT PTO	1			25T	1.56	3.432
020	08101-06207	BEARING BALL	1				0.282	0.6204
030	37410-14320	BEARING BALL	1				0.145	0.319
040	09500-35529	SEAL OIL	1				0.017	0.0374
050	TA240-51410	GEAR PTO	1			19T	0.28	0.616
060	32771-51420	GEAR-SHAFT PTO	1			20T	1.34	2.948
070	37410-14320	BEARING BALL	1				0.145	0.319
080	67121-56770	BEARING BALL	1				0.127	0.2794
090	3A021-44520	COUPLING	1				0.175	0.385
100	05411-00630	PIN SPRING	1				0.004	0.0088

INPUT SHAFT



32771-033-10

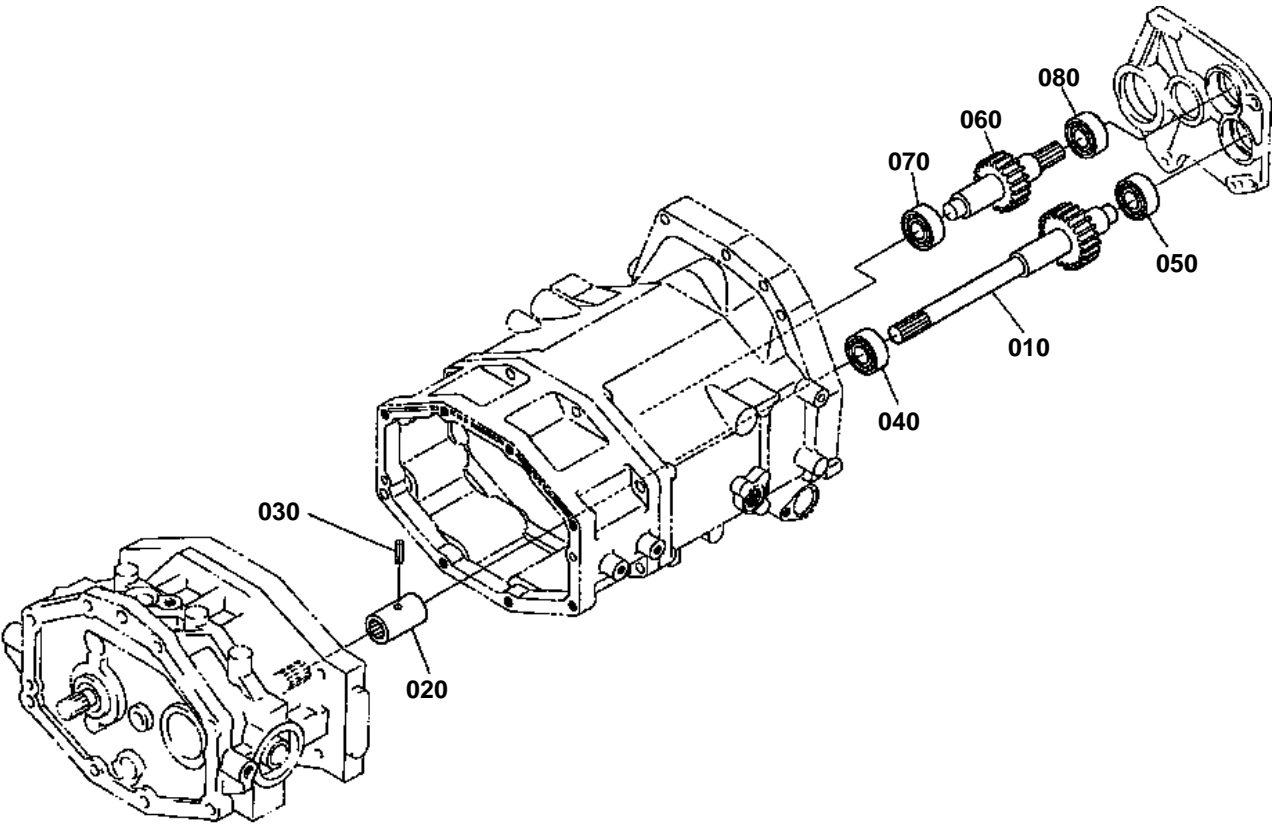


# INPUT SHAFT

↔ Interchangeable; ≠ not interchangeable; ← new for old; → old for new

REF.No	Part No.	Description	Q'ty	S.No.	I/C	REMARKS	Weight (kgf)	Weight (lb)
010	TA240-52100	GEAR-SHAFT	1			18T	0.64	1.408
020	37150-21551	CIR CLIP EXTERNAL	1				0.005	0.011
030	32771-22110	GEAR	1			26T	0.49	1.078
040	37410-57190	BEARING BALL	2				0.14	0.308
050	67121-56770	BEARING BALL	1				0.127	0.2794
060	TA240-52200	GEAR	1			18T	0.43	0.946
070	08101-06007	BEARING BALL	1				0.16	0.352
080	36920-40090	BEARING BALL	1				0.1	0.22

OUTPUT SHAFT



32771-034-10

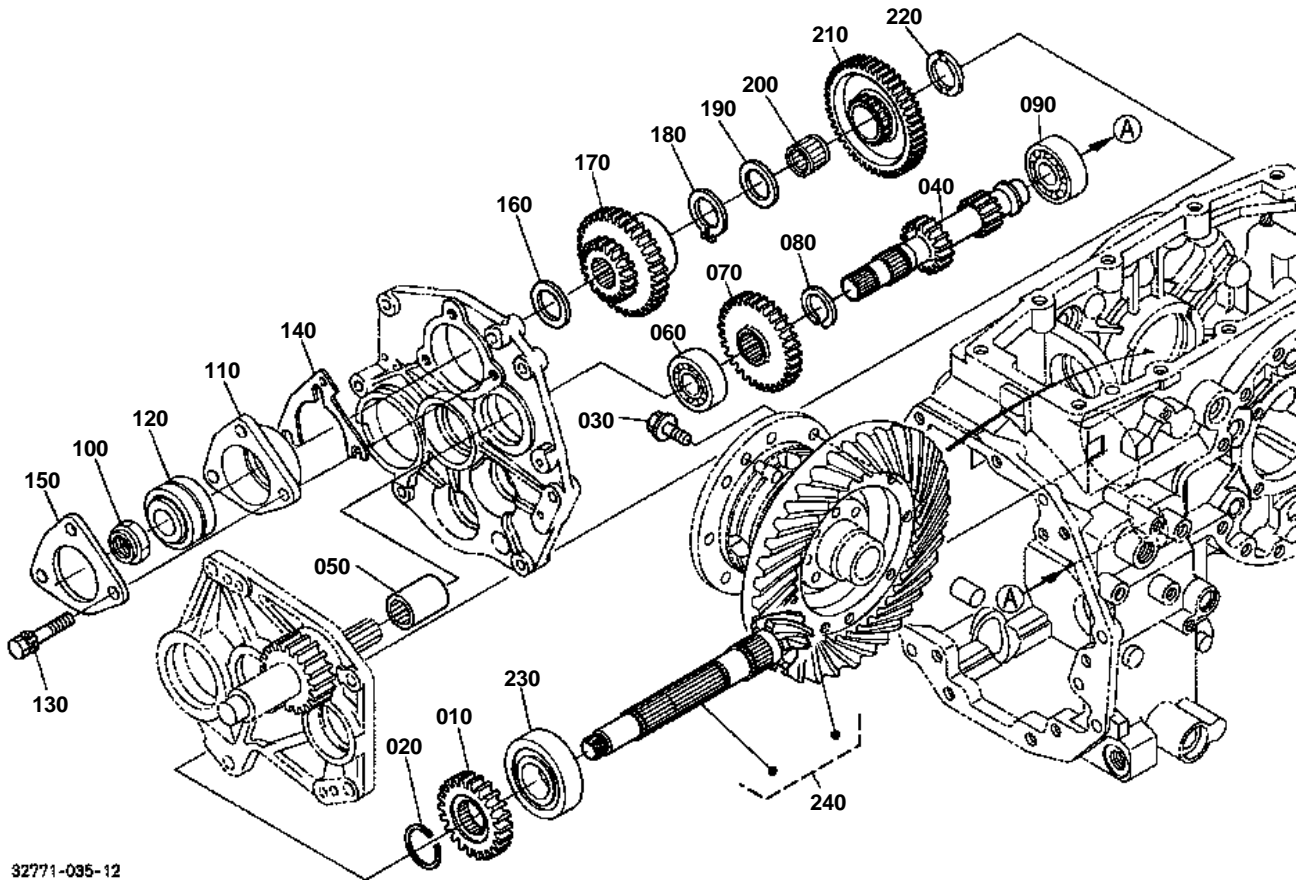


## OUTPUT SHAFT

↔ Interchangeable; ≠ not interchangeable; ← new for old; → old for new

REF.No	Part No.	Description	Q'ty	S.No.	I/C	REMARKS	Weight (kgf)	Weight (lb)
010	32771-52400	GEAR-SHAFT HST	1			21T	1.95	4.29
020	33710-41310	COUPLING	1				0.2	0.44
030	05411-00635	PIN SPRING	1				0.005	0.011
040	08101-06205	BEARING BALL	1				0.14	0.308
050	37410-57190	BEARING BALL	1				0.14	0.308
060	32771-52500	GEAR-SHAFT HST	1			18T	1.27	2.794
070	08101-06205	BEARING BALL	1				0.14	0.308
080	37410-57190	BEARING BALL	1				0.14	0.308

# SPIRAL BEVEL PINION



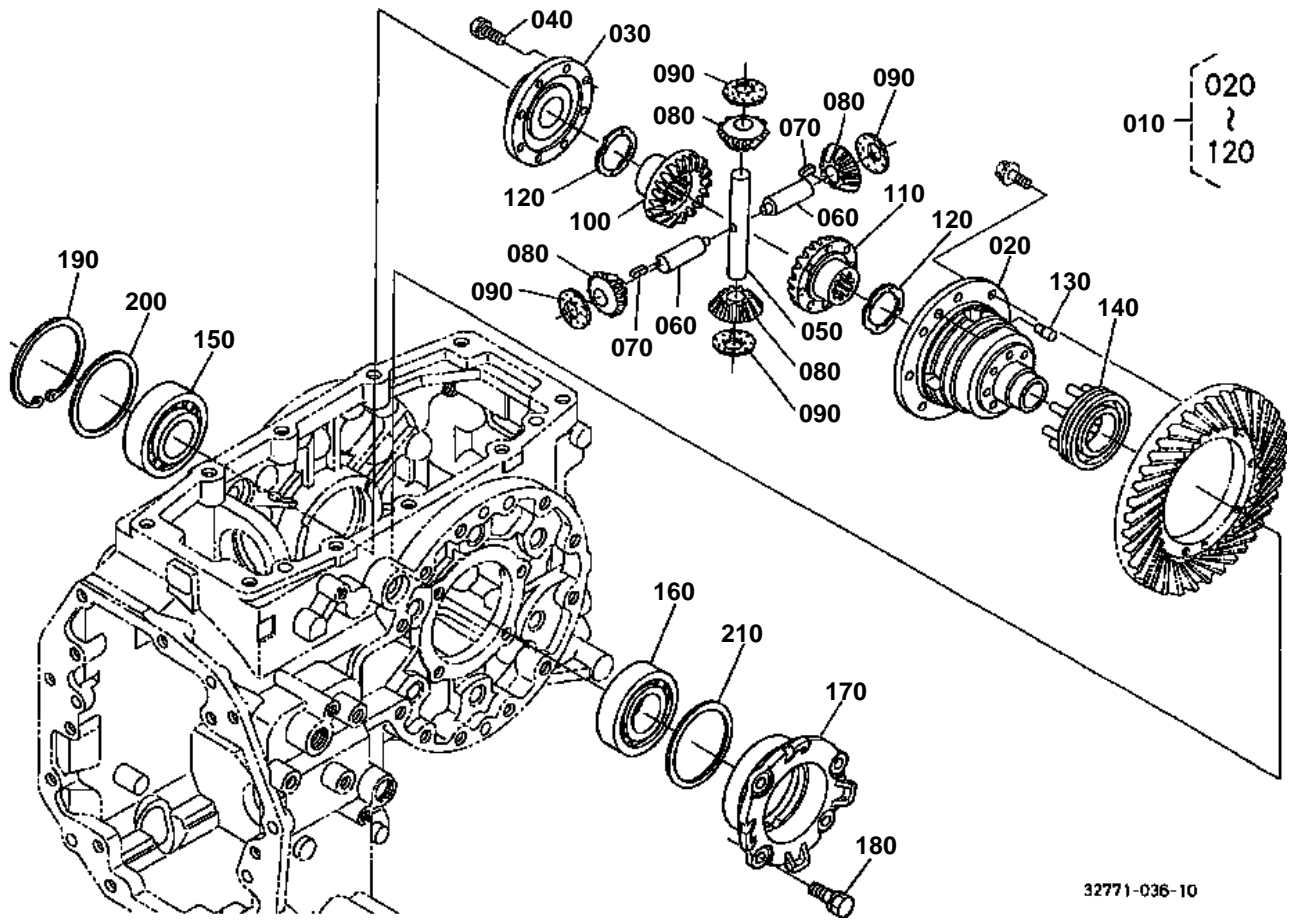


## SPIRAL BEVEL PINION

↔ Interchangeable; ≠ not interchangeable; ← new for old; → old for new

REF.No	Part No.	Description	Q'ty	S.No.	I/C	REMARKS	Weight (kgf)	Weight (lb)
010	32771-15110	GEAR 4WD	1			22T	0.49	1.078
020	36919-92340	CIR CLIP EXTERNAL	1				0.002	0.0044
030	37800-43870	BOLT	8				0.026	0.0572
040	32771-22600	GEAR SHAFT SUB	1			16-13T	1.25	2.75
050	37150-21682	COUPLING	1				0.24	0.528
060	08101-06305	BEARING BALL	1				0.23	0.506
070	32771-22630	GEAR	1			31T	0.66	1.452
080	38430-25540	CIR CLIP EXTERNAL	1				0.004	0.0088
090	37410-57190	BEARING BALL	1				0.14	0.308
100	35260-23252	NUT	1				0.04	0.088
110	34070-22772	CASE	1				0.475	1.045
120	38240-22140	BEARING TAPER-ROLLER	1				0	0
120	T0330-22200	BEARING TAPER-ROLLER	1		<<		0.575	1.265
130	01133-51040	BOLT	3				0.03	0.066
140	34070-22860	SHIM	2			0.5mm	0.015	0.033
140	34070-22870	SHIM	4			0.2mm	0.004	0.0088
140	34070-22880	SHIM	2			0.1mm	0.005	0.011
150	34070-22780	COVER BEARING	1				0.21	0.462
160	34150-21560	WASHER	1				0.01	0.022
170	32771-22620	GEAR SHIFT	1			19-34T	1.615	3.553
180	31351-21930	CIR-CLIP EXTERNAL	1				0.004	0.0088
190	38430-25232	COLLAR THRUST	1				0.02	0.044
200	08823-03526	BEARING NEEDLE	1				0.035	0.077
210	32771-22614	GEAR SUB TP	1	>=50338	↔	47T	1	2.2
220	34550-62450	COLLAR THRUST	1				0.025	0.055
230	34070-22740	BEARING ROLLER	1				0.51	1.122
240	32771-99340	ASSY GEAR BEVEL	1			6-37T	6.1	13.42

REAR DIFFERENTIAL





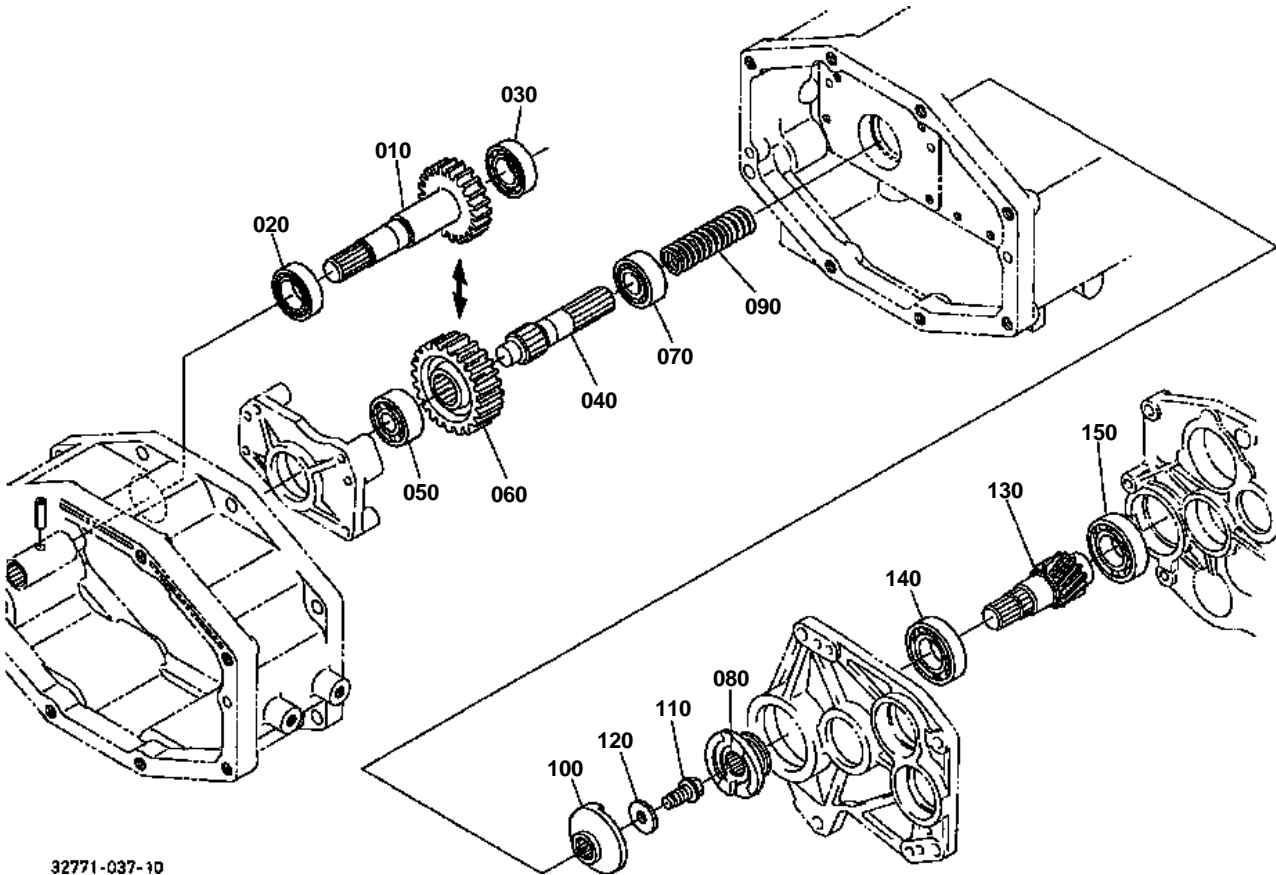


REAR DIFFERENTIAL

↔ Interchangeable; ≠ not interchangeable; ← new for old; → old for new

REF.No	Part No.	Description	Q'ty	S.No.	I/C	REMARKS	Weight (kgf)	Weight (lb)
010	3A011-32204	ASSY DIFFERENTIAL	1				6.2	13.64
020	3A011-32710	CASE DIFFERENTIAL	1				3.35	7.37
030	3A011-32044	COVER DIFF.CASE	1				0.795	1.749
040	01133-51025	BOLT	8				0.023	0.0506
050	35430-26340	SHAFT DIFF.PINION	1				0.31	0.682
060	35430-26330	SHAFT DIFF.PINION	2				0.136	0.2992
070	31220-26280	KEY FEATHER	2				0.005	0.011
080	35430-26350	PINION DIFF.	4				0.16	0.352
090	31351-26390	WASHER DIFF.PINION	4				0.012	0.0264
100	37300-26430	GEAR DIFF.SIDE RH	1				0.475	1.045
110	37300-26440	GEAR DIFF.SIDE LH	1				0.63	1.386
120	31351-26470	WASHER SIDE GEAR	2			1.5mm	0.01	0.022
120	31351-26480	WASHER SIDE GEAR	2			1.6mm	0.015	0.033
120	31351-26490	WASHER SIDE GEAR	2			1.7mm	0.016	0.0352
120	3A011-32760	COLLAR THRUST	2			1.8mm	0.01	0.022
120	3A011-32780	COLLAR THRUST	2			2.0mm	0.01	0.022
130	37300-28170	PIN STRAIGHT	2				0.025	0.055
130	T1270-28170	PIN STRAIGHT	2			«	0	0
140	31351-26610	SHIFTER DIFF.LOCK	1				0.43	0.946
150	08711-32011	BEARING TAPER-ROLLER	1	<=52164			0.538	1.1836
150	T0330-26450	BEARING TAPER-ROLLER	1	>=52165	1		0.545	1.199
160	08711-30209	BEARING TAPER-ROLLER	1				0.458	1.0076
170	32771-28360	SUPPORT DIFF.	1				1.35	2.97
180	01133-51025	BOLT	4				0.023	0.0506
190	04611-00900	CIR CLIP INTERNAL	1				0.037	0.0814
200	37410-16810	SHIM DIFFERENTIAL	1			0.4mm	0.01	0.022
200	37410-16820	SHIM DIFFERENTIAL	1			0.5mm	0.01	0.022
200	37410-16830	SHIM DIFFERENTIAL	1			0.6mm	0.01	0.022
200	37410-16840	SHIM DIFFERENTIAL	1			0.7mm	0.01	0.022
200	37410-16850	SHIM DIFFERENTIAL	1			0.8mm	0.008	0.0176
200	37410-16860	SHIM DIFFERENTIAL	1			0.9mm	0.009	0.0198
200	37410-16870	SHIM DIFFERENTIAL	1			1.0mm	0.01	0.022
200	37410-16880	SHIM DIFFERENTIAL	1			1.2mm	0.011	0.0242
200	37410-16890	SHIM DIFFERENTIAL	1			1.4mm	0.015	0.033
210	34070-28210	SHIM	1			0.4mm	0.01	0.022
210	34070-28230	SHIM	1			0.6mm	0.015	0.033
210	34070-28250	SHIM	1			0.8mm	0.015	0.033
210	34070-28270	SHIM	1			1.0mm	0.015	0.033
210	34070-28290	SHIM	1			1.2mm	0.02	0.044
210	34070-28310	SHIM	1			1.4mm	0.025	0.055

PTO CLUTCH



32771-037-10

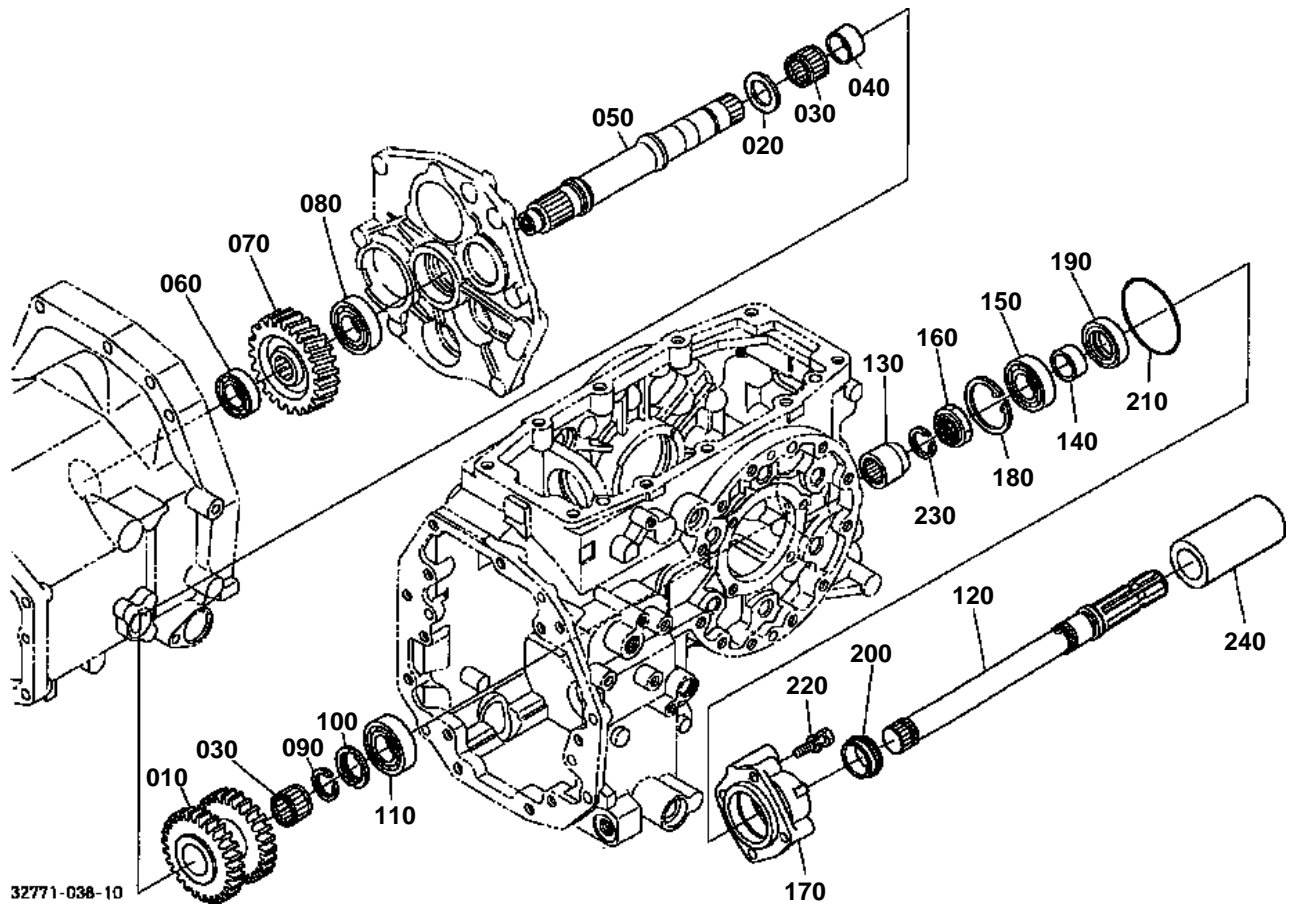


# PTO CLUTCH

↔ Interchangeable; ≠ not interchangeable; ← new for old; → old for new

REF.No	Part No.	Description	Q'ty	S.No.	I/C	REMARKS	Weight (kgf)	Weight (lb)
010	32771-53210	GEAR-SHAFT PTO	1			21T	1.1	2.42
020	67121-56770	BEARING BALL	1				0.127	0.2794
030	37410-14320	BEARING BALL	1				0.145	0.319
040	TA240-53250	COUNTERSHAFT PTO	1				0.455	1.001
050	08101-06205	BEARING BALL	1				0.14	0.308
060	TA240-53162	GEAR PTO	1			33T	0.795	1.749
070	67121-56770	BEARING BALL	1				0.127	0.2794
080	TA040-23410	CAM CLUTCH	1				0.52	1.144
090	TA240-51470	SPRING	1				0.058	0.1276
100	TA040-23450	CAM CLUTCH	1				0.465	1.023
110	TA140-23950	BOLT	1				0.022	0.0484
120	41330-76120	WASHER	1				0.025	0.055
130	TA250-23560	GEAR-SHAFT PTO	1			11T	0.68	1.496
140	TA140-25000	BEARING BALL	1				0.342	0.7524
150	36540-41130	BEARING BALL	1				0.34	0.748

# PTO SHAFT



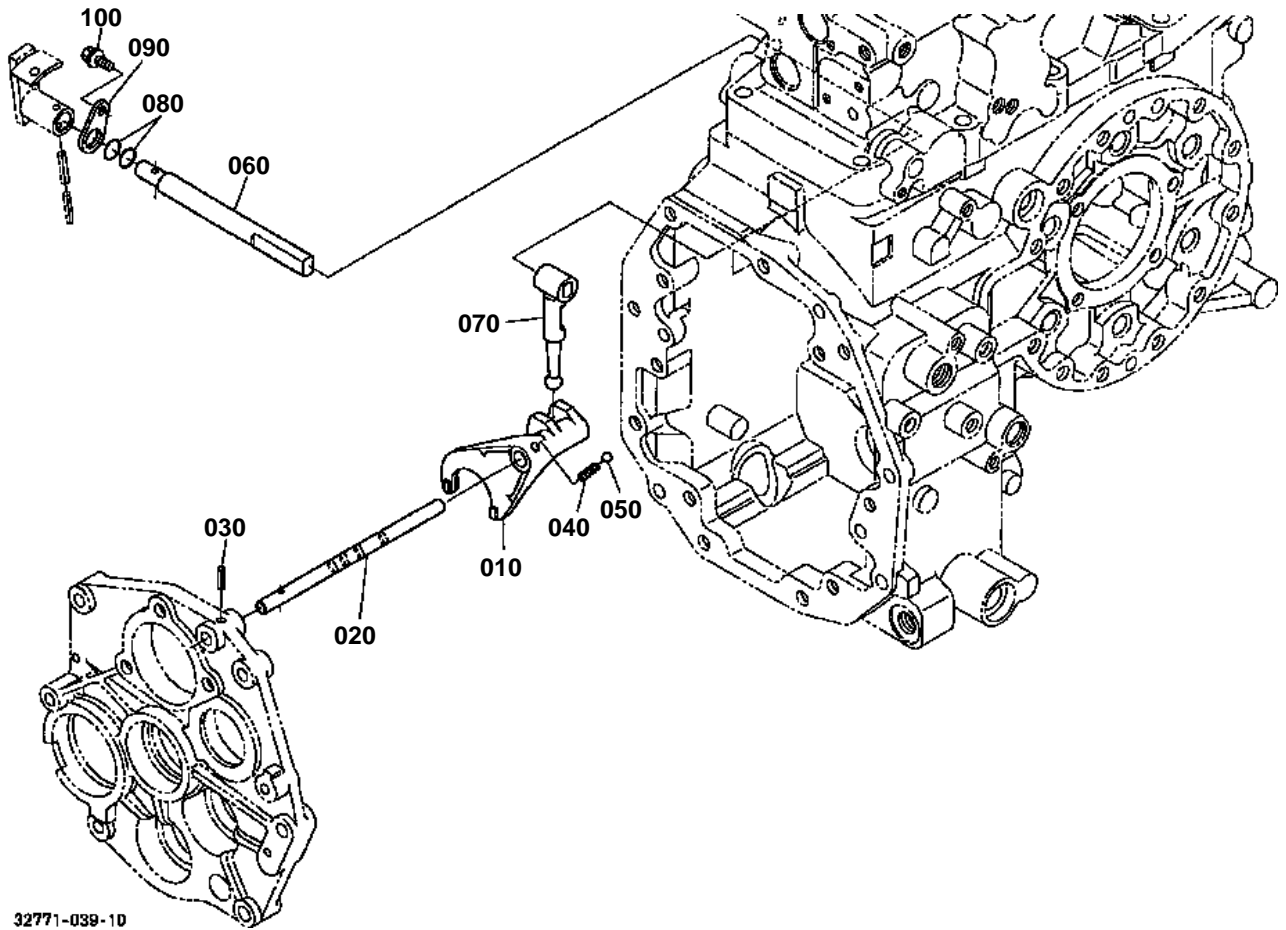


PTO SHAFT

↔ Interchangeable; ≠ not interchangeable; ← new for old; → old for new

REF.No	Part No.	Description	Q'ty	S.No.	I/C	REMARKS	Weight (kgf)	Weight (lb)
010	32771-15120	GEAR	1			27-26T	1.655	3.641
020	38430-25232	COLLAR THRUST	1	<=50337			0.02	0.044
020	38430-25233	COLLAR THRUST	1	>=50338	↔		0.02	0.044
030	08823-03526	BEARING NEEDLE	2				0.035	0.077
040	TA040-15130	COLLAR	1				0.022	0.0484
050	TA240-53680	SHAFT PTO DRIVE	1				1.6	3.52
060	37410-57190	BEARING BALL	1				0.14	0.308
070	TA240-23610	GEAR PTO	1			30T	1.51	3.322
080	37410-57330	BEARING BALL	1				0.2	0.44
090	34550-62430	CIR CLIP EXTERNAL	1	<=50561			0	0
090	31351-21930	CIR-CLIP	1	>=50562	↔		0.004	0.0088
100	34550-23360	COLLAR THRUST	1				0.025	0.055
110	37410-57330	BEARING BALL	1				0.2	0.44
120	TA040-23700	SHAFT PTO	1	<=60668			0	0
120	TA040-23702	SHAFT PTO	1	>=60669	↔		2.1	4.62
130	TA040-23660	COUPLING PTO	1	<=60668			0.165	0.363
130	TD060-23660	COUPLING PTO	1	>=60669	↔		0.165	0.363
140	35340-25350	COLLAR OIL SEAL	1				0.03	0.066
150	38430-25330	BEARING BALL	1				0	0
150	TD060-23730	BEARING BALL	1		↔		0.225	0.495
160	35340-25320	NUT	1				0.05	0.11
170	31391-25410	CASE BEARING	1				1.28	2.816
180	04611-00650	CIR CLIP INTERNAL	1				0.011	0.0242
190	35340-25360	SEAL OIL	1				0.024	0.0528
200	38240-25370	SLINGER	1				0.004	0.0088
210	04811-50800	O RING	1				0.003	0.0066
220	01123-50840	BOLT	4				0.018	0.0396
230	38430-25540	CIR CLIP EXTERNAL	1				0.004	0.0088
240	31220-25820	CAP	1				0.055	0.121

RANGE GEAR SHIFT FORK



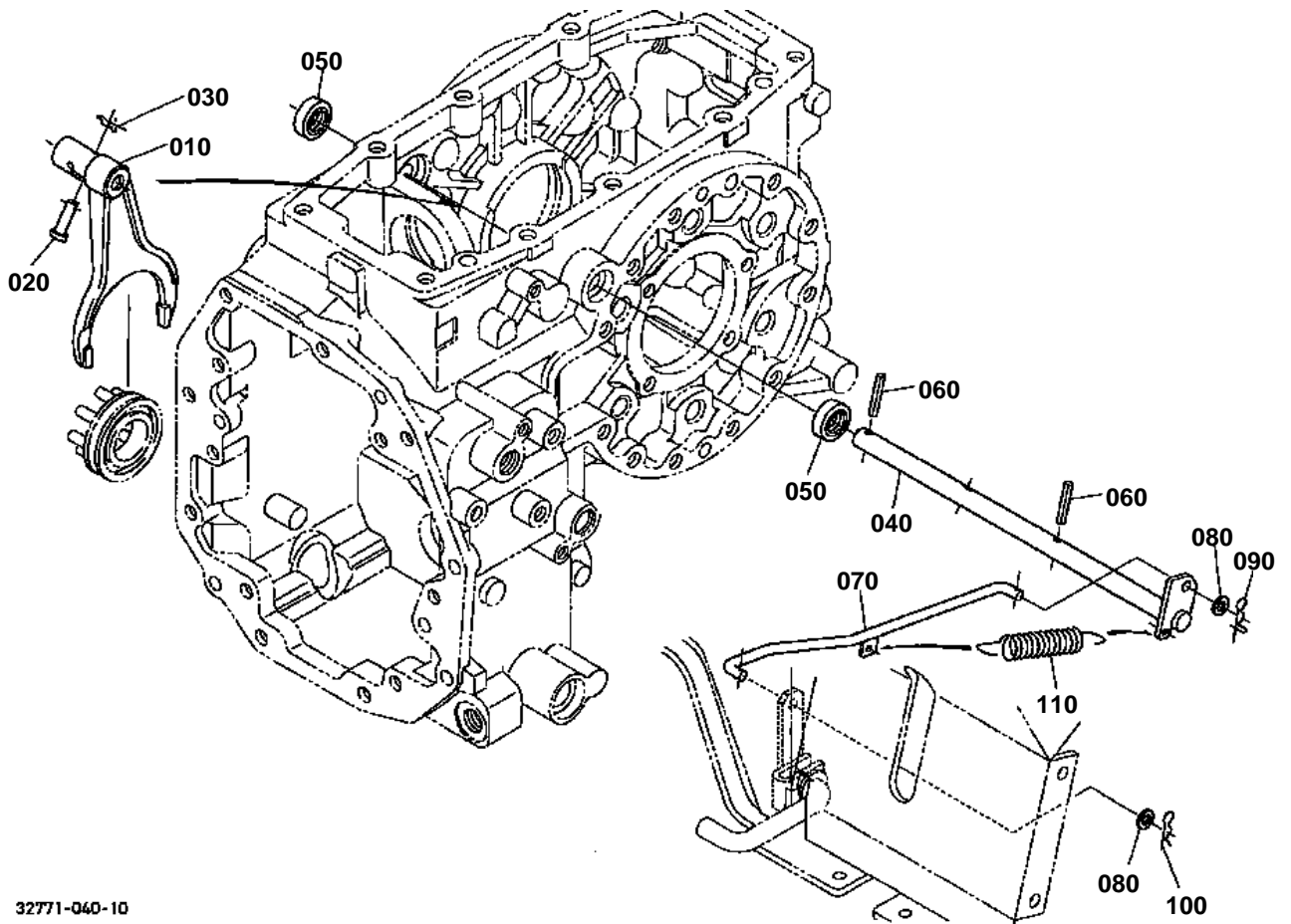


# RANGE GEAR SHIFT FORK

↔ Interchangeable; ≠ not interchangeable; ← new for old; → old for new

REF.No	Part No.	Description	Q'ty	S.No.	I/C	REMARKS	Weight (kgf)	Weight (lb)
010	32771-24400	FORK SHIFT	1				0.49	1.078
020	32771-24410	ROD FORK	1				0.185	0.407
030	05411-00522	PIN SPRING	1				0.002	0.0044
040	62231-18530	SPRING	1				0.01	0.022
050	07715-01605	BALL	1				0.003	0.0066
060	32771-24430	ROD	1				0.47	1.034
070	32771-24420	ARM RANGE SHIFT	1				0.235	0.517
080	04811-00200	O RING	2				0	0
080	04816-00200	O RING	2			-	0.003	0.0066
090	34070-24350	STOPPER	1				0.02	0.044
100	01754-50812	BOLT FLANGE	1				0.01	0.022

DIFFERENTIAL LOCK SHIFT FORK



32771-040-10



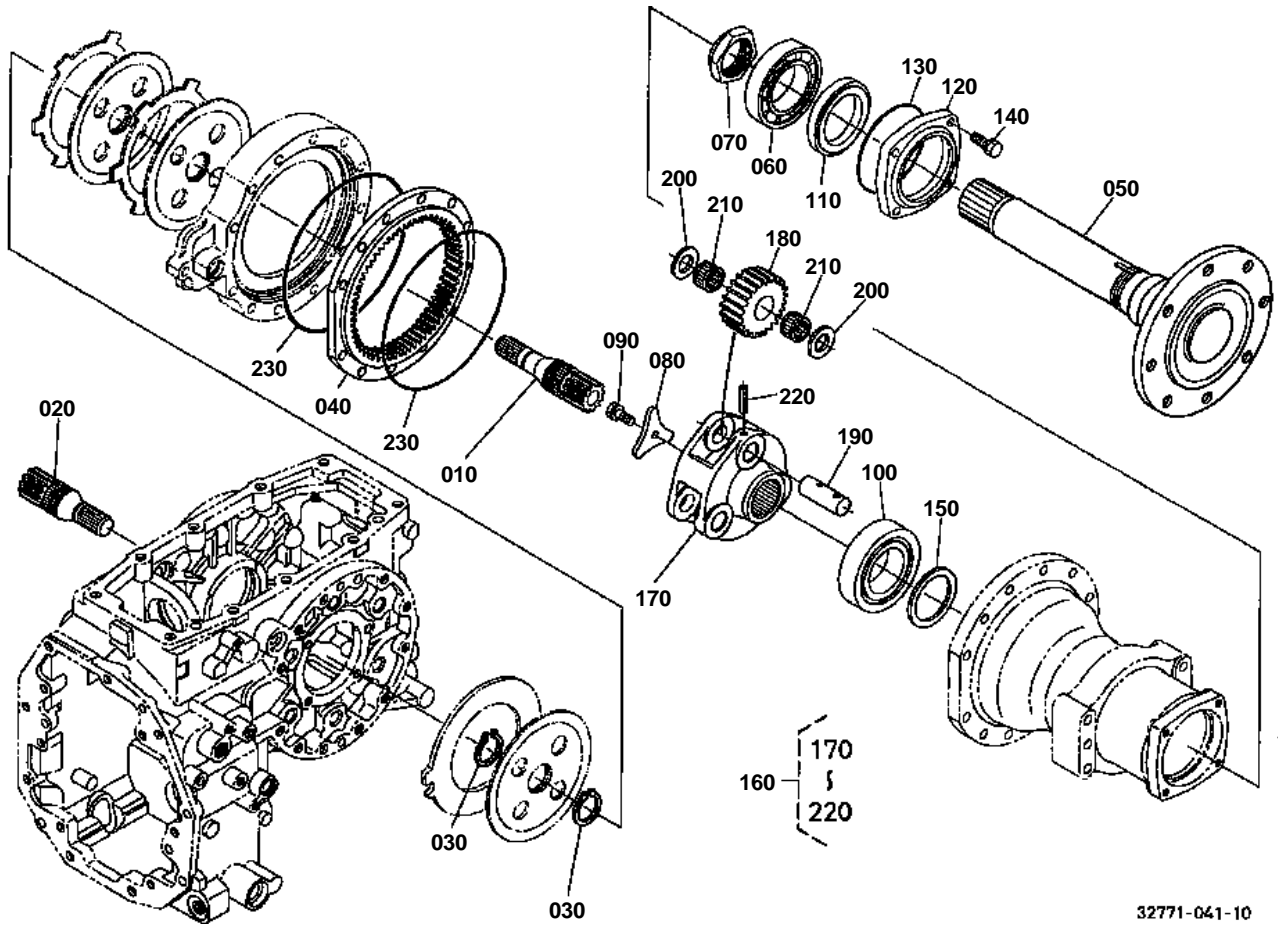


## DIFFERENTIAL LOCK SHIFT FORK

↔ Interchangeable; ≠ not interchangeable; ← new for old; → old for new

REF.No	Part No.	Description	Q'ty	S.No.	I/C	REMARKS	Weight (kgf)	Weight (lb)
010	31351-26630	FORK DIFF.LOCK SHIFT	1	<=51522			0	0
010	31351-26632	FORK DIFF.LOCK SHIFT	1	>=51523	↔		0.465	1.023
020	31351-26620	PIN JOINT	1				0.008	0.0176
030	3A011-32870	PIN SNAP	1	<=50615			0.001	0.0022
030	50080-34110	PIN SNAP	1	>=50616	↔		0.001	0.0022
040	32771-28400	SHAFT FORK	1				0.59	1.298
050	09500-16287	SEAL OIL	2				0.01	0.022
060	05411-00635	PIN SPRING	2				0.005	0.011
070	32771-28410	ROD DIFF.LOCK	1				0.13	0.286
080	04012-50080	WASHER PLAIN	2				0.001	0.0022
090	52300-34130	PIN SNAP	1				0.004	0.0088
100	05515-60800	PIN SNAP	1				0.002	0.0044
110	37150-15840	SPRING	1				0.06	0.132

REAR AXLE



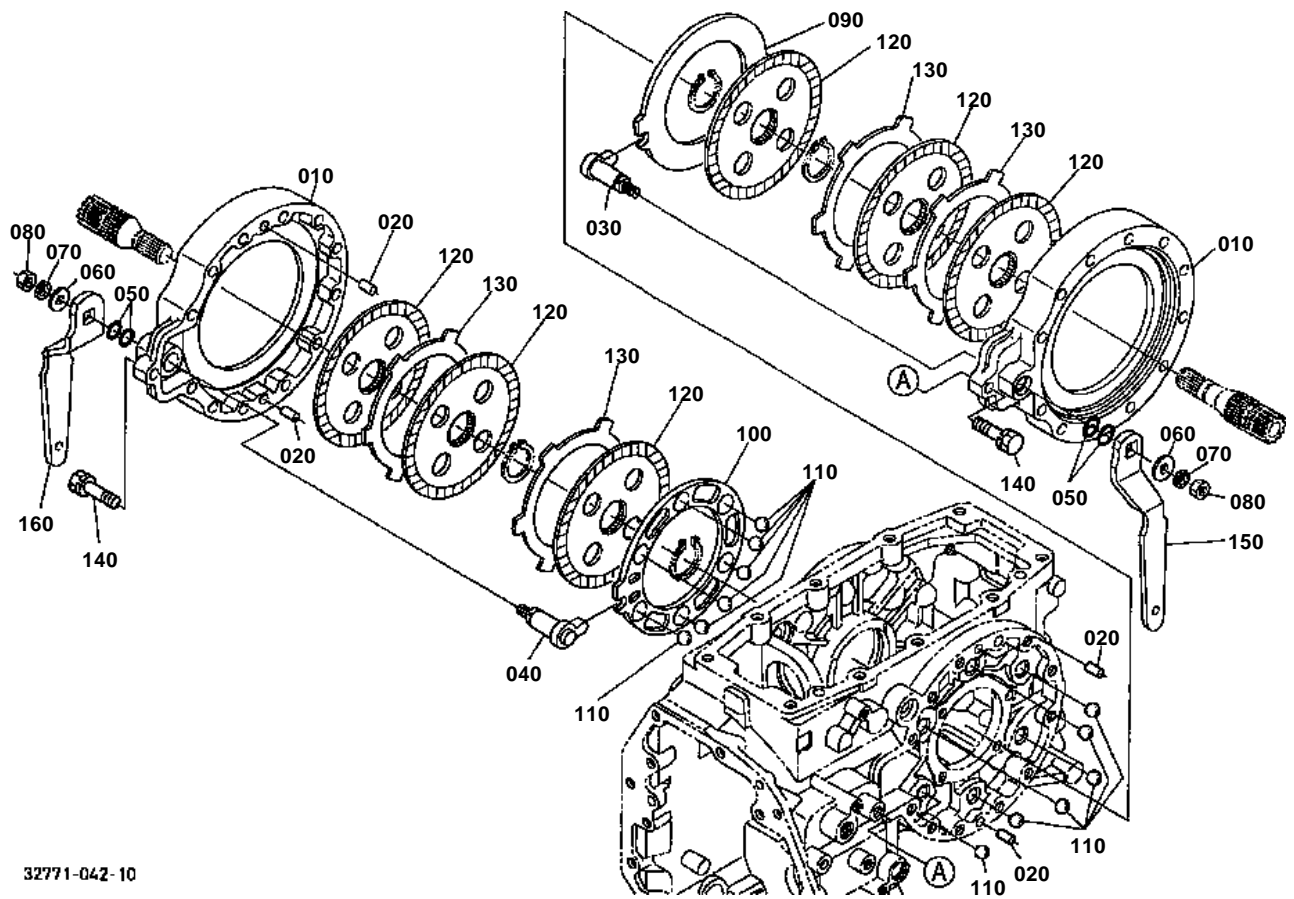
32771-041-10

**REAR AXLE**

↔ Interchangeable; ≠ not interchangeable; ← new for old; → old for new

REF.No	Part No.	Description	Q'ty	S.No.	I/C	REMARKS	Weight (kgf)	Weight (lb)
010	T0180-26710	SHAFT GEAR	1			12T	1.29	2.838
020	T0180-26720	SHAFT GEAR	1			12T	1.12	2.464
030	04612-00450	CIR CLIP EXTERNAL	4				0.007	0.0154
040	31301-26850	GEAR INTERNAL	2			66T	3	6.6
050	32771-27110	AXLE REAR	2				16	35.2
060	08101-06212	BEARING BALL	2				0.78	1.716
070	38430-27150	NUT	2				0.17	0.374
080	38430-27170	HOLDER CARRIER	2				0.066	0.1452
090	01133-51025	BOLT	2				0.023	0.0506
100	08101-06211	BEARING BALL	2				0.6	1.32
110	36540-48250	SEAL WITH SHAFT	2				0.13	0.286
120	38430-27160	COVER BEARING	2				0.93	2.046
130	04811-51150	O RING	2				0.004	0.0088
140	01133-51032	BOLT	8				0.025	0.055
150	38430-27140	COLLAR	2				0.035	0.077
160	T0180-26800	ASSY GERE PLANETARY	2				7.5	16.5
170	31301-26820	CARRIER PLANET	2				3.4	7.48
180	31301-26810	GEAR PLANET	6			26T	1.11	2.442
190	T0180-26830	PIN	6				0.22	0.484
200	38430-26840	COLLAR THRUST	12				0.005	0.011
210	31301-26860	BEARING NEEDLE	12				0.05	0.11
220	05411-00820	PIN SPRING	6				0.005	0.011
230	38430-27340	O RING	4				0.005	0.011

BRAKE



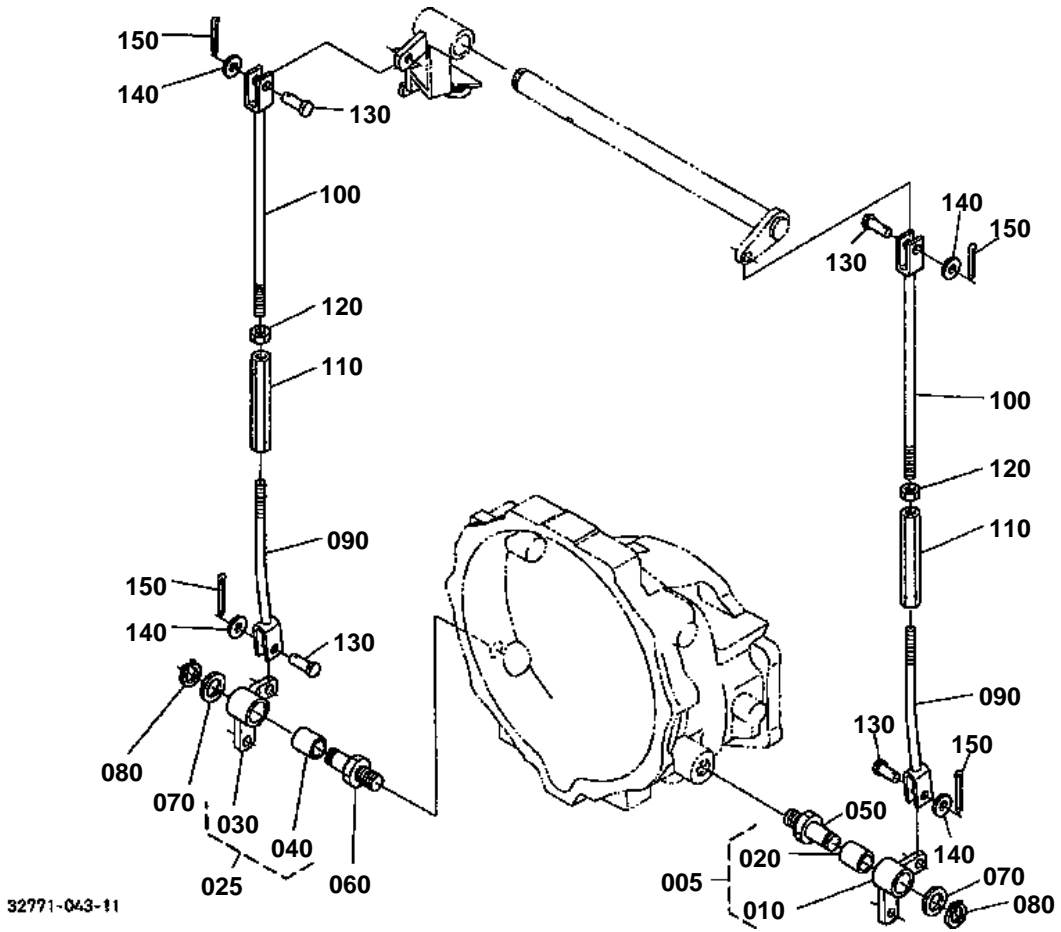
32771-042-10

**BRAKE**

↔ Interchangeable; ≠ not interchangeable; ← new for old; → old for new

REF.No	Part No.	Description	Q'ty	S.No.	I/C	REMARKS	Weight (kgf)	Weight (lb)
010	34550-28150	CASE BRAKE	2				6.3	13.86
020	05012-01018	PIN STRAIGHT	4				0.012	0.0264
030	34070-28715	CAM BRAKE LH	1				0.285	0.627
040	34070-28725	CAM BRAKE RH	1				0.285	0.627
050	04811-00220	O RING	4				0	0
050	04816-00220	O RING	4		↔		0.003	0.0066
060	04015-60120	WASHER PLAIN	2				0.022	0.0484
070	04512-60120	WASHER SPRING	2				0.005	0.011
080	02174-50120	NUT	2				0.01	0.022
090	34070-28770	PLATE BRAKE CAM LH	1				1.11	2.442
100	34070-28780	PLATE BRAKE CAM RH	1				1.14	2.508
110	07715-00805	BALL	12				0.016	0.0352
120	37150-28200	DISK BRAKE	6				0	0
120	T1060-28200	DISK BRAKE MAIN	6		↔		0.75	1.65
130	37720-28170	PLATE	4				0.342	0.7524
140	01133-51245	BOLT	2				0.055	0.121
150	34550-44610	LEVER BRAKE CAM LH	1				0.47	1.034
160	34550-44620	LEVER BRAKE CAM RH	1				0.48	1.056

BRAKE ROD 1

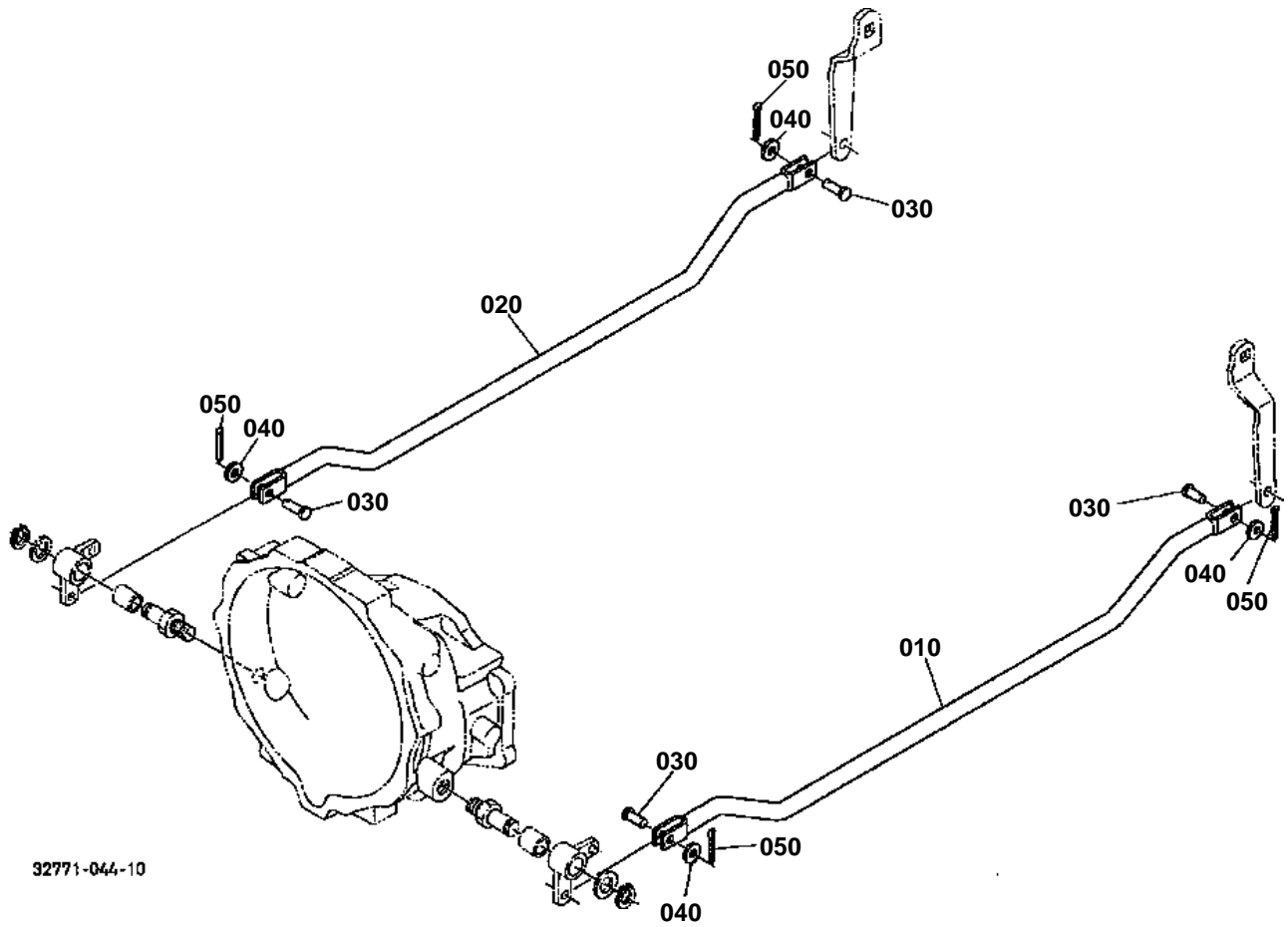


**BRAKE ROD 1**

↔ Interchangeable; ≠ not interchangeable; ← new for old; → old for new

REF.No	Part No.	Description	Q'ty	S.No.	I/C	REMARKS	Weight (kgf)	Weight (lb)
005	34070-44810	ASSY LEVER BRAKE LH	1				0.26	0.572
020	34070-44890	BUSH	1				0.035	0.077
025	34070-44910	ASSY LEVER BRAKE RH	1				0.26	0.572
040	34070-44890	BUSH	1				0.035	0.077
050	34070-44870	SHAFT BRAKE LH	1				0.225	0.495
060	34070-44880	SHAFT BRAKE RH	1				0.22	0.484
070	04011-50200	WASHER PLAIN	2				0.015	0.033
080	04612-00200	CIR CLIP EXTERNAL	2				0.001	0.0022
090	32771-44840	ROD BRAKE LOWER	2				0.17	0.374
100	34070-44460	ROD CLUTCH BRAKE	2				0.225	0.495
110	32350-28980	TURNBUCKLE	2				0.124	0.2728
120	02116-50100	NUT	2				0.004	0.0088
130	05122-61028	PIN JOINT	4				0.02	0.044
140	04013-60100	WASHER PLAIN	4				0.003	0.0066
150	05511-50318	PIN SPLIT	4				0.001	0.0022

BRAKE ROD 2



32771-044-10



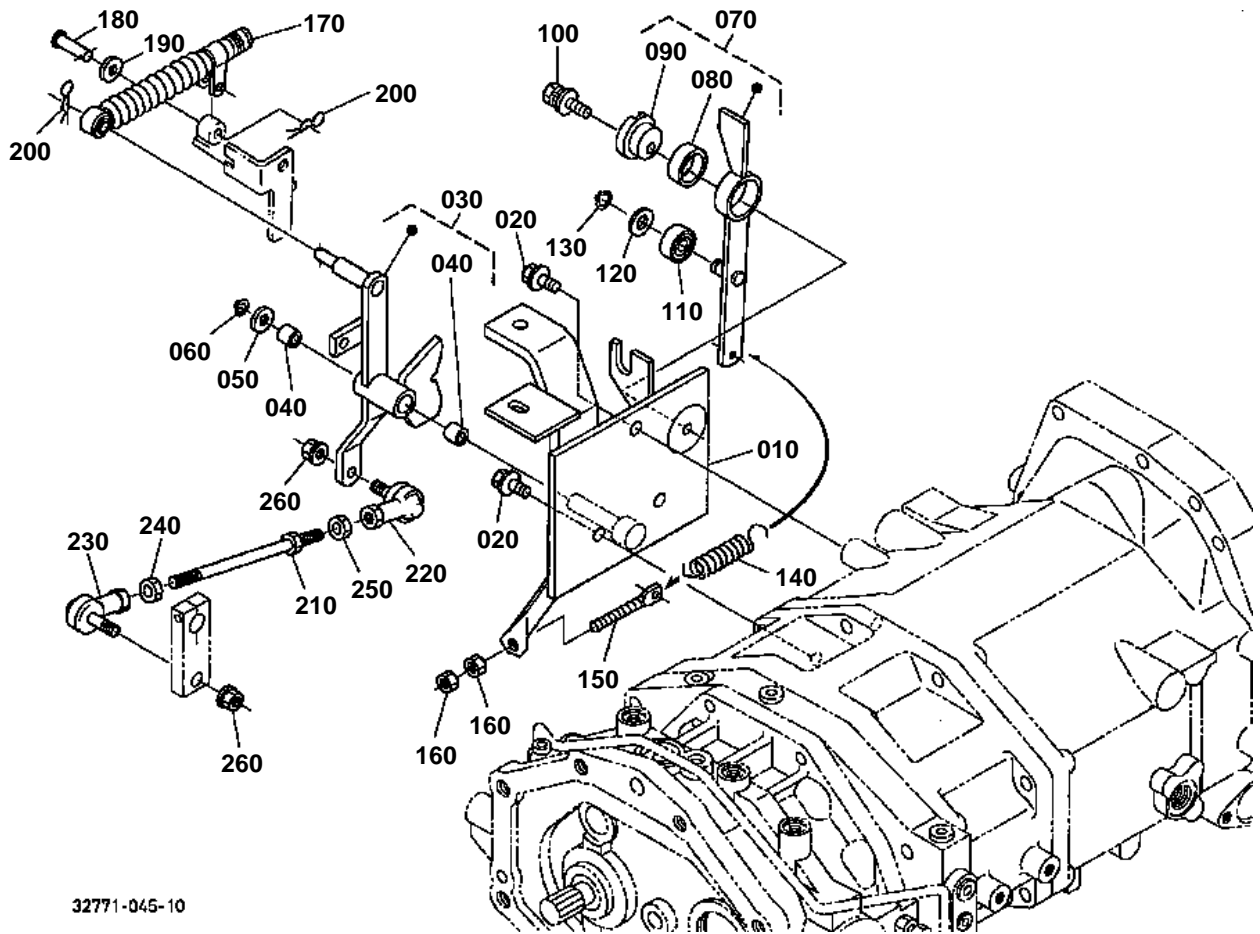


## BRAKE ROD 2

↔ Interchangeable; ≠ not interchangeable; ← new for old; → old for new

REF.No	Part No.	Description	Q'ty	S.No.	I/C	REMARKS	Weight (kgf)	Weight (lb)
010	32771-44630	ROD BRAKE LH	1				1.21	2.662
020	32771-44640	ROD BRAKE RH	1				1.21	2.662
030	05122-61028	PIN JOINT	4				0.02	0.044
040	04013-60100	WASHER PLAIN	4				0.003	0.0066
050	05511-50318	PIN SPLIT	4				0.001	0.0022

NEUTRAL HOLDER LINK



32771-045-10

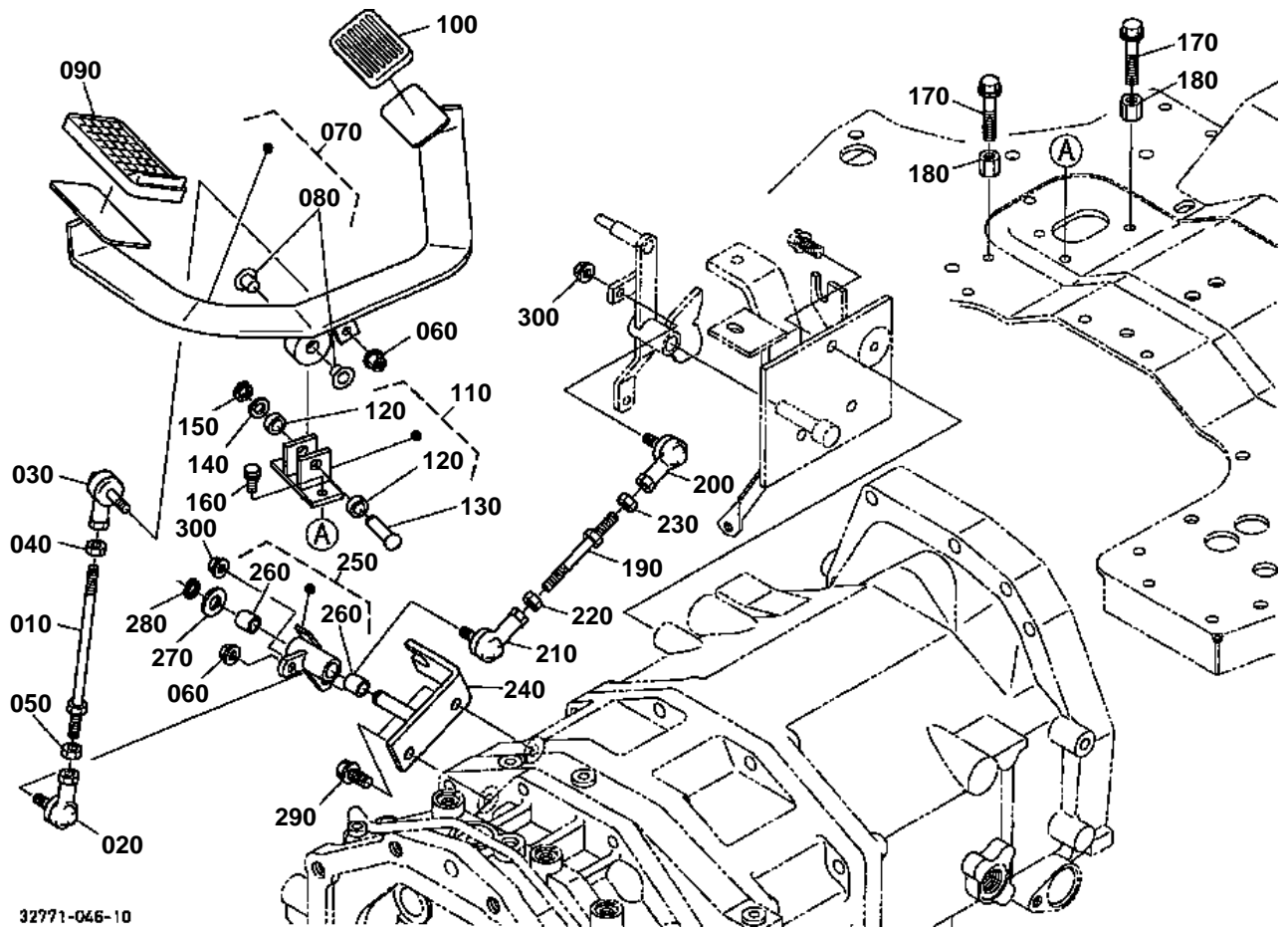


# NEUTRAL HOLDER LINK

↔ Interchangeable; ≠ not interchangeable; ← new for old; → old for new

REF.No	Part No.	Description	Q'ty	S.No.	I/C	REMARKS	Weight (kgf)	Weight (lb)
010	32771-55173	BRACKET HST	1				1.47	3.234
020	01774-61020	BOLT FLANGE	3				0.022	0.0484
030	32771-55500	ASSY ARM	1				0.365	0.803
040	08511-01215	BUSH	2				0.005	0.011
050	04013-60120	WASHER PLAIN	1				0.01	0.022
060	04612-00120	CIR CLIP EXTERNAL	1				0.001	0.0022
070	32771-55650	ASSY ARM HOLDER	1				0.23	0.506
080	66204-43572	BUSH	1				0.002	0.0044
090	66204-43352	SHAFT HOLDER	1				0.072	0.1584
100	01125-50830	BOLT	1				0.017	0.0374
110	08121-06000	BEARING BALL	1				0.02	0.044
120	04011-50100	WASHER PLAIN	1				0.002	0.0044
130	04612-00100	CIR CLIP EXTERNAL	1				0.001	0.0022
140	76611-43320	SPRING	1				0.067	0.1474
150	TA240-55180	BOLT ADJUSTING	1				0.02	0.044
160	02114-50080	NUT	2				0.005	0.011
170	TA240-54720	DAMPER HST	1				0.28	0.616
180	05122-50828	PIN JOINT	1				0.012	0.0264
190	04012-50080	WASHER PLAIN	1				0.001	0.0022
200	05525-50800	PIN SNAP	2				0.001	0.0022
210	32771-55150	ROD	1				0.09	0.198
220	45404-95770	END ROD	1				0.05	0.11
230	54721-31850	BALL LINK	1				0.065	0.143
240	37300-41330	NUT	1				0.005	0.011
250	02114-50080	NUT	1				0.005	0.011
260	02751-50080	NUT FLANGE	2				0.006	0.0132

SPEED CONTROL PEDAL

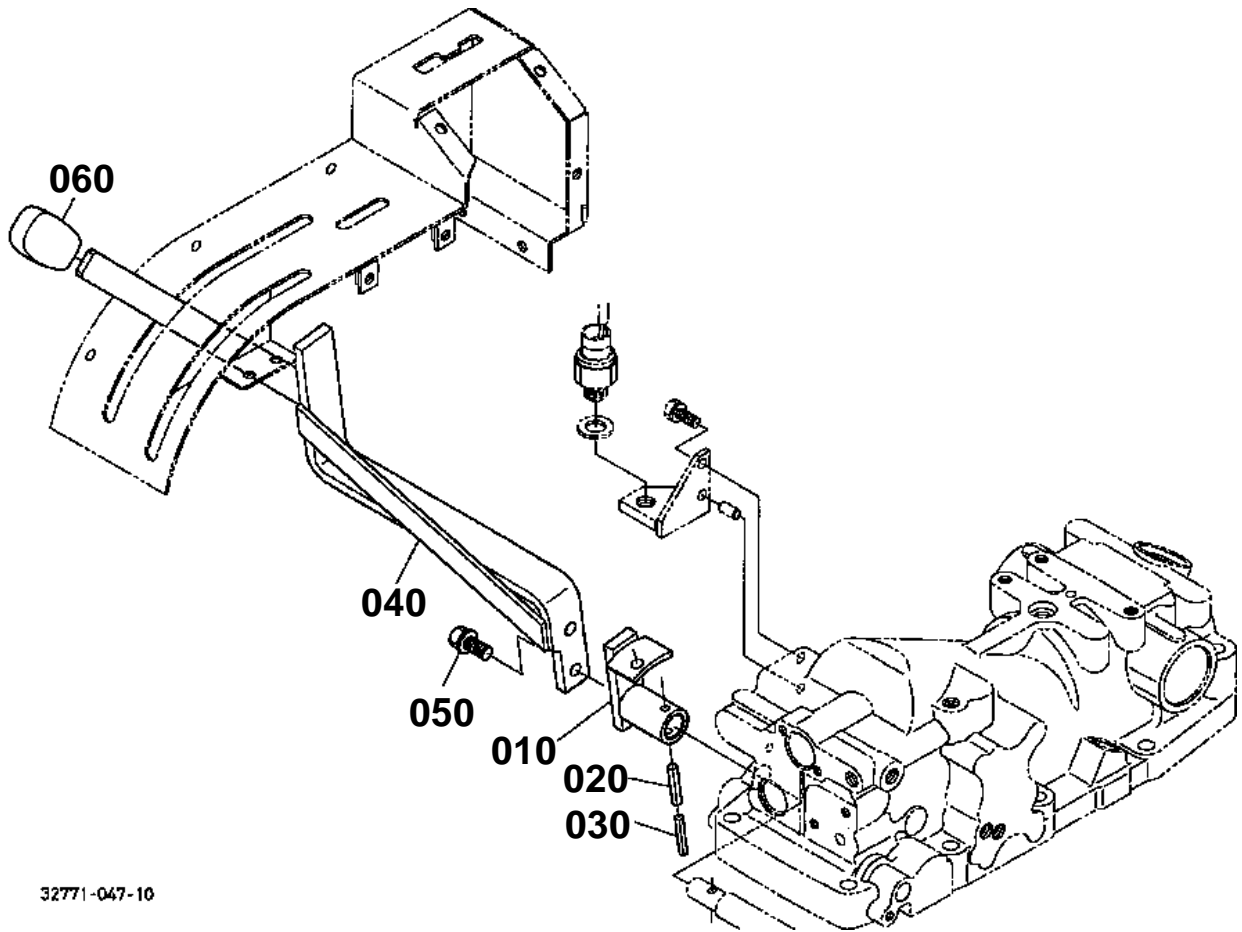


**SPEED CONTROL PEDAL**

↔ Interchangeable; ≠ not interchangeable; ← new for old; → old for new

REF.No	Part No.	Description	Q'ty	S.No.	I/C	REMARKS	Weight (kgf)	Weight (lb)
010	32771-55160	ROD	1				0.055	0.121
020	45404-95770	END ROD	1				0.05	0.11
030	54721-31850	BALL LINK	1				0.065	0.143
040	37300-41330	NUT	1				0.005	0.011
050	02114-50080	NUT	1				0.005	0.011
060	02751-50080	NUT FLANGE	2				0.006	0.0132
070	32771-55100	ASSY PEDAL	1				1.205	2.651
080	TA240-55220	BUSH	2				0.001	0.0022
090	37410-44120	COVER PEDAL	1				0.08	0.176
100	66021-42830	COVER PEDAL	1				0.025	0.055
110	TA240-55200	ASSY BRACKET PEDAL	1				0.2	0.44
120	08511-01006	BUSH	2				0.008	0.0176
130	TA240-55130	PIN HST PEDAL	1				0.023	0.0506
140	04011-50100	WASHER PLAIN	1				0.002	0.0044
150	04612-00100	CIR CLIP EXTERNAL	1				0.001	0.0022
160	01123-60816	BOLT	2				0.01	0.022
170	TA240-55320	BOLT FLANGE	2	<=52332			0.021	0.0462
170	TA240-55322	BOLT FLANGE	2	>=52333	→		0.021	0.0462
180	TA240-55330	NUT	2				0.009	0.0198
190	32771-55190	ROD	1				0.032	0.0704
200	45404-95770	END ROD	1				0.05	0.11
210	54721-31850	BALL LINK	1				0.065	0.143
220	37300-41330	NUT	1				0.005	0.011
230	02114-50080	NUT	1				0.005	0.011
240	32771-55270	BRACKET HST LEVER	1				0.3	0.66
250	32771-55260	ASSY LEVER HST	1				0.135	0.297
260	08511-01215	BUSH	2				0.005	0.011
270	04013-60120	WASHER PLAIN	1				0.01	0.022
280	04612-00120	CIR CLIP EXTERNAL	1				0.001	0.0022
290	01774-61020	BOLT FLANGE	2				0.022	0.0484
300	02751-50080	NUT FLANGE	2				0.006	0.0132

RANGE GEAR SHIFT LEVER



32771-047-10

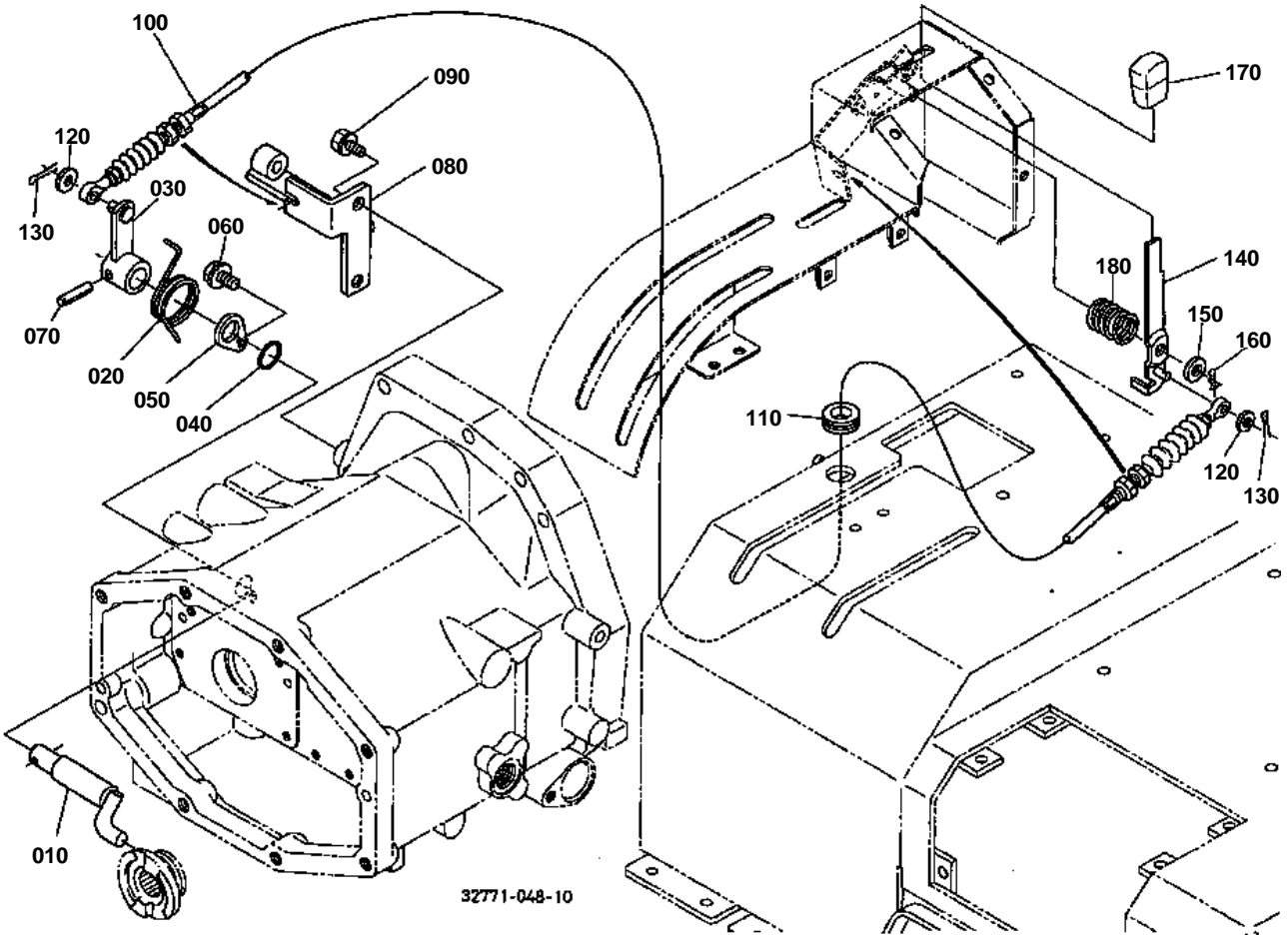


## RANGE GEAR SHIFT LEVER

↔ Interchangeable; ≠ not interchangeable; ← new for old; → old for new

REF.No	Part No.	Description	Q'ty	S.No.	I/C	REMARKS	Weight (kgf)	Weight (lb)
010	32771-24462	LEVER RANGE SHIFT	1				0.29	0.638
020	05411-00635	PIN SPRING	1				0.005	0.011
030	70451-57350	PIN SPRING	1				0.005	0.011
040	32771-24442	LEVER RANGE SHIFT	1				1.485	3.267
050	01774-61020	BOLT FLANGE	2				0.022	0.0484
060	TA040-24490	GRIP LEVER	1				0.033	0.0726

PTO GEAR SHIFT LEVER



32771-048-10



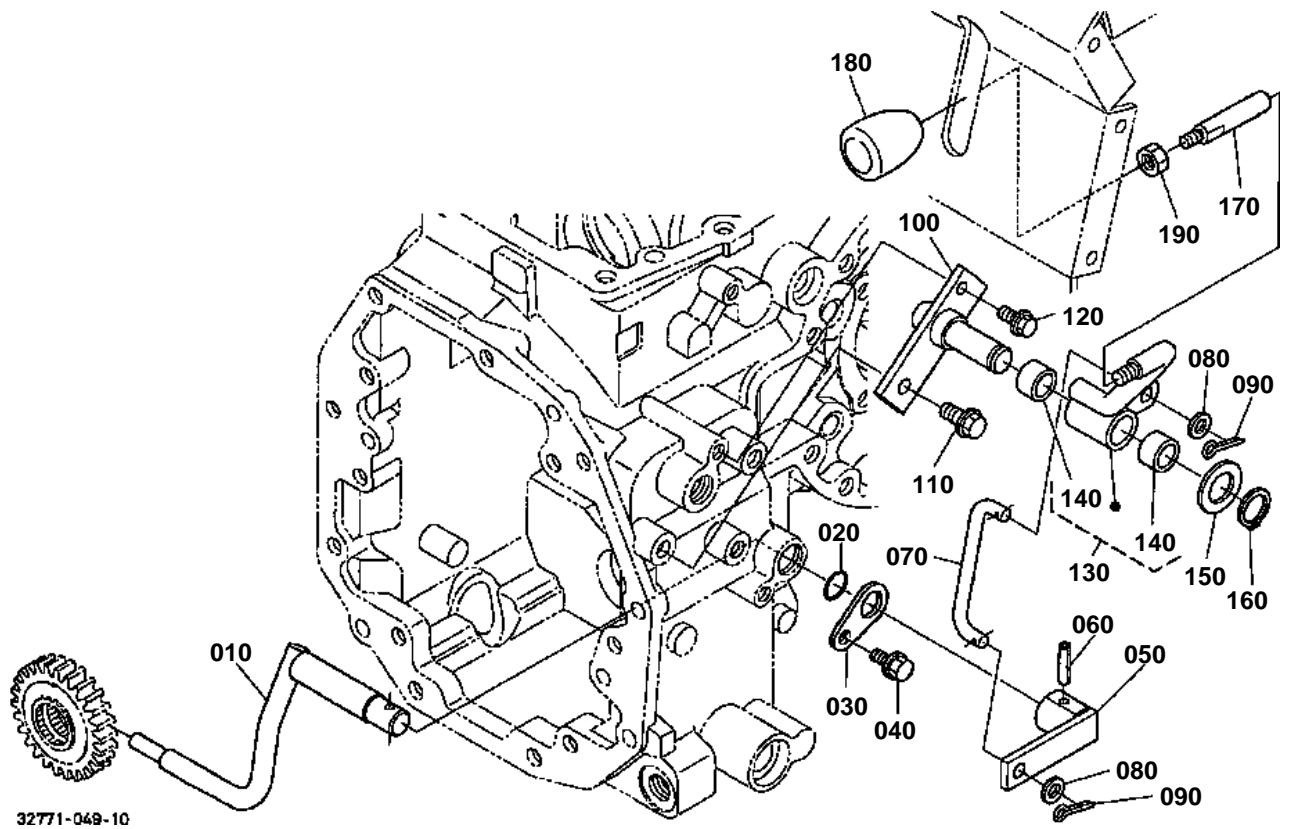


# PTO GEAR SHIFT LEVER

↔ Interchangeable; ≠ not interchangeable; ← new for old; → old for new

REF.No	Part No.	Description	Q'ty	S.No.	I/C	REMARKS	Weight (kgf)	Weight (lb)
010	TA240-24600	ARM PTO SHIFT	1				0.22	0.484
020	TA040-24610	SPRING	1				0.029	0.0638
030	TA040-24620	LEVER PTO	1				0.08	0.176
040	04811-00200	O RING	1				0	0
040	04816-00200	O RING	1		-		0.003	0.0066
050	34070-24350	STOPPER	1				0.02	0.044
060	01754-50812	BOLT FLANGE	1				0.01	0.022
070	05411-00628	PIN SPRING	1				0.004	0.0088
080	TA240-24663	STAY WIRE	1				0.315	0.693
090	01123-60814	BOLT	2				0.01	0.022
100	TA140-24650	WIRE PTO	1				0.14	0.308
110	53226-54390	GROMMET	1				0.004	0.0088
120	04012-50060	WASHER PLAIN	2				0.001	0.0022
130	05511-51612	PIN SPLIT	2				0.001	0.0022
140	TA040-69710	LEVER I-PTO	1				0.053	0.1166
150	04013-60080	WASHER PLAIN	1				0.002	0.0044
160	52300-34120	PIN SNAP	1				0.001	0.0022
170	36919-27820	GRIP PTO LEVER	1				0.015	0.033
180	33251-29630	SPRING	1				0.013	0.0286

FRONT WHEEL DRIVE LEVER



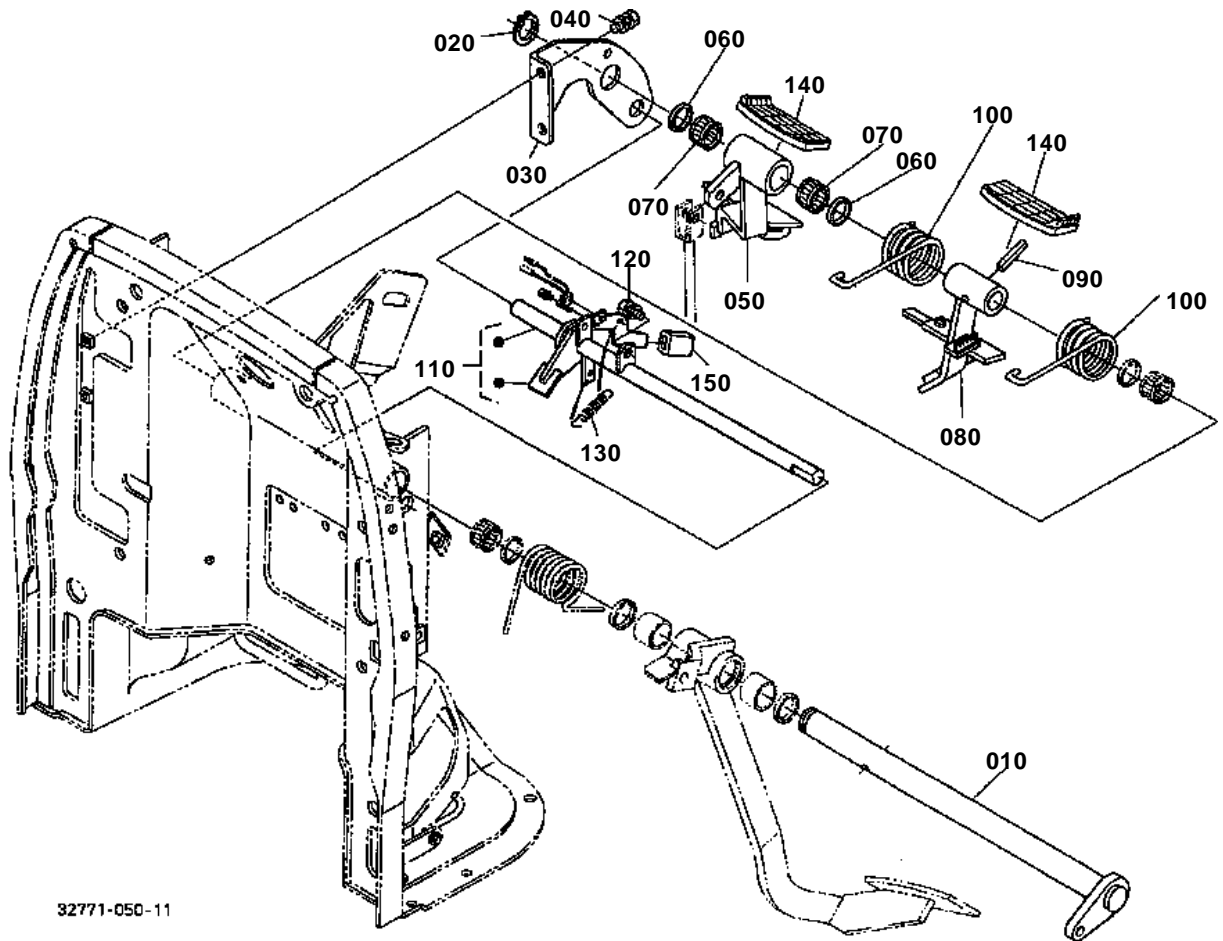


## FRONT WHEEL DRIVE LEVER

↔ Interchangeable; ≠ not interchangeable; ← new for old; → old for new

REF.No	Part No.	Description	Q'ty	S.No.	I/C	REMARKS	Weight (kgf)	Weight (lb)
010	32771-15180	LEVER SHIFT	1				0.41	0.902
020	04811-00200	O RING	1				0	0
020	04816-00200	O RING	1		-		0.003	0.0066
030	34070-24350	STOPPER	1				0.02	0.044
040	01754-50812	BOLT FLANGE	1				0.01	0.022
050	32771-15440	LEVER REVERSE DT	1				0.15	0.33
060	05411-00630	PIN SPRING	1				0.004	0.0088
070	34076-24580	ROD CREEP	1				0.09	0.198
080	04011-50100	WASHER PLAIN	2				0.002	0.0044
090	05511-50318	PIN SPLIT	2				0.001	0.0022
100	32771-15452	SUPPORT LEVER	1				0.3	0.66
110	01754-51020	BOLT FLANGE	1				0.02	0.044
120	01754-50816	BOLT FLANGE	1				0.011	0.0242
130	32771-15462	ASSY LEVER CHANGE	1				0.49	1.078
140	08511-01810	BUSH	2				0.005	0.011
150	04011-50180	WASHER PLAIN	1				0.012	0.0264
160	04612-00180	CIR CLIP EXTERNAL	1				0.001	0.0022
170	TA140-15490	LEVER 4WD CHANGE	1				0.086	0.1892
180	TA040-15480	GRIP LEVER	1				0.053	0.1166
190	02116-50100	NUT	1				0.004	0.0088

BRAKE PEDAL



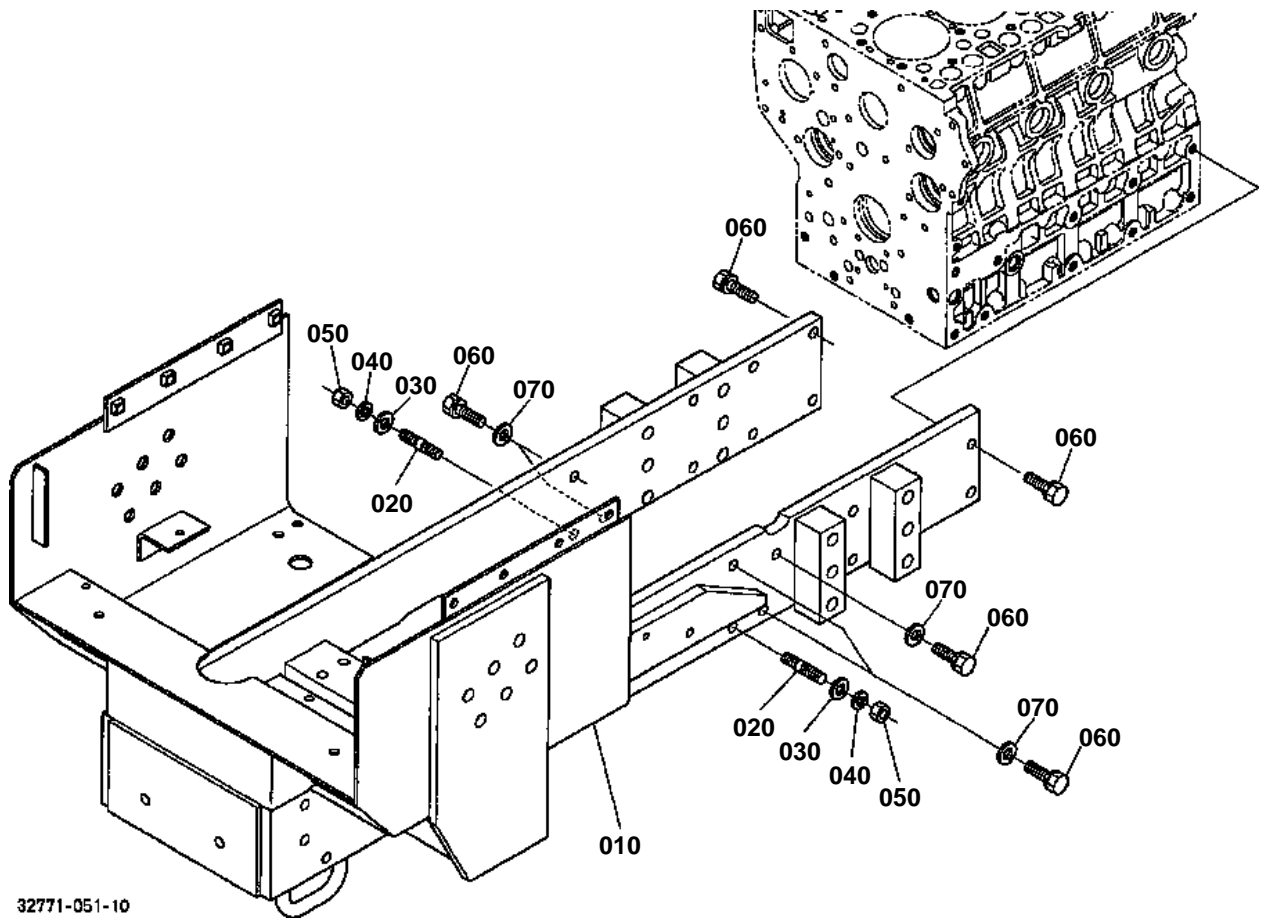
32771-050-11

**BRAKE PEDAL**

↔ Interchangeable; ≠ not interchangeable; ← new for old; → old for new

REF.No	Part No.	Description	Q'ty	S.No.	I/C	REMARKS	Weight (kgf)	Weight (lb)
010	34070-44010	SHAFT PEDAL	1				1.81	3.982
020	04612-00250	CIR CLIP EXTERNAL	1				0.002	0.0044
030	34070-44073	SUPPORT PEDAL SHAFT	1	<=52464			0.255	0.561
030	34070-44074	SUPPORT PEDAL SHAFT	1	>=52465	↔		0.255	0.561
040	01123-60816	BOLT	2				0.01	0.022
050	TA240-44100	ASSY PEDAL BRAKE RH	1				1.25	2.75
060	34070-44140	SEAL OIL	2				0.005	0.011
070	34070-44360	BEARING NEEDLE	2				0.012	0.0264
080	32771-44110	PEDAL BRAKE LH	1				1.155	2.541
090	05411-00840	PIN SPRING	1				0.008	0.0176
100	34070-44170	SPRING	2				0.08	0.176
110	32771-44000	COMP.LOCK PARKING	1				1	2.2
120	01123-60816	BOLT	1				0.01	0.022
130	36330-83420	SPRING LOCK	1				0.006	0.0132
140	37410-44120	COVER PEDAL	2	<=60897			0.08	0.176
140	T2050-44120	COVER PEDAL	2	>=60898	↔		0.07	0.154
150	TA140-43560	GRIP	1				0.022	0.0484

FRONT AXLE FRAME



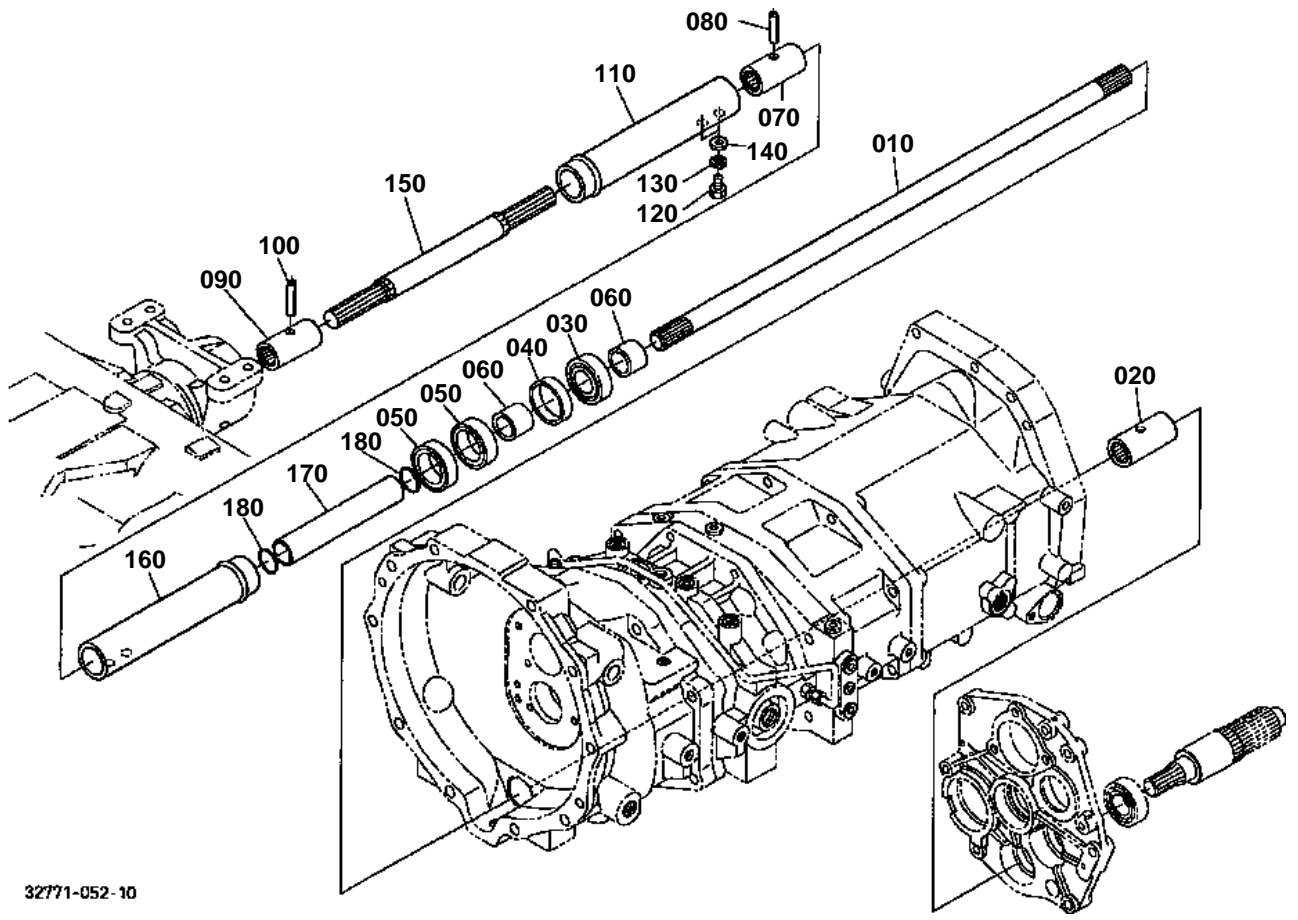


## FRONT AXLE FRAME

↔ Interchangeable; ≠ not interchangeable; ← new for old; → old for new

REF.No	Part No.	Description	Q'ty	S.No.	I/C	REMARKS	Weight (kgf)	Weight (lb)
010	32771-14013	COMP.FRAME F-AXLE	1	<=50591			0	0
010	32771-14015	COMP.FRAME F-AXLE	1	>=50592	-		120	264
020	32771-14910	STUD REAMER	2				0.045	0.099
030	32751-14950	WASHER	2				0.011	0.0242
040	04512-60120	WASHER SPRING	2				0.005	0.011
050	32751-14940	NUT	2				0.02	0.044
060	01138-51240	BOLT	17				0.046	0.1012
070	32751-14950	WASHER	5				0.011	0.0242

PROPELLER SHAFT



32771-052-10



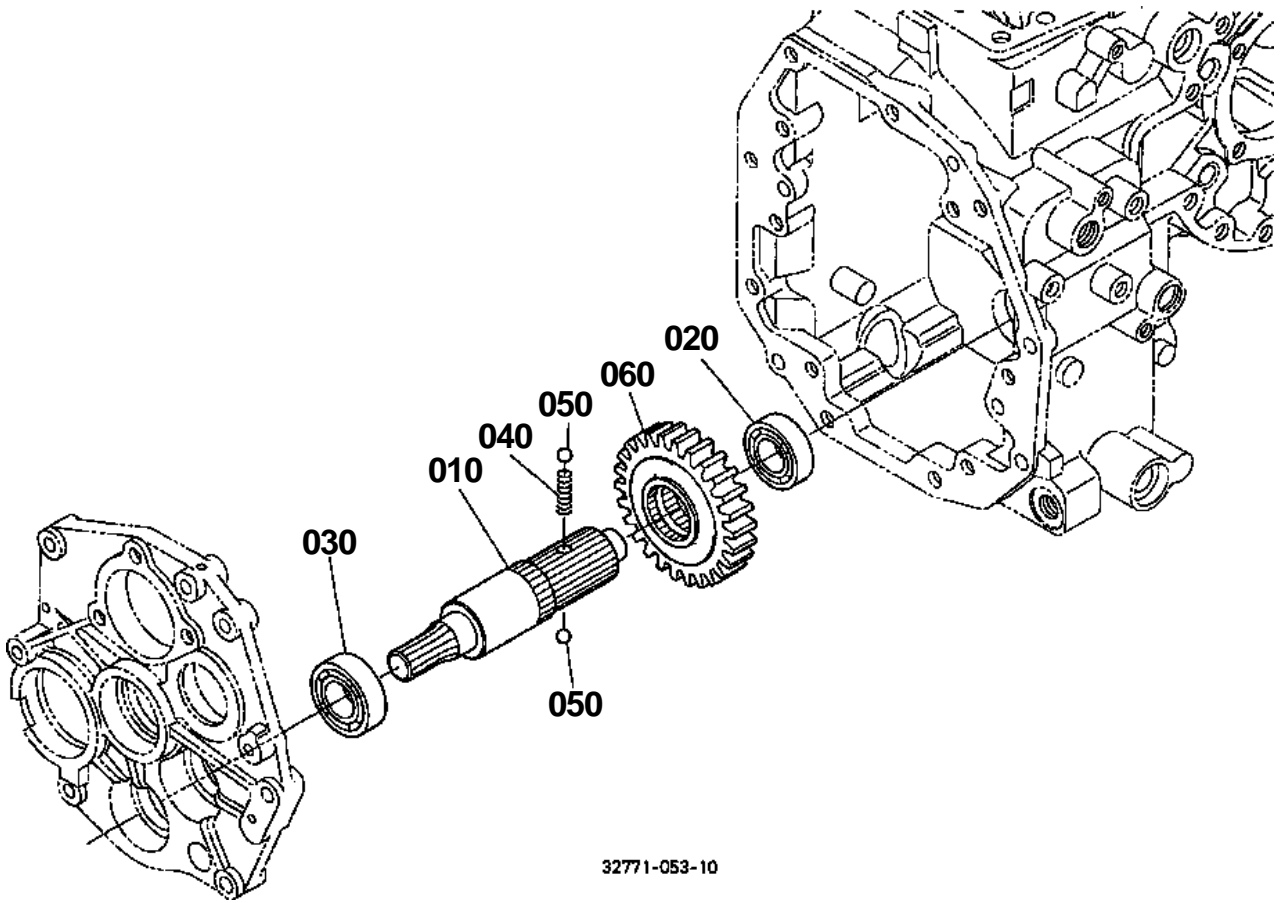


## PROPELLER SHAFT

↔ Interchangeable; ≠ not interchangeable; ← new for old; → old for new

REF.No	Part No.	Description	Q'ty	S.No.	I/C	REMARKS	Weight (kgf)	Weight (lb)
010	32771-14642	SHAFT PROPELLER	1				2.3	5.06
020	T0070-14710	COUPLING	1				0.16	0.352
030	08101-06904	BEARING BALL	1				0.02	0.044
040	34070-14650	COLLAR	1				0.01	0.022
050	09500-25388	SEAL OIL	2				0.01	0.022
060	53582-53520	SLEEVE	2				0.015	0.033
070	T0070-14710	COUPLING	1				0.16	0.352
080	05411-00430	PIN SPRING	1				0.002	0.0044
090	3A021-44520	COUPLING	1				0.175	0.385
100	05411-00630	PIN SPRING	1				0.004	0.0088
110	32771-14570	COVER SHAFT FRONT	1				0.45	0.99
120	01053-50508	BOLT	2				0.002	0.0044
130	04512-60050	WASHER SPRING	2				0.002	0.0044
140	04012-50050	WASHER PLAIN	2				0.001	0.0022
150	32771-14630	SHAFT PROPELLER	1				1.3	2.86
160	32771-14580	COVER SHAFT REAR	1				0.248	0.5456
170	TA040-14720	SPACER	1				0.21	0.462
180	TA040-82180	O RING	2				0.001	0.0022

FRONT WHEEL DRIVE SHAFT



32771-053-10

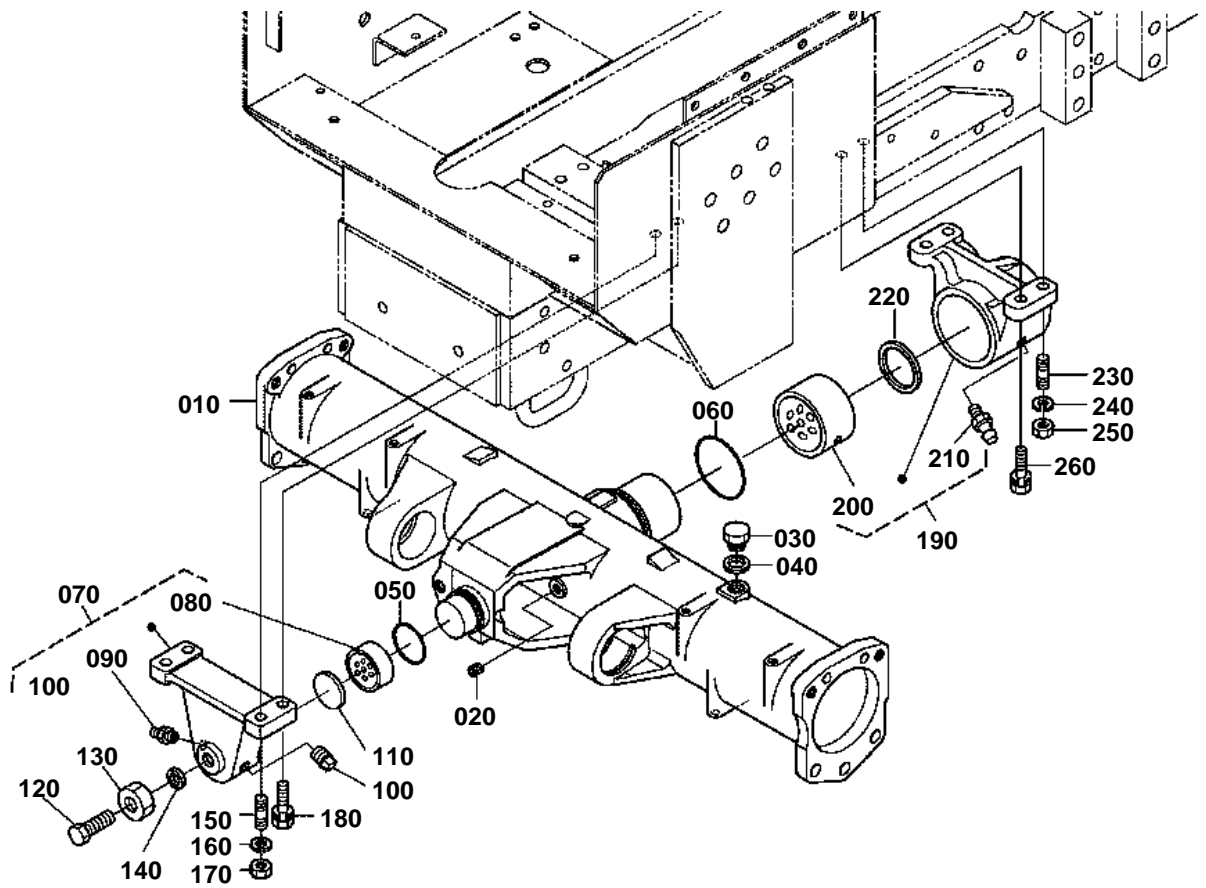


# FRONT WHEEL DRIVE SHAFT

↔ Interchangeable; ≠ not interchangeable; ← new for old; → old for new

REF.No	Part No.	Description	Q'ty	S.No.	I/C	REMARKS	Weight (kgf)	Weight (lb)
010	32771-15220	SHAFT DRIVE	1				1.05	2.31
020	34070-22560	BEARING BALL	1				0.1	0.22
030	37410-57190	BEARING BALL	1				0.14	0.308
040	35260-24110	SPRING	1				0.02	0.044
050	07715-01605	BALL	2				0.003	0.0066
060	32771-15170	GEAR 4WD SHIFT	1			26T	1.03	2.266

FRONT DIFFERENTIAL CASE



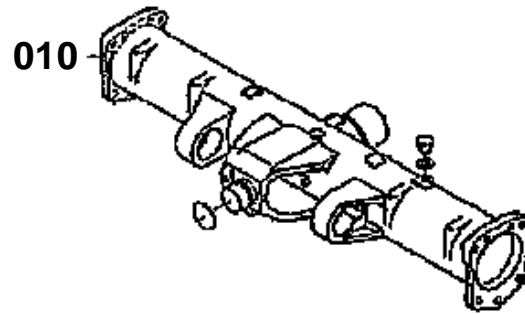
32771-054-11

FRONT DIFFERENTIAL CASE

---

010 3A022-4215-0

010 3A022-4215-3



32771-822-10

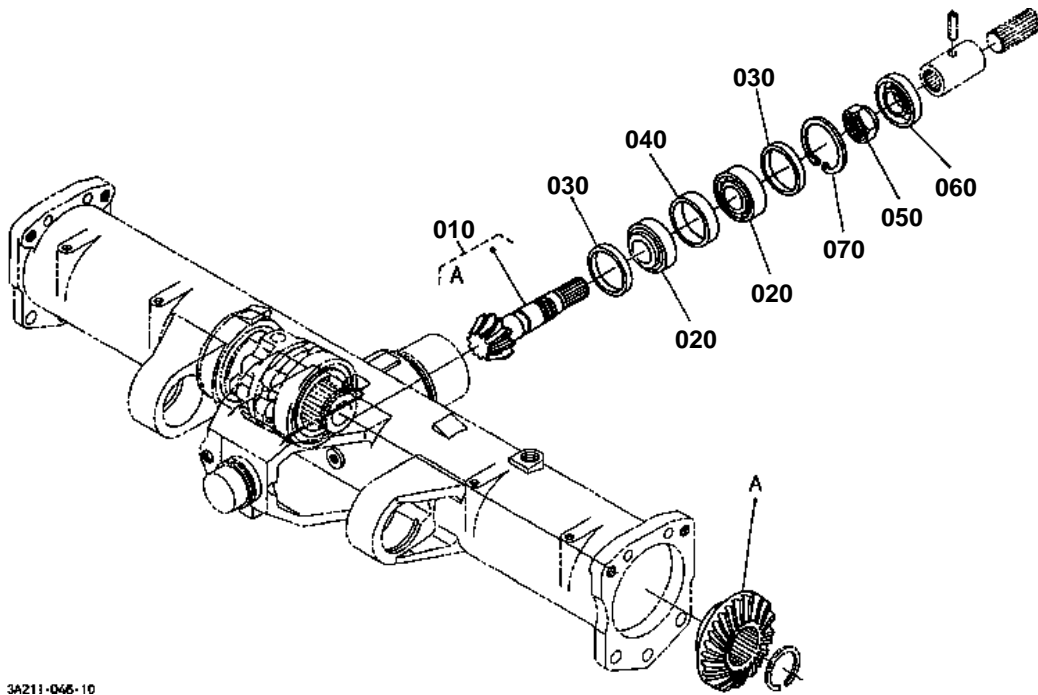


## FRONT DIFFERENTIAL CASE

↔ Interchangeable; ≠ not interchangeable; ← new for old; → old for new

REF.No	Part No.	Description	Q'ty	S.No.	I/C	REMARKS	Weight (kgf)	Weight (lb)
010	3A022-42150	CASE FRONT AXLE	1	<=51906			0	0
010	3A022-42153	CASE FRONT AXLE	1	>=51907	-		0	0
010	3A022-42154	CASE FRONT AXLE	1	>=52035	-		34.5	75.9
020	16851-96010	PLUG	1				0.015	0.033
030	06331-35020	PLUG	1				0.068	0.1496
040	04724-00200	GASKET	1				0.003	0.0066
050	04811-00490	O RING	1				0	0
050	04816-00490	O RING	1		-		0.005	0.011
060	04811-50800	O RING	1				0.003	0.0066
070	32771-13500	ASSY HOLDER FRONT	1				3	6.6
080	32771-13570	BUSH	1				0.055	0.121
090	06611-15010	NIPPLE GREASE	1				0.01	0.022
100	06312-10010	PLUG	1				0.007	0.0154
110	37410-56180	COLLAR THRUST	1				0.06	0.132
120	01175-51645	BOLT	1				0.09	0.198
130	32580-44580	NUT	1				0.1	0.22
140	38440-44750	WASHER SEAL	1				0.003	0.0066
150	01574-61240	STUD	2				0.045	0.099
160	04512-60120	WASHER SPRING	2				0.005	0.011
170	02176-50120	NUT	2				0.01	0.022
180	01138-51245	BOLT	2				0.051	0.1122
190	32771-13602	ASSY HOLDER REAR	1				3.2	7.04
200	32771-13620	BUSH	1				0.21	0.462
210	06611-15010	NIPPLE GREASE	1				0.01	0.022
220	34070-13620	COLLAR THRUST	1				0.05	0.11
230	01574-61240	STUD	2				0.045	0.099
240	04512-60120	WASHER SPRING	2				0.005	0.011
250	02176-50120	NUT	2				0.01	0.022
260	01138-51245	BOLT	2				0.051	0.1122

BEVEL GEAR (FRONT)



3A211-065-10



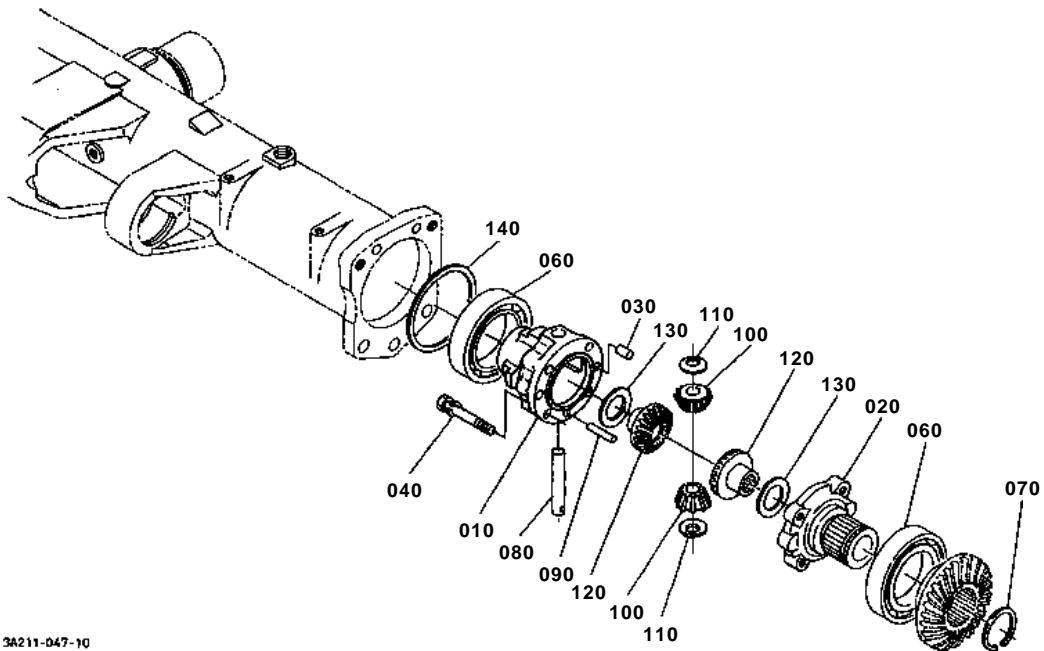
## BEVEL GEAR (FRONT)

↔ Interchangeable; ≠ not interchangeable; ← new for old; → old for new

REF.No	Part No.	Description	Q'ty	S.No.	I/C	REMARKS	Weight (kgf)	Weight (lb)
010	3A022-42300	ASSY GEAR BEVEL	1			8-21T	1.9	4.18
020	34070-12200	BEARING TAPER-ROLLER	2				0.305	0.671
030	3A221-43010	COLLAR	2			5.8mm	0.01	0.022
030	3A221-43020	COLLAR	2			5.9mm	0.01	0.022
030	3A221-43030	COLLAR	2			6.0mm	0.015	0.033
030	3A221-43040	COLLAR	2			6.1mm	0.01	0.022
030	3A221-43050	COLLAR	2			6.2mm	0.01	0.022
030	3A221-43070	COLLAR	1			6.4mm	0.014	0.0308
040	3A221-43100	COLLAR	1			10.0mm	0.025	0.055
050	3A021-41300	NUT	1				0.044	0.0968
060	3A021-44120	SEAL OIL	1				0.032	0.0704
070	04611-00580	CIR CLIP INTERNAL	1				0.005	0.011



DIFFERENTIAL(FRONT)



3A211-047-10

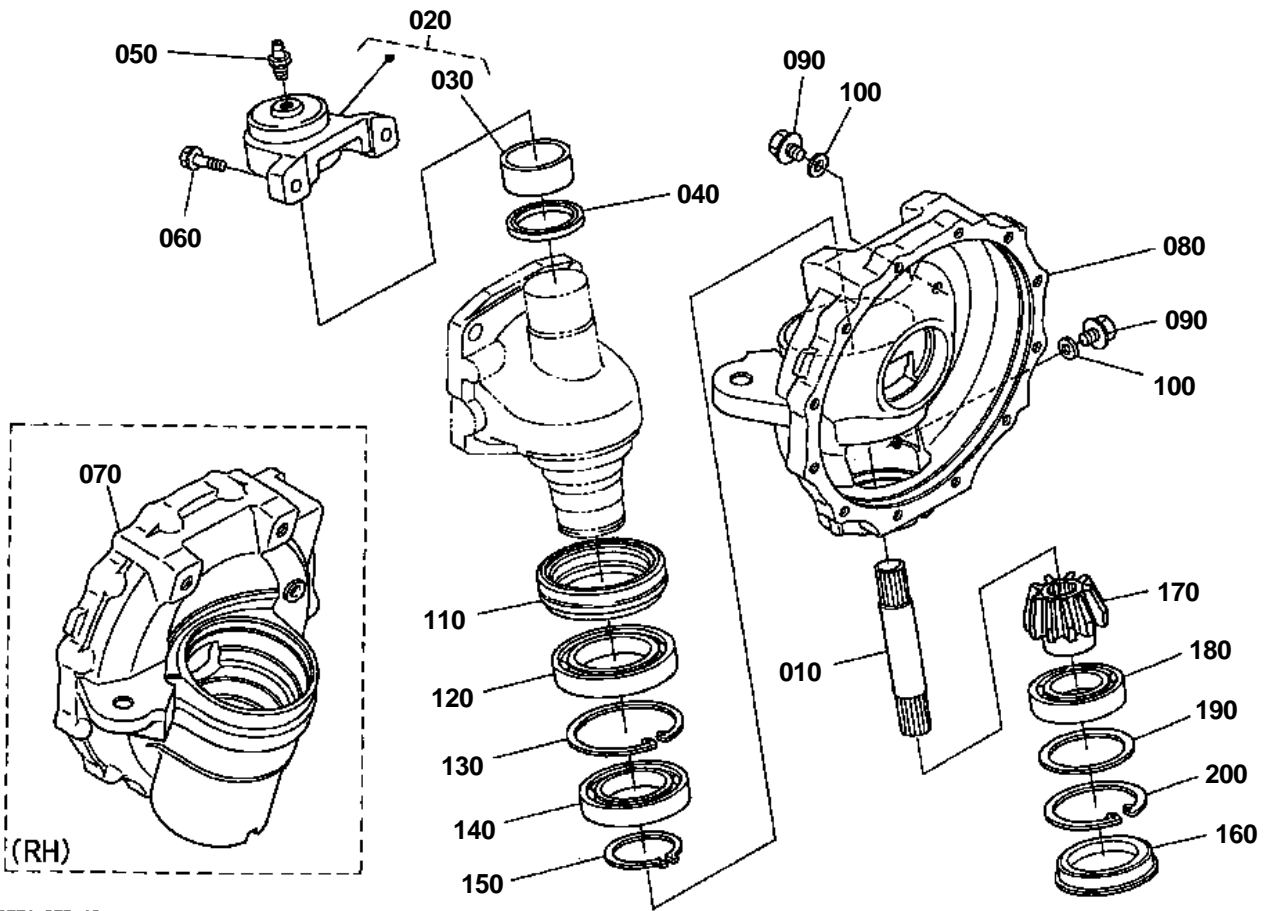


## DIFFERENTIAL(FRONT)

↔ Interchangeable; ≠ not interchangeable; ← new for old; → old for new

REF.No	Part No.	Description	Q'ty	S.No.	I/C	REMARKS	Weight (kgf)	Weight (lb)
010	3A021-43120	CASE DIFF.	1				1.9	4.18
020	3A021-42410	CASE DIFF.	1				0.99	2.178
030	31353-43413	PIN STRAIGHT	2				0.01	0.022
040	01138-51075	BOLT	4				0.245	0.539
050	99999-99999	BLANK	0				0	0
060	3A021-43330	BEARING BALL	2				0.77	1.694
070	34070-12280	CIR CLIP EXTERNAL	1				0.005	0.011
080	31353-43330	SHAFT PINION	1	<=52410			0	0
080	31353-43333	SHAFT PINION	1	>=52411	→		0.13	0.286
090	05012-00628	PIN STRAIGHT	1				0.006	0.0132
100	31353-43343	PINION DIFF.	2			12T	0.1	0.22
110	67121-56670	COLLAR PINION THRUST	2				0.006	0.0132
120	3A021-43140	GEAR DIFF.SIDE	2			24T	0.22	0.484
130	67211-15160	SHIM	2			1.0mm	0.01	0.022
130	67211-15170	SHIM	2			0.8mm	0.008	0.0176
130	67211-15180	SHIM	2			1.2mm	0.01	0.022
130	31353-43360	SHIM	2			0.6mm	0.01	0.022
130	31353-43370	SHIM	2			0.4mm	0.01	0.022
140	34070-12300	SHIM	1			1.6mm	0.02	0.044
140	34070-12310	SHIM	1			1.8mm	0.03	0.066
140	34070-12320	SHIM	1			2.0mm	0.03	0.066
140	34070-12330	SHIM	1			2.2mm	0.03	0.066
140	34070-12340	SHIM	1			2.4mm	0.035	0.077

FRONT AXLE CASE



32771-055-10

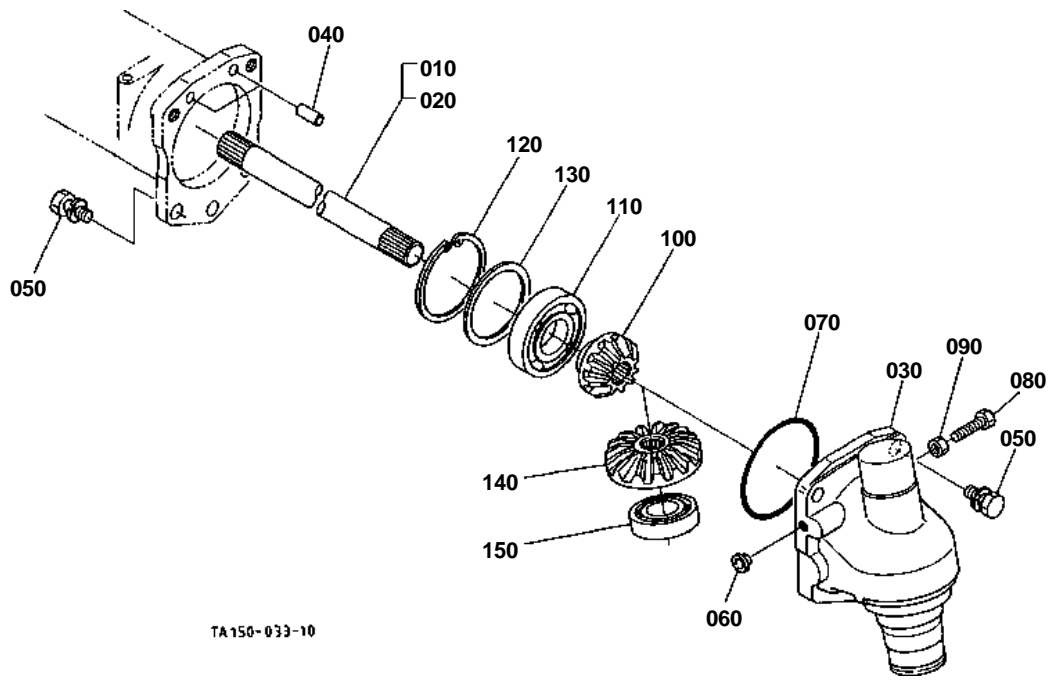


# FRONT AXLE CASE

↔ Interchangeable; ≠ not interchangeable; ← new for old; → old for new

REF.No	Part No.	Description	Q'ty	S.No.	I/C	REMARKS	Weight (kgf)	Weight (lb)
010	3A021-43410	SHAFT BEVEL GEAR	2				0.735	1.617
020	3A021-43300	ASSY SUPPORT CASE	2				1.11	2.442
030	3A021-43370	BUSH	2				0.1	0.22
040	3A021-43350	SEAL OIL	2				0.017	0.0374
050	06611-15010	NIPPLE GREASE	2				0.01	0.022
060	32701-52930	BOLT UBS	4				0.05	0.11
070	3A022-43643	CASE FRONT GEAR RH	1				12.3	27.06
080	3A022-43633	CASE FRONT GEAR LH	1				12.3	27.06
090	06331-45010	PLUG	4				0.02	0.044
100	04717-01000	WASHER WITH RUBBER	4				0.001	0.0022
110	TA140-13040	SEAL OIL	2				0.155	0.341
120	08101-06014	BEARING BALL	2				0.6	1.32
130	04611-00950	CIR CLIP INTERNAL	2				0.05	0.11
140	08101-06012	BEARING BALL	2				0.41	0.902
150	04612-00600	CIR CLIP EXTERNAL	2				0.012	0.0264
160	34550-13100	PLUG	2				0.11	0.242
170	3A022-43520	GEAR BEVEL	2			9T	0.605	1.331
180	32580-43550	BEARING BALL	2				0.4	0.88
190	34550-12590	SHIM	2			1.0mm	0.005	0.011
190	34550-12600	SHIM	2			1.2mm	0.018	0.0396
190	34550-12620	SHIM	2			1.6mm	0.025	0.055
190	34550-12630	SHIM	2			1.8mm	0.025	0.055
190	34550-12640	SHIM	2			2.0mm	0.03	0.066
200	04611-00850	CIR CLIP INTERNAL	2				0.029	0.0638

DIFFERENTIAL GEAR SHAFT



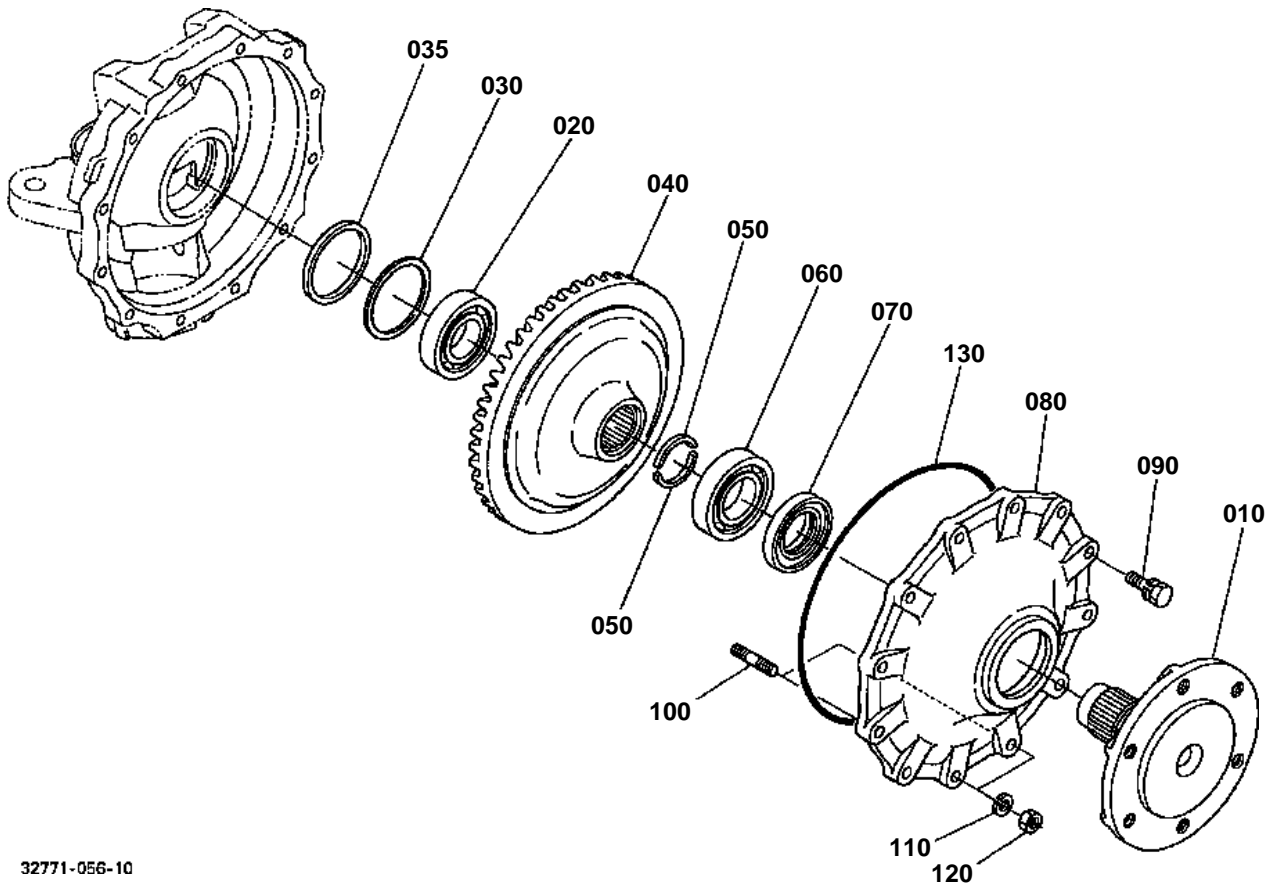


## DIFFERENTIAL GEAR SHAFT

↔ Interchangeable; ≠ not interchangeable; ← new for old; → old for new

REF.No	Part No.	Description	Q'ty	S.No.	I/C	REMARKS	Weight (kgf)	Weight (lb)
010	3A021-43210	SHAFT YOKE RH	1				1.75	3.85
020	3A021-43220	SHAFT YOKE LH	1				2.5	5.5
030	3A021-43610	CASE BEVEL GEAR	2				5.85	12.87
040	31353-43880	PIN STRAIGHT	4				0.02	0.044
050	01138-51440	BOLT	10				0.34	0.748
060	34150-27580	PLUG	2				0.001	0.0022
070	04811-11050	O RING	2				0.002	0.0044
080	01173-51030	BOLT	2				0.023	0.0506
090	02176-50100	NUT	2				0.005	0.011
100	3A021-43242	GEAR BEVEL	2			10T	0.44	0.968
110	08101-06308	BEARING BALL	2				0.63	1.386
120	04611-00900	CIR CLIP INTERNAL	2				0.037	0.0814
130	3A021-44020	SHIM	2			0.4mm	0.006	0.0132
130	3A021-44030	SHIM	2			0.6mm	0.009	0.0198
130	3A021-44040	SHIM	2			0.8mm	0.011	0.0242
130	3A021-44050	SHIM	2			1.0mm	0.014	0.0308
130	3A021-44060	SHIM	2			1.2mm	0.016	0.0352
140	34550-12530	GEAR BEVEL	2			17T	1.06	2.332
150	35523-34430	BEARING BALL	2				0.275	0.605

FRONT AXLE



32771-056-10



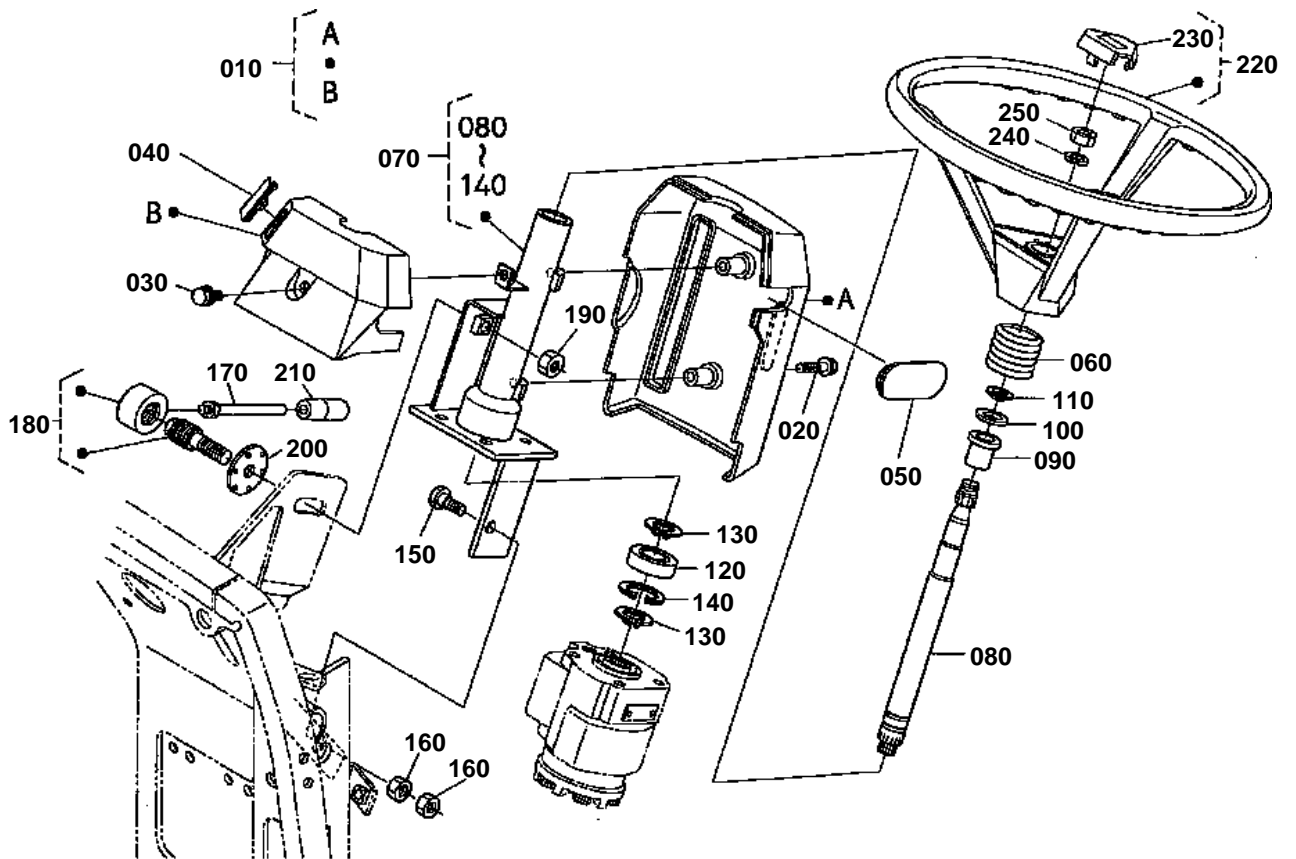
# FRONT AXLE

↔ Interchangeable; ≠ not interchangeable; ← new for old; → old for new

REF.No	Part No.	Description	Q'ty	S.No.	I/C	REMARKS	Weight (kgf)	Weight (lb)
010	34550-13330	AXLE FRONT	2				3.75	8.25
020	67950-17180	BEARING BALL	2				0.375	0.825
030	35533-43010	SHIM	2			0.1mm	0.002	0.0044
030	35533-43020	SHIM	2			0.2mm	0.003	0.0066
035	35533-43040	SHIM	2			0.8mm	0.009	0.0198
040	3A022-43720	GEAR BEVEL	2			43T	8.9	19.58
050	34550-13350	COLLAR	4				0.01	0.022
060	3A021-43360	BEARING BALL	2				0.41	0.902
070	31393-43530	SEAL OIL	2				0.105	0.231
080	3A021-43623	COVER FRONT AXLE	2				6.6	14.52
090	01128-50830	BOLT	20				0.04	0.088
100	36530-24920	STUD	4				0.012	0.0264
110	04512-60080	WASHER SPRING	4				0.002	0.0044
120	02156-50080	NUT	4				0.004	0.0088
130	34550-13152	O RING	2				0.015	0.033



STEERING HANDLE



32771-057-10

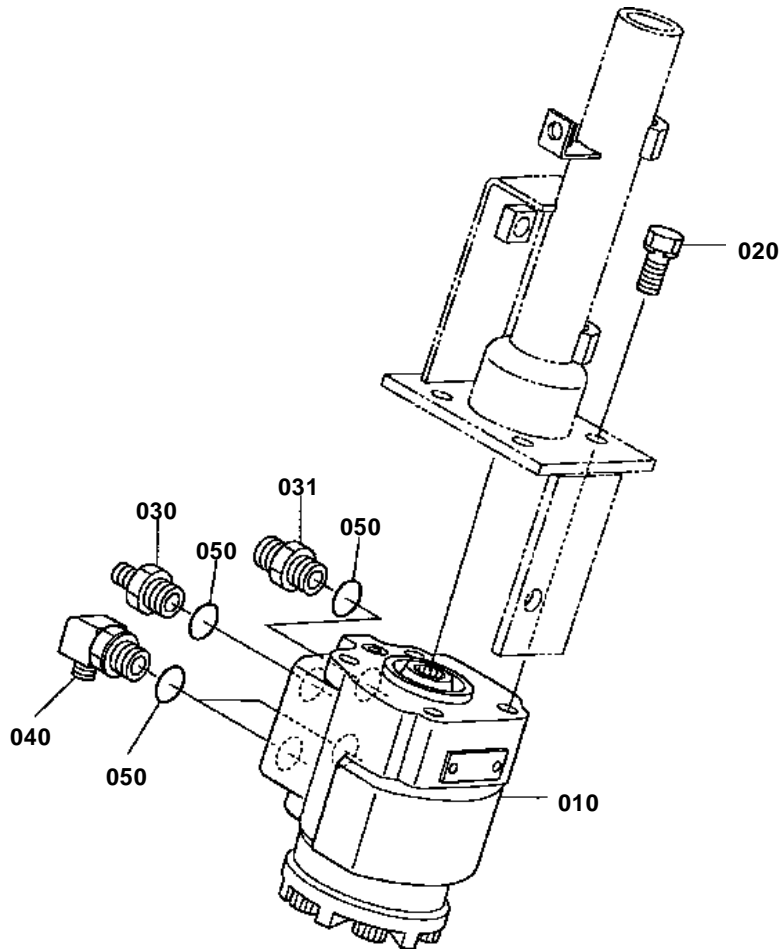


# STEERING HANDLE

↔ Interchangeable; ≠ not interchangeable; ← new for old; → old for new

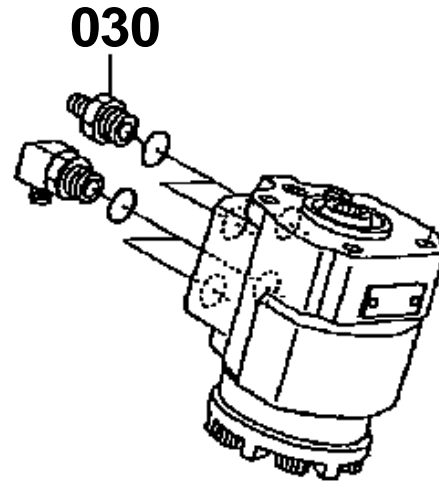
REF.No	Part No.	Description	Q'ty	S.No.	I/C	REMARKS	Weight (kgf)	Weight (lb)
010	34070-43100	COVER STEERING POST	1				0.255	0.561
020	01125-50835	BOLT	2				0.017	0.0374
030	30400-18870	BOLT FLANGE	1				0.01	0.022
040	34070-43140	COVER HANDLE POST	1				0.005	0.011
050	TA240-43150	COVER SHUTTLE	1				0.015	0.033
060	34030-43830	BOOT	1				0.02	0.044
070	32771-43600	ASSY POST STEERING	1				2.27	4.994
080	3A011-62150	SHAFT STEERING	1				0.755	1.661
090	3A011-62170	BUSH COLUMN	1				0.012	0.0264
100	04011-50180	WASHER PLAIN	1				0.012	0.0264
110	04612-00180	CIR CLIP EXTERNAL	1				0.001	0.0022
120	35533-62360	BEARING BALL	1				0.08	0.176
130	04612-00220	CIR CLIP EXTERNAL	2				0.001	0.0022
140	04611-00450	CIR CLIP INTERNAL	1				0.01	0.022
150	34070-43670	BOLT	1				0.02	0.044
160	02114-50080	NUT	2				0.005	0.011
170	34070-43720	LEVER TILT	1				0.065	0.143
180	34550-43750	ASSY SHAFT SCREW	1				0.23	0.506
190	02172-50120	NUT	1				0.01	0.022
200	34070-43640	HOLDER TILT	1				0.03	0.066
210	61023-41630	GRIP	1				0.015	0.033
220	31351-16063	ASSY WHEEL STEERING	1				2.4	5.28
230	31351-16082	PAD STEERING	1				0.07	0.154
240	04512-60120	WASHER SPRING	1				0.005	0.011
250	02176-50120	NUT	1				0.01	0.022

STEERING CONTROLLER



32771-058-11

030 3A111-6312-0



32771-812-10

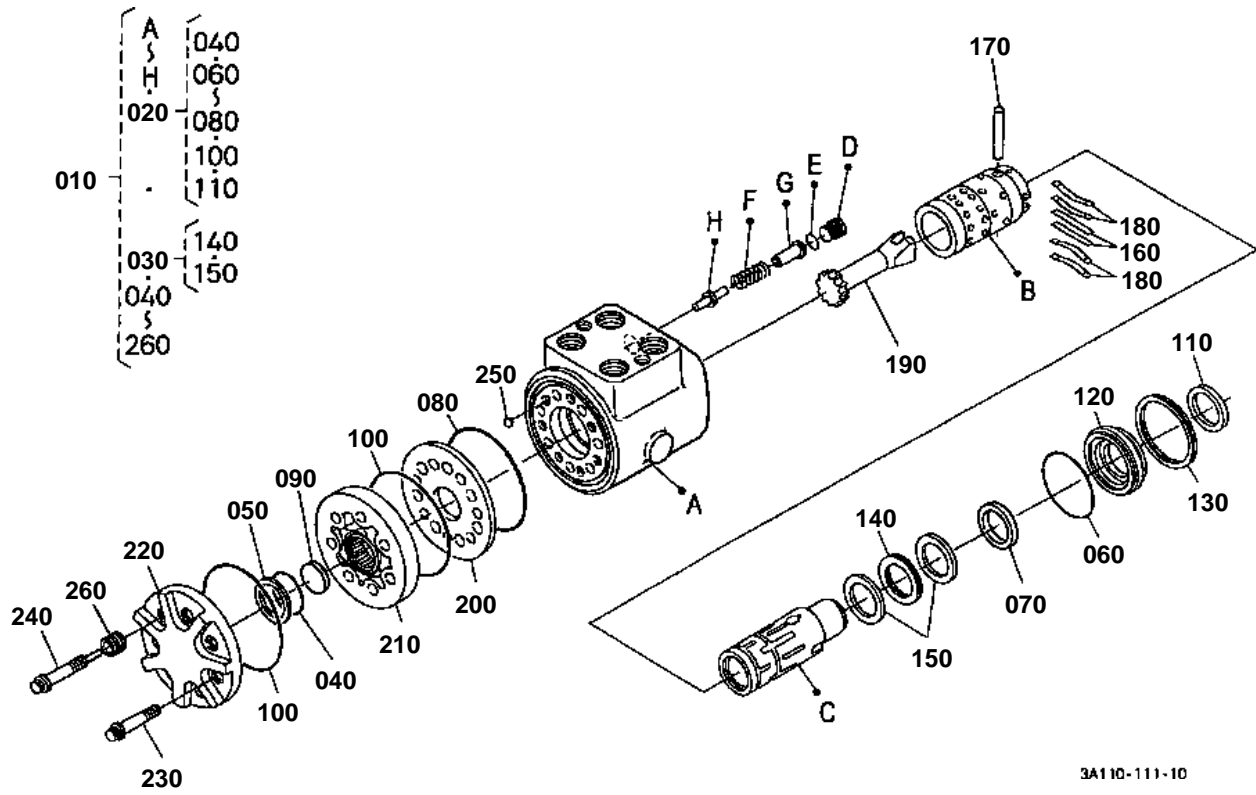


# STEERING CONTROLLER

↔ Interchangeable; ≠ not interchangeable; ← new for old; → old for new

REF.No	Part No.	Description	Q'ty	S.No.	I/C	REMARKS	Weight (kgf)	Weight (lb)
010	3A111-63070	CONTROLLER STEERING	1	<=51194			5.65	12.43
010	32771-37100	CONTROLLER STEERING	1	>=51195	1		5.7	12.54
020	01133-51022	BOLT	4				0.025	0.055
030	3A111-63120	JOINT PIPE	2	<=51194			0.084	0.1848
030	3A111-63120	JOINT PIPE	1	>=51195			0.084	0.1848
031	3A111-63150	JOINT PIPE	1	>=51195			0.093	0.2046
040	32771-33690	JOINT ELBOW	2				0.136	0.2992
050	04811-00180	O RING	4				0	0
050	04816-00180	O RING	4		1		0.002	0.0044

STEERING CONTROLLER [COMPONENT PARTS]



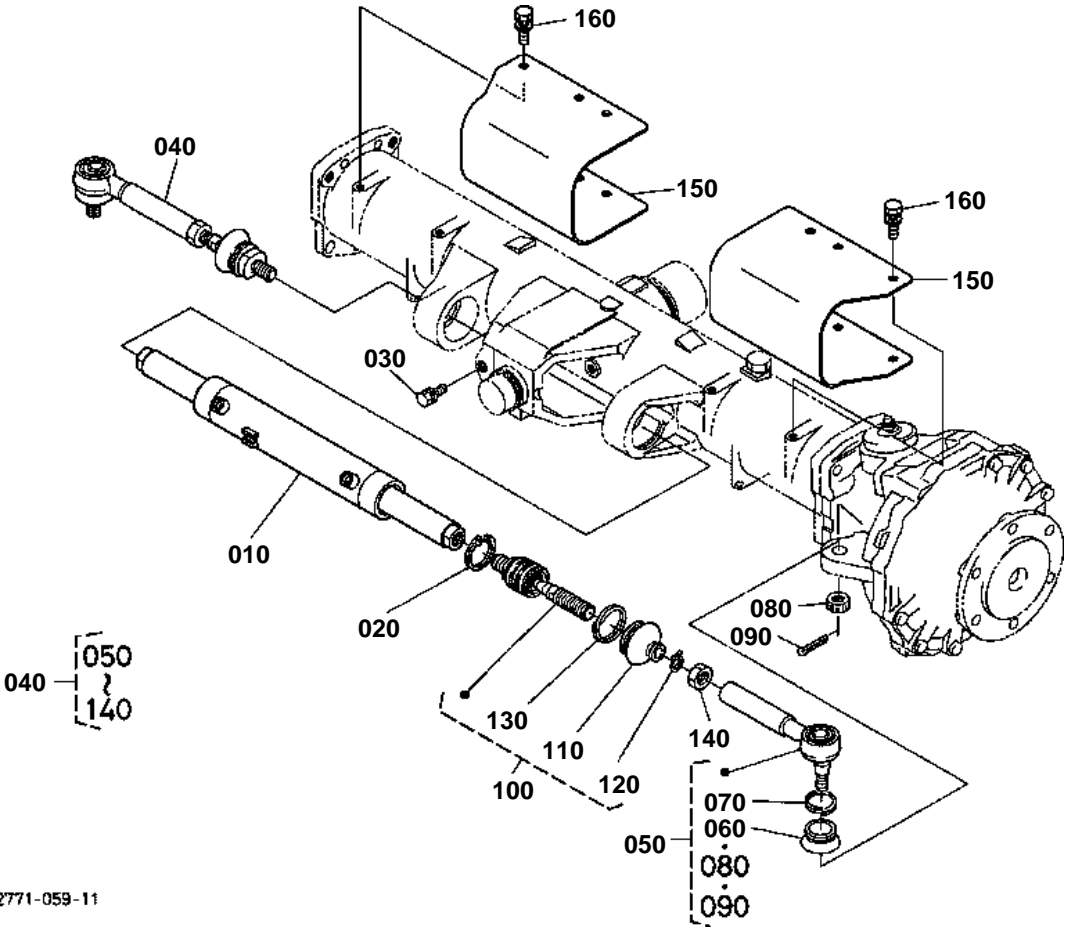
3A110-111-10

**STEERING CONTROLLER [COMPONENT PARTS]**

↔ Interchangeable; ≠ not interchangeable; ← new for old; → old for new

REF.No	Part No.	Description	Q'ty	S.No.	I/C	REMARKS	Weight (kgf)	Weight (lb)
010	3A111-63070	CONTROLLER STEERING	1	<=51194			5.65	12.43
010	32771-37100	CONTROLLER STEERING	1	>=51195	1		5.7	12.54
020	3A999-11980	KIT SEAL	1	<=51194			0.02	0.044
020	32771-94500	KIT SEAL	1	>=51195	1		0.013	0.0286
030	R1401-94620	KIT BEARING NEEDLE	1				0.04	0.088
040	33740-64450	O RING	1				0.001	0.0022
050	35999-22030	SEAL	1				0.001	0.0022
060	35999-22040	RING	1				0.005	0.011
070	R1401-94570	SEAL OIL	1	<=51194			0.001	0.0022
070	35999-22050	SEAL OIL	1	>=51195	1		0.001	0.0022
080	R1401-94650	O RING	1				0.001	0.0022
090	3A999-11960	SPACER	1				0.002	0.0044
100	35999-22080	O RING	2				0.001	0.0022
110	35999-22110	SEAL DUST	1				0.002	0.0044
120	33740-64380	BUSH	1	<=51194			0.11	0.242
120	35999-22060	BUSH	1	>=51195	1		0.11	0.242
130	35999-22070	RING RETAINING	1				0.005	0.011
140	35999-22090	NEEDLE THRUST	1				0.01	0.022
150	35999-22100	RACE BEARING	2				0.02	0.044
160	35999-22190	SPRING FLAT	2				0.001	0.0022
170	35999-22180	PIN	1				0.01	0.022
180	35999-22200	SPRING	4				0.002	0.0044
190	35999-22220	DRIVE	1				0.1	0.22
200	35999-22230	PLATE SPACER	1				0.1	0.22
210	3A111-22240	SET ROTOR	1				0.315	0.693
220	35999-22250	CAP END	1				0.4	0.88
230	3A999-11940	SCREW	6				0.02	0.044
240	3A999-11950	ASSY SCREW	1				0.018	0.0396
250	R1401-94670	BALL	1				0.001	0.0022
260	R1401-94660	SCREW ADAPTER	1				0.002	0.0044

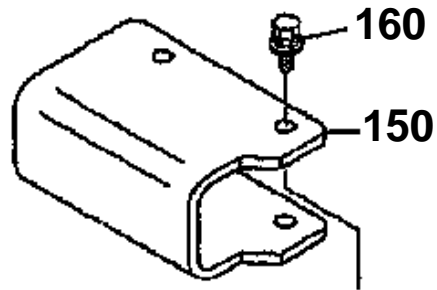
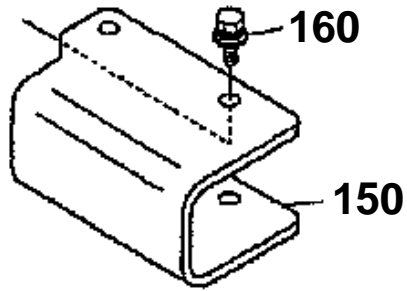
STEERING CYLINDER



32771-059-11



150 32771-6401-0  
150 32771-6401-2  
160 01135-61020



32771-821-10

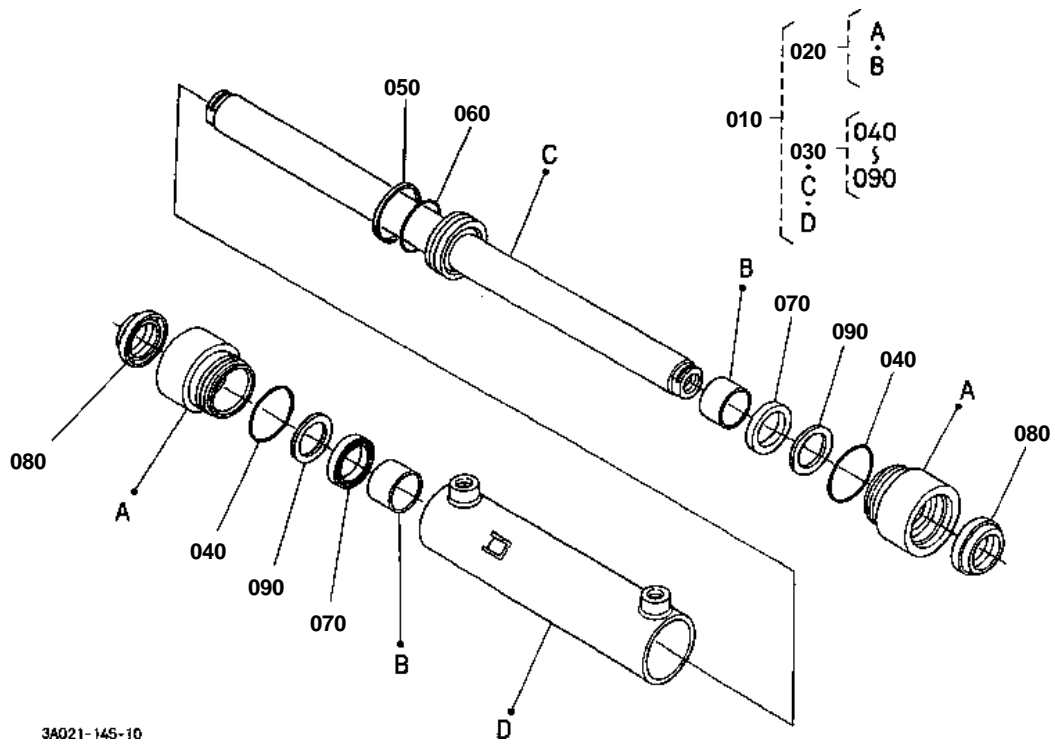


# STEERING CYLINDER

↔ Interchangeable; ≠ not interchangeable; ← new for old; → old for new

REF.No	Part No.	Description	Q'ty	S.No.	I/C	REMARKS	Weight (kgf)	Weight (lb)
010	3A022-63882	CYLINDER HYDRAULIC	1				8.4	18.48
020	04611-00680	CIR CLIP INTERNAL	1				0.016	0.0352
030	01123-50818	BOLT	1	<=52410			0.012	0.0264
030	01123-60816	BOLT	1	>=52411	-		0.01	0.022
040	3A022-62972	ASSY ROD TIE	2				1.91	4.202
050	3A022-62920	END TIE ROD	2				0.825	1.815
060	35860-62852	COVER DUST	2				0.014	0.0308
070	36280-62860	CLIP	2				0.002	0.0044
080	35860-62750	NUT	2				0.04	0.088
090	05511-50328	PIN SPLIT	2				0.002	0.0044
100	3A121-62980	END ROD	2				1.04	2.288
110	35533-62850	COVER DUST	2				0.02	0.044
120	35533-62820	CLIP	2				0.003	0.0066
130	35533-62860	RING SET	2				0.005	0.011
140	02172-50200	NUT	2				0.03	0.066
150	32771-64010	COVER	2	<=50338			0	0
150	32771-64013	COVER	2	>=50339	-		1.95	4.29
150	32771-64013	COVER	2	>=51973	-		1.95	4.29
160	01135-61020	BOLT	4	<=51972			0.015	0.033
160	01135-61020	BOLT	6	>=51973			0.015	0.033

STEERING CYLINDER [COMPONENT PARTS]



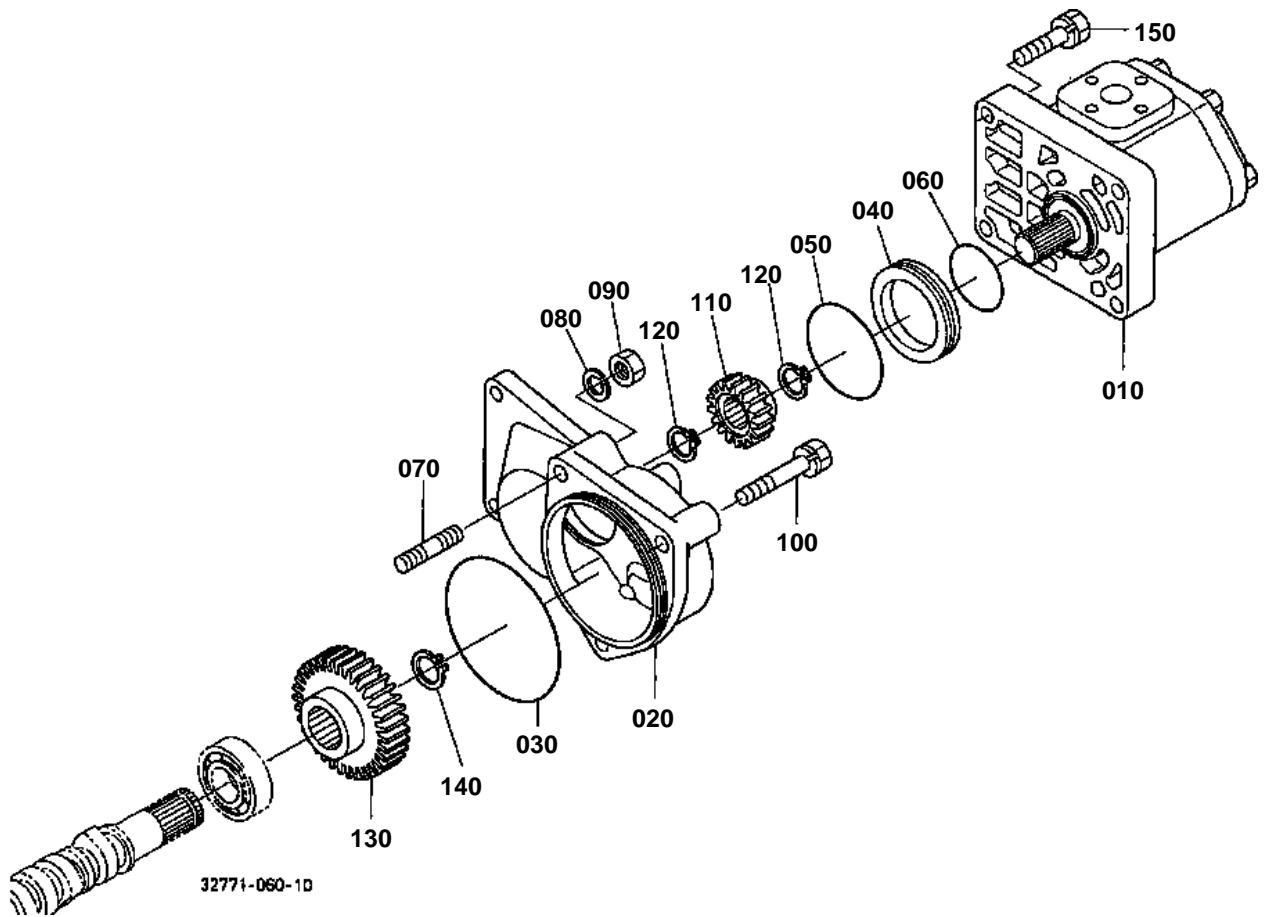


## STEERING CYLINDER [COMPONENT PARTS]

↔ Interchangeable; ≠ not interchangeable; ← new for old; → old for new

REF.No	Part No.	Description	Q'ty	S.No.	I/C	REMARKS	Weight (kgf)	Weight (lb)
010	3A022-63882	CYLINDER HYDRAULIC	1				8.4	18.48
020	3A022-63810	KIT HEAD HYD.CYL.	1				1.35	2.97
030	3A022-63820	KIT SEAL	1				0.053	0.1166
040	68811-93370	O RING	2				0.002	0.0044
050	3A121-63830	SEAL	1				0.004	0.0088
060	3A121-63840	O RING	1				0.002	0.0044
070	3A121-63890	U-RING	2				0.005	0.011
080	3A121-63860	RING WIPER	2				0.015	0.033
090	3A121-63870	RING BACK UP	2				0.004	0.0088

HYDRAULIC PUMP(SIDE)



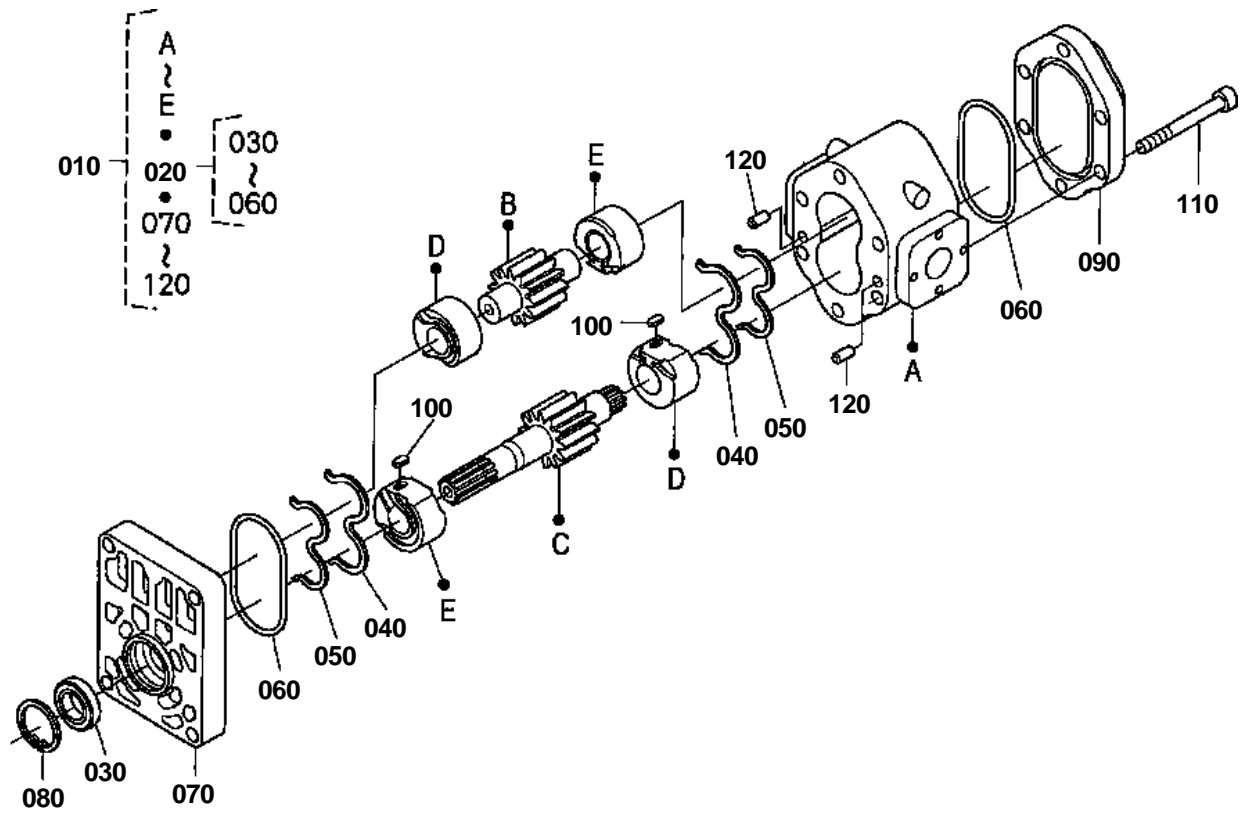


# HYDRAULIC PUMP(SIDE)

↔ Interchangeable; ≠ not interchangeable; ← new for old; → old for new

REF.No	Part No.	Description	Q'ty	S.No.	I/C	REMARKS	Weight (kgf)	Weight (lb)
010	32771-76100	PUMP HYDRAULIC	1				2.4	5.28
020	32771-33610	HOLDER PUMP	1				1.375	3.025
030	19013-96840	O RING	1				0.01	0.022
040	32771-33620	RING	1				0.068	0.1496
050	04811-10500	O RING	1				0.001	0.0022
060	04811-10380	O RING	1				0.001	0.0022
070	38240-36330	STUD	1				0.008	0.0176
080	04512-60080	WASHER SPRING	1				0.002	0.0044
090	02156-50080	NUT	1				0.004	0.0088
100	01123-50845	BOLT	2				0.02	0.044
110	32771-76520	GEAR	1			17T	0.085	0.187
120	04612-00170	CIR CLIP EXTERNAL	2				0.001	0.0022
130	T1060-36810	GEAR PUMP DRIVE	1			34T	0.47	1.034
140	15471-95360	CIR CLIP EXTERNAL	1				0.004	0.0088
150	01123-50832	BOLT	4				0.016	0.0352

HYDRAULIC PUMP(SIDE) [COMPONENT PARTS]



32771-062-10



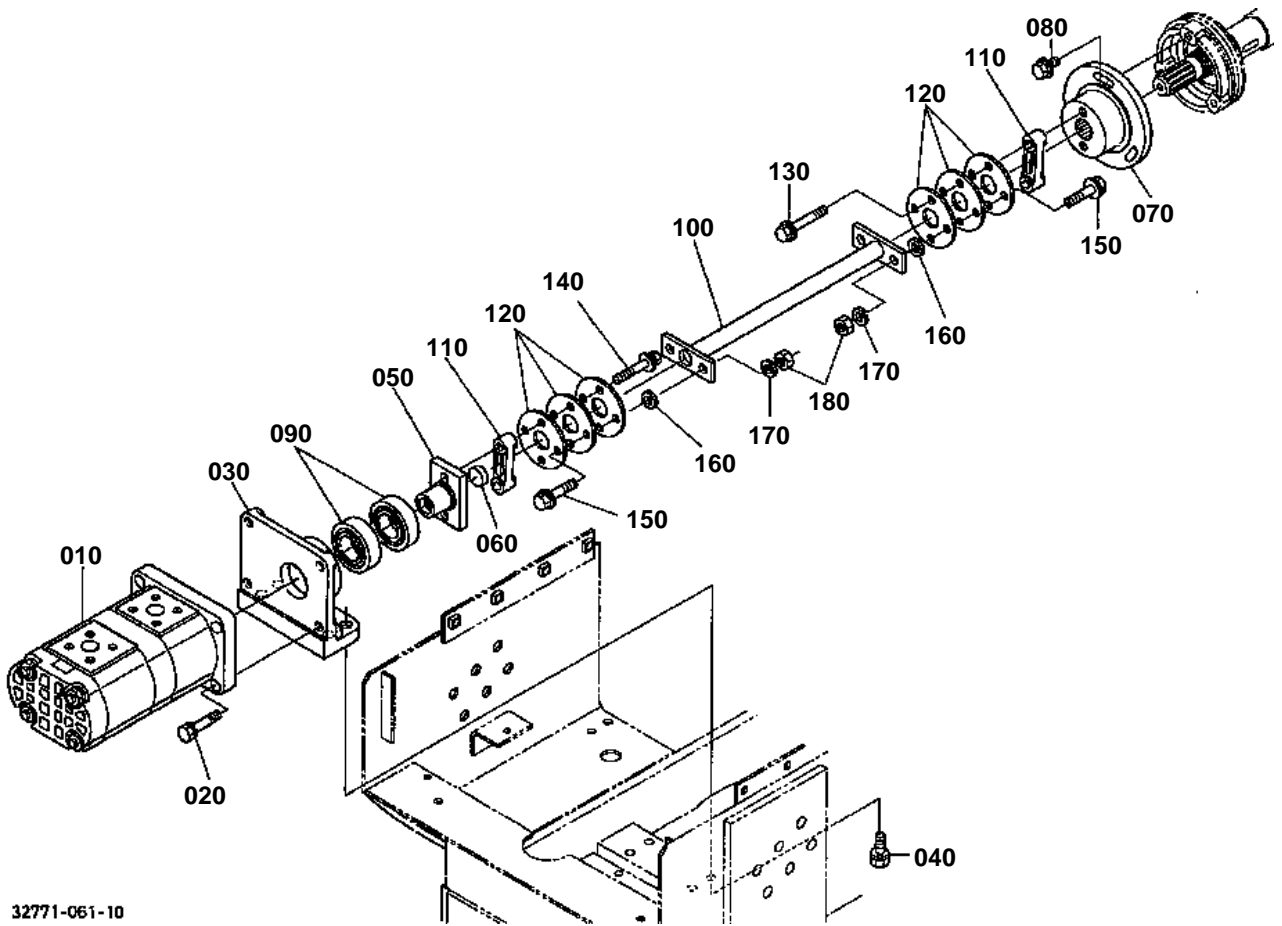
## HYDRAULIC PUMP(SIDE) [COMPONENT PARTS]

↔ Interchangeable; ≠ not interchangeable; ← new for old; → old for new

REF.No	Part No.	Description	Q'ty	S.No.	I/C	REMARKS	Weight (kgf)	Weight (lb)
010	32771-76100	PUMP HYDRAULIC	1				2.4	5.28
020	68588-85210	KIT SEAL	1				0.013	0.0286
030	36330-82320	SEAL OIL	1				0.01	0.022
040	35430-12870	ELEMENT SEAL	2				0.003	0.0066
050	68051-91880	ELEMENT BACK UP	2				0.001	0.0022
060	68051-91910	O RING	2				0.001	0.0022
070	36330-12860	FLANGE	1				0.4	0.88
080	68051-91850	RING SNAP	1				0.001	0.0022
090	69351-61170	COVER	1				0.26	0.572
100	68051-91890	KEY	2				0.001	0.0022
110	36330-12940	BOLT	6				0.03	0.066
120	68271-91240	PIN	2				0.004	0.0088



HYDRAULIC PUMP(FRONT)



32771-061-10

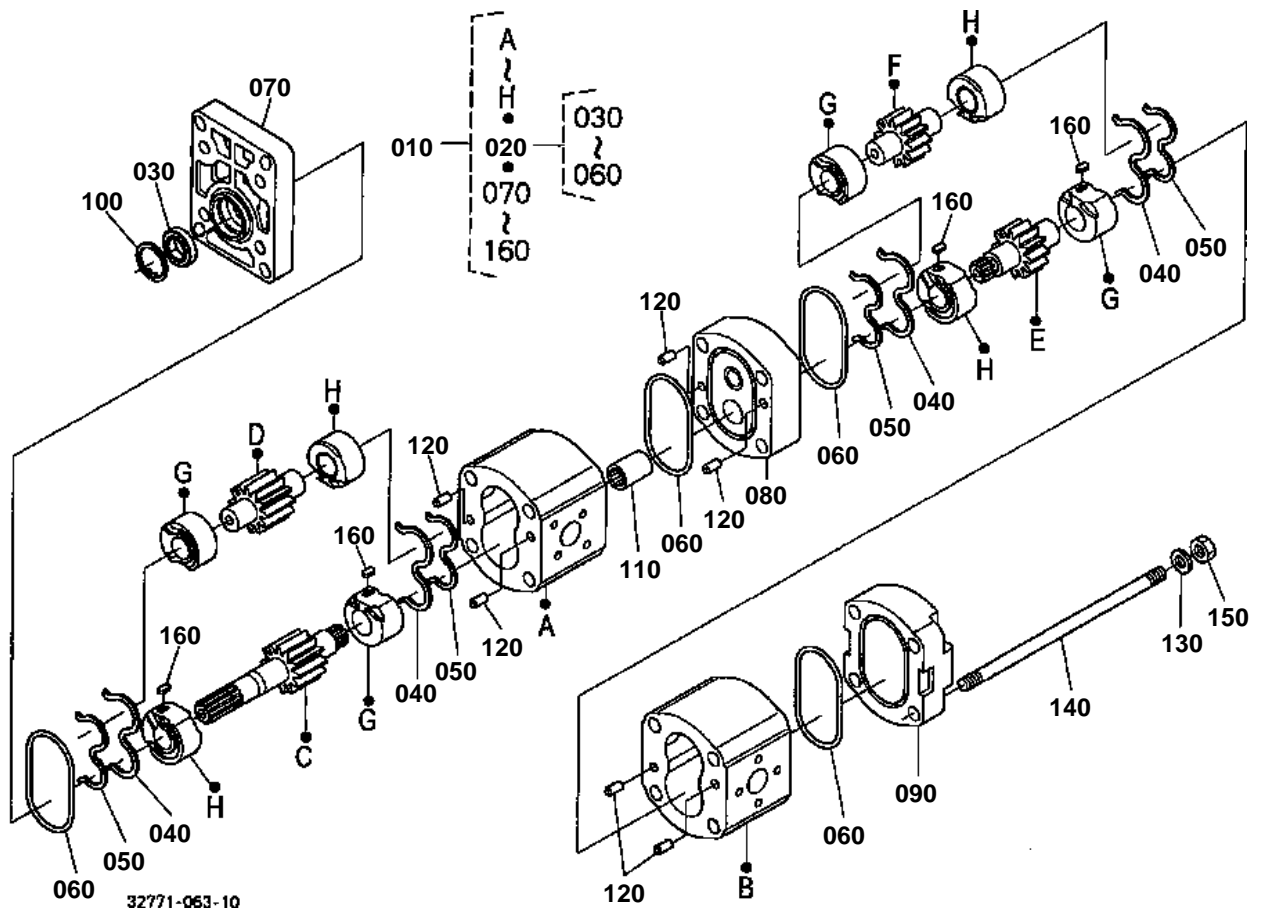


HYDRAULIC PUMP(FRONT)

↔ Interchangeable; ≠ not interchangeable; ← new for old; → old for new

REF.No	Part No.	Description	Q'ty	S.No.	I/C	REMARKS	Weight (kgf)	Weight (lb)
010	32771-76200	PUMP HYDRAULIC	1				4.82	10.604
020	01123-50835	BOLT	4				0.02	0.044
030	32751-10890	BRACKET FRONT PUMP	1				1.5	3.3
040	01133-51030	BOLT	4				0.025	0.055
050	32751-10910	COUPLING	1				0.21	0.462
060	06311-75020	PLUG EXPANSION	1				0.004	0.0088
070	32771-10920	COUPLING	1				1	2.2
080	01754-50818	BOLT FLANGE	3				0.011	0.0242
090	32590-10830	BEARING BALL	2				0.1	0.22
100	32771-10930	SHAFT COUPLING	1	<=60260			0.52	1.144
100	32771-10932	SHAFT COUPLING	1	>=60261	↔		0.52	1.144
110	31351-17870	SPACER	2				0.03	0.066
120	31351-17880	DISK COUPLING	6				0.01	0.022
120	32771-10850	PLATE COUPLING	6		<<		0.009	0.0198
130	01754-50840	BOLT FLANGE	2				0.02	0.044
140	01125-50835	BOLT	2				0.017	0.0374
150	01754-50825	BOLT FLANGE	4				0.01	0.022
160	04013-60080	WASHER PLAIN	4				0.002	0.0044
170	04512-60080	WASHER SPRING	4				0.002	0.0044
180	02114-50080	NUT	4				0.005	0.011

HYDRAULIC PUOMP(FRONT) [COMPONENT PARTS]



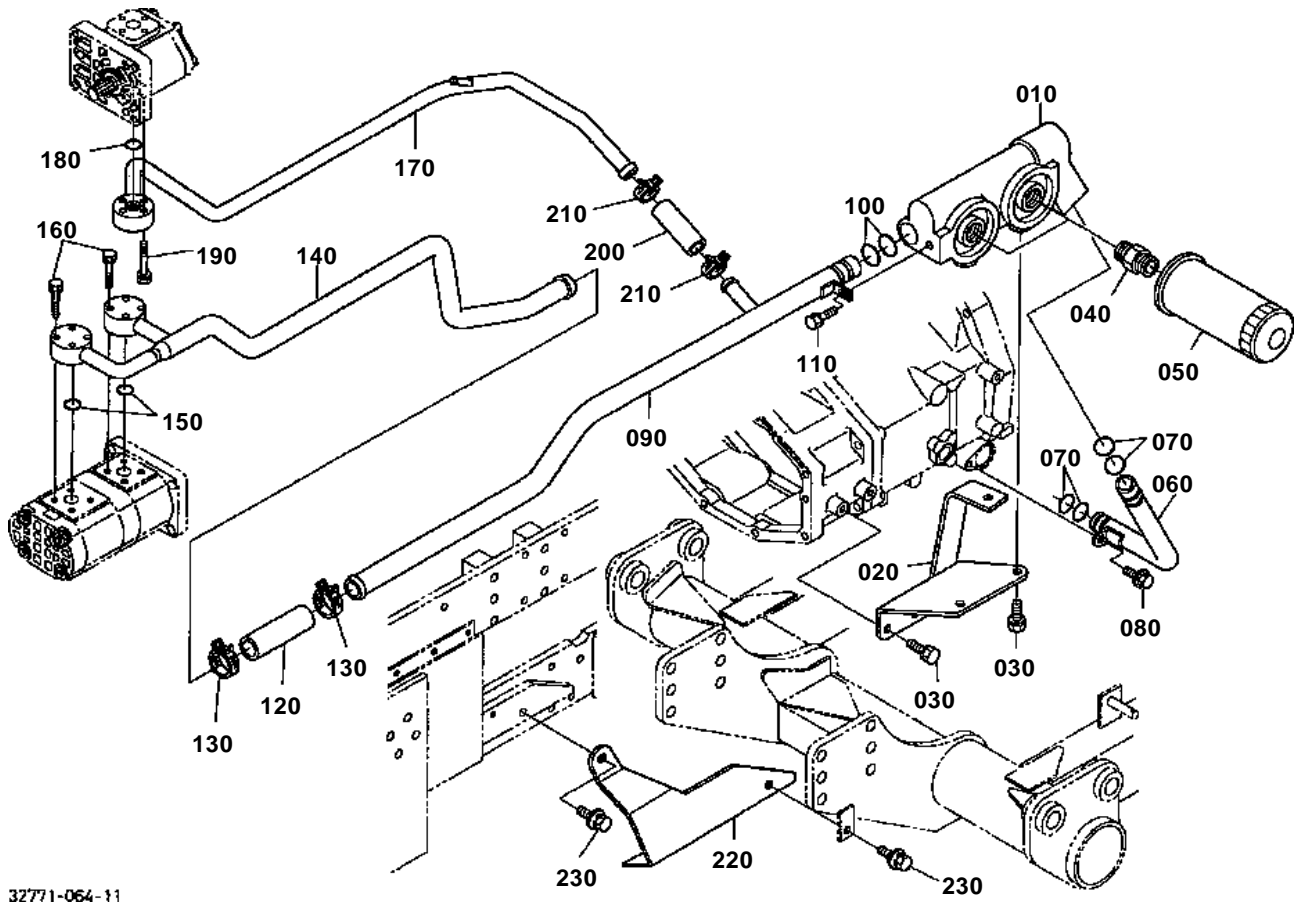


# HYDRAULIC PUOMP(FRONT) [COMPONENT PARTS]

↔ Interchangeable; ≠ not interchangeable; ← new for old; → old for new

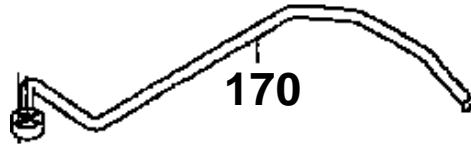
REF.No	Part No.	Description	Q'ty	S.No.	I/C	REMARKS	Weight (kgf)	Weight (lb)
010	32771-76200	PUMP HYDRAULIC	1				4.82	10.604
020	35890-12970	KIT SEAL	1				0.005	0.011
030	36330-82320	SEAL OIL	1				0.01	0.022
040	35430-12870	ELEMENT SEAL	4				0.003	0.0066
050	68051-91880	ELEMENT BACK UP	4				0.001	0.0022
060	68051-91910	O RING	4				0.001	0.0022
070	68721-72210	FLANGE	1				0.45	0.99
080	33960-12860	FLANGE	1				0.5	1.1
090	68741-72230	COVER	1				0.39	0.858
100	68051-91850	RING SNAP	1				0.001	0.0022
110	33960-12870	COUPLING	1				0.028	0.0616
120	68271-91240	PIN	6				0.004	0.0088
130	68741-72250	WASHER	4				0.002	0.0044
140	3A031-12890	BOLT	4				0.11	0.242
150	68051-92090	NUT	4				0.01	0.022
160	68051-91890	KEY	4				0.001	0.0022

HYDRAULIC OIL LINE(SUCTION)



32771-064-11

170 32771-3333-0



32771-809-10

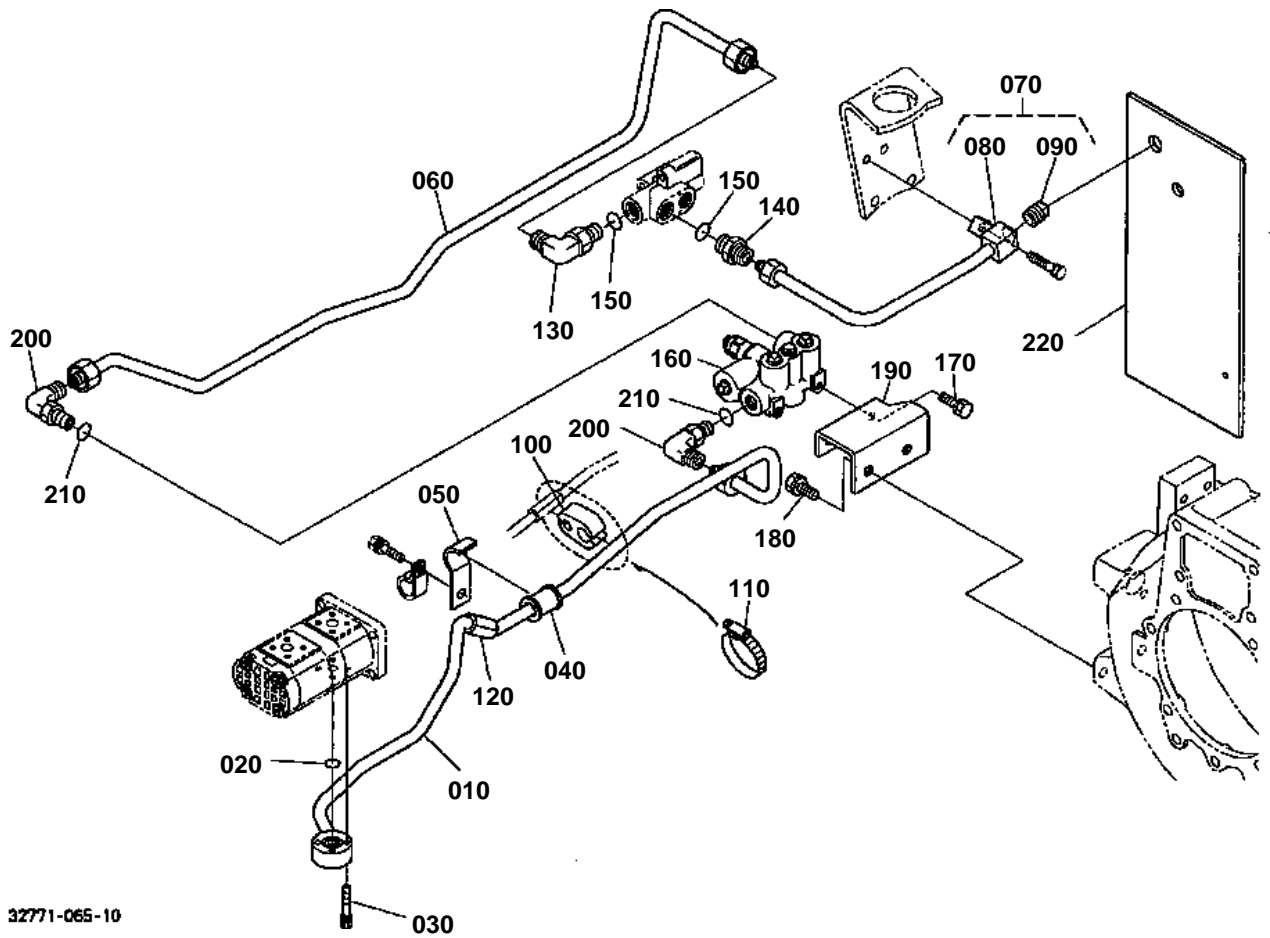


HYDRAULIC OIL LINE(SUCTION)

↔ Interchangeable; ≠ not interchangeable; ← new for old; → old for new

REF.No	Part No.	Description	Q'ty	S.No.	I/C	REMARKS	Weight (kgf)	Weight (lb)
010	32771-33210	BRACKET FILTER	1				4.1	9.02
020	32771-33350	STAY FILTER	1				1.39	3.058
030	01133-51025	BOLT	4				0.023	0.0506
040	32590-38330	JOINT SCREW	2				0.05	0.11
050	32590-38380	FILTER OIL	2				0.67	1.474
060	32771-33310	COMP.PIPE FILTER	1				0.38	0.836
070	04811-00280	O RING	4				0	0
070	04816-00280	O RING	4		↔		0.003	0.0066
080	01774-51014	BOLT FLANGE	1				0.1	0.22
090	32771-33320	COMP.PIPE SUCTION	1				1.11	2.442
100	04815-00260	O RING	2				0	0
100	04816-00260	O RING	2		↔		0.001	0.0022
110	01754-50812	BOLT FLANGE	1				0.01	0.022
120	32771-37770	HOSE SUCTION	1				0.075	0.165
130	32771-37790	CLAMP HOSE	2				0.022	0.0484
140	32771-33360	COMP.PIPE SUCTION	1				1.91	4.202
150	04815-00220	O RING	2				0	0
150	04817-00220	O RING	2		↔		0.001	0.0022
160	01023-60640	BOLT	8				0.015	0.033
170	32771-33330	COMP.PIPE SUCTION	1	<=51194			0.92	2.024
170	32771-33332	COMP.PIPE SUCTION	1	>=51195	↔		0.92	2.024
180	35880-63650	O RING	1				0.001	0.0022
190	01023-60640	BOLT	4				0.015	0.033
200	32771-37780	HOSE SUCTION	1				0.055	0.121
210	09318-88280	CLAMP HOSE	2				0.011	0.0242
220	32771-14200	COVER SUCTION	1				1.475	3.245
230	01135-61020	BOLT	2				0.015	0.033

HYDRAULIC OIL LINE(DELIVERY)



32771-065-10



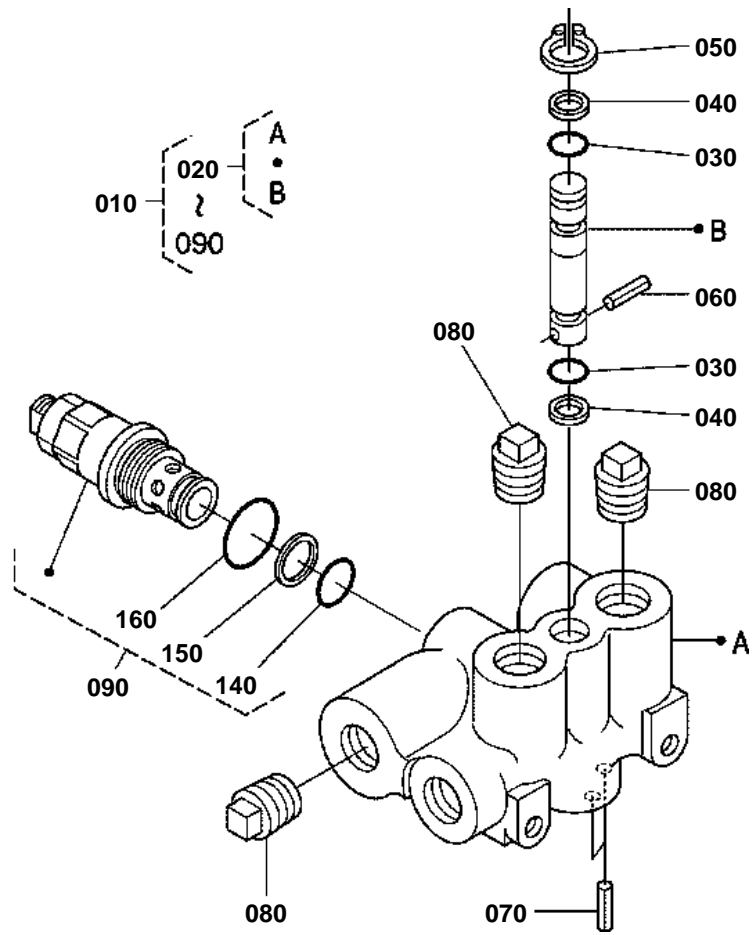


HYDRAULIC OIL LINE(DELIVERY)

↔ Interchangeable; ≠ not interchangeable; ← new for old; → old for new

REF.No	Part No.	Description	Q'ty	S.No.	I/C	REMARKS	Weight (kgf)	Weight (lb)
010	32771-33523	COMP.PIPE DELIVERY	1				0.735	1.617
020	04810-00200	O RING	1				0	0
020	04817-00200	O RING	1		↔		0.011	0.0242
030	01025-50645	BOLT	3				0.01	0.022
040	34550-33290	TUBE	1				0.01	0.022
050	32771-33630	CLAMP PIPE	1				0.04	0.088
060	32771-33420	COMP.PIPE DELIVERY	1				0.735	1.617
070	32771-33450	ASSY PIPE DELIVERY	1				0.48	1.056
080	32771-33430	COMP.PIPE DELIVERY	1				0.43	0.946
080	32771-33433	COMP.PIPE DELIVERY	1		←	NOT SALE ORDER BY REF.No.070	0	0
090	32771-33660	PLUG	1				0.05	0.11
100	3A011-82770	CUSHION	1				0.023	0.0506
110	66704-58250	CLAMP	1				0.025	0.055
120	32771-33590	TUBE PIPE	1				0.009	0.0198
130	06015-51543	JOINT	1				0.15	0.33
140	3A011-82930	JOINT PIPE	1				0.09	0.198
150	04810-00180	O RING	2				0	0
150	04817-00180	O RING	2		↔		0.003	0.0066
160	32771-37500	ASSY BLOCK FRONT HYD	1				2.45	5.39
170	01123-51020	BOLT	2				0.02	0.044
180	01133-51430	BOLT	2				0.001	0.0022
190	32771-37540	STAY HYD.BLOCK	1				0.66	1.452
200	06015-51543	JOINT	2				0.15	0.33
210	04810-00180	O RING	2				0	0
210	04817-00180	O RING	2		↔		0.003	0.0066
220	32771-33920	MAT COUPLER	1				0.23	0.506

HYDRAULIC OUTLET BLOCK [COMPONENT PARTS]



32771-067-11

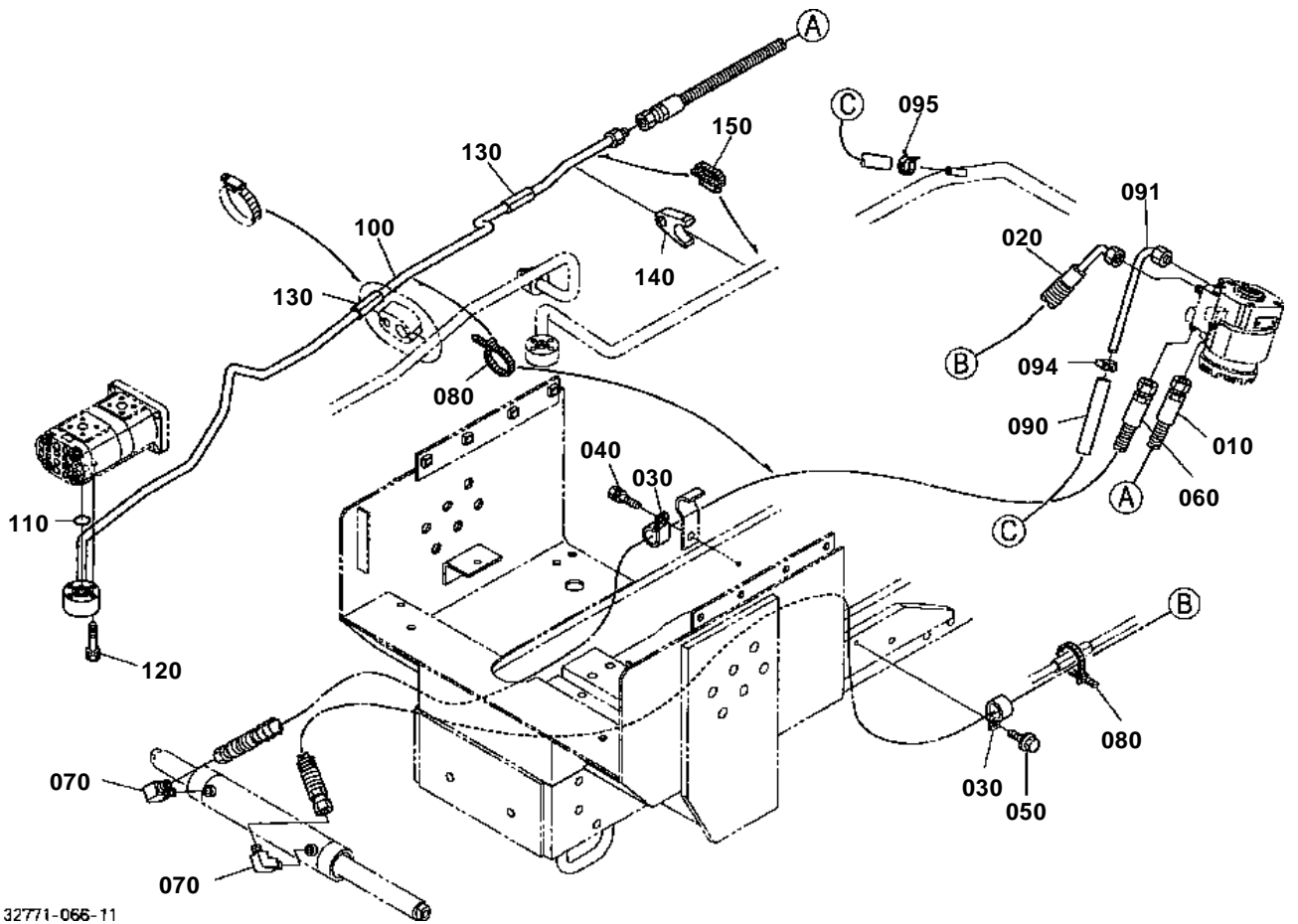


# HYDRAULIC OUTLET BLOCK [COMPONENT PARTS]

↔ Interchangeable; ≠ not interchangeable; ← new for old; → old for new

REF.No	Part No.	Description	Q'ty	S.No.	I/C	REMARKS	Weight (kgf)	Weight (lb)
010	32771-37500	ASSY BLOCK FRONT HYD	1				2.45	5.39
020	32771-37560	ASSY BLOCK SPOOL	1				2.09	4.598
030	04810-06100	O RING	2				0	0
030	04817-06100	O RING	2		↔		0.001	0.0022
040	32771-37530	RING BACK UP	2				0.001	0.0022
050	04612-00140	CIR CLIP EXTERNAL	1				0.001	0.0022
060	05411-00320	PIN SPRING	1				0.001	0.0022
070	05411-00310	PIN SPRING	2				0.001	0.0022
080	32771-37570	PLUG	3				0.05	0.11
090	32771-37550	ASSY VALVE RELIEF	1				0.165	0.363
100	99999-99999	BLANK	0				0	0
110	99999-99999	BLANK	0				0	0
120	99999-99999	BLANK	0				0	0
130	99999-99999	BLANK	0				0	0
140	04811-05150	O RING	1				0	0
140	04817-05150	O RING	1		↔		0.001	0.0022
150	67810-38370	RING BACK UP	1				0.001	0.0022
160	04811-00220	O RING	1				0	0
160	04817-00220	O RING	1		↔		0.001	0.0022

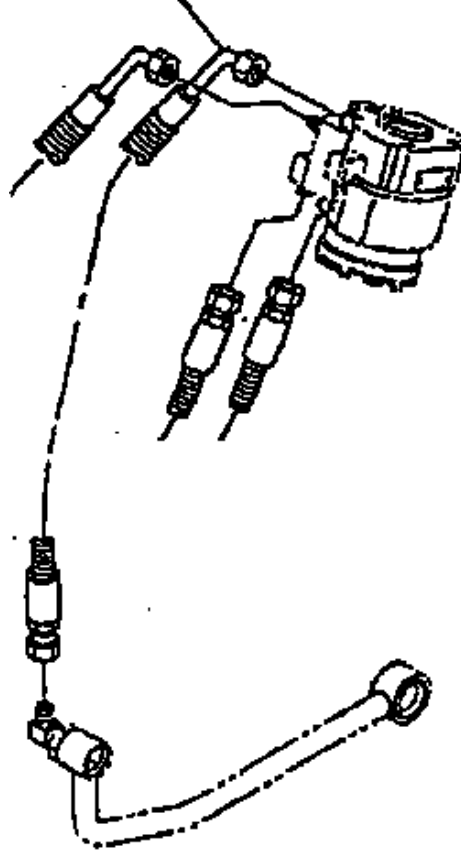
HYDRAULIC OIL LINE (PS)



32771-066-11

090 32771-3374-0

090



32771-810-10

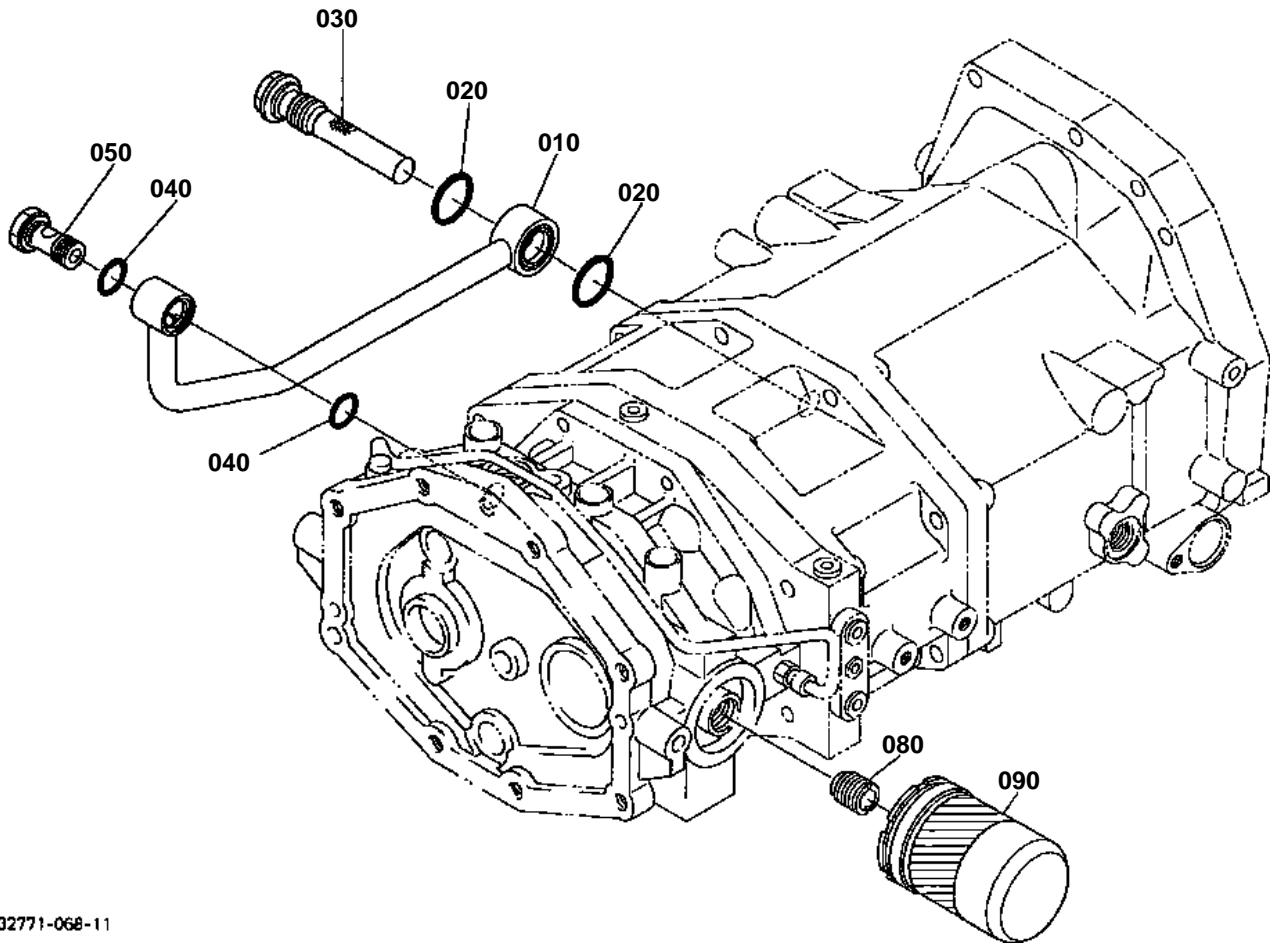


HYDRAULIC OIL LINE (PS)

↔ Interchangeable; ≠ not interchangeable; ← new for old; → old for new

REF.No	Part No.	Description	Q'ty	S.No.	I/C	REMARKS	Weight (kgf)	Weight (lb)
010	32771-33710	HOSE INLET	1				0.32	0.704
020	3A111-63360	HOSE DELIVERY	1				0.685	1.507
030	36919-55670	CLAMP HARNESS	2				0.02	0.044
040	01125-60820	BOLT	1				0.015	0.033
050	01754-50816	BOLT FLANGE	1				0.011	0.0242
060	32771-33730	HOSE DELIVERY	1				0.72	1.584
070	56713-28130	ADAPTER CYLINDER	2				0.052	0.1144
080	55311-41260	BAND CORD	2				0.007	0.0154
090	32771-33740	HOSE PS RETURN	1	<=51194			0.255	0.561
090	32751-33590	HOSE REGULATOR VALVE	1	>=51195	1		0.125	0.275
091	32771-33750	COMP.PIPE RETURN	1	>=51195			0.07	0.154
094	RB101-63630	CLAMP HOSE	1	>=51195			0.015	0.033
095	09318-88155	CLAMP HOSE	1	>=51195			0.005	0.011
100	32771-33513	COMP.PIPE POWER STRG	1				0.86	1.892
110	35880-63650	O RING	1				0.001	0.0022
120	01023-50635	BOLT	4				0.01	0.022
130	32771-33590	TUBE PIPE	2				0.009	0.0198
140	32771-33680	CUSHION	1				0.017	0.0374
150	66704-58250	CLAMP	1				0.025	0.055

HYDRAULIC PIPE(HST)

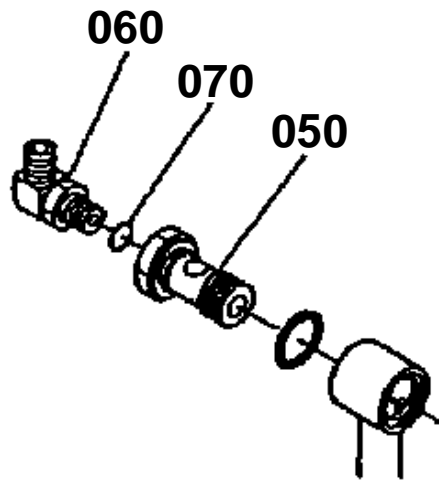


32771-068-11

050 32771-5612-0

060 06115-52023

070 04810-00110



32771-811-10



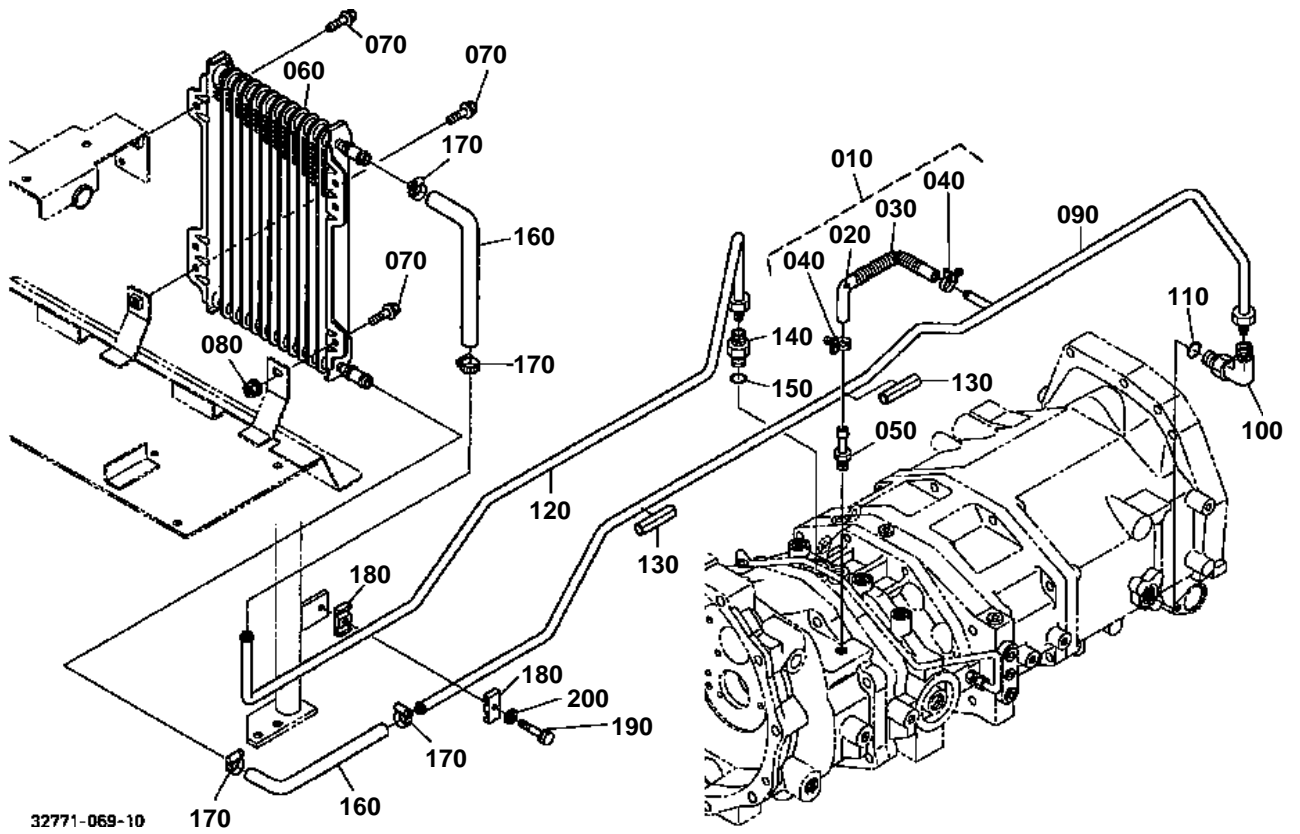


# HYDRAULIC PIPE(HST)

↔ Interchangeable; ≠ not interchangeable; ← new for old; → old for new

REF.No	Part No.	Description	Q'ty	S.No.	I/C	REMARKS	Weight (kgf)	Weight (lb)
010	32771-56110	PIPE SUCTION HST	1				0.375	0.825
020	04811-10300	O RING	2				0.001	0.0022
030	54516-36560	FILTER	1				0.21	0.462
040	04810-00220	O RING	2				0	0
040	04817-00220	O RING	2			↔	0.001	0.0022
050	32771-56120	BOLT JOINT	1	<=51194			0.085	0.187
050	67810-37710	BOLT JOINT	1	>=51195	1		0.1	0.22
060	06115-52023	JOINT	1	<=51194			0.06	0.132
070	04810-00110	O RING	1	<=51194			0	0
080	58700-11530	ADAPTER	1				0.063	0.1386
090	TA240-59900	FILTER OIL	1				0.955	2.101

# OIL COOLER

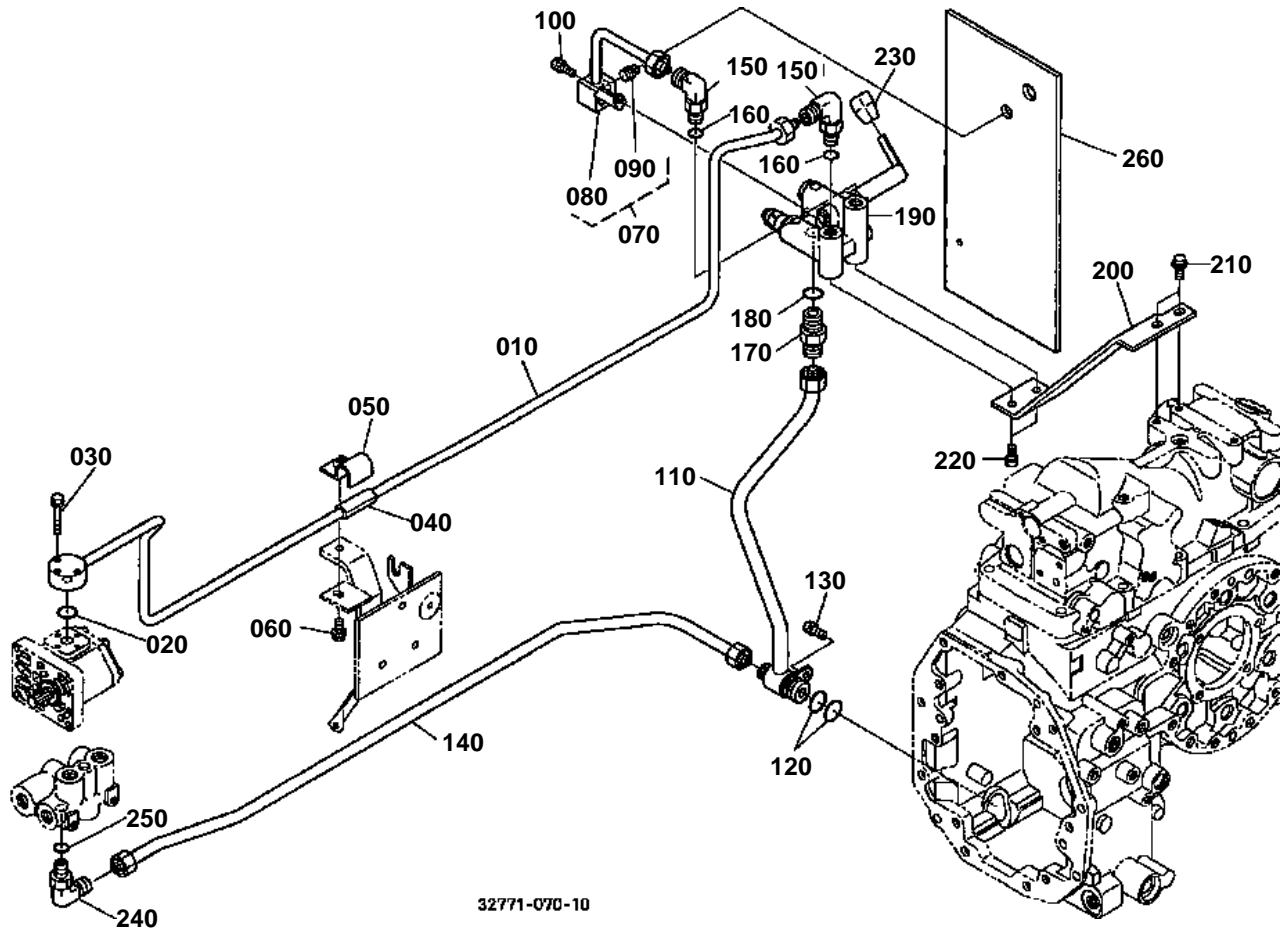


**OIL COOLER**

↔ Interchangeable; ≠ not interchangeable; ← new for old; → old for new

REF.No	Part No.	Description	Q'ty	S.No.	I/C	REMARKS	Weight (kgf)	Weight (lb)
010	32771-33500	ASSY HOSE RETURN	1				0.145	0.319
020	32771-33540	HOSE RETURN	1				0.09	0.198
030	12181-33370	SPRING	1				0.035	0.077
040	15109-73360	BAND PIPE	2				0.01	0.022
050	TA240-36910	JOINT PIPE	1				0.06	0.132
060	32771-55370	COOLER OIL	1				1.35	2.97
070	01754-50816	BOLT FLANGE	3				0.011	0.0242
080	02751-50080	NUT FLANGE	1				0.006	0.0132
090	32771-21110	COMP.PIPE OIL COOLER	1				0.93	2.046
100	06015-51543	JOINT	1				0.15	0.33
110	04810-00180	O RING	1				0	0
110	04817-00180	O RING	1		→		0.003	0.0066
120	32771-21130	COMP.PIPE OIL COOLER	1				0.78	1.716
130	33740-82720	RUBBER	2				0.01	0.022
140	3A011-82930	JOINT PIPE	1				0.09	0.198
150	04810-00180	O RING	1				0	0
150	04817-00180	O RING	1		→		0.003	0.0066
160	TA240-21150	HOSE OIL COOLER	2				0.08	0.176
170	66204-36280	BAND PIPE	4				0.02	0.044
180	66301-37180	CLAMP PIPE	2				0.01	0.022
190	01023-60650	BOLT	1				0.015	0.033
200	04015-60060	WASHER PLAIN	1				0.005	0.011

HYDRAULIC OIL LINE(SWING)



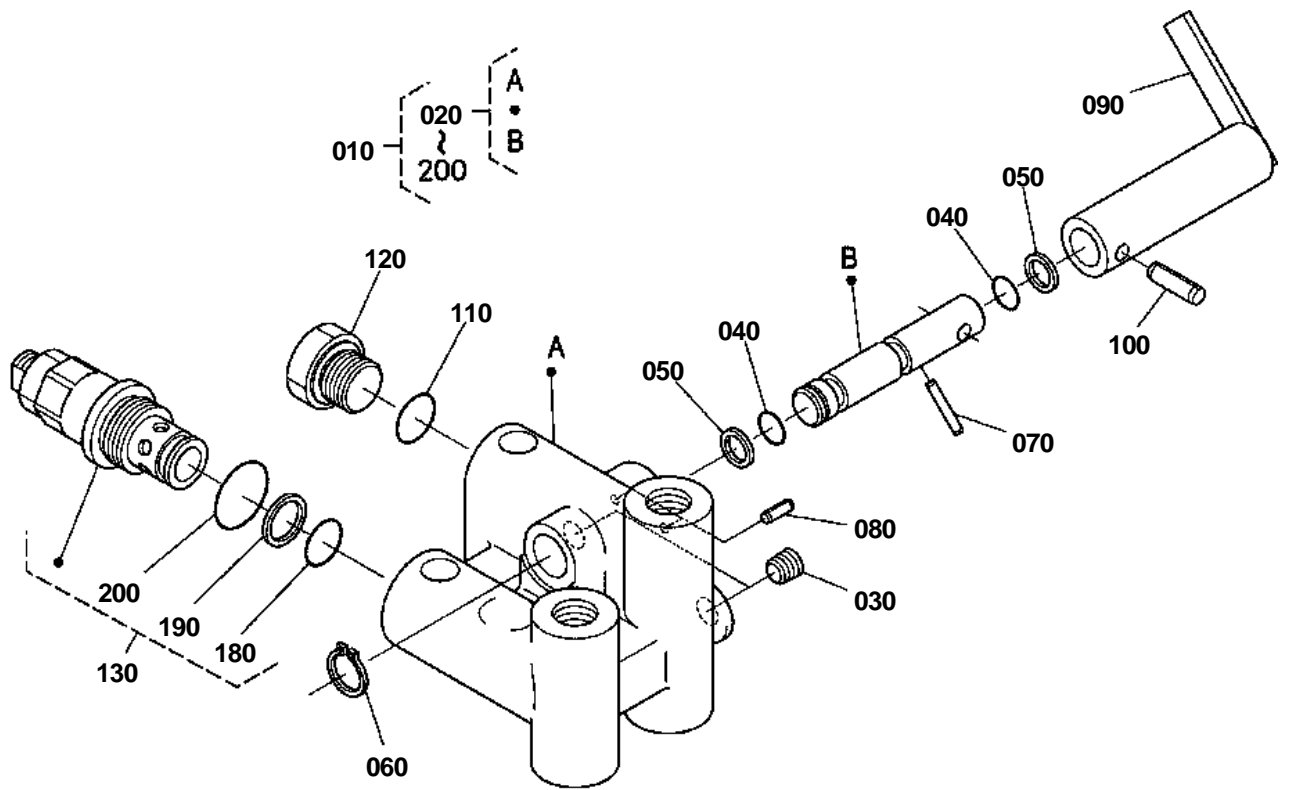


# HYDRAULIC OIL LINE(SWING)

↔ Interchangeable; ≠ not interchangeable; ← new for old; → old for new

REF.No	Part No.	Description	Q'ty	S.No.	I/C	REMARKS	Weight (kgf)	Weight (lb)
010	32771-33530	COMP.PIPE SWING	1				0.95	2.09
020	35880-63650	O RING	1				0.001	0.0022
030	01023-50635	BOLT	3				0.01	0.022
040	32771-33590	TUBE PIPE	1				0.009	0.0198
050	3A031-63310	CLAMP PIPE	1				0.045	0.099
060	01754-50816	BOLT FLANGE	1				0.011	0.0242
070	32771-33550	ASSY PIPE SWING	1				0.38	0.836
080	32771-33572	COMP.PIPE SWING	1			NOT SALE	0.375	0.825
090	32771-33670	PLUG	1				0.028	0.0616
100	01023-50616	BOLT	1				0.005	0.011
110	32771-33580	COMP.PIPE RETURN	1				0.63	1.386
120	04811-07230	O RING	2				0	0
120	04816-07230	O RING	2		→		0.002	0.0044
130	01123-60816	BOLT	1				0.01	0.022
140	32771-33490	COMP.PIPE T	1				0.66	1.452
150	06015-51233	JOINT	2				0.09	0.198
160	04810-00140	O RING	2				0	0
160	04817-00140	O RING	2		→		0.001	0.0022
170	06012-51843	JOINT PIPE	1				0.1	0.22
180	04810-00180	O RING	1				0	0
180	04817-00180	O RING	1		→		0.003	0.0066
190	32771-36703	ASSY BLOCK SWING	1				2.65	5.83
200	32771-36730	STAY BLOCK	1				0.64	1.408
210	01774-61020	BOLT FLANGE	2				0.022	0.0484
220	01133-51020	BOLT	2				0.02	0.044
230	32771-36770	GRIP LEVER	1				0.013	0.0286
240	06015-51543	JOINT	1				0.15	0.33
250	04810-00180	O RING	1				0	0
250	04817-00180	O RING	1		→		0.003	0.0066
260	32771-33920	MAT COUPLER	1				0.23	0.506

SWING CONTROL BLOCK [COMPONENT PARTS]



32771-078-11

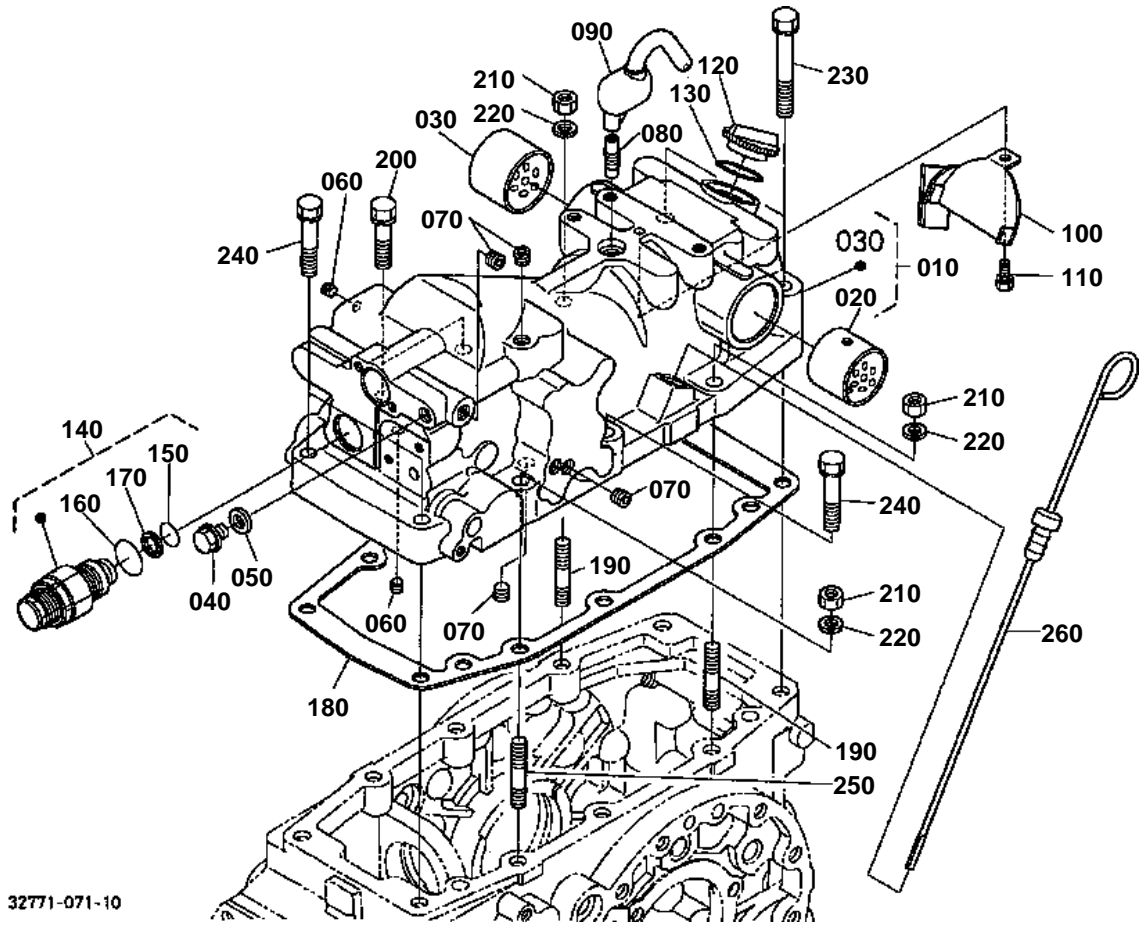


# SWING CONTROL BLOCK [COMPONENT PARTS]

↔ Interchangeable; ≠ not interchangeable; ← new for old; → old for new

REF.No	Part No.	Description	Q'ty	S.No.	I/C	REMARKS	Weight (kgf)	Weight (lb)
010	32771-36703	ASSY BLOCK SWING	1				2.65	5.83
020	32771-36760	ASSY BLOCK SPOOL	1				2.2	4.84
030	67156-36980	PLUG SCREW	2				0.004	0.0088
040	04811-06100	O RING	2				0	0
040	04817-06100	O RING	2		→		0.001	0.0022
050	32771-37530	RING BACK UP	2				0.001	0.0022
060	04612-00140	CIR CLIP EXTERNAL	1				0.001	0.0022
070	05411-00320	PIN SPRING	1				0.001	0.0022
080	05411-00310	PIN SPRING	2				0.001	0.0022
090	32771-36960	LEVER SWING CHANGE	1				0.12	0.264
100	05411-00622	PIN SPRING	1				0.003	0.0066
110	68011-62220	O RING	1				0.001	0.0022
120	32771-36740	PLUG	1				0.065	0.143
130	32771-36750	ASSY VALVE RELIEF	1				0.165	0.363
140	99999-99999	BLANK	0				0	0
150	99999-99999	BLANK	0				0	0
160	99999-99999	BLANK	0				0	0
170	99999-99999	BLANK	0				0	0
180	04811-05150	O RING	1				0	0
180	04817-05150	O RING	1		→		0.001	0.0022
180	04816-00090	O RING	1		→		0.001	0.0022
190	67810-38370	RING BACK UP	1				0.001	0.0022
200	04811-00220	O RING	1				0	0
200	04817-00220	O RING	1		→		0.001	0.0022

HYDRAULIC CYLINDER





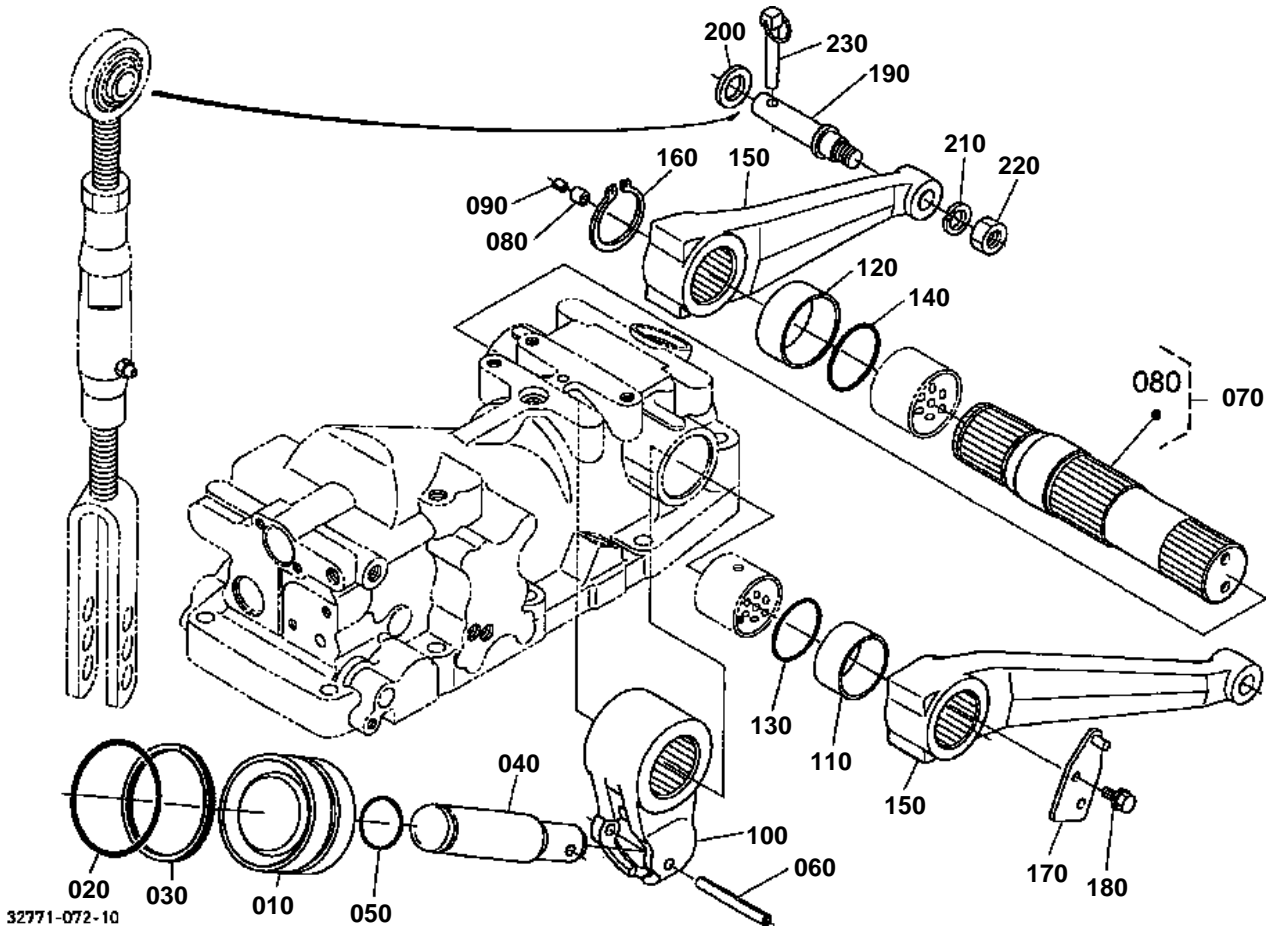


## HYDRAULIC CYLINDER

↔ Interchangeable; ≠ not interchangeable; ← new for old; → old for new

REF.No	Part No.	Description	Q'ty	S.No.	I/C	REMARKS	Weight (kgf)	Weight (lb)
010	32771-34130	ASSY CASE CYLINDER	1				29	63.8
020	32771-34320	BUSH	1				0.095	0.209
030	35533-43600	BUSH	1				0.1	0.22
040	37150-36730	PLUG	1				0.03	0.066
050	37150-36720	GASKET	1				0.01	0.022
060	31351-37160	PLUG	2				0.003	0.0066
070	31351-37150	PLUG	5				0.007	0.0154
080	34550-34930	BREATHER	1				0.015	0.033
090	32771-37110	ASSY BREATHER	1				0.019	0.0418
100	34550-34920	GUARD OIL	1				0.056	0.1232
110	34070-20430	BOLT	1				0.015	0.033
120	38240-21410	PLUG	1				0.015	0.033
130	04811-50300	O RING	1				0	0
130	04816-50300	O RING	1			↵	0.001	0.0022
140	3G700-82402	VALVE CYL.SAFETY	1				0	0
140	YR827-00100	VALVE CYL.SAFETY	1			«	0.39	0.858
150	04810-00160	O RING	1				0	0
150	04817-00160	O RING	1			↵	0.001	0.0022
160	04815-06280	O RING	1				0	0
160	04817-06280	O RING	1			↵	0.002	0.0044
170	33770-94040	RING BACK UP	1	<=52254			0.002	0.0044
170	YT133-00160	RING BACK UP	1	>=52255		↵	0.001	0.0022
180	32425-37120	GASKET NA	1				0.025	0.055
190	01574-61240	STUD	2				0.045	0.099
200	01133-51245	BOLT	2				0.055	0.121
210	02176-50120	NUT	3				0.01	0.022
220	04512-60120	WASHER SPRING	3				0.005	0.011
230	01133-51280	BOLT	2				0.07	0.154
240	01133-51255	BOLT	3				0.06	0.132
250	01574-61255	STUD	1				0.057	0.1254
260	32771-36410	GAUGE OIL	1				0.085	0.187

LIFT ARM

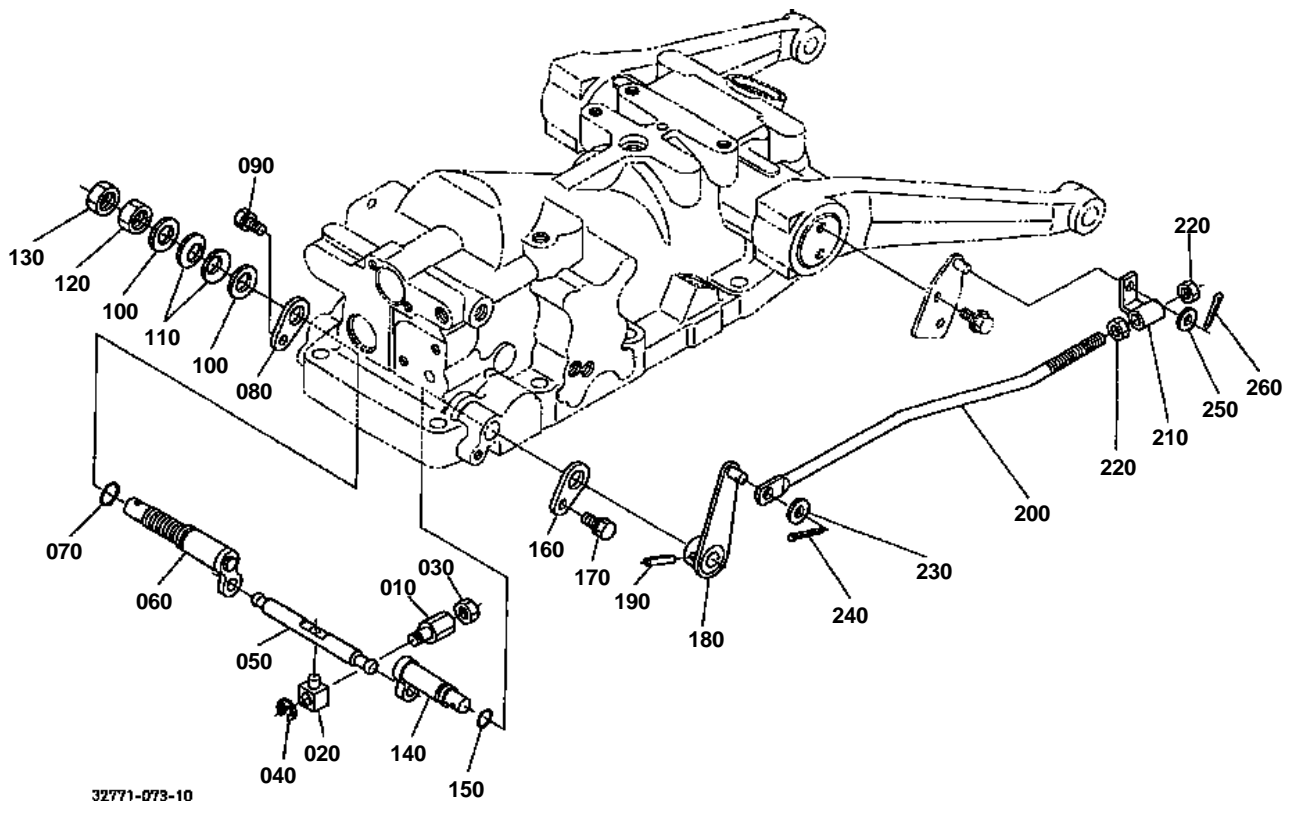


**LIFT ARM**

↔ Interchangeable; ≠ not interchangeable; ← new for old; → old for new

REF.No	Part No.	Description	Q'ty	S.No.	I/C	REMARKS	Weight (kgf)	Weight (lb)
010	34070-34214	PISTON HYD.	1				1.585	3.487
020	04810-00800	O RING	1				0.009	0.0198
030	31391-37330	RING BACK UP	1				0.005	0.011
040	31391-37320	ROD HYD.	1				1.25	2.75
050	04810-00340	O RING	1				0	0
050	04817-00340	O RING	1		→		0.003	0.0066
060	05411-00870	PIN SPRING	1				0.015	0.033
070	34552-34304	COMP.SHAFT ARM HYD.	1				3.25	7.15
080	67156-38220	PIECE GUIDE	1				0.003	0.0066
090	36741-94450	SPRING POSITION	1				0.001	0.0022
100	31391-37444	ARM HYDRAULIC	1				2.2	4.84
110	34150-37480	COLLAR	1				0.005	0.011
120	T0120-37490	COLLAR ARM HYD.	1				0.01	0.022
130	04811-50450	O RING	1				0	0
130	04816-50450	O RING	1		→		0.001	0.0022
140	04811-50500	O RING	1				0	0
140	04816-50500	O RING	1		→		0.005	0.011
150	38430-37610	ARM LIFT	2				2.8	6.16
160	04612-00450	CIR CLIP EXTERNAL	1				0.007	0.0154
170	T0180-36010	LINK CONTROL	1				0.075	0.165
180	01754-50814	BOLT FLANGE	2				0.005	0.011
190	30442-37690	PIN LIFT ROD	2				0.2	0.44
200	04011-50180	WASHER PLAIN	2				0.012	0.0264
210	04512-60160	WASHER SPRING	2				0.01	0.022
220	02174-50160	NUT	2				0.022	0.0484
230	34150-37640	PIN SET	2				0.06	0.132

FEED BACK LEVER



32771-073-10

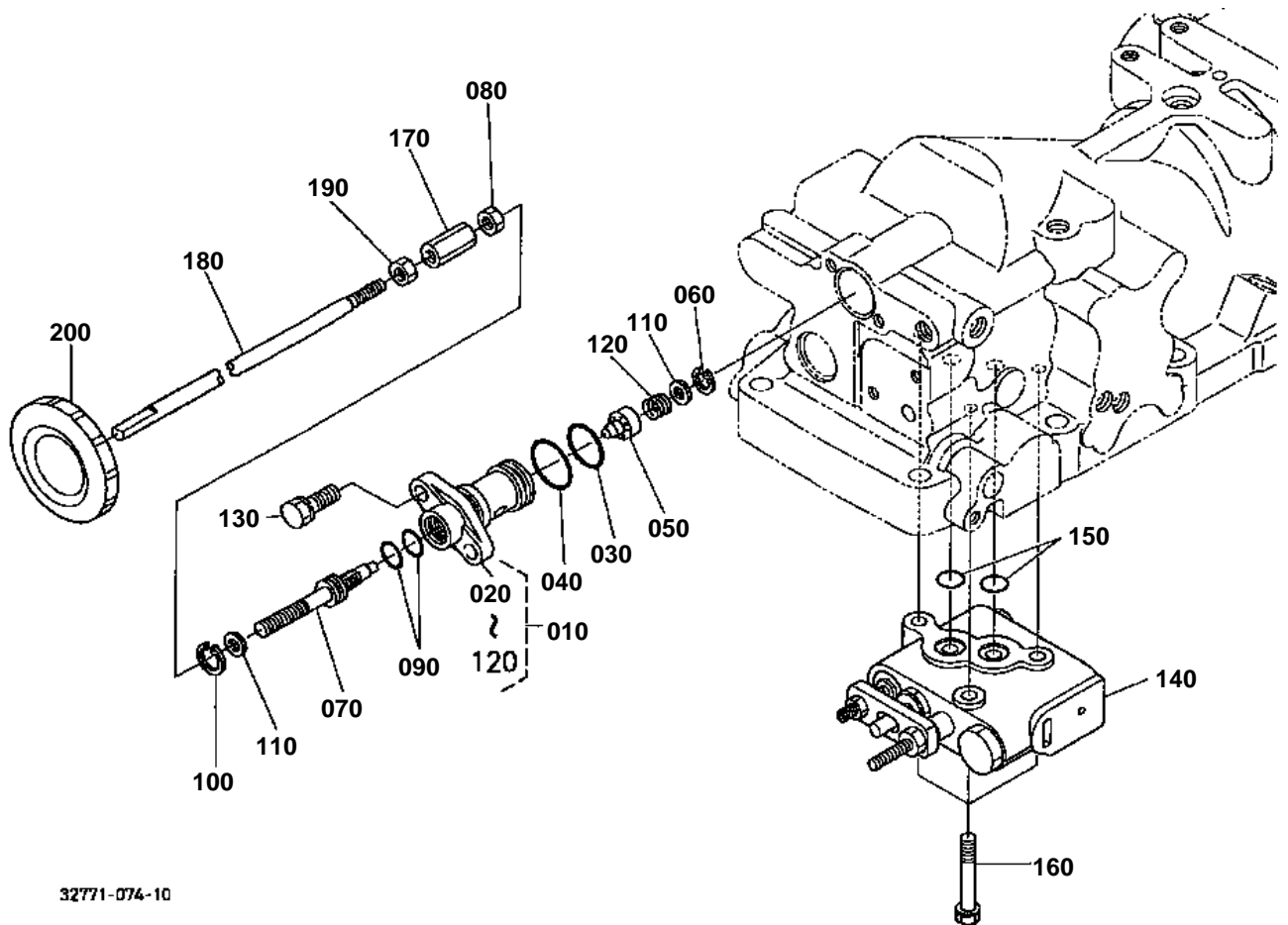


## FEED BACK LEVER

↔ Interchangeable; ≠ not interchangeable; ← new for old; → old for new

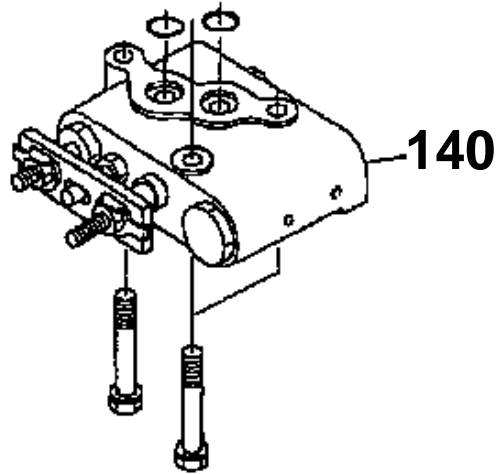
REF.No	Part No.	Description	Q'ty	S.No.	I/C	REMARKS	Weight (kgf)	Weight (lb)
010	67531-38280	JOINT SPOOL	1				0.17	0.374
020	37150-36420	JOINT SPOOL	1				0.02	0.044
030	02112-50080	NUT	1				0.003	0.0066
040	04613-50060	CIR CLIP EXTERNAL	1				0.001	0.0022
050	31351-37640	LEVER SPOOL DRIVE	1				0.05	0.11
060	31351-37650	ARM CONTROL	1				0.16	0.352
070	04811-00140	O RING	1				0	0
070	04816-00140	O RING	1		→		0.002	0.0044
080	31351-37660	SET PLATE	1				0.01	0.022
090	01123-60816	BOLT	1				0.01	0.022
100	04013-60140	WASHER PLAIN	2				0.01	0.022
110	34260-36880	SPRING PLATE	2				0.006	0.0132
120	02174-50140	NUT	1				0.014	0.0308
130	02172-50140	NUT	1				0.01	0.022
140	31351-37750	SHAFT BACK LEVER	1				0.1	0.22
150	04811-00120	O RING	1				0	0
150	04816-00120	O RING	1		→		0.001	0.0022
160	38240-36890	SET PLATE	1				0.013	0.0286
170	01123-60816	BOLT	1				0.01	0.022
180	34550-36030	LINK FEED BACK	1				0.09	0.198
190	05411-00525	PIN SPRING	1				0.002	0.0044
200	34550-36020	ROD FEED BACK	1				0.11	0.242
210	34550-36040	HOLDER CONTROL	1				0.04	0.088
220	02114-50080	NUT	2				0.005	0.011
230	04013-60080	WASHER PLAIN	1				0.002	0.0044
240	05511-50218	PIN SPLIT	1				0.001	0.0022
250	04013-60080	WASHER PLAIN	1				0.002	0.0044
260	05511-50215	PIN SPLIT	1				0.001	0.0022

# CONTROL VALVE



32771-074-10

140 31351-3960-3



TA040-917-10



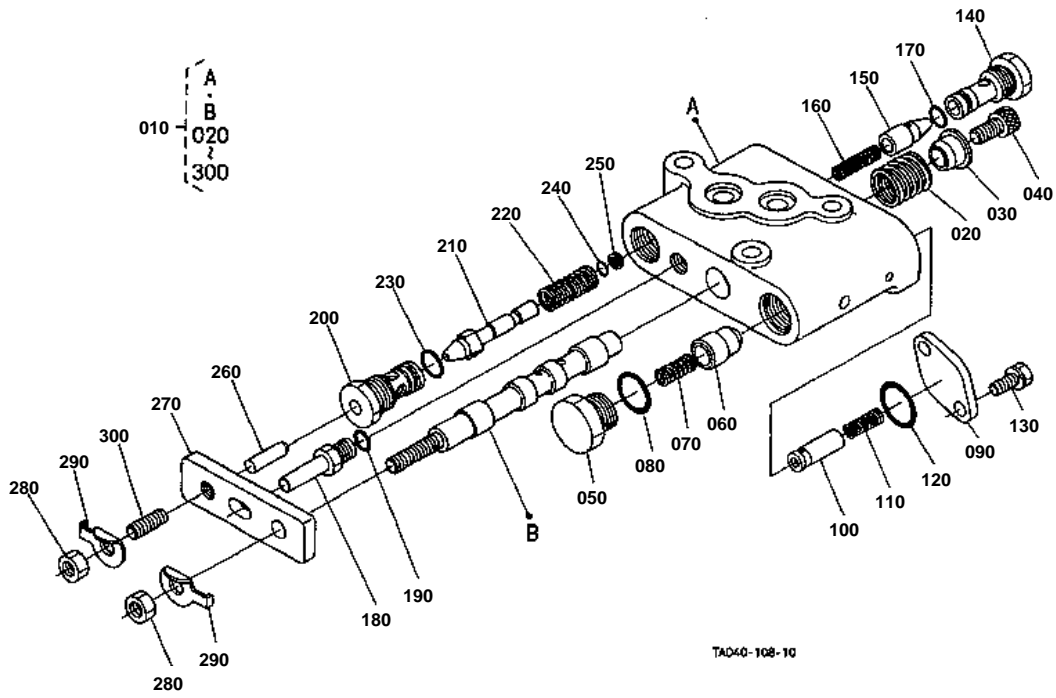
# CONTROL VALVE

↔ Interchangeable; ≠ not interchangeable; ← new for old; → old for new

REF.No	Part No.	Description	Q'ty	S.No.	I/C	REMARKS	Weight (kgf)	Weight (lb)
010	34550-34500	ASSY VALVE	1				0.3	0.66
020	31351-37210	COVER CYL.FRONT	1				0.315	0.693
030	04810-00220	O RING	1				0	0
030	04817-00220	O RING	1		↔		0.001	0.0022
040	04810-06250	O RING	1				0	0
040	04817-06250	O RING	1		↔		0.001	0.0022
050	38240-37250	COLLAR ADJUSTING	1				0.01	0.022
060	04611-00160	CIR CLIP INTERNAL	1				0.001	0.0022
070	34070-34510	SHAFT	1				0.03	0.066
080	02114-50080	NUT	1				0.005	0.011
090	04810-00100	O RING	1				0	0
090	04817-00100	O RING	2		↔		0.001	0.0022
100	34150-37260	CIR CLIP INTERNAL	1				0.001	0.0022
110	04012-50080	WASHER PLAIN	2				0.001	0.0022
120	30812-37360	SPRING	1				0.005	0.011
130	01123-50825	BOLT	2				0.013	0.0286
140	31351-39603	ASSY VALVE CONTROL	1	<=50055			0	0
140	31351-39604	ASSY VALVE CONTROL	1	>=50056	↔		1.9	4.18
150	04810-00120	O RING	2				0	0
150	04816-00120	O RING	2		↔		0.001	0.0022
160	01123-50848	BOLT	3				0.02	0.044
170	34550-34532	NUT ADJUST DROP	1				0.035	0.077
180	34550-34542	SHAFT	1				0.13	0.286
190	02114-50080	NUT	1				0.005	0.011
200	37410-36643	GRIP	1				0.03	0.066



CONTROL VALVE [COMPONENT PARTS][OLD TYPE]



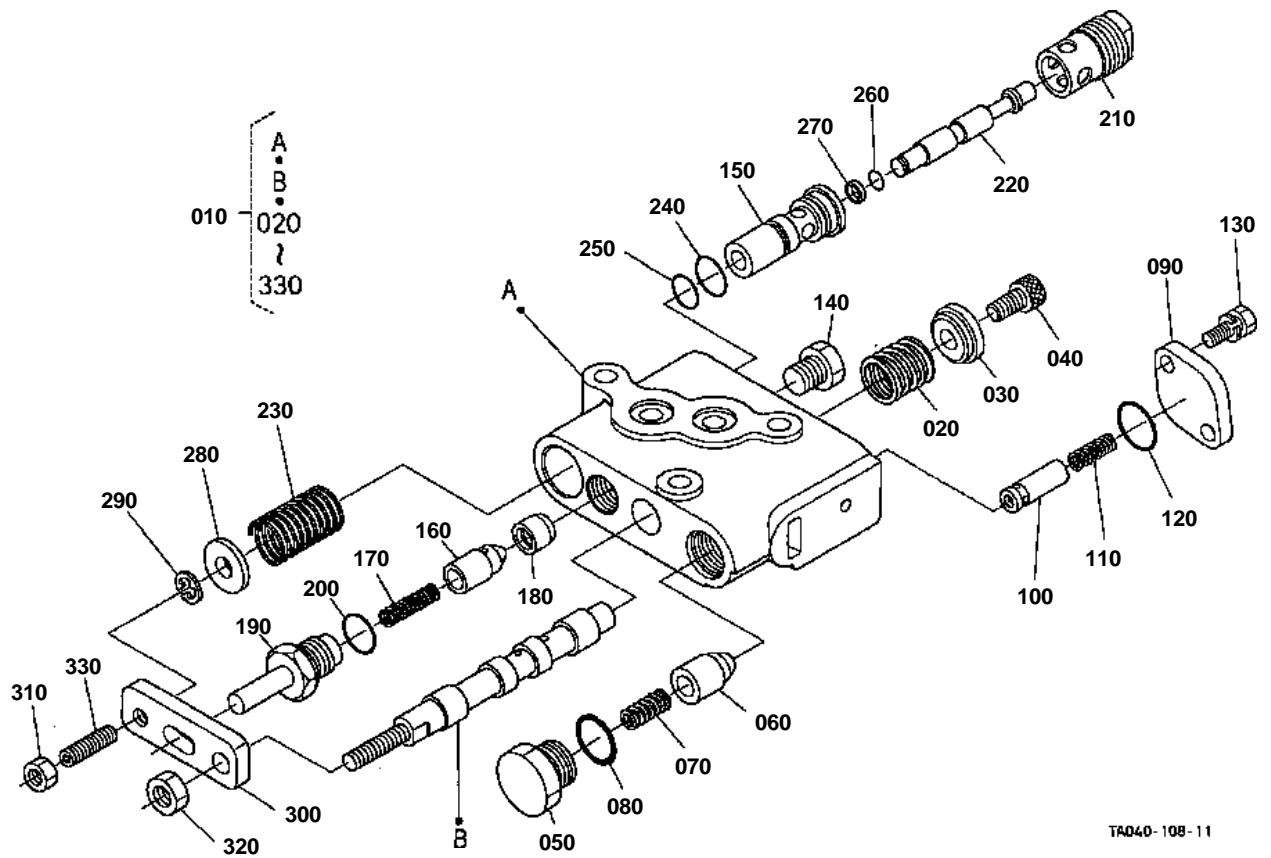
**CONTROL VALVE [COMPONENT PARTS][OLD TYPE]**

S.No.;&lt;=50055

↔ Interchangeable; ≠ not interchangeable; ← new for old; → old for new

REF.No	Part No.	Description	Q'ty	S.No.	I/C	REMARKS	Weight (kgf)	Weight (lb)
010	31351-39603	ASSY VALVE CONTROL	1				0	0
020	31351-39630	SPRING SPOOL	1				0.02	0.044
030	31351-39640	HOLDER SPRING	1				0.02	0.044
040	01311-10814	BOLT HEX-SOC-HD	1				0.012	0.0264
050	31351-39650	PLUG	1				0.04	0.088
060	31351-39150	POPPET	1				0.02	0.044
070	67531-38470	SPRING	1				0.001	0.0022
080	04811-00140	O RING	1				0	0
090	31351-39660	PLATE	1				0.05	0.11
100	31351-39670	POPPET	1				0.01	0.022
110	31351-39680	SPRING	1				0.01	0.022
120	04811-00160	O RING	1				0	0
130	01023-50614	BOLT	2				0.005	0.011
140	31351-39690	PLUG	1				0.05	0.11
150	31391-39180	POPPET	1				0.015	0.033
160	31391-39190	SPRING	1				0.001	0.0022
170	04810-00090	O RING	1				0	0
180	31351-39720	PIN FULCRUM	1				0.025	0.055
190	04811-00080	O RING	1				0	0
200	31351-39730	PLUG	1				0.05	0.11
210	31351-39180	POPPET	1				0.025	0.055
220	31351-39190	SPRING	1				0.008	0.0176
230	04810-06100	O RING	1				0	0
240	04811-00050	O RING	1				0	0
250	31351-39290	RING BACK UP	1				0.001	0.0022
260	31351-39740	RETAINER ROD	1				0.005	0.011
270	31351-39750	PLATE JOINT	1				0.05	0.11
280	02156-50080	NUT	2				0.004	0.0088
290	04111-50080	WASHER	2				0.001	0.0022
300	03650-50816	SCREW SET	1				0.01	0.022

CONTROL VALVE [COMPONENT PARTS][NEW TYPE]



TAD40-108-11

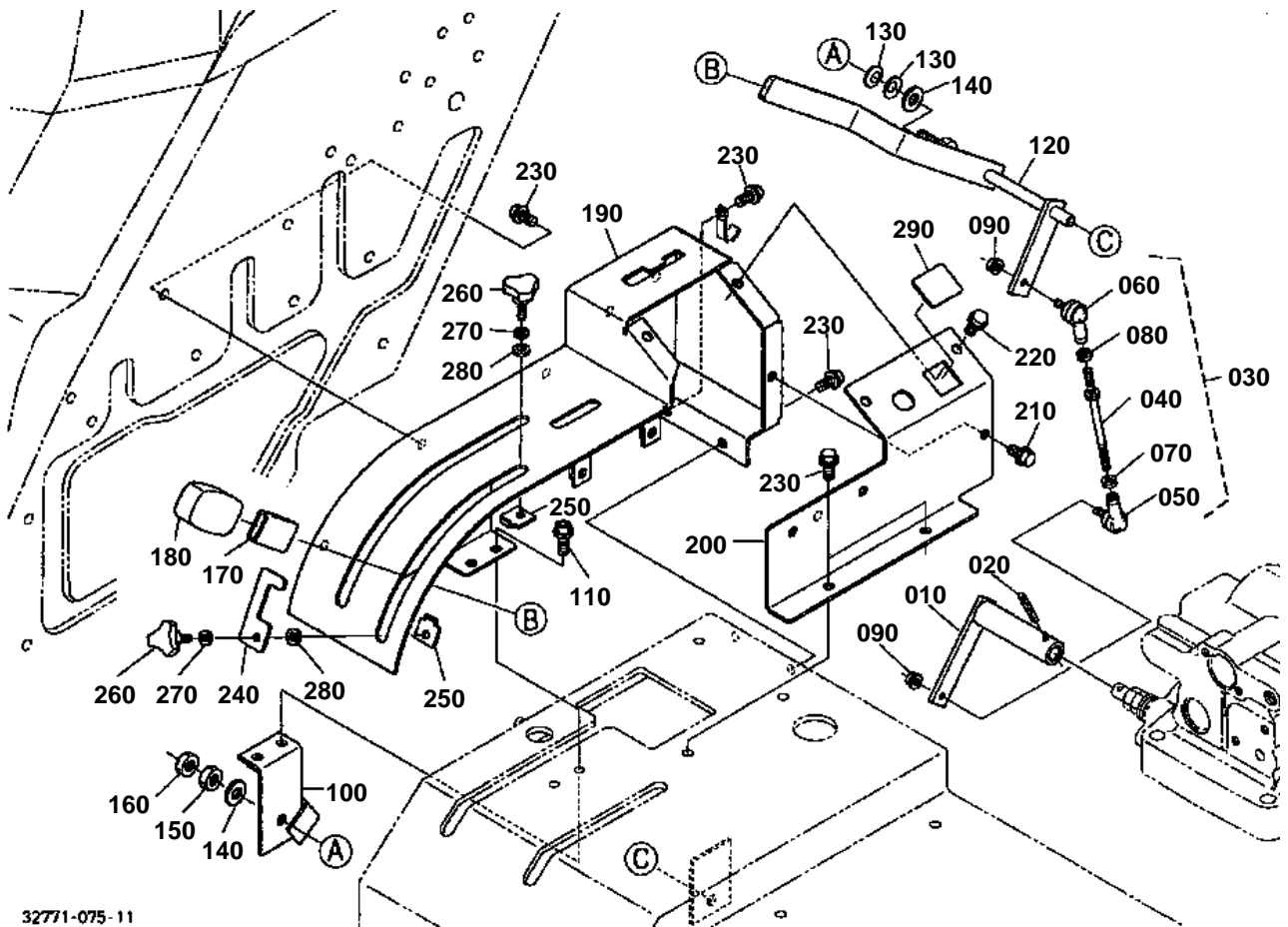
**CONTROL VALVE [COMPONENT PARTS][NEW TYPE]**

S.No.;&gt;=50056

↔ Interchangeable; ≠ not interchangeable; ← new for old; → old for new

REF.No	Part No.	Description	Q'ty	S.No.	I/C	REMARKS	Weight (kgf)	Weight (lb)
010	31351-39604	ASSY VALVE CONTROL	1				1.9	4.18
020	31351-39630	SPRING SPOOL	1				0.02	0.044
030	31351-39640	HOLDER SPRING	1				0.02	0.044
040	01311-10814	BOLT HEX-SOC-HD	1				0.012	0.0264
050	31351-39650	PLUG	1				0.04	0.088
060	31351-39150	POPPET	1				0.02	0.044
070	67531-38470	SPRING	1				0.001	0.0022
080	04811-00140	O RING	1				0	0
080	04817-00140	O RING	1		→		0.001	0.0022
090	31351-39660	PLATE	1				0.05	0.11
100	31351-39670	POPPET	1				0.01	0.022
110	31351-39680	SPRING	1				0.01	0.022
120	04810-00160	O RING	1				0	0
120	04817-00160	O RING	1		→		0.001	0.0022
130	01023-50616	BOLT	2				0.005	0.011
140	06331-35010	PLUG	1				0.012	0.0264
150	T0430-37600	SLEEVE	1				0.05	0.11
160	T0430-37580	POPPET	1				0.01	0.022
170	31391-39190	SPRING	1				0.001	0.0022
180	T0430-37530	SEAT CHECK VALVE	1				0.005	0.011
190	31351-37670	PLUG	1				0.038	0.0836
200	04811-00120	O RING	1				0	0
200	04817-00120	O RING	1		→		0.001	0.0022
210	31351-37620	PLUG	1				0.045	0.099
220	T0430-37610	POPPET	1				0.018	0.0396
230	T0430-37620	SPRING	1				0.009	0.0198
240	04811-05120	O RING	1				0	0
240	04817-05120	O RING	1		→		0.001	0.0022
250	04811-05110	O RING	1				0	0
250	04817-05110	O RING	1		→		0.005	0.011
260	04811-00050	O RING	1				0	0
260	04816-00050	O RING	1		→		0.001	0.0022
270	31351-39290	RING BACK UP	1				0.001	0.0022
280	T0430-37640	WASHER PLAIN	1				0.002	0.0044
290	04613-50060	CIR CLIP EXTERNAL	1				0.001	0.0022
300	31351-39752	PLATE	1				0.05	0.11
310	02014-50060	NUT	1				0.002	0.0044
320	02114-50080	NUT	1				0.005	0.011
330	03650-50622	SCREW SET	1				0.004	0.0088

POSITION CONTROL LEVER



32771-075-11

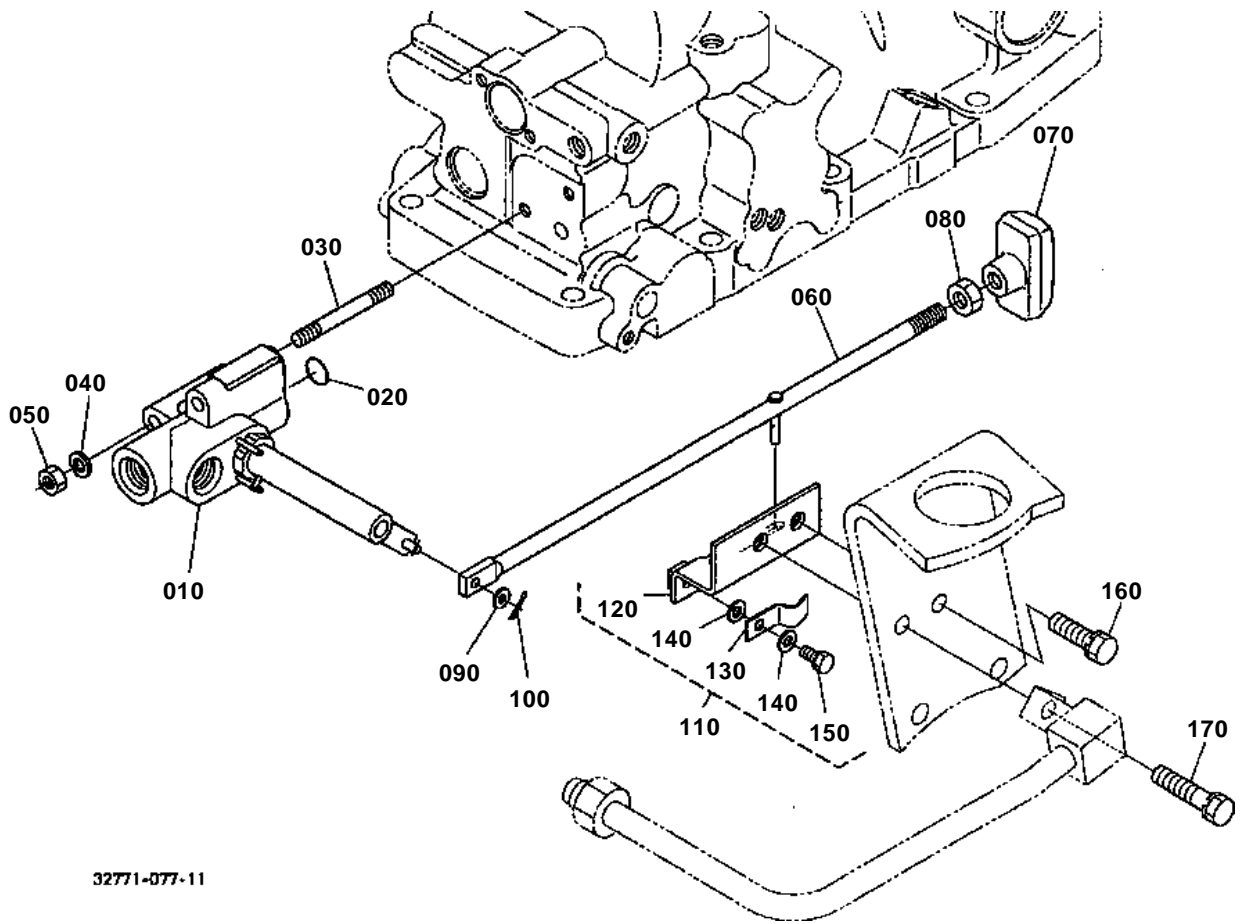


# POSITION CONTROL LEVER

↔ Interchangeable; ≠ not interchangeable; ← new for old; → old for new

REF.No	Part No.	Description	Q'ty	S.No.	I/C	REMARKS	Weight (kgf)	Weight (lb)
010	32771-36110	LEVER POSITION	1				0.2	0.44
020	05411-00525	PIN SPRING	1				0.002	0.0044
030	32771-36100	ASSY ROD POSITION	1				0.082	0.1804
040	32771-36150	ROD LEVER POSITION	1				0.022	0.0484
050	34550-36160	END ROD	1				0.04	0.088
060	34550-36170	ROD END RH	1				0.03	0.066
070	36530-27770	NUT	1				0.002	0.0044
080	02012-60060	NUT	1				0.005	0.011
090	02751-50060	NUT FLANGE	2				0.005	0.011
100	32771-36220	STAY LEVER POSITION	1				0.17	0.374
110	01754-50816	BOLT FLANGE	2				0.011	0.0242
120	32771-36123	LEVER POSITION	1				0.49	1.078
130	67531-38630	SPRING PLATE	2				0.002	0.0044
140	04013-60100	WASHER PLAIN	2				0.003	0.0066
150	02118-50100	NUT	1				0.005	0.011
160	02116-50100	NUT	1				0.004	0.0088
170	6C040-42760	CUSHION	1				0.003	0.0066
180	31395-36880	GRIP LEVER	1				0.04	0.088
190	32771-47605	COMP.GUIDE LEVER	1				2.2	4.84
200	32771-47630	COVER LEVER CONTROL	1				0.665	1.463
210	01754-50812	BOLT FLANGE	3				0.01	0.022
220	01754-50816	BOLT FLANGE	2				0.011	0.0242
230	30400-18870	BOLT FLANGE	9				0.01	0.022
240	32771-36132	STOPPER	1				0.024	0.0528
250	32771-36140	STOPPER	2				0.01	0.022
260	37410-52610	SCREW KNOB	2				0.015	0.033
270	04512-60060	WASHER SPRING	2				0.001	0.0022
280	04015-60060	WASHER PLAIN	2				0.005	0.011
290	35533-75790	COVER RUBBER	1				0.005	0.011

DIRECTIONAL VALVE LEVER



32771-077-11

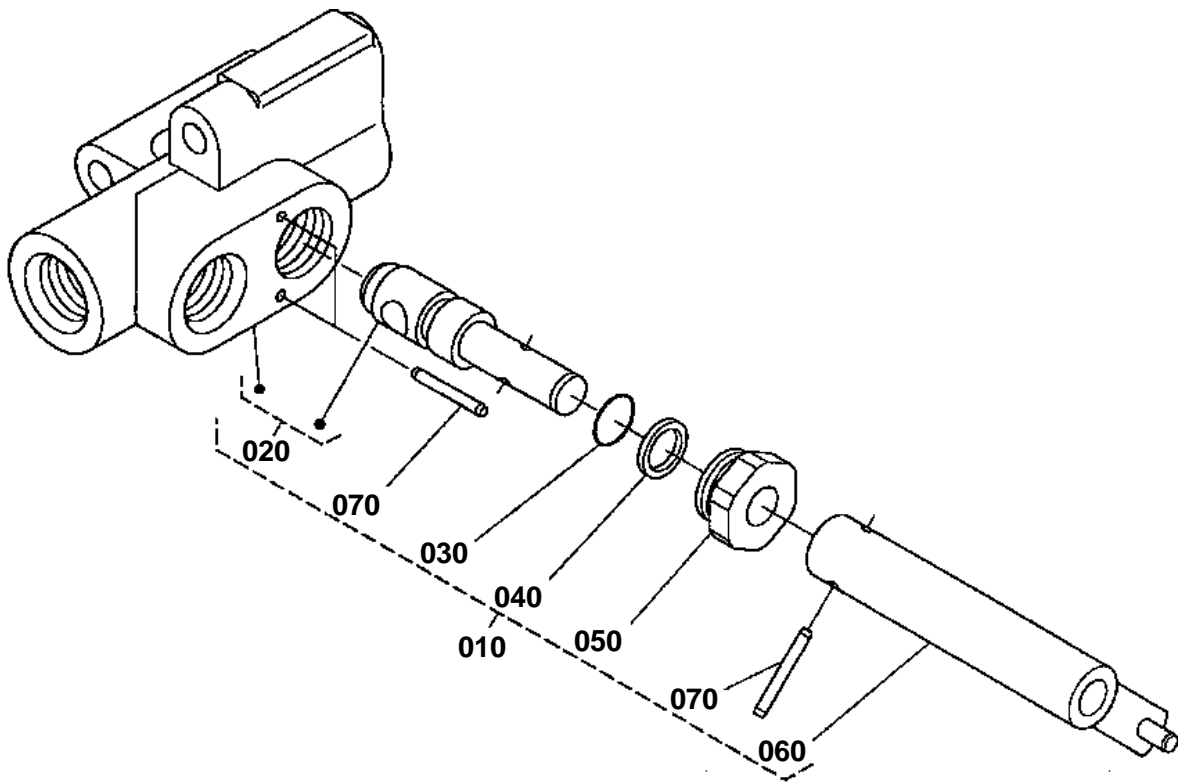


# DIRECTIONAL VALVE LEVER

↔ Interchangeable; ≠ not interchangeable; ← new for old; → old for new

REF.No	Part No.	Description	Q'ty	S.No.	I/C	REMARKS	Weight (kgf)	Weight (lb)
010	32771-36600	ASSY BLOCK HYD.	1				1.22	2.684
020	04810-00160	O RING	1				0	0
020	04817-00160	O RING	1		↔		0.001	0.0022
030	01513-50870	STUD	2				0.029	0.0638
030	TC220-14592	STUD	2		↔		0.025	0.055
040	04512-60080	WASHER SPRING	2				0.002	0.0044
050	02156-50080	NUT	2				0.004	0.0088
060	32771-36940	ROD	1				0.2	0.44
070	3A121-41450	GRIP LEVER	1				0.035	0.077
080	02118-50100	NUT	1				0.005	0.011
090	04013-60050	WASHER PLAIN	1				0.001	0.0022
100	05511-51212	PIN SPLIT	1				0.001	0.0022
110	32771-36903	ASSY GUIDE ROD	1	≤51306			0.155	0.341
110	32771-36905	ASSY GUIDE ROD	1	≥51307	↔		0.155	0.341
120	32771-36910	GUIDE ROD CHANGE	1	≤51306			0	0
120	32771-36914	GUIDE ROD CHANGE	1	≥51307	↔		0.15	0.33
130	32771-36950	SPRING PLATE CHANGE	1				0.003	0.0066
140	04013-60060	WASHER PLAIN	2				0.001	0.0022
150	01023-50614	BOLT	1				0.005	0.011
160	01133-51030	BOLT	1				0.025	0.055
170	01133-51040	BOLT	1				0.03	0.066





32771-076-11

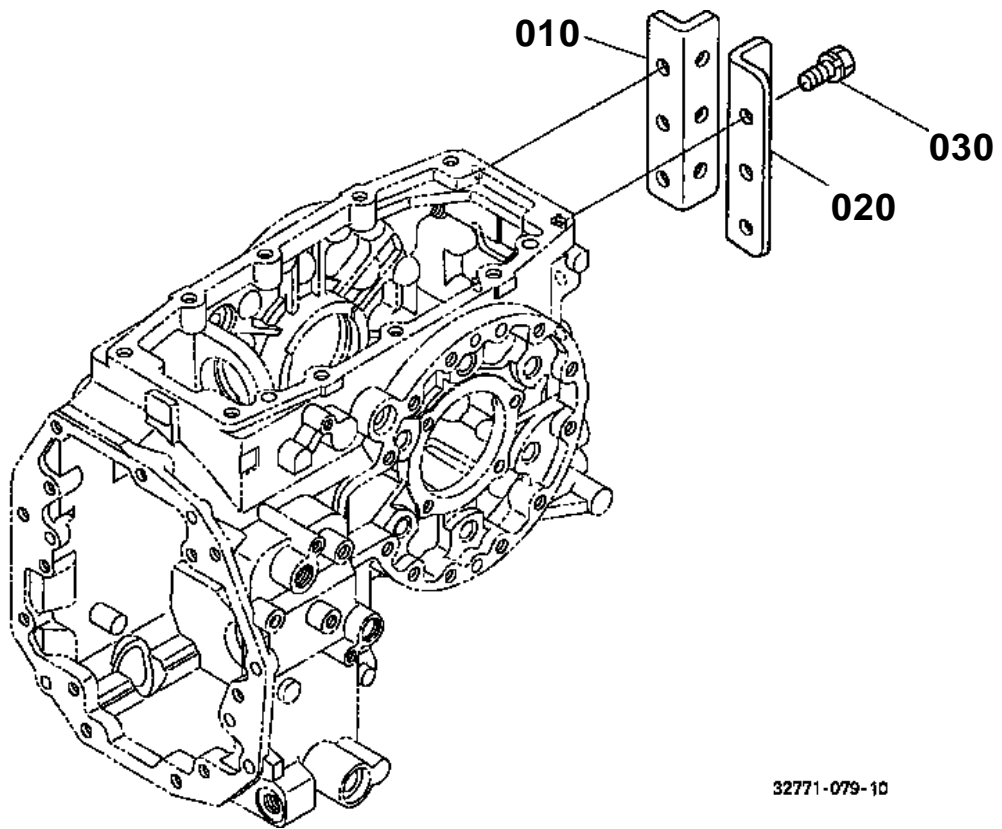


# HYDRAULIC CONTROL BLOCK[COMPONENT PARTS]

↔ Interchangeable; ≠ not interchangeable; ← new for old; → old for new

REF.No	Part No.	Description	Q'ty	S.No.	I/C	REMARKS	Weight (kgf)	Weight (lb)
010	32771-36600	ASSY BLOCK HYD.	1				1.22	2.684
020	32771-36660	ASSY BLOCK SPOOL	1				1.045	2.299
030	04811-00120	O RING	1				0	0
030	04817-00120	O RING	1				0.001	0.0022
040	68551-61420	RING BACK UP	1				0.001	0.0022
050	32771-36630	BOLT	1				0.03	0.066
060	32771-36920	LEVER	1				0.135	0.297
070	05411-00325	PIN SPRING	3				0.001	0.0022

TOP LINK HOLDER



32771-079-10

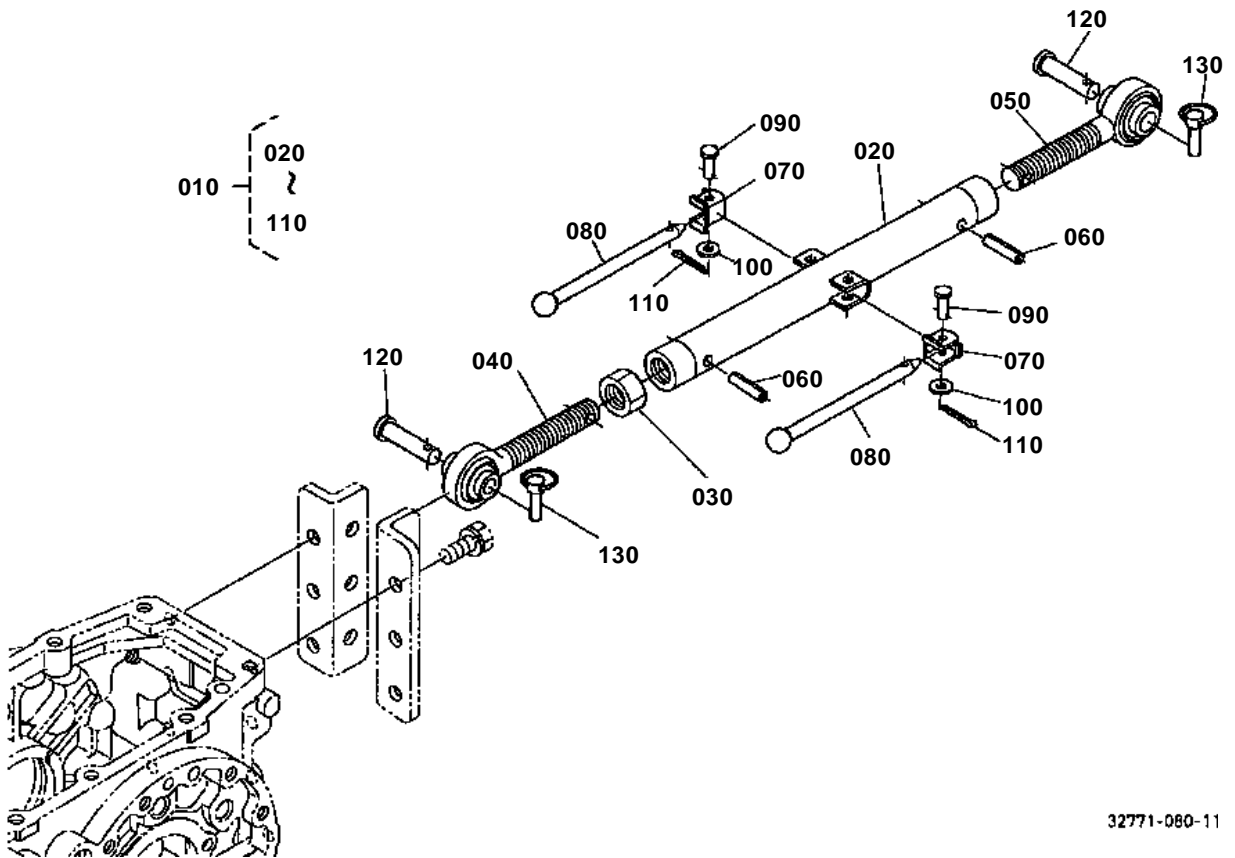


## TOP LINK HOLDER

↔ Interchangeable; ≠ not interchangeable; ← new for old; → old for new

REF.No	Part No.	Description	Q'ty	S.No.	I/C	REMARKS	Weight (kgf)	Weight (lb)
010	99571-22140	HOLDER TOP LINK RH	1				0.96	2.112
020	99571-22150	HOLDER TOP LINK LH	1				0.99	2.178
030	01133-51230	BOLT	6				0.04	0.088

TOP LINK



32771-080-11

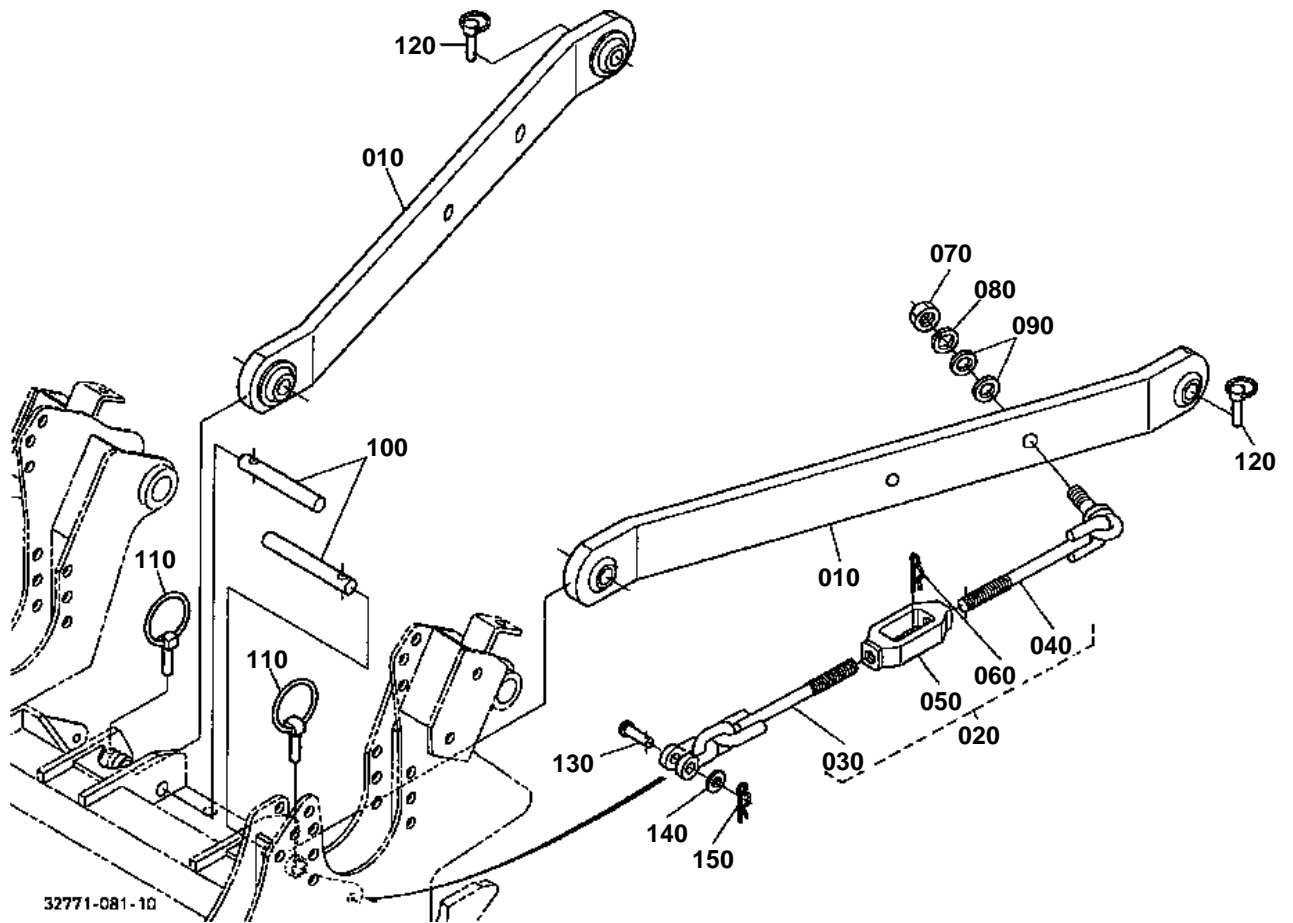


# TOP LINK

↔ Interchangeable; ≠ not interchangeable; ← new for old; → old for new

REF.No	Part No.	Description	Q'ty	S.No.	I/C	REMARKS	Weight (kgf)	Weight (lb)
010	31391-71100	ASSY LINK TOP	1				4	8.8
020	31391-71110	LINK TOP	1				1.465	3.223
030	32244-71180	NUT TOP LINK	1				0.057	0.1254
040	37307-71210	JOINT TOP LINK	1				1.05	2.31
050	38437-71220	JOINT TOP LINK	1				1.5	3.3
060	05411-00430	PIN SPRING	2				0.002	0.0044
070	36330-91693	SPRING HANDLE LOCK	2				0.01	0.022
080	36330-91643	HANDLE TOP LINK	2				0.175	0.385
090	05122-50635	PIN JOINT	2				0.01	0.022
100	04012-50060	WASHER PLAIN	2				0.001	0.0022
110	05511-51610	PIN SPLIT	2				0.001	0.0022
120	31150-71360	PIN JOINT	2				0.166	0.3652
130	34150-37640	PIN SET	2				0.06	0.132

### 3-POINT LINKAGE 1 (LOWER LINK)





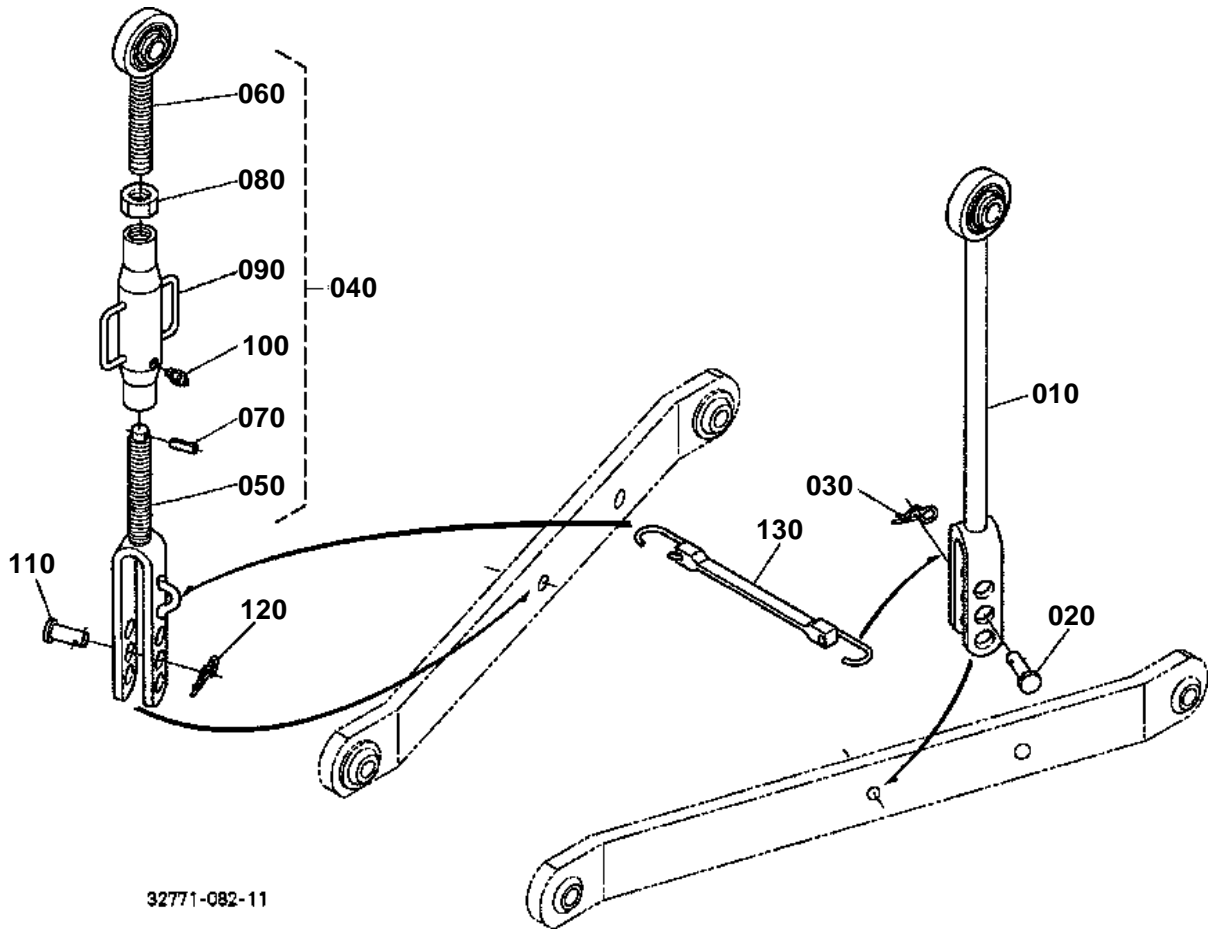
### 3-POINT LINKAGE 1 (LOWER LINK)

↔ Interchangeable; ≠ not interchangeable; ← new for old; → old for new

REF.No	Part No.	Description	Q'ty	S.No.	I/C	REMARKS	Weight (kgf)	Weight (lb)
010	32771-39210	COMP.LINK LOWER	2				9.15	20.13
020	32771-39702	ASSY CHAIN CHECK	2				1.725	3.795
030	32771-39710	CHAIN CHECK	1				0.74	1.628
040	32771-39720	CHAIN CHECK	1				0.62	1.364
050	T1060-39730	TURNBUCKLE	2				0.38	0.836
050	T1270-39730	TURNBUCKLE	1		<<		0.37	0.814
060	05515-51600	PIN SNAP	2				0.007	0.0154
070	02174-50180	NUT	2				0.029	0.0638
080	04512-60180	WASHER SPRING	2				0.02	0.044
090	04015-50180	WASHER PLAIN	4				0.07	0.154
100	32771-29750	PIN LOWER LINK	2				0.365	0.803
110	32771-29760	PIN SET	2				0.056	0.1232
120	34150-37640	PIN SET	2				0.06	0.132
130	32353-71890	PIN	2				0.041	0.0902
140	04013-60120	WASHER PLAIN	2				0.01	0.022
150	52300-34140	PIN SNAP	2				0.003	0.0066



3-POINT LINKAGE 2 (LIFT ROD)



32771-082-11

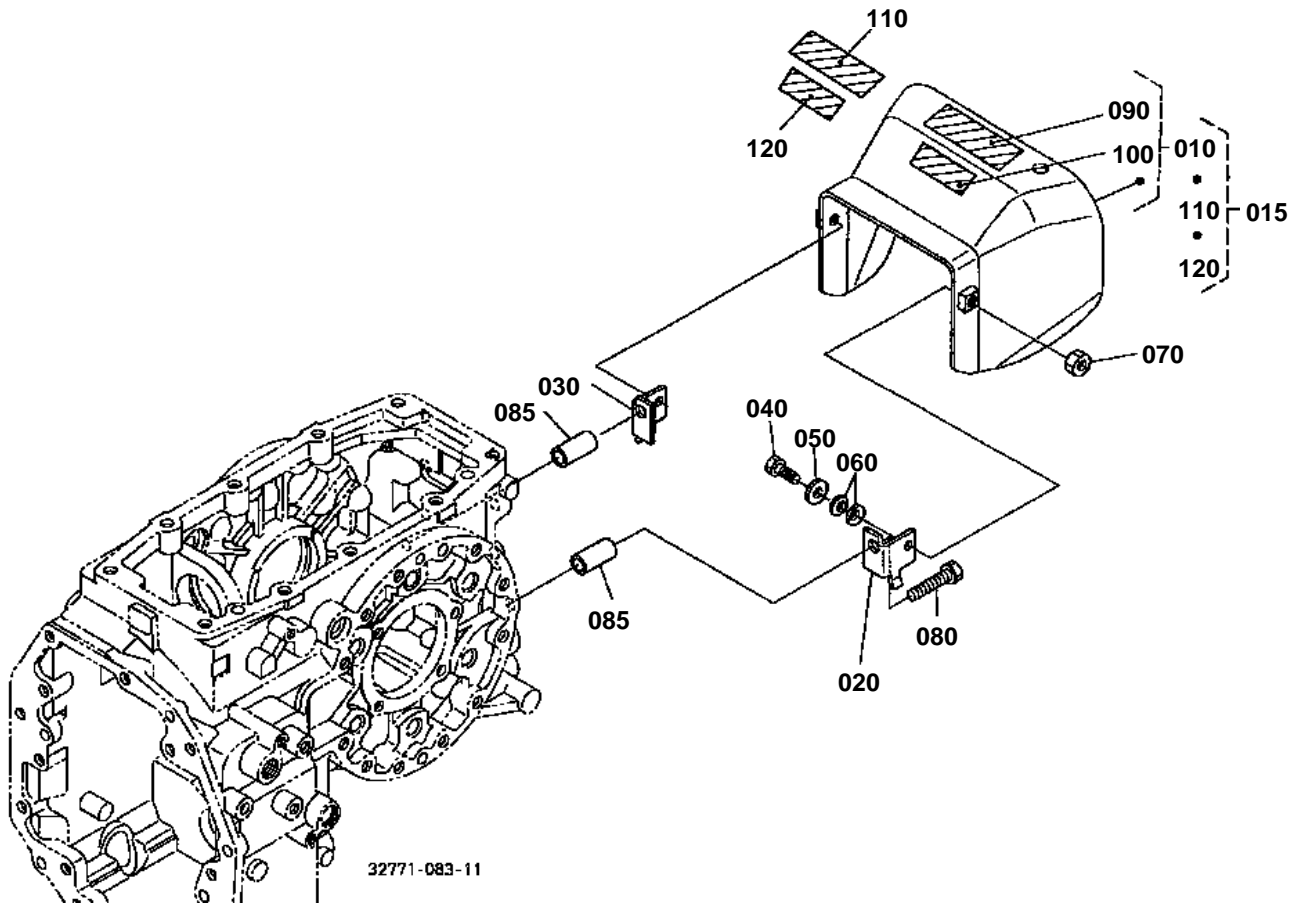


### 3-POINT LINKAGE 2 (LIFT ROD)

↔ Interchangeable; ≠ not interchangeable; ← new for old; → old for new

REF.No	Part No.	Description	Q'ty	S.No.	I/C	REMARKS	Weight (kgf)	Weight (lb)
010	32771-71540	ROD LIFT LH	1				1.835	4.037
020	38747-71582	PIN LIFT ROD	1				0.1	0.22
030	05515-51600	PIN SNAP	1				0.007	0.0154
040	35080-71563	ASSY ROD LIFT RH	1				0	0
040	32751-71560	ASSY ROD LIFT RH	1		-		1.98	4.356
050	35080-71520	ROD LIFT LOWER	1				0.88	1.936
060	31331-71510	ROD LIFT UPPER	1				0.58	1.276
070	05411-00320	PIN SPRING	1				0.001	0.0022
080	35110-71570	NUT	1				0.05	0.11
090	TA040-39350	TURNBUCKLE	1				0.55	1.21
100	06613-10675	NIPPLE GREASE	1				0.003	0.0066
110	38747-71582	PIN LIFT ROD	1				0.1	0.22
120	05515-51600	PIN SNAP	1				0.007	0.0154
130	38187-71753	COMP.RUBBER	1				0.045	0.099

PTO PROTECTOR



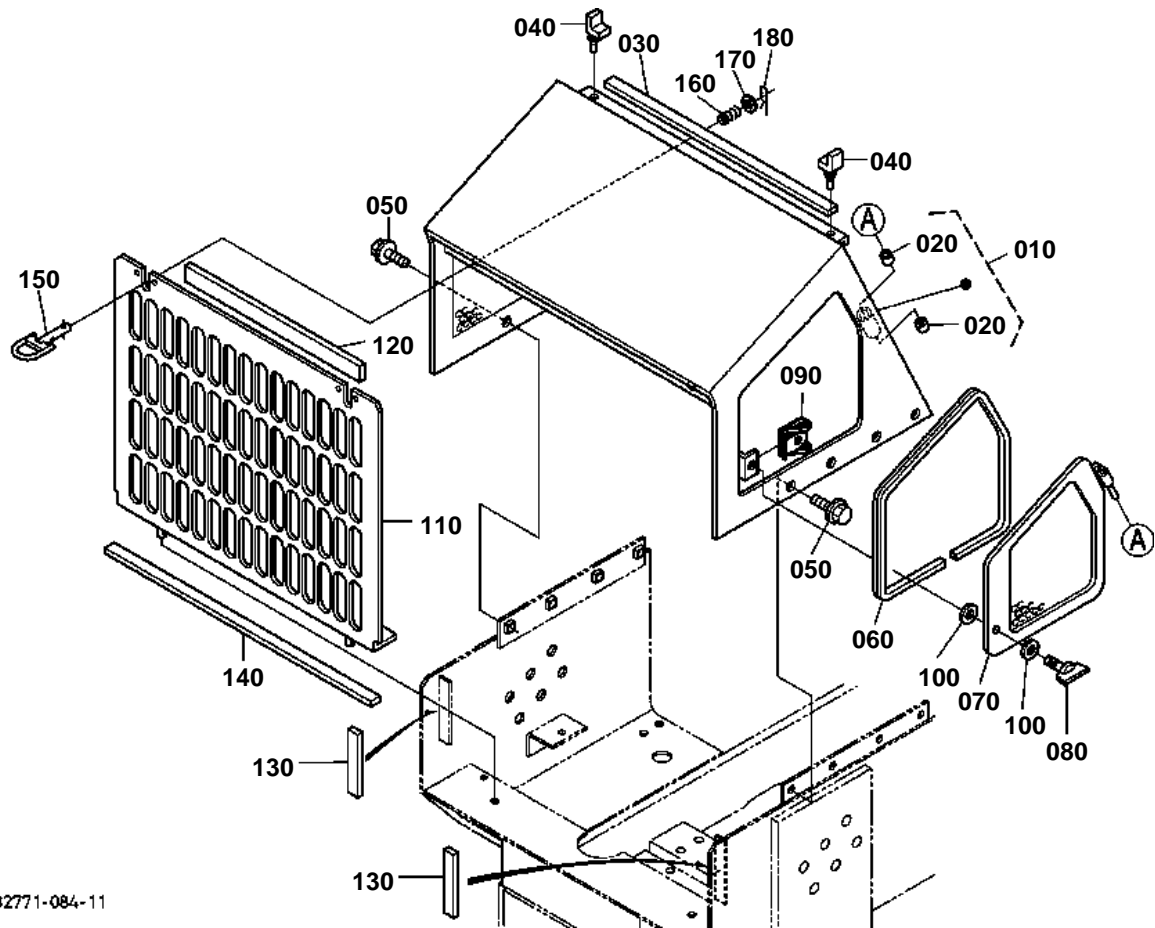


# PTO PROTECTOR

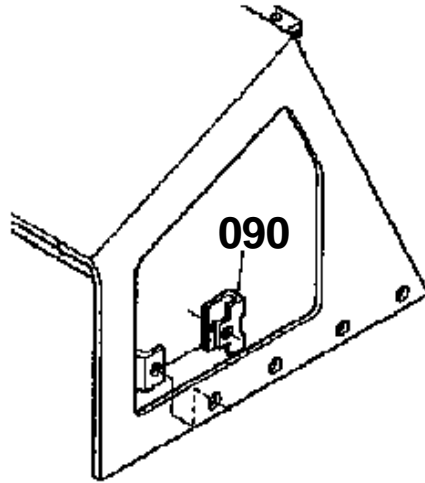
↔ Interchangeable; ≠ not interchangeable; ← new for old; → old for new

REF.No	Part No.	Description	Q'ty	S.No.	I/C	REMARKS	Weight (kgf)	Weight (lb)
010	TA140-99630	KIT COVER PTO(A)	1			ENGLISH	2.1	4.62
015	TA141-99630	KIT COVER PTO(B)	1			FRENCH	2.1	4.62
020	TA020-23752	STAY	1				0.12	0.264
030	TA020-23762	STAY	1				0.001	0.0022
040	01173-51025	BOLT	2				0.021	0.0462
050	04013-60100	WASHER PLAIN	2				0.003	0.0066
060	62151-42412	SPRING PLATE	4				0.002	0.0044
070	02116-50100	NUT	2				0.004	0.0088
080	01133-51255	BOLT	2				0.06	0.132
085	T0310-60540	COLLAR	2				0.051	0.1122
090	TA040-49590	LABEL PTO WARNING	1			ENGLISH	0.002	0.0044
100	TA040-49350	LABEL DRAWBAR	1			ENGLISH	0.002	0.0044
110	TA041-49590	LABEL PTO WARNING	1			FRENCH	0.001	0.0022
120	TA041-49350	LABEL DRAWBAR	1			FRENCH	0.003	0.0066

FRONT GRILLE



090 3F740-8386-0



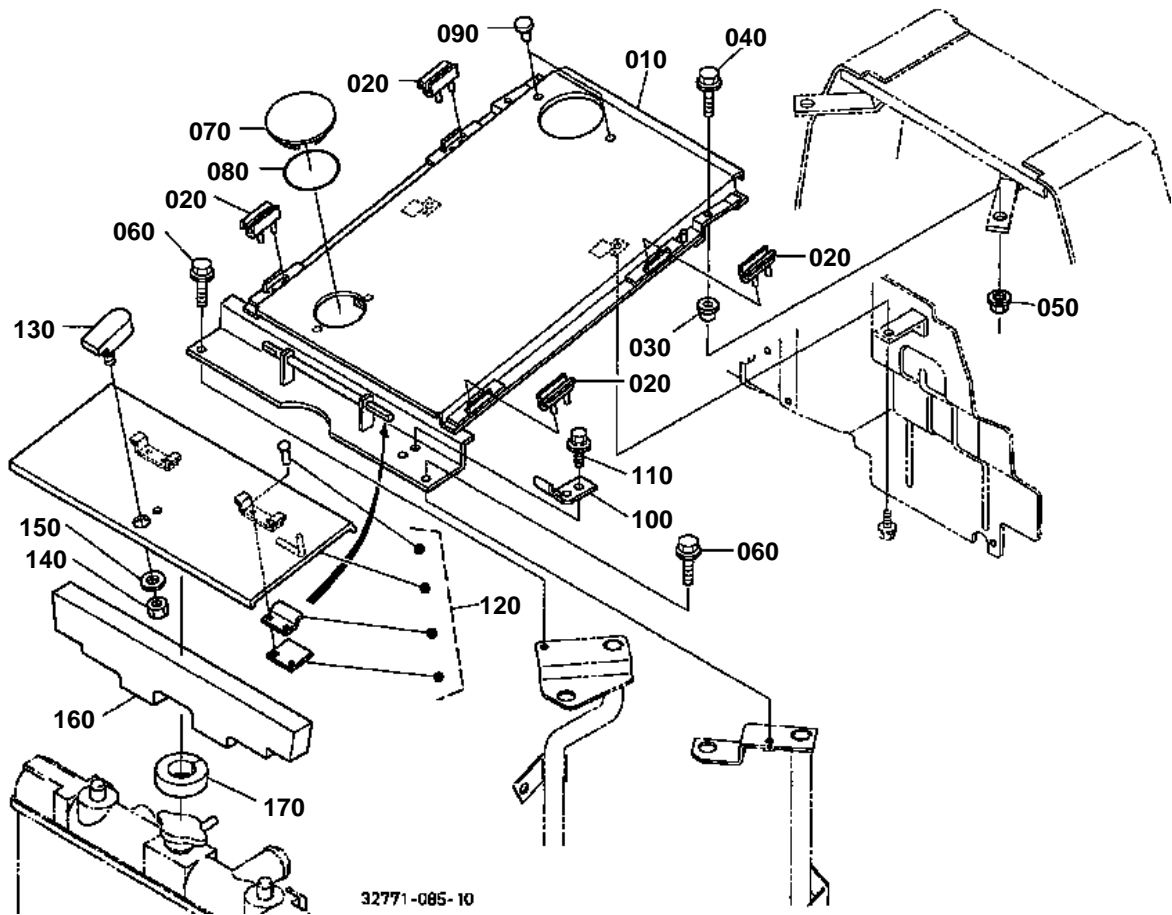
32771-831-10

**FRONT GRILLE**

↔ Interchangeable; ≠ not interchangeable; ← new for old; → old for new

REF.No	Part No.	Description	Q'ty	S.No.	I/C	REMARKS	Weight (kgf)	Weight (lb)
010	32771-41015	HOOD FRONT GRILLE	1				8.2	18.04
020	08511-00610	BUSH	2				0.001	0.0022
030	32771-41060	CUSHION	1				0.045	0.099
040	32751-41100	CUSHION	2				0.005	0.011
050	01774-61020	BOLT FLANGE	8				0.022	0.0484
060	32771-41053	TRIM HOOD	1				0.053	0.1166
070	32771-41073	LID HOOD	1				0.39	0.858
080	3F750-83840	HOLDER	1				0.017	0.0374
090	3F740-83860	HOLDER RECEPTACLE	1	<=52254		NOT SALE	0	0
090	TD060-41390	HOLDER RECEPTACLE	1	>=52255	-		0.011	0.0242
100	3F740-83850	HOLDER	2	<=50730			0.001	0.0022
100	32771-41460	PLATE RETAINER	2	>=50731	-		0.001	0.0022
110	32771-41832	GRILLE FRONT	1				4	8.8
120	32771-41110	CUSHION UP	1				0.063	0.1386
130	32771-41120	CUSHION LAT	2				0.01	0.022
140	32771-41130	CUSHION	1				0.025	0.055
150	32771-41852	PIN	2				0.054	0.1188
160	7C705-57560	SPRING STAND	2				0.01	0.022
170	04013-60100	WASHER PLAIN	2				0.003	0.0066
180	05515-61000	PIN SNAP	2				0.002	0.0044

HOOD(BONNET)





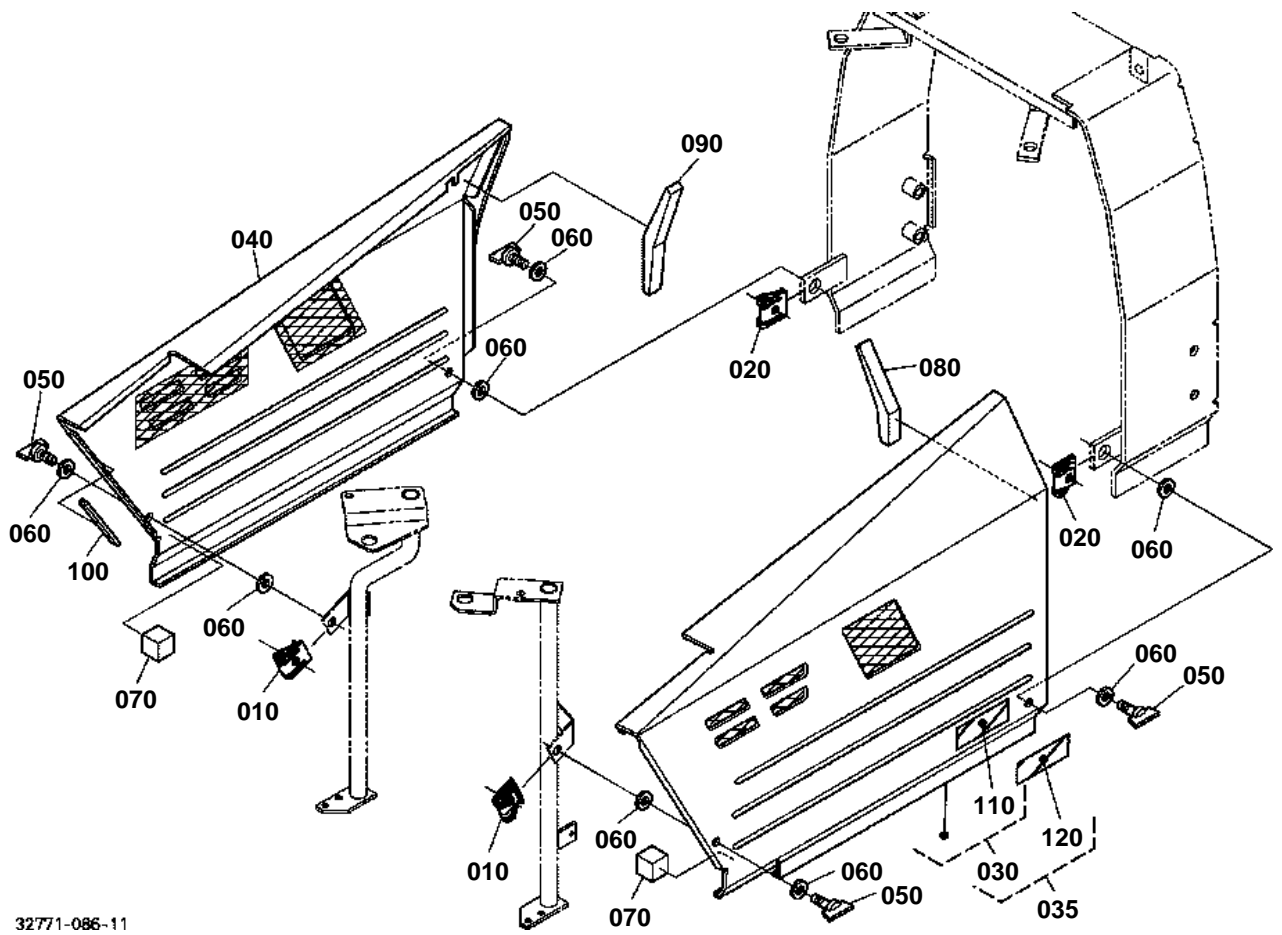


# HOOD(BONNET)

↔ Interchangeable; ≠ not interchangeable; ← new for old; → old for new

REF.No	Part No.	Description	Q'ty	S.No.	I/C	REMARKS	Weight (kgf)	Weight (lb)
010	32771-41310	COMP.BONNET	1				4.7	10.34
020	TA040-18620	CUSHION	4				0.01	0.022
030	34070-41630	CUSHION RUBBER	2				0.005	0.011
040	01754-50820	BOLT FLANGE	2				0.015	0.033
050	02751-50080	NUT FLANGE	2				0.006	0.0132
060	01774-51030	BOLT FLANGE	2	<=50615			0.02	0.044
060	01774-61020	BOLT FLANGE	2	>=50616	1		0.022	0.0484
070	32480-18760	CAP PRE CLEANER	1				0.02	0.044
080	04811-50550	O RING	1				0.002	0.0044
090	67950-51810	PLUG	2				0.005	0.011
100	32771-41080	SPRING PLATE	1				0.019	0.0418
110	01025-50616	BOLT	2				0.005	0.011
120	32771-41330	COVER RADIATOR	1				2.6	5.72
130	34550-41380	HOOK BONNET	1				0.04	0.088
140	02114-50080	NUT	1				0.005	0.011
150	04015-60080	WASHER PLAIN	1				0.01	0.022
160	32771-41160	SPONGE	1				0.03	0.066
170	32751-41150	SPONGE	1				0.006	0.0132

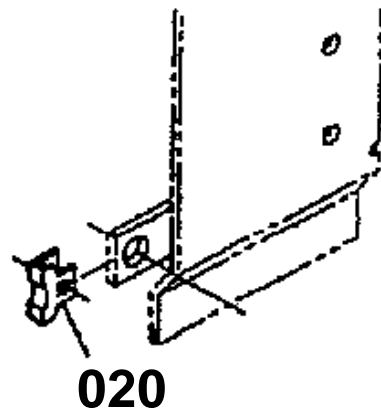
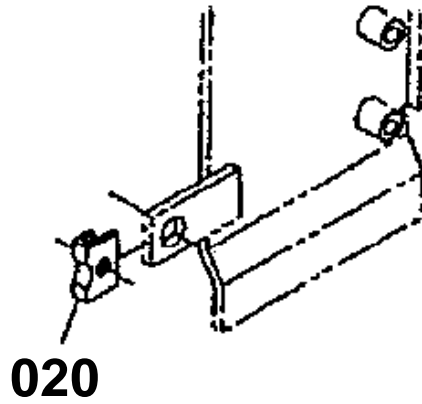
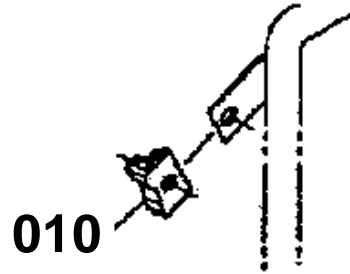
HOOD(BONNET) SIDE



32771-086-11

010 3F740-8386-0

020 3F740-8386-0



32771-820-10

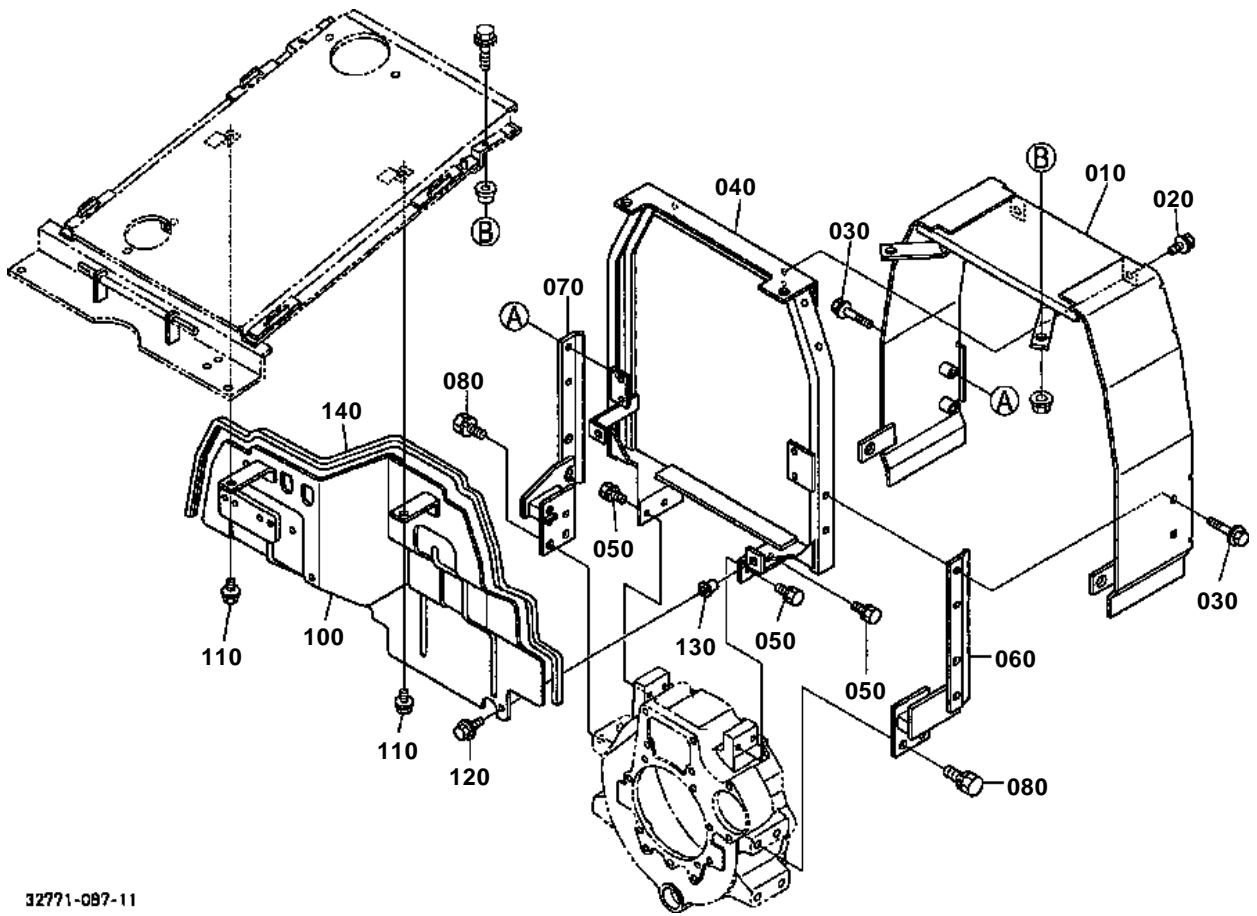


# HOOD(BONNET) SIDE

↔ Interchangeable; ≠ not interchangeable; ← new for old; → old for new

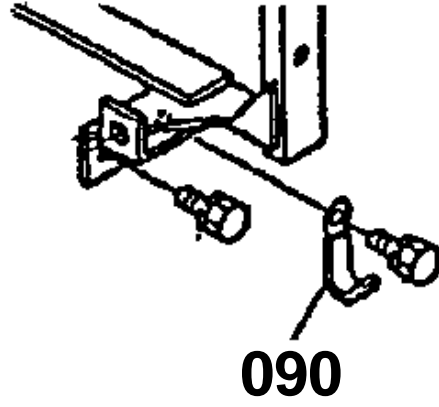
REF.No	Part No.	Description	Q'ty	S.No.	I/C	REMARKS	Weight (kgf)	Weight (lb)
010	3F740-83860	HOLDER RECEPTACLE	2	<=52254		NOT SALE	0	0
010	TD060-41390	HOLDER RECEPTACLE	2	>=52255	↔		0.011	0.0242
020	3F740-83860	HOLDER RECEPTACLE	2	<=52254		NOT SALE	0	0
020	TD060-41390	HOLDER RECEPTACLE	2	>=52255	↔		0.011	0.0242
030	32771-99560	KIT COVER SIDE LH(A)	1			ENGLISH	4.2	9.24
035	32775-99560	KIT COVER SIDE LH(B)	1			FRENCH	4.2	9.24
040	32771-41424	COVER SIDE RH	1				4.2	9.24
050	3F750-83840	HOLDER	4				0.017	0.0374
060	3F740-83850	HOLDER	8				0.001	0.0022
070	T0270-84340	CUSHION OUTER ROOF	2				0.005	0.011
080	32771-41210	SPONGE COVER LH	1				0.007	0.0154
090	32771-41220	SPONGE COVER RH	1				0.007	0.0154
100	TA140-41400	TRIM SKIRT	1				0.01	0.022
110	TA040-49650	LABEL START CAUTION	1			ENGLISH	0.004	0.0088
120	TA041-49650	LABEL START CAUTION	1			FRENCH	0.004	0.0088

# SHUTTER PLATE



32771-097-11

090 37150-3446-0



32771-806-10

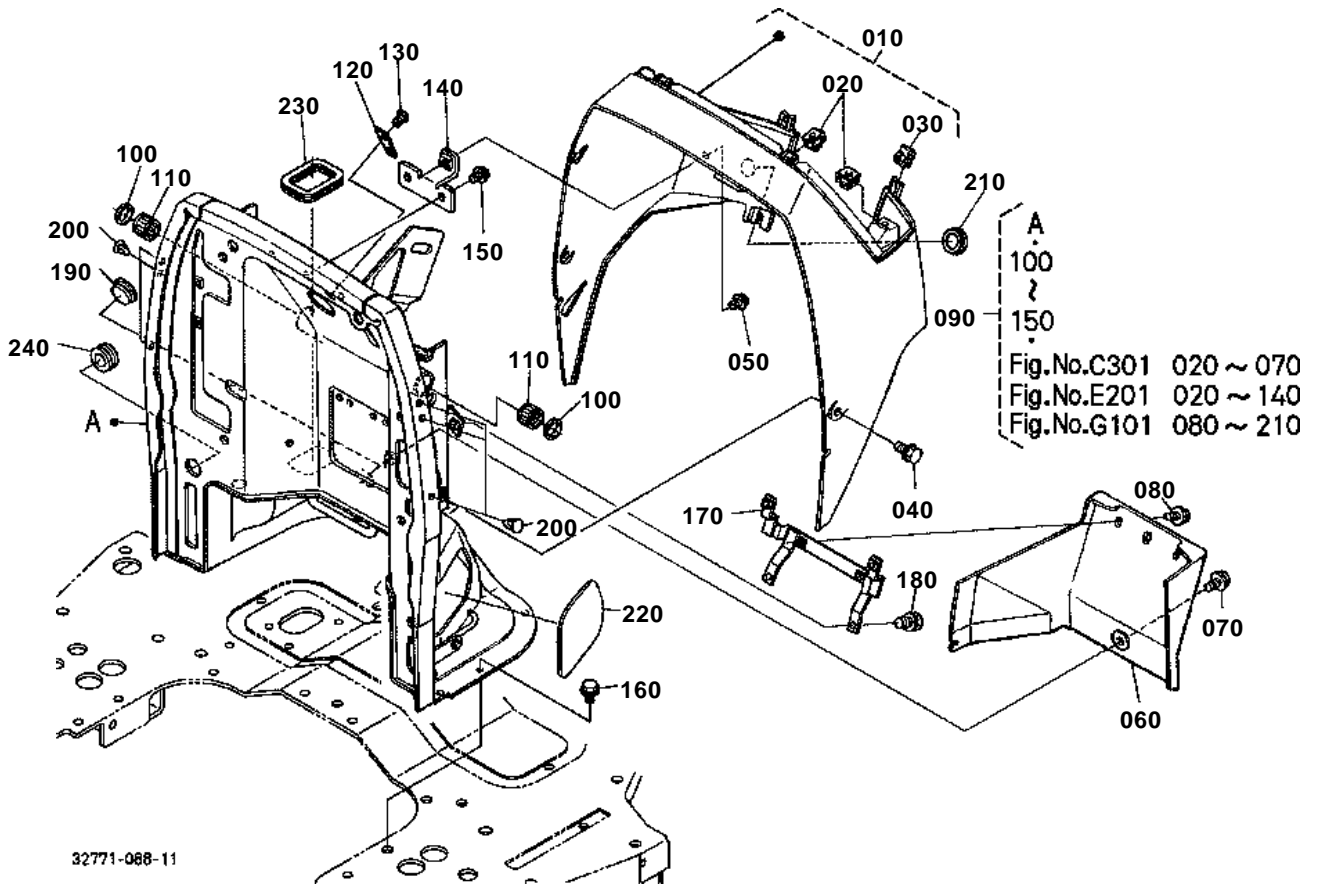


# SHUTTER PLATE

↔ Interchangeable; ≠ not interchangeable; ← new for old; → old for new

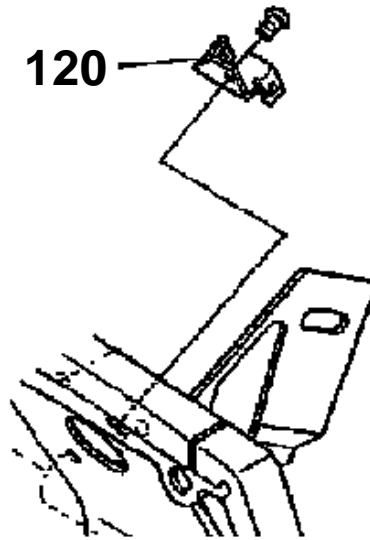
REF.No	Part No.	Description	Q'ty	S.No.	I/C	REMARKS	Weight (kgf)	Weight (lb)
010	32771-41390	BONNET REAR	1				4	8.8
020	01754-50816	BOLT FLANGE	2				0.011	0.0242
030	01754-50840	BOLT FLANGE	4				0.02	0.044
040	32771-42130	SUPPORT BONNET REAR	1				5	11
050	01133-51020	BOLT	4	<=50561			0.02	0.044
050	T1150-45610	BOLT	4	>=50562	→		0.02	0.044
060	32771-42160	SUPPORT PILLAR LH	1				0.905	1.991
070	32771-42172	SUPPORT PILLAR RH	1				0.96	2.112
080	01133-51425	BOLT	4				0.055	0.121
090	37150-34460	CLAMP CORD	1	<=50561			0.004	0.0088
100	32771-42110	PLATE SHUTTER	1	<=50008		NOT SALE	4.4	9.68
100	32771-42112	PLATE SHUTTER	1	>=50009	→		4.4	9.68
110	01754-50812	BOLT FLANGE	2				0.01	0.022
120	01754-50820	BOLT FLANGE	2				0.015	0.033
130	34070-41610	NUT CUSHION	2				0.01	0.022
140	T0180-42220	SHIELD	1				0.24	0.528

PANEL FRAME





**120 TA040-7369-0**



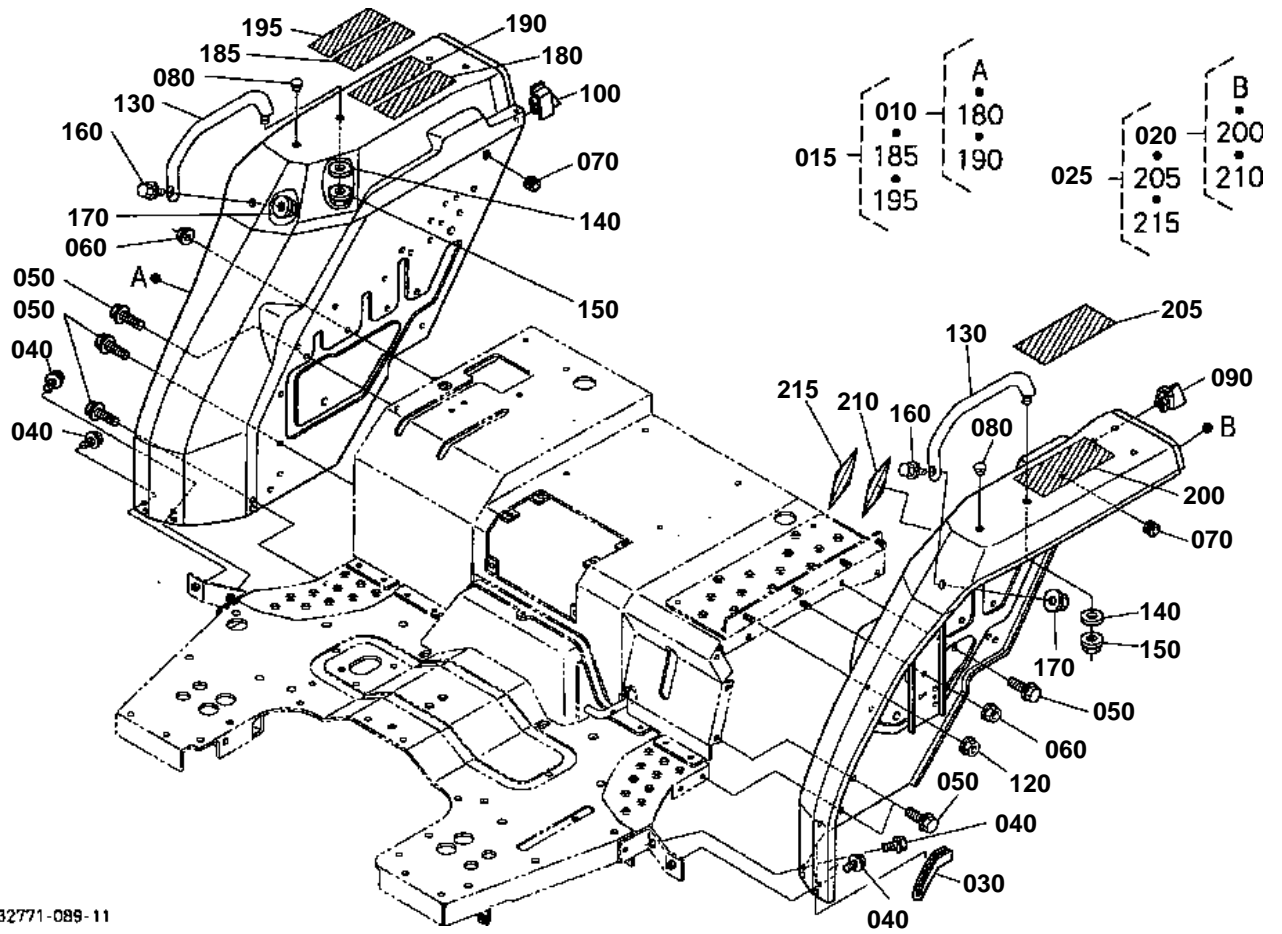
**32771-825-10**



PANEL FRAME

↔ Interchangeable; ≠ not interchangeable; ← new for old; → old for new

REF.No	Part No.	Description	Q'ty	S.No.	I/C	REMARKS	Weight (kgf)	Weight (lb)
010	34070-43010	BONNET	1				2	4.4
020	34070-99160	NUT SPRING	4				0.005	0.011
030	37410-54930	NUT SPRING	2				0.025	0.055
040	30400-18870	BOLT FLANGE	4				0.01	0.022
050	01754-50816	BOLT FLANGE	1				0.011	0.0242
060	34070-43032	COVER PANEL UNDER	1				0.28	0.616
070	30400-18870	BOLT FLANGE	1				0.01	0.022
080	30400-19060	BOLT FLANGE	2				0.006	0.0132
090	32771-43204	ASSY FRAME PANEL	1	<=52526			28	61.6
090	32771-43205	ASSY FRAME PANEL	1	>=52527	1		28	61.6
100	34070-44140	SEAL OIL	2				0.005	0.011
110	34070-44360	BEARING NEEDLE	2				0.012	0.0264
120	TA040-73690	STAY RELAY	1	<=52526			0.035	0.077
120	36919-55830	BRACKET RELAY	1	>=52527	1		0.005	0.011
130	03014-50608	SCREW PAN-HEAD	1				0.002	0.0044
140	T0270-43230	STAY.PANEL FRAME	1				0.063	0.1386
150	01754-50816	BOLT FLANGE	2				0.011	0.0242
160	01754-50812	BOLT FLANGE	8				0.01	0.022
170	32771-43242	BRACKET PANEL COVER	1				0.195	0.429
180	01123-60814	BOLT	2				0.01	0.022
190	35880-04570	CAP	1				0.01	0.022
200	38240-29570	PLUG	7				0.001	0.0022
210	32771-43310	COVER SWITCH STARTER	1				0.008	0.0176
220	34070-43280	COVER PANEL FRAME	1				0.12	0.264
230	32771-43330	GROMMET	1				0.013	0.0286
240	37560-61690	GROMMET HARNESS	1				0.006	0.0132

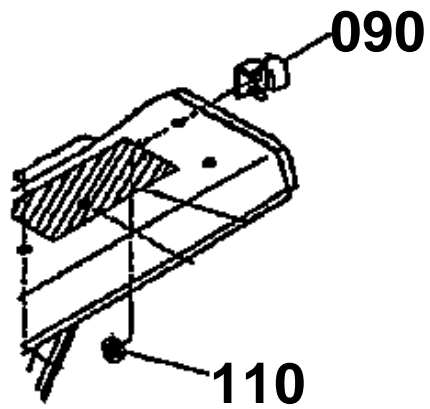
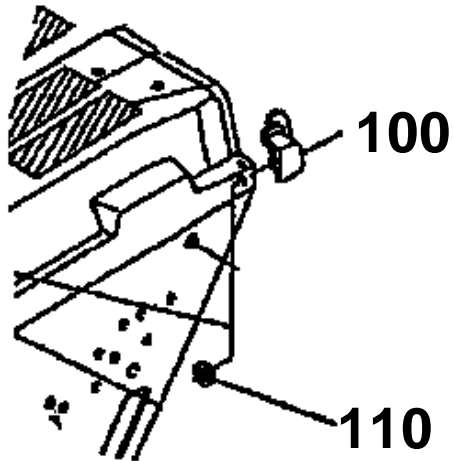


32771-089-11

090 34070-4706-0

100 34070-4707-0

110 31351-9355-0



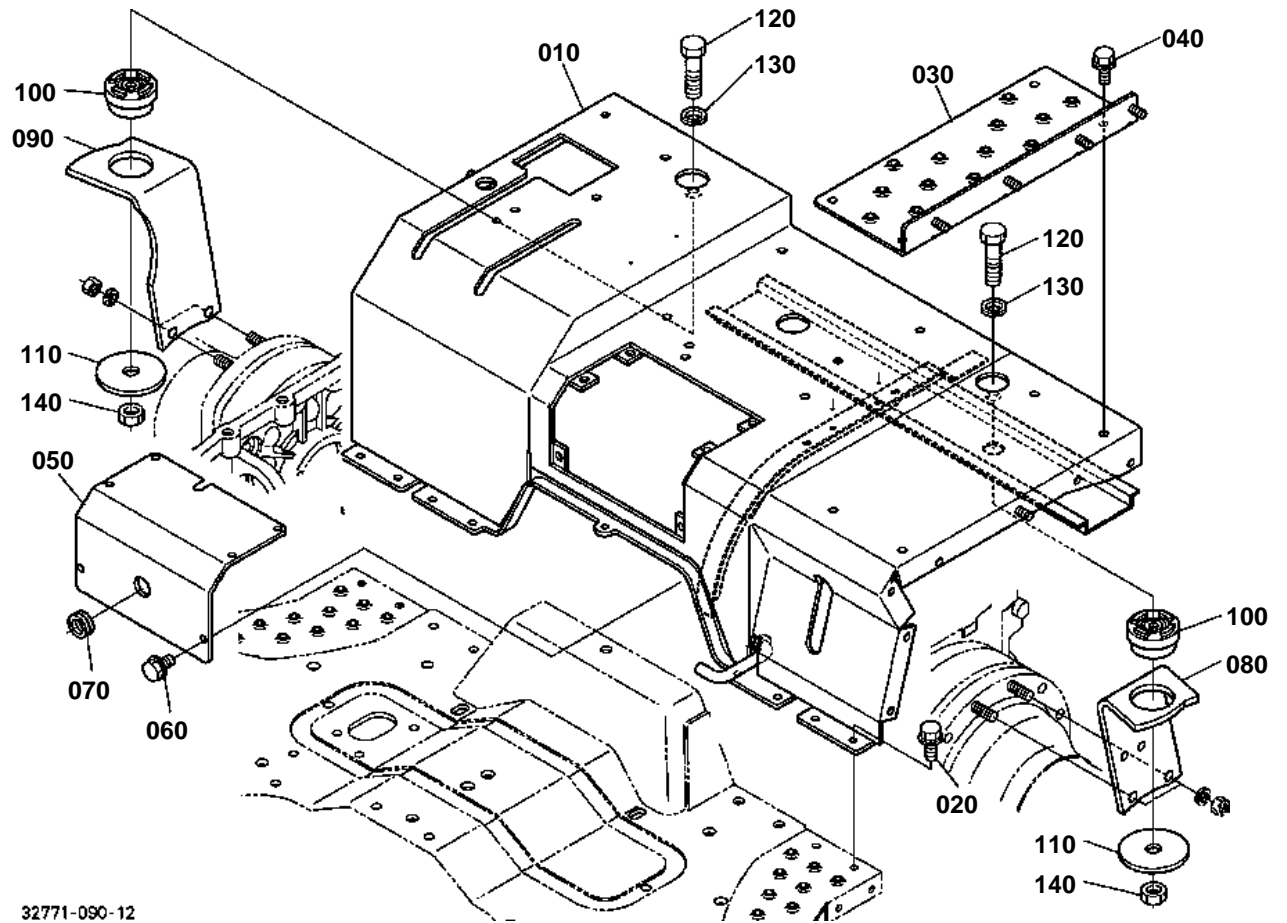
32771-817-10

**FENDER**

↔ Interchangeable; ≠ not interchangeable; ← new for old; → old for new

REF.No	Part No.	Description	Q'ty	S.No.	I/C	REMARKS	Weight (kgf)	Weight (lb)
010	32771-99510	KIT FENDER RH(A)	1			ENGLISH	9.3	20.46
015	32775-99510	KIT FENDER RH(B)	1			FRENCH	10	22
020	32771-99530	KIT FENDER LH(A)	1	<=52033		ENGLISH	9.3	20.46
020	32771-99533	KIT FENDER LH(A)	1	>=52034	-	ENGLISH	9.3	20.46
025	32775-99530	KIT FENDER LH(B)	1	<=50561		FRENCH	0	0
025	32775-99532	KIT FENDER LH(B)	1	>=50562	-	FRENCH	10	22
025	32775-99533	KIT FENDER LH(B)	1	>=52035	-	FRENCH	10	22
030	TA140-41400	TRIM SKIRT	1				0.01	0.022
040	01754-50812	BOLT FLANGE	4				0.01	0.022
050	01754-50816	BOLT FLANGE	15				0.011	0.0242
060	02751-50080	NUT FLANGE	2				0.006	0.0132
070	32150-29180	CAP RUBBER	2				0.002	0.0044
080	30810-29170	PLUG	2				0.003	0.0066
090	34070-47060	PLATE FENDER LH	1	<=51662			0.025	0.055
090	34040-68980	PLATE FENDER LH	1	>=51663	1		0.02	0.044
100	34070-47070	PLATE FENDER RH	1	<=51662			0.025	0.055
100	34040-68990	PLATE FENDER RH	1	>=51663	1		0.025	0.055
110	31351-93550	NUT	4	<=51662			0.001	0.0022
120	02751-50080	NUT FLANGE	4				0.006	0.0132
130	T0270-29442	GRIP	2				0.3	0.66
140	04013-60100	WASHER PLAIN	2				0.003	0.0066
150	02771-60100	NUT FLANGE	2				0.01	0.022
160	T0180-83590	BOLT FLANGE	2				0.022	0.0484
170	02771-60100	NUT FLANGE	2				0.01	0.022
180	32771-49250	LABEL ROPS WARNING	1			ENGLISH	0.001	0.0022
185	32775-49250	LABEL ROPS WARNING	1			FRENCH	0.004	0.0088
190	TA240-49330	LABEL PARKING	1			ENGLISH	0.005	0.011
195	TA241-49330	LABEL PARKING WARNIN	1			FRENCH	0.005	0.011
200	35260-34913	LABEL SAFETY	1	<=52034		ENGLISH	0	0
200	35260-34914	LABEL SAFETY	1	>=52035	-	ENGLISH	0.005	0.011
205	TA041-65702	LABEL SAFETY	1			FRENCH	0.01	0.022
210	32751-49210	LABEL SEAT WARNING	1	>=50562		ENGLISH	0.002	0.0044
215	32765-49210	LABEL SEAT WARNING	1	>=50562		FRENCH	0.002	0.0044

# FLOOR SEAT

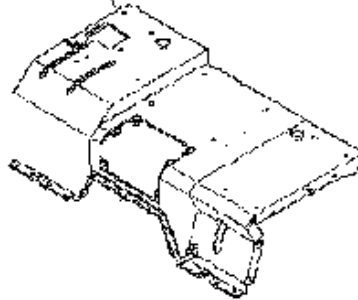


32771-090-12

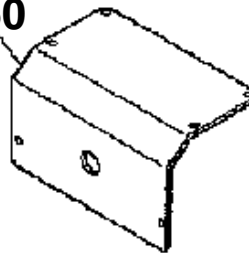
010 32771-4720-3

050 32771-4728-0

010

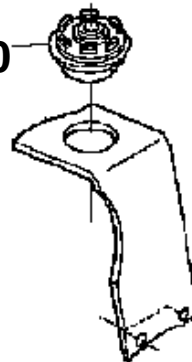


050

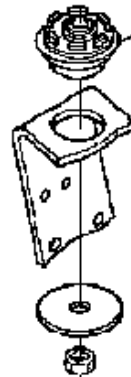


100 T0270-4731-0

100



100



32771-826-11



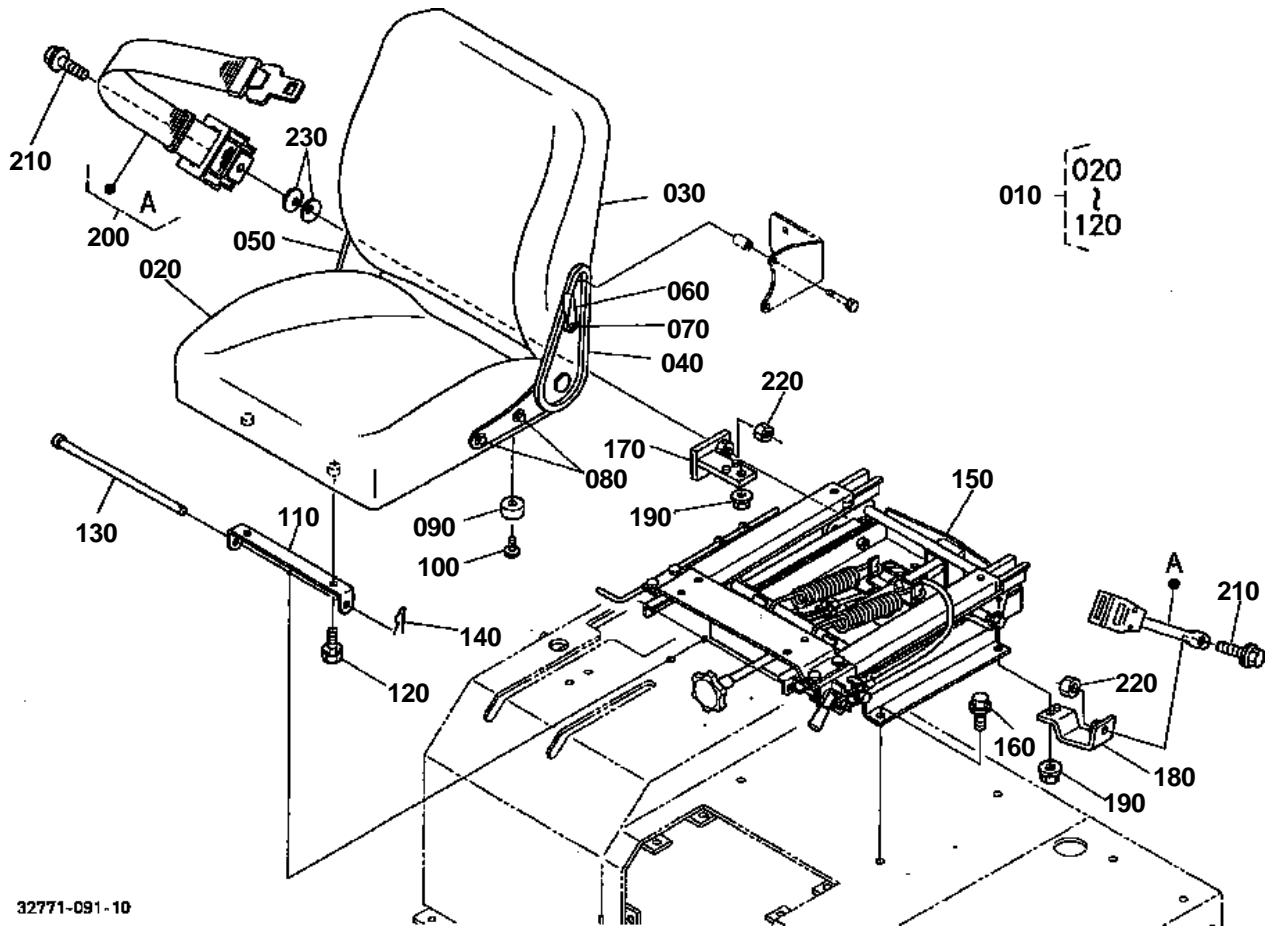
## FLOOR SEAT

↔ Interchangeable; ≠ not interchangeable; ← new for old; → old for new

REF.No	Part No.	Description	Q'ty	S.No.	I/C	REMARKS	Weight (kgf)	Weight (lb)
010	32771-47203	COVER FLOOR SEAT	1	<=52526			0	0
010	32771-47204	COVER FLOOR SEAT	1	>=52527	↔		13.4	29.48
020	01754-50816	BOLT FLANGE	9				0.011	0.0242
030	32771-47192	PLATE	1				1.435	3.157
040	01754-50812	BOLT FLANGE	4				0.01	0.022
050	32771-47280	COVER FLOOR SEAT	1	<=52526			0.72	1.584
050	32771-47282	COVER FLOOR SEAT	1	>=52527	↔		0.72	1.584
060	01754-50812	BOLT FLANGE	6				0.01	0.022
070	90407-11210	GROMMET	1				0.006	0.0132
080	32771-47210	SUPPORT FLOOR SEAT L	1	<=51342			0	0
080	32771-47213	SUPPORT FLOOR SEAT L	1	>=51343	↔		1.75	3.85
090	32771-47220	SUPPORT FLOOR SEAT R	1				2.07	4.554
100	T0270-47310	CUSHION	2				0.131	0.2882
100	34070-47310	CUSHION	2		↔		0.165	0.363
110	34070-47320	WASHER	2				0.1	0.22
120	01173-51660	BOLT	2				0.114	0.2508
130	04512-60160	WASHER SPRING	2				0.01	0.022
140	02176-50160	NUT	2				0.021	0.0462



SEAT [OLD TYPE]



32771-091-10

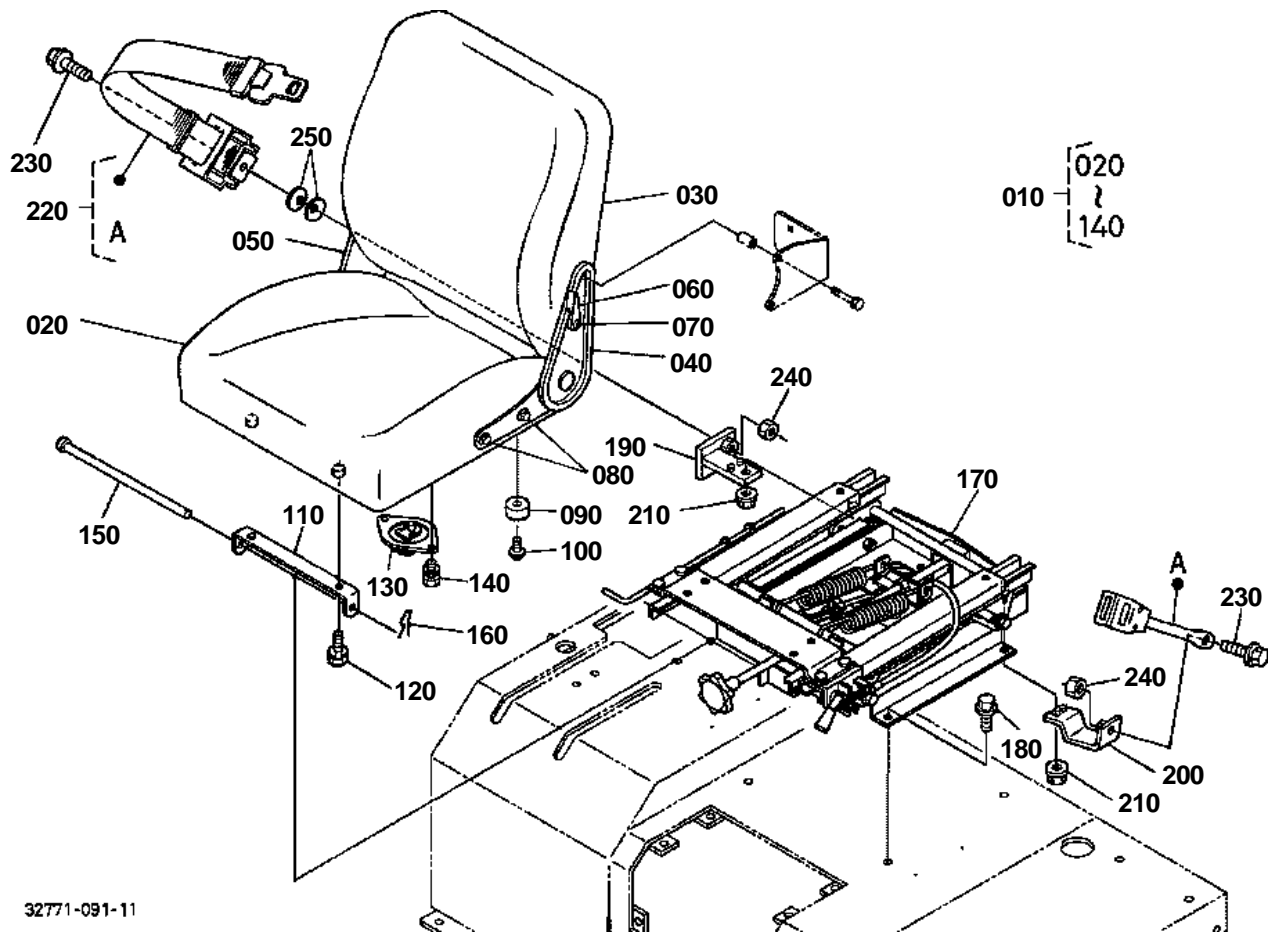


SEAT [OLD TYPE]  
S.No.;<=52526

↔ Interchangeable; ≠ not interchangeable; ← new for old; → old for new

REF.No	Part No.	Description	Q'ty	S.No.	I/C	REMARKS	Weight (kgf)	Weight (lb)
010	TA140-47700	ASSY SEAT	1				9.6	21.12
020	TA140-47710	CUSHION SEAT	1				3.9	8.58
030	TA140-47720	BACK SEAT	1				3.85	8.47
040	TA140-47730	HINGE	1				1.03	2.266
050	TA140-47740	HINGE	1				0.305	0.671
060	TA140-47750	KNOB	1				0.02	0.044
070	TA140-47760	SCREW	1				0.002	0.0044
080	TA140-47770	BOLT	8				0.01	0.022
090	TA140-47780	CUSHION	2				0.043	0.0946
100	TA140-47790	SCREW	2				0.01	0.022
110	TA140-47800	BRACKET SEAT	1				0.185	0.407
120	TA140-47810	BOLT	2				0.01	0.022
130	56811-35462	PIN	1				0.1	0.22
140	05525-50800	PIN SNAP	1				0.001	0.0022
150	32771-11800	ASSY SUSPENSION TURN	1				0	0
160	01754-50816	BOLT FLANGE	4				0.011	0.0242
170	TA140-18482	BRACKET SEAT BELT RH	1				0.16	0.352
180	TA140-18492	BRACKET SEAT BELT LH	1				0.175	0.385
190	02763-50080	NUT FLANGE	2				0.006	0.0132
200	6C040-72252	ASSY BELT SEAT	1	<=51662			0	0
200	6C040-72253	ASSY BELT SEAT	1	>=51663	-		0.9	1.98
210	01774-51025	BOLT FLANGE	2				0.02	0.044
220	02116-50100	NUT	2				0.004	0.0088
230	67531-38630	SPRING PLATE	2				0.002	0.0044

SEAT [NEW TYPE]



32771-091-11

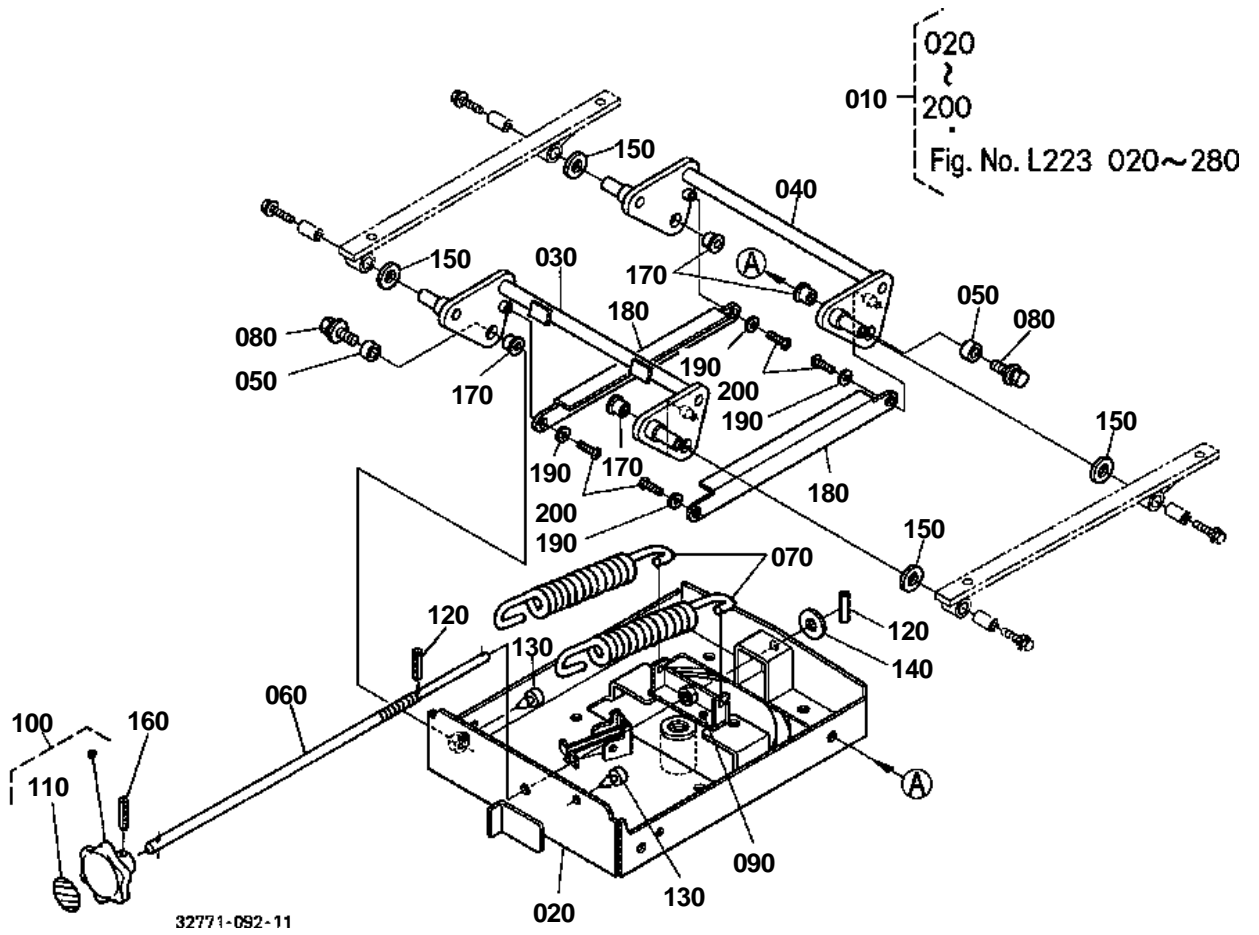
**SEAT [NEW TYPE]**

S.No.;&gt;=52527

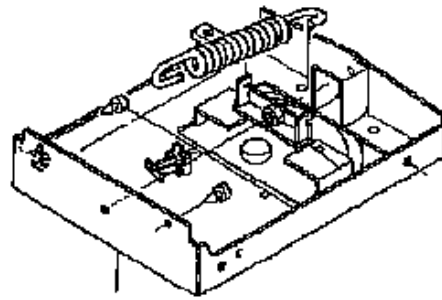
↔ Interchangeable; ≠ not interchangeable; ← new for old; → old for new

REF.No	Part No.	Description	Q'ty	S.No.	I/C	REMARKS	Weight (kgf)	Weight (lb)
010	32771-47700	ASSY SEAT	1				9.4	20.68
020	32771-47710	CUSHION	1				3.9	8.58
030	TA140-47720	BACK SEAT	1				3.85	8.47
040	TA140-47730	HINGE	1				1.03	2.266
050	TA140-47740	HINGE	1				0.305	0.671
060	TA140-47750	KNOB	1				0.02	0.044
070	TA140-47760	SCREW	1				0.002	0.0044
080	TA140-47770	BOLT	8				0.01	0.022
090	TA140-47780	CUSHION	2				0.043	0.0946
100	03014-50820	SCREW PAN-HEAD	2				0.01	0.022
110	TA140-47800	BRACKET SEAT	1				0.185	0.407
120	TA140-47810	BOLT	2				0.01	0.022
130	32771-47840	SWITCH SEAT	1				0	0
140	32771-47850	BOLT	2				0.005	0.011
150	56811-35462	PIN	1				0.1	0.22
160	05525-50800	PIN SNAP	1				0.001	0.0022
170	32771-11804	ASSY SUSPENSION TURN	1				14.5	31.9
180	01754-50816	BOLT FLANGE	4				0.011	0.0242
190	TA140-18482	BRACKET SEAT BELT RH	1				0.16	0.352
200	TA140-18492	BRACKET SEAT BELT LH	1				0.175	0.385
210	02763-50080	NUT FLANGE	2				0.006	0.0132
220	6C040-72253	ASSY BELT SEAT	1				0.9	1.98
220	TD060-47780	ASSY BELT SEAT	1			<<	0.805	1.771
230	01774-51025	BOLT FLANGE	2				0.02	0.044
240	02116-50100	NUT	2				0.004	0.0088
250	67531-38630	SPRING PLATE	2				0.002	0.0044

SEAT SUSPENSION 1 [COMPONENT PARTS]



020 32771-1182-0



020

32771-829-10

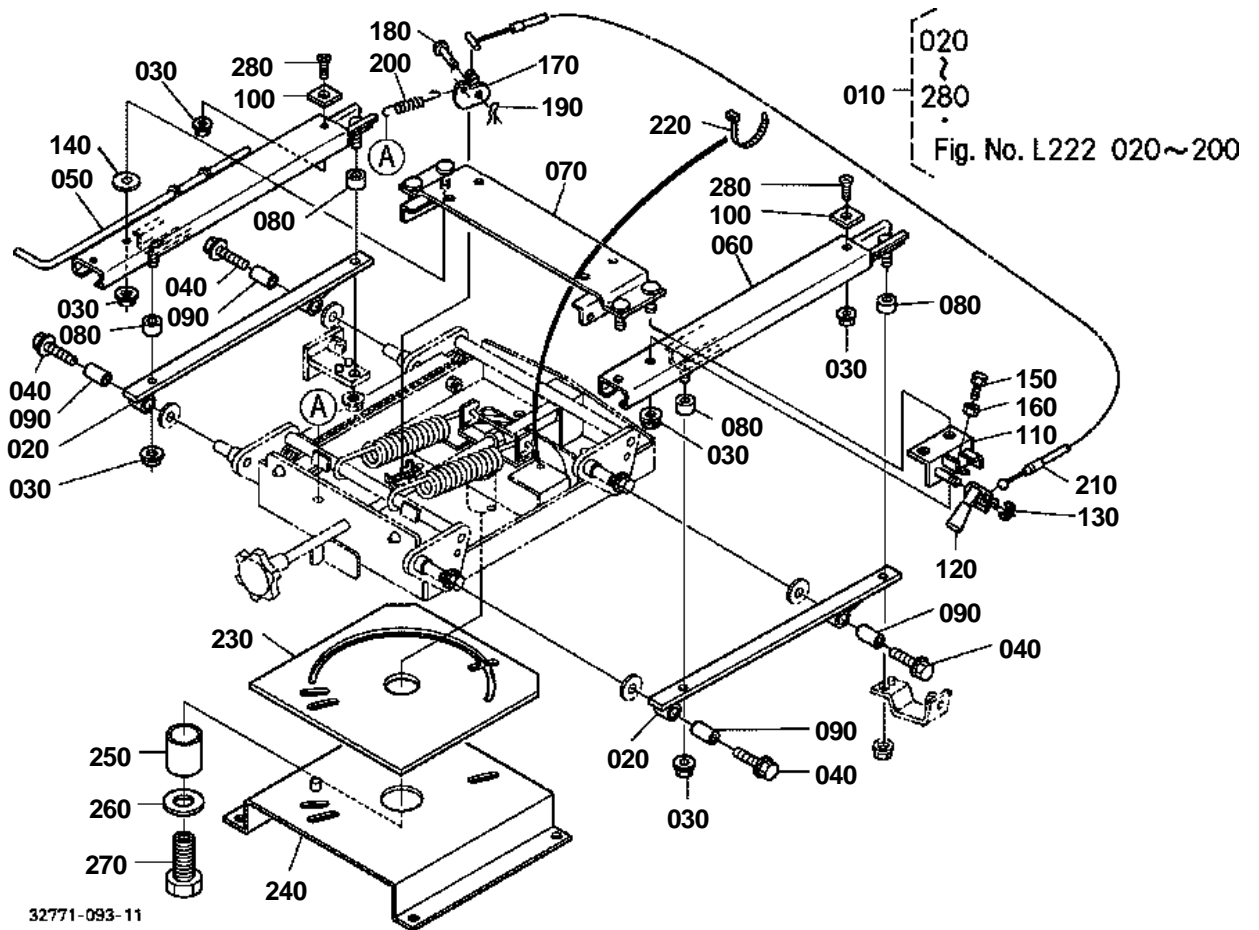


## SEAT SUSPENSION 1 [COMPONENT PARTS]

↔ Interchangeable; ≠ not interchangeable; ← new for old; → old for new

REF.No	Part No.	Description	Q'ty	S.No.	I/C	REMARKS	Weight (kgf)	Weight (lb)
010	32771-11800	ASSY SUSPENSION TURN	1	<=52526			0	0
010	32771-11804	ASSY SUSPENSION TURN	1	>=52527	→		14.5	31.9
020	32771-11820	FRAME SUSPENSION	1	<=52526			4.32	9.504
020	32771-11823	FRAME SUSPENSION	1	>=52527	1		4.32	9.504
030	32771-11830	COMP.LINK	1				0.67	1.474
040	TA140-11830	COMP.LINK	1				0.62	1.364
050	TA140-11840	SPACER SUSPENSION	4				0.005	0.011
060	TA140-11990	SHAFT	1				0.23	0.506
070	TA140-11860	SPRING SUSPENSION	2				0.24	0.528
080	TA140-11870	BOLT	4				0.015	0.033
090	TA140-11880	NUT ADJUST	1				0.095	0.209
100	TA140-11890	KNOB ADJUST	1				0.105	0.231
110	TA140-11900	LABEL ADJUST	1				0.001	0.0022
120	TA140-11910	PIN SPRING	2				0.001	0.0022
130	TA140-11920	CUSHION	2				0.006	0.0132
140	TA140-11930	WASHER PLAIN	1				0.01	0.022
150	TA140-11940	SHIM	4				0.001	0.0022
160	TA140-11950	PIN SPRING	1				0.002	0.0044
170	TA140-11960	BUSH SUSPENSION	4				0.003	0.0066
180	TA140-11980	PLATE	2				0.205	0.451
190	TA140-11710	BUSH PLATE	4				0.003	0.0066
200	TA140-11720	SCREW	4				0.006	0.0132

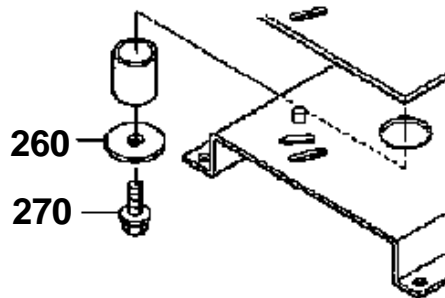
SEAT SUSPENSION 2 [COMPONENT PARTS]





**260 32771-1859-0**

**270 32771-1861-0**



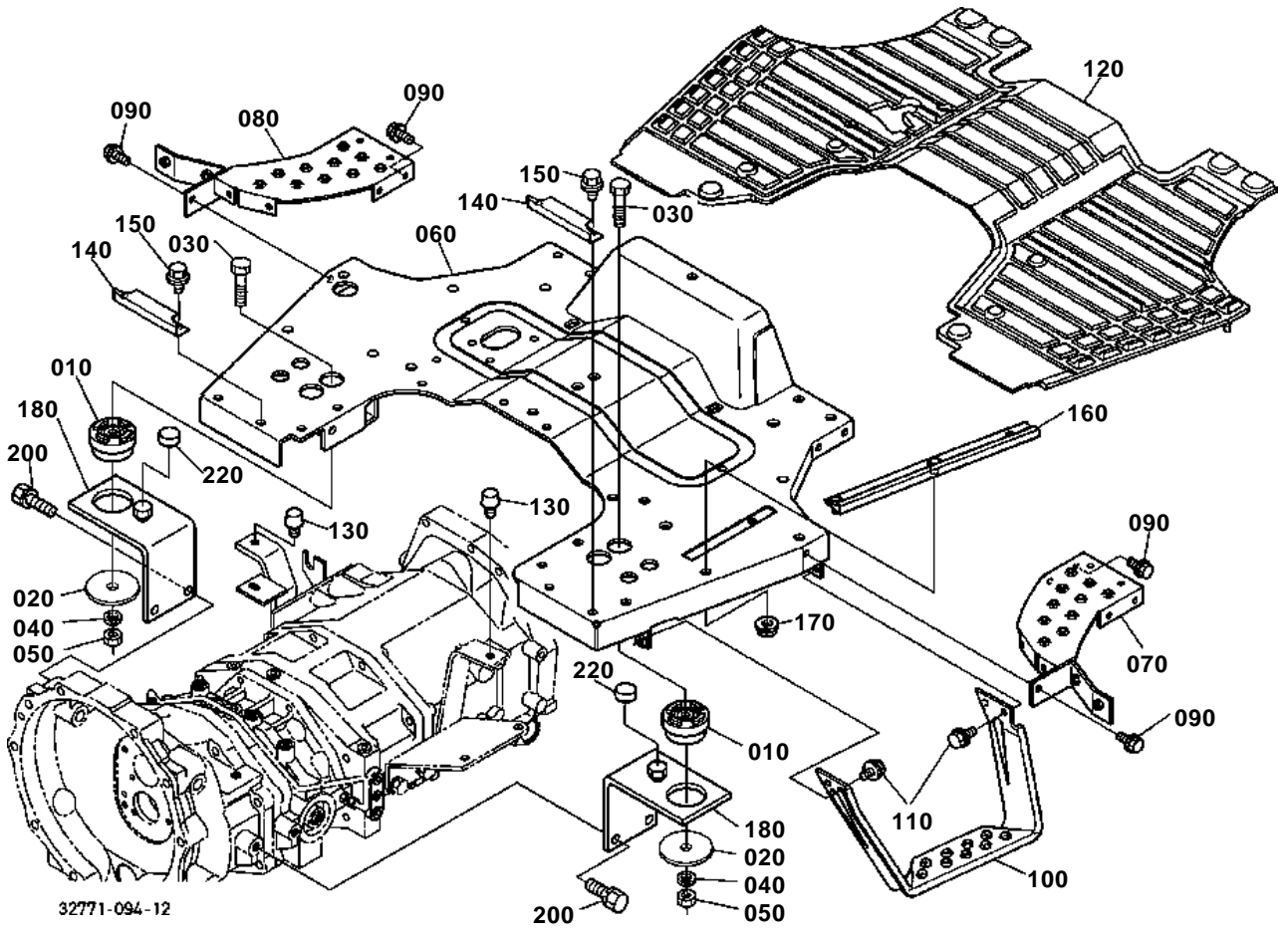
**32771-828-10**



## SEAT SUSPENSION 2 [COMPONENT PARTS]

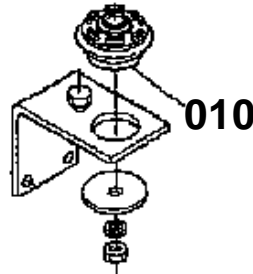
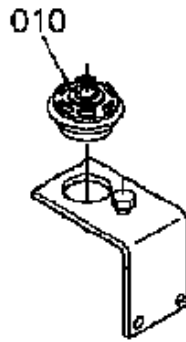
↔ Interchangeable; ≠ not interchangeable; ← new for old; → old for new

REF.No	Part No.	Description	Q'ty	S.No.	I/C	REMARKS	Weight (kgf)	Weight (lb)
010	32771-11800	ASSY SUSPENSION TURN	1	<=52526			0	0
010	32771-11804	ASSY SUSPENSION TURN	1	>=52527	-		14.5	31.9
020	32771-18370	PLATE	2				0.405	0.891
030	TA140-18310	NUT FLANGE	8				0.006	0.0132
040	TA140-18320	BOLT FLANGE	4				0.012	0.0264
050	TA140-18330	RAIL RH	1				1.38	3.036
060	TA140-18340	RAIL LH	1				0.925	2.035
070	TA140-18350	BRACKET	1				0.725	1.595
080	TA140-18390	SPACER	4				0.009	0.0198
090	TA140-18410	BUSH	4				0.006	0.0132
100	32771-18420	PLATE	2				0.05	0.11
110	32771-18430	COMP.BRACKET KNOB	1				0.1	0.22
120	32771-18440	COMP.PLATE KNOB	1				0.035	0.077
130	32771-18450	CIR CLIP EXTERNAL	1				0.001	0.0022
140	32771-18460	WASHER PLAIN	2				0.01	0.022
150	32771-18470	BOLT	1				0.006	0.0132
160	32771-18480	NUT	1				0.002	0.0044
170	32771-18490	COMP.PLATE LOCK	1				0.06	0.132
180	32771-18510	PIN JOINT	1				0.019	0.0418
190	32771-18520	PIN SNAP	1				0.002	0.0044
200	32771-18530	SPRING	1				0.022	0.0484
210	32771-18540	WIRE	1				0.04	0.088
220	32771-18550	CLAMP	1				0.002	0.0044
230	32771-18560	PLATE TURN	1				0.17	0.374
240	32771-18570	COMP.BASE TURN	1				2.95	6.49
250	32771-18580	BUSH	1				0.043	0.0946
260	32771-18590	WASHER PLAIN	1	<=52526			0.02	0.044
260	32771-18592	WASHER PLAIN	1	>=52527	1		0.02	0.044
270	32771-18610	BOLT	1	<=52526			0.015	0.033
270	32771-18612	BOLT	1	>=52527	1		0.015	0.033
280	32771-18620	SCREW CSK-HD	2				0.005	0.011



32771-094-12

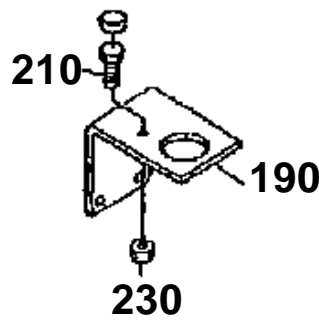
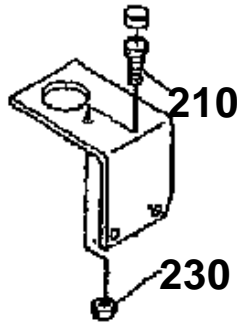
**010 T0270-4731-0**



**190 32771-4742-0**

**210 01073-51030**

**230 02118-50100**



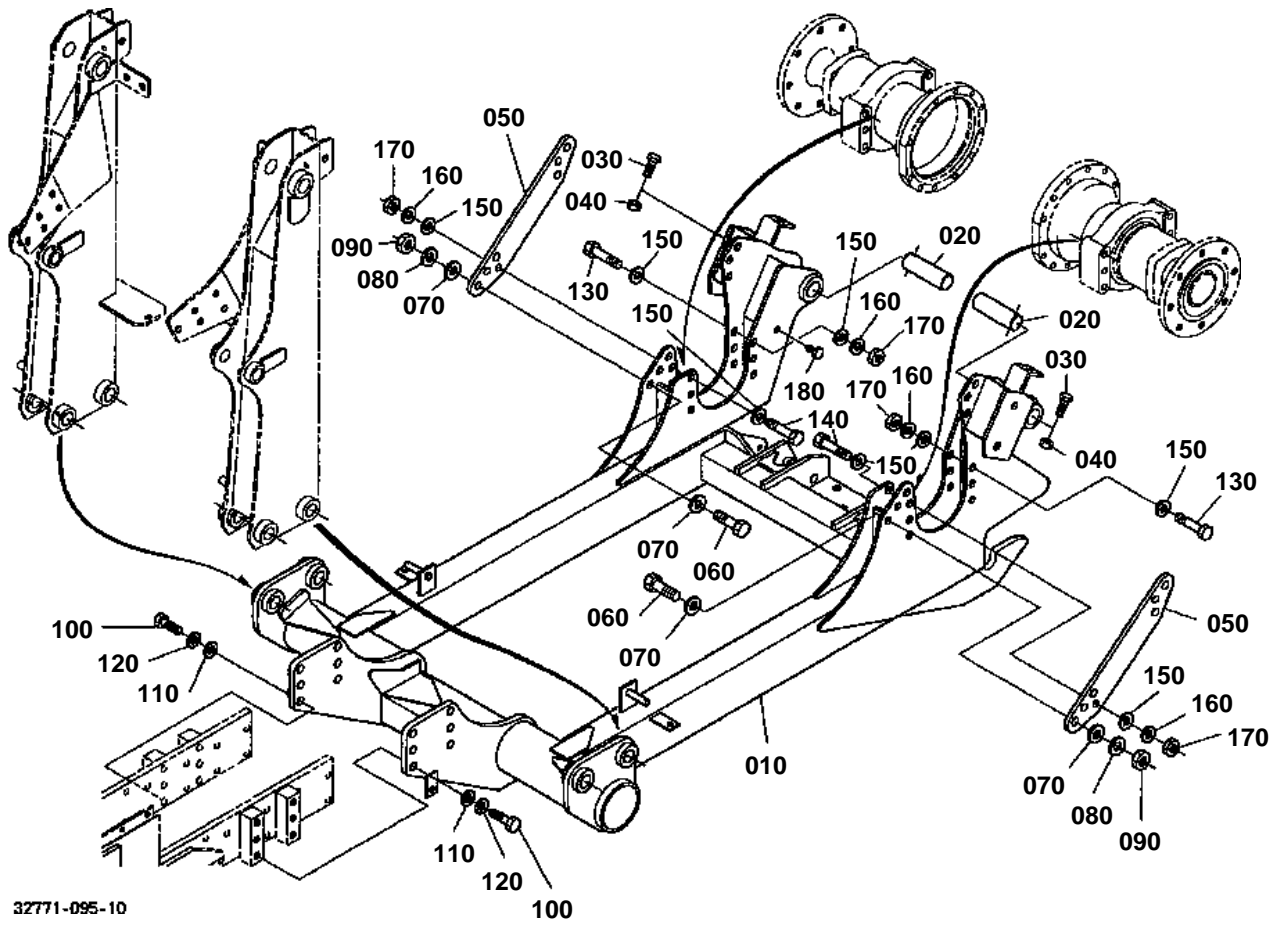
**32771-813-11**

**STEP**

↔ Interchangeable; ≠ not interchangeable; ← new for old; → old for new

REF.No	Part No.	Description	Q'ty	S.No.	I/C	REMARKS	Weight (kgf)	Weight (lb)
010	T0270-47310	CUSHION	2				0.131	0.2882
010	34070-47310	CUSHION	2		<<		0.165	0.363
020	34070-47320	WASHER	2				0.1	0.22
030	01173-51660	BOLT	2				0.114	0.2508
040	04512-60160	WASHER SPRING	2				0.01	0.022
050	02176-50160	NUT	2				0.021	0.0462
060	TA240-47405	STEP	1				12.1	26.62
070	32771-47910	SUPPORT STEP LH	1				0.895	1.969
080	32771-47920	SUPPORT STEP RH	1				0.895	1.969
090	01754-50816	BOLT FLANGE	10				0.011	0.0242
100	TA140-47470	STEP AID LH	1				0.985	2.167
110	01754-50816	BOLT FLANGE	4				0.011	0.0242
120	TA240-47450	MAT	1				1.55	3.41
130	33251-85180	RUBBER SEAT BLOCK	2				0.038	0.0836
140	TA140-47480	CLAMP STEP MAT	2				0.05	0.11
150	01754-50816	BOLT FLANGE	4				0.011	0.0242
160	TA150-47490	CLAMP STEP MAT LH	1				0.155	0.341
170	02751-50080	NUT FLANGE	2				0.006	0.0132
180	32771-47410	BRACKET STEP RH	1	<=51077			1.55	3.41
180	32771-47410	BRACKET STEP	2	>=51078	↔		1.55	3.41
190	32771-47420	BRACKET STEP LH	1	<=51077			1.55	3.41
200	01133-51230	BOLT	4				0.04	0.088
210	01073-51030	BOLT	2	<=51077			0.028	0.0616
220	T0270-47490	CUSHION	2				0.002	0.0044
230	02118-50100	NUT	2	<=51077			0.005	0.011

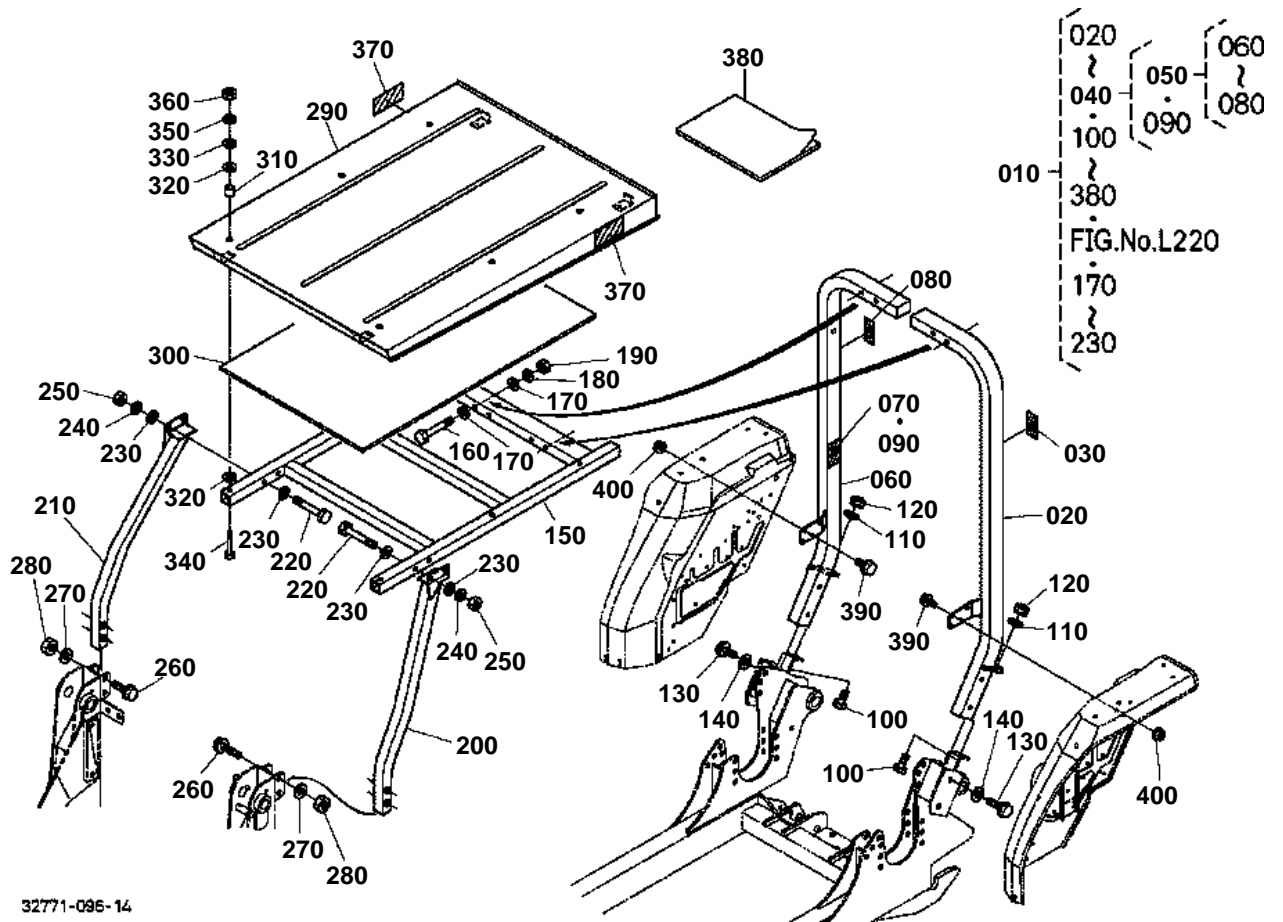
MAIN FRAME



**MAIN FRAME**

↔ Interchangeable; ≠ not interchangeable; ← new for old; → old for new

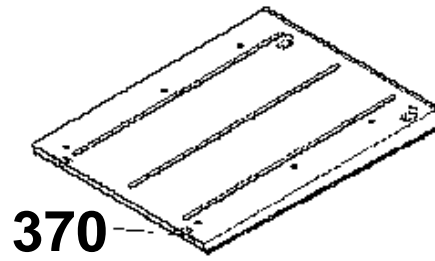
REF.No	Part No.	Description	Q'ty	S.No.	I/C	REMARKS	Weight (kgf)	Weight (lb)
020	32771-29140	PIN MAIN FRAME	2				1.05	2.31
030	75599-01165	HEX.BOLT	2				0.022	0.0484
040	75599-31911	NUT LOCKING	2				0.004	0.0088
050	32771-29170	PLATE CONNECTING	2				0	0
060	75599-04735	HEX.BOLT	12				0.09	0.198
070	75599-32517	WASHER PLAIN	24				0.016	0.0352
080	75599-33017	WASHER SPRING LOCK	12				0.005	0.011
090	75599-31067	HEX.NUT	12				0.032	0.0704
100	01073-51650	BOLT	12				0.105	0.231
110	75599-32517	WASHER PLAIN	12				0.016	0.0352
120	75599-33017	WASHER SPRING LOCK	12				0.005	0.011
130	75599-04680	HEX.BOLT	10				0.143	0.3146
140	75599-04690	HEX.BOLT	2				0.16	0.352
150	75599-32516	WASHER PLAIN	24				0.011	0.0242
160	75599-33016	WASHER SPRING	12				0.08	0.176
160	0Y450-50090	WASHER SPRING LOCK	12			-	0.007	0.0154
170	75599-31066	HEX.NUT	12				0.03	0.066
180	75595-61272	CLIP BUTTON	1				0	0



32771-095-14



**370 32751-3488-0**



**32771-830-10**

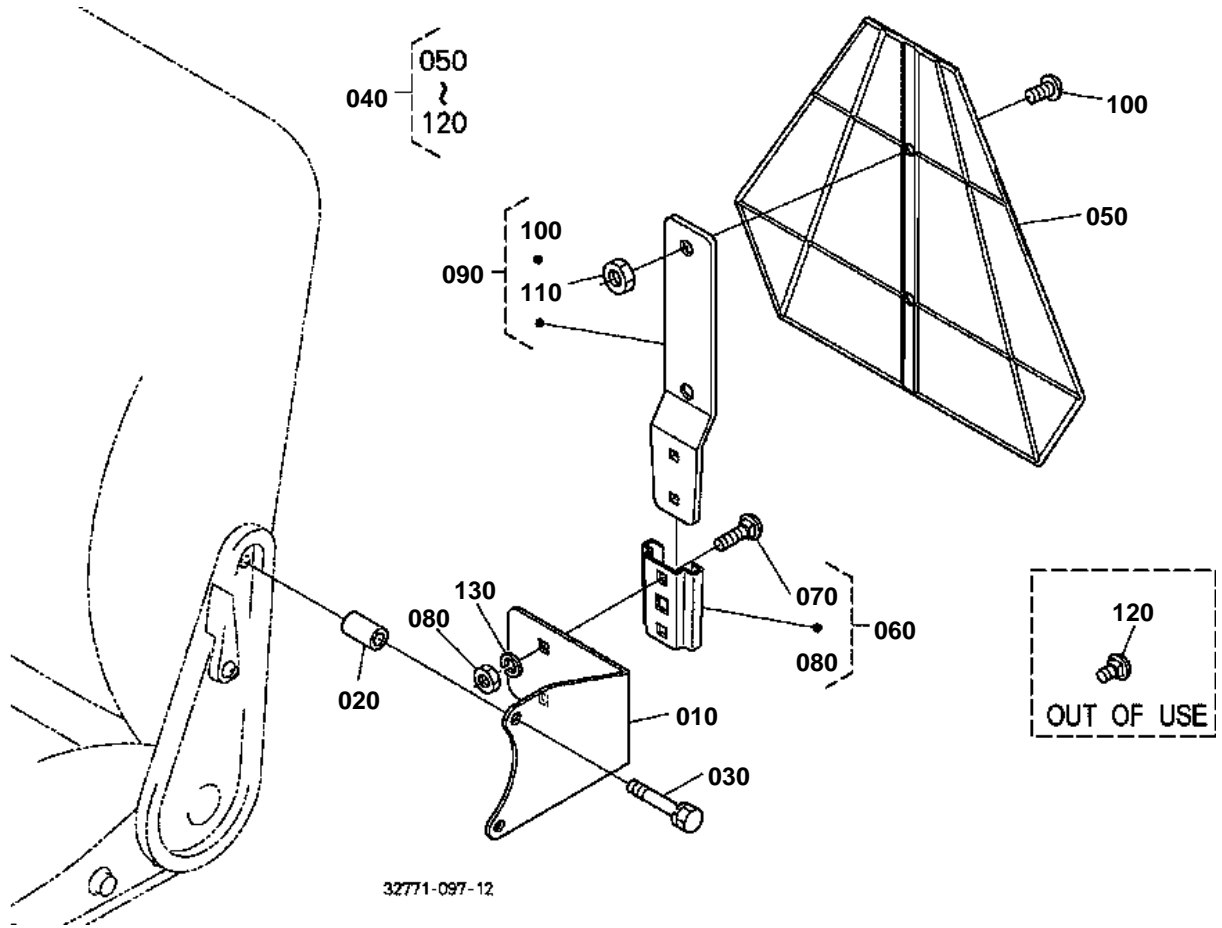


## ROPS/FOPS

↔ Interchangeable; ≠ not interchangeable; ← new for old; → old for new

REF.No	Part No.	Description	Q'ty	S.No.	I/C	REMARKS	Weight (kgf)	Weight (lb)
010	32771-93940	ASSY ROPS FOPS	1				0	0
020	99999-99999	COMP.FRAME LH	1				0	0
030	6C140-54990	REFLECTOR LABEL	1				0.003	0.0066
030	K2591-65410	LABEL REFLECTOR	1		«		0.01	0.022
040	32775-34602	KIT FRAME RH (B)	1				0	0
050	32771-34602	KIT FRAME RH (A)	1				0	0
060	99999-99999	COMP.FRAME RH	1				0	0
070	6C140-47460	LABEL ROPS WARNING	1			ENGLISH	0.001	0.0022
080	6C140-54990	REFLECTOR LABEL	1				0.003	0.0066
080	K2591-65410	LABEL REFLECTOR	1		«		0.01	0.022
090	6C141-47460	LABEL ROPS WARNING	1			FRENCH	0.001	0.0022
100	75599-04735	HEX.BOLT	2				0.09	0.198
110	75599-33017	WASHER SPRING LOCK	2				0.005	0.011
120	75599-31067	HEX.NUT	2				0.032	0.0704
130	75599-04625	HEX.BOLT	4				0.056	0.1232
140	75599-33016	WASHER SPRING	4				0.08	0.176
140	0Y450-50090	WASHER SPRING LOCK	4		«		0.007	0.0154
150	99999-99999	COMP.FRAME(UPPER)	1				0	0
160	75599-04590	HEX.BOLT	4				0.13	0.286
170	75599-32115	WASHER PLAIN	8				0.02	0.044
180	75599-33015	WASHER SPRING LOCK	4				0.006	0.0132
180	0Y450-50080	WASHER SPRING LOCK	4		«		0	0
190	75599-31025	HEX.NUT	4				0.015	0.033
200	99999-99999	COMP FRAME(F/LH)	1				0	0
210	99999-99999	COMP FRAME(F/RH)	1				0	0
220	75599-04560	HEX.BOLT	4				0.09	0.198
230	75599-32115	WASHER PLAIN	8				0.02	0.044
240	75599-33015	WASHER SPRING LOCK	4				0.006	0.0132
240	0Y450-50080	WASHER SPRING LOCK	4		«		0	0
250	75599-31025	HEX.NUT	4				0.015	0.033
260	75599-04680	HEX.BOLT	4				0.143	0.3146
270	75599-33016	WASHER SPRING	4				0.08	0.176
270	0Y450-50090	WASHER SPRING LOCK	4		«		0.007	0.0154
280	75599-31946	NUT LOCKING	4				0.03	0.066
290	99999-99999	COMP.CANOPY	1				0	0
300	32771-34990	ACOUSTIC FOAM(FOPS)	1				0	0
310	32751-34860	COLLAR(FOPS)	6				0.016	0.0352
320	32751-34870	CUSHION(FOPS)	12				0.01	0.022
330	75599-32113	WASHER PLAIN	12				0.01	0.022
340	75599-04330	HEX.BOLT	6				0.035	0.077
350	75599-33013	WASHER SPRING	6				0.006	0.0132
350	0Y450-50060	WASHER SPRING LOCK	6		«		0.003	0.0066
360	75599-31023	HEX.NUT	6				0.006	0.0132
370	32751-34880	LABEL KUBOTA(FOPS)	1	≤52526			0.001	0.0022
370	TD060-80930	LABEL KUBOTA	2	≥52527	1		0.007	0.0154
380	32771-93960	MANUAL ROPS KIT	1				0	0
390	01754-50820	BOLT FLANGE	8				0.015	0.033
400	02751-50080	NUT FLANGE	8				0.006	0.0132

SMV EMBLEM

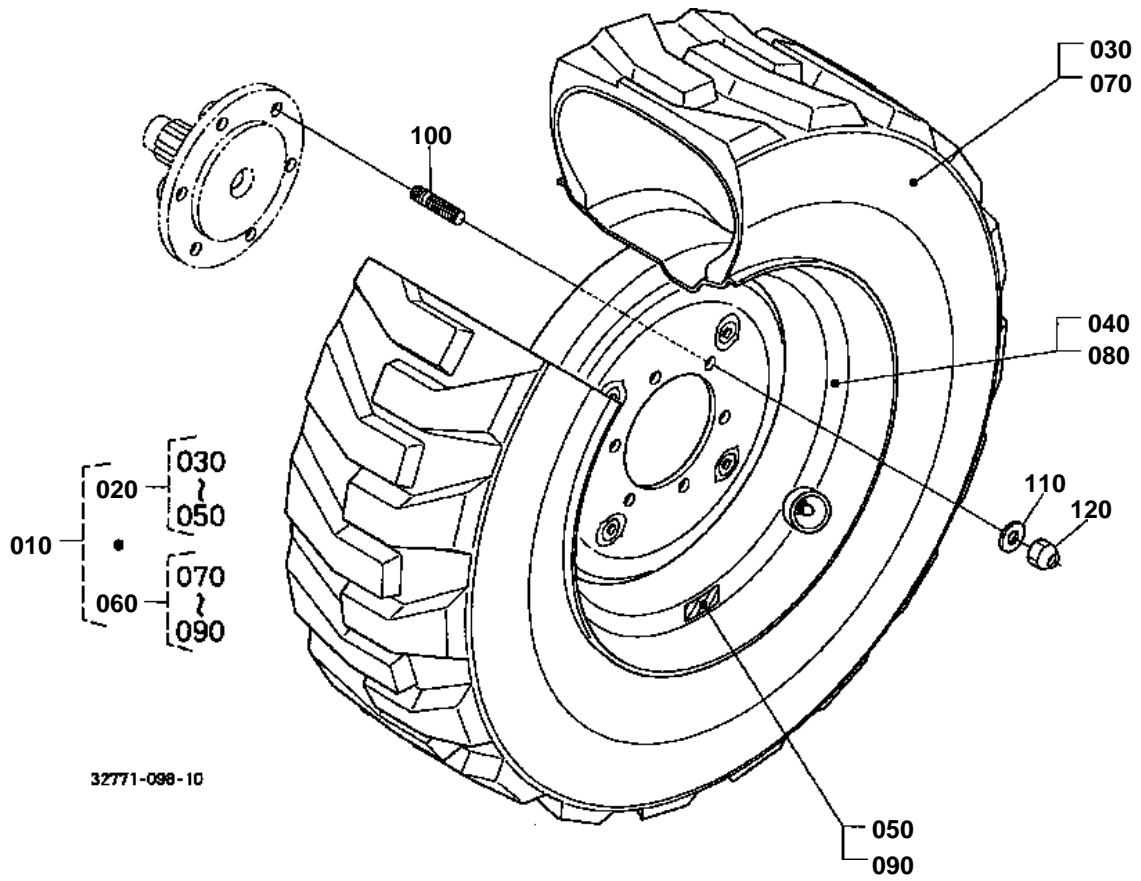


**SMV EMBLEM**

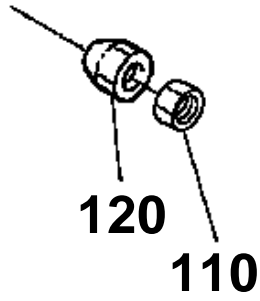
↔ Interchangeable; ≠ not interchangeable; ← new for old; → old for new

REF.No	Part No.	Description	Q'ty	S.No.	I/C	REMARKS	Weight (kgf)	Weight (lb)
010	32771-29430	BRACKET SMV	1				0.48	1.056
020	32530-29940	SPACER	2				0.01	0.022
030	01123-50835	BOLT	2				0.02	0.044
040	99999-99999	SMV SIGN KIT	1				0	0
050	7L500-89910	SIGN SMV	1				0.32	0.704
060	7L500-89920	SOCKET SMV SIGN	1				0.1	0.22
070	7L500-89940	BOLT SQUARE NECK	2				0.01	0.022
080	7L500-89950	NUT	2				0.004	0.0088
090	7L500-89960	SPADE SMV SIGN	1				0.24	0.528
100	7L500-89980	SCREW	2				0.02	0.044
110	7L500-89990	NUT	2				0.001	0.0022
120	7L500-89810	BOLT SQUARE NECK	2			OUT OF USE	0.011	0.0242
130	04512-60080	WASHER SPRING	2	>=52527			0.002	0.0044

FRONT WHEEL (10-16.5)



110 02176-50140  
120 32580-4494-0



32771-800-10

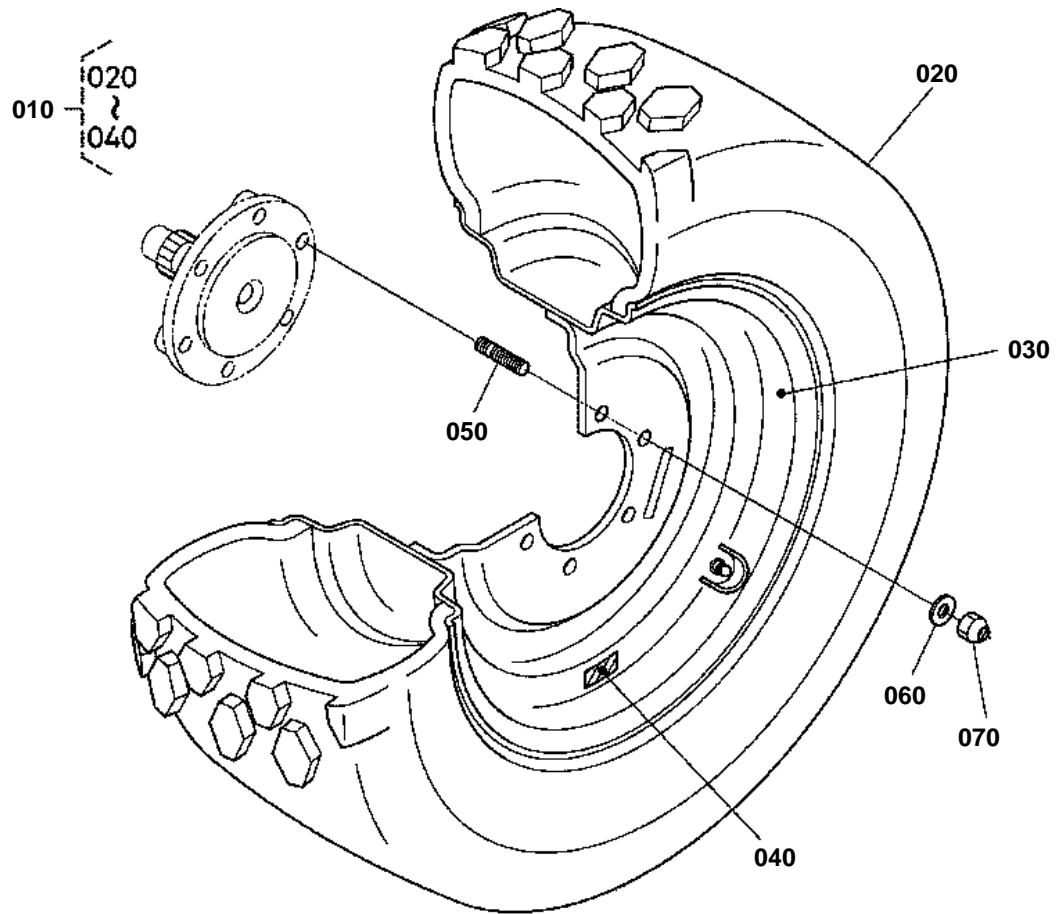


# FRONT WHEEL (10-16.5)

↔ Interchangeable; ≠ not interchangeable; ← new for old; → old for new

REF.No	Part No.	Description	Q'ty	S.No.	I/C	REMARKS	Weight (kgf)	Weight (lb)
010	32771-50500	ASSY TIRE	1				0	0
020	32771-50510	ASSY TIRE RH	1				0	0
030	32771-50530	TIRE	1				0	0
040	32771-50540	WHEEL	1				0	0
050	32771-50550	LABEL TIRE RH	1				0	0
060	32771-50520	ASSY TIRE LH	1				0	0
070	32771-50530	TIRE	1				0	0
080	32771-50540	WHEEL	1				0	0
090	32771-50560	LABEL TIRE LH	1				0	0
100	32771-44960	STUD	12				0.06	0.132
110	02176-50140	NUT	12	<=50034			0.014	0.0308
110	32580-44970	SPRING PLATE	12	>=50035	1		0.025	0.055
120	32580-44940	NUT	12				0.05	0.11

FRONT WHEEL (11L-16SL R3)



32771-110-10



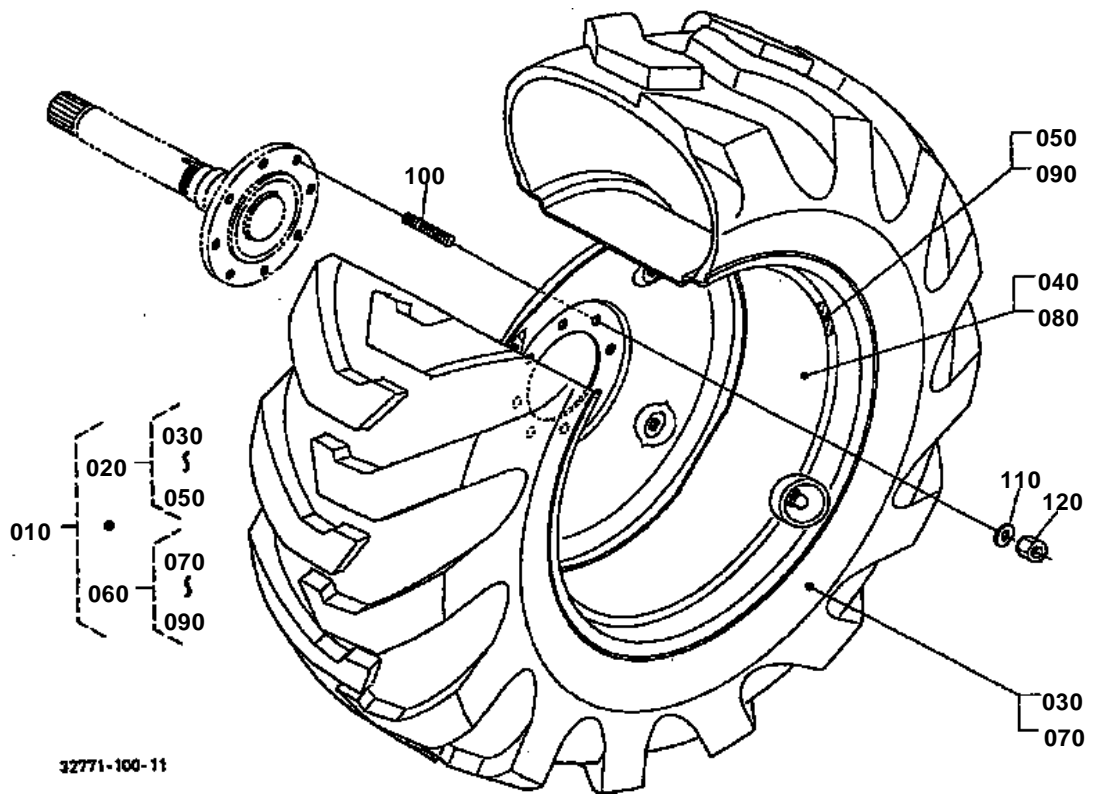


# FRONT WHEEL (11L-16SL R3)

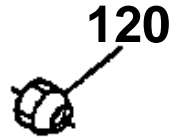
↔ Interchangeable; ≠ not interchangeable; ← new for old; → old for new

REF.No	Part No.	Description	Q'ty	S.No.	I/C	REMARKS	Weight (kgf)	Weight (lb)
010	32771-50720	ASSY TIRE	2				45	99
020	32771-50730	TIRE	2				25.4	55.88
030	32771-50740	WHEEL	2				11.7	25.74
040	32771-50750	LABEL TIRE	2				0	0
050	32771-44960	STUD	12				0.06	0.132
060	32580-44920	ASSY WHEEL FRONT LH	12				0	0
070	32580-44940	NUT	12				0.05	0.11

REAR WHEEL (17.5L-24)



**120 33251-4917-0**



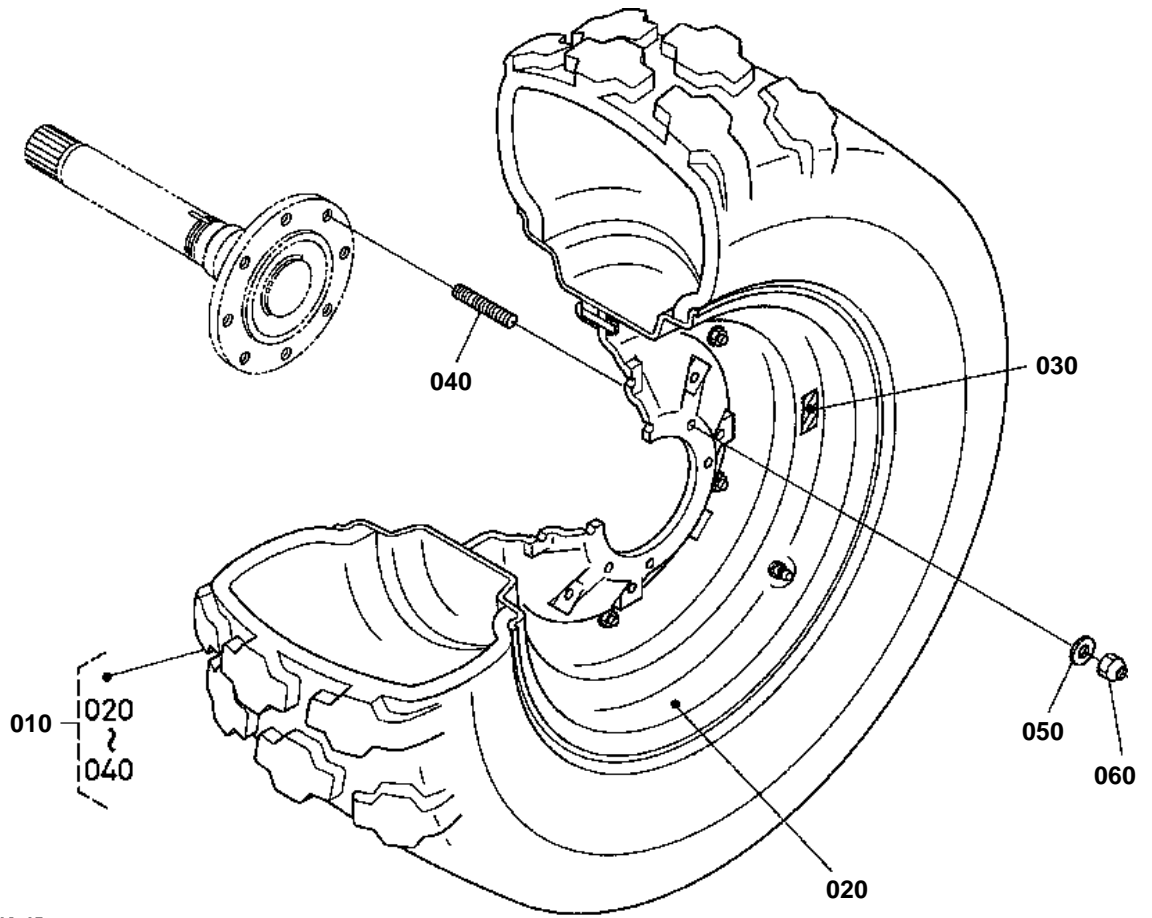
**32771-814-10**

**REAR WHEEL (17.5L-24)**

↔ Interchangeable; ≠ not interchangeable; ← new for old; → old for new

REF.No	Part No.	Description	Q'ty	S.No.	I/C	REMARKS	Weight (kgf)	Weight (lb)
010	32771-50600	ASSY TIRE	1				0	0
020	32771-50610	ASSY TIRE RH	1				0	0
030	TA040-27730	TIRE	1				0	0
040	32771-50640	WHEEL	1				0	0
050	32771-50650	LABEL TIRE RH	1				0	0
060	32771-50620	ASSY TIRE LH	1				0	0
070	TA040-27730	TIRE	1				0	0
080	32771-50640	WHEEL	1				0	0
090	32771-50660	LABEL TIRE LH	1				0	0
100	35707-49153	STUD	16				0.1	0.22
110	36500-49410	SPRING PLATE	16				0.022	0.0484
120	33251-49170	NUT	16	<=51306			0.045	0.099
120	32771-44980	NUT	16	>=51307	→		0.17	0.374

REAR WHEEL (16.9-24 R3)



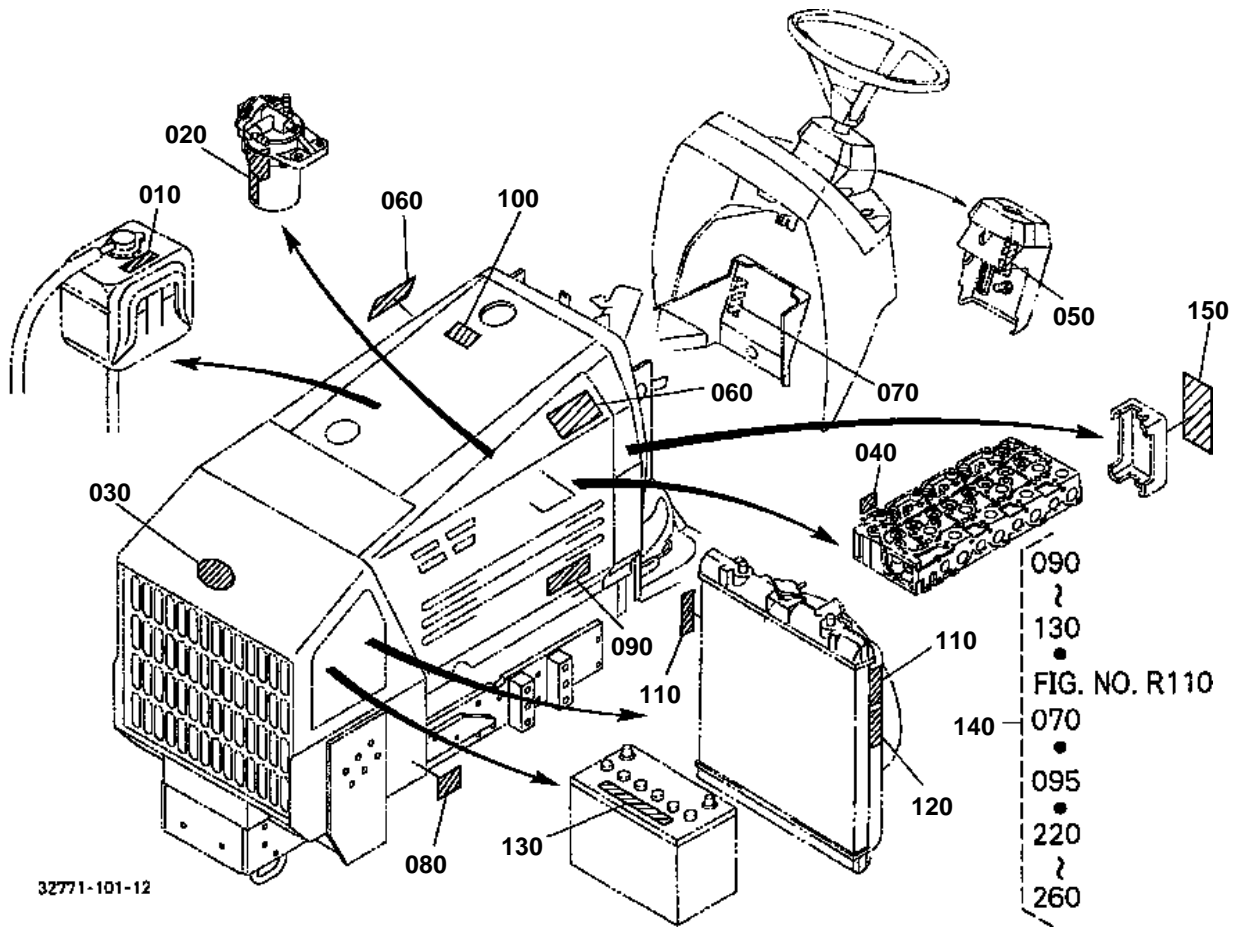
32771-111-10



## REAR WHEEL (16.9-24 R3)

↔ Interchangeable; ≠ not interchangeable; ← new for old; → old for new

REF.No	Part No.	Description	Q'ty	S.No.	I/C	REMARKS	Weight (kgf)	Weight (lb)
010	32550-40812	ASSY TIRE	2				0	0
020	32550-40820	WHEEL	2				0	0
030	32550-40832	LABEL	2				0	0
040	35707-49153	STUD	16				0.1	0.22
050	36500-49410	SPRING PLATE	16				0.022	0.0484
060	32771-44980	NUT	16				0.17	0.374

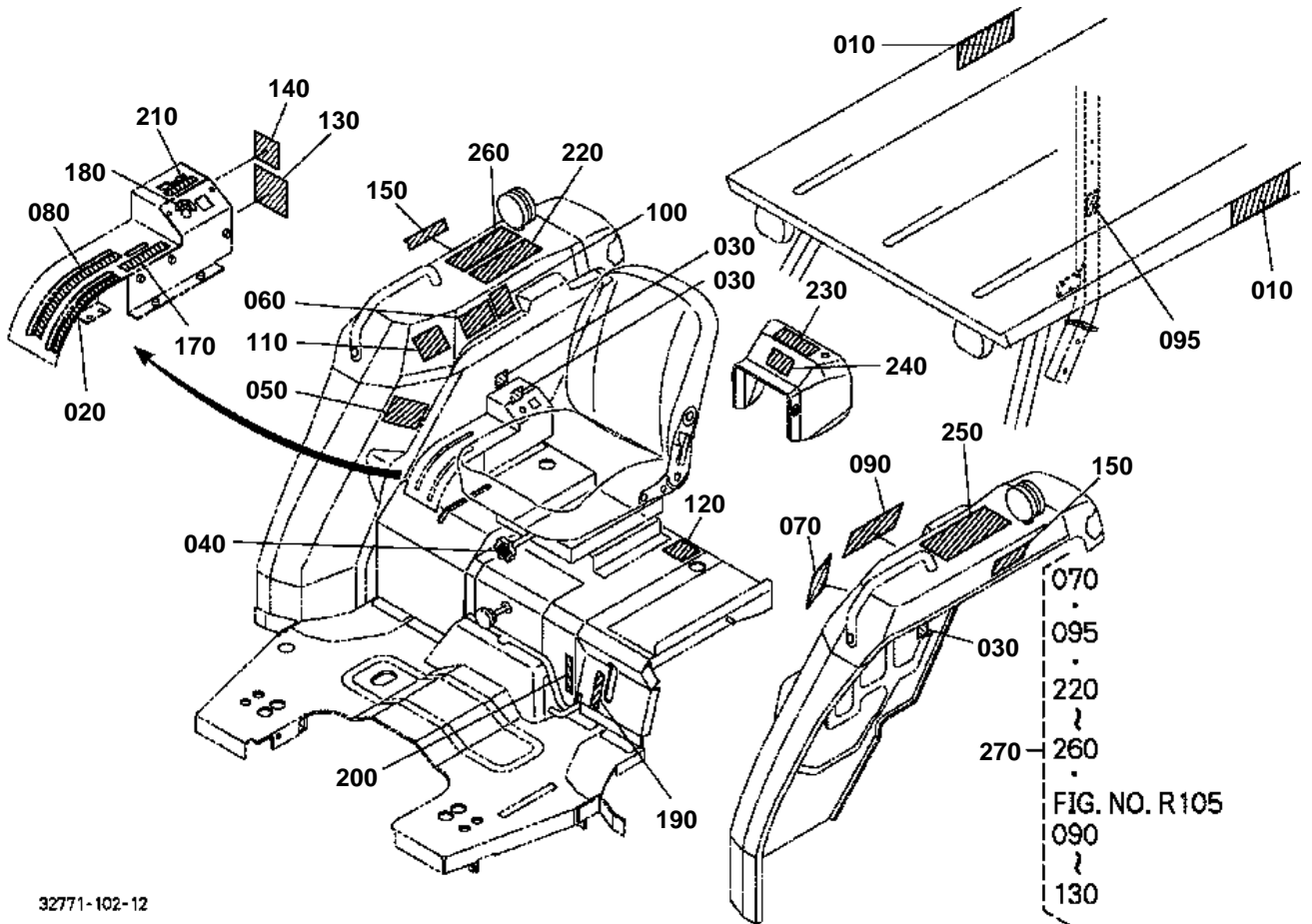


**LABEL 1**

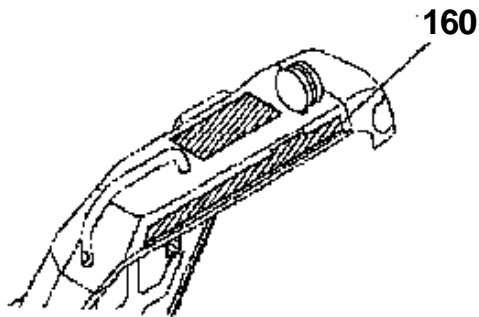
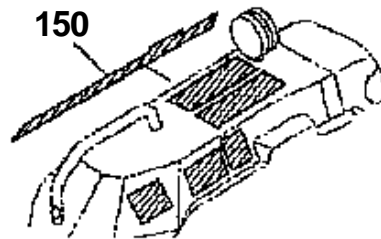
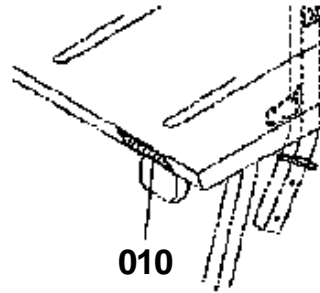
↔ Interchangeable; ≠ not interchangeable; ← new for old; → old for new

REF.No	Part No.	Description	Q'ty	S.No.	I/C	REMARKS	Weight (kgf)	Weight (lb)
010	15501-88210	LABEL CAUTION	1				0.005	0.011
020	16873-88430	LABEL FUEL	1				0.001	0.0022
030	T1060-49500	MARK SYMBOL	1	<=52526			0.01	0.022
030	TA140-49500	MARK SYMBOL	1	>=52527	↔		0.013	0.0286
040	1G790-87210	LABEL PUMP	1			ENGLISH	0.001	0.0022
040	1G851-87210	LABEL PUMP	1			FRENCH	0.001	0.0022
050	TA040-49450	MARK TILT	1				0.001	0.0022
060	32771-49440	MARK	2	>=52527	1		0	0
070	TA040-49460	LABEL PARKING	1				0.001	0.0022
080	99999-99999	NAME PLATE	1				0	0
090	TA040-49650	LABEL START CAUTION	1			ENGLISH	0.004	0.0088
090	TA041-49650	LABEL START CAUTION	1			FRENCH	0.004	0.0088
100	TA040-49562	LABEL FUEL	1				0.002	0.0044
110	32751-49580	LABEL FAN BELT	2				0.001	0.0022
120	TA040-49580	LABEL MUFFLER	1	<=50561			0.001	0.0022
120	TC030-49580	LABEL MUFFLER	1	>=50562	↔		0.001	0.0022
130	TA040-30150	LABEL BATTERY	1			ENGLISH	0.002	0.0044
130	TA041-30150	LABEL BATTERY	1			FRENCH	0.005	0.011
140	32771-99500	KIT LABEL SAFETY (A)	1	<=50337		ENGLISH	0.027	0.0594
140	32771-99503	KIT LABEL SAFETY (A)	1	>=50338	1	ENGLISH	0	0
140	32771-99505	KIT LABEL SAFETY (A)	1	>=50562	↔	ENGLISH	0	0
140	32771-99506	KIT LABEL SAFETY (A)	1	>=52035	↔	ENGLISH	0.027	0.0594
140	32775-99500	KIT LABEL SAFETY (B)	1	<=50337		FRENCH	0.032	0.0704
140	32775-99502	KIT LABEL SAFETY (B)	1	>=50338	1	FRENCH	0	0
140	32775-99504	KIT LABEL SAFETY (B)	1	>=50562	↔	FRENCH	0.032	0.0704
140	32775-99505	KIT LABEL SAFETY (B)	1	>=52035	↔	FRENCH	0.032	0.0704
150	32775-30420	LABEL FUSE	1	>=50592		FRENCH	0.001	0.0022





010 32751-3488-0  
150 TA240-4847-0  
160 TA240-4848-0



32771-827-10



**LABEL 2**

↔ Interchangeable; ≠ not interchangeable; ← new for old; → old for new

REF.No	Part No.	Description	Q'ty	S.No.	I/C	REMARKS	Weight (kgf)	Weight (lb)
010	32751-34880	LABEL KUBOTA(FOPS)	1	≤52526			0.001	0.0022
010	TD060-80930	LABEL KUBOTA	2	≥52527	1		0.007	0.0154
020	TA040-49500	MARK POSITION	1				0.002	0.0044
030	34550-49700	LABEL	3				0.001	0.0022
040	TA140-11900	LABEL ADJUST	1				0.001	0.0022
050	6C070-47332	LABEL	1	≤50730			0.001	0.0022
050	TA240-49350	LABEL	1	≥50731	→		0.002	0.0044
060	32771-49660	LABEL AUTO SAFETY	1			ENGLISH	0.002	0.0044
060	32775-49660	LABEL AUTO SAFETY	1			FRENCH	0.002	0.0044
070	32751-49210	LABEL SEAT WARNING	1			ENGLISH	0.002	0.0044
070	32765-49210	LABEL SEAT WARNING	1			FRENCH	0.002	0.0044
080	32771-49210	LABEL LEVER GUIDE	1				0.002	0.0044
090	32771-49260	LABEL SEAT CHANGE	1			ENGLISH	0.003	0.0066
090	32775-49260	LABEL SEAT CHANGE	1			FRENCH	0.003	0.0066
095	6C140-47460	LABEL ROPS WARNING	1			ENGLISH	0.001	0.0022
095	6C141-47460	LABEL ROPS WARNING	1			FRENCH	0.001	0.0022
100	TA040-49310	LABEL PTO CAUTION	1				0.002	0.0044
110	32771-49312	LABEL LEVER LOCK	1			ENGLISH	0.001	0.0022
110	32775-49310	LABEL LEVER LOCK	1			FRENCH	0.001	0.0022
120	32771-49320	LABEL	1			ENGLISH	0.001	0.0022
120	32775-49320	LABEL	1			FRENCH	0.001	0.0022
130	32771-49330	LABEL	1			ENGLISH	0.001	0.0022
130	32775-49330	LABEL	1			FRENCH	0.001	0.0022
140	32771-49340	LABEL SERVICE PORT	1			ENGLISH	0.001	0.0022
140	32775-49340	LABEL SERVICE PORT	1			FRENCH	0.001	0.0022
150	TA240-48470	MARK HST RH	1	≤52526			0.01	0.022
150	TD060-57610	MARK HST FENDER	2	≥52527	1		0.002	0.0044
160	TA240-48480	MARK HST LH	1	≤52526			0.01	0.022
170	32751-49450	LABEL SPEED SET	1				0.003	0.0066
180	32771-49360	MARK MAIN SWITCH	1				0.001	0.0022
190	TA040-49550	MARK 4WD	1				0.001	0.0022
200	TA040-49760	MARK DIFF.LOCK	1				0.001	0.0022
210	TA040-49160	MARK REAR PTO	1				0.001	0.0022
220	32771-49250	LABEL ROPS WARNING	1			ENGLISH	0.001	0.0022
220	32775-49250	LABEL ROPS WARNING	1			FRENCH	0.004	0.0088
230	TA040-49590	LABEL PTO WARNING	1			ENGLISH	0.002	0.0044
230	TA041-49590	LABEL PTO WARNING	1			FRENCH	0.001	0.0022
240	TA040-49350	LABEL DRAWBAR	1			ENGLISH	0.002	0.0044
240	TA041-49350	LABEL DRAWBAR	1			FRENCH	0.003	0.0066
250	35260-34913	LABEL SAFETY	1	≤52034		ENGLISH NOT SALE	0	0
250	35260-34914	LABEL SAFETY	1	≥52035	→	ENGLISH	0.005	0.011
250	TA041-65700	LABEL SAFETY	1	≤52034	→	FRENCH	0	0
250	TA041-65702	LABEL SAFETY	1	≥52035	→	FRENCH	0.01	0.022
260	TA240-49330	LABEL PARKING	1			ENGLISH	0.005	0.011
260	TA241-49330	LABEL PARKING WARNIN	1			FRENCH	0.005	0.011
270	32771-99500	KIT LABEL SAFETY (A)	1	≤50337		ENGLISH	0.027	0.0594
270	32771-99503	KIT LABEL SAFETY (A)	1	≥50338	1	ENGLISH	0	0
270	32771-99505	KIT LABEL SAFETY (A)	1	≥50562	→	ENGLISH	0	0
270	32771-99506	KIT LABEL SAFETY (A)	1	≥52035	→	ENGLISH	0.027	0.0594
270	32775-99500	KIT LABEL SAFETY (B)	1	≤50337		FRENCH	0.032	0.0704
270	32775-99502	KIT LABEL SAFETY (B)	1	≥50338	1	FRENCH	0	0



**LABEL 2**

↔ Interchangeable; ≠ not interchangeable; ← new for old; → old for new

REF.No	Part No.	Description	Q'ty	S.No.	I/C	REMARKS	Weight (kgf)	Weight (lb)
270	32775-99504	KIT LABEL SAFETY (B)	1	>=50562	-	FRENCH	0.032	0.0704
270	32775-99505	KIT LABEL SAFETY (B)	1	>=52035	-	FRENCH	0.032	0.0704

**ACCESSORIES AND SERVICE PARTS  
ACCESSOIRES ET PIECES DE SERVICE  
SONTIGES ZUBEHOER UND SERVICE-TEILE**

TITLE-001-10

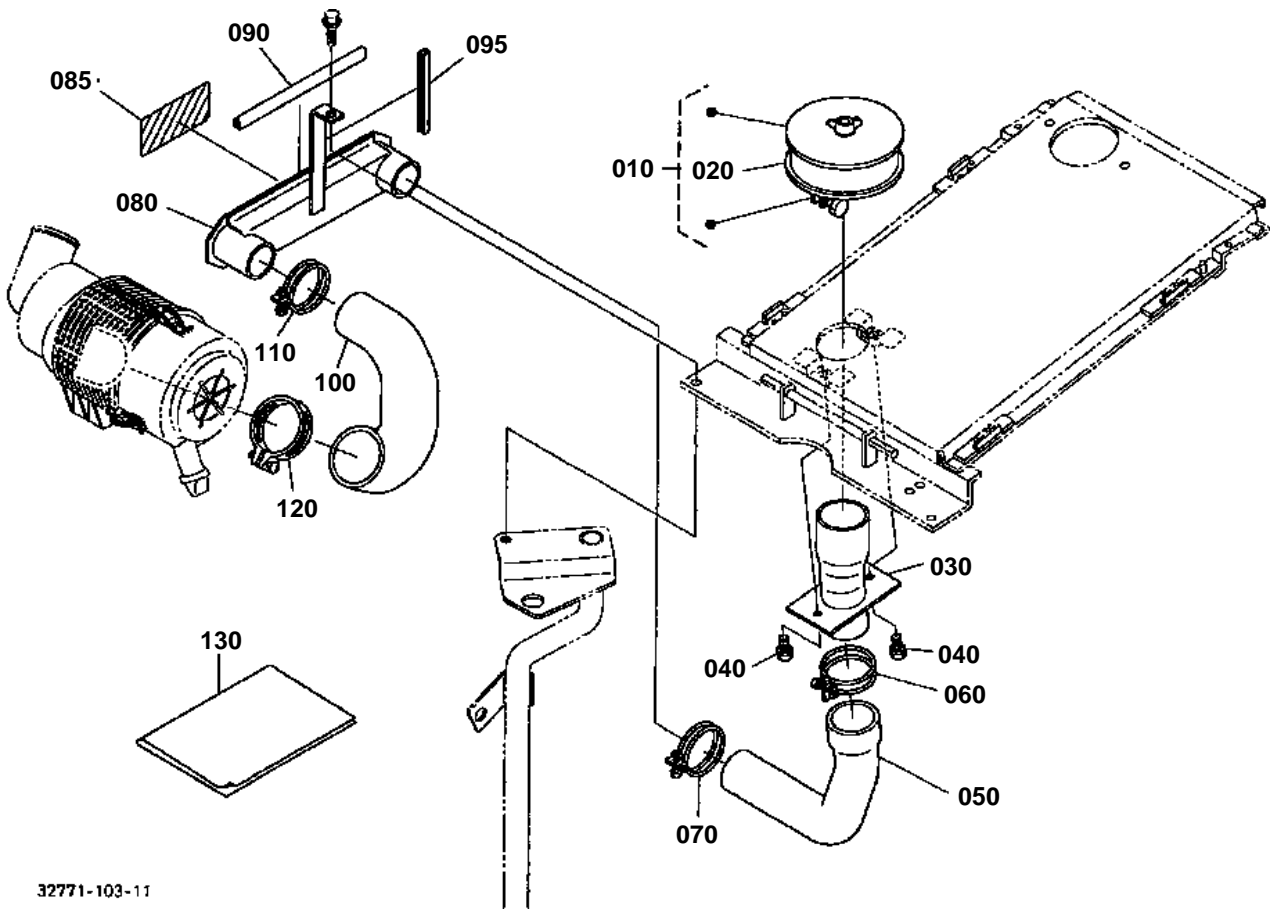


## ACCESSORIES AND SERVICE PARTS

↔ Interchangeable; ≠ not interchangeable; ← new for old; → old for new

REF.No	Part No.	Description	Q'ty	S.No.	I/C	REMARKS	Weight (kgf)	Weight (lb)
010	32771-19710	OPERATOR'S MANUAL	1	<=51194		ENGLISH	0	0
010	32771-19712	OPERATOR'S MANUAL	1	>=51195	→	ENGLISH	0.2	0.44
010	32771-19713	OPERATOR'S MANUAL	1	>=52527	↑	ENGLISH	0.2	0.44
010	32775-19710	OPERATOR'S MANUAL	1	<=52526		FRENCH	0	0
010	32775-19712	OPERATOR'S MANUAL	1	>=52527	↑	FRENCH	0.185	0.407
020	34150-37640	PIN SET	2				0.06	0.132
030	1G511-89810	STATEMENT WARRANTY	1				0.01	0.022

PRECLEANER KIT [OPTION]



32771-103-11



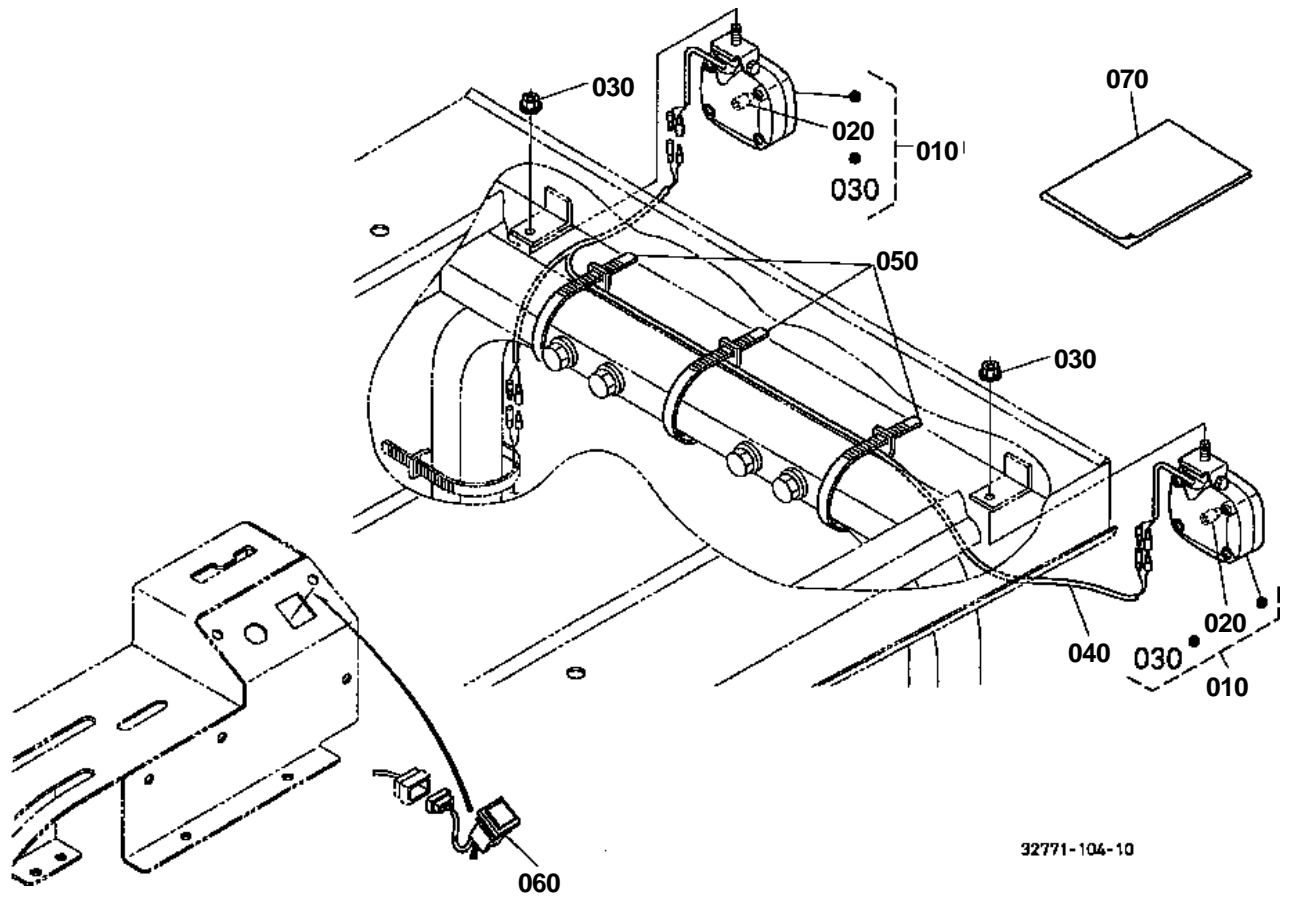
PRECLEANER KIT [OPTION]

↔ Interchangeable; ≠ not interchangeable; ← new for old; → old for new

REF.No	Part No.	Description	Q'ty	S.No.	I/C	REMARKS	Weight (kgf)	Weight (lb)
010	32530-96110	ASSY PRE-CLEANER	1				0.76	1.672
020	32530-96170	CHAMBER DUST	1				0.2	0.44
030	32751-96620	PIPE PRE-CLEANER	1				0.47	1.034
040	01123-60816	BOLT	2				0.01	0.022
050	32771-96630	HOSE PRE-CLEANER	1				0.325	0.715
060	09318-89063	CLAMP HOSE	1				0.04	0.088
070	09318-89061	CLAMP HOSE	1				0.035	0.077
080	32771-96640	PIPE PRE-CLEANER	1				0.82	1.804
085	32751-49570	LABEL FAN WARNING	1	>=50562			0.002	0.0044
090	3G700-83610	TRIM	1				0.014	0.0308
095	38430-29670	CUSHION	1	>=50592			0.01	0.022
100	32771-96610	HOSE PRE-CLEANER	1				0.25	0.55
110	09318-89061	CLAMP HOSE	1				0.035	0.077
120	68811-42270	BAND PIPE	1				0.04	0.088
130	32771-96590	MANUAL ASSEMBLY	1			NOT SALE	0	0



WORKING LIGHT KIT [OPTION]



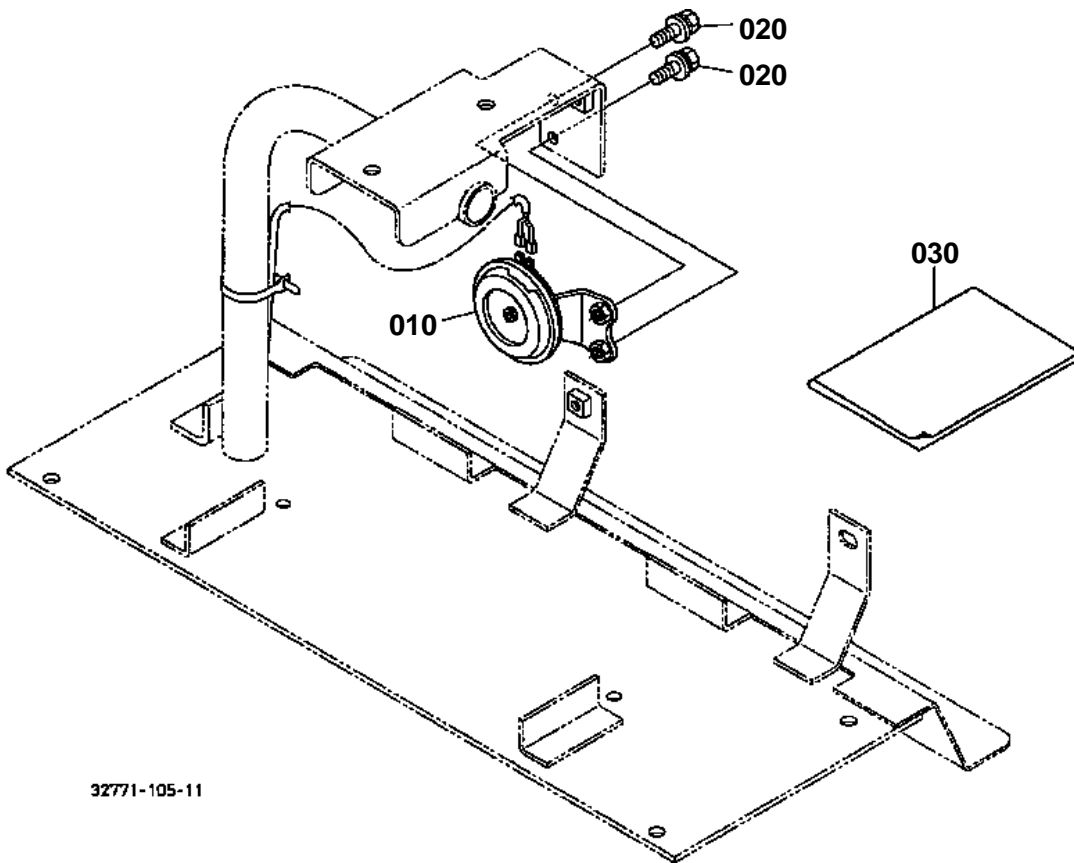


## WORKING LIGHT KIT [OPTION]

↔ Interchangeable; ≠ not interchangeable; ← new for old; → old for new

REF.No	Part No.	Description	Q'ty	S.No.	I/C	REMARKS	Weight (kgf)	Weight (lb)
010	3F740-75910	LIGHT WORK	2				0.36	0.792
020	3G710-75900	BULB	2				0.007	0.0154
030	02763-60080	NUT FLANGE	2				0.005	0.011
040	32771-30350	WIRE HARNESS FRONT	1				0.06	0.132
050	32751-96300	BAND WORK LIGHT	3				0.005	0.011
060	36919-54222	SWITCH WORK LIGHT	1				0.04	0.088
070	32771-96940	MANUAL ASSEMBLY	1			NOT SALE	0	0

HORN KIT [OPTION]



32771-105-11

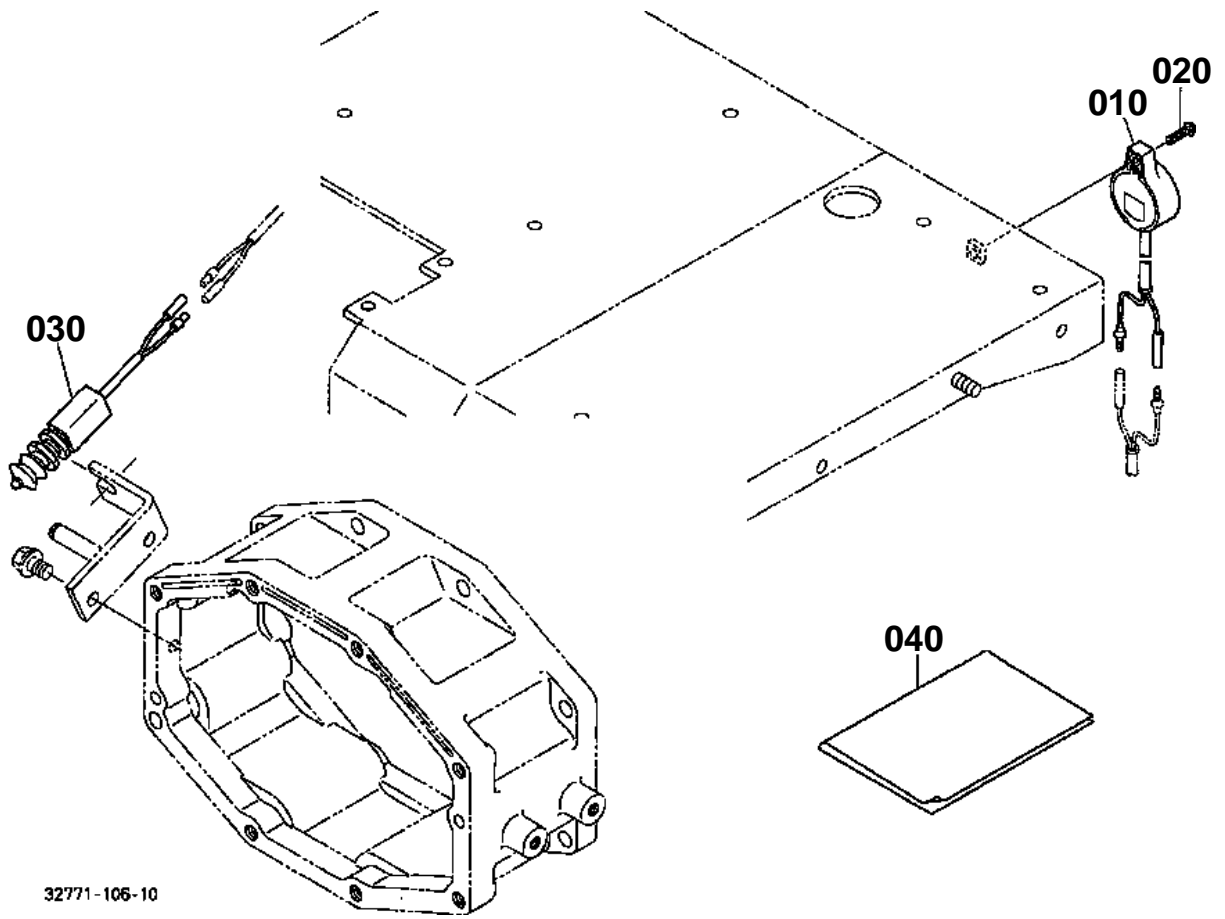


## HORN KIT [OPTION]

↔ Interchangeable; ≠ not interchangeable; ← new for old; → old for new

REF.No	Part No.	Description	Q'ty	S.No.	I/C	REMARKS	Weight (kgf)	Weight (lb)
010	6A100-30850	ASSY HORN	1				0.149	0.3278
020	01025-50616	BOLT	2				0.005	0.011
030	32721-96972	MANUAL ASSEMBLY	1				0.003	0.0066

BACK BUZZER KIT [OPTION]



32771-106-10

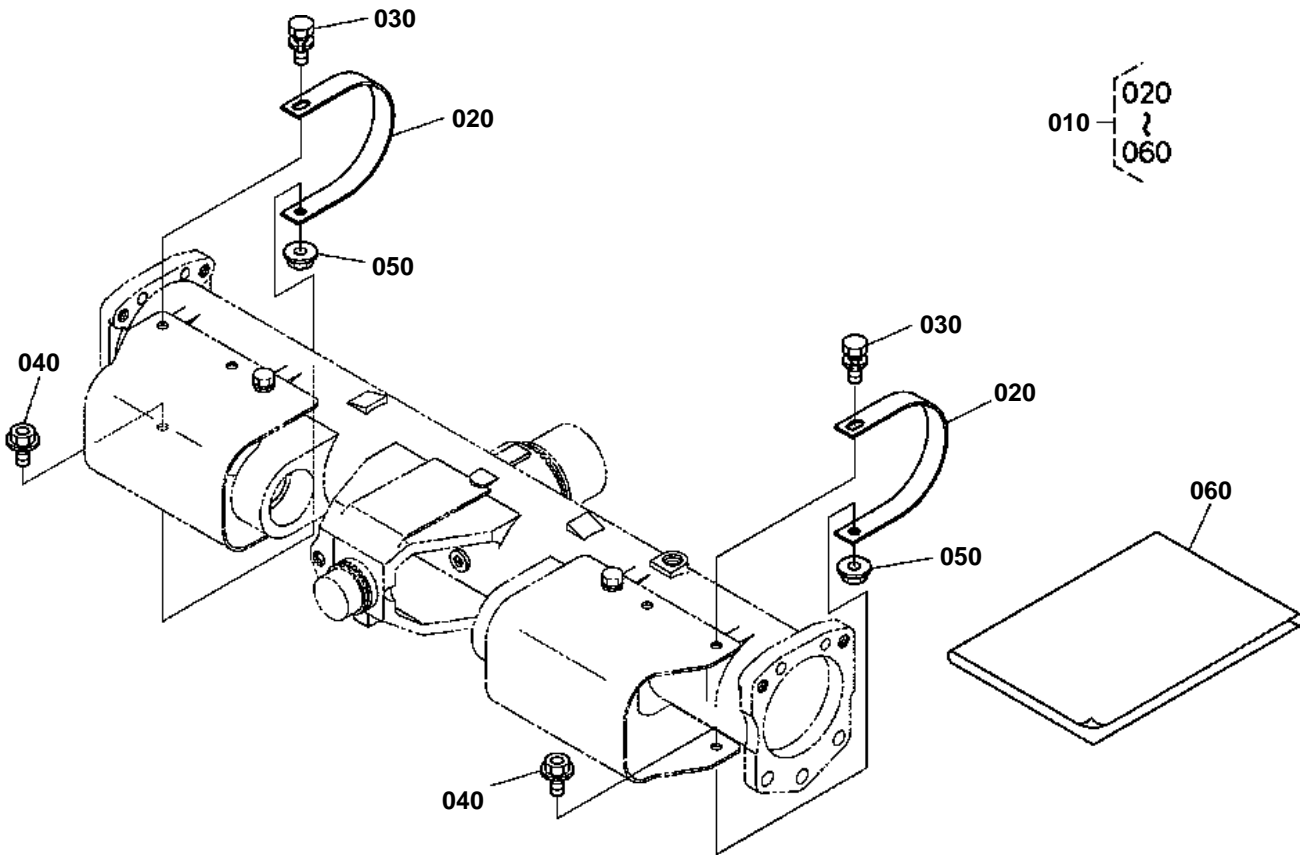


**BACK BUZZER KIT [OPTION]**

↔ Interchangeable; ≠ not interchangeable; ← new for old; → old for new

REF.No	Part No.	Description	Q'ty	S.No.	I/C	REMARKS	Weight (kgf)	Weight (lb)
010	32751-96860	BUZZER BACK	1				0.06	0.132
020	03054-50520	SCREW PAN-HEAD	1				0.005	0.011
030	6C080-31010	SWITCH BRAKE LIGHT	1				0.092	0.2024
040	32771-96880	MANUAL ASSEMBLY	1			NOT SALE	0	0

STAY KIT



32771-109-10



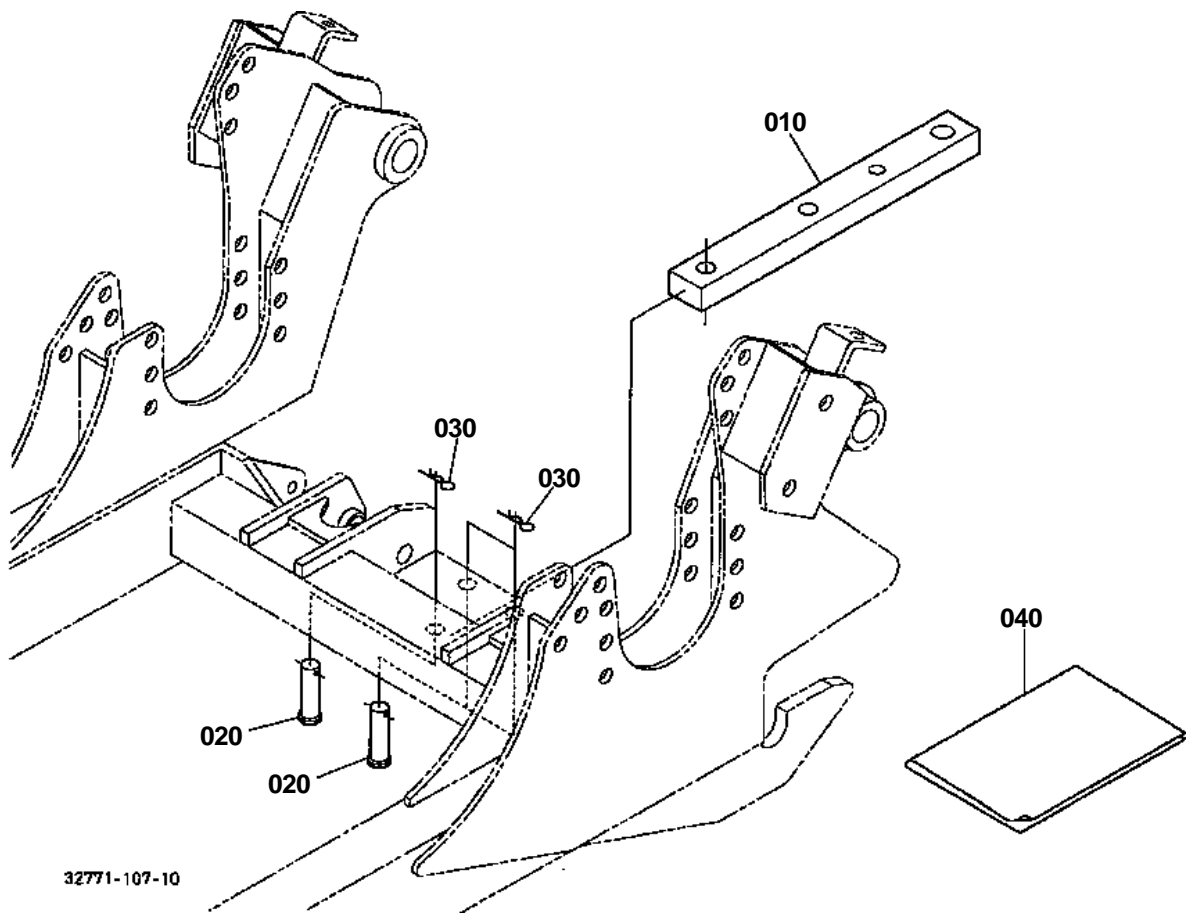
**STAY KIT**  
S.No.;<=52034

↔ Interchangeable; ≠ not interchangeable; ← new for old; → old for new

REF.No	Part No.	Description	Q'ty	S.No.	I/C	REMARKS	Weight (kgf)	Weight (lb)
010	32771-96380	KIT STAY	1				0.47	1.034
020	32771-64110	STAY	2				0.19	0.418
030	01135-61020	BOLT	2				0.015	0.033
040	01774-51016	BOLT FLANGE	2				0.02	0.044
050	02131-50100	NUT	2				0.01	0.022
060	99999-99999	MANUAL ASSEMBLY	1				0	0



DRAWBAR KIT [OPTION]



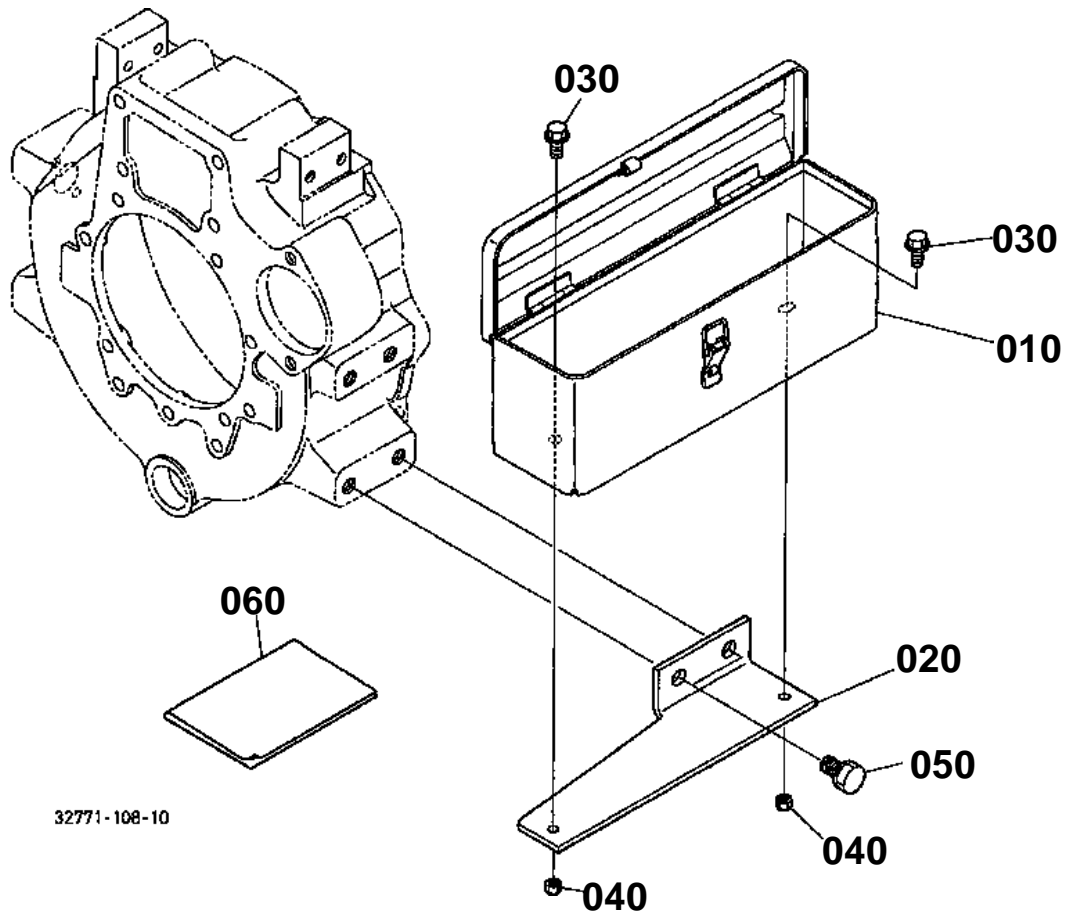
32771-107-10



## DRAWBAR KIT [OPTION]

↔ Interchangeable; ≠ not interchangeable; ← new for old; → old for new

REF.No	Part No.	Description	Q'ty	S.No.	I/C	REMARKS	Weight (kgf)	Weight (lb)
010	32771-96910	DRAWBAR	1				4.9	10.78
020	05122-52070	PIN JOINT	3				0.184	0.4048
030	05515-51600	PIN SNAP	3				0.007	0.0154
040	99999-99999	MANUAL ASSEMBLY	1				0	0



**TOOL BOX KIT [OPTION]**

↔ Interchangeable; ≠ not interchangeable; ← new for old; → old for new

REF.No	Part No.	Description	Q'ty	S.No.	I/C	REMARKS	Weight (kgf)	Weight (lb)
010	3A751-90230	CASE TOOLS	1	<=51662			0	0
010	3A751-90232	CASE TOOLS	1	>=51663	→		2.7	5.94
020	32771-96210	STAY TOOL BOX	1				1.14	2.508
030	01754-50820	BOLT FLANGE	2				0.015	0.033
040	02552-50080	NUT LOCK	2				0.005	0.011
050	01133-51425	BOLT	2				0.055	0.121
060	99999-99999	MANUAL ASSEMBLY	1				0	0