

# Instructions for Parts Books

The heading at the top of the page will be the same for the picture of the parts as it is for the page with the part numbers.

Definition of column headings on part number pages:

**REF.No** → The number referring to the part on the picture page of the parts book.

**Part No.** → The number assigned to this part at the time of printing the parts book.

**Description** → Description of part.

**Q'ty** → Quantity of part used on that page.

**S.No.** → Serial number range of the equipment that this part will fit.

>= Your serial number should be greater than or equal to the number shown.

<= Your serial number should be lesser than or equal to the serial number shown.

**I/C** → Interchangeability of part shown.

↔ The part shown will work for the older and later serial number.

# The part shown is not interchangeable with the other serial number.

← new for old

→ old for new

**Remarks** → Notes about this particular part. Sometimes this may say except [FR] or [CA]

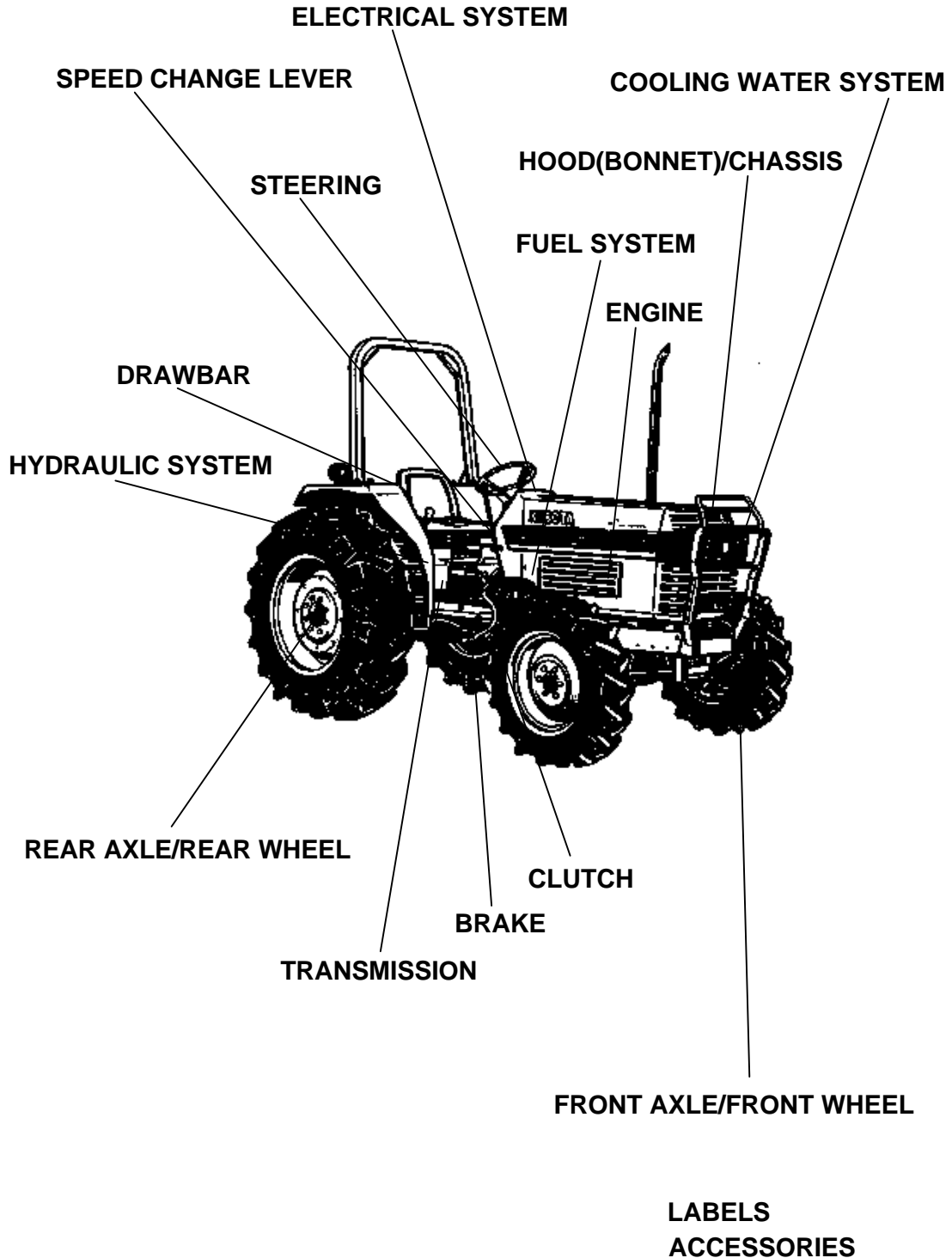
## Note about Country Codes:

The parts books we use in the United States of America may also contain information about a part that would be different in another country. It is important that you are aware of the country codes in some instances.

Symbol	Country
A	United States of America
CA	Canada
FR	France
GR	Greece
PO	Portugal
AU	Australia

If the remarks column says for example EXCEPT [FR] this part works in all countries except France. That means it will work here in the USA.

ALL PRODUCT INDEX  
L5450DT



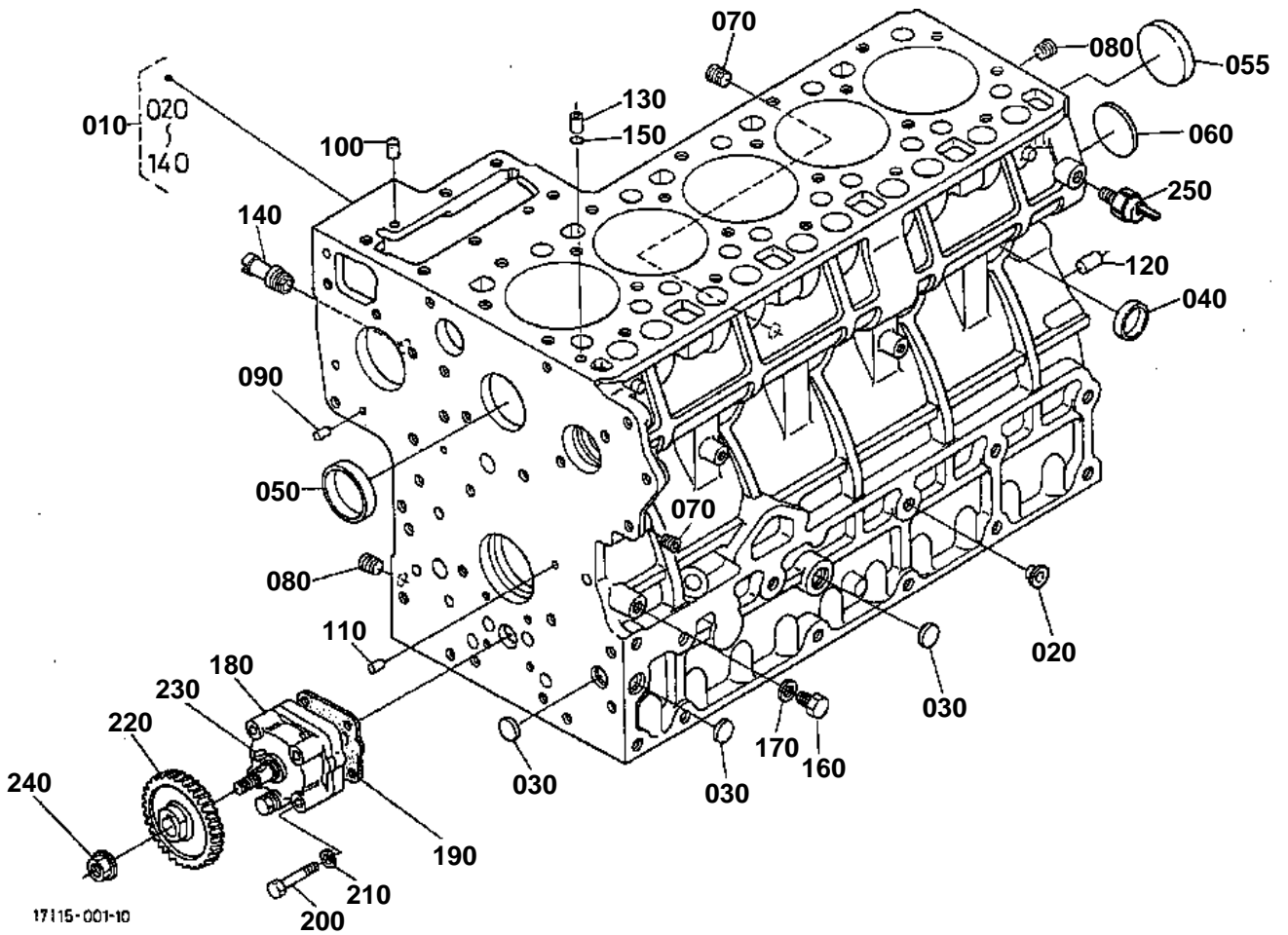
Item	Part No.	Description	Book		
ENGINE	01T00102	CRANKCASE	100K0368		
	01T00203	OIL PAN	100K0368		
	01T00302	PISTON AND CRANKSHAFT	100K0368		
	01T00402	MAIN BEARING CASE	100K0368		
	01T00502	FLYWHEEL	100K0368		
	01T00602	CYLINDER HEAD	100K0368		
	01T00702	VALVE AND ROCKER ARM	100K0368		
	01T00802	NOZZLE HOLDER AND GLOW PLUG	100K0368		
	01T00902	CYLINDER HEAD COVER	100K0368		
	01T01002	INLET MANIFOLD	100K0368		
	01T01602	CAMSHAFT	100K0368		
	01T01702	GEAR CASE	100K0368		
	01T01802	WATER PUMP	100K0368		
	01T01902	WATER FLANGE AND THERMOSTAT	100K0368		
	01T02002	FUEL CAMSHAFT	100K0368		
	01T02102	INJECTION PUMP	100K0368		
	01T02202	INJECTION PUMP [COMPONENT PARTS]	100K0368		
	01T02302	ENGINE STOP LEVER	100K0368		
	01T024	SPEED CONTROL PLATE	100K0368		
	01T025	GOVERNOR	100K0368		
	02T01102	AIR CLEANER (DOUBLE)	100K0368		
	02T01201	AIR CLEANER (DOUBLE) [OLD TYPE] [COMPONENT PARTS]	100K0368		
	02T01202	AIR CLEANER (DOUBLE) [COMPONENT PARTS]	100K0368		
	02T013	PRE-CLEANER [AU] [NZ] [[A] [CA] OPTION]	100K0368		
	02T01402	EXHAUST MANIFOLD	100K0368		
	02T01501	MUFFLER [OLD TYPE]	100K0368		
	02T01502	MUFFLER [NEW TYPE]	100K0368		
	02T01503	UNDER MUFFLER PIPE [OPTION]	100K0368		
	02T02602	UPPER GASKET KIT	100K0368		
	02T02702	LOWER GASKET KIT	100K0368		
	02T028	ENGINE STOP ROD	100K0368		
	02T029	ACCELERATOR LEVER	100K0368		
	02T030	ACCELERATOR PEDAL	100K0368		
	FUEL SYSTEM	02T031	FUEL TANK	100K0368	
		02T032	FUEL TANK SUPPORT	100K0368	
		02T033	FUEL PIPE	100K0368	
		02T034	FUEL FILTER	100K0368	
		02T035	FUEL FILTER [COMPONENT PARTS]	100K0368	
		COOLING WATER SYSTEM	02T036	FAN	100K0368
			02T037	RADIATOR	100K0368
	02T03802		RADIATOR SUPPORT	100K0368	
	ELECTRICAL SYSTEM	02T03901	DYNAMO [A] [AU] [NZ]	100K0368	
		02T03902	DYNAMO [CA]	100K0368	
		02T04001	DYNAMO [COMPONENT PARTS]	100K0368	
		02T04002	DYNAMO [COMPONENT PARTS]	100K0368	
		02T041	STARTER	100K0368	
		02T04201	STARTER [OLD TYPE] [COMPONENT PARTS]	100K0368	
		02T04202	STARTER [OLD TYPE] [COMPONENT PARTS]	100K0368	
02T04203		STARTER [NEW TYPE] [COMPONENT PARTS]	100K0368		
02T04302		BATTERY	100K0368		
02T044		SWITCH AND REGULATOR	100K0368		
02T045		PANEL BOARD	100K0368		
02T046		PANEL BOARD [COMPONENT PARTS]	100K0368		
02T04701	LIGHT [A] [CA]	100K0368			
02T04702	LIGHT [AU] [NZ]	100K0368			
02T048	WORKING LIGHT [NZ]	100K0368			

Item	Part No.	Description	Book	
ELECTRICAL SYSTEM	02T04905	ELECTRICAL WIRING (MDT/HDT) [A]	100K0368	
	02T04906	ELECTRICAL WIRING (HDT-W) [A] [OLD TYPE]	100K0368	
	02T04907	ELECTRICAL WIRING (HDT-W) [A] [AU] [NZ] [NEW TYPE]	100K0368	
CLUTCH	02T04908	ELECTRICAL WIRING (HDT-W) [CA]	100K0368	
	02T05005	CLUTCH (MDT/HDT)	100K0368	
	02T05006	CLUTCH (HDT-W)	100K0368	
	02T05103	CLUTCH LEVER (MDT/HDT)	100K0368	
	02T05104	CLUTCH LEVER (HDT-W)	100K0368	
	02T05203	CLUTCH PEDAL	100K0368	
	02T05204	CLUTCH PEDAL (HDT-W) [OLD TYPE]	100K0368	
	02T05205	CLUTCH PEDAL (HDT-W) [NEW TYPE]	100K0368	
	02T053	CLUTCH ROD	100K0368	
	02T054	PTO CLUTCH CONTROL LEVER	100K0368	
	02T055	PTO INTERLOCK [OLD TYPE]	100K0368	
	02T05601	MAIN CLUTCH CASE (MDT)	100K0368	
	02T05602	MAIN CLUTCH CASE (HDT)	100K0368	
	02T05603	MAIN CLUTCH (HDT-W)	100K0368	
	02T057	MAIN SHIAFT CASE	100K0368	
TRANSMISSION	02T058	TRANSMISSION CASE	100K0368	
	02T05901	1ST SHAFT (MDT)	100K0368	
	02T05903	1ST SHAFT (HDT)	100K0368	
	02T05904	1ST SHAFT (HDT-W)	100K0368	
	02T06001	2ND SHAFT (MDT)	100K0368	
	02T06003	2ND SHAFT (HDT)	100K0368	
	02T06004	2ND SHAFT (HDT-W)	100K0368	
	02T061	MAIN SHAFT	100K0368	
	02T062	COUNTERSHAFT	100K0368	
	02T063	RANGE GEAR SHAFT	100K0368	
	02T06401	PTO SHAFT [A] [CA]	100K0368	
	02T06403	PTO SHAFT [AU] [NZ]	100K0368	
	SPEED CHANGE LEVER	02T065	MAIN GEAR SHIFT COVER	100K0368
		02T066	MAIN GEAR SHIFT FORK	100K0368
		02T067	MAIN GEAR SHIFT LEVER	100K0368
02T068		RANGE GEAR SHIFT LEVER	100K0368	
02T069		PTO GEAR SHIFT LEVER	100K0368	
02T07002		SHUTTLE GEAR SHIFT LEVER (MDT)	100K0368	
02T07101		SHUTTLE SHIFT LEVER (MDT)	100K0368	
02T07102		SHUTTLE SHIFT LEVER (HDT/HDT-W)	100K0368	
02T07201		SHUTTLE ROD (HDT)	100K0368	
02T07202		SHUTTLE ROD (HDT-W)	100K0368	
REAR AXLE/REAR WHEEL	02T073	DIFFERENTIAL REAR	100K0368	
	02T074	DIFFERENTIAL BEARING SUPPORT	100K0368	
	02T075	DIFFERENTIAL LOCK PEDAL	100K0368	
	02T07602	PLANETARY GEAR	100K0368	
	02T07702	REAR AXLE	100K0368	
	02T07804	REAR WHEEL (16.9-28) [AU] [NZ]	100K0368	
	02T07805	REAR WHEEL (12.6-28) [A] [CA]	100K0368	
	BRAKE	02T079	BRAKE	100K0368
02T080		BRAKE PEDAL	100K0368	
02T081		PARLINK BRAKE LEVER	100K0368	
FRONT AXLE/FRONT WHEEL	02T082	FRONT DIFFERENTIAL CASE	100K0368	
	02T083	DIFFERENTIAL FRONT	100K0368	
	02T084	DIFFERENTIAL GEAR SHAFT	100K0368	
	02T085	KINGPIN	100K0368	
	02T086	FRONT AXLE CASE	100K0368	
	02T087	FRONT AXLE	100K0368	

Item	Part No.	Description	Book	
FRONT AXLE/FRONT WHEEL	02T08802	FRONT AXLE SUPPORT	100K0368	
	02T089	FRONT DRIVE CASE	100K0368	
	02T090	FRONT COUNTER SHAFT	100K0368	
	02T091	PROPELLER SHAFT	100K0368	
	02T092	FRONT WHEEL DRIVE LEVER	100K0368	
	02T09302	FRONT WHEEL (9.5-20) [CA] [AU] [NZ]	100K0368	
	02T09303	FRONT WHEEL (9.5-16) [A] [CA]	100K0368	
	02T09402	FRONT AXLE BRACKET	100K0368	
	STEERING	02T09502	TIE ROD L4850DT;ALL/L5450DT;[A] [CA]	100K0368
		02T09503	TIE ROD [AU] [NZ]	100K0368
		02T09602	STEERING CYLINDER	100K0368
		02T097	STEERING CYLINDER [COMPONENT PARTS]	100K0368
		02T09802	POWER STEERING PIPE	100K0368
02T099		STEERING CONTROLLER	100K0368	
02T100		STEERING CONTROLLER [COMPONENT PARTS]	100K0368	
02T101		STEERING SHAFT AND TILT LEVER	100K0368	
02T102		STEERING HANDLE	100K0368	
HYDRAULIC SYSTEM		02T10401	HYDRAULIC PUMP	100K0368
		02T10402	HYDRAULIC PUMP	100K0368
		02T105	HYDRAULIC PUMP [COMPONENT PARTS]	100K0368
		02T108	HYDRAULIC PUMP (HDT/HDT-W) [COMPONENT PARTS]	100K0368
	02T10902	HYDRAULIC PIPE (SUCTION)	100K0368	
	02T11002	HYDRAULIC PIPE (SUCTION)(HDT/HDT-W)	100K0368	
	02T11102	HYDRAULIC PIPE (DELIVERY) 1	100K0368	
	02T11202	HYDRAULIC PIPE (DELIVERY) 2	100K0368	
	02T113	HYDRAULIC OUTLET BLOCK [COMPONENT PARTS]	100K0368	
	02T11401	SHUTTLE VALVE (HDT)	100K0368	
	02T11402	SHUTTLE NAD CLUTCH VALVE (HDT-W)	100K0368	
	02T11501	SHUTTLE VALVE 1 (HDT) [COMPONENT PARTS]	100K0368	
	02T11502	SHUTTLE VALVE 2 (HDT) [COMPONENT PARTS]	100K0368	
02T11503	SHUTTLE AND CLUTCH VELVE (HDT-W) [COMPONENT PARTS]	100K0368		
02T116	HYDARULIC CYLINDER	100K0368		
02T117	HYDARULIC CYLINDER COVER	100K0368		
02T118	FLEXIBLE SHAFT [OLD TYPE]	100K0368		
02T119	LIFT ARM	100K0368		
02T120	CONTROL VALVE	100K0368		
02T121	CONTROL VALVE [COMPONENT PARTS]	100K0368		
02T122	CONTROL VALVE LEVER	100K0368		
02T123	FEED BACK LEVER 1	100K0368		
02T124	FEED BACK LEVER 2	100K0368		
02T125	CONTROL LEVER STAY	100K0368		
02T126	POSITION AND DRAFT CONTROL LEVER	100K0368		
02T127	AUX.CONTROL VALVE 1 [OPTION]	100K0368		
02T128	AUX.CONTROL VALVE 2 [OPTION]	100K0368		
02T129	AUX.CONTROL VALVE 3 [OPTION]	100K0368		
02T130	AUX.CONTROL VALVE [COMPONENT PARTS]	100K0368		
02T13102	3-POINT LINKAGE 1 (LOWER LINK/TOP LINK)	100K0368		
02T132	3-POINT LINKAGE 2 (LIFT ROD)	100K0368		
02T133	3-POINT LINKAGE 3 (CHECK CHAIN)	100K0368		
02T134	STARBILIZER [OPTION]	100K0368		
02T135	TOP BRACKET	100K0368		
DRAWBAR	02T136	DRAWBAR	100K0368	
HOOD(BONNET)/CHASSIS	02T137	FRONT ROOF	100K0368	
	02T138	FRONT GRILLE	100K0368	

Item	Part No.	Description	Book	
HOOD(BONNET)/CHASSIS	02T139	HOOD (BONNET) UPPER	100K0368	
	02T140	HOOD (BONNET) SIDE	100K0368	
	02T141	HOOD (BONNET) REAR	100K0368	
	02T142	FENDER	100K0368	
	02T143	FLOOR SEAT	100K0368	
	02T14401	SEAT [OLD TYPE]	100K0368	
	02T14402	SEAT [NEW TYPE]	100K0368	
	02T145	SEAT SUSPENTION [COMPONENT PARTS]	100K0368	
	02T14602	STEP RH	100K0368	
	02T14703	STEP LH (MDT/HDT)	100K0368	
	02T14704	STEP LH (HDT-W)	100K0368	
	02T148	TOOL BOX [NZ]	100K0368	
	02T14902	FRONT GUARD	100K0368	
	02T150	ROPS	100K0368	
	LABELS	02T151	LABEL 1	100K0368
		02T152	LABEL 2	100K0368
	ACCESSORIES	02T153	ACCESSORIES AND SERVICE PARTS	100K0368

# CRANKCASE



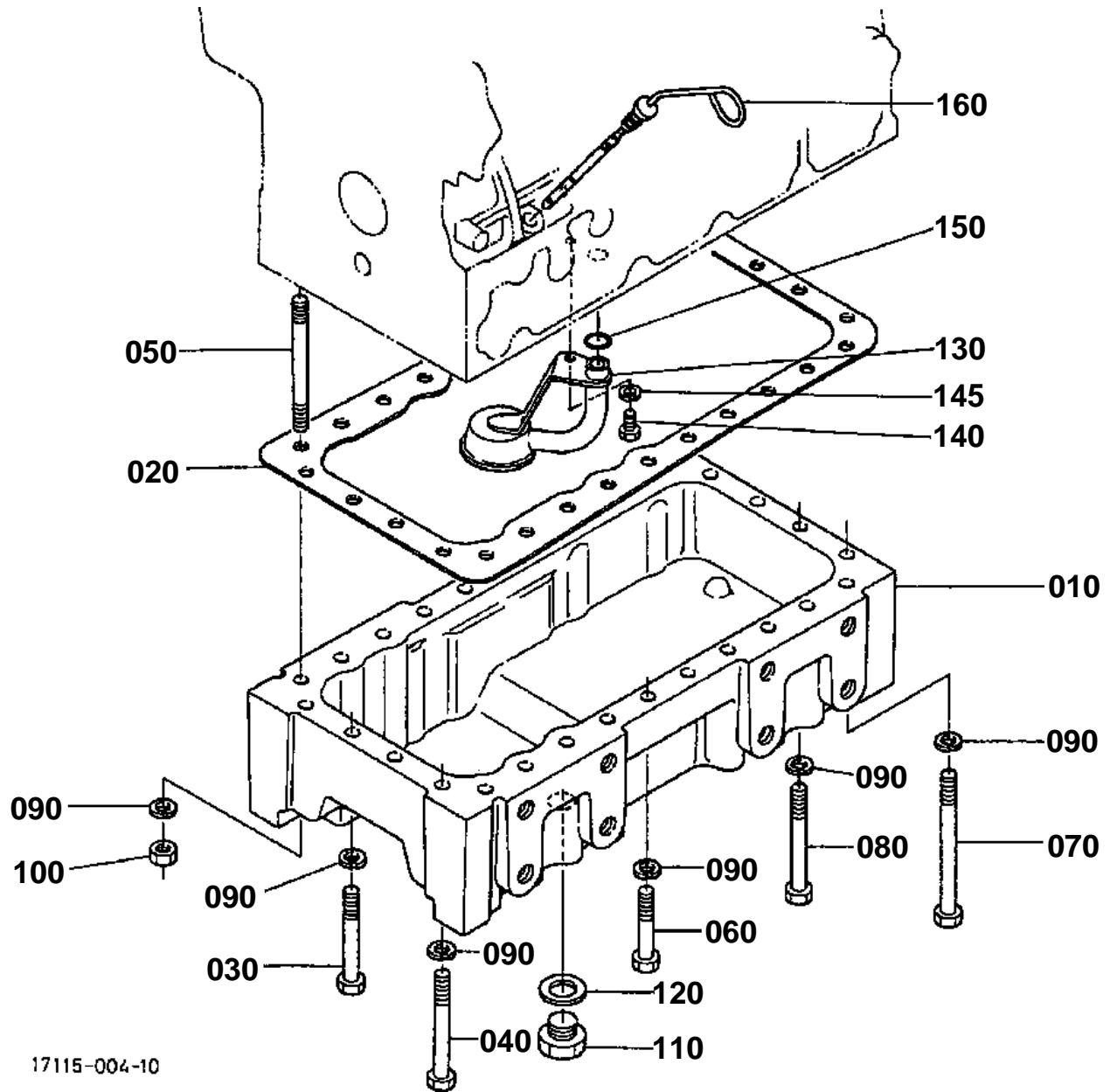
**CRANKCASE**

↔ Interchangeable; ≠ not interchangeable; ← new for old; → old for new

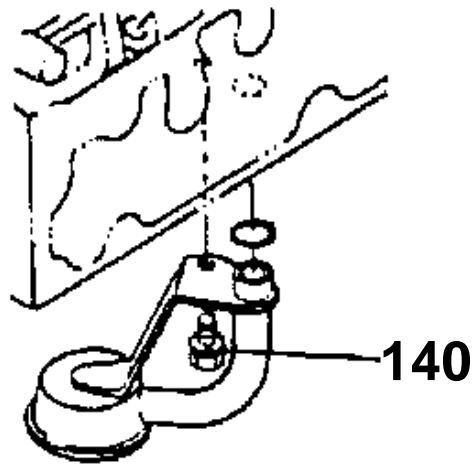
REF.No	Part No.	Description	Q'ty	S.No.	I/C	REMARKS	Weight (kgf)	Weight (lb)
010	17121-01010	COMP.CRANKCASE	1				79	173.8
020	34150-27580	PLUG	3				0.001	0.0022
030	06311-75018	PLUG EXPANSION	3	<=84111			0.004	0.0088
030	17391-96160	PLUG EXPANSION	3	>=84112	←		0.003	0.0066
040	15221-03380	CAP SEALING	8				0.017	0.0374
050	15221-03390	CAP SEALING	1				0.03	0.066
055	15221-03390	CAP SEALING	1				0.03	0.066
060	06311-75045	PLUG EXPANSION	1	<=71958			0.026	0.0572
060	16271-96160	PLUG EXPANSION	1	>=71959	↔		0.025	0.055
070	15521-96020	PLUG	7				0.003	0.0066
080	15521-96030	PLUG	2				0.007	0.0154
090	05012-00408	PIN STRAIGHT	2				0.001	0.0022
100	05012-00609	PIN STRAIGHT	2				0.003	0.0066
110	05012-00612	PIN STRAIGHT	2				0.003	0.0066
120	05012-01018	PIN STRAIGHT	1				0.012	0.0264
130	15221-33650	PIN PIPE	1				0.004	0.0088
140	15321-73340	PIPE WATER RETURN	1				0.016	0.0352
150	15221-33700	O RING	1				0.001	0.0022
160	15221-33610	PLUG	1				0.009	0.0198
170	15021-33660	GASKET	1				0.001	0.0022
180	17331-35010	ASSY PUMP OIL	1				0	0
190	15296-35150	GASKET OIL PUMP	1				0.001	0.0022
200	01053-50648	BOLT	4				0.01	0.022
210	04512-60060	WASHER SPRING	4				0.001	0.0022
220	15401-35660	GEAR OIL PUMP DRIVE	1				0.2	0.44
230	05712-00410	KEY FEATHER	1				0.001	0.0022
240	15221-35682	NUT FLANGE	1				0.014	0.0308
250	15531-39010	SWITCH OIL	1				0.032	0.0704



OIL PAN



140 01123-50814



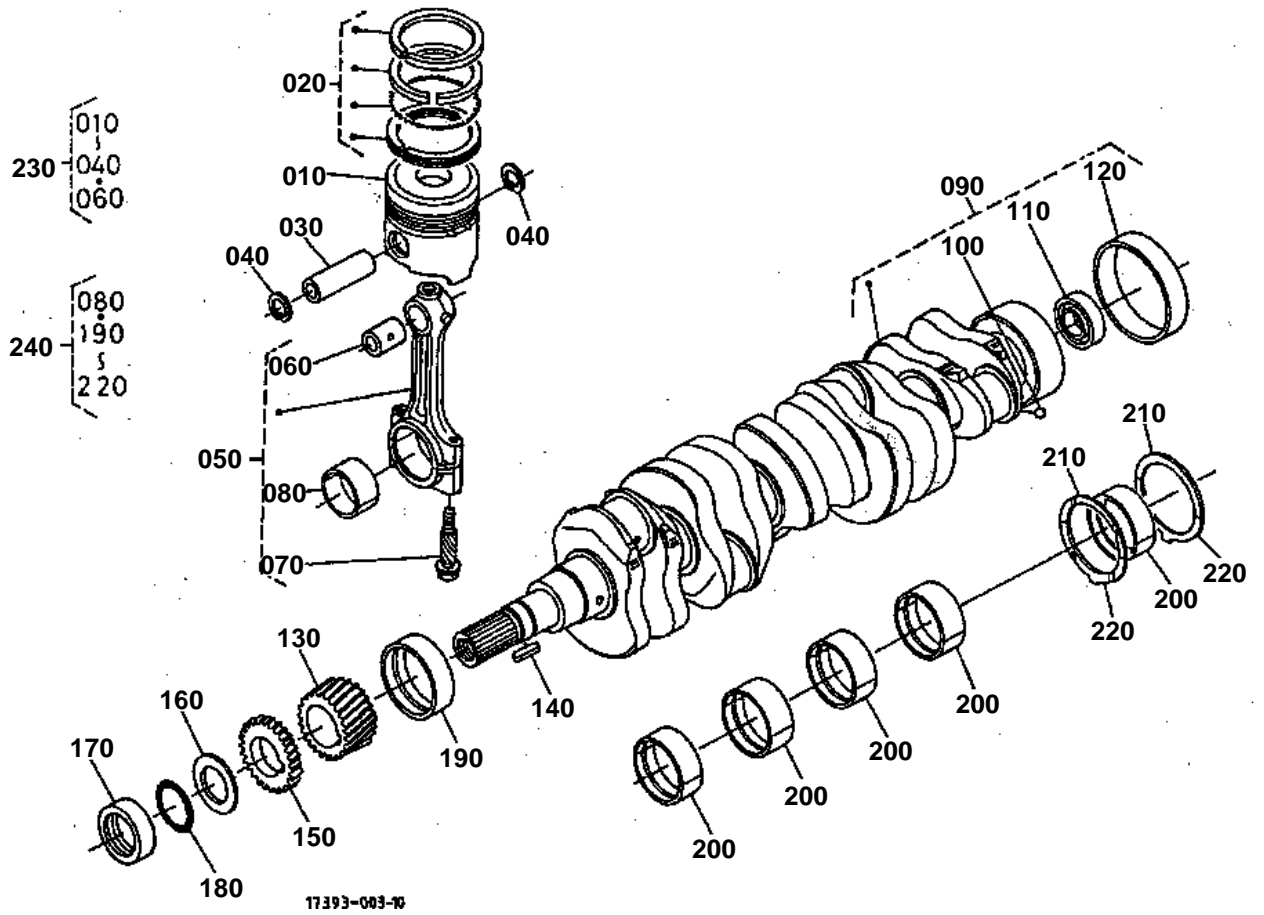
17115-809-10

**OIL PAN**

↔ Interchangeable; ≠ not interchangeable; ← new for old; → old for new

REF.No	Part No.	Description	Q'ty	S.No.	I/C	REMARKS	Weight (kgf)	Weight (lb)
010	17121-01610	OIL PAN	1				43	94.6
020	17121-01620	GASKET OIL PAN	1				0.028	0.0616
030	01173-51090	BOLT	2				0.055	0.121
040	01173-51005	BOLT	2				0.072	0.1584
050	17381-91600	STUD	6				0.087	0.1914
060	01173-51065	BOLT	4				0.04	0.088
070	17381-91010	BOLT	12				0.085	0.187
080	01173-51002	BOLT	2				0.064	0.1408
090	04512-60100	WASHER SPRING	28				0.002	0.0044
100	02076-50100	NUT	6	<=73458			0.006	0.0132
100	02176-50100	NUT	6	>=73459	↔		0.005	0.011
110	15451-33750	PLUG DRAIN	1	<=121391			0	0
110	16541-33750	PLUG DRAIN	1	>=121392	↔		0.074	0.1628
120	15451-96670	GASKET	1				0.003	0.0066
130	17121-32110	FILTER OIL	1				0.25	0.55
140	01123-50814	BOLT	1	<=89559			0	0
140	01153-50814	BOLT	1	>=89560	↔		0.009	0.0198
145	04512-60080	WASHER SPRING	1	>=89560			0.002	0.0044
150	04811-00180	O RING	1				0.001	0.0022
160	17121-36410	GAUGE OIL	1				0.04	0.088

PISTON AND CRANKSHAFT



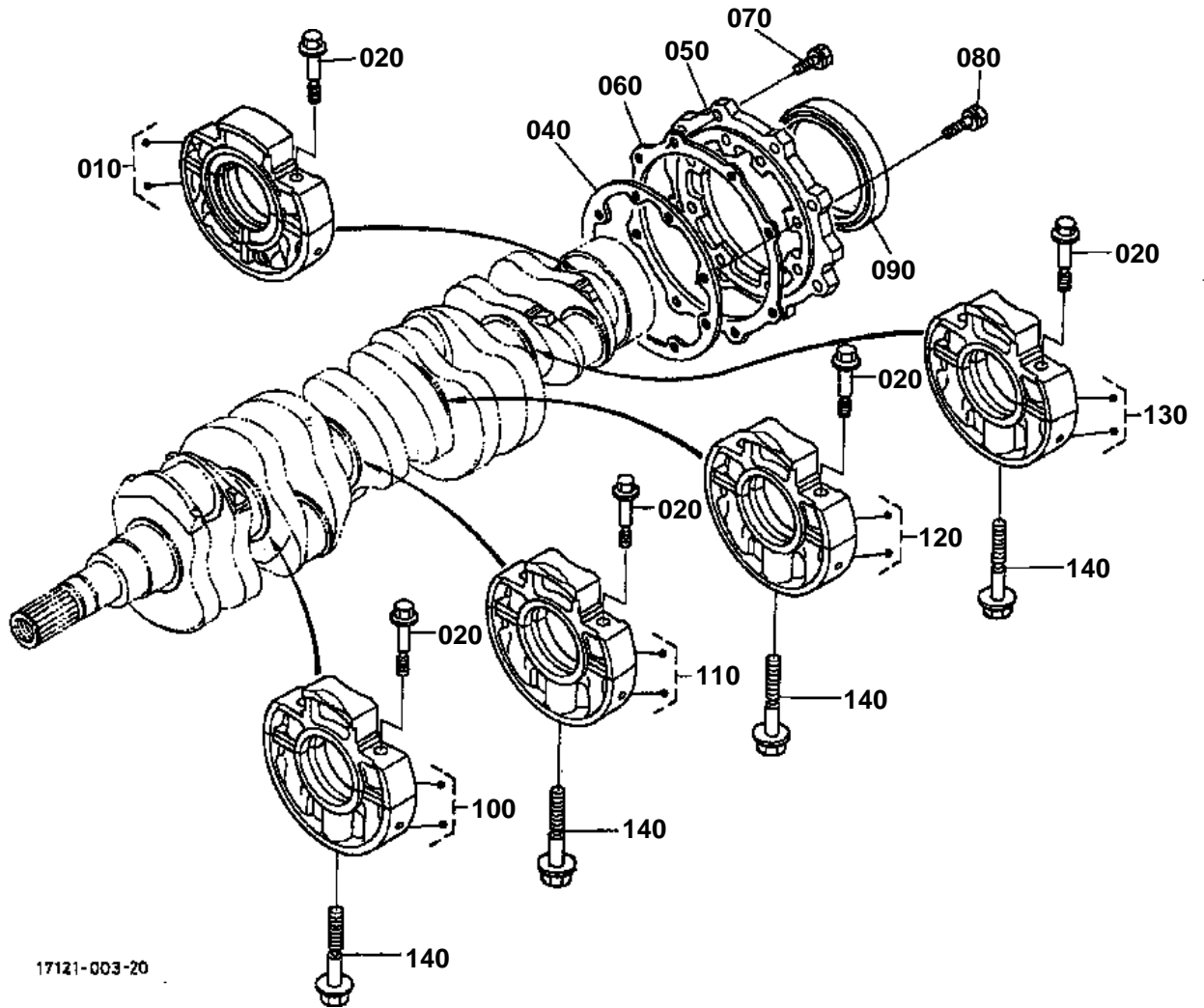


## PISTON AND CRANKSHAFT

↔ Interchangeable; ≠ not interchangeable; ← new for old; → old for new

REF.No	Part No.	Description	Q'ty	S.No.	I/C	REMARKS	Weight (kgf)	Weight (lb)
010	17121-21120	PISTON	5			STD	0.555	1.221
010	17121-21910	PISTON	5	≤75948		+0.50MM	0	0
010	17121-21920	PISTON	5	≥75949	↔	+0.50MM	0.58	1.276
020	17331-21050	ASSY PISTON RING	5			STD	0.065	0.143
020	17331-21090	ASSY PISTON RING	5			+0.50MM	0.065	0.143
030	14901-21310	PIN PISTON	5				0.17	0.374
040	14109-21330	CLIP PISTON PIN	10				0.015	0.033
050	17311-22010	ASSY CONNECTING ROD	5				0.885	1.947
060	17331-21980	BUSH PISTON PIN	5				0.025	0.055
070	15521-22142	BOLT CONNECTING ROD	10				0.026	0.0572
080	17311-22310	METAL CRANKPIN	5			STD	0.045	0.099
080	17331-22970	METAL CRANKPIN	5			-0.20MM	0.05	0.11
080	17331-22980	METAL CRANKPIN	5			-0.40MM	0.045	0.099
090	17121-23010	COMP.CRANKSHAFT	1				22.4	49.28
100	07715-00401	BALL	5				0.001	0.0022
110	08121-06203	BEARING BALL	1				0.07	0.154
120	17381-23280	SLEEVE CRANKSHAFT	1				0.09	0.198
130	15601-24110	GEAR CRANK	1				0.34	0.748
140	05712-00730	KEY FEATHER	1				0.011	0.0242
150	15401-35630	GEAR OIL PUMP DRIVE	1				0.185	0.407
160	15401-23312	SLINGER OIL	1				0.01	0.022
170	17381-23250	COLLAR CRANKSHAFT	1				0.07	0.154
180	04811-10300	O RING	1				0.001	0.0022
190	17311-23470	METAL CRANKSHAFT	1			STD	0	0
190	17311-23910	METAL CRANKSHAFT	1			-0.20MM	0.05	0.11
190	17311-23920	METAL CRANKSHAFT	1			-0.40MM	0.06	0.132
200	17311-23480	METAL CRANKSHAFT	5			STD	0.045	0.099
200	17311-23930	METAL CRANKSHAFT	5			-0.20MM	0.05	0.11
200	17311-23940	METAL CRANKSHAFT	5			-0.40MM	0.06	0.132
210	15221-23530	METAL SIDE	2	≤109953		STD	0	0
210	15521-23530	METAL SIDE	2	≥109954	↔	STD	0.01	0.022
210	15221-23950	METAL SIDE	2	≤109953		+0.20MM	0	0
210	15521-23950	METAL SIDE	2	≥109954	↔	+0.20MM	0.01	0.022
210	15221-23960	METAL SIDE	2	≤109953		+0.40MM	0.009	0.0198
210	15521-23960	METAL SIDE	2	≥109954	↔	+0.40MM	0.01	0.022
220	15221-23540	METAL SIDE	2	≤109953		STD	0	0
220	19202-23540	METAL SIDE	2	≥109954	↔	STD	0.01	0.022
220	15221-23970	METAL SIDE	2	≤109953		+0.20MM	0.009	0.0198
220	19202-23970	METAL SIDE	2	≥109954	↔	+0.20MM	0.01	0.022
220	15221-23980	METAL SIDE	2	≤109953		+0.40MM	0.009	0.0198
220	19202-23980	METAL SIDE	2	≥109954	↔	+0.40MM	0.01	0.022
230	07916-26900	KIT PISTON-RING	5			STD	0.865	1.903
230	07916-26910	KIT PISTON-RING	5			+0.50MM	0.88	1.936
240	07916-28780	KIT METAL ENGINE	1			STD	0.5	1.1
240	07916-28792	KIT METAL ENGINE	1			-0.20MM/+0.20MM	0	0
240	07916-28802	KIT METAL ENGINE	1			-0.40MM/+0.40MM	0	0

MAIN BEARING CASE



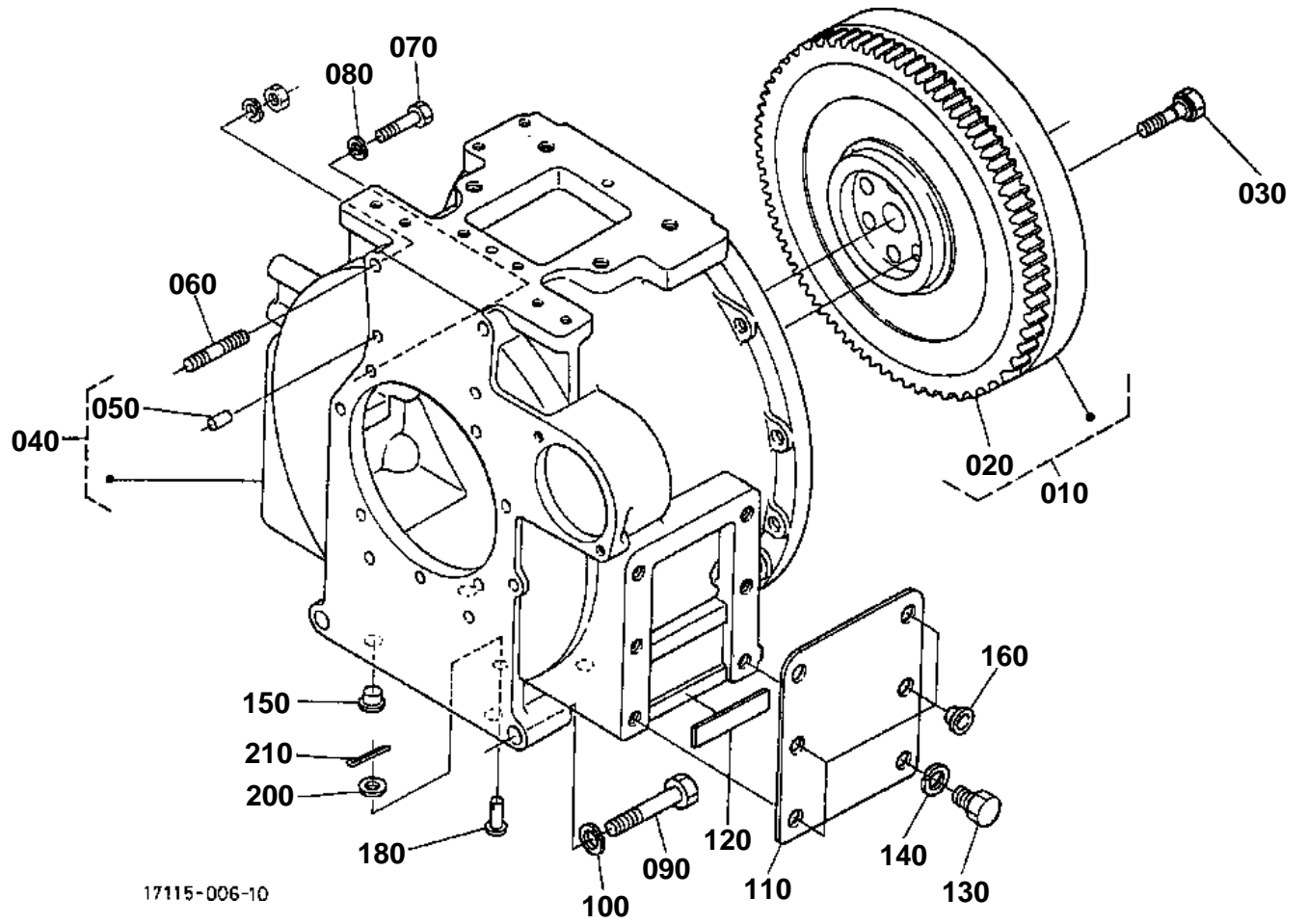


# MAIN BEARING CASE

↔ Interchangeable; ≠ not interchangeable; ← new for old; → old for new

REF.No	Part No.	Description	Q'ty	S.No.	I/C	REMARKS	Weight (kgf)	Weight (lb)
010	19013-04090	ASSY CASE MAIN BRG.	1				0	0
020	19013-04540	BOLT BEARING CASE	10				0.038	0.0836
040	19013-04362	GASKET BRG.CASE	1	≤110856			0	0
040	19077-04360	GASKET BEARING CASE	1	≥110857	↔		0.004	0.0088
050	19013-04810	COVER BEARING CASE	1	≤75948			0	0
050	19013-04813	COVER BEARING CASE	1	≥75949	↔		0.41	0.902
060	19013-04830	GASKET BRG.CASE COV.	1	≤75948			0.01	0.022
060	17118-04830	GASKET CASE COVER	1	≥75949	←		0.01	0.022
070	01123-50825	BOLT	8				0.013	0.0286
080	01123-50828	BOLT	8				0.014	0.0308
090	17381-04460	SEAL OIL	1				0.05	0.11
100	19013-04040	ASSY CASE MAIN BRG.	1				0	0
110	19013-04050	ASSY CASE MAIN BRG.	1				0	0
120	19013-04060	ASSY CASE MAIN BRG.	1				0	0
130	17121-04060	ASSY CASE MAIN BRG.	1				1.55	3.41
140	15601-04560	BOLT BEARING CASE	4				0.06	0.132

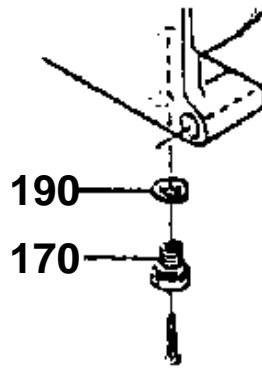
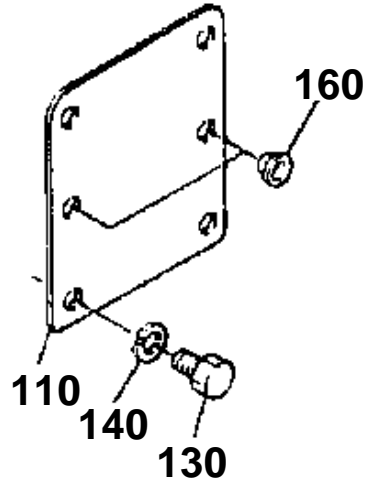
FLYWHEEL



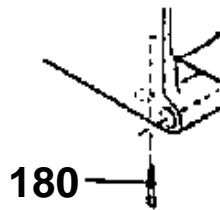
17115-006-10



- 130 01173-51420
- 140 04512-50140
- 160 31220-1429-0
- 170 32530-1413-0
- 190 04512-50100



- 180 05511-50430



17115-802-10

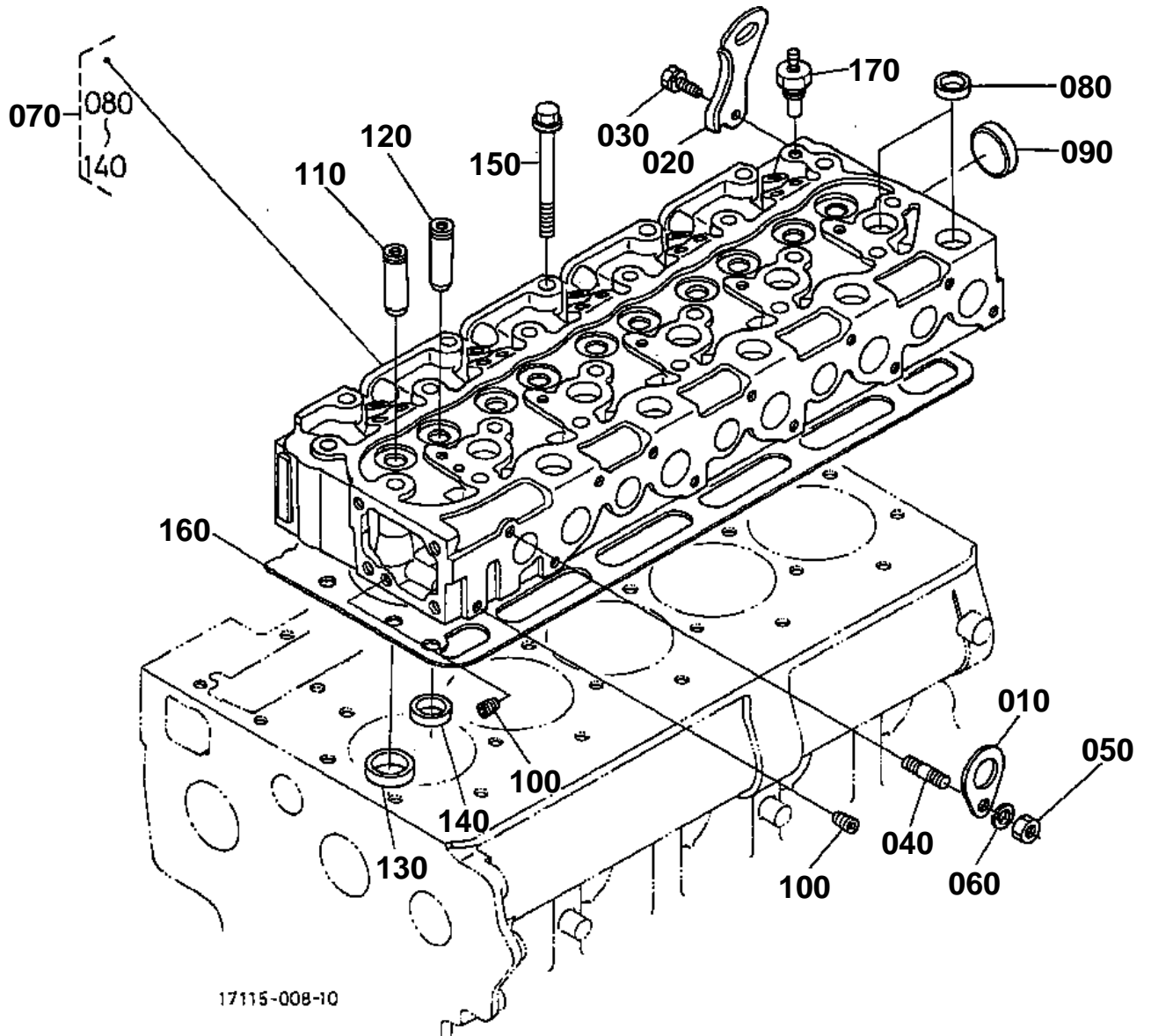


**FLYWHEEL**

↔ Interchangeable; ≠ not interchangeable; ← new for old; → old for new

REF.No	Part No.	Description	Q'ty	S.No.	I/C	REMARKS	Weight (kgf)	Weight (lb)
010	17121-25010	COMP.FLYWHEEL	1				30.3	66.66
020	15601-63820	GEAR RING	1	≤86030			0	0
020	15602-63820	GEAR RING	1	≥86031	↔		2	4.4
030	15321-25163	BOLT FLYWHEEL	6				0.05	0.11
040	17121-04600	COMP.HOUSING F-W.	1	≤86030			0	0
040	17121-04602	COMP.HOUSING F-W.	1	≥86031	≠		41	90.2
050	05012-01018	PIN STRAIGHT	2				0.012	0.0264
060	17381-91610	STUD	2				0.225	0.495
070	01073-51032	BOLT	11				0.03	0.066
080	04512-60100	WASHER SPRING	11				0.002	0.0044
090	01173-51475	BOLT	2				0.107	0.2354
100	04512-60140	WASHER SPRING	2				0.006	0.0132
110	32530-10532	COVER	2				0.31	0.682
120	32530-13780	CUSHION	2				0.001	0.0022
130	01173-51420	BOLT	8	≤70565			0.041	0.0902
130	01173-51420	BOLT	4	≥70566			0.041	0.0902
140	04512-50140	WASHER SPRING	8	≤70565			0	0
140	04512-60140	WASHER SPRING	4	≥70566			0.006	0.0132
150	31220-14290	PLUG	4				0.002	0.0044
160	31220-14290	PLUG	4	≤70565			0.002	0.0044
160	31220-14290	PLUG	8	≥70566			0.002	0.0044
170	32530-14130	KIT PLUG	1	≤77288			0.02	0.044
180	05511-50430	PIN SPLIT	1	≤86030			0.004	0.0088
180	05122-50825	PIN JOINT	1	≥86031	≠		0.011	0.0242
190	04512-50100	WASHER SPRING	1	≤77288			0	0
200	04013-50080	WASHER PLAIN	1	≥86031			0	0
210	05511-50220	PIN SPLIT	1	≥86031			0.001	0.0022

CYLINDER HEAD



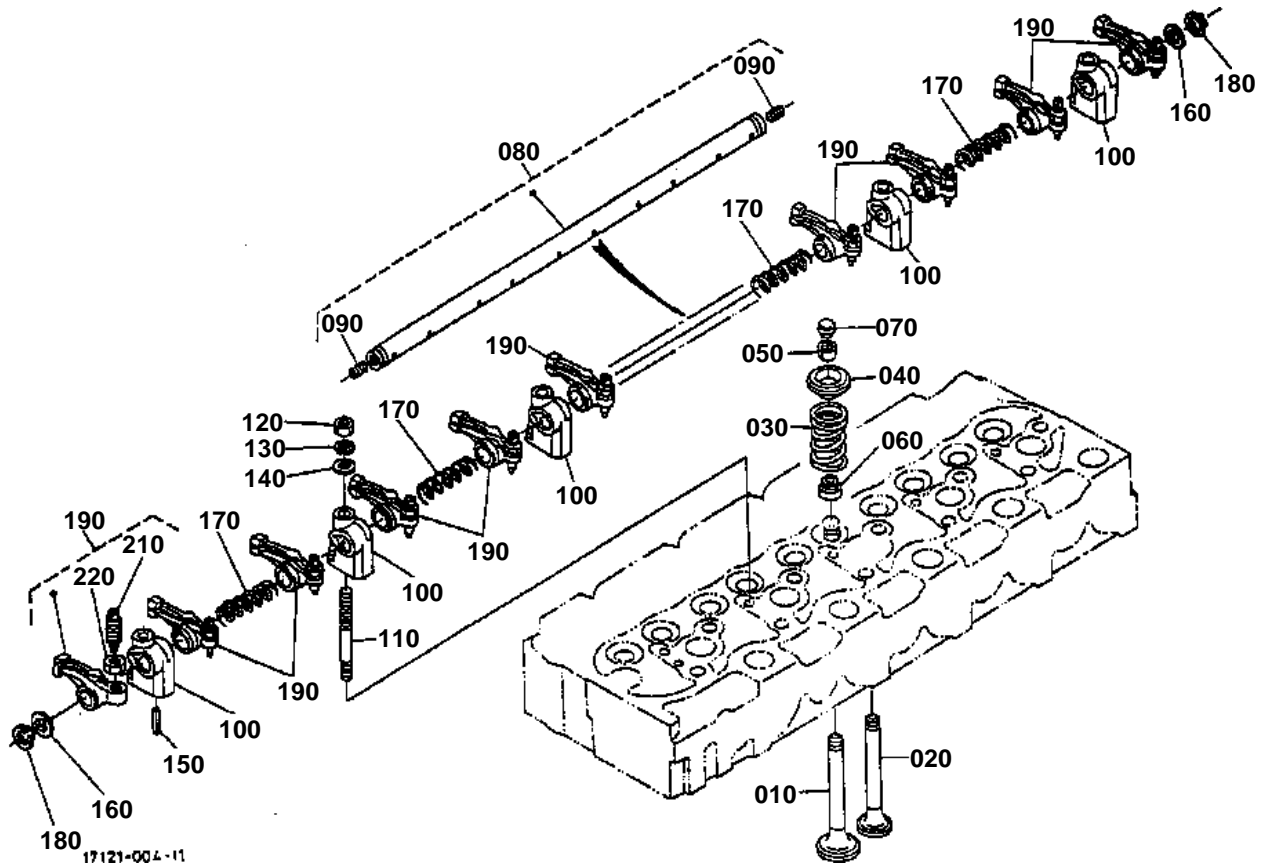


# CYLINDER HEAD

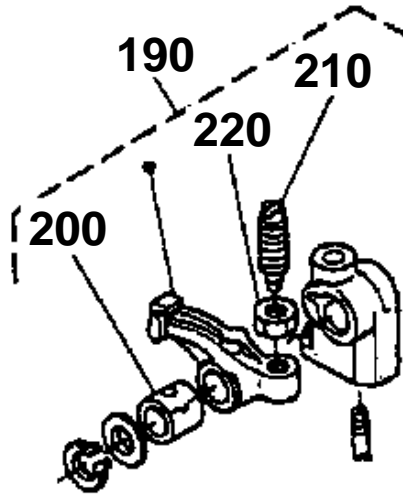
↔ Interchangeable; ≠ not interchangeable; ← new for old; → old for new

REF.No	Part No.	Description	Q'ty	S.No.	I/C	REMARKS	Weight (kgf)	Weight (lb)
010	15221-01750	HOOK ENGINE	1				0.04	0.088
020	17331-01750	HOOK ENGINE	1				0.09	0.198
030	01123-60816	BOLT	1				0.01	0.022
040	15471-91530	STUD	1				0.01	0.022
050	02156-50080	NUT	1				0.004	0.0088
060	04512-60080	WASHER SPRING	1				0.002	0.0044
070	17121-03040	COMP.CYLINDER HEAD	1	<=78392			0	0
070	17121-03042	COMP.CYLINDER HEAD	1	>=78393	↔		25.7	56.54
070	17123-03040	COMP.CYLINDER HEAD	1	>=86031	←		10	22
080	15221-03370	CAP SEALING	15				0.01	0.022
090	15221-03490	CAP SEALING	1				0.02	0.044
100	15261-96010	PLUG	2				0.002	0.0044
110	17321-13580	GUIDE INLET VALVE	5				0.015	0.033
120	17321-13560	GUIDE EXHAUST VALVE	5				0.02	0.044
130	17111-13620	SEAT INLET VALVE	5				0.01	0.022
140	17111-13612	SEAT EXHAUST VALVE	5				0.007	0.0154
150	19013-03450	BOLT CYLINDER HEAD	22				0.077	0.1694
160	17121-03310	GASKET CYLINDER HEAD	1				0.17	0.374
170	31351-32830	SENSOR THERMO	1				0.02	0.044

# VALVE AND ROCKER ARM



190 15601-1403-0  
200 15221-1418-0



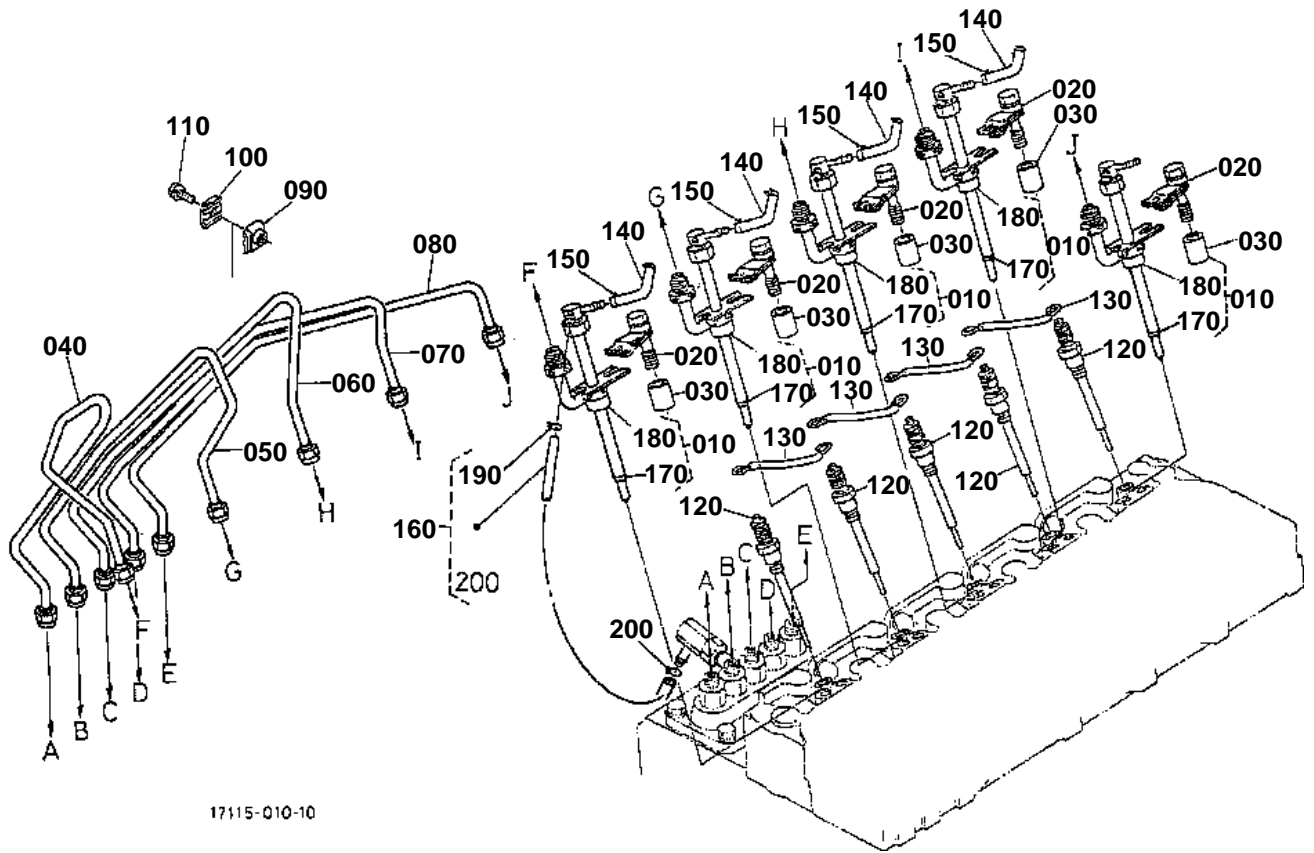
17115-804-10

**VALVE AND ROCKER ARM**

↔ Interchangeable; ≠ not interchangeable; ← new for old; → old for new

REF.No	Part No.	Description	Q'ty	S.No.	I/C	REMARKS	Weight (kgf)	Weight (lb)
010	17111-13110	VALVE INLET	5				0.08	0.176
020	17111-13120	VALVE EXHAUST	5				0.07	0.154
030	15221-13240	SPRING VALVE	10				0.036	0.0792
040	15221-13330	RETAINER VALVE SP.	10				0.03	0.066
050	15221-13360	COLLET VALVE SPRING	10				0	0
060	15221-13150	SEAL VALVE STEM	10				0.001	0.0022
070	15221-13280	CAP VALVE	10				0.006	0.0132
080	17381-14050	ASSY SHAFT R-ARM	1	≤128351			0	0
080	17381-14052	ASSY SHAFT R-ARM	1	≥128352	≠		0.6	1.32
090	03410-00808	SCREW SET	2				0.002	0.0044
100	15221-14350	BRACKET ROCKER ARM	5				0.044	0.0968
110	15521-91500	STUD	5				0.035	0.077
120	02156-50080	NUT	5				0.004	0.0088
130	04512-60080	WASHER SPRING	5				0.002	0.0044
140	04012-50080	WASHER PLAIN	5				0.001	0.0022
150	15221-14420	SCREW SET.ROCKER ARM	1	≤128351			0.003	0.0066
150	05411-00528	PIN SPRING	1	≥128352	≠		0.003	0.0066
160	15221-14430	WASHER R-ARM.SHAFT	2				0.002	0.0044
170	15221-14310	SPRING ROCKER ARM	4				0.005	0.011
180	04612-00140	CIRCLIP EXTERNAL	2				0.001	0.0022
190	15621-14030	ASSY ROCKER ARM	10	≤71275			0.1	0.22
190	15621-14030	ASSY ROCKER ARM	10	≥71276	↔		0.1	0.22
200	15221-14180	BUSH ROCKER ARM	10	≤71275			0.007	0.0154
210	15521-14230	SCREW ADJUSTING	10				0.009	0.0198
220	15021-14240	NUT	10				0.003	0.0066

# NOZZLE HOLDER AND GLOW PLUG



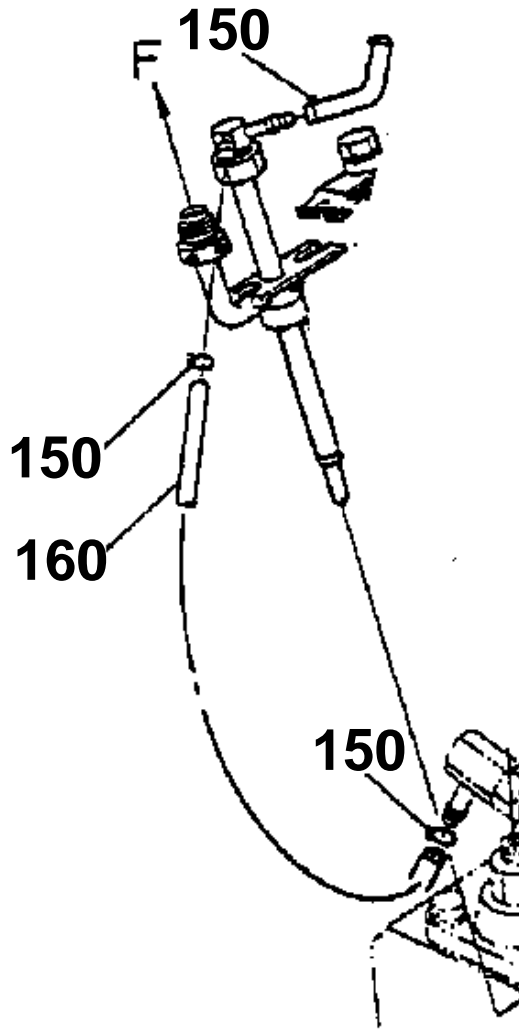
17115-010-10



NOZZLE HOLDER AND GLOW PLUG

150 10244-4232-0

160 15471-4252-0



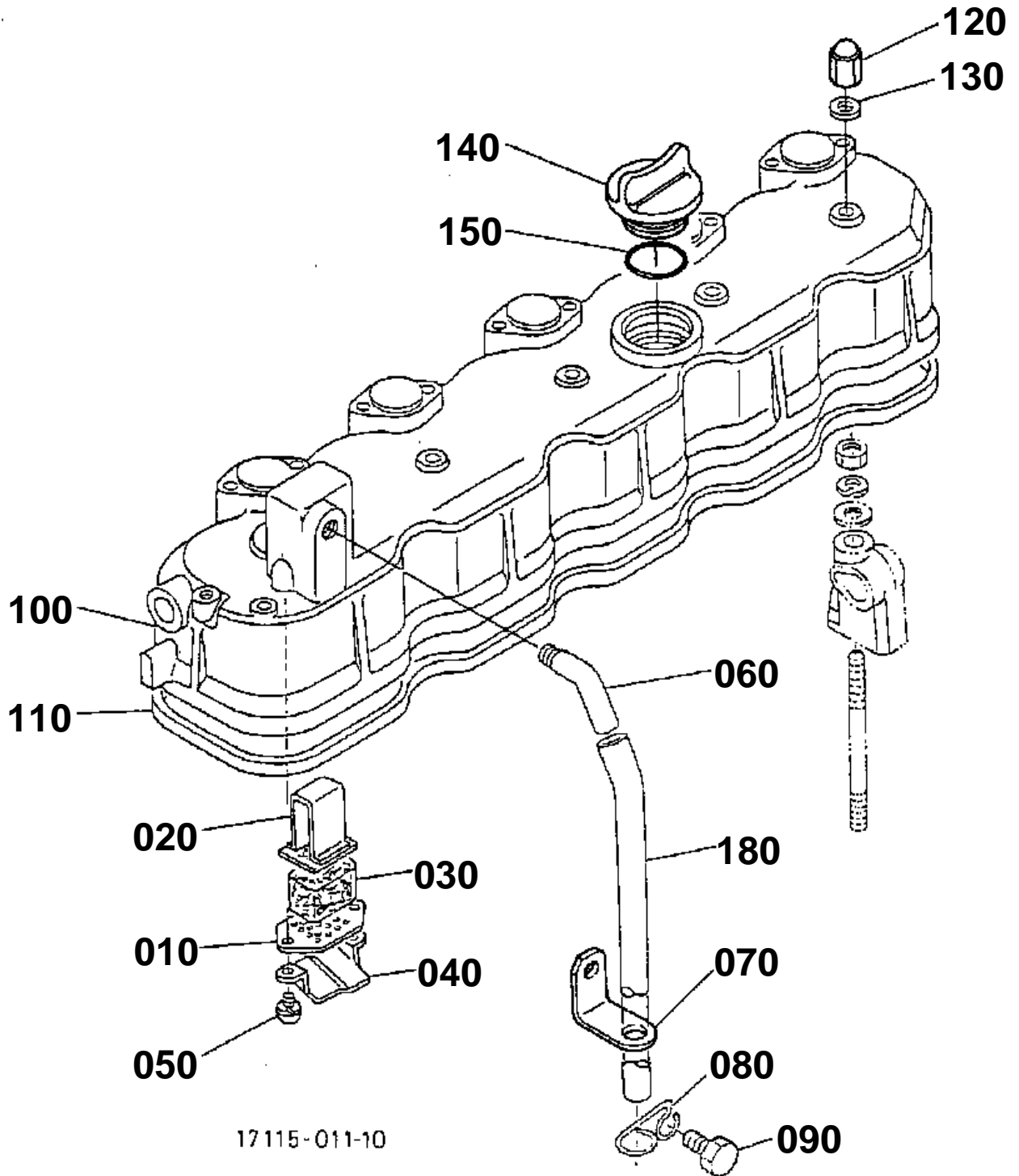
17115-805-10

**NOZZLE HOLDER AND GLOW PLUG**

↔ Interchangeable; ≠ not interchangeable; ← new for old; → old for new

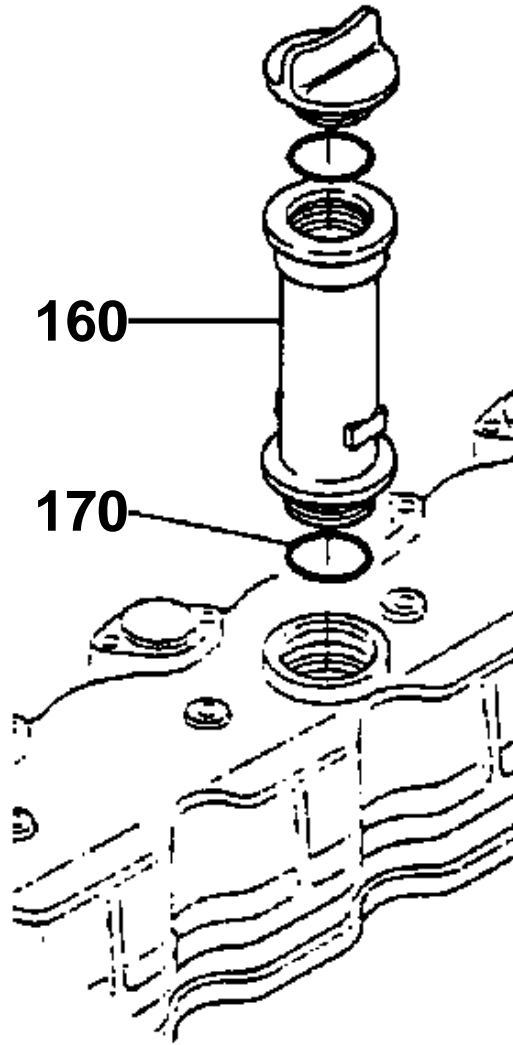
REF.No	Part No.	Description	Q'ty	S.No.	I/C	REMARKS	Weight (kgf)	Weight (lb)
010	17111-53000	ASSY NOZZLE	5				0.145	0.319
020	17371-53450	CLAMP NOZZLE	5				0.035	0.077
030	17371-53460	SPACER NOZZLE	5				0.015	0.033
040	17121-53710	PIPE INJECTION	1				0.14	0.308
050	17121-53720	PIPE INJECTION	1				0.14	0.308
060	17121-53730	PIPE INJECTION	1				0.14	0.308
070	17121-53740	PIPE INJECTION	1				0.14	0.308
080	17121-53750	PIPE INJECTION	1				0.14	0.308
090	15841-53850	CLAMP PIPE	5				0.01	0.022
100	15841-53860	CLAMP PIPE	5				0.009	0.0198
110	03024-50520	SCREW WITH WASHER	5				0.004	0.0088
120	17331-65510	GLOW PLUG	5				0.05	0.11
130	17331-65560	CORD GLOW PLUG	4				0.005	0.011
140	09661-40095	TUBE FUEL	4				0.01	0.022
150	10244-42320	CLIP PIPE	10	≤110856			0.001	0.0022
150	10244-42320	CLIP PIPE	8	≥110857			0.001	0.0022
160	15471-42520	PIPE FUEL OVER FLOW	1	≤110856			0	0
160	17331-42500	ASSY PIPE OVER FLOW	1	≥110857	↔		0.02	0.044
170	17111-53180	SEAL CARBON STOP	5				0.001	0.0022
180	17111-53480	SEAL DUST	5				0.001	0.0022
190	10244-42320	CLIP PIPE	1	≥110857			0.001	0.0022
200	14971-42750	CLIP PIPE	1	≥110857			0.001	0.0022

CYLINDER HEAD COVER



160 15324-3311-0

170 04811-50300



17115-806-10

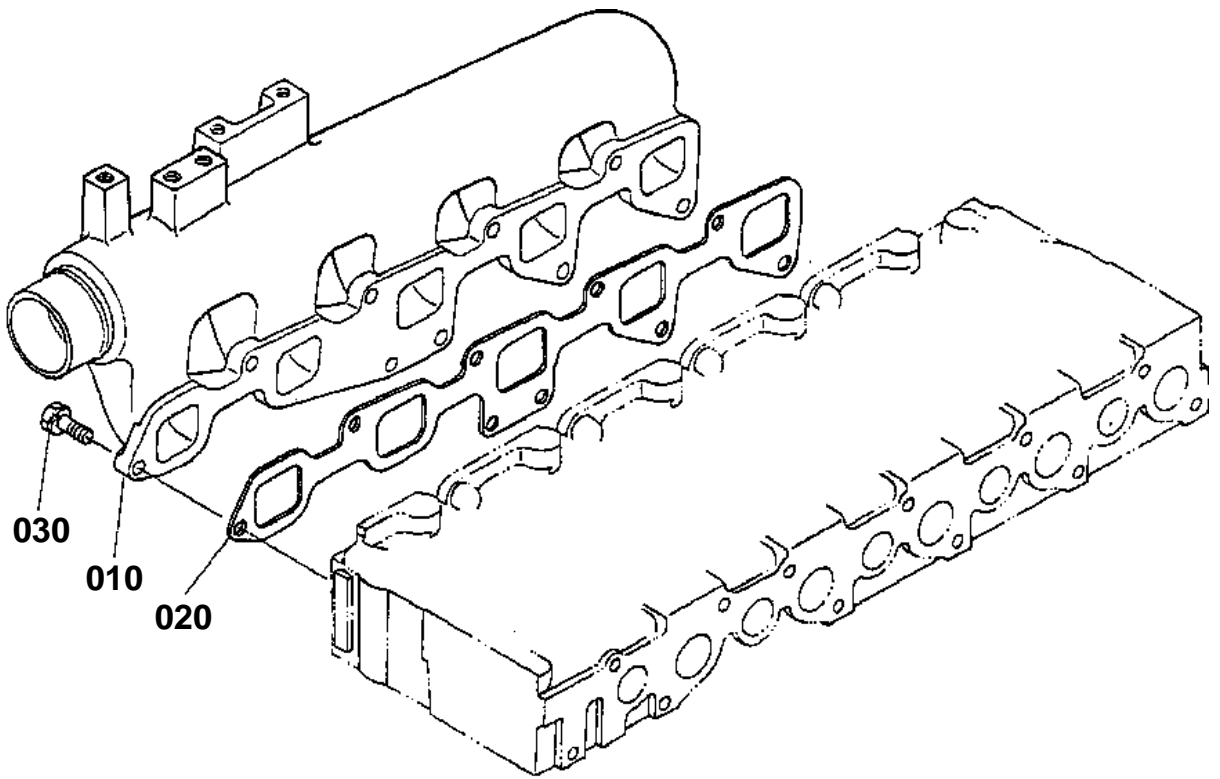


## CYLINDER HEAD COVER

↔ Interchangeable; ≠ not interchangeable; ← new for old; → old for new

REF.No	Part No.	Description	Q'ty	S.No.	I/C	REMARKS	Weight (kgf)	Weight (lb)
010	15521-05140	PLATE B/THER ELEMENT	1				0.005	0.011
020	15521-05150	PLATE B/THER ELEMENT	1				0.01	0.022
030	15521-05670	ELEMENT BREATHER	1				0.01	0.022
040	15521-05370	OIL SHIELD BREATHER	1				0.005	0.011
050	15521-93310	SCREW WITH WASHER	2	<=88313			0.004	0.0088
050	03024-50510	SCREW WITH WASHER	2	>=88314	↔		0.002	0.0044
050	03034-50510	SCREW WITH WASHER	2	>=91147	↔		0.003	0.0066
060	15521-05550	JOINT BREATHER PIPE	1				0.04	0.088
070	15401-05580	CLAMP PIPE	1				0.02	0.044
080	15341-05590	CLAMP PIPE	1				0.003	0.0066
090	01173-51218	BOLT	1				0.028	0.0616
100	17381-14510	COVER CYL.HEAD	1				1.8	3.96
110	17381-14520	GASKET HEAD COVER	1				0.05	0.11
120	15451-92330	NUT CAP	5				0.015	0.033
130	15021-33660	GASKET	5				0.001	0.0022
140	15221-33140	PLUG OIL FILLER	1	<=90278			0.038	0.0836
140	15852-33140	PLUG OIL FILLER	1	>=90279	↔		0.038	0.0836
150	04811-50300	O RING	1				0.001	0.0022
160	15324-33110	FLANGE OIL FILLER	1	<=71275			0.295	0.649
170	04811-50300	O RING	1	<=71275			0.001	0.0022
180	15521-05510	PIPE BREATHER	1				0.075	0.165

INLET MANIFOLD



17115-014-10

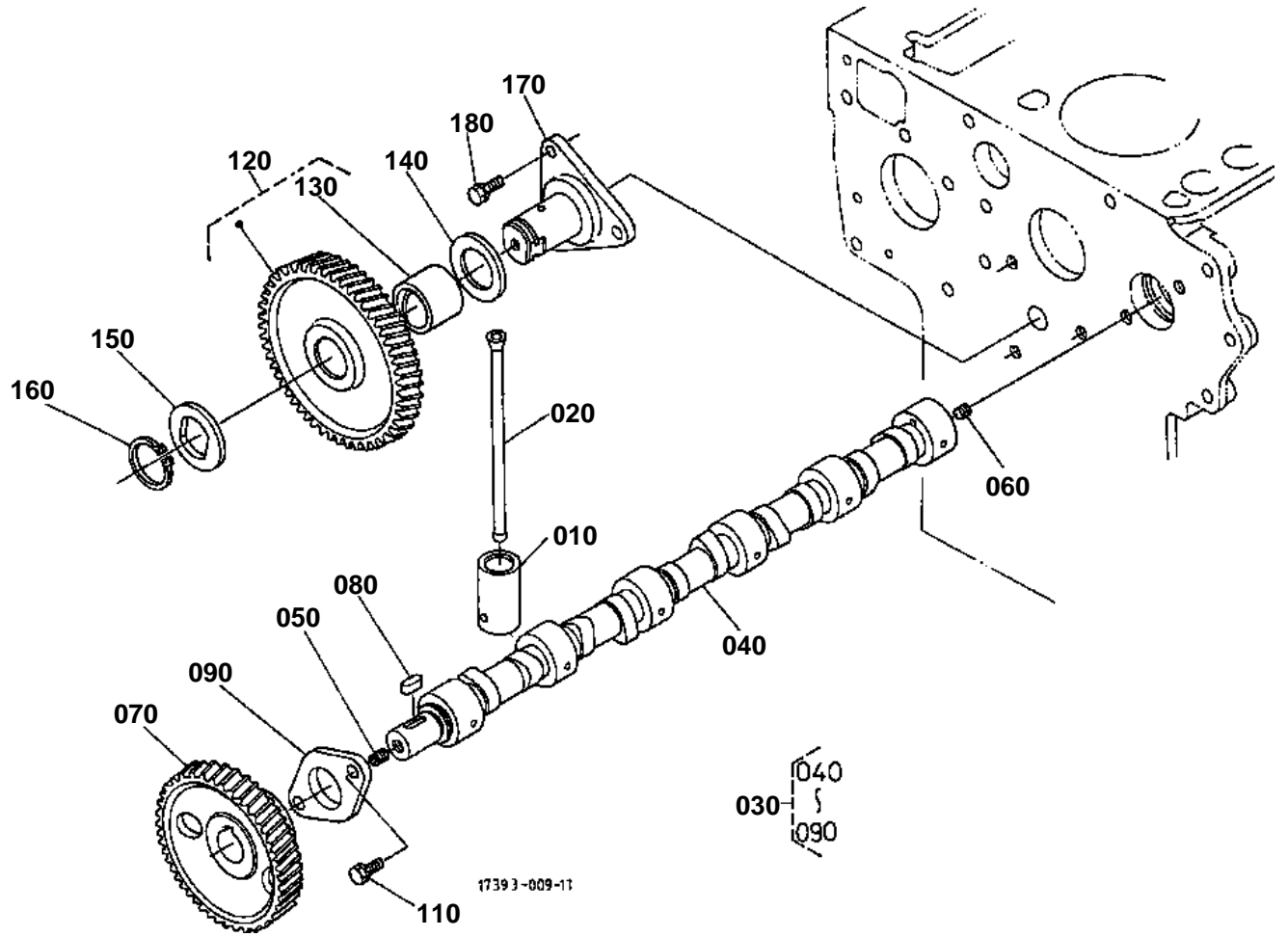


## INLET MANIFOLD

↔ Interchangeable; ≠ not interchangeable; ← new for old; → old for new

REF.No	Part No.	Description	Q'ty	S.No.	I/C	REMARKS	Weight (kgf)	Weight (lb)
010	17121-11760	MANIFOLD INLET	1	<=69101			1.8	3.96
010	17121-11762	MANIFOLD INLET	1	>=69102	≠		1.7	3.74
020	17121-11820	GASKET IN-MANIFOLD	1				0	0
030	01123-50822	BOLT	9				0.012	0.0264

CAMSHAFT



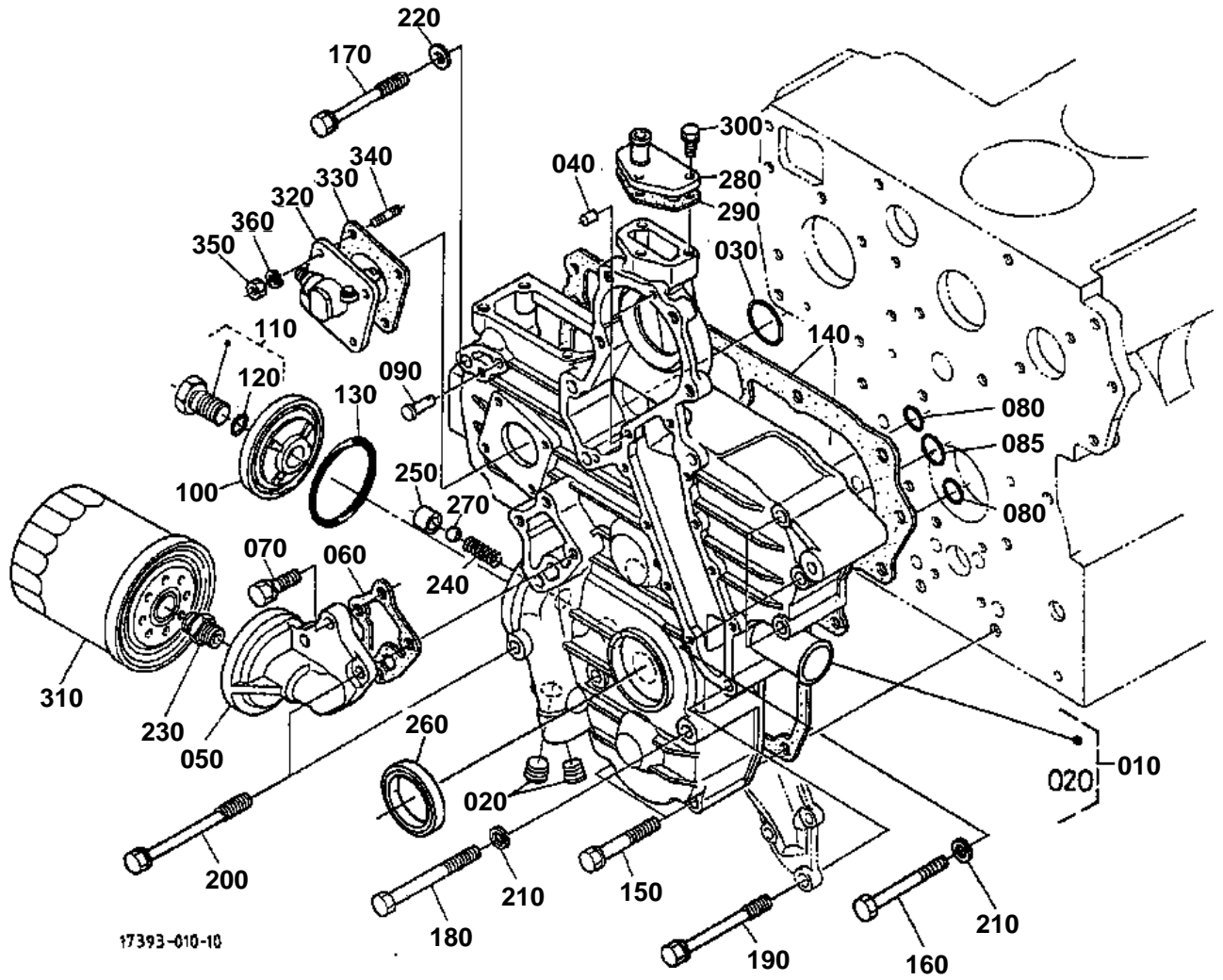


**CAMSHAFT**

↔ Interchangeable; ≠ not interchangeable; ← new for old; → old for new

REF.No	Part No.	Description	Q'ty	S.No.	I/C	REMARKS	Weight (kgf)	Weight (lb)
010	15601-15550	TAPPET	10				0.08	0.176
020	19013-15110	PUSH ROD	10				0.05	0.11
030	17121-16010	ASSY CAMSHAFT	1				3.6	7.92
040	17121-16150	CAMSHAFT	1				2.6	5.72
050	15521-93610	SCREW SET	1				0.002	0.0044
060	15601-93620	SCREW SET	1				0.025	0.055
070	15221-16510	GEAR CAM	1				0.85	1.87
080	05712-00720	KEY FEATHER	1				0.008	0.0176
090	15221-16270	STOPPER CAMSHAFT	1				0.073	0.1606
110	01123-50818	BOLT	2				0.012	0.0264
120	17331-24010	COMP GEAR IDLE	1	≤75948			1.11	2.442
120	16427-24010	COMP GEAR IDLE	1	≥75949	≠		1.2	2.64
120	16478-24010	COMP GEAR IDLE	1	≥117954	↔		1.24	2.728
130	17331-24980	BUSH IDLE GEAR	1	≤75948			0.06	0.132
130	16427-24280	BUSH IDLE GEAR	1	≥75949	≠		0.08	0.176
140	17331-24360	COLLAR	1	≤75948			0.02	0.044
140	16427-24360	COLLAR	1	≥75949	≠		0.02	0.044
150	17331-24370	COLLAR	1	≤75948			0.02	0.044
150	16427-24370	COLLAR	1	≥75949	≠		0.02	0.044
160	15451-95390	CIRCLIP EXTERNAL	1	≤75948			0.007	0.0154
160	15451-95400	CIRCLIP EXTERNAL	1	≥75949	≠		0.01	0.022
170	17331-24250	SHAFT IDLE GEAR	1	≤75948			0.575	1.265
170	16427-24250	SHAFT IDLE GEAR	1	≥75949	≠		0.65	1.43
180	01123-50818	BOLT	3				0.012	0.0264

# GEAR CASE

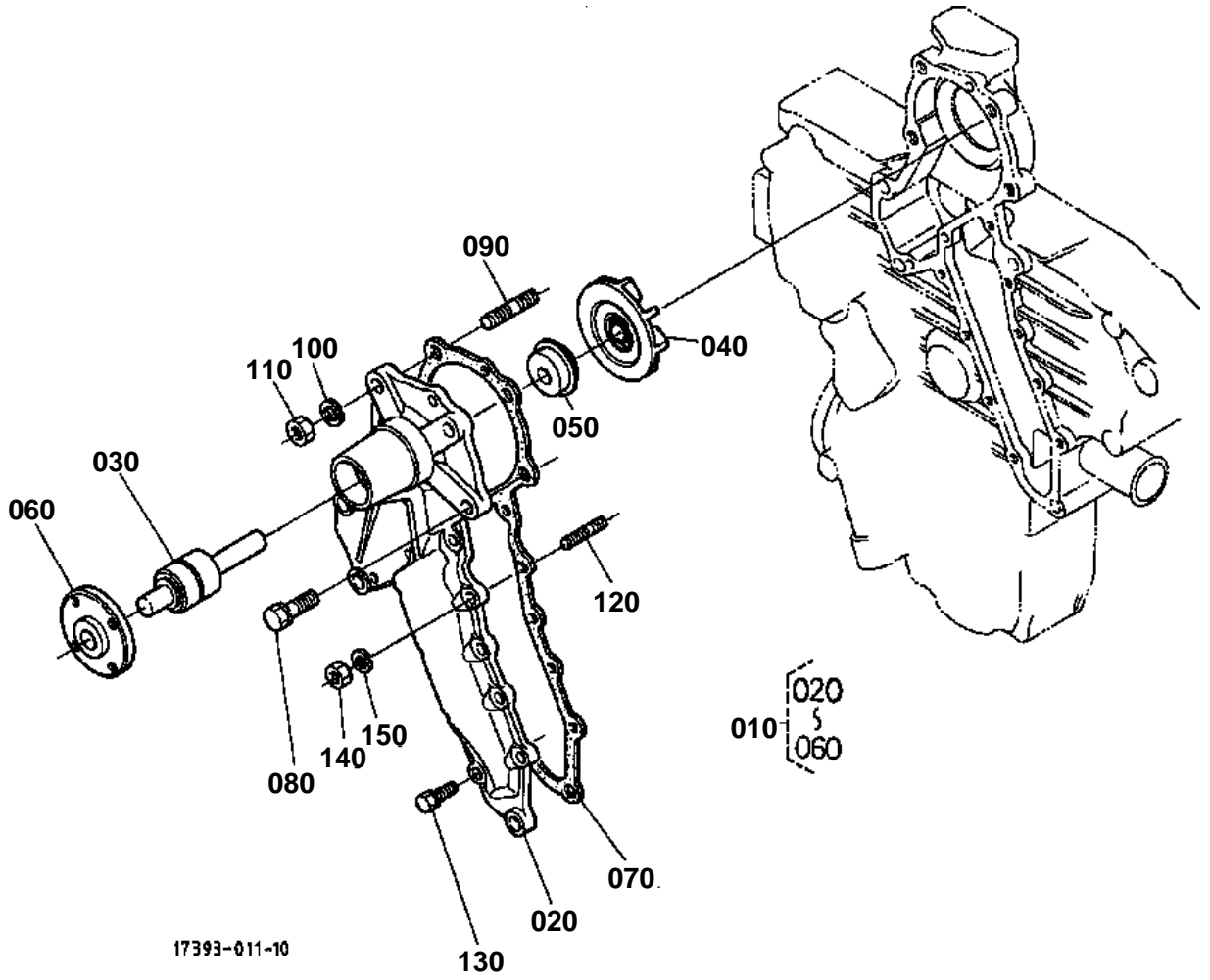


**GEAR CASE**

↔ Interchangeable; ≠ not interchangeable; ← new for old; → old for new

REF.No	Part No.	Description	Q'ty	S.No.	I/C	REMARKS	Weight (kgf)	Weight (lb)
010	17391-04032	COMP.CASE GEAR	1	<=75948		[A] [AU] [NZ]	0	0
010	17391-04033	COMP.CASE GEAR	1	>=75949	←	[A] [AU] [NZ]	3.6	7.92
010	17127-04030	COMP.CASE GEAR	1			[CA]	4.6	10.12
020	17331-96040	PLUG	2	<=89559			0.005	0.011
020	16241-96020	PLUG	2	>=89560	↔		0.015	0.033
030	04811-00360	O RING	1				0.002	0.0044
040	05012-00612	PIN STRAIGHT	2				0.003	0.0066
050	17331-32610	SUPPORT OIL FILTER	1				0.275	0.605
060	17326-32620	GASKET	1				0.005	0.011
070	01123-50825	BOLT	3				0.013	0.0286
080	04811-00150	O RING	2				0.001	0.0022
085	04811-00200	O RING	1				0.001	0.0022
090	15221-56280	PIN START SPRING	1				0.006	0.0132
100	17331-32880	COVER	1				0.075	0.165
110	17331-32910	COMP BOLT	1				0.07	0.154
120	04811-00150	O RING	1				0.001	0.0022
130	19202-96830	O RING	1				0.01	0.022
140	17326-04132	GASKET GEAR CASE	1				0.03	0.066
150	01123-50860	BOLT	3				0.026	0.0572
160	01153-50870	BOLT	3				0.026	0.0572
170	17367-91010	BOLT	2				0.005	0.011
180	01153-50880	BOLT	2				0.03	0.066
190	17367-91020	BOLT	3				0.035	0.077
200	17367-91030	BOLT	2				0.02	0.044
210	04512-60080	WASHER SPRING	5				0.002	0.0044
220	04012-50080	WASHER PLAIN	1				0.001	0.0022
230	15521-32290	JOINT PIPE	1				0.05	0.11
240	17391-36950	SPRING	1				0.005	0.011
250	15521-36930	SEAT VALVE	1				0.015	0.033
260	19202-04140	SEAL OIL	1				0.015	0.033
270	07715-03213	BALL	1				0.004	0.0088
280	15521-73320	FLANGE WATER RETURN	1				0.04	0.088
290	15766-73330	GASKET	1				0.002	0.0044
300	01023-50620	BOLT	3				0.006	0.0132
310	17321-32430	CARTRIDGE OIL FILTER	1				0.45	0.99
320	38240-34660	ASSY GEAR CASE H/M	1				0.335	0.737
330	15296-88130	GASKET H/METER UNIT	1				0.002	0.0044
340	15221-88210	STUD	4				0.005	0.011
350	02056-50060	NUT	4				0.002	0.0044
360	04512-60060	WASHER SPRING	4				0.001	0.0022

WATER PUMP



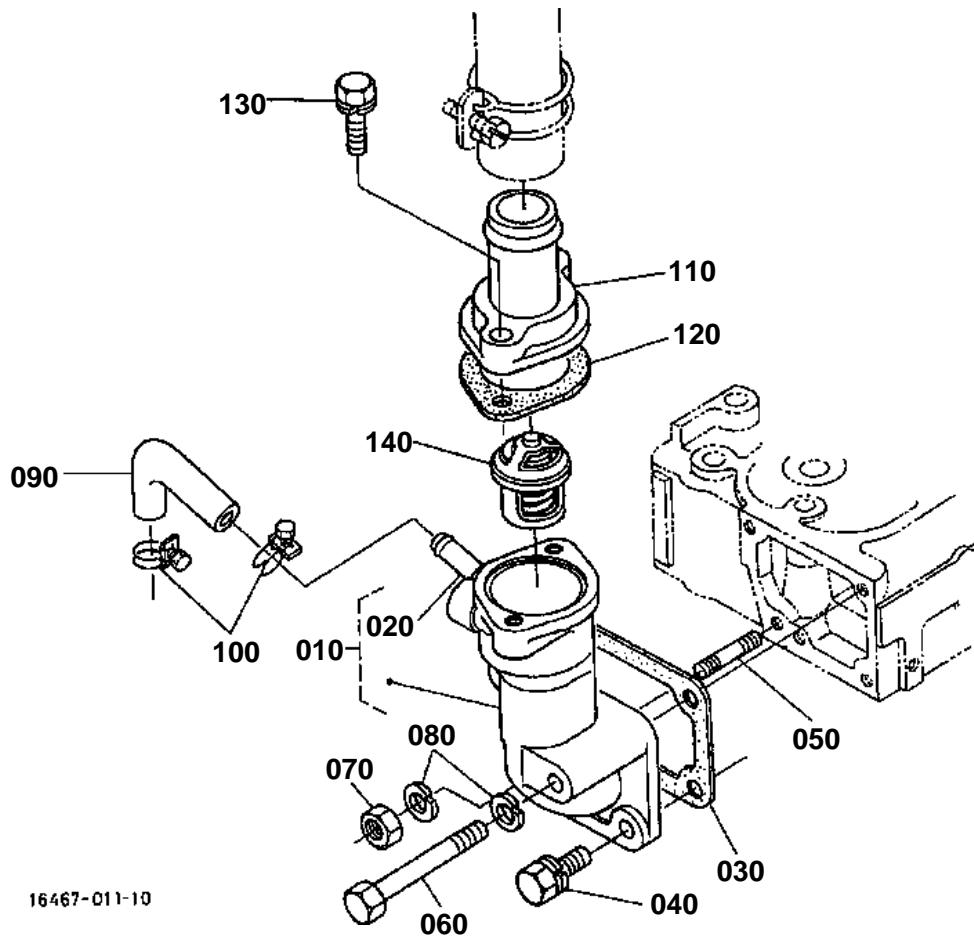


## WATER PUMP

↔ Interchangeable; ≠ not interchangeable; ← new for old; → old for new

REF.No	Part No.	Description	Q'ty	S.No.	I/C	REMARKS	Weight (kgf)	Weight (lb)
010	16412-73030	ASSY PUMP WATER	1				1.21	2.662
020	17331-73410	BODY WATER PUMP	1				0.51	1.122
030	15521-73550	BEARING	1				0.235	0.517
040	15521-73510	IMPELLER WATER PUMP	1	<=117953			0.22	0.484
040	16661-73510	IMPELLER	1	>=117954	≠		0.195	0.429
050	19202-73050	ASSY SEAL MECHANICAL	1	<=117953			0.02	0.044
050	16661-73050	ASSY SEAL MECHANICAL	1	>=117954	≠		0.025	0.055
060	15521-73520	FLANGE WATER PUMP	1				0.25	0.55
070	15766-73430	GASKET WATER PUMP	1				0.01	0.022
080	01123-50828	BOLT	2				0.014	0.0308
090	01518-50822	STUD	2				0.012	0.0264
100	04512-60080	WASHER SPRING	2				0.002	0.0044
110	02156-50080	NUT	2				0.004	0.0088
120	15221-88210	STUD	1				0.005	0.011
130	01023-50618	BOLT	8				0.006	0.0132
140	02056-50060	NUT	1				0.002	0.0044
150	04512-60060	WASHER SPRING	1				0.001	0.0022

WATER FLANGE AND THERMOSTAT



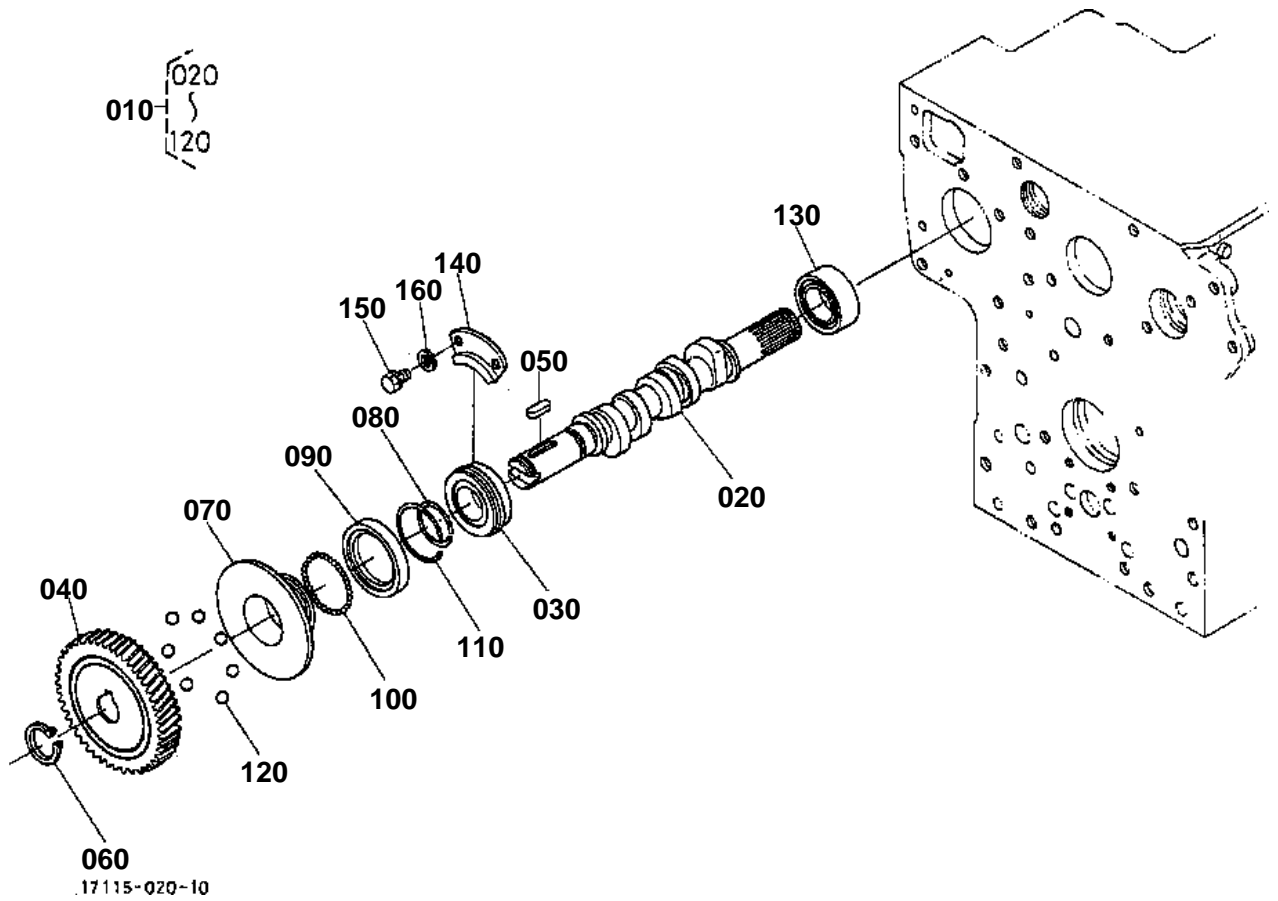


# WATER FLANGE AND THERMOSTAT

↔ Interchangeable; ≠ not interchangeable; ← new for old; → old for new

REF.No	Part No.	Description	Q'ty	S.No.	I/C	REMARKS	Weight (kgf)	Weight (lb)
010	17331-72702	COMP.FLANGE WATER	1	<=83224			0	0
010	17331-72703	COMP.FLANGE WATER	1	>=83225	←		0.36	0.792
020	17331-73340	PIPE WATER RETURN	1	<=83224			0	0
020	17331-73342	PIPE WATER RETURN	1	>=83225	←		0.01	0.022
030	15766-72920	GASKET WATER FLANGE	1				0.01	0.022
040	01123-50822	BOLT	2				0.012	0.0264
040	01123-50820	BOLT	2		↔		0.011	0.0242
050	01513-50822	STUD	1				0.01	0.022
060	01153-50870	BOLT	1				0.026	0.0572
070	02156-50080	NUT	1				0.004	0.0088
080	04512-60080	WASHER SPRING	2				0.002	0.0044
090	15521-73340	PIPE WATER RETURN	1				0.025	0.055
100	15109-73360	BAND PIPE	2				0.01	0.022
110	15321-73260	COVER THERMOSTAT	1				0.107	0.2354
120	15313-73270	GASKET	1				0.001	0.0022
130	01123-50835	BOLT	2				0.02	0.044
140	15321-73010	ASSY THERMOSTAT	1	<=75948			0.068	0.1496
140	19434-73010	ASSY THERMOSTAT	1	>=75949	←		0.064	0.1408

FUEL CAMSHAFT





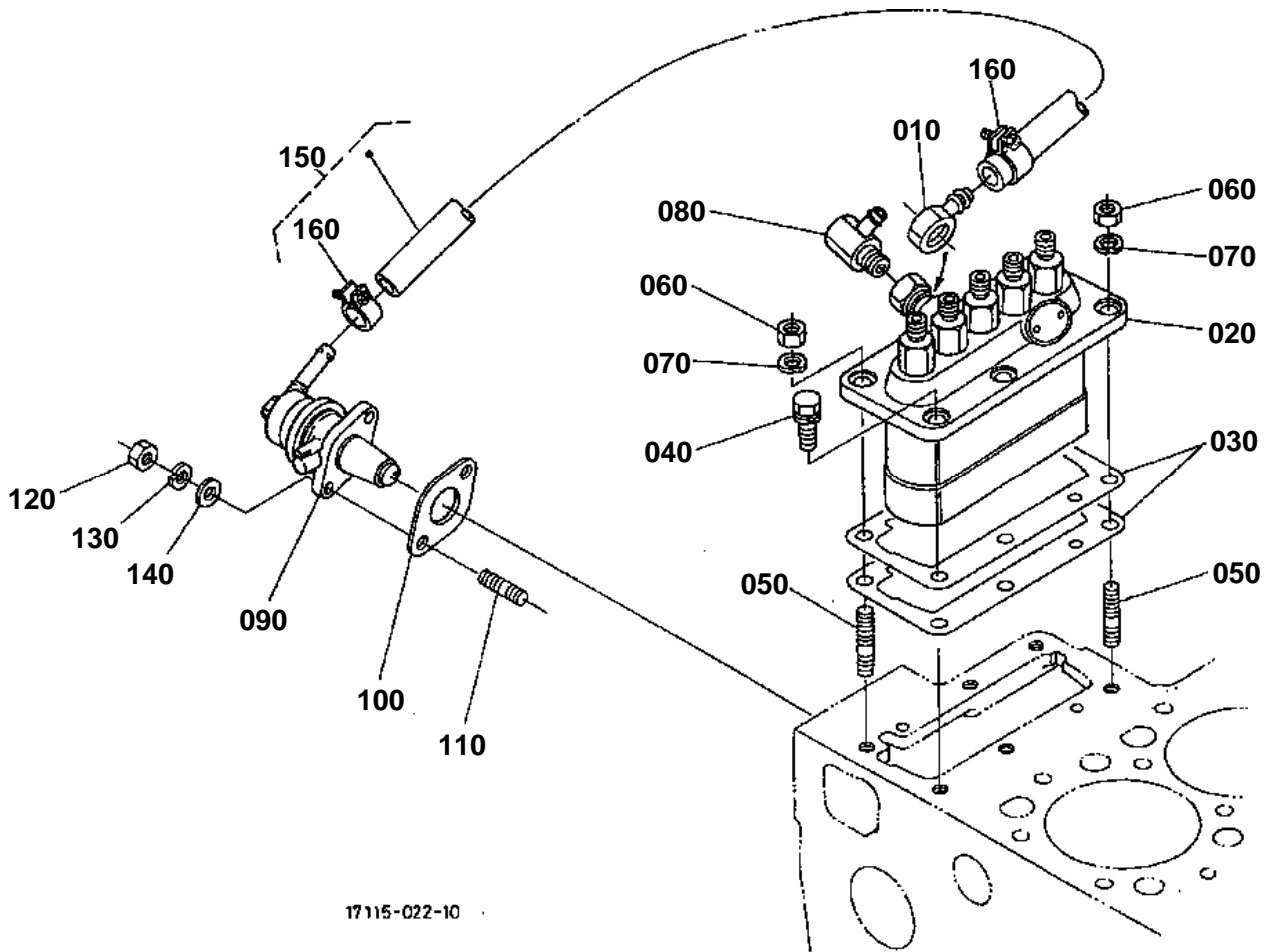


# FUEL CAMSHAFT

↔ Interchangeable; ≠ not interchangeable; ← new for old; → old for new

REF.No	Part No.	Description	Q'ty	S.No.	I/C	REMARKS	Weight (kgf)	Weight (lb)
010	17121-16020	ASSY CAMSHAFT FUEL	1				2.9	6.38
020	17121-16170	CAMSHAFT FUEL	1				1.5	3.3
030	08153-06205	BEARING BALL	1				0.13	0.286
040	17121-51150	GEAR INJECTION PUMP	1				1.07	2.354
050	05712-00525	KEY FEATHER	1				0.005	0.011
060	04612-00240	CIRCLIP EXTERNAL	1				0.002	0.0044
070	15611-55450	SLEEVE GOVERNOR	1				0.117	0.2574
080	15221-55470	CIR-CLIP GOV. SLEEVE	1				0.003	0.0066
090	15611-55690	CASE GOVERNOR BALL	1				0.03	0.066
100	07715-03205	BALL	39				0.001	0.0022
110	15221-55740	CIR-CLIP	1				0.002	0.0044
120	07715-00403	BALL	7				0.03	0.066
130	08240-00001	BEARING BALL	1				0.19	0.418
140	15221-16320	STOPPER FUEL.C/SHAFT	1				0.02	0.044
150	01123-50814	BOLT	2	<=90278			0	0
150	01153-50814	BOLT	2	>=90279	↔		0.009	0.0198
160	04512-60080	WASHER SPRING	2	>=90279			0.002	0.0044

# INJECTION PUMP



17115-022-10

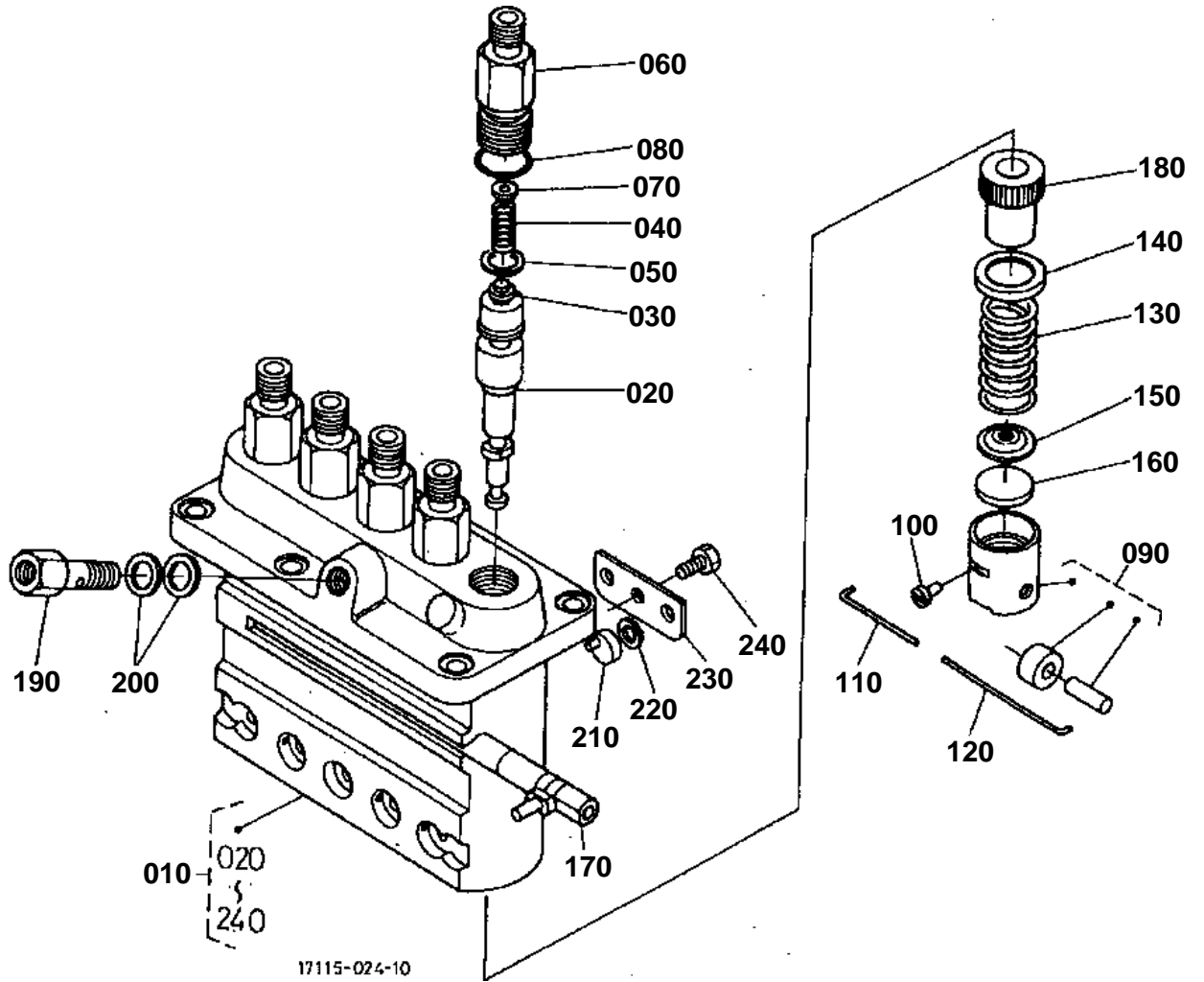


# INJECTION PUMP

↔ Interchangeable; ≠ not interchangeable; ← new for old; → old for new

REF.No	Part No.	Description	Q'ty	S.No.	I/C	REMARKS	Weight (kgf)	Weight (lb)
010	15401-95690	JOINT EYE	1				0.04	0.088
020	17393-51010	ASSY PUMP INJECTION	1			REFER TO L.No.0C10-R0 FOR COMPONENTS.	3.41	7.502
030	17381-52110	SHIM	1			0.15MM	0	0
030	17381-52120	SHIM	1			0.30MM	0	0
030	17391-52110	SHIM INJECTION PUMP	2			0.45MM	0	0
040	01123-50822	BOLT	4				0.012	0.0264
050	01513-50822	STUD	2				0.01	0.022
060	02156-50080	NUT	2				0.004	0.0088
070	04512-60080	WASHER SPRING	2				0.002	0.0044
080	15748-60570	ASSY ORIFICE	1				0.02	0.044
090	17121-52030	ASSY PUMP FUEL	1				0.13	0.286
100	15263-52140	GASKET FUEL PUMP	1				0.001	0.0022
110	01513-50616	STUD	2				0.004	0.0088
120	02056-50060	NUT	2				0.002	0.0044
130	04512-60060	WASHER SPRING	2				0.001	0.0022
140	04012-50060	WASHER PLAIN	2				0.001	0.0022
150	66704-58300	ASSY PIPE FUEL	1				0.025	0.055
160	14911-42750	CLIP PIPE	2				0.002	0.0044

INJECTION PUMP [COMPONENT PARTS]

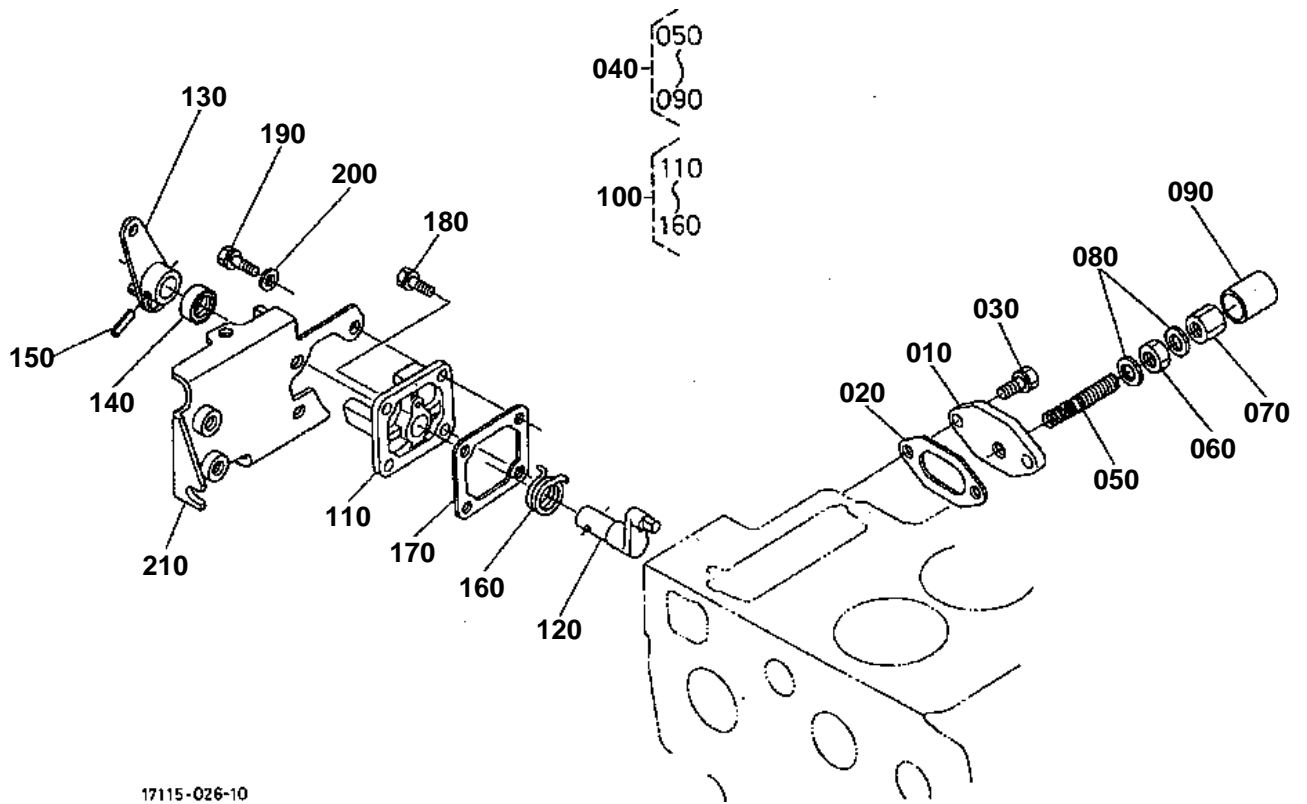


**INJECTION PUMP [COMPONENT PARTS]**

↔ Interchangeable; ≠ not interchangeable; ← new for old; → old for new

REF.No	Part No.	Description	Q'ty	S.No.	I/C	REMARKS	Weight (kgf)	Weight (lb)
010	17393-51010	ASSY PUMP INJECTION	1				3.41	7.502
020	17301-51050	PLUNGER PUMP	5				0.05	0.11
030	17351-51030	VALVE DELIVERY	5				0.01	0.022
040	17371-51230	SPRING DELIV.VALVE	5				0.005	0.011
050	15331-51240	GASKET DELIV.VALVE	5				0.001	0.0022
060	15331-51220	HOLDER DELIV.VALVE	5				0.053	0.1166
070	15549-51160	SPACER	5				0.002	0.0044
080	15331-96760	O RING	5				0.001	0.0022
090	15331-51070	ASSY TAPPET	5				0.036	0.0792
100	15331-51250	PIN TAPPET GUIDE	5				0.001	0.0022
110	17345-51430	PIN CLAMP	1				0.005	0.011
120	15331-51430	PIN CLAMP	1				0.001	0.0022
130	17331-51280	SPRING PLUNGER	5				0.017	0.0374
140	15331-51270	SEAT SPRING UPPER	5				0.001	0.0022
150	15331-51290	SEAT SPRING LOWER	5				0.001	0.0022
160	15381-51490	SHIM	5				0.008	0.0176
170	17381-51060	RACK CONTROL	1				0.06	0.132
180	15331-51380	SLEEVE CONTROL	5				0.012	0.0264
190	15471-51320	SCREW FOLLOW	1				0.032	0.0704
200	15401-96650	GASKET	2				0.001	0.0022
210	15331-51480	COLLAR	4				0.005	0.011
220	04512-60060	WASHER SPRING	4				0.001	0.0022
230	17381-51390	PLATE ADJUSTING	2				0.015	0.033
240	15331-91010	BOLT	2				0.034	0.0748

# ENGINE STOP LEVER



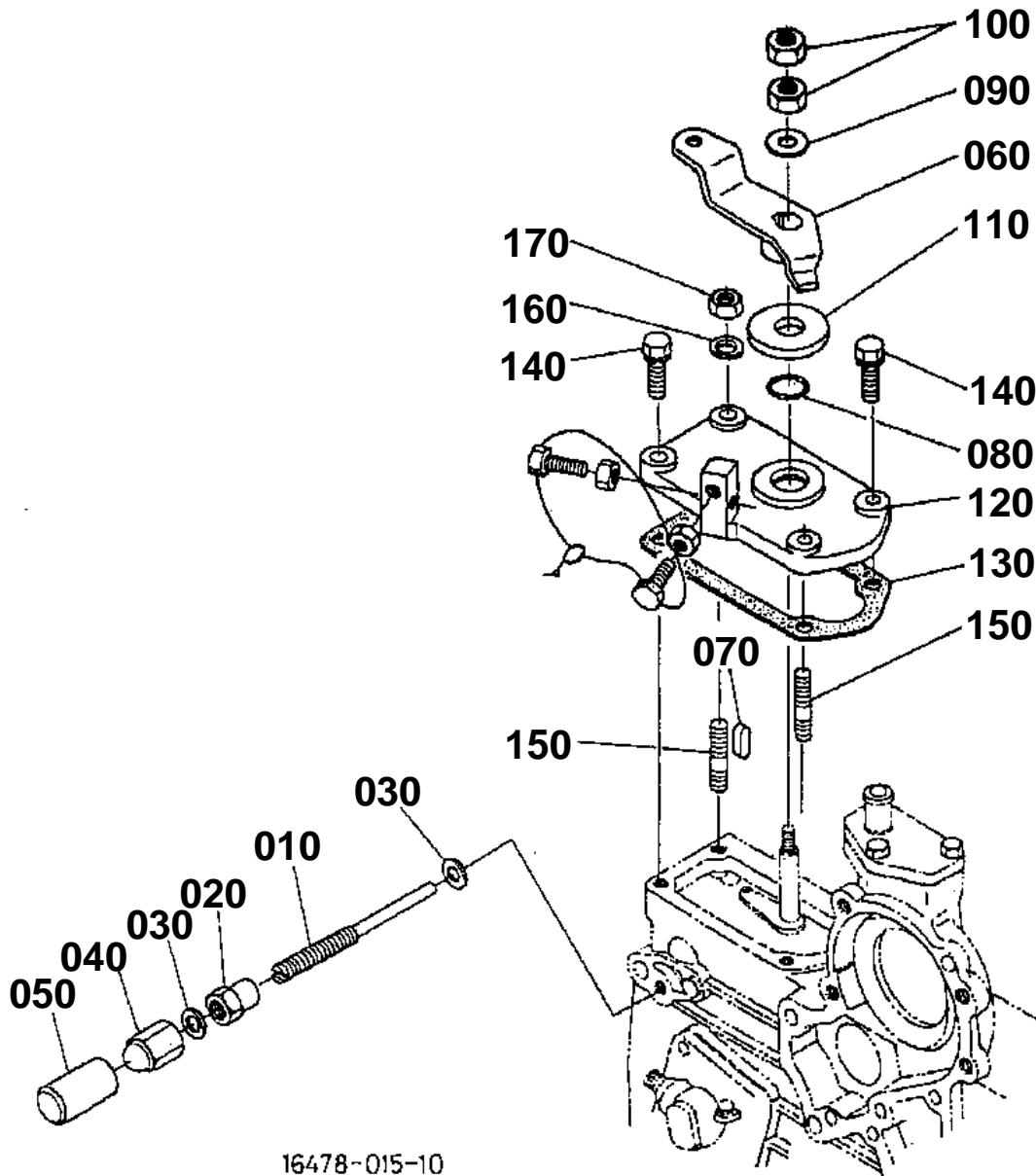


# ENGINE STOP LEVER

↔ Interchangeable; ≠ not interchangeable; ← new for old; → old for new

REF.No	Part No.	Description	Q'ty	S.No.	I/C	REMARKS	Weight (kgf)	Weight (lb)
010	15401-01930	COVER	1				0.09	0.198
020	15625-05430	GASKET	1				0.002	0.0044
030	01023-50616	BOLT	2				0.005	0.011
040	15521-54090	APPARATUS IDLING	1				0.045	0.099
050	15521-54100	ASSY BOLT ADJUSTMENT	1				0.015	0.033
060	15401-92010	NUT	1				0.01	0.022
070	15521-92330	NUT CAP	1				0.02	0.044
080	15021-33660	GASKET	2				0.001	0.0022
090	15521-54270	CAP	1				0.003	0.0066
100	17331-57702	ASSY LEVER ENG.STOP	1				0.19	0.418
110	15471-51652	COVER INJECTION PUMP	1				0.02	0.044
120	17331-57740	SHAFT LEVER	1				0.04	0.088
130	17331-57720	LEVER ENGINE STOP	1				0.05	0.11
140	15471-57980	SEAL OIL	1				0.001	0.0022
150	05411-00420	PIN SPRING	1				0.001	0.0022
160	15471-57920	SPRING RETURN	1				0.005	0.011
170	15296-51660	GASKET PUMP COVER	1				0.003	0.0066
180	01023-50618	BOLT	1				0.006	0.0132
190	01023-50622	BOLT	3				0.005	0.011
200	04012-50060	WASHER PLAIN	3				0.001	0.0022
210	15471-60110	SUPPORT SOLENOID	1				0.295	0.649

SPEED CONTROL PLATE



16478-015-10

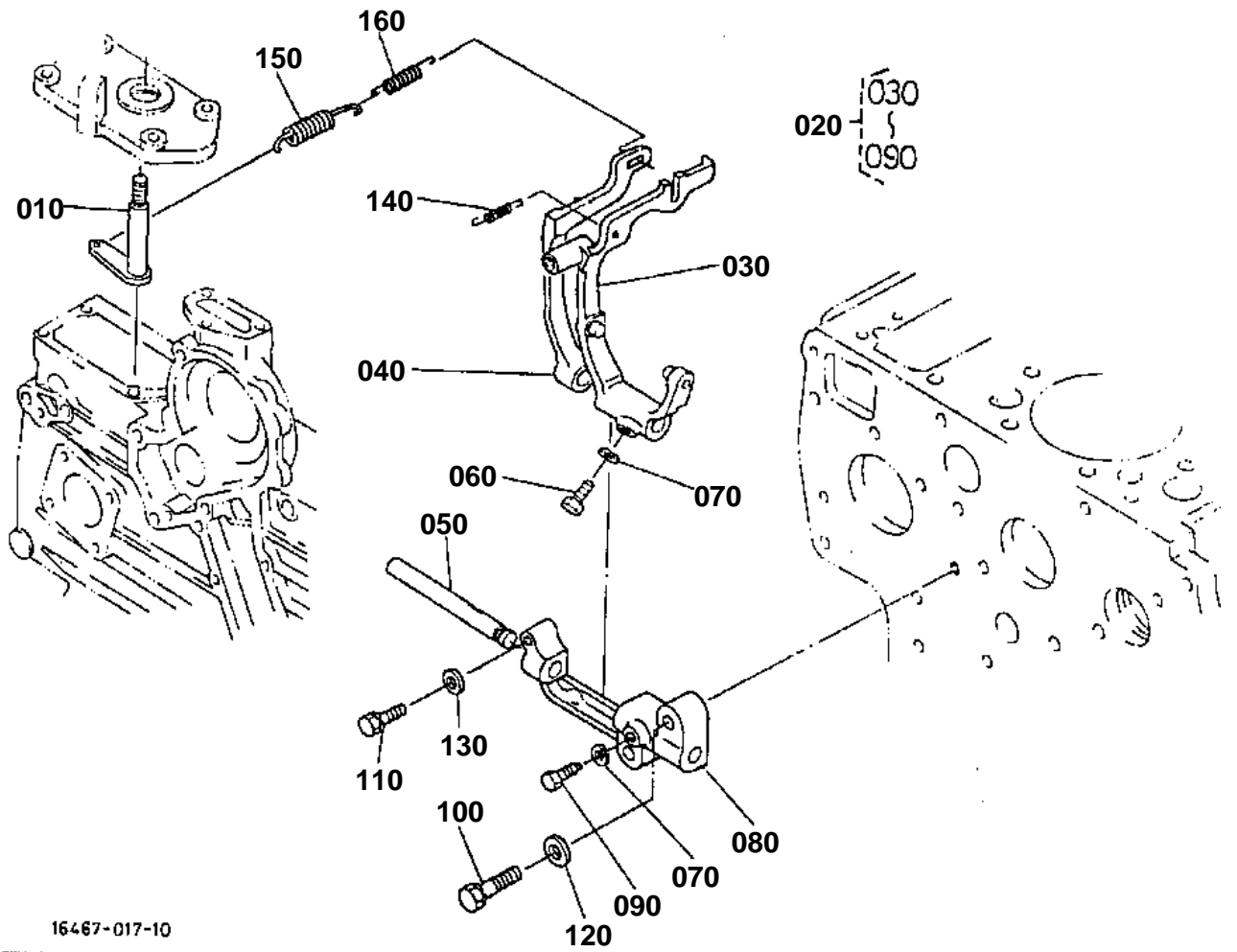


**SPEED CONTROL PLATE**

↔ Interchangeable; ≠ not interchangeable; ← new for old; → old for new

REF.No	Part No.	Description	Q'ty	S.No.	I/C	REMARKS	Weight (kgf)	Weight (lb)
010	15601-54120	BOLT ADJUSTING	1				0.011	0.0242
020	15601-92010	NUT	1	≤152899			0	0
020	15601-92012	NUT	1	≥152900	←		0.006	0.0132
030	15601-96650	GASKET	2				0.001	0.0022
040	15841-14620	NUT CAP	1				0.01	0.022
050	16241-54420	CAP	1	≤120254			0.004	0.0088
050	16221-54420	CAP	1	≥120255	↔		0.001	0.0022
060	15469-57150	LEVER SPEED CONTROL	1				0.06	0.132
070	05712-00408	KEY FEATHER	1				0.001	0.0022
080	04811-00120	O RING	1				0.001	0.0022
090	04013-50080	WASHER PLAIN	1				0	0
100	02112-50080	NUT	2				0.003	0.0066
110	17011-57384	COLLAR	1	≤82365			0.03	0.066
110	15521-57240	COLLAR	1	≥82366	↔		0.002	0.0044
120	15521-57114	PLATE SPEED CONTROL	1	≤134902			0	0
120	15521-57115	PLATE SPEED CONTROL	1	≥134903	↔		0.1	0.22
130	15439-57210	GASKET	1				0.005	0.011
140	01023-50625	BOLT	2				0.007	0.0154
150	15221-88210	STUD	2				0.005	0.011
160	04512-60060	WASHER SPRING	2				0.001	0.0022
170	02056-50060	NUT	2				0.002	0.0044

GOVERNOR



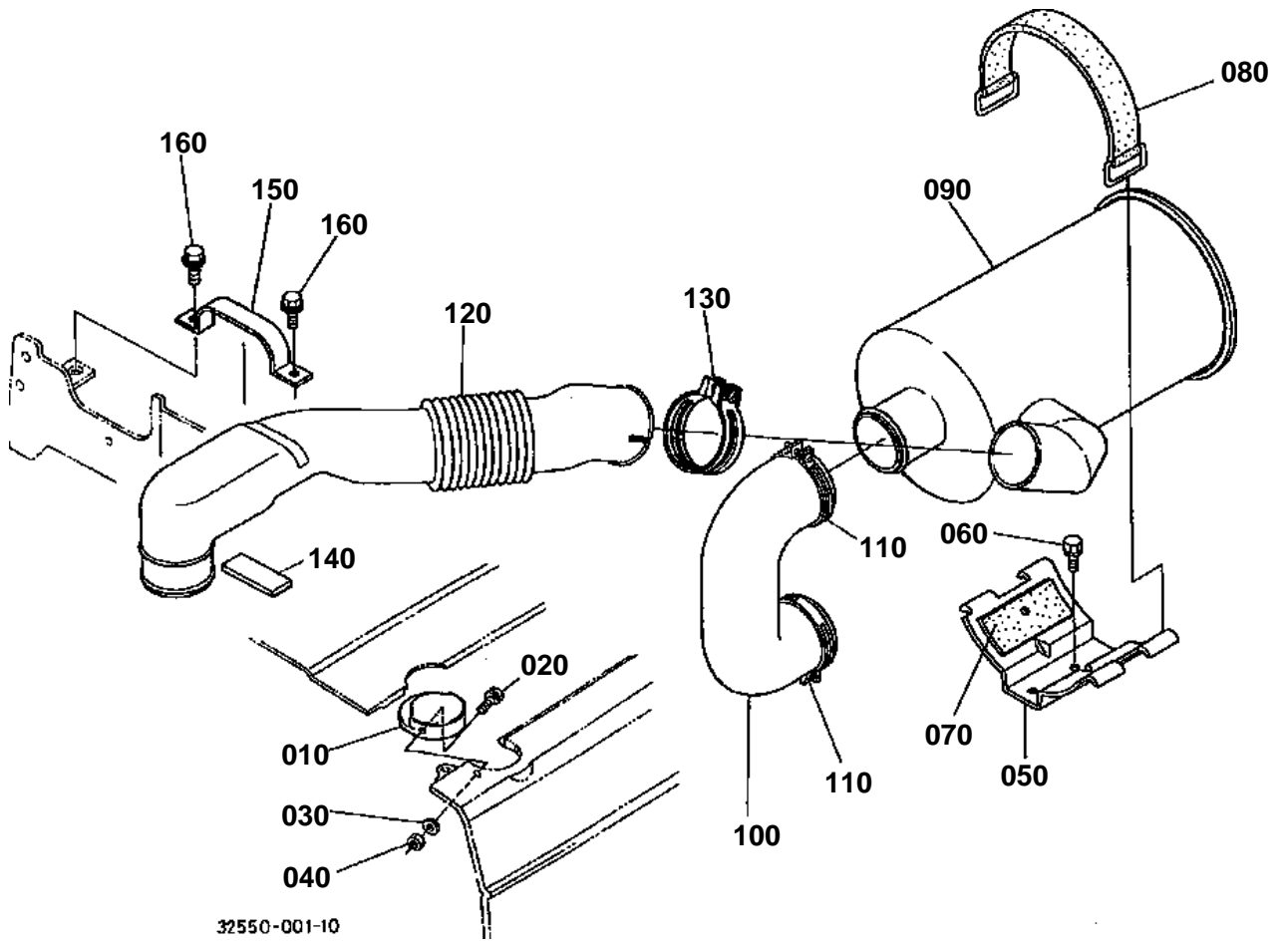
16467-017-10

**GOVERNOR**

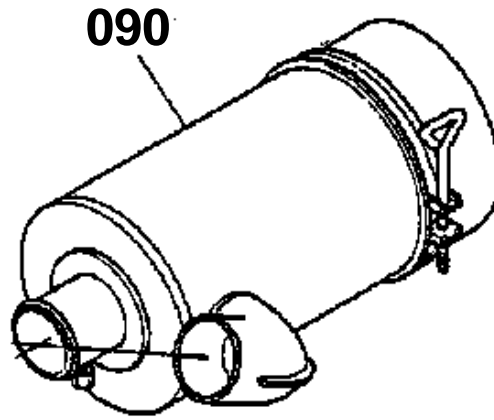
↔ Interchangeable; ≠ not interchangeable; ← new for old; → old for new

REF.No	Part No.	Description	Q'ty	S.No.	I/C	REMARKS	Weight (kgf)	Weight (lb)
010	15601-56020	COMP.LEVER GOVERNOR	1				0.055	0.121
020	17121-56050	ASSY LEVER FORK	1				0.4	0.88
030	17121-56040	COMP.LEVER FORK	1				0.405	0.891
040	17331-56130	LEVER FORK	1				0.065	0.143
050	15221-56150	SHAFT FORK LEVER	1				0.1	0.22
060	15021-56240	BOLT LEVER SHAFT	1				0.005	0.011
070	04512-60060	WASHER SPRING	2				0.001	0.0022
080	15221-56230	HOLDER FORK LEVER	1				0.1	0.22
090	15221-66410	BOLT	1				0.005	0.011
100	01123-50832	BOLT	2				0.016	0.0352
110	01023-50628	BOLT	1				0.015	0.033
120	04012-50080	WASHER PLAIN	2				0.001	0.0022
130	04012-50060	WASHER PLAIN	1				0.001	0.0022
140	17241-56480	SPRING START	1				0.005	0.011
150	17381-56410	SPRING GOVERNOR	1	<=145345			0.005	0.011
150	17121-56410	SPRING GOVERNOR	1	>=145346	←		0.004	0.0088
160	17381-56420	SPRING GOVERNOR	1				0.005	0.011

AIR CLEANER (DOUBLE)



090 17381-1101-0



17115-807-10

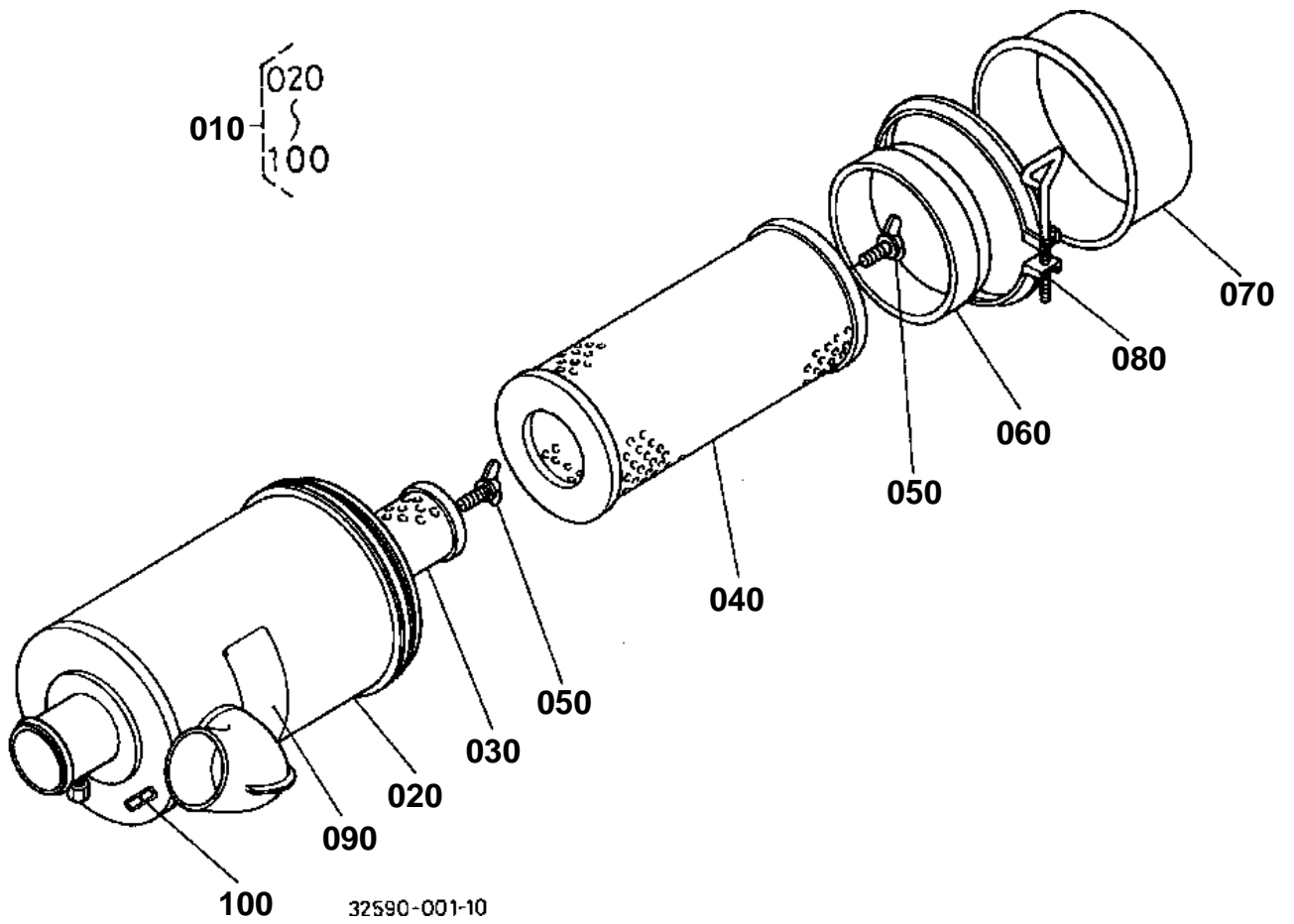


**AIR CLEANER (DOUBLE)**

↔ Interchangeable; ≠ not interchangeable; ← new for old; → old for new

REF.No	Part No.	Description	Q'ty	S.No.	I/C	REMARKS	Weight (kgf)	Weight (lb)
010	32539-11720	COVER	1			[A] [CA]	0.06	0.132
020	01023-50612	BOLT	2			[A] [CA]	0.005	0.011
030	04012-50060	WASHER PLAIN	2			[A] [CA]	0.001	0.0022
040	02056-50060	NUT	2			[A] [CA]	0.002	0.0044
050	32530-13940	SUPPORT AIR CLEANER	1	<=60314			0.42	0.924
050	32530-13943	SUPPORT AIR CLEANER	1	>=60315	≠		0.4	0.88
060	01123-60816	BOLT	2	<=60314			0.01	0.022
060	01133-51018	BOLT	2	>=60315	≠		0.02	0.044
070	38430-13970	CUSHION	2				0.015	0.033
080	38430-13980	BAND AIR CLEANER	1				0.07	0.154
090	17381-11010	ASSY CLEANER AIR	1	<=60314		REFER TO L.No.0B14-R0 FOR COMPONENTS.	4.75	10.45
090	32530-13850	ASSY CLEANER AIR	1	>=60315	↔	REFER TO L.No.0B15-L0 FOR COMPONENTS.	0	0
090	32530-13853	ASSY CLEANER AIR	1	>=60538	↔	REFER TO L.No.0B15-L0 FOR COMPONENTS.	3.4	7.48
100	32530-13950	PIPE INLET	1				0.425	0.935
110	15606-11720	BAND PIPE	2	<=60658			0.035	0.077
110	15701-11722	BAND INLET MANIFOLD	2	>=60659	↔		0.04	0.088
120	32530-13810	PIPE AIR CLEANER	1				0.22	0.484
130	32530-13820	CLAMP HOSE	1				0.03	0.066
140	32530-13830	CUSHION	1				0.02	0.044
150	32530-11710	CLAMP PIPE	1				0.03	0.066
160	01754-50812	BOLT FLANGE	2				0.01	0.022

AIR CLEANER (DOUBLE) [OLD TYPE] [COMPONENT PARTS]



**AIR CLEANER (DOUBLE) [OLD TYPE] [COMPONENT PARTS]**

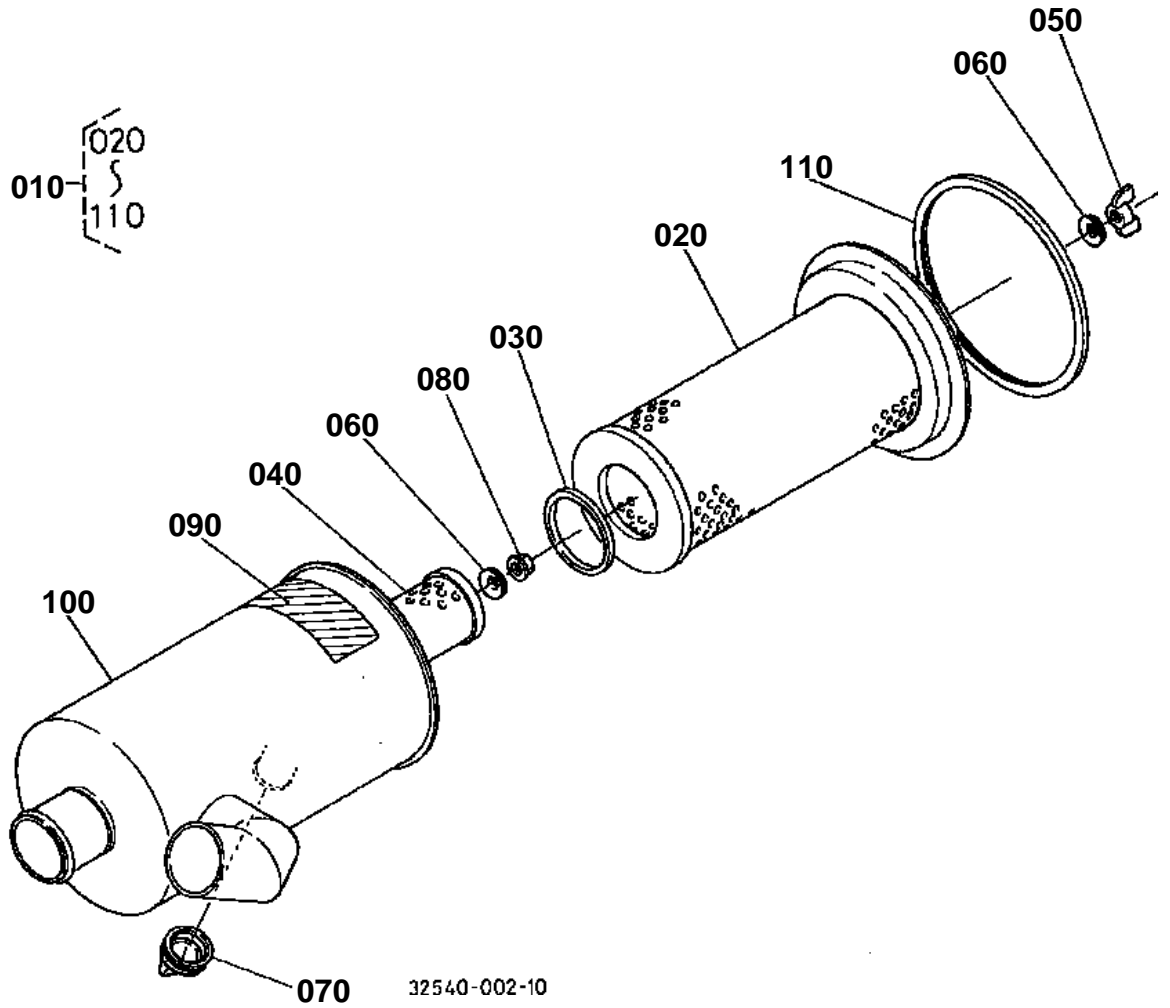
S.No.;&lt;=60314

↔ Interchangeable; ≠ not interchangeable; ← new for old; → old for new

REF.No	Part No.	Description	Q'ty	S.No.	I/C	REMARKS	Weight (kgf)	Weight (lb)
010	17381-11010	ASSY CLEANER AIR	1				4.75	10.45
020	17381-11150	ASSY BODY	1				2.45	5.39
030	17381-11180	ASSY ELEMENT INNER	1				0.325	0.715
040	15606-11080	ASSY ELEMENT CLEANER	1				1.15	2.53
050	15401-92620	ASSY NUT WING	2				0.01	0.022
060	15606-11410	COVER BAFFLE	1				0.115	0.253
070	15471-11160	COVER AIR CLEANER	1				0.42	0.924
080	15606-11070	ASSY BAND AIRCLEANER	1				0.125	0.275
090	15401-87450	LABEL AIR CLEANER	1				0.002	0.0044
100	15612-87330	LABEL	1				0.001	0.0022



AIR CLEANER (DOUBLE) [COMPONENT PARTS]

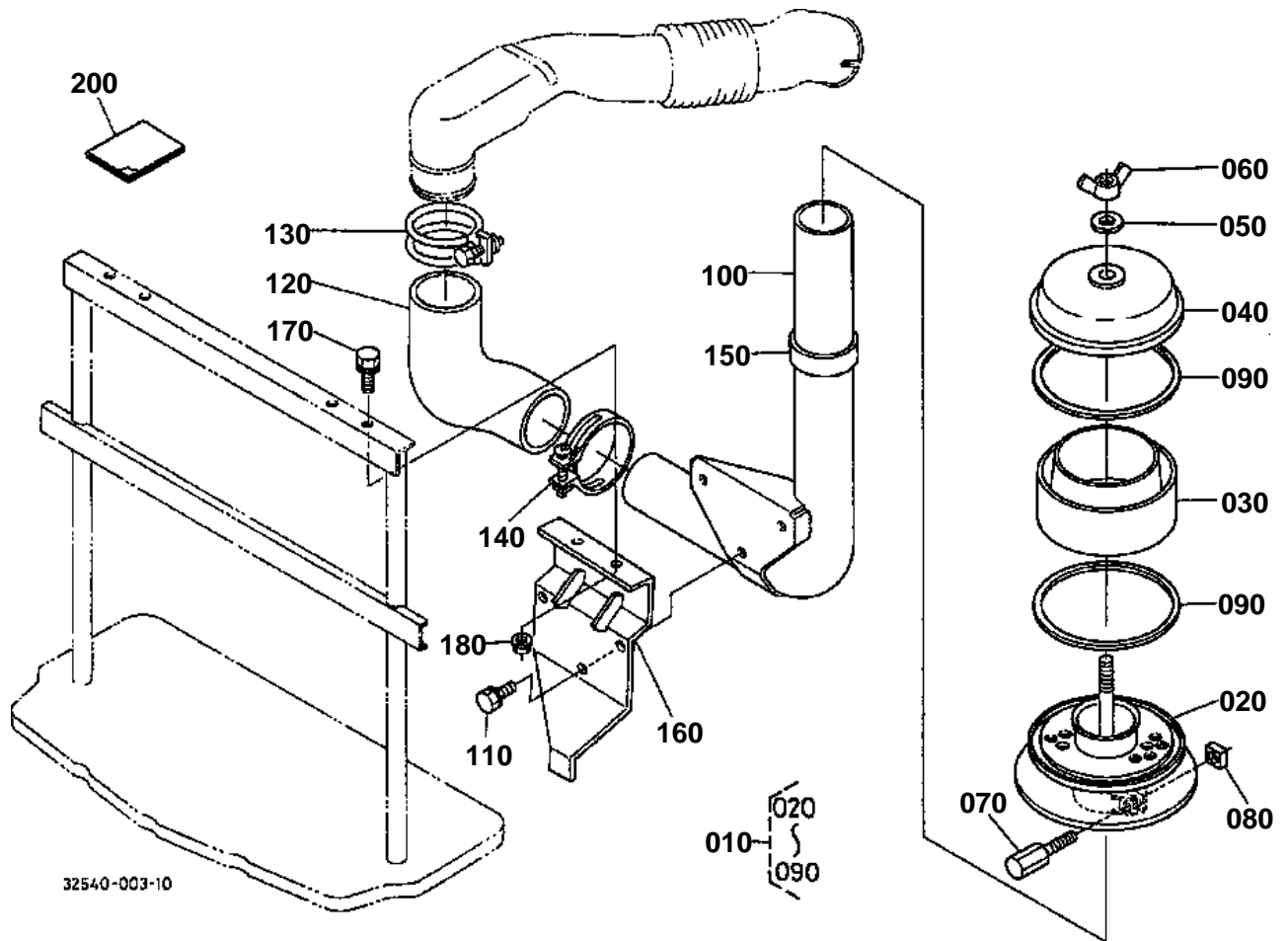


**AIR CLEANER (DOUBLE) [COMPONENT PARTS]**

S.No.;&gt;=60315

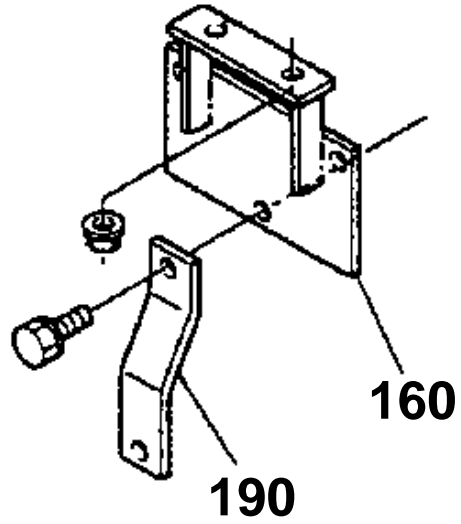
↔ Interchangeable; ≠ not interchangeable; ← new for old; → old for new

REF.No	Part No.	Description	Q'ty	S.No.	I/C	REMARKS	Weight (kgf)	Weight (lb)
010	32530-13850	ASSY CLEANER AIR	1	<=60537			0	0
010	32530-13853	ASSY CLEANER AIR	1	>=60538	↔		3.4	7.48
020	17351-11080	ASSY ELEMENT CLEANER	1	<=60951			0	0
020	17351-11083	ASSY ELEMENT A/C	1	>=60952	←		1.1	2.42
030	67860-54840	GASKET	1				0.02	0.044
040	32447-43620	ELMENT INNER	1				0.18	0.396
050	32447-43570	ASSY NUT WING	1				0.01	0.022
060	15621-94430	WASHER WITH RUBBER	2				0.01	0.022
070	15741-11470	VALVE	1				0.01	0.022
080	32447-43590	NUT	1				0.01	0.022
090	16271-87450	LABEL ELEMENT A/C	1				0.01	0.022
100	32530-97810	ASSY BODY A/C	1				2.41	5.302
110	32530-97820	GASKET	1				0.01	0.022



160 32590-9605-0

190 32590-9606-0



17115-808-10

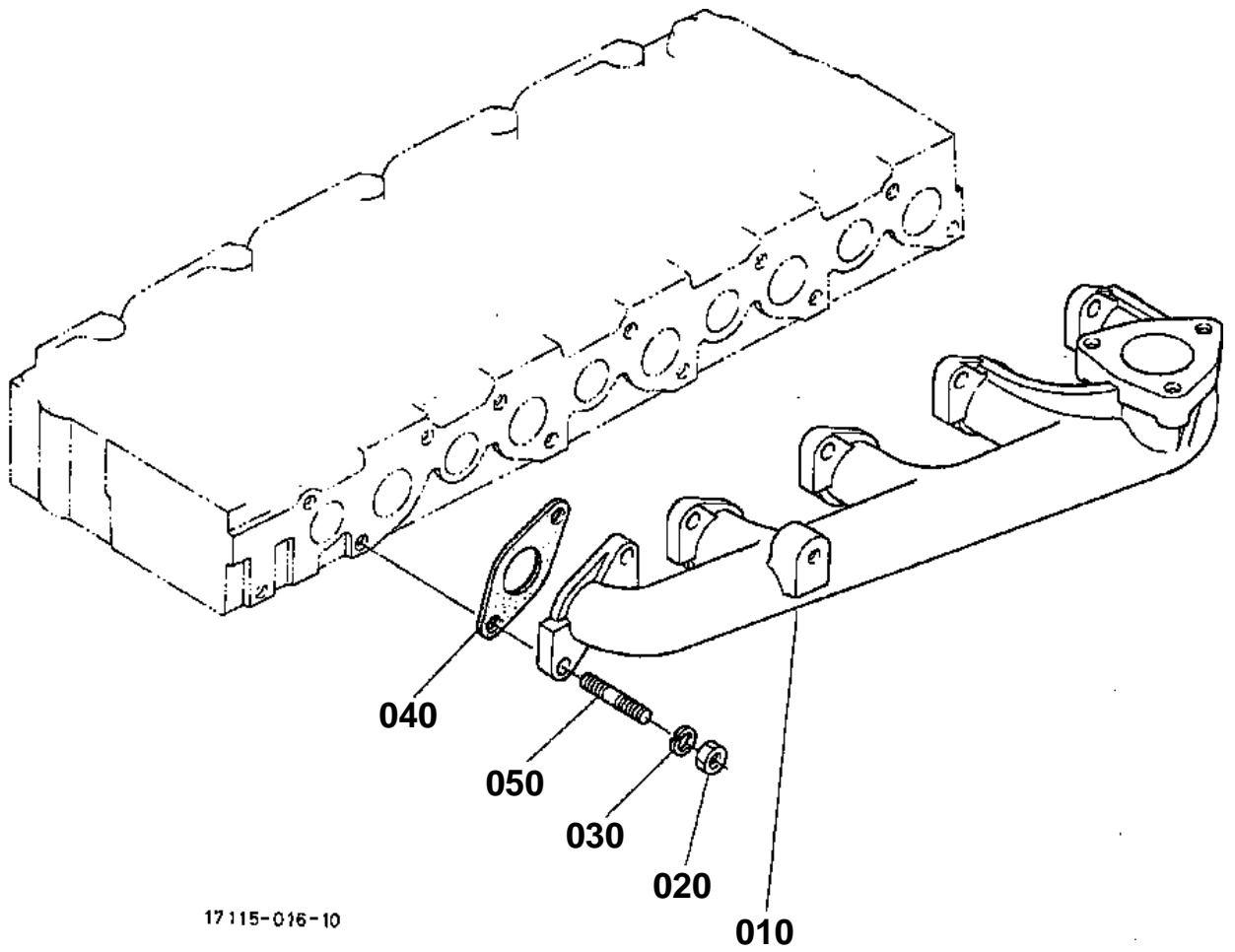


PRE-CLEANER [AU] [NZ] [[A] [CA] OPTION]

↔ Interchangeable; ≠ not interchangeable; ← new for old; → old for new

REF.No	Part No.	Description	Q'ty	S.No.	I/C	REMARKS	Weight (kgf)	Weight (lb)
010	31339-43210	ASSY PRE-CLEANER	1				1.15	2.53
020	31339-43230	ASSY BLADE	1				0.48	1.056
030	32530-96170	CHAMBER DUST	1				0.2	0.44
040	32530-96180	COVER	1				0.2	0.44
050	32530-96190	WASHER SEAL	1				0.001	0.0022
060	02810-50080	NUT WING	1				0.014	0.0308
070	32530-96090	BOLT HEXAGON	1				0.02	0.044
080	32530-96080	NUT SQUARE	1				0.01	0.022
090	31339-43290	GASKET	2				0.001	0.0022
100	32530-96120	PIPE PRE CLEANER	1				2.25	4.95
110	01123-60816	BOLT	3				0.01	0.022
120	32530-96290	PIPE INLET	1				0.3	0.66
130	09318-89078	CLAMP HOSE	1				0.04	0.088
140	68811-42270	BAND PIPE	1				0.04	0.088
150	32530-96140	CUSHION	1				0.03	0.066
160	32590-96050	BRACKET PRE-CLEANER	1	<=60664			0.3	0.66
160	32590-13710	BRACKET PRE-CLEANER	1	>=60665	←		0.44	0.968
170	01123-50825	BOLT	2				0.013	0.0286
180	02751-50080	NUT FLANGE	2				0.006	0.0132
190	32590-96090	BRACKET PRE-CLEANER	1	<=60664			0	0
200	32590-96150	MANUAL ASSEMBLY	1				0	0

EXHAUST MANIFOLD



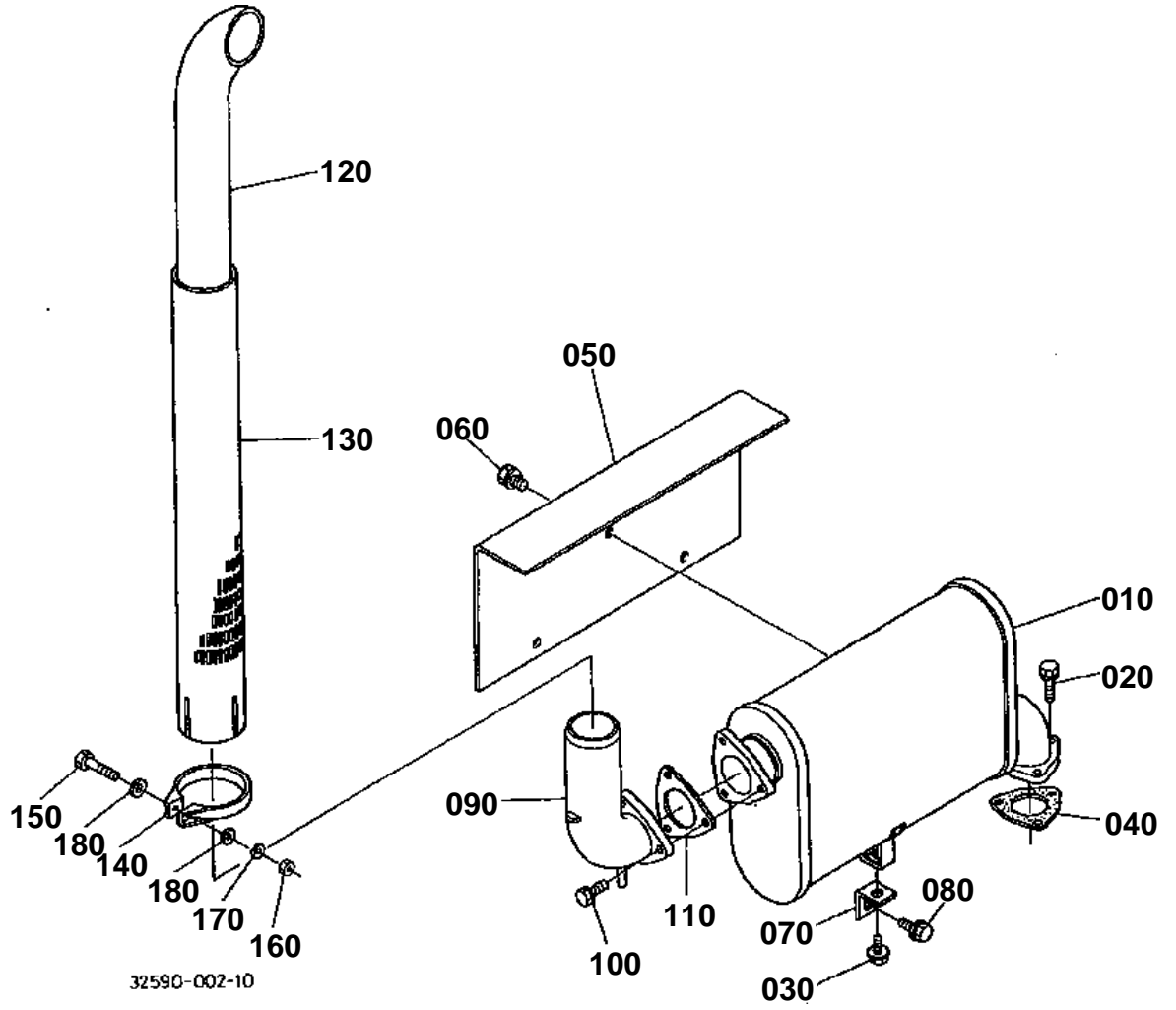


## EXHAUST MANIFOLD

↔ Interchangeable; ≠ not interchangeable; ← new for old; → old for new

REF.No	Part No.	Description	Q'ty	S.No.	I/C	REMARKS	Weight (kgf)	Weight (lb)
010	17381-12310	MANIFOLD EXHAUST	1	<=60553			0	0
010	17381-12312	MANIFOLD EXHAUST	1	>=60554	↔		3.4	7.48
020	02156-50080	NUT	10				0.004	0.0088
030	04512-60080	WASHER SPRING	10				0.002	0.0044
040	15522-12350	GASKET EX-MANIFOLD	5				0.005	0.011
050	15221-91530	STUD	10				0.011	0.0242

MUFFLER [OLD TYPE]





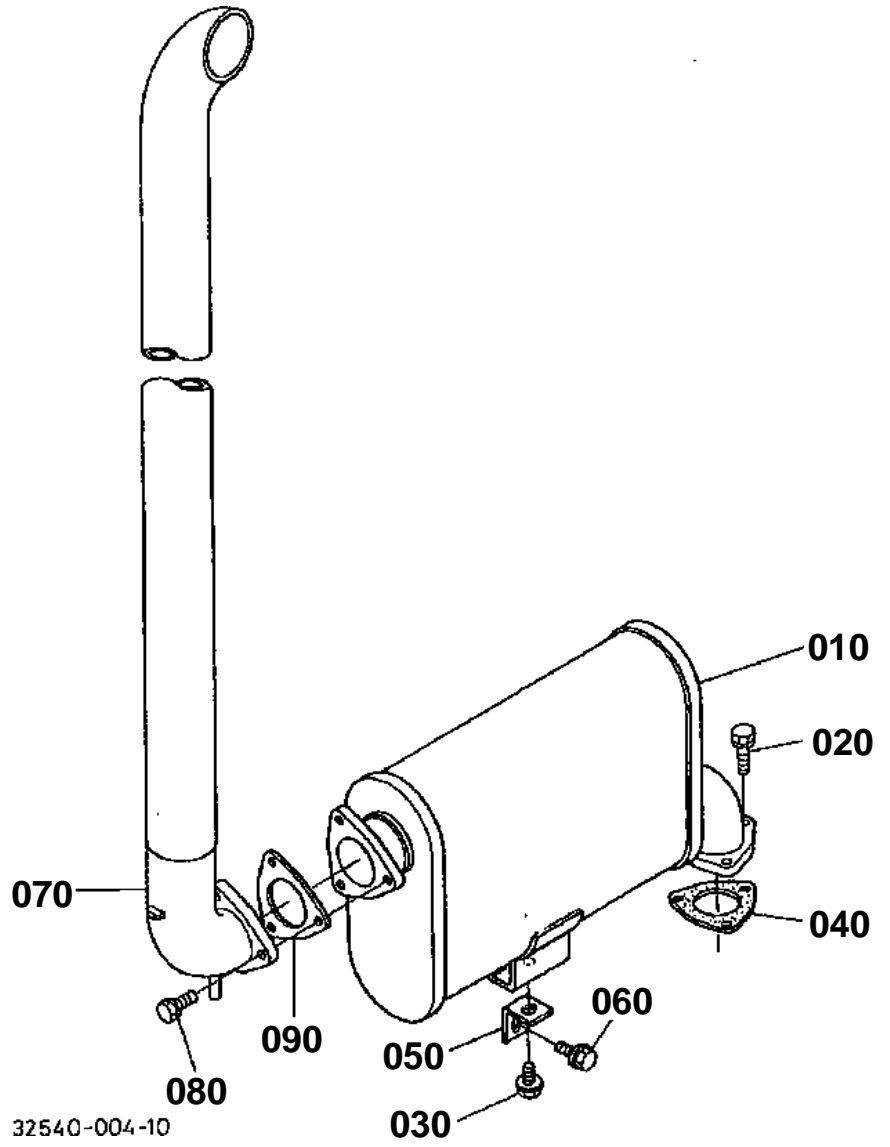
**MUFFLER [OLD TYPE]**

S.No.;&lt;=60314

↔ Interchangeable; ≠ not interchangeable; ← new for old; → old for new

REF.No	Part No.	Description	Q'ty	S.No.	I/C	REMARKS	Weight (kgf)	Weight (lb)
010	17381-12113	MUFFLER	1				0	0
020	01123-50830	BOLT	3				0.015	0.033
030	01754-50816	BOLT FLANGE	1				0.011	0.0242
040	17383-12370	GASKET MUFFLER	1				0.012	0.0264
050	32530-10542	COVER MUFFLER	1				0.44	0.968
060	01023-50610	BOLT	3				0.005	0.011
070	17381-12512	STAY MUFFLER	1				0.07	0.154
080	01774-61020	BOLT FLANGE	1				0.022	0.0484
090	17381-12320	FLANGE MUFFLER	1				0.92	2.024
100	01123-50822	BOLT	3				0.012	0.0264
110	17381-12380	GASKET MUFFLER	1				0	0
120	17381-12410	PIPE MUFFLER	1				1.55	3.41
130	17381-12660	COVER MUFFLER PIPE	1				0.6	1.32
140	15521-12143	BAND MUFFLER	1				0.13	0.286
150	15521-91040	BOLT	1				0.017	0.0374
160	15521-92010	NUT	1				0.004	0.0088
170	15521-94070	WASHER SPRING	1				0.003	0.0066
180	15521-94040	WASHER PLAIN	2				0.001	0.0022

MUFFLER [NEW TYPE]



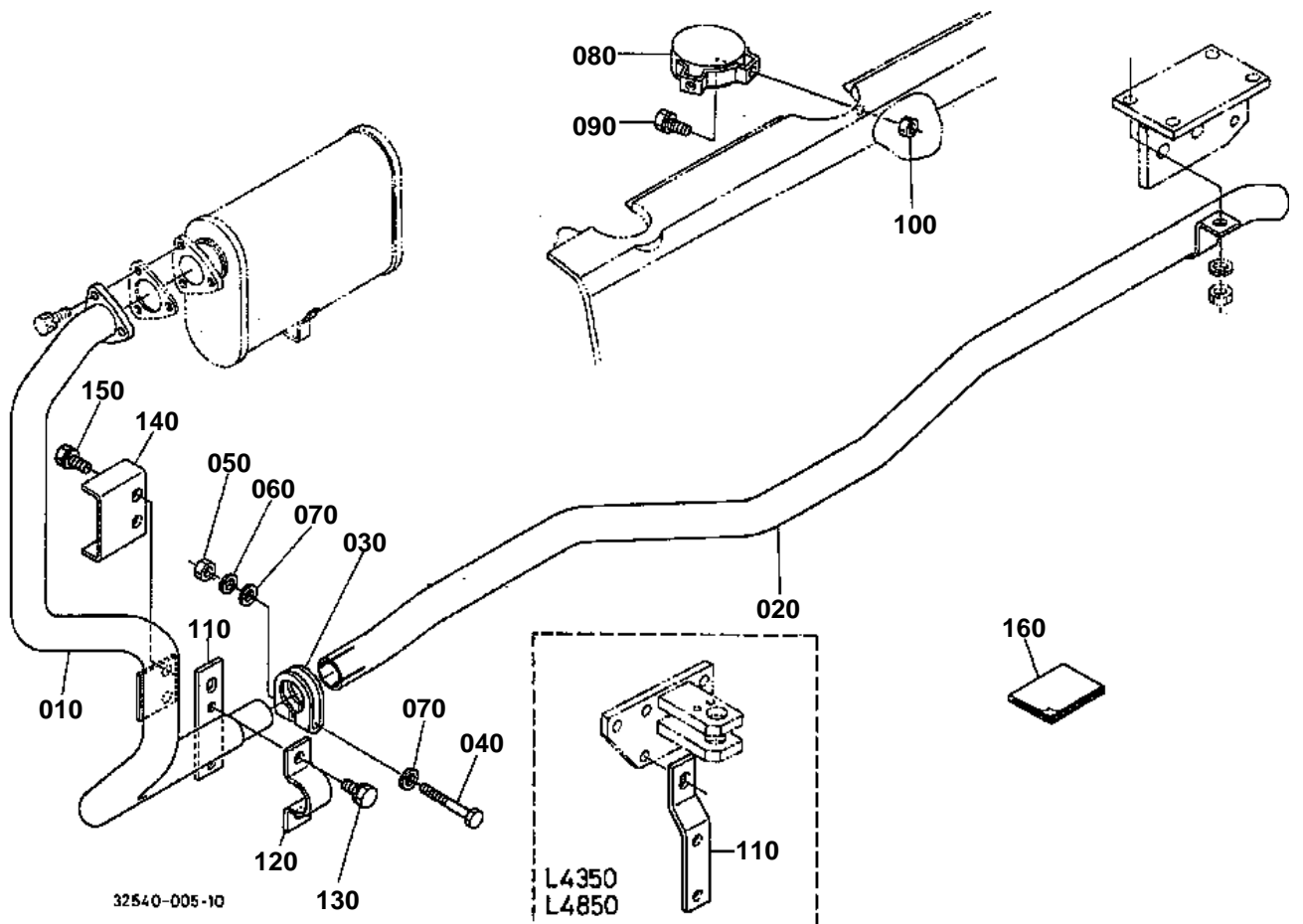


**MUFFLER [NEW TYPE]**  
S.No.;>=60315

↔ Interchangeable; ≠ not interchangeable; ← new for old; → old for new

REF.No	Part No.	Description	Q'ty	S.No.	I/C	REMARKS	Weight (kgf)	Weight (lb)
010	32530-10960	MUFFLER	1	<=60323			0	0
010	32530-10963	MUFFLER	1	>=60324	←		6.07	13.354
020	01123-50830	BOLT	3				0.015	0.033
030	01754-50816	BOLT FLANGE	1				0.011	0.0242
040	17383-12370	GASKET MUFFLER	1				0.012	0.0264
050	17381-12512	STAY MUFFLER	1				0.07	0.154
060	01774-61020	BOLT FLANGE	1				0.022	0.0484
070	32530-10970	PIPE MUFFLER	1				2.15	4.73
080	01123-50822	BOLT	3				0.012	0.0264
090	17383-12380	GASKET MUFFLER	1				0.015	0.033

UNDER MUFFLER PIPE [OPTION]



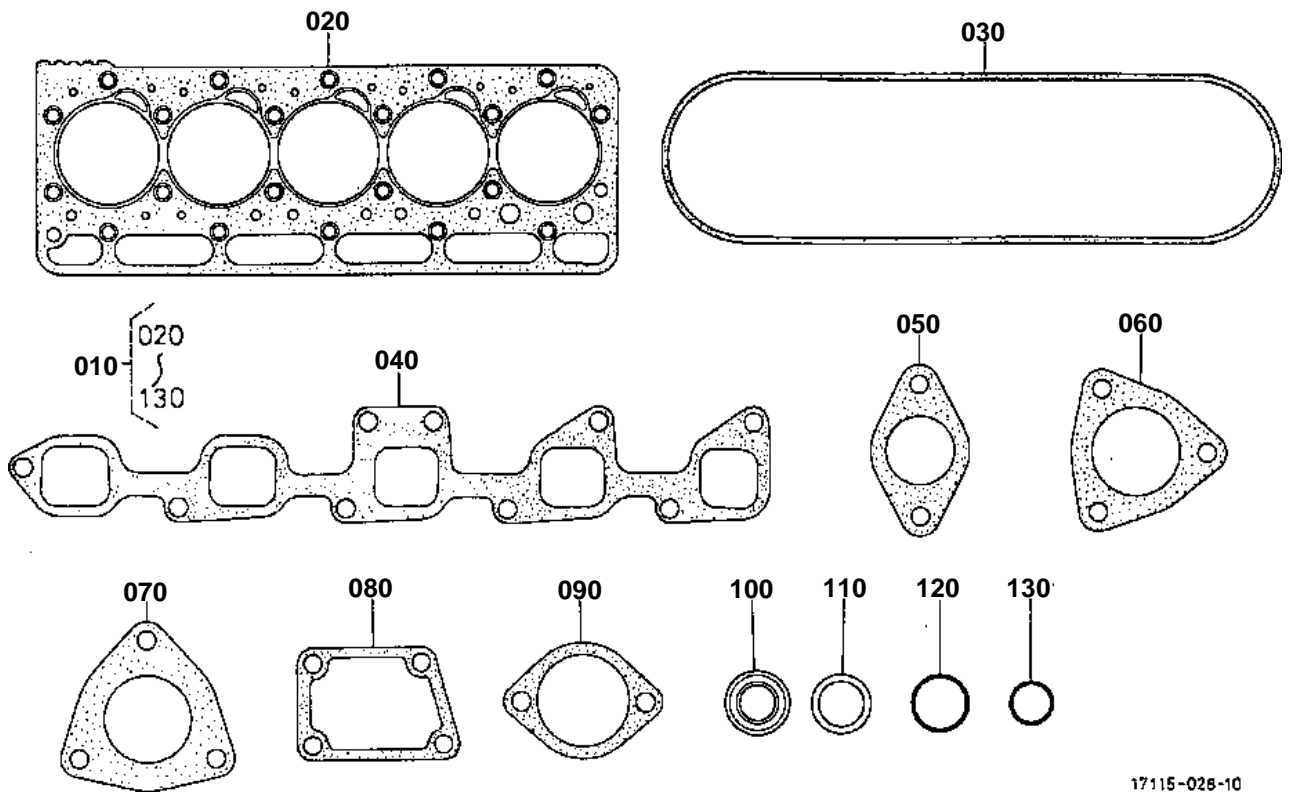


## UNDER MUFFLER PIPE [OPTION]

↔ Interchangeable; ≠ not interchangeable; ← new for old; → old for new

REF.No	Part No.	Description	Q'ty	S.No.	I/C	REMARKS	Weight (kgf)	Weight (lb)
010	32550-96210	PIPE UNDER MUFFLER	1				3.45	7.59
020	32590-96220	PIPE UNDER MUFFLER	1				3.6	7.92
030	32530-96230	BAND MUFFLER	1				0.08	0.176
040	01153-50880	BOLT	1				0.03	0.066
050	02156-50080	NUT	1				0.004	0.0088
060	04512-60080	WASHER SPRING	1				0.002	0.0044
070	04013-50080	WASHER PLAIN	2				0	0
080	32539-96240	COVER	1				0.08	0.176
090	01023-50614	BOLT	2				0.005	0.011
100	02056-50060	NUT	2				0.002	0.0044
110	32590-96250	STAY UNDER MUFFLER	1				0.11	0.242
120	32530-96260	STAY UNDER MUFFLER	1				0.08	0.176
130	01123-50820	BOLT	2				0.011	0.0242
140	32540-96070	COVER UNDER MUFFLER	1				0.1	0.22
150	01023-50612	BOLT	2				0.005	0.011
160	32540-96270	MANUAL ASSEMBLY	1				0	0

UPPER GASKET KIT



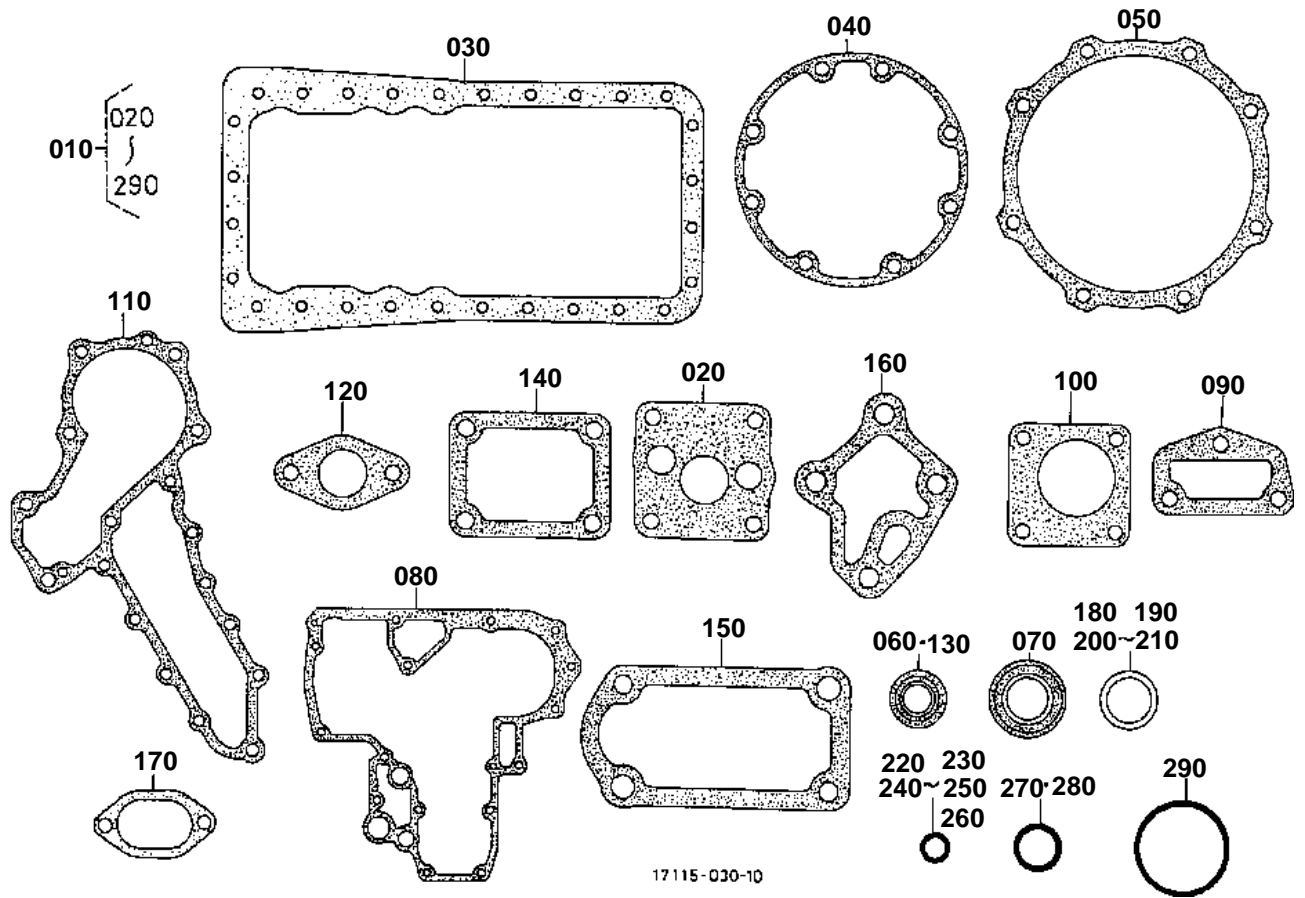


## UPPER GASKET KIT

↔ Interchangeable; ≠ not interchangeable; ← new for old; → old for new

REF.No	Part No.	Description	Q'ty	S.No.	I/C	REMARKS	Weight (kgf)	Weight (lb)
010	07916-27812	KIT GASKET UPPER	1				0.45	0.99
020	17121-03310	GASKET CYLINDER HEAD	1				0.17	0.374
030	17381-14520	GASKET HEAD COVER	1				0.05	0.11
040	17121-11820	GASKET IN-MANIFOLD	1				0	0
050	15522-12350	GASKET EX-MANIFOLD	5				0.005	0.011
060	17383-12370	GASKET MUFFLER	1				0.012	0.0264
070	17383-12380	GASKET MUFFLER	1				0.015	0.033
080	15766-72920	GASKET WATER FLANGE	1				0.01	0.022
090	15313-73270	GASKET	1				0.001	0.0022
100	15221-13150	SEAL VALVE STEM	10				0.001	0.0022
110	15021-33660	GASKET	5				0.001	0.0022
120	15221-33700	O RING	1				0.001	0.0022
130	04811-50300	O RING	1				0.001	0.0022

LOWER GASKET KIT





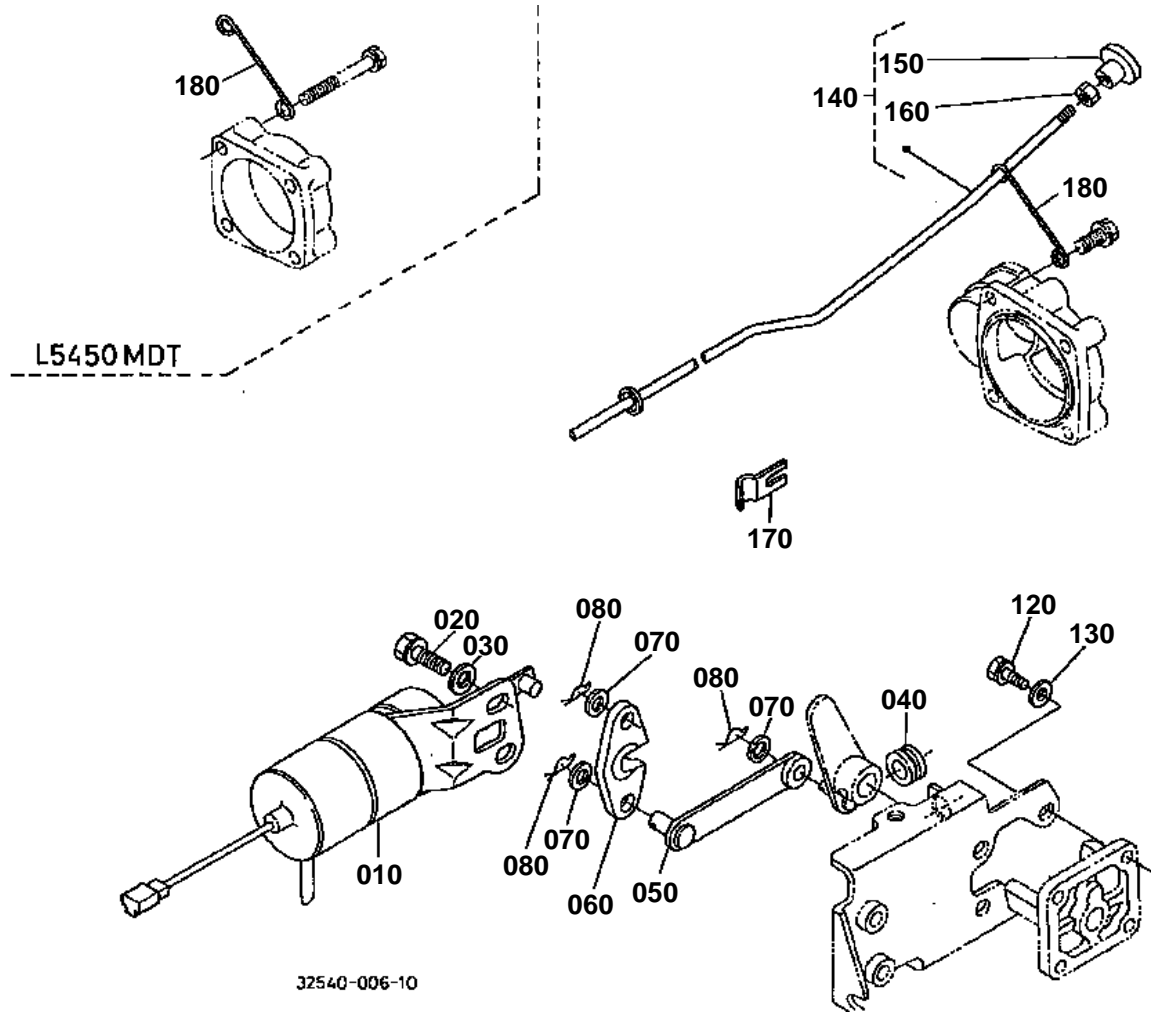


## LOWER GASKET KIT

↔ Interchangeable; ≠ not interchangeable; ← new for old; → old for new

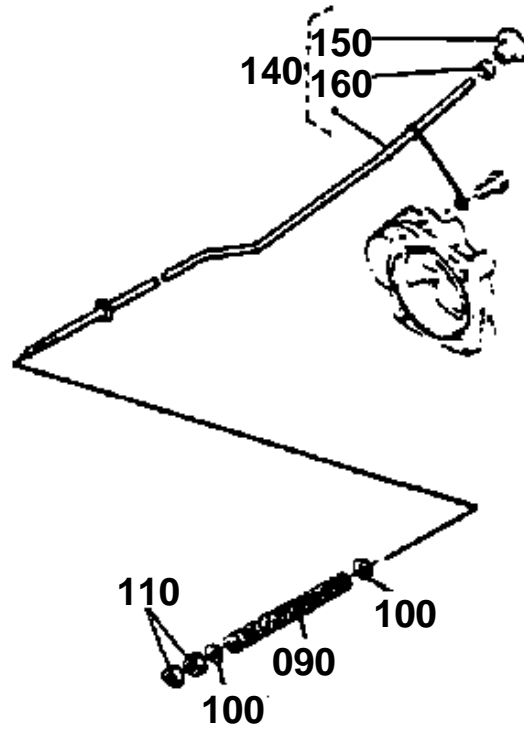
REF.No	Part No.	Description	Q'ty	S.No.	I/C	REMARKS	Weight (kgf)	Weight (lb)
010	07916-27825	KIT GASKET LOWER	1				0	0
020	15296-35150	GASKET OIL PUMP	1				0.001	0.0022
030	17121-01620	GASKET OIL PAN	1				0.028	0.0616
040	19077-04360	GASKET BEARING CASE	1				0.004	0.0088
050	17118-04830	GASKET CASE COVER	1				0.01	0.022
060	19202-04140	SEAL OIL	1				0.015	0.033
070	17381-04460	SEAL OIL	1				0.05	0.11
080	17326-04132	GASKET GEAR CASE	1				0.03	0.066
090	15766-73330	GASKET	1				0.002	0.0044
100	15296-88130	GASKET H/METER UNIT	1				0.002	0.0044
110	17326-73430	GASKET WATER PUMP	1				0.01	0.022
120	15263-52140	GASKET FUEL PUMP	1				0.001	0.0022
130	15471-57980	SEAL OIL	1				0.001	0.0022
140	15296-51660	GASKET PUMP COVER	1				0.003	0.0066
150	15439-57210	GASKET	1				0.005	0.011
160	17326-32620	GASKET	1				0.005	0.011
170	15625-05430	GASKET	1				0.002	0.0044
180	15021-33660	GASKET	1				0.001	0.0022
190	15601-96650	GASKET	2				0.001	0.0022
200	15451-96670	GASKET	1				0.003	0.0066
210	15021-33660	GASKET	2				0.001	0.0022
220	04811-00180	O RING	1				0.001	0.0022
230	04811-00150	O RING	2				0.001	0.0022
240	04811-00200	O RING	1				0.001	0.0022
250	04811-00150	O RING	1				0.001	0.0022
260	04811-00120	O RING	1				0.001	0.0022
270	04811-10300	O RING	1				0.001	0.0022
280	04811-00360	O RING	1				0.002	0.0044
290	19202-96830	O RING	1				0.01	0.022

ENGINE STOP ROD



ENGINE STOP ROD

090 15471-6025-0  
100 04012-50060  
110 02012-50060  
140 32530-1710-0



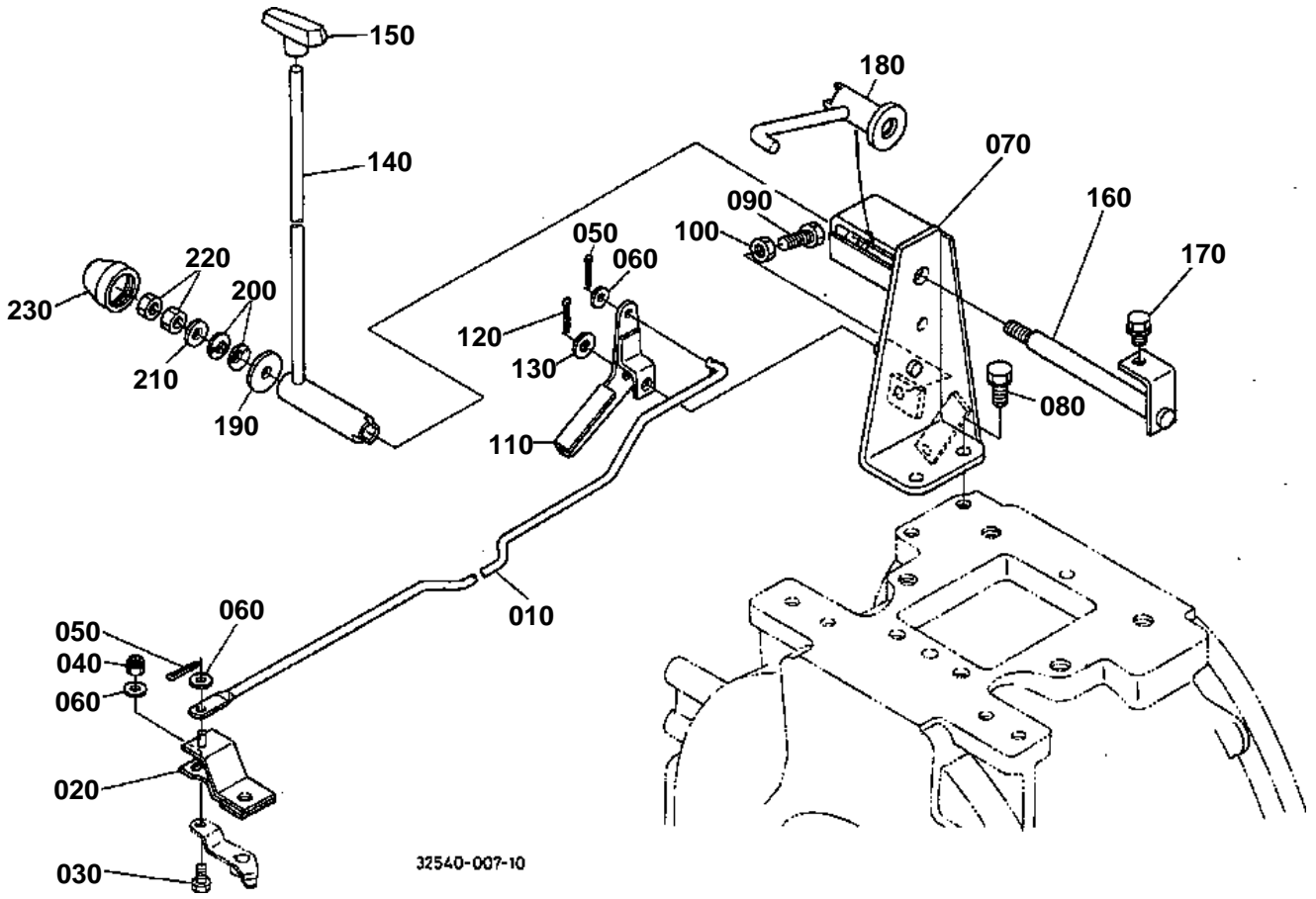
32540-800-10

**ENGINE STOP ROD**

↔ Interchangeable; ≠ not interchangeable; ← new for old; → old for new

REF.No	Part No.	Description	Q'ty	S.No.	I/C	REMARKS	Weight (kgf)	Weight (lb)
010	15471-60010	SOLENOID STOP	1				0.415	0.913
020	01123-60816	BOLT	2				0.01	0.022
030	04012-50080	WASHER PLAIN	2				0.001	0.0022
040	66591-54580	RUBBER RELEASE ROD	1				0.003	0.0066
050	17331-60150	LEVER STOP	1				0.025	0.055
060	15471-60162	LEVER STOP	1				0.007	0.0154
070	04012-50060	WASHER PLAIN	3				0.001	0.0022
080	15471-94810	PIN SNAP	3	<=60569			0	0
080	05525-50600	PIN SNAP	3	>=60570	↔		0	0
090	15471-60250	SPRING	1	<=60347			0.005	0.011
100	04012-50060	WASHER PLAIN	2	<=60347			0.001	0.0022
110	02012-50060	NUT	2	<=60347			0	0
120	01202-50614	BOLT	3				0.006	0.0132
130	04013-60060	WASHER PLAIN	3				0.001	0.0022
140	32530-17100	ASSY ROD STOP	1	<=60347			0.25	0.55
140	32530-17103	ASSY ROD STOP	1	>=60348	→		0.17	0.374
150	35260-17160	KNOB	1				0.015	0.033
160	02012-60060	NUT	1				0.005	0.011
170	38430-17180	SPRING	1				0.1	0.22
180	32590-17200	GUIDE STOP ROD	1	<=60509			0	0
180	32590-17203	GUIDE STOP ROD	1	>=60510	←		0.005	0.011

ACCELERATOR LEVER



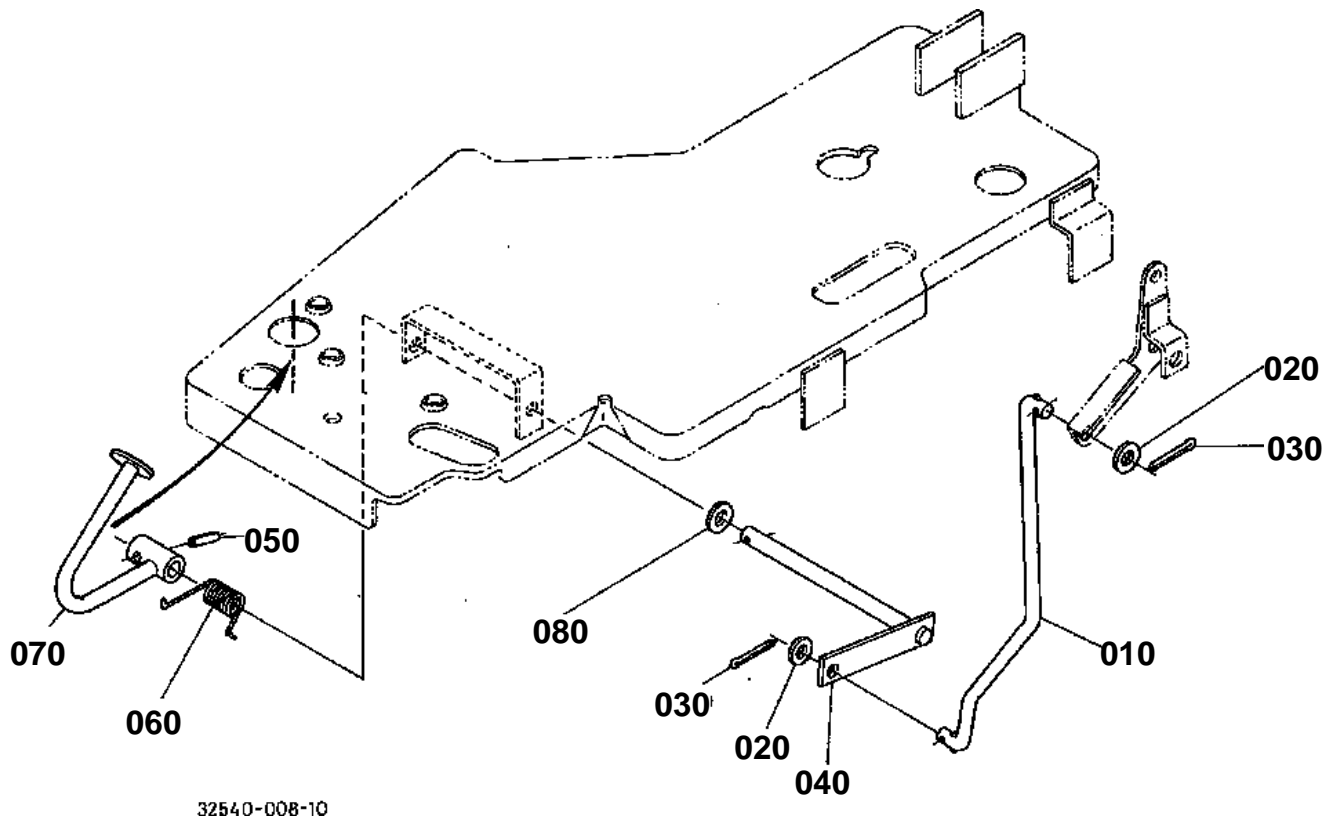


## ACCELERATOR LEVER

↔ Interchangeable; ≠ not interchangeable; ← new for old; → old for new

REF.No	Part No.	Description	Q'ty	S.No.	I/C	REMARKS	Weight (kgf)	Weight (lb)
010	32530-17375	ROD ACCEL.	1				0.17	0.374
020	32590-17360	LEVER ADJUST	1				0.05	0.11
030	01053-50614	BOLT	1				0.005	0.011
040	02556-50060	NUT LOCK	1				0.002	0.0044
050	05511-50218	PIN SPLIT	2				0.001	0.0022
060	04012-50060	WASHER PLAIN	3				0.001	0.0022
070	32539-17380	SUPPORT ACCEL.LEVER	1				0.9	1.98
080	01133-51020	BOLT	2				0.02	0.044
090	01173-51035	BOLT	1				0.025	0.055
100	02118-50100	NUT	1				0.005	0.011
110	32530-17320	LINK ACCEL.	1				0.115	0.253
120	05511-50218	PIN SPLIT	1				0.001	0.0022
130	04011-50100	WASHER PLAIN	1				0.002	0.0044
140	32530-17125	LEVER HAND ACCEL.	1				0.44	0.968
150	32530-17170	GRIP ACCEL	1				0.01	0.022
160	32530-17134	SHAFT HAND ACCEL.	1				0.21	0.462
170	01754-50812	BOLT FLANGE	1				0.01	0.022
180	32530-17143	ARM LEVER	1				0.2	0.44
190	04015-60100	WASHER PLAIN	1				0.015	0.033
200	32530-17160	SPRING PLATE	2				0.001	0.0022
210	04013-50100	WASHER PLAIN	1				0	0
220	02118-50100	NUT	2				0.005	0.011
230	32530-17110	CAP	1				0.007	0.0154

ACCELERATOR PEDAL



32540-008-10



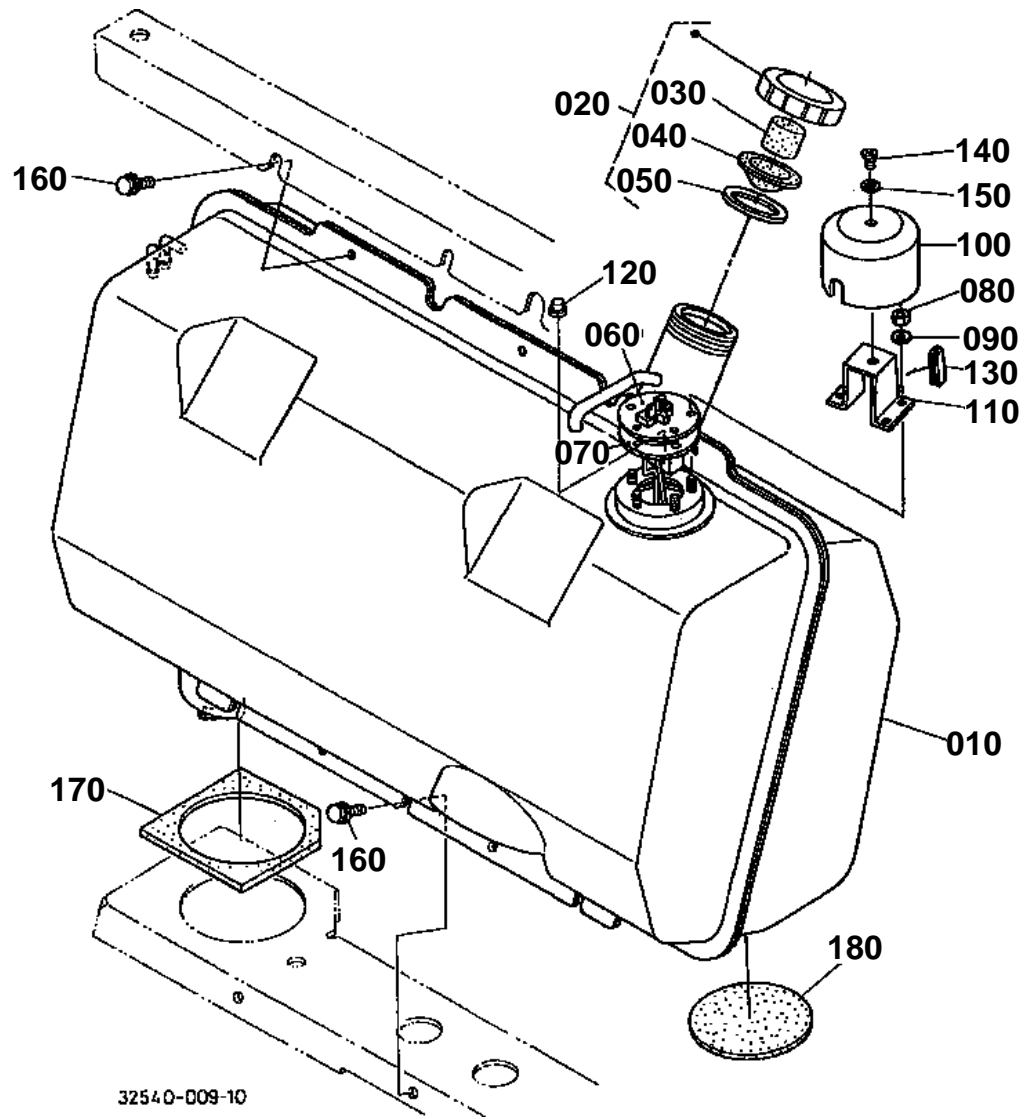
## ACCELERATOR PEDAL

↔ Interchangeable; ≠ not interchangeable; ← new for old; → old for new

REF.No	Part No.	Description	Q'ty	S.No.	I/C	REMARKS	Weight (kgf)	Weight (lb)
010	32590-17570	ROD ACCEL.	1				0.15	0.33
020	04012-50080	WASHER PLAIN	2				0.001	0.0022
030	05511-50218	PIN SPLIT	2				0.001	0.0022
040	32590-17580	SHAFT ACCEL.PEDAL	1				0.16	0.352
050	05411-00425	PIN SPRING	1				0.001	0.0022
060	32530-17650	SPRING ACCEL.PEDAL	1				0.005	0.011
070	32539-17630	PEDAL ACCEL.	1				0.16	0.352
080	04011-50100	WASHER PLAIN	1				0.002	0.0044



FUEL TANK



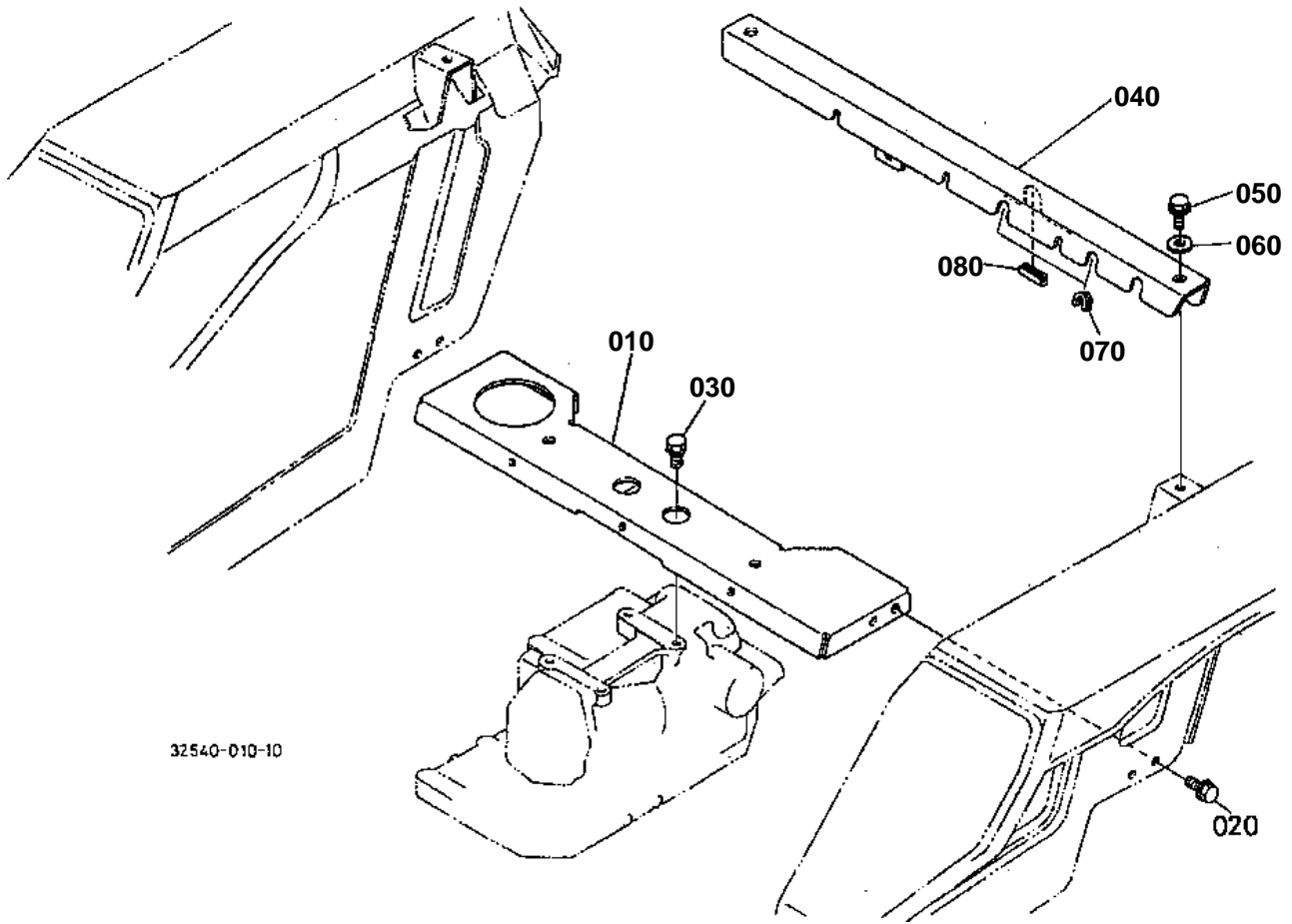


## FUEL TANK

↔ Interchangeable; ≠ not interchangeable; ← new for old; → old for new

REF.No	Part No.	Description	Q'ty	S.No.	I/C	REMARKS	Weight (kgf)	Weight (lb)
010	32539-35117	COMP.TANK FUEL	1	<=60509			0	0
010	32539-35118	COMP.TANK FUEL	1	>=60510	←		9.6	21.12
020	38240-35200	ASSY CAP FUEL TANK	1				0.06	0.132
030	34150-35240	SPONGE	1				0.001	0.0022
040	34150-35230	GASKET	1				0.01	0.022
050	34150-35180	GASKET	1				0.001	0.0022
060	32530-35210	UNIT TANK	1				0.17	0.374
070	36330-75310	GASKET	1				0.005	0.011
080	02054-50050	NUT	5				0.002	0.0044
090	04013-60050	WASHER PLAIN	5				0.001	0.0022
100	32539-35250	UNIT COVER	1				0.06	0.132
110	32530-35260	BRACKET UNIT COVER	1				0.045	0.099
120	66591-11290	PLUG	1				0.001	0.0022
130	37150-13920	CUSHION	1				0.005	0.011
140	03017-50610	SCREW CR-REC-BD-HD	1				0.004	0.0088
150	04711-00060	GASKET	1				0.001	0.0022
160	01754-50816	BOLT FLANGE	6				0.011	0.0242
170	32530-35170	CUSHION TANK	1				0.04	0.088
180	32530-35190	CUSHION TANK	1				0.05	0.11

FUEL TANK SUPPORT

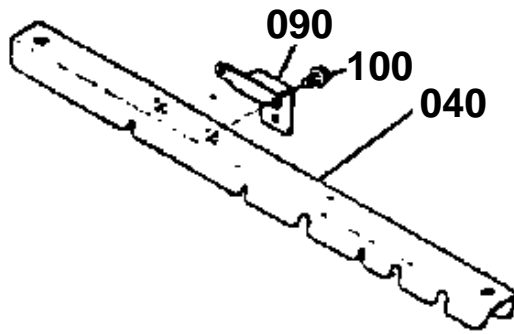


32540-010-10

040 32539-3516-0

090 32583-7175-2

100 01754-50816



32540-801-10

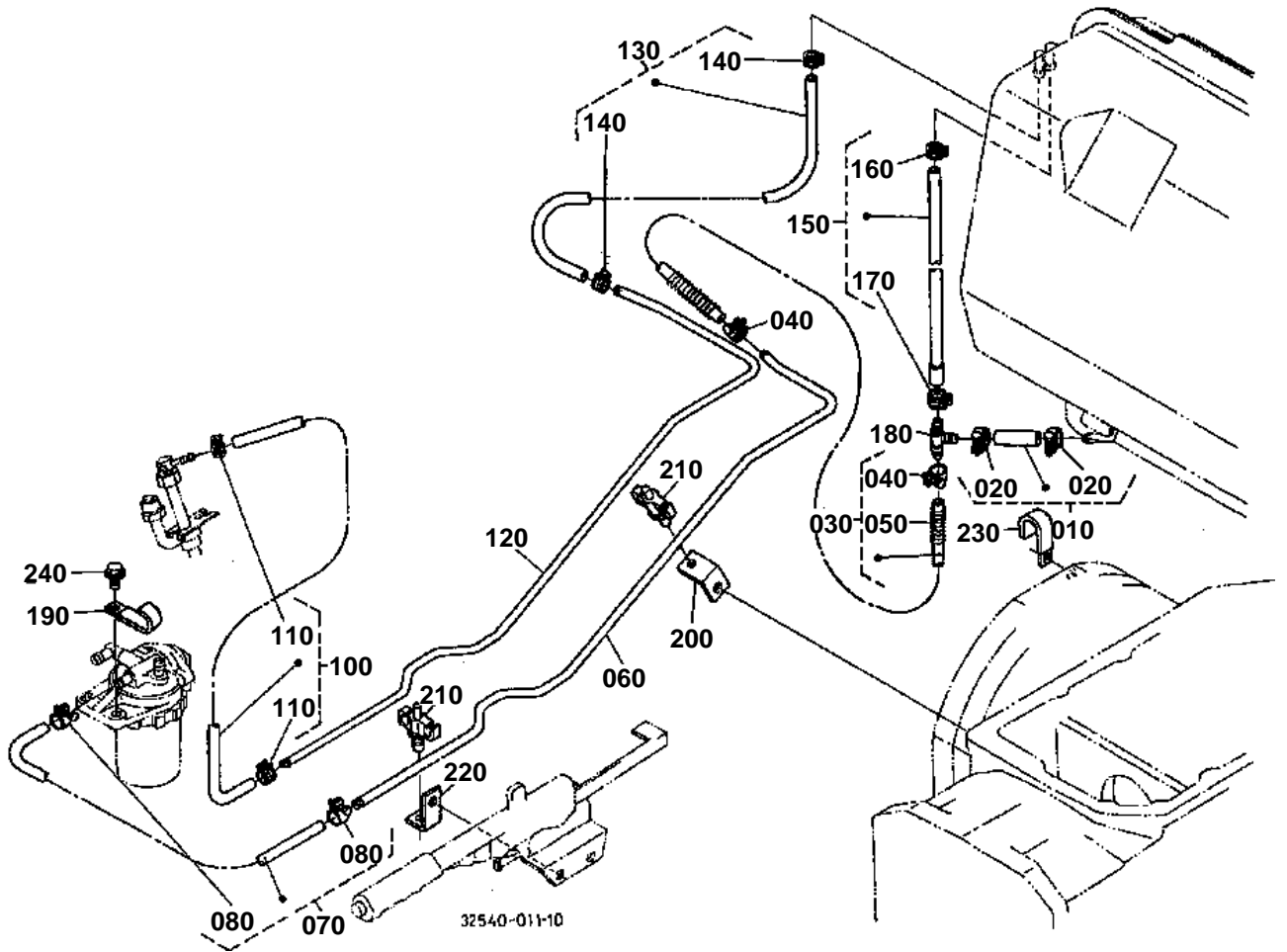


## FUEL TANK SUPPORT

↔ Interchangeable; ≠ not interchangeable; ← new for old; → old for new

REF.No	Part No.	Description	Q'ty	S.No.	I/C	REMARKS	Weight (kgf)	Weight (lb)
010	32590-35150	COMP.SUPPORT TANK	1				3.4	7.48
020	01754-50816	BOLT FLANGE	4				0.011	0.0242
030	01133-51020	BOLT	2				0.02	0.044
040	32539-35160	COMP.SUPPORT TANK	1	<=60323			0	0
040	32539-35167	COMP.SUPPORT TANK	1	>=60324	←		2	4.4
050	01774-51016	BOLT FLANGE	2				0.02	0.044
060	04013-50100	WASHER PLAIN	2				0	0
070	32530-35290	RUBBER PROTECTOR	2				0.002	0.0044
080	37150-13920	CUSHION	2	<=60584			0.005	0.011
080	38430-29670	CUSHION	1	>=60585	←		0.01	0.022
090	32583-71752	CLAMP MARK	1	<=60323			0.2	0.44
100	01754-50816	BOLT FLANGE	2	<=60323			0.011	0.0242

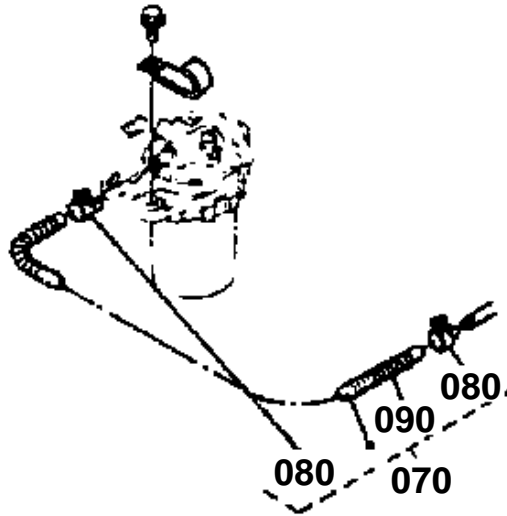
FUEL PIPE



FUEL PIPE

070 32530-3557-3

090 32530-3559-0



32540-802-10

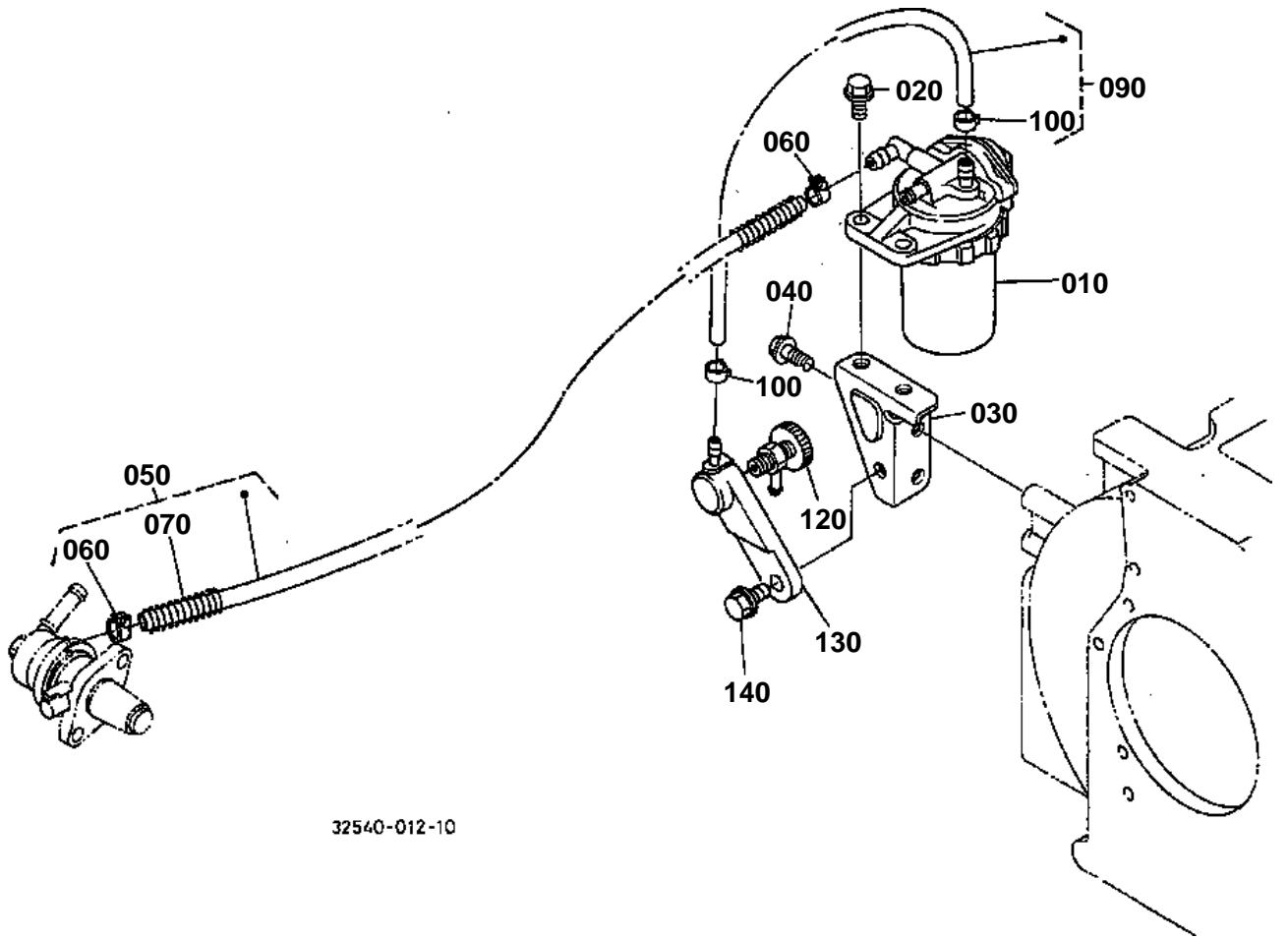
**FUEL PIPE**

↔ Interchangeable; ≠ not interchangeable; ← new for old; → old for new

REF.No	Part No.	Description	Q'ty	S.No.	I/C	REMARKS	Weight (kgf)	Weight (lb)
010	32530-35830	ASSY PIPE FUEL	1				0.02	0.044
020	14301-42750	CLIP PIPE	2				0.005	0.011
030	67211-58350	ASSY PIPE FUEL	1				0.03	0.066
040	14911-42750	CLIP PIPE	2				0.002	0.0044
050	67111-53790	SPRING PIPE PROTECT.	1				0.01	0.022
060	32590-35550	PIPE FUEL	1	≤60347			0	0
060	32590-35552	PIPE FUEL	1	≥60348	←		0.105	0.231
070	32530-35573	ASSY PIPE FUEL	1	≤60314			0.16	0.352
070	32530-35574	ASSY PIPE FUEL	1	≥60315	←		0	0
080	14301-42750	CLIP PIPE	2				0.005	0.011
090	32530-35590	SPRING PIPE PROTECT.	1	≤60314			0.025	0.055
100	32530-35650	ASSY PIPE FUEL	1				0.07	0.154
110	10244-42320	CLIP PIPE	2				0.001	0.0022
120	32590-35742	PIPE FUEL	1				0.03	0.066
130	32590-35920	ASSY PIPE FUEL	1				0.04	0.088
140	10244-42320	CLIP PIPE	1				0.001	0.0022
150	32530-35980	ASSY PIPE FUEL	1	≤60347			0	0
150	32530-35982	ASSY PIPE FUEL	1	≥60348	←		0.055	0.121
160	32530-35950	CLIP PIPE	1				0.001	0.0022
170	32530-35960	CLIP PIPE	1				0.001	0.0022
180	32530-35560	JOINT PIPE	1				0.027	0.0594
190	13824-67580	CLAMP CORD	3				0.006	0.0132
200	32590-35850	SUPPORT PIPE	1				0.02	0.044
210	32530-35870	SUPPORT PIPE	2				0.001	0.0022
220	32590-35862	SUPPORT PIPE	1				0.02	0.044
230	35340-29380	CLAMP CORD	1				0.01	0.022
240	01754-50820	BOLT FLANGE	1				0.015	0.033

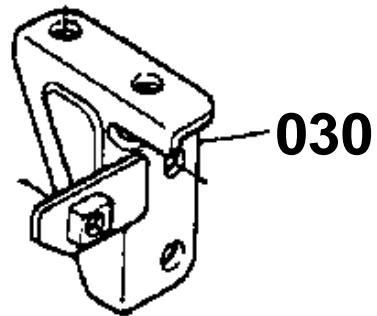


FUEL FILTER



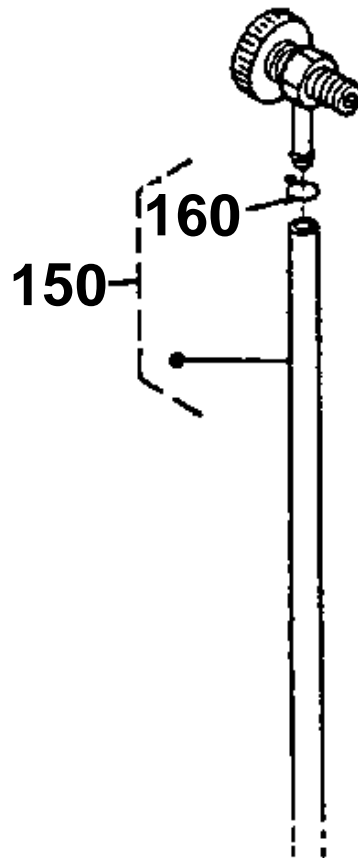
32540-012-10

030 32539-3581-0



150 32530-3593-0

160 14971-4275-0



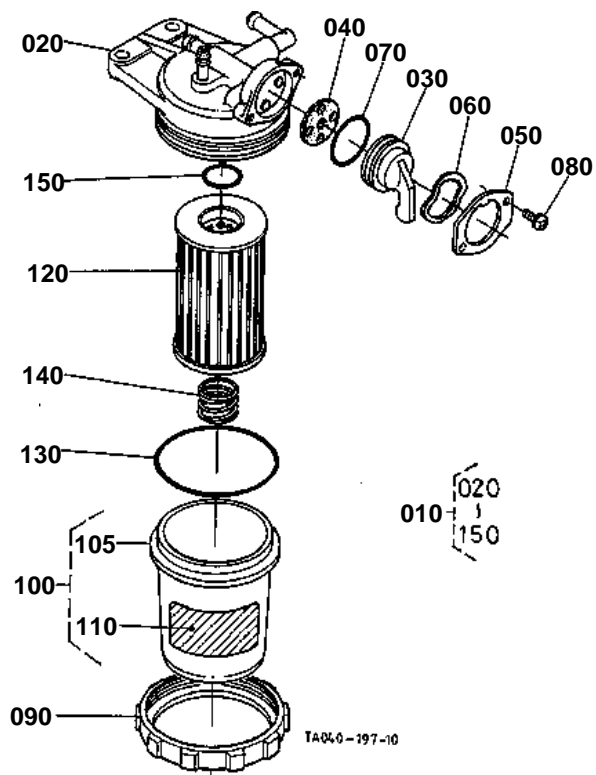
32540-803-10

**FUEL FILTER**

↔ Interchangeable; ≠ not interchangeable; ← new for old; → old for new

REF.No	Part No.	Description	Q'ty	S.No.	I/C	REMARKS	Weight (kgf)	Weight (lb)
010	19271-43010	ASSY FILTER FUEL	1	<=61213		[A] [AU] [NZ]	0	0
010	15521-43015	ASSY FILTER FUEL	1	>=61214	↔	[A] [AU] [NZ] REFER TO L.No.0D02-R0 FOR	0.59	1.298
010	17397-43010	ASSY FILTER FUEL	1	<=61213		[CA] REFER TO L.No.0D02-R0 FOR COMPONENT	0	0
010	15521-43015	ASSY FILTER FUEL	1	>=61214	↔	[CA] REFER TO L.No.0D02-R0 FOR COMPONENT	0.59	1.298
020	01754-50820	BOLT FLANGE	1				0.015	0.033
030	32540-35810	BRACKET FUEL FILTER	1	<=60411			0.18	0.396
030	32540-35810	BRACKET FUEL FILTER	1	>=60412	←		0.18	0.396
040	01754-50820	BOLT FLANGE	2				0.015	0.033
050	31351-35520	ASSY PIPE FUEL	1				0.09	0.198
060	14301-42750	CLIP PIPE	2				0.005	0.011
070	31351-93630	SPRING PIPE PROTECT.	1				0.02	0.044
090	32530-35684	ASSY PIPE FUEL	1				0.015	0.033
100	10244-42320	CLIP PIPE	2				0.001	0.0022
120	14311-60504	ASSY COCK JET START	1				0.034	0.0748
130	15531-42800	COMP.SUPPORT COCK	1				0.05	0.11
140	01754-50820	BOLT FLANGE	1				0.015	0.033
150	32530-35930	ASSY PIPE BREATHER	1	<=60323			0.03	0.066
160	14971-42750	CLIP PIPE	1	<=60323			0.001	0.0022

FUEL FILTER [COMPONENT PARTS]

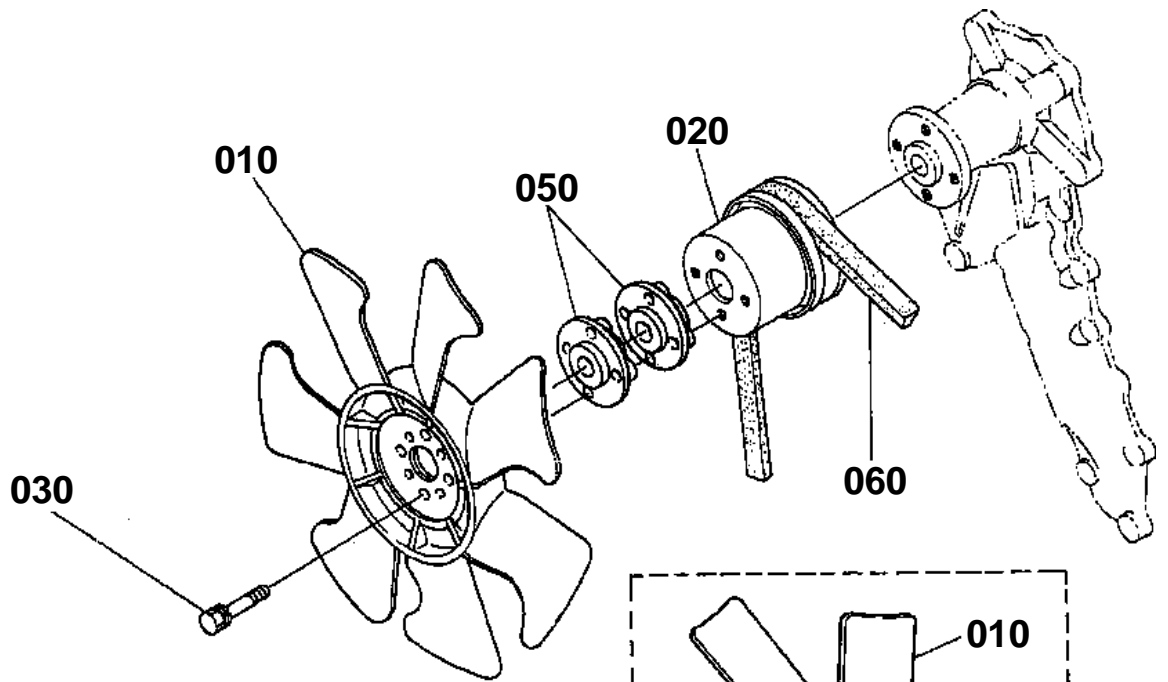




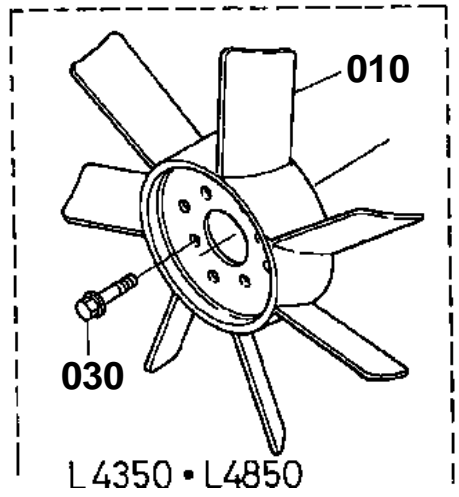
FUEL FILTER [COMPONENT PARTS]

↔ Interchangeable; ≠ not interchangeable; ← new for old; → old for new

REF.No	Part No.	Description	Q'ty	S.No.	I/C	REMARKS	Weight (kgf)	Weight (lb)
010	19271-43010	ASSY FILTER FUEL	1	<=61213		[A] [AU] [NZ]	0	0
010	15521-43015	ASSY FILTER FUEL	1	>=61214	↔	[A] [AU] [NZ]	0.59	1.298
010	17397-43010	ASSY FILTER FUEL	1	<=61213		[CA]	0	0
010	15521-43015	ASSY FILTER FUEL	1	>=60214	↔	[CA]	0.59	1.298
020	15521-43114	ASSY BODY	1				0.235	0.517
030	15521-43522	HANDLE FILTER	1				0.04	0.088
040	15521-43672	GASKET	1				0.001	0.0022
050	15521-43552	RETAINER HANDLE	1				0.01	0.022
060	15521-43542	PLATE THRUST	1				0.001	0.0022
070	04811-10290	O RING	1				0.001	0.0022
080	15521-93310	SCREW WITH WASHER	2				0.004	0.0088
090	15521-43150	RING RETAINER	1				0.14	0.308
100	19271-43100	ASSY POT FILTER	1	<=61213		[A] [AU] [NZ]	0	0
100	15521-43100	ASSY CUP FILTER	1	>=61214	↔	[A] [AU] [NZ]	0.05	0.11
100	17397-43100	ASSY POT FILTER	1	<=61213		[CA]	0.16	0.352
100	15521-43100	ASSY CUP FILTER	1	>=61214	↔	[CA]	0.05	0.11
110	19271-87210	LABEL CAUTION	1	<=61213		[A] [AU] [NZ]	0.001	0.0022
110	16873-88430	LABEL FUEL FILTER	1	>=61214	↔	[A] [AU] [NZ]	0.001	0.0022
110	17397-87210	LABEL CAUTION	1	<=61213		[CA]	0.001	0.0022
110	16873-88430	LABEL FUEL FILTER	1	>=61214	↔	[CA]	0.001	0.0022
120	15521-43160	ELEMENT FILTER	1				0.07	0.154
130	04811-50650	O RING	1				0.002	0.0044
140	15521-43930	SPRING	1				0.004	0.0088
150	04811-00160	O RING	1				0.001	0.0022

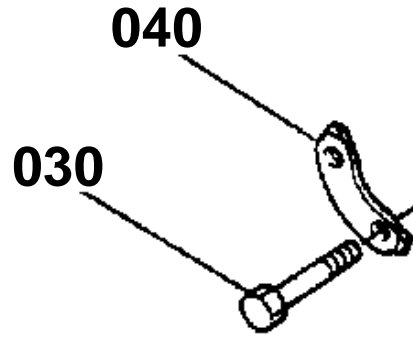


32540-014-10



030 01053-50660

040 15606-7423-0



32540-804-10

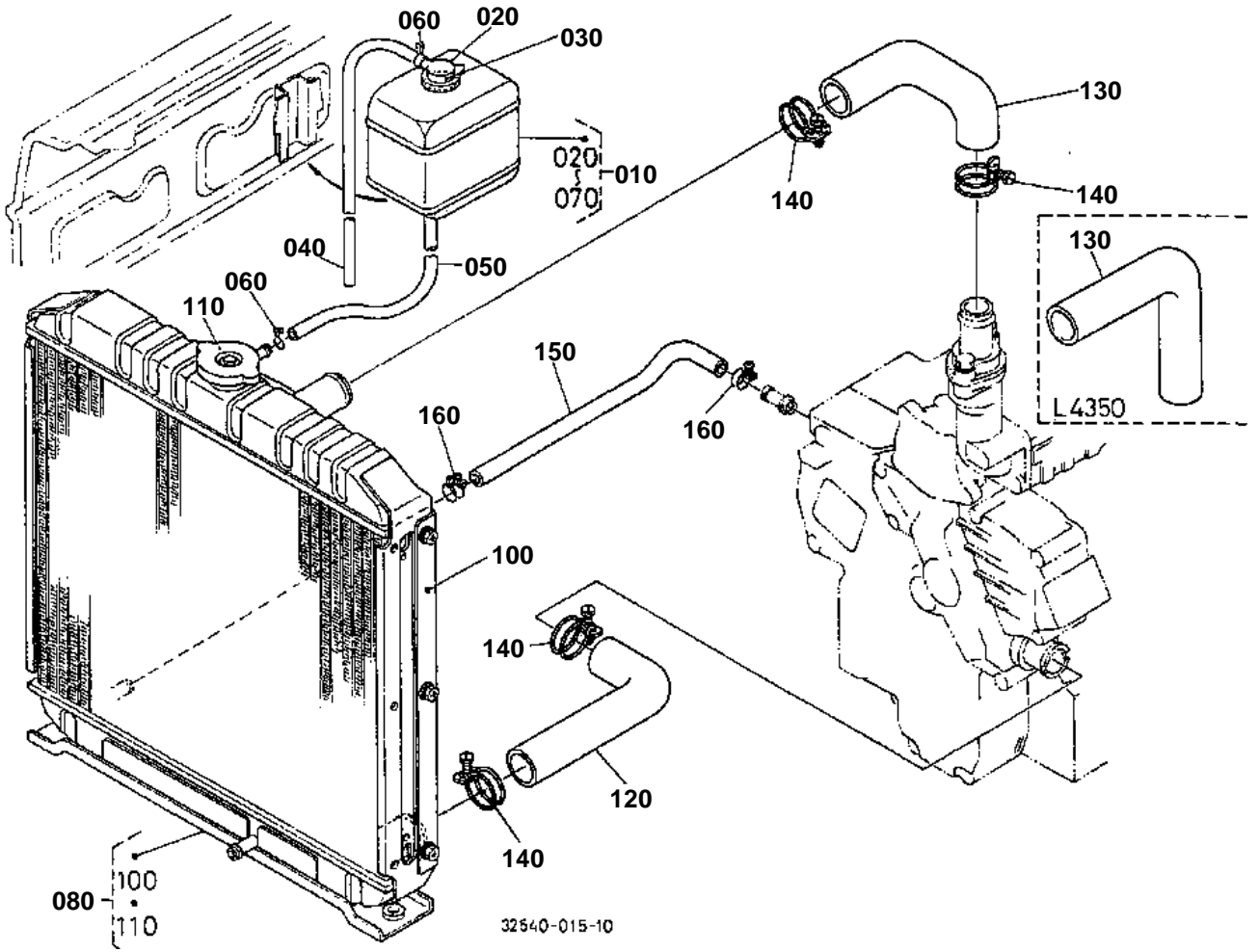
**FAN**

↔ Interchangeable; ≠ not interchangeable; ← new for old; → old for new

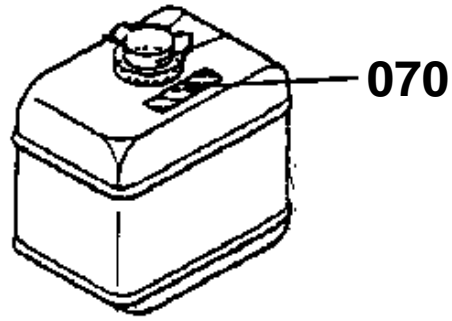
REF.No	Part No.	Description	Q'ty	S.No.	I/C	REMARKS	Weight (kgf)	Weight (lb)
010	15808-74110	FAN	1				0.9	1.98
020	17351-74250	PULLEY FAN	1				0.26	0.572
030	01053-50660	BOLT	4	≤60733			0.014	0.0308
030	01754-50660	BOLT FLANGE	4	≥60734	↔		0.02	0.044
040	15606-74230	WASHER FAN	2	≤60733			0.006	0.0132
050	15521-74150	COLLAR FAN	2				0.1	0.22
060	15196-97010	V BELT A	1				0.124	0.2728



RADIATOR



070 15501-8821-0



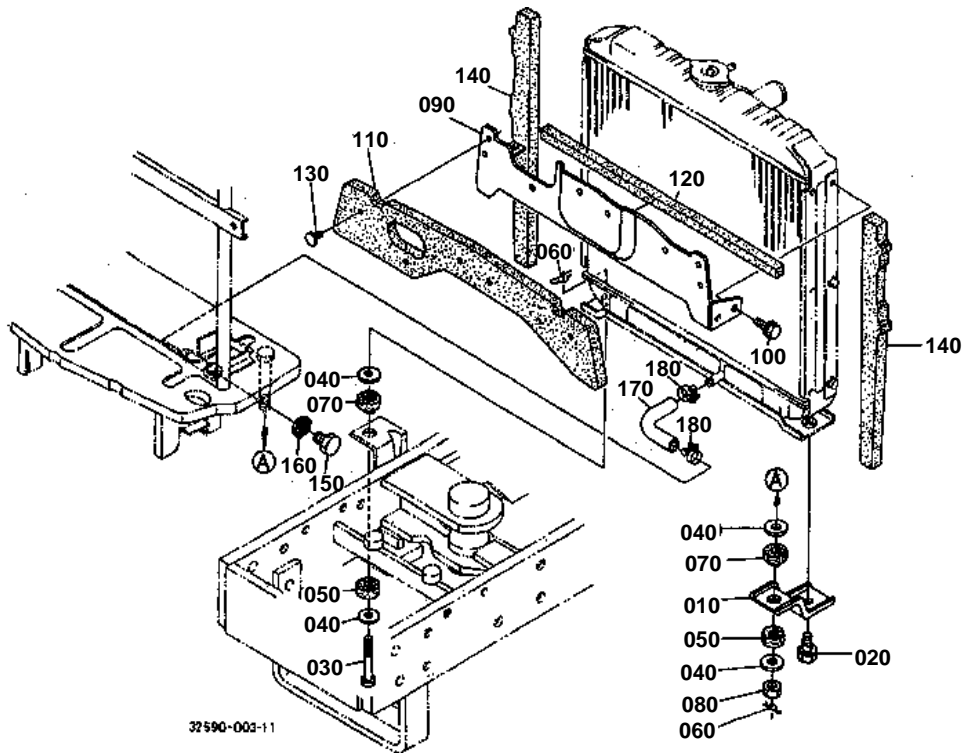
32540-805-10

**RADIATOR**

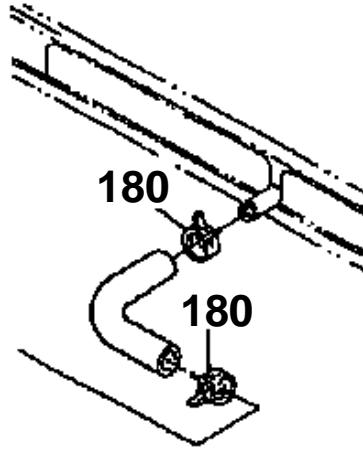
↔ Interchangeable; ≠ not interchangeable; ← new for old; → old for new

REF.No	Part No.	Description	Q'ty	S.No.	I/C	REMARKS	Weight (kgf)	Weight (lb)
010	15988-72400	ASSY TANK RESERVE	1				0.482	1.0604
020	15272-72420	CAP	1				0.03	0.066
030	15272-72430	GASKET	1				0	0
040	15471-72710	PIPE WATER OVERFLOW	1				0.08	0.176
050	68271-42390	PIPE WATER OVERFLOW	1				0.03	0.066
060	15501-72470	CLIP PIPE	2				0.005	0.011
070	15501-88210	LABEL CAUTION	1	<=60658			0.005	0.011
080	32590-10210	ASSY RADIATOR	1				10	22
100	32590-10220	SHROUD FAN	1				2.5	5.5
110	15272-72020	ASSY CAP	1				0.071	0.1562
120	17381-72850	PIPE WATER LOWER	1				0.21	0.462
130	32590-10552	PIPE WATER UPPER	1				0.21	0.462
140	15108-72870	BAND	4				0.027	0.0594
150	17381-73340	PIPE WATER RETURN	1				0.085	0.187
160	68171-63630	BAND HOSE	2				0.013	0.0286

# RADIATOR SUPPORT



180 09318-88180



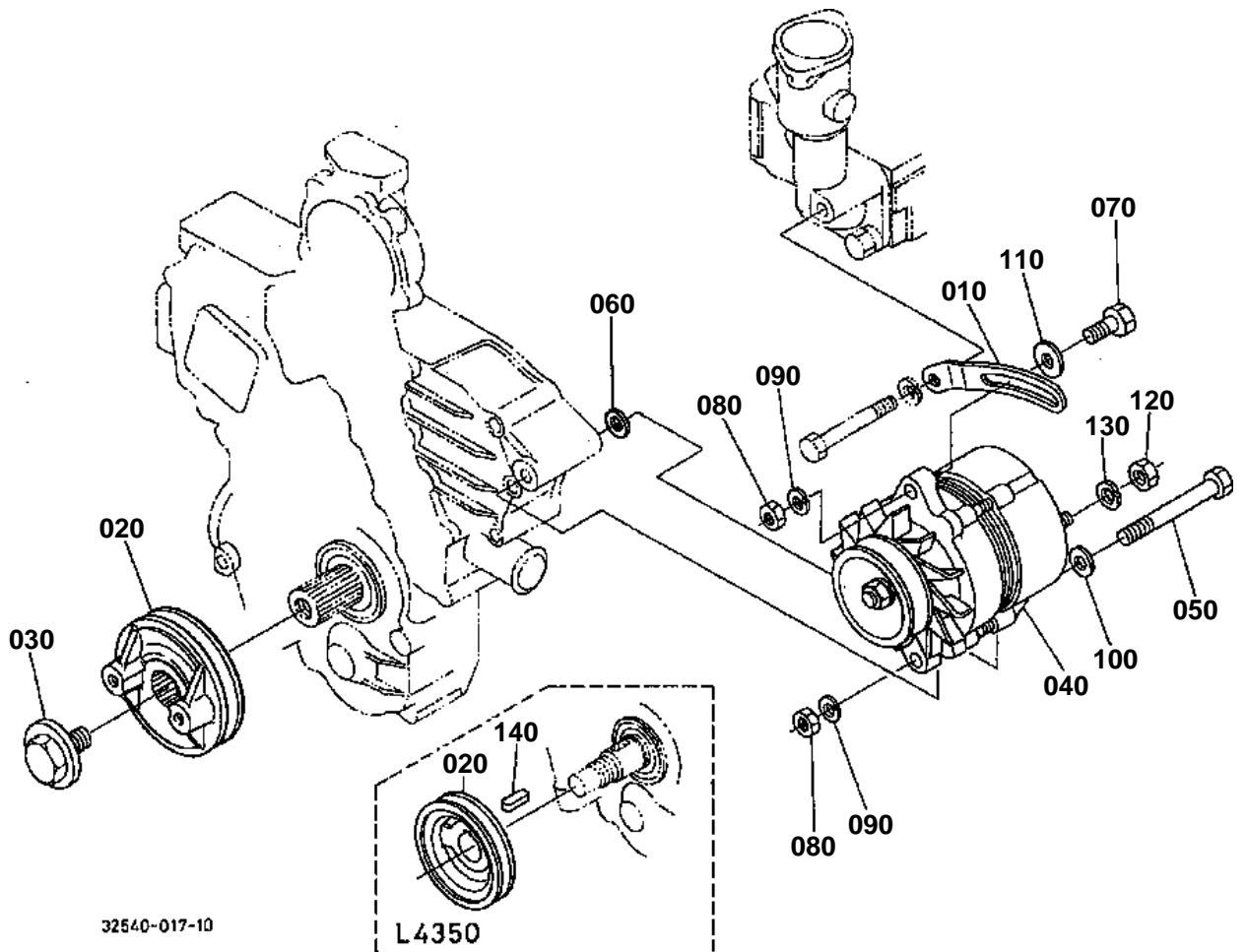
32540-858-10



# RADIATOR SUPPORT

↔ Interchangeable; ≠ not interchangeable; ← new for old; → old for new

REF.No	Part No.	Description	Q'ty	S.No.	I/C	REMARKS	Weight (kgf)	Weight (lb)
010	32590-13750	SUPPORT RADIATOR	1				0.24	0.528
020	01133-51020	BOLT	1				0.02	0.044
030	15108-72380	BOLT	1				0.04	0.088
040	15111-72200	WASHER	4	<=60347			0.013	0.0286
040	04015-60100	WASHER PLAIN	4	>=60348	↔		0.015	0.033
050	15111-72180	CUSHION	2				0.015	0.033
060	05515-61000	PIN SNAP	2				0.003	0.0066
070	15111-72190	CUSHION	2				0.016	0.0352
080	02118-50100	NUT	1				0.005	0.011
090	32530-17813	SUPPORT CUSHION	1				0.5	1.1
100	01754-50610	BOLT FLANGE	2				0.006	0.0132
110	32530-17820	CUSHION	1				0.13	0.286
120	32530-18750	CUSHION BONNET	1				0.02	0.044
130	32530-17830	STOPPER	6				0.002	0.0044
140	32530-17844	CUSHION	2				0.023	0.0506
150	06331-35012	PLUG	1				0.022	0.0484
160	04717-01200	WASHER WITH RUBBER	1				0.002	0.0044
170	32590-13510	PIPE WATER	1				0.04	0.088
180	09318-88180	CLAMP HOSE	2	<=61599			0.01	0.022
180	68171-63630	BAND HOSE	2	>=61600	↔		0.013	0.0286



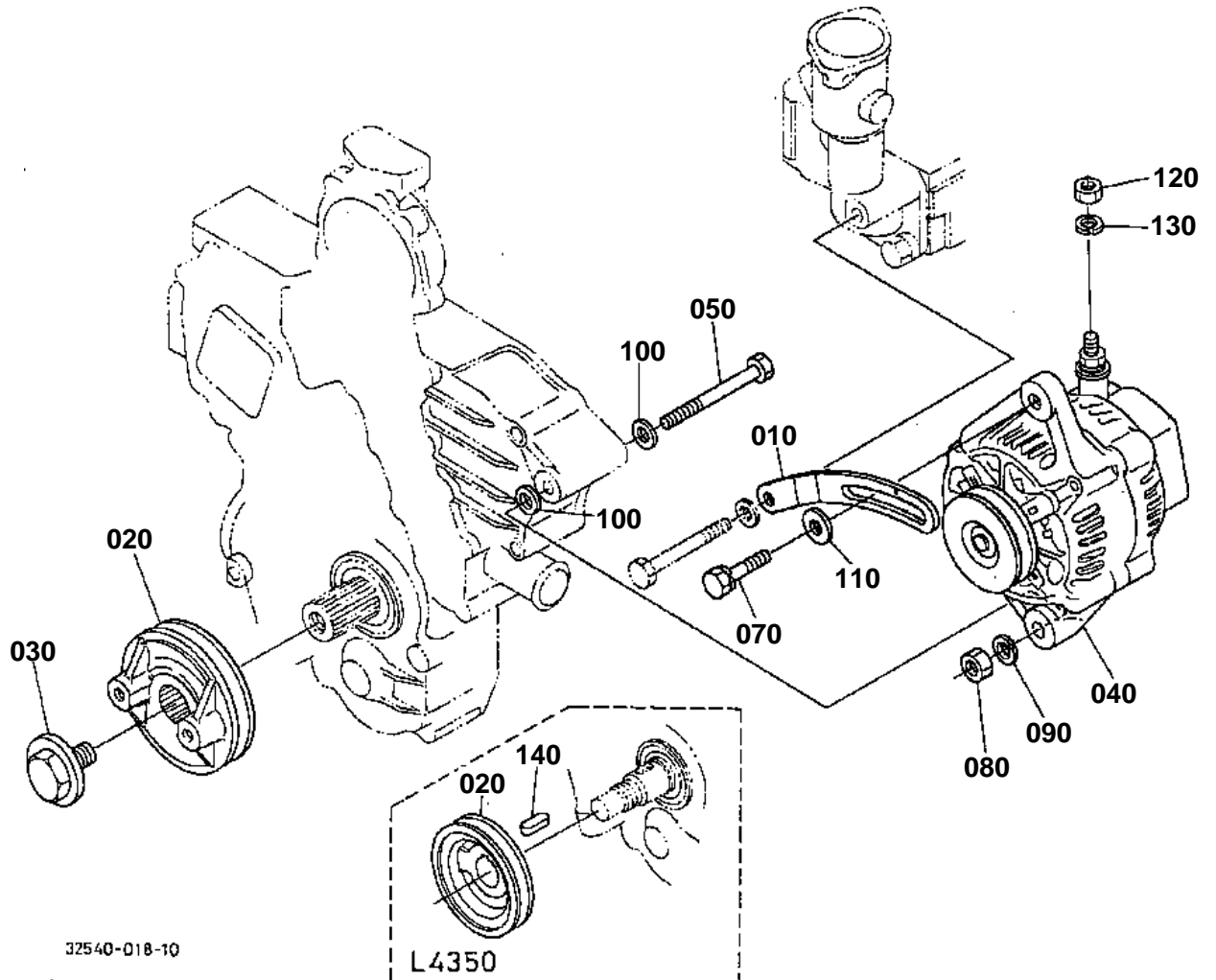


## DYNAMO [A] [AU] [NZ]

↔ Interchangeable; ≠ not interchangeable; ← new for old; → old for new

REF.No	Part No.	Description	Q'ty	S.No.	I/C	REMARKS	Weight (kgf)	Weight (lb)
010	15321-64420	STAY DYNAMO	1				0.1	0.22
020	17121-74280	PULLEY FAN DRIVE	1				1.7	3.74
030	17121-91010	BOLT	1				0.26	0.572
040	15763-64010	ASSY DYNAMO	1			REFER TO L.No.0D06-L0 FOR COMPONENTS.	3.47	7.634
050	17367-91030	BOLT	1				0.02	0.044
060	15521-94030	WASHER PLAIN	1				0.01	0.022
070	01153-60830	BOLT	1				0.025	0.055
080	02156-50080	NUT	2				0.004	0.0088
090	04512-60080	WASHER SPRING	2				0.002	0.0044
100	04012-50080	WASHER PLAIN	1				0.001	0.0022
110	04015-60080	WASHER PLAIN	1				0.01	0.022
120	02056-50060	NUT	1				0.002	0.0044
130	04512-60060	WASHER SPRING	1				0.001	0.0022



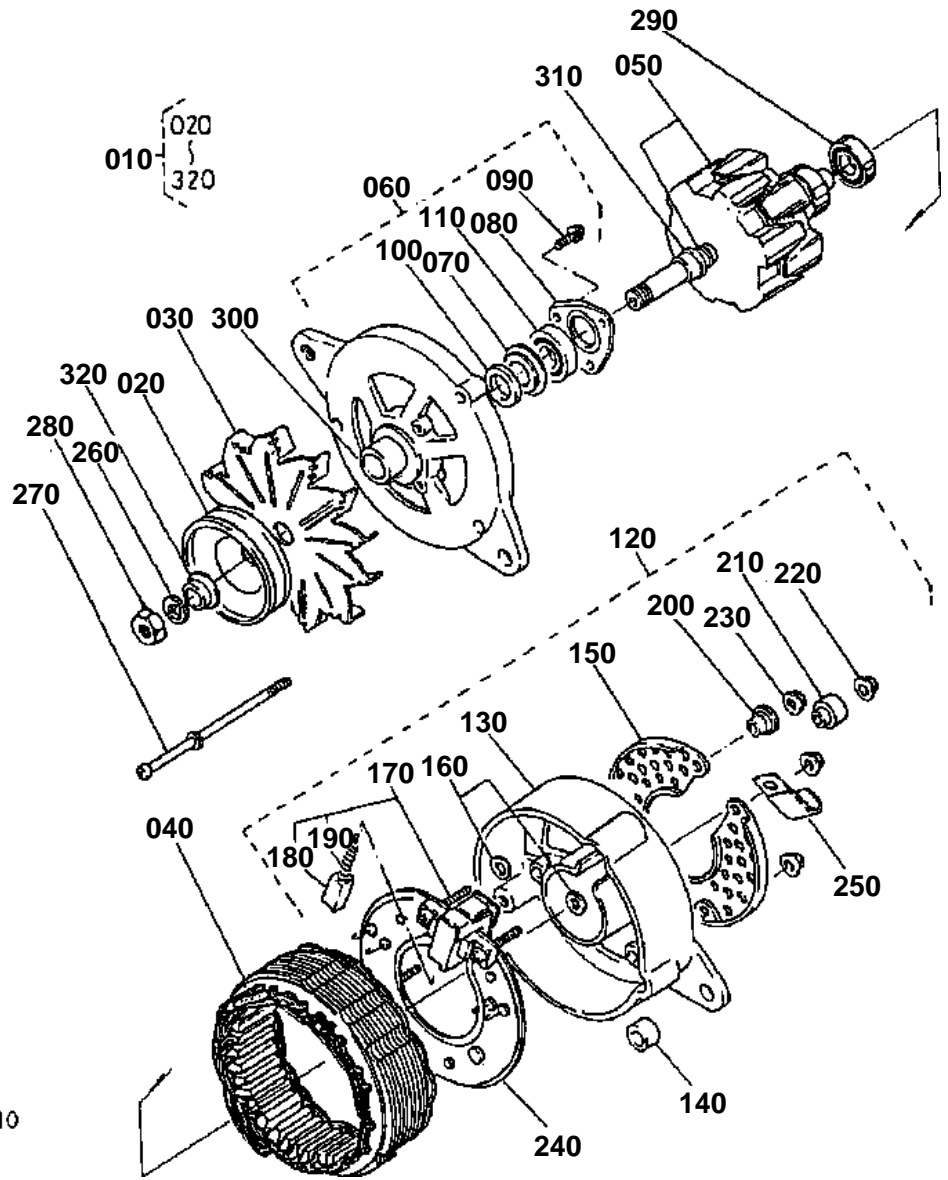


**DYNAMO [CA]**

↔ Interchangeable; ≠ not interchangeable; ← new for old; → old for new

REF.No	Part No.	Description	Q'ty	S.No.	I/C	REMARKS	Weight (kgf)	Weight (lb)
010	17077-64420	STAY DYNAMO	1				0.1	0.22
020	17121-74280	PULLEY FAN DRIVE	1				1.7	3.74
030	17121-91010	BOLT	1				0.26	0.572
040	17356-64010	ASSY ALTERNATOR	1			REFER TO L.No.0D07-L0 FOR COMPONENTS.	3.1	6.82
050	01173-51000	BOLT	1				0.06	0.132
070	01123-50830	BOLT	1				0.015	0.033
080	02176-50100	NUT	1				0.005	0.011
090	04015-60100	WASHER PLAIN	1				0.015	0.033
100	04011-50100	WASHER PLAIN	2				0.002	0.0044
110	04015-60010	WASHER SPRING	1				0	0
120	02056-50060	NUT	1				0.002	0.0044
130	04512-60060	WASHER SPRING	1				0.001	0.0022

DYNAMO [COMPONENT PARTS]



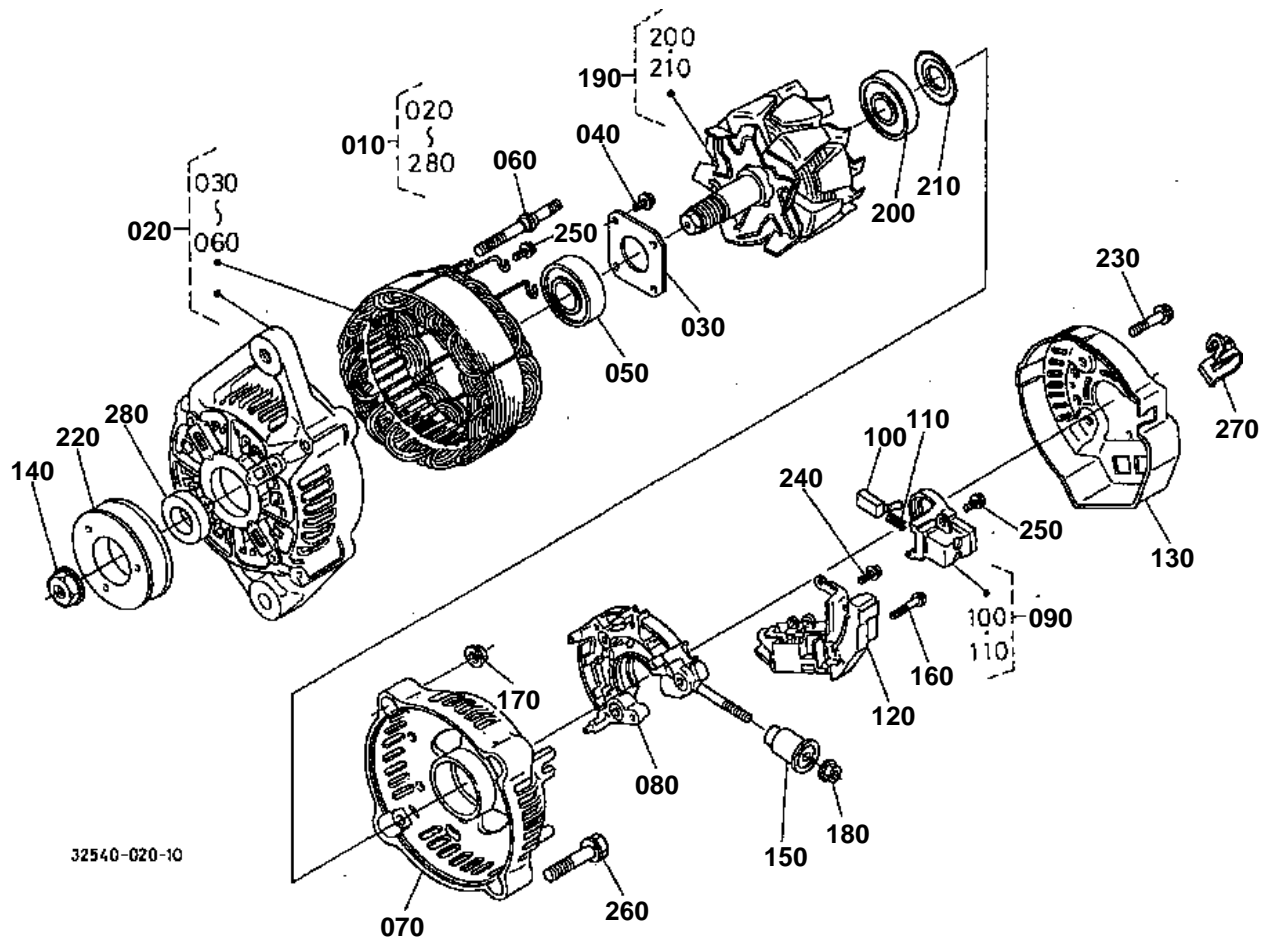
32540-019-10

**DYNAMO [COMPONENT PARTS]**

↔ Interchangeable; ≠ not interchangeable; ← new for old; → old for new

REF.No	Part No.	Description	Q'ty	S.No.	I/C	REMARKS	Weight (kgf)	Weight (lb)
010	15763-64010	ASSY DYNAMO	1				3.47	7.634
020	15471-64110	PULLEY DYNAMO	1				0.435	0.957
030	15253-64130	FAN DYNAMO	1				0.18	0.396
040	15606-64050	YOKE	1				0.76	1.672
050	15253-64030	ARMATURE	1				1.46	3.212
060	15253-64020	FRAME DRIVE END	1				0.365	0.803
070	15221-64830	COVER FELT	1				0.003	0.0066
080	15221-64710	PLATE RETAINER	1				0.018	0.0396
090	01053-50516	BOLT	3				0.003	0.0066
100	15221-64790	FELT OIL	1				0.001	0.0022
110	08141-06202	BEARING BALL	1				0.043	0.0946
120	15253-64070	ASSY FRAME END	1				0.55	1.21
130	15253-64060	FRAME END	1				0.29	0.638
140	15221-64210	BUSH	1				0.007	0.0154
150	15253-64230	COVER END	1				0.02	0.044
160	15321-64880	WASHER INSULATION	2				0.001	0.0022
170	15253-64310	ASSY HOLDER BRUSH	1				0.04	0.088
180	15221-64090	BRUSH	2				0.002	0.0044
190	15221-64330	SPRING BRUSH	2				0.001	0.0022
200	15321-64910	BUSH INSULATION	1				0.001	0.0022
210	15321-64920	BUSH INSULATION	1				0.001	0.0022
220	15451-94080	WASHER	5				0.001	0.0022
230	14182-92030	NUT	2				0.003	0.0066
240	15321-64850	ASSY RECTIFIER	1				0.134	0.2948
250	15321-67570	CLAMP CORD	1				0.04	0.088
260	15221-94070	WASHER SPRING	1				0.008	0.0176
270	15321-64260	BOLT THROUGH	3				0.008	0.0176
280	15221-92010	NUT	1				0.012	0.0264
290	08121-06201	BEARING BALL	1				0.036	0.0792
300	15221-64150	COLLAR	1				0.008	0.0176
310	15321-64170	SPACER	1				0.007	0.0154
320	15221-64160	SPACER	1				0.006	0.0132

DYNAMO [COMPONENT PARTS]

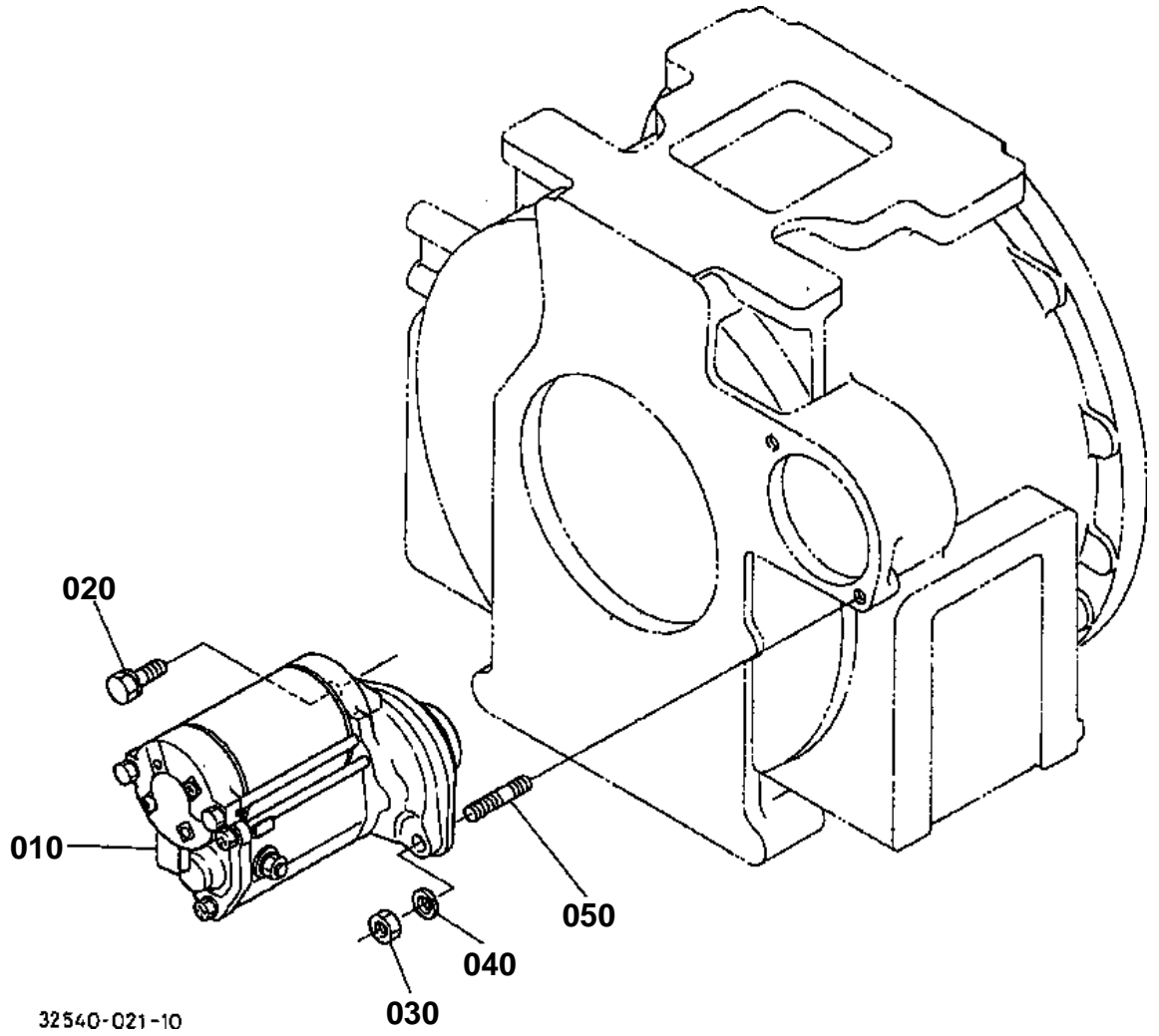


**DYNAMO [COMPONENT PARTS]**

↔ Interchangeable; ≠ not interchangeable; ← new for old; → old for new

REF.No	Part No.	Description	Q'ty	S.No.	I/C	REMARKS	Weight (kgf)	Weight (lb)
010	17356-64010	ASSY ALTERNATOR	1				3.1	6.82
020	17369-64020	FRAME DRIVE END	1				1.275	2.805
030	15881-64710	PLATE RETAINER	1				0.01	0.022
040	15881-93010	SCREW ROUND HEAD	4				0.003	0.0066
050	15881-64780	BEARING BALL	1				0.05	0.11
060	15881-64260	BOLT THROUGH	2				0.01	0.022
070	17369-64060	FRAME END	1				0.235	0.517
080	17369-64850	ASSY RECTIFIER	1				0.14	0.308
090	15881-64310	HOLDER BRUSH	1				0.025	0.055
100	15881-64090	BRUSH	2				0.002	0.0044
110	15881-64330	SPRING BRUSH	2				0.002	0.0044
120	15881-64600	ASSY REGULATOR	1				0.1	0.22
130	17369-64230	COVER END	1				0.04	0.088
140	16540-92010	NUT	1				0.02	0.044
150	15881-64900	BUSH INSULATION	1				0.006	0.0132
160	15881-93020	SCREW ROUND HEAD	2				0.005	0.011
170	15881-92020	NUT	2				0.02	0.044
180	14182-92030	NUT	1				0.003	0.0066
190	17369-64040	ROTOR	1				1.395	3.069
200	17369-64770	BEARING BALL	1				0.05	0.11
210	15881-64800	COVER BEARING	1				0.001	0.0022
220	16427-64110	PULLEY DYNAMO	1				0.2	0.44
230	15881-91040	BOLT	3				0.005	0.011
240	15881-93040	SCREW ROUND HEAD	1				0.003	0.0066
250	15881-93030	SCREW ROUND HEAD	6				0.003	0.0066
260	15881-91050	BOLT	2				0.01	0.022
270	17369-67570	CLAMP CORD	1				0.001	0.0022
280	15881-64150	COLLAR	1				0.004	0.0088

STARTER

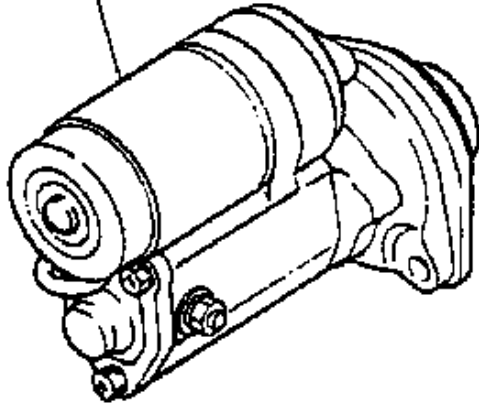


STARTER

---

010 17121-6301-0

010



32540-851-10

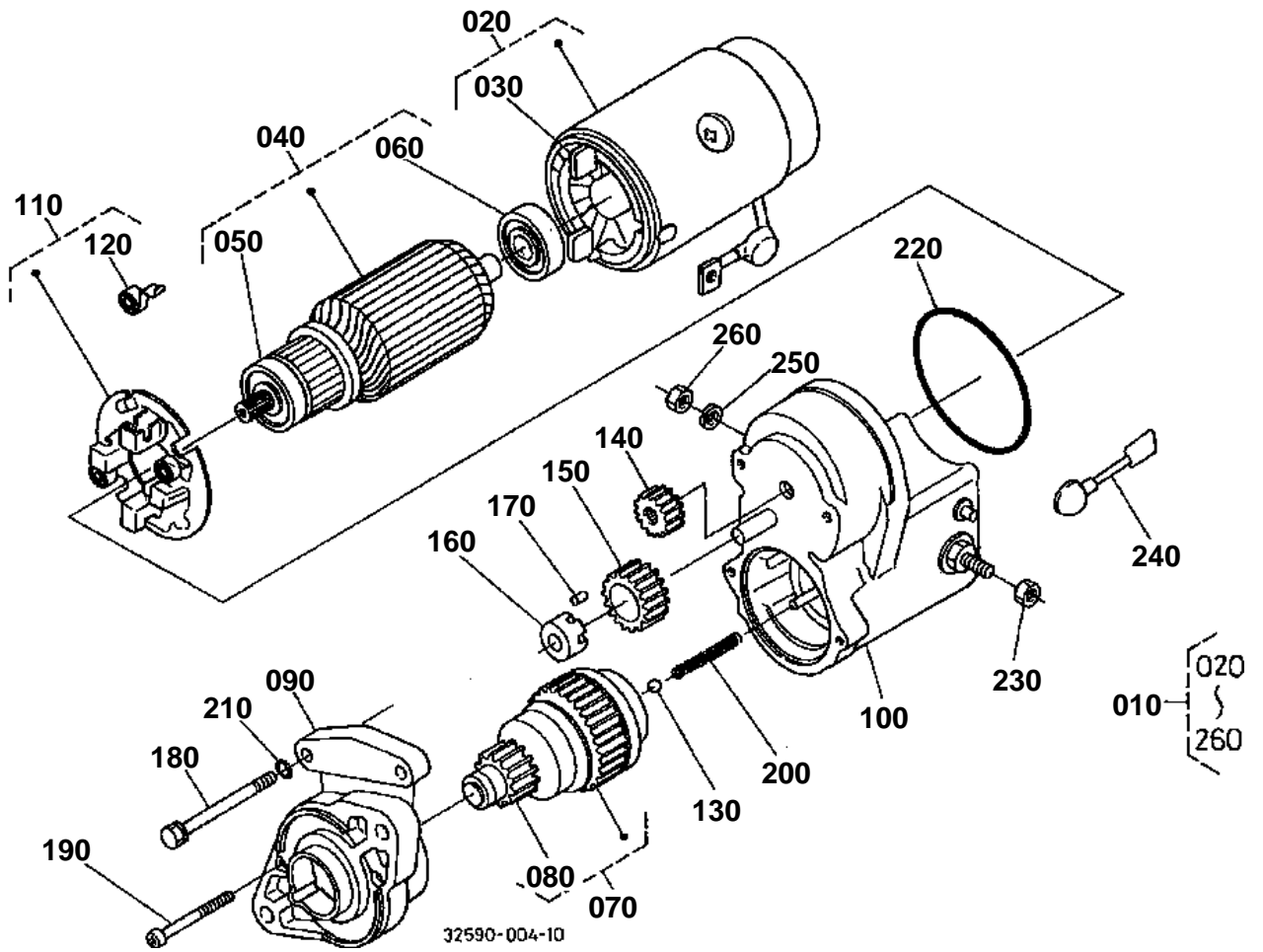


**STARTER**

↔ Interchangeable; ≠ not interchangeable; ← new for old; → old for new

REF.No	Part No.	Description	Q'ty	S.No.	I/C	REMARKS	Weight (kgf)	Weight (lb)
010	17121-63010	ASSY STARTER	1	<=60323		REFER TO L.No.0D08-L0 FOR COMPONENTS.	5	11
010	17381-63012	ASSY STARTER	1	>=60324	≠	REFER TO L.No.0D08-R0 FOR COMPONENTS.	4.9	10.78
020	01133-51030	BOLT	1				0.025	0.055
030	02176-50100	NUT	1				0.005	0.011
040	04512-60100	WASHER SPRING	1				0.002	0.0044
050	01517-51028	STUD	1				0.022	0.0484

STARTER [OLD TYPE] [COMPONENT PARTS]



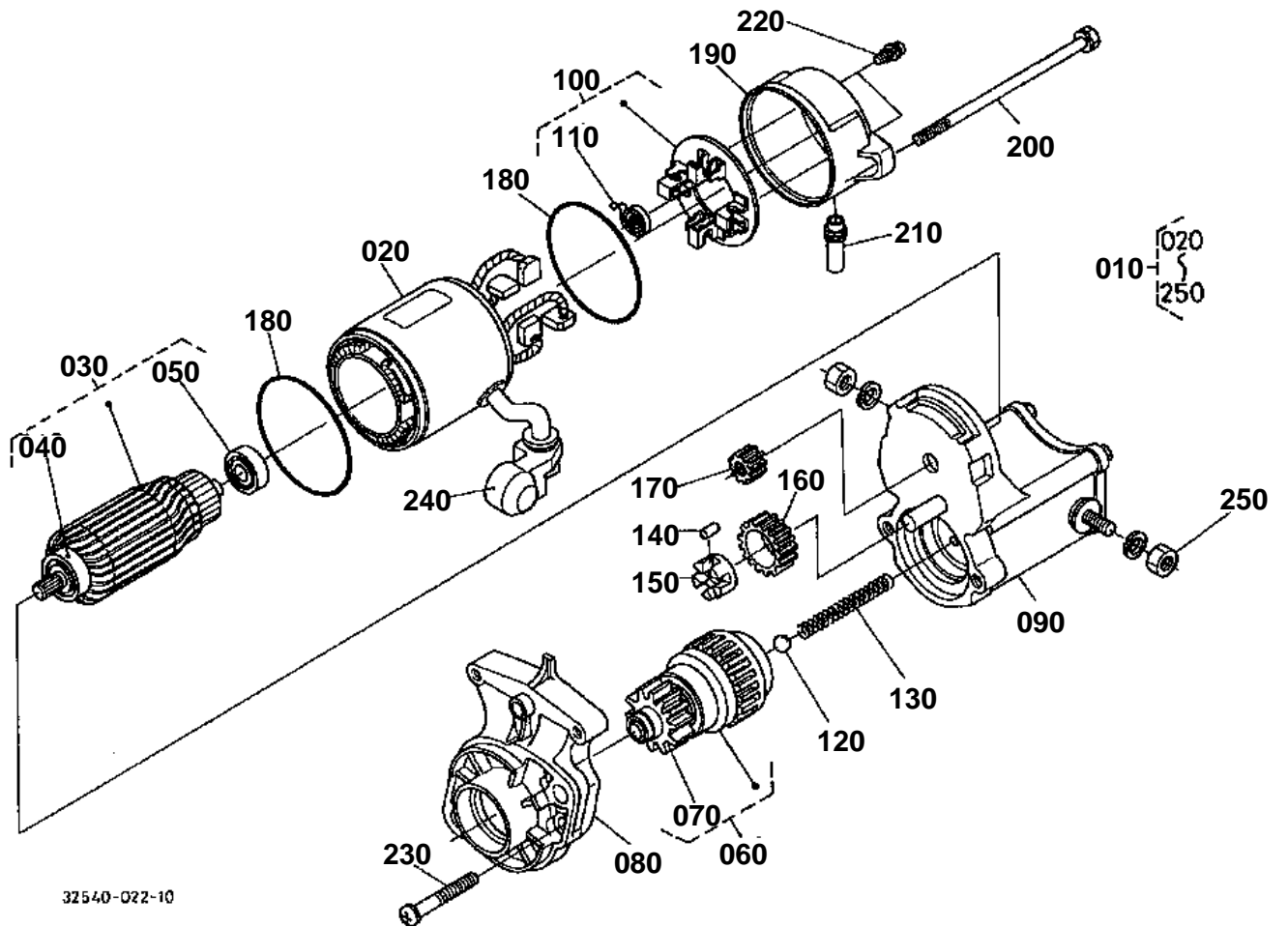
**STARTER [OLD TYPE] [COMPONENT PARTS]**

S.No.;&lt;=60323

↔ Interchangeable; ≠ not interchangeable; ← new for old; → old for new

REF.No	Part No.	Description	Q'ty	S.No.	I/C	REMARKS	Weight (kgf)	Weight (lb)
010	17121-63010	ASSY STARTER	1				5	11
020	15425-63080	YOKE	1				1.57	3.454
030	15425-63400	KIT BRUSH	2				0.02	0.044
040	15425-63070	ARMATURE	1				1.3	2.86
050	15425-63530	BEARING BALL	1				0.02	0.044
060	15425-63500	BEARING BALL	1				0.04	0.088
070	15601-63042	CLUTCH OVER RUNNING	1				0.75	1.65
080	17311-63280	GEAR PINION	1				0.08	0.176
090	17121-63030	HOUSING DRIVE SIDE	1				0.45	0.99
100	17121-63020	SWITCH MAGNETIC	1				1.3	2.86
110	15425-63380	HOLDER BRUSH	1				0.15	0.33
120	15425-63390	SPRING BRUSH	1				0.04	0.088
130	19212-97130	BALL	4				0.003	0.0066
140	15521-63260	GEAR	1				0.03	0.066
150	11233-63280	GEAR	1				0.1	0.22
160	19212-63110	RETAINER	1				0.002	0.0044
170	19212-63100	ROLLER	5				0.002	0.0044
180	14191-63320	BOLT THROUGH	2				0.02	0.044
190	15425-93310	SCREW PAN-HEAD	2				0.01	0.022
200	19212-63120	SPRING	1				0.004	0.0088
210	14786-96760	O RING	2				0.001	0.0022
220	15425-96660	O RING	1				0.002	0.0044
230	13963-92010	NUT HEXAGON	1				0.005	0.011
240	15425-63660	ASSY WIRE CONNECTING	1				0.015	0.033
250	04512-60080	WASHER SPRING	1				0.002	0.0044
260	19616-92010	NUT HEXAGON	1				0.04	0.088

STARTER [OLD TYPE] [COMPONENT PARTS]



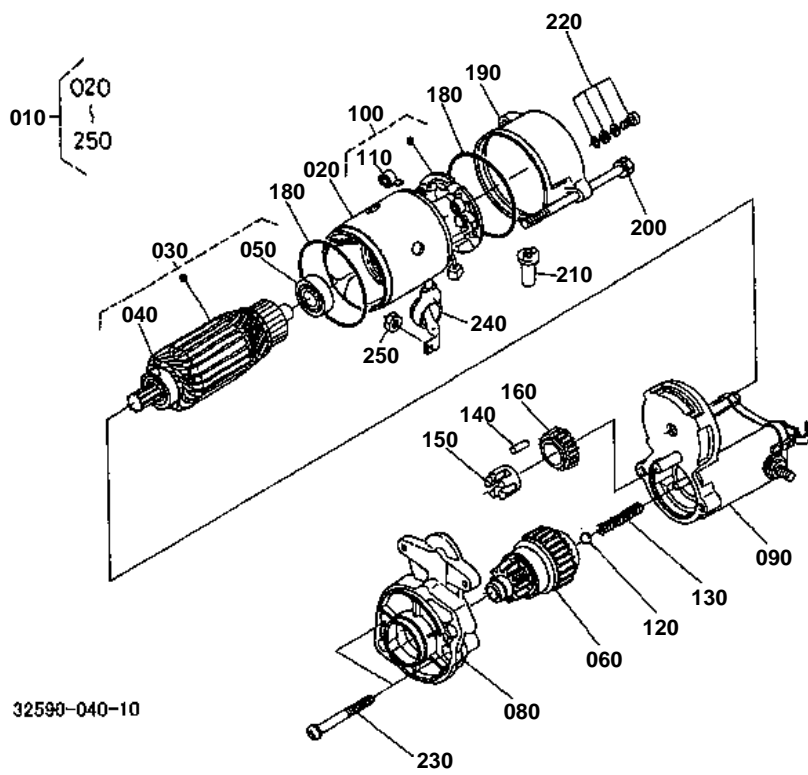
**STARTER [OLD TYPE] [COMPONENT PARTS]**

S.No.;&lt;=60671

↔ Interchangeable; ≠ not interchangeable; ← new for old; → old for new

REF.No	Part No.	Description	Q'ty	S.No.	I/C	REMARKS	Weight (kgf)	Weight (lb)
010	17381-63012	ASSY STARTER	1				4.9	10.78
020	15461-63080	ASSY YOKE	1				1.13	2.486
030	15511-63070	ASSY ARMATURE	1				1.05	2.31
040	15511-63500	BEARING BALL	1				0.04	0.088
050	15511-63530	BEARING BALL	1				0.025	0.055
060	15601-63042	CLUTCH OVER RUNNING	1				0.75	1.65
070	17311-63280	GEAR PINION	1				0.08	0.176
080	19821-63030	FRAME DRIVE END	1				0.42	0.924
090	17381-63020	ASSY SWITCH MAGNETIC	1				1.17	2.574
100	17341-63380	ASSY HOLDER BRUSH	1				0.095	0.209
110	15401-63390	SPRING BRUSH	4				0.003	0.0066
120	19212-97130	BALL	1				0.003	0.0066
130	19212-63120	SPRING	1				0.004	0.0088
140	19212-63100	ROLLER	5				0.002	0.0044
150	19212-63110	RETAINER	1				0.002	0.0044
160	15401-63270	GEAR	1				0.043	0.0946
170	15511-63260	GEAR	1				0.02	0.044
180	15511-96660	O RING	2				0.005	0.011
190	17381-63200	FRAME END	1				0.135	0.297
200	19215-63320	BOLT THROUGH	2				0.03	0.066
210	17381-63290	COVER	1				0.005	0.011
220	15511-63760	ASSY BOLT	2				0.005	0.011
230	15501-93310	SCREW PAN-HEAD	2				0.01	0.022
240	17381-63450	COVER	1				0.01	0.022
250	13963-92010	NUT HEXAGON	1				0.005	0.011

STARTER [NEW TYPE] [COMPONENT PARTS]



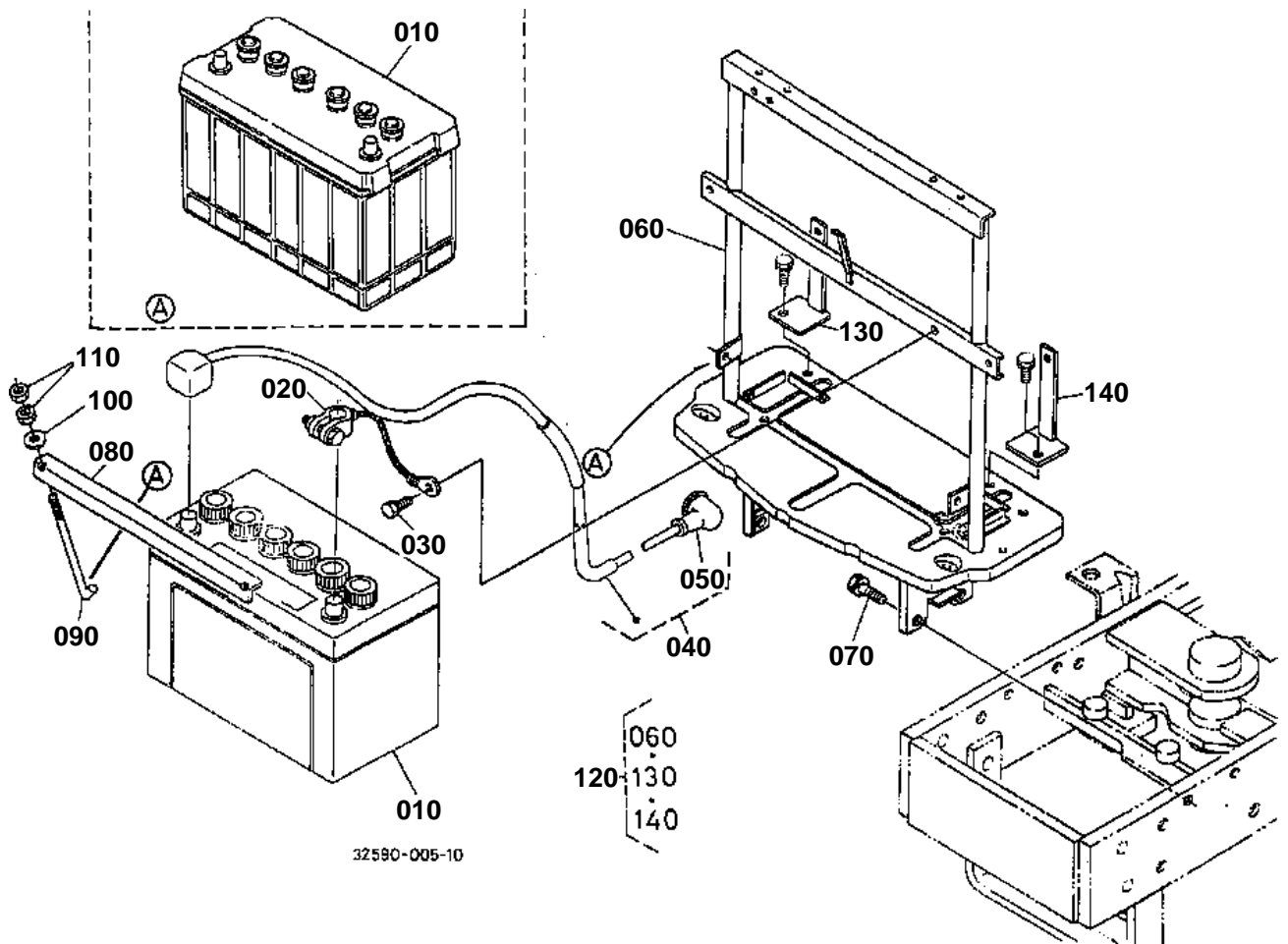
**STARTER [NEW TYPE] [COMPONENT PARTS]**

S.No.;&gt;=60672

↔ Interchangeable; ≠ not interchangeable; ← new for old; → old for new

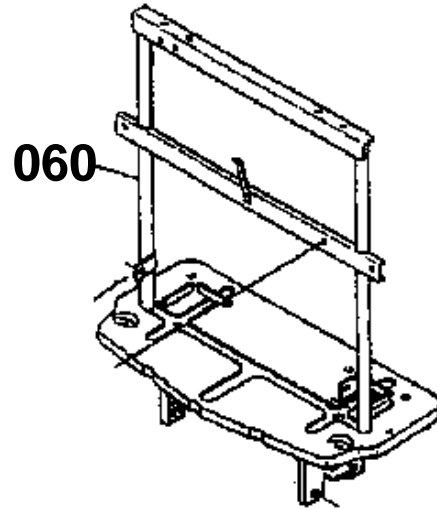
REF.No	Part No.	Description	Q'ty	S.No.	I/C	REMARKS	Weight (kgf)	Weight (lb)
010	17381-63012	ASSY STARTER	1				4.9	10.78
020	11197-63080	ASSY YOKE	1				0.92	2.024
030	11197-63070	ASSY ARMATURE	1				0.8	1.76
040	11460-63500	BEARING BALL	1				0.03	0.066
050	11460-63530	BEARING BALL	1				0.02	0.044
060	16484-63040	CLUTCH OVER RUNNING	1				0	0
080	16484-63030	FRAME DRIVE END	1				0.08	0.176
090	16484-63020	ASSY SWITCH MAGNETIC	1				0.03	0.066
100	17381-63380	ASSY HOLDER BRUSH	1				0.05	0.11
110	15401-63390	SPRING BRUSH	4				0.003	0.0066
120	19212-97130	BALL	1				0.003	0.0066
130	11460-63120	SPRING	1				0.01	0.022
140	19212-63100	ROLLER	5				0.002	0.0044
150	11460-63110	RETAINER	1				0.01	0.022
160	11460-63270	GEAR	1				0.04	0.088
180	15511-96660	O RING	2				0.005	0.011
190	16484-63200	FRAME END	1				0.05	0.11
200	11197-63320	BOLT THROUGH	2				0.02	0.044
210	16285-63570	COVER	1				0.005	0.011
220	15511-63760	ASSY BOLT	2				0.005	0.011
230	11460-93310	SCREW PAN-HEAD	2				0.01	0.022
240	11173-63130	COVER	1				0.007	0.0154
250	13963-92010	NUT HEXAGON	1				0.005	0.011

BATTERY





060 32590-3321-0



32540-807-10

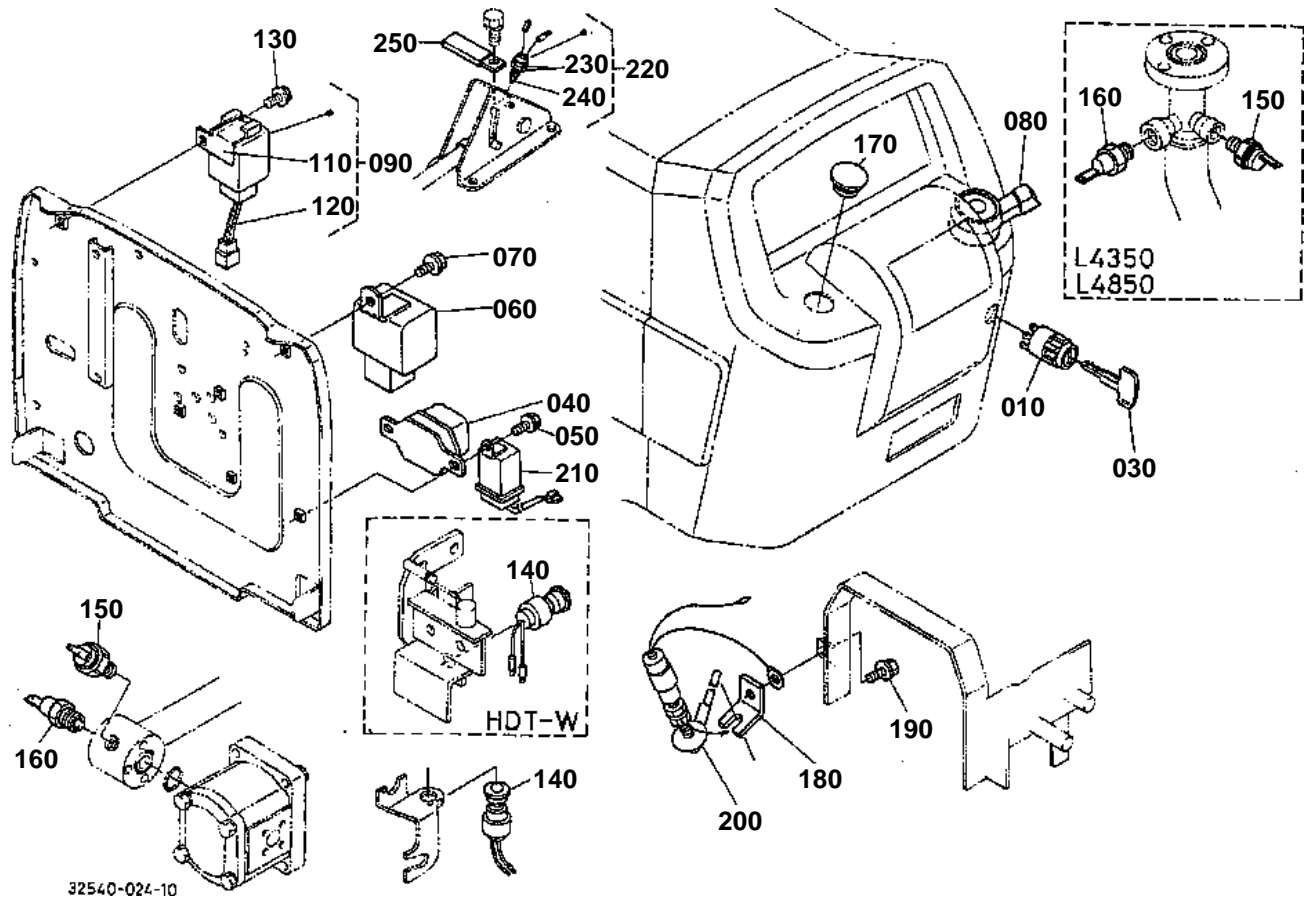


**BATTERY**

↔ Interchangeable; ≠ not interchangeable; ← new for old; → old for new

REF.No	Part No.	Description	Q'ty	S.No.	I/C	REMARKS	Weight (kgf)	Weight (lb)
010	32360-33200	BATTERY DRY	1			[CA] [AU] [NZ]	18	39.6
010	32360-33200	BATTERY DRY	1	<=60323		[A]	18	39.6
010	32550-33200	BATTERY DRY	1	>=60324	↔	[A] RESERVED BY KTC	0	0
020	32530-33380	CORD	1				0.17	0.374
030	01133-51020	BOLT	1				0.02	0.044
040	32530-33330	CORD BATTERY	1	<=60509			0	0
040	32530-33332	CORD BATTERY	1	>=60510	←		0.77	1.694
050	32530-91710	CAP RUBBER	1				0.01	0.022
060	32590-33210	SUPPORT BATTERY	1	<=60553			0	0
060	32590-33212	SUPPORT BATTERY	1	>=60554	≠		5.8	12.76
070	01133-51235	BOLT	4				0.05	0.11
080	32350-33270	RETAINER BATTERY	1				0.35	0.77
090	38430-33290	BOLT HOOK(BATTERY)	2				0.005	0.011
100	04015-60060	WASHER PLAIN	2				0.005	0.011
110	02014-50060	NUT	4				0.003	0.0066
120	32590-95160	KIT SUPPORT BATTERY	1	<=60553		SERVICE PARTS	8.5	18.7
130	32590-95170	BRACKET OIL COOLER	1	<=60553		SERVICE PARTS	0.14	0.308
140	32590-95180	BRACKET OIL COOLER	1	<=60553		SERVICE PARTS	0.18	0.396

SWITCH AND REGULATOR



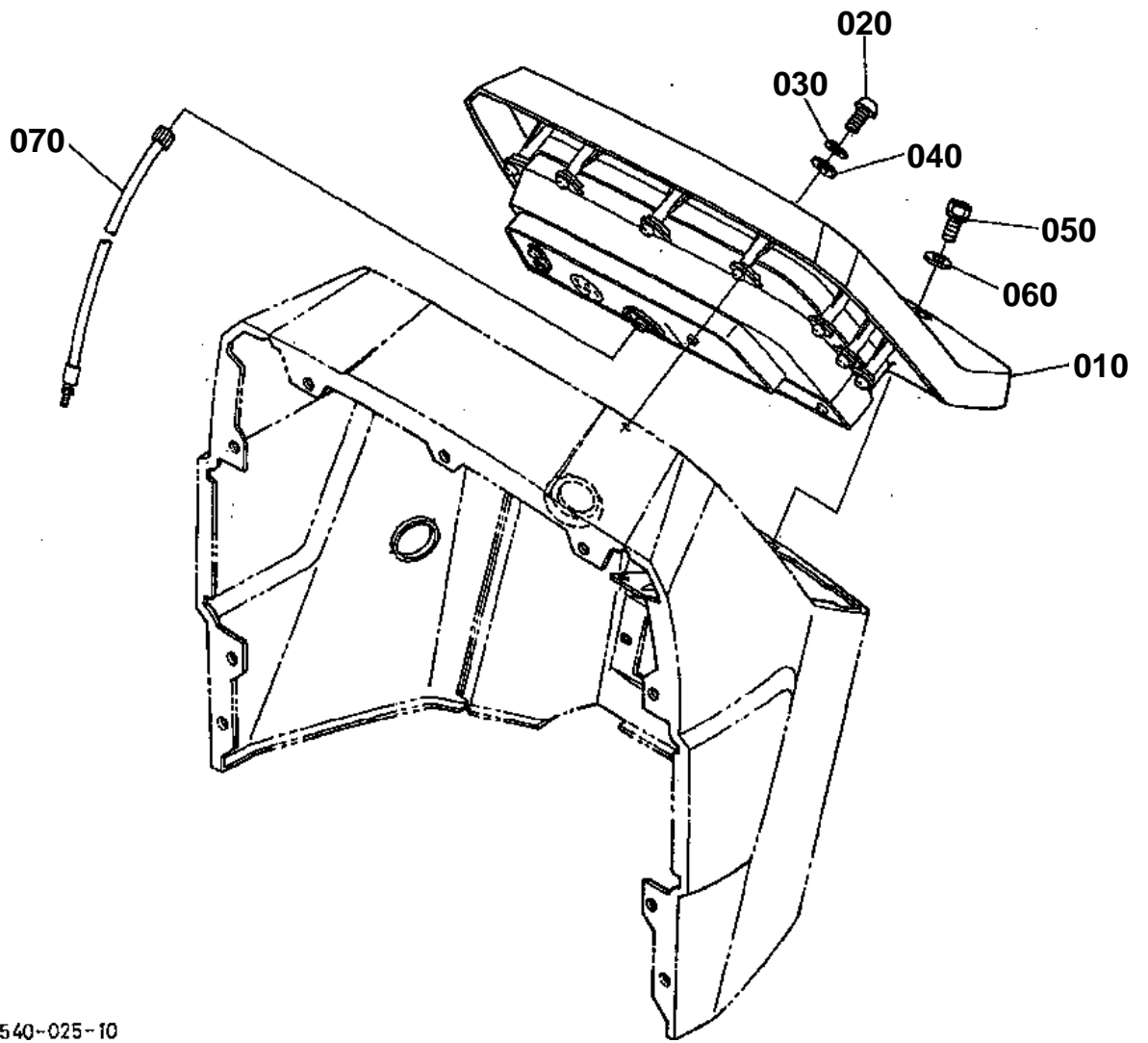


**SWITCH AND REGULATOR**

↔ Interchangeable; ≠ not interchangeable; ← new for old; → old for new

REF.No	Part No.	Description	Q'ty	S.No.	I/C	REMARKS	Weight (kgf)	Weight (lb)
010	36330-75162	SWITCH MAIN	1				0.35	0.77
030	35260-31850	ASSY KEY MAIN SWITCH	1	<=60485			0	0
030	35260-31852	ASSY KEY MAIN SWITCH	1	>=60486	←		0.02	0.044
040	33251-74010	ASSY REGULATOR	1			[A] [AU] [NZ]	0.35	0.77
050	01754-50616	BOLT FLANGE	2				0.006	0.0132
060	31351-31410	TIMER	1	<=61070			0	0
060	T0070-31410	TIMER KEY STOP	1	>=61071	←		0.065	0.143
070	01754-50616	BOLT FLANGE	1				0.006	0.0132
080	36330-75010	SWITCH COMBINATION	1				0.09	0.198
090	32430-33700	ASSY HAZARD UNIT	1			[A] [CA]	0.095	0.209
110	32430-94270	BRACKET HAZARD UNIT	1			[A] [CA]	0.015	0.033
120	32430-94280	HARNES HAZARD UNIT	1			[A] [CA]	0.02	0.044
130	01754-50616	BOLT FLANGE	1			[A] [CA]	0.006	0.0132
140	37150-32240	SWITCH SAFETY	1				0.12	0.264
150	32590-33390	SWITCH VACUUM	1				0.06	0.132
160	38240-37940	SWITCH THERMOMETER	1				0.04	0.088
170	32590-31220	PLUG	1				0.001	0.0022
180	32530-28830	HOLDER SWITCH	3				0.075	0.165
190	01774-61020	BOLT FLANGE	1				0.022	0.0484
200	36530-75140	SWITCH PARKING BRAKE	1				0.08	0.176
210	35800-75070	RELAY STARTER	1	>=60315			0.08	0.176
220	66416-55810	ASSY SWITCH SAFETY	1	>=60315			0.11	0.242
230	67111-55830	NUT SAFETY SWITCH	1	>=60315			0.035	0.077
240	67111-55840	CAP SAFETY SWITCH	1	>=60315			0.002	0.0044
250	13816-67580	CLAMP CORD	1	>=60315			0.004	0.0088
250	13824-67580	CLAMP CORD	1	>=61150	↔		0.006	0.0132

PANEL BOARD



32540-025-10

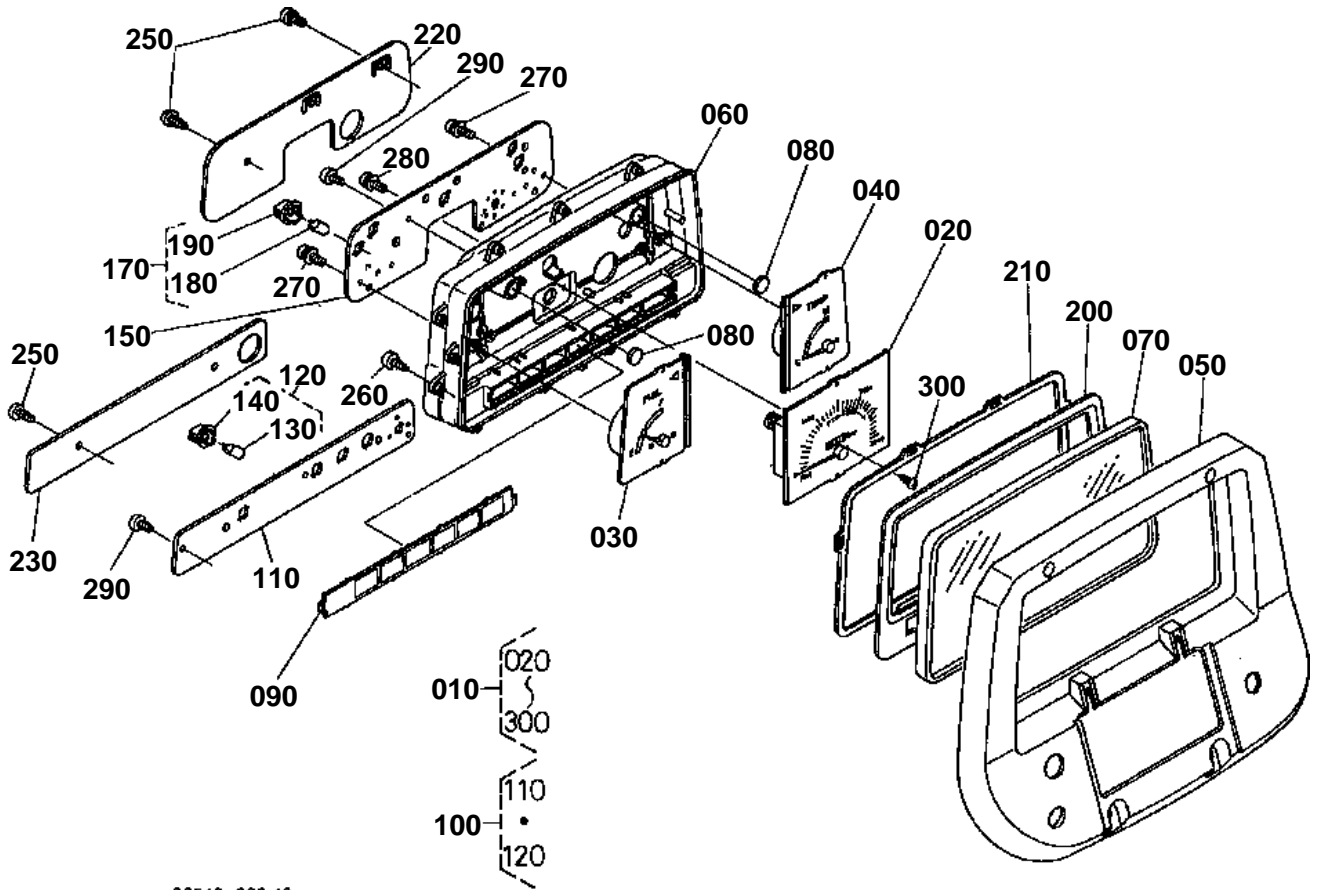


## PANEL BOARD

↔ Interchangeable; ≠ not interchangeable; ← new for old; → old for new

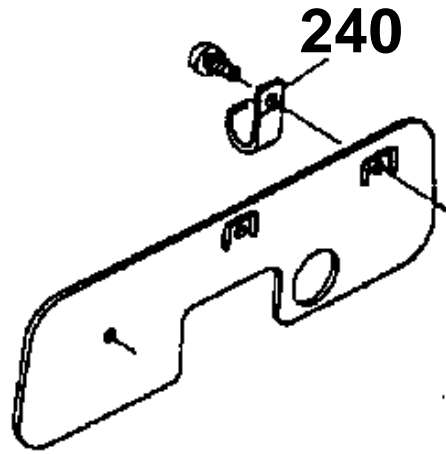
REF.No	Part No.	Description	Q'ty	S.No.	I/C	REMARKS	Weight (kgf)	Weight (lb)
010	32590-31000	ASSY PANEL	1			REFER TO L.No.0D11-L0 FOR COMPONENTS.	2.4	5.28
020	32530-31120	SCREW PAN-HEAD	2				0.01	0.022
030	66021-55280	WASHER SPRING	2				0.001	0.0022
040	32530-18390	WASHER PLAIN	2				0.001	0.0022
050	01202-50616	BOLT	2				0.006	0.0132
060	04015-60060	WASHER PLAIN	2				0.005	0.011
070	35300-99343	CABLE TRACTORMETER	1				0.22	0.484

PANEL BOARD [COMPONENT PARTS]



32540-026-10

240 31351-9385-0



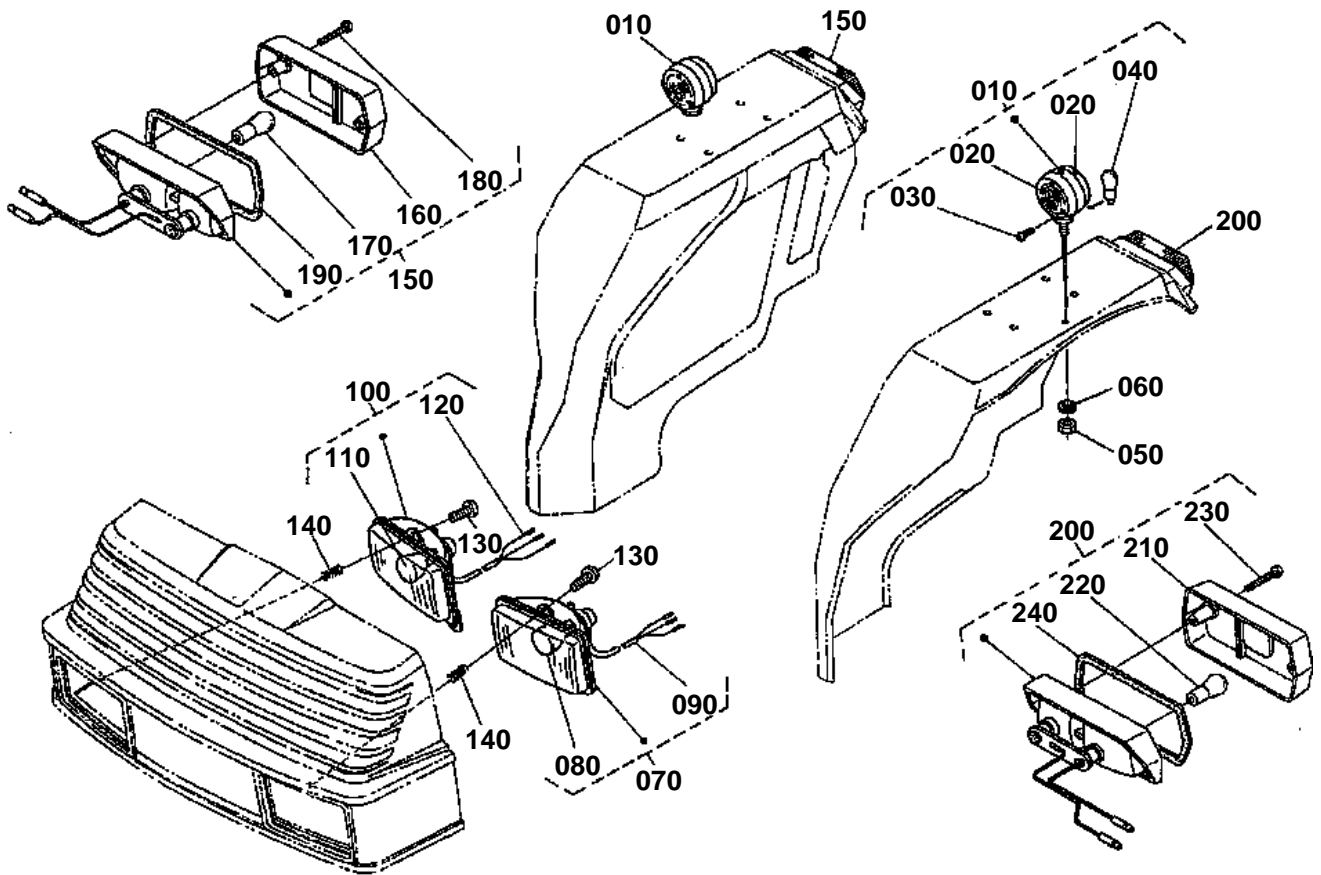
32540-808-10



**PANEL BOARD [COMPONENT PARTS]**

↔ Interchangeable; ≠ not interchangeable; ← new for old; → old for new

REF.No	Part No.	Description	Q'ty	S.No.	I/C	REMARKS	Weight (kgf)	Weight (lb)
010	32590-31000	ASSY PANEL	1				2.4	5.28
020	32530-94710	ASSY TACHOMETER	1				0.1	0.22
030	31351-93720	ASSY GAUGE FUEL	1				0.125	0.275
040	31351-93730	ASSY GAUGE TEMP.	1				0.13	0.286
050	32530-94740	HOOD	1				0.53	1.166
060	31351-93750	CASE	1				0.5	1.1
070	31351-93760	GLASS WITH GASKET	1				0.475	1.045
080	31351-93820	LENS	2				0.005	0.011
090	32590-93810	LENS	1				0.04	0.088
100	32590-94790	ASSY PLATE	1				0.13	0.286
110	32590-94810	ASSY PLATE	1				0.13	0.286
120	38240-31460	ASSY LAMP ELECTRIC	4				0.015	0.033
130	38240-31470	VALVE	4				0.01	0.022
140	38240-31480	SOCKET	4				0.001	0.0022
150	31351-93770	ASSY PLATE	1				0.06	0.132
170	38240-31460	ASSY LAMP ELECTRIC	5				0.015	0.033
180	38240-31470	VALVE	5				0.01	0.022
190	38240-31480	SOCKET	5				0.001	0.0022
200	31351-93800	PLATE WIND	1				0.18	0.396
210	31351-93790	GASKET RUBBER	1				0.055	0.121
220	31351-93830	CASE	1				0.2	0.44
230	31351-93840	CASE	1				0.13	0.286
240	31351-93850	CLAMP	2	←=60323			0.04	0.088
250	03514-50425	SCREW TAPPING	5				0.001	0.0022
260	03514-50420	SCREW TAPPING	11				0.002	0.0044
270	32530-94930	SCREW WITH WASHER	6				0.005	0.011
280	32530-94900	SCREW WITH WASHER	2				0.002	0.0044
290	03514-50414	SCREW TAPPING	6				0.001	0.0022
300	32530-94690	SCREW TAPPING	2				0.001	0.0022



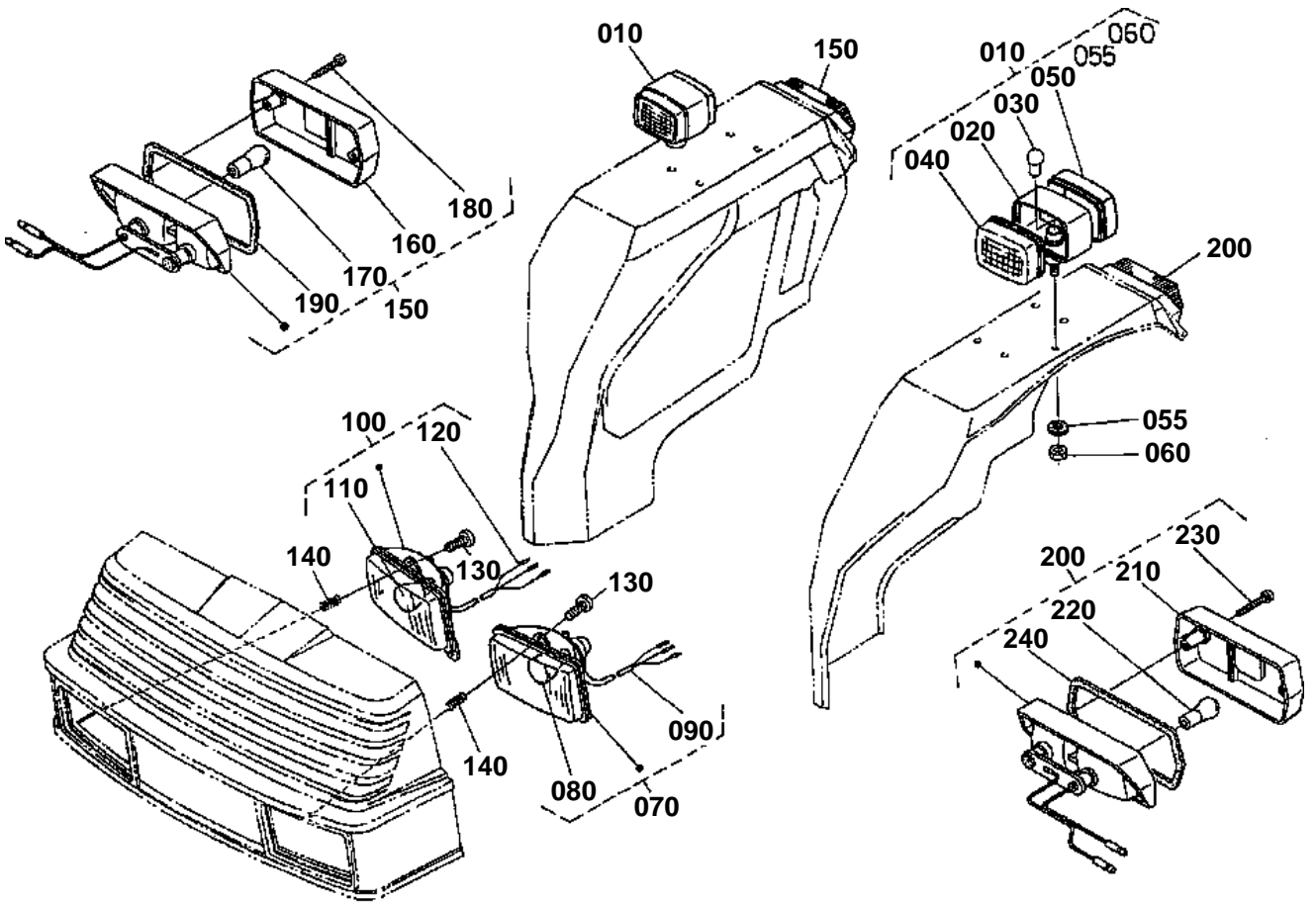
32540-027-10



## LIGHT [A] [CA]

↔ Interchangeable; ≠ not interchangeable; ← new for old; → old for new

REF.No	Part No.	Description	Q'ty	S.No.	I/C	REMARKS	Weight (kgf)	Weight (lb)
010	32530-33610	ASSY LIGHT HAZARD	2				0.5	1.1
020	32530-91510	LENS HAZARD LIGHT	4				0.085	0.187
030	32530-91520	SCREW TAPPING	12				0.001	0.0022
040	32530-91530	BULB LIGHT	2				0.02	0.044
050	02114-50100	NUT	2				0.005	0.011
060	04512-60100	WASHER SPRING	2				0.002	0.0044
070	32530-33800	LIGHT HEAD LH	1				0.5	1.1
080	38450-33870	BULB	1				0.025	0.055
090	32530-94850	COMP.CORD SOCKET	1				0.06	0.132
100	32530-33850	LIGHT HEAD RH	1				0.5	1.1
110	38450-33870	BULB	1				0.025	0.055
120	32530-94850	COMP.CORD SOCKET	1				0.06	0.132
130	03054-50520	SCREW PAN-HEAD	6				0.005	0.011
140	38240-33860	SPRING LIGHT	6				0.001	0.0022
150	32530-33620	LIGHT REAR COMBI.RH	1				0.638	1.4036
160	32530-91810	LENS REAR COMBI.	1				0.1	0.22
170	32530-91820	BULB LIGHT	1				0.017	0.0374
180	32530-91840	SCREW	2				0.005	0.011
190	32530-91860	GASKET	1				0.001	0.0022
200	32530-33630	LIGHT REAR COMBI.LH	1				0.4	0.88
210	32530-91810	LENS REAR COMBI.	1				0.1	0.22
220	32530-91820	BULB LIGHT	1				0.017	0.0374
230	32530-91840	SCREW	2				0.005	0.011
240	32530-91860	GASKET	1				0.001	0.0022



32540-152-10

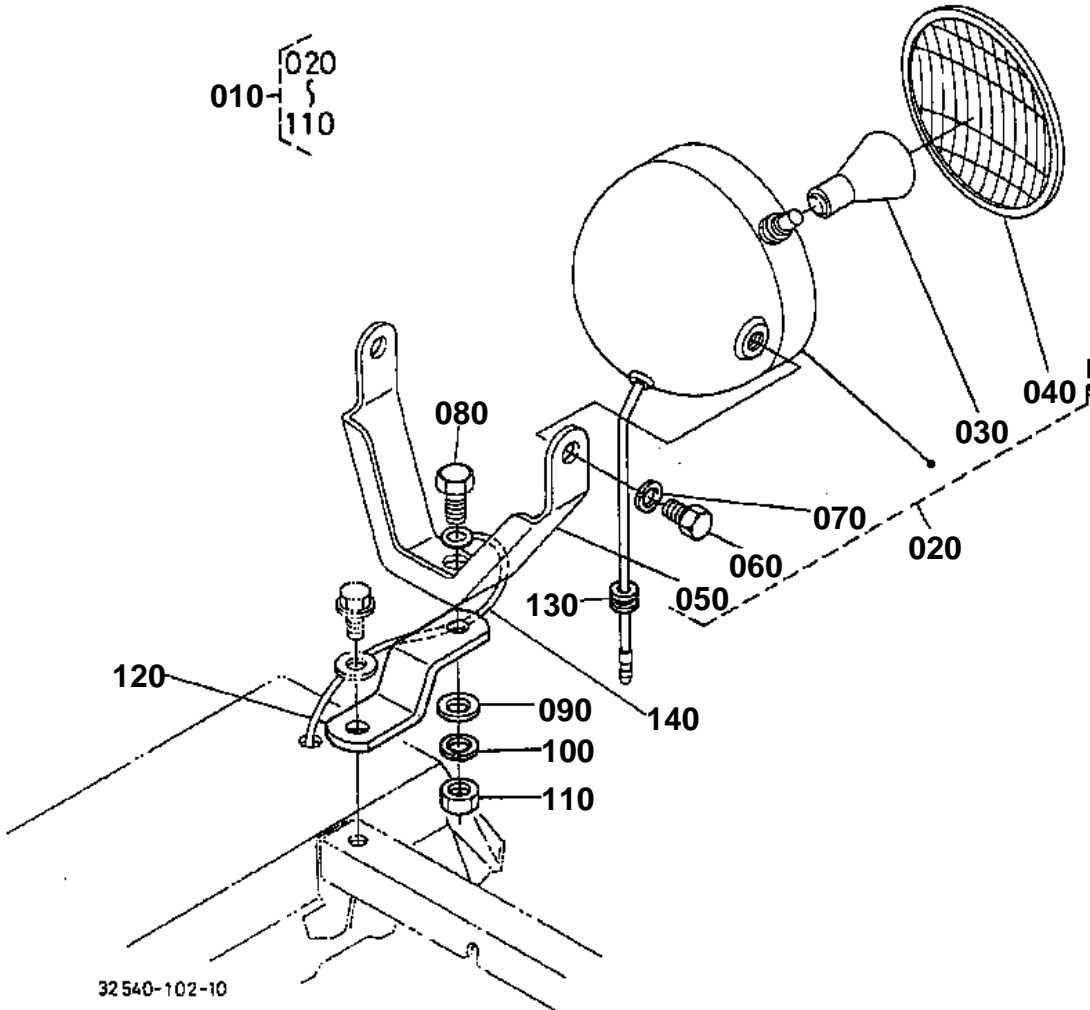


## LIGHT [AU] [NZ]

↔ Interchangeable; ≠ not interchangeable; ← new for old; → old for new

REF.No	Part No.	Description	Q'ty	S.No.	I/C	REMARKS	Weight (kgf)	Weight (lb)
010	32530-33660	ASSY LIGHT PARKING	2				0.13	0.286
020	32530-91410	COMPBODY	2				0.085	0.187
030	31301-48350	BULB	2				0.02	0.044
040	31301-48360	LENS	2				0.03	0.066
050	32530-91440	LENS	2				0.035	0.077
055	31301-48370	WASHER	2				0	0
060	31301-48380	NUT	2				0	0
070	32530-33800	LIGHT HEAD LH	1				0.5	1.1
080	38450-33870	BULB	1				0.025	0.055
090	32530-94850	COMP.CORD SOCKET	1				0.06	0.132
100	32530-33850	LIGHT HEAD RH	1				0.5	1.1
110	38450-33870	BULB	1				0.025	0.055
120	32530-94850	COMP.CORD SOCKET	1				0.06	0.132
130	03054-50520	SCREW PAN-HEAD	6				0.005	0.011
140	38240-33860	SPRING LIGHT	6				0.001	0.0022
150	32530-33620	LIGHT REAR COMBI.RH	1				0.638	1.4036
160	32530-91810	LENS REAR COMBI.	1				0.1	0.22
170	32530-91820	BULB LIGHT	1				0.017	0.0374
180	32530-91840	SCREW	2				0.005	0.011
190	32530-91860	GASKET	1				0.001	0.0022
200	32530-33630	LIGHT REAR COMBI.LH	1				0.4	0.88
210	32530-91810	LENS REAR COMBI.	1				0.1	0.22
220	32530-91820	BULB LIGHT	1				0.017	0.0374
230	32530-91840	SCREW	2				0.005	0.011
240	32530-91860	GASKET	1				0.001	0.0022

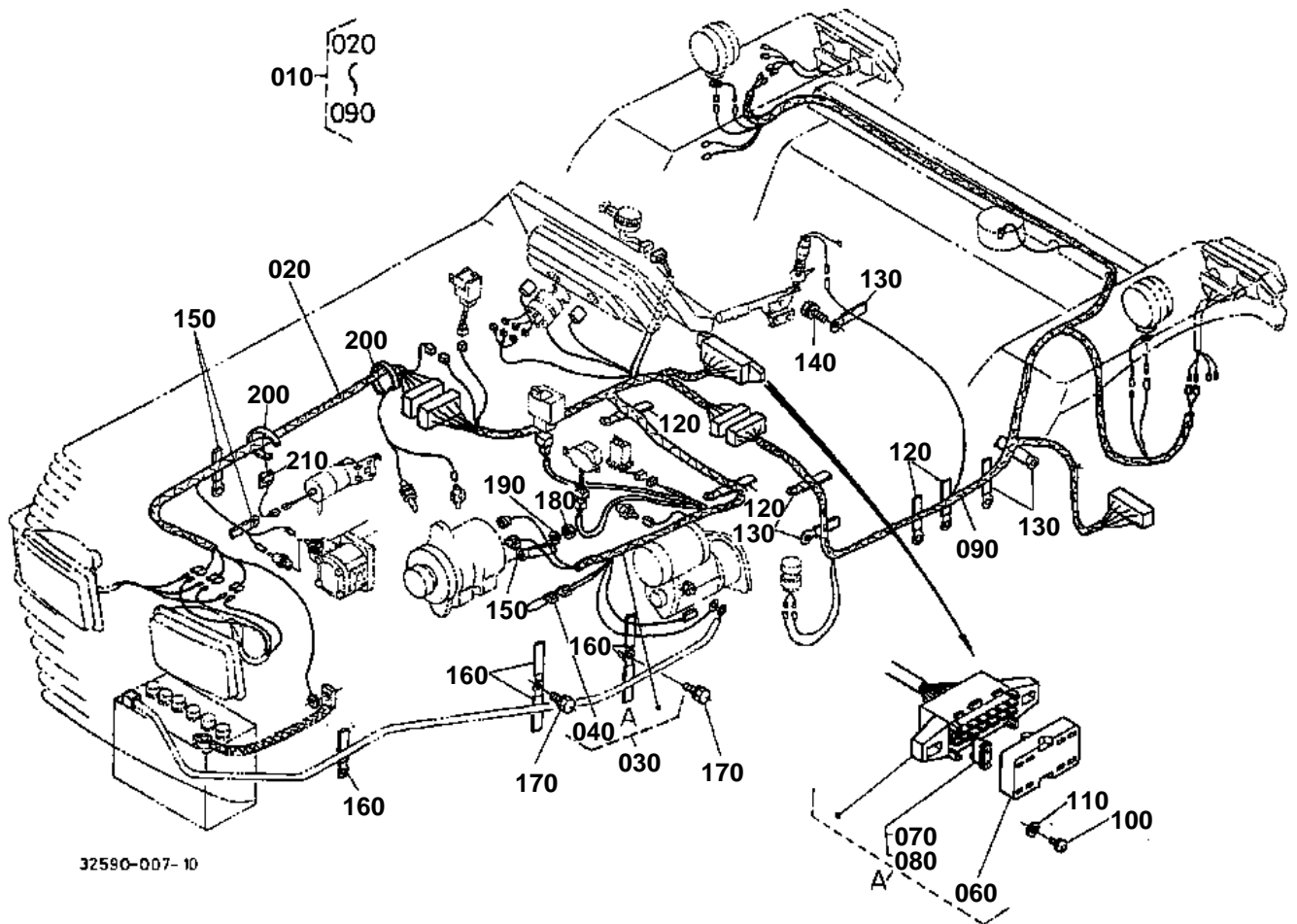
WORKING LIGHT [NZ]



**WORKING LIGHT [NZ]**

↔ Interchangeable; ≠ not interchangeable; ← new for old; → old for new

REF.No	Part No.	Description	Q'ty	S.No.	I/C	REMARKS	Weight (kgf)	Weight (lb)
010	35871-97600	ASSY LIGHT WORKING	1				0.88	1.936
020	35871-75900	ASSY LIGHT WORKING	1				0.85	1.87
030	68331-53360	BULB	1				0.015	0.033
040	68331-53310	LENS	1				0.15	0.33
050	35861-75910	STAY WORKING LIGHT	1				0.25	0.55
060	01153-50820	BOLT	2				0.012	0.0264
070	04512-60080	WASHER SPRING	2				0.002	0.0044
080	01173-51020	BOLT	1				0.017	0.0374
090	04013-50100	WASHER PLAIN	1				0	0
100	04512-60100	WASHER SPRING	1				0.002	0.0044
110	02118-50100	NUT	1				0.005	0.011
120	32539-96610	BRACKET	1				0.1	0.22
130	63611-52330	CUSHION	1				0.01	0.022
140	32530-96630	WIRE HARNESS	1	>=60412			0.01	0.022



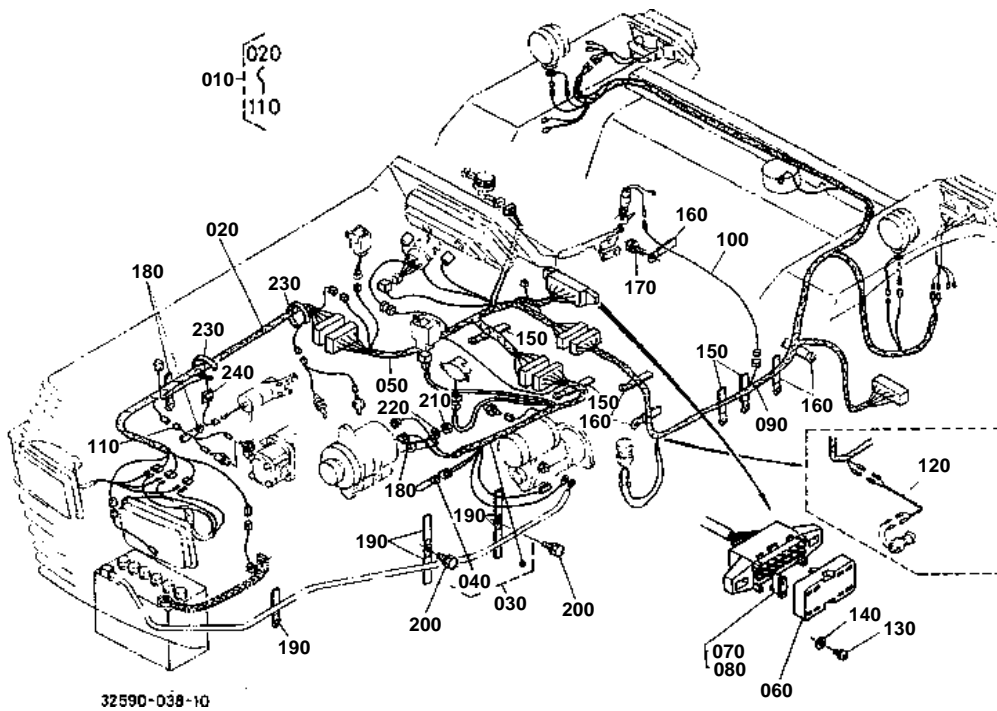


**ELECTRICAL WIRING (MDT/HDT) [A]**

↔ Interchangeable; ≠ not interchangeable; ← new for old; → old for new

REF.No	Part No.	Description	Q'ty	S.No.	I/C	REMARKS	Weight (kgf)	Weight (lb)
010	32590-34402	ASSY WIRE HARNESS	1				2.6	5.72
020	32590-34412	WIRE HARNESS	1				0.25	0.55
030	32590-34420	WIRE HARNESS	1	<=60664			0	0
030	32590-34422	WIRE HARNESS	1	>=60665	←		0.905	1.991
040	36330-75380	LINK FUSIBLE	1				0.01	0.022
060	32530-34452	COVER FUSE CASE	1	<=60485			0.025	0.055
060	32530-34452	COVER FUSE CASE	1	>=60486	←		0.025	0.055
070	36730-75550	FUSE	7			10A	0.001	0.0022
080	35820-75560	FUSE	3			15A	0.002	0.0044
090	32590-34440	WIRE HARNESS	1	<=60658			0.535	1.177
090	32590-34442	WIRE HARNESS	1	>=60659	←		0.5	1.1
100	03054-50512	SCREW PAN-HEAD	2				0.003	0.0066
110	04013-60050	WASHER PLAIN	2				0.001	0.0022
120	37150-34460	CLAMP CORD	4				0.03	0.066
130	35340-29380	CLAMP CORD	5				0.01	0.022
140	01133-51016	BOLT	1				0.015	0.033
150	13824-67580	CLAMP CORD	3				0.006	0.0132
160	15272-67580	CLAMP CORD	6				0.021	0.0462
170	01023-50610	BOLT	2				0.005	0.011
180	02118-50080	NUT	1				0.006	0.0132
190	04512-60080	WASHER SPRING	1				0.002	0.0044
200	55311-41260	BAND CORD	2				0.007	0.0154
210	66706-55220	SUPPORT CORD	1				0.002	0.0044

ELECTRICAL WIRING (HDT-W) [A] [OLD TYPE]



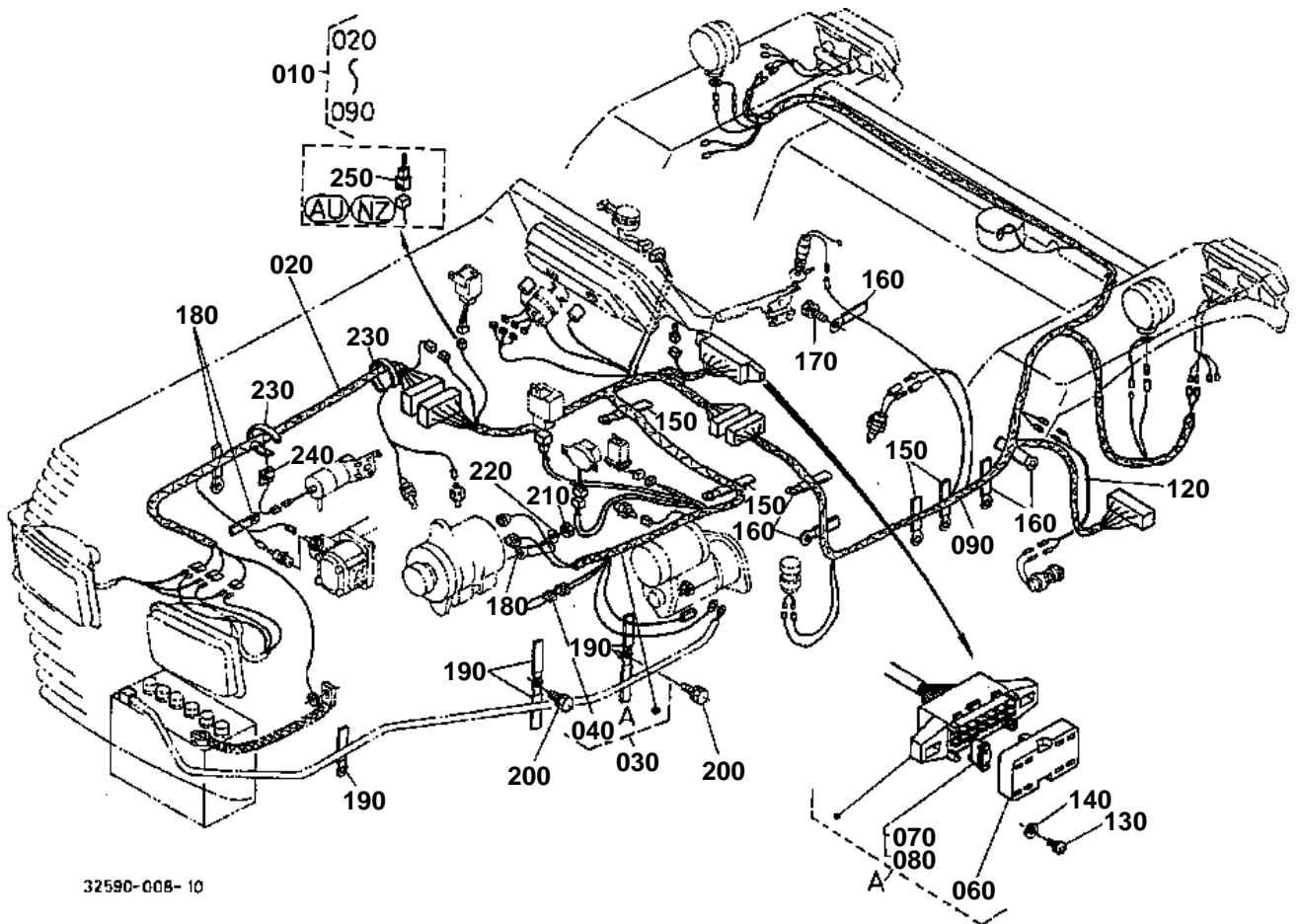
32590-038-10

**ELECTRICAL WIRING (HDT-W) [A] [OLD TYPE]**

S.No.;&lt;=60314

↔ Interchangeable; ≠ not interchangeable; ← new for old; → old for new

REF.No	Part No.	Description	Q'ty	S.No.	I/C	REMARKS	Weight (kgf)	Weight (lb)
010	32590-34400	ASSY WIRE HARNESS	1				0	0
020	32590-34410	WIRE HARNESS	1				0.27	0.594
030	32530-34420	WIRE HARNESS	1				0.37	0.814
040	36330-75380	LINK FUSIBLE	1				0.01	0.022
050	32530-34430	WIRE HARNESS	1	<=60218			0.76	1.672
050	32590-34430	WIRE HARNESS	1	>=60219	←		0.755	1.661
060	32530-34450	COVER FUSE CASE	1				0	0
070	36730-75550	FUSE	7			10A	0.001	0.0022
080	35820-75560	FUSE	3			15A	0.002	0.0044
090	32530-34440	WIRE HARNESS	1				0.535	1.177
100	32530-34480	WIRE HARNESS	1				0.01	0.022
110	32590-34460	WIRE HARNESS	1				0.05	0.11
120	32590-34470	WIRE HARNESS	1				0	0
130	03054-50512	SCREW PAN-HEAD	2				0.003	0.0066
140	04013-60050	WASHER PLAIN	2				0.001	0.0022
150	37150-34460	CLAMP CORD	4				0.03	0.066
160	35340-29380	CLAMP CORD	5				0.01	0.022
170	01133-51016	BOLT	1				0.015	0.033
180	13824-67580	CLAMP CORD	3				0.006	0.0132
190	15272-67580	CLAMP CORD	6				0.021	0.0462
200	01023-50610	BOLT	2				0.005	0.011
210	02118-50080	NUT	1				0.006	0.0132
220	04512-60080	WASHER SPRING	1				0.002	0.0044
230	55311-41260	BAND CORD	2				0.007	0.0154
240	66706-55220	SUPPORT CORD	1				0.002	0.0044



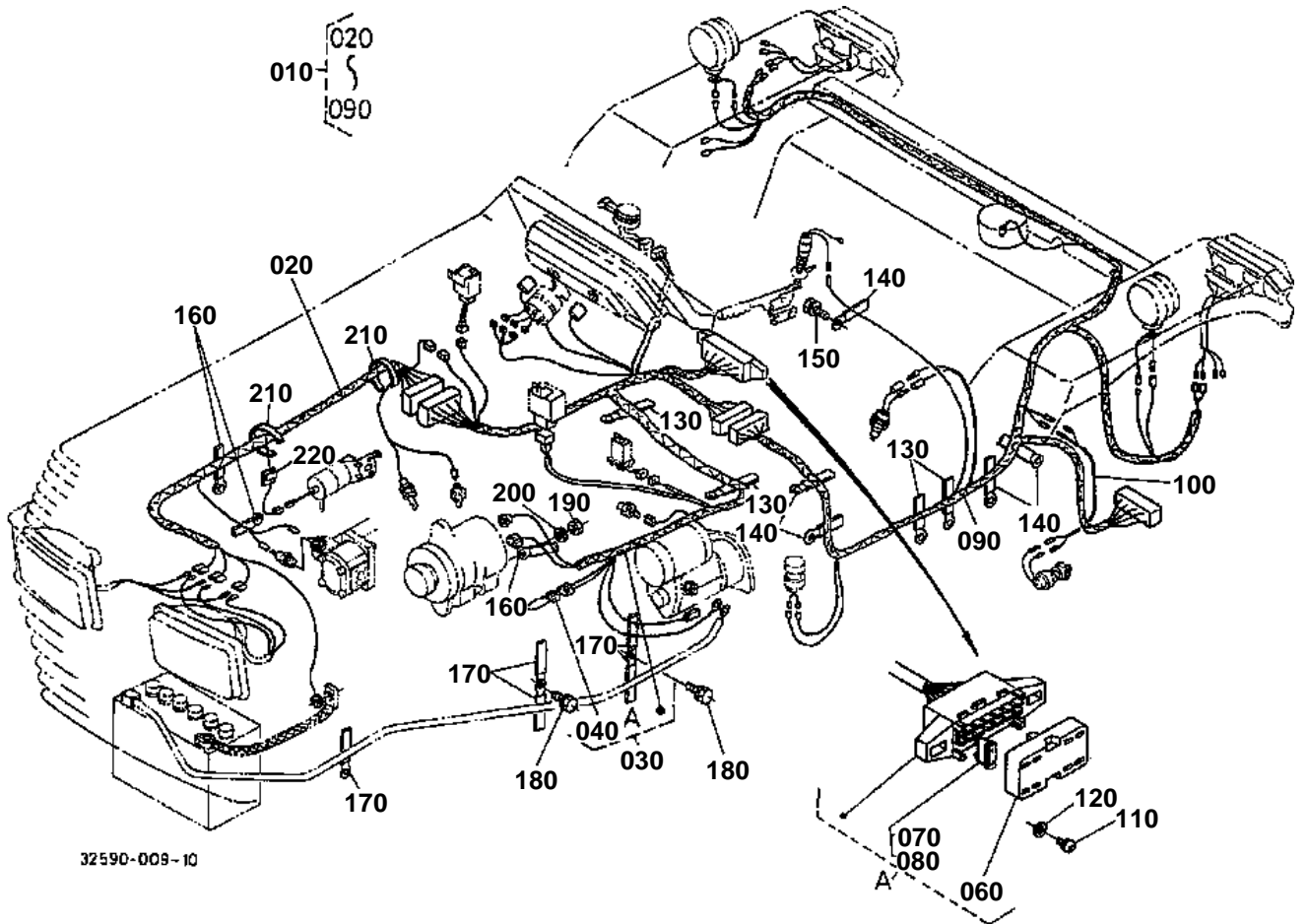
32590-008-10

**ELECTRICAL WIRING (HDT-W) [A] [AU] [NZ] [NEW TYPE]**

S.No.;&gt;=60315

↔ Interchangeable; ≠ not interchangeable; ← new for old; → old for new

REF.No	Part No.	Description	Q'ty	S.No.	I/C	REMARKS	Weight (kgf)	Weight (lb)
010	32590-34500	ASSY WIRE HARNESS	1				1.8	3.96
020	32590-34412	WIRE HARNESS	1				0.25	0.55
030	32590-34420	WIRE HARNESS	1	<=60664			0	0
030	32590-34422	WIRE HARNESS	1	>=60665	←		0.905	1.991
040	36330-75380	LINK FUSIBLE	1				0.01	0.022
060	32530-34450	COVER FUSE CASE	1	<=60485			0	0
060	32530-34452	COVER FUSE CASE	1	>=60486	←		0.025	0.055
070	36730-75550	FUSE	7			10A	0.001	0.0022
080	35820-75560	FUSE	3			15A	0.002	0.0044
090	32590-34450	WIRE HARNESS	1	<=60658			0.615	1.353
090	32590-34452	WIRE HARNESS	1	>=60659	←		0.57	1.254
120	32590-34470	WIRE HARNESS	1	<=60565			0	0
120	32590-34472	WIRE HARNESS	1	>=60566	≠		0.026	0.0572
130	03054-50512	SCREW PAN-HEAD	2				0.003	0.0066
140	04013-60050	WASHER PLAIN	2				0.001	0.0022
150	37150-34460	CLAMP CORD	4				0.03	0.066
160	35340-29380	CLAMP CORD	5				0.01	0.022
170	01133-51016	BOLT	1				0.015	0.033
180	13824-67580	CLAMP CORD	3				0.006	0.0132
190	15272-67580	CLAMP CORD	6				0.021	0.0462
200	01023-50610	BOLT	2				0.005	0.011
210	02118-50080	NUT	1				0.006	0.0132
220	04512-60080	WASHER SPRING	1				0.002	0.0044
230	55311-41260	BAND CORD	2				0.007	0.0154
240	66706-55220	SUPPORT CORD	1				0.002	0.0044
250	32530-99020	COUPLER PARKING	1			[AU] [NZ]	0.006	0.0132



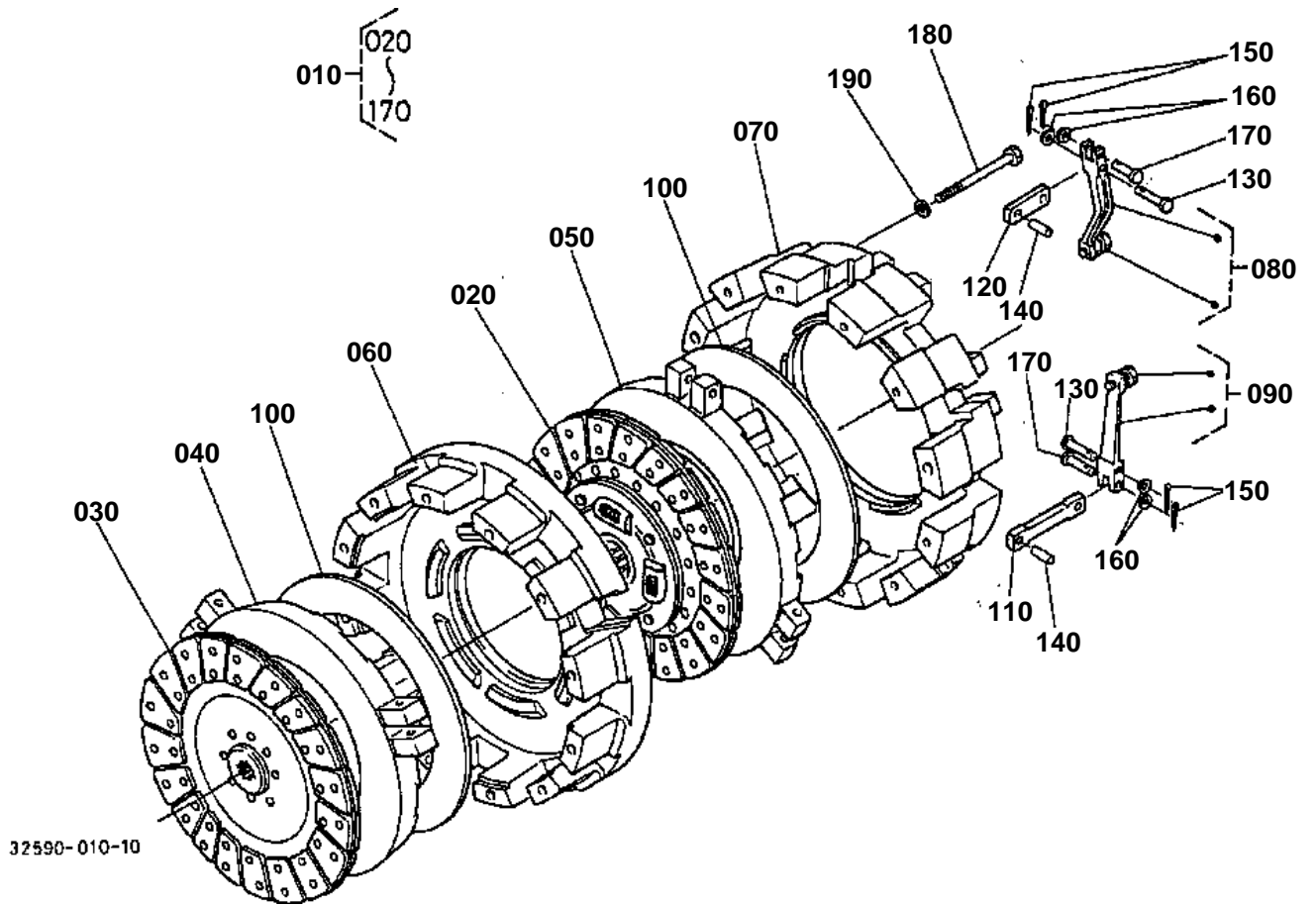


ELECTRICAL WIRING (HDT-W) [CA]

↔ Interchangeable; ≠ not interchangeable; ← new for old; → old for new

REF.No	Part No.	Description	Q'ty	S.No.	I/C	REMARKS	Weight (kgf)	Weight (lb)
010	32590-34700	ASSY WIRE HARNESS	1				2	4.4
020	32590-34412	WIRE HARNESS	1				0.25	0.55
030	32550-34610	WIRE HARNESS	1	≤60664			0	0
030	32550-34612	WIRE HARNESS	1	≥60665	←		0.88	1.936
040	36330-75380	LINK FUSIBLE	1				0.01	0.022
060	32530-34450	COVER FUSE CASE	1	≤60485			0	0
060	32530-34452	COVER FUSE CASE	1	≥60486	←		0.025	0.055
070	36730-75550	FUSE	7			10A	0.001	0.0022
080	35820-75560	FUSE	3			15A	0.002	0.0044
090	32590-34450	WIRE HARNESS	1	≤60658			0.615	1.353
090	32590-34452	WIRE HARNESS	1	≥60659	←		0.57	1.254
100	32590-34470	WIRE HARNESS	1	≤60565			0	0
100	32590-34472	WIRE HARNESS	1	≥60566	≠		0.026	0.0572
110	03054-50512	SCREW PAN-HEAD	2				0.003	0.0066
120	04013-60050	WASHER PLAIN	2				0.001	0.0022
130	37150-34460	CLAMP CORD	4				0.03	0.066
140	35340-29380	CLAMP CORD	5				0.01	0.022
150	01133-51016	BOLT	1				0.015	0.033
160	13824-67580	CLAMP CORD	3				0.006	0.0132
170	15272-67580	CLAMP CORD	6				0.021	0.0462
180	01023-50610	BOLT	2				0.005	0.011
190	02118-50080	NUT	1				0.006	0.0132
200	04512-60080	WASHER SPRING	1				0.002	0.0044
210	55311-41260	BAND CORD	2				0.007	0.0154
220	66706-55220	SUPPORT CORD	1				0.002	0.0044

CLUTCH (MDT/HDT)





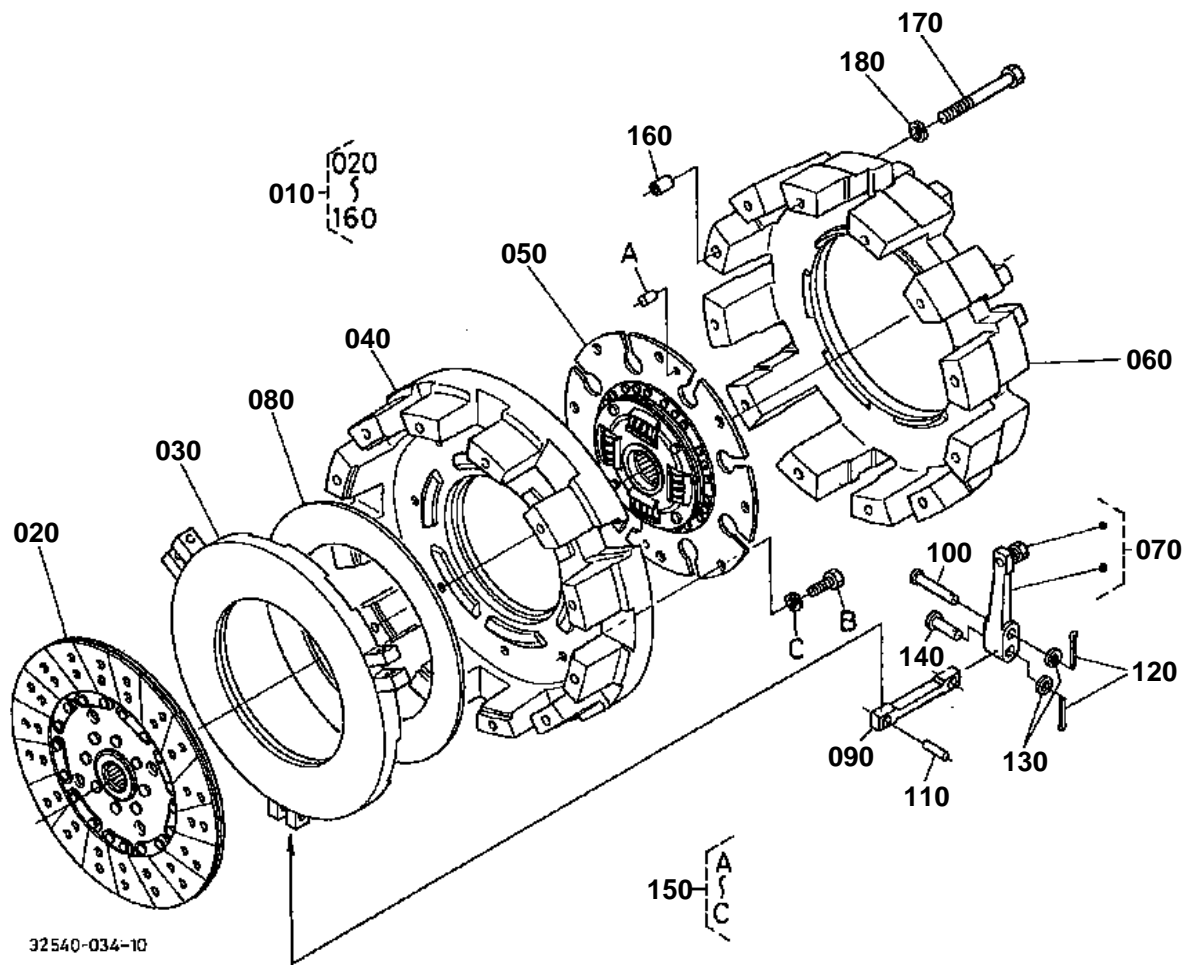


# CLUTCH (MDT/HDT)

↔ Interchangeable; ≠ not interchangeable; ← new for old; → old for new

REF.No	Part No.	Description	Q'ty	S.No.	I/C	REMARKS	Weight (kgf)	Weight (lb)
010	32600-25106	ASSY CLUTCH	1	<=60951			0	0
010	32590-14500	ASSY CLUTCH	1	>=60952	↔		34.4	75.68
010	35502-25100	ASSY CLUTCH	1	>=61069	↔		34.16	75.152
020	36200-25135	DISK CLUTCH	1	<=60951			0	0
020	32590-14530	DISK CLUTCH	1	>=60952	↔		0	0
020	35502-25130	DISK CLUTCH	1	>=61069	↔		2.3	5.06
030	36200-25142	DISK CLUTCH	1	<=60951			0	0
030	32590-14300	DISK CLUTCH	1	>=60952	↔		0	0
030	35502-25140	DISK CLUTCH	1	>=61069	↔		1.78	3.916
040	36200-25150	PLATE PRESSURE	1				4.15	9.13
050	36200-25220	PLATE PRESSURE	1				5	11
060	36200-25163	COVER CLUTCH(PTO)	1				10	22
070	36200-25192	COVER CLUTCH	1				7.5	16.5
080	36200-25230	KIT LEVER	1				0.71	1.562
090	36200-25240	KIT LEVER	1				0.54	1.188
100	36200-25210	SPRING DIAPHRAGM	2				0.882	1.9404
110	36200-25260	ASSY ROD	3				0.16	0.352
120	36200-25270	ASSY ROD SUB	3				0.07	0.154
130	36200-25280	PIN JOINT	6				0.02	0.044
140	36200-25290	PIN STRAIGHT	6				0.015	0.033
150	05511-50315	PIN SPLIT	12				0.002	0.0044
160	04012-50080	WASHER PLAIN	12				0.001	0.0022
170	36200-25300	PIN JOINT	6				0.015	0.033
180	01153-50800	BOLT	12				0.036	0.0792
190	04512-60080	WASHER SPRING	12				0.002	0.0044

CLUTCH (HDT-W)

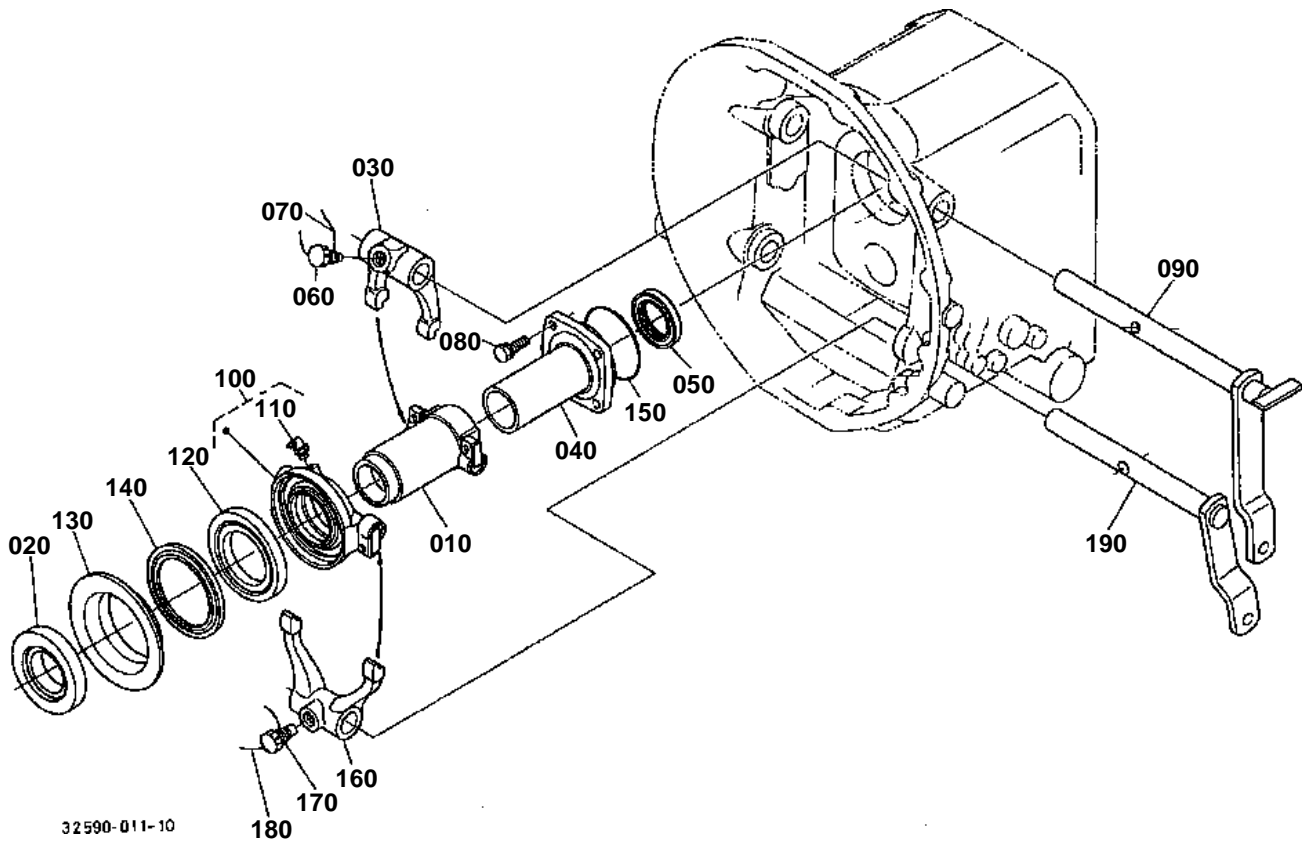


**CLUTCH (HDT-W)**

↔ Interchangeable; ≠ not interchangeable; ← new for old; → old for new

REF.No	Part No.	Description	Q'ty	S.No.	I/C	REMARKS	Weight (kgf)	Weight (lb)
010	32590-14200	ASSY CLUTCH	1				25.3	55.66
015	32590-14300	DISK CLUTCH	1	≤61068			0	0
020	35502-25140	DISK CLUTCH	1	≥61069	↔		1.78	3.916
030	36200-25150	PLATE PRESSURE	1				4.15	9.13
040	32590-91910	COVER CLUTCH	1				6	13.2
050	32590-91920	ASSY DISK DUMPER	1				2.04	4.488
060	36200-25192	COVER CLUTCH	1				7.5	16.5
070	36200-25240	KIT LEVER	1				0.54	1.188
080	36200-25210	SPRING DIAPHRAGM	1				0.882	1.9404
090	36200-25260	ASSY ROD	1				0.16	0.352
100	36200-25280	PIN JOINT	3				0.02	0.044
110	36200-25290	PIN STRAIGHT	3				0.015	0.033
120	05511-50315	PIN SPLIT	6				0.002	0.0044
130	04012-50080	WASHER PLAIN	12				0.001	0.0022
140	36200-25300	PIN JOINT	3				0.015	0.033
150	32590-92970	KIT PIN-BOLT	1				0.275	0.605
160	32530-94240	KIT PIN KNOCK	1				0.02	0.044
170	01153-50800	BOLT	12				0.036	0.0792
180	04512-60080	WASHER SPRING	12				0.002	0.0044

CLUTCH LEVER (MDT/HDT)



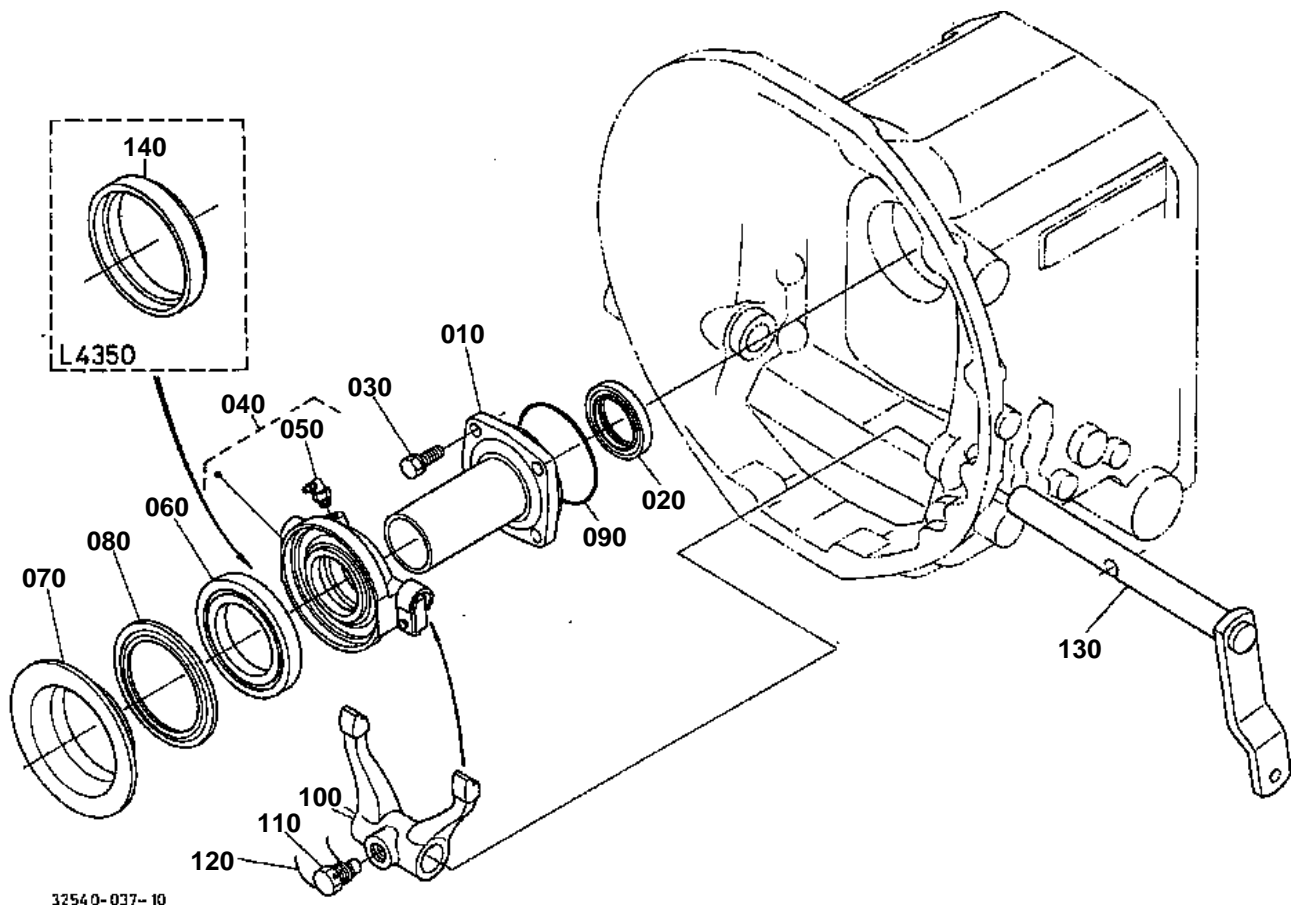


## CLUTCH LEVER (MDT/HDT)

↔ Interchangeable; ≠ not interchangeable; ← new for old; → old for new

REF.No	Part No.	Description	Q'ty	S.No.	I/C	REMARKS	Weight (kgf)	Weight (lb)
010	32590-14910	ASSY HUB CLUTCH	1				0.8	1.76
020	36200-26410	BEARING BALL	1				0.504	1.1088
030	32590-14720	FORK CLUTCH RELEASE	1				0.56	1.232
040	32590-14830	GUIDE HUB	1				0.5	1.1
050	09400-40628	SEAL OIL	1				0.025	0.055
060	33251-26350	BOLT SET	1				0.045	0.099
080	01123-50825	BOLT	4				0.013	0.0286
090	32590-14710	LEVER CLUTCH	1				1.3	2.86
100	32590-14930	ASSY COUPLING	1				0.92	2.024
110	06613-30010	NIPPLE GREASE	1				0.01	0.022
120	08101-16013	BEARING BALL	1				0.29	0.638
130	33400-26770	HUB CLUTCH RELEASE	1				0.65	1.43
140	33400-26780	COVER BEARING	1				0.028	0.0616
150	04811-50750	O RING	1				0.002	0.0044
160	32590-15120	FORK CLUTCH RELEASE	1				0.62	1.364
170	33251-26350	BOLT SET	1				0.045	0.099
190	32590-15110	LEVER PTO CLUTCH	1				1.5	3.3

CLUTCH LEVER (HDT-W)



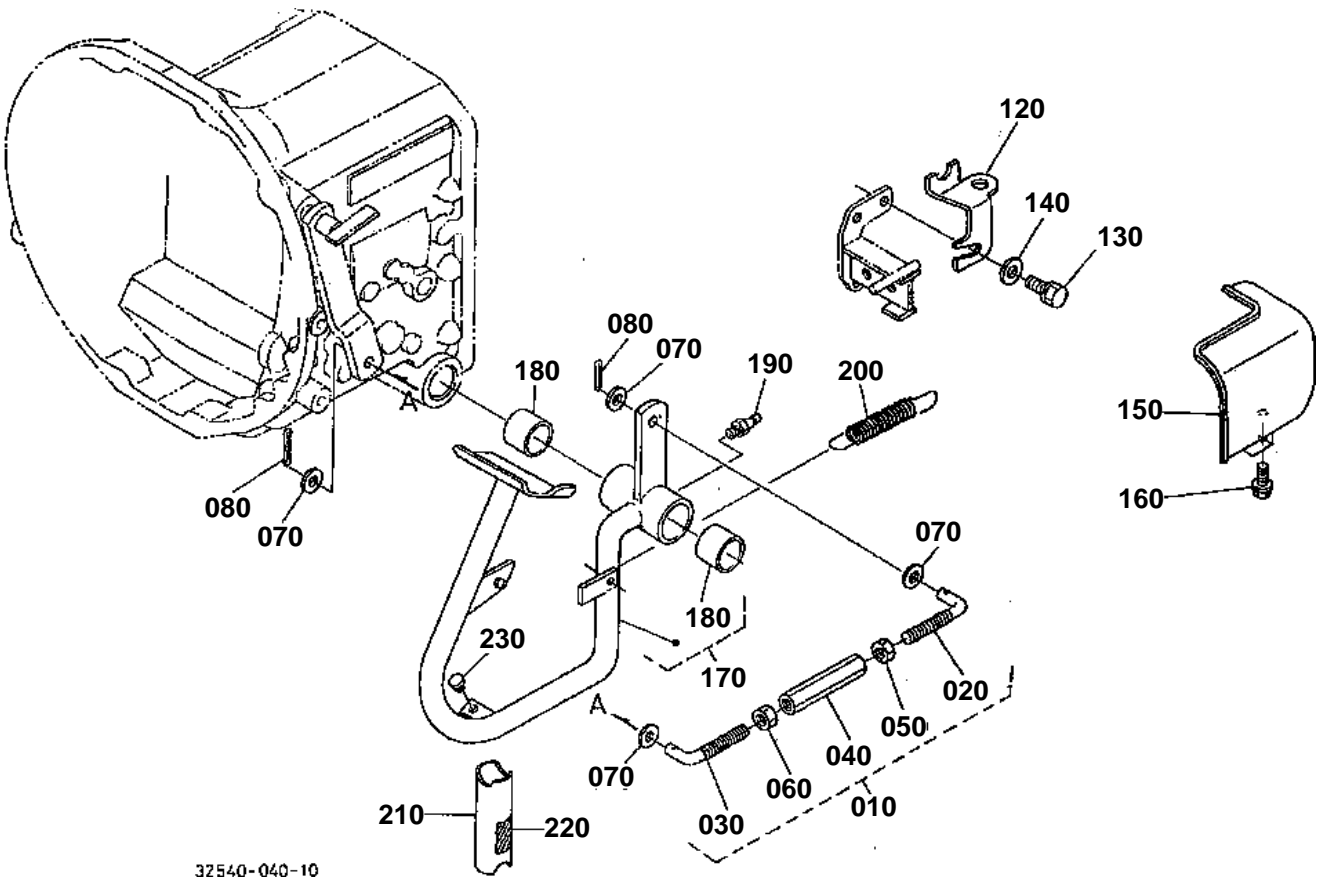


## CLUTCH LEVER (HDT-W)

↔ Interchangeable; ≠ not interchangeable; ← new for old; → old for new

REF.No	Part No.	Description	Q'ty	S.No.	I/C	REMARKS	Weight (kgf)	Weight (lb)
010	32590-14830	GUIDE HUB	1				0.5	1.1
020	09400-40628	SEAL OIL	1				0.025	0.055
030	01123-50825	BOLT	4				0.013	0.0286
040	32590-14960	ASSY COUPLING	1				1	2.2
050	06613-30010	NIPPLE GREASE	1				0.01	0.022
060	08101-16013	BEARING BALL	1				0.29	0.638
070	33400-26770	HUB CLUTCH RELEASE	1				0.65	1.43
080	33400-26780	COVER BEARING	1				0.028	0.0616
090	04811-50750	O RING	1				0.002	0.0044
100	32590-15120	FORK CLUTCH RELEASE	1				0.62	1.364
110	33251-26350	BOLT SET	1				0.045	0.099
130	32590-15110	LEVER PTO CLUTCH	1				1.5	3.3

# CLUTCH PEDAL





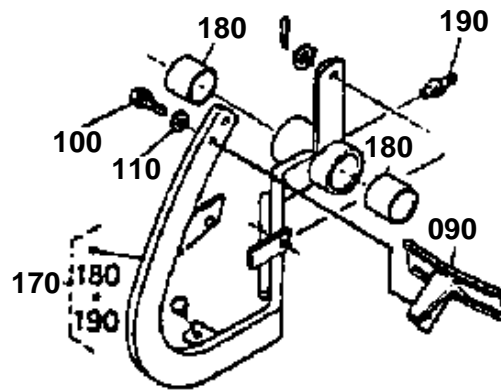
CLUTCH PEDAL

090 36830-2615-0

100 01123-50825

110 04013-50080

170 32530-1571-0



32540-809-10

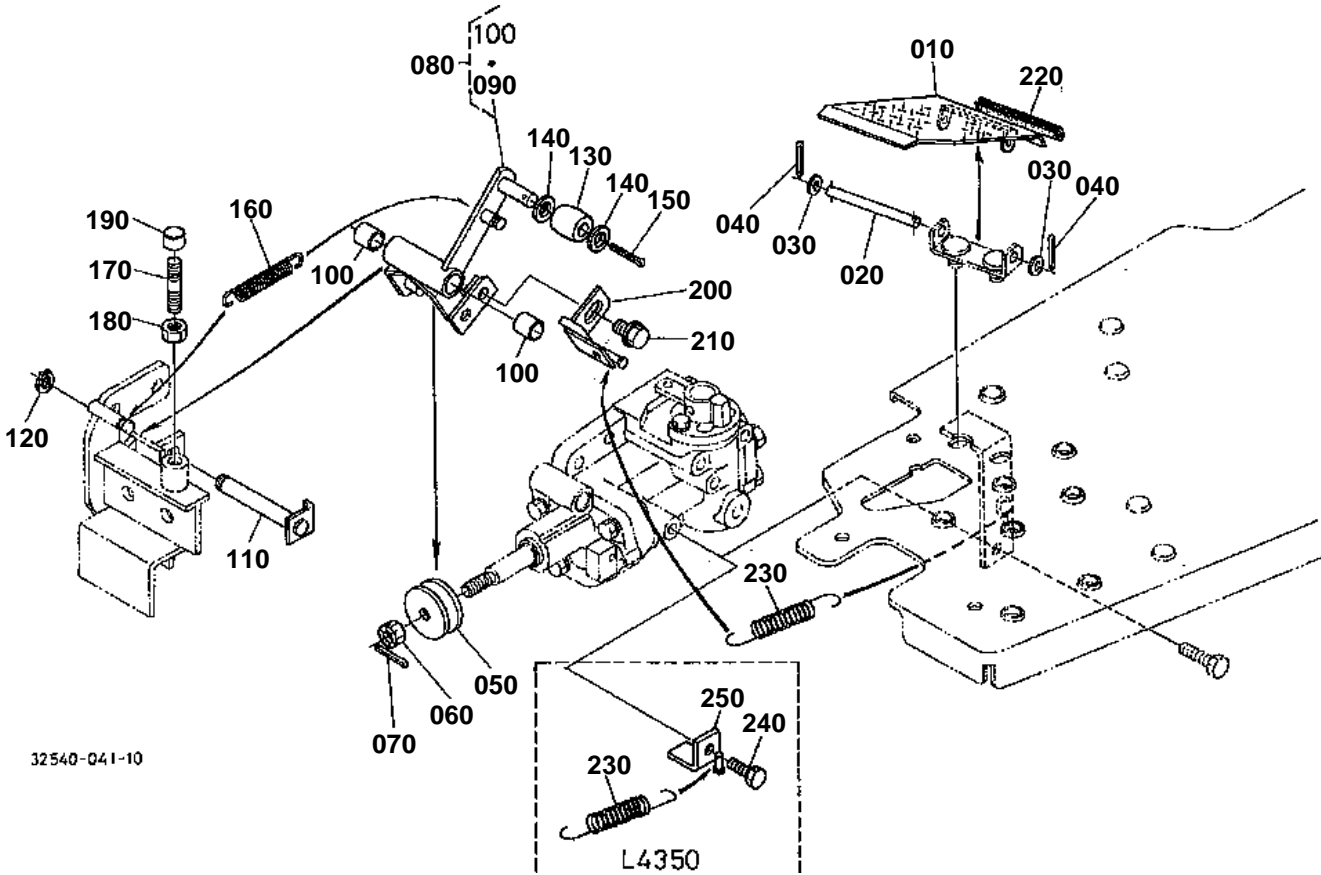


# CLUTCH PEDAL

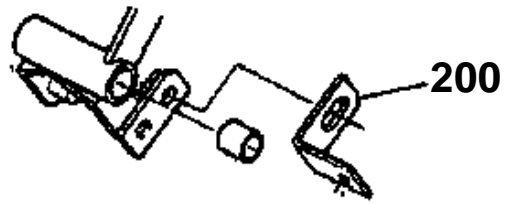
↔ Interchangeable; ≠ not interchangeable; ← new for old; → old for new

REF.No	Part No.	Description	Q'ty	S.No.	I/C	REMARKS	Weight (kgf)	Weight (lb)
010	32530-15632	ASSY ROD CLUTCH	1				0.26	0.572
020	32530-15643	ROD CLUTCH	1				0.08	0.176
030	32530-15653	ROD CLUTCH	1				0.08	0.176
040	37720-28980	TURNBUCKLE	1				0.099	0.2178
050	37720-28990	NUT	1				0.008	0.0176
060	02172-50120	NUT	1				0.01	0.022
070	04013-60120	WASHER PLAIN	4				0.01	0.022
080	05511-50422	PIN SPLIT	2				0.003	0.0066
090	36830-26150	HEEL PEDAL	1	<=60323			0.003	0.0066
100	01123-50825	BOLT	1	<=60323			0.013	0.0286
110	04013-50080	WASHER PLAIN	2	<=60323			0	0
120	32530-32252	BRACKET SAFETY SW.	1				0.1	0.22
130	01133-51020	BOLT	1				0.02	0.044
140	04015-60100	WASHER PLAIN	1				0.015	0.033
150	32539-32260	COVER	1				0.21	0.462
160	01754-50816	BOLT FLANGE	2				0.011	0.0242
170	32530-15710	ARM CLUTCH PEDAL	1	<=60323			3	6.6
170	32590-15710	PEDAL CLUTCH	1	>=60324	≠		3.4	7.48
180	32150-28440	BUSH	2				0.043	0.0946
190	06611-15010	NIPPLE GREASE	1				0.01	0.022
200	37150-15840	SPRING	1				0.06	0.132
210	32530-15970	PIECE DISTANCE	1				0.1	0.22
220	32539-65410	LABEL PEDAL PIECE	1				0	0
230	38240-29870	CUSHION	1				0.004	0.0088

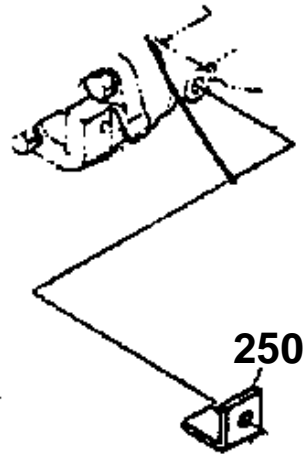
CLUTCH PEDAL (HDT-W) [OLD TYPE]



200 32590-4703-3



250 32540-4705-0



32540-810-10

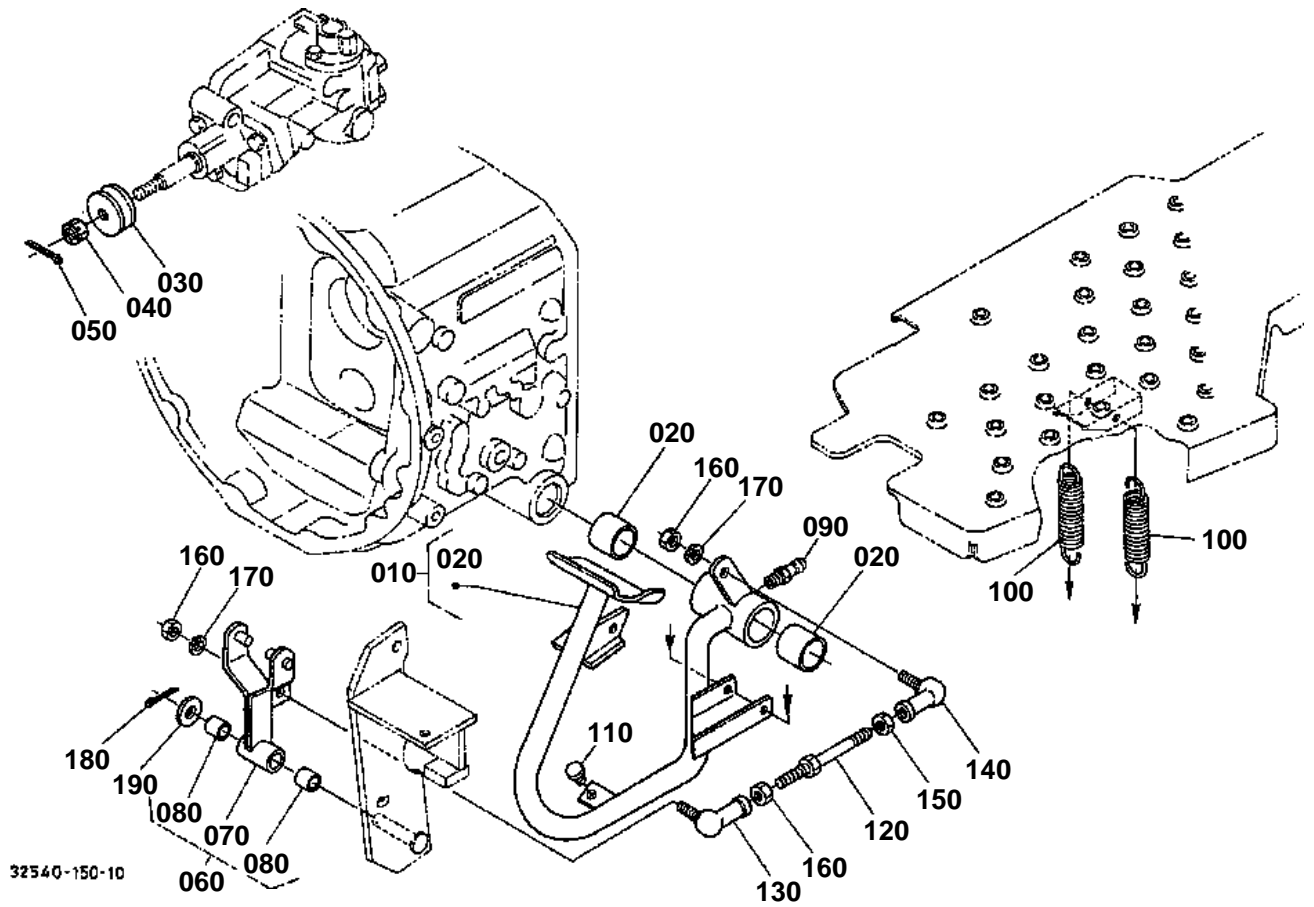
**CLUTCH PEDAL (HDT-W) [OLD TYPE]**

S.No.;&lt;=60565

↔ Interchangeable; ≠ not interchangeable; ← new for old; → old for new

REF.No	Part No.	Description	Q'ty	S.No.	I/C	REMARKS	Weight (kgf)	Weight (lb)
010	32590-46982	PEDAL CLUTCH	1	<=60323			0	0
010	32590-46983	PEDAL CLUTCH	1	>=60324	←		0.5	1.1
020	32590-47020	PIN	1				0.02	0.044
030	04013-60060	WASHER PLAIN	2				0.001	0.0022
040	05511-51612	PIN SPLIT	2				0.001	0.0022
050	32590-46950	SHIFTER	1				0	0
060	02372-50100	NUT	1				0.005	0.011
070	05511-52520	PIN SPLIT	1				0.001	0.0022
080	32590-47080	ASSY SHAFT FORK	1				0.34	0.748
090	32590-46960	SHAFT SHIFT FORK	1				0.33	0.726
100	08511-01215	BUSH	2				0.005	0.011
110	32590-47012	SHAFT	1				0.09	0.198
120	04612-00120	CIRCLIP EXTERNAL	1				0.001	0.0022
130	36330-10230	COLLAR ACCEL PEDAL	1				0.001	0.0022
140	04011-50100	WASHER PLAIN	2				0.002	0.0044
150	05511-50320	PIN SPLIT	1				0.002	0.0044
160	32590-46990	SPRING	1				0.029	0.0638
170	01513-50835	STUD	1				0.015	0.033
180	02156-50080	NUT	1				0.004	0.0088
190	66301-43390	CUSHION	1				0.002	0.0044
200	32590-47030	PLATE SWITCH	1	<=60323			0	0
200	32590-47033	PLATE SWITCH	1	>=60324	←		0	0
200	32590-47034	PLATE SWITCH	1	>=60494	←		0.05	0.11
210	01774-51016	BOLT FLANGE	1				0.02	0.044
220	36220-83990	CUSHION	1	>=60324			0.005	0.011
230	32590-47040	SPRING	1	>=60324			0.03	0.066

CLUTCH PEDAL (HDT-W) [NEW TYPE]



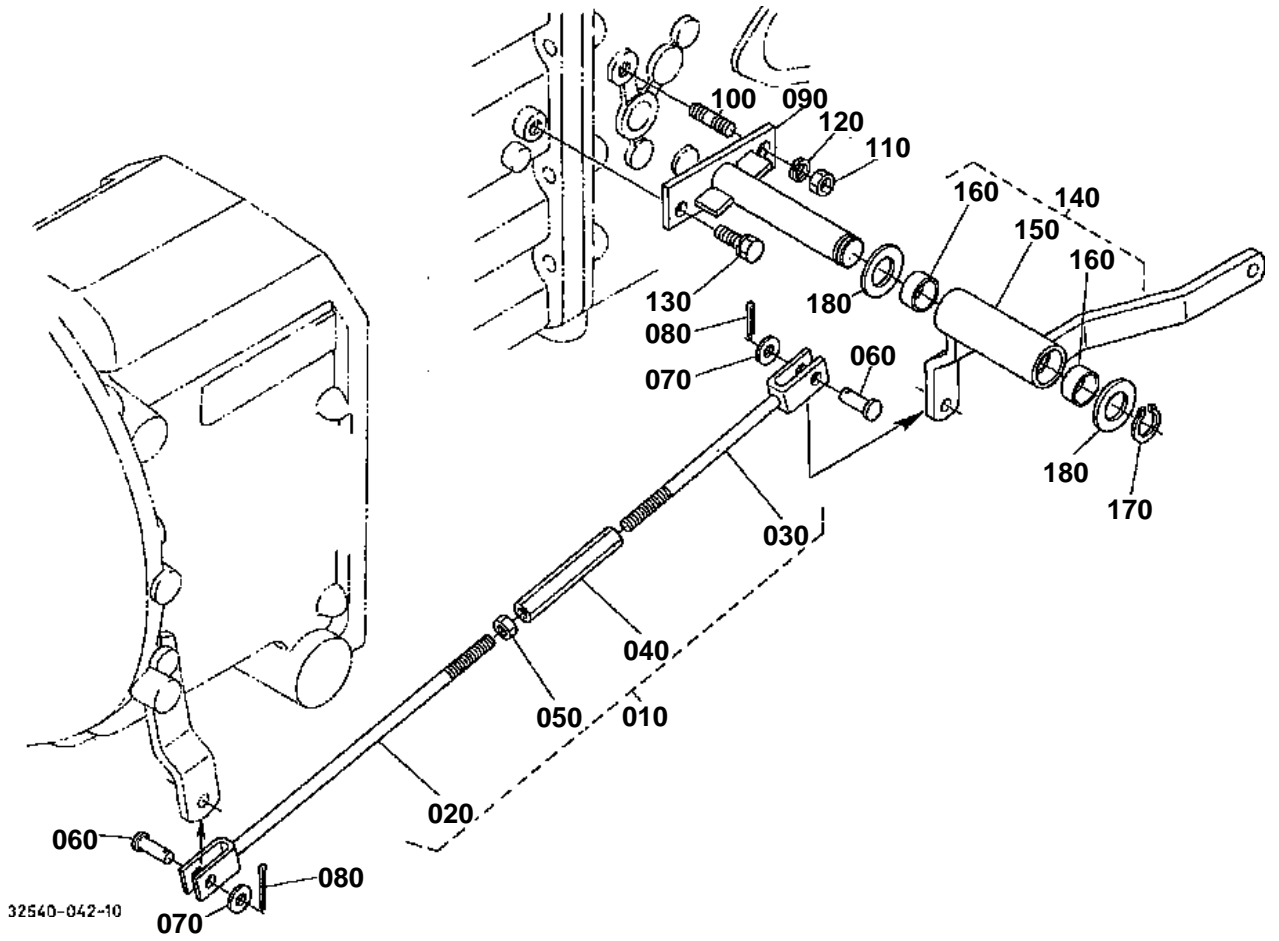
**CLUTCH PEDAL (HDT-W) [NEW TYPE]**

S.No.;&gt;=60566

↔ Interchangeable; ≠ not interchangeable; ← new for old; → old for new

REF.No	Part No.	Description	Q'ty	S.No.	I/C	REMARKS	Weight (kgf)	Weight (lb)
010	32590-47220	PEDAL CLUTCH	1				3.2	7.04
020	32150-28440	BUSH	2				0.043	0.0946
030	32590-46952	SHIFTER	1				0.087	0.1914
040	02372-50100	NUT	1				0.005	0.011
050	05511-52520	PIN SPLIT	1				0.001	0.0022
060	32590-47083	ASSY LEVER FORK	1				0.1	0.22
070	32590-46963	LEVER SHIFT FORK	1				0.3	0.66
080	08511-01215	BUSH	2				0.005	0.011
090	06611-15010	NIPPLE GREASE	1				0.01	0.022
100	32590-47240	SPRING	2				0.09	0.198
110	38240-29870	CUSHION	1				0.004	0.0088
120	32590-47230	ROD CLUTCH	1				0.005	0.011
130	54721-31840	BALL LINK	1				0.065	0.143
140	54721-31850	BALL LINK	1				0.065	0.143
150	31351-24260	NUT	1				0.005	0.011
160	02114-50080	NUT	3				0.005	0.011
170	04512-60080	WASHER SPRING	2				0.002	0.0044
180	05511-50325	PIN SPLIT	1				0.002	0.0044
190	04011-50120	WASHER PLAIN	1				0.005	0.011

# CLUTCH ROD





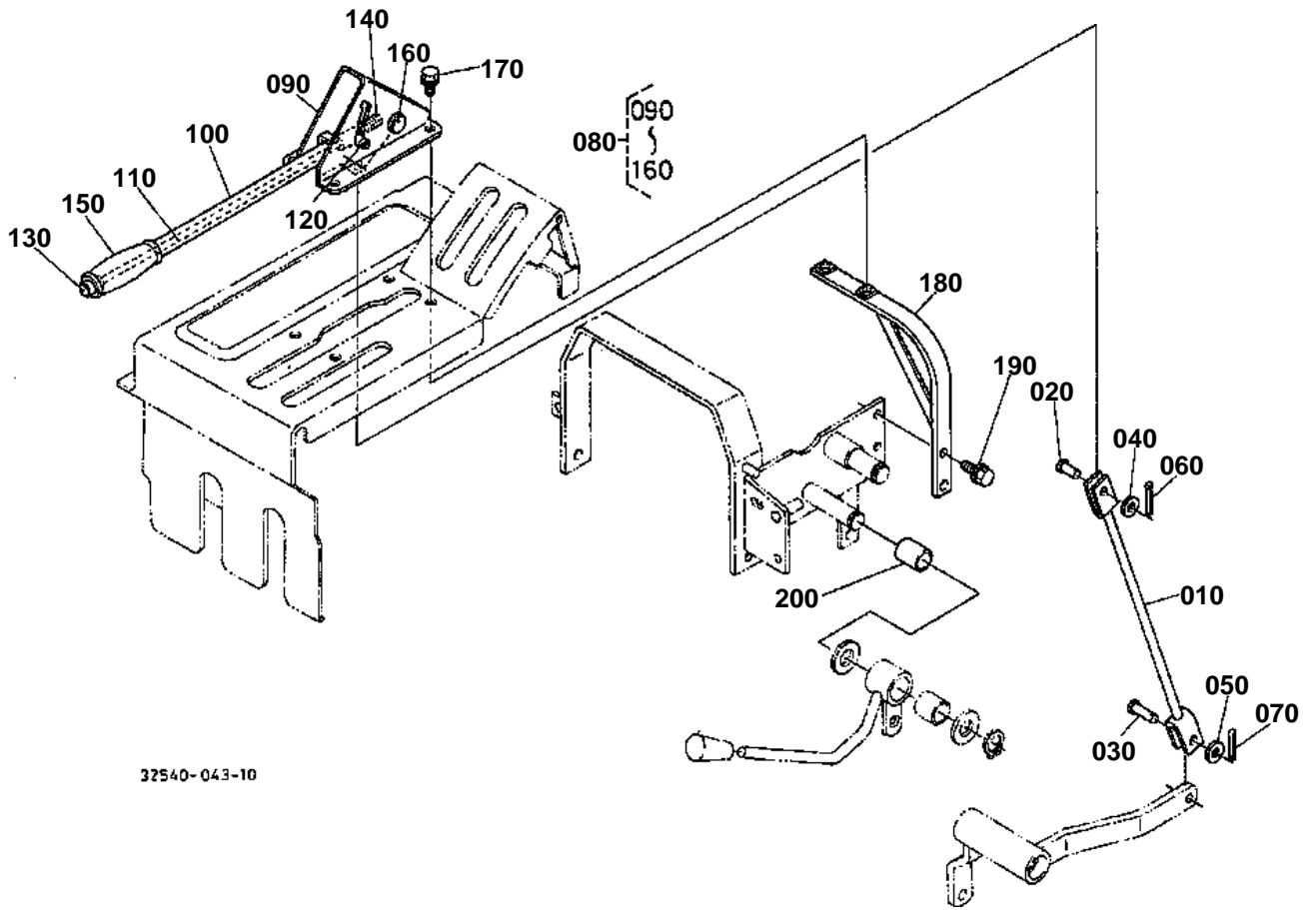


## CLUTCH ROD

↔ Interchangeable; ≠ not interchangeable; ← new for old; → old for new

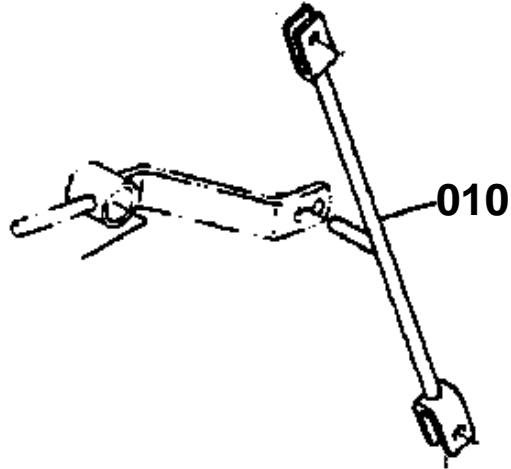
REF.No	Part No.	Description	Q'ty	S.No.	I/C	REMARKS	Weight (kgf)	Weight (lb)
010	32590-15100	ASSY ROD CLUTCH	1				0.43	0.946
020	32590-15130	ROD CLUTCH	1				0.21	0.462
030	32590-15140	ROD CLUTCH	1				0.15	0.33
040	32350-28980	TURNBUCKLE	1				0.124	0.2728
050	02116-50100	NUT	1				0.004	0.0088
060	05122-61028	PIN JOINT	2				0.02	0.044
070	04013-50100	WASHER PLAIN	2				0	0
080	05511-50318	PIN SPLIT	2				0.001	0.0022
090	32590-15150	SUPPORT LINK	1				0.64	1.408
100	01517-61025	STUD	1				0.02	0.044
110	02176-50100	NUT	1				0.005	0.011
120	04512-60100	WASHER SPRING	1				0.002	0.0044
130	01123-51025	BOLT	1				0.02	0.044
140	32590-15080	ASSY LINK CLUTCH	1				0.85	1.87
150	32590-15170	LINK CLUTCH	1				0.85	1.87
160	08511-02212	BUSH	2				0.1	0.22
170	04612-00220	CIRCLIP EXTERNAL	1				0.001	0.0022
180	04013-50220	WASHER PLAIN	2				0.025	0.055

PTO CLUTCH CONTROL LEVER



32540-043-10

010 32590-1518-0



32540-811-10

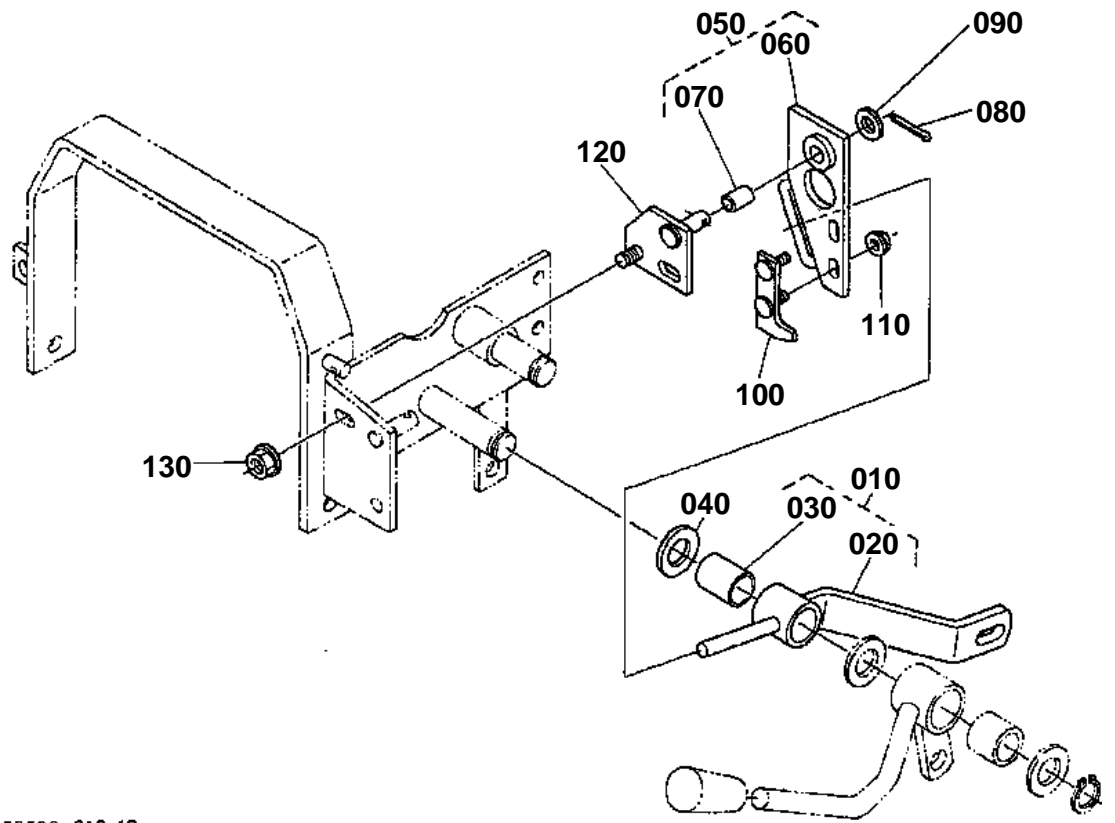


PTO CLUTCH CONTROL LEVER

↔ Interchangeable; ≠ not interchangeable; ← new for old; → old for new

REF.No	Part No.	Description	Q'ty	S.No.	I/C	REMARKS	Weight (kgf)	Weight (lb)
010	32590-15180	ROD CLUTCH(PTO)	1	<=60501			0.34	0.748
010	32590-15182	ROD CLUTCH(PTO)	1	>=60502	→		0.315	0.693
020	05122-50818	PIN JOINT	1				0.008	0.0176
030	05122-61028	PIN JOINT	1				0.02	0.044
040	04012-50080	WASHER PLAIN	1				0.001	0.0022
050	04013-50100	WASHER PLAIN	1				0	0
060	05511-50215	PIN SPLIT	1				0.001	0.0022
070	05511-50318	PIN SPLIT	1				0.001	0.0022
080	35569-26000	ASSY LEVER CONTROL	1				1.12	2.464
090	36330-26013	GUIDE LEVER	1				0.7	1.54
100	35569-26020	LEVER CLUTCH CONTROL	1				0	0
110	35569-26030	ROD RELEASE	1				0.076	0.1672
120	05411-00540	PIN SPRING	1				0.004	0.0088
130	36330-26040	BUTTON	1				0.01	0.022
140	36330-26050	SPRING	1				0.01	0.022
150	36330-26060	GRIP	1				0.04	0.088
160	36330-26070	PIN	1				0.04	0.088
170	01754-50820	BOLT FLANGE	4				0.015	0.033
180	32590-15240	STAY	1				0.4	0.88
190	01754-50816	BOLT FLANGE	2				0.011	0.0242
200	32530-20770	COLLAR	1			HDT-W [AU] [NZ]	0.07	0.154
200	32530-20770	COLLAR	1	>=60502		[A] [CA]	0.07	0.154

PTO INTERLOCK [OLD TYPE]



32590-012-10

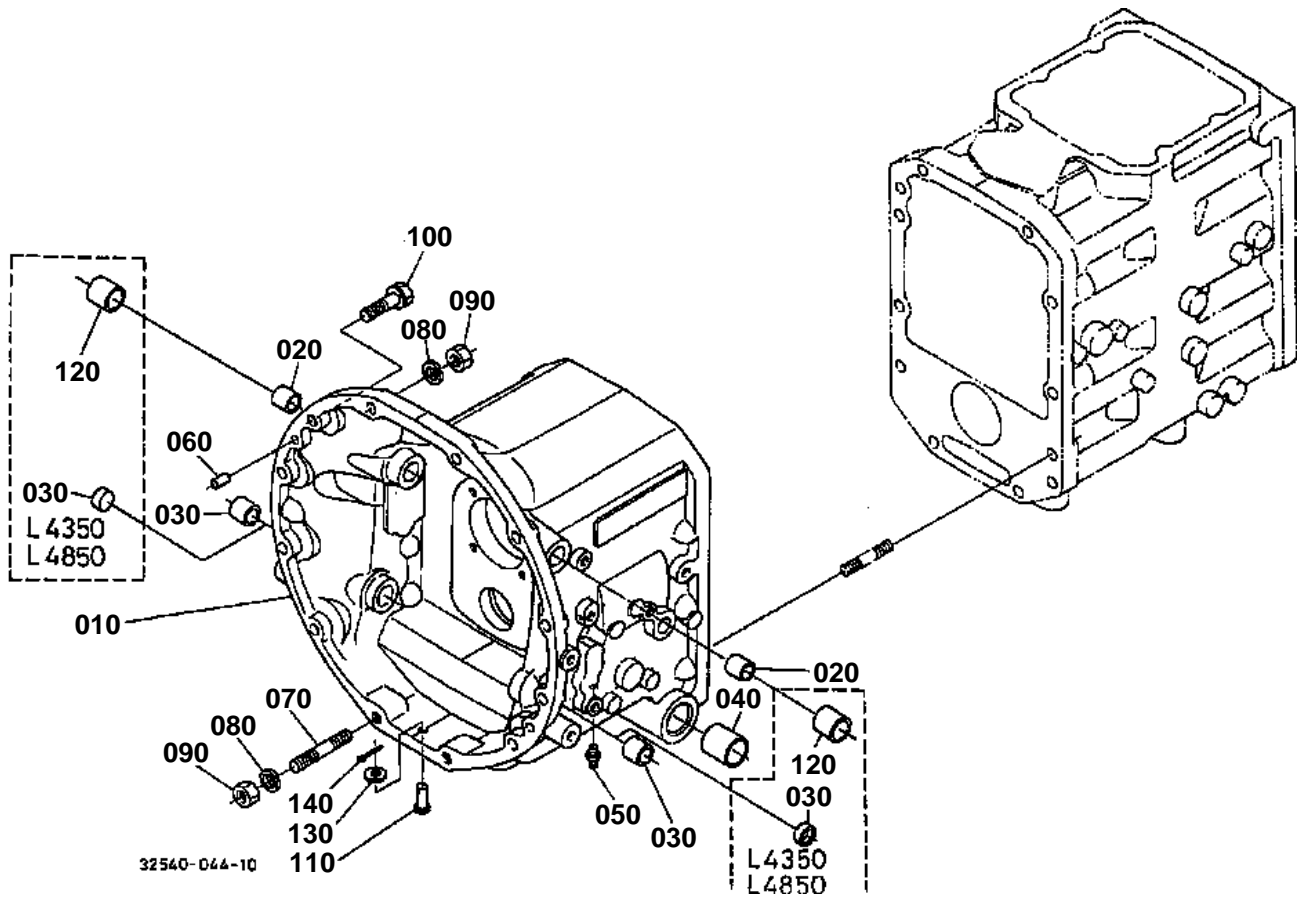
**PTO INTERLOCK [OLD TYPE]**

S.No.;&lt;=60501

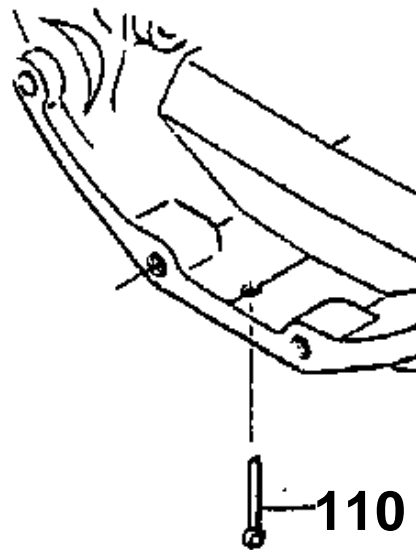
↔ Interchangeable; ≠ not interchangeable; ← new for old; → old for new

REF.No	Part No.	Description	Q'ty	S.No.	I/C	REMARKS	Weight (kgf)	Weight (lb)
010	32590-15090	ASSY LINK CLUTCH	1			[A] [CA]	0.32	0.704
020	32590-15220	LINK CLUTCH	1			[A] [CA]	0.3	0.66
030	08511-02030	BUSH	1			[A] [CA]	0.02	0.044
040	04013-50200	WASHER PLAIN	1			[A] [CA]	0.02	0.044
050	32590-15290	ASSY PLATE INTERLOCK	1				0.2	0.44
060	32590-15260	PLATE INTERLOCKER	1				0.2	0.44
070	08511-01015	BUSH	1				0.009	0.0198
080	05511-50318	PIN SPLIT	1				0.001	0.0022
090	04013-50100	WASHER PLAIN	1				0	0
100	32590-15280	STOPPER	1				0.04	0.088
110	02761-50060	NUT FLANGE	2				0.003	0.0066
120	32590-15270	PLATE FULCRUM	1				0.1	0.22
130	02761-50080	NUT FLANGE	1				0.008	0.0176

MAIN CLUTCH CASE (MDT)



110 05511-50430



32540-813-10



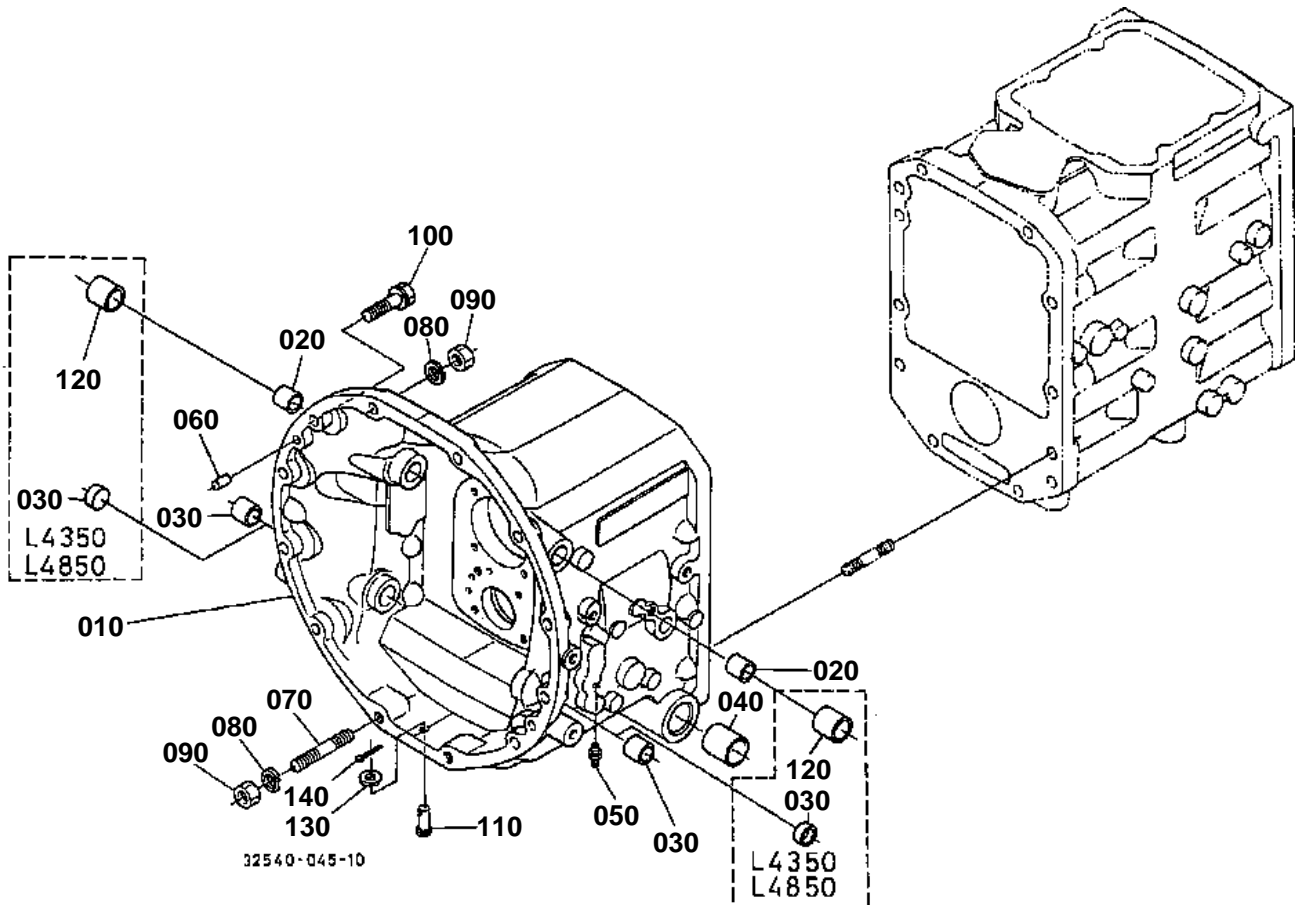


## MAIN CLUTCH CASE (MDT)

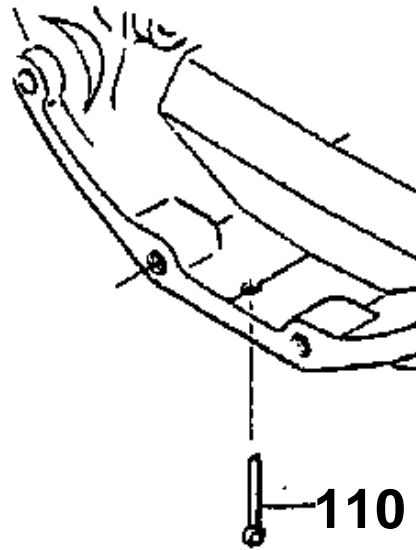
↔ Interchangeable; ≠ not interchangeable; ← new for old; → old for new

REF.No	Part No.	Description	Q'ty	S.No.	I/C	REMARKS	Weight (kgf)	Weight (lb)
010	32590-14112	CASE MAIN CLUTCH	1				40	88
020	08511-02225	BUSH	2				0.02	0.044
030	08511-02220	BUSH	2				0.02	0.044
040	32150-28440	BUSH	2				0.043	0.0946
050	06611-15010	NIPPLE GREASE	1				0.01	0.022
060	05012-01018	PIN STRAIGHT	2				0.012	0.0264
070	01574-51235	STUD	2				0	0
080	04512-60120	WASHER SPRING	4				0.005	0.011
090	02176-50120	NUT	4				0.01	0.022
100	01133-51245	BOLT	8				0.055	0.121
110	05511-50430	PIN SPLIT	1	<=60584			0.004	0.0088
110	05122-50825	PIN JOINT	2	>=60585	≠		0.011	0.0242
130	04013-50080	WASHER PLAIN	2	>=60585			0	0
140	05511-50220	PIN SPLIT	2	>=60585			0.001	0.0022

MAIN CLUTCH CASE (HDT)



110 05511-50430



32540-813-10

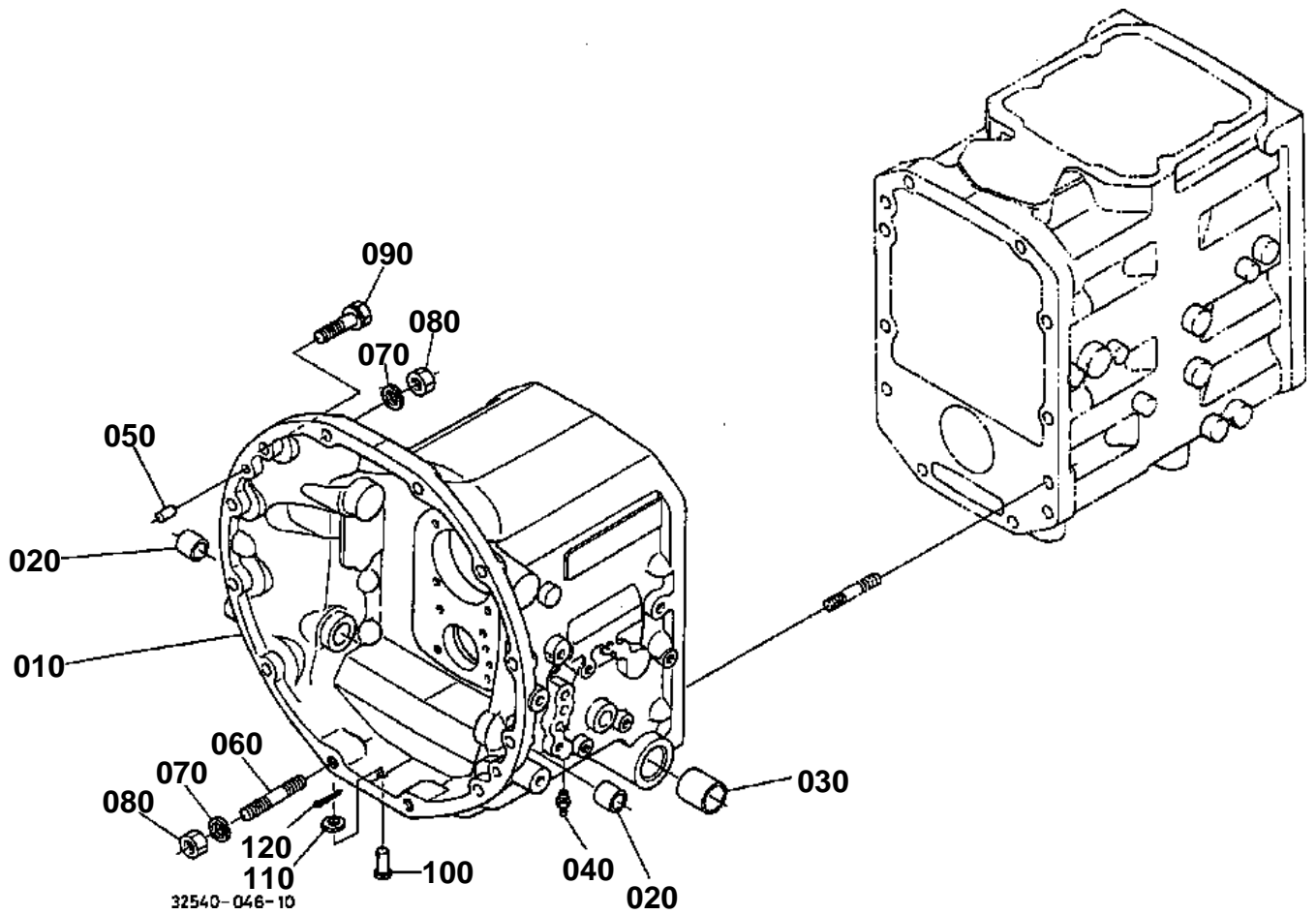


## MAIN CLUTCH CASE (HDT)

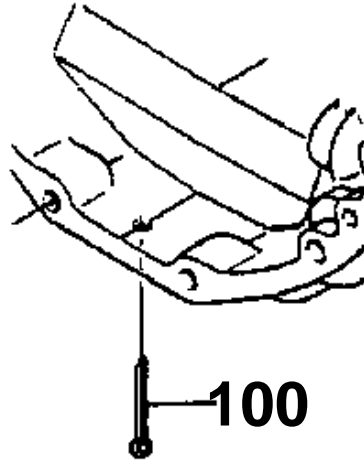
↔ Interchangeable; ≠ not interchangeable; ← new for old; → old for new

REF.No	Part No.	Description	Q'ty	S.No.	I/C	REMARKS	Weight (kgf)	Weight (lb)
010	32590-14122	CASE MAIN CLUTCH	1	<=61379			0	0
010	32590-14124	CASE MAIN CLUTCH	1	>=61380	←		48	105.6
020	08511-02225	BUSH	2				0.02	0.044
030	08511-02220	BUSH	2				0.02	0.044
040	32150-28440	BUSH	2				0.043	0.0946
050	06611-15010	NIPPLE GREASE	1				0.01	0.022
060	05012-01018	PIN STRAIGHT	2				0.012	0.0264
070	01574-51235	STUD	2				0	0
080	04512-60120	WASHER SPRING	4				0.005	0.011
090	02176-50120	NUT	4				0.01	0.022
100	01133-51245	BOLT	8				0.055	0.121
110	05511-50430	PIN SPLIT	1	<=60584			0.004	0.0088
110	05122-50825	PIN JOINT	2	>=60585	≠		0.011	0.0242
130	04013-50080	WASHER PLAIN	2	>=60585			0	0
140	05511-50220	PIN SPLIT	2	>=60585			0.001	0.0022

MAIN CLUTCH (HDT-W)



100 05511-50430



32540-814-10

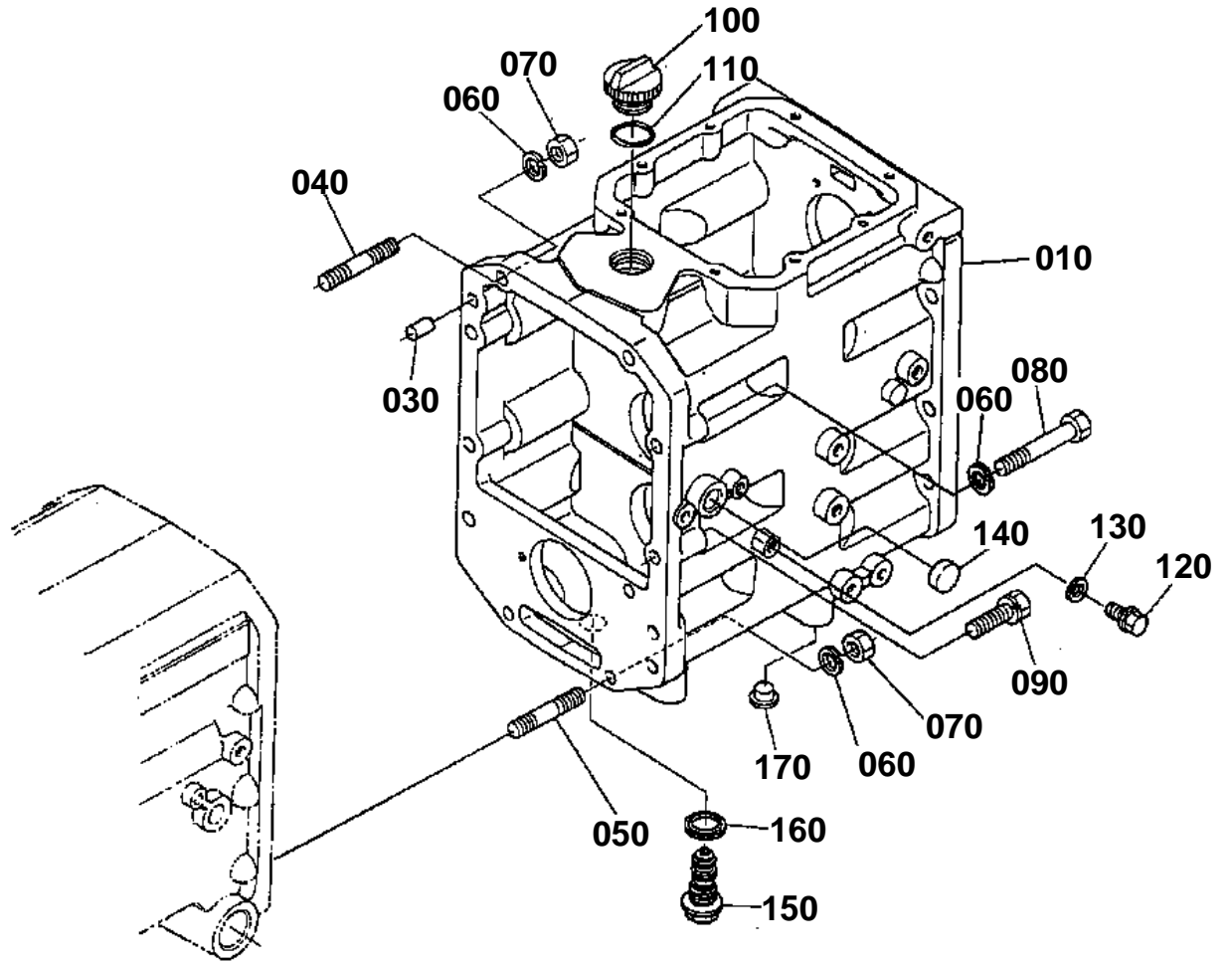


## MAIN CLUTCH (HDT-W)

↔ Interchangeable; ≠ not interchangeable; ← new for old; → old for new

REF.No	Part No.	Description	Q'ty	S.No.	I/C	REMARKS	Weight (kgf)	Weight (lb)
010	32590-14103	CASE MAIN CLUTCH	1	<=60314			53	116.6
010	32590-14104	CASE MAIN CLUTCH	1	>=60315	≠		0	0
010	32590-14105	CASE MAIN CLUTCH	1	>=60585	←		0	0
010	32590-14106	CASE MAIN CLUTCH	1	>=61380	←		25	55
020	08511-02220	BUSH	2				0.02	0.044
030	32150-28440	BUSH	2				0.043	0.0946
040	06611-15010	NIPPLE GREASE	1				0.01	0.022
050	05012-01018	PIN STRAIGHT	2				0.012	0.0264
060	01574-51235	STUD	2				0	0
070	04512-60120	WASHER SPRING	4				0.005	0.011
080	02176-50120	NUT	4				0.01	0.022
090	01133-51245	BOLT	8				0.055	0.121
100	05511-50430	PIN SPLIT	1	<=60584			0.004	0.0088
100	05122-50825	PIN JOINT	1	>=60585	≠		0.011	0.0242
110	04013-50080	WASHER PLAIN	1	>=60585			0	0
120	05511-50220	PIN SPLIT	1	>=60585			0.001	0.0022

MAIN SHIAFT CASE



32540-047-10



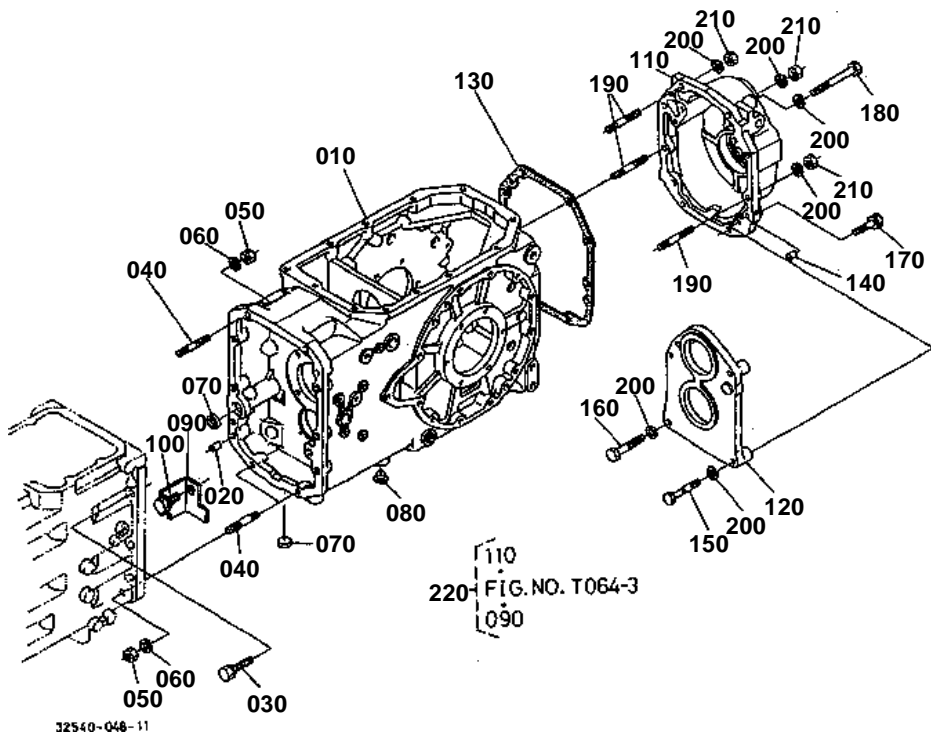


# MAIN SHIAFT CASE

↔ Interchangeable; ≠ not interchangeable; ← new for old; → old for new

REF.No	Part No.	Description	Q'ty	S.No.	I/C	REMARKS	Weight (kgf)	Weight (lb)
010	32590-21250	CASE MAIN SHIFT	1				43	94.6
030	05012-01018	PIN STRAIGHT	2				0.012	0.0264
040	32530-14250	STUD	2				0.04	0.088
050	01574-51275	STUD	2				0.074	0.1628
060	04512-60120	WASHER SPRING	6				0.005	0.011
070	35340-27360	NUT	4				0.015	0.033
080	01173-51270	BOLT	4				0.067	0.1474
090	01133-51245	BOLT	2				0.055	0.121
100	38240-21410	PLUG	1				0.015	0.033
110	04811-50300	O RING	1				0.001	0.0022
120	01754-50816	BOLT FLANGE	1				0.011	0.0242
130	04717-00800	WASHER WITH RUBBER	1				0.001	0.0022
140	31321-38720	COVER BLIND	1				0.005	0.011
150	33740-82660	PLUG MAGNET	1				0.23	0.506
160	04717-02650	WASHER WITH RUBBER	1				0.01	0.022
170	31220-14290	PLUG	4	>=61150			0.002	0.0044

TRANSMISSION CASE



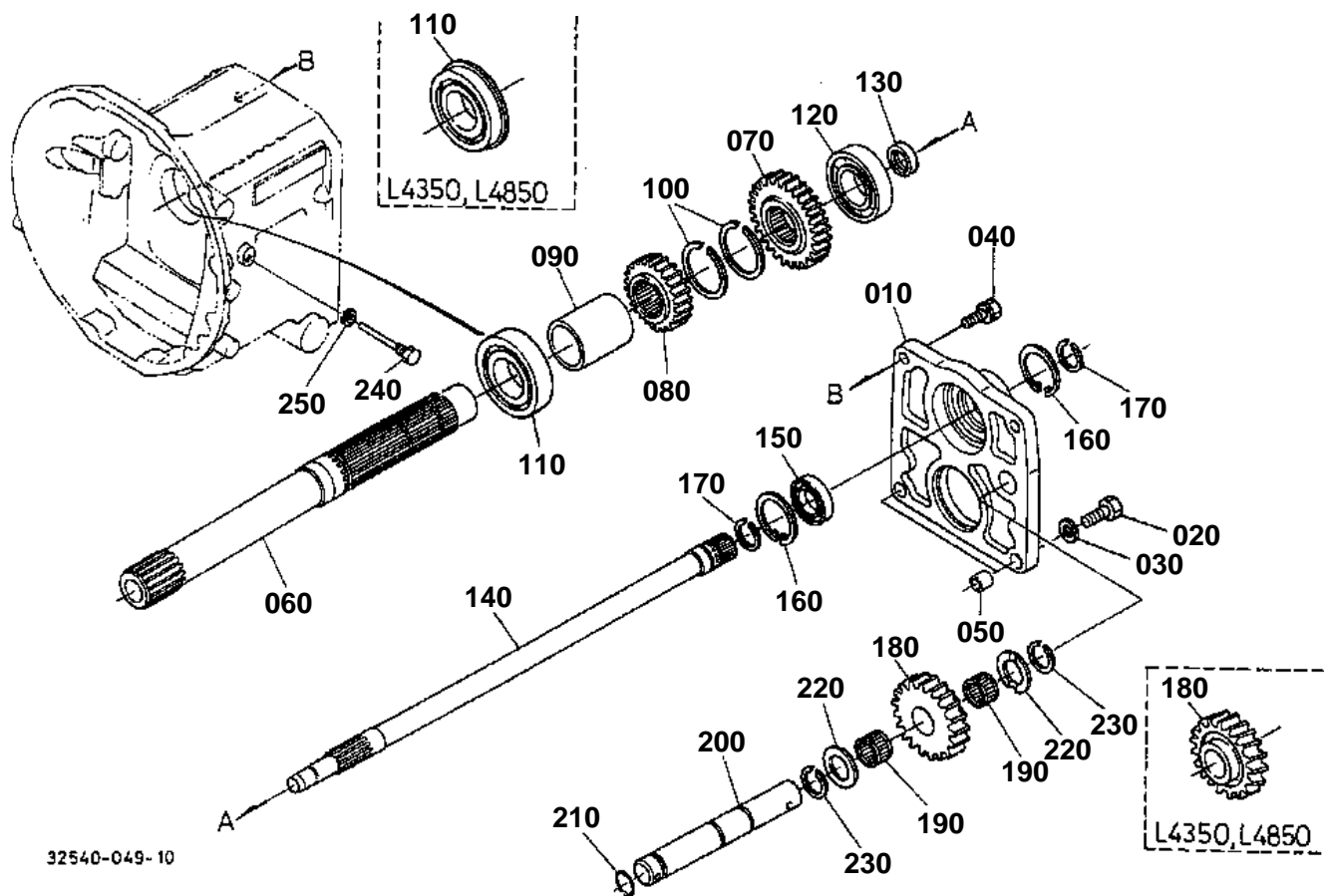


TRANSMISSION CASE

↔ Interchangeable; ≠ not interchangeable; ← new for old; → old for new

REF.No	Part No.	Description	Q'ty	S.No.	I/C	REMARKS	Weight (kgf)	Weight (lb)
010	32590-21110	CASE TRANSMISSION	1				60	132
020	05012-01018	PIN STRAIGHT	2				0.012	0.0264
030	01133-51245	BOLT	6				0.055	0.121
040	32530-14250	STUD	4				0.04	0.088
050	35340-27360	NUT	4				0.015	0.033
060	04512-60120	WASHER SPRING	4				0.005	0.011
070	06311-85028	CAP SEALING	2				0.012	0.0264
080	31220-14290	PLUG	16	<=61149			0.002	0.0044
080	31220-14290	PLUG	8	>=61150			0.002	0.0044
090	32590-21130	PLATE BAFFLER	1				0.08	0.176
100	01123-50820	BOLT	1				0.011	0.0242
110	32530-25410	CASE PTO	1	<=61534			8.2	18.04
110	32530-25417	CASE PTO	1	>=61535	≠		9	19.8
120	32530-25420	COVER PTO CASE	1				3.27	7.194
130	32530-25430	GASKET	1				0.015	0.033
140	05012-01018	PIN STRAIGHT	3				0.012	0.0264
150	32530-25440	BOLT REAMER	1				0.07	0.154
160	01173-51260	BOLT	3				0.06	0.132
170	01133-51240	BOLT	4				0.05	0.11
180	01173-51295	BOLT	1				0.086	0.1892
190	01574-51235	STUD	3				0	0
200	04512-60120	WASHER SPRING	8				0.005	0.011
210	02176-50120	NUT	3				0.01	0.022
220	32590-95550	KIT CASE PTO	1	<=61534		[AU][NZ] SERVICE PARTS	0	0

1ST SHAFT (MDT)



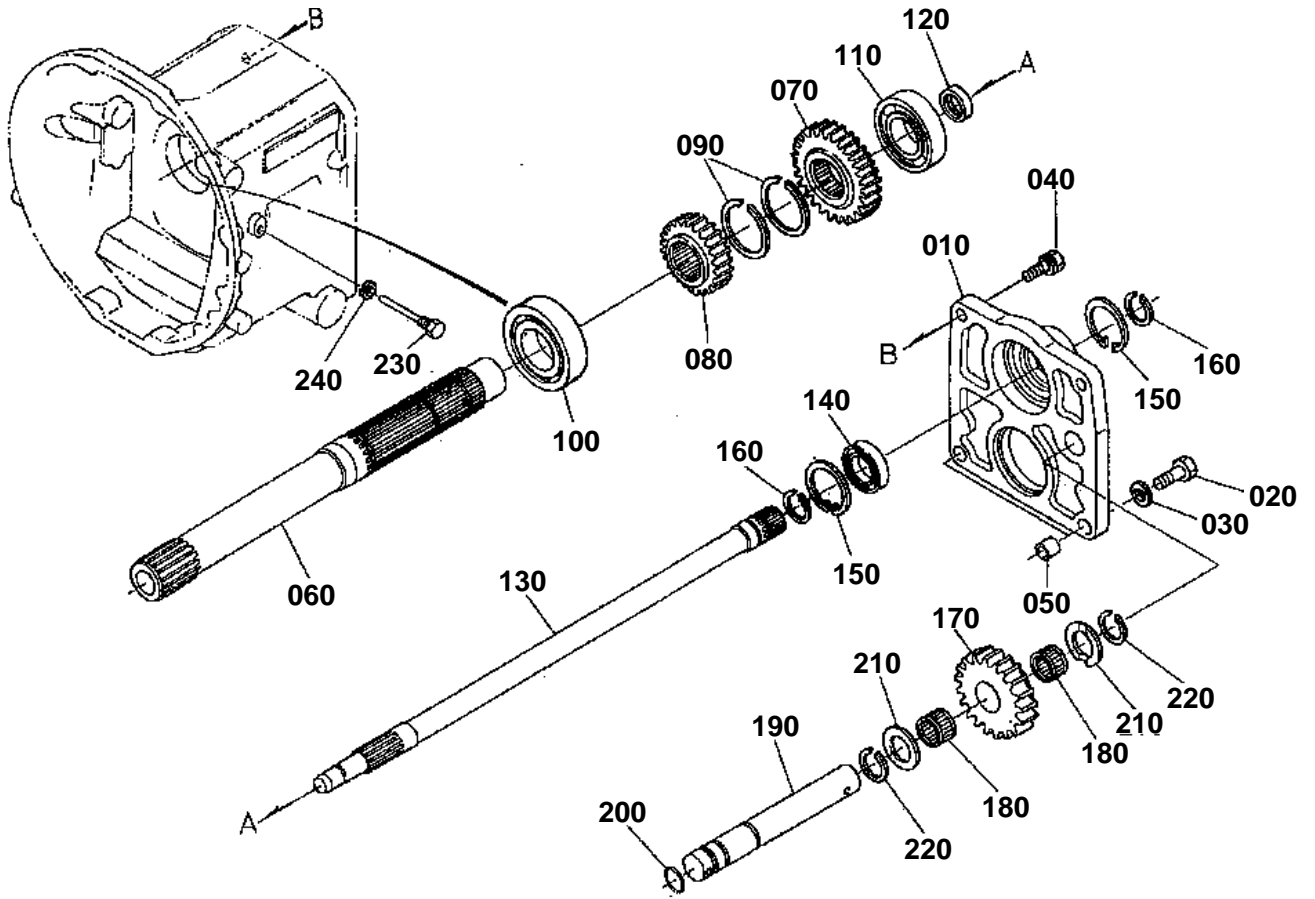


# 1ST SHAFT (MDT)

↔ Interchangeable; ≠ not interchangeable; ← new for old; → old for new

REF.No	Part No.	Description	Q'ty	S.No.	I/C	REMARKS	Weight (kgf)	Weight (lb)
010	32590-20520	CASE BEARING	1				3.03	6.666
020	01176-51040	BOLT	2				0.03	0.066
030	04512-60100	WASHER SPRING	2				0.002	0.0044
040	01133-51240	BOLT	2				0.05	0.11
050	32590-20570	PIPE KNOCK	2				0.005	0.011
060	32590-20610	SHAFT FIRST	1				1	2.2
070	32590-20540	GEAR	1			25T	0.72	1.584
080	32590-20560	GEAR	1			23T	0.58	1.276
090	32590-20530	COLLAR	1				0.36	0.792
100	36730-28040	CIR-CRIP EXTERNAL	2	<=61480			0	0
100	36730-28043	CIR-CRIP EXTERNAL	2	>=61481	←		0.009	0.0198
110	08101-06208	BEARING BALL	1				0.355	0.781
120	08101-06207	BEARING BALL	1				0.282	0.6204
130	36730-24330	SEAL FIRST SHAFT	1				0.005	0.011
140	32590-20920	SHAFT PTO FIRST	1				1.8	3.96
150	08101-06005	BEARING BALL	1				0.08	0.176
160	04611-00470	CIR CLIP INTERNAL	2				0.006	0.0132
170	38430-21550	CIRCLIP EXTERNAL	2				0.005	0.011
180	32590-20370	GEAR	1			22T	0.7	1.54
190	08822-53216	BEARING NEEDLE	2				0.026	0.0572
200	32590-20660	SHAFT BACK	1				0.75	1.65
210	04811-00210	O RING	1				0.001	0.0022
220	32530-21760	COLLAR	2				0.02	0.044
230	38430-21550	CIRCLIP EXTERNAL	2				0.005	0.011
240	32530-23130	SCREW SET	1				0.025	0.055
250	04512-60080	WASHER SPRING	1				0.002	0.0044

1ST SHAFT (HDT)



32590-013-10.

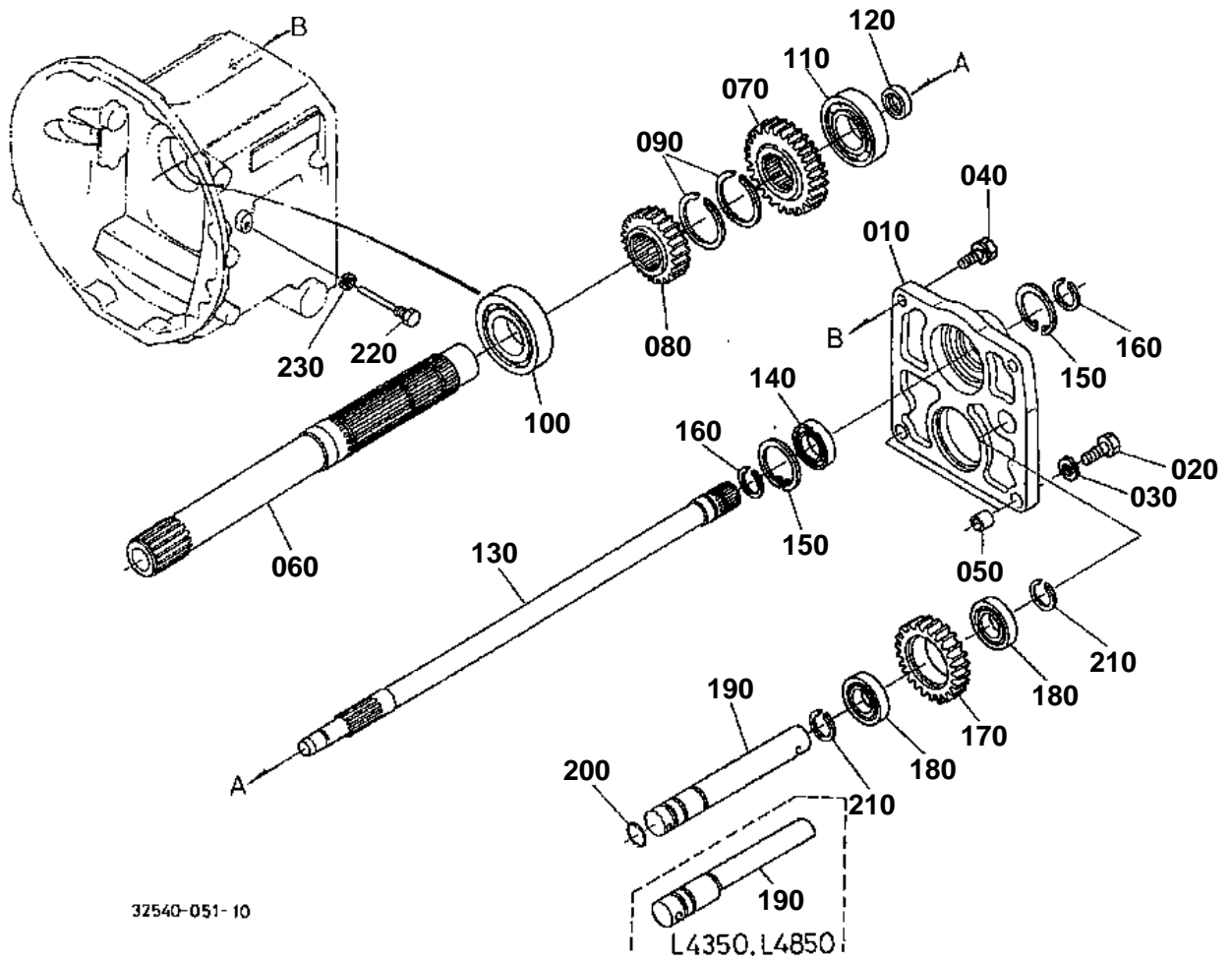


# 1ST SHAFT (HDT)

↔ Interchangeable; ≠ not interchangeable; ← new for old; → old for new

REF.No	Part No.	Description	Q'ty	S.No.	I/C	REMARKS	Weight (kgf)	Weight (lb)
010	32590-20520	CASE BEARING	1				3.03	6.666
020	01176-51040	BOLT	2				0.03	0.066
030	04512-60100	WASHER SPRING	2				0.002	0.0044
040	01133-51240	BOLT	2				0.05	0.11
050	32590-20570	PIPE KNOCK	2				0.005	0.011
060	32590-20610	SHAFT FIRST	1				1	2.2
070	32590-20540	GEAR	1			25T	0.72	1.584
080	32590-20560	GEAR	1			23T	0.58	1.276
090	36730-28040	CIR-CRIP EXTERNAL	2	<=61480			0	0
090	36730-28043	CIR-CRIP EXTERNAL	2	>=61481	←		0.009	0.0198
100	08101-06208	BEARING BALL	1				0.355	0.781
110	08101-06207	BEARING BALL	1				0.282	0.6204
120	36730-24330	SEAL FIRST SHAFT	1				0.005	0.011
130	32590-20920	SHAFT PTO FIRST	1				1.8	3.96
140	08101-06005	BEARING BALL	1				0.08	0.176
150	04611-00470	CIR CLIP INTERNAL	2				0.006	0.0132
160	38430-21550	CIRCLIP EXTERNAL	2				0.005	0.011
170	32590-20370	GEAR	1			22T	0.7	1.54
180	08822-53216	BEARING NEEDLE	2				0.026	0.0572
190	32530-20170	SHAFT REVERSE	1				0.73	1.606
200	04811-00210	O RING	1				0.001	0.0022
210	32530-21760	COLLAR	2				0.02	0.044
220	38430-21550	CIRCLIP EXTERNAL	2				0.005	0.011
230	32530-23130	SCREW SET	1				0.025	0.055
240	04512-60080	WASHER SPRING	1				0.002	0.0044

1ST SHAFT (HDT-W)





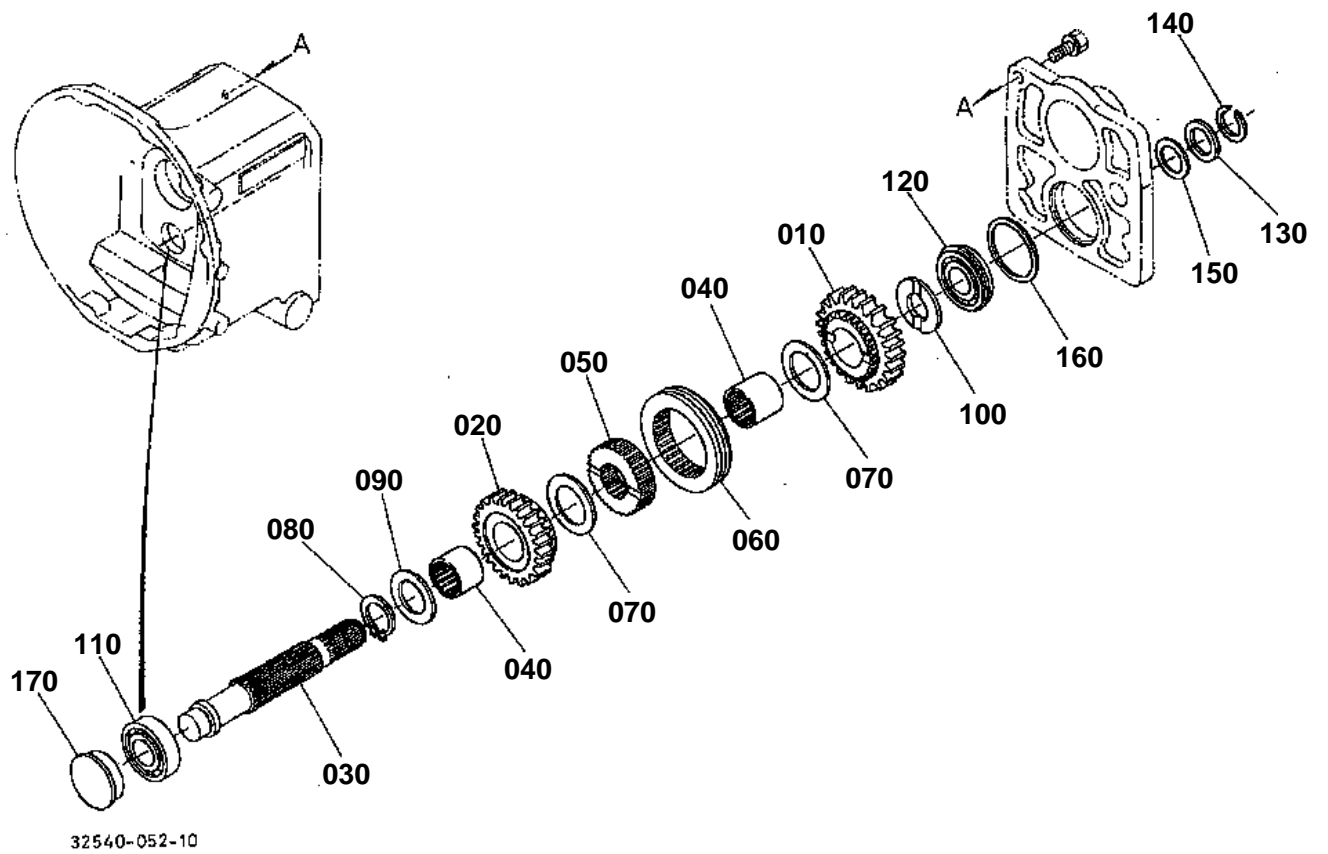


# 1ST SHAFT (HDT-W)

↔ Interchangeable; ≠ not interchangeable; ← new for old; → old for new

REF.No	Part No.	Description	Q'ty	S.No.	I/C	REMARKS	Weight (kgf)	Weight (lb)
010	32590-20520	CASE BEARING	1				3.03	6.666
020	01176-51040	BOLT	2				0.03	0.066
030	04512-60100	WASHER SPRING	2				0.002	0.0044
040	01133-51240	BOLT	2				0.05	0.11
050	32590-20570	PIPE KNOCK	2				0.005	0.011
060	32590-20610	SHAFT FIRST	1				1	2.2
070	32590-20540	GEAR	1			25T	0.72	1.584
080	32590-20560	GEAR	1			23T	0.58	1.276
090	36730-28040	CIR-CRIP EXTERNAL	2	<=61480			0	0
090	36730-28043	CIR-CRIP EXTERNAL	2	>=61481	←		0.009	0.0198
100	08101-06208	BEARING BALL	1				0.355	0.781
110	08101-06207	BEARING BALL	1				0.282	0.6204
120	36730-24330	SEAL FIRST SHAFT	1				0.005	0.011
130	32590-20920	SHAFT PTO FIRST	1				1.8	3.96
140	08101-06005	BEARING BALL	1				0.08	0.176
150	04611-00470	CIR CLIP INTERNAL	2				0.006	0.0132
160	38430-21550	CIRCLIP EXTERNAL	2				0.005	0.011
170	32590-20380	GEAR	1			22T	0.5	1.1
180	32590-20390	BEARING BALL	2				0.045	0.099
190	32590-20160	SHAFT REVERSE	1				0.75	1.65
200	04811-00210	O RING	1				0.001	0.0022
210	38430-21550	CIRCLIP EXTERNAL	2				0.005	0.011
220	32530-23130	SCREW SET	1				0.025	0.055
230	04512-60080	WASHER SPRING	1				0.002	0.0044

2ND SHAFT (MDT)



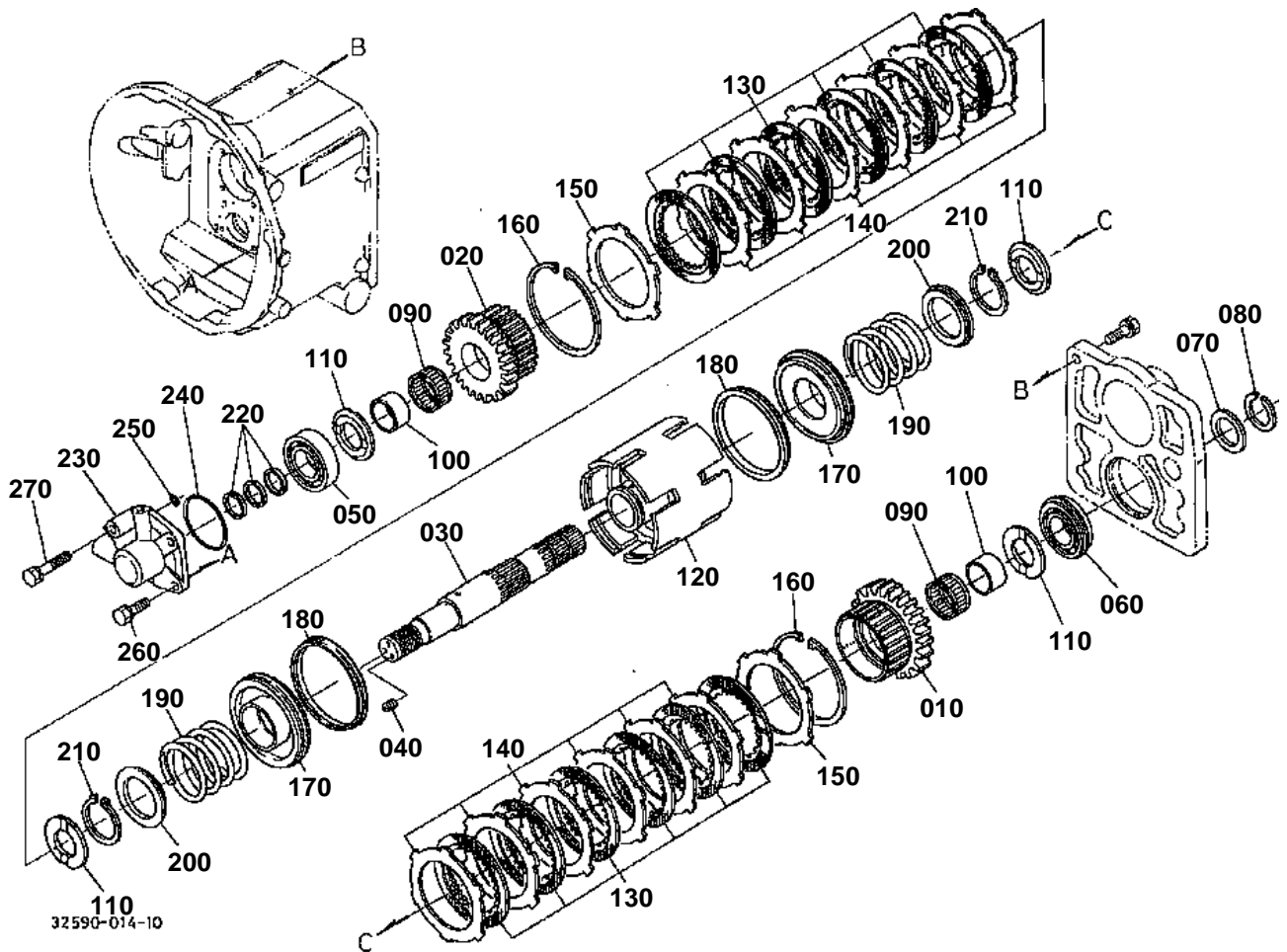


## 2ND SHAFT (MDT)

↔ Interchangeable; ≠ not interchangeable; ← new for old; → old for new

REF.No	Part No.	Description	Q'ty	S.No.	I/C	REMARKS	Weight (kgf)	Weight (lb)
010	32590-20550	GEAR	1			26T	0.9	1.98
020	32590-20580	GEAR	1			24T	0.78	1.716
030	32530-20620	SHAFT	1				1.34	2.948
040	32530-25120	RACE INNER	2				0.13	0.286
050	32530-20630	BOSS SPLINE	1				0.45	0.99
060	32530-20650	SHIFTER	1				0.34	0.748
070	32530-20640	WASHER	2				0.03	0.066
080	36740-41150	CIRCLIP EXTERNAL	1				0.01	0.022
090	36280-41150	COLLAR THRUST	1				0.04	0.088
100	32530-25230	COLLAR THRUST	1				0.035	0.077
110	08101-06206	BEARING BALL	1				0.196	0.4312
120	08151-06206	BEARING BALL	1				0.2	0.44
130	35340-21760	COLLAR THRUST	1				0.01	0.022
140	38430-25540	CIRCLIP EXTERNAL	1				0.004	0.0088
150	32530-20450	SHIM	1				0.002	0.0044
160	32530-20460	SHIM	1				0.002	0.0044
170	41092-11122	COVER BLIND	1				0.05	0.11

2ND SHAFT (HDT)

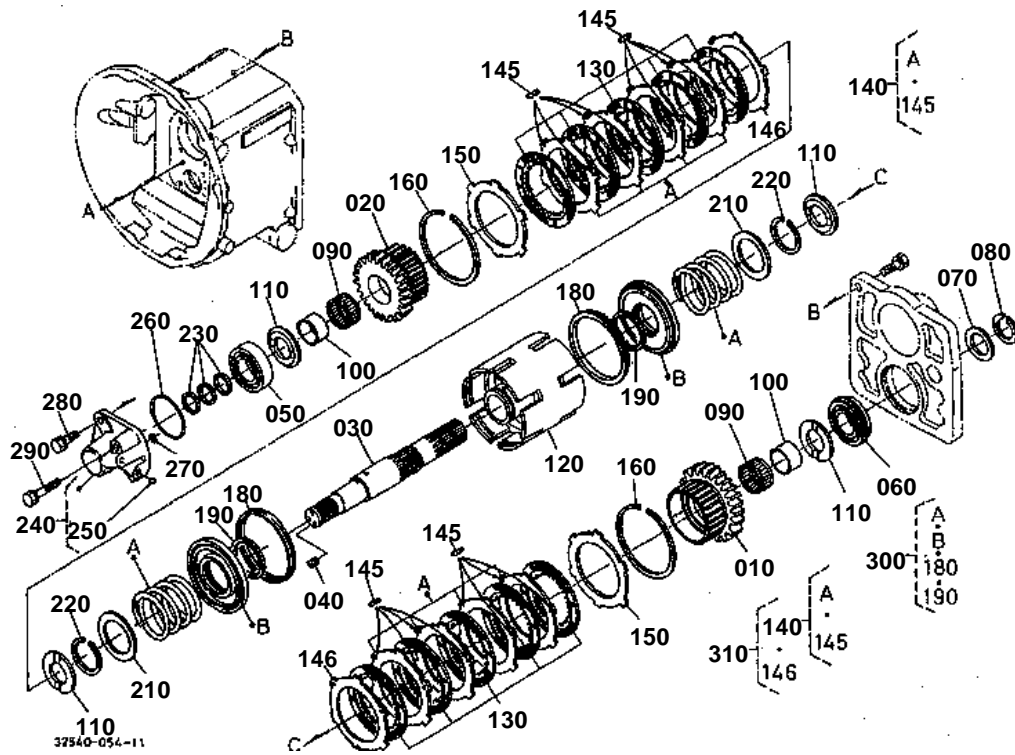


**2ND SHAFT (HDT)**

↔ Interchangeable; ≠ not interchangeable; ← new for old; → old for new

REF.No	Part No.	Description	Q'ty	S.No.	I/C	REMARKS	Weight (kgf)	Weight (lb)
010	32590-20180	GEAR	1			26-78T	1.1	2.42
020	32590-20190	GEAR	1			24-78T	0.96	2.112
030	32530-20213	SHAFT	1				1.555	3.421
040	03410-50606	SCREW SET	2	<=61028			0.001	0.0022
040	03650-50606	SCREW SET	2	>=61029	←		0.002	0.0044
050	38450-25370	BEARING BALL	1				0.2	0.44
060	38450-25360	BEARING BALL	1				0.205	0.451
070	35340-21760	COLLAR THRUST	1				0.01	0.022
080	38430-25540	CIRCLIP EXTERNAL	1				0.004	0.0088
090	32530-20220	BEARING NEEDLE	2				0.05	0.11
100	32530-20230	RACE INNER	2				0.04	0.088
110	32530-20470	COLLAR THRUST	4				0.04	0.088
120	32590-20240	CASE CLUTCH	1				2.3	5.06
130	35370-14240	DISK CLUTCH	12				0.06	0.132
140	33560-40232	PLATE STEEL	12				0.045	0.099
150	32530-20250	PLATE	2				0.1	0.22
160	35370-14270	CIR CLIP INTERNAL	2				0.05	0.11
170	32590-20260	PISTON	2				0.35	0.77
180	32590-20220	SEAL PISTON	2				0.015	0.033
190	32530-20290	SPRING	2				0.11	0.242
200	35370-14230	WASHER	2				0.03	0.066
210	04612-00480	CIRCLIP EXTERNAL	2				0.002	0.0044
220	32530-20270	SEALING	3				0.002	0.0044
230	32590-20280	CASE SEAL	1				0.88	1.936
240	04811-10560	O RING	1				0.002	0.0044
250	04811-00080	O RING	3				0.001	0.0022
260	01123-50825	BOLT	3				0.013	0.0286
270	01123-50845	BOLT	1				0.02	0.044

2ND SHAFT (HDT-W)

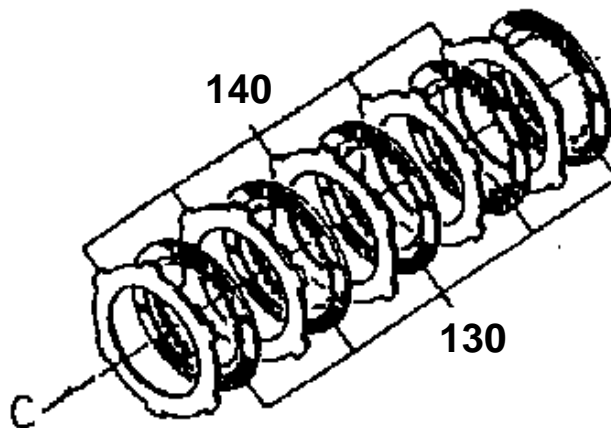
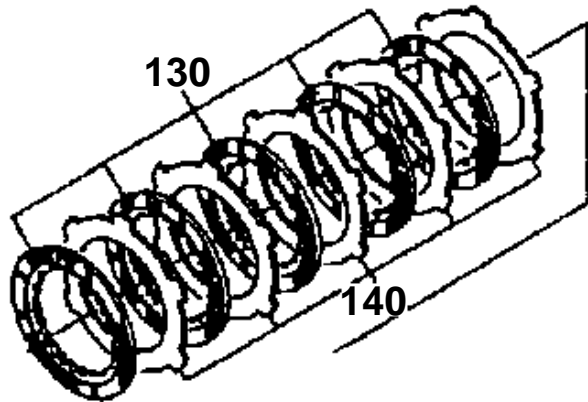


2ND SHAFT (HDT-W)

140 32550-2041-0

140 32550-2041-2

140 32590-2041-0



32540-859-10



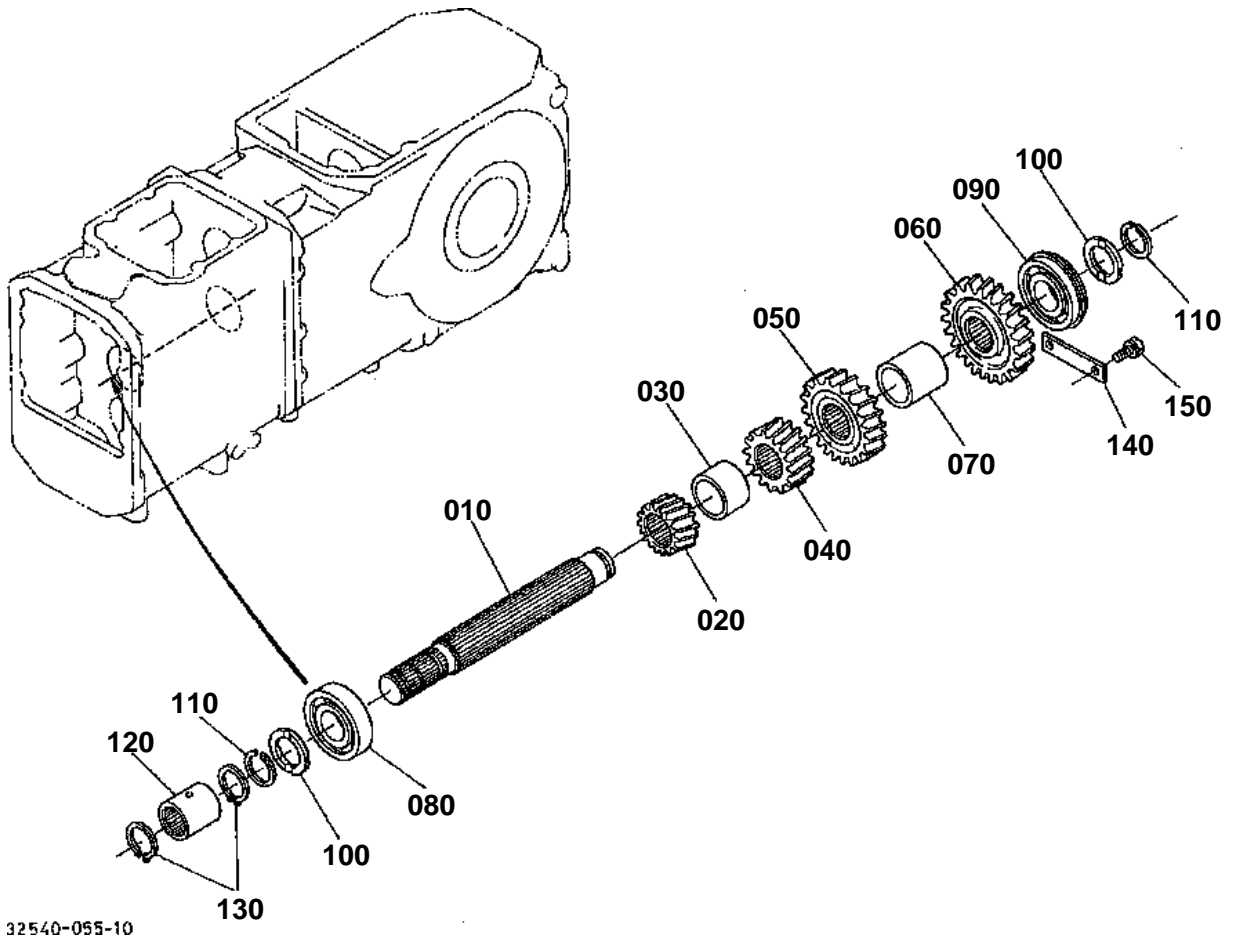
2ND SHAFT (HDT-W)

↔ Interchangeable; ≠ not interchangeable; ← new for old; → old for new

REF.No	Part No.	Description	Q'ty	S.No.	I/C	REMARKS	Weight (kgf)	Weight (lb)
010	32590-20200	GEAR	1			26-41T	1.1	2.42
020	32590-20210	GEAR	1			24-41T	0.95	2.09
030	32530-20213	SHAFT	1				1.555	3.421
040	03410-50606	SCREW SET	2	<=61028			0.001	0.0022
040	03650-50606	SCREW SET	2	>=61029	←		0.002	0.0044
050	38450-25370	BEARING BALL	1				0.2	0.44
060	38450-25360	BEARING BALL	1				0.205	0.451
070	35340-21760	COLLAR THRUST	1				0.01	0.022
080	38430-25540	CIRCLIP EXTERNAL	1				0.004	0.0088
090	32530-20220	BEARING NEEDLE	2				0.05	0.11
100	32530-20230	RACE INNER	2				0.04	0.088
110	32530-20470	COLLAR THRUST	4				0.04	0.088
120	32590-20310	CASE CLUTCH	1				2.6	5.72
130	32590-20402	DISK CLUTCH	10	<=60323			0	0
130	32590-20403	DISK CLUTCH	10	>=60324	←		0.135	0.297
140	32590-20410	PLATE STEEL	10	<=61518		NON SALE ORDER BY REF.No.310	0	0
140	32590-20350	ASSY PLATE STEEL	8	>=61519	≠		0.114	0.2508
145	34076-61670	RUBBER	24	>=61519			0.005	0.011
146	32590-20360	PLATE STEEL	2	>=61519		NON SALE ORDER BY REF.No.140	0.02	0.044
150	32590-20430	PLATE STEEL	2				0.25	0.55
160	32590-20440	CIR-CLIP INTERNAL	2				0.1	0.22
180	32590-20460	SEAL PISTON	2				0.03	0.066
190	32590-20480	D RING	2				0.003	0.0066
210	32590-20490	COLLAR	2				0.001	0.0022
220	32590-20300	RING SNAP	2				0.004	0.0088
230	32530-20270	SEALING	3				0.002	0.0044
240	32590-20420	CASE SEAL	1				0.84	1.848
250	07715-03207	BALL	3				0.001	0.0022
260	04811-10560	O RING	1				0.002	0.0044
270	04811-00080	O RING	3				0.001	0.0022
280	01123-50825	BOLT	2				0.013	0.0286
290	01123-50855	BOLT	1				0.02	0.044
300	32590-95620	KIT SPRING RETURN	1				1.47	3.234
310	32590-95750	KIT PLATE	1	<=61518		SERVICE PARTS	1.19	2.618



MAIN SHAFT



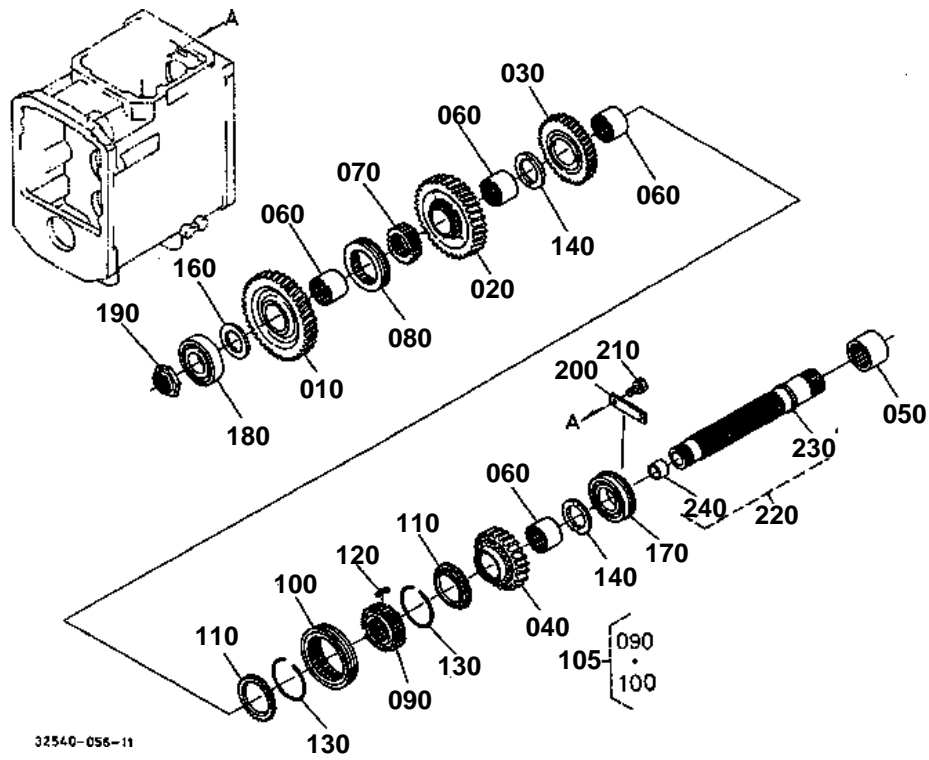


# MAIN SHAFT

↔ Interchangeable; ≠ not interchangeable; ← new for old; → old for new

REF.No	Part No.	Description	Q'ty	S.No.	I/C	REMARKS	Weight (kgf)	Weight (lb)
010	32590-21512	SHAFT MAIN	1				1.97	4.334
020	32590-21500	GEAR	1			16T	0.24	0.528
030	32590-25180	COLLAR	1				0.24	0.528
040	32590-21520	GEAR	1			19T	0.4	0.88
050	32590-21530	GEAR	1			24T	0.68	1.496
060	32590-21540	GEAR	1			27T	0.8	1.76
070	32530-21550	COLLAR	1				0.33	0.726
080	38450-25350	BEARING BALL	1				0.345	0.759
090	08151-06306	BEARING BALL	1				0.36	0.792
100	35340-21760	COLLAR THRUST	2				0.01	0.022
110	38430-25540	CIRCLIP EXTERNAL	2				0.004	0.0088
120	32530-20690	COUPLING	1				0.21	0.462
130	04612-00300	CIRCLIP EXTERNAL	2				0.003	0.0066
140	38430-25530	RETAINER BEARING	1				0.05	0.11
150	01123-50820	BOLT	2				0.011	0.0242

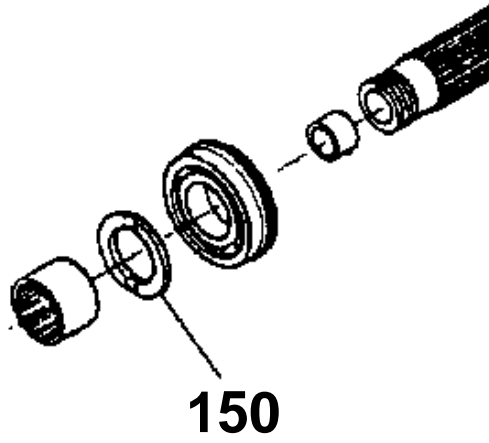
# COUNTERSHAFT



COUNTERSHAFT

---

150 32530-2183-0



32540-816-10

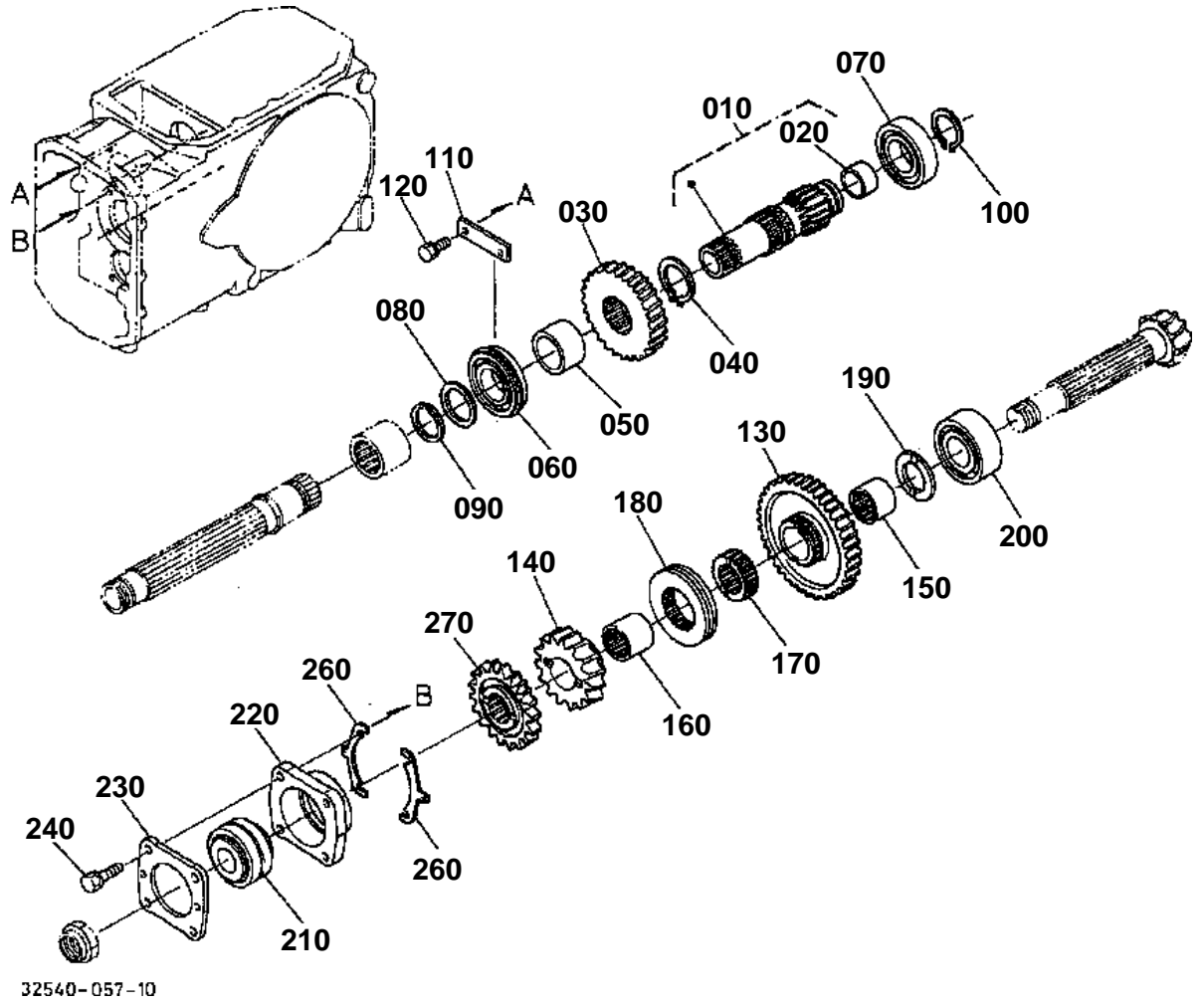


# COUNTERSHAFT

↔ Interchangeable; ≠ not interchangeable; ← new for old; → old for new

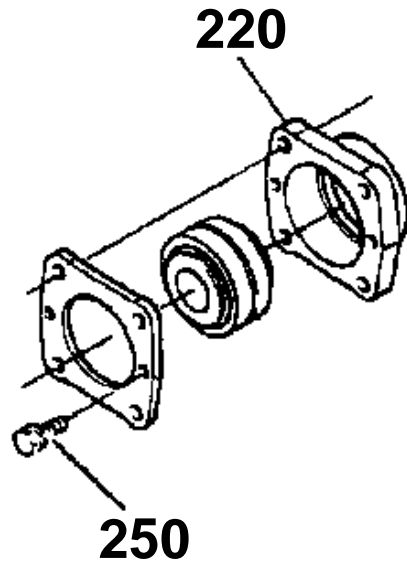
REF.No	Part No.	Description	Q'ty	S.No.	I/C	REMARKS	Weight (kgf)	Weight (lb)
010	32590-21740	GEAR	1			43T	1.82	4.004
020	32590-21730	GEAR	1			40T	1.45	3.19
030	32590-21720	GEAR	1			27T	1.07	2.354
040	32590-21710	GEAR	1			24T	0.9	1.98
050	32530-21850	COUPLING	1				0.22	0.484
060	32530-21870	RACE INNER	4				0.11	0.242
070	32530-21810	BOSS SPLINE	1				0.21	0.462
080	32530-21750	SHIFTER	1				0.33	0.726
090	32530-21770	HUB CLUTCH	1				0.36	0.792
100	38360-21750	CLUTCH	1				0.44	0.968
105	32530-21700	ASSY SHIFTER COUPLIN	1	>=61884			0.77	1.694
110	38360-21790	SYNCHRONIZER	2	<=60553			0	0
110	32430-67630	RING SYNCHRONIZER	2	>=60554	↔		0.055	0.121
120	38360-21760	KEY SYNCHRONIZER	3				0.005	0.011
130	38360-21780	SPRING	2				0.005	0.011
140	32590-21860	COLLAR THRUST	1	<=60553			0.04	0.088
140	32590-21860	COLLAR THRUST	2	>=60554			0.04	0.088
150	32530-21830	COLLAR THRUST	1	<=60553			0.04	0.088
160	36280-41150	WASHER THRUST	1				0.04	0.088
170	08151-06208	BEARING BALL	1				0.373	0.8206
180	08101-06307	BEARING BALL	1				0.44	0.968
190	32530-21620	NUT	1				0.075	0.165
200	38430-25530	RETAINER BEARING	1				0.05	0.11
210	01123-50820	BOLT	2				0.011	0.0242
220	32530-21610	COUNTERSHAFT	1				1.6	3.52
230	32530-21630	COUNTERSHAFT	1				1.54	3.388
240	32530-25160	BUSH	1				0.015	0.033

RANGE GEAR SHAFT



32540-057-10

220 32530-2215-0  
250 01123-50820



32540-817-10

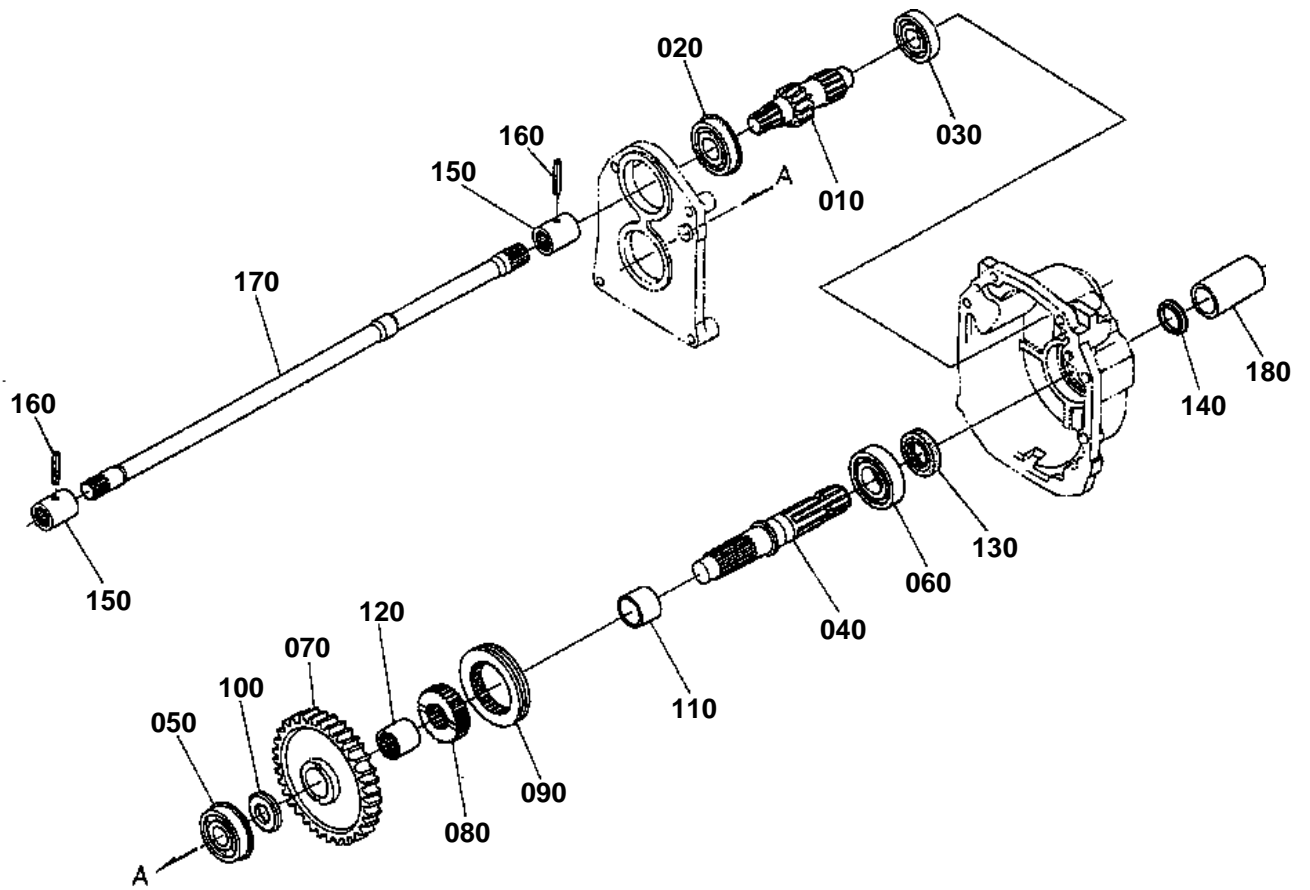
**RANGE GEAR SHAFT**

↔ Interchangeable; ≠ not interchangeable; ← new for old; → old for new

REF.No	Part No.	Description	Q'ty	S.No.	I/C	REMARKS	Weight (kgf)	Weight (lb)
010	32530-21910	GEAR-SHAFT	1			12T	1.24	2.728
020	32530-25160	BUSH	1				0.015	0.033
030	32590-21920	GEAR	1			25T	1.16	2.552
040	04612-00450	CIRCLIP EXTERNAL	1				0.007	0.0154
050	32530-21940	COLLAR	1				0.24	0.528
060	08151-06208	BEARING BALL	1				0.373	0.8206
070	35822-32380	BEARING BALL	1				0.36	0.792
080	32530-21990	WASHER	1				0.015	0.033
090	36730-28040	CIR-CRIP EXTERNAL	1	<=61480			0	0
090	36730-28043	CIR-CRIP EXTERNAL	1	>=61481	←		0.009	0.0198
100	04612-00400	CIRCLIP EXTERNAL	1				0.005	0.011
110	38430-25530	RETAINER BEARING	1				0.05	0.11
120	01123-50825	BOLT	2				0.013	0.0286
130	32530-21950	GEAR	1			39T	1.5	3.3
140	32590-21960	GEAR	1			20T	0.82	1.804
150	32530-25120	RACE INNER	1				0.13	0.286
160	32530-25150	RACE INNER	1				0.11	0.242
170	32530-21970	BOSS SPLINE	1				0.26	0.572
180	32530-21750	SHIFTER	1				0.33	0.726
190	36280-41150	WASHER THRUST	1				0.04	0.088
200	32590-22130	BEARING BALL	1				0.7	1.54
210	32530-22140	BEARING TAPER-ROLLER	1				0.86	1.892
220	32530-22150	CASE PINION BEARING	1	<=60501			0.83	1.826
220	32530-22150	CASE PINION BEARING	1	>=60502	↔		0.83	1.826
230	32530-22170	RETAINER BEARING	1				0.235	0.517
240	01133-51040	BOLT	4				0.03	0.066
250	01123-50820	BOLT	2	<=60501			0.011	0.0242
260	32530-22610	SHIM	2			0.50MM	0.005	0.011
260	32530-22620	SHIM	4			0.20MM	0.003	0.0066
260	32530-22630	SHIM	2			0.10MM	0.001	0.0022
270	32590-44160	GEAR	1			22T	0.81	1.782



PTO SHAFT [A][CA]



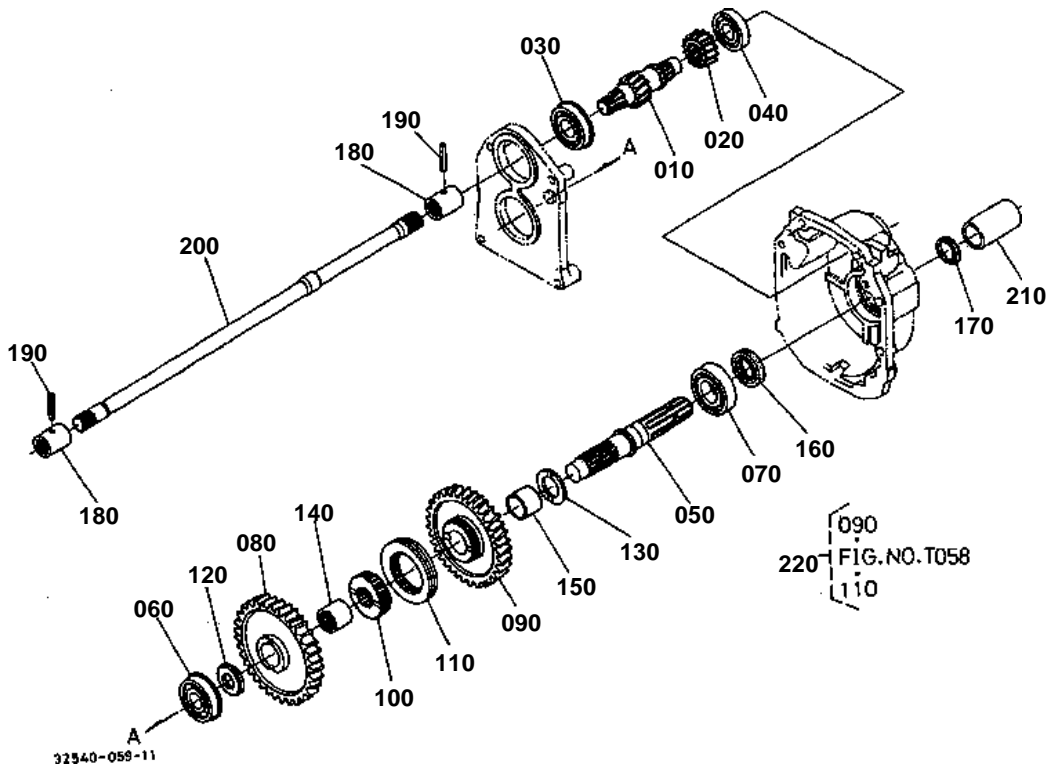
32540-058-10



## PTO SHAFT [A] [CA]

↔ Interchangeable; ≠ not interchangeable; ← new for old; → old for new

REF.No	Part No.	Description	Q'ty	S.No.	I/C	REMARKS	Weight (kgf)	Weight (lb)
010	32590-25280	GEAR-SHAFT	1			11T	1.05	2.31
020	32590-25300	BEARING BALL	1				0.35	0.77
030	08101-06305	BEARING BALL	1	≤60733			0.23	0.506
030	36340-41290	BEARING	1	≥60734	↔		0.235	0.517
040	32530-25313	SHAFT PTO	1				1.65	3.63
050	38450-25340	BEARING BALL	1				0.365	0.803
060	08101-06307	BEARING BALL	1				0.44	0.968
070	32590-25190	GEAR	1			47T	2.46	5.412
080	32530-21970	BOSS SPLINE	1				0.26	0.572
090	32530-21750	SHIFTER	1				0.33	0.726
100	32530-25230	COLLAR THRUST	1				0.035	0.077
110	32590-25180	COLLAR	1				0.24	0.528
120	32530-25150	RACE INNER	1				0.11	0.242
130	37150-25360	SEAL OIL	1				0.025	0.055
140	38240-25370	SLINGER	1				0.004	0.0088
150	32530-20950	COUPLING	2				0.16	0.352
160	05411-00540	PIN SPRING	2				0.004	0.0088
170	32530-25210	SHAFT PTO DRIVE	1				2.48	5.456
180	31220-25820	CAP	1				0.055	0.121



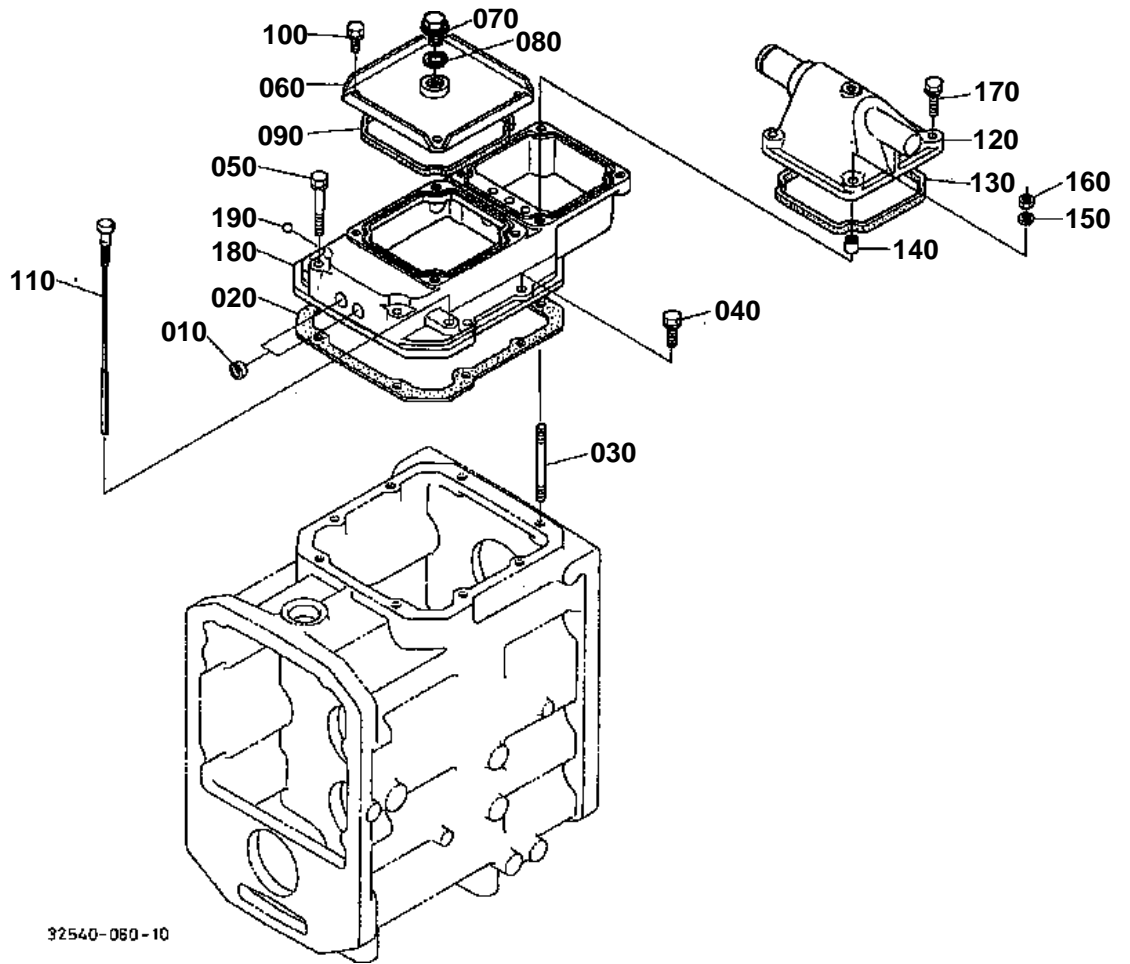


## PTO SHAFT [AU] [NZ]

↔ Interchangeable; ≠ not interchangeable; ← new for old; → old for new

REF.No	Part No.	Description	Q'ty	S.No.	I/C	REMARKS	Weight (kgf)	Weight (lb)
010	32590-25290	GEAR-SHAFT	1			11T	1.02	2.244
020	32590-25260	GEAR PTO	1			17T	0.415	0.913
030	32590-25300	BEARING BALL	1				0.35	0.77
040	08101-06305	BEARING BALL	1	<=60733			0.23	0.506
040	36340-41290	BEARING	1	>=60734	←		0.235	0.517
050	32530-25313	SHAFT PTO	1				1.65	3.63
060	38450-25340	BEARING BALL	1				0.365	0.803
070	08101-06307	BEARING BALL	1				0.44	0.968
080	32590-25190	GEAR	1			47T	2.46	5.412
090	32590-25170	GEAR PTO	1			42T	0	0
090	3A013-80330	GEAR PTO	1	<=61534		42T SERVICE PARTS	2.14	4.708
100	32530-21970	BOSS SPLINE	1				0.26	0.572
110	32530-21750	SHIFTER	1				0.33	0.726
120	32530-25230	COLLAR THRUST	1				0.035	0.077
130	36280-41150	COLLAR THRUST	1				0.04	0.088
140	32530-25150	RACE INNER	1				0.11	0.242
150	32530-25223	RACE INNER	1				0.1	0.22
160	37150-25360	SEAL OIL	1				0.025	0.055
170	38240-25370	SLINGER	1				0.004	0.0088
180	32530-20950	COUPLING	2				0.16	0.352
190	05411-00540	PIN SPRING	2				0.004	0.0088
200	32530-25210	SHAFT PTO DRIVE	1				2.48	5.456
210	31220-25820	CAP	1				0.055	0.121
220	32590-95550	KIT CASE PTO	1	<=61534		SERVICE PARTS	0	0

MAIN GEAR SHIFT COVER



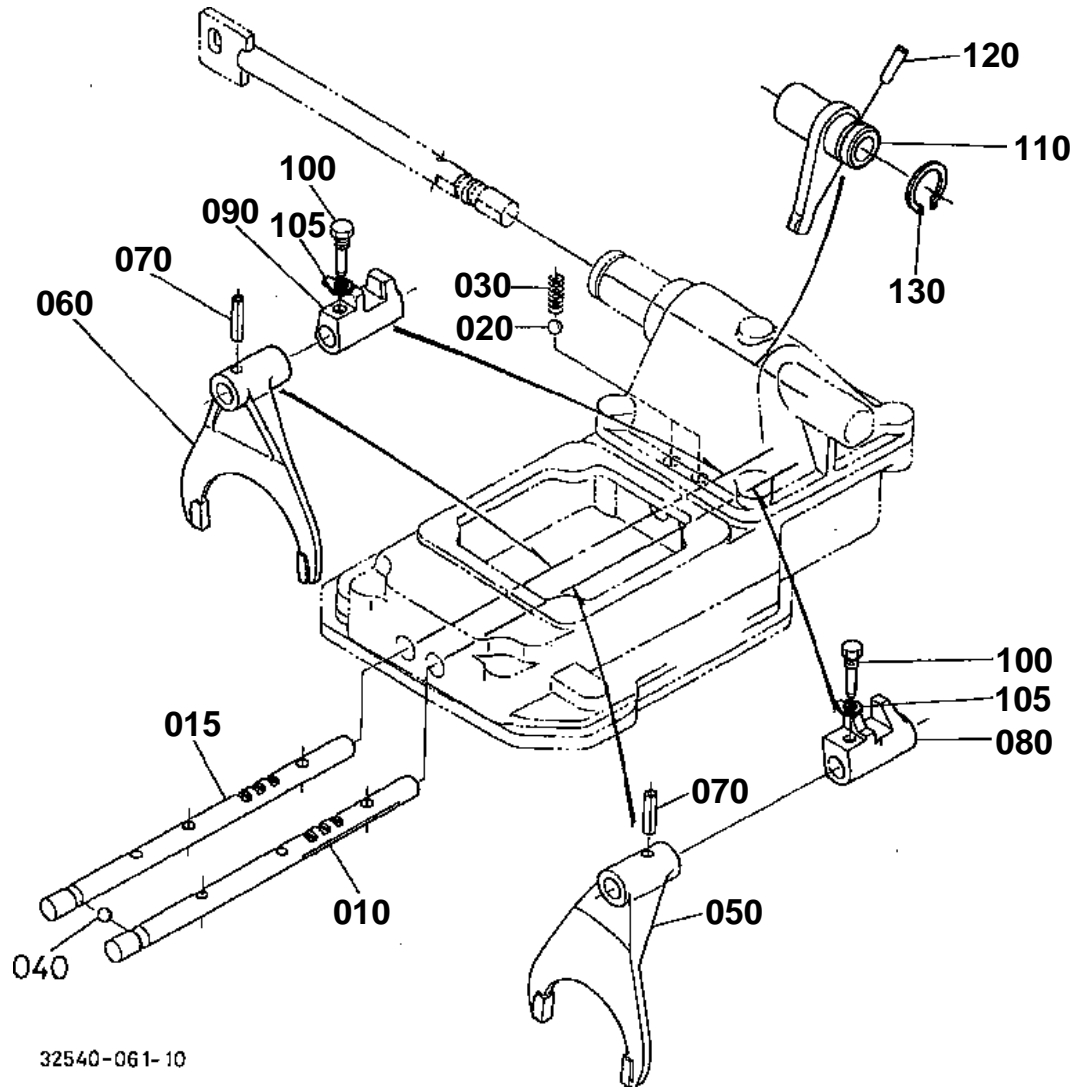


## MAIN GEAR SHIFT COVER

↔ Interchangeable; ≠ not interchangeable; ← new for old; → old for new

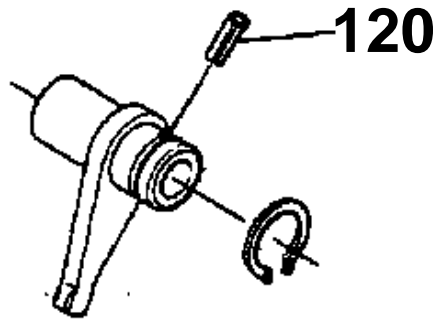
REF.No	Part No.	Description	Q'ty	S.No.	I/C	REMARKS	Weight (kgf)	Weight (lb)
010	32530-21220	PLUG	2				0.003	0.0066
020	32530-21240	GASKET	1				0.01	0.022
030	01513-50880	STUD	2				0.04	0.088
040	01123-50825	BOLT	4				0.013	0.0286
050	01123-50855	BOLT	2				0.02	0.044
060	32530-23740	COVER	1				0.53	1.166
070	06314-60040	PLUG OIL FILLER	1				0.016	0.0352
080	04717-02150	WASHER WITH RUBBER	1				0.004	0.0088
090	32530-23720	SQUARE RING	1				0.005	0.011
100	01123-60814	BOLT	4				0.008	0.0176
110	32530-21290	GAUGE OIL	1				0.01	0.022
120	32530-23710	BRACKET GEAR SHIFT	1				0.65	1.43
130	32530-23720	SQUARE RING	1				0.005	0.011
140	41051-14590	PIPE KNOCK	2				0.002	0.0044
150	04512-60080	WASHER SPRING	2				0.002	0.0044
160	02156-50080	NUT	2				0.004	0.0088
170	01123-50825	BOLT	2				0.013	0.0286
180	32530-21210	COVER SHIFT	1				1.66	3.652
190	07715-01607	BALL	1				0.006	0.0132

MAIN GEAR SHIFT FORK



32540-061-10

120 05411-00625



32540-818-10



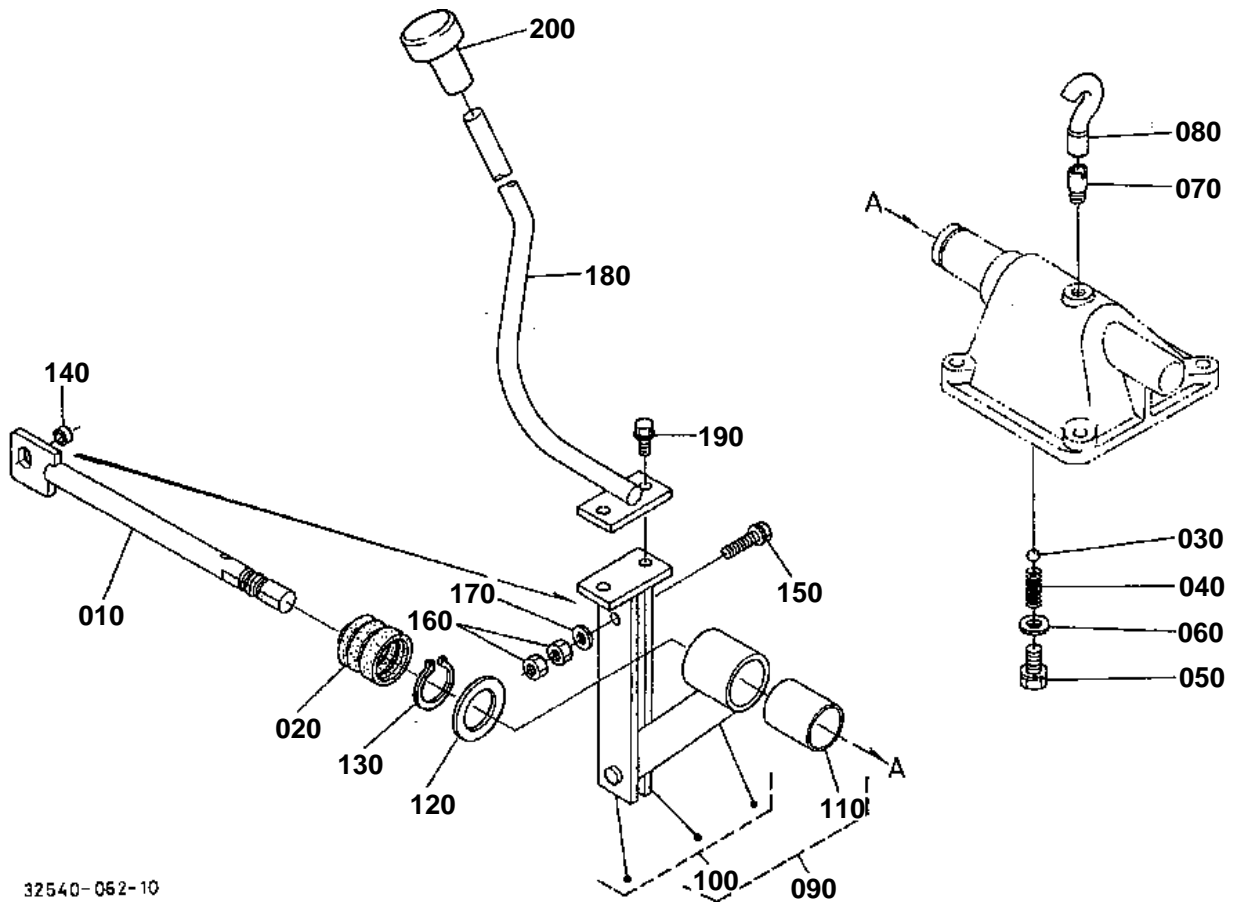


# MAIN GEAR SHIFT FORK

↔ Interchangeable; ≠ not interchangeable; ← new for old; → old for new

REF.No	Part No.	Description	Q'ty	S.No.	I/C	REMARKS	Weight (kgf)	Weight (lb)
010	32530-23542	ROD FORK	1				0.3	0.66
015	32530-23550	ROD FORK	1				0.285	0.627
020	07715-01605	BALL	2				0.003	0.0066
030	32530-23730	SPRING	2				0.001	0.0022
040	07715-00803	BALL	1				0.004	0.0088
050	32530-23510	FORK MAIN SHIFT	1				0.42	0.924
060	32530-23520	FORK MAIN SHIFT	1				0.42	0.924
070	05411-00635	PIN SPRING	2	<=61028			0.005	0.011
070	05411-00625	PIN SPRING	2	>=61029	←		0.004	0.0088
080	32530-24870	SUPPORT S-CHANGE	1				0.15	0.33
090	32530-24880	SUPPORT S-CHANGE	1				0.13	0.286
100	32530-24890	SCREW SET	2				0.01	0.022
105	32530-24860	WASHER	2				0.001	0.0022
110	32530-23770	LEVER SHIFT	1				0.23	0.506
120	05411-00625	PIN SPRING	1	<=60501			0.004	0.0088
120	32590-23890	NEEDLE	1	>=60502	←		0.005	0.011
130	04612-00290	CIRCLIP EXTERNAL	1				0.003	0.0066

MAIN GEAR SHIFT LEVER

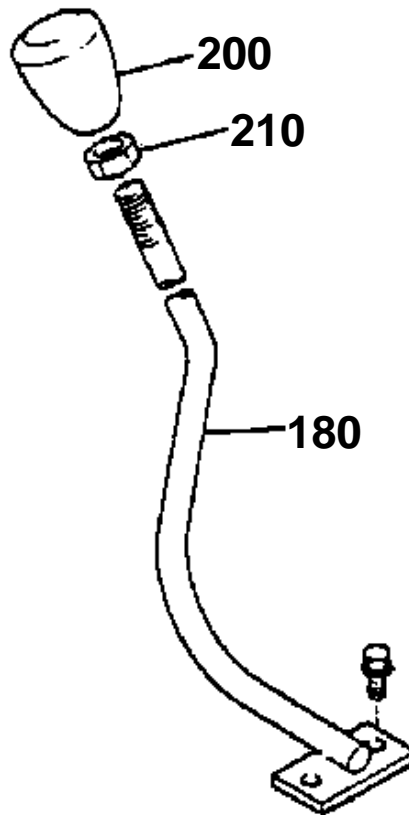


32540-062-10

MAIN GEAR SHIFT LEVER

---

180 32530-2383-3  
200 33251-2962-0  
210 02176-50140



32540-819-10

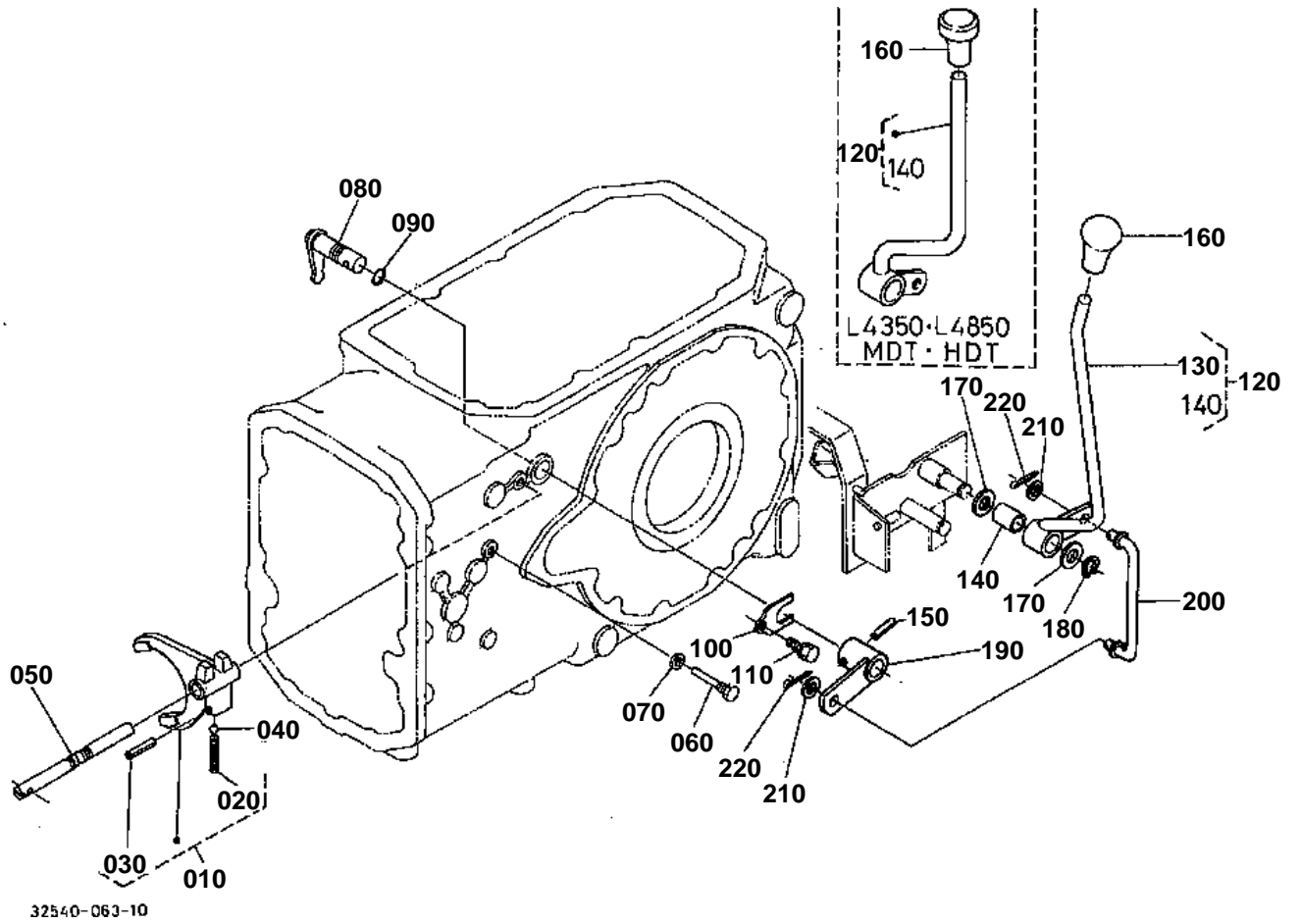


# MAIN GEAR SHIFT LEVER

↔ Interchangeable; ≠ not interchangeable; ← new for old; → old for new

REF.No	Part No.	Description	Q'ty	S.No.	I/C	REMARKS	Weight (kgf)	Weight (lb)
010	32530-23760	ROD SPEED CHANGE	1				0.4	0.88
020	32530-23780	BOOT	1				0.011	0.0242
030	07715-01605	BALL	1				0.003	0.0066
040	62231-18530	SPRING	1				0.01	0.022
050	01133-51022	BOLT	1				0.025	0.055
060	04013-50100	WASHER PLAIN	1				0	0
070	36200-21610	BREATHER	1				0.008	0.0176
080	31351-37140	BREATHER	1				0.01	0.022
090	32530-23790	LEVER MAIN-SHIFT	1				0.85	1.87
100	32530-23800	LEVER MAIN-SHIFT	1				0.83	1.826
110	08511-03040	BUSH	1				0.07	0.154
120	35340-21760	COLLAR THRUST	1				0.01	0.022
130	04612-00300	CIRCLIP EXTERNAL	1				0.003	0.0066
140	32530-23850	COLLAR	1				0.005	0.011
150	01754-50830	BOLT FLANGE	1				0.01	0.022
160	02114-50080	NUT	2				0.005	0.011
170	04013-50080	WASHER PLAIN	1				0	0
180	32530-23833	LEVER MAIN SHIFT	1	≤60347			0.6	1.32
180	32530-23834	LEVER MAIN SHIFT	1	≥60348	≠		0.6	1.32
190	01754-50816	BOLT FLANGE	2				0.011	0.0242
200	33251-29620	GRIP GEAR SHIFT	1	≤60347			0.057	0.1254
200	56501-17530	GRIP	1	≥60348	≠		0.042	0.0924
210	02176-50140	NUT	1	≤60347			0.014	0.0308

RANGE GEAR SHIFT LEVER

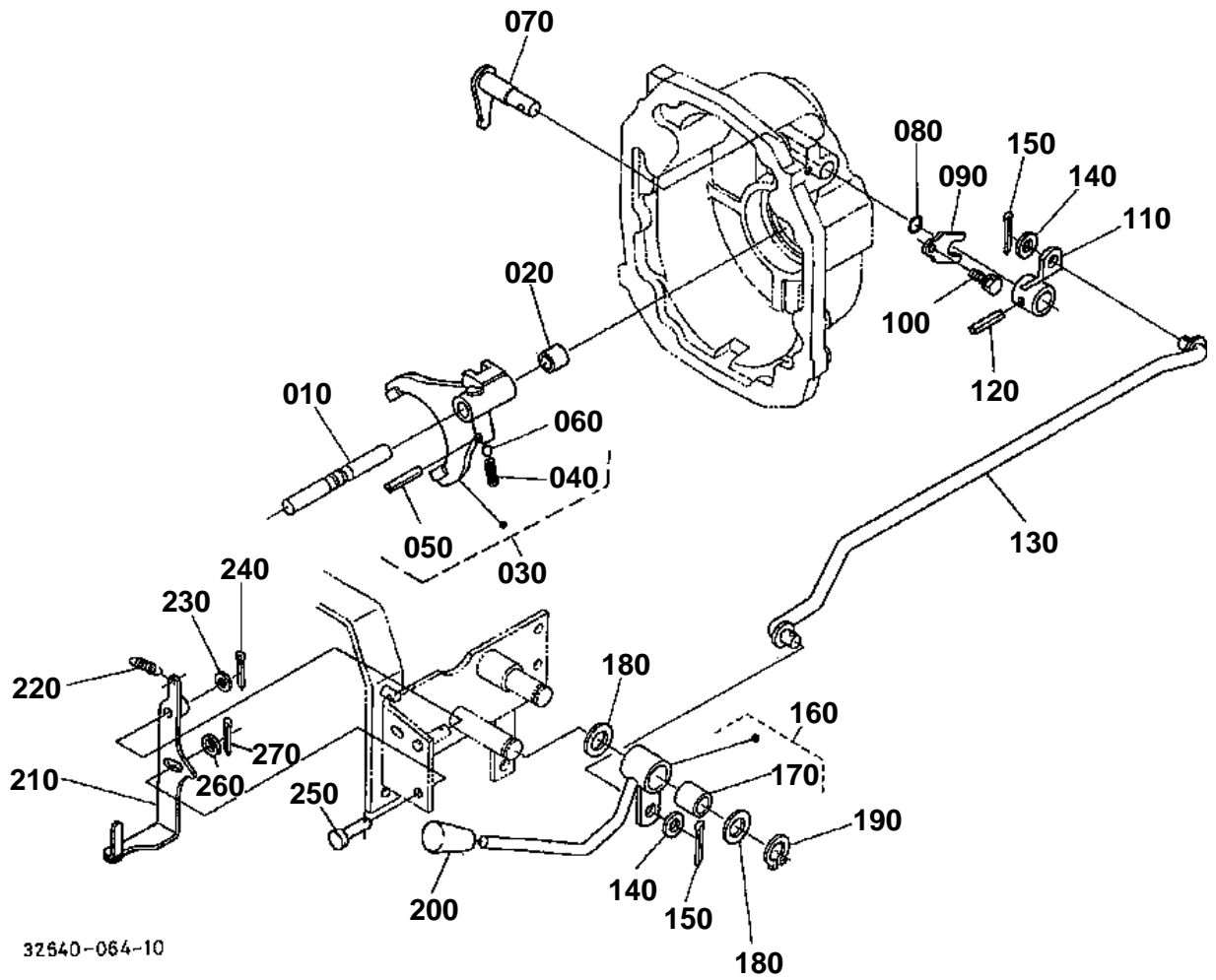


**RANGE GEAR SHIFT LEVER**

↔ Interchangeable; ≠ not interchangeable; ← new for old; → old for new

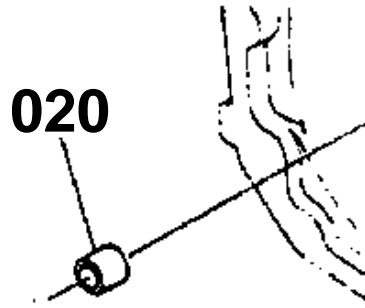
REF.No	Part No.	Description	Q'ty	S.No.	I/C	REMARKS	Weight (kgf)	Weight (lb)
010	32530-24100	ASSY FORK SHIFT	1				0.4	0.88
020	62231-18530	SPRING	1				0.01	0.022
030	05411-00325	PIN SPRING	1				0.001	0.0022
040	07715-01605	BALL	1				0.003	0.0066
050	32530-24130	ROD FORK	1				0.18	0.396
060	37150-23120	SCREW SET	1				0.02	0.044
070	04717-00800	WASHER WITH RUBBER	1				0.001	0.0022
080	32530-24820	LEVER SHIFT	1				0.18	0.396
090	04811-00150	O RING	1				0.001	0.0022
100	34150-24350	STOPPER LEVER	1				0.015	0.033
110	01123-60816	BOLT	1				0.01	0.022
120	32590-24200	LAVER RANGE SHIFT	1			MDT/HDT	0.6	1.32
120	32590-24200	LAVER RANGE SHIFT	1			HDT-W	0.6	1.32
130	32590-24210	LAVER RANGE SHIFT	1	<=60314			0	0
130	32590-24213	LAVER RANGE SHIFT	1	>=60315	←		0.56	1.232
140	08511-02030	BUSH	1				0.02	0.044
150	05411-00640	PIN SPRING	1				0.006	0.0132
160	31355-82520	GRIP LEVER	1			MDT/HDT	0.05	0.11
160	31355-82520	GRIP LEVER	1			HDT-W	0.05	0.11
170	04013-50200	WASHER PLAIN	2				0.02	0.044
180	04612-00200	CIRCLIP EXTERNAL	1				0.001	0.0022
190	32530-24220	ARM LEVER	1				0.4	0.88
200	32530-24230	ROD SPEED CHANGE	1				0.165	0.363
210	04013-60120	WASHER PLAIN	2				0.01	0.022
220	05511-50322	PIN SPLIT	2				0.002	0.0044

PTO GEAR SHIFT LEVER

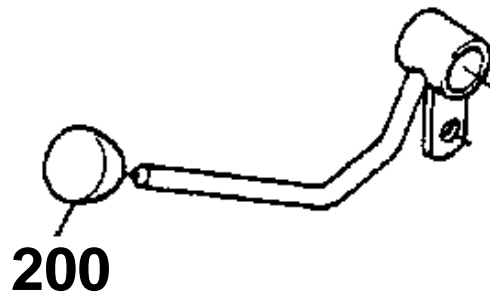


32540-064-10

020 66621-1843-0



200 66711-4231-0



32540-820-10



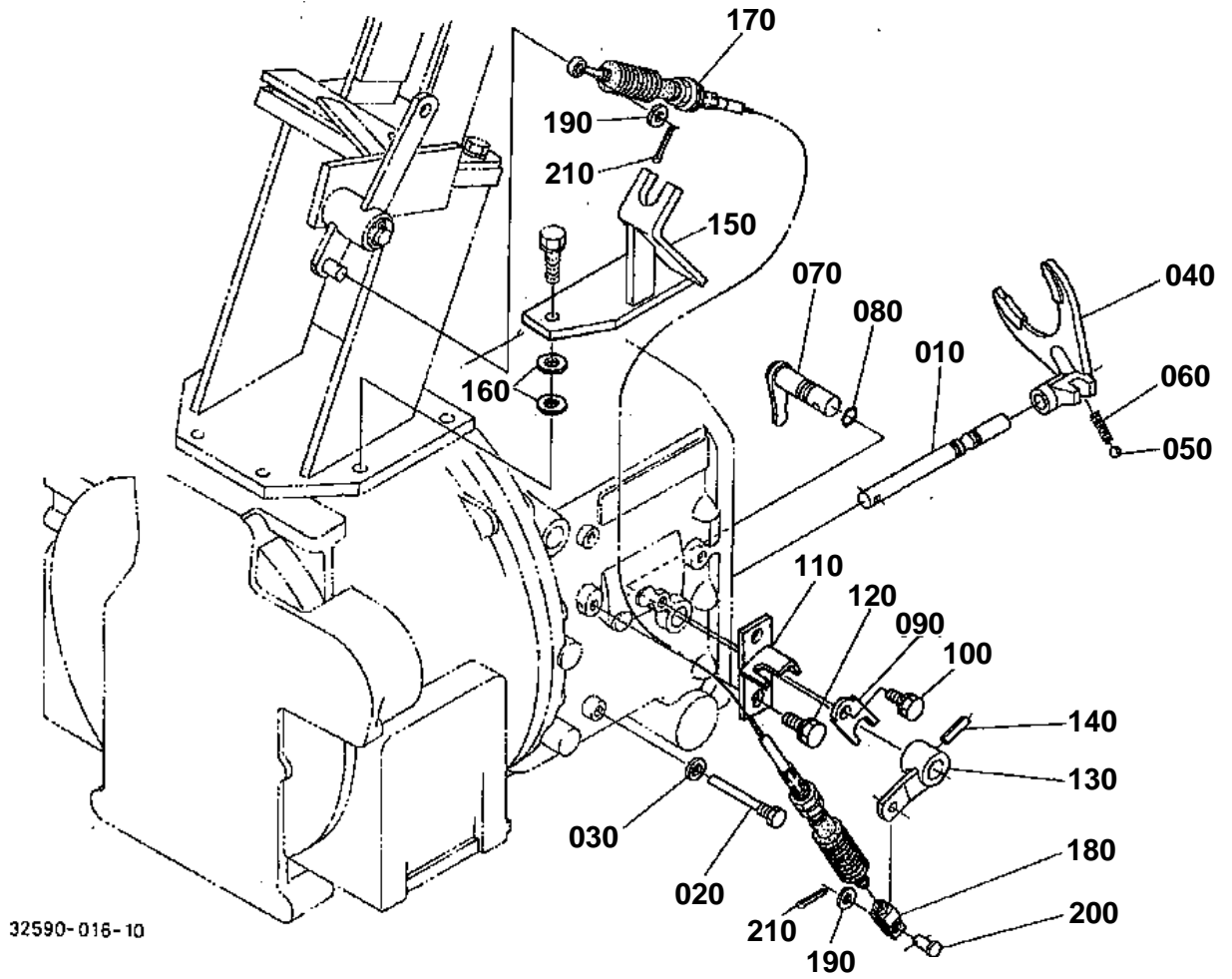


# PTO GEAR SHIFT LEVER

↔ Interchangeable; ≠ not interchangeable; ← new for old; → old for new

REF.No	Part No.	Description	Q'ty	S.No.	I/C	REMARKS	Weight (kgf)	Weight (lb)
010	32530-24740	ROD PTO FORK	1				0.25	0.55
020	66621-18430	COLLAR	1	<=61028		[AU] [NZ]	0.02	0.044
020	66621-18430	COLLAR	1			[A] [CA]	0.02	0.044
030	32530-24603	ASSY FORK SHIFT	1				0.37	0.814
040	62231-18530	SPRING	1				0.01	0.022
050	05411-00316	PIN SPRING	1				0.001	0.0022
060	07715-01605	BALL	1				0.003	0.0066
070	32530-24820	LEVER SHIFT	1				0.18	0.396
080	04811-00150	O RING	1				0.001	0.0022
090	34150-24350	STOPPER LEVER	1				0.015	0.033
100	01123-60816	BOLT	1				0.01	0.022
110	32530-24830	ARM PTO LEVER	1				0.11	0.242
120	05411-00640	PIN SPRING	1				0.006	0.0132
130	32530-24840	ROD SPEED CHANGE	1				0.56	1.232
140	04013-60120	WASHER PLAIN	2				0.01	0.022
150	05511-50322	PIN SPLIT	2				0.002	0.0044
160	32530-24810	ASSY LEVER PTO SHIFT	1				0.355	0.781
170	08511-02030	BUSH	1				0.02	0.044
180	04013-50200	WASHER PLAIN	2				0.02	0.044
190	04612-00200	CIRCLIP EXTERNAL	1				0.001	0.0022
200	66711-42310	GRIP LEVER	1	<=60314			0.033	0.0726
200	54201-23270	GRIP	1	>=60315	≠		0.02	0.044

SHUTTLE GEAR SHIFT LEVER (MDT)



32590-016-10

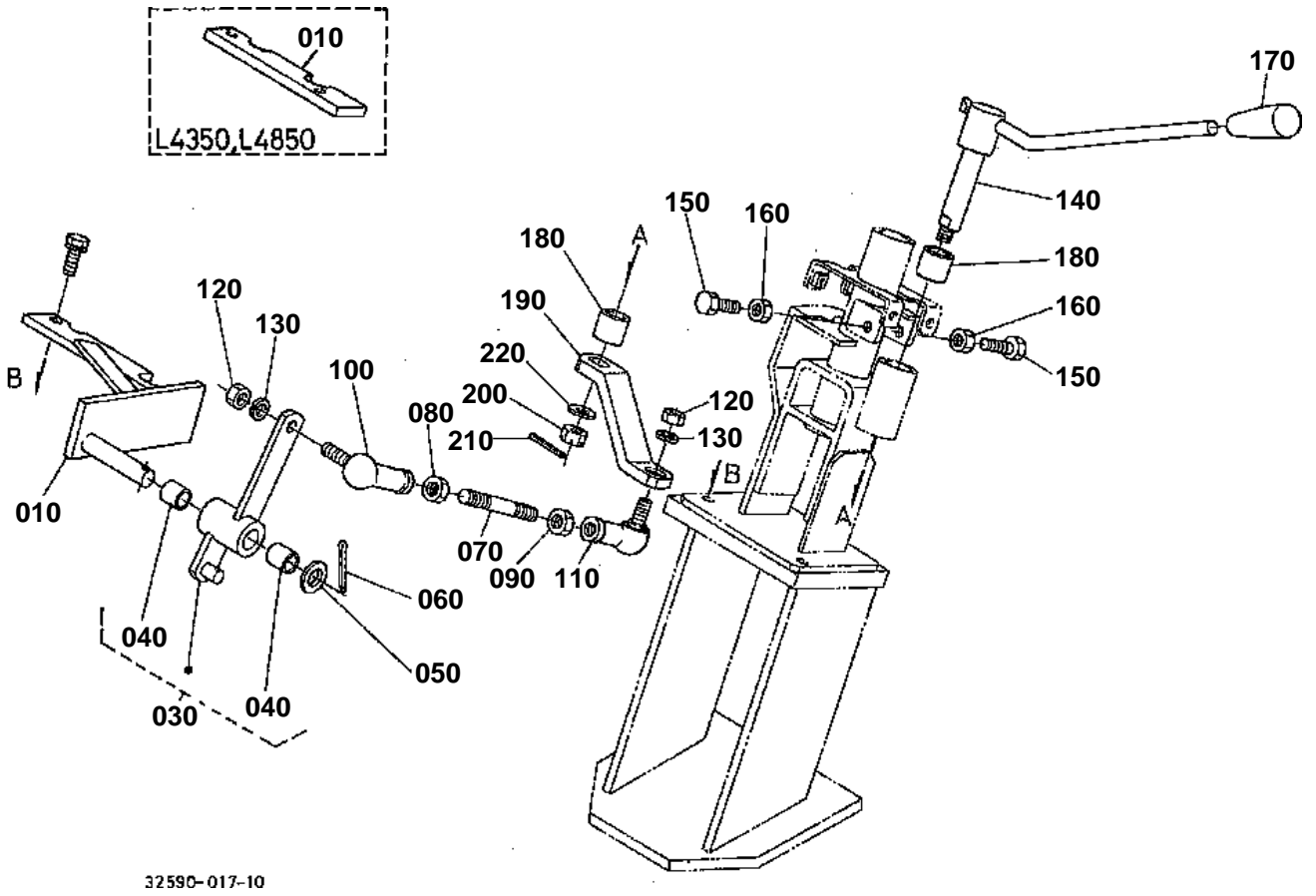


## SHUTTLE GEAR SHIFT LEVER (MDT)

↔ Interchangeable; ≠ not interchangeable; ← new for old; → old for new

REF.No	Part No.	Description	Q'ty	S.No.	I/C	REMARKS	Weight (kgf)	Weight (lb)
010	32530-20810	ROD FORK	1				0.25	0.55
020	32530-23130	SCREW SET	1				0.025	0.055
030	04717-00800	WASHER WITH RUBBER	1				0.001	0.0022
040	32530-20820	FORK SHIFT	1				0.38	0.836
050	07715-01605	BALL	1				0.003	0.0066
060	62231-18530	SPRING	1				0.01	0.022
070	32530-20872	LEVER SHIFT	1				0.19	0.418
080	04811-00150	O RING	1				0.001	0.0022
090	34150-24350	STOPPER LEVER	1				0.015	0.033
100	01123-60816	BOLT	1				0.01	0.022
110	32590-22710	HOLDER CABLE	1				0.12	0.264
120	01123-60816	BOLT	2				0.01	0.022
130	32583-20720	ARM SHUTTLE	1				0.15	0.33
140	05411-00840	PIN SPRING	1				0.008	0.0176
150	32583-22723	BRACKET CABLE	1				0.36	0.792
160	04013-60120	WASHER PLAIN	4				0.01	0.022
170	32583-22730	CABLE SHUTTLE	1				0.34	0.748
180	31355-82940	CONNECTOR CABLE	1				0.04	0.088
190	04013-50100	WASHER PLAIN	2				0	0
200	05112-51018	PIN JOINT	1				0.011	0.0242
210	05511-50322	PIN SPLIT	2				0.002	0.0044

SHUTTLE SHIFT LEVER (MDT)



32590-017-10

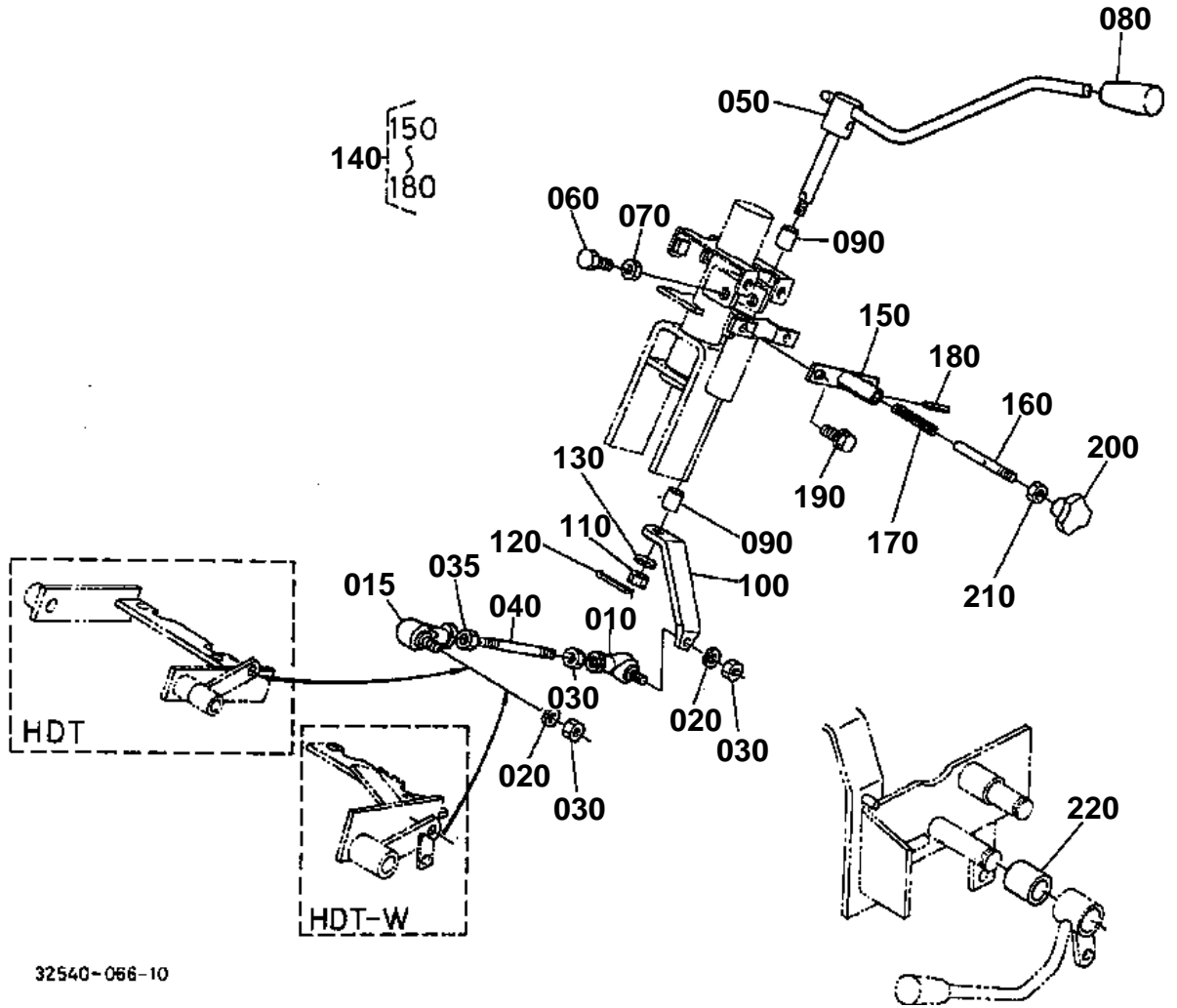


## SHUTTLE SHIFT LEVER (MDT)

↔ Interchangeable; ≠ not interchangeable; ← new for old; → old for new

REF.No	Part No.	Description	Q'ty	S.No.	I/C	REMARKS	Weight (kgf)	Weight (lb)
010	32590-22743	SUPPORT SHUTTLE LINK	1				0.6	1.32
030	32583-22750	ASSY LINK SHUTTLE	1				0.25	0.55
040	08511-01415	BUSH	2				0.006	0.0132
050	04011-50140	WASHER PLAIN	1				0.007	0.0154
060	05511-50425	PIN SPLIT	1				0.003	0.0066
070	32583-22770	ROD SHUTTLE	1				0.03	0.066
080	37300-41330	NUT	1				0.005	0.011
090	02114-50080	NUT	1				0.005	0.011
100	54721-31840	BALL LINK	1				0.065	0.143
110	54721-31850	BALL LINK	1				0.065	0.143
120	02114-50080	NUT	2				0.005	0.011
130	04512-60080	WASHER SPRING	2				0.002	0.0044
140	32583-46410	LEVER SHUTTLE	1				0.38	0.836
150	01173-51025	BOLT	2				0.021	0.0462
160	02176-50100	NUT	2				0.005	0.011
170	55611-31460	GRIP LEVER	1				0.03	0.066
180	08511-01615	BUSH	2				0.01	0.022
190	32589-46460	LEVER	1				0.2	0.44
200	02372-50100	NUT	1				0.005	0.011
210	05511-52520	PIN SPLIT	1				0.001	0.0022
220	04013-50100	WASHER PLAIN	1				0	0

SHUTTLE SHIFT LEVER (HDT/HDT-W)



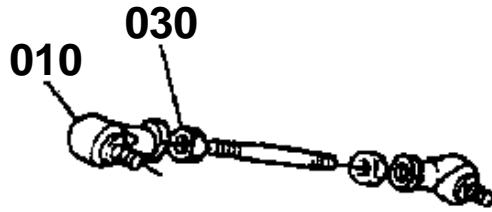
32540-066-10

SHUTTLE SHIFT LEVER (HDT/HDT-W)

---

010 32530-4151-0

030 02054-50050



32540-821-10



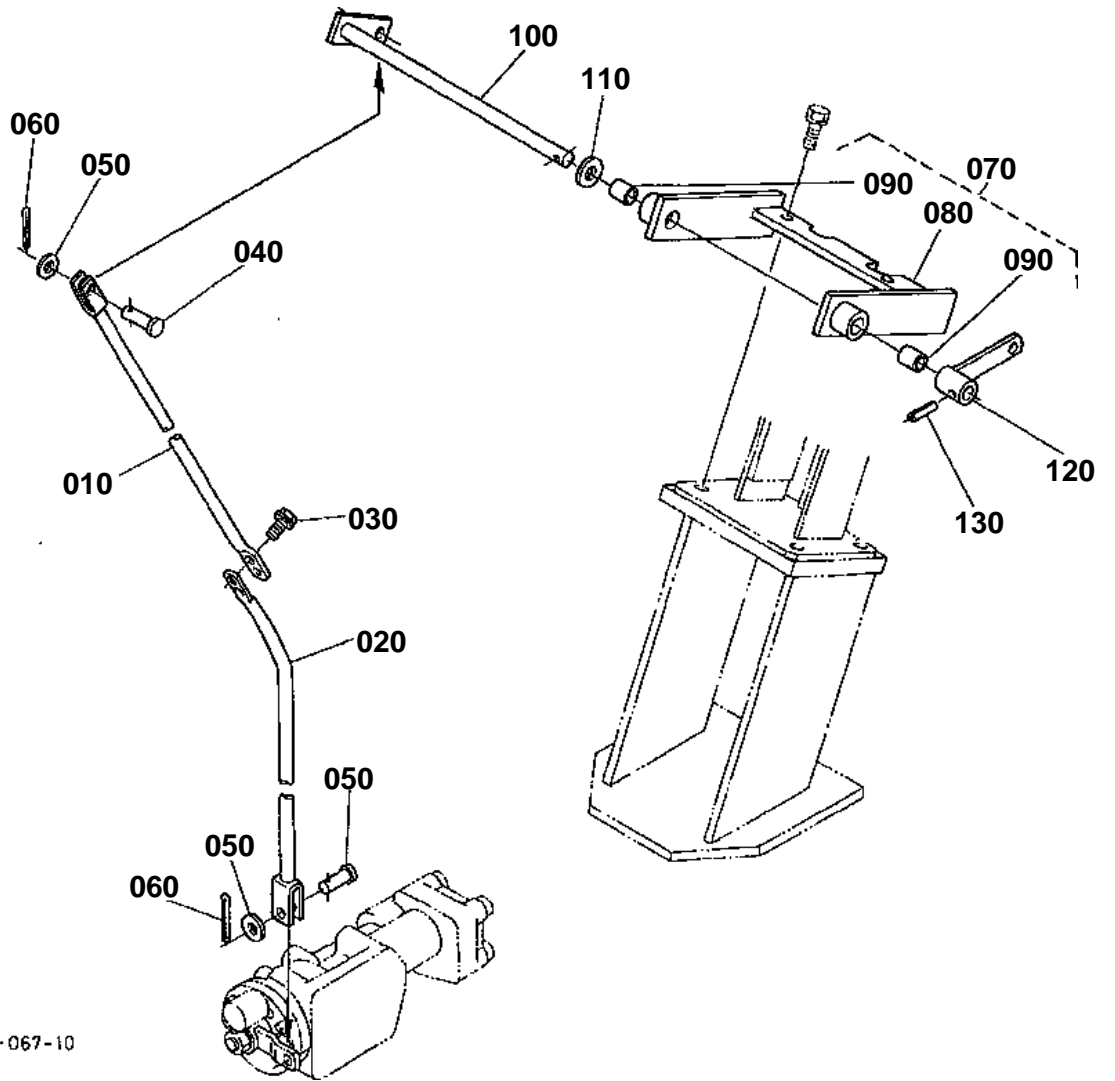
# SHUTTLE SHIFT LEVER (HDT/HDT-W)

↔ Interchangeable; ≠ not interchangeable; ← new for old; → old for new

REF.No	Part No.	Description	Q'ty	S.No.	I/C	REMARKS	Weight (kgf)	Weight (lb)
010	32530-41510	BALL LINK	2	≤60675			0.037	0.0814
010	32530-41510	BALL LINK	1	≥60676			0.037	0.0814
015	32590-46380	END ROD	1	≥60676			0.024	0.0528
020	04512-50050	WASHER SPRING	2				0	0
030	02054-50050	NUT	4	≤60675			0.002	0.0044
030	02054-50050	NUT	3	≥60676			0.002	0.0044
035	32590-46370	NUT	1	≥60676			0.001	0.0022
040	32530-46360	ROD	1	≤60675			0.01	0.022
040	32530-46362	ROD	1	≥60676	≠		0.014	0.0308
050	32530-46414	LEVER SHUTTLE	1				0.36	0.792
060	01173-51025	BOLT	2				0.021	0.0462
070	02176-50100	NUT	2				0.005	0.011
080	55611-31460	GRIP LEVER	1				0.03	0.066
090	08511-01215	BUSH	2				0.005	0.011
100	32539-46460	LEVER	1				0.2	0.44
110	02312-50080	NUT	1				0.004	0.0088
120	05511-50218	PIN SPLIT	1				0.001	0.0022
130	04012-50080	WASHER PLAIN	1				0.001	0.0022
140	32530-46450	ASSY GUIDE LOCK	1				0.19	0.418
150	32530-46470	GUIDE LOCK	1				0.06	0.132
160	32530-46480	PIN LOCK	1				0.02	0.044
170	32530-46490	SPRING	1				0.001	0.0022
180	05411-00210	PIN SPRING	1				0.001	0.0022
190	01754-50820	BOLT FLANGE	2				0.015	0.033
200	02820-00060	NUT KNOB	1				0.012	0.0264
210	02012-60060	NUT	1				0.005	0.011



SHUTTLE ROD (HDT)



32540-067-10

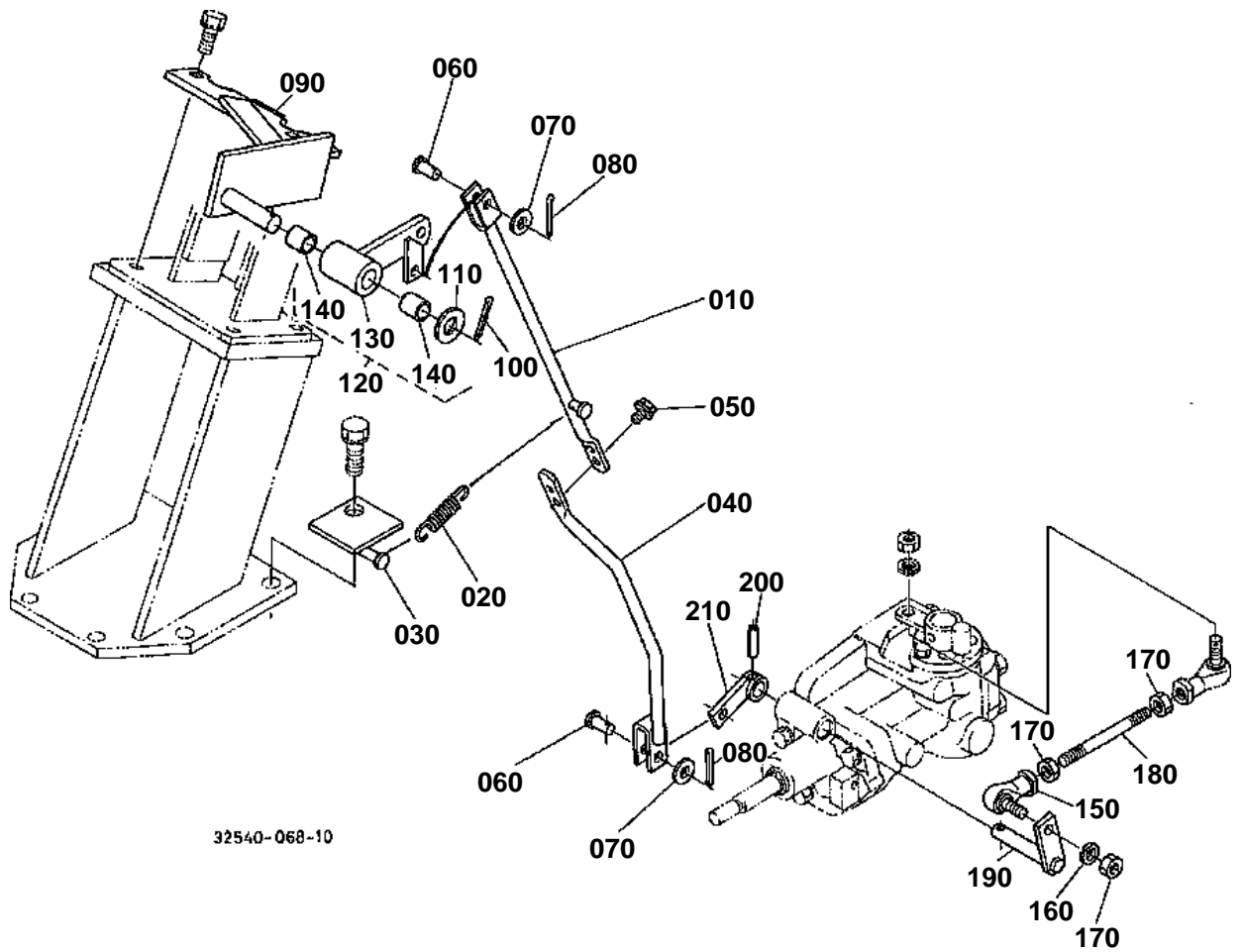


# SHUTTLE ROD (HDT)

↔ Interchangeable; ≠ not interchangeable; ← new for old; → old for new

REF.No	Part No.	Description	Q'ty	S.No.	I/C	REMARKS	Weight (kgf)	Weight (lb)
010	32590-46640	ROD SHUTTLE	1				0.137	0.3014
020	32590-46650	ROD SHUTTLE	1				0.123	0.2706
030	01754-50610	BOLT FLANGE	2				0.006	0.0132
040	05122-50616	PIN JOINT	2				0.004	0.0088
050	04012-50060	WASHER PLAIN	2				0.001	0.0022
060	05511-51615	PIN SPLIT	2				0.001	0.0022
070	32590-46600	ASSY SUPPORT	1				0.7	1.54
080	32590-46613	SUPPORT ARM SHAFT	1	<=60323			0	0
080	32590-46614	SUPPORT ARM SHAFT	1	>=60324	←		0.64	1.408
090	08511-01015	BUSH	2				0.009	0.0198
100	32590-46620	SHAFT SHUTTLE ARM	1				0.19	0.418
110	04013-50100	WASHER PLAIN	1				0	0
120	32590-46630	ARM SHUTTLE	1				0.056	0.1232
130	05411-00425	PIN SPRING	1				0.001	0.0022

SHUTTLE ROD (HDT-W)



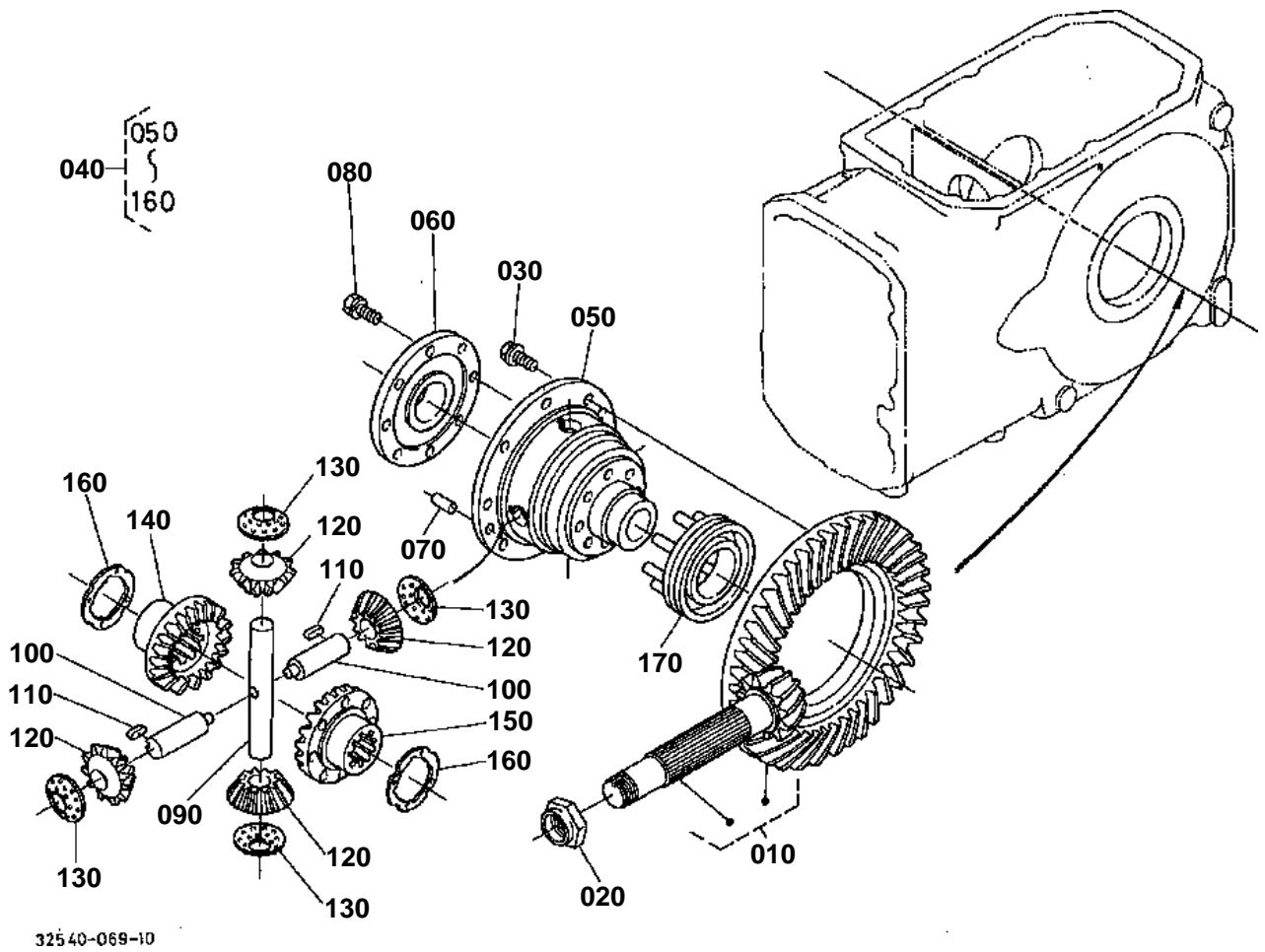


# SHUTTLE ROD (HDT-W)

↔ Interchangeable; ≠ not interchangeable; ← new for old; → old for new

REF.No	Part No.	Description	Q'ty	S.No.	I/C	REMARKS	Weight (kgf)	Weight (lb)
010	32590-47160	ROD SHUTTLE	1				0.145	0.319
020	32590-47170	BODY PLATE	1				0.012	0.0264
030	32590-47180	HOOK SPRING	1				0.06	0.132
040	32590-46664	ROD SHUTTLE	1				0.13	0.286
050	01754-50610	BOLT FLANGE	2				0.006	0.0132
060	05122-50616	PIN JOINT	2				0.004	0.0088
070	04012-50060	WASHER PLAIN	2				0.001	0.0022
080	05511-51615	PIN SPLIT	2				0.001	0.0022
090	32590-22742	SUPPORT SHUTTLE LINK	1	<=60323			0	0
090	32590-22743	SUPPORT SHUTTLE LINK	1	>=60324	←		0.6	1.32
100	05511-50425	PIN SPLIT	1				0.003	0.0066
110	04011-50140	WASHER PLAIN	1				0.007	0.0154
120	32590-47090	ASSY LINK SHUTTLE	1				0.05	0.11
130	32590-47140	LINK SHUTTLE	1				0.2	0.44
140	08511-01415	BUSH	2				0.006	0.0132
150	32530-41510	BALL LINK	1				0.037	0.0814
160	04512-50050	WASHER SPRING	1				0	0
170	02054-50050	NUT	3				0.002	0.0044
180	32590-47110	ROD	1				0.011	0.0242
190	32590-47120	LINK SHUTTLE	1				0.085	0.187
200	05411-00422	PIN SPRING	1				0.001	0.0022
210	32590-47130	LINK SHUTTLE	1				0.04	0.088

DIFFERENTIAL REAR



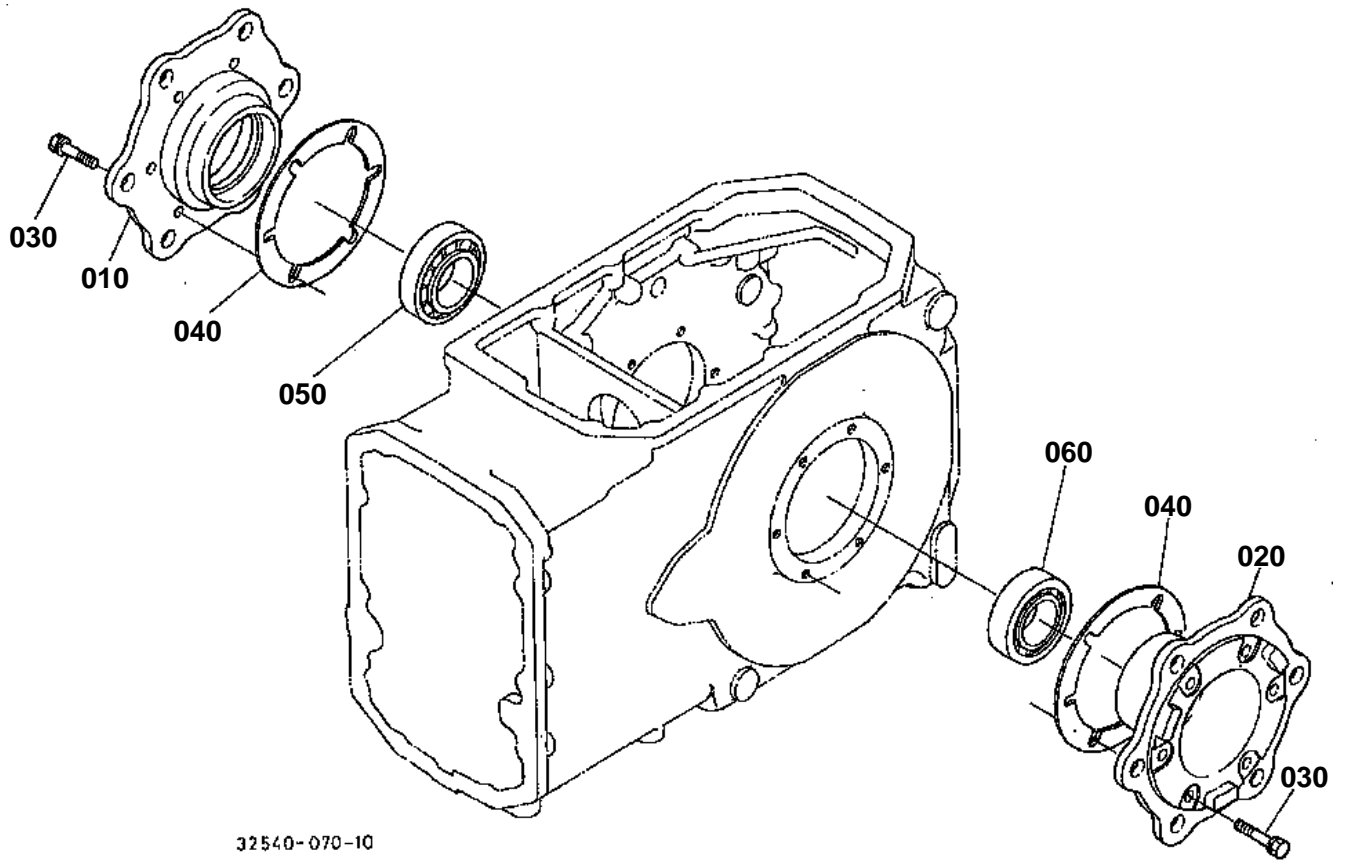


## DIFFERENTIAL REAR

↔ Interchangeable; ≠ not interchangeable; ← new for old; → old for new

REF.No	Part No.	Description	Q'ty	S.No.	I/C	REMARKS	Weight (kgf)	Weight (lb)
010	32590-95210	ASSY GEAR BEVEL	1			9-39T	9	19.8
020	34150-25330	NUT	1				0.04	0.088
030	37800-43870	BOLT	8				0.026	0.0572
040	31351-26100	ASSY DIFFERENTIAL	1				6.8	14.96
050	38240-26514	CASE DIFFERENTIAL	1				0	0
060	38240-26523	COVER DIFF CASE	1				0	0
070	37300-28170	PIN STRAIGHT	2				0.025	0.055
080	01133-51025	BOLT	8				0.023	0.0506
090	35430-26340	SHAFT DIFF.PINION	1				0.31	0.682
100	35430-26330	SHAFT DIFF.PINION	2				0.136	0.2992
110	31220-26280	KEY FEATHER	2				0.005	0.011
120	35430-26350	PINION DIFF.	4				0.16	0.352
130	31351-26390	WASHER DIFF.PINION	4				0.012	0.0264
140	37300-26430	GEAR DIFF.SIDE RH	1				0.475	1.045
150	37300-26440	GEAR DIFF.SIDE LH	1				0.63	1.386
160	31351-26470	WASHER SIDE GEAR	2			1.50MM	0.01	0.022
160	31351-26480	WASHER SIDE GEAR	2			1.60MM	0.015	0.033
160	31351-26490	WASHER SIDE GEAR	2			1.70MM	0.016	0.0352
170	31351-26610	SHIFTER DIFF.LOCK	1				0.43	0.946

DIFFERENTIAL BEARING SUPPORT



32540-070-10



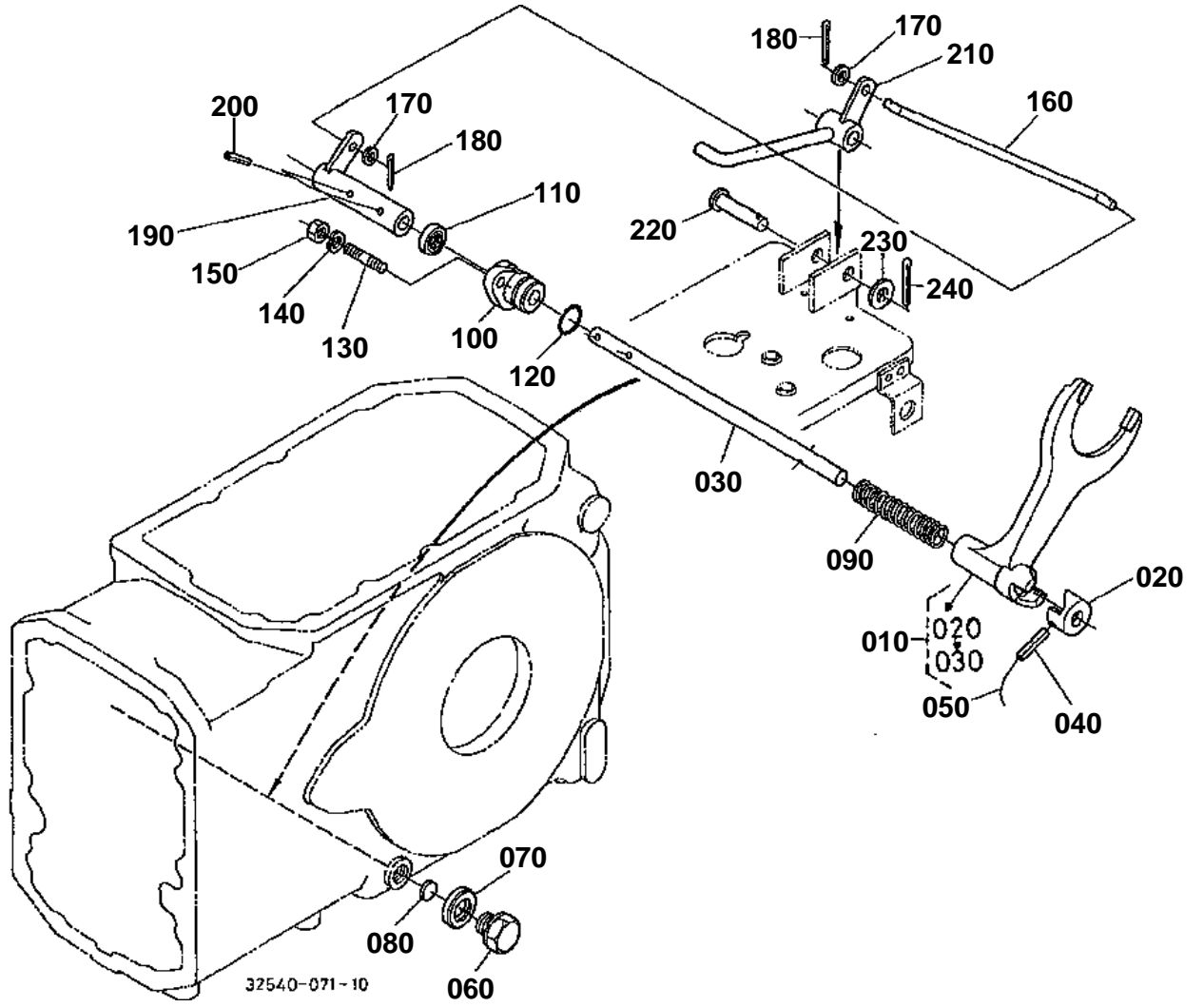
## DIFFERENTIAL BEARING SUPPORT

↔ Interchangeable; ≠ not interchangeable; ← new for old; → old for new

REF.No	Part No.	Description	Q'ty	S.No.	I/C	REMARKS	Weight (kgf)	Weight (lb)
010	32590-26550	SUPPORT DIFF.BRG.RH	1				3.3	7.26
020	32590-26560	SUPPORT DIFF.BRG.LH	1				4.6	10.12
030	01133-51035	BOLT	12				0.03	0.066
040	32590-26750	SHIM	4			0.10MM	0.019	0.0418
040	32590-26760	SHIM	4			0.30MM	0.019	0.0418
040	32590-26770	SHIM	2			0.50MM	0.019	0.0418
050	32590-26590	BEARING TAPER-ROLLER	1				0.67	1.474
060	32590-26580	BEARING TAPER-ROLLER	1				0.5	1.1



DIFFERENTIAL LOCK PEDAL



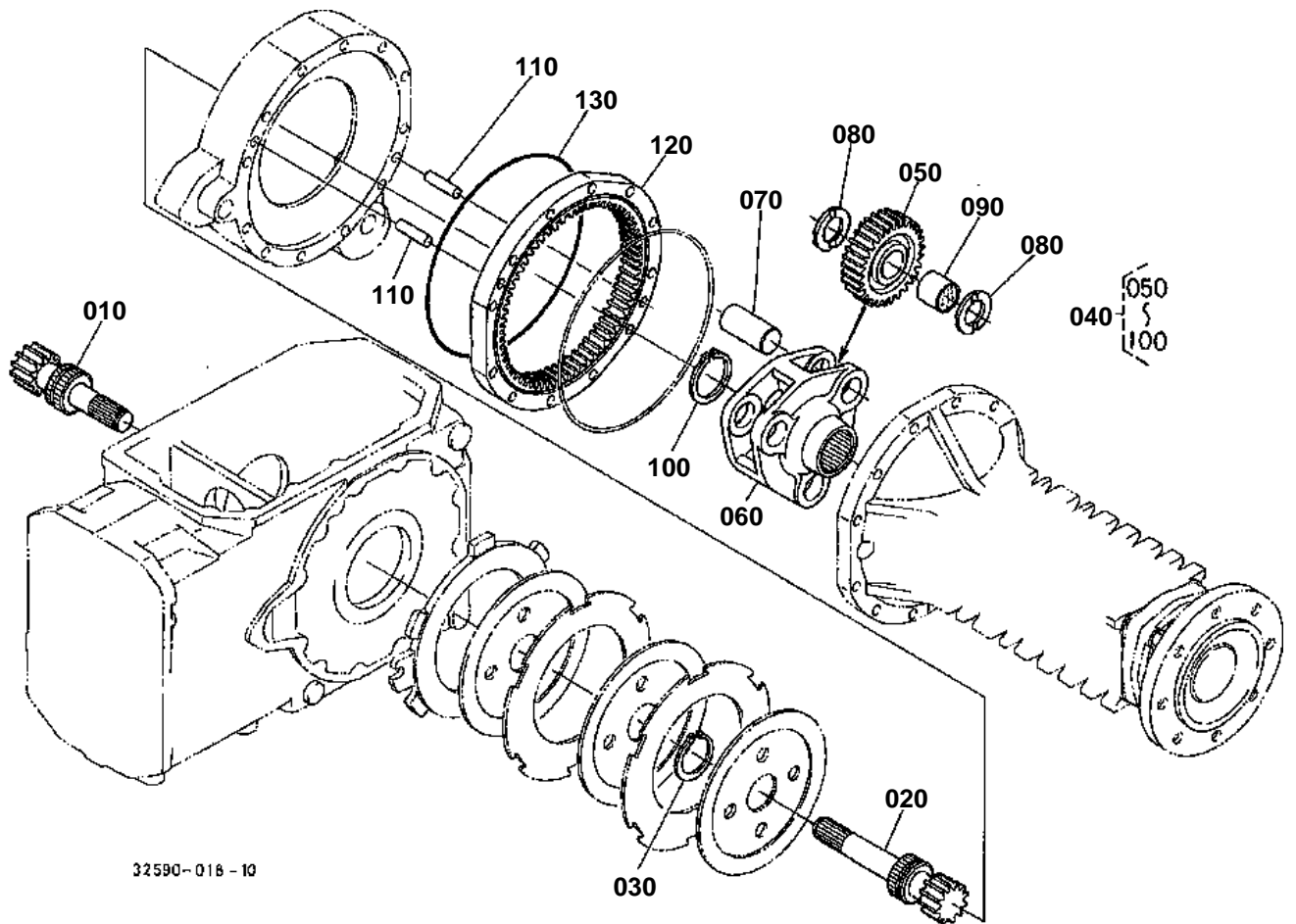


# DIFFERENTIAL LOCK PEDAL

↔ Interchangeable; ≠ not interchangeable; ← new for old; → old for new

REF.No	Part No.	Description	Q'ty	S.No.	I/C	REMARKS	Weight (kgf)	Weight (lb)
010	32590-26600	ASSY FORK DIFF.LOCK	1				1.9	4.18
020	36200-32890	CAM DIFF.LOCK	1				0.09	0.198
030	32530-26680	SHAFT DIFF LOCK	1				0.5	1.1
040	05411-00636	PIN SPRING	1				0.005	0.011
060	06331-35020	PLUG	1				0.068	0.1496
070	04717-02000	WASHER WITH RUBBER	1				0.004	0.0088
080	36200-32950	SHIM ADJUSTING	1			1.0MM	0.002	0.0044
090	32530-26640	SPRING	1				0.09	0.198
100	32530-26670	SUPPORT SHAFT	1				0.28	0.616
110	09500-16287	SEAL OIL	1				0.01	0.022
120	04811-10290	O RING	1				0.001	0.0022
130	01517-61030	STUD	2				0.021	0.0462
140	04512-60100	WASHER SPRING	2				0.002	0.0044
150	02118-50100	NUT	2				0.005	0.011
160	32530-26610	ROD DIFF.LOCK	1				0.15	0.33
170	04013-50080	WASHER PLAIN	2				0	0
180	05511-50322	PIN SPLIT	2				0.002	0.0044
190	32530-26623	ARM DIFF LOCK	1				0.48	1.056
200	05411-00640	PIN SPRING	2				0.006	0.0132
210	32539-26750	PEDAL DIFF.LOCK	1				0.35	0.77
220	05112-51455	PIN JOINT	1	≤60501			0.07	0.154
220	05122-51455	PIN JOINT	1	≥60502	↔		0.068	0.1496
230	04013-60140	WASHER PLAIN	1				0.01	0.022
240	05511-50425	PIN SPLIT	1				0.003	0.0066

PLANETARY GEAR



32590-018-10

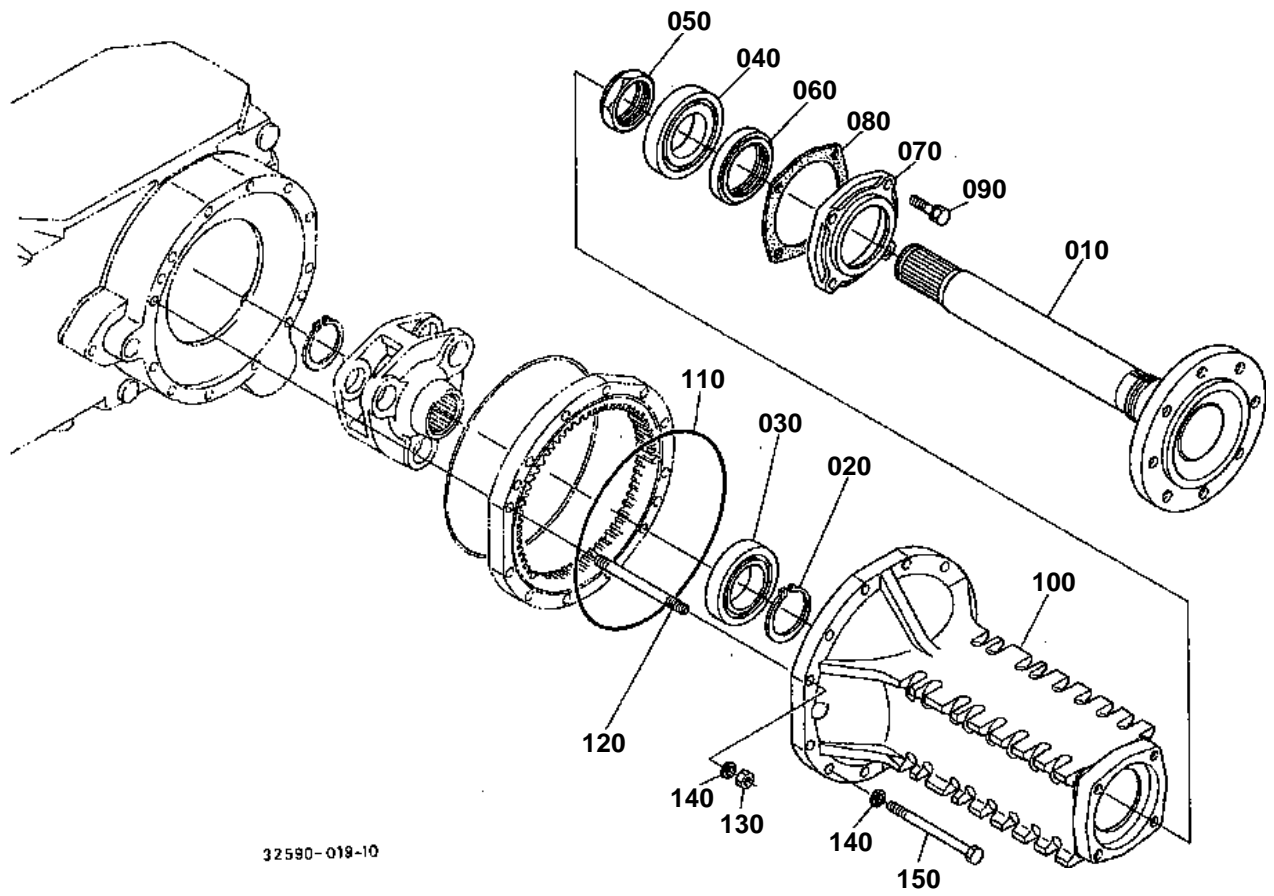


# PLANETARY GEAR

↔ Interchangeable; ≠ not interchangeable; ← new for old; → old for new

REF.No	Part No.	Description	Q'ty	S.No.	I/C	REMARKS	Weight (kgf)	Weight (lb)
010	32590-26710	SHAFT BRAKE RH	1			12T	1.76	3.872
020	32590-26720	SHAFT BRAKE LH	1			12T	2.14	4.708
030	04612-00550	CIRCLIP EXTERNAL	2				0.01	0.022
040	32590-26800	ASSY GEAR PLANETARY	2				14.7	32.34
050	32590-26810	GEAR PLANETARY	6			30T	2.25	4.95
060	32590-26820	SUPPORT PLANE.GEAR	2				6	13.2
070	32590-26830	PIN PLANETARY GEAR	6				0.55	1.21
080	32590-26840	COLLAR THRUST	12				0.018	0.0396
090	32590-26860	BUSH	6				0.05	0.11
100	04612-00600	CIRCLIP EXTERNAL	2				0.012	0.0264
110	36200-48410	PIN STRAIGHT	4				0.005	0.011
120	32590-26850	GEAR INTERNAL	2			72T	5.4	11.88
130	32590-26890	O RING	2				0.005	0.011

REAR AXLE



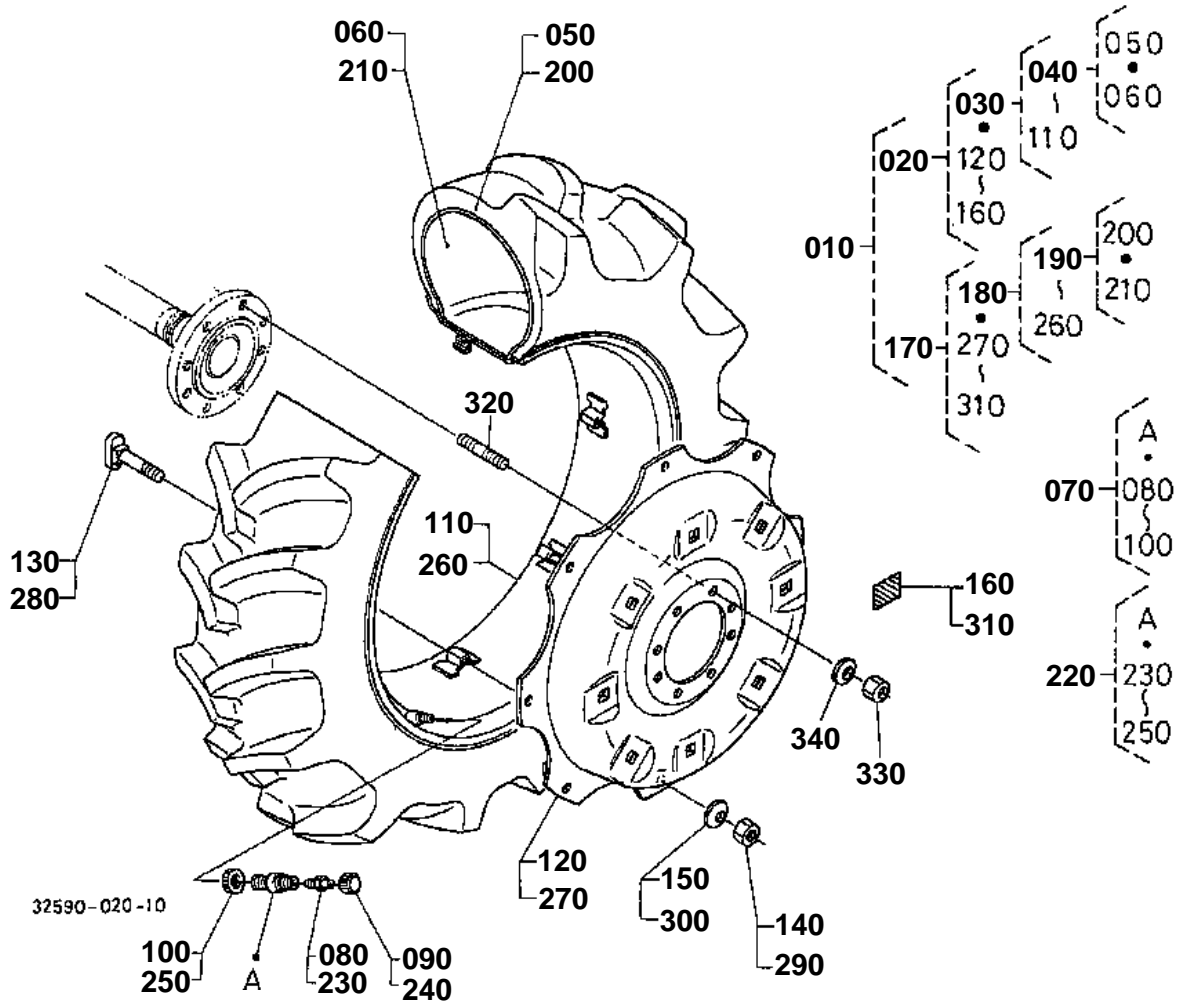
32590-018-10



## REAR AXLE

↔ Interchangeable; ≠ not interchangeable; ← new for old; → old for new

REF.No	Part No.	Description	Q'ty	S.No.	I/C	REMARKS	Weight (kgf)	Weight (lb)
010	32590-27110	AXLE REAR	2				21	46.2
020	04612-00600	CIRCLIP EXTERNAL	2				0.012	0.0264
030	08101-06212	BEARING BALL	2				0.78	1.716
040	08101-06213	BEARING BALL	2				0.97	2.134
050	36330-48270	NUT	2				0.26	0.572
060	32590-27120	SEAL OIL	2				0.115	0.253
070	32590-27320	COVER REAR AXLE	2				0.2	0.44
080	32590-27220	GASKET	2				0.005	0.011
090	01133-51240	BOLT	8				0.05	0.11
100	32590-27310	CASE REAR AXLE	2				35	77
110	32590-26890	O RING	2				0.005	0.011
120	32590-27350	STUD	10				0.15	0.33
130	02176-50120	NUT	10				0.01	0.022
140	04512-60120	WASHER SPRING	24				0.005	0.011
150	32590-27360	BOLT	14				0.14	0.308

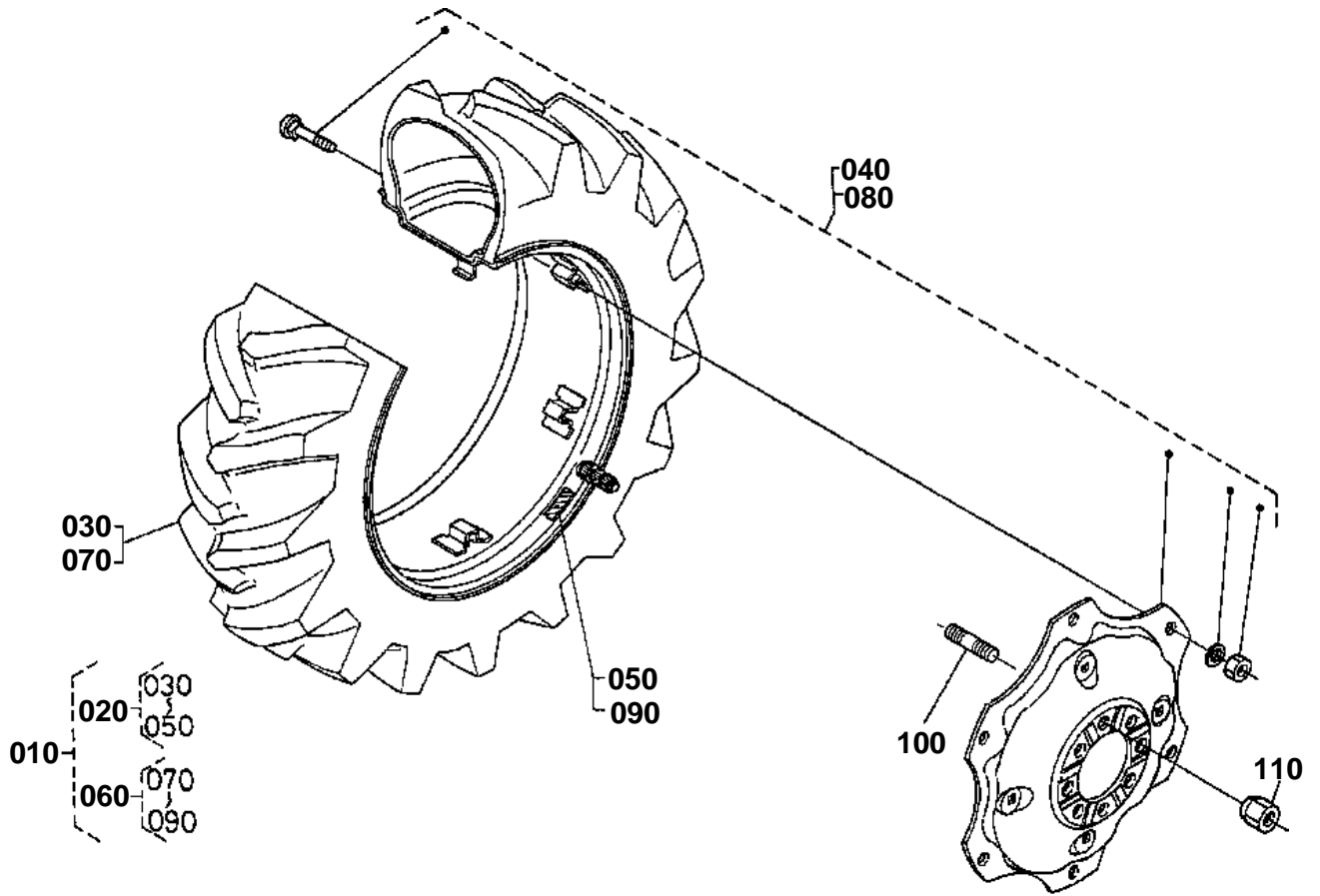


**REAR WHEEL (16.9-28) [AU] [NZ]**

↔ Interchangeable; ≠ not interchangeable; ← new for old; → old for new

REF.No	Part No.	Description	Q'ty	S.No.	I/C	REMARKS	Weight (kgf)	Weight (lb)
010	35999-11600	ASSY REAR WHEEL	1				270	594
020	35999-11610	ASSY REAR WHEEL RH	1				135	297
030	35999-11640	ASSY TIRE-RIM RH	1				133	292.6
040	35999-06860	ASSY TIRE REAR WHEEL	1				77	169.4
050	35999-06850	TIRE REAR WHEEL	1				70	154
060	35822-49320	TUBE TIRE	1				6.6	14.52
070	32150-27700	ASSY VALVE	1				0.001	0.0022
080	32150-27740	CORE VALVE	1				0.003	0.0066
090	38240-11690	CAP VALVE	1				0.001	0.0022
100	32270-27710	NUT RIM	1				0.006	0.0132
110	35999-11630	RIM REAR WHEEL	1				24	52.8
120	35513-49110	DISK REAR WHEEL	1				32	70.4
130	36500-49380	BOLT	8				0.2	0.44
140	36500-49390	NUT	8				0.043	0.0946
150	36500-49410	SPRING PLATE	8				0.024	0.0528
160	35999-06800	LABEL TIRE RH	1				0.001	0.0022
170	35999-11620	ASSY REAR WHEEL	1				135	297
180	35999-11650	ASSY TIRE-RIM LH	1				0	0
190	35999-06860	ASSY TIRE REAR WHEEL	1				77	169.4
200	35999-06850	TIRE REAR WHEEL	1				70	154
210	35822-49320	TUBE TIRE	1				6.6	14.52
220	32150-27700	ASSY VALVE	1				0.001	0.0022
230	32150-27740	CORE VALVE	1				0.003	0.0066
240	38240-11690	CAP VALVE	1				0.001	0.0022
250	32270-27710	NUT RIM	1				0.006	0.0132
260	35999-11630	RIM REAR WHEEL	1				24	52.8
270	35513-49110	DISK REAR WHEEL	1				32	70.4
280	36500-49380	BOLT	8				0.2	0.44
290	36500-49390	NUT	8				0.043	0.0946
300	36500-49410	SPRING PLATE	8				0.024	0.0528
310	35999-06810	LABEL TIRE LH	1				0.001	0.0022
320	35461-49150	STUD	16				0.103	0.2266
330	36200-49140	NUT	16				0.135	0.297
340	36200-49130	SPRING PLATE	16				0.026	0.0572





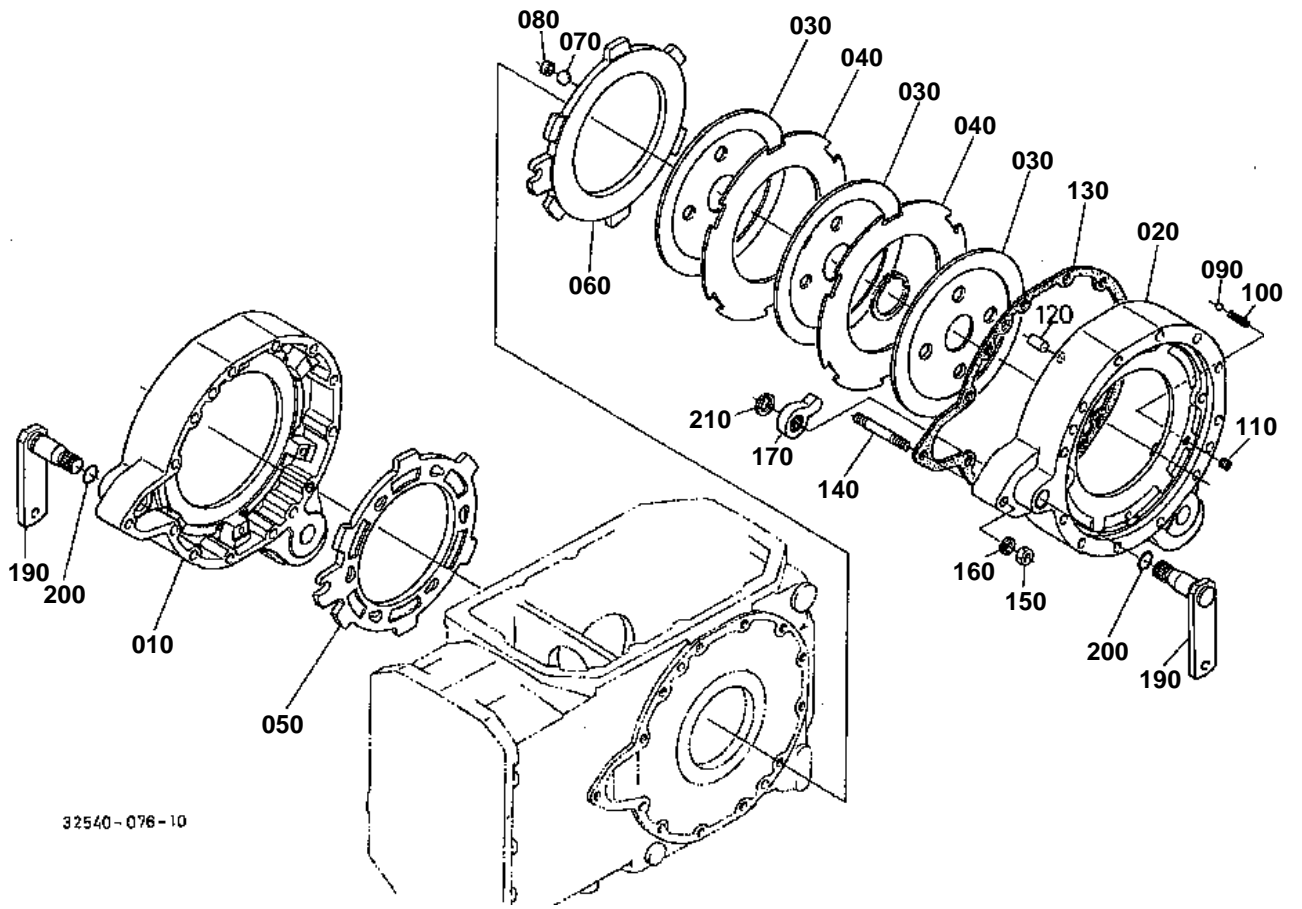
32540-075-10

**REAR WHEEL (12.6-28) [A] [CA]**

↔ Interchangeable; ≠ not interchangeable; ← new for old; → old for new

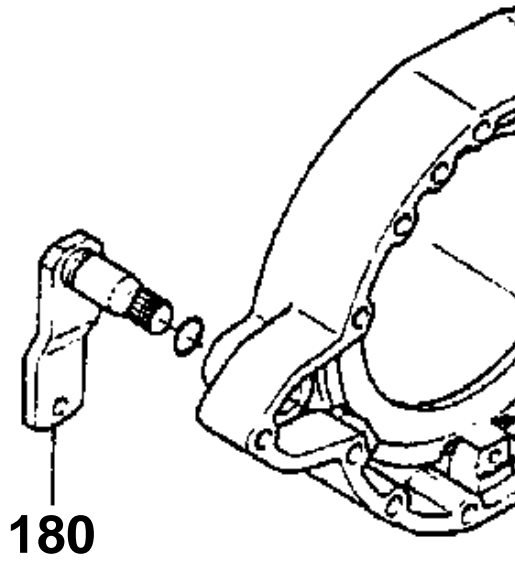
REF.No	Part No.	Description	Q'ty	S.No.	I/C	REMARKS	Weight (kgf)	Weight (lb)
010	32550-27600	ASSY TIRE FRONT	1			OBTAINED LOCALLY	0	0
020	32550-27610	ASSY REAR WHEEL RH	1			OBTAINED LOCALLY	0	0
030	32550-27630	ASSY TIRE	1			OBTAINED LOCALLY	0	0
040	32550-27640	WHEEL	1			OBTAINED LOCALLY	0	0
050	32550-93350	LABEL TIRE RH	1			OBTAINED LOCALLY	0	0
060	32550-27620	ASSY REAR WHEEL	1			OBTAINED LOCALLY	0	0
070	32550-27630	ASSY TIRE	1			OBTAINED LOCALLY	0	0
080	32550-27640	WHEEL	1			OBTAINED LOCALLY	0	0
090	32550-93360	LABEL TIRE LH	1			OBTAINED LOCALLY	0	0
100	32530-27410	STUD	16				0.08	0.176
110	33251-49170	NUT	16				0.045	0.099

BRAKE



32540-076-10

180 32590-2823-0



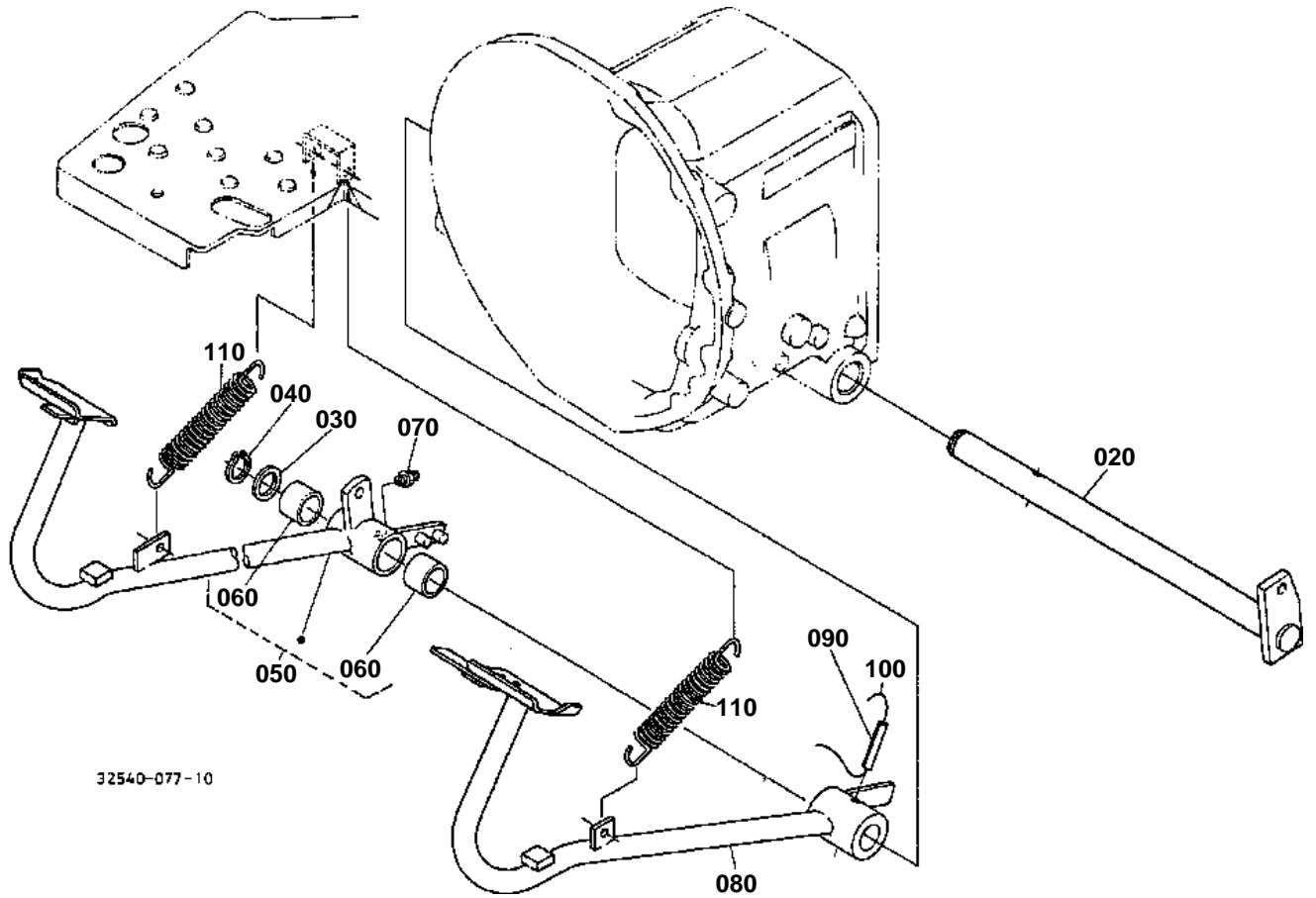
32540-822-10

**BRAKE**

↔ Interchangeable; ≠ not interchangeable; ← new for old; → old for new

REF.No	Part No.	Description	Q'ty	S.No.	I/C	REMARKS	Weight (kgf)	Weight (lb)
010	32590-28150	CASE BRAKE RH	1	<=60314			0	0
010	32590-28154	CASE BRAKE RH	1	>=60315	←		17.9	39.38
020	32590-28160	CASE BRAKE LH	1	<=60314			0	0
020	32590-28163	CASE BRAKE LH	1	>=60315	←		18.8	41.36
030	32530-28280	PLATE FRICTION	6				0.92	2.024
040	32590-28210	PLATE	4				0.62	1.364
050	32590-28180	PLATE CAM RH	1				2.1	4.62
060	32590-28190	PLATE CAM LH	1				2.1	4.62
070	07715-00805	BALL	12				0.016	0.0352
080	37150-28250	SEAT BALL	12				0.003	0.0066
090	07715-03211	BALL	6				0.003	0.0066
100	32590-28220	SPRING	6				0.01	0.022
110	03670-51010	SCREW SET	6				0.01	0.022
120	05012-01325	PIN STRAIGHT	4				0.028	0.0616
130	32530-28170	GASKET	2				0.01	0.022
140	01574-51265	STUD	2				0.067	0.1474
150	02176-50120	NUT	2				0.01	0.022
160	04512-60120	WASHER SPRING	2				0.005	0.011
170	38430-28210	CAM BRAKE	2	<=61028			0	0
170	32590-28270	CAM BRAKE	2	>=61029	↔		0.074	0.1628
180	32590-28230	CAMSHAFT BRAKE RH	1	<=60323			0.6	1.32
190	32590-28240	SHAFT BRAKE CAM	1	<=60323			0.61	1.342
190	32590-28240	SHAFT BRAKE CAM	2	>=60324			0.61	1.342
200	04811-00210	O RING	2				0.001	0.0022
210	32590-28250	CIRCLIP EXTERNAL	2				0.005	0.011

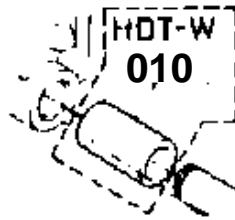
# BRAKE PEDAL



32540-077-10

BRAKE PEDAL

010 32590-4697-0



050 32590-2861-0

080 32590-2862-0

120 36330-6712-0

130 36330-6722-0

140 01123-50825

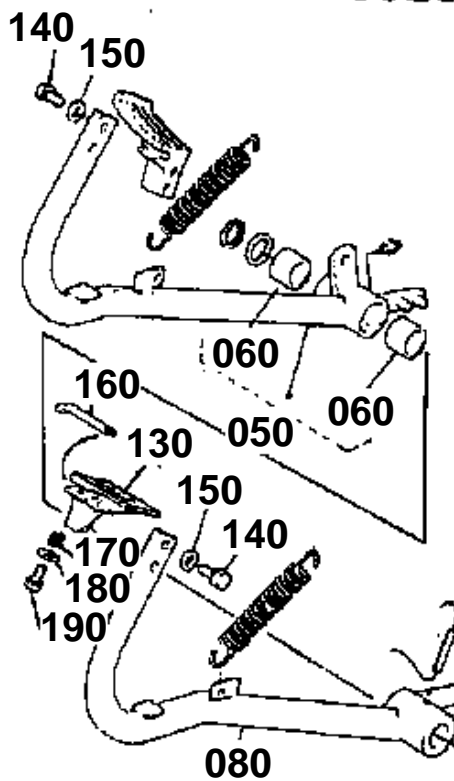
150 04013-50080

160 36330-6723-0

170 36330-6724-0

180 04013-50060

190 01023-50625



080  
32540-823-10

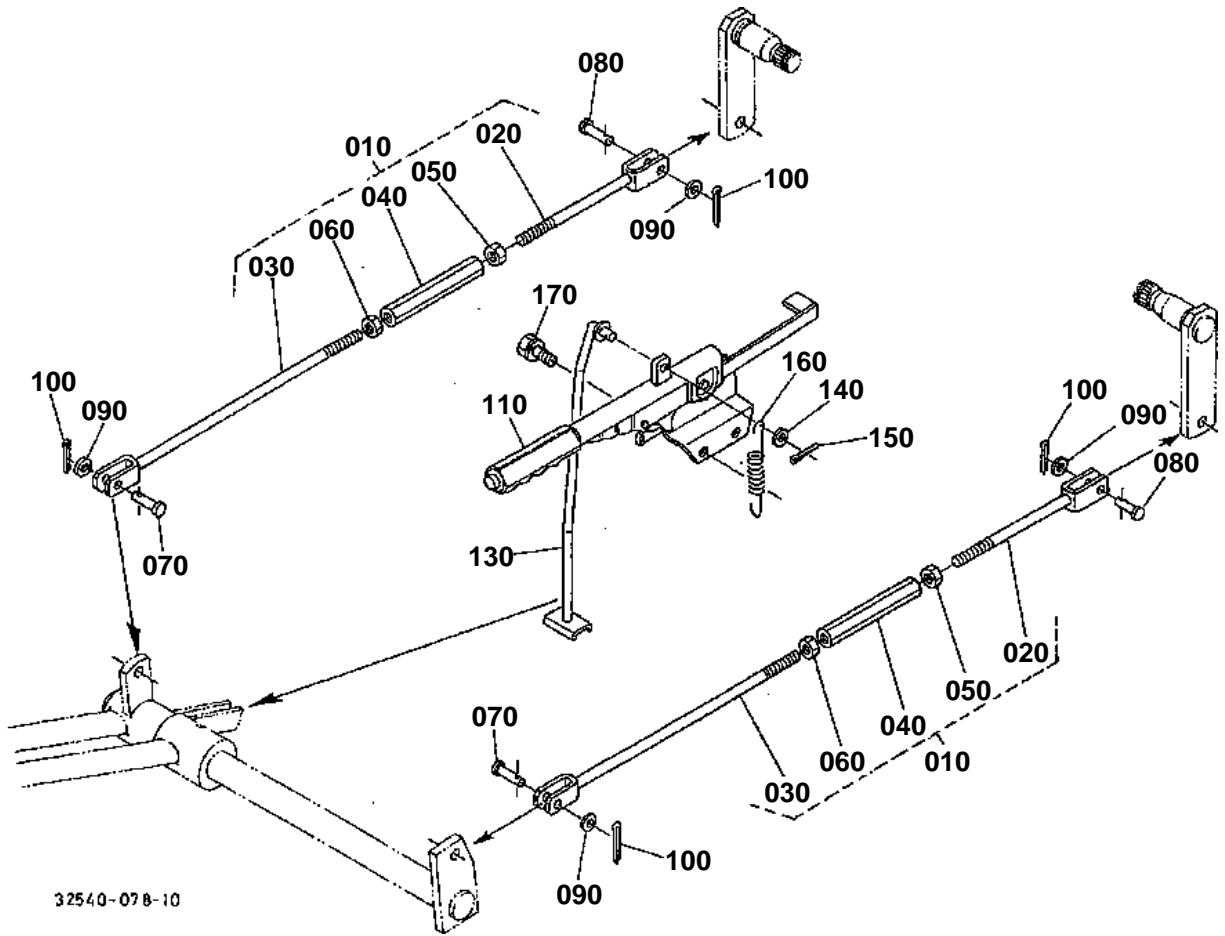
**BRAKE PEDAL**

↔ Interchangeable; ≠ not interchangeable; ← new for old; → old for new

REF.No	Part No.	Description	Q'ty	S.No.	I/C	REMARKS	Weight (kgf)	Weight (lb)
010	32590-46970	COLLAR	1	<=60565		HDT-W	0.3	0.66
020	32590-28650	SHAFT BRAKE PEDAL	1				2.5	5.5
030	32530-28660	COLLAR	1				0.018	0.0396
040	04612-00280	CIRCLIP EXTERNAL	1				0.003	0.0066
050	32590-28610	ARM BRAKE PEDAL RH	1	<=60323			2.7	5.94
050	32590-28670	PEDAL BRAKE RH	1	>=60324	≠		3.5	7.7
060	32150-28440	BUSH	2				0.043	0.0946
070	06611-15010	NIPPLE GREASE	1				0.01	0.022
080	32590-28620	ARM BRAKE PEDAL LH	1	<=60323			2.7	5.94
080	32590-28680	PEDAL BRAKE LH	1	>=60324	≠		3.1	6.82
090	05411-00863	PIN SPRING	1				0.015	0.033
110	37150-15840	SPRING	2				0.06	0.132
120	36330-67120	HEEL PEDAL	1	<=60323			0.85	1.87
130	36330-67220	HEEL PEDAL	1	<=60323			0.86	1.892
140	01123-50825	BOLT	4	<=60323			0.013	0.0286
150	04013-50080	WASHER PLAIN	4	<=60323			0	0
160	36330-67230	STOPPER BRAKE PEDAL	1	<=60323			0.06	0.132
170	36330-67240	SPRING	1	<=60323			0.001	0.0022
180	04013-60060	WASHER PLAIN	1	<=60323			0.001	0.0022
190	01023-50625	BOLT	1	<=60323			0.007	0.0154



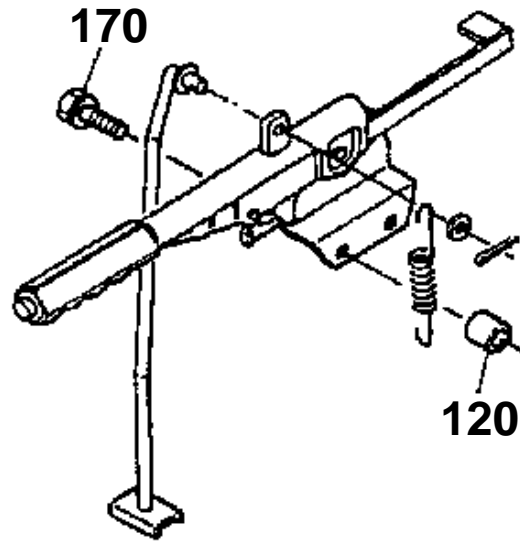
PARLINK BRAKE LEVER



PARLINK BRAKE LEVER

120 44411-3121-0

170 01133-51025



32540-824-10

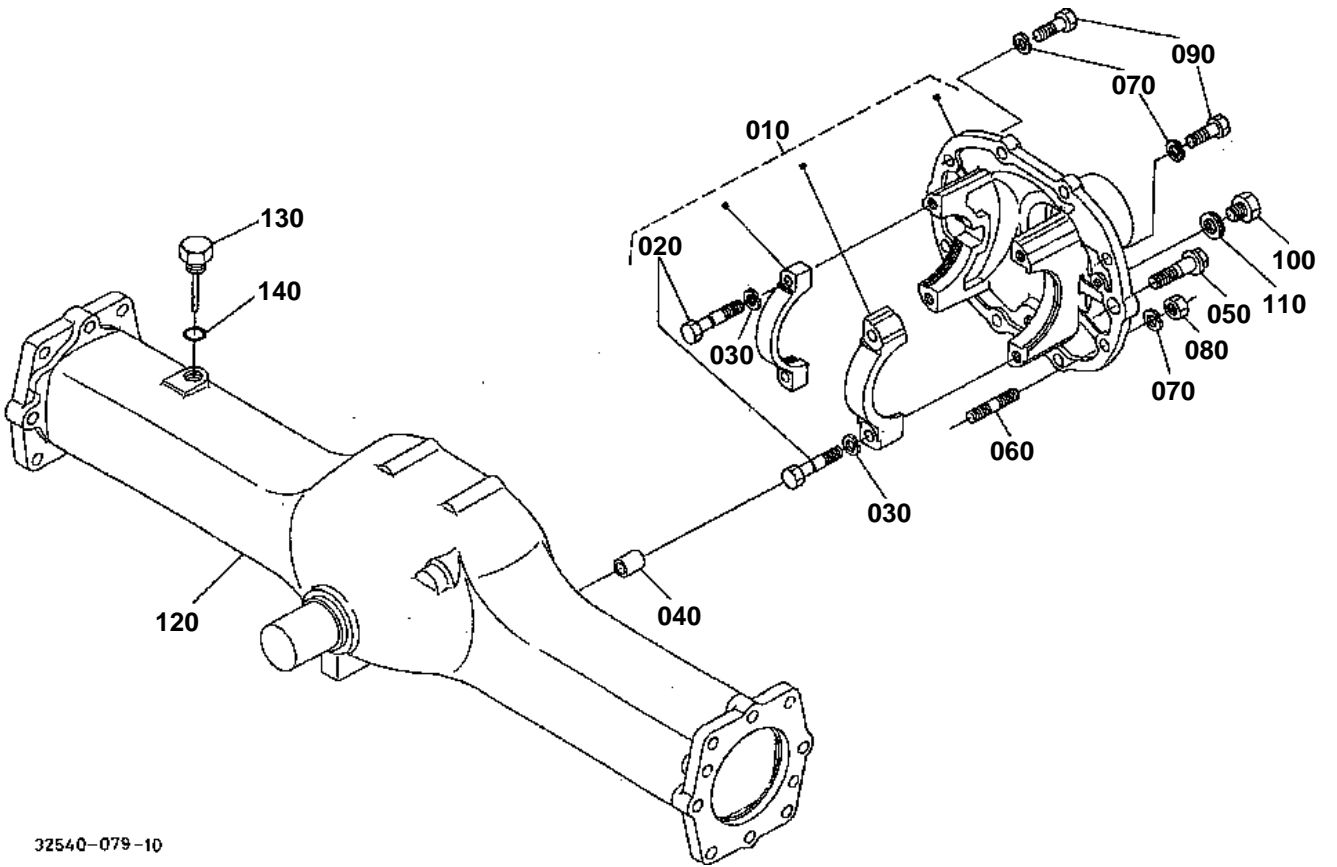


# PARLINK BRAKE LEVER

↔ Interchangeable; ≠ not interchangeable; ← new for old; → old for new

REF.No	Part No.	Description	Q'ty	S.No.	I/C	REMARKS	Weight (kgf)	Weight (lb)
010	32530-28920	ASSY ROD BRAKE	2				0.59	1.298
020	32530-28930	ROD BRAKE	2				0.7	1.54
030	32530-28940	ROD BRAKE	2				0.3	0.66
040	37720-28980	TURNBUCKLE	2				0.099	0.2178
050	02172-50120	NUT	2				0.01	0.022
060	37720-28990	NUT	2				0.008	0.0176
070	05122-61028	PIN JOINT	2				0.02	0.044
080	05122-51035	PIN JOINT	2				0.023	0.0506
090	04011-50100	WASHER PLAIN	4				0.002	0.0044
100	05511-50322	PIN SPLIT	4				0.002	0.0044
110	32530-28813	ASSY LEVER BRAKE	1				0.77	1.694
120	44411-31210	COLLAR	2	<=60314			0.025	0.055
130	32530-28824	ROD HAND BRAKE	1				0.27	0.594
140	04011-50100	WASHER PLAIN	1				0.002	0.0044
150	05511-50322	PIN SPLIT	1				0.002	0.0044
160	32530-28850	SPRING	1				0.015	0.033
170	01133-51025	BOLT	2	<=60314			0.023	0.0506
170	01133-51020	BOLT	2	>=60315	≠		0.02	0.044

FRONT DIFFERENTIAL CASE



32540-079-10

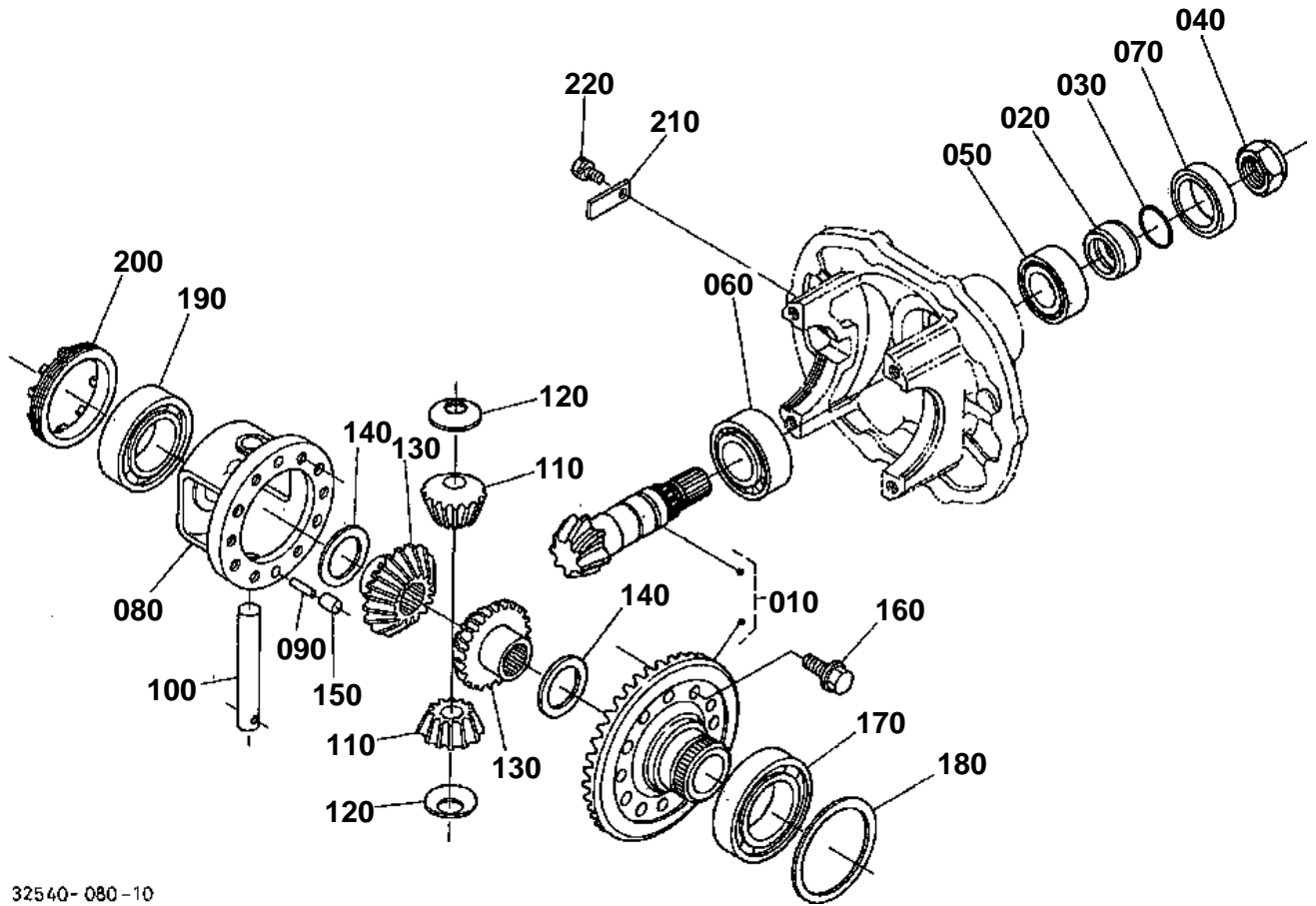


# FRONT DIFFERENTIAL CASE

↔ Interchangeable; ≠ not interchangeable; ← new for old; → old for new

REF.No	Part No.	Description	Q'ty	S.No.	I/C	REMARKS	Weight (kgf)	Weight (lb)
010	32590-43010	ASSY CASE DIFF.GEAR	1				9	19.8
020	32580-43130	BOLT REAMER	4				0.03	0.066
030	04512-60120	WASHER SPRING	4				0.005	0.011
040	36280-43170	PIPE KNOCK	2				0.022	0.0484
050	32580-43180	BOLT UBS	2				0.06	0.132
060	35230-43500	STUD	6				0.045	0.099
070	04512-60120	WASHER SPRING	8				0.005	0.011
080	32580-43160	NUT	6				0.014	0.0308
090	36740-42220	BOLT	2				0.05	0.11
100	06331-35016	PLUG	1				0.04	0.088
110	04717-01600	WASHER WITH RUBBER	1				0.003	0.0066
120	32580-43412	BOX FRONT AXLE	1	<=60951			0	0
120	32580-43416	BOX FRONT AXLE	1	>=60952	←		38	83.6
130	31353-43122	GAUGE OIL	1				0.015	0.033
140	04811-00180	O RING	1				0.001	0.0022

DIFFERENTIAL FRONT



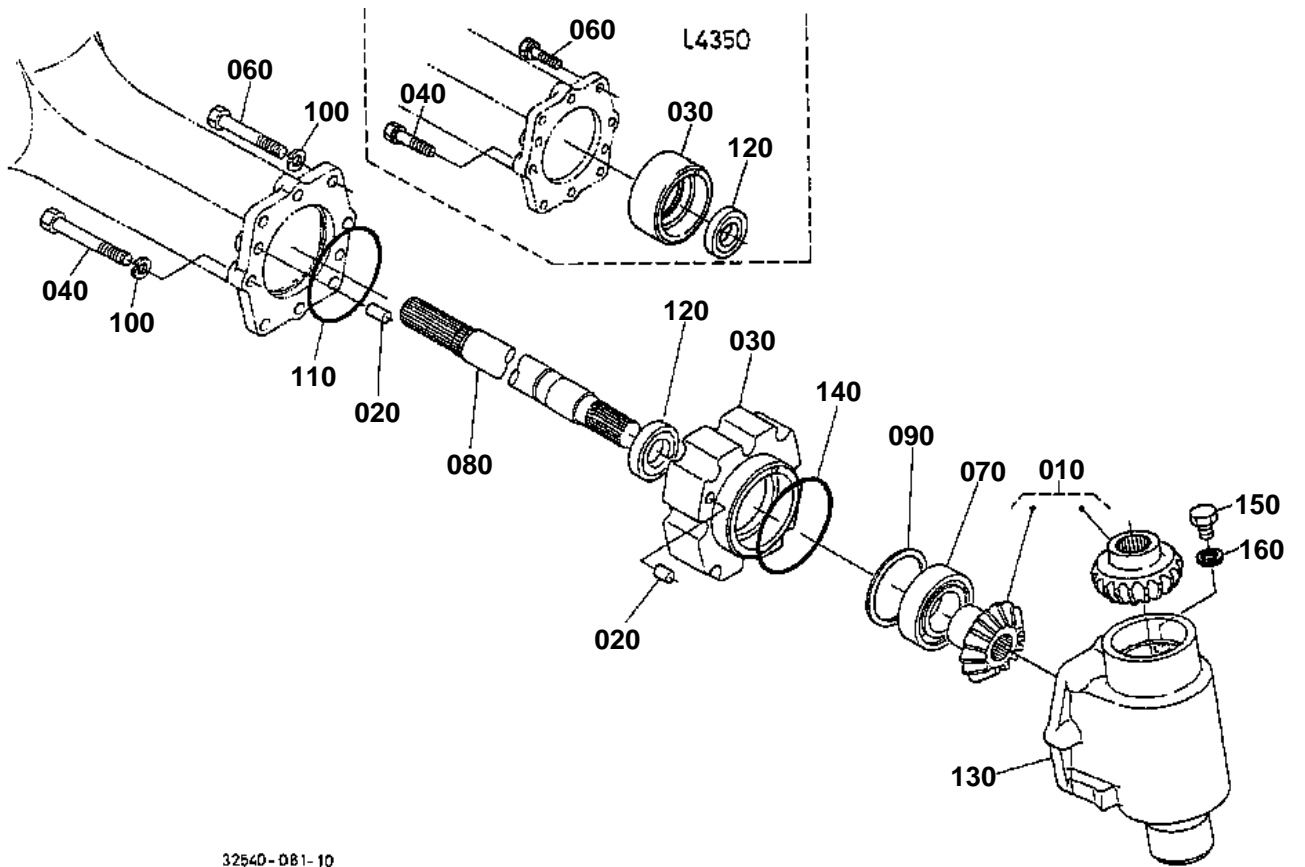
32540-080-10

**DIFFERENTIAL FRONT**

↔ Interchangeable; ≠ not interchangeable; ← new for old; → old for new

REF.No	Part No.	Description	Q'ty	S.No.	I/C	REMARKS	Weight (kgf)	Weight (lb)
010	32580-95223	ASSY GEAR BEVEL	1			7-34T	4.4	9.68
020	35350-43220	COLLAR OIL SEAL	1				0.07	0.154
030	04811-00340	O RING	1				0.002	0.0044
040	32580-43230	NUT	1				0.04	0.088
050	38630-43260	BEARING TAPER-ROLLER	1				0.24	0.528
060	32590-43290	BEARING TAPER-ROLLER	1				0.55	1.21
070	09500-45629	SEAL OIL	1				0.023	0.0506
080	32580-43314	CASE DIFF.	1				2.3	5.06
090	37650-43320	PIN SET	1				0.01	0.022
100	31393-43330	SHAFT DIFF.PINION	1				0.41	0.902
110	35200-26350	PINION DIFF.	2				0.145	0.319
120	35200-26390	WASHER DIFF.PINION	2				0.02	0.044
130	32580-43330	GEAR DIFF.SIDE	2				0.49	1.078
140	31220-26480	WASHER	2			1.50MM	0.015	0.033
140	31220-26490	WASHER	2			1.60MM	0.02	0.044
140	37150-26480	WASHER	2			1.70MM	0.016	0.0352
150	31353-43880	PIN STRAIGHT	2				0.02	0.044
160	37800-43870	BOLT	10				0.026	0.0572
170	08101-06211	BEARING BALL	1				0.6	1.32
180	32580-43340	SHIM ADJUSTING	1			0.80MM	0.015	0.033
180	32580-43350	SHIM ADJUSTING	1			1.00MM	0.015	0.033
180	32580-43360	SHIM ADJUSTING	1			1.20MM	0.02	0.044
180	32580-43370	SHIM ADJUSTING	1			1.40MM	0.025	0.055
190	08101-06210	BEARING BALL	1				0.45	0.99
200	32580-43380	SCREW ADJUSTING	1				0.2	0.44
210	32580-43390	WASHER LOCK	1				0.01	0.022
220	01123-60816	BOLT	1				0.01	0.022

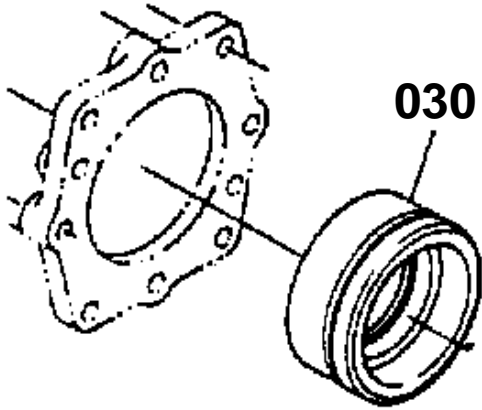
DIFFERENTIAL GEAR SHAFT



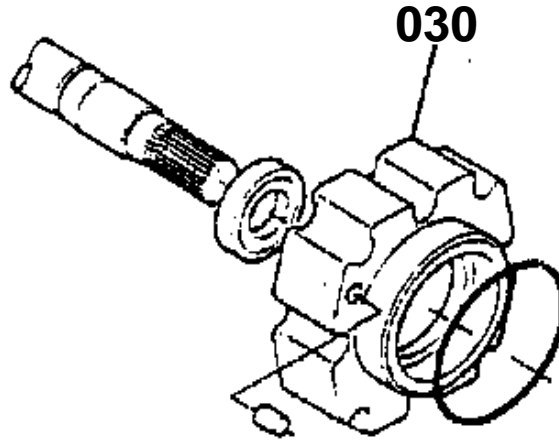
32540-081-10



030 32570-4351-5



030 32590-4351-0



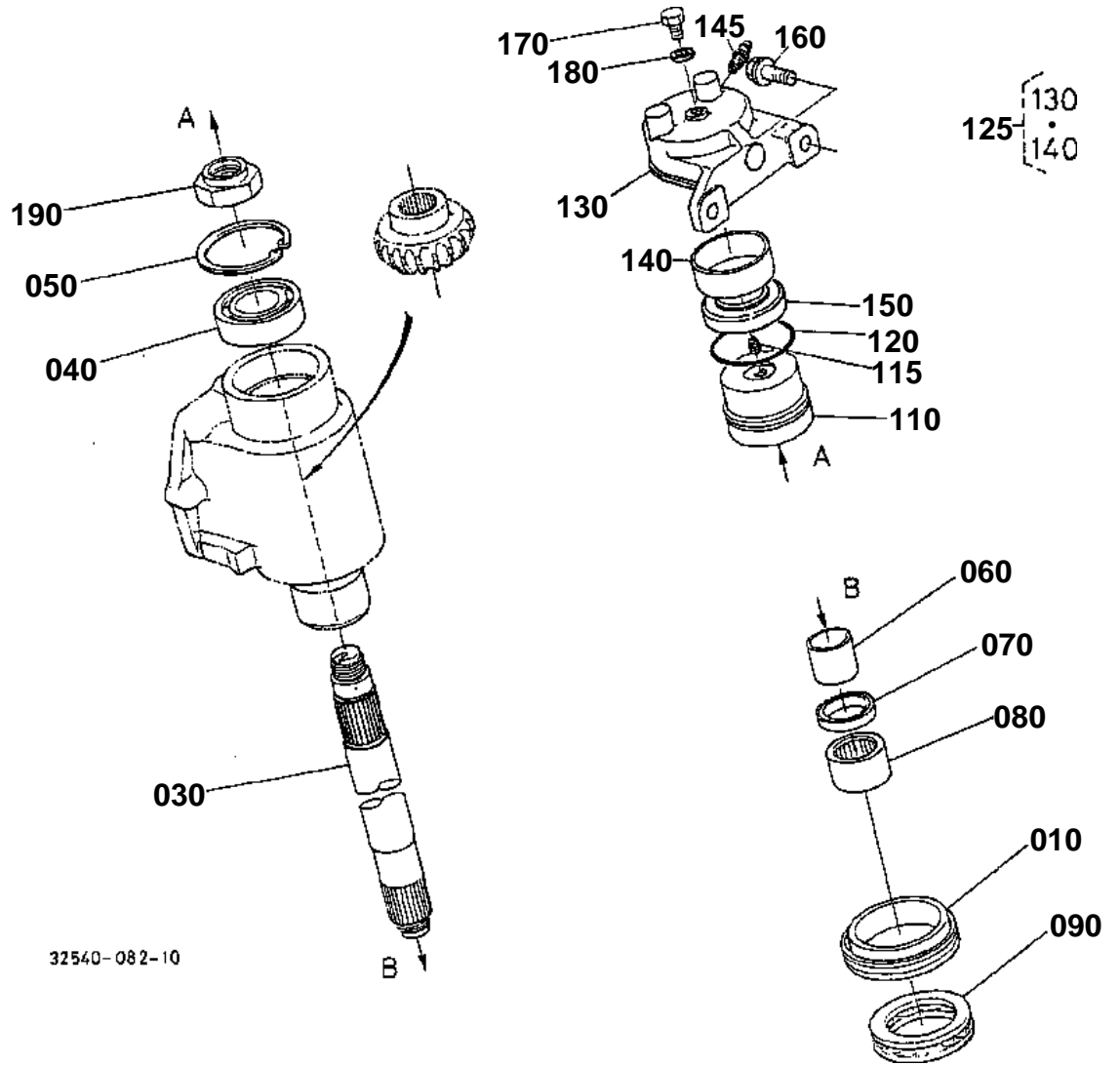
32540-825-10



## DIFFERENTIAL GEAR SHAFT

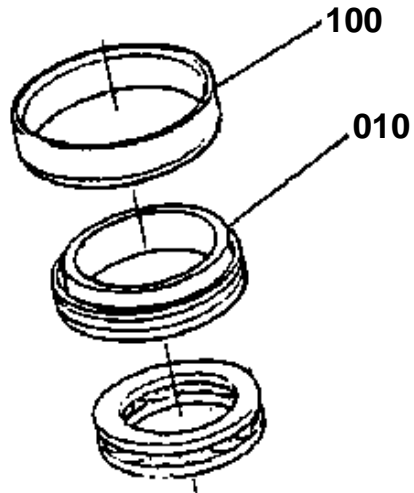
↔ Interchangeable; ≠ not interchangeable; ← new for old; → old for new

REF.No	Part No.	Description	Q'ty	S.No.	I/C	REMARKS	Weight (kgf)	Weight (lb)
010	32590-95230	ASSY GEAR BEVEL	1			13-15T	2.3	5.06
020	37300-26530	PIN STRAIGHT	8				0.03	0.066
030	32590-43510	CASE BEARING	2	≤60584			0	0
030	32590-43512	CASE BEARING	2	≥60585	←		4	8.8
040	01173-51295	BOLT	8				0.086	0.1892
060	01173-51285	BOLT	8				0.084	0.1848
070	32590-43550	BEARING BALL	2				0.43	0.946
080	32580-43522	SHAFT DIFF GEAR	2				3.8	8.36
090	32580-43560	SHIM	2			0.80MM	0.015	0.033
090	32580-43570	SHIM	2			1.00MM	0.015	0.033
090	32580-43580	SHIM	2			1.20MM	0.02	0.044
090	32580-43590	SHIM	2			1.40MM	0.025	0.055
100	04512-60120	WASHER SPRING	16				0.005	0.011
110	04811-11050	O RING	2				0.002	0.0044
120	09404-56812	SEAL OIL	2				0.04	0.088
130	32580-43615	CASE BEVEL GEAR	2				7.38	16.236
140	04811-11050	O RING	2				0.002	0.0044
150	06331-35010	PLUG	2				0.012	0.0264
160	04717-01000	WASHER WITH RUBBER	2				0.001	0.0022



010 32580-4362-0

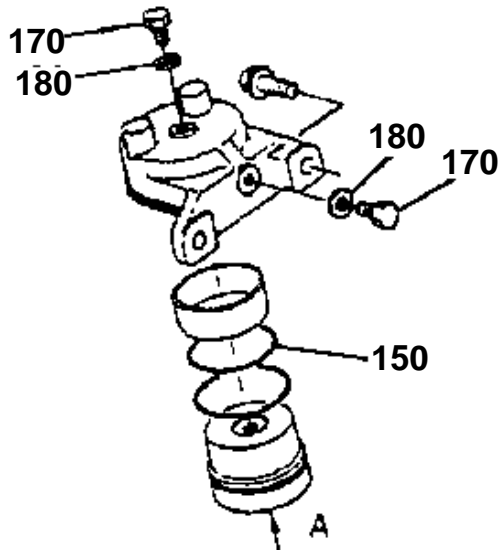
100 32580-4368-0



150 04811-50700

170 06331-35010

180 04717-01000



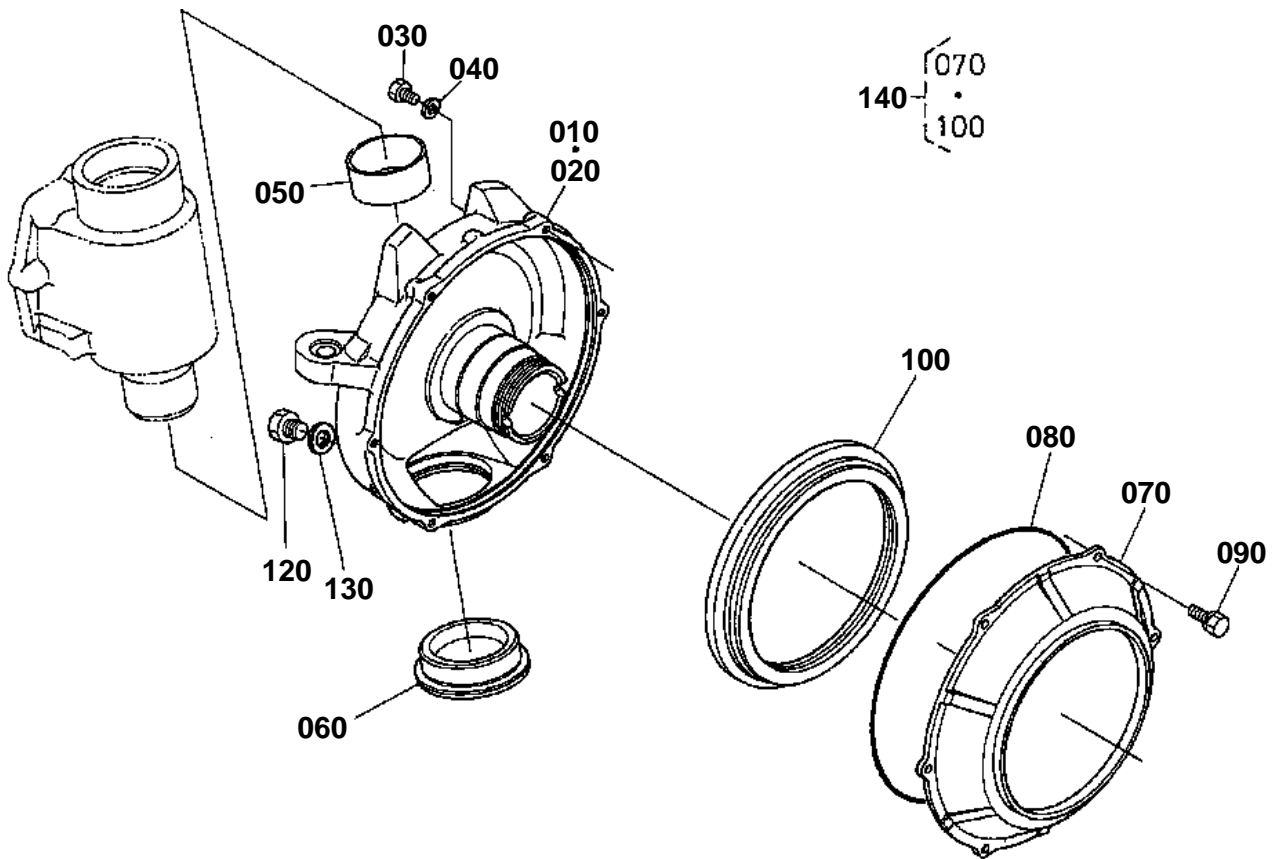
32540-826-10

**KINGPIN**

↔ Interchangeable; ≠ not interchangeable; ← new for old; → old for new

REF.No	Part No.	Description	Q'ty	S.No.	I/C	REMARKS	Weight (kgf)	Weight (lb)
010	32580-43620	SEAL OIL	2	≤60671			0.09	0.198
010	32590-43620	SEAL OIL	2	≥60672	←		0.25	0.55
030	32580-43634	SHAFT BEVEL GEAR	2				2.4	5.28
040	32580-43640	BEARING BALL	2				0.5	1.1
050	04611-00800	CIR CLIP INTERNAL	2				0.02	0.044
060	32580-43650	RING INNER	2				0.08	0.176
070	32580-43660	SEAL OIL	2				0.005	0.011
080	32580-43672	BEARING NEEDLE	2				0.055	0.121
090	08401-51113	BEARING THRUST BALL	2				0.32	0.704
100	32580-43680	SLEEVE	2	≤60671			0.15	0.33
110	32580-43920	SHAFT SUPPORT	2				1.05	2.31
115	68311-13620	PLUG	2	≥61150			0.02	0.044
120	04811-10750	O RING	2				0.001	0.0022
125	32580-43900	ASSY SUPPORT F-AXLE	2	≥60952			2.15	4.73
130	32580-43960	SUPPORT CASE	2	≤60951			2	4.4
130	32580-43963	SUPPORT F-AXLE CASE	2	≥60952	≠		1.9	4.18
140	32580-43930	DU-BUSH	2	≤60951			0	0
140	32590-43930	BUSH	2	≥60952	≠		0.108	0.2376
145	06611-15010	NIPPLE GREASE	1	≥60952			0.01	0.022
150	04811-50700	O RING	2	≤60951			0.002	0.0044
150	32590-43990	SEAL OIL	2	≥60952	≠		0.016	0.0352
160	32580-43970	BOLT UBS	4				0.05	0.11
170	06331-35010	PLUG	4	≤60314			0.012	0.0264
170	06331-35010	PLUG	2	≥60315			0.012	0.0264
180	04717-01000	WASHER WITH RUBBER	4	≤60314			0.001	0.0022
180	04717-01000	WASHER WITH RUBBER	2	≥60315			0.001	0.0022
190	32580-43940	NUT	2				0.08	0.176

FRONT AXLE CASE



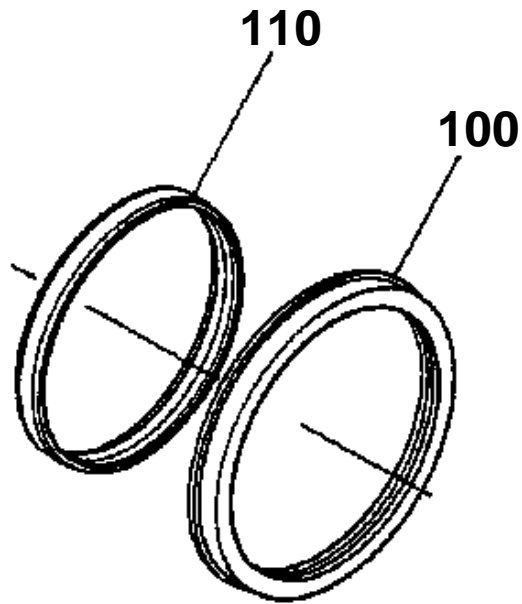
32540-083-10

FRONT AXLE CASE

---

100 32580-4377-0

110 32580-4378-2



32540-827-10



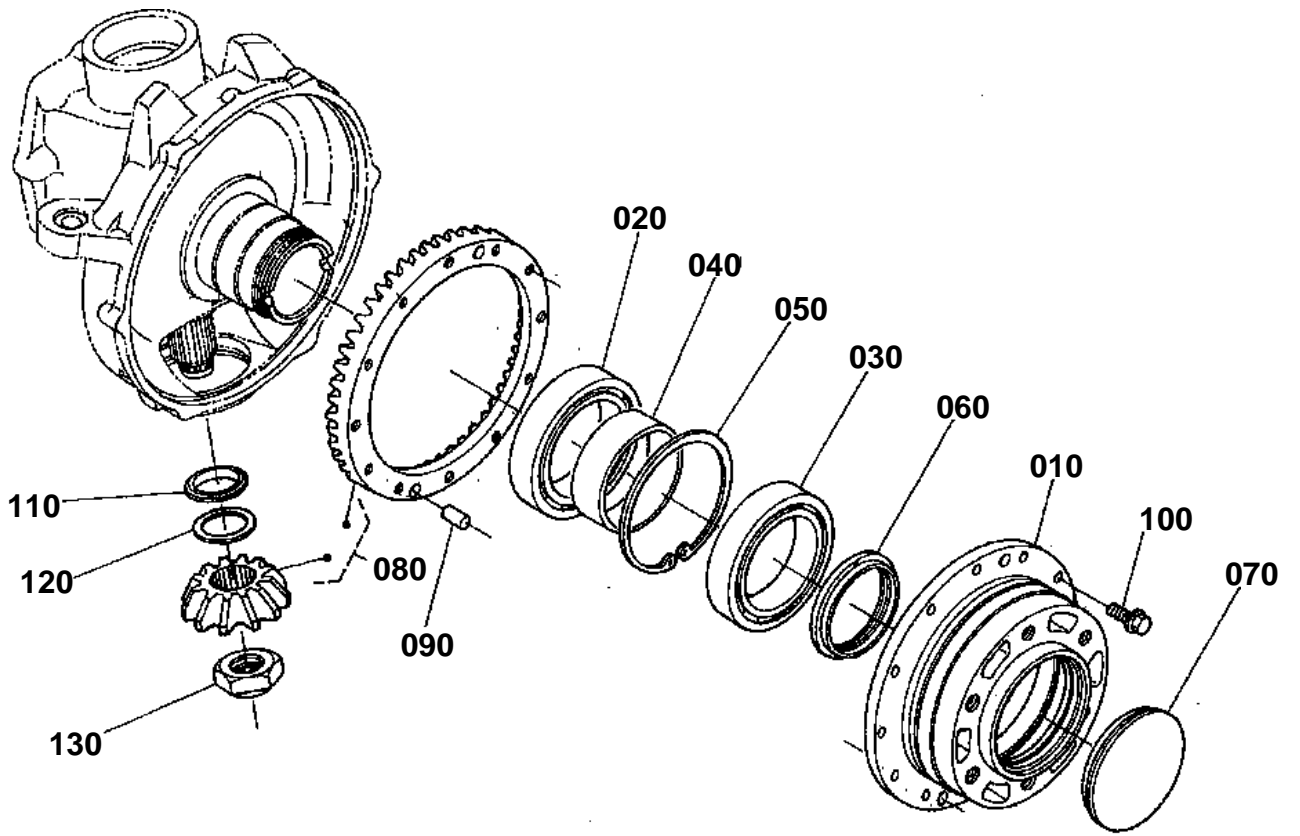
FRONT AXLE CASE

↔ Interchangeable; ≠ not interchangeable; ← new for old; → old for new

REF.No	Part No.	Description	Q'ty	S.No.	I/C	REMARKS	Weight (kgf)	Weight (lb)
010	32580-43716	CASE FRONT AXLE RH	1				12.2	26.84
020	32580-43726	CASE FRONT AXLE LH	1				12.1	26.62
030	06331-35010	PLUG	2				0.012	0.0264
040	04717-01000	WASHER WITH RUBBER	2				0.001	0.0022
050	08511-06540	BUSH	2				0.158	0.3476
060	32580-43743	CAP	2				0.12	0.264
070	32580-43754	COVER OIL SEAL	2	<=60493			3.4	7.48
070	32580-43756	COVER OIL SEAL	2	>=60494	≠		3.3	7.26
080	32580-43760	O RING	2				0.005	0.011
090	01123-50820	BOLT	12				0.011	0.0242
100	32580-43770	SEAL OIL	2	<=60493			0	0
100	32580-43773	SEAL OIL	2	>=60494	≠		0.205	0.451
100	32590-43770	SEAL OIL	2	>=60688	←		0.48	1.056
110	32580-43782	SLEEVE	2	<=60687			0.34	0.748
120	06331-35016	PLUG	4				0.04	0.088
130	04717-01600	WASHER WITH RUBBER	4				0.003	0.0066
140	32580-95310	KIT OIL SEAL-COVER	1			SERVICE PARTS	3.5	7.7



FRONT AXLE



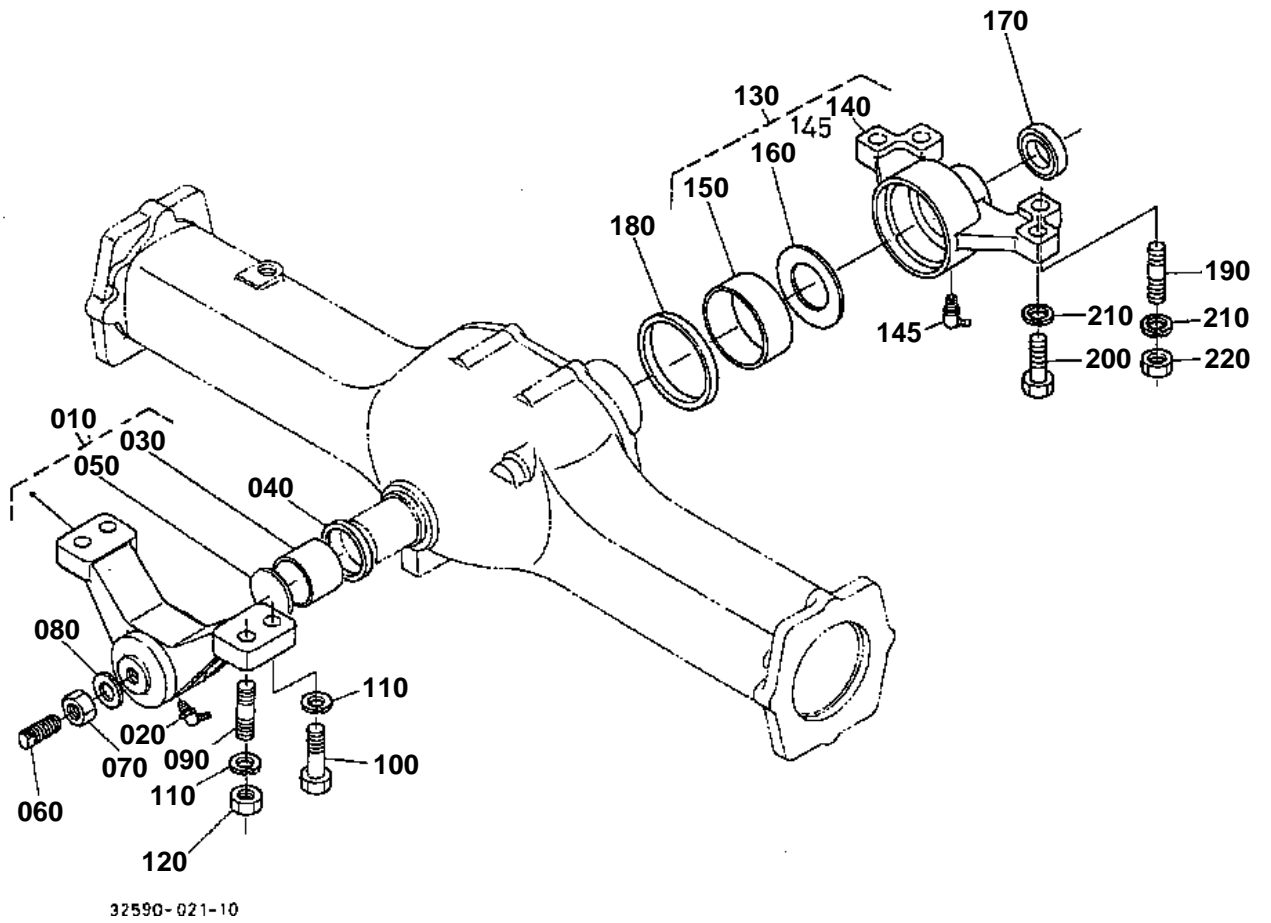
32540-084-10

**FRONT AXLE**

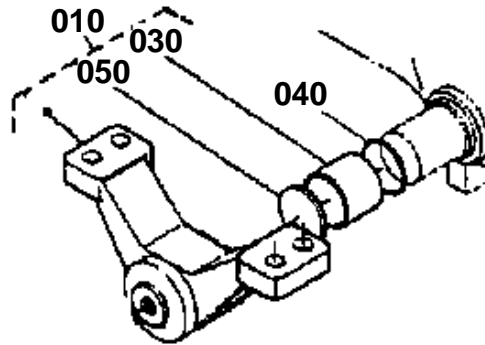
↔ Interchangeable; ≠ not interchangeable; ← new for old; → old for new

REF.No	Part No.	Description	Q'ty	S.No.	I/C	REMARKS	Weight (kgf)	Weight (lb)
010	32580-43815	AXLE FRONT	2				9	19.8
020	08101-06017	BEARING BALL	2				0.89	1.958
030	08101-06016	BEARING BALL	2				0.87	1.914
040	32580-43980	COLLAR	2				0.47	1.034
050	32580-43820	CIR CLIP INTERNAL	2				0.1	0.22
060	32580-43830	NUT	2				0.115	0.253
070	32580-43840	CAP	2				0.12	0.264
080	32580-95243	ASSY GEAR BEVEL	1			12-43T	6.5	14.3
090	37300-26530	PIN STRAIGHT	4				0.03	0.066
100	32580-43950	BOLT UBS	24				0.03	0.066
110	32580-43870	COLLAR	2				0.015	0.033
120	32580-43880	SHIM	4			0.50MM	0.002	0.0044
120	32580-43890	SHIM	4			0.20MM	0.004	0.0088
130	32580-43940	NUT	2				0.08	0.176

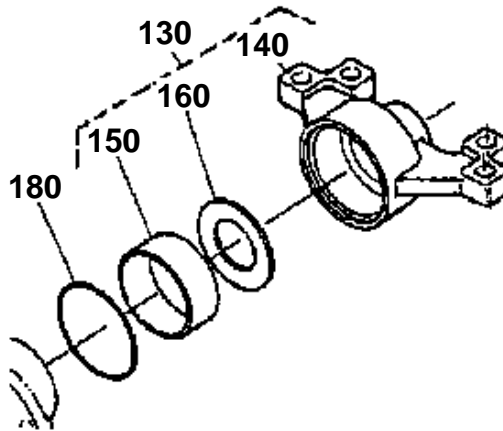
FRONT AXLE SUPPORT



010 32580-4450-0  
040 04811-50500



130 32590-4460-0  
140 32590-4455-0  
180 32590-4461-0



32540-829-10

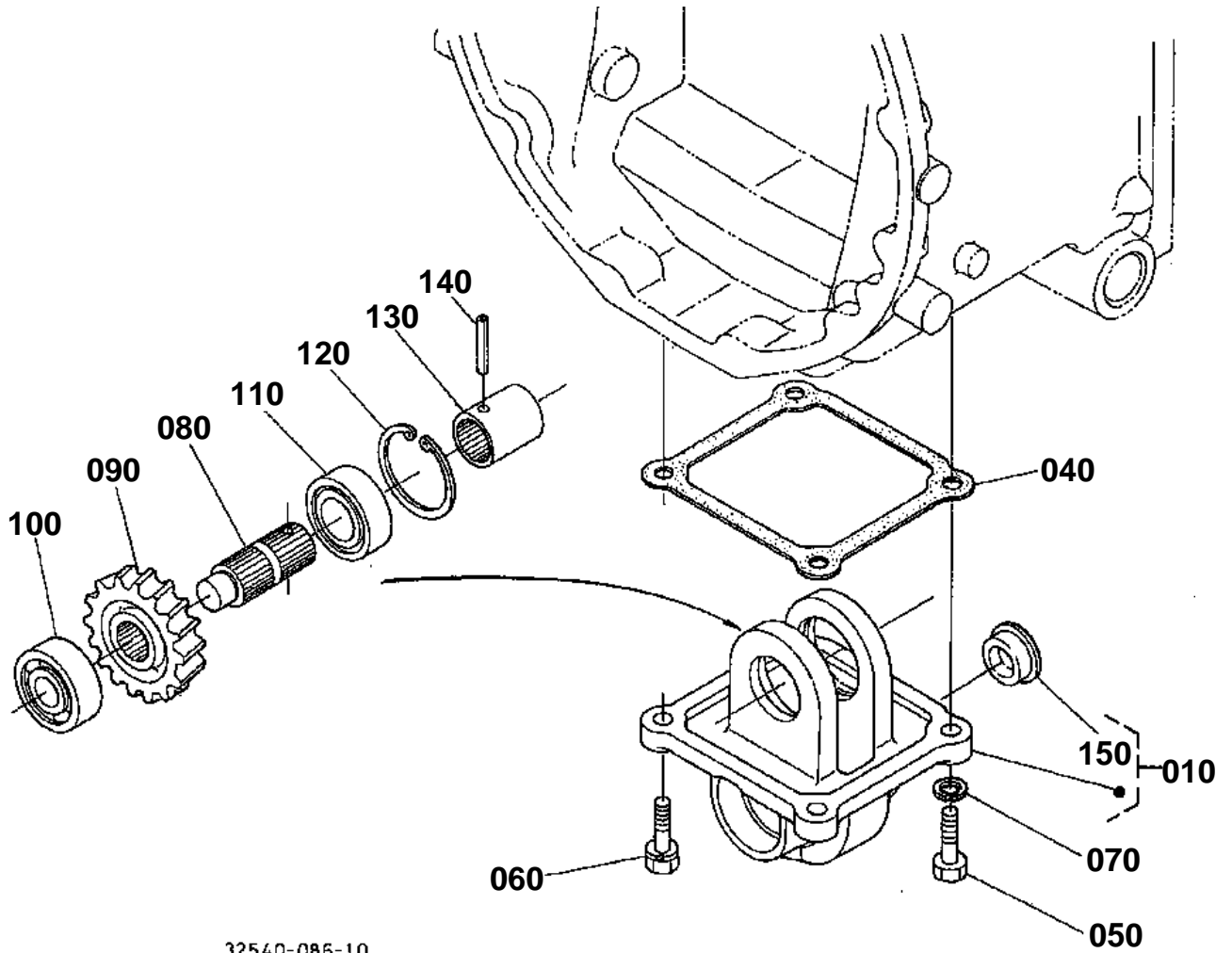


# FRONT AXLE SUPPORT

↔ Interchangeable; ≠ not interchangeable; ← new for old; → old for new

REF.No	Part No.	Description	Q'ty	S.No.	I/C	REMARKS	Weight (kgf)	Weight (lb)
010	32580-44500	ASSY SUPPORT F.AXLE	1	≤60951			0	0
010	32580-44502	ASSY SUPPORT F-AXLE	1	≥60952	←		3.39	7.458
020	06616-25010	NIPPLE GREASE	1	≥60952			0.008	0.0176
030	32580-44520	DU-BUSH	1	≤60951			0.14	0.308
030	32590-44620	BUSH	1	≥60952	≠		0.118	0.2596
040	04811-50500	O RING	1	≤60594			0.001	0.0022
040	32540-44610	O RING	1	≥60595	←		0.001	0.0022
040	09230-50687	SEAL OIL	1	≥60952	≠		0.021	0.0462
050	32580-44530	COLLAR THRUST	1				0.055	0.121
060	32580-44540	BOLT	1				0.05	0.11
070	32580-44580	NUT	1				0.1	0.22
080	38440-44750	WASHER SEAL	1				0.003	0.0066
090	01517-61645	STUD	2				0.096	0.2112
100	01173-51650	BOLT	2				0.099	0.2178
110	04512-60160	WASHER SPRING	4				0.01	0.022
120	02076-50160	NUT	2				0.03	0.066
130	32590-44600	ASSY SUPPORT F.AXLE	1	≤60951			0	0
130	32590-44602	ASSY SUPPORT F-AXLE	1	≥60952	←		2.89	6.358
140	32590-44550	SUPPORT FRONT AXLE	1	≤60951			2.8	6.16
140	32590-44552	SUPPORT F-AXLE	1	≥60952	≠		2.7	5.94
145	06616-25010	NIPPLE GREASE	1	≥60952			0.008	0.0176
150	32590-44560	DU-BUSH	1	≤60951			0.16	0.352
150	32590-44630	BUSH	1	≥60952	≠		0.125	0.275
160	32580-44570	COLLAR THRUST	1				0.09	0.198
170	32580-44590	SEAL OIL	1				0.02	0.044
180	32590-44610	O RING	1	≤60951			0.01	0.022
180	32590-44640	SEAL OIL	1	≥60952	≠		0.028	0.0616
190	01517-61645	STUD	2				0.096	0.2112
200	01173-51650	BOLT	2				0.099	0.2178
210	04512-60160	WASHER SPRING	4				0.01	0.022
220	02076-50160	NUT	2				0.03	0.066

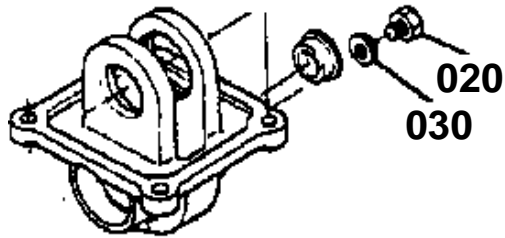
FRONT DRIVE CASE



32540-086-10

020 06331-35012

030 04717-01200



32540-830-10



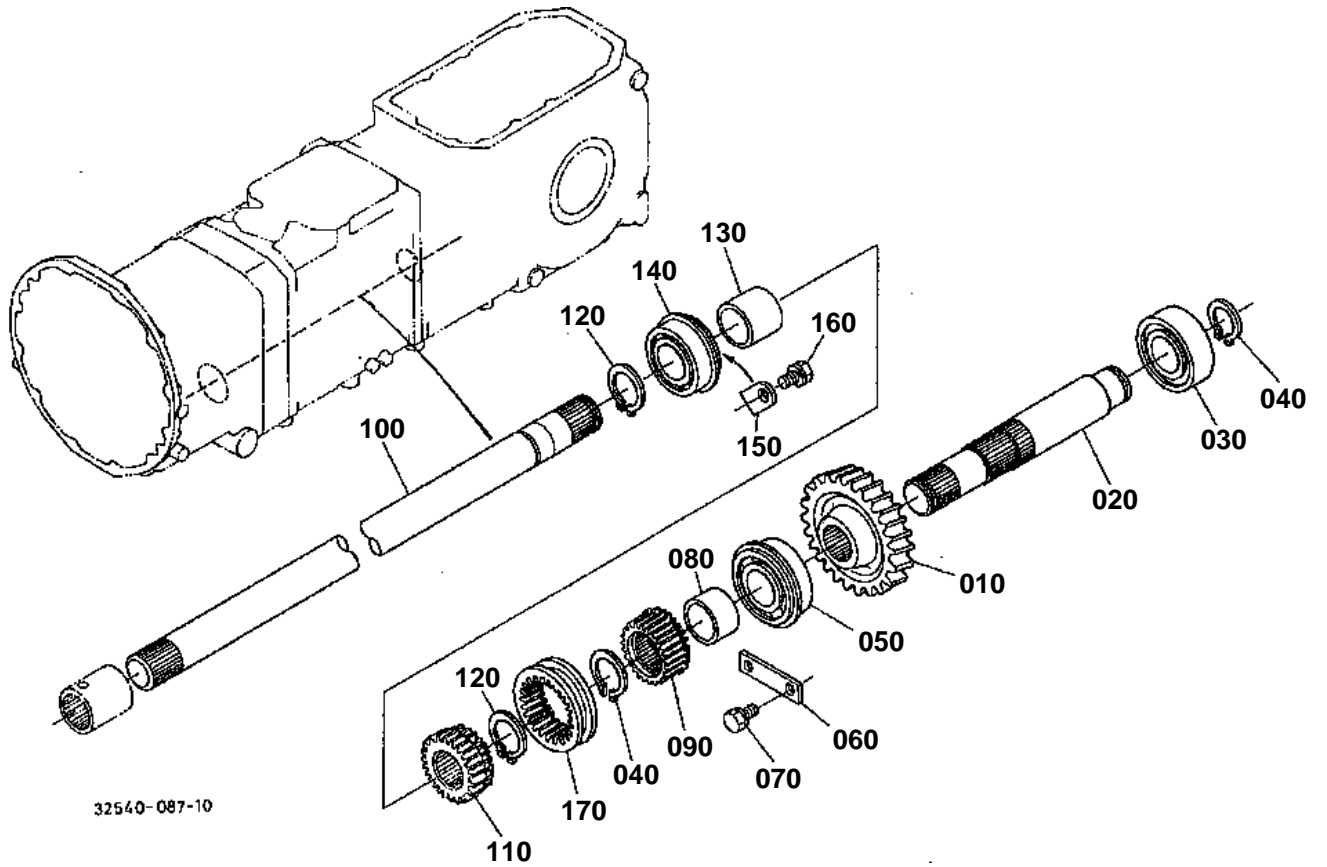
# FRONT DRIVE CASE

↔ Interchangeable; ≠ not interchangeable; ← new for old; → old for new

REF.No	Part No.	Description	Q'ty	S.No.	I/C	REMARKS	Weight (kgf)	Weight (lb)
010	32580-95710	ASSY CASE DRIVE	1				3.65	8.03
020	06331-35012	PLUG	1	<=60314			0.022	0.0484
030	04717-01200	WASHER WITH RUBBER	1	<=60314			0.002	0.0044
040	32580-44130	GASKET	1				0.005	0.011
050	38240-13180	BOLT REAMER	2				0.04	0.088
060	01133-51235	BOLT	2				0.05	0.11
070	04512-60120	WASHER SPRING	4				0.005	0.011
080	32580-44230	SHAFT DRIVING	1				0.26	0.572
090	32580-44260	GEAR	1			19T	0.52	1.144
100	31339-21170	BEARING BALL	1				0.145	0.319
110	67311-14520	BEARING BALL	1				0.125	0.275
120	04611-00520	CIR CLIP INTERNAL	1				0.009	0.0198
130	32580-44240	COUPLING	1				0.15	0.33
140	05411-00536	PIN SPRING	1				0.003	0.0066
150	32580-44360	COVER BLIND	1				0.016	0.0352



FRONT COUNTER SHAFT



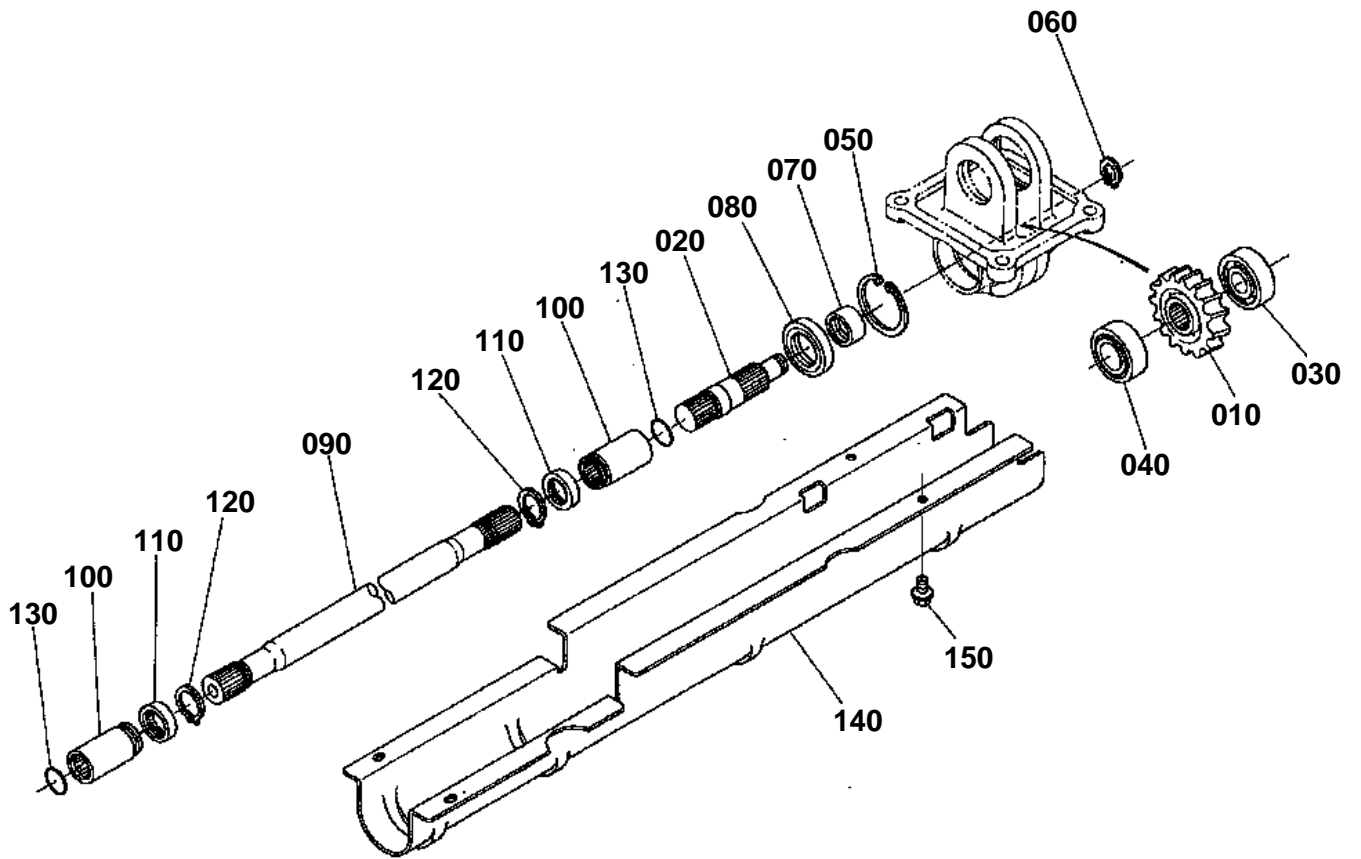


# FRONT COUNTER SHAFT

↔ Interchangeable; ≠ not interchangeable; ← new for old; → old for new

REF.No	Part No.	Description	Q'ty	S.No.	I/C	REMARKS	Weight (kgf)	Weight (lb)
010	32590-44150	GEAR	1			23T	0.72	1.584
020	32580-44140	COUNTERSHAFT	1				1.1	2.42
030	08101-06305	BEARING BALL	1				0.23	0.506
040	04612-00250	CIRCLIP EXTERNAL	2				0.002	0.0044
050	35260-23110	BEARING BALL	1				0.235	0.517
060	38430-25530	RETAINER BEARING	1				0.05	0.11
070	01123-50825	BOLT	2				0.013	0.0286
080	32580-44170	COLLAR	1				0.04	0.088
090	32580-44180	BOSS-SPRINE REAR	1				0.18	0.396
100	32580-44190	SHAFT DRIVE	1				1.95	4.29
110	32580-44210	BOSS-SPRINE FRONT	1				0.18	0.396
120	04612-00250	CIRCLIP EXTERNAL	2				0.002	0.0044
130	32580-44220	COLLAR	1				0.07	0.154
140	08151-06205	BEARING BALL	1				0.131	0.2882
150	34150-21942	RETAINER BEARING	1				0.035	0.077
160	01123-50820	BOLT	1	<=61149			0.011	0.0242
160	01123-50822	BOLT	1	>=61150	↔		0.012	0.0264
170	38240-21750	SHIFTER	1				0.14	0.308

PROPELLER SHAFT



32540-088-10

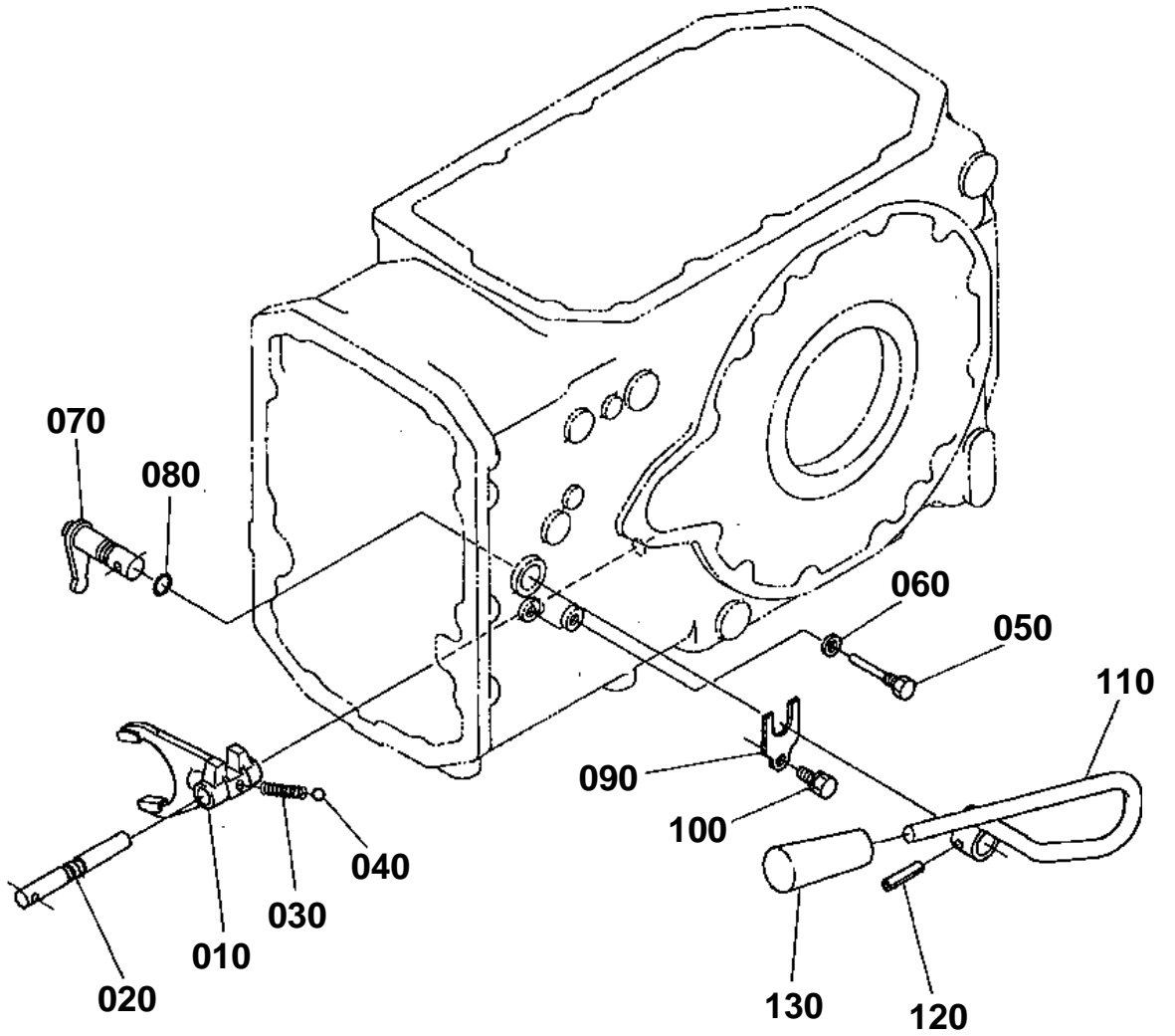


## PROPELLER SHAFT

↔ Interchangeable; ≠ not interchangeable; ← new for old; → old for new

REF.No	Part No.	Description	Q'ty	S.No.	I/C	REMARKS	Weight (kgf)	Weight (lb)
010	32580-44250	GEAR	1			18T	0.45	0.99
020	32580-44270	SHAFT PROPELLER	1				0.41	0.902
030	31339-21170	BEARING BALL	1				0.145	0.319
040	67311-14520	BEARING BALL	1				0.125	0.275
050	04611-00520	CIR CLIP INTERNAL	1				0.009	0.0198
060	04612-00200	CIRCLIP EXTERNAL	1				0.001	0.0022
070	32580-44280	SLEEVE	1				0.02	0.044
080	09503-25211	SEAL OIL	1				0.024	0.0528
090	32580-44290	SHAFT PROPELLER	1				2.86	6.292
100	32580-44310	COUPLING	2				0.2	0.44
110	32580-44320	SEAL SPLINE	2				0.01	0.022
120	04612-00250	CIRCLIP EXTERNAL	2				0.002	0.0044
130	04811-00210	O RING	1				0.001	0.0022
140	32589-44330	COVER SHAFT	1				2.14	4.708
150	01754-50812	BOLT FLANGE	4				0.01	0.022

FRONT WHEEL DRIVE LEVER



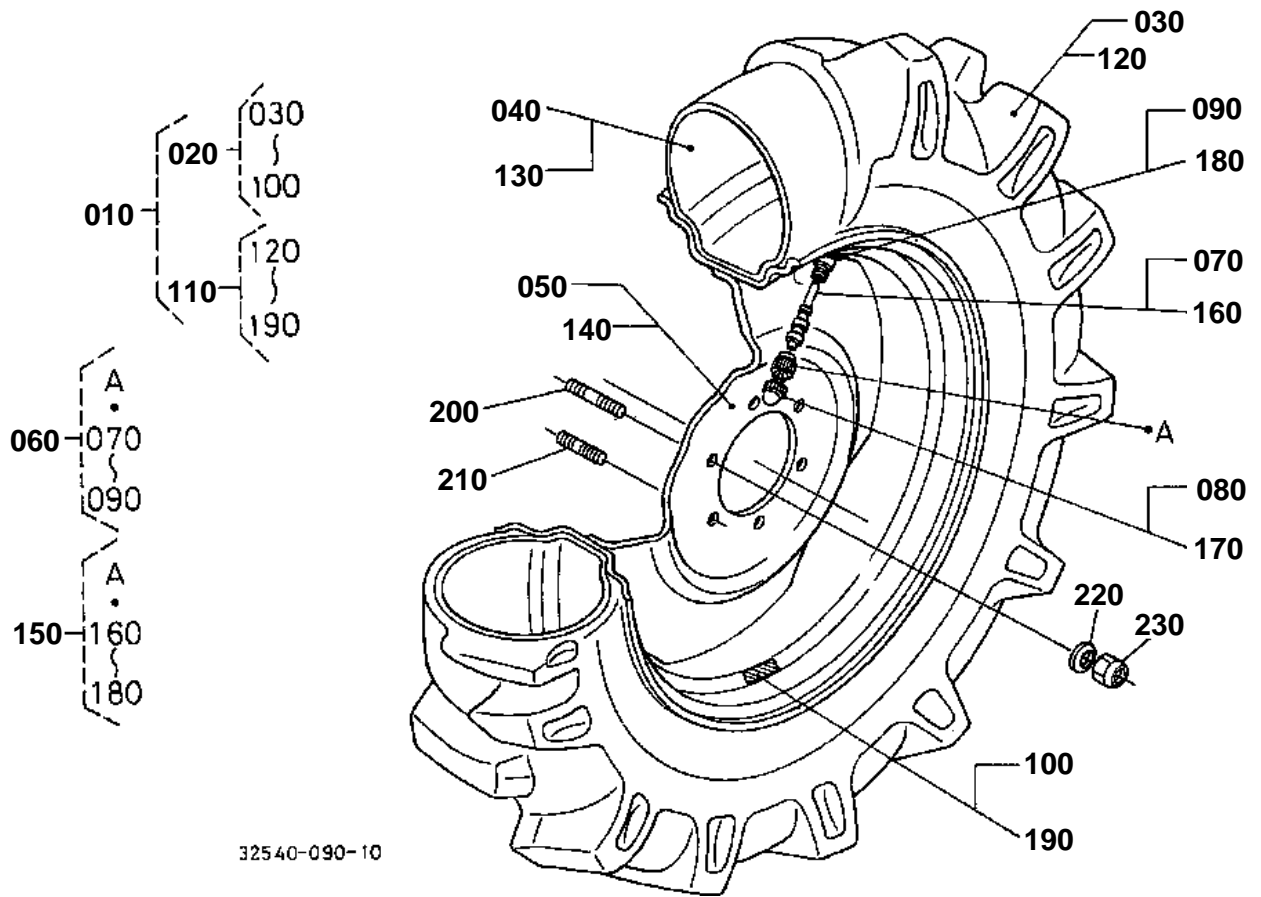
32540-089-10



## FRONT WHEEL DRIVE LEVER

↔ Interchangeable; ≠ not interchangeable; ← new for old; → old for new

REF.No	Part No.	Description	Q'ty	S.No.	I/C	REMARKS	Weight (kgf)	Weight (lb)
010	32580-44410	FORK SHIFT	1				0.25	0.55
020	32580-44420	ROD FORK	1				0.09	0.198
030	62231-18530	SPRING	1				0.01	0.022
040	07715-01605	BALL	1				0.003	0.0066
050	37150-23120	SCREW SET	1				0.02	0.044
060	04717-00800	WASHER WITH RUBBER	1				0.001	0.0022
070	32530-24820	LEVER SHIFT	1				0.18	0.396
080	04811-00150	O RING	1				0.001	0.0022
090	34150-24350	STOPPER LEVER	1				0.015	0.033
100	01123-60816	BOLT	1				0.01	0.022
110	32580-44433	LEVER 4WD CHANGE	1				0.61	1.342
120	05411-00640	PIN SPRING	1				0.006	0.0132
130	06914-00140	GRIP LEVER	1				0.014	0.0308



32540-090-10

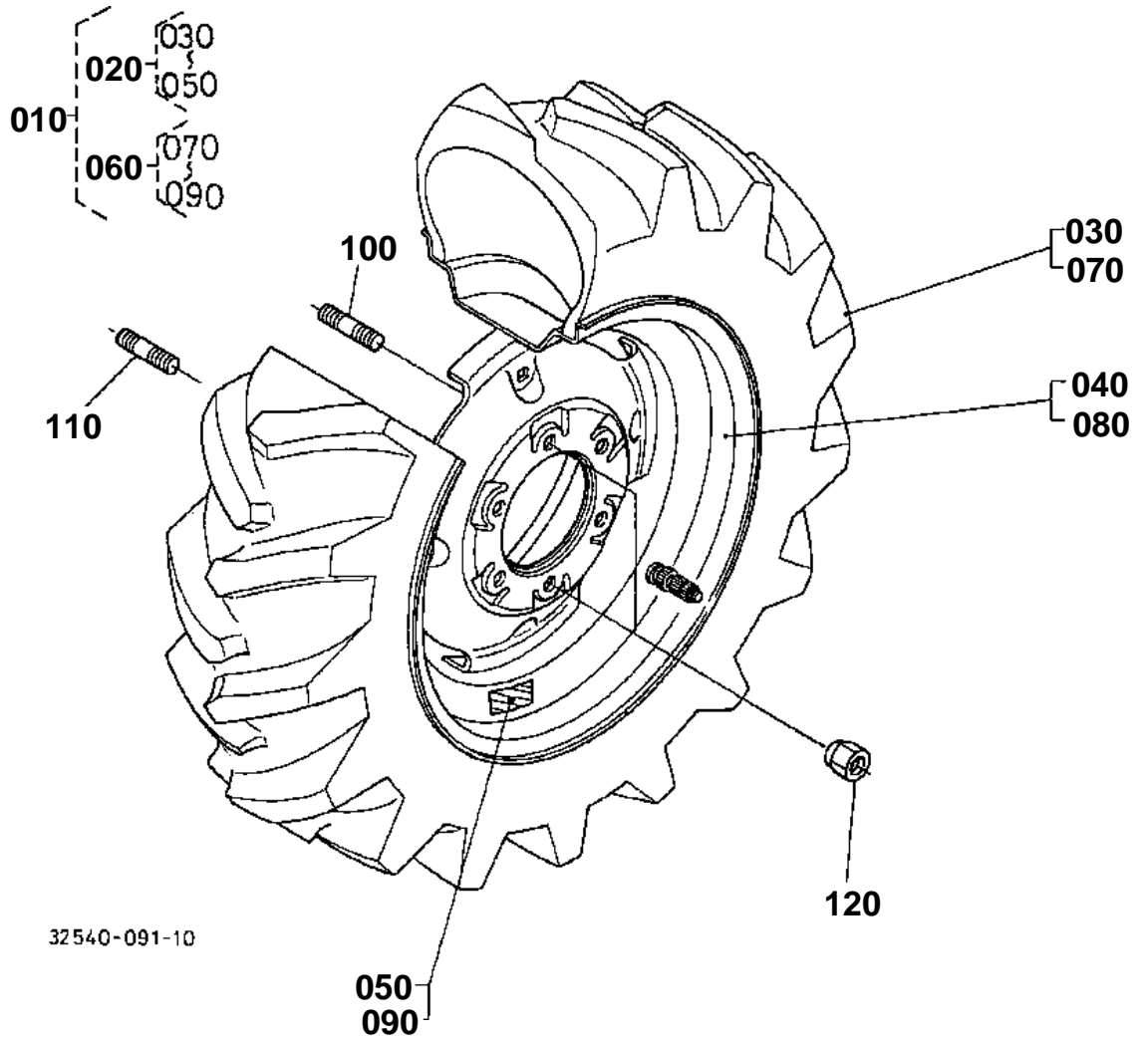


## FRONT WHEEL (9.5-20) [CA] [AU] [NZ]

↔ Interchangeable; ≠ not interchangeable; ← new for old; → old for new

REF.No	Part No.	Description	Q'ty	S.No.	I/C	REMARKS	Weight (kgf)	Weight (lb)
010	32589-44900	ASSY FRONT WHEEL	1				90	198
020	32589-44910	ASSY FRONT WHEEL RH	1				44	96.8
030	32580-44930	TIRE	1				23	50.6
040	35787-49220	TUBE TIRE	1				1.95	4.29
050	32589-44840	DISK RIM	1				20	44
060	32150-27700	ASSY VALVE	1				0.001	0.0022
070	32150-27740	CORE VALVE	1				0.003	0.0066
080	38240-11690	CAP VALVE	1				0.001	0.0022
090	32270-27710	NUT RIM	1				0.006	0.0132
100	32589-93370	LABEL TIRE RH	1				0	0
110	32589-44920	ASSY FRONT WHEEL LH	1				0	0
120	32580-44930	TIRE	1				23	50.6
130	35787-49220	TUBE TIRE	1				1.95	4.29
140	32589-44840	DISK RIM	1				20	44
150	32150-27700	ASSY VALVE	1				0.001	0.0022
160	32150-27740	CORE VALVE	1				0.003	0.0066
170	38240-11690	CAP VALVE	1				0.001	0.0022
180	32270-27710	NUT RIM	1				0.006	0.0132
190	32589-93380	LABEL TIRE LH	1				0.001	0.0022
200	32580-44960	STUD	10				0.05	0.11
210	32580-44860	STUD	2				0.06	0.132
220	32580-44970	SPRING PLATE	12				0.025	0.055
230	32580-44940	NUT	12				0.05	0.11



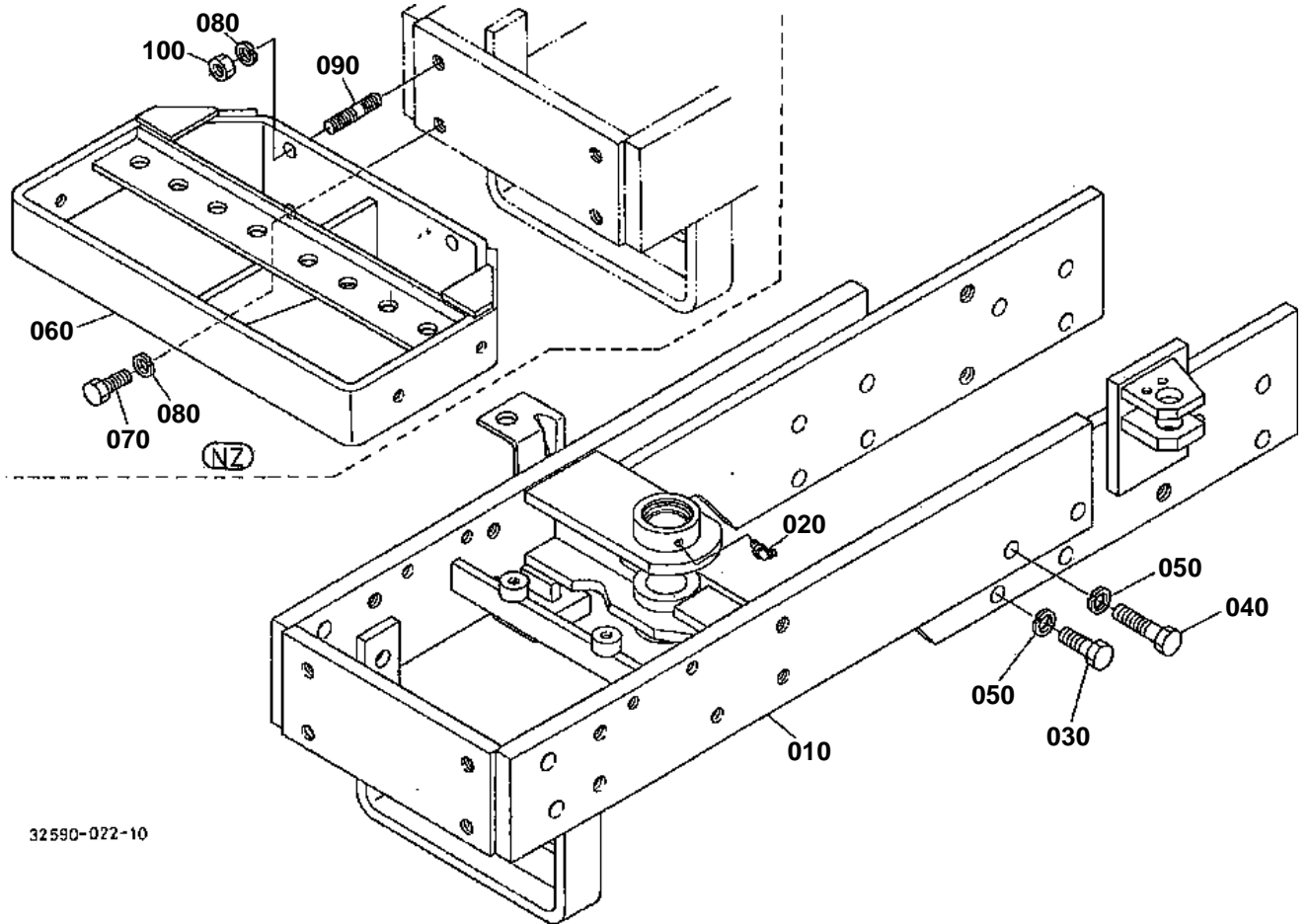


**FRONT WHEEL (9.5-16) [A] [CA]**

↔ Interchangeable; ≠ not interchangeable; ← new for old; → old for new

REF.No	Part No.	Description	Q'ty	S.No.	I/C	REMARKS	Weight (kgf)	Weight (lb)
010	32550-44900	ASSY TIRE FRONT	1			OBTAINED LOCALLY	0	0
020	32550-44910	ASSY FRONT WHEEL RH	1			OBTAINED LOCALLY	0	0
030	32550-44930	ASSY TIRE	1			OBTAINED LOCALLY	0	0
040	32550-44940	WHEEL	1			OBTAINED LOCALLY	0	0
050	32550-93330	LABEL TIRE RH	1			OBTAINED LOCALLY	0	0
060	32550-44920	ASSY FRONT WHEEL LH	1			OBTAINED LOCALLY	0	0
070	32550-44930	ASSY TIRE	1			OBTAINED LOCALLY	0	0
080	32550-44940	WHEEL	1			OBTAINED LOCALLY	0	0
090	32550-93340	LABEL TIRE LH	1			OBTAINED LOCALLY	0	0
100	32580-44960	STUD	10				0.05	0.11
110	32580-44860	STUD	2				0.06	0.132
120	32580-44940	NUT	12				0.05	0.11

FRONT AXLE BRACKET



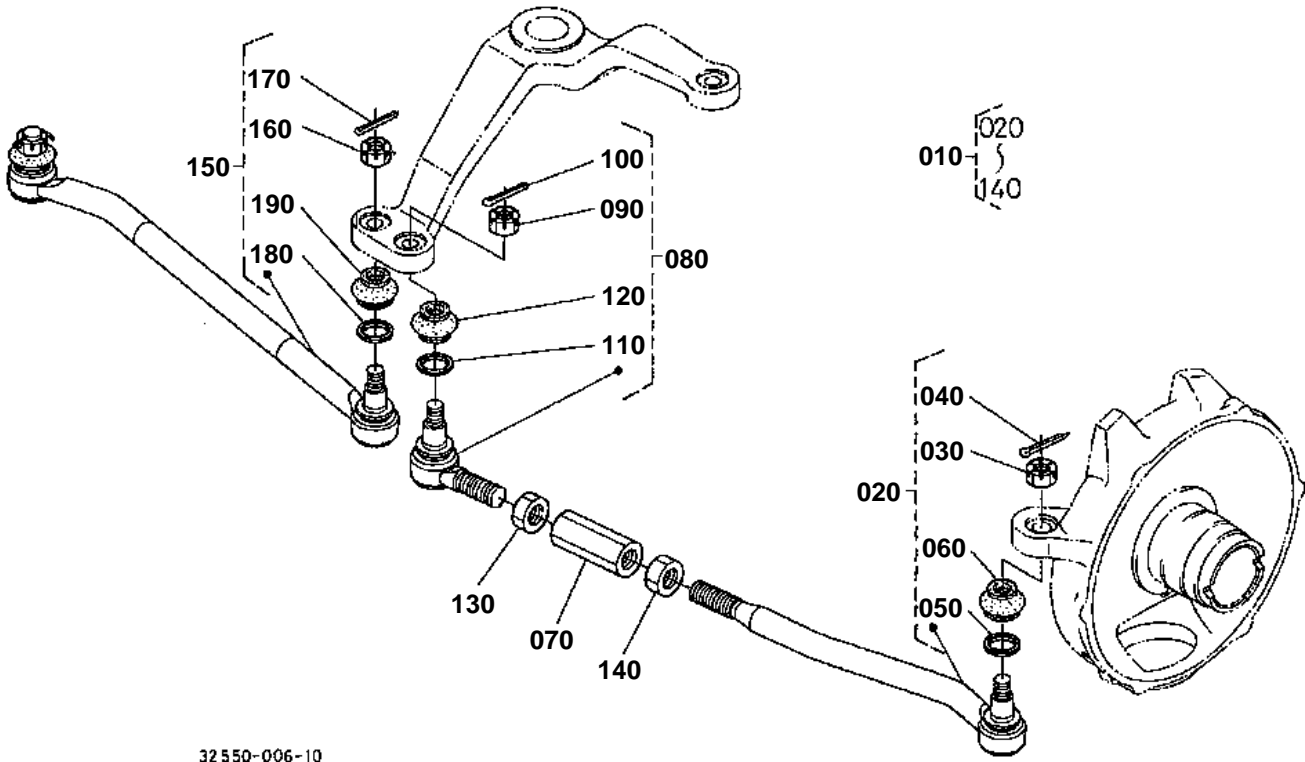
32590-022-10



## FRONT AXLE BRACKET

↔ Interchangeable; ≠ not interchangeable; ← new for old; → old for new

REF.No	Part No.	Description	Q'ty	S.No.	I/C	REMARKS	Weight (kgf)	Weight (lb)
010	32590-13610	FRAME FRONT AXLE	1				100	220
020	06613-10675	NIPPLE GREASE	1				0.003	0.0066
030	01173-51640	BOLT	10				0.085	0.187
040	01173-51665	BOLT	4				0.117	0.2574
050	04512-60160	WASHER SPRING	14				0.01	0.022
060	32539-13870	BUMPER	1			[NZ]	15	33
070	01173-51435	BOLT	2			[NZ]	0.056	0.1232
080	04512-60140	WASHER SPRING	4			[NZ]	0.006	0.0132
090	01517-61435	STUD	2			[NZ]	0.06	0.132
100	02174-50140	NUT	2			[NZ]	0.014	0.0308

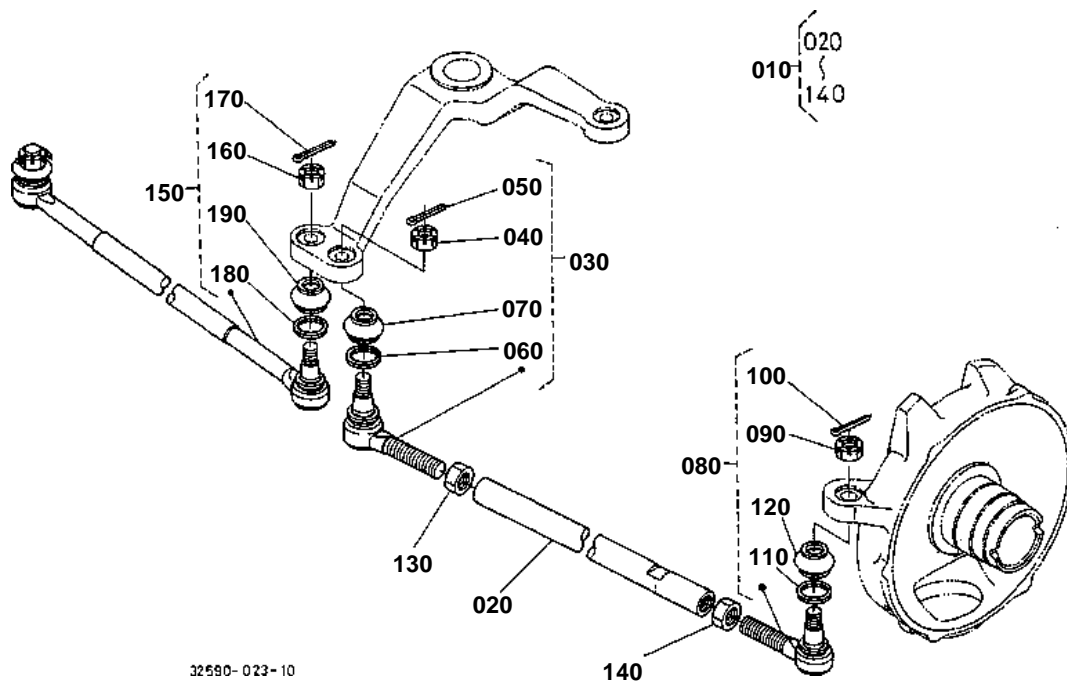


**TIE ROD L4850DT;ALL/L5450DT;[A] [CA]**

↔ Interchangeable; ≠ not interchangeable; ← new for old; → old for new

REF.No	Part No.	Description	Q'ty	S.No.	I/C	REMARKS	Weight (kgf)	Weight (lb)
010	32590-44700	ASSY ROD TIE LH	1				2.9	6.38
020	32590-44710	COMP.ROD TIE LH	1				2.1	4.62
030	36330-62750	NUT	1				0.022	0.0484
040	05511-50328	PIN SPLIT	1				0.002	0.0044
050	35270-12660	CLIP	1				0.005	0.011
060	32580-44780	COVER DUST	1				0.01	0.022
070	32570-44720	ROD ADJUSTING	1				0.21	0.462
080	32580-44750	COMP.END TIE ROD LH	1				0.5	1.1
090	36330-62750	NUT	1				0.022	0.0484
100	05511-50328	PIN SPLIT	1				0.002	0.0044
110	35270-12660	CLIP	1				0.005	0.011
120	32580-44780	COVER DUST	1				0.01	0.022
130	02172-50200	NUT	1				0.03	0.066
140	38630-44980	NUT	1				0.01	0.022
150	32590-44790	COMP.ROD TIE RH	1				3	6.6
160	36330-62750	NUT	2				0.022	0.0484
170	05511-50328	PIN SPLIT	2				0.002	0.0044
180	35270-12660	CLIP	2				0.005	0.011
190	32580-44780	COVER DUST	2				0.01	0.022

TIE ROD [AU] [NZ]



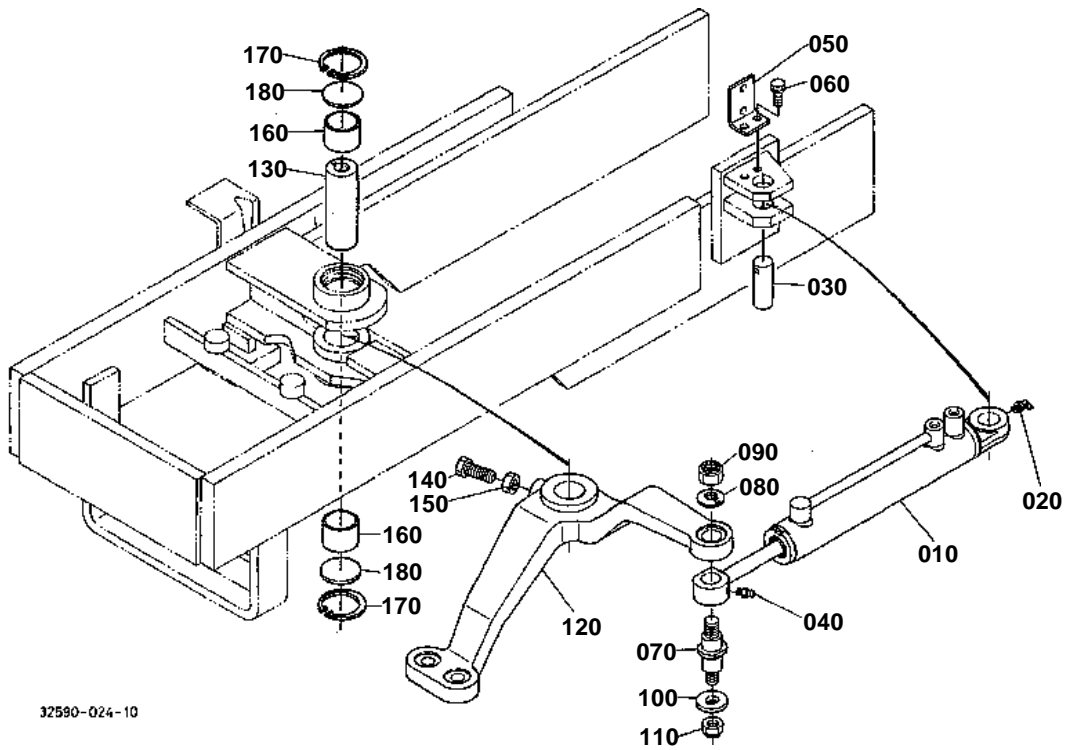
**TIE ROD [AU] [NZ]**

↔ Interchangeable; ≠ not interchangeable; ← new for old; → old for new

REF.No	Part No.	Description	Q'ty	S.No.	I/C	REMARKS	Weight (kgf)	Weight (lb)
010	32580-44700	ASSY ROD TIE LH	1				3.07	6.754
020	32580-44710	ROD TIE	1				2	4.4
030	32580-44750	COMP.END TIE ROD LH	1				0.5	1.1
040	36330-62750	NUT	1				0.022	0.0484
050	05511-50328	PIN SPLIT	1				0.002	0.0044
060	35270-12660	CLIP	1				0.005	0.011
070	32580-44780	COVER DUST	1				0.01	0.022
080	32580-44770	COMP.END TIE ROD RH	1				0.49	1.078
090	36330-62750	NUT	1				0.022	0.0484
100	05511-50328	PIN SPLIT	1				0.002	0.0044
110	35270-12660	CLIP	1				0.005	0.011
120	32580-44780	COVER DUST	1				0.01	0.022
130	38630-44980	NUT	1				0.01	0.022
140	02172-50200	NUT	1				0.03	0.066
150	32580-44790	COMP.ROD TIE RH	1				2.68	5.896
160	36330-62750	NUT	2				0.022	0.0484
170	05511-50328	PIN SPLIT	2				0.002	0.0044
180	35270-12660	CLIP	2				0.005	0.011
190	32580-44780	COVER DUST	2				0.01	0.022



# STEERING CYLINDER



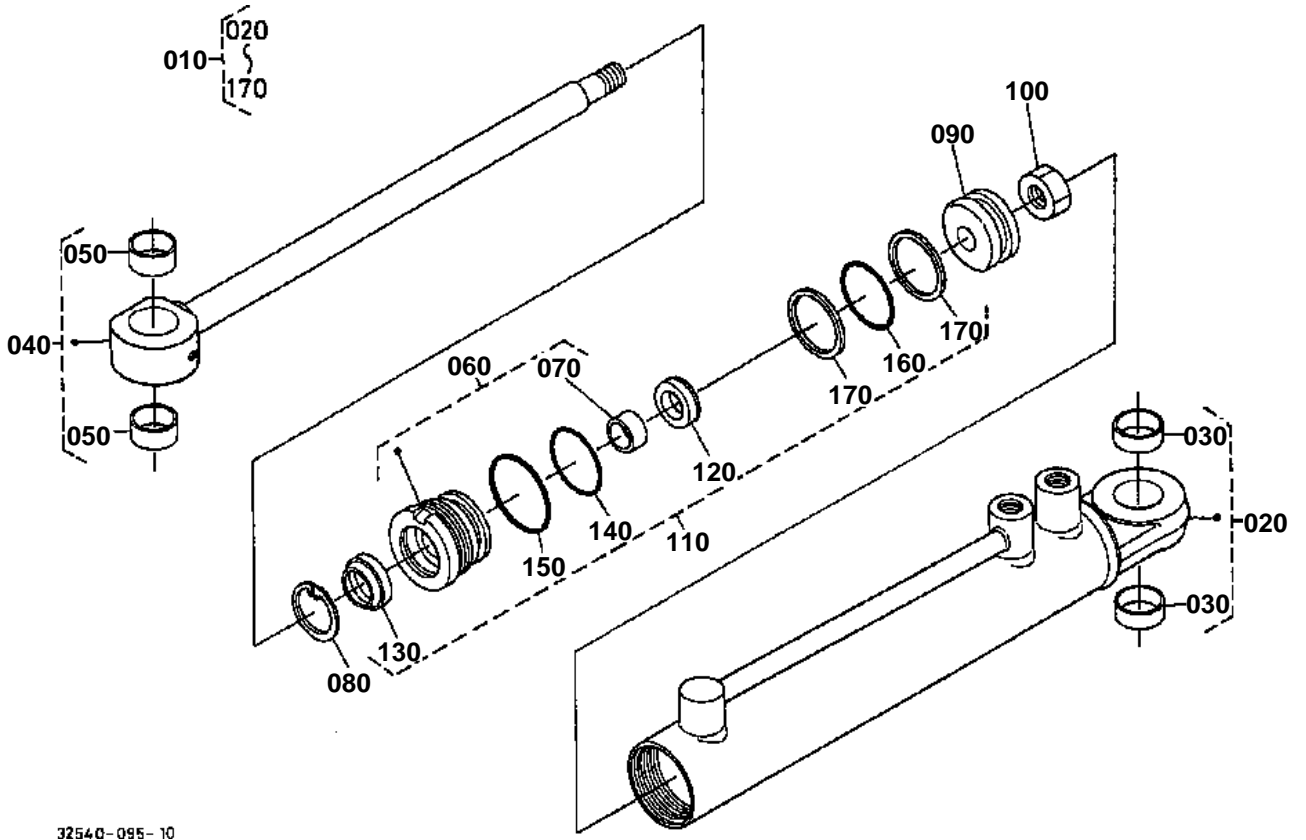


**STEERING CYLINDER**

↔ Interchangeable; ≠ not interchangeable; ← new for old; → old for new

REF.No	Part No.	Description	Q'ty	S.No.	I/C	REMARKS	Weight (kgf)	Weight (lb)
010	32590-16610	COMP.CYLINDER	1	<=60584		REFER TO L.No.0G15-R0 FOR COMPONENTS.	0	0
010	32590-16612	COMP.CYLINDER	1	>=60585	←	REFER TO L.No.0G15-R0 FOR COMPONENTS.	3.7	8.14
020	06616-35010	NIPPLE GREASE	1				0.009	0.0198
030	32590-16630	PIN FULCRUM	1				0.25	0.55
040	06611-15010	NIPPLE GREASE	1				0.01	0.022
050	32590-16640	STOPPER	1				0.1	0.22
060	01123-50818	BOLT	2				0.012	0.0264
070	32590-16650	PIN FULCRUM	1				0.22	0.484
080	36500-49410	SPRING PLATE	1				0.024	0.0528
090	02574-50160	NUT LOCK	1				0.03	0.066
100	32590-16660	COLLAR	1				0.01	0.022
110	02574-50140	NUT LOCK	1				0.03	0.066
120	32590-16910	LEVER STEERING	1	<=61594		NON SALE	5.6	12.32
120	32590-16912	LEVER STEERING	1	>=61595	←		5.5	12.1
130	32530-16925	SHAFT STRG.LEVER	1	<=60671			0	0
130	32530-16926	SHAFT STRG.LEVER	1	>=60672	←		0.8	1.76
140	32530-16972	BOLT LOCK	1				0.05	0.11
150	02172-50140	NUT	1				0.01	0.022
160	52200-22430	BUSH	2				0.05	0.11
170	04611-00520	CIR CLIP INTERNAL	2				0.009	0.0198
180	06311-75050	PLUG EXPANSION	2				0.032	0.0704

STEERING CYLINDER [COMPONENT PARTS]



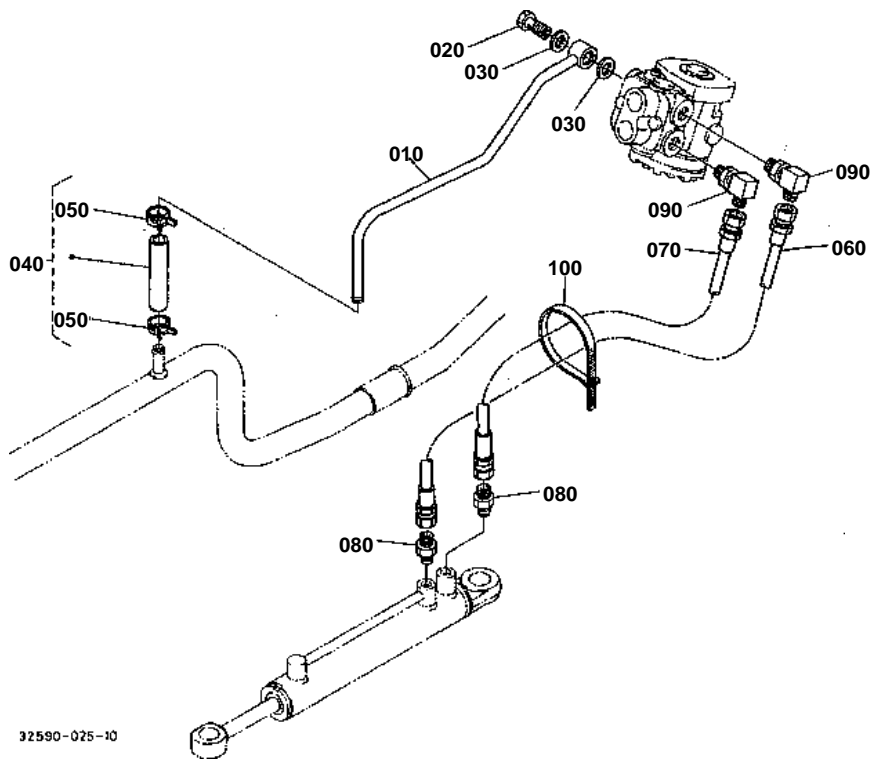
32540-095-10

**STEERING CYLINDER [COMPONENT PARTS]**

↔ Interchangeable; ≠ not interchangeable; ← new for old; → old for new

REF.No	Part No.	Description	Q'ty	S.No.	I/C	REMARKS	Weight (kgf)	Weight (lb)
010	32590-16610	COMP.CYLINDER	1	≤60584			0	0
010	32590-16612	COMP.CYLINDER	1	≥60585	←		3.7	8.14
020	32590-94400	KIT CYLINDER TUBE	1				2.5	5.5
030	32590-94420	BUSH PIN	2				0.01	0.022
040	32590-94430	KIT PISTON-ROD	1				0.85	1.87
050	32590-94450	BUSH PIN	2				0.02	0.044
060	32590-94460	KIT CYLINDER HEAD	1				0.25	0.55
070	32590-94480	BUSH	1				0.01	0.022
080	32590-94550	RING SNAP	1				0.003	0.0066
090	32590-94560	PISTON	1				0.11	0.242
100	32590-94570	NUT	1				0.023	0.0506
110	32590-94490	KIT CYLINDER REPAIR	1	≤60584			0	0
110	32590-94492	KIT CYLINDER REPAIR	1	≥60585	←		0.014	0.0308
120	32590-94500	U-RING	1	≤60584			0	0
120	32590-94502	U-RING	1	≥60585	←		0.001	0.0022
130	32590-94510	RING WIPER	1	≤60584			0	0
130	32590-94512	RING WIPER	1	≥60585	←		0.007	0.0154
140	32590-94520	O RING	1				0.005	0.011
150	32590-94530	O RING	1				0.005	0.011
160	04810-00340	O RING	1				0.005	0.011
170	32590-94580	RING BACK UP	2				0.005	0.011

POWER STEERING PIPE



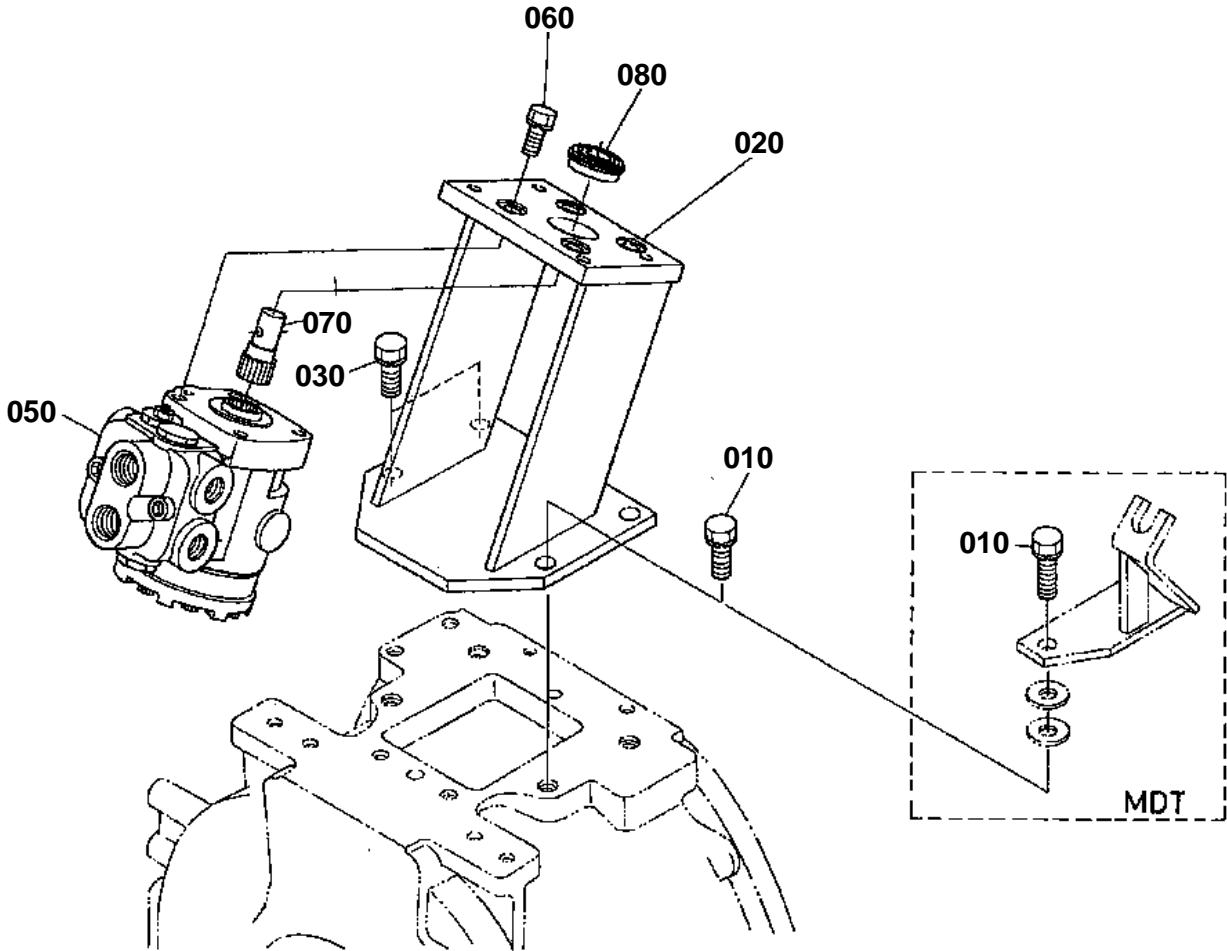


# POWER STEERING PIPE

↔ Interchangeable; ≠ not interchangeable; ← new for old; → old for new

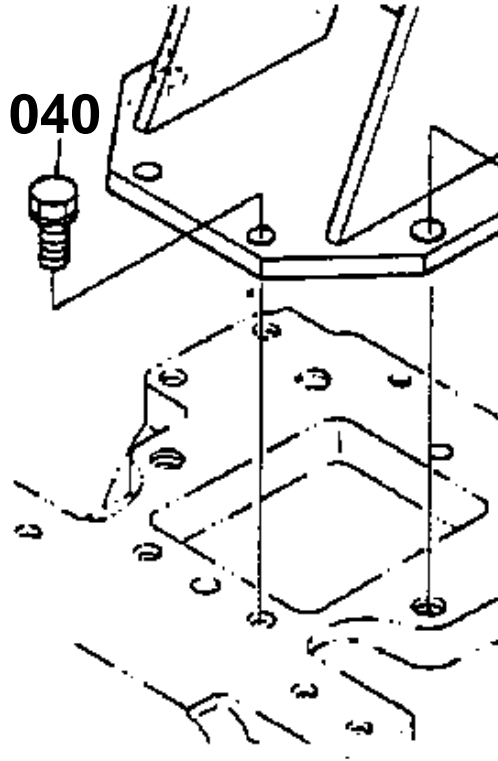
REF.No	Part No.	Description	Q'ty	S.No.	I/C	REMARKS	Weight (kgf)	Weight (lb)
010	32590-38580	PIPE RETURN	1				0.2	0.44
020	66591-36250	JOINT	1				0.08	0.176
030	67111-37180	GASKET	2				0.003	0.0066
040	32590-38600	ASSY PIPE RUBBER	1				0.1	0.22
050	09318-88180	CLAMP HOSE	2				0.01	0.022
060	32590-38860	ASSY HOSE LH	1	≤60493			0.42	0.924
060	32590-38863	ASSY HOSE LH	1	≥60494	≠		0.19	0.418
070	32590-38870	ASSY HOSE RH	1	≤60493			0.4	0.88
070	32590-38873	ASSY HOSE RH	1	≥60494	≠		0.2	0.44
080	68221-68770	ADAPTER	2				0	0
090	76611-36440	ADAPTER	2				0.1	0.22
100	53581-64150	BAND CORD	2				0.002	0.0044

STEERING CONTROLLER



32540-097-10

040 01133-51028



32540-831-10



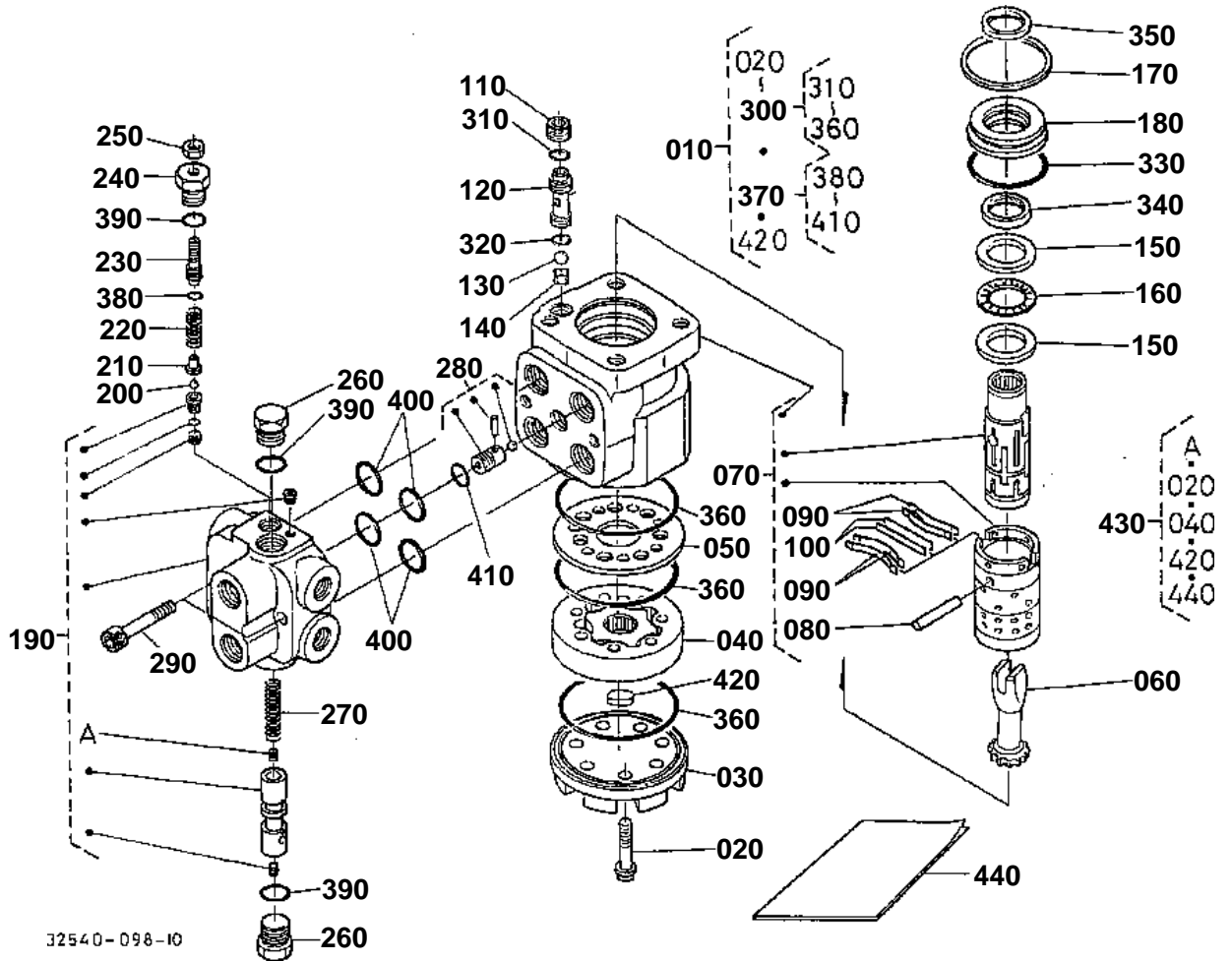


# STEERING CONTROLLER

↔ Interchangeable; ≠ not interchangeable; ← new for old; → old for new

REF.No	Part No.	Description	Q'ty	S.No.	I/C	REMARKS	Weight (kgf)	Weight (lb)
010	01133-51235	BOLT	2			MDT	0.05	0.11
010	01133-51228	BOLT	2			HDT/HDT-W	0.04	0.088
020	32590-16112	BASE STEERING	1				9.5	20.9
030	01133-51228	BOLT	2				0.04	0.088
040	01133-51028	BOLT	2	<=60347			0.027	0.0594
050	32590-16100	CONTROLLER STEERING	1	<=60854		REFER TO L.No.0H01-R0 FOR COMPONENTS.	0	0
050	32590-16102	CONTROLLER STEERING	1	>=60855	←	REFER TO L.No.0H01-R0 FOR COMPONENTS.	7.1	15.62
060	01123-51022	BOLT	4				0.02	0.044
070	32590-16120	SHAFT STEERING	1	<=60323			0	0
070	32590-16123	SHAFT STEERING	1	>=60324	←		0	0
070	32590-16124	SHAFT STEERING	1	>=60665	←		0.068	0.1496
080	50300-56520	BEARING BALL	1				0.04	0.088

STEERING CONTROLLER [COMPONENT PARTS]



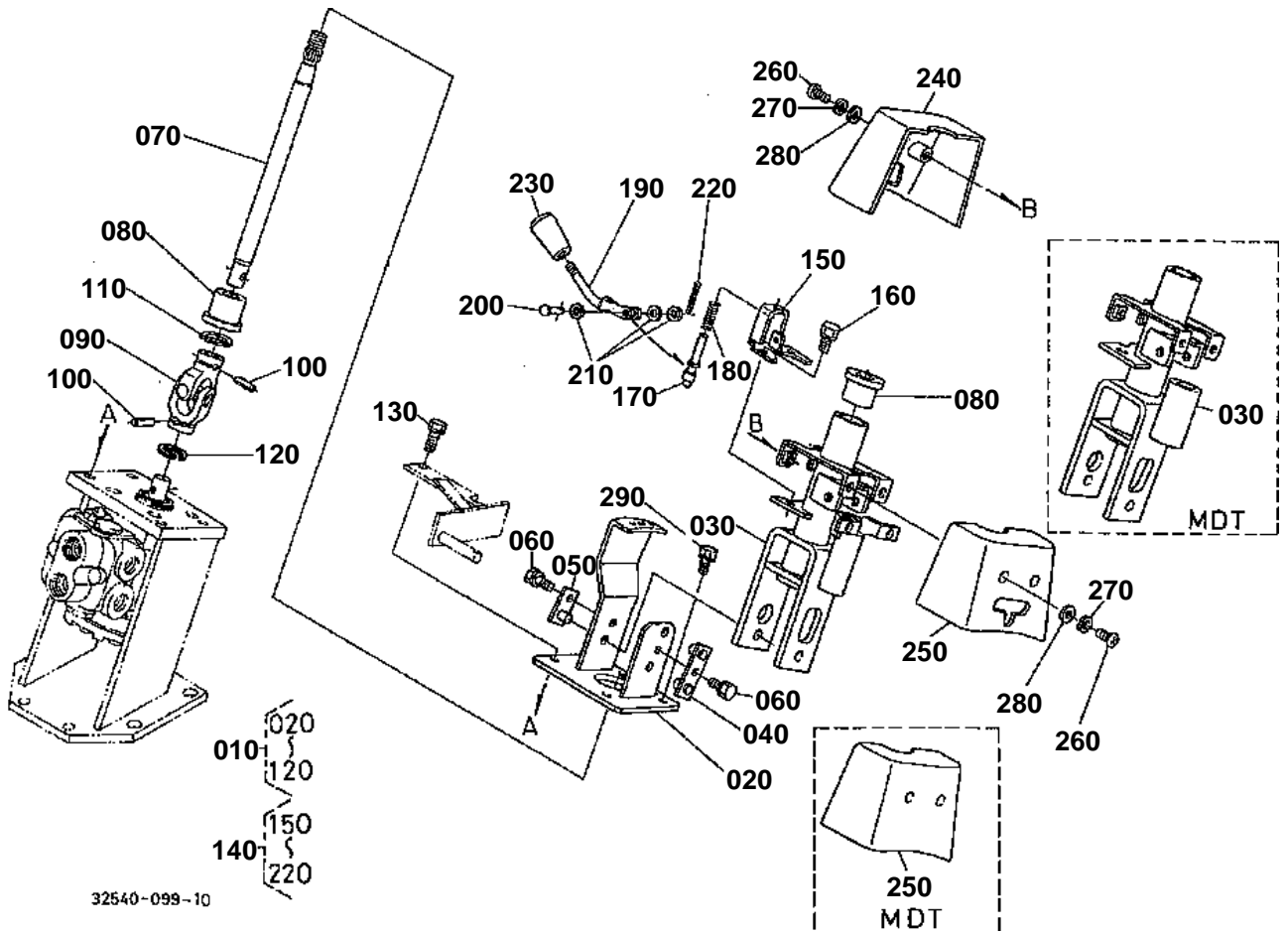


STEERING CONTROLLER [COMPONENT PARTS]

↔ Interchangeable; ≠ not interchangeable; ← new for old; → old for new

REF.No	Part No.	Description	Q'ty	S.No.	I/C	REMARKS	Weight (kgf)	Weight (lb)
010	32590-16100	CONTROLLER STEERING	1	≤60854			0	0
010	32590-16102	CONTROLLER STEERING	1	≥60855	←		7.1	15.62
020	35999-22260	SCREW	7	≤60854			0.02	0.044
020	68817-94510	SCREW	7	≥60855	≠		0.02	0.044
030	35999-22250	CAP END	1				0.4	0.88
040	32590-94310	GEROTOR	1	≤60854			0.29	0.638
040	68841-93510	GEROTOR	1	≥60855	≠		0.4	0.88
050	35999-22230	PLATE SPACER	1				0.1	0.22
060	35999-22220	DRIVE	1				0.1	0.22
070	68881-93010	ASSY PARTS CONTROL	1				3.84	8.448
080	35999-22180	PIN	1				0.01	0.022
090	35999-22200	SPRING	4				0.002	0.0044
100	35999-22190	SPRING FLAT	2				0.001	0.0022
110	35999-22170	SCREW SET	1				0.01	0.022
120	35999-22150	SEAT CHECK	1				0.01	0.022
130	35999-22130	BALL	1				0.002	0.0044
140	35999-22120	BALL RETAINER CHECK	1				0.001	0.0022
150	35999-22100	RACE BEARING	2				0.02	0.044
160	35999-22090	NEEDLE THRUST	1				0.01	0.022
170	35999-22070	RING RETAINING	1				0.005	0.011
180	35999-22060	BUSH	1				0.11	0.242
190	32590-94320	ASSY HOUSING-SPOOL	1	≤60854			1.93	4.246
190	32590-94322	ASSY HOUSING-SPOOL	1	≥60855	≠		1.95	4.29
200	68841-93550	BALL	1				0.001	0.0022
210	68841-93560	GUIDE BALL	1				0.005	0.011
220	68841-93570	SPRING RELIEF	1				0.005	0.011
230	68841-93590	SCREW ADJUSTING	1				0.005	0.011
240	68841-93580	PLUG	1				0.03	0.066
250	68841-93610	NUT LOCK	1				0.001	0.0022
260	68841-93540	PLUG SPOOL	2				0.03	0.066
270	68841-93530	SPRING CONTROL	1	≤60854			0.001	0.0022
270	76611-37410	SPRING CONTROL	1	≥60855	≠		0.005	0.011
280	68841-93050	ASSY VALVE CHECK	1				0.015	0.033
290	35999-22520	BOLT	2				0.05	0.11
300	68841-93600	KIT SEAL	1				0.01	0.022
310	35999-22160	O RING	1				0.001	0.0022
320	35999-22140	O RING	1				0.001	0.0022
330	35999-22040	RING	1				0.005	0.011
340	35999-22050	SEAL OIL	1				0.001	0.0022
350	35999-22110	SEAL DUST	1				0.002	0.0044
360	35999-22080	O RING	3				0.001	0.0022
370	68841-94600	KIT SEAL	1				0.01	0.022
380	68841-93680	O RING	1				0.001	0.0022
390	04810-00160	O RING	3				0.001	0.0022
400	35999-22320	O RING	4				0.001	0.0022
410	68841-93740	O RING	1				0.001	0.0022
420	68841-93520	SPACER	1	≥60855			0.01	0.022
430	32590-95560	KIT GEROTOR	1			SERVICE PARTS	0.2	0.44
440	32590-95580	MANUAL ASSEMBLY	1				0.002	0.0044

STEERING SHAFT AND TILT LEVER



32540-099-10

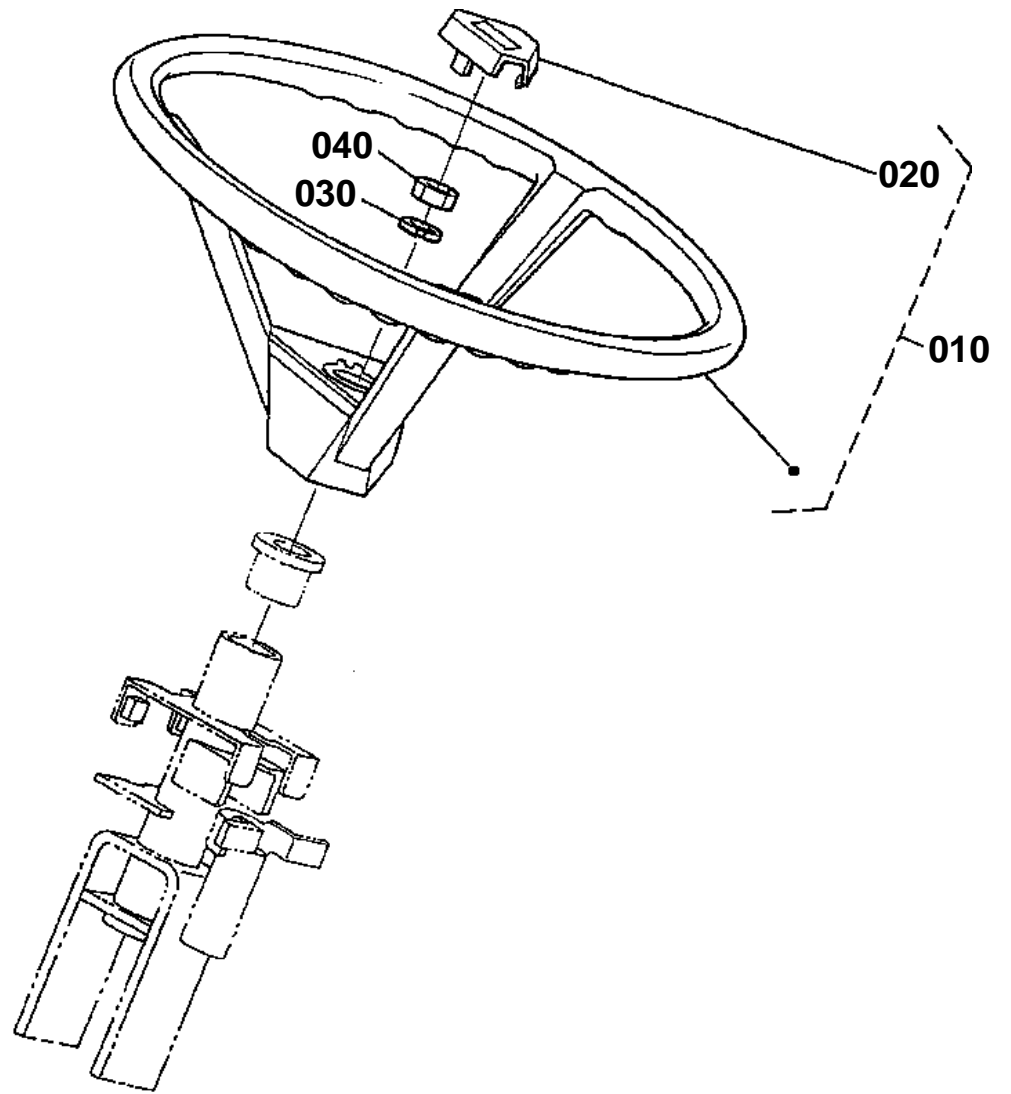


## STEERING SHAFT AND TILT LEVER

↔ Interchangeable; ≠ not interchangeable; ← new for old; → old for new

REF.No	Part No.	Description	Q'ty	S.No.	I/C	REMARKS	Weight (kgf)	Weight (lb)
010	32590-16400	ASSY BRACKET STRG.	1			MDT	4.2	9.24
010	32530-16400	ASSY BRACKET STRG.	1			HDT/HDT-W	3.3	7.26
020	32530-16424	BRACKET STEERING	1				1.04	2.288
030	32583-16410	COLUMN	1			MDT	1.4	3.08
030	32530-16410	COLUMN	1			HDT/HDT-W	1.5	3.3
040	32530-16430	PIN FULCRUM	1				0.06	0.132
050	32530-16440	PIN FULCRUM	1				0.035	0.077
060	01123-60816	BOLT	2				0.01	0.022
070	32530-16480	SHAFT STEERING	1				0.44	0.968
080	32530-16490	BUSH STEERING POST	2				0.02	0.044
090	32530-16510	JOINT UNIVERSAL	1				0.27	0.594
100	05411-00622	PIN SPRING	2				0.003	0.0066
110	04612-00250	CIRCLIP EXTERNAL	1				0.002	0.0044
120	67061-14370	CIR-CLIP	1				0.002	0.0044
130	01133-51030	BOLT	2				0.025	0.055
140	32530-16500	ASSY HOLDER TILT PIN	1				0.2	0.44
150	32530-16450	HOLDER TILT PIN	1				0.13	0.286
160	01123-60816	BOLT	2				0.01	0.022
170	32530-16460	PIN TILT	1				0.06	0.132
180	36330-62210	SPRING	1				0.005	0.011
190	32530-16470	LEVER TILT	1				0.04	0.088
200	05122-50518	PIN JOINT	1				0.002	0.0044
210	04013-60050	WASHER PLAIN	3				0.001	0.0022
220	05511-51210	PIN SPLIT	1				0.001	0.0022
230	33251-80170	GRIP	1				0.008	0.0176
240	32530-16520	COVER POST RH	1				0.09	0.198
250	32530-16540	COVER POST LH	1				0.19	0.418
260	32530-31120	SCREW PAN-HEAD	4				0.01	0.022
270	66021-55280	WASHER SPRING	4				0.001	0.0022
280	32530-18390	WASHER PLAIN	4				0.001	0.0022

STEERING HANDLE



32540-100-10

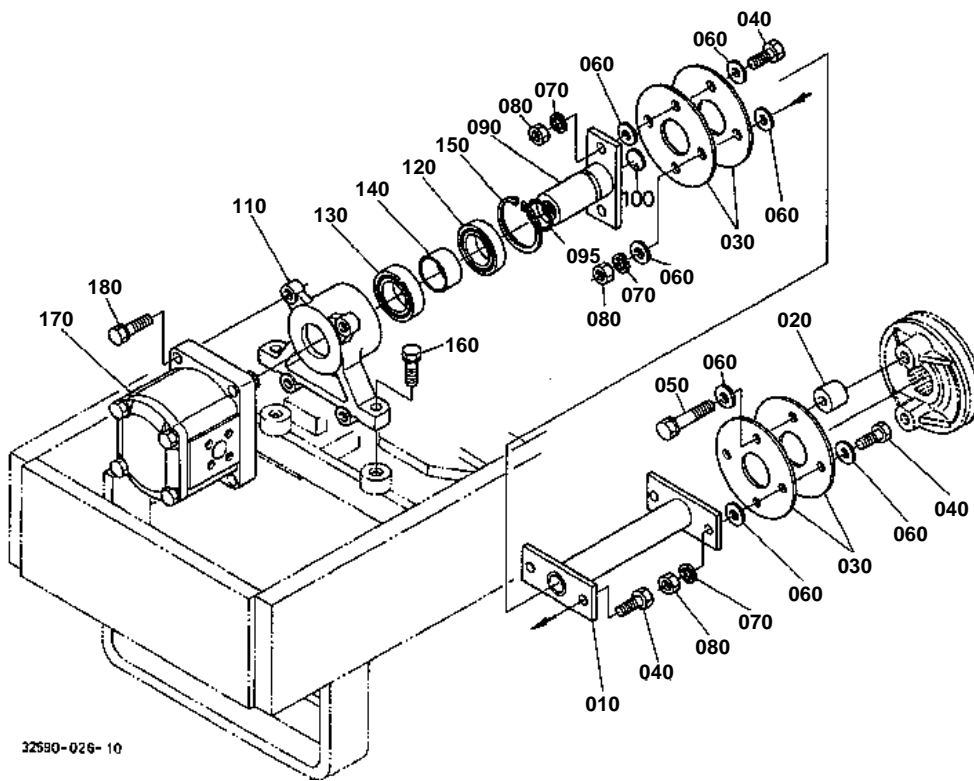


## STEERING HANDLE

↔ Interchangeable; ≠ not interchangeable; ← new for old; → old for new

REF.No	Part No.	Description	Q'ty	S.No.	I/C	REMARKS	Weight (kgf)	Weight (lb)
010	31351-16060	ASSY WHEEL STEERING	1	<=60411			0	0
010	31351-16063	ASSY WHEEL STEERING	1	>=60412	←		2.4	5.28
020	31351-16080	PAD STEERING	1	<=60411			0	0
020	31351-16082	PAD STEERING	1	>=60412	←		0.07	0.154
030	04512-60120	WASHER SPRING	1				0.005	0.011
040	02176-50120	NUT	1				0.01	0.022

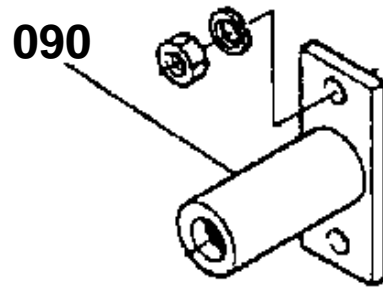
HYDRAULIC PUMP



32590-026-10



090 32590-1082-0



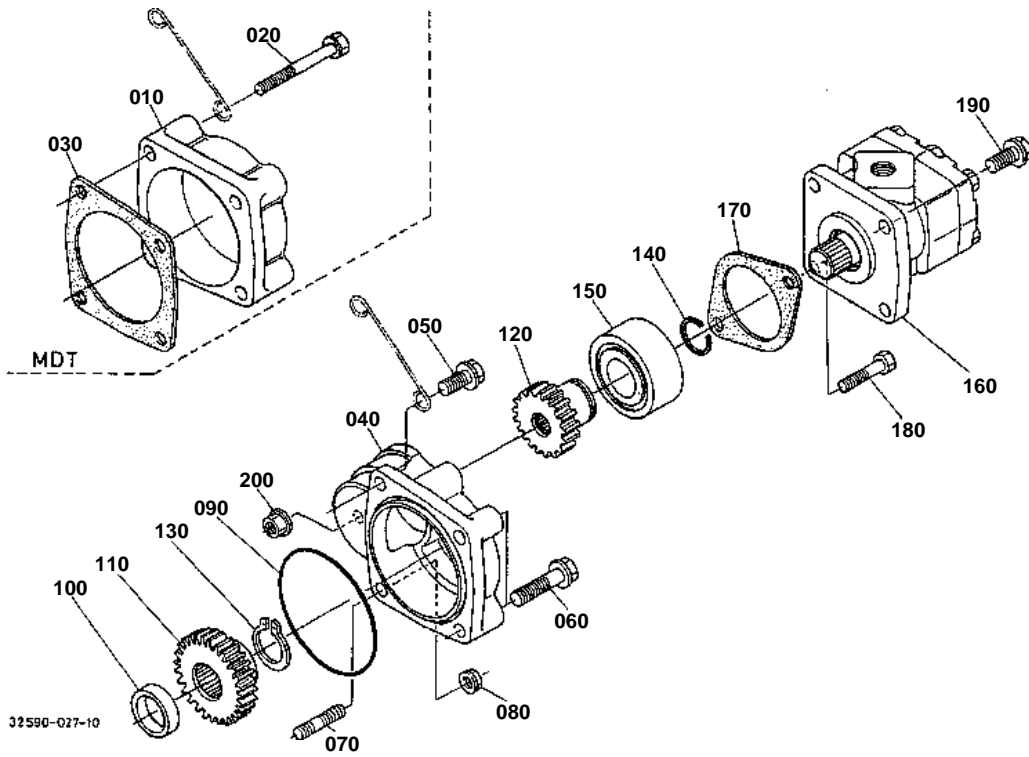
32540-833-10

**HYDRAULIC PUMP**

↔ Interchangeable; ≠ not interchangeable; ← new for old; → old for new

REF.No	Part No.	Description	Q'ty	S.No.	I/C	REMARKS	Weight (kgf)	Weight (lb)
010	32590-10810	SHAFT COUPLING	1				0.62	1.364
020	32590-10800	COLLAR	2				0.045	0.099
030	76521-31510	PLATE COUPLING	4	<=60501			0.02	0.044
030	32590-10850	PLATE COUPLING	4	>=60502	↔		0.019	0.0418
040	01173-51025	BOLT	6				0.021	0.0462
050	01133-51050	BOLT	2				0.035	0.077
060	04013-50100	WASHER PLAIN	14				0	0
070	04512-60100	WASHER SPRING	6				0.002	0.0044
080	02118-50100	NUT	6				0.005	0.011
090	32590-10820	SHAFT COUPLING	1	<=60874			0.34	0.748
090	32590-10823	SHAFT COUPLING	1	>=60875	←		0.34	0.748
095	04811-00240	O RING	1	>=60875			0.001	0.0022
100	06311-75020	PLUG EXPANSION	1				0.004	0.0088
110	32590-10890	BASE PUMP	1				1.06	2.332
120	32590-10830	BEARING BALL	1				0.1	0.22
130	31351-25140	BEARING BALL	1				0.11	0.242
140	32590-10840	COLLAR	1				0.032	0.0704
150	04611-00520	CIR CLIP INTERNAL	1				0.009	0.0198
160	01123-51030	BOLT	2				0.025	0.055
170	33740-82200	PUMP HYDRAULIC	1	<=60323		REFER TO L.No.0H06-L0 FOR COMPONENTS.	0	0
170	33740-82202	PUMP HYDRAULIC	1	>=60324	←	REFER TO L.No.0H06-L0 FOR COMPONENTS.	3	6.6
180	01123-50835	BOLT	4				0.02	0.044

# HYDRAULIC PUMP

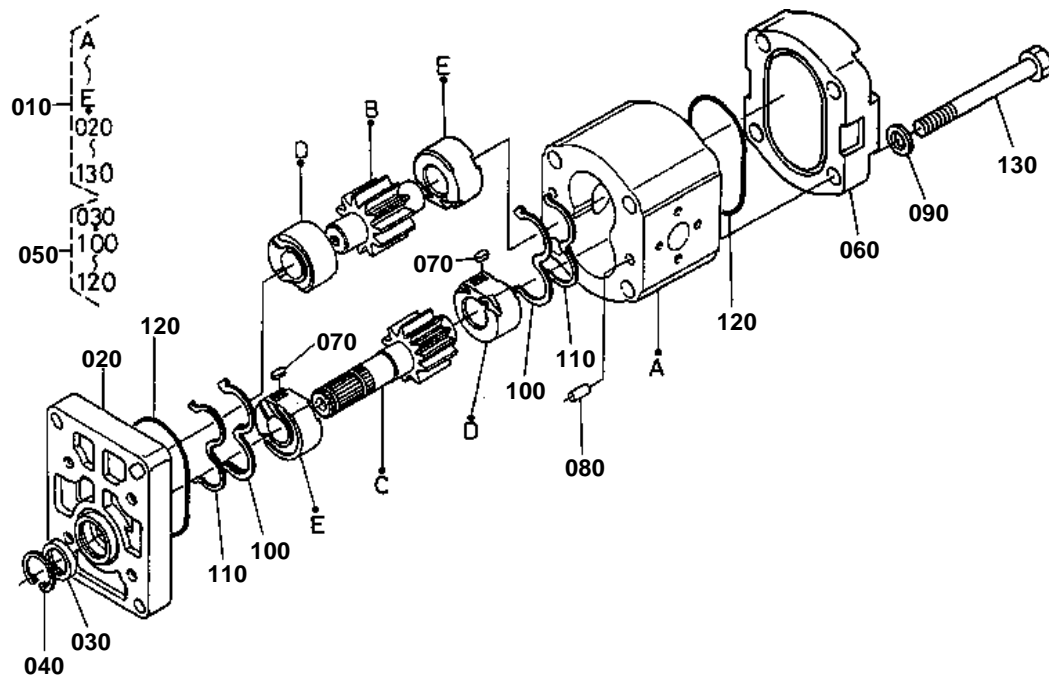


**HYDRAULIC PUMP**

↔ Interchangeable; ≠ not interchangeable; ← new for old; → old for new

REF.No	Part No.	Description	Q'ty	S.No.	I/C	REMARKS	Weight (kgf)	Weight (lb)
010	17183-16210	COVER FUEL CAMSHAFT	1			MDT	0.31	0.682
020	01123-50865	BOLT	4			MDT	0.028	0.0616
030	35394-37860	GASKET	1			MDT	0.005	0.011
040	32590-10610	HOLDER PUMP	1			HDT HDT-W	0.375	0.825
050	01754-50820	BOLT FLANGE	1			HDT HDT-W	0.015	0.033
060	01754-50840	BOLT FLANGE	2			HDT HDT-W	0.02	0.044
070	38240-36330	STUD	1			HDT HDT-W	0.008	0.0176
080	02751-50080	NUT FLANGE	1			HDT HDT-W	0.006	0.0132
090	04811-10850	O RING	1			HDT HDT-W	0.002	0.0044
100	32530-10650	COLLAR	1			HDT/HDT-W	0.02	0.044
110	32590-10620	GEAR	1			29T HDT HDT-W	0.3	0.66
120	32590-10630	GEAR	1			21T HDT HDT-W	0.2	0.44
130	04612-00250	CIRCLIP EXTERNAL	1			HDT HDT-W	0.002	0.0044
140	67061-14370	CIR-CLIP	1			HDT HDT-W	0.002	0.0044
150	08241-05205	BEARING BALL	1			HDT HDT-W	0.177	0.3894
160	32583-76202	ASSY GEAR PUMP	1	<=60347		HDT HDT-W REFER TO L.No.0H07-R0 FOR COMP	1.2	2.64
160	32590-76200	ASSY PUMP HYDRAULIC	1	>=60348	←	HDT HDT-W REFER TO L.No.0H07-R0 FOR COMP	1.235	2.717
170	32590-10670	GASKET	1			HDT HDT-W	0.005	0.011
180	01173-50835	BOLT	1			HDT HDT-W	0.02	0.044
190	01754-50820	BOLT FLANGE	1			HDT HDT-W	0.015	0.033
200	02751-50080	NUT FLANGE	1			HDT HDT-W	0.006	0.0132

HYDRAULIC PUMP [COMPONENT PARTS]



33740-050-20

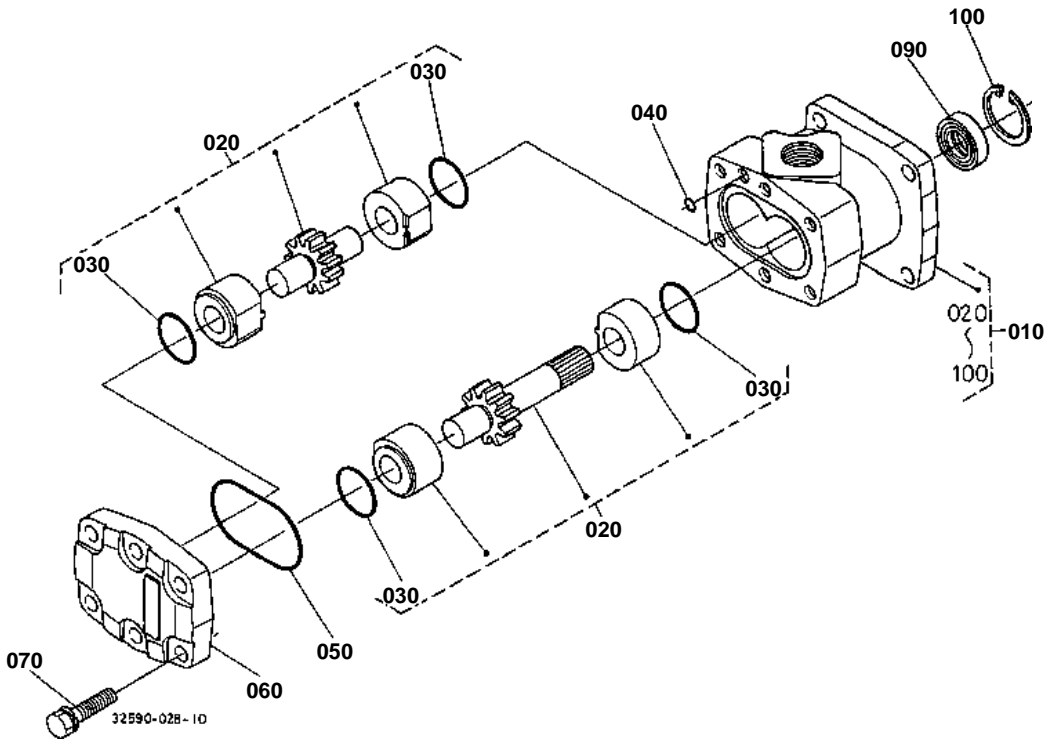


# HYDRAULIC PUMP [COMPONENT PARTS]

↔ Interchangeable; ≠ not interchangeable; ← new for old; → old for new

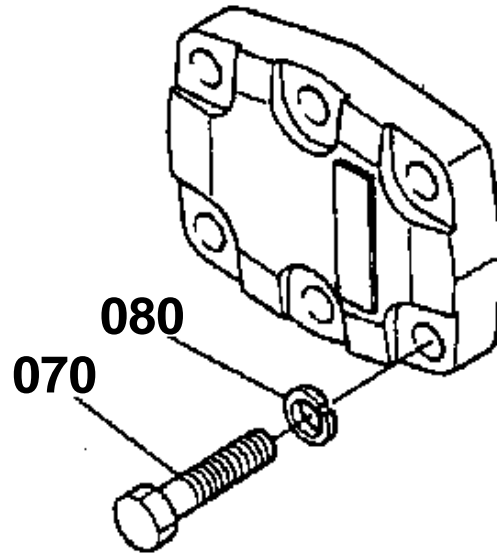
REF.No	Part No.	Description	Q'ty	S.No.	I/C	REMARKS	Weight (kgf)	Weight (lb)
010	33740-82200	PUMP HYDRAULIC	1	<=60323			0	0
010	33740-82202	PUMP HYDRAULIC	1	>=60324	←		3	6.6
020	68721-72210	FLANGE	1				0.45	0.99
030	36330-82320	SEAL OIL	1				0.01	0.022
040	68051-91850	RING SNAP	1				0.001	0.0022
050	68588-85210	KIT SEAL	1				0.013	0.0286
060	68741-72230	COVER	1				0.39	0.858
070	68051-91890	KEY	2				0.001	0.0022
080	68271-91240	PIN	2				0.004	0.0088
090	68741-72250	WASHER	4				0.002	0.0044
100	35430-12870	ELEMENT SEAL	2				0.003	0.0066
110	68051-91880	ELEMENT BACK UP	2				0.001	0.0022
120	68051-91910	O RING	2				0.001	0.0022
130	33750-12940	BOLT	4				0.063	0.1386

HYDRAULIC PUMP (HDT/HDT-W) [COMPONENT PARTS]



070 67211-7624-0

080 04512-60080



32540-834-10

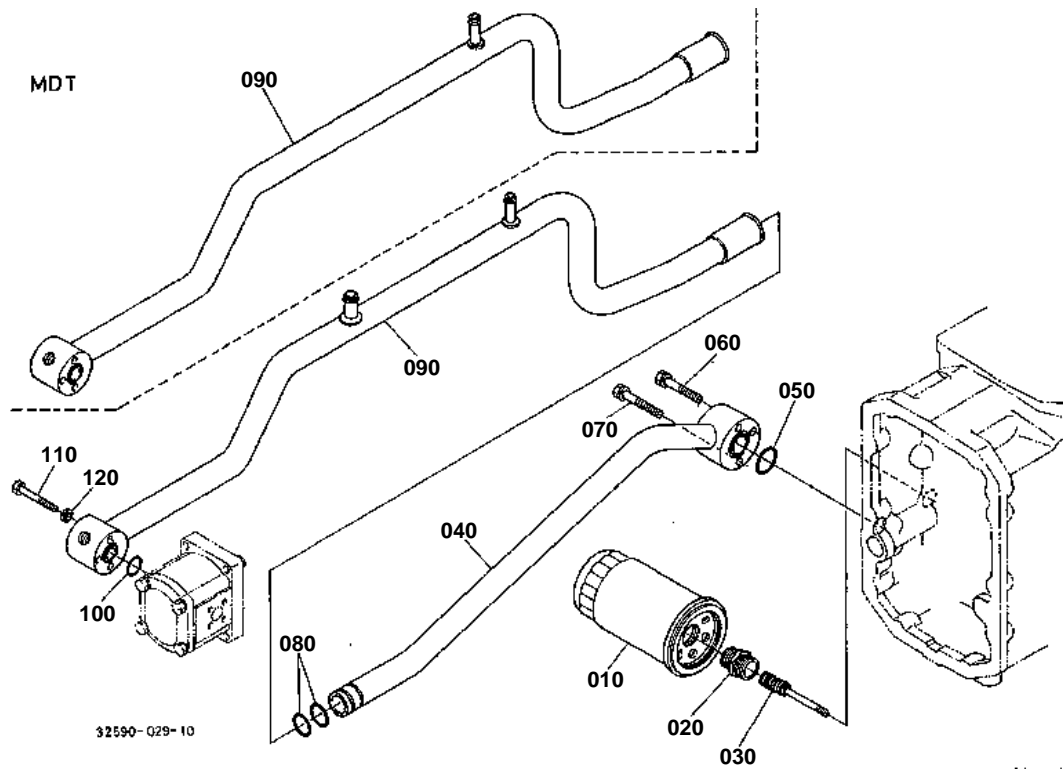


**HYDRAULIC PUMP (HDT/HDT-W) [COMPONENT PARTS]**

↔ Interchangeable; ≠ not interchangeable; ← new for old; → old for new

REF.No	Part No.	Description	Q'ty	S.No.	I/C	REMARKS	Weight (kgf)	Weight (lb)
010	32583-76202	ASSY GEAR PUMP	1	≤60347			1.2	2.64
010	32590-76200	ASSY PUMP HYDRAULIC	1	≥60348	↔		1.235	2.717
020	32583-76220	COMP.GEAR-METAL	1	≤60347			0.35	0.77
020	32590-76220	COMP.GEAR HYD.PUMP	1	≥60348	≠		0.35	0.77
030	04810-00220	O RING	4				0.001	0.0022
040	04810-00050	O RING	1				0.001	0.0022
050	04810-50500	O RING	1				0.005	0.011
060	67211-76120	COVER	1				0.18	0.396
070	67211-76240	BOLT	6	≤60658			0.014	0.0308
070	01123-50825	BOLT	6	≥60659	↔		0.013	0.0286
080	04512-60080	WASHER SPRING	6	≤60658			0.002	0.0044
090	31381-76190	SEAL OIL	1				0.007	0.0154
100	04611-00280	CIR CLIP INTERNAL	1				0.002	0.0044

# HYDRAULIC PIPE (SUCTION)



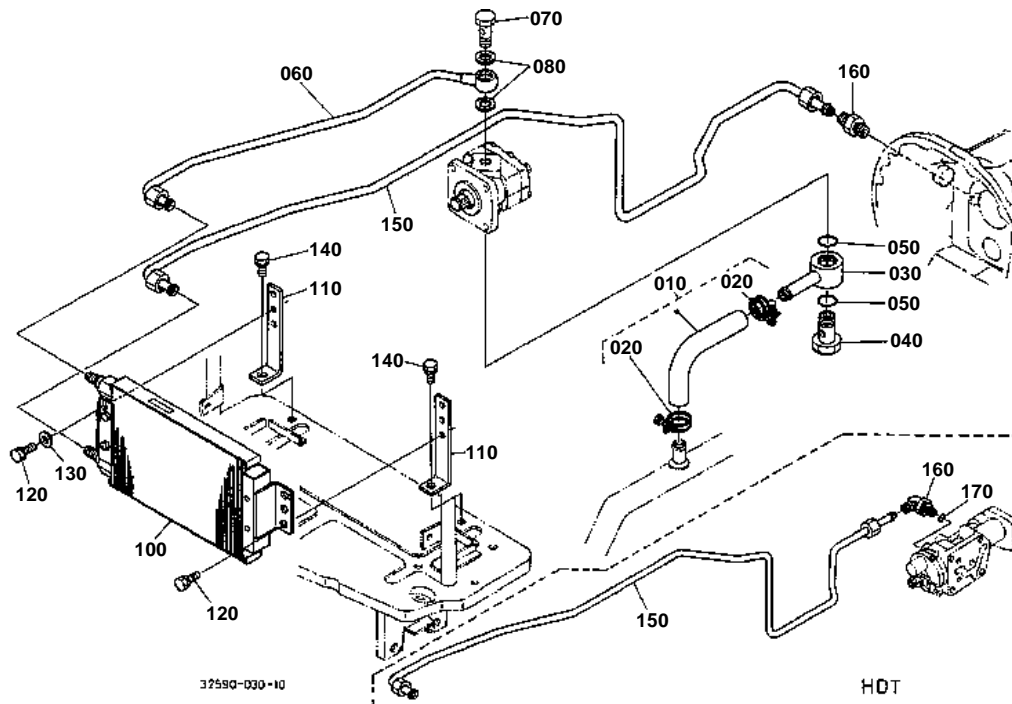


## HYDRAULIC PIPE (SUCTION)

↔ Interchangeable; ≠ not interchangeable; ← new for old; → old for new

REF.No	Part No.	Description	Q'ty	S.No.	I/C	REMARKS	Weight (kgf)	Weight (lb)
010	32590-38380	FILTER OIL	1				0.67	1.474
020	32590-38330	JOINT SCREW	1				0.05	0.11
030	33740-82640	FILTER MAGNET	1				0.105	0.231
040	32590-38112	PIPE SUCTION	1				1.6	3.52
050	04811-10320	O RING	1				0.001	0.0022
060	01123-50855	BOLT	1				0.02	0.044
070	01123-50860	BOLT	2				0.026	0.0572
080	04811-00260	O RING	2				0.001	0.0022
090	32590-38133	PIPE SUCTION	1			MDT	2.12	4.664
090	32590-38123	PIPE SUCTION	1			HDT HDT-W	2.1	4.62
100	04811-10240	O RING	1				0.001	0.0022
110	01053-50660	BOLT	3				0.014	0.0308
120	04512-60060	WASHER SPRING	3				0.001	0.0022

HYDRAULIC PIPE (SUCTION)(HDT/HDT-W)

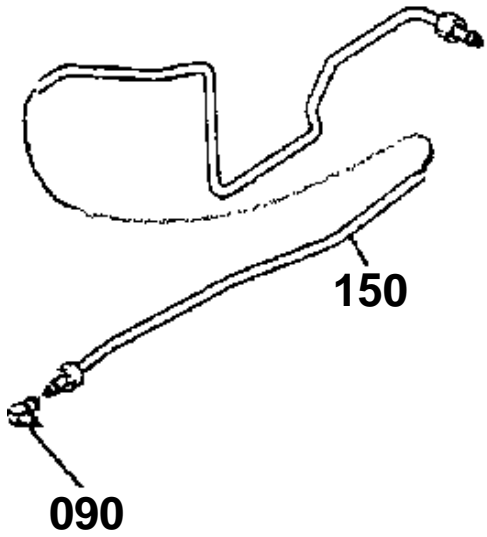
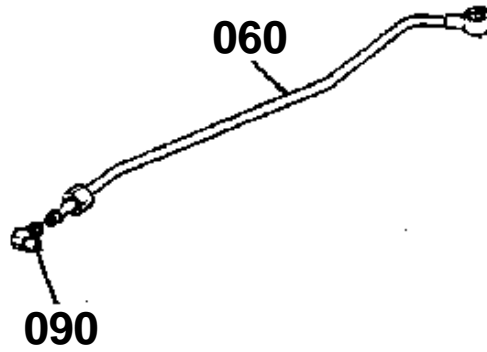


060 32590-3947-2

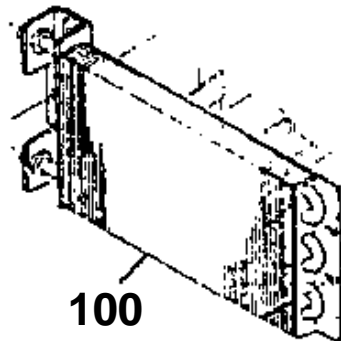
090 31301-1085-0

150 32590-3948-0

150 32590-3950-0



100 31301-1080-0



32540-837-10

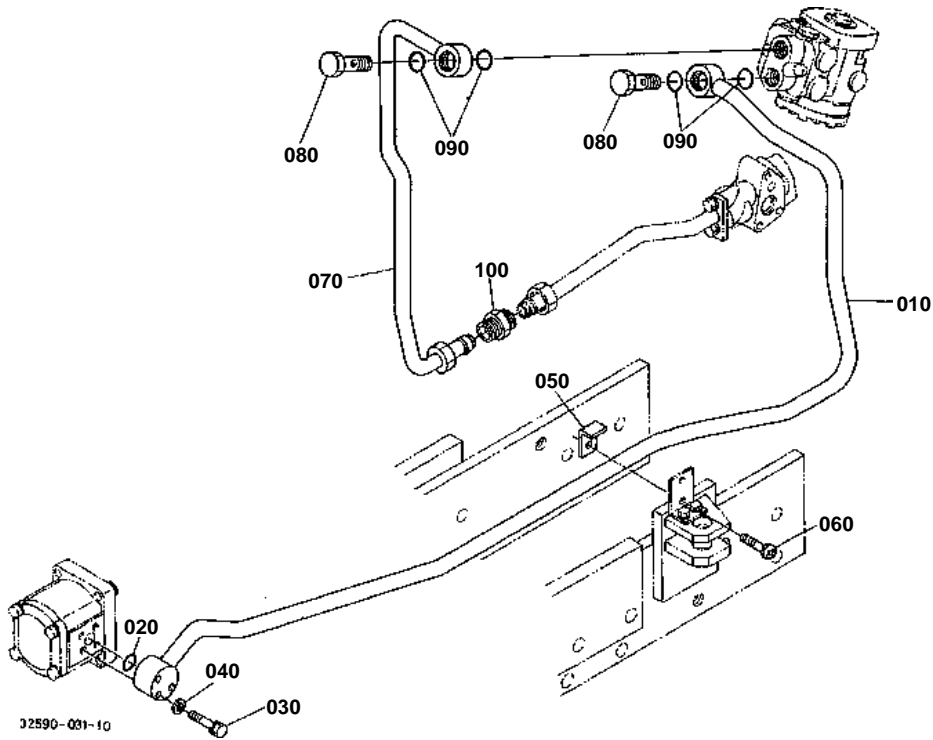


## HYDRAULIC PIPE (SUCTION)(HDT/HDT-W)

↔ Interchangeable; ≠ not interchangeable; ← new for old; → old for new

REF.No	Part No.	Description	Q'ty	S.No.	I/C	REMARKS	Weight (kgf)	Weight (lb)
010	32590-38400	ASSY HOSE	1				0.1	0.22
020	09318-88230	CLAMP HOSE	2				0.008	0.0176
030	32590-38420	JOINT	1				0.22	0.484
040	67810-37710	BOLT JOINT	1				0.1	0.22
050	04810-00220	O RING	2				0.001	0.0022
060	32590-39472	PIPE OIL COOLER	1	≤60553			0	0
060	32590-39473	PIPE OIL COOLER	1	≥60554	≠		0.2	0.44
070	66591-36250	JOINT	1				0.08	0.176
080	67111-37180	GASKET	2				0.003	0.0066
090	31301-10850	JOINT	2	≤60553			0	0
100	31301-10800	COOLER OIL	1	≤60553			1.06	2.332
100	32590-39460	COOLER OIL	1	≥60554	≠		1.13	2.486
110	32590-39490	BRACKET OIL COOLER	2				0.12	0.264
120	01123-50820	BOLT	3				0.011	0.0242
130	04013-50080	WASHER PLAIN	1				0	0
140	01133-51020	BOLT	2				0.02	0.044
150	32590-39480	PIPE SHUTTLE	1	≤60553		HDT	0.3	0.66
150	32590-39483	PIPE SHUTTLE	1	≥60554	≠	HDT	0.36	0.792
150	32590-39500	PIPE SHUTTLE	1	≤60553		HDT-W	0.32	0.704
150	32590-39503	PIPE SHUTTLE	1	≥60554	≠	HDT-W	0.3	0.66
160	32590-39340	JOINT	1			HDT	0	0
160	66061-36130	BOLT JOINT	1	≤60314		HDT-W	0.03	0.066
160	32530-38940	JOINT	1	≥60315	≠	HDT-W	0	0
170	04811-00110	O RING	1				0.001	0.0022
170	04811-00110	O RING	1			HDT	0.001	0.0022

HYDRAULIC PIPE (DELIVERY) 1





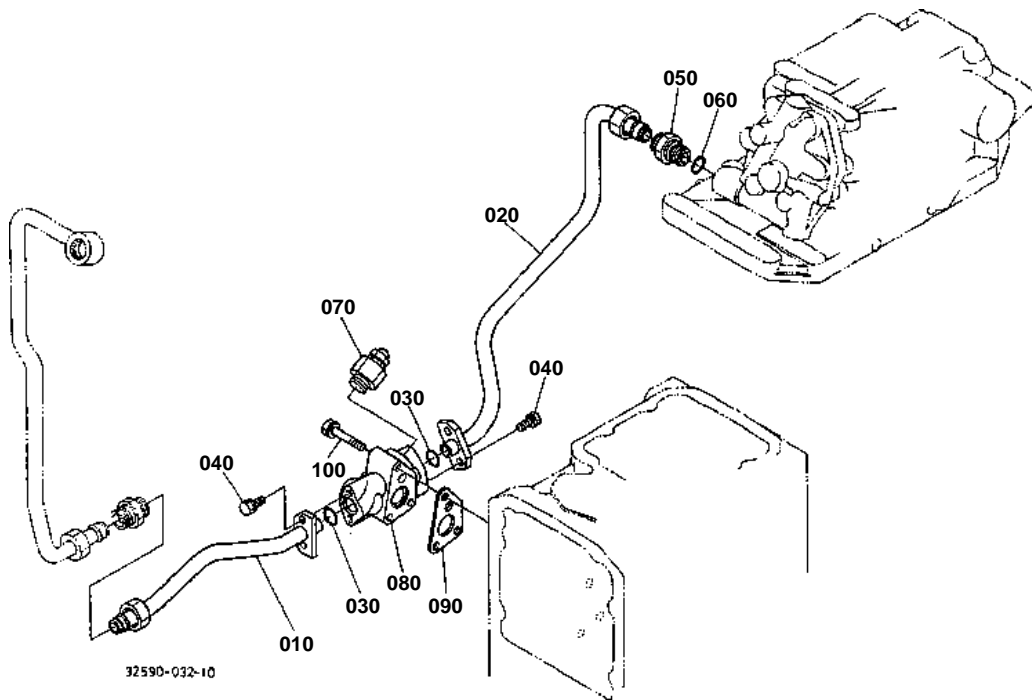
# HYDRAULIC PIPE (DELIVERY) 1

↔ Interchangeable; ≠ not interchangeable; ← new for old; → old for new

REF.No	Part No.	Description	Q'ty	S.No.	I/C	REMARKS	Weight (kgf)	Weight (lb)
010	32590-38170	PIPE DELIVERY	1				1.4	3.08
020	04810-00200	O RING	1				0.001	0.0022
030	01053-50645	BOLT	3				0.012	0.0264
040	04013-60060	WASHER PLAIN	3				0.001	0.0022
050	32590-16670	STOPPER	1				0.05	0.11
060	03004-50640	SCREW WITH WASHER	1				0.01	0.022
070	32590-38180	PIPE DELIVERY	1	<=60981			0.68	1.496
070	32550-38183	PIPE DELIVERY	1	>=60982	≠		0.6	1.32
080	32170-38170	BOLT HYD.PIPE JOINT	2				0.09	0.198
090	04810-00220	O RING	4				0.001	0.0022
100	32590-38190	JOINT	1	<=60981			0.05	0.11
100	32530-38720	JOINT	1	>=60982	≠		0	0



HYDRAULIC PIPE (DELIVERY) 2



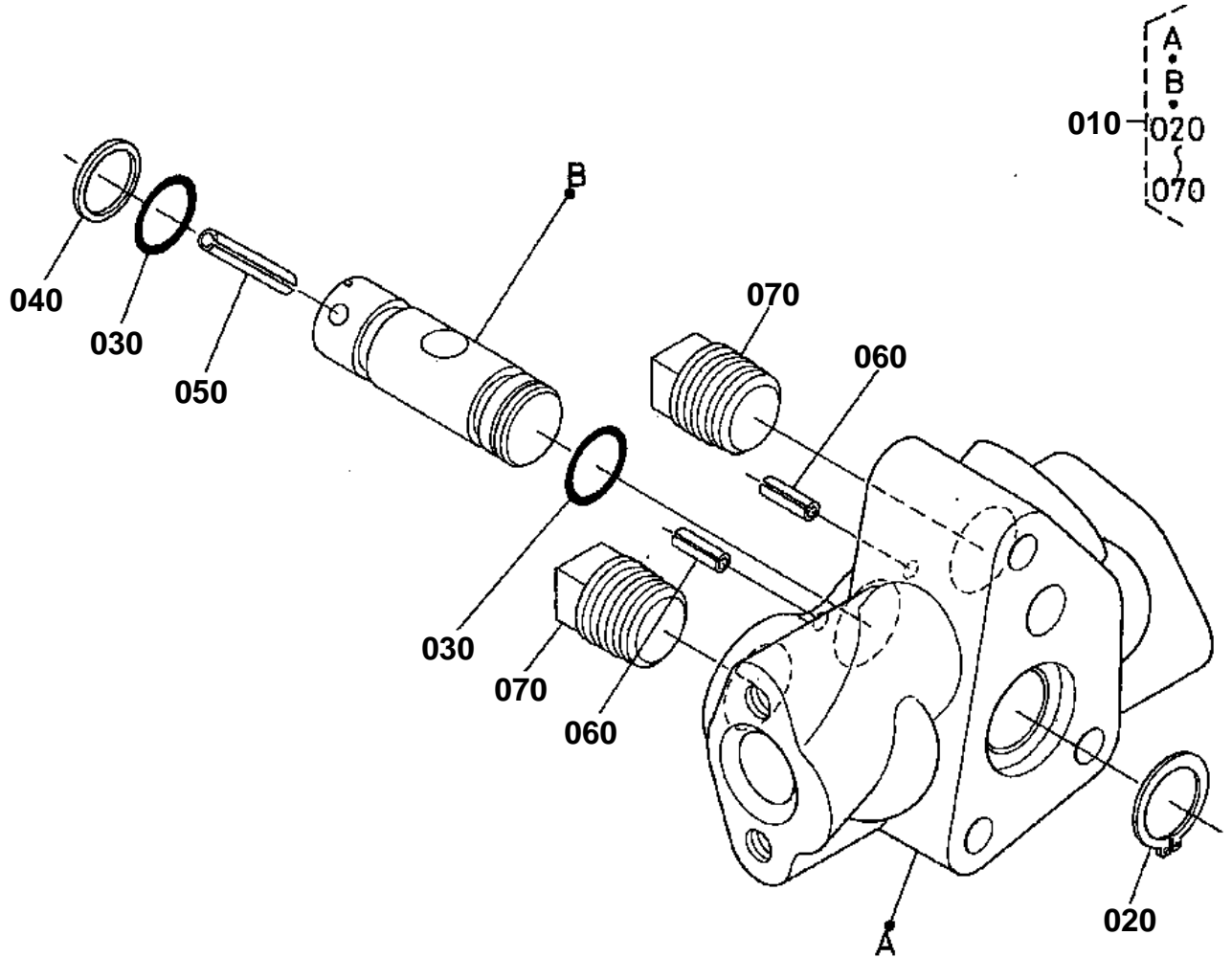


## HYDRAULIC PIPE (DELIVERY) 2

↔ Interchangeable; ≠ not interchangeable; ← new for old; → old for new

REF.No	Part No.	Description	Q'ty	S.No.	I/C	REMARKS	Weight (kgf)	Weight (lb)
010	32590-38150	PIPE DELIVERY	1	<=60323			0	0
010	32590-38152	PIPE DELIVERY	1	>=60324	←		0.4	0.88
010	32550-38153	PIPE DELIVERY	1	>=60982	≠		0.05	0.11
020	32590-38162	PIPE DELIVERY	1	<=60323			0	0
020	32590-38163	PIPE DELIVERY	1	>=60324	←		0.6	1.32
020	32550-38160	PIPE DELIVERY	1	>=60982	≠		0.4	0.88
030	04810-00180	O RING	2	<=60981			0.001	0.0022
030	04810-00150	O RING	2	>=60982	≠		0.001	0.0022
040	01123-50820	BOLT	4				0.011	0.0242
050	32590-38200	JOINT	1	<=60981			0	0
050	32530-38760	JOINT	1	>=60982	≠		0.065	0.143
060	04810-00180	O RING	1				0.001	0.0022
070	32590-36630	ASSY VALVE RELIEF	1				0.26	0.572
080	32590-36600	ASSY BODY VALVE	1	<=60981		REFER TO L.No.0H12-L0 FOR COMPONENTS.	1.77	3.894
080	32550-36600	ASSY BODY R.VALVE	1	>=60982	≠	REFER TO L.No.0H12-L0 FOR COMPONENTS.	1.88	4.136
090	32530-36630	GASKET	1				0.005	0.011
100	01123-50855	BOLT	3				0.02	0.044

HYDRAULIC OUTLET BLOCK [COMPONENT PARTS]



32540-109-10

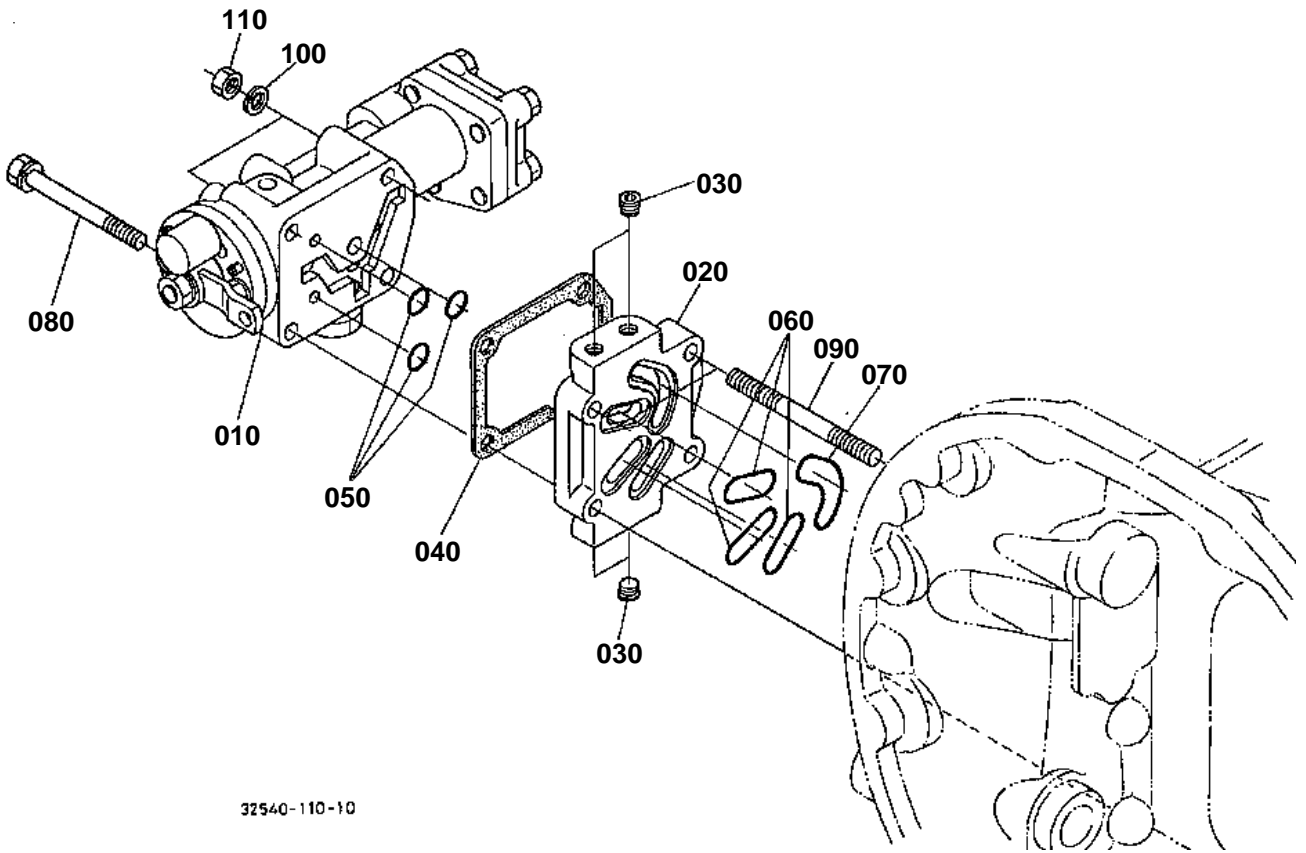


## HYDRAULIC OUTLET BLOCK [COMPONENT PARTS]

↔ Interchangeable; ≠ not interchangeable; ← new for old; → old for new

REF.No	Part No.	Description	Q'ty	S.No.	I/C	REMARKS	Weight (kgf)	Weight (lb)
010	32590-36600	ASSY BODY VALVE	1	<=60981			1.77	3.894
010	32550-36600	ASSY BODY R.VALVE	1	>=60982	≠		1.88	4.136
020	04612-00200	CIRCLIP EXTERNAL	1				0.001	0.0022
030	04811-00160	O RING	2				0.001	0.0022
040	68551-61420	RING BACK UP	1	<=60314			0.001	0.0022
040	33770-94040	RING BACK UP	1	>=60315	↔		0.002	0.0044
050	05411-00536	PIN SPRING	1				0.003	0.0066
060	05411-00414	PIN SPRING	2				0.001	0.0022
070	06312-10040	PLUG	2				0.04	0.088

SHUTTLE VALVE (HDT)



32540-110-10

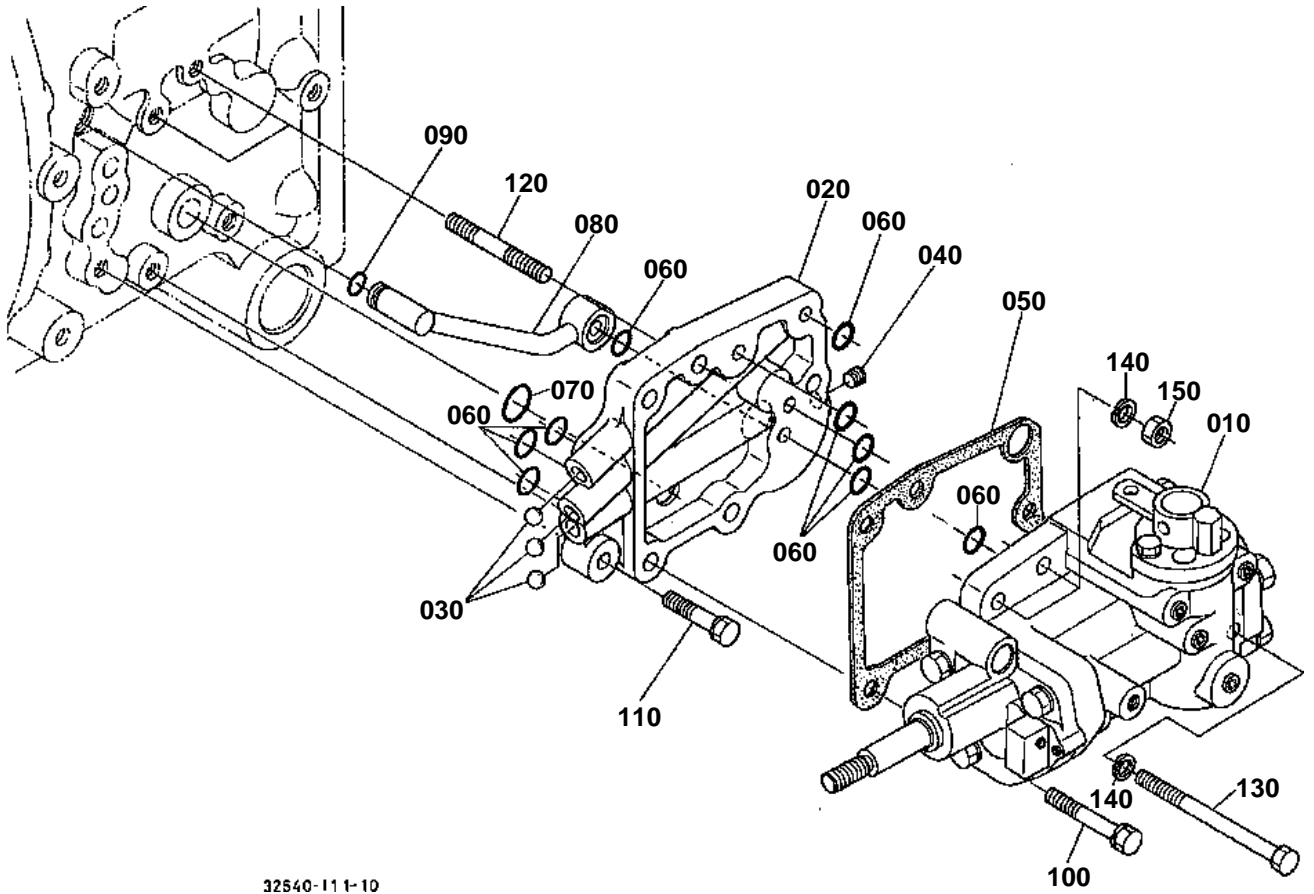


# SHUTTLE VALVE (HDT)

↔ Interchangeable; ≠ not interchangeable; ← new for old; → old for new

REF.No	Part No.	Description	Q'ty	S.No.	I/C	REMARKS	Weight (kgf)	Weight (lb)
010	32590-46000	ASSY VALVE SHUTTLE	1			REFER TO L.No.0H13-L0 & 0H13-R0 FOR COMP	4.6	10.12
020	32590-46330	SPACER VALVE	1				1.06	2.332
030	31351-37160	PLUG	4				0.003	0.0066
040	35370-46330	GASKET	1				0.004	0.0088
050	04810-00120	O RING	3				0.001	0.0022
060	04811-10260	O RING	3				0.001	0.0022
070	04811-10400	O RING	1				0.001	0.0022
080	01123-50880	BOLT	2				0.03	0.066
090	01513-50880	STUD	2				0.04	0.088
100	04512-60080	WASHER SPRING	2				0.002	0.0044
110	02156-50080	NUT	2				0.004	0.0088

SHUTTLE NAD CLUTCH VALVE (HDT-W)



32540-111-10



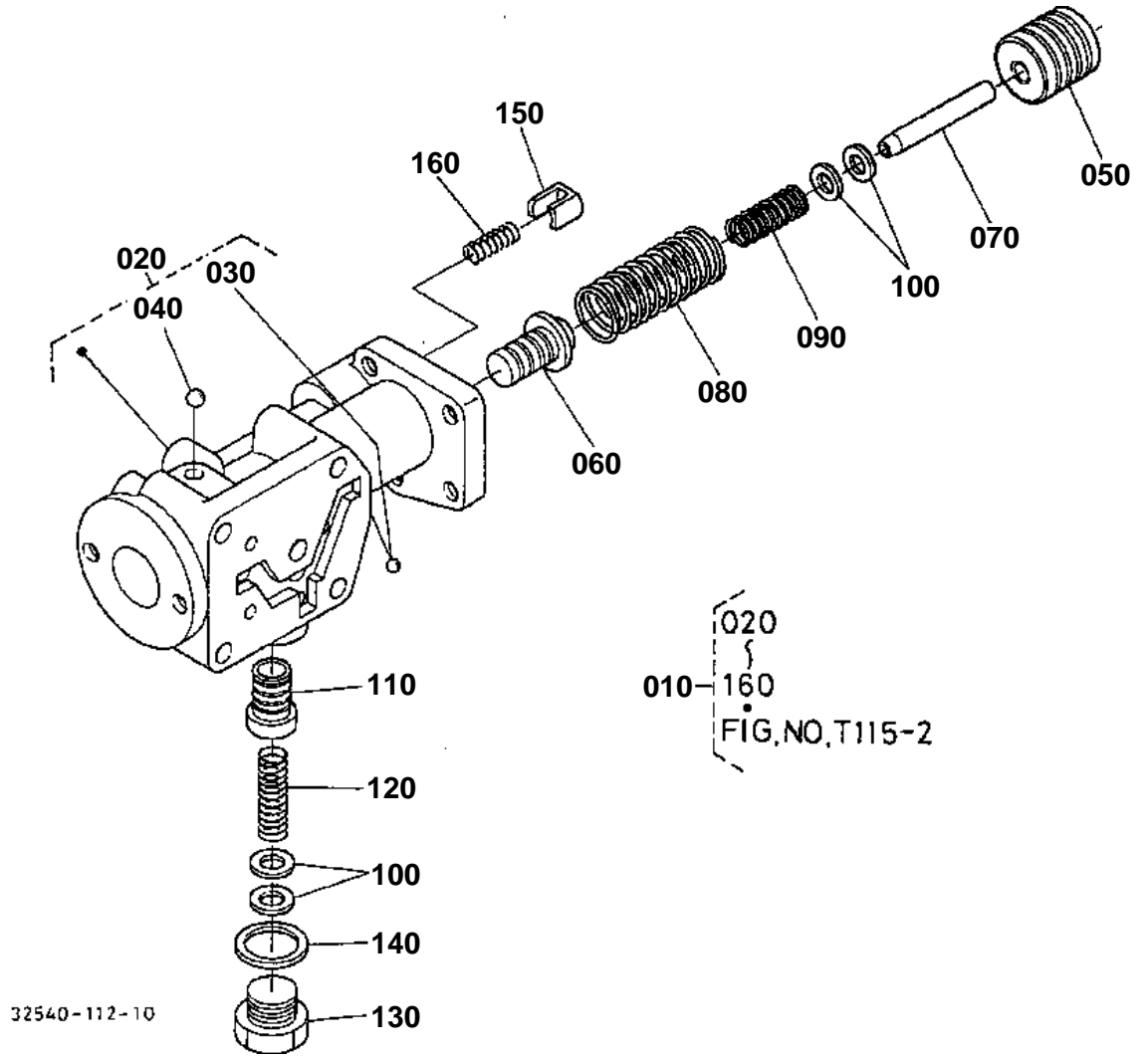
## SHUTTLE NAD CLUTCH VALVE (HDT-W)

↔ Interchangeable; ≠ not interchangeable; ← new for old; → old for new

REF.No	Part No.	Description	Q'ty	S.No.	I/C	REMARKS	Weight (kgf)	Weight (lb)
010	32590-46700	ASSY VALVE HCS	1			REFER TO L.No.0H14-R0 FOR COMPONENTS.	6.7	14.74
020	32590-46690	SPACER VALVE	1				1.81	3.982
030	07715-03211	BALL	3				0.003	0.0066
040	31351-37160	PLUG	1				0.003	0.0066
050	32590-46880	GASKET	1				0.005	0.011
060	04810-00110	O RING	9				0.001	0.0022
070	04811-00180	O RING	1				0.001	0.0022
080	32590-47200	PIPE OIL	1				0.09	0.198
090	04811-00100	O RING	1				0.001	0.0022
100	01123-50850	BOLT	2				0.02	0.044
110	01123-50835	BOLT	1				0.02	0.044
120	01513-50845	STUD	2				0.019	0.0418
130	01153-50801	BOLT	1				0.047	0.1034
140	04512-60080	WASHER SPRING	3				0.002	0.0044
150	02156-50080	NUT	2				0.004	0.0088



SHUTTLE VALVE 1 (HDT) [COMPONENT PARTS]



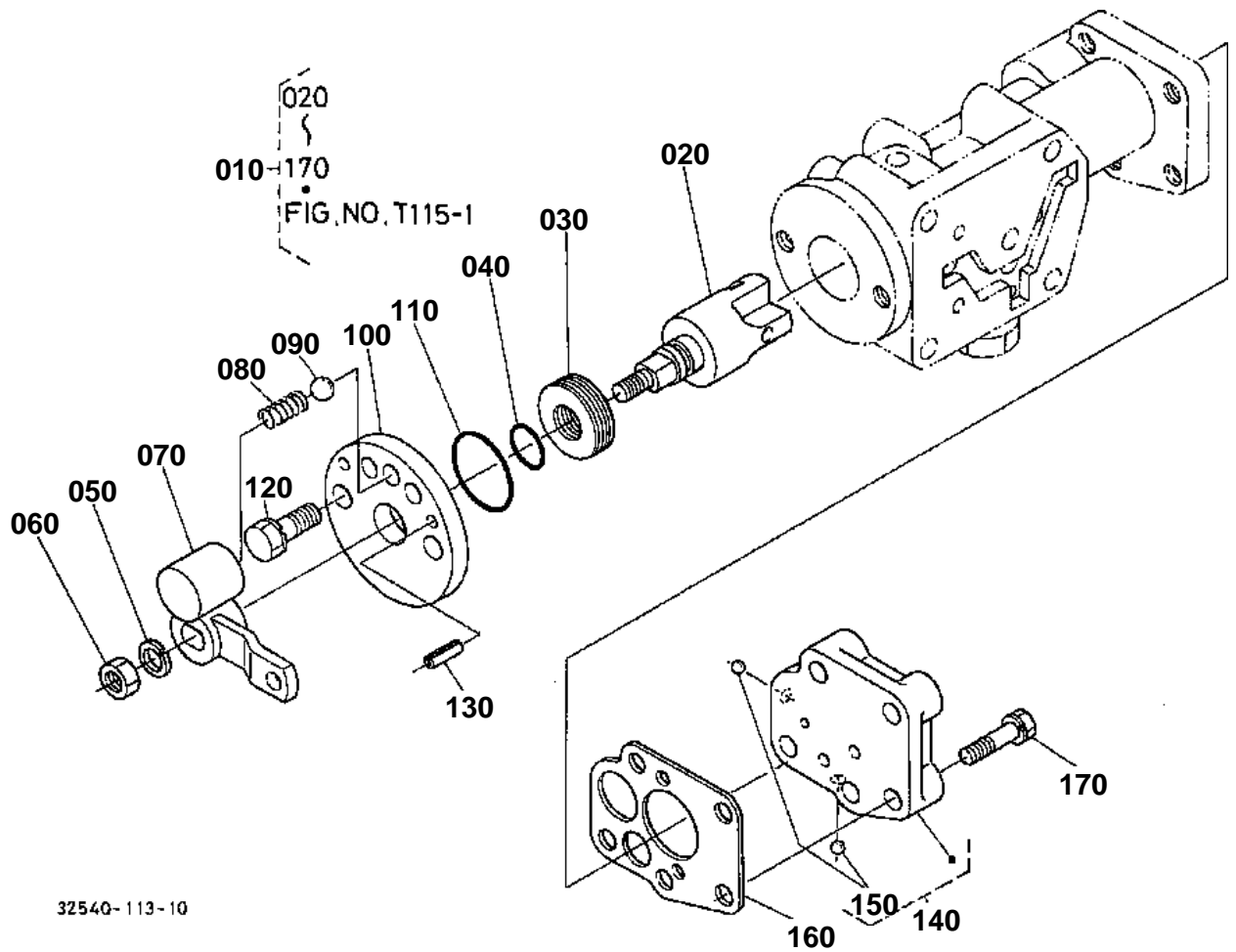


## SHUTTLE VALVE 1 (HDT) [COMPONENT PARTS]

↔ Interchangeable; ≠ not interchangeable; ← new for old; → old for new

REF.No	Part No.	Description	Q'ty	S.No.	I/C	REMARKS	Weight (kgf)	Weight (lb)
010	32590-46000	ASSY VALVE SHUTTLE	1				4.6	10.12
020	32590-46100	ASSY BODY VALVE	1				3.17	6.974
030	07715-01605	BALL	1				0.003	0.0066
040	07715-03207	BALL	1				0.001	0.0022
050	32530-46120	PISTON VALVE	1				0.09	0.198
060	32530-46130	VALVE RELIEF	1				0.05	0.11
070	35370-46140	PIN	1				0.01	0.022
080	35370-46150	SPRING	1				0.03	0.066
090	35370-46160	SPRING	1				0.01	0.022
100	35370-46170	SHIM	3			0.50MM	0.001	0.0022
100	35370-46180	SHIM	3			1.00MM	0.005	0.011
110	32530-46190	VALVE RELIEF	1				0.015	0.033
120	32530-46200	SPRING	1				0.005	0.011
130	06331-35020	PLUG	1				0.068	0.1496
140	04724-00200	GASKET	1				0.003	0.0066
150	32530-46210	VALVE CHECK	1				0.01	0.022
160	35370-46220	SPRING	1				0.001	0.0022

SHUTTLE VALVE 2 (HDT) [COMPONENT PARTS]

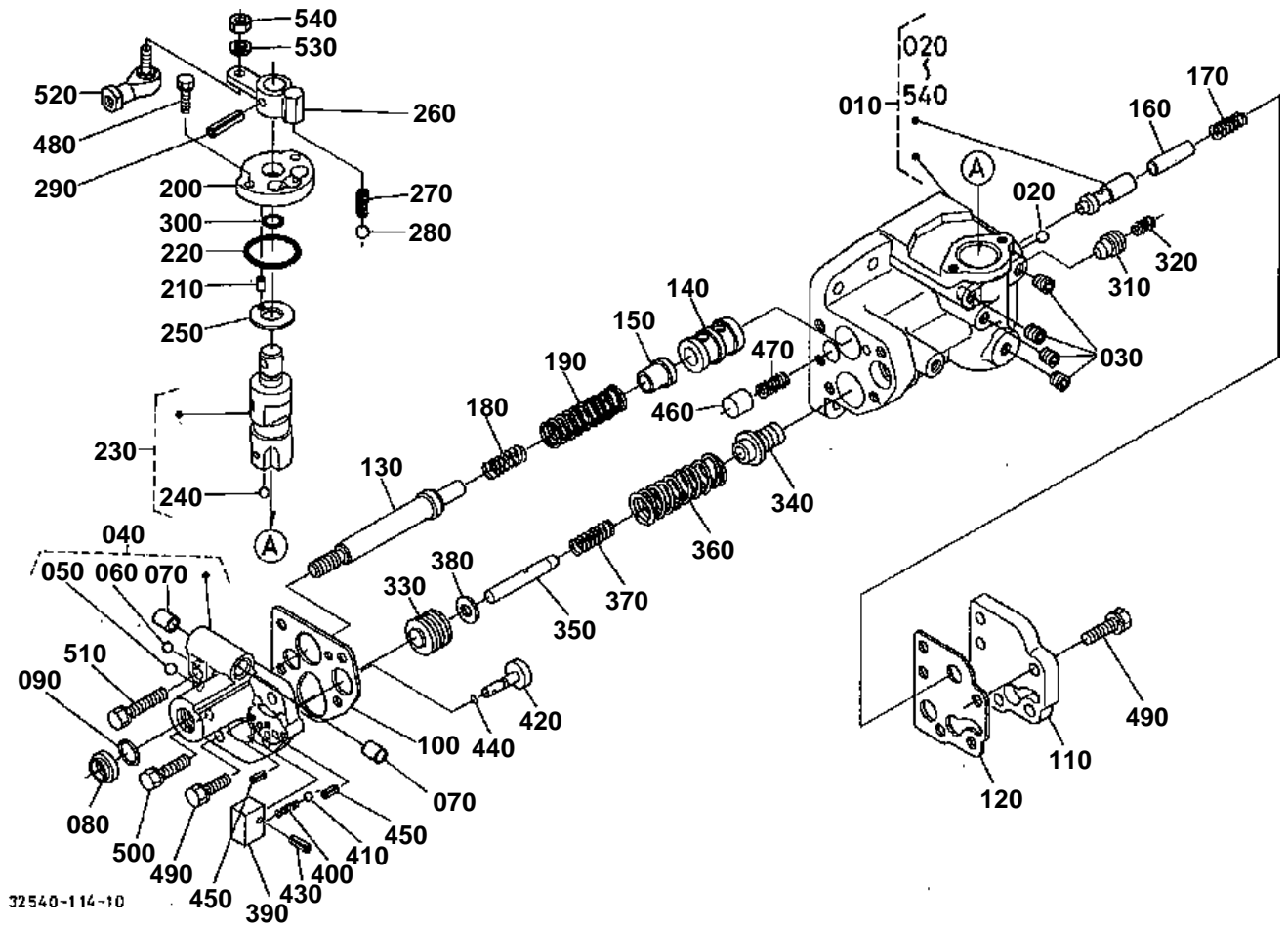


**SHUTTLE VALVE 2 (HDT) [COMPONENT PARTS]**

↔ Interchangeable; ≠ not interchangeable; ← new for old; → old for new

REF.No	Part No.	Description	Q'ty	S.No.	I/C	REMARKS	Weight (kgf)	Weight (lb)
010	32590-46000	ASSY VALVE SHUTTLE	1				4.6	10.12
020	32530-46230	SELECTOR	1				0.21	0.462
030	35370-46240	BEARING THRUST	1				0.013	0.0286
040	04811-00110	O RING	1				0.001	0.0022
050	04512-60080	WASHER SPRING	1				0.002	0.0044
060	02114-50080	NUT	1				0.005	0.011
070	32590-46250	LEVER VALVE	1				0.15	0.33
080	35370-46260	SPRING	1				0.005	0.011
090	07715-00803	BALL	1				0.004	0.0088
100	35370-46270	COVER SELECTOR	1				0.2	0.44
110	04811-16350	O RING	1				0.001	0.0022
120	01123-50825	BOLT	2				0.013	0.0286
130	05411-00414	PIN SPRING	2				0.001	0.0022
140	32530-46400	ASSY COVER VALVE	1				0.12	0.264
150	07715-03207	BALL	2				0.001	0.0022
160	35370-46290	GASKET	1				0.005	0.011
170	01123-50830	BOLT	5				0.015	0.033

SHUTTLE AND CLUTCH VALVE (HDT-W) [COMPONENT PARTS]



32540-114-10

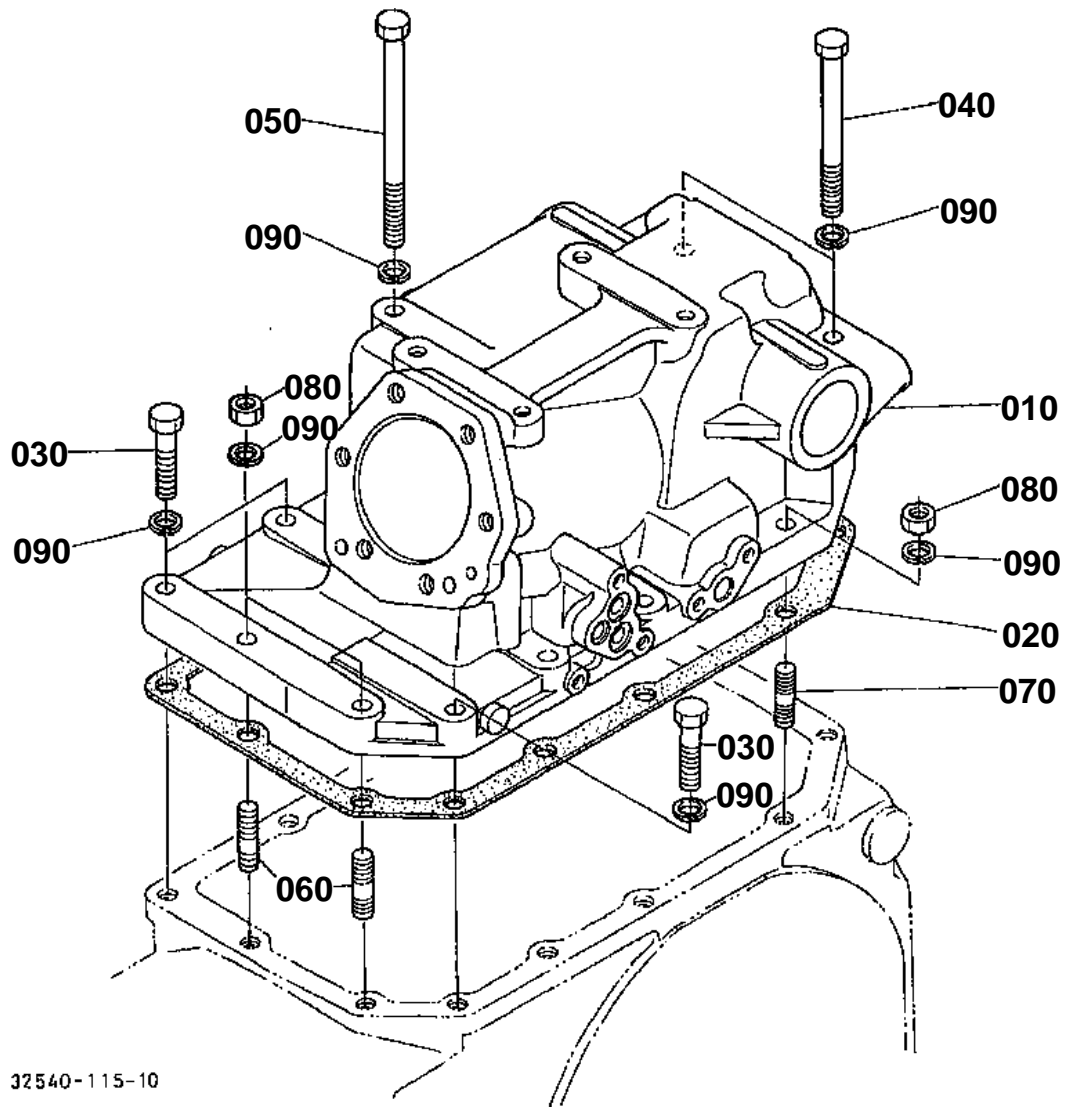


## SHUTTLE AND CLUTCH VELVE (HDT-W) [COMPONENT PARTS]

↔ Interchangeable; ≠ not interchangeable; ← new for old; → old for new

REF.No	Part No.	Description	Q'ty	S.No.	I/C	REMARKS	Weight (kgf)	Weight (lb)
010	32590-46700	ASSY VALVE HCS	1				6.7	14.74
020	07715-03211	BALL	1				0.003	0.0066
030	31351-37160	PLUG	4				0.003	0.0066
040	32590-46760	COVER FRONT	1				0.82	1.804
050	07715-01605	BALL	1				0.003	0.0066
060	07715-00401	BALL	1				0.001	0.0022
070	08511-01010	BUSH	2				0.003	0.0066
080	38747-71660	SEAL DUST	1				0.003	0.0066
090	04811-00140	O RING	1				0.001	0.0022
100	32590-46770	GASKET FRONT	1				0.005	0.011
110	32590-46780	COVER REAR	1				0.4	0.88
120	32590-46790	GASKET	1				0.005	0.011
130	32590-46720	ROD	1				0.14	0.308
140	32590-46730	SLEEVE	1				0.068	0.1496
150	32590-46750	SEAT SPRING	1				0.02	0.044
160	32590-46810	ROD	1				0.015	0.033
170	32590-46820	SPRING	1				0.015	0.033
180	32590-46830	SPRING INNER	1				0.007	0.0154
190	32590-46840	SPRING OUTER	1				0.01	0.022
200	32590-46800	COVER SELECTOR	1				0.12	0.264
210	05012-00206	PIN STRAIGHT	1				0.002	0.0044
220	04811-10350	O RING	1				0.001	0.0022
230	32590-46900	SELECTOR	1				0.32	0.704
240	07715-03209	BALL	1				0.002	0.0044
250	32590-46910	BUSH THRUST	1				0.004	0.0088
260	32590-46920	LEVER SHIFT	1				0.07	0.154
270	32590-47150	SPRING	1				0.01	0.022
280	07715-00803	BALL	1				0.004	0.0088
290	05411-00530	PIN SPRING	1				0.003	0.0066
300	04811-00120	O RING	1				0.001	0.0022
310	32590-46860	VALVE RELIEF	1				0.017	0.0374
320	32590-46870	SPRING	1				0.01	0.022
330	32530-46120	PISTON VALVE	1				0.09	0.198
340	32530-46130	VALVE RELIEF	1				0.05	0.11
350	35370-46140	PIN	1				0.01	0.022
360	35370-46150	SPRING	1				0.03	0.066
370	35370-46160	SPRING	1				0.01	0.022
380	35370-46170	SHIM	1			0.50MM	0.001	0.0022
380	35370-46180	SHIM	1			1.00MM	0.005	0.011
390	35370-46310	LEVER ORIFICE	1				0.04	0.088
400	35370-46320	SPRING	1				0.002	0.0044
410	07715-00801	BALL	1				0.001	0.0022
420	32590-49880	ORIFICE ROTARY	1				0.02	0.044
430	05411-00216	PIN SPRING	1				0.001	0.0022
440	04811-10040	O RING	1				0.001	0.0022
450	05411-00208	PIN SPRING	2				0.001	0.0022
460	32530-46210	VALVE CHECK	1				0.01	0.022
470	35370-46220	SPRING	1				0.001	0.0022
480	01023-50616	BOLT	2				0.005	0.011
490	01123-50825	BOLT	8				0.013	0.0286
500	01123-50830	BOLT	1				0.015	0.033
510	01123-50840	BOLT	1				0.018	0.0396
520	32530-41510	BALL LINK	1				0.037	0.0814
530	04512-60050	WASHER SPRING	1				0.002	0.0044
540	02054-50050	NUT	1				0.002	0.0044

HYDARULIC CYLINDER



32540-115-10



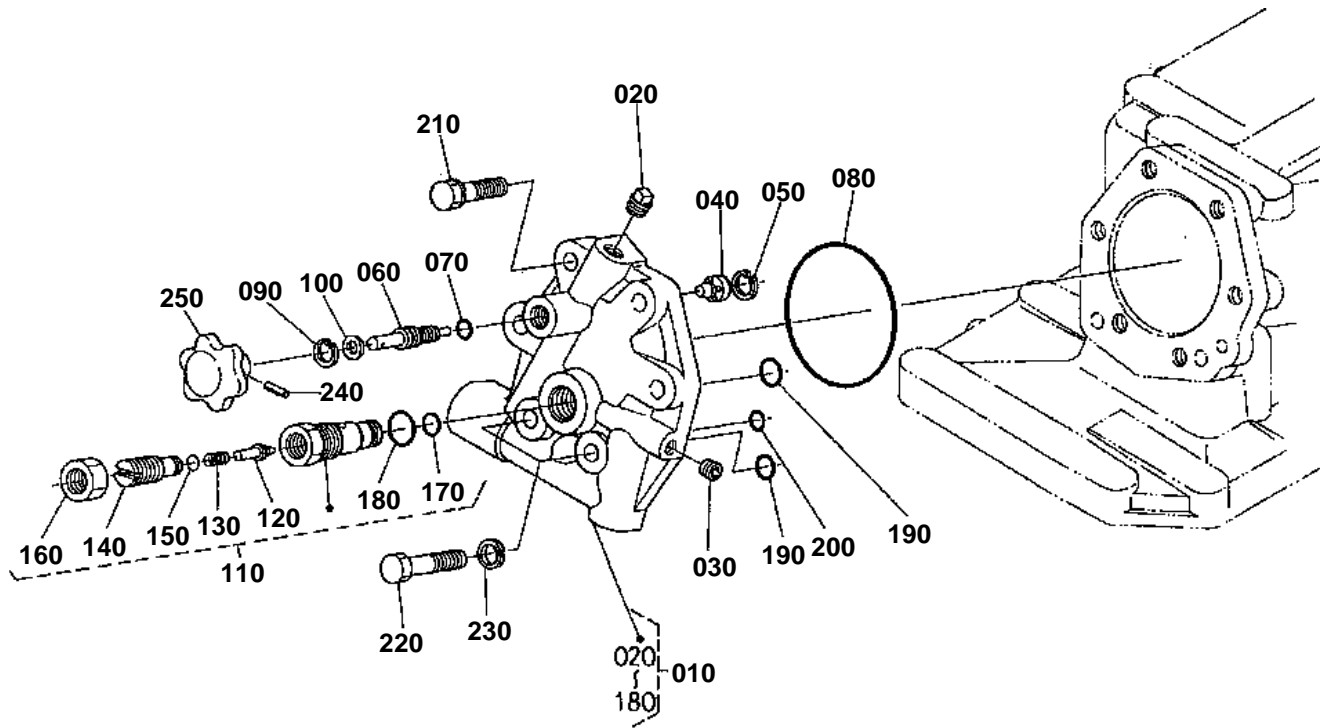
## HYDARULIC CYLINDER

↔ Interchangeable; ≠ not interchangeable; ← new for old; → old for new

REF.No	Part No.	Description	Q'ty	S.No.	I/C	REMARKS	Weight (kgf)	Weight (lb)
010	32590-37110	CYLINDER HYD.	1				27.2	59.84
020	32530-37120	GASKET	1				0.05	0.11
030	01173-51250	BOLT	5				0.053	0.1166
040	32530-37180	BOLT	2				0.11	0.242
050	36330-82160	BOLT	1				0.15	0.33
060	01574-51245	STUD	2				0.051	0.1122
070	01574-51240	STUD	2				0	0
080	02176-50120	NUT	4				0.01	0.022
090	04512-60120	WASHER SPRING	12				0.005	0.011



HYDARULIC CYLINDER COVER



32540-116-10

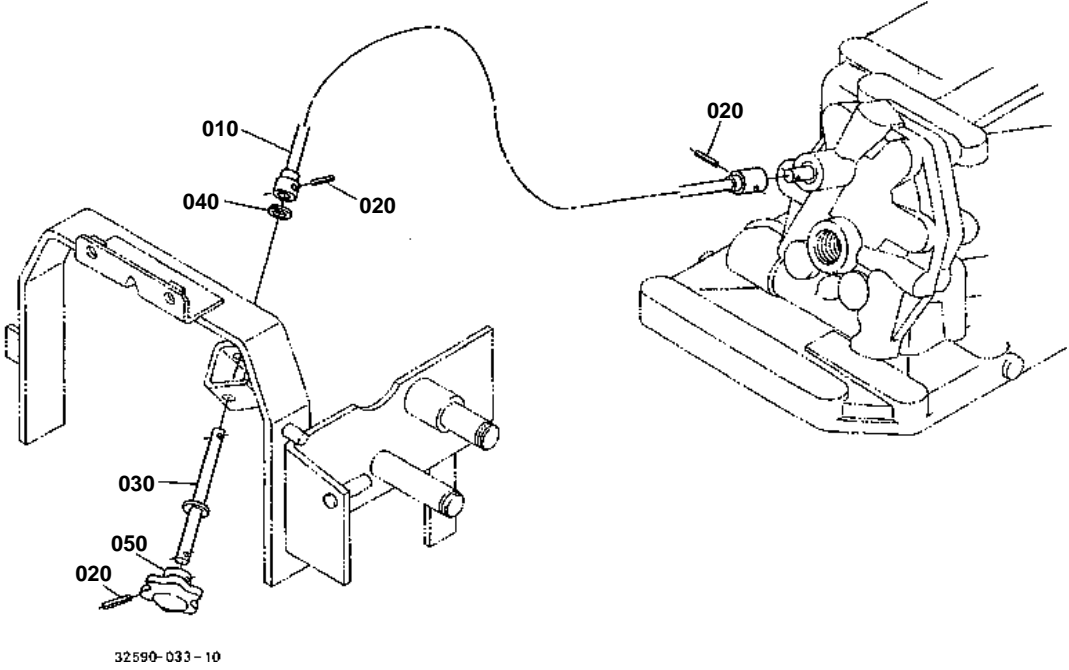


# HYDARULIC CYLINDER COVER

↔ Interchangeable; ≠ not interchangeable; ← new for old; → old for new

REF.No	Part No.	Description	Q'ty	S.No.	I/C	REMARKS	Weight (kgf)	Weight (lb)
010	32590-37200	ASSY HEAD HYD.CYL.	1				0.5	1.1
020	06312-10030	PLUG	1				0.029	0.0638
030	31351-37160	PLUG	1				0.003	0.0066
040	38240-37250	COLLAR ADJUSTING	1				0.01	0.022
050	04611-00160	CIR CLIP INTERNAL	1				0.001	0.0022
060	38240-37220	SHAFT HYD.ADJUST	1				0.025	0.055
070	04810-00100	O RING	1				0.001	0.0022
080	04810-50850	O RING	1				0.003	0.0066
090	34150-37260	CIR CLIP INTERNAL	1				0.001	0.0022
100	04012-50080	WASHER PLAIN	1				0.001	0.0022
110	31351-37800	ASSY VALVE SAFETY	1				0.17	0.374
120	38240-39122	VALVE	1				0.01	0.022
130	38240-39170	SPRING VALVE	1				0.005	0.011
140	38240-39130	RETAINER SPRING	1				0.05	0.11
150	04811-00090	O RING	1				0.001	0.0022
160	02172-50160	NUT	1				0.017	0.0374
170	04810-00120	O RING	1				0.001	0.0022
180	04811-00180	O RING	1				0.001	0.0022
190	04810-00140	O RING	2				0.001	0.0022
200	04811-00100	O RING	1				0.001	0.0022
210	01133-51245	BOLT	4				0.055	0.121
220	01173-51255	BOLT	2				0.057	0.1254
230	04512-60120	WASHER SPRING	2				0.005	0.011
240	05411-00418	PIN SPRING	1	>=60324			0.001	0.0022
250	34150-37230	GRIP	1	>=60324			0.04	0.088

FLEXIBLE SHAFT [OLD TYPE]



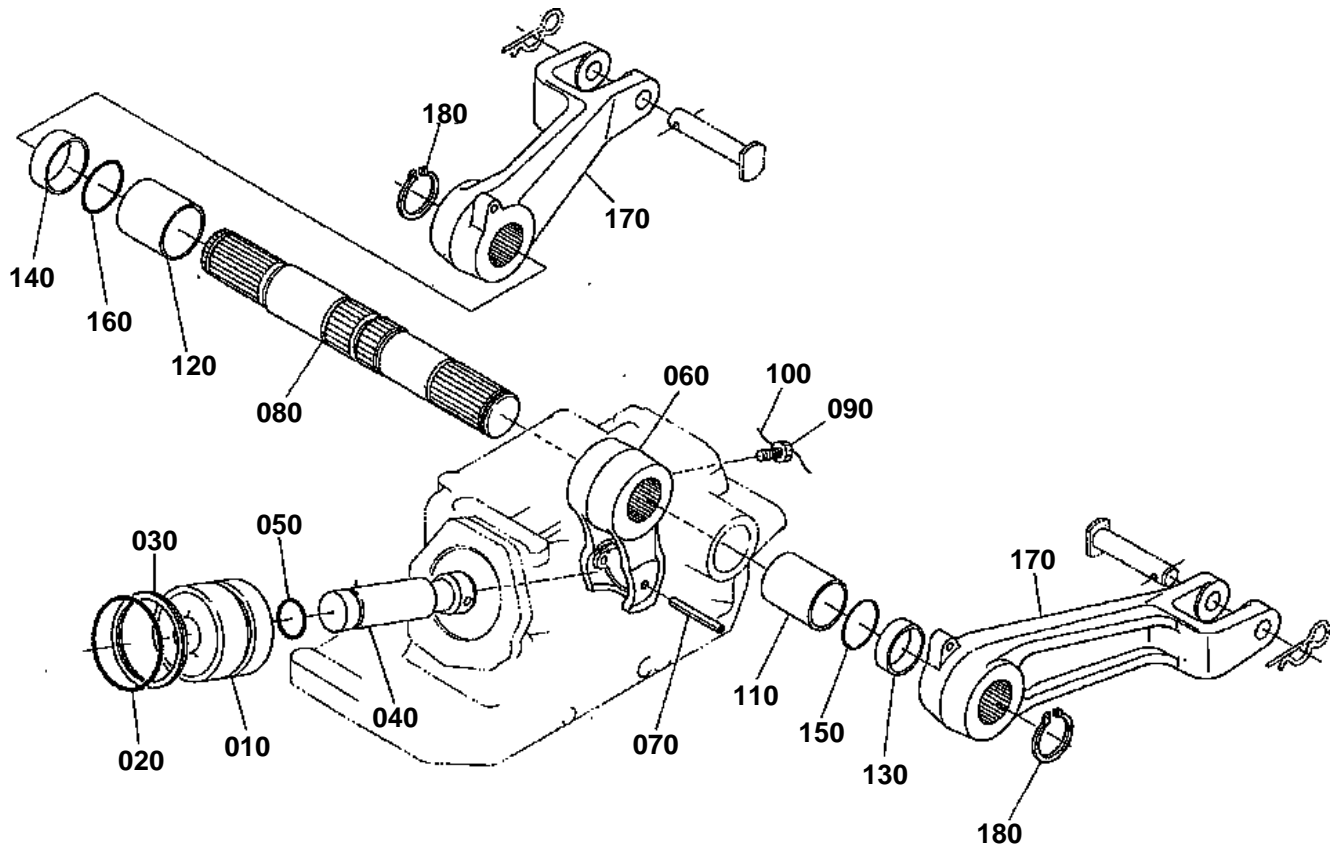
**FLEXIBLE SHAFT [OLD TYPE]**

S.No.;&lt;=60323

↔ Interchangeable; ≠ not interchangeable; ← new for old; → old for new

REF.No	Part No.	Description	Q'ty	S.No.	I/C	REMARKS	Weight (kgf)	Weight (lb)
010	32530-37360	SHAFT	1				0.11	0.242
020	05411-00418	PIN SPRING	3				0.001	0.0022
030	32530-37374	SHAFT	1				0.06	0.132
040	04013-50080	WASHER PLAIN	1				0	0
050	34150-37230	GRIP	1				0.04	0.088

LIFT ARM



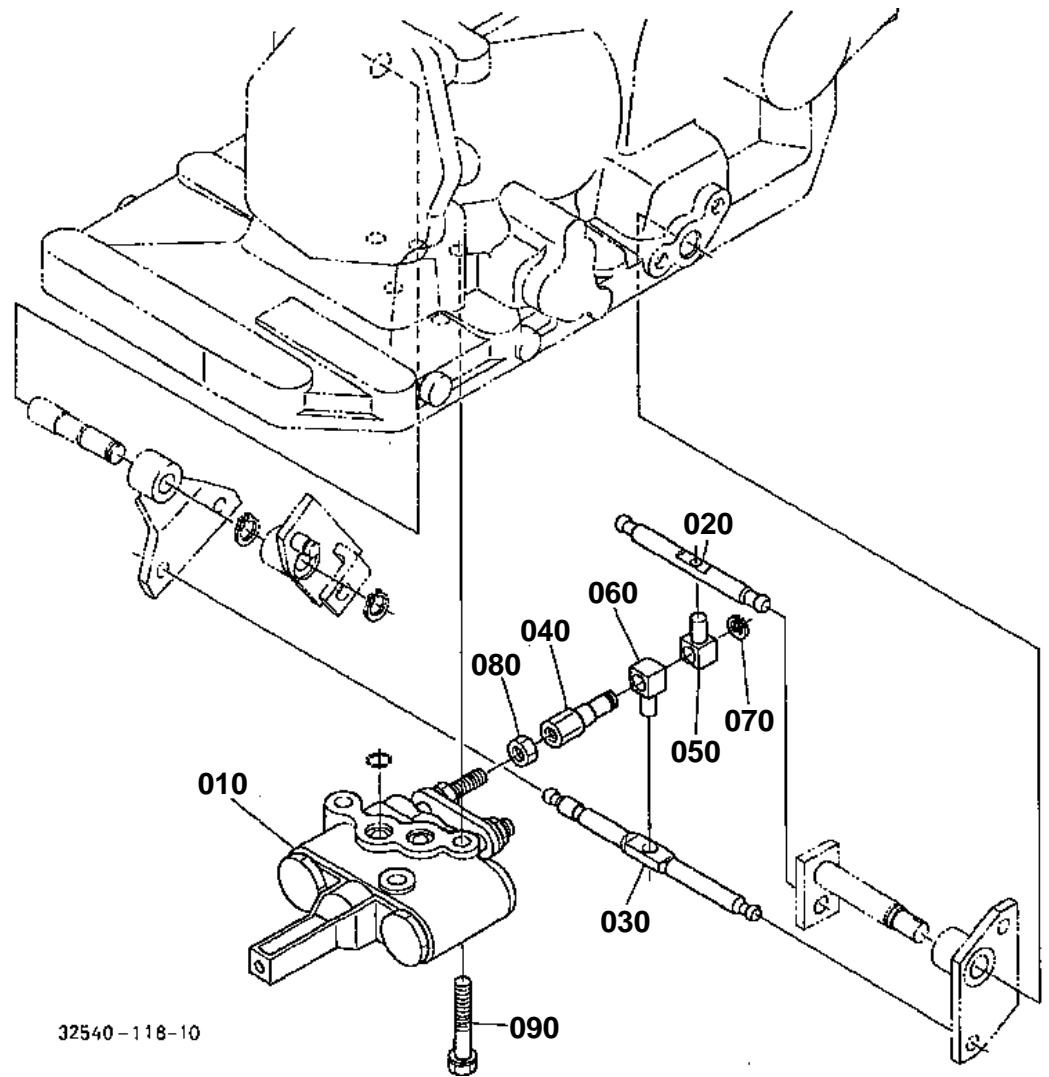
32540-117-10

**LIFT ARM**

↔ Interchangeable; ≠ not interchangeable; ← new for old; → old for new

REF.No	Part No.	Description	Q'ty	S.No.	I/C	REMARKS	Weight (kgf)	Weight (lb)
010	32530-37312	PISTON HYD.	1				2.15	4.73
020	04810-00800	O RING	1				0.009	0.0198
030	32530-37330	RING BACK UP	1	<=61213			0	0
030	31391-37330	RING BACK UP	1	>=61214	←		0.005	0.011
040	32530-37320	ROD HYD.	1	<=61507			1.2	2.64
040	3A011-82860	ROD HYD.PISTON	1	>=61508	←		0	0
040	3A011-82863	ROD HYD.PISTON	1	>=61884	←		1.19	2.618
050	04811-00320	O RING	1				0.002	0.0044
060	32530-37440	ARM HYDRAULIC	1				2.25	4.95
070	05411-00870	PIN SPRING	1				0.015	0.033
080	32590-37430	SHAFT HYD.ARM	1				5	11
090	32530-37510	BOLT SET	1				0.015	0.033
110	32530-37450	BUSH	1				0.175	0.385
120	32530-37460	BUSH	1				0.175	0.385
130	32590-37480	COLLAR	1				0.005	0.011
140	32530-37490	COLLAR	1				0.01	0.022
150	04811-50450	O RING	1				0.002	0.0044
160	04811-50500	O RING	1				0.001	0.0022
170	32530-37613	ARM LIFT	2				5.25	11.55
180	04612-00450	CIRCLIP EXTERNAL	2				0.007	0.0154

# CONTROL VALVE



32540-118-10



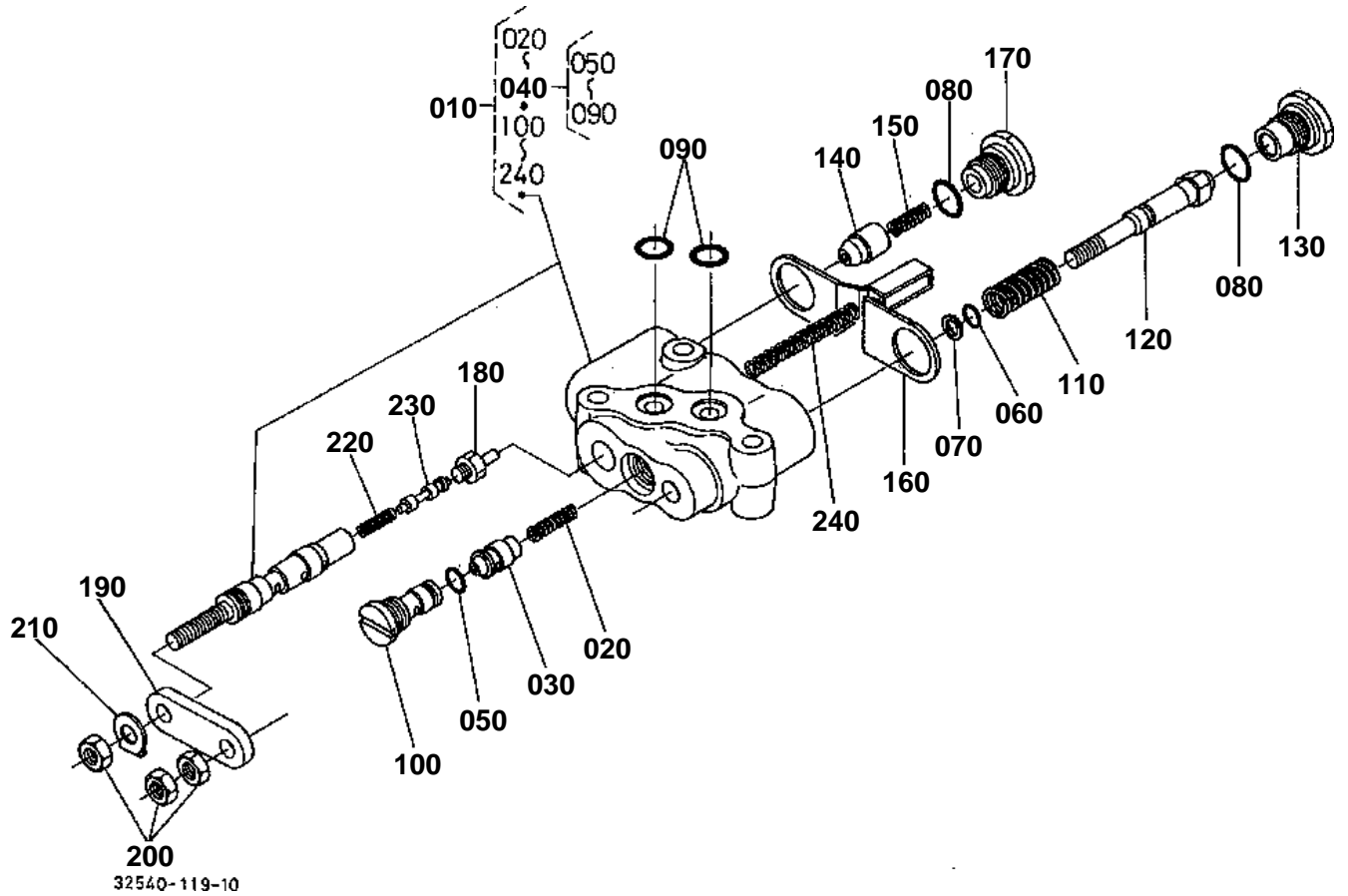
# CONTROL VALVE

↔ Interchangeable; ≠ not interchangeable; ← new for old; → old for new

REF.No	Part No.	Description	Q'ty	S.No.	I/C	REMARKS	Weight (kgf)	Weight (lb)
010	32530-39150	ASSY VALVE CONTROL	1			REFER TO L.No.0102-L0 FOR COMPONENTS.	1.65	3.63
020	31351-37640	LEVER SPOOL DRIVE	1				0.05	0.11
030	32590-37520	LEVER SPOOL DRIVE	1				0.09	0.198
040	32590-37530	JOINT SPOOL	1				0.04	0.088
050	37150-36420	JOINT SPOOL	1				0.02	0.044
060	32590-37540	JOINT SPOOL	1				0.015	0.033
070	04613-00060	CIRCLIP EXTERNAL	1				0	0
080	02112-50080	NUT	1				0.003	0.0066
090	01123-50850	BOLT	3				0.02	0.044



CONTROL VALVE [COMPONENT PARTS]

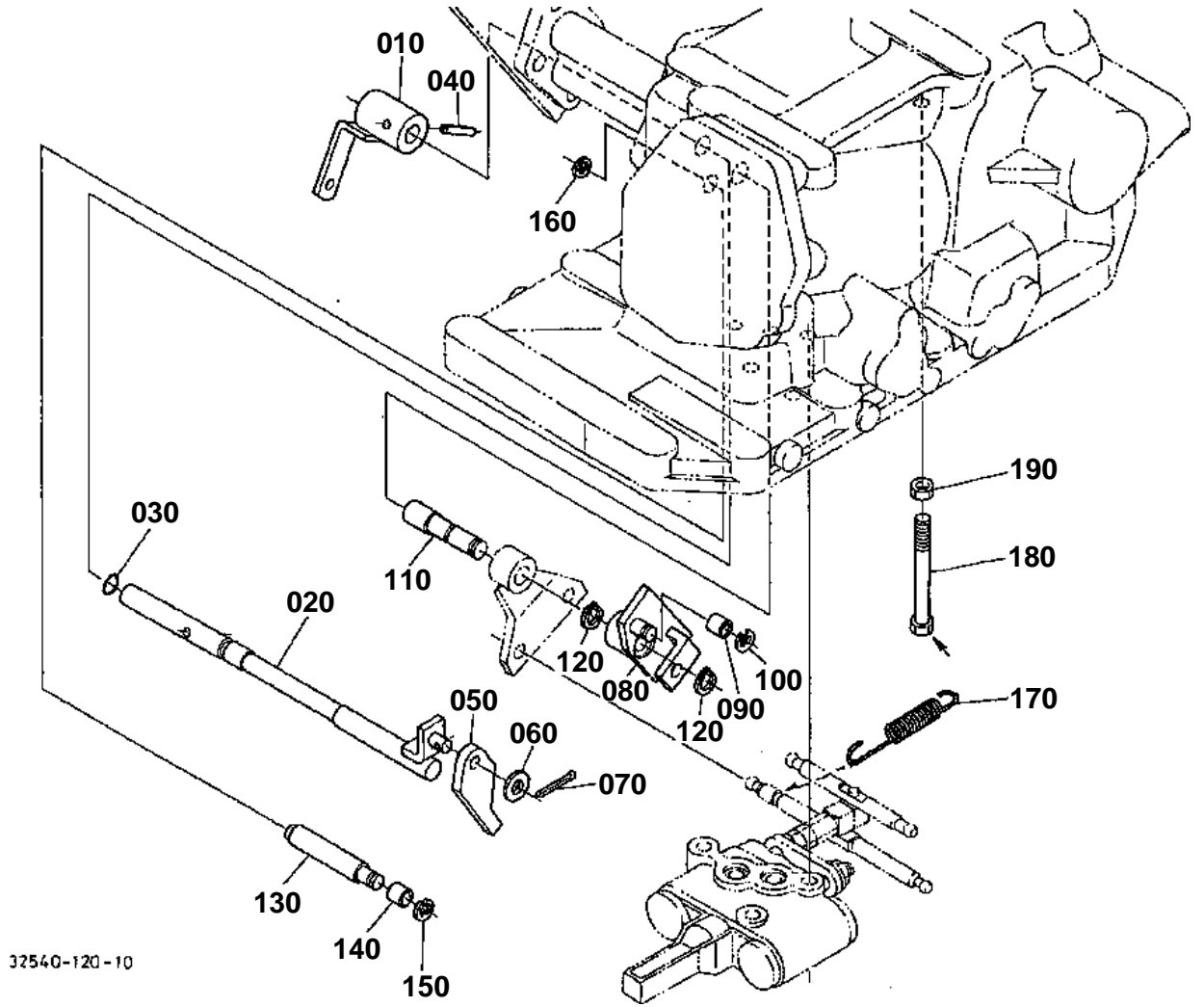


**CONTROL VALVE [COMPONENT PARTS]**

↔ Interchangeable; ≠ not interchangeable; ← new for old; → old for new

REF.No	Part No.	Description	Q'ty	S.No.	I/C	REMARKS	Weight (kgf)	Weight (lb)
010	32530-39150	ASSY VALVE CONTROL	1				1.65	3.63
020	37150-36580	SPRING	1				0.005	0.011
030	37150-36590	VALVE CHECK	1				0.015	0.033
040	32530-94620	KIT SEAL	1				0.002	0.0044
050	04810-00090	O RING	1				0.001	0.0022
060	04811-00070	O RING	1				0.001	0.0022
070	37150-36630	RING BACK UP	1				0.001	0.0022
080	04811-00150	O RING	2				0.001	0.0022
090	04810-00120	O RING	2				0.001	0.0022
100	37150-36440	SEAT	1				0.035	0.077
110	37150-36450	SPRING	1				0.005	0.011
120	37150-36460	POPPET	1				0.005	0.011
130	37150-36470	PLUG SEAT	1				0.04	0.088
140	37150-36480	VALVE UNLOAD	1				0.02	0.044
150	37150-36490	SPRING	1				0.005	0.011
160	32530-94630	PLATE	1				0.06	0.132
170	37150-36520	PLUG	1				0.043	0.0946
180	32530-94640	PLUG	1				0.01	0.022
190	37150-36540	PLATE	1				0.145	0.319
200	02112-50080	NUT	3				0.003	0.0066
210	37150-36560	WASHER LOCK	1				0.01	0.022
220	32430-39150	SPRING	1				0.002	0.0044
230	32430-39140	SPOOL BYPASS	1				0.01	0.022
240	32530-94650	SPRING RETURN	1				0.004	0.0088

CONTROL VALVE LEVER



32540-120-10



## CONTROL VALVE LEVER

↔ Interchangeable; ≠ not interchangeable; ← new for old; → old for new

REF.No	Part No.	Description	Q'ty	S.No.	I/C	REMARKS	Weight (kgf)	Weight (lb)
010	32590-37550	ARM LEVER	1				0.14	0.308
020	32590-37560	SHAFT LEVER	1				0.34	0.748
030	04811-06100	O RING	1				0.001	0.0022
040	05411-00430	PIN SPRING	1				0.002	0.0044
050	32590-37570	LINK CAM	1				0.05	0.11
060	04013-50080	WASHER PLAIN	1				0	0
070	05511-50215	PIN SPLIT	1				0.001	0.0022
080	32590-37580	LINK	1				0.18	0.396
090	32590-37590	RING INNER	1				0.02	0.044
100	04613-50060	CIRCLIP EXTERNAL	1				0.001	0.0022
110	32590-37620	SHAFT FULCRUM	1				0.063	0.1386
120	04612-00120	CIRCLIP EXTERNAL	2				0.001	0.0022
130	32590-37630	SHAFT FULCRUM	1				0.07	0.154
140	32590-37590	RING INNER	1				0.02	0.044
150	04613-50060	CIRCLIP EXTERNAL	1				0.001	0.0022
160	04613-50070	CIRCLIP EXTERNAL	1				0.001	0.0022
170	32590-37642	SPRING RETURN	1				0.03	0.066
180	01153-50880	BOLT	1				0.03	0.066
190	02156-50080	NUT	1				0.004	0.0088



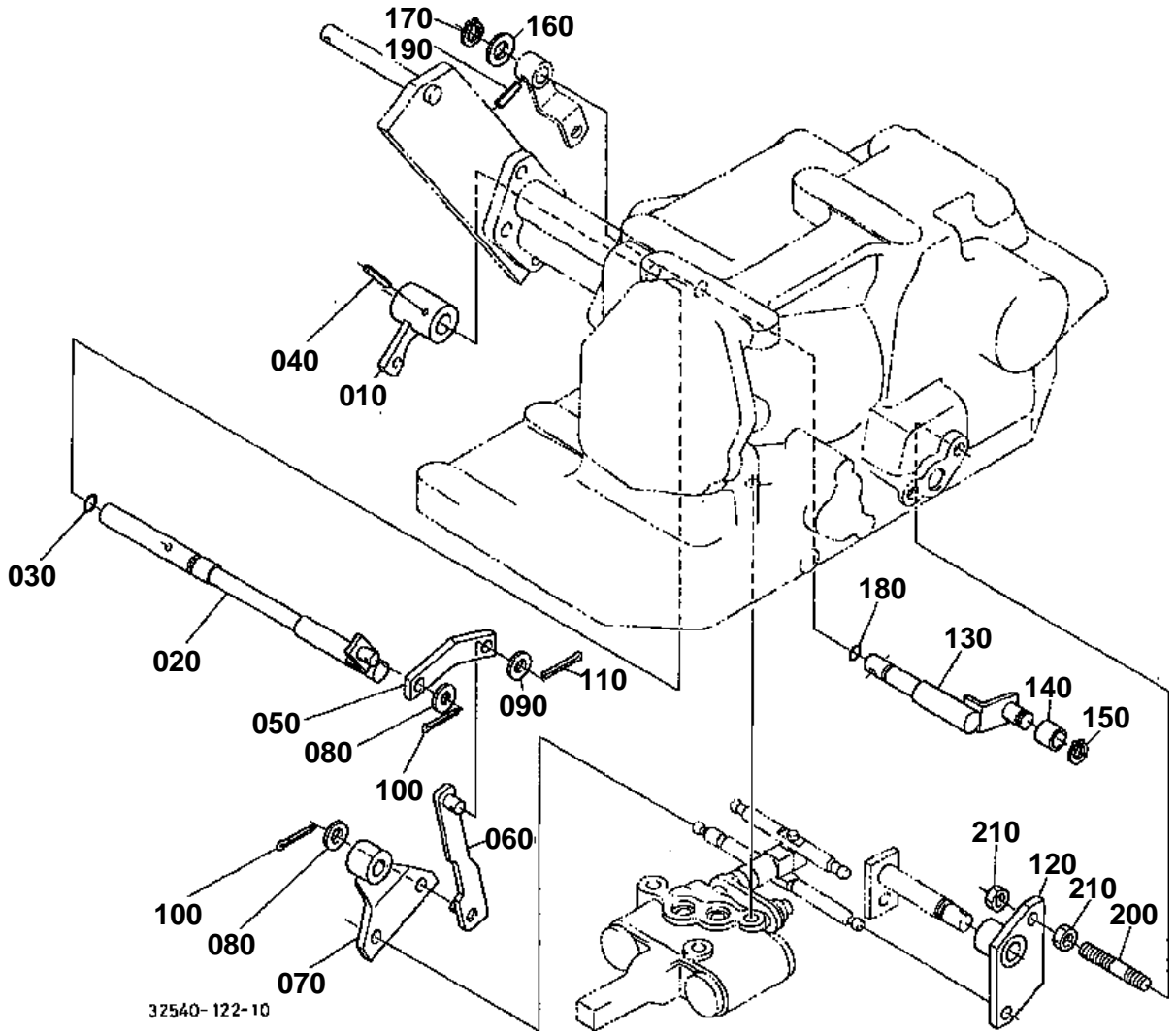


## FEED BACK LEVER 1

↔ Interchangeable; ≠ not interchangeable; ← new for old; → old for new

REF.No	Part No.	Description	Q'ty	S.No.	I/C	REMARKS	Weight (kgf)	Weight (lb)
010	32590-37650	SHAFT FEED BACK	1				0.15	0.33
020	05411-00422	PIN SPRING	1				0.001	0.0022
030	04811-06100	O RING	1				0.001	0.0022
040	32590-37660	LEVER FEED BACK	1				0.085	0.187
050	38240-36890	SET PLATE	1				0.013	0.0286
060	01123-60816	BOLT	1				0.01	0.022
070	32530-37750	ROD CONTROL	1				0.022	0.0484
080	32530-37760	ROD CONTROL	1				0.035	0.077
090	66591-42410	TURNBUCKLE	1				0.046	0.1012
100	02112-50080	NUT	1				0.003	0.0066
110	37300-41330	NUT	1				0.005	0.011
120	04013-50080	WASHER PLAIN	2				0	0
130	05511-50215	PIN SPLIT	2				0.001	0.0022
140	32530-36650	BLOCK BY-PASS	1				0.45	0.99
150	31351-37150	PLUG	1				0.007	0.0154
160	04810-00160	O RING	2				0.001	0.0022
170	04811-00120	O RING	1				0.001	0.0022
180	01123-50838	BOLT	2				0.02	0.044
190	01123-50825	BOLT	1				0.013	0.0286

FEED BACK LEVER 2



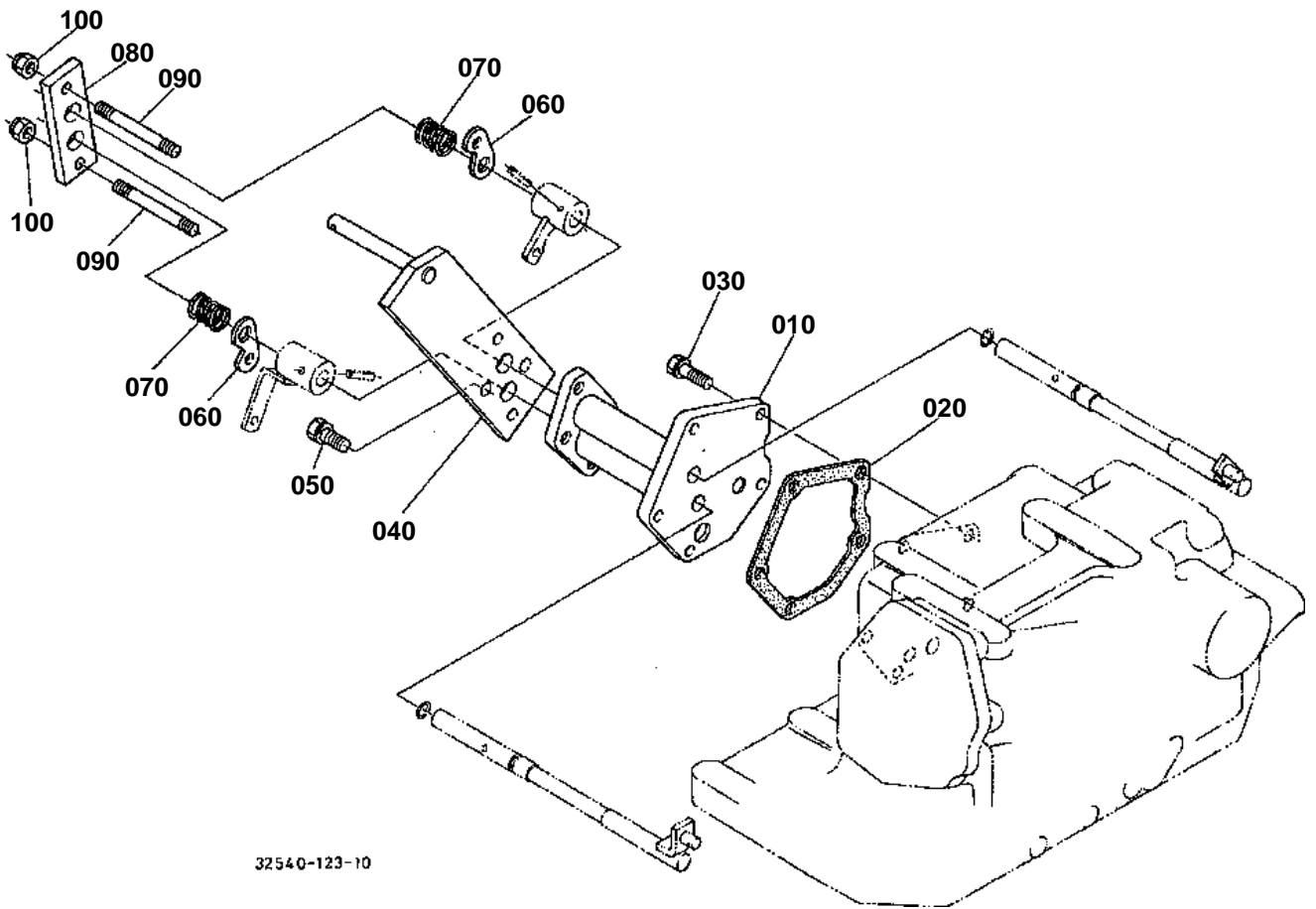
**FEED BACK LEVER 2**

↔ Interchangeable; ≠ not interchangeable; ← new for old; → old for new

REF.No	Part No.	Description	Q'ty	S.No.	I/C	REMARKS	Weight (kgf)	Weight (lb)
010	32590-37670	ARM LEVER	1				0.115	0.253
020	32590-37680	SHAFT LEVER	1				0.34	0.748
030	04811-06100	O RING	1				0.001	0.0022
040	05411-00430	PIN SPRING	1				0.002	0.0044
050	32590-37690	LINK	1	≤60314			0.06	0.132
050	32590-37692	LINK	1	≥60315	≠		0.05	0.11
060	32590-37700	LINK	1	≤60314			0.05	0.11
060	32590-37702	LINK	1	≥60315	≠		0.08	0.176
070	32590-37710	LINK	1				0.14	0.308
080	04013-50080	WASHER PLAIN	3	≤60314			0	0
080	04013-50080	WASHER PLAIN	2	≥60315			0	0
090	04011-50100	WASHER PLAIN	1	≥60315			0.002	0.0044
100	05511-50215	PIN SPLIT	3	≤60314			0.001	0.0022
100	05511-50215	PIN SPLIT	2	≥60315			0.001	0.0022
110	05511-50320	PIN SPLIT	1	≥60315			0.002	0.0044
120	32590-37720	ARM LOCK	1				0.2	0.44
130	32590-37730	SHAFT FEED BACK	1				0.167	0.3674
140	32590-37740	RING INNER	1				0.01	0.022
150	04612-00120	CIRCLIP EXTERNAL	1				0.001	0.0022
160	04011-50140	WASHER PLAIN	1				0.007	0.0154
170	04612-00140	CIRCLIP EXTERNAL	1				0.001	0.0022
180	04811-06100	O RING	1				0.001	0.0022
190	05411-00425	PIN SPRING	1				0.001	0.0022
200	37260-38170	STUD	1				0.06	0.132
210	02156-50080	NUT	2				0.004	0.0088



CONTROL LEVER STAY



32540-123-10

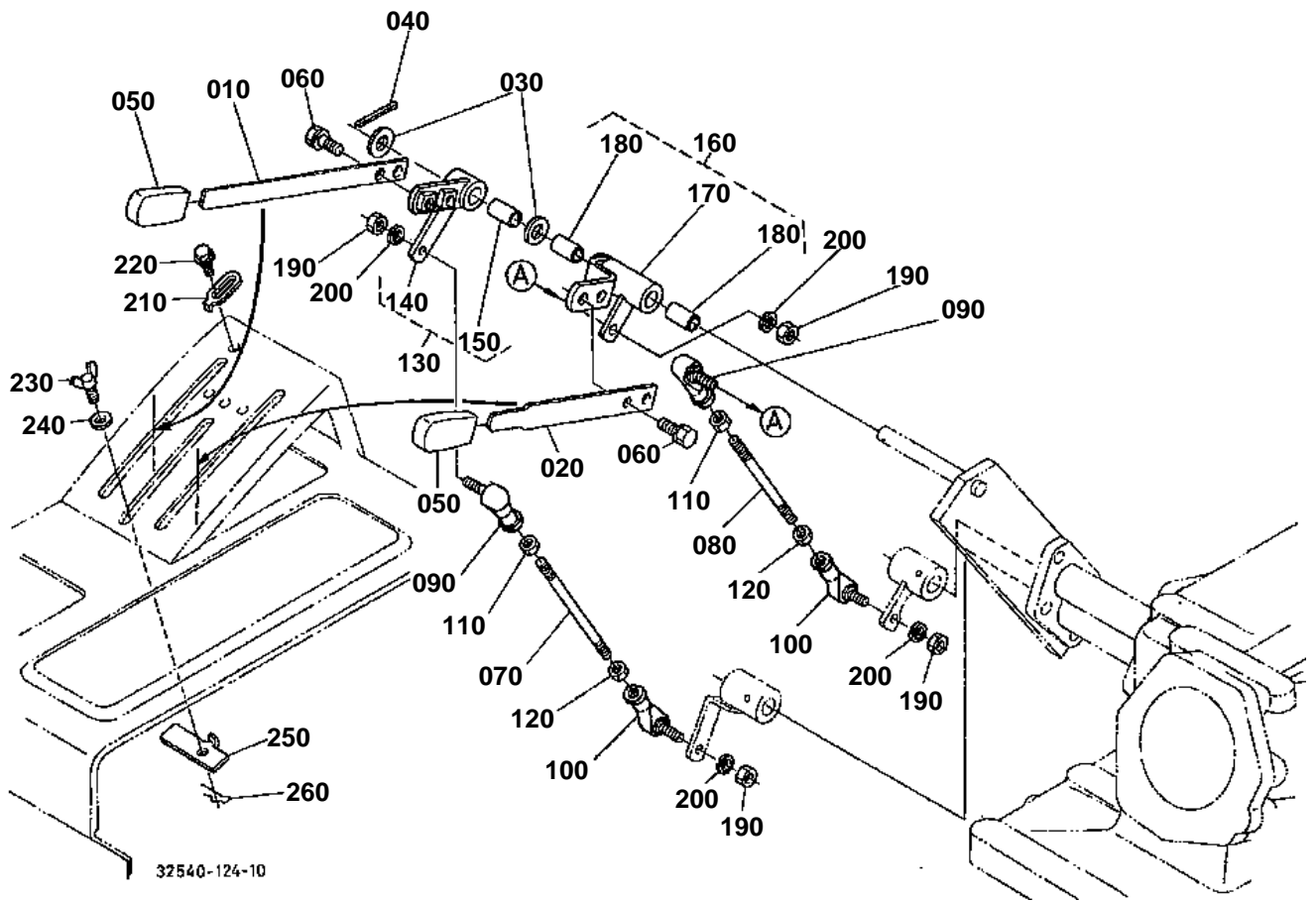


## CONTROL LEVER STAY

↔ Interchangeable; ≠ not interchangeable; ← new for old; → old for new

REF.No	Part No.	Description	Q'ty	S.No.	I/C	REMARKS	Weight (kgf)	Weight (lb)
010	32590-37780	BRACKET GUIDE	1				2.3	5.06
020	32590-37790	GASKET	1				0.005	0.011
030	01123-50825	BOLT	5				0.013	0.0286
040	32590-37840	STAY CONTROL LEVER	1				1.1	2.42
050	01133-51020	BOLT	2				0.02	0.044
060	32590-37850	STOPPER	2				0.015	0.033
070	32590-37860	SPRING	2				0.018	0.0396
080	32590-37870	RETAINER SPRING	1				0.2	0.44
090	01513-50885	STUD	2				0.035	0.077
100	02554-50080	NUT LOCK	2				0.004	0.0088

POSITION AND DRAFT CONTROL LEVER



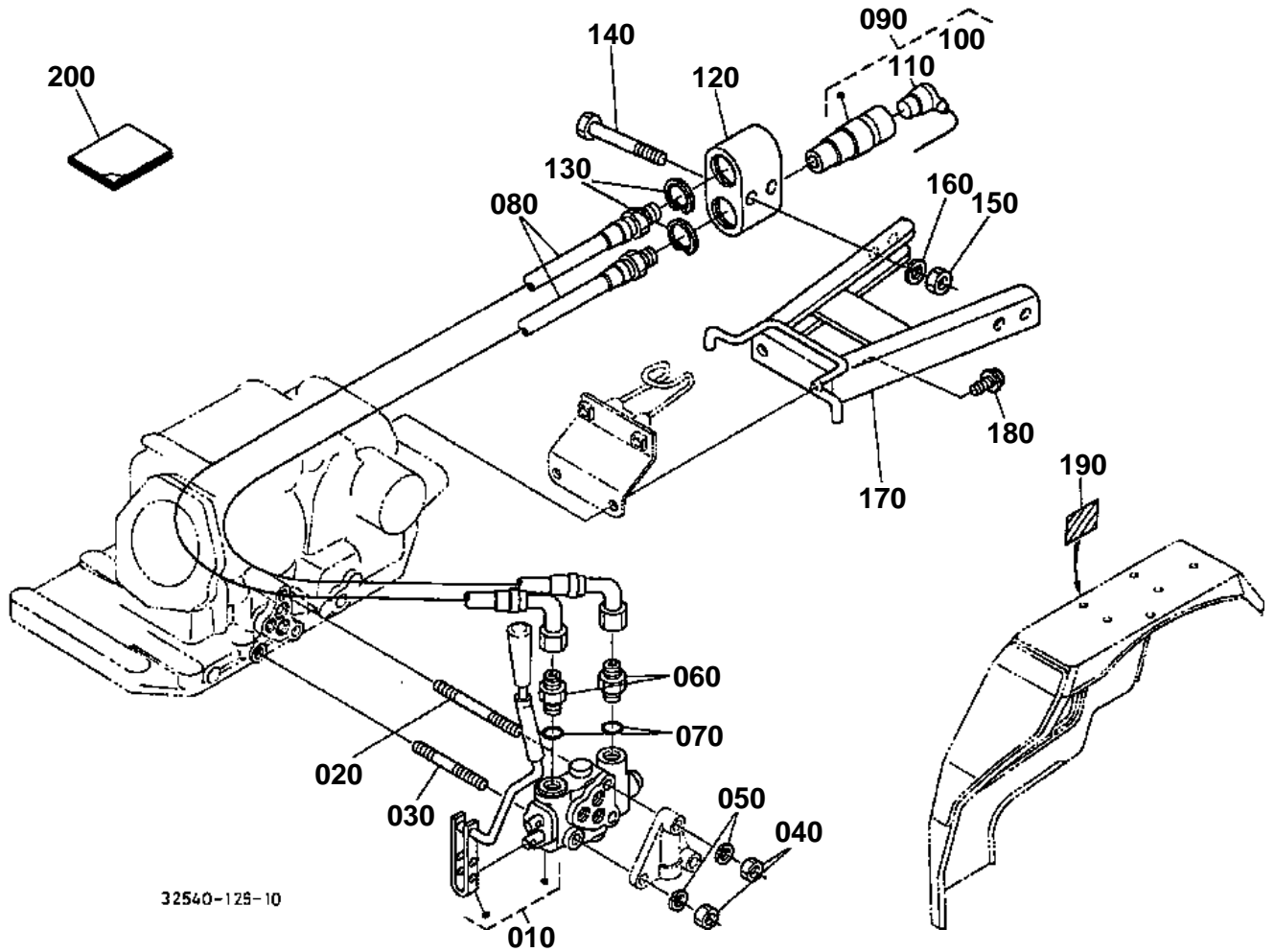


## POSITION AND DRAFT CONTROL LEVER

↔ Interchangeable; ≠ not interchangeable; ← new for old; → old for new

REF.No	Part No.	Description	Q'ty	S.No.	I/C	REMARKS	Weight (kgf)	Weight (lb)
010	32530-36856	LEVER POSITON CON.	1				0.11	0.242
020	32530-41392	LEVER DRAFT CONTROL	1				0.115	0.253
030	04013-60120	WASHER PLAIN	2				0.01	0.022
040	05511-50425	PIN SPLIT	1				0.003	0.0066
050	31351-24970	GRIP LEVER	2				0.05	0.11
060	01123-50818	BOLT	4				0.012	0.0264
070	32590-37800	ROD	1				0.026	0.0572
080	32590-37810	ROD	1				0.023	0.0506
090	32530-41520	BALL LINK	2				0.024	0.0528
100	32530-41530	BALL LINK	2				0.037	0.0814
110	02012-60060	NUT	2				0.005	0.011
120	36530-27770	NUT	2				0.002	0.0044
130	32590-37880	ASSY ARM	1				0.12	0.264
140	32590-37822	ARM	1				0.1	0.22
150	08511-01220	BUSH	1				0.004	0.0088
160	32590-37890	ASSY ARM	1				0.2	0.44
170	32590-37830	ARM	1				0.2	0.44
180	08511-01220	BUSH	2				0.004	0.0088
190	02014-50060	NUT	4				0.003	0.0066
200	04512-60060	WASHER SPRING	4				0.001	0.0022
210	32530-36950	STOPPER LEVER	1				0.01	0.022
220	01754-50812	BOLT FLANGE	1				0.01	0.022
230	32530-36990	BOLT STOPPER	1				0.015	0.033
240	04012-50060	WASHER PLAIN	1				0.001	0.0022
250	32590-36980	STOPPER LEVER	1				0.05	0.11
260	05525-50600	PIN SNAP	1				0	0

AUX.CONTROL VALVE 1 [OPTION]



32540-125-10

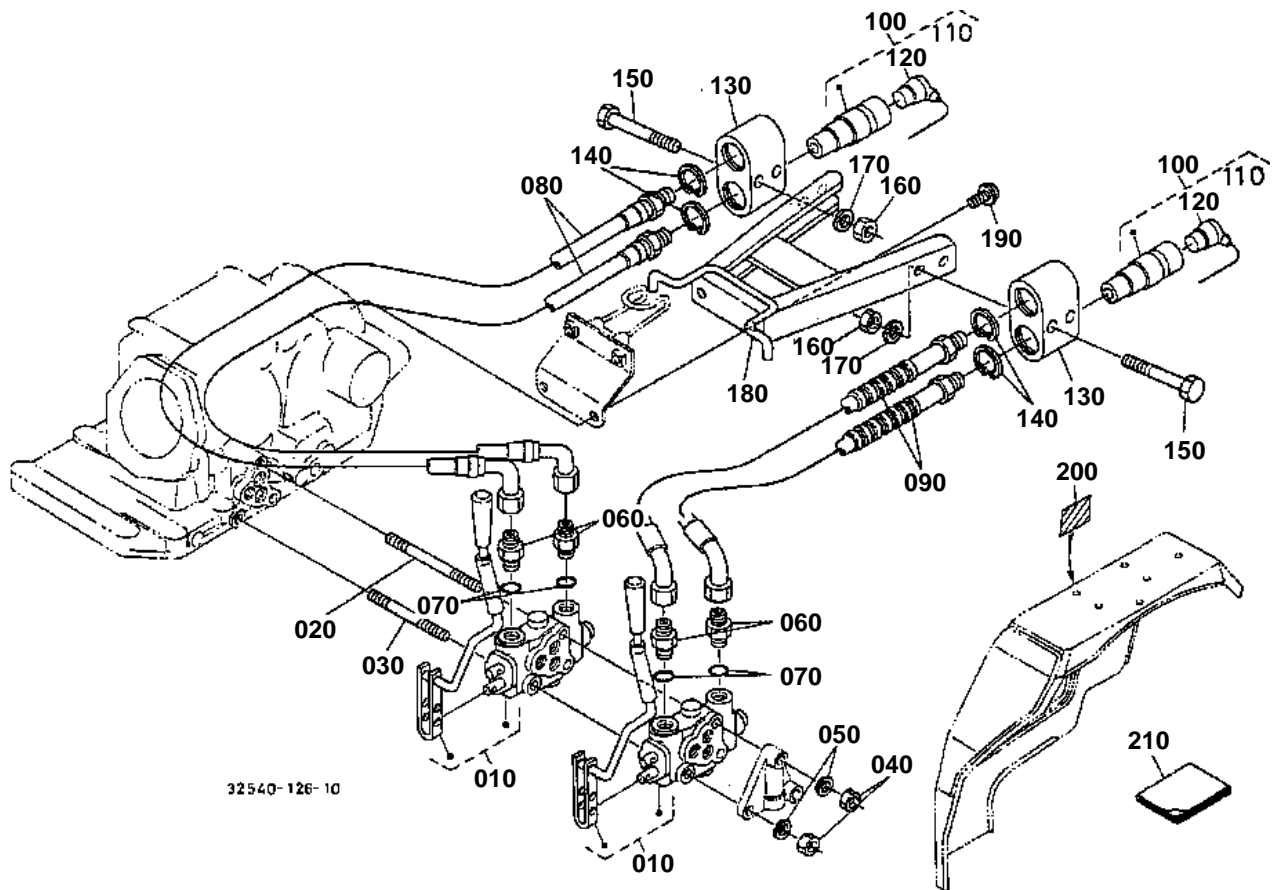


AUX.CONTROL VALVE 1 [OPTION]

↔ Interchangeable; ≠ not interchangeable; ← new for old; → old for new

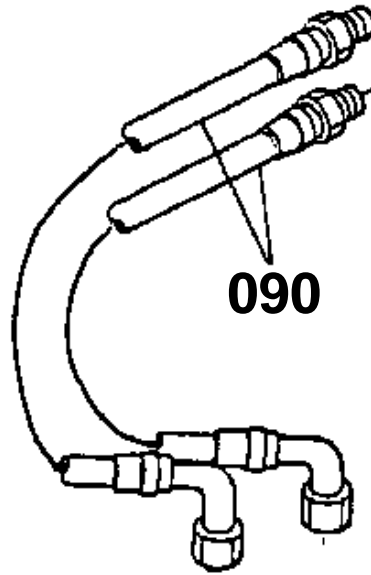
REF.No	Part No.	Description	Q'ty	S.No.	I/C	REMARKS	Weight (kgf)	Weight (lb)
010	32539-96300	ASSY VALVE AUX.CON.	1			REFER TO L.No.0I06-R0 FOR COMPONENTS.	3.48	7.656
020	32530-14590	STUD	2				0.045	0.099
030	01513-50885	STUD	1				0.035	0.077
040	02156-50080	NUT	3				0.004	0.0088
050	04512-60080	WASHER SPRING	3				0.002	0.0044
060	35861-82370	NIPPLE	2				0.05	0.11
070	04810-00140	O RING	2				0.001	0.0022
080	32530-96410	HOSE HYDRAULIC	2				0.375	0.825
090	35861-82032	ASSY COUPLER FEMALE	2				0.32	0.704
100	35861-94510	O RING	2			NOT SHOWN IN FIG.	0.002	0.0044
110	35861-94520	PLUG COUPLER	2				0.005	0.011
120	35893-82610	SUPPORT COUPLER	1				0.715	1.573
130	04611-00380	CIR CLIP INTERNAL	2				0.004	0.0088
140	01153-50865	BOLT	2				0.025	0.055
150	02156-50080	NUT	2				0.004	0.0088
160	04512-60080	WASHER SPRING	2				0.002	0.0044
170	32539-96430	BRACKET COUPLER	1				1	2.2
180	01774-51030	BOLT FLANGE	2				0.02	0.044
190	38369-36790	LABEL AUX.CON.	1				0.002	0.0044
200	32530-96460	MANUAL ASSEMBLY	1	≤60314			0	0
200	32530-96464	MANUAL ASSEMBLY	1	≥60315	←		0.021	0.0462

AUX.CONTROL VALVE 2 [OPTION]



32540-126-10

**090 32530-9642-0**



**32540-838-10**



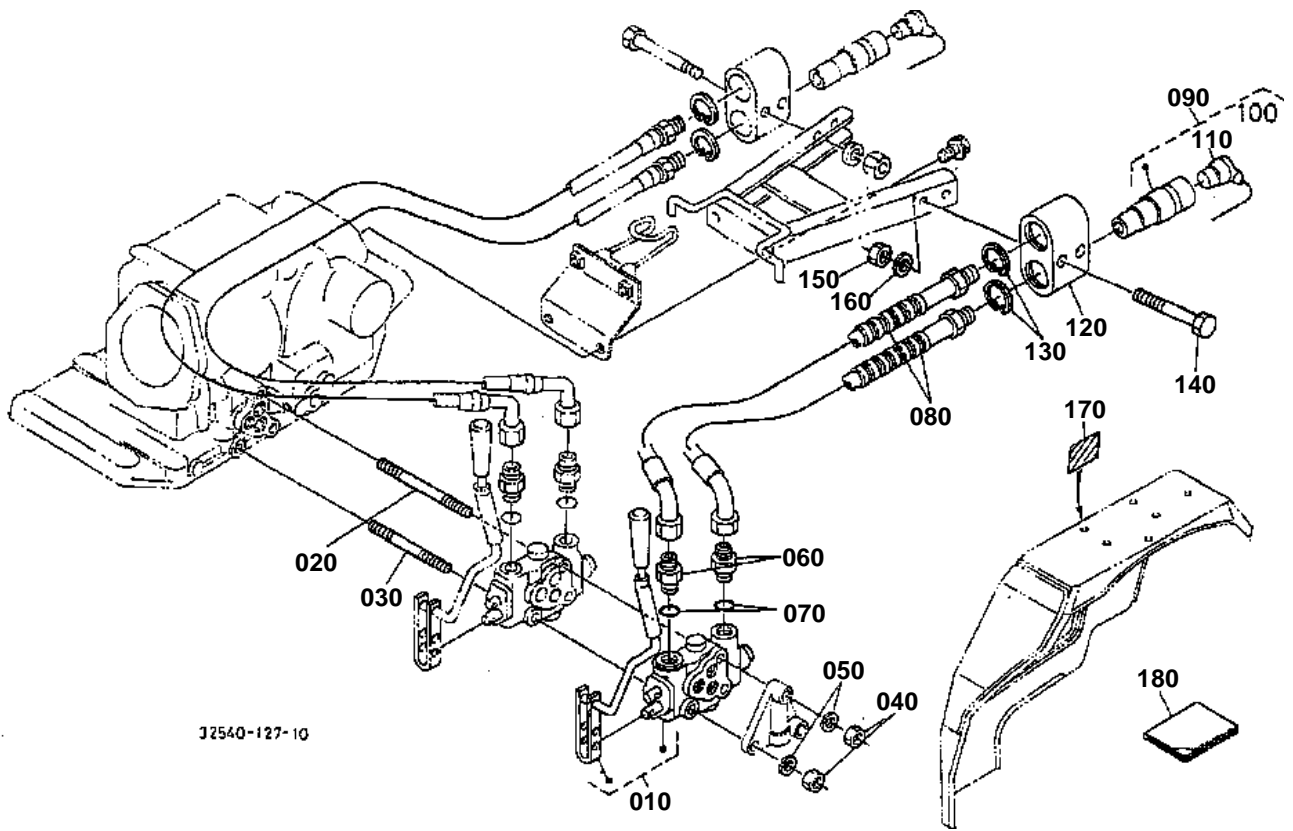


AUX.CONTROL VALVE 2 [OPTION]

↔ Interchangeable; ≠ not interchangeable; ← new for old; → old for new

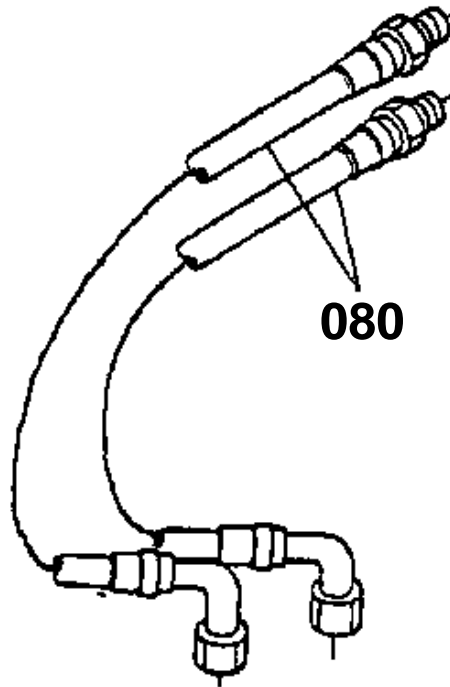
REF.No	Part No.	Description	Q'ty	S.No.	I/C	REMARKS	Weight (kgf)	Weight (lb)
010	32539-96300	ASSY VALVE AUX.CON.	2			REFER TO L.No.0I06-R0 FOR COMPONENTS.	3.48	7.656
020	32530-96380	STUD	2				0.062	0.1364
030	32530-96390	STUD	1				0.055	0.121
040	02156-50080	NUT	3				0.004	0.0088
050	04512-60080	WASHER SPRING	3				0.002	0.0044
060	35861-82370	NIPPLE	4				0.05	0.11
070	04810-00140	O RING	4				0.001	0.0022
080	32530-96410	HOSE HYDRAULIC	2				0.375	0.825
090	32530-96420	HOSE HYDRAULIC	2	<=60501			0	0
090	32530-96422	HOSE HYDRAULIC	2	>=60502	←		0.34	0.748
100	35861-82032	ASSY COUPLER FEMALE	4				0.32	0.704
110	35861-94510	O RING	4			NOT SHOWN IN FIG.	0.002	0.0044
120	35861-94520	PLUG COUPLER	4				0.005	0.011
130	35893-82610	SUPPORT COUPLER	2				0.715	1.573
140	04611-00380	CIR CLIP INTERNAL	4				0.004	0.0088
150	01153-50865	BOLT	4				0.025	0.055
160	02156-50080	NUT	4				0.004	0.0088
170	04512-60080	WASHER SPRING	4				0.002	0.0044
180	32539-96430	BRACKET COUPLER	1				1	2.2
190	01774-51030	BOLT FLANGE	2				0.02	0.044
200	38369-36790	LABEL AUX.CON.	1				0.002	0.0044
210	32530-96460	MANUAL ASSEMBLY	1	<=60314			0	0
210	32530-96464	MANUAL ASSEMBLY	1	>=60315	←		0.021	0.0462

AUX.CONTROL VALVE 3 [OPTION]



32540-127-10

**080 32530-9642-0**



**32540-839-10**

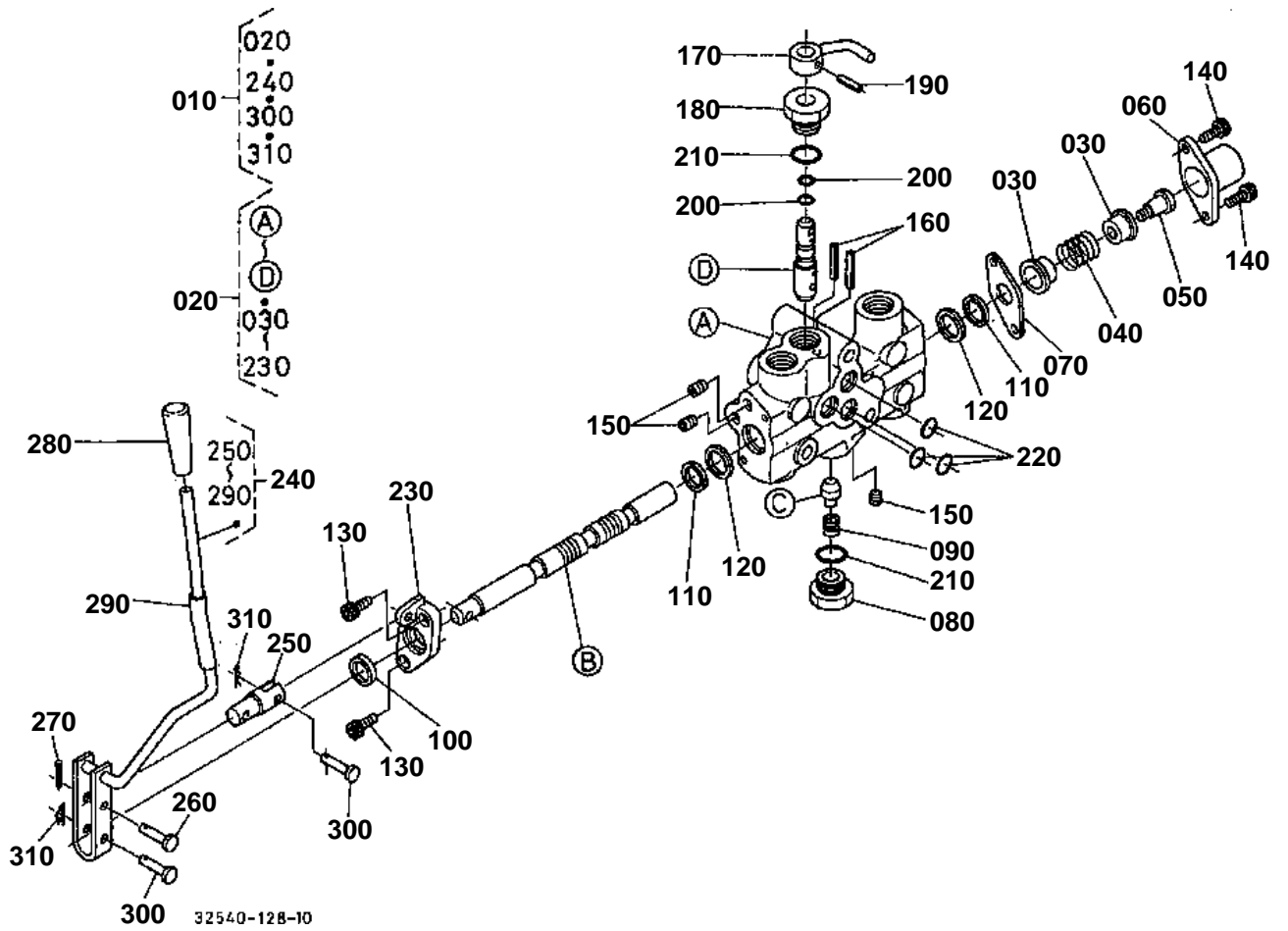


AUX.CONTROL VALVE 3 [OPTION]

↔ Interchangeable; ≠ not interchangeable; ← new for old; → old for new

REF.No	Part No.	Description	Q'ty	S.No.	I/C	REMARKS	Weight (kgf)	Weight (lb)
010	32539-96300	ASSY VALVE AUX.CON.	1			REFER TO L.No.0I06-R0 FOR COMPONENTS.	3.48	7.656
020	32530-96380	STUD	2				0.062	0.1364
030	32530-96390	STUD	1				0.055	0.121
040	02156-50080	NUT	3				0.004	0.0088
050	04512-60080	WASHER SPRING	3				0.002	0.0044
060	35861-82370	NIPPLE	2				0.05	0.11
070	04810-00140	O RING	2				0.001	0.0022
080	32530-96420	HOSE HYDRAULIC	2	≤60501			0	0
080	32530-96422	HOSE HYDRAULIC	2	≥60502	←		0.34	0.748
090	35861-82032	ASSY COUPLER FEMALE	2				0.32	0.704
100	35861-94510	O RING	2			NOT SHOWN IN FIG.	0.002	0.0044
110	35861-94520	PLUG COUPLER	2				0.005	0.011
120	35893-82610	SUPPORT COUPLER	1				0.715	1.573
130	04611-00380	CIR CLIP INTERNAL	2				0.004	0.0088
140	01153-50865	BOLT	2				0.025	0.055
150	02156-50080	NUT	2				0.004	0.0088
160	04512-60080	WASHER SPRING	2				0.002	0.0044
170	38369-36790	LABEL AUX.CON.	1				0.002	0.0044
180	32530-96460	MANUAL ASSEMBLY	1	≤60314			0	0
180	32530-96464	MANUAL ASSEMBLY	1	≥60315	←		0.021	0.0462

AUX.CONTROL VALVE [COMPONENT PARTS]

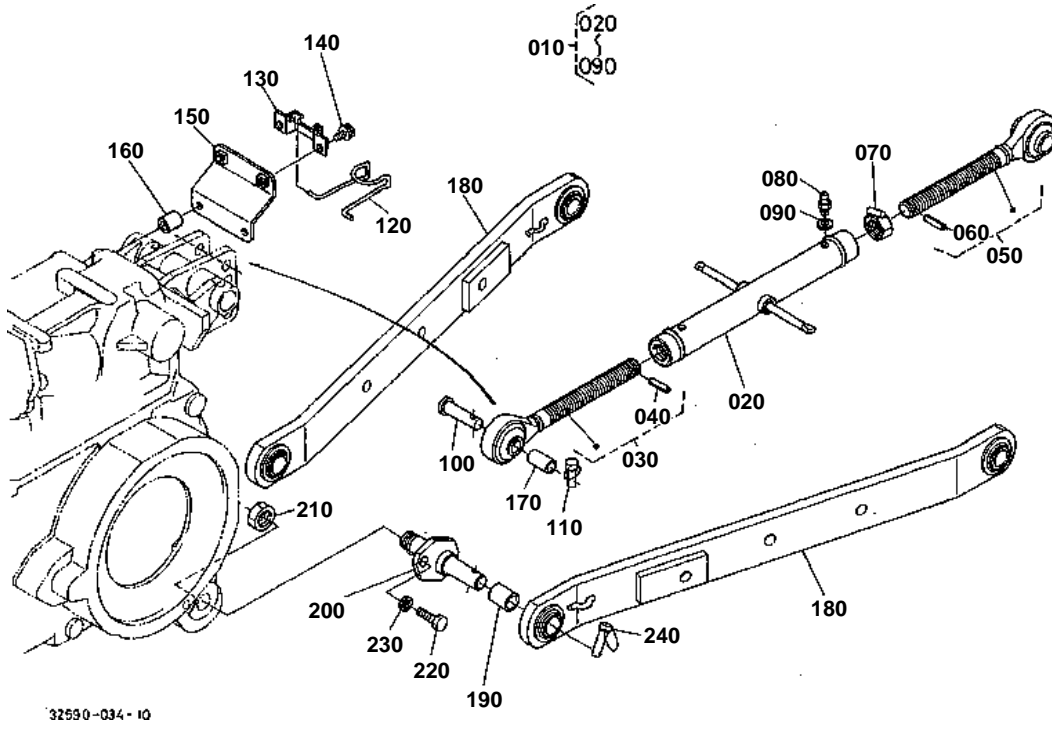


**AUX.CONTROL VALVE [COMPONENT PARTS]**

↔ Interchangeable; ≠ not interchangeable; ← new for old; → old for new

REF.No	Part No.	Description	Q'ty	S.No.	I/C	REMARKS	Weight (kgf)	Weight (lb)
010	32539-96300	ASSY VALVE AUX.CON.	1				3.48	7.656
020	32530-96310	VALVE AUX.CONTROL	1				2.83	6.226
030	39782-59190	SPACER	2				0	0
040	39782-59180	SPRING	1				0	0
050	39782-59170	BOLT CENTER A/C	1				0	0
060	39782-59250	CAP END	1				0	0
070	39782-59210	SPACER	1				0	0
080	38369-36710	PLUG	1				0.025	0.055
090	38369-36720	SPRING	1				0.001	0.0022
100	39782-59710	SCRAPER	1				0	0
110	39740-70140	RING BACK UP	2				0.02	0.044
120	39745-10160	SEAL PENTA	2				0.01	0.022
130	01350-10510	BOLT HEX-SOC-HD	2				0.003	0.0066
140	01350-10516	BOLT HEX-SOC-HD	2				0.005	0.011
150	38369-36780	PLUG	3				0.002	0.0044
160	05411-00425	PIN SPRING	2				0.001	0.0022
170	38369-36800	LEVER	1				0.03	0.066
180	38369-36810	CAP	1				0.035	0.077
190	05411-00418	PIN SPRING	1				0.001	0.0022
200	04810-00090	O RING	2				0.001	0.0022
210	04810-00180	O RING	2				0.001	0.0022
220	04810-00180	O RING	3				0.001	0.0022
230	39782-59940	HOLDER LEVER LINK	1				0	0
240	32539-96320	ASSY LEVER AUX.CON.	1				0.45	0.99
250	32530-96340	LINK	1				0.03	0.066
260	32530-96360	PIN JOINT	1				0.004	0.0088
270	32530-96370	PIN SPLIT	1				0.001	0.0022
280	61023-41630	GRIP	1				0.015	0.033
290	32530-96350	TUBE CONTROL LEVER	1				0.024	0.0528
300	32530-96360	PIN JOINT	2				0.004	0.0088
310	05525-51400	PIN SNAP	2				0.005	0.011

3-POINT LINKAGE 1 (LOWER LINK/TOP LINK)



32590-034-10



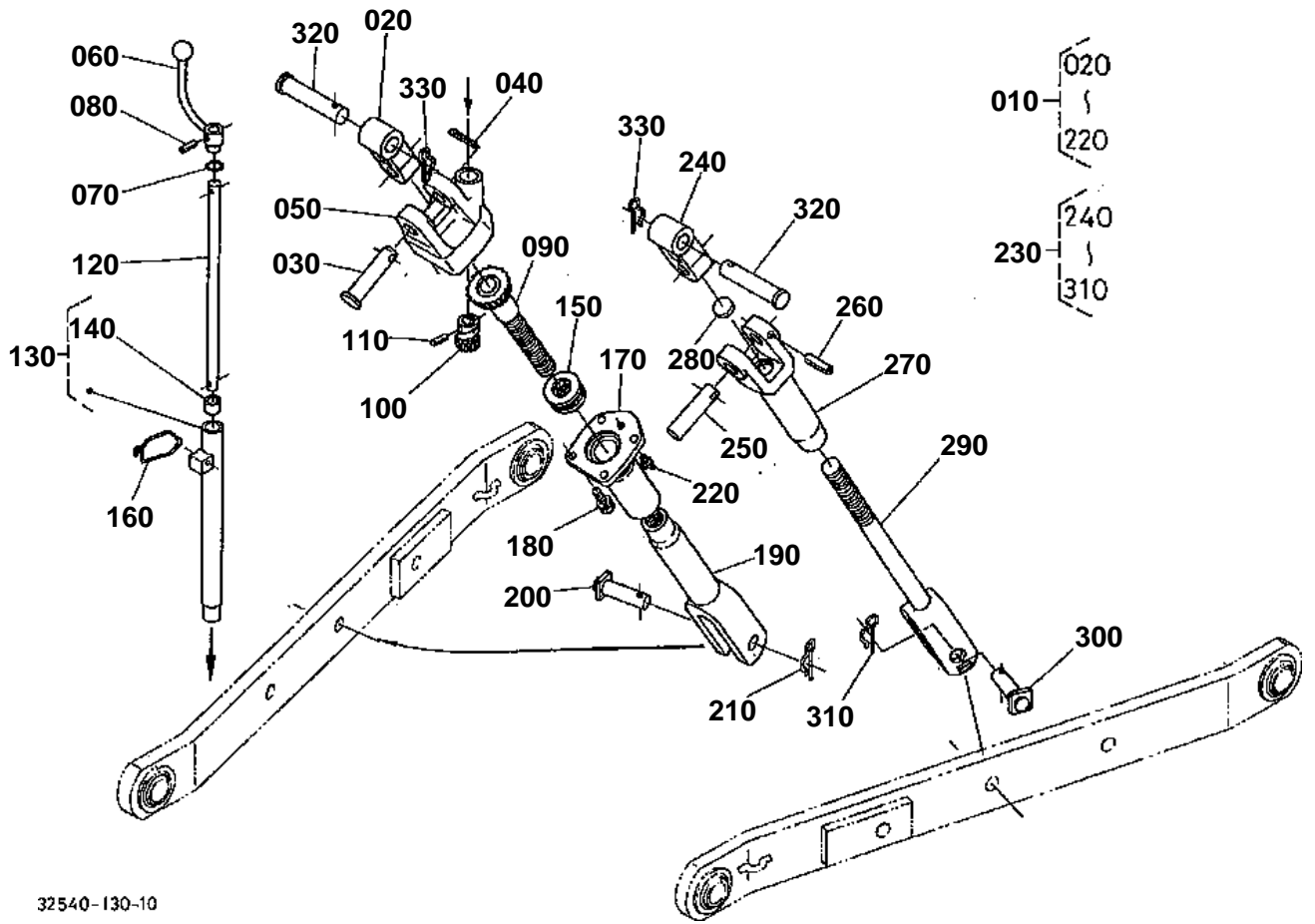
### 3-POINT LINKAGE 1 (LOWER LINK/TOP LINK)

↔ Interchangeable; ≠ not interchangeable; ← new for old; → old for new

REF.No	Part No.	Description	Q'ty	S.No.	I/C	REMARKS	Weight (kgf)	Weight (lb)
010	32539-71160	ASSY LINK TOP	1				5	11
020	32530-71110	SLEEVE TOP LINK	1				2.12	4.664
030	32530-71180	ASSY LINK TOP FRONT	1				1.55	3.41
040	05411-00632	PIN SPRING	1				0.004	0.0088
050	35458-91610	ASSY LINK TOP REAR	1				1.32	2.904
060	05411-00632	PIN SPRING	1				0.004	0.0088
070	33400-91590	NUT TOP LINK	1				0.11	0.242
080	36530-91680	NIPPLE GREASE	2				0.004	0.0088
090	04724-00100	GASKET	2				0.001	0.0022
100	31150-71360	PIN JOINT	2				0.166	0.3652
110	34150-37640	PIN SET	2				0.06	0.132
120	36330-91960	HOLDER TOP LINK	1				0.06	0.132
130	31391-29300	PLATE	1				0.09	0.198
140	01754-50812	BOLT FLANGE	2				0.01	0.022
150	32539-71140	PLATE TOP LINK	1				0.34	0.748
160	38240-29940	SPACER	2				0.005	0.011
170	36910-91720	COLLAR ADJUSTING	1				0.08	0.176
180	32590-71310	COMP.LINK LOWER	2				11.2	24.64
190	32590-71150	COLLAR	2				0.06	0.132
200	32590-71330	PIN LOWER LINK	2	<=61604		NON SALE	0.82	1.804
200	32590-71332	PIN LOWER LINK	2	>=61605	←		0.84	1.848
210	32530-71340	NUT(MX)	2				0.03	0.066
220	01173-51435	BOLT	2				0.056	0.1232
230	04512-60140	WASHER SPRING	2				0.006	0.0132
240	34150-37640	PIN SET	2				0.06	0.132



3-POINT LINKAGE 2 (LIFT ROD)



32540-130-10

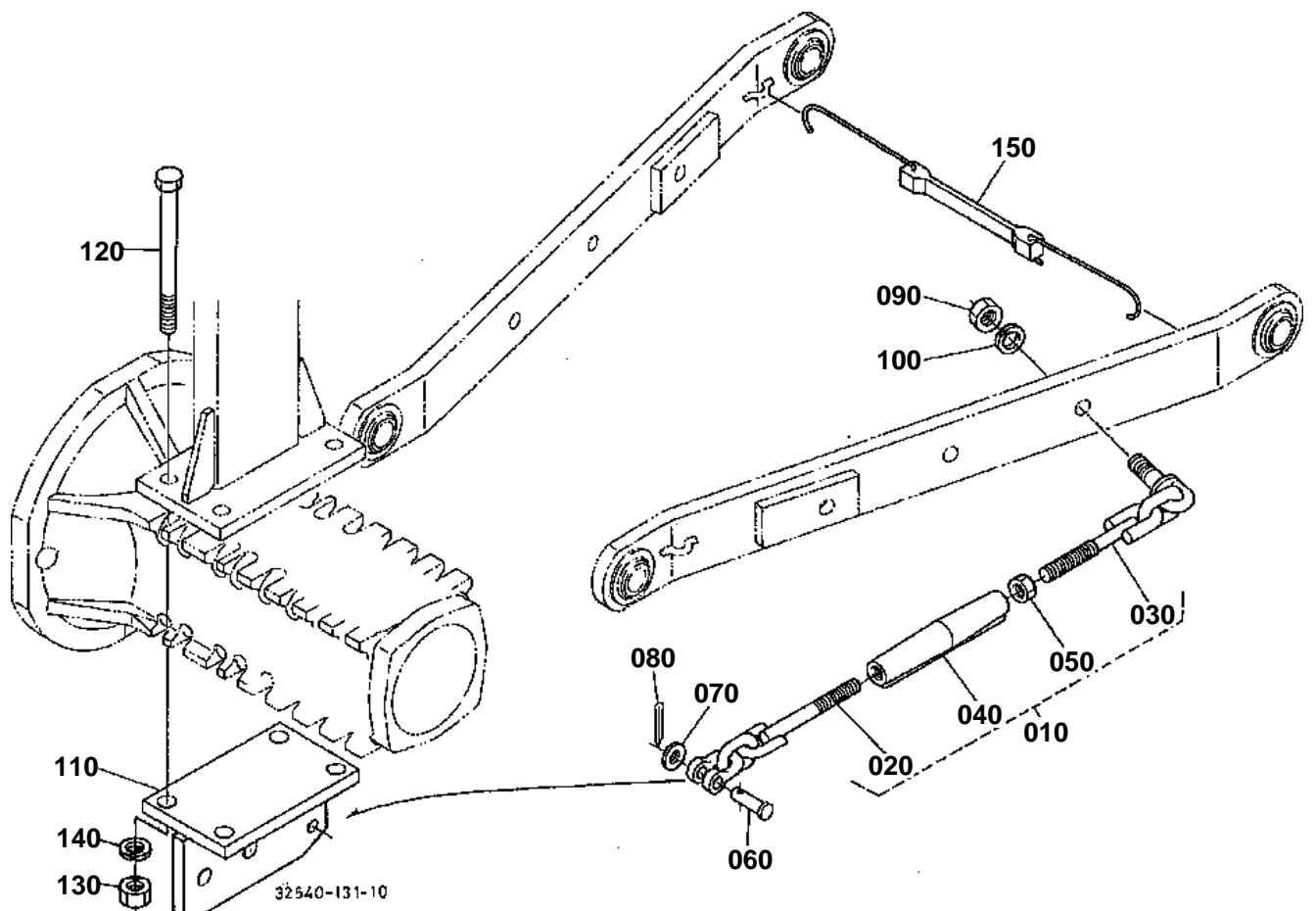


### 3-POINT LINKAGE 2 (LIFT ROD)

↔ Interchangeable; ≠ not interchangeable; ← new for old; → old for new

REF.No	Part No.	Description	Q'ty	S.No.	I/C	REMARKS	Weight (kgf)	Weight (lb)
010	32539-71500	ASSY ADJUSTER	1				6.7	14.74
020	32530-71510	JOINT LIFT ROD	1				0.63	1.386
030	32530-71520	PIN LIFT ROD	1				0.15	0.33
040	05511-50430	PIN SPLIT	1				0.004	0.0088
050	32530-71530	CASE LIFT ROD GEAR	1				1.57	3.454
060	36330-91323	HANDLE LIFT ROD RH	1				0.2	0.44
070	04811-10180	O RING	1				0.001	0.0022
080	05411-00525	PIN SPRING	1				0.002	0.0044
090	32530-71540	COMP.SHAFT ADJUSTING	1				0.84	1.848
100	36330-91330	PINION LIFT ROD RH	1				0.11	0.242
110	05411-00520	PIN SPRING	1				0.002	0.0044
120	36330-91392	SHAFT HANDLE	1				0.36	0.792
130	36330-91372	SUPPORT HANDLE	1				0.55	1.21
140	08511-01815	BUSH	1				0.007	0.0154
150	08401-51105	BEARING THRUST BALL	1				0.07	0.154
160	36330-91270	SPRING HANDLE LOCK	1				0.025	0.055
170	32530-71560	COMP SLEEVE LIFT ROD	1				1.05	2.31
180	01133-51030	BOLT	4				0.025	0.055
190	32530-71590	ROD LIFT LOWER RH	1				1.02	2.244
200	36200-91540	PIN REAR TIE ROD	1				0.11	0.242
210	33251-91860	PIN SET	1				0.023	0.0506
220	06613-20010	NIPPLE GREASE	1				0.01	0.022
230	32539-71600	ASSY ROD LIFT LH	1				3.08	6.776
240	32530-71510	JOINT LIFT ROD	1				0.63	1.386
250	32530-71630	PIN LIFT ROD	1				0.175	0.385
260	05411-00540	PIN SPRING	1				0.004	0.0088
270	32530-71610	COMP.ROD LIFT UPPER	1				0.9	1.98
280	36330-91360	PLUG	1				0.001	0.0022
290	32530-71620	ROD LIFT LOWER LH	1				1.37	3.014
300	36200-91540	PIN REAR TIE ROD	1				0.11	0.242
310	33251-91860	PIN SET	1				0.023	0.0506
320	32530-37693	PIN LIFT ARM	2				0.23	0.506
330	66592-35190	PIN SET	2				0.014	0.0308

3-POINT LINKAGE 3 (CHECK CHAIN)



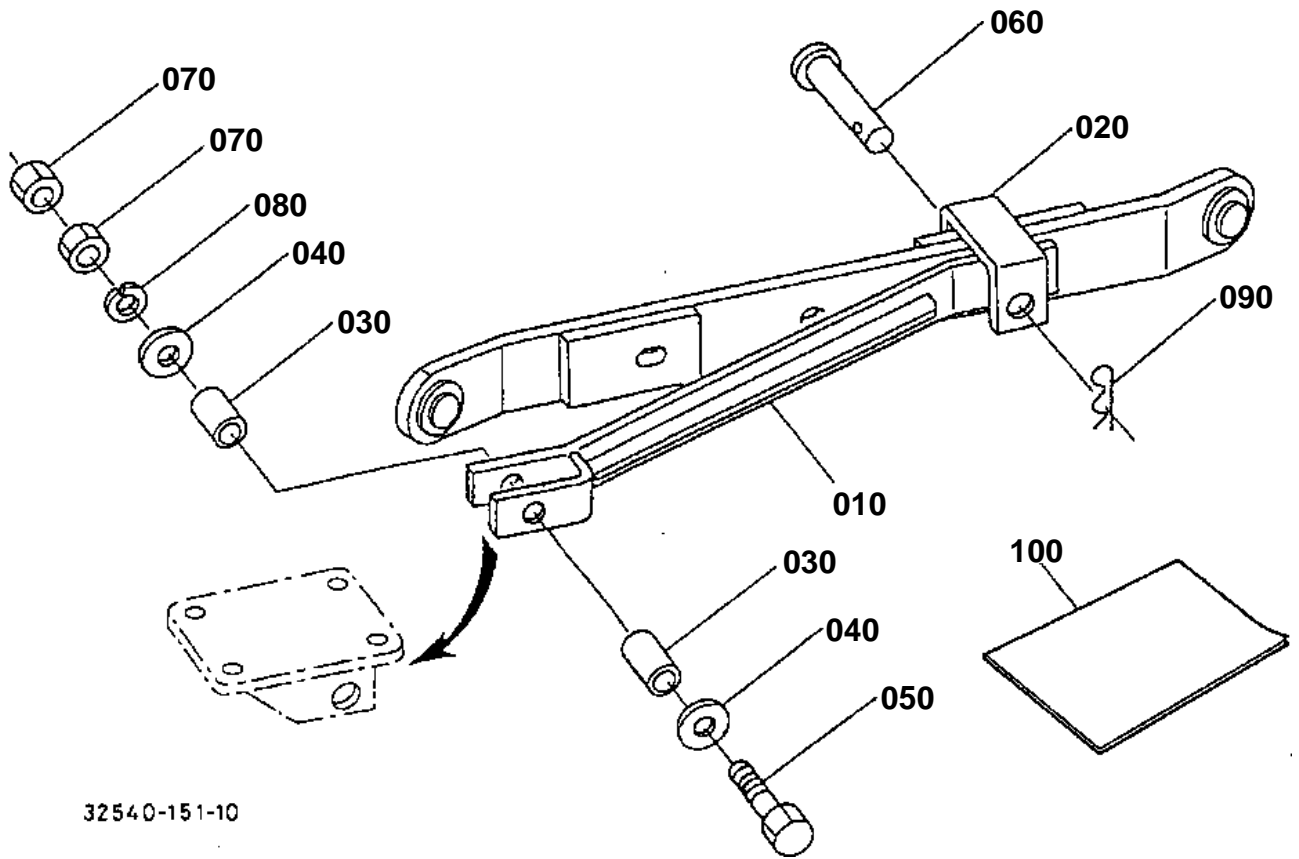


### 3-POINT LINKAGE 3 (CHECK CHAIN)

↔ Interchangeable; ≠ not interchangeable; ← new for old; → old for new

REF.No	Part No.	Description	Q'ty	S.No.	I/C	REMARKS	Weight (kgf)	Weight (lb)
010	32539-71800	ASSY CHAIN CHECK	2				1.94	4.268
020	32530-71810	CHAIN CHECK	2				0.6	1.32
030	32530-71820	CHAIN CHECK	2				0.8	1.76
040	36200-91190	TURNBUCKLE	2				0.63	1.386
050	02052-50160	NUT	2				0.025	0.055
060	32353-71890	PIN	2				0.041	0.0902
070	04013-60120	WASHER PLAIN	2				0.01	0.022
080	05511-50425	PIN SPLIT	2				0.003	0.0066
090	02174-50180	NUT	2				0.029	0.0638
100	04512-60180	WASHER SPRING	2				0.02	0.044
110	32539-71970	HOLDER CHECK CHAIN	2				6	13.2
120	32530-71980	BOLT	8				0.35	0.77
130	02076-50160	NUT	8				0.03	0.066
140	04512-60160	WASHER SPRING	8				0.01	0.022
150	32530-71350	COMP.RUBBER	1				0.05	0.11

STARBILIZER [OPTION]

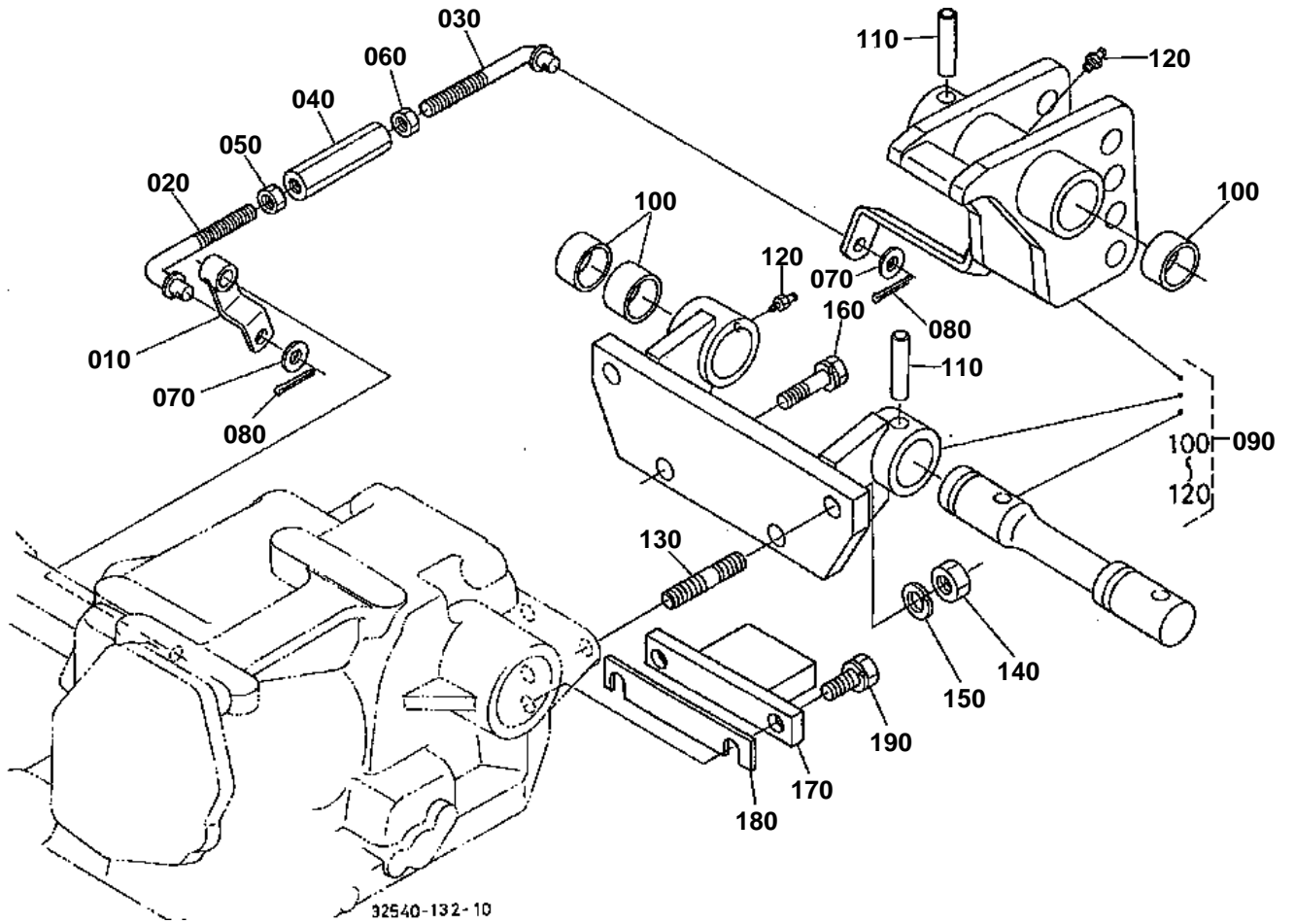


**STARBILIZER [OPTION]**

↔ Interchangeable; ≠ not interchangeable; ← new for old; → old for new

REF.No	Part No.	Description	Q'ty	S.No.	I/C	REMARKS	Weight (kgf)	Weight (lb)
010	32590-93110	BAR STABILIZER	2				4.8	10.56
020	32590-93120	SUPPORT STABILIZER	2				0.5	1.1
030	32590-93130	SPACER	4				0.03	0.066
040	04013-60120	WASHER PLAIN	4				0.01	0.022
050	01176-51275	BOLT	2				0.08	0.176
060	32530-37693	PIN LIFT ARM	2				0.23	0.506
070	02176-50120	NUT	4				0.01	0.022
080	04512-60120	WASHER SPRING	2				0.005	0.011
090	66592-35190	PIN SET	2				0.014	0.0308
100	32590-93140	MANUAL ASSEMBLING	1				0	0

TOP BRACKET



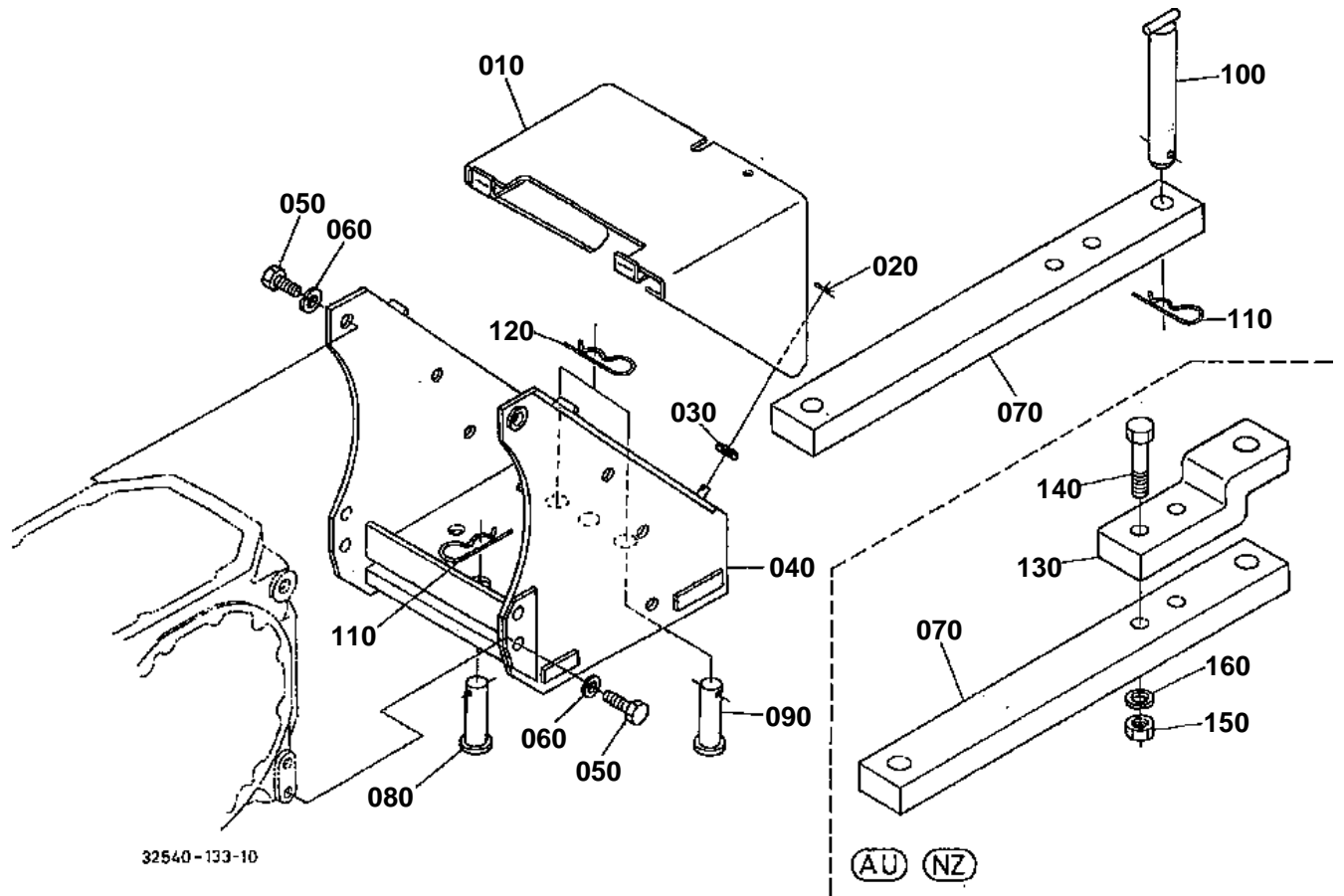
**TOP BRACKET**

↔ Interchangeable; ≠ not interchangeable; ← new for old; → old for new

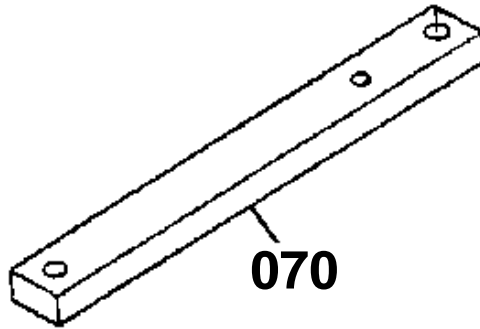
REF.No	Part No.	Description	Q'ty	S.No.	I/C	REMARKS	Weight (kgf)	Weight (lb)
010	32590-37750	LEVER FEED BACK	1				0	0
020	32590-37760	ROD RH	1				0.08	0.176
030	32590-37770	ROD LH	1				0.08	0.176
040	32350-28980	TURNBUCKLE	1				0.124	0.2728
050	02116-50100	NUT	1				0.004	0.0088
060	32350-28990	NUT	1				0.009	0.0198
070	04011-50100	WASHER PLAIN	2				0.002	0.0044
080	05511-50218	PIN SPLIT	2				0.001	0.0022
090	32530-41400	COMP BRACKET LINK	1				7	15.4
100	37300-41450	BUSH	3				0.03	0.066
110	32530-41460	PIN STRAIGHT	2				0.06	0.132
120	06613-10010	NIPPLE GREASE	2				0.006	0.0132
130	01575-51230	STUD	2				0.04	0.088
140	02176-50120	NUT	2				0.01	0.022
150	04512-60120	WASHER SPRING	2				0.005	0.011
160	01133-51240	BOLT	2				0.05	0.11
170	32530-41440	STOPPER	1				0.61	1.342
180	32530-41450	SHIM ADJUSTING	3				0.01	0.022
190	01133-51235	BOLT	2				0.05	0.11



DRAWBAR



070 32539-7171-0



32540-840-10

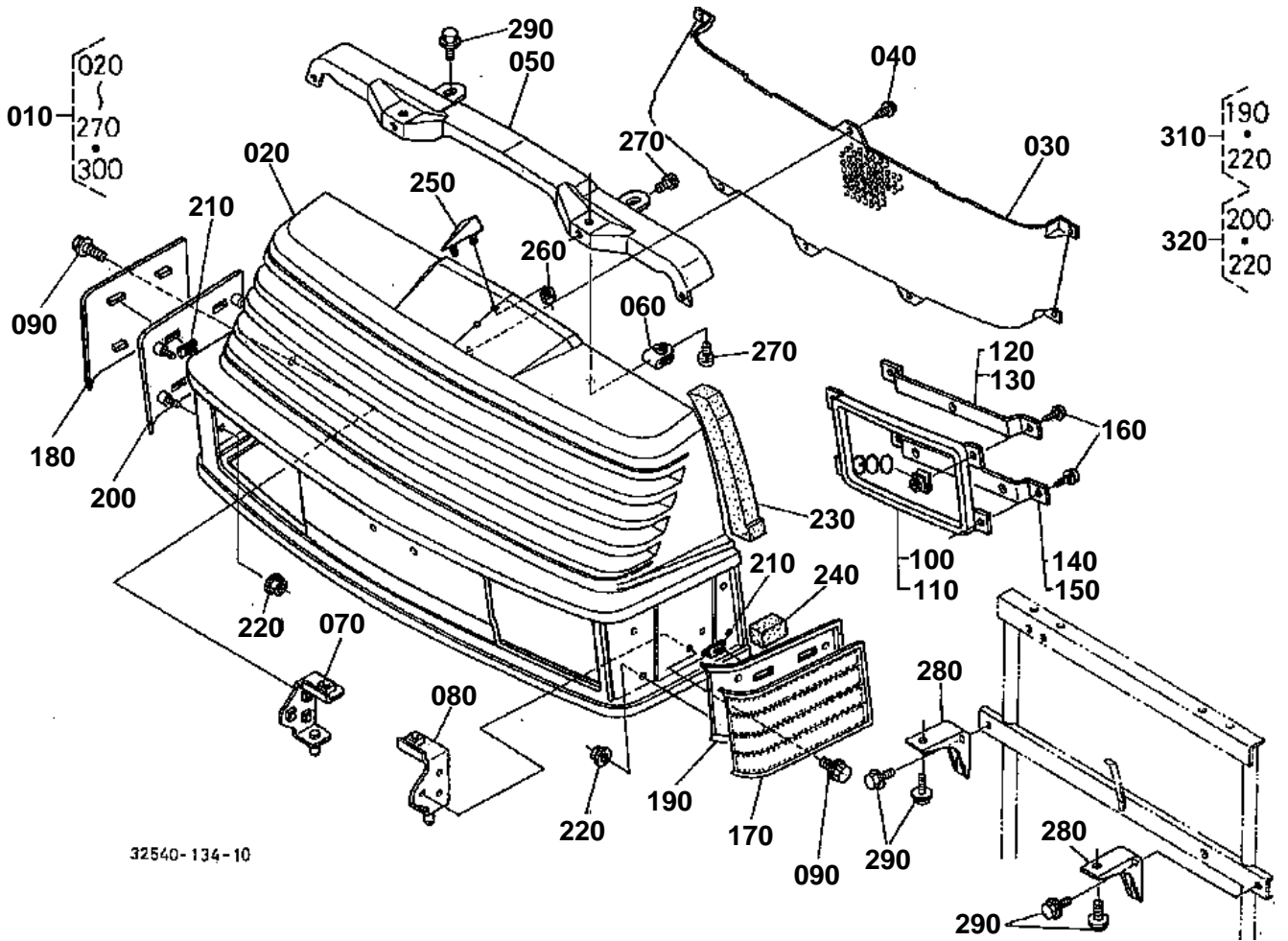


# DRAWBAR

↔ Interchangeable; ≠ not interchangeable; ← new for old; → old for new

REF.No	Part No.	Description	Q'ty	S.No.	I/C	REMARKS	Weight (kgf)	Weight (lb)
010	32539-25470	PROTECTOR PTO	1				3.04	6.688
020	05516-50800	PIN SNAP	2				0.002	0.0044
030	32530-25480	CUSHION DRAWBAR	2				0.002	0.0044
040	32530-29716	FRAME DRAWBAR	1				16	35.2
050	01173-51638	BOLT	6				0.083	0.1826
060	04512-60160	WASHER SPRING	6				0.01	0.022
070	32539-71710	DRAWBAR	1	<=60314		[A] [CA]	0	0
070	32539-71712	DRAWBAR	1	>=60315	←	[A] [CA]	9	19.8
070	32539-71720	DRAWBAR	1			[AU] [NZ]	9	19.8
080	32530-71760	PIN DRAWBAR	1				0.32	0.704
090	05122-52085	PIN JOINT	2				0.21	0.462
100	32539-71730	PIN DRAWBAR	1				0.64	1.408
110	70515-16330	PIN SPRING	2				0.028	0.0616
120	05515-51600	PIN SNAP	2				0.007	0.0154
130	33740-89130	HITCH DRAWBAR	1	<=60501		[AU] [NZ]	0	0
130	36330-89130	HITCH DRAWBAR	1	>=60502	↔	[AU] [NZ]	3.58	7.876
140	01173-51880	BOLT	2			[AU] [NZ]	0.187	0.4114
150	02174-50180	NUT	2			[AU] [NZ]	0.029	0.0638
160	04512-60180	WASHER SPRING	2			[AU] [NZ]	0.02	0.044

FRONT ROOF



32540-134-10

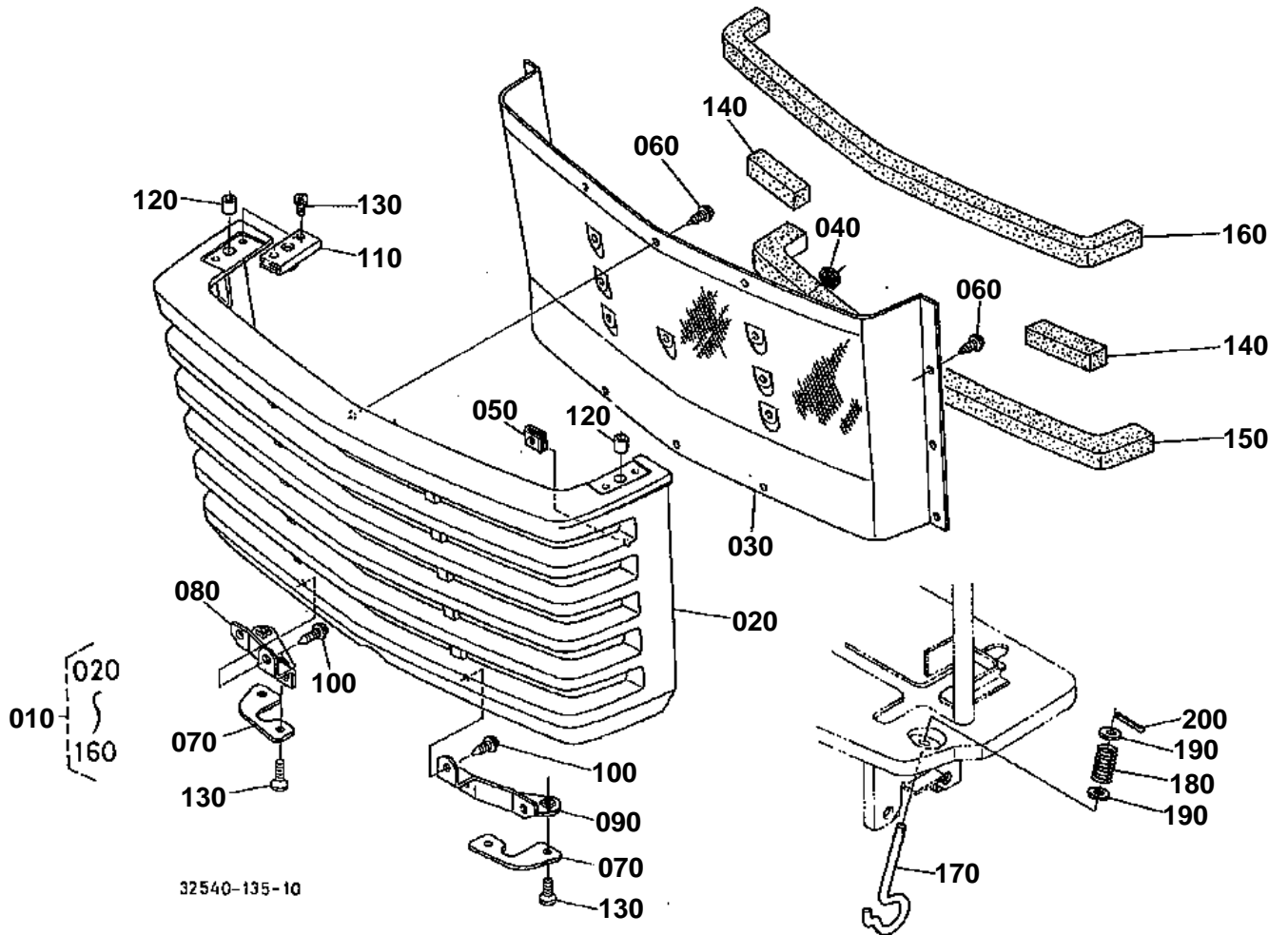


## FRONT ROOF

↔ Interchangeable; ≠ not interchangeable; ← new for old; → old for new

REF.No	Part No.	Description	Q'ty	S.No.	I/C	REMARKS	Weight (kgf)	Weight (lb)
010	32539-18100	ASSY ROOF FRONT	1				2.8	6.16
020	32539-18110	ROOF FRONT	1				1.35	2.97
030	32530-18120	NET FRONT ROOF	1				0.28	0.616
040	32530-19370	SCREW	8				0.005	0.011
050	32539-18130	BRACKET UPPER	1				0.45	0.99
060	32530-19280	PLATE NUT	4				0.005	0.011
070	32530-18143	BRACKET RH	1				0.085	0.187
080	32530-18183	BRACKET LH	1				0.2	0.44
090	32530-19300	SCREW WITH WASHER	6				0.002	0.0044
100	32530-18160	GRILLE RH	1				0.045	0.099
110	32530-18173	GRILLE LIGHT LH	1				0.05	0.11
120	32530-18050	BRACKET LIGHT RH	1				0.03	0.066
130	32530-18060	BRACKET LIGHT LH	1				0.03	0.066
140	32530-18070	BRACKET LIGHT RH	1				0.036	0.0792
150	32530-18080	BRACKET LIGHT LH	1				0.036	0.0792
160	32530-18990	SCREW TAPPING	8				0.001	0.0022
170	32530-18210	LENS MASCOT LH	1				0.05	0.11
180	32530-18220	LENS MASCOT RH	1				0.05	0.11
190	32530-18233	GRILLE MASCOT LH	1				0.07	0.154
200	32530-18243	GRILLE MASCOT RH	1				0.15	0.33
210	32530-18270	CLIP	8				0.001	0.0022
220	32530-19380	NUT	8				0.002	0.0044
230	32530-18810	CUSHION	2				0.002	0.0044
240	32530-18820	CUSHION	2				0.001	0.0022
250	31351-65180	MASCOT	1				0.01	0.022
260	02054-50040	NUT	1				0.001	0.0022
270	32530-19300	SCREW WITH WASHER	4				0.002	0.0044
280	32530-18150	SUPPORT FRONT ROOF	2				0.06	0.132
290	01754-50816	BOLT FLANGE	8				0.011	0.0242
300	32530-18980	NUT	8				0.001	0.0022
310	32530-95520	ASSY GRILLE LENS LH	1				0.1	0.22
320	32530-95530	ASSY GRILLE LENS RH	1				0.09	0.198

FRONT GRILLE

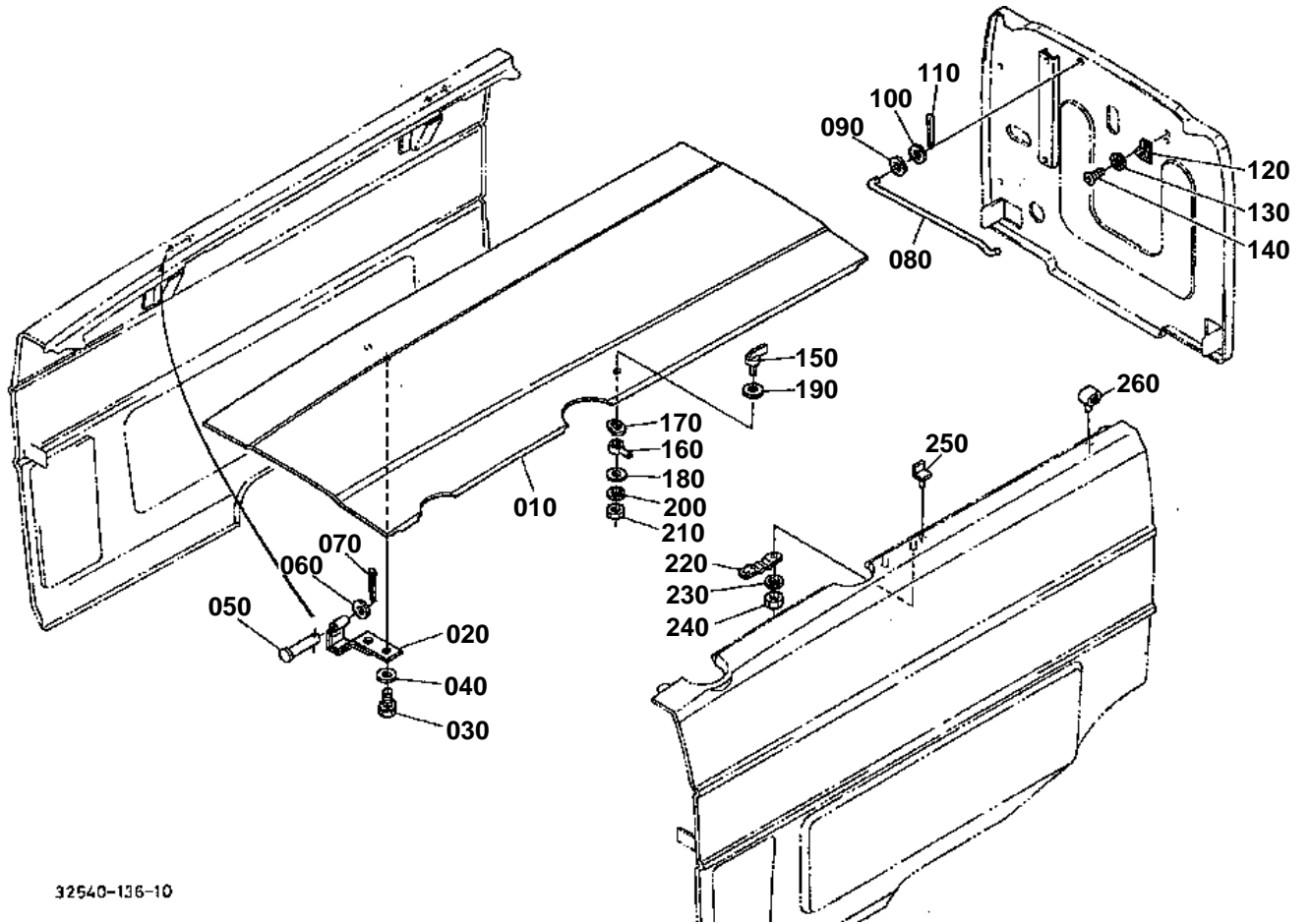


**FRONT GRILLE**

↔ Interchangeable; ≠ not interchangeable; ← new for old; → old for new

REF.No	Part No.	Description	Q'ty	S.No.	I/C	REMARKS	Weight (kgf)	Weight (lb)
010	32539-18300	ASSY GRILLE FRONT	1	<=60323			0	0
010	32539-18307	ASSY GRILLE FRONT	1	>=60324	≠		3	6.6
020	32539-18310	GRILLE FRONT	1				1.2	2.64
030	32539-18320	NET FRONT GRILLE	1	<=60323			0	0
030	32539-18323	NET FRONT GRILLE	1	>=60324	≠		0.59	1.298
040	31351-93550	NUT	5				0.001	0.0022
050	31351-93540	NUT	6				0.002	0.0044
060	32530-19270	SCREW TAPPING	12				0.005	0.011
070	32530-18840	PLATE	2				0.026	0.0572
080	32530-18253	BRACKET GRILLE RH	1				0.054	0.1188
090	32530-19263	BRACKET GRILLE LH	1				0.065	0.143
100	32530-19370	SCREW	6				0.005	0.011
110	32530-18190	SUPPORT PIN	2				0.02	0.044
120	32530-18280	PIPE RUBBER	2				0.001	0.0022
130	32530-19300	SCREW WITH WASHER	8				0.002	0.0044
140	32530-18910	CUSHION	2				0.005	0.011
150	32530-18920	CUSHION	1				0.035	0.077
160	32530-18940	CUSHION	1				0.035	0.077
170	32530-18260	SUPPORT GRILLE	2				0.05	0.11
180	67800-54623	SPRING	2				0.005	0.011
190	04015-60060	WASHER PLAIN	4				0.005	0.011
200	05511-50315	PIN SPLIT	2				0.002	0.0044

HOOD (BONNET) UPPER



32540-136-10



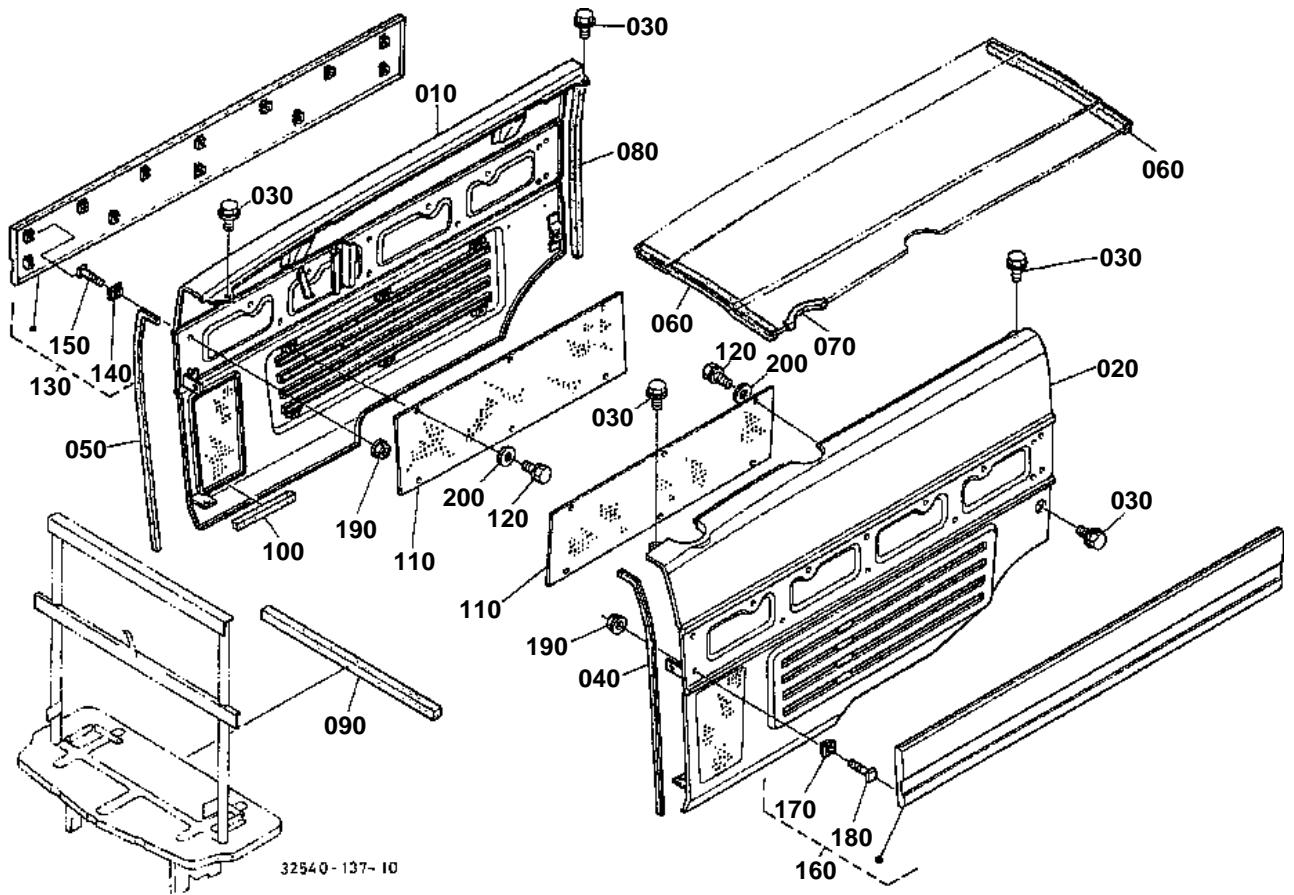


# HOOD (BONNET) UPPER

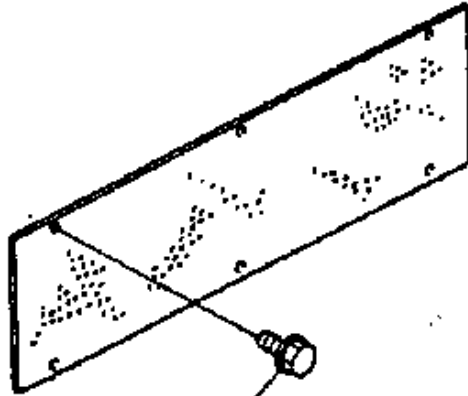
↔ Interchangeable; ≠ not interchangeable; ← new for old; → old for new

REF.No	Part No.	Description	Q'ty	S.No.	I/C	REMARKS	Weight (kgf)	Weight (lb)
010	32539-18600	COMP BONNET UPPER	1				5	11
020	32539-18350	HINGE BONNET	2	<=60314			0.22	0.484
020	32530-18353	HINGE BONNET	2	>=60315	↔		0.215	0.473
030	01123-60816	BOLT	4				0.01	0.022
040	04013-50080	WASHER PLAIN	4				0	0
050	38240-18690	PIN JOINT	2				0.015	0.033
060	04013-60060	WASHER PLAIN	2				0.001	0.0022
070	05511-50215	PIN SPLIT	2				0.001	0.0022
080	32530-18362	SUPPORT BONNET	1				0.12	0.264
090	33251-83890	CUSHION	1				0.002	0.0044
100	04013-50080	WASHER PLAIN	1				0	0
110	05511-50215	PIN SPLIT	1				0.001	0.0022
120	33251-83900	SPRING BONNET HOLDER	1				0.008	0.0176
130	04411-50050	WASHER TOOTHED	2				0.001	0.0022
140	03054-50512	SCREW PAN-HEAD	2				0.003	0.0066
150	32530-18620	HANDLE BONNET COVER	1				0.06	0.132
160	32530-18370	LEVER BONNET HANDLE	1				0.035	0.077
170	33251-83950	WASHER SPRING	1				0.001	0.0022
180	04012-50080	WASHER PLAIN	1				0.001	0.0022
190	33251-83850	WASHER HANDLE	1				0.001	0.0022
200	04512-60080	WASHER SPRING	1				0.002	0.0044
210	02156-50080	NUT	1				0.004	0.0088
220	38240-18270	SPRING BONNET HANDLE	1				0.01	0.022
230	04512-60080	WASHER SPRING	1				0.002	0.0044
240	02156-50080	NUT	1				0.004	0.0088
250	32530-18730	CUSHION BONNET	1				0.005	0.011
260	32530-18890	CUSHION BONNET	3				0.004	0.0088

# HOOD (BONNET) SIDE



120 01754-50610



120

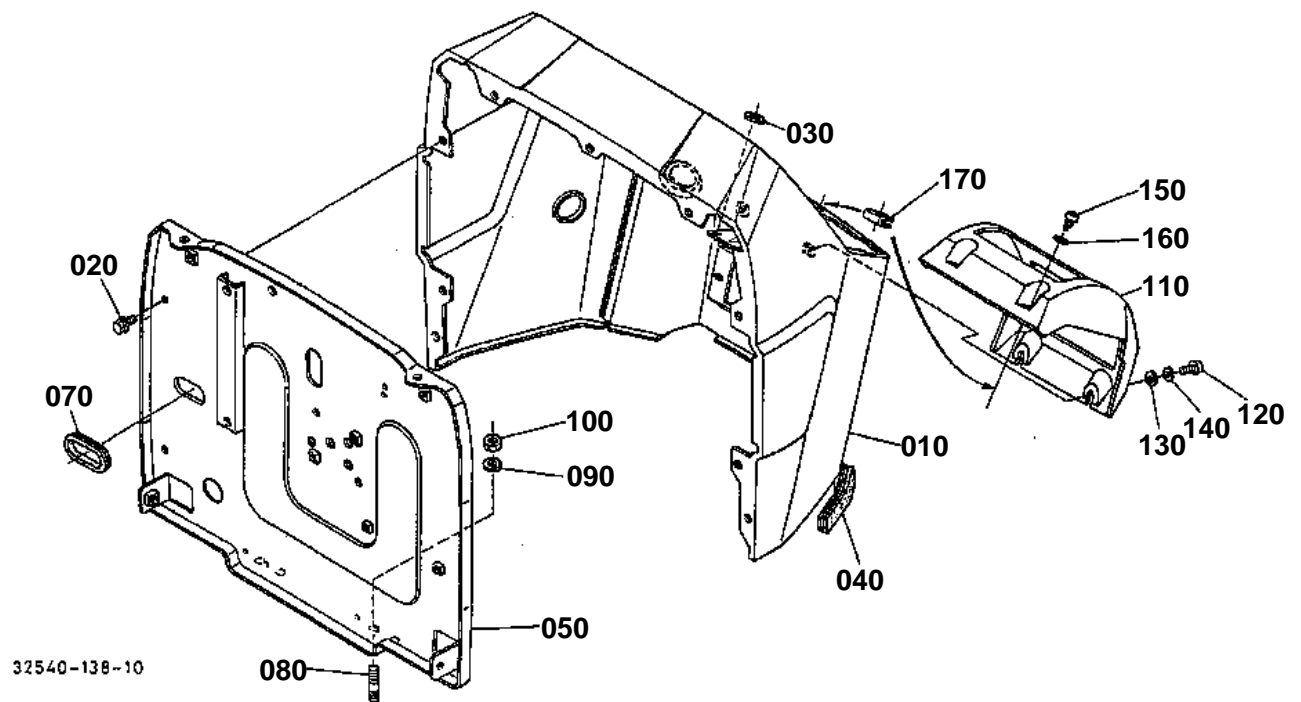
32540-841-10

**HOOD (BONNET) SIDE**

↔ Interchangeable; ≠ not interchangeable; ← new for old; → old for new

REF.No	Part No.	Description	Q'ty	S.No.	I/C	REMARKS	Weight (kgf)	Weight (lb)
010	32539-18900	COMP.BONNET SIDE RH	1				7	15.4
020	32539-18646	COMP.BONNET SIDE LH	1				5	11
030	01754-50816	BOLT FLANGE	10				0.011	0.0242
040	32530-18700	CUSHIONLH	1				0.06	0.132
050	32530-18800	CUSHION RH	1				0.065	0.143
060	32530-18740	CUSHION	2				0.01	0.022
070	32530-18830	CUSHION COVER	1				0.009	0.0198
080	32530-18750	CUSHION BONNET	2				0.02	0.044
090	32530-18760	CUSHION	1				0.02	0.044
100	32530-18790	CUSHION	2				0.007	0.0154
110	32590-18650	NET BONNET	2				0.2	0.44
120	01754-50610	BOLT FLANGE	12	<=60664			0.006	0.0132
120	01023-50612	BOLT	12	>=60665	←		0.005	0.011
130	32539-18680	COMP BELT SIDE RH	1				0.5	1.1
140	32530-18950	CLIP SIDE BELT	10				0.001	0.0022
150	32530-18960	BOLT	12				0.001	0.0022
160	32539-18690	COMP BELT SIDE LH	1				0.5	1.1
170	32530-18950	CLIP SIDE BELT	10				0.001	0.0022
180	32530-18960	BOLT	12				0.001	0.0022
190	02761-50050	NUT FLANGE	24				0.005	0.011
200	04015-60060	WASHER PLAIN	12	>=60665			0.005	0.011

HOOD (BONNET) REAR

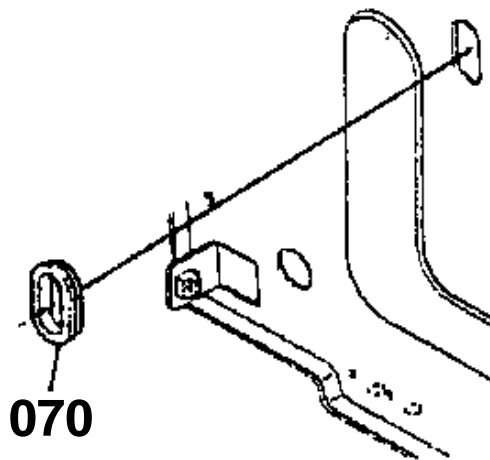
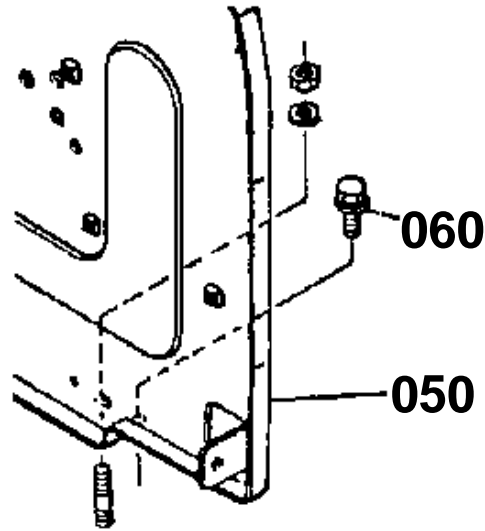


HOOD (BONNET) REAR

050 32530-3116-8

060 01774-51020

070 38240-3526-0



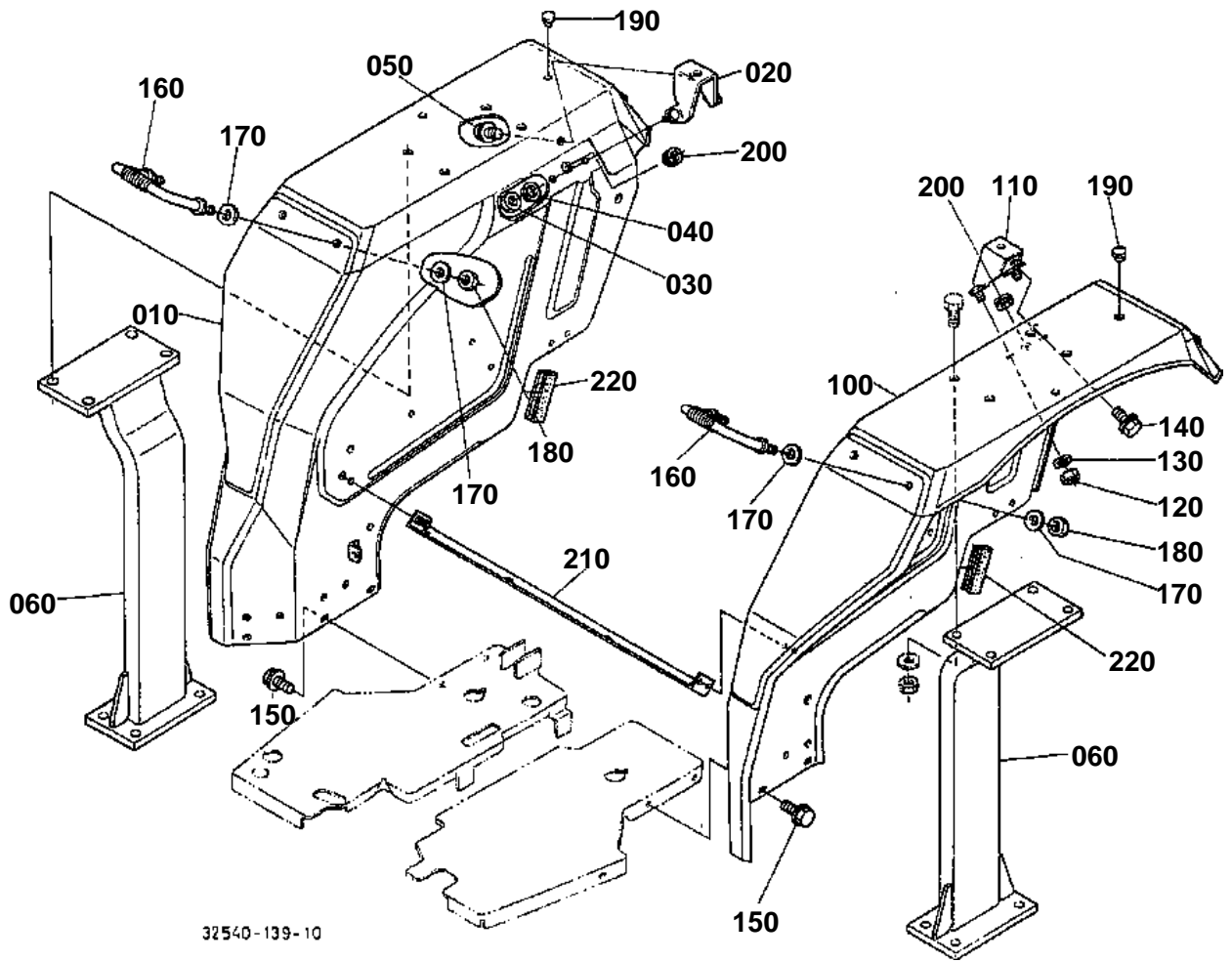
32540-842-10

**HOOD (BONNET) REAR**

↔ Interchangeable; ≠ not interchangeable; ← new for old; → old for new

REF.No	Part No.	Description	Q'ty	S.No.	I/C	REMARKS	Weight (kgf)	Weight (lb)
010	32590-31110	COMP.PANEL	1			HDT	3.4	7.48
010	32590-31100	COMP.PANEL	1	<=60675		MDT HDT-W	3.4	7.48
010	32590-31110	COMP.PANEL	1	>=60676	↔	MDT HDT-W	3.4	7.48
020	01754-50812	BOLT FLANGE	9				0.01	0.022
030	34150-33350	WASHER	2				0.01	0.022
040	66301-43550	COVER PROTECTOR	1				0.003	0.0066
050	32530-31168	COMP.PLATE SHUTTER	1	<=60314			4.68	10.296
050	32590-31160	COMP.PLATE SHUTTER	1	>=60315	≠		4.6	10.12
060	01774-51020	BOLT FLANGE	2	<=60314			0	0
070	38240-35260	CUSHION	2	<=60485			0.01	0.022
070	38240-35260	CUSHION	1	>=60486			0.01	0.022
080	01517-51020	STUD	2				0.019	0.0418
090	04512-60100	WASHER SPRING	2				0.002	0.0044
100	02176-50100	NUT	2				0.005	0.011
110	32530-31140	COVER POST LOWER	1				0.2	0.44
120	32530-31120	SCREW PAN-HEAD	2				0.01	0.022
130	32530-31130	WASHER PLAIN	2				0.01	0.022
140	66021-55280	WASHER SPRING	2				0.001	0.0022
150	32530-31150	SCREW TAPPING	2				0.01	0.022
160	32530-18390	WASHER PLAIN	2				0.001	0.0022
170	31351-93540	NUT	2				0.002	0.0044

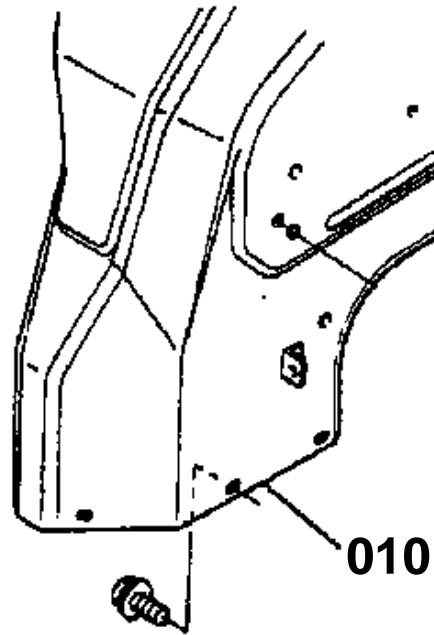
FENDER



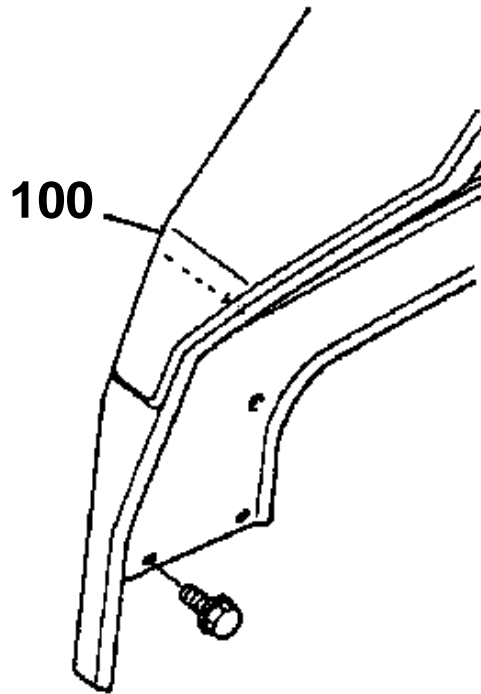
32540-139-10



010 32590-2913-0



100 32590-2921-0



32540-843-10

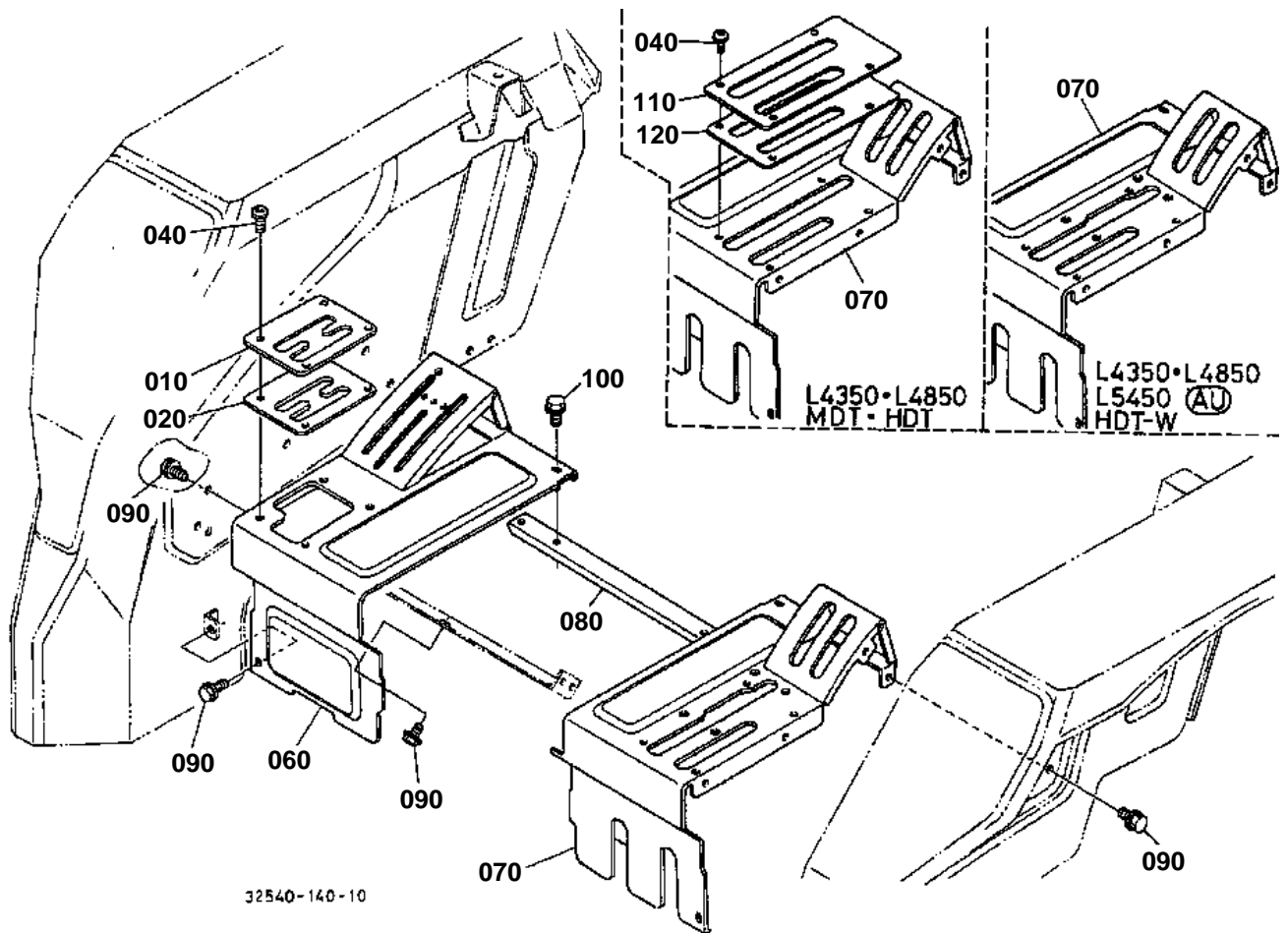


# FENDER

↔ Interchangeable; ≠ not interchangeable; ← new for old; → old for new

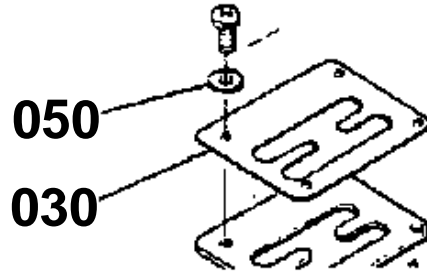
REF.No	Part No.	Description	Q'ty	S.No.	I/C	REMARKS	Weight (kgf)	Weight (lb)
010	32590-29130	COMP.FENDER RH	1	<=60314			0	0
010	32590-29133	COMP.FENDER RH	1	>=60315	←		9.1	20.02
020	32539-29160	PLATE RH	1				0.2	0.44
030	02114-50080	NUT	2				0.005	0.011
040	04512-60080	WASHER SPRING	2				0.002	0.0044
050	01754-50820	BOLT FLANGE	1				0.015	0.033
060	32539-29470	BRACKET REAR	2				14.5	31.9
100	32590-29210	COMP.FENDER LH	1	<=60314			0	0
100	32590-29213	COMP.FENDER LH	1	>=60315	←		9	19.8
110	32539-29260	PLATE LH	1				0.25	0.55
120	02114-50080	NUT	2				0.005	0.011
130	04512-60080	WASHER SPRING	2				0.002	0.0044
140	01754-50820	BOLT FLANGE	1				0.015	0.033
150	01754-50816	BOLT FLANGE	18				0.011	0.0242
160	34670-29440	HANDRAIL	2				0.1	0.22
170	04013-60140	WASHER PLAIN	4				0.01	0.022
180	02174-50140	NUT	4				0.014	0.0308
190	32539-29170	PLUG	2				0.01	0.022
200	32150-29180	CAP RUBBER	4				0.002	0.0044
210	32590-29370	SUPPORT FENDER	1				1.2	2.64

FLOOR SEAT



030 32530-2388-2

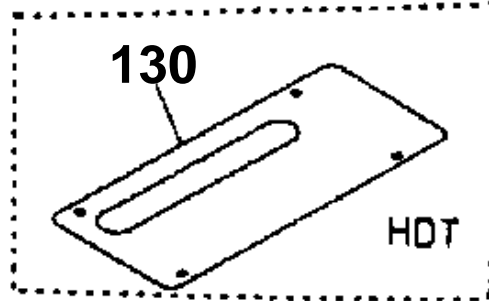
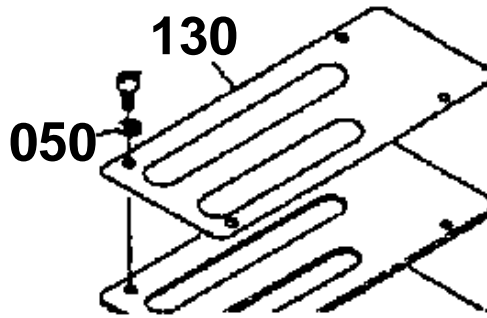
050 04013-50060



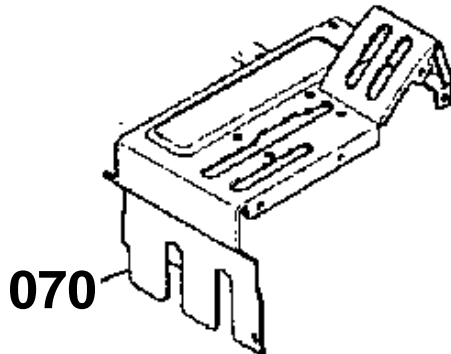
050 04013-50060

130 32530-2424-0

130 32530-2425-0



070 32590-2933-0



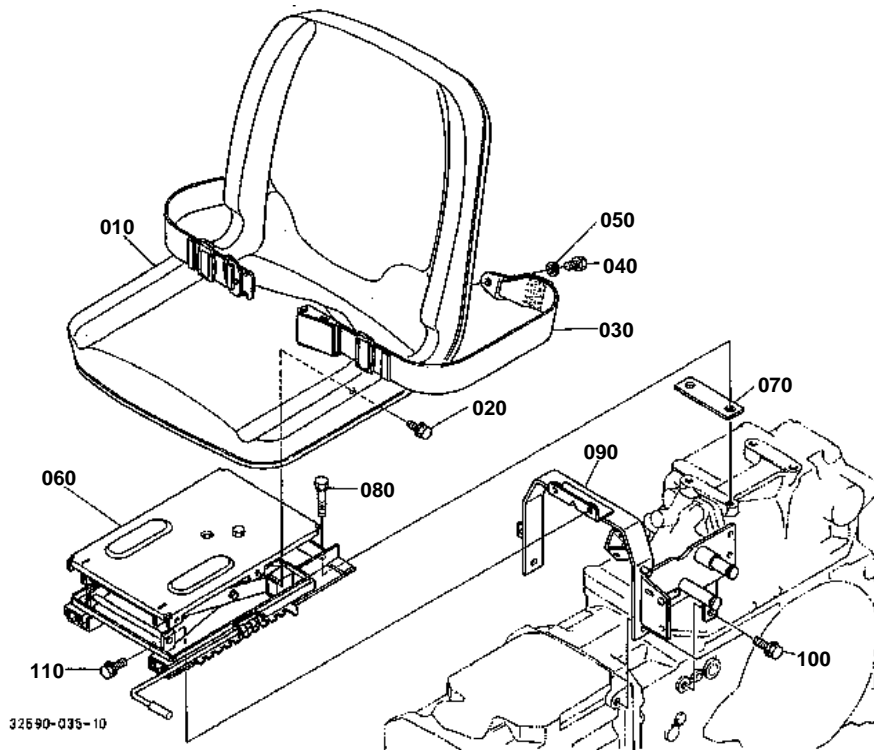
32540-844-10

**FLOOR SEAT**

↔ Interchangeable; ≠ not interchangeable; ← new for old; → old for new

REF.No	Part No.	Description	Q'ty	S.No.	I/C	REMARKS	Weight (kgf)	Weight (lb)
010	32530-29143	GUIDE LEVER RH	1	<=60411			0.47	1.034
010	32539-29140	GUIDE LEVER RH	1	>=60412	≠		0.5	1.1
020	32530-29152	CUSHION RH	1				0.05	0.11
030	32530-23882	PATTERN S-CHANGE	1	<=60411			0.02	0.044
030	32530-65670	LABEL MAIN SHIFT	1	>=60412	≠		0.004	0.0088
040	03004-50625	SCREW WITH WASHER	8			MDT/HDT	0.006	0.0132
040	03004-50625	SCREW WITH WASHER	4	<=60323		HDT-W	0.006	0.0132
040	03004-50625	SCREW WITH WASHER	8	>=60324		HDT-W	0.006	0.0132
050	04013-50060	WASHER PLAIN	8	<=60411			0	0
060	32539-29320	COMP.SEAT FLOOR RH	1				1.74	3.828
070	32590-29330	COMP.SEAT FLOOR LH	1	<=60501		MDT HDT HDT-W	1.56	3.432
070	32550-29330	COMP.COVER FLOOR LH	1	>=60502	≠	MDT HDT HDT-W	1.5	3.3
070	32550-29330	COMP.COVER FLOOR LH	1			HDT-W [AU]	1.5	3.3
080	32539-29420	SUPPORT FLOOR SEAT	1	<=60314			0	0
080	32530-29423	SUPPORT FLOOR SEAT	1	>=60315	↔		0.17	0.374
090	01754-50610	BOLT FLANGE	10				0.006	0.0132
100	01754-50616	BOLT FLANGE	2				0.006	0.0132
110	32539-29240	GUIDE LEVER LH	1	<=60411		MDT/HDT	0.5	1.1
110	32539-29240	GUIDE LEVER LH	1	>=60412	≠	MDT/HDT	0.5	1.1
120	32530-29250	CUSHIONLH	1			MDT/HDT	0.1	0.22
130	32530-24240	PATTERN SHUTTLE	1	<=60411		MDT	0.04	0.088
130	32530-24250	PATTERN S-CHANGE	1	<=60411		HDT	0.04	0.088

SEAT [OLD TYPE]



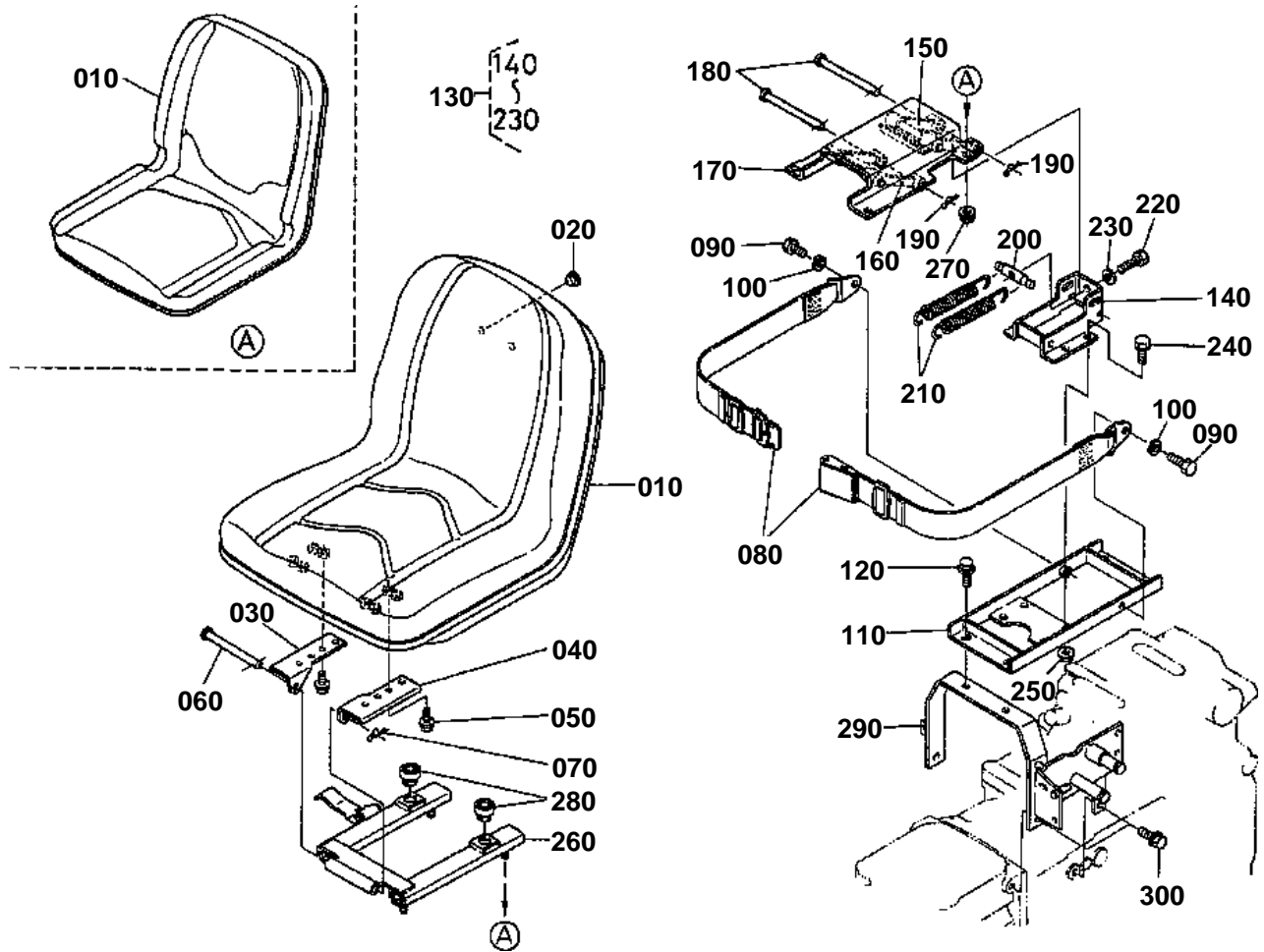


**SEAT [OLD TYPE]**  
S.No.;<=60323

↔ Interchangeable; ≠ not interchangeable; ← new for old; → old for new

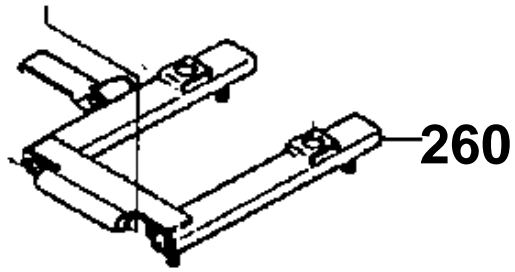
REF.No	Part No.	Description	Q'ty	S.No.	I/C	REMARKS	Weight (kgf)	Weight (lb)
010	32539-18400	ASSY SEAT	1				7.5	16.5
020	01123-50820	BOLT	4				0.011	0.0242
030	32530-18550	ASSY BELT SEAT	1				0.48	1.056
040	01156-51020	BOLT	2				0.02	0.044
050	04512-60100	WASHER SPRING	2				0.002	0.0044
060	32530-18414	ASSY SUSPENSION SEAT	1			REFER TO L.No.0J01-L0 FOR COMPONENTS.	0	0
070	32539-35330	SPACER	1				0.12	0.264
080	01774-51025	BOLT FLANGE	2				0.02	0.044
090	32590-29353	SUPPORT SEAT	1				2.7	5.94
100	01774-61020	BOLT FLANGE	3				0.022	0.0484
110	01133-51025	BOLT	2				0.023	0.0506

SEAT [NEW TYPE]





260 32430-1843-0



32540-845-10

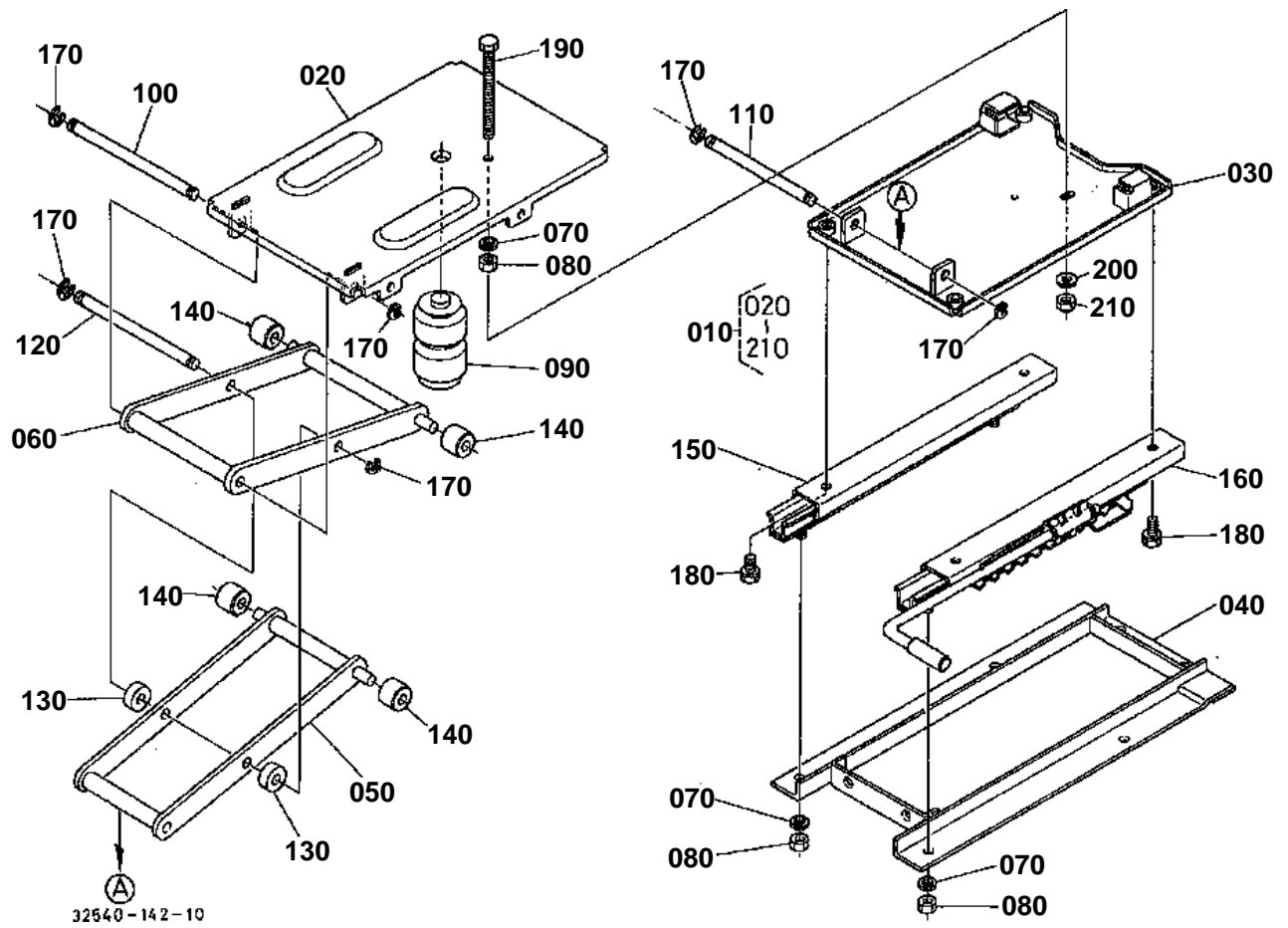
**SEAT [NEW TYPE]**

S.No.;&gt;=60324

↔ Interchangeable; ≠ not interchangeable; ← new for old; → old for new

REF.No	Part No.	Description	Q'ty	S.No.	I/C	REMARKS	Weight (kgf)	Weight (lb)
010	TA040-72960	SEAT	1			[CA] [AU] [NZ]	0	0
010	35080-18400	ASSY SEAT	1			[A] RESERVED BY KTC	0	0
020	66591-51130	PLUG	2				0.001	0.0022
030	32590-18450	BRACKET SEAT RH	1				0.3	0.66
040	32590-18460	BRACKET SEAT LH	1				0.3	0.66
050	01754-50816	BOLT FLANGE	4				0.011	0.0242
060	32430-11853	PIN JOINT	1				0.08	0.176
070	05525-61000	PIN SNAP	1				0.002	0.0044
080	32530-18550	ASSY BELT SEAT	1				0.48	1.056
090	01176-61025	BOLT	2				0.02	0.044
100	04512-60100	WASHER SPRING	2				0.002	0.0044
110	32590-18420	BASE SEAT SUSPENSION	1				1.39	3.058
120	01774-51025	BOLT FLANGE	4				0.02	0.044
130	32430-11800	ASSY SUSPENSION SEAT	1				3.85	8.47
140	32430-11810	BASE SEAT SUSPENTION	1				0.5	1.1
150	32430-11822	LINK SUPPORT	1				0.42	0.924
160	32430-11832	LINK SUPPORT	1				0.39	0.858
170	32430-11843	SUPPORT SEAT	1				1.31	2.882
180	32430-11853	PIN JOINT	2				0.08	0.176
190	05525-61000	PIN SNAP	2				0.002	0.0044
200	32430-11860	ROD ADJUSTER	1				0.085	0.187
210	32430-11870	SPRING	2				0.27	0.594
220	01175-61045	BOLT	1				0.04	0.088
230	04011-50100	WASHER PLAIN	1				0.002	0.0044
240	01173-51025	BOLT	4				0.021	0.0462
250	02771-60100	NUT FLANGE	4				0.01	0.022
260	32430-18430	COMP ADJUSTER SEAT	1	<=60598			0	0
260	32430-18433	COMP ADJUSTER SEAT	1	>=60599	←		2.3	5.06
270	02771-60100	NUT FLANGE	4				0.01	0.022
280	32160-18440	CUSHION	2				0.013	0.0286
290	32590-29353	SUPPORT SEAT	1				2.7	5.94
300	01774-61020	BOLT FLANGE	3				0.022	0.0484

SEAT SUSPENSION [COMPONENT PARTS]



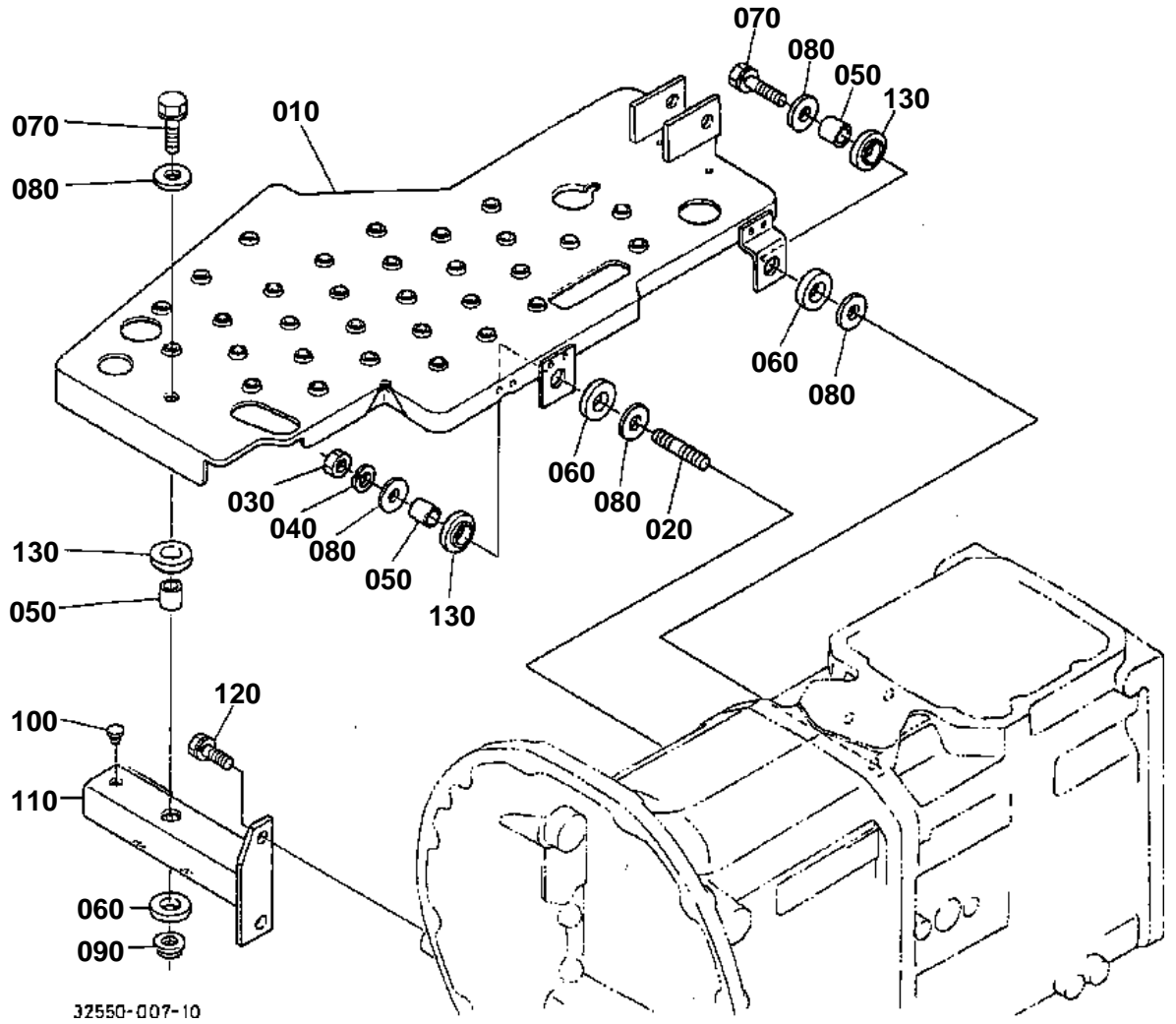
**SEAT SUSPENTION [COMPONENT PARTS]**

S.No.;&lt;=60323

↔ Interchangeable; ≠ not interchangeable; ← new for old; → old for new

REF.No	Part No.	Description	Q'ty	S.No.	I/C	REMARKS	Weight (kgf)	Weight (lb)
010	32530-18414	ASSY SUSPENSION SEAT	1				0	0
020	32530-97510	FRAME UPPER	1				2.2	4.84
030	32530-97520	FRAME LOWER	1				1.8	3.96
040	32530-97530	FRAME UNDER	1				1.35	2.97
050	32530-97540	COMP.LINKAGE	1				0.2	0.44
060	32530-97550	COMP.LINKAGE	1				0.1	0.22
070	32530-97560	WASHER SPRING	5				0.01	0.022
080	32530-97570	NUT	5				0.02	0.044
090	32530-97580	RUBBER	1				0.12	0.264
100	32530-97590	ROD	1				0.2	0.44
110	32530-97610	ROD	1				0.13	0.286
120	32530-97620	ROD	1				0.18	0.396
130	32530-97630	COLLAR	2				0.015	0.033
140	32530-97640	ROLLER	4				0.015	0.033
150	32530-97650	RAIL SLIDE B	1				0.75	1.65
160	32530-97660	RAIL SLIDE A	1				0.2	0.44
170	32530-97670	E RING	3				0.003	0.0066
180	32530-97680	BOLT	4				0.01	0.022
190	32530-97690	BOLT	1				0.04	0.088
200	32530-97710	WASHER PLAIN	1				0.01	0.022
210	32530-97720	NUT	1				0.01	0.022

STEP RH

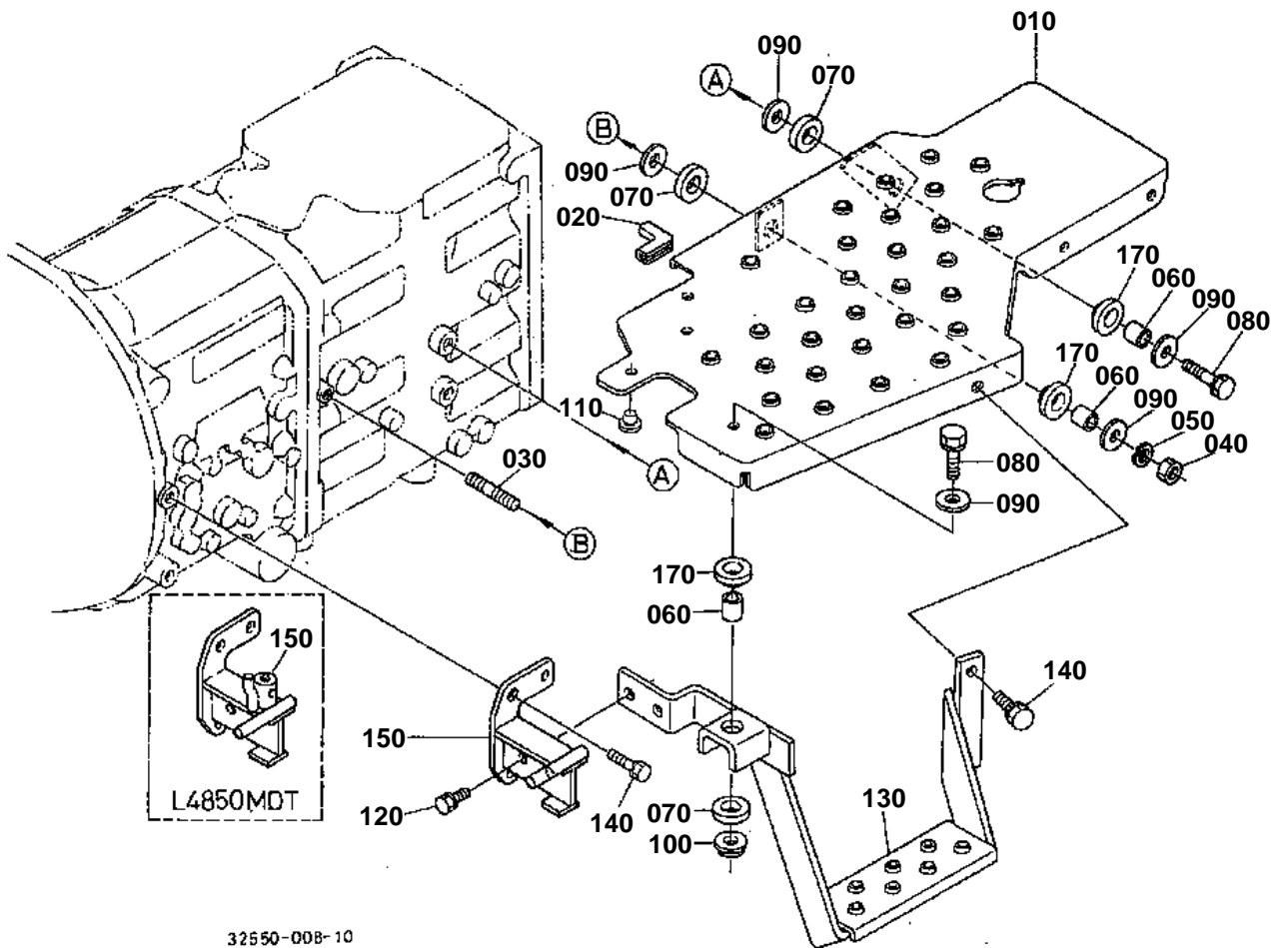


**STEP RH**

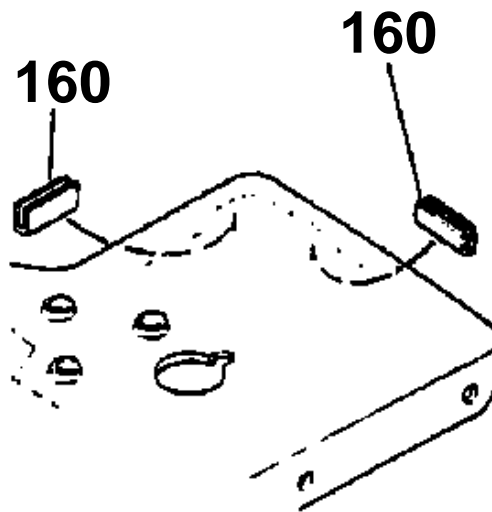
↔ Interchangeable; ≠ not interchangeable; ← new for old; → old for new

REF.No	Part No.	Description	Q'ty	S.No.	I/C	REMARKS	Weight (kgf)	Weight (lb)
010	32590-29912	COMP.STEP RH	1				3.08	6.776
020	01517-51035	STUD	1				0.028	0.0616
030	02118-50100	NUT	1				0.005	0.011
040	04512-60100	WASHER SPRING	3				0.002	0.0044
050	32530-29940	SPACER	3	≤60314			0.01	0.022
050	62252-53220	COLLAR	3	≥60315	←		0.008	0.0176
060	38240-18640	CUSHION	3				0.01	0.022
070	01133-51040	BOLT	2				0.03	0.066
080	04015-60100	WASHER PLAIN	5				0.015	0.033
090	32530-29930	NUT	2				0.024	0.0528
100	38240-29870	CUSHION	5				0.004	0.0088
110	32539-29950	SUPPORT STEP RH	1	≤60314			0	0
110	32539-29953	SUPPORT STEP RH	1	≥60315	←		0.8	1.76
120	01133-51020	BOLT	2				0.02	0.044
130	32540-29770	RUBBER	3				0.015	0.033

STEP LH (MDT/HDT)



160 37150-1392-0



32540-847-10

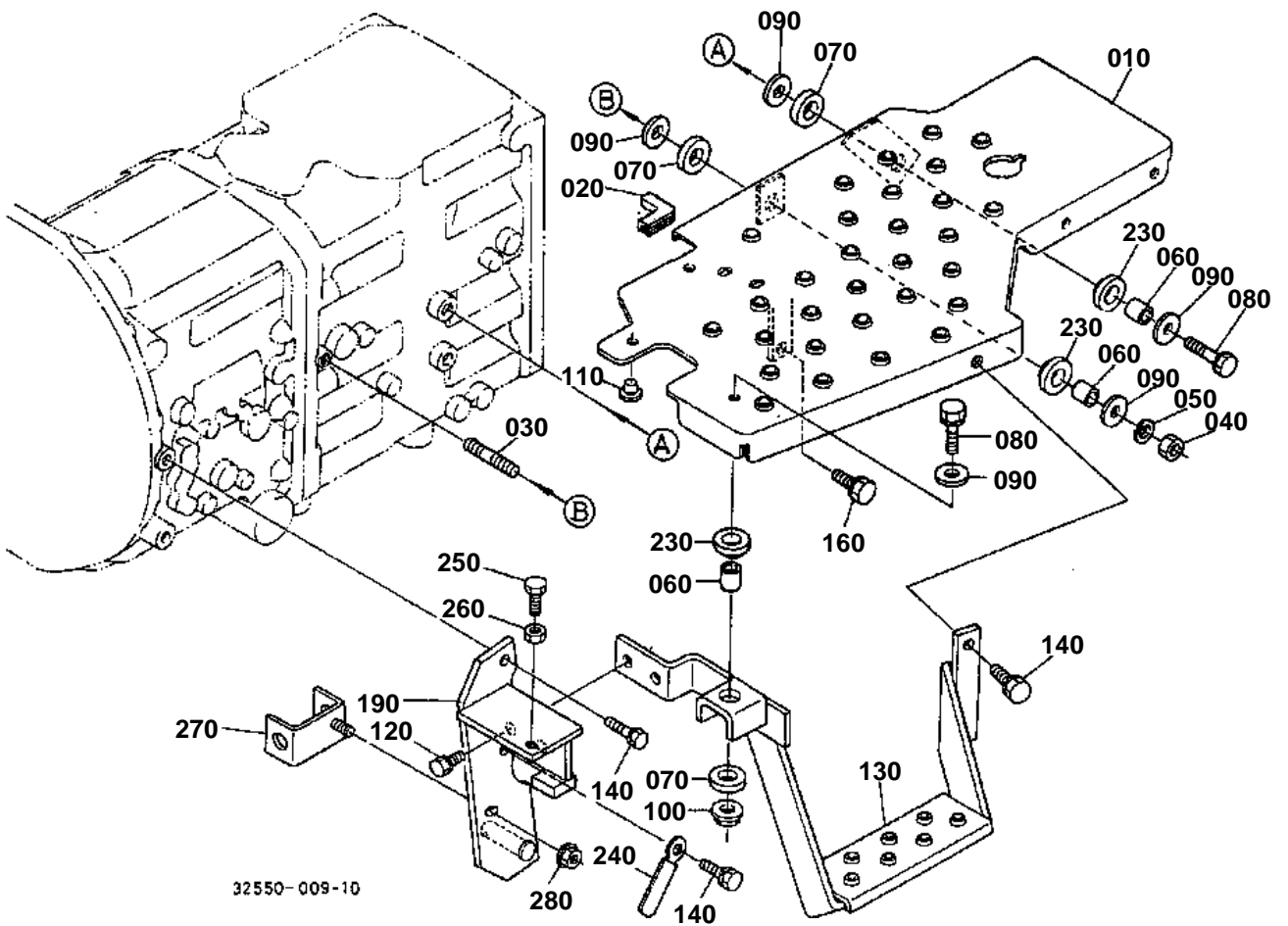


**STEP LH (MDT/HDT)**

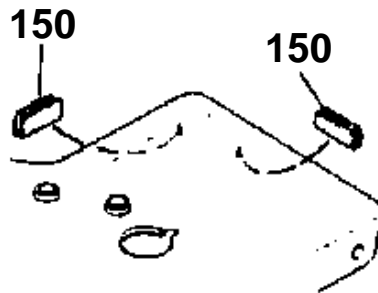
↔ Interchangeable; ≠ not interchangeable; ← new for old; → old for new

REF.No	Part No.	Description	Q'ty	S.No.	I/C	REMARKS	Weight (kgf)	Weight (lb)
010	32590-29933	COMP.STEP LH	1			MDT	2.74	6.028
010	32590-29923	COMP.STEP LH	1			HDT	2.8	6.16
020	66301-43550	COVER PROTECTOR	1				0.003	0.0066
030	01517-51035	STUD	1				0.028	0.0616
040	02118-50100	NUT	1				0.005	0.011
050	04512-60100	WASHER SPRING	1				0.002	0.0044
060	62252-53220	COLLAR	3				0.008	0.0176
070	38240-18640	CUSHION	3				0.01	0.022
080	01133-51040	BOLT	2				0.03	0.066
090	04015-60100	WASHER PLAIN	5				0.015	0.033
100	32530-29930	NUT	1				0.024	0.0528
110	38240-29870	CUSHION	3				0.004	0.0088
120	01133-51025	BOLT	2				0.023	0.0506
130	32530-29996	SUPPORT STEP LH	1				1.3	2.86
140	01133-51020	BOLT	3				0.02	0.044
150	32539-29850	SUPPORT STEP LH	1			MDT	0.54	1.188
150	32539-29850	SUPPORT STEP LH	1			HDT	0.54	1.188
160	37150-13920	RUBBER PROTECTOR	2	←=60314			0.005	0.011
170	32540-29770	RUBBER	6				0.015	0.033

STEP LH (HDT-W)



150 37150-1392-0



170 32590-9286-0

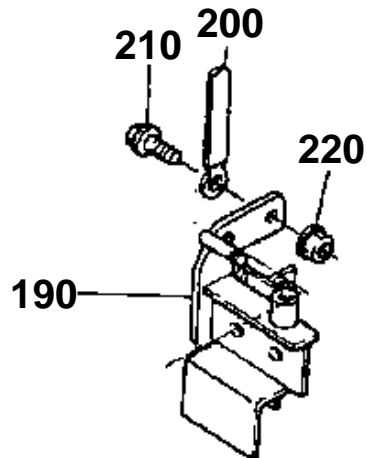
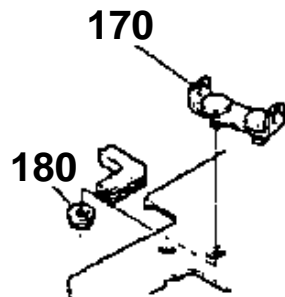
180 02763-50080

190 32590-2985-4

200 35340-2938-0

210 01754-51016

220 02771-60100



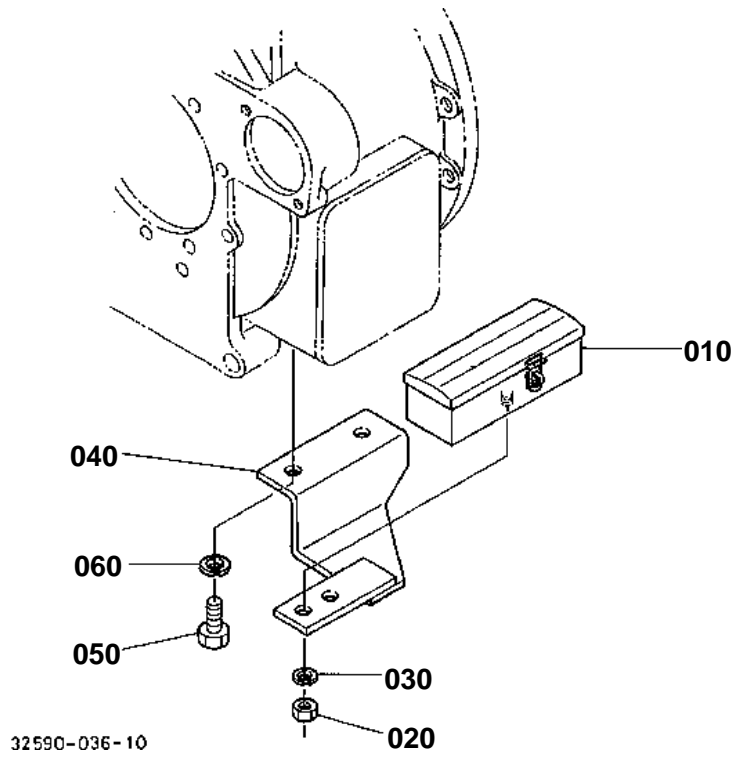
32540-848-10



STEP LH (HDT-W)

↔ Interchangeable; ≠ not interchangeable; ← new for old; → old for new

REF.No	Part No.	Description	Q'ty	S.No.	I/C	REMARKS	Weight (kgf)	Weight (lb)
010	32590-29906	COMP.STER LH	1	≤60501			0	0
010	32590-29907	COMP.STER LH	1	≥60502	←		2.7	5.94
010	32590-29908	COMP.STEP LH	1	≥60566	≠		2.86	6.292
020	66301-43550	COVER PROTECTOR	1				0.003	0.0066
030	01517-51035	STUD	1				0.028	0.0616
040	02118-50100	NUT	1				0.005	0.011
050	04512-60100	WASHER SPRING	1				0.002	0.0044
060	32530-29940	SPACER	3	≤60314			0.01	0.022
060	62252-53220	COLLAR	3	≥60315	←		0.008	0.0176
070	38240-18640	CUSHION	3				0.01	0.022
080	01133-51040	BOLT	2				0.03	0.066
090	04015-60100	WASHER PLAIN	5				0.015	0.033
100	32530-29930	NUT	1				0.024	0.0528
110	38240-29870	CUSHION	3				0.004	0.0088
120	01133-51025	BOLT	2				0.023	0.0506
130	32530-29990	SUPPORT STEP LH	1	≤60314			0	0
130	32530-29996	SUPPORT STEP LH	1	≥60315	←		1.3	2.86
140	01133-51020	BOLT	3				0.02	0.044
150	37150-13920	RUBBER PROTECTOR	2	≤60314			0.005	0.011
160	01123-60816	BOLT	1				0.01	0.022
170	32590-92860	SUPPORT PEDAL	1	≤60565			0.1	0.22
180	02763-50080	NUT FLANGE	2	≤60565			0.005	0.011
190	32590-29854	SUPPORT STEP LH	1	≤60565			0.8	1.76
190	32590-29855	SUPPORT STEP LH	1	≥60566	≠		0	0
190	32590-29856	SUPPORT STEP LH	1	≥60645	←		1.2	2.64
200	35340-29380	CLAMP CORD	1	≤60565			0.01	0.022
210	01754-51016	BOLT FLANGE	1	≤60565			0.02	0.044
220	02771-60100	NUT FLANGE	1	≤60565			0.01	0.022
230	32540-29770	RUBBER	3				0.015	0.033
240	37150-34460	CLAMP CORD	1	≥60566			0.03	0.066
250	01172-51040	BOLT	1	≥60566			0.029	0.0638
260	02116-50100	NUT	1	≥60566			0.004	0.0088
270	32590-32250	BRACKET SWITCH	1	≥60566			0.11	0.242
280	02751-50080	NUT FLANGE	1	≥60566			0.006	0.0132

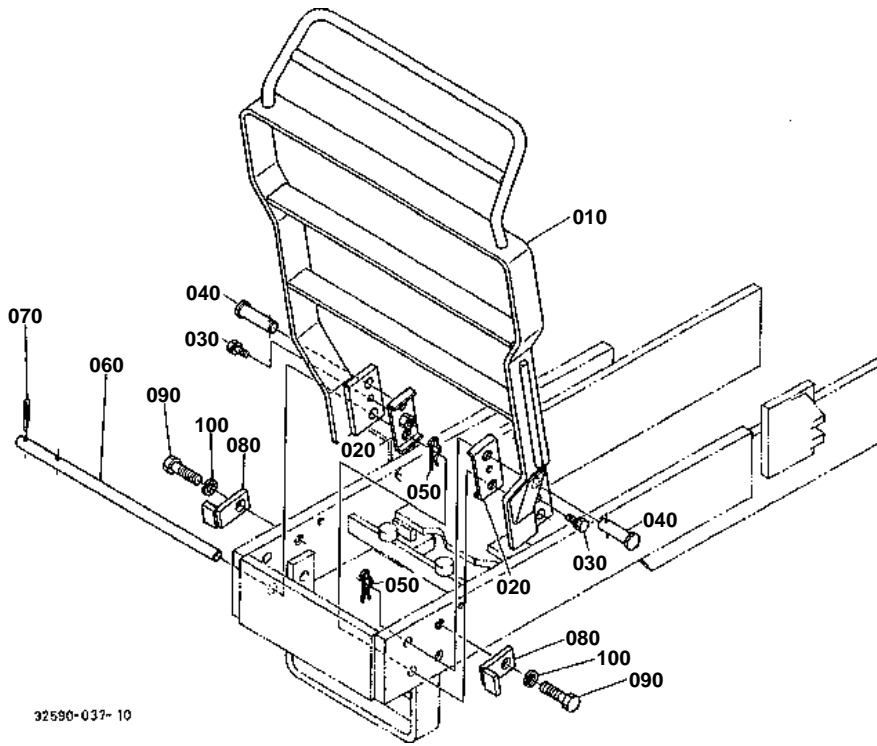


**TOOL BOX [NZ]**

↔ Interchangeable; ≠ not interchangeable; ← new for old; → old for new

REF.No	Part No.	Description	Q'ty	S.No.	I/C	REMARKS	Weight (kgf)	Weight (lb)
010	32590-90100	COMP.BOX TOOLS	1				2.8	6.16
020	02118-50100	NUT	2				0.005	0.011
030	04512-60100	WASHER SPRING	2				0.002	0.0044
040	32539-96820	STAY	1				1.8	3.96
050	01173-51430	BOLT	2				0.052	0.1144
060	04512-60140	WASHER SPRING	2				0.006	0.0132

FRONT GUARD



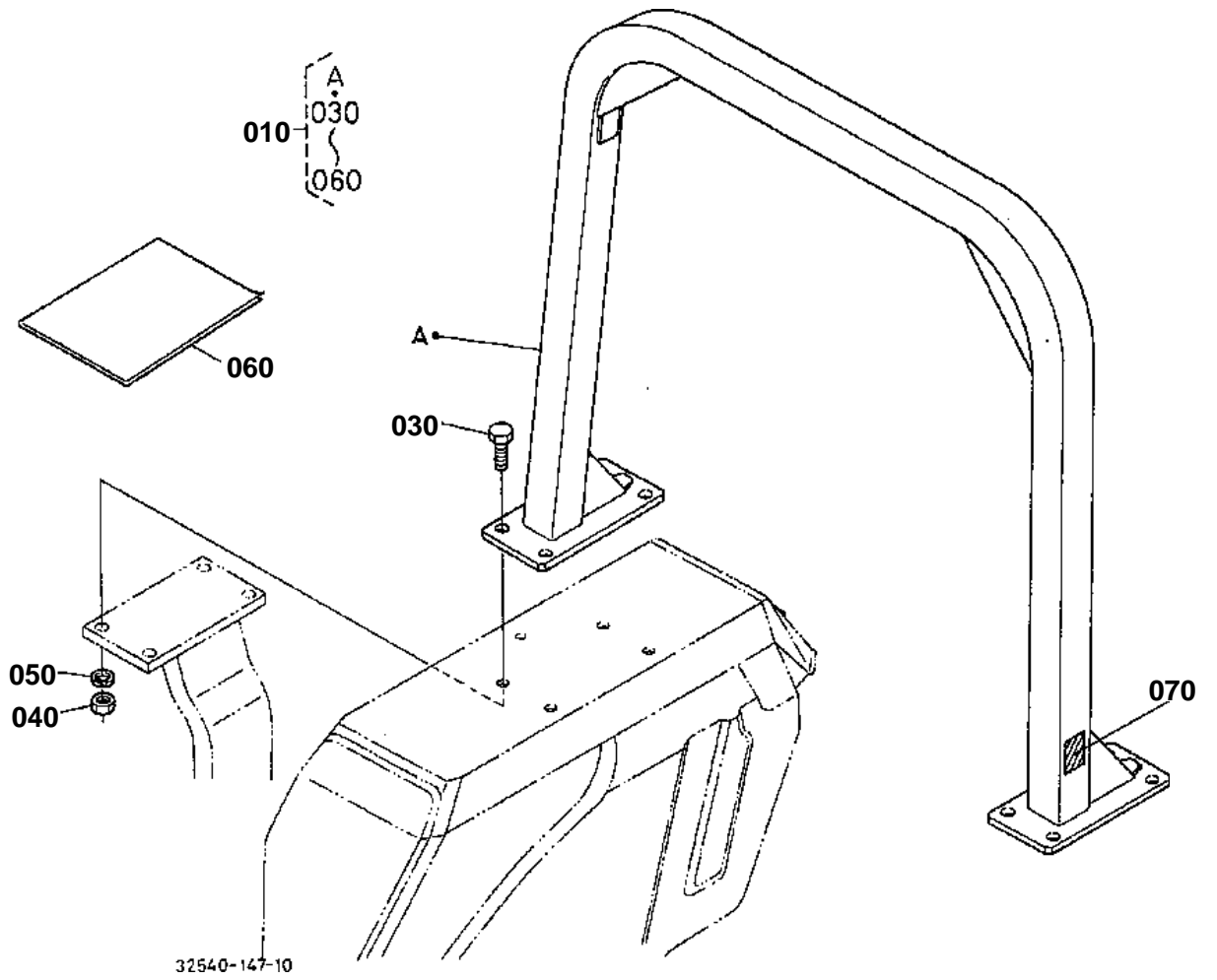


## FRONT GUARD

↔ Interchangeable; ≠ not interchangeable; ← new for old; → old for new

REF.No	Part No.	Description	Q'ty	S.No.	I/C	REMARKS	Weight (kgf)	Weight (lb)
010	32590-18010	GUARD FRONT	1				15	33
020	32590-18020	SPACER	2				0.52	1.144
030	01123-50825	BOLT	2				0.013	0.0286
040	05122-51865	PIN JOINT	2				0.135	0.297
050	05515-51600	PIN SNAP	3				0.007	0.0154
060	32590-18030	ROD	1				0.87	1.914
070	05511-50530	PIN SPLIT	1				0.006	0.0132
080	32590-18040	STOPPER	2				0.21	0.462
090	01173-51655	BOLT	2				0	0
100	04512-60160	WASHER SPRING	2				0.01	0.022





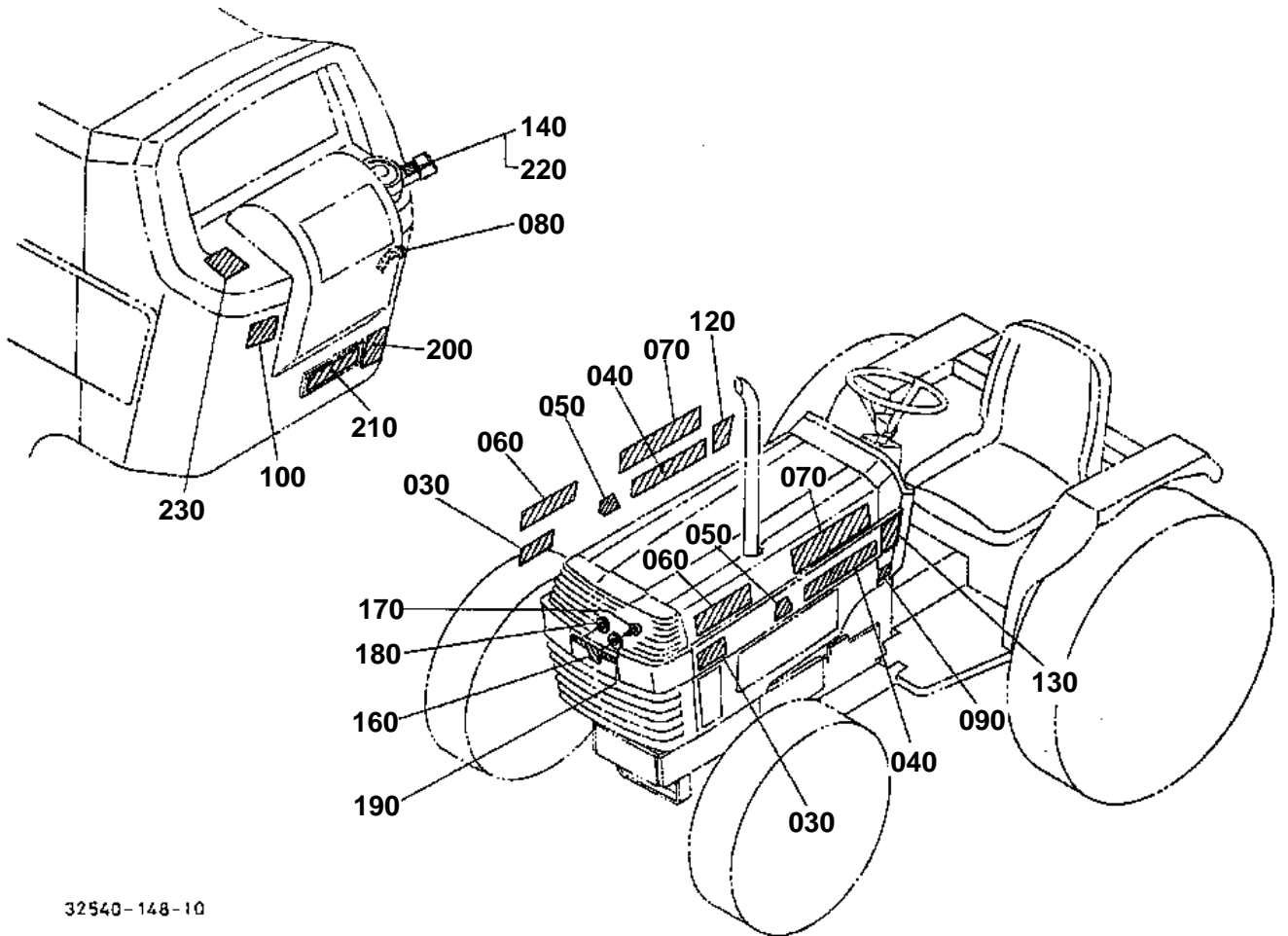


# ROPS

↔ Interchangeable; ≠ not interchangeable; ← new for old; → old for new

REF.No	Part No.	Description	Q'ty	S.No.	I/C	REMARKS	Weight (kgf)	Weight (lb)
010	32590-97010	KIT ROPS	1				0	0
030	32530-29030	BOLT	8				0.12	0.264
040	32530-29040	NUT	8				0.03	0.066
050	04512-60160	WASHER SPRING	8				0.01	0.022
060	32530-29054	MANUAL ROPS	1				0	0
070	32590-29480	LABEL ROPS	1			[AU] [NZ]	0.001	0.0022

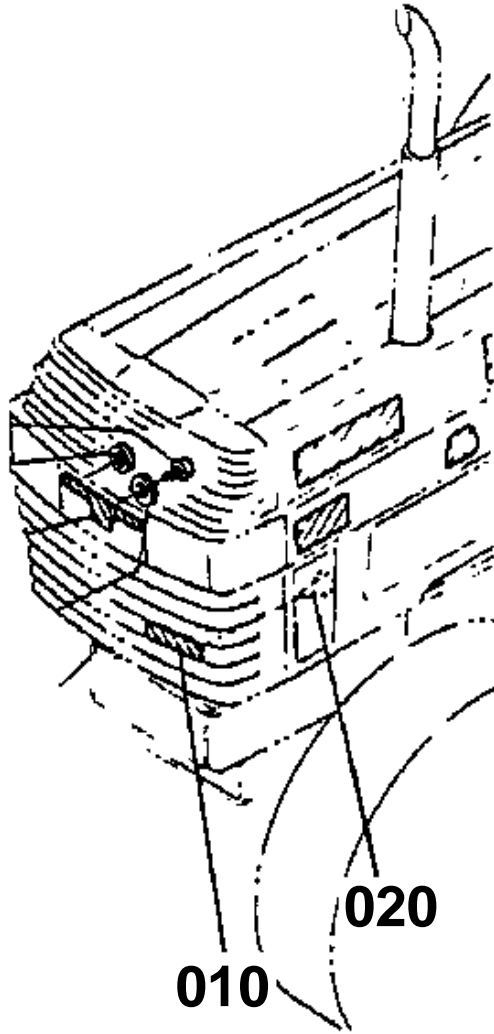
LABEL 1



32540-148-10

010 32530-6533-0

020 38430-1827-0



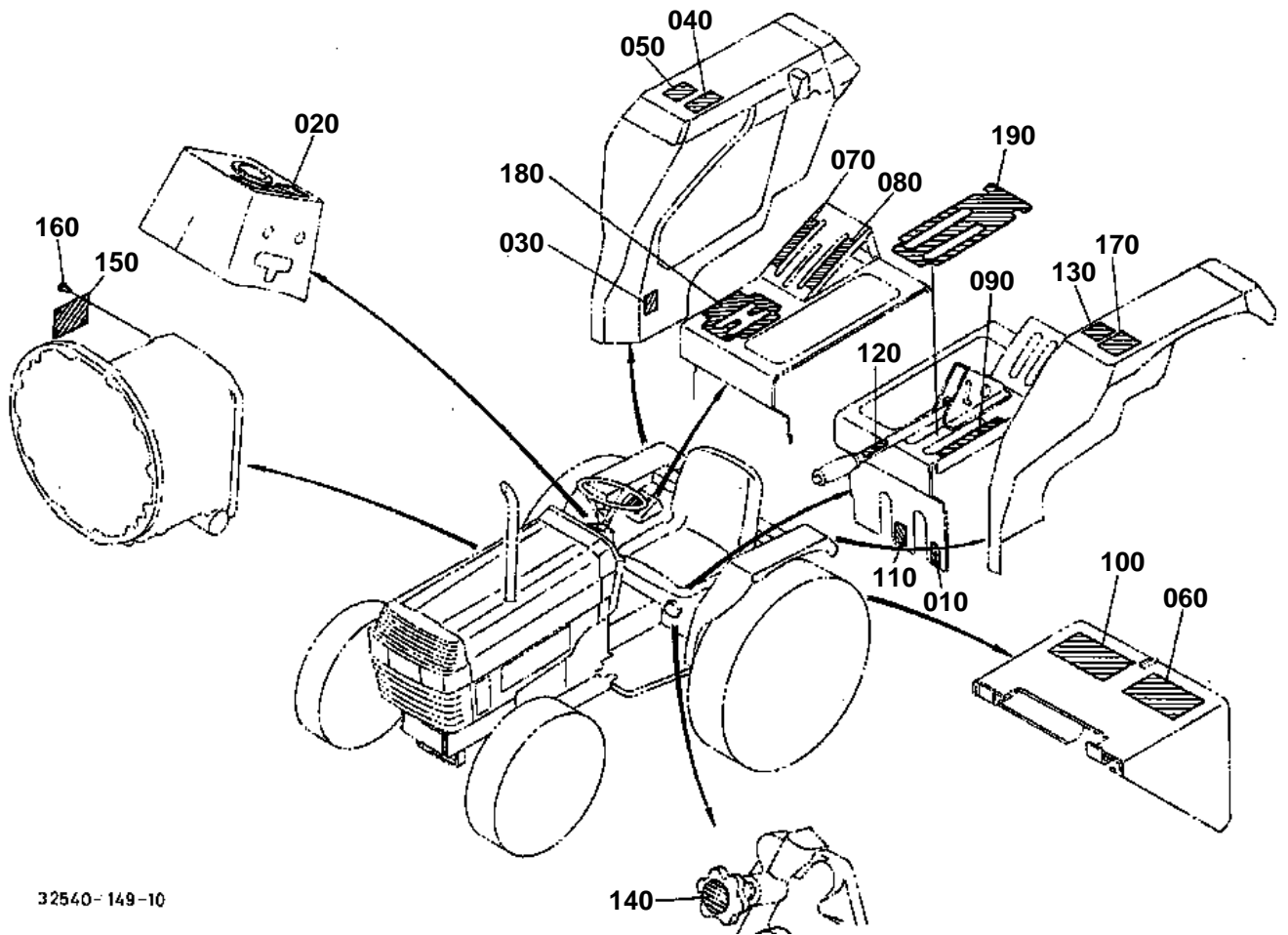
32540-849-10



**LABEL 1**

↔ Interchangeable; ≠ not interchangeable; ← new for old; → old for new

REF.No	Part No.	Description	Q'ty	S.No.	I/C	REMARKS	Weight (kgf)	Weight (lb)
010	32530-65330	MARK KUBOTA	1	≤60323			0.04	0.088
020	38430-18270	SCREW TAPPING	1	≤60323			0.002	0.0044
030	32580-65820	MARK 4WD	2				0.001	0.0022
040	32530-65880	LABEL SHUTTLE	2			HDT HDT-W	0.01	0.022
050	32590-65870	LABEL CLUTCH	2			HDT-W	0.003	0.0066
060	32590-65100	MARK	2	≥60323			0.028	0.0616
060	32590-65102	MARK	2	≥60324	≠		0.03	0.066
070	32590-65120	MARK KUBOTA	2	≤60323			0.05	0.11
070	32590-65122	MARK KUBOTA	2	≥60324	≠		0.002	0.0044
080	32530-65940	LABEL MAIN SWITCH	1				0.001	0.0022
090	35820-98632	LABEL START CAUTION	1				0.003	0.0066
100	32539-65220	LABEL INSTRUCTION	1				0.01	0.022
120	32539-65240	LABEL PANEL SIDE RH	1				0.003	0.0066
130	32539-65250	LABEL PANEL SIDE LH	1				0.01	0.022
140	32539-65530	LABEL HAZARD MARK	1				0.001	0.0022
160	32530-65320	EMBLEM	1	≤60323			0	0
160	32530-65323	MARK	1	≥60324	←		0.04	0.088
170	38430-18270	SCREW TAPPING	2				0.002	0.0044
180	31351-93550	NUT	2				0.001	0.0022
190	04015-50050	WASHER PLAIN	2				0.004	0.0088
200	35080-65280	LABEL KEY STOP	1				0.001	0.0022
210	32530-65570	LABEL FUSE	1			[AU]	0.001	0.0022
220	32530-65560	LABEL PARKING SWITCH	1			[AU]	0.001	0.0022
230	32590-65370	LABEL CLUTCH CAUTION	1	≥60486			0	0
230	32590-65372	LABEL CLUTCH CAUTION	1	≥60566	←		0.002	0.0044



32540-149-10

**LABEL 2**

↔ Interchangeable; ≠ not interchangeable; ← new for old; → old for new

REF.No	Part No.	Description	Q'ty	S.No.	I/C	REMARKS	Weight (kgf)	Weight (lb)
010	32580-65810	LABEL 4WD CHANGE	1				0.001	0.0022
020	32530-46430	LABEL SHUTTLE SHIFT	1			HDT HDT-W	0.001	0.0022
030	32530-65650	LABEL DIFF.LOCK	1				0.002	0.0044
040	35260-34913	LABEL SAFETY	1				0.005	0.011
050	35260-29782	LABEL ROPS WARNING	1				0.001	0.0022
060	35260-29790	LABEL DRAWBAR	1				0.002	0.0044
070	32530-65760	LABEL HYD.CONTROL	1				0.001	0.0022
080	32590-65770	LABEL HYD.CONTROL	1				0.001	0.0022
090	32590-65730	LABEL RANGE SHIFT	1				0.002	0.0044
100	35260-25340	LABEL PTO WARNING	1				0.005	0.011
110	32590-65740	LABEL PTO	1			[AU] [CA]	0.003	0.0066
110	35535-98400	LABEL PTO	1			[AU] [NZ]	0.001	0.0022
120	35801-98810	LABEL CLUTCH LEVER	1				0.001	0.0022
130	32530-65380	LABEL	1				0.005	0.011
140	31351-65780	LABEL HYD ADJUST	1				0.001	0.0022
150	32590-65460	NAME PLATE	1	<=60411			0	0
150	32590-65462	NAME PLATE	1	>=60412	≠		0	0
160	34152-57920	RIVET	4				0.001	0.0022
170	35370-31363	LABEL SHUTTLE	1			HDT/HDT-W	0.02	0.044
180	32530-65670	LABEL MAIN SHIFT	1	>=60412			0.004	0.0088
190	32530-65690	LABEL RANGE SHIFT	1	>=60412		MDT	0.008	0.0176
190	32530-65680	LABEL RANGE SHIFT	1	>=60412		HDT	0.008	0.0176



ACCESSORIES AND SERVICE PARTS

↔ Interchangeable; ≠ not interchangeable; ← new for old; → old for new

REF.No	Part No.	Description	Q'ty	S.No.	I/C	REMARKS	Weight (kgf)	Weight (lb)
010	32550-19710	MANUAL INSTRUCTION	1	≤60565			0	0
010	32550-19712	MANUAL INSTRUCTION	1	≥60566	≠		0	0
010	32550-19713	MANUAL INSTRUCTION	1	≥61150	←		0.135	0.297
020	32530-29052	MANUAL ROPS	1	≤60687			0	0
020	32530-29054	MANUAL ROPS	1	≥60688	↔		0	0
030	36330-75380	LINK FUSIBLE	1				0.01	0.022
040	35260-31850	ASSY KEY MAIN SWITCH	1	≤60485			0	0
040	35260-31852	ASSY KEY MAIN SWITCH	1	≥60486	≠		0.02	0.044
050	32580-44960	STUD	10			FOR FRONT WHEEL	0.05	0.11
060	32580-44860	STUD	2			FOR FRONT WHEEL	0.06	0.132
070	32580-44970	SPRING PLATE	12			FOR FRONT WHEEL	0.025	0.055
080	32580-44940	NUT	12			FOR FRONT WHEEL	0.05	0.11
090	32530-27410	STUD	16			[A] [CA] FOR REAR WHEEL	0.08	0.176
090	35461-49150	STUD	16			[AU] [NZ]	0.103	0.2266
100	33251-49170	NUT	16			[A] [CA] FOR REAR WHEEL	0.045	0.099
100	36200-49140	NUT	16			[AU] [NZ]	0.135	0.297
110	36500-49410	SPRING PLATE	16			[A] [CA] FOR REAR WHEEL	0.024	0.0528
110	36200-49130	SPRING PLATE	16			[AU] [NZ]	0.026	0.0572
120	32590-18450	BRACKET SEAT RH	1			[A]	0.3	0.66
130	32590-18460	BRACKET SEAT LH	1			[A]	0.3	0.66
140	01754-50816	BOLT FLANGE	4			[A]	0.011	0.0242
150	32430-11853	PIN JOINT	1			[A]	0.08	0.176
160	05525-61000	PIN SNAP	1			[A]	0.002	0.0044
180	01176-61025	BOLT	2			[A]	0.02	0.044
190	04512-60100	WASHER SPRING	2			[A]	0.002	0.0044
200	32350-33270	RETAINER BATTERY	1			[A]	0.35	0.77
210	38430-33290	BOLT HOOK(BATTERY)	2			[A]	0.005	0.011
220	04015-60060	WASHER PLAIN	2			[A]	0.005	0.011
230	02014-50060	NUT	4			[A]	0.003	0.0066
240	32550-99630	MANUAL SEAT-BATTERY	1			[A]	0	0
770	32530-18550	ASSY BELT SEAT	1			[A]	0.48	1.056