

WARNING:

**THIS ITEM IS THE PROPERTY OF THE END USER AND IS NOT
INTENDED TO BE REPRODUCED. THIS ITEM UTILIZES
DIGITAL ENCODING FOR ID PURPOSES.**

**SOME PAGES MAY BE SLIGHTLY TILTED TO PREVENT THE
REPRODUCTION OF THIS MANUAL.**

THANK YOU!!!!

Instructions for Parts Books

The heading at the top of the page will be the same for the picture of the parts as it is for the page with the part numbers.

Definition of column headings on part number pages:

REF.No → The number referring to the part on the picture page of the parts book.

Part No. → The number assigned to this part at the time of printing the parts book.

Description → Description of part.

Q'ty → Quantity of part used on that page.

S.No. → Serial number range of the equipment that this part will fit.

>= Your serial number should be greater than or equal to the number shown.

<= Your serial number should be lesser than or equal to the serial number shown.

I/C → Interchangeability of part shown.

↔ The part shown will work for the older and later serial number.

The part shown is not interchangeable with the other serial number.

← new for old

→ old for new

Remarks → Notes about this particular part. Sometimes this may say except [FR] or [CA]

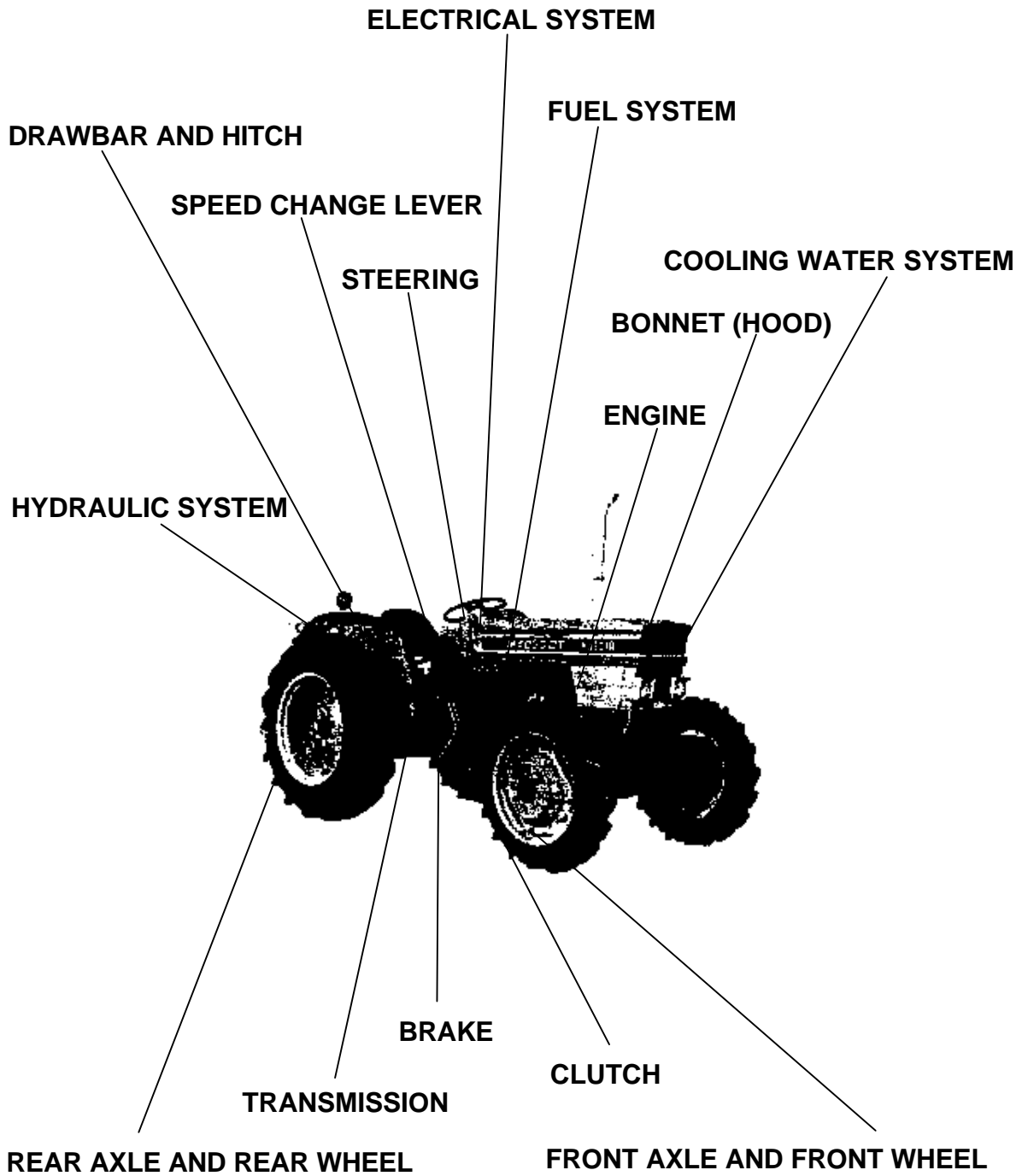
Note about Country Codes:

The parts books we use in the United States of America may also contain information about a part that would be different in another country. It is important that you are aware of the country codes in some instances.

Symbol	Country
A	United States of America
CA	Canada
FR	France
GR	Greece
PO	Portugal
AU	Australia

If the remarks column says for example EXCEPT [FR] this part works in all countries except France. That means it will work here in the USA.

ALL PRODUCT INDEX
M4050



LABELS
ACCESSORIES

Item	Part No.	Description	Book
ENGINE	01001	CRANKCASE	100K0401
	01002	CYLINDER	100K0401
	01003	GEAR CASE	100K0401
	01004	BEARING CASE	100K0401
	01005	BREATHER	100K0401
	0100601	AIR CLEANER [A][CA]	100K0401
	01007	MUFFLER	100K0401
	01008	VALVE	100K0401
	01009	HEAD COVER	100K0401
	01010	CAMSHAFT	100K0401
	01011	CRANKSHAFT	100K0401
	01012	FLYWHEEL	100K0401
	01013	NOZZLE HOLDER	100K0401
	01014	SPEED CONTROL	100K0401
	01015	GOVERNOR	100K0401
	01016	DYNAMO	100K0401
	01017	RADIATOR	100K0401
	01018	NAME PLATE	100K0401
	01019	INJECTION PUMP	100K0401
	01020	WATER PUMP	100K0401
	01103	OIL FILTER 2 [SECTION PARTS]	100K0401
	01104	STARTER [SECTION PARTS]	100K0401
	01105	NOZZLE HOLDER 2 [SECTION PARTS]	100K0401
01106	DYNAMO [SECTION PARTS]	100K0401	
01107	INJECTION PUMP [SECTION PARTS]	100K0401	
FUEL SYSTEM	01021	FUEL TANK 1	100K0401
	01022	FUEL TANK 2	100K0401
	01023	ACCEL ROD	100K0401
	01024	HAND ACCEL	100K0401
COOLING WATER SYSTEM	01025	RADIATOR SUPPORT	100K0401
	01026	CLUTCH HOUSING	100K0401
CLUTCH	01027	CHANGE COVER	100K0401
	0102801	TRANSMISSION [A][CA]	100K0401
TRANSMISSION	0102901	FRONT AXLE [A][CA]	100K0401
	01030	CLUTCH	100K0401
FRONT AXLE AND FRONT WHEEL	01031	CLUTCH PEDAL	100K0401
	01032	LEVER	100K0401
SPEED CHANGE LEVER	01033	MISSION GEAR 1	100K0401
	0103401	MISSION GEAR 2 [A][CA]	100K0401
TRANSMISSION	01035	MISSION GEAR 3	100K0401
	0103601	1,2 SHIFT LEVER [A][CA]	100K0401
SPEED CHANGE LEVER	01037	MAIN CHANGE LEVER	100K0401
	01038	BEARING SUPPORT CHANGE LEVER	100K0401
TRANSMISSION	01039	DIFF SUPPORT	100K0401
	01040	DIFF LOCK	100K0401
SPEED CHANGE LEVER	01041	BEVEL PINION	100K0401
	01042	AXLE CASE	100K0401
REAR AXLE AND REAR WHEEL	01043	REAR AXLE	100K0401
	0104401	FRONT WHEEL HUB [A]	100K0401
	0104501	REAR WHEEL [A]	100K0401
	01046	FRONT AXLE	100K0401
	01047	KNUCKLE SHAFT	100K0401
	01048	STEERING	100K0401
STEERING	01049	STEERING LEVER	100K0401
	01050	POWER STEERING 1	100K0401
HYDRAULIC SYSTEM	01051	POWER STEERING 2	100K0401
	01052	BOOSTER	100K0401
BRAKE	01053	BRAKE	100K0401
	01054	BRAKE PEDAL	100K0401

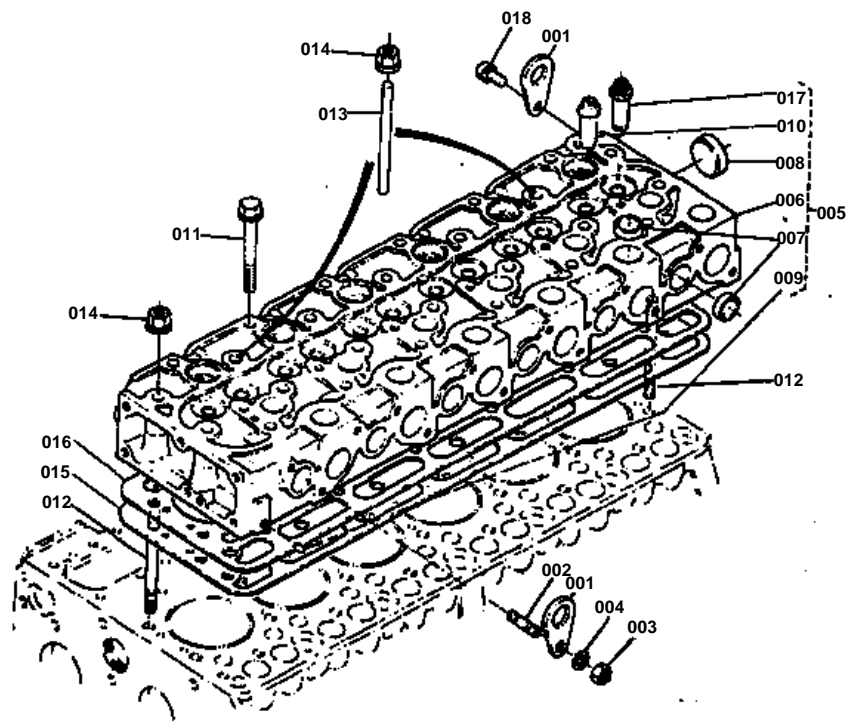
Item	Part No.	Description	Book
BRAKE	01055	HAND BRAKE	100K0401
	0105601	ELECTRICAL [A][CA]	100K0401
ELECTRICAL SYSTEM	01057	BATTERY	100K0401
	0105801	MAIN SWITCH [A][CA]	100K0401
	01059	PANEL BOARD	100K0401
	0106001	LAMP [A][CA]	100K0401
	0106101	WIRE HARNESS [A][CA]	100K0401
	01062	PTO SHAFT	100K0401
TRANSMISSION	01063	SHIFT FORK	100K0401
	01064	PTO COVER	100K0401
	01065	POSITION OPERATE 1	100K0401
HYDRAULIC SYSTEM	01066	POSITION OPERATE 2	100K0401
	01067	POSITION OPERATE 3	100K0401
	01068	POSITION OPERATE 4	100K0401
	01069	POSITION OPERATE 5	100K0401
	01070	TOP LINK	100K0401
	01071	CYLINDER	100K0401
	01072	OIL PUMP	100K0401
	0107301	CONTROL VALVE 1 [A][CA]	100K0401
	01074	CONTROL VALVE 2	100K0401
	01075	OIL PUMP CYLINDER LINER	100K0401
	01076	FILTER CASE	100K0401
	01077	OIL PUMP ARM SHAFT	100K0401
BONNET (HOOD)	01078	BONNET 1	100K0401
	01079	BONNET 2	100K0401
	01080	BONNET 3 (REAR)	100K0401
	01081	SEAT	100K0401
	01082	FENDER	100K0401
	01083	STEP	100K0401
DRAWBAR AND HITCH	01084	TOWING DRAWBAR	100K0401
HYDRAULIC SYSTEM	01085	3-POINT LINK 1	100K0401
	01086	3-POINT LINK 2	100K0401
	01087	3-POINT LINK 3	100K0401
	01088	FRONT AXLE MIDDLE	100K0401
FRONT AXLE AND FRONT WHEEL	0108901	NAME PLATE [A][CA]	100K0401
LABELS	01108	ACCESSORY AND SERVICE PARTS	100K0401
ACCESSORIES			

**CRANKCASE**

↔ Interchangeable; ≠ not interchangeable; ← new for old; → old for new

REF.No	Part No.	Description	Q'ty	S.No.	I/C	REMARKS	Weight (kgf)	Weight (lb)
001	15611-01010	ASSY CRANKCASE	1				0	0
002	99999-99999	BLANK	0			ORDER BY REF.No.001	0	0
003	34150-27580	PLUG	3				0.001	0.0022
004	06311-75018	PLUG,EXPANTION	3				0.004	0.0088
005	15221-03380	CAP,SEALING	10				0.017	0.0374
006	15221-03390	CAP,SEALING	2				0.03	0.066
007	06311-75045	PLUG,EXPANSION	1				0.026	0.0572
008	15521-96020	PLUG	2				0.003	0.0066
009	15521-96030	PLUG	2				0.007	0.0154
010	05012-00408	PIN,STRAIGHT	2				0.001	0.0022
011	05012-00609	PIN,STRAIGHT	2				0.003	0.0066
012	05012-00612	PIN,STRAIGHT	2				0.003	0.0066
013	05012-01018	PIN,STRAIGHT	1				0.012	0.0264
014	15221-33650	PIN,PIPE	1				0.004	0.0088
015	15221-72840	PIPE,WATER	1				0.078	0.1716
016	15201-02310	LINER,CYLINDER	6				0.57	1.254
017	15221-33700	O RING	1				0.001	0.0022
018	14412-73110	COCK,DRAIN	1				0.09	0.198
019	15221-33610	PLUG	7				0.009	0.0198
020	15021-33660	GASKET	7				0.001	0.0022
021	15221-33750	PLUG	1				0.032	0.0704
022	15109-33660	GASKET	1				0.001	0.0022
023	15401-01930	COVER	1				0.09	0.198
024	15221-05430	GASKET	1				0	0
025	01053-50616	BOLT	2				0.005	0.011
026	04512-50060	WASHER,SPRING	2				0	0
027	15601-01614	OIL PAN	1				41	90.2
028	15601-01622	GASKET,OIL PAN	1				0	0
029	15601-91080	BOLT	4				0.08	0.176
030	01076-51040	BOLT	4				0.04	0.088
031	15601-91090	BOLT	2				0.065	0.143
032	04512-50100	WASHER,SPRING	32				0	0
033	15221-33750	PLUG	2				0.032	0.0704
034	15109-33660	PACKING	2				0.001	0.0022
035	15601-32110	FILTER,OIL	1				0.325	0.715
036	01123-50816	BOLT	1				0	0
037	04512-50080	WASHER,SPRING	4				0	0
038	04811-00160	O RING	1				0	0
039	15402-32000	FILTER,OIL	1				0.985	2.167
040	15213-32320	GASKET,OIL FILTER	1				0	0
041	15402-91010	BOLT	4				0	0
042	15601-33110	FLANGE,OIL FILTER	1				0.195	0.429
043	15401-32890	GASKET	1				0	0
044	01123-50825	BOLT	2				0.013	0.0286
045	15221-33140	PLUG,OIL FILTER	1				0.038	0.0836
046	04811-50300	O RING	1				0	0
047	15601-36410	GAUGE,OIL	1				0.034	0.0748
048	04811-00050	O RING	2				0	0
049	15221-39010	SWITCH,OIL	1				0	0
050	01076-51055	BOLT	12				0.04	0.088
051	15601-91490	STUD 1	4				0.025	0.055
052	15601-91500	STUD 2	6				0.04	0.088
053	02076-50100	NUT	10				0.006	0.0132

CYLINDER



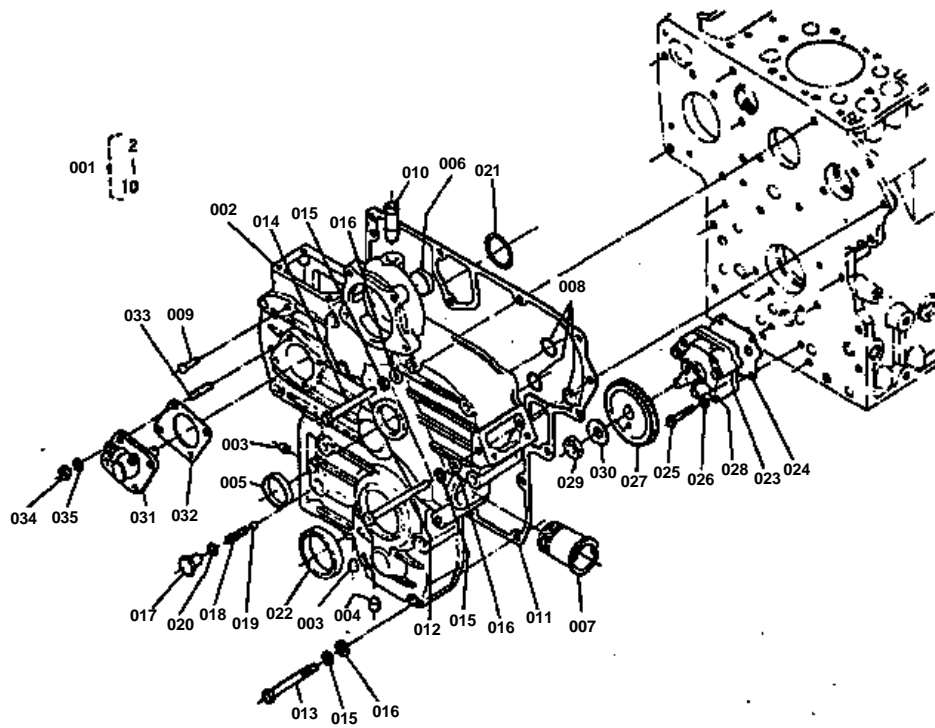


CYLINDER

↔ Interchangeable; ≠ not interchangeable; ← new for old; → old for new

REF.No	Part No.	Description	Q'ty	S.No.	I/C	REMARKS	Weight (kgf)	Weight (lb)
001	15221-01750	HOOK,ENGINE	2				0.04	0.088
002	15521-91490	STUD	1				0	0
003	02156-50080	NUT	1				0.004	0.0088
004	04512-50080	WASHER,SPRING	1				0	0
005	15611-03040	ASSY CYLINDER HEAD	1				0	0
006	99999-99999	BLANK	0			ORDER BY REF.No.005	0	0
007	15221-03370	CAP,SEALING	18				0.01	0.022
008	15221-03490	CAP,SEALING	1				0.02	0.044
009	15131-01380	PLUG,PIN	2				0.001	0.0022
010	15221-13580	GUIDE,VALVE INLET	6				0	0
011	19202-03450	BOLT,CYLINDER HEAD	22				0.065	0.143
012	19202-03410	STUD,CYLINDER HEAD	2				0.065	0.143
013	15612-03420	STUD,CYLINDER HEAD	2				0.07	0.154
014	19202-03510	NUT,CYLINDER HEAD	26				0.012	0.0264
015	15611-03310	GASKET,CYLINDER HEAD	1				0	0
016	15611-03320	SHIM,CYL.HEAD GASKET	1				0.085	0.187
017	15601-13560	GUIDE,VALVE EXHAUST	6				0	0
018	01123-50816	BOLT	1				0	0

GEAR CASE

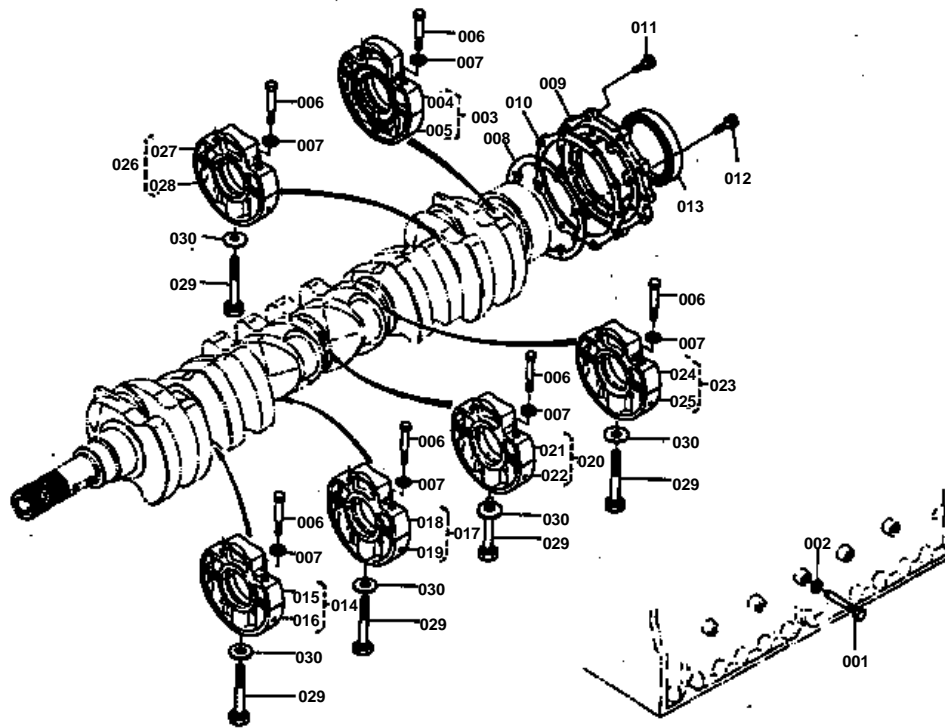


**GEAR CASE**

↔ Interchangeable; ≠ not interchangeable; ← new for old; → old for new

REF.No	Part No.	Description	Q'ty	S.No.	I/C	REMARKS	Weight (kgf)	Weight (lb)
001	15601-04022	ASSY CASE,GEAR	1				4	8.8
002	99999-99999	BLANK	0			ORDER BY REF.No.001	0	0
003	15221-33620	PLUG,PIN	2				0.002	0.0044
004	15221-33640	PLUG,PIN	1				0.003	0.0066
005	15221-03490	CAP,SEALING	1				0.02	0.044
006	15321-96260	CAP,SEALING	1				0.014	0.0308
007	15221-72880	PIPE,WATER	1				0.115	0.253
008	04810-00150	O RING	3				0	0
009	15221-56280	PIN,START SPRING	1				0.006	0.0132
010	15321-73340	PIPE,WATER RETURN	1				0.016	0.0352
011	15601-04130	GASKET,GEAR CASE	1				0	0
012	01053-50885	BOLT	1				0.031	0.0682
013	15221-91040	BOLT	10				0	0
014	15321-91010	BOLT	4				0.03	0.066
015	04512-50080	WASHER,SPRING	15				0	0
016	04012-50080	WASHER,PLAIN	15				0.001	0.0022
017	15221-38420	CAP	1				0.025	0.055
018	15221-38440	SPRING	1				0.004	0.0088
019	07715-00803	BALL	1				0.004	0.0088
020	04810-00100	O RING	1				0	0
021	04811-40240	O RING	1				0.002	0.0044
022	09550-00001	SEAL,OIL	1				0.015	0.033
023	15321-35010	ASSY PUMP,OIL	1				0.525	1.155
024	15221-35150	GASKET,OIL PUMP	1				0	0
025	01053-50648	BOLT	4				0.01	0.022
026	04512-50060	WASHER,SPRING	4				0	0
027	15601-35660	GEAR,OIL PUMP DRIVE	1				0.2	0.44
028	05712-00410	KEY,FEATHER	1				0.001	0.0022
029	15221-35680	NUT	1				0	0
030	04211-50120	WASHER,CLAW	1				0.003	0.0066
031	37150-34660	ASSY HOUR METER	1				0.32	0.704
032	15221-88130	GASKET	1				0	0
033	15221-88210	STUD	4				0.005	0.011
034	02056-50060	NUT	4				0.002	0.0044
035	04512-50060	WASHER,SPRING	4				0	0

BEARING CASE

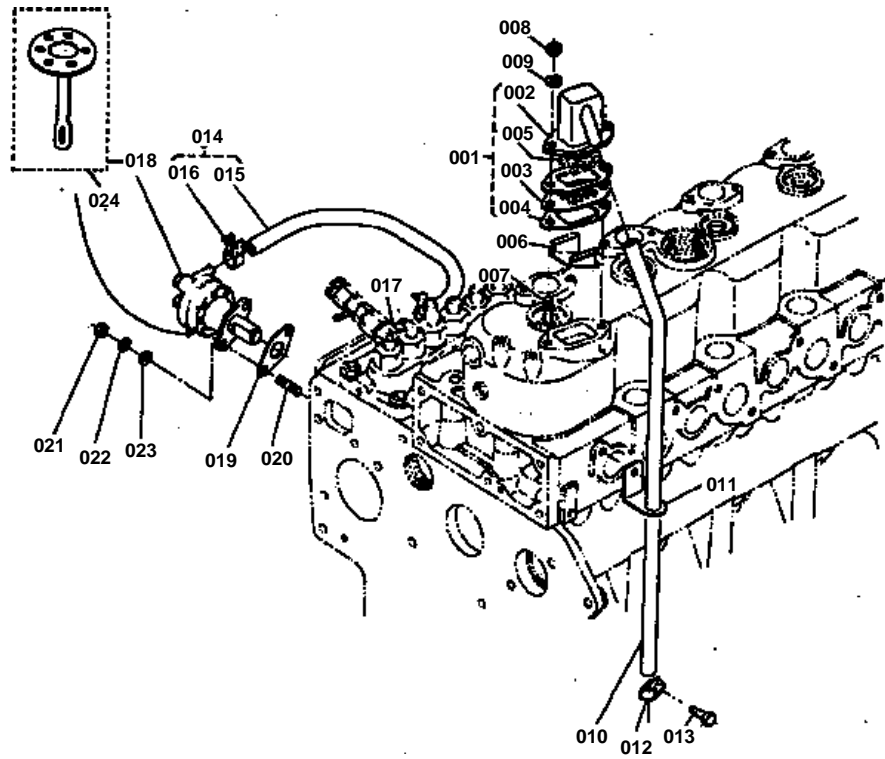


**BEARING CASE**

↔ Interchangeable; ≠ not interchangeable; ← new for old; → old for new

REF.No	Part No.	Description	Q'ty	S.No.	I/C	REMARKS	Weight (kgf)	Weight (lb)
001	15221-04550	BOLT,KNOCK	5				0.022	0.0484
002	15021-33660	GASKET	5				0.001	0.0022
003	15521-04040	ASSY CASE,BEARING	1				0	0
004	99999-99999	BLANK	0			ORDER BY REF.No.003	0	0
005	99999-99999	BLANK	0			ORDER BY REF.No.003	0	0
006	15521-04540	BOLT 1	12				0	0
007	15521-94010	WASHER,PLAIN	12				0.001	0.0022
008	15221-04360	GASKET	1				0	0
009	15221-04810	COVER,BEARING	1				0.3	0.66
010	15221-04820	GASKET,COVER	1				0	0
011	01123-50825	BOLT	8				0.013	0.0286
012	01123-50828	BOLT	8				0.014	0.0308
013	15601-04460	SEAL,OIL	1				0.053	0.1166
014	15601-04050	ASSY CASE,BEARING 1	1				1.19	2.618
015	99999-99999	BLANK	0			ORDER BY REF.No.014	0	0
016	99999-99999	BLANK	0			ORDER BY REF.No.014	0	0
017	15601-04060	ASSY CASE,BEARING 2	1				1.23	2.706
018	99999-99999	BLANK	0			ORDER BY REF.No.017	0	0
019	99999-99999	BLANK	0			ORDER BY REF.No.017	0	0
020	15601-04070	ASSY CASE,BEARING 3	1				1.24	2.728
021	99999-99999	BLANK	0			ORDER BY REF.No.020	0	0
022	99999-99999	BLANK	0			ORDER BY REF.No.020	0	0
023	15601-04080	ASSY CASE,MAIN BEARI	1				1.28	2.816
024	99999-99999	BLANK	0			ORDER BY REF.No.023	0	0
025	99999-99999	BLANK	0			ORDER BY REF.No.023	0	0
026	15601-04090	ASSY CASE,MAIN BEARI	1				1.3	2.86
027	99999-99999	BLANK	0			ORDER BY REF.No.026	0	0
028	99999-99999	BLANK	0			ORDER BY REF.No.026	0	0
029	15221-04560	BOLT 2	5				0.053	0.1166
030	15221-04590	WASHER 3	5				0.005	0.011

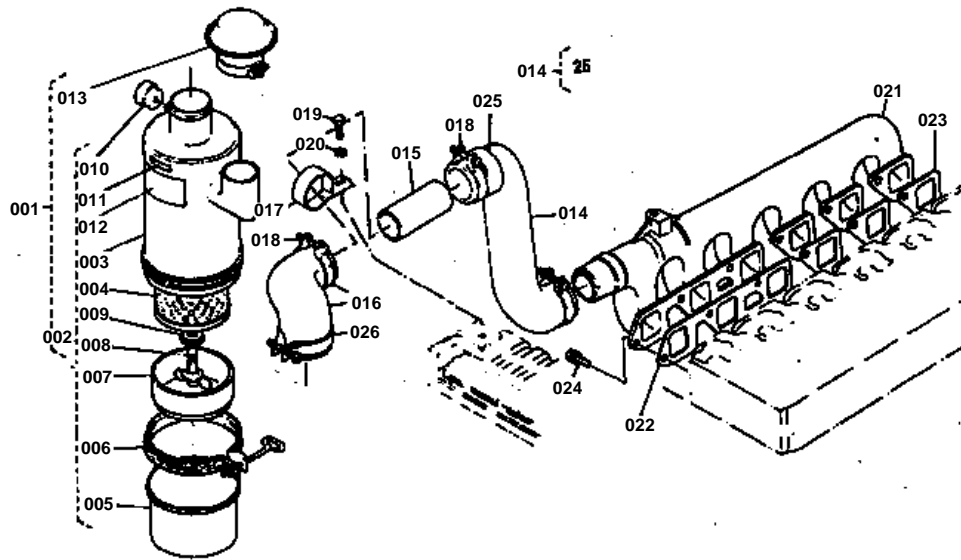
BREATHER



**BREATHER**

↔ Interchangeable; ≠ not interchangeable; ← new for old; → old for new

REF.No	Part No.	Description	Q'ty	S.No.	I/C	REMARKS	Weight (kgf)	Weight (lb)
001	15241-05010	ASSY BREATHER	1				0.15	0.33
002	15241-05110	BREATHER	1				0.13	0.286
003	15241-05140	PLATE,ELEMENT	1				0.009	0.0198
004	15321-05430	GASKET	2				0	0
005	15241-05670	ELEMENT,BREATHER	1				0.008	0.0176
006	15241-05370	OIL SHIELD,BREATHER	1				0.005	0.011
007	15221-88210	STUD	2				0.005	0.011
008	02056-50060	NUT	2				0.002	0.0044
009	04512-50060	WASHER,SPRING	2				0	0
010	15401-05510	PIPE,BREATHER	1				0	0
011	15401-05580	CLAMP,PIPE	1				0.02	0.044
012	15401-05590	CLAMP,PIPE	1				0.003	0.0066
013	01173-51018	BOLT	1				0.018	0.0396
014	15401-42010	ASSY PIPE,FUEL	1				0.04	0.088
015	99999-99999	BLANK	0			ORDER BY REF.No.014	0	0
016	14301-42750	CLIP,PIPE	2				0.005	0.011
017	15401-95690	JOINT,EYE	1				0.04	0.088
018	15381-52030	PUMP,FUEL	1				0	0
019	15241-52140	GASKET,FUEL PUMP	1				0	0
020	01513-50616	STUD	2				0.004	0.0088
021	02056-50060	NUT	2				0.002	0.0044
022	04512-50060	WASHER,SPRING	2				0	0
023	04012-50060	WASHER,PLAIN	2				0.001	0.0022
024	15381-52040	COMP.DIAPHRAGM	1				0	0



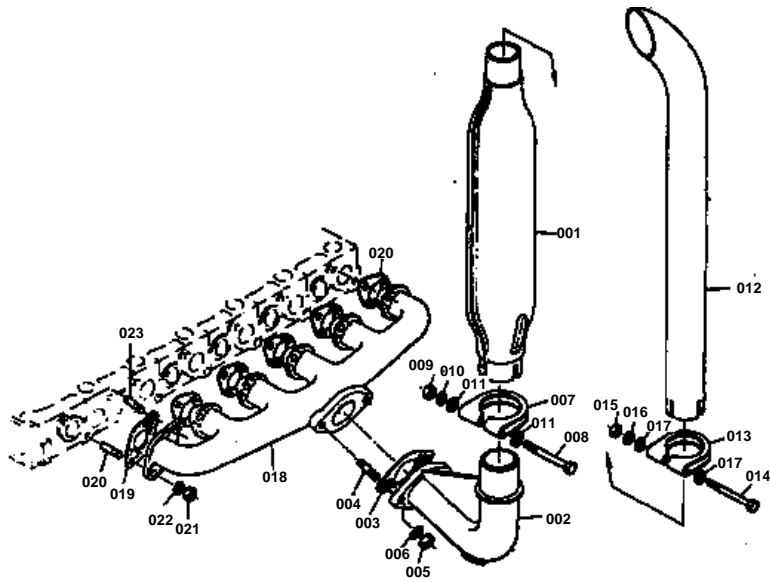


AIR CLEANER [A][CA]

↔ Interchangeable; ≠ not interchangeable; ← new for old; → old for new

REF.No	Part No.	Description	Q'ty	S.No.	I/C	REMARKS	Weight (kgf)	Weight (lb)
001	15611-11010	ASSY AIR CLEANER	1				3.8	8.36
002	15611-11050	ASSY BODY,AIR CLEANE	1				2.58	5.676
003	99999-99999	BLANK	0			ORDER BY REF.No.002	0	0
004	15606-11080	ASSY ELEMENT,AIR CLE	1				1.15	2.53
005	15606-11160	COVER,AIR CLEANER	1				0.53	1.166
006	15611-11070	ASSY BAND,CLEANER	1				0.135	0.297
007	15606-11410	COVER,BAFFLE	1				0.115	0.253
008	15606-92620	BOLT,WING	1				0.055	0.121
009	15401-94430	WASHER,SEAL	1				0.009	0.0198
010	15401-11090	ASSY INDICATOR	1				0.021	0.0462
011	15611-87750	MARK,FORM	1				0.001	0.0022
012	15401-87450	LABEL,AIR CLEANER	1				0.002	0.0044
013	15606-11350	CAP,AIR CLEANER	1				0.356	0.7832
014	15601-11620	PIPE,INLET	1				0.53	1.166
015	15601-11630	PIPE,INLET	1				0.19	0.418
016	15611-11640	PIPE,INLET	1				0.008	0.0176
017	15612-11710	HOLDER,INLET PIPE	1				0.05	0.11
018	15401-11720	BAND,PIPE	3				0.03	0.066
019	01153-50812	BOLT	1				0.008	0.0176
020	04512-50080	WASHER,SPRING	1				0	0
021	15601-11760	MANIFOLD,INLET	1				1.8	3.96
022	15601-11820	GASKET,IN-MANIFOLD	1				0	0
023	15601-11830	GASKET,IN-MANIFOLD	3				0	0
024	01123-50822	BOLT	11				0.012	0.0264
025	99999-99999	BLANK	0			ORDER BY REF.No.014	0	0
026	15606-11720	BAND,PLAIN	1				0.035	0.077

MUFFLER

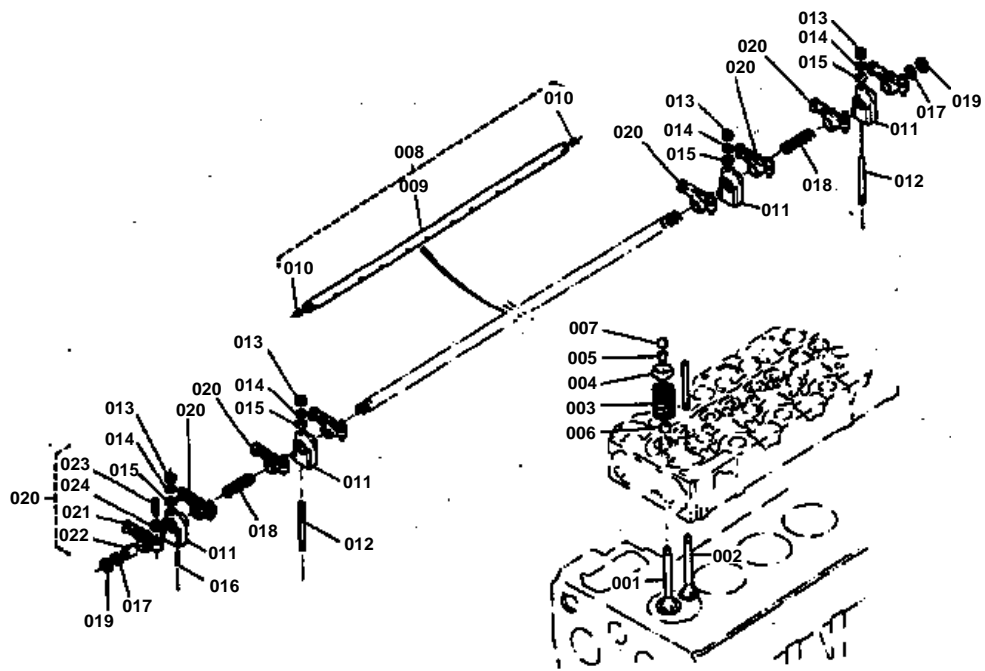


**MUFFLER**

↔ Interchangeable; ≠ not interchangeable; ← new for old; → old for new

REF.No	Part No.	Description	Q'ty	S.No.	I/C	REMARKS	Weight (kgf)	Weight (lb)
001	15126-12110	MUFFLER	1				2.92	6.424
002	15616-12320	FLANGE,MUFFLER	1				1.3	2.86
003	15021-12360	GASKET,M-FLANGE	1				0	0
004	01517-51030	STUD	2				0	0
005	15021-12260	NUT	2				0.013	0.0286
006	04512-50100	WASHER,SPRING	2				0	0
007	15101-12130	BAND,MUFFLER	1				0.125	0.275
008	01153-50885	BOLT	1				0.031	0.0682
009	15151-04430	NUT	1				0.006	0.0132
010	04512-50080	WASHER,SPRING	1				0	0
011	04012-50080	WASHER,PLAIN	2				0.001	0.0022
012	15611-12410	PIPE,MUFFLER	1				0.7	1.54
013	15126-12130	BAND,PIPE	1				0.042	0.0924
014	01153-50875	BOLT	1				0.028	0.0616
015	15151-04430	NUT	1				0.006	0.0132
016	04512-50080	WASHER,SPRING	1				0	0
017	04012-50080	WASHER,PLAIN	2				0.001	0.0022
018	15616-12310	MANIFOLD,EXHAUST	1				4.1	9.02
019	15521-12350	GASKET,EX-MANIFOLD	6				0	0
020	15221-91530	STUD	9				0.011	0.0242
021	02156-50080	NUT	12				0.004	0.0088
022	04512-50080	WASHER,SPRING	12				0	0
023	15611-91530	STUD	3				0.01	0.022

VALVE



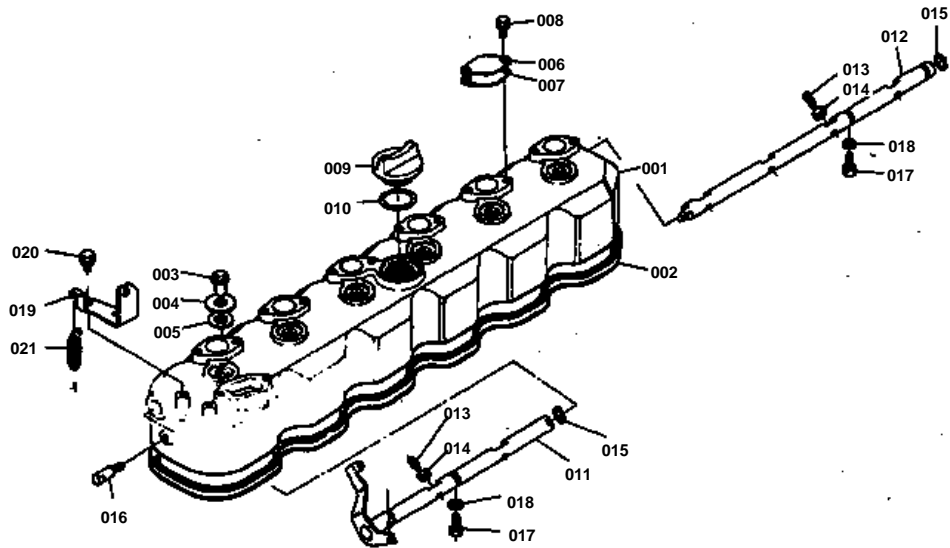


VALVE

↔ Interchangeable; ≠ not interchangeable; ← new for old; → old for new

REF.No	Part No.	Description	Q'ty	S.No.	I/C	REMARKS	Weight (kgf)	Weight (lb)
001	15221-13110	VALVE,INLET	6				0.063	0.1386
002	15221-13120	VALVE,EXHAUST	6				0.063	0.1386
003	15221-13240	SPRING,VALVE	12				0.036	0.0792
004	15221-13330	RETAINER,VALVE SP.	12				0.03	0.066
005	15221-13360	COLLET,VALVE,SPRING	24				0	0
006	15221-13150	SEAL,VALVE STEM	12				0.001	0.0022
007	15221-13280	CAP,VALVE	12				0.006	0.0132
008	15601-14050	SHAFT,ROCKER ARM	1				0	0
009	99999-99999	BLANK	0			ORDER BY REF.No.008	0	0
010	03410-00808	SCREW,SET	2				0.002	0.0044
011	15221-14350	BRACKET,ROCKER ARM	6				0.044	0.0968
012	15221-14410	STUD	6				0.028	0.0616
013	02156-50080	NUT	6				0.004	0.0088
014	04512-50080	WASHER,SPRING	6				0	0
015	04012-50080	WASHER,PLAIN	6				0.001	0.0022
016	15221-14420	SCREW,SET	1				0.003	0.0066
017	15221-14430	WASHER	2				0.002	0.0044
018	15221-14310	SPRING,ROCKER ARM	5				0.005	0.011
019	04612-00140	CIR-CLIP,EXTERNAL	2				0.001	0.0022
020	15601-14030	ASSY ROCKER ARM	12				0	0
021	99999-99999	BLANK	0			ORDER BY REF.No.020	0	0
022	15221-14180	BUSH	12				0.007	0.0154
023	15521-14230	SCREW,ADJUSTING	12				0.009	0.0198
024	15021-14240	NUT	12				0.003	0.0066

HEAD COVER



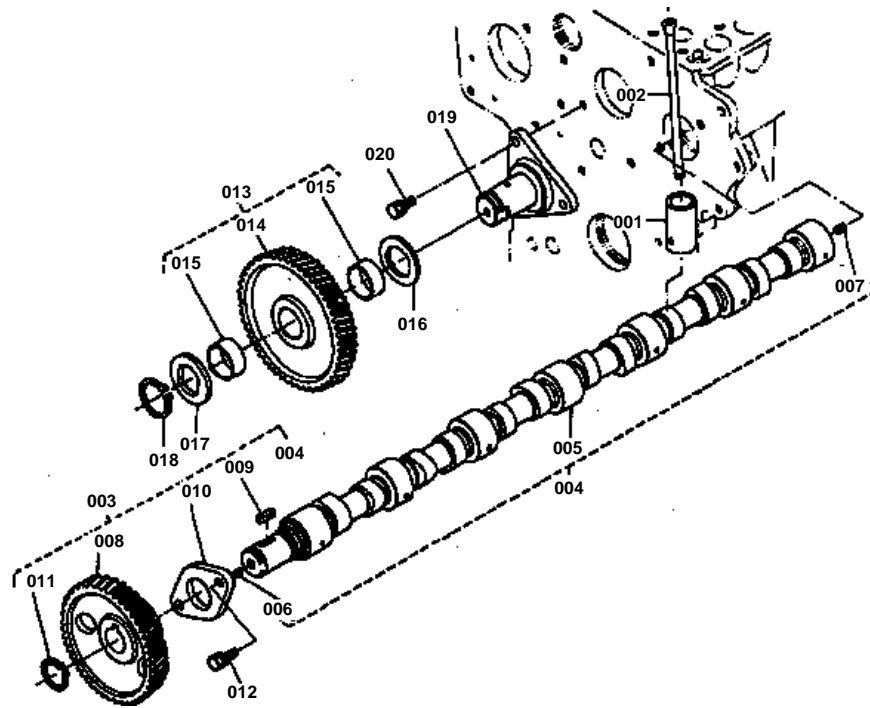


HEAD COVER

↔ Interchangeable; ≠ not interchangeable; ← new for old; → old for new

REF.No	Part No.	Description	Q'ty	S.No.	I/C	REMARKS	Weight (kgf)	Weight (lb)
001	15601-14510	COVER,CYLINDER HEAD	1				1.98	4.356
002	15601-14520	GASKET,HEAD COVER	1				0.09	0.198
003	15221-14620	NUT,HEAD COVER	6				0.02	0.044
004	15221-14640	WASHER,HEAD COVER	6				0.017	0.0374
005	15221-14630	GASKET,NUT	6				0.003	0.0066
006	15221-66630	COVER,DECOMP.HOLE	6				0.035	0.077
007	15221-66640	GASKET	6				0	0
008	01023-50614	BOLT	12				0.005	0.011
009	15221-33140	PLUG,OIL FILTER	1				0.038	0.0836
010	04811-50300	O RING	1				0	0
011	15601-66040	ASSY SHAFT,DECOMPRES	1				0.34	0.748
012	15601-66332	SHAFT,DECOMPRESS	1				0.4	0.88
013	15221-66350	BOLT,DECOMPRESS	6				0.005	0.011
014	15221-66360	NUT	6				0.003	0.0066
015	04811-06100	O RING	2				0	0
016	15221-66550	STOPPER,DECOMP.SHAFT	1				0.02	0.044
017	15221-66410	BOLT	2				0.005	0.011
018	04512-50060	WASHER,SPRING	2				0	0
019	15221-66190	HOLDER,DECOMP.WIRE	1				0.055	0.121
020	01023-50614	BOLT	2				0.005	0.011
021	15221-66280	SPRING,DECOMPRESS	1				0.008	0.0176

CAMSHAFT



**CAMSHAFT**

↔ Interchangeable; ≠ not interchangeable; ← new for old; → old for new

REF.No	Part No.	Description	Q'ty	S.No.	I/C	REMARKS	Weight (kgf)	Weight (lb)
001	15221-15550	TAPPET	12				0	0
002	15221-15110	ROD,PUSH	12				0.05	0.11
003	15601-16010	ASSY CAMSHAFT	1				2.5	5.5
004	15601-16150	ASSY CAMSHAFT	1				3.2	7.04
005	15601-16150	CAMSHAFT	1				3.2	7.04
006	15521-93610	PLUG,PIN	1				0.002	0.0044
007	15601-93620	PLUG,PIN	1				0.025	0.055
008	15601-16510	GEAR,CAMSHAFT	1				0	0
009	05712-00720	KEY,FEATHER	1				0.008	0.0176
010	15221-16270	STOPPER,CAMSHAFT	1				0.073	0.1606
011	04612-00240	CIR-CLIP,EXTERNAL	1				0.002	0.0044
012	01123-50818	BOLT	2				0.012	0.0264
013	15601-24010	ASSY GEAR,IDLE	1				1.07	2.354
014	99999-99999	BLANK	0			ORDER BY REF.No.014	0	0
015	15221-24980	BUSH,IDLE GEAR	2				0.02	0.044
016	15521-24360	COLLAR,IDLE GEAR 1	1				0.015	0.033
017	15521-24370	COLLAR,IDLE GEAR 2	1				0.015	0.033
018	15221-24320	CIR-CLIP,EXTERNAL	1				0.01	0.022
019	15221-24250	SHAFT,IDLE GEAR	1				0.48	1.056
020	01123-50818	BOLT	3				0.012	0.0264

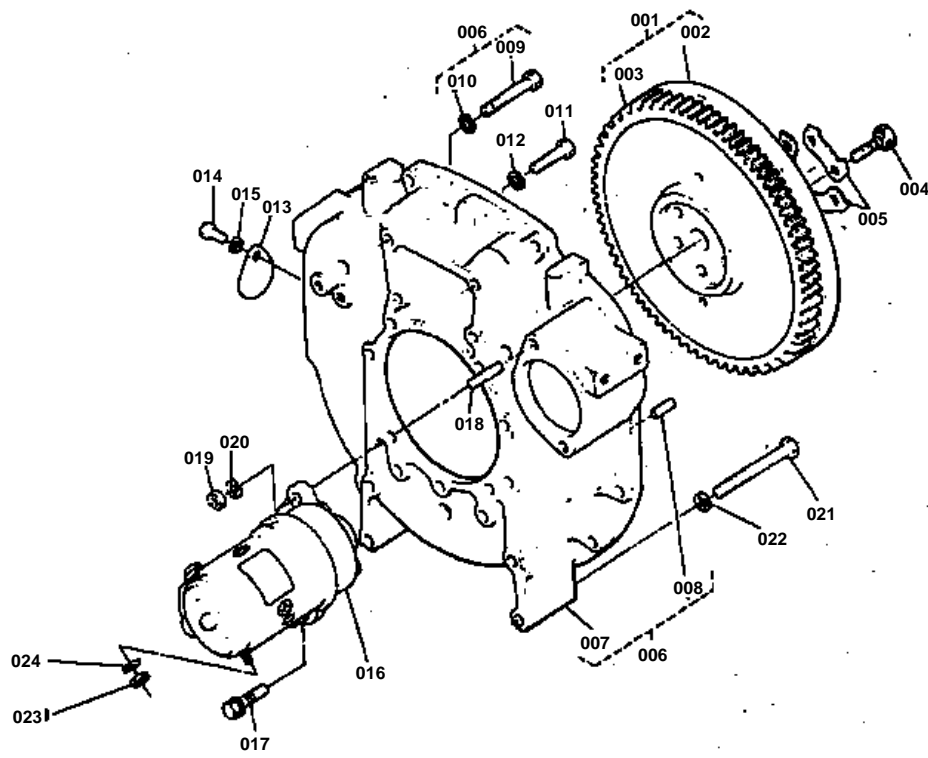


CRANKSHAFT

↔ Interchangeable; ≠ not interchangeable; ← new for old; → old for new

REF.No	Part No.	Description	Q'ty	S.No.	I/C	REMARKS	Weight (kgf)	Weight (lb)
001	15201-21110	PISTON	6			STANDARD	0.54	1.188
001	15201-21910	PISTON	6			+0.5MM	0.545	1.199
002	15201-21050	ASSY PISTON RING	6			STANDARD	0	0
002	15201-21090	ASSY PISTON RING	6			+0.5MM	0	0
003	15521-21310	PISTON PIN	6				0.156	0.3432
004	15221-21330	CIR-CLIP,PISTON PIN	12				0.002	0.0044
005	15521-22010	ASSY CONNECTING,ROD	6				0	0
006	99999-99999	BLANK	0			ORDER BY REF.No.005	0	0
007	15221-21980	BUSH,PISTON PIN	6				0	0
008	15521-22140	BOLT,CONNECTING ROD	12				0	0
009	15221-22310	METAL,CRANK PIN	6			SET STANDARD	0	0
009	15221-22970	METAL,CRANK PIN	6			SET -0.2MM	0.04	0.088
009	15221-22980	METAL,CRANK PIN	6			SET -0.4MM	0.04	0.088
010	15601-23010	CRANK SHAFT	1				0	0
011	99999-99999	BLANK	0			ORDER BY REF.No.010	0	0
012	15131-01380	PLUG,PIN	6				0.001	0.0022
013	15601-23420	BEARING	1				0.07	0.154
014	15601-24110	GEAR,CRANKSHAFT	1				0.34	0.748
015	05712-00730	KEY,FEATHER	1				0.011	0.0242
016	15601-35630	GEAR,OIL PUMP DRIVE	1				0.181	0.3982
017	15401-23310	OIL SLINGER	1				0	0
018	15601-23250	COLLAR,CRANKSHAFT	1				0.067	0.1474
019	04811-10300	O RING	1				0.001	0.0022
020	15221-23470	METAL,CRANKSHAFT	1			STANDARD	0	0
020	15221-23910	METAL,CRANKSHAFT	1			-0.2MM	0	0
020	15221-23920	METAL,CRANKSHAFT	1			-0.4MM	0	0
021	15221-23480	METAL,CRANKSHAFT	6			SET STANDARD	0	0
021	15221-23930	METAL,CRANKSHAFT	6			SET -0.2MM	0.055	0.121
021	15221-23940	METAL,CRANKSHAFT	6			SET -0.4MM	0.056	0.1232
022	15221-23530	METAL,SIDE	2			STANDARD	0	0
022	15221-23950	METAL,SIDE	2			+0.2MM	0	0
022	15221-23960	METAL,SIDE	2			+0.4MM	0	0
023	15221-23540	METAL,SIDE	2			STANDARD	0	0
023	15221-23970	METAL,SIDE	2			+0.2MM	0.009	0.0198
023	15221-23980	METAL,SIDE	2			+0.4MM	0.009	0.0198

FLYWHEEL



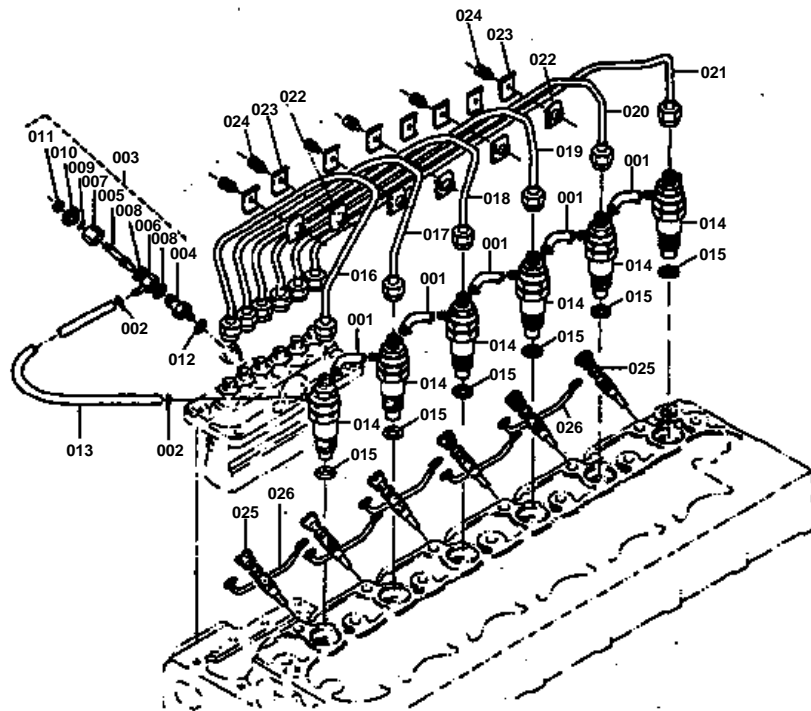


FLYWHEEL

↔ Interchangeable; ≠ not interchangeable; ← new for old; → old for new

REF.No	Part No.	Description	Q'ty	S.No.	I/C	REMARKS	Weight (kgf)	Weight (lb)
001	15601-25010	ASSY FLYWHEEL	1				0	0
002	99999-99999	BLANK	0			ORDER BY REF.No.001	0	0
003	15601-63820	GEAR,RING	1				0	0
004	15321-25160	BOLT,FLYWHEEL	6				0.05	0.11
005	15601-25170	WASHER,FLYWHEEL	3				0.009	0.0198
006	15601-04600	ASSY HOUSING,FLYWHEE	1				18.5	40.7
007	99999-99999	BLANK	0			ORDER BY REF.No.006	0	0
008	05012-01018	PIN,STRAIGHT	2				0.012	0.0264
009	01073-51250	BOLT	2				0.055	0.121
010	04512-50120	WASHER,SPRING	2				0	0
011	01073-51032	BOLT	11				0.03	0.066
012	04512-50100	WASHER,SPRING	11				0	0
013	31220-14170	COVER	1				0.014	0.0308
014	01153-50812	BOLT	1				0.008	0.0176
015	04512-50080	WASHER,SPRING	1				0	0
016	15601-63010	STARTER	1				0	0
017	01133-51030	BOLT	1				0.025	0.055
018	01517-51028	STUD	1				0.022	0.0484
019	02176-50100	NUT	1				0.005	0.011
020	04512-50100	WASHER,SPRING	1				0	0
021	01073-51290	BOLT	2				0.087	0.1914
022	04512-50120	WASHER,SPRING	2				0	0
023	02014-50080	NUT	1				0.007	0.0154
024	04512-50080	WASHER,SPRING	1				0	0

NOZZLE HOLDER



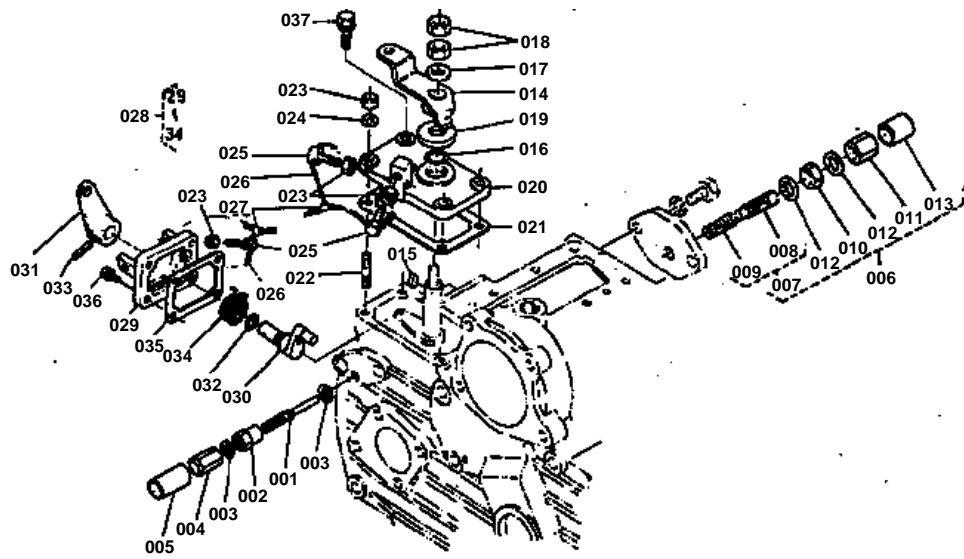


NOZZLE HOLDER

↔ Interchangeable; ≠ not interchangeable; ← new for old; → old for new

REF.No	Part No.	Description	Q'ty	S.No.	I/C	REMARKS	Weight (kgf)	Weight (lb)
001	15221-42510	PIPE,FUEL OVER FLOW	5				0.005	0.011
002	14971-42750	CLIP,PIPE	12				0.001	0.0022
003	15401-51900	COCK	1				0.075	0.165
004	99999-99999	BLANK	0			ORDER BY REF.No.003	0	0
005	99999-99999	BLANK	0			ORDER BY REF.No.003	0	0
006	15401-95680	JOINT,EYE	1				0.01	0.022
007	99999-99999	BLANK	0			ORDER BY REF.No.003	0	0
008	15221-96650	GASKET	2				0.001	0.0022
009	99999-99999	BLANK	0			ORDER BY REF.No.003	0	0
010	99999-99999	BLANK	0			ORDER BY REF.No.003	0	0
011	02054-50040	NUT	1				0.001	0.0022
012	15021-33660	GASKET	1				0.001	0.0022
013	15401-42520	PIPE,FUEL OVER FLOW	1				0.01	0.022
014	15271-53020	ASSY HOLDER,NOZZLE	6				0.26	0.572
015	17011-53620	GASKET	6				0.003	0.0066
016	15601-53710	PIPE,INJECTION	1				0.15	0.33
017	15601-53720	PIPE,INJECTION	1				0.15	0.33
018	15601-53730	PIPE,INJECTION	1				0.15	0.33
019	15601-53740	PIPE,INJECTION	1				0.15	0.33
020	15601-53750	PIPE,INJECTION	1				0.15	0.33
021	15601-53760	PIPE,INJECTION	1				0.15	0.33
022	15121-53850	CLAMP,PIPE	8				0	0
023	15121-53860	CLAMP,PIPE	8				0	0
024	03024-50520	SCREW,WITH WASHER	8				0.004	0.0088
025	15221-65510	GLOW PLUG	6				0.03	0.066
026	15401-65560	CORD,GLOW PLUG	5				0.005	0.011

SPEED CONTROL

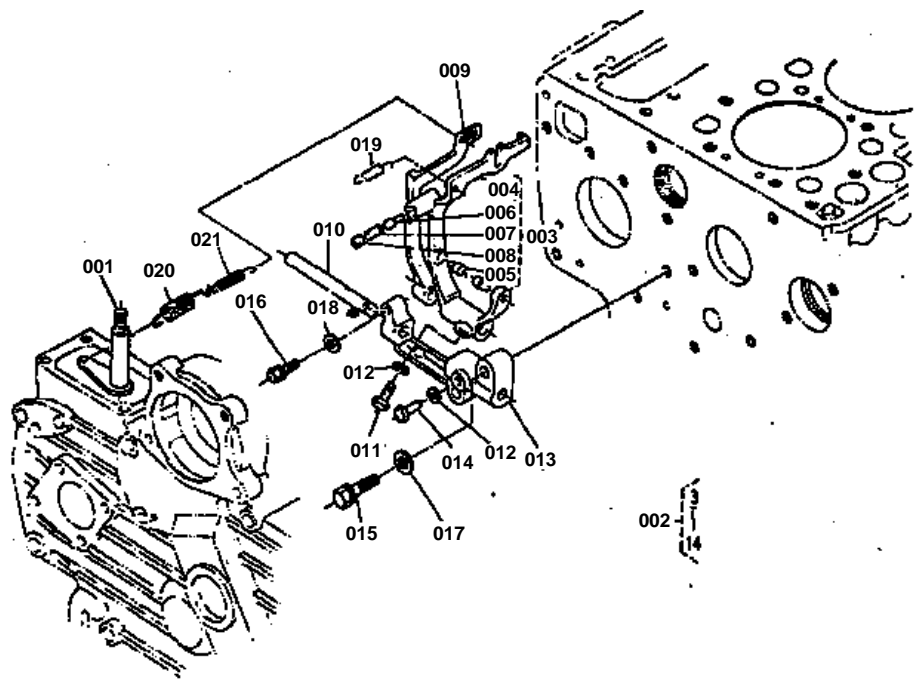




SPEED CONTROL

↔ Interchangeable; ≠ not interchangeable; ← new for old; → old for new

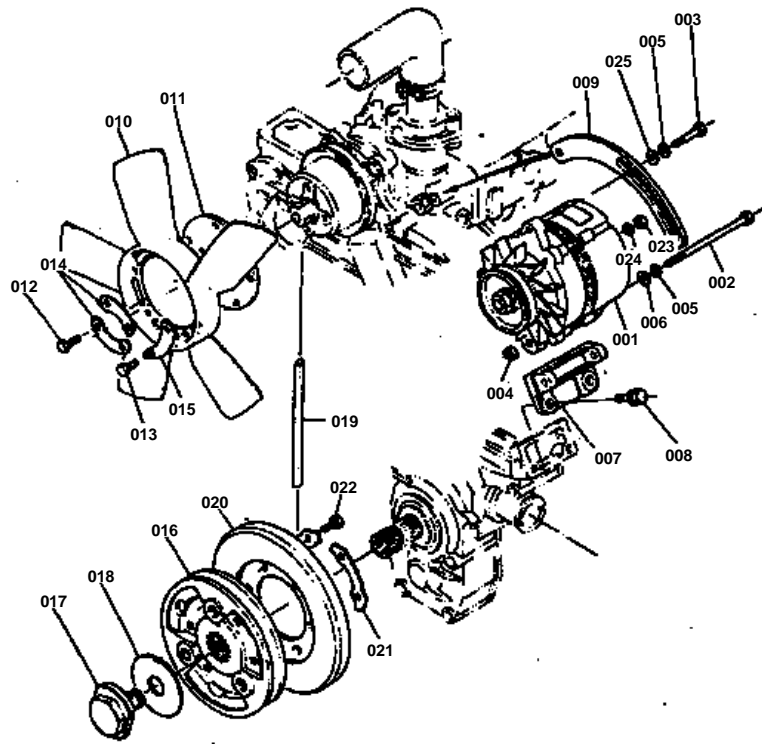
REF.No	Part No.	Description	Q'ty	S.No.	I/C	REMARKS	Weight (kgf)	Weight (lb)
001	15601-54120	BOLT,ADJUSTING	1				0.011	0.0242
002	15601-92010	NUT	1				0	0
003	15601-96650	GASKET	2				0.001	0.0022
004	15601-54220	NUT,CAP	1				0	0
005	15601-54420	CAP	1				0	0
006	15601-54090	ASSY APPARATUS,IDLE	1				0.04	0.088
007	15601-54100	ASSY BOLT,ADJUSTING	1				0.01	0.022
008	15401-54250	BOLT,ADJUSTING	1				0.01	0.022
009	15601-54260	SPRING	1				0.002	0.0044
010	15401-92010	NUT	1				0.01	0.022
011	15401-92330	NUT,CAP	1				0.01	0.022
012	15021-33660	GASKET	2				0.001	0.0022
013	15401-54270	CAP	1				0.004	0.0088
014	15469-57150	LEVER,SPEED CONTROL	1				0.06	0.132
015	05712-00408	KEY,FEATHER	1				0.001	0.0022
016	04811-00120	O RING	1				0	0
017	04013-50080	WASHER,PLAIN	1				0	0
018	02112-50080	NUT	2				0.003	0.0066
019	17011-57380	PLATE,FRICITION	1				0	0
020	15611-57110	PLATE,SPEED CONTROL	1				0	0
021	15221-57210	GASKET,CONT.PLATE	1				0	0
022	15221-88210	STUD	2				0.005	0.011
023	02056-50060	NUT	5				0.002	0.0044
024	04512-50060	WASHER,SPRING	2				0	0
025	99999-99999	BLANK	0			NON SALE	0	0
026	99999-99999	BLANK	0			NON SALE	0	0
027	99999-99999	BLANK	0			NON SALE	0	0
028	15611-57700	ASSY LEVER,ENGINE ST	1				0	0
029	15611-51650	COVER,INJECTION PUMP	1				0.081	0.1782
030	15611-57740	SHAFT,LEVER	1				0.04	0.088
031	99999-99999	BLANK	0			ORDER BY REF.No.028	0	0
032	04811-10070	O RING	1				0.001	0.0022
033	05411-00420	PIN,SPRING	1				0.001	0.0022
034	15611-57510	SPRING	1				0.003	0.0066
035	15221-51660	GASKET,PUMP COVER	1				0	0
036	01023-50618	BOLT	4				0.006	0.0132
037	01023-50620	BOLT	2				0.006	0.0132



**GOVERNOR**

↔ Interchangeable; ≠ not interchangeable; ← new for old; → old for new

REF.No	Part No.	Description	Q'ty	S.No.	I/C	REMARKS	Weight (kgf)	Weight (lb)
001	15601-56020	ASSY LEVER,GOVERNOR	1				0.055	0.121
002	15611-56050	ASSY LEVER,FORK	1				0.438	0.9636
003	15611-56040	ASSY LEVER,FORK	1				0.18	0.396
004	99999-99999	BLANK	0			ORDER BY REF.No.003	0	0
005	99999-99999	BLANK	0			ORDER BY REF.No.003	0	0
006	15221-54030	PIN	1				0.045	0.099
007	15601-54230	SPRING	1				0.003	0.0066
008	99999-99999	BLANK	0			ORDER BY REF.No.003	0	0
009	15611-56130	LEVER,FORK 2	1				0.07	0.154
010	15221-56150	SHAFT,FORK LEVER	1				0.1	0.22
011	15021-56240	BOLT	1				0.005	0.011
012	04512-50060	WASHER,SPRING	2				0	0
013	15221-56230	HOLDER,FORK LEVER	1				0.1	0.22
014	15221-66410	BOLT	1				0.005	0.011
015	01123-50832	BOLT	2				0.016	0.0352
016	01023-50628	BOLT	1				0.015	0.033
017	04012-50080	WASHER,PLAIN	2				0.001	0.0022
018	04012-50060	WASHER,PLAIN	1				0.001	0.0022
019	15611-56480	SPRING,START	1				0.001	0.0022
020	15611-56410	SPRING,GOVERNOR 1	1				0.005	0.011
021	15611-56420	SPRING,GOVERNOR 2	1				0.002	0.0044

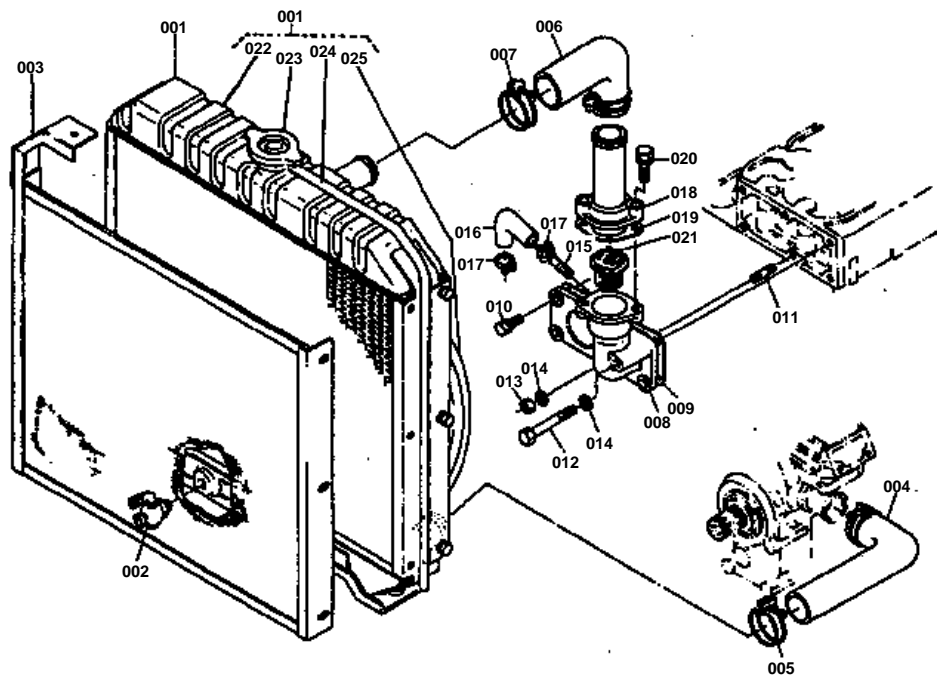


**DYNAMO**

↔ Interchangeable; ≠ not interchangeable; ← new for old; → old for new

REF.No	Part No.	Description	Q'ty	S.No.	I/C	REMARKS	Weight (kgf)	Weight (lb)
001	15606-64010	ASSY DYNAMO	1				3.68	8.096
002	15221-91010	BOLT	1				0	0
003	01153-50830	BOLT	1				0	0
004	02156-50080	NUT	2				0.004	0.0088
005	04512-50080	WASHER,SPRING	2				0	0
006	04012-50080	WASHER,PLAIN	1				0.001	0.0022
007	15601-64350	SUPPORT,DYNAMO	1				0.28	0.616
008	01123-50825	BOLT	2				0.013	0.0286
009	15601-64420	STAY,DYNAMO	1				0.105	0.231
010	15601-74110	FAN	1				0.43	0.946
011	15601-74130	SUPPORT,FAN	1				0.35	0.77
012	01053-50818	BOLT	4				0.011	0.0242
013	01053-50610	BOLT	6				0.004	0.0088
014	15606-74230	WASHER,FAN	2				0.006	0.0132
015	15601-74240	WASHER,FAN	3				0.006	0.0132
016	15606-74280	PULLEY,FAN DRIVE	1				2.015	4.433
017	15601-91010	BOLT	1				0	0
018	15601-94190	WASHER,CLAW	1				0.023	0.0506
019	15606-97012	BELT,V	1				0.125	0.275
020	15601-23780	DAMPER,CRANKSHAFT	1				1.7	3.74
021	15601-23810	WASHER,DAMPER	3				0.006	0.0132
022	01053-50820	BOLT	6				0.012	0.0264
023	02014-50060	NUT	1				0.002	0.0044
024	04512-50060	WASHER,SPRING	1				0	0
025	04013-50080	WASHER,PLAIN	1				0	0

RADIATOR

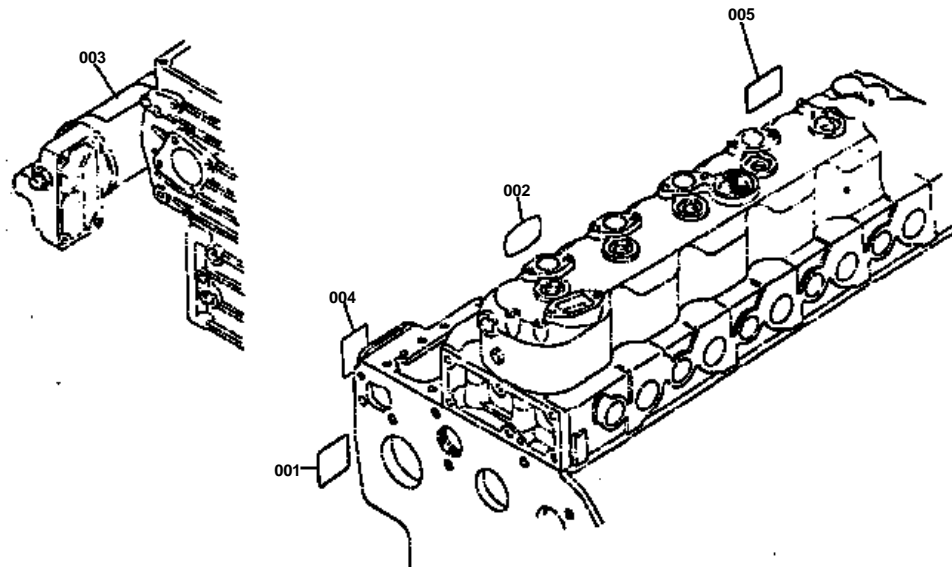


**RADIATOR**

↔ Interchangeable; ≠ not interchangeable; ← new for old; → old for new

REF.No	Part No.	Description	Q'ty	S.No.	I/C	REMARKS	Weight (kgf)	Weight (lb)
001	15612-72060	ASSY RADIATOR	1				14.5	31.9
002	14412-73110	COCK,DRAIN	1				0.09	0.198
003	15612-72250	NET,RADIATOR	1				0.7	1.54
004	15612-72850	PIPE,WATER	1				0.045	0.099
005	15108-72870	BAND	2				0.027	0.0594
006	15612-72940	PIPE,WATER	1				0.19	0.418
007	15108-72870	BAND	2				0.027	0.0594
008	15321-72910	FLANGE,WATER	1				0	0
009	15601-72920	PACKING,WATER FLANGE	1				0	0
010	01123-50822	BOLT	4				0.012	0.0264
011	01513-50822	STUD	1				0.01	0.022
012	01153-50870	BOLT	1				0.026	0.0572
013	02156-50080	NUT	1				0.004	0.0088
014	04512-50080	WASHER,SPRING	2				0	0
015	15321-73340	PIPE,WATER RETURN	1				0.016	0.0352
016	15321-73350	PIPE,WATER RETURN	1				0.02	0.044
017	15109-73360	BAND,PIPE	2				0.01	0.022
018	15601-73260	COVER,THERMOSTAT	1				0.17	0.374
019	15321-73270	GASKET,COVER	1				0	0
020	01123-50835	BOLT	2				0.02	0.044
021	15321-73010	ASSY THERMOSTAT	1				0	0
022	99999-99999	BLANK	0			ORDER BY REF.No.001	0	0
023	15101-72030	CAP,RADIATOR	1				0.075	0.165
024	15701-72710	PIPE,WATER OVER FLOW	1				0.03	0.066
025	15612-72330	SHROUD,FAN	1				1.2	2.64

NAME PLATE



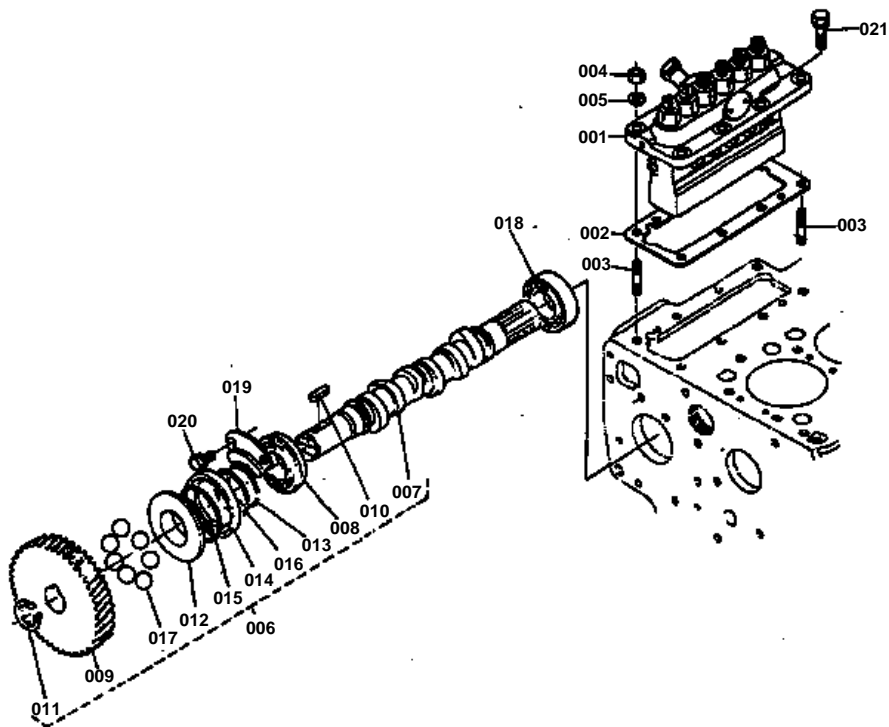


NAME PLATE

↔ Interchangeable; ≠ not interchangeable; ← new for old; → old for new

REF.No	Part No.	Description	Q'ty	S.No.	I/C	REMARKS	Weight (kgf)	Weight (lb)
001	15103-94590	LABEL	1				0.001	0.0022
002	15612-88310	LABEL	1				0.001	0.0022
003	15213-94400	LABEL,INSTRUCTION	1				0.001	0.0022
004	15612-87210	LABEL,INSTRUCTION	1				0.001	0.0022
005	15222-88210	LABEL,GLOW PLUG	1				0.003	0.0066

INJECTION PUMP



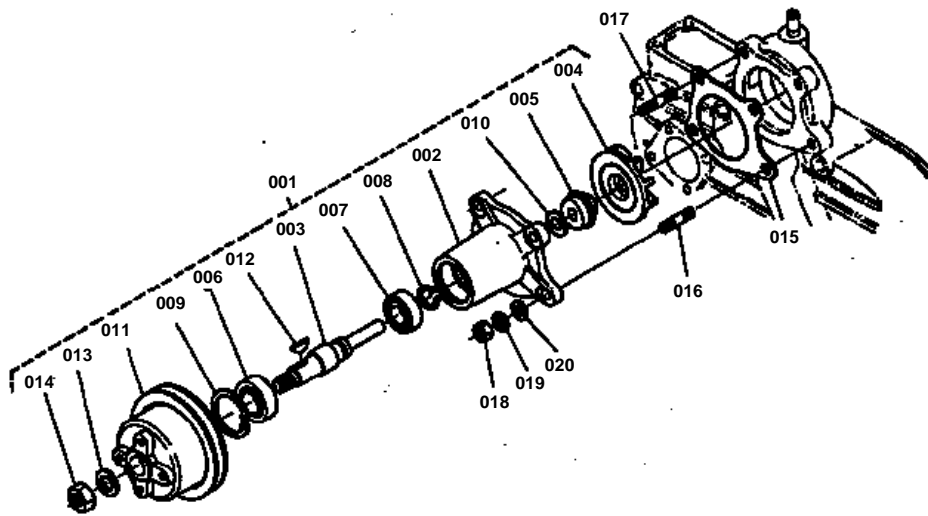


INJECTION PUMP

↔ Interchangeable; ≠ not interchangeable; ← new for old; → old for new

REF.No	Part No.	Description	Q'ty	S.No.	I/C	REMARKS	Weight (kgf)	Weight (lb)
001	15601-51010	PUMP,INJECTION	1				3.9	8.58
002	15601-52110	SHIM,INJECTION PUMP	5				0.01	0.022
003	01513-50822	STUD	2				0.01	0.022
004	02156-50080	NUT	2				0.004	0.0088
005	04512-50080	WASHER,SPRING	2				0	0
006	15611-16020	ASSY CAMSHAFT,FUEL	1				2.8	6.16
007	15601-16170	CAMSHAFT,FUEL	1				1.25	2.75
008	08153-06205	BEARING,BALL	1				0.13	0.286
009	15611-51150	GEAR,INJECTION PUMP	1				1.035	2.277
010	05712-00525	KEY,FEATHER	1				0.005	0.011
011	04612-00240	CIR-CLIP,EXTERNAL	1				0.002	0.0044
012	15611-55450	SLEEVE,GOVERNOR	1				0.117	0.2574
013	15221-55470	CIR-CLIP	1				0.003	0.0066
014	15611-55690	CASE,GOVERNOR BALL	1				0.03	0.066
015	07715-03205	BALL	39				0.001	0.0022
016	15221-55740	CIR-CLIP	1				0.002	0.0044
017	07715-00403	BALL	7				0.03	0.066
018	08240-00001	BEARING,BALL	1				0.19	0.418
019	15221-16320	STOPPER,F-CAMSHAFT	1				0.02	0.044
020	01123-50814	BOLT	2				0	0
021	01123-50822	BOLT	6				0.012	0.0264

WATER PUMP



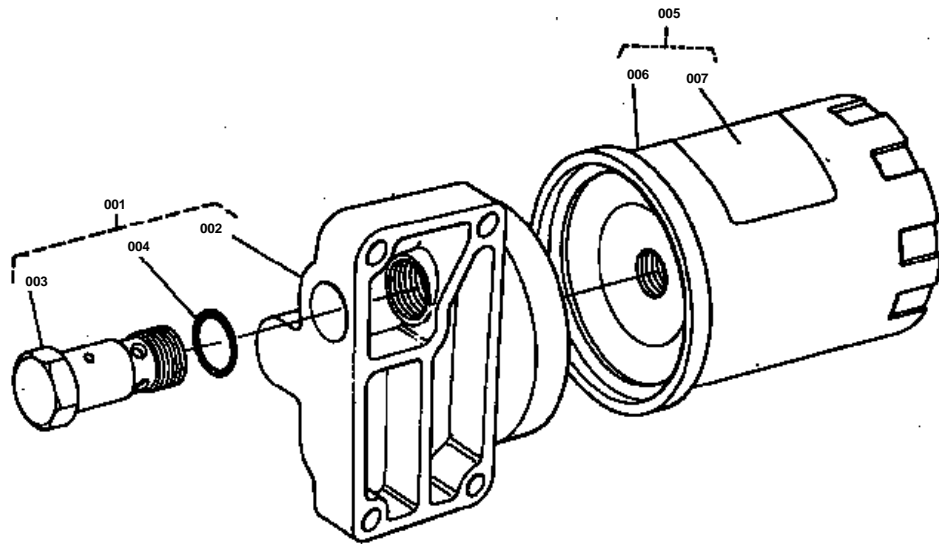


WATER PUMP

↔ Interchangeable; ≠ not interchangeable; ← new for old; → old for new

REF.No	Part No.	Description	Q'ty	S.No.	I/C	REMARKS	Weight (kgf)	Weight (lb)
001	15606-73030	ASSY PUMP,WATER	1				0	0
002	99999-99999	BLANK	0			ORDER BY REF.No.001	0	0
003	15601-73480	SHAFT,WATER PUMP	1				0	0
004	15321-73510	IMPELLER,WATER PUMP	1				0.22	0.484
005	15121-73050	SET,SEAL	1				0	0
006	08143-06302	BEARING,BALL	1				0.082	0.1804
007	08143-06202	BEARING,BALL	1				0.043	0.0946
008	04612-00150	CIR-CLIP,EXTERNAL	1				0.001	0.0022
009	04611-00420	CIR-CLIP,INTERNAL	1				0.006	0.0132
010	15121-73620	SLINGER	1				0.002	0.0044
011	15606-74250	PULLEY,FAN	1				1.05	2.31
012	05811-00416	KEY,WOODRUFF	1				0.002	0.0044
013	04512-50140	WASHER,SPRING	1				0	0
014	02076-50140	NUT	1				0.022	0.0484
015	15321-73430	GASKET,WATER PUMP	1				0	0
016	01518-50822	STUD	2				0.012	0.0264
017	01518-50825	STUD	2				0.014	0.0308
018	02056-50080	NUT	4				0.005	0.011
019	04512-50080	WASHER,SPRING	4				0	0
020	04012-50080	WASHER,PLAIN	4				0.001	0.0022

OIL FILTER 2 [SECTION PARTS]



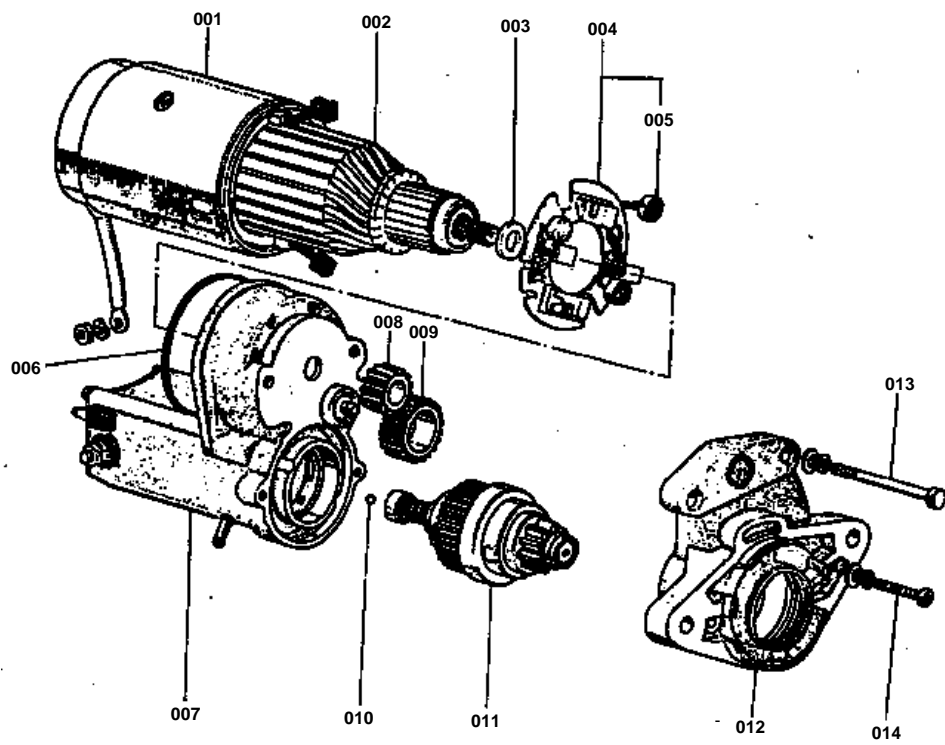


OIL FILTER 2 [SECTION PARTS]

↔ Interchangeable; ≠ not interchangeable; ← new for old; → old for new

REF.No	Part No.	Description	Q'ty	S.No.	I/C	REMARKS	Weight (kgf)	Weight (lb)
001	15402-32070	ASSY COVER	1				0.52	1.144
002	99999-99999	BLANK	1			ORDER BY REF.No.001	0	0
003	15213-36070	ASSY VALVE,RELIEF	1				0.13	0.286
004	04811-00200	O RING	1				0	0
005	15402-32090	ASSY CARTRIDGE	1				0.5	1.1
006	15402-32430	FILTER,CARTRIDGE	1				0.5	1.1
007	15213-94400	LABEL,OIL FILTER	1				0.001	0.0022

STARTER [SECTION PARTS]

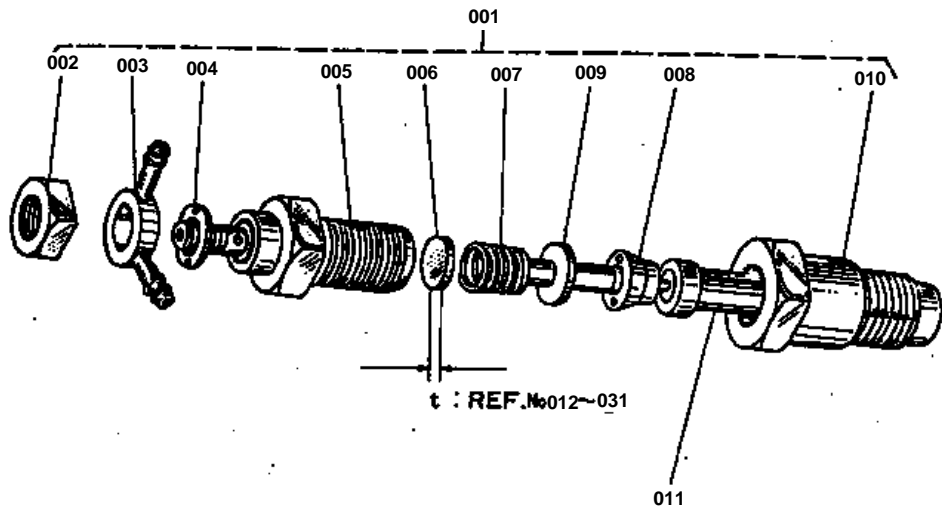


**STARTER [SECTION PARTS]**

↔ Interchangeable; ≠ not interchangeable; ← new for old; → old for new

REF.No	Part No.	Description	Q'ty	S.No.	I/C	REMARKS	Weight (kgf)	Weight (lb)
001	15401-63080	YOKE	1				1.2	2.64
002	19212-63070	ARMATURE	1				1	2.2
003	19212-96670	GASKET	1				0.001	0.0022
004	15401-63380	HOLDER,BRUSH	1				0.1	0.22
005	15401-63390	SPRING,BRUSH	4				0.003	0.0066
006	15401-96660	GASKET	1				0.002	0.0044
007	15521-63020	SWITCH,MAGNET	1				1.29	2.838
008	15521-63260	GEAR 1	1				0.03	0.066
009	15401-63270	GEAR 2	1				0.043	0.0946
010	19212-97130	BALL	1				0.003	0.0066
011	15601-63042	CLUTCH	1				0.75	1.65
012	15521-63030	DRIVE END FRAME	1				0.455	1.001
013	15401-63320	BOLT,THROUGH	2				0.017	0.0374
014	15401-93310	SCREW	2				0.01	0.022

NOZZLE HOLDER 2 [SECTION PARTS]

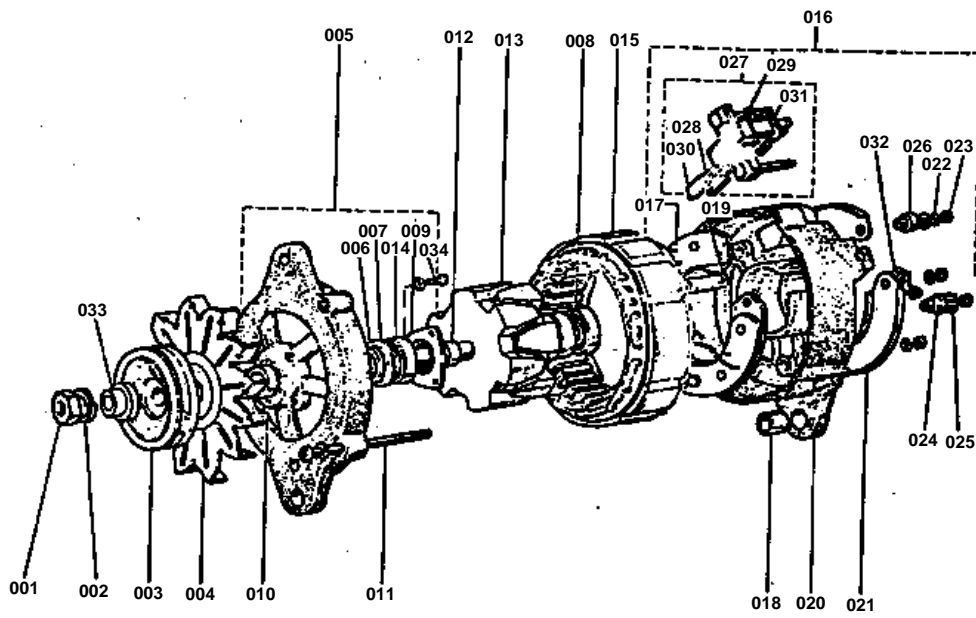


**NOZZLE HOLDER 2 [SECTION PARTS]**

↔ Interchangeable; ≠ not interchangeable; ← new for old; → old for new

REF.No	Part No.	Description	Q'ty	S.No.	I/C	REMARKS	Weight (kgf)	Weight (lb)
001	15271-53020	ASSY HOLDER NOZZLE	1				0.26	0.572
002	15221-92020	NUT	1				0.011	0.0242
003	15221-95690	JOINT,EYE	1				0.022	0.0484
004	15221-94020	WASHER,PLAIN	1				0.002	0.0044
005	99999-99999	BLANK	0			ORDER BY REF.No.001	0	0
006	15221-53230	WASHER,ADJUSTING	1				0.001	0.0022
007	15221-53170	SPRING,NOZZLE	1				0.01	0.022
008	15221-53350	PIECE,DISTANCE	1				0.016	0.0352
009	15221-53160	ROD,PUSH	1				0.003	0.0066
010	15221-53280	NUT,NOZZLE	1				0.068	0.1496
011	15021-53610	PIECE,NOZZLE	1				0	0
012	15221-98110	WASHER,ADJUSTING 100	1			THICKNESS 1.00MM	0.001	0.0022
013	15221-98120	WASHER,ADJUSTING 105	1			THICKNESS 1.05MM	0.001	0.0022
014	15221-98130	WASHER,ADJUSTING 110	1			THICKNESS 1.10MM	0.001	0.0022
015	15221-98140	WASHER,ADJUSTING 115	1			THICKNESS 1.15MM	0.001	0.0022
016	15221-98150	WASHER,ADJUSTING 120	1			THICKNESS 1.20MM	0.001	0.0022
017	15221-98160	WASHER,ADJUSTING 125	1			THICKNESS 1.25MM	0.001	0.0022
018	15221-98170	WASHER,ADJUSTING 130	1			THICKNESS 1.30MM	0.001	0.0022
019	15221-98180	WASHER,ADJUSTING 135	1			THICKNESS 1.35MM	0.001	0.0022
020	15221-98190	WASHER,ADJUSTING 140	1			THICKNESS 1.40MM	0.002	0.0044
021	15221-98200	WASHER,ADJUSTING 145	1			THICKNESS 1.45MM	0.001	0.0022
022	15221-98210	WASHER,ADJUSTING 150	1			THICKNESS 1.50MM	0.001	0.0022
023	15221-98220	WASHER,ADJUSTING 155	1			THICKNESS 1.55MM	0.003	0.0066
024	15221-98230	WASHER,ADJUSTING 160	1			THICKNESS 1.60MM	0.003	0.0066
025	15221-98240	WASHER,ADJUSTING 165	1			THICKNESS 1.65MM	0.002	0.0044
026	15221-98250	WASHER,ADJUSTING 170	1			THICKNESS 1.70MM	0.002	0.0044
027	15221-98260	WASHER,ADJUSTING 175	1			THICKNESS 1.75MM	0.002	0.0044
028	15221-98270	WASHER,ADJUSTING 180	1			THICKNESS 1.80MM	0.002	0.0044
029	15221-98280	WASHER,ADJUSTING 185	1			THICKNESS 1.85MM	0.002	0.0044
030	15221-98290	WASHER,ADJUSTING 190	1			THICKNESS 1.90MM	0.002	0.0044
031	15221-98300	WASHER,ADJUSTING 195	1			THICKNESS 1.95MM	0.003	0.0066

DYNAMO [SECTION PARTS]

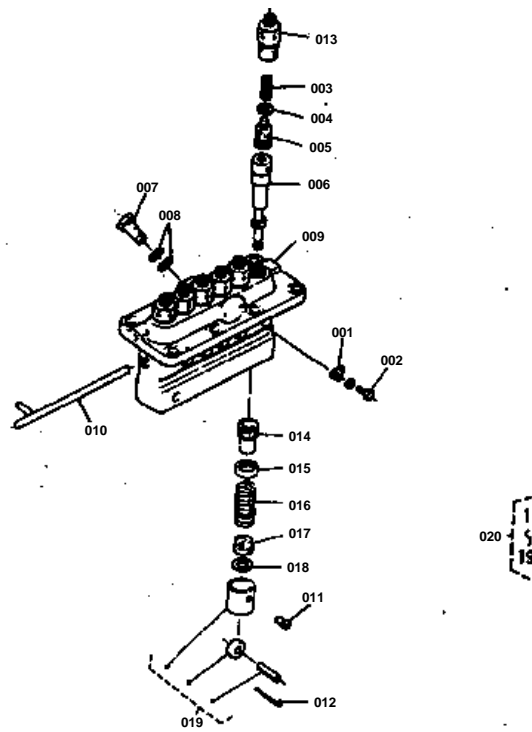


**DYNAMO [SECTION PARTS]**

↔ Interchangeable; ≠ not interchangeable; ← new for old; → old for new

REF.No	Part No.	Description	Q'ty	S.No.	I/C	REMARKS	Weight (kgf)	Weight (lb)
001	15221-92010	NUT	1				0.012	0.0264
002	15221-94070	WASHER,SPRING	1				0.008	0.0176
003	15606-64110	PULLEY,DYNAMO	1				0.46	1.012
004	15221-64130	FAN,DYNAMO	1				0	0
005	15321-64020	FRAME,DRIVE END	1				0	0
006	15221-64790	FELT,OIL	1				0.001	0.0022
007	15221-64830	COVER,FELT	1				0.003	0.0066
008	08121-06201	BEARING,BALL	1				0.036	0.0792
009	15221-64710	PLATE,RETAINER	1				0.018	0.0396
010	15221-64150	COLLAR	1				0.008	0.0176
011	15321-64260	BOLT,THROUGH	2				0.008	0.0176
012	15321-64170	SPACER	1				0.007	0.0154
013	15606-64030	ARMATURE	1				1.34	2.948
014	08141-06202	BEARING,BALL	1				0.043	0.0946
015	15606-64050	YOKE	1				0.76	1.672
016	15321-64070	ASSY FRAME,END	1				0.52	1.144
017	15321-64850	ASSY RECTIFIER	1				0.134	0.2948
018	15221-64210	BUSH	1				0.007	0.0154
019	15321-64880	WASHER,INSULATION	1				0.001	0.0022
020	15321-64060	FRAME,END	1				0.298	0.6556
021	15321-64230	COVER,END	1				0.029	0.0638
022	04512-50050	WASHER,SPRING	5				0	0
023	15221-92030	NUT	5				0.001	0.0022
024	15321-64920	BUSH,INSULATION	1				0.001	0.0022
025	04512-50060	WASHER	1				0	0
026	15221-64910	BUSH,INSULATION	1				0.001	0.0022
027	15321-64310	ASSY HOLDER,BRUSH	1				0.039	0.0858
028	15221-64330	SPRING,BRUSH	2				0.001	0.0022
029	15221-64880	WASHER,INSULATION	2				0.001	0.0022
030	15221-64090	BRUSH	2				0.002	0.0044
031	15321-64940	INSULATOR,TERMINAL	1				0.001	0.0022
032	15321-67570	CLAMP,CORD	1				0.04	0.088
033	15321-64170	SPACER	1				0.007	0.0154
034	01050-50516	BOLT	1				0	0

INJECTION PUMP [SECTION PARTS]

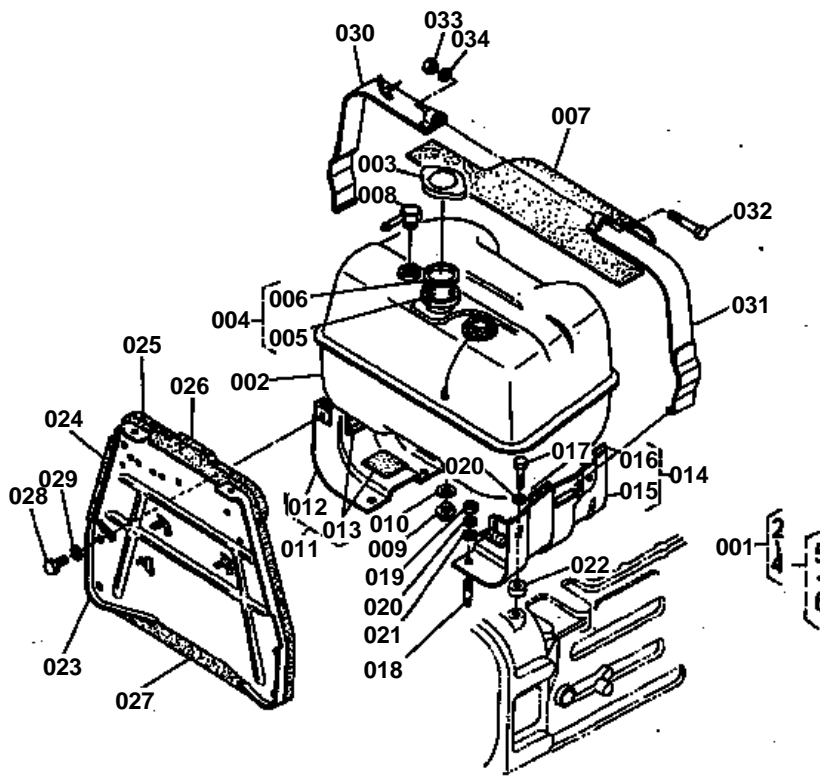


**INJECTION PUMP [SECTION PARTS]**

↔ Interchangeable; ≠ not interchangeable; ← new for old; → old for new

REF.No	Part No.	Description	Q'ty	S.No.	I/C	REMARKS	Weight (kgf)	Weight (lb)
001	15221-51390	PLATE,ADJUST	5				0	0
002	15221-91030	BOLT	5				0	0
003	15221-51230	SPRING,DELIV.VALVE	6				0.002	0.0044
004	15221-51240	GASKET,DELIV.VALVE	6				0.001	0.0022
005	15221-51030	VALVE,DELIVERY	6				0.012	0.0264
006	15221-51050	ELEMENT,PUMP	6				0.053	0.1166
007	15401-51320	SCREW	1				0.032	0.0704
008	15221-96650	GASKET	2				0.001	0.0022
009	99999-99999	BLANK	0			ORDER BY REF.No.020	0	0
010	15601-51060	RACK,CONTROL	1				0.065	0.143
011	15221-51250	PIN,TAPPET GUIDE	6				0.001	0.0022
012	15221-51430	PIN,CLAMP	2				0.001	0.0022
013	15601-51220	HOLDER,DELIV.VALVE	6				0.055	0.121
014	15221-51380	SLEEVE,CONTROL	6				0	0
015	15221-51270	SEAT,SPRING UPPER	6				0.004	0.0088
016	15221-51280	SPRING,PLUNGER	6				0.015	0.033
017	15221-51290	SEAT,SPRING UNDER	6				0.01	0.022
018	15221-51490	SHIM	6				0.002	0.0044
019	15221-51070	ASSY TAPPET	6				0.039	0.0858
020	15601-51010	PUMP,INJECTION	1				3.9	8.58

FUEL TANK 1

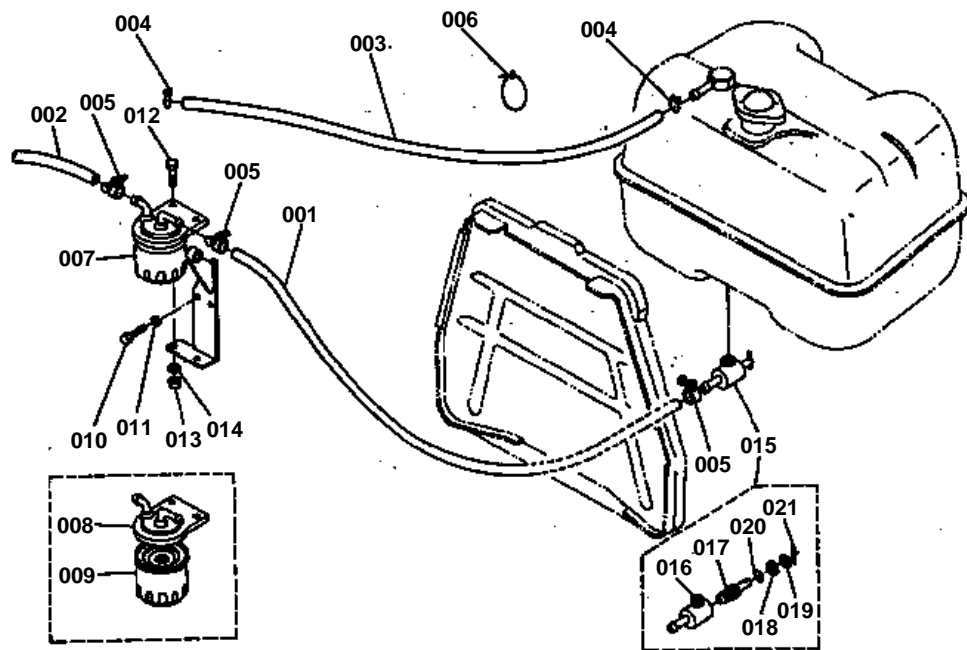


**FUEL TANK 1**

↔ Interchangeable; ≠ not interchangeable; ← new for old; → old for new

REF.No	Part No.	Description	Q'ty	S.No.	I/C	REMARKS	Weight (kgf)	Weight (lb)
001	33251-04105	ASSY TANK,FUEL	1				12	26.4
002	99999-99999	BLANK	0			ORDER BY REF.No.001	0	0
003	14301-41260	ASSY CAP,TANK	1				0.063	0.1386
004	35450-41060	STOPPER,SIDE DECK	1				0.01	0.022
005	35450-41350	FILTER,FUEL	1				0	0
006	10211-41340	GASKET	1				0.003	0.0066
007	33251-04650	CUSHION	1				0.09	0.198
008	36200-04440	UNION	1				0.065	0.143
009	06311-25040	PLUG	1				0.09	0.198
010	04717-02150	WASHER,SEAL	1				0.004	0.0088
011	33251-04510	ASSY SUPPORT,FUEL TA	1				1.98	4.356
012	99999-99999	BLANK	0			ORDER BY REF.No.011	0	0
013	33251-04560	CUSHION	4				0.028	0.0616
014	33251-04540	ASSY SUPPORT,FUEL TA	1				1.98	4.356
015	99999-99999	BLANK	0			ORDER BY REF.No.014	0	0
016	33251-04560	CUSHION	4				0.028	0.0616
017	01173-51250	BOLT	2				0.05	0.11
018	01574-51222	STUD	2				0.032	0.0704
019	02174-50120	NUT	2				0.01	0.022
020	04512-50120	WASHER,SPRING	4				0	0
021	04011-50120	WASHER,PLAIN	2				0.005	0.011
022	33251-04660	SPACER,FUEL TANK SUP	2				0.108	0.2376
023	36200-04610	SUPPORT,TANK	1				3.1	6.82
024	36200-04680	CUSHION	1				0.009	0.0198
025	36200-04580	ELEMENT 1	2				0.012	0.0264
026	36200-04590	ELEMENT 2	1				0.005	0.011
027	36200-04570	ELEMENT 3	1				0.008	0.0176
028	01173-51020	BOLT	2				0.017	0.0374
029	04512-50100	WASHER,SPRING	2				0	0
030	36200-04623	BAND,FUEL TANK RH	1				0.48	1.056
031	33251-04630	BAND,FUEL TANK LH	1				0.48	1.056
032	01173-51075	BOLT	1				0.047	0.1034
033	02572-50100	NUT,SELF-LOCKING	1				0.008	0.0176
034	04011-50100	WASHER,PLAIN	1				0.002	0.0044

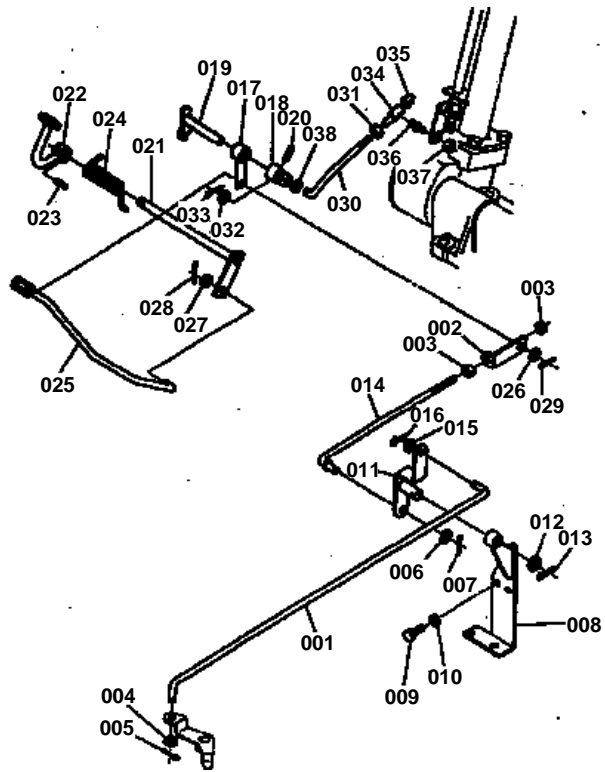
FUEL TANK 2



**FUEL TANK 2**

↔ Interchangeable; ≠ not interchangeable; ← new for old; → old for new

REF.No	Part No.	Description	Q'ty	S.No.	I/C	REMARKS	Weight (kgf)	Weight (lb)
001	36200-04410	PIPE,FUEL 1	1				0.009	0.0198
002	36200-04420	PIPE,FUEL 2	1				0.007	0.0154
003	36200-04430	PIPE,FUEL 3	1				0.03	0.066
004	14971-42750	CLIP,PIPE	2				0.001	0.0022
005	14301-42750	CLIP,PIPE	4				0.005	0.011
006	34350-29380	CORD	2				0.001	0.0022
007	15601-43010	ASSY FILTER,FUEL	1				0.8	1.76
008	15601-43210	COVER	1				0.24	0.528
009	15601-43170	ELEMENT	1				0.47	1.034
010	01173-51022	BOLT	2				0.019	0.0418
011	04512-50100	WASHER,SPRING	2				0	0
012	01153-50830	BOLT	2				0	0
013	02114-50080	NUT	2				0.005	0.011
014	04512-50080	WASHER,SPRING	2				0	0
015	31220-35400	COCK,FUEL	1				0.11	0.242
016	99999-99999	BLANK	0			ORDER BY REF.No.015	0	0
017	99999-99999	BLANK	0			ORDER BY REF.No.015	0	0
018	99999-99999	BLANK	0			ORDER BY REF.No.015	0	0
019	04611-00140	CIR-CLIP,INTERNAL	1				0.001	0.0022
020	04811-00080	O RING	1				0	0
021	05411-00330	PIN,SPRING	1				0.001	0.0022

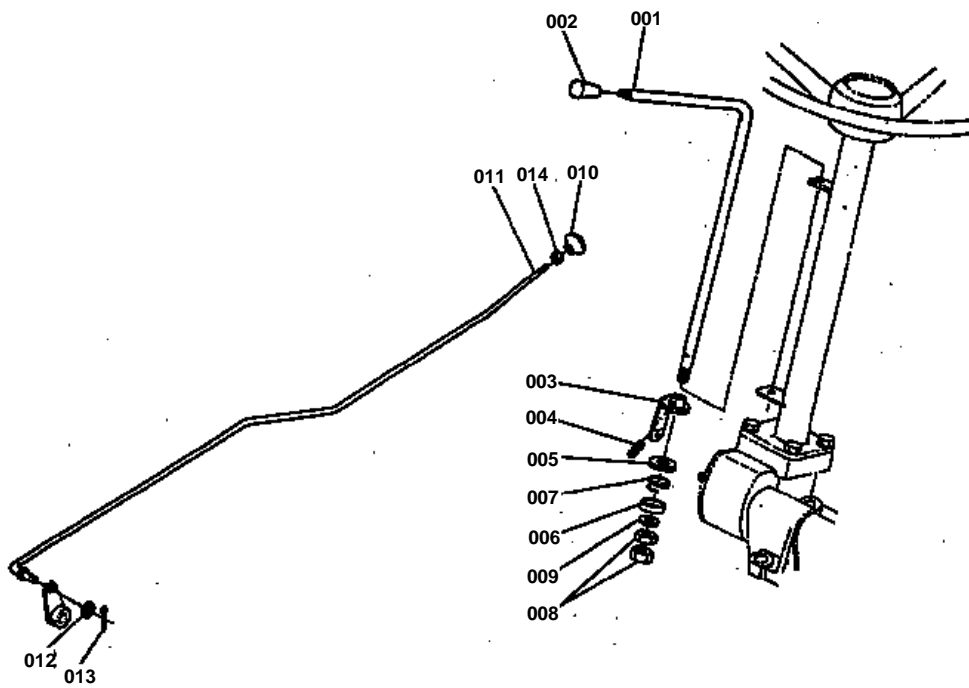




ACCEL ROD

↔ Interchangeable; ≠ not interchangeable; ← new for old; → old for new

REF.No	Part No.	Description	Q'ty	S.No.	I/C	REMARKS	Weight (kgf)	Weight (lb)
001	36220-10100	ROD,ACCEL CONTROL 1	1				0.129	0.2838
002	33430-10250	END,ACCEL ROD	1				0.025	0.055
003	02014-50060	NUT	2				0.002	0.0044
004	04012-50060	WASHER,PLAIN	2				0.001	0.0022
005	05511-51615	PIN,SPLIT	2				0.001	0.0022
006	04012-50060	WASHER,PLAIN	1				0.001	0.0022
007	05511-51615	PIN,SPLIT	1				0.001	0.0022
008	36220-10460	BRACKET	1				0.63	1.386
009	01173-51022	BOLT	2				0.019	0.0418
010	04512-50100	WASHER,SPRING	2				0	0
011	36220-10470	LEVER,CONTROL ROD	1				0.07	0.154
012	04011-50100	WASHER,PLAIN	1				0.002	0.0044
013	05511-50318	PIN,SPLIT	1				0.001	0.0022
014	36220-10480	ROD,ACCEL CONTROL 2	1				0.055	0.121
015	04012-50060	WASHER,PLAIN	1				0.001	0.0022
016	05511-51615	PIN,SPLIT	1				0.001	0.0022
017	33300-10160	LEVER,PEDAL CONTROL	1				0.043	0.0946
018	33251-10170	LEVER,ACCEL CONTROL	1				0.035	0.077
019	33251-10210	SHAFT,ACCEL	1				0.067	0.1474
020	05411-00420	PIN,SPRING	1				0.001	0.0022
021	36200-10130	SHAFT,ACCEL PEDAL	1				0.16	0.352
022	36200-10240	PEDAL,ACCELERATOR	1				0.127	0.2794
023	05411-00520	PIN,SPRING	1				0.002	0.0044
024	33251-10280	SPRING	1				0.065	0.143
025	36500-10150	ROD,ACCEL PEDAL	1				0.118	0.2596
026	04012-50050	WASHER,PLAIN	1				0.001	0.0022
027	04012-50060	WASHER,PLAIN	1				0.001	0.0022
028	05511-51615	PIN,SPLIT	1				0.001	0.0022
029	05511-51208	PIN,SPLIT	1				0.001	0.0022
030	33251-10120	ROD,ACCEL	1				0.02	0.044
031	02054-50050	NUT	1				0.002	0.0044
032	04012-50050	WASHER,PLAIN	1				0.001	0.0022
033	05511-51615	PIN,SPLIT	1				0.001	0.0022
034	33251-10360	JOINT,ACCEL LEVER	1				0.015	0.033
035	33251-10370	SPRING	1				0.002	0.0044
036	33251-10380	PIN,JOINT	1				0.005	0.011
037	02054-50050	NUT	1				0.002	0.0044
038	04015-50060	WASHER,PLAIN	1				0	0

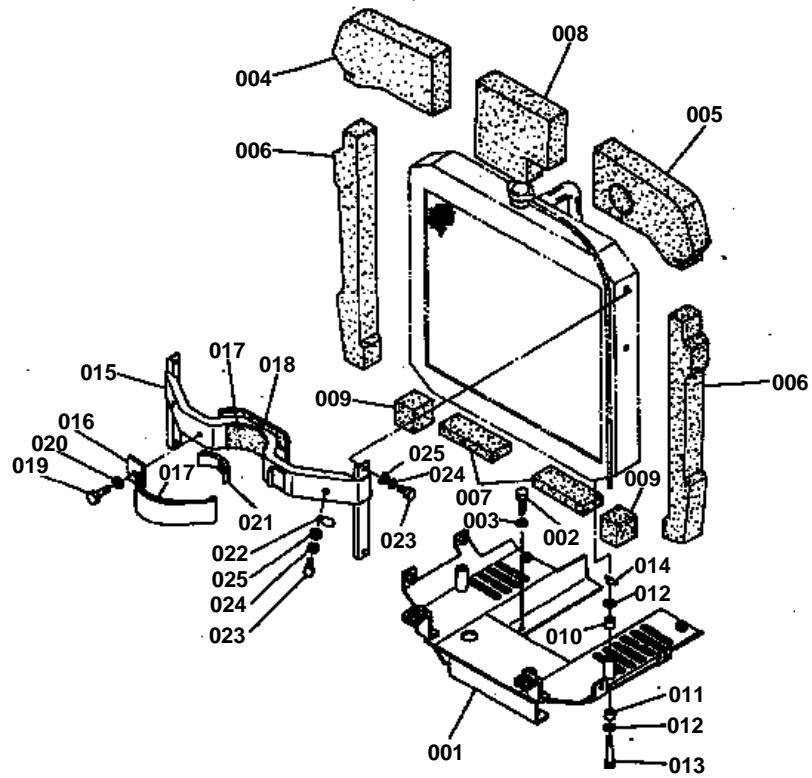


**HAND ACCEL**

↔ Interchangeable; ≠ not interchangeable; ← new for old; → old for new

REF.No	Part No.	Description	Q'ty	S.No.	I/C	REMARKS	Weight (kgf)	Weight (lb)
001	33251-10220	LEVER,HAND ACCEL	1				0.59	1.298
002	33251-80170	GRIP,LEVER	1				0.008	0.0176
003	33251-10390	ARM,ACCEL LEVER	1				0.088	0.1936
004	05411-00620	PIN,SPRING	1				0.002	0.0044
005	33251-10260	WASHER	1				0	0
006	33251-10270	CAP,SPRING	1				0.01	0.022
007	33251-10320	SPRING,LEVER	1				0.012	0.0264
008	02172-50120	NUT	2				0.01	0.022
009	04013-50120	WASHER,PLAIN	1				0	0
010	33430-10330	GRIP	1				0.02	0.044
011	36220-10340	ROD	1				0.216	0.4752
012	04012-50060	WASHER,PLAIN	1				0.001	0.0022
013	05511-51612	PIN,SPLIT	1				0.001	0.0022
014	02014-50060	NUT	1				0.002	0.0044

RADIATOR SUPPORT



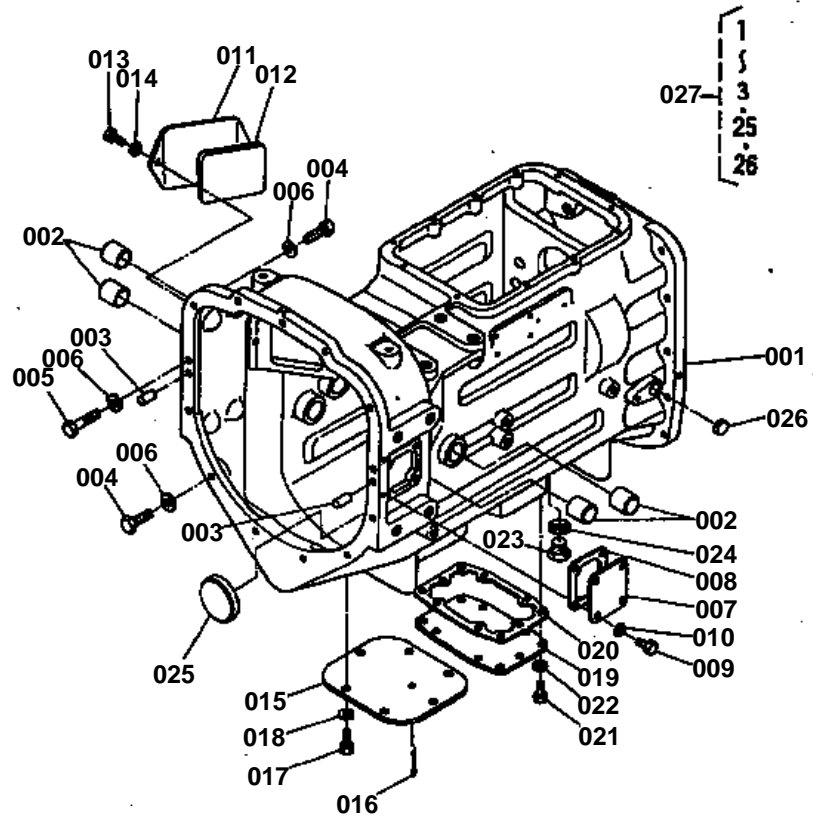


RADIATOR SUPPORT

↔ Interchangeable; ≠ not interchangeable; ← new for old; → old for new

REF.No	Part No.	Description	Q'ty	S.No.	I/C	REMARKS	Weight (kgf)	Weight (lb)
001	35450-17110	SUPPORT,RADIATOR	1				7	15.4
002	01173-51225	BOLT	4				0.033	0.0726
003	04512-50120	WASHER,SPRING	4				0	0
004	35450-17140	ELEMENT,1	1				0.037	0.0814
005	35450-17150	ELEMENT,2	1				0.037	0.0814
006	36200-17160	ELEMENT,3	2				0.039	0.0858
007	35450-17170	ELEMENT,4	2				0.022	0.0484
008	35450-17230	ELEMENT,5	1				0.03	0.066
009	35450-17310	ELEMENT,6	2				0.01	0.022
010	15601-72180	CUSHION	2				0.011	0.0242
011	15111-72190	CUSHION	2				0.016	0.0352
012	15111-72200	WASHER	4				0.013	0.0286
013	35450-17290	BOLT	2				0.062	0.1364
014	05515-51000	PIN,SNAP	2				0	0
015	35450-19113	SUPPORT,AIR CLEANER	1				1.36	2.992
016	36220-19120	BAND,AIR CLEANER	1				0.35	0.77
017	36200-19210	CUSHION	2				0.023	0.0506
018	35450-19210	CUSHION	1				0.02	0.044
019	01173-51030	BOLT	1				0.023	0.0506
020	04512-50100	WASHER,SPRING	1				0	0
021	36220-19220	ELEMENT(AIR CLEANER)	1				0.001	0.0022
022	15601-72730	CLAMP 1	2				0.005	0.011
023	01050-50612	BOLT	7				0.005	0.011
024	04512-50060	WASHER,SPRING	7				0	0
025	04012-50060	WASHER,PLAIN	7				0.001	0.0022

CLUTCH HOUSING



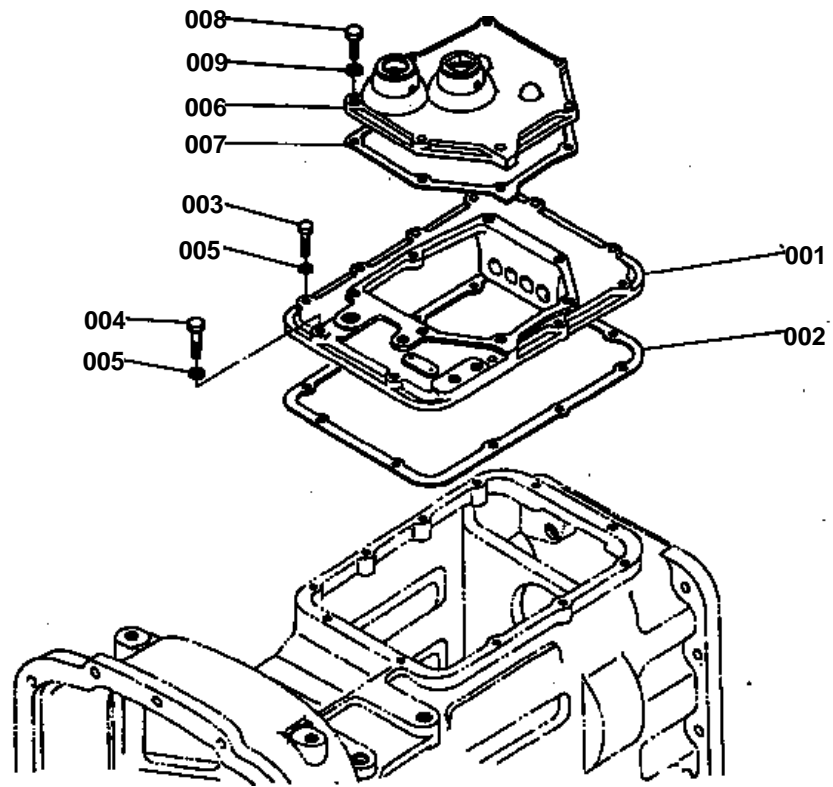


CLUTCH HOUSING

↔ Interchangeable; ≠ not interchangeable; ← new for old; → old for new

REF.No	Part No.	Description	Q'ty	S.No.	I/C	REMARKS	Weight (kgf)	Weight (lb)
001	99999-99999	BLANK	0			ORDER BY REF.No.027	0	0
002	36200-21130	BUSH	4				0.003	0.0066
003	05012-01020	PIN,STRAIGHT	2				0.013	0.0286
004	01173-51240	BOLT	11				0.045	0.099
005	01173-51280	BOLT	1				0.1	0.22
006	04512-50120	WASHER,SPRING	12				0	0
007	36200-21140	COVER	1				0.19	0.418
008	36200-21150	GASKET	1				0.005	0.011
009	01153-50818	BOLT	4				0.01	0.022
010	04512-50080	WASHER,SPRING	4				0	0
011	36200-21160	COVER	1				0.47	1.034
012	36200-21170	GASKET	1				0	0
013	01153-50818	BOLT	2				0.01	0.022
014	04512-50080	WASHER,SPRING	2				0	0
015	35450-21180	COVER,HOUSING 1	1				1.1	2.42
016	05511-50425	PIN,SPLIT	1				0.003	0.0066
017	01173-51022	BOLT	6				0.019	0.0418
018	04512-50100	WASHER,SPRING	6				0	0
019	36200-21210	COVER,HOUSING 2	1				0.87	1.914
020	36200-21220	GASKET	1				0	0
021	01173-51022	BOLT	8				0.019	0.0418
022	04512-50100	WASHER,SPRING	8				0	0
023	06331-35020	PLUG	1				0.068	0.1496
024	04717-02000	WASHER,SEAL	1				0.004	0.0088
025	36200-21230	PLUG	1				0.039	0.0858
026	36200-21240	PLUG	1				0	0
027	36200-21100	ASSY HOUSING,CLUTCH	1				100	220

CHANGE COVER

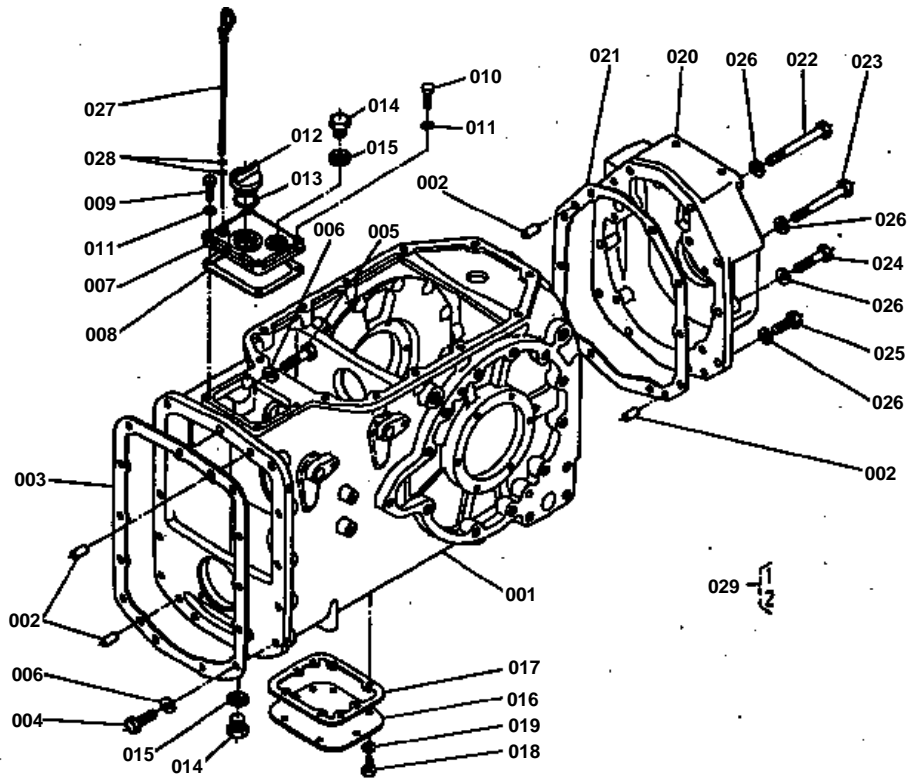




CHANGE COVER

↔ Interchangeable; ≠ not interchangeable; ← new for old; → old for new

REF.No	Part No.	Description	Q'ty	S.No.	I/C	REMARKS	Weight (kgf)	Weight (lb)
001	36570-21250	COVER,SPEED CHANGE	1				4.5	9.9
002	36200-21260	GASKET	1				0	0
003	01153-50828	BOLT	10				0.014	0.0308
004	01153-50830	BOLT	1				0	0
005	04512-50080	WASHER,SPRING	11				0	0
006	36570-21270	BASE,SPEED CHANGE	1				0	0
007	36200-21280	GASKET	1				0	0
008	01153-50825	BOLT	7				0.012	0.0264
009	04512-50080	WASHER,SPRING	7				0	0

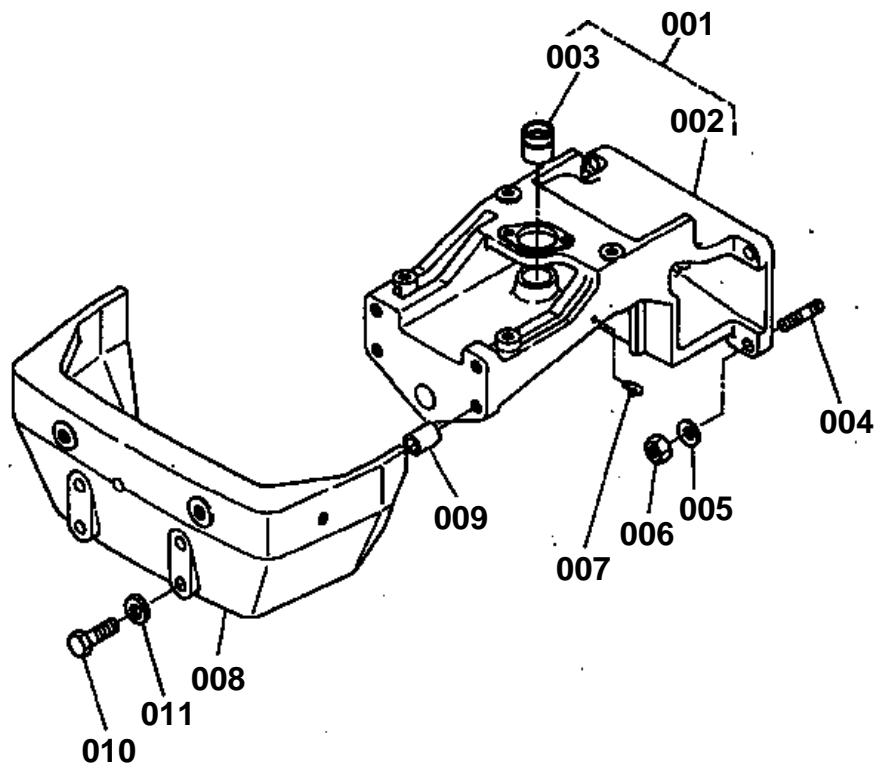




TRANSMISSION [A][CA]

↔ Interchangeable; ≠ not interchangeable; ← new for old; → old for new

REF.No	Part No.	Description	Q'ty	S.No.	I/C	REMARKS	Weight (kgf)	Weight (lb)
001	99999-99999	BLANK	0			ORDER BY REF.No.029	0	0
002	05012-01325	PIN,STRAIGHT	4				0.028	0.0616
003	36200-21320	GASKET	1				0	0
004	01173-51240	BOLT	12				0.045	0.099
005	01173-51250	BOLT	1				0.05	0.11
006	04512-50120	WASHER,SPRING	13				0	0
007	36200-21340	COVER,TRANSMISSION	1				0	0
008	36200-21350	GASKET	1				0	0
009	01153-50828	BOLT	3				0.014	0.0308
010	01153-50835	BOLT	1				0.016	0.0352
011	04512-50080	WASHER,SPRING	4				0	0
012	38430-21410	PLUG	1				0.045	0.099
013	04811-50300	O RING	1				0	0
014	06331-35020	PLUG	2				0.068	0.1496
015	04717-02000	WASHER,SEAL	2				0.004	0.0088
016	36200-21380	COVER,TRANSMISSION	1				0.87	1.914
017	36200-21390	GASKET	1				0	0
018	01173-51022	BOLT	6				0.019	0.0418
019	04512-50100	WASHER,SPRING	6				0	0
020	36200-21410	COVER,TRANSMISSION	1				0	0
021	36200-21420	GASKET	1				0	0
022	01173-51203	BOLT	2				0.106	0.2332
023	01173-51201	BOLT	2				0.094	0.2068
024	01173-51255	BOLT	2				0.055	0.121
025	01173-51235	BOLT	4				0.04	0.088
026	04512-50120	WASHER,SPRING	10				0	0
027	36200-21510	GAUGE,OIL	1				0	0
028	04811-00050	O RING	2				0	0
029	36200-21300	ASSY CASE,TRANSMISSI	1				104	228.8



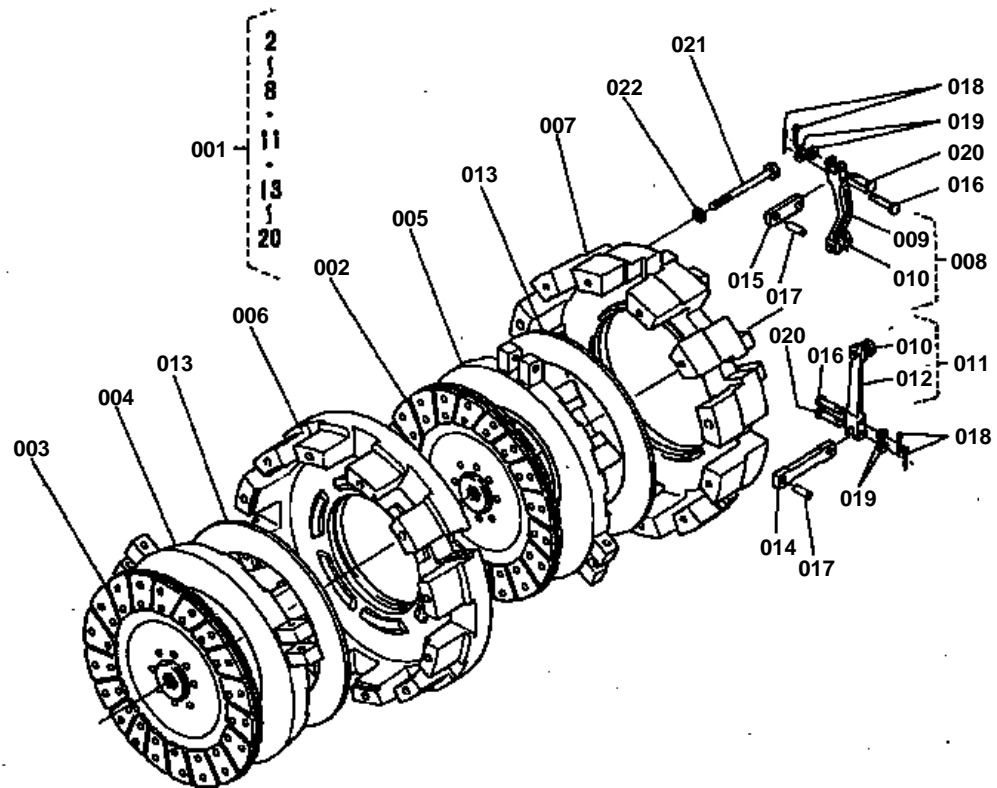


FRONT AXLE [A][CA]

↔ Interchangeable; ≠ not interchangeable; ← new for old; → old for new

REF.No	Part No.	Description	Q'ty	S.No.	I/C	REMARKS	Weight (kgf)	Weight (lb)
001	36200-21700	ASSY BRACKET,FRONT A	1				50	110
002	99999-99999	BLANK	0			ORDER BY REF.No.001	0	0
002	99999-99999	BLANK	0			ORDER BY REF.No.001	0	0
003	36200-21720	BUSH	1				0.071	0.1562
004	36280-21730	STUD	4				0.12	0.264
005	36500-49410	SPRING	4				0.022	0.0484
006	36500-49390	NUT	4				0.043	0.0946
007	06613-10010	NIPPLE,GREASE	1				0.006	0.0132
008	36200-21765	BUMPER,FRONT	1				25	55
009	36220-21780	COLLAR	4				0.112	0.2464
010	01173-51695	BOLT	4				0.016	0.0352
011	04512-50160	WASHER,SPRING	4				0	0

CLUTCH



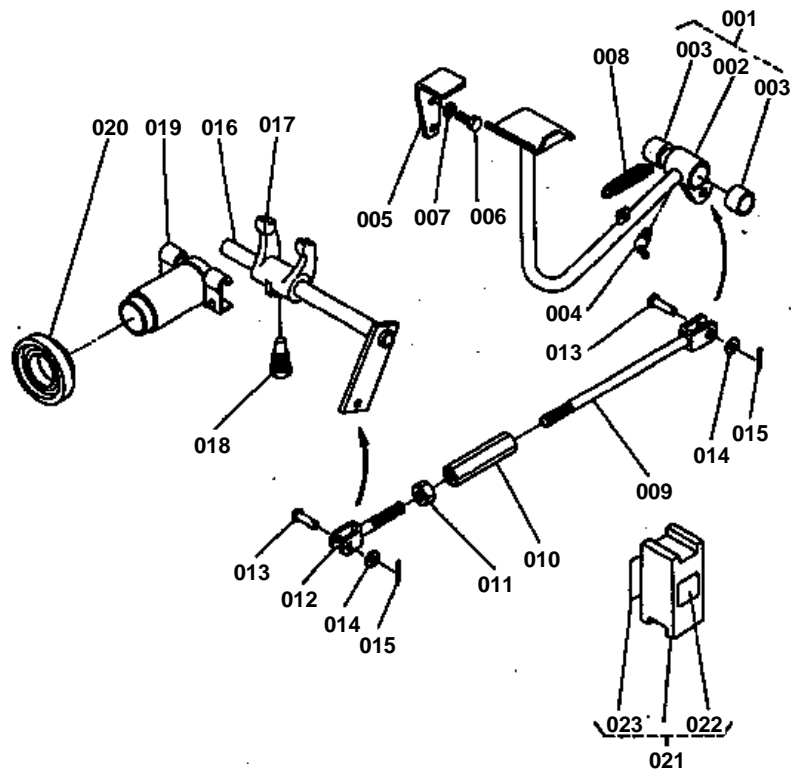


CLUTCH

↔ Interchangeable; ≠ not interchangeable; ← new for old; → old for new

REF.No	Part No.	Description	Q'ty	S.No.	I/C	REMARKS	Weight (kgf)	Weight (lb)
001	36200-25102	ASSY CLUTCH	1				0	0
002	36200-25132	DISK,CLUTCH	1				0	0
003	36200-25140	DISK,P.T.O CLUTCH	1				0	0
004	36200-25150	PLATE,PRESSURE	1				4.15	9.13
005	36200-25220	PLATE,PRESSURE	1				5	11
006	36200-25160	COVER,CLUTCH(P.T.O)	1				0	0
007	36200-25192	COVER,CLUTCH	1				7.5	16.5
008	36200-25230	KIT,LEVER(1)	1				0.071	0.1562
009	99999-99999	BLANK	0			ORDER BY REF.No.008	0	0
010	36200-25250	KIT,BOLT NUT	6				0.06	0.132
011	36200-25240	KIT,LEVER(2)	1				0.54	1.188
012	99999-99999	BLANK	0			ORDER BY REF.No.011	0	0
013	36200-25210	SPRING	2				0.882	1.9404
014	36200-25260	ROD 1	3				0.16	0.352
015	36200-25270	ROD 2	3				0.07	0.154
016	36200-25280	PIN,STRAIGHT	6				0.02	0.044
017	36200-25290	PIN,STRAIGHT	6				0.015	0.033
018	05511-50315	PIN,SPLIT	12				0.002	0.0044
019	04012-50080	WASHER,PLAIN	12				0.001	0.0022
020	36200-25300	PIN,STRAIGHT	6				0.015	0.033
021	01053-50800	BOLT	12				0.036	0.0792
022	04512-50080	WASHER,SPRING	12				0	0

CLUTCH PEDAL



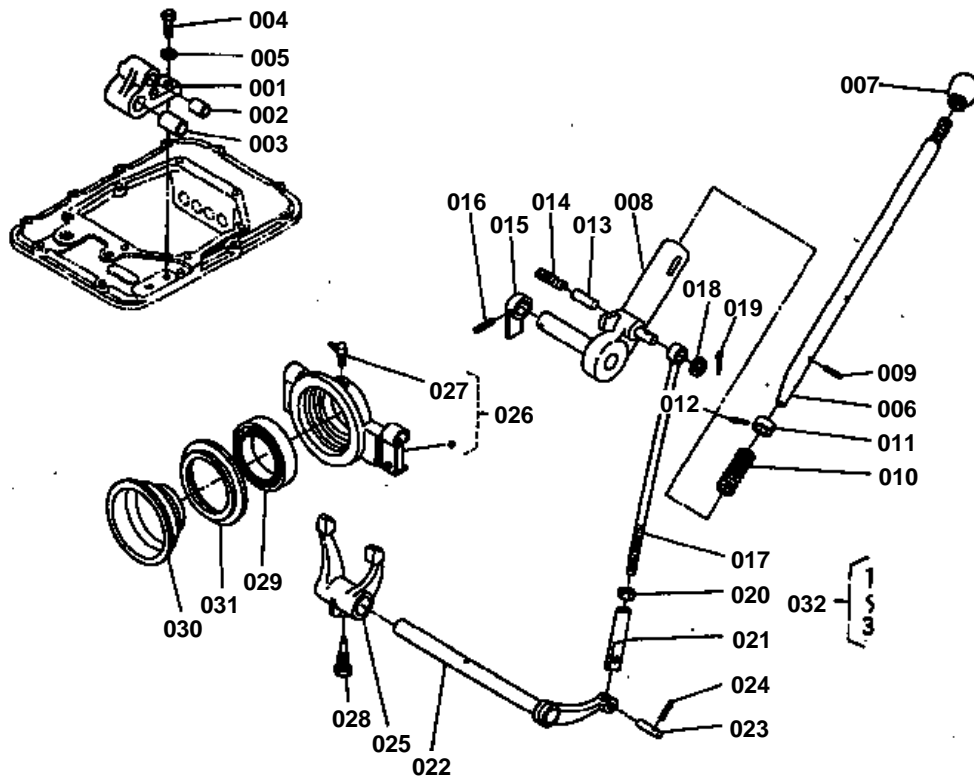


CLUTCH PEDAL

↔ Interchangeable; ≠ not interchangeable; ← new for old; → old for new

REF.No	Part No.	Description	Q'ty	S.No.	I/C	REMARKS	Weight (kgf)	Weight (lb)
001	35420-26100	ASSY PEDAL,CLUTCH	1				0	0
002	99999-99999	BLANK	0			ORDER BY REF.No.001	0	0
003	32150-28440	BUSH	2				0.043	0.0946
004	06613-20010	NIPPLE,GREASE	1				0.01	0.022
005	36200-26142	STOPPER,CLUTCH PEDAL	1				0.18	0.396
006	01173-51020	BOLT	2				0.017	0.0374
007	04512-50100	WASHER,SPRING	2				0	0
008	36200-26150	SPRING	1				0.125	0.275
009	35420-26180	ROD,CLUTCH 2	1				0	0
010	32350-28980	TURNBUCKLE	1				0.124	0.2728
011	02116-50100	NUT	1				0.004	0.0088
012	36330-26170	ROD,CLUTCH 1	1				0	0
013	05122-51028	PIN,JOINT	2				0	0
014	04011-50100	WASHER,PLAIN	2				0.002	0.0044
015	05511-50318	PIN,SPLIT	2				0.001	0.0022
016	35420-26210	SHAFT,CLUTCH CONTROL	1				0	0
017	36330-26190	FORK	1				0.55	1.21
018	33251-26350	BOLT,SET	1				0.045	0.099
019	36200-26300	ASSY HUB,CLUTCH RELE	1				0.83	1.826
020	36200-26410	BEARING,CLUTCH RELEA	1				0.504	1.1088
021	35410-26900	ASSY PIECE,DISTANCE	1				0.07	0.154
022	36200-26940	MARK,SPACER	1				0.001	0.0022
023	32170-15930	LABEL,PEDAL A	1				0.001	0.0022

LEVER

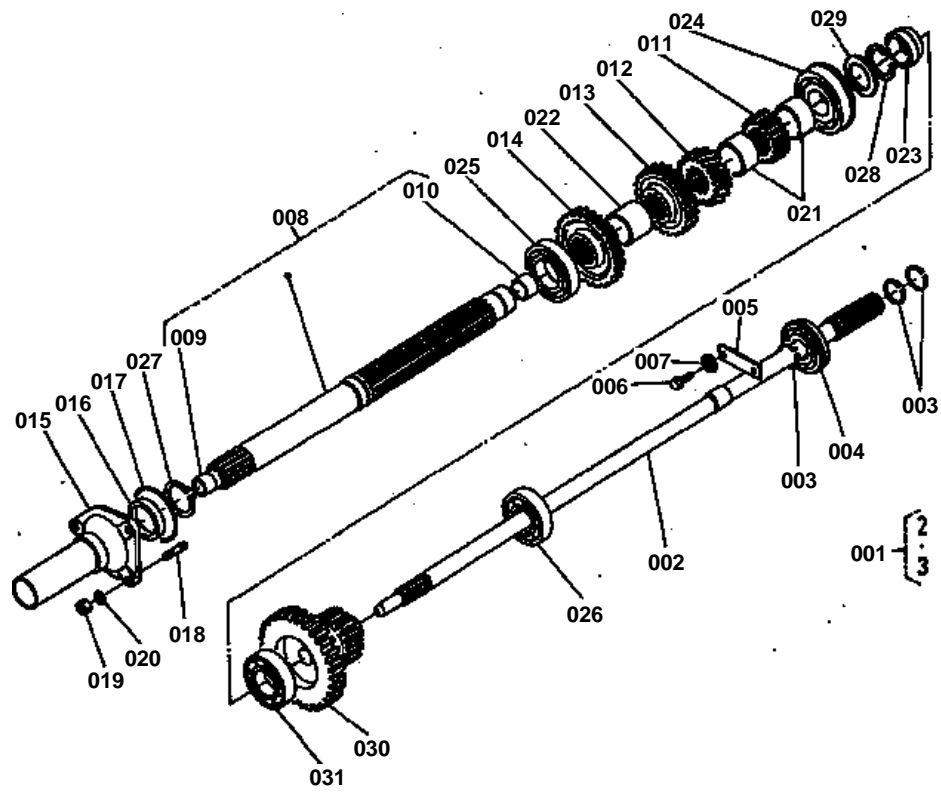




LEVER

↔ Interchangeable; ≠ not interchangeable; ← new for old; → old for new

REF.No	Part No.	Description	Q'ty	S.No.	I/C	REMARKS	Weight (kgf)	Weight (lb)
001	99999-99999	BLANK	0			ORDER BY REF.No.032	0	0
002	33400-21880	BUSH	1				0.02	0.044
003	33400-21890	BUSH	2				0.019	0.0418
004	01173-51030	BOLT	2				0.023	0.0506
005	04512-50100	WASHER,SPRING	2				0	0
006	33400-26510	LEVER	1				0.54	1.188
007	33251-29620	GRIP	1				0.057	0.1254
008	33400-26530	ASSY GUIDE,LEVER	1				0.765	1.683
009	05411-00628	PIN,SPRING	1				0.004	0.0088
010	33400-26570	SPRING	1				0.01	0.022
011	33400-26580	CIR-CLIP	1				0.022	0.0484
012	05411-00425	PIN,SPRING	1				0.001	0.0022
013	33251-80250	PIN	1				0.013	0.0286
014	33400-26590	SPRING	1				0.002	0.0044
015	36200-26610	WASHER	1				0.04	0.088
016	05411-00430	PIN,SPRING	1				0.002	0.0044
017	36200-26630	ROD,CLUTCH CONTROL	1				0.14	0.308
018	04011-50120	WASHER,PLAIN	1				0.005	0.011
019	05511-50320	PIN,SPLIT	1				0.002	0.0044
020	02116-50100	NUT	1				0.004	0.0088
021	33400-26640	JOINT,CONTROL ROD	1				0.94	2.068
022	36200-26660	COVER,CAMSHAFT	1				1.24	2.728
023	33400-26690	PIN	1				0.017	0.0374
024	05411-00325	PIN,SPRING	1				0.001	0.0022
025	36330-26710	FORK(P.T.O)	1				0.65	1.43
026	33400-26730	ASSY COUPLING,RELEAS	1				1.06	2.332
027	06613-30010	NIPPLE,GREASE	1				0.01	0.022
028	33251-26350	BOLT,SET	1				0.045	0.099
029	08101-16013	BALL BEARING	1				0.29	0.638
030	33400-26770	HUB,CLUTCH RELEASE 2	1				0.65	1.43
031	33400-26780	COVER,RELEASE BEARIN	1				0.028	0.0616
032	33400-26800	ASSY BRACKET	1				0.69	1.518

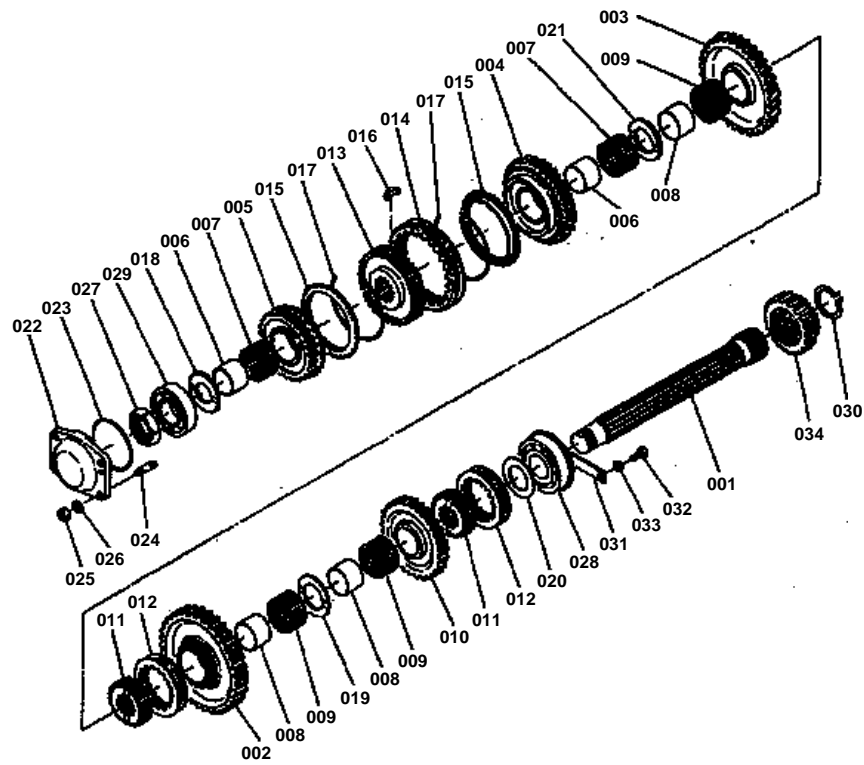




MISSION GEAR 1

↔ Interchangeable; ≠ not interchangeable; ← new for old; → old for new

REF.No	Part No.	Description	Q'ty	S.No.	I/C	REMARKS	Weight (kgf)	Weight (lb)
001	35420-25600	ASSY SHAFT,PTO	1				3.46	7.612
002	35420-25610	SHAFT,PTO	1				3.42	7.524
003	37880-44270	CIR-CLIP,EXTERNAL	3				0	0
004	08151-06306	BEARING,BALL	1				0.35	0.77
005	38430-25530	RETAINER,BEARING	1				0.05	0.11
006	01153-50818	BOLT	2				0.01	0.022
007	04411-50080	WASHER	2				0.001	0.0022
008	36200-97460	SHAFT,1ST	1				0	0
009	36330-28120	BUSH	1				0.02	0.044
010	33251-28640	BUSH	1				0.018	0.0396
011	35420-28210	GEAR,SPUR 16	1				0.44	0.968
012	36330-28220	GEAR,HERICAL 18	1				0.46	1.012
013	36330-28230	GEAR,HERICAL 25	1				0.63	1.386
014	36330-28240	GEAR,HERICAL 30	1				0.8	1.76
015	36200-28513	BRACKET,CLUTCH	1				1.48	3.256
016	09404-56510	SEAL,OIL	1				0	0
017	04811-50900	O RING	1				0.003	0.0066
018	01513-50825	STUD	3				0	0
019	02114-50080	NUT	3				0.005	0.011
020	04512-50080	WASHER,SPRING	3				0	0
021	36200-28560	COLLAR	2				0.156	0.3432
022	35420-28010	COLLAR 1	1				0.26	0.572
023	33251-28650	SEAL,SHAFT	1				0	0
024	08151-06308	BEARING,BALL (6308NR	1				0.64	1.408
025	08101-06209	BEARING,BALL (6209)	1				0.42	0.924
026	08101-06307	BEARING,BALL (6307)	1				0.455	1.001
027	04612-00450	CIR-CLIP,EXTERNAL	1				0.007	0.0154
028	04612-00400	CIR-CLIP,EXTERNAL	1				0.005	0.011
029	36330-28420	SHIM 0.1	1				0.002	0.0044
029	36330-28410	SHIM 0.3	1				0.002	0.0044
030	36200-32320	GEAR 20-40	1				3.24	7.128
031	08101-06208	BEARING,BALL	1				0.355	0.781

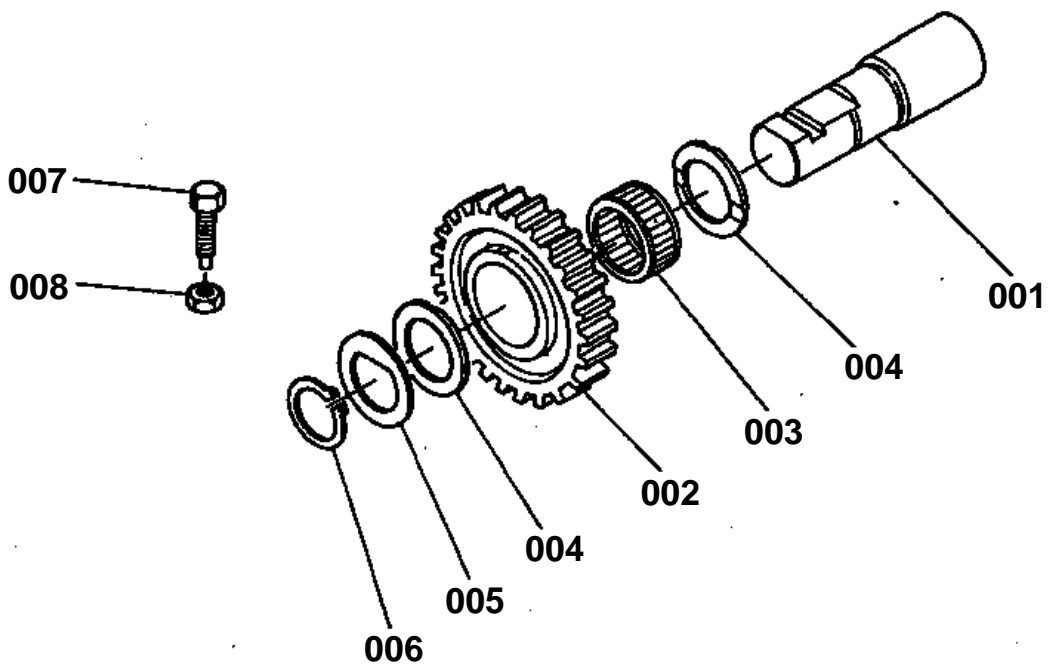




MISSION GEAR 2 [A][CA]

↔ Interchangeable; ≠ not interchangeable; ← new for old; → old for new

REF.No	Part No.	Description	Q'ty	S.No.	I/C	REMARKS	Weight (kgf)	Weight (lb)
001	36200-28160	COUNTER,SHAFT	1				2.75	6.05
002	35420-28260	GEAR,SPUR 44	1				2.14	4.708
003	35420-28270	GEAR,SPUR 40	1				1.63	3.586
004	35420-28280	GEAR,SPUR 33	1				0	0
005	36330-28290	GEAR,HERICAL 29	1				0	0
006	36200-28330	RING	2				0.088	0.1936
007	36200-28340	BEARING,NEEDLE	2				0	0
008	35420-28330	RING	3				0.09	0.198
009	08824-55027	BEARING,NEEDLE	3				0.06	0.132
010	35420-28370	GEAR,SPUR 33	1				1.07	2.354
011	36330-28462	COUPLING	2				0.45	0.99
012	36330-28473	SHIFTER	2				0.4	0.88
013	36330-28380	COUPLING	1				1.18	2.596
014	36200-28390	SHIFTER	1				0.696	1.5312
015	36200-28410	RING	2				0	0
016	36200-28420	KEY	3				0	0
017	36200-28430	SPRING	2				0	0
018	36200-28610	COLLAR,THRUST 1	1				0.048	0.1056
019	35420-28660	COLLAR,THRUST 3	1				0.03	0.066
020	35420-28610	COLLAR,THRUST 1	1				0.025	0.055
021	36330-28660	COLLAR,THRUST 3	1				0	0
022	36200-28630	COVER,COUNTERSHAFT	1				0.7	1.54
023	04811-50800	O RING	1				0.003	0.0066
024	01513-50825	STUD	3				0	0
025	02114-50080	NUT	3				0.005	0.011
026	04512-50080	WASHER,SPRING	3				0	0
027	39141-14750	NUT	1				0.108	0.2376
028	08151-06308	BEARING,BALL	1				0.64	1.408
029	08101-06307	BEARING,BALL	1				0.455	1.001
030	04612-00450	CIR-CLIP,EXTERNAL	1				0.007	0.0154
031	36200-28680	RETAINER,BEARING	1				0.058	0.1276
032	01153-50818	BOLT	2				0.01	0.022
033	04512-50080	WASHER,SPRING	2				0	0
034	35420-32260	GEAR,SPUR 23	1				0.71	1.562

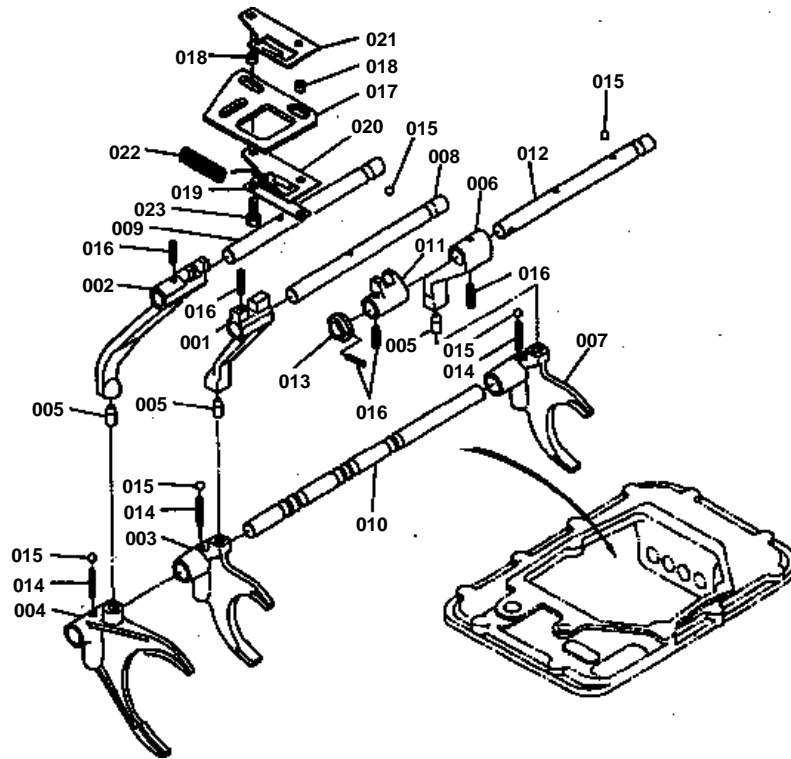


**MISSION GEAR 3**

↔ Interchangeable; ≠ not interchangeable; ← new for old; → old for new

REF.No	Part No.	Description	Q'ty	S.No.	I/C	REMARKS	Weight (kgf)	Weight (lb)
001	35420-28150	SHAFT	1				1.45	3.19
002	35420-28350	GEAR,SPUR 26	1				0.61	1.342
003	36200-28360	BEARING,NEEDLE	1				0.053	0.1166
004	36330-28710	COLLAR,THRUST	2				0.03	0.066
005	36200-28720	COLLAR	1				0.009	0.0198
006	37880-44270	CIR-CLIP,EXTERNAL	1				0	0
007	36200-28730	BOLT	1				0.025	0.055
008	02116-50100	NUT	1				0.004	0.0088

1,2 SHIFT LEVER [A][CA]



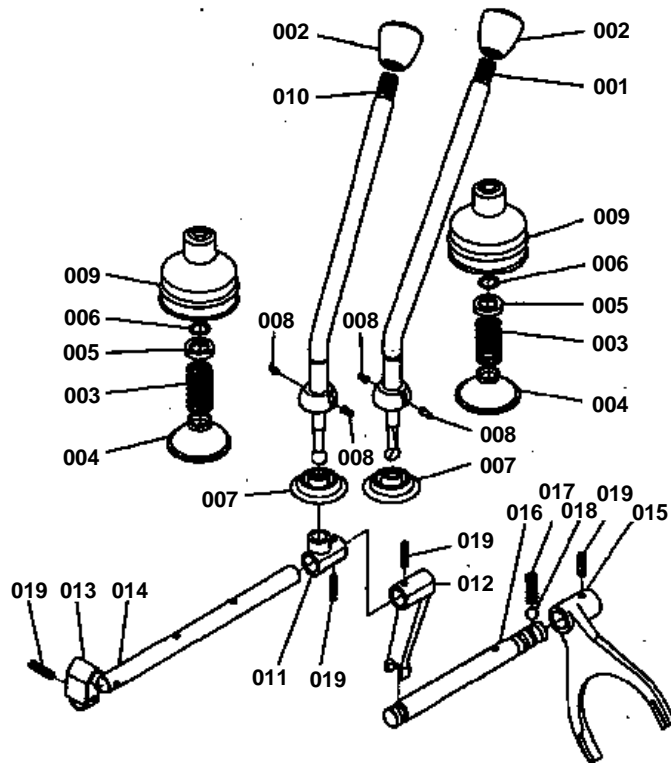


1,2 SHIFT LEVER [A][CA]

↔ Interchangeable; ≠ not interchangeable; ← new for old; → old for new

REF.No	Part No.	Description	Q'ty	S.No.	I/C	REMARKS	Weight (kgf)	Weight (lb)
001	35420-29110	LEVER,SHIFT 1.2	1				0.36	0.792
002	36200-29120	LEVER,SHIFT 3.4	1				0.41	0.902
003	35420-29140	FORK,SHIFT 1.2.3.4	1				0	0
004	36200-29140	FORK,SHIFT 1.2.3.4	1				0	0
005	36200-29150	PIN,SET	3				0.01	0.022
006	35420-29190	FORK,REVERSE SHIFT	1				0.51	1.122
007	35420-29160	FORK	1				0	0
008	36200-29210	ROD,SHIFT 1.2	1				0.348	0.7656
009	36200-29220	ROD,SHIFT 3.4	1				0.356	0.7832
010	35420-29240	SHIFT 1.2.3.4	1				0.7	1.54
011	35420-29010	WASHER	1				0.135	0.297
012	35420-29260	ROD,SHIFT	1				0.36	0.792
013	36570-29172	SUPPORT	1				0.14	0.308
014	33251-29410	SPRING	3				0.005	0.011
015	07715-03211	BALL	5				0.003	0.0066
016	05411-00625	PIN,SPRING	5				0.004	0.0088
017	36200-29440	PLATE,SECTOR	1				0.19	0.418
018	33251-29450	COLLAR	2				0.002	0.0044
019	33251-29510	WASHER	1				0.008	0.0176
020	36200-29520	PLATE,UPPER	1				0.055	0.121
021	36200-29530	PLATE,LOWER	1				0.054	0.1188
022	33251-29540	SPRING	1				0.02	0.044
023	01153-50820	BOLT	2				0.012	0.0264

MAIN CHANGE LEVER



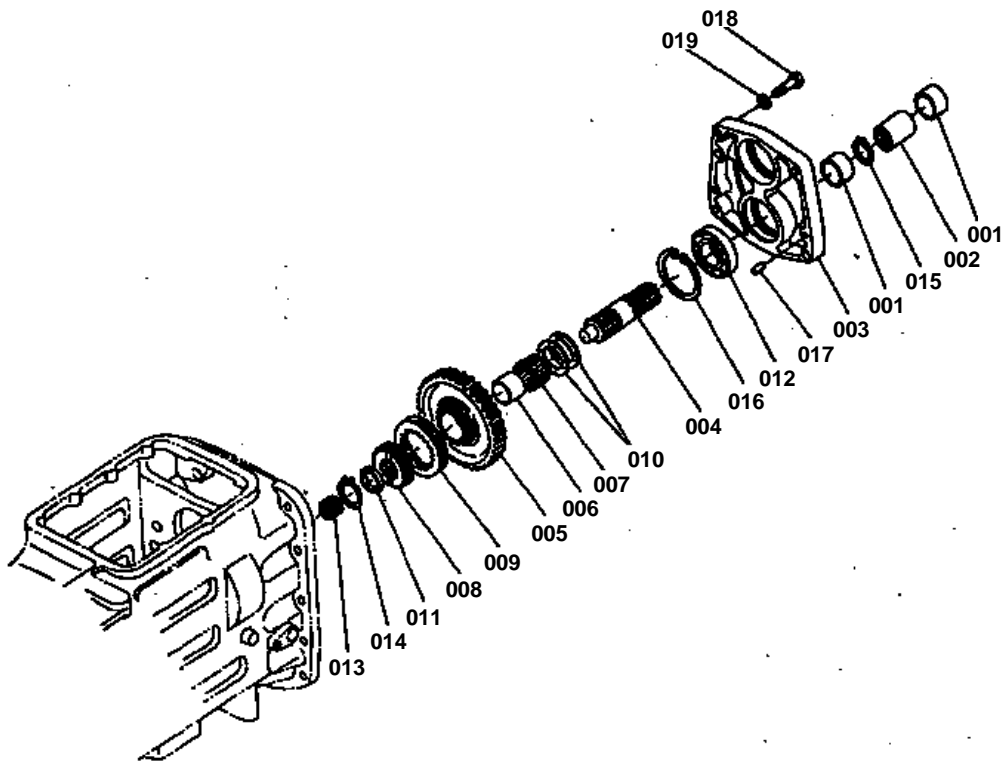


MAIN CHANGE LEVER

↔ Interchangeable; ≠ not interchangeable; ← new for old; → old for new

REF.No	Part No.	Description	Q'ty	S.No.	I/C	REMARKS	Weight (kgf)	Weight (lb)
001	36200-29610	LEVER,MAIN CHANGE	1				0.65	1.43
002	33251-29620	GRIP	2				0.057	0.1254
003	33251-29630	SPRING	2				0.013	0.0286
004	33251-29640	CAP	2				0.042	0.0924
005	33251-29650	CAP,SPRING	2				0.005	0.011
006	33251-29660	STOPPER,SPRING	2				0.001	0.0022
007	34150-23870	SHIELD	2				0	0
008	34150-23740	PIN	4				0.002	0.0044
009	36200-29690	SEAL	2				0.032	0.0704
010	36200-29810	LEVER	1				0.59	1.298
011	36200-29830	HOLDER	1				0.083	0.1826
012	36200-29840	LEVER,SHIFT	1				0.2	0.44
013	36200-29850	HOLDER	1				0.044	0.0968
014	36200-29860	ROD,SHIFT 1	1				0.38	0.836
015	35420-29870	FORK,SHIFT	1				0.375	0.825
016	35420-29880	ROD,SHIFT 2	1				0.36	0.792
017	33251-29410	SPRING	1				0.005	0.011
018	07715-03211	BALL	1				0.003	0.0066
019	05411-00625	PIN,SPRING	4				0.004	0.0088

BEARING SUPPORT CHANGE LEVER

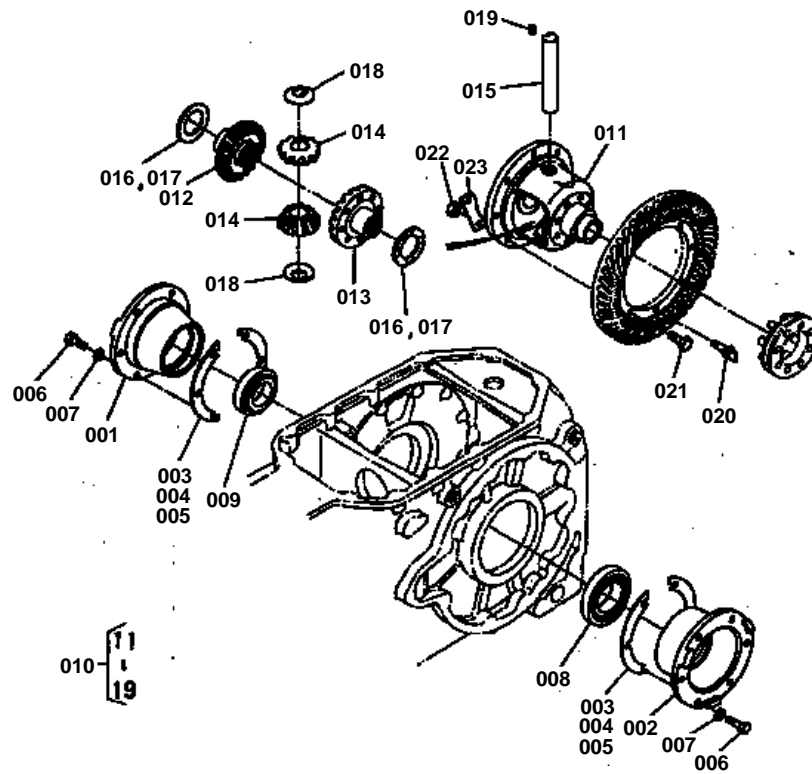


**BEARING SUPPORT CHANGE LEVER**

↔ Interchangeable; ≠ not interchangeable; ← new for old; → old for new

REF.No	Part No.	Description	Q'ty	S.No.	I/C	REMARKS	Weight (kgf)	Weight (lb)
001	35420-31420	COLLAR	2				0.155	0.341
002	35420-31410	COUPLING	1				0.2	0.44
003	36200-32310	SUPPORT,BEARING	1				0	0
004	36200-32330	SHIFT	1				1.15	2.53
005	35420-32340	GEAR,SPUR 43	1				0	0
006	36200-28330	RING	1				0.088	0.1936
007	36200-28340	BEARING,NEEDLE	1				0	0
008	36330-28462	COUPLING	1				0.45	0.99
009	36330-28473	SHIFTER	1				0.4	0.88
010	36330-28660	COLLAR,THRUST 3	2				0	0
011	35420-32390	COLLAR	1				0.015	0.033
012	08101-06208	BEARING,BALL	1				0.355	0.781
013	08822-53216	BEARING,NEEDLE	1				0.026	0.0572
014	04612-00400	CIR-CLIP,EXTERNAL	1				0.005	0.011
015	04612-00380	CIR-CLIP,EXTERNAL	1				0.005	0.011
016	04611-00800	CIR-CLIP,INTERNAL	1				0.02	0.044
017	05012-01020	PIN,STRAIGHT	2				0.013	0.0286
018	01173-51240	BOLT	4				0.045	0.099
019	04512-50120	WASHER,SPRING	4				0	0

DIFF SUPPORT



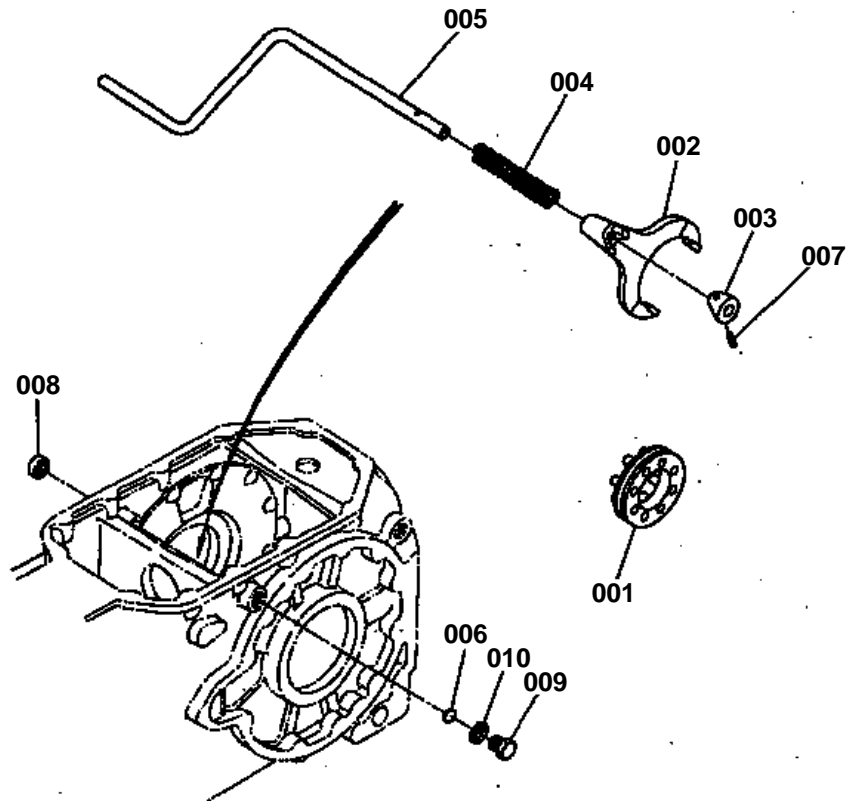


DIFF SUPPORT

↔ Interchangeable; ≠ not interchangeable; ← new for old; → old for new

REF.No	Part No.	Description	Q'ty	S.No.	I/C	REMARKS	Weight (kgf)	Weight (lb)
001	36200-32110	SUPPORT,DIFF BEARING	1				2.8	6.16
002	36200-32120	SUPPORT,DIFF BEARING	1				2.88	6.336
003	36200-32130	SHIM 0.1	8				0.002	0.0044
004	36200-32140	SHIM 0.3	8				0.006	0.0132
005	36200-32150	SHIM 0.5	4				0.012	0.0264
006	01173-51030	BOLT	12				0.023	0.0506
007	04512-50100	WASHER,SPRING	12				0	0
008	08711-30209	BEARING,TAPER,ROLLER	1				0.458	1.0076
009	08711-30211	BEARING,TAPER,ROLLER	1				0.668	1.4696
010	35450-32200	ASSY DIFFERENTIAL	1				8.4	18.48
011	35450-32710	CASE,DIFFERENTIAL	1				4.8	10.56
012	33400-32720	GEAR,DIFF SIDE(1)	1				0.8	1.76
013	33400-32730	GEAR,DIFF SIDE(2)	1				1.1	2.42
014	36330-32750	PINION,DIFFERENTIAL	2				0	0
015	36330-32770	SHAFT,DIFF PINION	1				0	0
016	33251-32780	WASHER	2				0.025	0.055
017	33251-32790	WASHER	2				0.025	0.055
018	36330-32810	WASHER	2				0.018	0.0396
019	33251-32820	KEY	1				0.002	0.0044
020	33251-32224	BOLT	2				0.055	0.121
021	01176-51228	BOLT	6				0.035	0.077
022	02176-50120	NUT	2				0.01	0.022
023	36200-32080	WASHER	4				0.01	0.022

DIFF LOCK



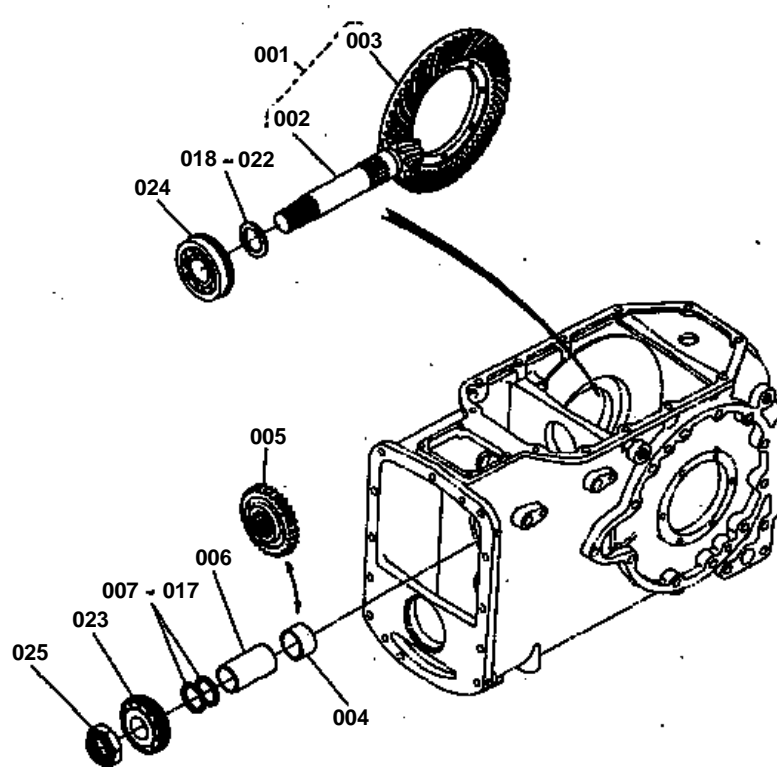


DIFF LOCK

↔ Interchangeable; ≠ not interchangeable; ← new for old; → old for new

REF.No	Part No.	Description	Q'ty	S.No.	I/C	REMARKS	Weight (kgf)	Weight (lb)
001	33400-32850	ASSY SHIFTER,DIFF LO	1				0.86	1.892
002	36200-32880	FORK,SHIFT	1				1.05	2.31
003	36200-32890	CAM,DIFF LOCK	1				0.09	0.198
004	33251-32930	SPRING	1				0.159	0.3498
005	36200-32940	PEDAL,DIFF LOCK	1				1.12	2.464
006	36200-32950	SHIM	1				0.002	0.0044
007	05411-00636	PIN,SPRING	1				0.005	0.011
008	09500-16287	SEAL,OIL	1				0.01	0.022
009	06331-35020	PLUG	1				0.068	0.1496
010	04717-02000	WASHER,SEAL	1				0.004	0.0088

BEVEL PINION

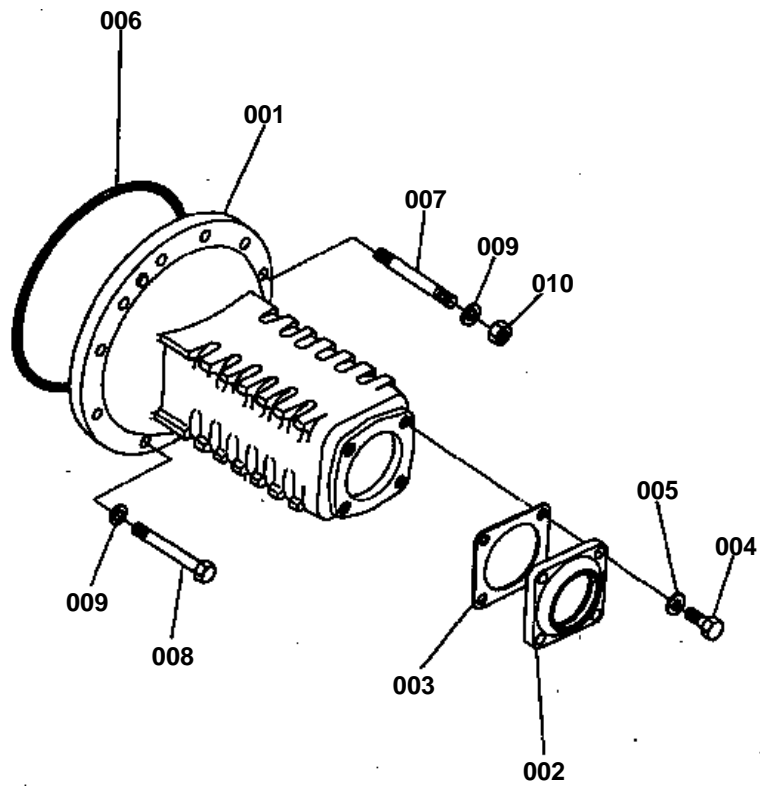


**BEVEL PINION**

↔ Interchangeable; ≠ not interchangeable; ← new for old; → old for new

REF.No	Part No.	Description	Q'ty	S.No.	I/C	REMARKS	Weight (kgf)	Weight (lb)
001	35420-32400	ASSY GEAR,BEVEL	1				9.3	20.46
002	99999-99999	BLANK	0			ORDER BY REF.No.001	0	0
003	99999-99999	BLANK	0			ORDER BY REF.No.001	0	0
004	35420-32440	COLLAR	1				0.165	0.363
006	36200-32440	COLLAR	1				0.45	0.99
007	33251-32450	COLLAR(1)	1				0.005	0.011
008	33251-32460	COLLAR(1)	1				0.008	0.0176
009	33251-32470	COLLAR(1)	1				0.009	0.0198
010	33251-32480	COLLAR(1)	1				0.01	0.022
011	33251-32490	COLLAR(1)	1				0.01	0.022
012	33251-32510	COLLAR(1)	1				0.011	0.0242
013	33251-32520	COLLAR(1)	1				0.011	0.0242
014	33251-32530	COLLAR(1)	1				0.011	0.0242
015	33251-32540	COLLAR(1)	1				0.011	0.0242
016	33251-32550	COLLAR(1)	1				0.012	0.0264
017	33251-32560	COLLAR(1)	1				0.012	0.0264
018	36200-32610	COLLAR(2)	1				0.023	0.0506
019	36200-32630	COLLAR(2)	1				0.025	0.055
020	36200-32650	COLLAR(2)	1				0.027	0.0594
021	36200-32670	COLLAR(2)	1				0.029	0.0638
022	36200-32690	COLLAR(2)	1				0.031	0.0682
023	14351-23450	BEARING,MAIN 1	1				0.7	1.54
024	33400-32260	BEARING	1				1.13	2.486
025	33251-32440	NUT	1				0.088	0.1936

AXLE CASE

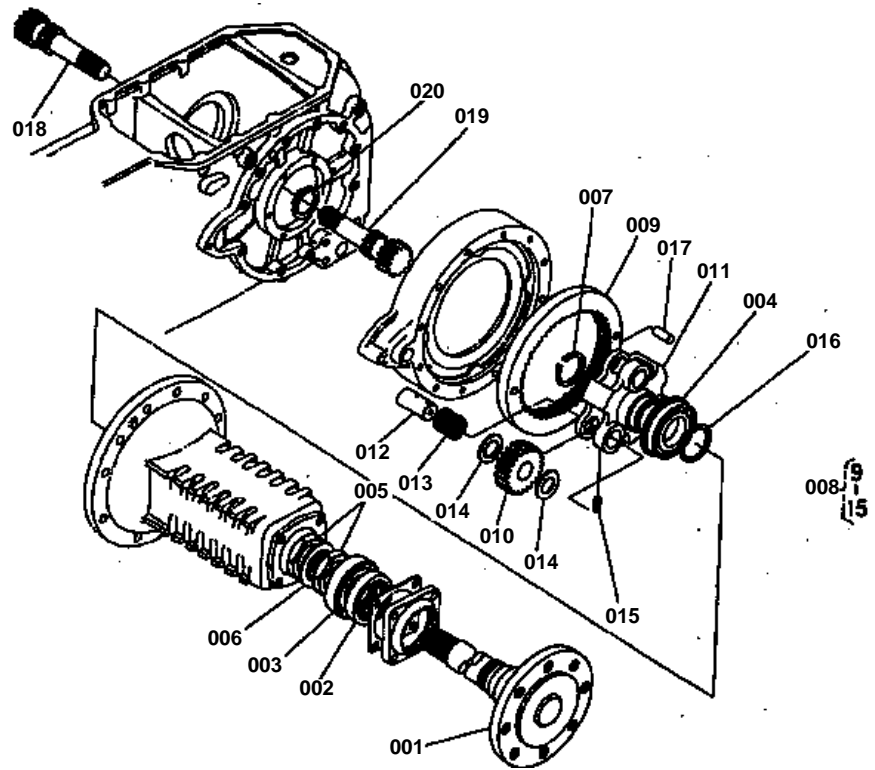


**AXLE CASE**

↔ Interchangeable; ≠ not interchangeable; ← new for old; → old for new

REF.No	Part No.	Description	Q'ty	S.No.	I/C	REMARKS	Weight (kgf)	Weight (lb)
001	36200-48110	CASE,AXLE	2				30.4	66.88
002	36200-48120	COVER,AXLE CASE	2				1.08	2.376
003	36200-48130	GASKET	2				0	0
004	01173-51038	BOLT	8				0.028	0.0616
005	04512-50100	WASHER,SPRING	8				0	0
006	36200-48160	O RING	2				0.006	0.0132
007	36200-48170	STUD	6				0.15	0.33
008	01173-51404	BOLT	18				0.15	0.33
009	04512-50140	WASHER,SPRING	24				0	0
010	02176-50140	NUT	6				0.014	0.0308

REAR AXLE

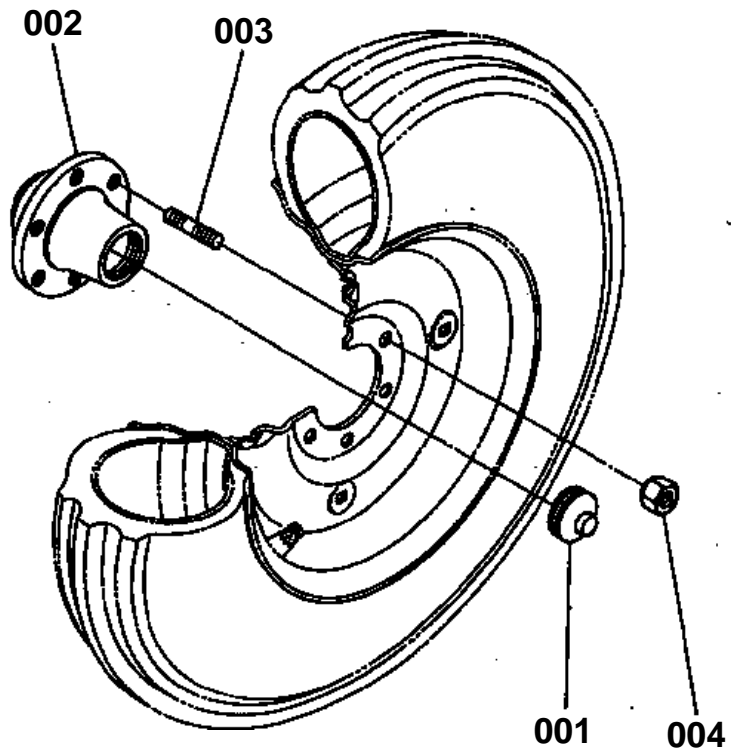




REAR AXLE

↔ Interchangeable; ≠ not interchangeable; ← new for old; → old for new

REF.No	Part No.	Description	Q'ty	S.No.	I/C	REMARKS	Weight (kgf)	Weight (lb)
001	35410-48210	AXLE	2				0	0
002	36200-48250	SEAL	2				0	0
003	08101-06212	BEARING,BALL	2				0.78	1.716
004	08151-06014	BEARING,BALL	2				0.619	1.3618
005	36200-48272	NUT	4				0.27	0.594
006	36200-48280	WASHER	2				0.022	0.0484
007	04612-00550	CIR-CLIP,EXTERNAL	2				0.01	0.022
008	36200-48300	ASSY GEAR	2				0	0
009	36200-48313	GEAR	2				0	0
010	36200-48320	GEAR	6				1.05	2.31
011	36200-48340	SUPPORT	2				0.8	1.76
012	36200-48360	PIN	6				0	0
013	08823-23916	BEARING,NEEDLE	12				0.031	0.0682
014	36200-48370	COLLAR,THRUST	12				0.012	0.0264
015	05411-00825	PIN,SPRING	6				0.006	0.0132
016	04612-00700	CIR-CLIP,EXTERNAL	2				0.019	0.0418
017	36200-48410	PIN	4				0.005	0.011
018	36200-48465	SHAFT,BRAKE RH	1				2.12	4.664
019	36200-48475	SHAFT,BRAKE LH	1				2.3	5.06
020	04612-00550	CIR-CLIP,EXTERNAL	2				0.01	0.022

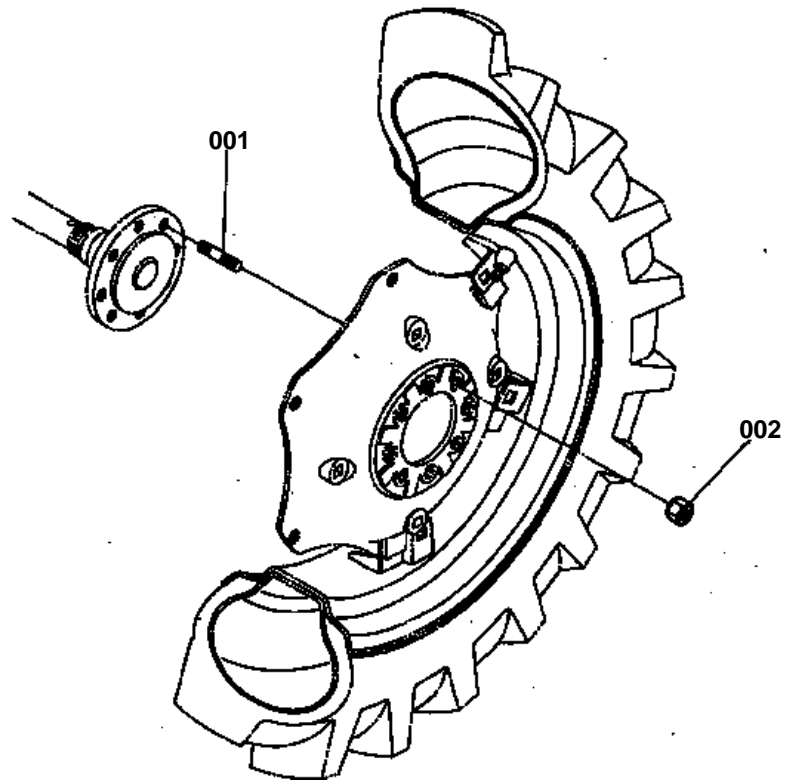




FRONT WHEEL HUB [A]

↔ Interchangeable; ≠ not interchangeable; ← new for old; → old for new

REF.No	Part No.	Description	Q'ty	S.No.	I/C	REMARKS	Weight (kgf)	Weight (lb)
001	33251-49010	COVER,HUB	2				0.11	0.242
002	33251-49020	HUB,FRONT WHEEL	2				4.8	10.56
003	35450-49160	STUD	12				0.05	0.11
004	35340-11390	NUT	12				0.03	0.066



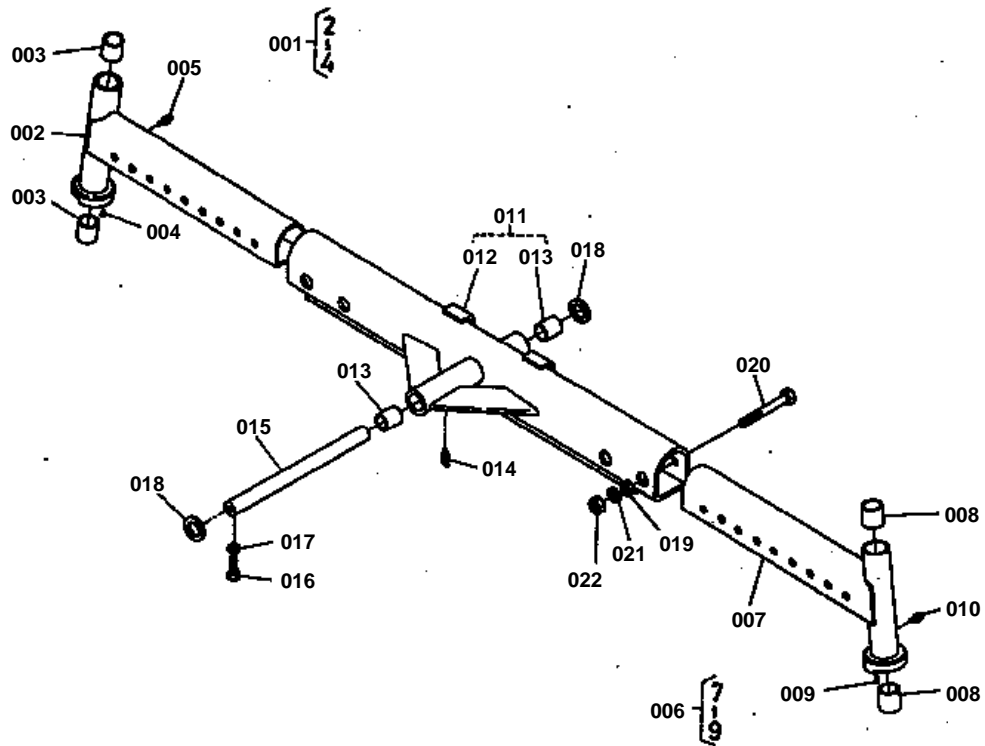


REAR WHEEL [A]

↔ Interchangeable; ≠ not interchangeable; ← new for old; → old for new

REF.No	Part No.	Description	Q'ty	S.No.	I/C	REMARKS	Weight (kgf)	Weight (lb)
001	35410-49150	STUD	16				0.078	0.1716
002	33251-49170	NUT	16				0.045	0.099

FRONT AXLE



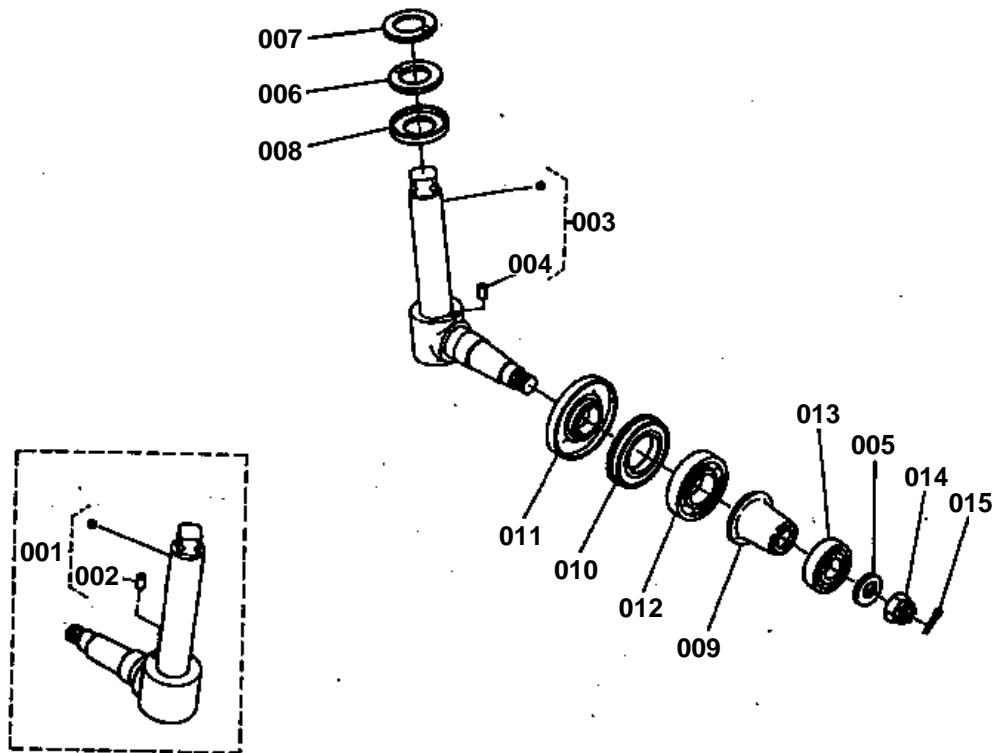


FRONT AXLE

↔ Interchangeable; ≠ not interchangeable; ← new for old; → old for new

REF.No	Part No.	Description	Q'ty	S.No.	I/C	REMARKS	Weight (kgf)	Weight (lb)
001	36510-58100	ASSY AXLE,FRONT RH	1				11.7	25.74
002	99999-99999	BLANK	0			ORDER BY REF.No.001	0	0
003	33251-58250	BUSH, KNUCKLE SHAFT	2				0.08	0.176
004	33251-58260	PIN, KNOCK	1				0.001	0.0022
005	06613-10675	NIPPLE, GREASE	1				0.003	0.0066
006	36510-58200	ASSY AXLE,FRONT LH	1				11.8	25.96
007	99999-99999	BLANK	0			ORDER BY REF.No.006	0	0
008	33251-58250	BUSH, KNUCKLE SHAFT	2				0.08	0.176
009	33251-58260	PIN, KNOCK	1				0.001	0.0022
010	06613-10675	NIPPLE, GREASE	1				0.003	0.0066
011	35420-58300	ASSY AXLE,FRONT MIDD	1				30	66
012	99999-99999	BLANK	0			ORDER BY REF.No.011	0	0
013	33251-58360	BUSH	2				0.085	0.187
014	06613-30010	NIPPLE, GREASE	1				0.01	0.022
015	33251-58410	SUPPORT,FRONT SHAFT	1				2.26	4.972
016	01173-51235	BOLT	1				0.04	0.088
017	04512-50120	WASHER,SPRING	1				0	0
018	33251-58420	WASHER	2				0.038	0.0836
019	36510-58780	COLLAR	4				0.072	0.1584
020	01173-51604	BOLT	4				0.195	0.429
021	04512-50160	WASHER,SPRING	4				0	0
022	02174-50160	NUT	4				0.022	0.0484

KNUCKLE SHAFT



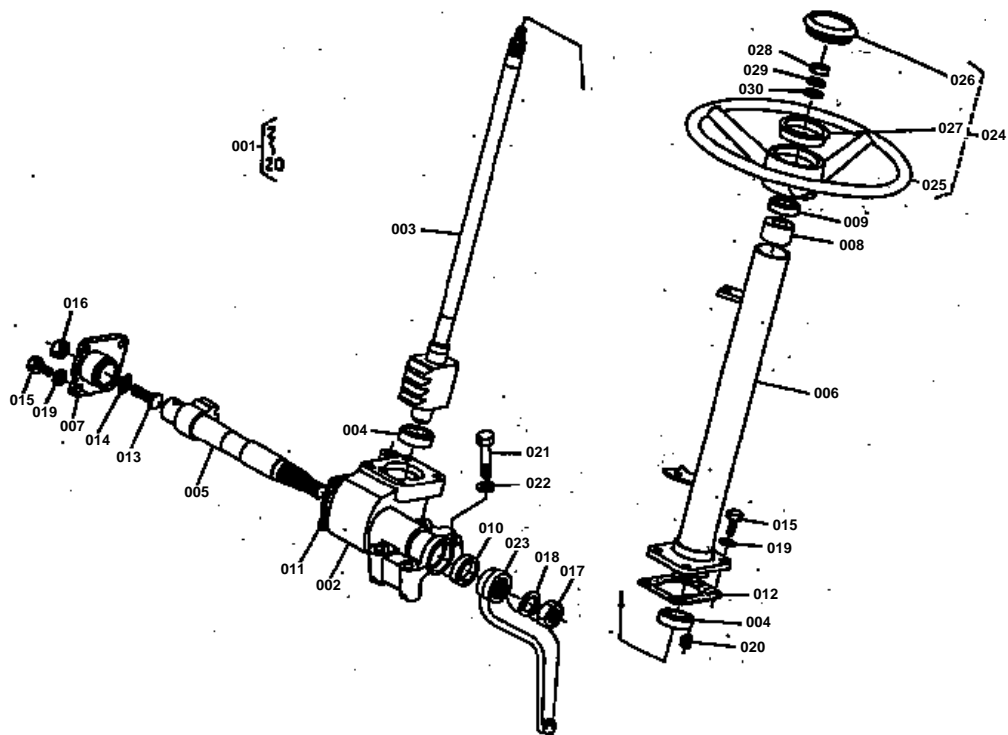


KNUCKLE SHAFT

↔ Interchangeable; ≠ not interchangeable; ← new for old; → old for new

REF.No	Part No.	Description	Q'ty	S.No.	I/C	REMARKS	Weight (kgf)	Weight (lb)
001	36500-58500	COMP.KNUCKLE SHAFT R	1				4.52	9.944
002	33251-58260	PIN,KNOCK	1				0.001	0.0022
003	36500-58600	COMP.KNUCKLE SHAFT L	1				4.58	10.076
004	33251-58260	PIN,KNOCK	1				0.001	0.0022
005	36220-58550	WASHER	2				0.026	0.0572
006	33251-58710	COLLAR,THRUST(1)	2				0.051	0.1122
007	33251-58720	COLLAR,THRUST(2)	2				0.05	0.11
008	33251-58740	CAP	2				0.024	0.0528
009	33251-58750	BEARING,KNUCKLE STAF	2				0.425	0.935
010	33251-58760	GASKET,KNUCKLE STAFF	2				0.102	0.2244
011	33251-58770	COVER	2				0.34	0.748
012	08101-06307	BEARING,BALL	2				0.455	1.001
013	08101-06305	BEARING,BALL	2				0.23	0.506
014	02375-50200	NUT,SLOTTED	2				0.025	0.055
015	05511-50440	PIN,SPLIT	2				0.004	0.0088

STEERING

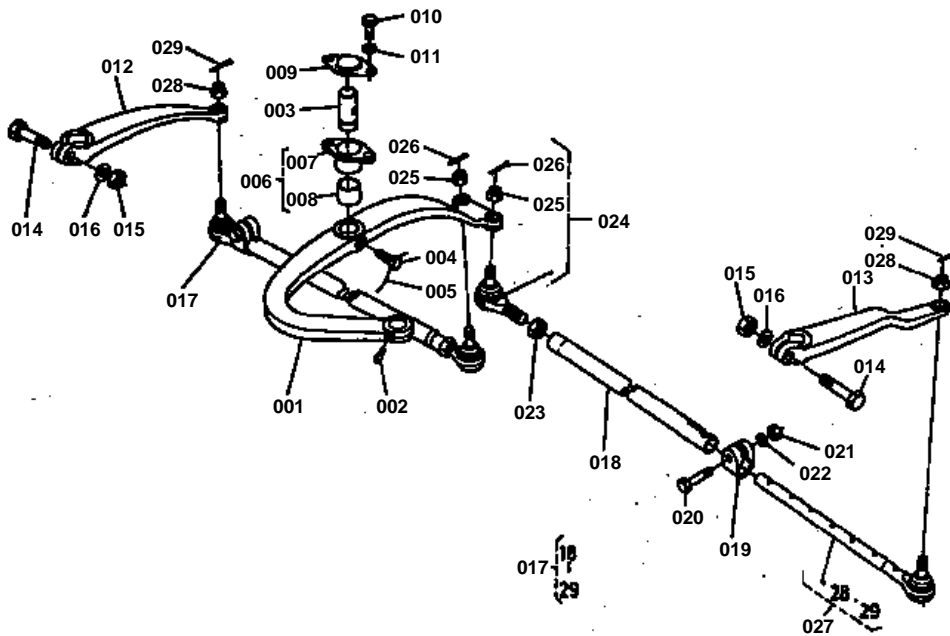


**STEERING**

↔ Interchangeable; ≠ not interchangeable; ← new for old; → old for new

REF.No	Part No.	Description	Q'ty	S.No.	I/C	REMARKS	Weight (kgf)	Weight (lb)
001	36200-62100	ASSY STEERING	1				14	30.8
002	36200-62110	ASSY BOX,GEAR	1				6.6	14.52
003	36200-62120	ASSY NUT,BALL	1				2.4	5.28
004	32350-16220	BEARING	2				0.098	0.2156
005	36200-62140	SHAFT	1				2.23	4.906
006	36200-62150	ASSY COLUMN	1				1.6	3.52
007	36200-62160	ASSY COVER	1				0.8	1.76
008	36200-62170	BUSH	1				0.045	0.099
009	36200-62180	SEAL,OIL	1				0.01	0.022
010	36200-62190	SEAL,OIL	1				0.015	0.033
011	36200-62200	GASKET	1				0.005	0.011
012	36200-62210	SHIM	1				0.01	0.022
013	36200-62220	SCREW,ADJUSTING	1				0.03	0.066
014	36200-62230	SHIM,ADJUSTING	1				0.015	0.033
015	36200-62240	BOLT	8				0.02	0.044
016	36200-62250	NUT 1	1				0.005	0.011
017	36200-62260	NUT 2	1				0.1	0.22
018	36200-62270	WASHER,SPRING	1				0.05	0.11
019	04512-50100	WASHER,SPRING	8				0	0
020	06312-10020	PLUG	1				0.016	0.0352
021	01173-51690	BOLT	4				0.156	0.3432
022	04512-50160	WASHER,SPRING	4				0	0
023	36200-62510	ARM,PITMAN	1				2.31	5.082
024	36200-62560	ASSY HANDLE,STEERING	1				2.35	5.17
025	99999-99999	BLANK	0			ORDER BY REF.No.024	0	0
026	36200-62580	CAP,HANDLE	1				0.086	0.1892
027	36200-62590	HOLDER	1				0.045	0.099
028	02174-50140	NUT	1				0.014	0.0308
029	04512-50140	WASHER,SPRING	1				0	0
030	04013-50140	WASHER,PLAIN	1				0	0

STEERING LEVER

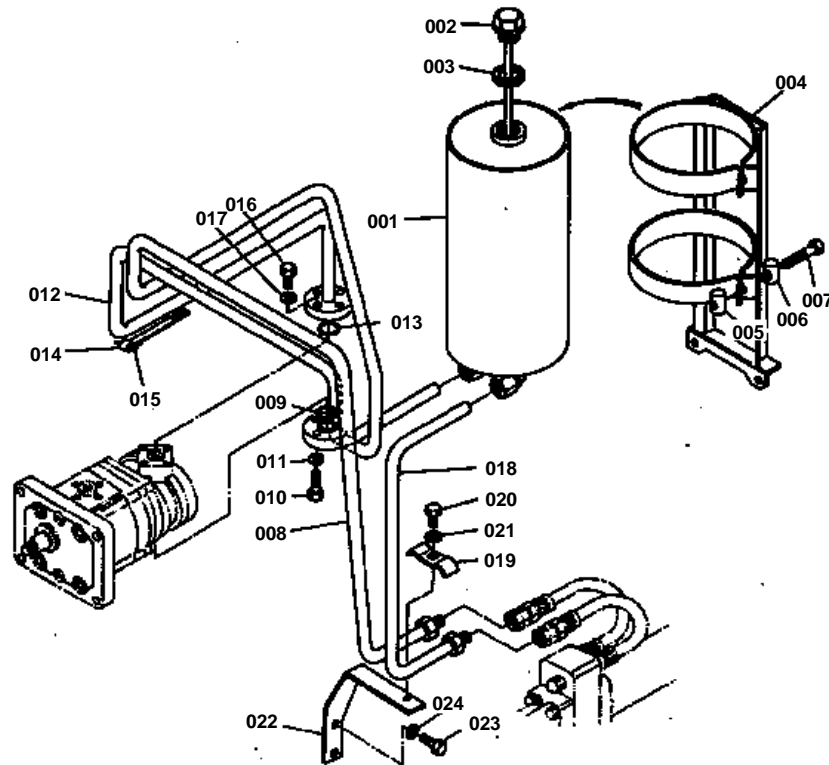




STEERING LEVER

↔ Interchangeable; ≠ not interchangeable; ← new for old; → old for new

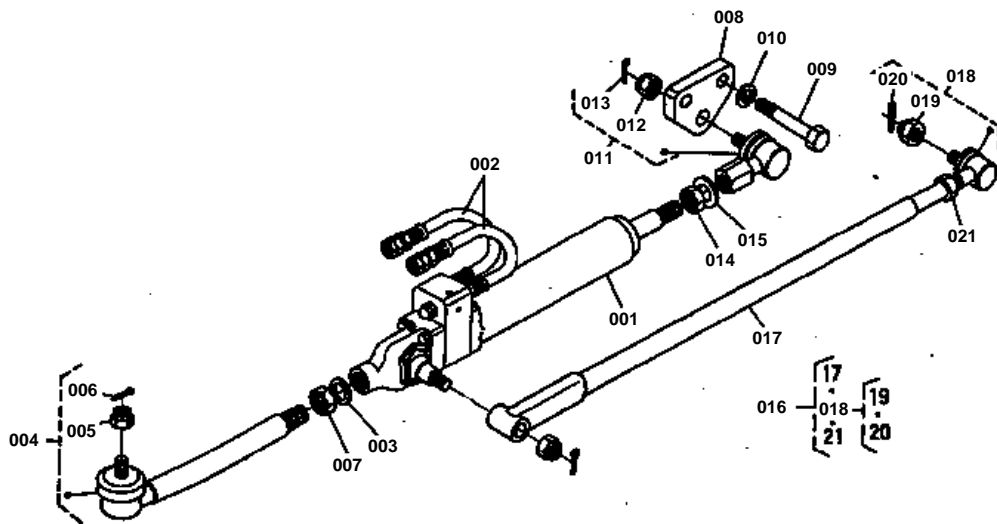
REF.No	Part No.	Description	Q'ty	S.No.	I/C	REMARKS	Weight (kgf)	Weight (lb)
001	33251-62644	LEVER,STEERING	1				3.58	7.876
002	06613-30010	NIPPLE,GREASE	1				0.01	0.022
003	33251-62650	SHAFT,STEERING LEVER	1				0.7	1.54
004	33251-62680	BOLT	1				0.052	0.1144
005	99999-99999	BLANK	0			NON SALE	0	0
006	33251-62700	ASSY SUPPORT,LEVER S	1				0.45	0.99
007	99999-99999	BLANK	0			ORDER BY REF.No.006	0	0
008	33251-62720	BUSH,LEVER SHAFT	1				0.074	0.1628
009	33251-62670	COVER,LEVER SHAFT	1				0.026	0.0572
010	01173-51025	BOLT	2				0.021	0.0462
011	04512-50100	WASHER,SPRING	2				0	0
012	33251-62730	ARM,KNUCKLE RH	1				1.2	2.64
013	33251-62740	ARM,KNUCKLE LH	1				1.06	2.332
014	01173-51265	BOLT	2				0.063	0.1386
015	02174-50120	NUT	2				0.01	0.022
016	04512-50120	WASHER,SPRING	2				0	0
017	35420-62900	ASSY ROD,TIE	2				2.7	5.94
018	35420-62910	ROD,TIE	2				0.8	1.76
019	33251-62860	CLAMP,TIE ROD	2				0.078	0.1716
020	38430-12560	BOLT	2				0.35	0.77
021	02176-50100	NUT	2				0.005	0.011
022	04512-50100	WASHER,SPRING	2				0	0
023	33251-62920	NUT	2				0.022	0.0484
024	36200-62932	ASSY END,TIE ROD	2				0.5	1.1
025	35270-12670	NUT,SLOTTED	2				0.014	0.0308
026	05511-50325	PIN,SPLIT	2				0.002	0.0044
027	36200-62872	ROD,TIE	2				1.2	2.64
028	35270-12670	NUT,SLOTTED	2				0.014	0.0308
029	05511-50325	PIN,SPLIT	2				0.002	0.0044



**POWER STEERING 1**

↔ Interchangeable; ≠ not interchangeable; ← new for old; → old for new

REF.No	Part No.	Description	Q'ty	S.No.	I/C	REMARKS	Weight (kgf)	Weight (lb)
001	35420-63410	TANK	1				1.6	3.52
002	36500-63470	GAUGE,OIL	1				0.098	0.2156
003	04717-02150	WASHER,SEAL	1				0.004	0.0088
004	36210-63430	BAND,TANK	1				0	0
005	33400-63440	PAD 1	2				0.015	0.033
006	33400-63450	PAD 2	2				0.015	0.033
007	01053-50645	BOLT	2				0.012	0.0264
008	36220-63510	ASSY PIPE,DELIVERY	1				0.94	2.068
009	04811-00200	O RING	1				0	0
010	01050-50635	BOLT	3				0.01	0.022
011	04512-50060	WASHER,SPRING	3				0	0
012	36220-63540	ASSY PIPE	1				0.5	1.1
013	04811-00200	O RING	1				0	0
014	33251-82760	BAND,PIPE	1				0.016	0.0352
015	33430-82760	PIN,PIPE BAND	1				0.004	0.0088
016	01050-50625	BOLT	3				0.007	0.0154
017	04512-50060	WASHER,SPRING	3				0	0
018	36220-63610	ASSY PIPE	1				0.27	0.594
019	35700-82350	STAY,PIPE 1	1				0.03	0.066
020	01150-50830	BOLT	1				0.015	0.033
021	04512-50080	WASHER,SPRING	1				0	0
022	36220-63640	BRACKET,PIPE	1				0.34	0.748
023	01170-51020	BOLT	2				0	0
024	04512-50100	WASHER,SPRING	2				0	0



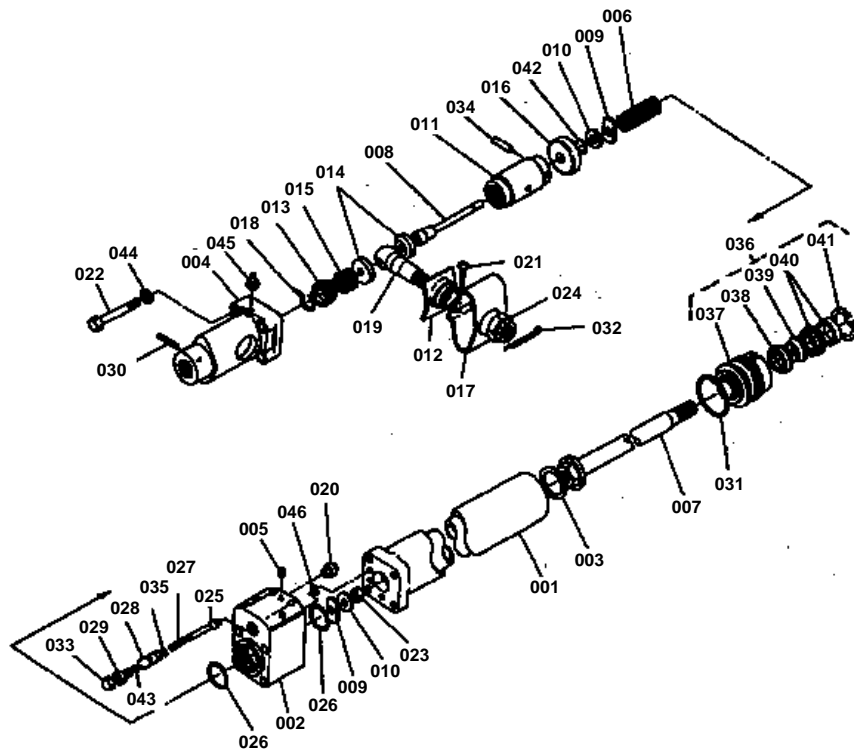


POWER STEERING 2

↔ Interchangeable; ≠ not interchangeable; ← new for old; → old for new

REF.No	Part No.	Description	Q'ty	S.No.	I/C	REMARKS	Weight (kgf)	Weight (lb)
001	35460-63710	ASSY PISTON	1				8	17.6
002	33400-63730	ASSY PIPE 2	2				0.38	0.836
003	36280-63930	WASHER	1				0.02	0.044
004	36210-63763	ASSY ROD,LINK	1				1.08	2.376
005	35270-12670	NUT,SLOTTED	1				0.014	0.0308
006	05511-50325	PIN,SPLIT	1				0.002	0.0044
007	33400-63680	NUT	1				0.065	0.143
008	36210-63810	BRACKET	1				1.35	2.97
009	01173-51645	BOLT	2				0.092	0.2024
010	04512-50160	WASHER,SPRING	2				0	0
011	36280-63833	ASSY ROD,LINK	1				0.75	1.65
012	36280-62754	NUT	1				0.03	0.066
013	05511-50430	PIN,SPLIT	1				0.004	0.0088
014	33400-63690	NUT	1				0.063	0.1386
015	36280-63870	WASHER	1				0.016	0.0352
016	36210-63912	ASSY LINK,DRAG	1				2.04	4.488
017	99999-99999	BLANK	0			ORDER BY REF.No.016	0	0
018	36200-62932	ASSY ROD,TIE	1				0.5	1.1
019	35270-12670	NUT,SLOTTED	1				0.014	0.0308
020	05511-50325	PIN,SPLIT	1				0.002	0.0044
021	33251-62920	NUT	1				0.022	0.0484

BOOSTER

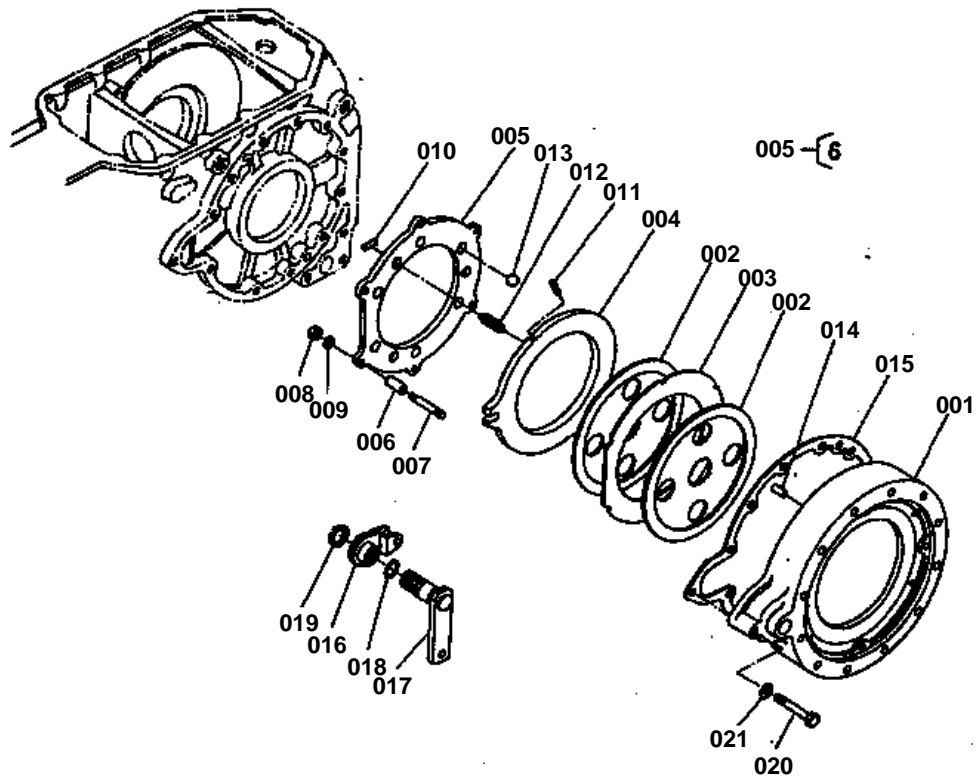


**BOOSTER**

↔ Interchangeable; ≠ not interchangeable; ← new for old; → old for new

REF.No	Part No.	Description	Q'ty	S.No.	I/C	REMARKS	Weight (kgf)	Weight (lb)
001	35460-63880	ASSY CYLINDER	1				2.69	5.918
002	35450-08110	ASSY VALVE	1				1.78	3.916
003	33400-63890	PISTON RING	1				0.005	0.011
004	35460-08120	HOUSING,SHIFTER	1				0.92	2.024
005	35460-08130	PLUG	1				0.004	0.0088
006	35460-08140	SPRING	1				0.04	0.088
007	33400-63940	ASSY PISTON AND ROD	1				1.1	2.42
008	35460-08160	BOLT	1				0.06	0.132
009	35460-08170	SEAT,SPRING	2				0.01	0.022
010	35460-08180	WASHER	2				0.008	0.0176
011	35460-08190	SLEEVE	1				0.15	0.33
012	33400-63950	SEAL	1				0.01	0.022
013	35460-08210	SCREW	1				0.04	0.088
014	35460-08220	SEAT	2				0.03	0.066
015	35460-08230	SPRING	1				0.01	0.022
016	35460-08240	CAP	1				0.115	0.253
017	33400-63960	RETAINER	1				0.035	0.077
018	35460-08250	PING,SNAP	1				0.001	0.0022
019	35460-08260	STUD	1				0.18	0.396
020	35460-08270	FUEL	2				0.003	0.0066
021	33400-63970	SCREW	1				0.002	0.0044
022	35460-08280	BOLT	4				0.09	0.198
023	35460-08290	NUT,LOCK	1				0.01	0.022
024	35460-08310	NUT	1				0.02	0.044
025	35460-08320	PRANGER	1				0.004	0.0088
026	33400-63980	O RING	2				0.001	0.0022
027	35460-08330	SPRING	1				0.002	0.0044
028	35460-08340	ADJUSTER	1				0.01	0.022
029	35460-08350	NUT	1				0.005	0.011
030	05411-00312	PIN,SPRING	1				0.001	0.0022
031	04810-50450	O RING	1				0	0
032	05511-50430	PIN,SPLIT	1				0.004	0.0088
033	35460-08380	CAP	1				0.004	0.0088
034	35460-08390	PIN,ROLLER	1				0.001	0.0022
035	04811-00030	O RING	1				0	0
036	33400-63900	ASSY BOX	1				0.5	1.1
037	35460-08150	ASSY BOX	1				0.48	1.056
038	35460-08410	U RING	1				0.004	0.0088
039	35460-08420	RING	1				0.002	0.0044
040	35460-08440	ASSY SEAL,OIL	1				0.02	0.044
041	04611-00370	CIR-CLIP,INTERNAL	1				0.004	0.0088
042	04811-00120	O RING	1				0	0
043	04811-00070	O RING	1				0	0
044	04512-50080	WASHER,SPRING	4				0	0
045	06613-10010	NIPPLE,GREASE	1				0.006	0.0132
046	04810-00060	O RING	2				0	0

BRAKE

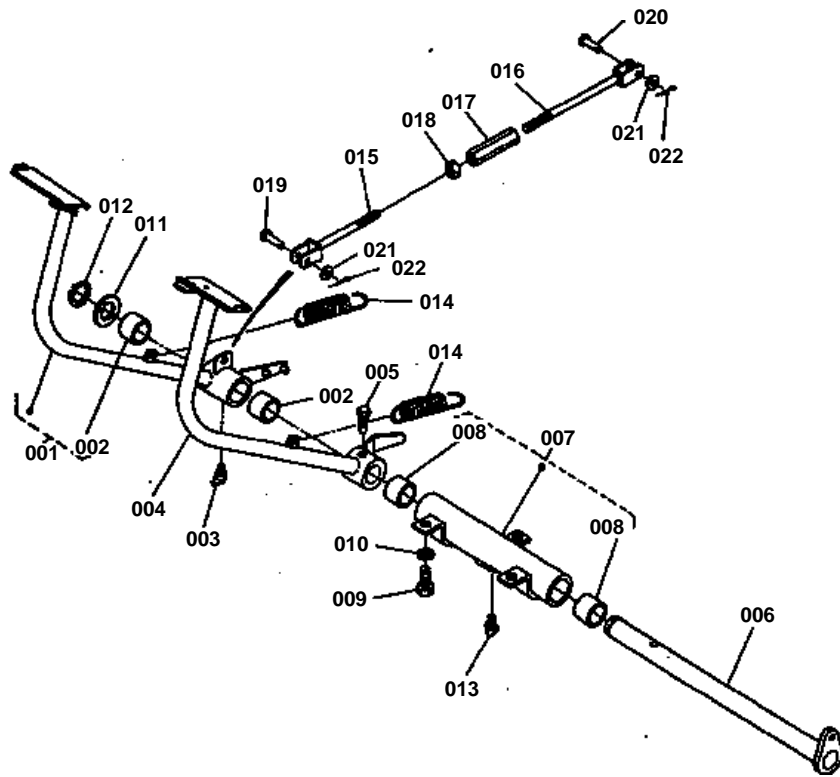


**BRAKE**

↔ Interchangeable; ≠ not interchangeable; ← new for old; → old for new

REF.No	Part No.	Description	Q'ty	S.No.	I/C	REMARKS	Weight (kgf)	Weight (lb)
001	36200-65112	CASE,BRAKE	2				14.75	32.45
002	36200-65120	PLATE	4				0	0
003	36200-65130	PLATE	2				0	0
004	36200-65147	PLATE(1)	2				2.5	5.5
005	36200-65150	PLATE(2)	2				2.42	5.324
006	99999-99999	BLANK	0			ORDER BY REF.No.005	0	0
007	36200-65170	STUD	12				0.04	0.088
008	02118-50100	NUT	12				0.005	0.011
009	04512-50100	WASHER,SPRING	12				0	0
010	36200-65180	PIN	6				0.025	0.055
011	05411-00435	PIN,SPRING	6				0.002	0.0044
012	36200-65810	SPRING	6				0.003	0.0066
013	07715-00805	BALL	12				0.016	0.0352
014	05012-01325	PIN,STRAIGHT	4				0.028	0.0616
015	36200-65210	GASKET	2				0	0
016	36200-65310	LEVER,BRAKE CAM	2				0.35	0.77
017	35420-56330	SHAFT,BRAKE CAM	2				0.865	1.903
018	04811-05250	O RING	2				0	0
019	04612-00280	CIR-CLIP,EXTERNAL	2				0.003	0.0066
020	01173-51270	BOLT	2				0.067	0.1474
021	04512-50120	WASHER,SPRING	2				0	0

BRAKE PEDAL

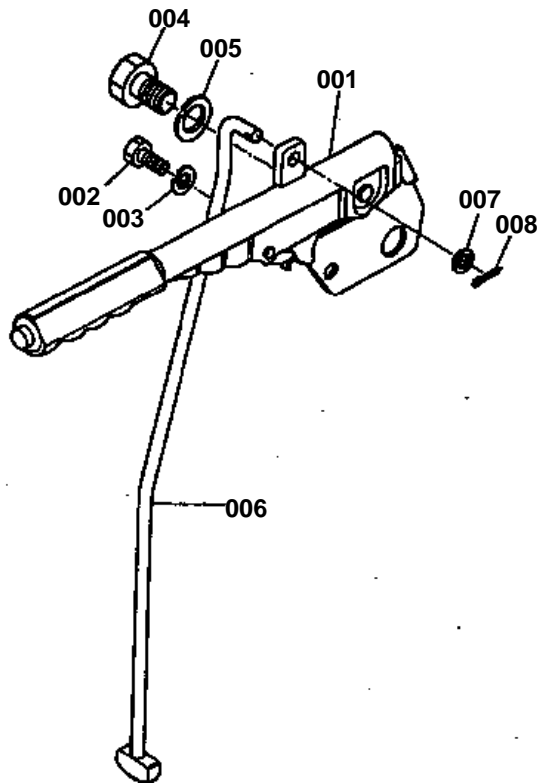


**BRAKE PEDAL**

↔ Interchangeable; ≠ not interchangeable; ← new for old; → old for new

REF.No	Part No.	Description	Q'ty	S.No.	I/C	REMARKS	Weight (kgf)	Weight (lb)
001	35420-67100	ASSY PEDAL,BRAKE RH	1				0	0
002	32150-28440	BUSH	2				0.043	0.0946
003	06613-20010	NIPPLE,GREASE	1				0.01	0.022
004	35420-67200	ASSY PEDAL,BRAKE LH	1				2.5	5.5
005	33251-26350	BOLT,SET	1				0.045	0.099
006	35420-67310	SHAFT,BRAKE PEDAL	1				0	0
007	36200-67330	SUPPORT,PEDAL SHAFT	1				3.2	7.04
008	32150-28440	BUSH	2				0.043	0.0946
009	01173-51225	BOLT	3				0.033	0.0726
010	04512-50120	WASHER,SPRING	3				0	0
011	33251-67340	COLLAR,PEDAL SHAFT	1				0.029	0.0638
012	04612-00280	CIR-CLIP,EXTERNAL	1				0.003	0.0066
013	06613-30010	NIPPLE,GREASE	1				0.01	0.022
014	37150-15840	SPRING	2				0.06	0.132
015	36200-67413	ROD,BRAKE(1)	2				0	0
016	36330-67420	ROD,BRAKE(2)	2				0.22	0.484
017	37720-28980	TURNBUCKLE	2				0.099	0.2178
018	02172-50120	NUT	2				0.01	0.022
019	05122-51035	PIN,JOINT	2				0.023	0.0506
020	05122-51028	PIN,JOINT	2				0	0
021	04011-50100	WASHER,PLAIN	4				0.002	0.0044
022	05511-50318	PIN,SPLIT	4				0.001	0.0022

HAND BRAKE

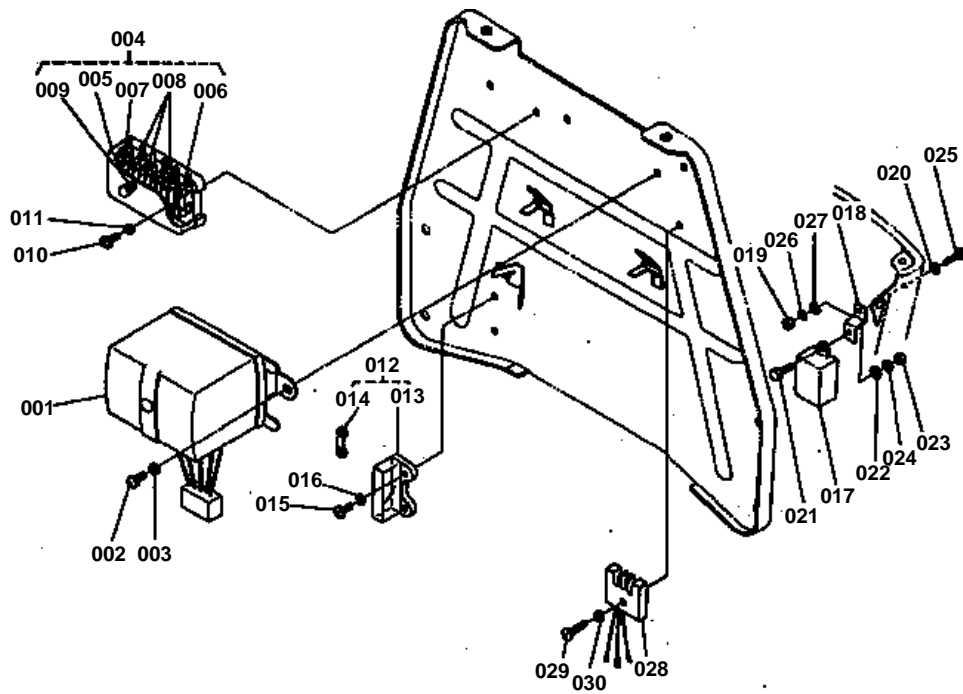




HAND BRAKE

↔ Interchangeable; ≠ not interchangeable; ← new for old; → old for new

REF.No	Part No.	Description	Q'ty	S.No.	I/C	REMARKS	Weight (kgf)	Weight (lb)
001	36200-67600	ASSY LEVER,HAND BRAK	1				0	0
002	01173-51020	BOLT	1				0.017	0.0374
003	04512-50100	WASHER,SPRING	1				0	0
004	01170-52035	BOLT	1				0	0
005	04512-50200	WASHER,SPRING	1				0	0
006	36200-67752	ROD,HAND BRAKE	1				0	0
007	04011-50100	WASHER,PLAIN	1				0.002	0.0044
008	05511-50215	PIN,SPLIT	1				0.001	0.0022



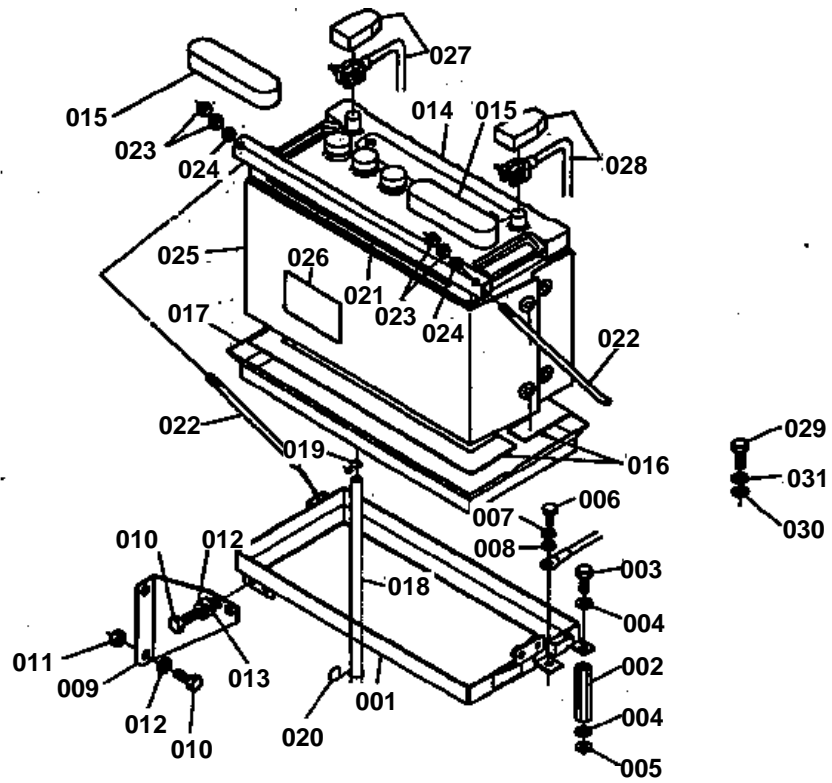


ELECTRICAL [A][CA]

↔ Interchangeable; ≠ not interchangeable; ← new for old; → old for new

REF.No	Part No.	Description	Q'ty	S.No.	I/C	REMARKS	Weight (kgf)	Weight (lb)
001	33251-74010	REGULATOR	1				0.35	0.77
002	03014-50612	SCREW,PAN HEAD	2				0.003	0.0066
003	04411-50060	WASHER	2				0.001	0.0022
004	36200-75500	ASSY CASE,FUSE	1				0.089	0.1958
005	99999-99999	BLANK	0			ORDER BY REF.No.004	0	0
006	36200-75550	FUSE	2				0.002	0.0044
007	36200-75560	FUSE	1				0.002	0.0044
008	33251-75570	FUSE	3				0.001	0.0022
009	99999-99999	BLANK	0			ORDER BY REF.No.004	0	0
010	03014-50616	SCREW,PAN HEAD	2				0.003	0.0066
011	04411-50060	WASHER	2				0.001	0.0022
012	36500-75370	FUSE	1				0.034	0.0748
013	54213-25150	CASE,FUSE	1				0	0
014	36500-75380	FUSE	1				0.002	0.0044
015	03014-50616	SCREW,PAN HEAD	2				0.003	0.0066
016	04512-50060	WASHER,SPRING	2				0	0
017	35450-75590	UNIT,HAZARD FLASHER	1				0	0
018	36200-75840	BRACKET,FLASHER UNIT	1				0.01	0.022
019	02014-50060	NUT	1				0.002	0.0044
020	04015-50060	WASHER,PLAIN	1				0	0
021	01050-50616	BOLT	1				0	0
022	04012-50060	WASHER,PLAIN	1				0.001	0.0022
023	02014-50060	NUT	1				0.002	0.0044
024	04512-50060	WASHER,SPRING	1				0	0
025	03014-50612	SCREW,PAN HEAD	1				0.003	0.0066
026	04411-50060	WASHER	1				0.001	0.0022
027	04012-50060	WASHER,PLAIN	1				0.001	0.0022
028	36200-75920	RECTIFIER	1				0.039	0.0858
029	03014-50625	SCREW	1				0	0
030	04512-50060	WASHER,SPRING	1				0	0

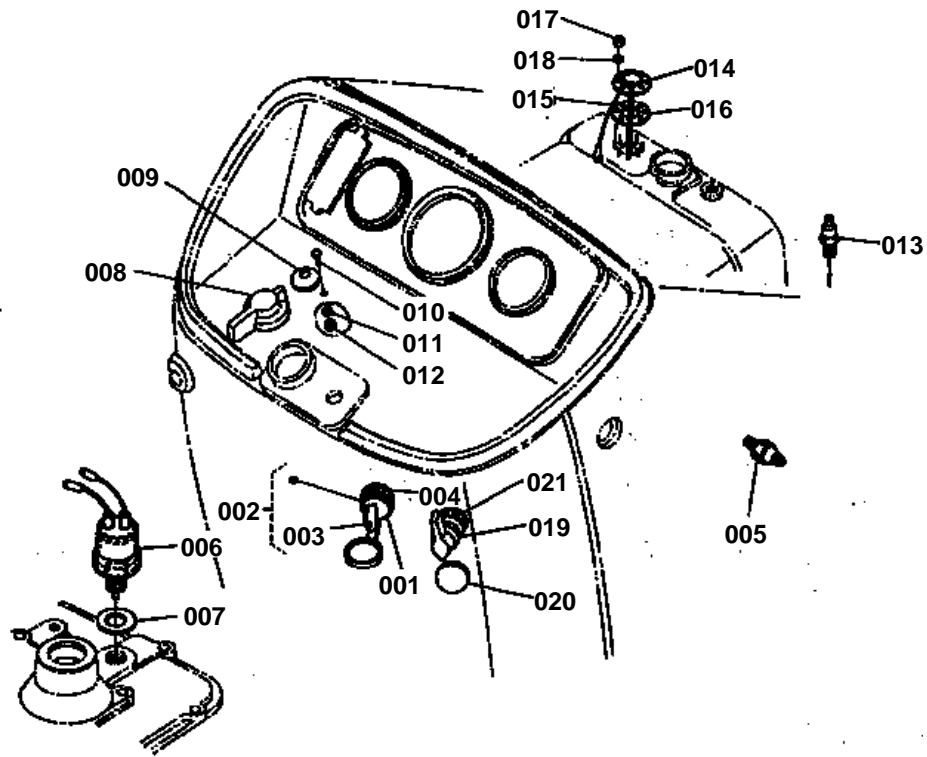
BATTERY



**BATTERY**

↔ Interchangeable; ≠ not interchangeable; ← new for old; → old for new

REF.No	Part No.	Description	Q'ty	S.No.	I/C	REMARKS	Weight (kgf)	Weight (lb)
001	36200-74110	SUPPORT,BATTERY	1				0	0
002	36200-74160	JOINT	2				0.125	0.275
003	01173-51020	BOLT	2				0.017	0.0374
004	04512-50100	WASHER,SPRING	4				0	0
005	04011-50100	WASHER,PLAIN	2				0.002	0.0044
006	01153-50820	BOLT	1				0.012	0.0264
007	04512-50080	WASHER,SPRING	1				0	0
008	04012-50080	WASHER,PLAIN	1				0.001	0.0022
009	36200-74170	STAY	1				0.29	0.638
010	01173-51025	BOLT	4				0.021	0.0462
011	02114-50100	NUT	1				0.005	0.011
012	04512-50100	WASHER,SPRING	4				0	0
013	04011-50100	WASHER,PLAIN	2				0.002	0.0044
014	35450-74310	BATTERY	1				0	0
015	36200-74370	COVER,BATTERY	2				0.054	0.1188
016	36200-74320	CUSHION	2				0.08	0.176
017	36200-74330	CASE	1				0.308	0.6776
018	36200-74340	PIPE	1				0.045	0.099
019	14301-42750	CLIP,PIPE	1				0.005	0.011
020	36200-74510	CLAMP,PIPE	1				0.002	0.0044
021	36200-74350	RETAINER	1				0	0
022	36200-74360	ROD	2				0.107	0.2354
023	02114-50080	NUT	4				0.005	0.011
024	04012-50080	WASHER,PLAIN	2				0.001	0.0022
025	36200-74380	COVER	1				0	0
026	35450-74390	LABEL	1				0.001	0.0022
027	36220-77112	CORD,BATTERY	1				0	0
028	36220-77120	CORD	1				0.337	0.7414
029	01173-51025	BOLT	1				0.021	0.0462
030	04011-50100	WASHER,PLAIN	1				0.002	0.0044
031	04512-50100	WASHER,SPRING	1				0	0



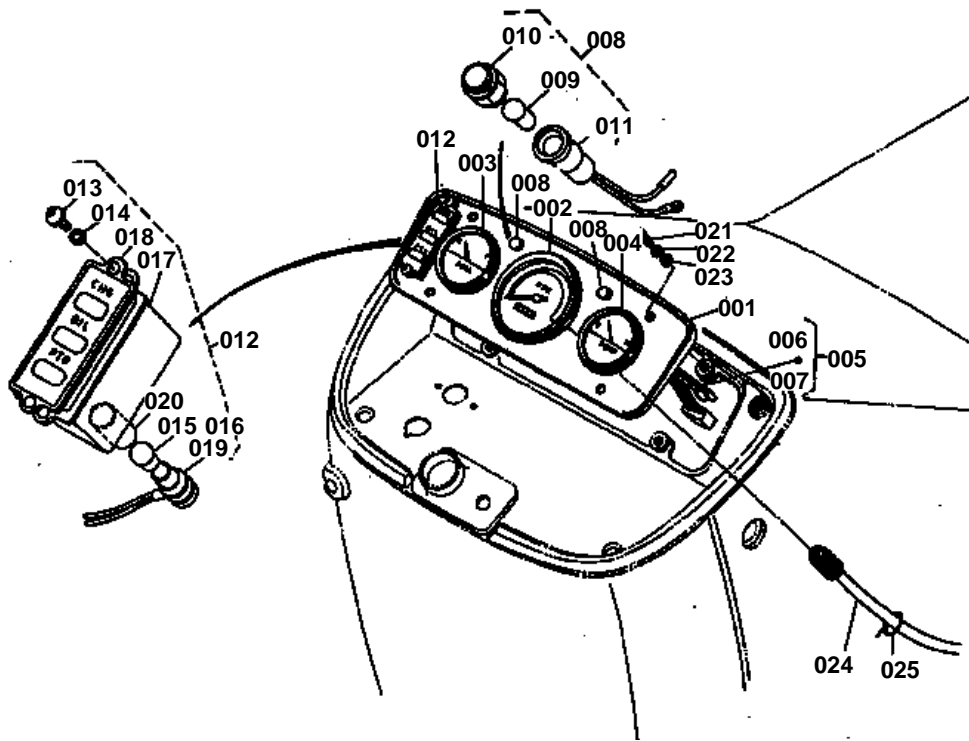


MAIN SWITCH [A][CA]

↔ Interchangeable; ≠ not interchangeable; ← new for old; → old for new

REF.No	Part No.	Description	Q'ty	S.No.	I/C	REMARKS	Weight (kgf)	Weight (lb)
001	34350-31800	SWITCH,KEY	1				0.2	0.44
002	32360-31800	SWITCH,MAIN	1				0.19	0.418
003	32130-31810	KEY,MAIN SWITCH	2				0.017	0.0374
004	34150-31810	GASKET	1				0.001	0.0022
005	15221-39010	SWITCH,OIL	1				0	0
006	33251-75100	SWITCH,SAFETY STARTE	1				0.095	0.209
007	33251-75130	GASKET	1				0.001	0.0022
008	32210-32200	SWITCH,STARTER	1				0.275	0.605
009	15601-65950	GLOW LAMP	1				0.052	0.1144
010	03054-50510	SCREW,PAN HEAD	2				0.003	0.0066
011	04512-50050	WASHER,SPRING	2				0	0
012	02054-50050	NUT	3				0.002	0.0044
013	33400-75250	SWITCH	1				0.033	0.0726
014	36200-75300	UNIT,TANK	1				0.182	0.4004
015	36200-75360	WIRE,LEAD	1				0.005	0.011
016	33251-75310	GASKET	1				0.005	0.011
017	02054-50040	NUT	6				0.001	0.0022
018	04512-50040	WASHER,SPRING	6				0	0
019	35450-75040	SWITCH,HAZARD	1				0.15	0.33
020	34159-34290	PLUG	1				0.004	0.0088
021	04411-50220	WASHER	1				0.01	0.022

PANEL BOARD

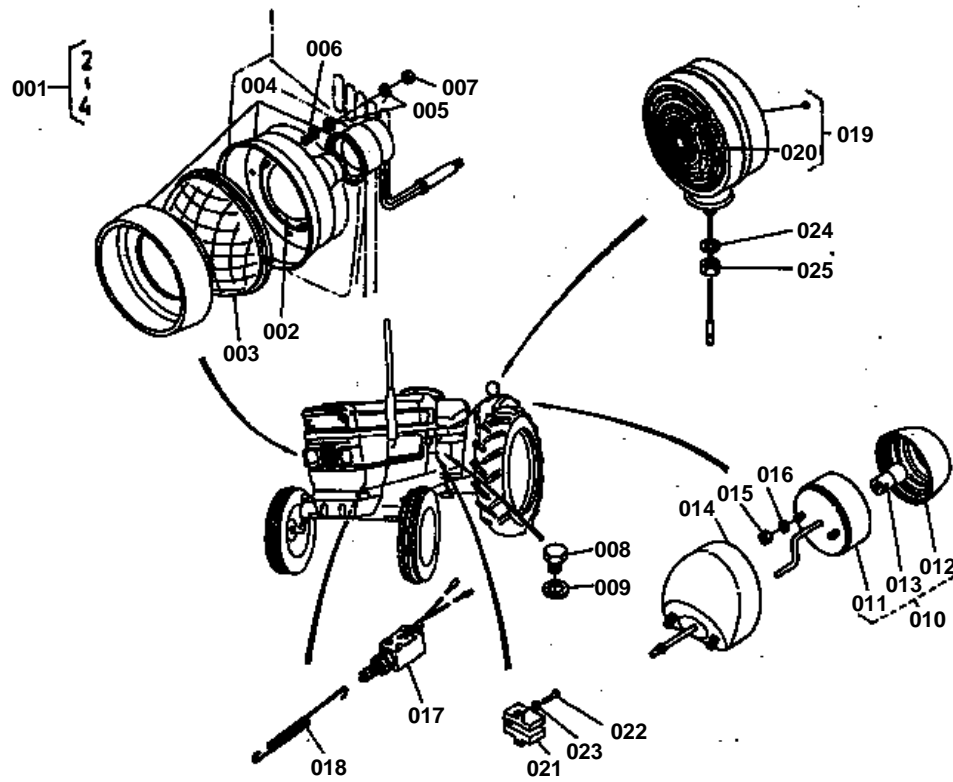




PANEL BOARD

↔ Interchangeable; ≠ not interchangeable; ← new for old; → old for new

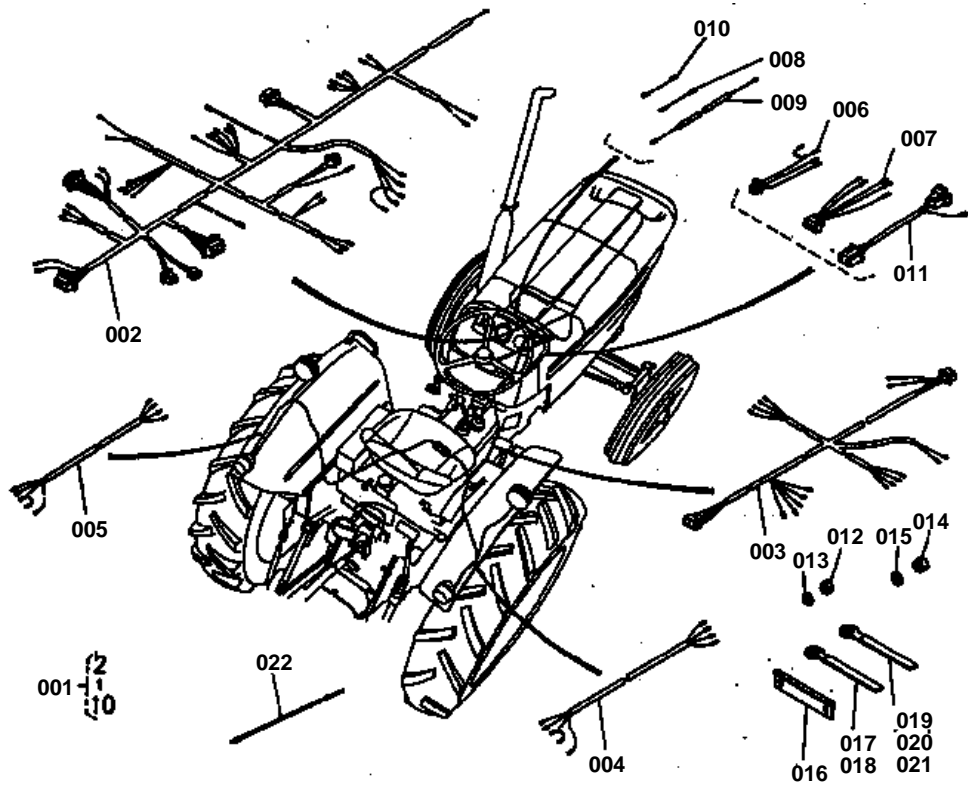
REF.No	Part No.	Description	Q'ty	S.No.	I/C	REMARKS	Weight (kgf)	Weight (lb)
001	36200-75670	PANEL	1				0.265	0.583
002	36200-75640	METER,TRACTOR	1				0.48	1.056
003	36200-75680	METER,TRACTOR	1				0.16	0.352
004	34260-31300	METER,TRACTOR	1				0.144	0.3168
005	36200-75740	CORD	1				0.115	0.253
006	33430-75750	LAMP	1				0.002	0.0044
007	36200-75750	VALVE,LAMP	2				0.01	0.022
008	36200-75930	INDICATOR,FLASHER	2				0.014	0.0308
009	34150-34590	VALVE	2				0.001	0.0022
010	36200-75950	LENS	2				0.003	0.0066
011	99999-99999	BLANK	0			ORDER BY REF.No.008	0	0
012	36200-75210	BOX	1				0.063	0.1386
013	03024-50510	SCREW	2				0.002	0.0044
014	04012-50050	WASHER,PLAIN	2				0.001	0.0022
015	33430-75750	LAMP	1				0.002	0.0044
016	36200-75760	LAMP	2				0.002	0.0044
017	99999-99999	BLANK	0			ORDER BY REF.No.012	0	0
018	36200-75230	CASE,BOX UPPER	1				0.001	0.0022
019	36200-75240	ASSY CORD	1				0.026	0.0572
020	36200-75270	PIPE	3				0.002	0.0044
021	03014-50620	SCREW,PAN HEAD	4				0	0
022	04012-50060	WASHER,PLAIN	4				0.001	0.0022
023	04411-50060	WASHER	4				0.001	0.0022
024	36200-30110	CABLE,TRACTOR METER	1				0	0
025	34350-29380	BAND,CORD	2				0.001	0.0022



**LAMP [A][CA]**

↔ Interchangeable; ≠ not interchangeable; ← new for old; → old for new

REF.No	Part No.	Description	Q'ty	S.No.	I/C	REMARKS	Weight (kgf)	Weight (lb)
001	36200-75280	ASSY LAMP,HEAD	2				0.375	0.825
002	36200-75290	BULB,LAMP	2				0.05	0.11
003	36200-75310	LENS	2				0.13	0.286
004	36200-75330	BODY	2				0.43	0.946
005	04013-50050	WASHER,PLAIN	12				0	0
006	34350-33950	SPRING	6				0.001	0.0022
007	34350-33960	NUT	8				0.002	0.0044
008	35410-75330	PLUG	1				0.02	0.044
009	04711-00120	GASKET	1				0.001	0.0022
010	34350-34100	LAMP,TAIL	2				0.13	0.286
011	99999-99999	BLANK	0			ORDER BY REF.No.010	0	0
012	34350-34120	LENS,TAIL LAMP	2				0.05	0.11
013	34350-34140	LAMP	2				0.008	0.0176
014	34350-34190	HOLDER	2				0.107	0.2354
015	02014-50060	NUT	4				0.002	0.0044
016	04512-50060	WASHER,SPRING	4				0	0
017	36200-75480	SWITCH,STOP	1				0	0
018	36200-75490	SPRING	1				0.014	0.0308
019	35450-75010	ASSY LAMP,HAZARD FLA	2				0.3	0.66
020	35450-75022	BULB,HAZARD FLASHER	2				0.008	0.0176
021	36200-75260	SWITCH,PTO	1				0.025	0.055
022	03054-50516	SCREW	2				0.004	0.0088
023	04512-50050	WASHER,SPRING	2				0	0
024	04512-50100	WASHER,SPRING	2				0	0
025	02114-50100	NUT	2				0.005	0.011

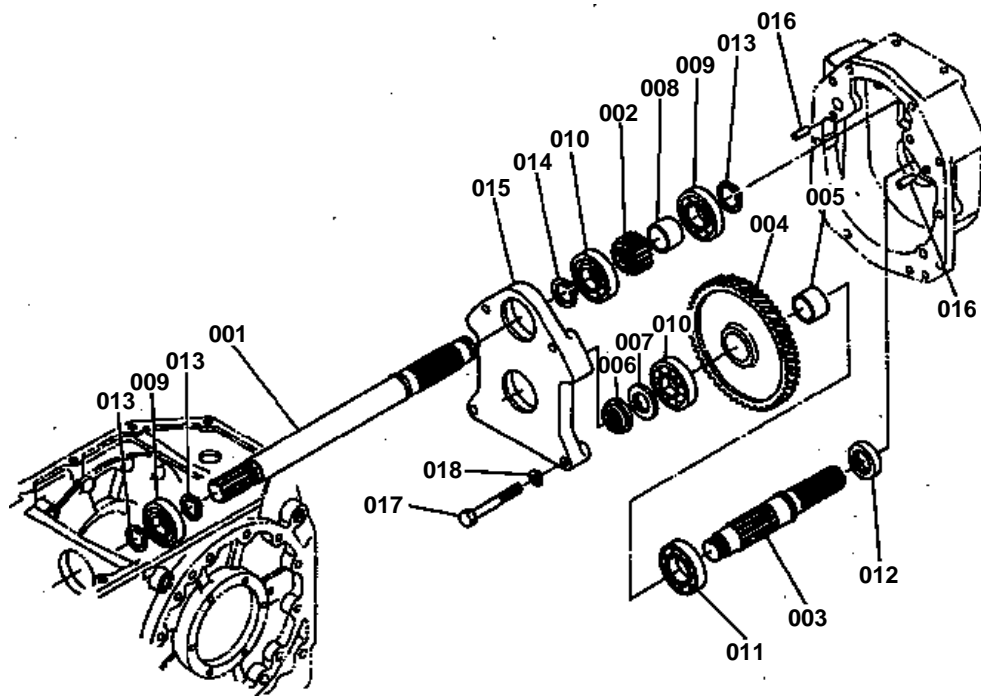


**WIRE HARNESS [A][CA]**

↔ Interchangeable; ≠ not interchangeable; ← new for old; → old for new

REF.No	Part No.	Description	Q'ty	S.No.	I/C	REMARKS	Weight (kgf)	Weight (lb)
001	35410-77203	ASSY WIRE HARNESS	1				1.86	4.092
002	35410-77210	WIRE HARNESS 1	1				1.25	2.75
003	35452-77220	WIRE HARNESS 2	1				0.36	0.792
004	36200-77230	WIRE HARNESS 3	1				0.076	0.1672
005	36200-77240	WIRE HARNESS 4	1				0.072	0.1584
006	36200-77250	WIRE HARNESS 5	1				0.045	0.099
007	36200-77270	WIRE HARNESS 7	1				0.06	0.132
008	36200-77320	WIRE HARNESS 11	1				0.012	0.0264
009	36200-77330	WIRE HARNESS 12	1				0.012	0.0264
010	33251-77360	CORD	1				0.003	0.0066
011	35450-77342	WIRE HARNESS HAZARD	1				0.052	0.1144
012	02114-50080	NUT	1				0.005	0.011
013	04512-50080	WASHER,SPRING	1				0	0
014	02014-50060	NUT	1				0.002	0.0044
015	04512-50060	WASHER,SPRING	1				0	0
016	36200-77510	CLAMP,CORD 1	1				0.04	0.088
017	36200-77520	CLAMP,CORD 2	1				0.007	0.0154
018	36200-77530	CLAMP,CORD 3	2				0.008	0.0176
019	34150-29390	CLAMP,CORD	2				0.004	0.0088
020	13313-69750	CLAMP,CORD	1				0	0
021	32240-34490	CLAMP,CORD 2	2				0.003	0.0066
022	36200-77650	BAND,CORD	1				0.002	0.0044

PTO SHAFT



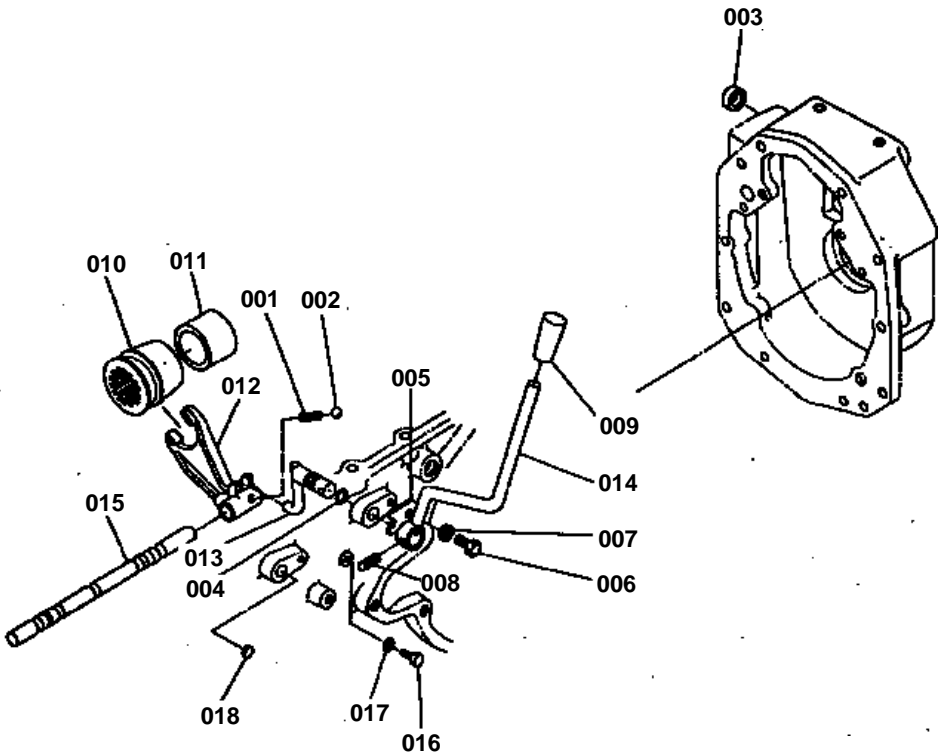


PTO SHAFT

↔ Interchangeable; ≠ not interchangeable; ← new for old; → old for new

REF.No	Part No.	Description	Q'ty	S.No.	I/C	REMARKS	Weight (kgf)	Weight (lb)
001	36200-80110	SHAFT,PTO	1				3.1	6.82
002	36200-80120	GEAR 16	1				0.2	0.44
003	36200-97670	SHAFT,PTO	1				0	0
004	35450-80150	GEAR 65	1				3.74	8.228
005	35450-80230	COLLAR	1				0	0
006	34150-25330	NUT	1				0.039	0.0858
007	34150-27150	COLLAR	1				0.035	0.077
008	35450-80180	COLLAR	1				0.25	0.55
009	08101-06306	BEARING,BALL	2				0.335	0.737
010	08101-06307	BEARING,BALL	2				0.455	1.001
011	08101-06208	BEARING,BALL	1				0.355	0.781
012	09503-85811	SEAL,OIL	1				0.028	0.0616
013	04612-00300	CIR-CLIP,EXTERNAL	3				0.003	0.0066
014	04612-00350	CIR-CLIP,EXTERNAL	1				0.01	0.022
015	36200-80210	SUPPORT,PTO BEARING	1				4.4	9.68
016	05012-01020	PIN,STRAIGHT	2				0.013	0.0286
017	01173-51260	BOLT	4				0.06	0.132
018	04512-50120	WASHER,SPRING	4				0	0

SHIFT FORK

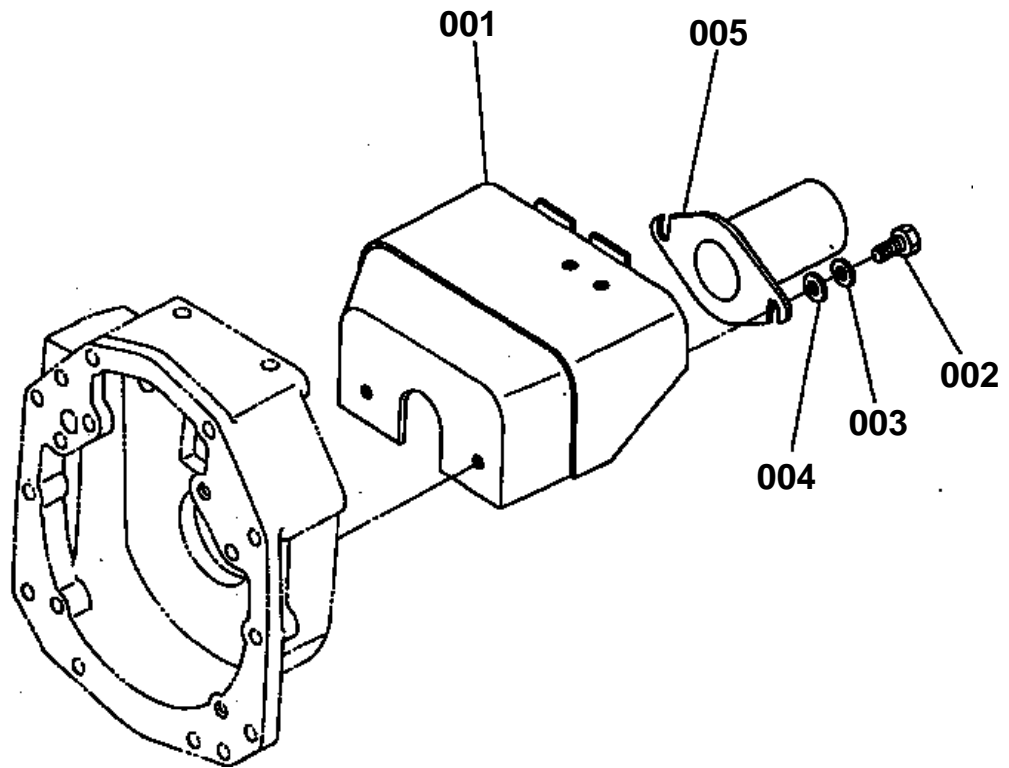


**SHIFT FORK**

↔ Interchangeable; ≠ not interchangeable; ← new for old; → old for new

REF.No	Part No.	Description	Q'ty	S.No.	I/C	REMARKS	Weight (kgf)	Weight (lb)
001	62231-18530	SPRING,STOPPER	1				0.01	0.022
002	07715-03211	BALL	1				0.003	0.0066
003	36200-21240	PLUG	1				0	0
004	04811-00150	O RING	1				0	0
005	34150-24350	STOPPER,LEVER	1				0.01	0.022
006	01153-50814	BOLT	1				0.009	0.0198
007	04512-50080	WASHER,SPRING	1				0	0
008	05411-00628	PIN,SPRING	1				0.004	0.0088
009	06914-00120	GRIP,LEVER	1				0.018	0.0396
010	35420-80400	COUPLING	1				0.31	0.682
011	35420-80390	COLLAR	1				0.06	0.132
012	36200-80450	FORK,PTO SHIFT	1				0.368	0.8096
013	36200-31350	LEVER,SHIFT	1				0.158	0.3476
014	36200-80470	LEVER,PTO	1				0.377	0.8294
015	36200-31320	SHAFT,1	1				0.39	0.858
016	36200-31333	BOLT,SET	1				0.015	0.033
017	04717-00800	WASHER,SEAL	1				0.001	0.0022
018	36200-21240	PLUG	1				0	0

PTO COVER

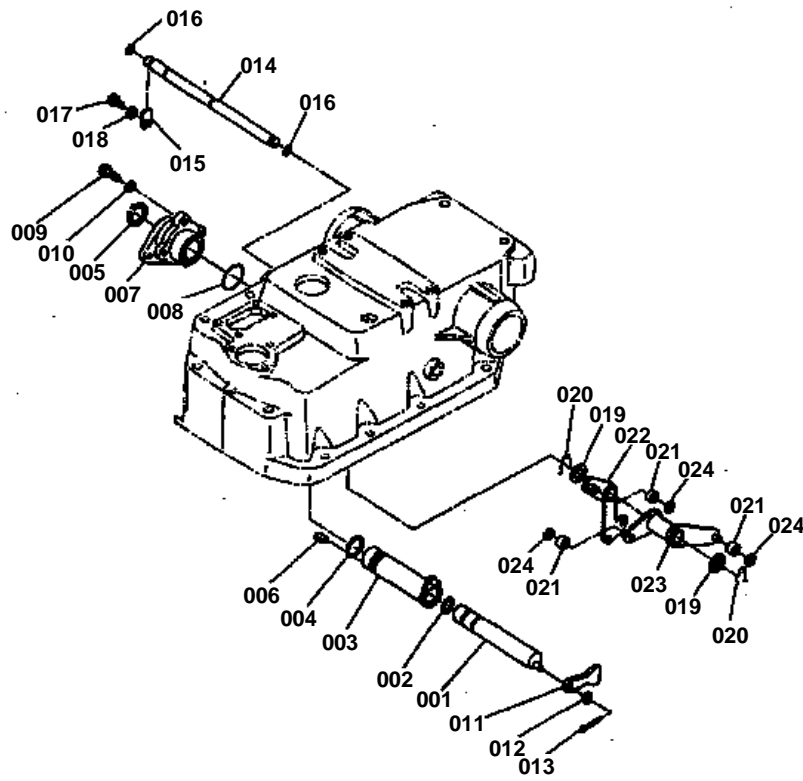




PTO COVER

↔ Interchangeable; ≠ not interchangeable; ← new for old; → old for new

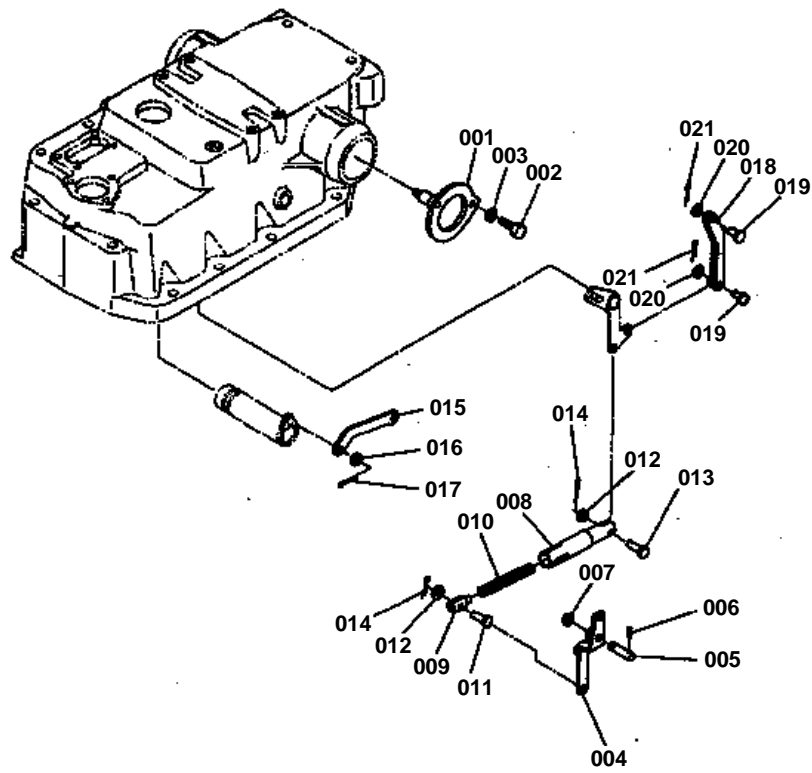
REF.No	Part No.	Description	Q'ty	S.No.	I/C	REMARKS	Weight (kgf)	Weight (lb)
001	33251-80340	COVER,PTO	1				0	0
002	01153-50822	BOLT	2				0.011	0.0242
003	04512-50080	WASHER,SPRING	2				0	0
004	04013-50080	WASHER,PLAIN	2				0	0
005	33430-90610	COVER,PTO SHAFT	1				0.4	0.88



**POSITION OPERATE 1**

↔ Interchangeable; ≠ not interchangeable; ← new for old; → old for new

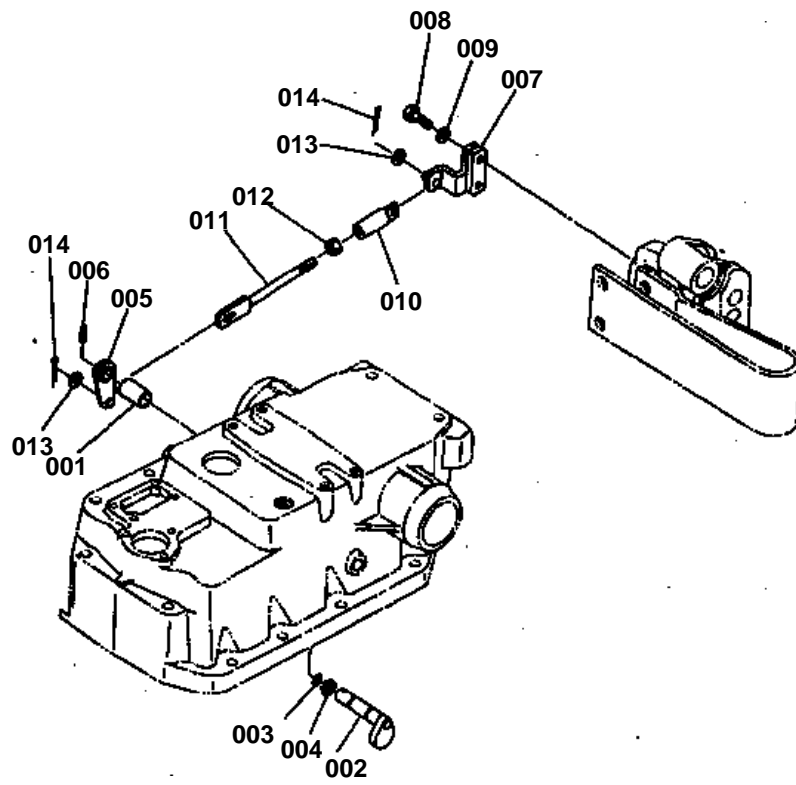
REF.No	Part No.	Description	Q'ty	S.No.	I/C	REMARKS	Weight (kgf)	Weight (lb)
001	36200-81110	SHAFT	1				0.44	0.968
002	04811-00180	O RING	1				0	0
003	36200-81120	SHAFT	1				0.324	0.7128
004	04811-06260	O RING	1				0	0
005	04612-00300	CIR-CLIP,EXTERNAL	1				0.003	0.0066
006	05712-00510	KEY	1				0.002	0.0044
007	36200-81130	BRACKET	1				0.56	1.232
008	04811-50450	O RING	1				0	0
009	01153-50822	BOLT	3				0.011	0.0242
010	04512-50080	WASHER,SPRING	3				0	0
011	36200-81150	CONNECTER,POSITION	1				0	0
012	04012-50080	WASHER,PLAIN	1				0.001	0.0022
013	05511-51612	PIN,SPLIT	1				0.001	0.0022
014	36200-81180	SHAFT	1				0.326	0.7172
015	36200-81190	STOPPER	1				0.008	0.0176
016	04811-10120	O RING	2				0.001	0.0022
017	01153-50816	BOLT	1				0.01	0.022
018	04512-50080	WASHER,SPRING	1				0	0
019	04011-50140	WASHER,PLAIN	2				0.007	0.0154
020	36200-81210	CIR-CLIP	2				0.001	0.0022
021	36200-81220	ROLLER	3				0.008	0.0176
022	36200-81230	CONNECTER	1				0.166	0.3652
023	36200-81240	BALANCER,POSITION	1				0	0
024	04612-00100	CIR-CLIP,EXTERNAL	3				0.001	0.0022



**POSITION OPERATE 2**

↔ Interchangeable; ≠ not interchangeable; ← new for old; → old for new

REF.No	Part No.	Description	Q'ty	S.No.	I/C	REMARKS	Weight (kgf)	Weight (lb)
001	36200-81250	CAM	1				0.25	0.55
002	01173-51022	BOLT	1				0.019	0.0418
003	04512-50100	WASHER,SPRING	1				0	0
004	36200-81160	RETAINER	1				0.094	0.2068
005	36200-81170	PIN	1				0.021	0.0462
006	05411-00420	PIN,SPRING	1				0.001	0.0022
007	04612-00100	CIR-CLIP,EXTERNAL	1				0.001	0.0022
008	36200-81260	BRACKET,1	1				0	0
009	36200-81270	BRACKET,2	1				0.026	0.0572
010	36200-81280	SPRING	1				0.019	0.0418
011	05122-50630	PIN,JOINT	1				0.006	0.0132
012	04012-50060	WASHER,PLAIN	2				0.001	0.0022
013	05122-50625	PIN,JOINT	1				0.006	0.0132
014	05511-51612	PIN,SPLIT	2				0.001	0.0022
015	36200-81310	LINK,1	1				0.064	0.1408
016	04012-50080	WASHER,PLAIN	1				0.001	0.0022
017	05511-51612	PIN,SPLIT	1				0.001	0.0022
018	36200-81320	LINK,2	1				0	0
019	05122-50818	PIN,JOINT	2				0.008	0.0176
020	04012-50080	WASHER,PLAIN	2				0.001	0.0022
021	05511-50215	PIN,SPLIT	2				0.001	0.0022

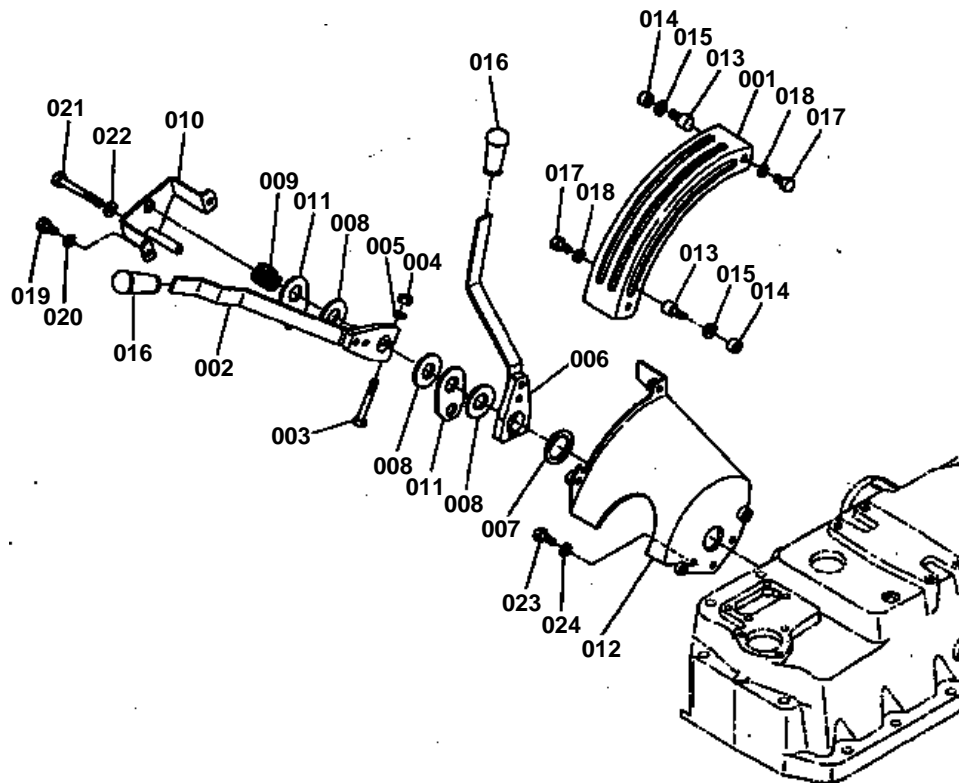




POSITION OPERATE 3

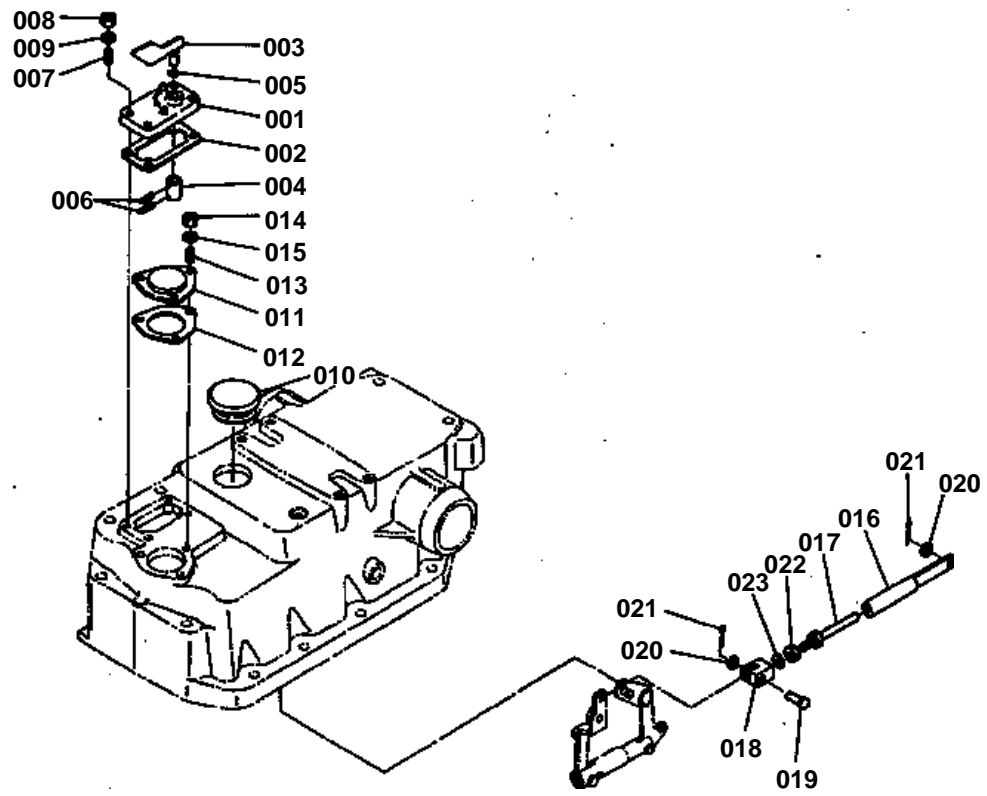
↔ Interchangeable; ≠ not interchangeable; ← new for old; → old for new

REF.No	Part No.	Description	Q'ty	S.No.	I/C	REMARKS	Weight (kgf)	Weight (lb)
001	36200-81330	BUSH	1				0.04	0.088
002	36200-81340	CAM	1				0.145	0.319
003	04811-05120	O RING	1				0	0
004	04612-00150	CIR-CLIP,EXTERNAL	1				0.001	0.0022
005	36200-81350	LEVER	1				0.074	0.1628
006	05411-00525	PIN,SPRING	1				0.002	0.0044
007	36200-81360	LEVER	1				0.184	0.4048
008	01173-51028	BOLT	2				0.022	0.0484
009	04512-50100	WASHER,SPRING	2				0	0
010	32280-41320	BRACKET,ROD	1				0.05	0.11
011	36200-81380	ROD	1				0.092	0.2024
012	02116-50100	NUT	1				0.004	0.0088
013	04011-50100	WASHER,PLAIN	2				0.002	0.0044
014	05511-50318	PIN,SPLIT	2				0.001	0.0022



↔ Interchangeable; ≠ not interchangeable; ← new for old; → old for new

REF.No	Part No.	Description	Q'ty	S.No.	I/C	REMARKS	Weight (kgf)	Weight (lb)
001	36200-81410	GUIDE	1				0.5	1.1
002	36200-81424	LEVER	1				0.34	0.748
003	36200-81530	BOLT	1				0.016	0.0352
004	02056-50060	NUT	1				0.002	0.0044
005	04512-50060	WASHER,SPRING	1				0	0
006	36200-81434	LEVER	1				0.31	0.682
007	36200-81440	WASHER	1				0	0
008	36200-81450	WASHER	3				0	0
009	36200-81460	SPRING	1				0.03	0.066
010	36200-81470	PLATE	1				0.192	0.4224
011	36200-81480	PLATE	2				0.034	0.0748
012	35700-81510	GUIDE	1				1	2.2
013	36200-81520	STOPPER,LEVER	2				0.034	0.0748
014	36200-81540	NUT	2				0.075	0.165
015	04013-50100	WASHER,PLATE	2				0	0
016	34350-36890	GRIP,LEVER	2				0.016	0.0352
017	01153-50816	BOLT	2				0.01	0.022
018	04512-50080	WASHER,SPRING	2				0	0
019	01053-50616	BOLT	2				0.005	0.011
020	04512-50060	WASHER,SPRING	2				0	0
021	01153-50870	BOLT	1				0.026	0.0572
022	04512-50080	WASHER,SPRING	1				0	0
023	01153-50816	BOLT	2				0.01	0.022
024	04512-50080	WASHER,SPRING	2				0	0

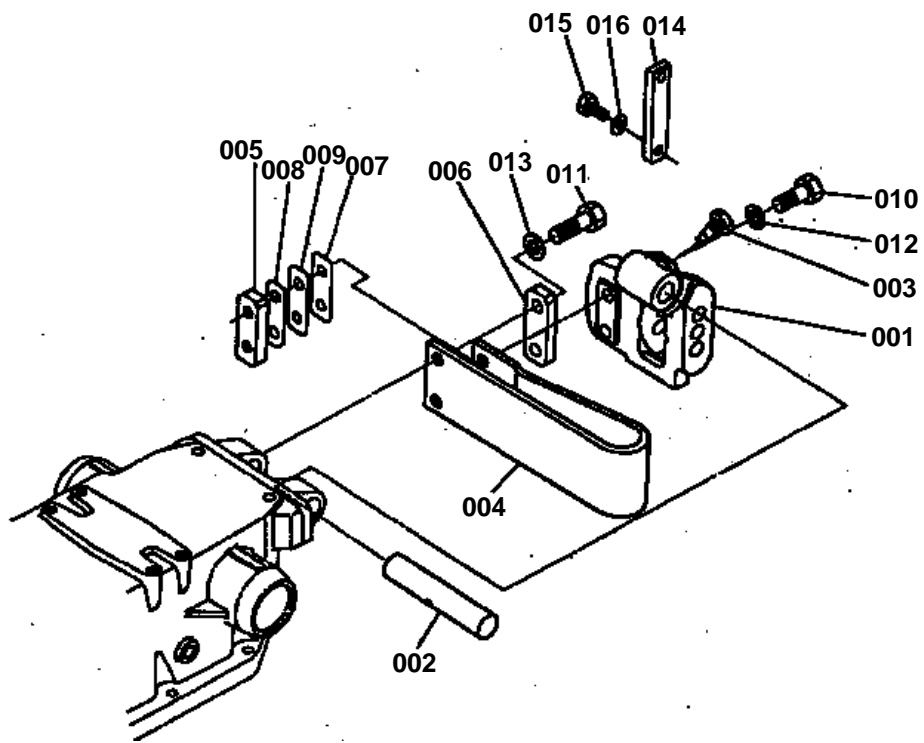


**POSITION OPERATE 5**

↔ Interchangeable; ≠ not interchangeable; ← new for old; → old for new

REF.No	Part No.	Description	Q'ty	S.No.	I/C	REMARKS	Weight (kgf)	Weight (lb)
001	36200-81610	COVER	1				0.289	0.6358
002	36200-81620	GASKET	1				0.002	0.0044
003	36200-81630	LEVER	1				0.06	0.132
004	36200-81640	JOINT	1				0.022	0.0484
005	04811-00070	O RING	1				0	0
006	05411-00320	PIN,SPRING	2				0.001	0.0022
007	01513-50822	STUD	4				0.01	0.022
008	02114-50080	NUT	4				0.005	0.011
009	04512-50080	WASHER,SPRING	4				0	0
010	36200-81670	PLUG	1				0	0
011	36200-81680	COVER	1				0.107	0.2354
012	36200-81690	GASKET	1				0.002	0.0044
013	01513-50814	STUD	3				0.008	0.0176
014	02114-50080	NUT	3				0.005	0.011
015	04512-50080	WASHER,SPRING	3				0	0
016	36200-81710	ROD,1	1				0.03	0.066
017	36200-81720	ROD,2	1				0.037	0.0814
018	36200-81730	BRACKET	1				0.06	0.132
019	05122-50830	PIN,JOINT	1				0.014	0.0308
020	04012-50080	WASHER,PLAIN	2				0.001	0.0022
021	05511-50215	PIN,SPLIT	2				0.001	0.0022
022	02112-50080	NUT	1				0.003	0.0066
023	04512-50080	WASHER,SPRING	1				0	0

TOP LINK



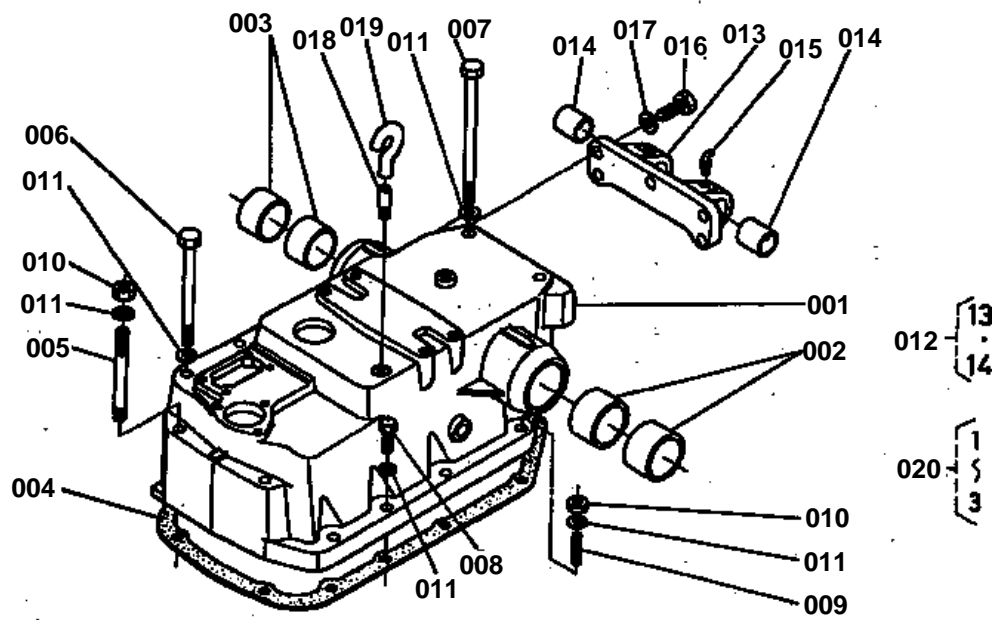


TOP LINK

↔ Interchangeable; ≠ not interchangeable; ← new for old; → old for new

REF.No	Part No.	Description	Q'ty	S.No.	I/C	REMARKS	Weight (kgf)	Weight (lb)
001	36200-81810	BRACKET, TOP LINK	1				0	0
002	32280-41430	SHAFT, TOP LINK BRACK	1				0.5	1.1
003	33251-26350	BOLT, SET	1				0.045	0.099
004	36200-81840	SPRING	1				3.6	7.92
005	36200-81850	RETAINER, SPRING 1	1				0.323	0.7106
006	36200-81860	RETAINER, SPRING 2	1				0.36	0.792
007	36200-81830	SHIM, SPRING ADJUST 3	2				0.003	0.0066
008	36200-81870	SHIM, SPRING ADJUST	3				0.005	0.011
009	36200-81890	SHIM, SPRING ADJUST 2	1				0.056	0.1232
010	01176-51440	BOLT	2				0.061	0.1342
011	01173-51650	BOLT	2				0.099	0.2178
012	04512-50140	WASHER, SPRING	2				0	0
013	04512-50160	WASHER, SPRING	2				0	0
014	36200-81880	BRACKET	1				0.23	0.506
015	01173-51230	BOLT	2				0.037	0.0814
016	04512-50120	WASHER, SPRING	2				0	0

CYLINDER



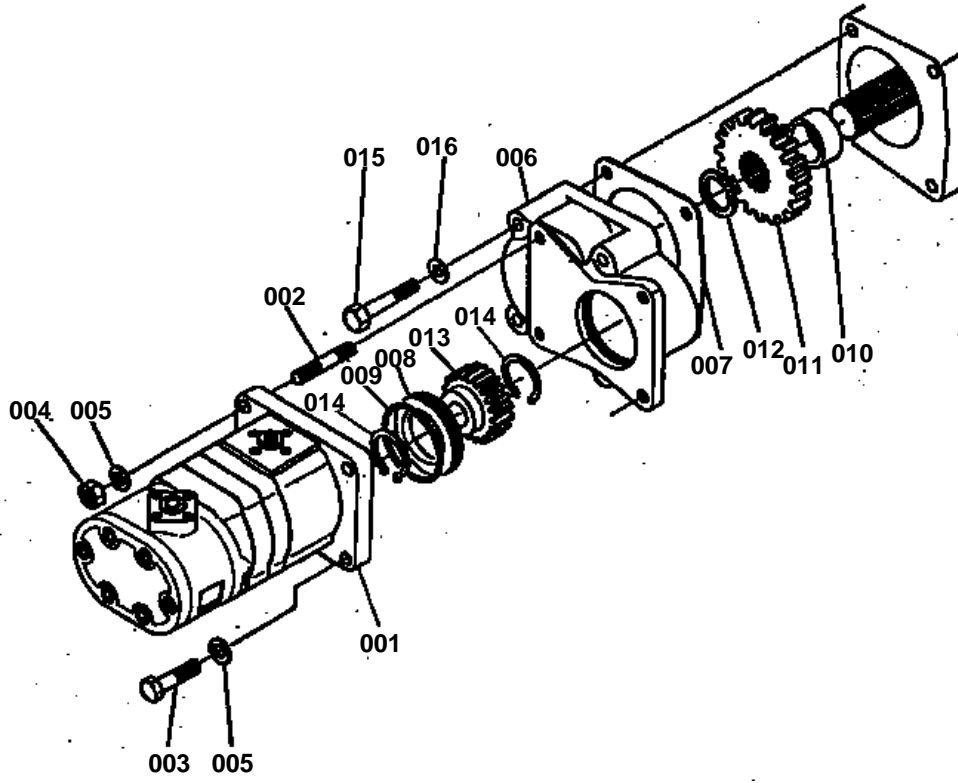


CYLINDER

↔ Interchangeable; ≠ not interchangeable; ← new for old; → old for new

REF.No	Part No.	Description	Q'ty	S.No.	I/C	REMARKS	Weight (kgf)	Weight (lb)
001	99999-99999	BLANK	0			ORDER BY REF.No.020	0	0
002	33251-82060	BUSH O/P ARM SHAFT R	2				0	0
003	36200-82130	BUSH O/P ARM SHAFT L	2				0	0
004	36200-82140	GASKET	1				0	0
005	36200-82150	STUD	2				0.12	0.264
006	36200-82160	BOLT	3				0.14	0.308
007	36200-82170	BOLT	2				0.17	0.374
008	01173-51240	BOLT	3				0.045	0.099
009	01574-51240	STUD	2				0	0
010	02176-50120	NUT	4				0.01	0.022
011	04512-50120	WASHER,SPRING	12				0	0
012	36200-82120	ASSY BRACKET, TOP LIN	1				2.002	4.4044
013	99999-99999	BLANK	0			ORDER BY REF.No.012	0	0
014	32280-41440	BUSH	2				0.044	0.0968
015	06613-30010	NIPPLE,GREASE	2				0.01	0.022
016	01173-51235	BOLT	5				0.04	0.088
017	04512-50120	WASHER,SPRING	5				0	0
018	36200-21610	BREATHER 1	1				0.008	0.0176
019	36200-21620	BREATHER 2	1				0.006	0.0132
020	36200-82100	ASSY CYLINDER,OIL PR	1				35.75	78.65

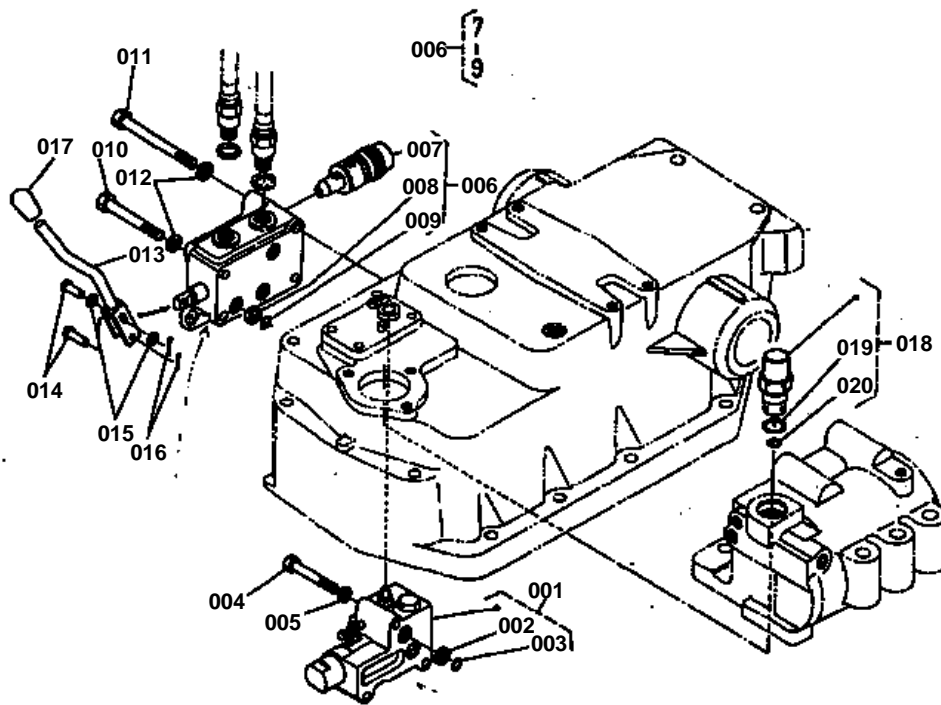
OIL PUMP



**OIL PUMP**

↔ Interchangeable; ≠ not interchangeable; ← new for old; → old for new

REF.No	Part No.	Description	Q'ty	S.No.	I/C	REMARKS	Weight (kgf)	Weight (lb)
001	35430-82200	PUMP,OIL PRESSURE	1				0	0
002	01513-50830	STUD	2				0	0
003	01153-50832	BOLT	2				0.015	0.033
004	02114-50080	NUT	2				0.005	0.011
005	04512-50080	WASHER,SPRING	4				0	0
006	36200-82240	HOLDER,OIL PUMP	1				1.52	3.344
007	34150-37860	GASKET	1				0	0
008	36200-82250	RING	1				0.072	0.1584
009	04811-10500	O RING	1				0.001	0.0022
010	36200-82260	COLLAR	1				0.035	0.077
011	36230-82270	GEAR,27	1				0.42	0.924
012	04612-00250	CIR-CLIP,EXTERNAL	1				0.002	0.0044
013	36230-82280	GEAR,16	1				0.16	0.352
014	04612-00170	CIR-CLIP,EXTERNAL	2				0.001	0.0022
015	01153-50850	BOLT	4				0.02	0.044
016	04512-50080	WASHER,SPRING	4				0	0

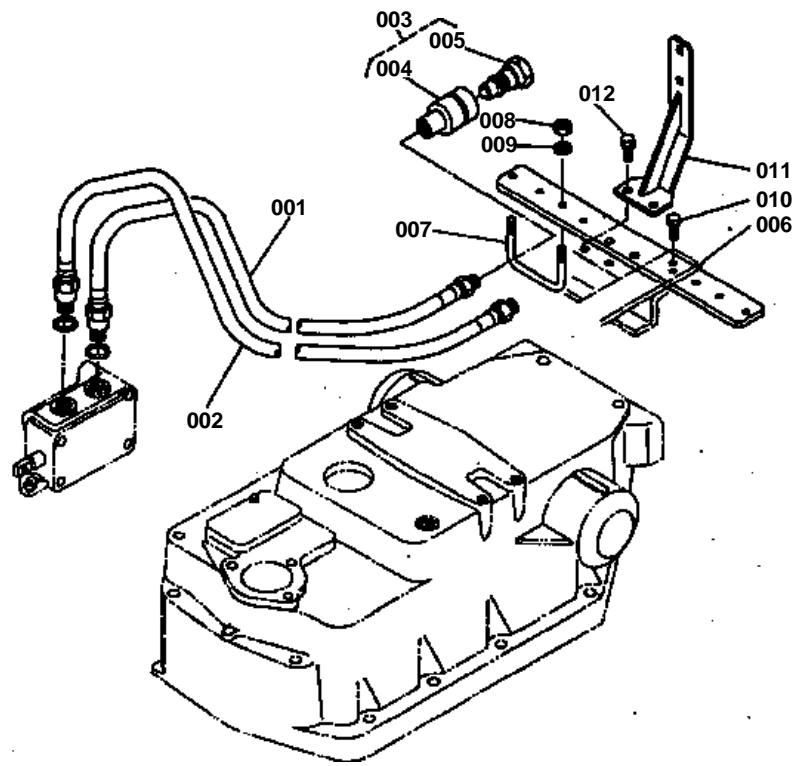


**CONTROL VALVE 1 [A][CA]**

↔ Interchangeable; ≠ not interchangeable; ← new for old; → old for new

REF.No	Part No.	Description	Q'ty	S.No.	I/C	REMARKS	Weight (kgf)	Weight (lb)
001	36200-82300	ASSY VALVE,CONTROL	1				0.12	0.264
002	36200-82330	RING	2				0.001	0.0022
003	04811-00140	O RING	2				0	0
004	01153-50855	BOLT	3				0.023	0.0506
005	04512-50080	WASHER,SPRING	3				0	0
006	35420-82350	ASSY VALVE,CONTROL	1				4	8.8
007	35420-82360	ASSY VALVE,RELIEF	1				0.21	0.462
008	36200-82330	RING	1				0.001	0.0022
009	04811-00140	O RING	1				0	0
010	01153-50855	BOLT	3				0.023	0.0506
011	01153-50880	BOLT	1				0.03	0.066
012	04512-50080	WASHER,SPRING	4				0	0
013	36200-82390	LEVER	1				0.147	0.3234
014	05122-50622	PIN,JOINT	2				0.005	0.011
015	04012-50060	WASHER,PLAIN	2				0.001	0.0022
016	05511-51612	PIN,SPLIT	2				0.001	0.0022
017	06914-00100	GRIP	1				0.02	0.044
018	33251-82400	ASSY VALVE,SAFETY	1				0.205	0.451
019	04811-40140	O RING	1				0.001	0.0022
020	04811-00110	O RING	1				0	0

CONTROL VALVE 2

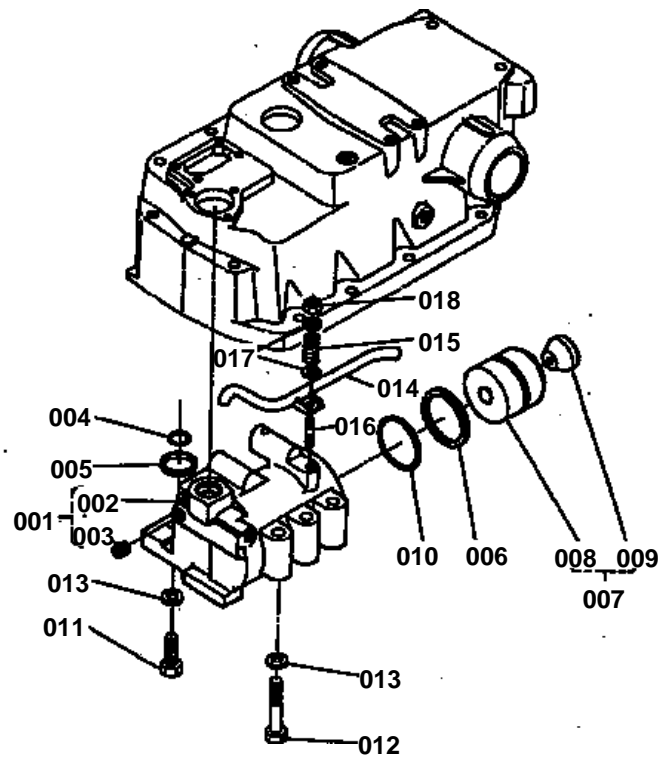




CONTROL VALVE 2

↔ Interchangeable; ≠ not interchangeable; ← new for old; → old for new

REF.No	Part No.	Description	Q'ty	S.No.	I/C	REMARKS	Weight (kgf)	Weight (lb)
001	35700-82370	PIPE 1	1				0.325	0.715
002	35700-82380	PIPE 2	1				0.34	0.748
003	35700-82400	ASSY COUPLER	2				0.45	0.99
004	35700-82410	ASSY COUPLER,FEMALE	2				0	0
005	35700-82420	ASSY COUPLER,MALE	2				0.09	0.198
006	35788-82430	STAY	1				0.88	1.936
007	35700-82440	BOLT,U	1				0.04	0.088
008	02014-50060	NUT	2				0.002	0.0044
009	04512-50060	WASHER,SPRING	2				0	0
010	01123-50822	BOLT	2				0.012	0.0264
011	35420-90110	STAY,SMV	1				0.45	0.99
012	01123-50820	BOLT	2				0.011	0.0242



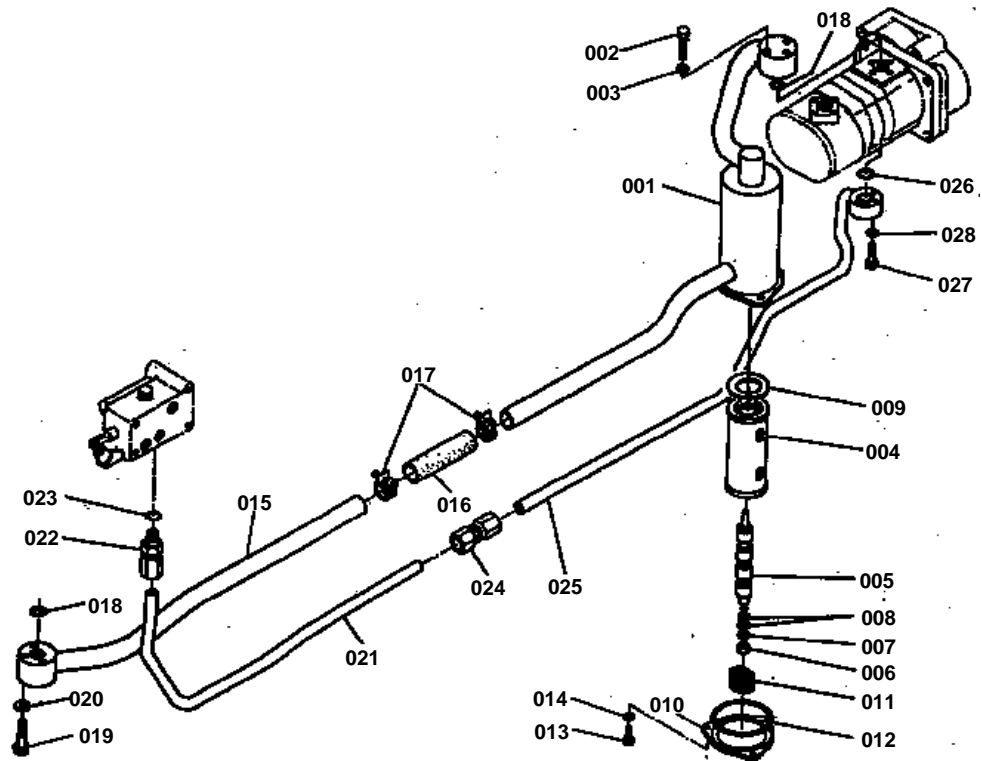


OIL PUMP CYLINDER LINER

↔ Interchangeable; ≠ not interchangeable; ← new for old; → old for new

REF.No	Part No.	Description	Q'ty	S.No.	I/C	REMARKS	Weight (kgf)	Weight (lb)
001	36200-82500	ASSY LINER O/P CYLIN	1				1.01	2.222
002	36200-82510	LINER O/P CYLINDER	1				9.7	21.34
003	36200-82520	PLUG	5				0.007	0.0154
004	04811-00140	O RING	1				0	0
005	36200-82330	RING,BACK UP	1				0.001	0.0022
006	33251-82550	RING,BACK UP	1				0.004	0.0088
007	33251-82560	ASSY PISTON,OIL PRES	1				2	4.4
008	33251-82570	PISTON,OIL PRESSURE	1				0	0
009	33251-82580	SEAT	1				0.17	0.374
010	33251-82590	O RING	1				0.005	0.011
011	36200-82290	BOLT	3				0.045	0.099
012	36200-82340	BOLT	3				0.076	0.1672
013	04512-50120	WASHER,SPRING	6				0	0
014	36200-81760	PIPE	1				0.07	0.154
015	36200-81770	SPRING	1				0.003	0.0066
016	01513-50830	STUD	1				0	0
017	04012-50080	WASHER,PLAIN	2				0.001	0.0022
018	41011-51510	NUT,LOCK	1				0.006	0.0132

FILTER CASE

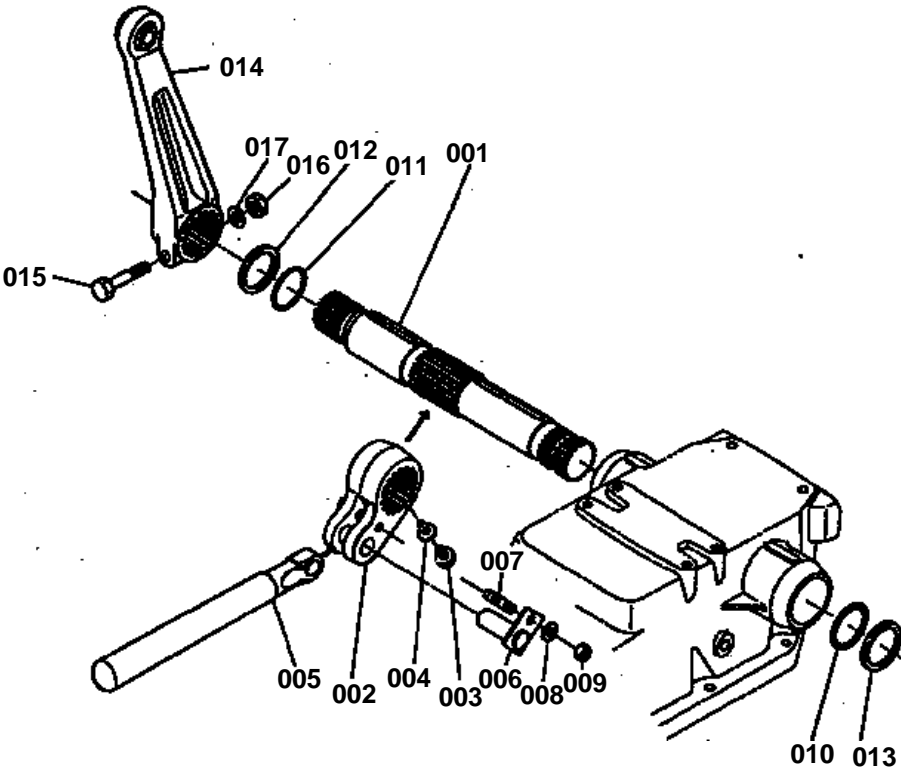


**FILTER CASE**

↔ Interchangeable; ≠ not interchangeable; ← new for old; → old for new

REF.No	Part No.	Description	Q'ty	S.No.	I/C	REMARKS	Weight (kgf)	Weight (lb)
001	36200-82604	COMP.CASE,FILTER	1				2.66	5.852
002	01153-50850	BOLT	3				0.02	0.044
003	04512-50080	WASHER,SPRING	3				0	0
004	36200-82630	COMP.FILTER,OIL PRES	1				0.2	0.44
005	36200-82640	FILTER	1				0	0
006	02014-50060	NUT	1				0.002	0.0044
007	04512-50060	WASHER,SPRING	1				0	0
008	04013-50060	WASHER,PLAIN	2				0	0
009	36200-82650	GASKET,FILTER	1				0.01	0.022
010	36200-82662	COVER,FILTER CASE	1				0.67	1.474
011	36200-82670	SPRING	1				0.035	0.077
012	04811-50950	O RING	1				0.003	0.0066
013	01153-50822	BOLT	3				0.011	0.0242
014	04512-50080	WASHER,SPRING	3				0	0
015	36200-82700	COMP.PIPE	1				1.12	2.464
016	36200-82730	PIPE	1				0.078	0.1716
017	36200-82720	CLAMP	4				0.025	0.055
018	04811-00220	O RING	2				0	0
019	01153-50850	BOLT	3				0.02	0.044
020	04512-50080	WASHER,SPRING	3				0	0
021	36200-82740	PIPE	1				0.39	0.858
022	36200-82750	JOINT	1				0.145	0.319
023	04811-00180	O RING	1				0	0
024	36200-82760	JOINT	1				0	0
025	36200-82770	COMP.PIPE	1				0.66	1.452
026	04811-40120	O RING	1				0.001	0.0022
027	01053-50635	BOLT	3				0.009	0.0198
028	04512-50060	WASHER,SPRING	3				0	0

OIL PUMP ARM SHAFT



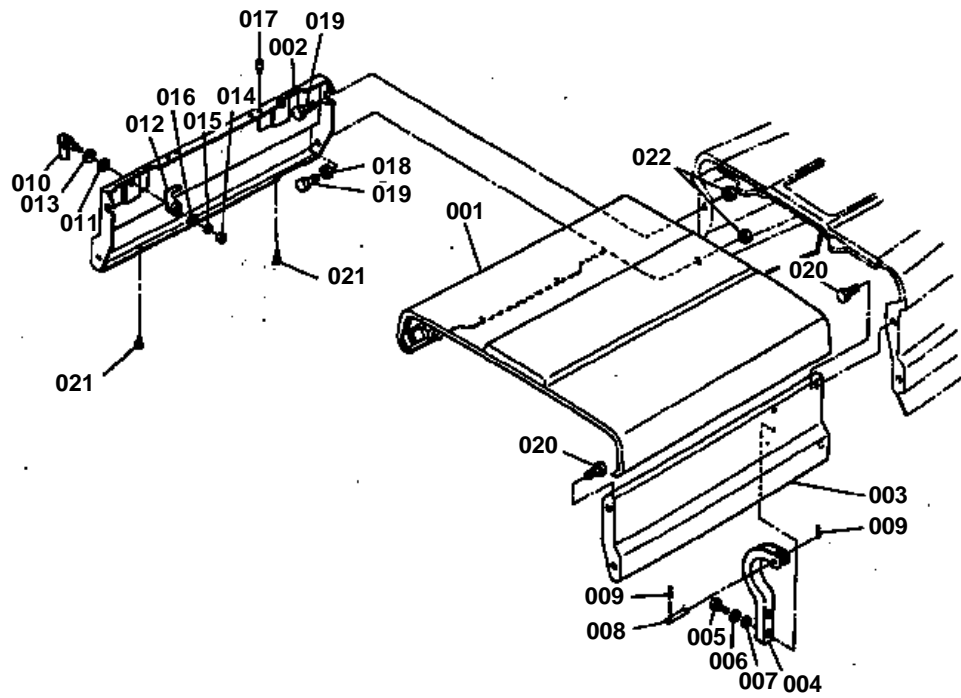


OIL PUMP ARM SHAFT

↔ Interchangeable; ≠ not interchangeable; ← new for old; → old for new

REF.No	Part No.	Description	Q'ty	S.No.	I/C	REMARKS	Weight (kgf)	Weight (lb)
001	36200-82830	SHAFT,O/P ARM	1				6.8	14.96
002	35420-82840	ARM,OIL PRESSURE	1				0	0
003	33251-82850	BOLT	1				0.015	0.033
004	04111-50100	WASHER,TONGUED	1				0.003	0.0066
005	35420-82860	ROD,O/P PISTON	1				1.82	4.004
006	35420-82870	PIN	1				0	0
007	36200-82880	STUD	1				0.019	0.0418
008	04512-50100	WASHER,SPRING	1				0	0
009	15221-03510	NUT	1				0.008	0.0176
010	04811-40310	O RING	1				0.005	0.011
011	04811-40320	O RING	1				0.005	0.011
012	33251-82880	COLLAR RH	1				0.03	0.066
013	36200-82890	COLLAR LH	1				0.019	0.0418
014	36500-82900	COMP.LEVER	2				4.81	10.582
015	01173-51400	BOLT	2				0.12	0.264
016	02174-50140	NUT	2				0.014	0.0308
017	04512-50140	WASHER,SPRING	2				0	0

BONNET 1

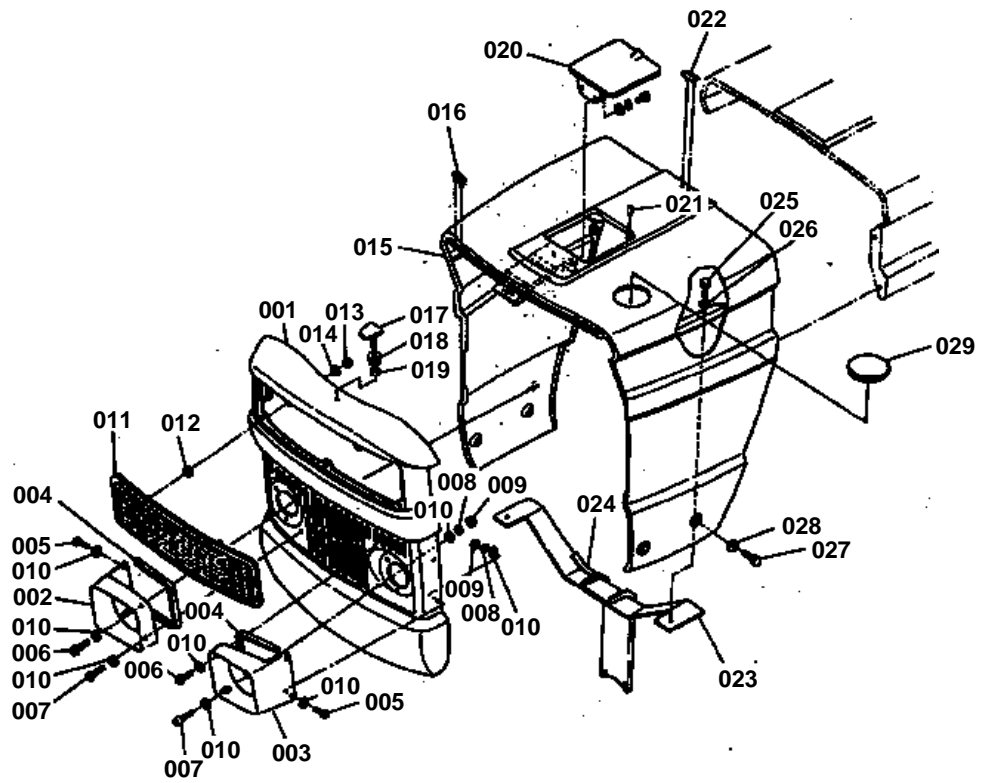


**BONNET 1**

↔ Interchangeable; ≠ not interchangeable; ← new for old; → old for new

REF.No	Part No.	Description	Q'ty	S.No.	I/C	REMARKS	Weight (kgf)	Weight (lb)
001	36300-83020	ASSY COVER,FRONT	1				6	13.2
002	36220-83160	COMP.PLATE,BONNET RH	1				1.54	3.388
003	36300-83210	COMP.PLATE,BONNET LH	1				1.98	4.356
004	33251-83810	ASSY HINGE,BONNET	2				0.125	0.275
005	01153-50816	BOLT	4				0.01	0.022
006	04512-50080	WASHER,SPRING	4				0	0
007	04013-50080	WASHER,PLAIN	4				0	0
008	33251-83830	PIN	2				0.011	0.0242
009	05525-50800	PIN,SNAP	4				0.001	0.0022
010	38240-18240	HANDLE,BONNET COVER	2				0	0
011	33251-83850	WASHER,HANDLE	2				0.001	0.0022
012	33251-83860	HOOK,BONNET COVER	2				0.053	0.1166
013	33251-83950	WASHER,SPRING	2				0.001	0.0022
014	02112-50080	NUT	2				0.003	0.0066
015	04512-50080	WASHER,SPRING	2				0	0
016	04013-50080	WASHER,PLAIN	2				0	0
017	33251-74210	CUSHION	2				0.001	0.0022
018	36200-83250	CUSHION	2				0.002	0.0044
019	36200-83240	BOLT	4				0.025	0.055
020	01173-51025	BOLT	4				0.021	0.0462
021	33251-83910	CUSHION	2				0.001	0.0022
022	02116-50100	NUT	8				0.004	0.0088

BONNET 2

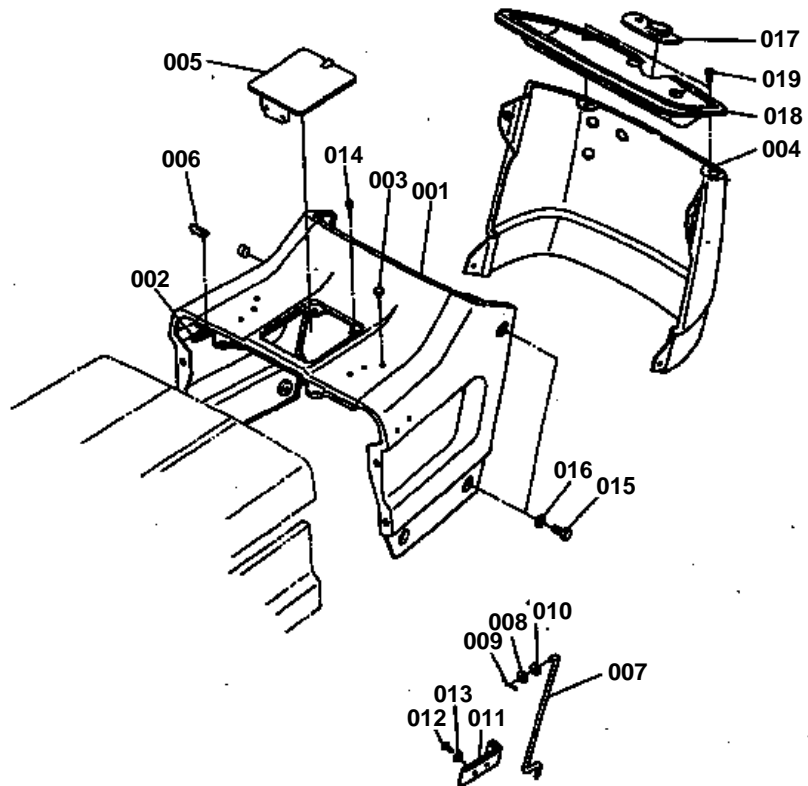


**BONNET 2**

↔ Interchangeable; ≠ not interchangeable; ← new for old; → old for new

REF.No	Part No.	Description	Q'ty	S.No.	I/C	REMARKS	Weight (kgf)	Weight (lb)
001	35450-83280	COMP.BONNET	1				5	11
002	35450-83430	COVER,HEAD LAMP RH	1				0.39	0.858
003	35450-83440	COVER,HEAD LAMP LH	1				0.39	0.858
004	36200-83350	CUSHION	2				0.003	0.0066
005	03054-50510	SCREW,PAN HEAD	4				0.003	0.0066
006	03054-50530	SCREW,PAN HEAD	2				0.005	0.011
007	03054-50545	SCREW,PAN HEAD	2				0.006	0.0132
008	04512-50050	WASHER,SPRING	8				0	0
009	02054-50050	NUT	8				0.002	0.0044
010	04012-50050	WASHER,PLAIN	16				0.001	0.0022
011	35420-83680	GRILLE,BONNET	1				0.205	0.451
012	33251-83910	CUSHION	5				0.001	0.0022
013	02054-50040	NUT	5				0.001	0.0022
014	04013-50040	WASHER,PLAIN	5				0	0
015	35466-83370	ASSY BONNET,FRONT	1				10	22
016	33251-83510	CUSHION 2	2				0.008	0.0176
017	33251-83460	PIN,BONNET	1				0.045	0.099
018	33251-83470	SPRING	5				0.001	0.0022
019	33251-83480	SPACER	1				0.001	0.0022
020	33251-83700	ASSY COVER,BONNET	1				0.265	0.583
021	33251-90120	CUSHION	2				0.001	0.0022
022	33251-83870	CUSHION,BONNET	3				0.007	0.0154
023	35450-83960	HOLDER,BONNET	1				0	0
024	36220-83990	CUSHION	1				0.005	0.011
025	01173-51020	BOLT	2				0.017	0.0374
026	04512-50100	WASHER,SPRING	2				0	0
027	33251-83930	BOLT,SET	4				0.02	0.044
028	04411-50300	WASHER	4				0.001	0.0022
029	35420-74520	COVER	1				0.16	0.352

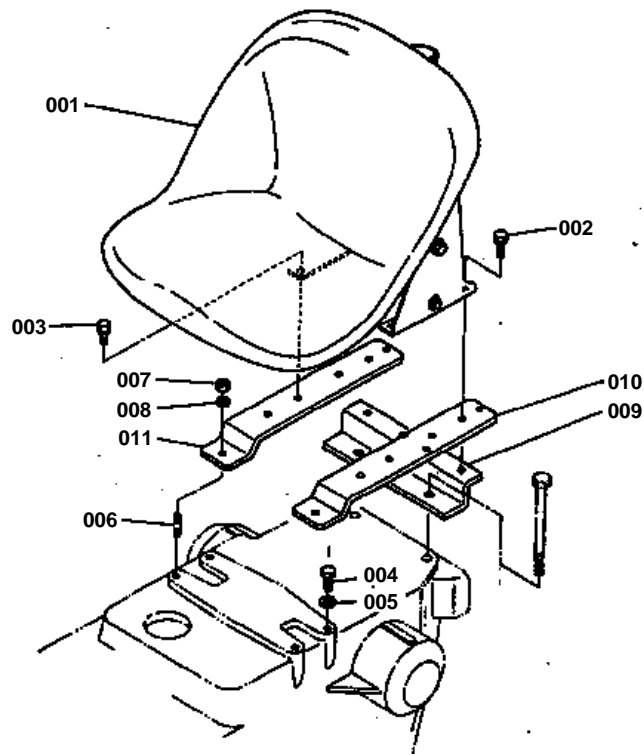
BONNET 3 (REAR)



**BONNET 3 (REAR)**

↔ Interchangeable; ≠ not interchangeable; ← new for old; → old for new

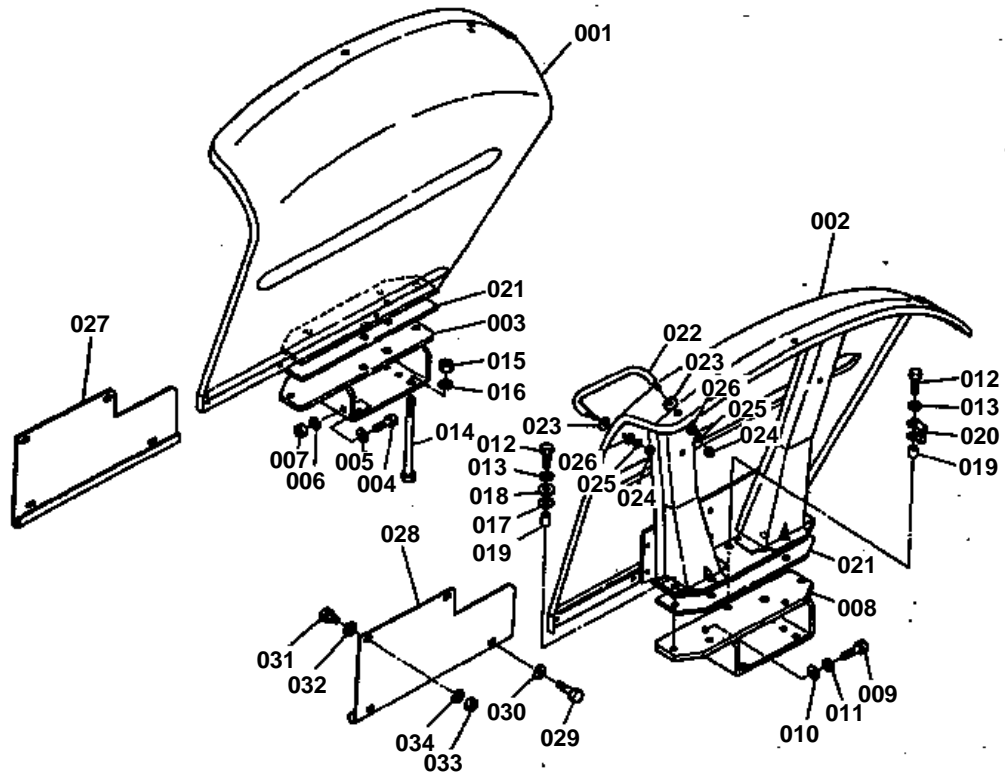
REF.No	Part No.	Description	Q'ty	S.No.	I/C	REMARKS	Weight (kgf)	Weight (lb)
001	36200-83550	ASSY COVER,REAR	2				4.1	9.02
002	36200-04680	CUSHION	4				0.009	0.0198
003	34159-32610	CAP,RUBBER	3				0	0
004	36200-83640	ASSY COVER,REAR	1				2.05	4.51
005	33251-83700	ASSY COVER,BONNET	1				0.265	0.583
006	33251-83870	CUSHION,BONNET	3				0.007	0.0154
007	33251-83880	HOLDER,BONNET	1				0.108	0.2376
008	04013-50080	WASHER,PLAIN	1				0	0
009	05511-50215	PIN,SPLIT	1				0.001	0.0022
010	33251-83890	CUSHION,BONNET HOLDE	1				0.002	0.0044
011	33251-83900	SPRING,BONNET HOLDER	1				0.008	0.0176
012	03054-50508	SCREW,PAN HEAD	2				0.002	0.0044
013	04411-50050	WASHER	2				0.001	0.0022
014	33251-90120	CUSHION	2				0.001	0.0022
015	33251-83930	BOLT,SET	6				0.02	0.044
016	04411-50300	WASHER	6				0.001	0.0022
017	33251-83940	GASKET	1				0.03	0.066
018	36200-84110	PANEL	1				1.28	2.816
019	03016-50816	SCREW	4				0.007	0.0154



**SEAT**

↔ Interchangeable; ≠ not interchangeable; ← new for old; → old for new

REF.No	Part No.	Description	Q'ty	S.No.	I/C	REMARKS	Weight (kgf)	Weight (lb)
001	35420-85010	ASSY SEAT	1				16.5	36.3
002	01123-50820	BOLT	2				0.011	0.0242
003	01123-50816	BOLT	2				0	0
004	01173-51220	BOLT	2				0.03	0.066
005	04512-50120	WASHER,SPRING	2				0	0
006	01574-51225	STUD	2				0.034	0.0748
007	02176-50120	NUT	2				0.01	0.022
008	04512-50120	WASHER,SPRING	2				0	0
009	35420-85150	SUPPORT,SEAT	1				0.8	1.76
010	35420-85060	STAY,LH	1				0.665	1.463
011	35420-85070	STAY,RH	1				0.665	1.463

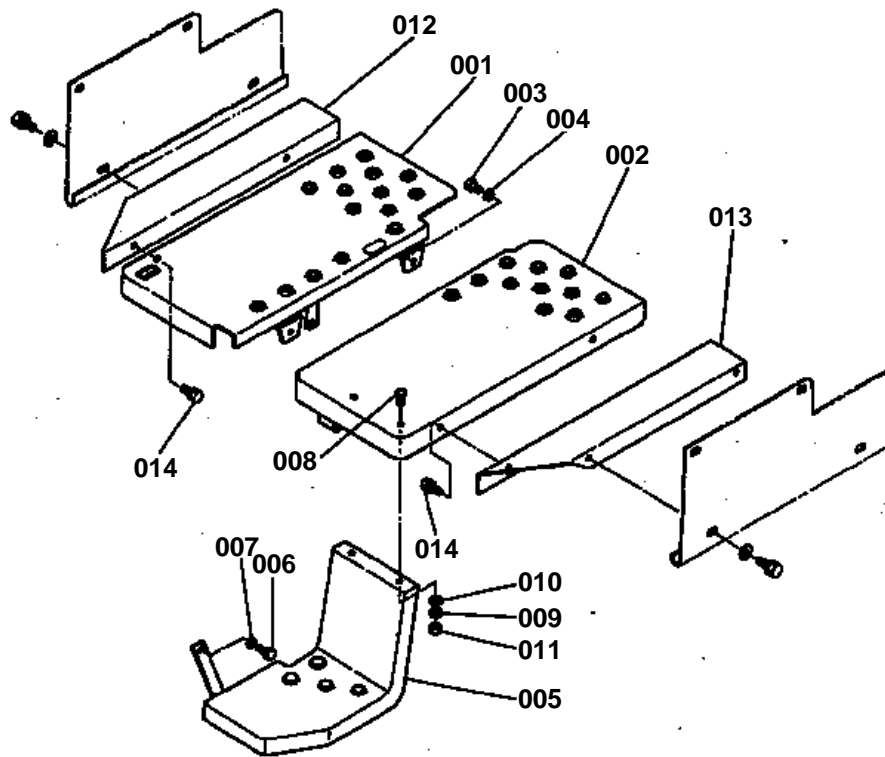




FENDER

↔ Interchangeable; ≠ not interchangeable; ← new for old; → old for new

REF.No	Part No.	Description	Q'ty	S.No.	I/C	REMARKS	Weight (kgf)	Weight (lb)
001	36200-87010	FENDER RH	1				0	0
002	36200-87020	FENDER LH	1				0	0
003	36280-87040	BRACKET,FENDER RH	1				6.7	14.74
004	01053-50822	BOLT	1				0.013	0.0286
005	04012-50080	WASHER,PLAIN	1				0.001	0.0022
006	04512-50080	WASHER,SPRING	1				0	0
007	02114-50080	NUT	1				0.005	0.011
008	36200-87050	BRACKET,FENDER LH	1				0	0
009	01150-50814	BOLT	2				0.01	0.022
010	04012-50080	WASHER,PLAIN	2				0.001	0.0022
011	04512-50080	WASHER,SPRING	2				0	0
012	01173-51245	BOLT	10				0.049	0.1078
013	04512-50120	WASHER,SPRING	10				0	0
014	36200-87080	BOLT	8				0.466	1.0252
015	02176-50160	NUT	8				0.025	0.055
016	04512-50160	WASHER,SPRING	8				0	0
017	33251-87110	PAD	10				0.004	0.0088
018	33251-87120	WASHER	8				0.02	0.044
019	36200-87130	PIECE,DISTANCE	10				0.02	0.044
020	33251-87150	PLATE,EARTH	2				0.04	0.088
021	33251-87160	CUSHION	2				0.34	0.748
022	36200-87320	BALUSTRADE	1				0.32	0.704
023	36200-87330	CUSHION	2				0.002	0.0044
024	02114-50100	NUT	2				0.005	0.011
025	04512-50100	WASHER,SPRING	2				0	0
026	04013-50100	WASHER,PLAIN	2				0	0
027	35420-87210	BRACKET,FENDER RH	1				1.6	3.52
028	35420-87220	BRACKET,FENDER LH	1				1.6	3.52
029	01123-50816	BOLT	4				0	0
030	04013-50080	WASHER,PLAIN	4				0	0
031	01173-51020	BOLT	4				0.017	0.0374
032	04011-50100	WASHER,PLAIN	4				0.002	0.0044
033	02118-50100	NUT	4				0.005	0.011
034	04512-50100	WASHER,SPRING	4				0	0

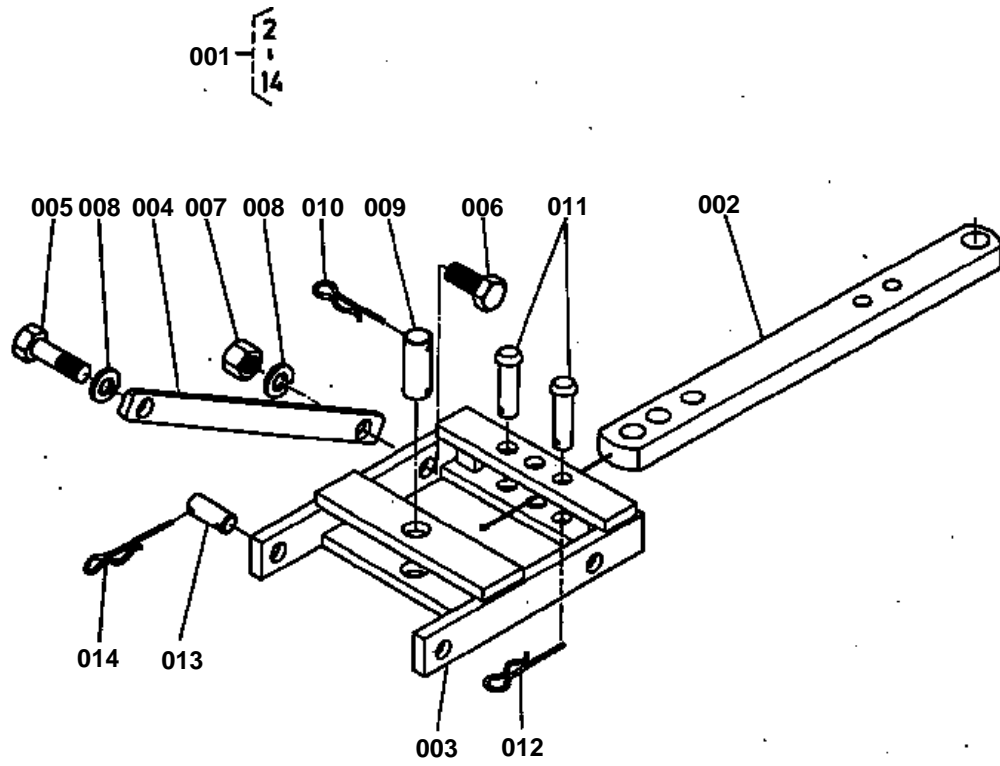


**STEP**

↔ Interchangeable; ≠ not interchangeable; ← new for old; → old for new

REF.No	Part No.	Description	Q'ty	S.No.	I/C	REMARKS	Weight (kgf)	Weight (lb)
001	36200-87067	STEP RH	1				0	0
002	36200-87077	STEP LH	1				0	0
003	01173-51020	BOLT	4				0.017	0.0374
004	04512-50100	WASHER,SPRING	4				0	0
005	36200-87310	STAY,SUPPORT	1				0	0
006	01173-51020	BOLT	1				0.017	0.0374
007	04512-50100	WASHER,SPRING	1				0	0
008	03014-50820	SCREW	2				0.01	0.022
009	04512-50080	WASHER,SPRING	2				0	0
010	04012-50080	WASHER,PLAIN	4				0.001	0.0022
011	02114-50080	NUT	2				0.005	0.011
012	35420-87170	BRACKET,STEP RH	1				1.32	2.904
013	35420-87190	BRACKET,STEP LH	1				1.3	2.86
014	01130-51020	BOLT	4				0	0

TOWING DRAWBAR



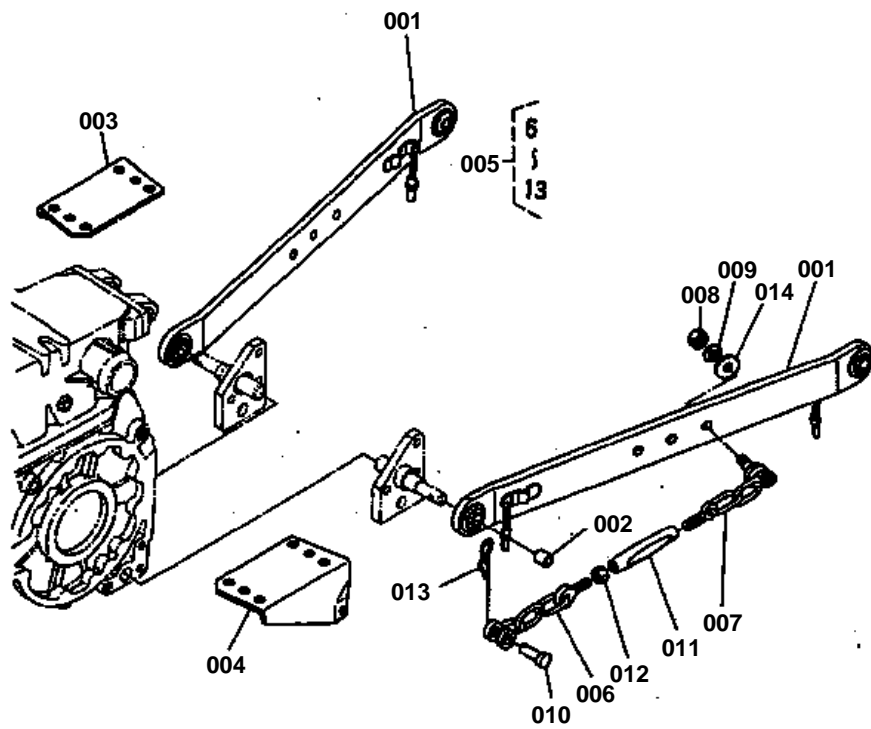


TOWING DRAWBAR

↔ Interchangeable; ≠ not interchangeable; ← new for old; → old for new

REF.No	Part No.	Description	Q'ty	S.No.	I/C	REMARKS	Weight (kgf)	Weight (lb)
001	35420-89100	ASSY DRAWBAR,TOWING	1				31.7	69.74
002	35420-89120	DRAWBAR	1				8	17.6
003	35420-89320	FRAME,DRAWBAR	1				11.3	24.86
004	36330-89330	PLATE,SIDE	2				2.1	4.62
005	01173-52045	BOLT	2				0.162	0.3564
006	01173-52055	BOLT	2				0.183	0.4026
007	02174-50200	NUT	2				0.04	0.088
008	04512-50200	WASHER,SPRING	4				0	0
009	33251-89340	PIN,FRONT	1				0	0
010	70515-16330	PIN,SET	2				0.03	0.066
011	05122-51875	PIN,JOINT	2				0.156	0.3432
012	05515-51600	PIN,SNAP	2				0.007	0.0154
013	36200-89360	PIN,SET	2				0.146	0.3212
014	70515-16330	PIN,SET	4				0.03	0.066

3-POINT LINK 1



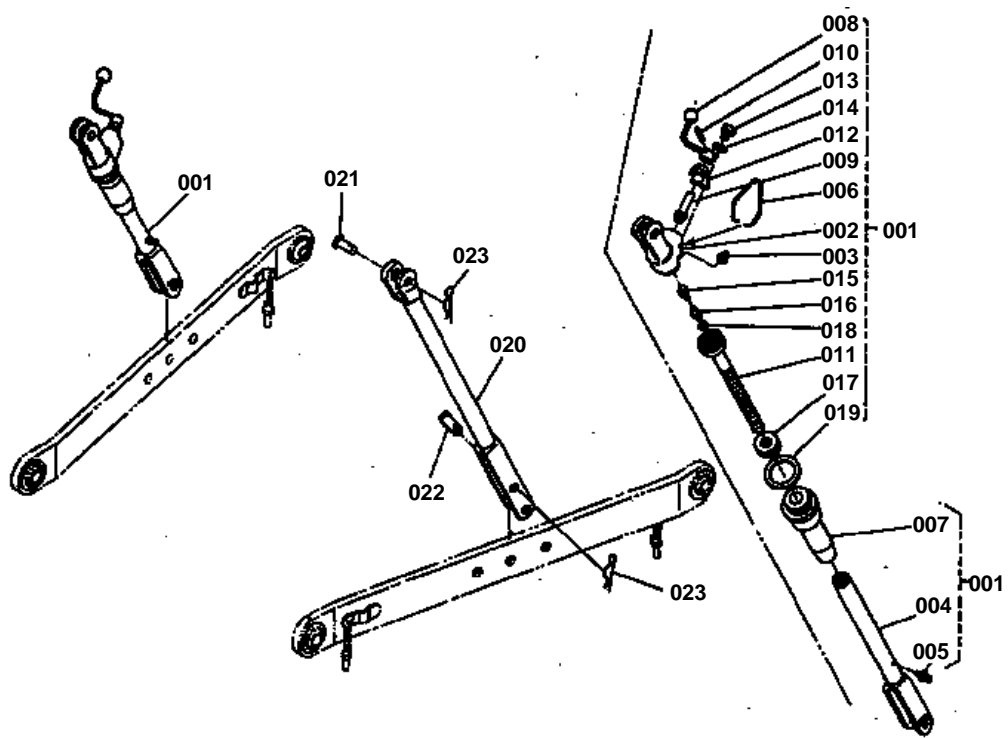


3-POINT LINK 1

↔ Interchangeable; ≠ not interchangeable; ← new for old; → old for new

REF.No	Part No.	Description	Q'ty	S.No.	I/C	REMARKS	Weight (kgf)	Weight (lb)
001	36300-91010	ASSY LINK,LOWER	2				9.9	21.78
002	33400-91910	BUSH	2				0.07	0.154
003	36200-91080	BRACKET,CHAIN RH	1				4.3	9.46
004	36200-91090	BRACKET,CHAIN LH	1				4.4	9.68
005	36500-91100	ASSY CHAIN,CHECK	2				2.66	5.852
006	36300-91110	CHAIN,CHECK FRONT	2				0.692	1.5224
007	36300-91160	CHAIN,CHECK	2				1.08	2.376
008	02174-50180	NUT	2				0.029	0.0638
009	04512-50180	WASHER,SPRING	2				0	0
010	33251-91180	PIN,SET	2				0.04	0.088
011	36200-91190	TURNBUCKLE	2				0.63	1.386
012	02154-50160	NUT	2				0.025	0.055
013	33251-91860	PIN,SET 2	2				0.023	0.0506
014	33251-91220	WASHER	2				0.28	0.616

3-POINT LINK 2



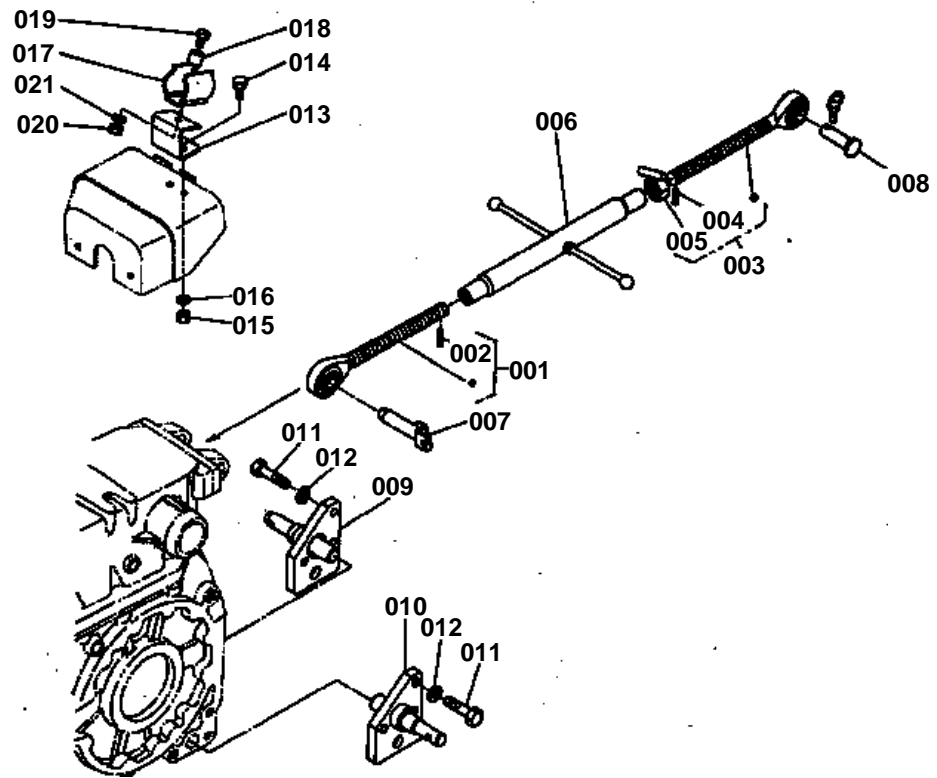


3-POINT LINK 2

↔ Interchangeable; ≠ not interchangeable; ← new for old; → old for new

REF.No	Part No.	Description	Q'ty	S.No.	I/C	REMARKS	Weight (kgf)	Weight (lb)
001	36200-91232	ASSY ROD,TIE RH	1				4.7	10.34
002	33430-91240	CASE,TIE ROD GEAR RH	1				1.3	2.86
003	06613-10010	NIPPLE,GREASE	1				0.006	0.0132
004	36200-91253	ROD,TIE UNDER RH	1				1.45	3.19
005	06613-10010	NIPPLE,GREASE	1				0.006	0.0132
006	33251-91280	SPRING,ROD HANDLE	1				0.03	0.066
007	33251-91314	SLEEVE,TIE ROD RH	1				0.66	1.452
008	33251-91320	HANDLE,TIE ROD RH	1				0.15	0.33
009	33251-91330	PINION,TIE ROD RH	1				0	0
010	05411-00525	PIN,SPRING	1				0.002	0.0044
011	33430-91340	SHAFT	1				0.555	1.221
012	33251-91350	HUB	1				0.09	0.198
013	01153-50820	BOLT	1				0.012	0.0264
014	04512-50080	WASHER,SPRING	1				0	0
015	33251-91360	PIN	1				0.008	0.0176
016	33251-91370	PIN,SET	1				0.014	0.0308
017	08401-51204	BEARING,THRUST BALL	1				0.172	0.3784
018	33251-91410	SHIM	1				0.001	0.0022
019	33251-91420	WASHER	1				0.011	0.0242
020	36200-91453	COMP.ROD,TIE LH	1				2.49	5.478
021	33251-91530	PIN	2				0.135	0.297
022	36200-91540	PIN	2				0.11	0.242
023	33251-91860	PIN,SET 2	4				0.023	0.0506

3-POINT LINK 3



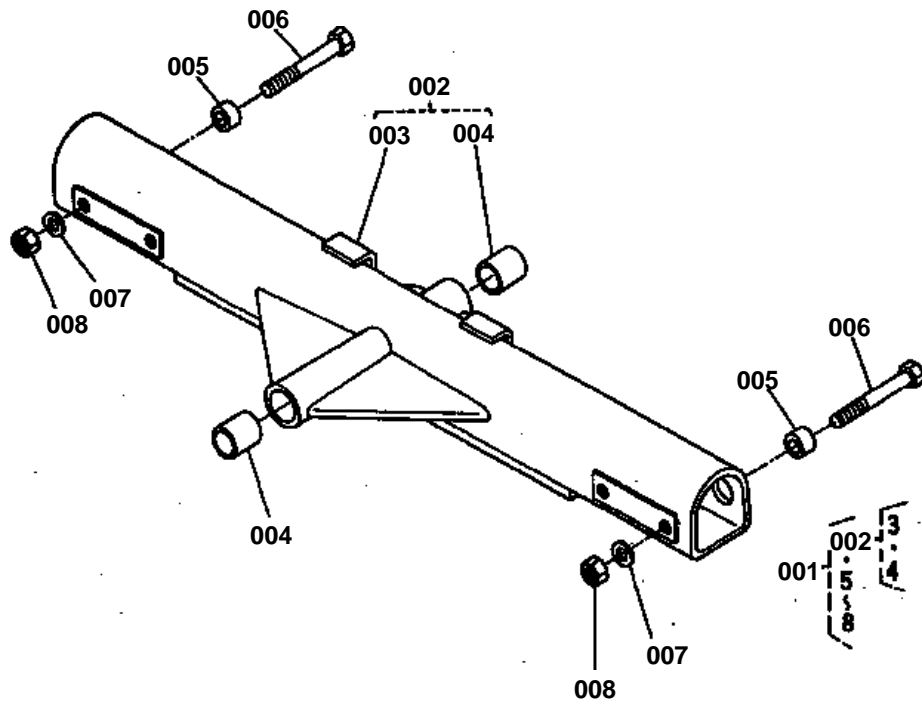


3-POINT LINK 3

↔ Interchangeable; ≠ not interchangeable; ← new for old; → old for new

REF.No	Part No.	Description	Q'ty	S.No.	I/C	REMARKS	Weight (kgf)	Weight (lb)
001	33300-91550	ASSY LINK, TOP FRONT	1				1.3	2.86
002	05411-00632	PIN, SPRING	1				0.004	0.0088
003	33300-91610	ASSY LINK, TOP REAR	1				1.4	3.08
004	05411-00632	PIN, SPRING	1				0.004	0.0088
005	33400-91590	NUT	1				0.11	0.242
006	33300-91620	COMP. SLEEVE, TOP LINK	1				2.05	4.51
007	36200-91650	PIN	1				0.383	0.8426
008	36330-91742	PIN	1				0	0
009	36200-91880	PIN, LOWER LINK RH	1				2.25	4.95
010	36200-91890	PIN, LOWER LINK LH	1				2.3	5.06
011	01173-51440	BOLT	6				0.062	0.1364
012	04512-50140	WASHER, SPRING	6				0	0
013	33400-91960	BRACKET	1				0.092	0.2024
014	01053-50620	BOLT	2				0.006	0.0132
015	02014-50060	NUT	2				0.002	0.0044
016	04512-50060	WASHER, SPRING	2				0	0
017	33400-91970	SPRING	1				0.078	0.1716
018	36200-91980	COLLAR	1				0.012	0.0264
019	01153-50835	BOLT	1				0.016	0.0352
020	02054-50080	NUT	1				0.005	0.011
021	04512-50080	WASHER, SPRING	1				0	0

FRONT AXLE MIDDLE

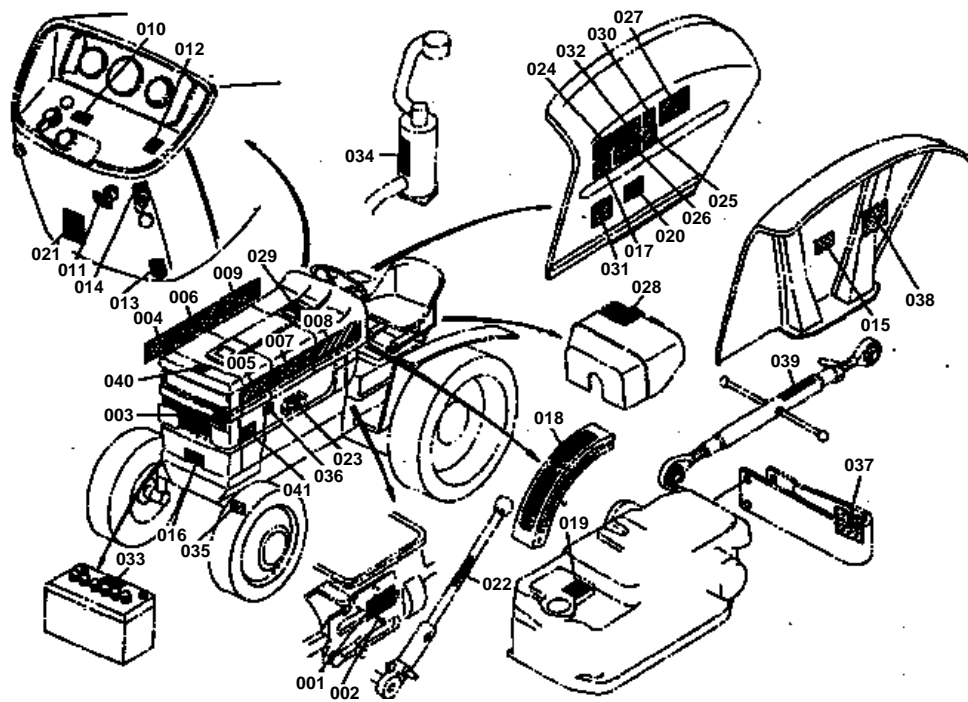




FRONT AXLE MIDDLE

↔ Interchangeable; ≠ not interchangeable; ← new for old; → old for new

REF.No	Part No.	Description	Q'ty	S.No.	I/C	REMARKS	Weight (kgf)	Weight (lb)
001	36510-97500	KIT,FRONT AXLE	1				35	77
002	36510-58300	ASSY AXLE,FRONT MIDD	1				37	81.4
003	99999-99999	BLANK	0			ORDER BY REF.No.002	0	0
004	33251-58360	BUSH	2				0.085	0.187
005	36510-58780	COLLAR	4				0.072	0.1584
006	01173-51604	BOLT	4				0.195	0.429
007	04512-50160	WASHER,SPRING	4				0	0
008	02174-50160	NUT	4				0.022	0.0484





NAME PLATE [A][CA]

↔ Interchangeable; ≠ not interchangeable; ← new for old; → old for new

REF.No	Part No.	Description	Q'ty	S.No.	I/C	REMARKS	Weight (kgf)	Weight (lb)
001	35420-98120	LABEL	1				0.01	0.022
002	34152-57920	RIVET	5				0.001	0.0022
003	35420-98160	MARK,FRONT	1				0.001	0.0022
004	35420-98200	MARK,SIDE 2	1				0.01	0.022
005	35420-98220	MARK,SIDE 2	1				0.01	0.022
006	35420-98230	MARK,SIDE 3	1				0.01	0.022
007	35420-98240	MARK,SIDE 3	1				0.01	0.022
008	35420-98280	MARK,SIDE 4	1				0.002	0.0044
009	35420-98300	MARK,SIDE 4	1				0.002	0.0044
010	35420-98650	LABEL,STARTER SWITCH	1				0.002	0.0044
011	35420-98190	LABEL,MAIN SWITCH	1				0.001	0.0022
012	35420-98420	LABEL,HAND ACCEL	1				0.001	0.0022
013	35420-98430	LABEL,ENGINE STOP	1				0.001	0.0022
014	35420-98440	LABEL	1				0	0
015	35420-98330	LABEL	1				0.001	0.0022
016	35450-98260	LABEL	1				0.001	0.0022
017	35420-98340	LABEL	1				0.001	0.0022
018	35420-98370	LABEL	1				0.002	0.0044
019	35420-98360	LABEL	1				0.001	0.0022
020	35420-98390	LABEL	1				0.001	0.0022
021	35420-98250	LABEL	1				0.005	0.011
022	35420-98270	LABEL	1				0.001	0.0022
023	35420-98350	LABEL	1				0.001	0.0022
024	35420-98510	LABEL,OIL	1				0.001	0.0022
026	35420-98600	LABEL	1				0.002	0.0044
027	35260-34910	LABEL	1				0	0
028	35200-25340	LABEL	1				0.002	0.0044
029	35110-35250	LABEL,OIL FILLER	1				0.005	0.011
030	35260-29790	LABEL	1				0.002	0.0044
031	35430-98530	LABEL,DIFF	1				0.002	0.0044
032	35260-29780	LABEL	1				0	0
033	35450-98350	LABEL,BATTERY	1				0.001	0.0022
034	35420-98540	LABEL	1				0.001	0.0022
035	35420-98380	LABEL	1				0.001	0.0022
036	35420-98610	LABEL	1				0.001	0.0022
037	35420-98580	LABEL	1				0.001	0.0022
039	35450-98940	LABEL	1				0.001	0.0022
040	35450-98950	LABEL	1				0.001	0.0022
041	35422-98470	LABEL	1				0.002	0.0044

IMAGE NOT AVAILABLE



ACCESSORY AND SERVICE PARTS

↔ Interchangeable; ≠ not interchangeable; ← new for old; → old for new

REF.No	Part No.	Description	Q'ty	S.No.	I/C	REMARKS	Weight (kgf)	Weight (lb)
001	35420-99710	MANUAL,INSTRUCTION	1			[A][CA]	0	0
001	35422-99710	MANUAL,INSTRUCTION	1			[NZ]	0.19	0.418
002	35170-18370	CARD,CAUTION	1			[CA][NZ]	0.001	0.0022