

Instructions for Parts Books

The heading at the top of the page will be the same for the picture of the parts as it is for the page with the part numbers.

Definition of column headings on part number pages:

REF.No → The number referring to the part on the picture page of the parts book.

Part No. → The number assigned to this part at the time of printing the parts book.

Description → Description of part.

Q'ty → Quantity of part used on that page.

S.No. → Serial number range of the equipment that this part will fit.

>= Your serial number should be greater than or equal to the number shown.

<= Your serial number should be lesser than or equal to the serial number shown.

I/C → Interchangeability of part shown.

↔ The part shown will work for the older and later serial number.

The part shown is not interchangeable with the other serial number.

← new for old

→ old for new

Remarks → Notes about this particular part. Sometimes this may say except [FR] or [CA]

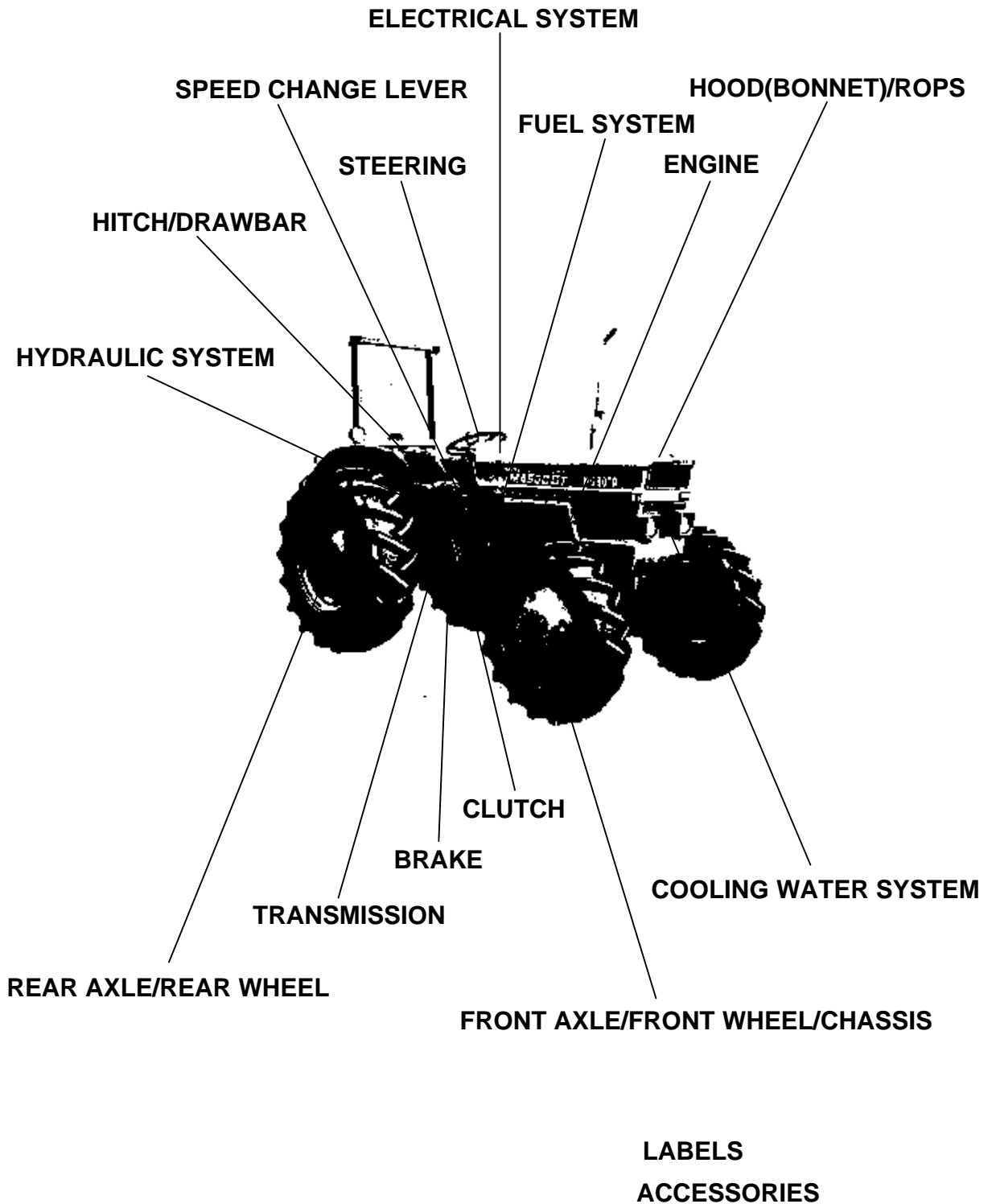
Note about Country Codes:

The parts books we use in the United States of America may also contain information about a part that would be different in another country. It is important that you are aware of the country codes in some instances.

Symbol	Country
A	United States of America
CA	Canada
FR	France
GR	Greece
PO	Portugal
AU	Australia

If the remarks column says for example EXCEPT [FR] this part works in all countries except France. That means it will work here in the USA.

ALL PRODUCT INDEX
M4500DT

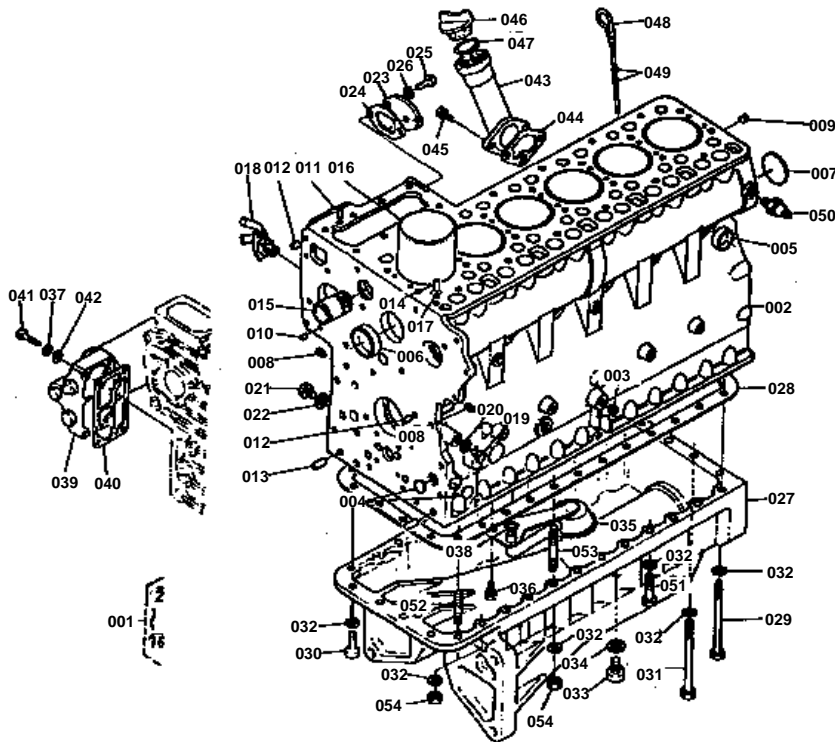


LABELS
ACCESSORIES

Item	Part No.	Description	Book	
ENGINE	01001	CRANKCASE	100K0415	
	01002	CYLINDER	100K0415	
	01003	GEAR CASE	100K0415	
	01004	BEARING CASE	100K0415	
	01005	BREATHER	100K0415	
	0100601	AIR CLEANER	100K0415	
	0100602	AIR CLEANER DOUBLE	100K0415	
	01007	MUFFLER	100K0415	
	01008	VALVE	100K0415	
	01009	HEAD COVER	100K0415	
	01010	CAMSHAFT	100K0415	
	01011	CRANKSHAFT	100K0415	
	01012	FLYWHEEL	100K0415	
	01013	NOZZLE HOLDER	100K0415	
	01014	SPEED CONTROL	100K0415	
	01015	GOVERNOR	100K0415	
	01016	DYNAMO	100K0415	
	01017	RADIATOR	100K0415	
	01018	NAME PLATE	100K0415	
	01019	INJECTION PUMP	100K0415	
	01020	WATER PUMP	100K0415	
	01080	OIL FILTER 2 [SECTION PARTS]	100K0415	
	01081	STARTER [SECTION PARTS]	100K0415	
	01082	NOZZLE HOLDER 2 [SECTION PARTS]	100K0415	
	01083	DYNAMO [SECTION PARTS]	100K0415	
	01084	INJECTION PUMP [SECTION PARTS]	100K0415	
	FUEL SYSTEM	01021	FUEL TANK	100K0415
	SPEED CHANGE LEVER	01022	ACCEL ROD	100K0415
		01023	HAND ACCEL	100K0415
		01024	RADIATOR SUPPORT	100K0415
	COOLING WATER SYSTEM	01025	CLUTCH HOUSING	100K0415
	CLUTCH	01026	CHANGE COVER	100K0415
		01027	TRANSMISSION	100K0415
TRANSMISSION	01028	FRONT AXLE	100K0415	
FRONT AXLE/FRONT WHEEL/CHASSIS	01029	CLUTCH	100K0415	
CLUTCH	01030	MISSION GEAR	100K0415	
TRANSMISSION	01031	CLUTCH PEDAL	100K0415	
CLUTCH	01032	LEVER	100K0415	
SPEED CHANGE LEVER	01033	1 2 SHIFT LEVER	100K0415	
	01034	MAIN CHANGE LEVER	100K0415	
	01035	CREEP SHAFT	100K0415	
REAR AXLE/REAR WHEEL	01036	DIFF SUPPORT	100K0415	
TRANSMISSION	01037	REDUCTION SHAFT	100K0415	
REAR AXLE/REAR WHEEL	01038	BEVEL PINION	100K0415	
	01039	AXLE CASE	100K0415	
FRONT AXLE/FRONT WHEEL/CHASSIS	01040	FRONTWHEEL HUB	100K0415	
REAR AXLE/REAR WHEEL	01041	REAR WHEEL	100K0415	
STEERING	01043	STEERING	100K0415	
BRAKE	01045	BRAKE	100K0415	
	01046	BRAKE PEDAL	100K0415	
	01047	HAND BRAKE	100K0415	
	01048	ELECTICAL	100K0415	
	01049	BATTERY	100K0415	
ELECTRICAL SYSTEM	01050	MAIN SWITCH	100K0415	
	01051	PANNEL BOARD	100K0415	
	01052	LAMP	100K0415	
	01053	WIRE HARNESS	100K0415	
	01054	PTO SHAFT	100K0415	
	01055	SHIFT FORK	100K0415	
TRANSMISSION	01056	POSITION OPERATE	100K0415	
HYDRAULIC SYSTEM				

Item	Part No.	Description	Book
HYDRAULIC SYSTEM	01057	TOP LINK	100K0415
	01058	CYLINDER	100K0415
	01059	OIL PUMP	100K0415
	01060	CONTROL VALVE	100K0415
	01062	OIL PUMP CYLINDER LINER	100K0415
	01063	FILTER CASE	100K0415
	01064	OIL PUMP ARM SHAFT	100K0415
HOOD(BONNET)/ROPS	01065	BONNET 1	100K0415
	01066	BONNET 2	100K0415
	01067	SEAT	100K0415
	0106801	FENDER EXCEPT [OC]	100K0415
HITCH/DRAWBAR	01069	TOWING DRAWBAR	100K0415
HYDRAULIC SYSTEM	01070	3-POINT LINK	100K0415
LABELS	01071	NAME PLATE	100K0415
STEERING	01072	POWER STEERING	100K0415
TRANSMISSION	01073	DRIVE CASE	100K0415
FRONT AXLE/FRONT WHEEL/CHASSIS	01074	PROPELLER SHAFT [M4500DT]	100K0415
	01075	DIFF CASE 1 [M4500DT]	100K0415
	01076	DIFF CASE 2 [M4500DT]	100K0415
	01077	FRONT AXLE SUPPORT [M4500DT]	100K0415
	01078	FRONT WHEEL CASE [M4500DT]	100K0415
	01079	KNUCKLE ARM [M4500DT]	100K0415
	SPEED CHANGE LEVER	01085	DIFF LOCK PEDAL [M4500DT]
	01086	BOOSTER	100K0415
ACCESSORIES	01090	ACCESSORIES AND SERVICE PARTS	100K0415

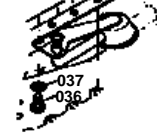
CRANKCASE



REF. No. ① 15611 - 0101 - 2
 - Changed depth of thread for fitting oil pan.
 17mm - 25mm

REF. No. ② 15801 - 0161 - 1
 - Reinforced.

REF. No. ③ 01053 - 50885
 - ④ 04512 - 50080



REF. No. ④ 04012 - 50080



REF. No. ⑤ 04512 - 50080
 ⑥ 04912 - 50080
 ⑦ 01053 - 50885





CRANKCASE

↔ Interchangeable; ≠ not interchangeable; ← new for old; → old for new

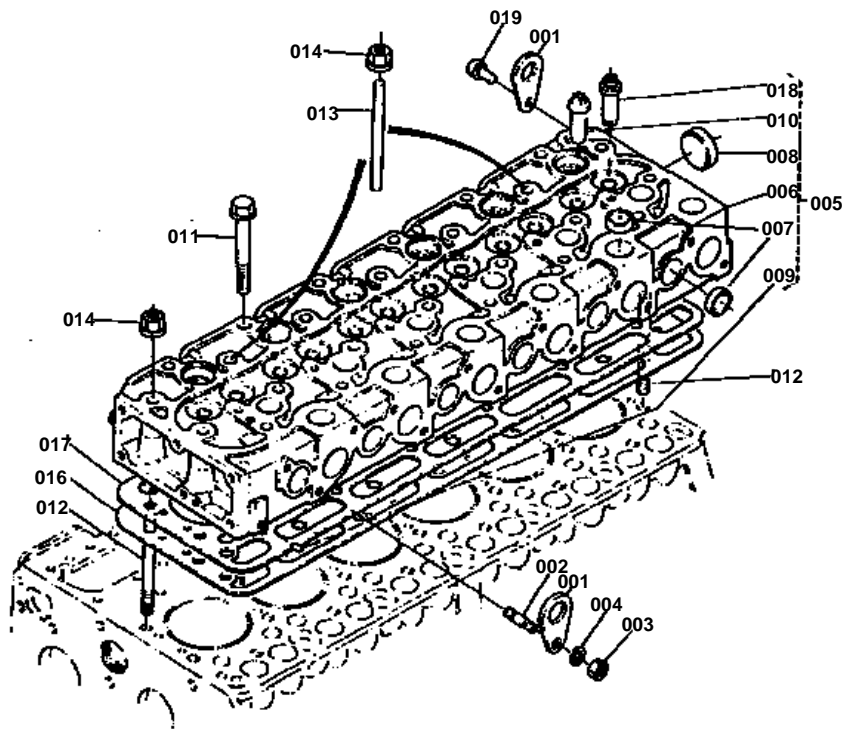
REF.No	Part No.	Description	Q'ty	S.No.	I/C	REMARKS	Weight (kgf)	Weight (lb)
001	15611-01010	ASSY CRANKCASE	1	≤1005			0	0
001	15611-01012	ASSY CRANKCASE	1	≥1006			0	0
001	15611-01013	ASSY CRANKCASE	1	≥1006			0	0
002	99999-99999	BLANK	0			ORDER BY REF.No.001	0	0
003	34150-27580	PLUG	3				0.001	0.0022
004	06311-75018	PLUG EXPANSION	3				0.004	0.0088
005	15221-03380	CAP SEALING	10				0.017	0.0374
006	15221-03390	CAP SEALING	2				0.03	0.066
007	06311-75045	PLUG EXPANSION	1				0.026	0.0572
008	15221-33630	PLUG	2	≤5000			0.001	0.0022
008	15521-96020	PLUG	2	≥5001			0.003	0.0066
009	15221-33640	PLUG	2	≤5000			0.003	0.0066
009	15521-96030	PLUG	2	≥5001			0.007	0.0154
010	05012-00408	PIN STRAIGHT	2				0.001	0.0022
011	05012-00609	PIN STRAIGHT	2				0.003	0.0066
012	05012-00612	PIN STRAIGHT	2				0.003	0.0066
013	05012-01018	PIN STRAIGHT	1				0.012	0.0264
014	15221-33650	PIN PIPE	1				0.004	0.0088
015	15221-72840	PIPE WATER	1				0.078	0.1716
016	15201-02310	LINER CYLINDER	6				0.57	1.254
017	15221-33700	O RING	1				0.001	0.0022
018	14412-73110	COCK DRAIN	1				0.09	0.198
019	15221-33610	PLUG	7				0.009	0.0198
020	15021-33660	GASKET	7				0.001	0.0022
021	15221-33750	PLUG	1				0.032	0.0704
022	15109-33660	GASKET	1				0.001	0.0022
023	15401-01930	COVER	1				0.09	0.198
024	15221-05430	GASKET	1				0	0
025	01053-50616	BOLT	2				0.005	0.011
026	04512-50060	WASHER SPRING	2				0	0
027	15601-01610	OIL PAN	1	≤1005			38	83.6
027	15601-01614	OIL PAN	1	≥1006			41	90.2
028	15601-01620	GASKET OIL PAN	1	≤1125			0	0
028	15601-01622	GASKET OIL PAN	1	≥1126			0	0
029	15601-91070	BOLT	4	≤1005			0.066	0.1452
029	15601-91080	BOLT	4	≥1006			0.08	0.176
030	01173-51032	BOLT	26	≤1005			0.024	0.0528
030	01076-51040	BOLT	8	≥1006			0.04	0.088
030	01076-51040	BOLT	4				0.04	0.088
031	01173-51095	BOLT	2	≤1005			0.057	0.1254
031	15601-91090	BOLT	2	≥1006			0.065	0.143
032	04512-50100	WASHER SPRING	32				0	0
033	15221-33750	PLUG	2				0.032	0.0704
034	15109-33660	PACKING	2				0.001	0.0022
035	15601-32110	FILTER OIL	1				0.325	0.715
036	01053-50816	BOLT	1				0.011	0.0242
036	01123-50816	BOLT	1	≥1001			0.011	0.0242
037	04512-50080	WASHER SPRING	7				0	0
037	04512-50080	WASHER SPRING	4				0	0
038	04811-00160	O RING	1				0.001	0.0022
039	15402-32020	FILTER OIL	1				0	0
040	15213-32320	GASKET OIL FILTER	1				0	0
041	15402-91010	BOLT	4				0	0
042	04012-50080	WASHER PLAIN	6				0.001	0.0022
043	15601-33110	FLANGE OIL FILTER	1				0.195	0.429
044	15401-32890	GASKET	1				0	0
045	01053-50825	BOLT	2				0.014	0.0308
045	01123-50825	BOLT	2	≥1001			0.013	0.0286
046	15221-33140	PLUG OIL FILTER	1				0.038	0.836

**CRANKCASE**

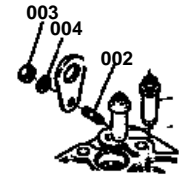
↔ Interchangeable; ≠ not interchangeable; ← new for old; → old for new

REF.No	Part No.	Description	Q'ty	S.No.	I/C	REMARKS	Weight (kgf)	Weight (lb)
047	04811-50300	O RING	1				0.001	0.0022
048	15601-36410	GAUGE OIL	1				0.034	0.0748
049	04811-00050	O RING	2				0.001	0.0022
050	15221-39010	SWITCH OIL	1				0	0
051	01076-51055	BOLT	18	≥1006			0.04	0.088
051	01076-51055	BOLT	12				0.04	0.088
052	15601-91490	STUD 1	4				0.025	0.055
053	15601-91500	STUD 2	6				0.04	0.088
054	02076-50100	NUT	10				0.006	0.0132

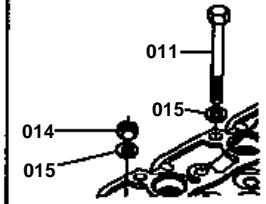
CYLINDER



REF. No. ① 01513-50016
② 02056-50080
③ 04517-50080



REF. No. ① 15221-0345-0
② 15221-0351-0
③ 15221-0354-0



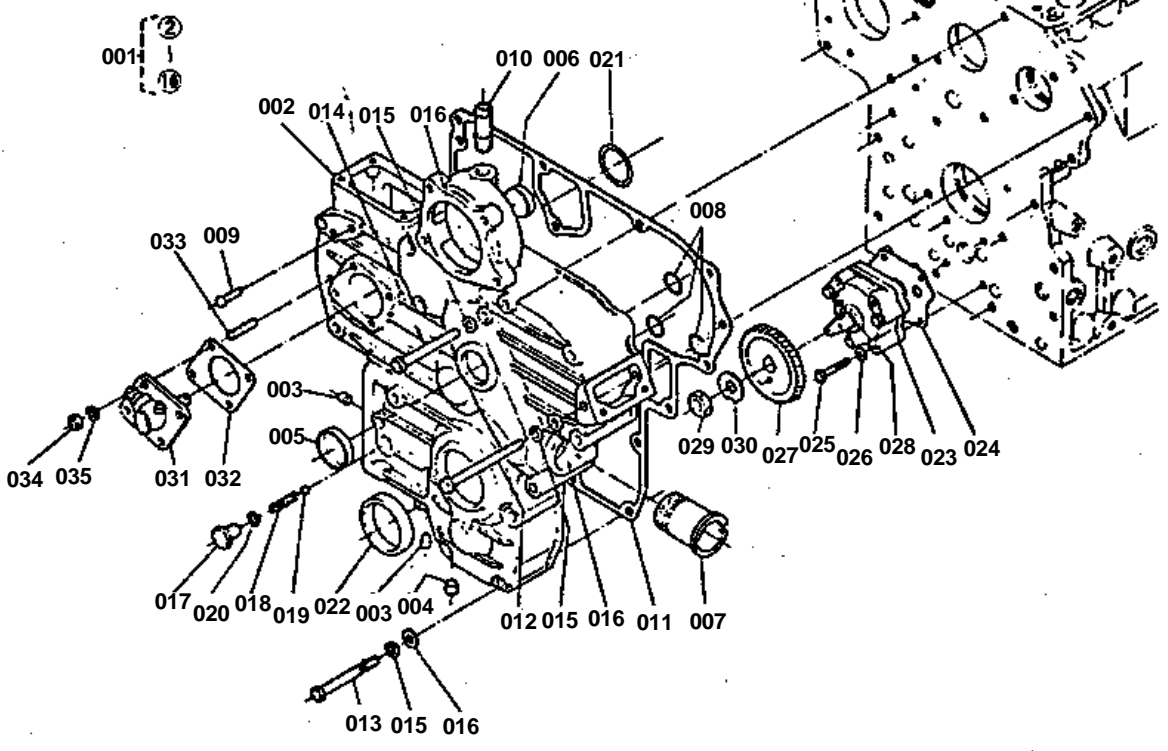
**CYLINDER**

↔ Interchangeable; ≠ not interchangeable; ← new for old; → old for new

REF.No	Part No.	Description	Q'ty	S.No.	I/C	REMARKS	Weight (kgf)	Weight (lb)
001	15221-01750	HOOK ENGINE	2				0.04	0.088
002	01513-50816	STUD	2				0.009	0.0198
002	15521-91490	STUD	1				0	0
003	02056-50080	NUT	2				0.005	0.011
003	02156-50080	NUT	1				0.004	0.0088
004	04512-50080	WASHER SPRING	2				0	0
004	04512-50080	WASHER SPRING	1				0	0
005	15611-03040	ASSY CYLINDER HEAD	1				0	0
006	99999-99999	BLANK	0			ORDER BY REF.No.005	0	0
007	15221-03370	CAP SEALING	18				0.01	0.022
008	15221-03490	CAP SEALING	1				0.02	0.044
009	15131-01380	PLUG PIN	2				0.001	0.0022
010	15221-13580	GUIDE VALVE INLET	6				0	0
011	15221-03450	BOLT CYLIHDER HEAD	22	≤7182			0	0
011	19202-03450	BOLT CYLIHDER HEAD	22	≥7183			0.065	0.143
012	15221-03410	STUD CYLINDER HEAD	2	≤7182			0	0
012	19202-03410	STUD CYLINDER HEAD	2	≥7183			0.065	0.143
013	15601-03420	STUD CYLINDER HEAD	2	≤7182			0	0
013	15612-03420	STUD CYLINDER HEAD	2	≥7183			0.07	0.154
014	15221-03510	NUT CYLINDER HEAD	26	≤7182			0.008	0.0176
014	19202-03510	NUT CYLINDER HEAD	26	≥7183			0.012	0.0264
015	15221-03540	WASHER PLAIN	26	≤7182			0.003	0.0066
016	15611-03310	GASKET CYLINDER HEAD	1				0	0
017	15611-03320	SHIM CYL.HEAD GASKET	1				0.085	0.187
018	15601-13560	GUIDE VALVE EXHAUST	6				0	0
019	01123-50816	BOLT	1				0.011	0.0242

GEAR CASE

REF. No. 01012 - 50059

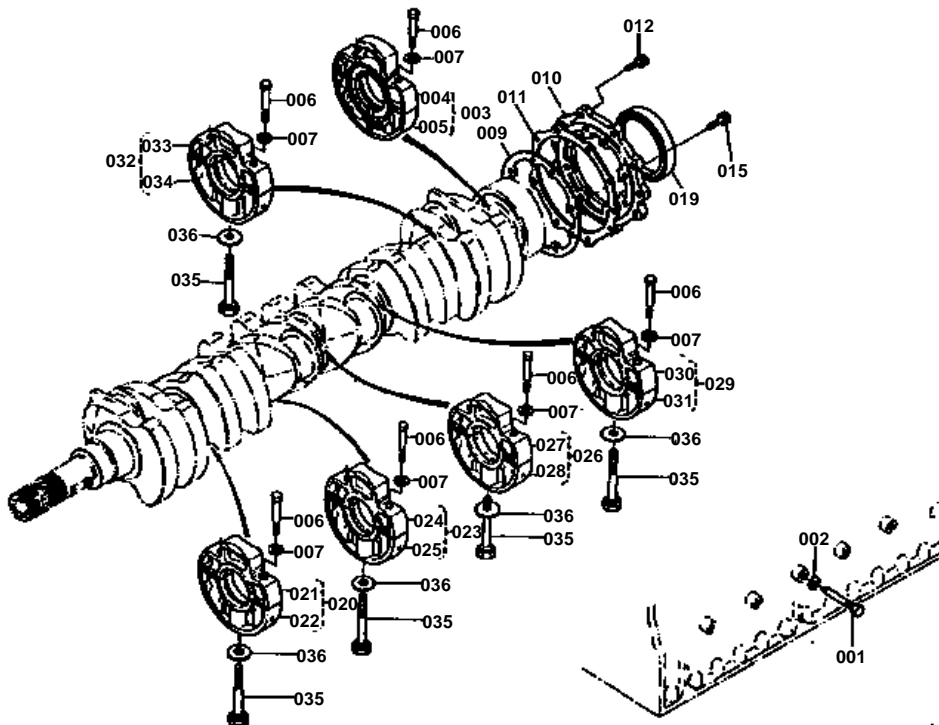


**GEAR CASE**

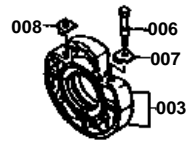
↔ Interchangeable; ≠ not interchangeable; ← new for old; → old for new

REF.No	Part No.	Description	Q'ty	S.No.	I/C	REMARKS	Weight (kgf)	Weight (lb)
001	15601-04022	ASSY CASE GEAR	1				4	8.8
002	99999-99999	BLANK	0			ORDER BY REF.No.001	0	0
003	15221-33620	PLUG PIN	2				0.002	0.0044
004	15221-33640	PLUG PIN	1				0.003	0.0066
005	15221-03490	CAP SEALING	1				0.02	0.044
006	15321-96260	CAP SEALING	1				0.014	0.0308
007	15221-72880	PIPE WATER	1				0.115	0.253
008	04810-00150	O RING	3				0.001	0.0022
009	15221-56280	PIN START SPRING	1				0.006	0.0132
010	15321-73340	PIPE WATER RETURN	1				0.016	0.0352
011	15601-04130	GASKET GEAR CASE	1				0	0
012	01053-50885	BOLT	1				0.031	0.0682
013	15221-91040	BOLT	10				0	0
014	15321-91010	BOLT	4				0.03	0.066
015	04512-50080	WASHER SPRING	15				0	0
016	04012-50080	WASHER PLAIN	15				0.001	0.0022
017	15221-38420	CAP	1				0.025	0.055
018	15221-38440	SPRING	1				0.004	0.0088
019	07715-00803	BALL	1				0.004	0.0088
020	04810-00100	O RING	1				0.001	0.0022
021	04811-40240	O RING	1				0.002	0.0044
022	09550-00001	SEAL OIL	1				0.015	0.033
023	15321-35010	ASSY PUMP OIL	1				0.525	1.155
024	15221-35150	GASKET OIL PUMP	1				0	0
025	01053-50648	BOLT	4				0.01	0.022
026	04512-50060	WASHER SPRING	4				0	0
027	15601-35660	GEAR OIL PUMP DRIVE	1				0.2	0.44
028	05712-00410	KEY FEATHER	1				0.001	0.0022
029	15221-35680	NUT	1				0	0
030	04211-50120	WASHER CLAW	1				0.003	0.0066
031	37150-34660	ASSY HOUR METER	1				0.32	0.704
032	15221-88130	GASKET	1				0	0
033	15221-88210	STUD	4				0.005	0.011
034	02056-50060	NUT	4				0.002	0.0044
035	04512-50060	WASHER SPRING	4				0	0
036	04012-50060	WASHER PLAIN	4				0.001	0.0022

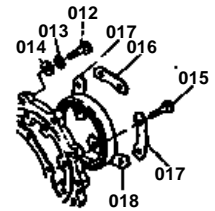
BEARING CASE



REF. No. 15221-0404 - II
 15221-0454 - II
 15221-0457 - II
 15221-0458 - II



REF. No. 01053-50625
 04512-50080
 04017-50080
 01053-50629
 15221-0464 - II
 15221-0465 - II
 15221-0466 - II

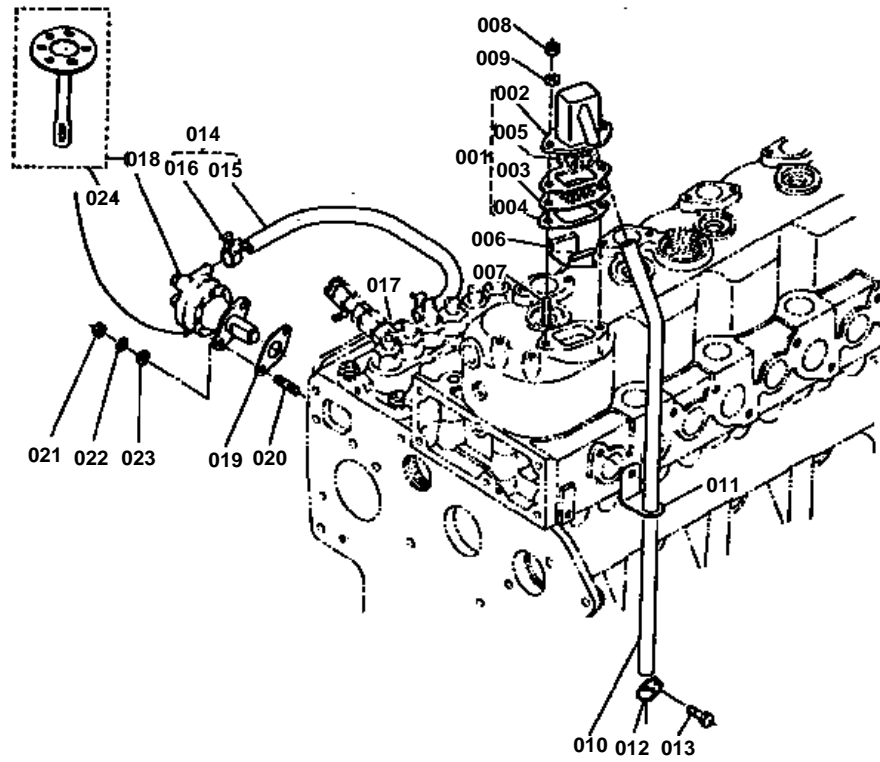


**BEARING CASE**

↔ Interchangeable; ≠ not interchangeable; ← new for old; → old for new

REF.No	Part No.	Description	Q'ty	S.No.	I/C	REMARKS	Weight (kgf)	Weight (lb)
001	15221-04550	BOLT KNOCK	5				0.022	0.0484
002	15021-33660	GASKET	5				0.001	0.0022
003	15221-04040	ASSY CASE BEARING	1				0	0
003	15521-04040	ASSY CASE BEARING	1	>=1001			0	0
004	99999-99999	BLANK	0			ORDER BY REF.No.003	0	0
005	99999-99999	BLANK	0			ORDER BY REF.No.003	0	0
006	15221-04540	BOLT 1	12				0	0
006	15521-04540	BOLT 1	12	>=1001			0	0
007	15221-04570	WASHER 1	6				0.002	0.0044
007	15521-94010	WASHER PLAIN	12	>=1001			0.001	0.0022
008	15221-04580	WASHER 2	6				0.003	0.0066
009	15221-04360	GASKET	1				0	0
010	15221-04810	COVER BEARING	1				0.3	0.66
011	15221-04820	GASKET COVER	1				0	0
012	01053-50825	BOLT	8				0.014	0.0308
012	01123-50825	BOLT	8	>=1001			0.013	0.0286
013	04512-50080	WASHER SPRING	8				0	0
014	04012-50080	WASHER PLAIN	8				0.001	0.0022
015	01053-50828	BOLT	8				0.014	0.0308
015	01123-50828	BOLT	8	>=1001			0.014	0.0308
016	15221-04640	WASHER COVER 1	1				0.005	0.011
017	15221-04650	WASHER COVER 2	2				0.005	0.011
018	15221-04660	WASHER COVER 3	1				0.006	0.0132
019	15601-04460	SEAL OIL	1				0.053	0.1166
020	15521-04054	ASSY CASE BEARING 1	1				0	0
020	15601-04050	ASSY CASE BEARING 1	1	>=1001			1.19	2.618
021	99999-99999	BLANK	0			ORDER BY REF.No.020	0	0
022	99999-99999	BLANK	0			ORDER BY REF.No.020	0	0
023	15321-04060	ASSY CASE BEARING 2	1				0	0
023	15601-04060	ASSY CASE BEARING 2	1	>=1001			1.23	2.706
024	99999-99999	BLANK	0			ORDER BY REF.No.023	0	0
025	99999-99999	BLANK	0			ORDER BY REF.No.023	0	0
026	15401-04070	ASSY CASE BEARING 3	1				0	0
026	15601-04070	ASSY CASE BEARING 3	1	>=1001			1.24	2.728
027	99999-99999	BLANK	0			ORDER BY REF.No.025	0	0
028	99999-99999	BLANK	0			ORDER BY REF.No.025	0	0
029	15601-04080	ASSY CASE MAIN BEARI	1				1.28	2.816
030	99999-99999	BLANK	0			ORDER BY REF.No.029	0	0
031	99999-99999	BLANK	0			ORDER BY REF.No.029	0	0
032	15601-04090	ASSY CASE MAIN BEARI	1				1.3	2.86
033	99999-99999	BLANK	0			ORDER BY REF.No.032	0	0
034	99999-99999	BLANK	0			ORDER BY REF.No.032	0	0
035	15221-04560	BOLT 2	5				0.053	0.1166
036	15221-04590	WASHER 3	5				0.005	0.011

BREATHER

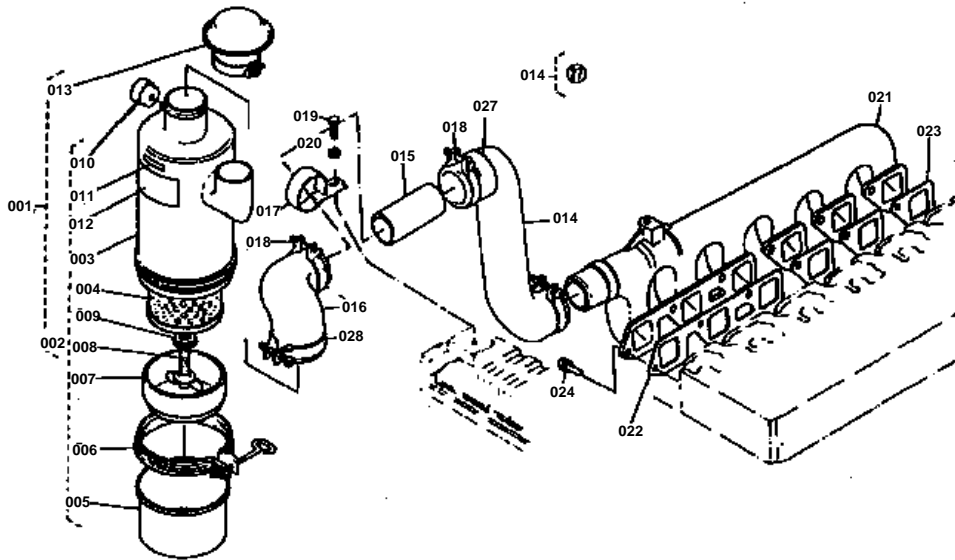


**BREATHER**

↔ Interchangeable; ≠ not interchangeable; ← new for old; → old for new

REF.No	Part No.	Description	Q'ty	S.No.	I/C	REMARKS	Weight (kgf)	Weight (lb)
001	15241-05010	ASSY BREATHER	1				0.15	0.33
002	15241-05110	BREATHER	1				0.13	0.286
003	15241-05140	PLATE ELEMENT	1				0.009	0.0198
004	15321-05430	GASKET	2				0	0
005	15241-05670	ELEMENT BREATHER	1				0.008	0.0176
006	15241-05370	OIL SHIELD BREATHER	1				0.005	0.011
007	15221-88210	STUD	2				0.005	0.011
008	02056-50060	NUT	2				0.002	0.0044
009	04512-50060	WASHER SPRING	2				0	0
010	15401-05510	PIPE BREATHER	1				0	0
011	15401-05580	CLAMP PIPE	1				0.02	0.044
012	15401-05590	CLAMP PIPE	1				0.003	0.0066
013	01173-51018	BOLT	1				0.018	0.0396
014	15401-42010	ASSY PIPE FUEL	1				0.04	0.088
015	99999-99999	BLANK	0			ORDER BY REF.No.014	0	0
016	14301-42750	CLIP PIPE	2				0.005	0.011
017	15401-95690	JOINT EYE	1				0.04	0.088
018	15412-52030	PUMP FUEL	1				0.305	0.671
018	15381-52030	PUMP FUEL	1	>=1001			0	0
019	15241-52140	GASKET FUEL PUMP	1				0	0
020	01513-50616	STUD	2				0.004	0.0088
021	02056-50060	NUT	2				0.002	0.0044
022	04512-50060	WASHER SPRING	2				0	0
023	04012-50060	WASHER PLAIN	2				0.001	0.0022
024	15381-52040	COMP.DIAPHRAGM	1				0	0

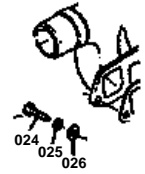
AIR CLEANER



REF. N. 01063 - 5082

01612 - 5088

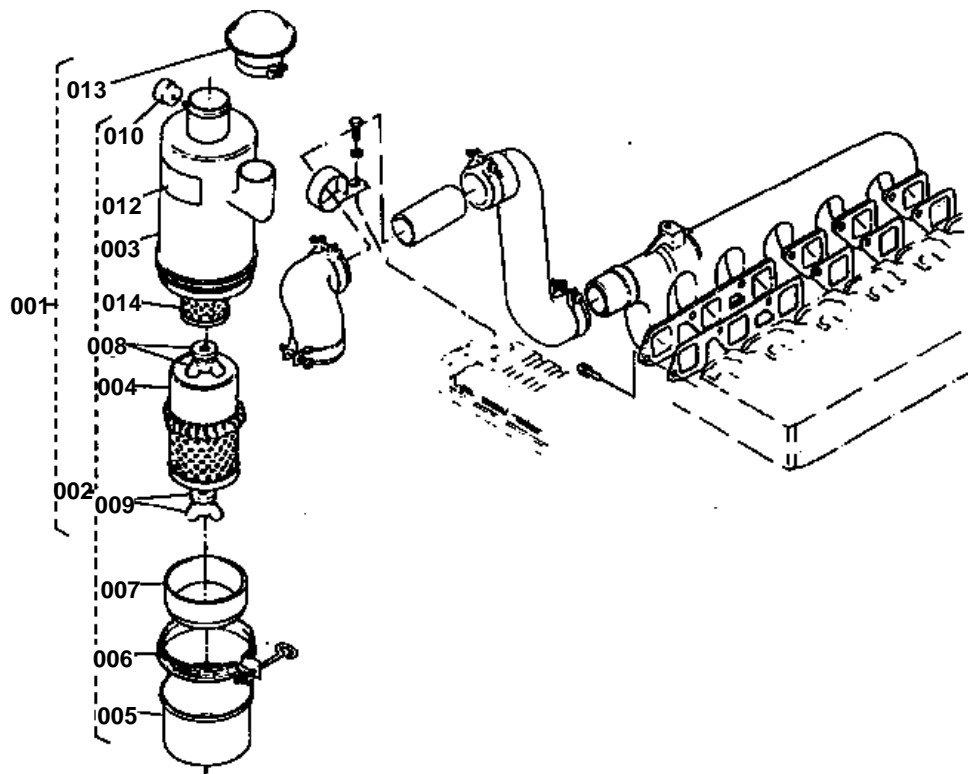
04812 - 5088



**AIR CLEANER**

↔ Interchangeable; ≠ not interchangeable; ← new for old; → old for new

REF.No	Part No.	Description	Q'ty	S.No.	I/C	REMARKS	Weight (kgf)	Weight (lb)
001	15611-11010	ASSY AIR CLEANER	1				4	8.8
002	15611-11050	ASSY BODY AIR CLEANER	1				2.58	5.676
003	99999-99999	BLANK	0			ORDER BY REF.No.002	0	0
004	15606-11080	ASSY ELEMENT AIR CLEANER	1				1.15	2.53
005	15606-11160	COVER AIR CLEANER	1				0.53	1.166
006	15611-11070	ASSY BAND CLEANER	1				0.135	0.297
007	15606-11410	COVER BAFFLE	1				0.115	0.253
008	15606-92620	BOLT WING	1				0.055	0.121
009	15401-94430	WASHER SEAL	1				0.009	0.0198
010	15401-11090	ASSY INDICATOR	1				0.021	0.0462
011	15611-87750	MARK FORM	1				0.001	0.0022
012	15401-87450	LABEL AIR CLEANER	1				0.002	0.0044
013	15606-11350	CAP AIR CLEANER	1				0.356	0.7832
014	15601-11620	PIPE INLET	1				0.8	1.76
015	15601-11630	PIPE INLET	1				0.19	0.418
016	15611-11640	PIPE INLET	1				0.268	0.5896
017	15612-11710	HOLDER INLET PIPE	1				0.05	0.11
018	15401-11720	BAND PIPE	3				0.05	0.11
019	01153-50812	BOLT	1				0.008	0.0176
020	04512-50080	WASHER SPRING	1				0	0
021	15601-11760	MANIFOLD INLET	1				1.8	3.96
022	15601-11820	GASKET IN-MANIFOLD	1				0	0
023	15601-11830	GASKET IN-MANIFOLD	3				0	0
024	01053-50822	BOLT	11				0.013	0.0286
024	01123-50822	BOLT	11	≥1001			0.012	0.0264
025	04512-50080	WASHER SPRING	11				0	0
026	04012-50080	WASHER PLAIN	11				0.001	0.0022
027	99999-99999	BLANK	0			ORDER BY REF.No.014	0	0
028	15606-11720	BAND PLAIN	1				0.035	0.077



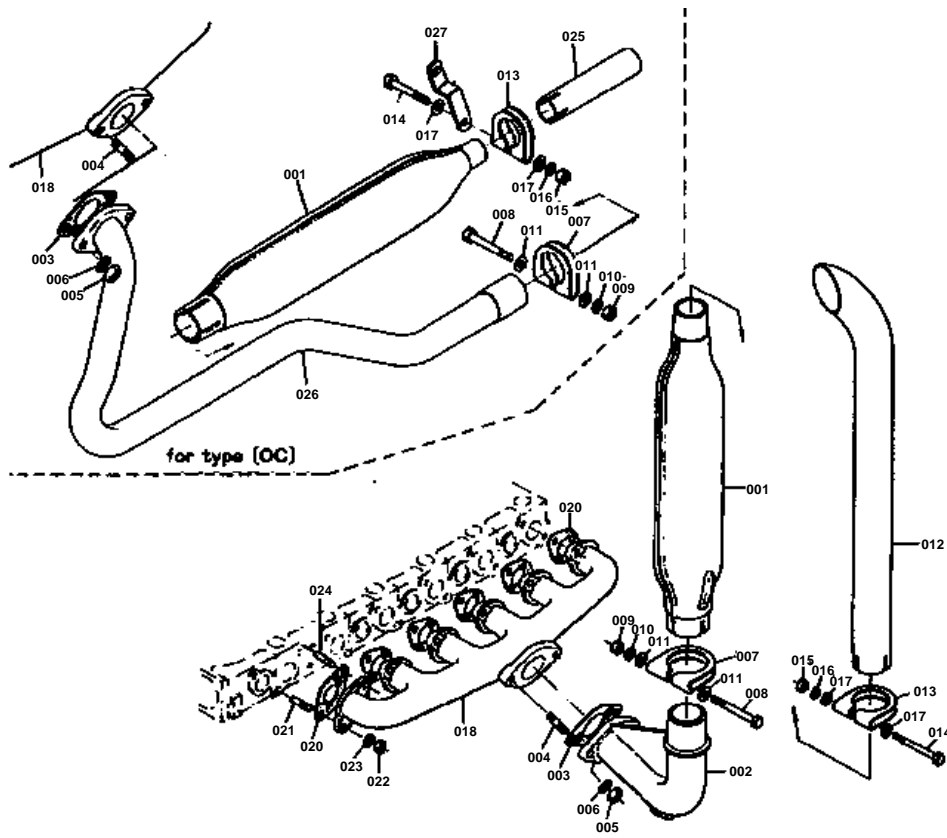


AIR CLEANER DOUBLE

↔ Interchangeable; ≠ not interchangeable; ← new for old; → old for new

REF.No	Part No.	Description	Q'ty	S.No.	I/C	REMARKS	Weight (kgf)	Weight (lb)
001	15000-36980	ASSY AIR CLEANER	1				4.5	9.9
002	15000-37230	ASSY BODY AIR CLEANER	1				0	0
003	99999-99999	BLANK	0			ORDER BY REF.No.002	0	0
004	15606-11080	ASSY ELEMENT AIR CLE	1				1.15	2.53
005	15606-11160	COVER AIR CLEANER	1				0.53	1.166
006	15611-11070	ASSY BAND CLEANER	1				0.135	0.297
007	15606-11410	COVER BAFFLE	1				0.115	0.253
008	15000-37140	NUT WING 1	1				0	0
009	15000-37160	NUT WING 2	1				0	0
010	15401-11090	ASSY INDICATER	1				0.021	0.0462
011	15000-37100	ASSY ELEMENT AIR CLE	1				1.4	3.08
012	15401-87450	LABEL AIR CLEANER	1				0.002	0.0044
013	15606-11350	CAP AIR CLEANER	1				0.356	0.7832
014	15000-37110	ELEMENT AIR CLEANER	1				0	0

MUFFLER



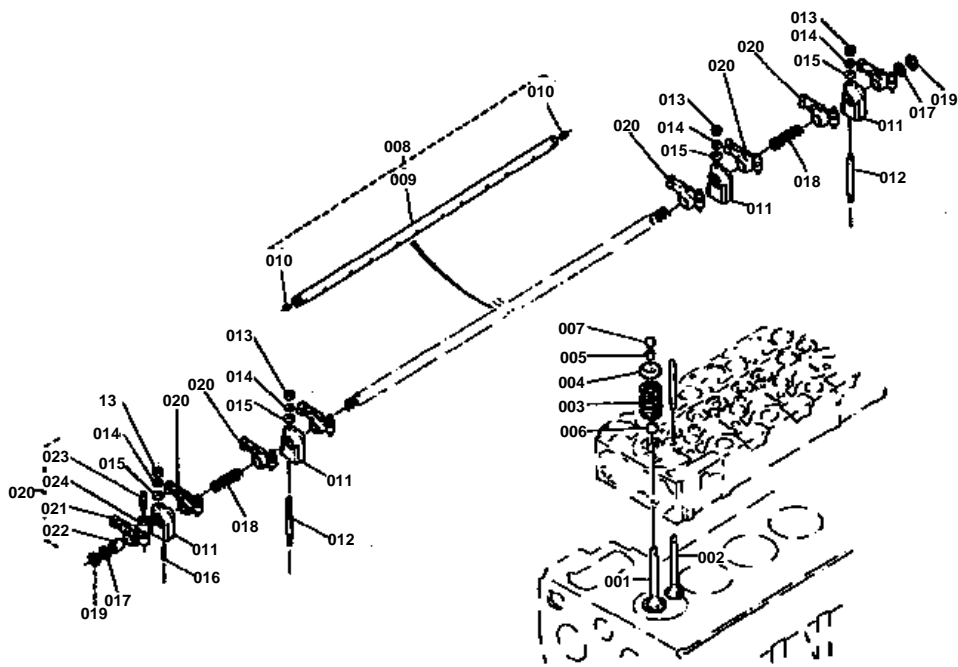
REF. No 0105221 - 1236 - 0
Discontinua.
REF. No. 15501 - 1235 - 0
Usafid in same type.

**MUFFLER**

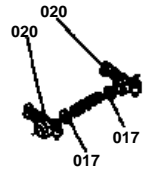
↔ Interchangeable; ≠ not interchangeable; ← new for old; → old for new

REF.No	Part No.	Description	Q'ty	S.No.	I/C	REMARKS	Weight (kgf)	Weight (lb)
001	15126-12110	MUFFLER	1				2.92	6.424
002	15611-12320	FLANGE MUFFLER	1			EXCEPT [OC]	1.3	2.86
003	15021-12360	GASKET M-FLANGE	1				0	0
004	01517-51030	STUD	2			EXCEPT [OC]	0	0
004	01517-51025	STUD	2			[OC]	0	0
005	15021-12260	NUT	2				0.013	0.0286
006	04512-50100	WASHER SPRING	2				0	0
007	15101-12130	BAND MUFFLER	1				0.125	0.275
008	01153-50885	BOLT	1				0.031	0.0682
009	15151-04430	NUT	1				0.006	0.0132
010	04512-50080	WASHER SPRING	1				0	0
011	04012-50080	WASHER PLAIN	2				0.001	0.0022
012	15611-12410	PIPE MUFFLER	1			EXCEPT [OC]	0.796	1.7512
013	15126-12130	BAND PIPE	1				0.042	0.0924
014	01153-50875	BOLT	1				0.028	0.0616
015	15151-04430	NUT	1				0.006	0.0132
016	04512-50080	WASHER SPRING	1				0	0
017	04012-50080	WASHER PLAIN	2				0.001	0.0022
018	15611-12310	MANIFOLD EXHAUST	1				4	8.8
019	15221-12360	GASKET EX-MANIFOLD	1				0	0
020	15221-12350	GASKET EX-MANIFOLD	5				0	0
020	15521-12350	GASKET EX-MANIFOLD	6	>=1001			0	0
021	15221-91530	STUD	12				0.011	0.0242
021	15221-91530	STUD	9				0.011	0.0242
022	02156-50080	NUT	12				0.004	0.0088
023	04512-50080	WASHER SPRING	12				0	0
024	15611-91530	STUD	3				0.01	0.022
025	35440-03110	PIPE MUFFLER 2	1			[OC]	0.23	0.506
026	35440-03120	PIPE UNDER MUFFLER	1			[OC]	3.4	7.48
027	35440-03130	STAY MUFFLER	1			[OC]	0.12	0.264

VALVE



R.F.F. No. 47 15221 - 1443 - II
99 15221 - 1443 - II



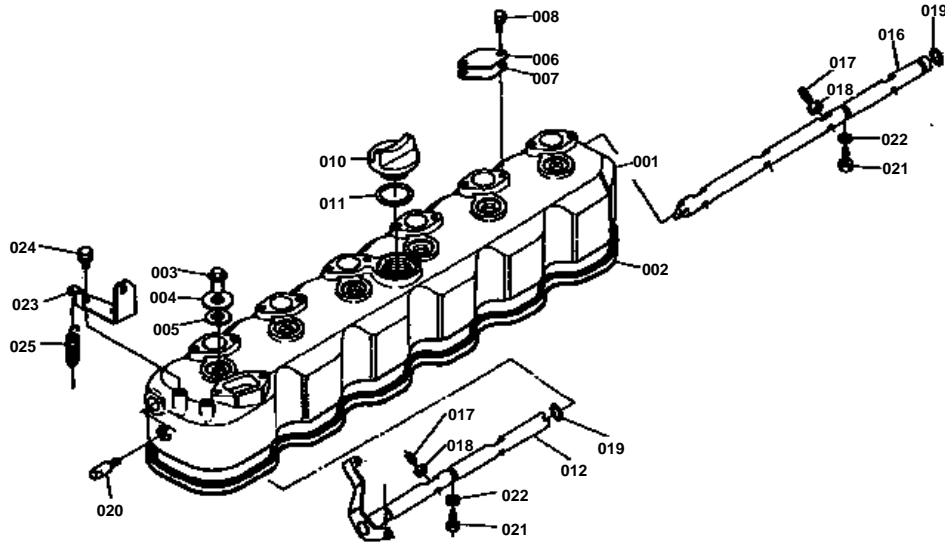


VALVE

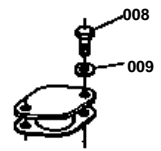
↔ Interchangeable; ≠ not interchangeable; ← new for old; → old for new

REF.No	Part No.	Description	Q'ty	S.No.	I/C	REMARKS	Weight (kgf)	Weight (lb)
001	15221-13110	VALVE INLET	6				0.062	0.1364
002	15221-13120	VALVE EXHAUST	6				0.054	0.1188
003	15221-13240	SPRING VALVE	12				0.036	0.0792
004	15221-13330	RETAINER VALVE SP.	12				0.03	0.066
005	15221-13360	COLLET VALVE SPRING	24				0	0
006	15221-13150	SEAL VALVE STEM	12				0.001	0.0022
007	15221-13280	CAP VALVE	12				0.006	0.0132
008	15601-14050	SHAFT ROCKER ARM	1				0	0
009	99999-99999	BLANK	0			ORDER BY REF.No.008	0	0
010	03410-50808	SCREW SET	2				0.002	0.0044
011	15221-14350	BRACKET ROCKER ARM	6				0.044	0.0968
012	15221-14410	STUD	6				0.028	0.0616
013	02156-50080	NUT	6				0.004	0.0088
014	04512-50080	WASHER SPRING	6				0	0
015	04012-50080	WASHER PLAIN	6				0.001	0.0022
016	15221-14420	SCREW SET	1				0.003	0.0066
017	15221-14430	WASHER	12				0.002	0.0044
017	15221-14430	WASHER	2	>=1001			0.002	0.0044
018	15221-14310	SPRING ROCKER ARM	5				0.005	0.011
019	04612-00140	CIR-CLIP EXTERNAL	2				0.001	0.0022
020	15221-14030	ASSY ROCKER ARM	12				0	0
020	15521-14030	ASSY ROCKER ARM	12	>=1001			0	0
020	15601-14030	ASSY ROCKER ARM	12	>=1001			0	0
021	99999-99999	BLANK	0			ORDER BY REF.No.020	0	0
022	15221-14180	BUSH	12				0.007	0.0154
023	15221-14230	SCREW ADJUSTING	12				0.01	0.022
023	15521-14230	SCREW ADJUSTING	12	>=1001			0.009	0.0198
024	15021-14240	NUT	12				0.003	0.0066

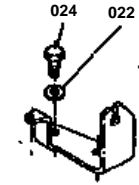
HEAD COVER



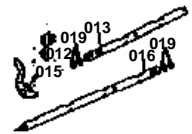
REF. No. 04853 - 50614
04512 - 50656



REF. No. 04512 - 50660
01053 - 50614



REF. No. 15401 - 6604 - 0
05411 - 06425
15404 - 0633 - 0
04811 - 06100



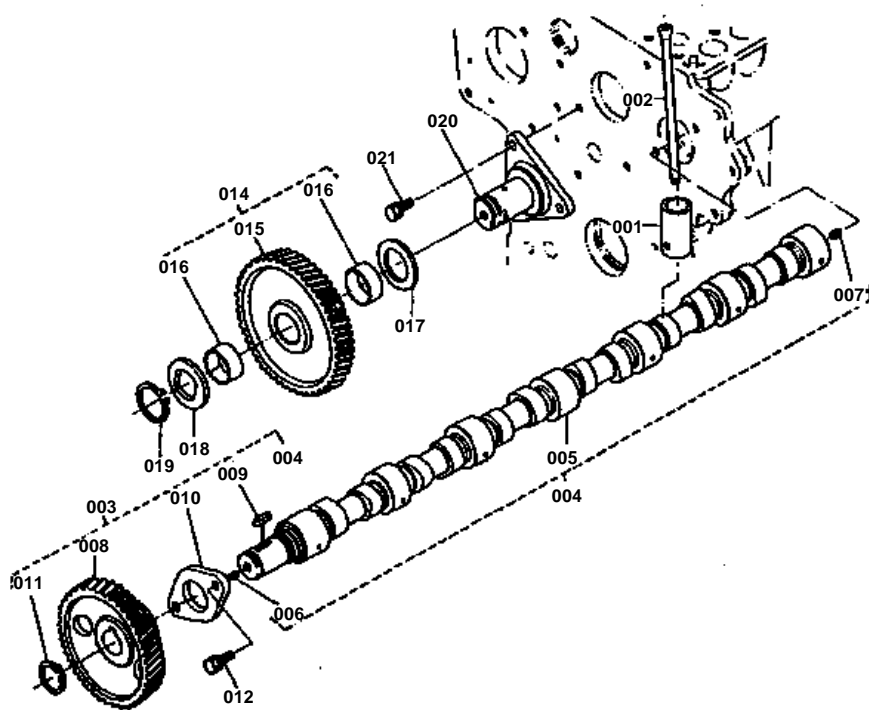


HEAD COVER

↔ Interchangeable; ≠ not interchangeable; ← new for old; → old for new

REF.No	Part No.	Description	Q'ty	S.No.	I/C	REMARKS	Weight (kgf)	Weight (lb)
001	15601-14510	COVER CYLINDER HEAD	1				1.98	4.356
002	15601-14520	GASKET HEAD COVER	1				0.09	0.198
003	15221-14620	NUT HEAD COVER	6				0.02	0.044
004	15221-14640	WASHER HEAD COVER	6				0.017	0.0374
005	15221-14630	GASKET NUT	6				0.003	0.0066
006	15221-66630	COVER DECOMP.HOLE	6				0.035	0.077
007	15221-66640	GASKET	6				0	0
008	01053-50614	BOLT	12				0.005	0.011
008	01023-50614	BOLT	12	>=1001			0.005	0.011
009	04512-50060	WASHER SPRING	12				0	0
010	15221-33140	PLUG OIL FILTER	1				0.038	0.0836
011	04811-50300	O RING	1				0.001	0.0022
012	15401-66040	ASSY SHAFT DECOMPRES	1				0	0
012	15601-66040	ASSY SHAFT DECOMPRES	1	>=1001			0.34	0.748
013	99999-99999	BLANK	0			ORDER BY REF.No.012	0	0
014	99999-99999	BLANK	0			ORDER BY REF.No.012	0	0
015	05411-00425	PIN SPRING	1				0.001	0.0022
016	15601-66330	SHAFT DECOMPRESS	1				0.4	0.88
016	15601-66332	SHAFT DECOMPRESS	1	>=1001			0.4	0.88
017	15221-66350	BOLT DECOMPRESS	6				0.005	0.011
018	15221-66360	NUT	6				0.003	0.0066
019	04811-06100	O RING	4				0	0
019	04811-06100	O RING	2				0	0
020	15221-66550	STOPPER DECOMP.SHAFT	1				0.02	0.044
021	15221-66410	BOLT	2				0.005	0.011
022	04512-50060	WASHER SPRING	4				0	0
022	04512-50060	WASHER SPRING	2				0	0
023	15221-66190	HOLDER DECOMP.WIRE	1				0.055	0.121
024	01053-50614	BOLT	2				0.005	0.011
024	01023-50614	BOLT	2	>=1001			0.005	0.011
025	15221-66280	SPRING DECOMPRESS	1				0.008	0.0176

CAMSHAFT

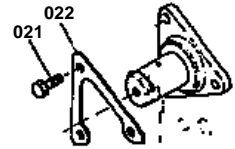


REF. No. ① 01053-50016
② 15221-1523-0

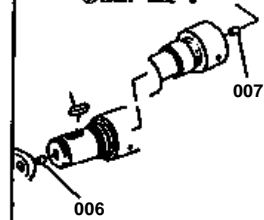


REF. No. ③ 15221-2436-0
④ 15221-2437-0
Change of material

REF. No. ⑤ 01053-50016
⑥ 15221-2431-0



REF. No. ⑦ 15221-3363-0
⑧ 15221-3362-0

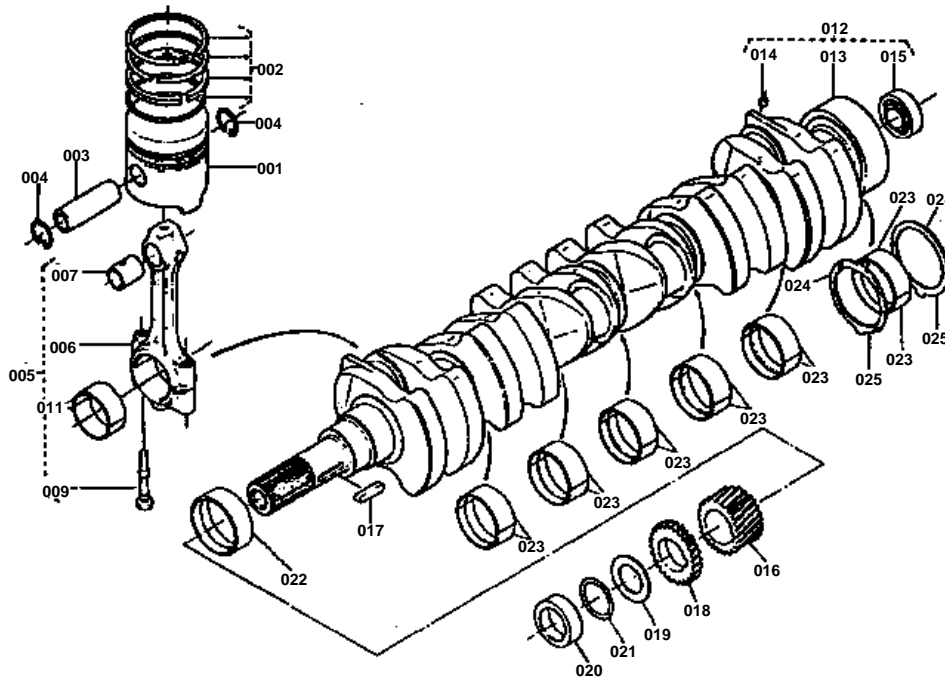


**CAMSHAFT**

↔ Interchangeable; ≠ not interchangeable; ← new for old; → old for new

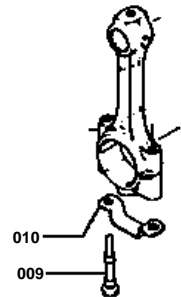
REF.No	Part No.	Description	Q'ty	S.No.	I/C	REMARKS	Weight (kgf)	Weight (lb)
001	15221-15550	TAPPET	12				0	0
002	15221-15110	ROD PUSH	12				0.05	0.11
003	15601-16010	ASSY CAMSHAFT	1				2.5	5.5
004	15601-16150	ASSY CAMSHAFT	1				3.2	7.04
005	15601-16150	CAMSHAFT	1				3.2	7.04
006	15221-33630	PLUG PIN	1	≤1572			0.001	0.0022
006	15521-93610	PLUG PIN	1	≥1573			0.002	0.0044
007	15221-33620	PLUG PIN	1	≤1572			0.002	0.0044
007	15601-93620	PLUG PIN	1	≥1573			0.025	0.055
008	15601-16510	GEAR CAMSHAFT	1				0	0
009	05712-00720	KEY FEATHER	1				0.008	0.0176
010	15221-16270	STOPPER CAMSHAFT	1				0.073	0.1606
011	04612-00240	CIR-CLIP EXTERNAL	1				0.002	0.0044
012	01053-50816	BOLT	2				0.011	0.0242
012	01123-50818	BOLT	2	≥1001			0.012	0.0264
013	15221-16250	WASHER STOPPER	1				0.01	0.022
014	15601-24010	ASSY GEAR IDLE	1				1.07	2.354
015	99999-99999	BLANK	0			ORDER BY REF.No.014 FOR SERVICE PART	0	0
016	15221-24980	BUSH IDLE GEAR	2				0.02	0.044
017	15221-24360	COLLAR IDLE GEAR 1	1				0.02	0.044
017	15521-24360	COLLAR IDLE GEAR 1	1	≥1001			0.015	0.033
018	15221-24370	COLLAR IDLE GEAR 2	1				0.018	0.0396
018	15521-24370	COLLAR IDLE GEAR 2	1	≥1001			0.015	0.033
019	15221-24320	CIR-CLIP EXTERNAL	1				0.01	0.022
020	15221-24250	SHAFT IDLE GEAR	1				0.48	1.056
021	01053-50818	BOLT	3				0.011	0.0242
021	01123-50818	BOLT	3	≥1001			0.012	0.0264
022	15221-24310	WASHER IDLE G.SHAFT	1				0.01	0.022

CRANKSHAFT



REF. No. 1521-2131-0
Change of hardening.

REF. No. 15201-2201-0
15221-2211-0
15221-2217-0



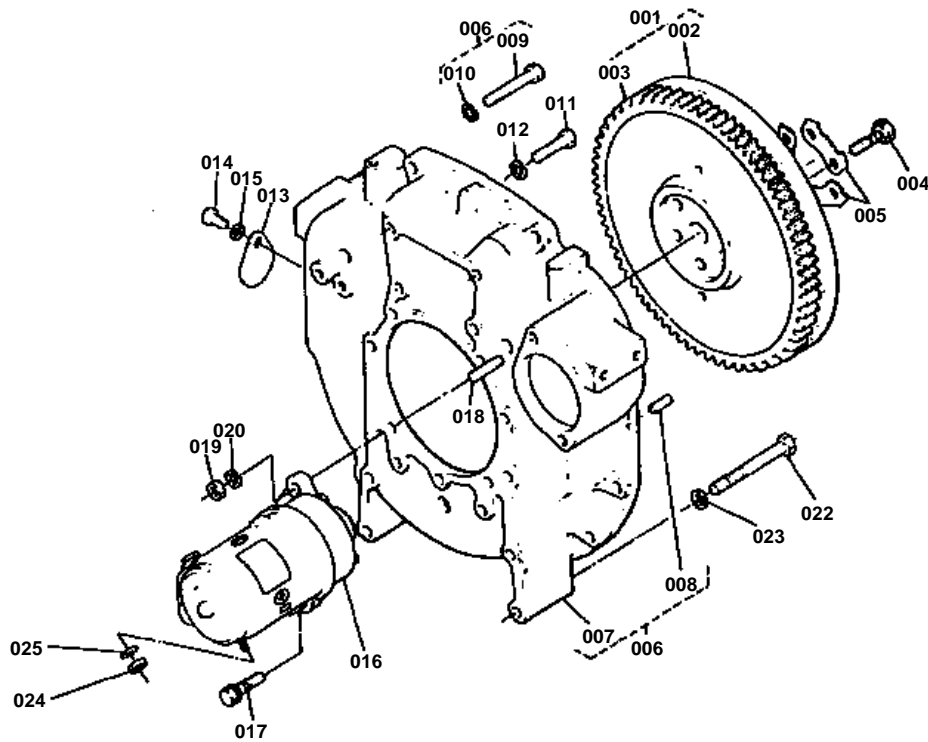


CRANKSHAFT

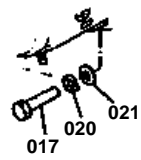
↔ Interchangeable; ≠ not interchangeable; ← new for old; → old for new

REF.No	Part No.	Description	Q'ty	S.No.	I/C	REMARKS	Weight (kgf)	Weight (lb)
001	15201-21110	PISTON	6			STANDARD	0.54	1.188
001	15201-21910	PISTON	6			+0.5MM	0.545	1.199
002	15201-21050	ASSY PISTON RING	6			STANDARD	0	0
002	15201-21090	ASSY PISTON RING	6			+0.5MM	0	0
003	15221-21310	PISTON PIN	6				0	0
003	15521-21310	PISTON PIN	6	>=1001			0.156	0.3432
004	15221-21330	CIR-CLIP PISTON PIN	12				0.002	0.0044
005	15201-22010	ASSY CONNECTING ROD	6				0	0
005	15521-22010	ASSY CONNECTING ROD	6	>=1001			0	0
006	99999-99999	BLANK	0			ORDER BY REF.No.005	0	0
007	15221-21980	BUSH PISTON PIN	6				0	0
008	99999-99999	BLANK	0				0	0
009	15221-22140	BOLT CONNECTING ROD	12				0	0
009	15521-22140	BOLT CONNECTING ROD	12	>=1001			0	0
010	15221-22170	WASHER ROD BOLT	6				0.01	0.022
011	15221-22310	METAL CRANK PIN	6			STANDARD SET	0	0
011	15221-22970	METAL CRANK PIN	6			-0.2MM SET	0.04	0.088
011	15221-22980	METAL CRANK PIN	6			-0.4MM SET	0.04	0.088
012	15601-23010	CRANK SHAFT	1				0	0
013	99999-99999	BLANK	0			ORDER BY REF.No.012	0	0
014	15131-01380	PLUG PIN	6				0.001	0.0022
015	15601-23420	BEARING	1				0.07	0.154
016	15601-24110	GEAR CRANKSHAFT	1				0.34	0.748
017	05712-00730	KEY FEATHER	1				0.011	0.0242
018	15601-35630	GEAR OIL PUMP DRIVE	1				0.181	0.3982
019	15401-23310	OIL SLINGER	1				0	0
020	15601-23250	COLLAR CRANKSHAFT	1				0.067	0.1474
021	04811-10300	O RING	1				0.001	0.0022
022	15221-23470	METAL CRANKSHAFT	1			STANDARD	0	0
022	15221-23910	METAL CRANKSHAFT	1			-0.2MM	0	0
022	15221-23920	METAL CRANKSHAFT	1			-0.4MM	0	0
023	15221-23480	METAL CRANKSHAFT	6			STANDARD SET	0	0
023	15221-23930	METAL CRANKSHAFT	6			-0.2MM SET	0.055	0.121
023	15221-23940	METAL CRANKSHAFT	6			-0.4MM SET	0.056	0.1232
024	15221-23530	METAL SIDE	2			STANDARD	0	0
024	15221-23950	METAL SIDE	2			+0.2MM	0	0
024	15221-23960	METAL SIDE	2			+0.4MM	0	0
025	15221-23540	METAL SIDE	2			STANDARD	0	0
025	15221-23970	METAL SIDE	2			+0.2MM	0.009	0.0198
025	15221-23980	METAL SIDE	2			+0.4MM	0.009	0.0198

FLYWHEEL



REF. No. 01173-51030
04512-50100
04013-50100



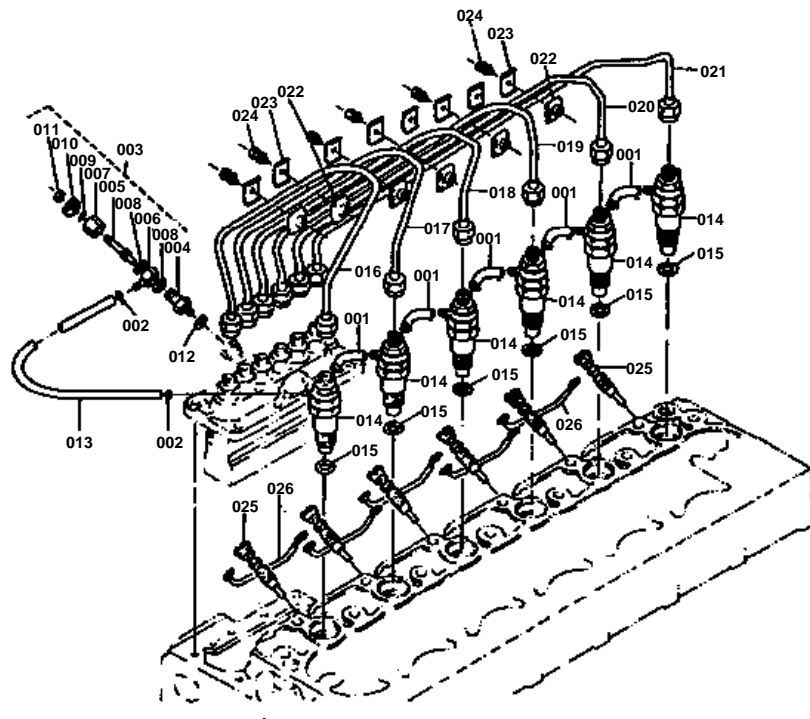


FLYWHEEL

↔ Interchangeable; ≠ not interchangeable; ← new for old; → old for new

REF.No	Part No.	Description	Q'ty	S.No.	I/C	REMARKS	Weight (kgf)	Weight (lb)
001	15601-25010	ASSY FLYWHEEL	1				0	0
002	99999-99999	BLANK	0			ORDER BY REF.No.001	0	0
003	15601-63820	GEAR RING	1				0	0
004	15321-25160	BOLT FLYWHEEL	6				0.05	0.11
005	15601-25170	WASHER FLYWHEEL	3				0.009	0.0198
006	15601-04600	ASSY HOUSING FLYWHEEL	1				18.5	40.7
007	99999-99999	BLANK	0			ORDER BY REF.No.006	0	0
008	05012-01018	PIN STRAIGHT	2				0.012	0.0264
009	01073-51250	BOLT	2				0.055	0.121
010	04512-50120	WASHER SPRING	2				0	0
011	01073-51032	BOLT	11				0.03	0.066
012	04512-50100	WASHER SPRING	11				0	0
013	31220-14170	COVER	1				0.014	0.0308
014	01153-50812	BOLT	1				0.008	0.0176
015	04512-50080	WASHER SPRING	1				0	0
016	15601-63010	STARTER	1				0	0
017	01173-51030	BOLT	1				0.023	0.0506
017	01133-51030	BOLT	1	>=1001			0.025	0.055
018	01517-51028	STUD	1				0.022	0.0484
019	02176-50100	NUT	1				0.005	0.011
020	04512-50100	WASHER SPRING	2				0	0
020	04512-50100	WASHER SPRING	1				0	0
021	04013-50100	WASHER PLAIN	2				0	0
022	01073-51290	BOLT	2				0.087	0.1914
023	04512-50120	WASHER SPRING	2				0	0
024	02014-50080	NUT	1				0.007	0.0154
025	04512-50080	WASHER SPRING	1				0	0

NOZZLE HOLDER

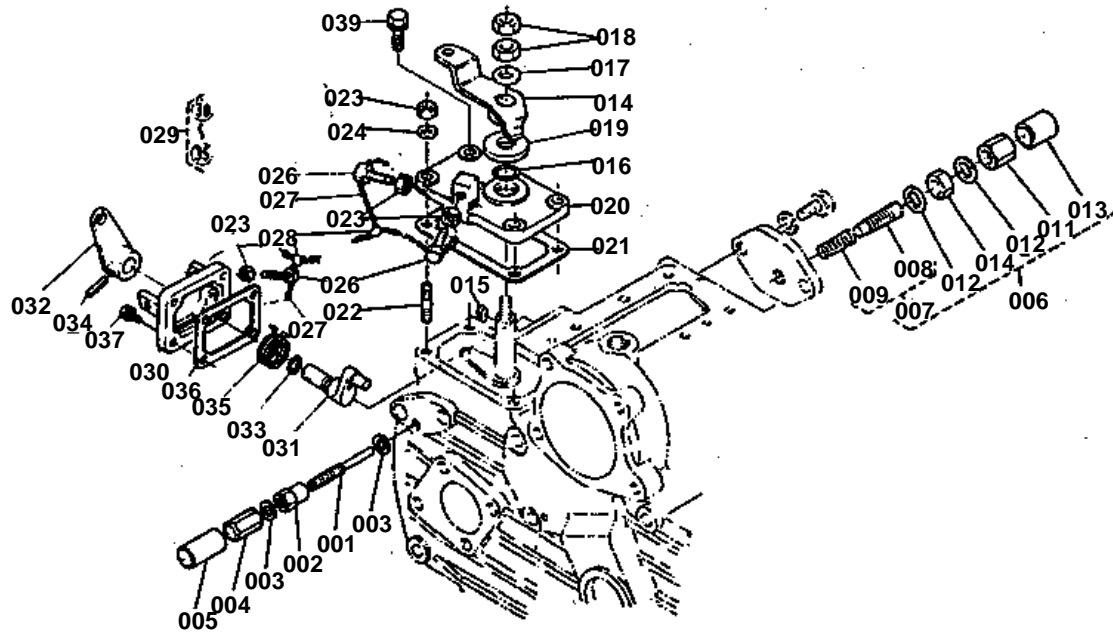


**NOZZLE HOLDER**

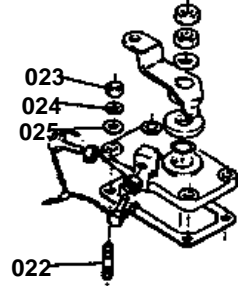
↔ Interchangeable; ≠ not interchangeable; ← new for old; → old for new

REF.No	Part No.	Description	Q'ty	S.No.	I/C	REMARKS	Weight (kgf)	Weight (lb)
001	15221-42510	PIPE FUEL OVER FLOW	5				0.005	0.011
002	14971-42750	CLIP PIPE	12				0.001	0.0022
003	15401-51900	COCK	1				0.075	0.165
004	15401-51910	BODY COCK	1				0.032	0.0704
005	99999-99999	BLANK	0			ORDER BY REF.No.003	0	0
006	15401-95680	JOINT EYE	1				0.01	0.022
007	99999-99999	BLANK	0			ORDER BY REF.No.003	0	0
008	15221-96650	GASKET	2				0.001	0.0022
009	99999-99999	BLANK	0			ORDER BY REF.No.003	0	0
010	99999-99999	BLANK	0			ORDER BY REF.No.003	0	0
011	02054-50040	NUT	1				0.001	0.0022
012	15021-33660	GASKET	1				0.001	0.0022
013	15401-42520	PIPE FUEL OVER FLOW	1				0.01	0.022
014	15271-53020	ASSY HOLDER NOZZLE	6				0.26	0.572
015	17011-53620	GASKET	6				0.003	0.0066
016	15601-53710	PIPE INJECTION	1				0.15	0.33
017	15601-53720	PIPE INJECTION	1				0.15	0.33
018	15601-53730	PIPE INJECTION	1				0.15	0.33
019	15601-53740	PIPE INJECTION	1				0.15	0.33
020	15601-53750	PIPE INJECTION	1				0.15	0.33
021	15601-53760	PIPE INJECTION	1				0.15	0.33
022	15121-53850	CLAMP PIPE	8				0	0
023	15121-53860	CLAMP PIPE	8				0	0
024	03024-50520	SCREW WITH WASHER	8				0.004	0.0088
025	15221-65510	GLOW PLUG	6				0.03	0.066
026	15401-65560	CORD GLOW PLUG	5				0.005	0.011

SPEED CONTROL



REF. No. ① 15221-0021-0
② 02056-50060
③ 04512-50060
④ 04012-50060



REF. No. ① 01053-50615
② 04512-50060

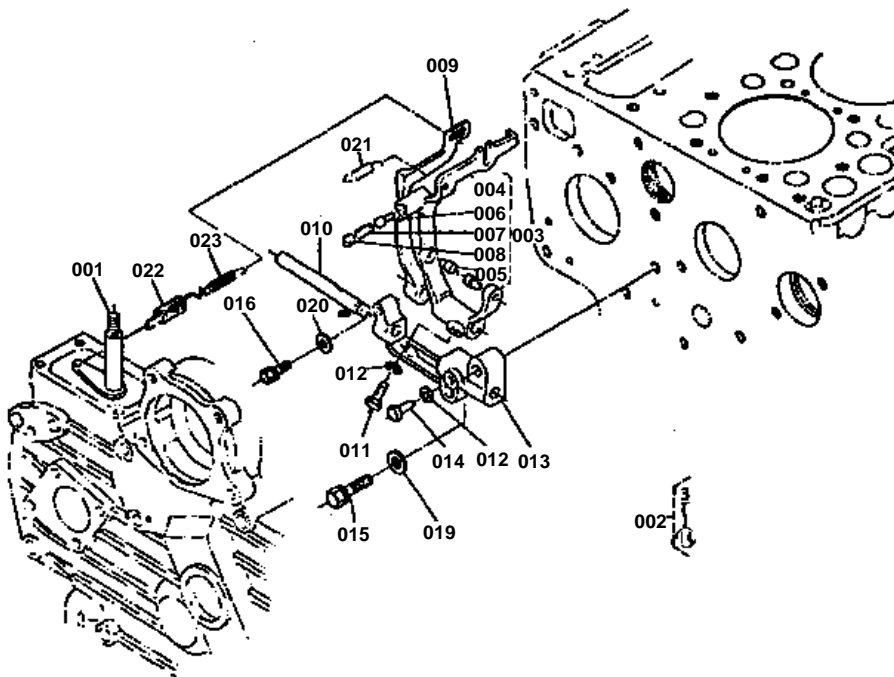




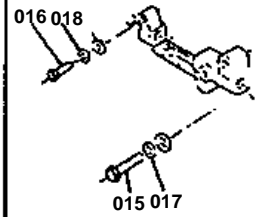
SPEED CONTROL

↔ Interchangeable; ≠ not interchangeable; ← new for old; → old for new

REF.No	Part No.	Description	Q'ty	S.No.	I/C	REMARKS	Weight (kgf)	Weight (lb)
001	15601-54120	BOLT ADJUSTING	1				0.011	0.0242
002	15601-92010	NUT	1				0	0
003	15601-96650	GASKET	2				0.001	0.0022
004	15601-54220	NUT CAP	1				0	0
005	15601-54420	CAP	1				0	0
006	15601-54090	ASSY APPARATUS IDLE	1				0.04	0.088
007	15601-54100	ASSY BOLT ADJUSTING	1				0.01	0.022
008	15401-54250	BOLT ADJUSTING	1				0.01	0.022
009	15601-54260	SPRING	1				0.002	0.0044
010	15401-92010	NUT	1				0.01	0.022
011	15401-92330	NUT CAP	1				0.01	0.022
012	15021-33660	GASKET	2				0.001	0.0022
013	15401-54270	CAP	1				0.004	0.0088
014	15469-57150	LEVER SPEED CONTROL	1				0.06	0.132
015	05712-00408	KEY FEATHER	1				0.001	0.0022
016	04811-00120	O RING	1				0.001	0.0022
017	04013-50080	WASHER PLAIN	1				0	0
018	02112-50080	NUT	2				0.003	0.0066
019	17011-57380	PLATE FRICTION	1				0	0
020	15611-57110	PLATE SPEED CONTROL	1				0	0
021	15221-57210	GASKET CONT.PLATE	1				0	0
022	15221-88210	STUD	4				0.005	0.011
022	15221-88210	STUD	2				0.005	0.011
023	02056-50060	NUT	7				0.002	0.0044
023	02056-50060	NUT	5				0.002	0.0044
024	04512-50060	WASHER SPRING	4				0	0
024	04512-50060	WASHER SPRING	2				0	0
025	04012-50060	WASHER PLAIN	4				0.001	0.0022
026	99999-99999	BLANK	0			NON SALE	0	0
027	99999-99999	BLANK	0			NON SALE	0	0
028	99999-99999	BLANK	0			NON SALE	0	0
029	15611-57700	ASSY LEVER ENGINE ST	1				0	0
030	15611-51650	COVER INJECTION PUMP	1				0.081	0.1782
031	15611-57740	SHAFT LEVER	1				0.04	0.088
032	99999-99999	BLANK	0			ORDER BY REF.No.029	0	0
033	04811-10070	O RING	1				0.001	0.0022
034	05411-00420	PIN SPRING	1				0.001	0.0022
035	15611-57510	SPRING	1				0.003	0.0066
036	15221-51660	GASKET PUMP COVER	1				0	0
037	01053-50616	BOLT	4				0.005	0.011
037	01023-50618	BOLT	4	>=1001			0.006	0.0132
038	04512-50060	WASHER SPRING	4				0	0
039	01023-50620	BOLT	2				0.006	0.0132



REF. No. ① 15221-9106-0
② 01063-50228
③ 04512-50080
④ 04512-50060



REF. No. ① 15611-5605-2
② 15611-5604-2
Change of material.

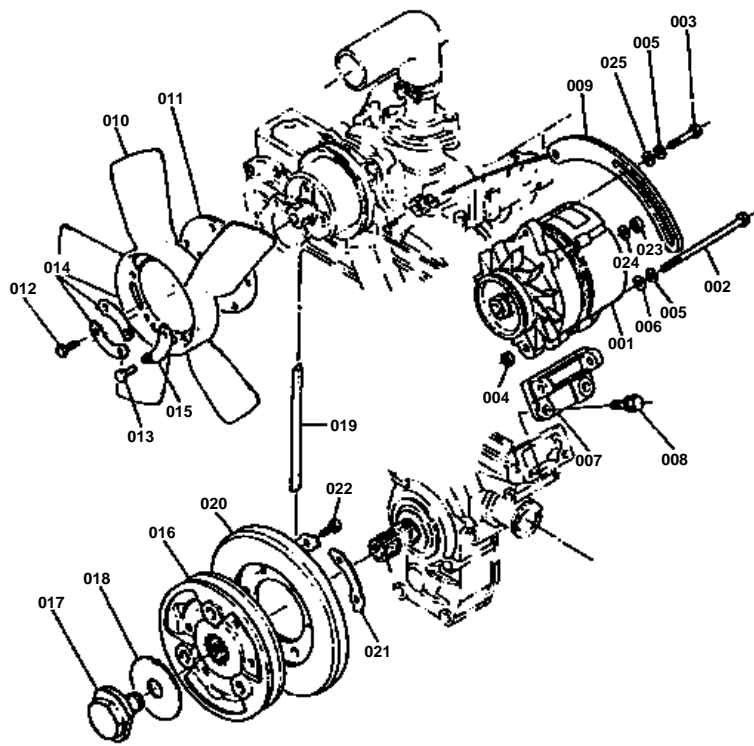


GOVERNOR

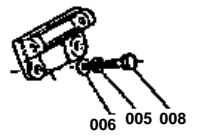
↔ Interchangeable; ≠ not interchangeable; ← new for old; → old for new

REF.No	Part No.	Description	Q'ty	S.No.	I/C	REMARKS	Weight (kgf)	Weight (lb)
001	15601-56020	ASSY LEVER GOVERNOR	1				0.055	0.121
002	15611-56050	ASSY LEVER FORK	1	<=1115			0.438	0.9636
002	15611-56052	ASSY LEVER FORK	1	>=1116			0	0
003	15611-56040	ASSY LEVER FORK	1				0.18	0.396
003	15611-56042	ASSY LEVER FORK	1	>=1001			0	0
004	99999-99999	BLANK	0			ORDER BY REF.No.003	0	0
005	99999-99999	BLANK	0			ORDER BY REF.No.003	0	0
006	15401-54170	PIN	1				0	0
006	15221-54030	PIN	1	>=1001			0.045	0.099
007	15601-54230	SPRING	1				0.003	0.0066
008	15601-54430	SCREW SET	1				0.005	0.011
009	15611-56130	LEVER FORK 2	1				0.07	0.154
010	15221-56150	SHAFT FORK LEVER	1				0.1	0.22
011	15021-56240	BOLT	1				0.005	0.011
012	04512-50060	WASHER SPRING	2				0	0
013	15221-56230	HOLDER FORK LEVER	1				0.1	0.22
014	15221-66410	BOLT	1				0.005	0.011
015	15221-91060	BOLT	2				0.155	0.341
015	01123-50832	BOLT	2	>=1001			0.016	0.0352
016	01053-50628	BOLT	1				0.008	0.0176
016	01023-50628	BOLT	1	>=1001			0.015	0.033
017	04512-50080	WASHER SPRING	2				0	0
018	04512-50060	WASHER SPRING	1				0	0
019	04012-50080	WASHER PLAIN	2				0.001	0.0022
020	04012-50060	WASHER PLAIN	1				0.001	0.0022
021	15611-56480	SPRING START	1				0.001	0.0022
022	15611-56410	SPRING GOVERNOR 1	1				0.005	0.011
023	15611-56420	SPRING GOVERNOR 2	1				0.002	0.0044

DYNAMO



REF. No. ① 01512 - 50001
② 01012 - 50000
③ 01053 - 50025

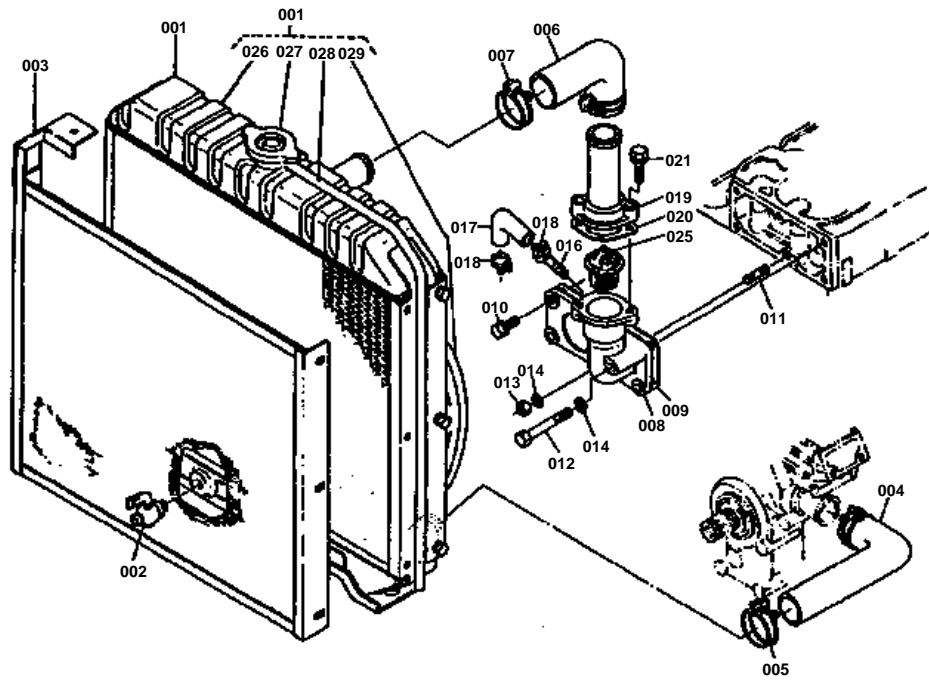


**DYNAMO**

↔ Interchangeable; ≠ not interchangeable; ← new for old; → old for new

REF.No	Part No.	Description	Q'ty	S.No.	I/C	REMARKS	Weight (kgf)	Weight (lb)
001	15606-64010	ASSY DYNAMO	1				3.68	8.096
002	15221-91010	BOLT	1				0	0
003	01153-50830	BOLT	1				0	0
004	02156-50080	NUT	2				0.004	0.0088
005	04512-50080	WASHER SPRING	4				0	0
005	04512-50080	WASHER SPRING	2				0	0
006	04012-50080	WASHER PLAIN	4				0.001	0.0022
006	04012-50080	WASHER PLAIN	1				0.001	0.0022
007	15601-64350	SUPPORT DYNAMO	1				0.28	0.616
008	01053-50825	BOLT	2				0.014	0.0308
008	01123-50825	BOLT	2				0.013	0.0286
009	15601-64420	STAY DYNAMO	1				0.105	0.231
010	15601-74110	FAN	1				0.43	0.946
011	15601-74130	SUPPORT FAN	1				0.35	0.77
012	01053-50818	BOLT	4				0.011	0.0242
013	01053-50610	BOLT	6				0.004	0.0088
014	15606-74230	WASHER FAN	2				0.006	0.0132
015	15601-74240	WASHER FAN	3				0.006	0.0132
016	15606-74280	PULLEY FAN DRIVE	1				2.015	4.433
017	15601-91010	BOLT	1				0	0
018	15601-94190	WASHER CLAW	1				0.023	0.0506
019	15606-97012	BELT V	1				0.18	0.396
020	15601-23780	DAMPER CRANKSHAFT	1				1.7	3.74
021	15601-23810	WASHER DAMPER	3				0.006	0.0132
022	01053-50820	BOLT	6				0.012	0.0264
023	02014-50060	NUT	1				0.003	0.0066
024	04512-50060	WASHER SPRING	1				0	0
025	04013-50080	WASHER PLAIN	1				0	0

RADIATOR



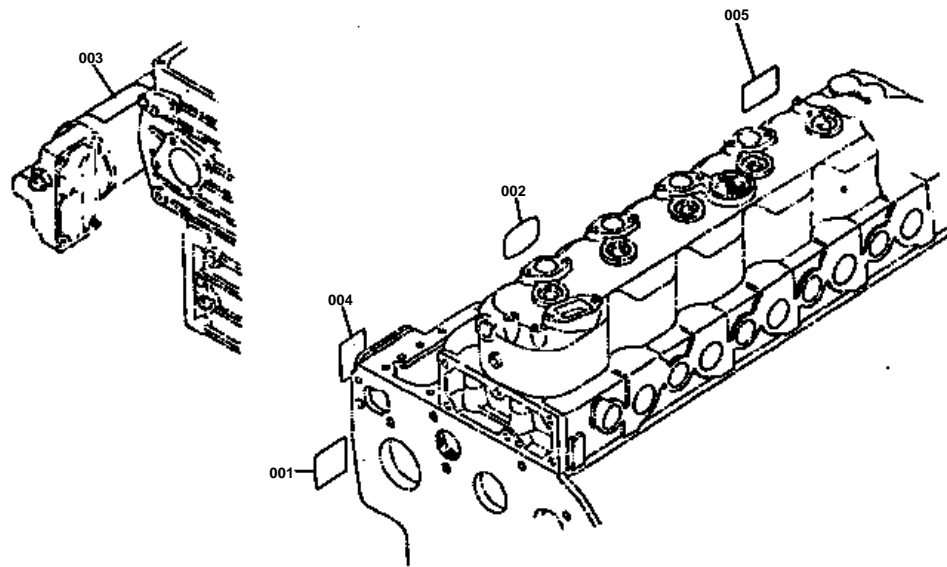
- REF. n. 01053 - 50822
 01513 - 50870
 02226 - 50080
 04512 - 50080
 04812 - 50080
 01518 - 50832
 02226 - 50080
 04512 - 50080
 06032 - 50080
-
- A detailed view of a radiator end fitting assembly, showing various bolts, nuts, and seals. The components are labeled with numbers 010 through 024.

**RADIATOR**

↔ Interchangeable; ≠ not interchangeable; ← new for old; → old for new

REF.No	Part No.	Description	Q'ty	S.No.	I/C	REMARKS	Weight (kgf)	Weight (lb)
001	15612-72060	ASSY RADIATOR	1				14.5	31.9
002	14412-73110	COCK DRAIN	1				0.09	0.198
003	15612-72250	NET RADIATOR	1				0.7	1.54
004	15612-72850	PIPE WATER	1				0.17	0.374
005	15108-72870	BAND	2				0.027	0.0594
006	15612-72940	PIPE WATER	1				0.19	0.418
007	15108-72870	BAND	2				0.027	0.0594
008	15321-72910	FLANGE WATER	1				0	0
009	15221-72920	PACKING WATER FLANGE	1				0	0
009	15601-72920	PACKING WATER FLANGE	1	>=1001			0	0
010	01053-50822	BOLT	4				0.013	0.0286
010	01123-50822	BOLT	4				0.012	0.0264
011	01513-50822	STUD	1				0.01	0.022
012	01513-50870	STUD	1				0.029	0.0638
012	01153-50870	BOLT	1				0.026	0.0572
013	02056-50080	NUT	2				0.005	0.011
013	02156-50080	NUT	1				0.004	0.0088
014	04512-50080	WASHER SPRING	6				0	0
014	04512-50080	WASHER SPRING	2				0	0
015	04012-50080	WASHER PLAIN	5				0.001	0.0022
016	15321-73340	PIPE WATER RETURN	1				0.016	0.0352
017	15321-73350	PIPE WATER RETURN	1				0.02	0.044
018	15109-73360	BAND PIPE	2				0.01	0.022
019	15601-73260	COVER THERMOSTAT	1				0.17	0.374
020	15321-73270	GASKET COVER	1				0	0
021	01518-50832	STUD	2				0.016	0.0352
021	01123-50835	BOLT	2				0.02	0.044
022	02056-50080	NUT	2				0.005	0.011
023	04512-50080	WASHER SPRING	2				0	0
024	04012-50080	WASHER PLAIN	2				0.001	0.0022
025	15321-73010	ASSY THERMOSTAT	1				0	0
026	99999-99999	BLANK	0			ORDER BY REF.No.001	0	0
027	15101-72030	CAP RADIATOR	1				0.075	0.165
028	15601-72710	PIPE WATER OVER FLOW	1				0	0
029	15612-72330	SHROUD FAN	1				1.2	2.64

NAME PLATE



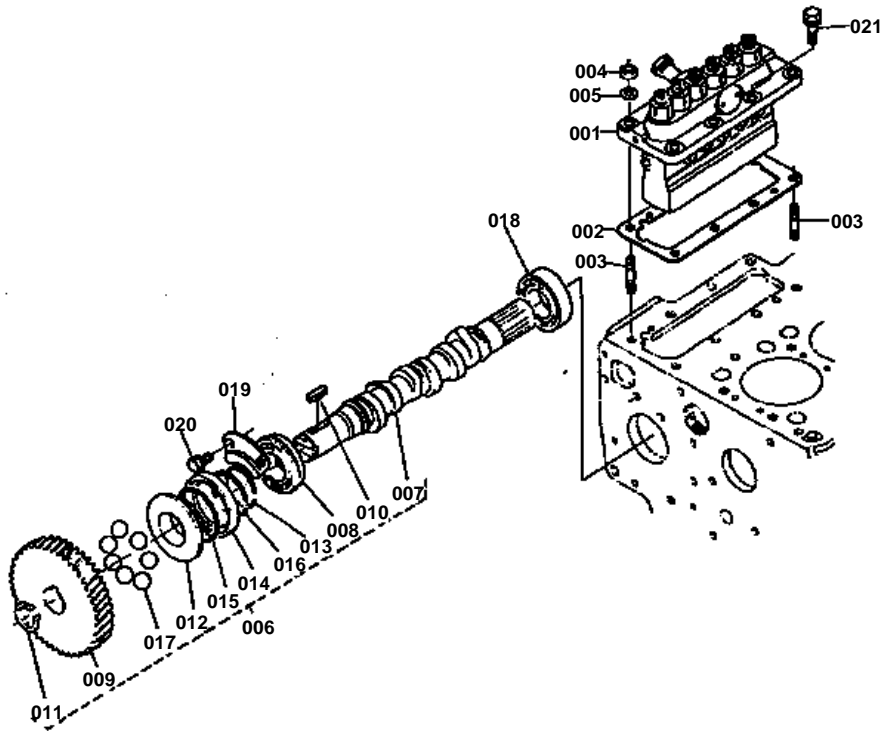


NAME PLATE

↔ Interchangeable; ≠ not interchangeable; ← new for old; → old for new

REF.No	Part No.	Description	Q'ty	S.No.	I/C	REMARKS	Weight (kgf)	Weight (lb)
001	15103-94590	LABEL	1				0.001	0.0022
002	15612-88310	LABEL	1				0.001	0.0022
003	15213-94400	LABEL INSTRUCTION	1				0.001	0.0022
004	15612-87210	LABEL INSTRUCTION	1				0.001	0.0022
005	15222-88210	LABEL GLOW PLUG	1				0.003	0.0066

INJECTION PUMP



REF. No. ① 04512-5080
② 01663-50811



REF. No. ① 15611-1502-2
② 15611-5569-0
Change of material

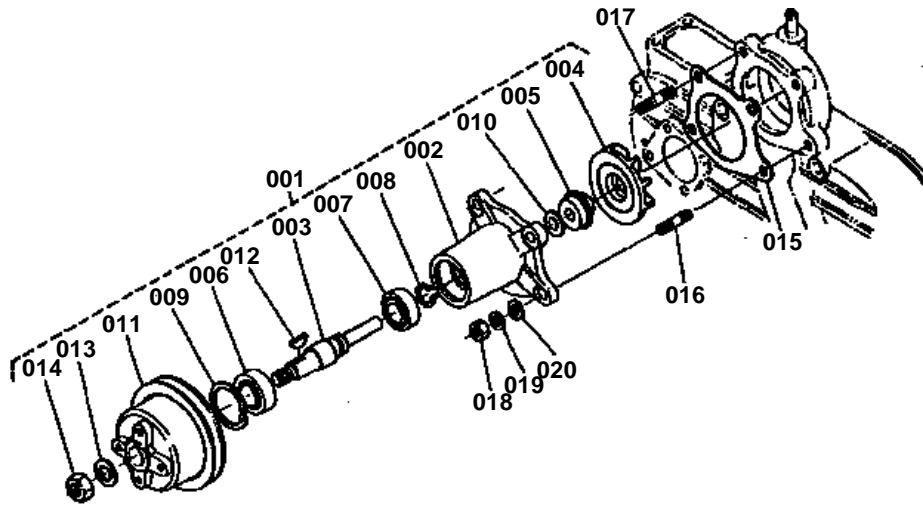
REF. No. ① 01513-50822
② 02156-50880
③ 04512-50880
Change of quantity in accordance
with adoption of bolts (REF. No. ①)

**INJECTION PUMP**

↔ Interchangeable; ≠ not interchangeable; ← new for old; → old for new

REF.No	Part No.	Description	Q'ty	S.No.	I/C	REMARKS	Weight (kgf)	Weight (lb)
001	15601-51010	PUMP INJECTION	1				3.9	8.58
002	15601-52110	SHIM INJECTION PUMP	5				0.01	0.022
003	01513-50822	STUD	8				0.01	0.022
003	01513-50822	STUD	2				0.01	0.022
004	02056-50080	NUT	8				0.005	0.011
004	02156-50080	NUT	2				0.004	0.0088
005	04512-50080	WASHER SPRING	10				0	0
005	04512-50080	WASHER SPRING	8				0	0
005	04512-50080	WASHER SPRING	2				0	0
006	15611-16020	ASSY CAMSHAFT FUEL	1				2.8	6.16
006	15611-16022	ASSY CAMSHAFT FUEL	1	>=1001			0	0
007	15601-16170	CAMSHAFT FUEL	1				1.25	2.75
008	08153-06205	BEARING BALL	1				0.13	0.286
009	15611-51150	GEAR INJECTION PUMP	1				1.035	2.277
010	05712-00525	KEY FEATHER	1				0.005	0.011
011	04612-00240	CIR-CLIP EXTERNAL	1				0.002	0.0044
012	15611-55450	SLEEVE GOVERNOR	1				0.117	0.2574
013	15221-55470	CIR-CLIP	1				0.003	0.0066
014	15221-55690	CASE GOVERNOR BALL	1	<=1115			0	0
014	15611-55690	CASE GOVERNOR BALL	1	>=1116			0.03	0.066
015	07715-03205	BALL	39				0.001	0.0022
016	15221-55740	CIR-CLIP	1				0.002	0.0044
017	07715-00403	BALL	7				0.03	0.066
018	08240-00001	BEARING BALL	1				0.19	0.418
019	15221-16320	STOPPER F-CAMSHAFT	1				0.02	0.044
020	01053-50814	BOLT	2				0.01	0.022
020	01123-50814	BOLT	2	>=1001			0	0
021	01123-50822	BOLT	6				0.012	0.0264

WATER PUMP

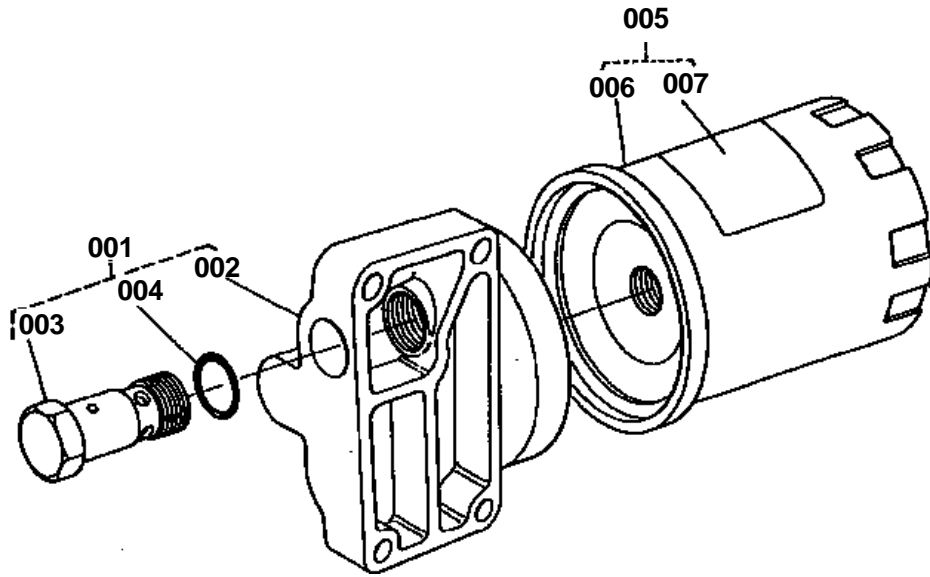




WATER PUMP

↔ Interchangeable; ≠ not interchangeable; ← new for old; → old for new

REF.No	Part No.	Description	Q'ty	S.No.	I/C	REMARKS	Weight (kgf)	Weight (lb)
001	15606-73030	ASSY PUMP WATER	1				0	0
002	99999-99999	BLANK	0			ORDER BY REF.No.001	0	0
003	15601-73480	SHAFT WATER PUMP	1				0	0
004	15321-73510	IMPELLER WATER PUMP	1				0.22	0.484
005	15121-73050	SET SEAL	1				0	0
006	08143-06302	BEARING BALL	1				0.082	0.1804
007	08143-06202	BEARING BALL	1				0.043	0.0946
008	04612-00150	CIR-CLIP EXTERNAL	1				0.001	0.0022
009	04611-00420	CIR-CLIP INTERNAL	1				0.006	0.0132
010	15121-73620	SLINGER	1				0.002	0.0044
011	15606-74250	PULLEY FAN	1				1.05	2.31
012	05811-00416	KEY WOODRUFF	1				0.002	0.0044
013	04512-50140	WASHER SPRING	1				0	0
014	02076-50140	NUT	1				0.022	0.0484
015	15321-73430	GASKET WATER PUMP	1				0	0
016	01518-50822	STUD	2				0.012	0.0264
017	01518-50825	STUD	2				0.014	0.0308
018	02056-50080	NUT	4				0.005	0.011
019	04512-50080	WASHER SPRING	4				0	0
020	04012-50080	WASHER PLAIN	4				0.001	0.0022



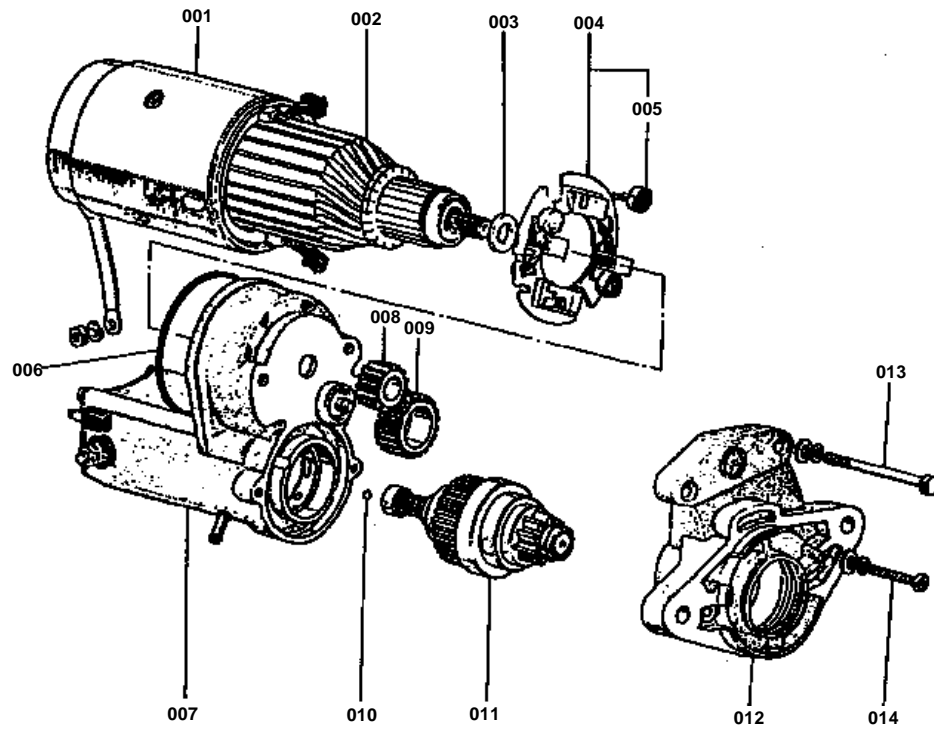


OIL FILTER 2 [SECTION PARTS]

↔ Interchangeable; ≠ not interchangeable; ← new for old; → old for new

REF.No	Part No.	Description	Q'ty	S.No.	I/C	REMARKS	Weight (kgf)	Weight (lb)
001	15402-32070	ASSY COVER	1				0.52	1.144
002	99999-99999	BLANK	1			ORDER BY REF.No.001	0	0
003	15213-36070	ASSY VALVE RELEAF	1				0.13	0.286
004	04811-00200	O RING	1				0.001	0.0022
005	15402-32090	ASSY CARTRIDGE	1				0.5	1.1
006	15402-32430	FILTER CARTRIDGE	1				0.5	1.1
007	15213-94400	LABEL OIL FILTER	1				0.001	0.0022

STARTER [SECTION PARTS]

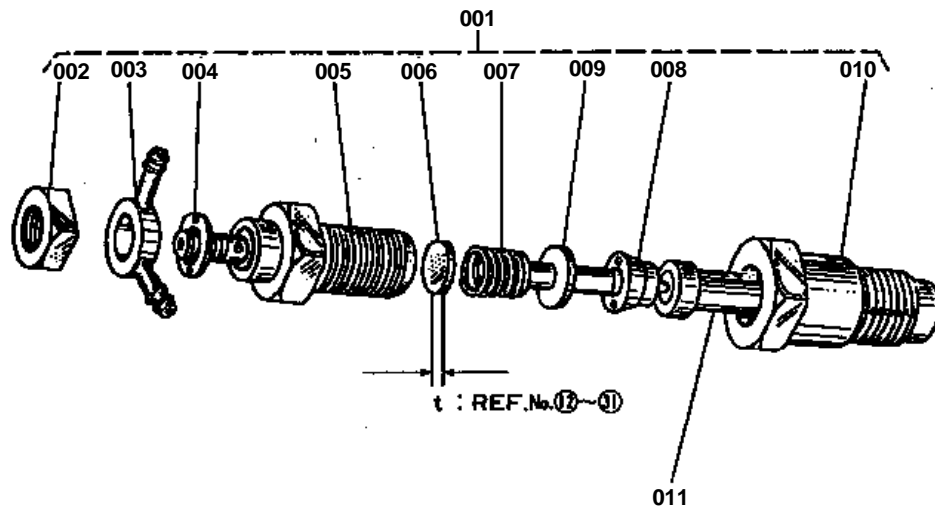


**STARTER [SECTION PARTS]**

↔ Interchangeable; ≠ not interchangeable; ← new for old; → old for new

REF.No	Part No.	Description	Q'ty	S.No.	I/C	REMARKS	Weight (kgf)	Weight (lb)
001	15401-63080	YOKE	1				1.2	2.64
002	15401-63070	ARMATURE	1	↔10131		2WD	1.1	2.42
002	19212-63070	ARMATURE	1	≧10132		2WD	1	2.2
002	15401-63070	ARMATURE	1	↔10879		4WD	1.1	2.42
002	19212-63070	ARMATURE	1	≧10880		4WD	1	2.2
003	15401-96670	GASKET	1	↔10131		2WD	0.001	0.0022
003	19212-96670	GASKET	1	≧10132		2WD	0.001	0.0022
003	15401-96670	GASKET	1	↔10879		4WD	0.001	0.0022
003	19212-96670	GASKET	1	≧10880		4WD	0.001	0.0022
004	15401-63380	HOLDER BRUSH	1				0.1	0.22
005	15401-63390	SPRING BRUSH	4				0.003	0.0066
006	15401-96660	GASKET	1				0.002	0.0044
007	15401-63020	SWITCH MAGNET	1	↔10131		2WD	1.3	2.86
007	15521-63020	SWITCH MAGNET	1	≧10132		2WD	1.29	2.838
007	15401-63020	SWITCH MAGNET	1	↔10879		4WD	1.3	2.86
007	15521-63020	SWITCH MAGNET	1	≧10880		4WD	1.29	2.838
008	15401-63260	GEAR 1	1	↔10131		2WD	0.02	0.044
008	15521-63260	GEAR 1	1	≧10132		2WD	0.03	0.066
008	15401-63260	GEAR 1	1	↔10879		4WD	0.02	0.044
008	15521-63260	GEAR 1	1	≧10880		4WD	0.03	0.066
009	15401-63270	GEAR 2	1	↔10131		2WD	0.043	0.0946
009	15521-63270	GEAR 2	1	≧10132		2WD	0	0
009	15401-63270	GEAR 2	1	↔10879		4WD	0.043	0.0946
009	15521-63270	GEAR 2	1	≧10880		4WD	0	0
010	15401-97130	BALL	1	↔10131		2WD	0.002	0.0044
010	15451-97130	BALL	1	≧10132		2WD	0	0
010	15401-97130	BALL	1	↔10879		4WD	0.002	0.0044
010	15451-97130	BALL	1	≧10880		4WD	0	0
011	15601-63040	CLUTCH	1	↔10131		2WD	0.75	1.65
011	15601-63042	CLUTCH	1	≧10132		2WD	0.75	1.65
011	15601-63040	CLUTCH	1	↔10879		4WD	0.75	1.65
011	15601-63042	CLUTCH	1	≧10880		4WD	0.75	1.65
012	15601-63030	DRIVE END FRAME	1	↔10131		2WD	0	0
012	15601-63032	DRIVE END FRAME	1	≧10132		2WD	0	0
012	15601-63030	DRIVE END FRAME	1	↔10879		4WD	0	0
012	15601-63032	DRIVE END FRAME	1	≧10880		4WD	0	0
013	15401-63320	BOLT THROUGH	2				0.017	0.0374
014	15401-93310	SCREW	2				0.01	0.022

NOZZLE HOLDER 2 [SECTION PARTS]

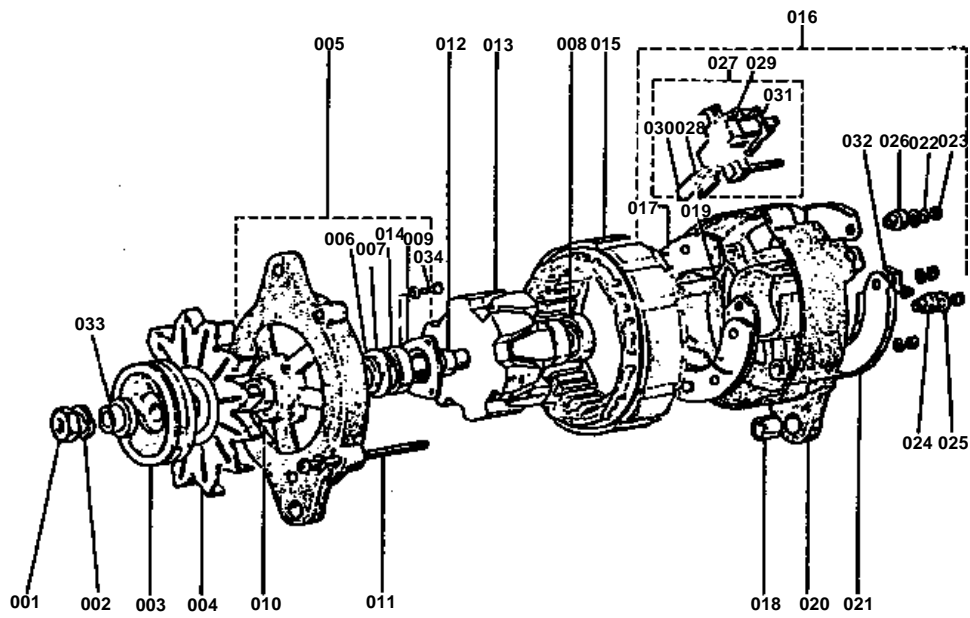


**NOZZLE HOLDER 2 [SECTION PARTS]**

↔ Interchangeable; ≠ not interchangeable; ← new for old; → old for new

REF.No	Part No.	Description	Q'ty	S.No.	I/C	REMARKS	Weight (kgf)	Weight (lb)
001	99999-99999	BLANK	0			ORDER BY REF.No.014 FIG.No.013	0	0
002	15221-92020	NUT	6				0.011	0.0242
003	15221-95690	JOINT EYE	6				0.022	0.0484
004	15221-94020	WASHER PLAIN	6				0.002	0.0044
005	99999-99999	BLANK	0			ORDER BY REF.No.014 FIG.No.013	0	0
006	15221-53230	WASHER ADJUSTING	6				0.001	0.0022
007	15221-53170	SPRING NOZZLE	6				0.01	0.022
008	15221-53350	PIECE DISTANCE	6				0.016	0.0352
009	15221-53160	ROD PUSH	6				0.003	0.0066
010	15221-53280	NUT NOZZLE	6				0.068	0.1496
011	15021-53610	PIECE NOZZLE	6				0	0
012	15221-98110	WASHER ADJUSTING 100	1				0.001	0.0022
013	15221-98120	WASHER ADJUSTING 105	1				0.001	0.0022
014	15221-98130	WASHER ADJUSTING 110	1				0.001	0.0022
015	15221-98140	WASHER ADJUSTING 115	1				0.001	0.0022
016	15221-98150	WASHER ADJUSTING 120	1				0.001	0.0022
017	15221-98160	WASHER ADJUSTING 125	1				0.001	0.0022
018	15221-98170	WASHER ADJUSTING 130	1				0.001	0.0022
019	15221-98180	WASHER ADJUSTING 135	1				0.001	0.0022
020	15221-98190	WASHER ADJUSTING 140	1				0.002	0.0044
021	15221-98200	WASHER ADJUSTING 145	1				0.001	0.0022
022	15221-98210	WASHER ADJUSTING 150	1				0.001	0.0022
023	15221-98220	WASHER ADJUSTING 155	1				0.003	0.0066
024	15221-98230	WASHER ADJUSTING 160	1				0.003	0.0066
025	15221-98240	WASHER ADJUSTING 165	1				0.002	0.0044
026	15221-98250	WASHER ADJUSTING 170	1				0.002	0.0044
027	15221-98260	WASHER ADJUSTING 175	1				0.002	0.0044
028	15221-98270	WASHER ADJUSTING 180	1				0.002	0.0044
029	15221-98280	WASHER ADJUSTING 185	1				0.002	0.0044
030	15221-98290	WASHER ADJUSTING 190	1				0.002	0.0044
031	15221-98300	WASHER ADJUSTING 195	1				0.003	0.0066

DYNAMO [SECTION PARTS]

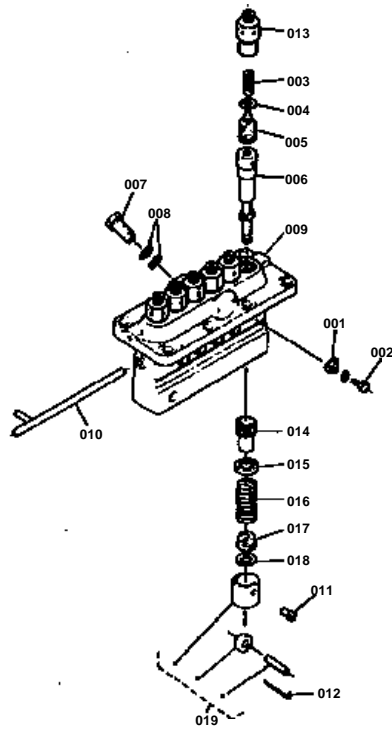


**DYNAMO [SECTION PARTS]**

↔ Interchangeable; ≠ not interchangeable; ← new for old; → old for new

REF.No	Part No.	Description	Q'ty	S.No.	I/C	REMARKS	Weight (kgf)	Weight (lb)
001	15221-92010	NUT	1				0.012	0.0264
002	15221-94070	WASHER SPRING	1				0.008	0.0176
003	15606-64110	PULLEY DYNAMO	1				0.46	1.012
004	15221-64130	FAN DYNAMO	1				0	0
005	15321-64020	FRAME DRIVE END	1				0	0
006	15221-64790	FELT OIL	1				0.001	0.0022
007	15221-64830	COVER FELT	1				0.003	0.0066
008	08121-06201	BEARING BALL	1				0.036	0.0792
009	15221-64710	PLATE RETAINER	1				0.018	0.0396
010	15221-64150	COLLAR	1				0.008	0.0176
011	15321-64260	BOLT THROUGH	2				0.008	0.0176
012	15321-64170	SPACER	1				0.007	0.0154
013	15606-64030	ARMATURE	1				1.34	2.948
014	08141-06202	BEARING BALL	1				0.043	0.0946
015	15606-64050	YOKE	1				0.76	1.672
016	15321-64070	ASSY FRAME END	1				0.52	1.144
017	15321-64850	ASSY RELTIFIER	1				0.134	0.2948
018	15221-64210	BUSH	1				0.007	0.0154
019	15321-64880	WASHER INSULATION	1				0.001	0.0022
020	15321-64060	FRAME END	1				0.298	0.6556
021	15321-64230	COVER END	1				0.029	0.0638
022	04512-50050	WASHER SPRING	5				0	0
023	15221-92030	NUT	5				0.001	0.0022
024	15321-64920	BUSH INSULATION	1				0.001	0.0022
025	14611-51400	WASHER	1				0	0
026	15221-64910	BUSH INSULATION	1				0.001	0.0022
027	15321-64310	ASSY HOLDER BRUSH	1				0.039	0.0858
028	15221-64330	SPRING BRUSH	2				0.001	0.0022
029	15221-64880	WASHER INSULATION	2				0.001	0.0022
030	15221-64090	BRUSH	2				0.002	0.0044
031	15321-64940	INSULATER TERMINAL	1				0.001	0.0022
032	15321-67570	CLAMP CORD	1				0.04	0.088
033	15321-64170	SPACER	1				0.007	0.0154
034	01050-50515	BOLT	1				0	0

INJECTION PUMP [SECTION PARTS]

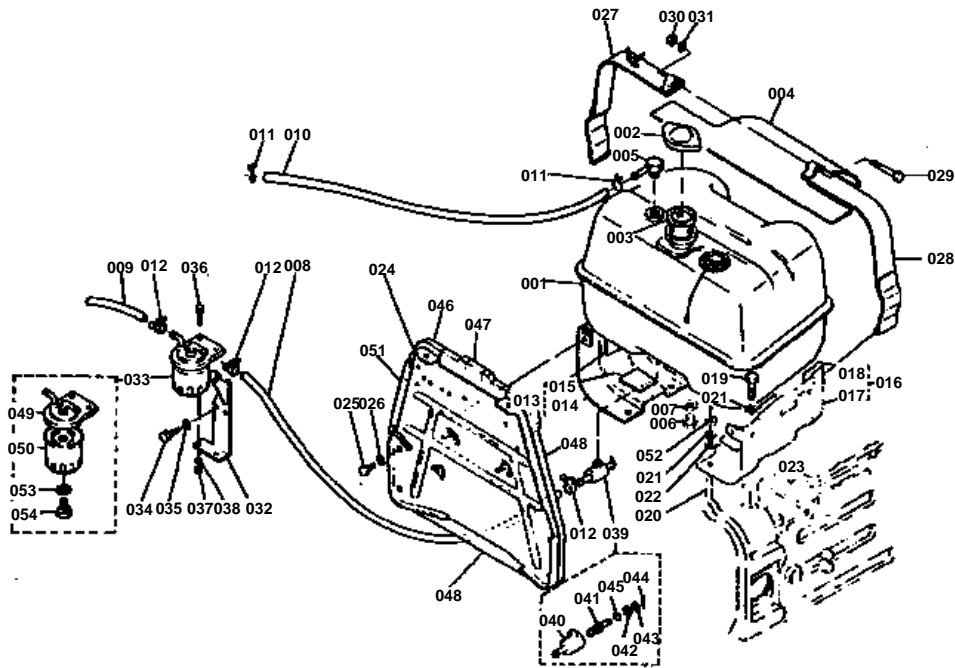


**INJECTION PUMP [SECTION PARTS]**

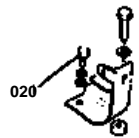
↔ Interchangeable; ≠ not interchangeable; ← new for old; → old for new

REF.No	Part No.	Description	Q'ty	S.No.	I/C	REMARKS	Weight (kgf)	Weight (lb)
001	15221-51390	PLATE ADJUST	5				0	0
002	15221-91030	BOLT	5				0	0
003	15221-51230	SPRING DELIV.VALVE	6				0.002	0.0044
004	15221-51240	GASKET DELIV.VALVE	6				0.001	0.0022
005	15221-51030	VALVE DELIVERY	6				0.012	0.0264
006	15221-51050	ELEMENT PUMP	6				0.053	0.1166
007	15401-51320	SCREW	1				0.032	0.0704
008	15221-96650	GASKET	2				0.001	0.0022
009	99999-99999	BLANK	0			ORDER BY REF.No.001 FIG.No.019	0	0
010	15601-51060	RACK CONTROL	1				0.065	0.143
011	15221-51250	PIN TAPPET GUIDE	6				0.001	0.0022
012	15221-51430	PIN CLAMP	2				0.001	0.0022
013	15601-51220	HOLDER DELIV.VALVE	6				0.055	0.121
014	15221-51380	SLEEVE CONTROL	6				0	0
015	15221-51270	SEAT SPRING UPPER	6				0.004	0.0088
016	15221-51280	SPRING PLUNGER	6				0.015	0.033
017	15221-51290	SEAT SPRING UNDER	6				0.01	0.022
018	15221-51490	SHIM	6				0.002	0.0044
019	15221-51070	ASSY TAPPET	6				0.039	0.0858

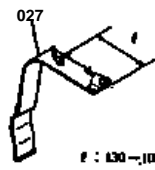
FUEL TANK



REF. No. 01173-51230



REF. No. 36200-0062-3

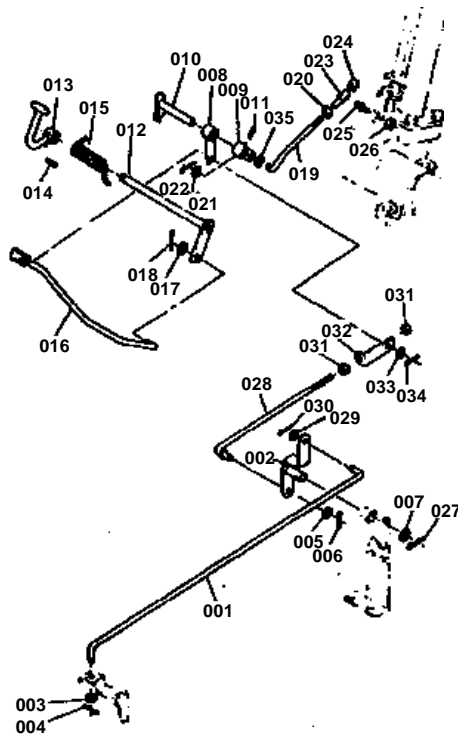


**FUEL TANK**

↔ Interchangeable; ≠ not interchangeable; ← new for old; → old for new

REF.No	Part No.	Description	Q'ty	S.No.	I/C	REMARKS	Weight (kgf)	Weight (lb)
001	33251-04105	ASSY TANK FUEL	1				12	26.4
002	14301-41260	ASSY CAP TANK	1				0.063	0.1386
003	13251-41060	FILTER FUEL	1				0.01	0.022
003	35450-41060	FILTER FUEL	1	>=10001			0.015	0.033
004	33251-04650	CUSHION	1				0.09	0.198
005	36200-04440	UNION	1				0.065	0.143
006	06311-25040	PLUG	1				0.09	0.198
007	04717-02150	WASHER SEAL	1				0.004	0.0088
008	36200-04410	PIPE FUEL 1	1				0.009	0.0198
009	36200-04420	PIPE FUEL 2	1				0.007	0.0154
010	36200-04430	PIPE FUEL 3	1				0.03	0.066
011	14971-42750	CLIP PIPE	2				0.001	0.0022
012	14301-42750	CLIP PIPE	4				0.005	0.011
013	33251-04510	ASSY SUPPORT FUEL TA	1				1.98	4.356
014	99999-99999	BLANK	0			ORDER BY REF.No.013	0	0
015	33251-04560	CUSHION TANK	4				0.028	0.0616
016	33251-04540	ASSY SUPPORT FUEL TA	1				1.98	4.356
017	99999-99999	BLANK	0			ORDER BY REF.No.016	0	0
018	33251-04560	CUSHION TANK	4				0.028	0.0616
019	01173-51250	BOLT	2				0.053	0.1166
020	01173-51230	BOLT	2	<=10461			0.037	0.0814
020	01574-51222	STUD	2	>=10462			0.032	0.0704
021	04512-50120	WASHER SPRING	4				0	0
022	04011-50120	WASHER PLAIN	2				0.005	0.011
023	33251-04660	SPACER FUEL TANK SUP	2				0.108	0.2376
024	36200-04610	SUPPORT TANK	1				3.1	6.82
025	01173-51020	BOLT	2				0.017	0.0374
026	04512-50100	WASHER SPRING	2				0	0
027	36200-04620	BAND FUEL TANK RH	1				0	0
027	36200-04623	BAND FUEL TANK RH	1	>=10001			0.48	1.056
028	33251-04630	BAND FUEL TANK LH	1				0.48	1.056
029	01173-51075	BOLT	1				0.047	0.1034
030	02572-50100	NUT SELF-LOCKING	1				0.008	0.0176
031	04011-50100	WASHER PLAIN	1				0.002	0.0044
032	36220-10460	BRACKET	1				0.63	1.386
033	15601-43010	ASSY FILTER FUEL	1				0.8	1.76
034	01173-51022	BOLT	2				0.019	0.0418
035	04512-50100	WASHER SPRING	2				0	0
036	01153-50830	BOLT	2				0	0
037	02114-50080	NUT	2				0.005	0.011
038	04512-50080	WASHER SPRING	2				0	0
039	31220-35400	COCK FUEL	1				0.11	0.242
040	99999-99999	BLANK	0			ORDER BY REF.No.039	0	0
041	99999-99999	BLANK	0			ORDER BY REF.No.039	0	0
042	32130-35430	WASHER	1				0.001	0.0022
043	04611-00140	CIR-CLIP INTERNAL	1				0.001	0.0022
044	05411-00330	PIN SPRING	1				0.001	0.0022
045	04811-00080	O RING	1				0.001	0.0022
046	36200-04580	ELEMENT 1	2				0.012	0.0264
047	36200-04590	ELEMENT 2	1				0.005	0.011
048	36200-04570	ELEMENT 3	1				0.008	0.0176
049	15601-43210	COVER	1				0.24	0.528
050	15601-43170	ELEMENT	1				0.47	1.034
051	36200-04680	CUSHION	1				0.009	0.0198
052	02174-50120	NUT	2	>=10462			0.01	0.022
053	15601-43360	GASKET	1				0.001	0.0022
054	15601-43340	PLUG DRAIN	1				0	0

ACCEL ROD

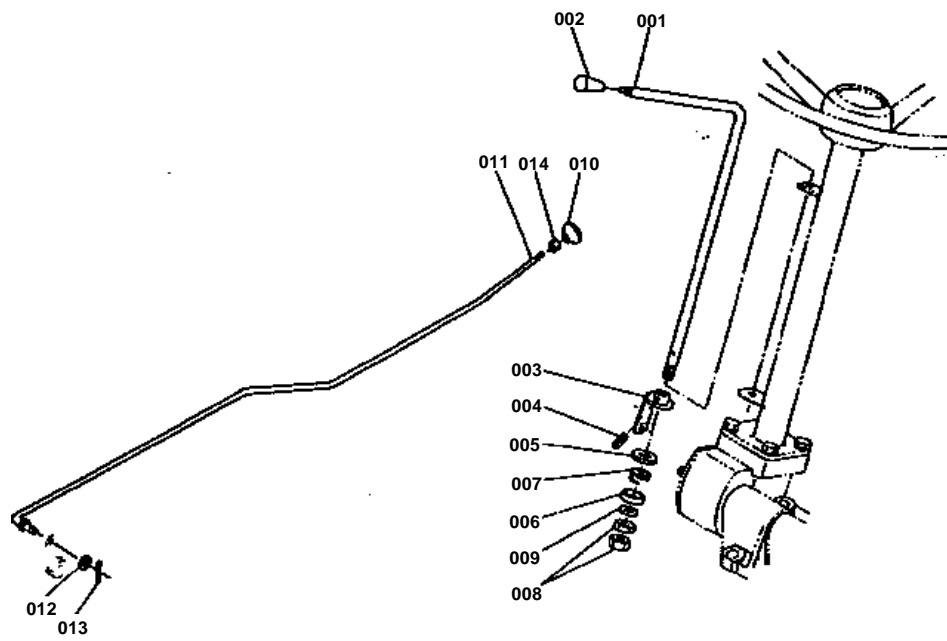




ACCEL ROD

↔ Interchangeable; ≠ not interchangeable; ← new for old; → old for new

REF.No	Part No.	Description	Q'ty	S.No.	I/C	REMARKS	Weight (kgf)	Weight (lb)
001	36220-10100	ROD ACCEL CONTROL 1	1				0.129	0.2838
002	36220-10470	LEVER CONTROL ROD	1				0.07	0.154
003	04012-50060	WASHER PLAIN	1				0.001	0.0022
004	05511-51615	PIN SPLIT	1				0.001	0.0022
005	04012-50060	WASHER PLAIN	1				0.001	0.0022
006	05511-51615	PIN SPLIT	1				0.001	0.0022
007	04011-50100	WASHER PLAIN	1				0.002	0.0044
008	33300-10160	LEVER PEDAL CONTROL	1				0.043	0.0946
009	33251-10170	LEVER ACCEL CONTROL	1				0.035	0.077
010	33251-10210	SHAFT ACCEL	1				0.067	0.1474
011	05411-00420	PIN SPRING	1				0.001	0.0022
012	36200-10130	SHAFT ACCEL PEDAL	1			EXCEPT [OC]	0.16	0.352
012	35440-10130	SHAFT ACCEL PEDAL	1			[OC]	0.13	0.286
013	36200-10240	PEDAL ACCELERATOR	1				0.127	0.2794
014	05411-00520	PIN SPRING	1				0.002	0.0044
015	33251-10280	SPRING	1				0.065	0.143
016	36500-10150	ROD ACCEL PEDAL	1				0.118	0.2596
017	04012-50060	WASHER PLAIN	1				0.001	0.0022
018	05511-51615	PIN SPLIT	1				0.001	0.0022
019	33251-10120	ROD ACCELERATOR	1				0.02	0.044
020	02054-50050	NUT	1				0.002	0.0044
021	04012-50050	WASHER PLAIN	1				0.001	0.0022
022	05511-51615	PIN SPLIT	1				0.001	0.0022
023	33251-10360	JOINT ACCEL LEVER	1				0.015	0.033
024	33251-10370	SPRING	1				0.002	0.0044
025	33251-10380	PIN JOINT	1				0.005	0.011
026	02054-50050	NUT	1				0.002	0.0044
027	05511-50318	PIN SPLIT	1				0.001	0.0022
028	36220-10480	ROD ACCEL CONTROL 2	1				0.055	0.121
029	04012-50060	WASHER PLAIN	1				0.001	0.0022
030	05511-51615	PIN SPLIT	1				0.001	0.0022
031	02014-50060	NUT	2				0.003	0.0066
032	33430-10250	END ACCEL ROD	1				0.025	0.055
033	04012-50050	WASHER PLAIN	1				0.001	0.0022
034	05511-51208	PIN SPLIT	1				0.001	0.0022
035	04015-50060	WASHER PLAIN	1				0	0



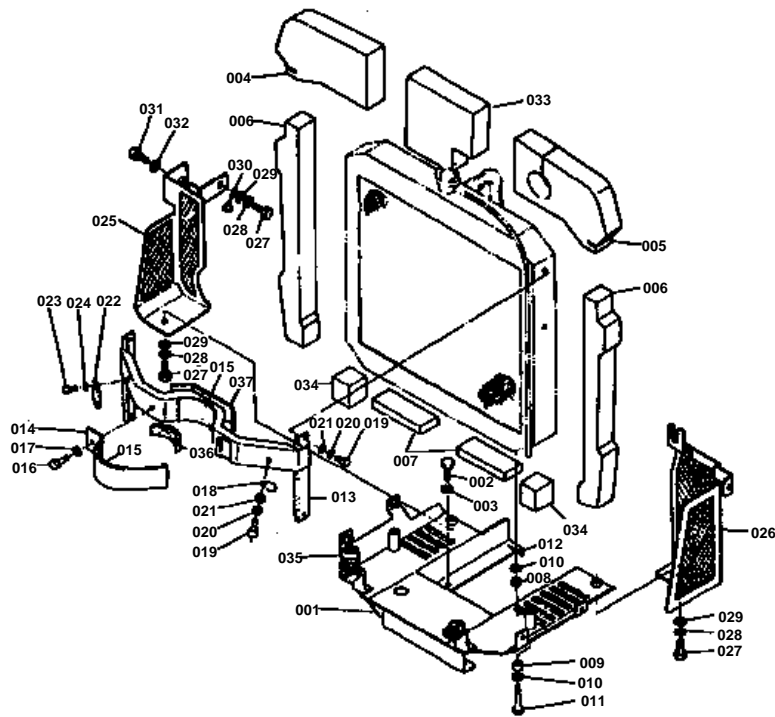


HAND ACCEL

↔ Interchangeable; ≠ not interchangeable; ← new for old; → old for new

REF.No	Part No.	Description	Q'ty	S.No.	I/C	REMARKS	Weight (kgf)	Weight (lb)
001	33251-10220	LEVER HAND ACCEL.	1				0.6	1.32
002	33251-80170	GRIP LEVER	1				0.008	0.0176
003	33251-10390	ARM ACCEL LEVER	1				0.088	0.1936
004	05411-00620	PIN SPRING	1				0.002	0.0044
005	33251-10260	FRICTION PLATE ACCEL	1				0	0
006	33251-10270	CAP SPRING	1				0.01	0.022
007	33251-10320	SPRING LEVER	1				0.012	0.0264
008	02172-50120	NUT	2				0.01	0.022
009	04013-50120	WASHER PLAIN	1				0	0
010	33430-10330	GRIP	1				0.02	0.044
011	36220-10340	ROD	1				0.216	0.4752
012	04012-50060	WASHER PLAIN	1				0.001	0.0022
013	05511-51612	PIN SPLIT	1				0.001	0.0022
014	02014-50060	NUT	1				0.003	0.0066

RADIATOR SUPPORT

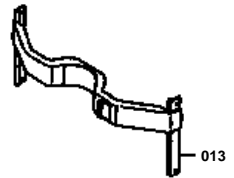


REF. No. 03640 - 1711 - 2



Ø : 95-90mm

REF. No. 03640 - 1911 - a



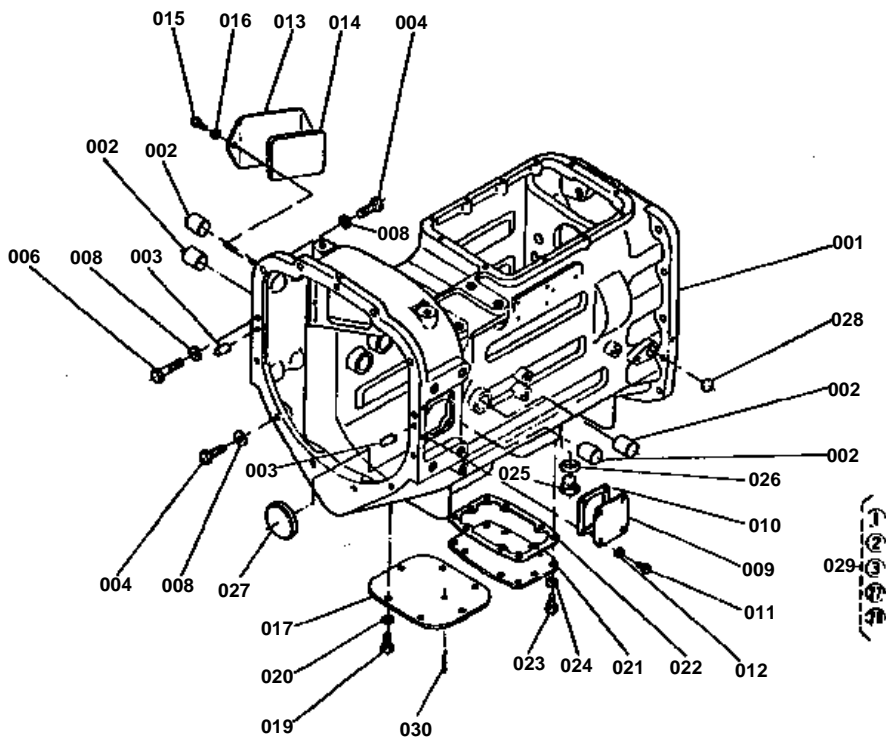


RADIATOR SUPPORT

↔ Interchangeable; ≠ not interchangeable; ← new for old; → old for new

REF.No	Part No.	Description	Q'ty	S.No.	I/C	REMARKS	Weight (kgf)	Weight (lb)
001	35450-17110	SUPPORT RADIATOR	1				7	15.4
001	35450-17112	SUPPORT RADIATOR	1	>=10001			0	0
002	01173-51225	BOLT	4				0.033	0.0726
003	04512-50120	WASHER SPRING	4				0	0
004	35450-17140	ELEMENT 1	1				0.037	0.0814
005	35450-17150	ELEMENT 2	1				0.037	0.0814
006	36200-17160	ELEMENT 3	2				0.039	0.0858
007	35450-17170	ELEMENT 4	2				0.022	0.0484
008	15601-72180	CUSHION	2				0.011	0.0242
009	15111-72190	CUSHION	2				0.016	0.0352
010	15111-72200	WASHER	4				0.013	0.0286
011	35450-17290	BOLT	2				0.062	0.1364
012	05515-51000	PIN SNAP	2				0	0
013	35450-19110	SUPPORT AIR CLEANER	1				0	0
013	35450-19112	SUPPORT AIR CLEANER	1	<=12071		EXCEPT [OC]	0	0
013	35450-19113	SUPPORT AIR CLEANER	1	>=10001			1.36	2.992
014	36220-19120	BAND AIR CLEANER	1				0.35	0.77
015	36200-19210	CUSHION	2				0.023	0.0506
016	01173-51030	BOLT	1				0.023	0.0506
017	04512-50100	WASHER SPRING	1				0	0
018	15601-72730	CLAMP PIPE	2				0.005	0.011
019	01050-50612	BOLT	7				0.005	0.011
020	04512-50060	WASHER SPRING	7				0	0
021	04012-50060	WASHER PLAIN	7				0.001	0.0022
022	32240-34490	CLAMP 2	1				0.003	0.0066
023	01150-50820	BOLT	1				0.011	0.0242
024	04512-50080	WASHER SPRING	1				0	0
025	36220-90650	COVER RH	1			EXCEPT [SAMPLE]	0.335	0.737
026	36220-90660	COVER LH	1			EXCEPT [SAMPLE]	0.42	0.924
027	01153-51016	BOLT	2			EXCEPT [SAMPLE]	0.016	0.0352
028	04512-50100	WASHER SPRING	2			EXCEPT [SAMPLE]	0	0
029	04013-50100	WASHER PLAIN	2			EXCEPT [SAMPLE]	0	0
030	36200-74510	CLAMP PIPE	1				0.002	0.0044
031	01053-50620	BOLT	1			EXCEPT [SAMPLE]	0.006	0.0132
032	04013-50060	WASHER PLAIN	1			EXCEPT [SAMPLE]	0	0
033	35450-17230	ELEMENT 5	1				0.03	0.066
034	35450-17310	ELEMENT 6	2				0.01	0.022
035	33251-83920	CUSHION	2				0.008	0.0176
036	35450-19220	CUSHION	1				0	0
036	36220-19220	CUSHION	1	>=10001			0.001	0.0022
037	35450-19210	CUSHION	1				0.02	0.044

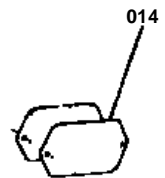
CLUTCH HOUSING



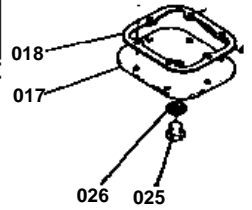
REF. No. 36200-2123-0



REF. No. 36200-2117-0



REF. No. 36200-2118-0
 36200-2119-0
 06331-35020
 04217-02000

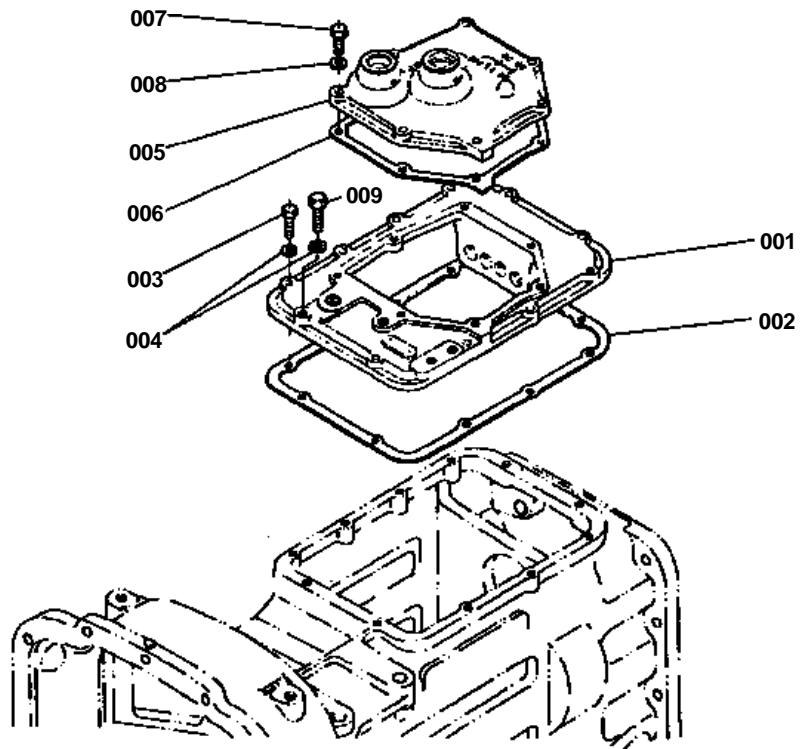


**CLUTCH HOUSING**

↔ Interchangeable; ≠ not interchangeable; ← new for old; → old for new

REF.No	Part No.	Description	Q'ty	S.No.	I/C	REMARKS	Weight (kgf)	Weight (lb)
001	99999-99999	BLANK	0			ORDER BY REF.No.029	0	0
002	36200-21130	BUSH	4				0.003	0.0066
003	05012-01020	PIN STRAIGHT	2				0.02	0.044
004	01173-51240	BOLT	11				0.045	0.099
005	99999-99999	BLANK	0				0	0
006	01173-51280	BOLT	1				0.1	0.22
007	99999-99999	BLANK	0				0	0
008	04512-50120	WASHER SPRING	12				0	0
009	36200-21140	COVER	1				0.19	0.418
010	36200-21150	GASKET	1				0.005	0.011
011	01153-50818	BOLT	4				0.01	0.022
012	04512-50080	WASHER SPRING	4				0	0
013	36200-21160	COVER	1				0.47	1.034
014	36200-21170	GASKET	1				0	0
014	36200-21172	GASKET	1	>=10001			0	0
015	01153-50818	BOLT	2				0.01	0.022
016	04512-50080	WASHER SPRING	2				0	0
017	36200-21180	COVER HOUSING	1				1.097	2.4134
017	35450-21180	COVER HOUSING	1				1.2	2.64
018	36200-21190	GASKET	1				0	0
019	01173-51022	BOLT	6				0.019	0.0418
020	04512-50100	WASHER SPRING	6				0	0
022	36200-21220	GASKET	1				0	0
025	06331-35020	PLUG	2				0.068	0.1496
025	06331-35020	PLUG	1				0.068	0.1496
026	04717-02000	WASHER SEAL	2				0.004	0.0088
026	04717-02000	WASHER SEAL	1				0.004	0.0088
027	36200-21230	PLUG	2				0.039	0.0858
027	36200-21230	PLUG	1				0.039	0.0858
029	36200-21100	ASSY HOUSING CLUTCH	1				100	220
030	05511-50425	PIN SPLIT	1				0.003	0.0066

CHANGE COVER



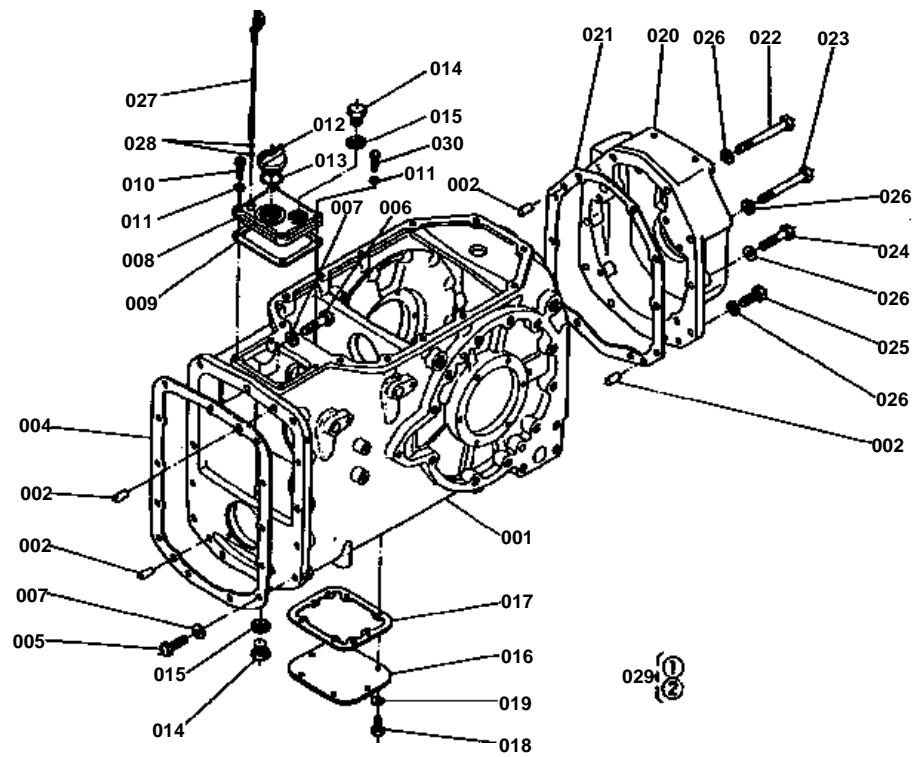


CHANGE COVER

↔ Interchangeable; ≠ not interchangeable; ← new for old; → old for new

REF.No	Part No.	Description	Q'ty	S.No.	I/C	REMARKS	Weight (kgf)	Weight (lb)
001	36200-21250	COVER SPEED CHANGE	1				0	0
001	36200-21254	COVER SPEED CHANGE	1	>=10001			5	11
002	36200-21260	GASKET	1				0	0
003	01153-50828	BOLT	10				0.014	0.0308
004	04512-50080	WASHER SPRING	11				0	0
005	36200-21270	BASE SPEED CHANGE	1				2.06	4.532
006	36200-21280	GASKET	1				0	0
007	01153-50825	BOLT	7				0.012	0.0264
008	04512-50080	WASHER SPRING	7				0	0
009	01153-50830	BOLT	1				0	0

TRANSMISSION



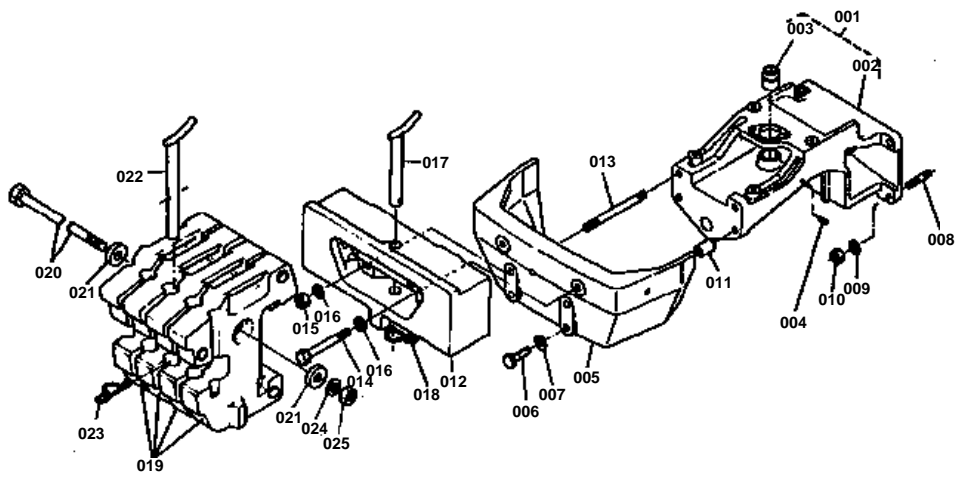


TRANSMISSION

↔ Interchangeable; ≠ not interchangeable; ← new for old; → old for new

REF.No	Part No.	Description	Q'ty	S.No.	I/C	REMARKS	Weight (kgf)	Weight (lb)
001	99999-99999	BLANK	0			ORDER BY REF.No.029	0	0
002	05012-01325	PIN STRAIGHT	4				0.028	0.0616
003	99999-99999	BLANK	0				0	0
004	36200-21320	GASKET	1				0	0
005	01173-51240	BOLT	12				0.045	0.099
006	01173-51250	BOLT	1				0.053	0.1166
007	04512-50120	WASHER SPRING	13				0	0
008	36200-21340	COVER TRANSMISSION	1				0	0
009	36200-21350	GASKET	1				0	0
010	01153-50828	BOLT	4			EXCEPT [SAMPLE][SA]	0.014	0.0308
010	01153-50828	BOLT	3			EXCEPT [SAMPLE][SA]	0.014	0.0308
010	01153-50828	BOLT	4			[SAMPLE][SA]	0.014	0.0308
011	04512-50080	WASHER SPRING	4				0	0
012	32240-21410	PLUG	1				0.005	0.011
012	38240-21410	PLUG	1	>=10001			0.015	0.033
013	04811-50300	O RING	1				0.001	0.0022
014	06331-35020	PLUG	2				0.068	0.1496
015	04717-02000	WASHER SEAL	2				0.004	0.0088
016	36200-21380	COVER TRANSMISSION	1				0.87	1.914
017	36200-21390	GASKET	1				0.006	0.0132
018	01173-51022	BOLT	6				0.019	0.0418
019	04512-50100	WASHER SPRING	6				0	0
020	36200-21410	COVER TRANSMISSION	1				0	0
021	36200-21420	GASKET	1				0	0
022	01173-51203	BOLT	2				0.106	0.2332
023	01173-51201	BOLT	2				0.094	0.2068
024	01173-51255	BOLT	2				0.057	0.1254
025	01173-51235	BOLT	4				0.04	0.088
026	04512-50120	WASHER SPRING	10				0	0
027	36200-21510	GAUGE OIL	1			EXCEPT [NZ][AU]	0	0
027	36200-21510	GAUGE OIL	1	<=12071		[NZ][AU]	0	0
027	35466-21510	GAUGE OIL	1	>=12072		[NZ][AU]	0.03	0.066
028	04811-00050	O RING	2				0.001	0.0022
029	36200-21300	ASSY CASE TRANSMISSI	1				104	228.8
030	01153-50835	BOLT	1			EXCEPT [SAMPLE][SA]	0.016	0.0352

FRONT AXLE



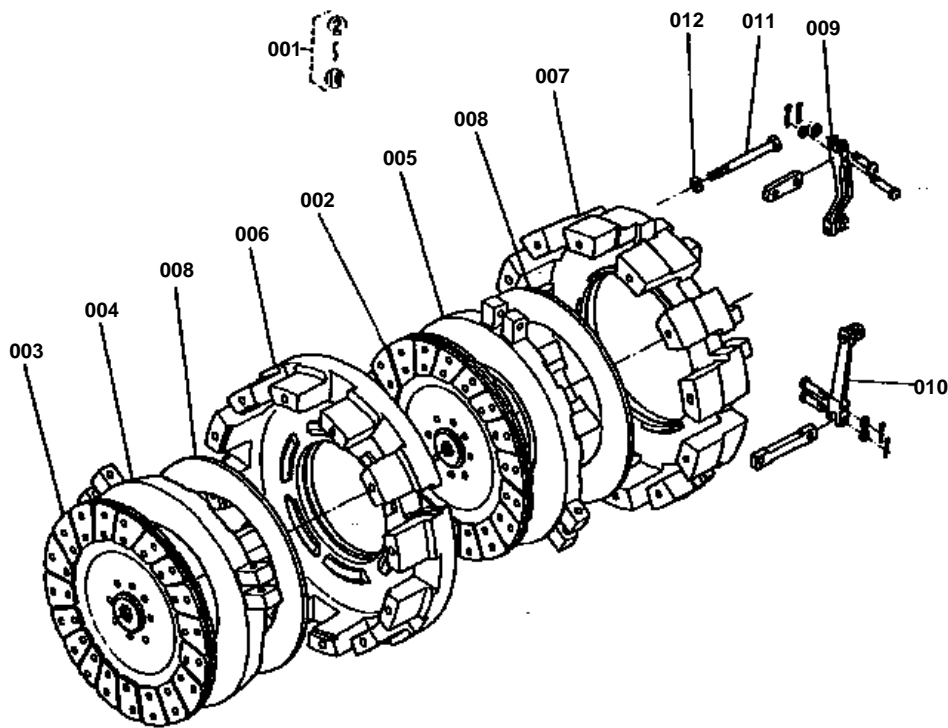


FRONT AXLE

↔ Interchangeable; ≠ not interchangeable; ← new for old; → old for new

REF.No	Part No.	Description	Q'ty	S.No.	I/C	REMARKS	Weight (kgf)	Weight (lb)
001	36280-21700	ASSY BRACKET FRONT A	1				0	0
002	99999-99999	BLANK	0			ORDER BY REF.No.001	0	0
003	36280-21720	BUSH	1				0.07	0.154
004	06613-10010	NIPPLE GREASE	1				0.006	0.0132
005	36200-21760	BUMPER FRONT	1				0	0
006	01173-51695	BOLT	4				0.16	0.352
007	04512-50160	WASHER SPRING	4				0	0
008	36280-21730	STUD	4				0.12	0.264
009	36500-49410	SPRING	4				0.024	0.0528
010	36500-49390	NUT	4				0.043	0.0946
011	36220-21780	COLLAR	4				0.112	0.2464
012	36510-21780	BRACKET	1			[NZ][AU]	0	0
013	99731-17110	STUD	2			[NZ][AU]	0.284	0.6248
014	01173-51607	BOLT	2			[NZ][AU]	0.222	0.4884
015	02176-50160	NUT	2			[NZ][AU]	0.021	0.0462
016	04512-50160	WASHER SPRING	4			[NZ][AU]	0	0
017	99651-17210	PIN HITCH	1			[NZ][AU]	0.8	1.76
018	99651-17220	PIN SET	1			[NZ][AU]	0.032	0.0704
019	99651-12110	WEIGHT	8			[NZ][AU]	25	55
020	35452-21810	BOLT	1			[NZ][AU]	0.755	1.661
021	99651-12140	WASHER	2			[NZ][AU]	0.15	0.33
022	99651-12210	PIN HITCH	1			[NZ][AU]	0	0
023	99651-17220	PIN SET	1			[NZ][AU]	0.032	0.0704
024	04512-50160	WASHER SPRING	1			[NZ][AU]	0	0
025	02174-50160	NUT	2			[NZ][AU]	0.022	0.0484

CLUTCH



REF. No. ① 36200-2510-2
 ② 36200-2513-2

Change of clutch disk
 diameter;
 275-285mm

REF. No. ③ 36200-2515-0

Change of quantity in
 accordance with addition
 of REF. No. ⑤

REF. No. ④ 36200-2515-2

Enlarged

REF. No. ① 36200-2510-2

③ 36200-2517-3
 ⑥ 36200-2518-3

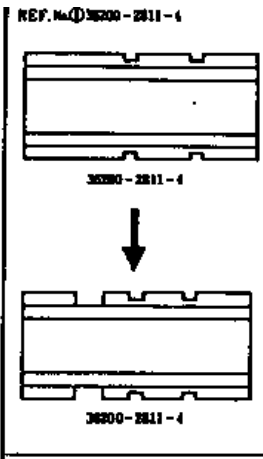
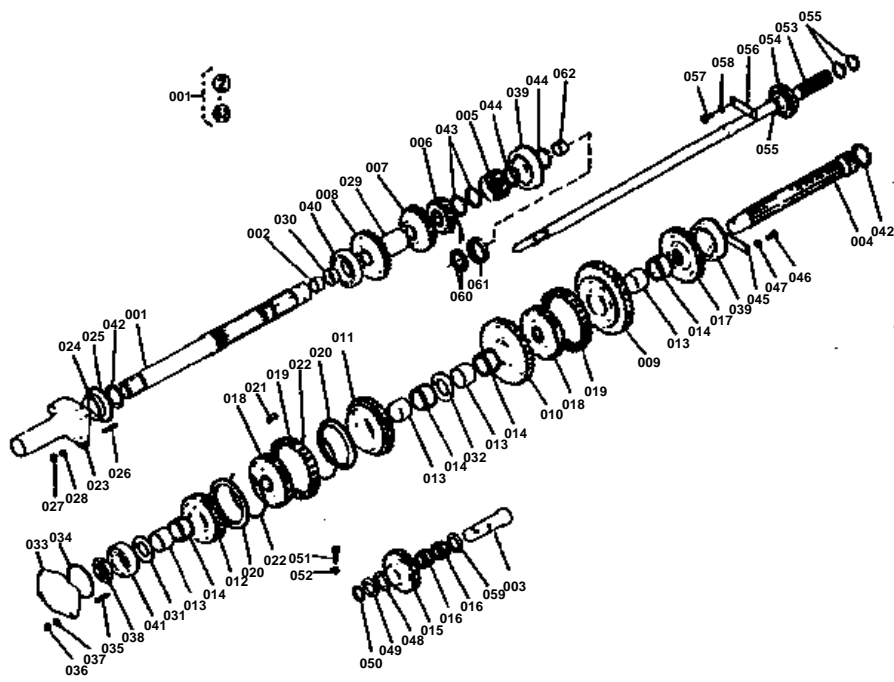
Reinforced



CLUTCH

↔ Interchangeable; ≠ not interchangeable; ← new for old; → old for new

REF.No	Part No.	Description	Q'ty	S.No.	I/C	REMARKS	Weight (kgf)	Weight (lb)
001	36200-25100	ASSY CLUTCH	1	<=10557			0	0
001	36200-25102	ASSY CLUTCH	1				0	0
001	36200-25103	ASSY CLUTCH	1				0	0
002	36200-25130	DISK CLUTCH	1	<=10557			0	0
002	36200-25132	DISK CLUTCH	1	>=10558			0	0
003	36200-25140	DISK PTO CLUTCH	1				0	0
004	36200-25150	PLATE PRESSURE	2	<=10557			4.15	9.13
004	36200-25150	PLATE PRESSURE	1	>=10558			4.15	9.13
005	36200-25220	PLATE PRESSURE	1	>=10558			5	11
006	36200-25160	COVER CLUTCH(PTO)	1	<=10557			0	0
006	36200-25162	COVER CLUTCH(PTO)	1				0	0
007	36200-25190	COVER CLUTCH	1	<=10557			7.2	15.84
007	36200-25192	COVER CLUTCH	1	>=10558			7.5	16.5
008	36200-25210	SPRING	2	>=10558			0.882	1.9404
009	99999-99999	BLANK	0			ORDER BY REF.No.013	0	0
010	99999-99999	BLANK	0			ORDER BY REF.No.014	0	0
011	01053-50800	BOLT	12				0.036	0.0792
012	04512-50080	WASHER SPRING	12				0	0
013	36200-25230	KIT LEVER 1	1	>=10001		SET	0.71	1.562
014	36200-25240	KIT LEVER 2	1	>=10001		SET	0.54	1.188





↔ Interchangeable; ≠ not interchangeable; ← new for old; → old for new

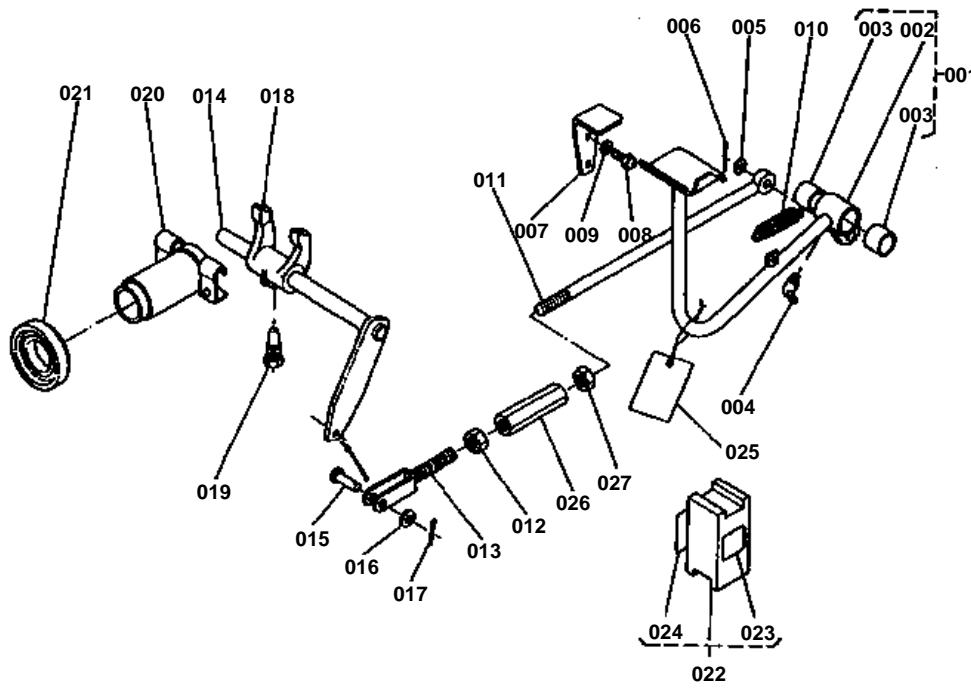
REF.No	Part No.	Description	Q'ty	S.No.	I/C	REMARKS	Weight (kgf)	Weight (lb)
001	36200-28110	SHAFT 1ST	1	≤10005			3.35	7.37
001	36200-28114	SHAFT 1ST	1	≥10006			3.2	7.04
001	36200-97460	SHAFT 1ST	1	≥10006			0	0
002	33251-28640	BUSH	1				0.018	0.0396
003	36200-28154	SHAFT	1				0.68	1.496
004	36200-28160	COUNTERSHAFT	1				2.75	6.05
005	36200-28210	GEAR SPUR 17	1				0.41	0.902
006	36200-28220	GEAR HERICAL 18	1				0.5	1.1
007	36200-28230	GEAR HERICAL 25	1				0.86	1.892
008	36200-28240	GEAR HERICAL 30	1				0	0
009	36200-28260	GEAR SPUR 46	1				2.597	5.7134
010	36200-28270	GEAR HERICAL 40	1				2.46	5.412
011	36200-28280	GEAR HERICAL 33	1				0	0
012	36200-28290	GEAR HERICAL 29	1				0	0
013	36200-28330	RING	4				0.088	0.1936
014	36200-28340	BEARING NEEDLE	4				0	0
015	36200-28350	GEAR SPUR 28	1				0.92	2.024
016	36200-28360	BEARING NEEDLE	2				0.053	0.1166
017	36200-28370	GEAR SPUR 35	1				1.64	3.608
018	36200-28380	COUPLING	2				0	0
019	36200-28390	SHIFTER	2				0.696	1.5312
020	36200-28410	RING	2				0	0
021	36200-28420	KEY	3				0	0
022	36200-28430	SPRING	2				0	0
023	36200-28513	ASSY CASE BEARING	1				1.48	3.256
024	09404-56510	SEAL OIL	1				0	0
025	04811-50900	O RING	1				0.003	0.0066
026	01513-50825	STUD	3				0	0
027	02114-50080	NUT	3				0.005	0.011
028	04512-50080	WASHER SPRING	3				0	0
029	36200-28560	COLLAR	1				0.156	0.3432
030	33251-28650	SEAL SHAFT	1				0	0
031	36200-28610	COLLAR THRUST 1	1				0.048	0.1056
032	36200-28620	COLLAR THRUST 2	1				0.124	0.2728
033	36200-28630	COVER COUNTERSHAFT	1				0.7	1.54
034	04811-50800	O RING	1				0.003	0.0066
035	01513-50825	STUD	3				0	0
036	02114-50080	NUT	3				0.005	0.011
037	04512-50080	WASHER SPRING	3				0	0
038	39141-14750	NUT	1				0.108	0.2376
039	08151-06308	BEARING BALL	2			6308NR	0.64	1.408
040	08101-06209	BEARING BALL	1			6209	0.42	0.924
041	08101-06307	BEARING BALL	1			6307	0.44	0.968
042	04612-00450	CIR-CLIP EXTERNAL	2				0.007	0.0154
043	04612-00420	CIR-CLIP EXTERNAL	2				0.006	0.0132
044	04612-00400	CIR-CLIP EXTERNAL	2				0.005	0.011
045	36200-28680	RETAINER BEARING	1				0.058	0.1276
046	01153-50818	BOLT	2				0.01	0.022
047	04512-50080	WASHER SPRING	2				0	0
048	36200-28710	COLLAR THRUST 3	1				0.024	0.0528
049	36200-28720	COLLAR	1				0.009	0.0198
050	04612-00300	CIR-CLIP EXTERNAL	1				0.003	0.0066
051	36200-28730	BOLT	1				0.025	0.055
052	02116-50100	NUT	1				0.004	0.0088
053	36200-25610	SHAFT PTO	1	≤11915			3.2	7.04
053	36200-97410	SHAFT PTO	1	≥11916			0.14	0.308
054	08151-06306	BEARING BALL	1			6306NR	0.36	0.792
055	04612-00300	CIR-CLIP EXTERNAL	3				0.003	0.0066
056	36200-25650	RETAINER BEARING	1				0	0



↔ Interchangeable; ≠ not interchangeable; ← new for old; → old for new

REF.No	Part No.	Description	Q'ty	S.No.	I/C	REMARKS	Weight (kgf)	Weight (lb)
057	01153-50818	BOLT	2				0.01	0.022
058	04512-50080	WASHER SPRING	2				0	0
058	04411-50080	WASHER SPRING	2	≧10001			0.001	0.0022
059	36200-28740	COLLAR THRUST 4	1				0.026	0.0572
060	36200-28130	COLLAR SET 1	1	≧10006			0.06	0.132
061	36200-28140	COLLAR SET 2	1	≧10001			0.062	0.1364
062	36330-28120	BUSH	1	≧11916			0.02	0.044

CLUTCH PEDAL



REF. No. ① 36200-2610-2

∅: 48-50mm

REF. No. ② 36200-2614-2

∅: 48-50mm

REF. No. ③ 35100-2090-2

∅: 48-50mm

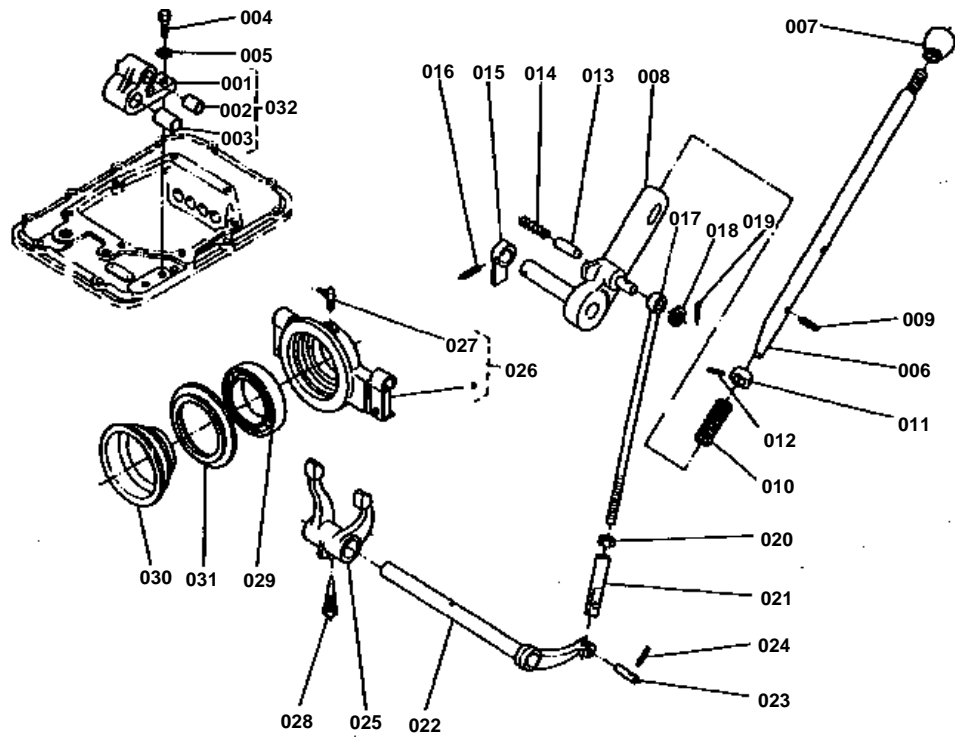
REF. No. ④ 36200-2090-0
 ⑤ 36200-2618-0
 ⑥ 02174-50140
 ⑦ 33251-5025-0
 ⑧ 33251-5026-0
 ⑨ 94011-50100
 ⑩ 02511-50225

**CLUTCH PEDAL**

↔ Interchangeable; ≠ not interchangeable; ← new for old; → old for new

REF.No	Part No.	Description	Q'ty	S.No.	I/C	REMARKS	Weight (kgf)	Weight (lb)
001	36200-26100	ASSY PEDAL CLUTCH	1	←=10525			2.23	4.906
001	36200-26102	ASSY PEDAL CLUTCH	1	>=10526			2.4	5.28
002	99999-99999	BLANK	0			ORDER BY REF.No.001	0	0
003	32150-28440	BUSH	2				0.043	0.0946
004	06613-20010	NIPPLE GREASE	1				0.01	0.022
005	04011-50120	WASHER PLAIN	1				0.005	0.011
006	05511-50318	PIN SPLIT	1				0.001	0.0022
007	36570-26140	STOPPER CLUTCH PEDAL	1	←=10525			0.14	0.308
007	36200-26142	STOPPER CLUTCH PEDAL	1	>=10526			0.18	0.396
008	01173-51020	BOLT	2				0.017	0.0374
009	04512-50100	WASHER SPRING	2				0	0
010	37150-15840	SPRING	1	←=10989			0.06	0.132
010	36200-26150	SPRING	1	>=10990			0.125	0.275
011	36200-26180	ROD CLUTCH PEDAL	1	←=10525			0.45	0.99
011	36200-26170	ROD CLUTCH PEDAL	1	>=10526			0	0
011	36200-26172	ROD CLUTCH PEDAL	1	>=10526			0.29	0.638
012	02174-50140	NUT	1	←=10525			0.014	0.0308
012	02172-50120	NUT	1	>=10526			0.01	0.022
013	33251-26250	ROD BRAKE 1	1	←=10525			0.11	0.242
013	36200-67413	ROD BRAKE 1	1	>=10526			0	0
013	36200-67414	ROD BRAKE 1	1	>=10526			0	0
014	36200-26200	ASSY LEVER CLUTCH CO	1				1.36	2.992
015	33251-26260	PIN JOINT	1	←=10525			0	0
015	05122-51028	PIN JOINT	1	>=10526			0	0
016	04011-50100	WASHER PLAIN	2	←=10525			0.002	0.0044
016	04011-50100	WASHER PLAIN	1	>=10526			0.002	0.0044
017	05511-50225	PIN SPLIT	2	←=10525			0.001	0.0022
017	05511-50318	PIN SPLIT	2	>=10526			0.001	0.0022
018	33400-26190	FORK 1	1				0.62	1.364
019	33251-26350	BOLT SET	1				0.045	0.099
020	36200-26300	ASSY HUB CLUTCH RELE	1				0.83	1.826
021	33400-26400	BEARING CLUTCH RELEA	1				0	0
021	36200-26410	BEARING CLUTCH RELEA	1	>=10001			0.504	1.1088
022	35410-26900	ASSY PIECE DISTANCE	1	←=10525			0.07	0.154
022	35410-26902	ASSY PIECE DISTANCE	1	>=10526			0	0
023	36200-26940	MARK SPACER	1				0.001	0.0022
024	32170-15930	LABEL PEDAL 2	1				0.001	0.0022
025	35410-26960	CARD INSTRUCTION	1				0.001	0.0022
026	37720-28980	TURN BACKLE	1	>=10526			0.099	0.2178
027	37720-28990	NUT	1	>=10526			0.008	0.0176

LEVER



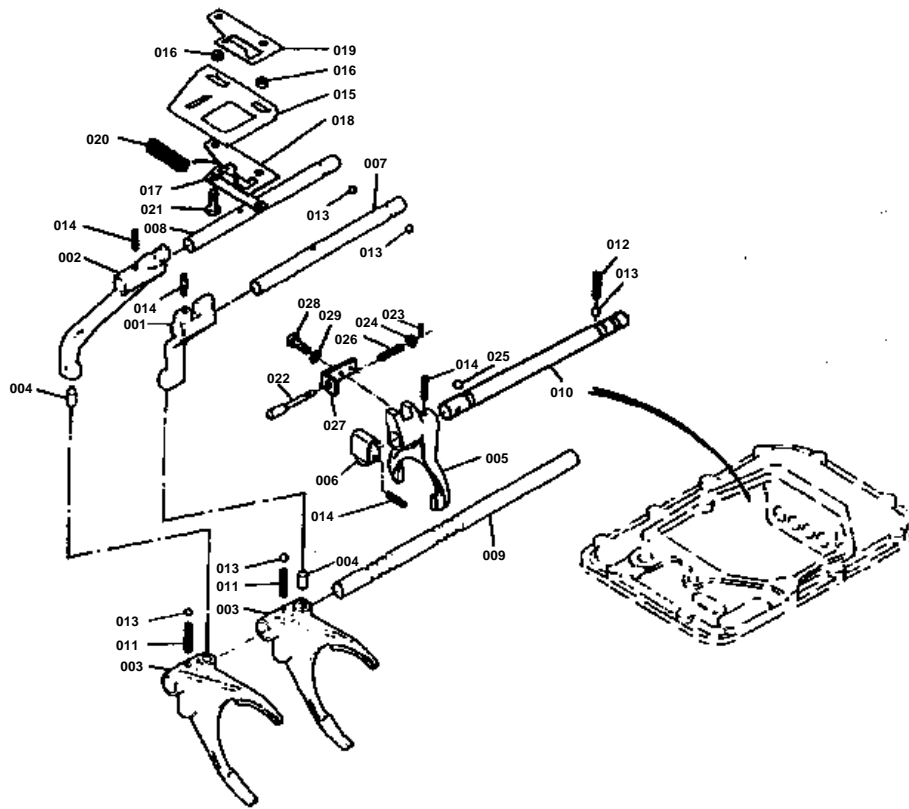


LEVER

↔ Interchangeable; ≠ not interchangeable; ← new for old; → old for new

REF.No	Part No.	Description	Q'ty	S.No.	I/C	REMARKS	Weight (kgf)	Weight (lb)
001	99999-99999	BLANK	0			ORDER BY REF.No.032	0	0
002	33400-21880	BUSH	1				0.02	0.044
003	33400-21890	BUSH	2				0.019	0.0418
004	01173-51030	BOLT	2				0.023	0.0506
005	04512-50100	WASHER SPRING	2				0	0
006	33400-26510	LEVER	1				0.54	1.188
007	33251-29620	GRIP	1				0.057	0.1254
008	33400-26530	ASSY GUIDE LEVER	1				0.765	1.683
009	05411-00628	PIN SPRING	1				0.004	0.0088
010	33400-26570	SPRING	1				0.01	0.022
011	33400-26580	CIR-CLIP	1				0.022	0.0484
012	05411-00425	PIN SPRING	1				0.001	0.0022
013	33251-80250	HOLDER S-C LEVER	1				0.013	0.0286
014	33400-26590	SPRING	1				0.002	0.0044
015	36200-26610	WASHER	1				0.04	0.088
016	05411-00430	PIN SPRING	1				0.002	0.0044
017	36200-26630	ROD CLUTH CONTROL	1				0.14	0.308
018	04011-50120	WASHER PLAIN	1				0.005	0.011
019	05511-50320	PIN SPLIT	1				0.002	0.0044
020	02116-50100	NUT	1				0.004	0.0088
021	33400-26640	JOINT CONTROL ROD	1				0.94	2.068
022	36200-26660	ASSY SHAFT LEVER CON	1				1.24	2.728
023	33400-26690	PIN	1				0.017	0.0374
024	05411-00325	PIN SPRING	1				0.001	0.0022
025	33400-26710	FORK 2	1				0.71	1.562
026	33400-26730	ASSY COUPLING RELEAS	1				1.06	2.332
027	06613-30010	NIPPLE GREASE	1				0.01	0.022
028	33251-26350	BOLT SET	1				0.045	0.099
029	08101-16013	BEARING	1				0.29	0.638
030	33400-26770	HUB CLUTCH RELEASE 2	1				0.65	1.43
031	33400-26780	COVER RELEASE BEARIN	1				0.028	0.0616
032	33400-26800	ASSY BRACKET	1				0.69	1.518

1 2 SHIFT LEVER



REF. No. ⑤ 36200-2916-0



: 50-65mm

REF. No. ⑥ 36200-2325-0



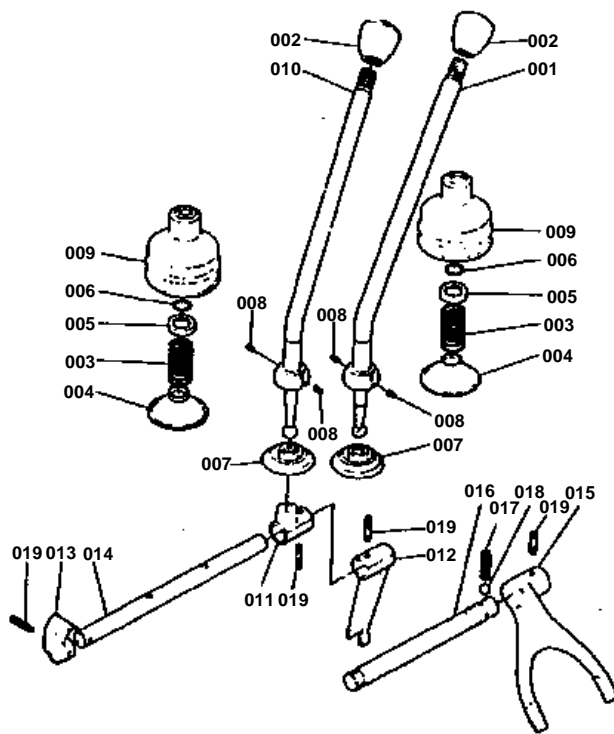


1 2 SHIFT LEVER

↔ Interchangeable; ≠ not interchangeable; ← new for old; → old for new

REF.No	Part No.	Description	Q'ty	S.No.	I/C	REMARKS	Weight (kgf)	Weight (lb)
001	36200-29110	LEVER SHIFT 1.2	1				0.354	0.7788
002	36200-29120	LEVER SHIFT 3.4	1				0.41	0.902
003	36200-29140	FORK 1.2.3.4	2				0	0
004	36200-29150	PIN SET	2				0.01	0.022
005	36200-29160	FORK REVERSE SHIFT	1	≤10879			0.32	0.704
005	36200-29230	FORK REVERSE SHIFT	1	≥10880			0.99	2.178
006	36200-29170	SLEEVE REVERSE LAMP	1				0.039	0.0858
007	36200-29210	ROD SHIFT 1.2	1				0.348	0.7656
008	36200-29220	ROD SHIFT 3.4	1				0.356	0.7832
009	36200-29240	ROD SHIFT 1.2.3.4	1				0.898	1.9756
010	36200-29260	ROD SHIFT	1	≤10879			0	0
010	36200-29263	ROD SHIFT	1	≥10001			0	0
011	33251-29410	SPRING	2				0.005	0.011
012	62231-18530	SPRING STOPPER	1				0.01	0.022
012	36200-29430	SPRING STOPPER	1	≥10001			0.003	0.0066
013	07715-03211	BALL	5				0.003	0.0066
014	05411-00625	PIN SPRING	4				0.004	0.0088
015	36200-29440	PLATE SECTOR	1				0.19	0.418
016	33251-29450	COLLAR	2				0.002	0.0044
017	33251-29510	WASHER	1				0.008	0.0176
018	36200-29520	PLATE UPPER	1				0.055	0.121
019	36200-29530	PLATE LOWER	1				0.054	0.1188
020	33251-29540	SPRING	1				0.02	0.044
021	01153-50820	BOLT	2				0.012	0.0264
022	36200-29250	ROD RETAINER	1				0.045	0.099
023	05411-00416	PIN SPRING	1	≥10880			0.001	0.0022
023	05411-00414	PIN SPRING	1				0.001	0.0022
024	04012-50080	WASHER PLAIN	1	≥10880			0.001	0.0022
025	07715-01605	BALL	1	≥10880			0.003	0.0066
026	36200-29270	SPRING	1	≥10880			0.01	0.022
027	36200-29280	RETAINER SPRING	1	≥10880			0.045	0.099
028	01153-50818	BOLT	2	≥10880			0.01	0.022
029	04512-50080	WASHER SPRING	2	≥10880			0	0

MAIN CHANGE LEVER



REF. 01034 - ZM7 - Z



D : 11-20mm F : 20-10mm

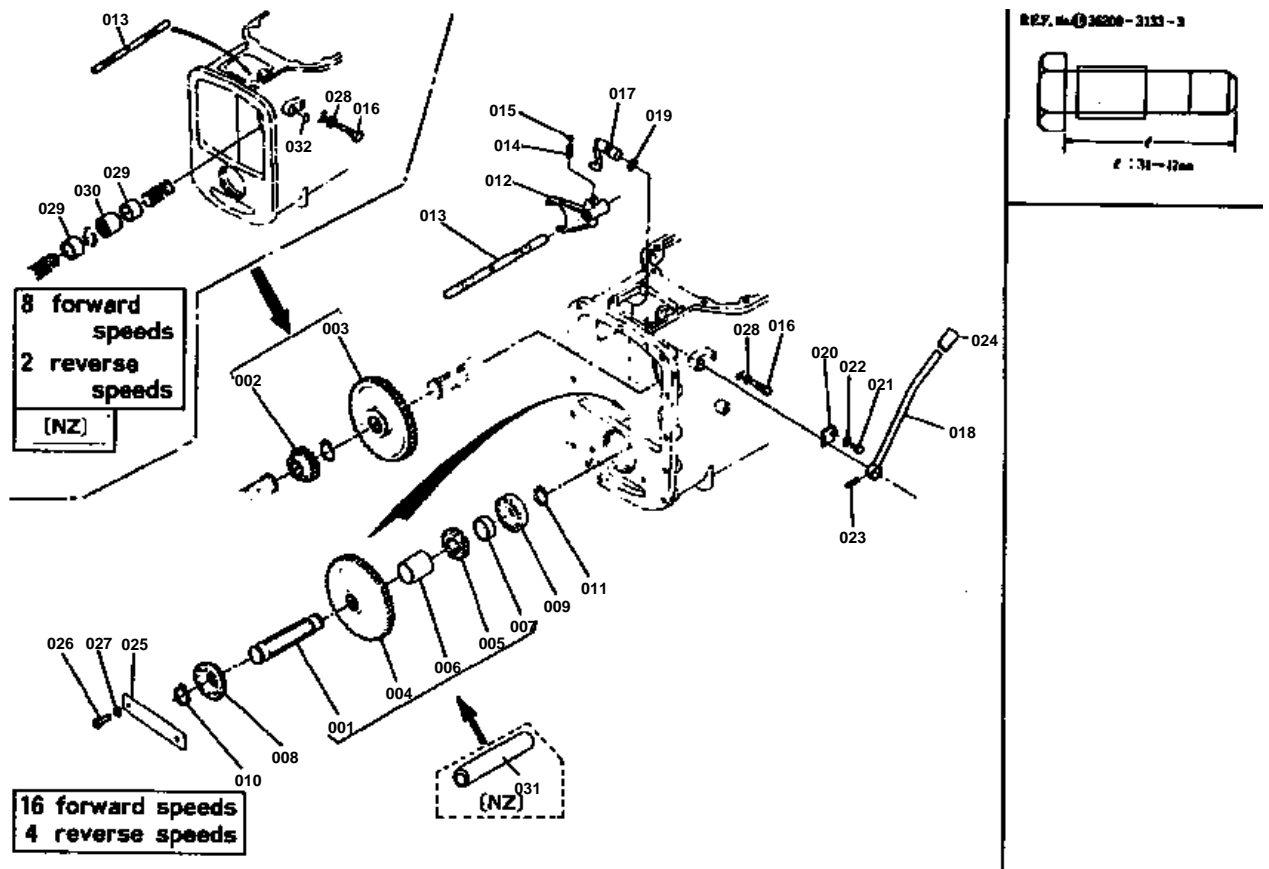


MAIN CHANGE LEVER

↔ Interchangeable; ≠ not interchangeable; ← new for old; → old for new

REF.No	Part No.	Description	Q'ty	S.No.	I/C	REMARKS	Weight (kgf)	Weight (lb)
001	36200-29610	LEVER MAIN CHANGE	1				0.67	1.474
002	33251-29620	GRIP	2				0.057	0.1254
003	33251-29630	SPRING	2				0.013	0.0286
004	33251-29640	CAP	2				0.042	0.0924
005	33251-29650	CAP SPRING	2				0.005	0.011
006	33251-29660	STOPPER SPRING	2				0.001	0.0022
007	34150-23870	SHIELD	2	≤10115			0	0
007	34150-23872	SHIELD	2	≥10116			0	0
008	34150-23740	PIN	4				0.002	0.0044
009	36200-29690	SEAL	2				0.032	0.0704
010	36200-29810	LEVER	1				0.59	1.298
011	36200-29830	HOLDER	1				0.083	0.1826
012	36200-29840	LEVER SHIFT	1				0.2	0.44
013	36200-29850	HOLDER	1				0.044	0.0968
014	36200-29860	ROD SHIFT 1	1				0.38	0.836
015	36200-29870	FORK SHIFT	1				0.368	0.8096
016	36200-29880	ROD SHIFT 2	1				0.348	0.7656
017	33251-29410	SPRING	1				0.005	0.011
018	07715-03211	BALL	1				0.003	0.0066
019	05411-00625	PIN SPRING	4				0.004	0.0088

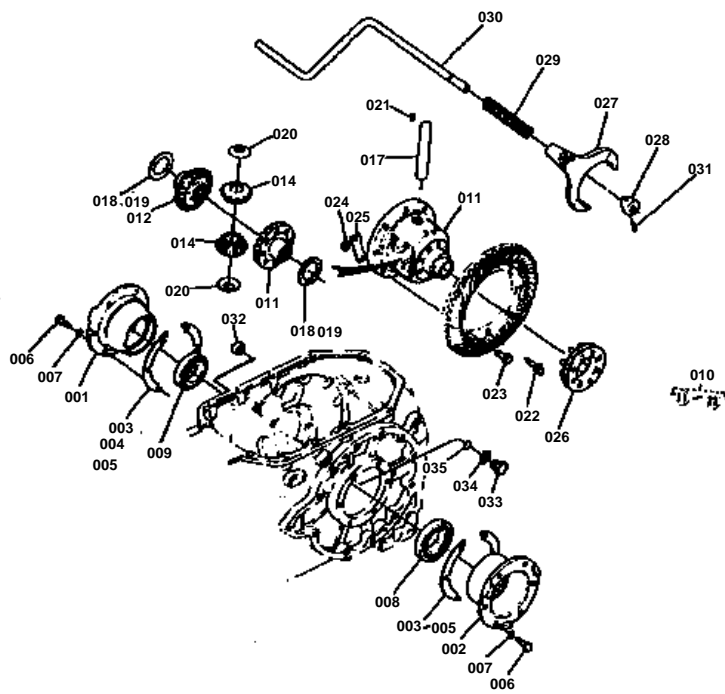
CREEP SHAFT



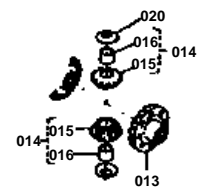
**CREEP SHAFT**

↔ Interchangeable; ≠ not interchangeable; ← new for old; → old for new

REF.No	Part No.	Description	Q'ty	S.No.	I/C	REMARKS	Weight (kgf)	Weight (lb)
001	36200-31210	SHAFT CREEP	1			[SA]	1.038	2.2836
002	36200-31230	GEAR 17	1			EXCEPT M4500 M4500DT [NZ]	0.325	0.715
003	36200-31242	GEAR 43	1			EXCEPT M4500 M4500DT [NZ]	1.65	3.63
004	36200-31250	GEAR 46	1			[SA]	1.6	3.52
005	36200-31262	GEAR 20	1			[SA]	0.499	1.0978
006	36200-31280	COLLAR 1	1			[SA]	0.166	0.3652
007	36200-31290	COLLAR 2	1			[SA]	0.047	0.1034
008	08151-06307	BEARING BALL	1			EXCEPT M4500 [AU]	0.469	1.0318
009	08101-06306	BEARING BALL	1			EXCEPT M4500 [AU]	0.335	0.737
010	04612-00350	CIR-CLIP EXTERNAL	1			EXCEPT M4500 [AU]	0.01	0.022
011	04612-00300	CIR-CLIP EXTERNAL	1			EXCEPT M4500 [AU]	0.003	0.0066
012	36200-31310	FORK SHIFT	1			EXCEPT M4500 M4500DT [NZ]	0.398	0.8756
013	36200-31320	ROD	1				0.39	0.858
014	62231-18530	SPRING STOPPER	1			EXCEPT M4500 M4500DT [NZ]	0.01	0.022
015	07715-03211	BALL	1			EXCEPT M4500 M4500DT [NZ]	0.003	0.0066
016	36200-31330	BOLT SET	1	<=10508			0.013	0.0286
016	36200-31333	BOLT SET	1	>=10509			0.015	0.033
017	36200-31350	LEVER SHIFT	1			EXCEPT M4500 M4500DT [NZ]	0.157	0.3454
018	36200-31360	LEVER	1			EXCEPT M4500 M4500DT [NZ]	0.248	0.5456
019	04811-00150	O RING	1			EXCEPT M4500 M4500DT [NZ]	0.001	0.0022
020	34150-24350	STOPPER LEVER	1			EXCEPT M4500 M4500DT [NZ]	0.015	0.033
021	01153-50814	BOLT	1			EXCEPT M4500 M4500DT [NZ]	0.009	0.0198
022	04512-50080	WASHER SPRING	1			EXCEPT M4500 M4500DT [NZ]	0	0
023	05411-00628	PIN SPRING	1			EXCEPT M4500 M4500DT [NZ]	0.004	0.0088
024	06914-00120	GRIP LEVER	1			EXCEPT M4500 M4500DT [NZ]	0.018	0.0396
025	36200-28680	HOLDER BEARING	1			EXCEPT M4500 M4500DT [NZ]	0.058	0.1276
026	01153-50818	BOLT	2			EXCEPT M4500 M4500DT [NZ]	0.01	0.022
027	04512-50080	WASHER SPRING	2			EXCEPT M4500 M4500DT [NZ]	0	0
028	04717-00800	WASHER	1				0.001	0.0022
029	35452-31110	COLLAR 1	2			M4500 M4500DT [NZ]	0.16	0.352
030	35452-31120	COLLAR 2	1			M4500 M4500DT [NZ]	0.2	0.44
031	35462-41170	COLLAR 3	1			M4500DT [NZ]	0.35	0.77
032	36200-21240	PLUG	1			M4500 M4500DT [NZ]	0	0



REF. NO. 0
3300-326-0



Discontinuation

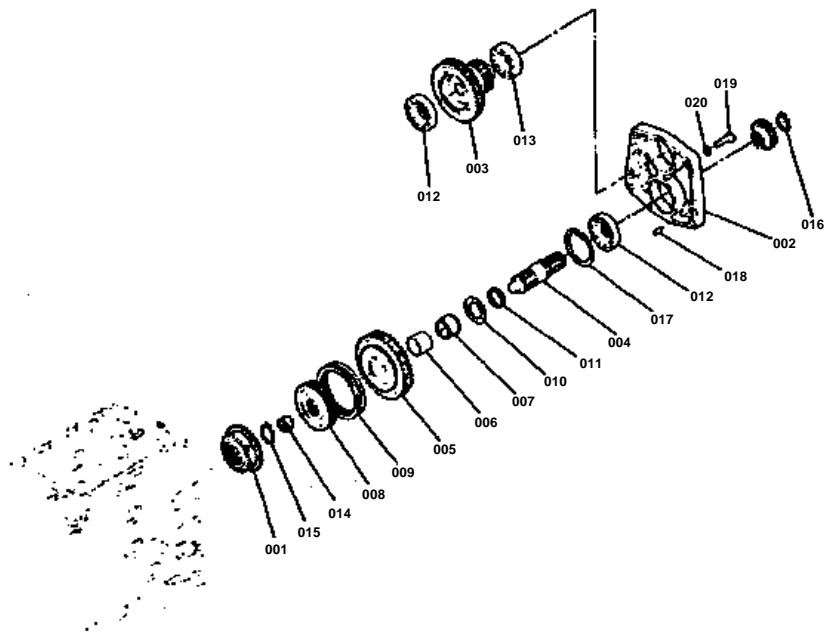


DIFF SUPPORT

↔ Interchangeable; ≠ not interchangeable; ← new for old; → old for new

REF.No	Part No.	Description	Q'ty	S.No.	I/C	REMARKS	Weight (kgf)	Weight (lb)
001	36200-32110	SUPPORT DIFF BEARING	1				2.8	6.16
002	36200-32120	SUPPORT DIFF BEARING	1				2.88	6.336
003	36200-32130	SHIM 0.1	8				0.002	0.0044
004	36200-32140	SHIM 0.3	8				0.006	0.0132
005	36200-32150	SHIM 0.5	4				0.012	0.0264
006	01173-51030	BOLT	12				0.023	0.0506
007	04512-50100	WASHER SPRING	12				0	0
008	08711-30209	BEARING TAPER ROLLER	1			30209	0.458	1.0076
009	08711-30211	BEARING TAPER ROLLER	1				0.668	1.4696
010	33400-32200	ASSY DIFFERENTIAL	1	<=12071		EXCEPT [OC]	0	0
010	35450-32200	ASSY DIFFERENTIAL	1	>=10001			8.4	18.48
011	33400-32710	CASE DIFFERENTIAL	1	<=12071		EXCEPT [OC]	3.9	8.58
011	35450-32710	CASE DIFFERENTIAL	1	>=10001			4.8	10.56
012	33400-32720	GEAR DIFF SIDE(1)	1				0.8	1.76
013	33400-32730	GEAR DIFF SIDE(2)	1				1.1	2.42
014	33400-32740	ASSY PINION DIFF	2	<=12071		EXCEPT [OC]	0.31	0.682
014	36330-32750	PINION DIFF	2	>=10001			0	0
015	99999-99999	BLANK	0			ORDER BY REF.No.014	0	0
016	33400-32760	BUSH	2				0.024	0.0528
017	33400-32770	CASE DIFF PINION	1	<=12071		EXCEPT [OC]	0.5	1.1
017	36330-32770	CASE DIFF PINION	1	>=10001			0	0
018	33251-32780	WASHER	2				0.025	0.055
019	33251-32790	WASHER	2				0.025	0.055
020	33400-32810	WASHER	2	<=12071		EXCEPT [OC]	0.02	0.044
020	36330-32810	WASHER	2	>=10001			0.018	0.0396
021	33251-32820	KEY	1				0.002	0.0044
022	33251-32220	BOLT	2				0	0
023	01176-51228	BOLT	6				0.035	0.077
024	02176-50120	NUT	2				0.01	0.022
025	36200-32080	WASHER	4				0.01	0.022
026	33400-32850	ASSY SHIFTER DIFF LO	1				0.86	1.892
027	36200-32880	FORK SHIFT	1				1.05	2.31
028	36200-32890	CAM DIFF LOCK	1				0.09	0.198
029	33251-32930	SPRING	1				0.159	0.3498
030	36280-32940	PEDAL DIFF LOCK	1			[OC]	1	2.2
031	05411-00636	PIN SPRING	1				0.005	0.011
032	09500-16287	SEAL OIL	1			TC16*28*7	0.01	0.022
033	06331-35020	PLUG	1				0.068	0.1496
034	04717-02000	WASHER SEAL	1				0.004	0.0088
035	36200-32950	SHIM	1				0.002	0.0044

REDUCTION SHAFT



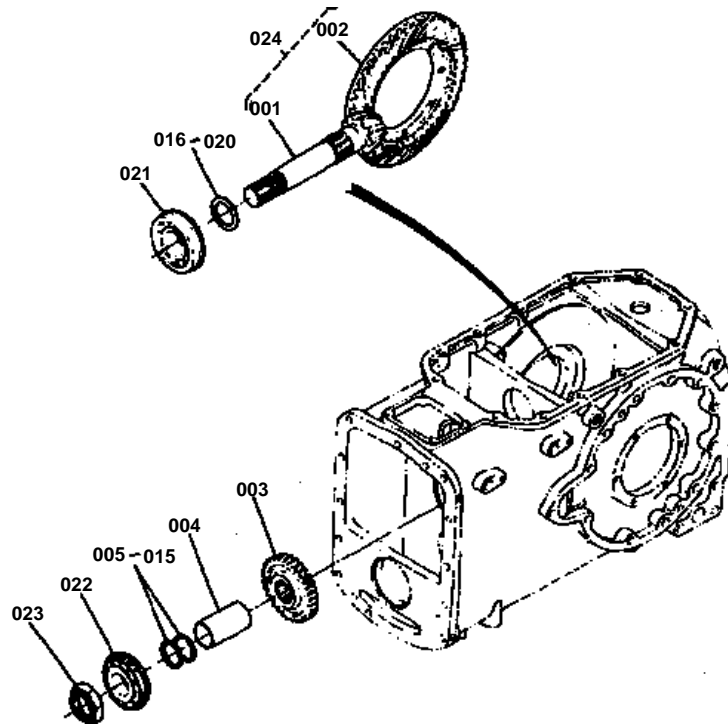


REDUCTION SHAFT

↔ Interchangeable; ≠ not interchangeable; ← new for old; → old for new

REF.No	Part No.	Description	Q'ty	S.No.	I/C	REMARKS	Weight (kgf)	Weight (lb)
001	36200-32260	GEAR 23	1				0.98	2.156
002	36200-32310	SUPPORT BEARING	1				0	0
003	36200-32320	GEAR 20-40	1				3.24	7.128
004	36200-32330	SHAFT	1				1.15	2.53
005	36200-32340	GEAR 43	1				2.58	5.676
006	36200-28330	RING INNER	1				0.088	0.1936
007	36200-28340	BEARING NEEDLE	1				0	0
008	36200-32360	COUPLING	1				1.13	2.486
009	36200-32370	SHIFTER	1				0.46	1.012
010	36200-32380	COLLAR THRUST	1				0.041	0.0902
011	36200-32390	COLLAR	1				0.032	0.0704
012	08101-06208	BEARING BALL	2			6208	0.355	0.781
013	08101-06307	BEARING BALL	1			6307	0.44	0.968
014	08822-53216	BEARING NEEDLE	1			KG25*32*16	0.026	0.0572
015	04612-00400	CIR-CLIP EXTERNAL	1				0.005	0.011
016	04612-00380	CIR-CLIP EXTERNAL	1				0.005	0.011
017	04611-00800	CIR-CLIP INTERNAL	1				0.02	0.044
018	05012-01020	PIN STRAIGHT	2				0.02	0.044
019	01173-51240	BOLT	4				0.045	0.099
020	04512-50120	WASHER SPRING	4				0	0

BEVEL PINION

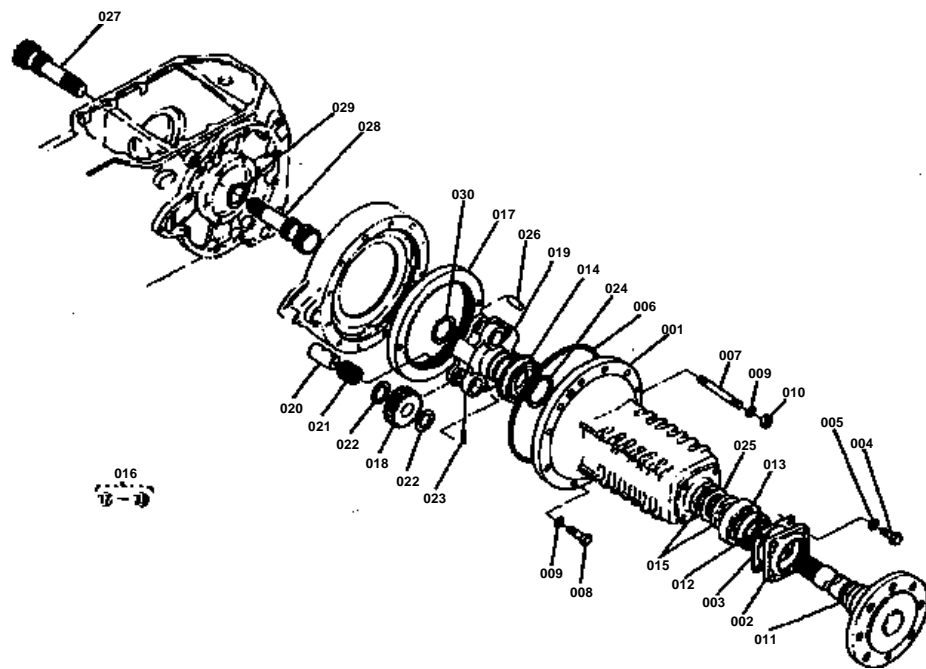


**BEVEL PINION**

↔ Interchangeable; ≠ not interchangeable; ← new for old; → old for new

REF.No	Part No.	Description	Q'ty	S.No.	I/C	REMARKS	Weight (kgf)	Weight (lb)
001	99999-99999	BLANK	0			ORDER BY REF.No.024	0	0
002	99999-99999	BLANK	0			ORDER BY REF.No.024	0	0
003	36200-32430	GEAR 32	1				1.54	3.388
004	36200-32440	COLLAR	1				0.45	0.99
005	33251-32450	COLLAR(1)	1				0.005	0.011
006	33251-32460	COLLAR(1)	1				0.008	0.0176
007	33251-32470	COLLAR(1)	1				0.009	0.0198
008	33251-32480	COLLAR(1)	1				0.01	0.022
009	33251-32490	COLLAR(1)	1				0.01	0.022
010	33251-32510	COLLAR(1)	1				0.011	0.0242
011	33251-32520	COLLAR(1)	1				0.011	0.0242
012	33251-32530	COLLAR(1)	1				0.011	0.0242
013	33251-32540	COLLAR(1)	1				0.011	0.0242
014	33251-32550	COLLAR(1)	1				0.012	0.0264
015	33251-32560	COLLAR(1)	1				0.012	0.0264
016	36200-32610	COLLAR(2)	1				0.023	0.0506
017	36200-32630	COLLAR(2)	1				0.025	0.055
018	36200-32650	COLLAR(2)	1				0.027	0.0594
019	36200-32670	COLLAR(2)	1				0.029	0.0638
020	36200-32690	COLLAR(2)	1				0.031	0.0682
021	14351-23450	BEARING MAIN 1	1				0.7	1.54
022	33400-32260	BEARING	1				1.13	2.486
023	33251-32440	NUT	1				0.088	0.1936
024	36200-32400	ASSY GEAR BEVEL	1				0	0

AXLE CASE



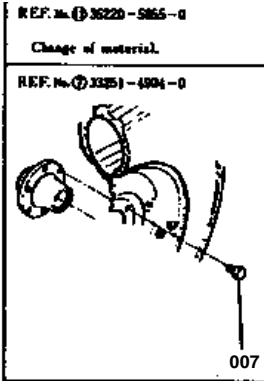
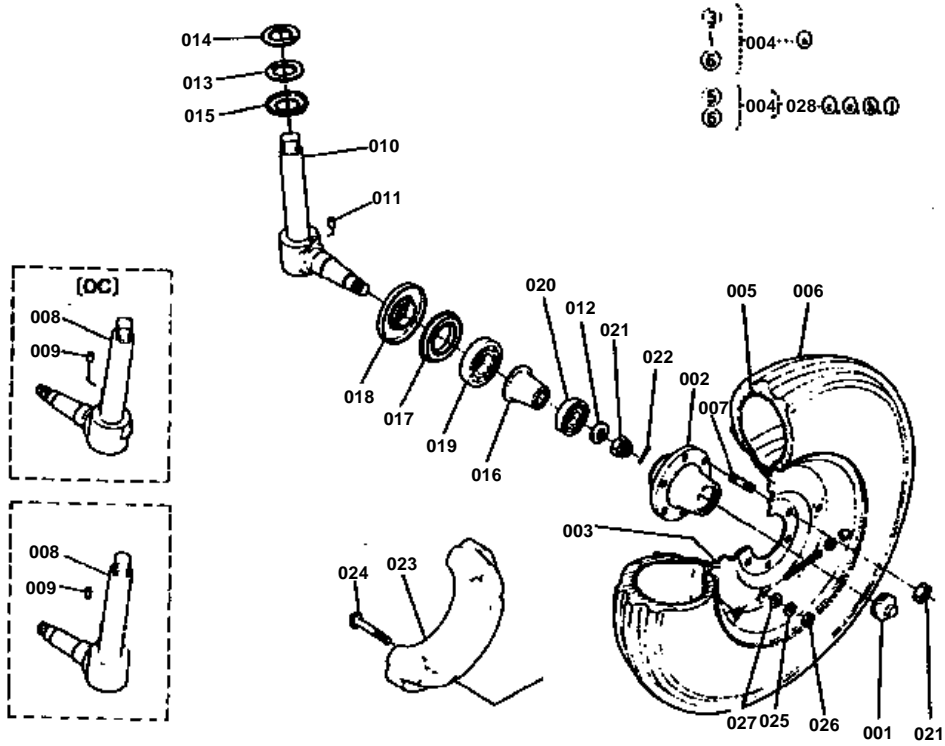


AXLE CASE

↔ Interchangeable; ≠ not interchangeable; ← new for old; → old for new

REF.No	Part No.	Description	Q'ty	S.No.	I/C	REMARKS	Weight (kgf)	Weight (lb)
001	36200-48110	CASE AXLE	2				34	74.8
002	36200-48120	COVER AXLE CASE	2				1.08	2.376
003	36200-48130	GASKET	2				0	0
004	01173-51038	BOLT	8				0.028	0.0616
005	04512-50100	WASHER SPRING	8				0	0
006	36200-48160	O RING	2				0.006	0.0132
007	36200-48170	STUD	6			EXCEPT M4500DT-C [NZ]	0.15	0.33
007	36200-48170	STUD	6			M4500DT-C [NZ]	0.15	0.33
007	36500-48170	STUD	6			M4500DT-C [NZ]	0.178	0.3916
008	01173-51404	BOLT	18			EXCEPT M4500DT-C [NZ]	0.15	0.33
008	01173-51404	BOLT	18			M4500DT-C [NZ]	0.15	0.33
008	01173-51405	BOLT	18			M4500DT-C [NZ]	0.155	0.341
009	04512-50140	WASHER SPRING	24				0	0
010	02176-50140	NUT	6				0.014	0.0308
011	35410-48210	AXLE	2			M4500 M4500DT(R) [CA]	0	0
011	36200-48210	AXLE	2			EXCEPT M4500 M4500DT(R) [CA]	0	0
012	36200-48250	SEAL	2				0	0
013	08101-06212	BEARING BALL	2			6212	0.78	1.716
014	08151-06014	BEARING BALL	2			6014NR	0.619	1.3618
015	36200-48272	NUT	4				0.27	0.594
016	36200-48300	ASSY GEAR	2				0	0
017	36200-48313	GEAR	2				0	0
018	36200-48320	GEAR	6				1.05	2.31
019	36200-48340	SUPPORT	2				0.8	1.76
020	36200-48360	PIN	6				0	0
021	08823-23916	BEARING NEEDLE	12			KG32*39*16	0.031	0.0682
022	36200-48370	COLLAR THRUST	12				0.012	0.0264
023	05411-00825	PIN SPRING	6				0.006	0.0132
024	04612-00700	CIR-CLIP EXTERNAL	2				0.019	0.0418
025	36200-48280	WASHER	2				0.022	0.0484
026	36200-48410	PIN	4				0.005	0.011
027	36200-48460	SHAFT BRAKE RH	1				0	0
028	36200-48470	SHAFT BRAKE LH	1				0	0
029	04612-00550	CIR-CLIP EXTERNAL	2				0.01	0.022
030	04612-00550	CIR-CLIP EXTERNAL	2				0.01	0.022

FRONTWHEEL HUB



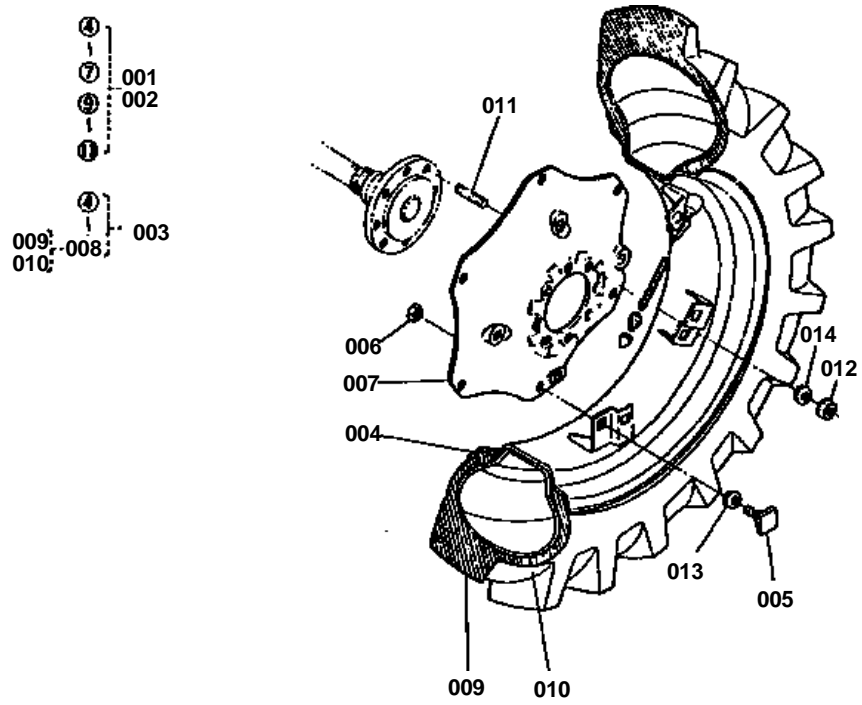


FRONTWHEEL HUB

↔ Interchangeable; ≠ not interchangeable; ← new for old; → old for new

REF.No	Part No.	Description	Q'ty	S.No.	I/C	REMARKS	Weight (kgf)	Weight (lb)
001	33251-49010	COVER HUB	2				0.11	0.242
002	33251-49020	HUB FRONT WHEEL	2				4.8	10.56

REAR WHEEL

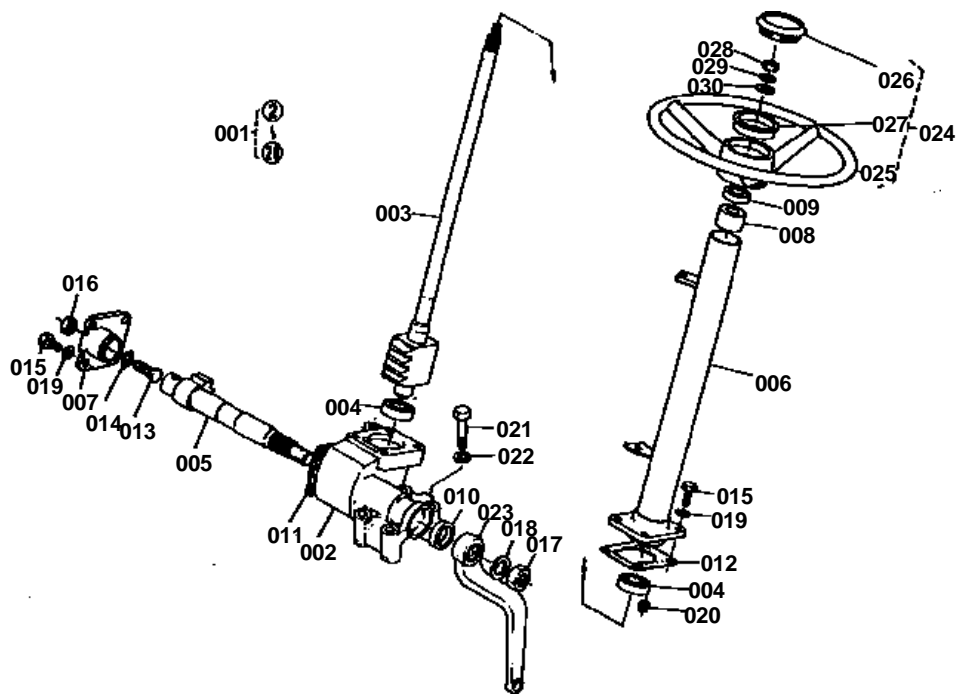


**REAR WHEEL**

↔ Interchangeable; ≠ not interchangeable; ← new for old; → old for new

REF.No	Part No.	Description	Q'ty	S.No.	I/C	REMARKS	Weight (kgf)	Weight (lb)
001	70000-00064	ASSY REAR WHEEL RH	1			M4500 M4500DT(R)	0	0
002	70000-00065	ASSY REAR WHEEL LH	1			M4500 M4500DT(R)	0	0
003	36201-49100	ASSY REAR WHEEL	1			[NZ][SAMPLE][AU][CA][SA]	230	506
004	70000-00014	RIM REAR WHEEL	2			M4500 M4500DT(R)	0	0
004	99654-25130	RIM REAR WHEEL	2			[NZ][SAMPLE][AU][CA][SA]	0	0
005	70000-00010	BOLT	12			M4500 M4500DT(R) [OC]	0	0
005	36200-49380	BOLT	12			[NZ][SAMPLE][AU][CA][SA]	0.146	0.3212
006	70000-00094	NUT	12			M4500 M4500DT(R) [OC]	0	0
006	36500-49390	NUT	12			[NZ][SAMPLE][AU][CA][SA]	0.043	0.0946
007	70000-00008	DISK REAR WHEEL	2			M4500 M4500DT(R) [OC]	0	0
007	36200-49110	DISK REAR WHEEL	2			[NZ][SAMPLE][AU][CA][SA]	15	33
008	36332-49300	ASSY TIRE	2			[NZ][SAMPLE][AU][CA][SA]	0	0
009	70000-00063	TIRE	2			M4500 M4500DT(R)	0	0
009	36332-49310	TIRE	2			[NZ][SAMPLE][AU][CA][SA]	0	0
010	70000-00062	TUBE	2			M4500 M4500DT(R)	0	0
010	36332-49320	TUBE	2			[NZ][SAMPLE][AU][CA][SA]	7.4	16.28
011	35410-49150	STUD	16			M4500 M4500DT(R) [OC]	0.078	0.1716
011	36200-49150	STUD	16			[NZ][SAMPLE][AU][CA][SA]	0	0
012	33251-49170	NUT	16			M4500 M4500DT(R) [OC]	0.045	0.099
012	36200-49140	NUT	16			[NZ][SAMPLE][AU][CA][SA]	0.135	0.297
013	70000-00095	SPRING	12			M4500 M4500DT(R) [OC]	0	0
013	36500-49410	SPRING	12			[NZ][SAMPLE][AU][CA][SA]	0.024	0.0528
014	36200-49130	SPRING	16			[NZ][SAMPLE][AU][CA][SA]	0.026	0.0572

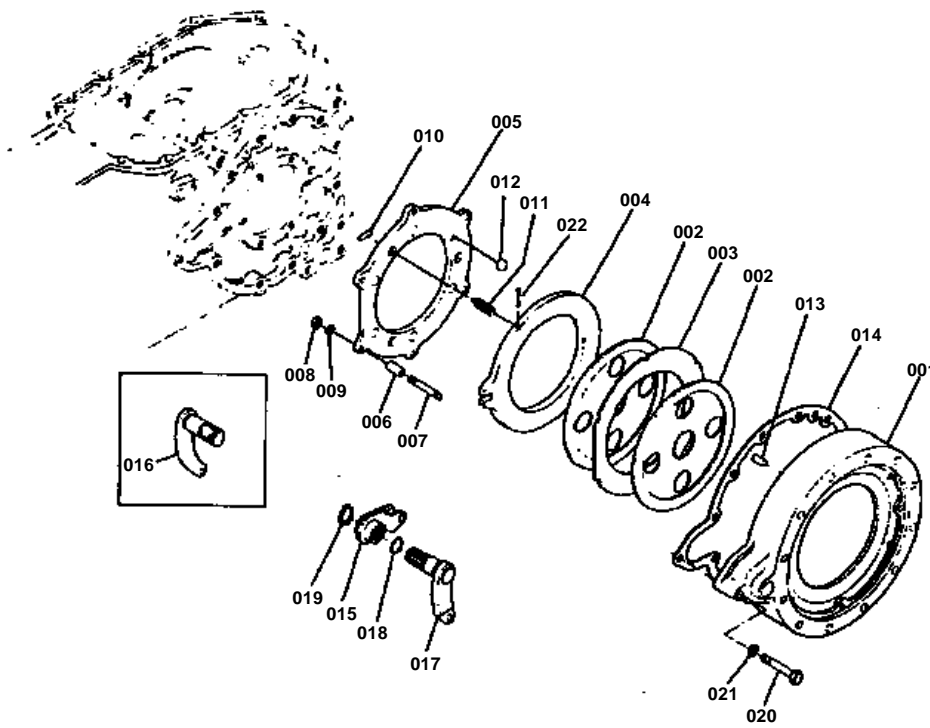
STEERING



**STEERING**

↔ Interchangeable; ≠ not interchangeable; ← new for old; → old for new

REF.No	Part No.	Description	Q'ty	S.No.	I/C	REMARKS	Weight (kgf)	Weight (lb)
001	36200-62100	ASSY STEERING	1				14	30.8
002	36200-62110	ASSY BOX GEAR	1				6.6	14.52
003	36200-62120	ASSY BALL NUT	1				2.4	5.28
004	32350-16220	BEARING	2				0.098	0.2156
005	36200-62140	SHAFT SECTOR	1				2.23	4.906
006	36200-62150	ASSY COLUMN	1				1.6	3.52
007	36200-62160	ASSY COVER SIDE	1				0.8	1.76
008	36200-62170	BUSH COLUMN	1				0.045	0.099
009	36200-62180	SEAL OIL	1				0.01	0.022
010	36200-62190	SEAL OIL	1				0.015	0.033
011	36200-62200	GASKET	1				0.005	0.011
012	36200-62210	SHIM	1				0.01	0.022
013	36200-62220	SCREW ADJUSTING	1				0.03	0.066
014	36200-62230	SHIM ADJUSTING SCREW	1				0.015	0.033
015	36200-62240	BOLT	8				0.02	0.044
016	36200-62250	NUT 1	1				0.005	0.011
017	36200-62260	NUT 2	1				0.1	0.22
018	36200-62270	WASHER SPRING	1				0.05	0.11
019	04512-50100	WASHER SPRING	8				0	0
020	06312-10020	PLUG	1				0.015	0.033
021	01173-51690	BOLT	4				0.156	0.3432
022	04512-50160	WASHER SPRING	4				0	0
023	36200-62510	ARM PITMAN	1				2.31	5.082
024	36200-62560	ASSY HANDLE STEERING	1				2.35	5.17
025	99999-99999	BLANK	0			ORDER BY REF.No.024	0	0
026	36200-62580	CAP HANDLE	1				0.086	0.1892
027	36200-62590	HOLDER	1				0.045	0.099
028	02174-50140	NUT	1				0.014	0.0308
029	04512-50140	WASHER SPRING	1				0	0
030	04013-50140	WASHER PLAIN	1				0	0



REF. No. 3 36201-6511-7



REF. No. 3 36201-6511-2



REF. No. 3 36201-6511-7

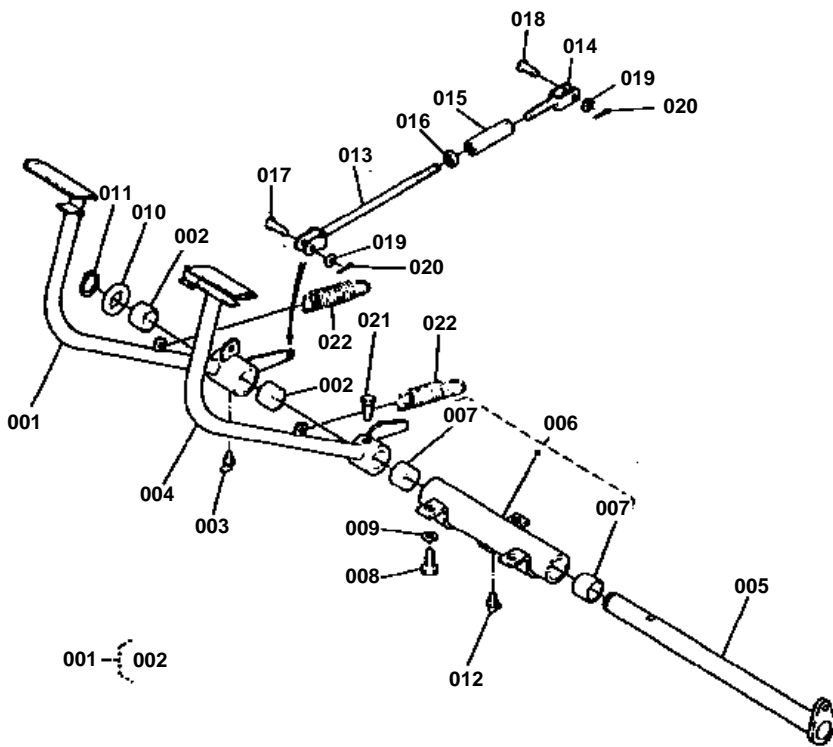
Change of surface roughness.

**BRAKE**

↔ Interchangeable; ≠ not interchangeable; ← new for old; → old for new

REF.No	Part No.	Description	Q'ty	S.No.	I/C	REMARKS	Weight (kgf)	Weight (lb)
001	36200-65112	CASE BRAKE	2			EXCEPT [NZ][AU]	15	33
001	36200-65112	CASE BRAKE	2	<=11629		[NZ][AU]	15	33
001	35462-65110	CASE BRAKE	2	>=11630		[NZ][AU]	17	37.4
002	36200-65120	PLATE	4			EXCEPT [NZ][AU]	0	0
002	36200-65120	PLATE	4	<=11629		[NZ][AU]	0	0
002	36200-65120	PLATE	6	>=11630		[NZ][AU]	0	0
003	36200-65130	PLATE	2			EXCEPT [NZ][AU]	0	0
003	36200-65130	PLATE	2	<=11629		[NZ][AU]	0	0
003	36200-65130	PLATE	4	>=11630		[NZ][AU]	0	0
004	36200-65146	PLATE(1)	2				0	0
004	36200-65147	PLATE(1)	2	>=10001			2.5	5.5
005	36200-65150	PLATE(2)	2				2.42	5.324
006	36200-65190	SPACER	1			EXCEPT [NZ][AU]	0.1	0.22
006	36200-65190	SPACER	1	<=11629		[NZ][AU]	0.1	0.22
006	36500-65160	SPACER	12	>=11630		[NZ][AU]	0.02	0.044
007	36200-65170	STUD	12			EXCEPT [NZ][AU]	0.04	0.088
007	36200-65170	STUD	12	<=11629		[NZ][AU]	0.04	0.088
007	36500-65170	STUD	12	>=11630		[NZ][AU]	0.042	0.0924
008	02118-50100	NUT	12				0.005	0.011
009	04512-50100	WASHER SPRING	12				0	0
010	36200-65180	PIN	6				0.025	0.055
011	36200-65810	SPRING	6				0.003	0.0066
012	07715-00805	BALL	12				0.016	0.0352
013	05012-01325	PIN STRAIGHT	4				0.028	0.0616
014	36200-65210	GASKET	2				0	0
015	36200-65310	LEVER BRAKE CAM	2				0.35	0.77
016	36200-65330	LEVER BRAKE RH	1	<=10115			0.805	1.771
016	36200-65333	LEVER BRAKE RH	1	>=10001			0	0
017	36200-65340	LEVER BRAKE LH	1	<=10115			0.86	1.892
017	36200-65343	LEVER BRAKE LH	1	>=10001			0	0
018	04811-05250	O RING	2				0.001	0.0022
019	04612-00280	CIR-CLIP EXTERNAL	2				0.003	0.0066
020	01173-51270	BOLT	2				0.067	0.1474
021	04512-50120	WASHER SPRING	2				0	0
022	05411-00435	PIN SPRING	6				0.002	0.0044

BRAKE PEDAL



REF. No. ① 36200-6310-D



REF. No. ② 36200-6720-D

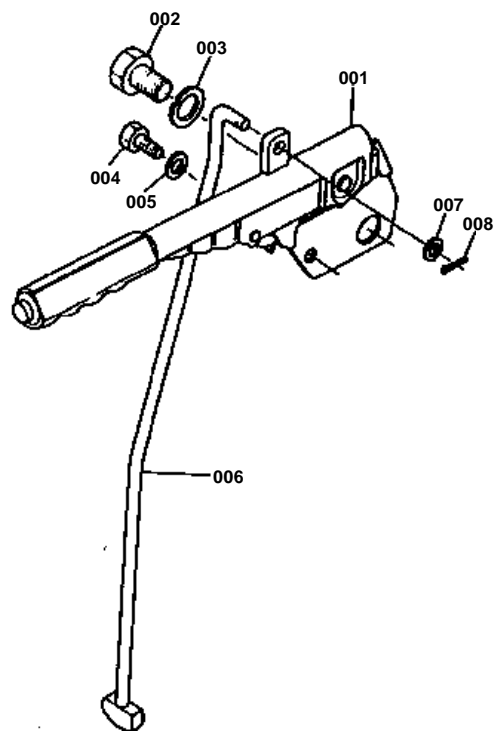


**BRAKE PEDAL**

↔ Interchangeable; ≠ not interchangeable; ← new for old; → old for new

REF.No	Part No.	Description	Q'ty	S.No.	I/C	REMARKS	Weight (kgf)	Weight (lb)
001	36200-67100	ASSY PEDAL BRAKE RH	1	≤10315			2.4	5.28
001	36200-67104	ASSY PEDAL BRAKE RH	1	≥10001			0	0
002	32150-28440	BUSH	2				0.043	0.0946
003	06613-20010	NIPPLE GREASE	1				0.01	0.022
004	36200-67200	ASSY PEDAL BRAKE LH	1	≤10315			2.5	5.5
004	36200-67203	ASSY PEDAL BRAKE LH	1	≥10001			2.4	5.28
005	36200-67310	SHAFT BRAKE PEDAL	1				2.28	5.016
006	36200-67330	SUPPORT PEDAL SHAFT	1				3.2	7.04
007	32150-28440	BUSH	2				0.043	0.0946
008	01173-51225	BOLT	3				0.033	0.0726
009	04512-50120	WASHER SPRING	3				0	0
010	33251-67340	COLLAR PEDAL SHAFT	1				0.029	0.0638
011	04612-00280	CIR-CLIP EXTERNAL	1				0.003	0.0066
012	06613-30010	NIPPLE GREASE	1				0.01	0.022
013	36200-67413	ROD BRAKE (1)	2				0	0
013	36200-67414	ROD BRAKE (1)	2				0	0
014	36200-67420	ROD BRAKE (2)	2				0.241	0.5302
015	37720-28980	BUCKLE TURN	2				0.099	0.2178
016	02172-50120	NUT	2				0.01	0.022
017	05122-51035	PIN JOINT	2				0.023	0.0506
018	05122-51028	PIN JOINT	2				0	0
019	04011-50100	WASHER PLAIN	4				0.002	0.0044
020	05511-50318	PIN SPLIT	4				0.001	0.0022
021	33251-26350	BOLT SET	1				0.045	0.099
022	37150-15840	SPRING	2				0.06	0.132

HAND BRAKE

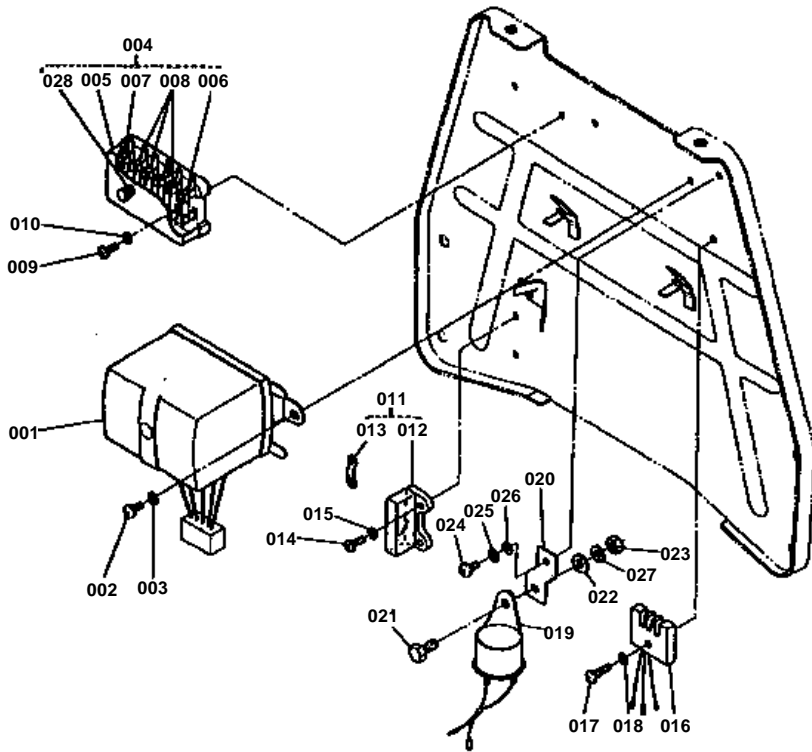




HAND BRAKE

↔ Interchangeable; ≠ not interchangeable; ← new for old; → old for new

REF.No	Part No.	Description	Q'ty	S.No.	I/C	REMARKS	Weight (kgf)	Weight (lb)
001	36200-67600	ASSY LEVER HAND BRAK	1				0	0
002	01170-52035	BOLT	1				0	0
003	04512-50200	WASHER SPRING	1				0	0
004	01173-51020	BOLT	1				0.017	0.0374
005	04512-50100	WASHER SPRING	1				0	0
006	36200-67752	ROD HAND BRAKE	1				0	0
007	04011-50100	WASHER PLAIN	1				0.002	0.0044
008	05511-50215	PIN SPLIT	1				0.001	0.0022



REF. No. 01048 | - 5025



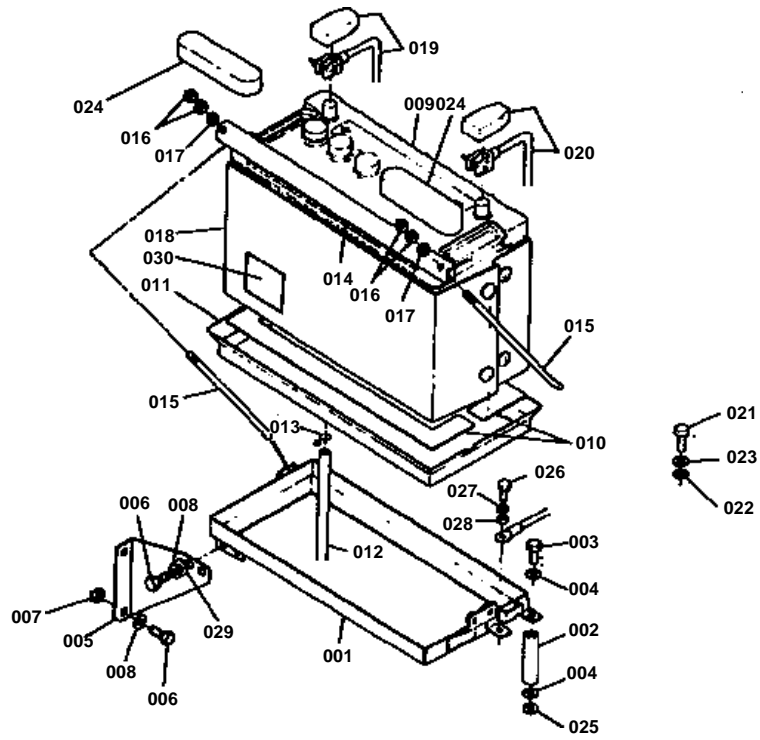
1 : 20 - 25 mm

**ELECTICAL**

↔ Interchangeable; ≠ not interchangeable; ← new for old; → old for new

REF.No	Part No.	Description	Q'ty	S.No.	I/C	REMARKS	Weight (kgf)	Weight (lb)
001	33251-74010	REGULATOR	1				0.35	0.77
002	03014-50612	SCREW PAN HEAD	2				0.003	0.0066
003	04411-50060	WASHER	2				0.001	0.0022
004	36200-75500	ASSY CASE FUSE	1				0.089	0.1958
004	36200-75503	ASSY CASE FUSE	1	>=10001			0	0
005	99999-99999	BLANK	0			ORDER BY REF.No.004	0	0
006	36200-75550	FUSE 3A	3				0.002	0.0044
007	36200-75560	FUSE 20A	1				0.002	0.0044
008	33251-75570	FUSE	3				0.001	0.0022
009	03014-50616	SCREW PAN HEAD	2				0.003	0.0066
010	04411-50060	WASHER	2				0.001	0.0022
011	36500-75370	ASSY FUSE	1				0.034	0.0748
012	54213-25150	CASE FUSE	1				0	0
013	36500-75380	FUSE	1				0.002	0.0044
014	03014-50616	SCREW	2				0.003	0.0066
015	04512-50060	WASHER SPRING	2				0	0
016	36200-75920	RECTIFIER	1				0.039	0.0858
017	03014-50620	SCREW	1				0	0
017	03014-50625	SCREW	1	>=10001			0	0
018	04512-50060	WASHER SPRING	1				0	0
019	36200-75590	FLASHER UNIT	1				0.03	0.066
020	36200-75840	BRACKET UNIT	1				0.01	0.022
021	01050-50616	BOLT	1				0	0
022	04012-50060	WASHER PLAIN	1				0.001	0.0022
023	02014-50060	NUT	1				0.003	0.0066
024	03014-50612	SCREW PAN HEAD	1				0.003	0.0066
025	04411-50060	WASHER	1				0.001	0.0022
026	04012-50060	WASHER PLAIN	1				0.001	0.0022
027	04512-50060	WASHER SPRING	1				0	0
028	36200-75580	SPRING	1				0	0

BATTERY

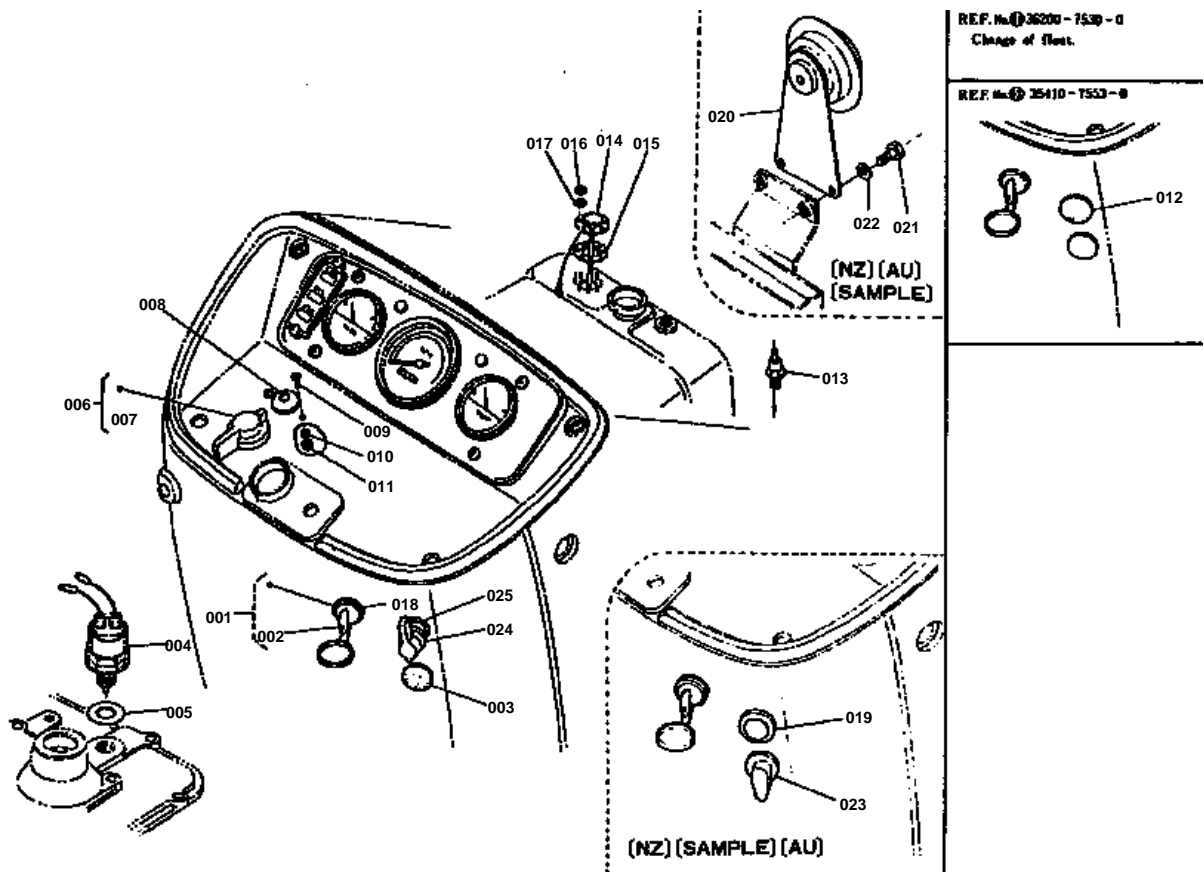


**BATTERY**

↔ Interchangeable; ≠ not interchangeable; ← new for old; → old for new

REF.No	Part No.	Description	Q'ty	S.No.	I/C	REMARKS	Weight (kgf)	Weight (lb)
001	36200-74110	SUPPORT BATTERY	1				0	0
002	36200-74160	JOINT	2				0.125	0.275
003	01173-51020	BOLT	2				0.017	0.0374
004	04512-50100	WASHER SPRING	4				0	0
005	36200-74170	STAY	1				0.29	0.638
006	01173-51025	BOLT	4				0.021	0.0462
007	02114-50100	NUT	1				0.005	0.011
008	04512-50100	WASHER SPRING	4				0	0
009	35450-74310	BATTERY	1				0	0
010	36200-74320	CUSHION	2				0.08	0.176
011	36200-74330	CASE	1				0.308	0.6776
012	36200-74340	PIPE	1				0.045	0.099
013	14301-42750	CLIP PIPE	1				0.005	0.011
014	36200-74350	RETAINER	1				0	0
015	36200-74360	ROD	2				0.107	0.2354
016	02114-50080	NUT	4				0.005	0.011
017	04012-50080	WASHER PLAIN	2				0.001	0.0022
018	36200-74380	COVER	1				0	0
019	36220-77112	CORD BATTERY	1				0	0
020	36220-77120	CORD	1				0.337	0.7414
021	01173-51025	BOLT	1				0.021	0.0462
022	04011-50100	WASHER PLAIN	1				0.002	0.0044
023	04512-50100	WASHER SPRING	1				0	0
024	36200-74370	COVER BATTERY	2				0.054	0.1188
025	04011-50100	WASHER PLAIN	2				0.002	0.0044
026	01153-50820	BOLT	1				0.012	0.0264
027	04512-50080	WASHER SPRING	1				0	0
028	04012-50080	WASHER PLAIN	1				0.001	0.0022
029	04011-50100	WASHER PLAIN	2				0.002	0.0044
030	35450-74390	LABEL	1	>=10316			0.001	0.0022

MAIN SWITCH



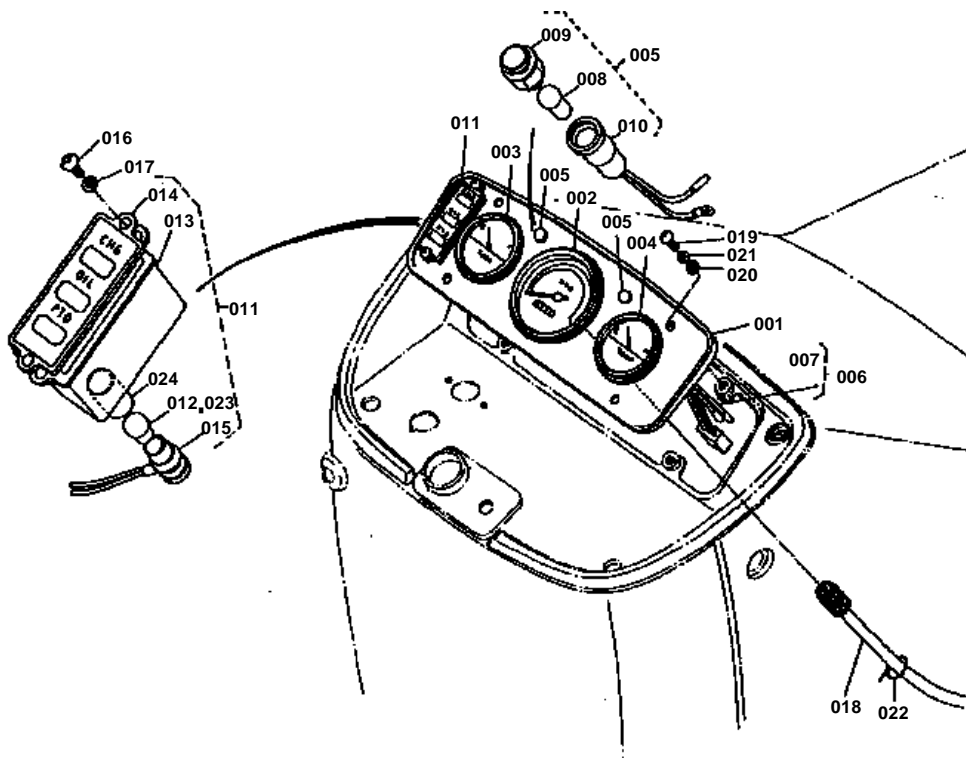


MAIN SWITCH

↔ Interchangeable; ≠ not interchangeable; ← new for old; → old for new

REF.No	Part No.	Description	Q'ty	S.No.	I/C	REMARKS	Weight (kgf)	Weight (lb)
001	32360-31800	SWITCH MAIN	1				0.19	0.418
002	32130-31810	KEY MAIN SWITCH	1				0.017	0.0374
003	34159-34290	PLUG	1			M4500 M4500DT(R) [CA]	0.004	0.0088
004	33251-75100	SWITCH SAFETY STARTE	1				0.095	0.209
005	33251-75130	GASKET	1				0.001	0.0022
006	32210-32200	SWITCH STARTER	1				0.275	0.605
007	32210-32210	ASSY KNOB	1				0.018	0.0396
008	15601-65950	GLOW PLUG	1				0.052	0.1144
009	03054-50510	SCREW PAN HEAD	2				0.003	0.0066
010	04512-50050	WASHER SPRING	2				0	0
011	02054-50050	NUT	3				0.002	0.0044
012	35410-75530	CAP	1			M4500 M4500DT(R) [CA]	0.003	0.0066
013	33400-75250	SWITCH	1				0.033	0.0726
014	33400-75300	UNIT TANK	1	<=10115			0	0
014	36200-75300	UNIT TANK	1	>=10001			0.182	0.4004
015	33251-75310	GASKET	1				0.005	0.011
016	02054-50040	NUT	6				0.001	0.0022
017	04512-50040	WASHER SPRING	6				0	0
018	34150-31810	GASKET	1				0.001	0.0022
019	33430-75540	SWITCH HORN	1			[NZ][SAMPLE][AU][SA]	0.067	0.1474
020	33430-75950	ASSY HORN	1			[NZ][SAMPLE][AU][SA]	0.33	0.726
021	01153-50830	BOLT	2			[NZ][SAMPLE][AU][SA]	0	0
022	04512-50080	WASHER SPRING	2			[NZ][SAMPLE][AU][SA]	0	0
023	54711-41150	SWITCH WINKER	1			[NZ][SAMPLE][AU][SA]	0.045	0.099
024	35450-75040	SWITCH HAZARD	1	>=11211		M4500 M4500DT(R) [CA]	0.15	0.33
025	04411-50220	WASHER	1			M4500 M4500DT(R) [CA]	0.01	0.022

PANNEL BOARD

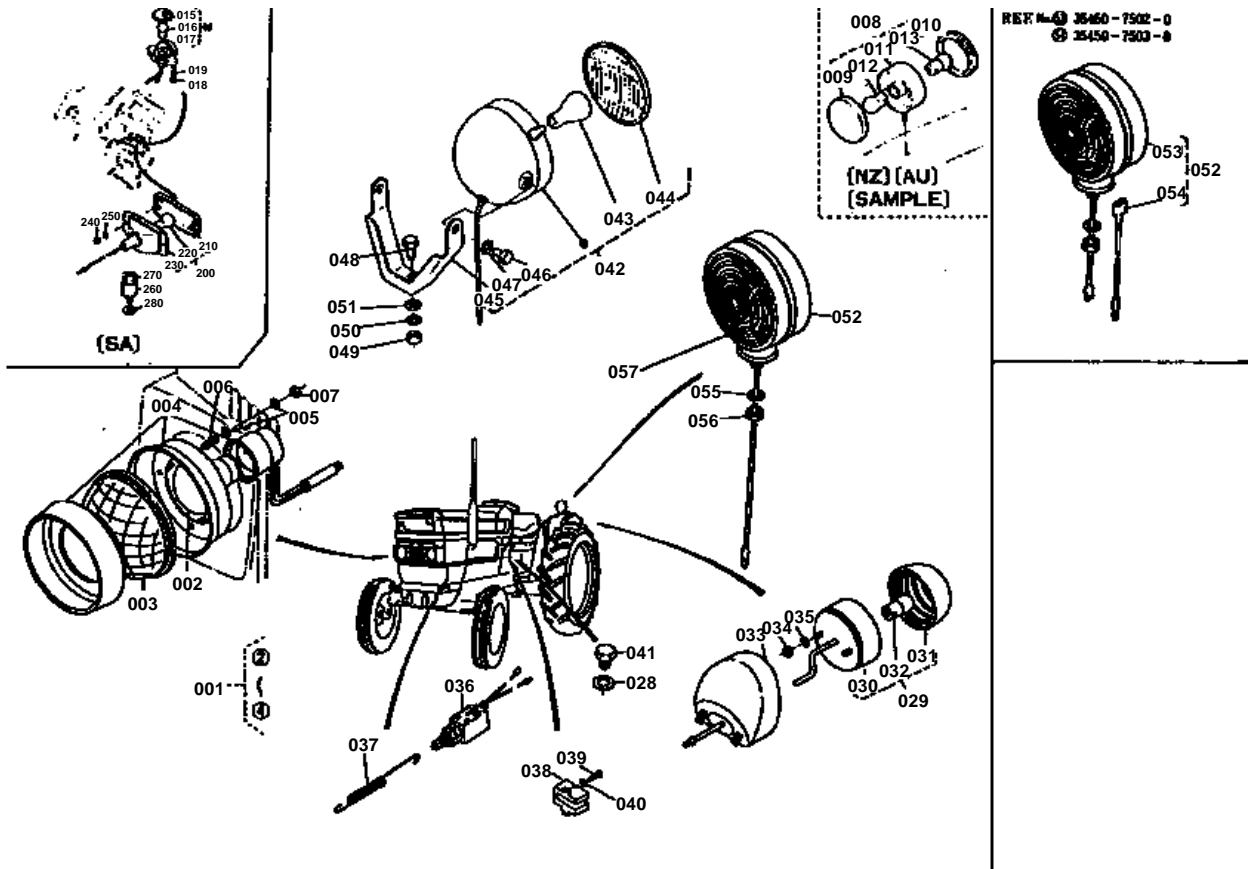




PANNEL BOARD

↔ Interchangeable; ≠ not interchangeable; ← new for old; → old for new

REF.No	Part No.	Description	Q'ty	S.No.	I/C	REMARKS	Weight (kgf)	Weight (lb)
001	36200-75670	PANEL	1				0.265	0.583
002	36200-75640	METER TRACTOR	1				0.48	1.056
003	36200-75680	METER TRACTOR	1				0.16	0.352
004	34260-31300	METER TRACTOR	1				0.144	0.3168
005	36200-75930	INDICATOR WINKER	2				0.014	0.0308
006	36200-75740	WIRING PANEL	1				0.115	0.253
007	33430-75750	BULB LAMP	1				0.002	0.0044
008	34150-34590	BULB	2				0.001	0.0022
009	36200-75950	LENS	2				0.003	0.0066
010	99999-99999	BLANK	0			ORDER BY REF.No.005	0	0
011	36200-75210	BOX PILOT	1				0.063	0.1386
012	33430-75750	BULB LAMP	1			3.4W	0.002	0.0044
013	99999-99999	BLANK	0			ORDER BY REF.No.011	0	0
014	36200-75230	CASE	1				0.001	0.0022
015	36200-75240	ASSY CORD	1				0.026	0.0572
016	03024-50510	SCREW	2				0.002	0.0044
017	04012-50050	WASHER PLAIN	2				0.001	0.0022
018	36200-30110	CABLE TRACTOR METER	1				0	0
019	03014-50620	SCREW	4				0	0
020	04012-50060	WASHER PLAIN	4				0.001	0.0022
021	04411-50060	WASHER	4				0.001	0.0022
022	34350-29380	CLAMP CORD	2				0.001	0.0022
023	36200-75760	BULB LAMP	2			1.7W	0.002	0.0044
024	36200-75270	PIPE	3				0.002	0.0044



**LAMP**

↔ Interchangeable; ≠ not interchangeable; ← new for old; → old for new

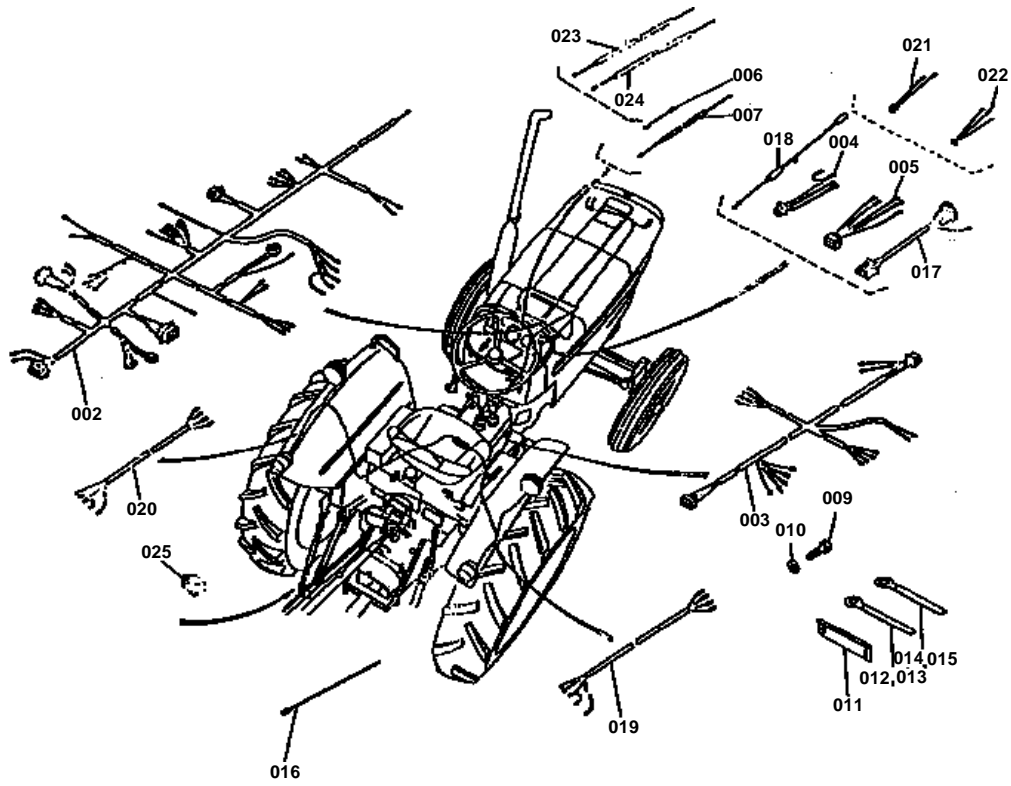
REF.No	Part No.	Description	Q'ty	S.No.	I/C	REMARKS	Weight (kgf)	Weight (lb)
001	34350-33800	ASSY LAMP HEAD	2	<=10585			0	0
001	35450-75280	ASSY LAMP HEAD	2	>=10001			0	0
001	36200-75280	ASSY LAMP HEAD	2	>=10001			0.375	0.825
002	32360-33840	BULB LAMP	2	<=10585			0.015	0.033
002	36200-75290	BULB LAMP	2	>=10001			0.05	0.11
003	34220-33850	LENS	2	<=10585			0.16	0.352
003	35450-75310	LENS	2	>=10001			0	0
003	36200-75310	LENS	2	>=10001			0.13	0.286
004	36200-75330	BODY	2				0.43	0.946
005	04013-50050	WASHER PLAIN	12			[SAMPLE]	0	0
005	04013-50050	WASHER PLAIN	6			[SAMPLE]	0	0
006	34350-33950	SPRING	6				0.001	0.0022
007	34350-33960	NUT	8				0.002	0.0044
008	33430-75410	LAMP	2			[NZ][SAMPLE][AU][SA]	0.28	0.616
009	36200-75420	LENS (1)	2			[NZ][SAMPLE][AU][SA]	0.05	0.11
010	36200-75430	LENS (2)	2			[NZ][SAMPLE][AU][SA]	0.05	0.11
011	99999-99999	BLANK	0			[NZ][SAMPLE][AU][SA] ORDER BY REF.No.008	0	0
012	36200-75450	BULB 23W	2			[NZ][SAMPLE][AU][SA]	0.008	0.0176
013	36200-75460	BULB 5W	2			[NZ][SAMPLE][AU][SA]	0.002	0.0044
014	33251-75860	ASSY LAMP	1			[SA]	0.075	0.165
015	99999-99999	BLANK	0			[SA] ORDER BY REF.No.014	0	0
016	36200-75830	BULB LAMP	1			[SA]	0.015	0.033
017	99999-99999	BLANK	0			[SA] ORDER BY REF.No.014	0	0
018	02054-50040	NUT	2			[SA]	0.001	0.0022
019	04512-50040	WASHER SPRING	2			[SA]	0	0
020	36200-75870	LAMP	1			[SA]	0.102	0.2244
021	36200-75970	LENS	1			[SA]	0.021	0.0462
022	36200-75980	BULB LAMP	1			[SA]	0.006	0.0132
023	99999-99999	BLANK	0			[SA] ORDER BY REF.No.020	0	0
024	02054-50040	NUT	2			[SA]	0.001	0.0022
025	04512-50040	WASHER SPRING	2			[SA]	0	0
026	36200-75320	SWITCH LAMP	1			[SA]	0.07	0.154
027	33250-34880	CAP	1			[SA]	0.03	0.066
028	04711-00120	GASKET	1				0.001	0.0022
029	34350-34100	LAMP TAIL	2				0.13	0.286
030	99999-99999	BLANK	0			ORDER BY REF.No.029	0	0
031	34350-34120	LENS TAIL LAMP	2				0.05	0.11
032	34350-34140	LAMP	2				0.008	0.0176
033	34350-34190	HOLDER	2				0.107	0.2354
034	02014-50060	NUT	4				0.003	0.0066
035	04512-50060	WASHER SPRING	4				0	0
036	36200-75480	SWITCH STOP	1				0	0
037	36200-75490	SPRING	1				0.014	0.0308
038	36200-75260	SWITCH PTO	1				0.025	0.055
039	03054-50516	SCREW PAN HEAD	2				0.004	0.0088
040	04512-50050	WASHER SPRING	2				0	0
041	35410-75330	PLUG	1				0.02	0.044
042	35305-31400	ASSY LAMP WORKING	1			[OC][SAMPLE][AU][SA]	0	0
043	68331-53360	BULB 12V35W	1			[OC][SAMPLE][AU][SA]	0.015	0.033
044	68331-53310	LENS	1			[OC][SAMPLE][AU][SA]	0.15	0.33
045	35305-31410	STAY LAMP	1			[OC][SAMPLE][AU][SA]	0.24	0.528
046	01153-50820	BOLT	2			[OC][SAMPLE][AU][SA]	0.012	0.0264
047	04512-50080	WASHER SPRING	2			[OC][SAMPLE][AU][SA]	0	0
048	01173-51018	BOLT	1			[OC][SAMPLE][AU][SA]	0.018	0.0396
049	02176-50100	NUT	1			[OC][SAMPLE][AU][SA]	0.005	0.011
050	04512-50100	WASHER SPRING	1			[OC][SAMPLE][AU][SA]	0	0
051	04013-50100	WASHER PLAIN	1			[OC][SAMPLE][AU][SA]	0	0

**LAMP**

↔ Interchangeable; ≠ not interchangeable; ← new for old; → old for new

REF.No	Part No.	Description	Q'ty	S.No.	I/C	REMARKS	Weight (kgf)	Weight (lb)
052	35450-75010	ASSY LAMP HAZARD FRA	2	>=11211		M4500 M4500DT(R) [CA]	0.3	0.66
053	35450-75020	LAMP HAZARD FRASHER	2			M4500 M4500DT(R) [CA]	0.31	0.682
054	35450-75030	CORD HAZARD LAMP	2			M4500 M4500DT(R) [CA]	0.005	0.011
055	04512-50100	WASHER SPRING	2			M4500 M4500DT(R) [CA]	0	0
056	02114-50100	NUT	2			M4500 M4500DT(R) [CA]	0.005	0.011
057	35450-75022	VALVE HAZARD FRASHER	2			M4500 M4500DT(R) [CA]	0.008	0.0176

WIRE HARNESS

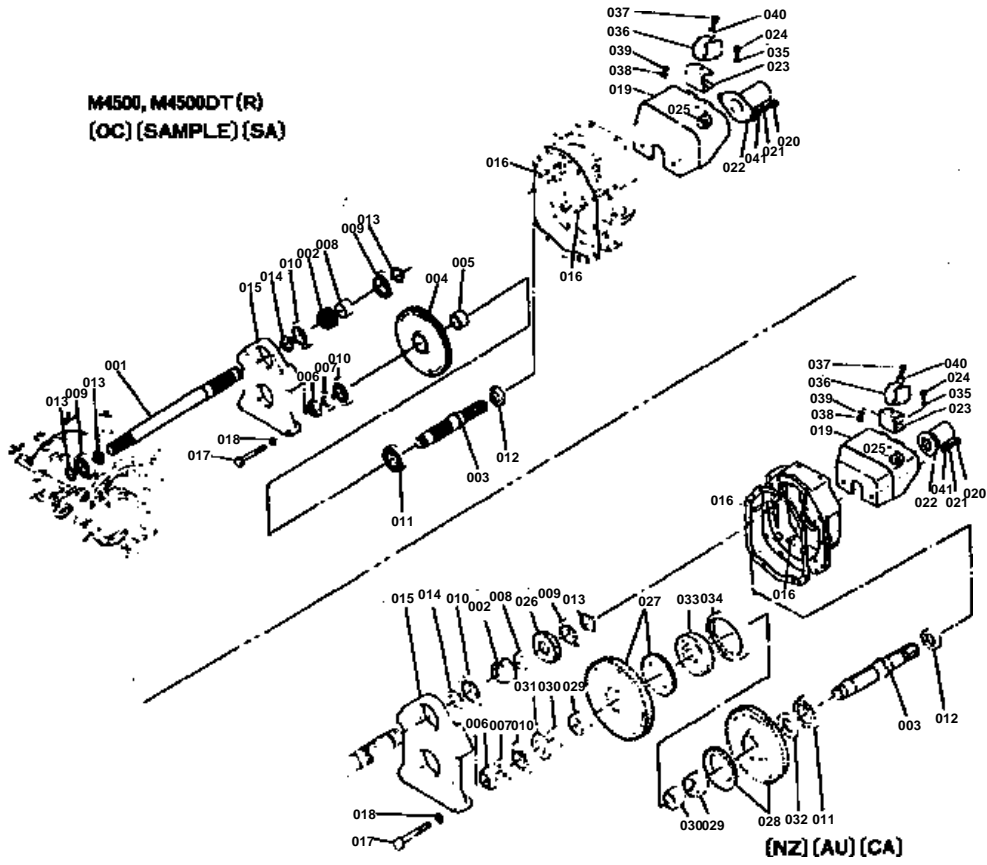


**WIRE HARNESS**

↔ Interchangeable; ≠ not interchangeable; ← new for old; → old for new

REF.No	Part No.	Description	Q'ty	S.No.	I/C	REMARKS	Weight (kgf)	Weight (lb)
001	35410-77200	ASSY WIRE HARNESS	1	<=11210		M4500 M4500DT(R) [CA]	1.7	3.74
001	35410-77202	ASSY WIRE HARNESS	1	>=11211		M4500 M4500DT(R) [CA]	1.7	3.74
001	36200-77200	ASSY WIRE HARNESS	1			[NZ][SA]	2.08	4.576
001	35452-77200	ASSY WIRE HARNESS	1			[SAMPLE][AU]	1.88	4.136
002	35410-77212	WIRE HARNESS 1	1			M4500 M4500DT(R) [OC]	0	0
002	36200-77210	WIRE HARNESS 1	1				1.17	2.574
003	35410-77220	WIRE HARNESS 2	1			M4500 M4500DT(R) [OC][CA]	0.338	0.7436
003	35452-77220	WIRE HARNESS 2	1			M4500 M4500DT(R) [OC][CA]	0.36	0.792
003	36200-77220	WIRE HARNESS 2	1			[NZ][SA]	0.518	1.1396
004	36200-77250	WIRE HARNESS 5	1				0.045	0.099
005	36200-77270	WIRE HARNESS 7	1				0.06	0.132
006	36200-77320	WIRE HARNESS 11	1				0.012	0.0264
007	36200-77330	WIRE HARNESS 12	1				0.012	0.0264
008	33251-77360	CORD	1			NOT SHOWN IN FIG.	0.003	0.0066
009	03054-50310	SCREW PAN HEAD	2			M4500 M4500DT(R) [OC][CA][SA]	0.005	0.011
010	04512-50040	WASHER SPRING	2			M4500 M4500DT(R) [OC][CA][SA]	0	0
011	36200-77510	CLAMP CORD 1	1				0.04	0.088
012	36200-77520	CLAMP CORD 2	1				0.007	0.0154
013	36200-77530	CLAMP CORD 3	2				0.008	0.0176
014	34150-29390	CLAMP CORD	2				0.004	0.0088
015	13313-69750	CLAMP CORD	1				0	0
016	36200-77650	BAND CORD	1				0.002	0.0044
016	34350-29380	BAND CORD	2				0.001	0.0022
017	35450-77340	WIRE HARNESS HAZARD	1			M4500 M4500DT(R) [OC][CA]	0.02	0.044
018	35450-77350	WIRE HARNESS HAZARD	1			M4500 M4500DT(R) [OC][CA]	0.018	0.0396
019	36200-77230	WIRE HARNESS 3	1				0.076	0.1672
020	36200-77240	WIRE HARNESS 4	1				0.072	0.1584
021	36200-77262	WIRE HARNESS 6	1			[NZ][SAMPLE][AU][SA]	0.01	0.022
022	36200-77280	WIRE HARNESS 8	1			[NZ][SAMPLE][AU][SA]	0.015	0.033
023	36200-77290	WIRE HARNESS 9	1			[NZ][SAMPLE][AU][SA]	0.015	0.033
024	36200-77310	WIRE HARNESS 10	1			[NZ][SAMPLE][AU][SA]	0.015	0.033
025	36200-77390	CAP	1			[NZ][SAMPLE][AU][SA]	0.008	0.0176
026	04512-50080	WASHER SPRING	1			NOT SHOWN IN FIG.	0	0
027	02014-50060	NUT	1			NOT SHOWN IN FIG.	0.003	0.0066
028	04512-50060	WASHER SPRING	1			NOT SHOWN IN FIG.	0	0

PTO SHAFT



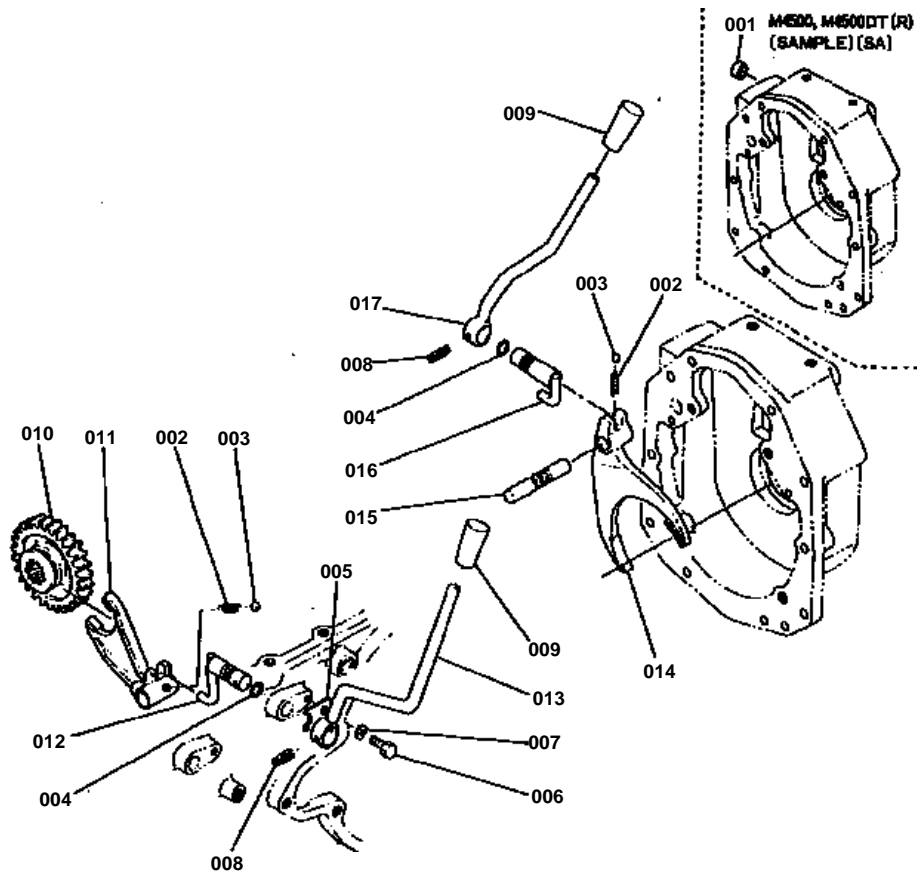


PTO SHAFT

↔ Interchangeable; ≠ not interchangeable; ← new for old; → old for new

REF.No	Part No.	Description	Q'ty	S.No.	I/C	REMARKS	Weight (kgf)	Weight (lb)
001	36200-80110	SHAFT PTO	1				3.1	6.82
002	36200-80120	GEAR 16	1				0.2	0.44
003	36200-80144	SHAFT PTO	1				0	0
003	36200-97670	SHAFT PTO	1	>=10001			0	0
004	35450-80150	GEAR 65	1			M4500 M4500DT(R) [OC][SAMPLE][SA]	3.74	8.228
005	35450-80230	COLLAR	1			M4500 M4500DT(R) [OC][SAMPLE][SA]	0	0
006	34150-25330	NUT	1				0.04	0.088
007	34150-27150	COLLAR	1				0.035	0.077
008	35450-80180	COLLAR	1			M4500 M4500DT(R) [OC][SAMPLE][SA]	0.25	0.55
008	36200-80180	COLLAR	1	>=11588		[NZ][AU][CA]	0.14	0.308
009	08101-06306	BEARING BALL	2			6306	0.335	0.737
010	08101-06307	BEARING BALL	2			6307	0.44	0.968
011	08101-06208	BEARING BALL	1			6208	0.355	0.781
012	09503-85811	SEAL OIL	1			TC38*58*11	0.028	0.0616
013	04612-00300	CIR-CLIP EXTERNAL	3				0.003	0.0066
014	04612-00350	CIR-CLIP EXTERNAL	1				0.01	0.022
015	36200-80210	SUPPORT PTO BEARING	1				4.4	9.68
016	05012-01020	PIN STRAIGHT	2				0.02	0.044
017	01173-51260	BOLT	4				0.06	0.132
018	04512-50120	WASHER SPRING	4				0	0
019	33251-80340	COVER PTO	1				0	0
020	01153-50822	BOLT	2				0.011	0.0242
021	04512-50080	WASHER SPRING	2				0	0
022	33430-90610	COVER PTO SHAFT	1			M4500 M4500DT(R) [OC][SAMPLE][SA]	0.4	0.88
022	31220-25820	CAP	1			[NZ][AU][CA]	0.055	0.121
023	33400-91960	BRACKET	1				0.092	0.2024
024	01050-50620	BOLT	2				0.006	0.0132
025	02014-50060	NUT	2				0.003	0.0066
026	36200-80130	GEAR 23	1			[NZ][AU][CA]	0.6	1.32
027	36200-80150	GEAR 65	1			[NZ][AU][CA]	3.9	8.58
028	36200-80160	GEAR 58	1			[NZ][AU][CA]	2.7	5.94
029	36200-80190	BUSH	2			[NZ][AU][CA]	0.084	0.1848
030	36200-28330	RING INNER	2			[NZ][AU][CA]	0.088	0.1936
031	36200-28610	COLLAR THRUST 1	1			[NZ][AU][CA]	0.048	0.1056
032	36200-32380	COLLAR THRUST 2	1			[NZ][AU][CA]	0.041	0.0902
033	36200-32360	COUPLING	1			[NZ][AU][CA]	1.13	2.486
034	36200-32370	SHIFTER	1			[NZ][AU][CA]	0.46	1.012
035	04512-50060	WASHER SPRING	2				0	0
036	33400-91970	SPRING TOP LINK	1				0.078	0.1716
037	01153-50835	BOLT	1				0.016	0.0352
038	02054-50080	NUT	1				0.005	0.011
039	04512-50080	WASHER SPRING	1				0	0
040	36200-91980	COLLAR	1				0.012	0.0264
041	04013-50080	WASHER PLAIN	2				0	0

SHIFT FORK

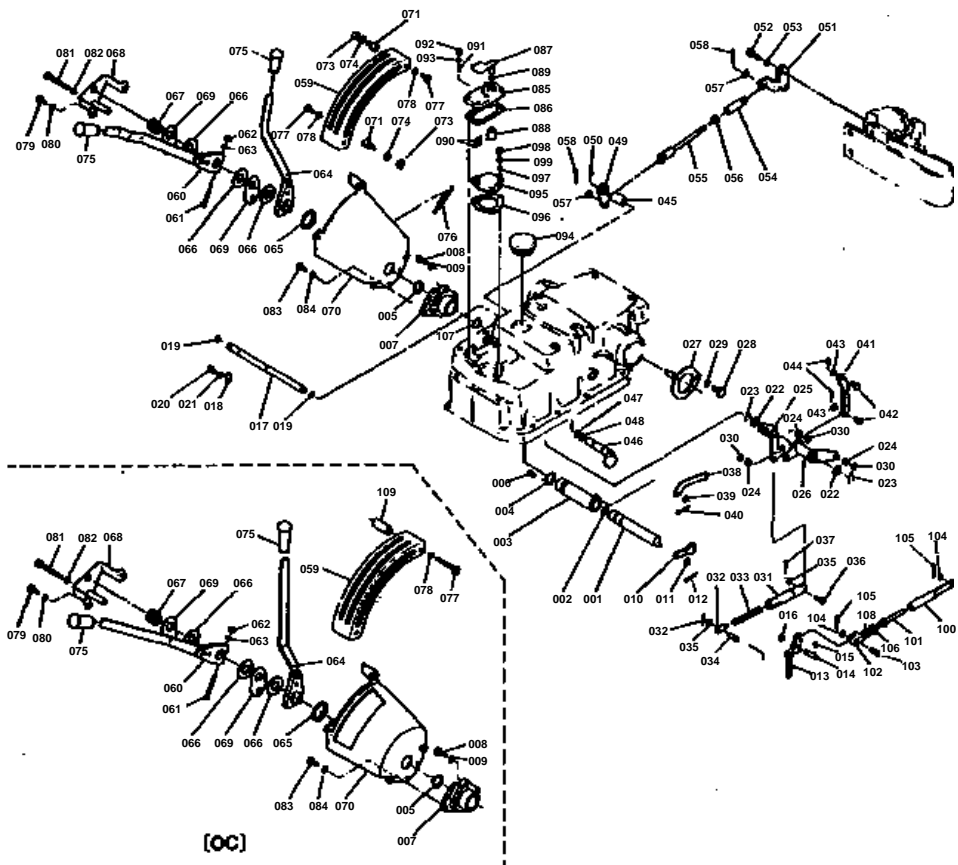


**SHIFT FORK**

↔ Interchangeable; ≠ not interchangeable; ← new for old; → old for new

REF.No	Part No.	Description	Q'ty	S.No.	I/C	REMARKS	Weight (kgf)	Weight (lb)
001	36200-21240	PLUG	1			EXCEPT [NZ][AU][CA]	0	0
002	62231-18530	SPRING STOPPER	1			EXCEPT [NZ][AU][CA]	0.01	0.022
002	62231-18530	SPRING STOPPER	2			[NZ][AU][CA]	0.01	0.022
003	07715-03211	BALL	1			EXCEPT [NZ][AU][CA]	0.003	0.0066
003	07715-03211	BALL	2			[NZ][AU][CA]	0.003	0.0066
004	04811-00150	O RING	1			EXCEPT [NZ][AU][CA]	0.001	0.0022
004	04811-00150	O RING	2			[NZ][AU][CA]	0.001	0.0022
005	34150-24350	STOPPER LEVER	1			EXCEPT [NZ][AU][CA]	0.015	0.033
005	34150-24350	STOPPER LEVER	2			[NZ][AU][CA]	0.015	0.033
006	01153-50814	BOLT	1			EXCEPT [NZ][AU][CA]	0.009	0.0198
006	01153-50814	BOLT	2			[NZ][AU][CA]	0.009	0.0198
007	04512-50080	WASHER SPRING	1			EXCEPT [NZ][AU][CA]	0	0
007	04512-50080	WASHER SPRING	2			[NZ][AU][CA]	0	0
008	05411-00628	PIN SPRING	1			EXCEPT [NZ][AU][CA]	0.004	0.0088
008	05411-00628	PIN SPRING	2			[NZ][AU][CA]	0.004	0.0088
009	06914-00120	GRIP LEVER	1			EXCEPT [NZ][AU][CA]	0.018	0.0396
009	06914-00120	GRIP LEVER	2			[NZ][AU][CA]	0.018	0.0396
010	36200-80410	GEAR 31	1				1.1	2.42
011	36200-80450	FORK PTO SHAFT	1				0.368	0.8096
012	36200-31350	LEVER SHIFT	1				0.157	0.3454
013	36200-80470	LEVER PTO	1				0.377	0.8294
014	36200-80240	FORK SHIFT	1			[NZ][AU][CA]	0.47	1.034
015	36200-80250	ROD	1			[NZ][AU][CA]	0.126	0.2772
016	36200-80260	LEVER SHIFT	1			[NZ][AU][CA]	0.17	0.374
017	36200-80270	LEVER PTO	1			[NZ][AU][CA]	0.237	0.5214

POSITION OPERATE





POSITION OPERATE

↔ Interchangeable; ≠ not interchangeable; ← new for old; → old for new

REF.No	Part No.	Description	Q'ty	S.No.	I/C	REMARKS	Weight (kgf)	Weight (lb)
001	36200-81110	SHAFT	1				0.44	0.968
002	04811-00180	O RING	1				0.001	0.0022
003	36200-81120	SHAFT	1				0.324	0.7128
004	04811-06260	O RING	1				0.001	0.0022
005	04612-00300	CIR-CLIP EXTERNAL	1				0.003	0.0066
006	05712-00510	KEY	1				0.002	0.0044
007	36200-81130	BRACKET	1				0.56	1.232
008	01153-50822	BOLT	3				0.011	0.0242
009	04512-50080	WASHER SPRING	3				0	0
010	36200-81150	CONNECTOR POSITION	1				0	0
011	04012-50080	WASHER PLAIN	1				0.001	0.0022
012	05511-51612	PIN SPLIT	1				0.001	0.0022
013	36200-81160	RETAINER	1				0.094	0.2068
014	36200-81170	PIN	1				0.021	0.0462
015	05411-00420	PIN SPRING	1				0.001	0.0022
016	04612-00100	CIR-CLIP EXTERNAL	1				0.001	0.0022
017	36200-81180	SHAFT	1				0.326	0.7172
018	36200-81190	STOPPER	1				0.008	0.0176
019	04811-10120	O RING	2				0.001	0.0022
020	01153-50816	BOLT	1				0.01	0.022
021	04512-50080	WASHER SPRING	1				0	0
022	04011-50140	WASHER PLAIN	2				0.007	0.0154
023	36200-81210	CIR-CLIP	2				0.001	0.0022
024	36200-81220	ROLLER	3				0.008	0.0176
025	36200-81230	CONNECTER	1				0.166	0.3652
026	36200-81240	BALANCER POSITION	1				0	0
027	36200-81250	CAM	1				0.25	0.55
028	01173-51022	BOLT	1				0.019	0.0418
029	04512-50100	WASHER SPRING	1				0	0
030	04612-00100	CIR-CLIP EXTERNAL	3				0.001	0.0022
031	36200-81260	BRACKET 1	1				0	0
032	36200-81270	BRACKET 2	1				0.026	0.0572
033	36200-81280	SPRING	1				0.019	0.0418
034	05122-50630	PIN JOINT	1				0.006	0.0132
035	04012-50060	WASHER PLAIN	2				0.001	0.0022
036	05122-50625	PIN JOINT	1				0.006	0.0132
037	05511-51612	PIN SPLIT	2				0.001	0.0022
038	36200-81310	LINK 1	1				0.064	0.1408
039	04012-50080	WASHER PLAIN	1				0.001	0.0022
040	05511-51612	PIN SPLIT	1				0.001	0.0022
041	36200-81320	LINK 2	1				0	0
042	05122-50818	PIN JOINT	2				0.008	0.0176
043	04012-50080	WASHER PLAIN	2				0.001	0.0022
044	05511-50215	PIN SPLIT	2				0.001	0.0022
045	36200-81330	BUSH	1				0.04	0.088
046	36200-81340	CAM	1				0.145	0.319
047	04811-05120	O RING	1				0.001	0.0022
048	04612-00150	CIR-CLIP EXTERNAL	1				0.001	0.0022
049	36200-81350	LEVER	1				0.074	0.1628
050	05411-00525	PIN SPRING	1				0.002	0.0044
051	36200-81360	LEVER	1				0.184	0.4048
052	01173-51028	BOLT	2				0.022	0.0484
053	04512-50100	WASHER SPRING	2				0	0
054	32280-41320	BRACKET ROD	1				0.05	0.11
055	36200-81380	ROD	1				0.092	0.2024
056	02116-50100	NUT	1				0.004	0.0088
057	04011-50100	WASHER PLAIN	2				0.002	0.0044
058	05511-50318	PIN SPLIT	2				0.001	0.0022
059	36200-81410	GUIDE	1				0.5	1.1

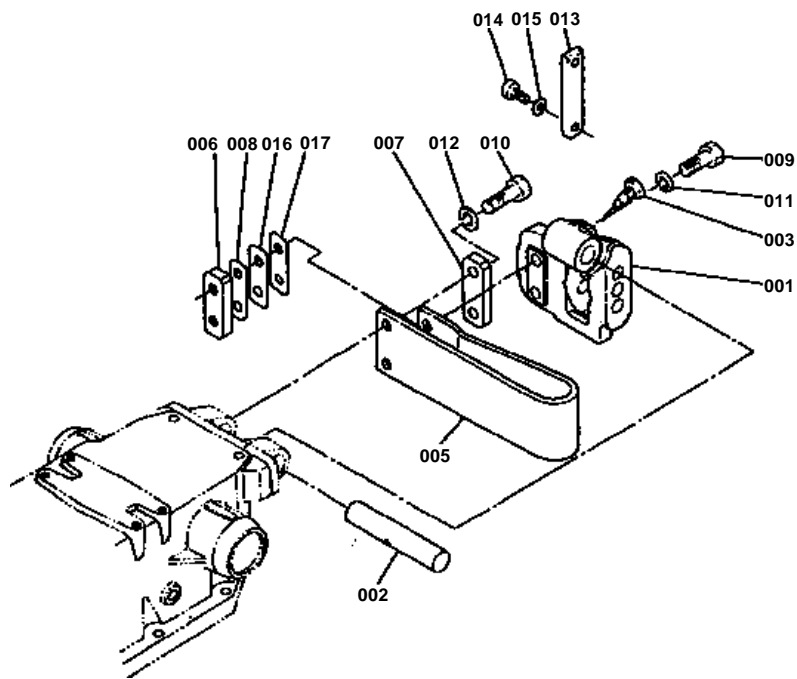


POSITION OPERATE

↔ Interchangeable; ≠ not interchangeable; ← new for old; → old for new

REF.No	Part No.	Description	Q'ty	S.No.	I/C	REMARKS	Weight (kgf)	Weight (lb)
060	36200-81424	LEVER	1			EXCEPT [OC]	0.34	0.748
061	36200-81530	BOLT	1				0.016	0.0352
062	02056-50060	NUT	1				0.002	0.0044
063	04512-50060	WASHER SPRING	1				0	0
064	36200-81434	LEVER	1			EXCEPT [OC]	0.31	0.682
065	36200-81440	WASHER	1				0.005	0.011
066	36200-81450	WASHER	3				0.006	0.0132
067	36200-81460	SPRING	1				0.03	0.066
068	36200-81470	PLATE	1				0.189	0.4158
069	36200-81480	PLATE	2				0.034	0.0748
070	36200-81513	PLATE HYD.GUIDE	1			M4500 M4500DT(R) [CA]	1	2.2
070	35700-81510	PLATE HYD.GUIDE	1	>=12111		M4500 M4500DT(R) [CA]	1	2.2
070	36200-81513	PLATE HYD.GUIDE	1			[NZ][SAMPLE][AU][SA]	1	2.2
071	36200-81520	STOPPER LEVER	2			EXCEPT [OC]	0.034	0.0748
072	99999-99999	BLANK	0			EXCEPT [OC]	0	0
073	36200-81540	NUT	2			EXCEPT [OC]	0.075	0.165
074	04013-50100	WASHER PLAIN	2			EXCEPT [OC]	0	0
075	34350-36890	GRIP LEVER	2				0.016	0.0352
076	36200-81550	SPRING	1				0.01	0.022
077	01153-50816	BOLT	2			EXCEPT [OC]	0.01	0.022
078	04512-50080	WASHER SPRING	2				0	0
079	01053-50616	BOLT	2				0.005	0.011
080	04512-50060	WASHER SPRING	2				0	0
081	01153-50870	BOLT	1				0.026	0.0572
082	04512-50080	WASHER SPRING	1				0	0
083	01153-50816	BOLT	2				0.01	0.022
084	04512-50080	WASHER SPRING	2				0	0
085	36200-81610	COVER	1				0.289	0.6358
086	36200-81620	GASKET	1				0.002	0.0044
087	36200-81630	LEVER	1				0.06	0.132
088	36200-81640	JOINT	1				0.022	0.0484
089	04811-00070	O RING	1				0.001	0.0022
090	05411-00320	PIN SPRING	2				0.001	0.0022
091	01513-50822	STUD	4				0.01	0.022
092	02114-50080	NUT	4				0.005	0.011
093	04512-50080	WASHER SPRING	4				0	0
094	36200-81670	PLUG	1				0	0
095	36200-81680	COVER	1				0.107	0.2354
096	36200-81690	GASKET	1				0.002	0.0044
097	01513-50814	STUD	3				0.008	0.0176
098	02114-50080	NUT	3				0.005	0.011
099	04512-50080	WASHER SPRING	3				0	0
100	36200-81710	ROD 1	1				0.03	0.066
101	36200-81720	ROD 2	1				0.037	0.0814
102	36200-81730	BRACKET	1				0.06	0.132
103	05122-50830	PIN JOINT	1				0.014	0.0308
104	04012-50080	WASHER PLAIN	2				0.001	0.0022
105	05511-50215	PIN SPLIT	2				0.001	0.0022
106	02112-50080	NUT	1				0.003	0.0066
107	04811-50450	O RING	1				0.003	0.0066
108	04512-50080	WASHER SPRING	1				0	0

TOP LINK

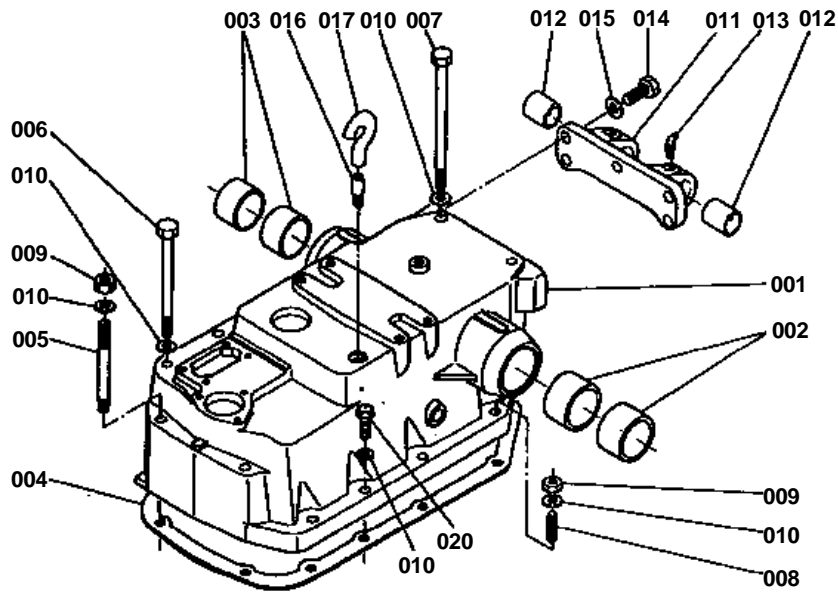


**TOP LINK**

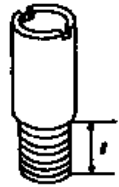
↔ Interchangeable; ≠ not interchangeable; ← new for old; → old for new

REF.No	Part No.	Description	Q'ty	S.No.	I/C	REMARKS	Weight (kgf)	Weight (lb)
001	36200-81810	BRACKET TOP LINK	1				0	0
002	32280-41430	SHAFT TOP LINK BRACK	1				0.5	1.1
003	33251-26350	BOLT SET	1				0.045	0.099
004	99999-99999	BLANK	0				0	0
005	36200-81840	SPRING	1				3.6	7.92
006	36200-81850	RETAINER SPRING 1	1				0.323	0.7106
007	36200-81860	RETAINER SPRING 2	1				0.36	0.792
008	36200-81870	SHIM SPRING ADJUST	3				0.005	0.011
009	01176-51440	BOLT	2				0.061	0.1342
010	01173-51650	BOLT	2				0.099	0.2178
011	04512-50140	WASHER SPRING	2				0	0
012	04512-50160	WASHER SPRING	2				0	0
013	36200-81880	BRACKET	1				0.23	0.506
014	01173-51230	BOLT	2				0.037	0.0814
015	04512-50120	WASHER SPRING	2				0	0
016	36200-81890	SHIM SPRING ADJUST 2	1				0.056	0.1232
017	36200-81830	SHIM SPRING ADJUST 3	2				0.003	0.0066

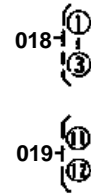
CYLINDER



REF. No. G38200-3161-2



f: M-7mm



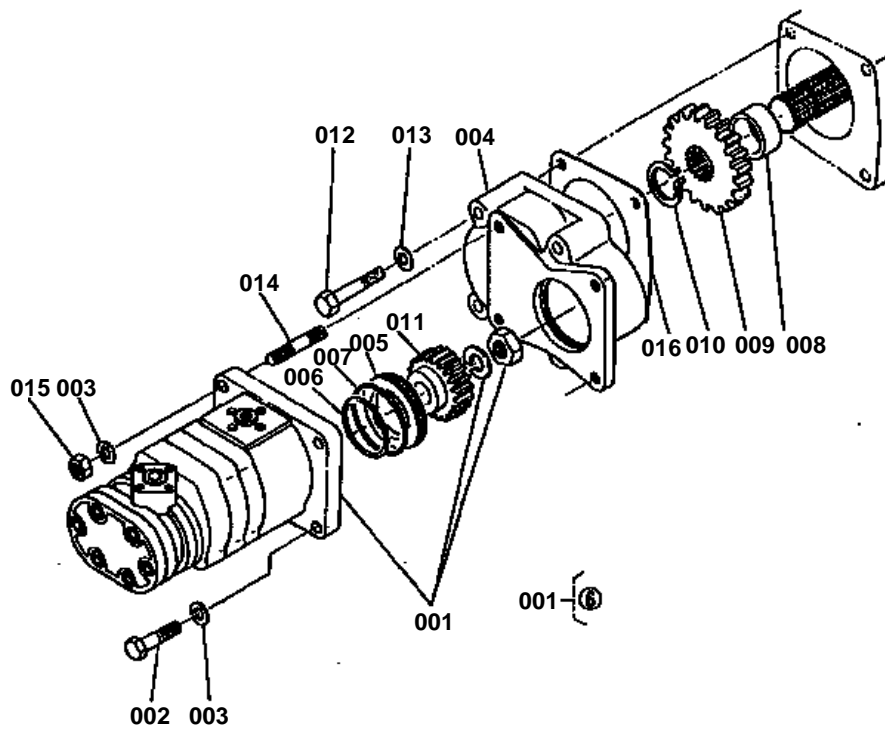


CYLINDER

↔ Interchangeable; ≠ not interchangeable; ← new for old; → old for new

REF.No	Part No.	Description	Q'ty	S.No.	I/C	REMARKS	Weight (kgf)	Weight (lb)
001	99999-99999	BLANK	0			ORDER BY REF.No.018	0	0
002	33251-82060	BUSH O/P ARM SHAFT R	2				0	0
003	36200-82130	BUSH O/P ARM SHAFT L	2				0	0
004	36200-82140	GASKET	1				0	0
005	36200-82150	STUD	2				0.12	0.264
006	36200-82160	BOLT	3				0.14	0.308
007	36200-82170	BOLT	2			M4500 M4500DT(R) [CA][OC]	0.17	0.374
007	35450-82170	BOLT	2	>=10526		M4500 M4500DT(R) [CA][OC]	0.16	0.352
007	35702-82170	BOLT	2	>=11211		M4500 M4500DT(R) [CA][OC]	0.196	0.4312
007	36200-82170	BOLT	2	<=10879		[NZ][AU][SA]	0.17	0.374
007	35702-82170	BOLT	2	>=10880		[NZ][AU][SA]	0.196	0.4312
007	36200-82170	BOLT	2			[SAMPLE]	0.17	0.374
008	01574-51240	STUD	2				0	0
009	02176-50120	NUT	4				0.01	0.022
010	04512-50120	WASHER SPRING	12				0	0
011	99999-99999	BLANK	0			ORDER BY REF.No.019	0	0
012	32280-41440	BUSH	2				0.044	0.0968
013	06613-30010	NIPPLE GREASE	2				0.01	0.022
014	01173-51235	BOLT	5				0.04	0.088
015	04512-50120	WASHER SPRING	5				0	0
016	36200-21610	BREATHER 1	1				0.008	0.0176
016	36200-21612	BREATHER 1	1	>=10001			0	0
017	36200-21620	BREATHER 2	1				0.006	0.0132
018	36200-82100	ASSY CYLINDER OIL PR	1				35.75	78.65
019	36200-82120	ASSY BRACKET TOP LIN	1				2.002	4.4044
020	01173-51240	BOLT	3				0.045	0.099

OIL PUMP



REF. No. L. 3020 - 020 - 2

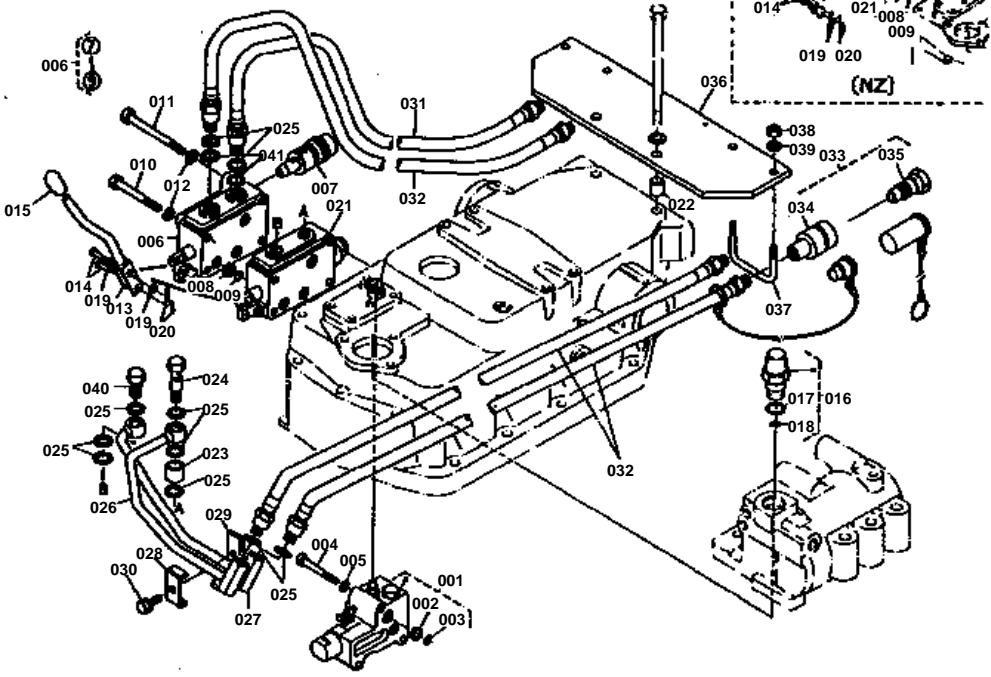
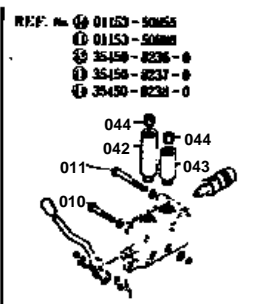
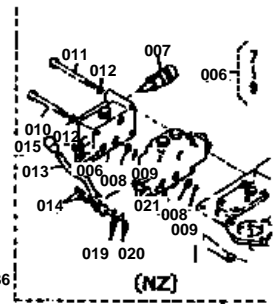
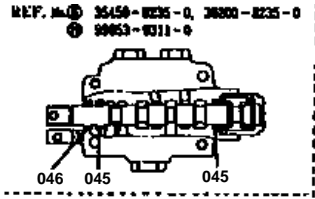
Change of rated
pressure :
100-150kg/cm²

**OIL PUMP**

↔ Interchangeable; ≠ not interchangeable; ← new for old; → old for new

REF.No	Part No.	Description	Q'ty	S.No.	I/C	REMARKS	Weight (kgf)	Weight (lb)
001	36220-82200	PUMP OIL PRESSURE	1	≤10541			0	0
001	36220-82202	PUMP OIL PRESSURE	1	≥10001			0	0
002	01153-50832	BOLT	2				0.015	0.033
003	04512-50080	WASHER SPRING	4				0	0
004	36200-82240	HOLDER OIL PUMP	1				1.52	3.344
005	36200-82250	RING	1				0.072	0.1584
006	04811-06400	O RING	1				0.001	0.0022
007	04811-10500	O RING	1				0.001	0.0022
008	36200-82260	COLLAR	1				0.035	0.077
009	36200-82270	GEAR 26	1				0.345	0.759
010	04612-00250	CIR-CLIP EXTERNAL	1				0.002	0.0044
011	36200-82280	GEAR 17	1				0.18	0.396
012	01153-50850	BOLT	4				0.02	0.044
013	04512-50080	WASHER SPRING	4				0	0
014	01513-50830	STUD	2				0	0
015	02114-50080	NUT	2				0.005	0.011
016	34150-37860	GASKET	1				0	0

CONTROL VALVE





CONTROL VALVE

↔ Interchangeable; ≠ not interchangeable; ← new for old; → old for new

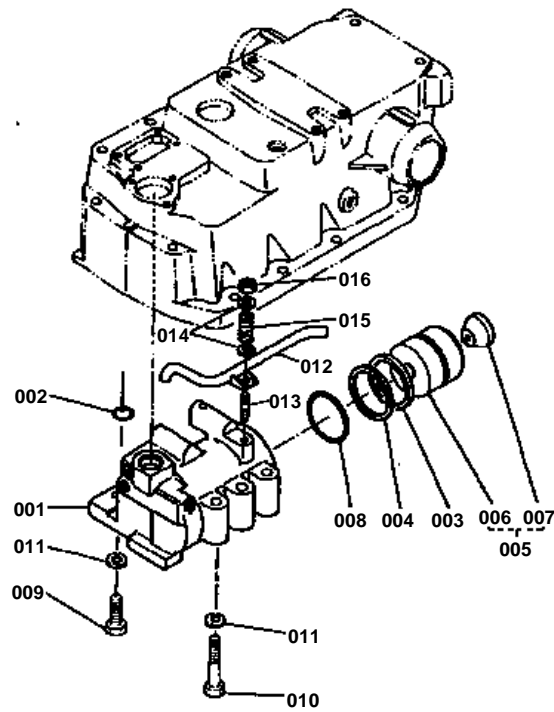
REF.No	Part No.	Description	Q'ty	S.No.	I/C	REMARKS	Weight (kgf)	Weight (lb)
001	36200-82300	ASSY VALVE CONTROL	1				0.12	0.264
002	36200-82330	RING	2				0.001	0.0022
003	04811-00140	O RING	2				0.001	0.0022
004	01153-50855	BOLT	3				0.023	0.0506
005	04512-50080	WASHER SPRING	3				0	0
006	36200-82350	ASSY VALVE CONTROL	1	<=10525		M4500 M4500DT(R) [OC][CA]	3.06	6.732
006	35450-82350	ASSY VALVE CONTROL	1	>=10526		M4500 M4500DT(R) [OC][CA]	3.56	7.832
006	36200-82350	ASSY VALVE CONTROL	1			[NZ]	3.06	6.732
007	36200-82360	ASSY VALVE RELIEF	1				0.25	0.55
008	36200-82330	RING	3	<=11210		M4500 M4500DT(R) [CA][OC]	0.001	0.0022
008	36200-82330	RING	6			[NZ]	0.001	0.0022
009	04811-00140	O RING	3	<=11210		M4500 M4500DT(R) [CA][OC]	0.001	0.0022
009	04811-00140	O RING	6			[NZ]	0.001	0.0022
010	01153-50855	BOLT	3	<=11210		M4500 M4500DT(R) [CA][OC]	0.023	0.0506
010	01153-50895	BOLT	3			M4500 M4500DT(R) [NZ][OC][CA]	0.035	0.077
011	01153-50880	BOLT	1	<=11210		M4500 M4500DT(R) [CA][OC]	0.03	0.066
011	54516-15140	BOLT	1			M4500 M4500DT(R) [NZ][OC][CA]	0.048	0.1056
012	04512-50080	WASHER SPRING	4				0	0
013	36200-82390	LEVER	1	<=11210		M4500 M4500DT(R) [CA][OC]	0.147	0.3234
013	36200-82390	LEVER	2			M4500 M4500DT(R) [NZ][OC][CA]	0.147	0.3234
014	05122-50622	PIN JOINT	2	<=11210		M4500 M4500DT(R) [CA][OC]	0.005	0.011
014	05122-50622	PIN JOINT	4			M4500 M4500DT(R) [NZ][OC][CA]	0.005	0.011
015	06914-00100	GRIP	1			M4500 M4500DT(R) [OC][CA]	0.02	0.044
015	32150-24560	GRIP	2			[NZ]	0.026	0.0572
016	33251-82400	ASSY VALVE SAFETY	1				0.205	0.451
017	04811-40140	O RING	1				0.001	0.0022
018	04811-00110	O RING	1				0.001	0.0022
019	04012-50060	WASHER PLAIN	2	<=11210		M4500 M4500DT(R) [CA][OC]	0.001	0.0022
019	04012-50060	WASHER PLAIN	4			M4500 M4500DT(R) [NZ][OC]	0.001	0.0022
020	05511-51612	PIN SPLIT	2	<=11210		M4500 M4500DT(R) [CA][OC]	0.001	0.0022
020	05511-51612	PIN SPLIT	4			M4500 M4500DT(R) [NZ][OC]	0.001	0.0022
021	99653-93120	ASSY VALVE CONTROL	1			M4500 M4500DT(R) [OC][CA]	0	0
021	99653-93110	ASSY VALVE CONTROL	1			[NZ]	2.8	6.16
022	35700-82190	COLLAR	2			M4500 M4500DT(R) [OC][CA]	0.04	0.088
023	35700-82472	PIPE	1			M4500 M4500DT(R) [OC][CA]	0	0
024	35700-82323	JOINT 2	1			M4500 M4500DT(R) [OC][CA]	0	0
025	35700-82480	GASKET	8			M4500 M4500DT(R) [OC][CA]	0.002	0.0044
026	35700-82334	OIL PIPE UPPER	1			M4500 M4500DT(R) [OC][CA]	0	0
027	35700-82344	OIL PIPE LOWER	1			M4500 M4500DT(R) [OC][CA]	0	0
028	35700-82350	STAY PIPE 1	1			M4500 M4500DT(R) [OC][CA]	0.03	0.066
029	35700-82360	STAY PIPE 2	1			M4500 M4500DT(R) [OC][CA]	0.1	0.22
030	01120-50822	BOLT	1			M4500 M4500DT(R) [OC][CA]	0	0
031	35700-82370	PIPE 1	1			M4500 M4500DT(R) [OC][CA]	0.325	0.715
032	35700-82380	PIPE 2	3			M4500 M4500DT(R) [OC][CA]	0.34	0.748
033	35700-82400	ASSY COUPLER	4			M4500 M4500DT(R) [OC][CA]	0.45	0.99
034	35700-82410	ASSY COUPLER FEMALE	4			M4500 M4500DT(R) [OC][CA]	0	0
035	35700-82420	ASSY COUPLER MALE	4			M4500 M4500DT(R) [OC][CA]	0.09	0.198
036	35700-82430	STAY	1			M4500 M4500DT(R) [OC][CA]	1.3	2.86
037	35700-82440	BOLT U	2			M4500 M4500DT(R) [OC][CA]	0.04	0.088
038	02014-50060	NUT	4			M4500 M4500DT(R) [OC][CA]	0.003	0.0066
039	04512-50060	WASHER SPRING	4			M4500 M4500DT(R) [OC][CA]	0	0
040	35700-82462	JOINT 3	1			M4500 M4500DT(R) [OC][CA]	0	0
041	35700-82490	RING	4			M4500 M4500DT(R) [OC][CA]	0.001	0.0022
042	35450-82360	JOINT HOSE 1	1	<=11210		M4500 M4500DT(R) [OC][CA]	0.25	0.55
042	35450-82362	JOINT HOSE 1	1	>=10001		M4500 M4500DT(R) [OC][CA]	0	0
043	35450-82370	JOINT HOSE 2	1	<=11210		M4500 M4500DT(R) [OC][CA]	0.165	0.363
043	35450-82372	JOINT HOSE 2	1	>=10001		M4500 M4500DT(R) [OC][CA]	0	0
044	35450-82380	PLUG	2	<=11210		M4500 M4500DT(R) [OC][CA]	0.015	0.033
045	36200-82810	SEAL SPOOL	2				0.001	0.0022



CONTROL VALVE

↔ Interchangeable; ≠ not interchangeable; ← new for old; → old for new

REF.No	Part No.	Description	Q'ty	S.No.	I/C	REMARKS	Weight (kgf)	Weight (lb)
046	36200-82820	SEAL DUST	1				0.002	0.0044



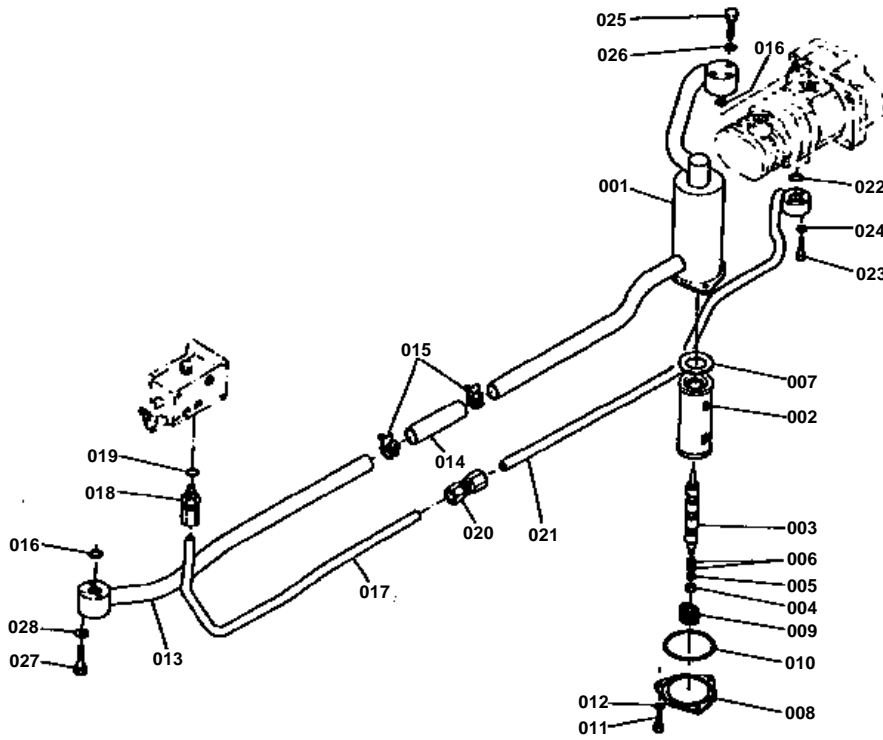


OIL PUMP CYLINDER LINER

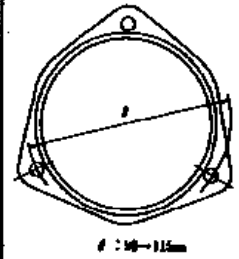
↔ Interchangeable; ≠ not interchangeable; ← new for old; → old for new

REF.No	Part No.	Description	Q'ty	S.No.	I/C	REMARKS	Weight (kgf)	Weight (lb)
001	36200-82510	LINER O/P CYLINDER	1				9.7	21.34
002	04811-00140	O RING	1				0.001	0.0022
003	36200-82330	RING BACK UP	1				0.001	0.0022
004	33251-82550	RING BACK UP	1				0.004	0.0088
005	33251-82560	ASSY PISTON OIL PRES	1				2	4.4
006	33251-82570	PISTON OIL PRESSURE	1				0	0
007	33251-82580	SEAT O/P PISTON	1				0.17	0.374
008	33251-82590	O RING	1				0.005	0.011
009	36200-82290	BOLT	3				0.045	0.099
010	36200-82340	BOLT	3				0.076	0.1672
011	04512-50120	WASHER SPRING	6				0	0
012	36200-81760	PIPE	1				0.07	0.154
013	01513-50830	STUD	1				0	0
014	04012-50080	WASHER PLAIN	2				0.001	0.0022
015	36200-81770	SPRING	1				0.003	0.0066
016	41011-51510	NUT LOCK	1				0.006	0.0132

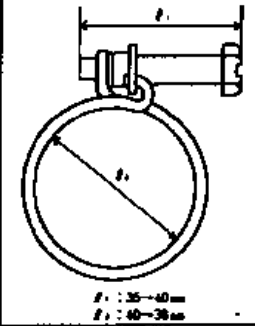
FILTER CASE



REF. No. 36200-8266-2



REF. No. 36300-8272-0



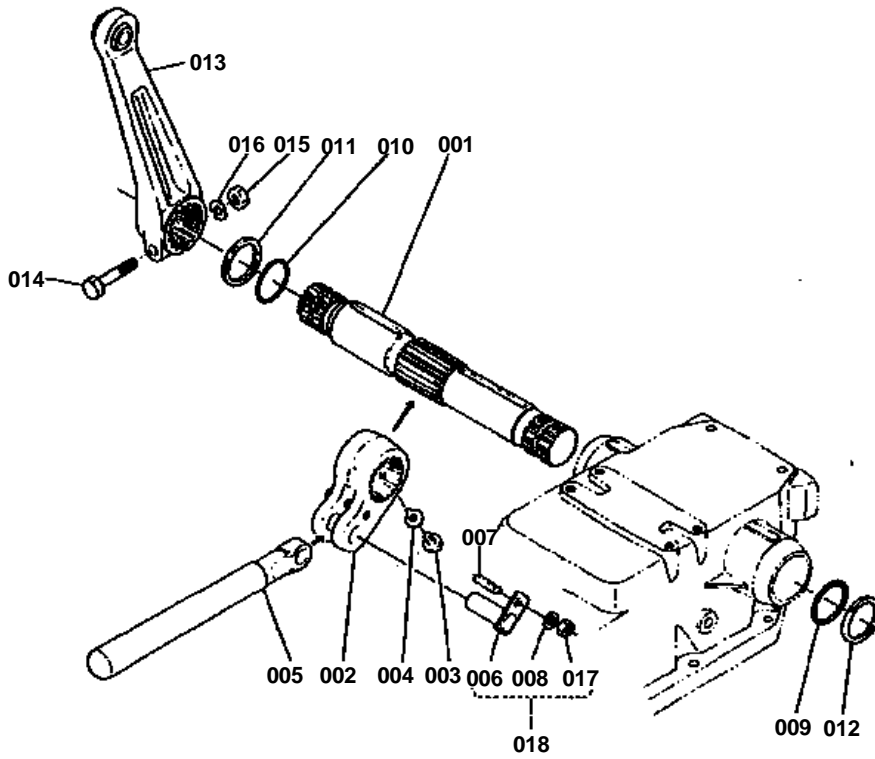


FILTER CASE

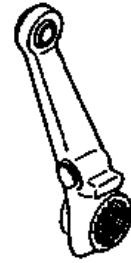
↔ Interchangeable; ≠ not interchangeable; ← new for old; → old for new

REF.No	Part No.	Description	Q'ty	S.No.	I/C	REMARKS	Weight (kgf)	Weight (lb)
001	36200-82604	COMP CASE FILTER	1				3	6.6
002	36200-82630	COMP FILTER OIL PRES	1				0.255	0.561
003	36200-82640	FILTER	1				0	0
004	02014-50060	NUT	1				0.003	0.0066
005	04512-50060	WASHER SPRING	1				0	0
006	04013-50060	WASHER PLAIN	2				0	0
007	36200-82650	GASKET FILTER	1				0.01	0.022
008	36200-82660	COVER FILTER CASE	1				0.52	1.144
008	36200-82662	COVER FILTER CASE	1				0.67	1.474
009	36200-82670	SPRING	1				0.035	0.077
010	04811-50950	O RING	1				0.003	0.0066
011	01153-50822	BOLT	3				0.011	0.0242
012	04512-50080	WASHER SPRING	3				0	0
013	36200-82700	COMP PIPE	1				1.12	2.464
014	36200-82730	PIPE	1				0.078	0.1716
015	34350-37780	CLAMP	4	>=10001			0.02	0.044
015	36200-82720	CLAMP	4	>=10001			0.025	0.055
016	04811-00220	O RING	2				0.001	0.0022
017	36200-82740	PIPE	1				0.384	0.8448
018	36200-82750	JOINT	1				0.145	0.319
019	04811-00180	O RING	1				0.001	0.0022
020	36200-82760	JOINT	1				0	0
021	36200-82770	COMP PIPE	1				0.66	1.452
022	04811-40120	O RING	1				0.001	0.0022
023	01053-50635	BOLT	3				0.009	0.0198
024	04512-50060	WASHER SPRING	3				0	0
025	01153-50850	BOLT	3				0.02	0.044
026	04512-50080	WASHER SPRING	3				0	0
027	01153-50850	BOLT	3				0.02	0.044
028	04512-50080	WASHER SPRING	3				0	0

OIL PUMP ARM SHAFT



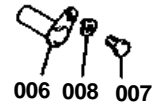
REF. No. 3 36260-6256-0



REF. No. 3 01178-5100
3 02176-50100
3 04532-50100

Changed in accordance with REF. No. 3

REF. No. 3 36260-6207-0
3 01173-52015
3 04111-50100



006 008 007

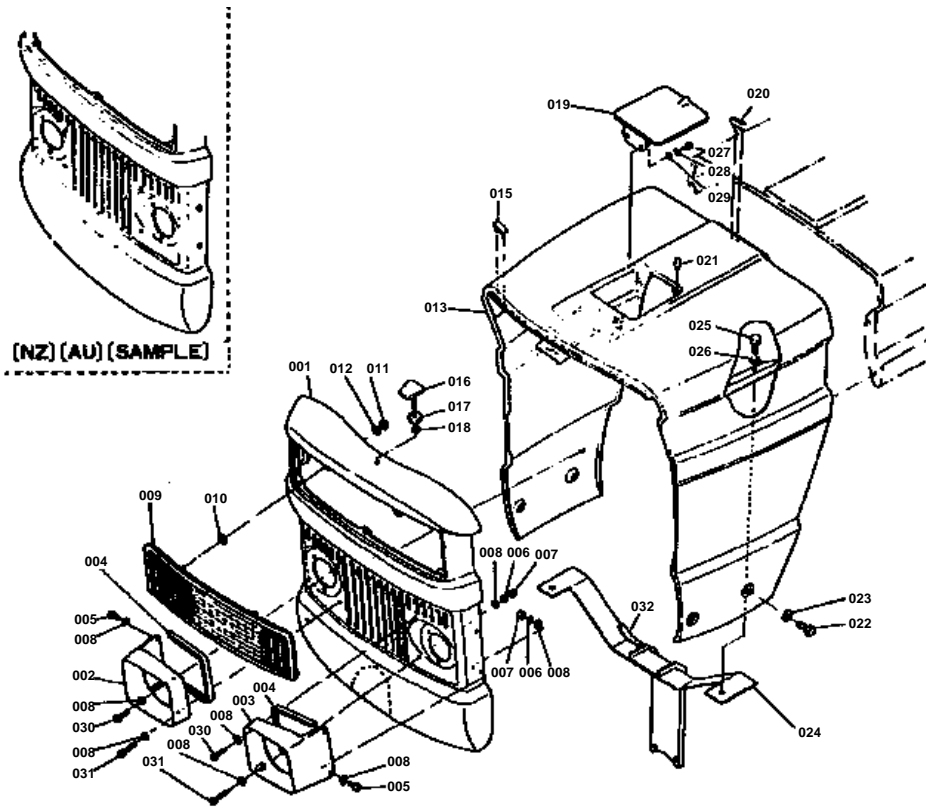


OIL PUMP ARM SHAFT

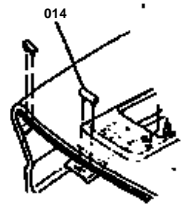
↔ Interchangeable; ≠ not interchangeable; ← new for old; → old for new

REF.No	Part No.	Description	Q'ty	S.No.	I/C	REMARKS	Weight (kgf)	Weight (lb)
001	36200-82830	SHAFT O/P ARM	1				6.8	14.96
002	36200-82840	ARM OIL PRESSURE	1				0	0
003	33251-82850	BOLT	1				0.015	0.033
004	04111-50100	WASHER TONGUED	1				0.003	0.0066
005	36200-82860	ROD O/P PISTON	1				0.5	1.1
006	99999-99999	BLANK	0			ORDER BY REF.No.018	0	0
007	01173-51016	BOLT	1				0.012	0.0264
007	36200-82880	STUD	1				0.019	0.0418
008	04512-50100	WASHER SPRING	1				0	0
008	04111-50100	WASHER TONGUED	1				0.003	0.0066
008	04512-50100	WASHER SPRING	1				0	0
009	04811-40310	O RING	1				0.005	0.011
010	04811-40320	O RING	1				0.005	0.011
011	33251-82880	COLLAR RH	1				0.03	0.066
012	36200-82890	COLLAR LH	1				0.019	0.0418
013	36200-82900	COMP LEVER	2	<=10525			0	0
013	36500-82900	COMP LEVER	2	>=10001			4.81	10.582
014	01173-51280	BOLT	2	<=10525			0.1	0.22
014	01176-51400	BOLT	2	>=10001			0.12	0.264
015	02176-50120	NUT	2	<=10525			0.01	0.022
015	02176-50140	NUT	2	>=10001			0.014	0.0308
016	04512-50120	WASHER SPRING	2	<=10525			0	0
016	04512-50140	WASHER SPRING	2	>=10001			0	0
017	15221-03510	NUT	1				0.008	0.0176
018	36200-97640	KIT PIN	1	>=10001			0.24	0.528

BONNET 1



REF. 0000251 - 019 - 0

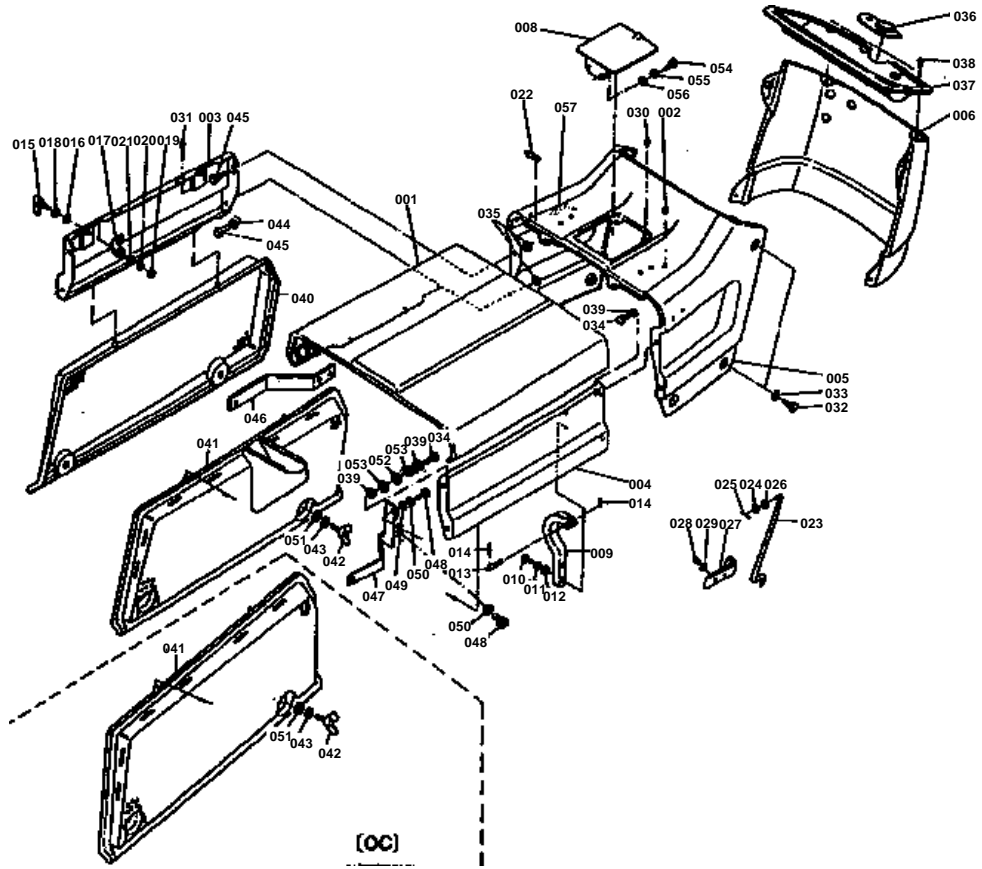


**BONNET 1**

↔ Interchangeable; ≠ not interchangeable; ← new for old; → old for new

REF.No	Part No.	Description	Q'ty	S.No.	I/C	REMARKS	Weight (kgf)	Weight (lb)
001	36200-83280	ASSY COVER FRONT	1			M4500 M4500DT(R) [CA][OC]	0	0
001	35450-83280	ASSY COVER FRONT	1	>=11366		M4500 M4500DT(R) [CA][OC]	5	11
001	36200-83280	ASSY COVER FRONT	1			[NZ][SAMPLE][AU][SA]	0	0
002	36200-83430	COVER HEAD LAMP RH	1	<=10146		M4500 M4500DT(R) [OC][CA][SA]	0.45	0.99
002	35450-83430	COVER HEAD LAMP RH	1	>=10147		M4500 M4500DT(R) [OC][CA][SA]	0.39	0.858
002	36200-83430	COVER HEAD LAMP RH	1			[NZ][SAMPLE][AU]	0.45	0.99
003	36200-83440	COVER HEAD LAMP LH	1	<=10146			0.37	0.814
003	35450-83440	COVER HEAD LAMP LH	1	>=10147			0.39	0.858
003	36200-83440	COVER HEAD LAMP LH	1				0.37	0.814
004	36200-83350	CUSHION	2				0.003	0.0066
005	03054-50510	SCREW PAN HEAD	4				0.003	0.0066
006	04512-50050	WASHER SPRING	8				0	0
007	02054-50050	NUT	8				0.002	0.0044
008	04012-50050	WASHER PLAIN	16				0.001	0.0022
009	33251-83680	GRILLE BONNET	1				0	0
010	33251-83910	CUSHION	5				0.001	0.0022
011	02054-50040	NUT	5				0.001	0.0022
012	04013-50040	WASHER PLAIN	5				0	0
013	36200-83370	ASSY COVER FRONT	1	<=12071		EXCEPT [AU]	11.4	25.08
013	36200-83373	ASSY COVER FRONT	1	>=10001		EXCEPT [AU]	0	0
013	35466-83370	ASSY COVER FRONT	1			[AU]	10	22
014	33251-83490	CUSHION	1				0.008	0.0176
015	33251-83510	CUSHION 2	2				0.008	0.0176
016	33251-83460	PIN BONNET SUPPORT	1				0.045	0.099
017	33251-83470	SPRING	5				0.001	0.0022
018	33251-83480	SPACER	1				0.001	0.0022
019	33251-83700	ASSY COVER BONNET	1				0.265	0.583
020	33251-83870	COSHION BONNET	3				0.007	0.0154
021	33251-90120	CUSHION	2				0.001	0.0022
022	33251-83930	BOLT SET	4				0.02	0.044
023	04411-50300	WASHER	4				0.001	0.0022
024	35450-83960	HOLDER BONNET	1				0	0
025	01173-51020	BOLT	2				0.017	0.0374
026	04512-50100	WASHER SPRING	2				0	0
027	01053-50616	BOLT	2				0.005	0.011
028	04512-50060	WASHER SPRING	2				0	0
029	04012-50060	WASHER PLAIN	2				0.001	0.0022
030	03054-50530	SCREW PAN HEAD	2				0.005	0.011
031	03054-50545	SCREW PAN HEAD	2				0.006	0.0132
032	36220-83990	CUSHION	1				0.005	0.011

BONNET 2



**BONNET 2**

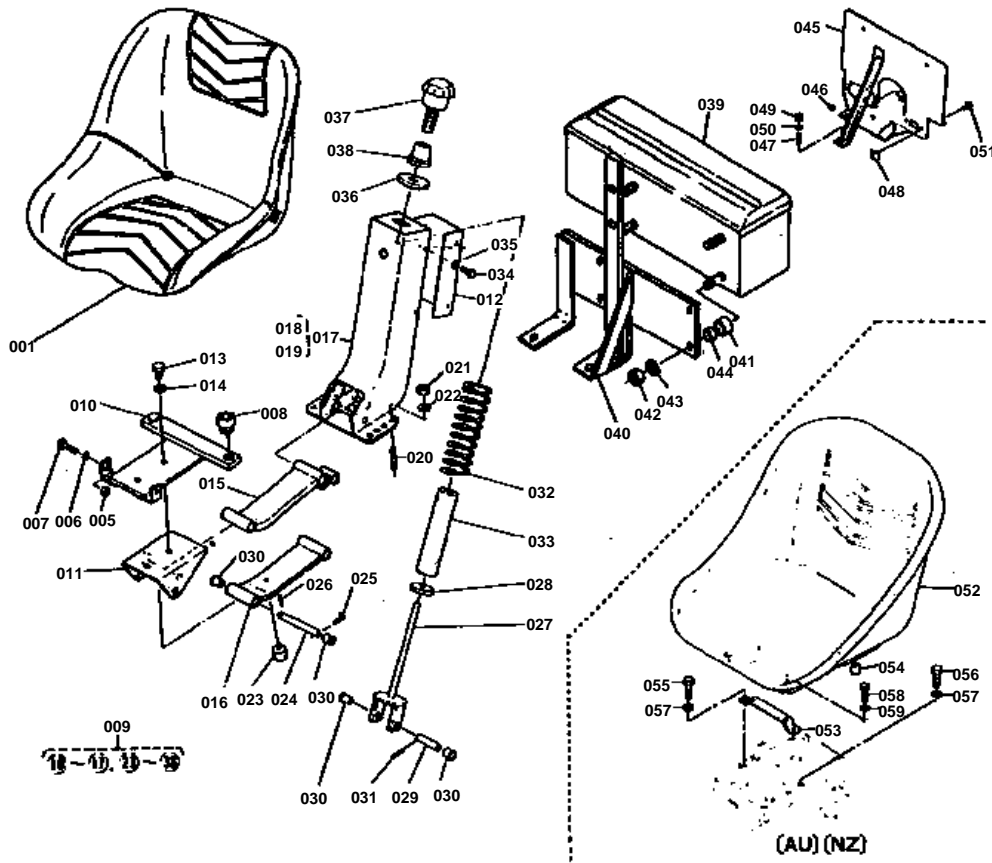
↔ Interchangeable; ≠ not interchangeable; ← new for old; → old for new

REF.No	Part No.	Description	Q'ty	S.No.	I/C	REMARKS	Weight (kgf)	Weight (lb)
001	36300-83020	ASSY COVER BONNET	1				6	13.2
002	33251-83910	CUSHION	2				0.001	0.0022
003	36220-83160	ASSY COVER SIDE RH	1				1.54	3.388
004	36300-83210	ASSY COVER SIDE LH	1				1.98	4.356
005	36200-83550	ASSY COVER REAR	1				4.1	9.02
006	36200-83640	ASSY COVER REAR	1				2.05	4.51
007	99999-99999	BLANK	0				0	0
008	33251-83700	ASSY COVER BONNET	1				0.265	0.583
009	33251-83810	ASSY HOLDER COVER	2				0.125	0.275
010	01153-50816	BOLT	4				0.01	0.022
011	04512-50080	WASHER SPRING	4				0	0
012	04013-50080	WASHER PLAIN	4				0	0
013	33251-83830	PIN	2				0.011	0.0242
014	05525-50800	PIN SNAP	4				0.001	0.0022
015	33251-83840	HANDLE BONNET COVER	2				0	0
015	38240-18240	HANDLE BONNET COVER	2	>=10001			0	0
016	33251-83850	WASHER HANDLE	2				0.001	0.0022
017	33251-83860	HOOK BONNET COVER	2				0.053	0.1166
018	33251-83950	WASHER SPRING	2				0.001	0.0022
019	02112-50080	NUT	2				0.003	0.0066
020	04512-50080	WASHER SPRING	2				0	0
021	04013-50080	WASHER PLAIN	2				0	0
022	33251-83870	CUSHION BONNET	3				0.007	0.0154
023	33251-83880	HOLDER BONNET	1				0.108	0.2376
024	04013-50080	WASHER PLAIN	1				0	0
025	05511-50215	PIN SPLIT	1				0.001	0.0022
026	33251-83890	CUSHION BONNET HOLDE	1				0.002	0.0044
027	33251-83900	SPRING BONNET HOLDER	1				0.008	0.0176
028	03054-50508	SCREW PAN HEAD	2				0.002	0.0044
029	04411-50050	WASHER	2				0.001	0.0022
030	33251-90120	CUSHION	2				0.001	0.0022
031	33251-74210	CUSHION	2				0.001	0.0022
032	33251-83930	BOLT SET	6				0.02	0.044
033	04411-50300	WASHER	6				0.001	0.0022
034	01173-51025	BOLT	4				0.021	0.0462
035	02116-50100	NUT	4				0.004	0.0088
036	33251-83940	GASKET	1				0.03	0.066
037	36200-84110	PANEL	1				1.28	2.816
038	03016-50816	SCREW	4				0.007	0.0154
039	04512-50100	WASHER SPRING	8				0	0
040	36300-90620	COVER RH	1			EXCEPT [SAMPLE]	1.67	3.674
041	36300-90630	COVER LH	1			EXCEPT [OC][SAMPLE]	1.72	3.784
041	35440-90630	COVER LH	1			[SAMPLE]	1.58	3.476
042	01811-50818	BOLT WING	4			EXCEPT [SAMPLE][SA]	0.033	0.0726
042	01811-50820	BOLT WING	4			[SA][SAMPLE]	0.027	0.0594
043	04512-50080	WASHER SPRING	4			EXCEPT [SAMPLE]	0	0
044	36200-83250	CUSHION	2				0.002	0.0044
045	36200-83240	BOLT	4				0.025	0.055
046	36220-90640	STAY RH	1			EXCEPT [SAMPLE]	0.23	0.506
047	36220-90692	STAY LH	1			EXCEPT [SAMPLE]	0.3	0.66
047	35450-90690	STAY LH	1	>=10001		EXCEPT [SAMPLE]	0.24	0.528
048	01150-50820	BOLT	4			EXCEPT [SAMPLE]	0.011	0.0242
049	04013-50080	WASHER PLAIN	4			EXCEPT [SAMPLE]	0	0
050	04512-50080	WASHER SPRING	4				0	0
051	04012-50080	WASHER PLAIN	4				0.001	0.0022
052	36200-83260	CUSHION	4				0.001	0.0022
053	04013-50100	WASHER PLAIN	8				0	0
054	01053-50616	BOLT	2				0.005	0.011
055	04512-50060	WASHER SPRING	2				0	0

**BONNET 2**

↔ Interchangeable; ≠ not interchangeable; ← new for old; → old for new

REF.No	Part No.	Description	Q'ty	S.No.	I/C	REMARKS	Weight (kgf)	Weight (lb)
056	04012-50060	WASHER PLAIN	2				0.001	0.0022
057	36200-04680	CUSHION	1				0.009	0.0198





SEAT

↔ Interchangeable; ≠ not interchangeable; ← new for old; → old for new

REF.No	Part No.	Description	Q'ty	S.No.	I/C	REMARKS	Weight (kgf)	Weight (lb)
001	36200-85000	ASSY SEAT	1			EXCEPT [NZ][AU]	0	0
002	99999-99999	BLANK	0			EXCEPT [NZ][AU]	0	0
003	99999-99999	BLANK	0			EXCEPT [NZ][AU]	0	0
004	99999-99999	BLANK	0			EXCEPT [NZ][AU]	0	0
005	02112-50080	NUT	2			EXCEPT [NZ][AU]	0.003	0.0066
006	04014-50080	WASHER PLAIN	2			EXCEPT [NZ][AU]	0.003	0.0066
007	34150-18430	BOLT	2			EXCEPT [NZ][AU]	0.014	0.0308
008	32160-18440	CUSHION	2			EXCEPT [NZ][AU]	0.013	0.0286
009	36200-85100	SUSPENSION SEAT	1			EXCEPT [NZ][AU]	11.8	25.96
010	36200-85090	SUPPORT SEAT	1			EXCEPT [NZ][AU]	1.06	2.332
011	33251-85110	BRACKET SEAT	1			EXCEPT [NZ][AU]	0.79	1.738
012	36200-85310	COVER	1			EXCEPT [NZ][AU]	0.25	0.55
013	01173-51225	BOLT	2			EXCEPT [NZ][AU]	0.033	0.0726
014	04512-50120	WASHER SPRING	2			EXCEPT [NZ][AU]	0	0
015	36200-85130	ARM SEAT SUPPORT UPP	1			EXCEPT [NZ][AU]	1.2	2.64
016	36200-85140	ARM SEAT SUPPORT UND	1			EXCEPT [NZ][AU]	1.19	2.618
017	33251-85150	SUPPORT SEAT	1			EXCEPT [NZ][AU]	3.12	6.864
018	33251-85160	CUSHION	1			EXCEPT [NZ][AU]	0.01	0.022
019	33251-25160	RIVET	2			EXCEPT [NZ][AU]	0.001	0.0022
020	01574-51225	STUD	4			EXCEPT [NZ][AU]	0.034	0.0748
021	02176-50120	NUT	4			EXCEPT [NZ][AU]	0.01	0.022
022	04512-50120	WASHER SPRING	4			EXCEPT [NZ][AU]	0	0
023	33251-85180	CUSHION	1			EXCEPT [NZ][AU]	0.038	0.0836
024	33251-85210	PIN SEAT SUPPORT 1	4			EXCEPT [NZ][AU]	0.14	0.308
025	33251-85230	PIN SET	4			EXCEPT [NZ][AU]	0.003	0.0066
026	05511-50425	PIN SPRIT	4			EXCEPT [NZ][AU]	0.003	0.0066
027	33251-85243	SUPPORT SPRING	1			EXCEPT [NZ][AU]	0.54	1.188
028	33251-85290	GUIDE SPRING	1			EXCEPT [NZ][AU]	0.085	0.187
029	33251-85250	PIN SEAT SUPPORT 2	1			EXCEPT [NZ][AU]	0.071	0.1562
030	33251-85260	BUSH SEAT SUPPORT 2	10			EXCEPT [NZ][AU]	0.002	0.0044
031	05411-00425	PIN SPRING	1			EXCEPT [NZ][AU]	0.001	0.0022
032	33251-85272	SPRING SEAT	1			EXCEPT [NZ][AU]	1.34	2.948
033	33251-85350	CUSHION	1			EXCEPT [NZ][AU]	0.356	0.7832
034	01050-50612	BOLT	4			EXCEPT [NZ][AU]	0.005	0.011
035	04512-50060	WASHER SPRING	4			EXCEPT [NZ][AU]	0	0
036	33251-85320	DISK SEAT SPRING	1			EXCEPT [NZ][AU]	0.182	0.4004
037	33251-85330	GRIP	1			EXCEPT [NZ][AU]	0.311	0.6842
038	33251-85340	SLEEVE	1			EXCEPT [NZ][AU]	0.248	0.5456
039	36200-90100	COMP BOX TOOL	1			M4500 M4500DT(R) [OC][CA]	3.19	7.018
039	35450-90100	COMP BOX TOOL	1	>=10001		M4500 M4500DT(R) [OC][CA]	7.5	16.5
040	35450-90110	STAY	1			M4500 M4500DT(R) [OC][CA]	2.7	5.94
040	35450-90112	STAY	1	>=10526		M4500 M4500DT(R) [OC][CA]	0	0
040	35450-90113	STAY	1	>=11307		M4500 M4500DT(R) [OC][CA]	2.5	5.5
041	33251-90120	CUSHION	2			M4500 M4500DT(R) [OC][CA]	0.001	0.0022
042	02118-50100	NUT	4			M4500 M4500DT(R) [OC][CA]	0.005	0.011
043	04512-50100	WASHER SPRING	4			M4500 M4500DT(R) [OC][CA]	0	0
044	33251-90130	COLLAR	4			M4500 M4500DT(R) [OC][CA]	0	0
045	36200-90510	PLATE SUPPORT	1			[SA]	1.3	2.86
046	33251-83910	CUSHION	1			[SA]	0.001	0.0022
047	36200-90530	STUD	1			[SA]	0.006	0.0132
048	36200-90540	PLATE	2			[SA]	0.006	0.0132
049	02118-50100	NUT	1			[SA]	0.005	0.011
050	04512-50080	WASHER SPRING	1			[SA]	0	0
051	03024-50514	SCREW	2			[SA]	0.003	0.0066
052	35702-85000	ASSY SEAT	1	>=10880		[NZ][AU]	19	41.8
053	35702-85110	STAY	1	>=10880		[NZ][AU]	0.17	0.374
054	35702-85120	COLLAR	2	>=10880		[NZ][AU]	0.05	0.11
055	01173-51225	BOLT	2	>=10880		[NZ][AU]	0.033	0.0726
056	01173-51220	BOLT	2	>=10880		[NZ][AU]	0.03	0.066

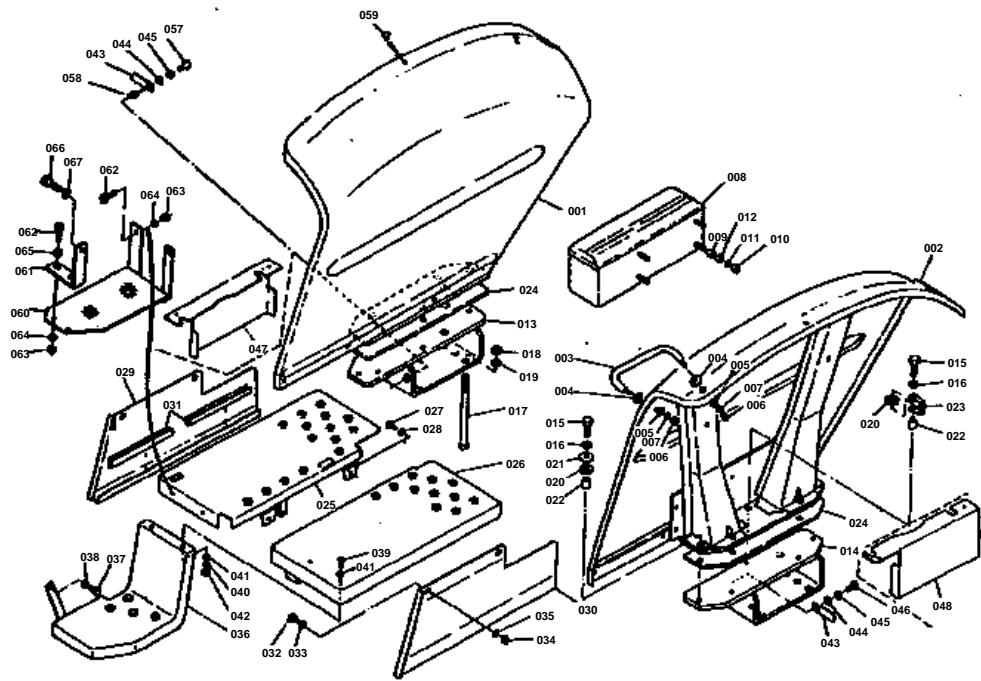


SEAT

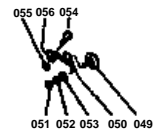
↔ Interchangeable; ≠ not interchangeable; ← new for old; → old for new

REF.No	Part No.	Description	Q'ty	S.No.	I/C	REMARKS	Weight (kgf)	Weight (lb)
057	04512-50120	WASHER SPRING	4	>=10880		[NZ][AU]	0	0
058	01173-51018	BOLT	2	>=10880		[NZ][AU]	0.018	0.0396
059	04512-50100	WASHER SPRING	2	>=10880		[NZ][AU]	0	0

FENDER EXCEPT [OC]



- REF: 33251-3490-0
34514-7578-0
02054-50050
04512-50050
04012-50050
01153-50014
02114-50000
04512-50000



**FENDER EXCEPT [OC]**

↔ Interchangeable; ≠ not interchangeable; ← new for old; → old for new

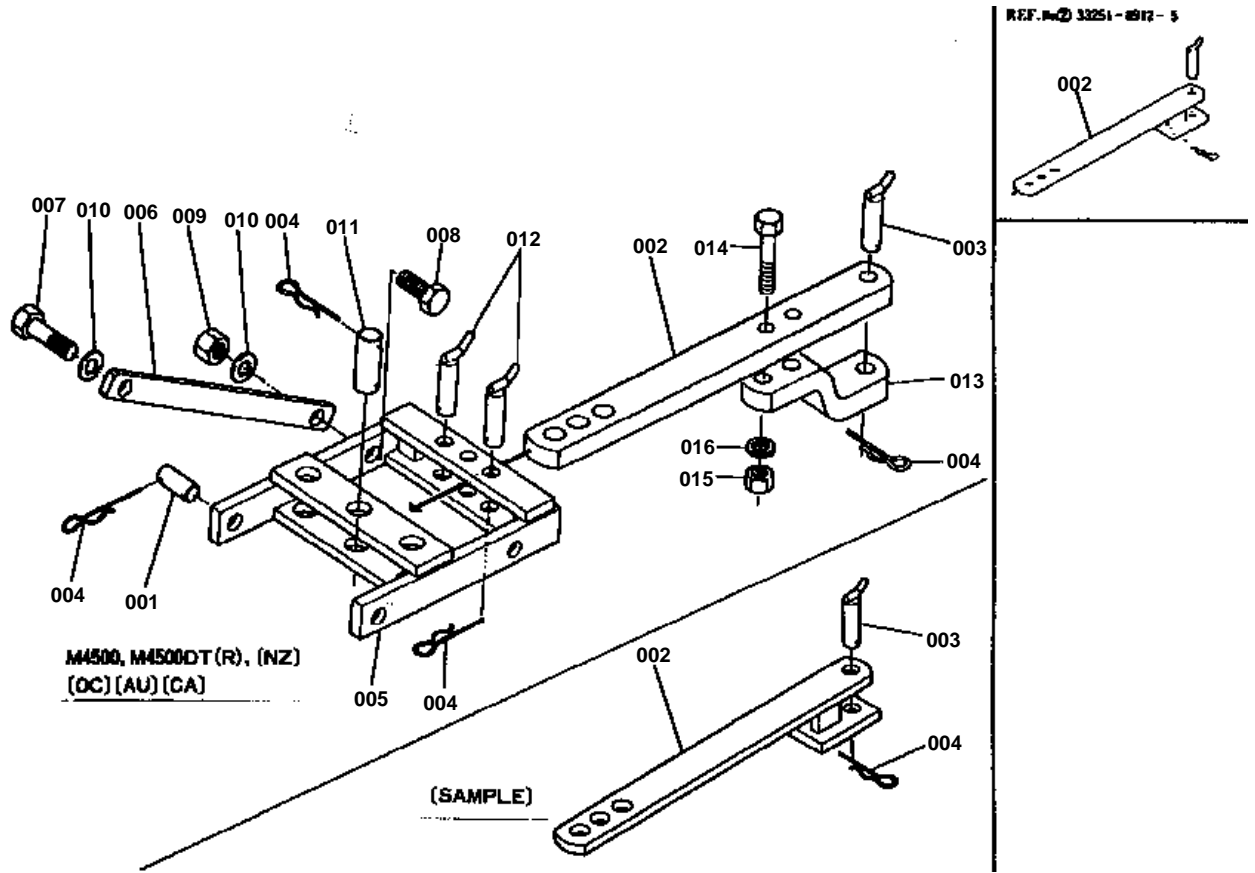
REF.No	Part No.	Description	Q'ty	S.No.	I/C	REMARKS	Weight (kgf)	Weight (lb)
001	36510-87010	FENDER RH	1				0	0
001	36200-87010	FENDER RH	1	>=10001			0	0
002	36510-87020	FENDER LH	1				0	0
002	36200-87020	FENDER LH	1	>=10001			0	0
003	36200-87320	BALUSTRADE	1				0.32	0.704
004	36200-87330	CUSHION	2				0.002	0.0044
005	04013-50100	WASHER PLAIN	2				0	0
006	02114-50100	NUT	2				0.005	0.011
007	04512-50100	WASHER SPRING	2				0	0
008	35450-90100	COMP BOX TOOL	1			[NZ][SAMPLE][AU][SA]	7.5	16.5
009	33251-90120	CUSHION	2			[NZ][SAMPLE][AU][SA]	0.001	0.0022
010	02118-50100	NUT	4			[NZ][SAMPLE][AU][SA]	0.005	0.011
011	04512-50100	WASHER SPRING	4			[NZ][SAMPLE][AU][SA]	0	0
012	33251-90130	COLLAR	4			[NZ][SAMPLE][AU][SA]	0	0
013	36280-87040	BRACKET FENDER RH	1	>=10001			6.7	14.74
014	36200-87050	BRACKET FENDER LH	1				0	0
015	01173-51245	BOLT	10				0.049	0.1078
016	04512-50120	WASHER SPRING	10				0	0
017	36200-87080	BOLT	8				0.466	1.0252
018	02176-50160	NUT	8				0.021	0.0462
019	04512-50160	WASHER SPRING	8				0	0
020	33251-87110	PAD	10				0.004	0.0088
021	33251-87120	WASHER	8				0.02	0.044
022	36200-87130	PIECE DISTANCE	10				0.02	0.044
023	33251-87152	PLATE EARTH	2				0	0
024	33251-87160	CUSHION	2				0.34	0.748
025	36200-87064	STEP RH	1	<=12071			0	0
025	36200-87067	STEP RH	1	>=10001			0	0
026	36280-87070	STEP LH	1	<=12071			0	0
026	36280-87075	STEP LH	1	>=10001			0	0
027	01173-51020	BOLT	4				0.017	0.0374
028	04512-50100	WASHER SPRING	4				0	0
029	36200-87210	COVER RH	1				1.8	3.96
030	36200-87220	COVER LH	1				1.8	3.96
031	33251-87140	CUSHION	4				0.02	0.044
032	01173-51020	BOLT	4				0.017	0.0374
033	04011-50100	WASHER PLAIN	4				0.002	0.0044
034	02118-50100	NUT	4				0.005	0.011
035	04512-50100	WASHER SPRING	4				0	0
036	36200-87310	STAR SUPPORT	1				0	0
037	01173-51020	BOLT	1				0.017	0.0374
038	04512-50100	WASHER SPRING	1				0	0
039	03014-50820	SCREW	2				0.01	0.022
040	04512-50080	WASHER SPRING	2				0	0
041	04012-50080	WASHER PLAIN	4				0.001	0.0022
042	02114-50080	NUT	2				0.005	0.011
043	32240-34490	CLAMP CORD 2	2				0.003	0.0066
044	04012-50080	WASHER PLAIN	2				0.001	0.0022
045	04512-50080	WASHER SPRING	2				0	0
046	01150-50814	BOLT	2				0.01	0.022
047	36300-87230	COVER 1	1			M4500 M4500DT(R) [CA]	0.84	1.848
048	36300-87240	COVER 2	1			M4500 M4500DT(R) [CA]	0.812	1.7864
049	33251-34900	ASSY REFLECTOR	2			M4500 M4500DT(R) [CA]	0.019	0.0418
050	36510-75780	BRACKET REFLECTOR	2			M4500 M4500DT(R) [CA]	0.092	0.2024
051	02054-50050	NUT	2			M4500 M4500DT(R) [CA]	0.002	0.0044
052	04512-50050	WASHER SPRING	2			M4500 M4500DT(R) [CA]	0	0
053	04012-50050	WASHER PLAIN	2			M4500 M4500DT(R) [CA]	0.001	0.0022
054	01153-50816	BOLT	4			M4500 M4500DT(R) [CA]	0.01	0.022
055	02114-50080	NUT	4			M4500 M4500DT(R) [CA]	0.005	0.011

**FENDER EXCEPT [OC]**

↔ Interchangeable; ≠ not interchangeable; ← new for old; → old for new

REF.No	Part No.	Description	Q'ty	S.No.	I/C	REMARKS	Weight (kgf)	Weight (lb)
056	04512-50080	WASHER SPRING	4			M4500 M4500DT(R) [CA]	0	0
057	01150-50822	BOLT	1				0.012	0.0264
058	02114-50080	NUT	1				0.005	0.011
059	34159-32610	CAP	10			EXCEPT [SA]	0	0
060	35702-87410	STEP SUPPORT RH	1	≧10880		[NZ][AU]	2.58	5.676
061	35702-87420	STAY STEP	1	≧10880		[NZ][AU]	0.68	1.496
062	01153-50820	BOLT	4	≧10880		[NZ][AU]	0.012	0.0264
063	02114-50080	NUT	4	≧10880		[NZ][AU]	0.005	0.011
064	04512-50080	WASHER SPRING	4	≧10880		[NZ][AU]	0	0
065	04013-50080	WASHER PLAIN	2	≧10880		[NZ][AU]	0	0
066	01173-51630	BOLT	1	≧10880		[NZ][AU]	0.071	0.1562
067	04512-50160	WASHER SPRING	1	≧10880		[NZ][AU]	0	0

TOWING DRAWBAR

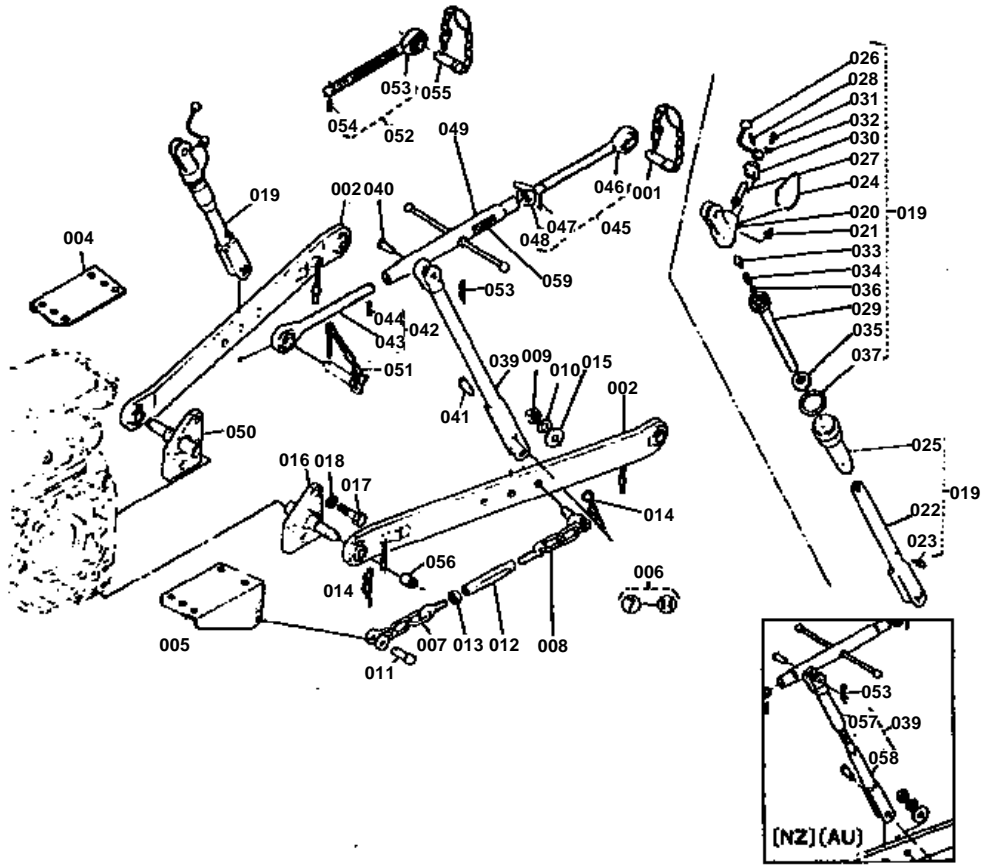


**TOWING DRAWBAR**

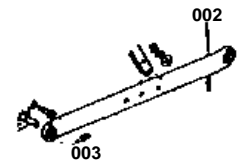
↔ Interchangeable; ≠ not interchangeable; ← new for old; → old for new

REF.No	Part No.	Description	Q'ty	S.No.	I/C	REMARKS	Weight (kgf)	Weight (lb)
001	36200-89360	PIN SET	2				0.146	0.3212
002	33251-89125	DRAWBAR	1	≤10010		EXCEPT [SAMPLE]	13.5	29.7
002	35450-89120	DRAWBAR	1	≥10526		EXCEPT [SAMPLE]	0	0
002	33251-89125	DRAWBAR	1			[SAMPLE]	13.5	29.7
003	33251-89214	PIN DRAWBAR	1				0.7	1.54
004	33251-89310	PIN SET	9				0.032	0.0704
005	36500-89320	FRAME DRAWBAR	1				14	30.8
006	36200-89330	PLATE SIDE	2				2.12	4.664
007	01173-52045	BOLT	2				0.162	0.3564
008	01173-52055	BOLT	2				0.183	0.4026
009	02174-50200	NUT	2				0.04	0.088
010	04512-50200	WASHER SPRING	4				0	0
011	33251-89340	PIN FRONT	1				0	0
012	33251-89350	PIN STOP	2				0.29	0.638
013	35450-89130	HITCH DRAWBAR	1	≥10526		EXCEPT [SAMPLE]	0	0
014	35450-89140	BOLT	2	≥10526		EXCEPT [SAMPLE]	0.21	0.462
015	02174-50180	NUT	2	≥10526		EXCEPT [SAMPLE]	0.029	0.0638
016	04512-50180	WASHER SPRING	2	≥10526		EXCEPT [SAMPLE]	0	0

3-POINT LINK



REF. n. 23200-9101-0
376200-9104-0





3-POINT LINK

↔ Interchangeable; ≠ not interchangeable; ← new for old; → old for new

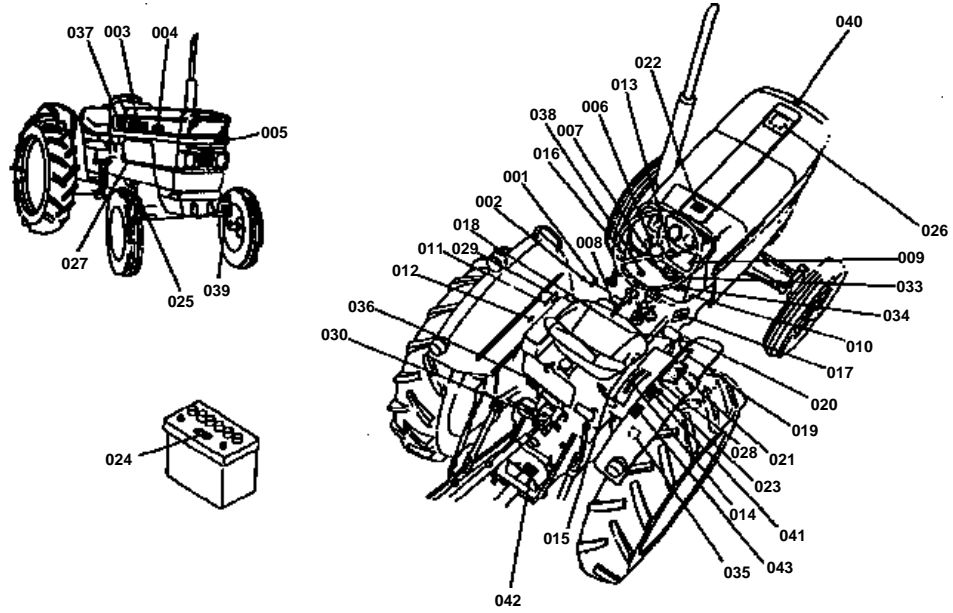
REF.No	Part No.	Description	Q'ty	S.No.	I/C	REMARKS	Weight (kgf)	Weight (lb)
001	33251-91740	PIN	1				0	0
001	35462-91740	PIN	1	≥10001			0.63	1.386
002	36200-91010	ASSY LINK LOWER	2	≤10696			9.5	20.9
002	36300-91010	ASSY LINK LOWER	2	≥10001			9.9	21.78
003	36200-91840	ASSY PIN SET	2	≤10696			0.06	0.132
004	36200-91080	BRACKET CHAIN RH	1				4.3	9.46
005	36200-91090	BRACKET CHAIN LH	1				4.4	9.68
006	36300-91100	ASSY CHAIN CHECK	2				2.46	5.412
007	36300-91110	CHAIN CHECK FRONT	2				0.692	1.5224
008	36300-91160	CHAIN CHECK REAR	2				1.08	2.376
009	02174-50180	NUT	2				0.029	0.0638
010	04512-50180	WASHER SPRING	2				0	0
011	33251-91180	PIN SET	2				0.04	0.088
012	36200-91190	BUCKLE TURN	2				0.63	1.386
013	02154-50160	NUT	2				0.025	0.055
014	33251-91860	PIN SET 2	2				0.023	0.0506
015	33251-91220	WASHER	2				0.28	0.616
016	36200-91890	PIN LOWER LINK LH	1				2.3	5.06
017	01173-51440	BOLT	6				0.062	0.1364
018	04512-50140	WASHER SPRING	6				0	0
019	36200-91233	ASSY ROD TIE RH	1				0	0
020	33430-91240	CASE TIE ROD GEAR RH	1				1.39	3.058
021	06613-10010	NIPPLE GREASE	1				0.006	0.0132
022	36200-91254	ROD TIE UNDER RH	1				0	0
023	06613-10010	NIPPLE GREASE	1				0.006	0.0132
024	33251-91280	SPRING ROD HANDLE	1				0.03	0.066
025	33251-91310	SLEEVE TIE ROD RH	1				0	0
025	33251-91314	SLEEVE TIE ROD RH	1	≥10001			0.66	1.452
026	33251-91320	HANDLE TIE ROD RH	1				0.15	0.33
027	33251-91330	PINION TIE ROD RH	1				0.09	0.198
028	05411-00525	PIN SPRING	1				0.002	0.0044
029	33430-91340	SHAFT	1				0.555	1.221
030	33251-91350	HUB	1				0.09	0.198
031	01153-50820	BOLT	1				0.012	0.0264
032	04512-50080	WASHER SPRING	1				0	0
033	33251-91360	PIN	1				0.008	0.0176
034	33251-91370	PIN SET	1				0.014	0.0308
035	08401-51204	BEARING THRUST BALL	1				0.172	0.3784
036	33251-91410	SHIM	1				0.001	0.0022
037	33251-91420	WASHER	1				0.011	0.0242
038	33251-91860	PIN SET 2	4				0.023	0.0506
039	36200-91453	ROD TIE LH	1			EXCEPT [NZ][AU]	2.49	5.478
039	36200-91453	ROD TIE LH	1			[NZ][AU]	2.49	5.478
039	35452-91450	ROD TIE LH	1			[NZ][AU]	3.1	6.82
040	33251-91530	PIN	2			EXCEPT [NZ][AU]	0.135	0.297
040	33251-91530	PIN	2			[NZ][AU]	0.135	0.297
040	33251-91530	PIN	3			[NZ][AU]	0.135	0.297
041	36200-91540	PIN	2			EXCEPT [NZ][AU]	0.11	0.242
041	36200-91540	PIN	2			[NZ][AU]	0.11	0.242
041	36200-91540	PIN	1			[NZ][AU]	0.11	0.242
042	33300-91550	ASSY LINK TOP FRONT	1				1.3	2.86
043	99999-99999	BLANK	0			ORDER BY REF.No.042	0	0
044	05411-00632	PIN SPRING	1				0.004	0.0088
045	33300-91610	ASSY LINK TOP REAR	1			CATEGORY 1	1.4	3.08
046	99999-99999	BLANK	0			ORDER BY REF.No.045 CATEGORY 1	0	0

**3-POINT LINK**

↔ Interchangeable; ≠ not interchangeable; ← new for old; → old for new

REF.No	Part No.	Description	Q'ty	S.No.	I/C	REMARKS	Weight (kgf)	Weight (lb)
047	05411-00632	PIN SPRING	1			CATEGORY 1	0.004	0.0088
048	33400-91590	NUT	1			CATEGORY 1	0.11	0.242
049	33300-91620	ASSY SLEEVE TOP LINK	1				2.05	4.51
050	36200-91880	PIN LOWER LINK RH	1				2.25	4.95
051	36200-91650	PIN	1				0.383	0.8426
052	33500-91610	ASSY LINK TOP REAR	1			CATEGORY 2	1.59	3.498
053	33500-91570	LINK TOP REAR	1			CATEGORY 2	1.6	3.52
054	05411-00632	PIN SPRING	1			CATEGORY 2	0.004	0.0088
055	33400-91740	PIN	1			EXCEPT [NZ][AU]	0.656	1.4432
055	33400-91740	PIN	1			[NZ][AU]	0.656	1.4432
055	35782-91740	PIN	1	≥10001		[NZ][AU]	0.4	0.88
056	33400-91910	BUSH	2			CATEGORY 1	0.07	0.154
057	33430-91440	ROD TIE LH	1			[NZ][AU]	1.55	3.41
058	35452-91470	ROD TIE LH	1			[NZ][AU]	1.66	3.652
059	35450-98940	LABEL	1				0.001	0.0022

NAME PLATE





NAME PLATE

↔ Interchangeable; ≠ not interchangeable; ← new for old; → old for new

REF.No	Part No.	Description	Q'ty	S.No.	I/C	REMARKS	Weight (kgf)	Weight (lb)
001	35460-98120	LABEL	1				0.002	0.0044
002	34152-57920	RIVET	4				0.001	0.0022
003	35460-98130	MARK SIDE KUBOTA	2				0.01	0.022
004	36200-98140	MARK KUBOTA	2				0.005	0.011
005	36200-98160	MARK FRONT	1				0.002	0.0044
006	35110-32290	LABEL STARTER SWITCH	1				0.001	0.0022
007	35410-98190	LABEL MAIN SWITCH	1				0.001	0.0022
007	33430-98190	LABEL MAIN SWITCH	1				0	0
008	35410-98270	LABEL	1				0	0
009	33430-98420	LABEL HAND ACCEL	1				0	0
010	35410-98430	LABEL ENGINE STOP	1				0	0
011	35410-98310	LABEL CREEP	1			EXCEPT [SA]	0	0
011	35463-98310	LABEL CREEP	1			[SA]	0.001	0.0022
012	35410-98320	LABEL	1				0	0
013	35452-98340	LABEL	1				0.001	0.0022
014	35410-98370	LABEL	1			EXCEPT M4500 M4500DT(R) [OC][CA][SA]	0	0
014	35463-98370	LABEL	1			[SA]	0.001	0.0022
015	35410-98380	LABEL	1			EXCEPT [SA]	0	0
015	35463-98380	LABEL	1			[SA]	0.001	0.0022
016	35410-98250	LABEL	1			EXCEPT [SA]	0.002	0.0044
016	35420-98250	LABEL	1			[SA]	0.005	0.011
017	35410-98350	LABEL	1				0	0
018	35410-98390	LABEL	1			[SAMPLE][SA]	0.001	0.0022
018	35450-98390	LABEL	1			M4500 M4500DT(R) [OC][CA]	0.002	0.0044
018	35700-98392	LABEL	1			M4500 M4500DT(R) [OC][CA]	0	0
020	35460-98510	LABEL OIL	1			M4500DT(R) [SAMPLE][CA]	0.002	0.0044
020	35462-98510	LABEL OIL	1			[NZ][AU]	0.002	0.0044
021	35110-34930	LABEL	1				0.004	0.0088
022	35110-34910	LABEL	1	<=12071			0.01	0.022
022	35260-34910	LABEL	1	>=12072			0	0
023	35110-35250	LABEL OIL FILLER	1				0.005	0.011
025	35460-98530	LABEL DIFF LOCK	1			EXCEPT [SA]	0.003	0.0066
025	35463-98530	LABEL DIFF LOCK	1			[SA]	0.001	0.0022
026	31210-33130	LABEL BATTERY	1				0.002	0.0044
026	35450-98350	LABEL BATTERY	1	>=10001			0.001	0.0022
027	35410-98540	LABEL	1				0	0
028	15101-94610	LABEL	1				0.002	0.0044
029	35410-98610	LABEL	1				0	0
030	35460-98490	LABEL	1			EXCEPT [SA]	0.002	0.0044
031	35460-41490	LABEL	1			EXCEPT [SA]	0.001	0.0022
031	35463-41490	LABEL	1			[SA]	0.001	0.0022
032	35410-98580	LABEL	1				0	0
033	33430-98410	MARK HORN	1			[NZ][SAMPLE][AU][SA]	0.001	0.0022
034	33430-98440	LABEL	1			[NZ][SAMPLE][AU][SA]	0.001	0.0022
034	35450-98440	LABEL	1			M4500 M4500DT(R) [OC][CA]	0	0
035	35410-98330	LABEL PTO	1			[NZ][AU][CA]	0.001	0.0022
036	35709-98550	LABEL	1				0.001	0.0022
038	35450-98970	LABEL	1				0.002	0.0044
038	35463-98970	LABEL	1			[SA]	0.001	0.0022
040	35450-98950	LABEL	1				0.001	0.0022
041	35260-29790	LABEL	1			[NZ][SAMPLE][AU][SA]	0.002	0.0044
042	35260-25340	LABEL	1				0.005	0.011
043	35260-29780	LABEL	1			[NZ][SAMPLE][AU][SA]	0	0

**POWER STEERING**

↔ Interchangeable; ≠ not interchangeable; ← new for old; → old for new

REF.No	Part No.	Description	Q'ty	S.No.	I/C	REMARKS	Weight (kgf)	Weight (lb)
001	36210-63410	TANK	1				0	0
002	36500-63470	GAUGE OIL	1				0.098	0.2156
003	04717-02150	WASHER SEAL	1				0.004	0.0088
004	36210-63430	BAND TANK	1				0	0
005	33400-63440	PAD 1	2				0.015	0.033
006	33400-63450	PAD 2	2				0.015	0.033
007	01053-50645	BOLT	2				0.012	0.0264
008	36220-63510	ASSY PIPE DERIVARY	1				0.94	2.068
009	04811-00200	O RING	1				0.001	0.0022
010	01050-50635	BOLT	3				0.01	0.022
011	04512-50060	WASHER SPRING	3				0	0
012	36220-63540	ASSY PIPE	1				0.5	1.1
013	04811-00200	O RING	1				0.001	0.0022
014	01050-50625	BOLT	3				0.007	0.0154
015	04512-50060	WASHER SPRING	3				0	0
016	33251-82760	BAND PIPE	1				0.016	0.0352
017	36220-63610	ASSY PIPE	1				0.27	0.594
018	36210-63630	RETAINER PIPE	1				0	0
018	35700-82350	STAY PIPE 1	1	>=10001			0.03	0.066
019	01150-50825	BOLT	1				0	0
019	01150-50830	BOLT	1	>=10001			0.015	0.033
020	04512-50080	WASHER SPRING	1				0	0
021	36220-63640	BRACKET PIPE	1				0.34	0.748
022	01170-51020	BOLT	2				0	0
023	04512-50100	WASHER SPRING	2				0	0
024	33400-63710	ASSY BOOSTER	1				0	0
024	35460-63710	ASSY BOOSTER	1	>=10001			8	17.6
025	33400-63730	ASSY PIPE 2	2				0.38	0.836
026	36280-63760	ASSY ROD LINK	1				0	0
026	36280-63762	ASSY ROD LINK	1	>=10001			1.5	3.3
027	36280-62750	NUT SLOTTED	1				0	0
027	36280-62753	NUT SLOTTED	1	>=10001			0	0
028	05511-50328	PIN SPLIT	1				0.002	0.0044
028	05511-50330	PIN SPLIT	1	>=10001			0.005	0.011
029	33400-63680	NUT	1				0.065	0.143
030	36280-63810	BRACKET	1				1.5	3.3
031	01173-51645	BOLT	2				0.092	0.2024
032	04512-50160	WASHER SPRING	2				0	0
033	36280-63830	ASSY ROD LINK	1				0	0
033	36280-63833	ASSY ROD LINK	1	>=10001			0.75	1.65
034	36280-62750	NUT SLOTTED	1				0	0
034	36280-62753	NUT SLOTTED	1	>=10001			0	0
035	05511-50328	PIN SPLIT	1				0.002	0.0044
035	05511-50330	PIN SPLIT	1	>=10001			0.005	0.011
036	33400-63690	NUT	1				0.063	0.1386
037	36280-63910	ASSY LINK DRAG	1				0	0
037	36280-63912	ASSY LINK DRAG	1	>=10001			1.9	4.18
038	33251-62750	NUT SLOTTED	1				0	0
038	35270-12670	NUT SLOTTED	1	>=10001			0.014	0.0308
039	05511-50328	PIN SPLIT	1				0.002	0.0044
039	05511-50325	PIN SPLIT	1	>=10001			0.002	0.0044
040	33430-82760	PIN	1				0.004	0.0088
041	33251-62750	NUT SLOTTED	1				0	0
041	35270-12670	NUT SLOTTED	1	>=10001			0.014	0.0308
042	05511-50328	PIN SPLIT	1				0.002	0.0044
043	36200-62930	ASSY ROD TIE	1				0	0
043	36200-62932	ASSY ROD TIE	1	>=10001			0.5	1.1
044	33251-62920	NUT	1				0.022	0.0484
045	99999-99999	BLANK	0			ORDER BY REF.No.037	0	0

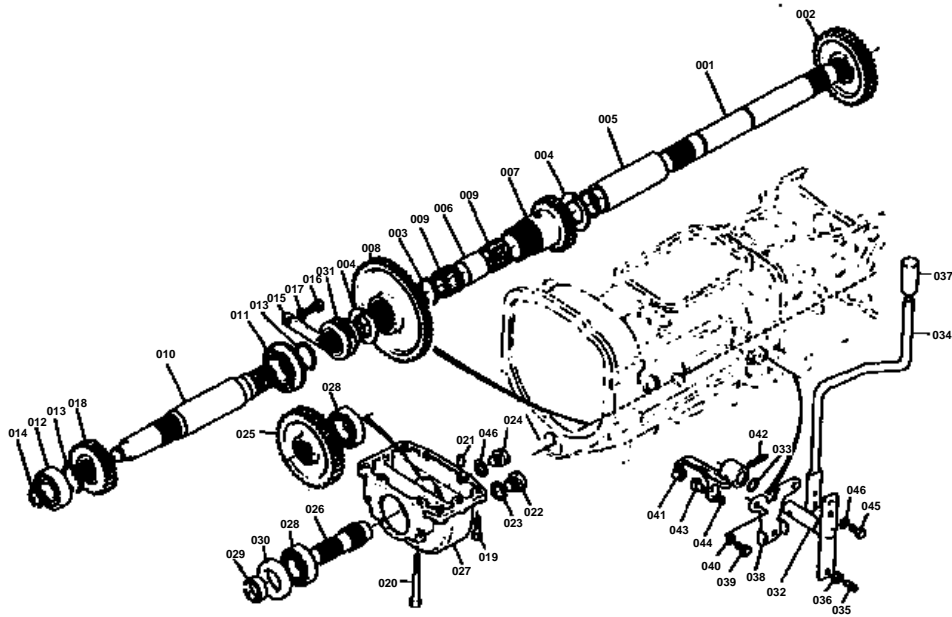


POWER STEERING

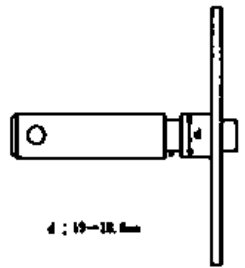
↔ Interchangeable; ≠ not interchangeable; ← new for old; → old for new

REF.No	Part No.	Description	Q'ty	S.No.	I/C	REMARKS	Weight (kgf)	Weight (lb)
046	36280-63870	WASHER	1				0.016	0.0352
047	36280-63930	WASHER	1	>=11245		EXCEPT [OC]	0.02	0.044

DRIVE CASE



REF. No. 36280-4142-4

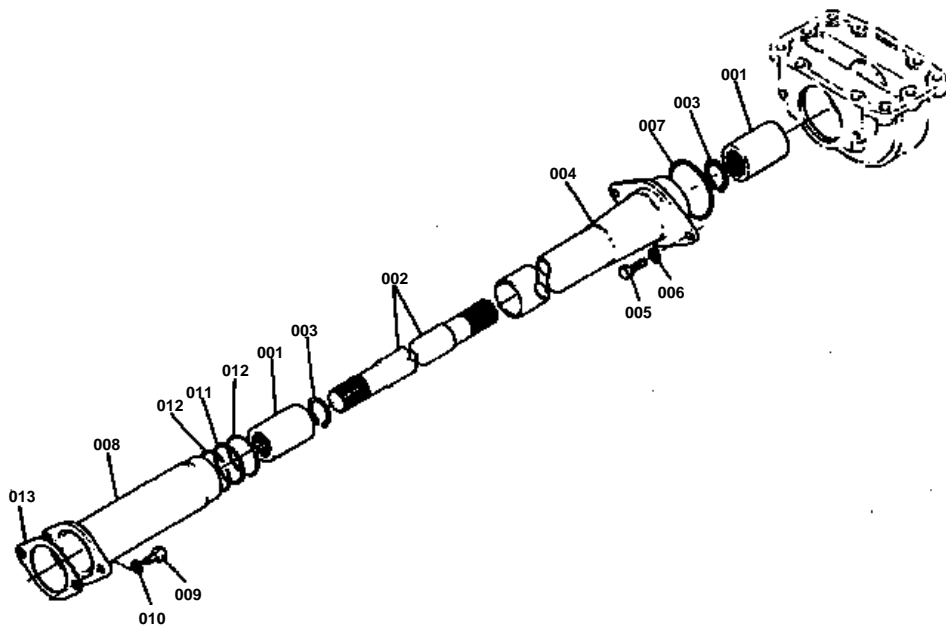




DRIVE CASE

↔ Interchangeable; ≠ not interchangeable; ← new for old; → old for new

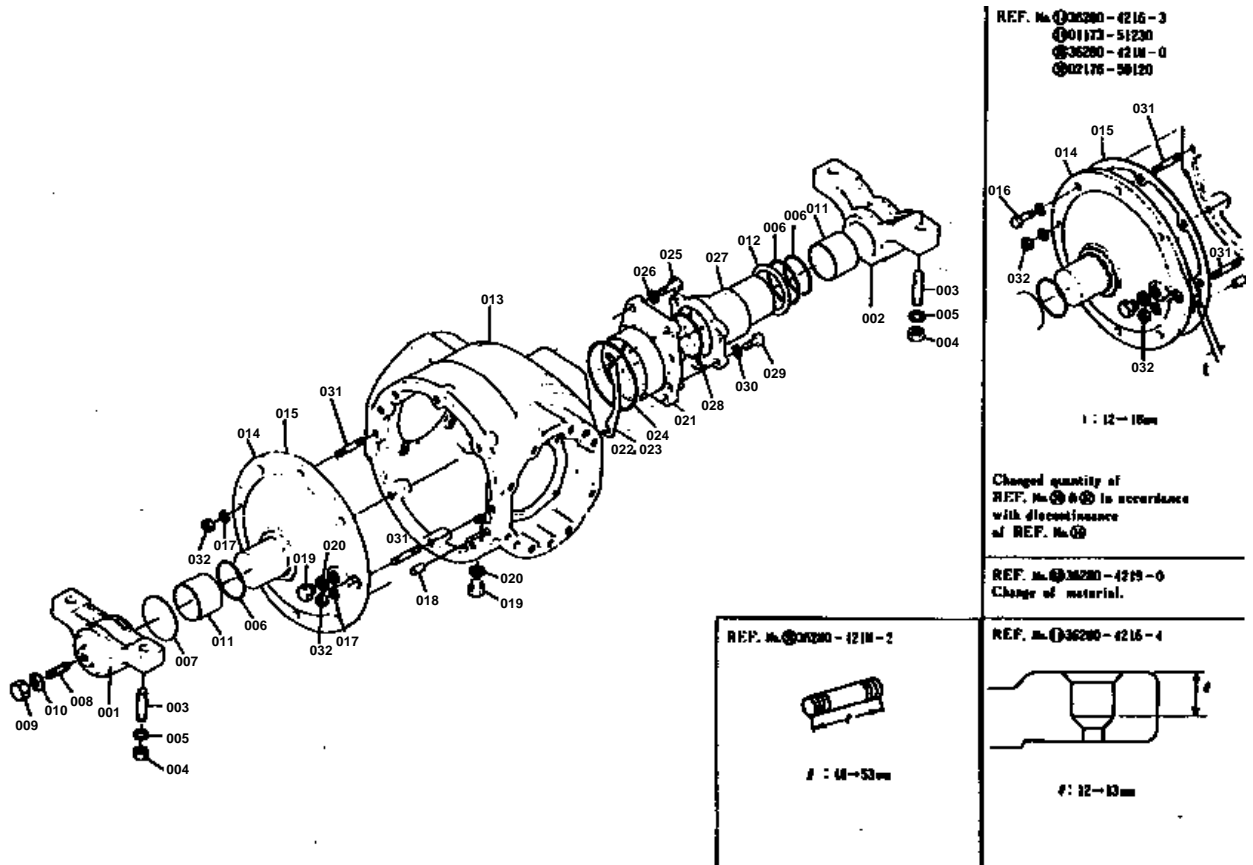
REF.No	Part No.	Description	Q'ty	S.No.	I/C	REMARKS	Weight (kgf)	Weight (lb)
001	36280-41110	SHAFT REAR	1				2.43	5.346
002	36280-41130	GEAR 31	1				0.93	2.046
003	36280-41140	CIR-CLIP	1			EXCEPT M4500DT [OC]	0.002	0.0044
004	36280-41150	WASHER THRUST	2			EXCEPT M4500DT [OC]	0.04	0.088
005	36280-41160	COLLAR 1	1				0.42	0.924
006	36280-41170	COLLAR 2	1			EXCEPT M4500DT [OC]	0.04	0.088
007	36280-41180	SHAFT GEAR	1			EXCEPT M4500DT [OC]	0.8	1.76
008	36280-41190	GEAR 46	1			EXCEPT M4500DT [OC]	1.5	3.3
009	08823-54027	BEARING NEEDLE	2			EXCEPT M4500DT [OC]	0.05	0.11
010	36280-41210	SHAFT FRONT	1				1.45	3.19
011	08151-06207	BEARING BALL	1				0.28	0.616
012	08100-00031	BEARING BALL	1				0.242	0.5324
012	36340-41290	BEARING BALL	1	>=10001			0.235	0.517
013	04612-00350	CIR-CLIP EXTERNAL	2				0.01	0.022
014	04612-00250	CIR-CLIP EXTERNAL	1				0.002	0.0044
015	36200-25650	RETAINER BEARING	1				0	0
016	01153-50818	BOLT	2				0.01	0.022
017	04512-50080	WASHER SPRING	2				0	0
018	35460-41220	GEAR 18	1			EXCEPT [SA]	0.54	1.188
018	36280-41220	GEAR 19	1			[AU]	0.6	1.32
019	01173-51030	BOLT	6				0.023	0.0506
020	01173-51080	BOLT	2				0.049	0.1078
021	05012-01020	PIN STRAIGHT	2				0.02	0.044
022	06331-35020	PLUG	1				0.068	0.1496
023	04717-02000	WASHER SEAL	1				0.004	0.0088
024	06331-35012	PLUG	1				0.022	0.0484
025	36280-41230	GEAR 30	1				1.08	2.376
026	36280-41240	SHAFT	1				0	0
027	36280-41250	CASE	1				3.97	8.734
028	08101-06206	BEARING BALL	2				0.196	0.4312
029	36280-41270	SLEEVE	1				0	0
030	09503-86211	SEAL OIL	1				0.03	0.066
031	36280-41410	SHIFTER	1				0.3	0.66
032	36280-41420	SHAFT	1				0.33	0.726
032	36280-41424	SHAFT	1	>=10001			0	0
033	04811-00150	O RING	1				0.001	0.0022
034	36280-41440	LEVER	1				0.52	1.144
035	36280-41460	SCREW	1				0.01	0.022
036	02116-50100	NUT	1				0.004	0.0088
037	06914-00130	GRIP LEVER	1				0.016	0.0352
038	36280-41450	GUIDE LEVER	1				0.09	0.198
039	01170-51016	BOLT	2				0.016	0.0352
040	04512-50100	WASHER SPRING	2				0	0
041	36280-41510	FORK	1				0.296	0.6512
042	05411-00630	PIN SPRING	1				0.004	0.0088
043	36280-41530	TOP	2				0.015	0.033
044	04613-00060	CIR-CLIP EXTERNAL	2				0	0
045	01120-50816	BOLT	2				0	0
046	04717-01200	WASHER SEAL	1				0.002	0.0044



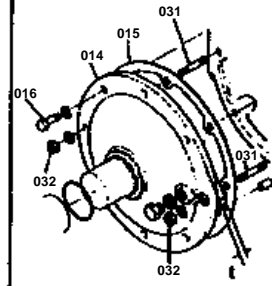
**PROPELLER SHAFT [M4500DT]**

↔ Interchangeable; ≠ not interchangeable; ← new for old; → old for new

REF.No	Part No.	Description	Q'ty	S.No.	I/C	REMARKS	Weight (kgf)	Weight (lb)
001	36280-41310	COUPLING	2				0.24	0.528
002	36280-41320	SHAFT	1				4.04	8.888
003	04612-00300	CIR-CLIP EXTERNAL	2				0.003	0.0066
004	36280-41340	COVER REAR	1				2	4.4
005	01153-50820	BOLT	2				0.012	0.0264
006	04512-50080	WASHER SPRING	2				0	0
007	04811-50600	O RING	1				0.002	0.0044
008	36280-41350	COVER FRONT	1				0.85	1.87
009	01153-50820	BOLT	2				0.012	0.0264
010	04512-50080	WASHER SPRING	2				0	0
011	04811-00420	O RING	1				0.002	0.0044
012	36280-41360	CIR-CLIP	2				0.003	0.0066
013	36280-41370	GASKET	1				0	0



REF. No. 002200-4216-3
 001173-51230
 0036280-421M-0
 002175-50120



1 : 12-18mm

Changed quantity of REF. No. 0036280 in accordance with discontinuance of REF. No. 002175

REF. No. 0036280-4219-0
 Change of material.

REF. No. 002200-421M-2



1 : 41-53mm

REF. No. 0036280-4216-4



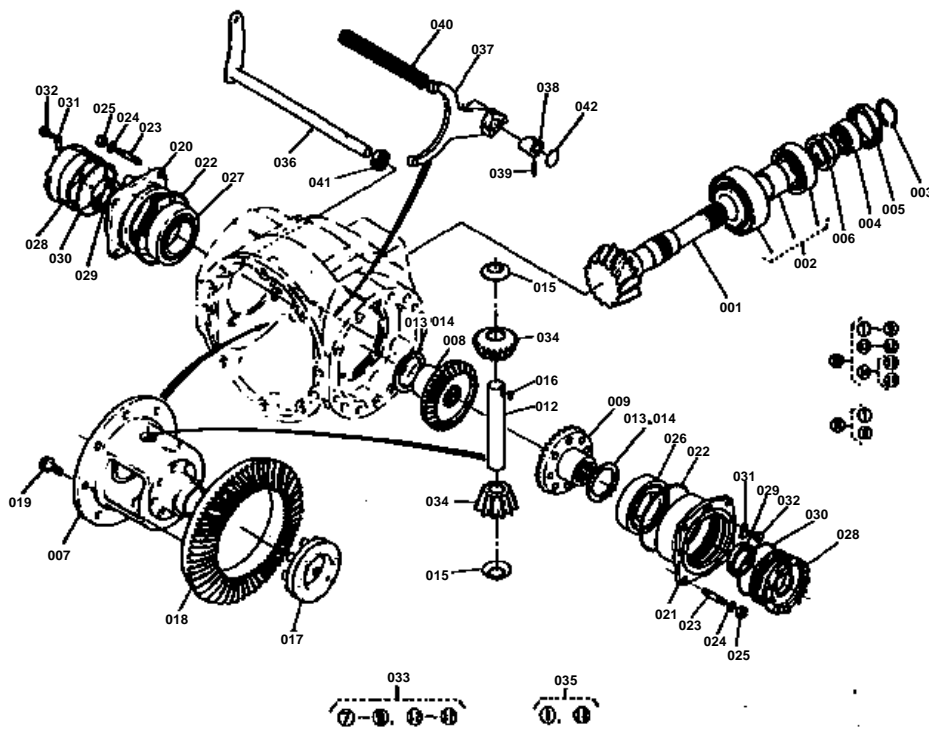
1 : 12-13mm



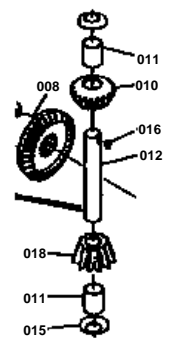
DIFF CASE 1 [M4500DT]

↔ Interchangeable; ≠ not interchangeable; ← new for old; → old for new

REF.No	Part No.	Description	Q'ty	S.No.	I/C	REMARKS	Weight (kgf)	Weight (lb)
001	36280-41610	BRACKET FRONT	1				2.36	5.192
002	36280-41620	BRACKET REAR	1				2.38	5.236
003	01517-51645	STUD	4				0	0
004	02074-50160	NUT	4				0.029	0.0638
005	04512-50160	WASHER SPRING	4				0	0
006	04811-50550	O RING	3				0.002	0.0044
007	36280-41630	WASHER	1				0.06	0.132
008	36280-41640	SCREW	1				0.046	0.1012
009	36280-41650	NUT LOCK	1				0.068	0.1496
010	04717-01600	WASHER SEAL	1				0.003	0.0066
011	36280-41660	BUSH	2				0	0
012	36280-41670	WASHER THRUST	1				0.04	0.088
013	36280-42150	CASE DIFF	1				20	44
014	36280-42160	COVER DIFF CASE	1	<=10525			5.02	11.044
014	36280-42163	COVER DIFF CASE	1	>=10526			6	13.2
014	36280-42164	COVER DIFF CASE	1	>=10526			0	0
015	99999-99999	GASKET	1			NON SALE	0	0
016	01173-51230	BOLT	6	<=10525			0.037	0.0814
017	04512-50120	WASHER SPRING	8				0	0
018	05012-01325	PIN STRAIGHT	2				0.028	0.0616
018	36280-42190	PIN STRAIGHT	2	>=10001			0.03	0.066
019	06331-35020	PLUG	4				0.068	0.1496
020	04717-02000	WASHER SEAL	4				0.004	0.0088
021	36280-42210	CASE	1				1.83	4.026
022	36280-42220	SHIM 0.3	6				0.017	0.0374
023	36280-42230	SHIM 0.1	4				0.001	0.0022
024	04811-50950	O RING	1				0.003	0.0066
025	01176-51235	BOLT	4				0.041	0.0902
026	04512-50120	WASHER SPRING	4				0	0
027	36280-42250	COVER	1				2.06	4.532
028	04811-10750	O RING	1				0.001	0.0022
029	01176-51030	BOLT	5				0	0
030	04512-50100	WASHER SPRING	5				0	0
031	01574-51230	STUD	2	<=10525			0.037	0.0814
031	36280-42180	STUD	8	>=10526			0.04	0.088
031	36280-42182	STUD	8				0	0
032	02174-50120	NUT	2	<=10525			0.01	0.022
032	02176-50120	NUT	8	>=10526			0.01	0.022



REF. No. 33400-3278-0



Discontinua

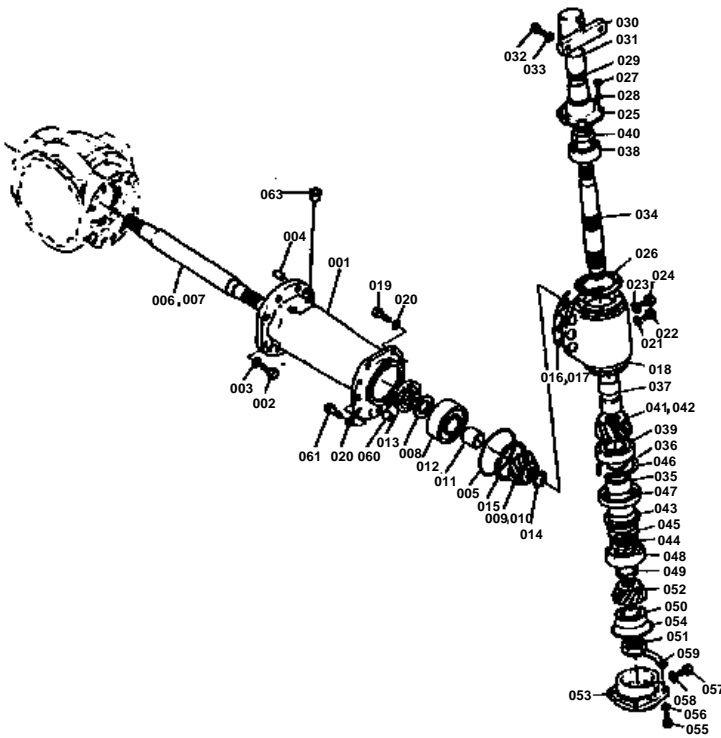


DIFF CASE 2 [M4500DT]

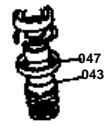
↔ Interchangeable; ≠ not interchangeable; ← new for old; → old for new

REF.No	Part No.	Description	Q'ty	S.No.	I/C	REMARKS	Weight (kgf)	Weight (lb)
001	99999-99999	BLANK	0			ORDER BY REF.No.035	0	0
002	36280-42270	ASSY BEARING	1				1.43	3.146
003	04612-00300	CIR-CLIP EXTERNAL	1				0.003	0.0066
004	36280-41270	SLEEVE	1				0	0
005	09500-38508	SEAL OIL	1				0.012	0.0264
006	70531-54750	NUT 35	1				0.105	0.231
007	33400-32710	CASE DIFF	1	<=12071			3.9	8.58
007	35450-32710	CASE DIFF	1	>=12072			4.8	10.56
008	33400-32720	GEAR DIFF SIDE 1	1				0.8	1.76
009	33400-32730	GEAR DIFF SIDE 2	1				1.1	2.42
010	99999-99999	BLANK	0			ORDER BY REF.No.034	0	0
011	33400-32760	BUSH	2				0.024	0.0528
012	33400-32770	SHAFT DIFF PINION	1	<=12071			0.5	1.1
012	36330-32770	SHAFT DIFF PINION	1	>=12072			0	0
013	33251-32780	WASHER	2				0.025	0.055
014	33251-32790	WASHER	2				0.025	0.055
015	33400-32810	WASHER	2	<=12071			0.02	0.044
015	36330-32810	WASHER	2	>=12072			0.018	0.0396
016	33251-32820	KEY	1				0.002	0.0044
017	33400-32850	ASSY SHIFTER DIFF LO	1				0.86	1.892
018	99999-99999	BLANK	0			ORDER BY REF.No.035	0	0
019	36280-42320	BOLT	8				0.042	0.0924
020	36280-42410	CASE DIFF BEARING RH	1				1.04	2.288
021	36280-42420	CASE DIFF BEARING LH	1				1.21	2.662
022	04811-51050	O RING	2				0.003	0.0066
023	01517-51022	STUD	8				0	0
024	04512-50100	WASHER SPRING	8				0	0
025	02176-50100	NUT	8				0.005	0.011
026	08711-30209	BEARING	1				0.458	1.0076
027	08711-32011	BEARING	1				0.538	1.1836
028	36280-42430	SCREW	2				0.562	1.2364
029	09160-38558	SEAL OIL	2				0.018	0.0396
030	04811-00800	O RING	2				0.009	0.0198
031	36280-42440	STOPPER	2				0.004	0.0088
032	01202-50610	BOLT	2				0.004	0.0088
033	36280-43100	ASSY DIFF	1	<=12071			0	0
033	35450-32200	ASSY DIFF	1	>=12072			8.4	18.48
034	33400-32740	ASSY DIFF PINION	1	<=12071			0.31	0.682
034	36330-32750	ASSY DIFF PINION	1	>=12072			0	0
035	36280-42240	ASSY GEAR BEVEL	1				5.5	12.1
036	36280-42510	BAR SHIFT	1				0.624	1.3728
037	36280-42520	FORK SHIFT	1				0.53	1.166
038	33540-42530	CAM DIFF LOCK	1				0.011	0.0242
039	05411-00635	PIN SPRING	1				0.005	0.011
040	36280-42540	SPRING	1				0.102	0.2244
041	09500-16287	SEAL OIL	1				0.01	0.022
042	36200-32950	SHIM	1				0.002	0.0044

FRONT AXLE SUPPORT [M4500DT]



REF. N. Q 38280 - 4346 - 0
Q 38280 - 4348 - 0





FRONT AXLE SUPPORT [M4500DT]

↔ Interchangeable; ≠ not interchangeable; ← new for old; → old for new

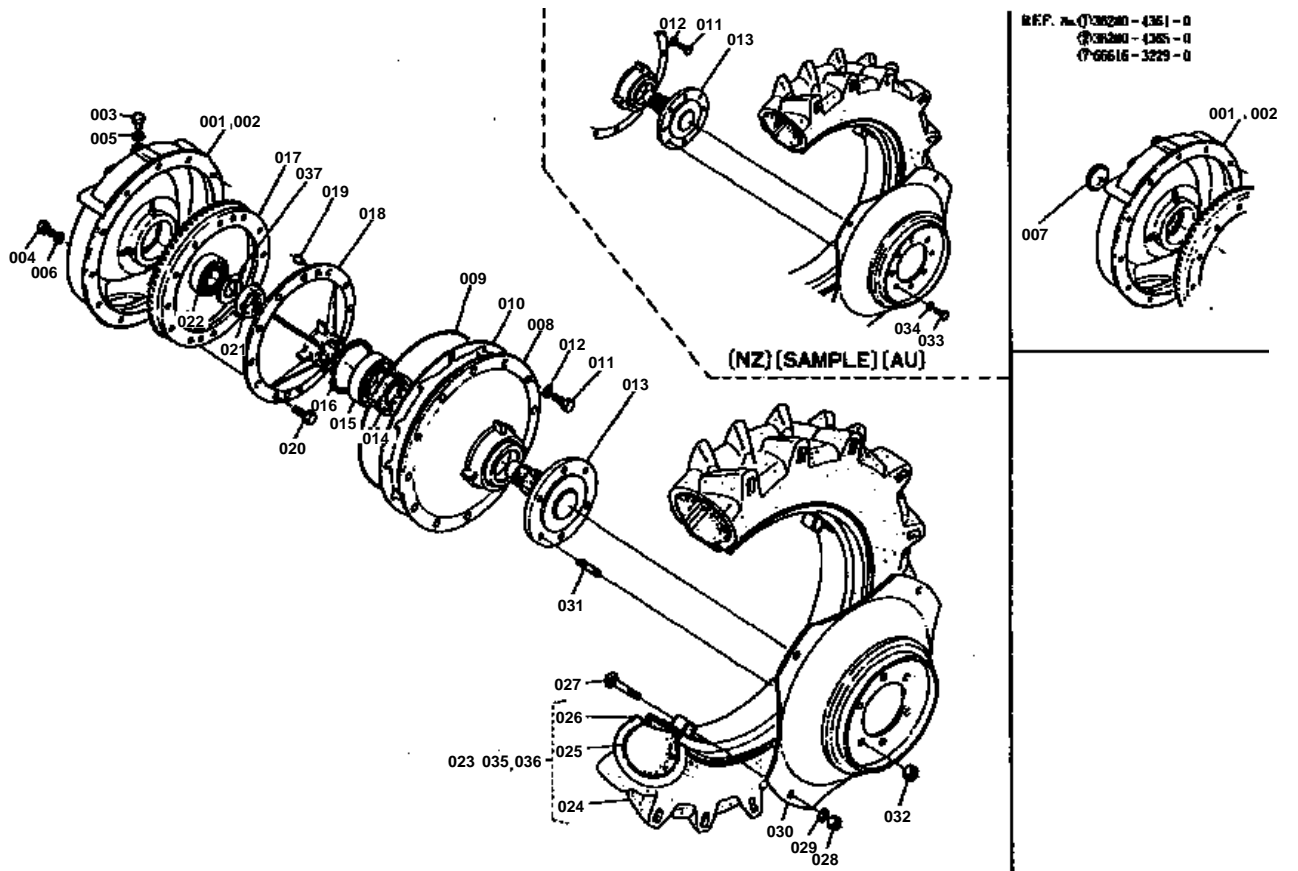
REF.No	Part No.	Description	Q'ty	S.No.	I/C	REMARKS	Weight (kgf)	Weight (lb)
001	36280-43113	SUPPORT AXLE FRONT	2				17.7	38.94
002	01173-51240	BOLT	18				0.045	0.099
003	04512-50120	WASHER SPRING	18				0	0
004	36280-43150	PIN STRAIGHT	4				0.031	0.0682
005	04811-51150	O RING	2				0.004	0.0088
006	36280-43213	SHAFT RH	1				5.6	12.32
007	36280-43223	SHAFT LH	1				6.3	13.86
008	36280-43233	COLLAR	2				0.039	0.0858
009	36280-43240	BEVEL PINION 15 RH	1				1.13	2.486
010	36280-43250	BEVEL PINION 15 LH	1				1.16	2.552
011	36280-43260	LACE INNER	2				0.088	0.1936
012	08241-03309	BEARING BALL	2				1.42	3.124
013	09034-46812	SEAL OIL	2				0.035	0.077
014	04612-00400	CIR-CLIP EXTERNAL	2				0.005	0.011
015	04611-01000	CIR-CLIP INTERNAL	2				0.042	0.0924
016	36280-43273	SHIM 0.3	12				0.009	0.0198
017	36280-43280	SHIM 0.1	12				0.002	0.0044
018	36280-43315	CASE GEAR BEVEL	2				7	15.4
019	01076-51235	BOLT	20				0.045	0.099
020	04512-50120	WASHER SPRING	20				0	0
021	06331-35010	PLUG	2				0.012	0.0264
022	04717-01000	WASHER SEAL	2				0.001	0.0022
023	06331-35020	PLUG	2				0.068	0.1496
024	04717-02000	WASHER SEAL	2				0.004	0.0088
025	36280-43320	RETAINER BEARING	2				1.37	3.014
026	36280-43330	GASKET	2				0	0
027	01173-51030	BOLT	12				0.023	0.0506
028	04512-50100	WASHER SPRING	12				0	0
029	04811-50500	O RING	2				0.001	0.0022
030	36280-43340	SUPPORT FRONT WHEEL	2				1.7	3.74
031	36280-43350	BUSH	2				0	0
032	01173-51235	BOLT	4				0.04	0.088
033	04512-50120	WASHER SPRING	4				0	0
034	36280-43410	PIN KING	2				3.68	8.096
035	36280-43420	COLLAR	2				0.345	0.759
036	04811-50450	O RING	2				0.003	0.0066
037	36280-43430	COLLAR	2				0.481	1.0582
038	08241-03307	BEARING BALL	2				0.8	1.76
039	08101-06309	BEARING BALL	2				0.82	1.804
040	70531-54750	NUT 35	2				0.105	0.231
041	36280-43440	GEAR BEVEL 18 RH	1				1.6	3.52
042	36280-43450	GEAR BEVEL 18 LH	1				1.58	3.476
043	36280-43460	COLLAR SEAL	2				0.378	0.8316
043	36280-43464	COLLAR SEAL	2	>=10001			0	0
044	09400-63758	SEAL OIL	2				0.02	0.044
045	04811-50800	O RING	2				0.003	0.0066
046	04611-01000	CIR-CLIP INTERNAL	2				0.042	0.0924
047	36280-43480	SEAL OIL	2				0.06	0.132
047	36280-43482	SEAL OIL	2	>=10001			0	0
048	08101-06309	BEARING BALL	2				0.82	1.804
049	36280-43510	COLLAR	2				0.05	0.11
050	08101-06308	BEARING BALL	2				0.63	1.386
051	70531-54750	NUT 35	2				0.105	0.231
052	99999-99999	BLANK	0			ORDER BY REF.No.062	0	0
053	36280-43540	CASE BEARING	2				1.56	3.432
054	04811-51000	O RING	2				0.003	0.0066
055	01173-51028	BOLT	8				0.022	0.0484
056	04512-50100	WASHER SPRING	8				0	0
057	06331-35020	PLUG	2				0.068	0.1496

**FRONT AXLE SUPPORT [M4500DT]**

↔ Interchangeable; ≠ not interchangeable; ← new for old; → old for new

REF.No	Part No.	Description	Q'ty	S.No.	I/C	REMARKS	Weight (kgf)	Weight (lb)
058	04717-02000	WASHER SEAL	2				0.004	0.0088
059	36280-43550	SHIM 0.1	8				0.001	0.0022
060	36280-43170	KNOCK PIPE	2				0.022	0.0484
061	36280-43180	BOLT UBS	2				0.052	0.1144
062	36280-43940	ASSY BEVEL GEAR	2				0	0
063	32210-27580	PLUG BLAND	4				0.001	0.0022

FRONT WHEEL CASE [M4500DT]





FRONT WHEEL CASE [M4500DT]

↔ Interchangeable; ≠ not interchangeable; ← new for old; → old for new

REF.No	Part No.	Description	Q'ty	S.No.	I/C	REMARKS	Weight (kgf)	Weight (lb)
001	36280-43610	CASE FRONT WHEEL RH	1				0	0
001	36280-43614	CASE FRONT WHEEL RH	1	>=10001			20	44
002	36280-43650	CASE FRONT WHEEL LH	1				0	0
002	36280-43654	CASE FRONT WHEEL LH	1	>=10001			22.5	49.5
003	06331-35020	PLUG	2				0.068	0.1496
004	06331-35010	PLUG	2				0.012	0.0264
005	04717-02000	WASHER SEAL	2				0.004	0.0088
006	04717-01000	WASHER SEAL	2				0.001	0.0022
007	66616-32290	PLUG BLIND	2				0.044	0.0968
008	36280-43620	COVER CASE	2	<=10879			14.1	31.02
008	35780-43620	COVER CASE	2	>=10880			13.5	29.7
009	33540-43630	O RING	2				0.014	0.0308
010	33540-43640	SHIM 0.2	20				0.04	0.088
011	01173-51028	BOLT	24				0.022	0.0484
012	04512-50100	WASHER SPRING	24				0	0
013	35460-43710	SHAFT FRONT AXLE	2			M4500DT(R) [CA]	9.2	20.24
013	35780-43710	SHAFT FRONT AXLE	2			M4500DT(R) [CA]	11.2	24.64
013	36280-43710	SHAFT FRONT AXLE	2	<=10879		[NZ][SAMPLE][AU][SA]	7.6	16.72
013	35780-43710	SHAFT FRONT AXLE	2	>=10880		[NZ][SAMPLE][AU][SA]	11.2	24.64
014	34350-27560	SEAL OIL	2	<=10879			0.11	0.242
014	36200-48250	SEAL OIL	2	>=10880			0	0
015	08101-06311	BEARING BALL	2	<=10879			1.36	2.992
015	08101-06312	BEARING BALL	2	>=10880			1.68	3.696
016	04611-01200	CIR-CLIP	2	<=10879			0.083	0.1826
016	04611-01300	CIR-CLIP	2	>=10880			0.1	0.22
017	99999-99999	BLANK	0			ORDER BY REF.No.062 IN FIG.No.077	0	0
018	36280-43730	SUPPORT BEVEL GEAR	2	<=10879			9	19.8
018	35780-43730	SUPPORT BEVEL GEAR	2	>=10880			9	19.8
019	05012-01325	PIN STRAIGHT	4				0.028	0.0616
020	36280-42320	BOLT	24				0.042	0.0924
021	36280-43750	NUT	2	<=10879			0.2	0.44
021	35780-43750	NUT	2	>=10880			0.205	0.451
022	08101-06309	BEARING BALL	2				0.82	1.804
023	36580-24100	ASSY TIRE FRONT	2			[NZ][AU][CA]	42	92.4
023	36580-24102	ASSY TIRE FRONT	2			[NZ][AU][CA]	0	0
023	36280-24100	ASSY TIRE FRONT	2			[SAMPLE][SA]	37	81.4
024	70000-00248	TIRE	2			M4500DT(R)	0	0
024	33540-49210	TIRE	2			[NZ][AU][CA]	0	0
024	36280-24110	TIRE	2			[SAMPLE][SA]	0	0
025	70000-00249	TUBE	2			M4500DT(R)	0	0
025	33540-49220	TUBE	2			[NZ][AU][CA]	2.3	5.06
025	36280-24120	TUBE	2			[SAMPLE][SA]	1.9	4.18
026	70000-00247	RIM	2			M4500DT(R)	0	0
026	36280-24130	RIM	2			[NZ][SAMPLE][AU][CA][SA]	13	28.6
027	99999-99999	BOLT	8			M4500DT(R) YOUR SUPPLY	0	0
027	36500-49380	BOLT	8			[NZ][SAMPLE][AU][CA][SA]	0.2	0.44
028	99999-99999	NUT	8			M4500DT(R) YOUR SUPPLY	0	0
028	36500-49390	NUT	8			[NZ][SAMPLE][AU][CA][SA]	0.043	0.0946
029	99999-99999	SPRING	8			M4500DT(R) YOUR SUPPLY	0	0
029	36500-49410	SPRING	8			[NZ][SAMPLE][AU][CA][SA]	0.024	0.0528
030	99999-99999	DISK	2			M4500DT(R) YOUR SUPPLY	0	0
030	36280-97710	DISK	2	<=10879		[NZ][SAMPLE][AU][CA][SA]	17.8	39.16

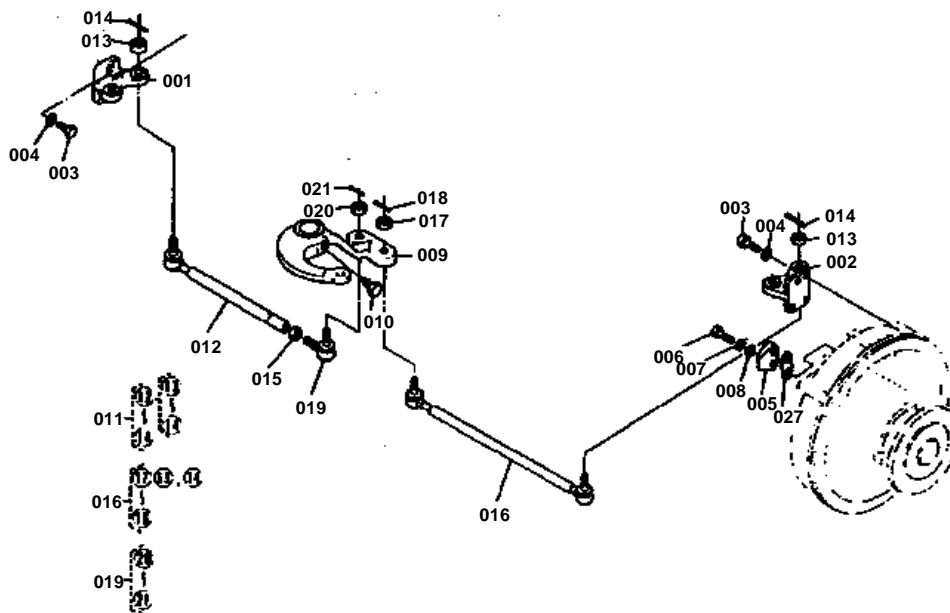


FRONT WHEEL CASE [M4500DT]

↔ Interchangeable; ≠ not interchangeable; ← new for old; → old for new

REF.No	Part No.	Description	Q'ty	S.No.	I/C	REMARKS	Weight (kgf)	Weight (lb)
030	35461-24150	DISK	2	>=10880		[NZ][SAMPLE][AU][CA][SA]	14.2	31.24
031	35410-49150	STUD	16			M4500DT(R)	0.078	0.1716
032	33251-49170	NUT	16			M4500DT(R)	0.045	0.099
033	36280-24160	BOLT	12	<=10879		[NZ][SAMPLE][AU][CA][SA]	0.1	0.22
033	36280-24160	BOLT	16	>=10880		[NZ][SAMPLE][AU][CA][SA]	0.1	0.22
034	36500-49410	SPRING	12	<=10879		[NZ][SAMPLE][AU][CA][SA]	0.024	0.0528
034	36500-49410	SPRING	16	>=10880		[NZ][SAMPLE][AU][CA][SA]	0.024	0.0528
035	70000-00245	ASSY TIRE FRONT RH	1			M4500DT(R)	0	0
036	70000-00246	ASSY TIRE FRONT LH	1			M4500DT(R)	0	0
037	35780-43770	WASHER	2				0.09	0.198
038	35461-49200	ASSY FRONT WHEEL	1			[NZ][AU][CA]	0	0
038	35463-49200	ASSY FRONT WHEEL	1			[SAMPLE][SA]	0	0

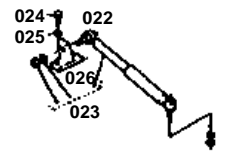
KNUCKLE ARM [M4500DT]



REF. No. 36299-6264-5
Revised

REF. No. 36299-6264-6
Change of length
30-55mm

REF. No. 36299-4430-0
① 36299-4431-0
② 01173-51230
③ 04612-50120
④ 36299-4432-0



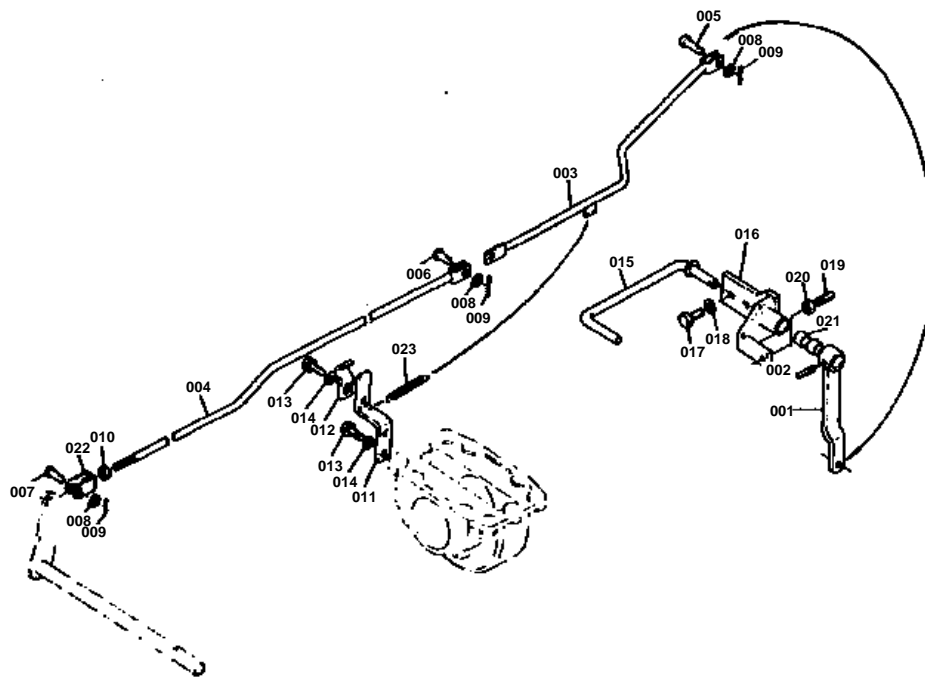


KNUCKLE ARM [M4500DT]

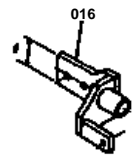
↔ Interchangeable; ≠ not interchangeable; ← new for old; → old for new

REF.No	Part No.	Description	Q'ty	S.No.	I/C	REMARKS	Weight (kgf)	Weight (lb)
001	36280-43810	ARM KNUCKLE RH	1				1.12	2.464
002	36280-43820	ARM KNUCKLE LH	1				1.1	2.42
003	01173-51235	BOLT	8				0.04	0.088
004	04512-50120	WASHER SPRING	8				0	0
005	36280-43830	STOPPER	2				0.238	0.5236
006	01173-51235	BOLT	4				0.04	0.088
007	04512-50120	WASHER SPRING	4				0	0
008	04013-50120	WASHER PLAIN	4				0	0
009	36280-62640	LEVER	1	≤10525			0	0
009	36280-62645	LEVER	1	≥10001			0	0
010	36280-62680	BOLT	1	≤10523			0.064	0.1408
010	36580-62680	BOLT	1	≥10524			0	0
011	36280-62900	ASSY ROD TIE RH	1				0	0
011	36280-62902	ASSY ROD TIE RH	1	≥10001			2.3	5.06
012	99999-99999	BLANK	0			ORDER BY REF.No.011	0	0
013	36280-62750	NUT SLOTTED	2				0	0
013	36280-62754	NUT SLOTTED	2	≥10001			0.03	0.066
014	05511-50328	PIN SPLIT	2				0.002	0.0044
014	05511-50330	PIN SPLIT	2	≥10001			0.005	0.011
015	02172-50200	NUT	1				0.03	0.066
016	36280-62870	ASSY ROD TIE LH	1				0	0
016	36280-62872	ASSY ROD TIE LH	1	≥10001			2.3	5.06
017	36280-62750	NUT SLOTTED	1				0	0
017	36280-62754	NUT SLOTTED	1	≥10001			0.03	0.066
018	05511-50328	PIN SPLIT	1				0.002	0.0044
018	05511-50330	PIN SPLIT	1	≥10001			0.005	0.011
019	36280-62930	ASSY END TIE ROD	1				0	0
019	36280-62932	ASSY END TIE ROD	1	≥10001			0.57	1.254
020	36280-62750	NUT SLOTTED	1				0	0
020	36280-62754	NUT SLOTTED	1	≥10001			0.03	0.066
021	05511-50328	PIN SPLIT	1				0.002	0.0044
021	05511-50330	PIN SPLIT	1	≥10001			0.005	0.011
022	36280-44300	DAMPER STEERING	2			M4500DT(R) [CA]	1.54	3.388
023	36380-44310	DAMPER BRACKET RH	1			M4500DT(R) [CA]	0.326	0.7172
024	01173-51230	BOLT	4			M4500DT(R) [CA]	0.037	0.0814
025	04512-50120	WASHER SPRING	4			M4500DT(R) [CA]	0	0
026	36380-44320	DAMPER BRACKET LH	1			M4500DT(R) [CA]	0.322	0.7084
027	36280-43840	SHIM STOPPER	2				0.008	0.0176

DIFF LOCK PEDAL [M4500DT]



REF. No. 3270-427-4



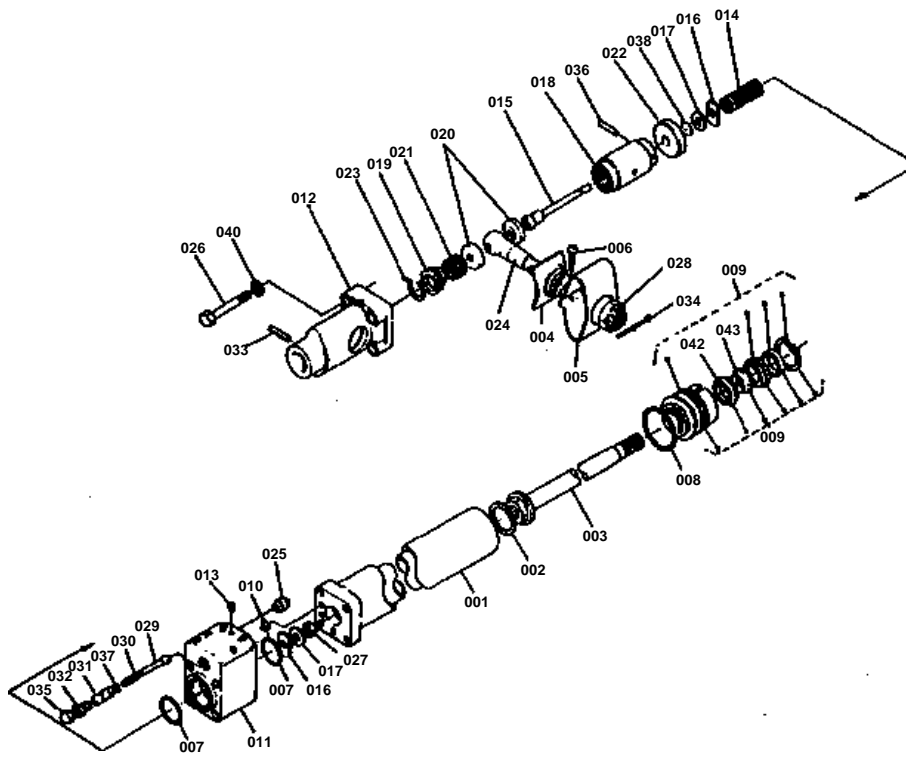
f: 50-45mm

**DIFF LOCK PEDAL [M4500DT]**

↔ Interchangeable; ≠ not interchangeable; ← new for old; → old for new

REF.No	Part No.	Description	Q'ty	S.No.	I/C	REMARKS	Weight (kgf)	Weight (lb)
001	36280-44110	LEVER DIFF LOCK	1				0.498	1.0956
002	05411-00630	PIN SPRING	1				0.004	0.0088
003	36280-44120	ROD DIFF LOCK REAR	1				0.694	1.5268
004	36280-44130	ROD DIFF LOCK FRONT	1				0.9	1.98
005	05122-50828	PIN JOINT	1				0.012	0.0264
006	05122-50825	PIN JOINT	1				0.011	0.0242
007	05122-50820	PIN JOINT	1				0.009	0.0198
008	04012-50080	WASHER PLAIN	3				0.001	0.0022
009	05511-50215	PIN SPLIT	3				0.001	0.0022
010	02172-50120	NUT	1				0.01	0.022
011	36280-44150	RETAINER ROD	1				0.096	0.2112
012	36280-44160	RETAINER ROD	1				0.05	0.11
013	01120-50818	BOLT	3				0	0
014	04013-50080	WASHER PLAIN	3				0	0
015	36280-44210	PEDAL FRONT	1				0.632	1.3904
016	36280-44220	BRACKET PEDAL	1				0.826	1.8172
016	36280-44224	BRACKET PEDAL	1	>=10001			0	0
017	01173-51225	BOLT	2				0.033	0.0726
018	04512-50120	WASHER SPRING	2				0	0
019	03470-51040	SCREW SET	1				0.02	0.044
020	02116-50100	NUT	1				0.004	0.0088
021	36280-44230	BUSH	2				0	0
022	34150-15630	JOINT FORKED	1				0.095	0.209
023	66591-43250	SPRING	1				0.026	0.0572

BOOSTER



**BOOSTER**

↔ Interchangeable; ≠ not interchangeable; ← new for old; → old for new

REF.No	Part No.	Description	Q'ty	S.No.	I/C	REMARKS	Weight (kgf)	Weight (lb)
001	33400-63880	ASSY CYLINDER	1				2.6	5.72
001	35460-63880	ASSY CYLINDER	1	>=10001			2.2	4.84
002	33400-63890	PISTON RING	1				0.005	0.011
003	33400-63940	ASSY PISTON AND ROD	1				1.1	2.42
004	33400-63950	SEAL	1				0.01	0.022
005	33400-63960	RETAINER	1				0.035	0.077
006	33400-63970	SCREW	1				0.002	0.0044
007	33400-63980	O RING	2				0.001	0.0022
008	04810-50450	O RING	1				0.002	0.0044
009	33400-63900	ASSY BOX	1				0.5	1.1
010	04810-00060	O RING	2				0.001	0.0022
011	35450-08110	ASSY VALVE	1				1.78	3.916
012	35460-08120	HOUSING SHIFTER	1				0.92	2.024
013	35460-08130	PLUG	1				0.004	0.0088
014	35460-08140	SPRING	1				0.04	0.088
015	35460-08160	BOLT SPOOL	1				0.06	0.132
016	35460-08170	SEAT SPRING	2				0.01	0.022
017	35460-08180	WASHER	2				0.008	0.0176
018	35460-08190	SLEEVE	1				0.15	0.33
019	35460-08210	SCREW	1				0.04	0.088
020	35460-08220	SEAT	2				0.03	0.066
021	35460-08230	SPRING	1				0.01	0.022
022	35460-08240	CAP	1				0.115	0.253
023	35460-08250	RING SNAP	1				0.001	0.0022
024	35460-08260	STUD	1				0.18	0.396
025	35460-08270	FERRULE	2				0.003	0.0066
026	35460-08280	BOLT	4				0.09	0.198
027	35460-08290	NUT	1				0.01	0.022
028	35460-08310	NUT	1				0.02	0.044
029	35460-08320	PLUNGER	1				0.004	0.0088
030	35460-08330	SPRING	1				0.002	0.0044
031	35460-08340	ADJUSTOR	1				0.01	0.022
032	35460-08350	NUT	1				0.005	0.011
033	05411-00312	PIN SPRING	1				0.001	0.0022
034	05511-50430	PIN SPLIT	1				0.004	0.0088
035	35460-08380	CAP	1				0.004	0.0088
036	35460-08390	PIN ROLLER	1				0.001	0.0022
037	04811-00030	O RING	1				0.001	0.0022
038	04811-00120	O RING	1				0.001	0.0022
039	04811-00070	O RING	1				0.001	0.0022
040	04512-50080	WASHER SPRING	4				0	0
041	06613-10010	NIPPLE GREASE	1				0.006	0.0132
042	35460-08410	U RING	1				0.004	0.0088
043	35460-08420	RING HEAL	1				0.002	0.0044

IMAGE NOT AVAILABLE

↔ Interchangeable; ≠ not interchangeable; ← new for old; → old for new

REF.No	Part No.	Description	Q'ty	S.No.	I/C	REMARKS	Weight (kgf)	Weight (lb)
001	15402-32090	ASSY CARTRIDGE OIL F	1			REF.No.002 003	0.5	1.1
002	15402-32430	CARTRIDGE FILTER	1				0.5	1.1
003	15213-94400	RABEL	1				0.001	0.0022
004	36200-99100	ASSY TOOLS	1				2.25	4.95
005	36200-99310	FUSE	1				0.005	0.011
006	36500-75380	FUSE	1				0.002	0.0044
007	35450-99710	MANUAL INSTRUCTION	1			M4500 M4500DT(R) [CA]	0.41	0.902
007	35452-99710	MANUAL INSTRUCTION	1			[NZ][AU]	0	0
007	35440-99710	MANUAL INSTRUCTION	1			[OC]	0	0
007	35999-00960	MANUAL INSTRUCTION	1			[SAMPLE]	0.18	0.396
007	35463-99710	MANUAL INSTRUCTION	1			[SA]	0	0
008	35410-49150	STUD	32			M4500 M4500DT(R)	0.078	0.1716
009	33251-49170	NUT	32			M4500 M4500DT(R)	0.045	0.099
010	10242-94880	CARD CAUTION	1				0.002	0.0044
011	35217-18370	CAUTION CARD COOLING	1			M4500 M4500DT(R)	0.001	0.0022
012	35460-41480	CAUTION RABEL DT	1				0.001	0.0022
013	15221-24980	BUSH IDLEGear	1				0.02	0.044
014	35450-97300	ASSY SPEED CHANGE PT	1			REF.No.015 016 018 020 TO 039	11	24.2
015	36200-80130	GEAR 23	1				0.6	1.32
016	36200-80150	GEAR 65	1			REF.No.017	3.9	8.58
017	99999-99999	BLANK	0			ORDER BY REF.No.027	0	0
018	36200-80160	GEAR 58	1			REF.No.019	2.7	5.94
019	99999-99999	BLANK	0			ORDER BY REF.No.029	0	0
020	36200-80190	BUSH	2				0.084	0.1848
021	36200-28330	RING INNER	2				0.088	0.1936
022	36200-28610	COLLAR THRUST 1	1				0.048	0.1056
023	36200-32380	COLLAR THRUST 4	1				0.041	0.0902
024	36200-32360	COUPLING	1				1.13	2.486
025	36200-32370	SHIFTER	1				0.46	1.012
026	36200-80180	COLLAR	1				0.14	0.308
027	36200-80240	FORK SHIFT	1				0.47	1.034
028	36200-80250	LEVER SPEED CHANGE	1				0.126	0.2772
029	62231-18530	SPRING	1				0.01	0.022
030	07715-03211	BALL	1				0.003	0.0066
031	36200-80260	LEVER SPEED CHANGE 2	1				0.17	0.374
032	36200-80270	LEVER SPEED CHANGE	1				0.237	0.5214
033	04811-00150	O RING	1				0.001	0.0022
034	34150-24350	STOPPER LEVER	1				0.015	0.033
035	01153-50814	BOLT	1				0.009	0.0198
036	04512-50080	WASHER SPRING	1				0	0
037	05411-00628	PIN SPRING	1				0.004	0.0088
038	06914-00120	GRIP LEVER	1				0.018	0.0396
039	35450-97310	MANUAL FIXING	1				0.001	0.0022
040	36200-25190	COVER CLUTCH	1				7.2	15.84
041	36200-25210	SPRING DIAPHRAGM	2				0.882	1.9404
042	35170-18370	CARD	1				0.001	0.0022
043	36200-97550	KIT SPEED CHANGE REV	1				0	0
044	36280-97590	PLUG BLIND	2				0.15	0.33
045	15601-99180	GASKET OIL PAN	1				0.08	0.176
046	15601-99270	STUD	10				0.025	0.055
047	36200-25250	KIT BOLT AND NUT	1				0.06	0.132