

# Instructions for Parts Books

The heading at the top of the page will be the same for the picture of the parts as it is for the page with the part numbers.

Definition of column headings on part number pages:

**REF.No** → The number referring to the part on the picture page of the parts book.

**Part No.** → The number assigned to this part at the time of printing the parts book.

**Description** → Description of part.

**Q'ty** → Quantity of part used on that page.

**S.No.** → Serial number range of the equipment that this part will fit.

>= Your serial number should be greater than or equal to the number shown.

<= Your serial number should be lesser than or equal to the serial number shown.

**I/C** → Interchangeability of part shown.

↔ The part shown will work for the older and later serial number.

# The part shown is not interchangeable with the other serial number.

← new for old

→ old for new

**Remarks** → Notes about this particular part. Sometimes this may say except [FR] or [CA]

## Note about Country Codes:

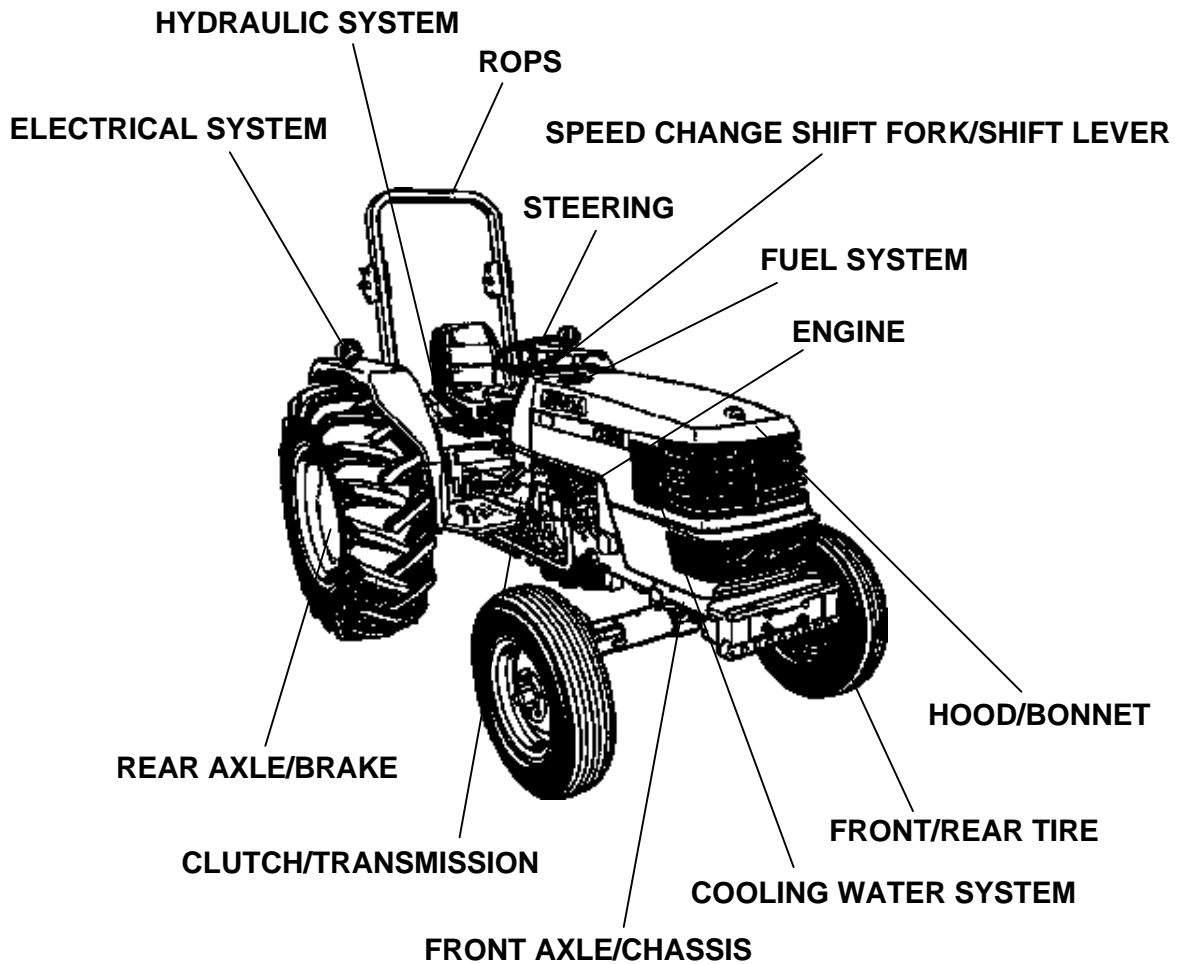
The parts books we use in the United States of America may also contain information about a part that would be different in another country. It is important that you are aware of the country codes in some instances.

Symbol	Country
A	United States of America
CA	Canada
FR	France
GR	Greece
PO	Portugal
AU	Australia

If the remarks column says for example EXCEPT [FR] this part works in all countries except France. That means it will work here in the USA.

**ALL PRODUCT INDEX  
M4800SU**

---



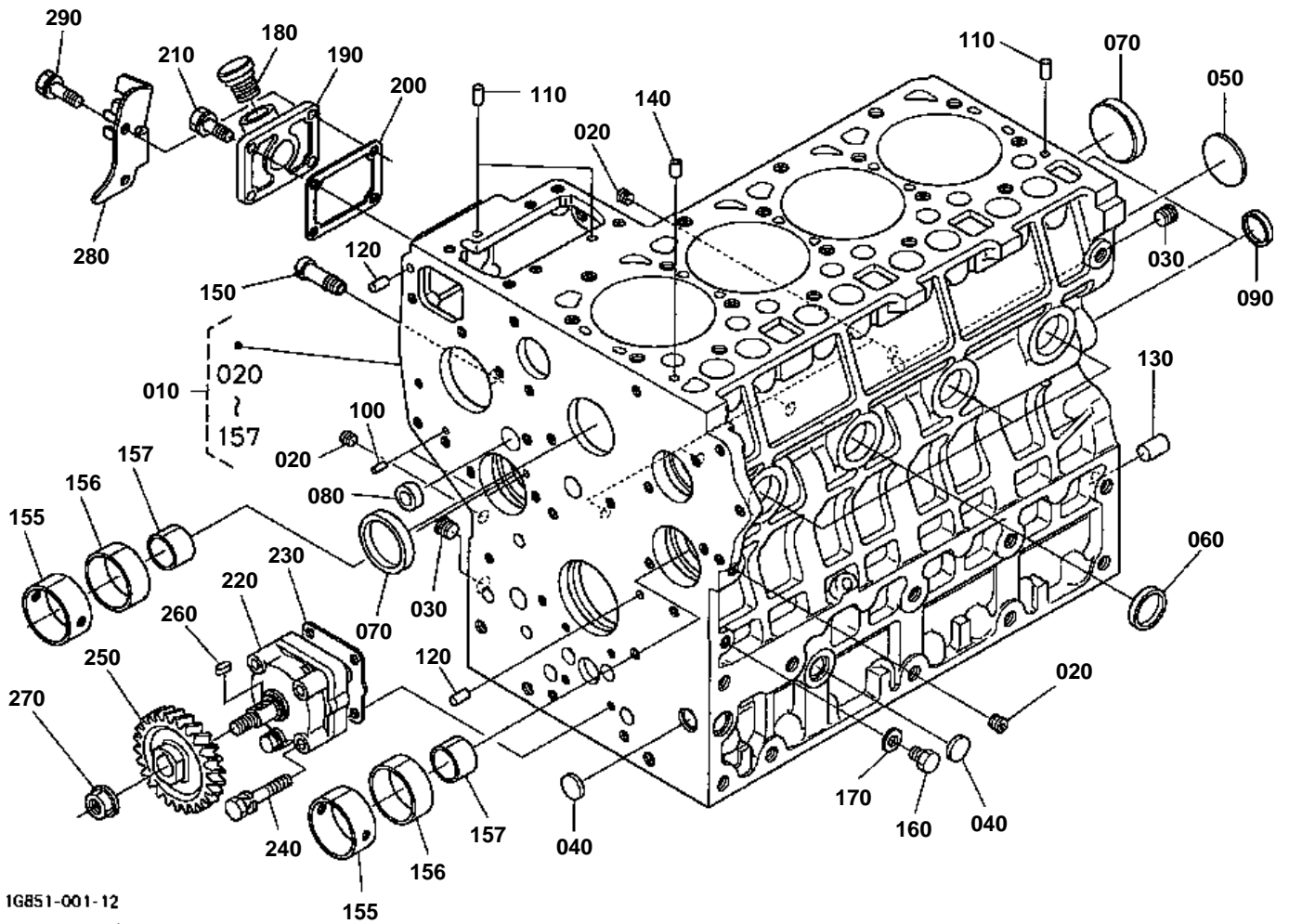
**3-POINT LINKAGE/DRAWBAR/HITCH  
LABELS  
ACCESSORIES  
OPTION**

Item	Part No.	Description	Book	
ENGINE	010001	CRANKCASE	100K0742	
	010002	OIL PAN	100K0742	
	010003	CYLINDER HEAD	100K0742	
	010004	GEAR CASE	100K0742	
	010005	HEAD COVER	100K0742	
	010100	MAIN BEARING CASE	100K0742	
	010101	CAMSHAFT AND IDLE GEAR SHAFT	100K0742	
	010102	PISTON AND CRANKSHAFT	100K0742	
	010103	FLYWHEEL	100K0742	
	010105	FUEL CAMSHAFT	100K0742	
	010106	BALANCER	100K0742	
	010200	ENGINE STOP LEVER	100K0742	
	010202	INJECTION PUMP	100K0742	
	010204	GOVERNOR	100K0742	
	010205	SPEED CONTROL PLATE	100K0742	
	010206	NOZZLE HOLDER AND GLOW PLUG	100K0742	
	010207	NOZZLE HOLDER [COMPONENT PARTS]	100K0742	
	010500	WATER FLANGE AND THERMOSTAT	100K0742	
	010501	WATER PUMP	100K0742	
	010600	VALVE AND ROCKER ARM	100K0742	
	010601	INLET MANIFOLD	100K0742	
	010906	UPPER GASKET KIT	100K0742	
	010907	LOWER GASKET KIT	100K0742	
	010602	EXHAUST MANIFOLD	100K0742	
	010603	AIR CLEANER	100K0742	
	010604	AIR CLEANER [COMPONENT PARTS]	100K0742	
	010607	MUFFLER	100K0742	
	01A010	HAND ACCELERATOR LEVER	100K0742	
	01A060	ENGINE STOP WIRE	100K0742	
	FUEL SYSTEM	01A110	FUEL TANK	100K0742
		01A140	FUEL PIPE	100K0742
		01A180	FUEL FILTER [COMPONENT PARTS]	100K0742
	COOLING WATER SYSTEM	01A410	FAN	100K0742
01A420		WATER PIPE	100K0742	
01A430		RADIATOR	100K0742	
ELECTRICAL SYSTEM	01A450	RESERVE TANK	100K0742	
	01A540	ALTERNATOR	100K0742	
	01A550	ALTERNATOR [COMPONENT PARTS]	100K0742	
	01A560	STARTER	100K0742	
	01A570	STARTER [COMPONENT PARTS]	100K0742	
	01A580	BATTERY	100K0742	
	01B015	SWITCH/SENSOR	100K0742	
	01B104	SWITCH(PANEL BOARD)/RELAY	100K0742	
	01B140	PANEL BOARD	100K0742	
	01B150	PANEL BOARD [COMPONENT PARTS]	100K0742	
CLUTCH/TRANSMISSION	01B320	HEAD LIGHT	100K0742	
	01B335	HAZARD LIGHT/TAIL LIGHT	100K0742	
	01B515	ELECTRICAL WIRING	100K0742	
	01C110	CLUTCH HOUSING	100K0742	
	01C115	BEARING HOLDER	100K0742	
	01C140	TRANSMISSION CASE	100K0742	
	01C150	TRANSMISSION CASE REAR COVER	100K0742	
	01C170	REAR AXLE CASE	100K0742	
	01C210	CLUTCH	100K0742	
	01C230	CLUTCH RELEASE FORK	100K0742	
	01C240	CLUTCH PEDAL	100K0742	
	01D215	INPUT SHAFT	100K0742	
01D225	FIRST SHAFT	100K0742		
01D227	SECOND SHAFT	100K0742		

Item	Part No.	Description	Book
CLUTCH/TRANSMISSION	01D235	THIRD SHAFT	100K0742
	01D260	BEVEL GEAR	100K0742
	01D262	DIFFERENTIAL REAR	100K0742
	01D265	PTO PROPELLER SHAFT	100K0742
	01D266	PTO CLUTCH	100K0742
	01D267	PTO CLUTCH [COMPONENT PARTS]	100K0742
	01D268	PTO CLUTCH VALVE	100K0742
	01D269	PTO CLUTCH VALVE [COMPONENT PARTS]	100K0742
SPEED CHANGE SHIFT FORK/SHIFT LEVER	01D275	PTO SHAFT	100K0742
	01D410	MAIN GEAR SHIFT FORK	100K0742
REAR AXLE/BRAKE	01D430	RANGE GEAR SHIFT FORK	100K0742
	01D495	REAR AXLE	100K0742
SPEED CHANGE SHIFT FORK/SHIFT LEVER	01E110	BRAKE	100K0742
	01E115	BRAKE ROD	100K0742
	01F110	MAIN GEAR SHIFT LEVER	100K0742
REAR AXLE/BRAKE	01F135	RANGE GEAR SHIFT LEVER	100K0742
	01F145	PTO CLUTCH LEVER	100K0742
	01F210	BRAKE PEDAL	100K0742
FRONT AXLE/CHASSIS	01F230	REAR DIFFERENTIAL LOCK PEDAL	100K0742
	01G105	FRONT AXLE FRAME	100K0742
	01G110	FRONT AXLE BRACKET	100K0742
STEERING	01G120	FRONT AXLE	100K0742
	01G130	FRONT WHEEL HUB	100K0742
	01H110	STEERING HANDLE	100K0742
	01H140	STEERING CONTROLLER	100K0742
	01H150	STEERING CONTROLLER [COMPONENT PARTS]	100K0742
HYDRAULIC SYSTEM	01J120	STEERING LINKAGE	100K0742
	01J125	STEERING CYLINDER [COMPONENT PARTS]	100K0742
3-POINT LINKAGE/DRAWBAR/HITCH	01J130	HYDRAULIC PUMP	100K0742
	01J210	HYDRAULIC PIPE (SUCTION)	100K0742
	01J220	HYDRAULIC PIPE (DELIVERY)	100K0742
	01J275	HYDRAULIC OIL LINE (STEERING/PTO)	100K0742
	01J280	STEERING HOSE (DELIVERY)	100K0742
	01J310	HYDRAULIC CYLINDER	100K0742
	01J315	HYDRAULIC LIFT ARM	100K0742
	01J320	HYDRAULIC CYLINDER COVER	100K0742
	01J355	CONTROL VALVE	100K0742
	01J378	POSITION CONTROL LEVER	100K0742
	01J390	POSITION CONTROL SHAFT	100K0742
	01J391	DRAFT CONTROL SHAFT	100K0742
	01J392	FEED BACK LEVER	100K0742
	01J443	AUXILIARY CONTROL VALVE COVER	100K0742
	HOOD/BONNET	01K105	TOP LINK BRACKET
01K110		TOP LINK	100K0742
01K125		LOWER LINK	100K0742
01K140		LIFT ROD RH	100K0742
01K143		LIFT ROD LH	100K0742
01L110		SWINGING DRAWBAR	100K0742
01L170		PTO SHAFT PROTECTOR	100K0742
HOOD/BONNET	01M115	HOOD(BONNET) FRONT	100K0742
	01M120	HOOD(BONNET) UPPER	100K0742
	01M125	HOOD(BONNET) SIDE	100K0742
	01M127	HOOD(BONNET) SIDE COVER	100K0742
	01M155	HOOD(BONNET) REAR	100K0742
	01M220	FENDER	100K0742
	01M223	FLOOR SEAT	100K0742

Item	Part No.	Description	Book
HOOD/BONNET	01M233	STEP	100K0742
	01M235	SEAT	100K0742
ROPS	01M310	ROPS	100K0742
HOOD/BONNET	01M500	SMV EMBLEM	100K0742
FRONT/REAR TIRE	01R110	FRONT WHEEL (6.5-16)	100K0742
	01R120	REAR WHEEL (14.9-28)	100K0742
LABELS	01S12001	LABEL 1 [ENGLISH]	100K0742
	01S12002	LABEL 1 [FRENCH]	100K0742
	01S13001	LABEL 2 [ENGLISH]	100K0742
	01S13002	LABEL 2 [FRENCH]	100K0742
ACCESSORIES	01T110	ACCESSORIES AND SERVICE PARTS	100K0742
OPTION	01U130	WORKING LIGHT KIT [OPTION]	100K0742
	01U151	TRAILER SOCKET KIT [OPTION]	100K0742
	01U320	CREEP SPEED KIT [OPTION]	100K0742
	01U520	FRONT WEIGHT BUMPER KIT [OPTION]	100K0742
	01U620	DRAFT CONTROL KIT [OPTION]	100K0742
	01U70001	AUXILIARY CONTROL VALVE KIT (SCD) (1ST) [OPTION]	100K0742
	01U70002	AUXILIARY CONTROL VALVE KIT (SCD) (2ND) [OPTION]	100K0742
	01U70003	AUXILIARY CONTROL VALVE KIT (FD) [OPTION]	100K0742
	01U70501	AUXILIARY CONTROL VALVE (SCD) [COMPONENT PARTS] [OPTION]	100K0742
	01U70502	AUXILIARY CONTROL VALVE (FD) [COMPONENT PARTS] [OPTION]	100K0742
	01U830	DRAWBAR/HITCH [OPTION]	100K0742
	01U950	TOOL BOX [OPTION]	100K0742

# CRANKCASE



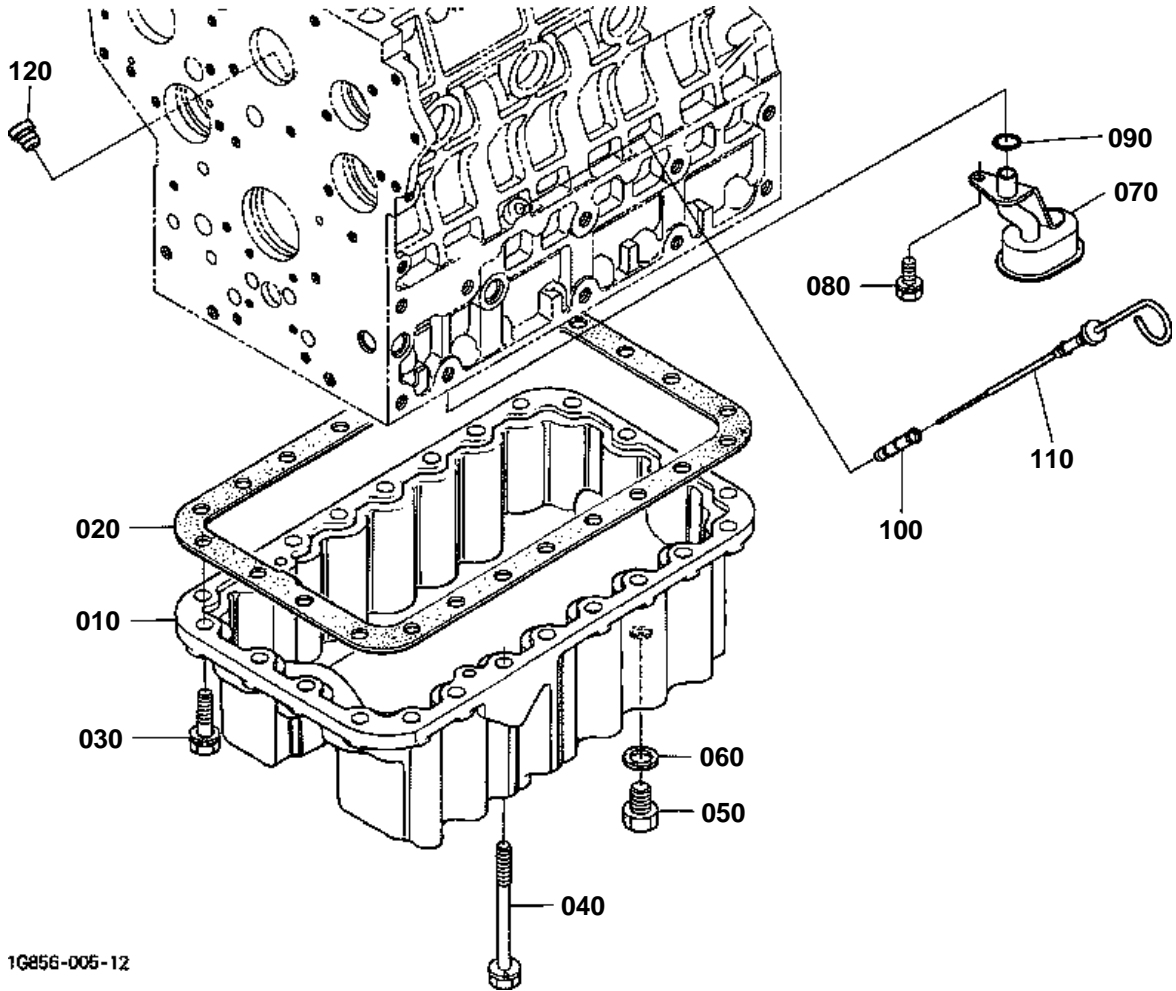


# CRANKCASE

↔ Interchangeable; ≠ not interchangeable; ← new for old; → old for new

REF.No	Part No.	Description	Q'ty	S.No.	I/C	REMARKS	Weight (kgf)	Weight (lb)
010	1A091-01013	COMP.CRANKCASE	1				54.5	119.9
020	15521-96020	PLUG	6				0.003	0.0066
030	15521-96030	PLUG	2				0.007	0.0154
040	17391-96160	PLUG EXPANSION	3				0.003	0.0066
050	06311-75045	PLUG EXPANSION	1				0.026	0.0572
060	15221-03380	CAP SEALING	6				0.017	0.0374
070	15221-03390	CAP SEALING	2				0.03	0.066
080	15261-03370	CAP SEALING	1				0.005	0.011
090	1A091-03380	PLUG WEIGHT SHAFT	2				0.005	0.011
100	05012-00408	PIN STRAIGHT	2				0.001	0.0022
110	05012-00609	PIN STRAIGHT	3				0.003	0.0066
120	05012-00612	PIN STRAIGHT	2				0.003	0.0066
130	05012-01018	PIN STRAIGHT	1				0.012	0.0264
140	15221-33650	PIN PIPE	1				0.004	0.0088
150	15321-73340	PIPE WATER RETURN	1				0.016	0.0352
155	1A091-26990	METAL WEIGHT SHAFT	2				0.026	0.0572
156	1A091-26980	METAL WEIGHT SHAFT	2				0.022	0.0484
157	1A091-26970	METAL WEIGHT SHAFT	2				0.012	0.0264
160	15221-33610	PLUG	1				0.009	0.0198
170	15021-33660	GASKET	1				0.001	0.0022
180	16427-33140	PLUG OIL FILLER	1				0.025	0.055
190	1A021-33110	FLANGE OIL FILLER	1				0.07	0.154
200	1A021-51660	GASKET PUMP COVER	1				0.003	0.0066
210	01023-50618	BOLT	2				0.006	0.0132
220	1E013-35010	ASSY PUMP OIL	1				0.57	1.254
230	1A021-35150	GASKET OIL PUMP	1				0.001	0.0022
240	01023-60650	BOLT	4				0.015	0.033
250	19202-35660	GEAR OIL PUMP DRIVE	1				0.23	0.506
260	05712-00410	KEY FEATHER	1				0.001	0.0022
270	15221-35682	NUT FLANGE	1				0.014	0.0308
280	1A053-57482	BRACKET ACCEL.CABLE	1				0.077	0.1694
290	01023-50622	BOLT	2				0.005	0.011

# OIL PAN





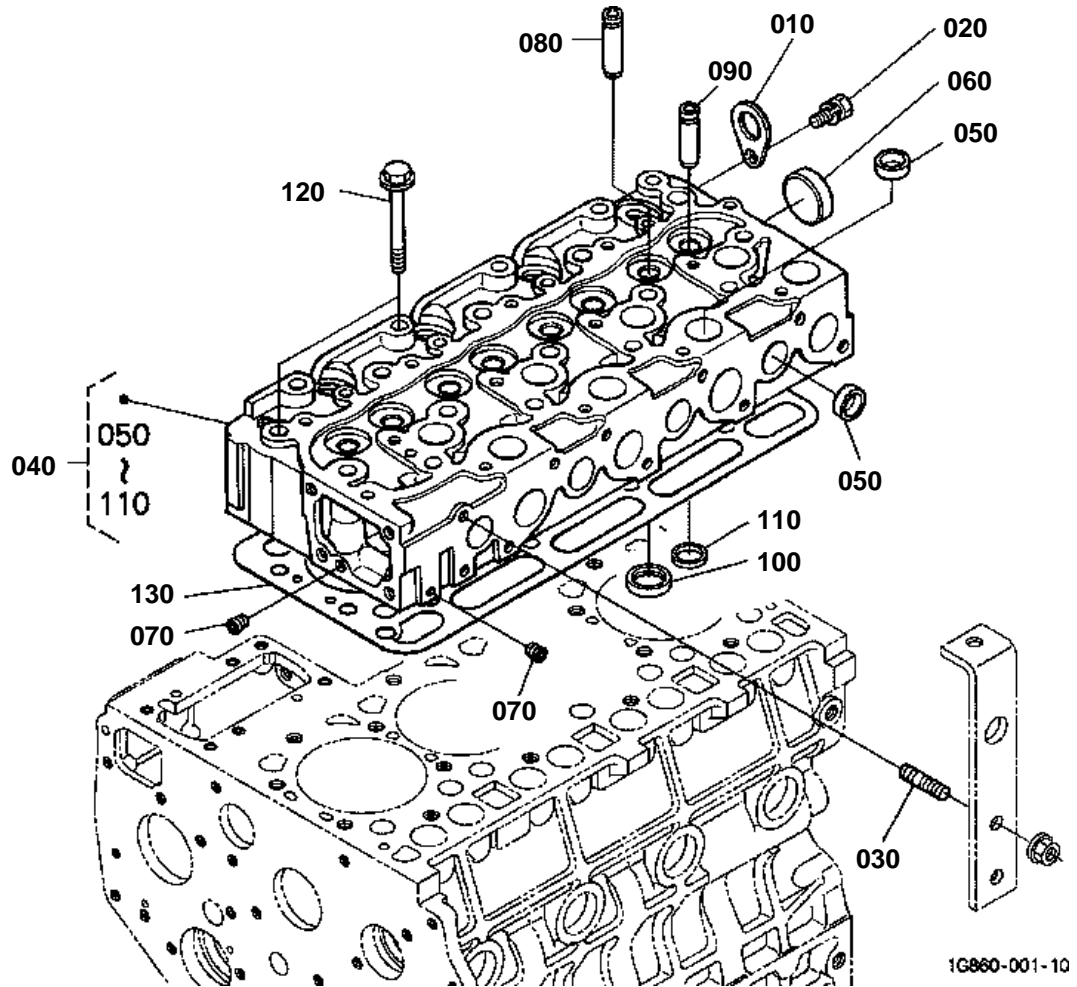


# OIL PAN

↔ Interchangeable; ≠ not interchangeable; ← new for old; → old for new

REF.No	Part No.	Description	Q'ty	S.No.	I/C	REMARKS	Weight (kgf)	Weight (lb)
010	17341-01610	OIL PAN	1				4.1	9.02
020	1A091-01620	GASKET OIL PAN	1				0.018	0.0396
030	01133-51028	BOLT	22				0.027	0.0594
040	17377-91010	BOLT	2				0.08	0.176
050	16427-33750	PLUG DRAIN	2				0.03	0.066
060	6C090-58960	GASKET	2				0.002	0.0044
070	15411-32110	FILTER OIL	1				0.24	0.528
080	01123-60814	BOLT	1				0.01	0.022
090	04817-00160	O RING	1				0.001	0.0022
100	17456-36420	GUIDE OIL GAUGE	1				0.03	0.066
110	1G851-36410	GAUGE OIL	1				0.04	0.088
120	16414-33640	PLUG OIL GAUGE	1				0.003	0.0066

# CYLINDER HEAD



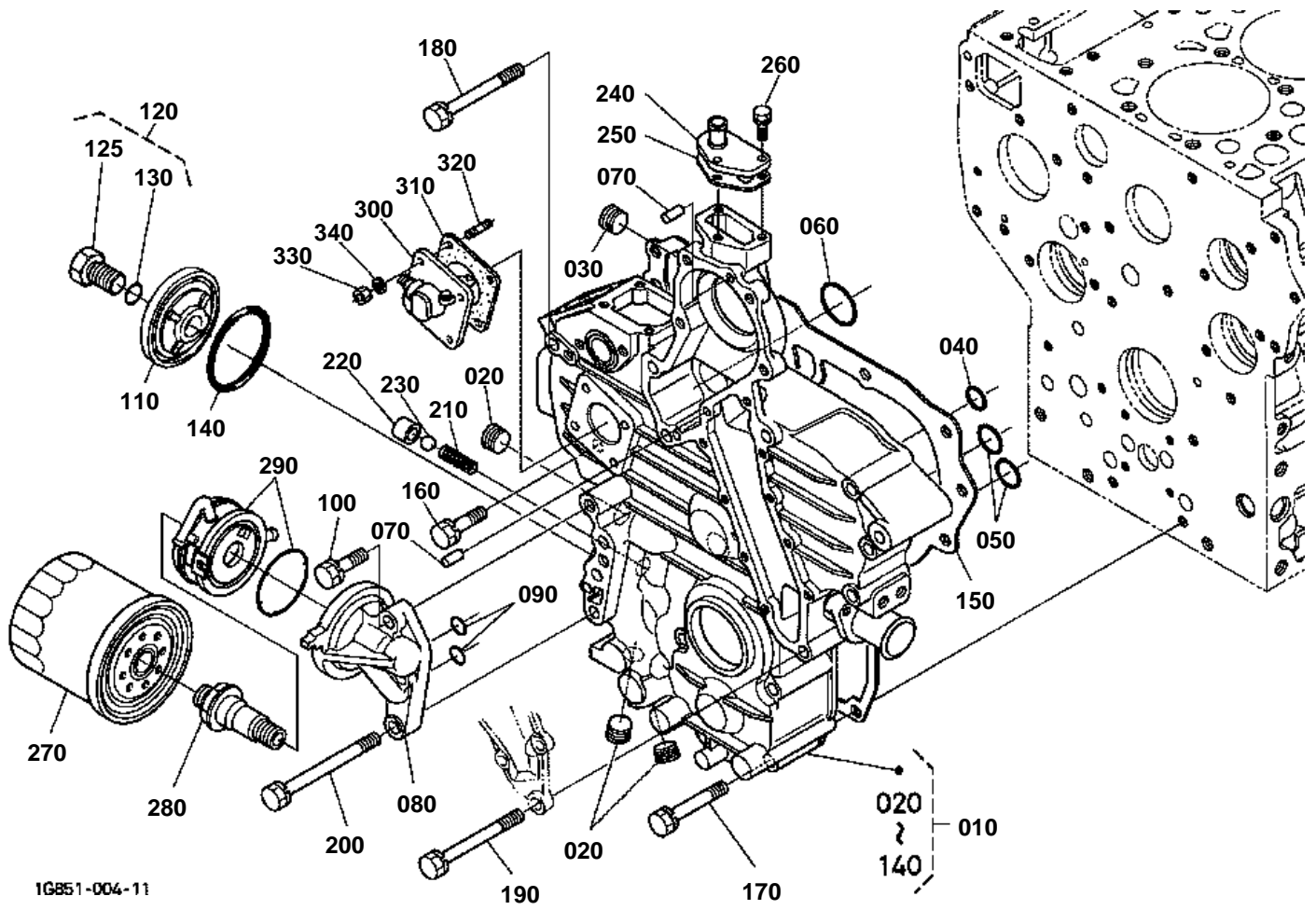


# CYLINDER HEAD

↔ Interchangeable; ≠ not interchangeable; ← new for old; → old for new

REF.No	Part No.	Description	Q'ty	S.No.	I/C	REMARKS	Weight (kgf)	Weight (lb)
010	15221-01750	HOOK ENGINE	1				0.04	0.088
020	01123-60816	BOLT	1				0.01	0.022
030	15471-91530	STUD	2				0.01	0.022
040	1G851-03042	COMP.CYLINDER HEAD	1				20	44
050	15221-03370	CAP SEALING	12				0.01	0.022
060	15221-03490	CAP SEALING	1				0.02	0.044
070	15261-96010	PLUG	2				0.002	0.0044
080	17321-13580	GUIDE INLET VALVE	4				0.015	0.033
090	17321-13560	GUIDE EXHAUST VALVE	4				0.02	0.044
100	16415-13620	SEAT INLET VALVE	4				0.01	0.022
110	16415-13612	SEAT EXHAUST VALVE	4				0.01	0.022
120	19013-03450	BOLT CYLINDER HEAD	18				0.077	0.1694
130	1G790-03310	GASKET CYL.HEAD	1				0.29	0.638

# GEAR CASE



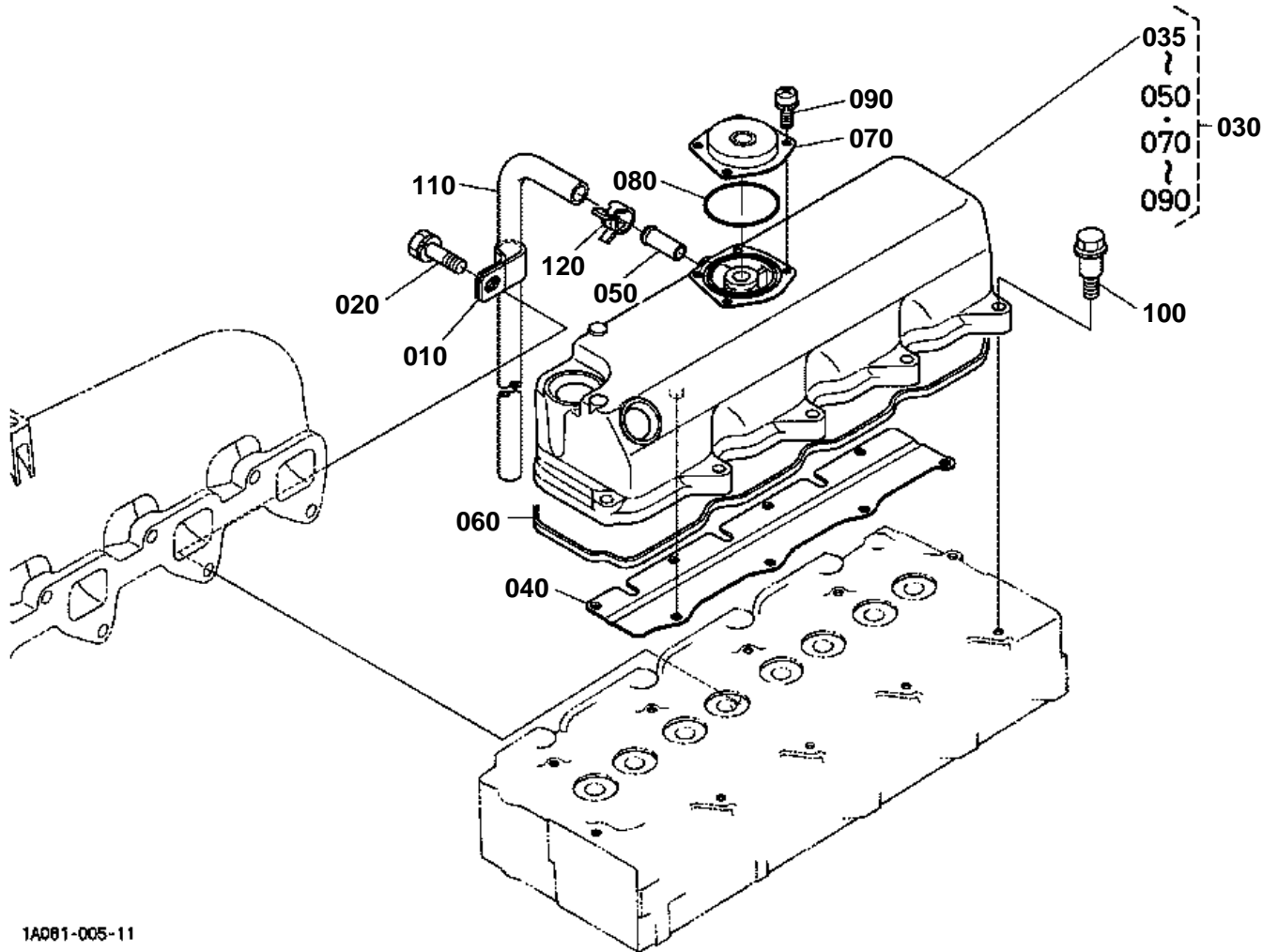


## GEAR CASE

↔ Interchangeable; ≠ not interchangeable; ← new for old; → old for new

REF.No	Part No.	Description	Q'ty	S.No.	I/C	REMARKS	Weight (kgf)	Weight (lb)
010	1G851-04013	ASSY CASE GEAR	1				4.54	9.988
020	16241-96020	PLUG	3				0.015	0.033
030	1A021-96020	PLUG	1				0.015	0.033
040	04817-00150	O RING	1				0.001	0.0022
050	04817-00220	O RING	2				0.001	0.0022
060	04817-00360	O RING	1				0.001	0.0022
070	05012-00612	PIN STRAIGHT	2				0.003	0.0066
080	1A021-32610	BASE OIL FILTER	1				0.25	0.55
090	04817-00150	O RING	2				0.001	0.0022
100	01123-50835	BOLT	2				0.02	0.044
110	17331-32880	COVER	1				0.075	0.165
120	17331-32910	COMP BOLT	1				0.07	0.154
125	17331-32900	BOLT	1				0.06	0.132
130	04817-00150	O RING	1				0.001	0.0022
140	19202-96830	O RING	1				0.01	0.022
150	1A091-04130	GASKET GEAR CASE	1				0.018	0.0396
160	01123-50835	BOLT	1				0.02	0.044
170	01123-50870	BOLT	7				0.029	0.0638
180	17367-91010	BOLT	2				0.005	0.011
190	17367-91020	BOLT	3				0.035	0.077
200	1A021-91010	BOLT	1				0.045	0.099
210	15241-36950	SPRING	1				0.004	0.0088
220	15521-36930	SEAT VALVE	1				0.015	0.033
230	07715-03213	BALL	1				0.004	0.0088
240	15521-73320	FLANGE WATER RETURN	1				0.04	0.088
250	1A021-73330	GASKET RETURN FLANGE	1				0.001	0.0022
260	01023-50620	BOLT	3				0.006	0.0132
270	16414-32430	CARTRIDGE OIL FILTER	1				0.54	1.188
280	1G622-37080	CONNECTOR	1				0.145	0.319
290	1A024-37010	ASSY COOLER OIL	1				0.66	1.452
300	38240-34660	ASSY GEAR CASE H/M	1				0.335	0.737
310	15296-88130	GASKET H/METER UNIT	1				0.002	0.0044
320	15221-88210	STUD	4				0.005	0.011
330	02056-50060	NUT	4				0.002	0.0044
340	04512-60060	WASHER SPRING	4				0.001	0.0022

# HEAD COVER



1A001-005-11

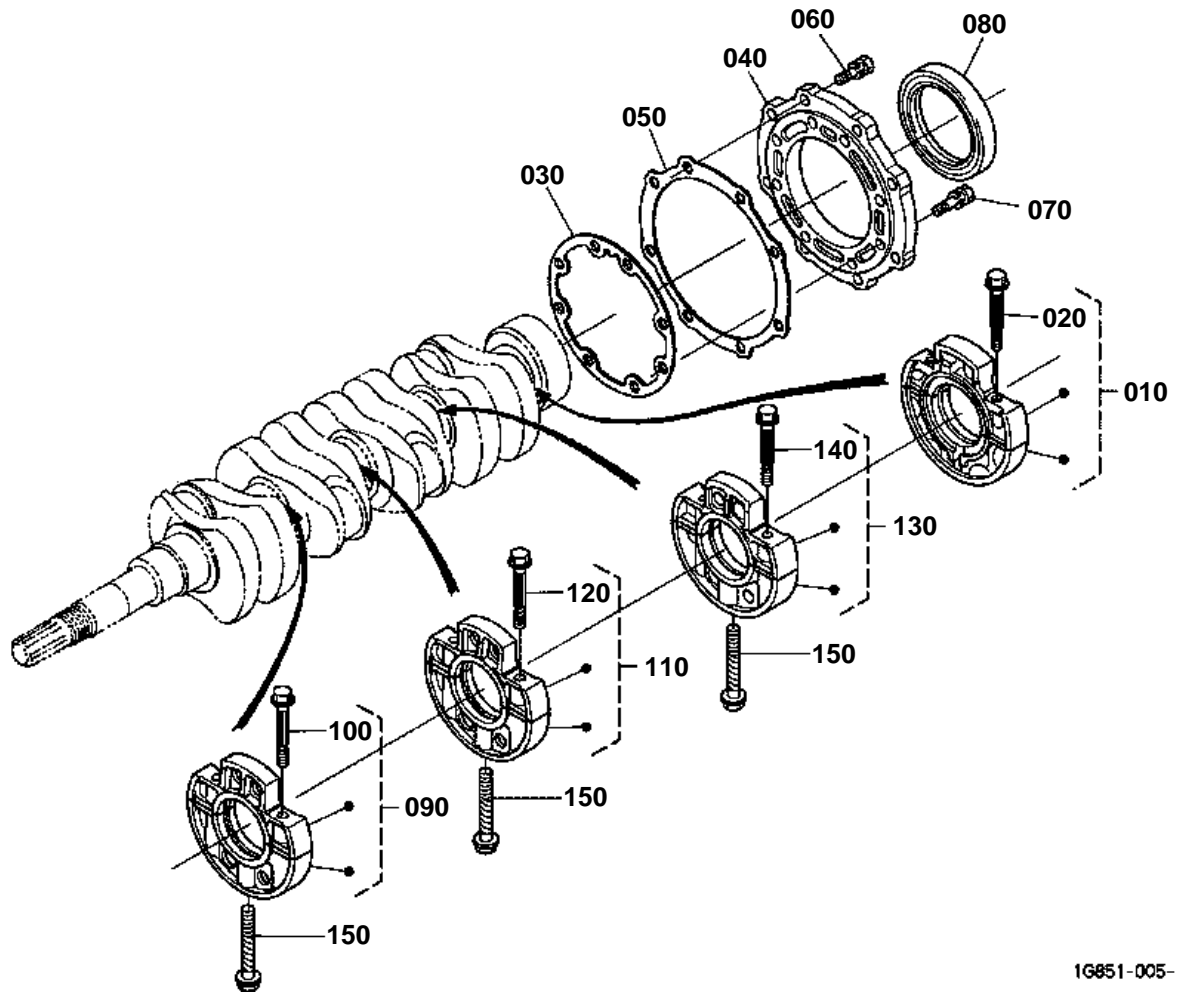


# HEAD COVER

↔ Interchangeable; ≠ not interchangeable; ← new for old; → old for new

REF.No	Part No.	Description	Q'ty	S.No.	I/C	REMARKS	Weight (kgf)	Weight (lb)
010	1A091-05580	CLAMP BREATHER TUBE	1				0.006	0.0132
020	01123-50822	BOLT	1				0.012	0.0264
030	1A091-14502	ASSY COVER CYL.HEAD	1				1.525	3.355
035	1G911-14510	COVER CYL.HEAD	1				1.34	2.948
040	1G911-05370	SHIELD BREATHER	1				0.14	0.308
050	17331-73342	PIPE WATER RETURN	1				0.01	0.022
060	1G911-14520	GASKET HEAD COVER	1				0.025	0.055
070	1A021-05120	COVER BREATHER	1				0.039	0.0858
080	1A021-05430	O RING BREATHER	1				0.001	0.0022
090	03024-50510	SCREW WITH WASHER	4				0.002	0.0044
100	1G911-91022	BOLT	10				0.015	0.033
110	1A053-05510	TUBE BREATHER	1				0.005	0.011
120	09318-88150	CLAMP HOSE	1				0.004	0.0088

MAIN BEARING CASE



16851-005-12



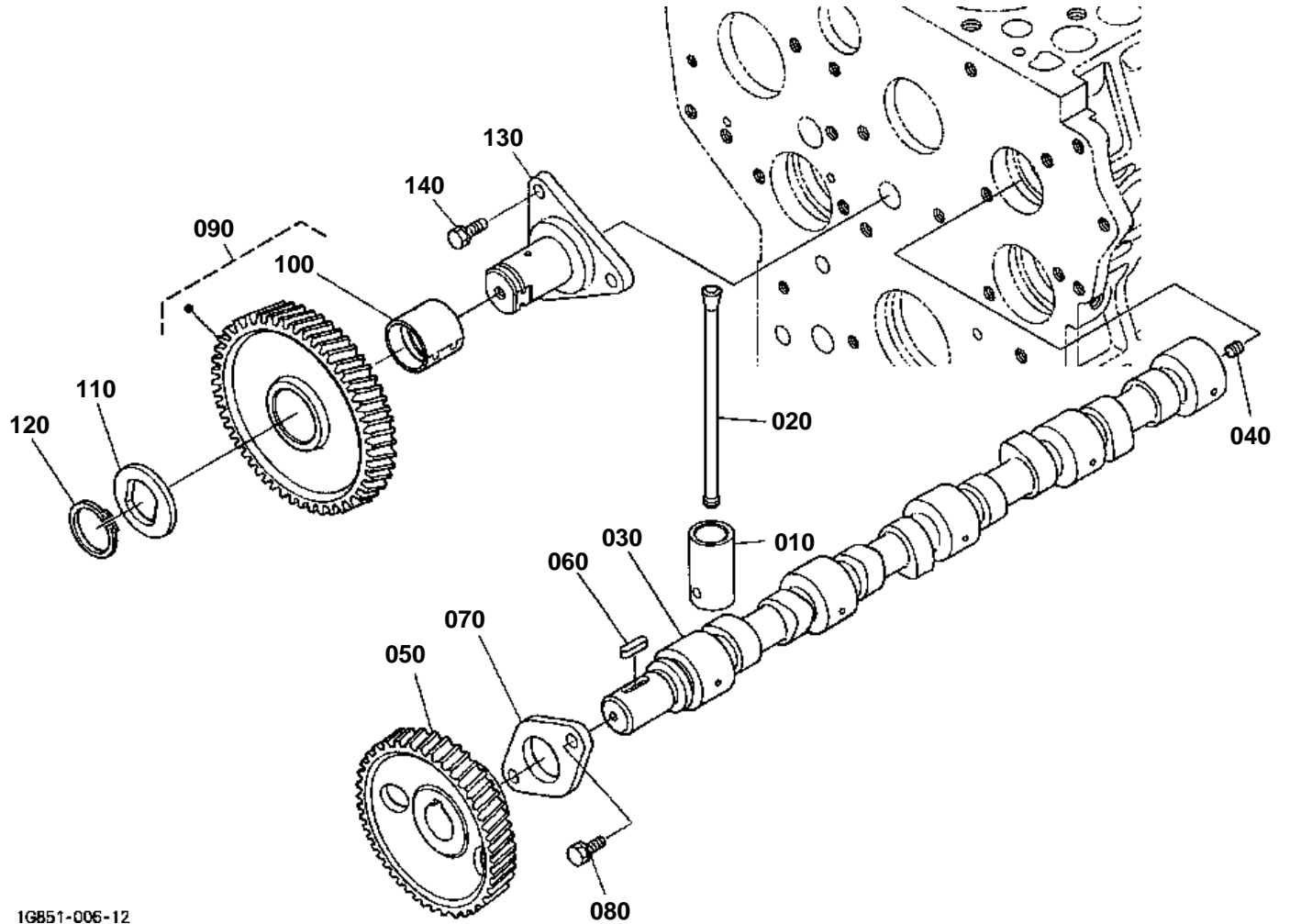


# MAIN BEARING CASE

↔ Interchangeable; ≠ not interchangeable; ← new for old; → old for new

REF.No	Part No.	Description	Q'ty	S.No.	I/C	REMARKS	Weight (kgf)	Weight (lb)
010	1A091-07092	ASSY BRG.CASE WHEEL	1				1.435	3.157
020	1A091-04540	BOLT BEARING CASE	2				0.035	0.077
030	1A091-04360	GASKET BEARING CASE	1				0.005	0.011
040	1G851-04810	COVER BEARING CASE	1				0.495	1.089
050	1A091-04820	GASKET CASE COVER	1				0.006	0.0132
060	01123-50825	BOLT	8				0.013	0.0286
070	01123-50828	BOLT	8				0.014	0.0308
080	19202-04460	SEAL OIL	1				0.055	0.121
090	1A091-07042	ASSY BRG.CASE MAIN	1				1.34	2.948
100	1A091-04540	BOLT BEARING CASE	2				0.035	0.077
110	1A091-07052	ASSY BRG.CASE MAIN	1				1.34	2.948
120	1A091-04540	BOLT BEARING CASE	2				0.035	0.077
130	1A091-07062	ASSY BRG.CASE MAIN	1				1.445	3.179
140	1A091-04540	BOLT BEARING CASE	2				0.035	0.077
150	15601-04560	BOLT BEARING CASE	3				0.06	0.132

CAMSHAFT AND IDLE GEAR SHAFT



1GB51-006-12

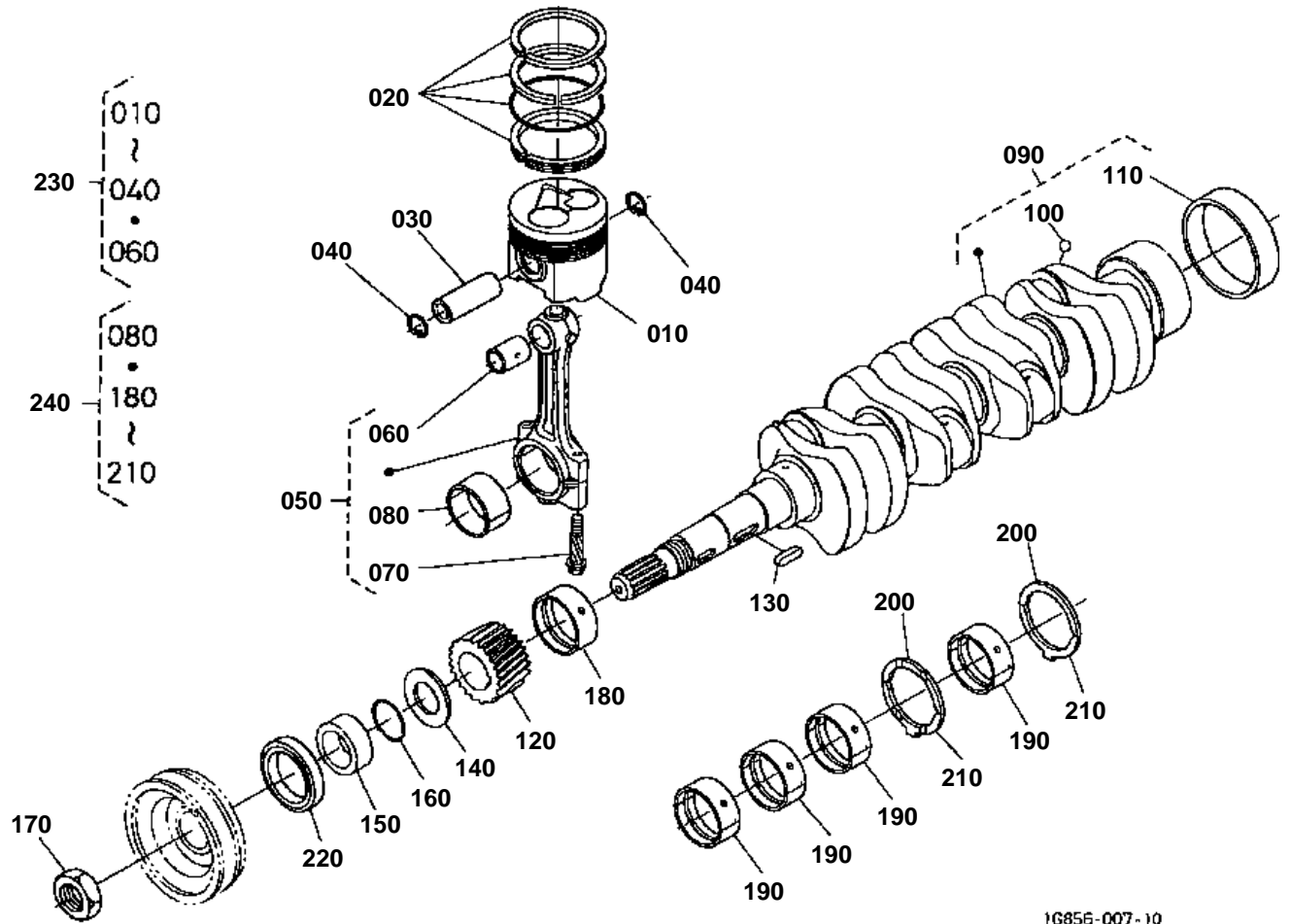


# CAMSHAFT AND IDLE GEAR SHAFT

↔ Interchangeable; ≠ not interchangeable; ← new for old; → old for new

REF.No	Part No.	Description	Q'ty	S.No.	I/C	REMARKS	Weight (kgf)	Weight (lb)
010	15601-15550	TAPPET	8				0.08	0.176
020	1A091-15110	PUSH ROD	8				0.042	0.0924
030	1A091-16150	CAMSHAFT	1				2.3	5.06
040	15521-93610	SCREW SET	1				0.002	0.0044
050	1A091-16510	GEAR CAM	1				0.8	1.76
060	05712-00720	KEY FEATHER	1				0.008	0.0176
070	15221-16270	STOPPER CAMSHAFT	1				0.073	0.1606
080	01123-50818	BOLT	2				0.012	0.0264
090	1A091-24010	COMP.GEAR IDLE	1				1.21	2.662
100	1A021-24980	BUSH IDLE GEAR	1				0.072	0.1584
110	1A021-24370	COLLAR	1				0.022	0.0484
120	15451-95400	CIR CLIP EXTERNAL	1				0.01	0.022
130	1A021-24250	SHAFT IDLE GEAR	1				0.685	1.507
140	01123-50818	BOLT	3				0.012	0.0264

PISTON AND CRANKSHAFT



1G856-007-10

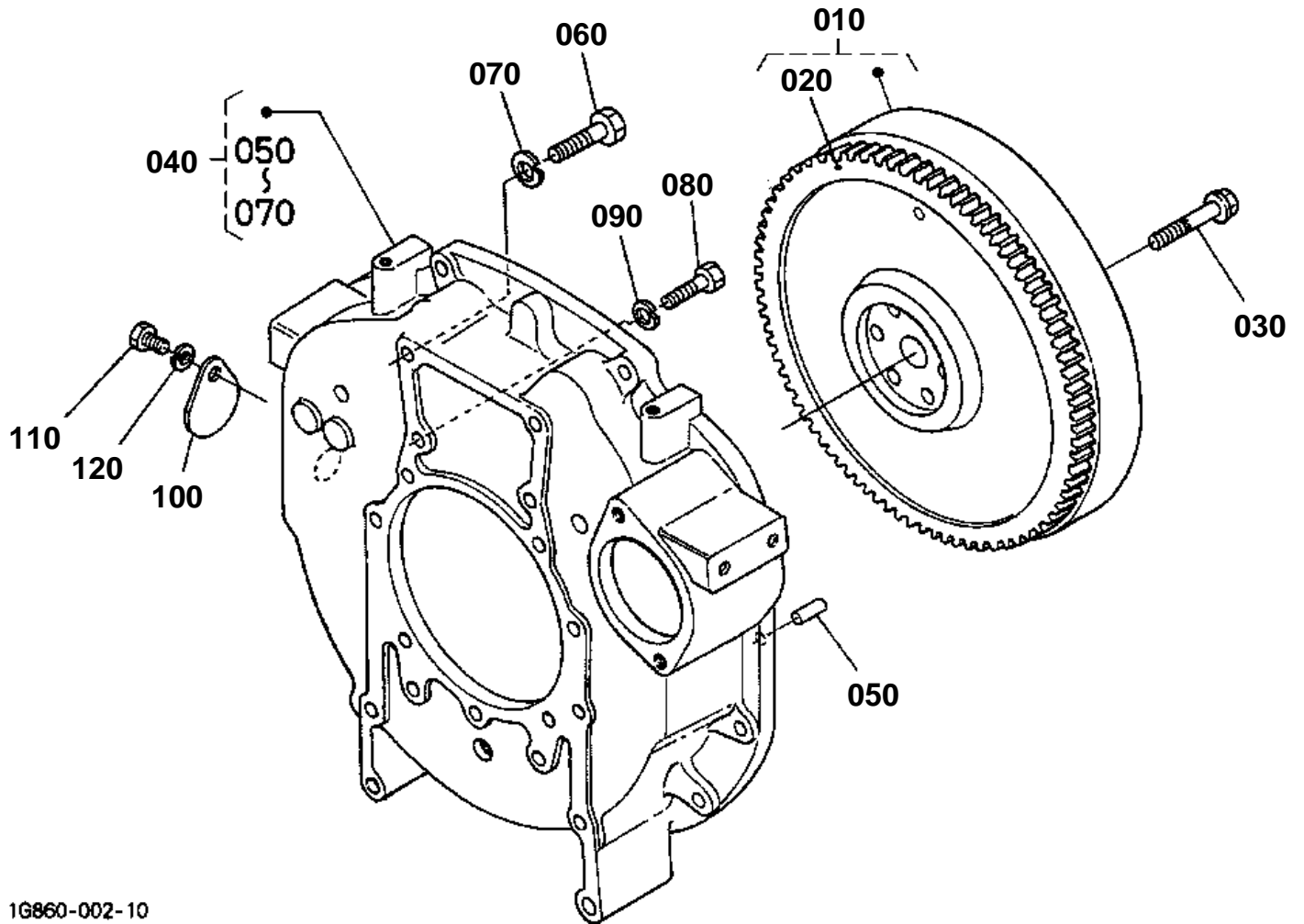


## PISTON AND CRANKSHAFT

↔ Interchangeable; ≠ not interchangeable; ← new for old; → old for new

REF.No	Part No.	Description	Q'ty	S.No.	I/C	REMARKS	Weight (kgf)	Weight (lb)
010	1A091-21112	PISTON	4			STD	0.545	1.199
010	1A091-21902	PISTON	4			+0.25mm	0.545	1.199
020	1A091-21050	ASSY PISTON RING	4			STD	0.055	0.121
020	1A091-21090	ASSY PISTON RING	4			+0.25mm	0.045	0.099
030	14901-21310	PIN PISTON	4				0.17	0.374
040	14109-21330	CIR CLIP INTERNAL	8				0.001	0.0022
050	17311-22010	ASSY CONNECTING ROD	4				0.885	1.947
060	17331-21980	BUSH PISTON PIN	4				0.025	0.055
070	15521-22142	BOLT CONNECTING ROD	8				0.026	0.0572
080	17311-22310	METAL CRANKPIN	4			STD SET	0.045	0.099
080	17331-22970	METAL CRANKPIN	4			-0.20mm SET	0.05	0.11
080	17331-22980	METAL CRANKPIN	4			-0.40mm SET	0.045	0.099
090	1G851-23012	COMP.CRANKSHAFT	1				18.1	39.82
100	07715-00401	BALL	4				0.001	0.0022
110	19202-23280	BUSH CRANKSHAFT	1				0.09	0.198
120	1A021-24110	GEAR CRANKSHAFT	1				0.445	0.979
130	05712-00730	KEY FEATHER	1				0.011	0.0242
140	15471-23312	SLINGER OIL	1				0.008	0.0176
150	19202-23250	COLLAR CRANKSHAFT	1				0.065	0.143
160	04811-10300	O RING	1				0.001	0.0022
170	15221-23360	NUT CRANKSHAFT	1				0.11	0.242
180	1A091-23470	METAL CRANKSHAFT	1			STD	0.062	0.1364
180	1A091-23910	METAL CRANKSHAFT	1			-0.20mm	0.065	0.143
180	1A091-23920	METAL CRANKSHAFT	1			-0.40mm	0.065	0.143
190	1A091-23480	METAL CRANKSHAFT	4			STD SET	0.05	0.11
190	1A091-23930	METAL CRANKSHAFT	4			-0.20mm SET	0.06	0.132
190	1A091-23940	METAL CRANKSHAFT	4			-0.40mm SET	0.065	0.143
200	1A091-23530	METAL SIDE	2			STD	0.009	0.0198
200	1A091-23950	METAL SIDE	2			+0.20mm	0.005	0.011
200	1A091-23960	METAL SIDE	2			+0.40mm	0.005	0.011
210	1A091-23540	METAL SIDE	2			STD	0.009	0.0198
210	1A091-23970	METAL SIDE	2			+0.20mm	0.005	0.011
210	1A091-23980	METAL SIDE	2			+0.40mm	0.005	0.011
220	19202-04140	SEAL OIL	1				0.015	0.033
230	1G856-21770	KIT PISTON	4			STD	0.89	1.958
230	1G856-21780	KIT PISTON	4			+0.25mm	1.09	2.398
240	1G856-23750	KIT METAL ENGINE	1			STD	0.71	1.562
240	1G856-23760	KIT METAL ENGINE	1			-0.20mm	0.83	1.826
240	1G856-23770	KIT METAL ENGINE	1			-0.40mm	0.8	1.76

FLYWHEEL



1G860-002-10

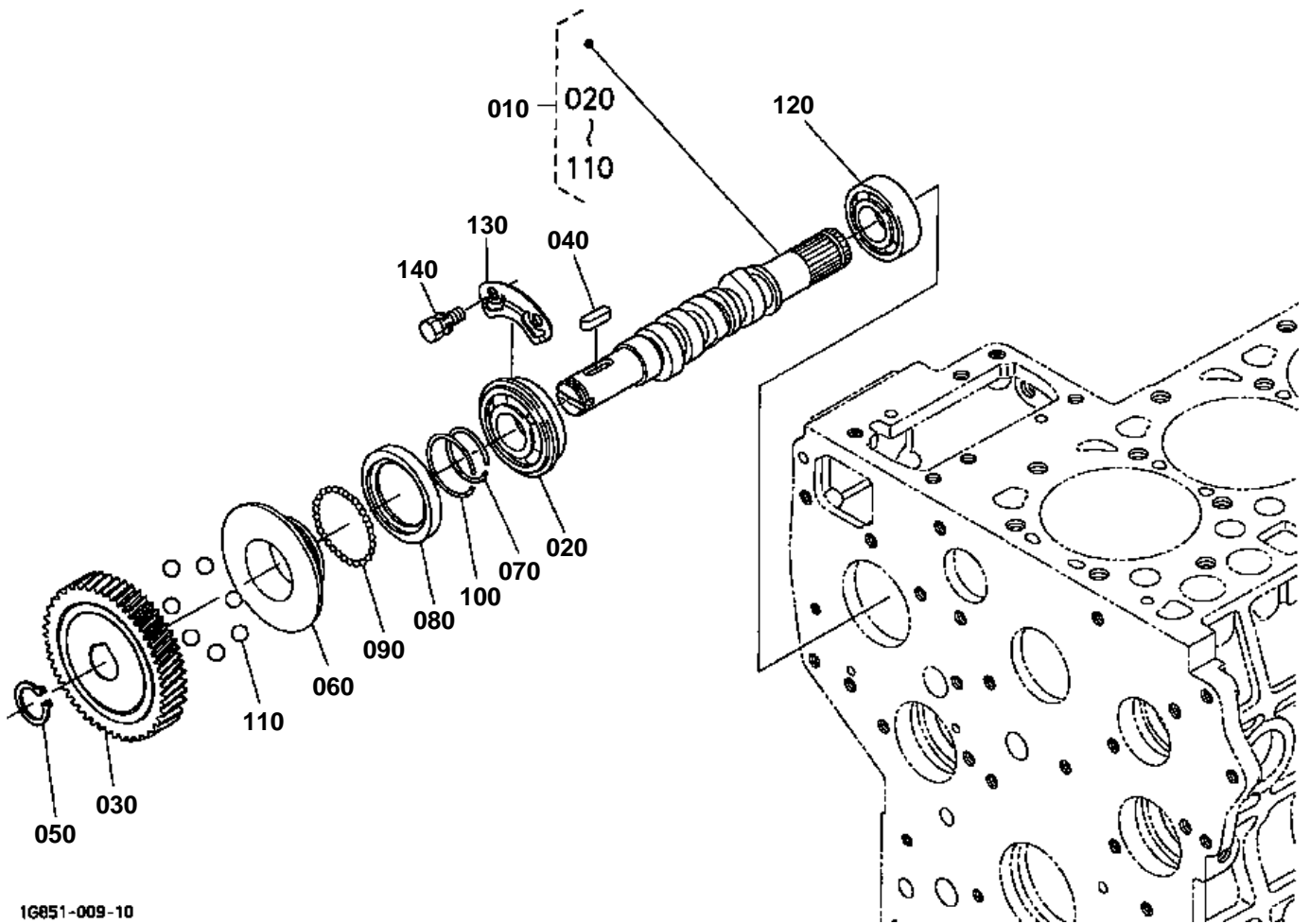


## FLYWHEEL

↔ Interchangeable; ≠ not interchangeable; ← new for old; → old for new

REF.No	Part No.	Description	Q'ty	S.No.	I/C	REMARKS	Weight (kgf)	Weight (lb)
010	1G860-25010	COMP.FLYWHEEL	1				31	68.2
020	15602-63820	GEAR RING	1				2	4.4
030	15321-25163	BOLT FLYWHEEL	6				0.05	0.11
040	16478-04600	COMP.HOUSING F-W.	1				18.2	40.04
050	05012-01018	PIN STRAIGHT	2				0.012	0.0264
060	01073-51250	BOLT	2				0.055	0.121
070	04512-60120	WASHER SPRING	2				0.005	0.011
080	01073-51032	BOLT	11				0.03	0.066
090	04512-60100	WASHER SPRING	11				0.002	0.0044
100	31220-14170	COVER	1				0.014	0.0308
110	01153-50812	BOLT	1				0.008	0.0176
120	04512-60080	WASHER SPRING	1				0.002	0.0044

# FUEL CAMSHAFT



1G851-009-10

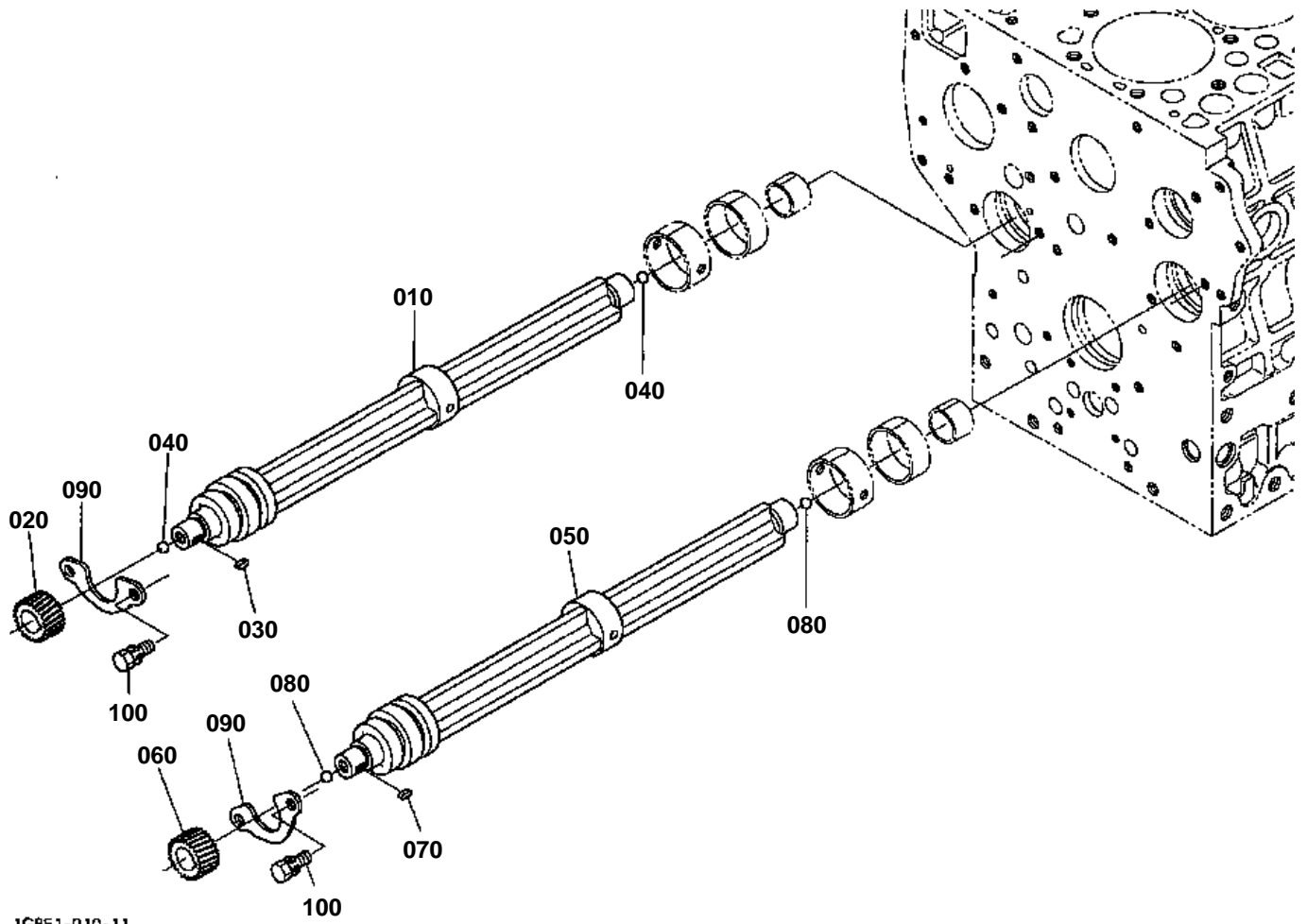


**FUEL CAMSHAFT**

↔ Interchangeable; ≠ not interchangeable; ← new for old; → old for new

REF.No	Part No.	Description	Q'ty	S.No.	I/C	REMARKS	Weight (kgf)	Weight (lb)
010	1A091-16020	ASSY CAMSHAFT FUEL	1				3.13	6.886
020	1A091-51752	BEARING BALL	1				0.24	0.528
030	16415-51150	GEAR INJECTION PUMP	1				1.075	2.365
040	05712-00525	KEY FEATHER	1				0.005	0.011
050	04612-00240	CIR CLIP EXTERNAL	1				0.002	0.0044
060	15611-55450	SLEEVE GOVERNOR	1				0.117	0.2574
070	15221-55470	CIR-CLIP GOV. SLEEVE	1				0.003	0.0066
080	15611-55690	CASE GOVERNOR BALL	1				0.03	0.066
090	07715-03205	BALL	39				0.001	0.0022
100	15221-55740	CIR-CLIP	1				0.002	0.0044
110	07715-00403	BALL	7				0.03	0.066
120	19077-97300	BEARING BALL	1				0.175	0.385
130	1A091-16320	STOPPER FUEL C/SHAFT	1				0.014	0.0308
140	01123-60814	BOLT	2				0.01	0.022

# BALANCER



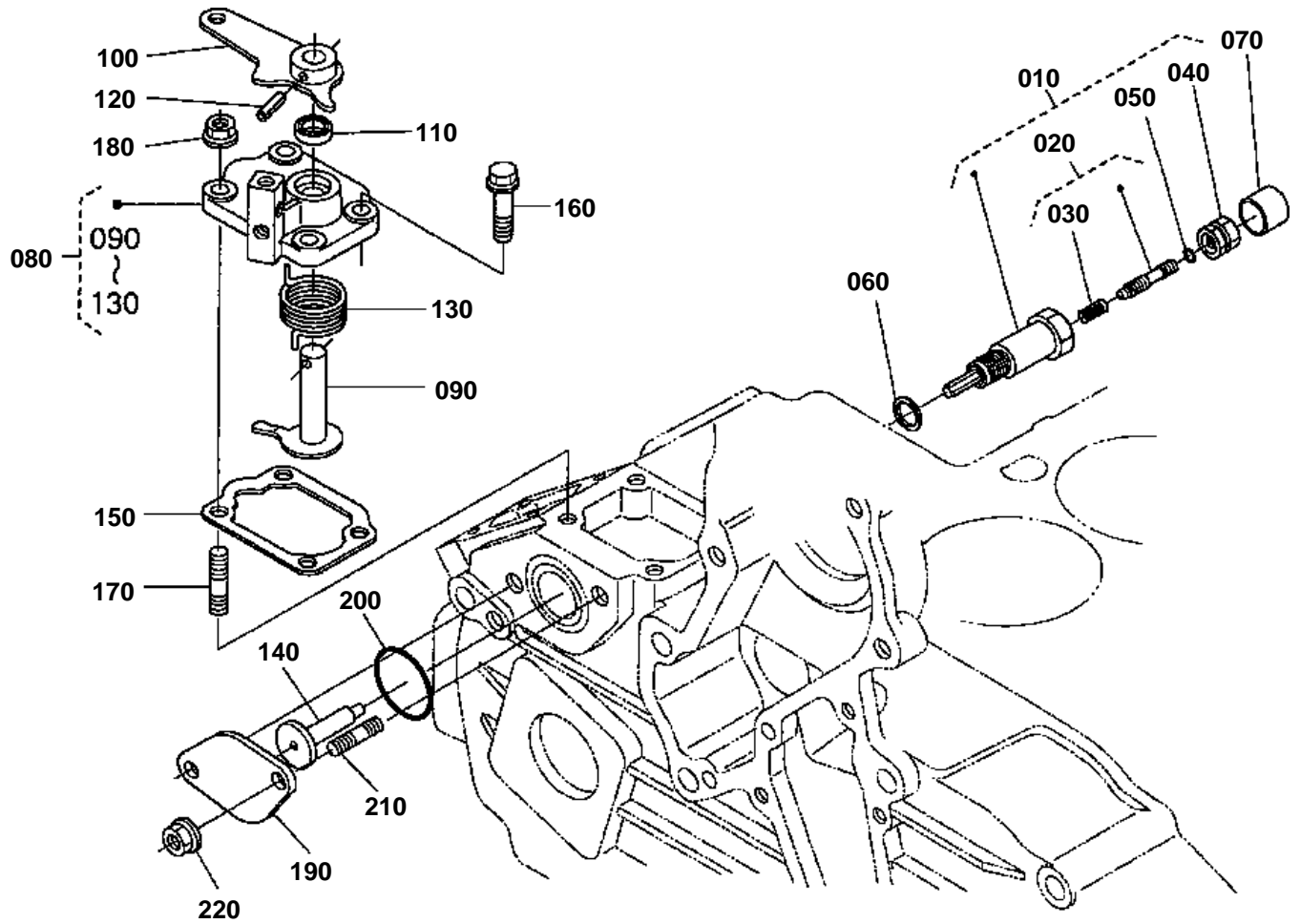
1G851-010-11

**BALANCER**

↔ Interchangeable; ≠ not interchangeable; ← new for old; → old for new

REF.No	Part No.	Description	Q'ty	S.No.	I/C	REMARKS	Weight (kgf)	Weight (lb)
010	1A091-26330	SHAFT SUCTION	1				2.49	5.478
020	1A091-26452	GEAR BALANCER	1				0.055	0.121
030	05712-00410	KEY FEATHER	1				0.001	0.0022
040	07715-00401	BALL	2				0.001	0.0022
050	1A091-26310	SHAFT EXHAUST	1				2.58	5.676
060	1A091-26440	GEAR BALANCER	1				0.055	0.121
070	05712-00410	KEY FEATHER	1				0.001	0.0022
080	07715-00401	BALL	2				0.001	0.0022
090	1A091-26592	STOPPER WEIGHT SHAFT	2				0.04	0.088
100	01123-50818	BOLT	4				0.012	0.0264

# ENGINE STOP LEVER



1G856-003-10

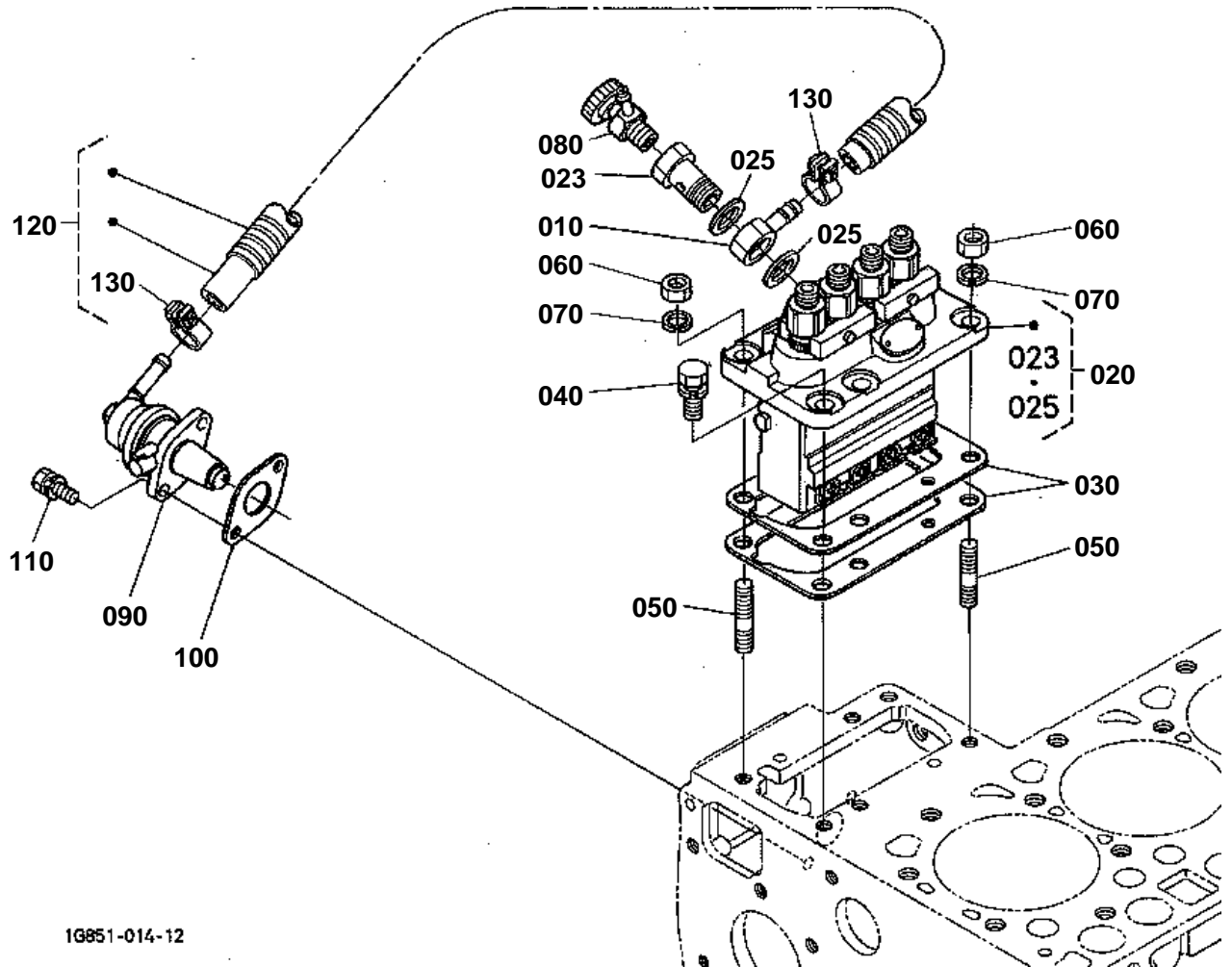


## ENGINE STOP LEVER

↔ Interchangeable; ≠ not interchangeable; ← new for old; → old for new

REF.No	Part No.	Description	Q'ty	S.No.	I/C	REMARKS	Weight (kgf)	Weight (lb)
010	1G860-54160	APPARATUS IDLING	1				0	0
020	1G911-54100	ASSY BOLT ADJUSTMENT	1				0.008	0.0176
030	15521-54260	SPRING	1				0.001	0.0022
040	1G911-92010	NUT SPRING	1				0.015	0.033
050	04814-00060	O RING	1				0.001	0.0022
060	04724-00140	GASKET	1				0.002	0.0044
070	1G911-54270	CAP	1				0.002	0.0044
080	1A021-57700	ASSY LEVER ENG.STOP	1				0.184	0.4048
090	1A021-57710	COMP.LEVER STOP	1				0.038	0.0836
100	1A021-57720	LEVER ENGINE STOP	1				0.055	0.121
110	15471-57980	SEAL OIL	1				0.001	0.0022
120	05411-00420	PIN SPRING	1				0.001	0.0022
130	1A021-57920	SPRING RETURN	1				0.01	0.022
140	1G856-56730	GUIDE SOLENOID	1				0.004	0.0088
150	1A021-57210	GASKET PLATE	1				0.001	0.0022
160	01023-50620	BOLT	2				0.006	0.0132
170	15221-88210	STUD	2				0.005	0.011
180	02751-50060	NUT FLANGE	2				0.005	0.011
190	1G856-60120	COVER SOLENOID	1				0.335	0.737
200	04814-06310	O RING	1				0.002	0.0044
210	15221-88210	STUD	2				0.005	0.011
220	02761-50060	NUT FLANGE	2				0.003	0.0066

# INJECTION PUMP

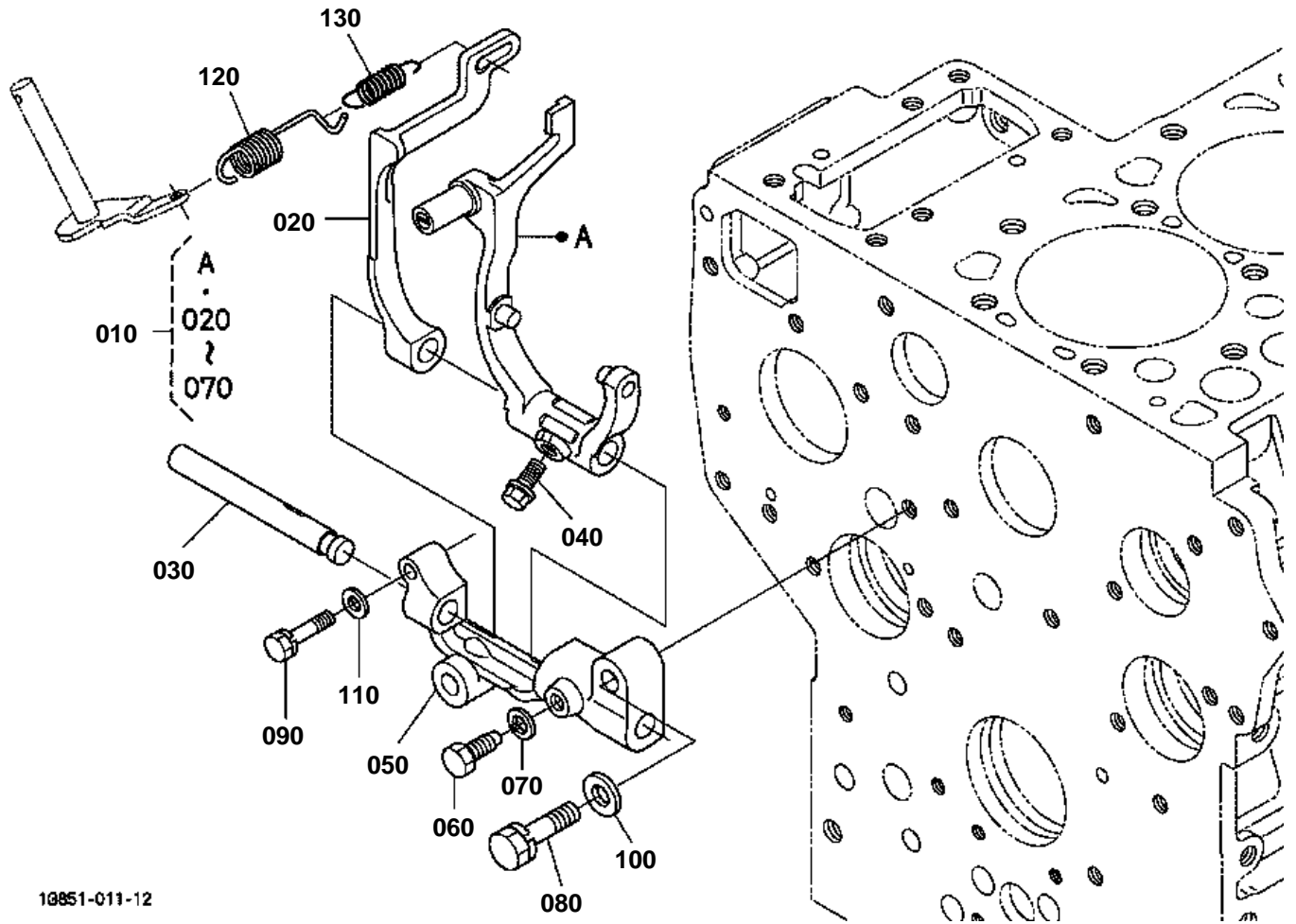




# INJECTION PUMP

↔ Interchangeable; ≠ not interchangeable; ← new for old; → old for new

REF.No	Part No.	Description	Q'ty	S.No.	I/C	REMARKS	Weight (kgf)	Weight (lb)
010	15401-95690	JOINT EYE	1				0.04	0.088
020	1G762-51010	ASSY PUMP INJECTION	1				2.5	5.5
023	15471-51320	SCREW FOLLOW	1				0.032	0.0704
025	15401-96650	GASKET	2				0.001	0.0022
030	19077-52092	SHIM INJECTION PUMP	1			0.20mm	0.006	0.0132
030	19077-52113	SHIM INJECTION PUMP	1			0.25mm	0.002	0.0044
030	19077-52123	SHIM INJECTION PUMP	1			0.30mm	0.01	0.022
040	01123-50822	BOLT	4				0.012	0.0264
050	15221-91530	STUD	2				0.011	0.0242
060	02156-50080	NUT	2				0.004	0.0088
070	04512-60080	WASHER SPRING	2				0.002	0.0044
080	14311-60504	ASSY COCK JET START	1				0.034	0.0748
090	17121-52030	ASSY PUMP FUEL	1				0.13	0.286
100	1A021-52140	GASKET FUEL PUMP	1				0.001	0.0022
110	01023-50616	BOLT	2				0.005	0.011
120	T1060-42600	ASSY TUBE FUEL	1				0.043	0.0946
130	14301-42750	CLIP PIPE	2				0.005	0.011



10851-011-12

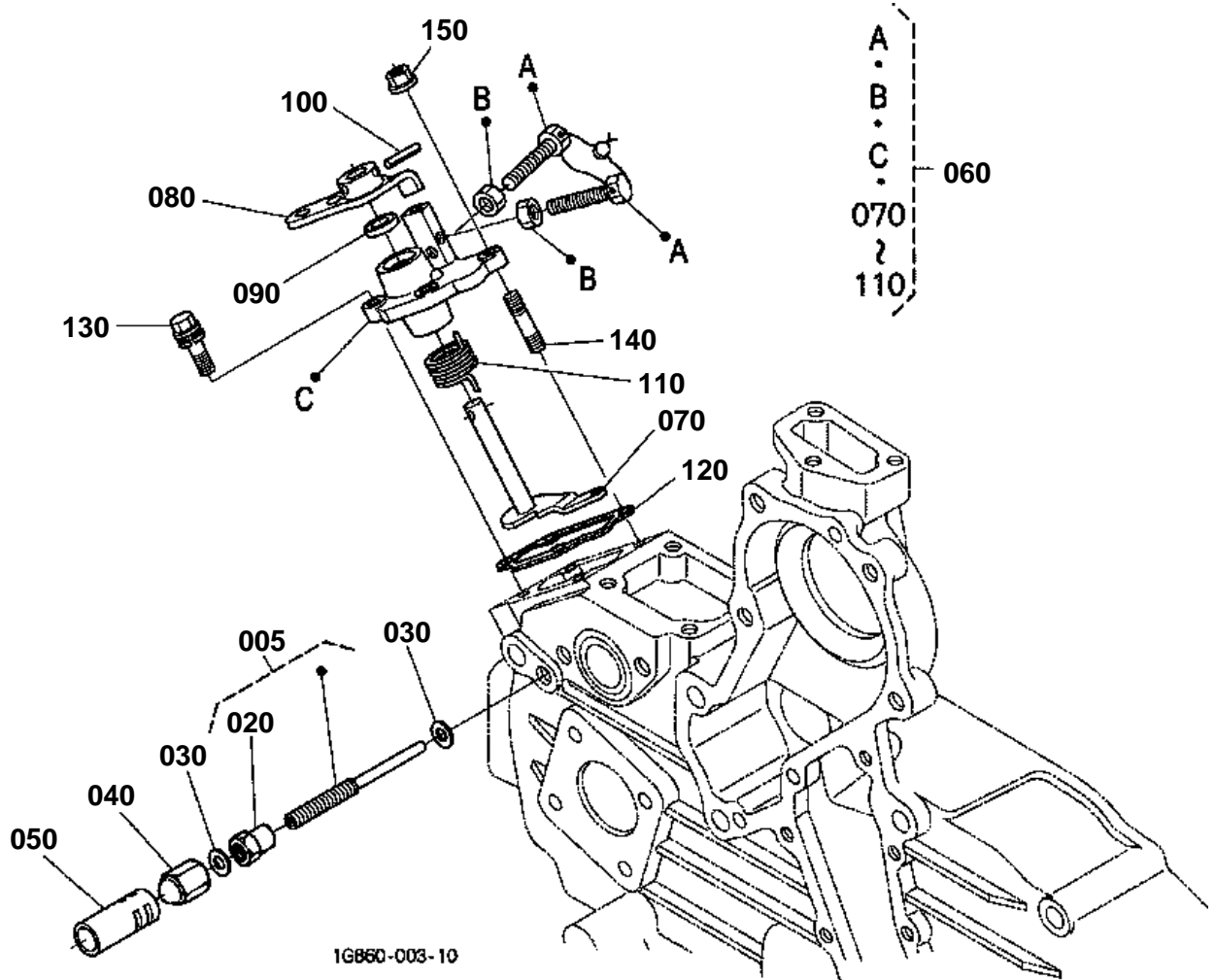


**GOVERNOR**

↔ Interchangeable; ≠ not interchangeable; ← new for old; → old for new

REF.No	Part No.	Description	Q'ty	S.No.	I/C	REMARKS	Weight (kgf)	Weight (lb)
010	1A092-56052	ASSY LEVER FORK	1				0.35	0.77
020	1A021-56133	LEVER FORK	1				0.035	0.077
030	1G911-56150	SHAFT FORK LEVER	1				0.05	0.11
040	01754-50618	BOLT FLANGE	1				0.01	0.022
050	1A091-56230	HOLDER FORK LEVER	1				0.085	0.187
060	15221-66410	BOLT	1				0.005	0.011
070	04512-60060	WASHER SPRING	1				0.001	0.0022
080	01123-50832	BOLT	2				0.016	0.0352
090	01023-50628	BOLT	1				0.015	0.033
100	04012-50080	WASHER PLAIN	2				0.001	0.0022
110	04012-50060	WASHER PLAIN	1				0.001	0.0022
120	1G860-56410	SPRING GOVERNOR	1				0	0
130	1G860-56420	SPRING GOVERNOR	1				0	0

SPEED CONTROL PLATE



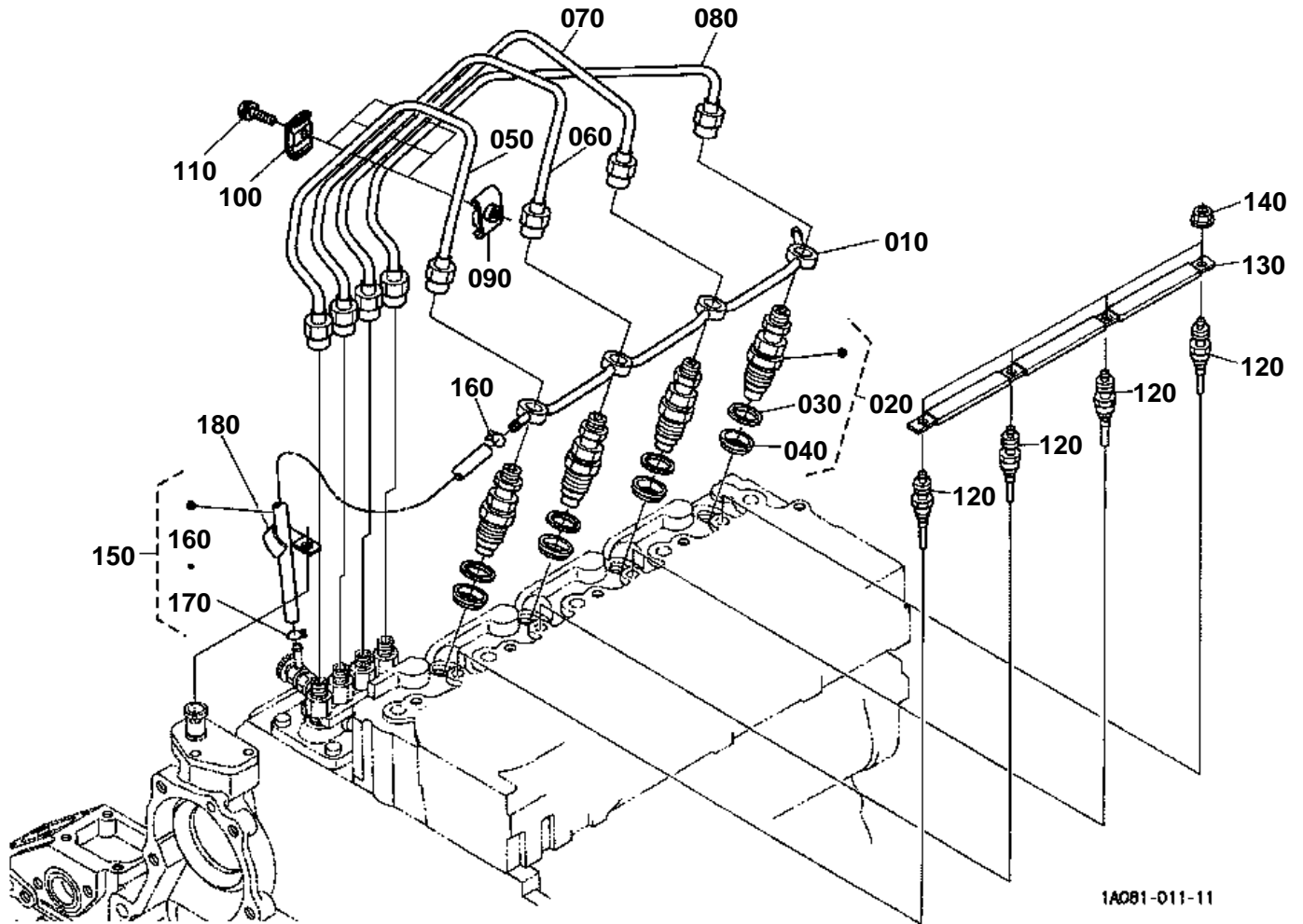


## SPEED CONTROL PLATE

↔ Interchangeable; ≠ not interchangeable; ← new for old; → old for new

REF.No	Part No.	Description	Q'ty	S.No.	I/C	REMARKS	Weight (kgf)	Weight (lb)
005	1A021-54350	ASSY BOLT ADJUSTMENT	1				0.015	0.033
010	99999-99999	BLANK	0				0	0
020	15601-92012	NUT	1				0.006	0.0132
030	15601-96650	GASKET	2				0.001	0.0022
040	15841-14620	NUT	1				0.01	0.022
050	99999-99999	PIPE LOCK	1				0	0
060	1G860-57000	ASSY PLATE CONTROL	1				0	0
070	1A021-56020	LEVER SPEED CONTROL	1				0.046	0.1012
080	1K321-57150	LEVER SPEED CONTROL	1				0	0
090	15471-57980	SEAL OIL	1				0.001	0.0022
100	05411-00420	PIN SPRING	1				0.001	0.0022
110	1A021-57920	SPRING RETURN	1				0.01	0.022
120	1A021-57210	GASKET PLATE	1				0.001	0.0022
130	01023-50620	BOLT	2				0.006	0.0132
140	15221-88210	STUD	2				0.005	0.011
150	02751-50060	NUT FLANGE	2				0.005	0.011

NOZZLE HOLDER AND GLOW PLUG



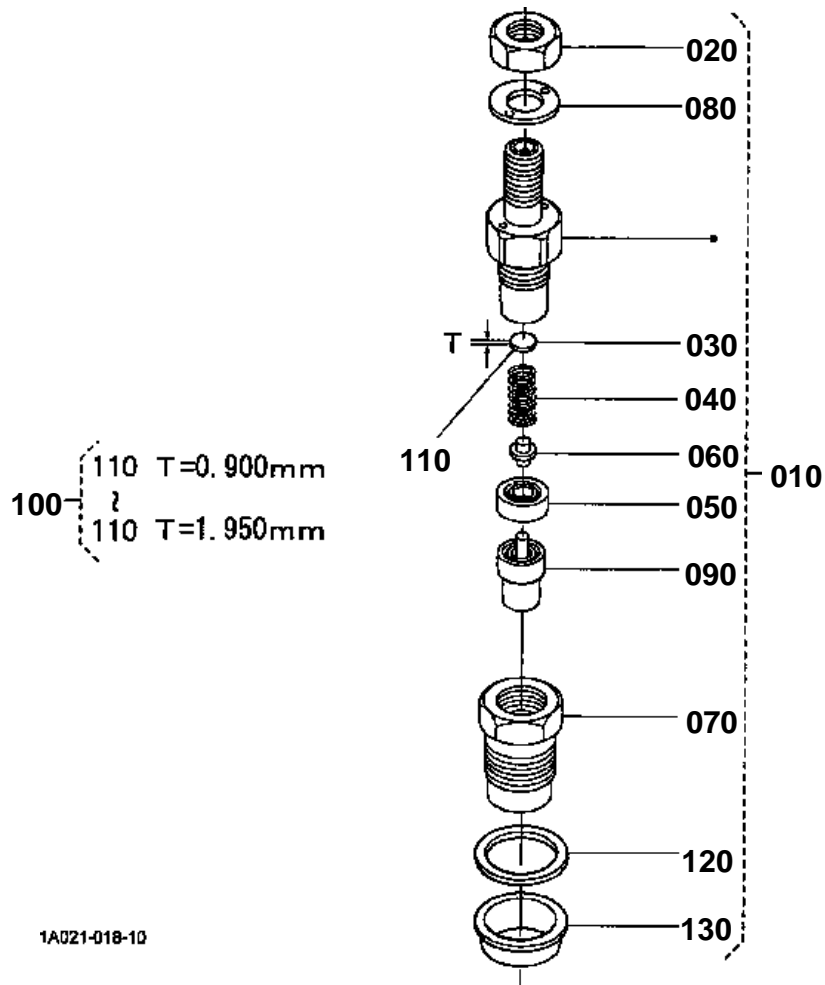


## NOZZLE HOLDER AND GLOW PLUG

↔ Interchangeable; ≠ not interchangeable; ← new for old; → old for new

REF.No	Part No.	Description	Q'ty	S.No.	I/C	REMARKS	Weight (kgf)	Weight (lb)
010	16454-42502	ASSY PIPE OVER FLOW	1				0.06	0.132
020	16454-53900	KIT HOLDER NOZZLE	4				0.013	0.0286
030	15841-53622	GASKET	4				0.002	0.0044
040	19077-53650	SEAL HEAT	4				0.005	0.011
050	19077-53714	PIPE INJECTION	1				0.14	0.308
060	19077-53723	PIPE INJECTION	1				0.14	0.308
070	19077-53733	PIPE INJECTION	1				0.12	0.264
080	19077-53743	PIPE INJECTION	1				0.13	0.286
090	15841-53850	CLAMP PIPE	3				0.01	0.022
100	15841-53860	CLAMP PIPE	3				0.009	0.0198
110	03024-50520	SCREW WITH WASHER	3				0.004	0.0088
120	19077-65510	GLOW PLUG	4				0.03	0.066
130	16475-65560	CORD GLOW PLUG	1				0.02	0.044
140	02761-50040	NUT FLANGE	4				0.002	0.0044
150	17331-42500	ASSY PIPE OVER FLOW	1				0.02	0.044
160	14971-42750	CLIP PIPE	1				0.001	0.0022
170	10244-42320	CLIP PIPE	1				0.001	0.0022
180	15241-67580	CLAMP CORD	1				0.004	0.0088

NOZZLE HOLDER [COMPONENT PARTS]



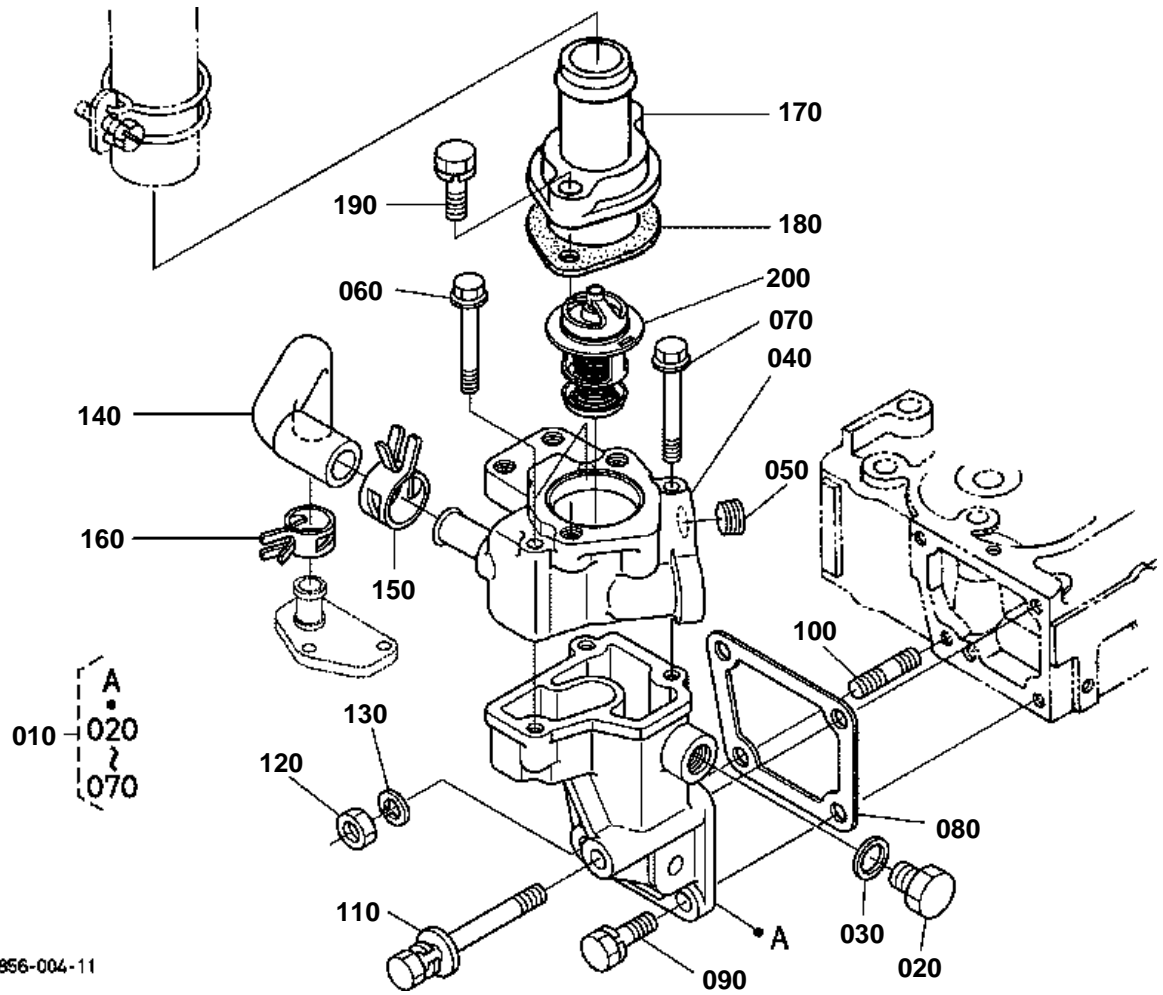


## NOZZLE HOLDER [COMPONENT PARTS]

↔ Interchangeable; ≠ not interchangeable; ← new for old; → old for new

REF.No	Part No.	Description	Q'ty	S.No.	I/C	REMARKS	Weight (kgf)	Weight (lb)
010	16454-53900	KIT HOLDER NOZZLE	4				0.013	0.0286
020	15841-92030	NUT	4				0.005	0.011
030	15841-53230	WASHER ADJUSTING	4				0.001	0.0022
040	16475-53170	SPRING NOZZLE	4				0.005	0.011
050	15841-53350	PIECE DISTANCE	4				0.004	0.0088
060	15841-53160	PUSH ROD	4				0.001	0.0022
070	16475-53280	NUT NOZZLE	4				0.03	0.066
080	15841-94040	WASHER	4				0.001	0.0022
090	16454-53610	PIECE NOZZLE	4				0.024	0.0528
100	15841-98100	ASSY WASHER ADJUST	4			OPTION	0.043	0.0946
110	15841-53230	WASHER ADJUSTING	4			0.900mm	0.001	0.0022
110	15841-98510	WASHER ADJUSTING	4			0.925mm	0.001	0.0022
110	15841-98520	WASHER ADJUSTING	4			0.950mm	0.001	0.0022
110	15841-98530	WASHER ADJUSTING	4			0.975mm	0.001	0.0022
110	15841-98540	WASHER ADJUSTING	4			1.000mm	0.001	0.0022
110	15841-98550	WASHER ADJUSTING	4			1.025mm	0.001	0.0022
110	15841-98560	WASHER ADJUSTING	4			1.050mm	0.001	0.0022
110	15841-98570	WASHER ADJUSTING	4			1.075mm	0.001	0.0022
110	15841-98580	WASHER ADJUSTING	4			1.100mm	0.001	0.0022
110	15841-98590	WASHER ADJUSTING	4			1.125mm	0.001	0.0022
110	15841-98600	WASHER ADJUSTING	4			1.150mm	0.001	0.0022
110	15841-98610	WASHER ADJUSTING	4			1.175mm	0.001	0.0022
110	15841-98620	WASHER ADJUSTING	4			1.200mm	0.001	0.0022
110	15841-98630	WASHER ADJUSTING	4			1.225mm	0.001	0.0022
110	15841-98640	WASHER ADJUSTING	4			1.250mm	0.001	0.0022
110	15841-98650	WASHER ADJUSTING	4			1.275mm	0.001	0.0022
110	15841-98660	WASHER ADJUSTING	4			1.300mm	0.001	0.0022
110	15841-98670	WASHER ADJUSTING	4			1.325mm	0.001	0.0022
110	15841-98680	WASHER ADJUSTING	4			1.350mm	0.001	0.0022
110	15841-98690	WASHER ADJUSTING	4			1.375mm	0.001	0.0022
110	15841-98700	WASHER ADJUSTING	4			1.400mm	0.001	0.0022
110	15841-98710	WASHER ADJUSTING	4			1.425mm	0.001	0.0022
110	15841-98720	WASHER ADJUSTING	4			1.450mm	0.001	0.0022
110	15841-98730	WASHER ADJUSTING	4			1.475mm	0.001	0.0022
110	15841-98740	WASHER ADJUSTING	4			1.500mm	0.001	0.0022
110	15841-98750	WASHER ADJUSTING	4			1.525mm	0.001	0.0022
110	15841-98760	WASHER ADJUSTING	4			1.550mm	0.001	0.0022
110	15841-98770	WASHER ADJUSTING	4			1.575mm	0.001	0.0022
110	15841-98780	WASHER ADJUSTING	4			1.600mm	0.002	0.0044
110	15841-98790	WASHER ADJUSTING	4			1.625mm	0.001	0.0022
110	15841-98800	WASHER ADJUSTING	4			1.650mm	0.001	0.0022
110	15841-98810	WASHER ADJUSTING	4			1.675mm	0.004	0.0088
110	15841-98820	WASHER ADJUSTING	4			1.700mm	0.001	0.0022
110	15841-98830	WASHER ADJUSTING	4			1.725mm	0.001	0.0022
110	15841-98840	WASHER ADJUSTING	4			1.750mm	0.001	0.0022
110	15841-98850	WASHER ADJUSTING	4			1.775mm	0.001	0.0022
110	15841-98860	WASHER ADJUSTING	4			1.800mm	0.001	0.0022
110	15841-98870	WASHER ADJUSTING	4			1.825mm	0.001	0.0022
110	15841-98880	WASHER ADJUSTING	4			1.850mm	0.001	0.0022
110	15841-98890	WASHER ADJUSTING	4			1.875mm	0.001	0.0022
110	15841-98900	WASHER ADJUSTING	4			1.900mm	0.001	0.0022
110	15841-98910	WASHER ADJUSTING	4			1.925mm	0.001	0.0022
110	15841-98920	WASHER ADJUSTING	4			1.950mm	0.001	0.0022
120	15841-53622	GASKET	4				0.002	0.0044
130	19077-53650	SEAL HEAT	4				0.005	0.011

WATER FLANGE AND THERMOSTAT





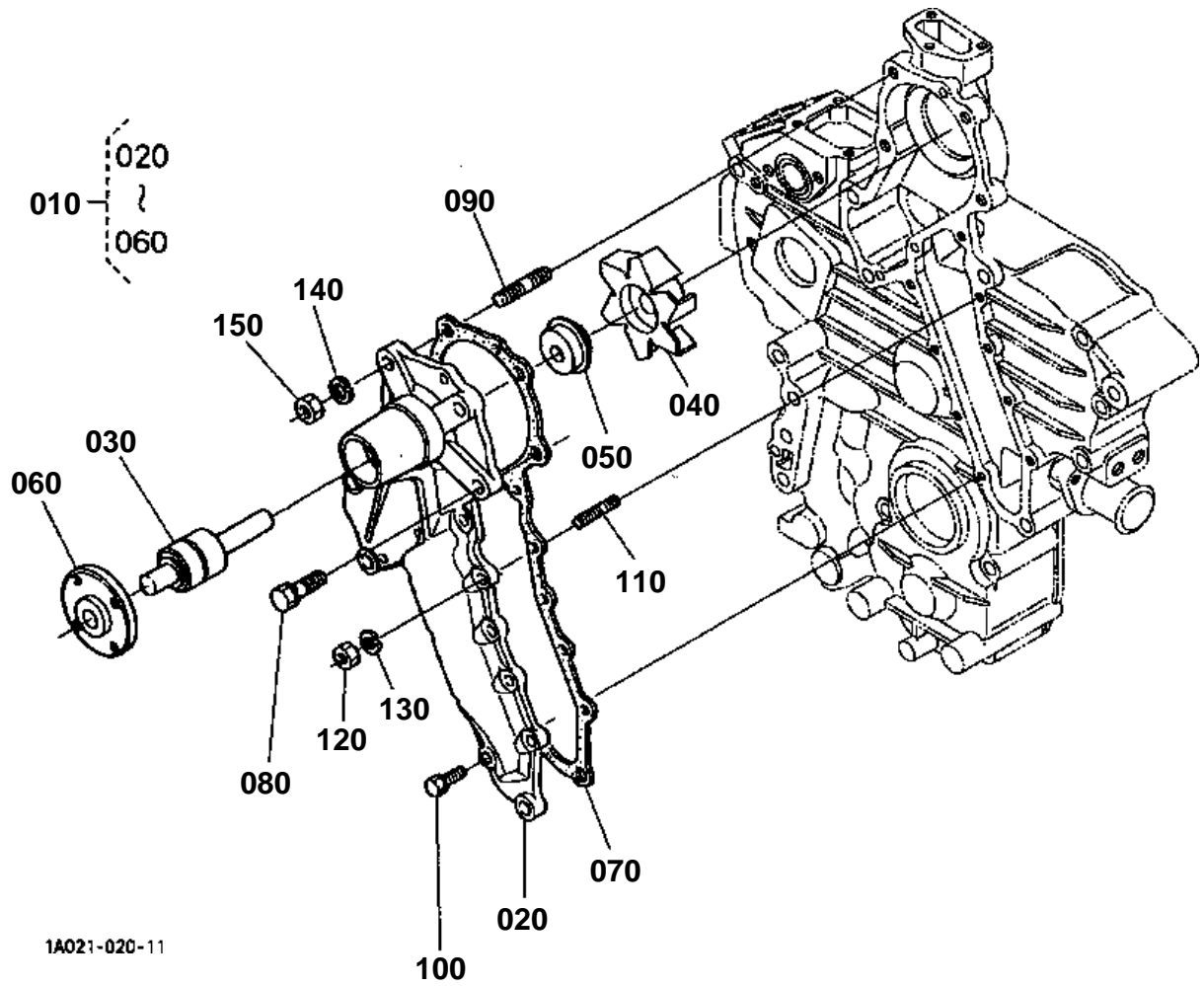


# WATER FLANGE AND THERMOSTAT

↔ Interchangeable; ≠ not interchangeable; ← new for old; → old for new

REF.No	Part No.	Description	Q'ty	S.No.	I/C	REMARKS	Weight (kgf)	Weight (lb)
010	1A033-72704	COMP FLANGE WATER	1				0.755	1.661
020	15109-33630	PLUG DRAIN	1				0.025	0.055
030	15109-33660	GASKET	1				0.001	0.0022
040	1A021-72914	FLANGE WATER	1				0.375	0.825
050	1A021-96020	PLUG	1				0.015	0.033
060	01754-50660	BOLT FLANGE	2				0.02	0.044
070	01754-50665	BOLT FLANGE	1				0.01	0.022
080	1A021-72920	GASKET WATER FLANGE	1				0.002	0.0044
090	01123-50822	BOLT	2				0.012	0.0264
100	15221-91530	STUD	1				0.011	0.0242
110	1A021-91020	BOLT	1				0.032	0.0704
120	02156-50080	NUT	1				0.004	0.0088
130	04512-60080	WASHER SPRING	1				0.002	0.0044
140	1A021-73340	PIPE WATER RETURN	1				0.032	0.0704
150	09318-88200	CLAMP HOSE	1				0.004	0.0088
160	09318-88180	CLAMP HOSE	1				0.01	0.022
170	15321-73260	COVER THERMOSTAT	1				0.107	0.2354
180	16221-73270	GASKET THERMOSTAT	1				0.013	0.0286
190	01123-50835	BOLT	2				0.02	0.044
200	1A021-73012	ASSY THERMOSTAT	1				0.079	0.1738

WATER PUMP



1A021-020-11

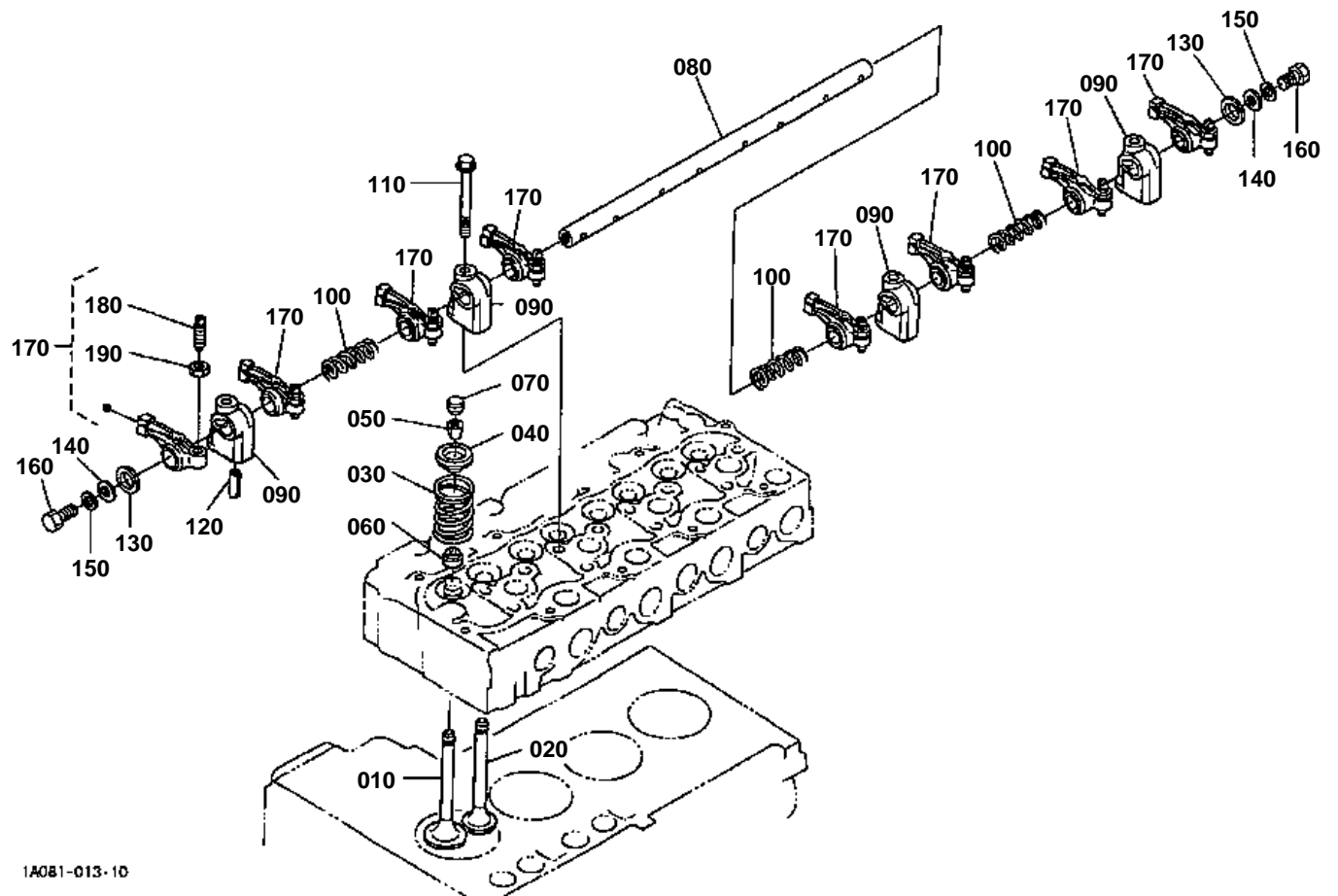


# WATER PUMP

↔ Interchangeable; ≠ not interchangeable; ← new for old; → old for new

REF.No	Part No.	Description	Q'ty	S.No.	I/C	REMARKS	Weight (kgf)	Weight (lb)
010	1A021-73030	ASSY PUMP WATER	1				1	2.2
020	17331-73410	BODY WATER PUMP	1				0.51	1.122
030	15521-73550	BEARING	1				0.235	0.517
040	1A021-73510	IMPELLER WATER PUMP	1				0.065	0.143
050	16661-73050	ASSY SEAL MECHANICAL	1				0.025	0.055
060	1A021-73520	FLANGE W/PUMP SHAFT	1				0.185	0.407
070	1A021-73430	GASKET WATER PUMP	1				0.007	0.0154
080	01123-50828	BOLT	3				0.014	0.0308
090	15521-91510	STUD	1				0.012	0.0264
100	01023-50618	BOLT	7				0.006	0.0132
110	15221-88210	STUD	2				0.005	0.011
120	02056-50060	NUT	2				0.002	0.0044
130	04512-60060	WASHER SPRING	2				0.001	0.0022
140	04512-60080	WASHER SPRING	1				0.002	0.0044
150	02156-50080	NUT	1				0.004	0.0088

# VALVE AND ROCKER ARM



1A081-013-10

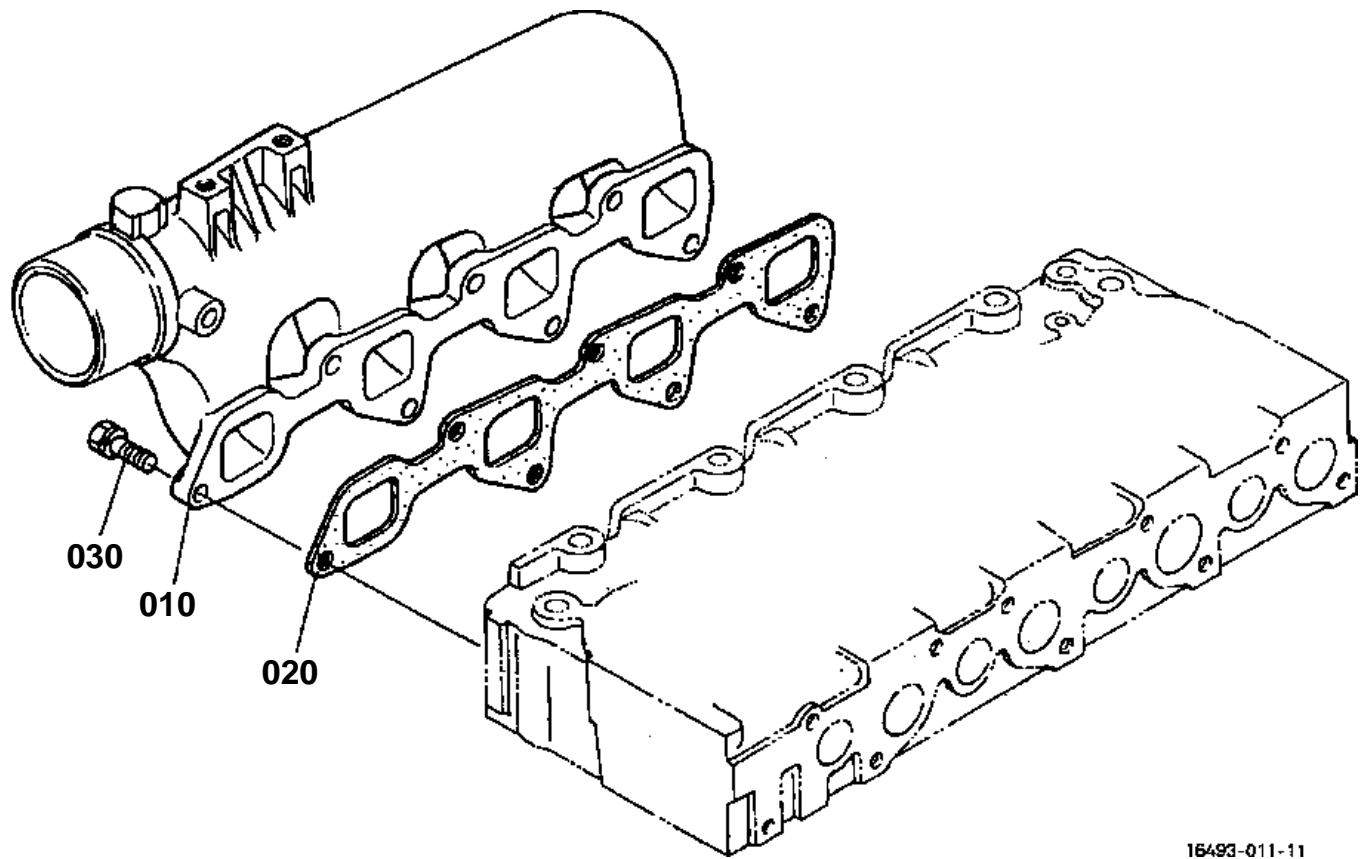


## VALVE AND ROCKER ARM

↔ Interchangeable; ≠ not interchangeable; ← new for old; → old for new

REF.No	Part No.	Description	Q'ty	S.No.	I/C	REMARKS	Weight (kgf)	Weight (lb)
010	16484-13110	VALVE INLET	4				0.06	0.132
020	16484-13120	VALVE EXHAUST	4				0.13	0.286
030	15221-13240	SPRING VALVE	8				0.036	0.0792
040	15221-13330	RETAINER VALVE SP.	8				0.03	0.066
050	15221-13980	COLLET VALVE SPRING	8			SET	0.002	0.0044
060	15221-13150	SEAL VALVE STEM	8				0.001	0.0022
070	15221-13280	CAP VALVE	8				0.006	0.0132
080	1A091-14260	SHAFT ROCKER ARM	1				0.313	0.6886
090	15221-14350	BRACKET ROCKER ARM	4				0.044	0.0968
100	15221-14310	SPRING ROCKER ARM	3				0.005	0.011
110	01754-50855	BOLT FLANGE	4				0.02	0.044
120	05411-00528	PIN SPRING	1				0.003	0.0066
130	15221-14430	WASHER R-ARM.SHAFT	2				0.002	0.0044
140	04013-60080	WASHER PLAIN	2				0.002	0.0044
150	04512-60080	WASHER SPRING	2				0.002	0.0044
160	01153-50812	BOLT	2				0.008	0.0176
170	15621-14030	ASSY ROCKER ARM	8				0.1	0.22
180	15521-14230	SCREW ADJUSTING	8				0.009	0.0198
190	15021-14240	NUT	8				0.003	0.0066

INLET MANIFOLD



16493-011-11

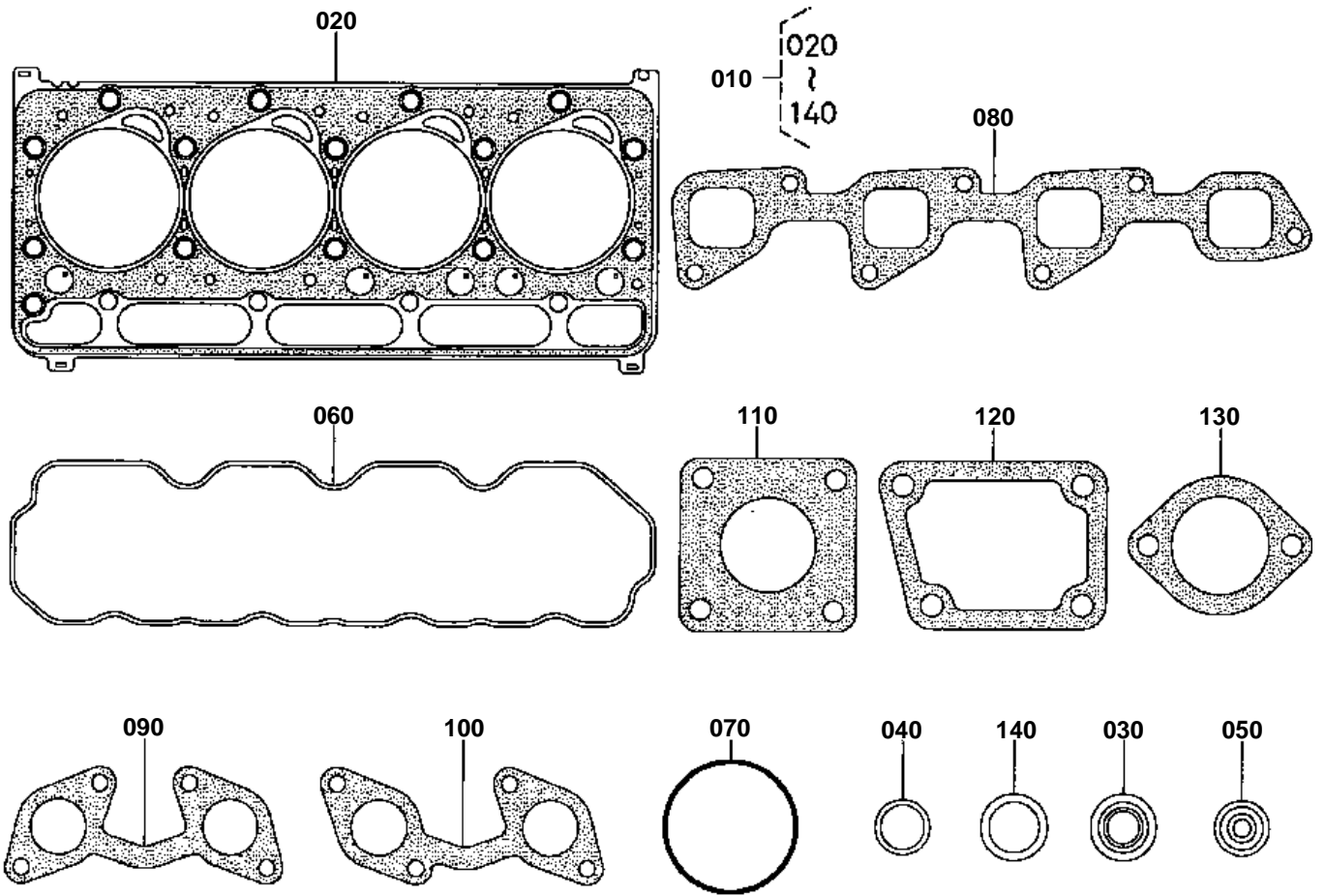


# INLET MANIFOLD

↔ Interchangeable; ≠ not interchangeable; ← new for old; → old for new

REF.No	Part No.	Description	Q'ty	S.No.	I/C	REMARKS	Weight (kgf)	Weight (lb)
010	16429-11760	MANIFOLD INLET	1				1.19	2.618
020	1A091-11822	GASKET IN-MANIFOLD	1				0.007	0.0154
030	01123-50822	BOLT	6				0.012	0.0264

UPPER GASKET KIT



1G856-008-10



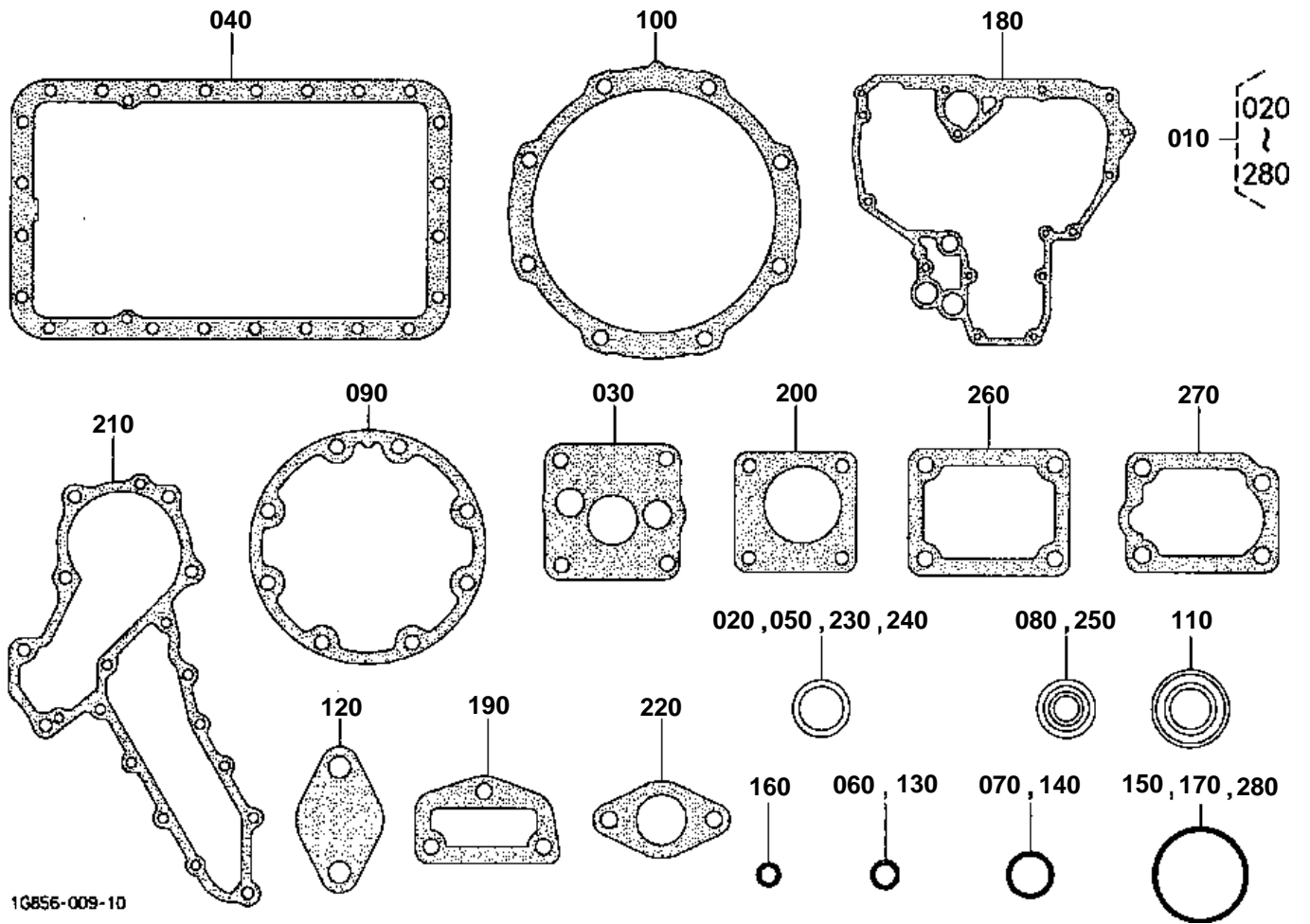


## UPPER GASKET KIT

↔ Interchangeable; ≠ not interchangeable; ← new for old; → old for new

REF.No	Part No.	Description	Q'ty	S.No.	I/C	REMARKS	Weight (kgf)	Weight (lb)
010	1G856-99350	KIT GASKET UPPER	1				0.4	0.88
020	1G790-03310	GASKET CYL.HEAD	1				0.29	0.638
030	15221-13150	SEAL VALVE STEM	8				0.001	0.0022
040	15841-53622	GASKET	4				0.002	0.0044
050	19077-53650	SEAL HEAT	4				0.005	0.011
060	1G911-14520	GASKET HEAD COVER	1				0.025	0.055
070	1A021-05430	O RING BREATHER	1				0.001	0.0022
080	1A091-11822	GASKET IN-MANIFOLD	1				0.007	0.0154
090	1A091-12350	GASKET EX-MANIFOLD	1				0.02	0.044
100	1A091-12360	GASKET EX-MANIFOLD	1				0.02	0.044
110	T0070-16420	GASKET MUFFLER	1				0.016	0.0352
120	1A021-72920	GASKET WATER FLANGE	1				0.002	0.0044
130	16221-73270	GASKET THERMOSTAT	1				0.013	0.0286
140	15109-33660	GASKET	1				0.001	0.0022

LOWER GASKET KIT



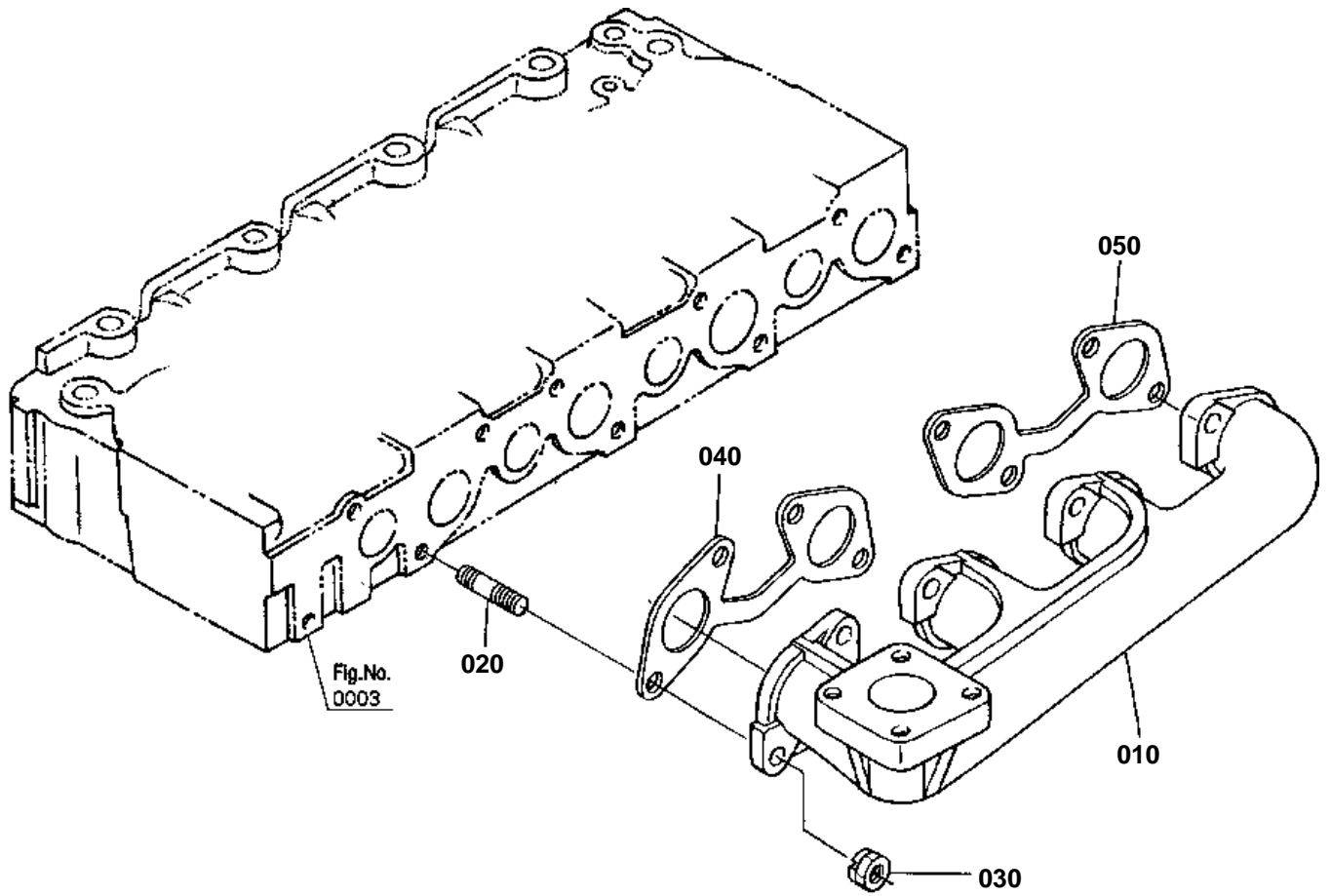


## LOWER GASKET KIT

↔ Interchangeable; ≠ not interchangeable; ← new for old; → old for new

REF.No	Part No.	Description	Q'ty	S.No.	I/C	REMARKS	Weight (kgf)	Weight (lb)
010	1G856-99360	KIT GASKET LOWER	1				0.42	0.924
020	15021-33660	GASKET	1				0.001	0.0022
030	1A021-35150	GASKET OIL PUMP	1				0.001	0.0022
040	1A091-01620	GASKET OIL PAN	1				0.018	0.0396
050	6C090-58960	GASKET	2				0.002	0.0044
060	04817-00160	O RING	1				0.001	0.0022
070	04811-10300	O RING	1				0.001	0.0022
080	19202-04140	SEAL OIL	1				0.015	0.033
090	1A091-04360	GASKET BEARING CASE	1				0.005	0.011
100	1A091-04820	GASKET CASE COVER	1				0.006	0.0132
110	19202-04460	SEAL OIL	1				0.055	0.121
120	15521-04790	PACKING COVER	1				0.005	0.011
130	04817-00150	O RING	4				0.001	0.0022
140	04817-00220	O RING	2				0.001	0.0022
150	04817-00360	O RING	1				0.001	0.0022
160	04814-00060	O RING	1				0.001	0.0022
170	19202-96830	O RING	1				0.01	0.022
180	1A091-04130	GASKET GEAR CASE	1				0.018	0.0396
190	1A021-73330	GASKET RETURN FLANGE	1				0.001	0.0022
200	15296-88130	GASKET H/METER UNIT	1				0.002	0.0044
210	1A021-73430	GASKET WATER PUMP	1				0.007	0.0154
220	1A021-52140	GASKET FUEL PUMP	1				0.001	0.0022
230	15401-96650	GASKET	2				0.001	0.0022
240	04724-00140	GASKET	1				0.002	0.0044
250	15471-57980	SEAL OIL	2				0.001	0.0022
260	1A021-51660	GASKET PUMP COVER	1				0.003	0.0066
270	1A021-57210	GASKET PLATE	2				0.001	0.0022
280	04814-06310	O RING	1				0.002	0.0044

EXHAUST MANIFOLD



3A272-001-10

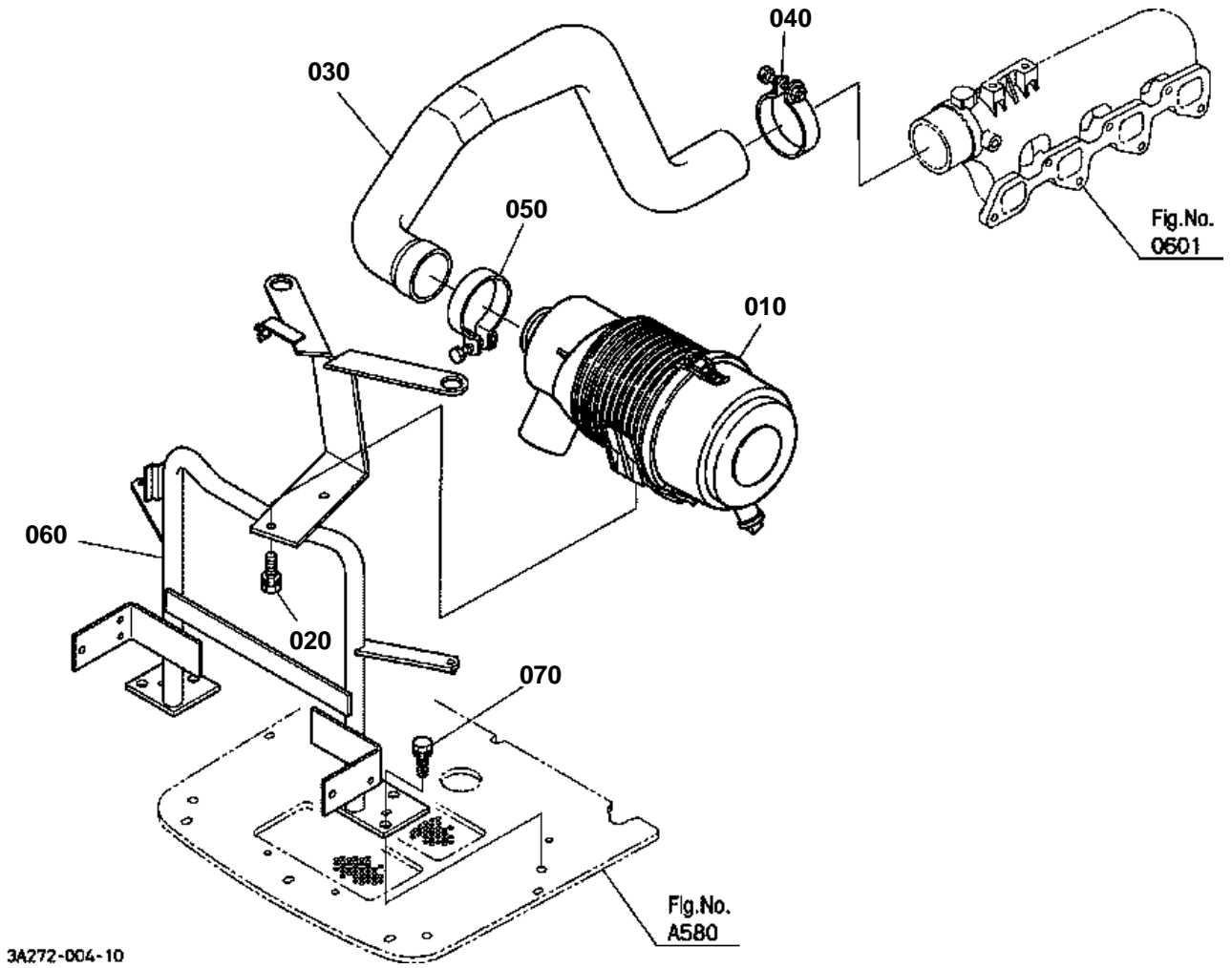


# EXHAUST MANIFOLD

↔ Interchangeable; ≠ not interchangeable; ← new for old; → old for new

REF.No	Part No.	Description	Q'ty	S.No.	I/C	REMARKS	Weight (kgf)	Weight (lb)
010	17377-12312	MANIFOLD EXHAUST	1				2.9	6.38
020	15221-91530	STUD	8				0.011	0.0242
030	16429-92010	NUT	8				0.007	0.0154
040	1A091-12350	GASKET EX-MANIFOLD	1				0.02	0.044
050	1A091-12360	GASKET EX-MANIFOLD	1				0.02	0.044

AIR CLEANER

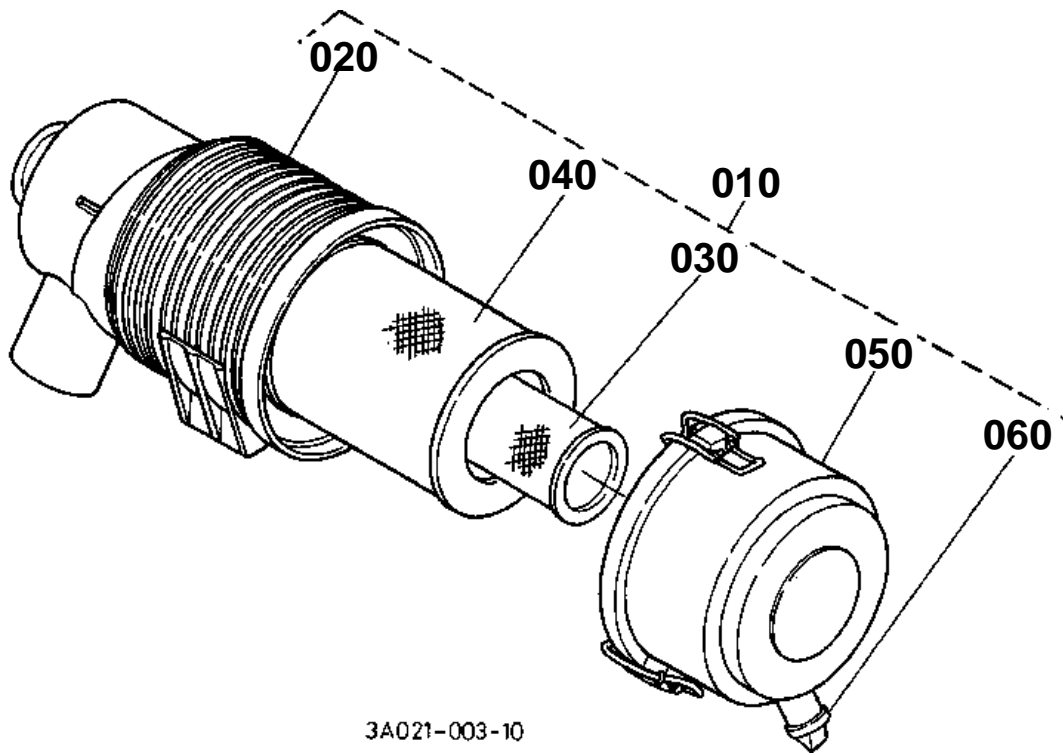




# AIR CLEANER

↔ Interchangeable; ≠ not interchangeable; ← new for old; → old for new

REF.No	Part No.	Description	Q'ty	S.No.	I/C	REMARKS	Weight (kgf)	Weight (lb)
010	3A011-19100	ASSY CLEANER AIR	1				1.77	3.894
020	01123-50820	BOLT	2				0.011	0.0242
030	3A272-17310	HOSE INLET	1				1	2.2
040	31351-18110	BAND PIPE	1				0.04	0.088
050	35466-74460	BAND PIPE	1				0.038	0.0836
060	3A272-19110	SUPPORT AIR CLEANER	1				4.3	9.46
070	01133-51025	BOLT	4				0.023	0.0506





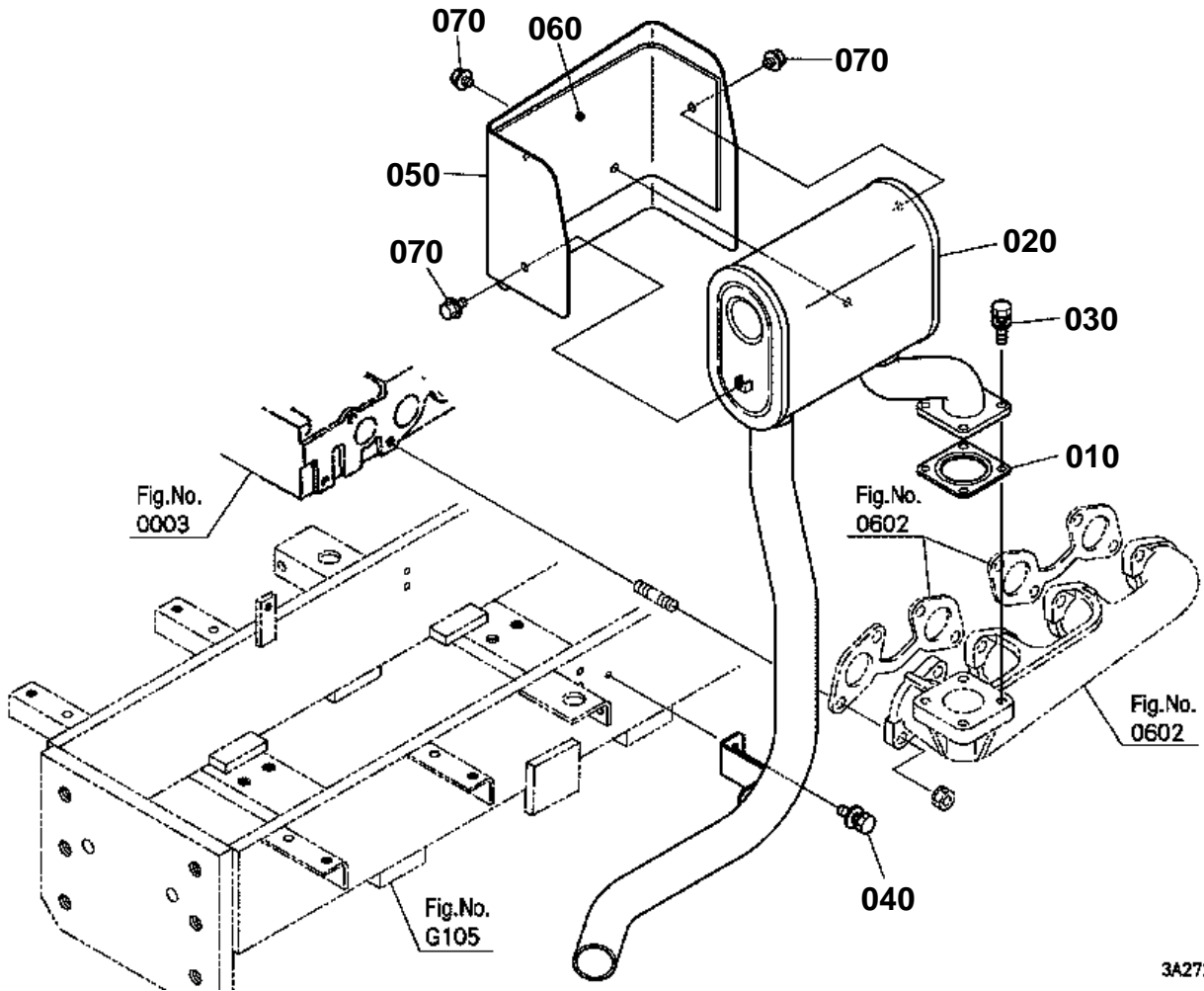


# AIR CLEANER [COMPONENT PARTS]

↔ Interchangeable; ≠ not interchangeable; ← new for old; → old for new

REF.No	Part No.	Description	Q'ty	S.No.	I/C	REMARKS	Weight (kgf)	Weight (lb)
010	3A011-19100	ASSY CLEANER AIR	1				1.77	3.894
020	3A011-19120	BODY AIR CLEANER	1				0.67	1.474
030	R2401-42280	ELEMENT INNER	1				0.3	0.66
040	R1401-42270	ELEMENT OUTER	1				0.5	1.1
050	R1401-42260	CUP DUST	1				0.3	0.66
060	R1401-42290	VALVE EVACUATOR	1				0.01	0.022

# MUFFLER



3A272-002-10

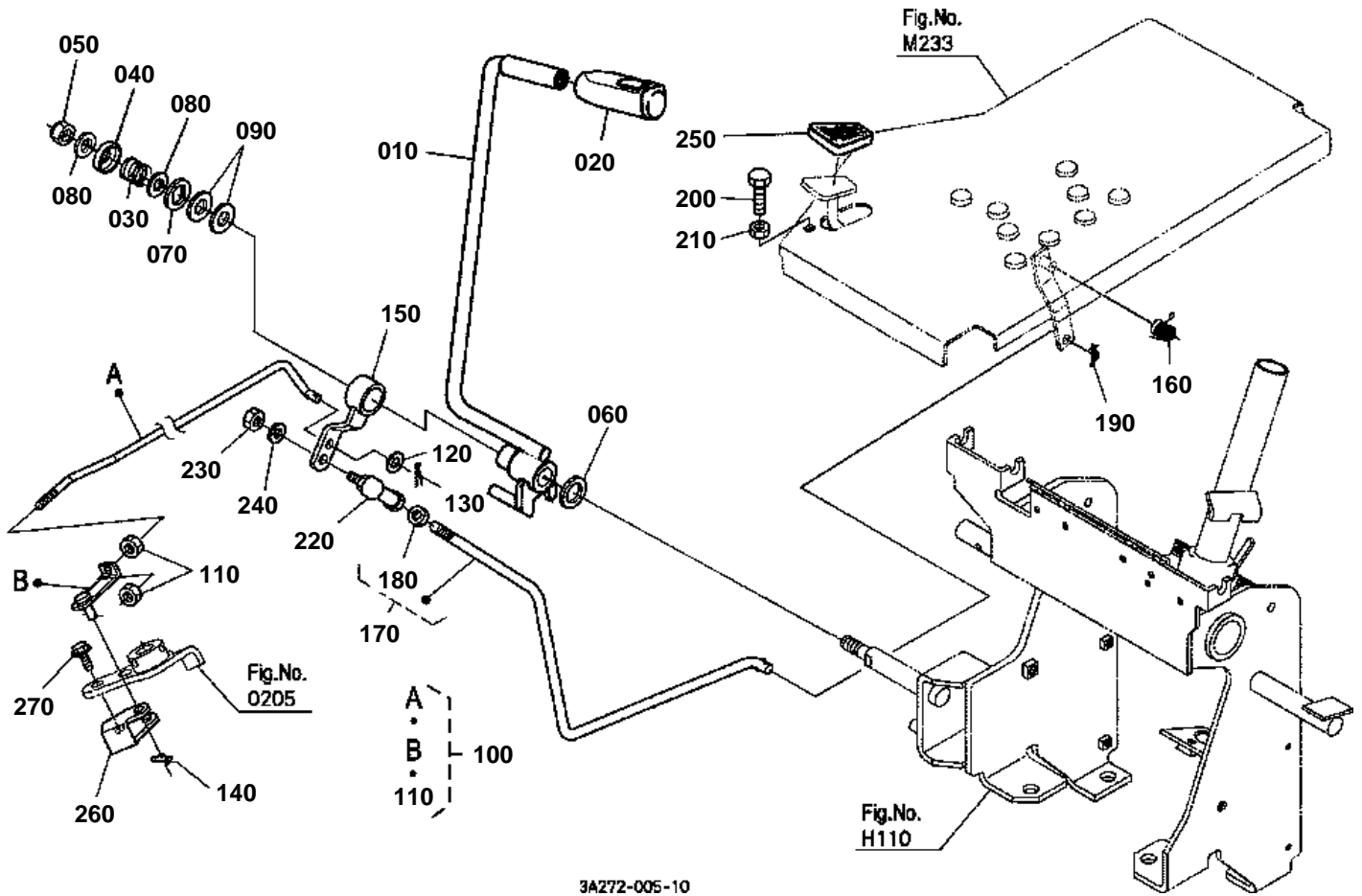


# MUFFLER

↔ Interchangeable; ≠ not interchangeable; ← new for old; → old for new

REF.No	Part No.	Description	Q'ty	S.No.	I/C	REMARKS	Weight (kgf)	Weight (lb)
010	T0070-16420	GASKET MUFFLER	1				0.016	0.0352
020	3A272-12310	MUFFLER UNDER	1				6.1	13.42
030	01128-50825	BOLT	4				0.015	0.033
040	01127-50816	BOLT	1				0.02	0.044
050	3A272-12150	COVER MUFFLER	1				1.025	2.255
060	3A272-12190	PLATE PARTITION	1				0.04	0.088
070	01754-50608	BOLT FLANGE	4				0.005	0.011

HAND ACCELERATOR LEVER



3A272-005-10

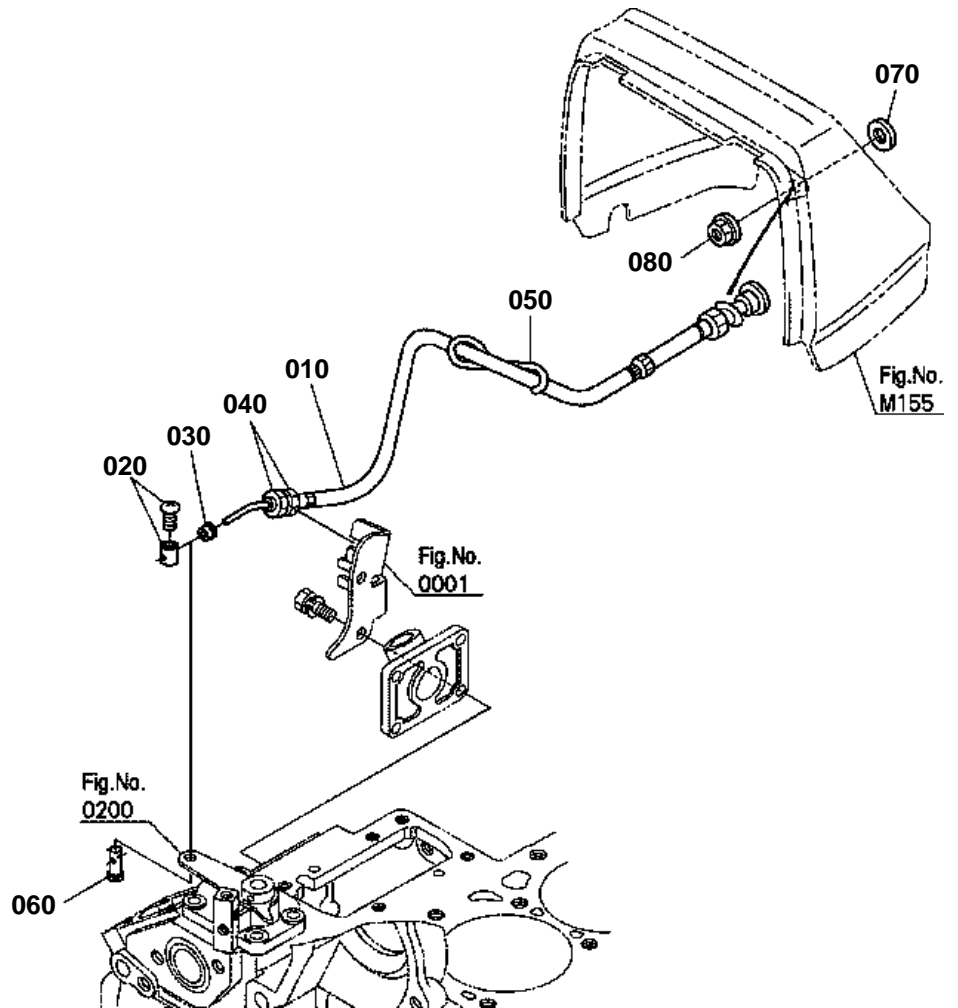


# HAND ACCELERATOR LEVER

↔ Interchangeable; ≠ not interchangeable; ← new for old; → old for new

REF.No	Part No.	Description	Q'ty	S.No.	I/C	REMARKS	Weight (kgf)	Weight (lb)
010	3A111-10223	LEVER HAND ACCEL.	1				0.039	0.0858
020	3A111-10230	GRIP	1				0.039	0.0858
030	33251-10320	SPRING ACCEL.LEVER	1				0.012	0.0264
040	33251-10270	CAP SPRING	1				0.01	0.022
050	02576-50120	NUT LOCK	1				0.011	0.0242
060	3A111-10260	PLATE	1				0.004	0.0088
070	3A111-10380	PLATE ACCEL.LEVER	1				0.021	0.0462
080	04013-60120	WASHER PLAIN	2				0.01	0.022
090	3A111-10390	WASHER	2				0.005	0.011
100	3A272-10010	ASSY ROD ACCEL.	1				0.245	0.539
110	02112-50080	NUT	2				0.003	0.0066
120	04012-50080	WASHER PLAIN	1				0.001	0.0022
130	05511-50218	PIN SPLIT	1				0.001	0.0022
140	3A011-32870	PIN SNAP	1				0.001	0.0022
150	3A111-10470	LINK ACCEL.	1				0.135	0.297
160	T0070-44720	SPRING	1				0.015	0.033
170	3A111-10150	ROD ACCEL.PEDAL	1				0.165	0.363
180	02156-50080	NUT	1				0.004	0.0088
190	52300-34120	PIN SNAP	1				0.001	0.0022
200	3A011-10250	BOLT	1				0.025	0.055
210	02116-50100	NUT	1				0.004	0.0088
220	45404-95770	END ROD	1				0.05	0.11
230	02112-50080	NUT	1				0.003	0.0066
240	04512-60080	WASHER SPRING	1				0.002	0.0044
250	37410-42760	COVER PEDAL	1				0.025	0.055
260	3A272-10120	LEVER ACCEL.	1				0	0
270	01754-50612	BOLT FLANGE	1				0.005	0.011

ENGINE STOP WIRE



3A272-006-10

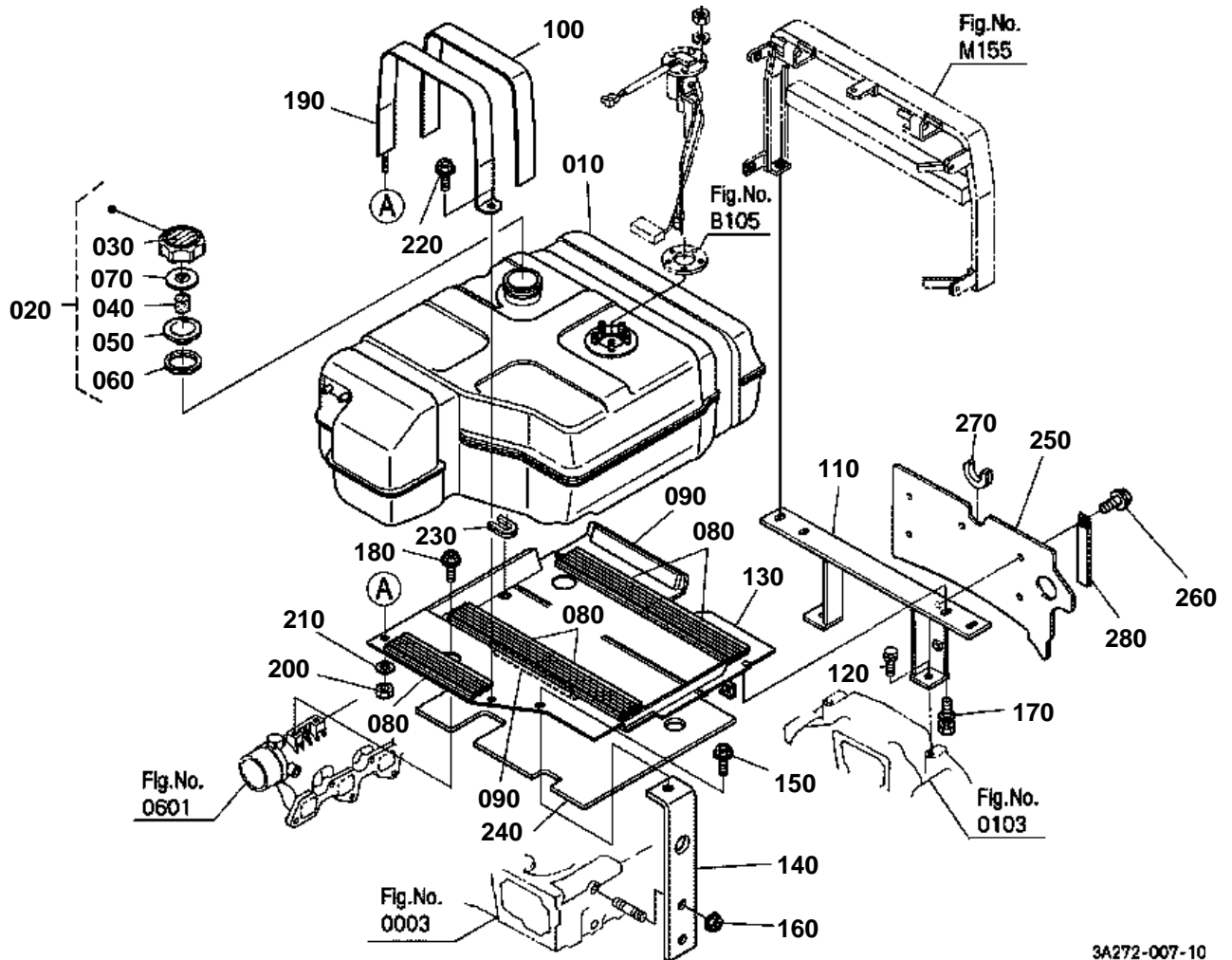


# ENGINE STOP WIRE

↔ Interchangeable; ≠ not interchangeable; ← new for old; → old for new

REF.No	Part No.	Description	Q'ty	S.No.	I/C	REMARKS	Weight (kgf)	Weight (lb)
010	3A272-10342	WIRE ENGINE STOP	1				0.085	0.187
020	T0070-44260	SCREW	1				0.005	0.011
030	3A011-10360	COVER ENGINE STOP	1				0.002	0.0044
040	02012-60060	NUT	2				0.005	0.011
050	3F260-57270	CLAMP	1				0.006	0.0132
060	34070-44240	PIN JOINT	1				0.005	0.011
070	04011-50100	WASHER PLAIN	1				0.002	0.0044
080	02771-60100	NUT FLANGE	1				0.01	0.022

# FUEL TANK



3A272-007-10

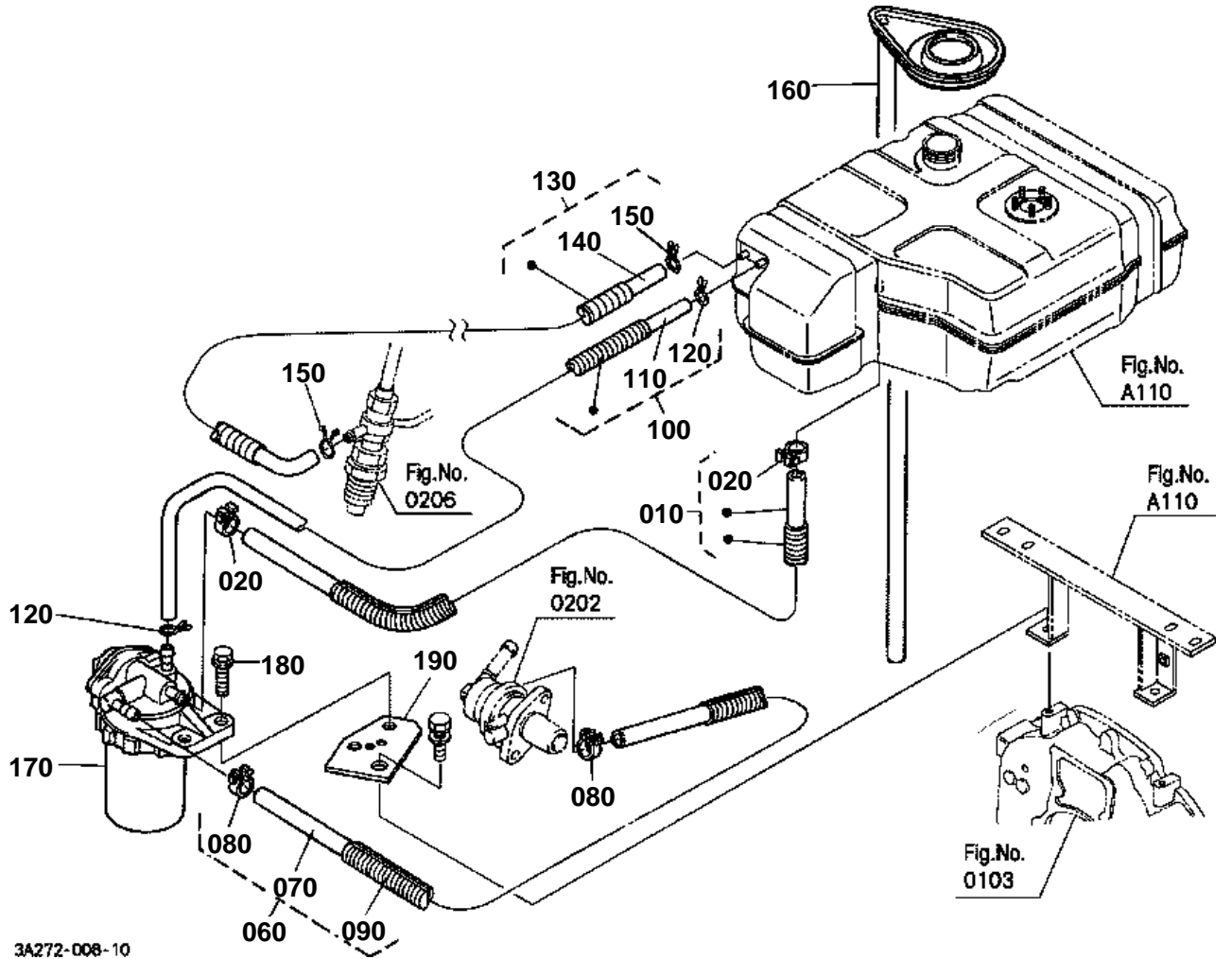


**FUEL TANK**

↔ Interchangeable; ≠ not interchangeable; ← new for old; → old for new

REF.No	Part No.	Description	Q'ty	S.No.	I/C	REMARKS	Weight (kgf)	Weight (lb)
010	3A272-04110	TANK FUEL	1				5.5	12.1
020	3A011-97373	KIT CAP FUEL TANK	1				0.05	0.11
030	6C040-47412	LABEL FILLER CAUTION	1				0.001	0.0022
040	34150-35240	SPONGE	1				0.001	0.0022
050	3A011-04300	GASKET	1				0.015	0.033
060	34150-35180	GASKET	1				0.001	0.0022
070	13582-41680	PLATE F.TANK.CAP	1				0.008	0.0176
080	3A272-04230	CUSHION	5				0.07	0.154
090	3A011-04222	CUSHION	2				0.04	0.088
100	3A272-04210	CUSHION	1				0.098	0.2156
110	3A011-04520	BASE FUEL TANK	1				2.015	4.433
120	01133-51225	BOLT	2				0.035	0.077
130	3A272-04510	SUPPORT FUEL TANK	1				7.2	15.84
140	3A272-04530	STAY FUEL TANK	1				0.27	0.594
150	01754-50816	BOLT FLANGE	1				0.011	0.0242
160	02751-50080	NUT FLANGE	2				0.006	0.0132
170	01135-61025	BOLT	2				0.04	0.088
180	01754-50816	BOLT FLANGE	1				0.011	0.0242
190	3A272-04132	CLAMP	1				0.41	0.902
200	02552-50080	NUT LOCK	1				0.005	0.011
210	04013-60080	WASHER PLAIN	1				0.002	0.0044
220	01754-50816	BOLT FLANGE	1				0.011	0.0242
230	38430-29670	CUSHION	1				0.01	0.022
240	3A272-04320	INSULATION HEAT	1				0.345	0.759
250	3A011-04613	PLATE SHUTTER	1				0.62	1.364
260	01754-50616	BOLT FLANGE	4				0.006	0.0132
270	35533-04750	RING RUBBER	1				0.002	0.0044
280	12234-67580	CLAMP CORD	1				0.012	0.0264

# FUEL PIPE



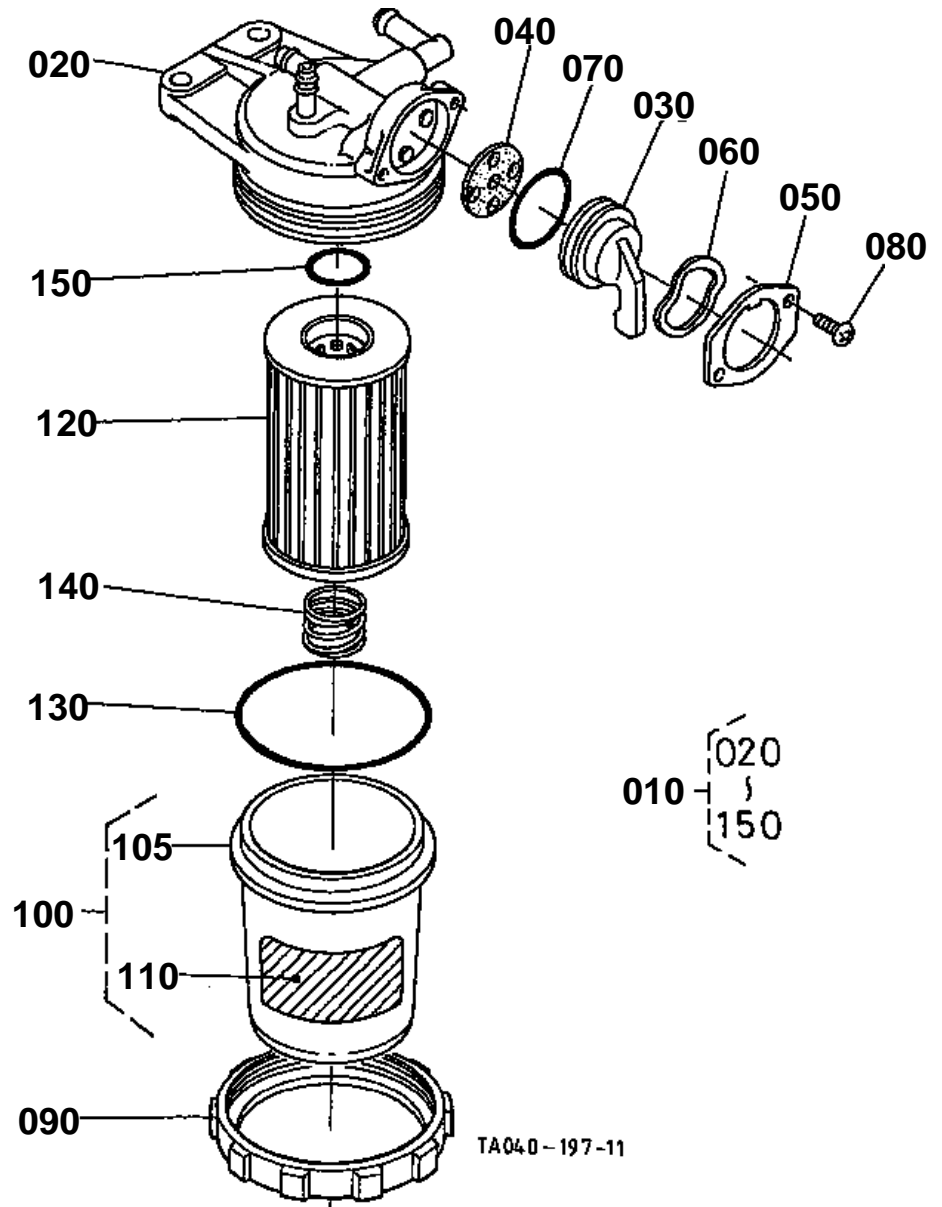
3A272-008-10

**FUEL PIPE**

↔ Interchangeable; ≠ not interchangeable; ← new for old; → old for new

REF.No	Part No.	Description	Q'ty	S.No.	I/C	REMARKS	Weight (kgf)	Weight (lb)
010	T1060-42600	ASSY TUBE FUEL	1				0.043	0.0946
020	14301-42750	CLIP PIPE	2				0.005	0.011
030	99999-99999	BLANK	0				0	0
040	99999-99999	BLANK	0				0	0
050	99999-99999	BLANK	0				0	0
060	T0070-42610	ASSY TUBE FUEL	1				0.084	0.1848
070	09661-80500	TUBE FUEL	1				0.05	0.11
080	14301-42750	CLIP PIPE	2				0.005	0.011
090	T0070-99020	TUBE	1				0.012	0.0264
100	TC050-42630	ASSY TUBE FUEL	1				0.065	0.143
110	09661-40900	TUBE FUEL	1				0.045	0.099
120	14971-42750	CLIP PIPE	2				0.001	0.0022
130	TC050-42630	ASSY TUBE FUEL	1				0.065	0.143
140	09661-40900	TUBE FUEL	1				0.045	0.099
150	14971-42750	CLIP PIPE	2				0.001	0.0022
160	3A011-04153	TRAY FUEL	1				0.14	0.308
170	15521-43015	ASSY FILTER FUEL	1				0.59	1.298
180	01754-50825	BOLT FLANGE	2				0.01	0.022
190	3A272-04252	STAY FUEL FILTER	1				0.085	0.187

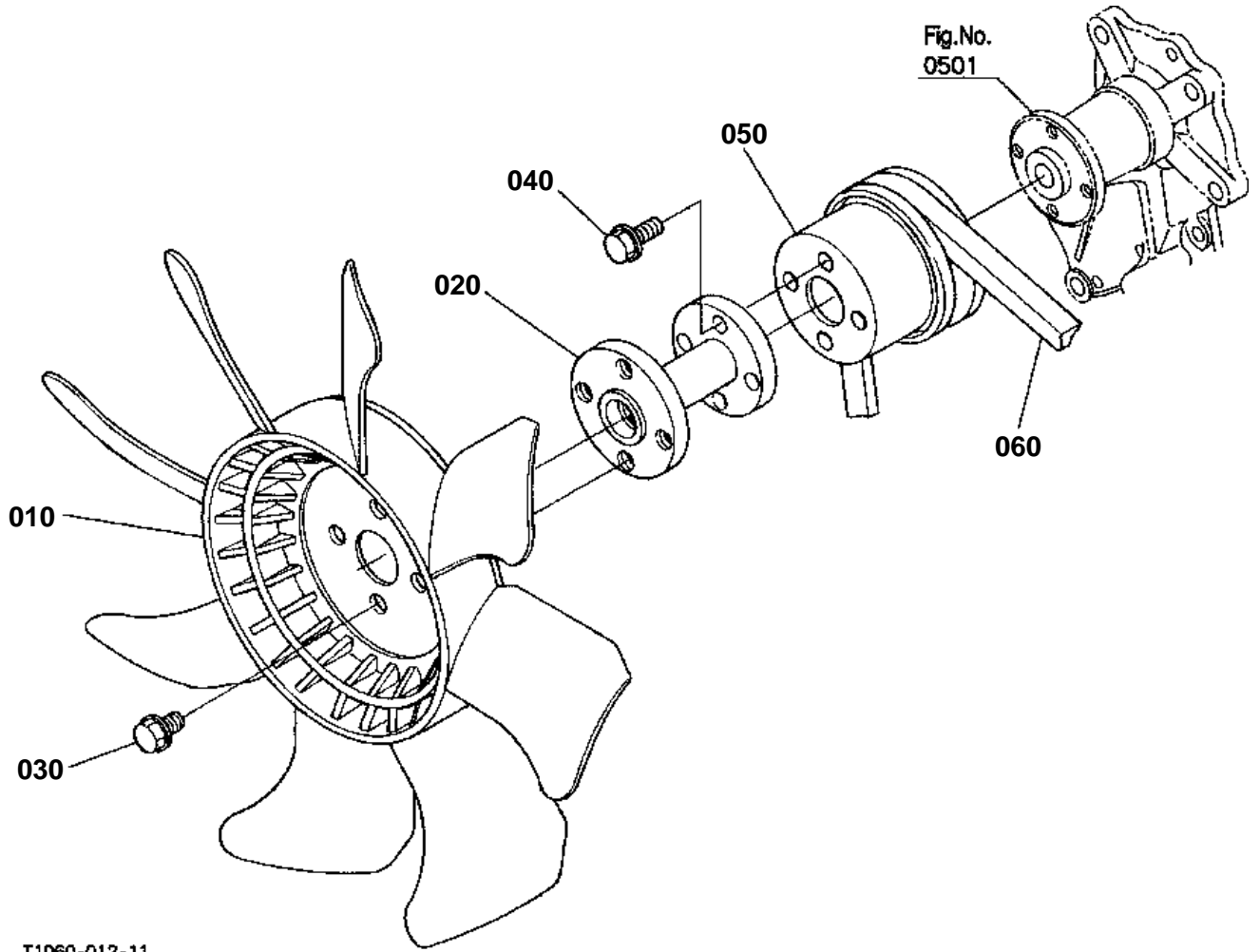
FUEL FILTER [COMPONENT PARTS]



**FUEL FILTER [COMPONENT PARTS]**

↔ Interchangeable; ≠ not interchangeable; ← new for old; → old for new

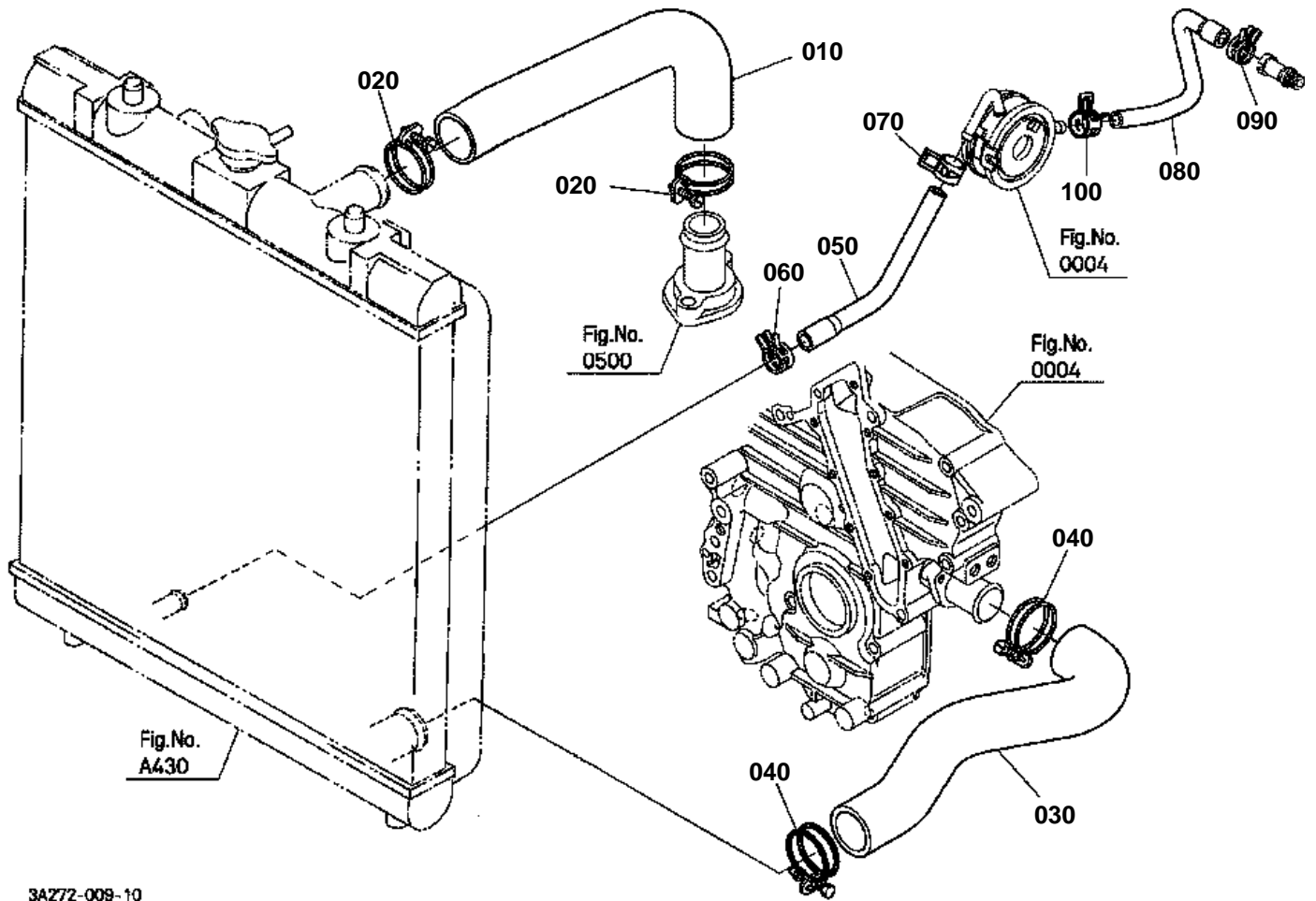
REF.No	Part No.	Description	Q'ty	S.No.	I/C	REMARKS	Weight (kgf)	Weight (lb)
010	15521-43015	ASSY FILTER FUEL	1				0.59	1.298
020	15521-43114	ASSY BODY	1				0.235	0.517
030	15521-43522	HANDLE FILTER	1				0.04	0.088
040	15521-43672	GASKET	1				0.001	0.0022
050	15521-43552	RETAINER HANDLE	1				0.01	0.022
060	15521-43542	PLATE THRUST	1				0.001	0.0022
070	04811-10290	O RING	1				0.001	0.0022
080	03054-50308	SCREW PAN-HEAD	2				0.005	0.011
090	15521-43150	RING RETAINER	1				0.14	0.308
100	15521-43100	ASSY CUP FILTER	1				0.05	0.11
105	15521-43130	CUP FILTER	1				0.1	0.22
110	16873-88430	LABEL FUEL FILTER	1				0.001	0.0022
120	15521-43160	ELEMENT FILTER	1				0.07	0.154
130	04811-50650	O RING	1				0.002	0.0044
140	15521-43930	SPRING	1				0.004	0.0088
150	04816-00160	O RING	1				0.003	0.0066



**FAN**

↔ Interchangeable; ≠ not interchangeable; ← new for old; → old for new

REF.No	Part No.	Description	Q'ty	S.No.	I/C	REMARKS	Weight (kgf)	Weight (lb)
010	34550-16210	FAN	1				1.19	2.618
020	34550-16222	FLANGE FAN	1				0.25	0.55
030	01754-50816	BOLT FLANGE	4				0.011	0.0242
040	01754-50625	BOLT FLANGE	4				0.008	0.0176
050	15471-74250	PULLEY FAN	1				0.3	0.66
060	15469-97010	V BELT A	1				0.095	0.209



3A272-009-10



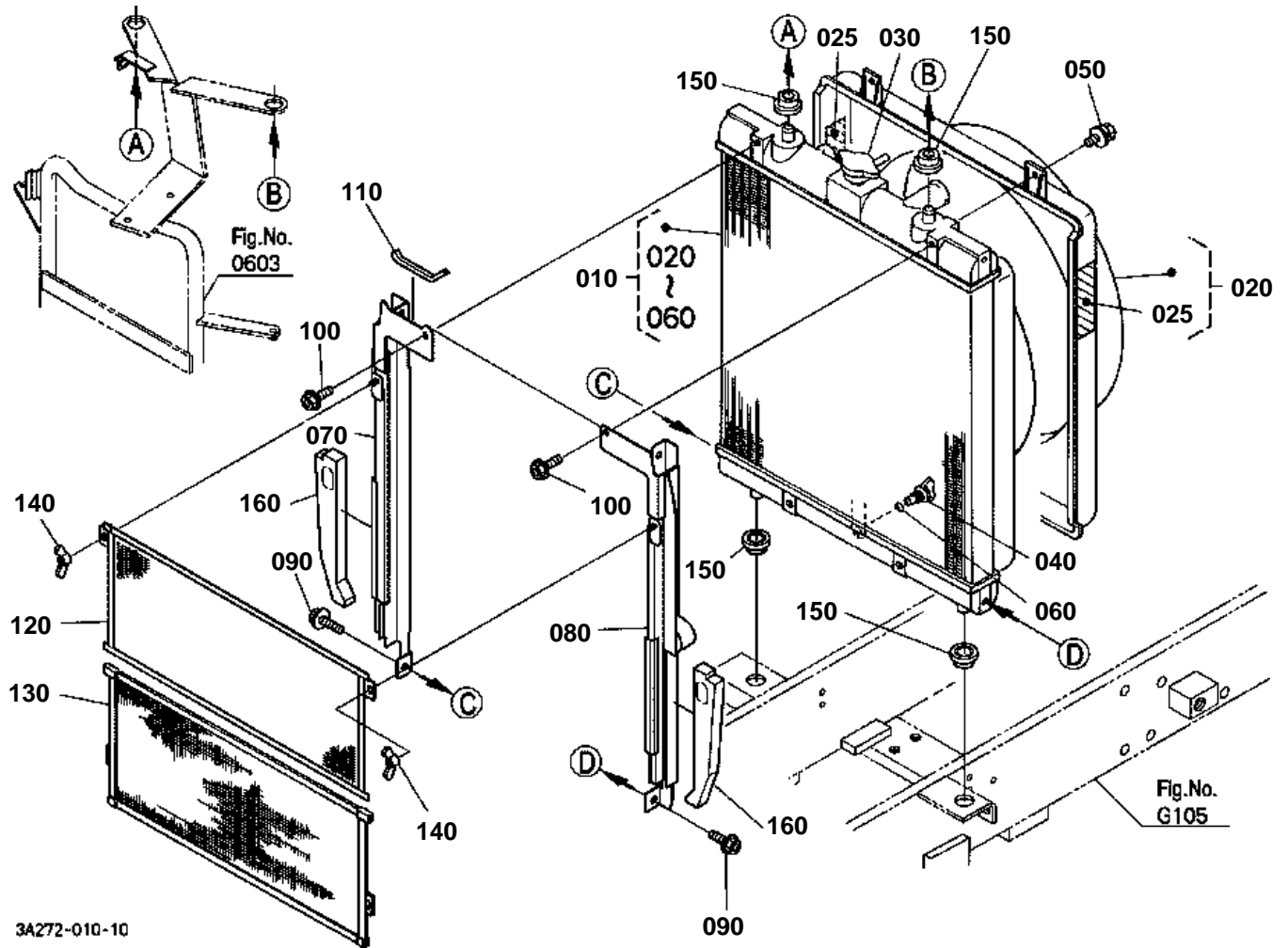


## WATER PIPE

↔ Interchangeable; ≠ not interchangeable; ← new for old; → old for new

REF.No	Part No.	Description	Q'ty	S.No.	I/C	REMARKS	Weight (kgf)	Weight (lb)
010	3A272-17460	HOSE WATER UPPER	1				0.26	0.572
020	15108-72870	BAND	2				0.027	0.0594
030	3A272-17450	HOSE WATER LOWER	1				0.25	0.55
040	15108-72870	BAND	2				0.027	0.0594
050	32771-16162	HOSE	1				0.03	0.066
060	09318-88185	CLAMP HOSE	1				0.004	0.0088
070	16241-73360	BAND PIPE	1				0.003	0.0066
080	1A024-37152	HOSE OIL COOLER	1				0.035	0.077
090	09318-88180	CLAMP HOSE	1				0.01	0.022
100	16241-73360	BAND PIPE	1				0.003	0.0066

# RADIATOR



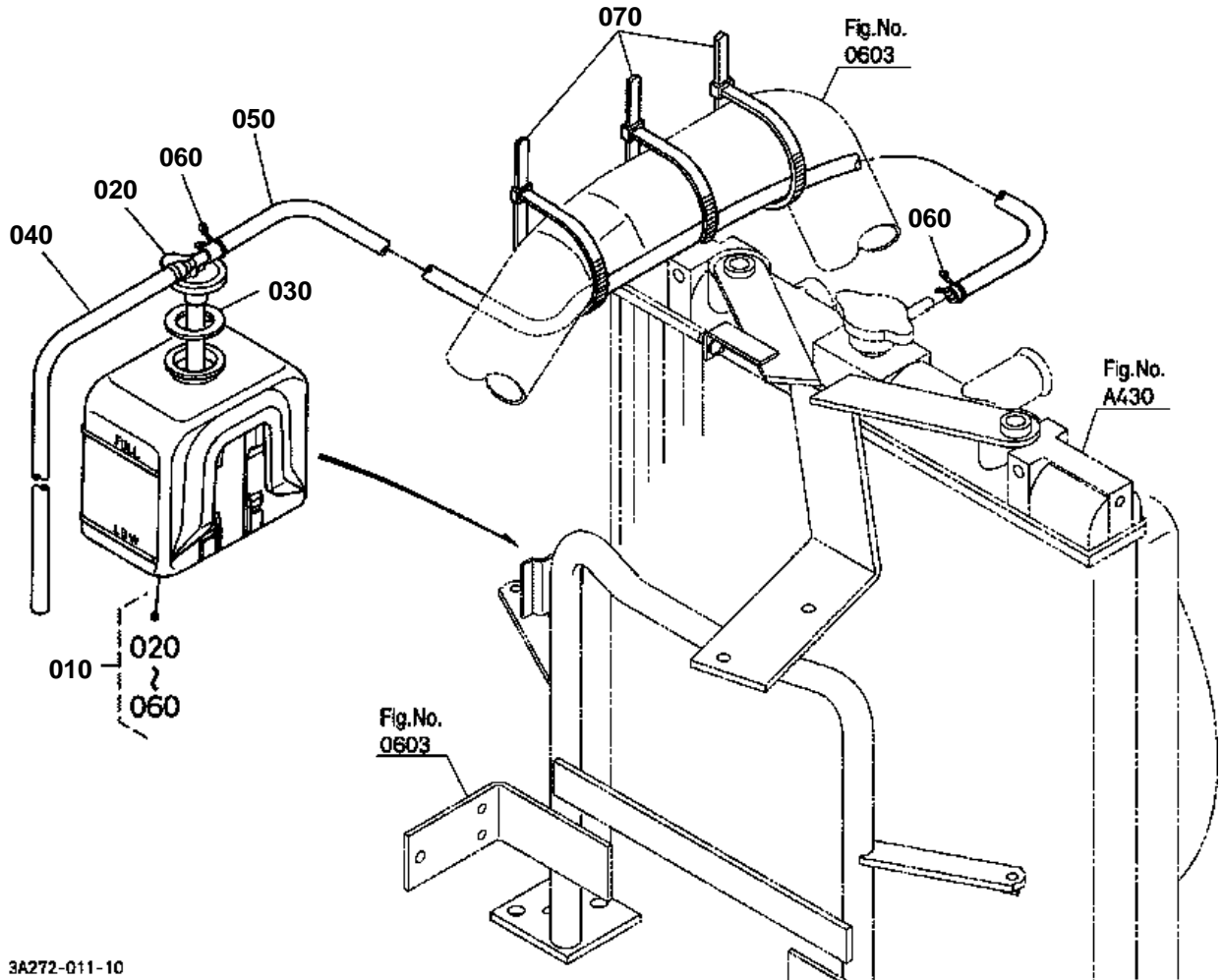
3A272-010-10

**RADIATOR**

↔ Interchangeable; ≠ not interchangeable; ← new for old; → old for new

REF.No	Part No.	Description	Q'ty	S.No.	I/C	REMARKS	Weight (kgf)	Weight (lb)
010	3A272-17100	ASSY RADIATOR	1				3.7	8.14
020	3A272-97350	KIT SHROUD FAN(A)	1				0	0
025	32751-49580	LABEL FAN BELT	2				0.001	0.0022
030	17580-16060	CAP RADIATOR	1				0.04	0.088
040	34070-16070	PLUG DRAIN	1				0.005	0.011
050	01029-50616	BOLT	4				0.01	0.022
060	34070-16090	O RING	1				0.001	0.0022
070	3A272-72360	HOLDER NET RH	1				0.45	0.99
080	3A272-72370	HOLDER NET LH	1				0.45	0.99
090	01754-50812	BOLT FLANGE	4				0.01	0.022
100	01754-50612	BOLT FLANGE	2				0.005	0.011
110	67950-54930	RUBBER	1				0.006	0.0132
120	3A211-17410	NET RADIATOR	1				0.225	0.495
130	3A111-17420	NET RADIATOR LOWER	1				0.22	0.484
140	02810-50060	NUT WING	2				0.009	0.0198
150	34070-16030	RUBBER	4				0.015	0.033
160	3A611-17190	SPONGE SIDE	2				0.02	0.044

RESERVE TANK



3A272-011-10

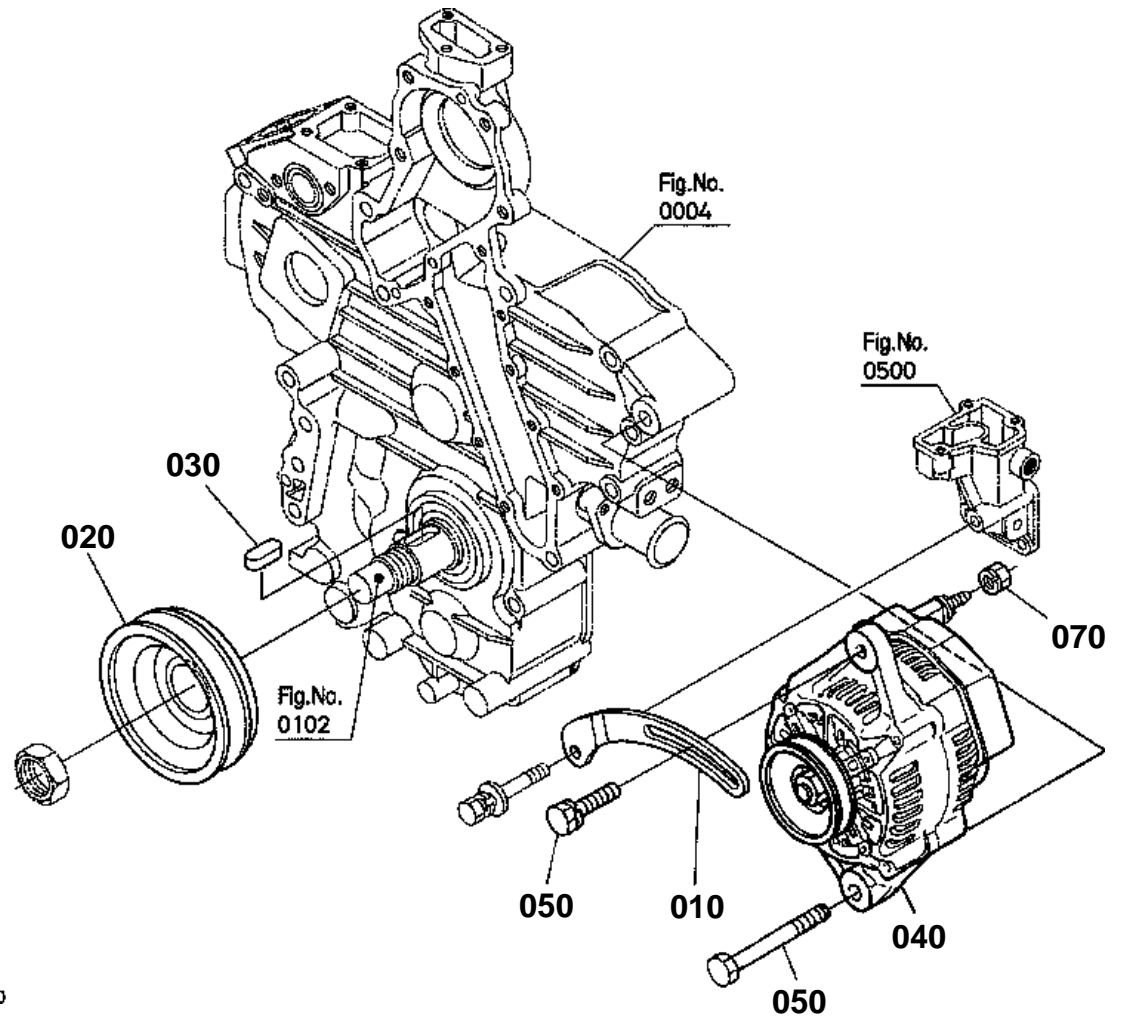


## RESERVE TANK

↔ Interchangeable; ≠ not interchangeable; ← new for old; → old for new

REF.No	Part No.	Description	Q'ty	S.No.	I/C	REMARKS	Weight (kgf)	Weight (lb)
010	3A111-17300	ASSY TANK RESERVE	1				0.38	0.836
020	15272-72420	CAP	1				0.03	0.066
030	15531-72432	GASKET	1				0.002	0.0044
040	15471-72440	PIPE WATER OVER FLOW	1				0.05	0.11
050	3A111-17330	TUBE WATER	1				0.08	0.176
060	15501-72470	CLIP PIPE	2				0.005	0.011
070	T0090-63580	BAND CORD	3				0.005	0.011

# ALTERNATOR



3A272-012-10

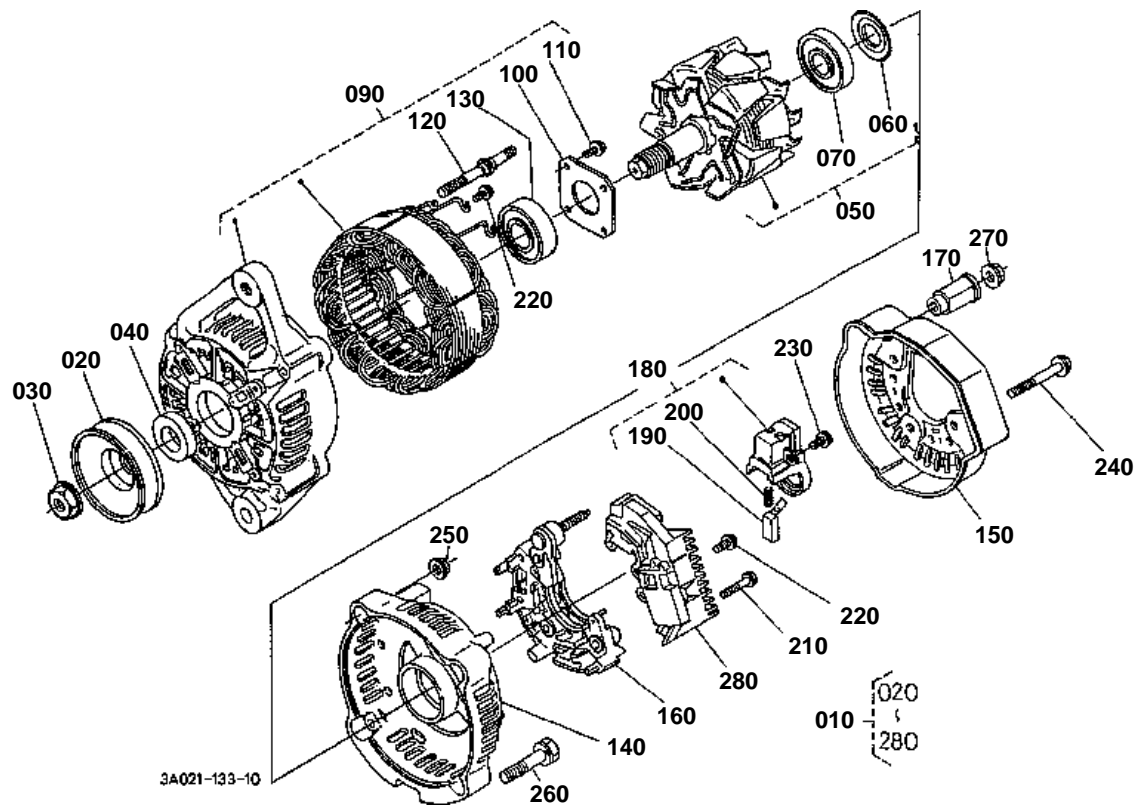


# ALTERNATOR

↔ Interchangeable; ≠ not interchangeable; ← new for old; → old for new

REF.No	Part No.	Description	Q'ty	S.No.	I/C	REMARKS	Weight (kgf)	Weight (lb)
010	1A033-64420	STAY DYNAMO	1				0.135	0.297
020	1G790-74280	PULLEY FAN DRIVE	1				0.95	2.09
030	05712-00720	KEY FEATHER	1				0.008	0.0176
040	3A011-74012	ALTERNATOR	1				2.8	6.16
050	01754-51070	BOLT	1				0.01	0.022
060	01123-50830	BOLT	1				0.015	0.033
070	12264-92020	NUT SPRING WASHER M	1				0.05	0.11

# ALTERNATOR [COMPONENT PARTS]



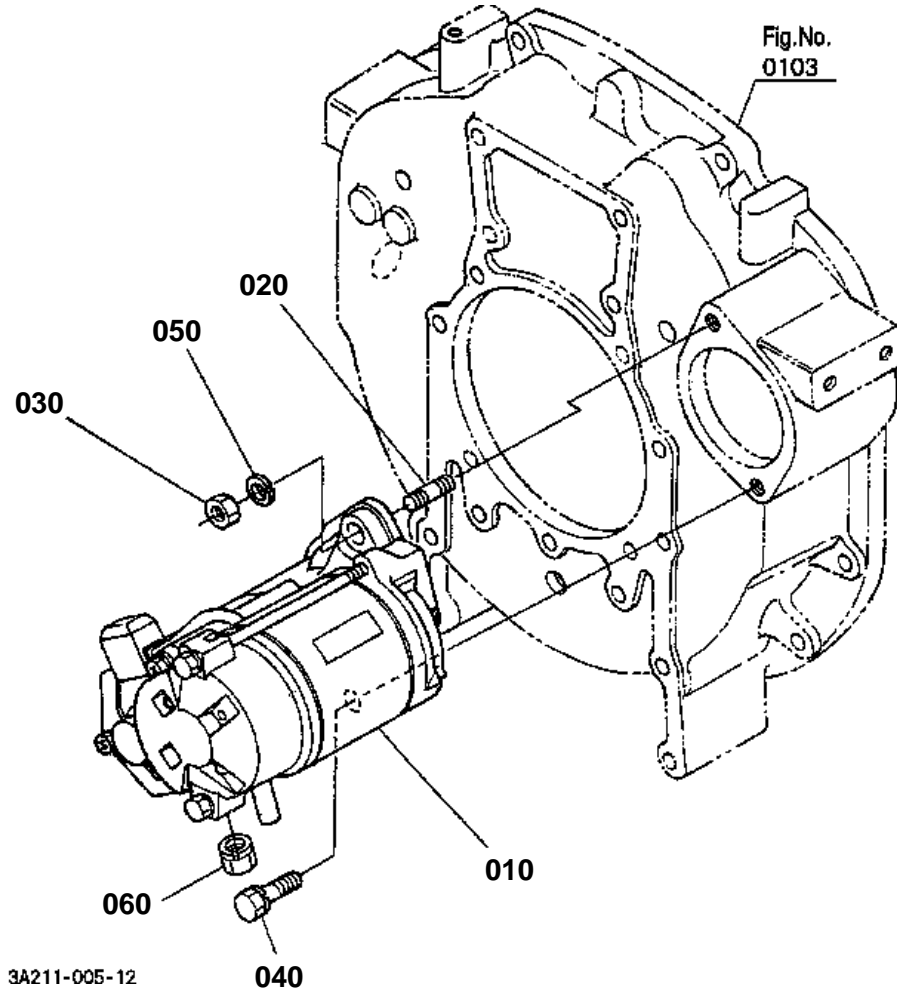


**ALTERNATOR [COMPONENT PARTS]**

↔ Interchangeable; ≠ not interchangeable; ← new for old; → old for new

REF.No	Part No.	Description	Q'ty	S.No.	I/C	REMARKS	Weight (kgf)	Weight (lb)
010	3A011-74012	ALTERNATOR	1				2.8	6.16
020	16427-64110	PULLEY ALTERNATOR	1				0.2	0.44
030	15881-92010	NUT	1				0.02	0.044
040	15881-64150	COLLAR	1				0.004	0.0088
050	66436-64040	ROTOR	1				1.2	2.64
060	15881-64800	COVER BEARING	1				0.001	0.0022
070	16652-64770	BEARING BALL	1				0.045	0.099
080	99999-99999	BLANK	0				0	0
090	66436-64020	ASSY FRAME DRIVE END	1				1.11	2.442
100	15881-64710	PLATE RETAINER	1				0.01	0.022
110	15881-93010	SCREW ROUND HEAD	4				0.003	0.0066
120	15881-64260	BOLT THROUGH	2				0.01	0.022
130	16652-64780	BEARING BALL	1				0.05	0.11
140	16241-64060	FRAME END	1				0.2	0.44
150	16231-64230	COVER END	1				0.035	0.077
160	16241-64850	ASSY RECTIFIER	1				0.16	0.352
170	16241-64900	BUSH INSULATION	1				0.007	0.0154
180	16652-64310	HOLDER BRUSH	1				0.025	0.055
190	15881-64090	BRUSH	2				0.002	0.0044
200	15881-64330	SPRING BRUSH	2				0.002	0.0044
210	15881-93020	SCREW ROUND HEAD	2				0.005	0.011
220	15881-93030	SCREW ROUND HEAD	6				0.003	0.0066
230	15881-93040	SCREW ROUND HEAD	1				0.003	0.0066
240	15881-91040	BOLT	3				0.005	0.011
250	15881-92020	NUT	2				0.02	0.044
260	15881-91050	BOLT	2				0.01	0.022
270	14182-92030	NUT	1				0.003	0.0066
280	66436-64600	ASSY REGULATOR	1				0.08	0.176

STARTER



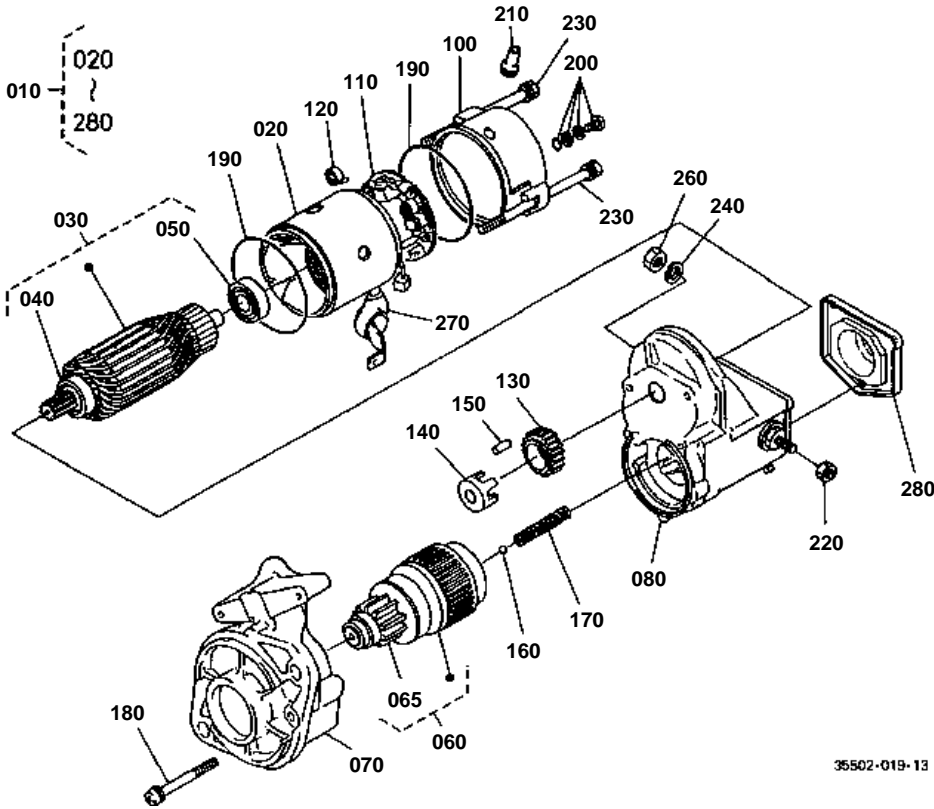


# STARTER

↔ Interchangeable; ≠ not interchangeable; ← new for old; → old for new

REF.No	Part No.	Description	Q'ty	S.No.	I/C	REMARKS	Weight (kgf)	Weight (lb)
010	15621-63012	ASSY STARTER	1				3.87	8.514
020	01517-51028	STUD	1				0.022	0.0484
030	02176-50100	NUT	1				0.005	0.011
040	01133-51030	BOLT	1				0.025	0.055
050	04512-60100	WASHER SPRING	1				0.002	0.0044
060	16429-92010	NUT	1				0.007	0.0154

STARTER [COMPONENT PARTS]



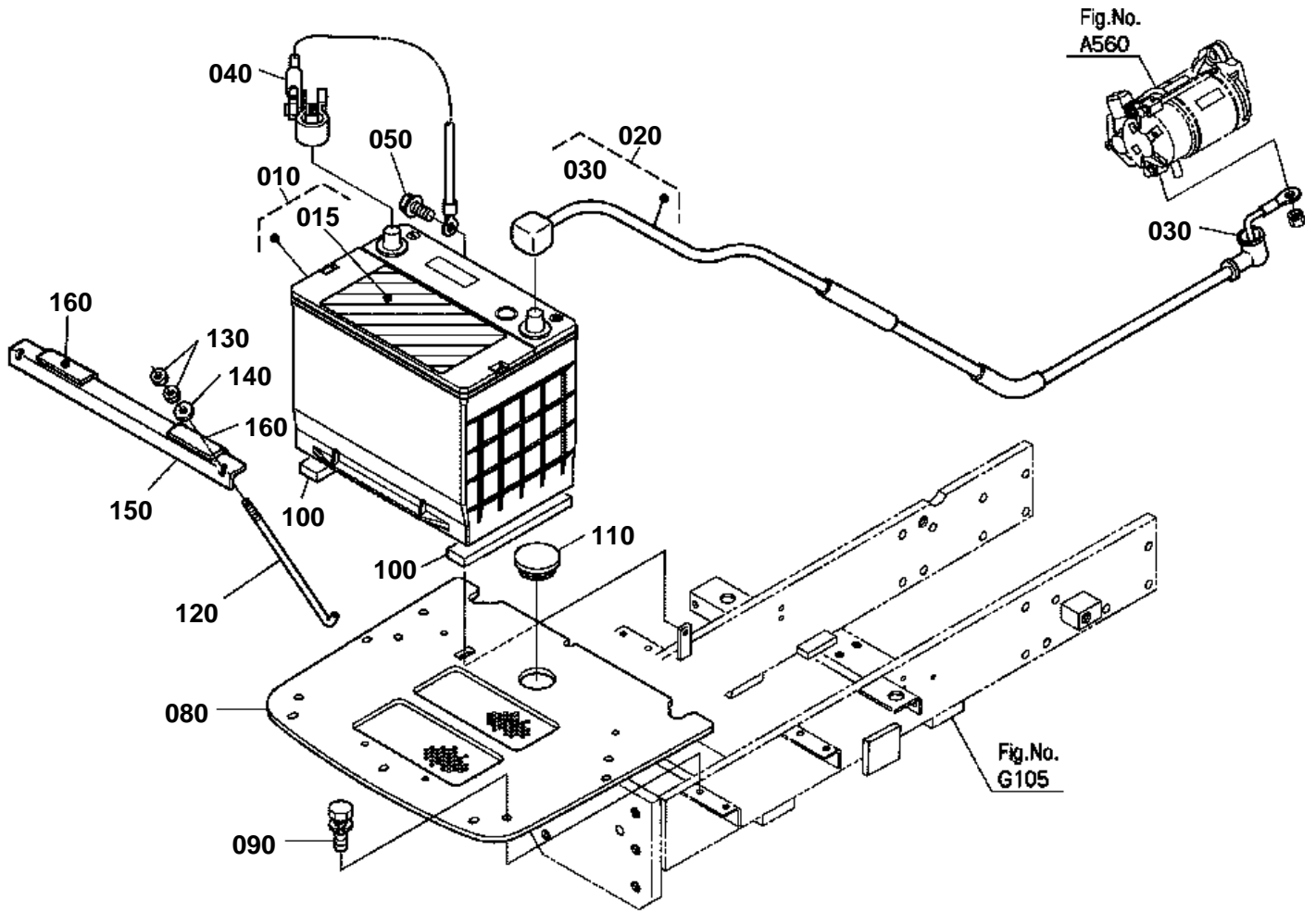
35502-019-13

**STARTER [COMPONENT PARTS]**

↔ Interchangeable; ≠ not interchangeable; ← new for old; → old for new

REF.No	Part No.	Description	Q'ty	S.No.	I/C	REMARKS	Weight (kgf)	Weight (lb)
010	15621-63012	ASSY STARTER	1				3.87	8.514
020	11197-63080	ASSY YOKE	1				0.92	2.024
030	11197-63070	ASSY ARMATURE	1				0.8	1.76
040	11460-63500	BEARING	1				0.03	0.066
050	11460-63530	BEARING	1				0.02	0.044
060	15621-63040	CLUTCH OVER RUNNING	1				0.6	1.32
065	11233-63280	GEAR PINION	1				0.1	0.22
070	16661-63030	FRAME DRIVE END	1				0.41	0.902
080	15621-63020	ASSY SWITCH MAGNETIC	1				1.17	2.574
090	99999-99999	BLANK	0				0	0
100	17341-63200	FRAME END	1				0.13	0.286
110	11197-63380	ASSY HOLDER BRUSH	1				0.05	0.11
120	15401-63390	SPRING BRUSH	4				0.003	0.0066
130	11460-63270	GEAR	1				0.04	0.088
140	11460-63110	RETAINER	1				0.01	0.022
150	19212-63100	ROLLER	5				0.002	0.0044
160	19212-97130	BALL	1				0.003	0.0066
170	11460-63120	SPRING	1				0.01	0.022
180	11460-93310	BOLT	2				0.01	0.022
190	15511-96660	O RING	2				0.005	0.011
200	15511-63760	ASSY BOLT	2				0.005	0.011
210	16285-63570	PIPE DRAIN	1				0.005	0.011
220	13963-92010	NUT HEXAGON	1				0.005	0.011
230	11197-63320	BOLT	2				0.02	0.044
240	04512-60080	WASHER SPRING	1				0.002	0.0044
250	99999-99999	BLANK	0				0	0
260	16285-92010	NUT HEXAGON	1				0.005	0.011
270	11173-63130	COVER TERMINAL	1				0.007	0.0154
280	16285-98050	ASSY COVER	1				0.048	0.1056

BATTERY

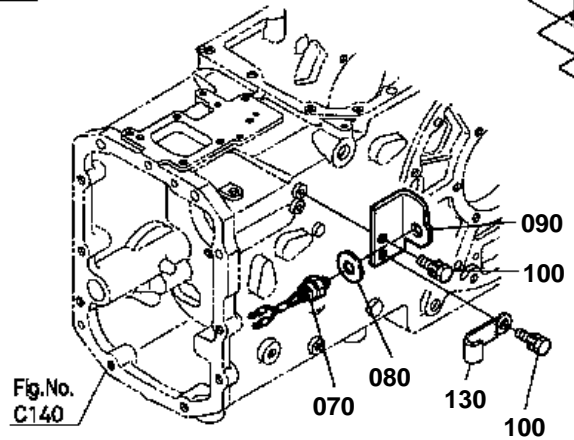
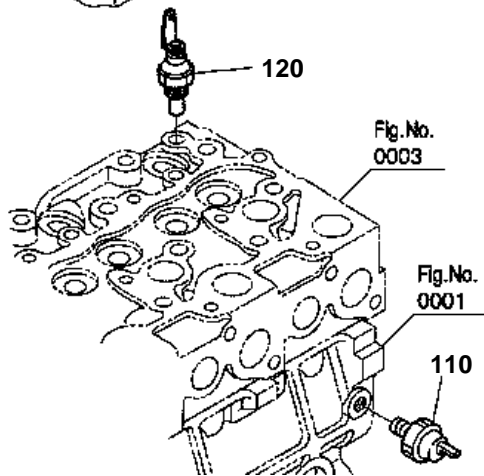
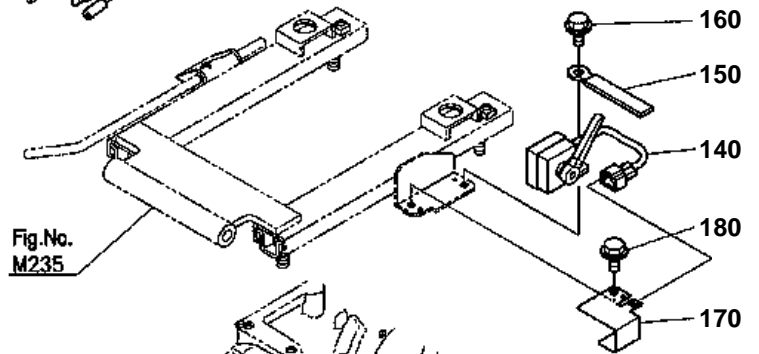
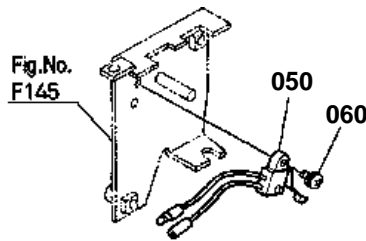
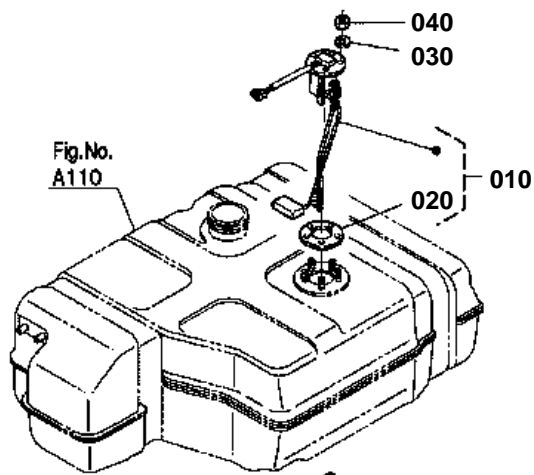


3A272-013-10

**BATTERY**

↔ Interchangeable; ≠ not interchangeable; ← new for old; → old for new

REF.No	Part No.	Description	Q'ty	S.No.	I/C	REMARKS	Weight (kgf)	Weight (lb)
010	99999-99999	BATTERY	1			80D26R	0	0
015	TD060-30120	LABEL BATTERY	1				0.004	0.0088
020	3A011-77110	CORD BATTERY	1				0.665	1.463
030	32530-91710	CAP RUBBER	1				0.01	0.022
040	T1170-30130	CORD EARTH	1				0.135	0.297
050	01754-50814	BOLT FLANGE	1				0.005	0.011
060	99999-99999	BLANK	0				0	0
070	99999-99999	BLANK	0				0	0
080	3A272-21730	SUPPORT BATTERY	1				4.6	10.12
090	01133-51020	BOLT	2				0.02	0.044
100	3A111-74340	CUSHION BATTERY	2				0.12	0.264
110	36200-81672	PLUG	1				0.03	0.066
120	3A111-74362	BOLT HOOK(BATTERY)	2				0.032	0.0704
130	02014-50060	NUT	4				0.002	0.0044
140	04015-60060	WASHER PLAIN	2				0.005	0.011
150	3A211-74350	RETAINER BATTERY	1				0.355	0.781
160	38430-29670	CUSHION	2				0.01	0.022



3A272-014-10

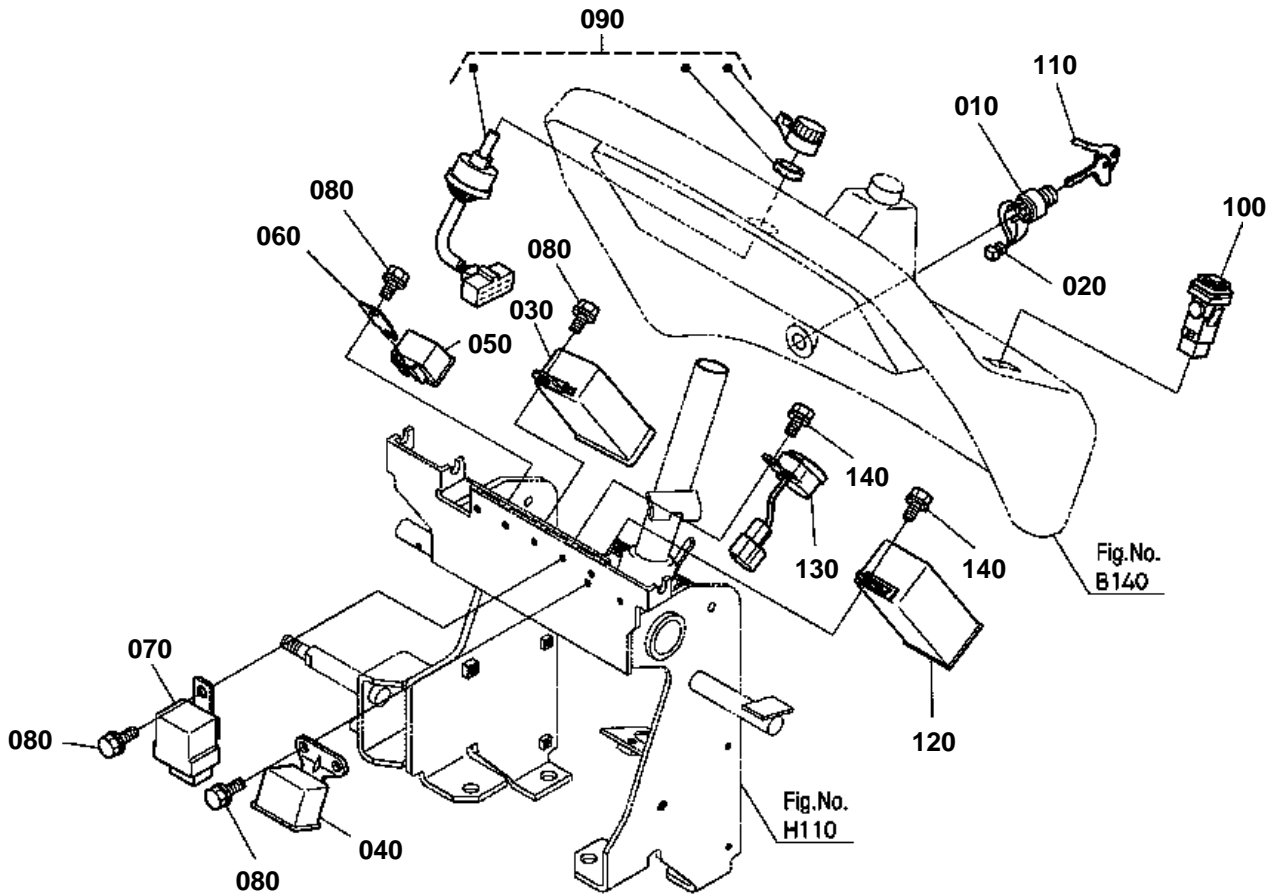




## SWITCH/SENSOR

↔ Interchangeable; ≠ not interchangeable; ← new for old; → old for new

REF.No	Part No.	Description	Q'ty	S.No.	I/C	REMARKS	Weight (kgf)	Weight (lb)
010	3A011-75302	ASSY SENSOR FUEL	1				0.3	0.66
020	67980-54740	GASKET	1				0.005	0.011
030	04512-60050	WASHER SPRING	5				0.002	0.0044
040	02054-50050	NUT	5				0.002	0.0044
050	TA040-43900	SWITCH LEVER	1				0.008	0.0176
060	03024-50414	SCREW WITH WASHER	1				0.002	0.0044
070	3A011-75100	SWITCH	1				0.048	0.1056
080	3A011-75120	WASHER	1				0.006	0.0132
090	3A011-75110	STOPPER LEVER	1				0.265	0.583
100	01123-60816	BOLT	2				0.01	0.022
110	15531-39010	SWITCH OIL	1				0.032	0.0704
120	31351-32830	SENSOR THERMO	1				0.02	0.044
130	13824-67590	CLAMP CORD	1				0.002	0.0044
140	TD060-47902	SWITCH SEAT	1				0.03	0.066
150	15241-67580	CLAMP CORD	1				0.004	0.0088
160	01754-50612	BOLT FLANGE	1				0.005	0.011
170	3A272-75260	STAY CONNECTOR	1				0.035	0.077
180	01754-50612	BOLT FLANGE	1				0.005	0.011



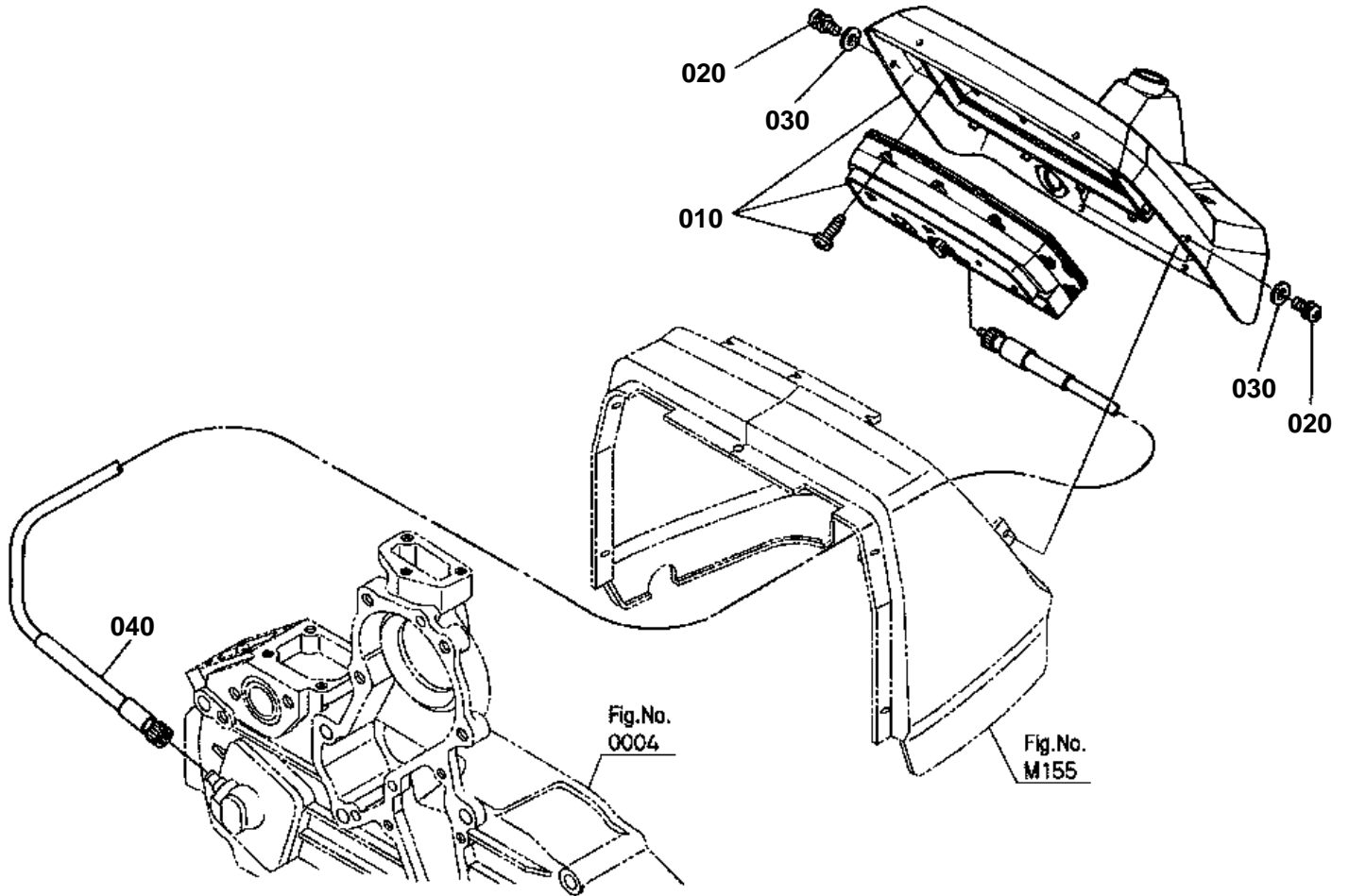
3A272-015-10



# SWITCH(PANEL BOARD)/RELAY

↔ Interchangeable; ≠ not interchangeable; ← new for old; → old for new

REF.No	Part No.	Description	Q'ty	S.No.	I/C	REMARKS	Weight (kgf)	Weight (lb)
010	66021-55140	SWITCH MAIN	1				0.17	0.374
020	35533-75240	HARNESS MAIN SWITCH	1				0.05	0.11
030	3F240-75430	UNIT FLASHER	1				0.06	0.132
040	35593-75210	RELAY GLOW PLUG	1				0.088	0.1936
050	36919-75030	RELAY	1				0.038	0.0836
060	36919-55830	BRACKET RELAY	1				0.005	0.011
070	35800-75070	RELAY STARTER	1				0.08	0.176
080	01754-50612	BOLT FLANGE	5				0.005	0.011
090	31351-32100	SWITCH COMBINATION	1				0.105	0.231
100	TA140-30910	SWITCH HAZARD	1				0.115	0.253
110	35260-31852	ASSY KEY MAIN SWITCH	1				0.08	0.176
120	3A272-75250	TIMER BUZZER	1				0	0
130	53660-53810	BUZZER BACK	1				0.035	0.077
140	01754-50612	BOLT FLANGE	2				0.005	0.011



3A272-016-10

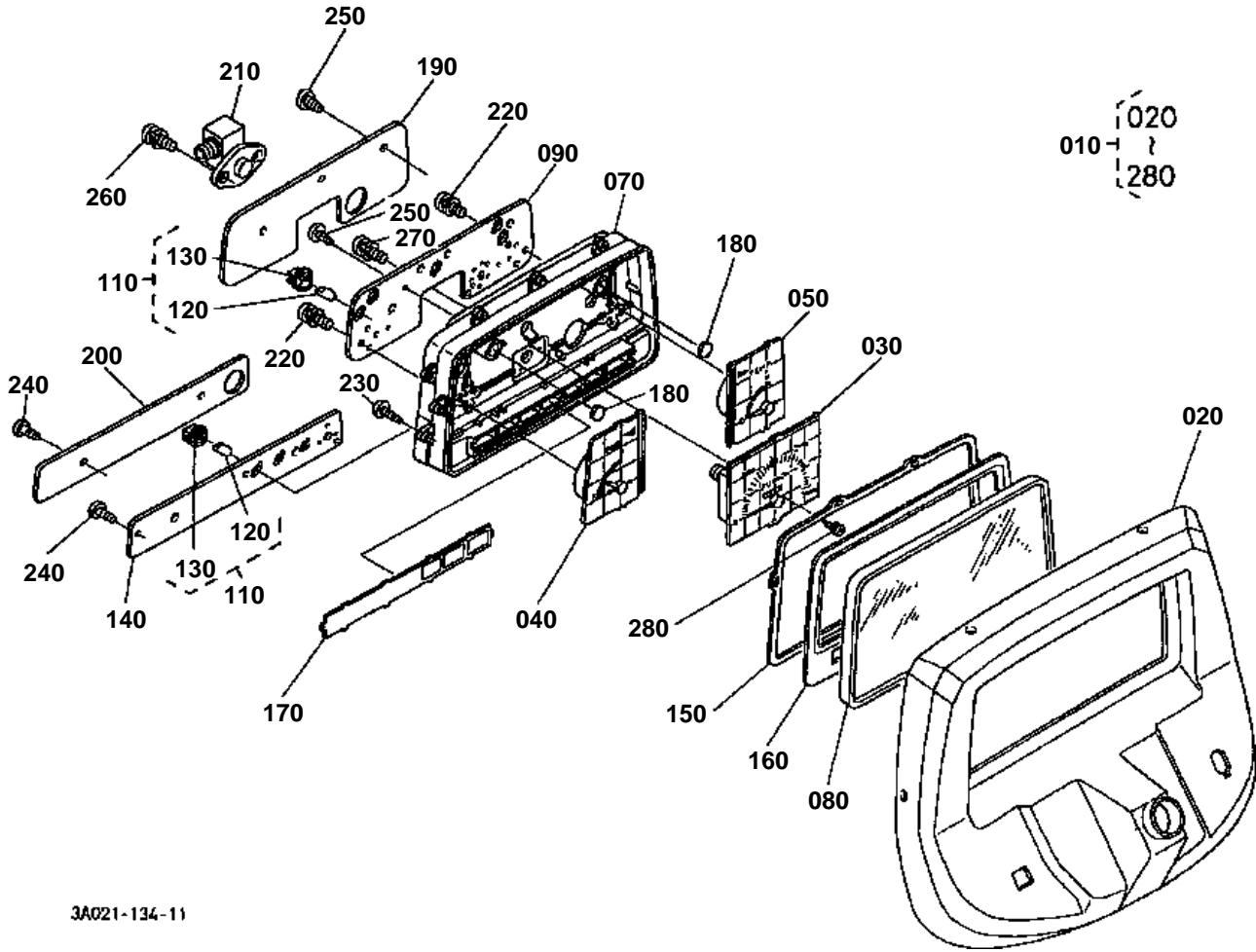


PANEL BOARD

↔ Interchangeable; ≠ not interchangeable; ← new for old; → old for new

REF.No	Part No.	Description	Q'ty	S.No.	I/C	REMARKS	Weight (kgf)	Weight (lb)
010	3A031-75600	ASSY PANEL	1				2.1	4.62
020	31391-31140	SCREW	6				0.01	0.022
030	31351-18860	WASHER	6				0.002	0.0044
040	35533-75610	CABLE HOUR METER	1				0.3	0.66

PANEL BOARD [COMPONENT PARTS]



3A021-134-11

**PANEL BOARD [COMPONENT PARTS]**

↔ Interchangeable; ≠ not interchangeable; ← new for old; → old for new

REF.No	Part No.	Description	Q'ty	S.No.	I/C	REMARKS	Weight (kgf)	Weight (lb)
010	3A031-75600	ASSY PANEL	1				2.1	4.62
020	3A013-83552	BONNET REAR UPPER	1				2.5	5.5
030	3A011-75660	ASSY TACHOMETER	1				0.235	0.517
040	31351-93720	ASSY GAUGE FUEL	1				0.125	0.275
050	31351-93730	ASSY GAUGE TEMP.	1				0.13	0.286
060	99999-99999	BLANK	0				0	0
070	3A011-75670	CASE	1				0.45	0.99
080	31351-93760	GLASS WITH GASKET	1				0.475	1.045
090	34670-93780	ASSY PLATE SUB	1				0.05	0.11
100	99999-99999	BLANK	0				0	0
110	38240-31460	ASSY LAMP ELECTRIC	8				0.015	0.033
120	38240-31470	BULB	8				0.01	0.022
130	38240-31480	SOCKET	8				0.001	0.0022
140	3A011-75700	ASSY PLATE	1				0.105	0.231
150	31351-93790	GASKET RUBBER	1				0.055	0.121
160	31351-93800	PLATE WIND	1				0.18	0.396
170	3A011-75680	LENS	1				0.015	0.033
180	31351-93820	LENS	2				0.005	0.011
190	34670-93830	CASE	1				0.195	0.429
200	31351-93840	CASE	1				0.13	0.286
210	34550-30180	ADAPTER	1				0.05	0.11
220	35533-76230	SCREW WITH WASHER	6				0.002	0.0044
230	03514-50420	SCREW	11				0.002	0.0044
240	03514-50425	SCREW TAPPING	6				0.001	0.0022
250	03514-50414	SCREW TAPPING	5				0.001	0.0022
260	35533-76160	SCREW	2				0.001	0.0022
270	32530-94900	SCREW WITH WASHER	2				0.002	0.0044
280	32530-94690	SCREW TAPPING	2				0.001	0.0022

# HEAD LIGHT

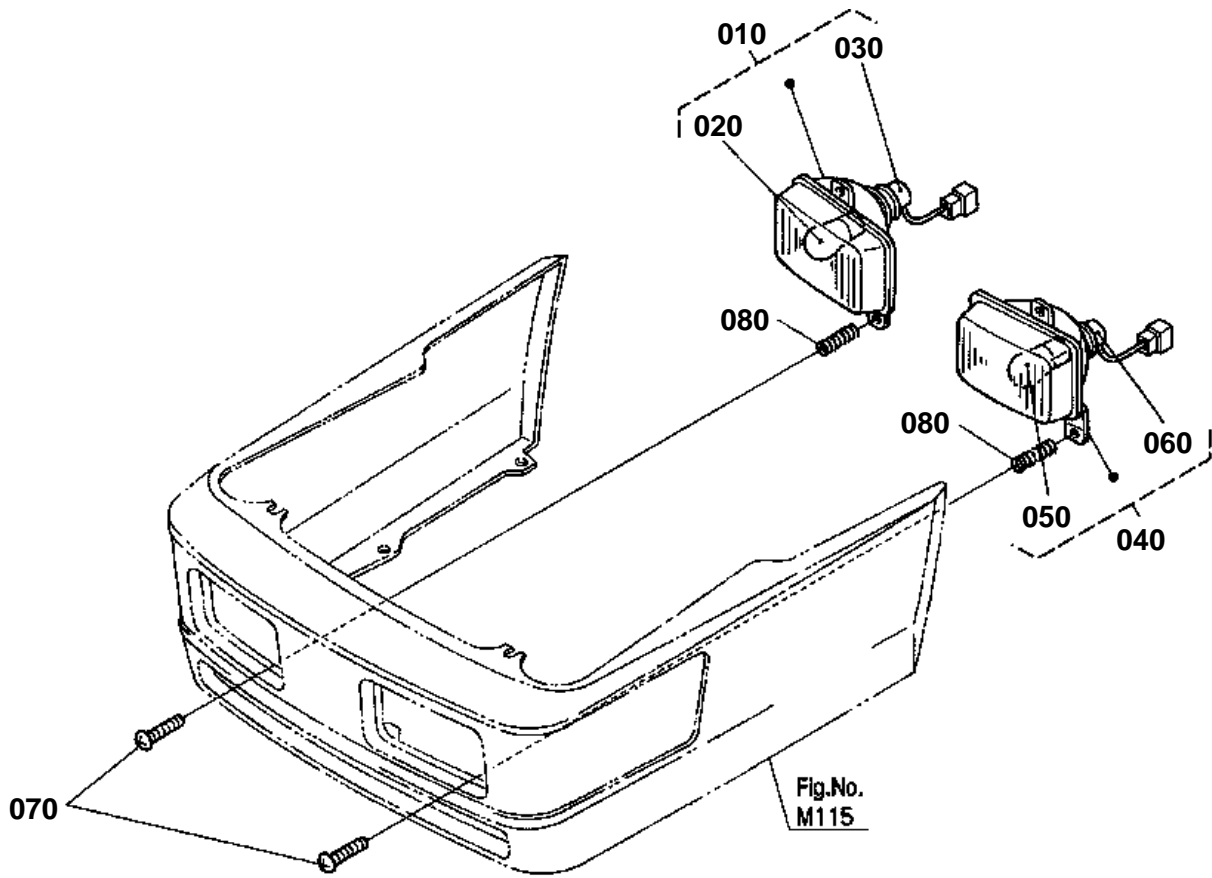


Fig.No.  
M115

3A110-017-12



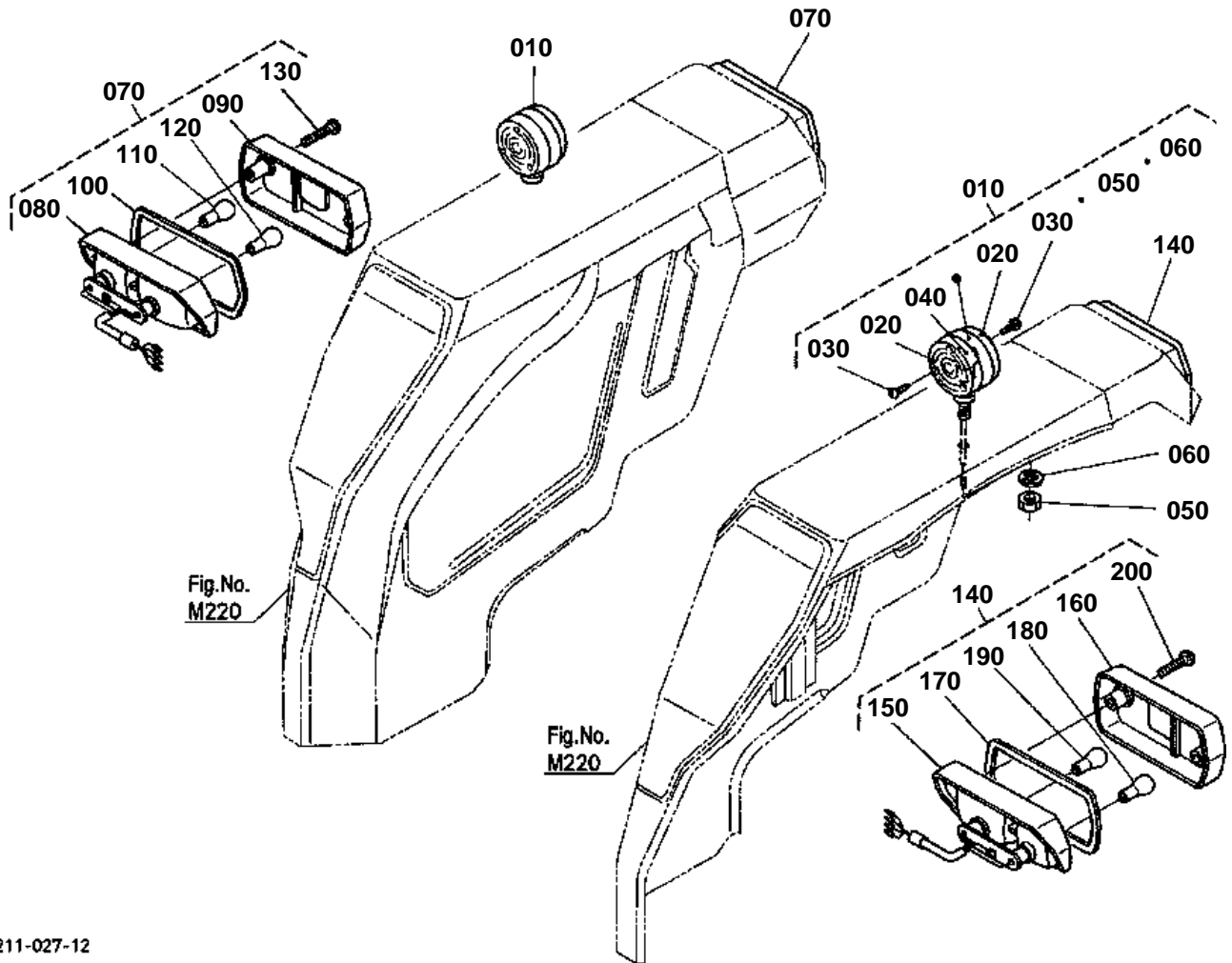


# HEAD LIGHT

↔ Interchangeable; ≠ not interchangeable; ← new for old; → old for new

REF.No	Part No.	Description	Q'ty	S.No.	I/C	REMARKS	Weight (kgf)	Weight (lb)
010	3A011-75720	LIGHT HEAD RH	1				0.49	1.078
020	38450-33870	BULB	1			45W	0.025	0.055
030	3A011-75740	COMP.SOCKET	1				0.063	0.1386
040	3A011-75710	LIGHT HEAD LH	1				0.39	0.858
050	38450-33870	BULB	1			45W	0.025	0.055
060	3A011-75740	COMP.SOCKET	1				0.063	0.1386
070	3A011-75860	SCREW	6				0.006	0.0132
080	38240-33860	SPRING LIGHT	6				0.001	0.0022

HAZARD LIGHT/TAIL LIGHT

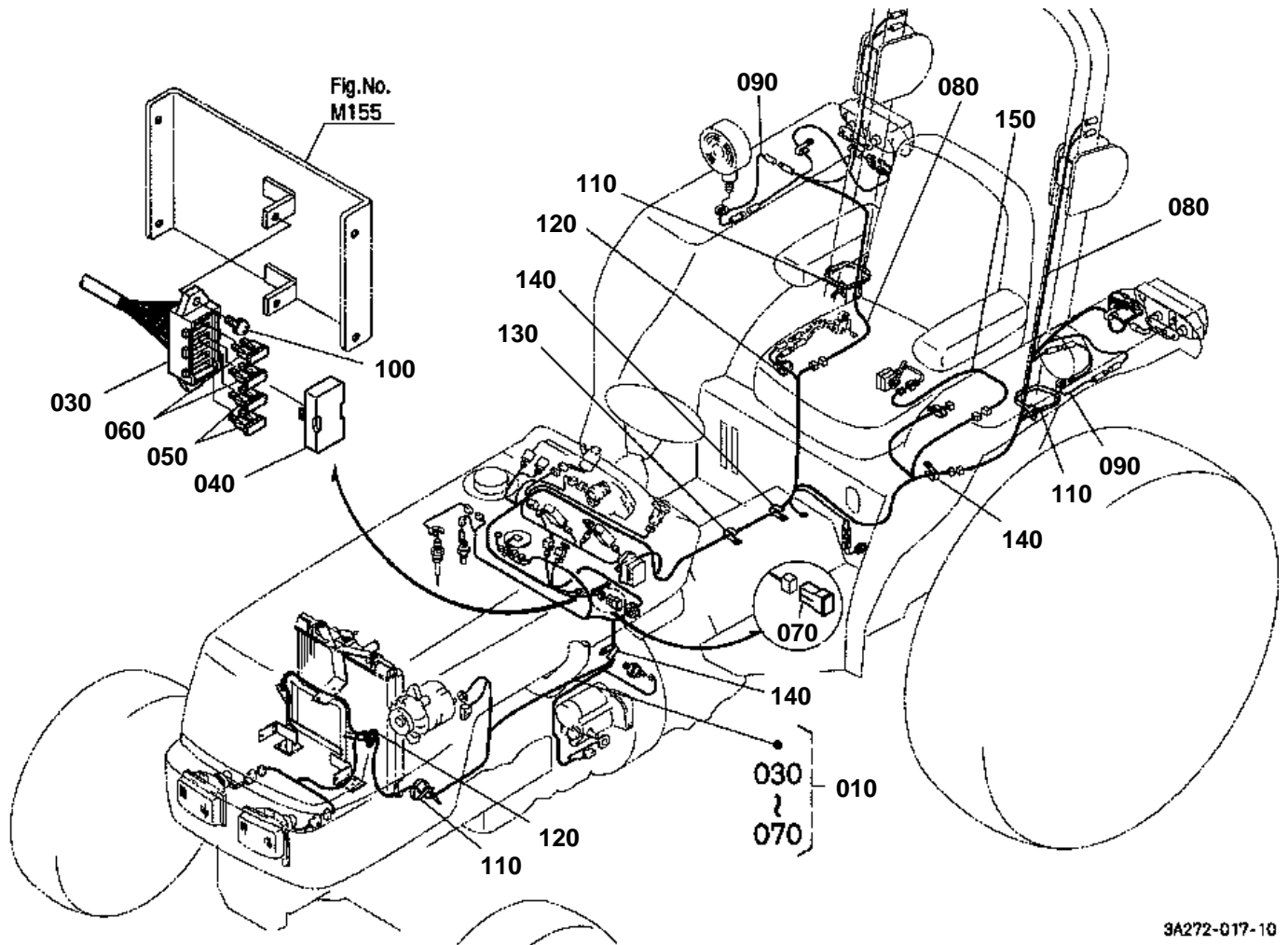


3A211-027-12

**HAZARD LIGHT/TAIL LIGHT**

↔ Interchangeable; ≠ not interchangeable; ← new for old; → old for new

REF.No	Part No.	Description	Q'ty	S.No.	I/C	REMARKS	Weight (kgf)	Weight (lb)
010	32530-33610	ASSY LIGHT HAZARD	2				0.5	1.1
020	32530-91510	LENS HAZARD LIGHT	4				0.085	0.187
030	32530-91520	SCREW TAPPING	12				0.001	0.0022
040	32530-91530	BULB LIGHT	2			27W	0.02	0.044
050	02114-50100	NUT	2				0.005	0.011
060	04411-50100	WASHER TOOTHED	2				0.001	0.0022
070	31301-34303	ASSY LIGHT COMBI.RH	1				0.4	0.88
080	31301-34320	BODY RH	1				0.18	0.396
090	31301-34340	LENS	1				0.105	0.231
100	31391-34350	GASKET	1				0.002	0.0044
110	31391-34360	BULB	1			23W	0.018	0.0396
120	31301-34370	BULB	1			23W/8W	0.02	0.044
130	31391-34380	SCREW	2				0.007	0.0154
140	31301-34313	ASSY LIGHT COMBI.LH	1				0.32	0.704
150	31301-34330	BODY LH	1				0.21	0.462
160	31301-34340	LENS	1				0.105	0.231
170	31391-34350	GASKET	1				0.002	0.0044
180	31391-34360	BULB	1			23W	0.018	0.0396
190	31301-34370	BULB	1			23W/8W	0.02	0.044
200	31391-34380	SCREW	2				0.007	0.0154



3A272-017-10

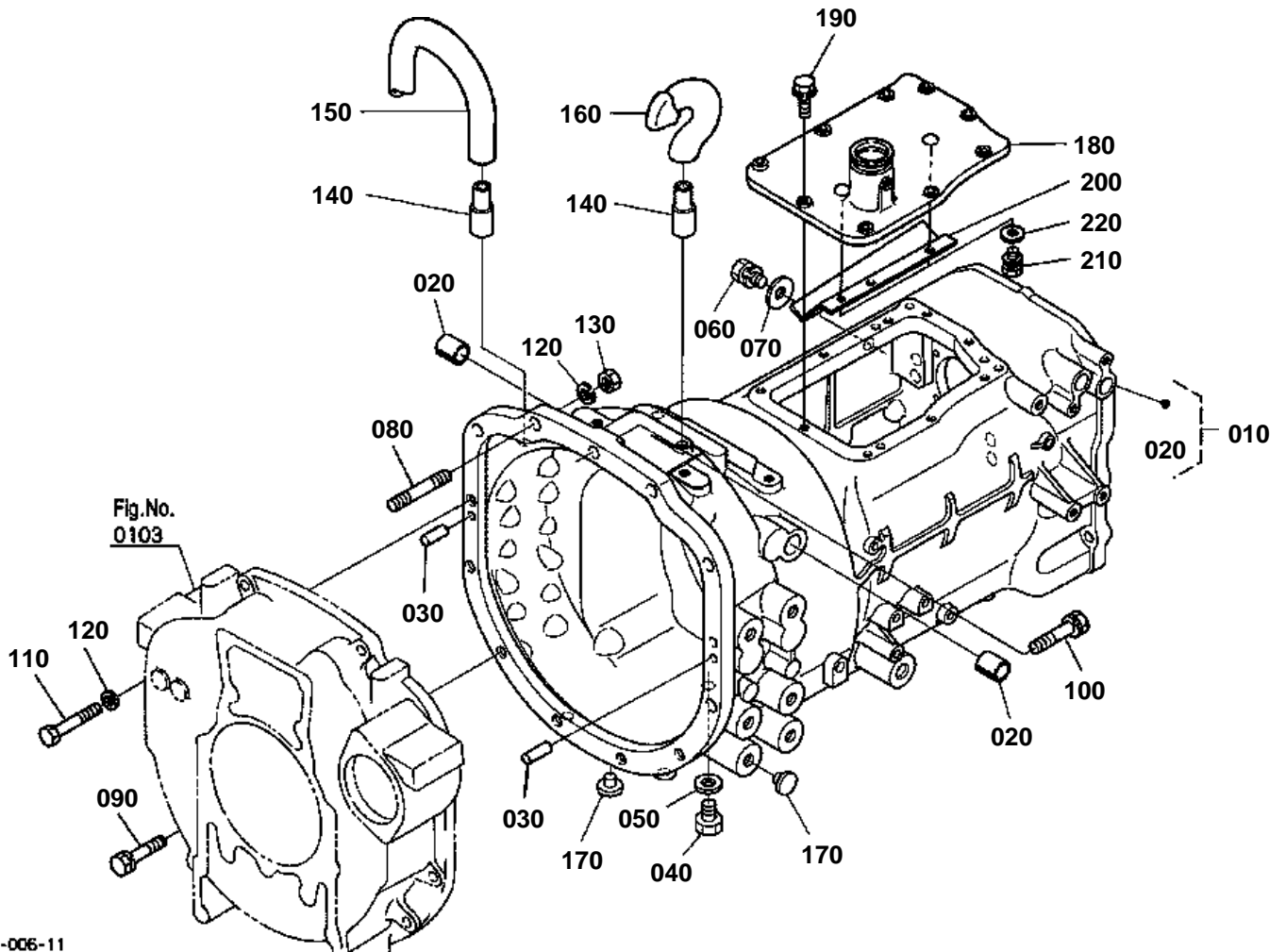


# ELECTRICAL WIRING

↔ Interchangeable; ≠ not interchangeable; ← new for old; → old for new

REF.No	Part No.	Description	Q'ty	S.No.	I/C	REMARKS	Weight (kgf)	Weight (lb)
010	3A272-77212	WIRE HARNESS	1				0	0
020	99999-99999	BLANK	0				0	0
030	3A211-77350	CASE FUSE	1				0.053	0.1166
040	3A211-77370	COVER FUSE CASE	1				0.009	0.0198
050	36730-75550	FUSE	3			10A	0.001	0.0022
060	35820-75560	FUSE	3			15A	0.002	0.0044
070	35080-34530	FUSE	1			50A	0.015	0.033
080	3A211-77220	WIRE HARNESS	2				0.1	0.22
090	3A011-77300	WIRE HARNESS EARTH	2				0.008	0.0176
100	03034-50616	SCREW WITH WASHER	2				0.006	0.0132
110	55311-41260	BAND CORD	3				0.007	0.0154
120	53581-64150	BAND CORD	2				0.002	0.0044
130	13824-67590	CLAMP CORD	1				0.002	0.0044
140	35340-29380	CLAMP CORD	3				0.01	0.022
150	3A272-77230	WIRE HARNESS	1				0	0

# CLUTCH HOUSING



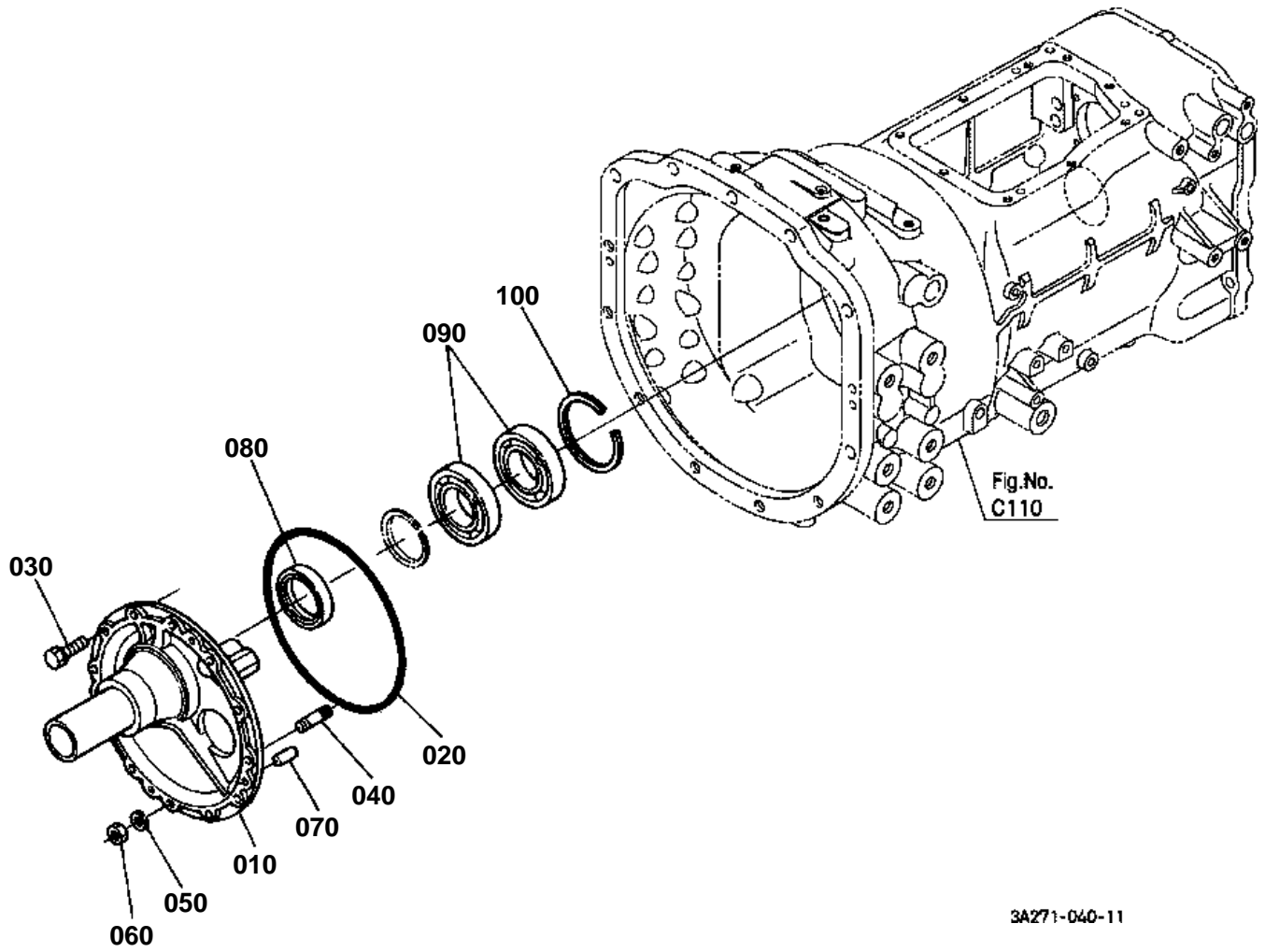


## CLUTCH HOUSING

↔ Interchangeable; ≠ not interchangeable; ← new for old; → old for new

REF.No	Part No.	Description	Q'ty	S.No.	I/C	REMARKS	Weight (kgf)	Weight (lb)
010	3A011-21104	ASSY HOUSING CLUTCH	1				80	176
020	08511-02225	BUSH	2				0.02	0.044
030	05012-01020	PIN STRAIGHT	2				0.013	0.0286
040	15512-96010	PLUG DRAIN	1				0.101	0.2222
050	04717-02150	WASHER WITH RUBBER	1				0.004	0.0088
060	01133-51225	BOLT	1				0.035	0.077
070	04013-60120	WASHER PLAIN	1				0.01	0.022
080	01574-61235	STUD	2				0.04	0.088
090	01133-51240	BOLT	8				0.05	0.11
100	01133-51245	BOLT	1				0.055	0.121
110	01173-51280	BOLT	1				0.1	0.22
120	04512-60120	WASHER SPRING	3				0.005	0.011
130	02176-50120	NUT	2				0.01	0.022
140	3A751-21632	PIPE BREATHER	2				0.01	0.022
150	36330-21200	PIPE BREATHER	1				0.05	0.11
160	33740-21620	BREATHER	1				0.005	0.011
170	33300-90910	PLUG	18				0.002	0.0044
180	3A011-21254	COVER HOUSING UPPER	1				2.8	6.16
190	01123-50825	BOLT	9				0.013	0.0286
200	3A111-21292	PLATE OIL GUIDE	1				0.055	0.121
210	01023-50612	BOLT	2				0.005	0.011
220	04013-60060	WASHER PLAIN	2				0.001	0.0022

# BEARING HOLDER





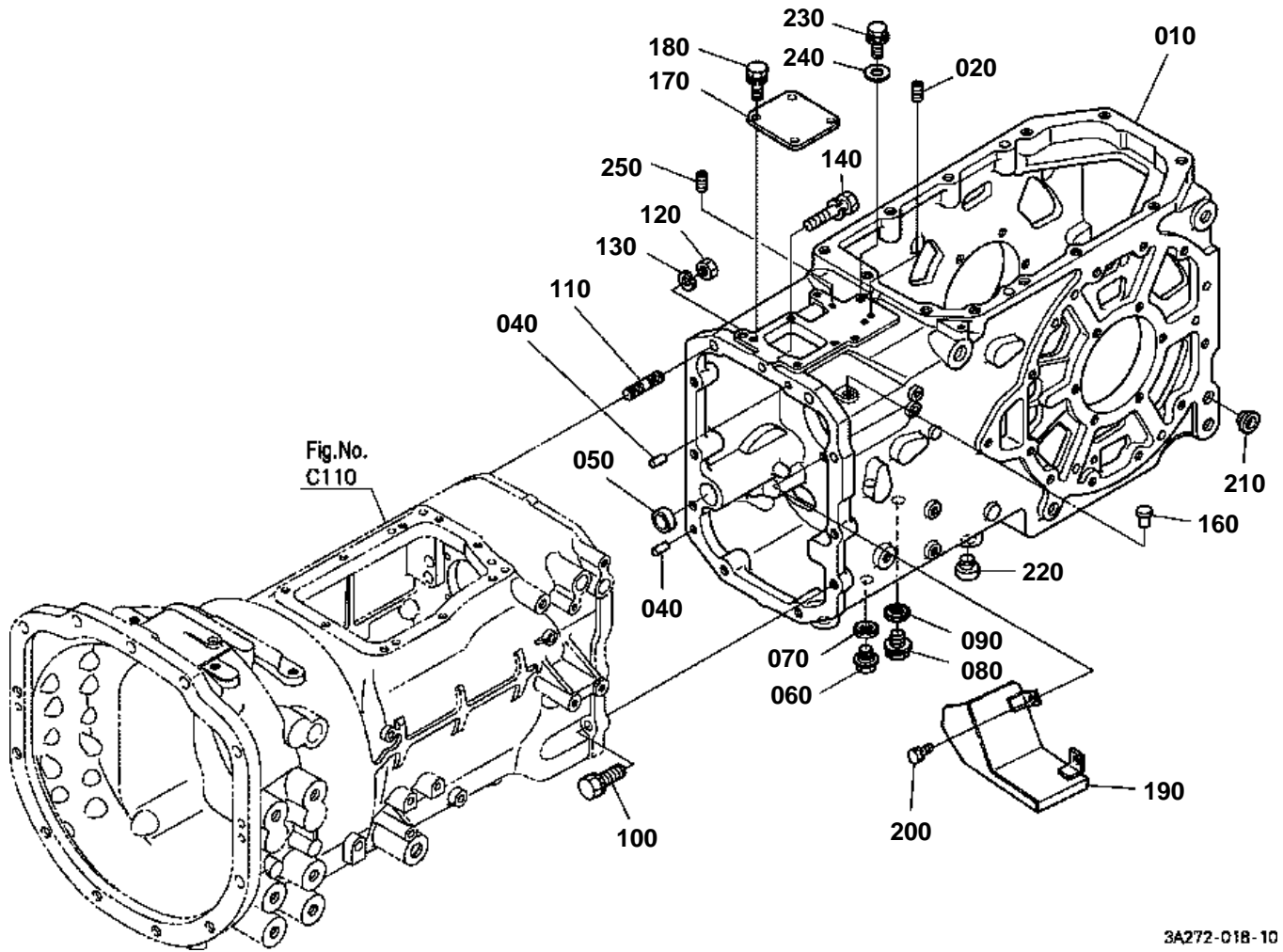


# BEARING HOLDER

↔ Interchangeable; ≠ not interchangeable; ← new for old; → old for new

REF.No	Part No.	Description	Q'ty	S.No.	I/C	REMARKS	Weight (kgf)	Weight (lb)
010	3A012-24612	HOLDER BEARING	1				6	13.2
020	3A011-24620	O RING	1				0.007	0.0154
030	01123-50825	BOLT	11				0.013	0.0286
040	01513-50828	STUD	1				0.013	0.0286
050	04512-60080	WASHER SPRING	1				0.002	0.0044
060	02156-50080	NUT	1				0.004	0.0088
070	05012-00818	PIN STRAIGHT	2				0.013	0.0286
080	3A011-24650	SEAL OIL	1				0.029	0.0638
090	08101-06011	BEARING BALL	2				0.376	0.8272
100	3A012-24630	CIR-CLIP INTERNAL	1				0.023	0.0506

TRANSMISSION CASE



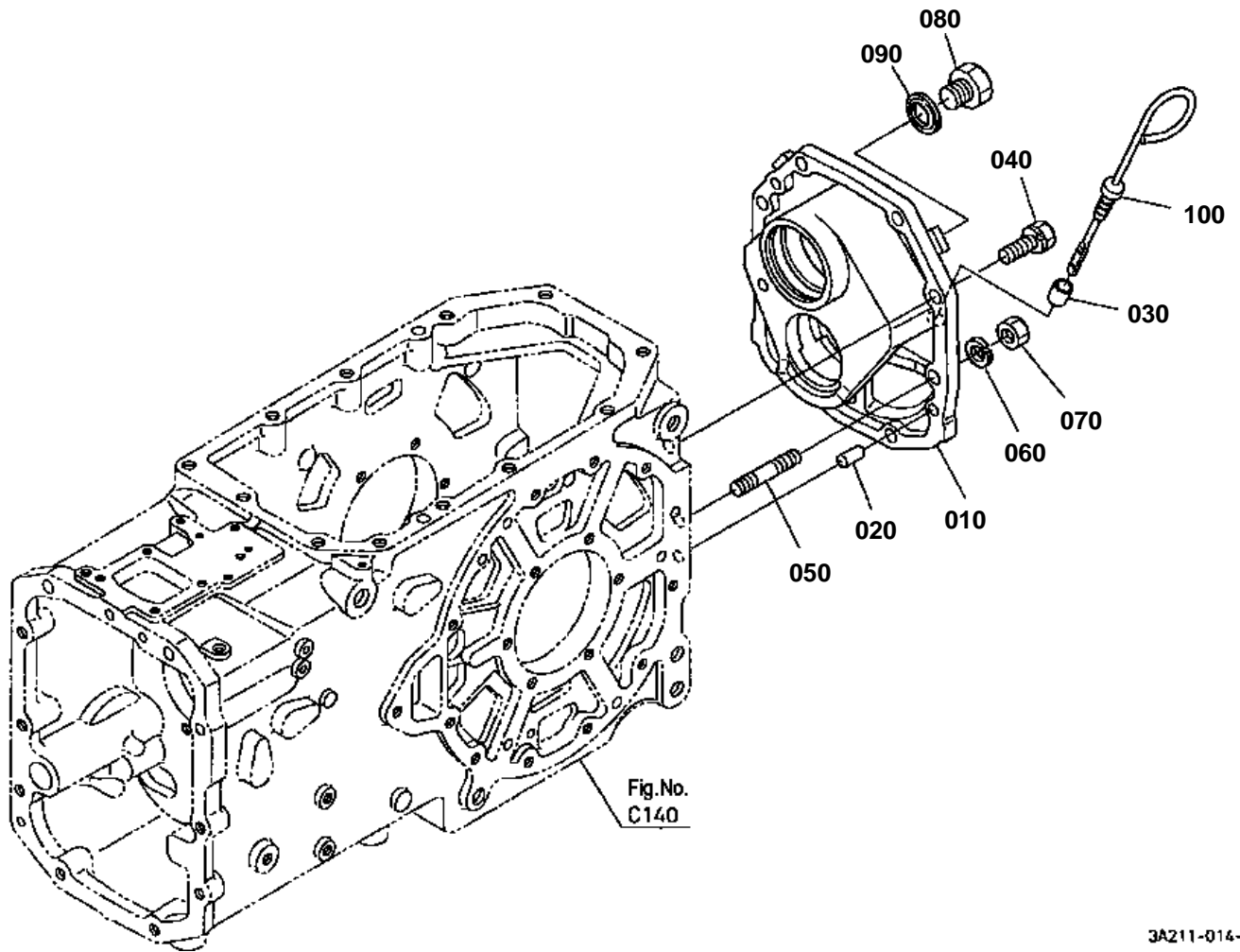
3A272-018-10

**TRANSMISSION CASE**

↔ Interchangeable; ≠ not interchangeable; ← new for old; → old for new

REF.No	Part No.	Description	Q'ty	S.No.	I/C	REMARKS	Weight (kgf)	Weight (lb)
010	3A211-21312	CASE TRANSMISSION	1				83	182.6
020	03651-50608	SCREW SET	1				0.001	0.0022
030	99999-99999	BLANK	0				0	0
040	05012-01018	PIN STRAIGHT	2				0.012	0.0264
050	06311-85028	CAP SEALING	1				0.012	0.0264
060	06331-35020	PLUG	1				0.068	0.1496
070	04717-02000	WASHER WITH RUBBER	1				0.004	0.0088
080	06331-45016	PLUG	1				0.05	0.11
090	04717-01600	WASHER WITH RUBBER	1				0.003	0.0066
100	01133-51240	BOLT	6				0.05	0.11
110	35340-14182	STUD	4				0.05	0.11
120	35340-27360	NUT	4				0.015	0.033
130	04512-60120	WASHER SPRING	4				0.005	0.011
140	01138-51040	BOLT	1				0.17	0.374
150	99999-99999	BLANK	0				0	0
160	35820-21520	PLUG	1				0.004	0.0088
170	3A011-21340	COVER CASE UPPER	1				0.325	0.715
180	01123-50820	BOLT	4				0.011	0.0242
190	3A111-21380	COVER SUCTION	1				0.225	0.495
200	01123-60816	BOLT	2				0.01	0.022
210	33300-90910	PLUG	4				0.002	0.0044
220	31220-14290	PLUG	4				0.002	0.0044
230	01754-50812	BOLT FLANGE	1				0.01	0.022
240	04013-60080	WASHER PLAIN	1				0.002	0.0044
250	03651-50608	SCREW SET	1				0.001	0.0022

TRANSMISSION CASE REAR COVER



3A211-014-12

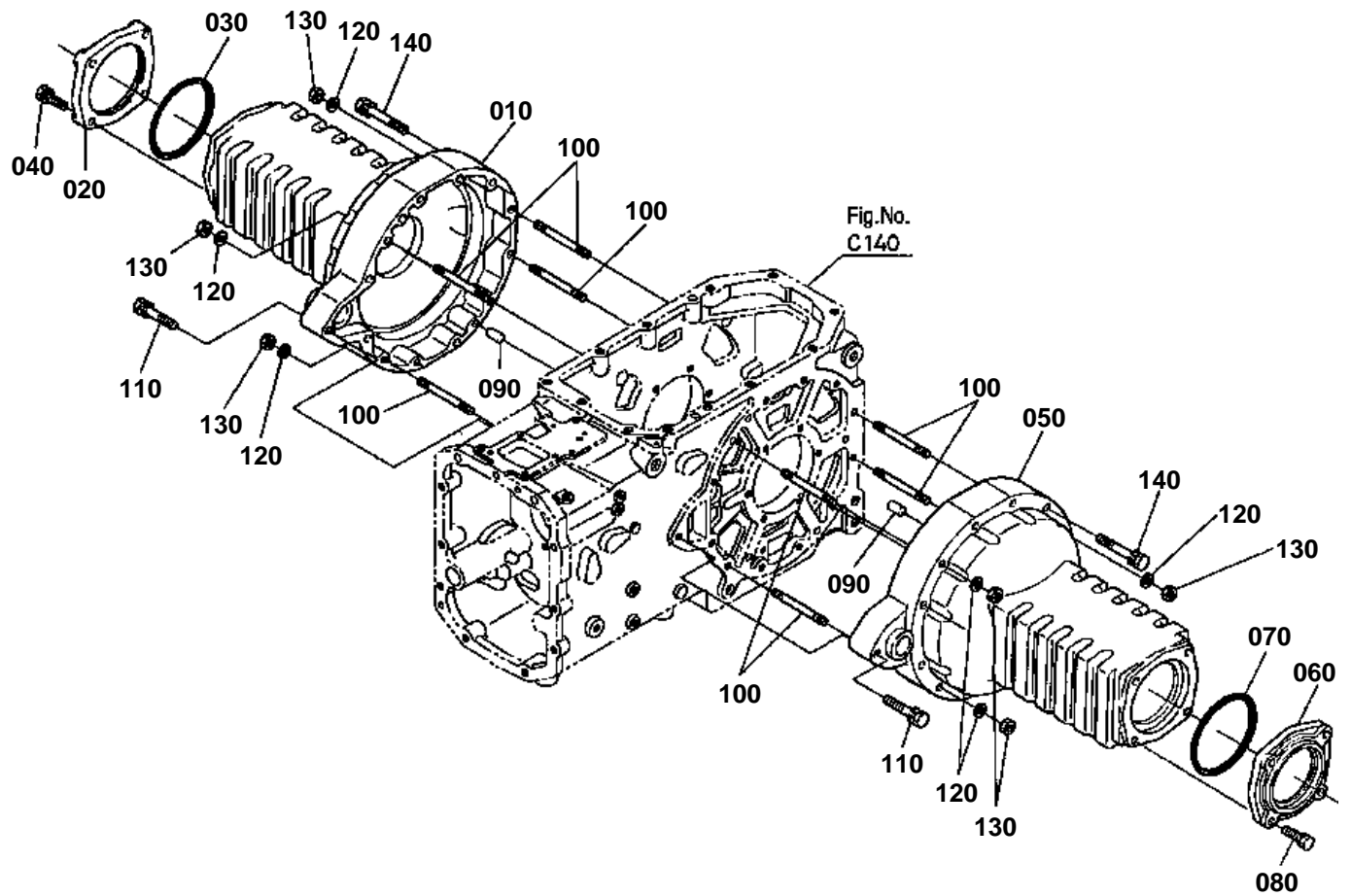


# TRANSMISSION CASE REAR COVER

↔ Interchangeable; ≠ not interchangeable; ← new for old; → old for new

REF.No	Part No.	Description	Q'ty	S.No.	I/C	REMARKS	Weight (kgf)	Weight (lb)
010	3A211-21410	CASE GEAR	1				10	22
020	05012-01018	PIN STRAIGHT	2				0.012	0.0264
030	33960-21520	GUIDE OIL GAUGE	1				0.01	0.022
040	01133-51240	BOLT	6				0.05	0.11
050	01574-61235	STUD	2				0.04	0.088
060	04512-60120	WASHER SPRING	2				0.005	0.011
070	02174-50120	NUT	2				0.01	0.022
080	15512-96010	PLUG DRAIN	1				0.101	0.2222
090	04717-02150	WASHER WITH RUBBER	1				0.004	0.0088
100	3A211-21510	GAUGE OIL	1				0.025	0.055

REAR AXLE CASE



3A211-095-14

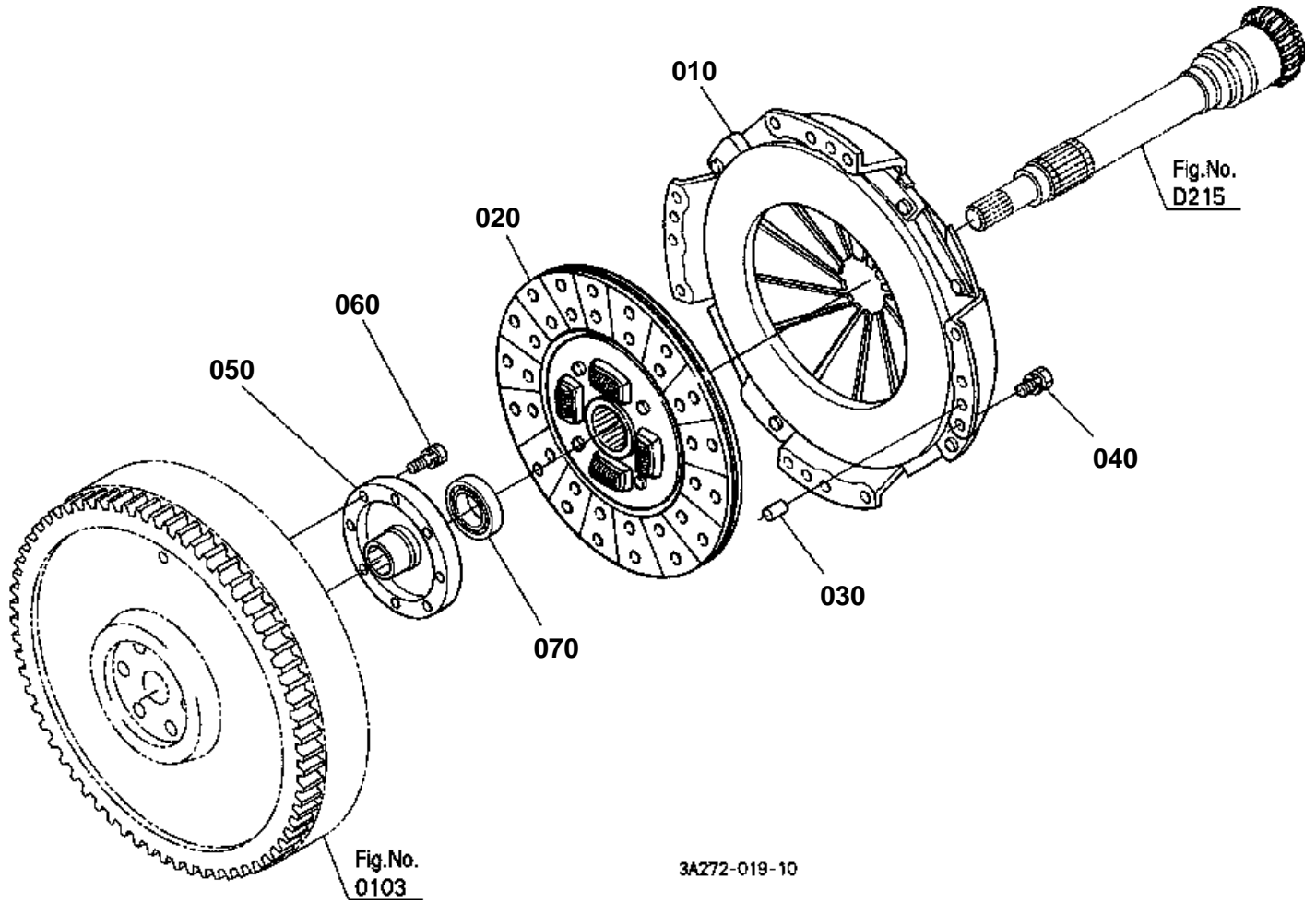


## REAR AXLE CASE

↔ Interchangeable; ≠ not interchangeable; ← new for old; → old for new

REF.No	Part No.	Description	Q'ty	S.No.	I/C	REMARKS	Weight (kgf)	Weight (lb)
010	3A011-48114	CASE REAR AXLE	1				34	74.8
020	36330-48125	COVER REAR AXLE	1				1.36	2.992
030	04811-51200	O RING	1				0.004	0.0088
040	01133-51240	BOLT	4				0.05	0.11
050	3A011-48114	CASE REAR AXLE	1				34	74.8
060	36330-48125	COVER REAR AXLE	1				1.36	2.992
070	04811-51200	O RING	1				0.004	0.0088
080	01133-51240	BOLT	4				0.05	0.11
090	05012-01325	PIN STRAIGHT	4				0.028	0.0616
100	35340-27380	STUD	8				0.08	0.176
110	01138-51265	BOLT	2				0.34	0.748
120	04512-60120	WASHER SPRING	8				0.005	0.011
130	02176-50120	NUT	8				0.01	0.022
140	01138-51280	BOLT	16				0.13	0.286

CLUTCH





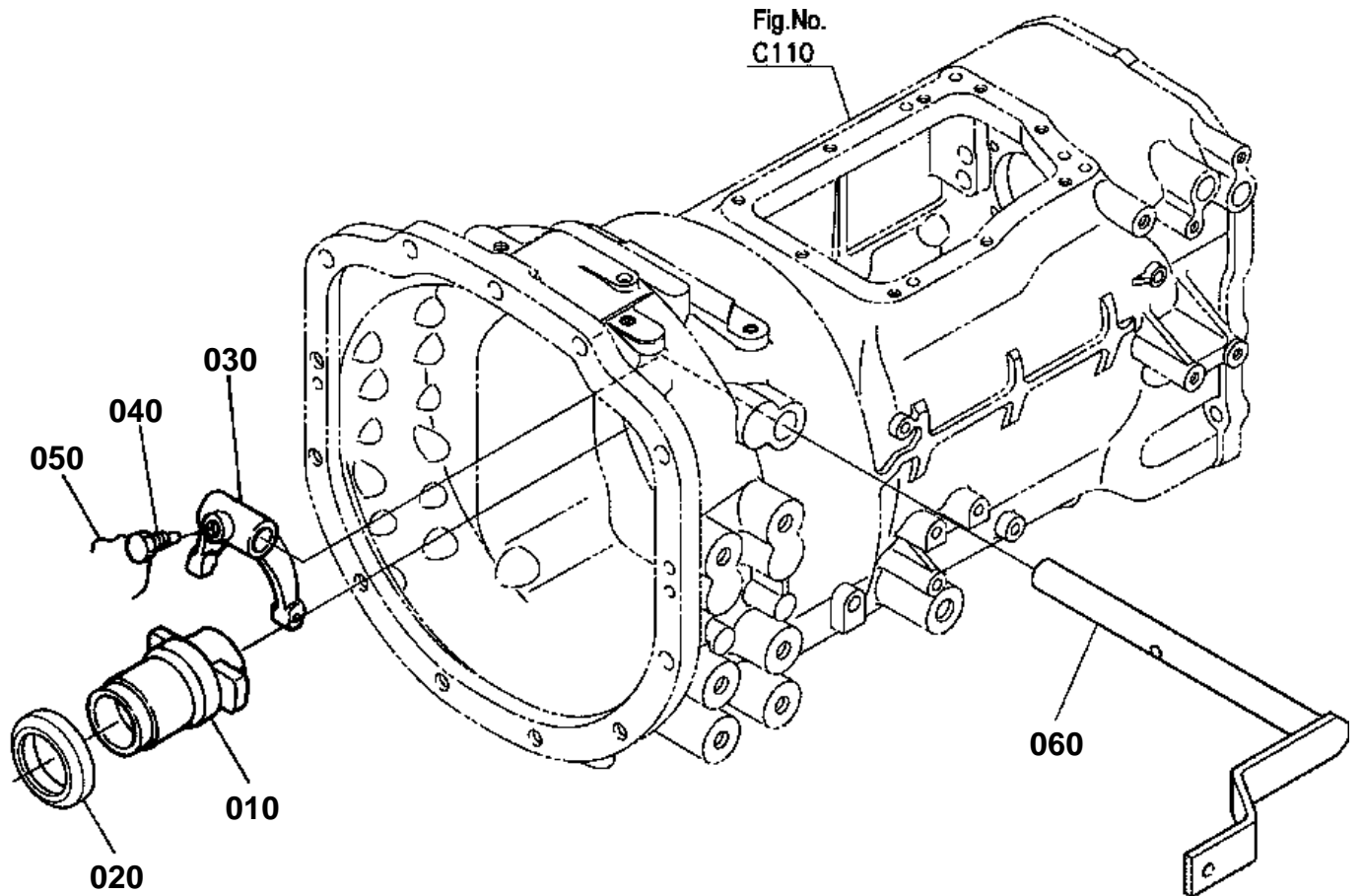


# CLUTCH

↔ Interchangeable; ≠ not interchangeable; ← new for old; → old for new

REF.No	Part No.	Description	Q'ty	S.No.	I/C	REMARKS	Weight (kgf)	Weight (lb)
010	3A011-25110	ASSY COVER CLUTCH	1				9.5	20.9
020	3A011-25132	ASSY DISK CLUTCH	1				2.1	4.62
030	05012-01018	PIN STRAIGHT	2				0.012	0.0264
040	01123-50820	BOLT	12				0.011	0.0242
050	3A272-25510	BOSS SPLINE	1				0.875	1.925
060	01123-50830	BOLT	8				0.015	0.033
070	3F740-25250	BEARING BALL	1				0.15	0.33

CLUTCH RELEASE FORK



3A271-010-11

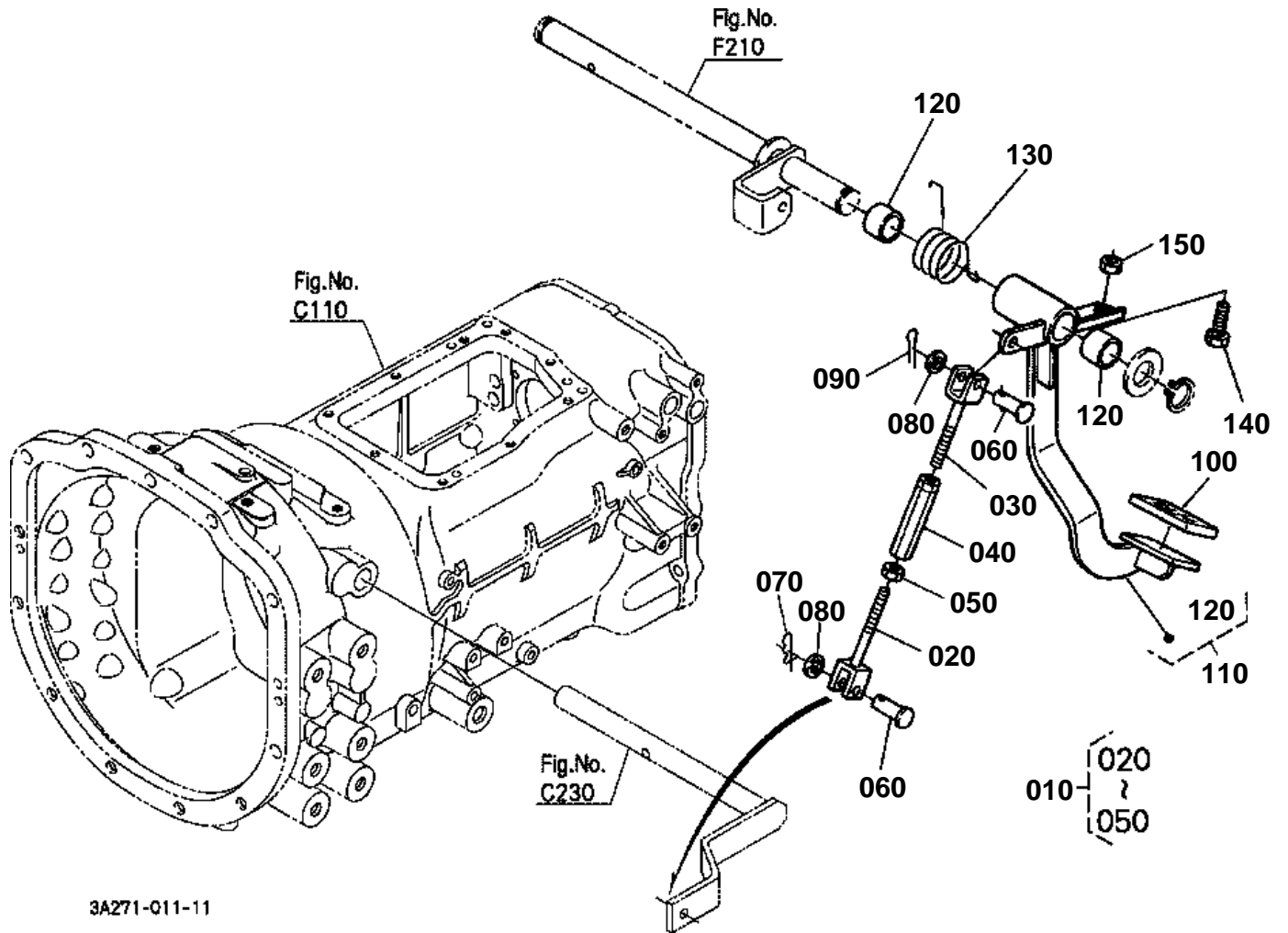


## CLUTCH RELEASE FORK

↔ Interchangeable; ≠ not interchangeable; ← new for old; → old for new

REF.No	Part No.	Description	Q'ty	S.No.	I/C	REMARKS	Weight (kgf)	Weight (lb)
010	3A011-26310	HUB CLUTCH RELEASE	1				0.915	2.013
020	TA040-20700	BEARING RELEASE	1				0.28	0.616
030	3A155-26190	FORK CLUTCH RELEASE	1				0.52	1.144
040	3A111-26350	BOLT SET	1				0.045	0.099
050	99999-99999	WIRE	1				0	0
060	3A011-26210	LEVER CLUTCH RELEASE	1				1.42	3.124

# CLUTCH PEDAL



3A271-011-11

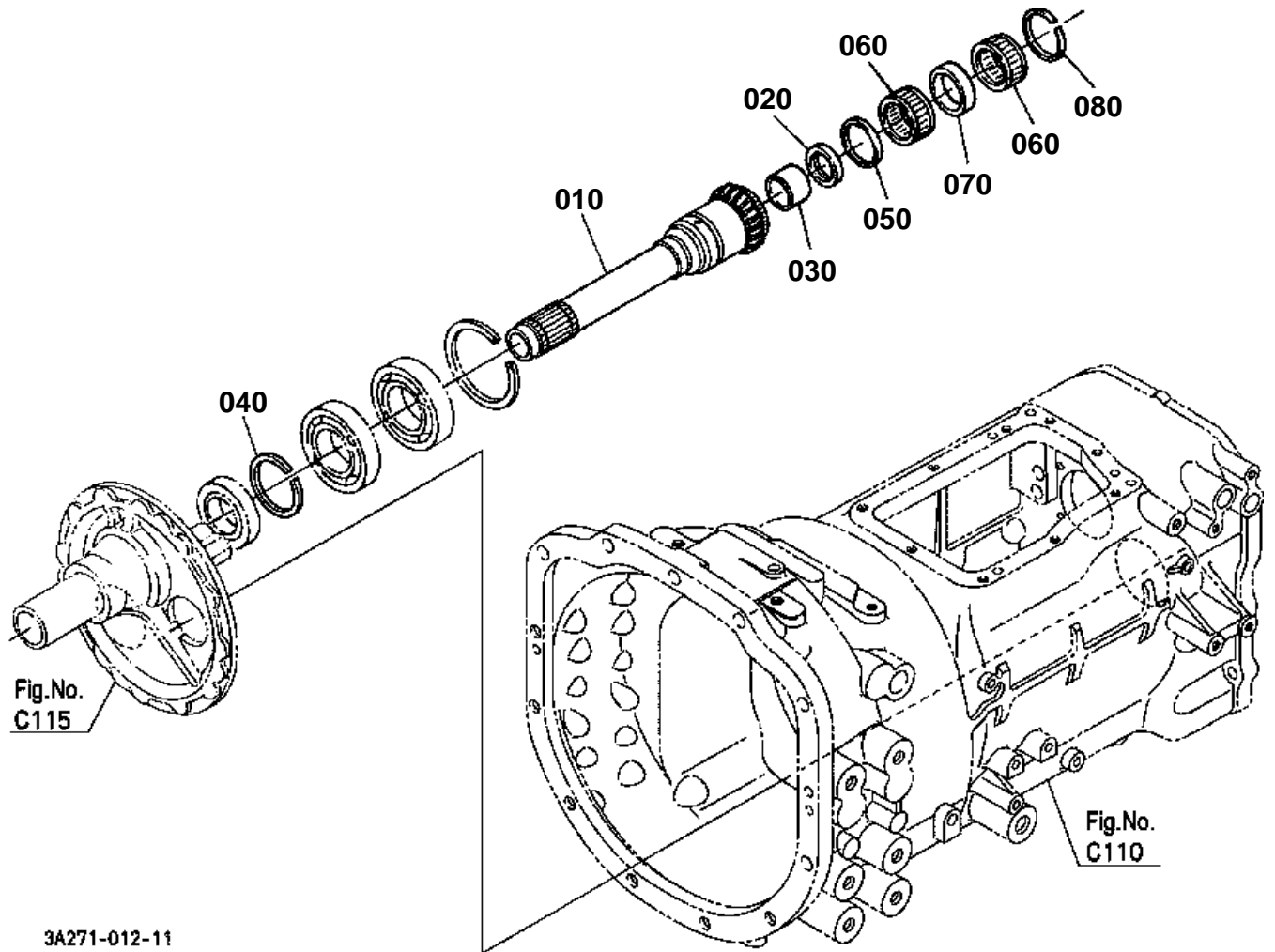


## CLUTCH PEDAL

↔ Interchangeable; ≠ not interchangeable; ← new for old; → old for new

REF.No	Part No.	Description	Q'ty	S.No.	I/C	REMARKS	Weight (kgf)	Weight (lb)
010	3A011-26250	ASSY ROD CLUTCH	1				0.285	0.627
020	3A011-26230	ROD CLUTCH	1				0.11	0.242
030	3A011-26240	ROD CLUTCH	1				0.11	0.242
040	32350-28980	TURNBUCKLE	1				0.124	0.2728
050	02176-50100	NUT	1				0.005	0.011
060	38430-15790	PIN JOINT	2				0.02	0.044
070	52300-34130	PIN SNAP	1				0.004	0.0088
080	04013-60100	WASHER PLAIN	2				0.003	0.0066
090	05511-50318	PIN SPLIT	1				0.001	0.0022
100	37410-44120	COVER PEDAL	1				0.08	0.176
110	3A111-26100	ASSY PEDAL CLUTCH	1				1.69	3.718
120	08511-02825	BUSH	2				0.04	0.088
130	3A011-26150	SPRING	1				0.115	0.253
140	01153-50825	BOLT	1				0.012	0.0264
150	02116-50080	NUT	1				0.003	0.0066

# INPUT SHAFT



3A271-012-11

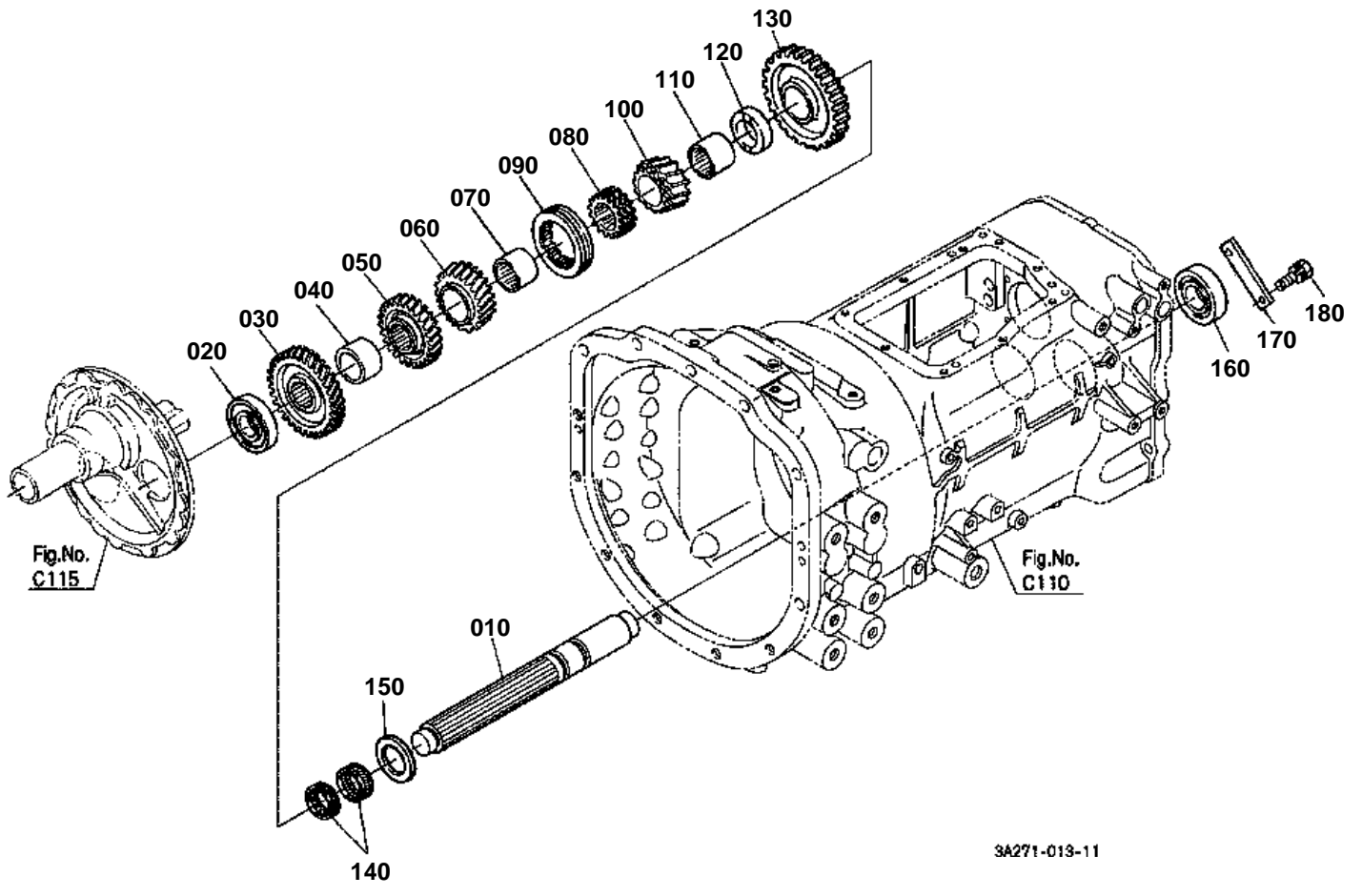


# INPUT SHAFT

↔ Interchangeable; ≠ not interchangeable; ← new for old; → old for new

REF.No	Part No.	Description	Q'ty	S.No.	I/C	REMARKS	Weight (kgf)	Weight (lb)
010	3A012-28090	GEAR-SHAFT	1			21T	1.92	4.224
020	E3131-23550	SEAL OIL	1				0.009	0.0198
030	08511-02520	BUSH	1				0.02	0.044
040	68811-13660	CIR CLIP EXTERNAL	1				0.002	0.0044
050	33740-24780	COLLAR	1				0.01	0.022
060	33740-23530	BEARING NEEDLE	2				0.044	0.0968
070	33740-24770	COLLAR	1				0.02	0.044
080	33740-23540	CIR-CLIP NEEDLE	1				0.003	0.0066

# FIRST SHAFT



3A271-013-11

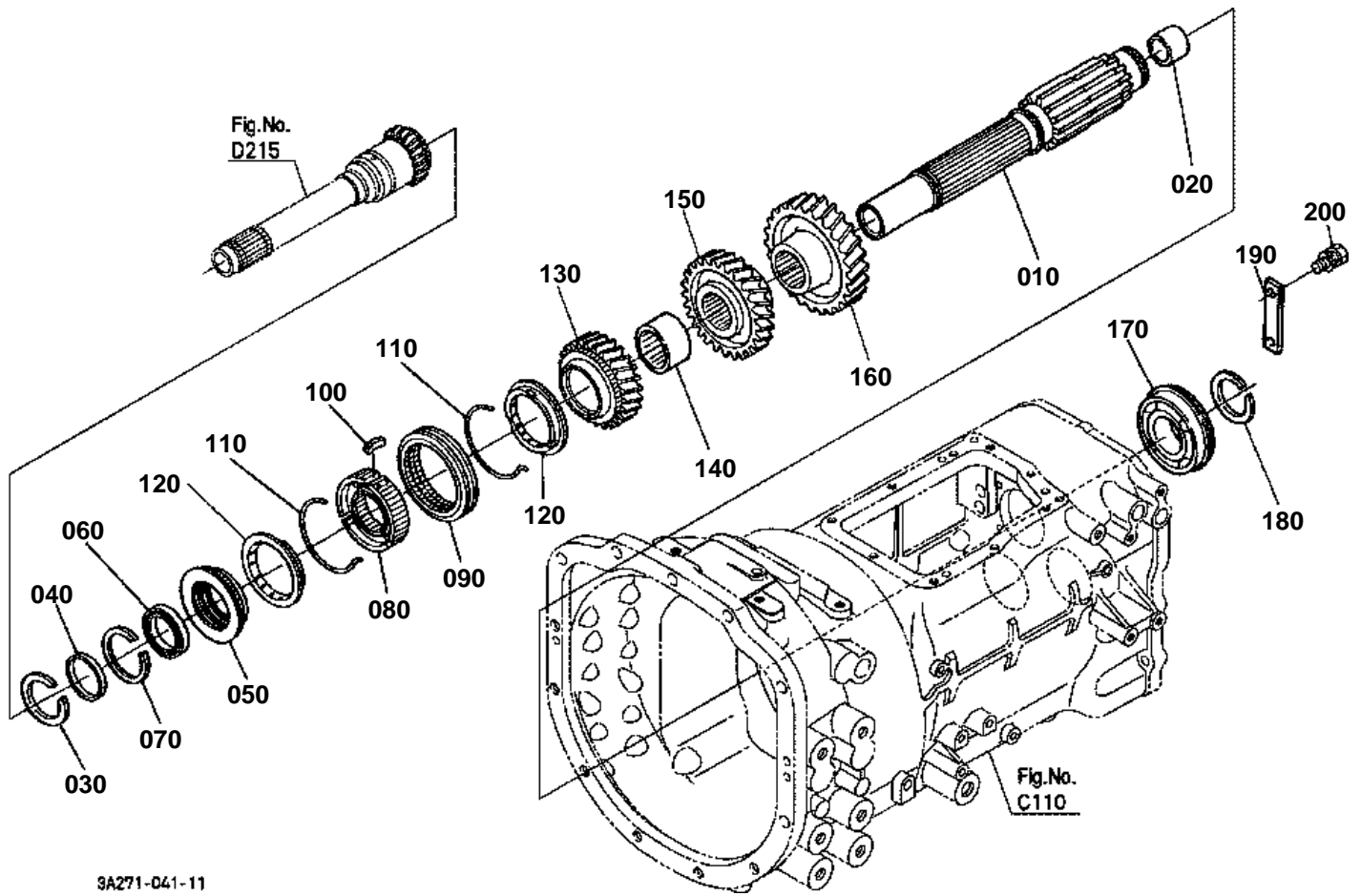


**FIRST SHAFT**

↔ Interchangeable; ≠ not interchangeable; ← new for old; → old for new

REF.No	Part No.	Description	Q'ty	S.No.	I/C	REMARKS	Weight (kgf)	Weight (lb)
010	3A111-28060	SHAFT	1				2.3	5.06
020	37410-57330	BEARING BALL	1				0.2	0.44
030	3A012-30280	GEAR	1			34T	0.825	1.815
040	36340-41563	COLLAR	1				0.088	0.1936
050	3A012-28230	GEAR	1			25T	0.645	1.419
060	3A011-28220	GEAR	1			20T	0.435	0.957
070	32530-25120	RACE INNER	1				0.13	0.286
080	3A011-28450	BOSS SPLINE	1				0.205	0.451
090	3A011-28470	SHIFTER	1				0.275	0.605
100	3A011-28210	GEAR	1			19T	0.355	0.781
110	32530-25150	RACE INNER	1				0.135	0.297
120	3A011-28182	SPACER	1			15mm	0.16	0.352
130	3A011-34323	GEAR	1			35T	1.26	2.772
140	3A011-28350	BEARING NEEDLE	2				0.025	0.055
150	3A151-28610	COLLAR THRUST	1				0.034	0.0748
160	08101-06306	BEARING BALL	1				0.335	0.737
170	3A011-28690	RETAINER BEARING	1				0.06	0.132
180	01128-50825	BOLT	2				0.015	0.033

SECOND SHAFT

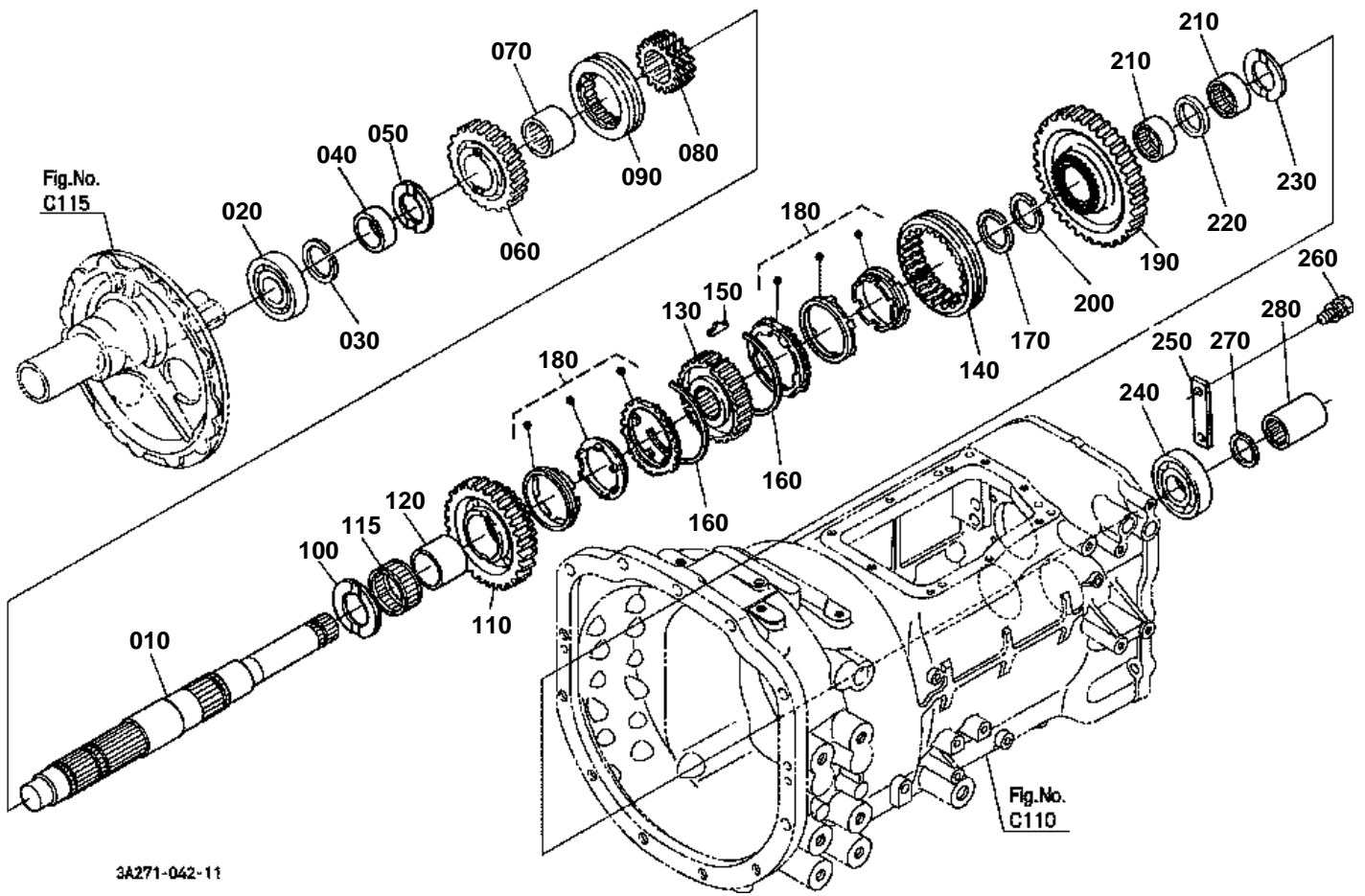


**SECOND SHAFT**

↔ Interchangeable; ≠ not interchangeable; ← new for old; → old for new

REF.No	Part No.	Description	Q'ty	S.No.	I/C	REMARKS	Weight (kgf)	Weight (lb)
010	3A012-28110	GEAR-SHAFT	1			13-13T	2.1	4.62
020	08511-02520	BUSH	1				0.02	0.044
030	36730-28043	CIR-CLIP EXTERNAL	1				0.01	0.022
040	3A012-28420	COLLAR	1			5.5mm	0.014	0.0308
050	3A012-28410	RING SYNCHRONIZER	1				0.185	0.407
060	3A012-28550	BEARING BALL	1				0.034	0.0748
070	36710-31410	CIR CLIP INTERNAL	1				0.08	0.176
080	3A012-28380	COUPLING	1				0.24	0.528
090	3A012-28390	SHIFTER	1				0.24	0.528
100	32430-21440	KEY SYNCHRONIZER	3				0.004	0.0088
110	38360-21780	SPRING	2				0.001	0.0022
120	3F740-28450	RING SYNCHRONIZER	2				0.05	0.11
130	3A012-28280	GEAR	1			23T	0.71	1.562
140	32530-21820	RACE INNER	1				0.09	0.198
150	3A011-28270	GEAR	1			28T	0.88	1.936
160	3A111-28260	GEAR	1			36T	1.215	2.673
170	33550-30290	BEARING BALL	1				0.375	0.825
180	36730-28043	CIR-CLIP EXTERNAL	1				0.01	0.022
190	3A011-28690	RETAINER BEARING	1				0.06	0.132
200	01128-50825	BOLT	2				0.015	0.033

# THIRD SHAFT

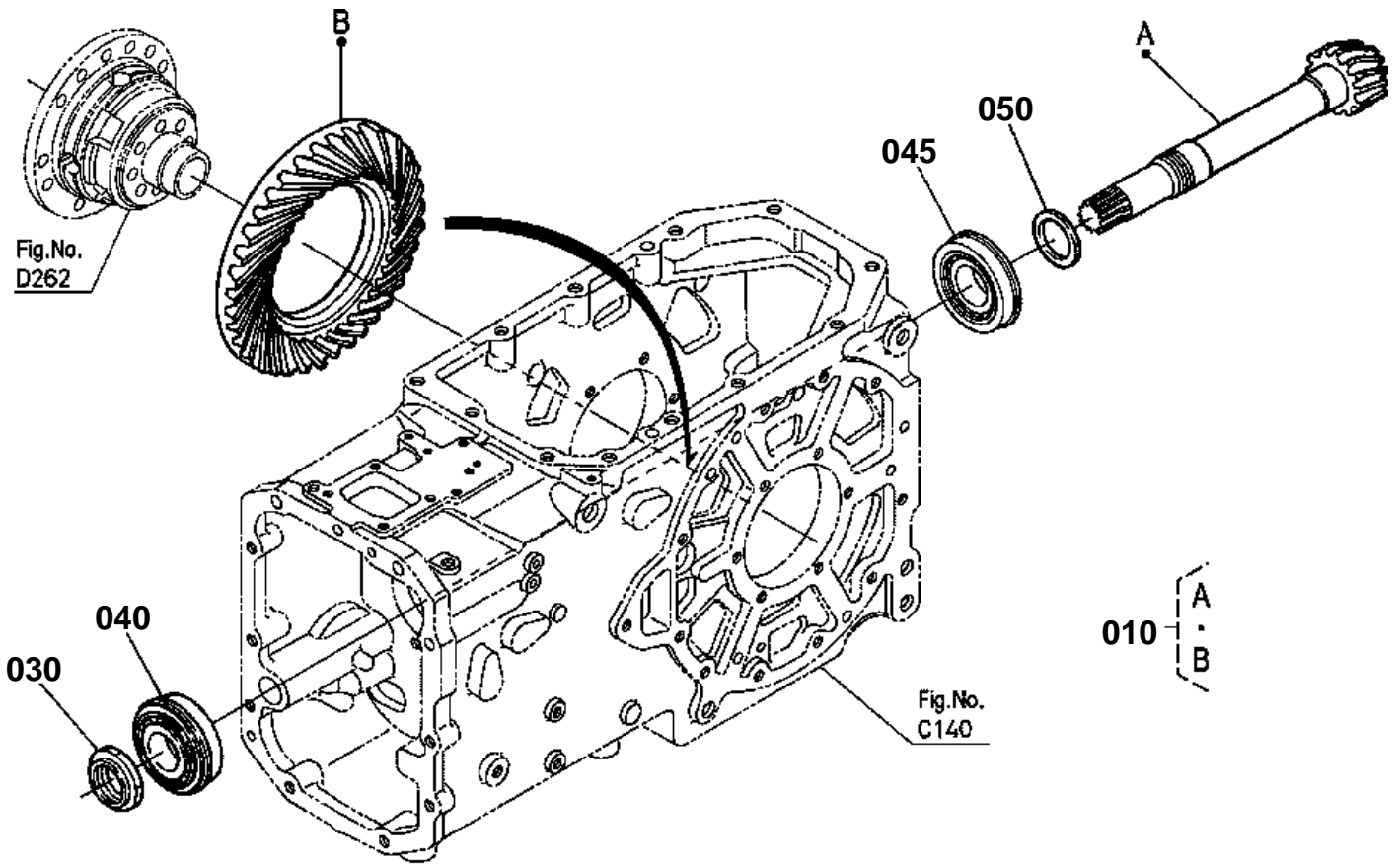


**THIRD SHAFT**

↔ Interchangeable; ≠ not interchangeable; ← new for old; → old for new

REF.No	Part No.	Description	Q'ty	S.No.	I/C	REMARKS	Weight (kgf)	Weight (lb)
010	3A111-28162	SHAFT	1				3.4	7.48
020	36540-41130	BEARING BALL	1				0.34	0.748
030	36730-28043	CIR-CLIP EXTERNAL	1				0.01	0.022
040	3A111-28620	COLLAR	1			19mm	0.096	0.2112
050	32590-21860	COLLAR THRUST	1				0.04	0.088
060	3A011-28290	GEAR	1			24T	0.68	1.496
070	32530-21820	RACE INNER	1				0.09	0.198
080	3A011-28480	BOSS SPLINE	1				0.205	0.451
090	3A011-28470	SHIFTER	1				0.275	0.605
100	32590-21860	COLLAR THRUST	1				0.04	0.088
110	3A031-28370	GEAR	1			32T	1.11	2.442
115	3A031-34260	BEARING NEEDLE	1				0.05	0.11
120	3A031-28950	RACE INNER	1				0.075	0.165
130	3A011-34220	BOSS SPLINE	1				0.515	1.133
140	3A011-34750	SHIFTER	1				0.34	0.748
150	3A011-34820	KEY SYNCHRONIZER	3				0.005	0.011
160	34550-62350	SPRING SYNCHRONIZER	2				0.01	0.022
170	36730-28043	CIR-CLIP EXTERNAL	1				0.01	0.022
180	3A011-34860	ASSY SYNCHRO	2				0.24	0.528
190	3A111-31230	GEAR	1			19-41T	2.1	4.62
200	33740-23540	CIR-CLIP NEEDLE	1				0.003	0.0066
210	3A011-28360	BEARING NEEDLE	2				0.036	0.0792
220	33740-24780	COLLAR	1				0.01	0.022
230	36330-28710	COLLAR THRUST	1			3.0mm	0.03	0.066
240	TA140-25000	BEARING BALL	1				0.342	0.7524
250	3A011-28690	RETAINER BEARING	1				0.06	0.132
260	01128-50825	BOLT	2				0.015	0.033
270	38430-25540	CIR CLIP EXTERNAL	1				0.004	0.0088
280	32530-20690	COUPLING	1				0.21	0.462

# BEVEL GEAR



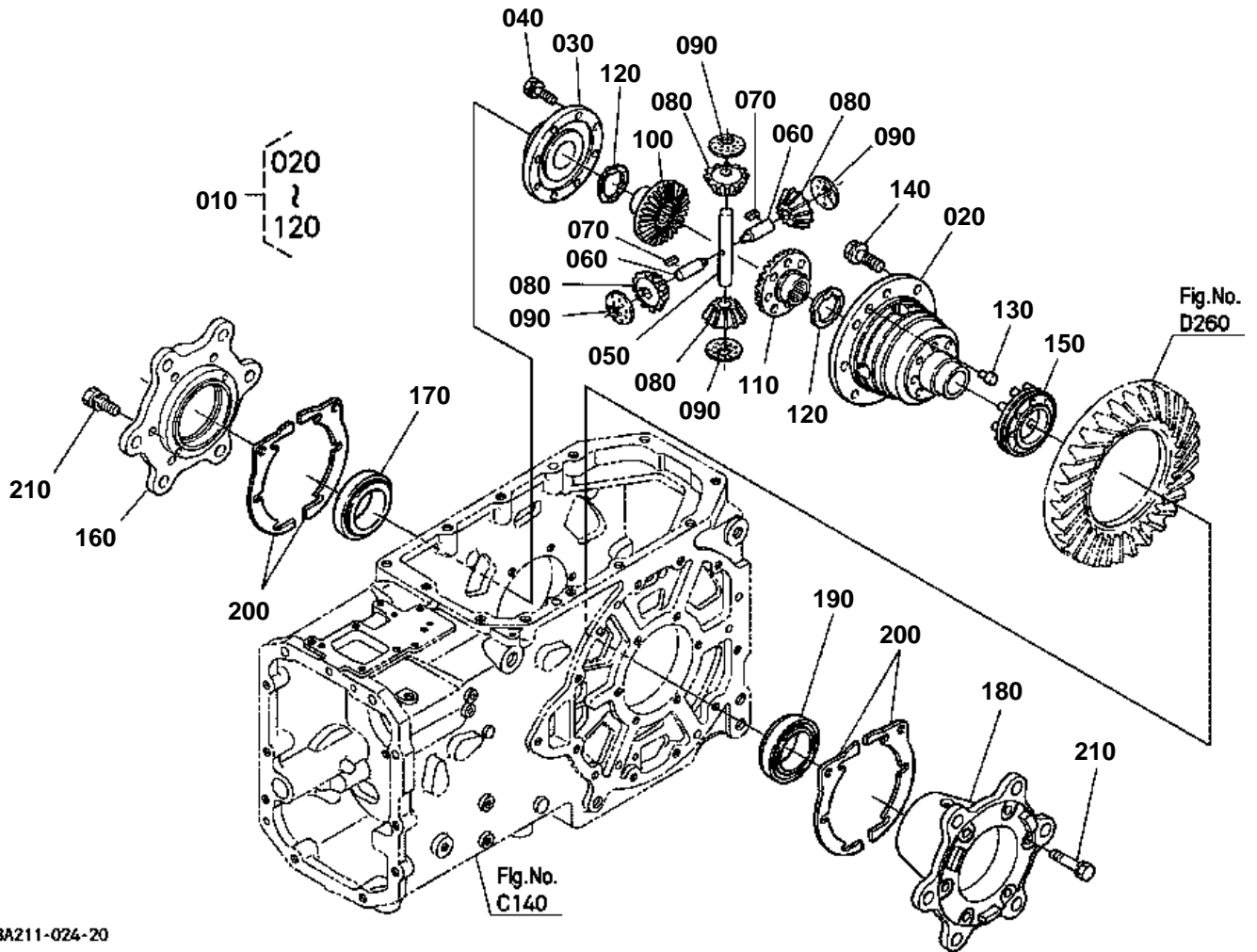
3A272-020-10

**BEVEL GEAR**

↔ Interchangeable; ≠ not interchangeable; ← new for old; → old for new

REF.No	Part No.	Description	Q'ty	S.No.	I/C	REMARKS	Weight (kgf)	Weight (lb)
010	3A272-32400	ASSY GEAR BEVEL	1				0	0
020	99999-99999	BLANK	0				0	0
030	36330-32580	NUT PINION SHAFT	1				0.08	0.176
040	3A211-32590	BEARING TAPER-ROLLER	1				0.76	1.672
045	3A211-32570	BEARING TAPER-ROLLER	1				0.78	1.716
050	33251-32450	COLLAR PINION ADJUST	1			1.00mm	0.005	0.011
050	33251-32460	COLLAR PINION ADJUST	1			1.50mm	0.008	0.0176
050	33251-32470	COLLAR PINION ADJUST	1			1.70mm	0.009	0.0198
050	33251-32480	COLLAR PINION ADJUST	1			1.75mm	0.01	0.022
050	33251-32490	COLLAR PINION ADJUST	1			1.80mm	0.01	0.022
050	33251-32510	COLLAR PINION ADJUST	1			1.90mm	0.011	0.0242
050	33251-32520	COLLAR PINION ADJUST	1			2.00mm	0.011	0.0242
050	33251-32530	COLLAR PINION ADJUST	1			2.10mm	0.011	0.0242
050	33251-32540	COLLAR PINION ADJUST	1			2.20mm	0.011	0.0242
050	33251-32550	COLLAR PINION ADJUST	1			2.25mm	0.012	0.0264
050	33251-32560	COLLAR PINION ADJUST	1			2.30mm	0.012	0.0264

DIFFERENTIAL REAR



3A211-024-20

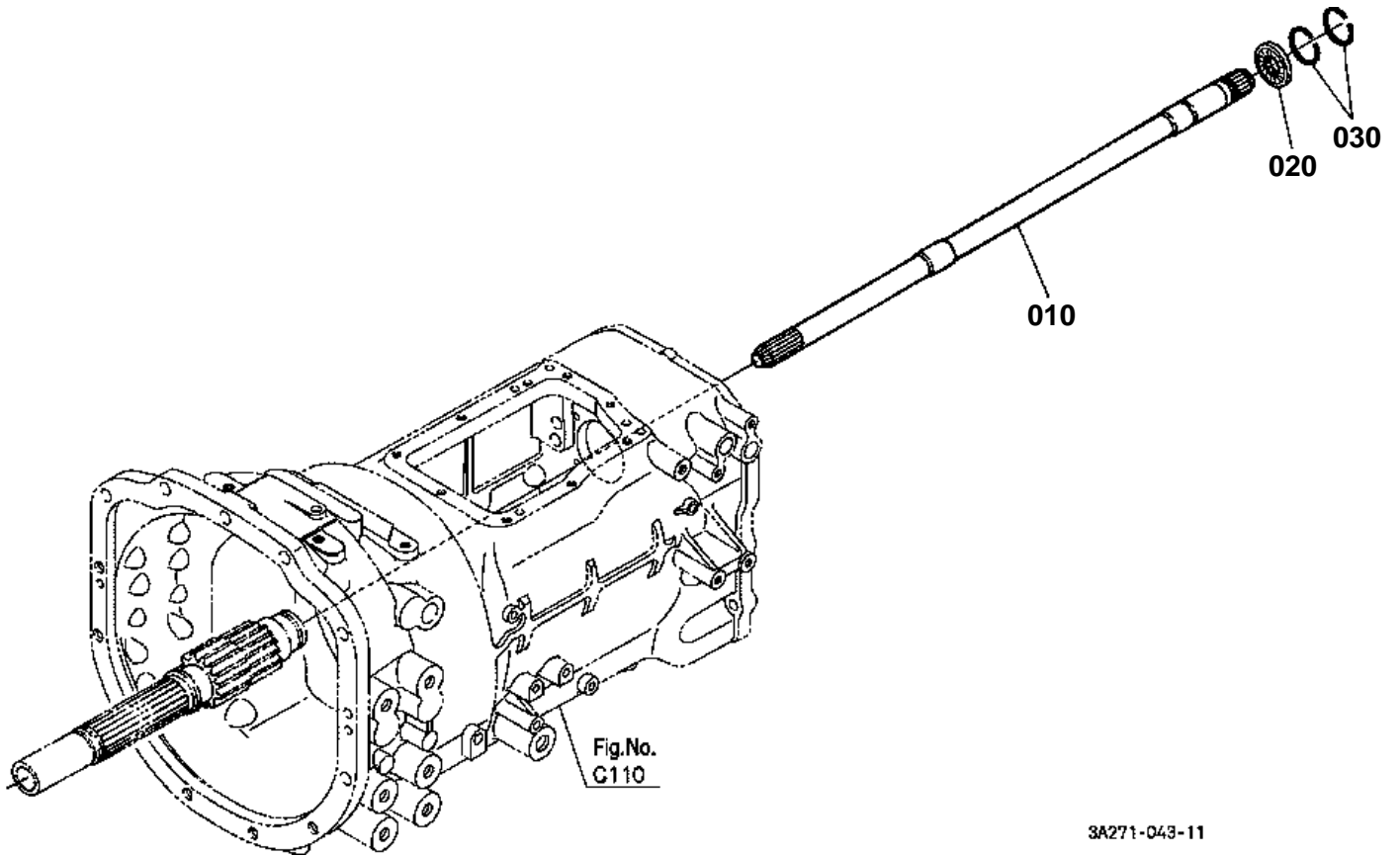




# DIFFERENTIAL REAR

↔ Interchangeable; ≠ not interchangeable; ← new for old; → old for new

REF.No	Part No.	Description	Q'ty	S.No.	I/C	REMARKS	Weight (kgf)	Weight (lb)
010	3A011-32204	ASSY DIFFERENTIAL	1				6.2	13.64
020	3A011-32710	CASE DIFFERENTIAL	1				3.35	7.37
030	3A011-32044	COVER DIFF.CASE	1				0.795	1.749
040	01133-51025	BOLT	8				0.023	0.0506
050	35430-26340	SHAFT DIFF.PINION	1				0.31	0.682
060	35430-26330	SHAFT DIFF.PINION	2				0.136	0.2992
070	31220-26280	KEY FEATHER	2				0.005	0.011
080	35430-26350	PINION DIFF.	4			12T	0.16	0.352
090	31351-26390	WASHER DIFF.PINION	4				0.012	0.0264
100	37300-26430	GEAR DIFF.SIDE RH	1			20T	0.475	1.045
110	37300-26440	GEAR DIFF.SIDE LH	1			20T	0.63	1.386
120	31351-26470	WASHER SIDE GEAR	2			1.5mm	0.01	0.022
120	31351-26480	WASHER SIDE GEAR	2			1.6mm	0.015	0.033
120	31351-26490	WASHER SIDE GEAR	2			1.7mm	0.016	0.0352
120	3A011-32760	COLLAR THRUST	2			1.8mm	0.01	0.022
120	3A011-32780	COLLAR THRUST	2			2.0mm	0.01	0.022
130	37300-28170	PIN STRAIGHT	2				0.025	0.055
140	37800-43870	BOLT	8				0.026	0.0572
150	37300-26610	SHIFTER DIFF.LOCK	1				0.46	1.012
160	3A011-32113	SUPPORT DIFF.RH	1				2.6	5.72
170	32590-26590	BEARING TAPER-ROLLER	1				0.67	1.474
180	3A011-32123	SUPPORT DIFF.LH	1				4.4	9.68
190	08711-30209	BEARING TAPER-ROLLER	1				0.458	1.0076
200	3A011-32130	SHIM	8			0.1mm	0.004	0.0088
200	3A011-32140	SHIM	8			0.3mm	0.004	0.0088
200	3A011-32150	SHIM	4			0.5mm	0.004	0.0088
210	01133-51035	BOLT	12				0.03	0.066



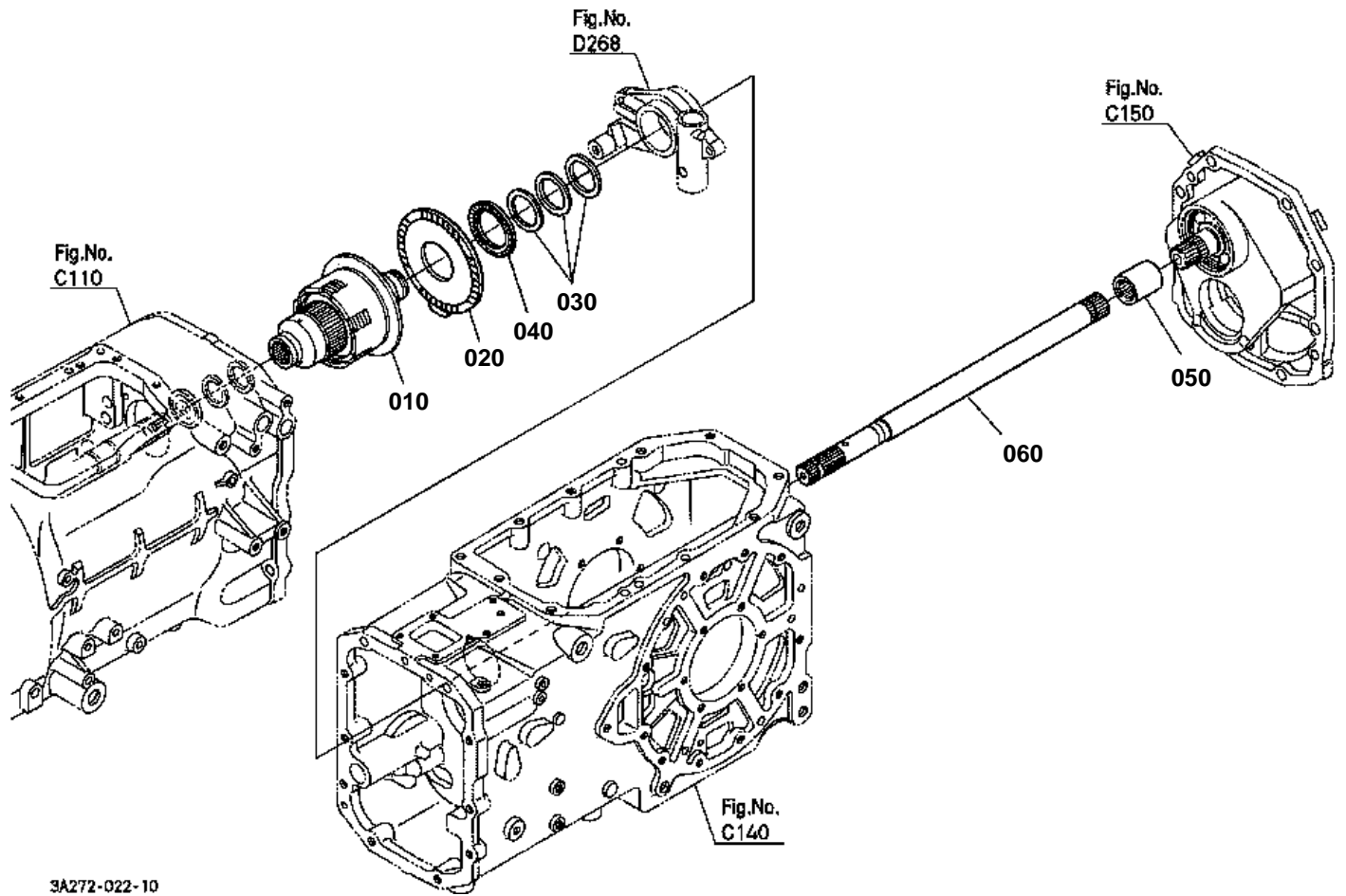


# PTO PROPELLER SHAFT

↔ Interchangeable; ≠ not interchangeable; ← new for old; → old for new

REF.No	Part No.	Description	Q'ty	S.No.	I/C	REMARKS	Weight (kgf)	Weight (lb)
010	3A111-25610	SHAFT PROPELLER	1				2.5	5.5
020	3A011-25640	BEARING THRUST	1				0.018	0.0396
030	38430-21550	CIR CLIP EXTERNAL	2				0.005	0.011

# PTO CLUTCH



3A272-022-10

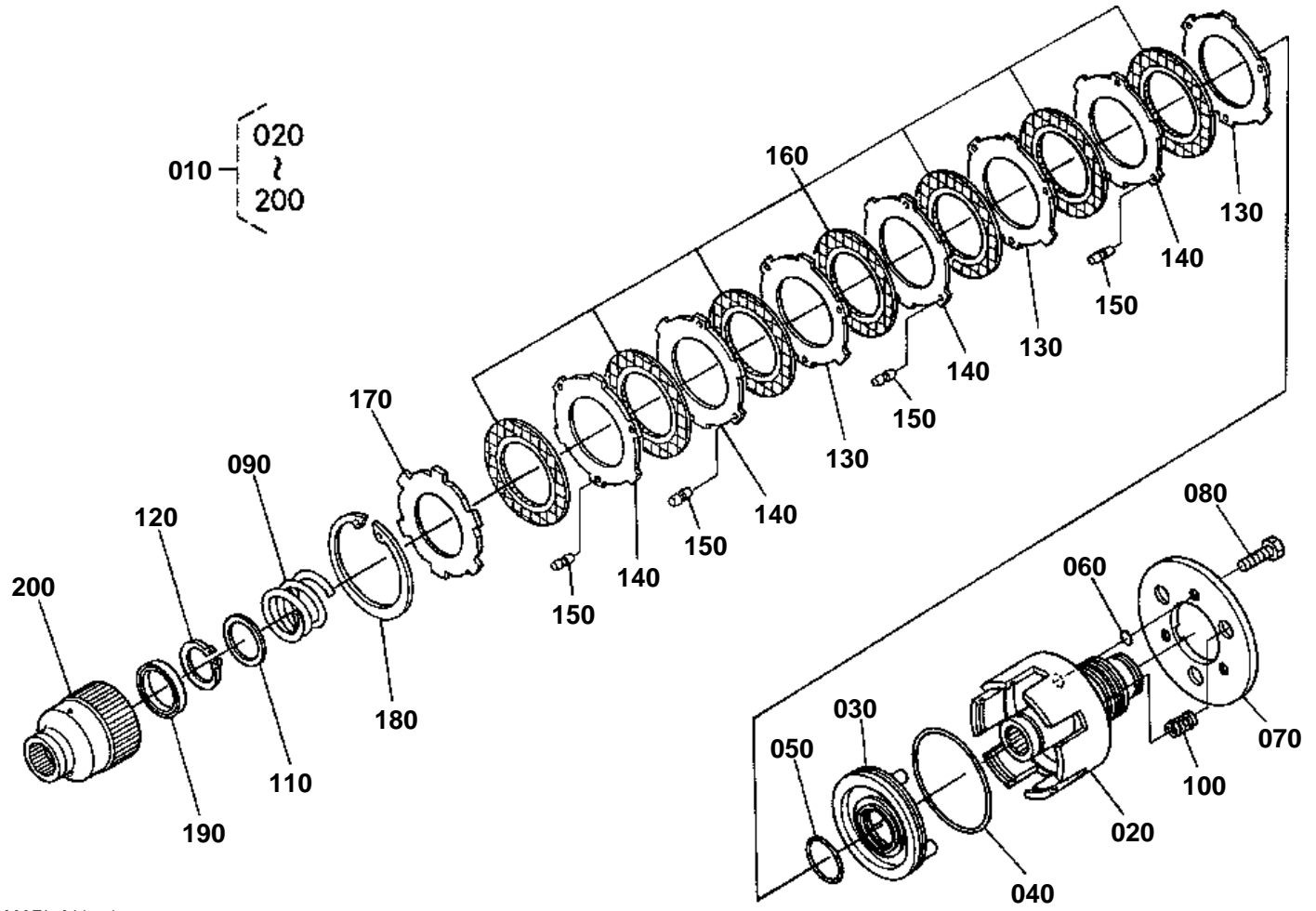


# PTO CLUTCH

↔ Interchangeable; ≠ not interchangeable; ← new for old; → old for new

REF.No	Part No.	Description	Q'ty	S.No.	I/C	REMARKS	Weight (kgf)	Weight (lb)
010	3A272-27000	ASSY CLUTCH PTO	1				3.9	8.58
020	TA040-69150	DISK BRAKE	1				0.41	0.902
030	3G700-27372	RING SEAL	3				0.001	0.0022
040	TA040-69160	BEARING NEEDLE	1				0.029	0.0638
050	33860-24390	COUPLING PTO	1				0.14	0.308
060	3A111-79120	SHAFT PROPELLER	1				2.1	4.62

PTO CLUTCH [COMPONENT PARTS]



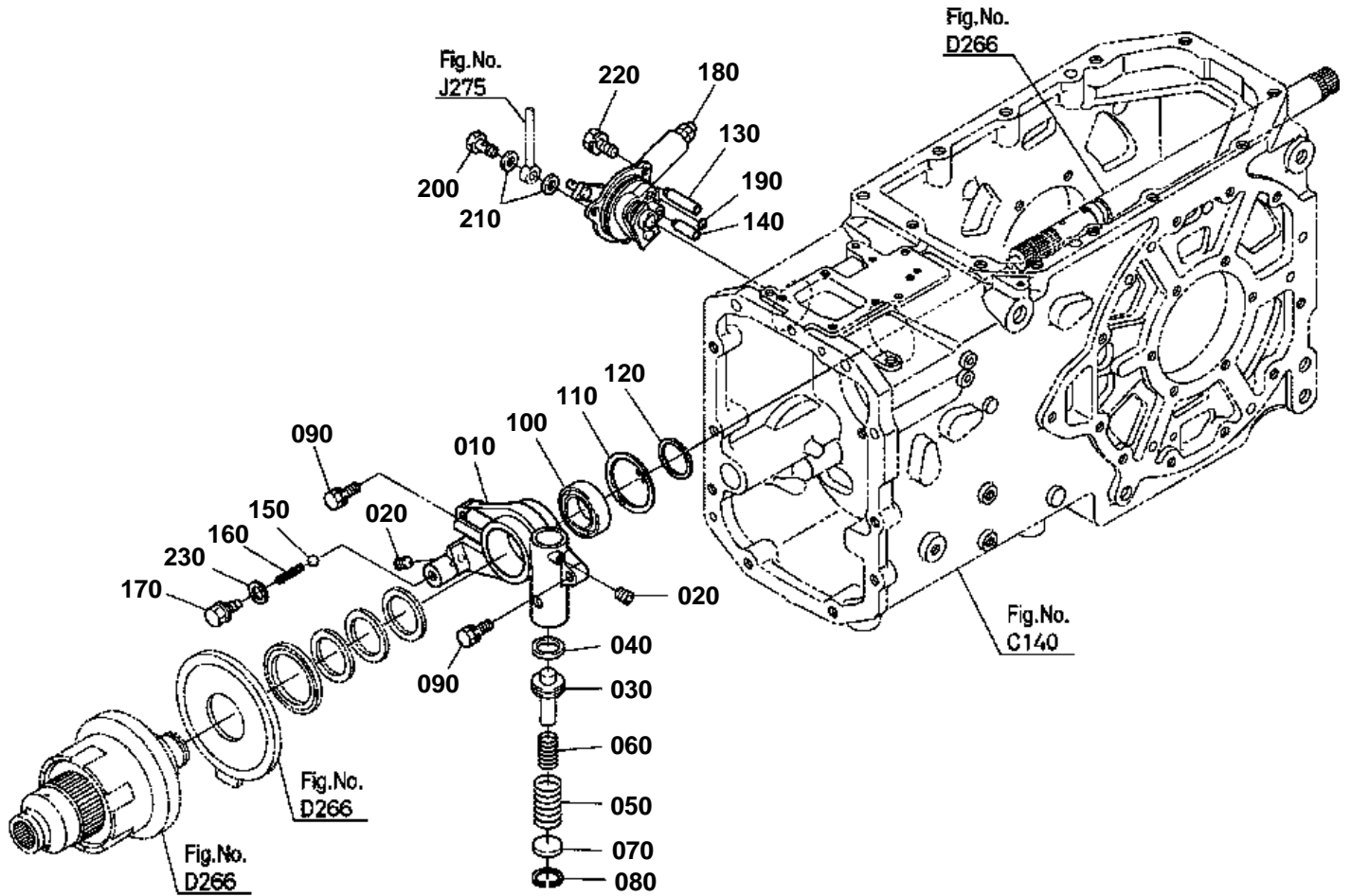
3A272-023-10

**PTO CLUTCH [COMPONENT PARTS]**

↔ Interchangeable; ≠ not interchangeable; ← new for old; → old for new

REF.No	Part No.	Description	Q'ty	S.No.	I/C	REMARKS	Weight (kgf)	Weight (lb)
010	3A272-27000	ASSY CLUTCH PTO	1				3.9	8.58
020	3A211-27110	BODY PTO CLUTCH	1				1.63	3.586
030	TA040-69020	PISTON	1				0.395	0.869
040	31501-72330	D RING OUTER	1				0.005	0.011
050	31501-72470	D RING INNER	1				0.001	0.0022
060	04816-00100	O RING	3				0.01	0.022
070	3A211-27220	PLATE BRAKE	1				0.64	1.408
080	TA040-69040	BOLT	3				0.004	0.0088
090	TA040-69050	SPRING RETURN	1				0.075	0.165
100	TA040-69060	SPRING RETURN	3				0.008	0.0176
110	PF801-31260	WASHER	1				0.015	0.033
120	04612-00350	CIR CLIP EXTERNAL	1				0.01	0.022
130	TA040-69080	PLATE	3				0.036	0.0792
140	TA040-69080	PLATE	4				0.036	0.0792
150	TA040-69090	RUBBER	12				0.001	0.0022
160	34070-15250	DISK CLUTCH	7				0.04	0.088
170	3A111-27150	PLATE	1				0.124	0.2728
180	04611-00920	CIR CLIP INTERNAL	1				0.04	0.088
190	08101-06807	BEARING BALL	1				0.03	0.066
200	3A272-27170	HUB PTO CLUTCH	1				0.36	0.792

# PTO CLUTCH VALVE



3A272-048-10



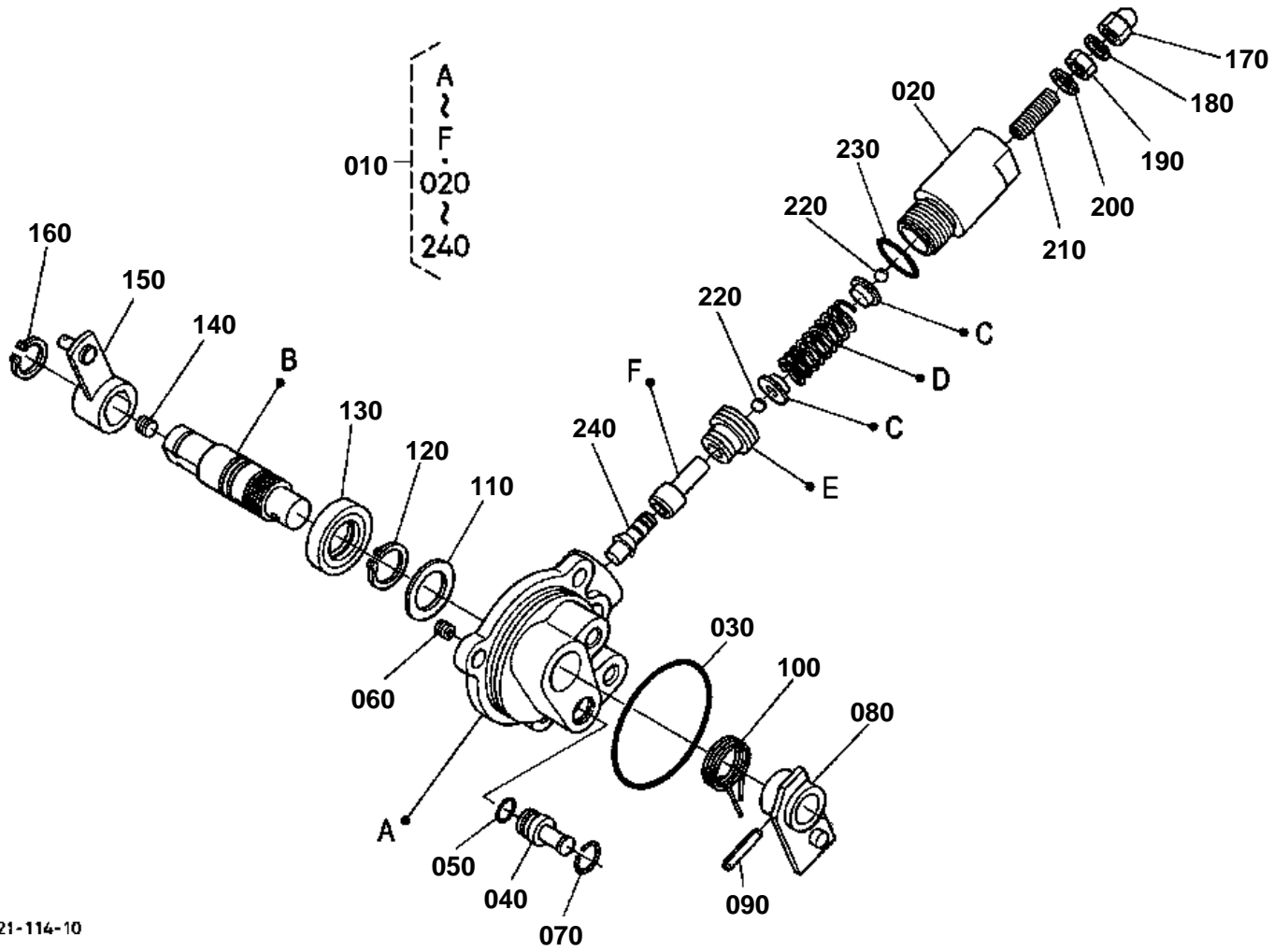


# PTO CLUTCH VALVE

↔ Interchangeable; ≠ not interchangeable; ← new for old; → old for new

REF.No	Part No.	Description	Q'ty	S.No.	I/C	REMARKS	Weight (kgf)	Weight (lb)
010	3A211-27250	HOLDER PTO CLUTCH	1				1.71	3.762
020	32420-67380	PLUG	2				0.005	0.011
030	TA040-69210	PISTON	1				0.09	0.198
040	34076-65170	SEAL PISTON	1				0.005	0.011
050	TA040-69230	SPRING	1				0.039	0.0858
060	TA040-69240	SPRING	1				0.024	0.0528
070	3A011-27260	COVER PTO	1				0.018	0.0396
080	04611-00280	CIR CLIP INTERNAL	1				0.002	0.0044
090	01123-50830	BOLT	2				0.015	0.033
100	08101-06007	BEARING BALL	1				0.16	0.352
110	04611-00620	CIR CLIP INTERNAL	1				0.011	0.0242
120	33740-27292	CIR CLIP EXTERNAL	1				0.007	0.0154
130	34555-69330	PIPE HYDRAULIC	1				0.007	0.0154
140	36530-27273	PIPE HYDRAULIC	1				0.005	0.011
150	07715-03211	BALL	1				0.003	0.0066
160	32590-28220	SPRING	1				0.002	0.0044
170	3A011-29410	BOLT	1				0.035	0.077
180	3A111-27400	ASSY VALVE PTO	1				1.51	3.322
190	04817-00090	O RING	1				0.001	0.0022
200	34076-66590	BOLT JOINT	1				0.05	0.11
210	04714-00200	GASKET	2				0.002	0.0044
220	01123-50820	BOLT	3				0.011	0.0242
230	04011-50120	WASHER PLAIN	1				0.005	0.011

PTO CLUTCH VALVE [COMPONENT PARTS]



3A021-114-10

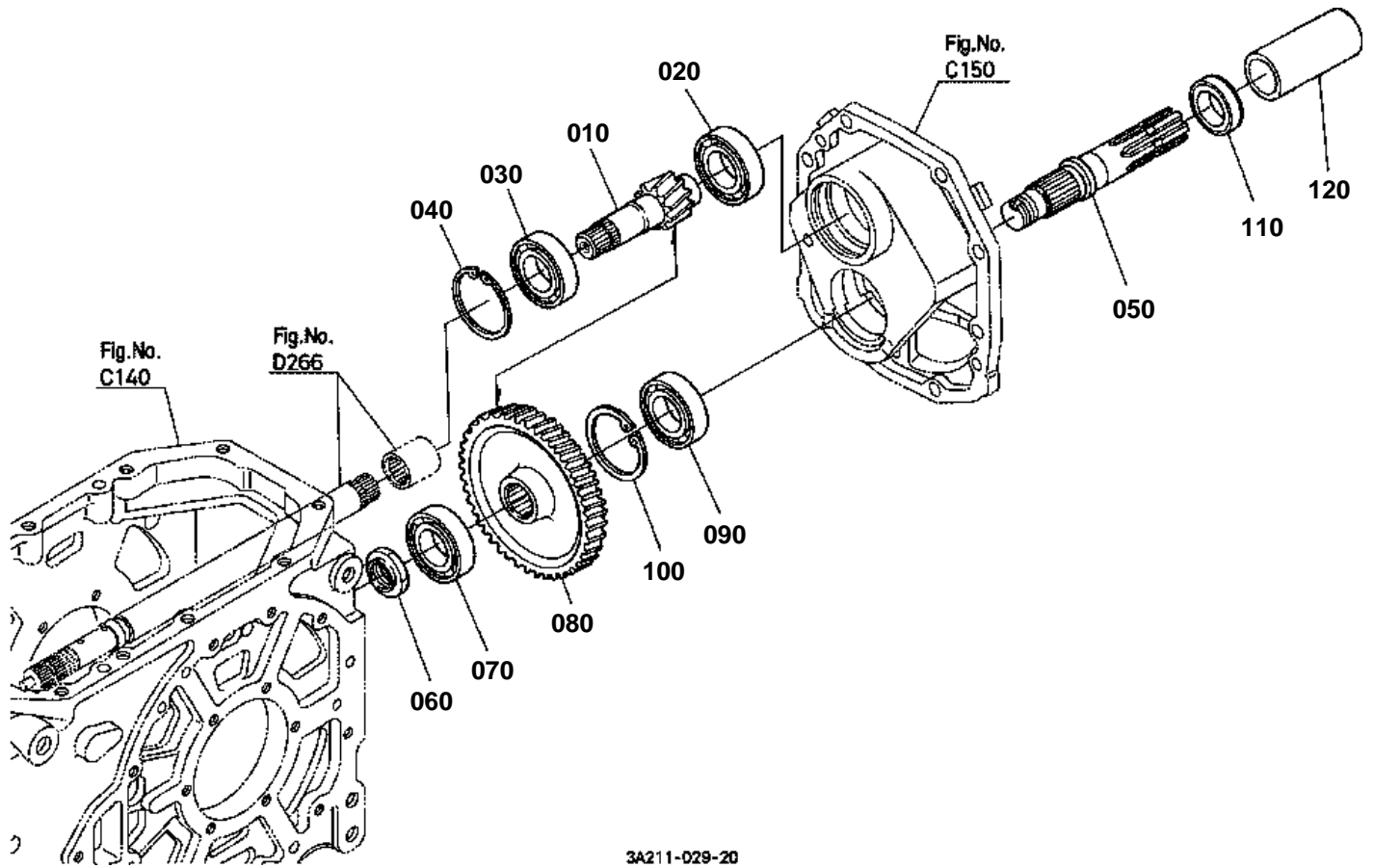


# PTO CLUTCH VALVE [COMPONENT PARTS]

↔ Interchangeable; ≠ not interchangeable; ← new for old; → old for new

REF.No	Part No.	Description	Q'ty	S.No.	I/C	REMARKS	Weight (kgf)	Weight (lb)
010	3A111-27400	ASSY VALVE PTO	1				1.51	3.322
020	3A011-27420	SUPPORT PTO VALVE	1				0.29	0.638
030	04811-06630	O RING	1				0.001	0.0022
040	TA040-69320	PLUG	1				0.006	0.0132
050	04817-00090	O RING	1				0.001	0.0022
060	3A011-23190	ORIFICE	1				0.001	0.0022
070	67401-03690	RING	1				0.001	0.0022
080	TA040-69340	LEVER VALVE ROTOR	1				0.057	0.1254
090	05411-00522	PIN SPRING	1				0.002	0.0044
100	TA040-69360	SPRING	1				0.014	0.0308
110	50770-12180	COLLAR THRUST	1				0.003	0.0066
120	04612-00200	CIR CLIP EXTERNAL	1				0.001	0.0022
130	09500-20358	SEAL OIL	1				0.01	0.022
140	67511-36640	PLUG	1				0.003	0.0066
150	3A011-27430	LEVER PTO VALVE	1				0.054	0.1188
160	04612-00180	CIR CLIP EXTERNAL	1				0.001	0.0022
170	32420-68590	NUT	1				0.005	0.011
180	04714-00080	GASKET	1				0.001	0.0022
190	02114-50080	NUT	1				0.005	0.011
200	62571-13330	WASHER SEAL	1				0.003	0.0066
210	03651-50825	SCREW SET	1				0.01	0.022
220	07715-00401	BALL	2				0.001	0.0022
230	04817-00220	O RING	1				0.001	0.0022
240	48100-36310	SEAT RELIEF VALVE	1				0.01	0.022

PTO SHAFT



3A211-029-20

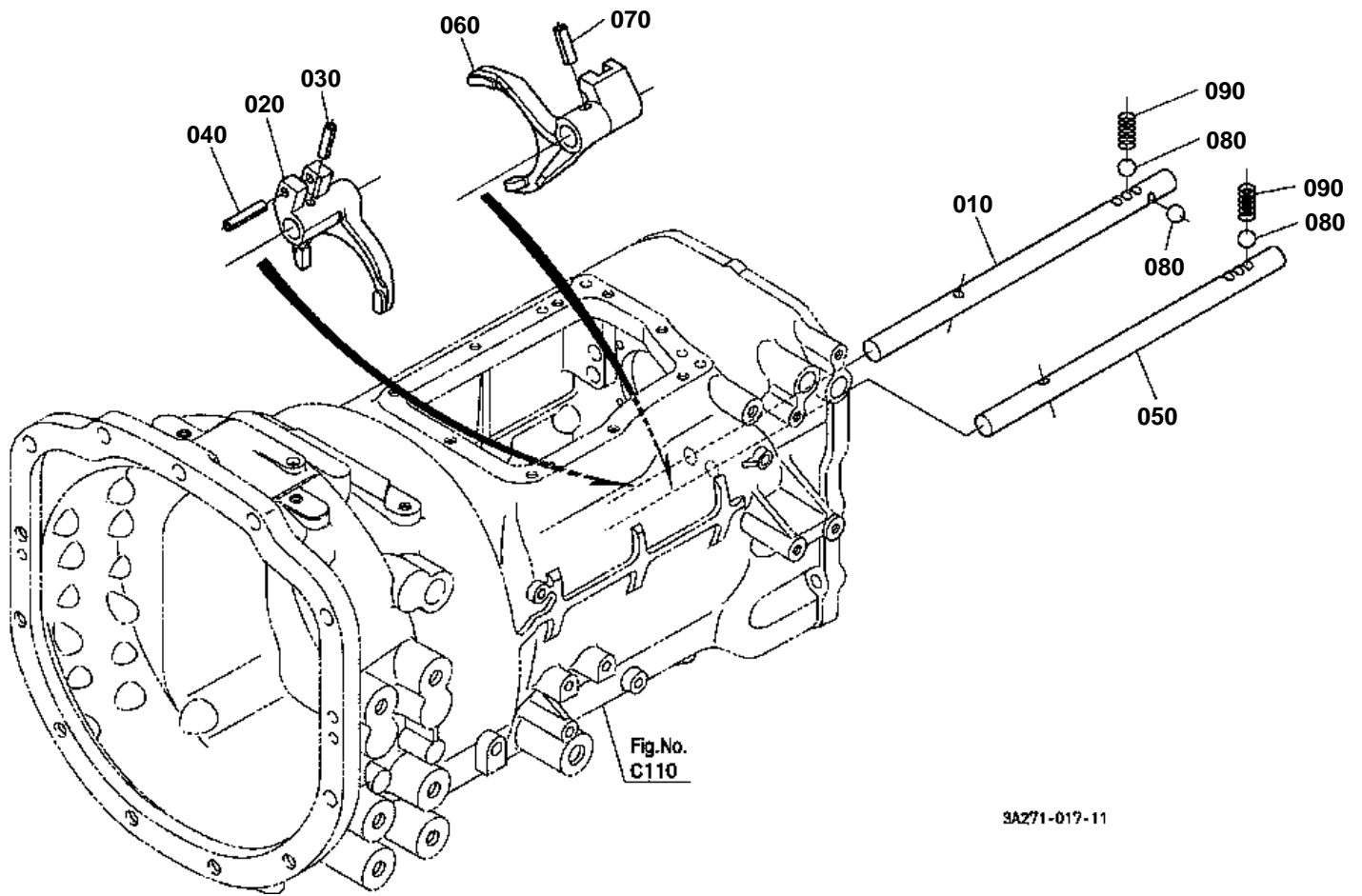


# PTO SHAFT

↔ Interchangeable; ≠ not interchangeable; ← new for old; → old for new

REF.No	Part No.	Description	Q'ty	S.No.	I/C	REMARKS	Weight (kgf)	Weight (lb)
010	3A211-79130	GEAR-SHAFT PTO	1			12T	0.84	1.848
020	08101-06306	BEARING BALL	1				0.335	0.737
030	36540-41130	BEARING BALL	1				0.34	0.748
040	04611-00720	CIR CLIP INTERNAL	1				0.018	0.0396
050	3A011-80140	SHAFT PTO	1				1.31	2.882
060	34150-25330	NUT	1				0.039	0.0858
070	08101-06306	BEARING BALL	1				0.335	0.737
080	3A011-80310	GEAR PTO	1			51T	2.3	5.06
090	35523-34430	BEARING BALL	1				0.275	0.605
100	04611-00720	CIR CLIP INTERNAL	1				0.018	0.0396
110	3A111-80290	SEAL OIL	1				0.065	0.143
120	31220-25820	CAP	1				0.055	0.121

# MAIN GEAR SHIFT FORK



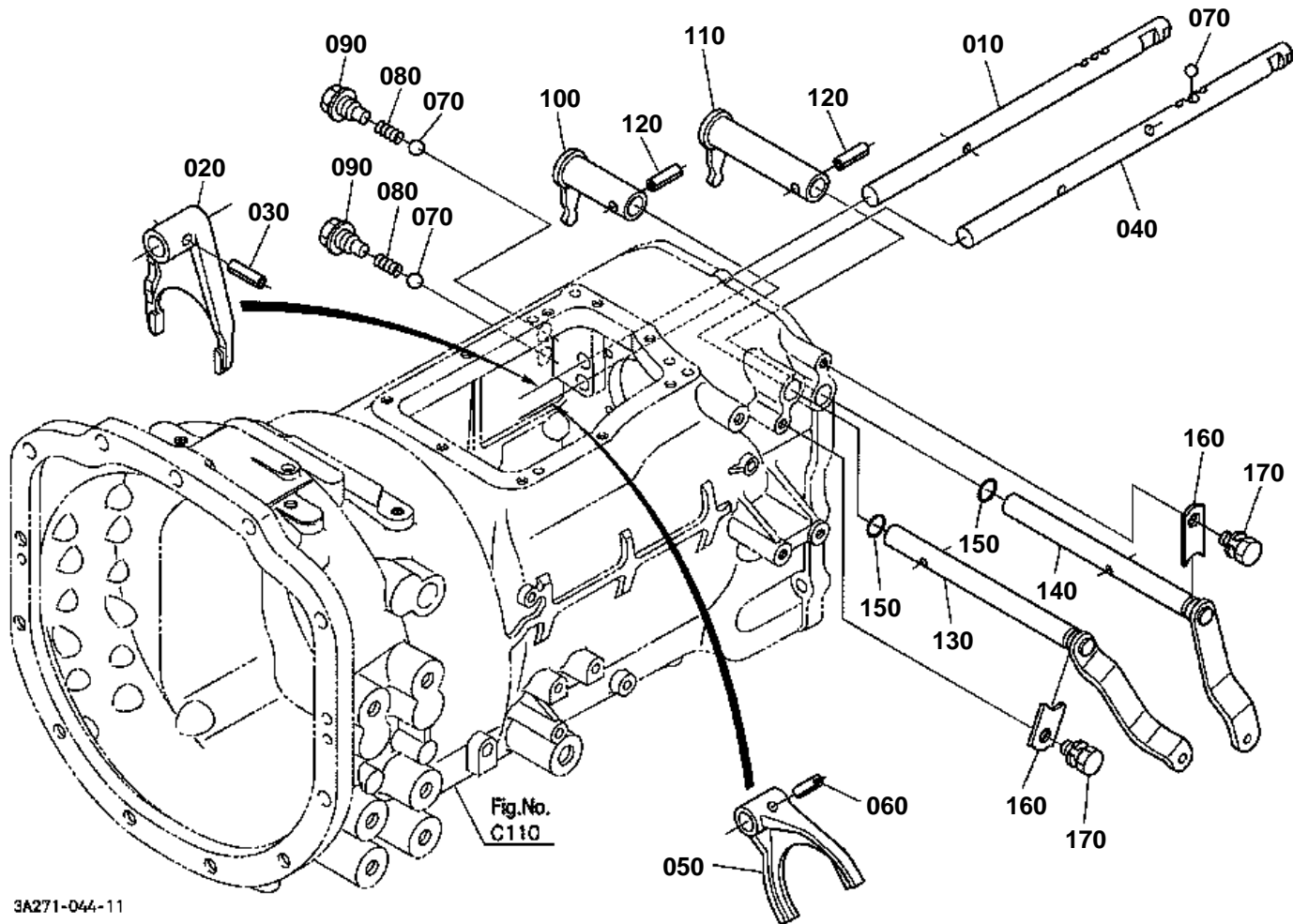


## MAIN GEAR SHIFT FORK

↔ Interchangeable; ≠ not interchangeable; ← new for old; → old for new

REF.No	Part No.	Description	Q'ty	S.No.	I/C	REMARKS	Weight (kgf)	Weight (lb)
010	3A011-29210	ROD SHIFT	1				0.6	1.32
020	3A031-29140	FORK MAIN SHIFT	1				0.41	0.902
030	05411-00628	PIN SPRING	1				0.004	0.0088
040	05411-00536	PIN SPRING	1				0.003	0.0066
050	3A012-29220	ROD SHIFT	1				0.62	1.364
060	3A012-29160	FORK MAIN SHIFT	1				0.395	0.869
070	05411-00628	PIN SPRING	1				0.004	0.0088
080	07715-03211	BALL	3				0.003	0.0066
090	3A011-29420	SPRING	2				0.004	0.0088

RANGE GEAR SHIFT FORK



3A271-044-11



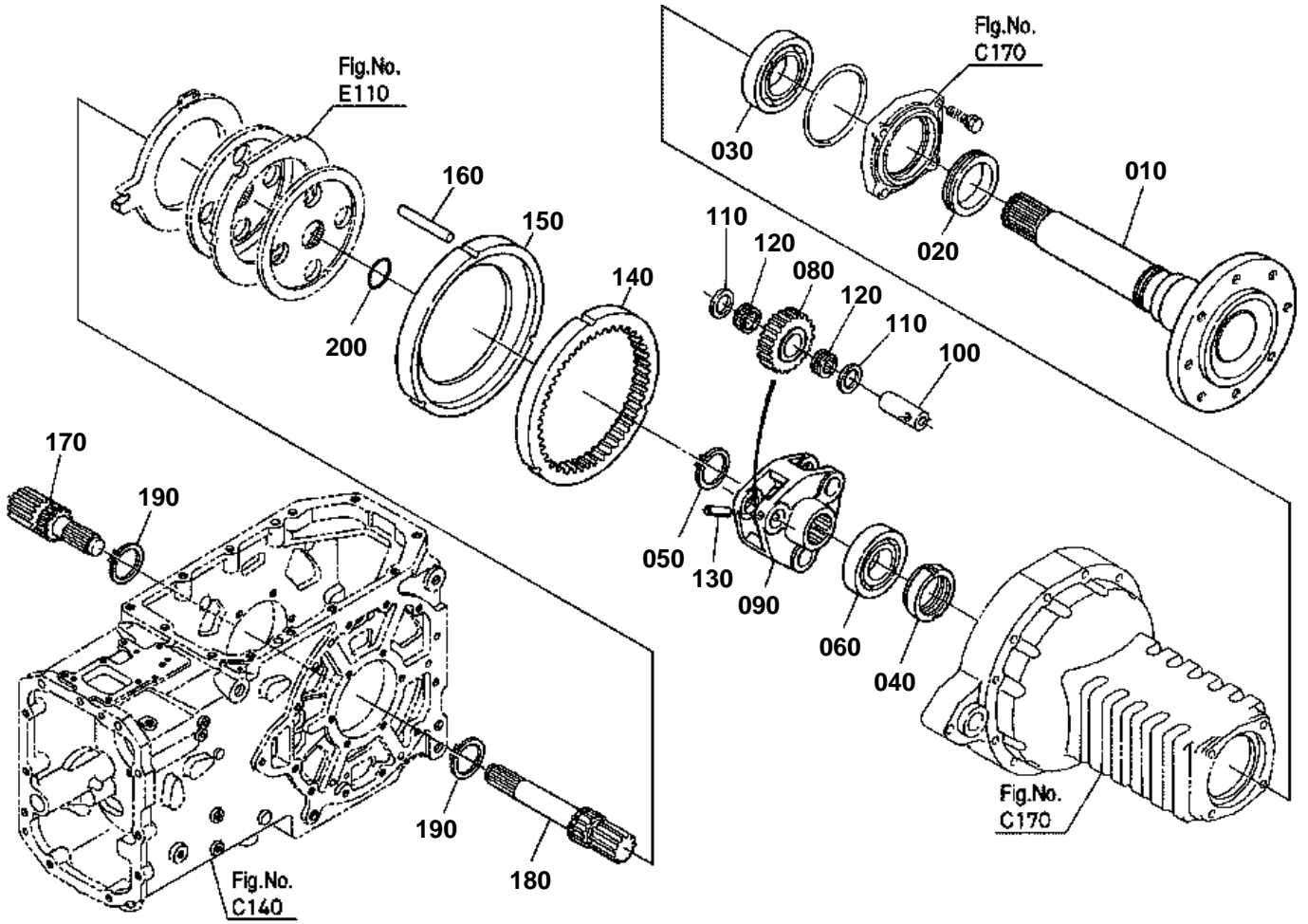


# RANGE GEAR SHIFT FORK

↔ Interchangeable; ≠ not interchangeable; ← new for old; → old for new

REF.No	Part No.	Description	Q'ty	S.No.	I/C	REMARKS	Weight (kgf)	Weight (lb)
010	3A011-31320	ROD SHIFT	1				0.68	1.496
020	3A011-31310	FORK SHIFT	1				0.39	0.858
030	05411-00628	PIN SPRING	1				0.004	0.0088
040	3A011-29260	ROD SHIFT	1				0.745	1.639
050	3A011-29870	FORK SHIFT	1				0.37	0.814
060	05411-00628	PIN SPRING	1				0.004	0.0088
070	07715-03211	BALL	3				0.003	0.0066
080	62231-18530	SPRING	2				0.01	0.022
090	3A011-29410	BOLT	2				0.035	0.077
100	3A011-31420	LEVER SHIFT	1				0.33	0.726
110	3A011-29840	LEVER SHIFT	1				0.325	0.715
120	05411-00836	PIN SPRING	2				0.008	0.0176
130	3A111-31430	LEVER SHIFT	1				0.74	1.628
140	3A011-29850	LEVER SHIFT	1				0.69	1.518
150	04816-00160	O RING	2				0.003	0.0066
160	34150-24350	STOPPER LEVER	2				0.01	0.022
170	01123-60816	BOLT	2				0.01	0.022

REAR AXLE



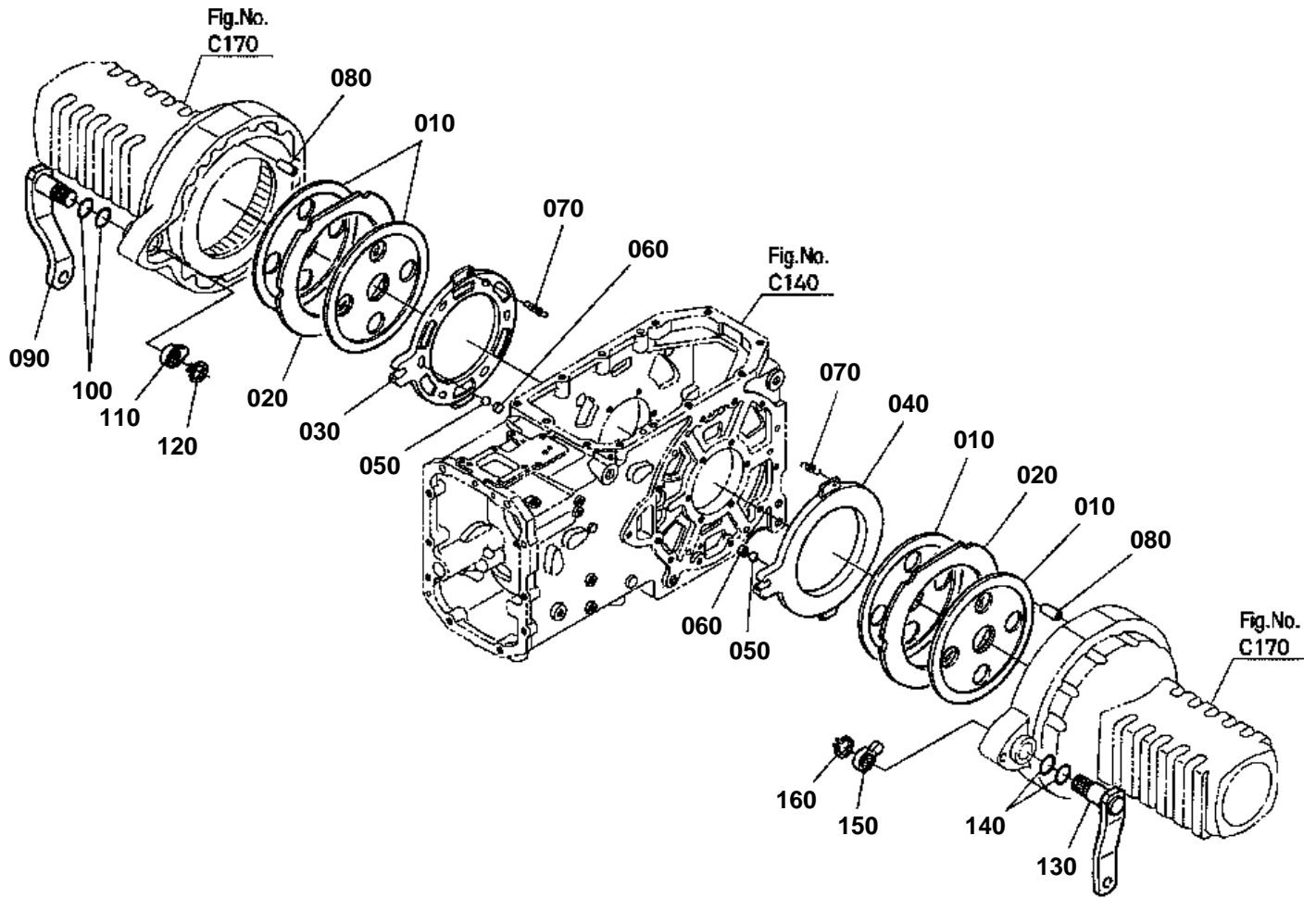
3A272-021-10



## REAR AXLE

↔ Interchangeable; ≠ not interchangeable; ← new for old; → old for new

REF.No	Part No.	Description	Q'ty	S.No.	I/C	REMARKS	Weight (kgf)	Weight (lb)
010	3A211-48210	AXLE REAR	2				20	44
020	36830-48250	SEAL WITH SHAFT	2				0.14	0.308
030	08101-06213	BEARING BALL	2				0.97	2.134
040	36330-48270	NUT	2				0.26	0.572
050	04612-00550	CIR CLIP EXTERNAL	2				0.01	0.022
060	08101-06211	BEARING BALL	2				0.6	1.32
070	99999-99999	BLANK	0				0	0
080	3A111-48320	GEAR PLANETARY	6			26T	1.25	2.75
090	32530-26823	SUPPORT PLANE.GEAR	2				4	8.8
100	3G700-48360	PIN PLANETARY GEAR	6				0.43	0.946
110	32530-26840	COLLAR THRUST	12				0.015	0.033
120	35080-22560	BEARING NEEDLE	12				0.05	0.11
130	05411-00830	PIN SPRING	6				0.007	0.0154
140	3A111-48310	GEAR INTERNAL	2			65T	2.7	5.94
150	3A011-65120	PLATE STOPPER	2				3.2	7.04
160	3A011-48410	PIN BRAKE	6				0.075	0.165
170	3A211-48460	GEAR-SHAFT BRAKE RH	1			13T	1.7	3.74
180	3A211-48470	GEAR-SHAFT BRAKE LH	1			13T	2.4	5.28
190	04612-00550	CIR CLIP EXTERNAL	2				0.01	0.022
200	04816-08480	O RING	2				0.005	0.011



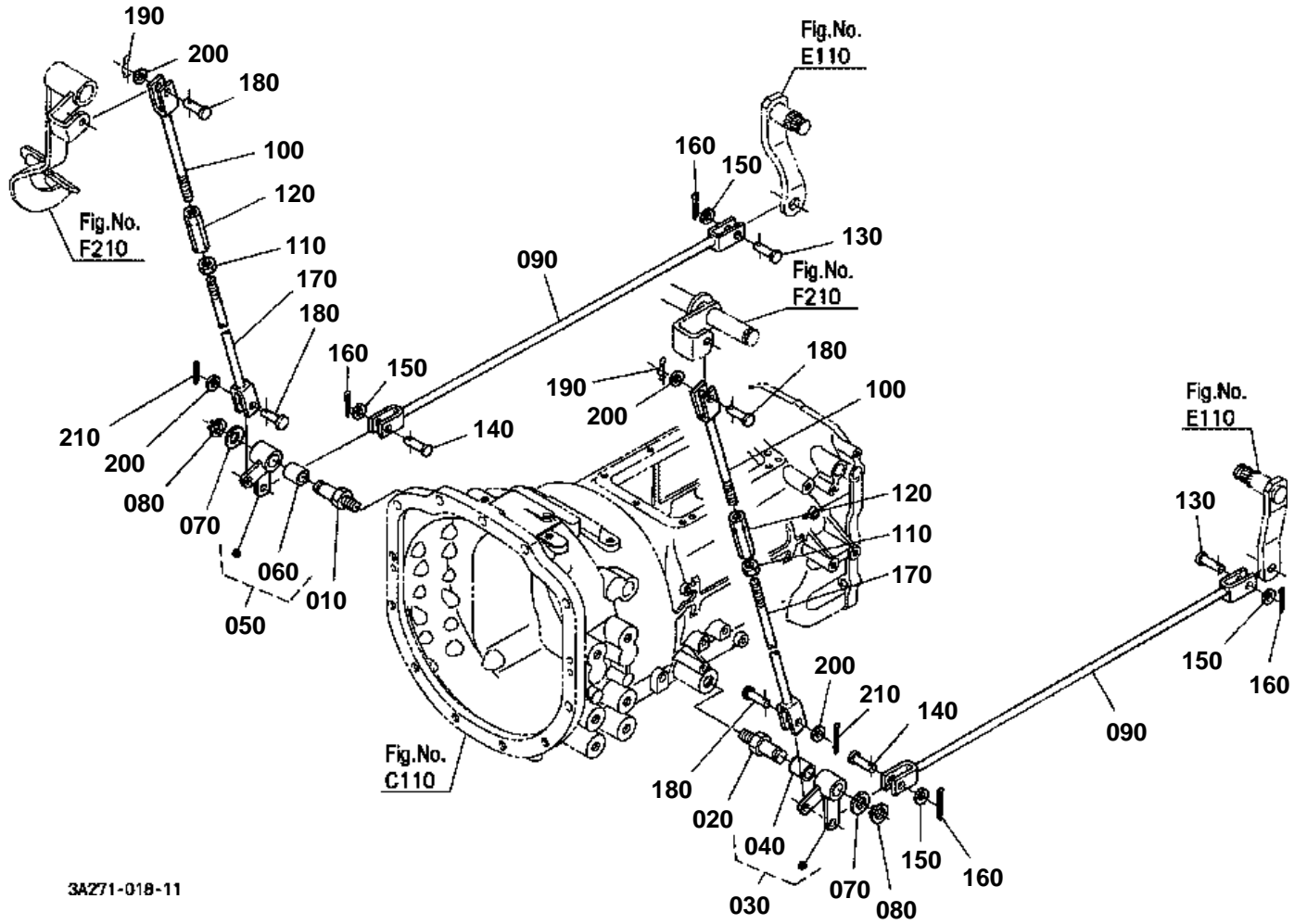
3A021-028-20

**BRAKE**

↔ Interchangeable; ≠ not interchangeable; ← new for old; → old for new

REF.No	Part No.	Description	Q'ty	S.No.	I/C	REMARKS	Weight (kgf)	Weight (lb)
010	32530-28280	PLATE FRICTION	4				0.92	2.024
020	36330-65130	PLATE	2				0.56	1.232
030	3A011-65140	PLATE BRAKE CAM RH	1				2	4.4
040	3A011-65150	PLATE BRAKE CAM LH	1				2	4.4
050	07715-00805	BALL	12				0.016	0.0352
060	37150-28250	SEAT BALL	12				0.003	0.0066
070	3A011-65810	SPRING	4				0.005	0.011
080	3A011-65160	COLLAR	6			34.8mm	0.014	0.0308
090	3A011-65330	SHAFT BRAKE CAM RH	1				0.99	2.178
100	04816-50300	O RING	2				0.001	0.0022
110	3A011-65310	CAM BRAKE	1				0.1	0.22
120	04612-00280	CIR CLIP EXTERNAL	1				0.003	0.0066
130	3A011-65340	SHAFT BRAKE CAM LH	1				1.045	2.299
140	04816-50300	O RING	2				0.001	0.0022
150	3A011-65310	CAM BRAKE	1				0.1	0.22
160	04612-00280	CIR CLIP EXTERNAL	1				0.003	0.0066

BRAKE ROD



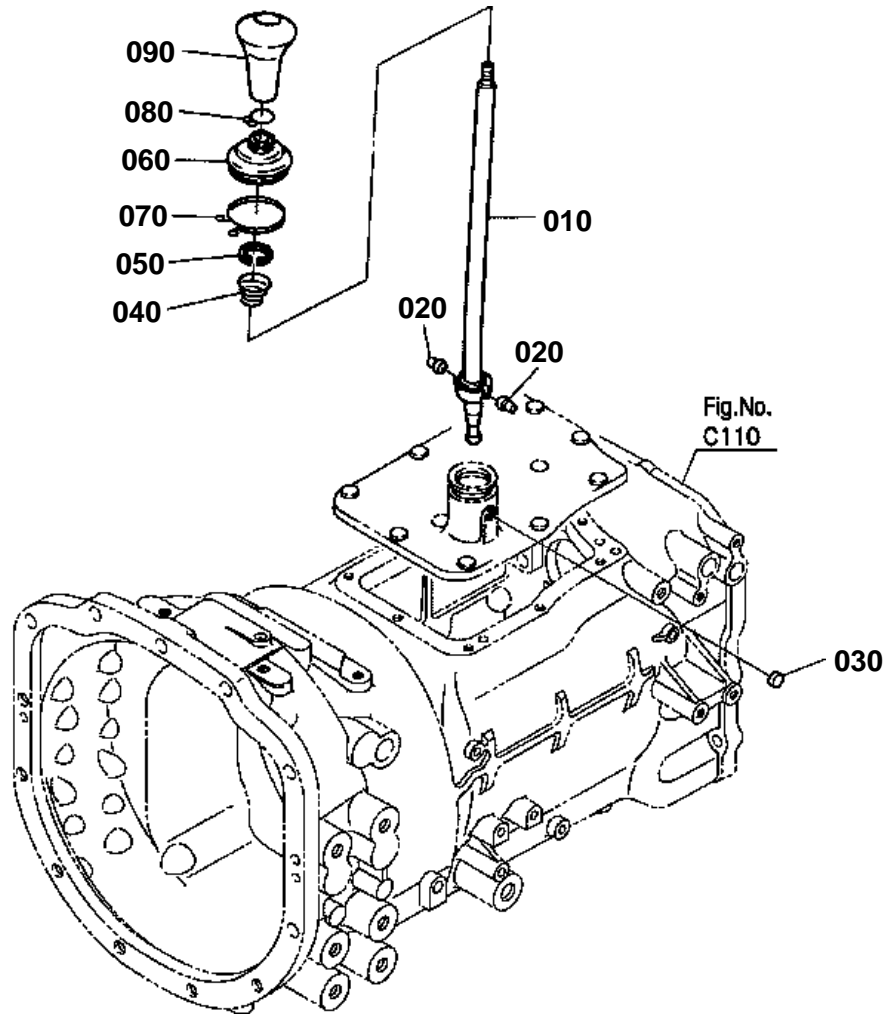
3A271-018-11

**BRAKE ROD**

↔ Interchangeable; ≠ not interchangeable; ← new for old; → old for new

REF.No	Part No.	Description	Q'ty	S.No.	I/C	REMARKS	Weight (kgf)	Weight (lb)
010	34070-44870	SHAFT BRAKE LH	1				0.225	0.495
020	34070-44880	SHAFT BRAKE RH	1				0.22	0.484
030	3A011-65260	ASSY LEVER BRAKE LH	1				0.285	0.627
040	34070-44890	BUSH	1				0.035	0.077
050	3A011-65250	ASSY LEVER BRAKE RH	1				0.285	0.627
060	34070-44890	BUSH	1				0.035	0.077
070	04011-50200	WASHER PLAIN	2				0.015	0.033
080	04612-00200	CIR CLIP EXTERNAL	2				0.001	0.0022
090	3A111-67410	ROD BRAKE	2				0.48	1.056
100	3A151-26240	ROD CLUTCH BRAKE	2				0.143	0.3146
110	02116-50100	NUT	2				0.004	0.0088
120	32350-28980	TURNBUCKLE	2				0.124	0.2728
130	66706-65380	PIN SET	2				0.021	0.0462
140	38430-15790	PIN JOINT	2				0.02	0.044
150	04013-60100	WASHER PLAIN	4				0.003	0.0066
160	05511-50318	PIN SPLIT	4				0.001	0.0022
170	3A111-67420	ROD BRAKE	2				0.238	0.5236
180	38430-15790	PIN JOINT	4				0.02	0.044
190	52300-34130	PIN SNAP	2				0.004	0.0088
200	04013-60100	WASHER PLAIN	4				0.003	0.0066
210	05511-50318	PIN SPLIT	2				0.001	0.0022

MAIN GEAR SHIFT LEVER



3A271-019-11



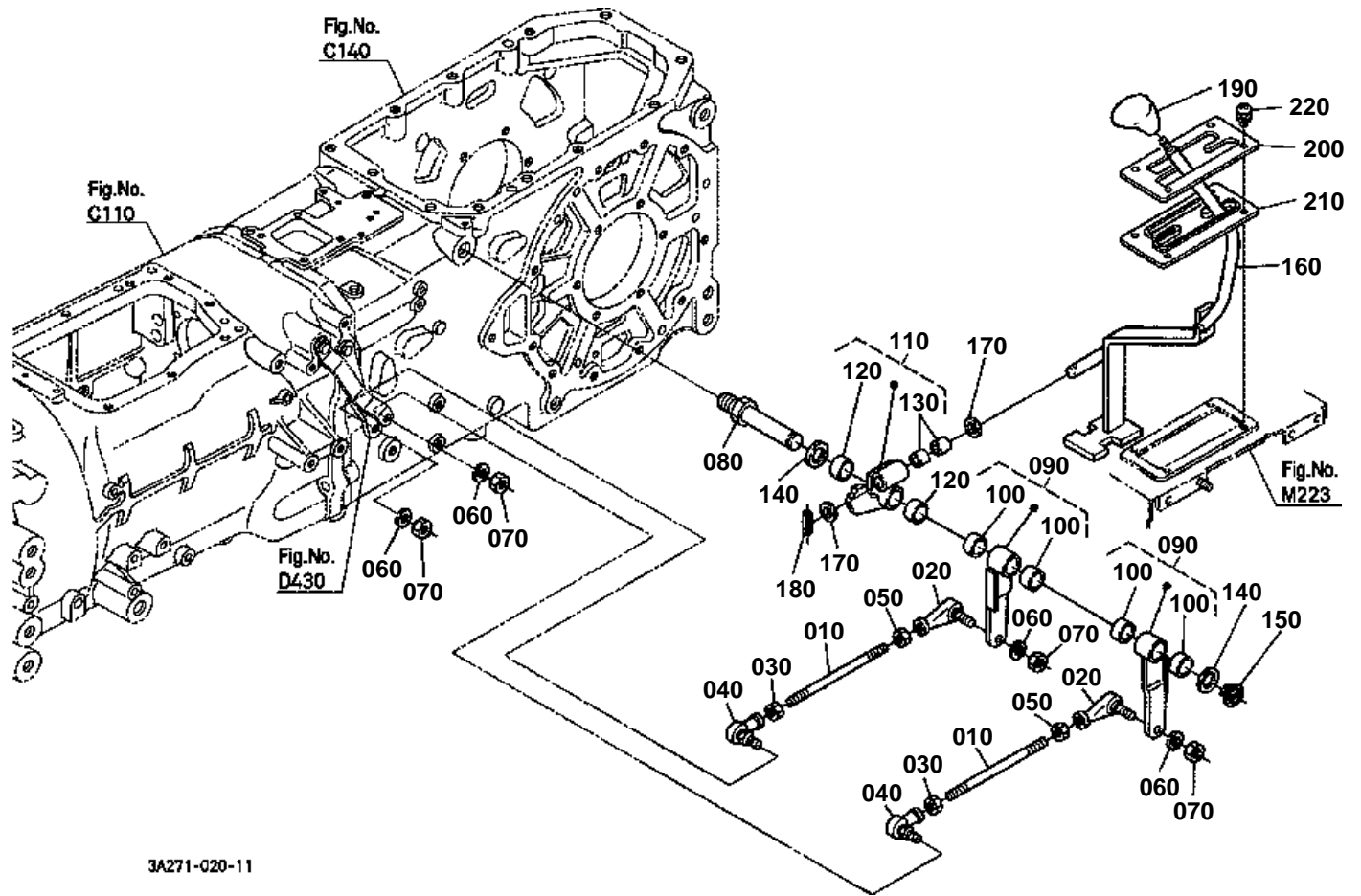


## MAIN GEAR SHIFT LEVER

↔ Interchangeable; ≠ not interchangeable; ← new for old; → old for new

REF.No	Part No.	Description	Q'ty	S.No.	I/C	REMARKS	Weight (kgf)	Weight (lb)
010	3A011-29360	BAR MAIN SHIFT	1				0.65	1.43
020	34150-23740	PIN SET	2				0.002	0.0044
030	31393-75420	PLUG	1				0.001	0.0022
040	66591-18430	SPRING	1				0.024	0.0528
050	04611-00380	CIR CLIP INTERNAL	1				0.004	0.0088
060	3A011-29690	BOOT	1				0.021	0.0462
070	33740-29570	CLIP	1				0.005	0.011
080	33740-29702	BAND	1				0.005	0.011
090	TA040-49820	GRIP LEVER	1				0.116	0.2552

# RANGE GEAR SHIFT LEVER



3A271-020-11

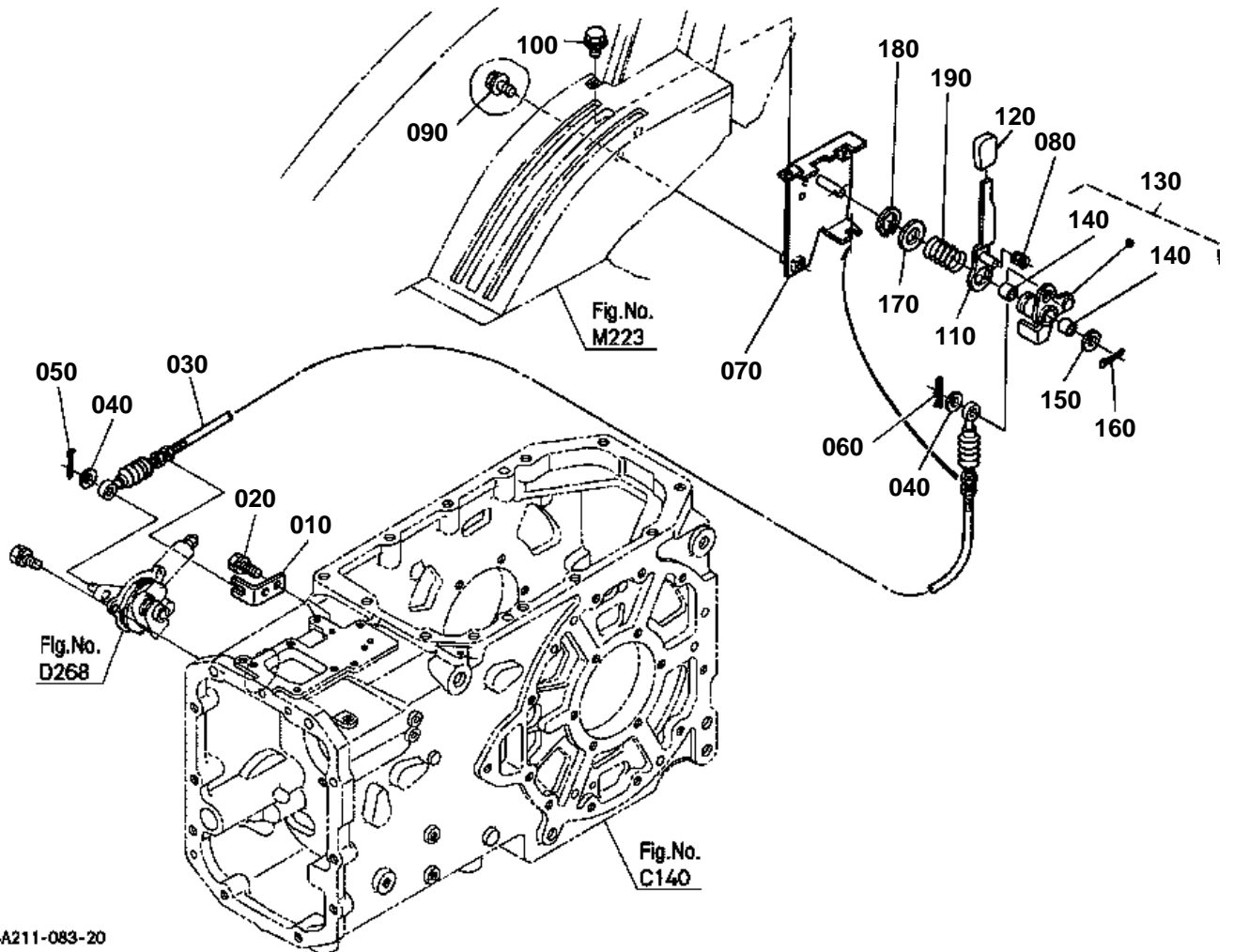


## RANGE GEAR SHIFT LEVER

↔ Interchangeable; ≠ not interchangeable; ← new for old; → old for new

REF.No	Part No.	Description	Q'ty	S.No.	I/C	REMARKS	Weight (kgf)	Weight (lb)
010	3A011-31450	ROD RANGE SHIFT	2				0.03	0.066
020	54721-31850	BALL LINK	2				0.065	0.143
030	31351-24260	NUT	2				0.005	0.011
040	45404-95770	END ROD	2				0.05	0.11
050	02112-50080	NUT	2				0.003	0.0066
060	04512-60080	WASHER SPRING	4				0.002	0.0044
070	02114-50080	NUT	4				0.005	0.011
080	3A011-29790	PIN	1				0.295	0.649
090	3A011-29912	LEVER RANGE SHIFT	2				0.185	0.407
100	08511-01910	BUSH	4				0.008	0.0176
110	3A011-29700	ASSY SUPPORT LEVER	1				0.27	0.594
120	08511-01910	BUSH	2				0.008	0.0176
130	08511-01412	BUSH	2				0.004	0.0088
140	04011-50180	WASHER PLAIN	2				0.012	0.0264
150	04612-00190	CIR CLIP EXTERNAL	1				0.001	0.0022
160	3A011-29960	LEVER RANGE SHIFT	1				1.44	3.168
170	04011-50140	WASHER PLAIN	2				0.007	0.0154
180	05411-00525	PIN SPRING	1				0.002	0.0044
190	TA040-69820	GRIP LEVER	1				0.117	0.2574
200	3A011-29730	GUIDE LEVER	1				0.47	1.034
210	3A011-29740	CUSHION	1				0.055	0.121
220	03004-50616	SCREW WITH WASHER	4				0.006	0.0132

# PTO CLUTCH LEVER



3A211-083-20

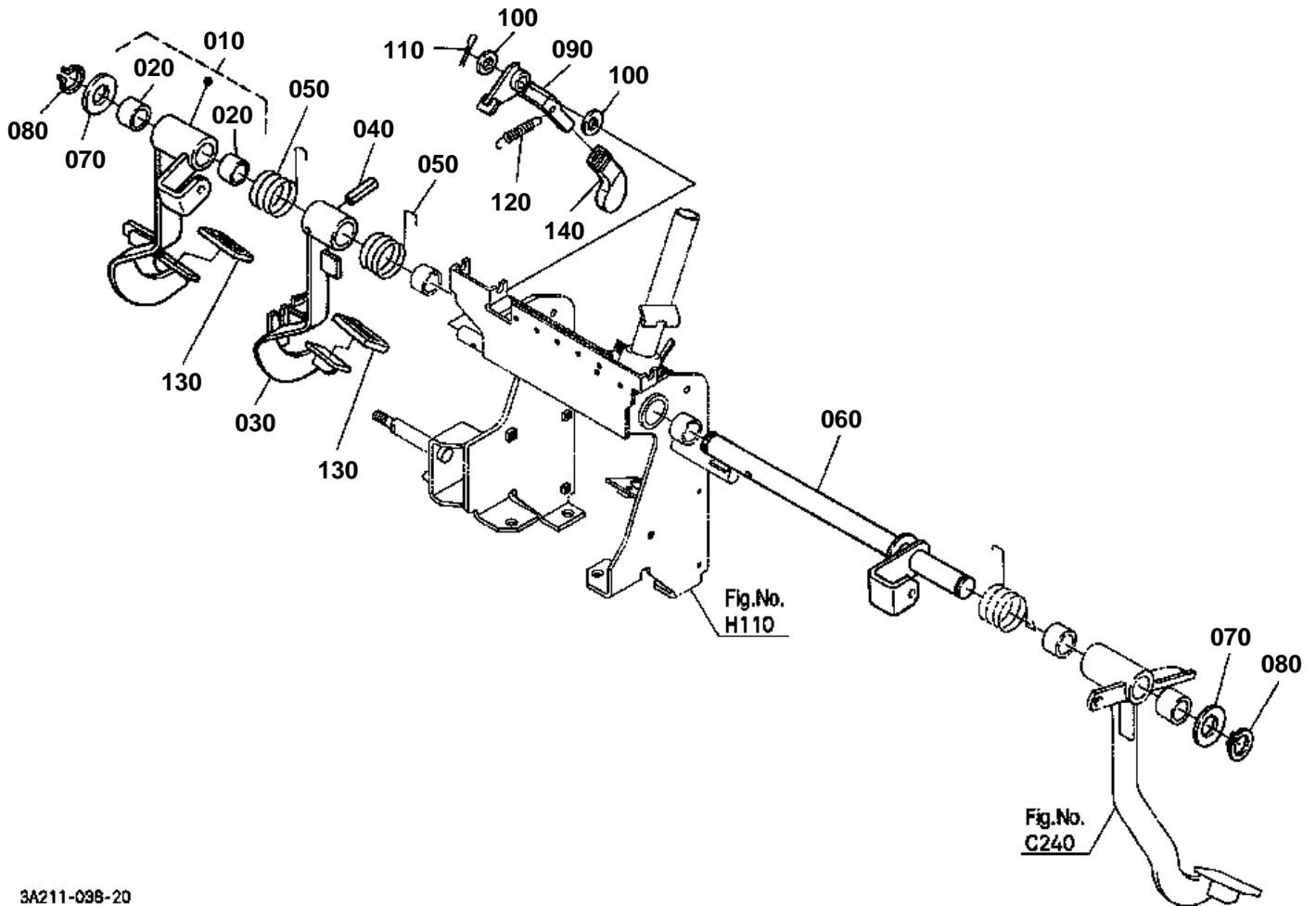


## PTO CLUTCH LEVER

↔ Interchangeable; ≠ not interchangeable; ← new for old; → old for new

REF.No	Part No.	Description	Q'ty	S.No.	I/C	REMARKS	Weight (kgf)	Weight (lb)
010	3A011-27790	STAY WIRE	1				0.04	0.088
020	01123-60816	BOLT	2				0.01	0.022
030	3A111-27740	WIRE PTO	1				0.115	0.253
040	04012-50060	WASHER PLAIN	2				0.001	0.0022
050	05511-51612	PIN SPLIT	1				0.001	0.0022
060	05525-60600	PIN SNAP	1				0.001	0.0022
070	3A012-27803	BRACKET PTO LEVER	1				0.415	0.913
080	3A111-27830	SPRING PTO LEVER	1				0.001	0.0022
090	01754-50825	BOLT FLANGE	2				0.01	0.022
100	01754-50612	BOLT FLANGE	1				0.005	0.011
110	3A012-27810	LEVER PTO CLUTCH	1				0.049	0.1078
120	36919-27820	GRIP PTO LEVER	1				0.015	0.033
130	3A012-27840	ASSY LINK PTO LEVER	1				0.077	0.1694
140	08511-00810	BUSH	2				0.003	0.0066
150	04013-60080	WASHER PLAIN	1				0.002	0.0044
160	05511-50215	PIN SPLIT	1				0.001	0.0022
170	04011-50180	WASHER PLAIN	1				0.012	0.0264
180	04612-00180	CIR CLIP EXTERNAL	1				0.001	0.0022
190	3A012-27850	SPRING	1				0.005	0.011

BRAKE PEDAL



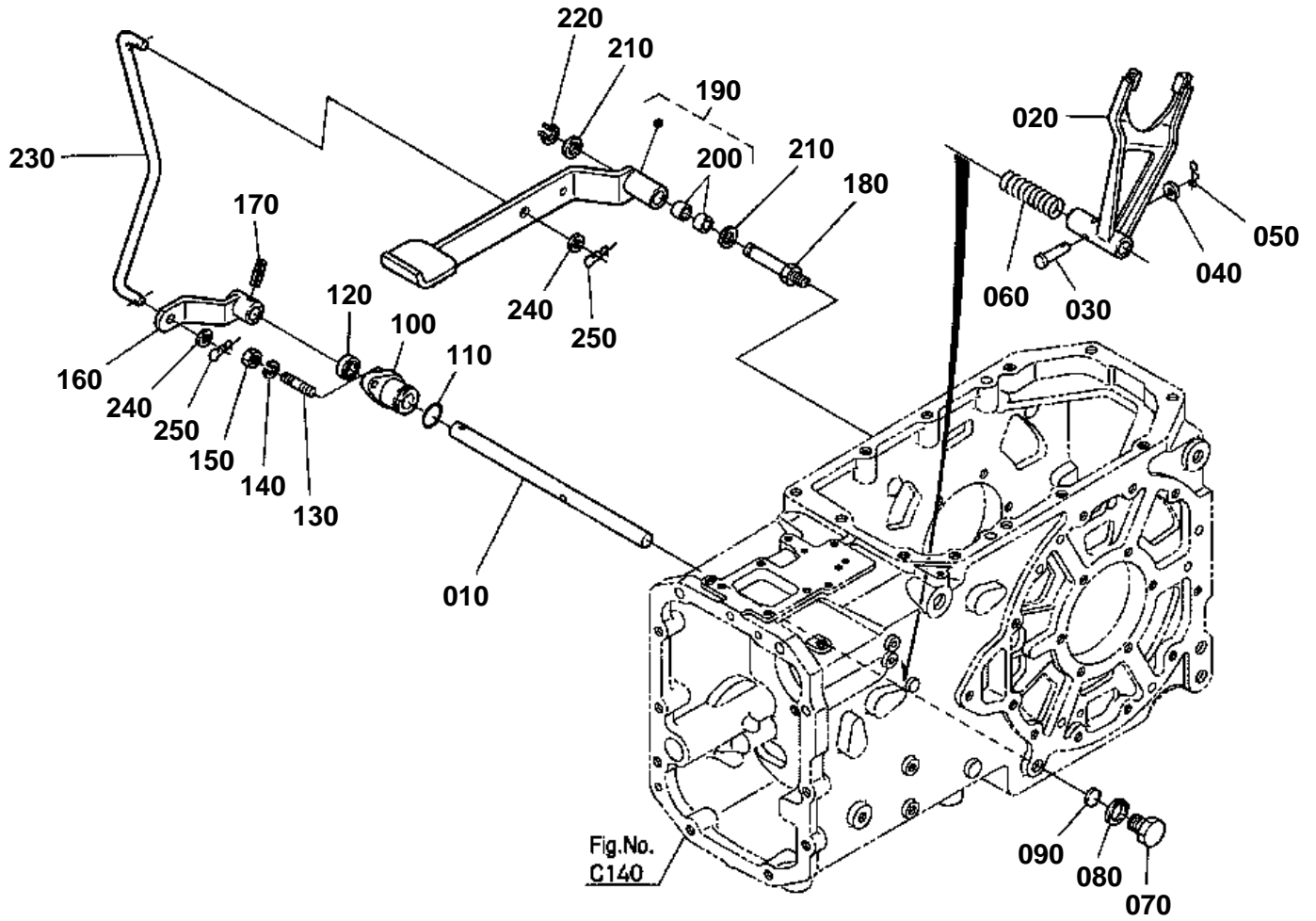
3A211-038-20

**BRAKE PEDAL**

↔ Interchangeable; ≠ not interchangeable; ← new for old; → old for new

REF.No	Part No.	Description	Q'ty	S.No.	I/C	REMARKS	Weight (kgf)	Weight (lb)
010	3A011-67102	ASSY PEDAL BRAKE RH	1				1.675	3.685
020	08511-02825	BUSH	2				0.04	0.088
030	3A111-67210	PEDAL BRAKE LH	1				1.485	3.267
040	05411-00850	PIN SPRING	1				0.012	0.0264
050	3A011-26160	SPRING	2				0.084	0.1848
060	3A011-67310	SHAFT PEDAL	1				2.75	6.05
070	32530-28660	COLLAR	2				0.018	0.0396
080	04612-00280	CIR CLIP EXTERNAL	2				0.003	0.0066
090	3A011-67600	LOCK PARKING LEVER	1				0.16	0.352
100	04011-50180	WASHER PLAIN	2				0.012	0.0264
110	05511-50425	PIN SPLIT	1				0.003	0.0066
120	36330-83420	SPRING LOCK	1				0.006	0.0132
130	37410-44120	COVER PEDAL	2				0.08	0.176
140	TA040-49842	GRIP	1				0.025	0.055

REAR DIFFERENTIAL LOCK PEDAL



3A021-024-20



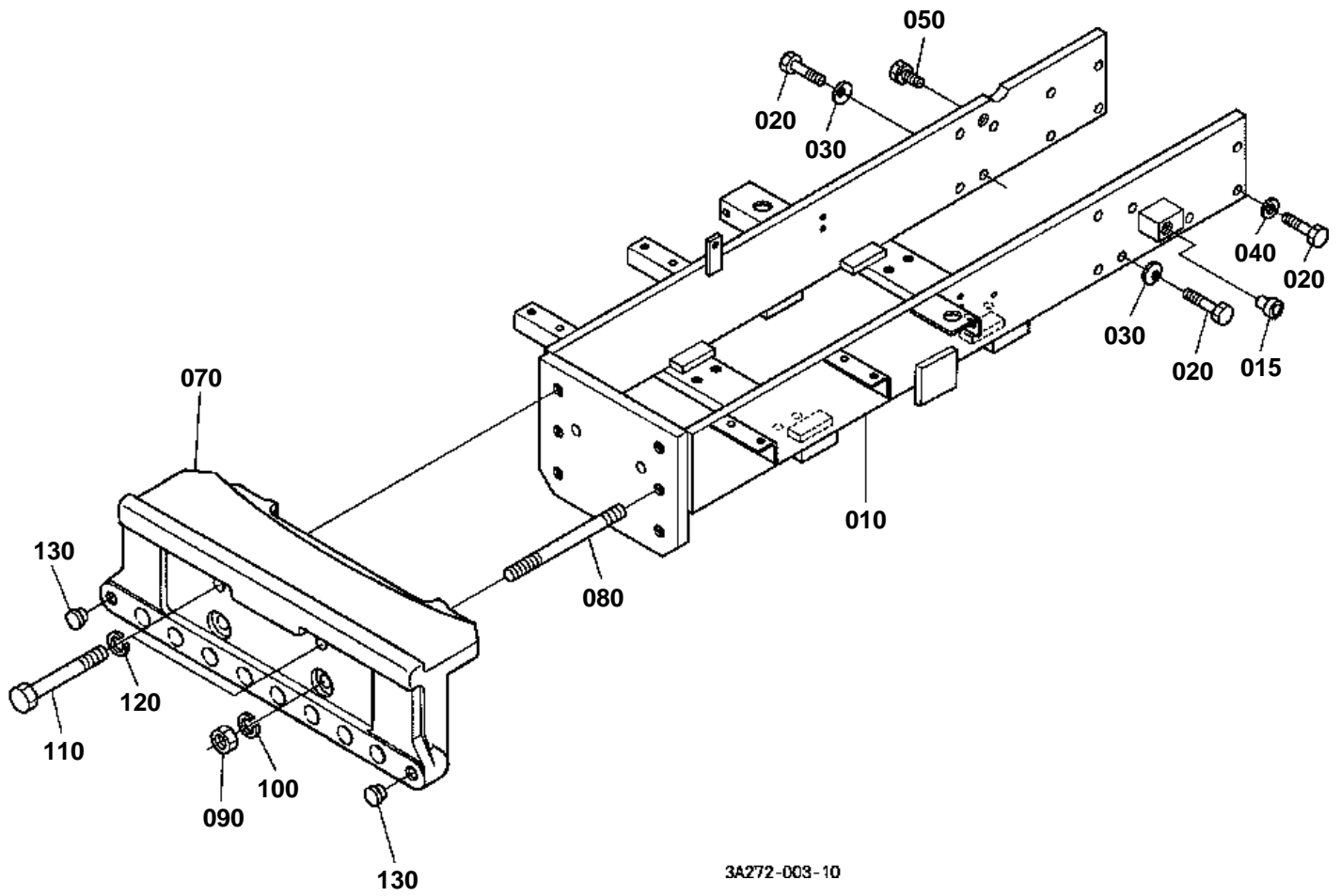


## REAR DIFFERENTIAL LOCK PEDAL

↔ Interchangeable; ≠ not interchangeable; ← new for old; → old for new

REF.No	Part No.	Description	Q'ty	S.No.	I/C	REMARKS	Weight (kgf)	Weight (lb)
010	3A011-32940	SHAFT DIFF.LOCK	1				0.445	0.979
020	3A011-32883	FORK DIFF.LOCK	1				0.745	1.639
030	31351-26620	PIN JOINT	1				0.008	0.0176
040	04013-60060	WASHER PLAIN	1				0.001	0.0022
050	3A011-32870	PIN SNAP	1				0.001	0.0022
060	3A011-32960	SPRING	1				0.137	0.3014
070	06331-35020	PLUG	1				0.068	0.1496
080	04717-02000	WASHER WITH RUBBER	1				0.004	0.0088
090	36330-32970	SHIM ADJUSTING	1			0.5mm	0.001	0.0022
100	3A011-32910	SUPPORT SHAFT	1				0.29	0.638
110	04811-10290	O RING	1				0.001	0.0022
120	09500-16287	SEAL OIL	1				0.01	0.022
130	01517-61030	STUD	2				0.021	0.0462
140	04512-60100	WASHER SPRING	2				0.002	0.0044
150	02176-50100	NUT	2				0.005	0.011
160	3A011-32930	LEVER DIFF.LOCK	1				0.15	0.33
170	05411-00625	PIN SPRING	1				0.004	0.0088
180	3A011-33120	PIN	1				0.095	0.209
190	3A011-32990	ASSY PEDAL DIFF.LOCK	1				0.74	1.628
200	08511-01415	BUSH	2				0.006	0.0132
210	04011-50140	WASHER PLAIN	2				0.007	0.0154
220	04612-00140	CIR CLIP EXTERNAL	1				0.001	0.0022
230	3A011-33060	ROD DIFF.LOCK	1				0.24	0.528
240	04013-60100	WASHER PLAIN	2				0.003	0.0066
250	52300-34130	PIN SNAP	2				0.004	0.0088

# FRONT AXLE FRAME



3A272-003-10

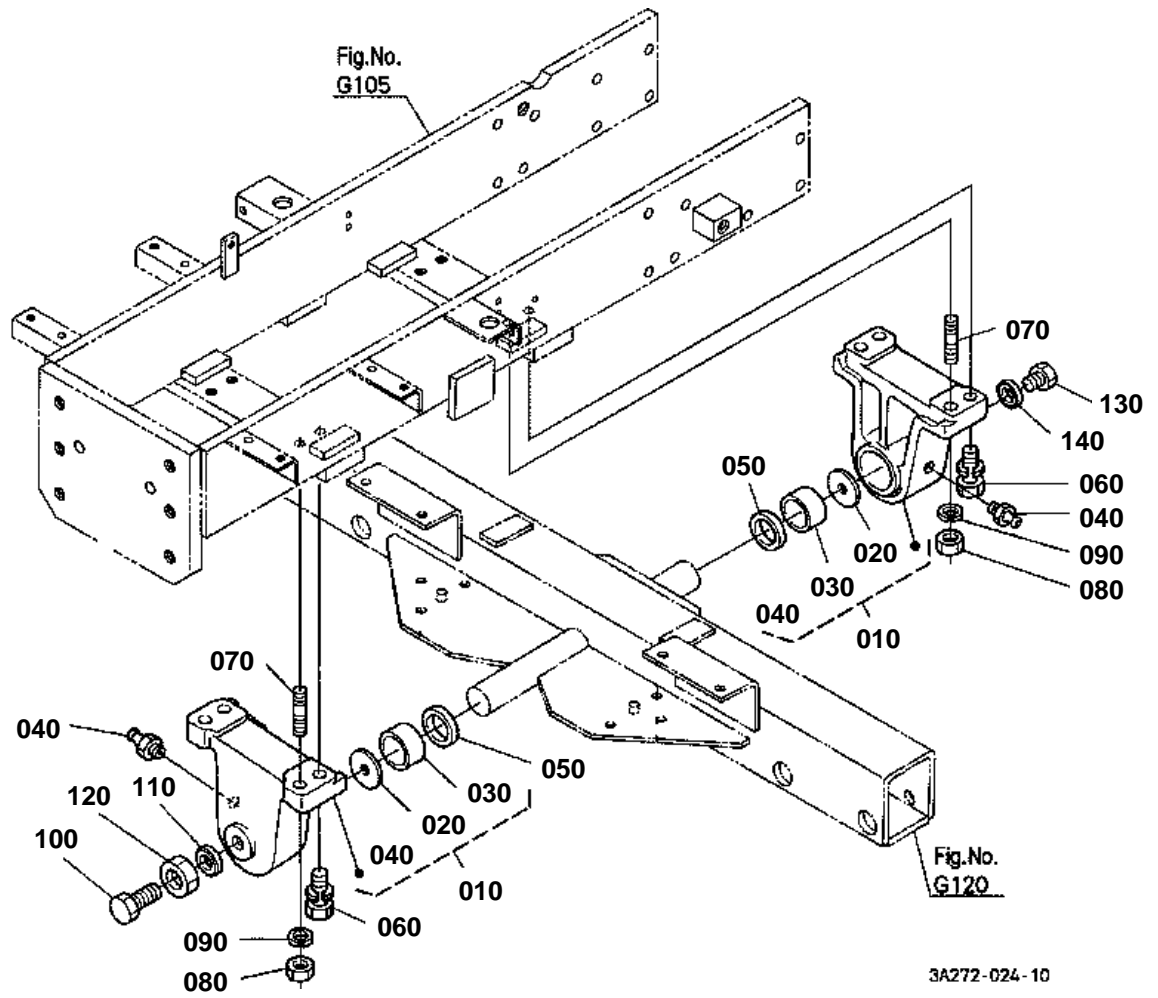


# FRONT AXLE FRAME

↔ Interchangeable; ≠ not interchangeable; ← new for old; → old for new

REF.No	Part No.	Description	Q'ty	S.No.	I/C	REMARKS	Weight (kgf)	Weight (lb)
010	3A272-21713	FRAME FRONT AXLE	1				55	121
015	36330-21290	PLUG	2				0.002	0.0044
020	37800-43400	BOLT	14				0.043	0.0946
030	69191-65950	SPRING PLATE	7				0.005	0.011
040	04512-60120	WASHER SPRING	7				0.005	0.011
050	01138-51030	BOLT	1				0.25	0.55
060	99999-99999	BLANK	0				0	0
070	3A011-21760	BUMPER	1				42.75	94.05
080	3A011-21782	STUD	2				0.25	0.55
090	02176-50160	NUT	2				0.025	0.055
100	04512-60160	WASHER SPRING	2				0.01	0.022
110	3A011-21772	BOLT	2				0.28	0.616
120	04512-60160	WASHER SPRING	2				0.01	0.022
130	33300-90910	PLUG	2				0.002	0.0044

# FRONT AXLE BRACKET



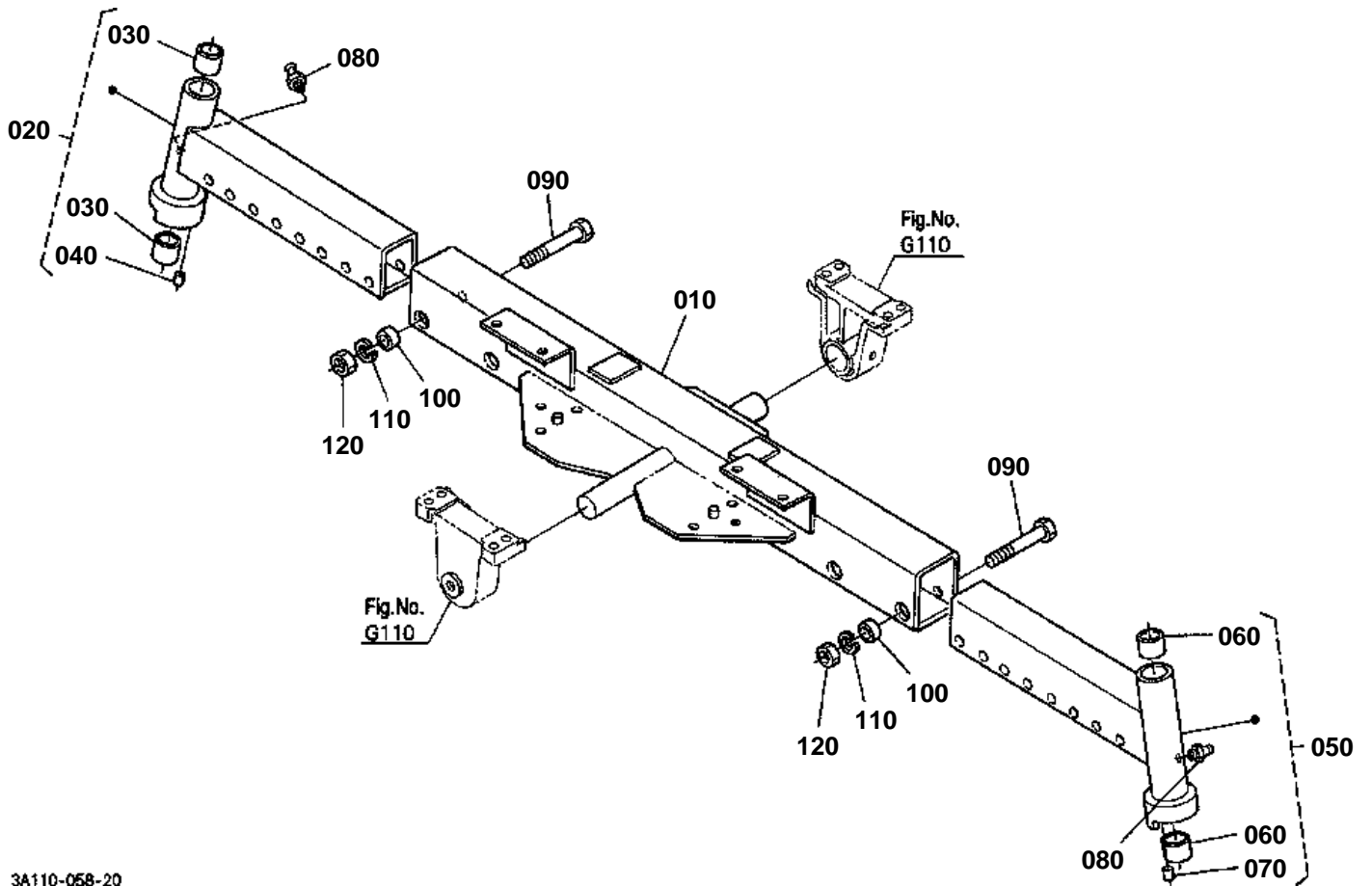


# FRONT AXLE BRACKET

↔ Interchangeable; ≠ not interchangeable; ← new for old; → old for new

REF.No	Part No.	Description	Q'ty	S.No.	I/C	REMARKS	Weight (kgf)	Weight (lb)
010	3A011-41633	ASSY BRACKET F.AXLE	2				4.62	10.164
020	38240-13430	WASHER THRUST	2				0.032	0.0704
030	52200-22430	BUSH	2				0.05	0.11
040	06611-15010	NIPPLE GREASE	2				0.01	0.022
050	38240-13160	SEAL OIL	2				0.005	0.011
060	01138-51245	BOLT	4				0.051	0.1122
070	01574-61240	STUD	4				0.045	0.099
080	02176-50120	NUT	4				0.01	0.022
090	04512-60120	WASHER SPRING	4				0.005	0.011
100	01175-51645	BOLT	1				0.09	0.198
110	38440-44750	WASHER SEAL	1				0.003	0.0066
120	32580-44580	NUT	1				0.1	0.22
130	06331-35016	PLUG	1				0.04	0.088
140	04717-01600	WASHER WITH RUBBER	1				0.003	0.0066

FRONT AXLE



3A110-058-20

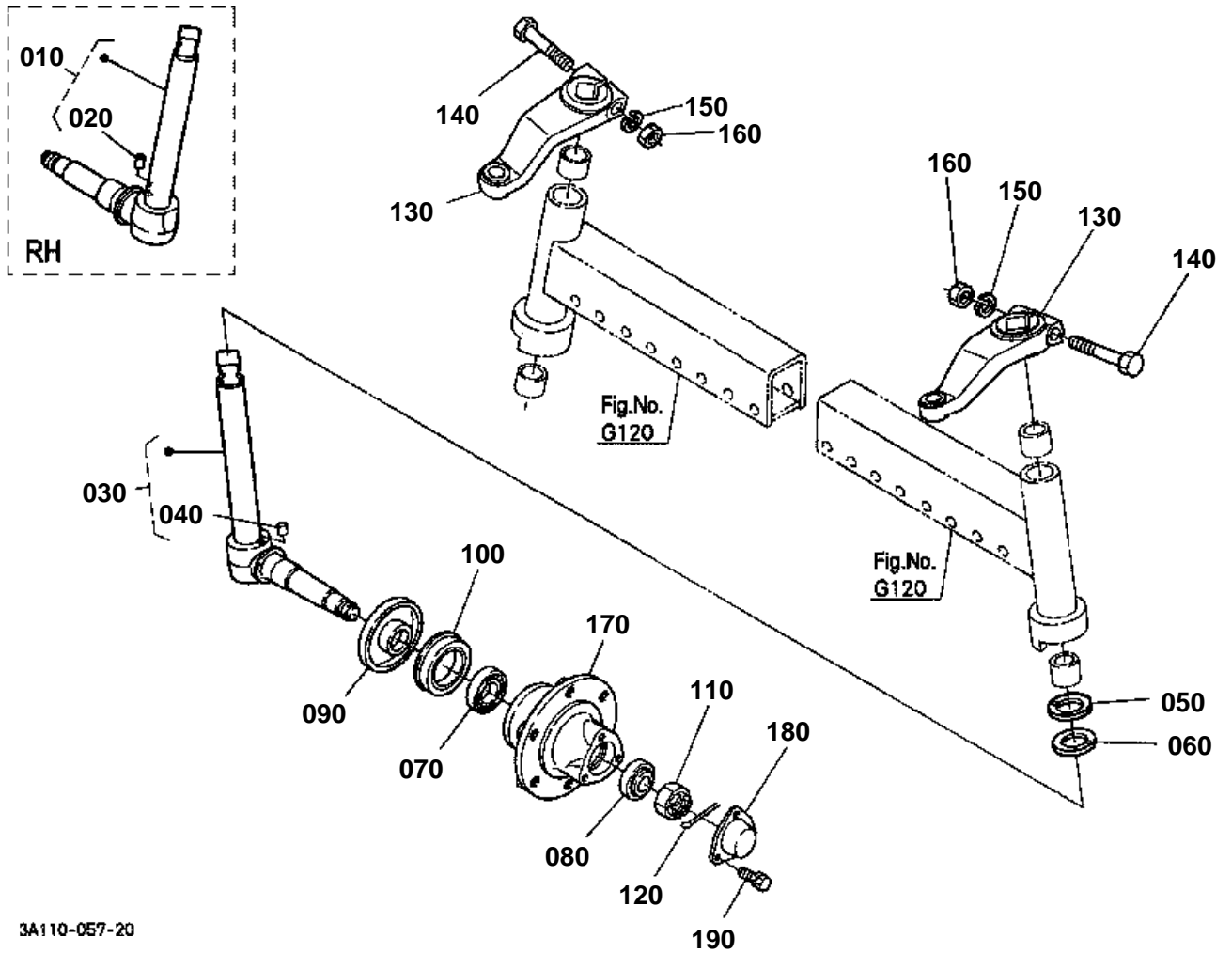


# FRONT AXLE

↔ Interchangeable; ≠ not interchangeable; ← new for old; → old for new

REF.No	Part No.	Description	Q'ty	S.No.	I/C	REMARKS	Weight (kgf)	Weight (lb)
010	3A111-58312	AXLE FRONT MIDDLE	1				31	68.2
020	3A111-58100	COMP.AXLE RH	1				8.7	19.14
030	33251-58250	BUSH	2				0.08	0.176
040	33251-58260	PIN KNOCK	1				0.001	0.0022
050	3A111-58200	COMP.AXLE LH	1				8.7	19.14
060	33251-58250	BUSH	2				0.08	0.176
070	33251-58260	PIN KNOCK	1				0.001	0.0022
080	06613-10675	NIPPLE GREASE	2				0.003	0.0066
090	3A011-58530	BOLT	4				0.3	0.66
100	38240-13150	COLLAR	4				0.04	0.088
110	04512-60140	WASHER SPRING	4				0.008	0.0176
120	02176-50140	NUT	4				0.014	0.0308

# FRONT WHEEL HUB



3A110-057-20



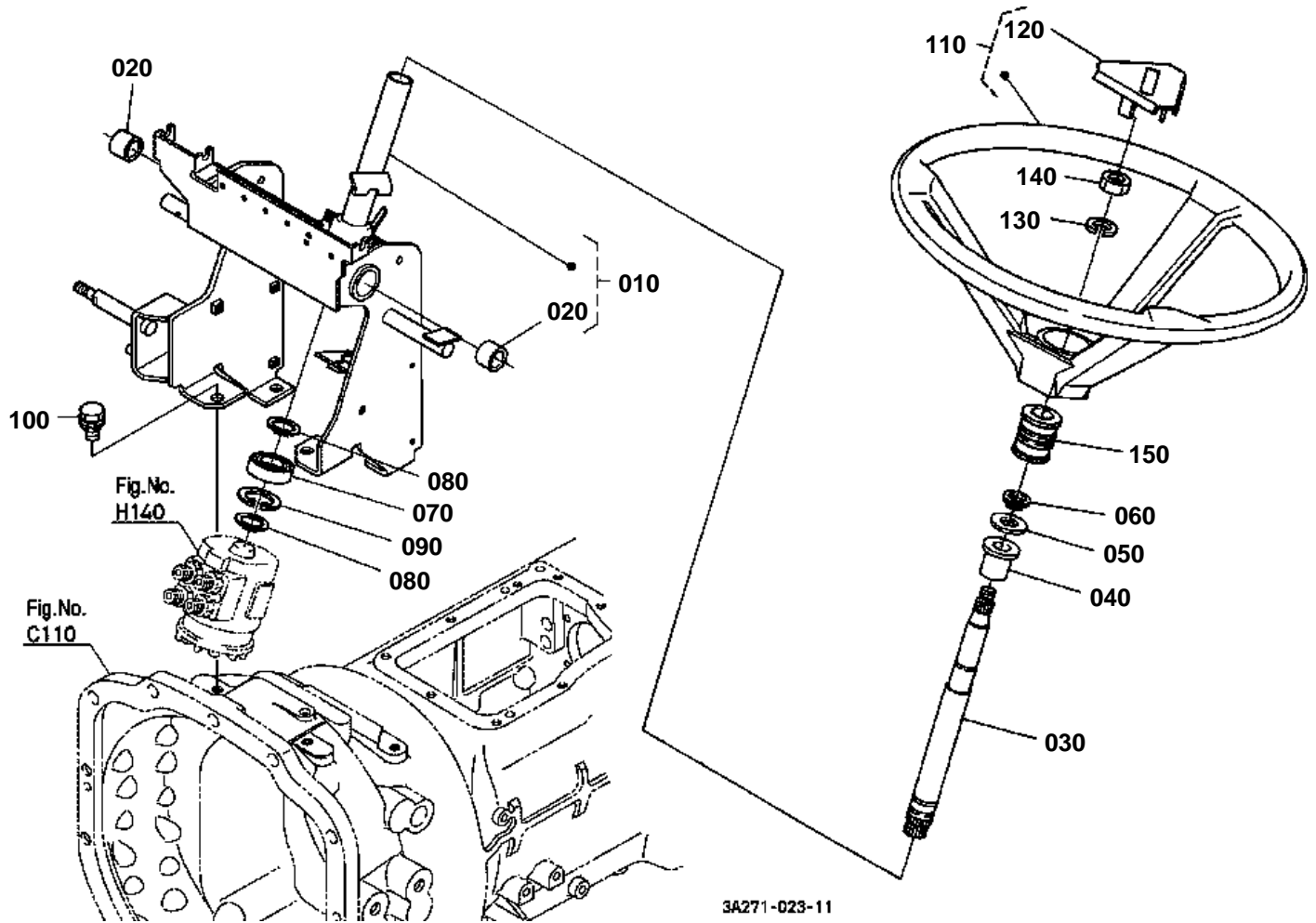


## FRONT WHEEL HUB

↔ Interchangeable; ≠ not interchangeable; ← new for old; → old for new

REF.No	Part No.	Description	Q'ty	S.No.	I/C	REMARKS	Weight (kgf)	Weight (lb)
010	3A111-58500	SHAFT KNUCKLE RH	1				4.5	9.9
020	33251-58260	PIN KNOCK	1				0.001	0.0022
030	3A111-58600	SHAFT KNUCKLE LH	1				4.5	9.9
040	33251-58260	PIN KNOCK	1				0.001	0.0022
050	3A011-58710	COLLAR THRUST	2			3.0mm	0.04	0.088
060	3A011-58720	COLLAR THRUST	2			3.0mm	0.045	0.099
070	08711-30207	BEARING TAPER-ROLLER	2				0.365	0.803
080	08711-30205	BEARING TAPER-ROLLER	2				0.148	0.3256
090	33251-58770	COVER KNUCKLE	2				0.34	0.748
100	33251-58760	SEAL OIL	2				0.102	0.2244
110	02375-50220	NUT	2				0.04	0.088
120	05511-50435	PIN SPLIT	2				0.004	0.0088
130	3A111-62730	ARM KNUCKLE	2				1.5	3.3
140	36830-58430	BOLT	2				0.11	0.242
150	04512-60140	WASHER SPRING	2				0.008	0.0176
160	02174-50140	NUT	2				0.014	0.0308
170	3A011-58812	HUB FRONT WHEEL	2				4.8	10.56
180	32240-11350	CAP FRONT WHEEL	2				0.065	0.143
190	01123-60814	BOLT	6				0.01	0.022

# STEERING HANDLE



3A271-023-11

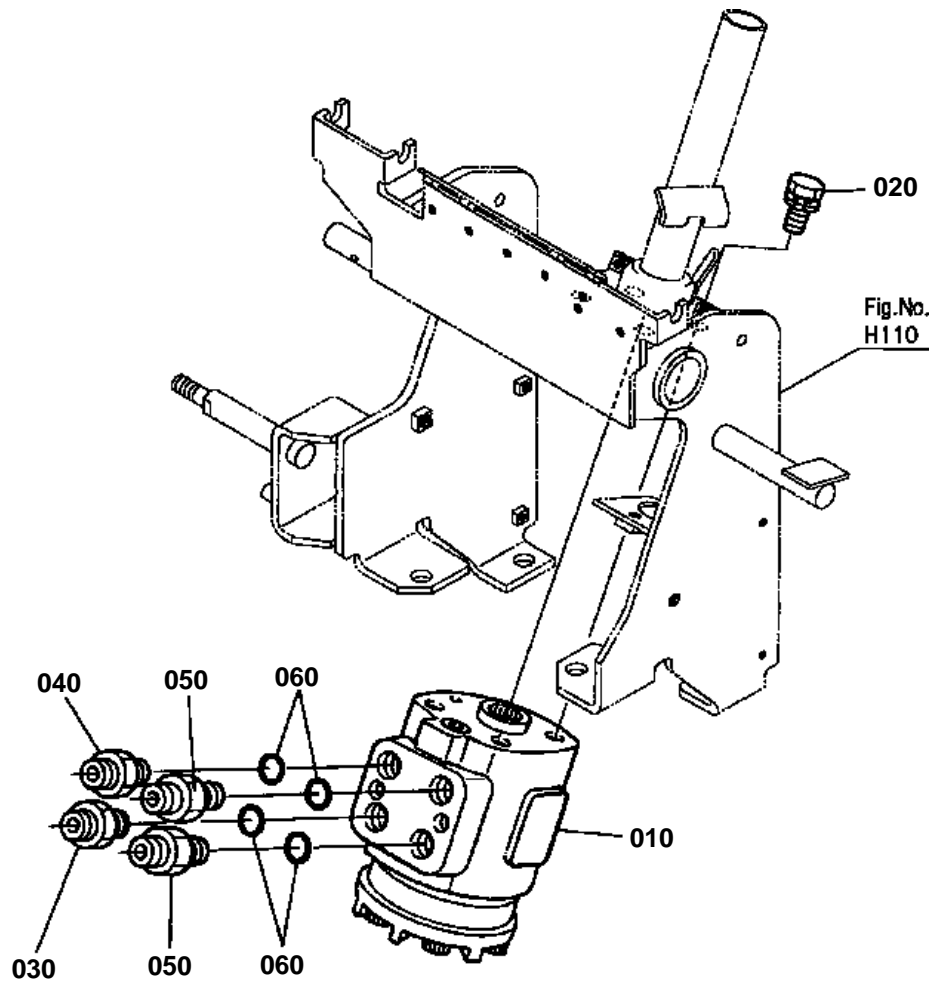


## STEERING HANDLE

↔ Interchangeable; ≠ not interchangeable; ← new for old; → old for new

REF.No	Part No.	Description	Q'ty	S.No.	I/C	REMARKS	Weight (kgf)	Weight (lb)
010	3A211-63202	ASSY SUPP. STEERING	1				8.2	18.04
020	08511-02825	BUSH	2				0.04	0.088
030	3A111-62150	SHAFT STEERING	1				0.81	1.782
040	3A011-62170	BUSH COLUMN	1				0.012	0.0264
050	04013-50180	WASHER PLAIN	1				0.015	0.033
060	04612-00180	CIR CLIP EXTERNAL	1				0.001	0.0022
070	35533-62360	BEARING BALL	1				0.08	0.176
080	04612-00220	CIR CLIP EXTERNAL	2				0.001	0.0022
090	04611-00450	CIR CLIP INTERNAL	1				0.01	0.022
100	01133-51230	BOLT	4				0.04	0.088
110	36919-62560	ASSY WHEEL STEERING	1				2.5	5.5
120	36919-62580	PAD STEERING	1				0.045	0.099
130	04512-60120	WASHER SPRING	1				0.005	0.011
140	02176-50120	NUT	1				0.01	0.022
150	3A111-62380	COVER STEERING	1				0.036	0.0792

STEERING CONTROLLER



3A211-052-11

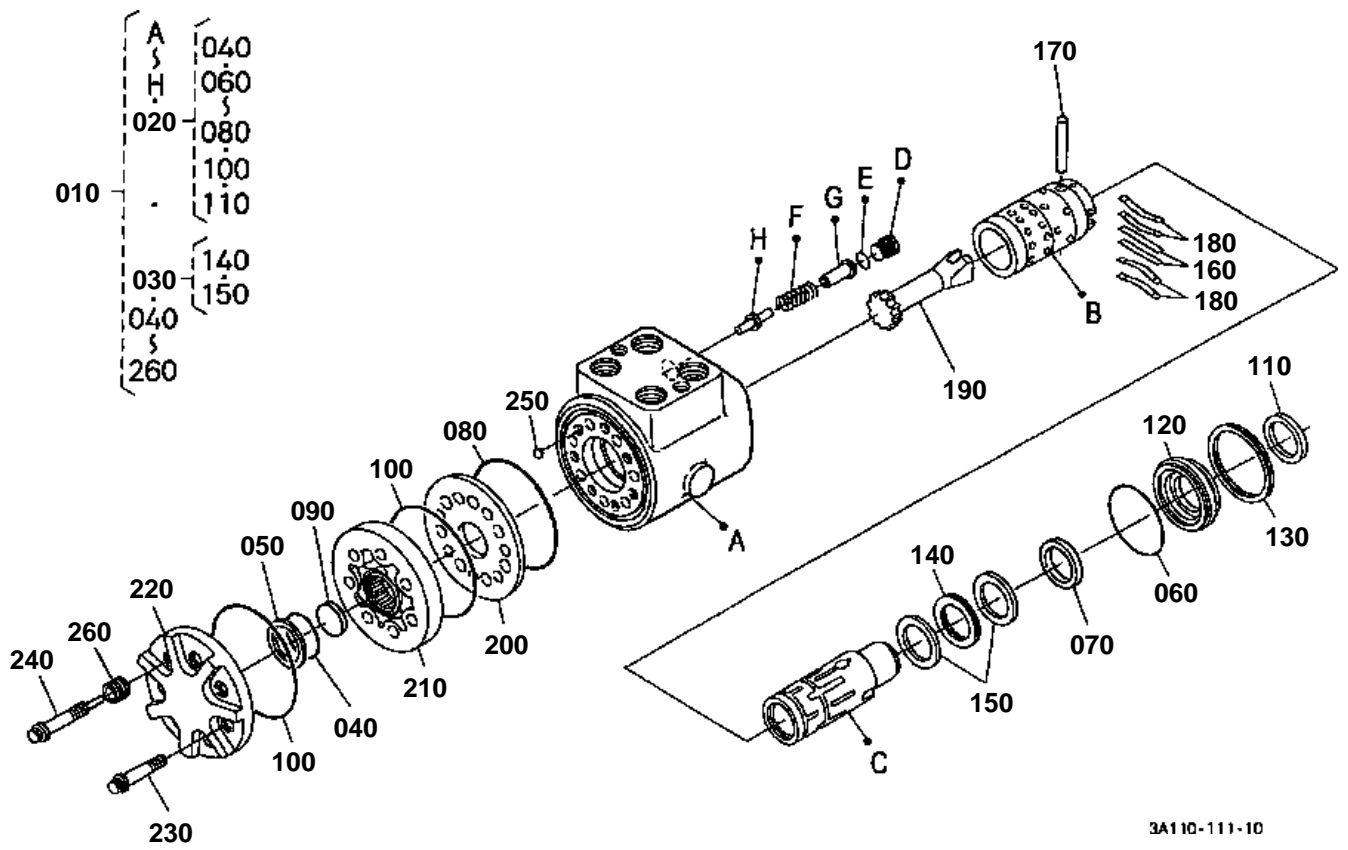


## STEERING CONTROLLER

↔ Interchangeable; ≠ not interchangeable; ← new for old; → old for new

REF.No	Part No.	Description	Q'ty	S.No.	I/C	REMARKS	Weight (kgf)	Weight (lb)
010	3A111-63070	CONTROLLER STEERING	1				5.65	12.43
020	01133-51022	BOLT	4				0.025	0.055
030	3A111-63090	JOINT PIPE	1				0.088	0.1936
040	3A111-63150	JOINT PIPE	1				0.093	0.2046
050	3A111-63120	JOINT PIPE	2				0.084	0.1848
060	04816-00180	O RING	4				0.002	0.0044

STEERING CONTROLLER [COMPONENT PARTS]



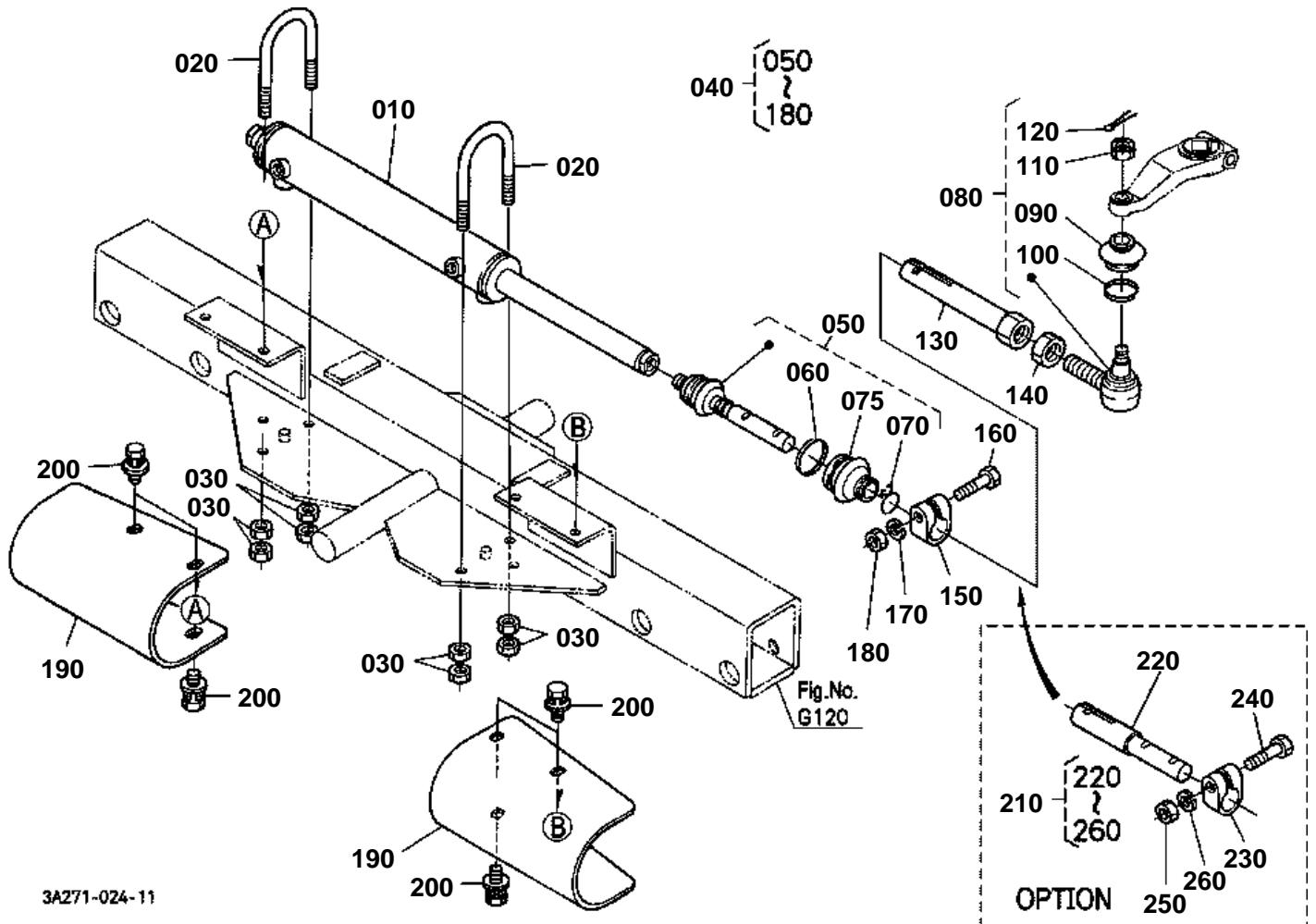
3A110-111-10

**STEERING CONTROLLER [COMPONENT PARTS]**

↔ Interchangeable; ≠ not interchangeable; ← new for old; → old for new

REF.No	Part No.	Description	Q'ty	S.No.	I/C	REMARKS	Weight (kgf)	Weight (lb)
010	3A111-63070	CONTROLLER STEERING	1				5.65	12.43
020	3A999-11980	KIT SEAL	1				0.02	0.044
030	R1401-94620	KIT BEARING NEEDLE	1				0.04	0.088
040	33740-64450	O RING	1				0.001	0.0022
050	35999-22030	SEAL	1				0.001	0.0022
060	35999-22040	RING	1				0.005	0.011
070	R1401-94570	SEAL OIL	1				0.001	0.0022
080	R1401-94650	O RING	1				0.001	0.0022
090	3A999-11960	SPACER	1				0.002	0.0044
100	35999-22080	O RING	2				0.001	0.0022
110	35999-22110	SEAL DUST	1				0.002	0.0044
120	33740-64380	BUSH	1				0.11	0.242
130	35999-22070	RING RETAINING	1				0.005	0.011
140	35999-22090	NEEDLE THRUST	1				0.01	0.022
150	35999-22100	RACE BEARING	2				0.02	0.044
160	35999-22190	SPRING FLAT	2				0.001	0.0022
170	35999-22180	PIN	1				0.01	0.022
180	35999-22200	SPRING	4				0.002	0.0044
190	35999-22220	DRIVE	1				0.1	0.22
200	35999-22230	PLATE SPACER	1				0.1	0.22
210	3A111-22240	SET ROTOR	1				0.315	0.693
220	35999-22250	CAP END	1				0.4	0.88
230	3A999-11940	SCREW	6				0.02	0.044
240	3A999-11950	ASSY SCREW	1				0.018	0.0396
250	R1401-94670	BALL	1				0.001	0.0022
260	R1401-94660	SCREW ADAPTER	1				0.002	0.0044

# STEERING LINKAGE



3A271-024-11

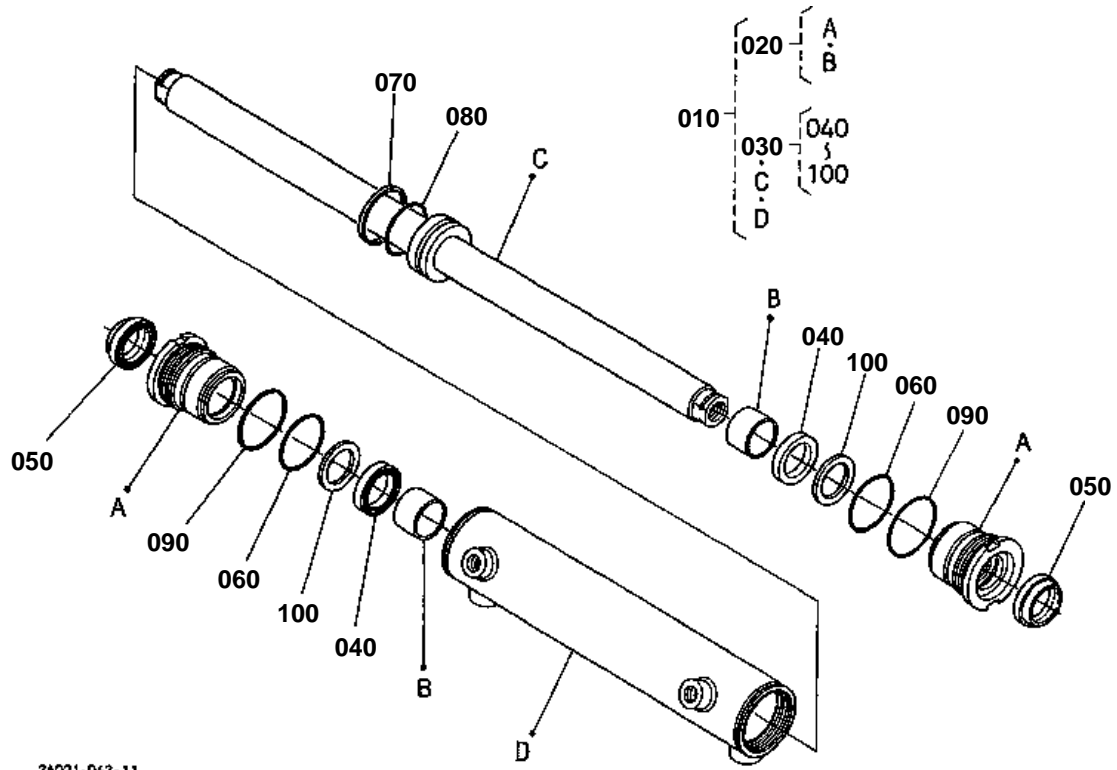


**STEERING LINKAGE**

↔ Interchangeable; ≠ not interchangeable; ← new for old; → old for new

REF.No	Part No.	Description	Q'ty	S.No.	I/C	REMARKS	Weight (kgf)	Weight (lb)
010	3A011-63882	CYLINDER HYDRAULIC	1				7.7	16.94
020	3A111-62130	CLAMP	2				0.125	0.275
030	02176-50100	NUT	8				0.005	0.011
040	3A111-62972	ASSY ROD TIE	2				1.67	3.674
050	3A011-62980	JOINT TIE ROD	2				0.71	1.562
060	35533-62860	RING SET	2				0.005	0.011
070	35080-44690	CLIP	2				0.002	0.0044
075	35080-44680	COVER DUST	2				0.029	0.0638
080	3A011-62922	END TIE ROD	2				0.5	1.1
090	32580-44780	COVER DUST	2				0.01	0.022
100	35270-12660	CLIP	2				0.005	0.011
110	36330-62750	NUT	2				0.022	0.0484
120	05511-50328	PIN SPLIT	2				0.002	0.0044
130	3A111-62910	ROD TIE OUTER	2				0.32	0.704
140	02172-50200	NUT	2				0.03	0.066
150	33251-62860	CLAMP TIE ROD	2				0.078	0.1716
160	38430-12560	BOLT	2				0.35	0.77
170	04512-60100	WASHER SPRING	2				0.002	0.0044
180	02176-50100	NUT	2				0.005	0.011
190	35533-64013	COVER POWER STRG.	2				1.5	3.3
200	01135-61020	BOLT	6				0.015	0.033
210	35564-62820	ASSY SPACER TIE ROD	2			OPTION	0.52	1.144
220	35523-62870	SPACER TIE ROD	2			OPTION	0.4	0.88
230	33251-62860	CLAMP TIE ROD	2			OPTION	0.078	0.1716
240	38430-12560	BOLT	2			OPTION	0.35	0.77
250	02176-50100	NUT	2			OPTION	0.005	0.011
260	04512-60100	WASHER SPRING	2			OPTION	0.002	0.0044

STEERING CYLINDER [COMPONENT PARTS]



3A021-043-11

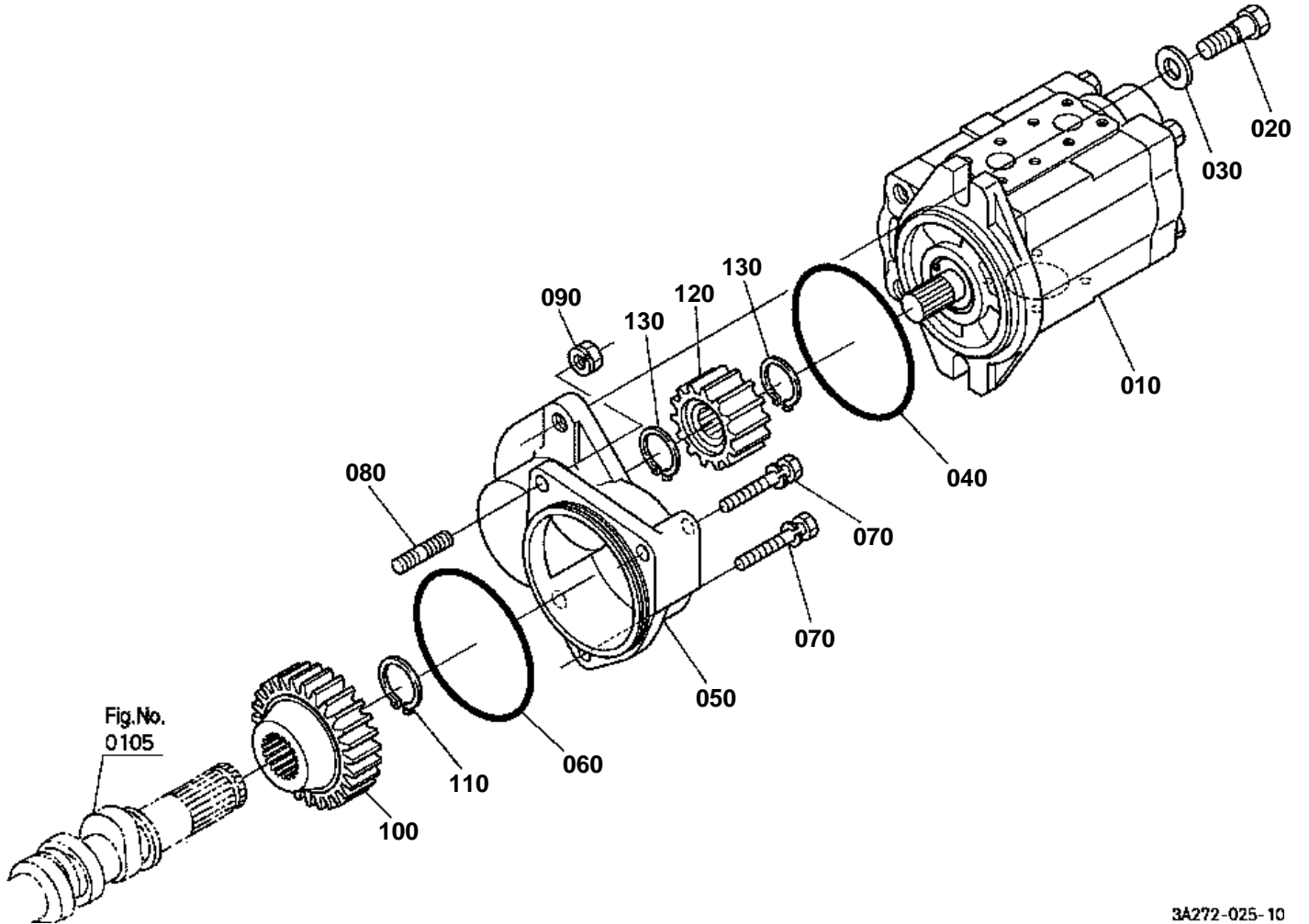


## STEERING CYLINDER [COMPONENT PARTS]

↔ Interchangeable; ≠ not interchangeable; ← new for old; → old for new

REF.No	Part No.	Description	Q'ty	S.No.	I/C	REMARKS	Weight (kgf)	Weight (lb)
010	3A011-63882	CYLINDER HYDRAULIC	1				7.7	16.94
020	3A011-63812	KIT HEAD HYD.CYL.	1				0.79	1.738
030	3A011-63822	KIT SEAL	1				0.055	0.121
040	3A011-63890	U-RING	2				0.004	0.0088
050	3A011-63860	RING WIPER	2				0.135	0.297
060	68811-93350	O RING	2				0.002	0.0044
070	3A011-63830	SEAL	1				0.003	0.0066
080	3A011-63840	O RING	1				0.003	0.0066
090	3A011-63850	O RING	2				0.002	0.0044
100	3A011-63870	RING BACK UP	2				0.003	0.0066

# HYDRAULIC PUMP



3A272-025-10

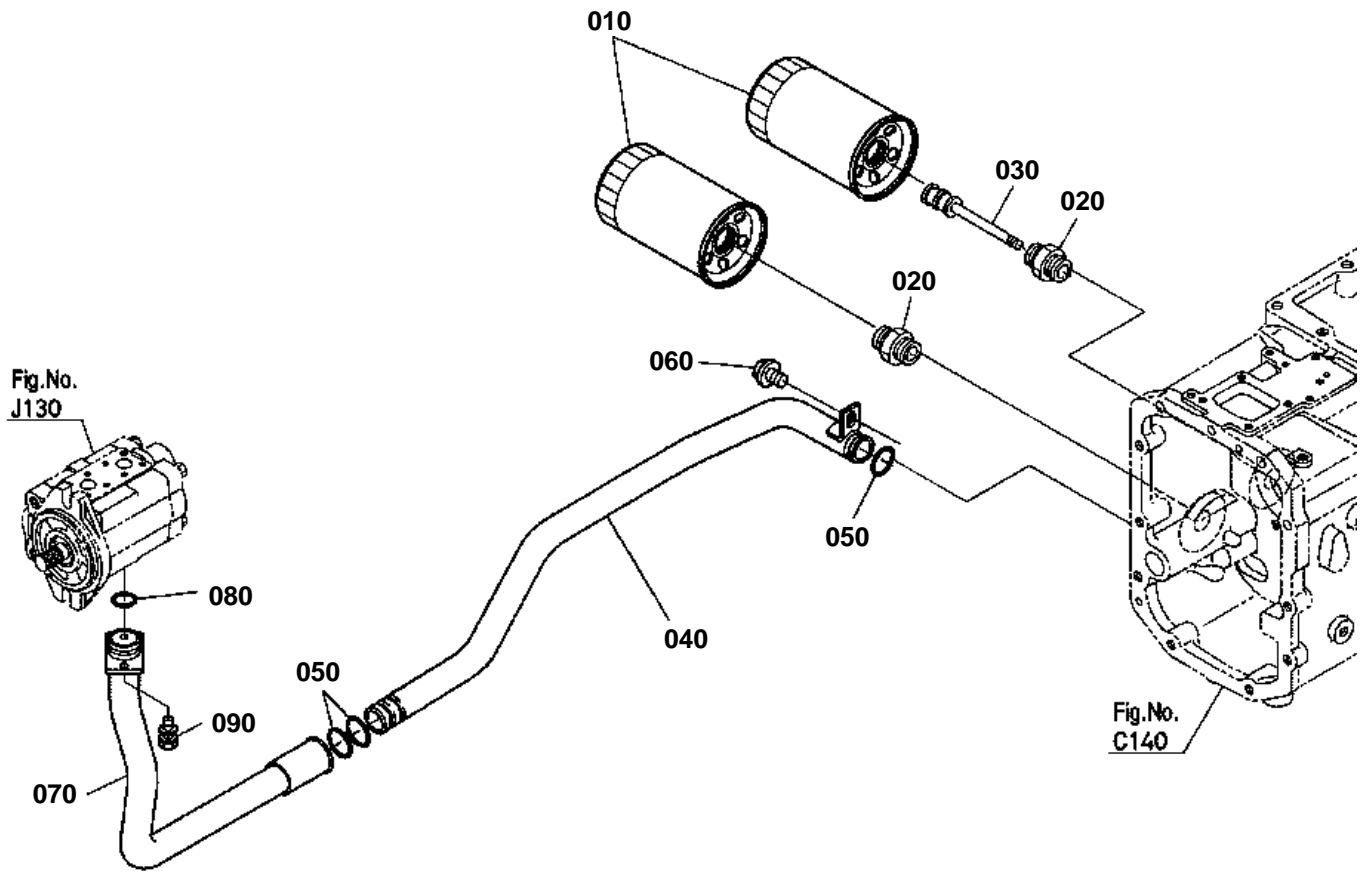


# HYDRAULIC PUMP

↔ Interchangeable; ≠ not interchangeable; ← new for old; → old for new

REF.No	Part No.	Description	Q'ty	S.No.	I/C	REMARKS	Weight (kgf)	Weight (lb)
010	3A272-82200	PUMP HYDRAULIC	1				5	11
020	3A272-82230	BOLT HYD.PUMP	2				0.03	0.066
030	3A272-82250	WASER HYD.PUMP	2				0.007	0.0154
040	3A272-82290	O RING	1				0.001	0.0022
050	3A272-82242	HOLDER PUMP	1				1.13	2.486
060	19013-96840	O RING	1				0.01	0.022
070	01123-50845	BOLT	2				0.02	0.044
080	38240-36330	STUD	1				0.008	0.0176
090	16429-92010	NUT	1				0.007	0.0154
100	3A272-82270	GEAR PUMP	1			27T	0.6	1.32
110	15471-95360	CIR CLIP EXTERNAL	1				0.004	0.0088
120	3A012-82280	GEAR	1			14T	0.125	0.275
130	04612-00170	CIR CLIP EXTERNAL	2				0.001	0.0022

# HYDRAULIC PIPE (SUCTION)



3A272-026-10

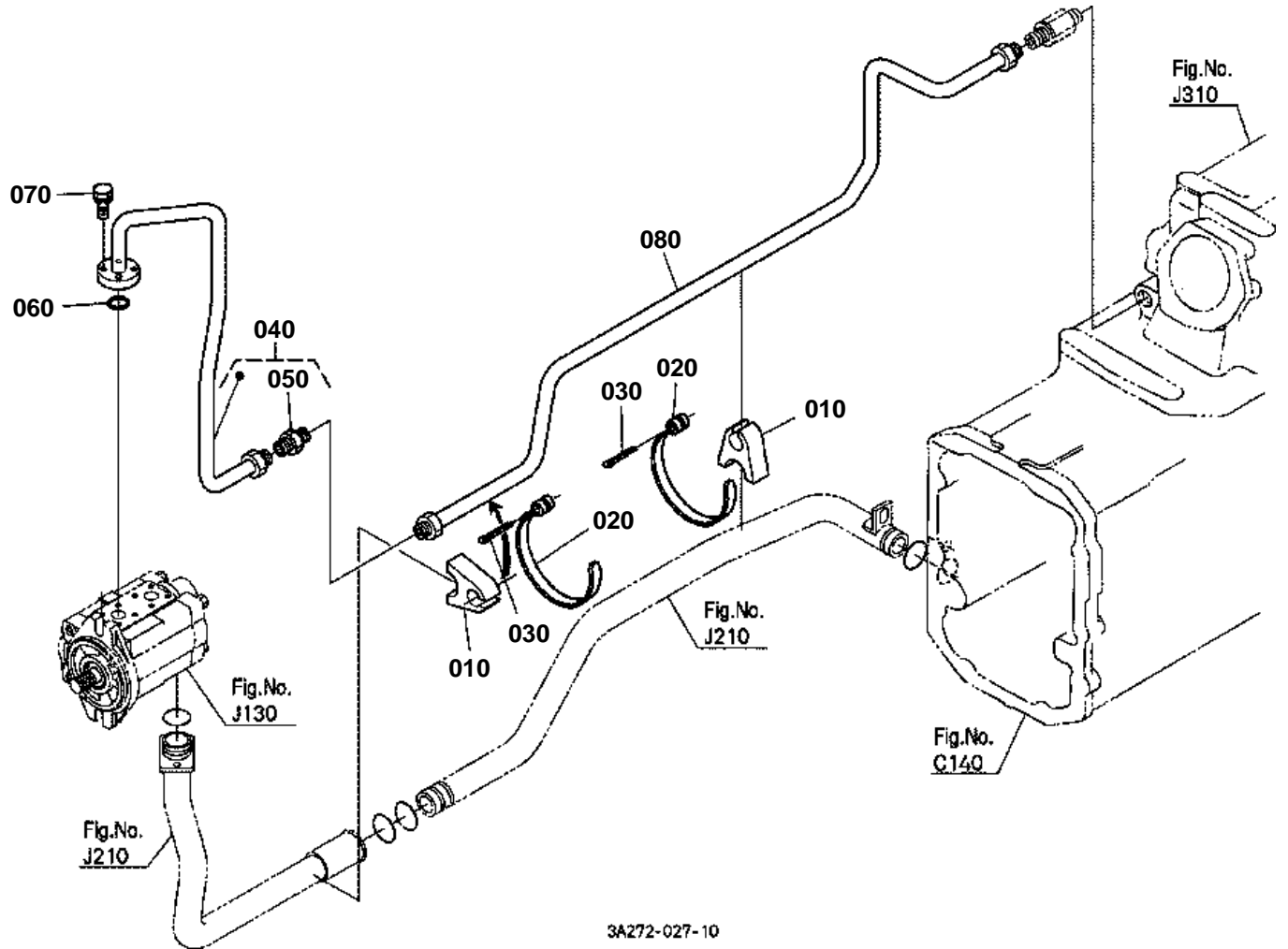


## HYDRAULIC PIPE (SUCTION)

↔ Interchangeable; ≠ not interchangeable; ← new for old; → old for new

REF.No	Part No.	Description	Q'ty	S.No.	I/C	REMARKS	Weight (kgf)	Weight (lb)
010	33960-82630	FILTER	2				0.65	1.43
020	32590-38330	JOINT SCREW	2				0.05	0.11
030	33960-82640	MAGNET FILTER	1				0.08	0.176
040	3A011-82690	PIPE SUCTION	1				0.93	2.046
050	04816-00260	O RING	3				0.001	0.0022
060	01754-50816	BOLT FLANGE	1				0.011	0.0242
070	3A272-82710	COMP.PIPE SUCTION	1				0.63	1.386
080	04816-00260	O RING	1				0.001	0.0022
090	01025-50616	BOLT	2				0.005	0.011

HYDRAULIC PIPE (DELIVERY)





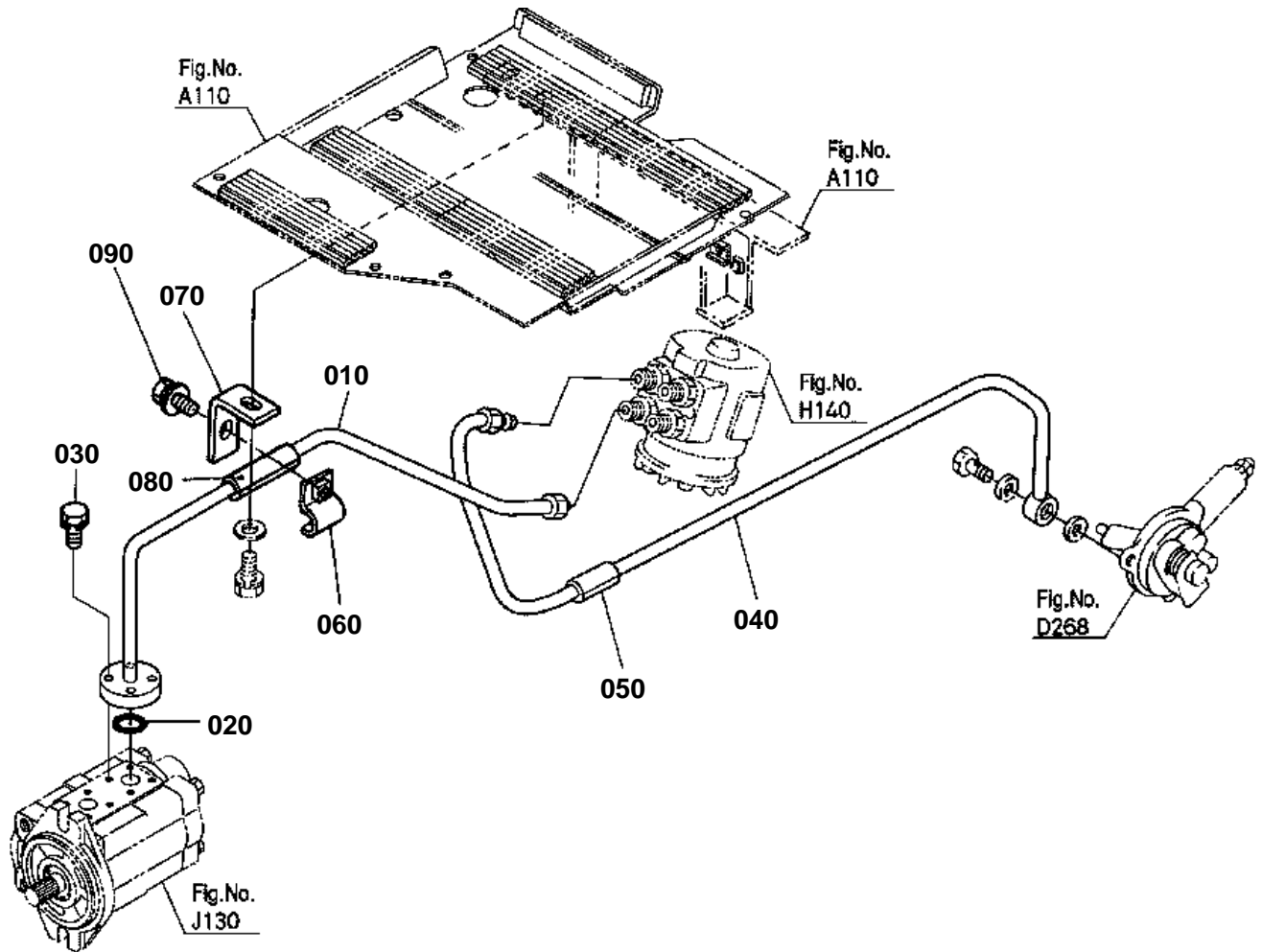


## HYDRAULIC PIPE (DELIVERY)

↔ Interchangeable; ≠ not interchangeable; ← new for old; → old for new

REF.No	Part No.	Description	Q'ty	S.No.	I/C	REMARKS	Weight (kgf)	Weight (lb)
010	35533-82720	CUSHION	2				0.03	0.066
020	3A211-82880	BAND PIPE	2				0.02	0.044
030	33430-82760	PIN BAND	2				0.004	0.0088
040	3A272-82700	ASSY PIPE DELIVERY	1				0.56	1.232
050	06013-51503	JOINT PIPE	1				0.062	0.1364
060	35880-63650	O RING	1				0.001	0.0022
070	01023-50622	BOLT	4				0.005	0.011
080	3A272-82760	COMP.PIPE DELIVERY	1				0.77	1.694

HYDRAULIC OIL LINE (STEERING/PTO)



3A272-028-10

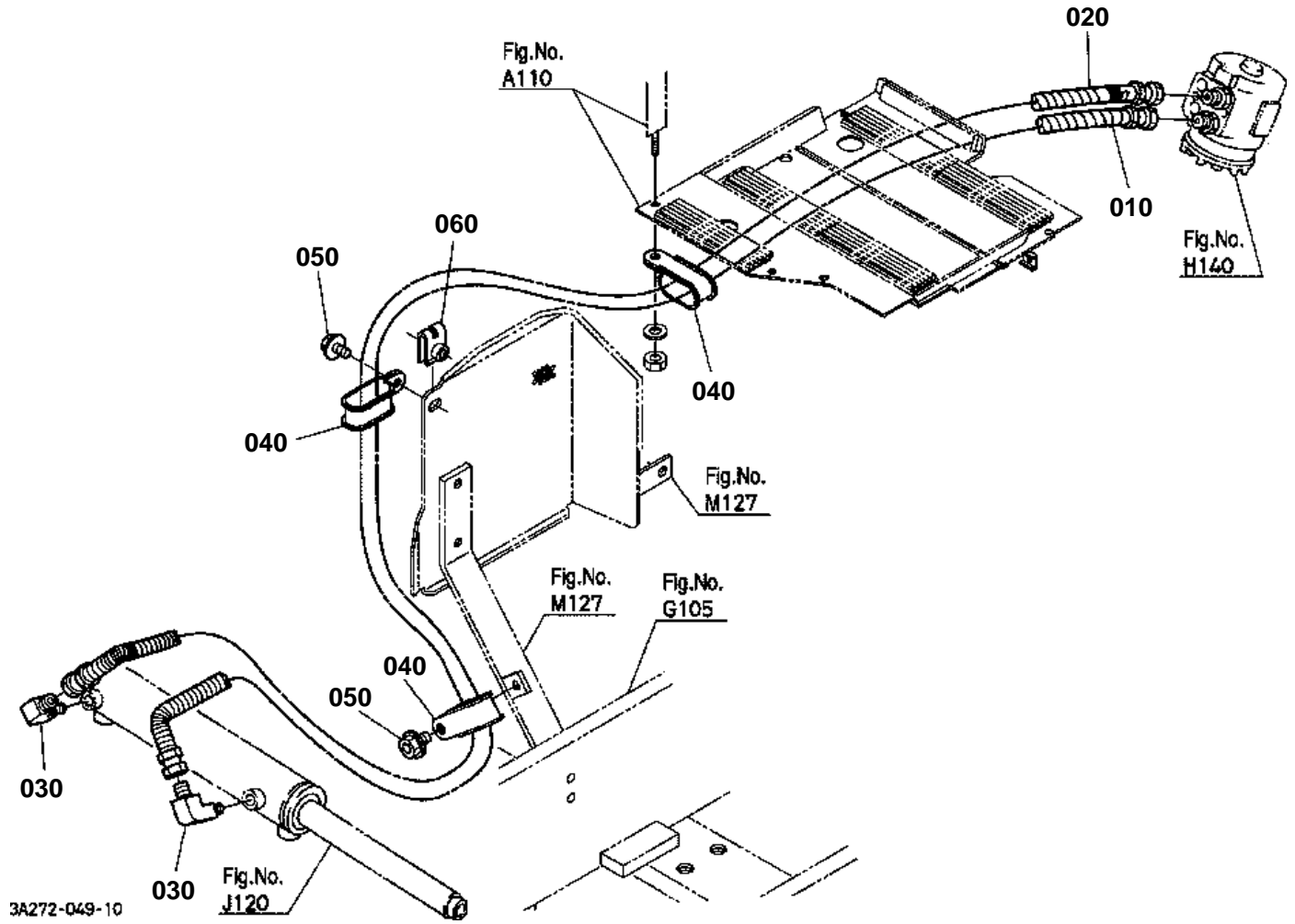


## HYDRAULIC OIL LINE (STEERING/PTO)

↔ Interchangeable; ≠ not interchangeable; ← new for old; → old for new

REF.No	Part No.	Description	Q'ty	S.No.	I/C	REMARKS	Weight (kgf)	Weight (lb)
010	3A272-63230	COMP.PIPE POWER STRG	1				0.39	0.858
020	35880-63650	O RING	1				0.001	0.0022
030	01023-50622	BOLT	4				0.005	0.011
040	3A111-27600	COMP.PIPE PTO	1				0.29	0.638
050	31351-45270	PIPE RUBBER	1				0.005	0.011
060	3A031-63310	CLAMP PIPE	1				0.045	0.099
070	3A031-63320	STAY	1				0.085	0.187
080	36330-63330	RUBBER PROTECTOR	1				0.01	0.022
090	01125-60820	BOLT	1				0.015	0.033

STEERING HOSE (DELIVERY)



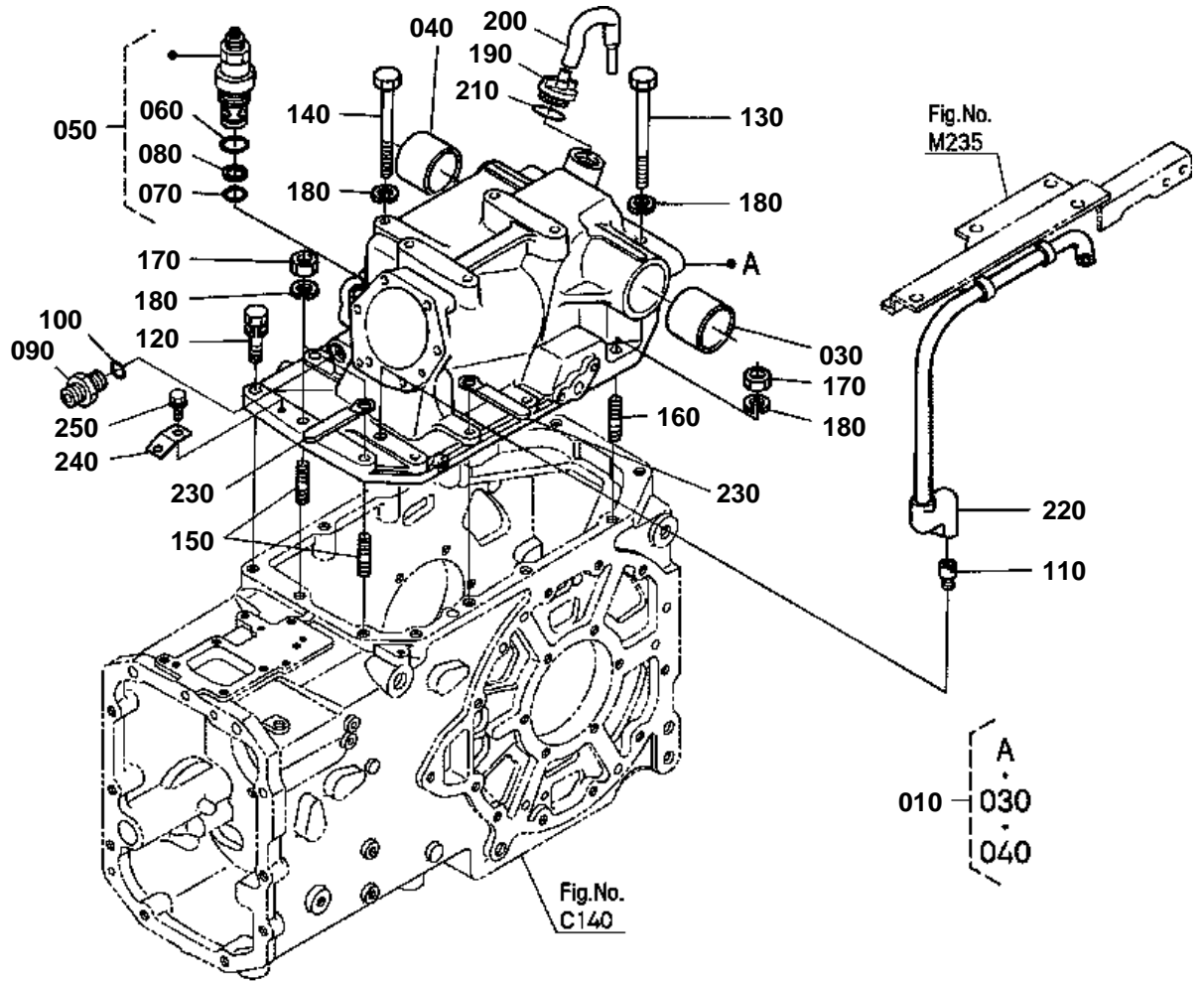


## STEERING HOSE (DELIVERY)

↔ Interchangeable; ≠ not interchangeable; ← new for old; → old for new

REF.No	Part No.	Description	Q'ty	S.No.	I/C	REMARKS	Weight (kgf)	Weight (lb)
010	3A011-63353	HOSE DELIVERY	1			1800mm	0.78	1.716
020	3A011-63363	HOSE DELIVERY	1			1800mm	0.78	1.716
030	56713-28130	ADAPTER CYLINDER	2				0.052	0.1144
040	T0270-50230	CLAMP HOSE	3				0.021	0.0462
050	01754-50812	BOLT FLANGE	2				0.01	0.022
060	3A111-83510	NUT SPRING	1				0.012	0.0264

# HYDRAULIC CYLINDER



3A272-028-10

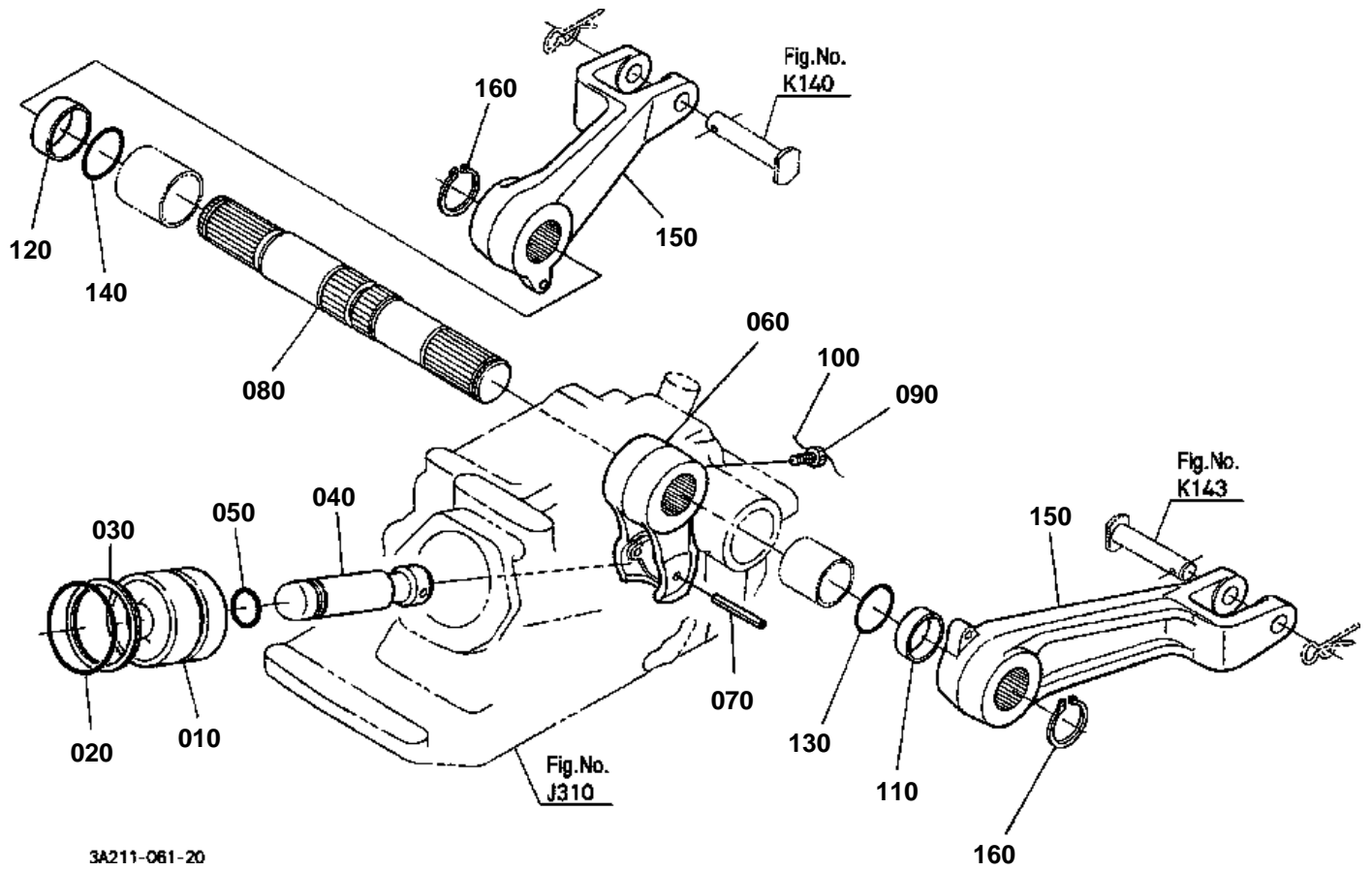


# HYDRAULIC CYLINDER

↔ Interchangeable; ≠ not interchangeable; ← new for old; → old for new

REF.No	Part No.	Description	Q'ty	S.No.	I/C	REMARKS	Weight (kgf)	Weight (lb)
010	3A011-82120	ASSY CASE CYLINDER	1				27.3	60.06
020	99999-99999	BLANK	0				0	0
030	32530-37450	BUSH	1				0.175	0.385
040	32530-37460	BUSH	1				0.175	0.385
050	3A121-82360	ASSY VALVE RELIEF	1				0.17	0.374
060	04817-00220	O RING	1				0.001	0.0022
070	04817-05150	O RING	1				0.001	0.0022
080	67810-38370	RING BACK UP	1				0.001	0.0022
090	3A011-82930	JOINT PIPE	1				0.09	0.198
100	04817-00180	O RING	1				0.003	0.0066
110	36200-21610	BREATHER	1				0.008	0.0176
120	01133-51250	BOLT	5				0.055	0.121
130	32530-37180	BOLT	2				0.11	0.242
140	36330-82160	BOLT	1				0.15	0.33
150	01574-51245	STUD	2				0.051	0.1122
160	01574-61240	STUD	2				0.045	0.099
170	02176-50120	NUT	4				0.01	0.022
180	04512-60120	WASHER SPRING	7				0.005	0.011
190	38180-21410	PLUG	1				0.02	0.044
200	38180-37140	BREATHER	1				0.01	0.022
210	04816-50300	O RING	1				0.001	0.0022
220	3A011-21622	BREATHER	1				0.034	0.0748
230	35340-29380	CLAMP CORD	2				0.01	0.022
240	3A211-76510	HOLDER	1				0.015	0.033
250	01754-50812	BOLT FLANGE	1				0.01	0.022

HYDRAULIC LIFT ARM





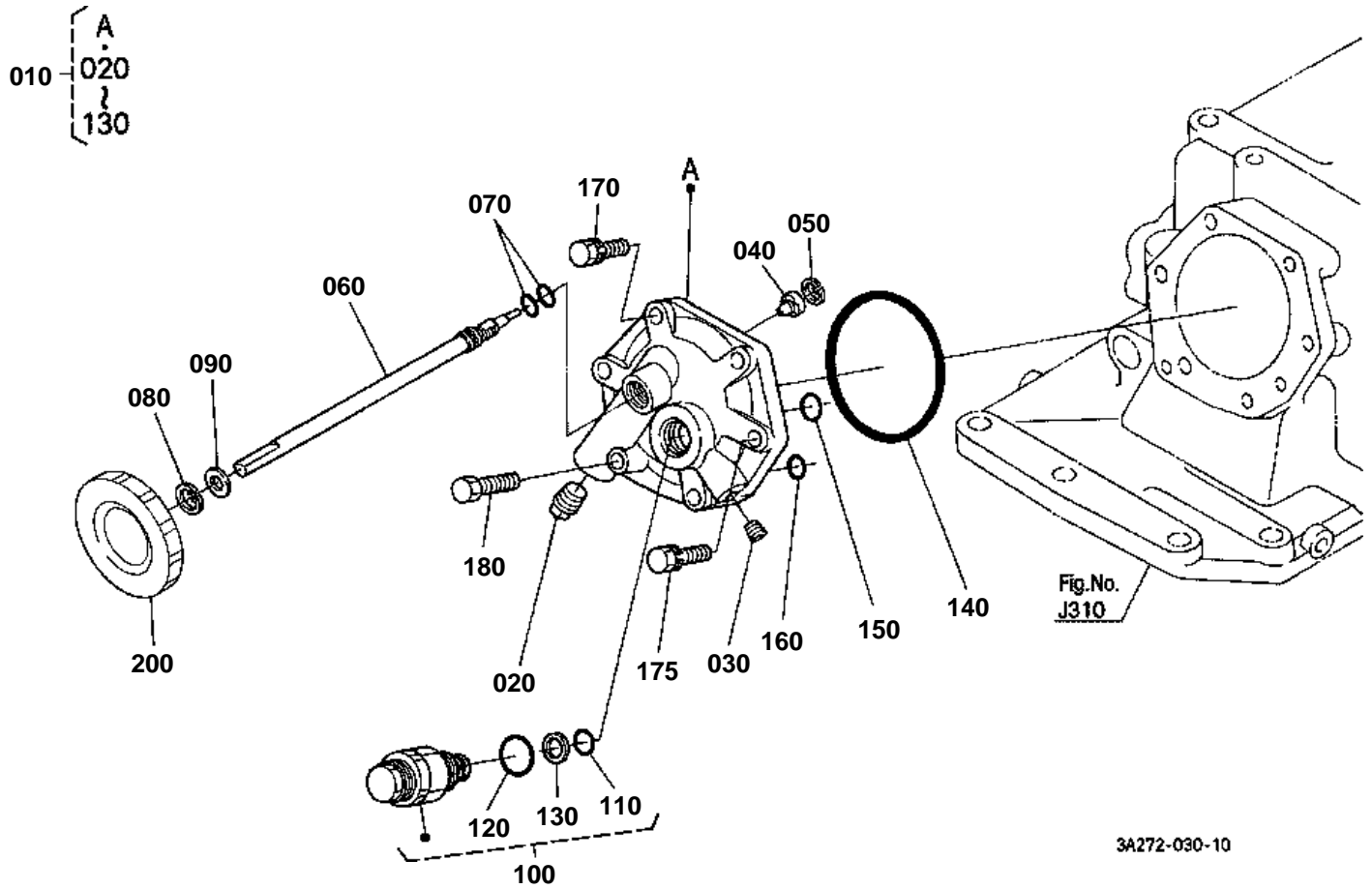


# HYDRAULIC LIFT ARM

↔ Interchangeable; ≠ not interchangeable; ← new for old; → old for new

REF.No	Part No.	Description	Q'ty	S.No.	I/C	REMARKS	Weight (kgf)	Weight (lb)
010	3A011-82570	PISTON HYD.	1				1.945	4.279
020	3A111-09830	O RING	1				0.014	0.0308
030	31391-37330	RING BACK UP	1				0.005	0.011
040	3A011-82863	ROD HYD.PISTON	1				1.19	2.618
050	04816-00320	O RING	1				0.003	0.0066
060	32530-37443	ARM HYDRAULIC	1				2.24	4.928
070	05411-00870	PIN SPRING	1				0.015	0.033
080	3A111-82830	SHAFT HYD.ARM	1				4.95	10.89
090	32530-37510	BOLT SET	1				0.015	0.033
100	99999-99999	WIRE	1				0	0
110	32590-37480	COLLAR	1				0.005	0.011
120	32530-37490	COLLAR	1				0.01	0.022
130	04816-50450	O RING	1				0.001	0.0022
140	04816-50500	O RING	1				0.005	0.011
150	32530-37613	ARM LIFT	2				5.25	11.55
160	04612-00450	CIR CLIP EXTERNAL	2				0.007	0.0154

HYDRAULIC CYLINDER COVER



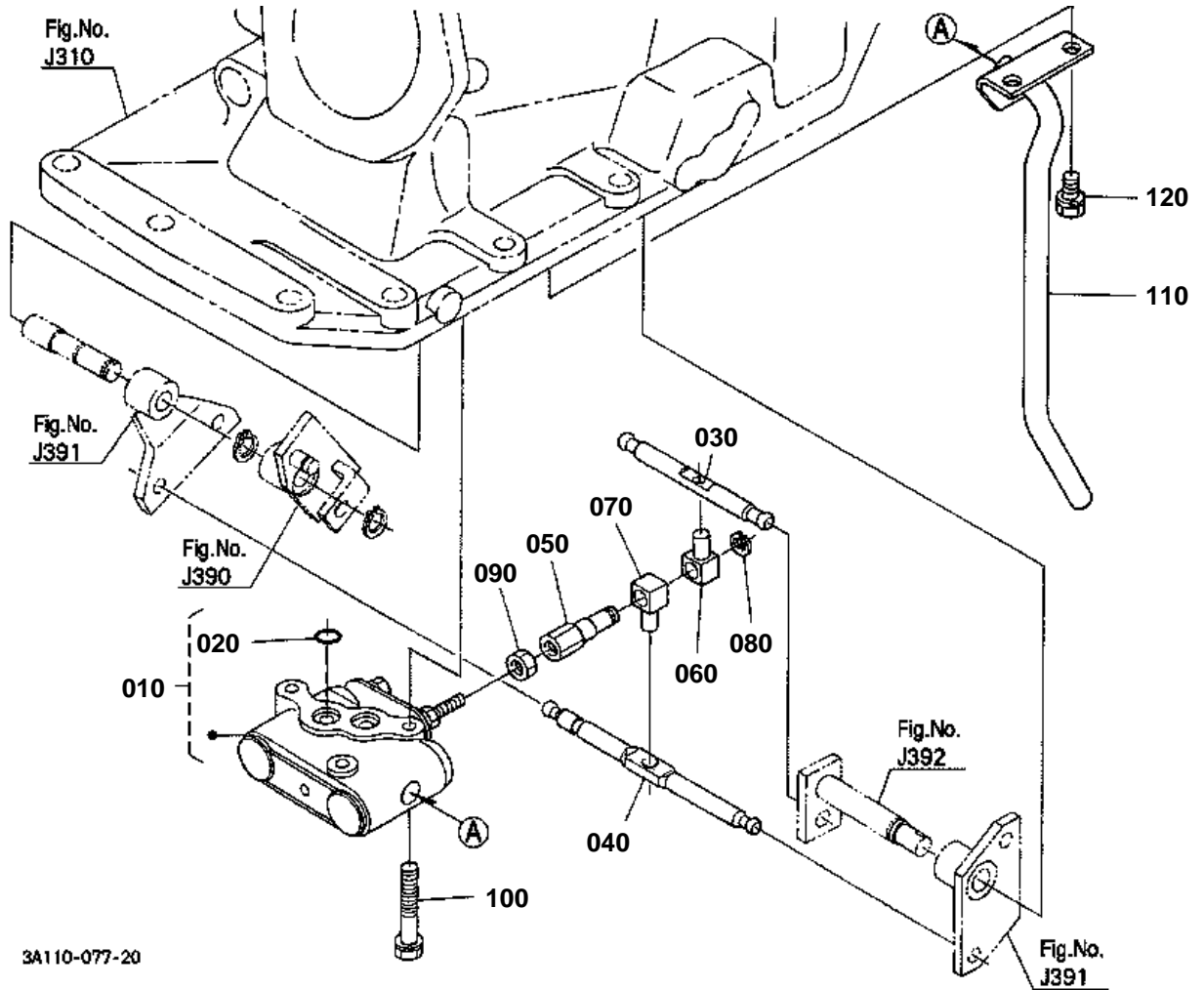


# HYDRAULIC CYLINDER COVER

↔ Interchangeable; ≠ not interchangeable; ← new for old; → old for new

REF.No	Part No.	Description	Q'ty	S.No.	I/C	REMARKS	Weight (kgf)	Weight (lb)
010	3A111-82503	ASSY HEAD HYD.CYL.	1				3.5	7.7
020	06312-10020	PLUG	1				0.016	0.0352
030	31351-37160	PLUG	1				0.003	0.0066
040	38240-37250	COLLAR ADJUSTING	1				0.01	0.022
050	04611-00160	CIR CLIP INTERNAL	1				0.001	0.0022
060	3A011-81650	SHAFT	1				0.13	0.286
070	04817-00100	O RING	2				0.001	0.0022
080	04611-00180	CIR CLIP INTERNAL	1				0.001	0.0022
090	04011-50100	WASHER PLAIN	1				0.002	0.0044
100	YR827-00100	ASSY VALVE SAFETY	1				0.39	0.858
110	04817-00160	O RING	1				0.001	0.0022
120	04816-06280	O RING	1				0.002	0.0044
130	YT133-00160	RING BACK UP	1				0.001	0.0022
140	3A111-09840	O RING	1				0.004	0.0088
150	3A111-09810	O RING	1				0.001	0.0022
160	04817-00100	O RING	1				0.001	0.0022
170	01133-51245	BOLT	4				0.055	0.121
175	01133-51250	BOLT	1				0.055	0.121
180	01133-51260	BOLT	1				0.06	0.132
190	99999-99999	BLANK	0				0	0
200	37410-36643	GRIP	1				0.03	0.066

CONTROL VALVE



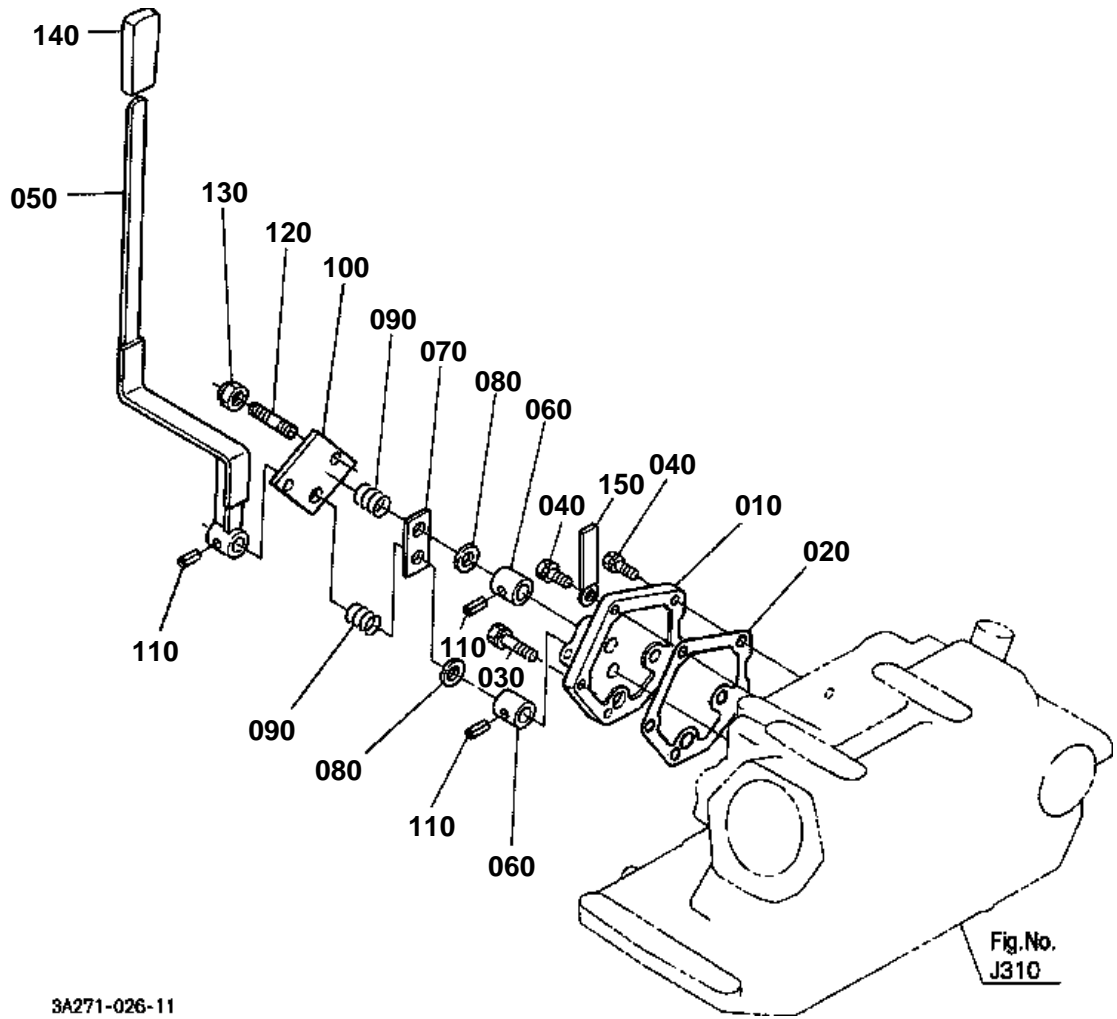


# CONTROL VALVE

↔ Interchangeable; ≠ not interchangeable; ← new for old; → old for new

REF.No	Part No.	Description	Q'ty	S.No.	I/C	REMARKS	Weight (kgf)	Weight (lb)
010	38240-39143	VALVE CONTROL	1				1.685	3.707
020	04817-00120	O RING	2				0.001	0.0022
030	31351-37640	LEVER SPOOL DRIVE	1				0.05	0.11
040	32590-37520	LEVER SPOOL DRIVE	1				0.09	0.198
050	32590-37530	JOINT SPOOL	1				0.04	0.088
060	37150-36420	JOINT SPOOL	1				0.02	0.044
070	32590-37540	JOINT SPOOL	1				0.015	0.033
080	04613-50060	CIR CLIP EXTERNAL	1				0.001	0.0022
090	02112-50080	NUT	1				0.003	0.0066
100	01123-50850	BOLT	3				0.02	0.044
110	3A111-82990	COMP.PIPE VALVE	1				0.165	0.363
120	01123-60816	BOLT	2				0.01	0.022

POSITION CONTROL LEVER



3A271-026-11

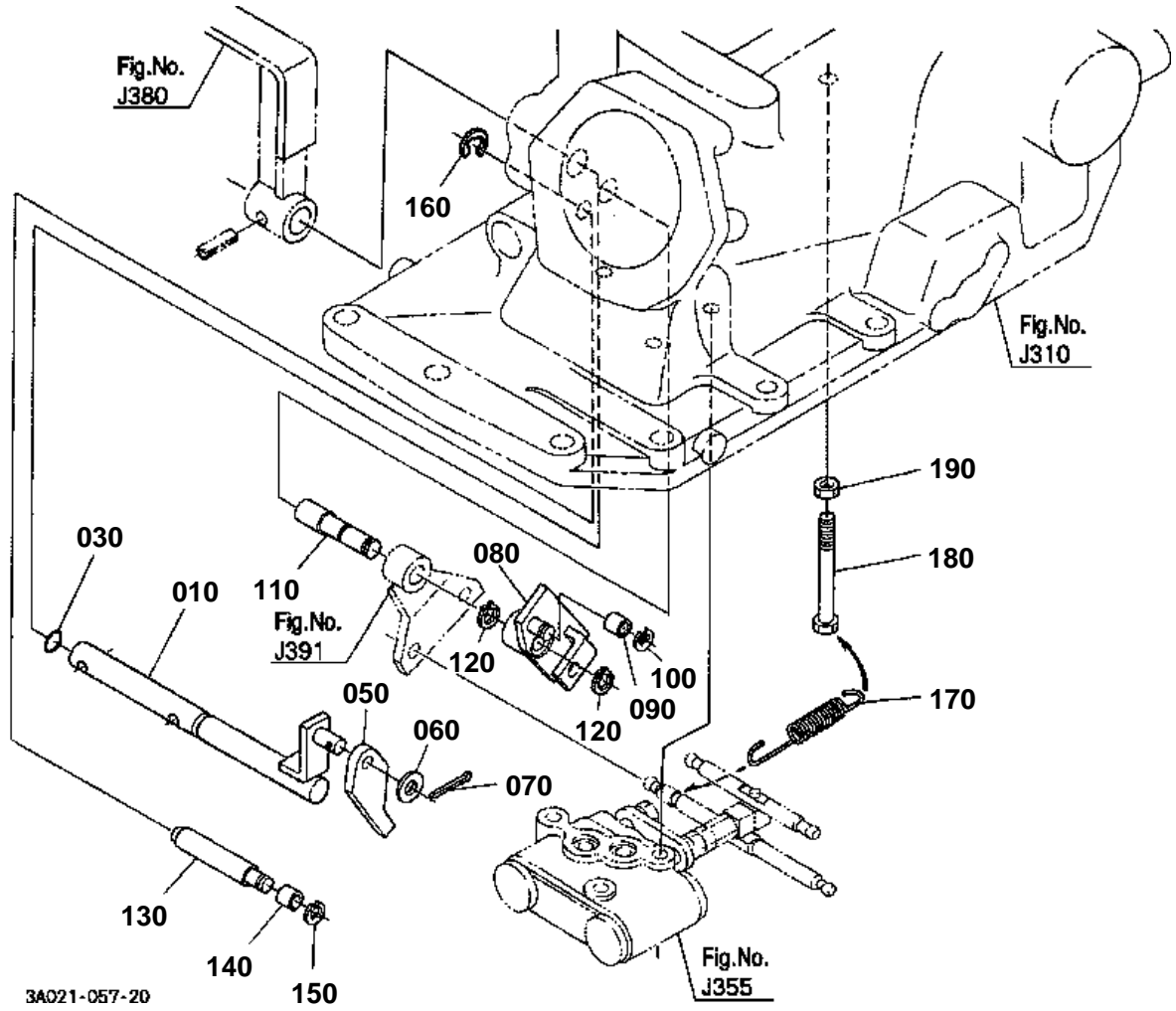


## POSITION CONTROL LEVER

↔ Interchangeable; ≠ not interchangeable; ← new for old; → old for new

REF.No	Part No.	Description	Q'ty	S.No.	I/C	REMARKS	Weight (kgf)	Weight (lb)
010	3A011-81130	BRACKET GUIDE	1				1.34	2.948
020	32590-37790	GASKET	1				0.005	0.011
030	01123-50850	BOLT	1				0.02	0.044
040	01123-50825	BOLT	4				0.013	0.0286
050	3A011-94233	LEVER POSITION	1				0.56	1.232
060	3A011-81450	COLLAR	2				0.062	0.1364
070	3A011-81480	SPRING STOPPER	1				0.02	0.044
080	3A011-81440	PLATE FRICTION	2				0.002	0.0044
090	3A011-81460	SPRING	2				0.017	0.0374
100	3A011-81470	PLATE SPRING	1				0.155	0.341
110	05411-00430	PIN SPRING	3				0.002	0.0044
120	01517-51065	STUD	2				0.043	0.0946
130	36919-30220	NUT U	2				0.01	0.022
140	31351-36880	GRIP LEVER	1				0.04	0.088
150	13824-67590	CLAMP CORD	1				0.002	0.0044

POSITION CONTROL SHAFT



3A021-057-20



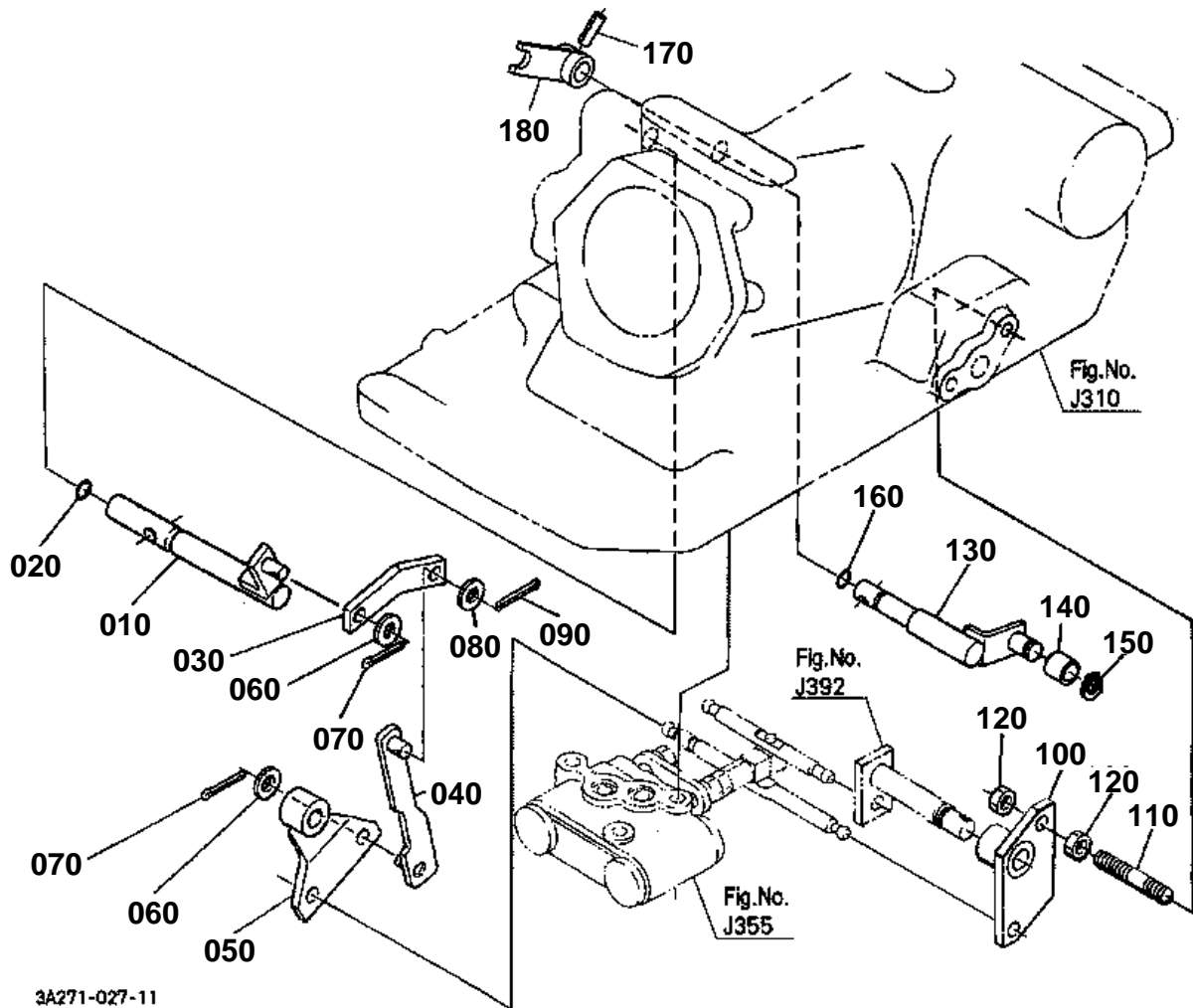


# POSITION CONTROL SHAFT

↔ Interchangeable; ≠ not interchangeable; ← new for old; → old for new

REF.No	Part No.	Description	Q'ty	S.No.	I/C	REMARKS	Weight (kgf)	Weight (lb)
010	3A011-81110	SHAFT POSITION	1				0.29	0.638
020	99999-99999	BLANK	0				0	0
030	04816-06100	O RING	1				0.001	0.0022
040	99999-99999	BLANK	0				0	0
050	3A011-81240	CAM	1				0.07	0.154
060	04013-60080	WASHER PLAIN	1				0.002	0.0044
070	05511-50215	PIN SPLIT	1				0.001	0.0022
080	32590-37580	LINK	1				0.155	0.341
090	32590-37590	RING INNER	1				0.02	0.044
100	04613-50060	CIR CLIP EXTERNAL	1				0.001	0.0022
110	32590-37620	SHAFT FULCRUM	1				0.063	0.1386
120	04612-00120	CIR CLIP EXTERNAL	2				0.001	0.0022
130	32590-37630	SHAFT FULCRUM	1				0.07	0.154
140	32590-37590	RING INNER	1				0.02	0.044
150	04613-50060	CIR CLIP EXTERNAL	1				0.001	0.0022
160	04613-50070	CIR CLIP EXTERNAL	1				0.001	0.0022
170	32590-37642	SPRING RETURN	1				0.03	0.066
180	01153-50880	BOLT	1				0.03	0.066
190	02156-50080	NUT	1				0.004	0.0088

DRAFT CONTROL SHAFT



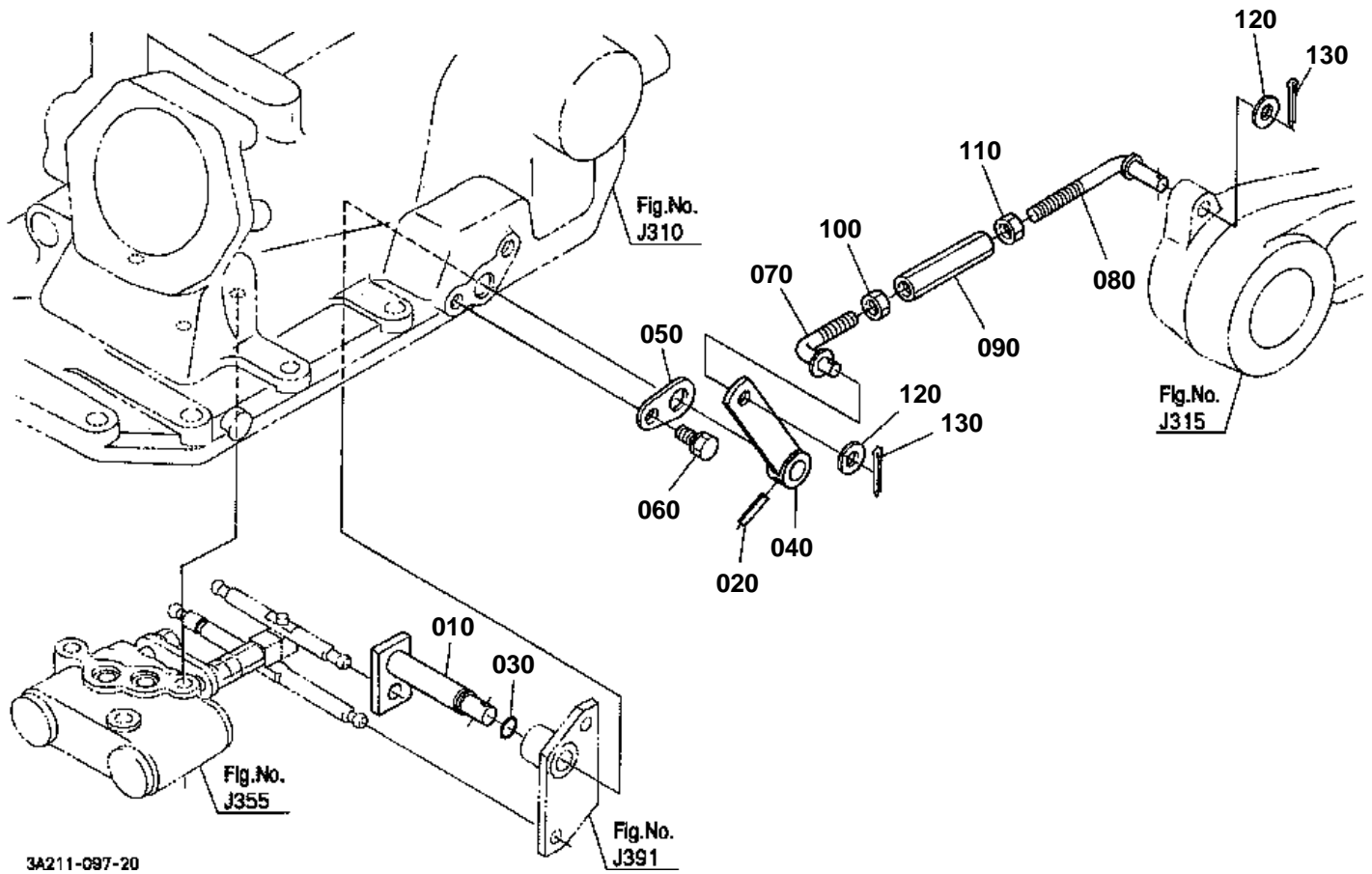


## DRAFT CONTROL SHAFT

↔ Interchangeable; ≠ not interchangeable; ← new for old; → old for new

REF.No	Part No.	Description	Q'ty	S.No.	I/C	REMARKS	Weight (kgf)	Weight (lb)
010	3A011-81120	SHAFT DRAFT	1				0.2	0.44
020	04816-06100	O RING	1				0.001	0.0022
030	32590-37692	LINK	1				0.05	0.11
040	32590-37702	LINK	1				0.08	0.176
050	32590-37710	LINK	1				0.14	0.308
060	04013-60080	WASHER PLAIN	2				0.002	0.0044
070	05511-50215	PIN SPLIT	2				0.001	0.0022
080	04011-50100	WASHER PLAIN	1				0.002	0.0044
090	05511-50320	PIN SPLIT	1				0.002	0.0044
100	32590-37720	ARM LOCK	1				0.2	0.44
110	37260-38170	STUD	1				0.06	0.132
120	02156-50080	NUT	2				0.004	0.0088
130	32590-37730	SHAFT FEED BACK	1				0.167	0.3674
140	32590-37740	RING INNER	1				0.01	0.022
150	04612-00120	CIR CLIP EXTERNAL	1				0.001	0.0022
160	04816-00090	O RING	1				0.001	0.0022
170	05411-00425	PIN SPRING	1				0.001	0.0022
180	3A271-81360	STAY DRAFT	1				0.025	0.055

# FEED BACK LEVER





## FEED BACK LEVER

↔ Interchangeable; ≠ not interchangeable; ← new for old; → old for new

REF.No	Part No.	Description	Q'ty	S.No.	I/C	REMARKS	Weight (kgf)	Weight (lb)
010	32590-37650	SHAFT FEED BACK	1				0.15	0.33
020	05411-00422	PIN SPRING	1				0.001	0.0022
030	04816-06100	O RING	1				0.001	0.0022
040	3A211-81690	LEVER FEED BACK	1				0.075	0.165
050	38240-36890	SET PLATE	1				0.013	0.0286
060	01123-60816	BOLT	1				0.01	0.022
070	3A211-81700	ROD CONTROL	1				0.026	0.0572
080	32530-37760	ROD CONTROL	1				0.035	0.077
090	66591-42410	TURNBUCKLE	1				0.046	0.1012
100	02112-50080	NUT	1				0.003	0.0066
110	37300-41330	NUT	1				0.005	0.011
120	04013-60080	WASHER PLAIN	2				0.002	0.0044
130	05511-50215	PIN SPLIT	2				0.001	0.0022

AUXILIARY CONTROL VALVE COVER

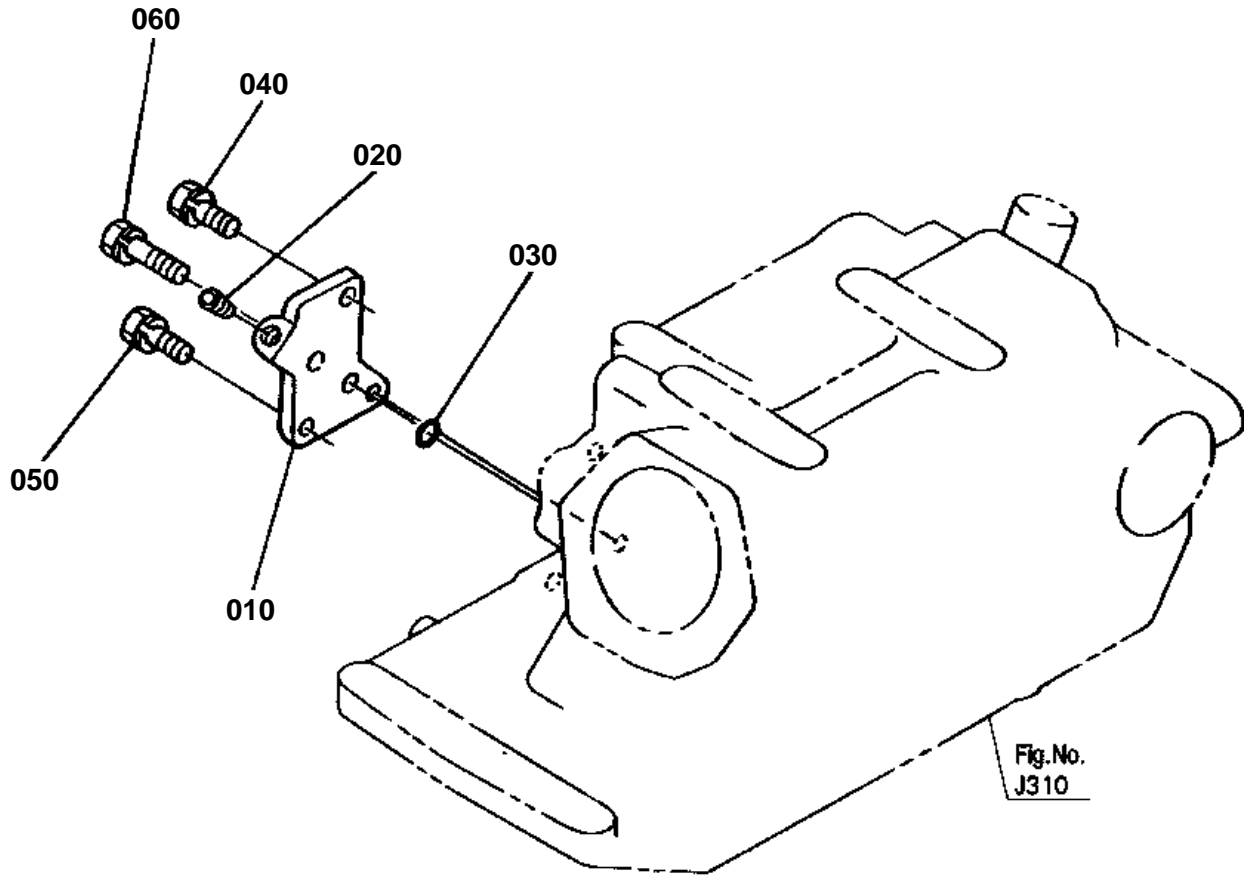


Fig.No.  
J310

3A021-093-20

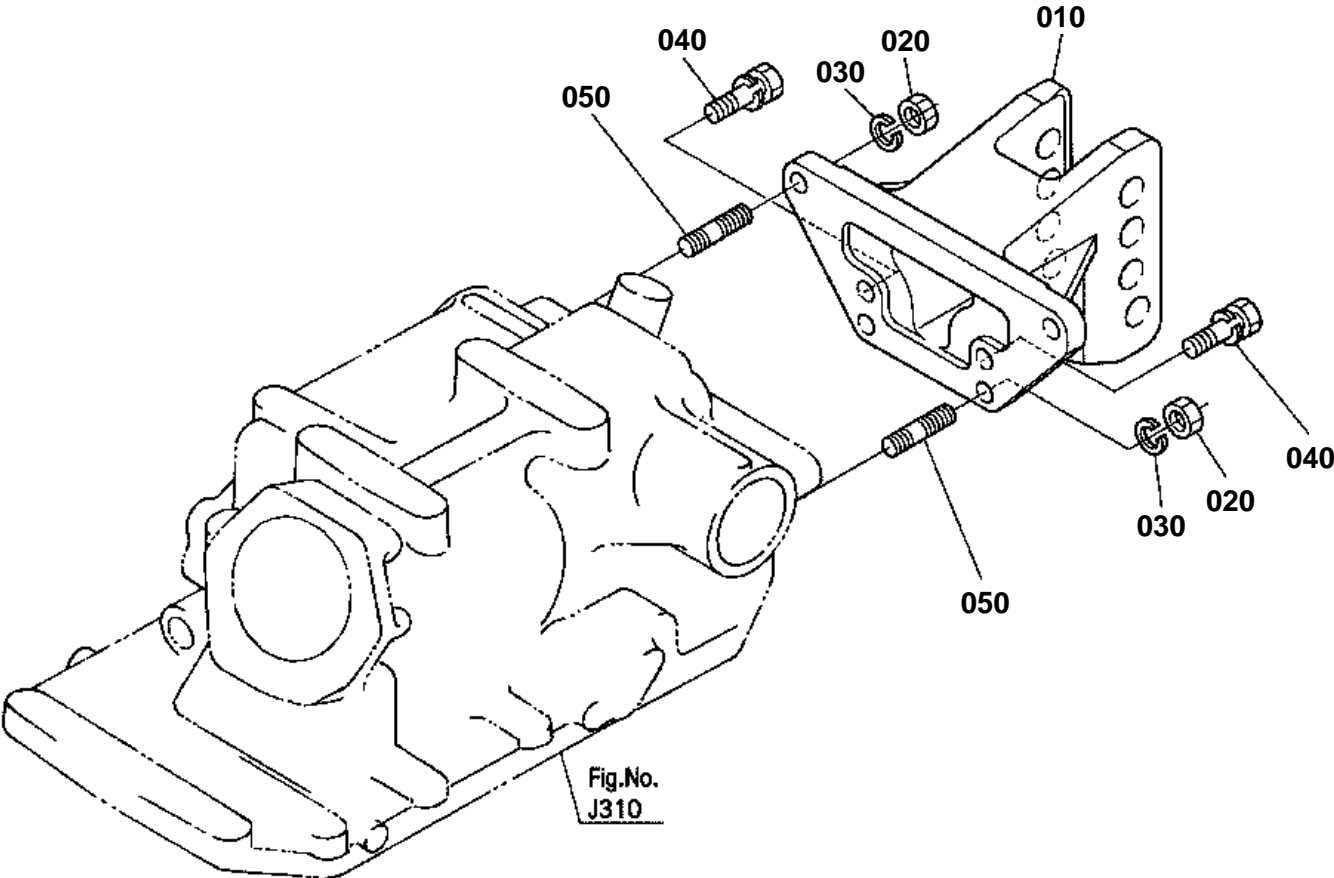


# AUXILIARY CONTROL VALVE COVER

↔ Interchangeable; ≠ not interchangeable; ← new for old; → old for new

REF.No	Part No.	Description	Q'ty	S.No.	I/C	REMARKS	Weight (kgf)	Weight (lb)
010	3A011-82350	COVER	1				0.57	1.254
020	31351-37150	PLUG	1				0.007	0.0154
030	3A111-09820	O RING	3				0.001	0.0022
040	01133-51025	BOLT	1				0.023	0.0506
050	01123-50825	BOLT	1				0.013	0.0286
060	01123-50840	BOLT	1				0.018	0.0396

TOP LINK BRACKET



3A271-028-11



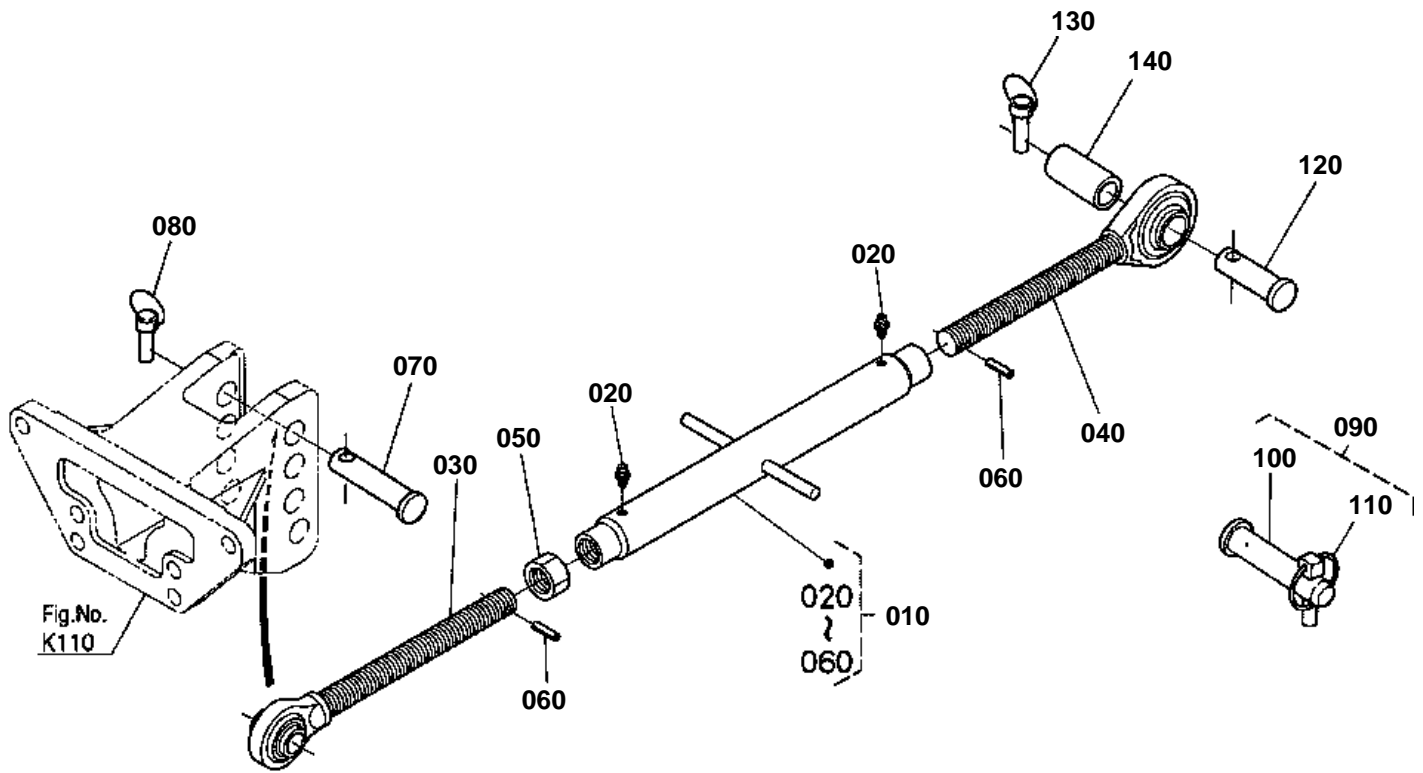


# TOP LINK BRACKET

↔ Interchangeable; ≠ not interchangeable; ← new for old; → old for new

REF.No	Part No.	Description	Q'ty	S.No.	I/C	REMARKS	Weight (kgf)	Weight (lb)
010	3A271-81810	BRACKET TOP LINK	1				6	13.2
020	02176-50120	NUT	4				0.01	0.022
030	04512-60120	WASHER SPRING	4				0.005	0.011
040	01138-51240	BOLT	2				0.046	0.1012
050	37800-43500	STUD	4				0.045	0.099

TOP LINK



3A272-081-10

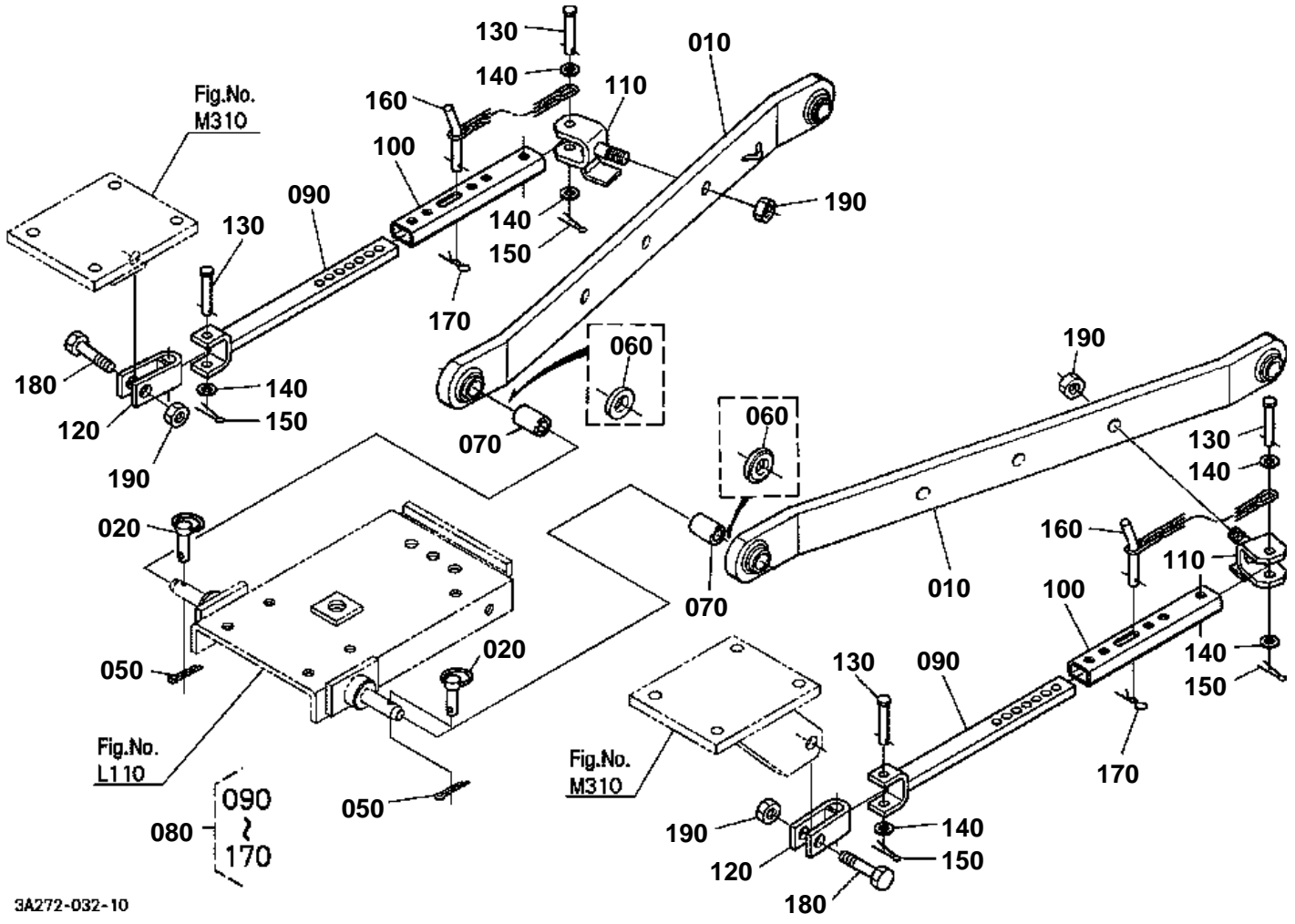


# TOP LINK

↔ Interchangeable; ≠ not interchangeable; ← new for old; → old for new

REF.No	Part No.	Description	Q'ty	S.No.	I/C	REMARKS	Weight (kgf)	Weight (lb)
010	TC050-71100	ASSY LINK TOP	1				4.4	9.68
020	TC050-71240	NIPPLE GREASE	2				0.003	0.0066
030	TC050-71210	JOINT TOP LINK RH	1				1.05	2.31
040	TC050-71220	JOINT TOP LINK LH	1				1.515	3.333
050	32244-71180	NUT TOP LINK	1				0.057	0.1254
060	05411-00425	PIN SPRING	2				0.001	0.0022
070	36330-91752	PIN TOP LINK REAR	1				0.25	0.55
080	34150-37640	PIN SET	1				0.06	0.132
090	36330-91773	ASSY PIN TOP LINK	1			CATEGORY 2	0.55	1.21
100	36330-91762	PIN TOP LINK REAR	1			CATEGORY 2	0.49	1.078
110	36200-91840	ASSY PIN SET	1			CATEGORY 2	0.06	0.132
120	36330-91752	PIN TOP LINK REAR	1			CATEGORY 1	0.25	0.55
130	34150-37640	PIN SET	1			CATEGORY 1	0.06	0.132
140	36330-91720	COLLAR ADJUSTING	1			CATEGORY 1	0.065	0.143

LOWER LINK



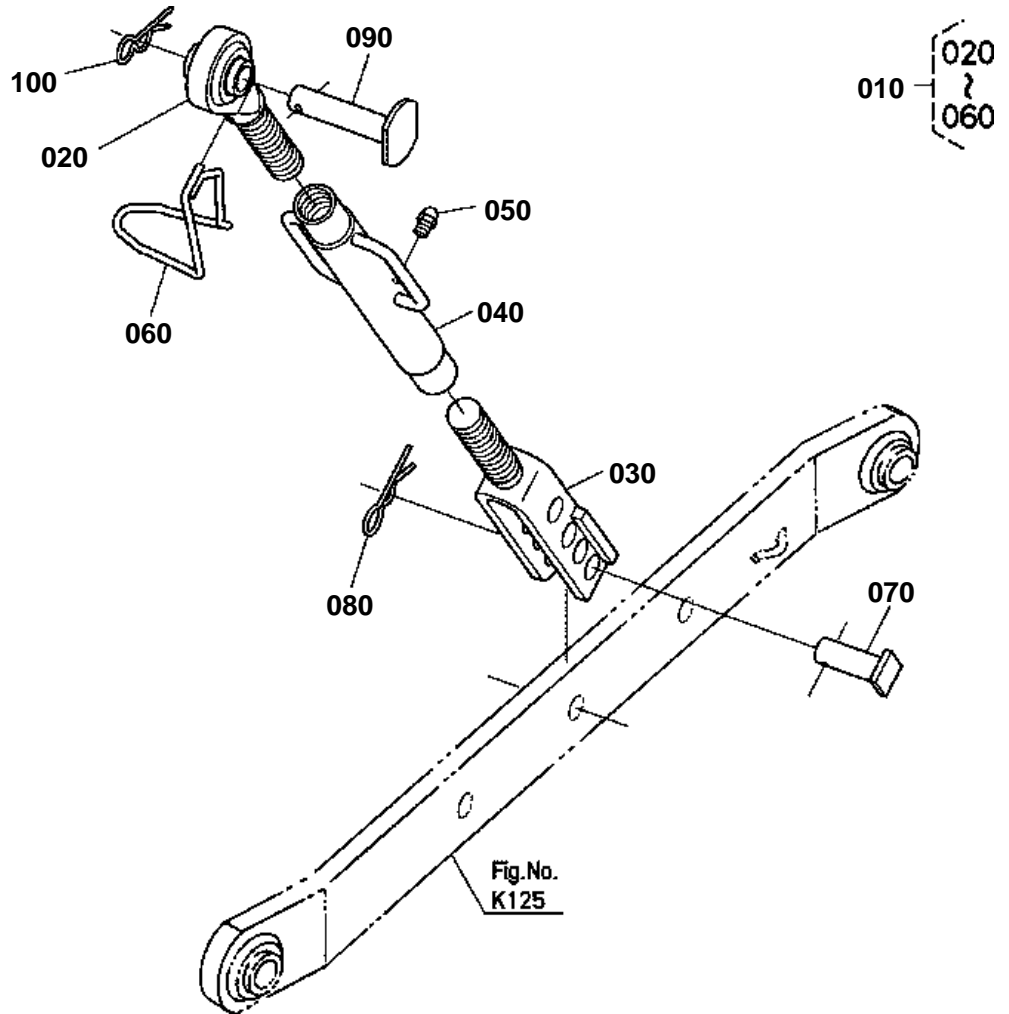
3A272-032-10

**LOWER LINK**

↔ Interchangeable; ≠ not interchangeable; ← new for old; → old for new

REF.No	Part No.	Description	Q'ty	S.No.	I/C	REMARKS	Weight (kgf)	Weight (lb)
010	3A012-91010	COMP.LINK LOWER	2				11.2	24.64
020	36330-91840	ASSY PIN SET	2				0.055	0.121
030	99999-99999	BLANK	0				0	0
040	99999-99999	BLANK	0				0	0
050	05511-50420	PIN SPLIT	2				0.002	0.0044
060	36330-91980	COLLAR ADJUSTING	2			CATEGORY 2	0.02	0.044
070	32590-71150	COLLAR	2			CATEGORY 1	0.06	0.132
080	3A272-92500	ASSY STABILIZER	2				4	8.8
090	3A272-92510	JOINT STABILIZER	2				1.5	3.3
100	TA140-39620	COMP.STAB.REAR	2				0.895	1.969
110	3A272-92530	JOINT STABILIZER	2				0.69	1.518
120	3A272-92540	BRACKET STABILIZER	2				0.5	1.1
130	TA140-39820	PIN STABILIZER REAR	4				0.064	0.1408
140	04011-50120	WASHER PLAIN	6				0.005	0.011
150	05511-50425	PIN SPLIT	4				0.003	0.0066
160	TA140-39630	COMP.JOINT	2				0.23	0.506
170	05515-61200	PIN SNAP	2				0.005	0.011
180	3A111-92170	BOLT STABILIZER	2				0.186	0.4092
190	02576-50180	NUT LOCK	4				0.049	0.1078

LIFT ROD RH



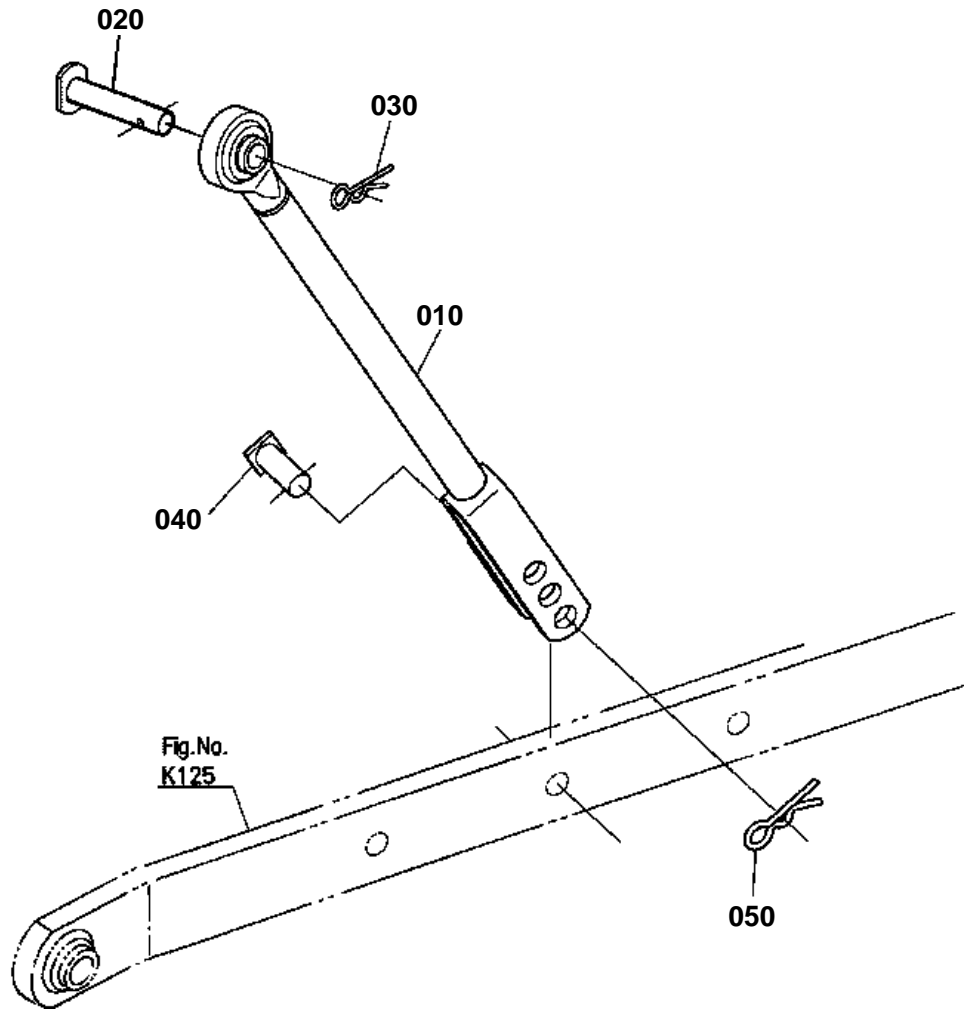
3A272-033-10



# LIFT ROD RH

↔ Interchangeable; ≠ not interchangeable; ← new for old; → old for new

REF.No	Part No.	Description	Q'ty	S.No.	I/C	REMARKS	Weight (kgf)	Weight (lb)
010	3A272-91230	ASSY ROD LIFT RH	1				3	6.6
020	3A272-91240	ROD LIFT LOWER RH	1				0.84	1.848
030	3A272-91260	ROD LIFT LOWER RH	1				1.06	2.332
040	3A272-91270	SLEEVE LIFT ROD	1				0.98	2.156
050	06613-10675	NIPPLE GREASE	1				0.003	0.0066
060	33740-91140	SPRING LOCK	1				0.08	0.176
070	3A012-91540	PIN LIFT ROD LOWER	1				0.115	0.253
080	33251-91860	PIN SET	1				0.023	0.0506
090	32530-37693	PIN LIFT ARM	1				0.23	0.506
100	66592-35190	PIN SET	1				0.014	0.0308



3A272-034-10



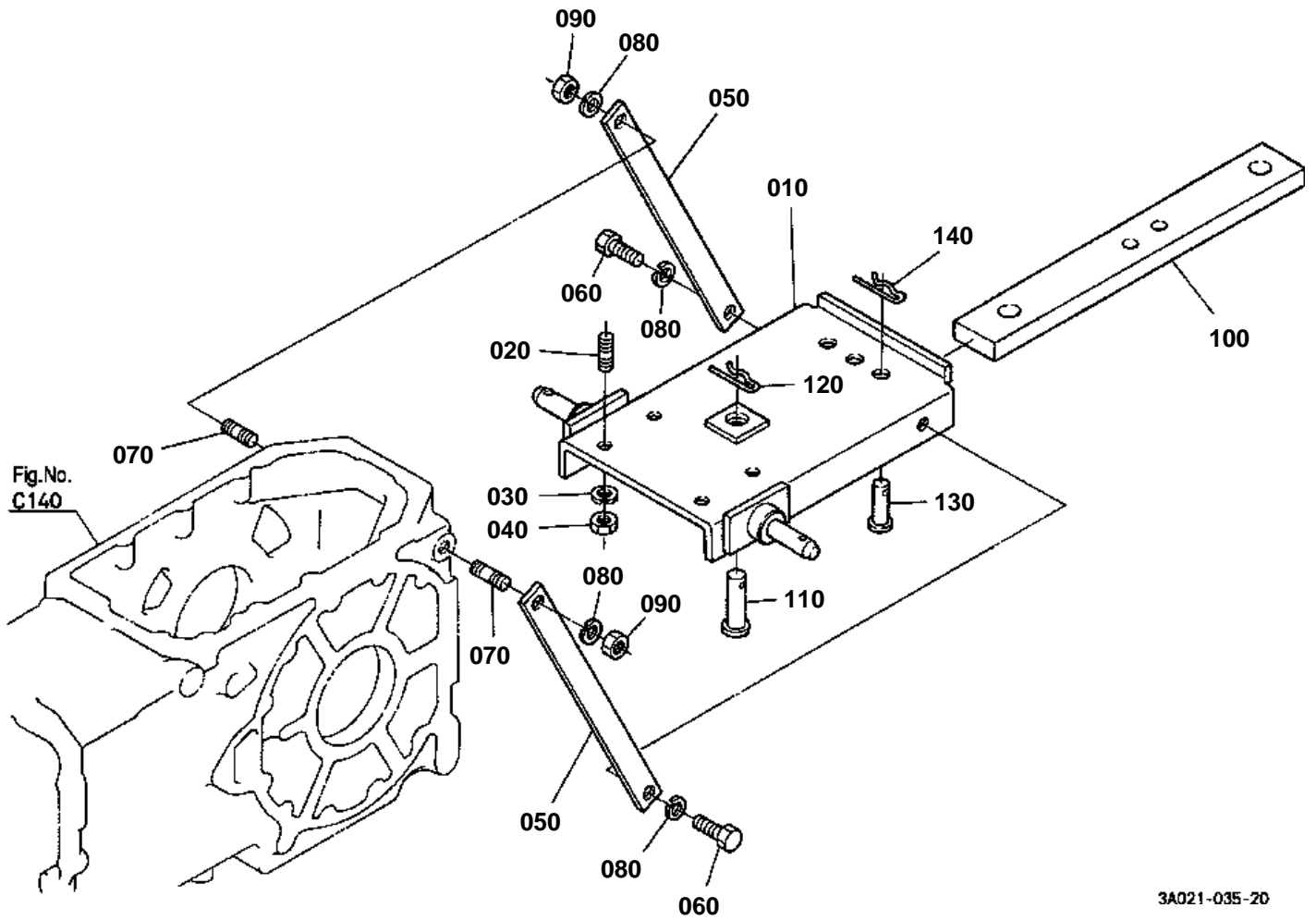


# LIFT ROD LH

↔ Interchangeable; ≠ not interchangeable; ← new for old; → old for new

REF.No	Part No.	Description	Q'ty	S.No.	I/C	REMARKS	Weight (kgf)	Weight (lb)
010	3A272-91450	ROD LIFT LH	1				3.1	6.82
020	32530-37693	PIN LIFT ARM	1				0.23	0.506
030	66592-35190	PIN SET	1				0.014	0.0308
040	3A012-91540	PIN LIFT ROD LOWER	1				0.115	0.253
050	33251-91860	PIN SET	1				0.023	0.0506

SWINGING DRAWBAR



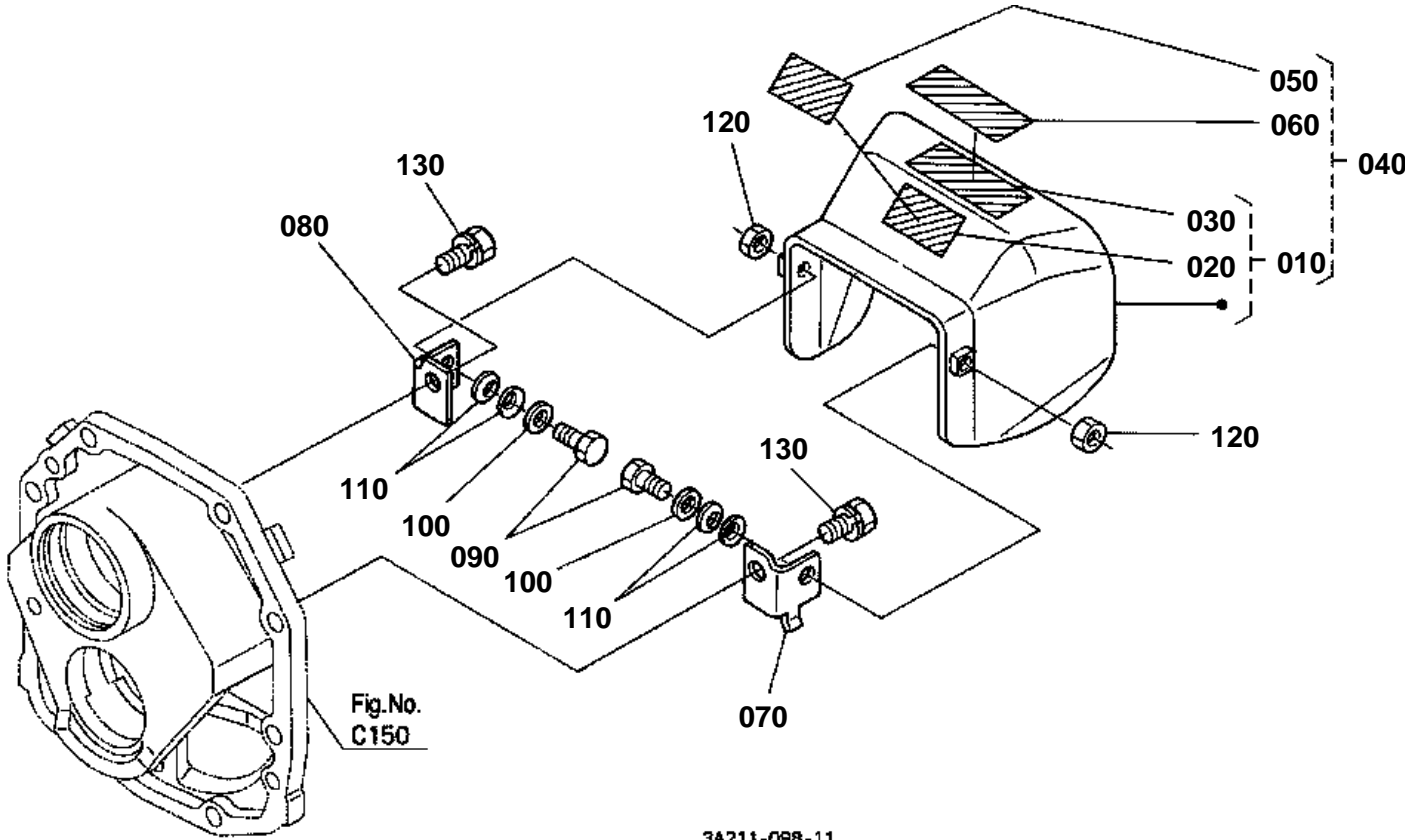
3A021-035-20



## SWINGING DRAWBAR

↔ Interchangeable; ≠ not interchangeable; ← new for old; → old for new

REF.No	Part No.	Description	Q'ty	S.No.	I/C	REMARKS	Weight (kgf)	Weight (lb)
010	3A011-89324	BRACKET DRAWBAR	1				11.94	26.268
020	01517-51635	STUD	4				0.078	0.1716
030	04512-60160	WASHER SPRING	4				0.01	0.022
040	02174-50160	NUT	4				0.022	0.0484
050	3A011-89333	PLATE	2				1.65	3.63
060	01173-51640	BOLT	2				0.085	0.187
070	01517-51635	STUD	2				0.078	0.1716
080	04512-60160	WASHER SPRING	4				0.01	0.022
090	02174-50160	NUT	2				0.022	0.0484
100	3A011-89120	DRAWBAR	1				7.05	15.51
110	32530-71760	PIN DRAWBAR	1				0.32	0.704
120	70515-16330	PIN SPRING	1				0.03	0.066
130	05122-52070	PIN JOINT	2				0.186	0.4092
140	05515-51600	PIN SNAP	2				0.007	0.0154



3A211-098-11

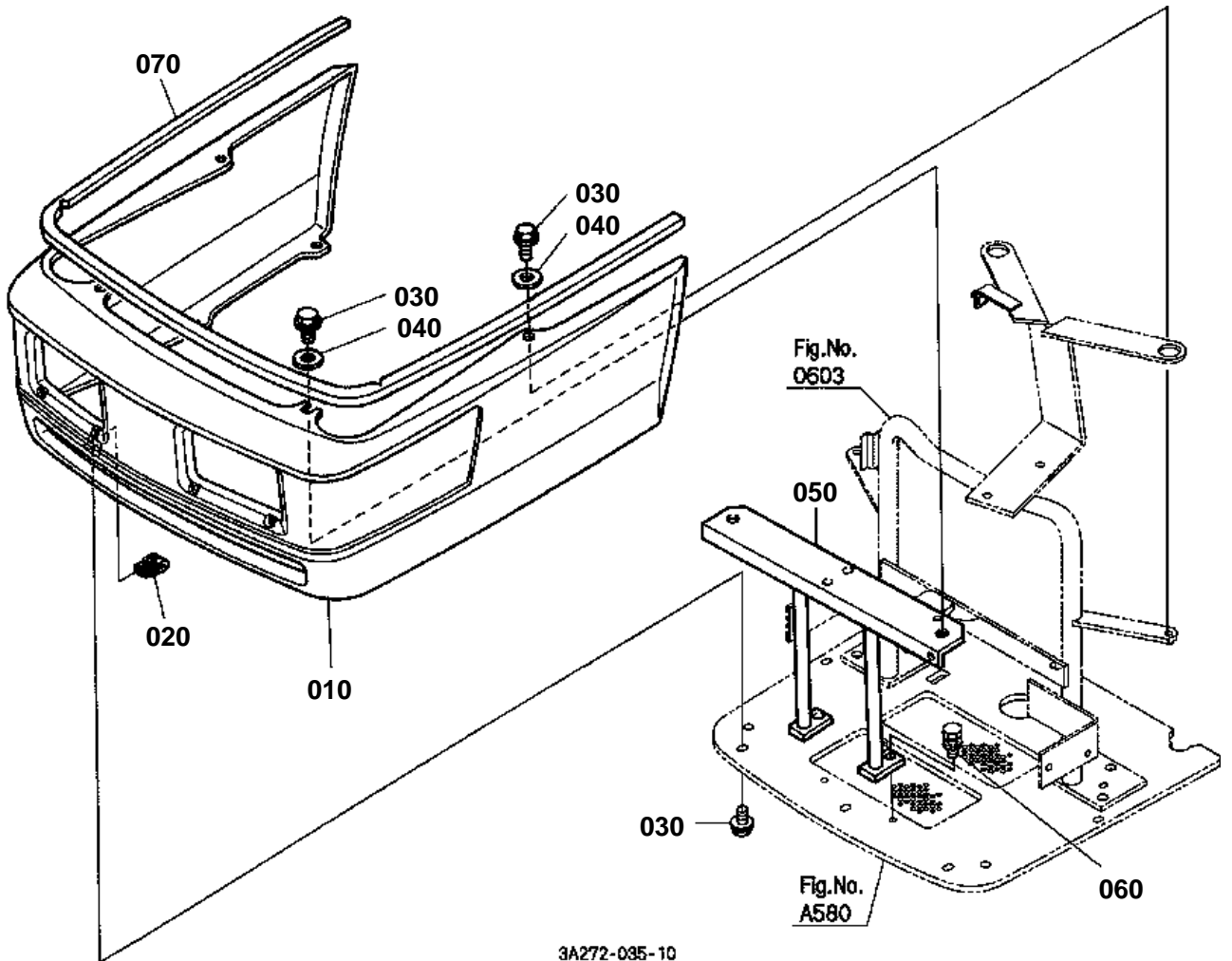


# PTO SHAFT PROTECTOR

↔ Interchangeable; ≠ not interchangeable; ← new for old; → old for new

REF.No	Part No.	Description	Q'ty	S.No.	I/C	REMARKS	Weight (kgf)	Weight (lb)
010	3A011-97380	KIT COVER PTO (A)	1			ENGLISH	2.1	4.62
020	TA040-49350	LABEL DRAWBAR	1			ENGLISH	0.002	0.0044
030	TA040-49590	LABEL PTO WARNING	1			ENGLISH	0.002	0.0044
040	3A011-97580	KIT COVER PTO (B)	1			FRENCH	2.105	4.631
050	TA041-49350	LABEL DRAWBAR	1			FRENCH	0.003	0.0066
060	TA041-49590	LABEL PTO WARNING	1			FRENCH	0.001	0.0022
070	TA020-23752	STAY	1				0.12	0.264
080	TA020-23762	STAY	1				0.001	0.0022
090	01173-51025	BOLT	2				0.021	0.0462
100	04013-60100	WASHER PLAIN	2				0.003	0.0066
110	62151-42412	SPRING PLATE	4				0.002	0.0044
120	02116-50100	NUT	2				0.004	0.0088
130	01133-51225	BOLT	2				0.035	0.077

HOOD(BONNET) FRONT



3A272-035-10

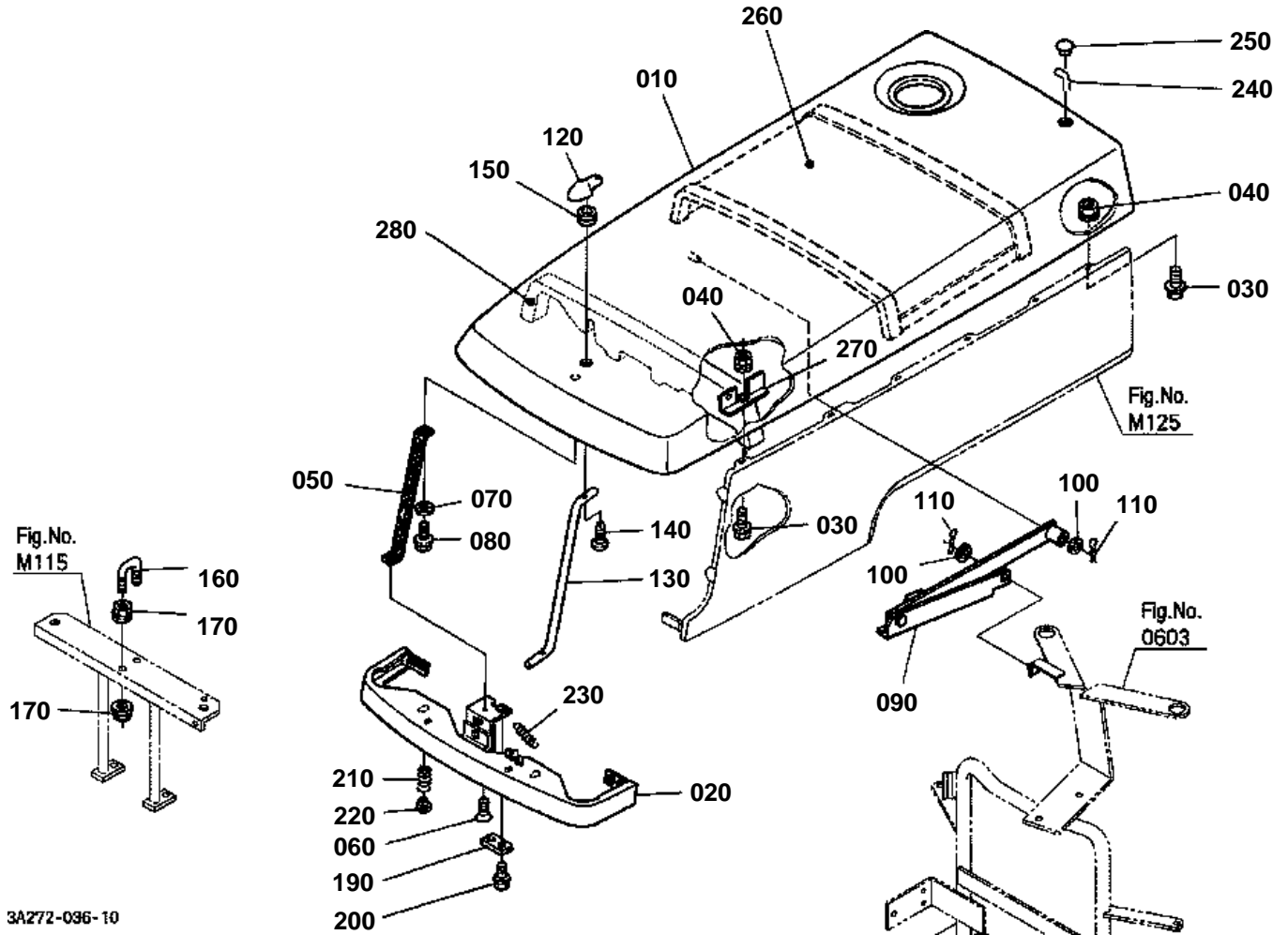


## HOOD(BONNET) FRONT

↔ Interchangeable; ≠ not interchangeable; ← new for old; → old for new

REF.No	Part No.	Description	Q'ty	S.No.	I/C	REMARKS	Weight (kgf)	Weight (lb)
010	3A011-83280	BONNET FRONT UNDER	1				1.66	3.652
020	3A011-83510	NUT SPRING	5				0.012	0.0264
030	01754-50816	BOLT FLANGE	9				0.011	0.0242
040	04015-60080	WASHER PLAIN	4				0.01	0.022
050	3A011-83457	SUPPORT BONNET FRONT	1				1.1	2.42
060	01123-50820	BOLT	2				0.011	0.0242
070	3A011-83306	SEAL RUBBER	1				0.09	0.198

# HOOD(BONNET) UPPER





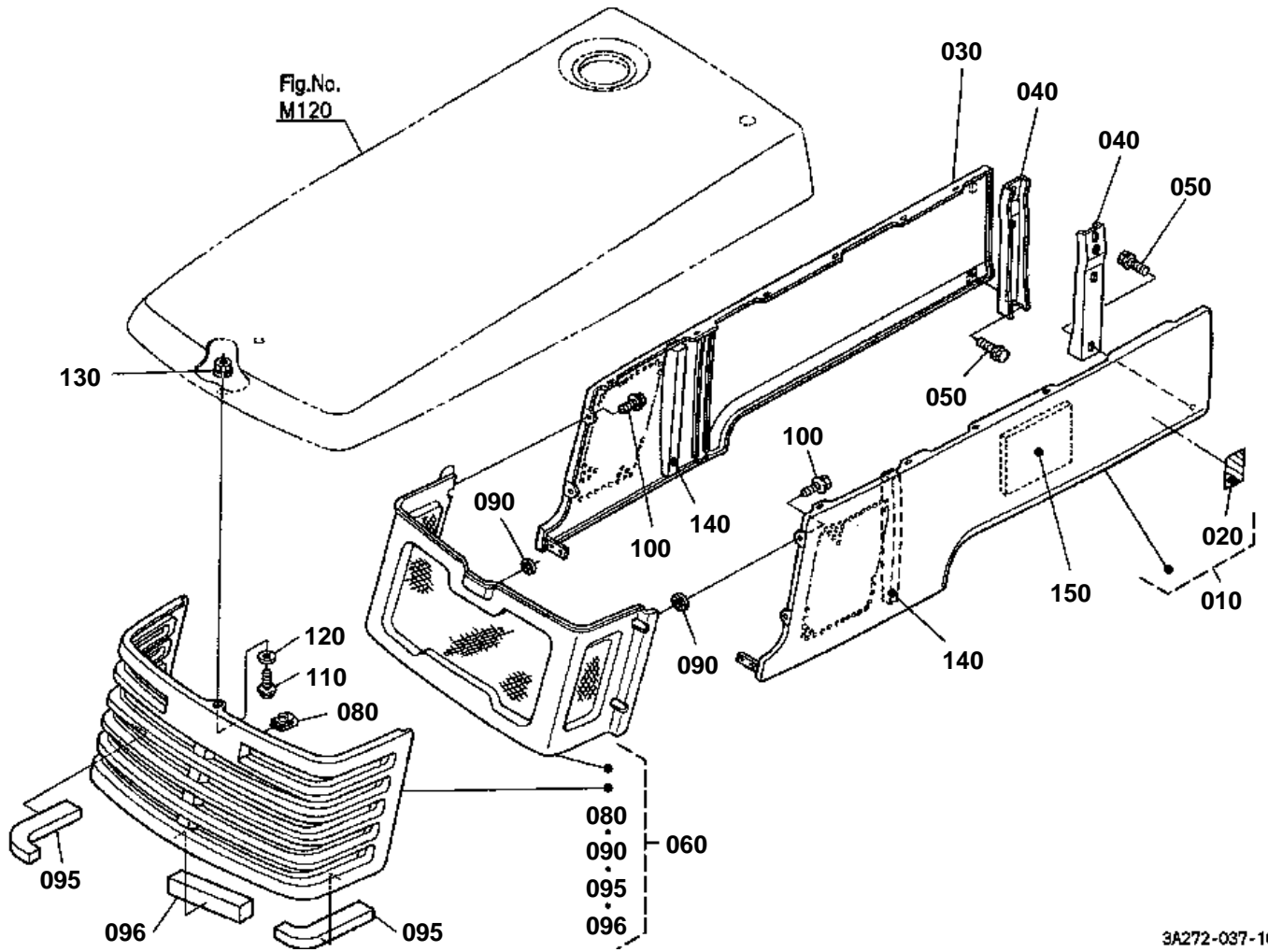


# HOOD(BONNET) UPPER

↔ Interchangeable; ≠ not interchangeable; ← new for old; → old for new

REF.No	Part No.	Description	Q'ty	S.No.	I/C	REMARKS	Weight (kgf)	Weight (lb)
010	3A011-83026	COMP.BONNET	1				9	19.8
020	3A011-83295	BONNET FRONT	1				1.5	3.3
030	01754-50812	BOLT FLANGE	16				0.01	0.022
040	02751-50080	NUT FLANGE	8				0.006	0.0132
050	3A011-83463	SUPPORT BONNET	1				0.105	0.231
060	03016-50614	SCREW CSK-HD	1				0.003	0.0066
070	04412-50060	WASHER TOOTHED	1				0.001	0.0022
080	01754-50610	BOLT FLANGE	1				0.006	0.0132
090	3A111-83310	LINK	1				0.525	1.155
100	04013-60080	WASHER PLAIN	2				0.002	0.0044
110	05511-50215	PIN SPLIT	2				0.001	0.0022
120	6C040-54260	HANDLE MASCOT	1				0.028	0.0616
130	3A011-83473	LEVER HANDLE	1				0.155	0.341
140	03614-50416	SCREW TAPPING	1				0.002	0.0044
150	3A011-83630	PLUG	1				0.001	0.0022
160	3A011-83423	LOCK	1				0.05	0.11
170	02751-50080	NUT FLANGE	4				0.006	0.0132
180	99999-99999	BLANK	0				0	0
190	3A011-83530	GUIDE	1				0.015	0.033
200	01754-50610	BOLT FLANGE	1				0.006	0.0132
210	3A011-83500	SPRING	2				0.03	0.066
220	41182-61150	PLUG	2				0.003	0.0066
230	3A011-83660	SPRING	1				0.01	0.022
240	3A011-83600	PIN SNAP	1				0.002	0.0044
250	3A111-83750	PLUG	1				0.002	0.0044
260	3A011-04330	INSULATION HEAT	1				0.285	0.627
270	3A011-83062	HOLDER	2				0.04	0.088
280	3A272-17172	SPONGE UPPER	1				0.125	0.275

HOOD(BONNET) SIDE



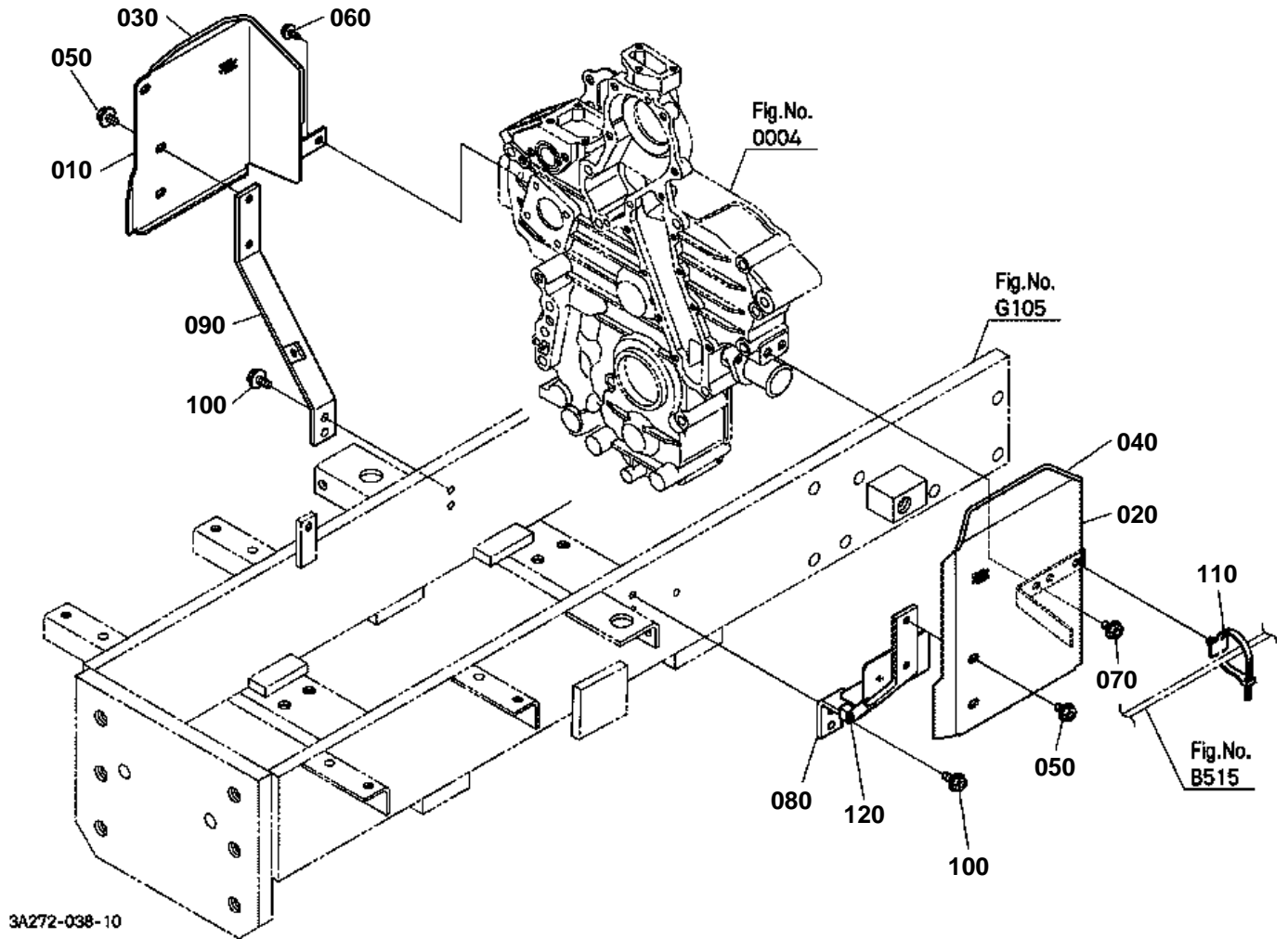
3A272-037-10

**HOOD(BONNET) SIDE**

↔ Interchangeable; ≠ not interchangeable; ← new for old; → old for new

REF.No	Part No.	Description	Q'ty	S.No.	I/C	REMARKS	Weight (kgf)	Weight (lb)
010	3A111-97330	KIT BONNET SIDE LH	1				2.2	4.84
020	32310-49580	LABEL WARNING	1				0.002	0.0044
030	3A111-83162	COMP.BONNET SIDE	1				2.2	4.84
040	3A011-83240	HOLDER	2				0.18	0.396
050	01754-50612	BOLT FLANGE	8				0.005	0.011
060	3A751-83222	ASSY GRILLE BONNET	1				1.43	3.146
070	99999-99999	BLANK	0				0	0
080	3A011-83490	NUT SPRING	2				0.01	0.022
090	3A011-83260	NUT	20				0.001	0.0022
095	3A751-17270	SPONGE SIDE	2				0.015	0.033
096	3A751-17280	SPONGE CENTER	1				0.006	0.0132
100	01754-50610	BOLT FLANGE	4				0.006	0.0132
110	01754-50616	BOLT FLANGE	3				0.006	0.0132
120	04015-60060	WASHER PLAIN	1				0.005	0.011
130	12264-92020	NUT SPRING WASHER M	1				0.05	0.11
140	3A011-17200	SPONGE SIDE	2				0.026	0.0572
150	3A111-83810	INSULATION HEAT	1				0.02	0.044

HOOD(BONNET) SIDE COVER



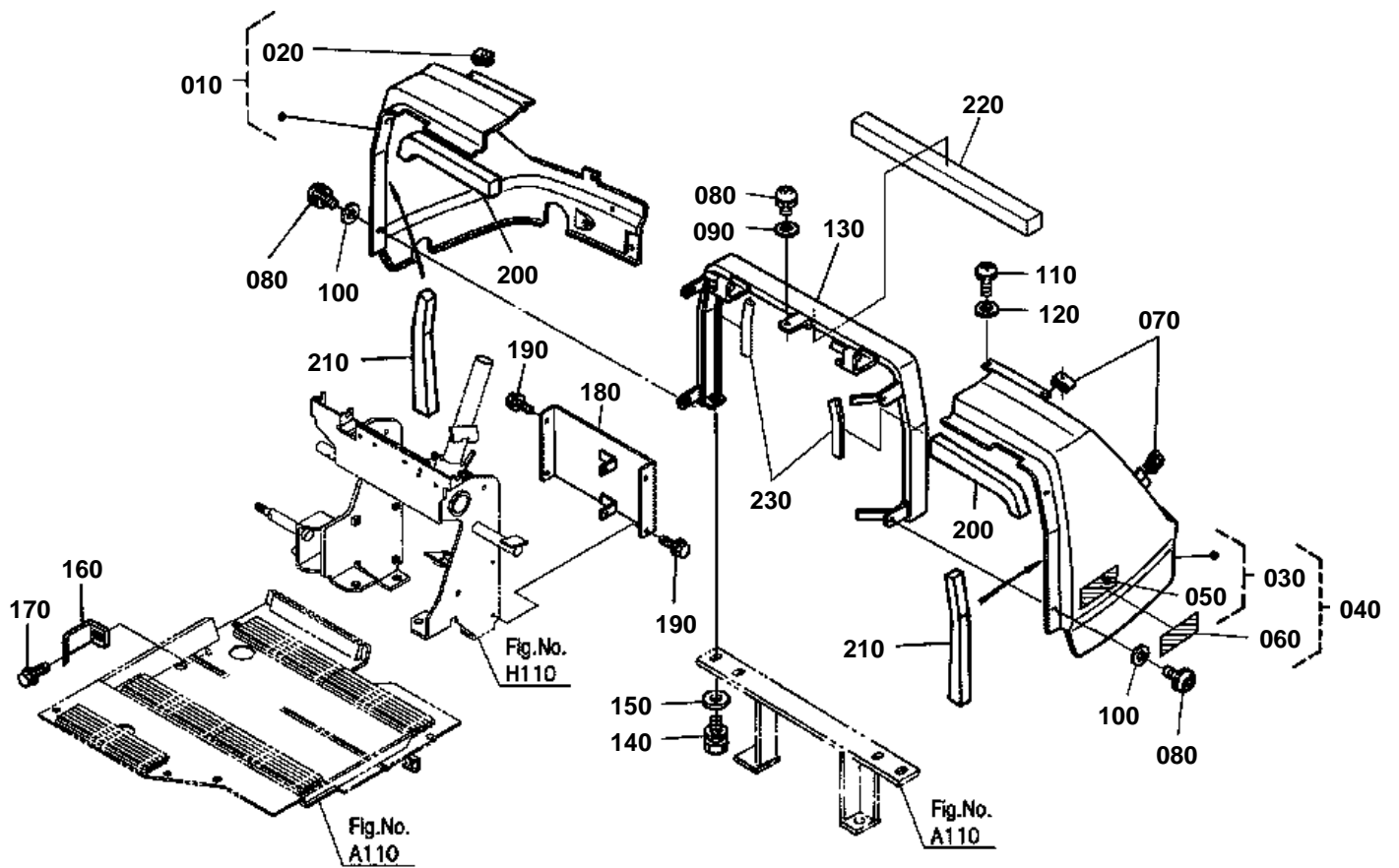


# HOOD(BONNET) SIDE COVER

↔ Interchangeable; ≠ not interchangeable; ← new for old; → old for new

REF.No	Part No.	Description	Q'ty	S.No.	I/C	REMARKS	Weight (kgf)	Weight (lb)
010	3A272-83372	COVER	1				0.4	0.88
020	3A272-83382	COVER	1				0.26	0.572
030	3A013-90652	TRIM	1				0.028	0.0616
040	3F740-83470	CUSHION	1				0.042	0.0924
050	30400-18870	BOLT FLANGE	4				0.01	0.022
060	01754-50612	BOLT FLANGE	1				0.005	0.011
070	01754-50812	BOLT FLANGE	2				0.01	0.022
080	3A272-83360	STAY COVER LH	1				0.055	0.121
090	3A272-83390	STAY COVER RH	1				0.45	0.99
100	01754-50816	BOLT FLANGE	4				0.011	0.0242
110	3A111-77330	CLAMP CORD	1				0.001	0.0022
120	T1155-74490	CUSHION	1				0.002	0.0044

HOOD(BONNET) REAR



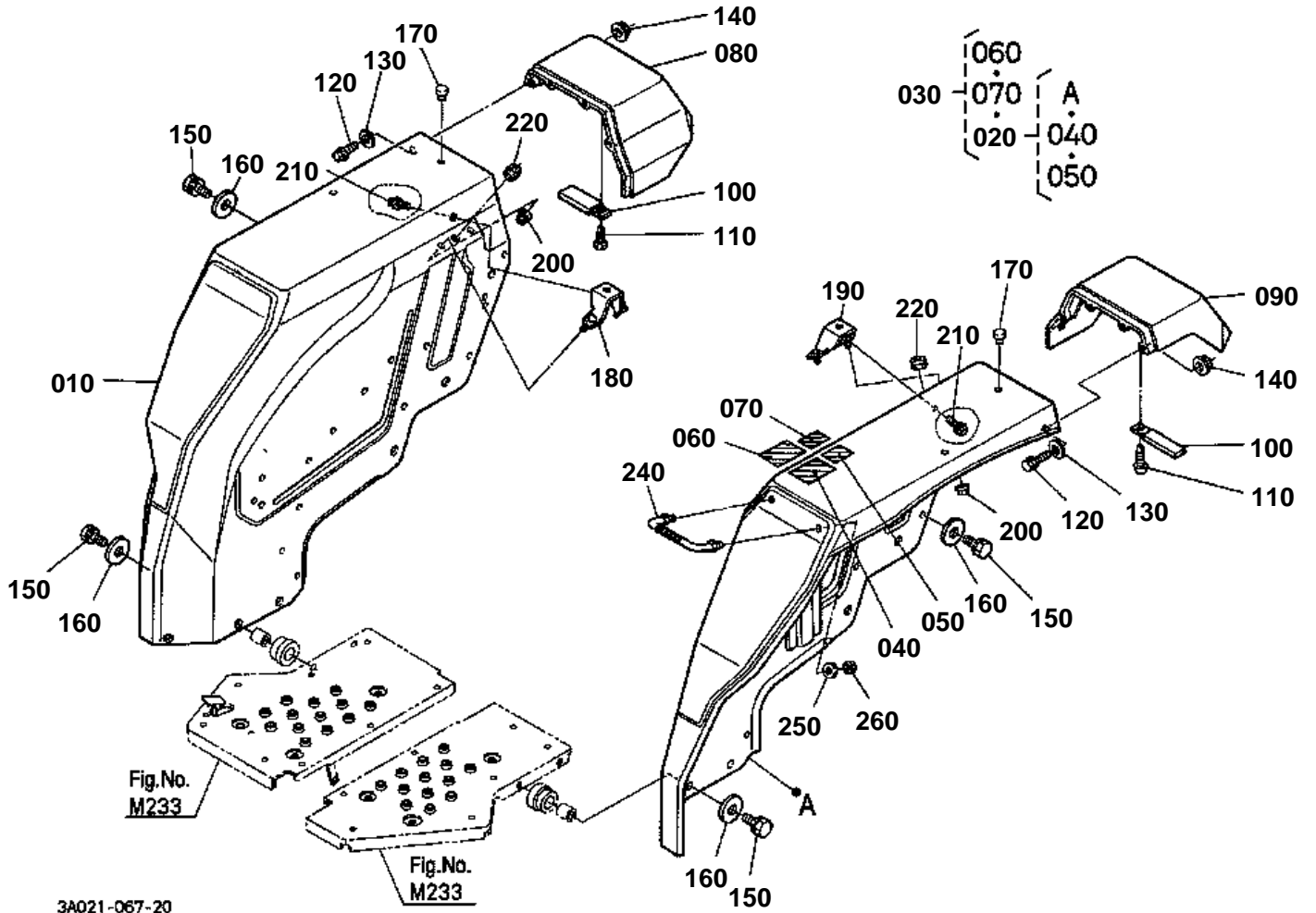
3A272-039-10



## HOOD(BONNET) REAR

↔ Interchangeable; ≠ not interchangeable; ← new for old; → old for new

REF.No	Part No.	Description	Q'ty	S.No.	I/C	REMARKS	Weight (kgf)	Weight (lb)
010	3A011-83610	ASSY BONNET REAR RH	1				0.65	1.43
020	3A011-83490	NUT SPRING	3				0.01	0.022
030	3A011-97360	KIT BONNET REAR (A)	1			ENGLISH	0.8	1.76
040	3A011-97560	KIT BONNET REAR (B)	1			FRENCH	0.65	1.43
050	TA040-49650	LABEL START CAUTION	1			ENGLISH	0.004	0.0088
060	TA041-49650	LABEL START CAUTION	1			FRENCH	0.004	0.0088
070	3A011-83490	NUT SPRING	4				0.01	0.022
080	03004-50816	SCREW WITH WASHER	5				0.01	0.022
090	04015-60080	WASHER PLAIN	1				0.01	0.022
100	04013-60080	WASHER PLAIN	4				0.002	0.0044
110	03004-50616	SCREW WITH WASHER	3				0.006	0.0132
120	04015-60060	WASHER PLAIN	3				0.005	0.011
130	3A011-83590	SUPPORT BONNET REAR	1				2	4.4
140	01133-51025	BOLT	2				0.023	0.0506
150	04013-60100	WASHER PLAIN	2				0.003	0.0066
160	3A011-83150	SPRING PLATE	2				0.055	0.121
170	01123-60816	BOLT	2				0.01	0.022
180	3A211-63220	COVER PANEL	1				0.335	0.737
190	01754-50612	BOLT FLANGE	4				0.005	0.011
200	3A011-04580	SPONGE BONNET REAR	2				0.018	0.0396
210	3A011-04590	SPONGE BONNET REAR	2				0.015	0.033
220	3A272-04570	SPONGE TANK REAR	1				0.05	0.11
230	67950-54930	RUBBER	2				0.006	0.0132



3A021-067-20



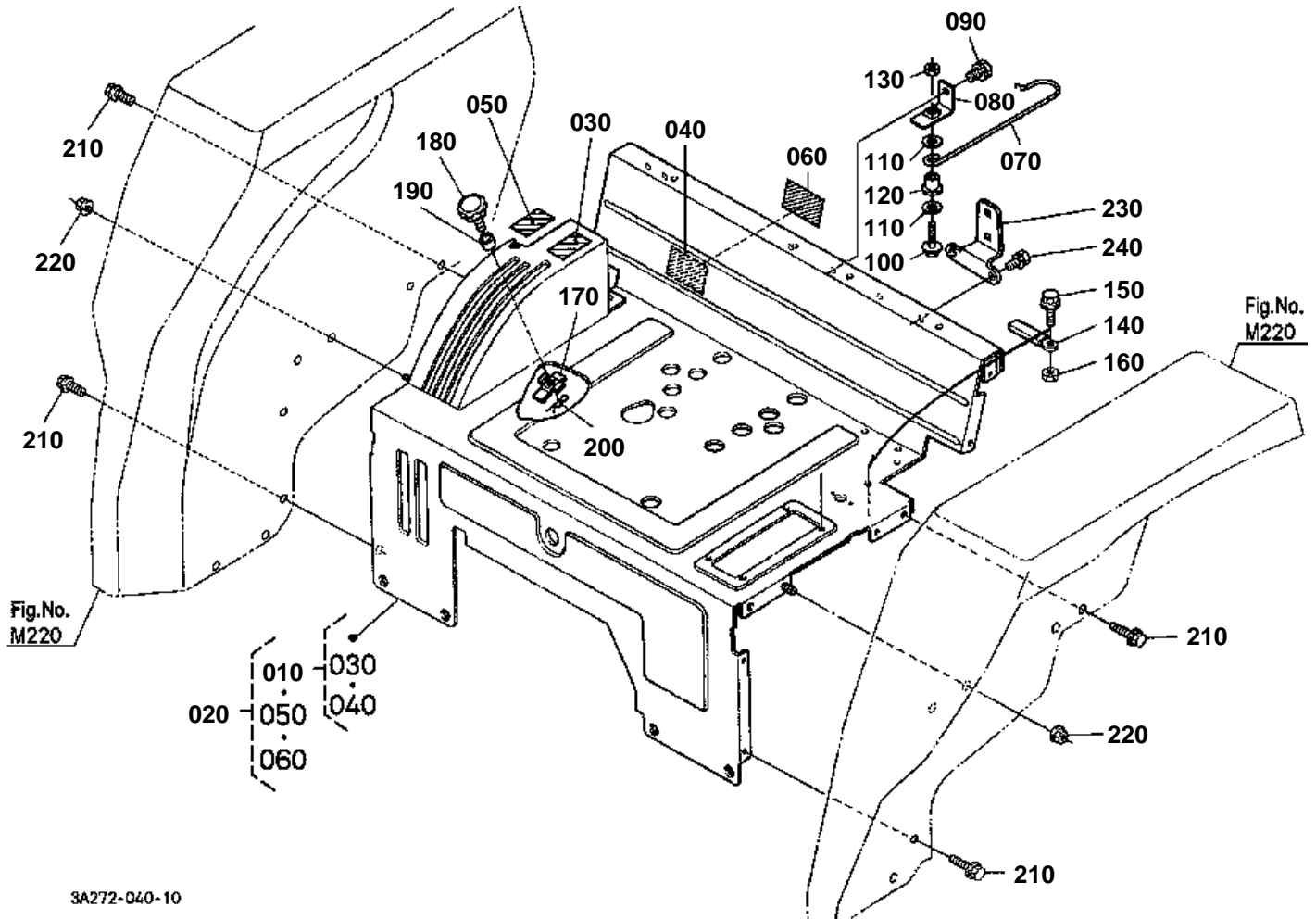


# FENDER

↔ Interchangeable; ≠ not interchangeable; ← new for old; → old for new

REF.No	Part No.	Description	Q'ty	S.No.	I/C	REMARKS	Weight (kgf)	Weight (lb)
010	3A011-87014	COMP.FENDER RH	1				10.7	23.54
020	3A012-97322	KIT FENDER LH (A)	1			ENGLISH	11.5	25.3
030	3A012-97522	KIT FENDER LH (B)	1			FRENCH	11.5	25.3
040	35260-34914	LABEL SAFETY	1			ENGLISH	0.005	0.011
050	3A111-98482	LABEL ROPS WARNING	1			ENGLISH	0.004	0.0088
060	TA041-65702	LABEL SAFETY	1			FRENCH	0.01	0.022
070	3A112-98480	LABEL ROPS WARNING	1			FRENCH	0.004	0.0088
080	3A011-87460	COVER FENDER RH	1				0.62	1.364
090	3A011-87470	COVER FENDER LH	1				0.59	1.298
100	15272-67590	CLAMP CORD	2				0.004	0.0088
110	03614-50610	SCREW TAPPING	2				0.005	0.011
120	01754-50816	BOLT FLANGE	10				0.011	0.0242
130	04015-60080	WASHER PLAIN	2				0.01	0.022
140	02751-50080	NUT FLANGE	2				0.006	0.0132
150	01123-50825	BOLT	10				0.013	0.0286
160	3A211-53500	WASHER PLAIN	10				0.011	0.0242
170	30810-29170	PLUG	2				0.003	0.0066
180	3A011-87270	STAY FENDER RH	1				0.185	0.407
190	3A011-87280	STAY FENDER LH	1				0.185	0.407
200	02751-50080	NUT FLANGE	4				0.006	0.0132
210	01125-50830	BOLT	2				0.01	0.022
220	32150-29180	CAP RUBBER	2				0.002	0.0044
230	99999-99999	BLANK	0				0	0
240	34670-29440	HANDRAIL	1				0.1	0.22
250	04013-60140	WASHER PLAIN	2				0.01	0.022
260	02174-50140	NUT	2				0.014	0.0308

FLOOR SEAT



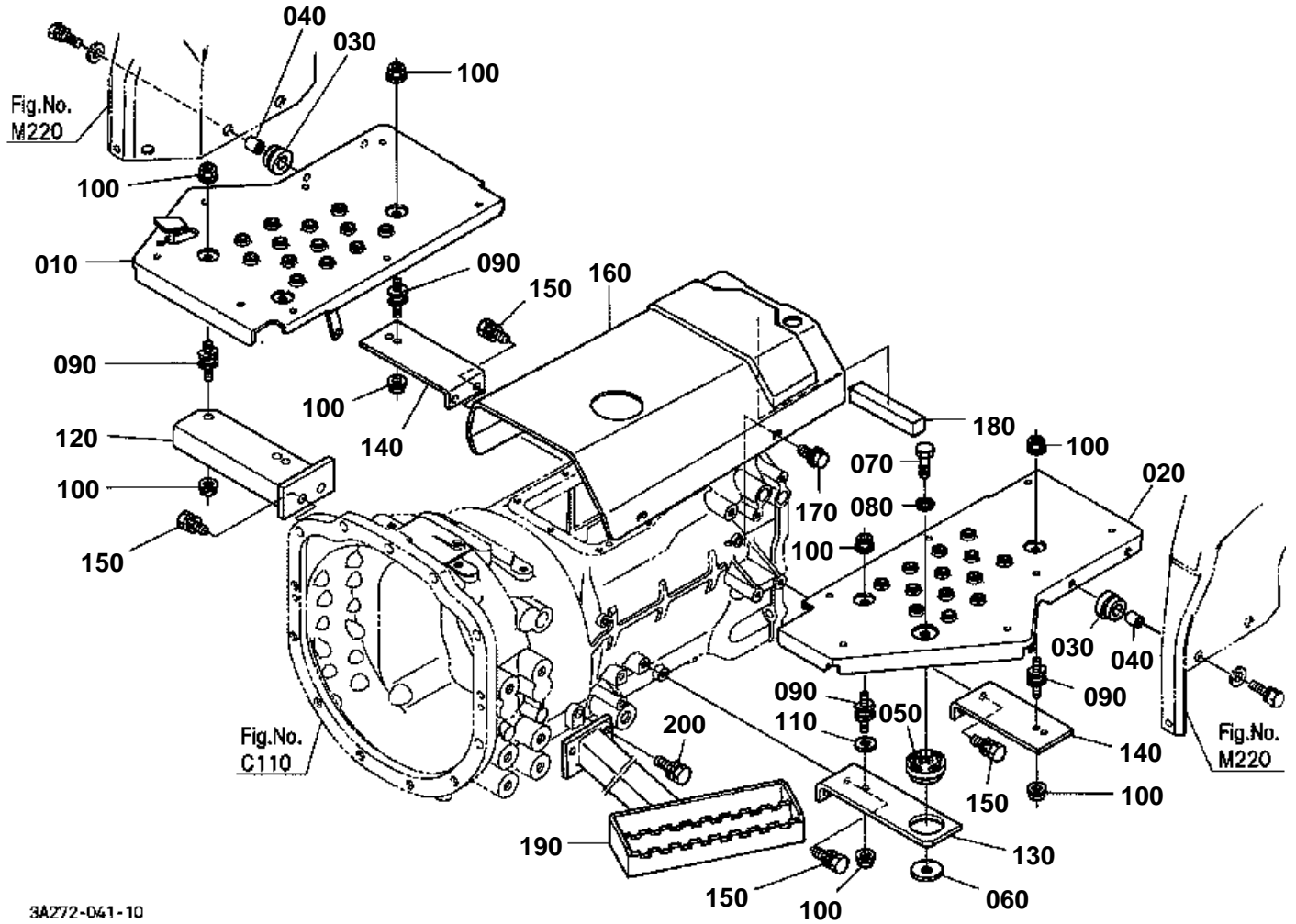
3A272-040-10



# FLOOR SEAT

↔ Interchangeable; ≠ not interchangeable; ← new for old; → old for new

REF.No	Part No.	Description	Q'ty	S.No.	I/C	REMARKS	Weight (kgf)	Weight (lb)
010	3A272-97310	KIT COVER FLOOR SEAT	1			ENGLISH	0	0
020	3A272-97510	KIT COVER FLOOR SEAT	1			FRENCH	0	0
030	TA040-49302	LABEL LIFT ROD	1			ENGLISH	0.001	0.0022
040	3A272-98560	LABEL LIFT ROD	1			ENGLISH	0.002	0.0044
050	TA041-49300	LABEL I-PTO CAUTION	1			FRENCH	0.003	0.0066
060	3A112-98560	LABEL LIFT ROD	1			FRENCH	0.002	0.0044
070	T1170-48110	HOLDER	1				0.062	0.1364
080	3A272-91970	STAY TOP LINK	1				0.06	0.132
090	01123-60816	BOLT	1				0.01	0.022
100	01754-50835	BOLT FLANGE	1				0.019	0.0418
110	04015-60080	WASHER PLAIN	2				0.01	0.022
120	34070-41630	CUSHION RUBBER	1				0.005	0.011
130	02114-50080	NUT	1				0.005	0.011
140	15272-67590	CLAMP CORD	1				0.004	0.0088
150	01754-50610	BOLT FLANGE	1				0.006	0.0132
160	02014-50060	NUT	1				0.002	0.0044
170	36919-81523	STOPPER LEVER	1				0.01	0.022
180	36919-81530	BOLT STOPPER	1				0.022	0.0484
190	36919-82620	COLLAR	1				0.008	0.0176
200	52300-34120	PIN SNAP	1				0.001	0.0022
210	01754-50812	BOLT FLANGE	15				0.01	0.022
220	02751-50080	NUT FLANGE	2				0.006	0.0132
230	3A431-87940	STAY SMV	1				0.18	0.396
240	01123-50822	BOLT	2				0.012	0.0264

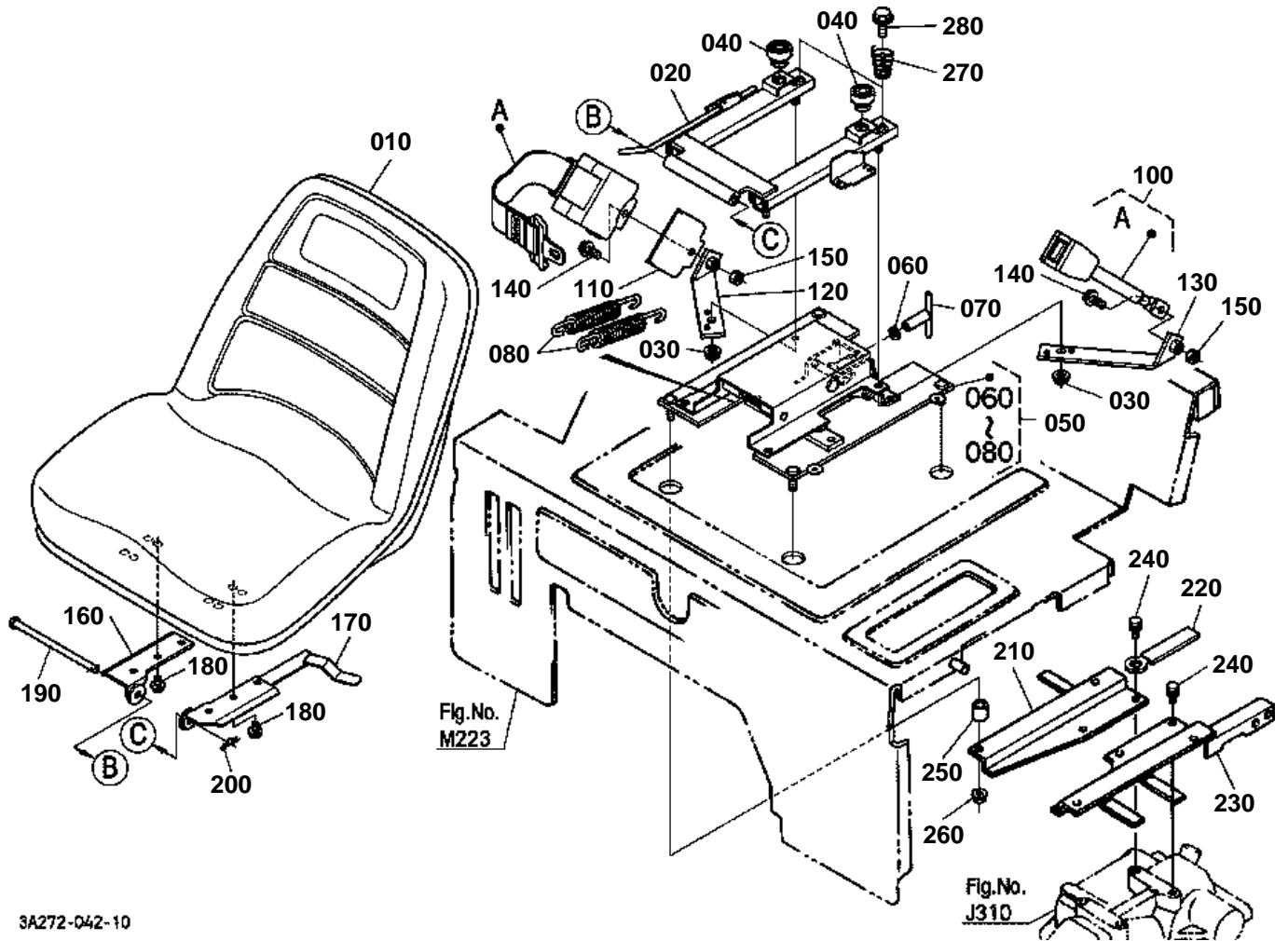


3A272-041-10

**STEP**

↔ Interchangeable; ≠ not interchangeable; ← new for old; → old for new

REF.No	Part No.	Description	Q'ty	S.No.	I/C	REMARKS	Weight (kgf)	Weight (lb)
010	3A111-87060	COMP.STEP RH	1				3.8	8.36
020	3A111-87070	COMP.STEP LH	1				3.2	7.04
030	3A111-87360	CUSHION	10				0.005	0.011
040	67950-53390	COLLAR	10				0.02	0.044
050	34070-47310	CUSHION	1				0.165	0.363
060	3A111-87410	WASHER	1				0.125	0.275
070	01173-51650	BOLT	1				0.099	0.2178
080	04512-60160	WASHER SPRING	1				0.01	0.022
090	3A011-87303	CUSHION	5				0.053	0.1166
100	02751-50080	NUT FLANGE	10				0.006	0.0132
110	70314-71920	WASHER	1				0.015	0.033
120	3A211-87380	STAY STEP RH	1				1.82	4.004
130	3A211-87390	STAY STEP LH	1				1.24	2.728
140	3A011-87402	STAY STEP REAR	2				0.665	1.463
150	01133-51025	BOLT	8				0.023	0.0506
160	3A111-87160	COVER	1				2.4	5.28
170	01754-50812	BOLT FLANGE	5				0.01	0.022
180	3A012-87180	CUSHION	1				0.115	0.253
190	3A111-87313	STEP AUX.	1				4	8.8
200	01133-51030	BOLT	2				0.025	0.055



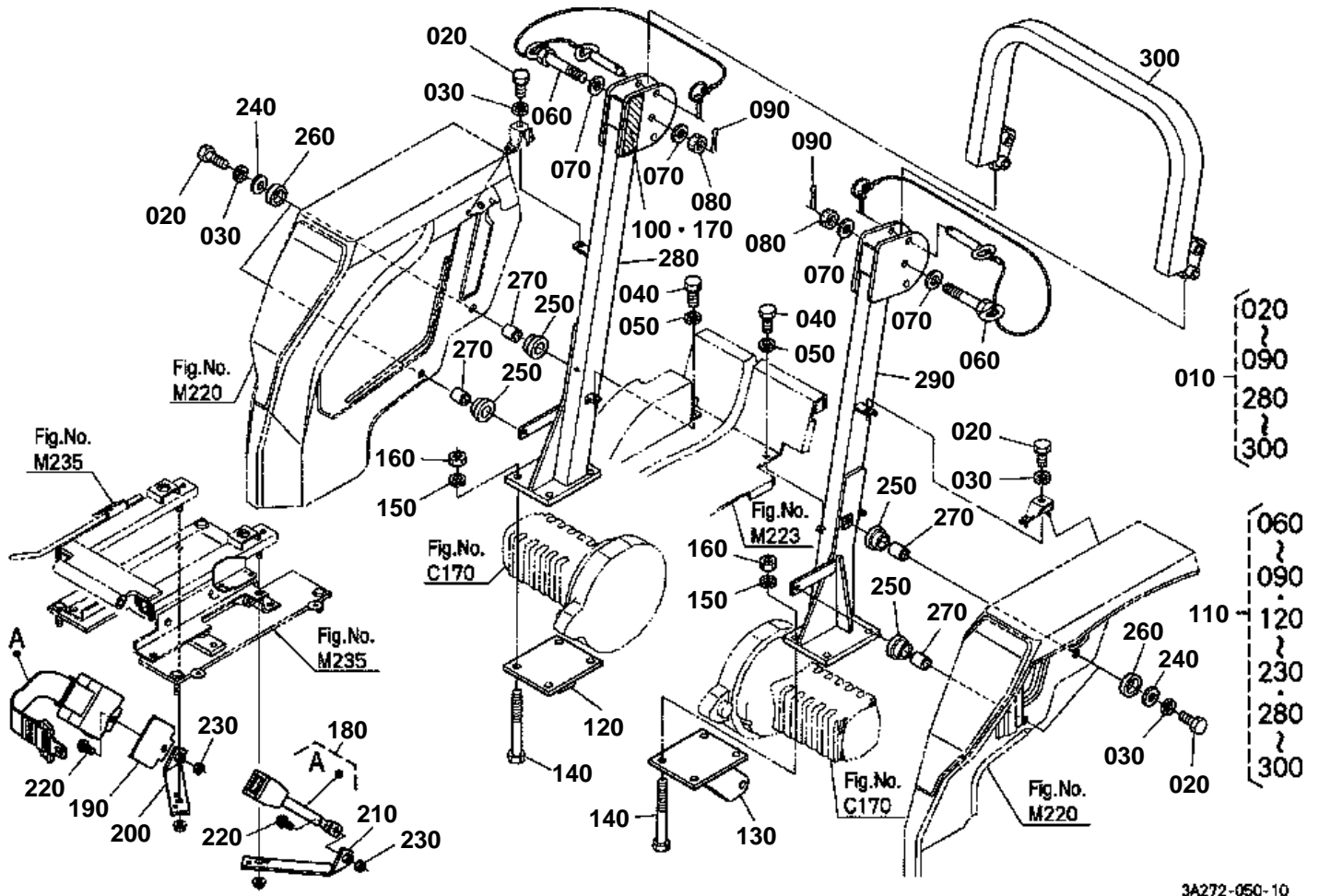
3A272-042-10



## SEAT

↔ Interchangeable; ≠ not interchangeable; ← new for old; → old for new

REF.No	Part No.	Description	Q'ty	S.No.	I/C	REMARKS	Weight (kgf)	Weight (lb)
010	6C070-88720	SEAT	1				8.4	18.48
020	3A272-18430	ASSY ADJUSTER SEAT	1				0	0
030	02783-50100	NUT FLANGE	4				0.01	0.022
040	32160-18440	CUSHION	2				0.013	0.0286
050	3A272-11800	ASSY SUSPENSION SEAT	1				6	13.2
060	04011-50100	WASHER PLAIN	1				0.002	0.0044
070	TA040-11860	NUT ADJUSTING	1				0.605	1.331
080	TA040-11870	SPRING SEAT	2				0.26	0.572
090	99999-99999	BLANK	0				0	0
100	TD060-47780	ASSY BELT SEAT	1				0	0
110	TC050-18472	COVER BELT SEAT	1				0.09	0.198
120	TA040-18482	BRACKET SEAT BELT RH	1				0.27	0.594
130	TC030-18490	BRACKET SEAT BELT LH	1				0.3	0.66
140	01774-51025	BOLT FLANGE	2				0.02	0.044
150	02116-50100	NUT	2				0.004	0.0088
160	TC050-18450	BRACKET SEAT RH	1				0.2	0.44
170	3A272-18460	BRACKET SEAT LH	1				0	0
180	01754-50816	BOLT FLANGE	4				0.011	0.0242
190	TC050-11850	PIN	1				0.1	0.22
200	05516-61000	PIN SNAP	1				0.003	0.0066
210	3A011-85152	BRACKET SEAT RH	1				1.195	2.629
220	35340-29380	CLAMP CORD	1				0.01	0.022
230	3A111-85162	BRACKET SEAT LH	1				1.25	2.75
240	01133-51020	BOLT	4				0.02	0.044
250	63313-54330	COLLAR	4				0.018	0.0396
260	02763-50080	NUT FLANGE	4				0.006	0.0132
270	3A272-75270	SPRING SEAT	2				0.03	0.066
280	01754-50816	BOLT FLANGE	2				0.011	0.0242



3A272-050-10

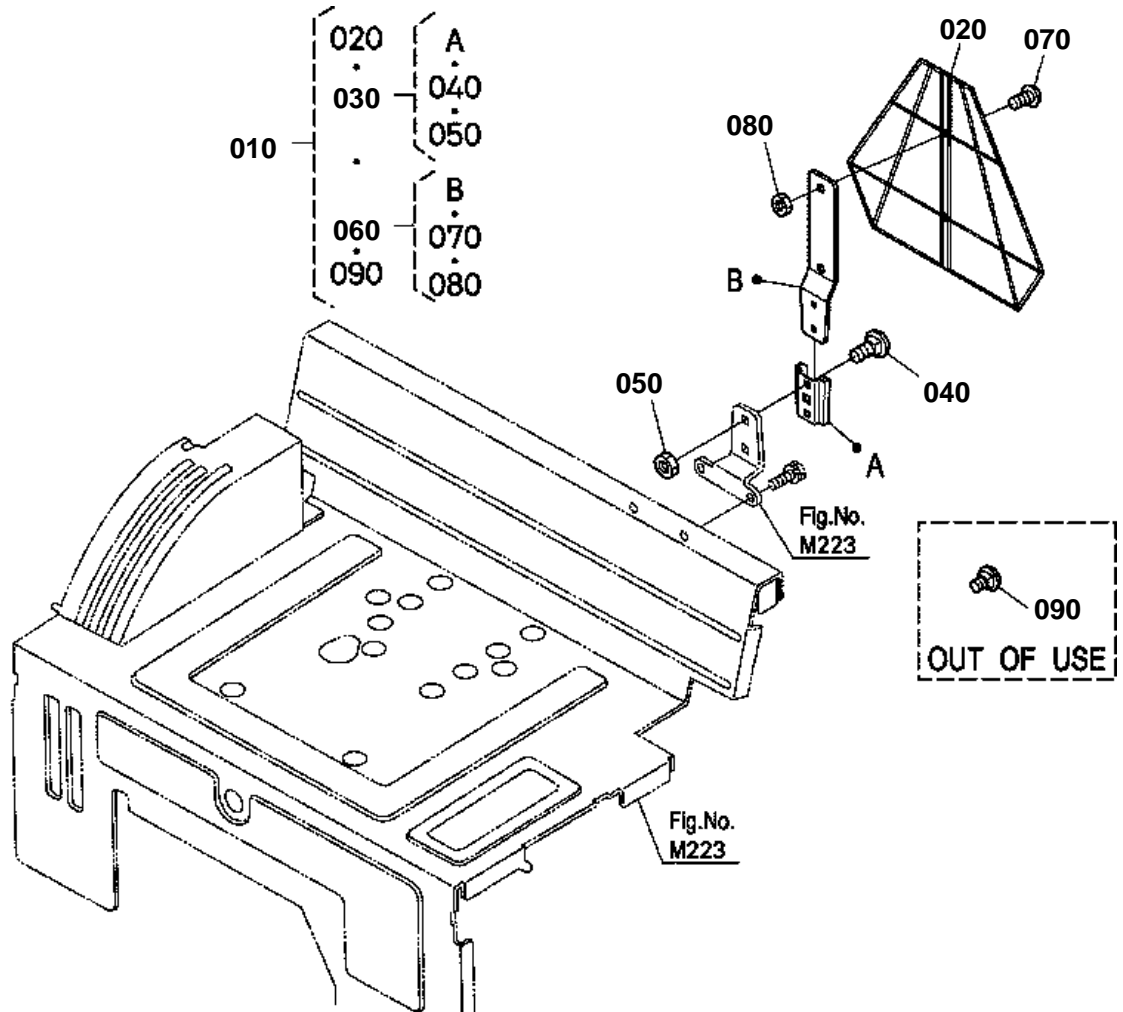




## ROPS

↔ Interchangeable; ≠ not interchangeable; ← new for old; → old for new

REF.No	Part No.	Description	Q'ty	S.No.	I/C	REMARKS	Weight (kgf)	Weight (lb)
010	3A212-95000	ASSY ROPS	1				0	0
020	0Y103-50620	BOLT	6				0.2	0.44
030	0Y450-50060	WASHER SPRING	6				0.031	0.0682
040	0Y101-50410	BOLT	2				0.07	0.154
050	0Y450-50040	WASHER SPRING	2				0.001	0.0022
060	3A112-95200	SET BOLT	2				0.665	1.463
070	04013-50200	WASHER PLAIN	4				0.02	0.044
080	02254-50200	NUT	2				0.35	0.77
090	05511-50430	PIN SPLIT	2				0.004	0.0088
100	3A111-95540	LABEL ROPS CAUTION	1			ENGLISH	0.003	0.0066
110	3A272-97600	KIT ROPS REPLACEMENT	1				0	0
120	3A011-91080	BRACKET STAB.RH	1				4.25	9.35
130	3A011-91090	BRACKET STAB.LH	1				4.25	9.35
140	32530-71980	BOLT	8				0.35	0.77
150	04512-60160	WASHER SPRING	8				0.01	0.022
160	02076-50160	NUT	8				0.03	0.066
170	3A111-95540	LABEL ROPS CAUTION	1			ENGLISH	0.003	0.0066
170	3A112-95540	LABEL ROPS CAUTION	1			FRENCH	0.003	0.0066
180	TD060-47780	ASSY BELT SEAT	1				0	0
190	TC050-18472	COVER BELT SEAT	1				0.09	0.198
200	TA040-18482	BRACKET SEAT BELT RH	1				0.27	0.594
210	TC030-18490	BRACKET SEAT BELT LH	1				0.3	0.66
220	01774-51025	BOLT FLANGE	2				0.02	0.044
230	02116-50100	NUT	2				0.004	0.0088
240	58056-51170	WASHER	4				0.02	0.044
250	3A011-87290	CUSHION	4				0.011	0.0242
260	3A011-87340	CUSHION	4				0.008	0.0176
270	38240-29940	SPACER	4				0.005	0.011
280	99999-99999	BRACKET(FENDER RH)	1				0	0
290	99999-99999	BRACKET(FENDER LH)	1				0	0
300	99999-99999	COMP.FRAME U	1				0	0

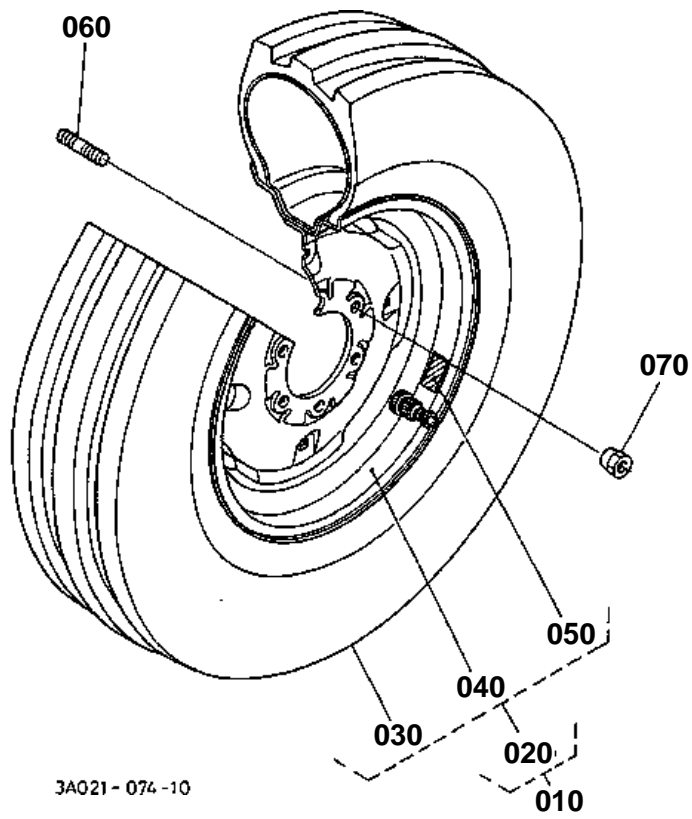


3A211-093-14

**SMV EMBLEM**

↔ Interchangeable; ≠ not interchangeable; ← new for old; → old for new

REF.No	Part No.	Description	Q'ty	S.No.	I/C	REMARKS	Weight (kgf)	Weight (lb)
010	99999-99999	SMV SIGN KIT	1			NOT SALE	0	0
020	7L500-89910	SIGN SMV	1				0.32	0.704
030	7L500-89920	SOCKET SMV SIGN	1				0.1	0.22
040	7L500-89940	BOLT SQUARE NECK	2				0.01	0.022
050	7L500-89950	NUT	2				0.004	0.0088
060	7L500-89960	SPADE SMV SIGN	1				0.24	0.528
070	7L500-89980	VIS	2				0.02	0.044
080	7L500-89990	NUT	2				0.001	0.0022
090	7L500-89810	BOLT SQUARE NECK	2			OUT OF USE	0.011	0.0242

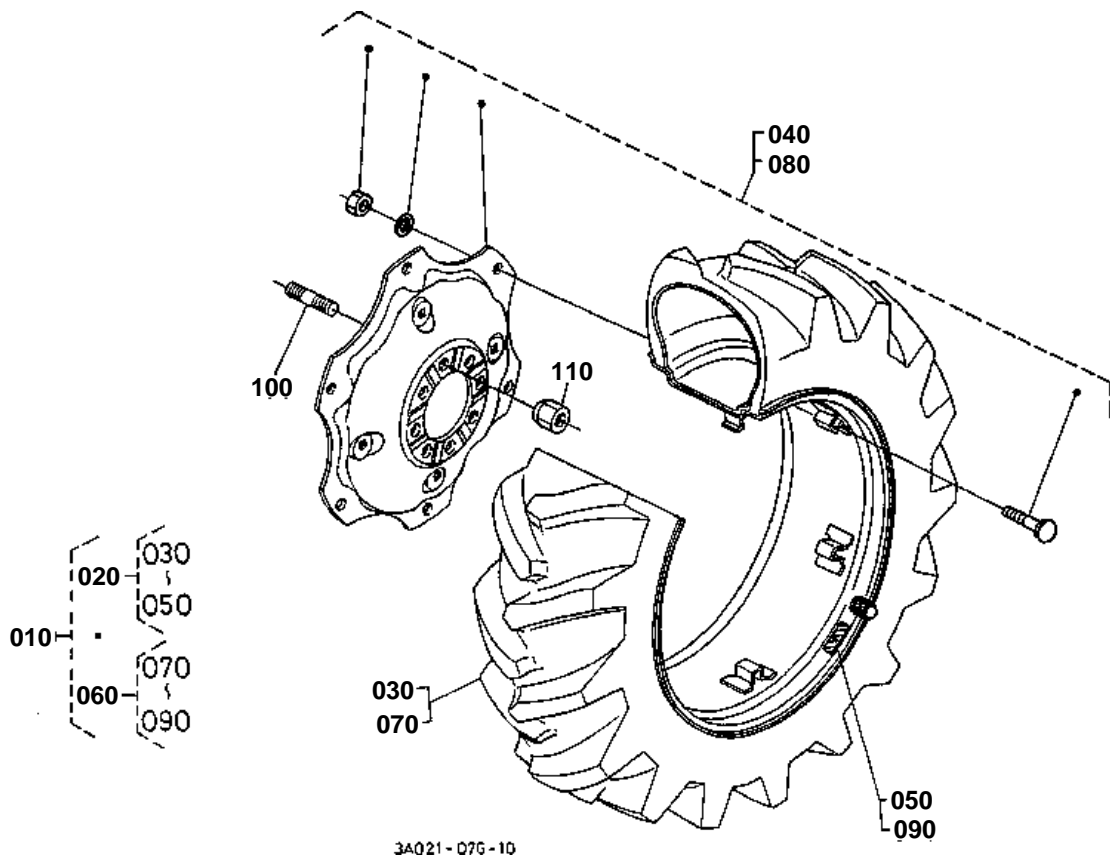




# FRONT WHEEL (6.5-16)

↔ Interchangeable; ≠ not interchangeable; ← new for old; → old for new

REF.No	Part No.	Description	Q'ty	S.No.	I/C	REMARKS	Weight (kgf)	Weight (lb)
010	35999-13020	ASSY FRONT WHEEL	1				0	0
020	35999-15190	ASSY FRONT WHEEL R/L	2				0	0
030	35999-13322	TIRE	2				0	0
040	35999-13630	WHEEL	2				0	0
050	35999-14740	LABEL TIRE	2				0	0
060	35450-49160	STUD	12				0.05	0.11
070	35340-11390	NUT	12				0.03	0.066

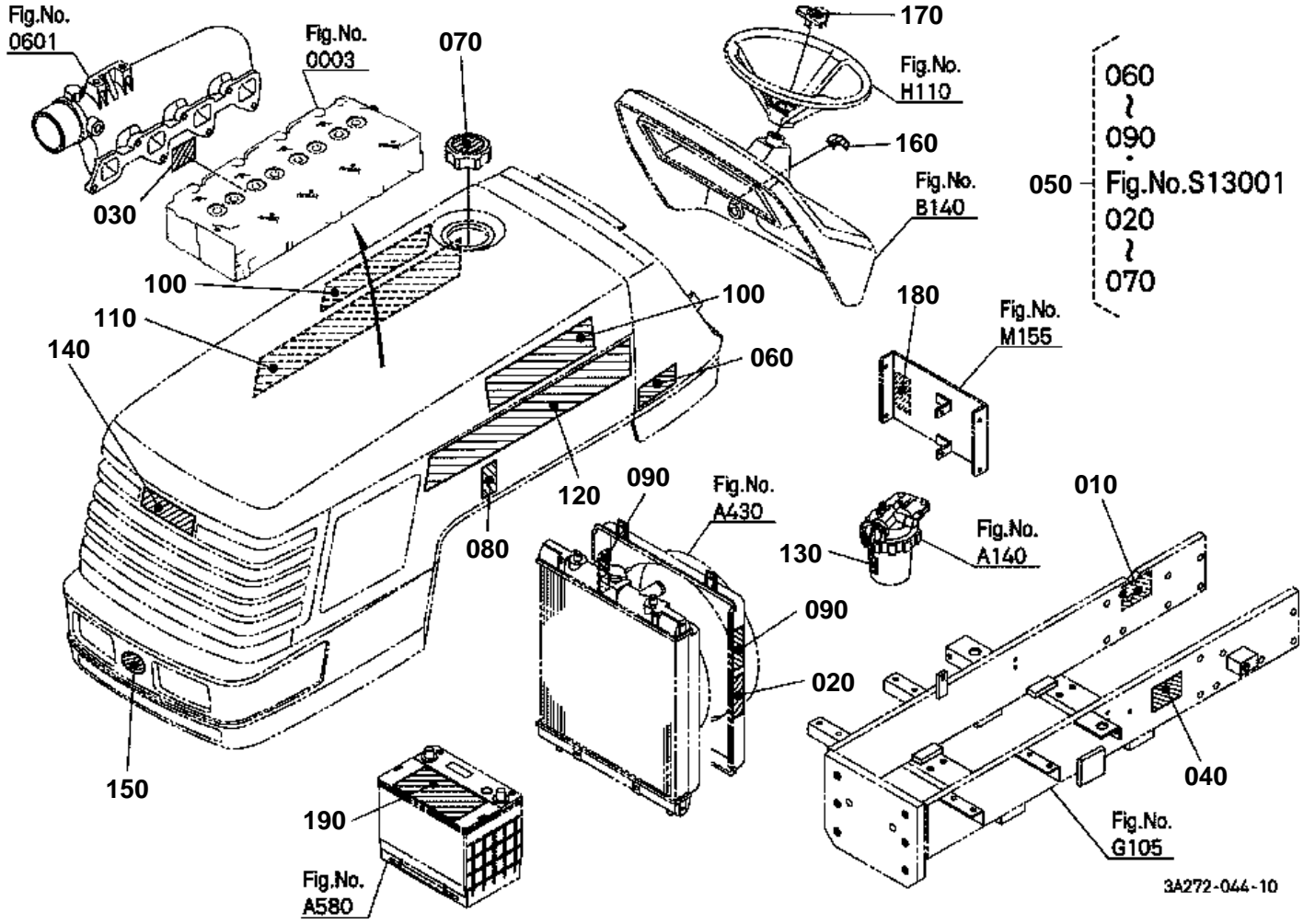




## REAR WHEEL (14.9-28)

↔ Interchangeable; ≠ not interchangeable; ← new for old; → old for new

REF.No	Part No.	Description	Q'ty	S.No.	I/C	REMARKS	Weight (kgf)	Weight (lb)
010	35999-12830	ASSY REAR WHEEL	1				0	0
020	35999-13810	ASSY REAR WHEEL RH	1				0	0
030	35999-13160	ASSY TIRE	1				0	0
040	35999-13460	ASSY WHEEL	1				0	0
050	35999-14390	LABEL TIRE RH	1				0	0
060	35999-13820	ASSY REAR WHEEL LH	1				0	0
070	35999-13160	ASSY TIRE	1				0	0
080	35999-13460	ASSY WHEEL	1				0	0
090	35999-14400	LABEL TIRE LH	1				0	0
100	32530-27410	STUD	16				0.08	0.176
110	33251-49170	NUT	16				0.045	0.099



3A272-044-10

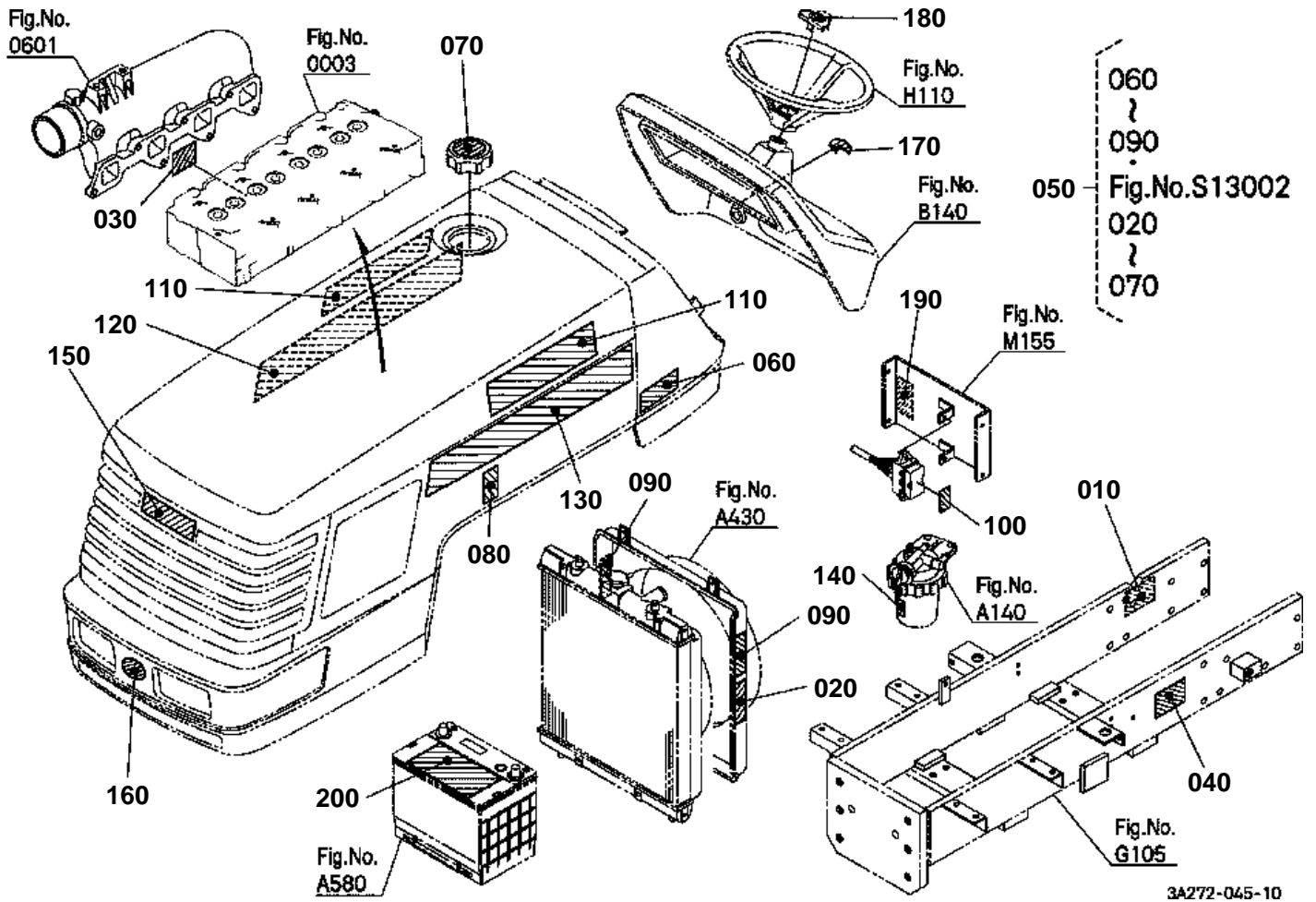




## LABEL 1 [ENGLISH]

↔ Interchangeable; ≠ not interchangeable; ← new for old; → old for new

REF.No	Part No.	Description	Q'ty	S.No.	I/C	REMARKS	Weight (kgf)	Weight (lb)
010	16478-88220	LABEL FILTER	1				0.002	0.0044
020	16478-88230	LABEL RADIATOR	1				0.001	0.0022
030	1G790-87210	LABEL PUMP	1				0.001	0.0022
040	99999-99999	NAME PLATE	1			NOT SALE	0	0
050	3A272-97300	KIT LABEL SAFETY (A)	1				0	0
060	TA040-49650	LABEL START CAUTION	1				0.004	0.0088
070	6C040-47412	LABEL FILLER CAUTION	1				0.001	0.0022
080	32310-49580	LABEL WARNING	1				0.002	0.0044
090	32751-49580	LABEL FAN BELT	2				0.001	0.0022
100	35080-65350	LABEL KUBOTA	2				0.001	0.0022
110	3A272-98200	MARK MODEL RH	1				0.015	0.033
120	3A272-98220	MARK MODEL LH	1				0.015	0.033
130	16873-88430	LABEL FUEL FILTER	1				0.001	0.0022
140	33740-83193	NAMER KUBOTA	1				0.007	0.0154
150	3F240-83200	MARK SYMBOL	1				0.015	0.033
160	3A011-98180	LABEL MAIN SWITCH	1				0.001	0.0022
170	36919-62802	MARK HANDLE	1				0.01	0.022
180	TA040-49460	LABEL PARKING	1				0.001	0.0022
190	TD060-30120	LABEL BATTERY	1				0.004	0.0088

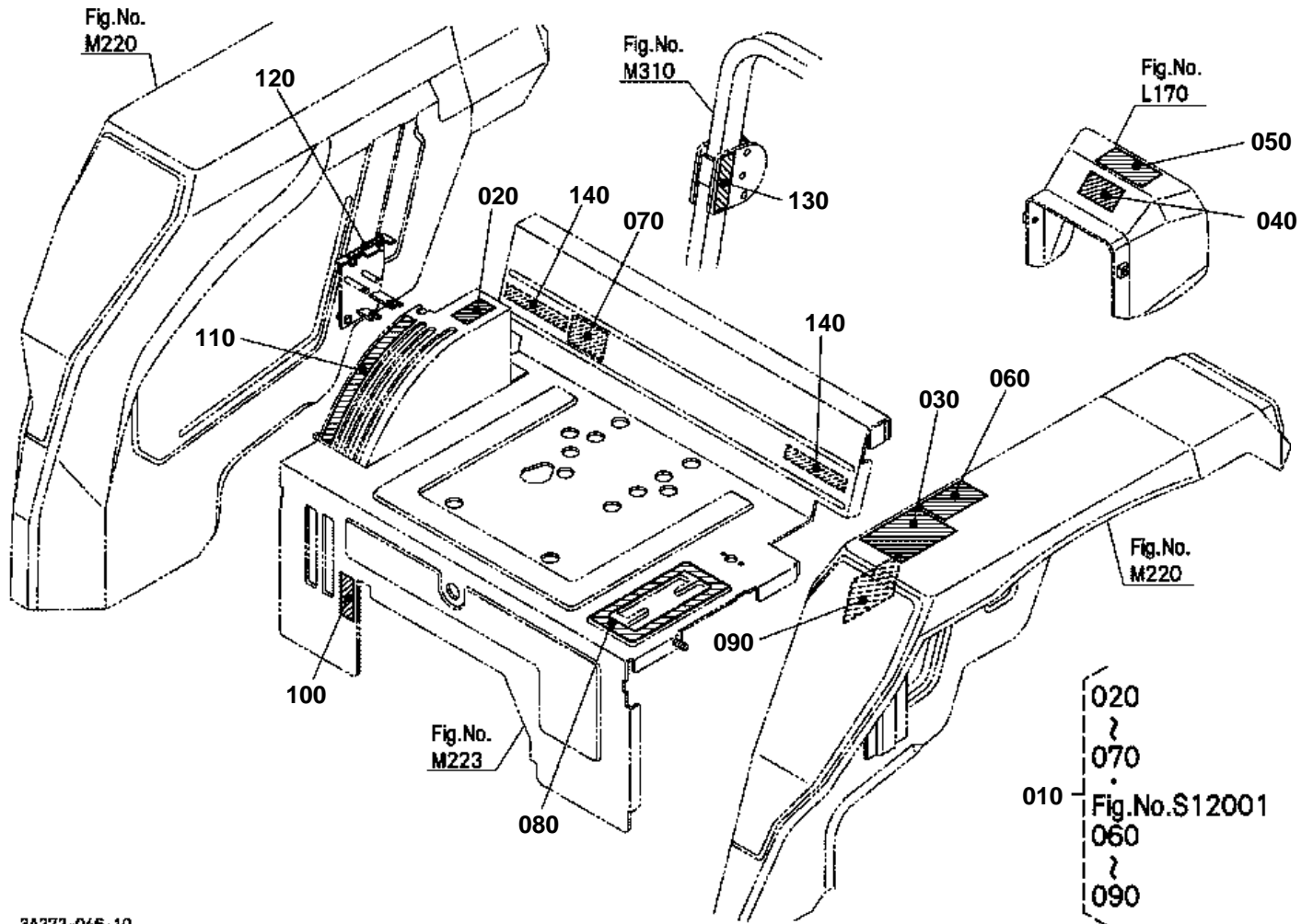




## LABEL 1 [FRENCH]

↔ Interchangeable; ≠ not interchangeable; ← new for old; → old for new

REF.No	Part No.	Description	Q'ty	S.No.	I/C	REMARKS	Weight (kgf)	Weight (lb)
010	16478-88220	LABEL FILTER	1			ENGLISH	0.002	0.0044
010	15372-87213	LABEL OIL FILTER	1			ENGLISH/FRENCH	0.003	0.0066
020	16478-88230	LABEL RADIATOR	1			ENGLISH	0.001	0.0022
020	15227-87612	LABEL RADIATOR	1			FRENCH	0.002	0.0044
030	1G790-87210	LABEL PUMP	1				0.001	0.0022
040	99999-99999	NAME PLATE	1			NOT SALE	0	0
050	3A272-97300	KIT LABEL SAFETY (A)	1			ENGLISH	0	0
050	3A211-97502	KIT LABEL SAFETY (B)	1			FRENCH	0.03	0.066
060	TA040-49650	LABEL START CAUTION	1			ENGLISH	0.004	0.0088
060	TA041-49650	LABEL START CAUTION	1			FRENCH	0.004	0.0088
070	6C040-47412	LABEL FILLER CAUTION	1				0.001	0.0022
080	32310-49580	LABEL WARNING	1				0.002	0.0044
090	32751-49580	LABEL FAN BELT	2				0.001	0.0022
100	3A212-98280	LABEL FUSE	1				0.001	0.0022
110	35080-65350	LABEL KUBOTA	2				0.001	0.0022
120	3A272-98200	MARK MODEL RH	1				0.015	0.033
130	3A272-98220	MARK MODEL LH	1				0.015	0.033
140	16873-88430	LABEL FUEL FILTER	1				0.001	0.0022
150	33740-83193	NAMER KUBOTA	1				0.007	0.0154
160	3F240-83200	MARK SYMBOL	1				0.015	0.033
170	3A011-98180	LABEL MAIN SWITCH	1				0.001	0.0022
180	36919-62802	MARK HANDLE	1				0.01	0.022
190	TA040-49460	LABEL PARKING	1				0.001	0.0022
200	TD060-30120	LABEL BATTERY	1				0.004	0.0088



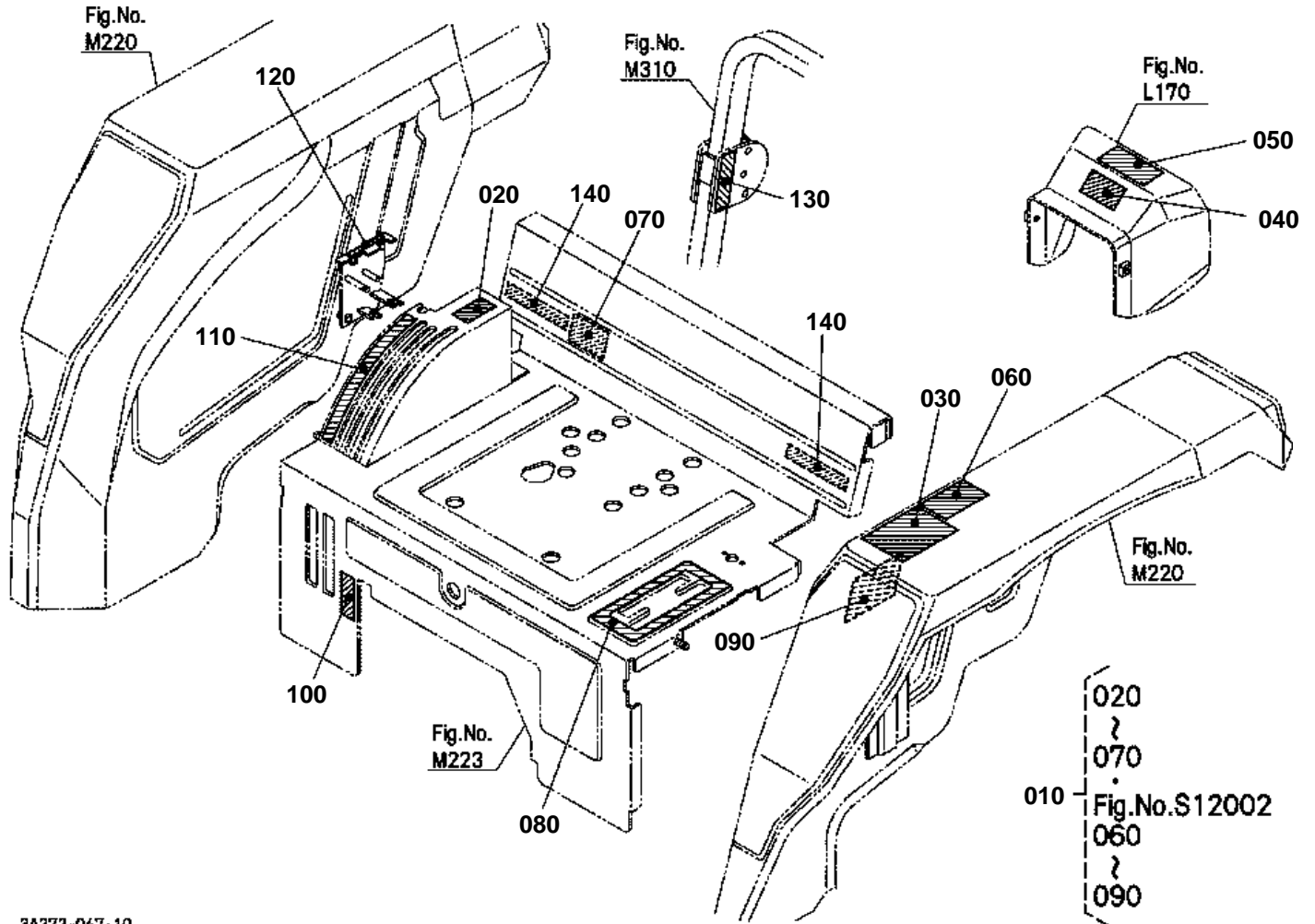
3A272-046-10



## LABEL 2 [ENGLISH]

↔ Interchangeable; ≠ not interchangeable; ← new for old; → old for new

REF.No	Part No.	Description	Q'ty	S.No.	I/C	REMARKS	Weight (kgf)	Weight (lb)
010	3A272-97300	KIT LABEL SAFETY (A)	1				0	0
020	TA040-49302	LABEL I-PTO CAUTION	1				0.001	0.0022
030	35260-34914	LABEL SAFETY	1				0.005	0.011
040	TA040-49350	LABEL DRAWBAR	1				0.002	0.0044
050	TA040-49590	LABEL PTO WARNING	1				0.002	0.0044
060	3A111-98482	LABEL ROPS WARNING	1				0.004	0.0088
070	3A272-98560	LABEL LIFT ROD	1				0.002	0.0044
080	3A272-98960	MARK RANGE SHIFT	1				0.006	0.0132
090	3A011-98450	LABEL SPEED	1				0.003	0.0066
100	TA040-49760	MARK DIFF.LOCK	1				0.001	0.0022
110	3A011-98230	LABEL POSITION	1				0.002	0.0044
120	33740-98290	LABEL PTO CLUTCH	1				0.001	0.0022
130	3A111-95540	LABEL ROPS CAUTION	1				0.003	0.0066
140	3A211-75800	REFLECTOR LABEL	2				0.004	0.0088



3A272-047-10



## LABEL 2 [FRENCH]

↔ Interchangeable; ≠ not interchangeable; ← new for old; → old for new

REF.No	Part No.	Description	Q'ty	S.No.	I/C	REMARKS	Weight (kgf)	Weight (lb)
010	3A272-97300	KIT LABEL SAFETY (A)	1			ENGLISH	0	0
010	3A211-97502	KIT LABEL SAFETY (B)	1			FRENCH	0.03	0.066
020	TA040-49302	LABEL I-PTO CAUTION	1			ENGLISH	0.001	0.0022
020	TA041-49300	LABEL I-PTO CAUTION	1			FRENCH	0.003	0.0066
030	35260-34914	LABEL SAFETY	1			ENGLISH	0.005	0.011
030	TA041-65702	LABEL SAFETY	1			FRENCH	0.01	0.022
040	TA040-49350	LABEL DRAWBAR	1			ENGLISH	0.002	0.0044
040	TA041-49350	LABEL DRAWBAR	1			FRENCH	0.003	0.0066
050	TA040-49590	LABEL PTO WARNING	1			ENGLISH	0.002	0.0044
050	TA041-49590	LABEL PTO WARNING	1			FRENCH	0.001	0.0022
060	3A111-98482	LABEL ROPS WARNING	1			ENGLISH	0.004	0.0088
060	3A112-98480	LABEL ROPS WARNING	1			FRENCH	0.004	0.0088
070	3A272-98560	LABEL LIFT ROD	1			ENGLISH	0.002	0.0044
070	3A112-98560	LABEL LIFT ROD	1			FRENCH	0.002	0.0044
080	3A272-98960	MARK RANGE SHIFT	1				0.006	0.0132
090	3A011-98450	LABEL SPEED	1				0.003	0.0066
100	TA040-49760	MARK DIFF.LOCK	1				0.001	0.0022
110	3A011-98230	LABEL POSITION	1			ENGLISH	0.002	0.0044
110	3A012-98230	LABEL POSITION	1			FRENCH	0.002	0.0044
120	33740-98290	LABEL PTO CLUTCH	1				0.001	0.0022
130	3A111-95540	LABEL ROPS CAUTION	1			ENGLISH	0.003	0.0066
130	3A112-95540	LABEL ROPS CAUTION	1			FRENCH	0.003	0.0066
140	3A211-75800	REFLECTOR LABEL	2				0.004	0.0088

**ACCESSORIES AND SERVICE PARTS  
ACCESSOIRES ET PIECES DE SERVICE  
SONTIGES ZUBEHOER UND SERVICE-TEILE**

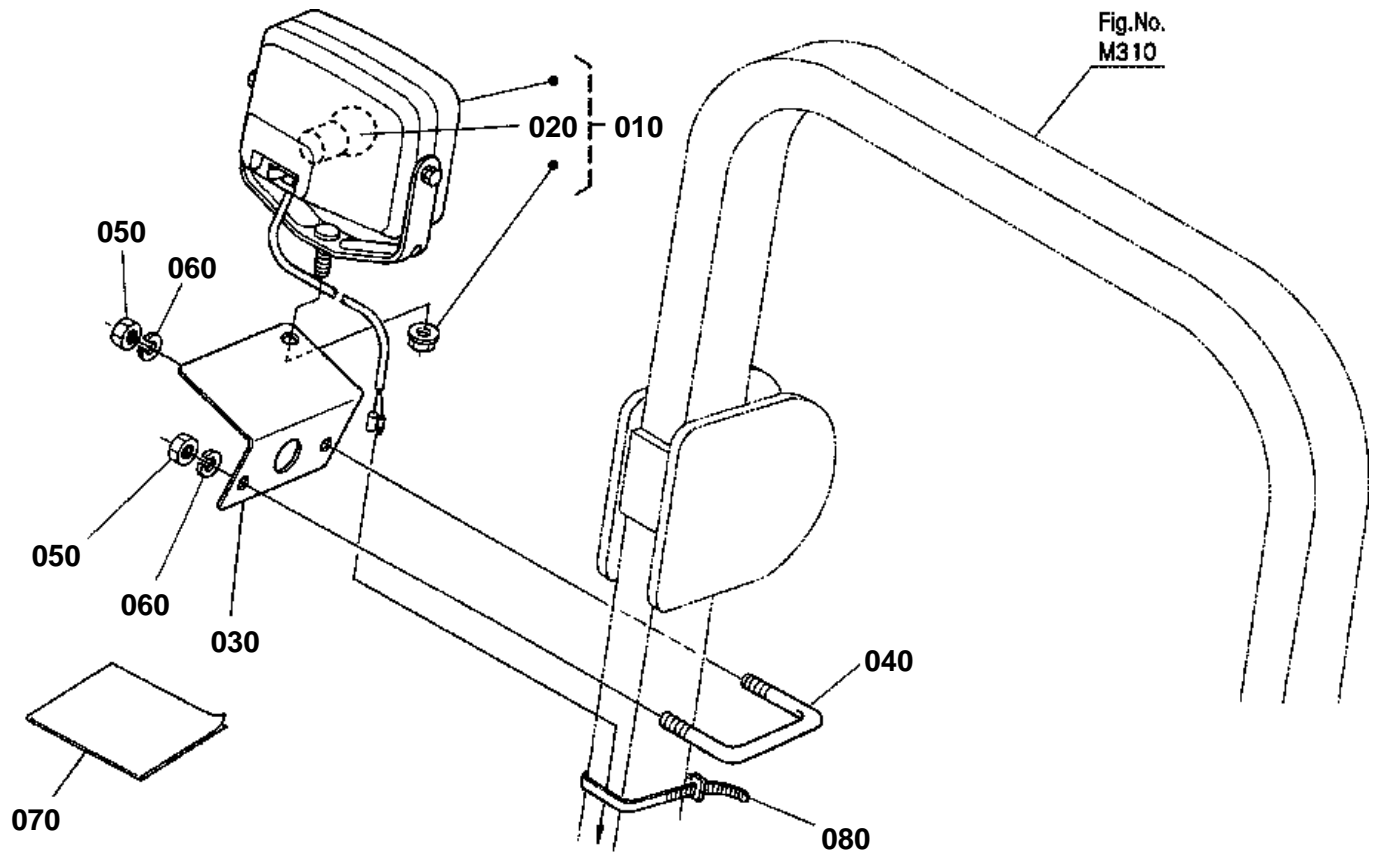
TITLE-001-10



**ACCESSORIES AND SERVICE PARTS**

↔ Interchangeable; ≠ not interchangeable; ← new for old; → old for new

REF.No	Part No.	Description	Q'ty	S.No.	I/C	REMARKS	Weight (kgf)	Weight (lb)
010	3A272-99710	MANUAL INSTRUCTION	1			ENGLISH	0.19	0.418
020	3A212-99710	MANUAL INSTRUCTION	1			FRENCH	0.215	0.473
030	35450-49160	STUD	12			FOR FRONT WHEEL	0.05	0.11
040	35340-11390	NUT	12			FOR FRONT WHEEL	0.03	0.066
050	32530-27410	STUD	16			FOR REAR WHEEL	0.08	0.176
060	33251-49170	NUT	16			FOR REAR WHEEL	0.045	0.099
070	35080-34530	FUSE	1			50A	0.015	0.033
080	35260-31852	ASSY KEY MAIN SWITCH	1				0.08	0.176



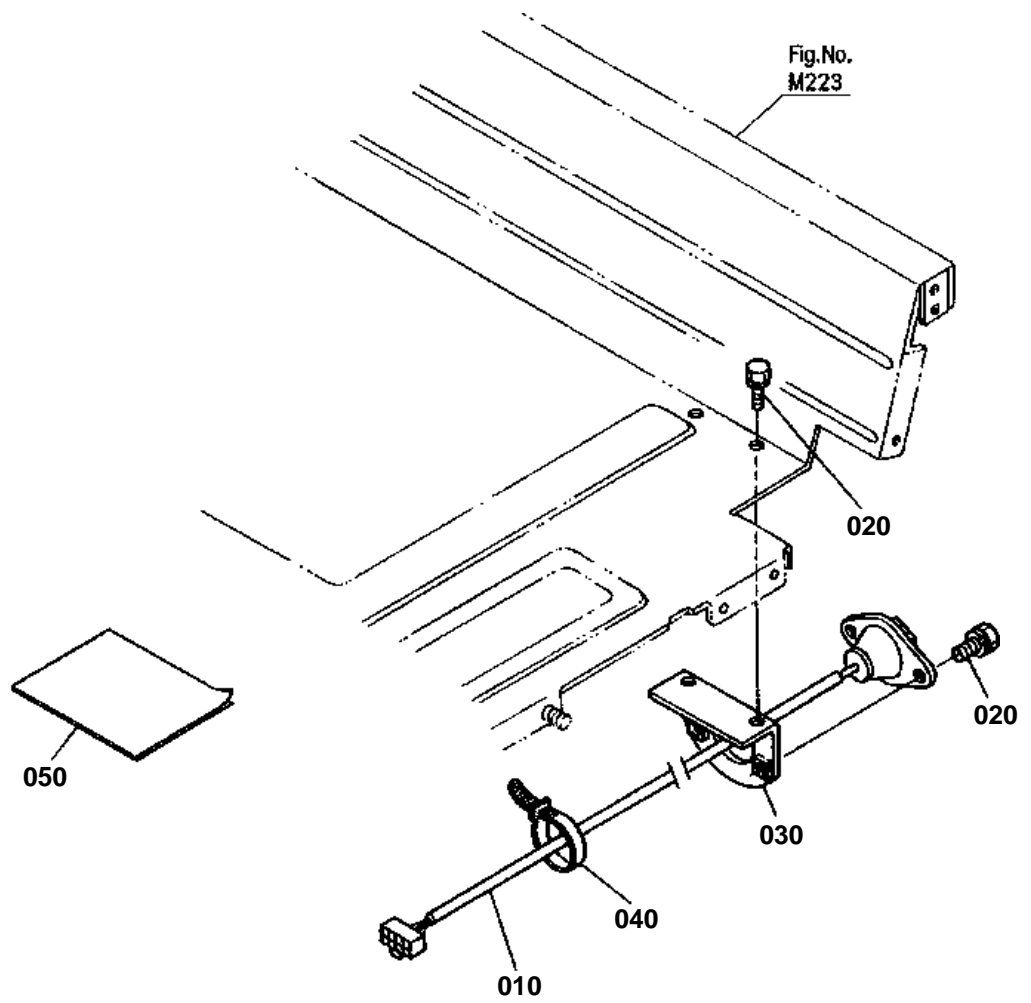
3A211-088-12



## WORKING LIGHT KIT [OPTION]

↔ Interchangeable; ≠ not interchangeable; ← new for old; → old for new

REF.No	Part No.	Description	Q'ty	S.No.	I/C	REMARKS	Weight (kgf)	Weight (lb)
010	3A011-75903	ASSY LIGHT WORKING	1				0.64	1.408
020	3A011-75930	BULB	1			12V35W	0.008	0.0176
030	3A012-75910	STAY WORKING LIGHT	1				0.64	1.408
040	3A011-75922	U-BOLT	1				0.117	0.2574
050	02176-50100	NUT	2				0.005	0.011
060	04512-60100	WASHER SPRING	2				0.002	0.0044
070	3A012-99820	MANUAL INSTRUCTION	1				0.005	0.011
080	32751-96300	BAND WORK LIGHT	1				0.005	0.011



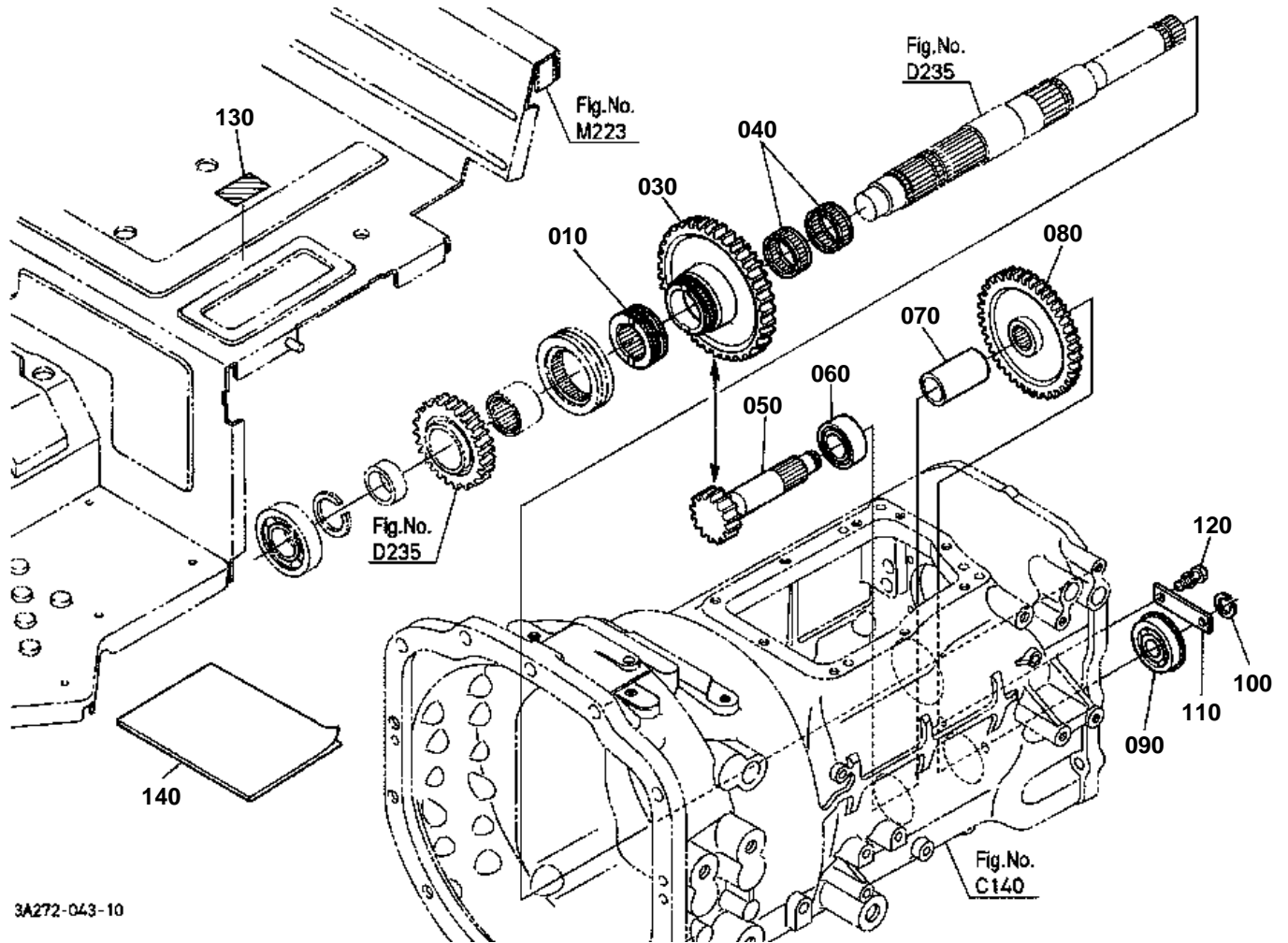
3A021-080-12



# TRAILER SOCKET KIT [OPTION]

↔ Interchangeable; ≠ not interchangeable; ← new for old; → old for new

REF.No	Part No.	Description	Q'ty	S.No.	I/C	REMARKS	Weight (kgf)	Weight (lb)
010	99884-48110	HARNESS TRAILER	1				0.52	1.144
020	01123-50820	BOLT	4				0.011	0.0242
030	3A011-77770	STAY TRAILER SOCKET	1				0.205	0.451
040	55311-41260	BAND CORD	1				0.007	0.0154
050	3A011-99830	MANUAL INSTRUCTION	1				0.005	0.011



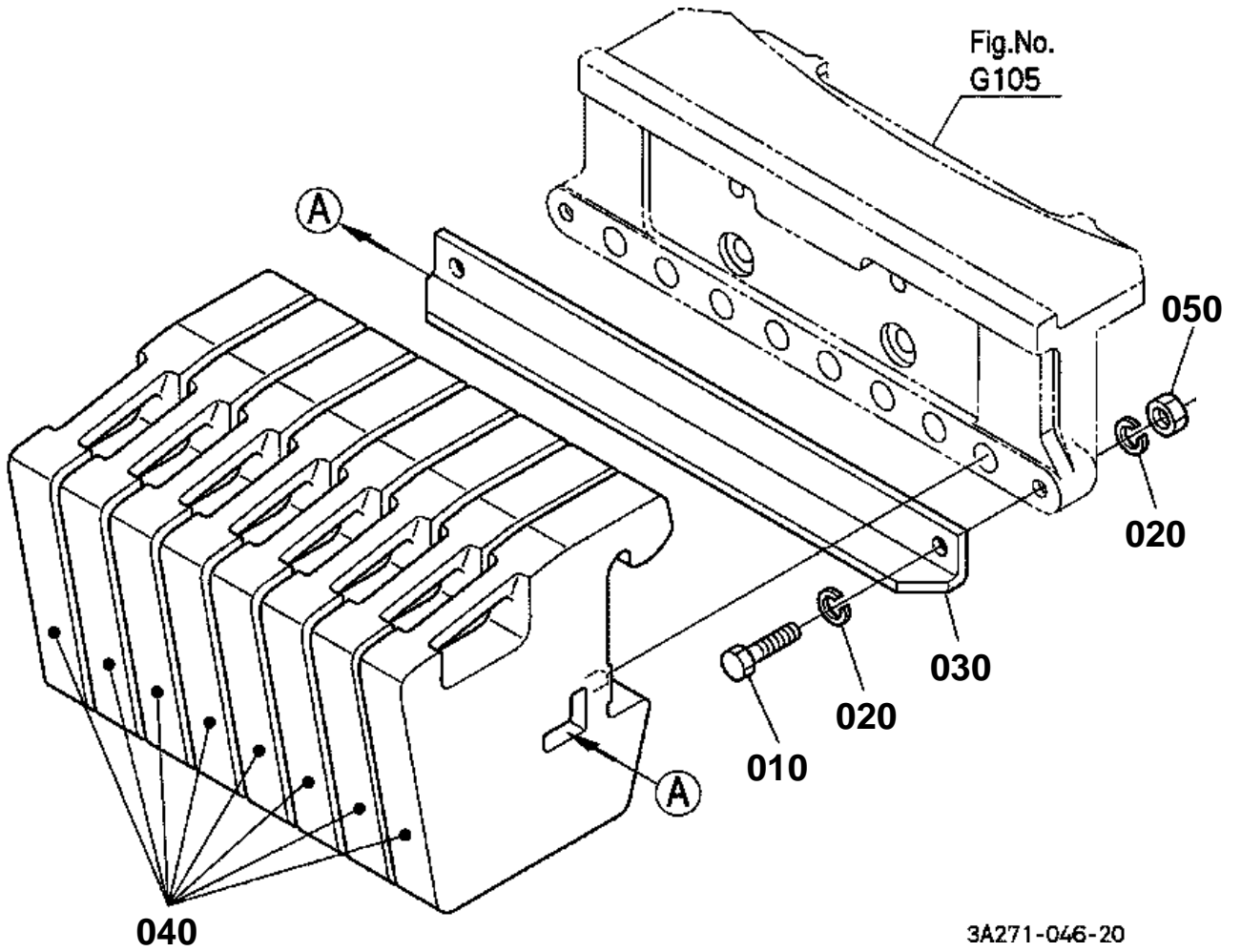
3A272-043-10

**CREEP SPEED KIT [OPTION]**

↔ Interchangeable; ≠ not interchangeable; ← new for old; → old for new

REF.No	Part No.	Description	Q'ty	S.No.	I/C	REMARKS	Weight (kgf)	Weight (lb)
010	3A011-28460	BOSS SPLINE	1				0.165	0.363
020	99999-99999	BLANK	0				0	0
030	3A111-31240	GEAR CREEP	1			47T	1.975	4.345
040	08824-34817	BEARING NEEDLE	2				0.03	0.066
050	3A011-31280	GEAR-SHAFT CREEP	1			15T	0.695	1.529
060	33740-31180	BEARING ROLLER	1				0.22	0.484
070	32430-21600	COLLAR(SC)	1				0.15	0.33
080	3A011-31250	GEAR CREEP	1			43T	1.11	2.442
090	08151-06304	BEARING BALL	1				0.148	0.3256
100	3A011-31290	CIR CLIP EXTERNAL	1				0.005	0.011
110	3A011-28690	RETAINER BEARING	1				0.06	0.132
120	01128-50825	BOLT	2				0.015	0.033
130	3A011-98970	MARK CREEP	1				0.001	0.0022
140	3A999-11160	MANUAL INSTRUCTION	1				0.012	0.0264

FRONT WEIGHT BUMPER KIT [OPTION]





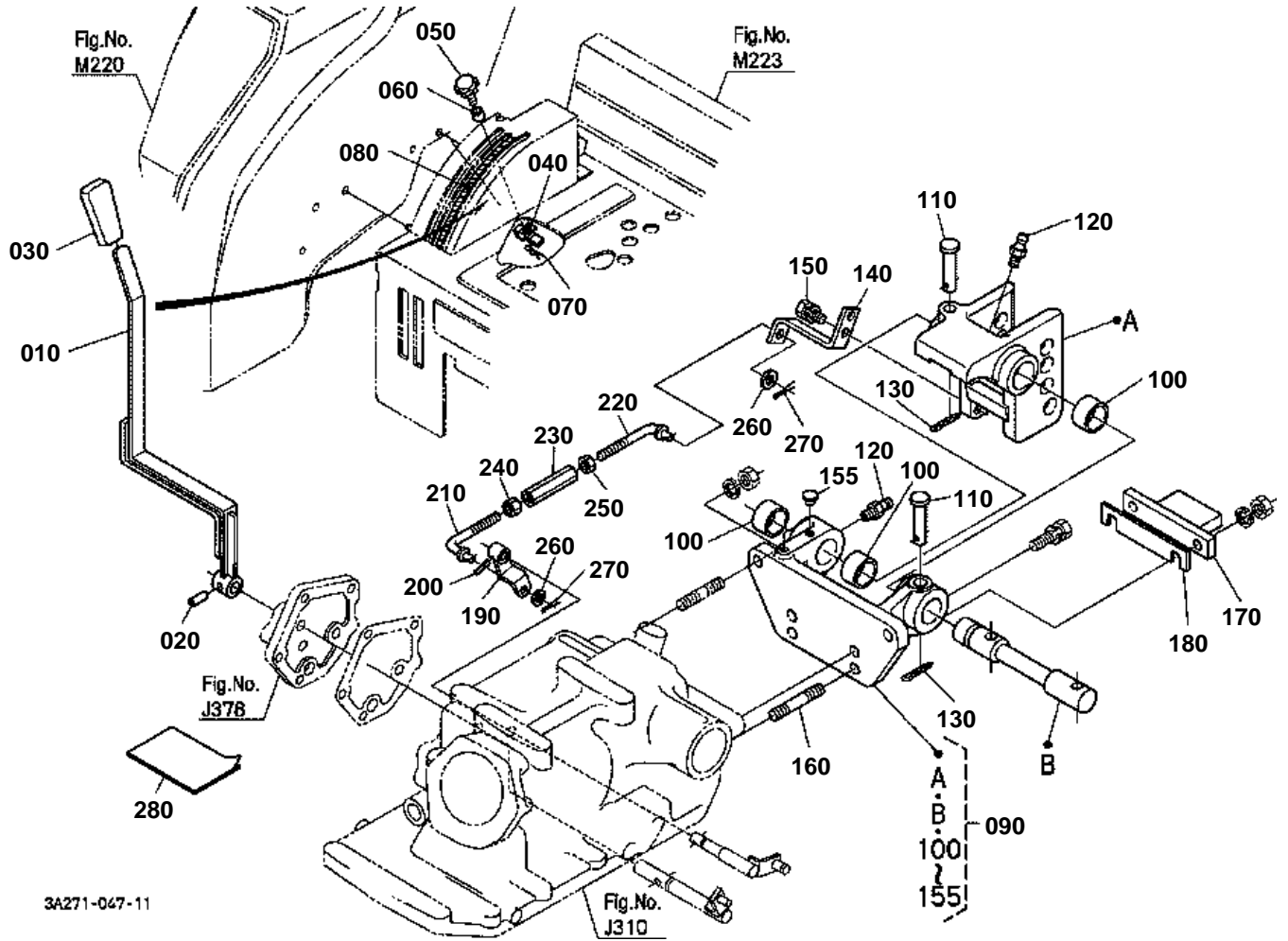


# FRONT WEIGHT BUMPER KIT [OPTION]

↔ Interchangeable; ≠ not interchangeable; ← new for old; → old for new

REF.No	Part No.	Description	Q'ty	S.No.	I/C	REMARKS	Weight (kgf)	Weight (lb)
010	01173-51802	BOLT	2				0.24	0.528
020	04512-60180	WASHER SPRING	4				0.02	0.044
030	3A111-12070	RETAINER WEIGHT	1				0	0
040	3A011-12010	WEIGHT FRONT	8				0	0
050	02174-50180	NUT	2				0.029	0.0638

DRAFT CONTROL KIT [OPTION]

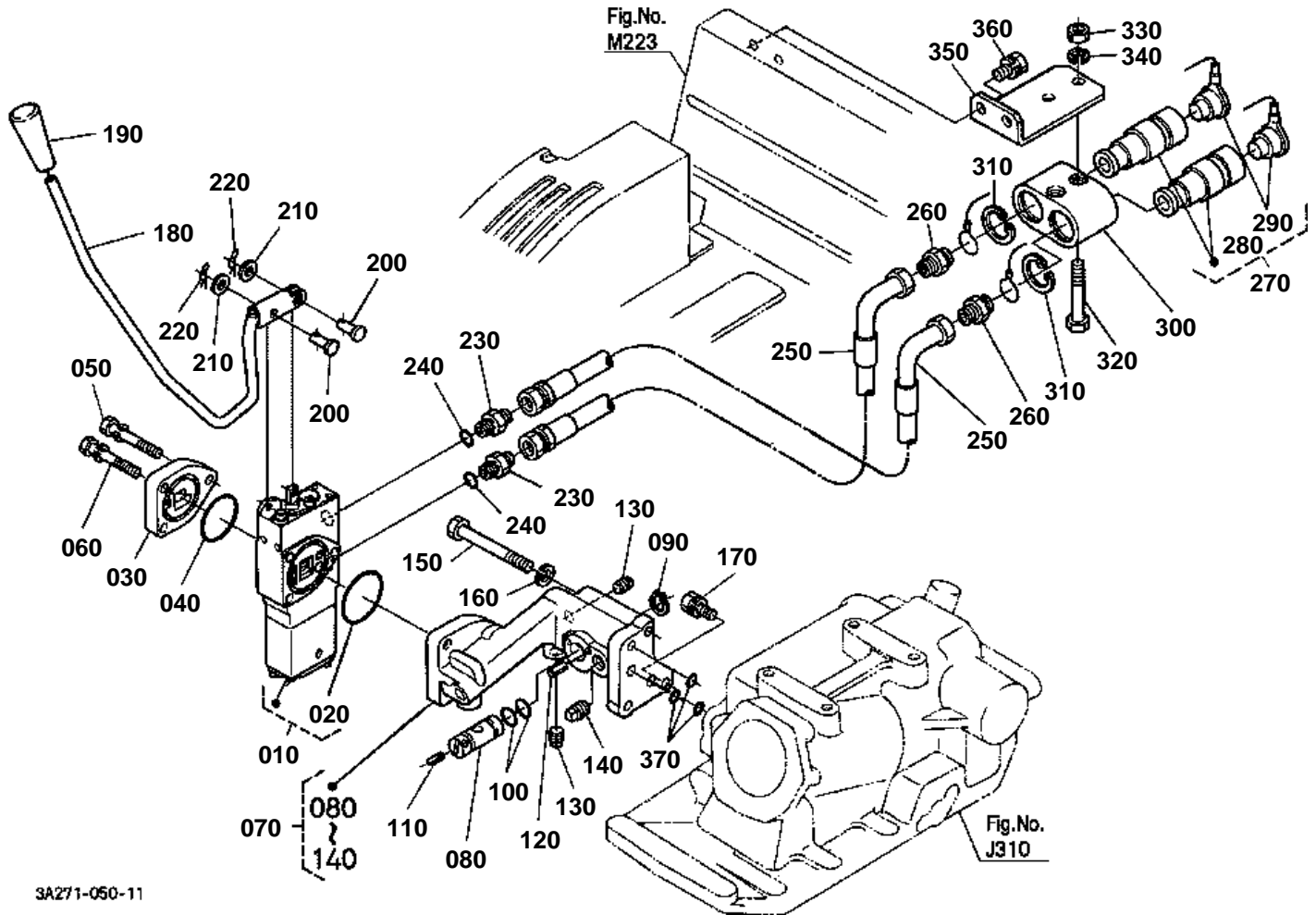


**DRAFT CONTROL KIT [OPTION]**

↔ Interchangeable; ≠ not interchangeable; ← new for old; → old for new

REF.No	Part No.	Description	Q'ty	S.No.	I/C	REMARKS	Weight (kgf)	Weight (lb)
010	3A011-94244	LEVER DRAFT	1				0.43	0.946
020	05411-00430	PIN SPRING	1				0.002	0.0044
030	31351-36880	GRIP LEVER	1				0.04	0.088
040	36919-81523	STOPPER LEVER	1				0.01	0.022
050	36919-81530	BOLT STOPPER	1				0.022	0.0484
060	36919-82620	COLLAR	1				0.008	0.0176
070	52300-34120	PIN SNAP	1				0.001	0.0022
080	3A011-98370	LABEL DRAFT	1				0.002	0.0044
090	3A111-81803	ASSY BRACKET	1				9.3	20.46
100	37300-41450	BUSH	3				0.03	0.066
110	36330-81843	PIN	2				0.085	0.187
120	06613-10010	NIPPLE GREASE	2				0.006	0.0132
130	05511-50425	PIN SPLIT	2				0.003	0.0066
140	3A111-81360	PLATE DRAFT	1				0.135	0.297
150	01123-50825	BOLT	2				0.013	0.0286
155	09980-10075	CAP PROTECTOR	2				0.001	0.0022
160	35340-14182	STUD	2				0.05	0.11
170	3A011-81853	STOPPER	1				0.535	1.177
180	32530-41450	SHIM ADJUSTING	2				0.01	0.022
190	32590-37752	LEVER FEED BACK	1				0.055	0.121
200	05411-00425	PIN SPRING	1				0.001	0.0022
210	3A011-81393	ROD DRAFT	1				0.08	0.176
220	3A011-81380	ROD DRAFT	1				0.075	0.165
230	32350-28980	TURNBUCKLE	1				0.124	0.2728
240	02116-50100	NUT	1				0.004	0.0088
250	32350-28990	NUT	1				0.009	0.0198
260	04011-50100	WASHER PLAIN	2				0.002	0.0044
270	05511-50218	PIN SPLIT	2				0.001	0.0022
280	3A271-97180	MANUAL CONSTRUCTION	1				0	0

AUXILIARY CONTROL VALVE KIT (SCD) (1ST) [OPTION]



3A271-050-11

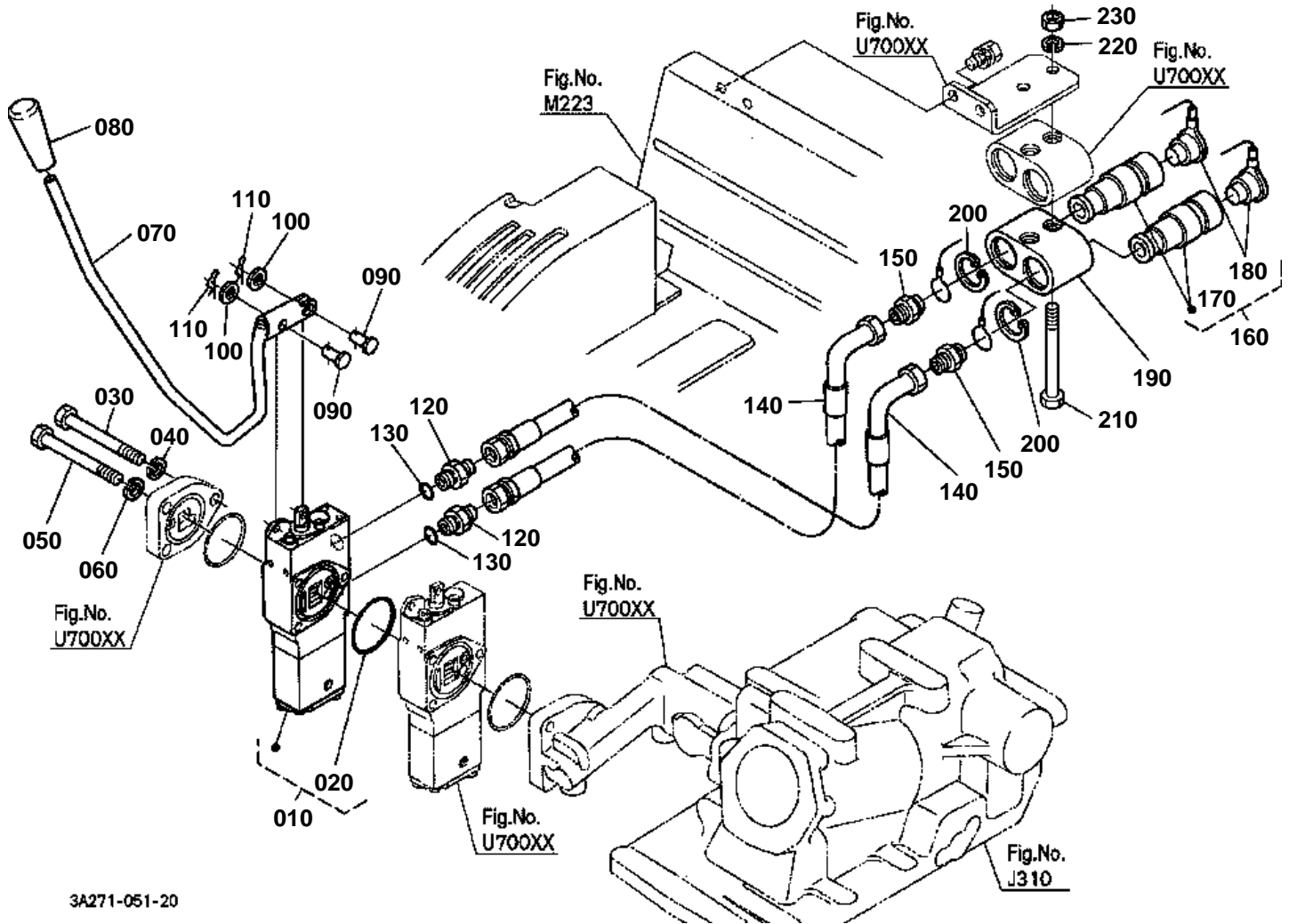


AUXILIARY CONTROL VALVE KIT (SCD) (1ST) [OPTION]

↔ Interchangeable; ≠ not interchangeable; ← new for old; → old for new

REF.No	Part No.	Description	Q'ty	S.No.	I/C	REMARKS	Weight (kgf)	Weight (lb)
010	3A111-82540	VALVE AUX.CONTROL	1				3.6	7.92
020	04815-07560	O RING	1				0.002	0.0044
030	3F740-82944	COVER AUX.CONT.VALVE	1				0.69	1.518
040	04815-07560	O RING	1				0.002	0.0044
050	01133-51070	BOLT	1				0.047	0.1034
060	01123-50870	BOLT	2				0.029	0.0638
070	3A011-82040	ASSY HOLDER	1				3.8	8.36
080	3A011-82060	ROTOR AUX.CONT.VALVE	1				0.185	0.407
090	04612-00200	CIR CLIP EXTERNAL	1				0.001	0.0022
100	04816-00160	O RING	2				0.003	0.0066
110	05411-00536	PIN SPRING	1				0.003	0.0066
120	05411-00414	PIN SPRING	2				0.001	0.0022
130	06312-10030	PLUG	2				0.029	0.0638
140	31351-37150	PLUG	4				0.007	0.0154
150	01133-51000	BOLT	1				0	0
160	04512-60100	WASHER SPRING	1				0.002	0.0044
170	01123-50830	BOLT	2				0.015	0.033
180	3A011-82452	LEVER AUX.CON.VALVE	1				0.71	1.562
190	36330-82450	GRIP	1				0.025	0.055
200	05122-50518	PIN JOINT	2				0.002	0.0044
210	04012-50050	WASHER PLAIN	2				0.001	0.0022
220	05525-60500	PIN SNAP	2				0.001	0.0022
230	35861-82370	NIPPLE	2				0.05	0.11
240	04816-00140	O RING	2				0.002	0.0044
250	3A011-82370	HOSE AUX.CONT.VALVE	2				0.3	0.66
260	99063-93410	ADAPTER	2				0.07	0.154
270	35861-82032	ASSY COUPLER FEMALE	2				0.32	0.704
280	35861-94510	O RING	2			NOT SHOWN IN FIG.	0.002	0.0044
290	35861-94520	PLUG COUPLER	2				0.005	0.011
300	35893-82610	SUPPORT COUPLER	1				0.73	1.606
310	04611-00380	CIR CLIP INTERNAL	2				0.004	0.0088
320	01153-50865	BOLT	2				0.025	0.055
330	02114-50080	NUT	2				0.005	0.011
340	04512-60080	WASHER SPRING	2				0.002	0.0044
350	3A011-82430	STAY COUPLER	1				0.43	0.946
360	01133-51020	BOLT	2				0.02	0.044
370	3A111-09820	O RING	3				0.001	0.0022

AUXILIARY CONTROL VALVE KIT (SCD) (2ND) [OPTION]



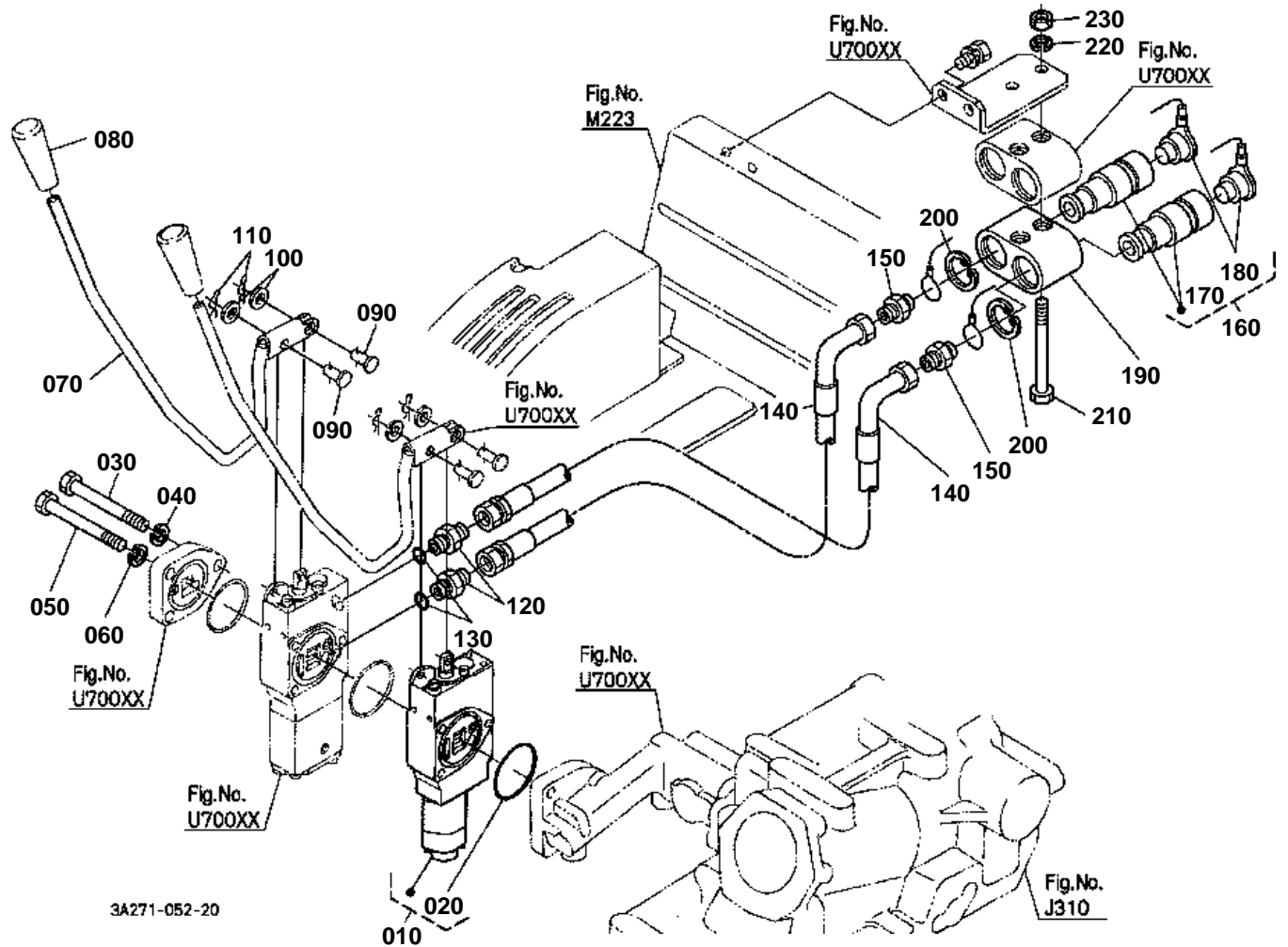
3A271-051-20

**AUXILIARY CONTROL VALVE KIT (SCD) (2ND) [OPTION]**

↔ Interchangeable; ≠ not interchangeable; ← new for old; → old for new

REF.No	Part No.	Description	Q'ty	S.No.	I/C	REMARKS	Weight (kgf)	Weight (lb)
010	3A111-82540	VALVE AUX.CONTROL	1				3.6	7.92
020	04815-07560	O RING	1				0.002	0.0044
030	01173-51002	BOLT	1				0.065	0.143
040	04512-60100	WASHER SPRING	1				0.002	0.0044
050	01153-50802	BOLT	2				0.04	0.088
060	04512-60080	WASHER SPRING	2				0.002	0.0044
070	3A011-82462	LEVER AUX.CON.VALVE	1				0.765	1.683
080	36330-82450	GRIP	1				0.025	0.055
090	05122-50518	PIN JOINT	2				0.002	0.0044
100	04012-50050	WASHER PLAIN	2				0.001	0.0022
110	05525-60500	PIN SNAP	2				0.001	0.0022
120	35861-82370	NIPPLE	2				0.05	0.11
130	04816-00140	O RING	2				0.002	0.0044
140	3A011-82380	HOSE AUX.CONT.VALVE	2				0.3	0.66
150	99063-93410	ADAPTER	2				0.07	0.154
160	35861-82032	ASSY COUPLER FEMALE	2				0.32	0.704
170	35861-94510	O RING	2			NOT SHOWN IN FIG.	0.002	0.0044
180	35861-94520	PLUG COUPLER	2				0.005	0.011
190	35893-82610	SUPPORT COUPLER	1				0.73	1.606
200	04611-00380	CIR CLIP INTERNAL	2				0.004	0.0088
210	01153-50802	BOLT	2				0.04	0.088
220	04512-60080	WASHER SPRING	2				0.002	0.0044
230	02114-50080	NUT	2				0.005	0.011

AUXILIARY CONTROL VALVE KIT (FD) [OPTION]



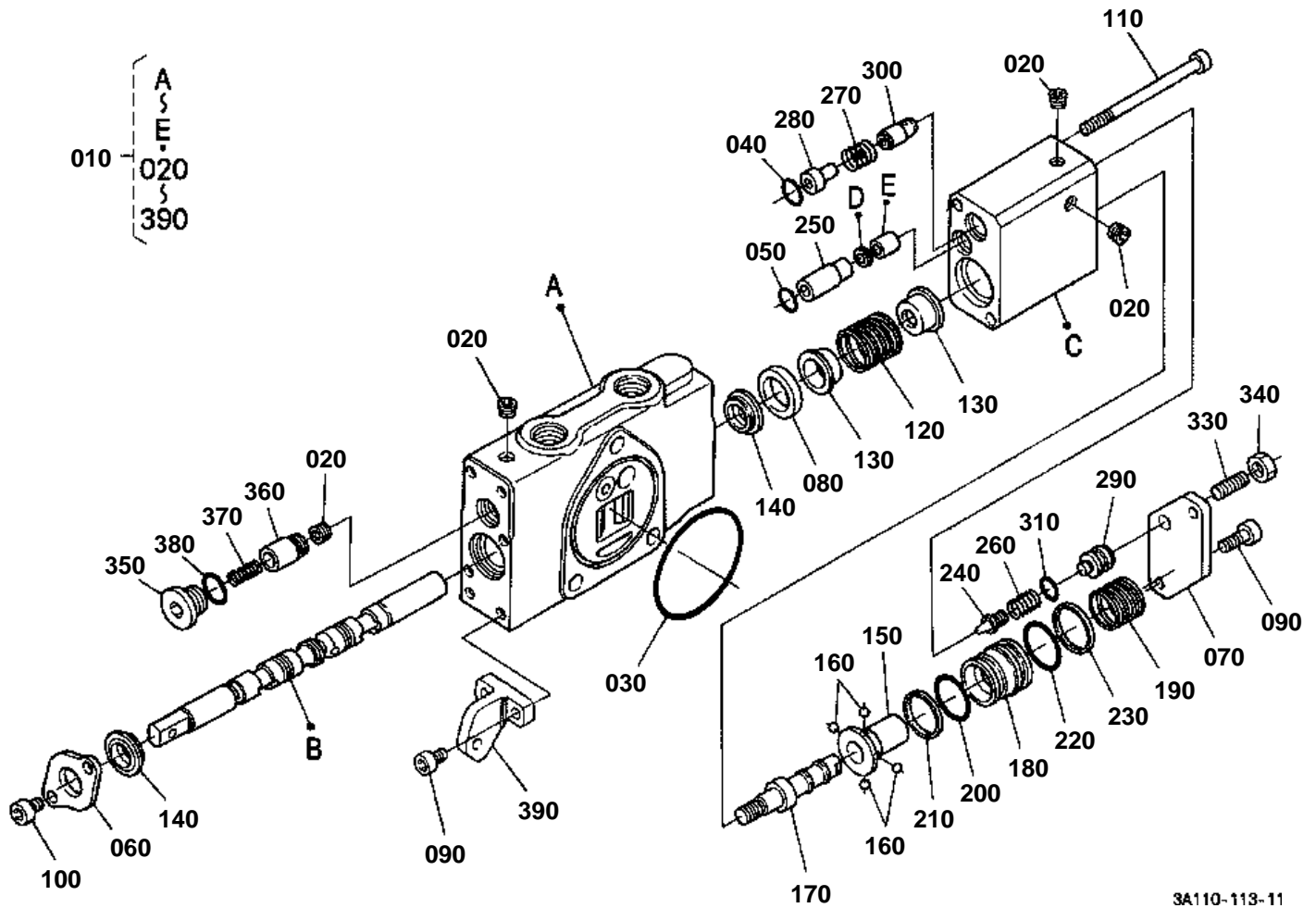


**AUXILIARY CONTROL VALVE KIT (FD) [OPTION]**

↔ Interchangeable; ≠ not interchangeable; ← new for old; → old for new

REF.No	Part No.	Description	Q'ty	S.No.	I/C	REMARKS	Weight (kgf)	Weight (lb)
010	3A031-82800	VALVE AUX.CONTROL	1				3	6.6
020	04815-07560	O RING	1				0.002	0.0044
030	01173-51002	BOLT	1				0.065	0.143
040	04512-60100	WASHER SPRING	1				0.002	0.0044
050	01153-50802	BOLT	2				0.04	0.088
060	04512-60080	WASHER SPRING	2				0.002	0.0044
070	3A011-82462	LEVER AUX.CON.VALVE	1				0.765	1.683
080	36330-82450	GRIP	1				0.025	0.055
090	05122-50518	PIN JOINT	2				0.002	0.0044
100	04012-50050	WASHER PLAIN	2				0.001	0.0022
110	05525-60500	PIN SNAP	2				0.001	0.0022
120	35861-82370	NIPPLE	2				0.05	0.11
130	04816-00140	O RING	2				0.002	0.0044
140	3A011-82380	HOSE AUX.CONT.VALVE	2				0.3	0.66
150	99063-93410	ADAPTER	2				0.07	0.154
160	35861-82032	ASSY COUPLER FEMALE	2				0.32	0.704
170	35861-94510	O RING	2			NOT SHOWN IN FIG.	0.002	0.0044
180	35861-94520	PLUG COUPLER	2				0.005	0.011
190	35893-82610	SUPPORT COUPLER	1				0.73	1.606
200	04611-00380	CIR CLIP INTERNAL	2				0.004	0.0088
210	01153-50802	BOLT	2				0.04	0.088
220	04512-60080	WASHER SPRING	2				0.002	0.0044
230	02114-50080	NUT	2				0.005	0.011

AUXILIARY CONTROL VALVE (SCD) [COMPONENT PARTS] [OPTION]



3A110-113-11

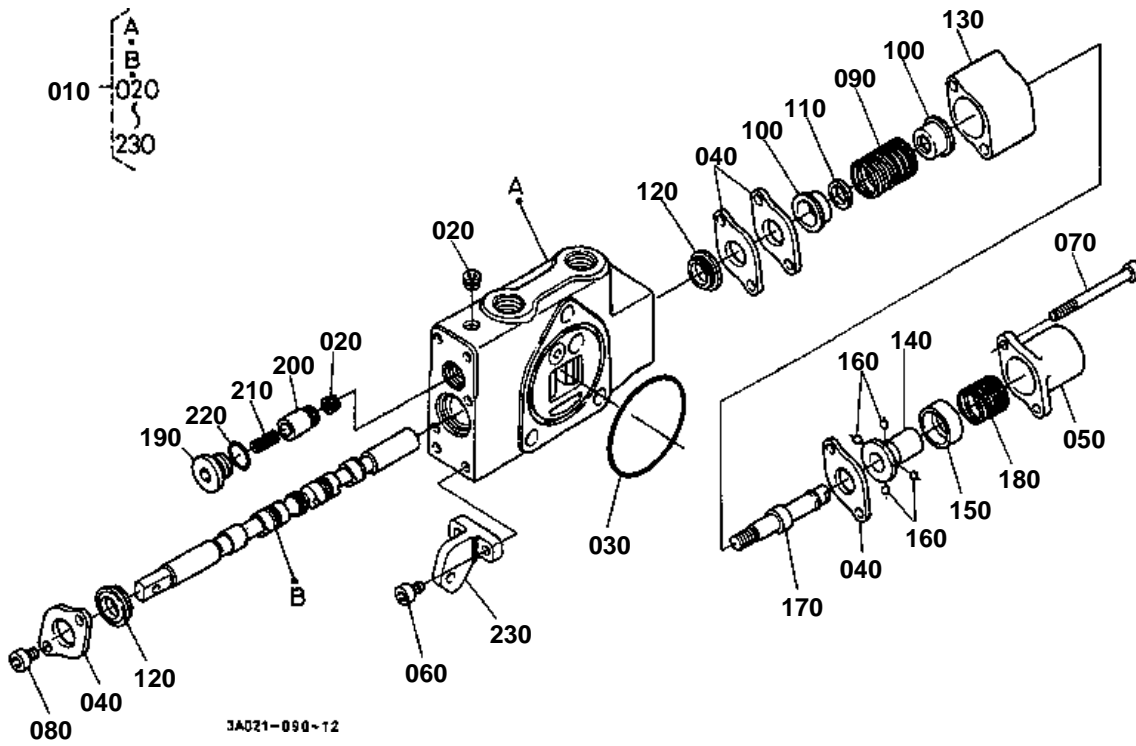


## AUXILIARY CONTROL VALVE (SCD) [COMPONENT PARTS] [OPTION]

↔ Interchangeable; ≠ not interchangeable; ← new for old; → old for new

REF.No	Part No.	Description	Q'ty	S.No.	I/C	REMARKS	Weight (kgf)	Weight (lb)
010	3A111-82540	VALVE AUX.CONTROL	1				3.6	7.92
020	3F740-06020	PLUG	4				0.001	0.0022
030	04815-07560	O RING	1				0.002	0.0044
040	04817-00110	O RING	1				0.001	0.0022
050	04817-00090	O RING	1				0.001	0.0022
060	3F740-06040	COVER	1				0.014	0.0308
070	3F740-06420	COVER	1				0.06	0.132
080	3F740-06430	WASHER	1				0.013	0.0286
090	01311-10616	BOLT HEX-SOC-HD	4				0.005	0.011
100	01311-10612	BOLT HEX-SOC-HD	2				0.01	0.022
110	12631-91030	BOLT HEX-SOC-HD	2				0.02	0.044
120	3F740-06060	SPRING	1				0.015	0.033
130	3F740-06070	SEAT SPRING	2				0.005	0.011
140	3F740-06080	GASKET	2				0.003	0.0066
150	3F740-06440	BUSH	1				0.019	0.0418
160	07715-03205	BALL	4				0.001	0.0022
170	3F740-06450	BOLT SPACER	1				0.032	0.0704
180	3F740-06460	PISTON	1				0.029	0.0638
190	3F740-06480	SPRING	1				0.01	0.022
200	3F740-06500	O RING	1				0.001	0.0022
210	3F740-06510	RING BACK UP	1				0.001	0.0022
220	3F740-06520	O RING	1				0.001	0.0022
230	3F740-06530	RING BACK UP	1				0.001	0.0022
240	3A111-06540	POPPET	1				0.003	0.0066
250	3F740-06550	BUSH	1				0.006	0.0132
260	3A111-06560	SPRING	1				0.002	0.0044
270	3A111-06570	SPRING	1				0.002	0.0044
280	3A111-06580	SEAT SPRING	1				0.004	0.0088
290	3A111-06590	SEAT SPRING	1				0.005	0.011
300	3A111-06600	PLUNGER	1				0.005	0.011
310	04817-00070	O RING	1				0.001	0.0022
320	99999-99999	BLANK	0				0	0
330	3F740-06620	SCREW ADJUSTING	1				0.005	0.011
340	3F740-06630	NUT	1				0.004	0.0088
350	3F740-06100	PLUG	1				0.015	0.033
360	3F740-06110	PLUNGER	1				0.011	0.0242
370	3F740-06120	SPRING	1				0.001	0.0022
380	04816-00120	O RING	1				0.001	0.0022
390	3A031-82410	ARM	1				0.05	0.11

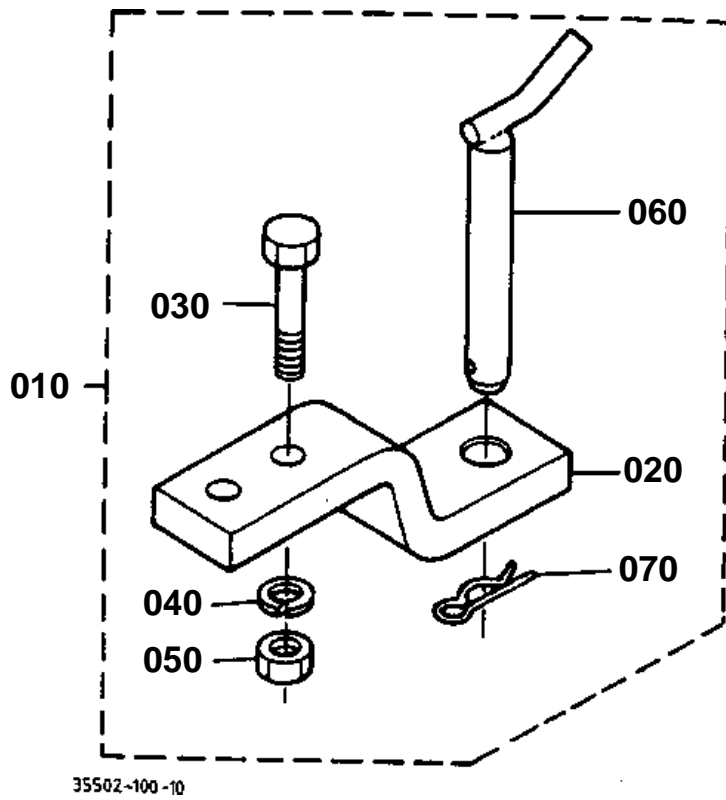
AUXILIARY CONTROL VALVE (FD) [COMPONENT PARTS] [OPTION]



**AUXILIARY CONTROL VALVE (FD) [COMPONENT PARTS] [OPTION]**

↔ Interchangeable; ≠ not interchangeable; ← new for old; → old for new

REF.No	Part No.	Description	Q'ty	S.No.	I/C	REMARKS	Weight (kgf)	Weight (lb)
010	3A031-82800	VALVE AUX.CONTROL	1				3	6.6
020	3F740-06020	PLUG	2				0.001	0.0022
030	04815-07560	O RING	1				0.002	0.0044
040	3F740-06040	COVER	4				0.014	0.0308
050	3F740-06050	COVER	1				0.077	0.1694
060	01311-10616	BOLT HEX-SOC-HD	2				0.005	0.011
070	01311-10660	BOLT HEX-SOC-HD	2				0.07	0.154
080	01311-10612	BOLT HEX-SOC-HD	2				0.01	0.022
090	3F740-06650	SPRING	1				0.018	0.0396
100	3F740-06070	SEAT SPRING	2				0.005	0.011
110	3F740-06660	SPACER	1				0.002	0.0044
120	3F740-06080	GASKET	2				0.003	0.0066
130	3F740-06670	COVER	1				0.12	0.264
140	3F740-06680	BUSH	1				0.019	0.0418
150	3F740-06690	RING	1				0.01	0.022
160	07715-03205	BALL	4				0.001	0.0022
170	3F740-06710	BOLT SPACER	1				0.04	0.088
180	3F740-06480	SPRING	1				0.01	0.022
190	3F740-06700	PLUG	1				0.02	0.044
200	3F740-06110	PLUNGER	1				0.011	0.0242
210	3F740-06120	SPRING	1				0.001	0.0022
220	04816-00120	O RING	1				0.001	0.0022
230	3A031-82410	ARM	1				0.05	0.11

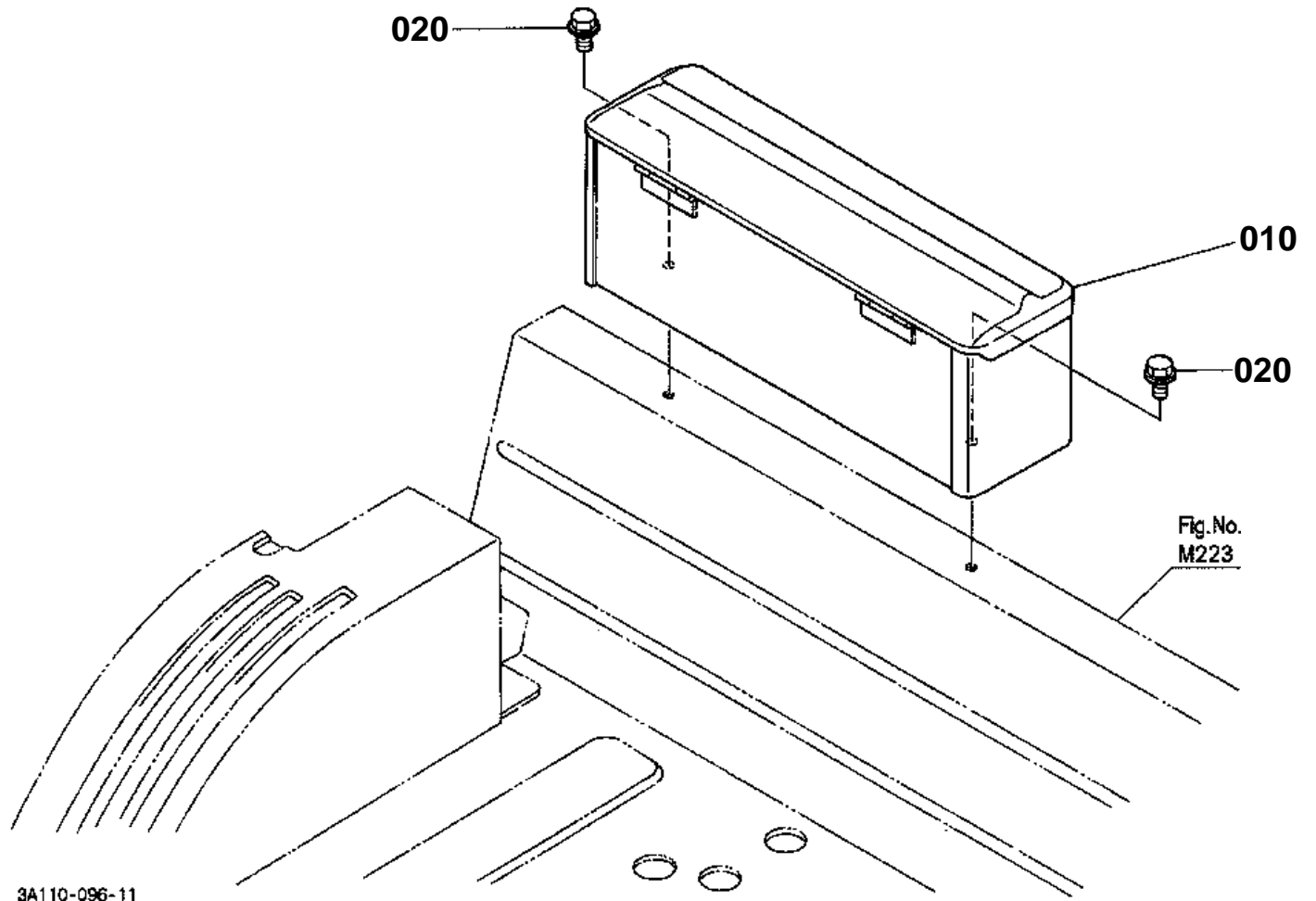




## DRAWBAR/HITCH [OPTION]

↔ Interchangeable; ≠ not interchangeable; ← new for old; → old for new

REF.No	Part No.	Description	Q'ty	S.No.	I/C	REMARKS	Weight (kgf)	Weight (lb)
010	35820-97570	ASSY HITCH DRAWBAR	1				4.9	10.78
020	36330-89130	HITCH DRAWBAR	1				3.58	7.876
030	01173-51880	BOLT	2				0.187	0.4114
040	04512-60180	WASHER SPRING	2				0.02	0.044
050	02174-50180	NUT	2				0.029	0.0638
060	36330-89210	PIN DRAWBAR	1				0.7	1.54
070	33251-89310	PIN SET	1				0.032	0.0704



3A110-096-11





# TOOL BOX [OPTION]

↔ Interchangeable; ≠ not interchangeable; ← new for old; → old for new

REF.No	Part No.	Description	Q'ty	S.No.	I/C	REMARKS	Weight (kgf)	Weight (lb)
010	3A131-90232	CASE TOOLS	1				2.6	5.72
020	01754-50816	BOLT FLANGE	2				0.011	0.0242