

Instructions for Parts Books

The heading at the top of the page will be the same for the picture of the parts as it is for the page with the part numbers.

Definition of column headings on part number pages:

REF.No → The number referring to the part on the picture page of the parts book.

Part No. → The number assigned to this part at the time of printing the parts book.

Description → Description of part.

Q'ty → Quantity of part used on that page.

S.No. → Serial number range of the equipment that this part will fit.

>= Your serial number should be greater than or equal to the number shown.

<= Your serial number should be lesser than or equal to the serial number shown.

I/C → Interchangeability of part shown.

↔ The part shown will work for the older and later serial number.

The part shown is not interchangeable with the other serial number.

← new for old

→ old for new

Remarks → Notes about this particular part. Sometimes this may say except [FR] or [CA]

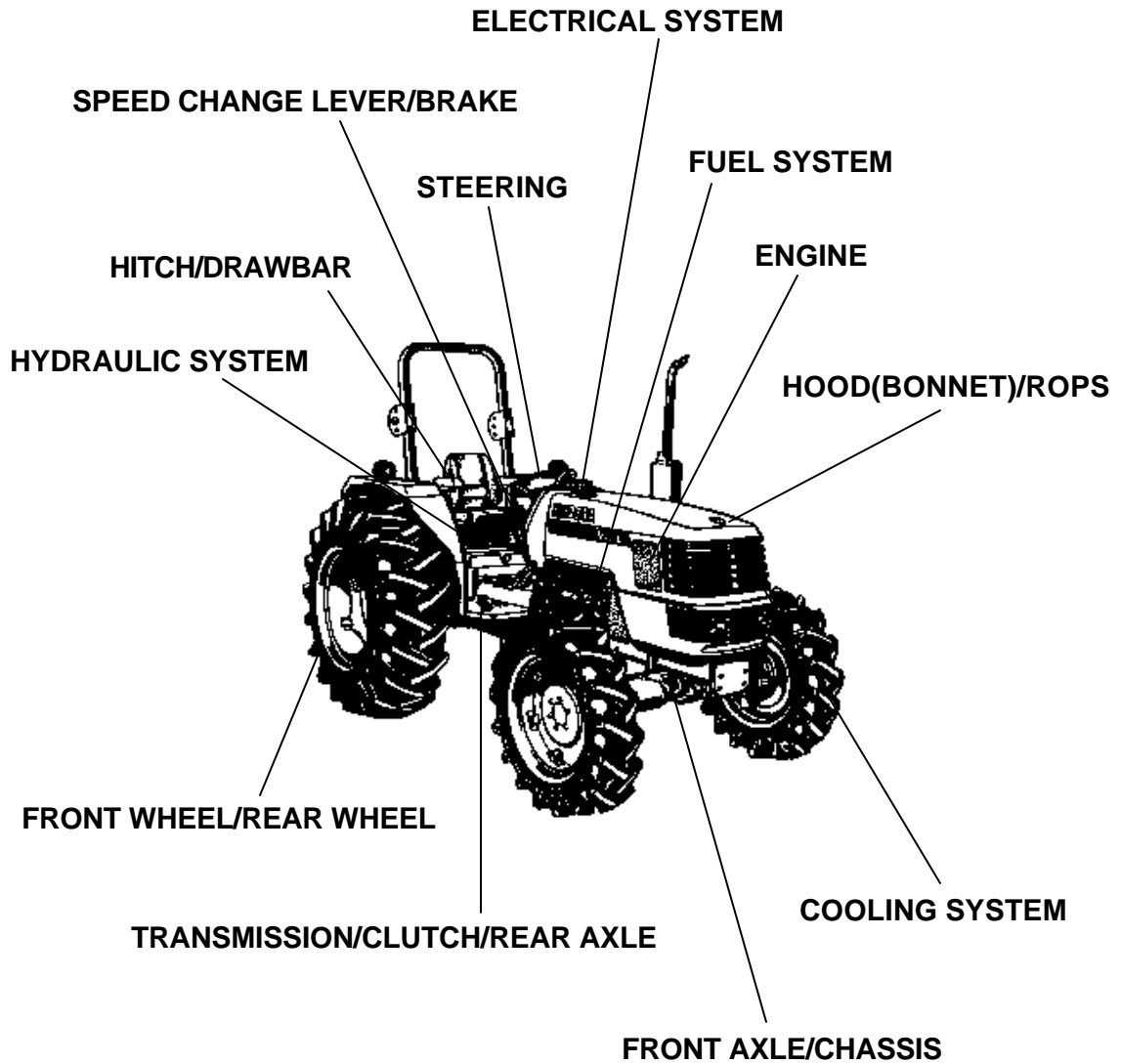
Note about Country Codes:

The parts books we use in the United States of America may also contain information about a part that would be different in another country. It is important that you are aware of the country codes in some instances.

Symbol	Country
A	United States of America
CA	Canada
FR	France
GR	Greece
PO	Portugal
AU	Australia

If the remarks column says for example EXCEPT [FR] this part works in all countries except France. That means it will work here in the USA.

ALL PRODUCT INDEX
M4900



LABELS

OPTION

ACCESSORIES

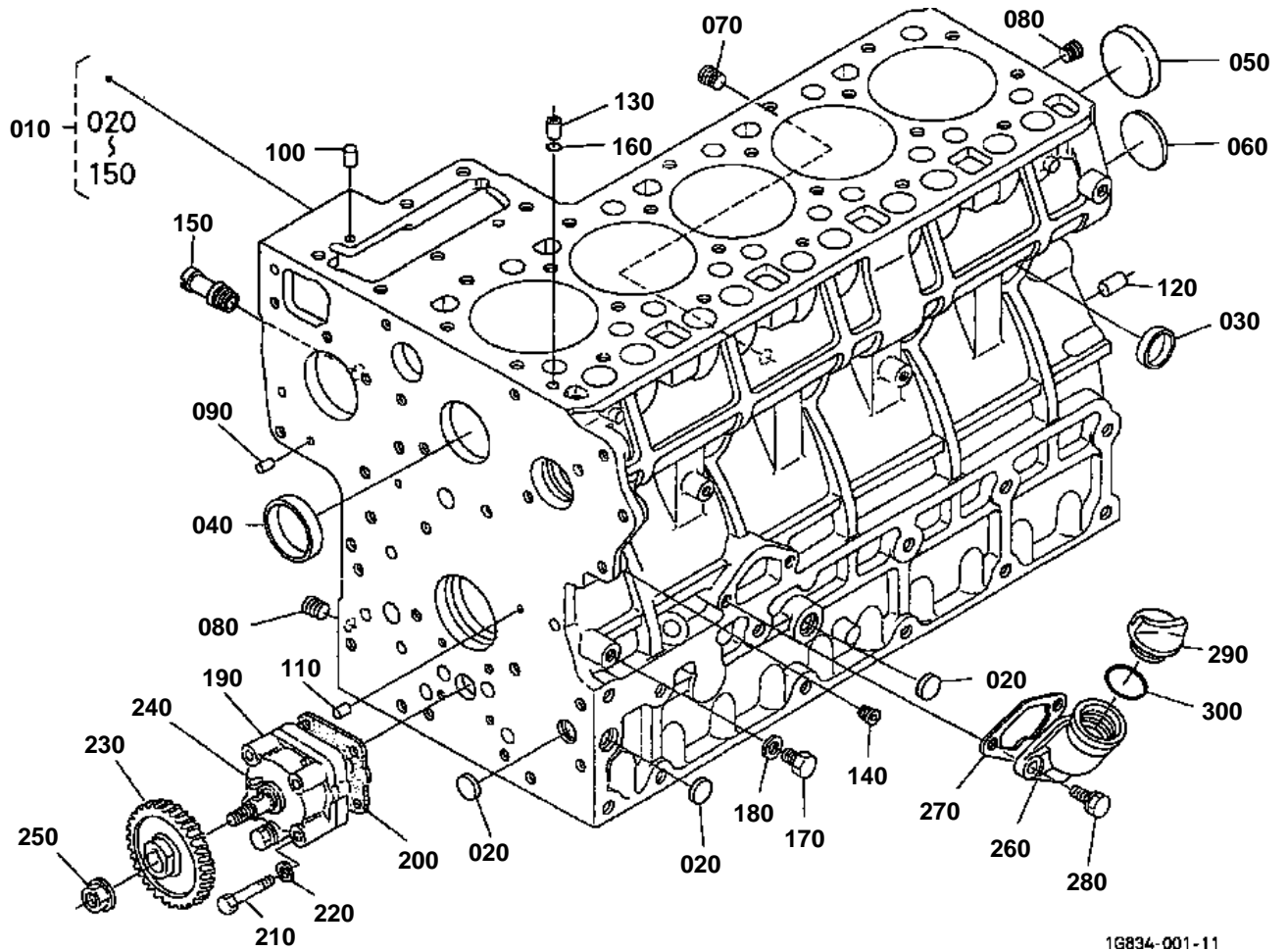
Item	Part No.	Description	Book	
ENGINE	010001	CRANKCASE	100K0574	
	010002	OIL PAN	100K0574	
	010003	CYLINDER HEAD	100K0574	
	010004	GEAR CASE	100K0574	
	010005	HEAD COVER [OLD TYPE]	100K0574	
	01000501	HEAD COVER [NEW TYPE]	100K0574	
	010100	MAIN BEARING CASE	100K0574	
	010101	CAMSHAFT AND IDLE GEAR SHAFT	100K0574	
	010102	PISTON AND CRANKSHAFT	100K0574	
	010103	FLYWHEEL	100K0574	
	010105	FUEL CAMSHAFT	100K0574	
	010200	ENGINE STOP LEVER	100K0574	
	010202	INJECTION PUMP	100K0574	
	010204	GOVERNOR	100K0574	
	010205	SPEED CONTROL PLATE	100K0574	
	010206	NOZZLE HOLDER AND GLOW PLUG	100K0574	
	010207	NOZZLE HOLDER [COMPONENT PARTS]	100K0574	
	010500	WATER FLANGE AND THERMOSTAT	100K0574	
	010501	WATER PUMP	100K0574	
	010600	VALVE AND ROCKER ARM	100K0574	
	010601	INLET MANIFOLD	100K0574	
	010602	EXHAUST MANIFOLD	100K0574	
	010603	AIR CLEANER	100K0574	
	010604	AIR CLEANER [COMPONENT PARTS]	100K0574	
	01060701	MUFFLER	100K0574	
	01060702	UNDER MUFFLER [CS]	100K0574	
	010906	UPPER GASKET KIT	100K0574	
	010907	LOWER GASKET KIT	100K0574	
	01A010	HAND ACCELERATOR LEVER	100K0574	
	01A070	STOP SOLENOID/ENGINE STOP WIRE	100K0574	
	FUEL SYSTEM	01A110	FUEL TANK	100K0574
		01A170	FUEL FILTER	100K0574
		01A180	FUEL FILTER [COMPONENT PARTS]	100K0574
	COOLING SYSTEM	01A410	FAN	100K0574
		01A420	WATER PIPE	100K0574
		01A430	RADIATOR	100K0574
	ELECTRICAL SYSTEM	01A450	RESERVE TANK	100K0574
		01A540	ALTERNATOR	100K0574
		01A550	ALTERNATOR [COMPONENT PARTS]	100K0574
		01A560	STARTER	100K0574
		01A570	STARTER [COMPONENT PARTS]	100K0574
		01A580	BATTERY	100K0574
		01B015	SWITCH/SENSOR	100K0574
		01B106	SWITCH(PANEL BOARD)/RELAY	100K0574
		01B140	PANEL BOARD	100K0574
01B150		PANEL BOARD [COMPONENT PARTS]	100K0574	
TRANSMISSION/CLUTCH/REAR AXLE	01B320	LIGHT	100K0574	
	01B335	HAZARD LIGHT/TAIL LIGHT [OLD TYPE]	100K0574	
	01B33501	HAZARD LIGHT/TAIL LIGHT [NEW TYPE]	100K0574	
	01B515	ELECTRICAL WIRING	100K0574	
	01C11001	CLUTCH HOUSING	100K0574	
	01C113	SHUTTLE GEAR CASE	100K0574	

Item	Part No.	Description	Book	
TRANSMISSION/CLUTCH/REAR AXLE	01C140	TRANSMISSION CASE	100K0574	
	01C150	TRANSMISSION CASE REAR COVER	100K0574	
	01C170	REAR AXLE CASE	100K0574	
	01C210	CLUTCH	100K0574	
	01C230	CLUTCH RELEASE FORK	100K0574	
	01C240	CLUTCH PEDAL	100K0574	
	01D215	INPUT SHAFT	100K0574	
	01D225	FIRST SHAFT	100K0574	
	01D227	SECOND SHAFT	100K0574	
	01D23501	THIRD SHAFT [W/O CREEP]	100K0574	
	01D23503	THIRD SHAFT [WITH CREEP] [CS]	100K0574	
	01D241	BACK IDLE SHAFT	100K0574	
	01D254	CREEP SHAFT [WITH CREEP] [CS]	100K0574	
	01D260	BEVEL GEAR [OLD TYPE]	100K0574	
	01D26001	BEVEL GEAR [NEW TYPE]	100K0574	
	01D262	DIFFERENTIAL REAR	100K0574	
	01D265	PTO PROPELLER SHAFT	100K0574	
	01D266	PTO CLUTCH	100K0574	
	01D267	PTO CLUTCH [COMPONENT PARTS]	100K0574	
	01D268	PTO CLUTCH VALVE	100K0574	
	01D269	PTO CLUTCH VALVE [COMPONENT PARTS]	100K0574	
	01D275	PTO SHAFT	100K0574	
	01D410	MAIN GEAR SHIFT FORK	100K0574	
	01D420	SHUTTLE GEAR SHIFT FORK	100K0574	
	01D43001	RANGE GEAR SHIFT FORK	100K0574	
	01D43002	RANGE GEAR SHIFT FORK/CREEP SHIFT FORK [CS]	100K0574	
	SPEED CHANGE LEVER/BRAKE	01D495	REAR AXLE	100K0574
		01E11001	BRAKE	100K0574
		01E115	BRAKE ROD	100K0574
		01F110	MAIN GEAR SHIFT LEVER	100K0574
		01F125	SHUTTLE SHIFT LEVER	100K0574
		01F13501	RANGE GEAR SHIFT LEVER	100K0574
		01F13502	RANGE GEAR SHIFT LEVER/CREEP SHIFT LEVER [CS]	100K0574
01F145		PTO CLUTCH LEVER	100K0574	
01F210		BRAKE PEDAL	100K0574	
01F230		REAR DIFFERENTIAL LOCK PEDAL	100K0574	
FRONT AXLE/CHASSIS		01G10501	FRONT AXLE FRAME	100K0574
	01G11001	FRONT AXLE BRACKET	100K0574	
	01G12001	FRONT AXLE	100K0574	
	01G12002	FRONT AXLE [CS]	100K0574	
	01G13001	FRONT WHEEL HUB	100K0574	
	01G13002	FRONT WHEEL HUB [CS]	100K0574	
	STEERING	01H110	STEERING HANDLE	100K0574
01H14001		STEERING CONTROLLER	100K0574	
01H150		STEERING CONTROLLER [COMPONENT PARTS]	100K0574	
01J12001		STEERING LINKAGE	100K0574	
HYDRAULIC SYSTEM	01J12501	STEERING CYLINDER [COMPONENT PARTS]	100K0574	
	01J130	HYDRAULIC PUMP	100K0574	
	01J135	HYDRAULIC PUMP [COMPONENT PARTS]	100K0574	
	01J210	HYDRAULIC PIPE (SUCTION)	100K0574	

Item	Part No.	Description	Book	
HYDRAULIC SYSTEM	01J220	HYDRAULIC PIPE (DELIVERY)	100K0574	
	01J27501	HYDRAULIC OIL LINE (STEERING/PTO)	100K0574	
	01J28001	STEERING HOSE (DELIVERY)	100K0574	
	01J310	HYDRAULIC CYLINDER	100K0574	
	01J320	HYDRAULIC CYLINDER COVER	100K0574	
	01J330	HYDRAULIC LIFT ARM	100K0574	
	01J355	CONTROL VALVE	100K0574	
	01J380	DRAFT AND POSITION CONTROL LEVER	100K0574	
	01J390	POSITION CONTROL SHAFT	100K0574	
	01J391	DRAFT CONTROL SHAFT	100K0574	
	01J392	FEED BACK LEVER	100K0574	
	01J445	AUXILIARY CONTROL VALVE (SCD)	100K0574	
	01J447	AUXILIARY CONTROL VALVE (SCD) [COMPONENT PARTS]	100K0574	
	01K105	TOP LINK BRACKET	100K0574	
	01K110	TOP LINK	100K0574	
	01K125	LOWER LINK [OLD TYPE]	100K0574	
	01K12501	LOWER LINK [NEW TYPE]	100K0574	
	01K13301	STABILIZER [OLD TYPE]	100K0574	
	01K13302	STABILIZER [NEW TYPE]	100K0574	
	01K140	LIFT ROD RH	100K0574	
	01K143	LIFT ROD LH	100K0574	
	HITCH/DRAWBAR	01L110	SWINGING DRAWBAR	100K0574
		01L170	PTO SHAFT PROTECTOR	100K0574
	HOOD(BONNET)/ROPS	01M115	HOOD(BONNET) FRONT	100K0574
		01M120	HOOD(BONNET) UPPER	100K0574
		01M125	HOOD(BONNET) SIDE	100K0574
		01M127	HOOD(BONNET) SIDE COVER	100K0574
		01M155	HOOD(BONNET) REAR	100K0574
		01M220	FENDER	100K0574
		01M223	FLOOR SEAT	100K0574
		01M233	STEP	100K0574
		01M235	SEAT	100K0574
		01M270	TOOL BOX	100K0574
01M310		ROPS [OLD TYPE]	100K0574	
01M31001		ROPS [NEW TYPE]	100K0574	
01M500		SMV EMBLEM	100K0574	
FRONT WHEEL/REAR WHEEL		01R11001	FRONT WHEEL (6.5-16)	100K0574
		01R11003	FRONT WHEEL (29*12.50-15) [CS]	100K0574
	01R11005	FRONT WHEEL (12LL*16)	100K0574	
	01R12001	REAR WHEEL (14.9-28)	100K0574	
	01R12003	REAR WHEEL (21.5L-16.1) [CS]	100K0574	
	01R12004	REAR WHEEL (22.5L*16.1)	100K0574	
	LABELS	01S11001	LABEL [A]	100K0574
01S11002		LABEL [CA]	100K0574	
ACCESSORIES OPTION	01T110	ACCESSORIES AND SERVICE PARTS	100K0574	
	01U111	UNDER MUFFLER KIT [OPTION]	100K0574	
	01U113	WORKING LIGHT KIT [OPTION]	100K0574	
	01U115	TRAILER HARNESS KIT [OPTION]	100K0574	
	01U12001	CREEP SPEED KIT 1 [OPTION]	100K0574	
	01U12002	CREEP SPEED KIT 2 [OPTION]	100K0574	
	01U12003	CREEP SPEED KIT 3 [OPTION]	100K0574	

Item	Part No.	Description	Book
OPTION	01U125	FRONT WEIGHT BUMPER KIT [OPTION]	100K0574
	01U13701	AUXILIARY CONTROL VALVE KIT (SCD) [OPTION]	100K0574
	01U13702	AUXILIARY CONTROL VALVE KIT (FD) [OPTION]	100K0574
	01U138	AUXILIARY CONTROL VALVE [COMPONENT PARTS]	100K0574
	01U157	DRAWBAR/HITCH [OPTION]	100K0574

CRANKCASE



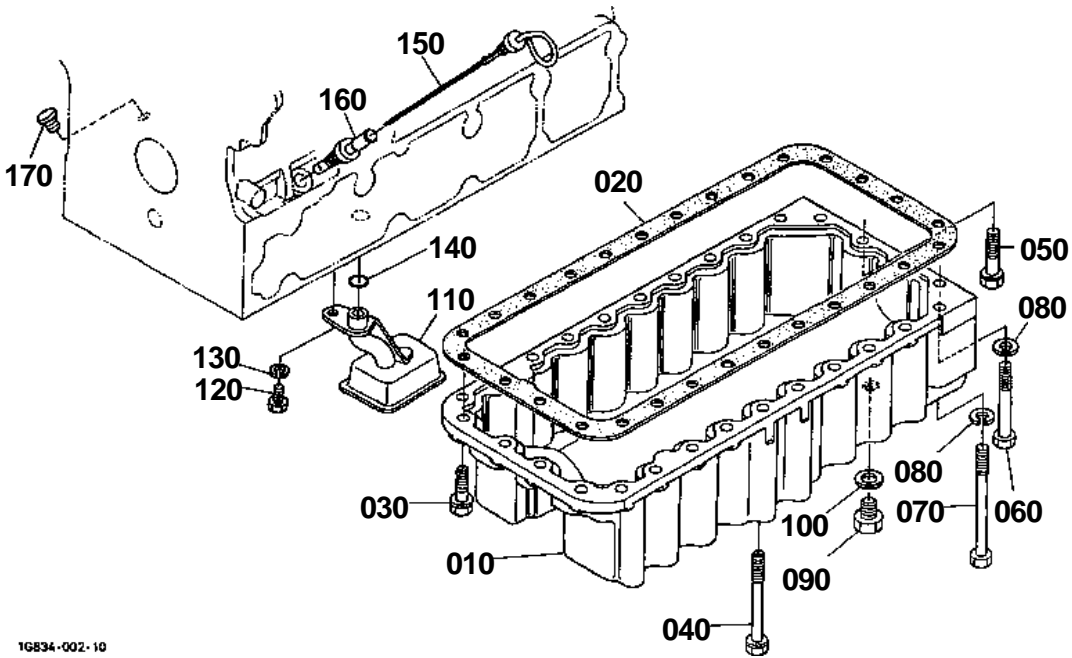
1G834-001-11

**CRANKCASE**

↔ Interchangeable; ≠ not interchangeable; ← new for old; → old for new

REF.No	Part No.	Description	Q'ty	S.No.	I/C	REMARKS	Weight (kgf)	Weight (lb)
010	16459-01010	COMP.CRANKCASE	1				53	116.6
020	17391-96160	PLUG EXPANSION	3				0.003	0.0066
030	15221-03380	CAP SEALING	8				0.017	0.0374
040	15221-03390	CAP SEALING	1				0.03	0.066
050	15221-03390	CAP SEALING	1				0.03	0.066
060	16271-96160	PLUG EXPANSION	1				0.025	0.055
070	15521-96020	PLUG	6				0.003	0.0066
080	15521-96030	PLUG	2				0.007	0.0154
090	05012-00408	PIN STRAIGHT	2				0.001	0.0022
100	05012-00609	PIN STRAIGHT	2				0.003	0.0066
110	05012-00612	PIN STRAIGHT	2				0.003	0.0066
120	05012-01018	PIN STRAIGHT	1				0.012	0.0264
130	15221-33650	PIN PIPE	1				0.004	0.0088
140	15521-96020	PLUG	1				0.003	0.0066
150	15321-73340	PIPE WATER RETURN	1				0.016	0.0352
160	15221-33700	O RING	1				0.001	0.0022
170	15221-33610	PLUG	1				0.009	0.0198
170	15469-33610	PLUG	1		«		0.008	0.0176
170	15221-33610	PLUG	1		«		0.009	0.0198
180	15021-33660	GASKET	1				0.001	0.0022
190	17331-35012	ASSY PUMP OIL	1				0.53	1.166
200	15296-35150	GASKET OIL PUMP	1				0	0
200	1A021-35150	GASKET OIL PUMP	1		«		0.001	0.0022
210	01053-50648	BOLT	4				0.01	0.022
220	04512-60060	WASHER SPRING	4				0.001	0.0022
230	15401-35660	GEAR OIL PUMP DRIVE	1				0.2	0.44
240	05712-00410	KEY FEATHER	1				0.001	0.0022
250	15221-35682	NUT FLANGE	1				0.014	0.0308
260	15602-33110	FLANGE OIL FILLER	1				0.1	0.22
270	15625-32890	GASKET	1				0.001	0.0022
280	01123-50822	BOLT	2				0.012	0.0264
290	15852-33140	PLUG OIL FILLER	1				0.038	0.0836
290	E9151-33140	PLUG OIL FILLER	1		«		0.017	0.0374
300	04811-50300	O RING	1				0	0
300	04817-50300	O RING	1		↵		0.001	0.0022

OIL PAN



16834-002-10

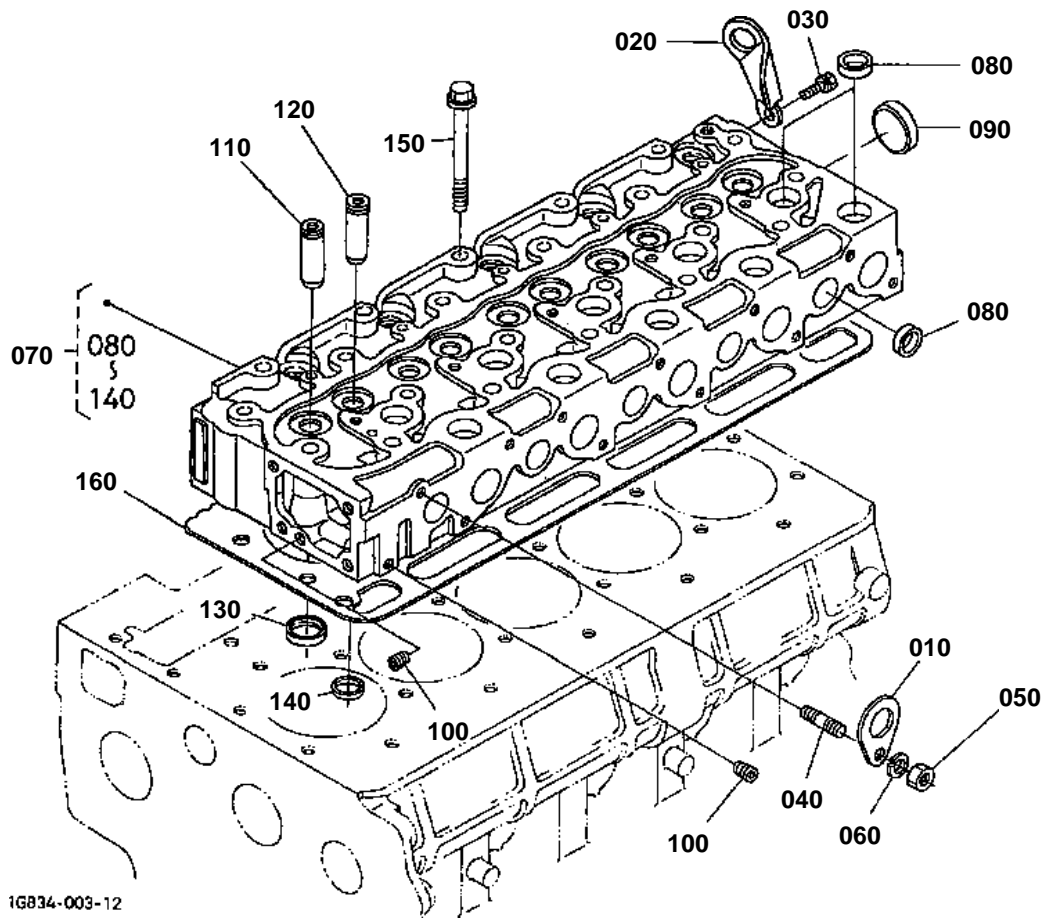


OIL PAN

↔ Interchangeable; ≠ not interchangeable; ← new for old; → old for new

REF.No	Part No.	Description	Q'ty	S.No.	I/C	REMARKS	Weight (kgf)	Weight (lb)
010	17394-01610	OIL PAN	1				17	37.4
020	16478-01620	GASKET OIL PAN	1				0.026	0.0572
030	01133-51028	BOLT	20				0.027	0.0594
040	17377-91010	BOLT	2				0.08	0.176
050	01133-51040	BOLT	2				0.03	0.066
060	01173-51080	BOLT	2				0.049	0.1078
070	15601-91070	BOLT	2				0.066	0.1452
080	04512-60100	WASHER SPRING	4				0.002	0.0044
090	15221-33750	PLUG	2				0.032	0.0704
100	6C090-58960	GASKET	2				0.002	0.0044
110	17391-32110	FILTER OIL	1				0.25	0.55
120	01153-50814	BOLT	1				0.009	0.0198
130	04512-60080	WASHER SPRING	1				0.002	0.0044
140	04816-00180	O RING	1				0.002	0.0044
140	04817-00180	O RING	1		-		0.003	0.0066
150	16478-36410	GAUGE OIL	1				0.03	0.066
160	15736-36420	GUIDE OIL GAUGE	1				0.03	0.066
170	16484-33640	PLUG OIL GAUGE	1				0.002	0.0044

CYLINDER HEAD



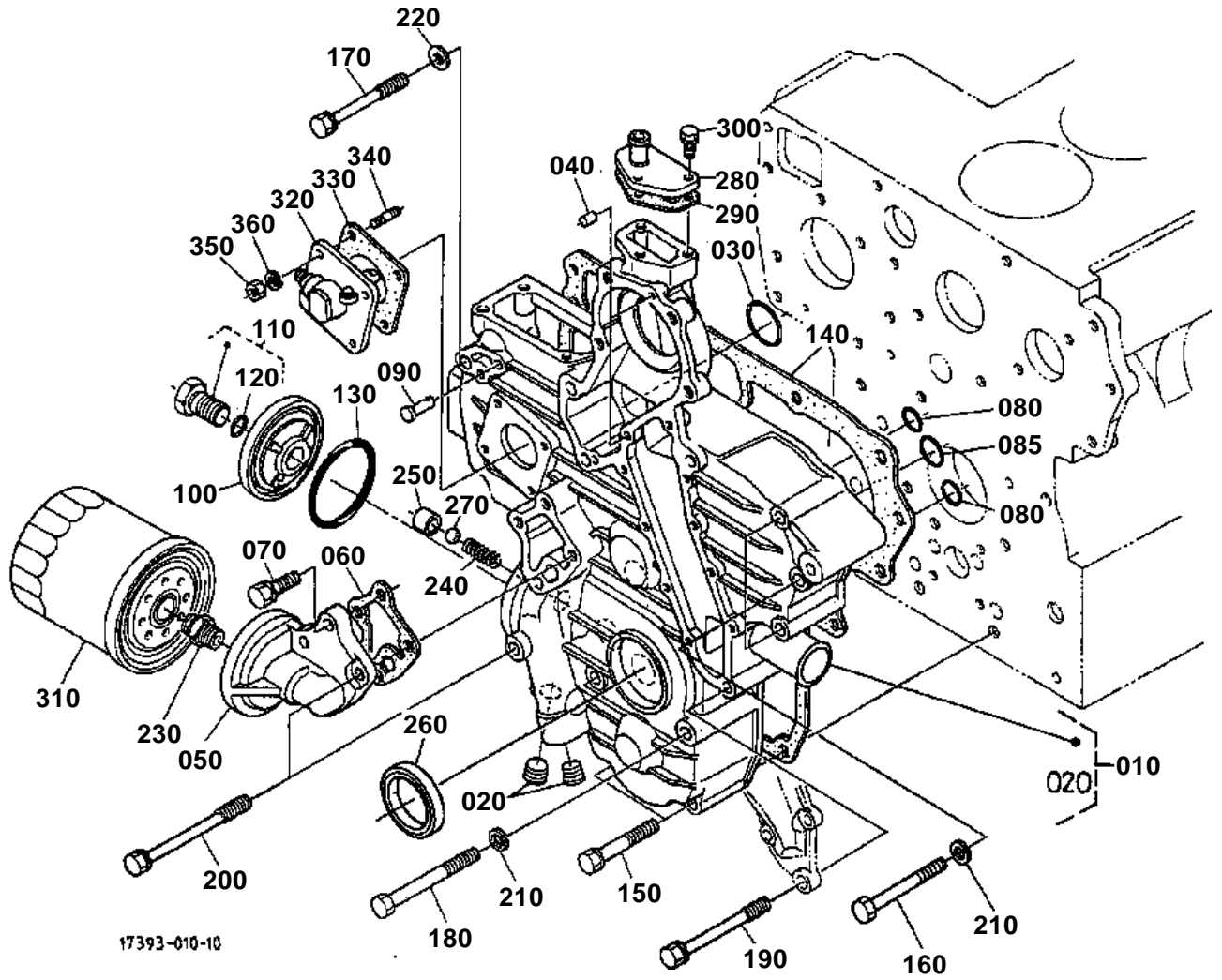


CYLINDER HEAD

↔ Interchangeable; ≠ not interchangeable; ← new for old; → old for new

REF.No	Part No.	Description	Q'ty	S.No.	I/C	REMARKS	Weight (kgf)	Weight (lb)
010	15221-01750	HOOK ENGINE	1				0.04	0.088
020	16415-01752	HOOK ENGINE	1				0.115	0.253
030	01123-60816	BOLT	1				0.01	0.022
040	15471-91530	STUD	1	<=1Y8640			0.01	0.022
040	15221-91530	STUD	1	>=2A0402	-		0.011	0.0242
050	02156-50080	NUT	1				0.004	0.0088
060	04512-60080	WASHER SPRING	1				0.002	0.0044
070	16459-03040	COMP.CYLINDER HEAD	1				25.4	55.88
080	15221-03370	CAP SEALING	15				0.01	0.022
090	15221-03490	CAP SEALING	1				0.02	0.044
100	15261-96010	PLUG	2				0.002	0.0044
110	17321-13580	GUIDE INLET VALVE	5				0.015	0.033
120	17321-13560	GUIDE EXHAUST VALVE	5				0.02	0.044
130	16415-13620	SEAT INLET VALVE	5				0.01	0.022
140	16415-13612	SEAT EXHAUST VALVE	5				0.01	0.022
150	19013-03450	BOLT CYLINDER HEAD	22				0.077	0.1694
160	16484-03310	GASKET CYL.HEAD	1				0.14	0.308

GEAR CASE



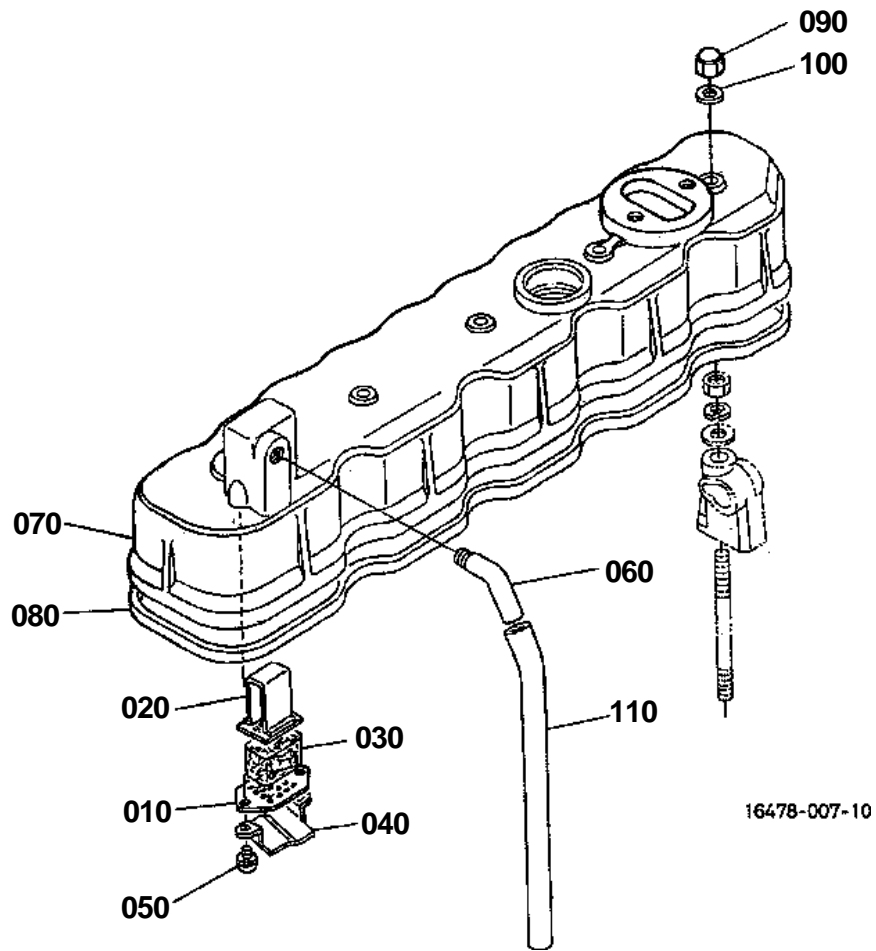


GEAR CASE

↔ Interchangeable; ≠ not interchangeable; ← new for old; → old for new

REF.No	Part No.	Description	Q'ty	S.No.	I/C	REMARKS	Weight (kgf)	Weight (lb)
010	17127-04030	COMP.CASE GEAR	1	<=2K0917			0	0
010	17127-04033	COMP.CASE GEAR	1	>=2L0445	↔		4	8.8
020	16241-96020	PLUG	2				0.015	0.033
030	04811-00360	O RING	1				0	0
030	04817-00360	O RING	1		↔		0.001	0.0022
040	05012-00612	PIN STRAIGHT	2				0.003	0.0066
050	17331-32610	SUPPORT OIL FILTER	1				0.275	0.605
060	17326-32620	GASKET	1				0.005	0.011
070	01123-50825	BOLT	3				0.013	0.0286
080	04811-00150	O RING	2				0	0
080	04817-00150	O RING	2		↔		0.001	0.0022
085	04811-00200	O RING	1				0	0
085	04817-00200	O RING	1		↔		0.011	0.0242
090	16221-56280	PIN START SPRING	1				0.005	0.011
100	17331-32880	COVER	1				0.075	0.165
110	17331-32910	COMP BOLT	1				0.07	0.154
120	04811-00150	O RING	1				0	0
120	04817-00150	O RING	1		↔		0.001	0.0022
130	19202-96830	O RING	1				0.01	0.022
140	17326-04132	GASKET GEAR CASE	1				0.03	0.066
150	01123-50860	BOLT	3				0.002	0.0044
160	01153-50870	BOLT	3				0.026	0.0572
170	17367-91010	BOLT	2				0.005	0.011
180	01153-50880	BOLT	2				0.03	0.066
190	17367-91020	BOLT	3				0.035	0.077
200	17367-91030	BOLT	2				0.02	0.044
210	04512-60080	WASHER SPRING	5				0.002	0.0044
220	04012-50080	WASHER PLAIN	1				0.001	0.0022
230	15521-32290	JOINT PIPE	1				0	0
230	15521-32293	JOINT PIPE	1		↔		0.05	0.11
240	17391-36950	SPRING	1				0.005	0.011
250	15521-36930	SEAT VALVE	1				0.015	0.033
260	19202-04140	SEAL OIL	1				0.015	0.033
270	07715-03213	BALL	1				0.004	0.0088
280	15521-73320	FLANGE WATER RETURN	1				0.04	0.088
290	15766-73330	GASKET WATER FLANGE	1	<=1S7650			0	0
290	1A021-73330	GASKET RETURN FLANGE	1	>=1U0321	↔		0.001	0.0022
300	01023-50620	BOLT	3				0.006	0.0132
310	17321-32430	CARTRIDGE OIL FILTER	1	<=YX0901			0	0
310	16414-32430	CARTRIDGE OIL FILTER	1	>=YY0442	↔		0.54	1.188
320	38240-34660	ASSY GEAR CASE H/M	1				0.335	0.737
330	15296-88130	GASKET H/METER UNIT	1				0.002	0.0044
340	15221-88210	STUD	4				0.005	0.011
350	02056-50060	NUT	4				0.002	0.0044
360	04512-60060	WASHER SPRING	4				0.001	0.0022

HEAD COVER [OLD TYPE]



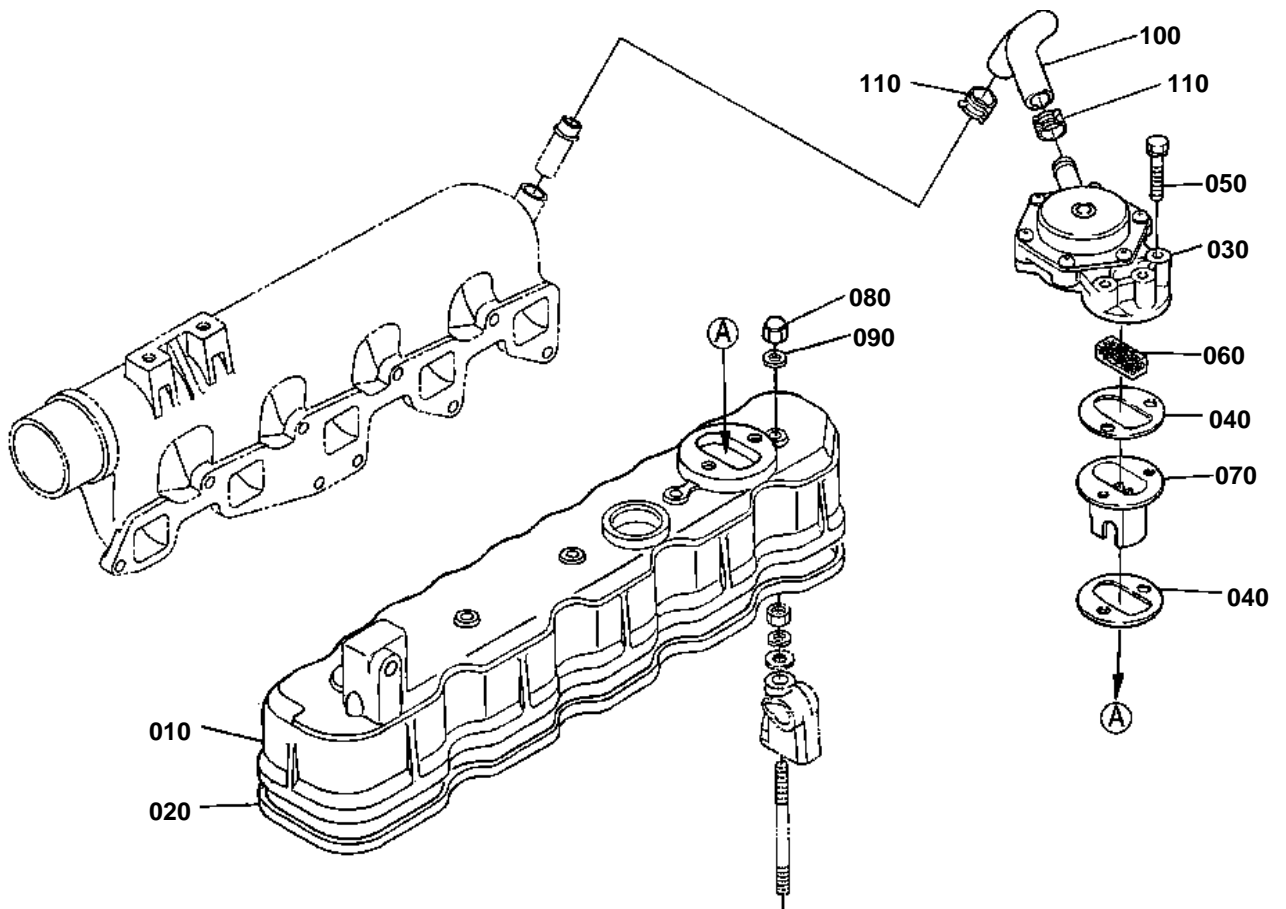
**HEAD COVER [OLD TYPE]**

S.No.;<=3U0371

↔ Interchangeable; ≠ not interchangeable; ← new for old; → old for new

REF.No	Part No.	Description	Q'ty	S.No.	I/C	REMARKS	Weight (kgf)	Weight (lb)
010	15521-05140	PLATE B/THER ELEMENT	1				0.005	0.011
020	15521-05150	PLATE B/THER ELEMENT	1				0.01	0.022
030	15521-05670	ELEMENT BREATHER	1				0.01	0.022
040	15521-05370	OIL SHIELD BREATHER	1				0.005	0.011
050	03034-50510	SCREW WITH WASHER	2				0.003	0.0066
060	15521-05550	JOINT BREATHER PIPE	1				0.04	0.088
070	16484-14510	COVER CYL.HEAD	1				1.7	3.74
080	17381-14520	GASKET HEAD COVER	1				0.05	0.11
090	15451-92330	NUT	5				0.008	0.0176
100	15021-33660	GASKET	5				0.001	0.0022
110	15837-05510	PIPE BREATHER	1				0.06	0.132

HEAD COVER [NEW TYPE]



16478-007-20

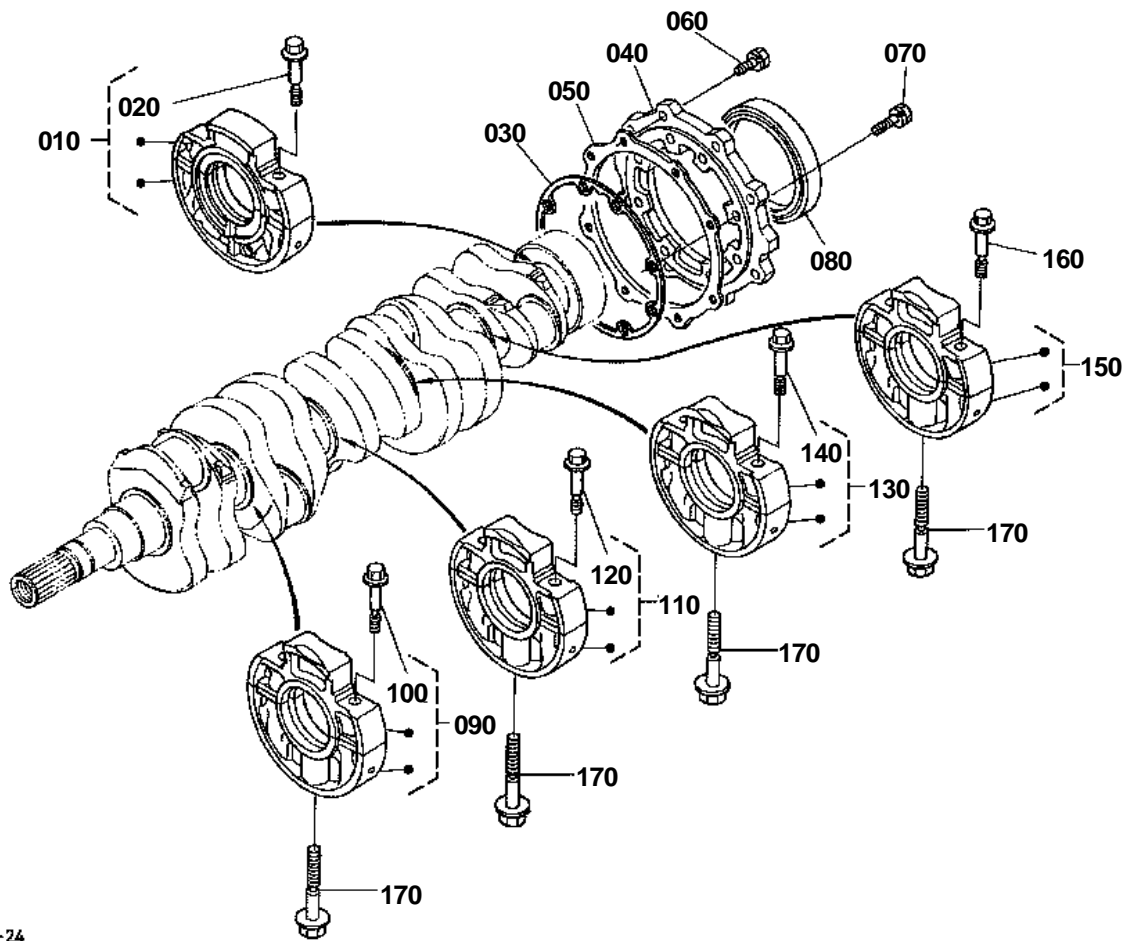
**HEAD COVER [NEW TYPE]**

S.No.;>=3W0001

↔ Interchangeable; ≠ not interchangeable; ← new for old; → old for new

REF.No	Part No.	Description	Q'ty	S.No.	I/C	REMARKS	Weight (kgf)	Weight (lb)
010	1G837-14510	COVER CYL.HEAD	1				0	0
020	17381-14520	GASKET HEAD COVER	1				0.05	0.11
030	17182-05020	COMP.BREATHER	1				0.32	0.704
040	17114-05130	GASKET BREATHER	2				0.002	0.0044
050	01123-50840	BOLT	2				0.018	0.0396
060	16241-05670	ELEMENT BREATHER	1				0.01	0.022
070	17182-14490	PLATE	1				0.065	0.143
080	15451-92330	NUT	5				0.008	0.0176
090	15021-33660	GASKET	5				0.001	0.0022
100	17182-05510	TUBE BREATHER	1				0.035	0.077
110	09318-88200	CLAMP HOSE	2				0.004	0.0088

MAIN BEARING CASE

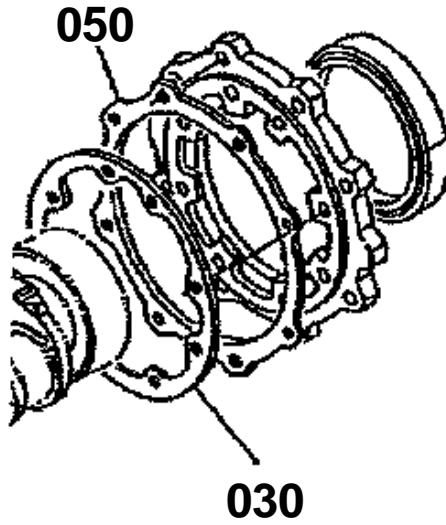


17121-003-24

MAIN BEARING CASE

030 19077-0436-0

050 17118-0483-0



1A021-804-20

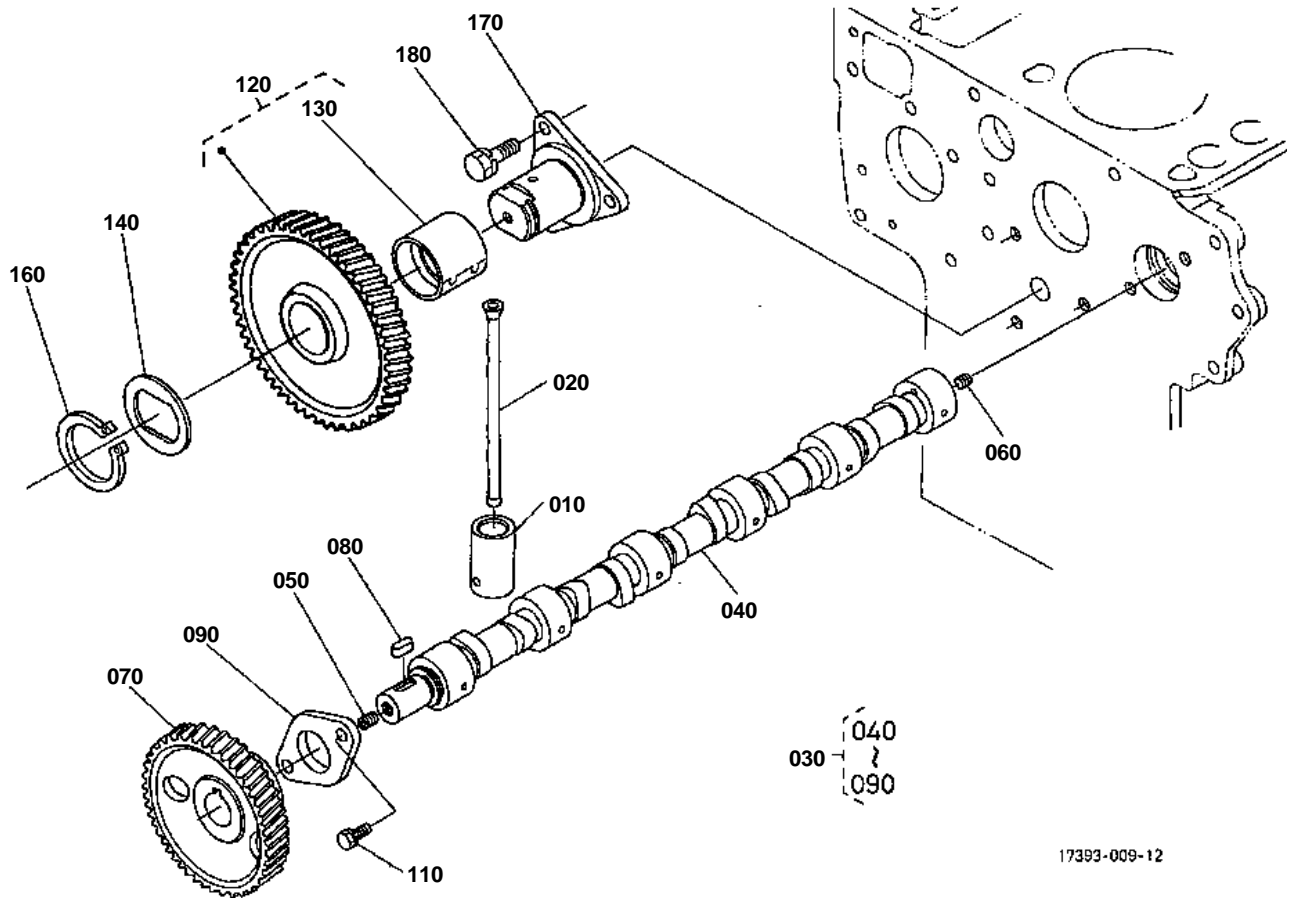


MAIN BEARING CASE

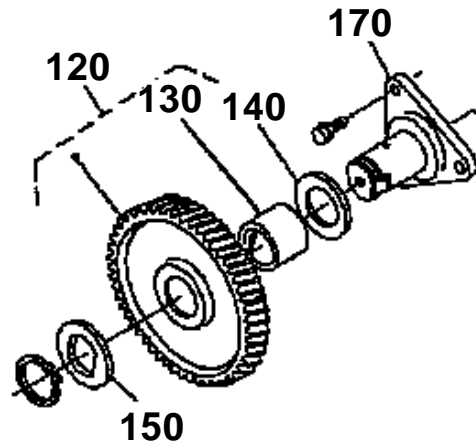
↔ Interchangeable; ≠ not interchangeable; ← new for old; → old for new

REF.No	Part No.	Description	Q'ty	S.No.	I/C	REMARKS	Weight (kgf)	Weight (lb)
010	19013-07090	ASSY BRG.CASE WHEEL	1				1.55	3.41
020	19013-04540	BOLT BEARING CASE	2				0.038	0.0836
030	19077-04360	GASKET BEARING CASE	1	<=3K1872			0.004	0.0088
030	1A091-04362	GASKET BEARING CASE	1	>=3L0446	→		0.005	0.011
040	19013-04813	COVER BEARING CASE	1	<=3Q9655			0.41	0.902
040	1G851-04810	COVER BEARING CASE	1	>=3S0001	→		0.495	1.089
050	17118-04830	GASKET BRG.CASE COV.	1				0	0
050	1A091-04820	GASKET CASE COVER	1		↔		0.006	0.0132
060	01123-50825	BOLT	8				0.013	0.0286
070	01123-50828	BOLT	8				0.014	0.0308
080	17381-04460	SEAL OIL	1				0.05	0.11
090	19013-07040	ASSY BRG.CASE MAIN	1				1.5	3.3
100	19013-04540	BOLT BEARING CASE	2				0.038	0.0836
110	19013-07050	ASSY BRG.CASE MAIN	1				1.495	3.289
120	19013-04540	BOLT BEARING CASE	2				0.038	0.0836
130	19013-07060	ASSY BRG.CASE MAIN	1				1.52	3.344
140	19013-04540	BOLT BEARING CASE	2				0.038	0.0836
150	17121-04060	ASSY CASE MAIN BRG.	1				1.55	3.41
160	19013-04540	BOLT BEARING CASE	2				0.038	0.0836
170	15601-04560	BOLT BEARING CASE	4				0.06	0.132

CAMSHAFT AND IDLE GEAR SHAFT



- 120 16478-2401-0
- 130 16427-2498-0
- 140 16427-2436-0
- 150 16427-2437-0
- 170 16427-2425-0



1G834-801-10

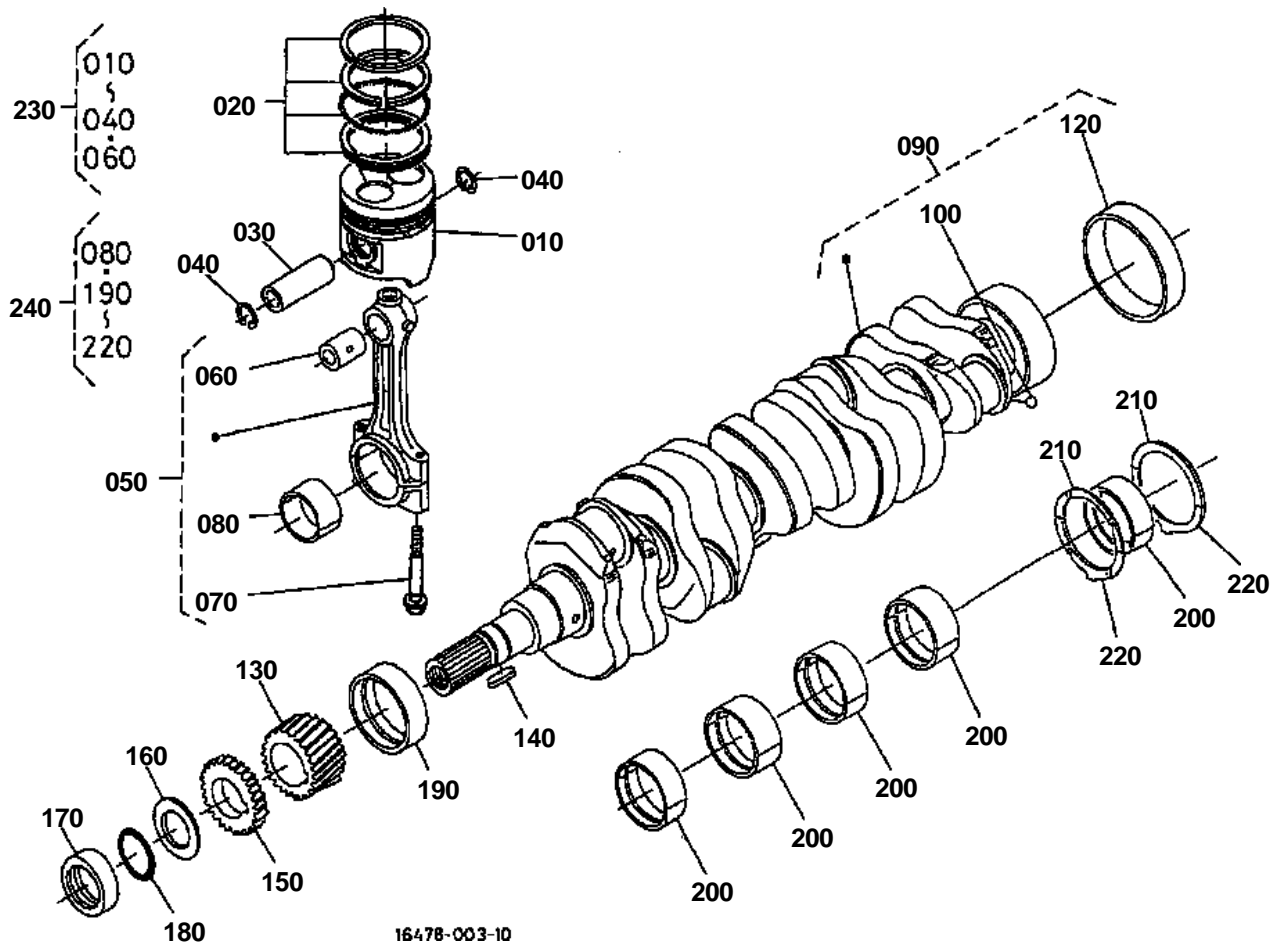


CAMSHAFT AND IDLE GEAR SHAFT

↔ Interchangeable; ≠ not interchangeable; ← new for old; → old for new

REF.No	Part No.	Description	Q'ty	S.No.	I/C	REMARKS	Weight (kgf)	Weight (lb)
010	15601-15550	TAPPET	10				0.08	0.176
020	19013-15110	PUSH ROD	10				0.05	0.11
030	17381-16010	ASSY CAMSHAFT	1				3.57	7.854
040	17381-16150	CAMSHAFT	1				2.6	5.72
050	15521-93610	SCREW SET	1				0.002	0.0044
060	15601-93620	SCREW SET	1				0.025	0.055
070	15221-16510	GEAR CAM	1	<=1Y8640			0.85	1.87
070	1A091-16510	GEAR CAM	1	>=2A0402	→		0.8	1.76
070	1A091-16513	GEAR CAM	1	>=3G0430	→		0.8	1.76
080	05712-00720	KEY FEATHER	1				0.008	0.0176
090	15221-16270	STOPPER CAMSHAFT	1				0.073	0.1606
100	99999-99999	BLANK	0				0	0
110	01123-50818	BOLT	2				0.012	0.0264
120	16478-24010	COMP.GEAR IDLE	1	<=1Q7998			0	0
120	1A021-24010	COMP.GEAR IDLE	1	>=1S0344	→		1.24	2.728
120	1A091-24010	COMP.GEAR IDLE	1	>=2A0402	→		1.21	2.662
130	16427-24980	BUSH IDLE GEAR	1	<=1Q7998			0.07	0.154
130	1A021-24980	BUSH IDLE GEAR	1	>=1S0344	→		0.072	0.1584
140	16427-24360	COLLAR	1	<=1Q7998			0.02	0.044
140	1A021-24370	COLLAR	1	>=1S0344	→		0.022	0.0484
150	16427-24370	COLLAR	1	<=1Q7998			0.02	0.044
160	15451-95400	CIR CLIP EXTERNAL	1				0.01	0.022
170	16427-24250	SHAFT IDLE GEAR	1	<=1Q7998			0.65	1.43
170	1A021-24250	SHAFT IDLE GEAR	1	>=1S0344	→		0.685	1.507
180	01123-50818	BOLT	3				0.012	0.0264

PISTON AND CRANKSHAFT



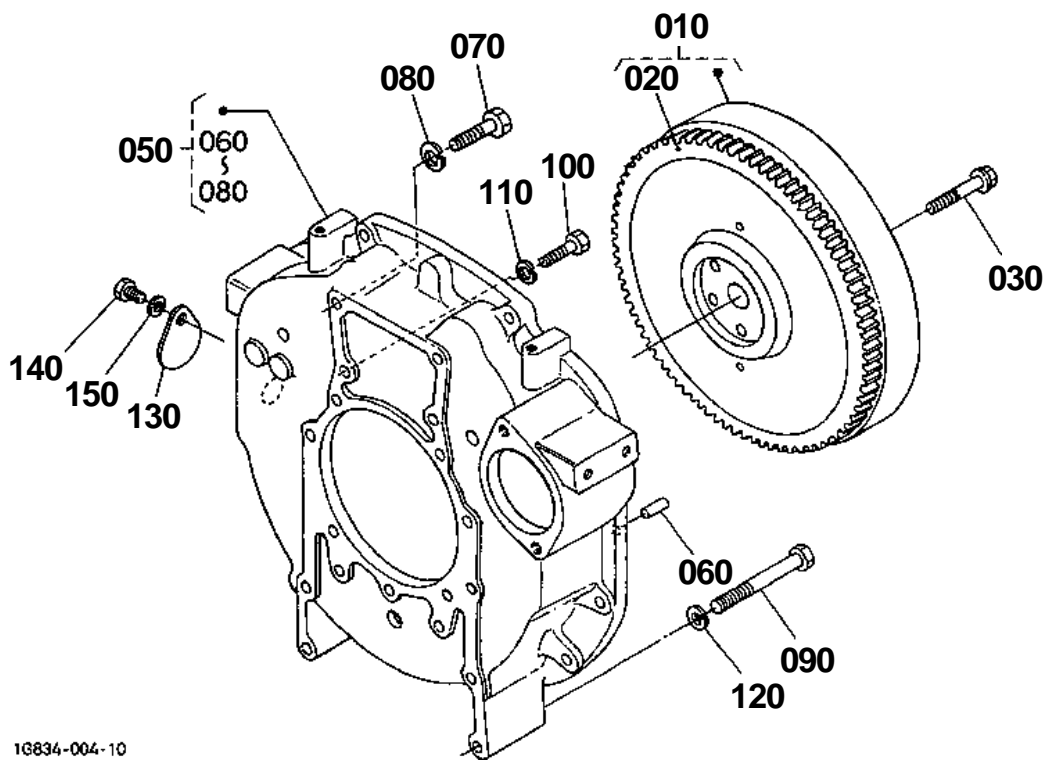


PISTON AND CRANKSHAFT

↔ Interchangeable; ≠ not interchangeable; ← new for old; → old for new

REF.No	Part No.	Description	Q'ty	S.No.	I/C	REMARKS	Weight (kgf)	Weight (lb)
010	19077-21110	PISTON	5			STD	0.58	1.276
010	19077-21910	PISTON	5			+0.5mm	0.585	1.287
020	17331-21050	ASSY PISTON RING	5			STD	0.065	0.143
020	17331-21090	ASSY PISTON RING	5			+0.5mm	0.065	0.143
030	14901-21310	PIN PISTON	5				0.17	0.374
040	14109-21330	CIR CLIP INTERNAL	10				0.001	0.0022
050	17311-22010	ASSY CONNECTING ROD	5				0.885	1.947
060	17331-21980	BUSH PISTON PIN	5				0.025	0.055
070	15521-22142	BOLT CONNECTING ROD	10				0.026	0.0572
080	17311-22310	METAL CRANKPIN	5			STD SET	0.045	0.099
080	17331-22970	METAL CRANKPIN	5			-0.2mm SET	0.05	0.11
080	17331-22980	METAL CRANKPIN	5			-0.4mm SET	0.045	0.099
090	16449-23010	COMP.CRANKSHAFT	1				22.9	50.38
100	07715-00401	BALL	5				0.001	0.0022
110	99999-99999	BLANK	0				0	0
120	17381-23280	SLEEVE CRANKSHAFT	1				0.09	0.198
130	15601-24110	GEAR CRANK	1				0.34	0.748
140	05712-00730	KEY FEATHER	1				0.011	0.0242
150	15401-35630	GEAR OIL PUMP DRIVE	1				0.185	0.407
160	15401-23312	SLINGER OIL	1				0.01	0.022
170	17381-23250	COLLAR CRANKSHAFT	1				0.07	0.154
180	04811-10300	O RING	1				0.001	0.0022
190	17311-23472	METAL CRANKSHAFT	1			STD	0.06	0.132
190	17311-23910	METAL CRANKSHAFT	1			-0.2mm	0.05	0.11
190	17311-23920	METAL CRANKSHAFT	1			-0.4mm	0.06	0.132
200	17311-23480	METAL CRANKSHAFT	5			STD SET	0.045	0.099
200	17311-23930	METAL CRANKSHAFT	5			-0.2mm SET	0.05	0.11
200	17311-23940	METAL CRANKSHAFT	5			-0.4mm SET	0.06	0.132
210	15521-23530	METAL SIDE	2			STD	0.01	0.022
210	15521-23950	METAL SIDE	2			+0.2mm	0.01	0.022
210	15521-23960	METAL SIDE	2			+0.4mm	0.01	0.022
220	19202-23540	METAL SIDE	2			STD	0.01	0.022
220	15221-23970	METAL SIDE	2			+0.2mm	0.009	0.0198
220	15221-23980	METAL SIDE	2			+0.4mm	0.009	0.0198
230	07916-26940	KIT RING PISTON	5			STD	0.87	1.914
230	07916-26950	KIT RING PISTON	5			+0.5mm	0.68	1.496
240	07916-28780	KIT METAL ENGINE	1			STD	0.5	1.1
240	07916-28790	KIT METAL ENGINE	1			-0.2mm/+0.2mm	0.52	1.144
240	07916-28800	KIT METAL ENGINE	1			-0.4mm/+0.4mm	0.18	0.396

FLYWHEEL



16834-004-10

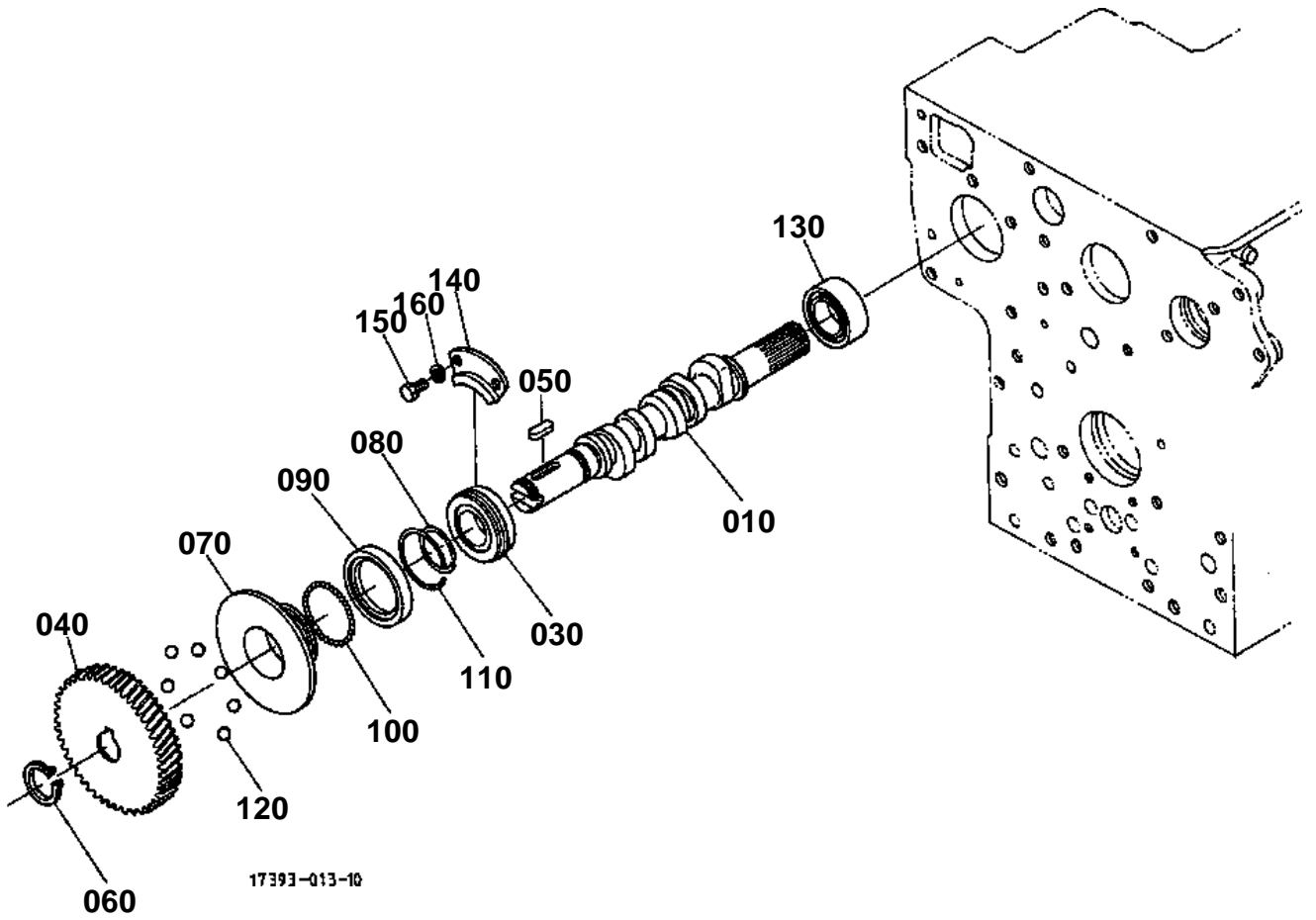


FLYWHEEL

↔ Interchangeable; ≠ not interchangeable; ← new for old; → old for new

REF.No	Part No.	Description	Q'ty	S.No.	I/C	REMARKS	Weight (kgf)	Weight (lb)
010	16478-25010	COMP.FLYWHEEL	1				29	63.8
020	15602-63820	GEAR RING	1				2	4.4
030	15321-25163	BOLT FLYWHEEL	6				0.05	0.11
040	99999-99999	BLANK	0				0	0
050	16478-04600	COMP.HOUSING F-W.	1				18.2	40.04
060	05012-01018	PIN STRAIGHT	2				0.012	0.0264
070	01073-51250	BOLT	2				0.055	0.121
080	04512-60120	WASHER SPRING	2				0.005	0.011
090	01073-51290	BOLT	2				0.087	0.1914
100	01073-51032	BOLT	11				0.03	0.066
110	04512-60100	WASHER SPRING	11				0.002	0.0044
120	04512-60120	WASHER SPRING	2				0.005	0.011
130	31220-14170	COVER	1				0.014	0.0308
140	01153-50812	BOLT	1				0.008	0.0176
150	04512-60080	WASHER SPRING	1				0.002	0.0044

FUEL CAMSHAFT

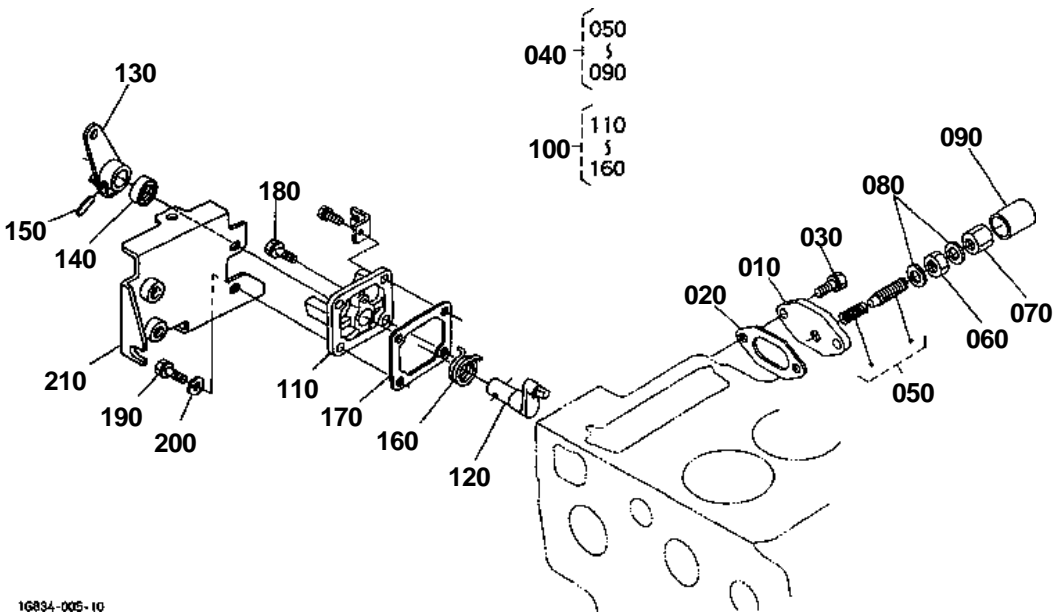


**FUEL CAMSHAFT**

↔ Interchangeable; ≠ not interchangeable; ← new for old; → old for new

REF.No	Part No.	Description	Q'ty	S.No.	I/C	REMARKS	Weight (kgf)	Weight (lb)
010	16484-16170	CAMSHAFT FUEL	1				1.3	2.86
020	99999-99999	BLANK	0				0	0
030	08153-06205	BEARING BALL	1				0.13	0.286
040	16415-51150	GEAR INJECTION PUMP	1				1.075	2.365
050	05712-00525	KEY FEATHER	1				0.005	0.011
060	04612-00240	CIR CLIP EXTERNAL	1				0.002	0.0044
070	15611-55450	SLEEVE GOVERNOR	1				0.117	0.2574
080	15221-55470	CIR-CLIP GOV. SLEEVE	1				0.003	0.0066
090	15611-55690	CASE GOVERNOR BALL	1				0.03	0.066
100	07715-03205	BALL	39				0.001	0.0022
110	15221-55740	CIR-CLIP	1				0.002	0.0044
120	07715-00403	BALL	7				0.03	0.066
130	08240-00001	BEARING BALL	1	<=2Z1576			0.19	0.418
130	19077-97300	BEARING BALL	1	>=3A0001	→		0.175	0.385
140	15221-16320	STOPPER FUEL C/SHAFT	1				0.02	0.044
150	01153-50814	BOLT	2				0.009	0.0198
160	04512-60080	WASHER SPRING	2				0.002	0.0044

ENGINE STOP LEVER



16834-005-10

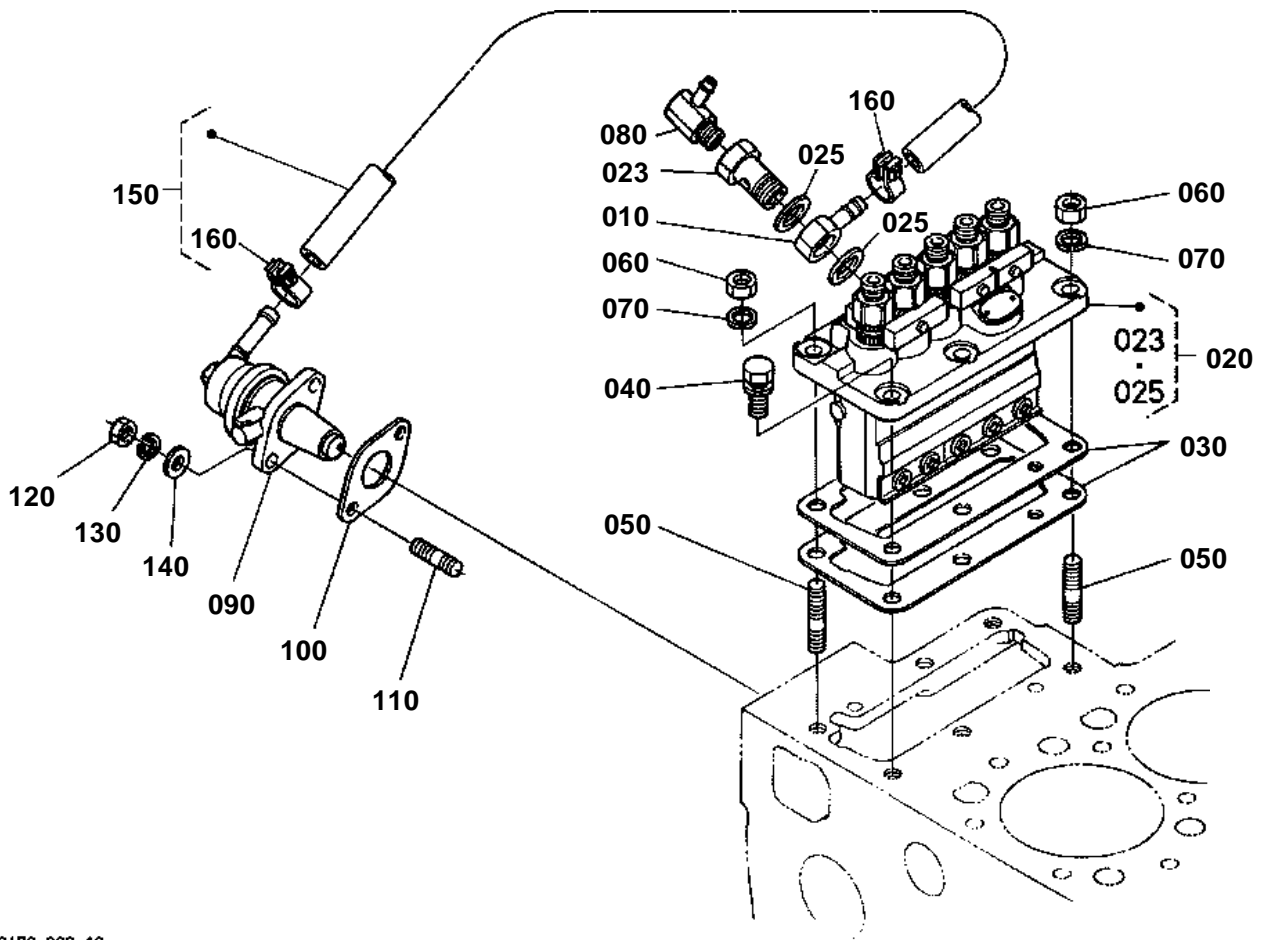


ENGINE STOP LEVER

↔ Interchangeable; ≠ not interchangeable; ← new for old; → old for new

REF.No	Part No.	Description	Q'ty	S.No.	I/C	REMARKS	Weight (kgf)	Weight (lb)
010	15401-01930	COVER	1				0.09	0.198
020	15625-05430	GASKET COVER NA	1				0.002	0.0044
030	01023-50616	BOLT	2				0.005	0.011
040	15521-54090	APPARATUS IDLING	1				0.045	0.099
050	15521-54100	ASSY BOLT ADJUSTMENT	1				0.015	0.033
060	15401-92010	NUT	1				0.01	0.022
070	15521-92330	NUT	1				0.02	0.044
080	15021-33660	GASKET	2				0.001	0.0022
090	15521-54270	CAP	1				0.003	0.0066
100	17331-57702	ASSY LEVER ENG.STOP	1				0.19	0.418
110	15471-51652	COVER INJECTION PUMP	1				0.02	0.044
120	17331-57740	SHAFT LEVER	1				0.04	0.088
130	17331-57720	LEVER ENGINE STOP	1				0.05	0.11
140	15471-57980	SEAL OIL	1				0.001	0.0022
150	05411-00420	PIN SPRING	1				0.001	0.0022
160	15471-57920	SPRING RETURN	1				0.005	0.011
170	15296-51660	GASKET PUMP COVER	1				0	0
170	1A021-51660	GASKET PUMP COVER	1		<<		0.003	0.0066
180	01023-50618	BOLT	1				0.006	0.0132
190	01023-50622	BOLT	2				0.005	0.011
200	04012-50060	WASHER PLAIN	2				0.001	0.0022
210	17394-60110	SUPPORT SOLENOID	1				0.28	0.616

INJECTION PUMP



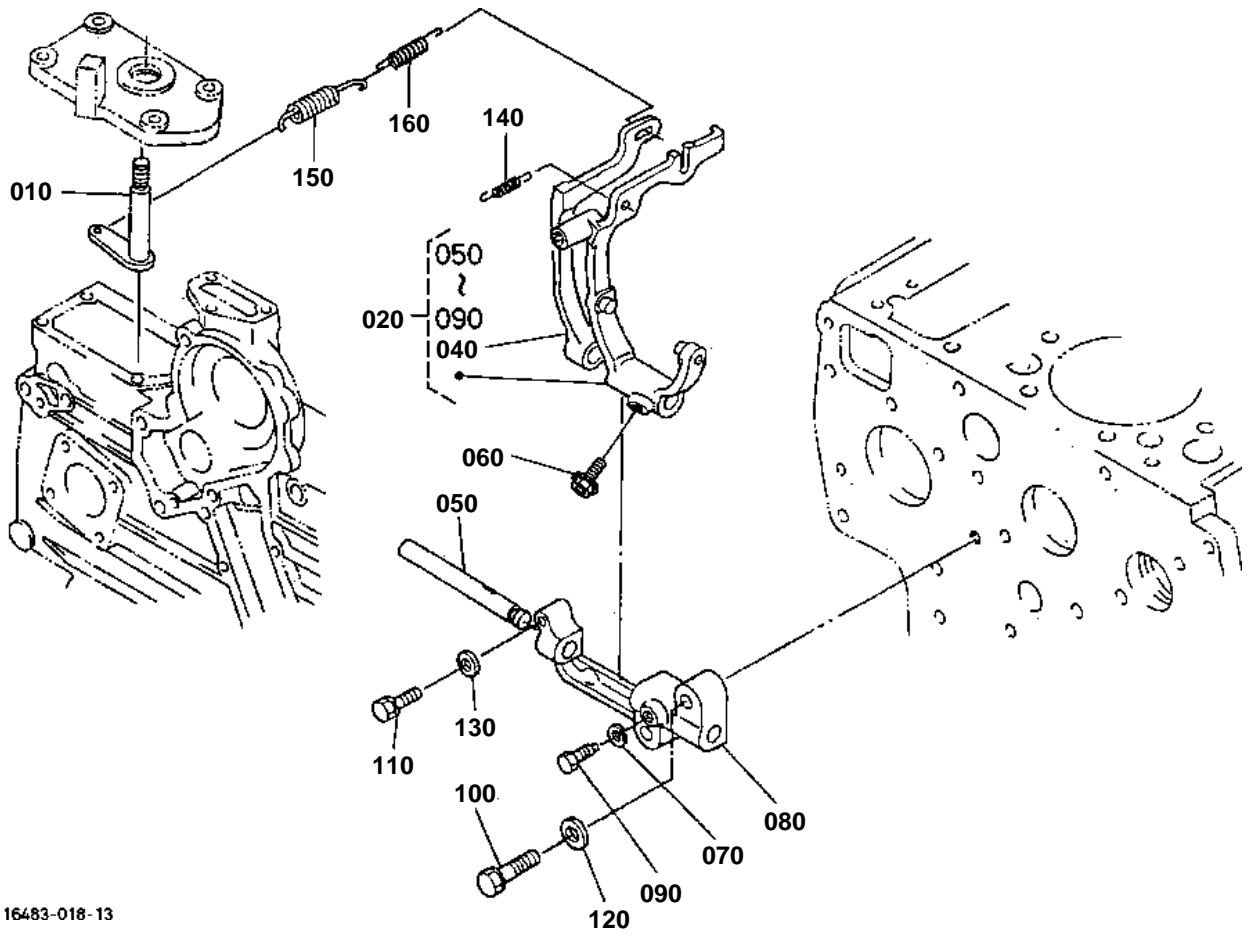
16478-009-12

**INJECTION PUMP**

↔ Interchangeable; ≠ not interchangeable; ← new for old; → old for new

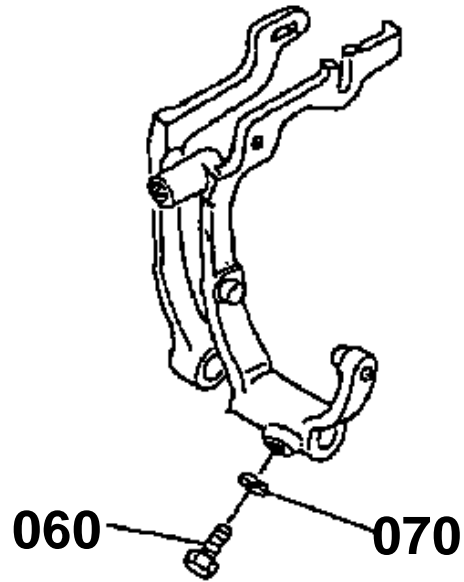
REF.No	Part No.	Description	Q'ty	S.No.	I/C	REMARKS	Weight (kgf)	Weight (lb)
010	15401-95690	JOINT EYE	1				0.04	0.088
020	1G833-51010	ASSY PUMP INJECTION	1				3.03	6.666
023	15471-51320	SCREW FOLLOW	1				0.032	0.0704
025	15401-96650	GASKET	2				0.001	0.0022
030	16484-52090	SHIM INJECTION PUMP	1			0.20mm	0.007	0.0154
030	16484-52110	SHIM INJECTION PUMP	1			0.25mm	0.009	0.0198
030	16484-52120	SHIM INJECTION PUMP	1			0.30mm	0.012	0.0264
040	01123-50822	BOLT	4				0.012	0.0264
050	01513-50822	STUD	2	<=1Y8640			0.01	0.022
050	15221-91530	STUD	2	>=2A0402	→		0.011	0.0242
060	02156-50080	NUT	2				0.004	0.0088
070	04512-60080	WASHER SPRING	2				0.002	0.0044
080	15748-60570	ASSY ORIFICE	1				0.02	0.044
090	17121-52030	ASSY PUMP FUEL	1				0.13	0.286
100	15263-52140	GASKET FUEL PUMP	1	<=1S7650			0	0
100	1A021-52140	GASKET FUEL PUMP	1	>=1U0321	→		0.001	0.0022
110	16245-91540	STUD	2				0.005	0.011
120	02056-50060	NUT	2				0.002	0.0044
130	04512-60060	WASHER SPRING	2				0.001	0.0022
140	04012-50060	WASHER PLAIN	2				0.001	0.0022
150	32400-35510	ASSY PIPE FUEL	1				0.035	0.077
160	14301-42750	CLIP PIPE	2				0.005	0.011

GOVERNOR



16483-018-13

060 15021-5624-0
070 04512-50060



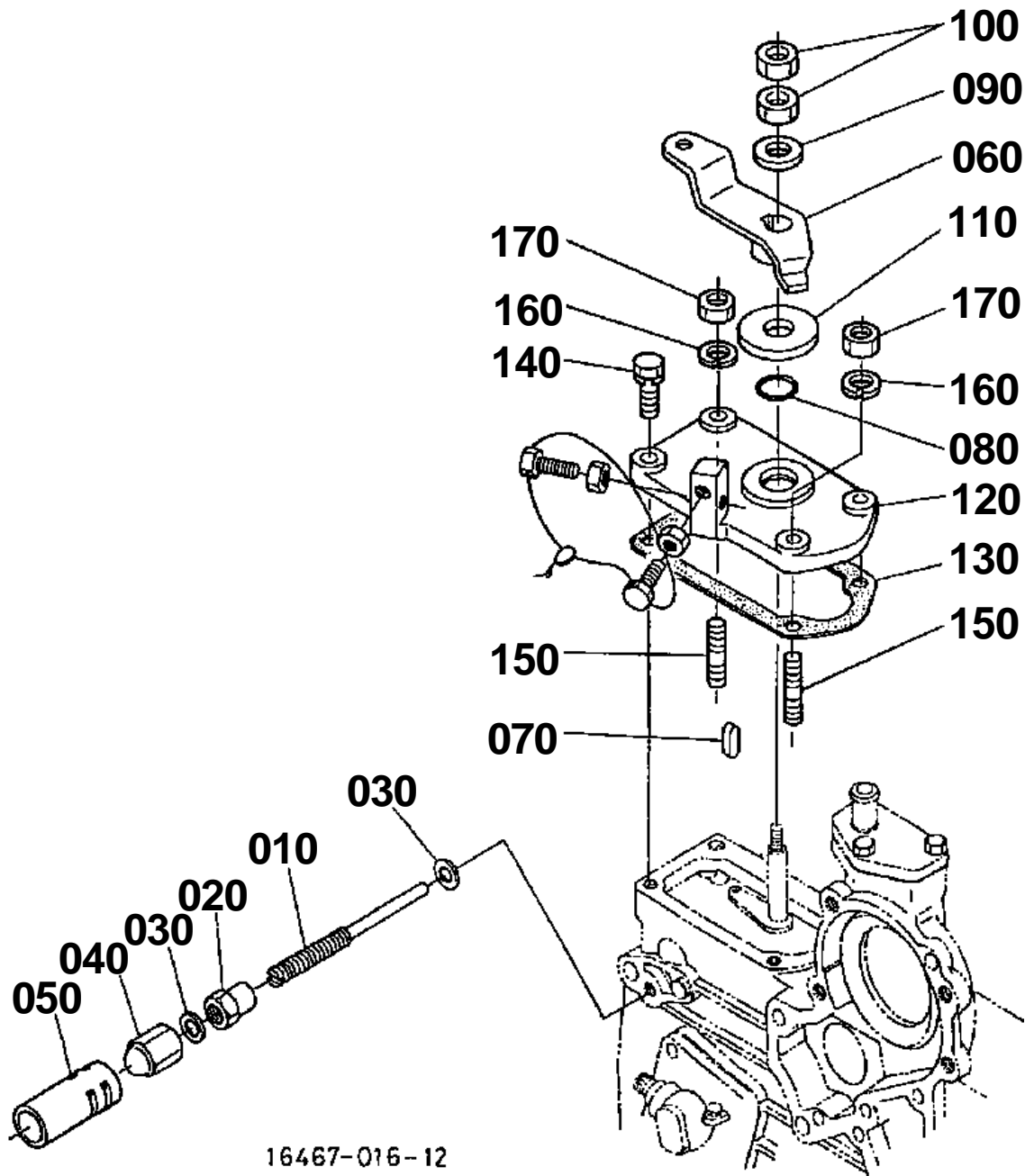
1G835-800-10

**GOVERNOR**

↔ Interchangeable; ≠ not interchangeable; ← new for old; → old for new

REF.No	Part No.	Description	Q'ty	S.No.	I/C	REMARKS	Weight (kgf)	Weight (lb)
010	15601-56020	COMP.LEVER GOVERNOR	1				0.055	0.121
020	16459-56050	ASSY LEVER FORK	1				0.402	0.8844
030	99999-99999	BLANK	0				0	0
040	17331-56130	LEVER FORK	1				0.065	0.143
050	15221-56150	SHAFT FORK LEVER	1	<=1Y8640			0.1	0.22
050	1G911-56150	SHAFT FORK LEVER	1	>=2A0402	1		0.05	0.11
060	15021-56240	BOLT LEVER SHAFT	1	<=1Y8640			0.005	0.011
060	01754-50618	BOLT FLANGE	1	>=2A0402	1		0.01	0.022
070	04512-60060	WASHER SPRING	2	<=1Y8640			0.001	0.0022
070	04512-60060	WASHER SPRING	1	>=2A0402			0.001	0.0022
080	15221-56230	HOLDER FORK LEVER	1				0.1	0.22
090	15221-66410	BOLT	1				0.005	0.011
100	01123-50832	BOLT	2				0.016	0.0352
110	01023-50628	BOLT	1				0.015	0.033
120	04012-50080	WASHER PLAIN	2				0.001	0.0022
130	04012-50060	WASHER PLAIN	1				0.001	0.0022
140	15611-56480	SPRING START	1				0.001	0.0022
150	19077-56412	SPRING	1				0.01	0.022
160	16415-56420	SPRING GOVERNOR	1				0.002	0.0044

SPEED CONTROL PLATE



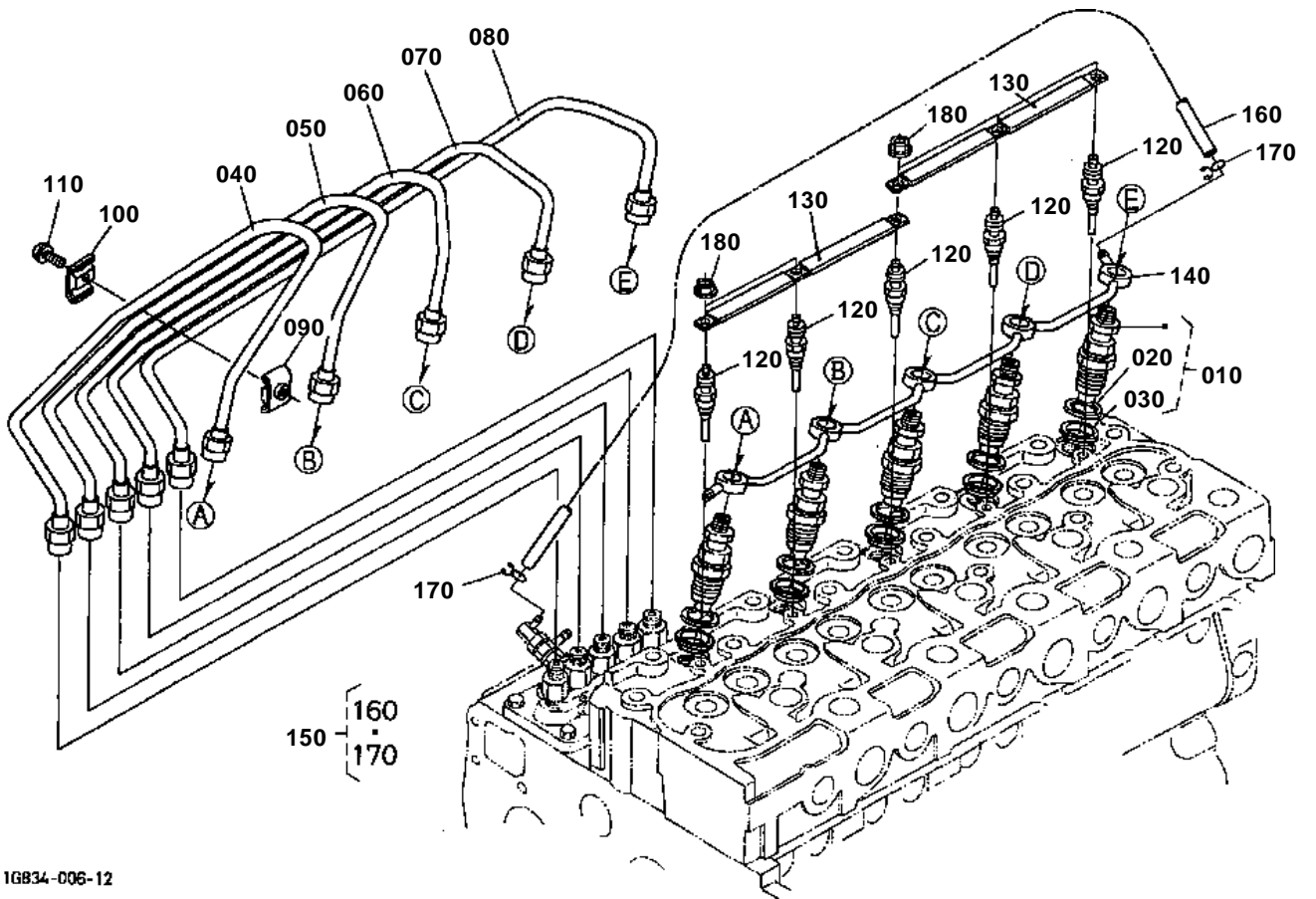


SPEED CONTROL PLATE

↔ Interchangeable; ≠ not interchangeable; ← new for old; → old for new

REF.No	Part No.	Description	Q'ty	S.No.	I/C	REMARKS	Weight (kgf)	Weight (lb)
010	15601-54120	BOLT ADJUSTING	1				0.011	0.0242
020	15601-92012	NUT	1				0.006	0.0132
030	15601-96650	GASKET	2				0.001	0.0022
040	15841-14620	NUT	1				0.01	0.022
050	99999-99999	PIPE LOCK	1				0	0
060	15469-57150	LEVER SPEED CONTROL	1				0.06	0.132
070	05712-00408	KEY FEATHER	1				0.001	0.0022
080	04811-00120	O RING	1				0	0
080	04817-00120	O RING	1		-		0.001	0.0022
090	04013-60080	WASHER PLAIN	1				0.002	0.0044
100	02112-50080	NUT	2				0.003	0.0066
110	15521-57240	COLLAR	1				0.002	0.0044
120	15521-57115	PLATE SPEED CONTROL	1				0.1	0.22
130	15439-57210	GASKET	1				0.005	0.011
140	01023-50625	BOLT	2				0.007	0.0154
150	15221-88210	STUD	2				0.005	0.011
160	04512-60060	WASHER SPRING	2				0.001	0.0022
170	02056-50060	NUT	2				0.002	0.0044

NOZZLE HOLDER AND GLOW PLUG



1G834-006-12

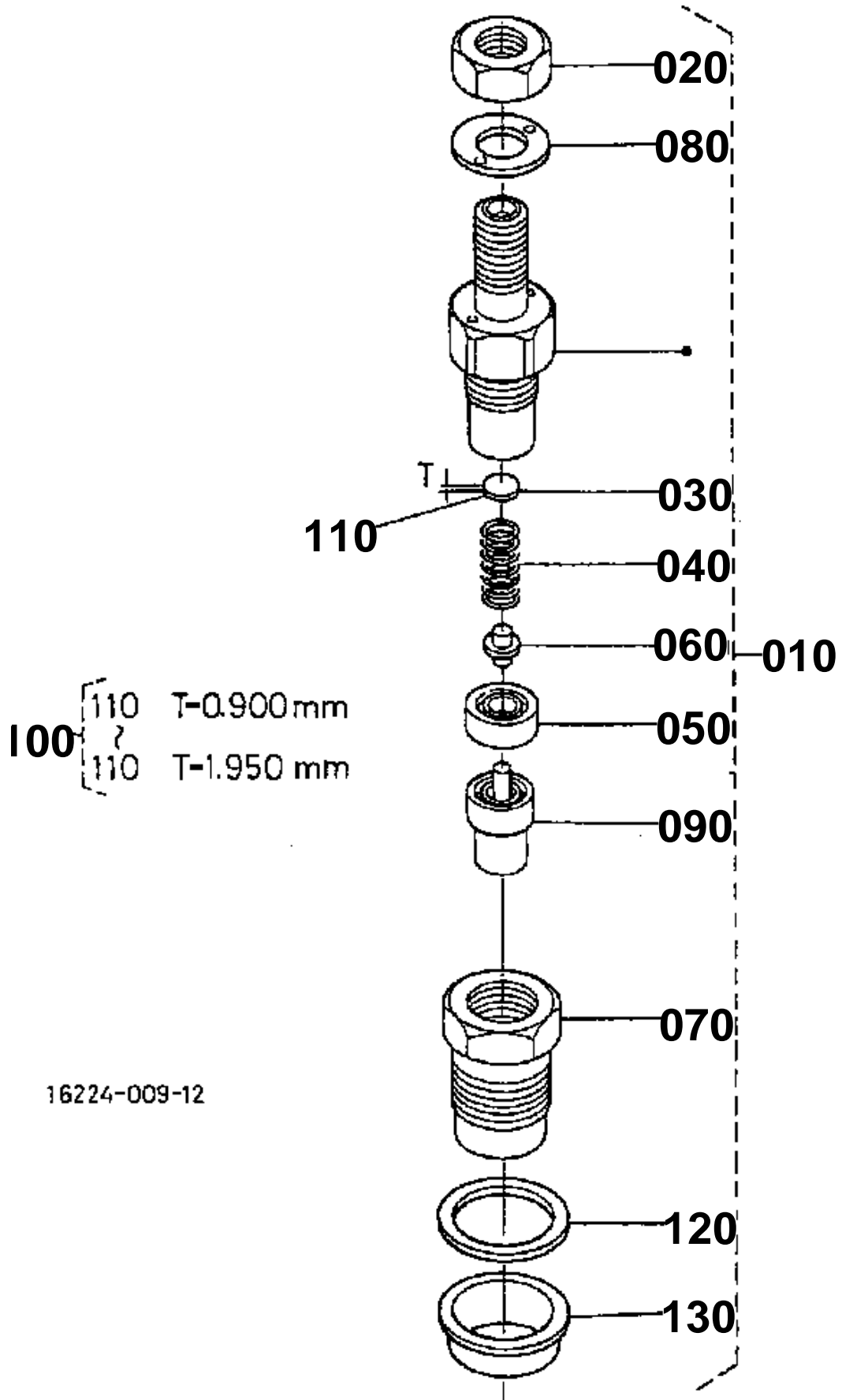


NOZZLE HOLDER AND GLOW PLUG

↔ Interchangeable; ≠ not interchangeable; ← new for old; → old for new

REF.No	Part No.	Description	Q'ty	S.No.	I/C	REMARKS	Weight (kgf)	Weight (lb)
010	16454-53900	KIT HOLDER NOZZLE	5				0.013	0.0286
020	15841-53622	GASKET	5				0.002	0.0044
030	19077-53650	SEAL HEAT	5				0.005	0.011
040	16484-53710	PIPE INJECTION	1				0.143	0.3146
050	16484-53720	PIPE INJECTION	1				0.143	0.3146
060	16484-53730	PIPE INJECTION	1				0.143	0.3146
070	16484-53740	PIPE INJECTION	1				0.146	0.3212
080	16484-53750	PIPE INJECTION	1				0.146	0.3212
090	15841-53850	CLAMP PIPE	6				0.01	0.022
100	15841-53860	CLAMP PIPE	6				0.009	0.0198
110	03024-50520	SCREW WITH WASHER	6				0.004	0.0088
120	19077-65510	GLOW PLUG	5				0.03	0.066
130	16415-65560	CORD GLOW PLUG	2				0.015	0.033
130	1G742-65560	CORD GLOW PLUG	2		<<		0	0
140	16484-42502	ASSY PIPE OVER FLOW	1				0.08	0.176
150	3A011-04490	ASSY TUBE FUEL	1				0.045	0.099
160	09661-40575	TUBE FUEL	1				0.031	0.0682
170	14971-42750	CLIP PIPE	2				0.001	0.0022
180	02761-50040	NUT FLANGE	5				0.002	0.0044

NOZZLE HOLDER [COMPONENT PARTS]



16224-009-12



NOZZLE HOLDER [COMPONENT PARTS]

↔ Interchangeable; ≠ not interchangeable; ← new for old; → old for new

REF.No	Part No.	Description	Q'ty	S.No.	I/C	REMARKS	Weight (kgf)	Weight (lb)
010	16454-53900	KIT HOLDER NOZZLE	5				0.013	0.0286
020	15841-92030	NUT	5				0.005	0.011
030	15841-53230	WASHER ADJUSTING	5				0.001	0.0022
040	16475-53170	SPRING NOZZLE	5				0.005	0.011
050	15841-53350	PIECE DISTANCE	5				0.004	0.0088
060	15841-53160	PUSH ROD	5				0.001	0.0022
070	16475-53280	NUT NOZZLE	5				0.03	0.066
080	15841-94040	WASHER	5				0.001	0.0022
090	16454-53610	PIECE NOZZLE	5				0.024	0.0528
100	15841-98100	ASSY WASHER ADJUST	5			OPTION	0.043	0.0946
110	15841-53230	WASHER ADJUSTING	5			0.900mm	0.001	0.0022
110	15841-98510	WASHER ADJUSTING	5			0.925mm	0.001	0.0022
110	15841-98520	WASHER ADJUSTING	5			0.950mm	0.001	0.0022
110	15841-98530	WASHER ADJUSTING	5			0.975mm	0.001	0.0022
110	15841-98540	WASHER ADJUSTING	5			1.000mm	0.001	0.0022
110	15841-98550	WASHER ADJUSTING	5			1.025mm	0.001	0.0022
110	15841-98560	WASHER ADJUSTING	5			1.050mm	0.001	0.0022
110	15841-98570	WASHER ADJUSTING	5			1.075mm	0.001	0.0022
110	15841-98580	WASHER ADJUSTING	5			1.100mm	0.001	0.0022
110	15841-98590	WASHER ADJUSTING	5			1.125mm	0.001	0.0022
110	15841-98600	WASHER ADJUSTING	5			1.150mm	0.001	0.0022
110	15841-98610	WASHER ADJUSTING	5			1.175mm	0.001	0.0022
110	15841-98620	WASHER ADJUSTING	5			1.200mm	0.001	0.0022
110	15841-98630	WASHER ADJUSTING	5			1.225mm	0.001	0.0022
110	15841-98640	WASHER ADJUSTING	5			1.250mm	0.001	0.0022
110	15841-98650	WASHER ADJUSTING	5			1.275mm	0.001	0.0022
110	15841-98660	WASHER ADJUSTING	5			1.300mm	0.001	0.0022
110	15841-98670	WASHER ADJUSTING	5			1.325mm	0.001	0.0022
110	15841-98680	WASHER ADJUSTING	5			1.350mm	0.001	0.0022
110	15841-98690	WASHER ADJUSTING	5			1.375mm	0.001	0.0022
110	15841-98700	WASHER ADJUSTING	5			1.400mm	0.001	0.0022
110	15841-98710	WASHER ADJUSTING	5			1.425mm	0.001	0.0022
110	15841-98720	WASHER ADJUSTING	5			1.450mm	0.001	0.0022
110	15841-98730	WASHER ADJUSTING	5			1.475mm	0.001	0.0022
110	15841-98740	WASHER ADJUSTING	5			1.500mm	0.001	0.0022
110	15841-98750	WASHER ADJUSTING	5			1.525mm	0.001	0.0022
110	15841-98760	WASHER ADJUSTING	5			1.550mm	0.001	0.0022
110	15841-98770	WASHER ADJUSTING	5			1.575mm	0.001	0.0022
110	15841-98780	WASHER ADJUSTING	5			1.600mm	0.002	0.0044
110	15841-98790	WASHER ADJUSTING	5			1.625mm	0.001	0.0022
110	15841-98800	WASHER ADJUSTING	5			1.650mm	0.001	0.0022
110	15841-98810	WASHER ADJUSTING	5			1.675mm	0.004	0.0088
110	15841-98820	WASHER ADJUSTING	5			1.700mm	0.001	0.0022
110	15841-98830	WASHER ADJUSTING	5			1.725mm	0.001	0.0022
110	15841-98840	WASHER ADJUSTING	5			1.750mm	0.001	0.0022
110	15841-98850	WASHER ADJUSTING	5			1.775mm	0.001	0.0022
110	15841-98860	WASHER ADJUSTING	5			1.800mm	0.001	0.0022
110	15841-98870	WASHER ADJUSTING	5			1.825mm	0.001	0.0022
110	15841-98880	WASHER ADJUSTING	5			1.850mm	0.001	0.0022
110	15841-98890	WASHER ADJUSTING	5			1.875mm	0.001	0.0022
110	15841-98900	WASHER ADJUSTING	5			1.900mm	0.001	0.0022

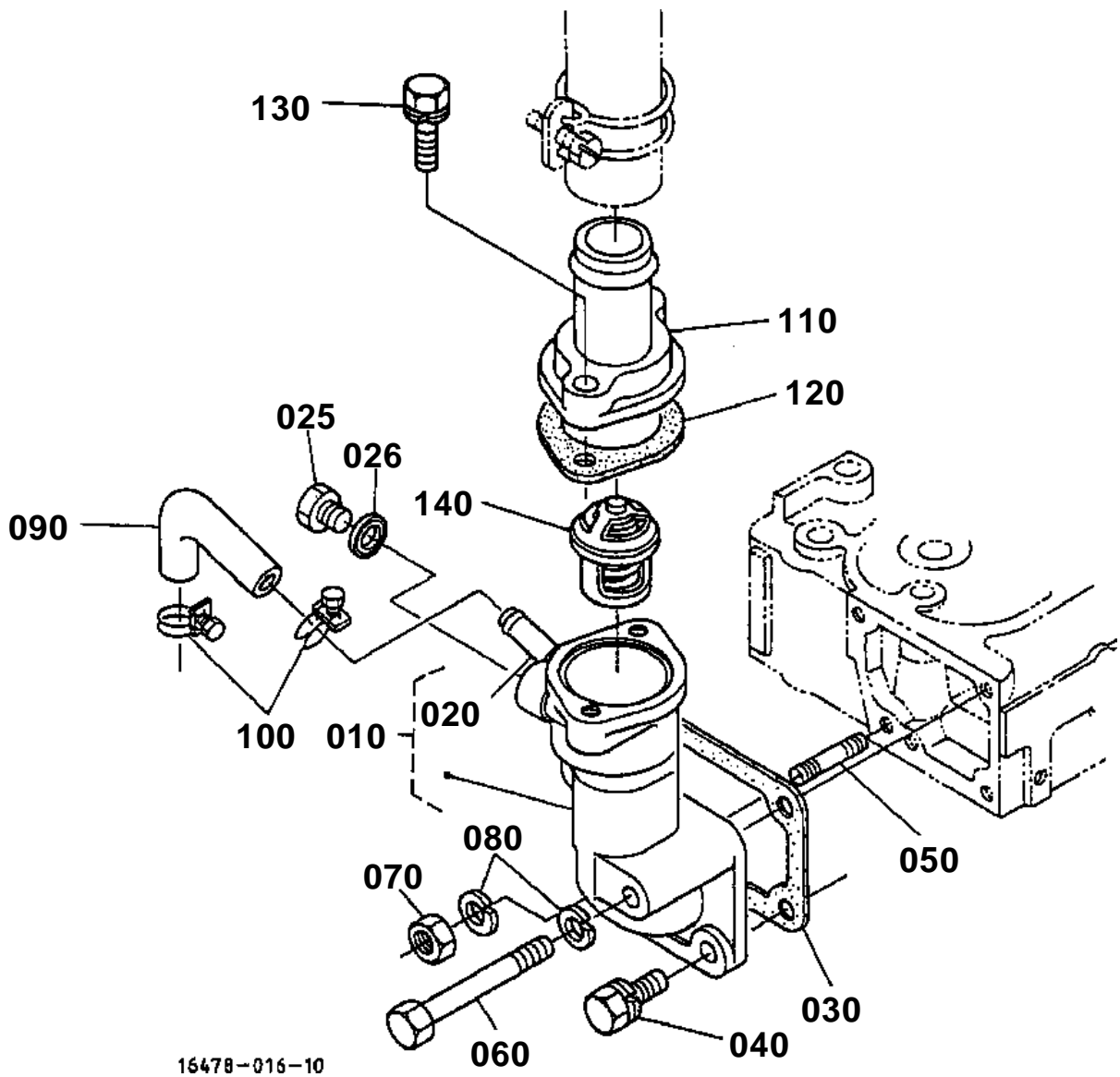


NOZZLE HOLDER [COMPONENT PARTS]

↔ Interchangeable; ≠ not interchangeable; ← new for old; → old for new

REF.No	Part No.	Description	Q'ty	S.No.	I/C	REMARKS	Weight (kgf)	Weight (lb)
110	15841-98910	WASHER ADJUSTING	5			1.925mm	0.001	0.0022
110	15841-98920	WASHER ADJUSTING	5			1.950mm	0.001	0.0022
120	15841-53622	GASKET	5				0.002	0.0044
130	19077-53650	SEAL HEAT	5				0.005	0.011

WATER FLANGE AND THERMOSTAT



16478-016-10

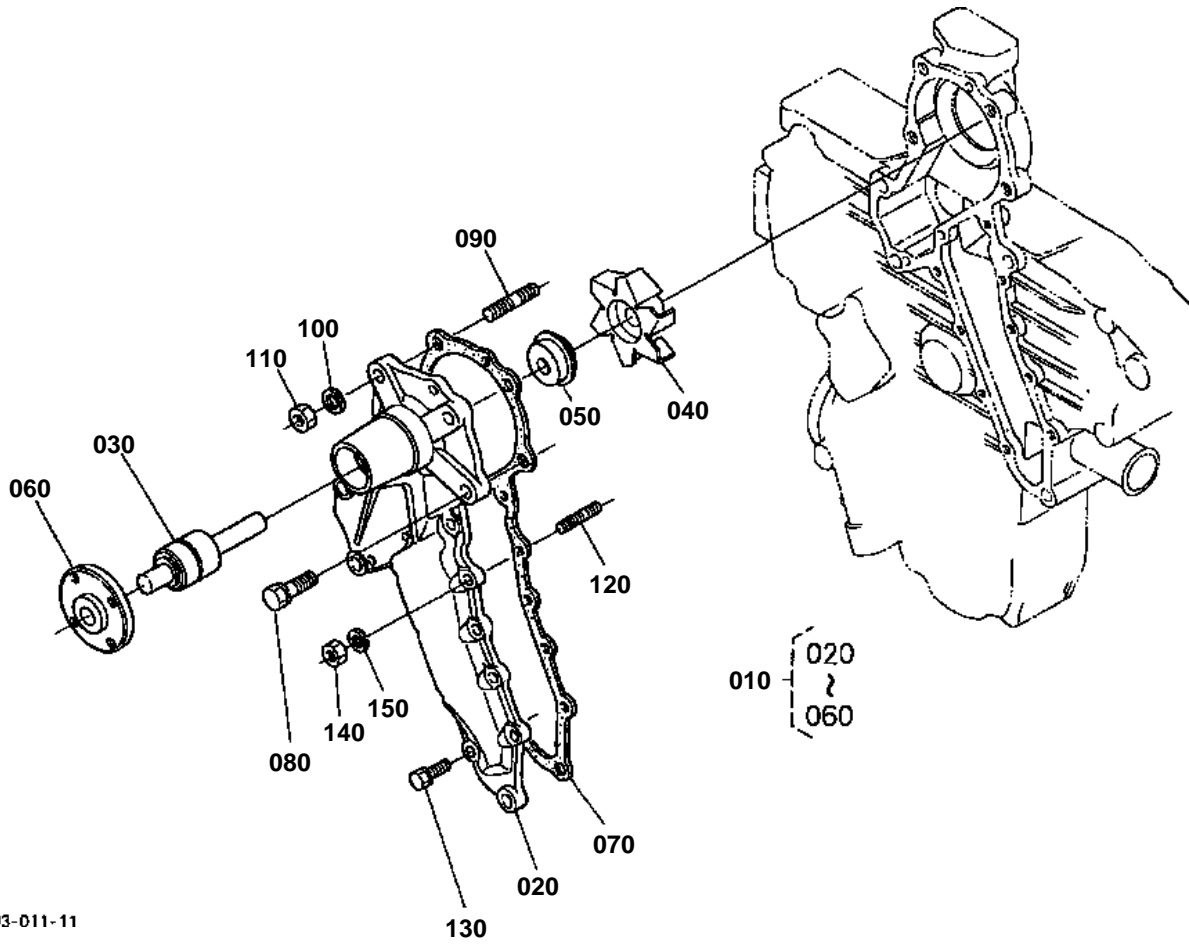


WATER FLANGE AND THERMOSTAT

↔ Interchangeable; ≠ not interchangeable; ← new for old; → old for new

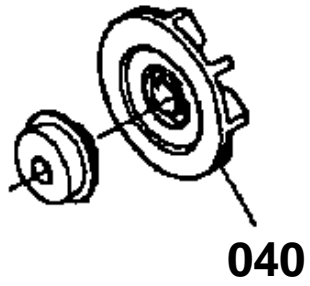
REF.No	Part No.	Description	Q'ty	S.No.	I/C	REMARKS	Weight (kgf)	Weight (lb)
010	16415-72702	COMP.FLANGE WATER	1				0.35	0.77
020	17331-73342	PIPE WATER RETURN	1				0.01	0.022
025	15109-33630	PLUG DRAIN	1				0.025	0.055
026	15109-33660	GASKET	1				0.001	0.0022
030	15766-72920	GASKET WATER FLANGE	1				0	0
030	1A021-72920	GASKET WATER FLANGE	1		«		0.002	0.0044
040	01123-50820	BOLT	2				0.011	0.0242
050	01513-50822	STUD	1				0.01	0.022
060	01153-50870	BOLT	1				0.026	0.0572
070	02156-50080	NUT	1				0.004	0.0088
080	04512-60080	WASHER SPRING	2				0.002	0.0044
090	15521-73340	PIPE WATER RETURN	1				0.025	0.055
090	1G369-73340	PIPE WATER RETURN	1		«		0.021	0.0462
100	15109-73360	BAND PIPE	2				0.01	0.022
100	09318-88180	CLAMP HOSE	2		«		0.01	0.022
110	15321-73260	COVER THERMOSTAT	1				0.107	0.2354
120	16221-73270	GASKET THERMOSTAT	1				0.01	0.022
130	01123-50835	BOLT	2				0.02	0.044
140	19434-73010	ASSY THERMOSTAT	1	≤=1D1169			0	0
140	19434-73014	ASSY THERMOSTAT	1	≥=1E0476	→		0.07	0.154

WATER PUMP



17393-011-11

040 16661-7351-0



1A012-801-10

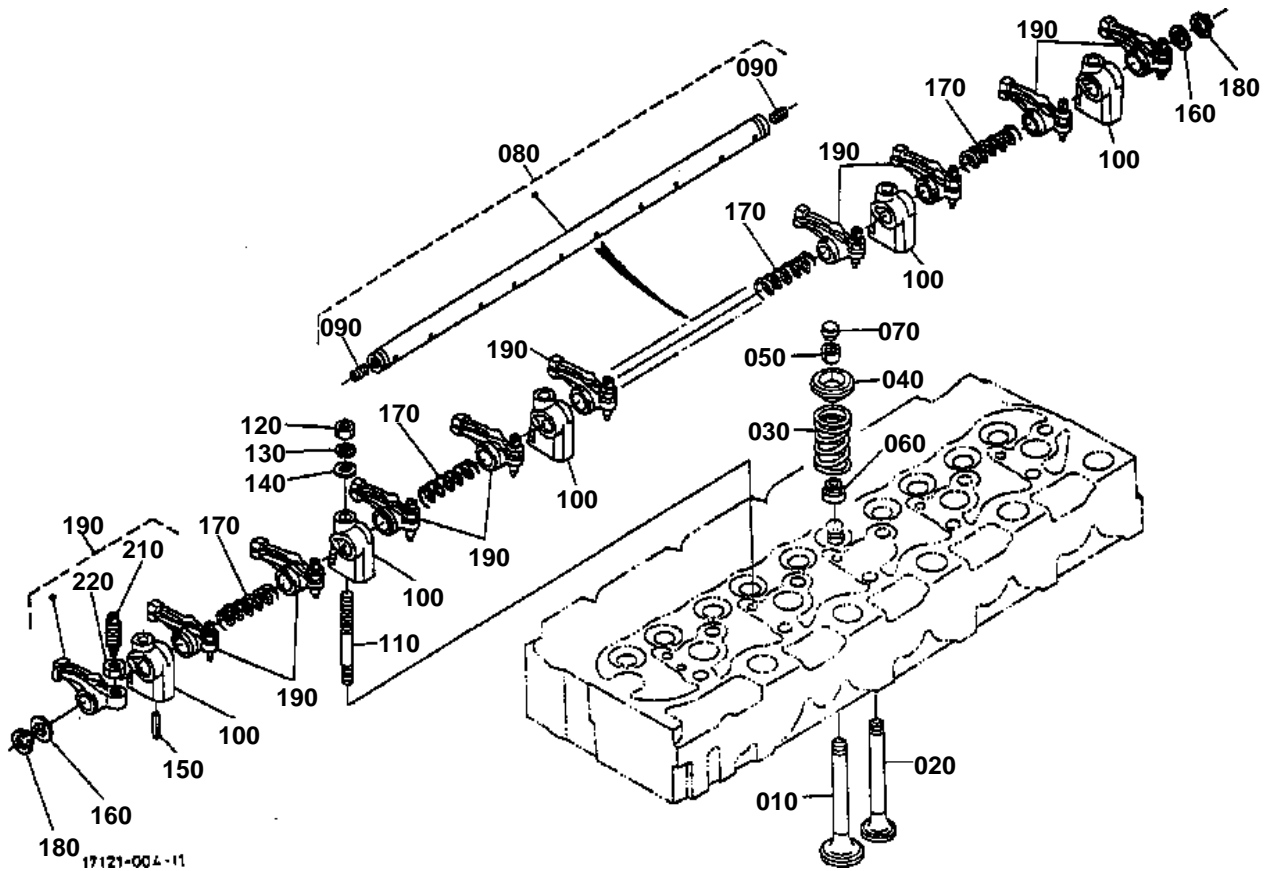


WATER PUMP

↔ Interchangeable; ≠ not interchangeable; ← new for old; → old for new

REF.No	Part No.	Description	Q'ty	S.No.	I/C	REMARKS	Weight (kgf)	Weight (lb)
010	16412-73030	ASSY PUMP WATER	1	<=1W7112			0	0
010	1A021-73030	ASSY PUMP WATER	1	>=1Y0328	↔		1	2.2
020	17331-73410	BODY WATER PUMP	1				0.51	1.122
030	15521-73550	BEARING	1				0.235	0.517
040	16661-73510	IMPELLER WATER PUMP	1	<=1W7112			0.195	0.429
040	1A021-73510	IMPELLER WATER PUMP	1	>=1Y0328	↔		0.065	0.143
050	16661-73050	ASSY SEAL MECHANICAL	1				0.025	0.055
060	15521-73520	FLANGE WATER PUMP	1				0.25	0.55
070	17326-73430	GASKET WATER PUMP	1				0	0
080	01123-50828	BOLT	2				0.014	0.0308
090	01518-50822	STUD	2				0.012	0.0264
100	04512-60080	WASHER SPRING	2				0.002	0.0044
110	02156-50080	NUT	2				0.004	0.0088
120	15221-88210	STUD	1				0.005	0.011
130	01023-50618	BOLT	8				0.006	0.0132
140	02056-50060	NUT	1				0.002	0.0044
150	04512-60060	WASHER SPRING	1				0.001	0.0022

VALVE AND ROCKER ARM

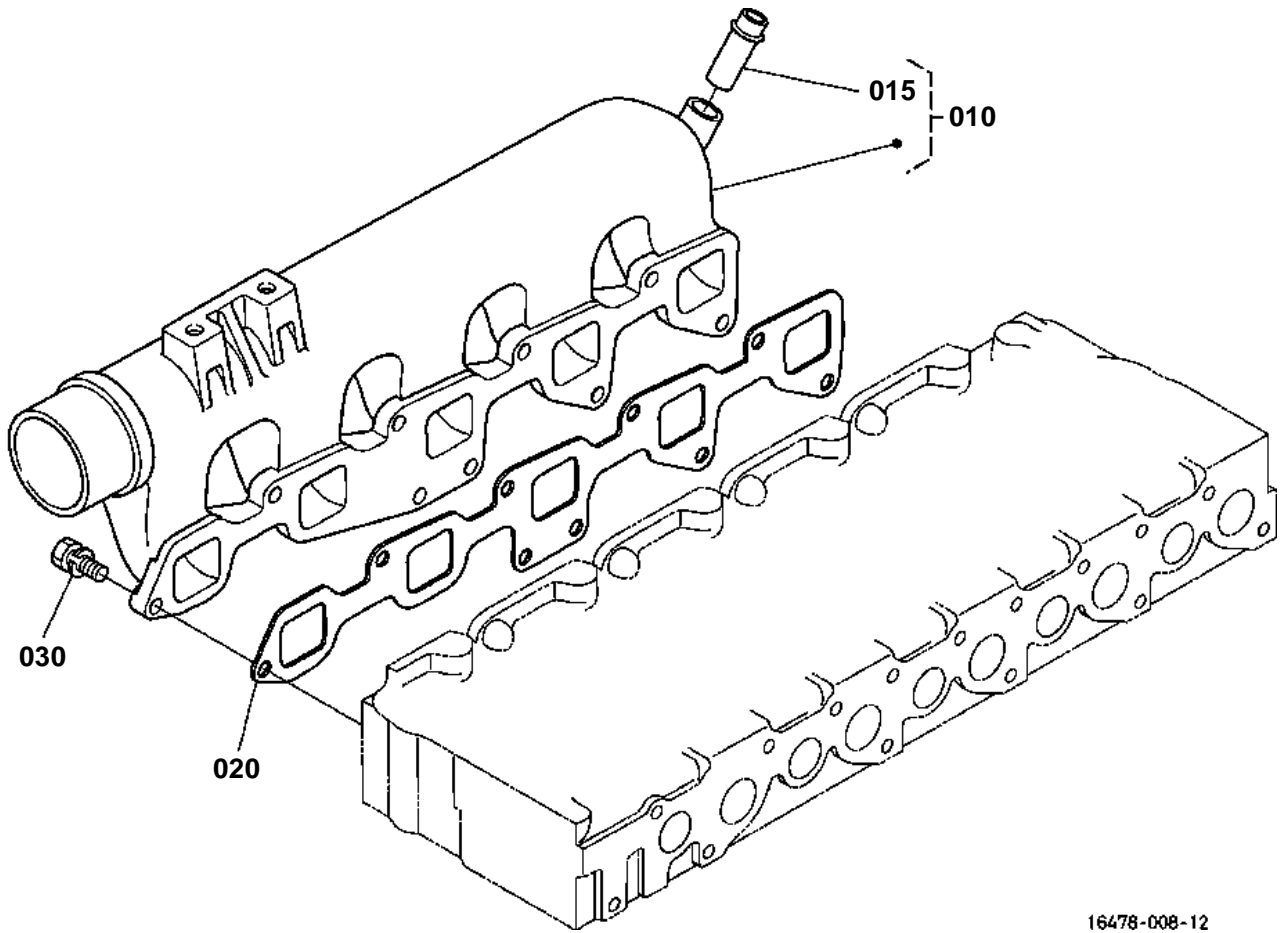


**VALVE AND ROCKER ARM**

↔ Interchangeable; ≠ not interchangeable; ← new for old; → old for new

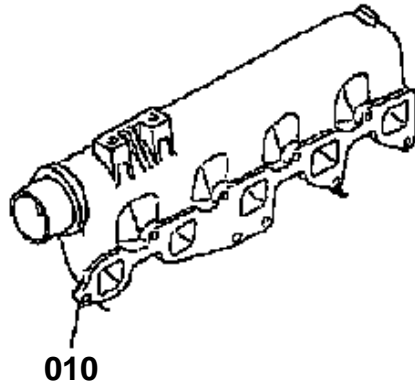
REF.No	Part No.	Description	Q'ty	S.No.	I/C	REMARKS	Weight (kgf)	Weight (lb)
010	16484-13110	VALVE INLET	5				0.06	0.132
020	16484-13120	VALVE EXHAUST	5				0.13	0.286
030	15221-13240	SPRING VALVE	10				0.036	0.0792
040	15221-13330	RETAINER VALVE SP.	10				0.03	0.066
050	15221-13360	COLLET VALVE SPRING	10			SET	0	0
050	15221-13980	COLLET VALVE SPRING	10		«	SET	0.002	0.0044
060	15221-13150	SEAL VALVE STEM	10	<=3W0499			0.001	0.0022
060	15221-13153	SEAL VALVE STEM	10	>=3Y0001	→		0.001	0.0022
070	15221-13280	CAP VALVE	10				0.006	0.0132
080	17381-14052	ASSY SHAFT R-ARM	1				0.6	1.32
090	03410-50808	SCREW SET	2				0.002	0.0044
100	15221-14350	BRACKET ROCKER ARM	5				0.044	0.0968
110	15521-91500	STUD	5				0.035	0.077
120	02156-50080	NUT	5				0.004	0.0088
130	04512-60080	WASHER SPRING	5				0.002	0.0044
140	04012-50080	WASHER PLAIN	5				0.001	0.0022
150	05411-00528	PIN SPRING	1				0.003	0.0066
160	15221-14430	WASHER R-ARM.SHAFT	2				0.002	0.0044
170	15221-14310	SPRING ROCKER ARM	4				0.005	0.011
180	04612-00140	CIR CLIP EXTERNAL	2				0.001	0.0022
190	15621-14030	ASSY ROCKER ARM	10				0.1	0.22
200	99999-99999	BLANK	0				0	0
210	15521-14230	SCREW ADJUSTING	10				0.009	0.0198
220	15021-14240	NUT	10				0.003	0.0066

INLET MANIFOLD



16478-008-12

010 16459-1176-0



1G834-803-20

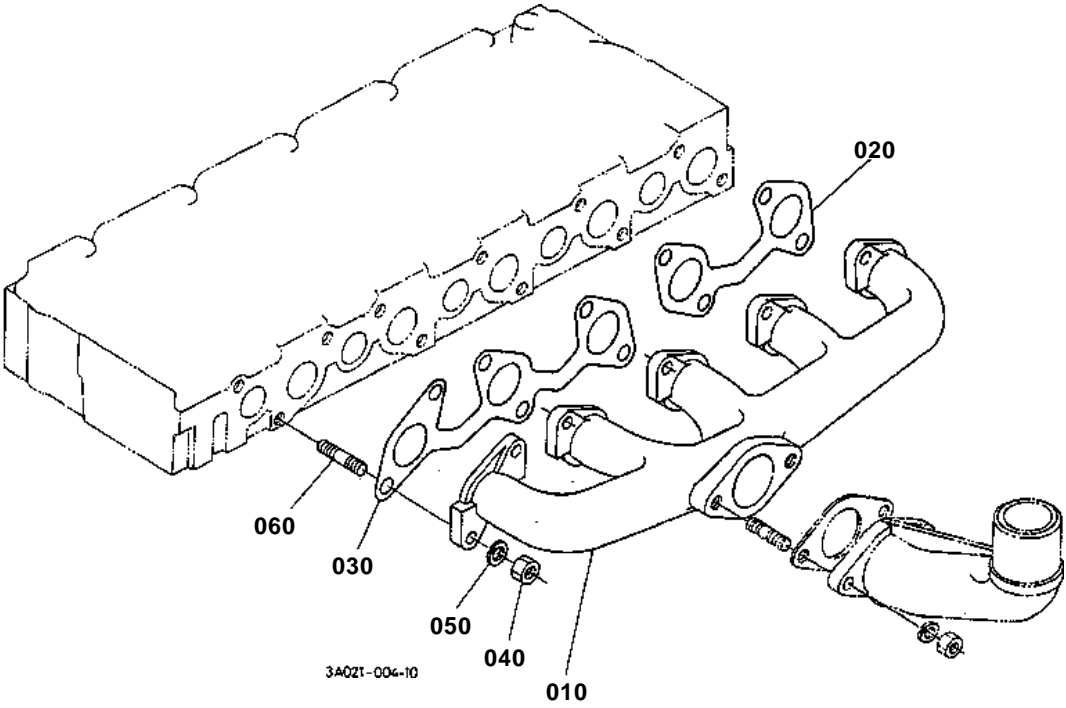


INLET MANIFOLD

↔ Interchangeable; ≠ not interchangeable; ← new for old; → old for new

REF.No	Part No.	Description	Q'ty	S.No.	I/C	REMARKS	Weight (kgf)	Weight (lb)
010	16459-11760	MANIFOLD INLET	1	<=3U0371			1.5	3.3
010	19279-11800	COMP MANIFOLD INLET	1	>=3W0001	1		0	0
015	17182-05550	JOINT BREATHER	1	>=3W0001			0.015	0.033
020	17394-11820	GASKET IN-MANIFOLUDO	1				0.021	0.0462
030	01123-50822	BOLT	9				0.012	0.0264

EXHAUST MANIFOLD



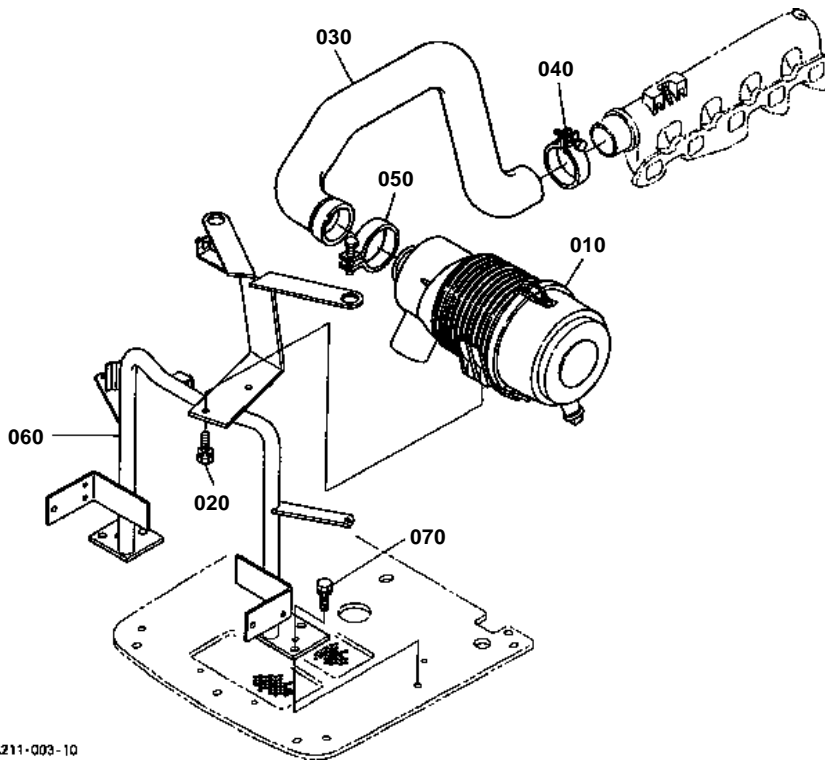


EXHAUST MANIFOLD

↔ Interchangeable; ≠ not interchangeable; ← new for old; → old for new

REF.No	Part No.	Description	Q'ty	S.No.	I/C	REMARKS	Weight (kgf)	Weight (lb)
010	17393-12310	MANIFOLD EXHAUST	1				3.4	7.48
020	15439-12350	GASKET EX-MANIFOLD	1				0.02	0.044
020	15439-12350	GASKET EX-MANIFOLD	1		<<		0.02	0.044
030	15313-12350	GASKET EX-MANIFOLD	1				0.04	0.088
040	02156-50080	NUT	10				0.004	0.0088
050	04512-60080	WASHER SPRING	10				0.002	0.0044
060	15221-91530	STUD	10				0.011	0.0242

AIR CLEANER



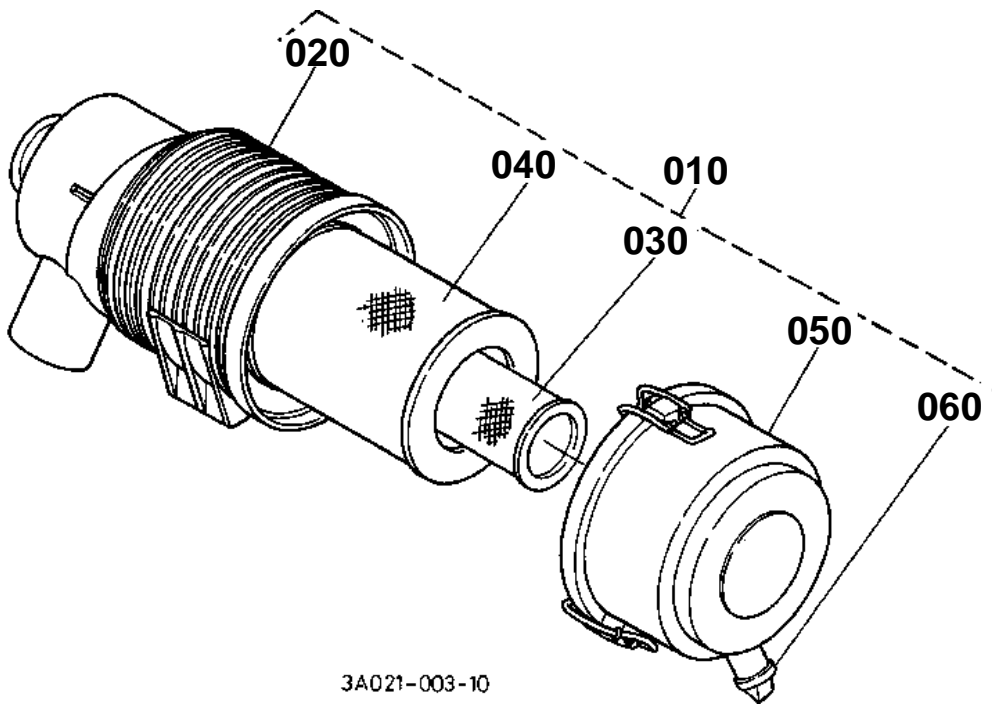
3A211-003-10



AIR CLEANER

↔ Interchangeable; ≠ not interchangeable; ← new for old; → old for new

REF.No	Part No.	Description	Q'ty	S.No.	I/C	REMARKS	Weight (kgf)	Weight (lb)
010	3A011-19100	ASSY CLEANER AIR	1				1.77	3.894
020	01123-50820	BOLT	2				0.011	0.0242
030	3A011-17310	HOSE INLET	1				0.965	2.123
040	31351-18110	BAND PIPE	1				0.04	0.088
050	68811-42270	BAND PIPE	1				0.04	0.088
050	35466-74460	BAND PIPE	1		<<		0.038	0.0836
060	3A211-19110	SUPPORT AIR CLEANER	1				4	8.8
070	01133-51025	BOLT	4				0.023	0.0506



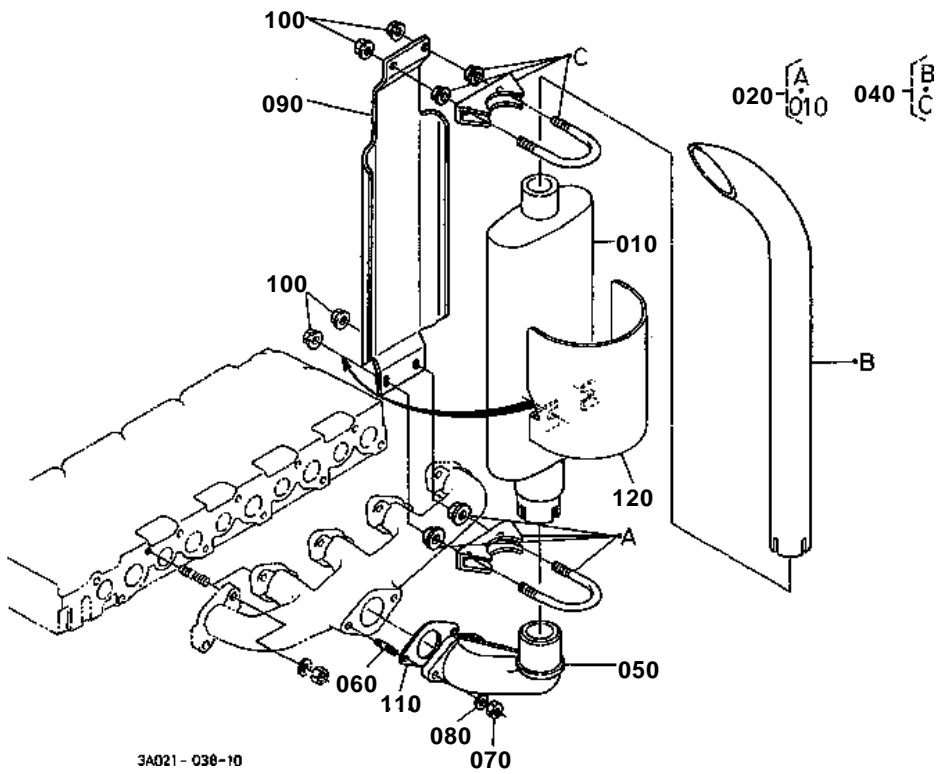


AIR CLEANER [COMPONENT PARTS]

↔ Interchangeable; ≠ not interchangeable; ← new for old; → old for new

REF.No	Part No.	Description	Q'ty	S.No.	I/C	REMARKS	Weight (kgf)	Weight (lb)
010	3A011-19100	ASSY CLEANER AIR	1				1.77	3.894
020	3A011-19120	BODY AIR CLEANER	1				0.67	1.474
030	R2401-42280	ELEMENT INNER	1				0.3	0.66
040	R1401-42270	ELEMENT OUTER	1				0.5	1.1
050	R1401-42260	CUP DUST	1				0.3	0.66
060	R1401-42290	VALVE EVACUATOR	1				0.01	0.022

MUFFLER

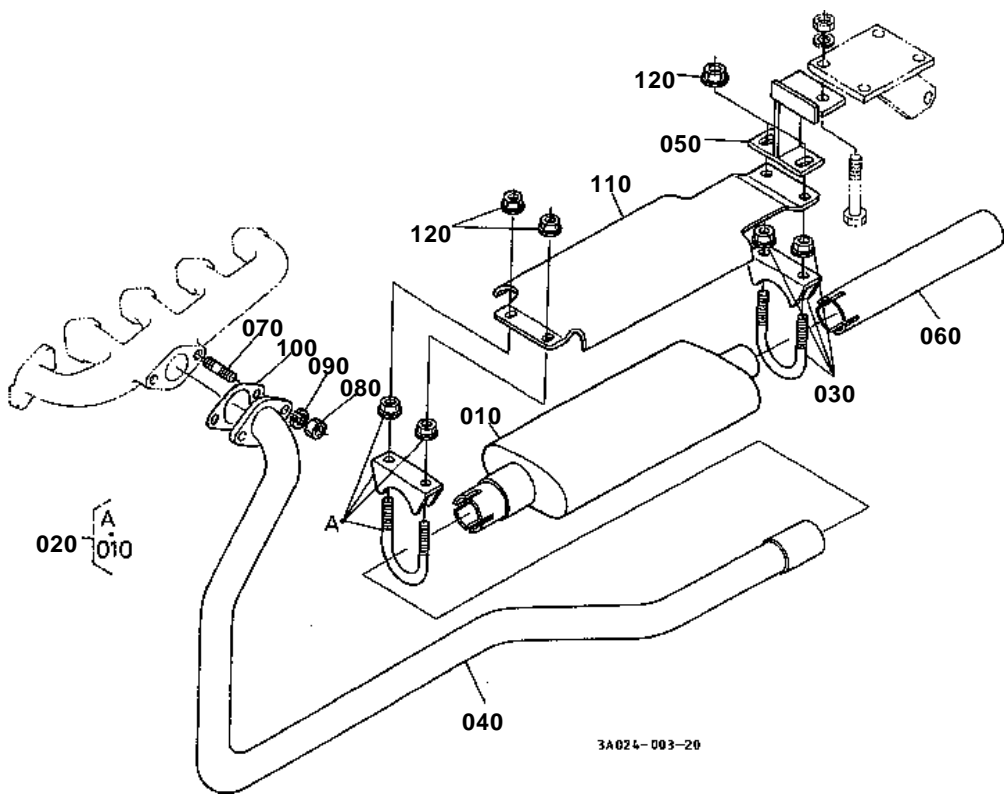


**MUFFLER**

↔ Interchangeable; ≠ not interchangeable; ← new for old; → old for new

REF.No	Part No.	Description	Q'ty	S.No.	I/C	REMARKS	Weight (kgf)	Weight (lb)
010	3A011-12110	MUFFLER	1				0	0
020	3A011-12130	ASSY BAND MUFFLER	1				4.5	9.9
030	99999-99999	BLANK	0				0	0
040	3A011-12140	ASSY BAND PIPE	1				0.99	2.178
050	15616-12320	FLANGE MUFFLER	1				1.3	2.86
050	3A211-12310	FLANGE MUFFLER	1		<<		1.38	3.036
060	01517-61030	STUD	2				0.021	0.0462
070	3A011-12180	NUT	2				0.012	0.0264
080	04512-60100	WASHER SPRING	2				0.002	0.0044
090	3A011-12150	COVER MUFFLER	1				0.86	1.892
100	3A011-12160	NUT FLANGE	4				0.009	0.0198
110	15625-12360	GASKET MUFFLER FLANG	1				0.01	0.022
120	3A011-12170	COVER MUFFLER	1				0.27	0.594

UNDER MUFFLER [CS]



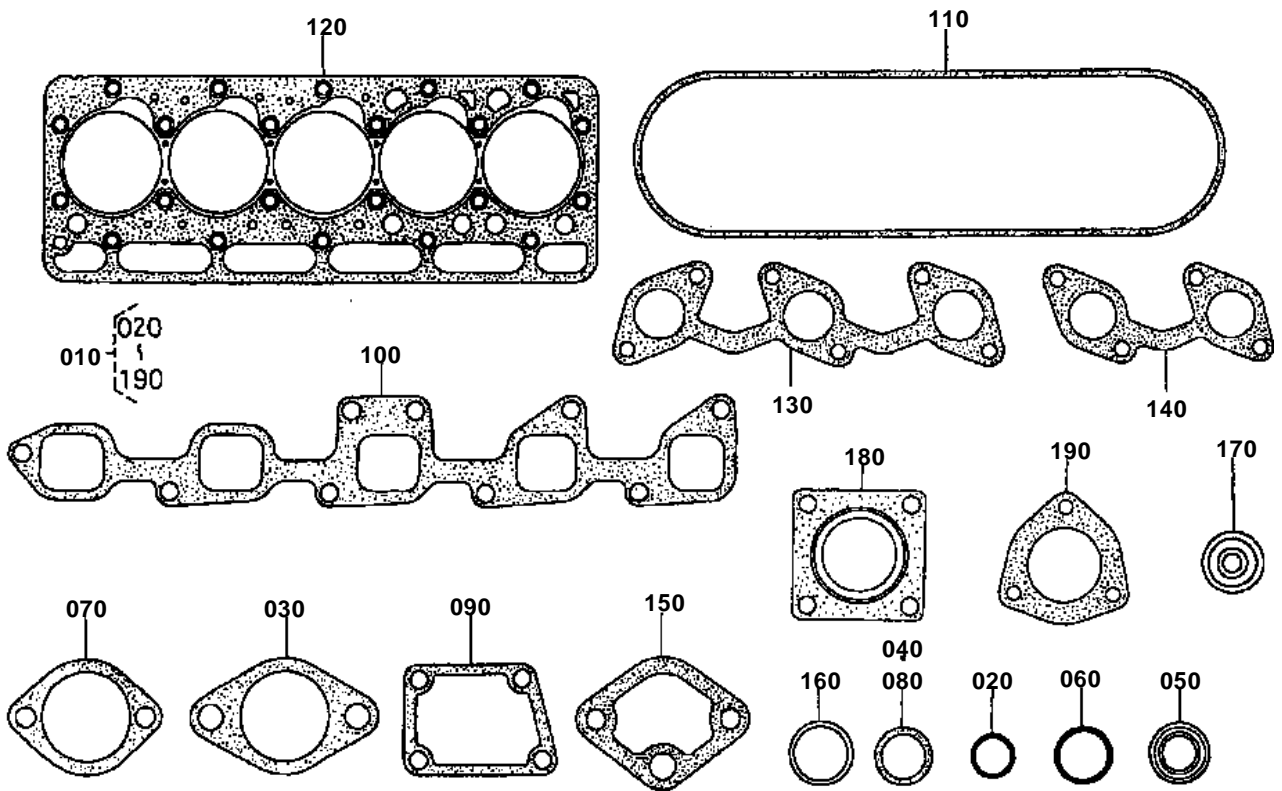


UNDER MUFFLER [CS]

↔ Interchangeable; ≠ not interchangeable; ← new for old; → old for new

REF.No	Part No.	Description	Q'ty	S.No.	I/C	REMARKS	Weight (kgf)	Weight (lb)
010	3A011-12110	MUFFLER	1				0	0
020	3A011-12130	ASSY BAND MUFFLER	1				4.5	9.9
030	3A011-12140	ASSY BAND PIPE	1				0.99	2.178
040	3A011-12310	PIPE UNDER MUFFLER	1				0	0
050	3A011-12320	STAY UNDER MUFFLER	1				0.39	0.858
060	3A011-12330	PIPE UNDER MUFFLER	1				0	0
070	01517-61030	STUD	2				0.021	0.0462
080	3A011-12180	NUT	2				0.012	0.0264
090	04512-60100	WASHER SPRING	2				0.002	0.0044
100	15625-12360	GASKET MUFFLER FLANG	1				0.01	0.022
110	3A011-12150	COVER MUFFLER	1				0.86	1.892
120	3A011-12160	NUT FLANGE	4				0.009	0.0198

UPPER GASKET KIT



16478-011-11

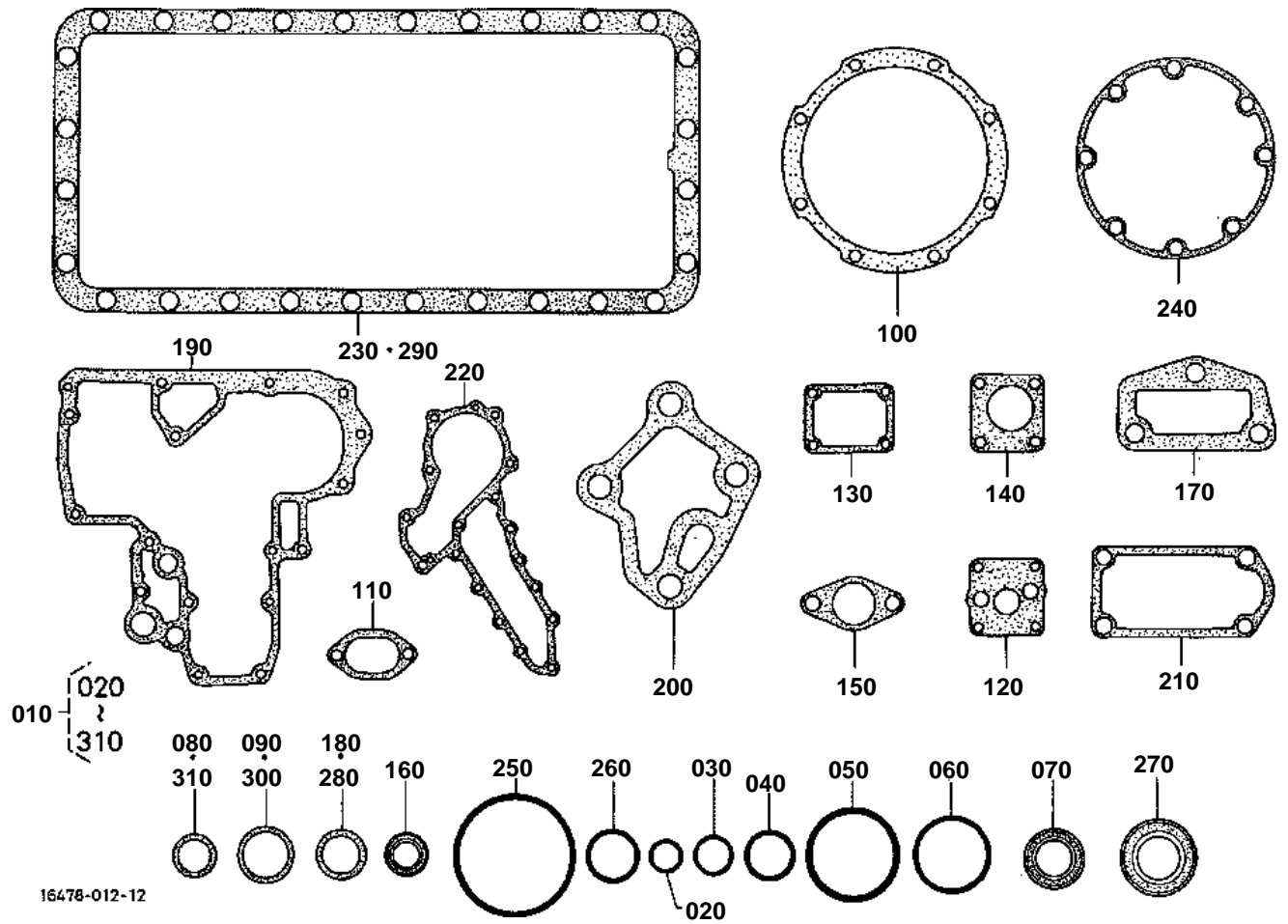


UPPER GASKET KIT

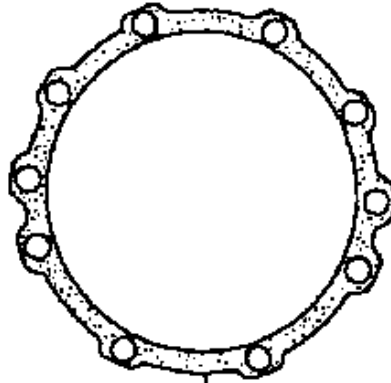
↔ Interchangeable; ≠ not interchangeable; ← new for old; → old for new

REF.No	Part No.	Description	Q'ty	S.No.	I/C	REMARKS	Weight (kgf)	Weight (lb)
010	07916-27806	KIT GASKET UPPER	1				0	0
010	07916-27807	KIT GASKET UPPER	1		-		0.5	1.1
020	04811-50300	O RING	1				0	0
020	04817-50300	O RING	1		-		0.001	0.0022
030	15625-12360	GASKET MUFFLER FLANG	1				0.01	0.022
040	15021-33660	GASKET	5				0.001	0.0022
050	15221-13150	SEAL VALVE STEM	10	<=3W0499			0.001	0.0022
050	15221-13153	SEAL VALVE STEM	10	>=3Y0001	-		0.001	0.0022
060	15221-33700	O RING	1				0.001	0.0022
070	16221-73270	GASKET THERMOSTAT	1				0.01	0.022
080	15109-33660	GASKET	1				0.001	0.0022
090	15766-72920	GASKET WATER FLANGE	1				0	0
090	1A021-72920	GASKET WATER FLANGE	1		<<		0.002	0.0044
100	17394-11820	GASKET IN-MANIFOLUDO	1				0.021	0.0462
110	17381-14520	GASKET HEAD COVER	1				0.05	0.11
120	16484-03310	GASKET CYL.HEAD	1				0.14	0.308
130	15313-12350	GASKET EX-MANIFOLD	1				0.04	0.088
140	15439-12350	GASKET EX-MANIFOLD	1				0.02	0.044
140	1A091-12360	GASKET EX-MANIFOLD	1		<<		0.02	0.044
150	15625-32890	GASKET	1				0.001	0.0022
160	15841-53622	GASKET	5				0.002	0.0044
170	19077-53650	SEAL HEAT	5				0.005	0.011
180	1C011-12230	GASKET MUFFLER	1			OUT OF USE	0.014	0.0308
190	17383-12380	GASKET MUFFLER FLAN.	1			OUT OF USE	0.015	0.033

LOWER GASKET KIT



100 17118-0483-0



100

16478-800-10

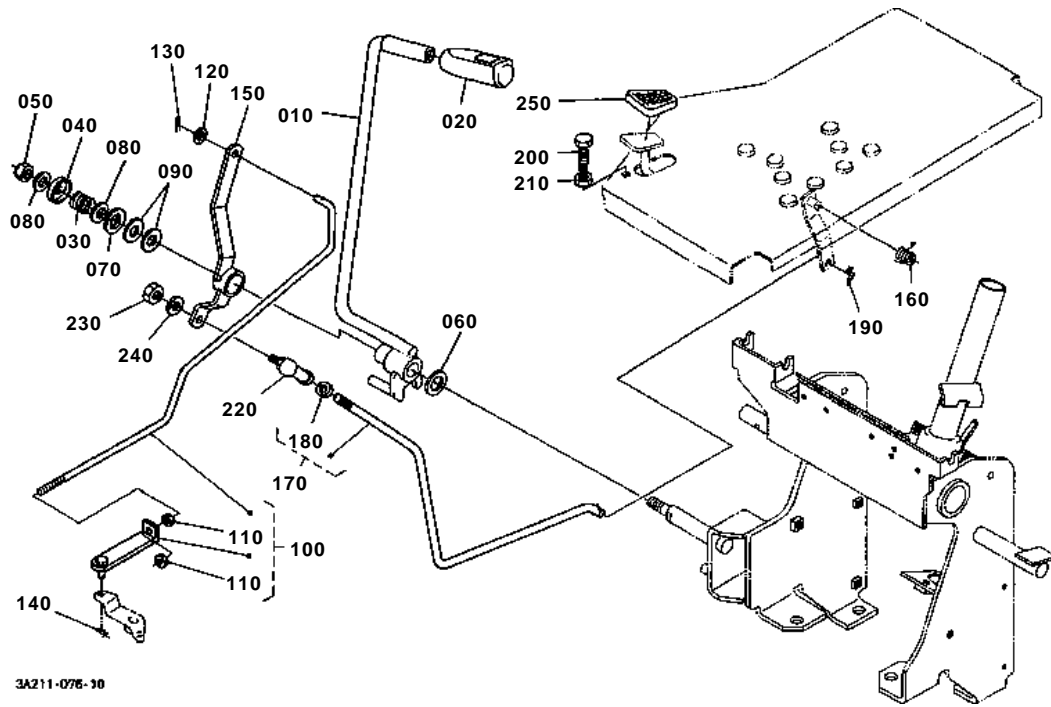


LOWER GASKET KIT

↔ Interchangeable; ≠ not interchangeable; ← new for old; → old for new

REF.No	Part No.	Description	Q'ty	S.No.	I/C	REMARKS	Weight (kgf)	Weight (lb)
010	07916-27826	KIT GASKET LOWER	1				0	0
010	07916-27827	KIT GASKET LOWER	1		—		0.4	0.88
020	04811-00120	O RING	1				0	0
020	04817-00120	O RING	1		—		0.001	0.0022
030	04811-00150	O RING	3				0	0
030	04817-00150	O RING	3		—		0.001	0.0022
040	04811-00180	O RING	1				0	0
040	04817-00180	O RING	1		—		0.003	0.0066
050	04811-00360	O RING	1				0	0
050	04817-00360	O RING	1		—		0.001	0.0022
060	04811-10300	O RING	1				0.001	0.0022
070	19202-04140	SEAL OIL	1				0.015	0.033
080	15021-33660	GASKET	3				0.001	0.0022
090	6C090-58960	GASKET	2				0.002	0.0044
100	17118-04830	GASKET BRG.CASE COV.	1				0	0
100	1A091-04820	GASKET CASE COVER	1		«		0.006	0.0132
110	15625-05430	GASKET COVER NA	1				0.002	0.0044
120	15296-35150	GASKET OIL PUMP	1				0	0
120	1A021-35150	GASKET OIL PUMP	1		«		0.001	0.0022
130	15296-51660	GASKET PUMP COVER	1				0	0
130	1A021-51660	GASKET PUMP COVER	1		«		0.003	0.0066
140	15296-88130	GASKET H/METER UNIT	1				0.002	0.0044
150	15263-52140	GASKET FUEL PUMP	1				0	0
150	1A021-52140	GASKET FUEL PUMP	1		«		0.001	0.0022
160	15471-57980	SEAL OIL	1				0.001	0.0022
170	15766-73330	GASKET WATER FLANGE	1				0	0
170	1A021-73330	GASKET RETURN FLANGE	1		«		0.001	0.0022
180	15601-96650	GASKET	2				0.001	0.0022
190	17326-04132	GASKET GEAR CASE	1				0.03	0.066
200	17326-32620	GASKET	1				0.005	0.011
210	15439-57210	GASKET	1				0.005	0.011
220	17326-73430	GASKET WATER PUMP	1				0	0
220	1A021-73430	GASKET WATER PUMP	1		«		0.007	0.0154
230	16478-01620	GASKET OIL PAN	1				0.026	0.0572
240	19077-04360	GASKET BEARING CASE	1				0.004	0.0088
240	1A091-04362	GASKET BEARING CASE	1		«		0.005	0.011
250	19202-96830	O RING	1				0.01	0.022
260	04811-00200	O RING	1				0	0
260	04817-00200	O RING	1		—		0.011	0.0242
270	17381-04460	SEAL OIL	1				0.05	0.11
280	15401-96650	GASKET	2				0.001	0.0022
290	17121-01620	GASKET OIL PAN	1			OUT OF USE	0.028	0.0616
300	15451-96670	GASKET	1			OUT OF USE	0.003	0.0066
310	15109-33660	GASKET	2			OUT OF USE	0.001	0.0022

HAND ACCELERATOR LEVER



3A211-076-10



HAND ACCELERATOR LEVER

↔ Interchangeable; ≠ not interchangeable; ← new for old; → old for new

REF.No	Part No.	Description	Q'ty	S.No.	I/C	REMARKS	Weight (kgf)	Weight (lb)
010	3A111-10223	LEVER HAND ACCEL.	1				0.039	0.0858
020	3A111-10230	GRIP	1				0.039	0.0858
030	33251-10320	SPRING ACCEL.LEVER	1				0.012	0.0264
040	33251-10270	CAP SPRING	1				0.01	0.022
050	02576-50120	NUT LOCK	1				0.011	0.0242
060	3A111-10260	PLATE	1				0.004	0.0088
070	3A111-10380	PLATE ACCEL.LEVER	1				0.021	0.0462
080	04013-60120	WASHER PLAIN	2				0.01	0.022
090	3A111-10390	WASHER	2				0.005	0.011
100	3A211-10010	ASSY ROD ACCEL.	1				0.31	0.682
110	02112-50080	NUT	2				0.003	0.0066
120	04012-50080	WASHER PLAIN	1				0.001	0.0022
130	05511-50218	PIN SPLIT	1				0.001	0.0022
140	3A011-32870	PIN SNAP	1				0.001	0.0022
150	3A211-10470	LINK ACCEL.	1				0.22	0.484
160	T0070-44720	SPRING	1				0.015	0.033
170	3A211-10170	ASSY ROD ACCEL.PEDAL	1				0.22	0.484
180	02112-50080	NUT	1				0.003	0.0066
190	52300-34120	PIN SNAP	1				0.001	0.0022
200	3A011-10250	BOLT	1				0.025	0.055
210	02116-50100	NUT	1				0.004	0.0088
220	45404-95770	END ROD	1				0.05	0.11
230	02156-50080	NUT	1				0.004	0.0088
240	04512-60080	WASHER SPRING	1				0.002	0.0044
250	37410-42760	COVER PEDAL	1				0.025	0.055

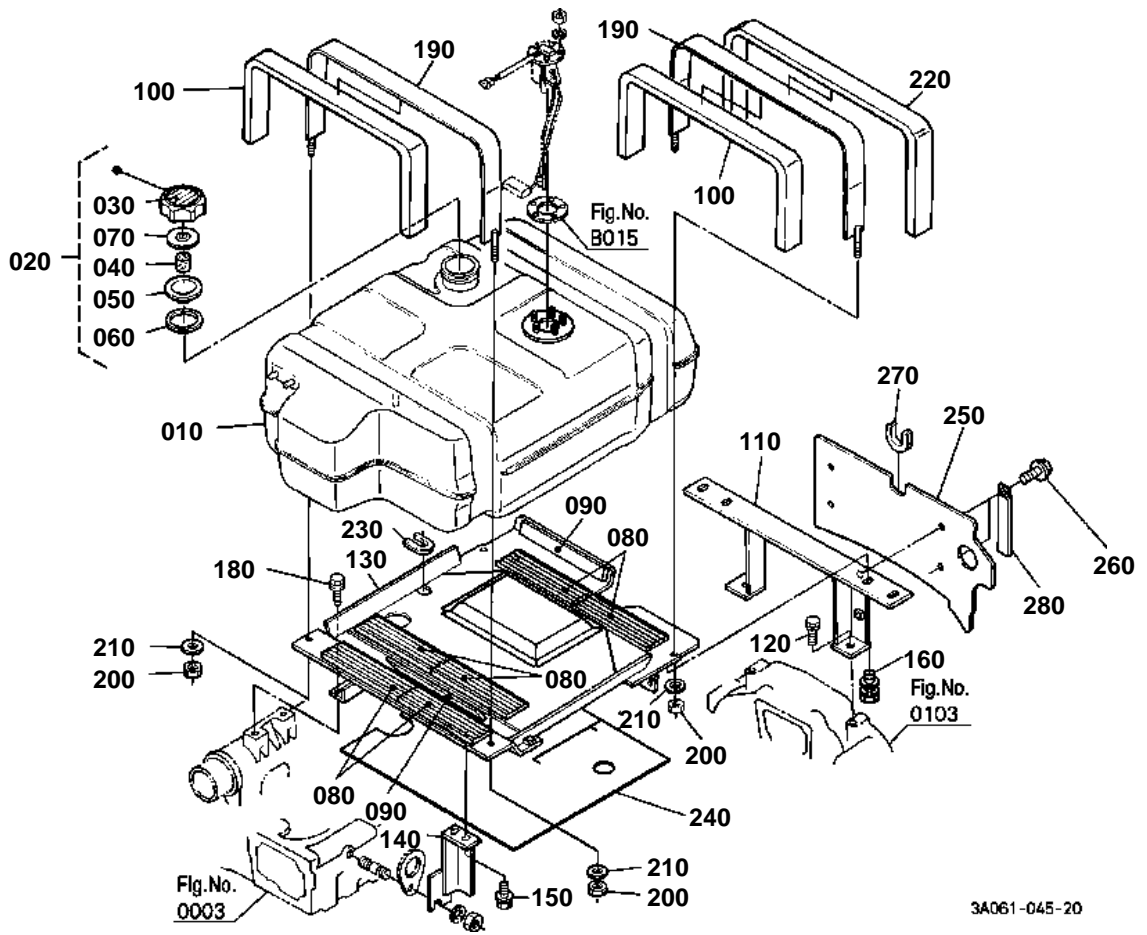


STOP SOLENOID/ENGINE STOP WIRE

↔ Interchangeable; ≠ not interchangeable; ← new for old; → old for new

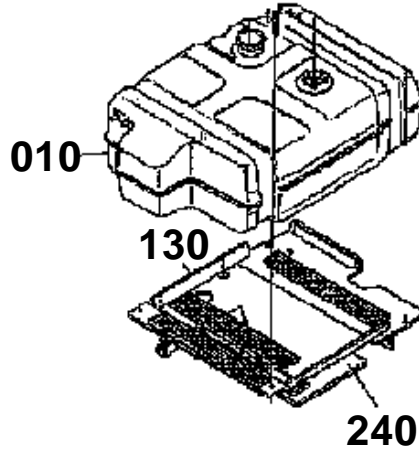
REF.No	Part No.	Description	Q'ty	S.No.	I/C	REMARKS	Weight (kgf)	Weight (lb)
010	15471-60010	SOLENOID STOP	1				0.35	0.77
020	01125-60816	BOLT	2				0.01	0.022
030	17331-60150	LEVER STOP	1				0.025	0.055
040	15471-60162	LEVER STOP	1				0.007	0.0154
050	04012-50060	WASHER PLAIN	3				0.001	0.0022
060	05525-60600	PIN SNAP	3				0.001	0.0022
070	99999-99999	BLANK	0				0	0
080	3F260-57270	CLAMP	1				0.006	0.0132
090	34070-44220	HOLDER WIRE	1				0.02	0.044
100	01023-50620	BOLT	1				0.006	0.0132
110	02012-60060	NUT	2				0.005	0.011
120	3A011-10360	COVER ENGINE STOP	1				0.002	0.0044
130	34070-44240	PIN JOINT	1				0.005	0.011
140	T0070-44260	SCREW	1				0.005	0.011
150	04011-50100	WASHER PLAIN	1				0.002	0.0044
160	02771-60100	NUT FLANGE	1				0.01	0.022
170	3A111-10330	ASSY WIRE E/G STOP	1				0.079	0.1738

FUEL TANK

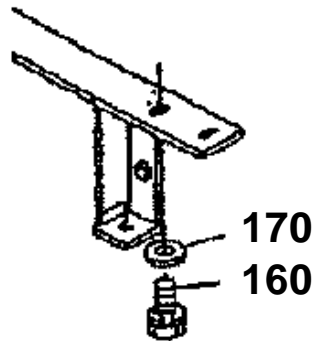


3A061-045-20

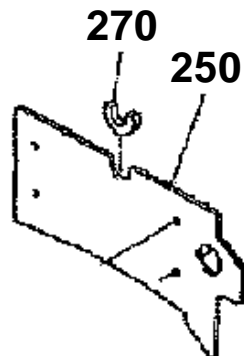
010 3A011-0411-0
130 3A011-0451-6
240 3A011-0432-0



160 01133-51025
170 04013-60100



250 3A011-0461-0
270 35533-0475-0



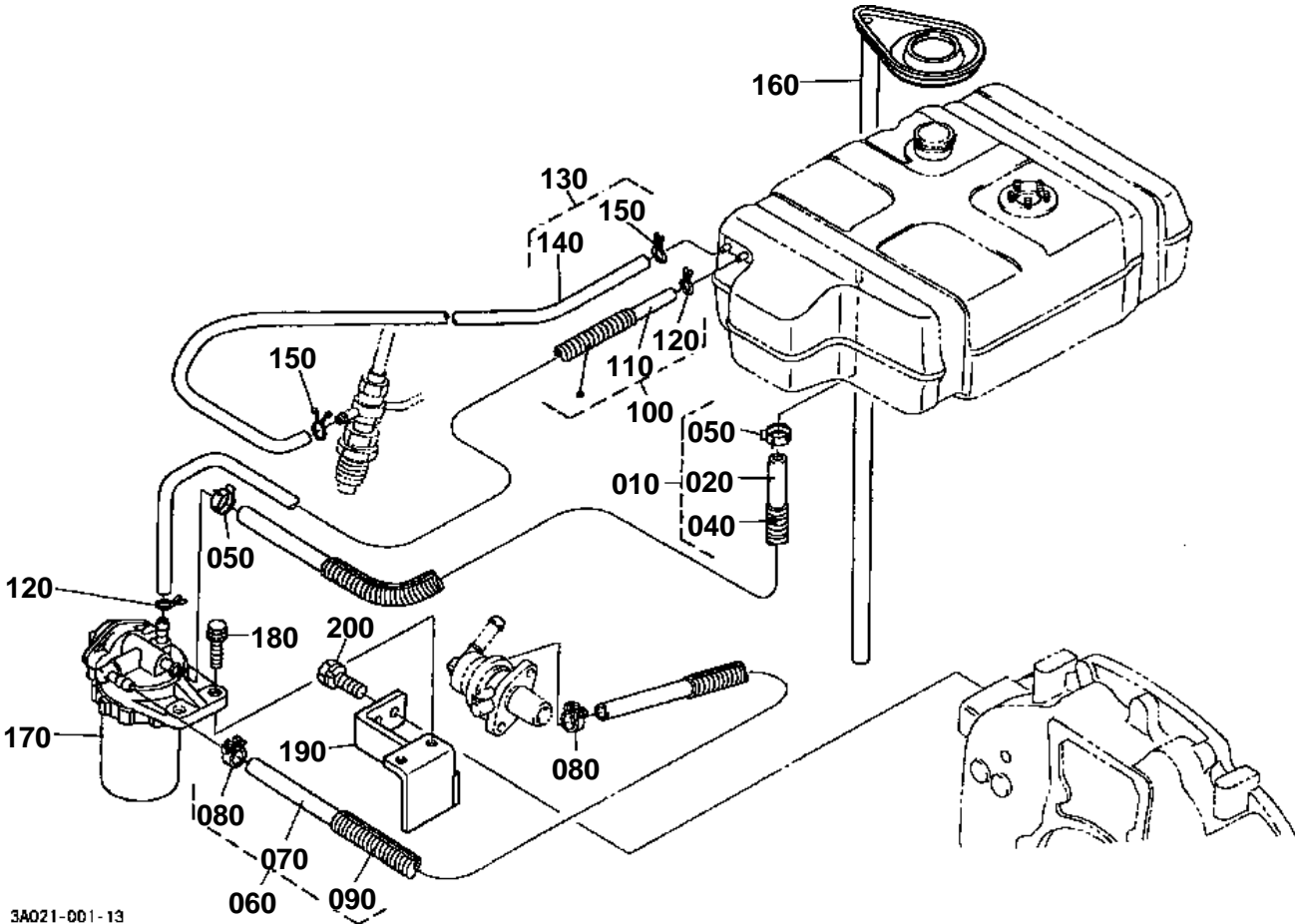
3A211-804-30

**FUEL TANK**

↔ Interchangeable; ≠ not interchangeable; ← new for old; → old for new

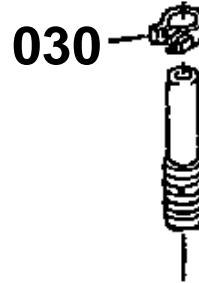
REF.No	Part No.	Description	Q'ty	S.No.	I/C	REMARKS	Weight (kgf)	Weight (lb)
010	3A011-04110	TANK FUEL	1	<=13405			0	0
010	3A011-04113	TANK FUEL	1	>=13406	↔		5.1	11.22
020	3A011-97373	KIT CAP FUEL TANK	1				0.05	0.11
030	6C040-47412	LABEL FILLER CAUTION	1				0.001	0.0022
040	34150-35240	SPONGE	1				0.001	0.0022
050	3A011-04300	GASKET	1				0.015	0.033
060	34150-35180	GASKET	1				0.001	0.0022
070	13582-41680	PLATE F.TANK.CAP	1				0.008	0.0176
080	3A011-04232	CUSHION	6				0.01	0.022
080	3A272-04230	CUSHION	6		↔		0.07	0.154
090	3A011-04222	CUSHION	2				0.04	0.088
100	3A011-04210	CUSHION	2				0.105	0.231
110	3A011-04520	BASE FUEL TANK	1				2.015	4.433
120	01133-51225	BOLT	2				0.035	0.077
130	3A011-04515	SUPPORT FUEL TANK	1				0	0
130	3A011-04516	SUPPORT FUEL TANK	1	<=13405	↔		6.15	13.53
130	3A011-04517	SUPPORT FUEL TANK	1	>=13406	↔		6.15	13.53
140	3A011-04530	STAY FUEL TANK	1				0.42	0.924
150	01125-60820	BOLT	2				0.015	0.033
160	01133-51025	BOLT	2	<=12064			0.023	0.0506
160	01135-61025	BOLT	2	>=12065	↔		0.04	0.088
170	04013-60100	WASHER PLAIN	2	<=12064			0.003	0.0066
180	01754-50816	BOLT FLANGE	1				0.011	0.0242
190	3A011-04130	CLAMP	2				0.54	1.188
200	02552-50080	NUT LOCK	4				0.005	0.011
210	04013-60080	WASHER PLAIN	4				0.002	0.0044
220	3A011-04570	SPONGE TANK REAR	1				0.056	0.1232
230	38430-29670	CUSHION	1				0.01	0.022
240	3A011-04320	INSULATION HEAT	1	<=13405			0.3	0.66
240	3A011-04322	INSULATION HEAT	1	>=13406	↔		0.3	0.66
250	3A011-04610	PLATE SHUTTER	1	<=12974			0.62	1.364
250	3A011-04613	PLATE SHUTTER	1	>=12975	↔		0.62	1.364
260	01754-50616	BOLT FLANGE	4				0.006	0.0132
270	35533-04750	RING RUBBER	1	<=12983			0.002	0.0044
270	TA470-38290	TRIM	1	>=12984	↔		0.005	0.011
280	12234-67580	CLAMP CORD	1				0.012	0.0264

FUEL FILTER

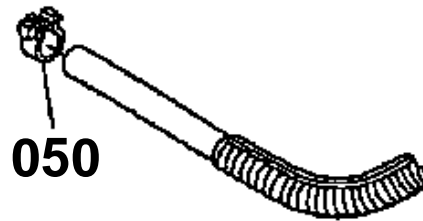


3A021-001-13

030 35080-3556-0



050 14301-4275-0



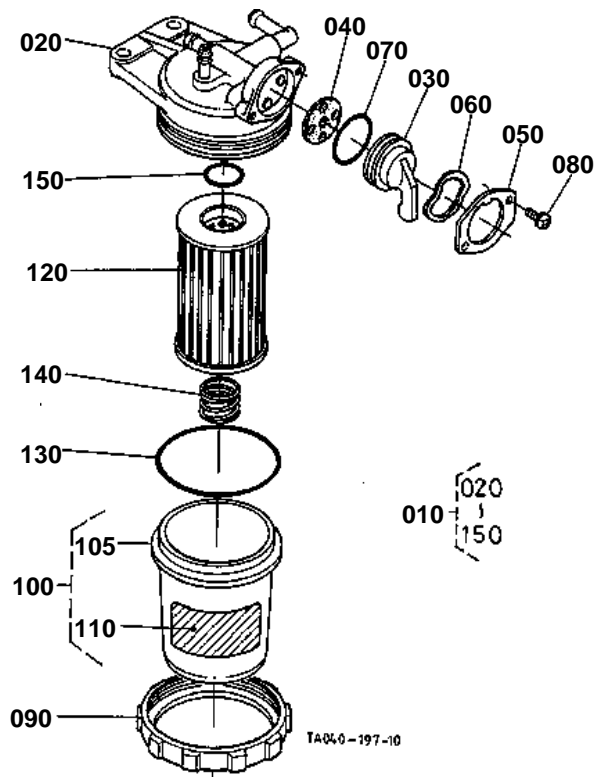
3A061-804-10

**FUEL FILTER**

↔ Interchangeable; ≠ not interchangeable; ← new for old; → old for new

REF.No	Part No.	Description	Q'ty	S.No.	I/C	REMARKS	Weight (kgf)	Weight (lb)
010	34550-42612	ASSY TUBE FUEL	1				0.072	0.1584
010	34550-42650	ASSY TUBE FUEL	1		<<		0.06	0.132
020	09661-80400	TUBE FUEL	1				0.05	0.11
030	35080-35560	CLIP PIPE	1	<=12222			0.005	0.011
040	34550-42710	TUBE PIPE	1				0.015	0.033
050	14301-42750	CLIP PIPE	1	<=12222			0.005	0.011
050	14911-42750	CLIP PIPE	2	>=12223			0.002	0.0044
060	T0070-42610	ASSY TUBE FUEL	1				0.084	0.1848
070	09661-80500	TUBE FUEL	1				0.05	0.11
080	14301-42750	CLIP PIPE	2				0.005	0.011
090	T0070-99020	TUBE PIPE	1				0.012	0.0264
100	34550-42633	ASSY TUBE FUEL	1				0.065	0.143
110	09661-40900	TUBE FUEL	1				0.045	0.099
120	14971-42750	CLIP PIPE	2				0.001	0.0022
130	34070-42633	ASSY TUBE FUEL	1				0.025	0.055
140	09661-40400	TUBE FUEL	1				0.02	0.044
150	14971-42750	CLIP PIPE	2				0.001	0.0022
160	3A011-04153	TRAY FUEL	1				0.14	0.308
170	15521-43015	ASSY FILTER FUEL	1				0.59	1.298
180	01754-50825	BOLT FLANGE	2				0.01	0.022
190	3A011-04250	STAY FUEL FILTER	1				0.4	0.88
200	01123-50818	BOLT	2				0.012	0.0264

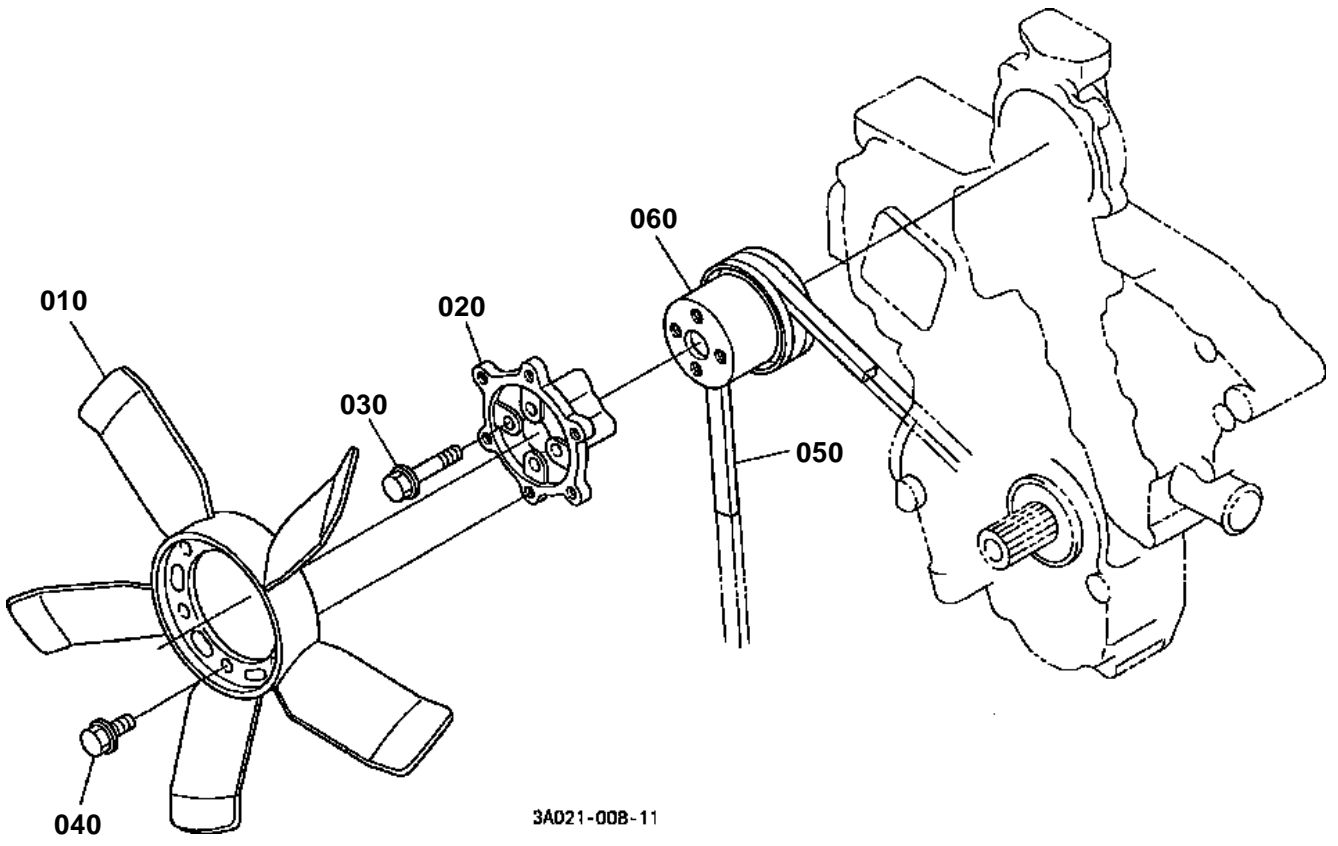
FUEL FILTER [COMPONENT PARTS]



**FUEL FILTER [COMPONENT PARTS]**

↔ Interchangeable; ≠ not interchangeable; ← new for old; → old for new

REF.No	Part No.	Description	Q'ty	S.No.	I/C	REMARKS	Weight (kgf)	Weight (lb)
010	15521-43015	ASSY FILTER FUEL	1				0.59	1.298
020	15521-43114	ASSY BODY	1				0.235	0.517
030	15521-43522	HANDLE FILTER	1				0.04	0.088
040	15521-43672	GASKET	1				0.001	0.0022
050	15521-43552	RETAINER HANDLE	1				0.01	0.022
060	15521-43542	PLATE THRUST	1				0.001	0.0022
070	04811-10290	O RING	1				0.001	0.0022
080	03054-50308	SCREW PAN-HEAD	2				0.005	0.011
090	15521-43150	RING RETAINER	1				0.14	0.308
100	15521-43100	ASSY CUP FILTER	1				0.05	0.11
105	15521-43130	CUP FILTER	1				0.1	0.22
110	16873-88430	LABEL FUEL FILTER	1				0.001	0.0022
120	15521-43160	ELEMENT FILTER	1				0.07	0.154
130	04811-50650	O RING	1				0.002	0.0044
140	15521-43930	SPRING	1				0.004	0.0088
150	04811-00160	O RING	1				0	0
150	04816-00160	O RING	1				0.003	0.0066



3A021-008-11

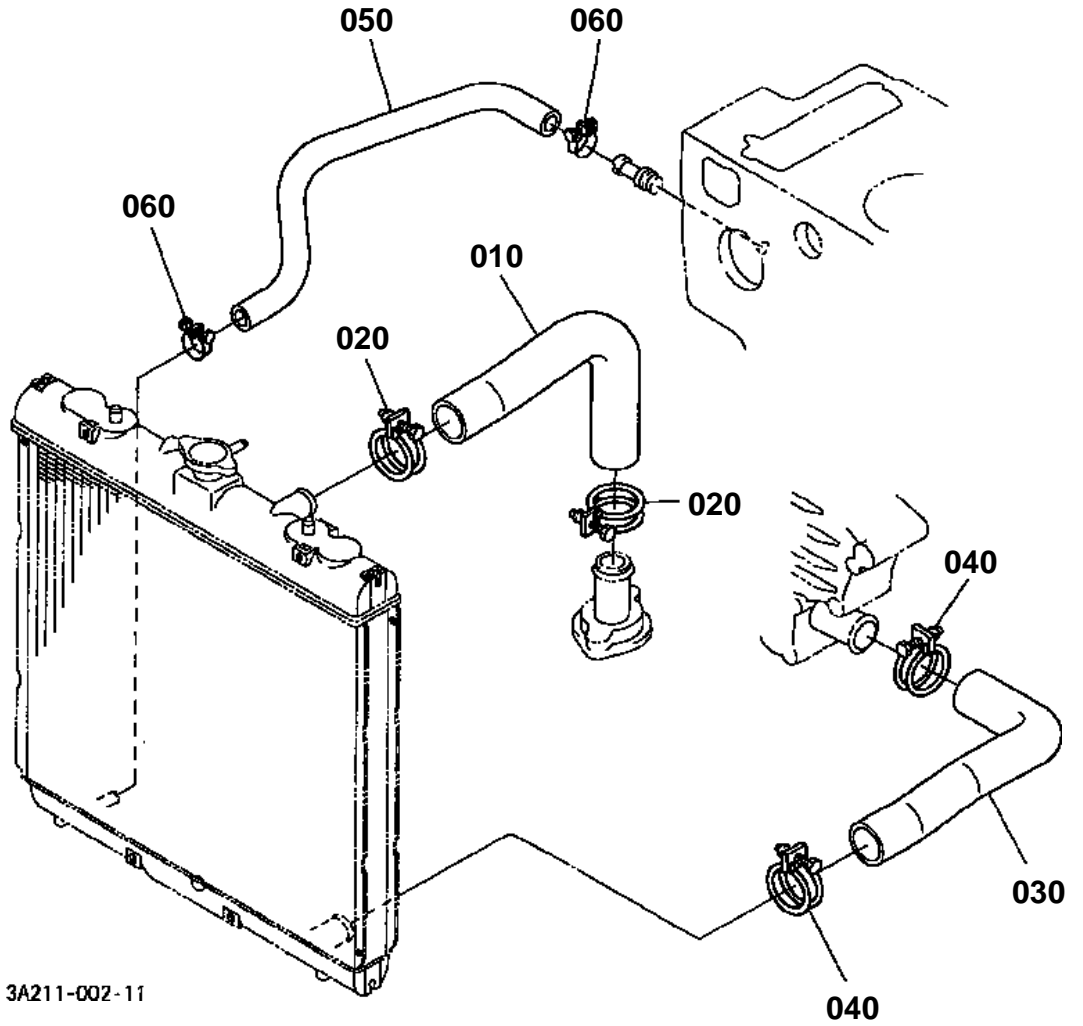


FAN

↔ Interchangeable; ≠ not interchangeable; ← new for old; → old for new

REF.No	Part No.	Description	Q'ty	S.No.	I/C	REMARKS	Weight (kgf)	Weight (lb)
010	15601-74110	FAN	1				0.43	0.946
020	3A011-17260	FLANGE FAN	1				0.23	0.506
030	01754-50655	BOLT FLANGE	4				0.014	0.0308
040	01754-50612	BOLT FLANGE	6				0.005	0.011
050	15196-97010	V BELT A	1				0.124	0.2728
060	17351-74250	PULLEY FAN	1				0.26	0.572

WATER PIPE



3A211-002-11

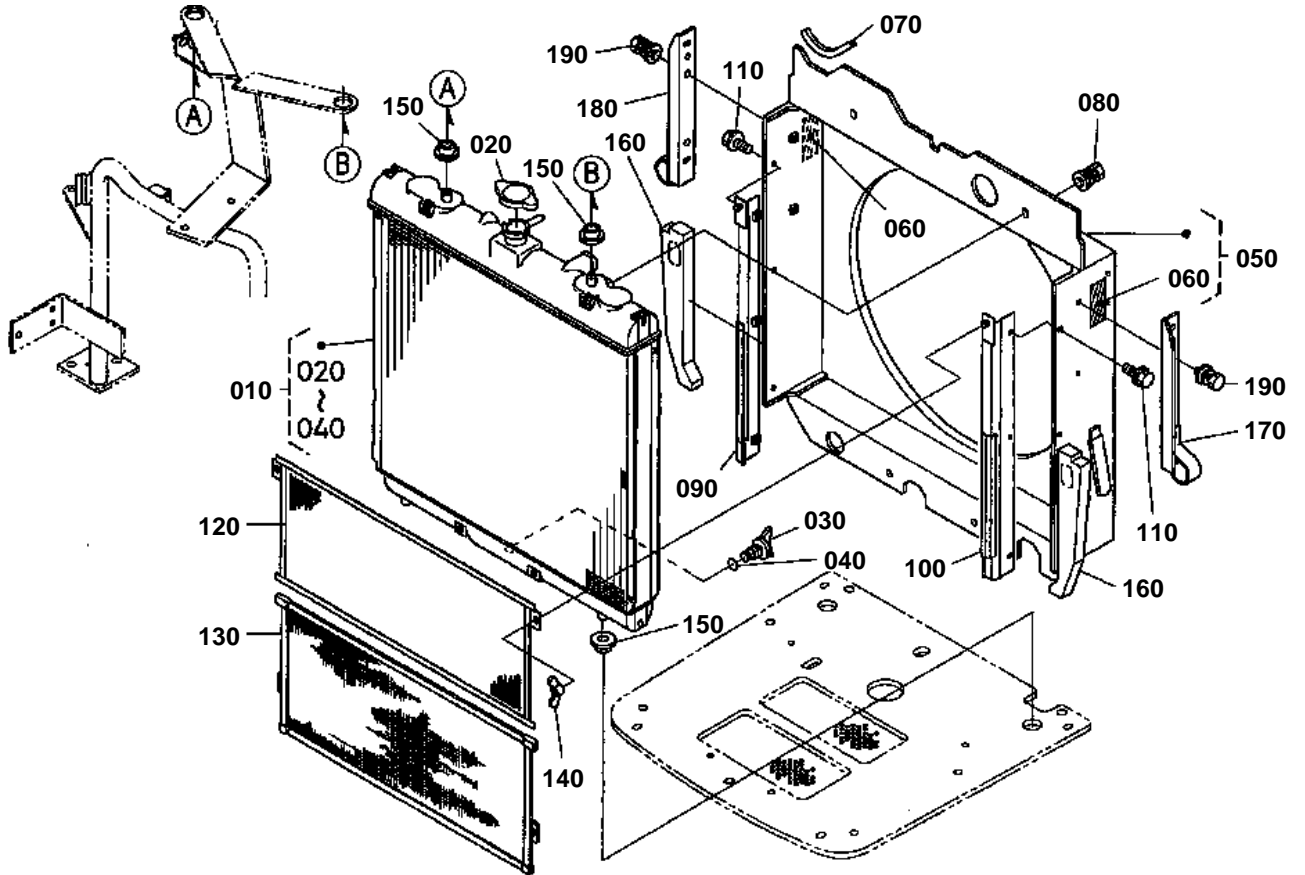


WATER PIPE

↔ Interchangeable; ≠ not interchangeable; ← new for old; → old for new

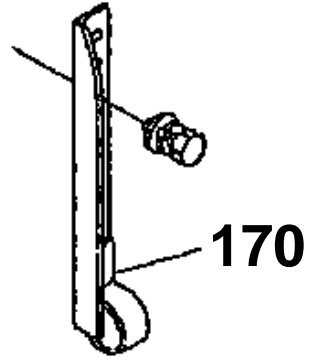
REF.No	Part No.	Description	Q'ty	S.No.	I/C	REMARKS	Weight (kgf)	Weight (lb)
010	3A211-17460	HOSE WATER UPPER	1				0.24	0.528
020	09318-89052	CLAMP HOSE	2	<=11284			0.03	0.066
020	15108-72870	BAND	2	>=11285	↔		0.027	0.0594
030	3A211-17450	HOSE WATER LOWER	1				0.225	0.495
040	15108-72870	BAND	2				0.027	0.0594
050	3A611-17430	HOSE WATER RETURN	1				0.08	0.176
060	68171-63630	BAND HOSE	2				0.013	0.0286

RADIATOR

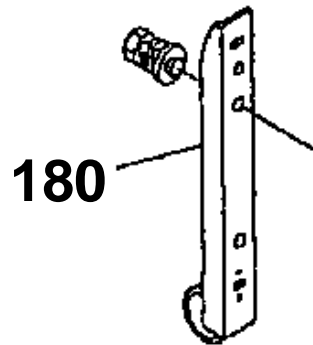


3A211-004-11

170 3A211-8305-0



180 3A211-8304-0



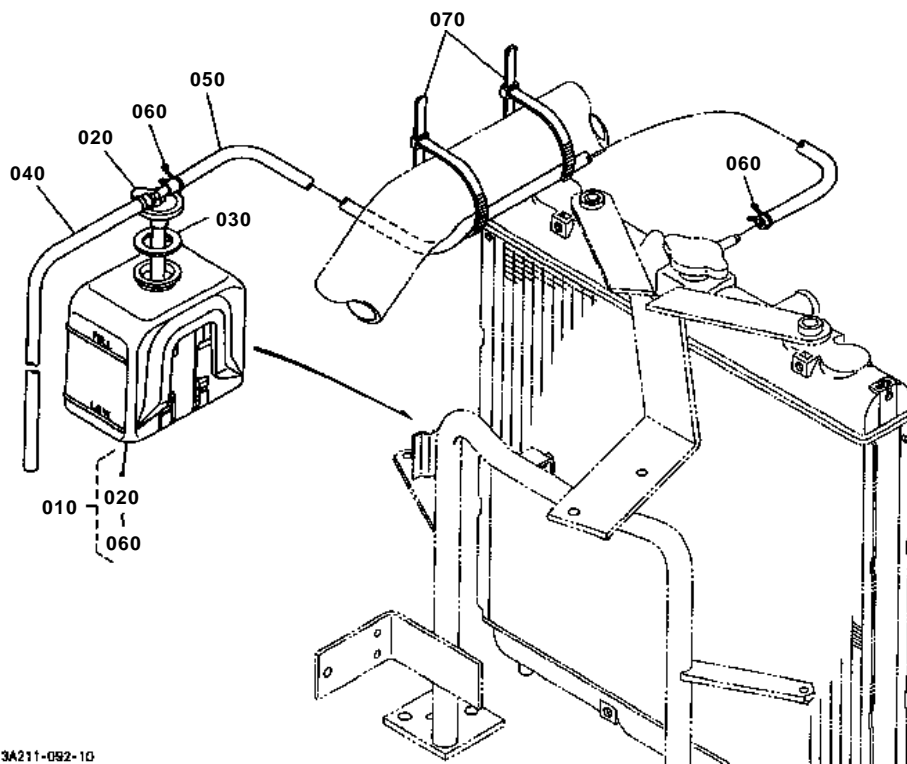
3A061-801-10

**RADIATOR**

↔ Interchangeable; ≠ not interchangeable; ← new for old; → old for new

REF.No	Part No.	Description	Q'ty	S.No.	I/C	REMARKS	Weight (kgf)	Weight (lb)
010	3A231-17100	ASSY RADIATOR	1				4.1	9.02
020	17580-16060	CAP RADIATOR	1				0.04	0.088
030	34070-16070	PLUG DRAIN	1				0.005	0.011
040	34070-16090	O RING	1				0.001	0.0022
050	3A211-97350	KIT SHROUD FAN(A)	1				2.1	4.62
060	32751-49580	LABEL FAN BELT	2				0.001	0.0022
070	3A111-17290	TRIM SASH	1				0.006	0.0132
080	01025-50612	BOLT	4				0.005	0.011
090	3A211-72360	HOLDER NET RH	1				0.19	0.418
100	3A211-72370	HOLDER NET LH	1				0.19	0.418
110	01754-50610	BOLT FLANGE	6				0.006	0.0132
120	3A211-17410	NET RADIATOR	1				0.225	0.495
130	3A111-17420	NET RADIATOR LOWER	1				0.22	0.484
140	02810-50060	NUT WING	2				0.009	0.0198
150	34070-16030	RUBBER	4				0.015	0.033
160	3A611-17190	SPONGE SIDE	2				0.02	0.044
170	3A211-83050	GUIDE LH	1	<=12464			0.15	0.33
170	3A151-83050	GUIDE LH	1	>=12465	→		0.145	0.319
180	3A211-83040	GUIDE RH	1	<=12464			0.15	0.33
180	3A151-83040	GUIDE RH	1	>=12465	→		0.145	0.319
190	01025-50612	BOLT	4				0.005	0.011

RESERVE TANK



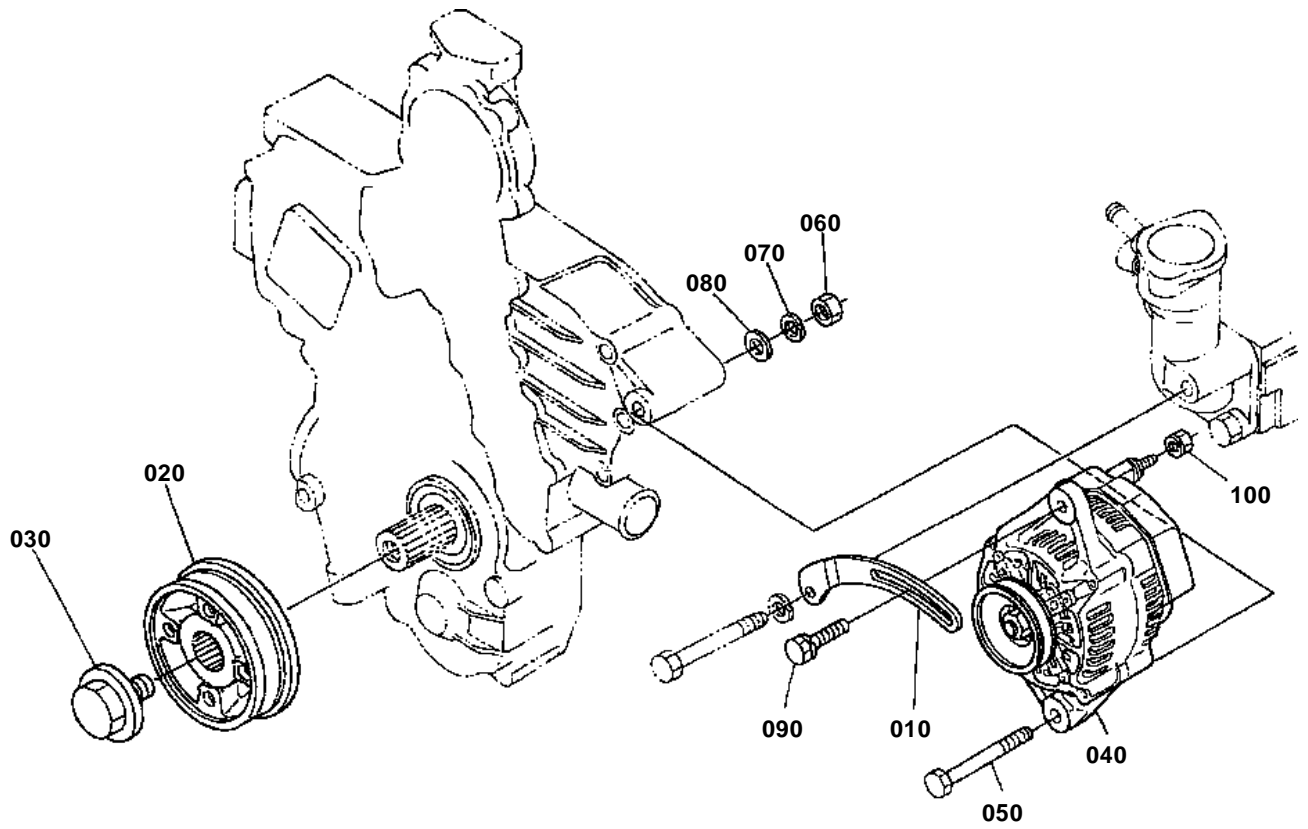


RESERVE TANK

↔ Interchangeable; ≠ not interchangeable; ← new for old; → old for new

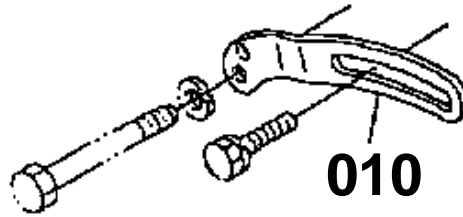
REF.No	Part No.	Description	Q'ty	S.No.	I/C	REMARKS	Weight (kgf)	Weight (lb)
010	3A111-17300	ASSY TANK RESERVE	1				0.38	0.836
020	15272-72420	CAP	1				0.03	0.066
030	15531-72432	GASKET	1				0.002	0.0044
040	15471-72440	PIPE WATER OVER FLOW	1				0.05	0.11
050	3A111-17330	TUBE WATER	1				0.08	0.176
060	15501-72470	CLIP PIPE	2				0.005	0.011
070	T0090-63580	BAND CORD	2				0.005	0.011

ALTERNATOR



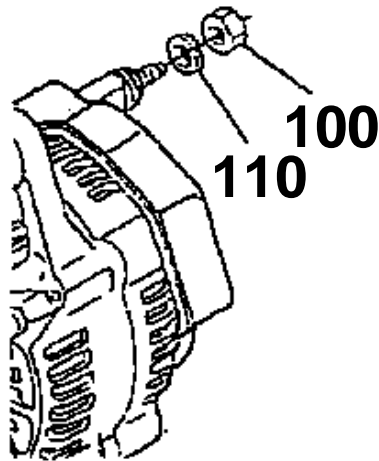
3A021-132-12

010 TA040-7402-0



100 02056-50060

110 04512-60060



3A061-810-10

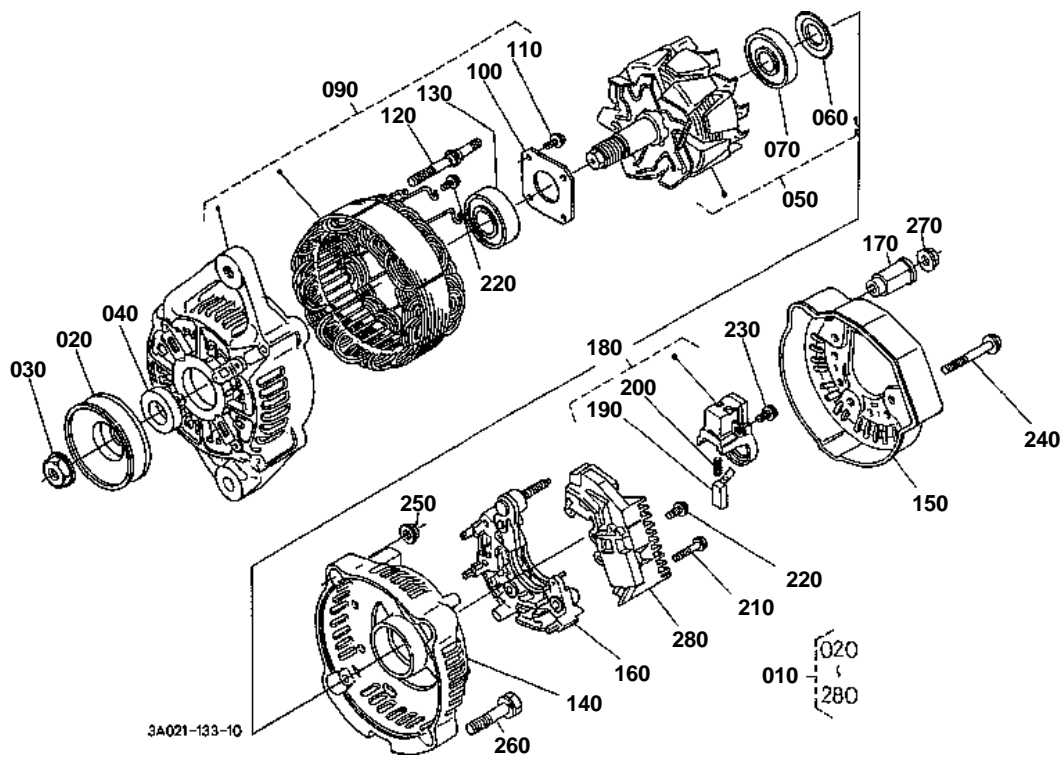


ALTERNATOR

↔ Interchangeable; ≠ not interchangeable; ← new for old; → old for new

REF.No	Part No.	Description	Q'ty	S.No.	I/C	REMARKS	Weight (kgf)	Weight (lb)
010	TA040-74020	STAY ALTERNATOR	1				0.09	0.198
010	16427-64420	STAY DYNAMO	1		«		0.08	0.176
020	16484-74280	PULLEY FAN DRIVE	1				2.4	5.28
030	17121-91010	BOLT	1				0.26	0.572
040	3A011-74010	ALTERNATOR	1	<=12086			0	0
040	3A011-74012	ALTERNATOR	1	>=12087	→		2.8	6.16
050	01173-51003	BOLT	1				0.077	0.1694
060	02076-50100	NUT	1				0.006	0.0132
070	04512-60100	WASHER SPRING	1				0.002	0.0044
080	04013-60100	WASHER PLAIN	1				0.003	0.0066
090	01123-50830	BOLT	1				0.015	0.033
100	02056-50060	NUT	1	<=12464			0.002	0.0044
100	12264-92020	NUT SPRING WASHER M	1	>=12465	→		0.05	0.11
110	04512-60060	WASHER SPRING	1	<=12464			0.001	0.0022

ALTERNATOR [COMPONENT PARTS]



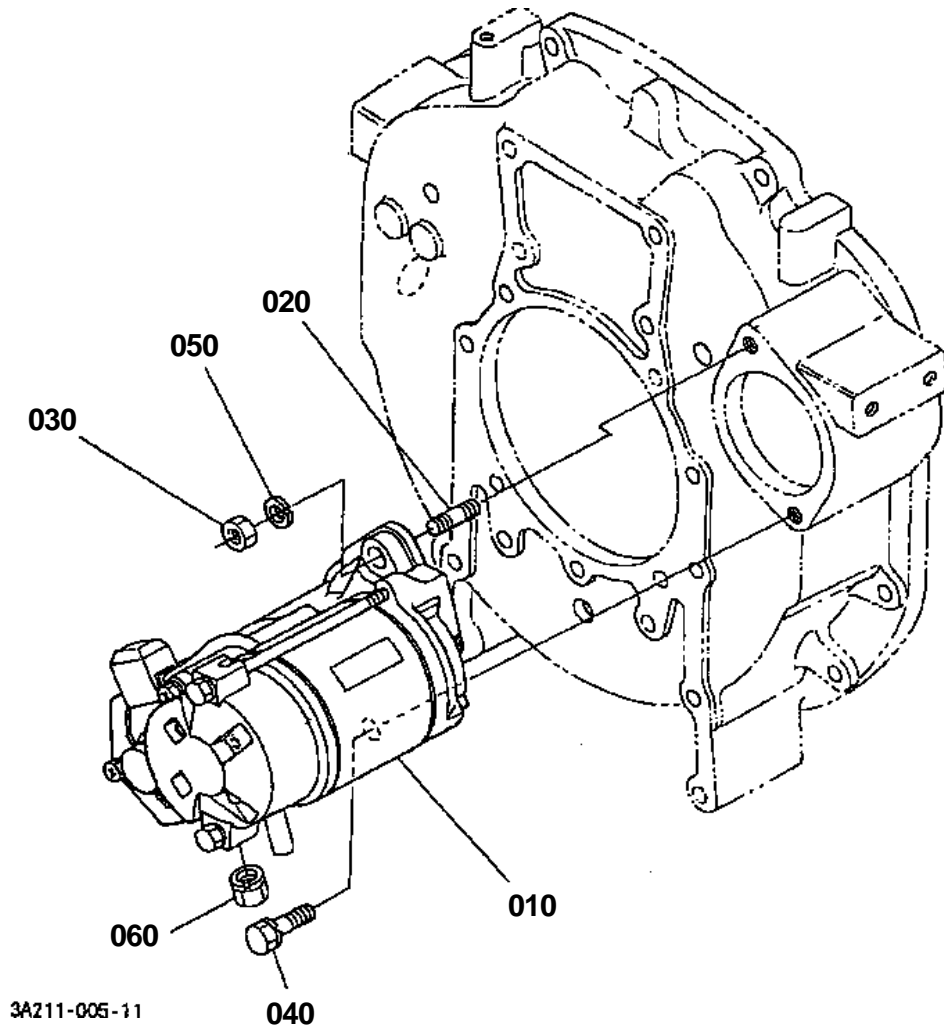


ALTERNATOR [COMPONENT PARTS]

↔ Interchangeable; ≠ not interchangeable; ← new for old; → old for new

REF.No	Part No.	Description	Q'ty	S.No.	I/C	REMARKS	Weight (kgf)	Weight (lb)
010	3A011-74012	ALTERNATOR	1	<=12086		12V 40A	2.8	6.16
010	3A011-74012	ALTERNATOR	1	>=12087	→	12V 40A	2.8	6.16
020	16427-64110	PULLEY ALTERNATOR	1				0.2	0.44
030	15881-92010	NUT	1				0.02	0.044
040	15881-64150	COLLAR	1				0.004	0.0088
050	66436-64040	ROTOR	1				1.2	2.64
060	15881-64800	COVER BEARING	1				0.001	0.0022
070	16652-64770	BEARING BALL	1				0.045	0.099
080	99999-99999	BLANK	0				0	0
090	66436-64020	ASSY FRAME DRIVE END	1				1.11	2.442
100	15881-64710	PLATE RETAINER	1				0.01	0.022
110	15881-93010	SCREW ROUND HEAD	4				0.003	0.0066
120	15881-64260	BOLT THROUGH	2				0.01	0.022
130	16652-64780	BEARING BALL	1				0.05	0.11
140	16241-64060	FRAME END	1				0.2	0.44
150	16241-64230	COVER END	1	<=12086			0	0
150	16231-64230	COVER END	1	>=12087	→		0.035	0.077
160	16241-64850	ASSY RECTIFIER	1				0	0
170	16241-64900	BUSH INSULATION	1				0.007	0.0154
180	16652-64310	HOLDER BRUSH	1				0.025	0.055
190	15881-64090	BRUSH	2				0.002	0.0044
200	15881-64330	SPRING BRUSH	2				0.002	0.0044
210	15881-93020	SCREW ROUND HEAD	2				0.005	0.011
220	15881-93030	SCREW ROUND HEAD	6				0.003	0.0066
230	15881-93040	SCREW ROUND HEAD	1				0.003	0.0066
240	15881-91040	BOLT	3				0.005	0.011
250	15881-92020	NUT	2				0.02	0.044
260	15881-91050	BOLT	2				0.01	0.022
270	14182-92030	NUT	1				0.003	0.0066
280	66436-64600	ASSY REGULATOR	1				0.08	0.176

STARTER



3A211-005-11

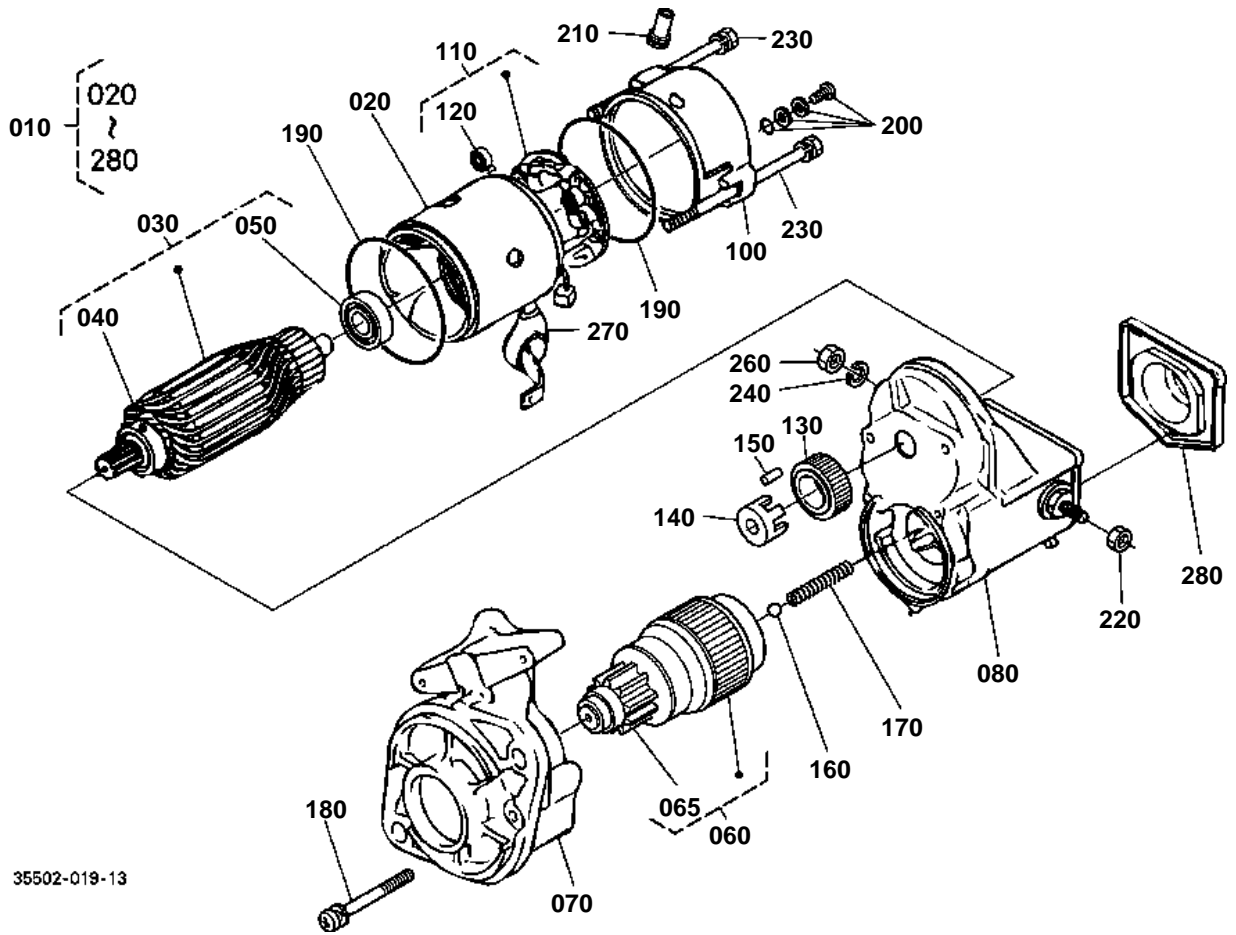


STARTER

↔ Interchangeable; ≠ not interchangeable; ← new for old; → old for new

REF.No	Part No.	Description	Q'ty	S.No.	I/C	REMARKS	Weight (kgf)	Weight (lb)
010	15621-63012	ASSY STARTER	1				3.87	8.514
020	01517-51028	STUD	1				0.022	0.0484
030	02176-50100	NUT	1				0.005	0.011
040	01133-51030	BOLT	1				0.025	0.055
050	04512-60100	WASHER SPRING	1				0.002	0.0044
060	16429-92010	NUT	1				0.007	0.0154

STARTER [COMPONENT PARTS]



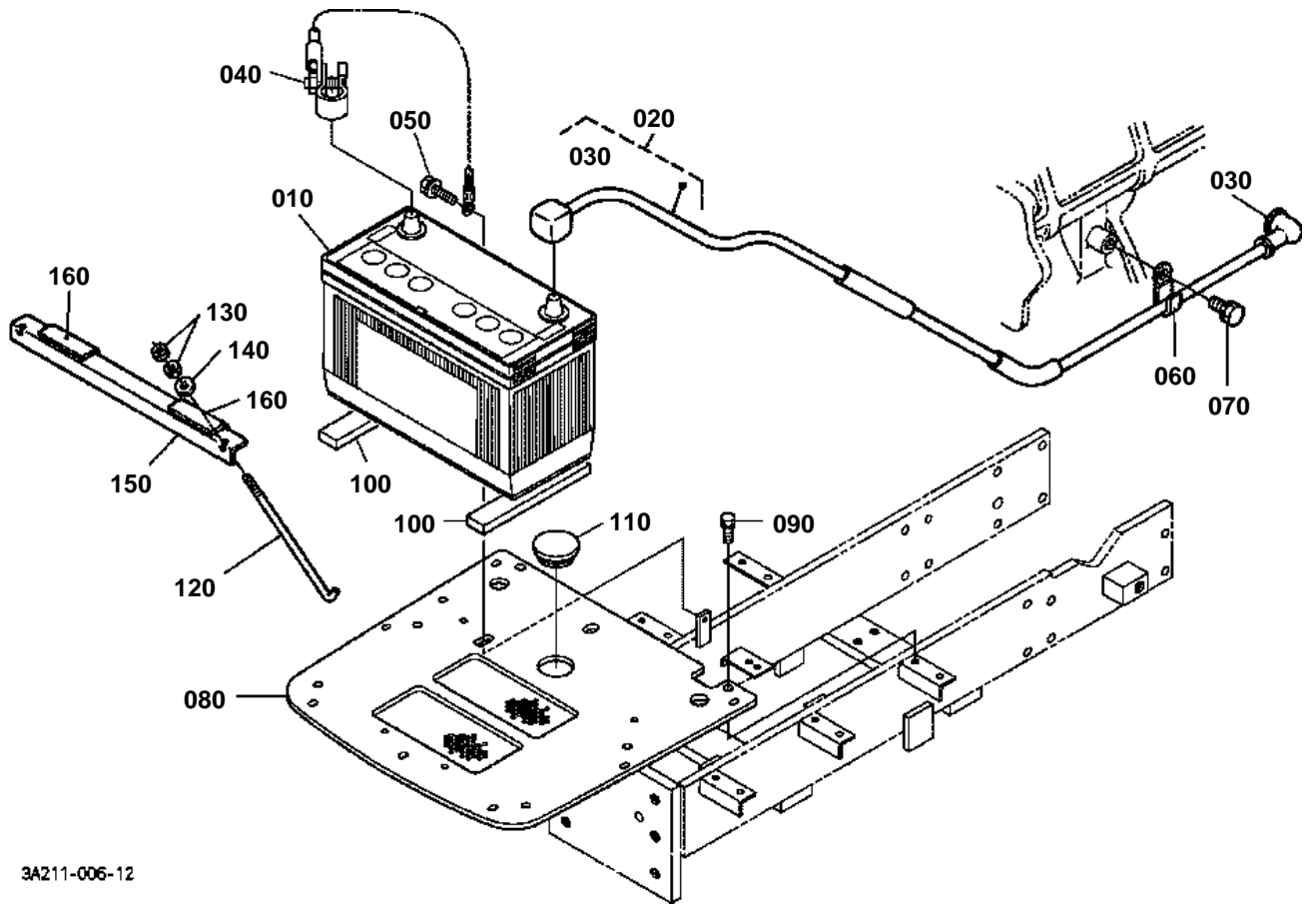
35502-019-13

**STARTER [COMPONENT PARTS]**

↔ Interchangeable; ≠ not interchangeable; ← new for old; → old for new

REF.No	Part No.	Description	Q'ty	S.No.	I/C	REMARKS	Weight (kgf)	Weight (lb)
010	15621-63012	ASSY STARTER	1				3.87	8.514
020	11197-63080	ASSY YOKE	1				0.92	2.024
030	11197-63070	ASSY ARMATURE	1				0.8	1.76
040	11460-63500	BEARING	1				0.03	0.066
050	11460-63530	BEARING	1				0.02	0.044
060	15621-63040	CLUTCH OVER RUNNING	1				0.6	1.32
065	11233-63280	GEAR PINION	1				0.1	0.22
070	16661-63030	FRAME DRIVE END	1				0.41	0.902
080	15621-63020	ASSY SWITCH MAGNETIC	1				1.17	2.574
090	99999-99999	BLANK	1				0	0
100	17341-63200	FRAME END	1				0.13	0.286
110	11197-63380	ASSY HOLDER BRUSH	1				0.05	0.11
120	15401-63390	SPRING BRUSH	4				0.003	0.0066
130	11460-63270	GEAR	1				0.04	0.088
140	11460-63110	RETAINER	1				0.01	0.022
150	19212-63100	ROLLER	5				0.002	0.0044
160	19212-97130	BALL	1				0.003	0.0066
170	11460-63120	SPRING	1				0.01	0.022
180	11460-93310	BOLT	2				0.01	0.022
190	15511-96660	O RING	2				0.005	0.011
200	15511-63760	ASSY BOLT	2				0.005	0.011
210	16285-63570	PIPE DRAIN	1				0.005	0.011
220	13963-92010	NUT HEXAGON	1				0.005	0.011
230	11197-63320	BOLT	2				0.02	0.044
240	04512-60080	WASHER SPRING	1				0.002	0.0044
250	99999-99999	BLANK	0				0	0
260	16285-92010	NUT HEXAGON	1				0.005	0.011
270	11173-63130	COVER TERMINAL	1				0.007	0.0154
280	16285-98050	ASSY COVER	1				0.048	0.1056

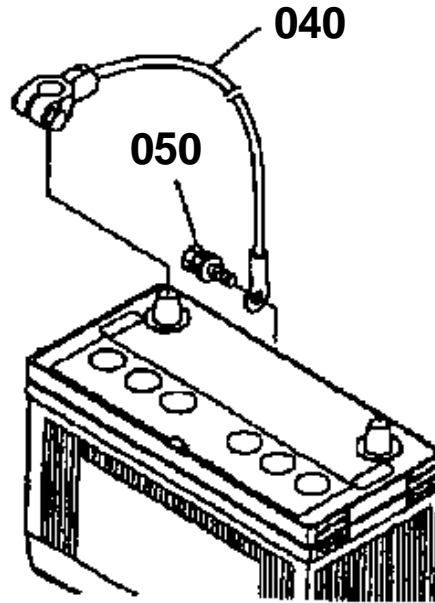
BATTERY



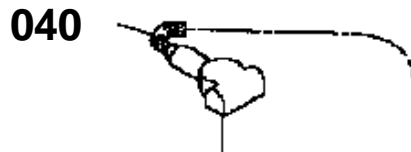
3A211-006-12

040 31351-3334-3

050 01125-60816



040 TA140-3334-0



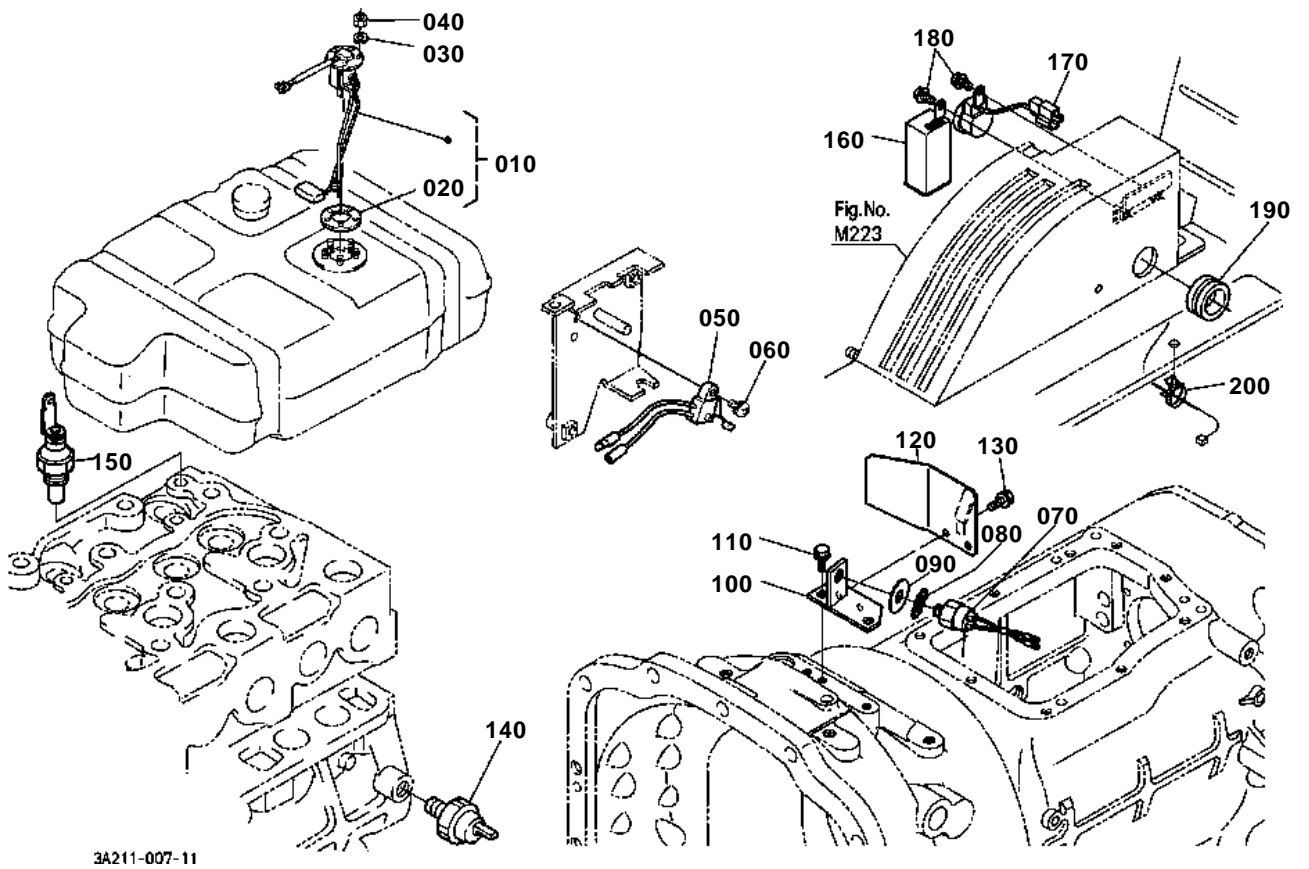
3A211-805-11

**BATTERY**

↔ Interchangeable; ≠ not interchangeable; ← new for old; → old for new

REF.No	Part No.	Description	Q'ty	S.No.	I/C	REMARKS	Weight (kgf)	Weight (lb)
010	99999-99999	BATTERY	1			12V CCA700A	0	0
020	3A011-77110	CORD BATTERY	1				0.665	1.463
030	32530-91710	CAP RUBBER	1				0.01	0.022
040	31351-33343	CORD EARTH	1				0	0
040	TA140-33340	CORD EARTH	1	<=12983	«		0.17	0.374
040	T1170-30130	CORD EARTH	1	>=12984	—		0.135	0.297
050	01125-60816	BOLT	1	<=11315			0.01	0.022
050	01754-50814	BOLT FLANGE	1	>=11316	—		0.005	0.011
060	15272-67590	CLAMP CORD	2				0.004	0.0088
070	01023-50612	BOLT	2				0.005	0.011
080	3A211-21730	SUPPORT BATTERY	1				5.2	11.44
090	01133-51020	BOLT	4				0.02	0.044
100	3A111-74340	CUSHION BATTERY	2				0.12	0.264
110	36200-81672	PLUG	1				0.03	0.066
120	3A111-74360	BOLT HOOK(BATTERY)	2	<=12974			0.032	0.0704
120	3A111-74362	BOLT HOOK(BATTERY)	2	>=12975	—		0.032	0.0704
130	02014-50060	NUT	4				0.002	0.0044
140	04015-60060	WASHER PLAIN	2				0.005	0.011
150	36230-74350	RETAINER BATTERY	1				0.41	0.902
160	38430-29670	CUSHION	2				0.01	0.022

SWITCH/SENSOR



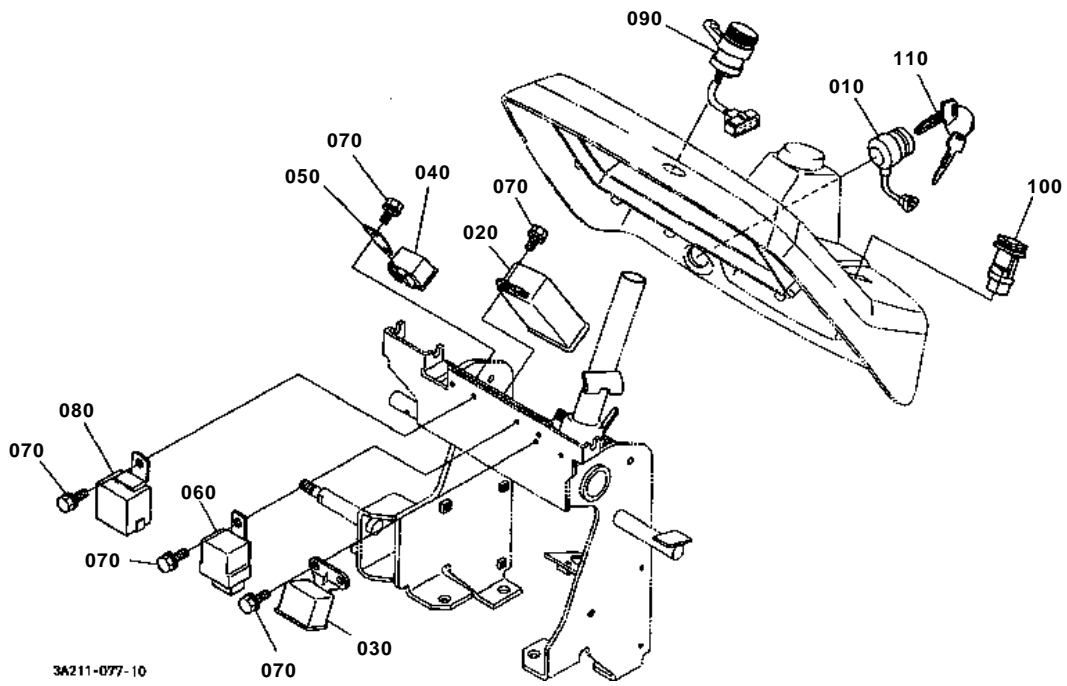


SWITCH/SENSOR

↔ Interchangeable; ≠ not interchangeable; ← new for old; → old for new

REF.No	Part No.	Description	Q'ty	S.No.	I/C	REMARKS	Weight (kgf)	Weight (lb)
010	3A011-75302	ASSY SENSOR FUEL	1				0.3	0.66
020	67980-54740	GASKET	1				0.005	0.011
030	04512-60050	WASHER SPRING	5				0.002	0.0044
040	02054-50050	NUT	5				0.002	0.0044
050	TA040-43900	SWITCH LEVER	1				0.008	0.0176
060	03024-50414	SCREW WITH WASHER	1				0.002	0.0044
070	3A011-75100	SWITCH	1				0.048	0.1056
080	04412-50140	WASHER TOOTHED	1				0.002	0.0044
090	3A651-75130	SHIM	1			0.5mm	0.001	0.0022
100	3A211-34432	STAY SWITCH SHUTTLE	1				0.12	0.264
110	01754-50816	BOLT FLANGE	2				0.011	0.0242
120	3A211-34440	COVER SWITCH SHUTTLE	1				0.105	0.231
130	01754-50612	BOLT FLANGE	2				0.005	0.011
140	15531-39010	SWITCH OIL	1				0.032	0.0704
150	31351-32830	SENSOR THERMO	1				0.02	0.044
160	3A272-75250	TIMER BUZZER	1	>=13410			0.05	0.11
170	53660-53810	BUZZER BACK	1	>=13410			0.035	0.077
180	01754-50612	BOLT FLANGE	2	>=13410			0.005	0.011
190	55579-98980	RING RUBBER	1	>=13410			0.003	0.0066
200	T1060-30540	CLIP	1	>=13410			0.01	0.022

SWITCH(PANEL BOARD)/RELAY



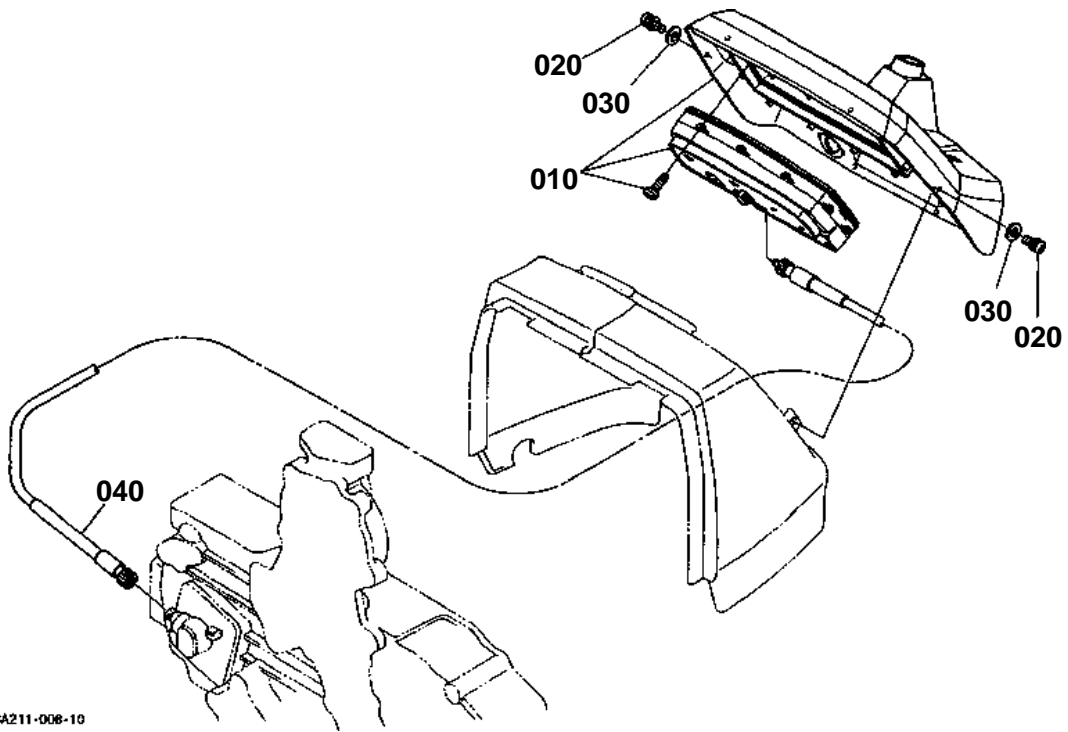


SWITCH(PANEL BOARD)/RELAY

↔ Interchangeable; ≠ not interchangeable; ← new for old; → old for new

REF.No	Part No.	Description	Q'ty	S.No.	I/C	REMARKS	Weight (kgf)	Weight (lb)
010	52200-41212	SWITCH STARTER	1				0.28	0.616
020	3F240-75430	UNIT FLASHER	1				0.06	0.132
030	35593-75210	RELAY GLOW PLUG	1				0.088	0.1936
040	36919-75030	RELAY	1				0.038	0.0836
050	36919-55830	BRACKET RELAY	1				0.005	0.011
060	35800-75070	RELAY STARTER	1				0.08	0.176
070	01754-50612	BOLT FLANGE	6				0.005	0.011
080	T0070-31410	TIMER KEY STOP	1				0.065	0.143
090	36330-75010	SWITCH COMBINATION	1				0.09	0.198
100	37500-55212	SWITCH HAZARD	1				0.02	0.044
110	18510-63720	ASSY KEY STARTER	1				0.025	0.055

PANEL BOARD



3A211-008-10

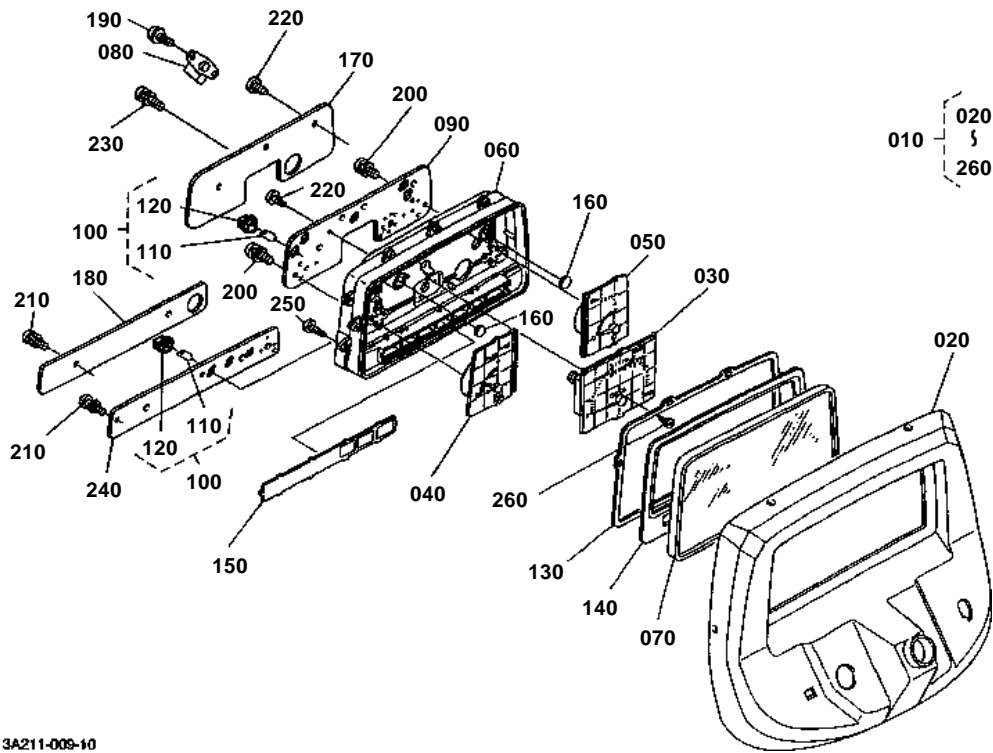


PANEL BOARD

↔ Interchangeable; ≠ not interchangeable; ← new for old; → old for new

REF.No	Part No.	Description	Q'ty	S.No.	I/C	REMARKS	Weight (kgf)	Weight (lb)
010	3A211-75600	ASSY PANEL	1				2.9	6.38
020	31391-31140	SCREW	6				0.01	0.022
030	31351-18860	WASHER	6				0.002	0.0044
040	35533-75610	CABLE HOUR METER	1				0.3	0.66

PANEL BOARD [COMPONENT PARTS]



3A211-009-10

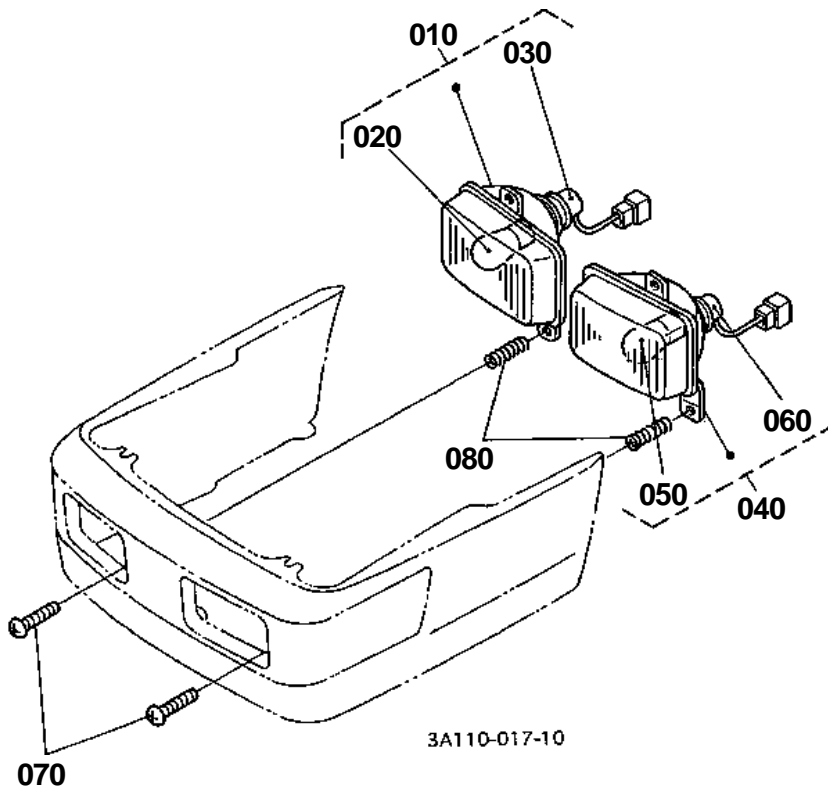


PANEL BOARD [COMPONENT PARTS]

↔ Interchangeable; ≠ not interchangeable; ← new for old; → old for new

REF.No	Part No.	Description	Q'ty	S.No.	I/C	REMARKS	Weight (kgf)	Weight (lb)
010	3A211-75600	ASSY PANEL	1				2.9	6.38
020	3A153-83550	BONNET REAR UPPER	1				1.805	3.971
030	3A011-75660	ASSY TACHOMETER	1				0.235	0.517
040	31351-93720	ASSY GAUGE FUEL	1				0.125	0.275
050	31351-93730	ASSY GAUGE TEMP.	1				0.13	0.286
060	3A011-75670	CASE	1				0.45	0.99
070	31351-93760	GLASS WITH GASKET	1				0.475	1.045
080	34550-30180	ADAPTER	1				0.05	0.11
090	34670-93780	ASSY PLATE SUB	1				0.05	0.11
100	38240-31460	ASSY LAMP ELECTRIC	8				0.015	0.033
110	38240-31470	BULB	8			3.4W	0.01	0.022
120	38240-31480	SOCKET	8				0.001	0.0022
130	31351-93790	GASKET RUBBER	1				0.055	0.121
140	31351-93800	PLATE WIND	1				0.18	0.396
150	3A011-75680	LENS	1				0.015	0.033
160	31351-93820	LENS	2				0.005	0.011
170	34670-93830	CASE	1				0.195	0.429
180	31351-93840	CASE	1				0.13	0.286
190	35533-76160	SCREW	2				0.001	0.0022
200	35533-76230	SCREW WITH WASHER	6				0.002	0.0044
210	03514-50425	SCREW TAPPING	6				0.001	0.0022
220	03514-50414	SCREW TAPPING	5				0.001	0.0022
230	32530-94900	SCREW WITH WASHER	2				0.002	0.0044
240	3A011-75700	ASSY PLATE	1				0.105	0.231
250	03514-50420	SCREW	11				0.002	0.0044
260	32530-94690	SCREW TAPPING	2				0.001	0.0022

LIGHT



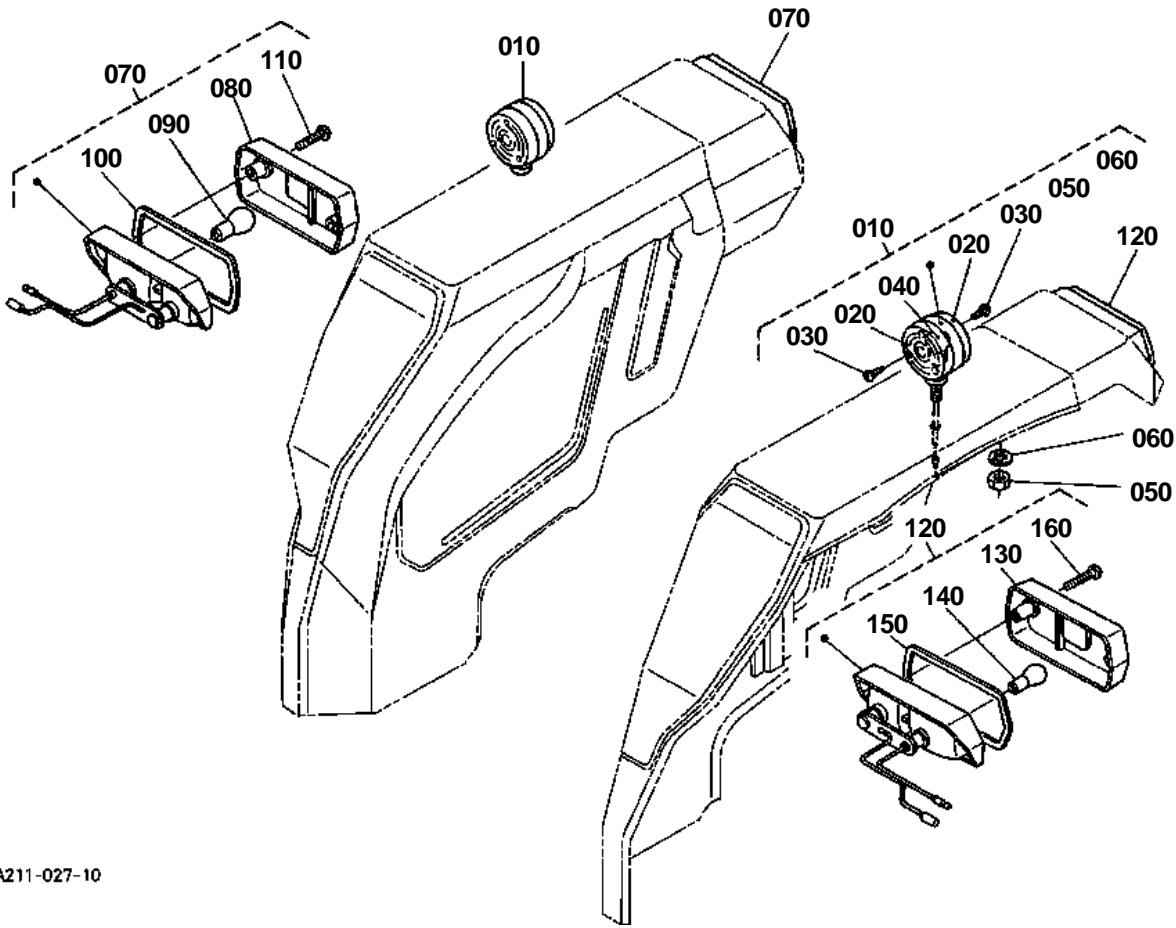


LIGHT

↔ Interchangeable; ≠ not interchangeable; ← new for old; → old for new

REF.No	Part No.	Description	Q'ty	S.No.	I/C	REMARKS	Weight (kgf)	Weight (lb)
010	3A011-75720	LIGHT HEAD RH	1				0.49	1.078
020	38450-33870	BULB	1			45W	0.025	0.055
030	3A011-75740	COMP.SOCKET	1				0.063	0.1386
040	3A011-75710	LIGHT HEAD LH	1				0.39	0.858
050	38450-33870	BULB	1			45W	0.025	0.055
060	3A011-75740	COMP.SOCKET	1				0.063	0.1386
070	3A011-75860	SCREW	6				0.006	0.0132
080	38240-33860	SPRING LIGHT	6				0.001	0.0022

HAZARD LIGHT/TAIL LIGHT [OLD TYPE]



3A211-027-10

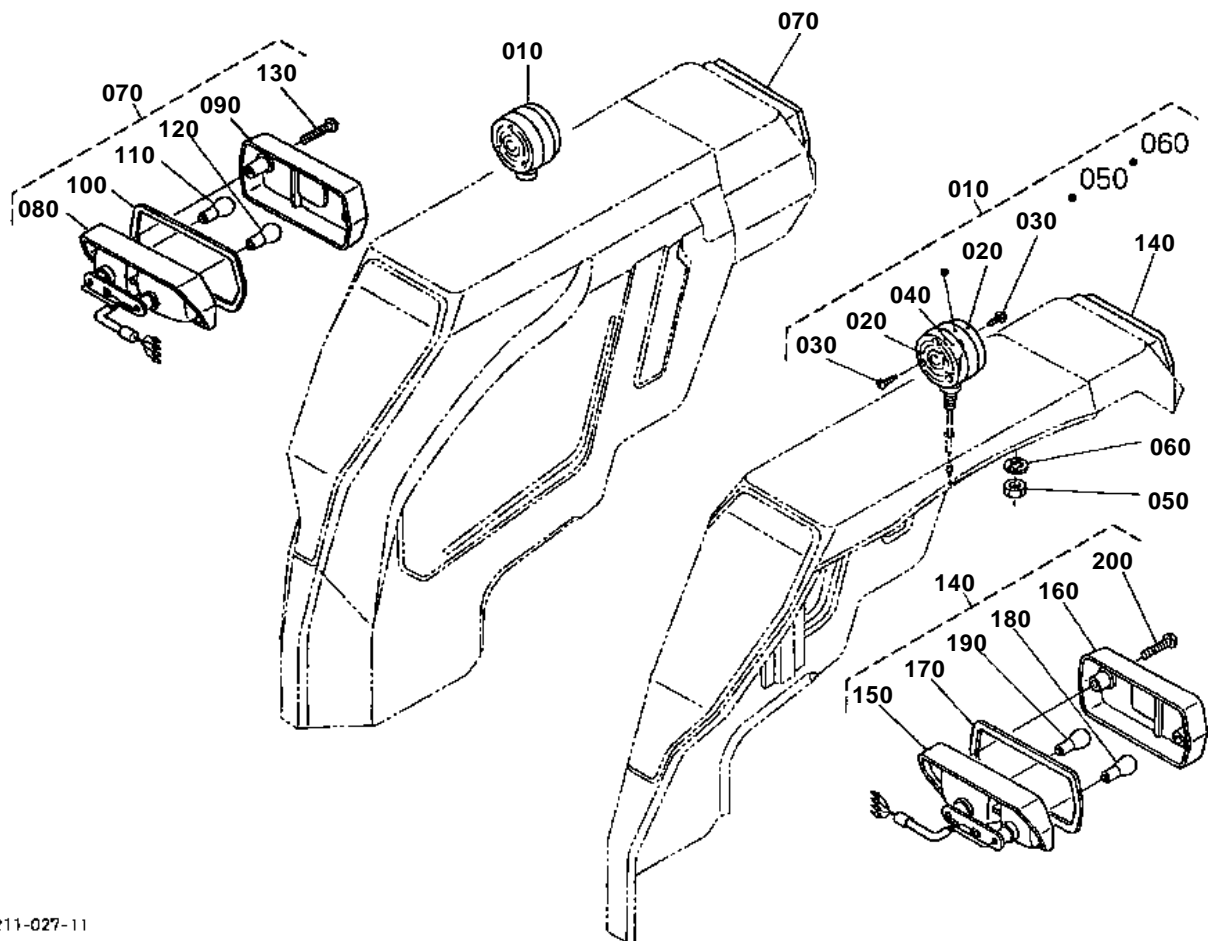
**HAZARD LIGHT/TAIL LIGHT [OLD TYPE]**

S.No.;<=12438

↔ Interchangeable; ≠ not interchangeable; ← new for old; → old for new

REF.No	Part No.	Description	Q'ty	S.No.	I/C	REMARKS	Weight (kgf)	Weight (lb)
010	32530-33610	ASSY LIGHT HAZARD	2				0.38	0.836
020	32530-91510	LENS HAZARD LIGHT	4				0.085	0.187
030	32530-91520	SCREW TAPPING	12				0.001	0.0022
040	32530-91530	BULB LIGHT	2			27W	0.02	0.044
050	02114-50100	NUT	2				0.005	0.011
060	04411-50100	WASHER TOOTHED	2				0.001	0.0022
070	3A011-75880	ASSY LIGHT TAIL RH	1				0.29	0.638
080	32530-91810	LENS REAR COMBI.	1				0.1	0.22
090	32530-91820	BULB LIGHT	1			8W	0.017	0.0374
100	32530-91860	GASKET	1				0.001	0.0022
110	32530-91840	SCREW	2				0.005	0.011
120	3A011-75890	ASSY LIGHT TAIL LH	1				0.29	0.638
130	32530-91810	LENS REAR COMBI.	1				0.1	0.22
140	32530-91820	BULB LIGHT	1			8W	0.017	0.0374
150	32530-91860	GASKET	1				0.001	0.0022
160	32530-91840	SCREW	2				0.005	0.011

HAZARD LIGHT/TAIL LIGHT [NEW TYPE]



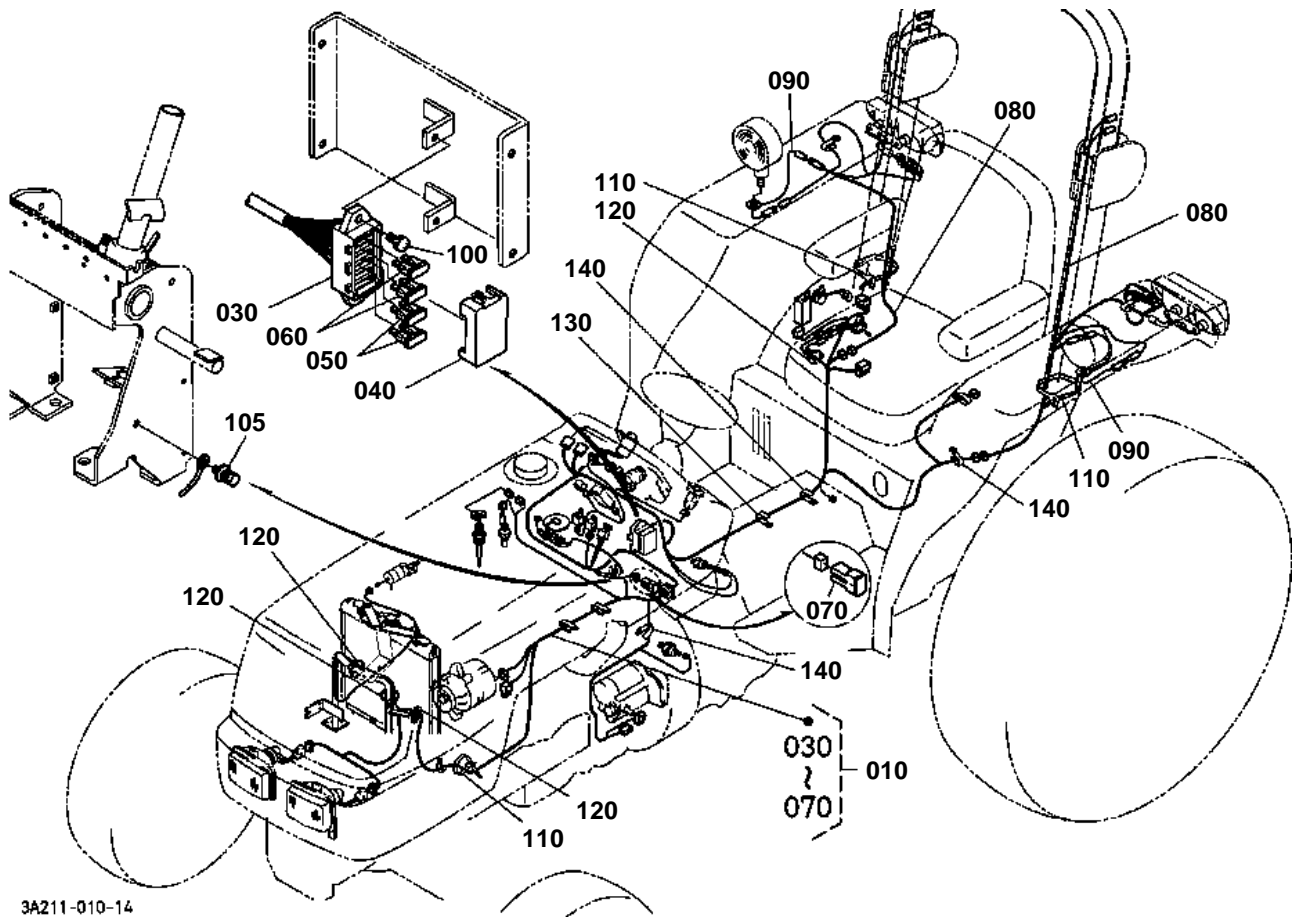
3A211-027-11

**HAZARD LIGHT/TAIL LIGHT [NEW TYPE]**

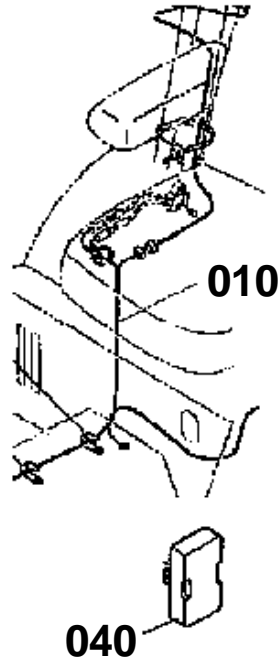
S.No.;>=12439

↔ Interchangeable; ≠ not interchangeable; ← new for old; → old for new

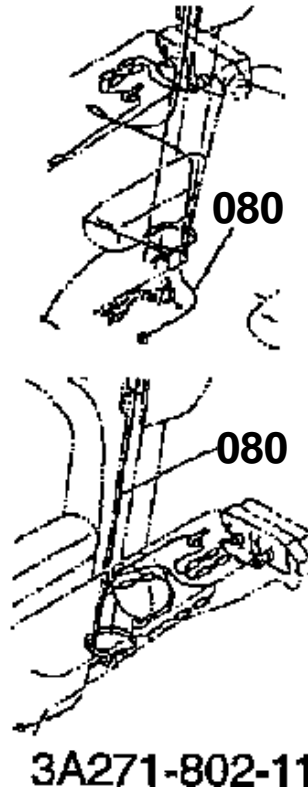
REF.No	Part No.	Description	Q'ty	S.No.	I/C	REMARKS	Weight (kgf)	Weight (lb)
010	32530-33610	ASSY LIGHT HAZARD	2				0.38	0.836
020	32530-91510	LENS HAZARD LIGHT	4				0.085	0.187
030	32530-91520	SCREW TAPPING	12				0.001	0.0022
040	32530-91530	BULB LIGHT	2			27W	0.02	0.044
050	02114-50100	NUT	2				0.005	0.011
060	04411-50100	WASHER TOOTHED	2				0.001	0.0022
070	31301-34303	ASSY LIGHT COMBI.RH	1				0.4	0.88
080	31301-34320	BODY RH	1				0.18	0.396
090	31301-34340	LENS	1				0.105	0.231
100	31391-34350	GASKET	1				0.002	0.0044
110	31391-34360	BULB	1			23W	0.018	0.0396
120	31301-34370	BULB	1			23W/8W	0.02	0.044
130	31391-34380	SCREW	2				0	0
130	T1150-34380	SCREW	2		<<		0.006	0.0132
140	31301-34313	ASSY LIGHT COMBI.LH	1				0.32	0.704
150	31301-34330	BODY LH	1				0.21	0.462
160	31301-34340	LENS	1				0.105	0.231
170	31391-34350	GASKET	1				0.002	0.0044
180	31391-34360	BULB	1			23W	0.018	0.0396
190	31301-34370	BULB	1			23W/8W	0.02	0.044
200	31391-34380	SCREW	2				0	0
200	T1150-34380	SCREW	2		<<		0.006	0.0132



010 3A211-7721-2
040 3A211-7737-0



080 3A011-7722-4

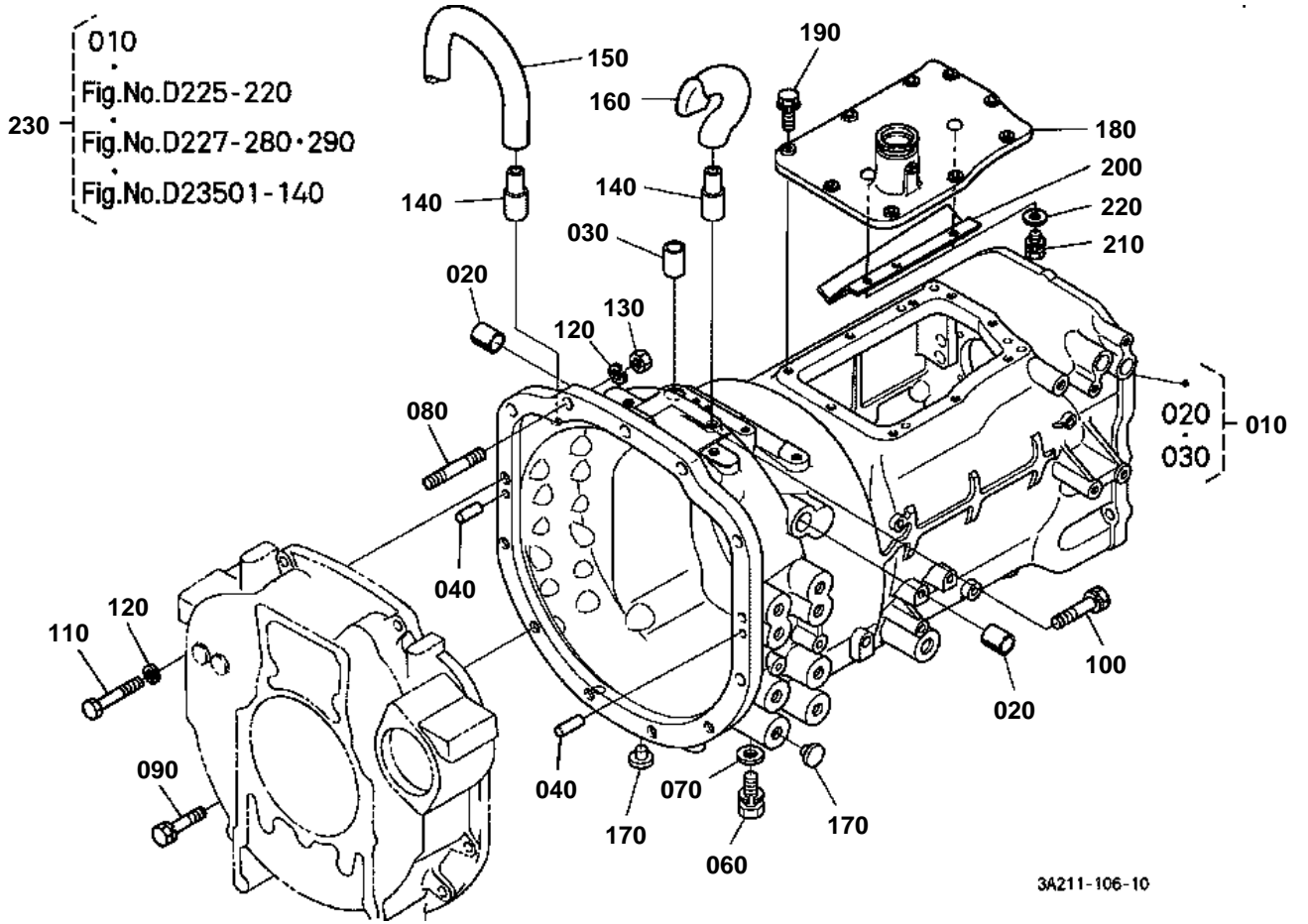


**ELECTRICAL WIRING**

↔ Interchangeable; ≠ not interchangeable; ← new for old; → old for new

REF.No	Part No.	Description	Q'ty	S.No.	I/C	REMARKS	Weight (kgf)	Weight (lb)
010	3A211-77212	WIRE HARNESS	1	<=13409			1.385	3.047
010	3A211-77214	WIRE HARNESS	1	>=13410	→		1.95	4.29
020	99999-99999	BLANK	0				0	0
030	3A211-77350	CASE FUSE	1				0.053	0.1166
040	3A211-77370	COVER FUSE CASE	1	<=13409			0.009	0.0198
040	3A221-77370	COVER FUSE CASE	1	>=13410	→		0	0
050	36730-75550	FUSE AUTO	3			10A	0.001	0.0022
060	35820-75560	FUSE AUTO	4			15A	0.002	0.0044
070	35080-34530	FUSE	1			50A	0.015	0.033
080	3A011-77224	WIRE HARNESS	2	<=12438			0.15	0.33
080	3A211-77220	WIRE HARNESS	2	>=12439	→		0.1	0.22
090	3A011-77300	WIRE HARNESS EARTH	2				0.008	0.0176
100	03034-50616	SCREW WITH WASHER	2				0.006	0.0132
105	01125-60820	BOLT	1				0.015	0.033
110	55311-41260	BAND CORD	3				0.007	0.0154
120	53581-64150	BAND CORD	4				0.002	0.0044
130	13824-67590	CLAMP CORD	1				0.002	0.0044
140	35340-29380	CLAMP CORD	3				0.01	0.022

CLUTCH HOUSING

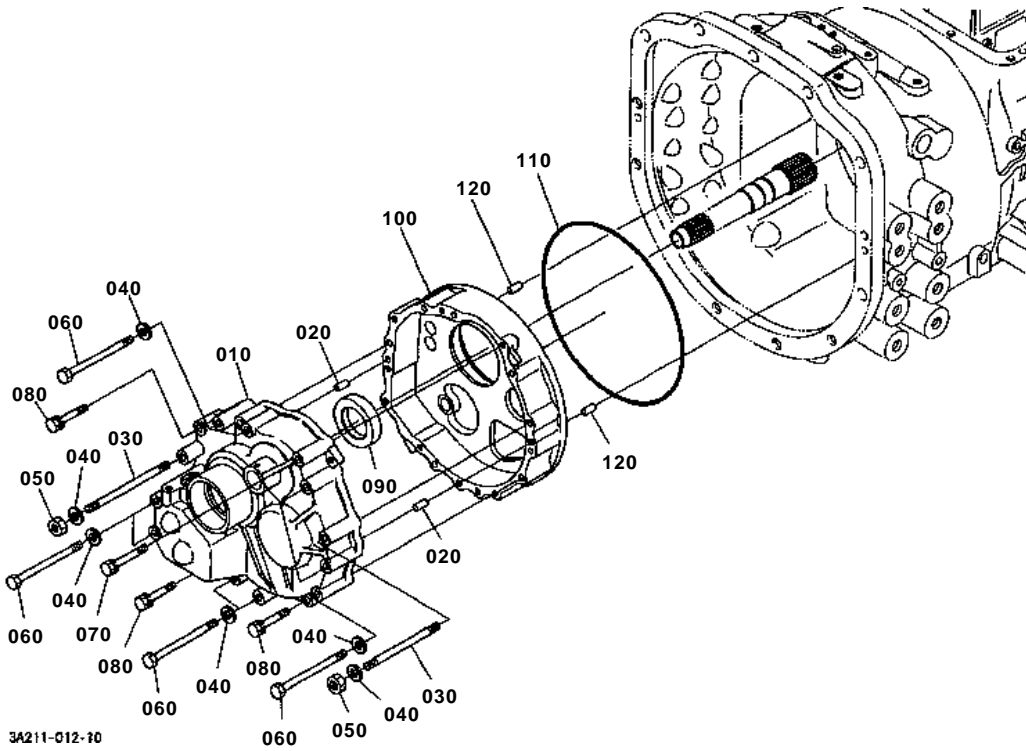


**CLUTCH HOUSING**

↔ Interchangeable; ≠ not interchangeable; ← new for old; → old for new

REF.No	Part No.	Description	Q'ty	S.No.	I/C	REMARKS	Weight (kgf)	Weight (lb)
010	3A211-21100	ASSY HOUSING CLUTCH	1	<=12037		NOT SALE ORDER BY REF.No.230	78	171.6
010	3A211-21102	ASSY HOUSING CLUTCH	1	>=12038	1		139	305.8
020	08511-02225	BUSH	2				0.02	0.044
030	08511-02030	BUSH	1				0.025	0.055
040	05012-01020	PIN STRAIGHT	2				0.013	0.0286
050	99999-99999	BLANK	0				0	0
060	06331-35012	PLUG	1	<=11745			0.022	0.0484
060	01133-51225	BOLT	1	>=11746	↵		0.035	0.077
070	04717-01200	WASHER WITH RUBBER	1	<=11745			0.002	0.0044
070	04013-60120	WASHER PLAIN	1	>=11746	↵		0.01	0.022
080	01574-61235	STUD	2				0.04	0.088
090	01133-51240	BOLT	8				0.05	0.11
100	01133-51245	BOLT	1				0.055	0.121
110	01173-51280	BOLT	1				0.1	0.22
120	04512-60120	WASHER SPRING	3				0.005	0.011
130	02176-50120	NUT	2				0.01	0.022
140	3A751-21630	PIPE BREATHER	2	<=12800			0.01	0.022
140	3A751-21632	PIPE BREATHER	2	>=12801	↵		0.01	0.022
150	36330-21200	PIPE BREATHER	1				0.05	0.11
160	33740-21620	BREATHER	1				0.005	0.011
170	33300-90910	PLUG	18				0.002	0.0044
180	3A011-21254	COVER HOUSING UPPER	1				2.8	6.16
190	01123-50825	BOLT	9				0.013	0.0286
200	3A111-21292	PLATE OIL GUIDE	1				0.055	0.121
210	01023-50612	BOLT	2				0.005	0.011
220	04013-60060	WASHER PLAIN	2				0.001	0.0022
230	3A211-97050	KIT HOUSING CLUTCH	1	<=12037			140	308

SHUTTLE GEAR CASE



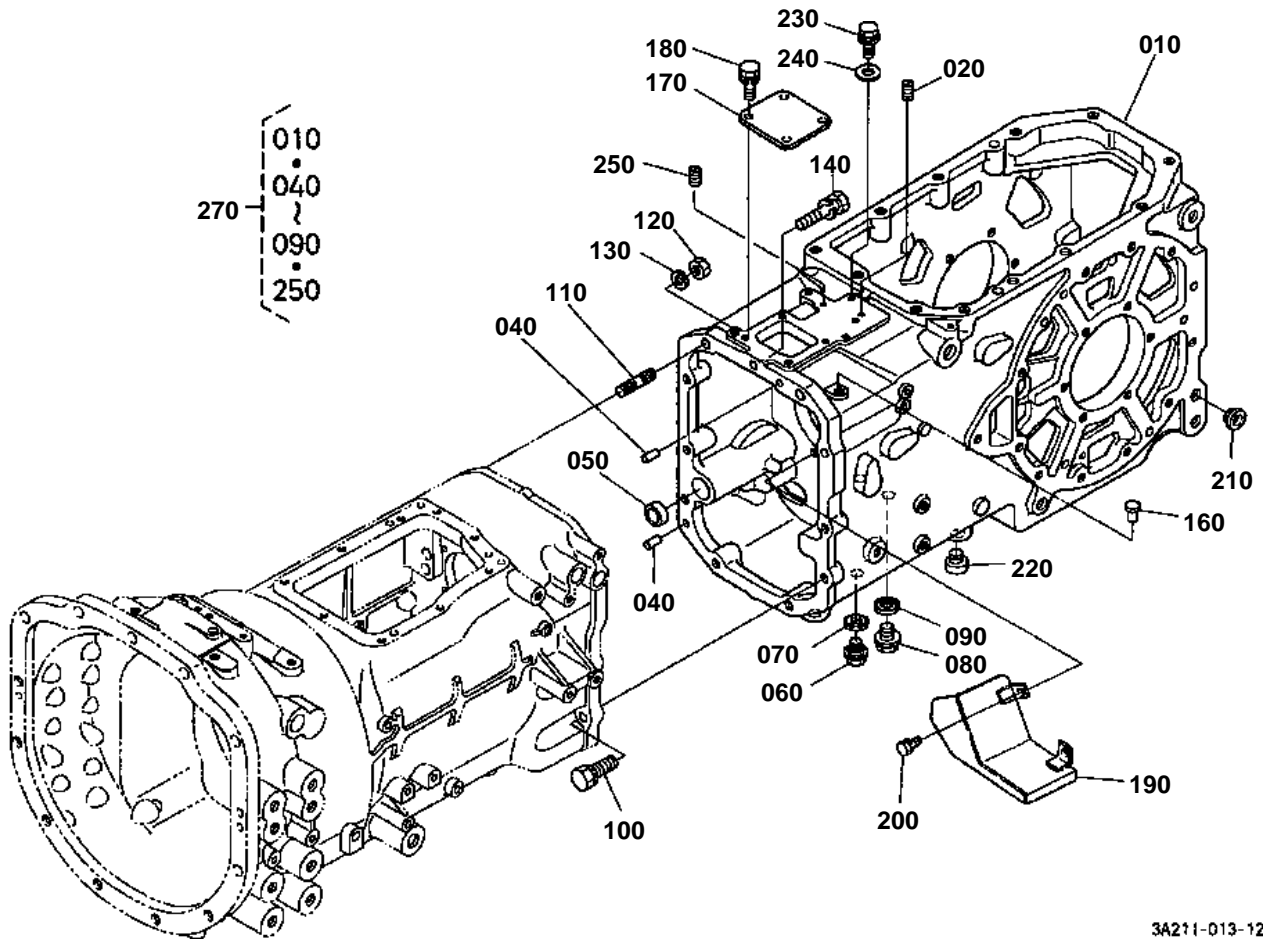


SHUTTLE GEAR CASE

↔ Interchangeable; ≠ not interchangeable; ← new for old; → old for new

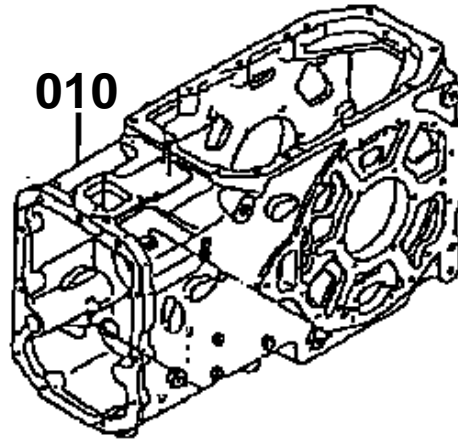
REF.No	Part No.	Description	Q'ty	S.No.	I/C	REMARKS	Weight (kgf)	Weight (lb)
010	3A211-24610	CASE GEAR SHUTTLE	1	<=12698			0	0
010	3A211-24613	CASE GEAR SHUTTLE	1	>=12699	-		8.18	17.996
020	05012-00818	PIN STRAIGHT	2				0.013	0.0286
030	32400-99450	STUD	2				0.05	0.11
040	04512-60080	WASHER SPRING	9				0.002	0.0044
050	02156-50080	NUT	2				0.004	0.0088
060	01156-50804	BOLT	7				0.041	0.0902
070	01128-50865	BOLT	3				0.027	0.0594
080	01128-50850	BOLT	3				0.115	0.253
090	3A211-24650	SEAL OIL	1				0.03	0.066
100	3A211-24660	CASE GEAR SHUTTLE	1				8.2	18.04
110	3A011-24620	O RING	1				0.007	0.0154
120	05012-00818	PIN STRAIGHT	2				0.013	0.0286

TRANSMISSION CASE



3A211-013-12

010 3A211-2131-0



020 04717-00600

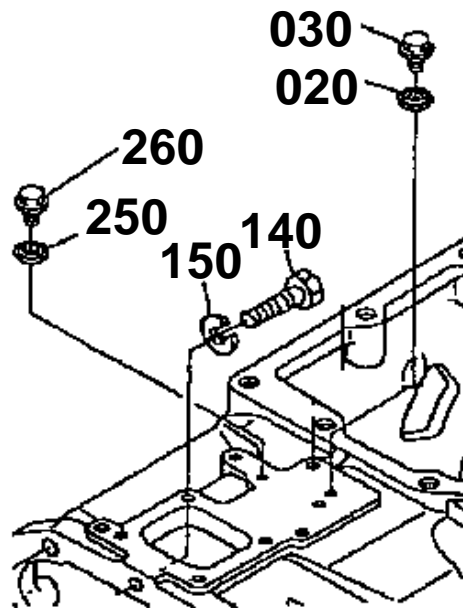
030 01754-50610

140 01176-51040

150 04512-60100

250 04717-00600

260 01754-50610



3A061-808-10

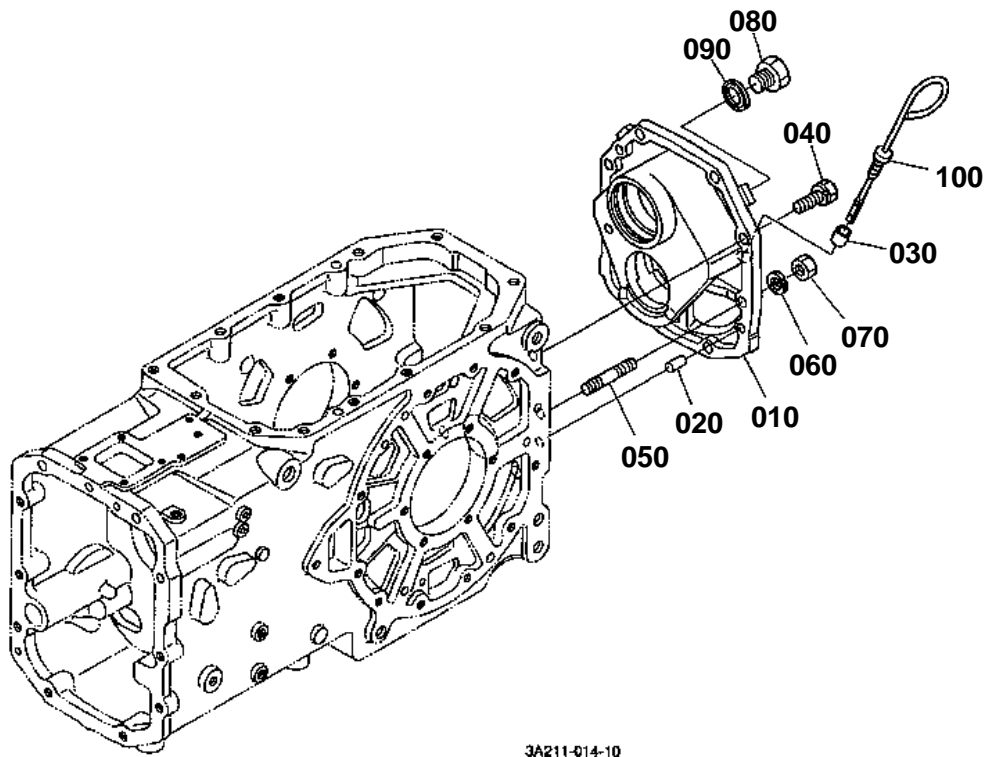


TRANSMISSION CASE

↔ Interchangeable; ≠ not interchangeable; ← new for old; → old for new

REF.No	Part No.	Description	Q'ty	S.No.	I/C	REMARKS	Weight (kgf)	Weight (lb)
010	3A211-21310	CASE TRANSMISSION	1	<=12222		NOT SALE ORDER BY REF.No.270	83	182.6
010	3A211-21312	CASE TRANSMISSION	1	>=12223	1		83	182.6
020	04717-00600	WASHER WITH RUBBER	1	<=12464			0.001	0.0022
020	03651-50608	SCREW SET	1	>=12465	1		0.001	0.0022
030	01754-50610	BOLT FLANGE	1	<=12464			0.006	0.0132
040	05012-01018	PIN STRAIGHT	2				0.012	0.0264
050	06311-85028	CAP SEALING	1				0.012	0.0264
060	06331-35020	PLUG	1				0.068	0.1496
070	04717-02000	WASHER WITH RUBBER	1				0.004	0.0088
080	06331-45016	PLUG	1				0.05	0.11
090	04717-01600	WASHER WITH RUBBER	1				0.003	0.0066
100	01133-51240	BOLT	6				0.05	0.11
110	3A111-21330	STUD	4				0	0
110	35340-14182	STUD	4		«		0.05	0.11
120	35340-27360	NUT	4				0.015	0.033
130	04512-60120	WASHER SPRING	4				0.005	0.011
140	01176-51040	BOLT	1	<=11985			0.03	0.066
140	01138-51040	BOLT	1	>=11986	↔		0.17	0.374
150	04512-60100	WASHER SPRING	1	<=11985			0.002	0.0044
160	35820-21520	PLUG	1				0.004	0.0088
170	3A011-21340	COVER CASE UPPER	1				0.325	0.715
180	01123-50820	BOLT	4				0.011	0.0242
190	3A111-21380	COVER SUCTION	1				0.225	0.495
200	01123-60816	BOLT	2				0.01	0.022
210	33300-90910	PLUG	4				0.002	0.0044
220	31220-14290	PLUG	4				0.002	0.0044
230	01754-50812	BOLT FLANGE	1				0.01	0.022
240	04013-60080	WASHER PLAIN	1				0.002	0.0044
250	04717-00600	WASHER WITH RUBBER	1	>=12223			0.001	0.0022
250	03651-50608	SCREW SET	1	>=12465	1		0.001	0.0022
260	01754-50610	BOLT FLANGE	1	>=12223			0.006	0.0132
260	01754-50610	BOLT FLANGE	1	<=12464			0.006	0.0132
270	3A211-97060	KIT CASE T/M	1	<=12222			83	182.6

TRANSMISSION CASE REAR COVER



3A211-014-10

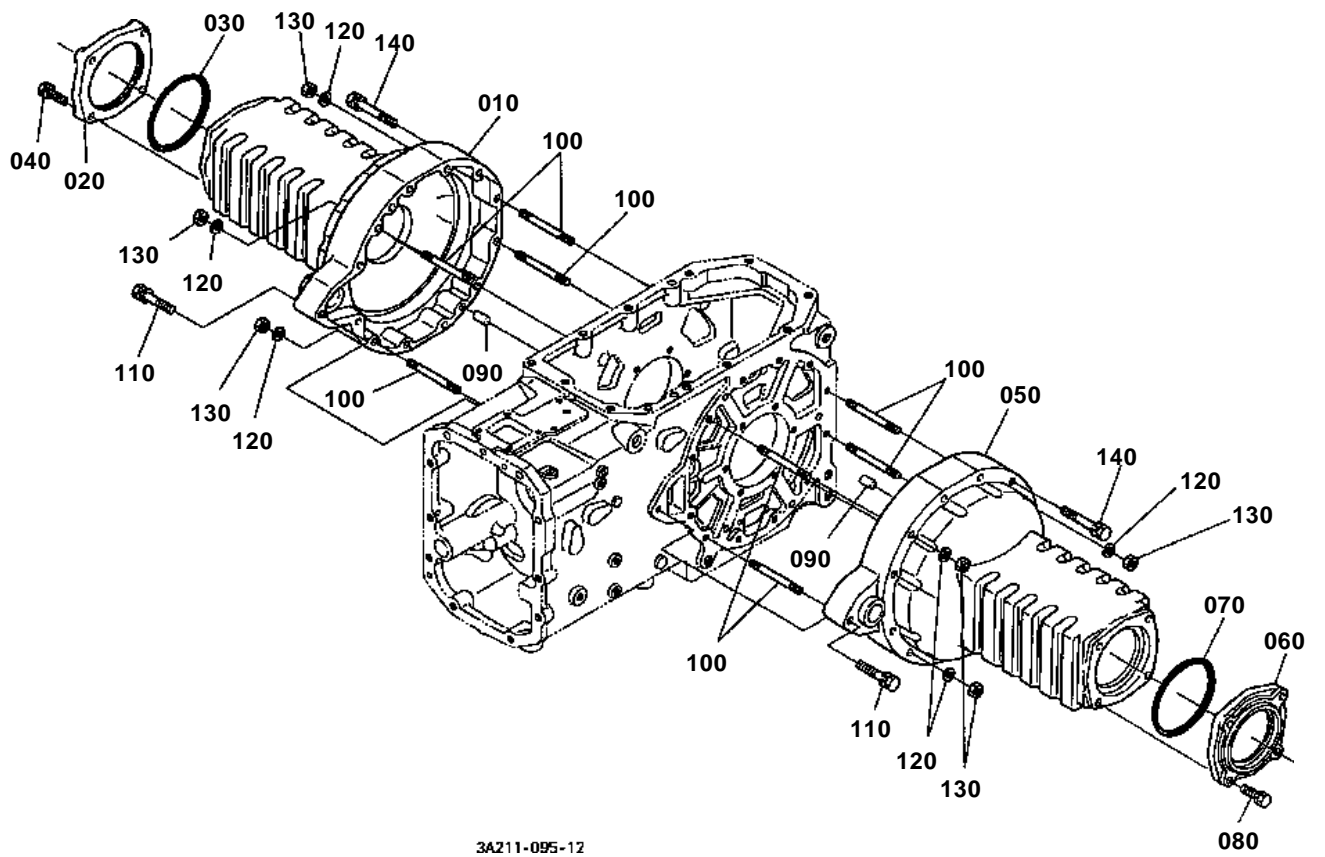


TRANSMISSION CASE REAR COVER

↔ Interchangeable; ≠ not interchangeable; ← new for old; → old for new

REF.No	Part No.	Description	Q'ty	S.No.	I/C	REMARKS	Weight (kgf)	Weight (lb)
010	3A211-21410	CASE GEAR	1				10	22
020	05012-01018	PIN STRAIGHT	2				0.012	0.0264
030	33960-21520	GUIDE OIL GAUGE	1				0.01	0.022
040	01133-51240	BOLT	6				0.05	0.11
050	01574-61235	STUD	2				0.04	0.088
060	04512-60120	WASHER SPRING	2				0.005	0.011
070	02174-50120	NUT	2				0.01	0.022
080	15512-96010	PLUG DRAIN	1				0.101	0.2222
090	04717-02150	WASHER WITH RUBBER	1				0.004	0.0088
100	3A211-21510	GAUGE OIL	1				0.025	0.055

REAR AXLE CASE



3A211-095-12

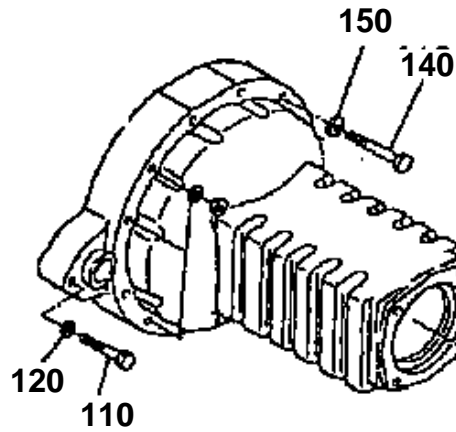
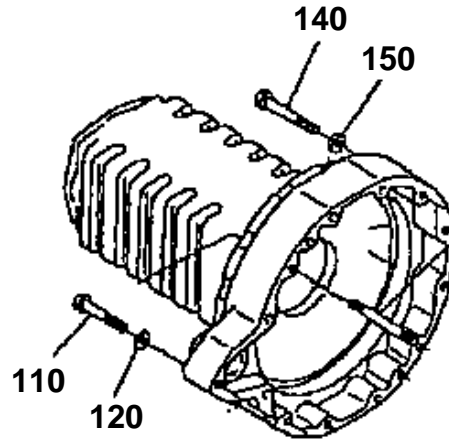
REAR AXLE CASE

110 01176-51265

120 04512-50120

140 01176-51280

150 04512-50120



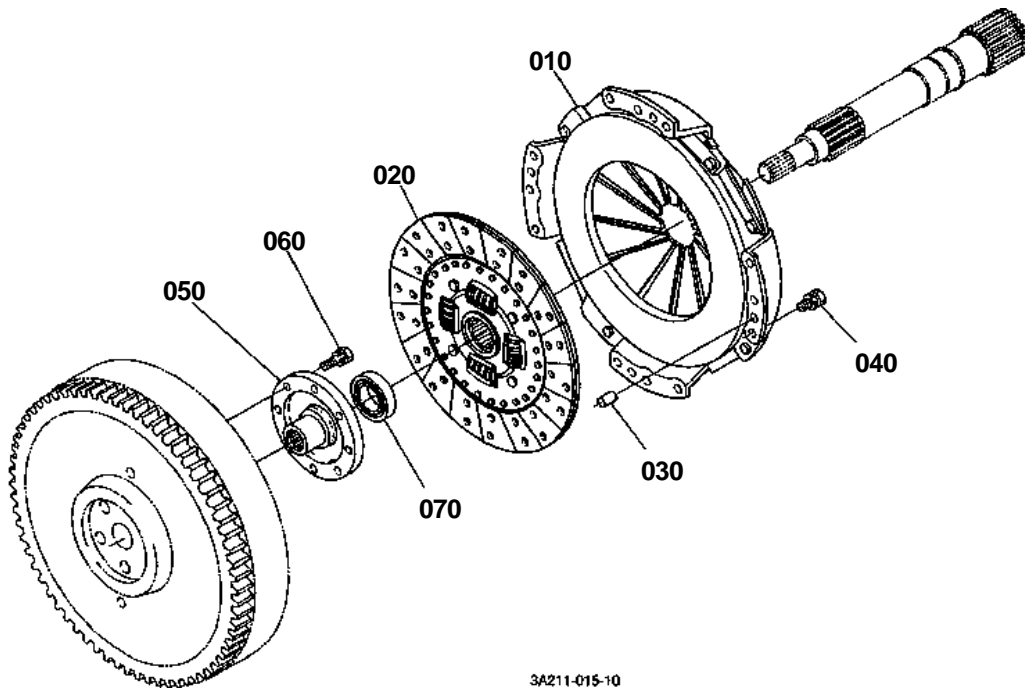
3A211-800-10

**REAR AXLE CASE**

↔ Interchangeable; ≠ not interchangeable; ← new for old; → old for new

REF.No	Part No.	Description	Q'ty	S.No.	I/C	REMARKS	Weight (kgf)	Weight (lb)
010	3A011-48114	CASE REAR AXLE	1				34	74.8
020	36330-48125	COVER REAR AXLE	1				1.36	2.992
030	04811-51200	O RING	1				0.004	0.0088
040	01133-51240	BOLT	4				0.05	0.11
050	3A011-48114	CASE REAR AXLE	1				34	74.8
060	36330-48125	COVER REAR AXLE	1				1.36	2.992
070	04811-51200	O RING	1				0.004	0.0088
080	01133-51240	BOLT	4				0.05	0.11
090	05012-01325	PIN STRAIGHT	4				0.028	0.0616
100	35340-27380	STUD	8				0.08	0.176
110	01176-51265	BOLT	2	<=11985			0.06	0.132
110	01138-51265	BOLT	2	>=11986	-		0.34	0.748
120	04512-60120	WASHER SPRING	10	<=11985			0.005	0.011
120	04512-60120	WASHER SPRING	8	>=11986			0.005	0.011
130	02176-50120	NUT	8				0.01	0.022
140	01176-51280	BOLT	16	<=11985			0.075	0.165
140	01138-51280	BOLT	16	>=11986	-		0.13	0.286
150	04512-60120	WASHER SPRING	16	<=11985			0.005	0.011

CLUTCH



3A211-015-10

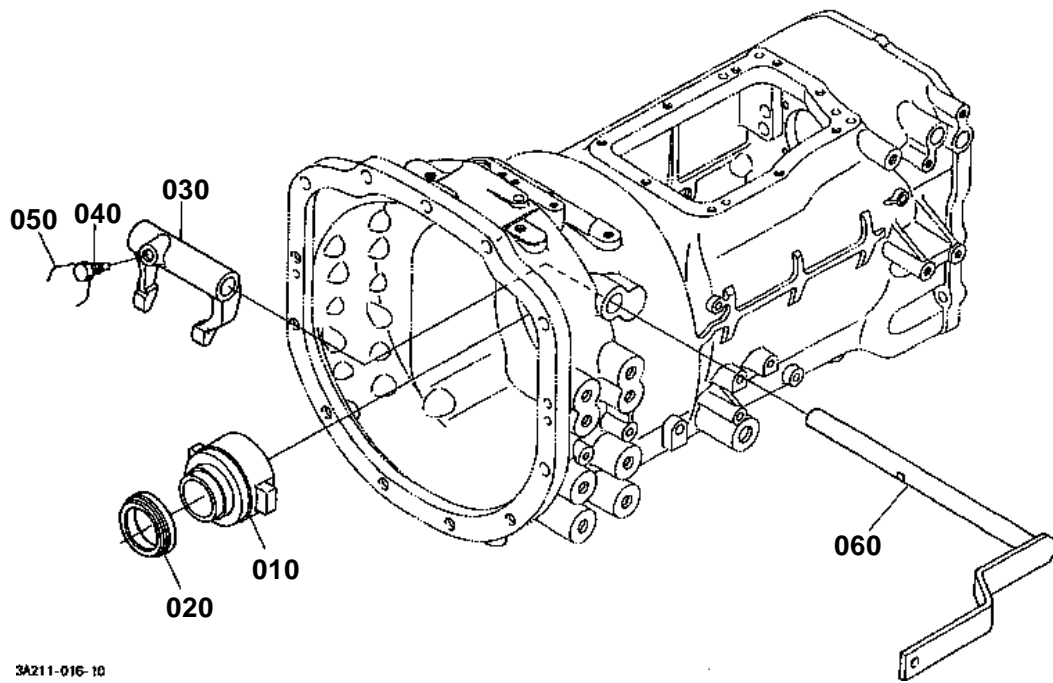


CLUTCH

↔ Interchangeable; ≠ not interchangeable; ← new for old; → old for new

REF.No	Part No.	Description	Q'ty	S.No.	I/C	REMARKS	Weight (kgf)	Weight (lb)
010	3A011-25110	ASSY COVER CLUTCH	1				9.5	20.9
020	3G700-25130	ASSY DISK CLUTCH	1				2.34	5.148
030	05012-01018	PIN STRAIGHT	2				0.012	0.0264
040	01123-50820	BOLT	12				0.011	0.0242
050	3A011-25510	BOSS SPLINE	1				0.895	1.969
060	01123-50830	BOLT	8				0.015	0.033
070	08141-06007	BEARING BALL	1	<=12288			0.147	0.3234
070	3F740-25250	BEARING BALL	1	>=12289	→		0.15	0.33

CLUTCH RELEASE FORK



3A211-016-10

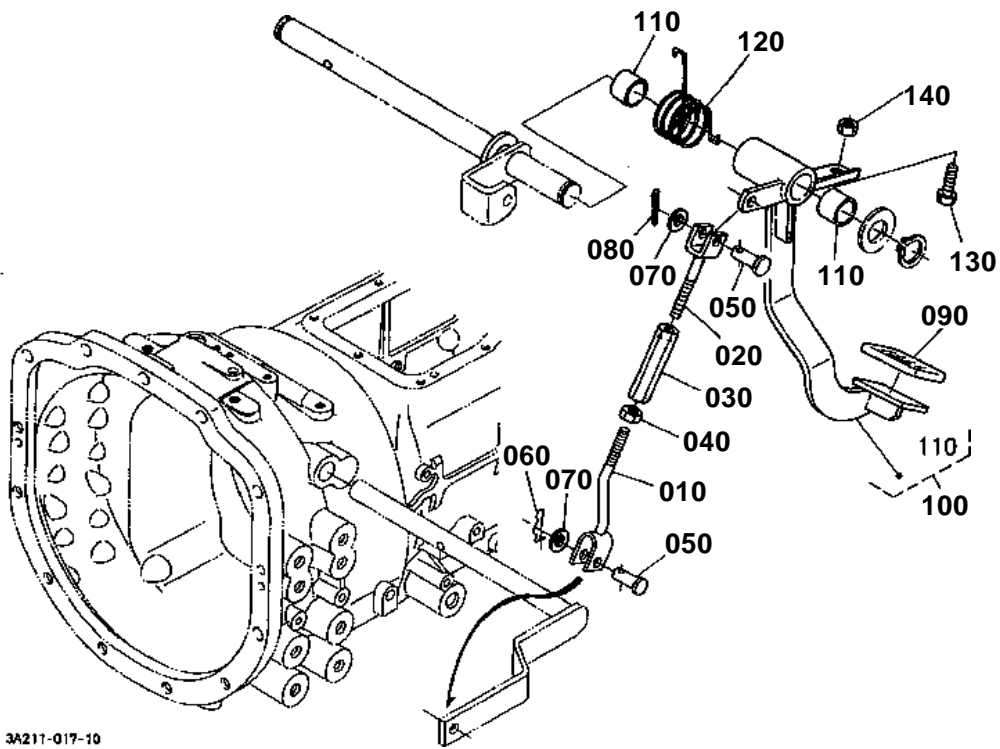


CLUTCH RELEASE FORK

↔ Interchangeable; ≠ not interchangeable; ← new for old; → old for new

REF.No	Part No.	Description	Q'ty	S.No.	I/C	REMARKS	Weight (kgf)	Weight (lb)
010	3A211-26310	HUB CLUTCH RELEASE	1				1.07	2.354
020	TA040-20700	BEARING RELEASE	1				0.29	0.638
030	3A211-26190	FORK CLUTCH RELEASE	1				0.975	2.145
040	3A111-26350	BOLT SET	1				0.045	0.099
050	99999-99999	WIRE	1				0	0
060	3A211-26210	LEVER CLUTCH RELEASE	1				1.53	3.366

CLUTCH PEDAL



3A211-017-10

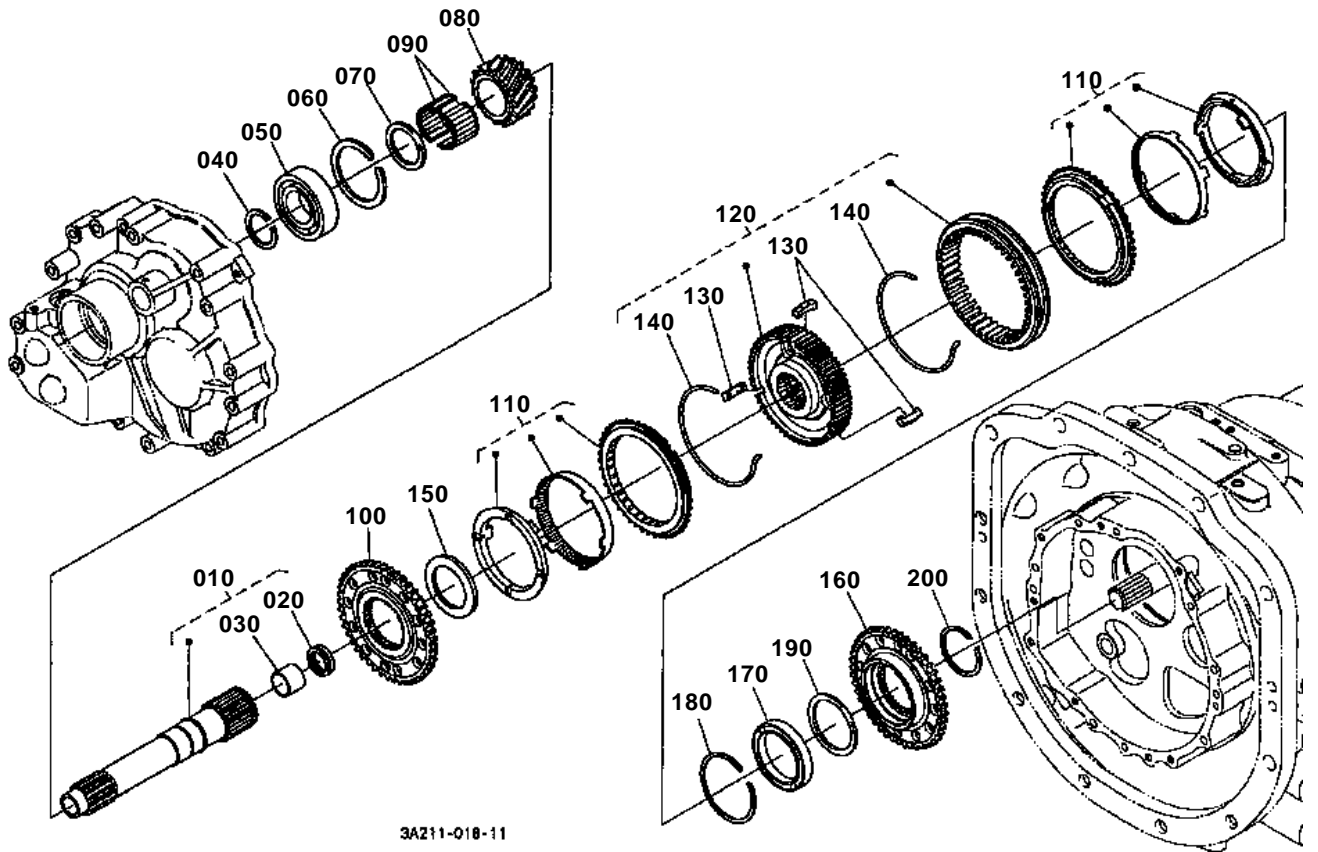


CLUTCH PEDAL

↔ Interchangeable; ≠ not interchangeable; ← new for old; → old for new

REF.No	Part No.	Description	Q'ty	S.No.	I/C	REMARKS	Weight (kgf)	Weight (lb)
010	3A211-26230	ROD CLUTCH	1				0.14	0.308
020	3A011-26240	ROD CLUTCH	1				0.11	0.242
030	32350-28980	TURNBUCKLE	1				0.124	0.2728
040	02176-50100	NUT	1				0.005	0.011
050	38430-15790	PIN JOINT	2				0.02	0.044
060	52300-34130	PIN SNAP	1				0.004	0.0088
070	04013-60100	WASHER PLAIN	2				0.003	0.0066
080	05511-50318	PIN SPLIT	1				0.001	0.0022
090	37410-44120	COVER PEDAL	1				0.08	0.176
100	3A211-26100	ASSY PEDAL CLUTCH	1				1.67	3.674
110	08511-02825	BUSH	2				0.04	0.088
120	3A011-26150	SPRING	1				0.115	0.253
130	01153-50835	BOLT	1				0.016	0.0352
140	02116-50080	NUT	1				0.003	0.0066

INPUT SHAFT



3A211-018-11

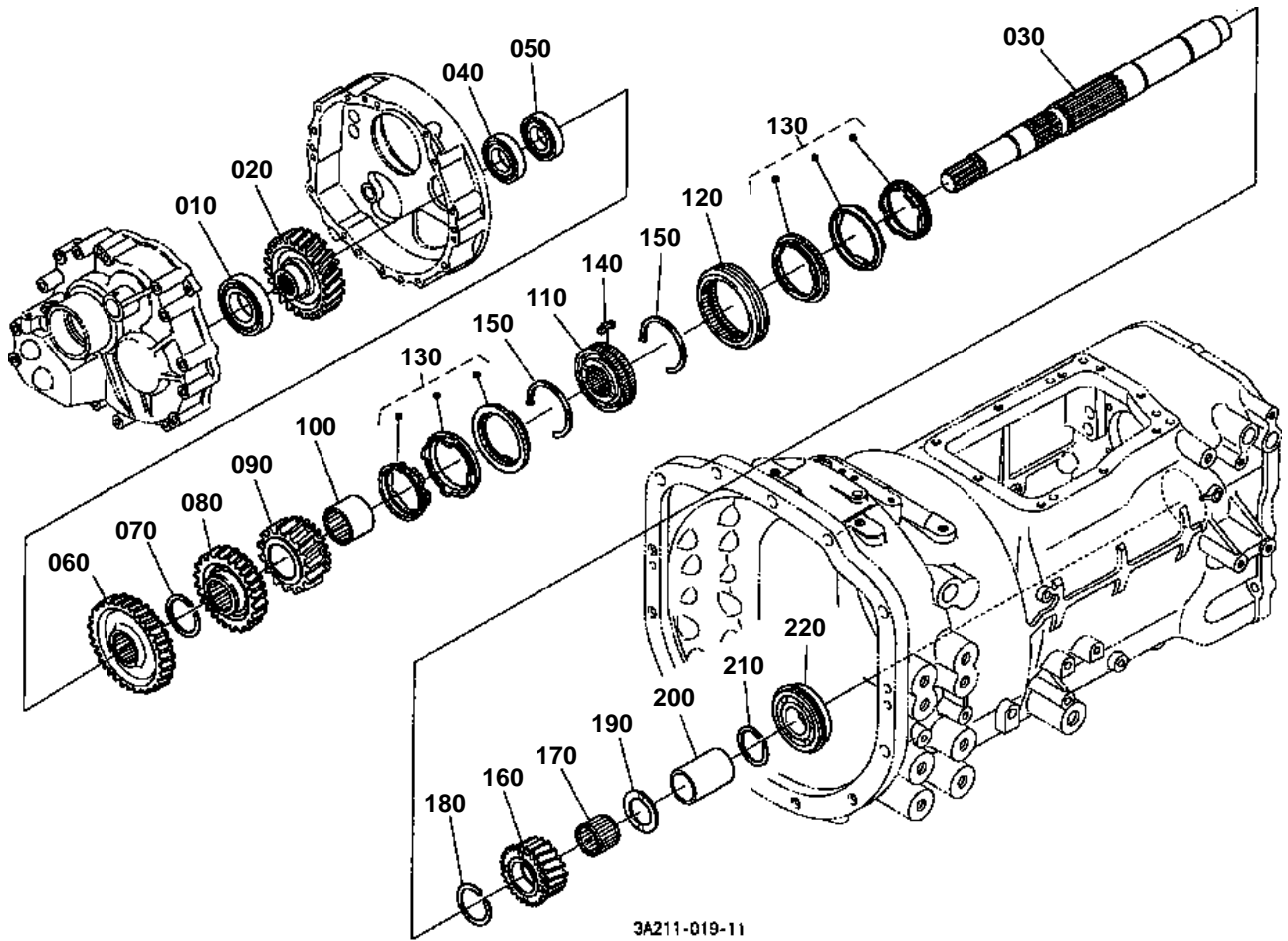


INPUT SHAFT

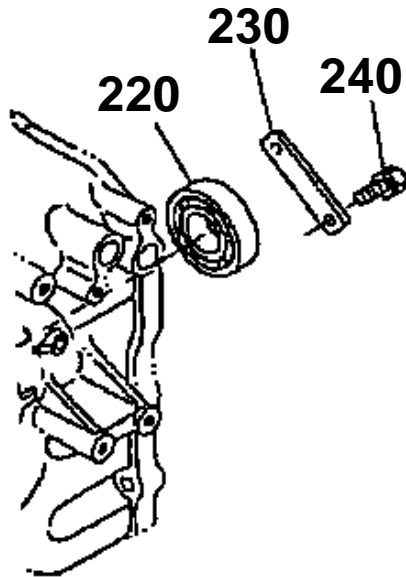
↔ Interchangeable; ≠ not interchangeable; ← new for old; → old for new

REF.No	Part No.	Description	Q'ty	S.No.	I/C	REMARKS	Weight (kgf)	Weight (lb)
010	3A211-28200	ASSY SHAFT INPUT	1				1.205	2.651
020	3A211-24330	SEAL OIL	1				0.005	0.011
030	08511-02520	BUSH	1				0.02	0.044
040	36730-28043	CIR-CLIP EXTERNAL	1				0.01	0.022
050	36602-23430	BEARING BALL	1				0.3	0.66
060	04611-00800	CIR CLIP INTERNAL	1				0.02	0.044
070	3A211-23420	BEARING THRUST	1				0.013	0.0286
080	3A211-23330	GEAR	1	<=11164		20T	0	0
080	3A211-23332	GEAR	1	>=11165	↔	20T	0	0
080	3A211-23333	GEAR	1	>=12517	↔	20T	0.37	0.814
090	3A211-23230	BEARING NEEDLE	1				0.055	0.121
100	3A211-23320	HOLDER SYNCHRONIZER	1	<=11164			0	0
100	3A211-23322	HOLDER SYNCHRONIZER	1	>=11165	↔		0.375	0.825
110	3A211-23700	ASSY SYNCHRO	2				0.46	1.012
120	3A211-23600	ASSY COUPLING	1				1.15	2.53
130	3A211-23750	KEY SYNCHRONIZER	3				0.005	0.011
140	33960-34840	SPRING SYNCHRONIZER	2				0.007	0.0154
150	3F740-30430	NEEDOL THRUST	1				0.024	0.0528
160	3A211-23343	HOLDER SYNCHRONIZER	1				0.52	1.144
170	08101-06810	BEARING BALL	1				0.05	0.11
180	3A211-23240	CIR-CLIP INTERNAL	1				0.006	0.0132
190	3A211-23260	COLLAR THRUST	1			2.0mm	0.01	0.022
200	3A211-23360	CIR CLIP EXTERNAL	1				0.005	0.011

FIRST SHAFT



220 08101-06306
230 3A011-2869-0
240 01128-50825



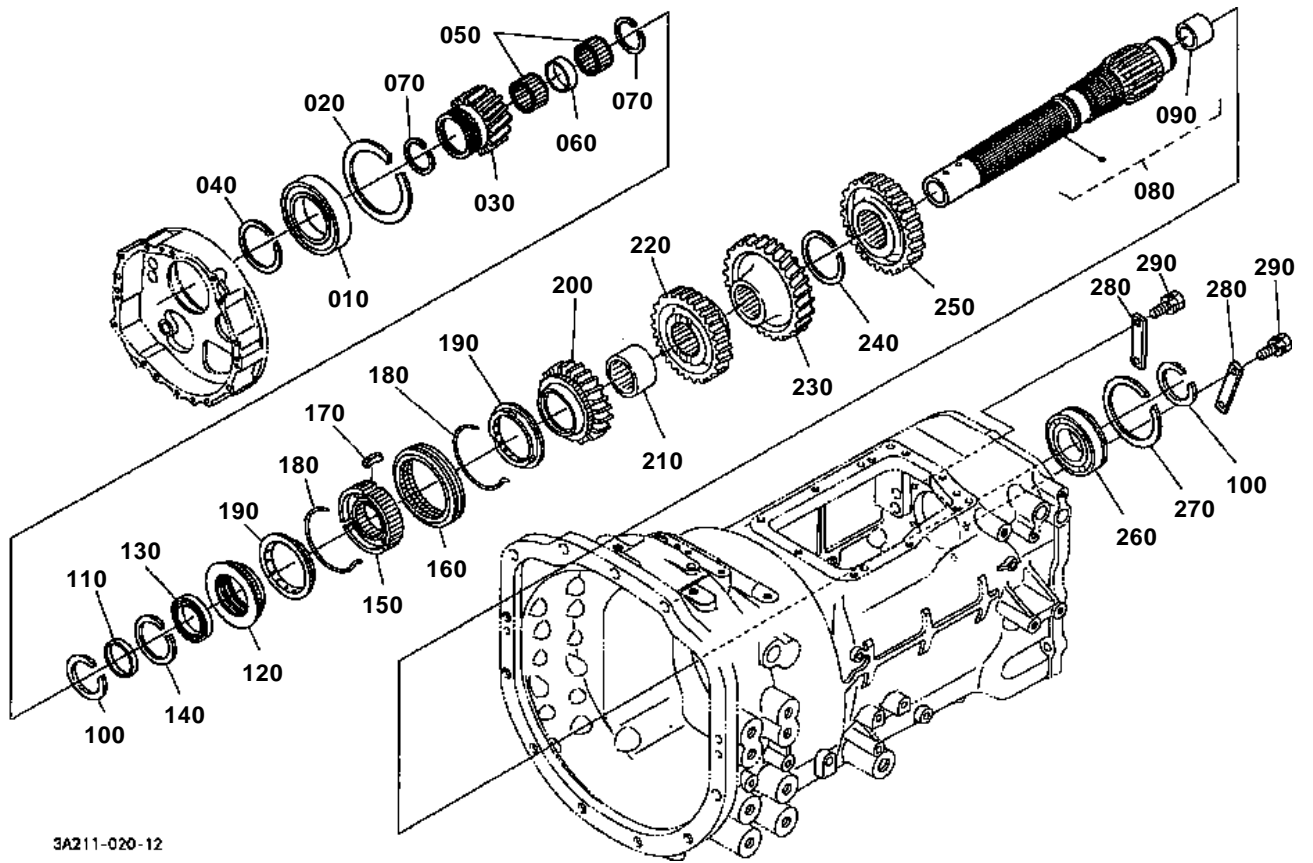
3A215-800-10

**FIRST SHAFT**

↔ Interchangeable; ≠ not interchangeable; ← new for old; → old for new

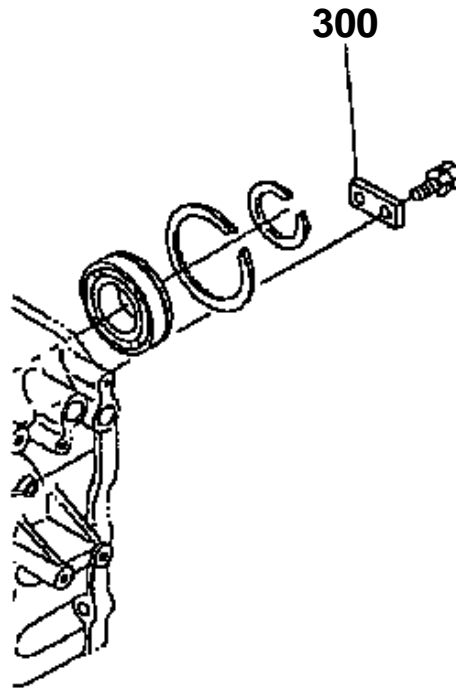
REF.No	Part No.	Description	Q'ty	S.No.	I/C	REMARKS	Weight (kgf)	Weight (lb)
010	08101-06207	BEARING BALL	1				0.282	0.6204
020	3A211-23390	GEAR	1			31T	0.955	2.101
030	3A211-28060	SHAFT	1				3.05	6.71
040	08131-06006	BEARING BALL	1				0.116	0.2552
050	08101-06006	BEARING BALL	1				0.13	0.286
060	3A211-30280	GEAR	1			34T	0.815	1.793
070	36730-28043	CIR-CLIP EXTERNAL	1				0.01	0.022
080	3A211-28230	GEAR	1			25T	0.68	1.496
090	3A211-28220	GEAR	1			17T	0	0
100	32530-21820	RACE INNER	1				0.09	0.198
110	3A211-28450	COUPLING	1	<=11985			0	0
110	3A212-28450	COUPLING	1	>=11986	→		0	0
110	3A212-28452	COUPLING	1	>=12971	→		0.29	0.638
120	34076-62253	SHIFTER	1				0.235	0.517
130	TA040-22460	ASSY SYNCHRO	2				0.12	0.264
140	32430-21440	KEY SYNCHRONIZER	3				0.004	0.0088
150	38360-21780	SPRING	2				0.001	0.0022
160	3A211-28210	GEAR	1			19T	0.39	0.858
170	08823-74227	BEARING NEEDLE	1				0.03	0.066
180	33740-23540	CIR-CLIP NEEDLE	1				0.003	0.0066
190	36280-41150	WASHER THRUST	1			3.0mm	0.04	0.088
200	3A011-28010	COLLAR	1			73mm	0.35	0.77
210	33740-27292	CIR CLIP EXTERNAL	1				0.007	0.0154
220	08101-06306	BEARING BALL	1	<=12037			0.335	0.737
220	08151-06306	BEARING BALL	1	>=12038	↑		0.35	0.77
230	3A011-28690	RETAINER BEARING	1	<=12037			0.06	0.132
240	01123-50825	BOLT	2	<=11745			0.013	0.0286
240	01128-50825	BOLT	2	>=11746	→		0.015	0.033
240	01128-50825	BOLT	2	<=12037			0.015	0.033

SECOND SHAFT



3A211-020-12

300 3A211-2869-0



3A215-801-10

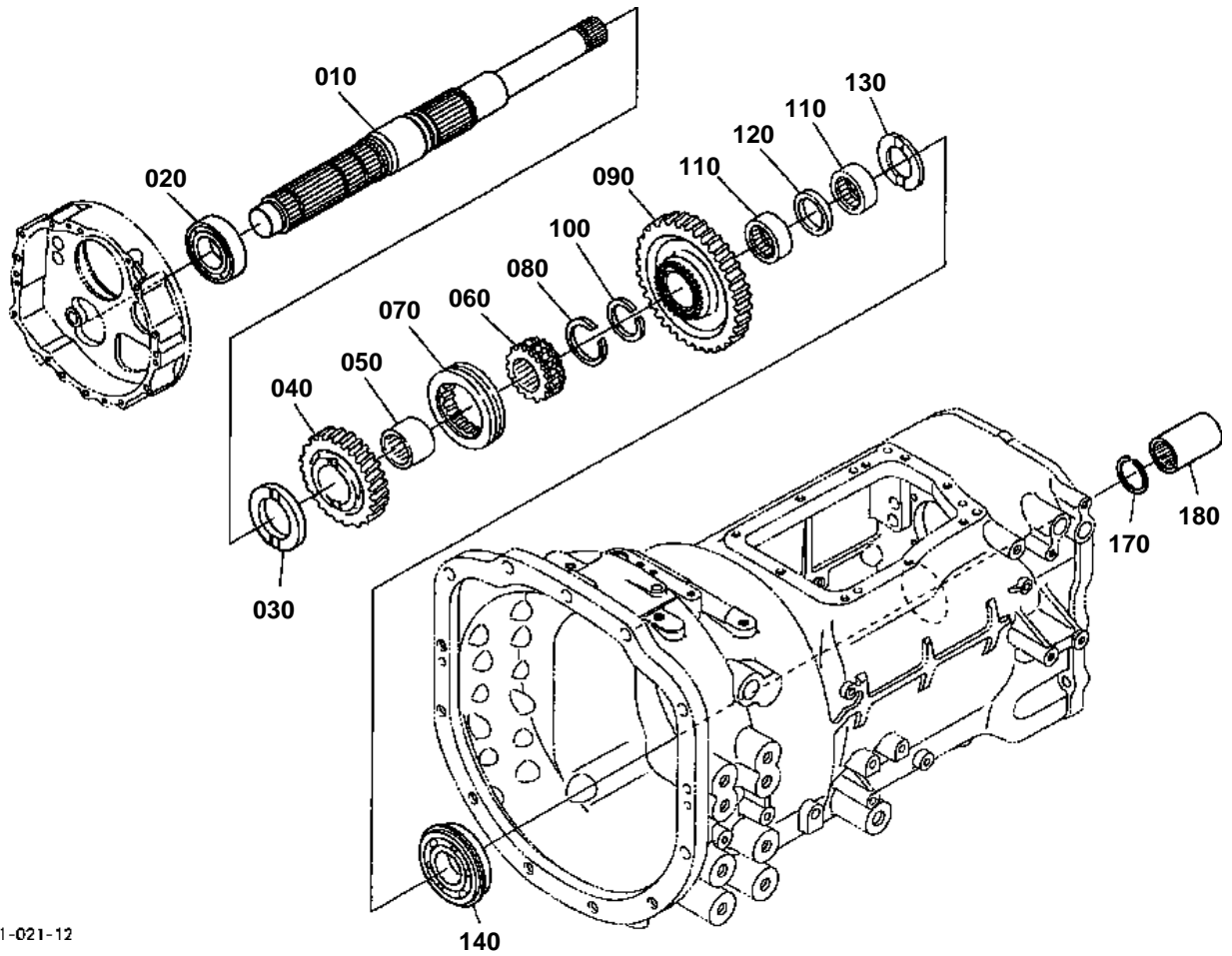


SECOND SHAFT

↔ Interchangeable; ≠ not interchangeable; ← new for old; → old for new

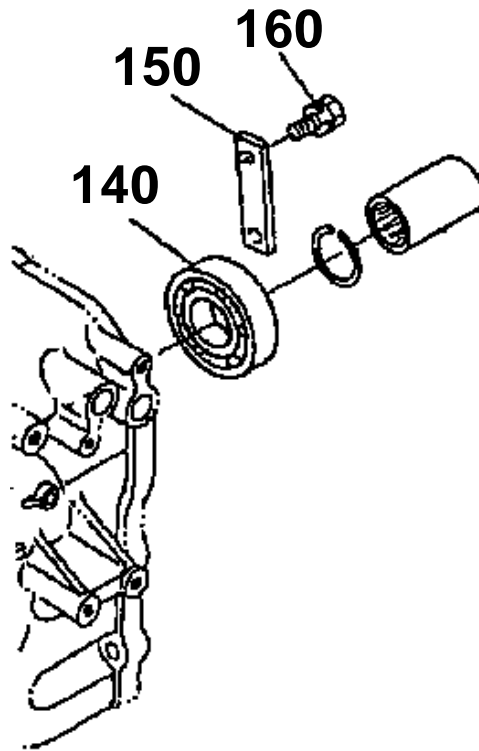
REF.No	Part No.	Description	Q'ty	S.No.	I/C	REMARKS	Weight (kgf)	Weight (lb)
010	08131-06211	BEARING BALL	1				0.57	1.254
020	32751-28650	CIR CLIP INTERNAL	1				0.04	0.088
030	3A211-28240	GEAR	1			21T	0.52	1.144
040	33740-24670	CIR CLIP EXTERNAL	1				0.015	0.033
050	3A151-28340	BEARING NEEDLE	2				0.04	0.088
060	3A211-24770	COLLAR	1			8.5mm	0.025	0.055
070	33860-17880	CIR CLIP INTERNAL	2				0.001	0.0022
080	3A211-28100	ASSY GEAR-SHAFT	1			13T	2.04	4.488
090	08511-02520	BUSH	1				0.02	0.044
100	36730-28043	CIR-CLIP EXTERNAL	2				0.01	0.022
110	3A151-28420	COLLAR	1	<=12698		5.8mm	0	0
110	3A151-28422	COLLAR	1	>=12699	→	5.8mm	0.014	0.0308
110	3A151-28430	COLLAR	1	<=11985		5.9mm	0	0
110	3A151-28440	COLLAR	1	>=11986	↑	6.2mm	0	0
110	3A151-28442	COLLAR	1	>=12699	→	6.2mm	0.015	0.033
110	3A151-28413	COLLAR	1	<=12698		6.0mm	0	0
110	3A151-28414	COLLAR	1	>=12699	→	6.0mm	0.015	0.033
120	3A012-28410	RING SYNCHRONIZER	1				0.185	0.407
130	3A012-28550	BEARING BALL	1				0.034	0.0748
140	36710-31410	CIR CLIP INTERNAL	1				0.08	0.176
150	3A012-28380	COUPLING	1				0.24	0.528
160	3A012-28390	SHIFTER	1				0.24	0.528
170	32430-21440	KEY SYNCHRONIZER	3				0.004	0.0088
180	38360-21780	SPRING	2				0.001	0.0022
190	3F740-28450	RING SYNCHRONIZER	2				0.05	0.11
200	3A012-28280	GEAR	1			23T	0.71	1.562
210	32530-21820	RACE INNER	1				0.09	0.198
220	3A211-28270	GEAR	1			24T	0.965	2.123
230	3A111-28260	GEAR	1			36T	1.215	2.673
240	36730-28050	CIR-CLIP EXTERNAL	1				0.01	0.022
250	3A211-30290	GEAR	1			24T	0.85	1.87
260	3A211-28810	BEARING BALL	1				0.35	0.77
270	3A211-28820	CIR CLIP EXTERNAL	1				0.015	0.033
280	3A011-28690	RETAINER BEARING	1	<=12037			0.06	0.132
280	3A011-28690	RETAINER BEARING	2	>=12038			0.06	0.132
290	01123-50825	BOLT	4	<=11745			0.013	0.0286
290	01128-50825	BOLT	4	>=11746	→		0.015	0.033
300	3A211-28690	RETAINER BEARING	1	<=12037			0.07	0.154

THIRD SHAFT [W/O CREEP]



3A211-021-12

140 36540-4113-0
150 3A011-2869-0
160 01128-50825



3A215-802-10

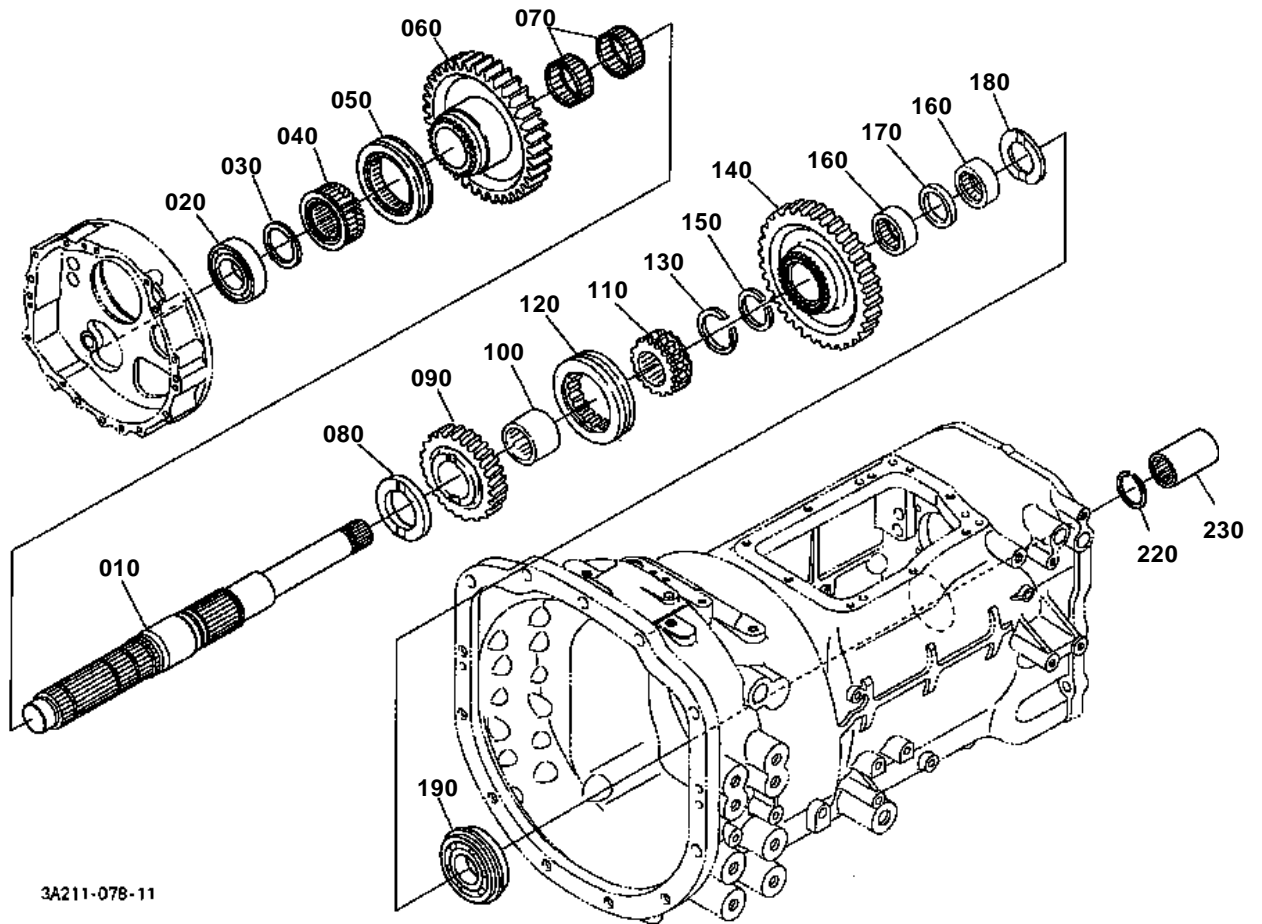


THIRD SHAFT [W/O CREEP]

↔ Interchangeable; ≠ not interchangeable; ← new for old; → old for new

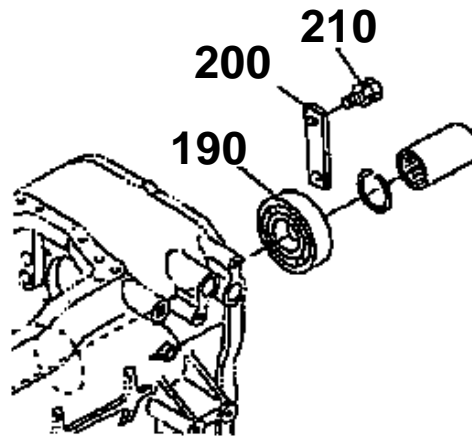
REF.No	Part No.	Description	Q'ty	S.No.	I/C	REMARKS	Weight (kgf)	Weight (lb)
010	3A211-28160	SHAFT	1				3.4	7.48
020	36540-41130	BEARING BALL	1				0.34	0.748
030	3A211-28180	SPACER	1			8.9mm	0.115	0.253
040	3A111-28290	GEAR	1			21T	0.725	1.595
050	32530-21820	RACE INNER	1				0.09	0.198
060	3A011-28460	BOSS SPLINE	1				0.165	0.363
070	3A011-28470	SHIFTER	1				0.275	0.605
080	36730-28043	CIR-CLIP EXTERNAL	1				0.01	0.022
090	3A211-31230	GEAR	1			41-19T	2.045	4.499
100	33740-23540	CIR-CLIP NEEDLE	1				0.003	0.0066
110	3A011-28360	BEARING NEEDLE	2				0.036	0.0792
120	3A211-28340	COLLAR	1			8.0mm	0.014	0.0308
130	36330-28710	COLLAR THRUST	1			3.0mm	0.03	0.066
140	36540-41130	BEARING BALL	1	<=12037			0.34	0.748
140	3A051-28300	BEARING BALL	1	>=12038	1		0.355	0.781
150	3A011-28690	RETAINER BEARING	1	<=12037			0.06	0.132
160	01123-50825	BOLT	2	<=11745			0.013	0.0286
160	01128-50825	BOLT	2	>=11746	1		0.015	0.033
160	01128-50825	BOLT	2	<=12037			0.015	0.033
170	38430-25540	CIR CLIP EXTERNAL	1				0.004	0.0088
180	32530-20690	COUPLING	1				0.21	0.462

THIRD SHAFT [WITH CREEP] [CS]



3A211-078-11

190 36540-4113-0
200 3A011-2869-0
210 01128-50825



3A211-806-10

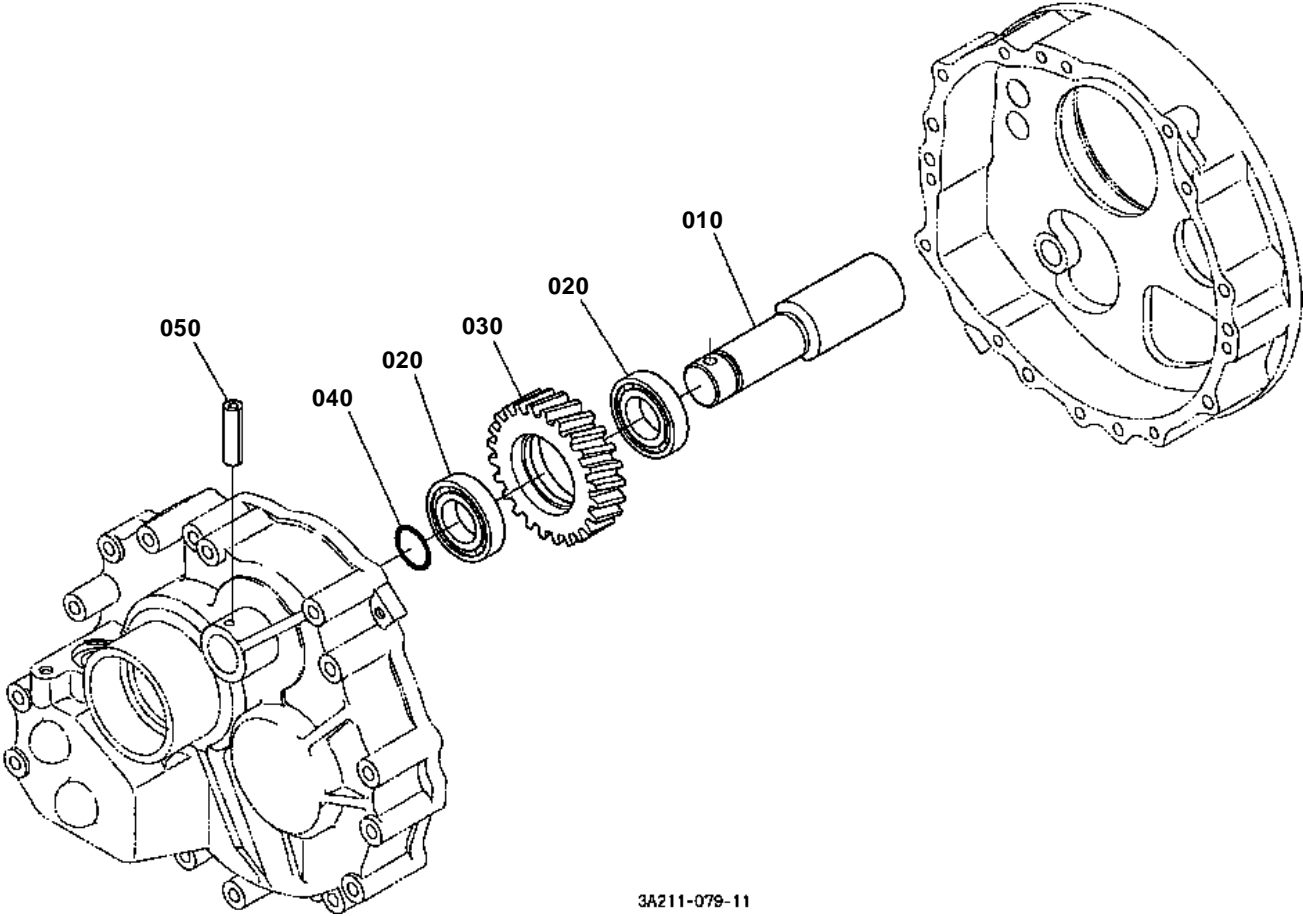


THIRD SHAFT [WITH CREEP] [CS]

↔ Interchangeable; ≠ not interchangeable; ← new for old; → old for new

REF.No	Part No.	Description	Q'ty	S.No.	I/C	REMARKS	Weight (kgf)	Weight (lb)
010	3A211-28160	SHAFT	1				3.4	7.48
020	36540-41130	BEARING BALL	1				0.34	0.748
030	36730-28043	CIR-CLIP EXTERNAL	1				0.01	0.022
040	3A211-28480	BOSS SPLINE	1				0.21	0.462
050	3A011-28470	SHIFTER	1				0.275	0.605
060	3A111-31240	GEAR CREEP	1			47T	1.975	4.345
070	08824-34817	BEARING NEEDLE	2				0.03	0.066
080	3A211-28180	SPACER	1			8.9mm	0.115	0.253
090	3A111-28290	GEAR	1			21T	0.725	1.595
100	32530-21820	RACE INNER	1				0.09	0.198
110	3A011-28460	BOSS SPLINE	1				0.165	0.363
120	3A011-28470	SHIFTER	1				0.275	0.605
130	36730-28043	CIR-CLIP EXTERNAL	1				0.01	0.022
140	3A211-31230	GEAR	1			41-19T	2.045	4.499
150	33740-23540	CIR-CLIP NEEDLE	1				0.003	0.0066
160	3A011-28360	BEARING NEEDLE	2				0.036	0.0792
170	3A211-28340	COLLAR	1			8.0mm	0.014	0.0308
180	36330-28710	COLLAR THRUST	1			3.0mm	0.03	0.066
190	36540-41130	BEARING BALL	1	<=12037			0.34	0.748
190	3A051-28300	BEARING BALL	1	>=12038	1		0.355	0.781
200	3A011-28690	RETAINER BEARING	1	<=12037			0.06	0.132
210	01123-50825	BOLT	2	<=11745			0.013	0.0286
210	01128-50825	BOLT	2	>=11746	1		0.015	0.033
210	01128-50825	BOLT	2	<=12037			0.015	0.033
220	38430-25540	CIR CLIP EXTERNAL	1				0.004	0.0088
230	32530-20690	COUPLING	1				0.21	0.462

BACK IDLE SHAFT



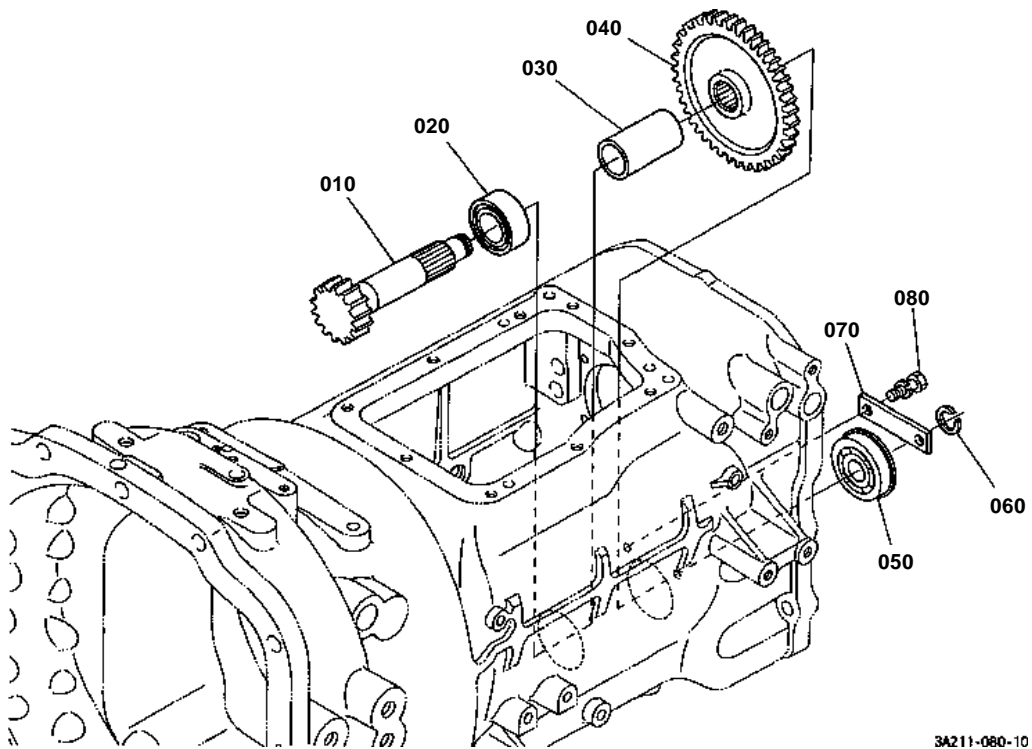


BACK IDLE SHAFT

↔ Interchangeable; ≠ not interchangeable; ← new for old; → old for new

REF.No	Part No.	Description	Q'ty	S.No.	I/C	REMARKS	Weight (kgf)	Weight (lb)
010	3A211-23450	SHAFT BACK IDLE	1				0.44	0.968
020	08101-06005	BEARING BALL	2				0.157	0.3454
030	3A211-23410	GEAR	1			25T	0.505	1.111
040	04816-00210	O RING	1				0.004	0.0088
040	04816-00210	O RING	1		-		0.004	0.0088
050	05411-00640	PIN SPRING	1				0.006	0.0132

CREEP SHAFT [WITH CREEP] [CS]



3A211-080-10

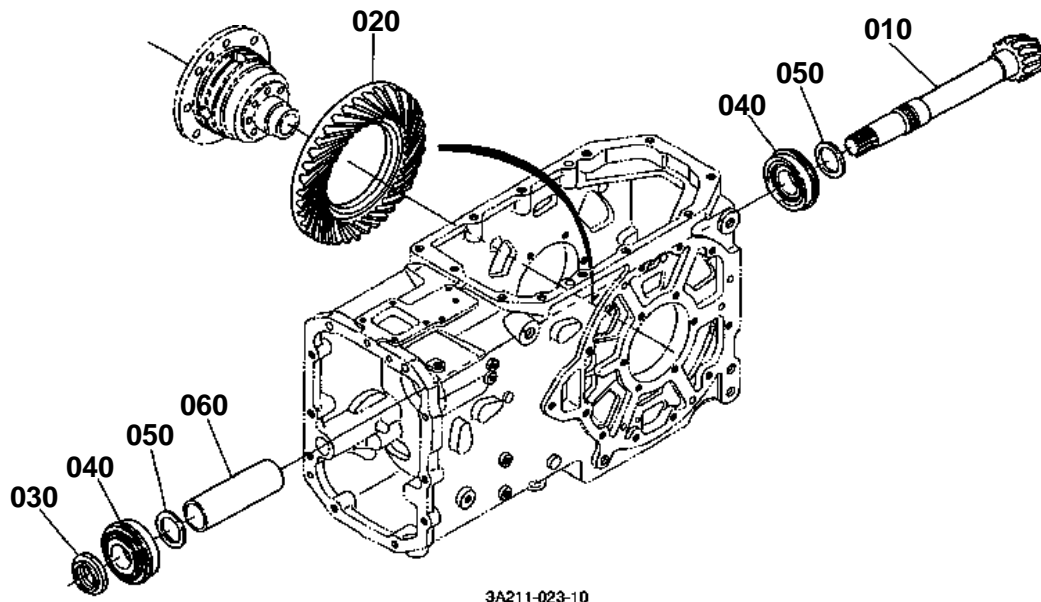


CREEP SHAFT [WITH CREEP] [CS]

↔ Interchangeable; ≠ not interchangeable; ← new for old; → old for new

REF.No	Part No.	Description	Q'ty	S.No.	I/C	REMARKS	Weight (kgf)	Weight (lb)
010	3A011-31280	GEAR-SHAFT CREEP	1			15T	0.695	1.529
020	33740-31180	BEARING ROLLER	1				0.22	0.484
030	32430-21600	COLLAR(SC)	1				0.15	0.33
040	3A011-31250	GEAR CREEP	1			43T	1.11	2.442
050	08151-06304	BEARING BALL	1				0.148	0.3256
060	3A011-31290	CIR CLIP EXTERNAL	1				0.005	0.011
070	3A011-28690	RETAINER BEARING	1				0.06	0.132
080	01123-50825	BOLT	2	<=11745			0.013	0.0286
080	01128-50825	BOLT	2	>=11746	→		0.015	0.033

BEVEL GEAR [OLD TYPE]



3A211-023-10

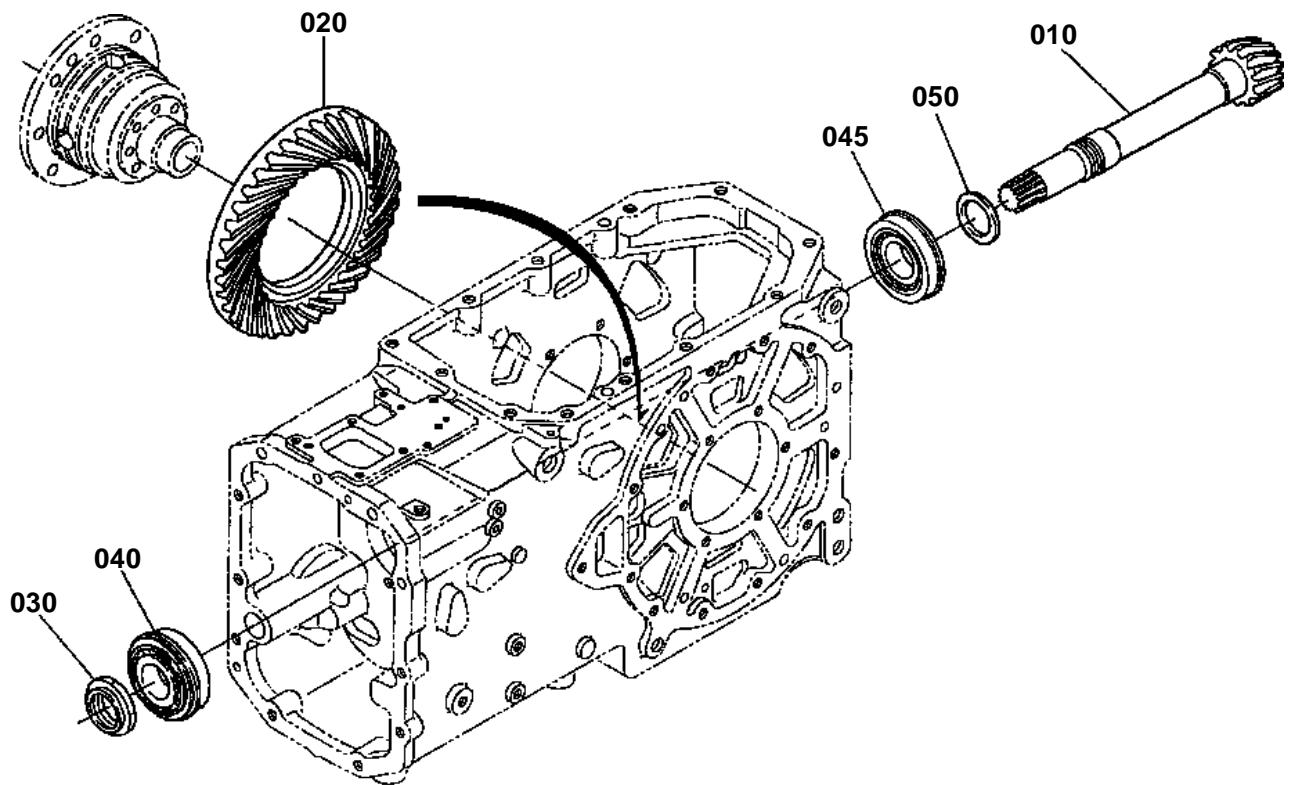
**BEVEL GEAR [OLD TYPE]**

S.No.;<=12438

↔ Interchangeable; ≠ not interchangeable; ← new for old; → old for new

REF.No	Part No.	Description	Q'ty	S.No.	I/C	REMARKS	Weight (kgf)	Weight (lb)
010	3A211-32410	SHAFT BEVEL GEAR	1			9T	3.3	7.26
020	3A211-32430	GEAR BEVEL	1				6.1	13.42
030	36330-32580	NUT PINION SHAFT	1			39T	0.08	0.176
040	36330-32570	BEARING TAPER-ROLLER	2				0.76	1.672
050	33251-32450	COLLAR PINION ADJUST	2			1.00mm	0.005	0.011
050	33251-32460	COLLAR PINION ADJUST	2			1.50mm	0.008	0.0176
050	33251-32470	COLLAR PINION ADJUST	2			1.70mm	0.009	0.0198
050	33251-32480	COLLAR PINION ADJUST	2			1.75mm	0.01	0.022
050	33251-32490	COLLAR PINION ADJUST	2			1.80mm	0.01	0.022
050	33251-32510	COLLAR PINION ADJUST	2			1.90mm	0.011	0.0242
050	33251-32520	COLLAR PINION ADJUST	2			2.00mm	0.011	0.0242
050	33251-32530	COLLAR PINION ADJUST	2			2.10mm	0.011	0.0242
050	33251-32540	COLLAR PINION ADJUST	2			2.20mm	0.011	0.0242
050	33251-32550	COLLAR PINION ADJUST	2			2.25mm	0.012	0.0264
050	33251-32560	COLLAR PINION ADJUST	2			2.30mm	0.012	0.0264
060	3A011-32440	COLLAR	1			147mm	0.645	1.419

BEVEL GEAR [NEW TYPE]



3A211-023-11

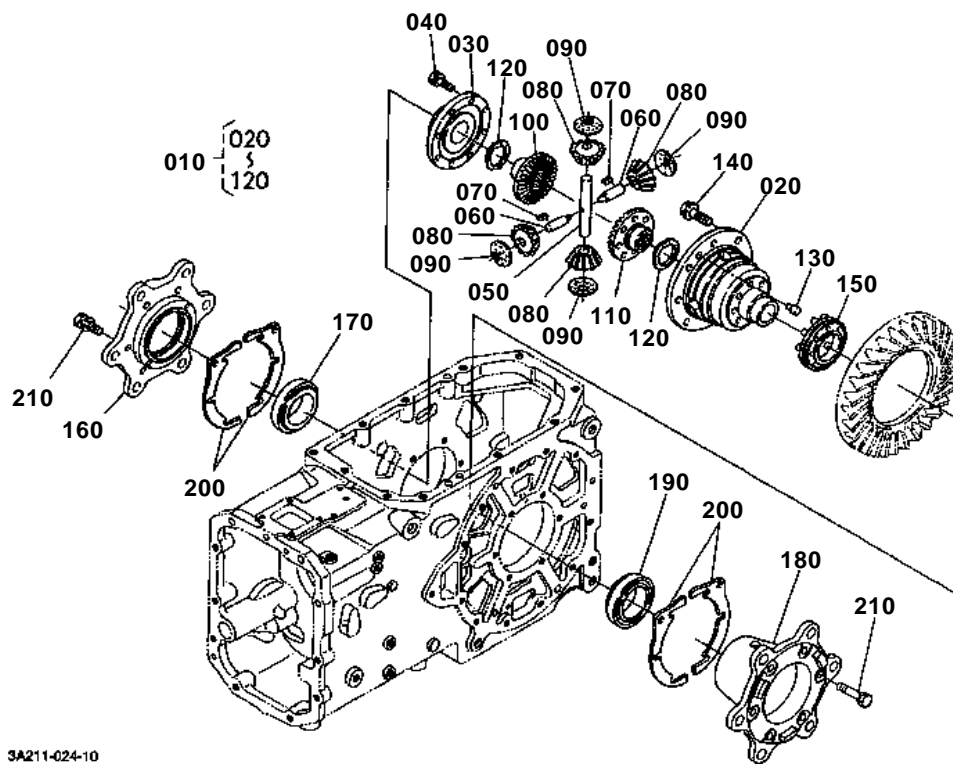
**BEVEL GEAR [NEW TYPE]**

S.No.;>=12439

↔ Interchangeable; ≠ not interchangeable; ← new for old; → old for new

REF.No	Part No.	Description	Q'ty	S.No.	I/C	REMARKS	Weight (kgf)	Weight (lb)
010	3A211-32410	SHAFT BEVEL GEAR	1			9T	3.3	7.26
020	3A211-32430	GEAR BEVEL	1			39T	6.1	13.42
030	36330-32580	NUT PINION SHAFT	1				0.08	0.176
040	36330-32570	BEARING TAPER-ROLLER	1				0.76	1.672
040	3A211-32590	BEARING TAPER-ROLLER	1		<<		0.76	1.672
045	3A211-32570	BEARING TAPER-ROLLER	1				0.78	1.716
050	33251-32450	COLLAR PINION ADJUST	1			1.00mm	0.005	0.011
050	33251-32460	COLLAR PINION ADJUST	1			1.50mm	0.008	0.0176
050	33251-32470	COLLAR PINION ADJUST	1			1.70mm	0.009	0.0198
050	33251-32480	COLLAR PINION ADJUST	1			1.75mm	0.01	0.022
050	33251-32490	COLLAR PINION ADJUST	1			1.80mm	0.01	0.022
050	33251-32510	COLLAR PINION ADJUST	1			1.90mm	0.011	0.0242
050	33251-32520	COLLAR PINION ADJUST	1			2.00mm	0.011	0.0242
050	33251-32530	COLLAR PINION ADJUST	1			2.10mm	0.011	0.0242
050	33251-32540	COLLAR PINION ADJUST	1			2.20mm	0.011	0.0242
050	33251-32550	COLLAR PINION ADJUST	1			2.25mm	0.012	0.0264
050	33251-32560	COLLAR PINION ADJUST	1			2.30mm	0.012	0.0264

DIFFERENTIAL REAR



3A211-024-10

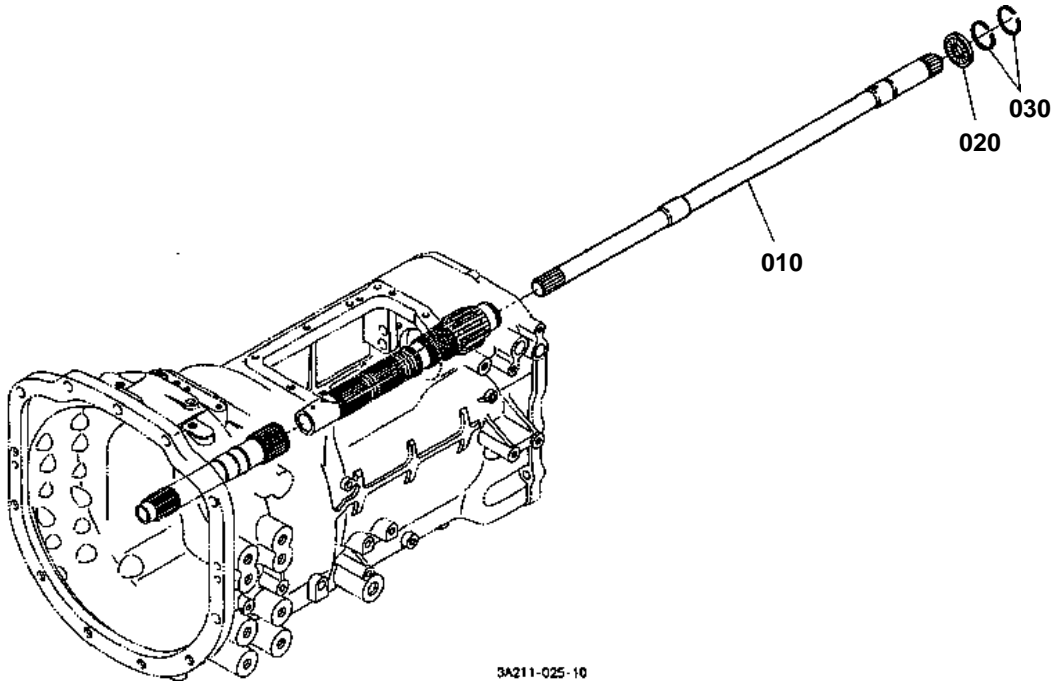


DIFFERENTIAL REAR

↔ Interchangeable; ≠ not interchangeable; ← new for old; → old for new

REF.No	Part No.	Description	Q'ty	S.No.	I/C	REMARKS	Weight (kgf)	Weight (lb)
010	3A011-32204	ASSY DIFFERENTIAL	1				6.2	13.64
020	3A011-32710	CASE DIFFERENTIAL	1				3.35	7.37
030	3A011-32044	COVER DIFF.CASE	1				0.795	1.749
040	01133-51025	BOLT	8				0.023	0.0506
050	35430-26340	SHAFT DIFF.PINION	1				0.31	0.682
060	35430-26330	SHAFT DIFF.PINION	2				0.136	0.2992
070	31220-26280	KEY FEATHER	2				0.005	0.011
080	35430-26350	PINION DIFF.	4			12T	0.16	0.352
090	31351-26390	WASHER DIFF.PINION	4				0.012	0.0264
100	37300-26430	GEAR DIFF.SIDE RH	1			20T	0.475	1.045
110	37300-26440	GEAR DIFF.SIDE LH	1			20T	0.63	1.386
120	31351-26470	WASHER SIDE GEAR	2			1.5mm	0.01	0.022
120	31351-26480	WASHER SIDE GEAR	2			1.6mm	0.015	0.033
120	31351-26490	WASHER SIDE GEAR	2			1.7mm	0.016	0.0352
120	3A011-32760	COLLAR THRUST	2			1.8mm	0.01	0.022
120	3A011-32780	COLLAR THRUST	2			2.0mm	0.01	0.022
130	37300-28170	PIN STRAIGHT	2				0.025	0.055
140	37800-43870	BOLT	8				0.026	0.0572
150	37300-26610	SHIFTER DIFF.LOCK	1				0.46	1.012
160	3A011-32113	SUPPORT DIFF.RH	1				2.6	5.72
170	32590-26590	BEARING TAPER-ROLLER	1				0.67	1.474
180	3A011-32123	SUPPORT DIFF.LH	1				4.4	9.68
190	08711-30209	BEARING TAPER-ROLLER	1				0.458	1.0076
200	3A011-32130	SHIM	8			0.10mm	0.004	0.0088
200	3A011-32140	SHIM	8			0.30mm	0.004	0.0088
200	3A011-32150	SHIM	4			0.50mm	0.004	0.0088
210	01133-51035	BOLT	12				0.03	0.066

PTO PROPELLER SHAFT



3A211-025-10

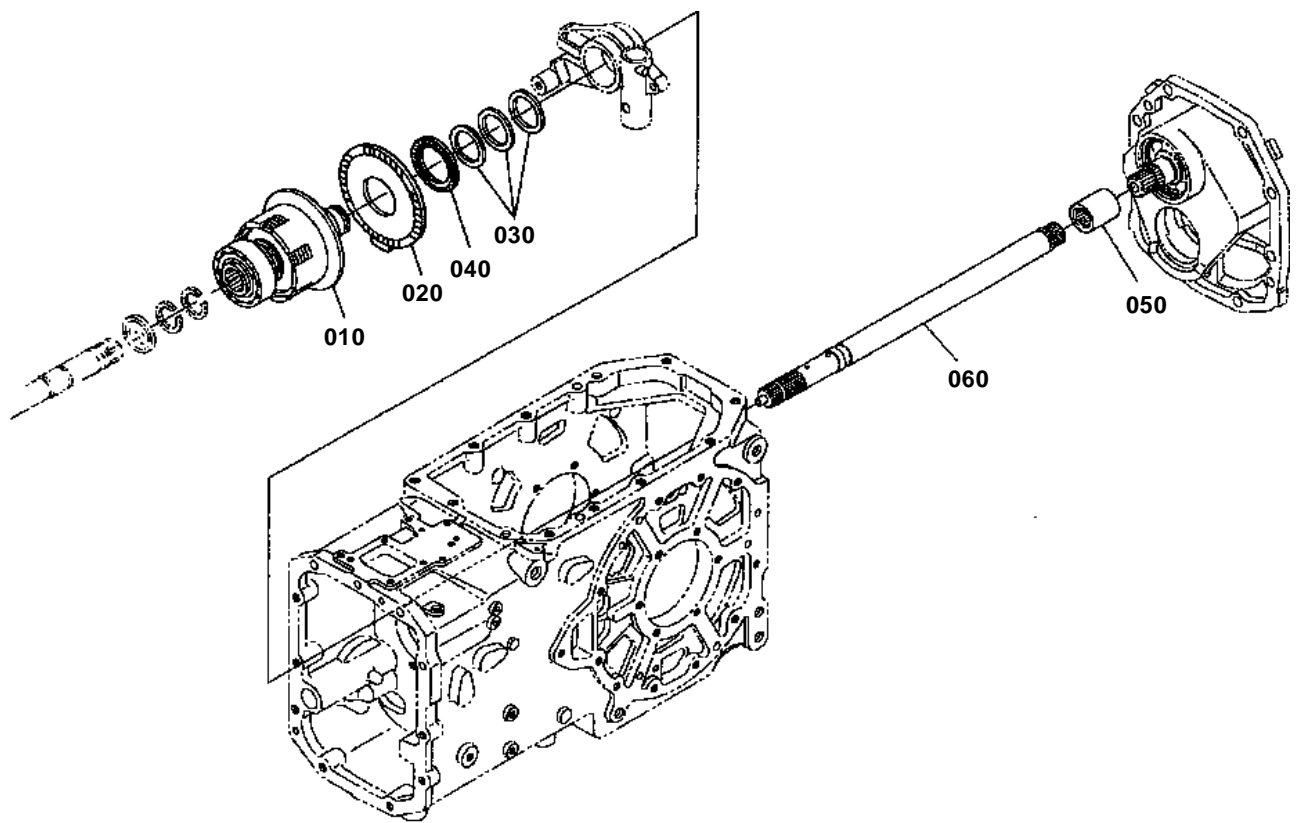


PTO PROPELLER SHAFT

↔ Interchangeable; ≠ not interchangeable; ← new for old; → old for new

REF.No	Part No.	Description	Q'ty	S.No.	I/C	REMARKS	Weight (kgf)	Weight (lb)
010	3A211-25610	SHAFT PROPELLER	1				2.5	5.5
020	3A011-25640	BEARING THRUST	1				0.018	0.0396
030	38430-21550	CIR CLIP EXTERNAL	2				0.005	0.011

PTO CLUTCH



3A211-026-11

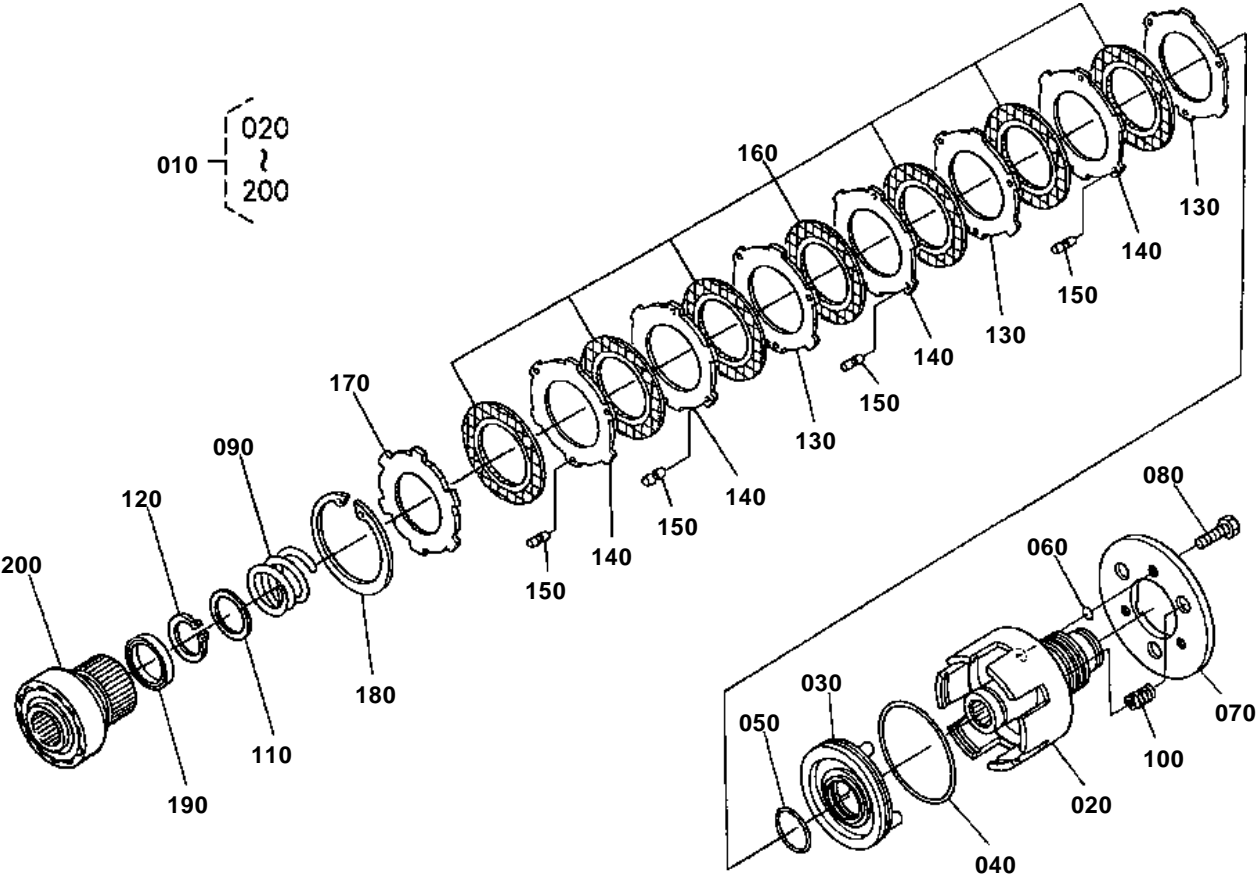


PTO CLUTCH

↔ Interchangeable; ≠ not interchangeable; ← new for old; → old for new

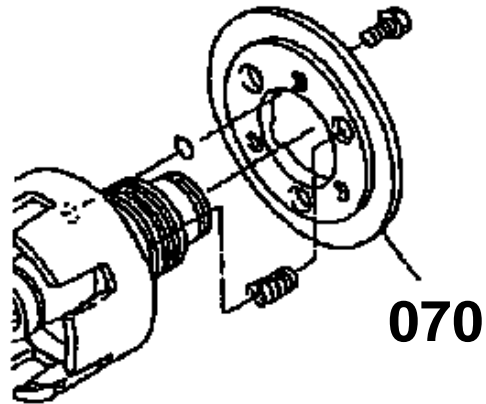
REF.No	Part No.	Description	Q'ty	S.No.	I/C	REMARKS	Weight (kgf)	Weight (lb)
010	3A211-27000	ASSY CLUTCH PTO	1				4.2	9.24
020	TA040-69150	DISK BRAKE	1				0.41	0.902
030	3G700-27372	RING SEAL	3				0.001	0.0022
040	TA040-69160	BEARING NEEDLE	1				0.029	0.0638
050	33860-24390	COUPLING PTO	1				0.14	0.308
060	3A151-79120	SHAFT PROPELLER	1	<=12516		NOT SALE	2.1	4.62
060	3A151-79122	SHAFT PROPELLER	1	>=12517	→		2.1	4.62

PTO CLUTCH [COMPONENT PARTS]

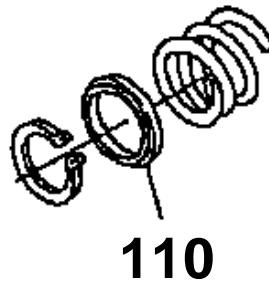


3A211-101-12

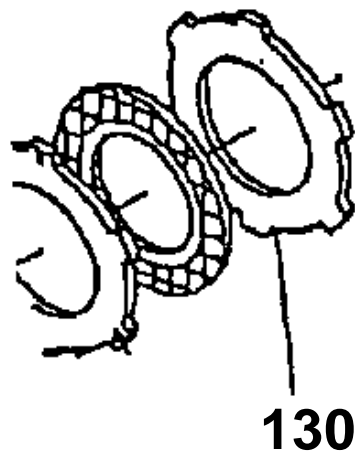
070 TA040-6903-0



110 31501-7237-0



130 TA040-6907-0



3A271-801-11

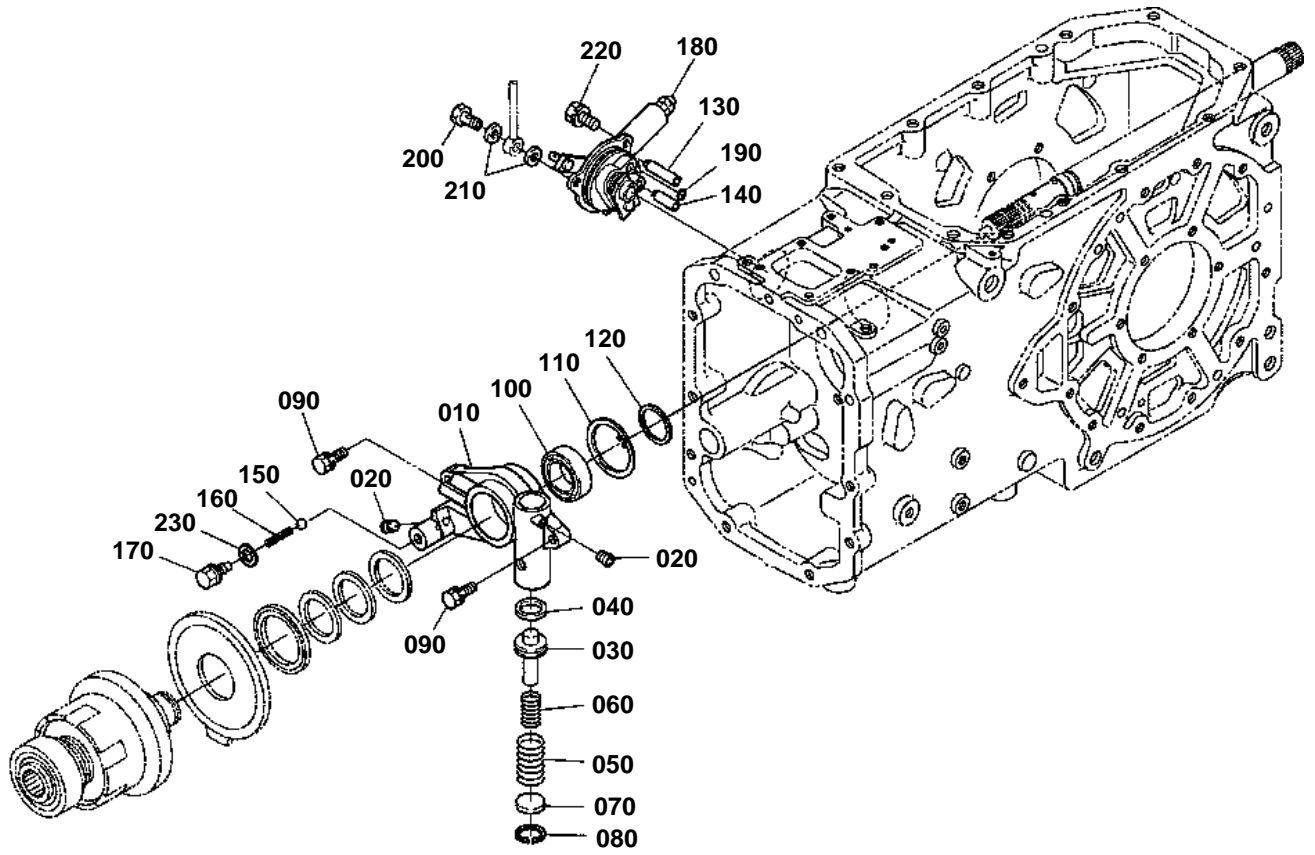


PTO CLUTCH [COMPONENT PARTS]

↔ Interchangeable; ≠ not interchangeable; ← new for old; → old for new

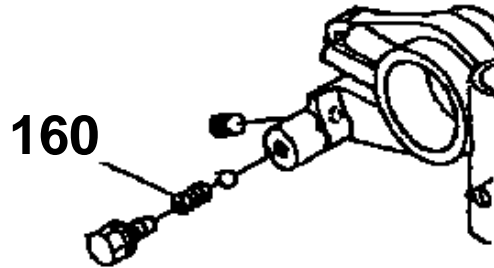
REF.No	Part No.	Description	Q'ty	S.No.	I/C	REMARKS	Weight (kgf)	Weight (lb)
010	3A211-27000	ASSY CLUTCH PTO	1				4.2	9.24
020	3A211-27110	BODY PTO CLUTCH	1				1.63	3.586
030	TA040-69020	PISTON	1				0.395	0.869
040	31501-72330	D RING OUTER	1				0.005	0.011
050	31501-72470	D RING INNER	1				0.001	0.0022
060	04816-00100	O RING	3				0.001	0.0022
060	04816-00100	O RING	3			→	0.001	0.0022
070	TA040-69030	PLATE BRAKE	1	<=12288			0.5	1.1
070	3A211-27220	PLATE BRAKE	1	>=12289	1		0.64	1.408
080	TA040-69040	BOLT	3				0.004	0.0088
090	TA040-69050	SPRING RETURN	1				0.075	0.165
100	TA040-69060	SPRING RETURN	3				0.008	0.0176
110	31501-72370	WASHER	1	<=12288			0.018	0.0396
110	PF801-31260	WASHER	1	>=12289	1		0.015	0.033
120	04612-00350	CIR CLIP EXTERNAL	1				0.01	0.022
130	TA040-69070	PLATE	3	<=11919			0.036	0.0792
130	TA040-69080	PLATE	3	>=11920	1		0.036	0.0792
140	TA040-69080	PLATE	4				0.036	0.0792
150	TA040-69090	RUBBER	12				0.001	0.0022
160	34070-15250	DISK CLUTCH	7				0.04	0.088
170	3A111-27150	PLATE	1				0.124	0.2728
180	04611-00920	CIR CLIP INTERNAL	1				0.04	0.088
190	08101-06807	BEARING BALL	1				0.03	0.066
200	3A211-27200	ASSY HUB DAMPER	1				0.72	1.584

PTO CLUTCH VALVE



3A211-103-10

160 62231-1853-0



3A124-804-10

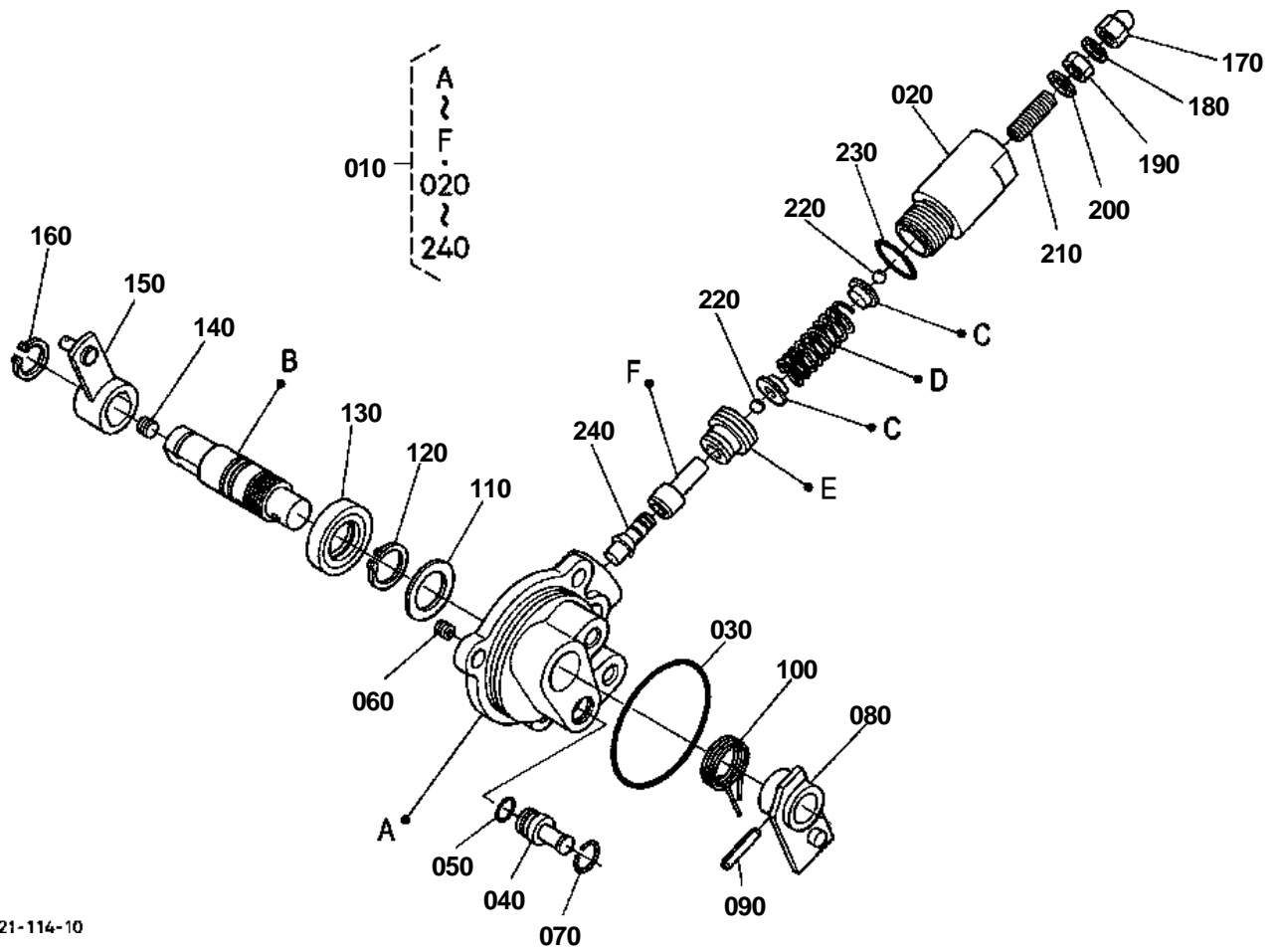


PTO CLUTCH VALVE

↔ Interchangeable; ≠ not interchangeable; ← new for old; → old for new

REF.No	Part No.	Description	Q'ty	S.No.	I/C	REMARKS	Weight (kgf)	Weight (lb)
010	3A211-27250	HOLDER PTO CLUTCH	1				1.71	3.762
020	32420-67380	PLUG	2				0.005	0.011
030	TA040-69210	PISTON	1				0.09	0.198
040	34076-65170	SEAL PISTON	1				0.005	0.011
050	TA040-69230	SPRING	1				0.039	0.0858
060	TA040-69240	SPRING	1				0.024	0.0528
070	3A011-27260	COVER PTO	1				0.018	0.0396
080	04611-00280	CIR CLIP INTERNAL	1				0.002	0.0044
090	01123-50830	BOLT	2				0.015	0.033
100	08101-06007	BEARING BALL	1				0.16	0.352
110	04611-00620	CIR CLIP INTERNAL	1				0.011	0.0242
120	33740-27292	CIR CLIP EXTERNAL	1				0.007	0.0154
130	34555-69330	PIPE HYDRAULIC	1				0.007	0.0154
140	36530-27273	PIPE HYDRAULIC	1				0.005	0.011
150	07715-03211	BALL	1				0.003	0.0066
160	62231-18530	SPRING	1	<=11745			0.01	0.022
160	32590-28220	SPRING	1	>=11746	→		0.002	0.0044
170	3A011-29410	BOLT	1				0.035	0.077
180	3A111-27400	ASSY VALVE PTO	1				1.51	3.322
190	04811-00090	O RING	1				0	0
190	04817-00090	O RING	1		→		0.001	0.0022
200	34076-66590	BOLT JOINT	1				0.05	0.11
210	04714-00200	GASKET	2				0.002	0.0044
220	01123-50820	BOLT	3				0.011	0.0242
230	04011-50120	WASHER PLAIN	1	>=11746			0.005	0.011

PTO CLUTCH VALVE [COMPONENT PARTS]



3A021-114-10

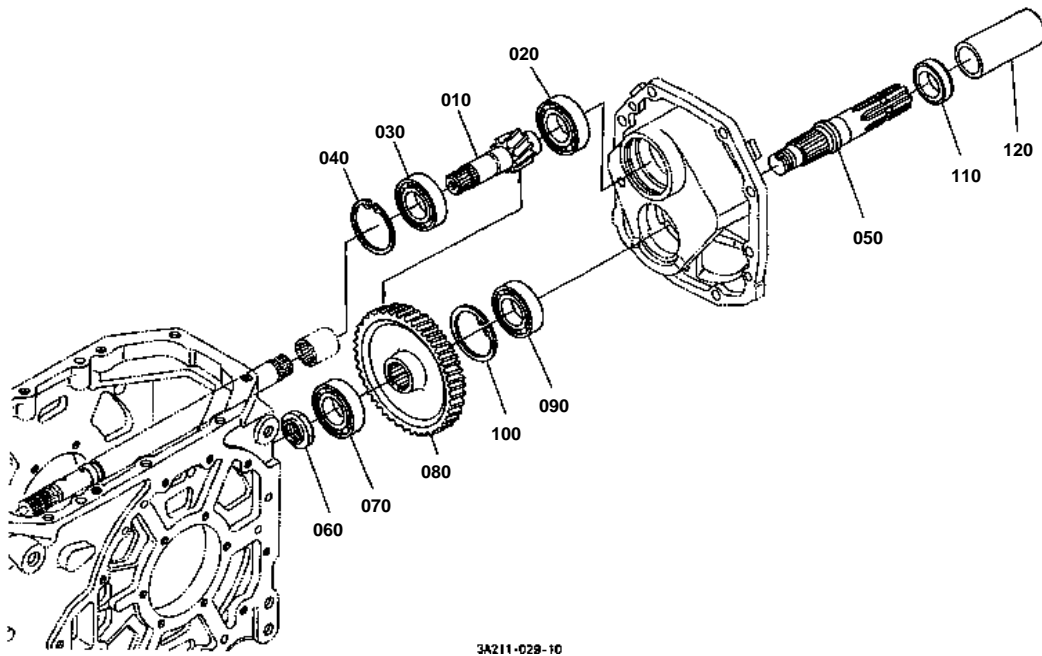


PTO CLUTCH VALVE [COMPONENT PARTS]

↔ Interchangeable; ≠ not interchangeable; ← new for old; → old for new

REF.No	Part No.	Description	Q'ty	S.No.	I/C	REMARKS	Weight (kgf)	Weight (lb)
010	3A111-27400	ASSY VALVE PTO	1				1.51	3.322
020	3A011-27420	SUPPORT PTO VALVE	1				0.29	0.638
030	04811-06630	O RING	1				0.001	0.0022
040	TA040-69320	PLUG	1				0.006	0.0132
050	04816-00090	O RING	1				0.001	0.0022
050	04817-00090	O RING	1		→		0.001	0.0022
060	3A011-23190	ORIFICE	1				0.001	0.0022
070	67401-03690	RING	1				0.001	0.0022
080	TA040-69340	LEVER VALVE ROTOR	1				0.057	0.1254
090	05411-00522	PIN SPRING	1				0.002	0.0044
100	TA040-69360	SPRING	1				0.014	0.0308
110	50770-12180	COLLAR THRUST	1				0.003	0.0066
120	04612-00200	CIR CLIP EXTERNAL	1				0.001	0.0022
130	09500-20358	SEAL OIL	1				0.01	0.022
140	67511-36640	PLUG	1				0.003	0.0066
150	3A011-27430	LEVER PTO VALVE	1				0.054	0.1188
160	04612-00180	CIR CLIP EXTERNAL	1				0.001	0.0022
170	32420-68590	NUT	1				0.005	0.011
180	04714-00080	GASKET	1				0.001	0.0022
190	02114-50080	NUT	1				0.005	0.011
200	62571-13330	WASHER SEAL	1				0.003	0.0066
210	03651-50825	SCREW SET	1				0.01	0.022
220	07715-00401	BALL	2				0.001	0.0022
230	04816-00220	O RING	1				0.003	0.0066
230	04817-00220	O RING	1		→		0.001	0.0022
240	48100-36310	SEAT RELIEF VALVE	1				0.01	0.022

PTO SHAFT



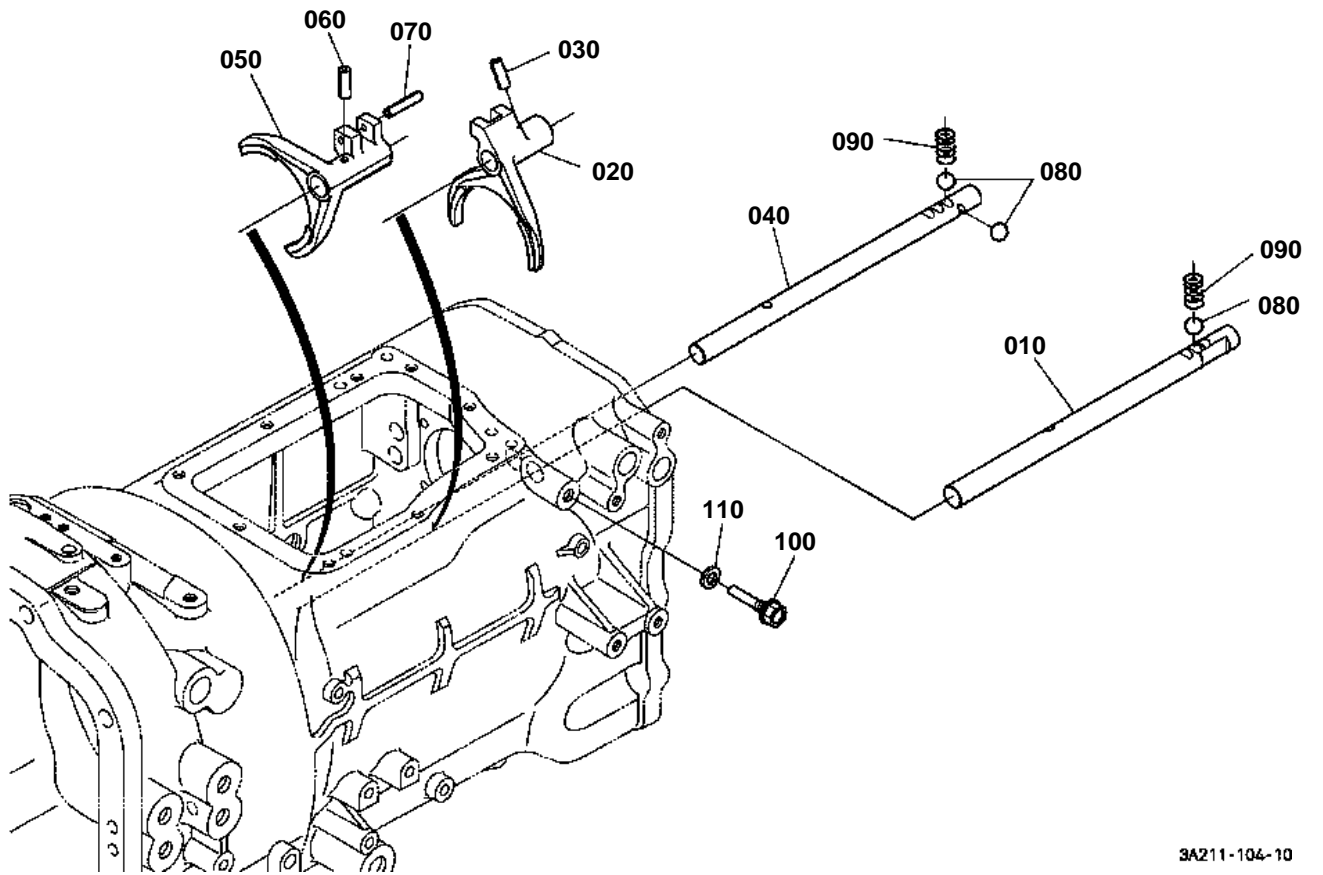


PTO SHAFT

↔ Interchangeable; ≠ not interchangeable; ← new for old; → old for new

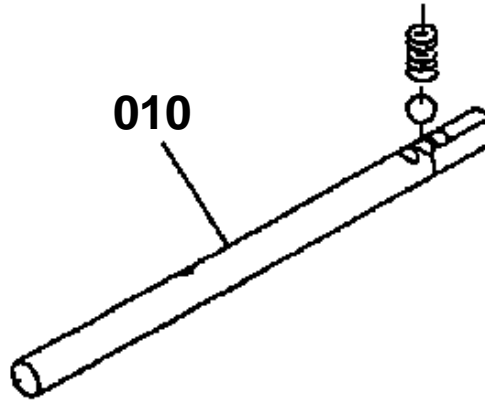
REF.No	Part No.	Description	Q'ty	S.No.	I/C	REMARKS	Weight (kgf)	Weight (lb)
010	3A211-79130	GEAR-SHAFT PTO	1			12T	0.84	1.848
020	08101-06306	BEARING BALL	1				0.335	0.737
030	36540-41130	BEARING BALL	1				0.34	0.748
040	04611-00720	CIR CLIP INTERNAL	1				0.018	0.0396
050	3A011-80140	SHAFT PTO	1				1.31	2.882
060	34150-25330	NUT	1				0.039	0.0858
070	08101-06306	BEARING BALL	1				0.335	0.737
080	3A011-80310	GEAR PTO	1			51T	2.3	5.06
090	35523-34430	BEARING BALL	1				0.275	0.605
100	04611-00720	CIR CLIP INTERNAL	1				0.018	0.0396
110	37650-43530	SEAL OIL	1	<=12800			0.062	0.1364
110	3A111-80290	SEAL OIL	1	>=12801	→		0.065	0.143
120	31220-25820	CAP	1				0.055	0.121

MAIN GEAR SHIFT FORK



3A211-104-10

010 3A211-2921-0



3A211-808-10

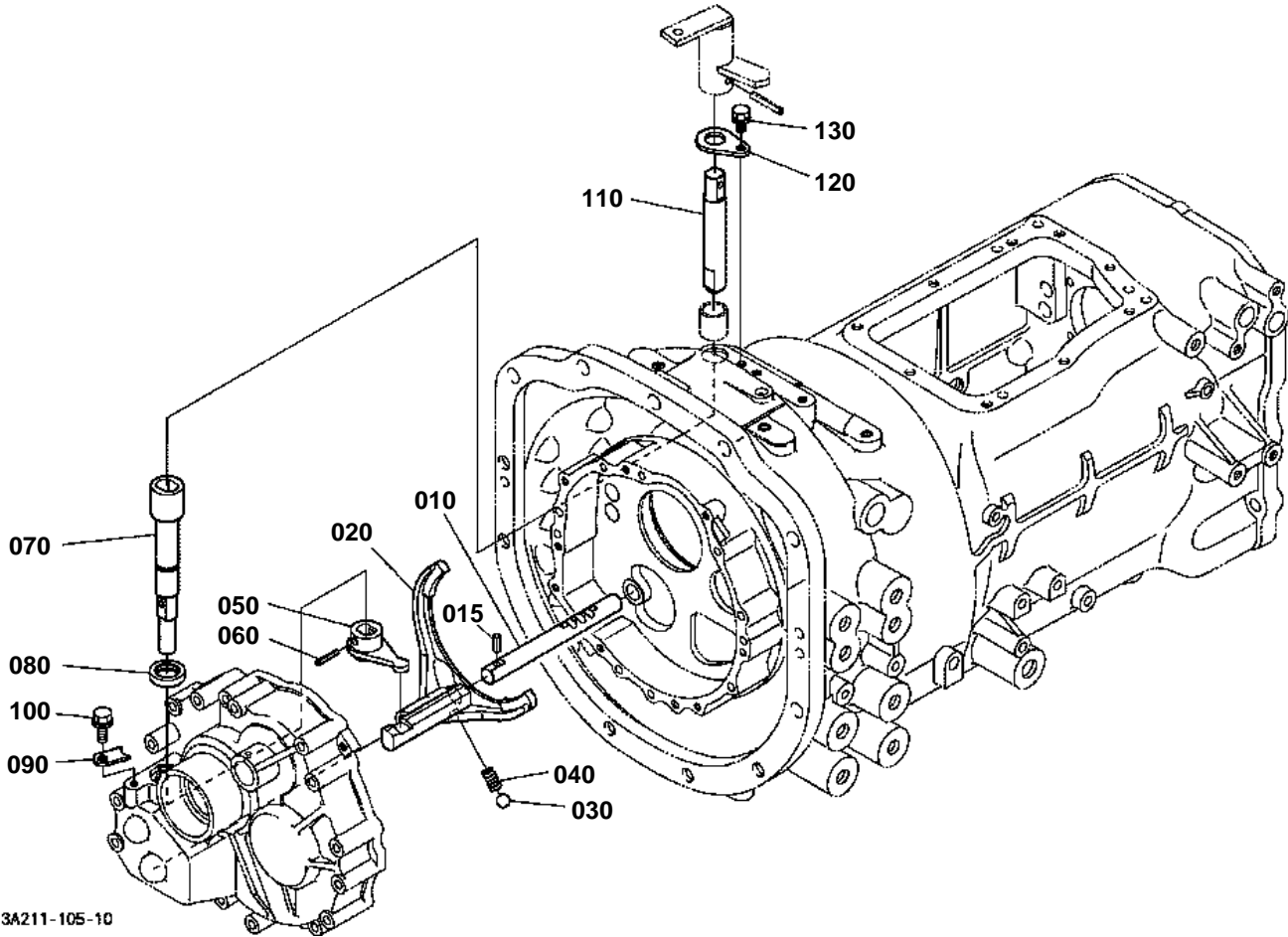


MAIN GEAR SHIFT FORK

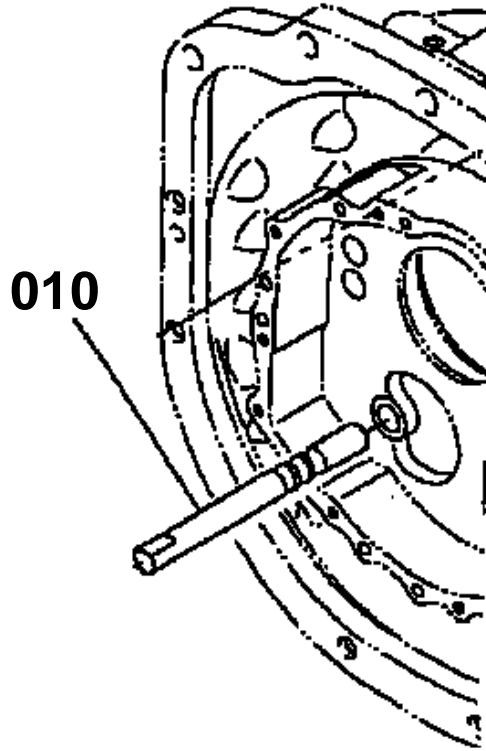
↔ Interchangeable; ≠ not interchangeable; ← new for old; → old for new

REF.No	Part No.	Description	Q'ty	S.No.	I/C	REMARKS	Weight (kgf)	Weight (lb)
010	3A211-29210	ROD FORK	1	<=12800			0.595	1.309
010	3A211-29212	ROD FORK	1	>=12801	→		0.595	1.309
020	3A211-29140	FORK MAIN SHIFT	1				0.325	0.715
030	05411-00628	PIN SPRING	1				0.004	0.0088
040	3A211-29220	ROD FORK	1				0.605	1.331
050	3A211-29160	FORK MAIN SHIFT	1				0.35	0.77
060	05411-00628	PIN SPRING	1				0.004	0.0088
070	05411-00536	PIN SPRING	1				0.003	0.0066
080	07715-03211	BALL	3				0.003	0.0066
090	3A011-29420	SPRING	2				0.004	0.0088
100	3A211-29430	BOLT	1				0.05	0.11
110	04717-01200	WASHER WITH RUBBER	1				0.002	0.0044

SHUTTLE GEAR SHIFT FORK



010 3A211-2352-0



3A211-809-10

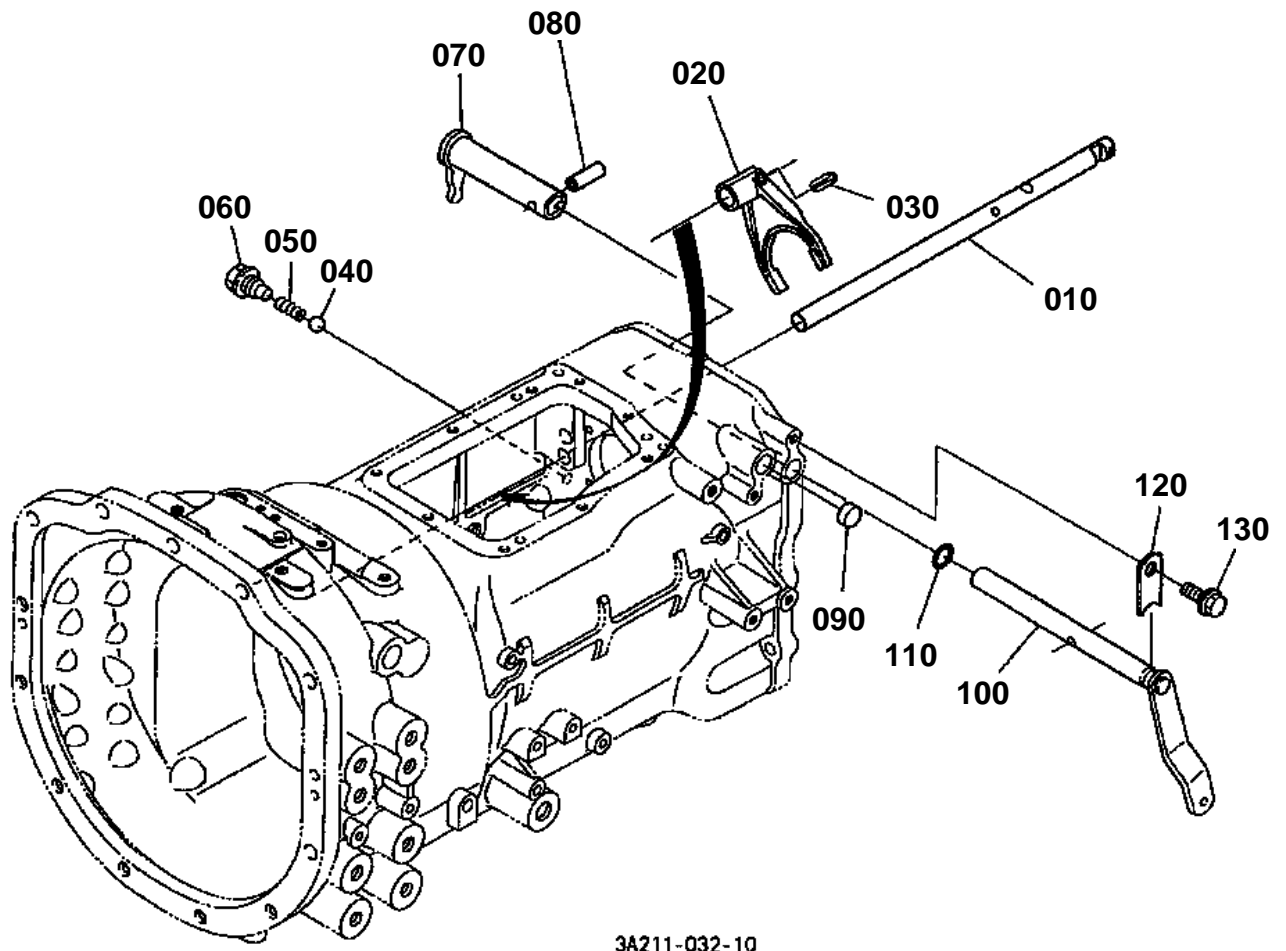


SHUTTLE GEAR SHIFT FORK

↔ Interchangeable; ≠ not interchangeable; ← new for old; → old for new

REF.No	Part No.	Description	Q'ty	S.No.	I/C	REMARKS	Weight (kgf)	Weight (lb)
010	3A211-23520	ROD FORK	1	<=12698			0.245	0.539
010	3A212-23520	ROD FORK	1	>=12699	1		0.255	0.561
015	05411-00618	PIN SPRING	1	>=12699			0.003	0.0066
020	3A211-23510	FORK SHUTTLE SHIFT	1				0.79	1.738
030	07715-03211	BALL	1				0.003	0.0066
040	62231-18530	SPRING	1				0.01	0.022
050	3A211-23560	LEVER SHUTTLE	1				0.11	0.242
060	05411-00630	PIN SPRING	1				0.004	0.0088
070	3A211-23570	SHAFT SHUTTLE	1				0.43	0.946
080	52200-15670	SEAL OIL	1				0.005	0.011
090	34150-24350	STOPPER LEVER	1				0.01	0.022
100	01754-50812	BOLT FLANGE	1				0.01	0.022
110	3A211-23580	SHAFT SHUTTLE	1				0.28	0.616
120	34070-24350	STOPPER	1				0.02	0.044
130	01754-50812	BOLT FLANGE	1				0.01	0.022

RANGE GEAR SHIFT FORK



3A211-032-10

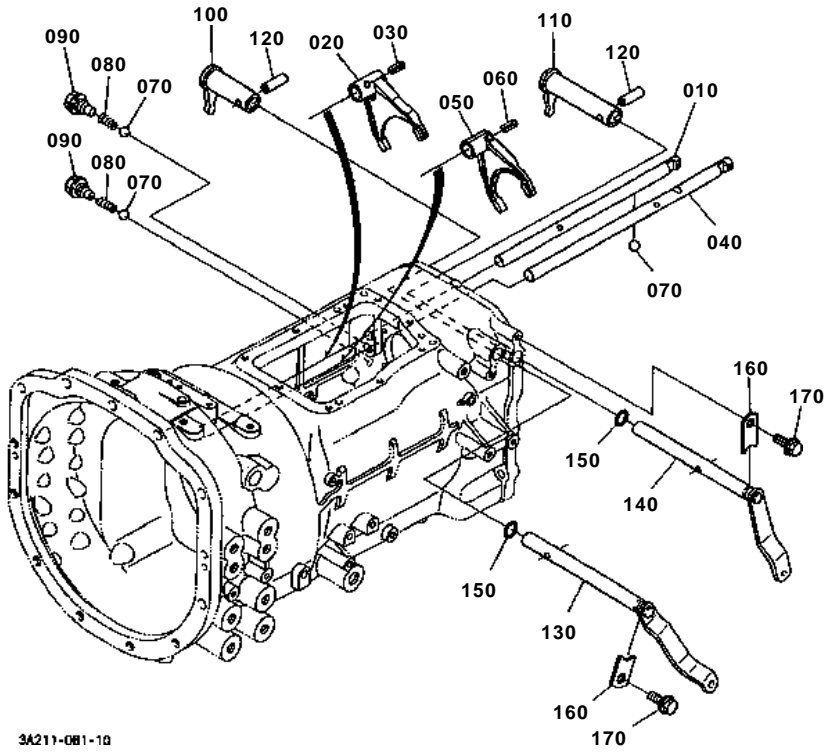


RANGE GEAR SHIFT FORK

↔ Interchangeable; ≠ not interchangeable; ← new for old; → old for new

REF.No	Part No.	Description	Q'ty	S.No.	I/C	REMARKS	Weight (kgf)	Weight (lb)
010	3A211-29260	ROD RANGE SHIFT	1				0.76	1.672
020	3A211-29870	FORK RANGE SHIFT	1				0.275	0.605
030	05411-00628	PIN SPRING	1				0.004	0.0088
040	07715-03211	BALL	1				0.003	0.0066
050	62231-18530	SPRING	1				0.01	0.022
060	3A011-29410	BOLT	2				0.035	0.077
070	3A011-29840	LEVER SHIFT	1				0.325	0.715
080	05411-00836	PIN SPRING	1				0.008	0.0176
090	31358-64250	PLUG	1				0.005	0.011
100	3A011-29850	LEVER SHIFT	1				0.69	1.518
110	04816-00160	O RING	1				0.003	0.0066
110	04816-00160	O RING	1				0.003	0.0066
120	34150-24350	STOPPER LEVER	1				0.01	0.022
130	01754-50812	BOLT FLANGE	1				0.01	0.022

RANGE GEAR SHIFT FORK/CREEP SHIFT FORK [CS]



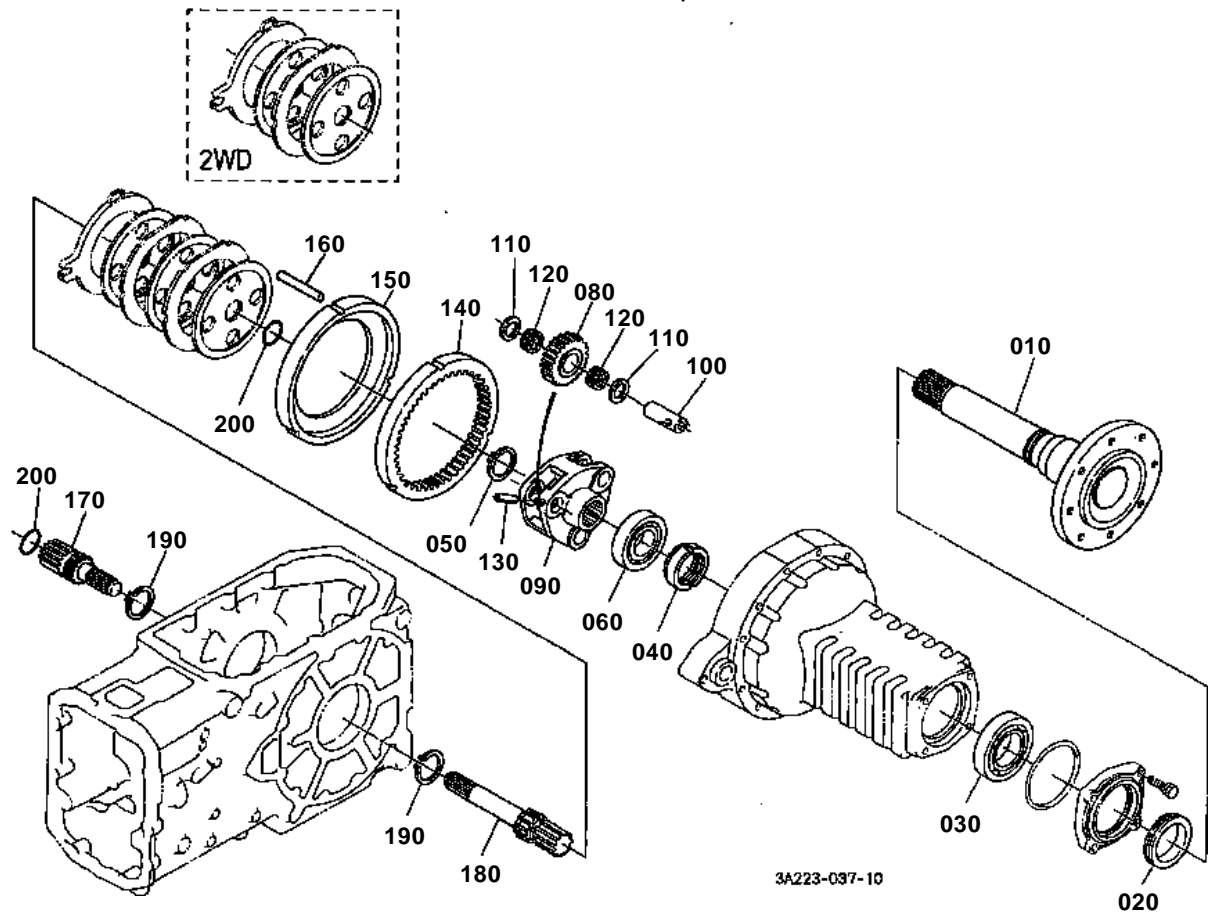
3A211-081-10

**RANGE GEAR SHIFT FORK/CREEP SHIFT FORK [CS]**

↔ Interchangeable; ≠ not interchangeable; ← new for old; → old for new

REF.No	Part No.	Description	Q'ty	S.No.	I/C	REMARKS	Weight (kgf)	Weight (lb)
010	3A211-31320	ROD FORK	1				0.69	1.518
020	3A011-31310	FORK SHIFT	1				0.39	0.858
030	05411-00628	PIN SPRING	1				0.004	0.0088
040	3A211-29260	ROD RANGE SHIFT	1				0.76	1.672
050	3A211-29870	FORK RANGE SHIFT	1				0.275	0.605
060	05411-00628	PIN SPRING	1				0.004	0.0088
070	07715-03211	BALL	3				0.003	0.0066
080	62231-18530	SPRING	2				0.01	0.022
090	3A011-29410	BOLT	2				0.035	0.077
100	3A011-31420	LEVER SHIFT	1				0.33	0.726
110	3A011-29840	LEVER SHIFT	1				0.325	0.715
120	05411-00836	PIN SPRING	2				0.008	0.0176
130	3A111-31430	LEVER SHIFT	1				0.74	1.628
140	3A011-29850	LEVER SHIFT	1				0.69	1.518
150	04816-00160	O RING	2				0.003	0.0066
150	04816-00160	O RING	2				0.003	0.0066
160	34150-24350	STOPPER LEVER	2				0.01	0.022
170	01754-50812	BOLT FLANGE	2				0.01	0.022

REAR AXLE

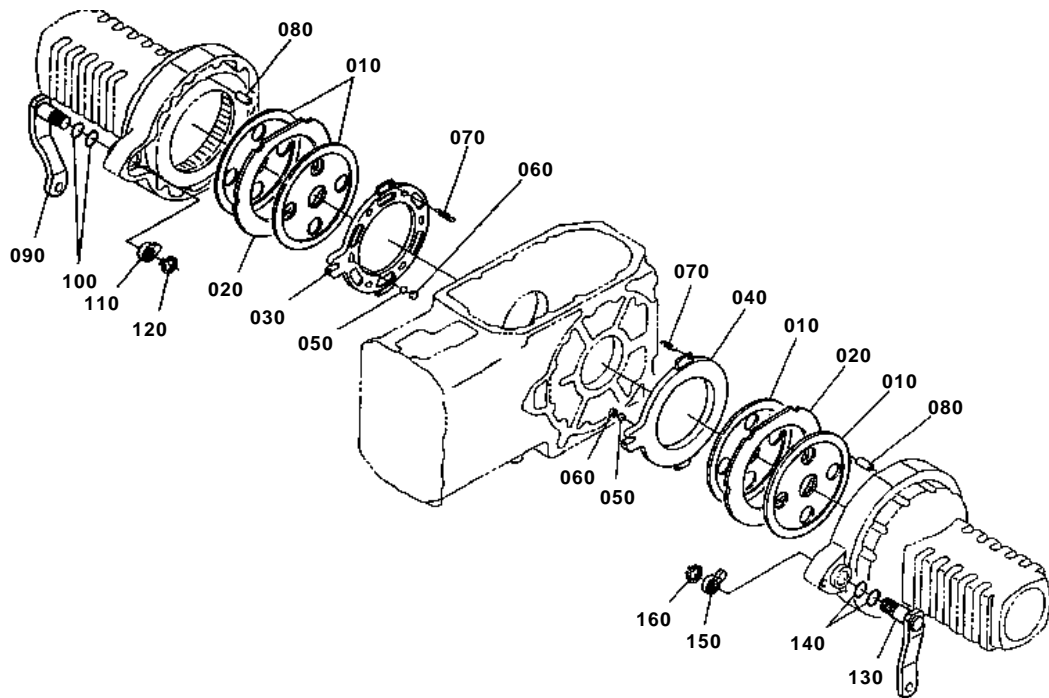


**REAR AXLE**

↔ Interchangeable; ≠ not interchangeable; ← new for old; → old for new

REF.No	Part No.	Description	Q'ty	S.No.	I/C	REMARKS	Weight (kgf)	Weight (lb)
010	3A011-48210	AXLE REAR	2				20	44
010	3A211-48210	AXLE REAR	2		<<		20	44
020	36830-48250	SEAL WITH SHAFT	2				0.14	0.308
030	08101-06213	BEARING BALL	2				0.97	2.134
040	36330-48270	NUT	2				0.26	0.572
050	04612-00550	CIR CLIP EXTERNAL	2				0.01	0.022
060	08101-06211	BEARING BALL	2				0.6	1.32
070	99999-99999	BLANK	0				0	0
080	3A111-48320	GEAR PLANETARY	6			26T	1.25	2.75
090	32530-26823	SUPPORT PLANE.GEAR	2				4	8.8
100	3G700-48360	PIN PLANETARY GEAR	6				0.43	0.946
110	32530-26840	COLLAR THRUST	12				0.015	0.033
120	35080-22560	BEARING NEEDLE	12				0.05	0.11
130	05411-00830	PIN SPRING	6				0.007	0.0154
140	3A111-48310	GEAR INTERNAL	2			65T	2.7	5.94
150	3A011-65120	PLATE STOPPER	2				3.2	7.04
160	3A011-48410	PIN BRAKE	6				0.075	0.165
170	3A211-48460	GEAR-SHAFT BRAKE RH	1			13T	1.7	3.74
180	3A211-48470	GEAR-SHAFT BRAKE LH	1			13T	2.4	5.28
190	04612-00550	CIR CLIP EXTERNAL	2				0.01	0.022
200	04811-08480	O RING	2				0	0
200	04816-08480	O RING	2		↔		0.005	0.011

BRAKE



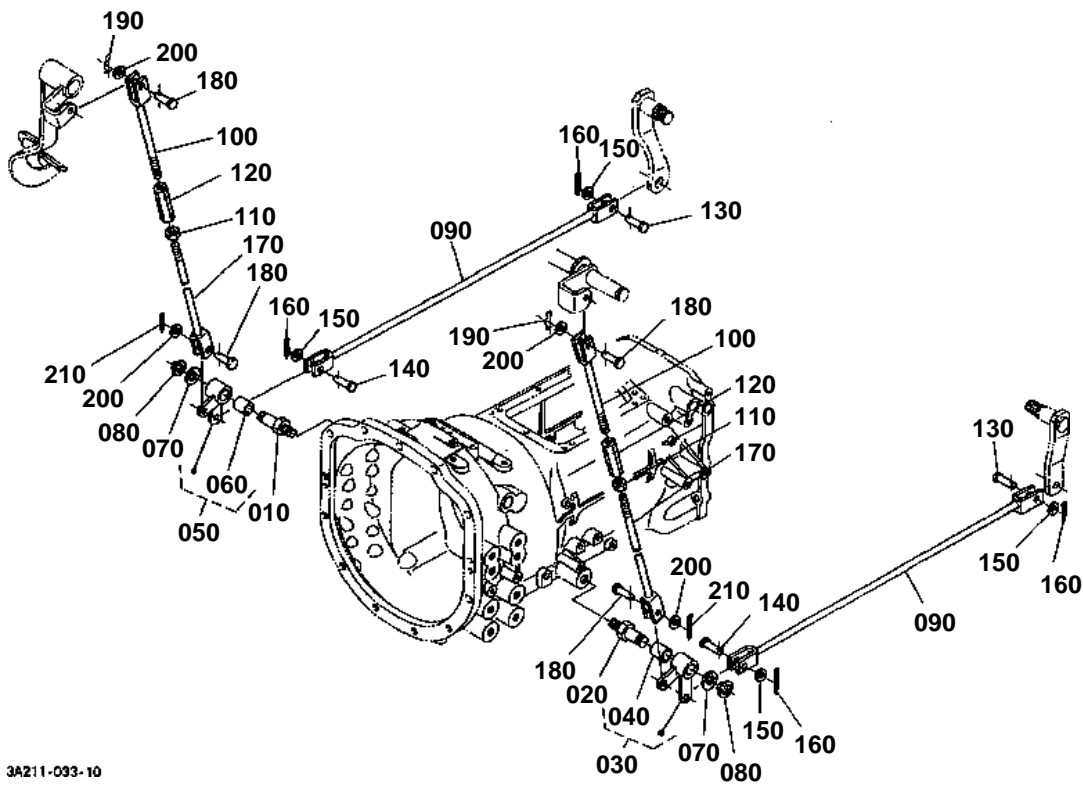
3A021-028-10

**BRAKE**

↔ Interchangeable; ≠ not interchangeable; ← new for old; → old for new

REF.No	Part No.	Description	Q'ty	S.No.	I/C	REMARKS	Weight (kgf)	Weight (lb)
010	32530-28280	PLATE FRICTION	4				0.92	2.024
020	36330-65130	PLATE	2				0.56	1.232
030	3A011-65140	PLATE BRAKE CAM RH	1				2	4.4
040	3A011-65150	PLATE BRAKE CAM LH	1				2	4.4
050	07715-00805	BALL	12				0.016	0.0352
060	37150-28250	SEAT BALL	12				0.003	0.0066
070	3A011-65810	SPRING	4				0.005	0.011
080	3A011-65160	COLLAR	6			34.8mm	0.014	0.0308
090	3A011-65330	SHAFT BRAKE CAM RH	1				0.99	2.178
100	04816-50300	O RING	2				0.001	0.0022
100	04816-50300	O RING	2		→		0.001	0.0022
110	3A011-65310	CAM BRAKE	1				0.1	0.22
120	04612-00280	CIR CLIP EXTERNAL	1				0.003	0.0066
130	3A011-65340	SHAFT BRAKE CAM LH	1				1.045	2.299
140	04816-50300	O RING	2				0.001	0.0022
140	04816-50300	O RING	2		→		0.001	0.0022
150	3A011-65310	CAM BRAKE	1				0.1	0.22
160	04612-00280	CIR CLIP EXTERNAL	1				0.003	0.0066

BRAKE ROD



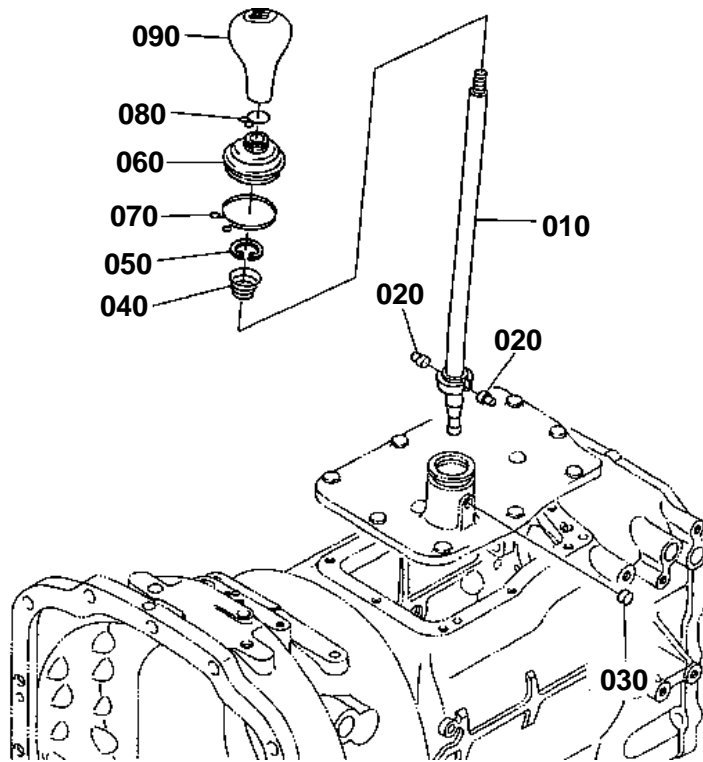
3A211-093-10

**BRAKE ROD**

↔ Interchangeable; ≠ not interchangeable; ← new for old; → old for new

REF.No	Part No.	Description	Q'ty	S.No.	I/C	REMARKS	Weight (kgf)	Weight (lb)
010	34070-44870	SHAFT BRAKE LH	1				0.225	0.495
020	34070-44880	SHAFT BRAKE RH	1				0.22	0.484
030	3A011-65260	ASSY LEVER BRAKE LH	1				0.285	0.627
040	34070-44890	BUSH	1				0.035	0.077
050	3A011-65250	ASSY LEVER BRAKE RH	1				0.285	0.627
060	34070-44890	BUSH	1				0.035	0.077
070	04011-50200	WASHER PLAIN	2				0.015	0.033
080	04612-00200	CIR CLIP EXTERNAL	2				0.001	0.0022
090	3A111-67410	ROD BRAKE	2				0.48	1.056
100	3A151-26240	ROD CLUTCH BRAKE	2				0.143	0.3146
110	02116-50100	NUT	2				0.004	0.0088
120	32350-28980	TURNBUCKLE	2				0.124	0.2728
130	66706-65380	PIN SET	2				0.021	0.0462
140	38430-15790	PIN JOINT	2				0.02	0.044
150	04013-60100	WASHER PLAIN	4				0.003	0.0066
160	05511-50318	PIN SPLIT	4				0.001	0.0022
170	3A111-67420	ROD BRAKE	2				0.238	0.5236
180	38430-15790	PIN JOINT	4				0.02	0.044
190	52300-34130	PIN SNAP	2				0.004	0.0088
200	04013-60100	WASHER PLAIN	4				0.003	0.0066
210	05511-50318	PIN SPLIT	2				0.001	0.0022

MAIN GEAR SHIFT LEVER



3A211-034-10

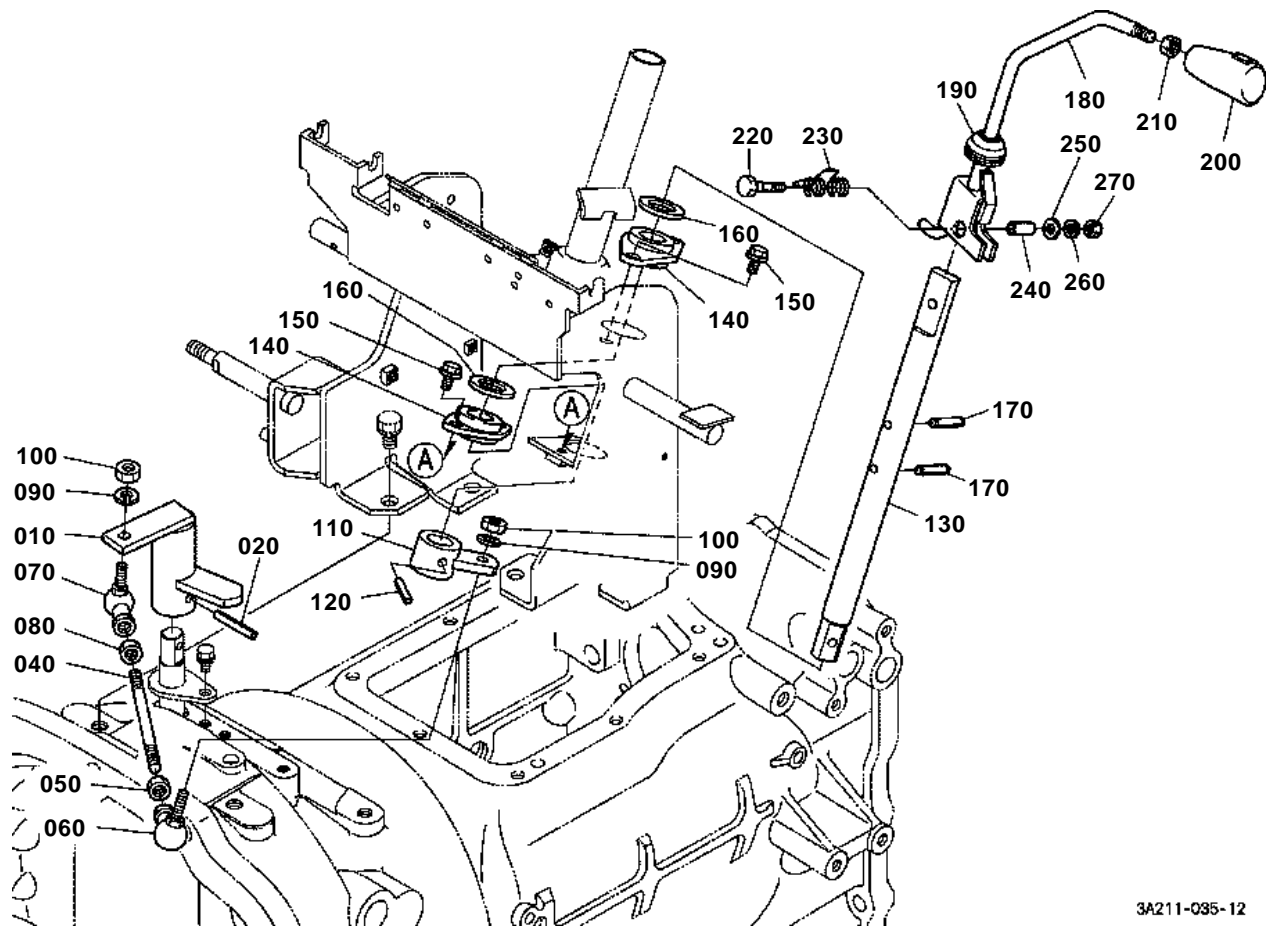


MAIN GEAR SHIFT LEVER

↔ Interchangeable; ≠ not interchangeable; ← new for old; → old for new

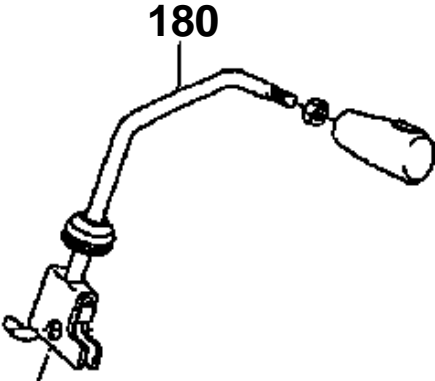
REF.No	Part No.	Description	Q'ty	S.No.	I/C	REMARKS	Weight (kgf)	Weight (lb)
010	3A011-29360	BAR MAIN SHIFT	1				0.65	1.43
020	34150-23740	PIN SET	2				0.002	0.0044
030	31393-75420	PLUG	1				0.001	0.0022
040	66591-18430	SPRING	1				0.024	0.0528
050	04611-00380	CIR CLIP INTERNAL	1				0.004	0.0088
060	3A011-29690	BOOT	1				0.021	0.0462
070	33740-29570	CLIP	1				0.005	0.011
080	33740-29702	BAND	1				0.005	0.011
090	3A151-29620	GRIP LEVER	1				0.12	0.264

SHUTTLE SHIFT LEVER



3A211-035-12

180 3A151-3444-0



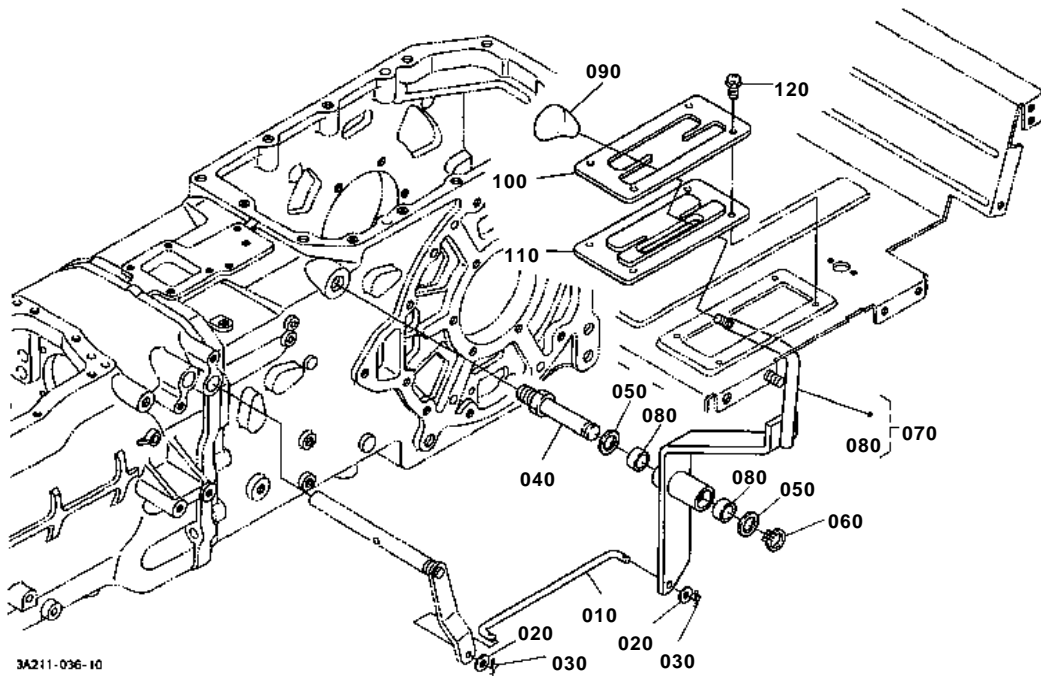
3A181-806-10

**SHUTTLE SHIFT LEVER**

↔ Interchangeable; ≠ not interchangeable; ← new for old; → old for new

REF.No	Part No.	Description	Q'ty	S.No.	I/C	REMARKS	Weight (kgf)	Weight (lb)
010	3A211-34410	LEVER SHUTTLE	1				0.35	0.77
020	05411-00635	PIN SPRING	1				0.005	0.011
030	99999-99999	BLANK	0				0	0
040	3A211-34420	ROD SHUTTLE	1				0.036	0.0792
050	02112-50080	NUT	1				0.003	0.0066
060	45404-95770	END ROD	1				0.05	0.11
070	54721-31850	BALL LINK	1				0.065	0.143
080	31351-24260	NUT	1				0.005	0.011
090	04512-60080	WASHER SPRING	2				0.002	0.0044
100	02114-50080	NUT	2				0.005	0.011
110	3A211-34490	LEVER SHUTTLE	1				0.105	0.231
120	05411-00635	PIN SPRING	1				0.005	0.011
130	3A211-34500	SHAFT SHUTTLE	1	<=11745			0.605	1.331
130	3A211-34502	SHAFT SHUTTLE	1	>=11746	→		0.605	1.331
140	3F740-34640	BEARING FLANGE	2				0.032	0.0704
150	01754-50818	BOLT FLANGE	4				0.011	0.0242
160	04011-50200	WASHER PLAIN	2				0.015	0.033
170	05411-00635	PIN SPRING	2				0.005	0.011
180	3A151-34440	LEVER SHUTTLE SHIFT	1	<=11919			0	0
180	3A151-34443	LEVER SHUTTLE SHIFT	1	>=11920	→		0.45	0.99
190	3A151-34680	BOOT RUBBER	1				0.01	0.022
200	3G710-34850	GRIP LEVER	1				0.6	1.32
210	02116-50100	NUT	1				0.004	0.0088
220	TA040-43970	BOLT REAMER	1				0.042	0.0924
230	3A211-34562	SPRING	1				0.01	0.022
240	TA040-43920	COLLAR SHUTTLE	1				0.005	0.011
250	04013-60080	WASHER PLAIN	1				0.002	0.0044
260	04512-60080	WASHER SPRING	1				0.002	0.0044
270	02114-50080	NUT	1				0.005	0.011

RANGE GEAR SHIFT LEVER



3A211-036-10

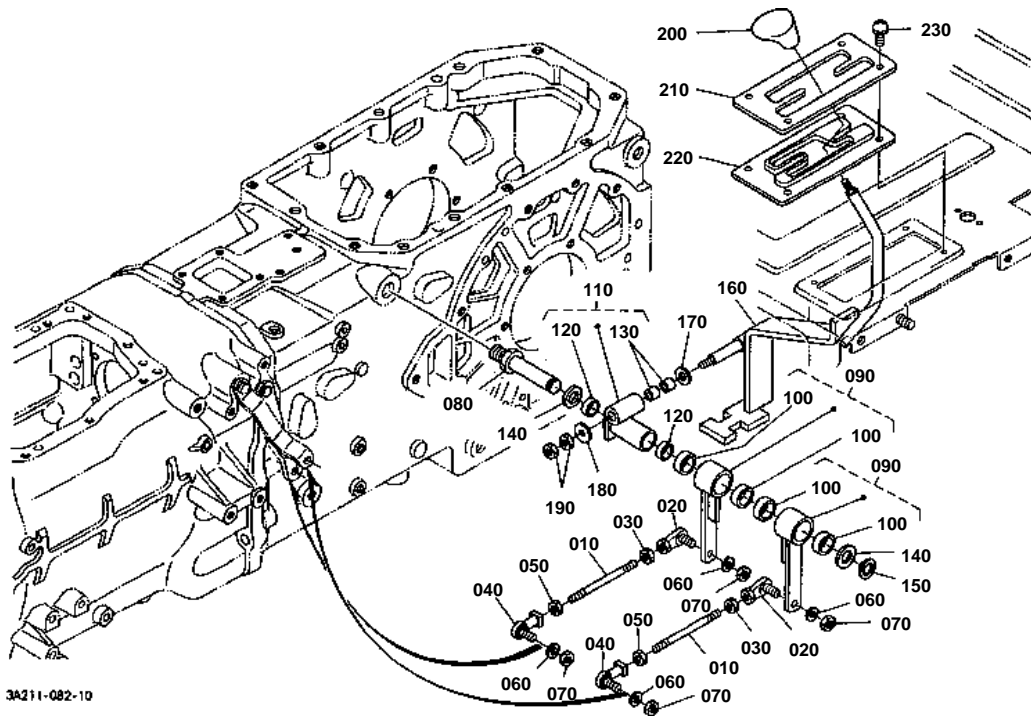


RANGE GEAR SHIFT LEVER

↔ Interchangeable; ≠ not interchangeable; ← new for old; → old for new

REF.No	Part No.	Description	Q'ty	S.No.	I/C	REMARKS	Weight (kgf)	Weight (lb)
010	3A211-29890	ROD RANGE SHIFT	1				0.08	0.176
020	04012-50080	WASHER PLAIN	2				0.001	0.0022
030	52300-34120	PIN SNAP	2				0.001	0.0022
040	3A011-29790	PIN	1				0.295	0.649
050	04011-50180	WASHER PLAIN	2				0.012	0.0264
060	04612-00190	CIR CLIP EXTERNAL	1				0.001	0.0022
070	3A211-29900	LEVER RANGE SHIFT	1				1.9	4.18
080	08511-01910	BUSH	2				0.008	0.0176
090	TA040-69820	GRIP LEVER	1				0.117	0.2574
100	3A011-29730	GUIDE LEVER	1				0.47	1.034
110	3A151-29740	CUSHION	1				0.067	0.1474
120	03004-50620	SCREW WITH WASHER	4				0.005	0.011

RANGE GEAR SHIFT LEVER/CREEP SHIFT LEVER [CS]



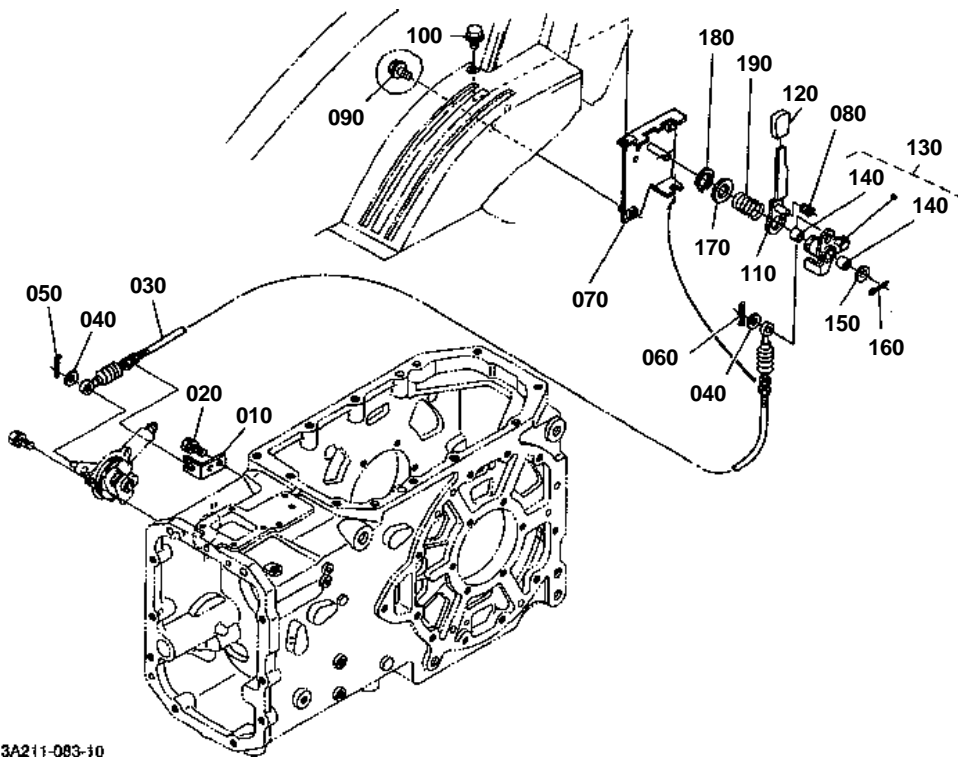
3A211-082-10

**RANGE GEAR SHIFT LEVER/CREEP SHIFT LEVER [CS]**

↔ Interchangeable; ≠ not interchangeable; ← new for old; → old for new

REF.No	Part No.	Description	Q'ty	S.No.	I/C	REMARKS	Weight (kgf)	Weight (lb)
010	3A011-31450	ROD RANGE SHIFT	2				0.03	0.066
020	54721-31850	BALL LINK	2				0.065	0.143
030	31351-24260	NUT	2				0.005	0.011
040	45404-95770	END ROD	2				0.05	0.11
050	02112-50080	NUT	2				0.003	0.0066
060	04512-60080	WASHER SPRING	4				0.002	0.0044
070	02114-50080	NUT	4				0.005	0.011
080	3A011-29790	PIN	1				0.295	0.649
090	3A212-29910	LEVER RANGE SHIFT	2				0.31	0.682
100	08511-02812	BUSH	4				0.02	0.044
110	3A152-29700	ASSY SUPPORT LEVER	1				0.305	0.671
120	08511-01910	BUSH	2				0.008	0.0176
130	08511-01412	BUSH	2				0.004	0.0088
140	04013-50180	WASHER PLAIN	2				0.015	0.033
150	04612-00190	CIR CLIP EXTERNAL	1				0.001	0.0022
160	3A212-29960	LEVER RANGE SHIFT	1				1.89	4.158
170	04011-50140	WASHER PLAIN	1				0.007	0.0154
180	04015-50100	WASHER PLAIN	1				0.016	0.0352
190	02118-50100	NUT	2				0.005	0.011
200	TA040-69820	GRIP LEVER	1				0.117	0.2574
210	3A011-29730	GUIDE LEVER	1				0.47	1.034
220	3A152-29740	CUSHION	1				0.065	0.143
230	03004-50620	SCREW WITH WASHER	4				0.005	0.011

PTO CLUTCH LEVER



3A211-083-10

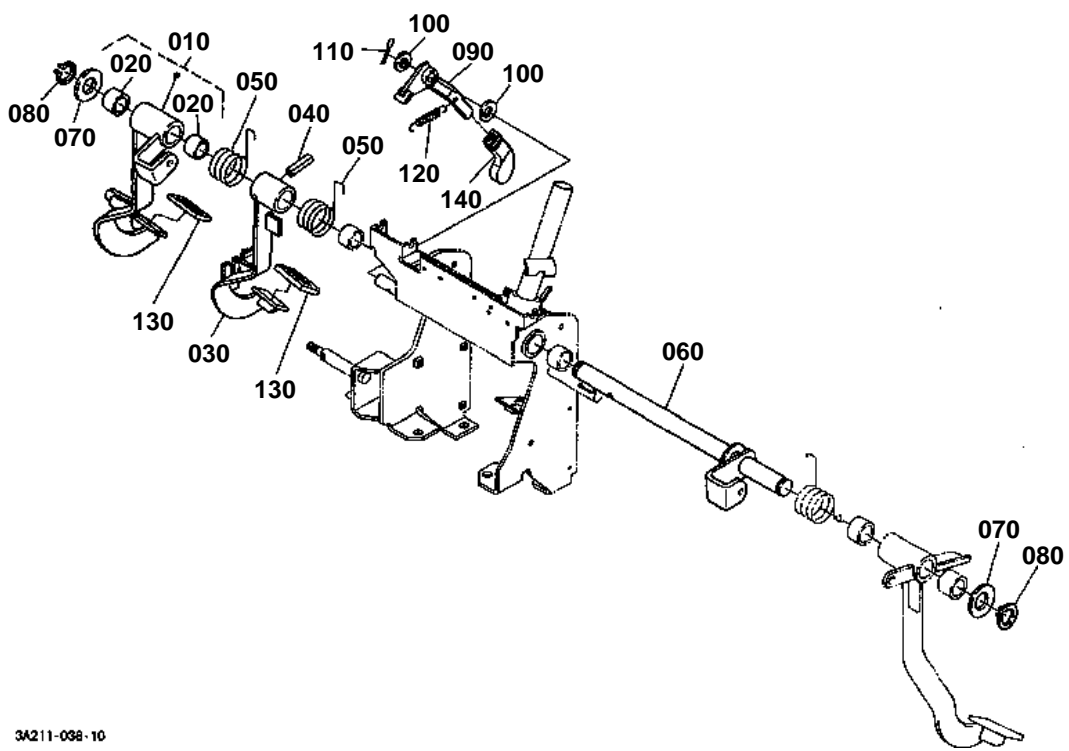


PTO CLUTCH LEVER

↔ Interchangeable; ≠ not interchangeable; ← new for old; → old for new

REF.No	Part No.	Description	Q'ty	S.No.	I/C	REMARKS	Weight (kgf)	Weight (lb)
010	3A011-27790	STAY WIRE	1				0.04	0.088
020	01123-60816	BOLT	2				0.01	0.022
030	3A111-27740	WIRE PTO	1				0.115	0.253
040	04012-50060	WASHER PLAIN	2				0.001	0.0022
050	05511-51612	PIN SPLIT	1				0.001	0.0022
060	05525-60600	PIN SNAP	1				0.001	0.0022
070	3A012-27803	BRACKET PTO LEVER	1				0.415	0.913
080	3A111-27830	SPRING PTO LEVER	1				0.001	0.0022
090	01754-50825	BOLT FLANGE	2				0.01	0.022
100	01754-50612	BOLT FLANGE	1				0.005	0.011
110	3A012-27810	LEVER PTO CLUTCH	1				0.049	0.1078
120	36919-27820	GRIP PTO LEVER	1				0.015	0.033
130	3A012-27840	ASSY LINK PTO LEVER	1				0.077	0.1694
140	08511-00810	BUSH	2				0.003	0.0066
150	04013-60080	WASHER PLAIN	1				0.002	0.0044
160	05511-50215	PIN SPLIT	1				0.001	0.0022
170	04011-50180	WASHER PLAIN	1				0.012	0.0264
180	04612-00180	CIR CLIP EXTERNAL	1				0.001	0.0022
190	3A012-27850	SPRING	1				0.005	0.011

BRAKE PEDAL



3A211-038-10

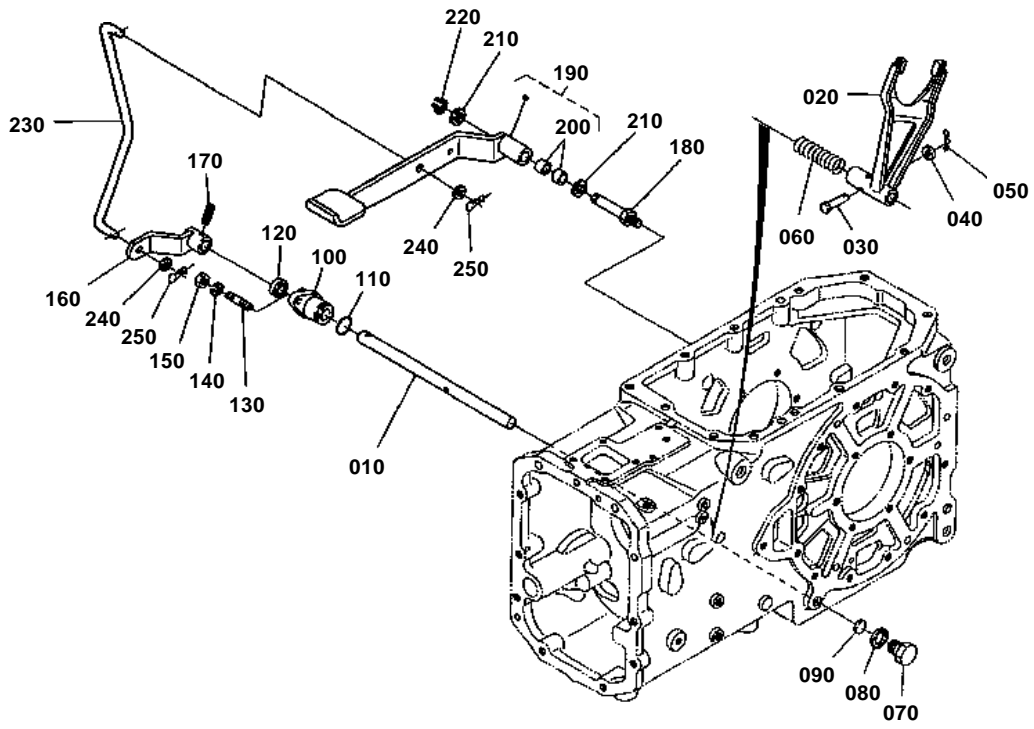


BRAKE PEDAL

↔ Interchangeable; ≠ not interchangeable; ← new for old; → old for new

REF.No	Part No.	Description	Q'ty	S.No.	I/C	REMARKS	Weight (kgf)	Weight (lb)
010	3A011-67102	ASSY PEDAL BRAKE RH	1				1.675	3.685
020	08511-02825	BUSH	2				0.04	0.088
030	3A111-67210	PEDAL BRAKE LH	1				1.485	3.267
040	05411-00850	PIN SPRING	1				0.012	0.0264
050	3A011-26160	SPRING	2				0.084	0.1848
060	3A011-67310	SHAFT PEDAL	1				2.75	6.05
070	32530-28660	COLLAR	2				0.018	0.0396
080	04612-00280	CIR CLIP EXTERNAL	2				0.003	0.0066
090	3A011-67600	LOCK PARKING LEVER	1				0.16	0.352
100	04011-50180	WASHER PLAIN	2				0.012	0.0264
110	05511-50425	PIN SPLIT	1				0.003	0.0066
120	36330-83420	SPRING LOCK	1				0.006	0.0132
130	37410-44120	COVER PEDAL	2				0.08	0.176
140	TA040-49842	GRIP	1				0.025	0.055

REAR DIFFERENTIAL LOCK PEDAL



3A021-024-11

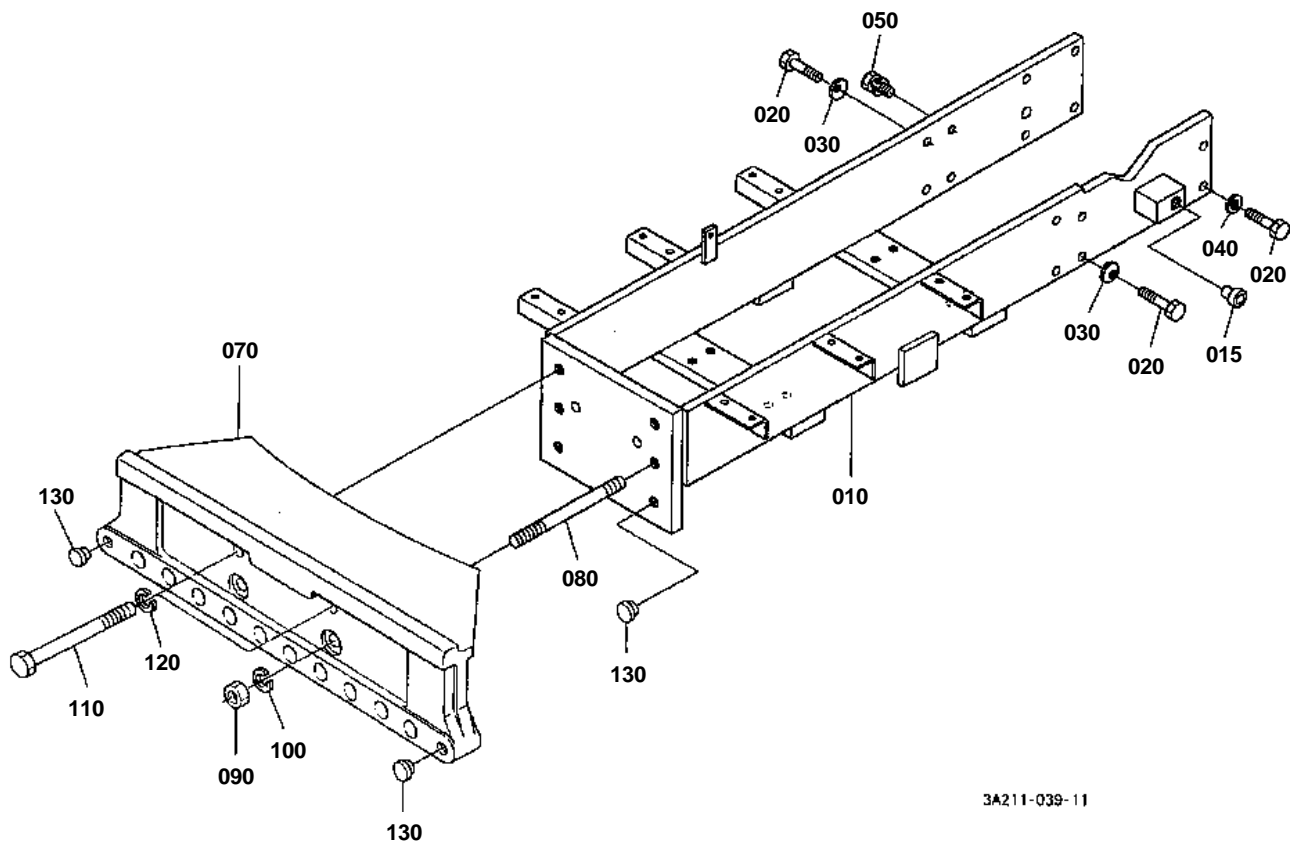


REAR DIFFERENTIAL LOCK PEDAL

↔ Interchangeable; ≠ not interchangeable; ← new for old; → old for new

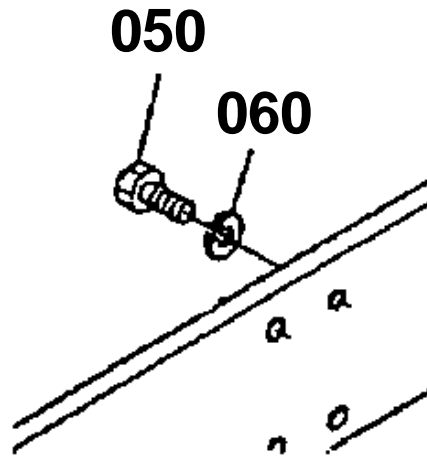
REF.No	Part No.	Description	Q'ty	S.No.	I/C	REMARKS	Weight (kgf)	Weight (lb)
010	3A011-32940	SHAFT DIFF.LOCK	1				0.445	0.979
020	3A011-32883	FORK DIFF.LOCK	1				0.745	1.639
030	31351-26620	PIN JOINT	1				0.008	0.0176
040	04013-60060	WASHER PLAIN	1				0.001	0.0022
050	3A011-32870	PIN SNAP	1				0.001	0.0022
060	3A011-32960	SPRING	1				0.137	0.3014
070	06331-35020	PLUG	1				0.068	0.1496
080	04717-02000	WASHER WITH RUBBER	1				0.004	0.0088
090	36330-32970	SHIM ADJUSTING	1			0.5mm	0.001	0.0022
100	3A011-32910	SUPPORT SHAFT	1				0.29	0.638
110	04811-10290	O RING	1				0.001	0.0022
120	09500-16287	SEAL OIL	1				0.01	0.022
130	01517-61030	STUD	2				0.021	0.0462
140	04512-60100	WASHER SPRING	2				0.002	0.0044
150	02176-50100	NUT	2				0.005	0.011
160	3A011-32930	LEVER DIFF.LOCK	1				0.15	0.33
170	05411-00625	PIN SPRING	1				0.004	0.0088
180	3A011-33120	PIN	1				0.095	0.209
190	3A011-32990	ASSY PEDAL DIFF.LOCK	1				0.74	1.628
200	08511-01415	BUSH	2				0.006	0.0132
210	04011-50140	WASHER PLAIN	2				0.007	0.0154
220	04612-00140	CIR CLIP EXTERNAL	1				0.001	0.0022
230	3A011-33060	ROD DIFF.LOCK	1				0.24	0.528
240	04013-60100	WASHER PLAIN	2				0.003	0.0066
250	52300-34130	PIN SNAP	2				0.004	0.0088

FRONT AXLE FRAME



3A211-039-11

050 01176-61030
060 04512-50100



3A211-802-10

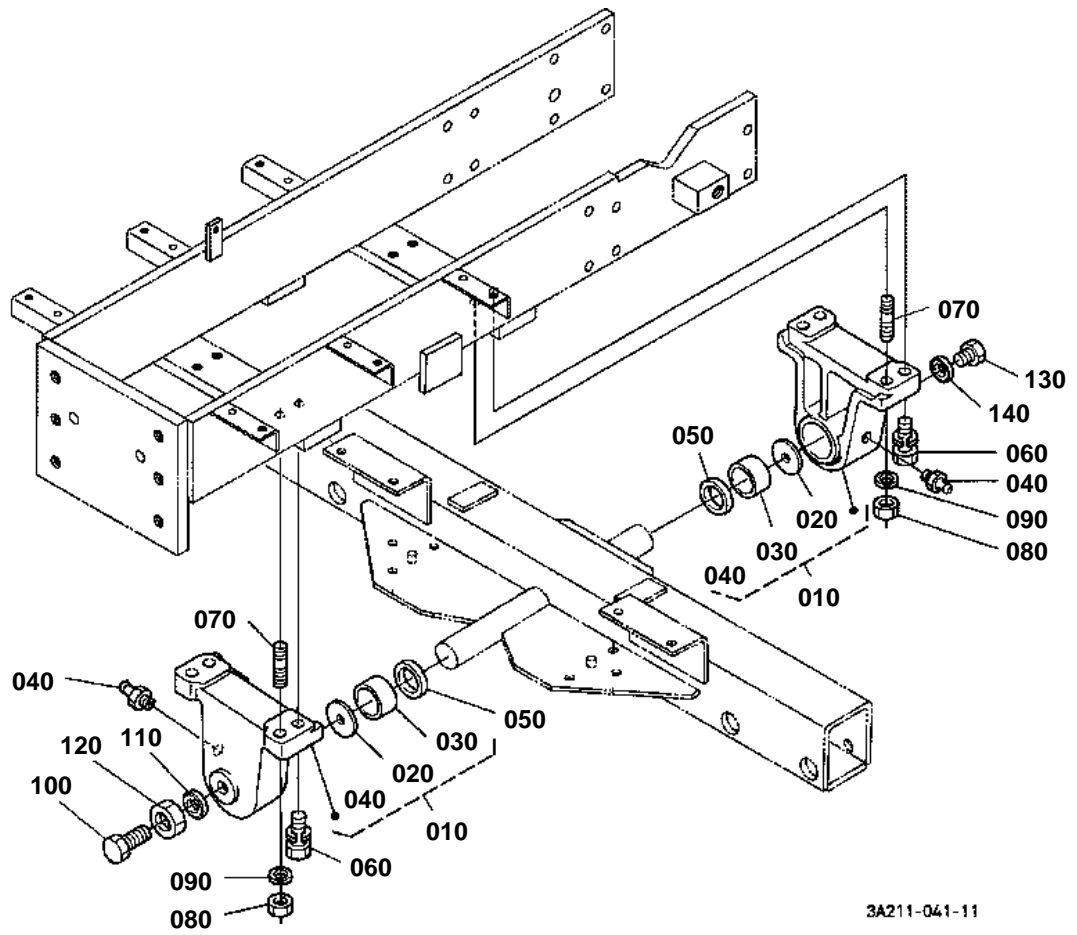


FRONT AXLE FRAME

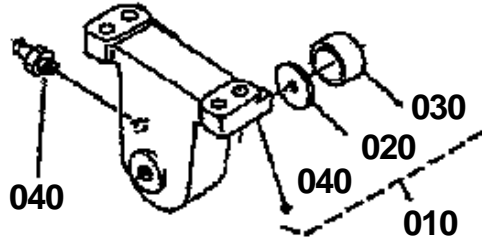
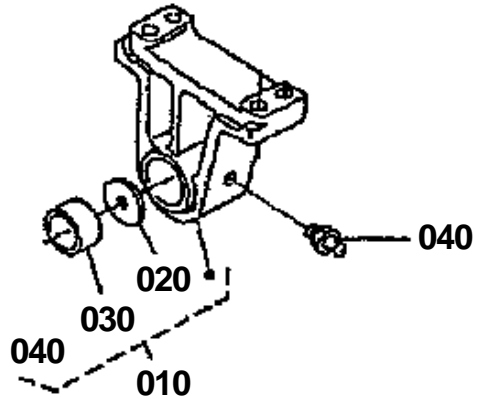
↔ Interchangeable; ≠ not interchangeable; ← new for old; → old for new

REF.No	Part No.	Description	Q'ty	S.No.	I/C	REMARKS	Weight (kgf)	Weight (lb)
010	3A211-21710	FRAME FRONT AXLE	1				63	138.6
015	36330-21290	PLUG	2				0.002	0.0044
020	37800-43400	BOLT	14				0.043	0.0946
030	69191-65950	SPRING PLATE	7				0.005	0.011
040	04512-60120	WASHER SPRING	7				0.005	0.011
050	01176-61030	BOLT	1	<=11985			0.03	0.066
050	01138-51030	BOLT	1	>=11986	-		0.25	0.55
060	04512-60100	WASHER SPRING	1	<=11985			0.002	0.0044
070	3A111-21760	BUMPER	1				82	180.4
080	3A111-21780	STUD	2				0.31	0.682
090	02176-50160	NUT	2				0.021	0.0462
100	04512-60160	WASHER SPRING	2				0.01	0.022
110	36200-87080	BOLT	2				0.466	1.0252
120	04512-60160	WASHER SPRING	2				0.01	0.022
130	33300-90910	PLUG	4				0.002	0.0044

FRONT AXLE BRACKET



010 3A011-4163-2



3A211-813-10

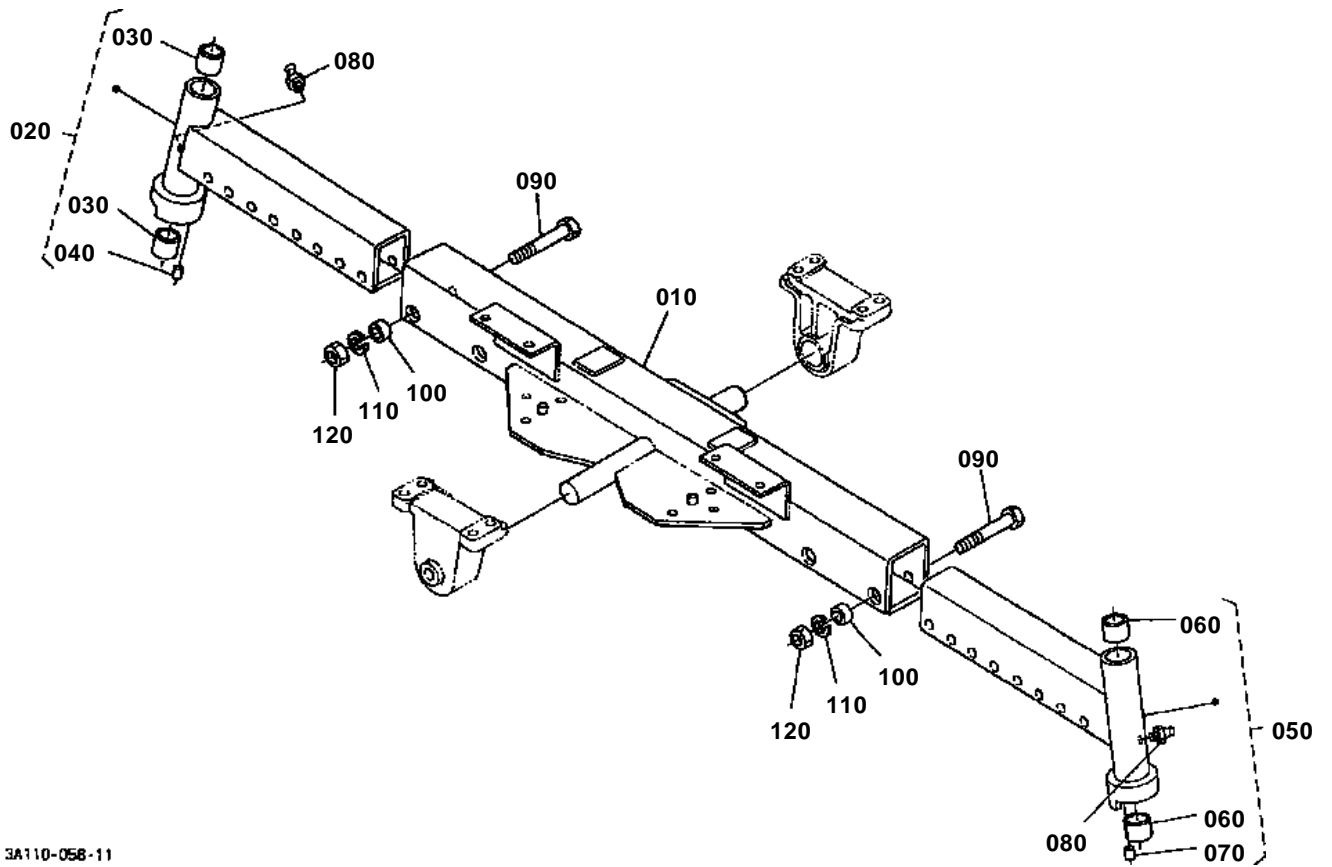


FRONT AXLE BRACKET

↔ Interchangeable; ≠ not interchangeable; ← new for old; → old for new

REF.No	Part No.	Description	Q'ty	S.No.	I/C	REMARKS	Weight (kgf)	Weight (lb)
010	3A011-41632	ASSY BRACKET F.AXLE	2	<=12950			0	0
010	3A011-41633	ASSY BRACKET F.AXLE	2	>=12951	-		4.62	10.164
020	38240-13430	WASHER THRUST	2				0.032	0.0704
030	52200-22430	BUSH	2				0.05	0.11
040	06611-15010	NIPPLE GREASE	2				0.01	0.022
050	38240-13160	SEAL OIL	2				0.005	0.011
060	01138-51245	BOLT	4				0.051	0.1122
070	01574-61240	STUD	4				0.045	0.099
080	02176-50120	NUT	4				0.01	0.022
090	04512-60120	WASHER SPRING	4				0.005	0.011
100	01175-51645	BOLT	1				0.09	0.198
110	38440-44750	WASHER SEAL	1				0.003	0.0066
120	32580-44580	NUT	1				0.1	0.22
130	06331-35016	PLUG	1				0.04	0.088
140	04717-01600	WASHER WITH RUBBER	1				0.003	0.0066

FRONT AXLE



3A110-058-11

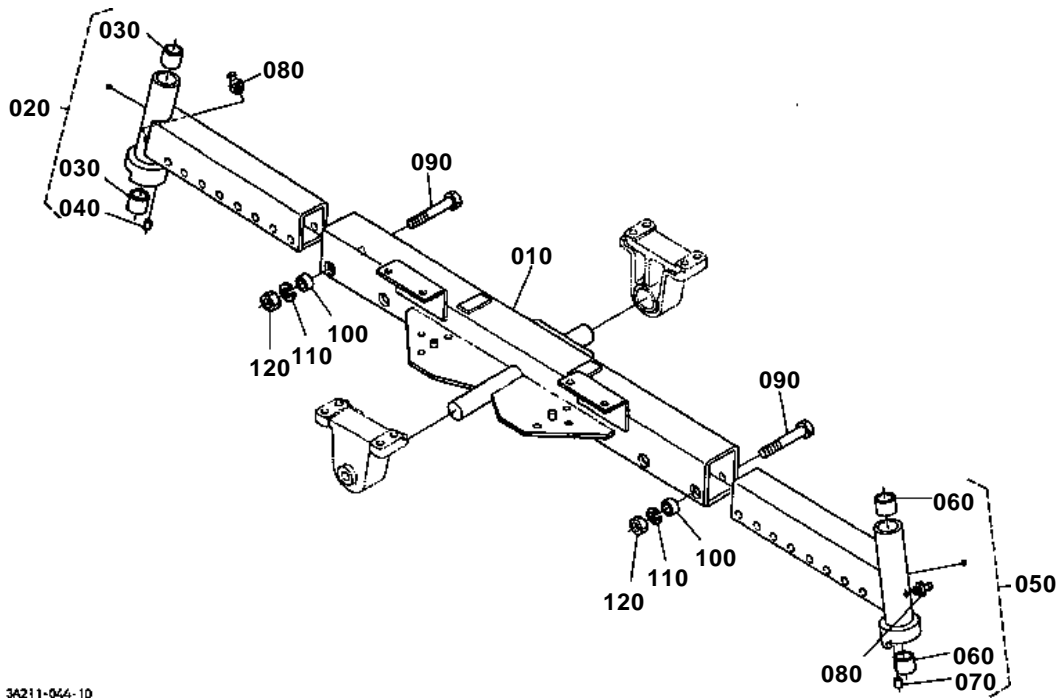


FRONT AXLE

↔ Interchangeable; ≠ not interchangeable; ← new for old; → old for new

REF.No	Part No.	Description	Q'ty	S.No.	I/C	REMARKS	Weight (kgf)	Weight (lb)
010	3A111-58312	AXLE FRONT MIDDLE	1				31	68.2
020	3A111-58100	COMP.AXLE RH	1				8.7	19.14
030	33251-58250	BUSH	2				0.08	0.176
040	33251-58260	PIN KNOCK	1				0.001	0.0022
050	3A111-58200	COMP.AXLE LH	1				8.7	19.14
060	33251-58250	BUSH	2				0.08	0.176
070	33251-58260	PIN KNOCK	1				0.001	0.0022
080	06613-10675	NIPPLE GREASE	2				0.003	0.0066
090	3A011-58530	BOLT	4				0.3	0.66
100	38240-13150	COLLAR	4				0.04	0.088
110	04512-60140	WASHER SPRING	4				0.008	0.0176
120	02176-50140	NUT	4				0.014	0.0308

FRONT AXLE [CS]



34211-044-10

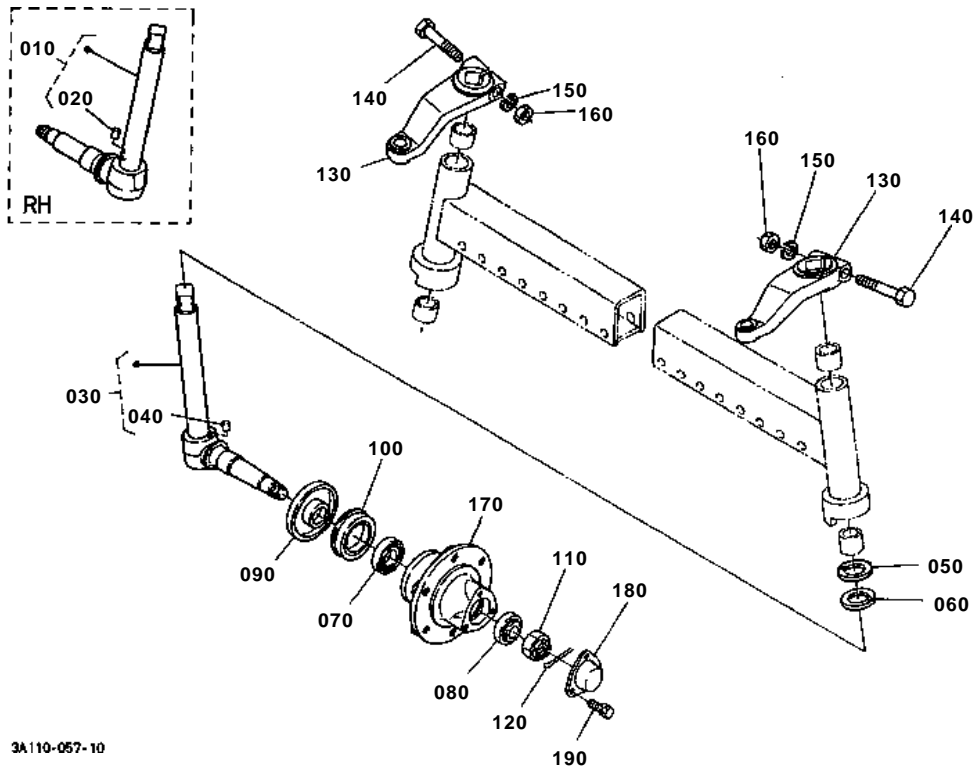


FRONT AXLE [CS]

↔ Interchangeable; ≠ not interchangeable; ← new for old; → old for new

REF.No	Part No.	Description	Q'ty	S.No.	I/C	REMARKS	Weight (kgf)	Weight (lb)
010	3A111-58312	AXLE FRONT MIDDLE	1				31	68.2
020	3A413-58100	COMP.AXLE RH	1				8.3	18.26
030	33251-58250	BUSH	2				0.08	0.176
040	33251-58260	PIN KNOCK	1				0.001	0.0022
050	3A413-58200	COMP.AXLE LH	1				8.3	18.26
060	33251-58250	BUSH	2				0.08	0.176
070	33251-58260	PIN KNOCK	1				0.001	0.0022
080	06613-10675	NIPPLE GREASE	2				0.003	0.0066
090	3A011-58530	BOLT	4				0.3	0.66
100	38240-13150	COLLAR	4				0.04	0.088
110	04512-60140	WASHER SPRING	4				0.008	0.0176
120	02176-50140	NUT	4				0.014	0.0308

FRONT WHEEL HUB



3A110-057-10



FRONT WHEEL HUB

↔ Interchangeable; ≠ not interchangeable; ← new for old; → old for new

REF.No	Part No.	Description	Q'ty	S.No.	I/C	REMARKS	Weight (kgf)	Weight (lb)
010	3A111-58500	SHAFT KNUCKLE RH	1				4.5	9.9
020	33251-58260	PIN KNOCK	1				0.001	0.0022
030	3A111-58600	SHAFT KNUCKLE LH	1				4.5	9.9
040	33251-58260	PIN KNOCK	1				0.001	0.0022
050	3A011-58710	COLLAR THRUST	2			3.0mm	0.04	0.088
060	3A011-58720	COLLAR THRUST	2			3.0mm	0.045	0.099
070	08711-30207	BEARING TAPER-ROLLER	2				0.365	0.803
080	08711-30205	BEARING TAPER-ROLLER	2				0.148	0.3256
090	33251-58770	COVER KNUCKLE	2				0.34	0.748
100	33251-58760	SEAL OIL	2				0.102	0.2244
110	02375-50220	NUT	2				0.04	0.088
120	05511-50435	PIN SPLIT	2				0.004	0.0088
130	3A111-62730	ARM KNUCKLE	2				1.5	3.3
140	36830-58430	BOLT	2				0.11	0.242
150	04512-60140	WASHER SPRING	2				0.008	0.0176
160	02174-50140	NUT	2				0.014	0.0308
170	3A011-58812	HUB FRONT WHEEL	2				4.8	10.56
180	32240-11350	CAP FRONT WHEEL	2				0.065	0.143
190	01123-60814	BOLT	6				0.01	0.022

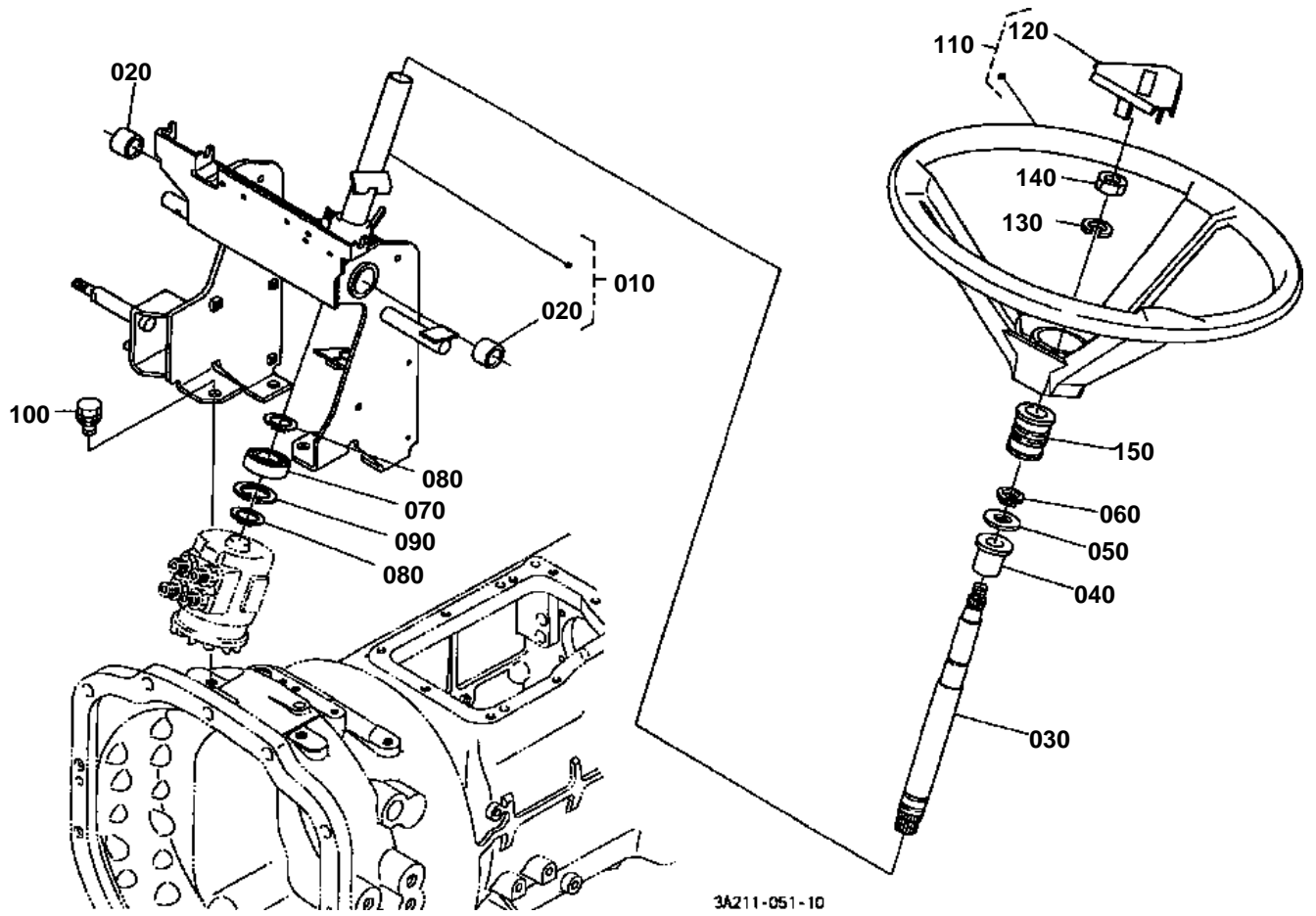


FRONT WHEEL HUB [CS]

↔ Interchangeable; ≠ not interchangeable; ← new for old; → old for new

REF.No	Part No.	Description	Q'ty	S.No.	I/C	REMARKS	Weight (kgf)	Weight (lb)
010	3A413-58500	SHAFT KNUCKLE RH	1				4.05	8.91
020	33251-58260	PIN KNOCK	1				0.001	0.0022
030	3A413-58600	SHAFT KNUCKLE LH	1				4.05	8.91
040	33251-58260	PIN KNOCK	1				0.001	0.0022
050	3A011-58710	COLLAR THRUST	2			3.0mm	0.04	0.088
060	3A011-58720	COLLAR THRUST	2			3.0mm	0.045	0.099
070	08711-30207	BEARING TAPER-ROLLER	2				0.365	0.803
080	08711-30205	BEARING TAPER-ROLLER	2				0.148	0.3256
090	33251-58770	COVER KNUCKLE	2				0.34	0.748
100	33251-58760	SEAL OIL	2				0.102	0.2244
110	02375-50220	NUT	2				0.04	0.088
120	05511-50435	PIN SPLIT	2				0.004	0.0088
130	3A111-62730	ARM KNUCKLE	2				1.5	3.3
140	36830-58430	BOLT	2				0.11	0.242
150	04512-60140	WASHER SPRING	2				0.008	0.0176
160	02174-50140	NUT	2				0.014	0.0308
170	3A011-58812	HUB FRONT WHEEL	2				4.8	10.56
180	32240-11350	CAP FRONT WHEEL	2				0.065	0.143
190	01123-60814	BOLT	6				0.01	0.022

STEERING HANDLE

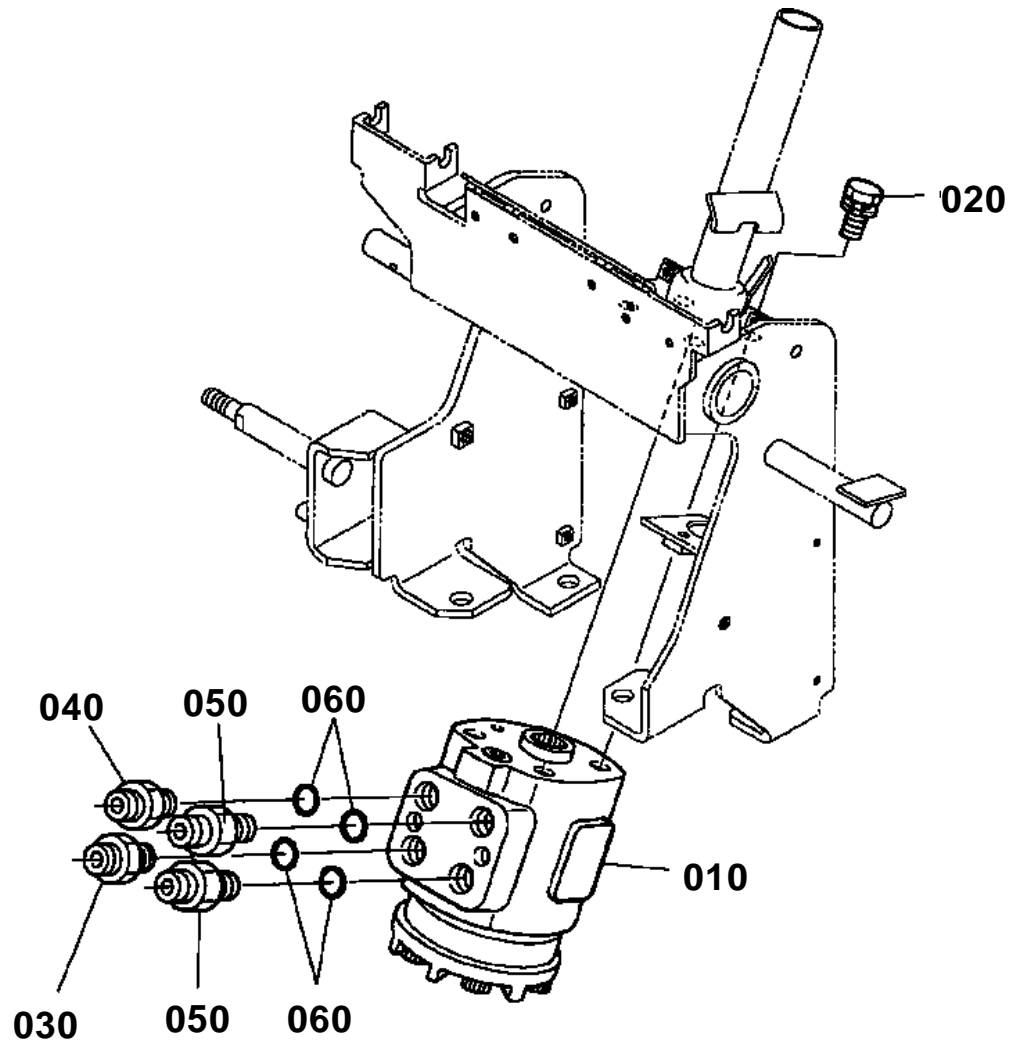




STEERING HANDLE

↔ Interchangeable; ≠ not interchangeable; ← new for old; → old for new

REF.No	Part No.	Description	Q'ty	S.No.	I/C	REMARKS	Weight (kgf)	Weight (lb)
010	3A211-63202	ASSY SUPP. STEERING	1				0	0
020	08511-02825	BUSH	2				0.04	0.088
030	3A111-62150	SHAFT STEERING	1				0.81	1.782
040	3A011-62170	BUSH COLUMN	1				0.012	0.0264
050	04013-50180	WASHER PLAIN	1				0.015	0.033
060	04612-00180	CIR CLIP EXTERNAL	1				0.001	0.0022
070	35533-62360	BEARING BALL	1				0.08	0.176
080	04612-00220	CIR CLIP EXTERNAL	2				0.001	0.0022
090	04611-00450	CIR CLIP INTERNAL	1				0.01	0.022
100	01133-51230	BOLT	4				0.04	0.088
110	36919-62560	ASSY WHEEL STEERING	1				2.5	5.5
120	36919-62580	PAD STEERING	1				0.045	0.099
130	04512-60120	WASHER SPRING	1				0.005	0.011
140	02176-50120	NUT	1				0.01	0.022
150	3A111-62380	COVER STEERING	1				0.036	0.0792



3A211-052-10

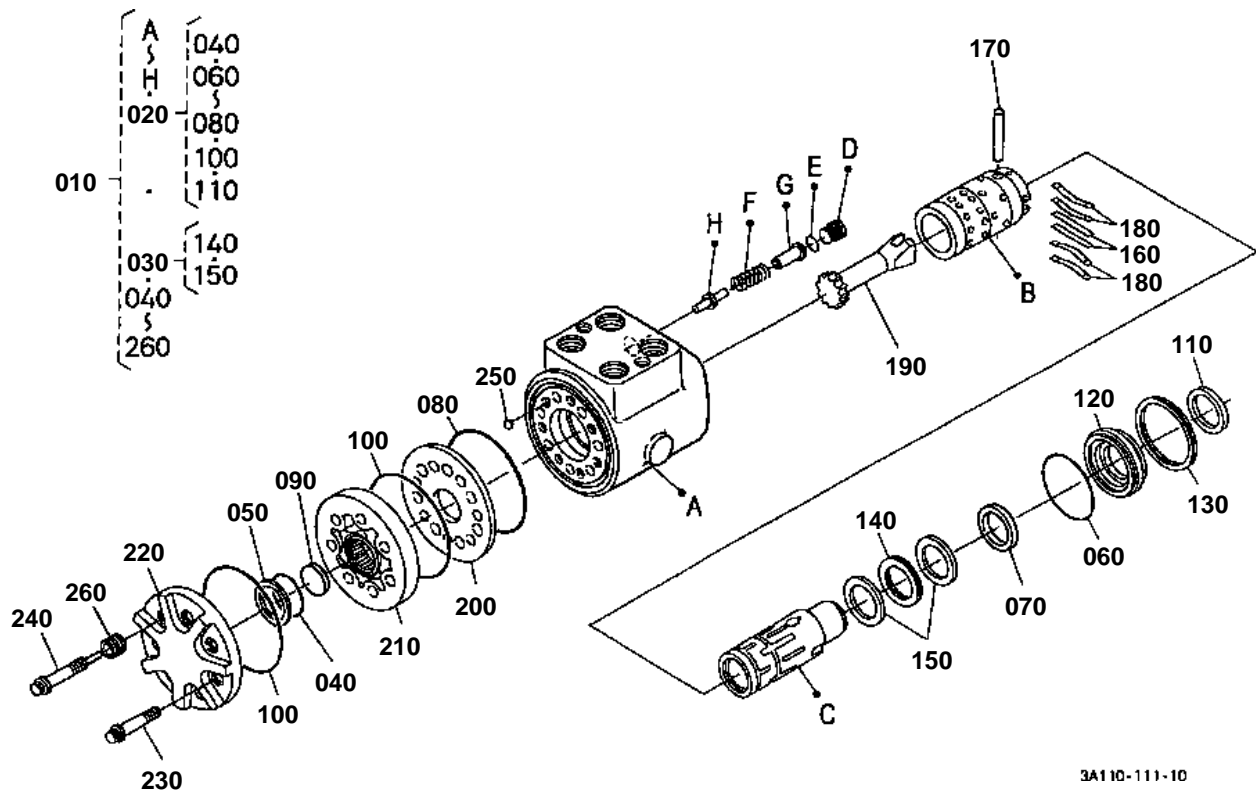


STEERING CONTROLLER

↔ Interchangeable; ≠ not interchangeable; ← new for old; → old for new

REF.No	Part No.	Description	Q'ty	S.No.	I/C	REMARKS	Weight (kgf)	Weight (lb)
010	3A111-63070	CONTROLLER STEERING	1				5.65	12.43
020	01133-51022	BOLT	4				0.025	0.055
030	3A111-63090	JOINT PIPE	1				0.088	0.1936
040	3A111-63150	JOINT PIPE	1				0.093	0.2046
050	3A111-63120	JOINT PIPE	2				0.084	0.1848
060	04816-00180	O RING	4				0.002	0.0044
060	04817-00180	O RING	4			-	0.003	0.0066

STEERING CONTROLLER [COMPONENT PARTS]



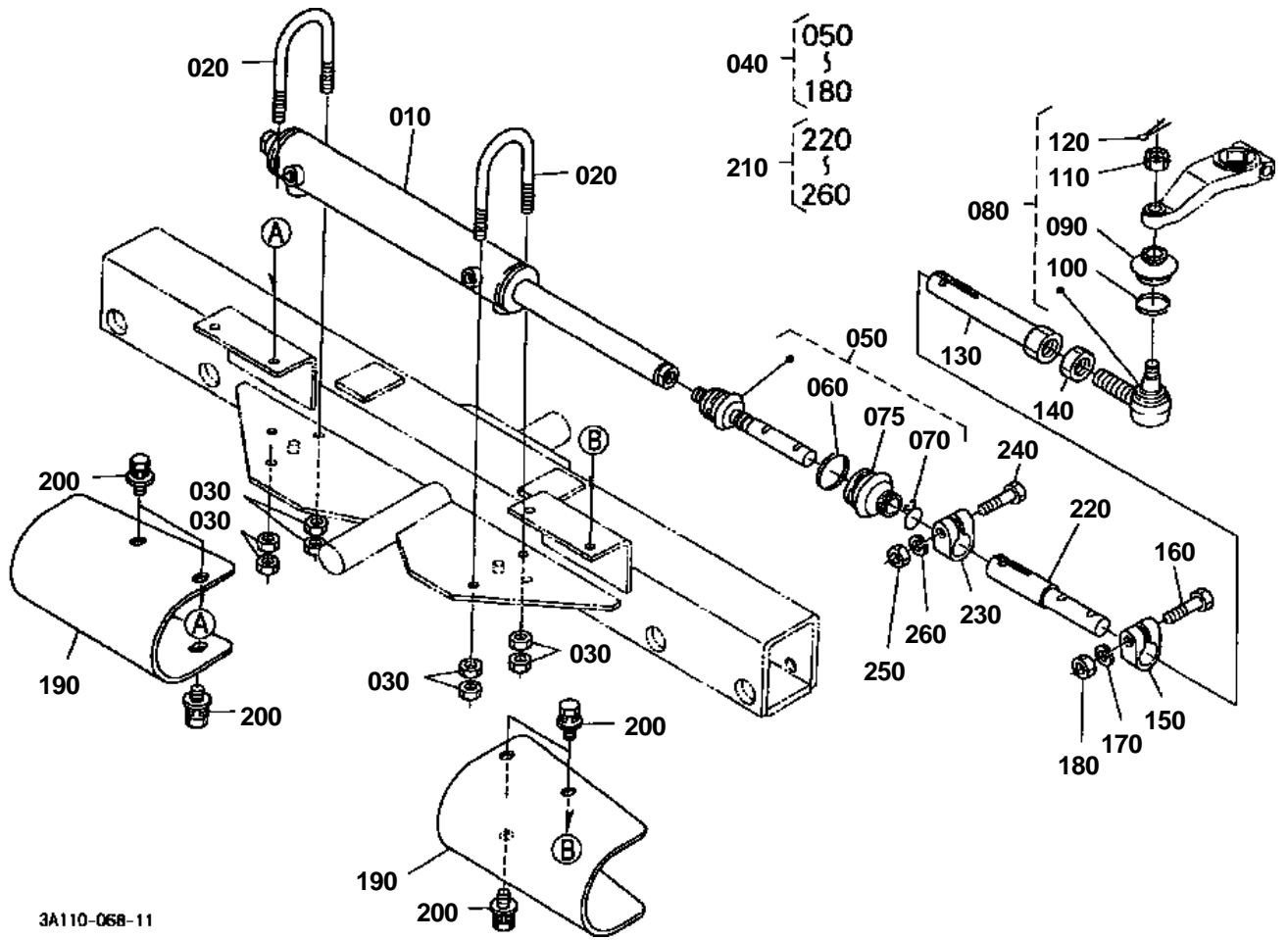


STEERING CONTROLLER [COMPONENT PARTS]

↔ Interchangeable; ≠ not interchangeable; ← new for old; → old for new

REF.No	Part No.	Description	Q'ty	S.No.	I/C	REMARKS	Weight (kgf)	Weight (lb)
010	3A111-63070	CONTROLLER STEERING	1				5.65	12.43
020	3A999-11980	KIT SEAL	1				0.02	0.044
030	R1401-94620	KIT BEARING NEEDLE	1				0.04	0.088
040	33740-64450	O RING	1				0.001	0.0022
050	35999-22030	SEAL	1				0.001	0.0022
060	35999-22040	RING	1				0.005	0.011
070	R1401-94570	SEAL OIL	1				0.001	0.0022
080	R1401-94650	O RING	1				0.001	0.0022
090	3A999-11960	SPACER	1				0.002	0.0044
100	35999-22080	O RING	2				0.001	0.0022
110	35999-22110	SEAL DUST	1				0.002	0.0044
120	33740-64380	BUSH	1				0.11	0.242
130	35999-22070	RING RETAINING	1				0.005	0.011
140	35999-22090	NEEDLE THRUST	1				0.01	0.022
150	35999-22100	RACE BEARING	2				0.02	0.044
160	35999-22190	SPRING FLAT	2				0.001	0.0022
170	35999-22180	PIN	1				0.01	0.022
180	35999-22200	SPRING	4				0.002	0.0044
190	35999-22220	DRIVE	1				0.1	0.22
200	35999-22230	PLATE SPACER	1				0.1	0.22
210	3A111-22240	SET ROTOR	1				0.315	0.693
220	35999-22250	CAP END	1				0.4	0.88
230	3A999-11940	SCREW	6				0.02	0.044
240	3A999-11950	ASSY SCREW	1				0.018	0.0396
250	R1401-94670	BALL	1				0.001	0.0022
260	R1401-94660	SCREW ADAPTER	1				0.002	0.0044

STEERING LINKAGE



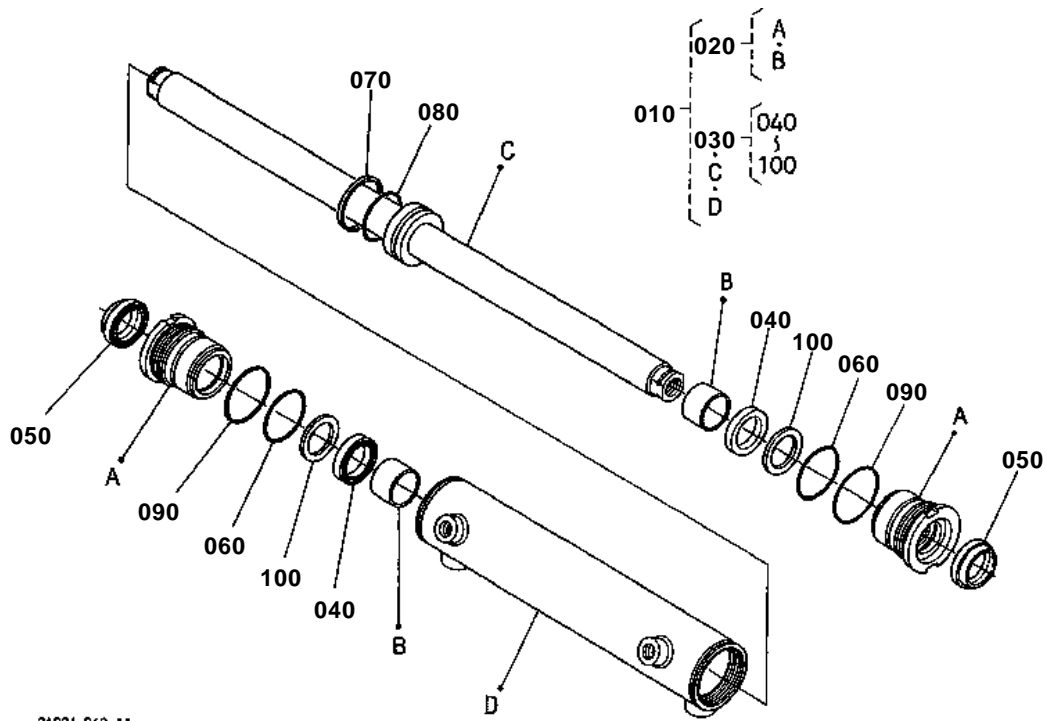


STEERING LINKAGE

↔ Interchangeable; ≠ not interchangeable; ← new for old; → old for new

REF.No	Part No.	Description	Q'ty	S.No.	I/C	REMARKS	Weight (kgf)	Weight (lb)
010	3A011-63882	CYLINDER HYDRAULIC	1				7.7	16.94
020	3A111-62130	CLAMP	2				0.125	0.275
030	02176-50100	NUT	8				0.005	0.011
040	3A111-62972	ASSY ROD TIE	2				1.67	3.674
050	3A011-62980	JOINT TIE ROD	2				0.71	1.562
060	35533-62860	RING SET	2				0.005	0.011
070	35080-44690	CLIP	2				0.002	0.0044
075	35080-44680	COVER DUST	2				0.029	0.0638
080	3A011-62922	END TIE ROD	2				0.5	1.1
090	32580-44780	COVER DUST	2				0.01	0.022
100	35270-12660	CLIP	2				0.005	0.011
110	36330-62750	NUT	2				0.022	0.0484
120	05511-50328	PIN SPLIT	2				0.002	0.0044
130	3A111-62910	ROD TIE OUTER	2				0.32	0.704
140	02172-50200	NUT	2				0.03	0.066
150	33251-62860	CLAMP TIE ROD	2				0.078	0.1716
160	38430-12560	BOLT	2				0.35	0.77
170	04512-60100	WASHER SPRING	2				0.002	0.0044
180	02176-50100	NUT	2				0.005	0.011
190	35533-64013	COVER POWER STRG.	2				1.5	3.3
200	01135-61020	BOLT	6				0.015	0.033
210	35564-62820	ASSY SPACER TIE ROD	2				0.52	1.144
220	35523-62870	SPACER TIE ROD	2				0.4	0.88
230	33251-62860	CLAMP TIE ROD	2				0.078	0.1716
240	38430-12560	BOLT	2				0.35	0.77
250	02176-50100	NUT	2				0.005	0.011
260	04512-60100	WASHER SPRING	2				0.002	0.0044

STEERING CYLINDER [COMPONENT PARTS]



3A021-043-11

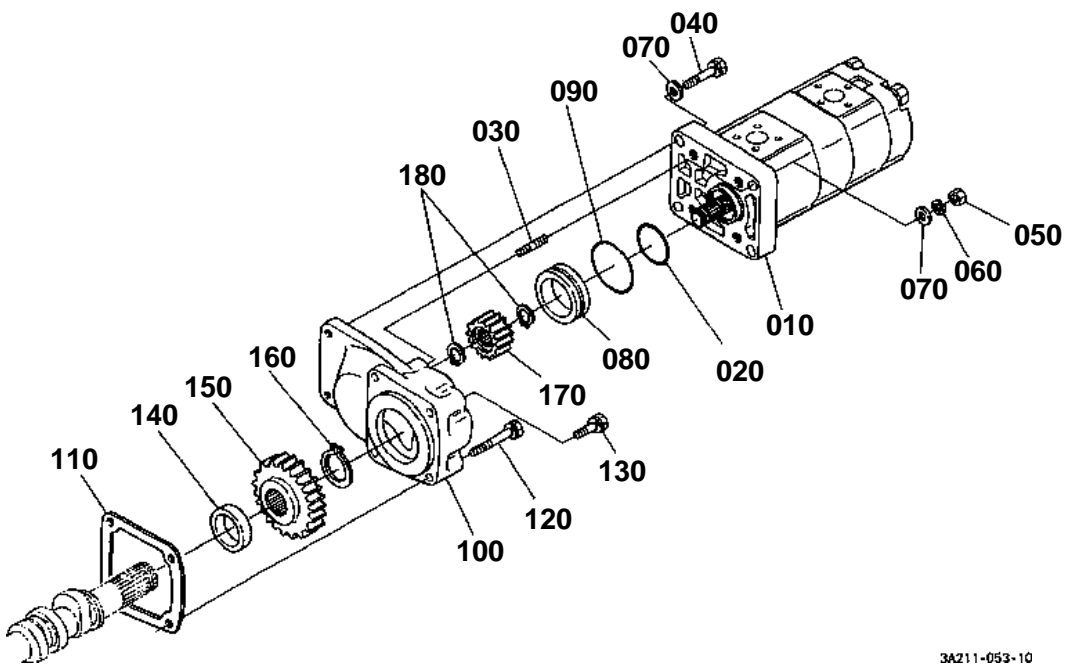


STEERING CYLINDER [COMPONENT PARTS]

↔ Interchangeable; ≠ not interchangeable; ← new for old; → old for new

REF.No	Part No.	Description	Q'ty	S.No.	I/C	REMARKS	Weight (kgf)	Weight (lb)
010	3A011-63882	CYLINDER HYDRAULIC	1				7.7	16.94
020	3A011-63812	KIT HEAD HYD.CYL.	1				0.79	1.738
030	3A011-63822	KIT SEAL	1				0.055	0.121
040	3A011-63890	U-RING	2				0.004	0.0088
050	3A011-63860	RING WIPER	2				0.135	0.297
060	68811-93350	O RING	2				0.002	0.0044
070	3A011-63830	SEAL	1				0.003	0.0066
080	3A011-63840	O RING	1				0.003	0.0066
090	3A011-63850	O RING	2				0.002	0.0044
100	3A011-63870	RING BACK UP	2				0.003	0.0066

HYDRAULIC PUMP



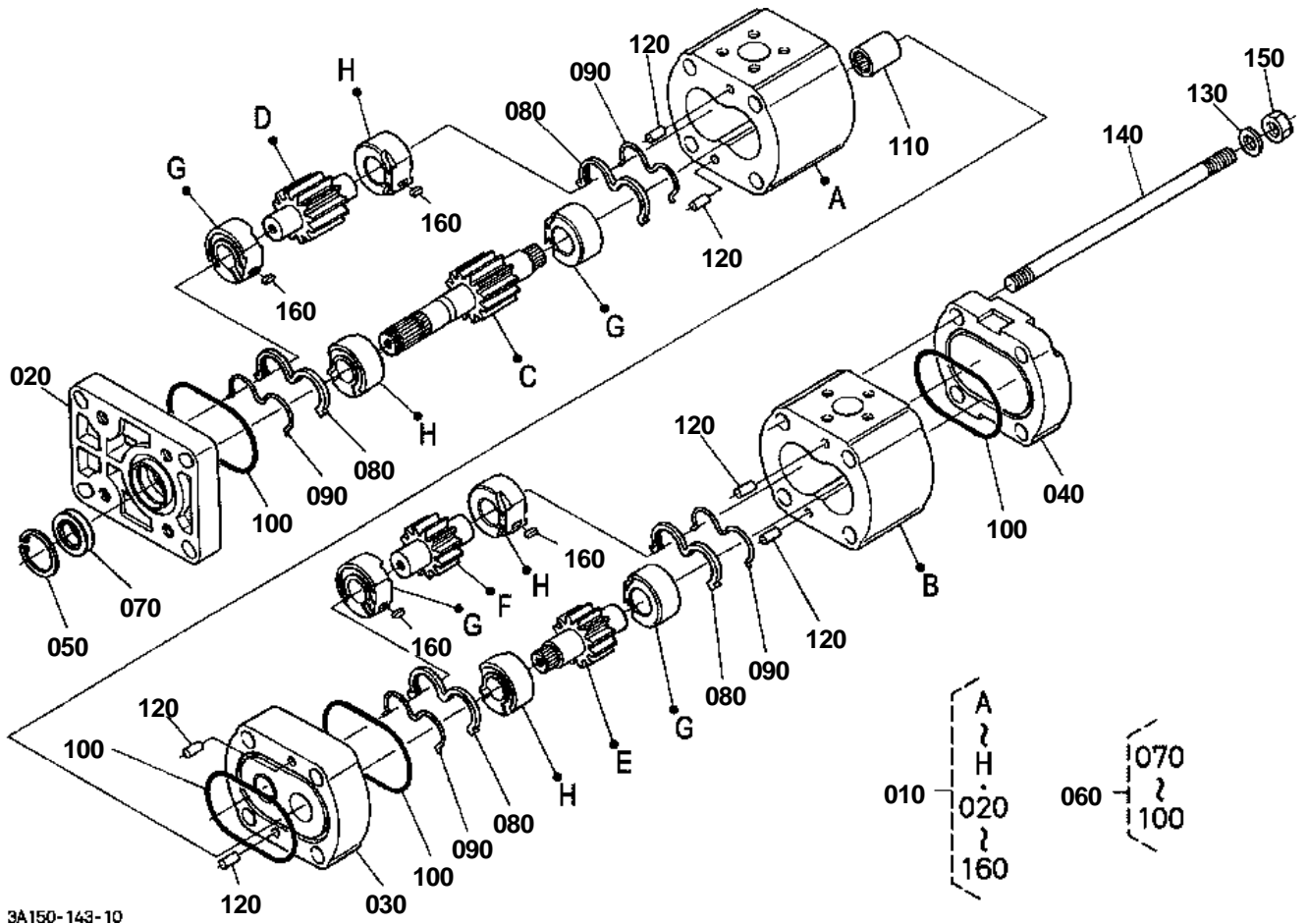


HYDRAULIC PUMP

↔ Interchangeable; ≠ not interchangeable; ← new for old; → old for new

REF.No	Part No.	Description	Q'ty	S.No.	I/C	REMARKS	Weight (kgf)	Weight (lb)
010	3A231-82200	PUMP HYDRAULIC	1	<=12800			0	0
010	3A231-82203	PUMP HYDRAULIC	1	>=12801	-		4.85	10.67
020	04816-06400	O RING	1				0.001	0.0022
020	04817-06400	O RING	1		-		0.003	0.0066
030	01513-60830	STUD	2				0.013	0.0286
040	01123-50835	BOLT	2				0.02	0.044
050	02156-50080	NUT	2				0.004	0.0088
060	04512-60080	WASHER SPRING	2				0.002	0.0044
070	04013-60080	WASHER PLAIN	4				0.002	0.0044
080	36200-82250	RING	1				0.072	0.1584
090	04811-10500	O RING	1				0.001	0.0022
100	3A031-82240	BASE PUMP	1				1.55	3.41
110	35394-37860	GASKET	1				0.005	0.011
120	01123-50855	BOLT	2				0.02	0.044
130	01123-50825	BOLT	2				0.013	0.0286
140	31301-36240	COLLAR	1				0.038	0.0836
150	3A012-82270	GEAR	1			28T	0.565	1.243
160	04612-00250	CIR CLIP EXTERNAL	1				0.002	0.0044
170	3A012-82280	GEAR	1			14T	0.125	0.275
180	04612-00170	CIR CLIP EXTERNAL	2				0.001	0.0022

HYDRAULIC PUMP [COMPONENT PARTS]



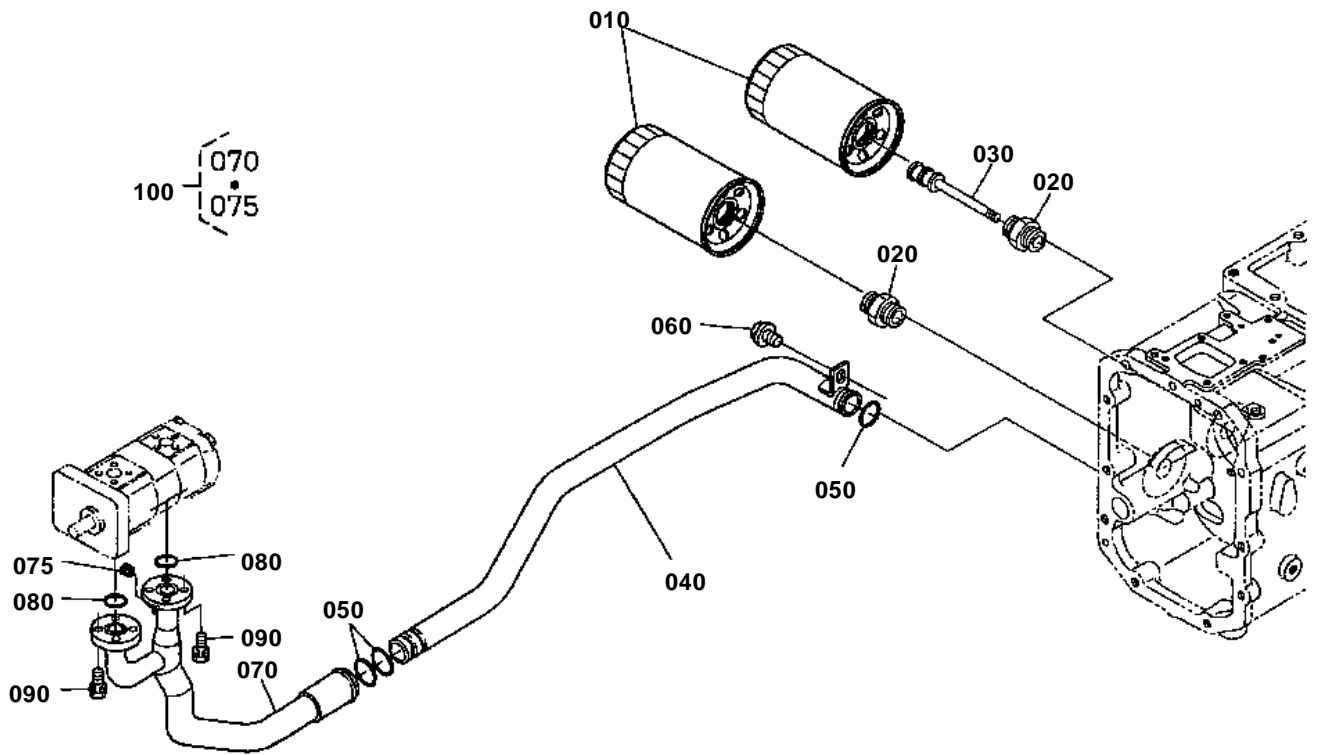


HYDRAULIC PUMP [COMPONENT PARTS]

↔ Interchangeable; ≠ not interchangeable; ← new for old; → old for new

REF.No	Part No.	Description	Q'ty	S.No.	I/C	REMARKS	Weight (kgf)	Weight (lb)
010	3A231-82200	PUMP HYDRAULIC	1	<=12800			0	0
010	3A231-82203	PUMP HYDRAULIC	1	>=12801	→		4.85	10.67
020	68721-72210	FLANGE	1				0.45	0.99
030	33960-12860	FLANGE	1				0.5	1.1
040	68741-72230	COVER	1				0.39	0.858
050	68051-91850	RING SNAP	1				0.001	0.0022
060	35890-12970	KIT SEAL	1				0.005	0.011
070	36330-82320	SEAL OIL	1				0.01	0.022
080	35430-12870	ELEMENT SEAL	4				0.003	0.0066
090	68051-91880	ELEMENT BACK UP	4				0.001	0.0022
100	68051-91910	O RING	4				0.001	0.0022
110	33960-12870	COUPLING	1				0.028	0.0616
120	68271-91240	PIN	6				0.004	0.0088
130	68741-72250	WASHER	4				0.002	0.0044
140	35592-12940	STUD	4	<=12800			0.12	0.264
140	3A111-12940	STUD	4	>=12801	→		0.115	0.253
150	68051-92090	NUT	4				0.01	0.022
160	68051-91890	KEY	4				0.001	0.0022

HYDRAULIC PIPE (SUCTION)



3A211-054-12

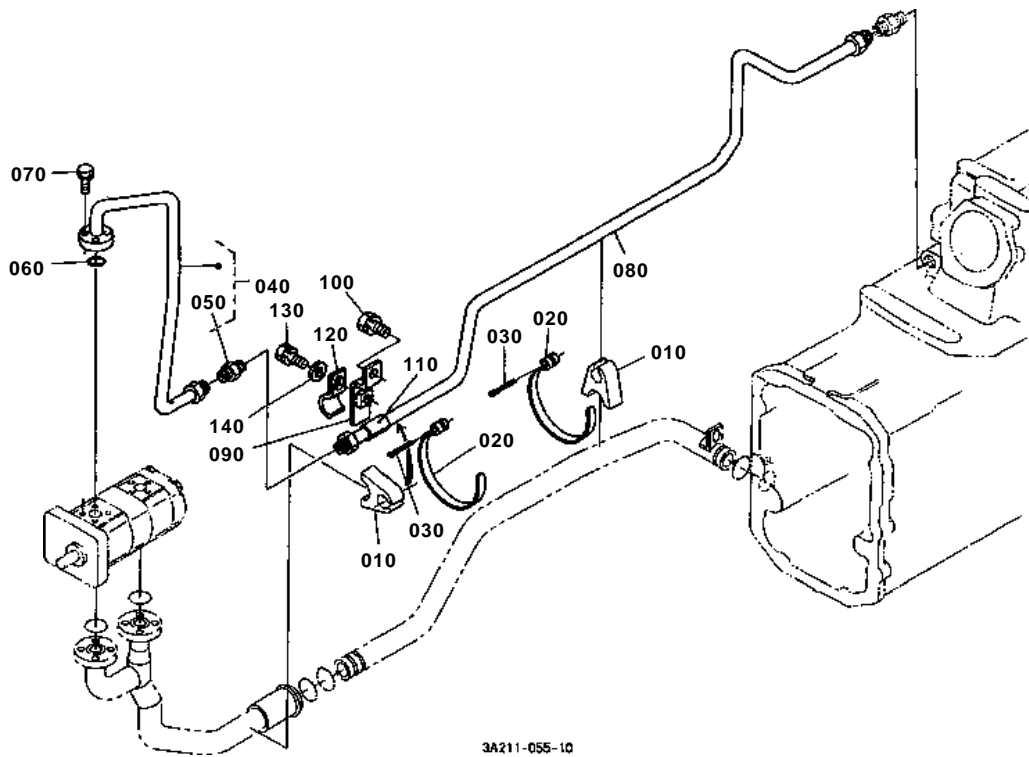


HYDRAULIC PIPE (SUCTION)

↔ Interchangeable; ≠ not interchangeable; ← new for old; → old for new

REF.No	Part No.	Description	Q'ty	S.No.	I/C	REMARKS	Weight (kgf)	Weight (lb)
010	33960-82630	FILTER	2				0.65	1.43
020	32590-38330	JOINT SCREW	2				0.05	0.11
030	33960-82640	MAGNET FILTER	1				0.08	0.176
040	3A011-82690	PIPE SUCTION	1				0.93	2.046
050	04815-00260	O RING	3				0	0
050	04816-00260	O RING	3		-		0.001	0.0022
060	01754-50816	BOLT FLANGE	1				0.011	0.0242
070	3A211-82710	COMP.PIPE SUCTION	1	<=12516		NOT SALE ORDER BY REF.No.100	0.915	2.013
070	3A211-82712	COMP.PIPE SUCTION	1	>=12517	1	NOT SALE ORDER BY REF.No.100	0.915	2.013
075	31351-37160	PLUG	1	>=12517			0.003	0.0066
080	3A011-94870	O RING	2				0.001	0.0022
090	01023-50622	BOLT	8				0.005	0.011
100	3A211-82670	ASSY PIPE SUCTION	1	<=12516			0.915	2.013

HYDRAULIC PIPE (DELIVERY)



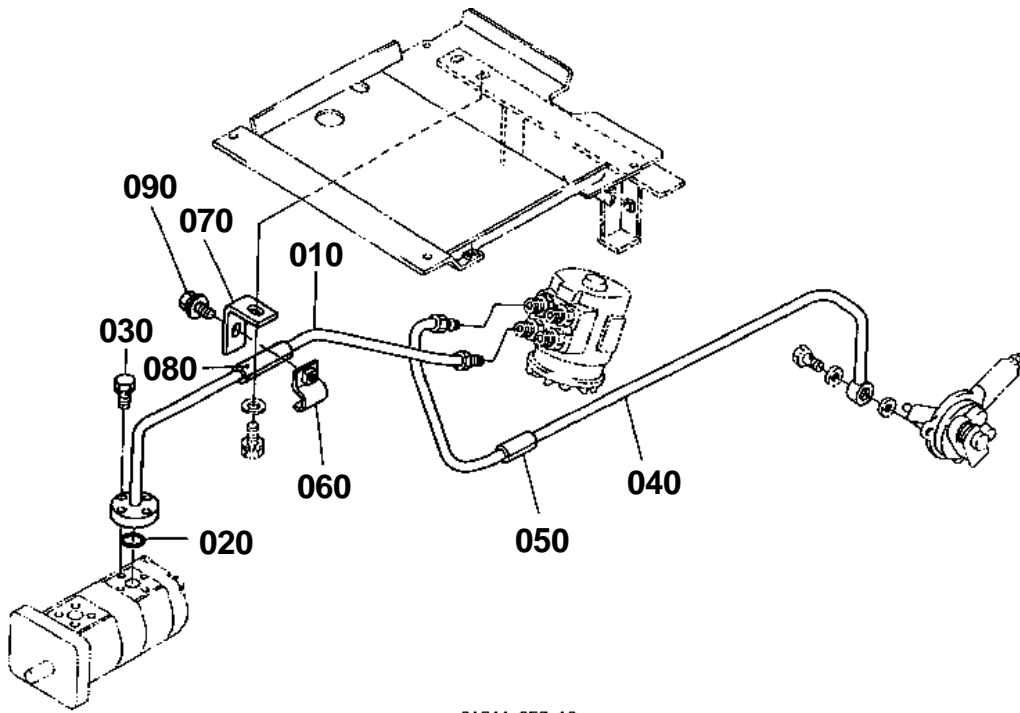


HYDRAULIC PIPE (DELIVERY)

↔ Interchangeable; ≠ not interchangeable; ← new for old; → old for new

REF.No	Part No.	Description	Q'ty	S.No.	I/C	REMARKS	Weight (kgf)	Weight (lb)
010	35533-82720	CUSHION	2				0.03	0.066
020	37150-38950	BAND PIPE	2	<=12580			0.02	0.044
020	3A211-82880	BAND PIPE	2	>=12581	↔		0.02	0.044
030	33430-82760	PIN BAND	2				0.004	0.0088
040	3A031-82702	ASSY PIPE DELIVERY	1				0.57	1.254
050	06013-51503	JOINT PIPE	1				0.062	0.1364
060	35880-63650	O RING	1				0.001	0.0022
070	01023-50622	BOLT	4				0.005	0.011
080	3A011-82760	COMP.PIPE DELIVERY	1				0.83	1.826
090	3A011-82810	STAY	1				0.06	0.132
100	01133-51220	BOLT	1				0.04	0.088
110	34550-33290	TUBE	1				0.01	0.022
120	34070-33260	HOLDER	1				0.03	0.066
130	01133-51016	BOLT	1				0.015	0.033
140	04013-60100	WASHER PLAIN	1				0.003	0.0066

HYDRAULIC OIL LINE (STEERING/PTO)



3A211-056-10

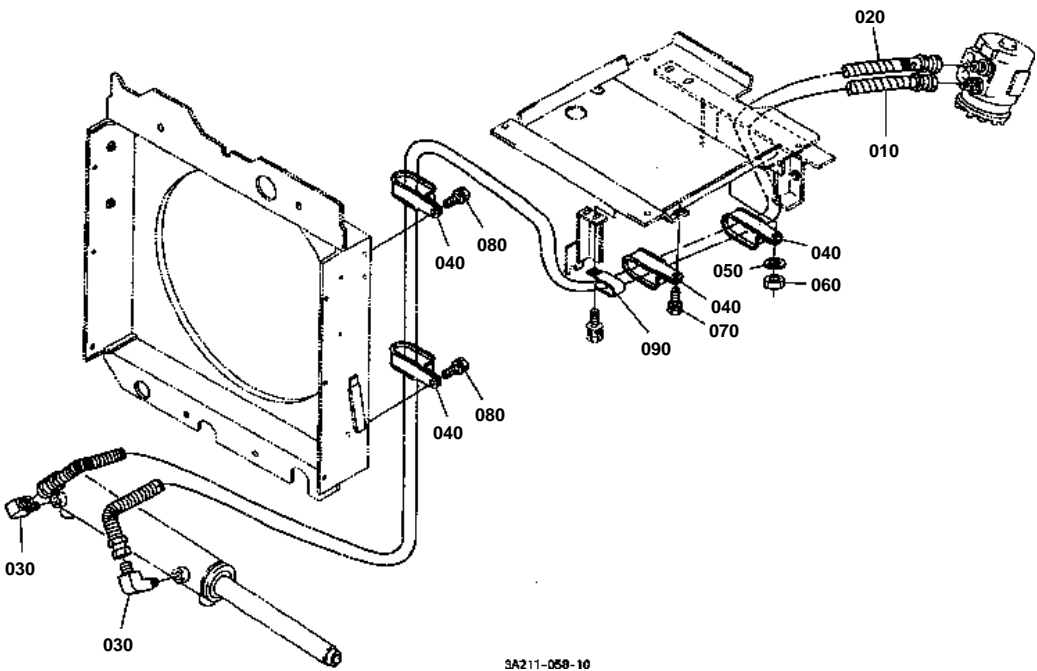


HYDRAULIC OIL LINE (STEERING/PTO)

↔ Interchangeable; ≠ not interchangeable; ← new for old; → old for new

REF.No	Part No.	Description	Q'ty	S.No.	I/C	REMARKS	Weight (kgf)	Weight (lb)
010	3A012-63232	COMP.PIPE POWER STRG	1				0.4	0.88
020	35880-63650	O RING	1				0.001	0.0022
030	01023-50622	BOLT	4				0.005	0.011
040	3A111-27600	COMP.PIPE PTO	1				0.29	0.638
050	31351-45270	PIPE RUBBER	1				0.005	0.011
060	3A031-63310	CLAMP PIPE	1				0.045	0.099
070	3A031-63320	STAY	1				0.085	0.187
080	36330-63330	RUBBER PROTECTOR	1				0.01	0.022
090	01127-50820	BOLT	1	<=11985			0.02	0.044
090	01125-60820	BOLT	1	>=11986	→		0.015	0.033

STEERING HOSE (DELIVERY)



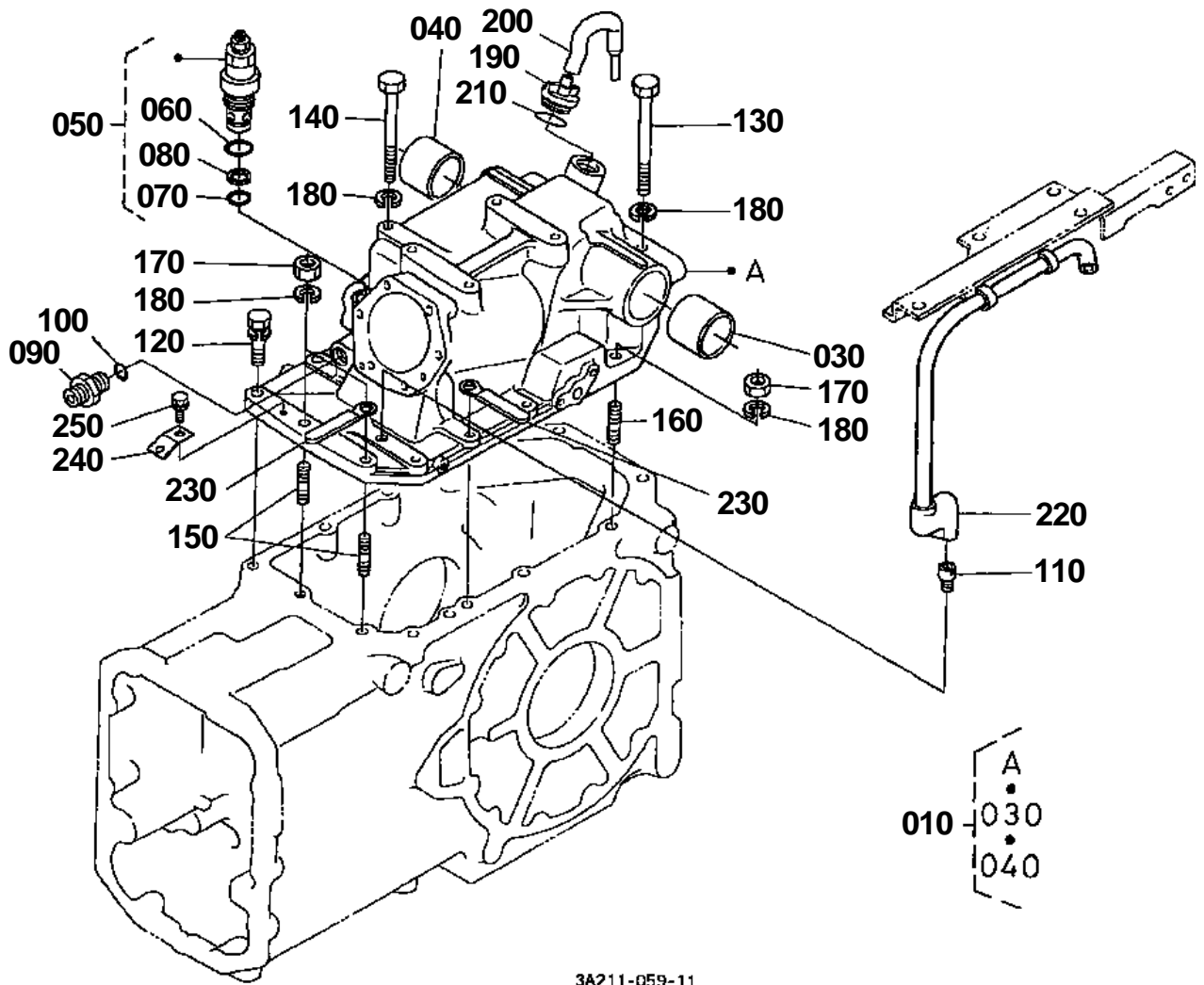


STEERING HOSE (DELIVERY)

↔ Interchangeable; ≠ not interchangeable; ← new for old; → old for new

REF.No	Part No.	Description	Q'ty	S.No.	I/C	REMARKS	Weight (kgf)	Weight (lb)
010	3A011-63353	HOSE DELIVERY	1			1800mm	0.78	1.716
020	3A011-63363	HOSE DELIVERY	1			1800mm	0.78	1.716
030	56713-28130	ADAPTER CYLINDER	2				0.052	0.1144
040	T0270-50230	CLAMP HOSE	4				0.021	0.0462
050	04512-60080	WASHER SPRING	1				0.002	0.0044
060	02156-50080	NUT	1				0.004	0.0088
070	01123-60814	BOLT	1				0.01	0.022
080	01025-50612	BOLT	2				0.005	0.011
090	12234-67580	CLAMP CORD	1				0.012	0.0264

HYDRAULIC CYLINDER



3A211-059-11

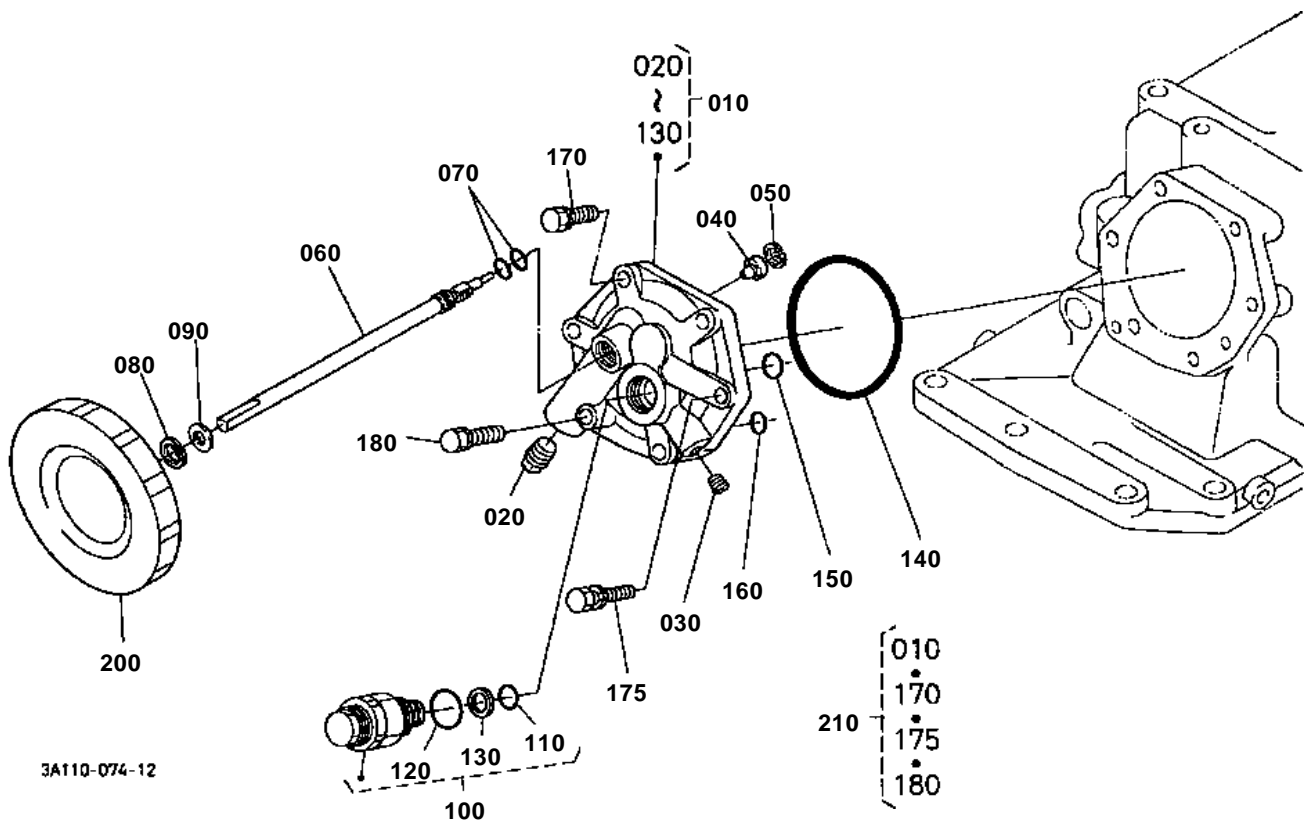


HYDRAULIC CYLINDER

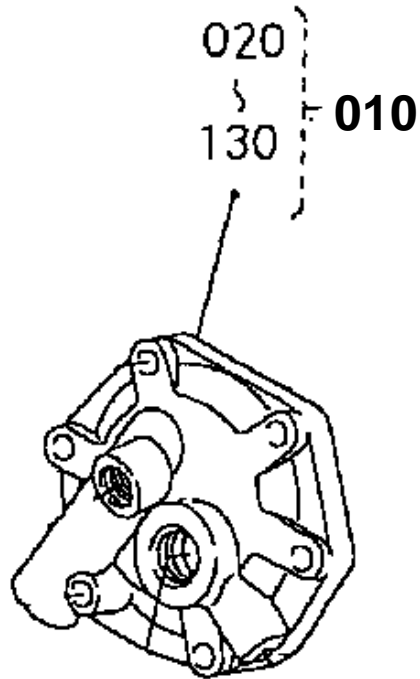
↔ Interchangeable; ≠ not interchangeable; ← new for old; → old for new

REF.No	Part No.	Description	Q'ty	S.No.	I/C	REMARKS	Weight (kgf)	Weight (lb)
010	3A011-82120	ASSY CASE CYLINDER	1				27.3	60.06
020	99999-99999	BLANK	0				0	0
030	32530-37450	BUSH	1				0.175	0.385
040	32530-37460	BUSH	1				0.175	0.385
050	3A121-82360	ASSY VALVE RELIEF	1				0.17	0.374
060	04816-00220	O RING	1				0.003	0.0066
060	04817-00220	O RING	1		-		0.001	0.0022
070	04816-05150	O RING	1				0.002	0.0044
070	04817-05150	O RING	1		-		0.001	0.0022
080	67810-38370	RING BACK UP	1				0.001	0.0022
090	3A011-82930	JOINT PIPE	1				0.09	0.198
100	04817-00180	O RING	1				0.003	0.0066
100	04817-00180	O RING	1		-		0.003	0.0066
110	36200-21610	BREATHER	1				0.008	0.0176
120	01133-51250	BOLT	5				0.055	0.121
130	32530-37180	BOLT	2				0.11	0.242
140	36330-82160	BOLT	1				0.15	0.33
150	01574-51245	STUD	2				0.051	0.1122
160	01574-61240	STUD	2				0.045	0.099
170	02176-50120	NUT	4				0.01	0.022
180	04512-60120	WASHER SPRING	7				0.005	0.011
190	38180-21410	PLUG	1				0.02	0.044
200	38180-37140	BREATHER	1				0.01	0.022
210	04816-50300	O RING	1				0.001	0.0022
210	04816-50300	O RING	1		-		0.001	0.0022
220	3A011-21622	BREATHER	1				0.034	0.0748
230	35340-29380	CLAMP CORD	2				0.01	0.022
240	3A211-76510	HOLDER	1				0.015	0.033
250	01754-50812	BOLT FLANGE	1				0.01	0.022

HYDRAULIC CYLINDER COVER

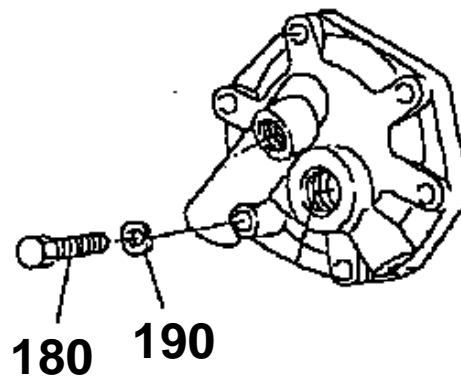


010 3A111-8250-2



180 01173-51260

190 04512-60120



3A071-817-10

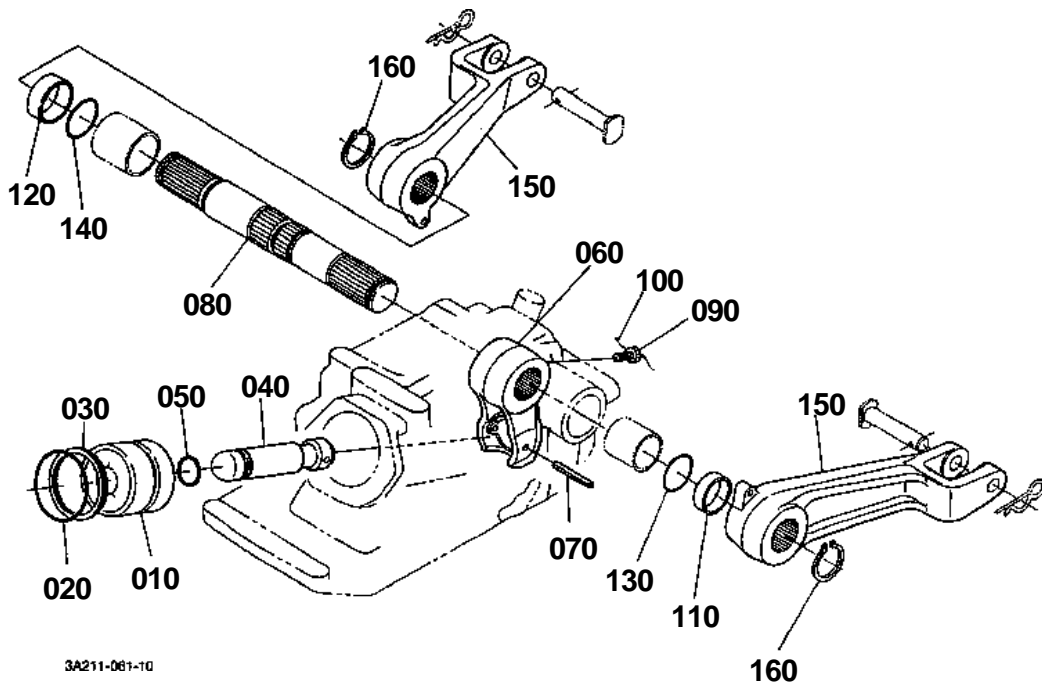


HYDRAULIC CYLINDER COVER

↔ Interchangeable; ≠ not interchangeable; ← new for old; → old for new

REF.No	Part No.	Description	Q'ty	S.No.	I/C	REMARKS	Weight (kgf)	Weight (lb)
010	3A111-82502	ASSY HEAD HYD.CYL.	1	<=12516		NOT SALE ORDER BY REF.No.210	3.5	7.7
010	3A111-82503	ASSY HEAD HYD.CYL.	1	>=12517	→		3.5	7.7
020	06312-10020	PLUG	1				0.016	0.0352
030	31351-37160	PLUG	1				0.003	0.0066
040	38240-37250	COLLAR ADJUSTING	1				0.01	0.022
050	04611-00160	CIR CLIP INTERNAL	1				0.001	0.0022
060	3A011-81650	SHAFT	1				0.13	0.286
070	04810-00100	O RING	2				0	0
070	04817-00100	O RING	2		→		0.001	0.0022
080	04611-00180	CIR CLIP INTERNAL	1				0.001	0.0022
090	04011-50100	WASHER PLAIN	1				0.002	0.0044
100	3G700-82402	VALVE CYL.SAFETY	1		→		0.4	0.88
100	YR827-00100	VALVE CYL.SAFETY	1		«		0.39	0.858
110	04810-00160	O RING	1				0	0
110	04817-00160	O RING	1		→		0.001	0.0022
120	04815-06280	O RING	1				0	0
120	04817-06280	O RING	1		→		0.002	0.0044
130	33770-94040	RING BACK UP	1	<=12966			0.002	0.0044
130	YT133-00160	RING BACK UP	1	>=12967	→		0.001	0.0022
140	3A111-09840	O RING	1				0.004	0.0088
150	3A111-09810	O RING	1				0.001	0.0022
160	04815-00100	O RING	1				0	0
160	04817-00100	O RING	1		→		0.001	0.0022
170	01133-51245	BOLT	5	<=12516			0.055	0.121
170	01133-51245	BOLT	4	>=12517			0.055	0.121
175	01133-51250	BOLT	1	>=12517			0.055	0.121
180	01173-51260	BOLT	1	<=11985			0.06	0.132
180	01133-51260	BOLT	1	>=11986	→		0.06	0.132
190	04512-60120	WASHER SPRING	1	<=11985			0.005	0.011
200	37410-36643	GRIP	1				0.03	0.066
210	3A111-97010	KIT HEAD HYD.CYL.	1	<=12516			4	8.8

HYDRAULIC LIFT ARM



3A211-061-10

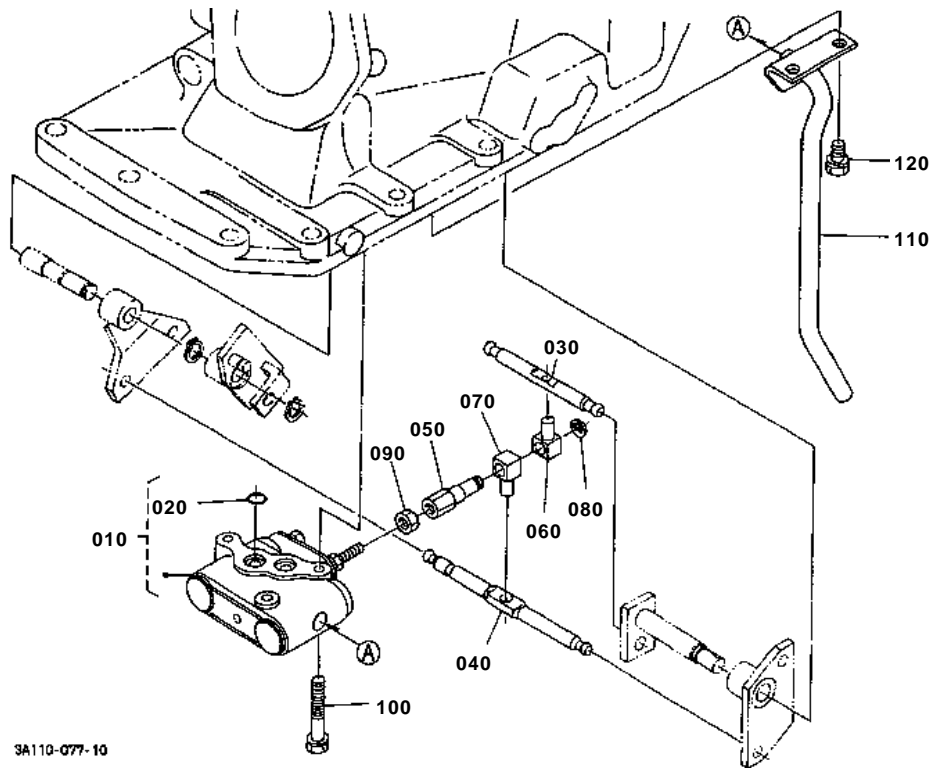


HYDRAULIC LIFT ARM

↔ Interchangeable; ≠ not interchangeable; ← new for old; → old for new

REF.No	Part No.	Description	Q'ty	S.No.	I/C	REMARKS	Weight (kgf)	Weight (lb)
010	3A011-82570	PISTON HYD.	1				1.945	4.279
020	3A111-09830	O RING	1				0.014	0.0308
030	31391-37330	RING BACK UP	1				0.005	0.011
040	3A011-82863	ROD HYD.PISTON	1				1.19	2.618
050	04816-00320	O RING	1				0.003	0.0066
050	04816-00320	O RING	1		-		0.003	0.0066
060	32530-37443	ARM HYDRAULIC	1				2.24	4.928
070	05411-00870	PIN SPRING	1				0.015	0.033
080	32590-37430	SHAFT HYD.ARM	1				5	11
090	32530-37510	BOLT SET	1				0.015	0.033
100	99999-99999	WIRE	1				0	0
110	32590-37480	COLLAR	1				0.005	0.011
120	32530-37490	COLLAR	1				0.01	0.022
130	04816-50450	O RING	1				0.001	0.0022
130	04816-50450	O RING	1		-		0.001	0.0022
140	04816-50500	O RING	1				0.005	0.011
140	04816-50500	O RING	1		-		0.005	0.011
150	32530-37613	ARM LIFT	2				5.25	11.55
160	04612-00450	CIR CLIP EXTERNAL	2				0.007	0.0154

CONTROL VALVE



3A110-077-10

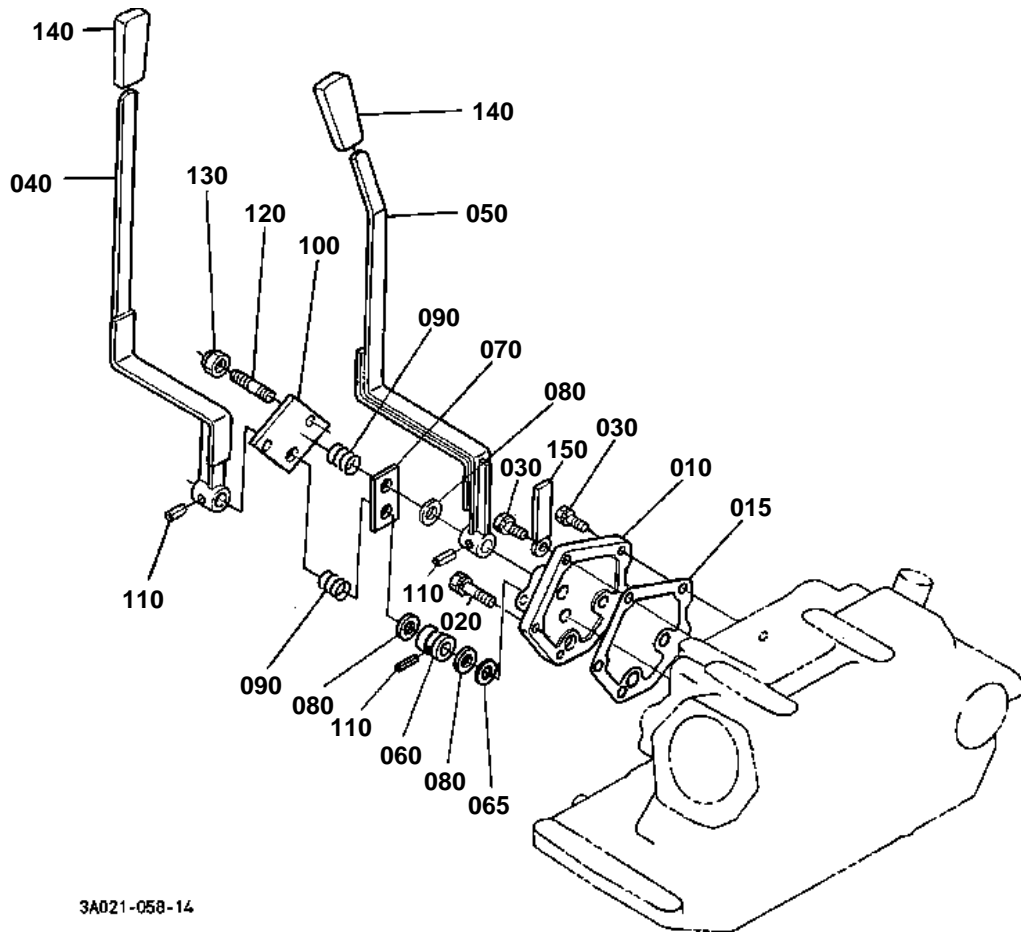


CONTROL VALVE

↔ Interchangeable; ≠ not interchangeable; ← new for old; → old for new

REF.No	Part No.	Description	Q'ty	S.No.	I/C	REMARKS	Weight (kgf)	Weight (lb)
010	38240-39143	VALVE CONTROL	1				1.685	3.707
020	04816-00120	O RING	2				0.001	0.0022
020	04817-00120	O RING	2		-		0.001	0.0022
030	31351-37640	LEVER SPOOL DRIVE	1				0.05	0.11
040	32590-37520	LEVER SPOOL DRIVE	1				0.09	0.198
050	32590-37530	JOINT SPOOL	1				0.04	0.088
060	37150-36420	JOINT SPOOL	1				0.02	0.044
070	32590-37540	JOINT SPOOL	1				0.015	0.033
080	04613-50060	CIR CLIP EXTERNAL	1				0.001	0.0022
090	02112-50080	NUT	1				0.003	0.0066
100	01123-50850	BOLT	3				0.02	0.044
110	3A111-82990	COMP.PIPE VALVE	1				0.165	0.363
120	01123-60816	BOLT	2				0.01	0.022

DRAFT AND POSITION CONTROL LEVER

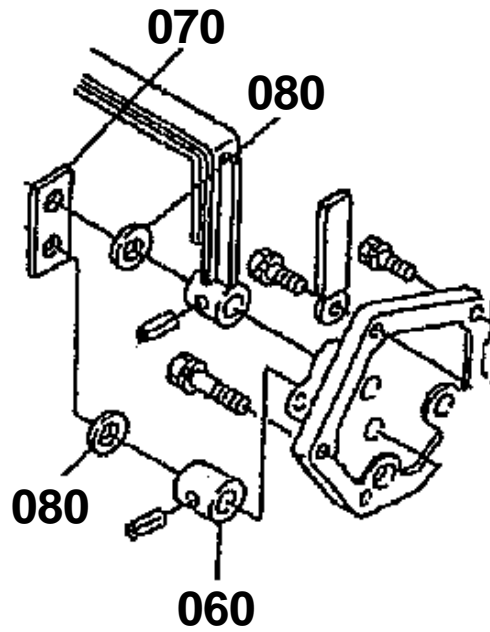


3A021-058-14

060 3A011-8145-0

070 3A011-8148-0

080 3A011-8144-0



3A021-877-10

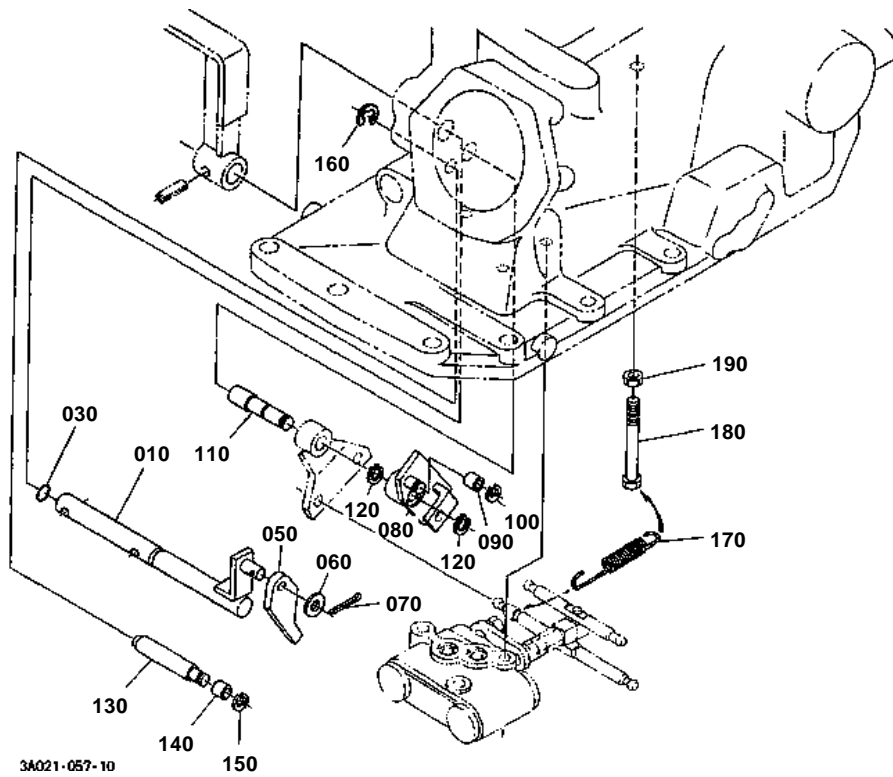


DRAFT AND POSITION CONTROL LEVER

↔ Interchangeable; ≠ not interchangeable; ← new for old; → old for new

REF.No	Part No.	Description	Q'ty	S.No.	I/C	REMARKS	Weight (kgf)	Weight (lb)
010	3A011-81130	BRACKET GUIDE	1				1.34	2.948
015	32590-37790	GASKET	1				0.005	0.011
020	01123-50850	BOLT	1				0.02	0.044
030	01123-50825	BOLT	4				0.013	0.0286
040	3A011-94233	LEVER POSITION	1				0.56	1.232
050	3A011-94244	LEVER DRAFT	1				0.43	0.946
060	3A011-81450	COLLAR	1	<=12983			0.062	0.1364
060	3A211-81450	COLLAR	1	>=12984	1		0.07	0.154
065	3A211-81430	WASHER	1	>=12984			0.008	0.0176
070	3A011-81480	SPRING STOPPER	1	<=12983			0.02	0.044
070	3A211-81480	SPRING STOPPER	1	>=12984	1		0.025	0.055
080	3A011-81440	PLATE FRICTION	1	<=12983			0.002	0.0044
080	3A211-81440	PLATE FRICTION	3	>=12984	1		0.003	0.0066
090	3A011-81460	SPRING	2				0.017	0.0374
100	3A011-81470	PLATE SPRING	1				0.155	0.341
110	05411-00430	PIN SPRING	3				0.002	0.0044
120	01517-51065	STUD	2				0.043	0.0946
130	36919-30220	NUT U	2				0.01	0.022
140	31351-36880	GRIP LEVER	2				0.04	0.088
150	13824-67590	CLAMP CORD	1				0.002	0.0044

POSITION CONTROL SHAFT



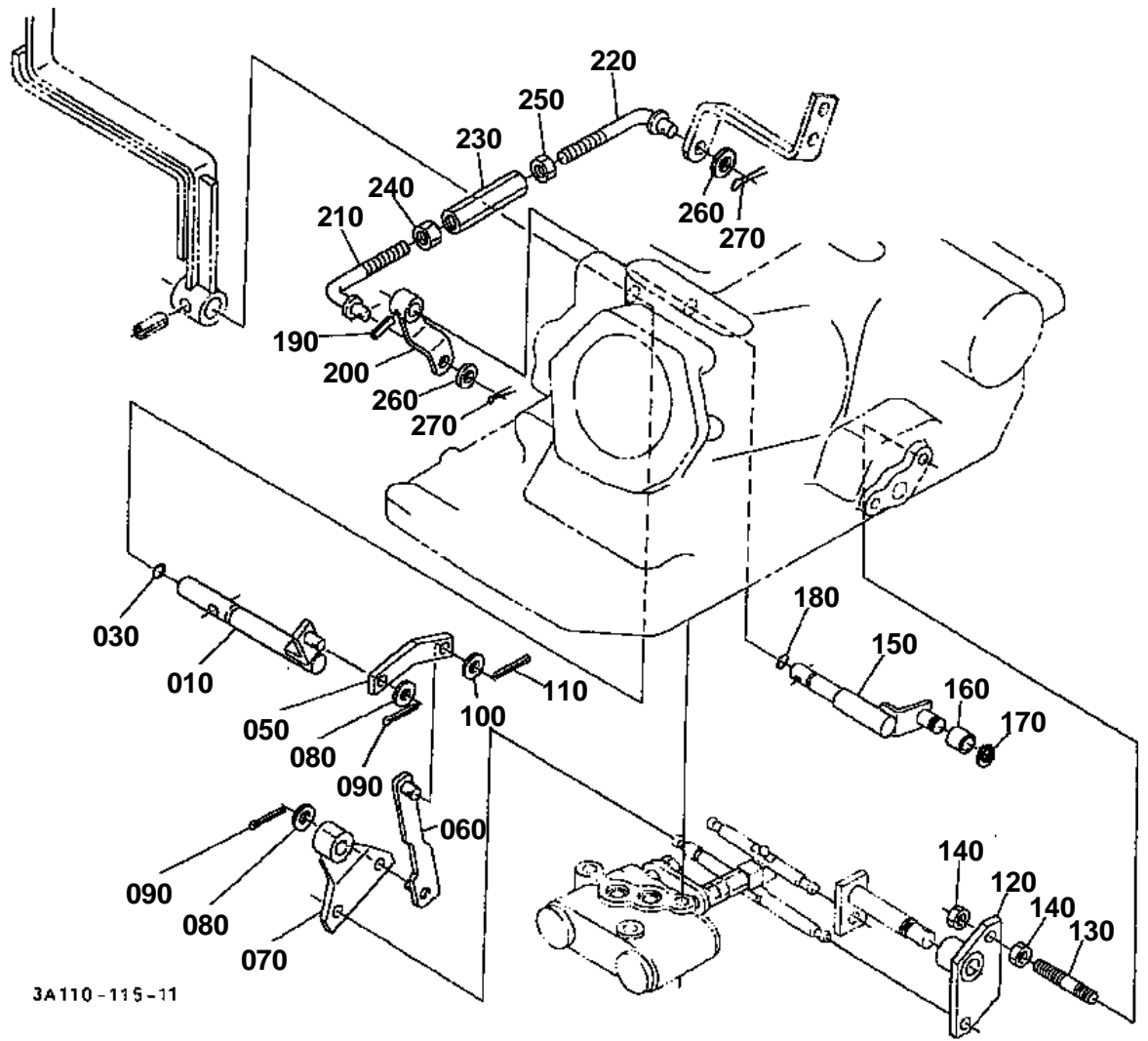


POSITION CONTROL SHAFT

↔ Interchangeable; ≠ not interchangeable; ← new for old; → old for new

REF.No	Part No.	Description	Q'ty	S.No.	I/C	REMARKS	Weight (kgf)	Weight (lb)
010	3A011-81110	SHAFT POSITION	1				0.29	0.638
020	99999-99999	BLANK	0				0	0
030	04816-06100	O RING	1				0.001	0.0022
030	04816-06100	O RING	1		-		0.001	0.0022
040	99999-99999	BLANK	0				0	0
050	3A011-81240	CAM	1				0.07	0.154
060	04013-60080	WASHER PLAIN	1				0.002	0.0044
070	05511-50215	PIN SPLIT	1				0.001	0.0022
080	32590-37580	LINK	1				0.155	0.341
090	32590-37590	RING INNER	1				0.02	0.044
100	04613-50060	CIR CLIP EXTERNAL	1				0.001	0.0022
110	32590-37620	SHAFT FULCRUM	1				0.063	0.1386
120	04612-00120	CIR CLIP EXTERNAL	2				0.001	0.0022
130	32590-37630	SHAFT FULCRUM	1				0.07	0.154
140	32590-37590	RING INNER	1				0.02	0.044
150	04613-50060	CIR CLIP EXTERNAL	1				0.001	0.0022
160	04613-50070	CIR CLIP EXTERNAL	1				0.001	0.0022
170	32590-37642	SPRING RETURN	1				0.03	0.066
180	01153-50880	BOLT	1				0.03	0.066
190	02156-50080	NUT	1				0.004	0.0088

DRAFT CONTROL SHAFT



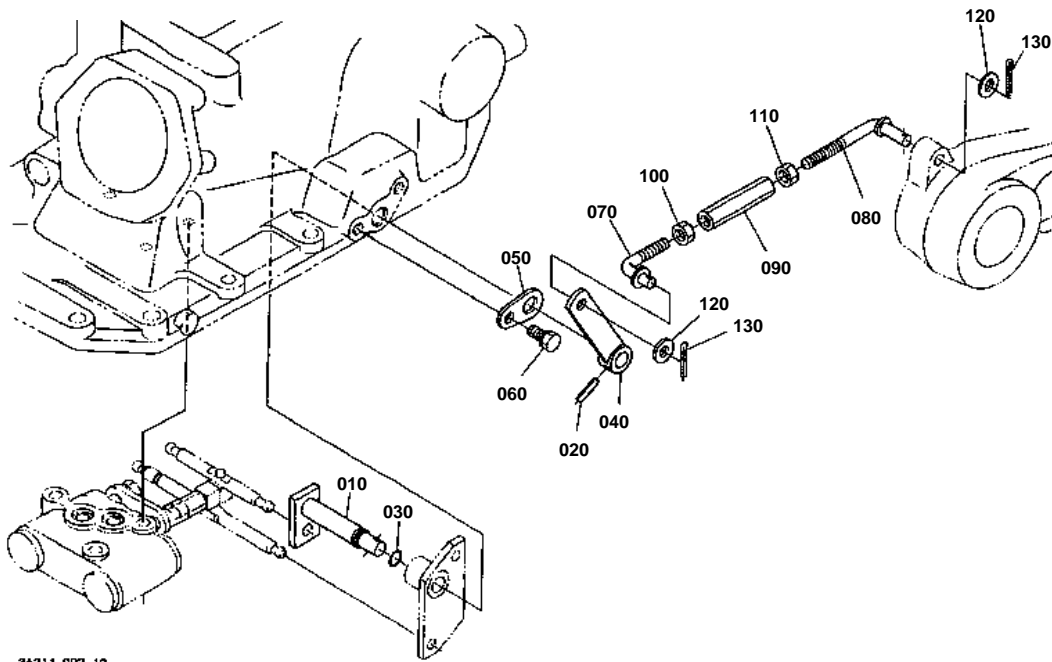


DRAFT CONTROL SHAFT

↔ Interchangeable; ≠ not interchangeable; ← new for old; → old for new

REF.No	Part No.	Description	Q'ty	S.No.	I/C	REMARKS	Weight (kgf)	Weight (lb)
010	3A011-81120	SHAFT DRAFT	1				0.2	0.44
020	99999-99999	BLANK	0				0	0
030	04816-06100	O RING	1				0.001	0.0022
030	04816-06100	O RING	1		-		0.001	0.0022
040	99999-99999	BLANK	0				0	0
050	32590-37692	LINK	1				0.05	0.11
060	32590-37702	LINK	1				0.08	0.176
070	32590-37710	LINK	1				0.14	0.308
080	04013-60080	WASHER PLAIN	2				0.002	0.0044
090	05511-50215	PIN SPLIT	2				0.001	0.0022
100	04011-50100	WASHER PLAIN	1				0.002	0.0044
110	05511-50320	PIN SPLIT	1				0.002	0.0044
120	32590-37720	ARM LOCK	1				0.2	0.44
130	37260-38170	STUD	1				0.06	0.132
140	02156-50080	NUT	2				0.004	0.0088
150	32590-37730	SHAFT FEED BACK	1				0.167	0.3674
160	32590-37740	RING INNER	1				0.01	0.022
170	04612-00120	CIR CLIP EXTERNAL	1				0.001	0.0022
180	04816-00090	O RING	1				0.001	0.0022
180	04816-00090	O RING	1		-		0.001	0.0022
190	05411-00425	PIN SPRING	1				0.001	0.0022
200	32590-37752	LEVER FEED BACK	1				0.055	0.121
210	3A011-81393	ROD DRAFT	1				0.08	0.176
220	3A011-81380	ROD DRAFT	1				0.075	0.165
230	32350-28980	TURNBUCKLE	1				0.124	0.2728
240	02116-50100	NUT	1				0.004	0.0088
250	32350-28990	NUT	1				0.009	0.0198
260	04011-50100	WASHER PLAIN	2				0.002	0.0044
270	05511-50218	PIN SPLIT	2				0.001	0.0022

FEED BACK LEVER



3A211-097-10

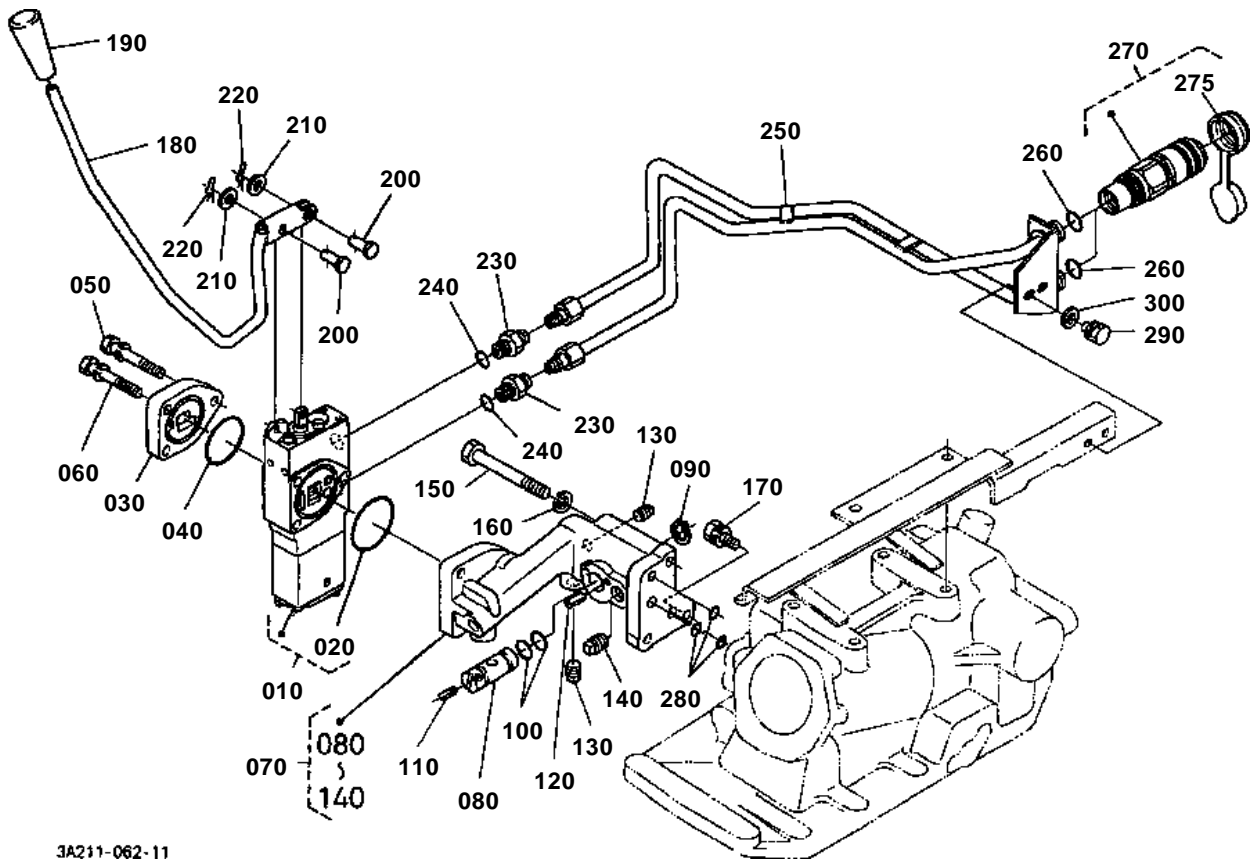


FEED BACK LEVER

↔ Interchangeable; ≠ not interchangeable; ← new for old; → old for new

REF.No	Part No.	Description	Q'ty	S.No.	I/C	REMARKS	Weight (kgf)	Weight (lb)
010	32590-37650	SHAFT FEED BACK	1				0.15	0.33
020	05411-00422	PIN SPRING	1				0.001	0.0022
030	04811-06100	O RING	1				0	0
030	04816-06100	O RING	1		→		0.001	0.0022
040	3A211-81690	LEVER FEED BACK	1				0.075	0.165
050	38240-36890	SET PLATE	1				0.013	0.0286
060	01123-60816	BOLT	1				0.01	0.022
070	3A211-81700	ROD CONTROL	1				0.026	0.0572
080	32530-37760	ROD CONTROL	1	≤13261			0.035	0.077
080	32530-37763	ROD CONTROL	1	≥13262	→		0.035	0.077
090	66591-42410	TURNBUCKLE	1				0.046	0.1012
100	02112-50080	NUT	1				0.003	0.0066
110	37300-41330	NUT	1				0.005	0.011
120	04013-60080	WASHER PLAIN	2				0.002	0.0044
130	05511-50215	PIN SPLIT	2				0.001	0.0022

AUXILIARY CONTROL VALVE (SCD)



3A211-062-11

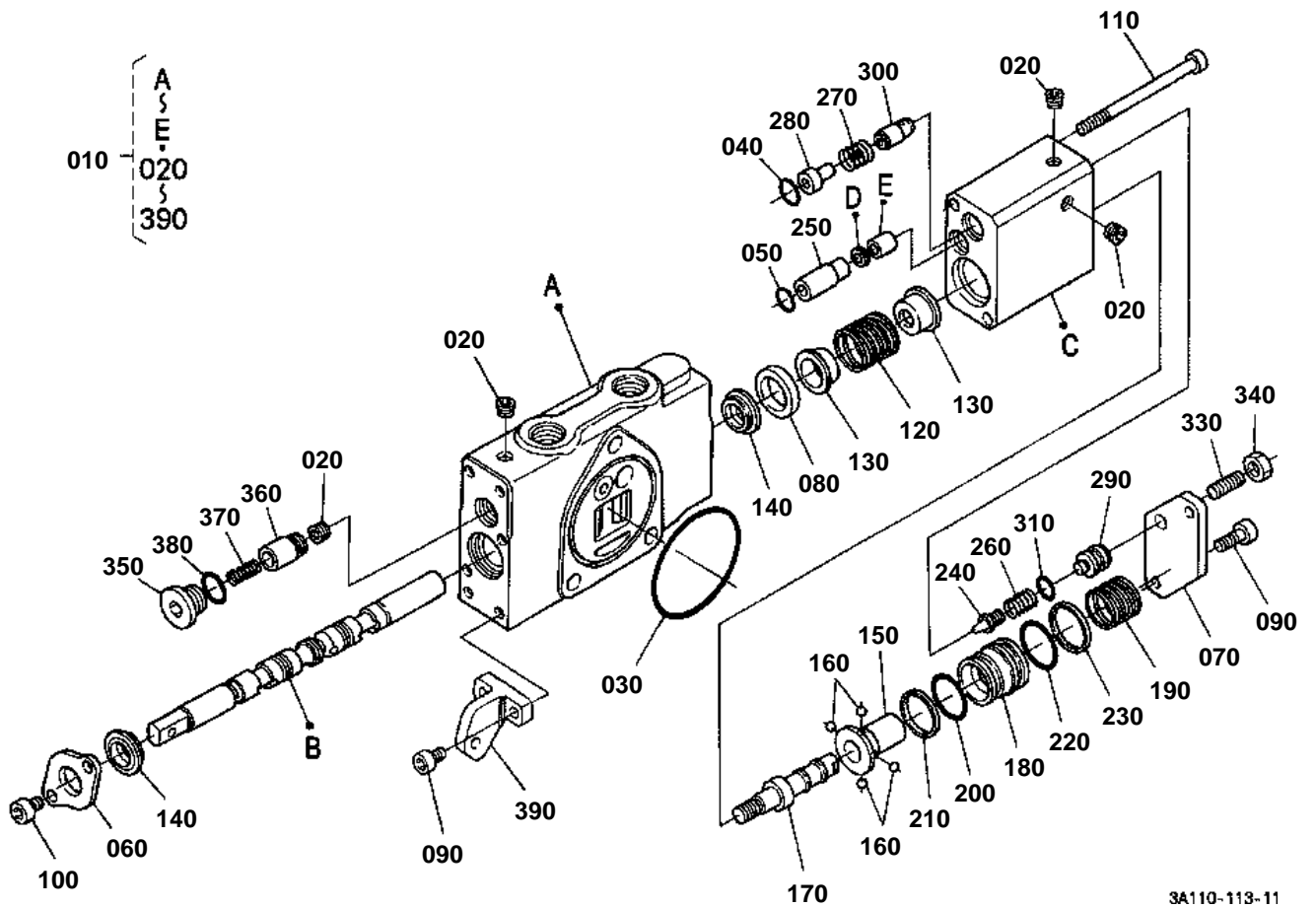


AUXILIARY CONTROL VALVE (SCD)

↔ Interchangeable; ≠ not interchangeable; ← new for old; → old for new

REF.No	Part No.	Description	Q'ty	S.No.	I/C	REMARKS	Weight (kgf)	Weight (lb)
010	3A111-82540	VALVE AUX.CONTROL	1				3.6	7.92
020	04815-07560	O RING	1				0.002	0.0044
030	3F740-82943	COVER AUX.CONT.VALVE	1	<=12966			0.69	1.518
030	3F740-82944	COVER AUX.CONT.VALVE	1	>=12967	→		0.69	1.518
040	04815-07560	O RING	1				0.002	0.0044
050	01133-51070	BOLT	1				0.047	0.1034
060	01123-50870	BOLT	2				0.029	0.0638
070	3A111-82040	ASSY HOLDER	1				3.8	8.36
080	3A011-82060	ROTOR AUX.CONT.VALVE	1				0.185	0.407
090	04612-00200	CIR CLIP EXTERNAL	1				0.001	0.0022
100	04815-00160	O RING	2				0	0
100	04816-00160	O RING	2		→		0.003	0.0066
110	05411-00536	PIN SPRING	1				0.003	0.0066
120	05411-00414	PIN SPRING	2				0.001	0.0022
130	06312-10030	PLUG	2				0.029	0.0638
140	31351-37150	PLUG	4				0.007	0.0154
150	01173-51000	BOLT	1				0.06	0.132
160	04512-60100	WASHER SPRING	1				0.002	0.0044
170	01123-50830	BOLT	2				0.015	0.033
180	3A011-82452	LEVER AUX.CON.VALVE	1				0.71	1.562
190	36330-82450	GRIP	1				0.025	0.055
200	05122-50518	PIN JOINT	2				0.002	0.0044
210	04012-50050	WASHER PLAIN	2				0.001	0.0022
220	05525-60500	PIN SNAP	2				0.001	0.0022
230	3A011-63090	JOINT PIPE	2				0.055	0.121
240	04811-00140	O RING	2				0	0
240	04817-00140	O RING	2		→		0.001	0.0022
240	04816-00140	O RING	2		→		0.002	0.0044
250	3A111-82370	COMP.PIPE AUX.	1				0.96	2.112
260	04811-00200	O RING	2				0	0
260	04817-00200	O RING	2		→		0.011	0.0242
260	04816-00200	O RING	2		→		0.003	0.0066
270	3A111-82010	ASSY COUPLER	2				0.48	1.056
275	3A111-94520	ASSY CAP DUST	2				0.019	0.0418
280	3A111-09820	O RING	3				0.001	0.0022
290	01123-50825	BOLT	2				0.013	0.0286
300	04013-60080	WASHER PLAIN	2				0.002	0.0044

AUXILIARY CONTROL VALVE (SCD) [COMPONENT PARTS]



3A110-113-11



AUXILIARY CONTROL VALVE (SCD) [COMPONENT PARTS]

↔ Interchangeable; ≠ not interchangeable; ← new for old; → old for new

REF.No	Part No.	Description	Q'ty	S.No.	I/C	REMARKS	Weight (kgf)	Weight (lb)
010	3A111-82540	VALVE AUX.CONTROL	1				3.6	7.92
020	3F740-06020	PLUG	4				0.001	0.0022
030	04815-07560	O RING	1				0.002	0.0044
040	04817-00110	O RING	1				0.001	0.0022
050	04817-00090	O RING	1				0.001	0.0022
060	3F740-06040	COVER	1				0.014	0.0308
070	3F740-06420	COVER	1				0.06	0.132
080	3F740-06430	WASHER	1				0.013	0.0286
090	01311-10616	BOLT HEX-SOC-HD	4				0.005	0.011
100	01311-10612	BOLT HEX-SOC-HD	2				0.01	0.022
110	12631-91030	BOLT HEX-SOC-HD	2				0.02	0.044
120	3F740-06060	SPRING	1				0.015	0.033
130	3F740-06070	SEAT SPRING	2				0.005	0.011
140	3F740-06080	GASKET	2				0.003	0.0066
150	3F740-06440	BUSH	1				0.019	0.0418
160	07715-03205	BALL	4				0.001	0.0022
170	3F740-06450	BOLT SPACER	1				0.032	0.0704
180	3F740-06460	PISTON	1				0.029	0.0638
190	3F740-06480	SPRING	1				0.01	0.022
200	3F740-06500	O RING	1				0.001	0.0022
210	3F740-06510	RING BACK UP	1				0.001	0.0022
220	3F740-06520	O RING	1				0.001	0.0022
230	3F740-06530	RING BACK UP	1				0.001	0.0022
240	3A111-06540	POPPET	1				0.003	0.0066
250	3F740-06550	BUSH	1				0.006	0.0132
260	3A111-06560	SPRING	1				0.002	0.0044
270	3A111-06570	SPRING	1				0.002	0.0044
280	3A111-06580	SEAT SPRING	1				0.004	0.0088
290	3A111-06590	SEAT SPRING	1				0.005	0.011
300	3A111-06600	PLUNGER	1				0.005	0.011
310	04817-00070	O RING	1				0.001	0.0022
320	99999-99999	BLANK	0				0	0
330	3F740-06620	SCREW ADJUSTING	1				0.005	0.011
340	3F740-06630	NUT	1				0.004	0.0088
350	3F740-06100	PLUG	1				0.015	0.033
360	3F740-06110	PLUNGER	1				0.011	0.0242
370	3F740-06120	SPRING	1				0.001	0.0022
380	04816-00120	O RING	1				0.001	0.0022
390	3A031-82410	ARM	1				0.05	0.11

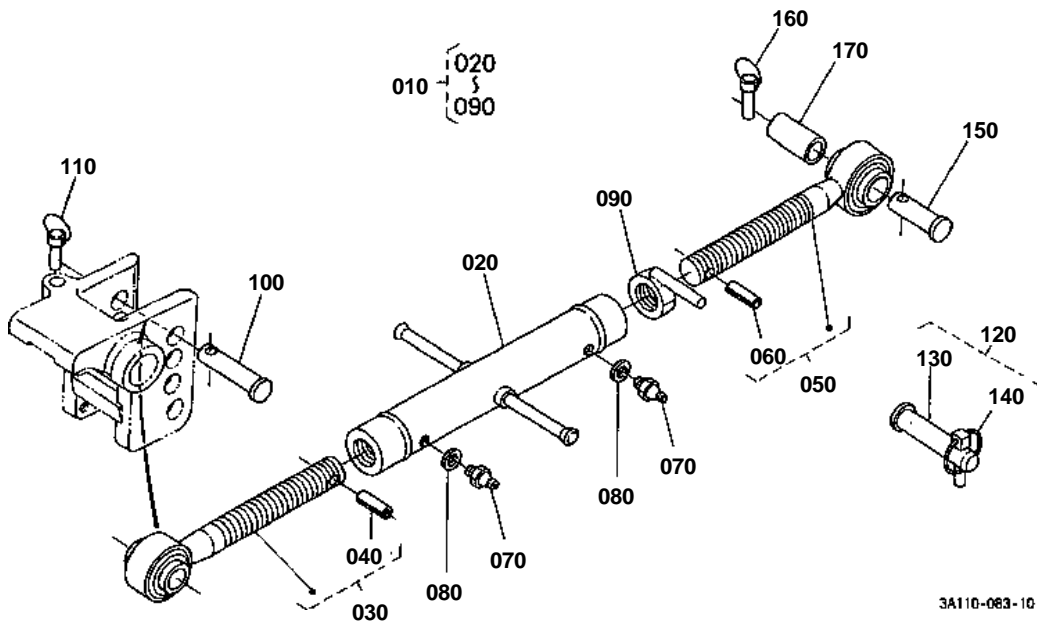


TOP LINK BRACKET

↔ Interchangeable; ≠ not interchangeable; ← new for old; → old for new

REF.No	Part No.	Description	Q'ty	S.No.	I/C	REMARKS	Weight (kgf)	Weight (lb)
010	3A111-81803	ASSY BRACKET	1				9.3	20.46
020	37300-41450	BUSH	3				0.03	0.066
030	36330-81843	PIN	2				0.085	0.187
040	06613-10010	NIPPLE GREASE	2				0.006	0.0132
050	05511-50425	PIN SPLIT	2				0.003	0.0066
060	3A111-81360	PLATE DRAFT	1				0.135	0.297
070	01123-50825	BOLT	2				0.013	0.0286
080	35340-14182	STUD	2				0.05	0.11
090	02176-50120	NUT	4				0.01	0.022
100	04512-60120	WASHER SPRING	4				0.005	0.011
110	01138-51240	BOLT	2				0.046	0.1012
120	37800-43500	STUD	2				0.045	0.099
130	3A011-81850	STOPPER	1	<=10839			0	0
130	3A011-81853	STOPPER	1	>=10840	-		0.535	1.177
140	32530-41450	SHIM ADJUSTING	2				0.01	0.022
150	09980-10075	CAP PROTECTOR	2	>=11920			0.001	0.0022

TOP LINK



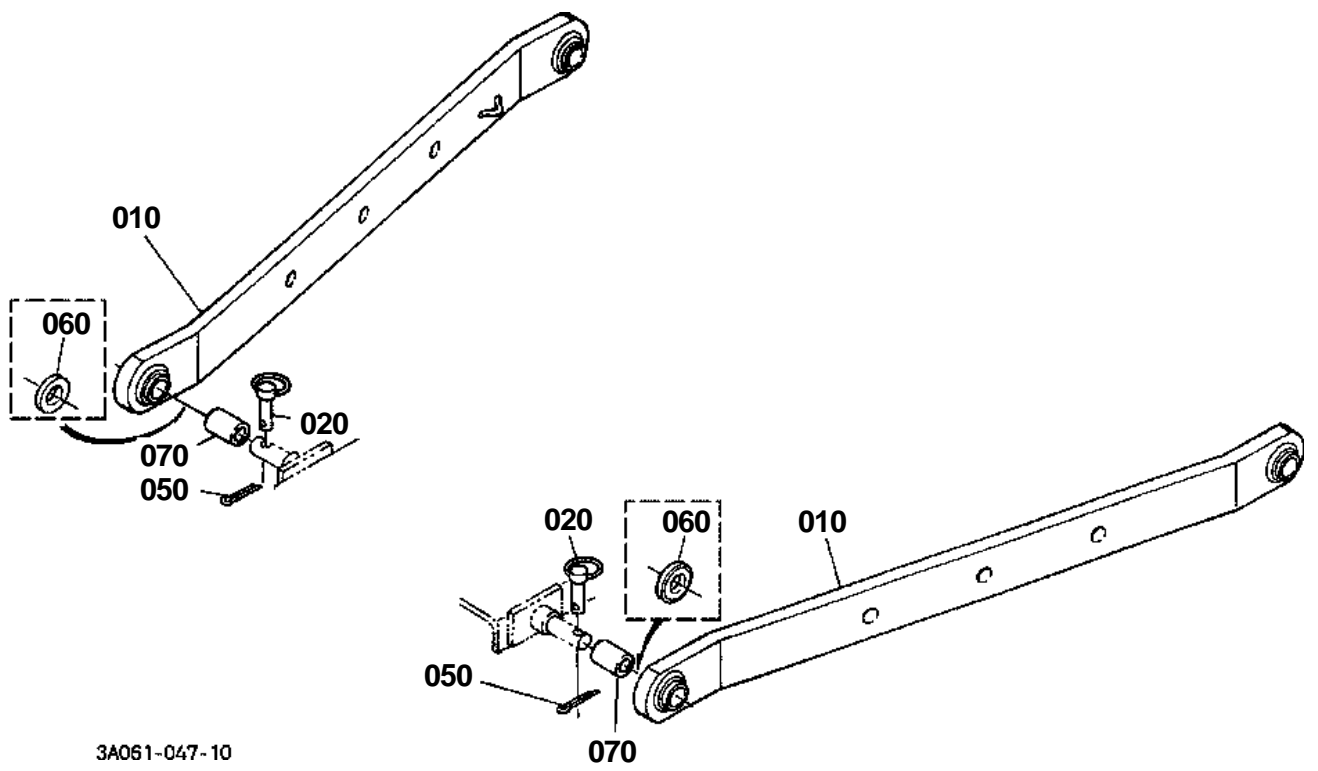


TOP LINK

↔ Interchangeable; ≠ not interchangeable; ← new for old; → old for new

REF.No	Part No.	Description	Q'ty	S.No.	I/C	REMARKS	Weight (kgf)	Weight (lb)
010	3A012-91700	ASSY LINK TOP	1				4.7	10.34
020	3A012-91620	SLEEVE TOP LINK	1				1.855	4.081
030	3A012-91550	COMP.LINK TOP FRONT	1				1.2	2.64
040	05411-00632	PIN SPRING	1				0.004	0.0088
050	3A012-91610	COMP.LINK TOP REAR	1				1.55	3.41
060	05411-00632	PIN SPRING	1				0.004	0.0088
070	36530-91680	NIPPLE GREASE	2				0.004	0.0088
080	04724-00100	GASKET	2				0.001	0.0022
090	33400-91590	NUT TOP LINK	1				0.11	0.242
100	36330-91752	PIN TOP LINK REAR	1				0.25	0.55
110	34150-37640	PIN SET	1				0.06	0.132
120	36330-91773	ASSY PIN TOP LINK	1			CATEGORY 2	0.55	1.21
130	36330-91762	PIN TOP LINK REAR	1			CATEGORY 2	0.49	1.078
140	36200-91840	ASSY PIN SET	1			CATEGORY 2	0.06	0.132
150	36330-91752	PIN TOP LINK REAR	1			CATEGORY 1	0.25	0.55
160	34150-37640	PIN SET	1			CATEGORY 1	0.06	0.132
170	36330-91720	COLLAR ADJUSTING	1			CATEGORY 1	0.065	0.143

LOWER LINK [OLD TYPE]



3A061-047-10

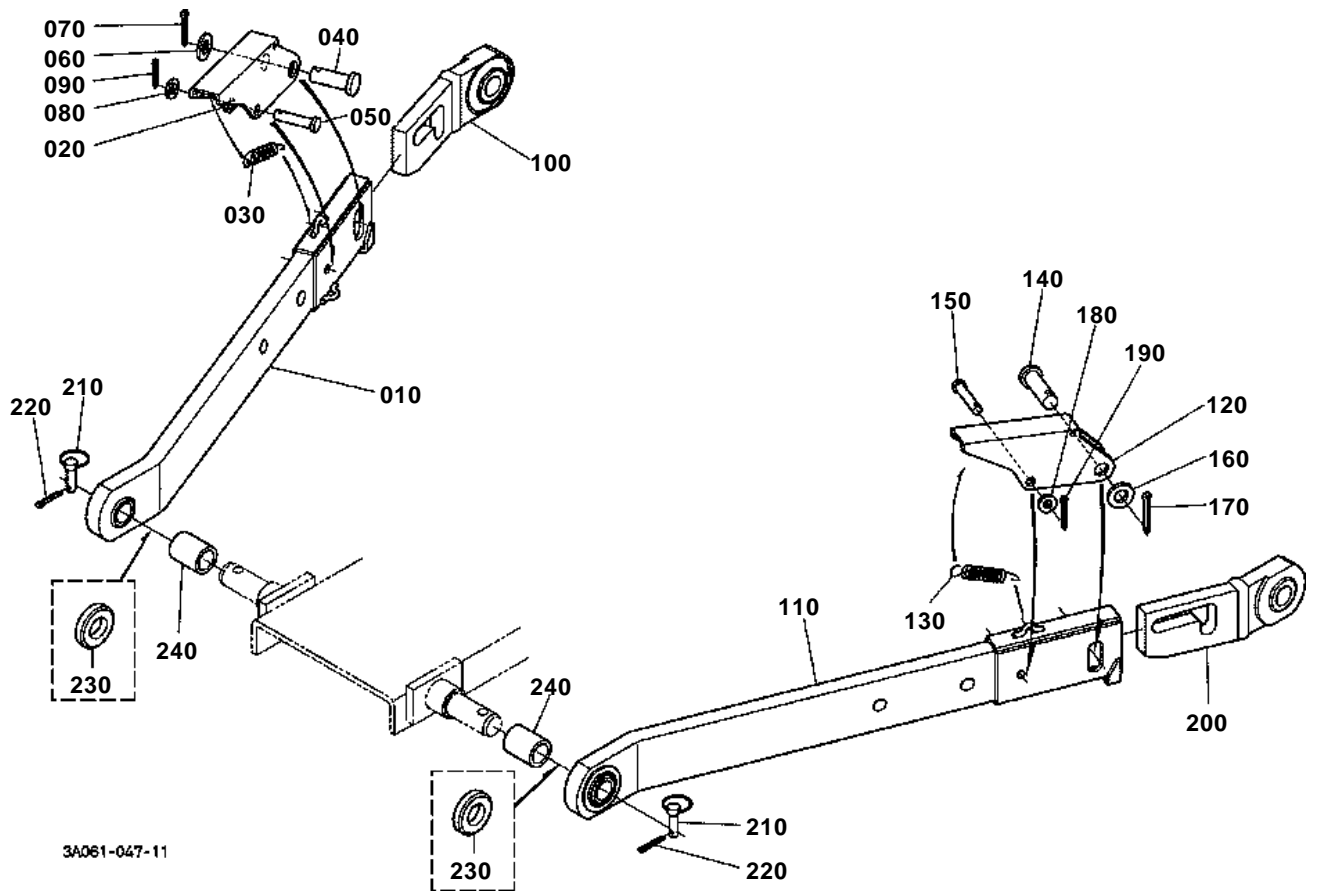
**LOWER LINK [OLD TYPE]**

S.No.;<=12698

↔ Interchangeable; ≠ not interchangeable; ← new for old; → old for new

REF.No	Part No.	Description	Q'ty	S.No.	I/C	REMARKS	Weight (kgf)	Weight (lb)
010	3A012-91010	COMP.LINK LOWER	2				11.2	24.64
020	36330-91840	ASSY PIN SET	2				0.055	0.121
030	99999-99999	BLANK	0				0	0
040	99999-99999	BLANK	0				0	0
050	05511-50420	PIN SPLIT	2				0.002	0.0044
060	36330-91980	COLLAR ADJUSTING	2			CATEGORY 2	0.02	0.044
070	32590-71150	COLLAR	2			CATEGORY 1	0.06	0.132

LOWER LINK [NEW TYPE]



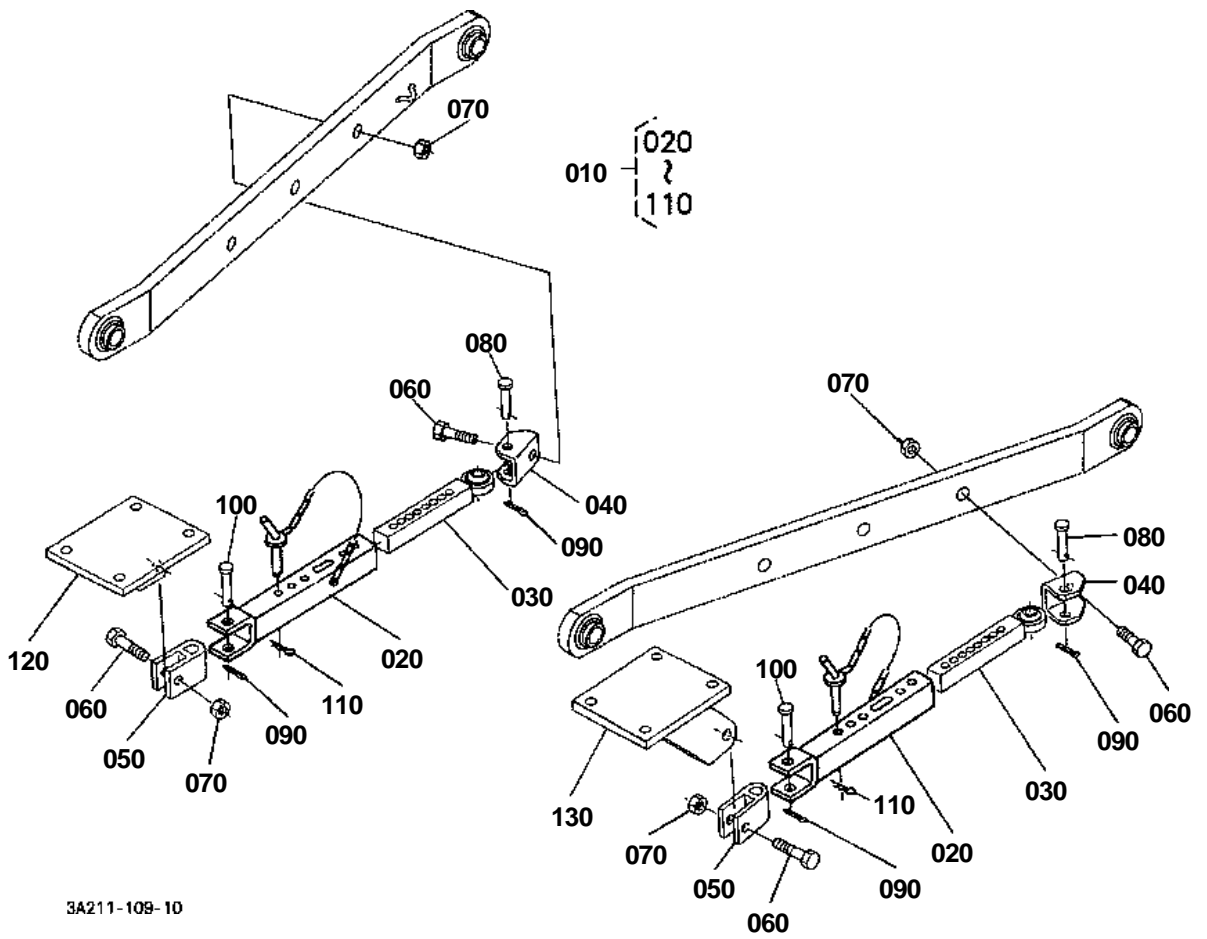
**LOWER LINK [NEW TYPE]**

S.No.;>=12699

↔ Interchangeable; ≠ not interchangeable; ← new for old; → old for new

REF.No	Part No.	Description	Q'ty	S.No.	I/C	REMARKS	Weight (kgf)	Weight (lb)
010	3A211-92010	COMP.LINK LOWER RH	1				9.4	20.68
020	33660-92190	LEVER	1				0.5	1.1
030	TC050-71420	SPRING	1				0.02	0.044
040	33660-92160	PIN	1				0.04	0.088
050	05122-51050	PIN JOINT	1				0.032	0.0704
060	04011-50200	WASHER PLAIN	1				0.015	0.033
070	05511-50435	PIN SPLIT	1				0.004	0.0088
080	04011-50100	WASHER PLAIN	1				0.002	0.0044
090	05511-50320	PIN SPLIT	1				0.002	0.0044
100	3A211-92030	COMP.LINK LOWER RH	1				2.6	5.72
110	3A211-92110	COMP.LINK LOWER LH	1				9.4	20.68
120	33660-92190	LEVER	1				0.5	1.1
130	TC050-71420	SPRING	1				0.02	0.044
140	33660-92160	PIN	1				0.04	0.088
150	05122-51050	PIN JOINT	1				0.032	0.0704
160	04011-50200	WASHER PLAIN	1				0.015	0.033
170	05511-50435	PIN SPLIT	1				0.004	0.0088
180	04011-50100	WASHER PLAIN	1				0.002	0.0044
190	05511-50320	PIN SPLIT	1				0.002	0.0044
200	3A211-92130	COMP.LINK LOWER LH	1				2.6	5.72
210	36330-91840	ASSY PIN SET	2				0.055	0.121
220	05511-50420	PIN SPLIT	2				0.002	0.0044
230	36830-91980	COLLAR	2			CATEGORY 2	0.048	0.1056
240	32590-71150	COLLAR	2			CATEGORY 1	0.06	0.132

STABILIZER [OLD TYPE]



**STABILIZER [OLD TYPE]**

S.No.;A<=12864,B<=52915,C<=10881,D<=53522

↔ Interchangeable; ≠ not interchangeable; ← new for old; → old for new

REF.No	Part No.	Description	Q'ty	S.No.	I/C	REMARKS	Weight (kgf)	Weight (lb)
010	3A111-92500	ASSY STABILIZER	2				6.8	14.96
020	3A111-92510	JOINT STABILIZER	2				2.6	5.72
030	3A111-92520	JOINT STABILIZER	2				1.915	4.213
040	3A111-92530	JOINT STABILIZER	2				0.96	2.112
050	3A111-92540	BRACKET STABILIZER	2				0.502	1.1044
060	3A111-92170	BOLT STABILIZER	4				0.186	0.4092
070	02576-50180	NUT SELF-LOCKING	4				0.049	0.1078
080	05122-51870	PIN JOINT	2				0.14	0.308
090	05511-50430	PIN SPLIT	4				0.004	0.0088
100	70388-58770	PIN	2				0.22	0.484
110	05515-61200	PIN SNAP	2				0.005	0.011
120	3A011-91080	BRACKET STAB.RH	1				4.25	9.35
120	3A411-91080	BRACKET STAB.RH	1			[CS]	5.3	11.66
130	3A011-91090	BRACKET STAB.LH	1				4.25	9.35
130	3A411-91090	BRACKET STAB.LH	1			[CS]	5.3	11.66

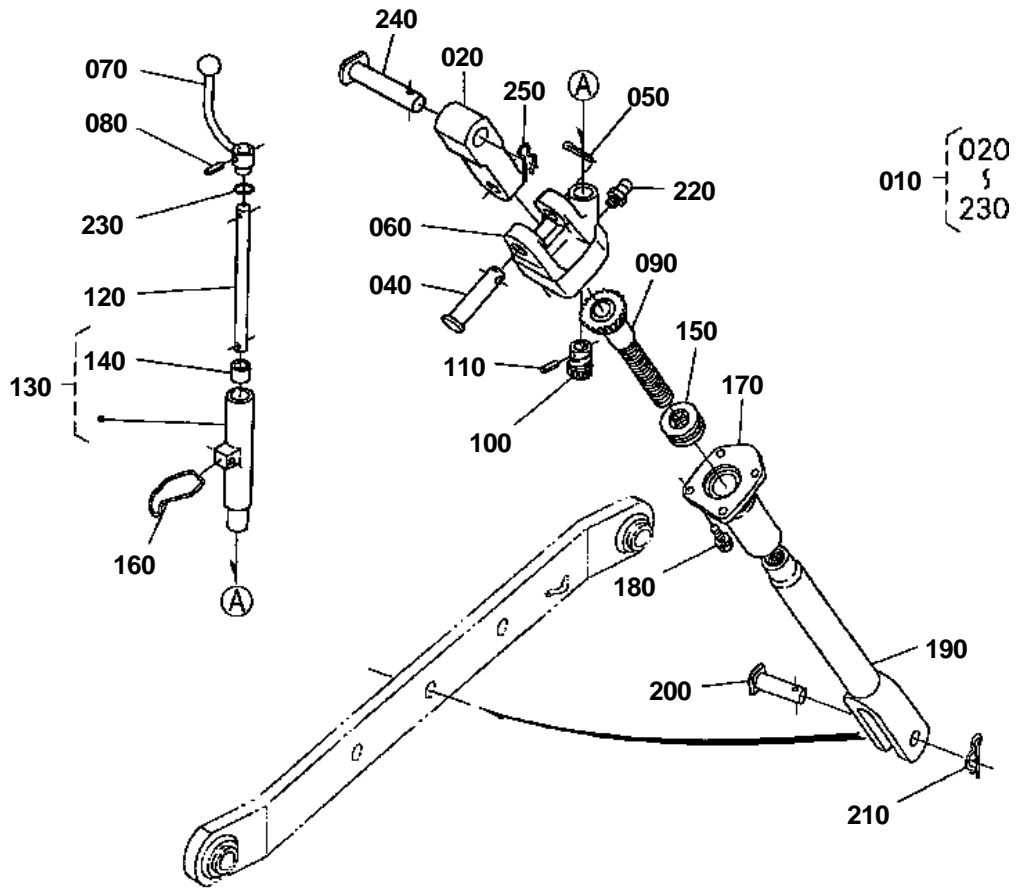
**STABILIZER [NEW TYPE]**

S.No.;A>=12931,B>=52916,C>=10882,D>=53523

↔ Interchangeable; ≠ not interchangeable; ← new for old; → old for new

REF.No	Part No.	Description	Q'ty	S.No.	I/C	REMARKS	Weight (kgf)	Weight (lb)
010	3A111-92500	ASSY STABILIZER	1				6.8	14.96
020	3A111-92510	JOINT STABILIZER	1				2.6	5.72
030	3A111-92520	JOINT STABILIZER	1				1.915	4.213
040	3A111-92530	JOINT STABILIZER	1				0.96	2.112
050	3A111-92540	BRACKET STABILIZER	1				0.502	1.1044
060	3A111-92170	BOLT STABILIZER	2				0.186	0.4092
070	02576-50180	NUT SELF-LOCKING	2				0.049	0.1078
080	05122-51870	PIN JOINT	1				0.14	0.308
090	05511-50430	PIN SPLIT	2				0.004	0.0088
100	70388-58770	PIN	1				0.22	0.484
110	05515-61200	PIN SNAP	1				0.005	0.011
120	3A111-92600	ASSY STABILIZER RH	1				6.7	14.74
130	3A111-92510	JOINT STABILIZER	1				2.6	5.72
140	3A111-92520	JOINT STABILIZER	1				1.915	4.213
150	3A111-92530	JOINT STABILIZER	1				0.96	2.112
160	3A111-92540	BRACKET STABILIZER	1				0.502	1.1044
170	3A111-92170	BOLT STABILIZER	2				0.186	0.4092
180	02576-50180	NUT SELF-LOCKING	2				0.049	0.1078
190	05122-51870	PIN JOINT	1				0.14	0.308
200	05511-50430	PIN SPLIT	2				0.004	0.0088
210	70388-58770	PIN	1				0.22	0.484
220	05515-61200	PIN SNAP	1				0.005	0.011
230	3A011-91080	BRACKET STAB.RH	1				4.25	9.35
230	3A411-91080	BRACKET STAB.RH	1			[CS]	5.3	11.66
240	3A011-91090	BRACKET STAB.LH	1				4.25	9.35
240	3A411-91090	BRACKET STAB.LH	1			[CS]	5.3	11.66

LIFT ROD RH



3A211-064-11

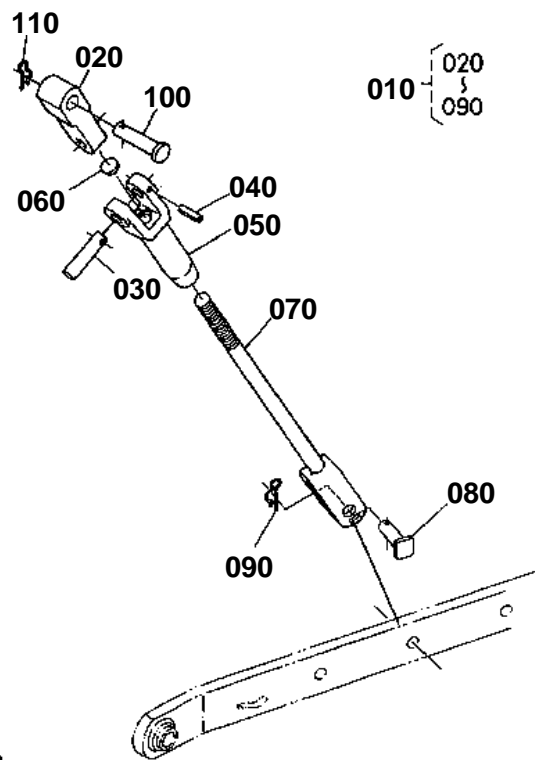


LIFT ROD RH

↔ Interchangeable; ≠ not interchangeable; ← new for old; → old for new

REF.No	Part No.	Description	Q'ty	S.No.	I/C	REMARKS	Weight (kgf)	Weight (lb)
010	3A012-91234	ASSY ROD LIFT RH	1				6.55	14.41
020	3A111-91510	JOINT LIFT ROD	1				0.77	1.694
030	99999-99999	BLANK	0				0	0
040	32530-71520	PIN LIFT ROD	1				0.15	0.33
050	05511-50430	PIN SPLIT	1				0.004	0.0088
060	3A111-91240	CASE LIFT ROD GEAR	1				1.5	3.3
070	36330-91323	HANDLE LIFT ROD RH	1				0.2	0.44
080	05411-00525	PIN SPRING	1				0.002	0.0044
090	32530-71540	COMP.SHAFT ADJUSTING	1				0.86	1.892
100	36330-91330	PINION LIFT ROD RH	1				0.11	0.242
110	05411-00520	PIN SPRING	1				0.002	0.0044
120	3A151-91390	SHAFT HANDLE	1				0.125	0.275
130	3A151-91370	SUPPORT HANDLE	1				0.265	0.583
140	08511-01815	BUSH	1				0.007	0.0154
150	08401-51105	BEARING THRUST BALL	1				0.07	0.154
160	36330-91270	SPRING HANDLE LOCK	1				0.025	0.055
170	3A111-91300	COMP SLEEVE LIFT ROD	1				1.015	2.233
180	01133-51030	BOLT	4				0.025	0.055
190	3A012-71590	ROD LIFT LOWER RH	1				1.03	2.266
200	3A012-91540	PIN LIFT ROD LOWER	1				0.115	0.253
210	33251-91860	PIN SET	1				0.023	0.0506
220	06613-10675	NIPPLE GREASE	1				0.003	0.0066
230	04811-10180	O RING	1				0.001	0.0022
240	32530-37693	PIN LIFT ARM	1				0.23	0.506
250	66592-35190	PIN SET	1				0.014	0.0308

LIFT ROD LH



3A211-055-10

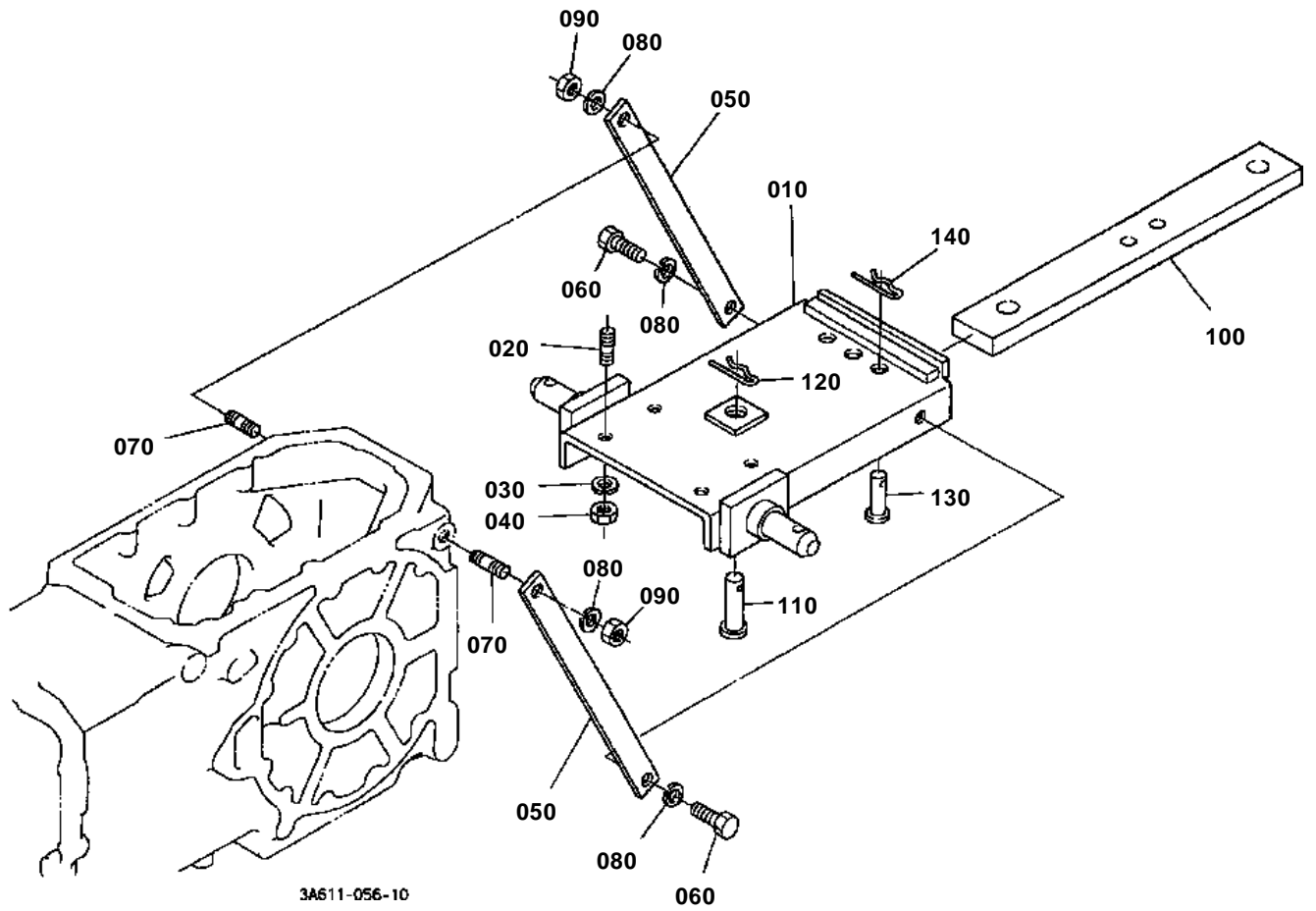


LIFT ROD LH

↔ Interchangeable; ≠ not interchangeable; ← new for old; → old for new

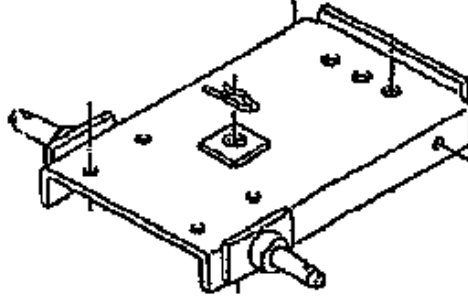
REF.No	Part No.	Description	Q'ty	S.No.	I/C	REMARKS	Weight (kgf)	Weight (lb)
010	3A012-91452	ASSY ROD LIFT LH	1				3.35	7.37
020	3A111-91510	JOINT LIFT ROD	1				0.77	1.694
030	32530-71630	PIN LIFT ROD	1				0.175	0.385
040	05411-00540	PIN SPRING	1				0.004	0.0088
050	32530-71610	COMP.ROD LIFT UPPER	1				0.9	1.98
060	36330-91360	PLUG	1				0.001	0.0022
070	3A012-71622	ROD LIFT LOWER LH	1				1.36	2.992
080	3A012-91540	PIN LIFT ROD LOWER	1				0.115	0.253
090	33251-91860	PIN SET	1				0.023	0.0506
100	32530-37693	PIN LIFT ARM	1				0.23	0.506
110	66592-35190	PIN SET	1				0.014	0.0308

SWINGING DRAWBAR



010 3A011-8932-4

010



3A021-876-10

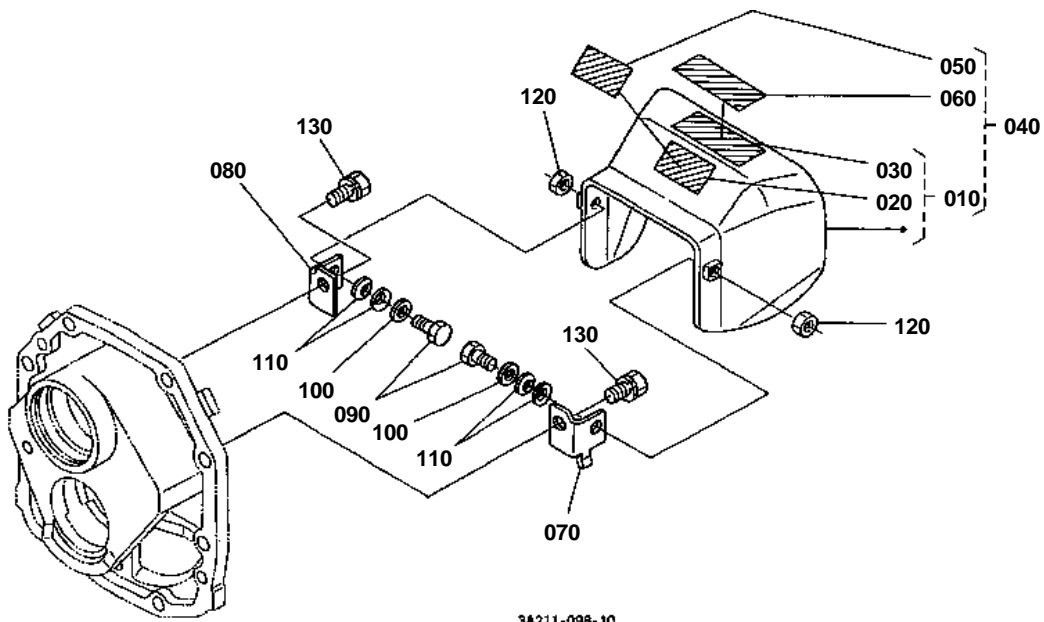


SWINGING DRAWBAR

↔ Interchangeable; ≠ not interchangeable; ← new for old; → old for new

REF.No	Part No.	Description	Q'ty	S.No.	I/C	REMARKS	Weight (kgf)	Weight (lb)
010	3A011-89324	BRACKET DRAWBAR	1	<=12698			11.94	26.268
010	3A611-89322	BRACKET DRAWBAR	1	>=12699	-		13.6	29.92
020	01517-51635	STUD	4				0.078	0.1716
030	04512-60160	WASHER SPRING	4				0.01	0.022
040	02174-50160	NUT	4				0.022	0.0484
050	3A011-89333	PLATE	2				1.65	3.63
060	01173-51640	BOLT	2				0.085	0.187
070	01517-51635	STUD	2				0.078	0.1716
080	04512-60160	WASHER SPRING	4				0.01	0.022
090	02174-50160	NUT	2				0.022	0.0484
100	3A011-89120	DRAWBAR	1				7.05	15.51
110	32530-71760	PIN DRAWBAR	1				0.32	0.704
120	70515-16330	PIN SPRING	1				0.03	0.066
130	05122-52070	PIN JOINT	2				0.184	0.4048
140	05515-51600	PIN SNAP	2				0.007	0.0154

PTO SHAFT PROTECTOR



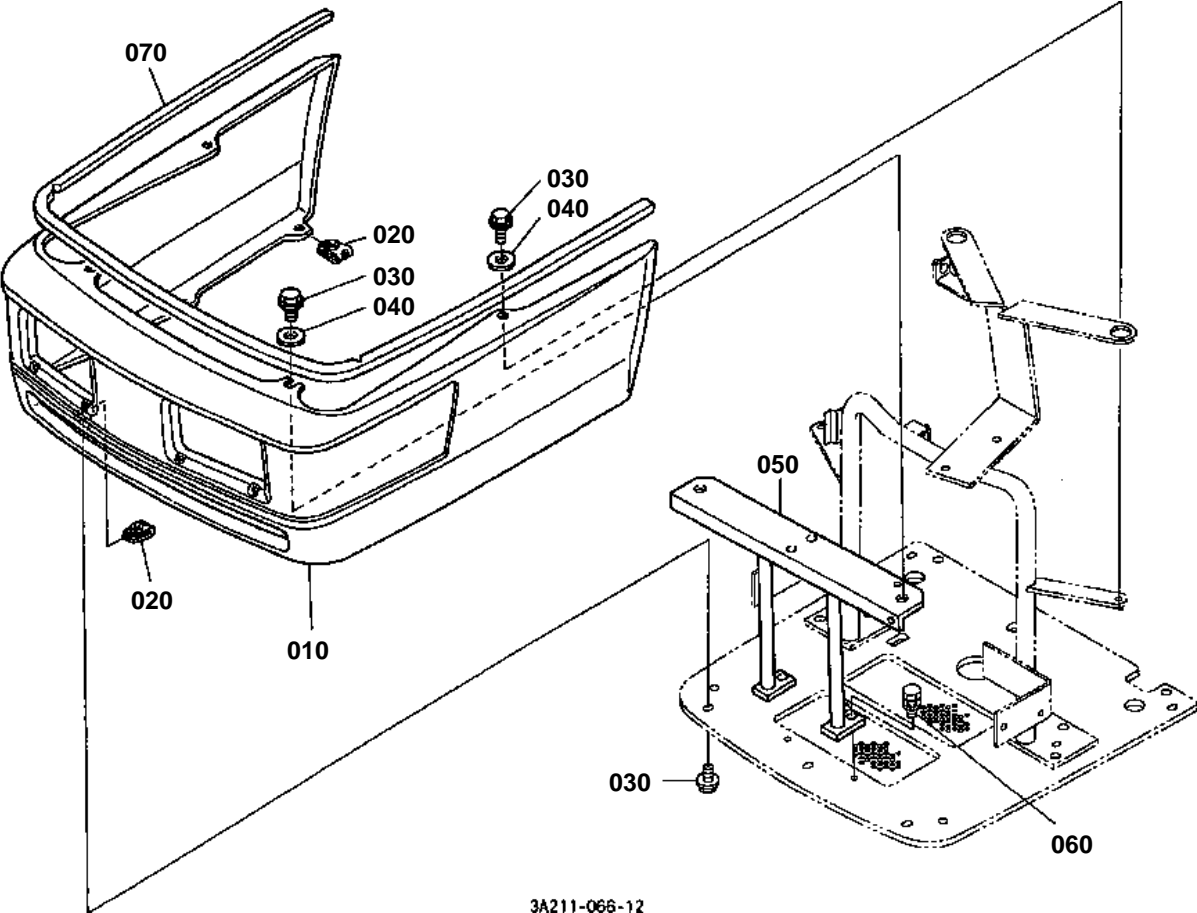


PTO SHAFT PROTECTOR

↔ Interchangeable; ≠ not interchangeable; ← new for old; → old for new

REF.No	Part No.	Description	Q'ty	S.No.	I/C	REMARKS	Weight (kgf)	Weight (lb)
010	3A011-97380	KIT COVER PTO (A)	1			ENGLISH	2.1	4.62
020	TA040-49350	LABEL DRAWBAR	1			ENGLISH	0.002	0.0044
030	TA040-49590	LABEL PTO WARNING	1			ENGLISH	0.002	0.0044
040	3A011-97580	KIT COVER PTO (B)	1			FRENCH	2.105	4.631
050	TA041-49350	LABEL DRAWBAR	1			FRENCH	0.003	0.0066
060	TA041-49590	LABEL PTO WARNING	1			FRENCH	0.001	0.0022
070	TA020-23752	STAY	1				0.12	0.264
080	TA020-23762	STAY	1				0.001	0.0022
090	01173-51025	BOLT	2				0.021	0.0462
100	04013-60100	WASHER PLAIN	2				0.003	0.0066
110	62151-42412	SPRING PLATE	4				0.002	0.0044
120	02116-50100	NUT	2				0.004	0.0088
130	01133-51225	BOLT	2				0.035	0.077

HOOD(BONNET) FRONT



3A211-066-12

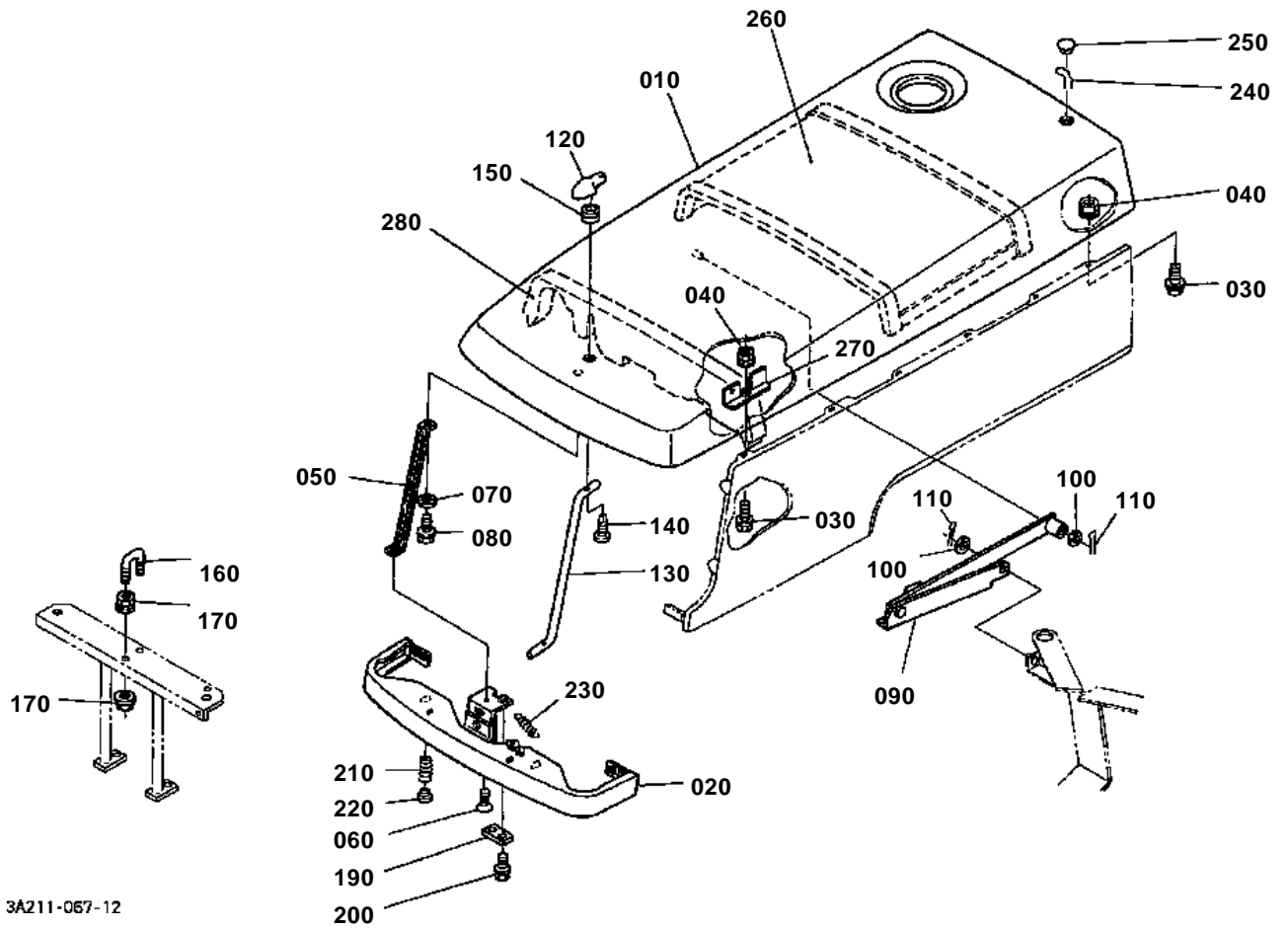


HOOD(BONNET) FRONT

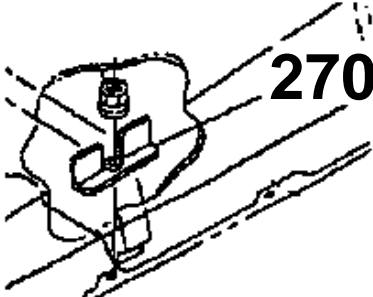
↔ Interchangeable; ≠ not interchangeable; ← new for old; → old for new

REF.No	Part No.	Description	Q'ty	S.No.	I/C	REMARKS	Weight (kgf)	Weight (lb)
010	3A011-83280	BONNET FRONT UNDER	1				1.66	3.652
020	3A011-83510	NUT SPRING	7				0.012	0.0264
030	01754-50816	BOLT FLANGE	11				0.011	0.0242
040	04015-60080	WASHER PLAIN	4				0.01	0.022
050	3A011-83456	SUPPORT BONNET FRONT	1				0	0
050	3A011-83457	SUPPORT BONNET FRONT	1		<<		1.1	2.42
060	01123-50820	BOLT	2				0.011	0.0242
070	3A011-83306	SEAL RUBBER	1				0.09	0.198

HOOD(BONNET) UPPER



270 3A011-8306-0



3A061-809-10

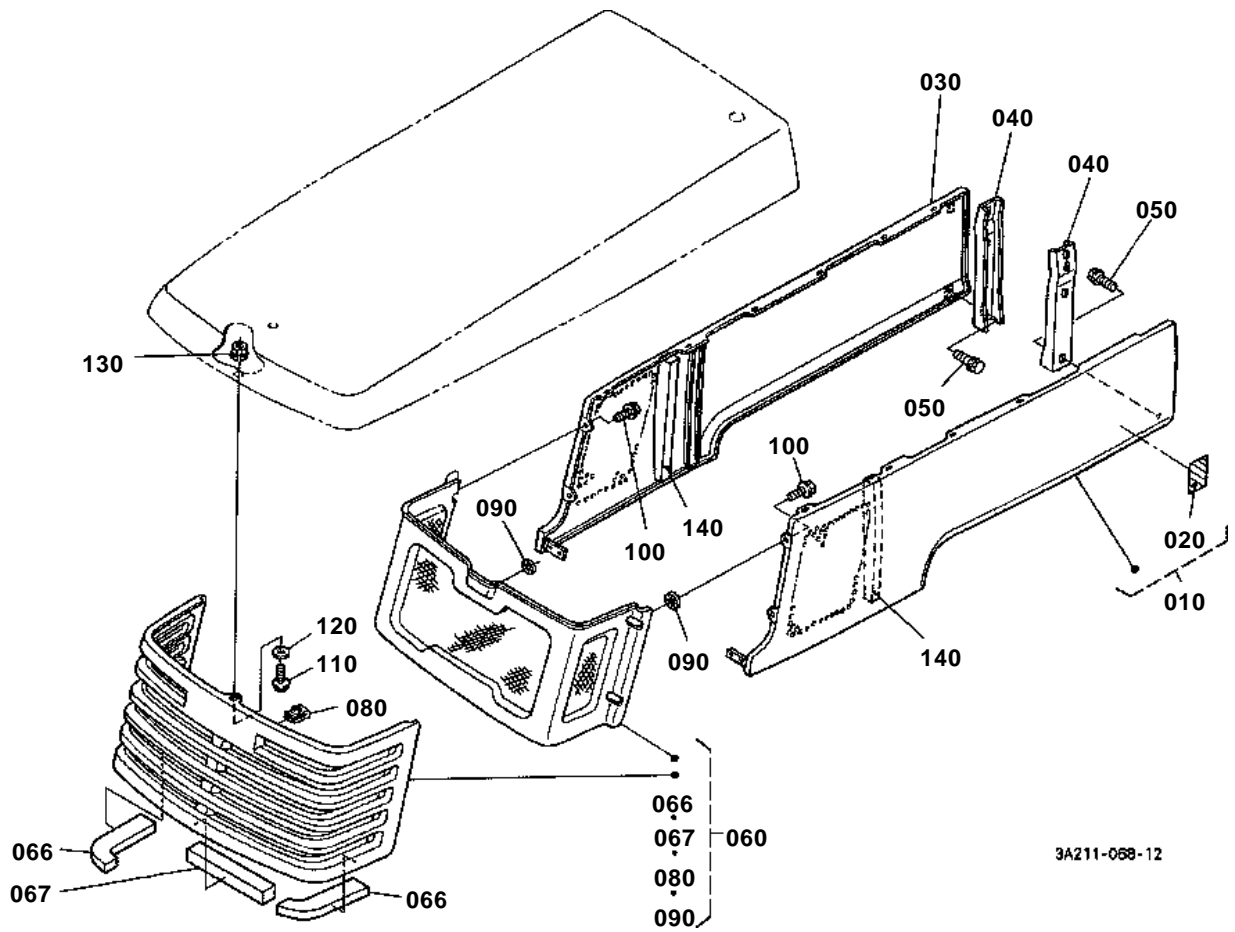


HOOD(BONNET) UPPER

↔ Interchangeable; ≠ not interchangeable; ← new for old; → old for new

REF.No	Part No.	Description	Q'ty	S.No.	I/C	REMARKS	Weight (kgf)	Weight (lb)
010	3A011-83025	COMP.BONNET	1	<=10839			0	0
010	3A011-83026	COMP.BONNET	1	>=10840	-		9	19.8
020	3A011-83295	BONNET FRONT	1				1.42	3.124
030	01754-50812	BOLT FLANGE	16				0.01	0.022
040	02751-50080	NUT FLANGE	8				0.006	0.0132
050	3A011-83463	SUPPORT BONNET	1				0.105	0.231
060	03016-50614	SCREW CSK-HD	1				0.003	0.0066
070	04412-50060	WASHER TOOTHED	1				0.001	0.0022
080	01754-50610	BOLT FLANGE	1				0.006	0.0132
090	3A111-83310	LINK	1				0.525	1.155
100	04013-60080	WASHER PLAIN	2				0.002	0.0044
110	05511-50215	PIN SPLIT	2				0.001	0.0022
120	6C040-54260	HANDLE MASCOT	1				0.028	0.0616
130	3A011-83473	LEVER HANDLE	1				0.155	0.341
140	03614-50416	SCREW TAPPING	1				0.002	0.0044
150	3A011-83630	PLUG	1				0.001	0.0022
160	3A011-83423	LOCK	1				0.05	0.11
170	02751-50080	NUT FLANGE	4				0.006	0.0132
180	99999-99999	BLANK	0				0	0
190	3A011-83530	GUIDE	1				0.015	0.033
200	01754-50610	BOLT FLANGE	1				0.006	0.0132
210	3A011-83500	SPRING	2				0.03	0.066
220	41182-61150	PLUG	2				0.003	0.0066
230	3A011-83660	SPRING	1				0.01	0.022
240	3A011-83600	PIN SNAP	1				0.002	0.0044
250	3A111-83750	PLUG	1				0.002	0.0044
260	3A011-04330	INSULATION HEAT	1				0.285	0.627
270	3A011-83062	HOLDER	2	<=12288			0.04	0.088
270	3A011-83062	HOLDER	2	>=12289	-		0.04	0.088
280	3A211-17170	SPONGE UPPER	1				0.145	0.319

HOOD(BONNET) SIDE



3A211-068-12

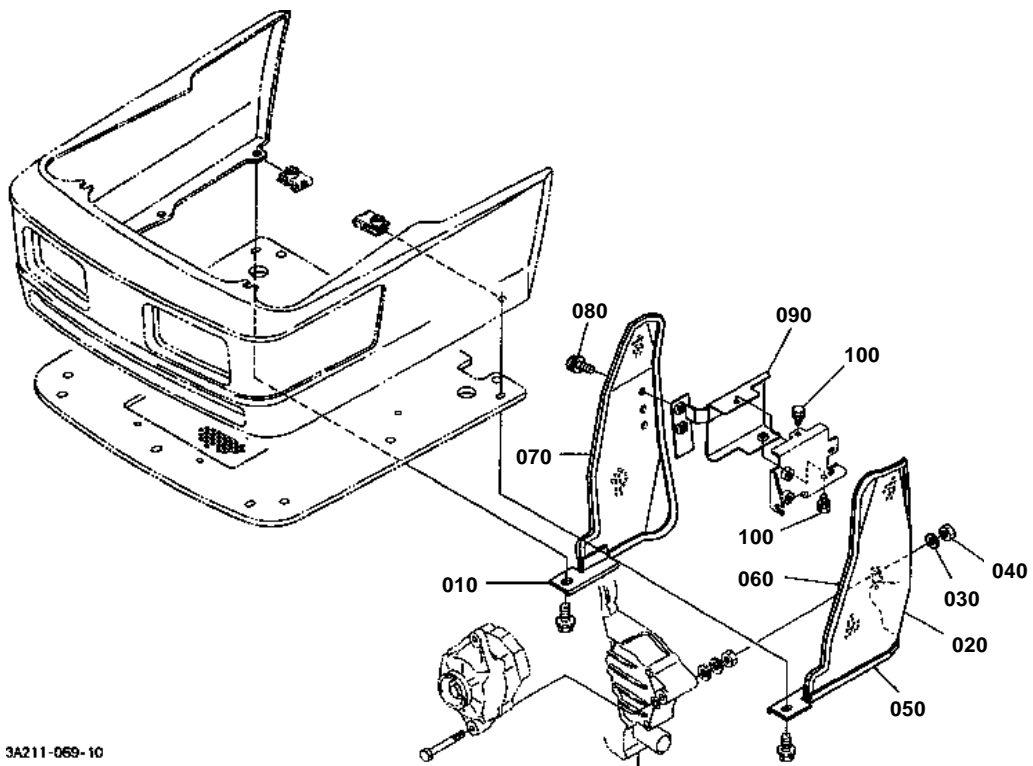


HOOD(BONNET) SIDE

↔ Interchangeable; ≠ not interchangeable; ← new for old; → old for new

REF.No	Part No.	Description	Q'ty	S.No.	I/C	REMARKS	Weight (kgf)	Weight (lb)
010	3A111-97330	KIT BONNET SIDE LH	1				2.2	4.84
020	32310-49580	LABEL WARNING	1				0.002	0.0044
030	3A111-83160	COMP.BONNET SIDE	1	<=10839			0	0
030	3A111-83162	COMP.BONNET SIDE	1	>=10840	↔		2.2	4.84
040	3A011-83240	HOLDER	2				0.18	0.396
050	01754-50612	BOLT FLANGE	8				0.005	0.011
060	3A751-83220	ASSY GRILLE BONNET	1	<=12950			0	0
060	3A751-83222	ASSY GRILLE BONNET	1	>=12951	↔		1.43	3.146
066	3A751-17270	SPONGE SIDE	2	>=12951			0.015	0.033
067	3A751-17280	SPONGE CENTER	1	>=12951			0.006	0.0132
070	99999-99999	BLANK	0				0	0
080	3A011-83490	NUT SPRING	2				0.01	0.022
090	3A011-83260	NUT	20				0.001	0.0022
100	01754-50610	BOLT FLANGE	4				0.006	0.0132
110	01754-50616	BOLT FLANGE	3				0.006	0.0132
120	04015-60060	WASHER PLAIN	1				0.005	0.011
130	12264-92020	NUT SPRING WASHER M	1				0.05	0.11
140	3A011-17200	SPONGE SIDE	2				0.026	0.0572

HOOD(BONNET) SIDE COVER



3A211-069-10

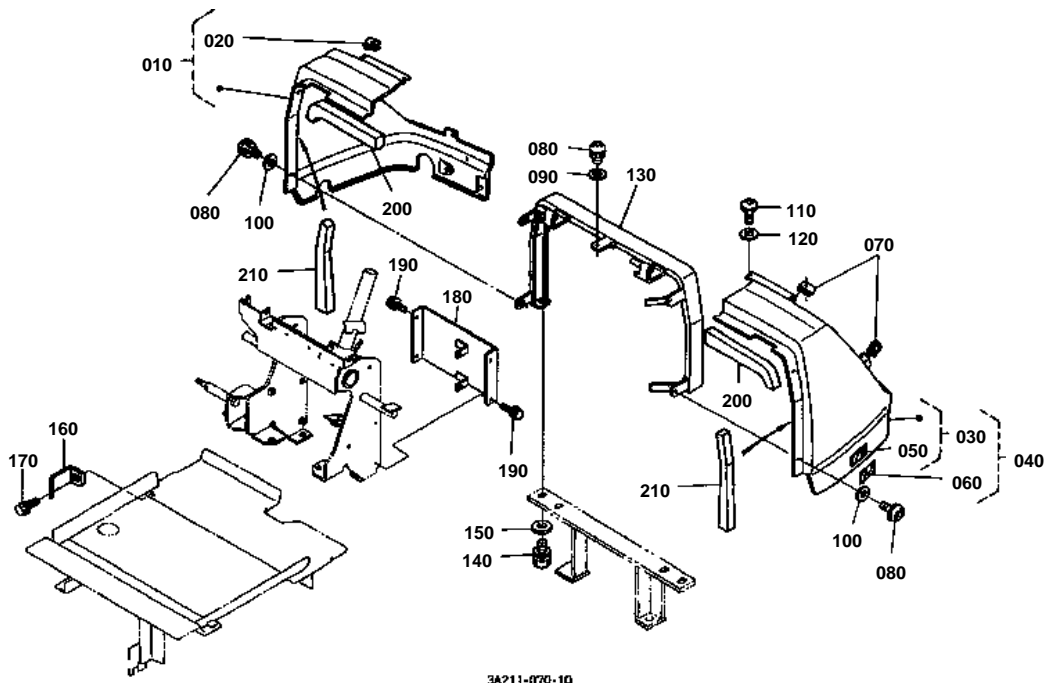


HOOD(BONNET) SIDE COVER

↔ Interchangeable; ≠ not interchangeable; ← new for old; → old for new

REF.No	Part No.	Description	Q'ty	S.No.	I/C	REMARKS	Weight (kgf)	Weight (lb)
010	3A211-83370	COVER	1				0.21	0.462
020	3A211-83380	COVER	1				0.315	0.693
030	04512-60100	WASHER SPRING	1				0.002	0.0044
040	02076-50100	NUT	1				0.006	0.0132
050	3A013-90652	TRIM	1				0.028	0.0616
060	3F740-83470	CUSHION	1				0.042	0.0924
070	36919-56390	CUSHION	1				0.07	0.154
080	30400-18870	BOLT FLANGE	2				0.01	0.022
090	3A211-83360	COVER SOLENOID	1				0.345	0.759
100	30400-19060	BOLT FLANGE	2				0.006	0.0132

HOOD(BONNET) REAR



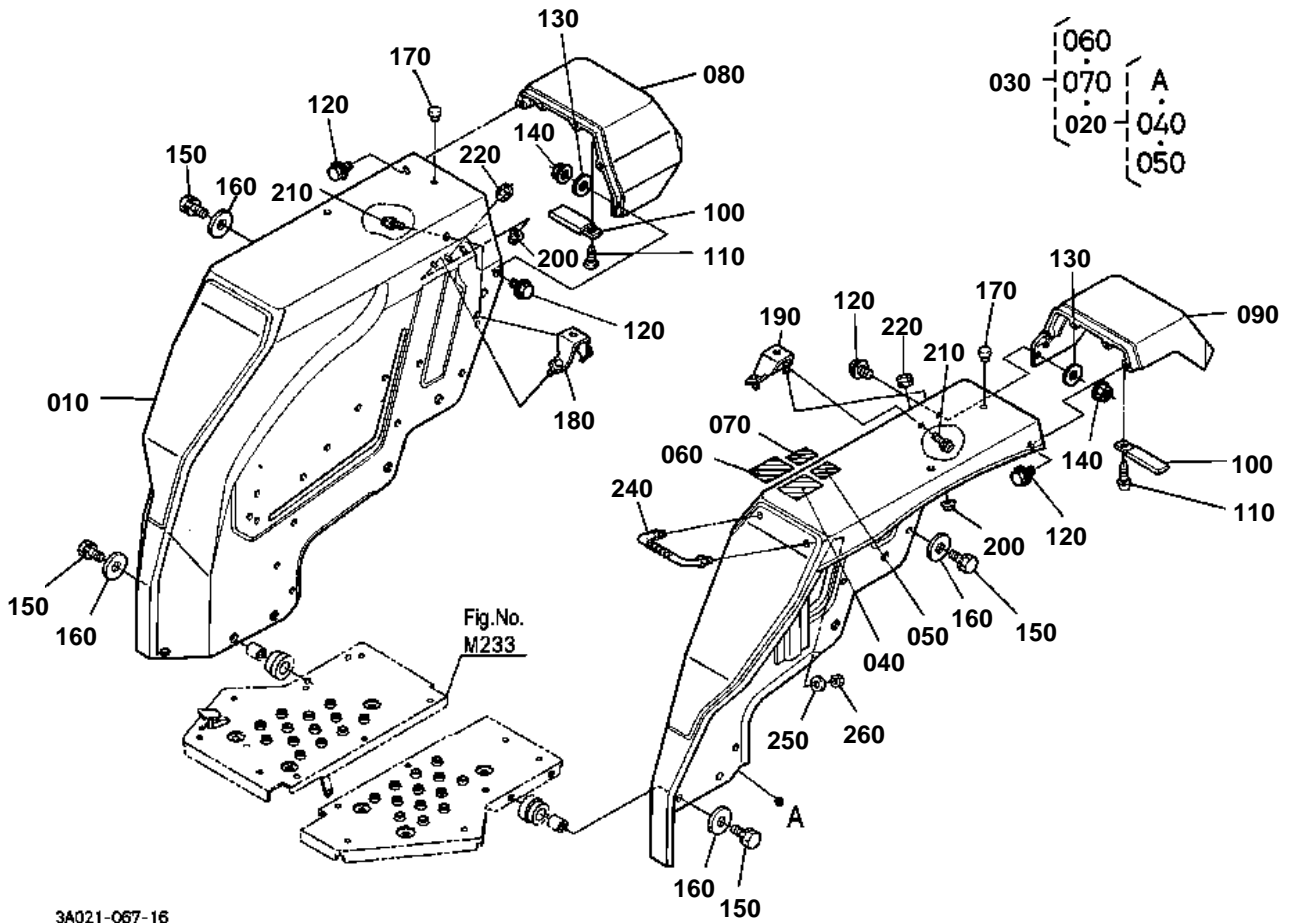
3A211-070-10



HOOD(BONNET) REAR

↔ Interchangeable; ≠ not interchangeable; ← new for old; → old for new

REF.No	Part No.	Description	Q'ty	S.No.	I/C	REMARKS	Weight (kgf)	Weight (lb)
010	3A011-83610	ASSY BONNET REAR RH	1				0.62	1.364
020	3A011-83490	NUT SPRING	3				0.01	0.022
030	3A011-97360	KIT BONNET REAR (A)	1			ENGLISH	0.8	1.76
040	3A011-97560	KIT BONNET REAR (B)	1			FRENCH	0.65	1.43
050	TA040-49650	LABEL START CAUTION	1			ENGLISH	0.004	0.0088
060	TA041-49650	LABEL START CAUTION	1			FRENCH	0.004	0.0088
070	3A011-83490	NUT SPRING	4				0.01	0.022
080	03004-50816	SCREW WITH WASHER	5				0.01	0.022
090	04015-60080	WASHER PLAIN	1				0.01	0.022
100	04013-60080	WASHER PLAIN	4				0.002	0.0044
110	03004-50616	SCREW WITH WASHER	3				0.006	0.0132
120	04015-60060	WASHER PLAIN	3				0.005	0.011
130	3A011-83590	SUPPORT BONNET REAR	1				2	4.4
140	01133-51025	BOLT	2				0.023	0.0506
150	04013-60100	WASHER PLAIN	2				0.003	0.0066
160	3A011-83150	SPRING PLATE	2				0.055	0.121
170	01123-60816	BOLT	2				0.01	0.022
180	3A211-63220	COVER PANEL	1				0.335	0.737
190	01754-50612	BOLT FLANGE	4				0.005	0.011
200	3A011-04580	SPONGE BONNET REAR	2				0.018	0.0396
210	3A011-04590	SPONGE BONNET REAR	2				0.015	0.033



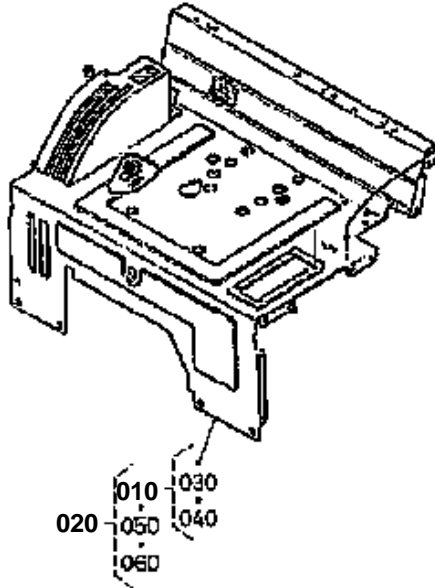
3A021-067-16

**FENDER**

↔ Interchangeable; ≠ not interchangeable; ← new for old; → old for new

REF.No	Part No.	Description	Q'ty	S.No.	I/C	REMARKS	Weight (kgf)	Weight (lb)
010	3A011-87014	COMP.FENDER RH	1				10.7	23.54
020	3A012-97320	KIT FENDER LH (A)	1	≤12863		ENGLISH	11.5	25.3
020	3A012-97322	KIT FENDER LH (A)	1	≥12864	↔	ENGLISH	11.5	25.3
030	3A012-97520	KIT FENDER LH (B)	1	≤12863		FRENCH	11.5	25.3
030	3A012-97522	KIT FENDER LH (B)	1	≥12864	↔	FRENCH	11.5	25.3
040	35260-34913	LABEL SAFETY	1	≤12863		ENGLISH NOT SALE	0	0
040	35260-34914	LABEL SAFETY	1	≥12864	↔	ENGLISH	0.005	0.011
050	3A111-98482	LABEL ROPS WARNING	1			ENGLISH	0.004	0.0088
060	TA041-65700	LABEL SAFETY	1	≤12863		FRENCH	0	0
060	TA041-65702	LABEL SAFETY	1	≥12864	↔	FRENCH	0.01	0.022
070	TA040-49150	LABEL ROPS WARNING	1			FRENCH	0.003	0.0066
080	3A011-87460	COVER FENDER RH	1				0.62	1.364
090	3A011-87470	COVER FENDER LH	1				0.59	1.298
100	15272-67590	CLAMP CORD	2				0.004	0.0088
110	03614-50610	SCREW TAPPING	2				0.005	0.011
120	01754-50816	BOLT FLANGE	10				0.011	0.0242
130	04015-60080	WASHER PLAIN	2				0.01	0.022
140	02751-50080	NUT FLANGE	2				0.006	0.0132
150	01123-50825	BOLT	10				0.013	0.0286
160	36919-53502	COLLAR	10	≤11315			0.01	0.022
160	3A211-53500	WASHER PLAIN	10	≥11316	↔		0.011	0.0242
170	30810-29170	PLUG	2				0.003	0.0066
180	3A011-87270	STAY FENDER RH	1				0.185	0.407
190	3A011-87280	STAY FENDER LH	1				0.185	0.407
200	02751-50080	NUT FLANGE	4				0.006	0.0132
210	01125-50830	BOLT	2				0.01	0.022
220	32150-29180	CAP RUBBER	2				0.002	0.0044
230	99999-99999	BLANK	0				0	0
240	34670-29440	HANDRAIL	1				0.1	0.22
250	04013-60140	WASHER PLAIN	2				0.01	0.022
260	02174-50140	NUT	2				0.014	0.0308

010 3A012-9731-0
020 3A012-9751-0



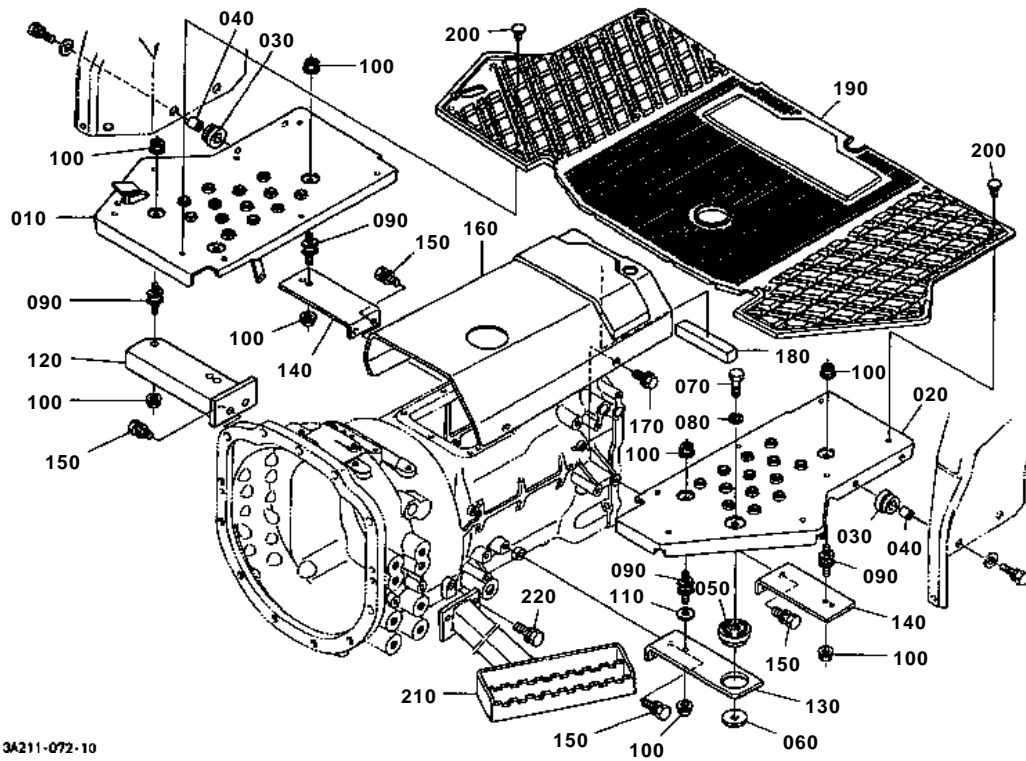
3A211-815-10



FLOOR SEAT

↔ Interchangeable; ≠ not interchangeable; ← new for old; → old for new

REF.No	Part No.	Description	Q'ty	S.No.	I/C	REMARKS	Weight (kgf)	Weight (lb)
010	3A012-97310	KIT COVER FLOOR SEAT	1	<=13409		ENGLISH	9	19.8
010	3A012-97312	KIT COVER FLOOR SEAT	1	>=13410	-	ENGLISH	9	19.8
020	3A012-97510	KIT COVER FLOOR SEAT	1	<=13409		FRENCH	9	19.8
020	3A012-97512	KIT COVER FLOOR SEAT	1	>=13410	-	FRENCH	9	19.8
030	TA040-49302	LABEL I-PTO CAUTION	1			ENGLISH	0.001	0.0022
040	3A111-98563	LABEL LIFT ROD	1			ENGLISH	0.002	0.0044
050	TA041-49300	LABEL I-PTO CAUTION	1			FRENCH	0.003	0.0066
060	3A112-98560	LABEL LIFT ROD	1			FRENCH	0.002	0.0044
070	3A111-91960	SUPPORT TOP LINK	1				0.18	0.396
080	3A012-91970	STAY TOP LINK	1				0.4	0.88
090	01123-60816	BOLT	2				0.01	0.022
100	31391-16840	SPACER	1				0.017	0.0374
110	02114-50100	NUT	1				0.005	0.011
120	33251-10320	SPRING ACCEL.LEVER	1				0.012	0.0264
130	01173-51040	BOLT	1				0.028	0.0616
140	04015-50100	WASHER PLAIN	1				0.016	0.0352
150	04011-60160	WASHER PLAIN	1				0.01	0.022
160	04015-50100	WASHER PLAIN	1				0.016	0.0352
170	15272-67590	CLAMP CORD	1				0.004	0.0088
180	01754-50610	BOLT FLANGE	1				0.006	0.0132
190	02014-50060	NUT	1				0.002	0.0044
200	36919-81523	STOPPER LEVER	2				0.01	0.022
210	36919-81530	BOLT STOPPER	2				0.022	0.0484
220	36919-82620	COLLAR	2				0.008	0.0176
230	52300-34120	PIN SNAP	2				0.001	0.0022
240	01754-50812	BOLT FLANGE	15				0.01	0.022
250	02751-50080	NUT FLANGE	2				0.006	0.0132
260	3A431-87940	STAY SMV	1				0.18	0.396
270	01123-50822	BOLT	2				0.012	0.0264



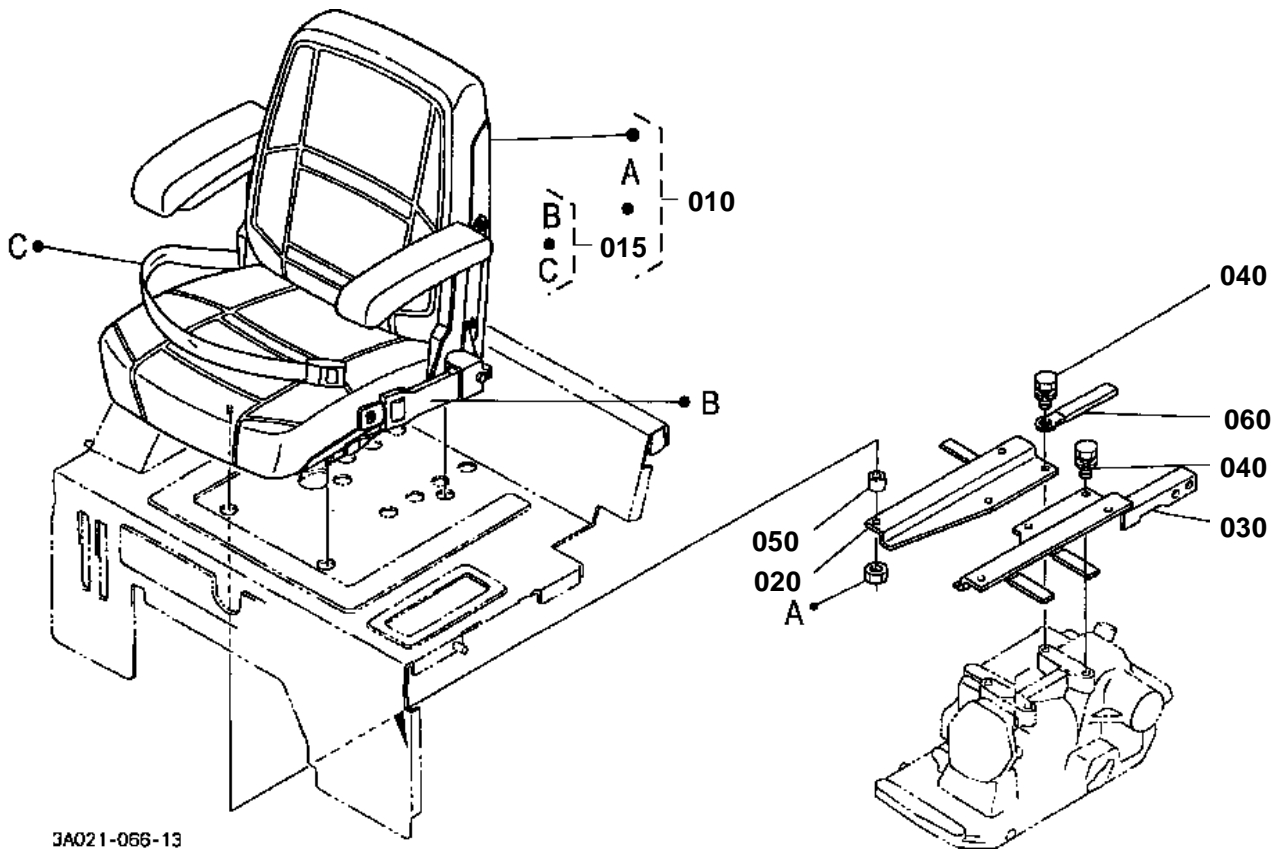
3A211-072-10

**STEP**

↔ Interchangeable; ≠ not interchangeable; ← new for old; → old for new

REF.No	Part No.	Description	Q'ty	S.No.	I/C	REMARKS	Weight (kgf)	Weight (lb)
010	3A111-87060	COMP.STEP RH	1				3.8	8.36
020	3A111-87070	COMP.STEP LH	1				3.2	7.04
030	3A111-87360	CUSHION	10				0.005	0.011
040	67950-53390	COLLAR	10				0.02	0.044
050	34070-47310	CUSHION	1				0.165	0.363
060	3A111-87410	WASHER	1				0.125	0.275
070	01173-51650	BOLT	1				0.099	0.2178
080	04512-60160	WASHER SPRING	1				0.01	0.022
090	3A011-87303	CUSHION	5				0.035	0.077
100	02751-50080	NUT FLANGE	10				0.006	0.0132
110	70314-71920	WASHER	1				0.015	0.033
120	3A211-87380	STAY STEP RH	1				1.82	4.004
130	3A211-87390	STAY STEP LH	1				1.24	2.728
140	3A011-87402	STAY STEP REAR	2				0.665	1.463
150	01133-51025	BOLT	8				0.023	0.0506
160	3A111-87160	COVER	1				2.4	5.28
170	01754-50812	BOLT FLANGE	5				0.01	0.022
180	3A012-87180	CUSHION	1				0.115	0.253
190	3A012-55060	MAT STEP	1				4.89	10.758
200	67955-51340	STOPPER	15				0.001	0.0022
210	3A111-87313	STEP AUX.	1				4	8.8
220	01133-51030	BOLT	2				0.025	0.055

SEAT



3A021-066-13

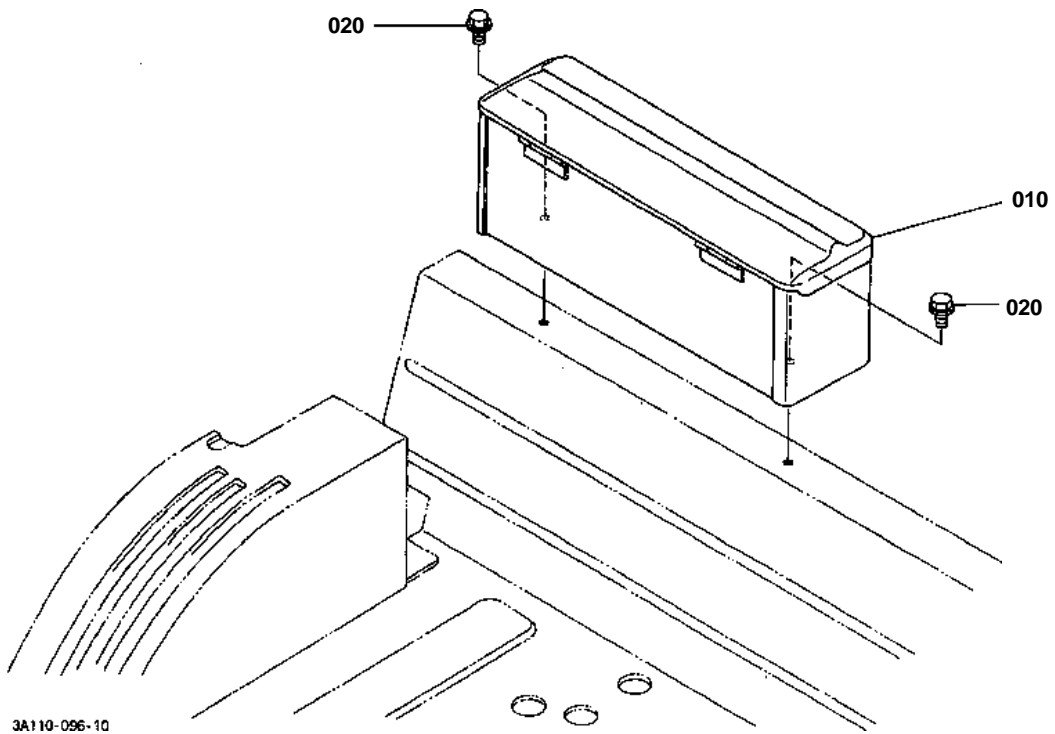


SEAT

↔ Interchangeable; ≠ not interchangeable; ← new for old; → old for new

REF.No	Part No.	Description	Q'ty	S.No.	I/C	REMARKS	Weight (kgf)	Weight (lb)
010	3A011-85010	ASSY SEAT	1	<=13409			28.5	62.7
010	3A211-85010	ASSY SEAT	1	>=13410	-		0	0
015	3A011-85300	ASSY BELT SEAT	1				0	0
020	3A011-85152	BRACKET SEAT RH	1				1.195	2.629
030	3A111-85162	BRACKET SEAT LH	1				1.25	2.75
040	01133-51020	BOLT	4				0.02	0.044
050	63313-54330	COLLAR	4				0.018	0.0396
060	35340-29380	CLAMP CORD	1				0.01	0.022

TOOL BOX



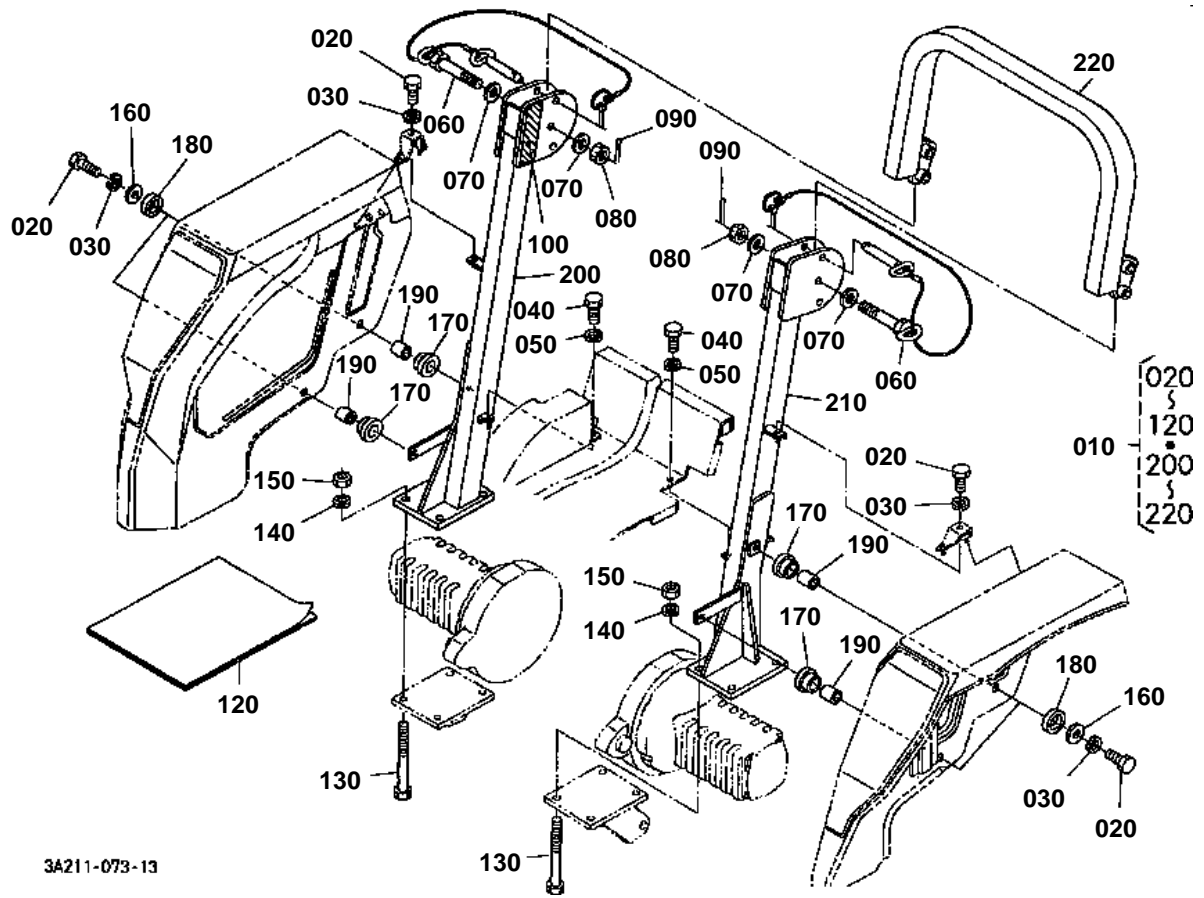
3A110-096-10



TOOL BOX

↔ Interchangeable; ≠ not interchangeable; ← new for old; → old for new

REF.No	Part No.	Description	Q'ty	S.No.	I/C	REMARKS	Weight (kgf)	Weight (lb)
010	3A131-90230	CASE TOOLS	1	<=12438			0	0
010	3A131-90232	CASE TOOLS	1	>=12439	→		2.6	5.72
020	01754-50816	BOLT FLANGE	2				0.011	0.0242

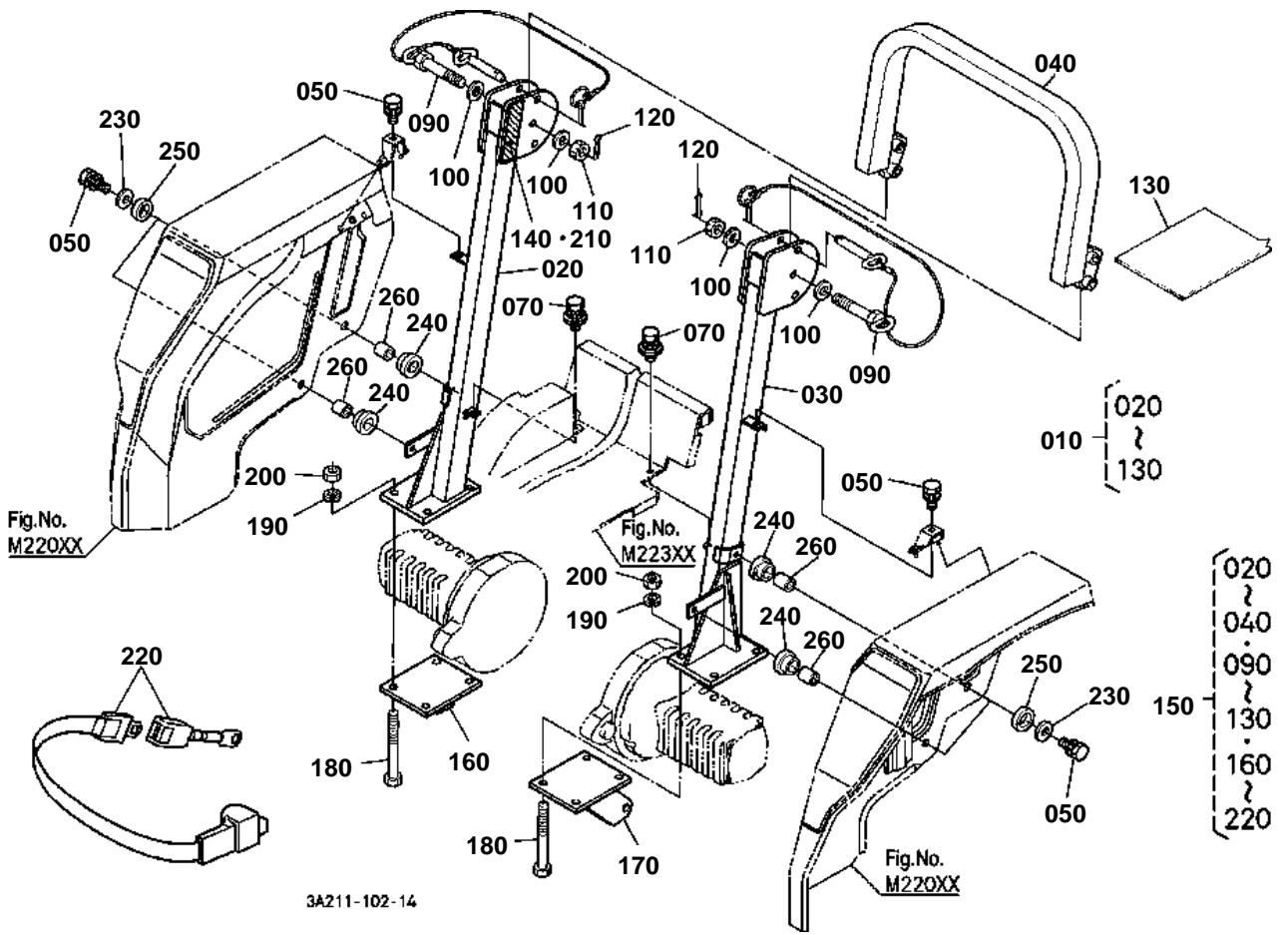




ROPS [OLD TYPE]
S.No.;<=11745

↔ Interchangeable; ≠ not interchangeable; ← new for old; → old for new

REF.No	Part No.	Description	Q'ty	S.No.	I/C	REMARKS	Weight (kgf)	Weight (lb)
010	3A211-87000	ASSY ROPS	1				0	0
020	75599-03325	HEX.BOLT	6				0.021	0.0462
030	75599-33013	WASHER SPRING	6				0.006	0.0132
040	75599-01112	HEX.BOLT	2				0.003	0.0066
050	75599-33011	WASHER SPRING	2				0.002	0.0044
060	3A111-95200	ASSY BOLT SET	2				0.67	1.474
070	3A111-95270	WASHER PLAIN	4				0.02	0.044
080	3A111-95260	NUT SLOTTED HEX.	2				0.06	0.132
090	75599-53194	PIN COTTER	2				0.001	0.0022
100	3A111-95540	LABEL ROPS CAUTION	1			ENGLISH	0.003	0.0066
100	3A112-95540	LABEL ROPS CAUTION	1			FRENCH	0.003	0.0066
110	99999-99999	BLANK	0				0	0
120	99999-99999	MANUAL INSTRUCTION	1				0	0
130	32530-71980	BOLT	8				0.35	0.77
140	04512-60160	WASHER SPRING	8				0.01	0.022
150	02076-50160	NUT	8				0.03	0.066
160	52450-63660	WASHER	4				0.029	0.0638
170	3A011-87290	CUSHION	4				0.011	0.0242
180	3A011-87340	CUSHION	4				0.008	0.0176
190	38240-29940	SPACER	4				0.005	0.011
200	99999-99999	BRACKET(FENDER RH)	1				0	0
210	99999-99999	BRACKET(FENDER LH)	1				0	0
220	99999-99999	COMP.FRAME U	1				0	0



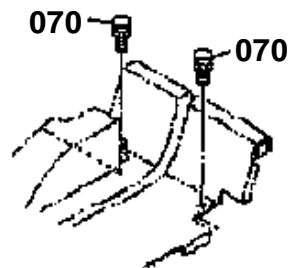
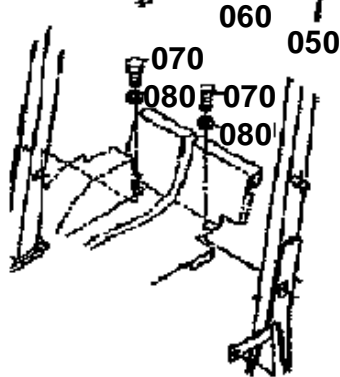
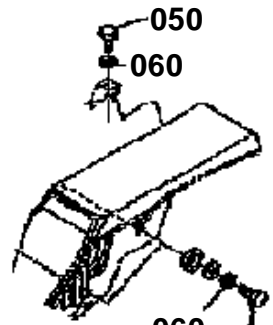
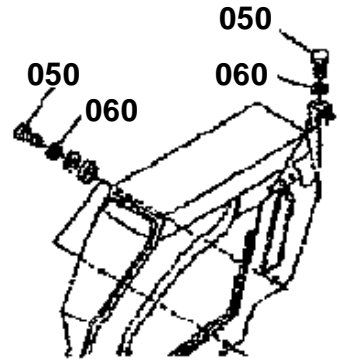
050 0Y103-50620

060 0Y450-50060

070 0Y101-50410

070 01023-50616

080 0Y450-50040



3A061-815-20

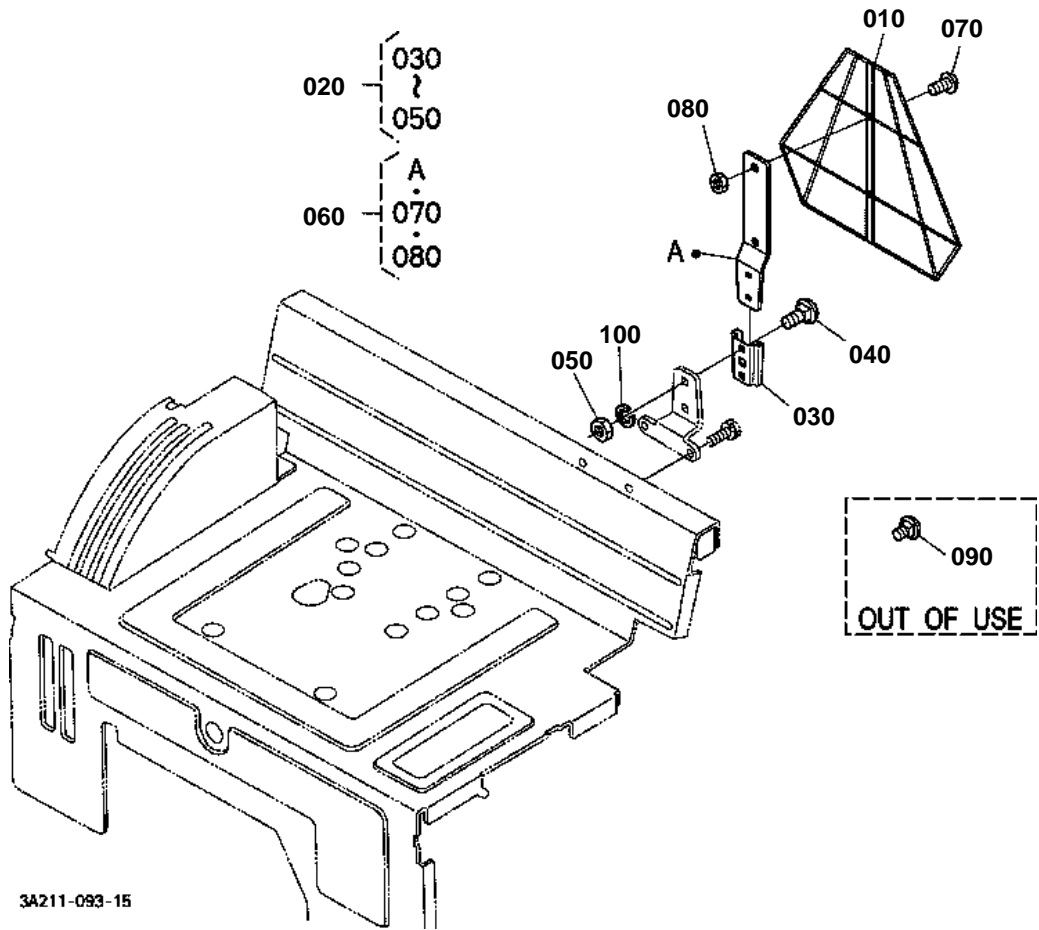
**ROPS [NEW TYPE]**

S.No.;>=11746

↔ Interchangeable; ≠ not interchangeable; ← new for old; → old for new

REF.No	Part No.	Description	Q'ty	S.No.	I/C	REMARKS	Weight (kgf)	Weight (lb)
010	3A212-95000	ASSY ROPS	1	<=13261			0	0
010	3A212-95003	ASSY ROPS	1	>=13262	→		0	0
020	99999-99999	BRACKET FENDER RH	1				0	0
030	99999-99999	BRACKET FENDER LH	1				0	0
040	99999-99999	COMP.FRAME U	1				0	0
050	0Y103-50620	BOLT	6	<=13157			0.2	0.44
050	01133-51032	BOLT	6	>=13158	1		0.025	0.055
060	0Y450-50060	WASHER SPRING	6	<=13157			0.003	0.0066
070	0Y101-50410	BOLT	2	<=13157			0.07	0.154
070	01023-50616	BOLT	2	>=13158	1		0.005	0.011
070	01025-50616	BOLT	2	>=13262	→		0.005	0.011
080	0Y450-50040	WASHER SPRING	2	<=13157			0.001	0.0022
090	3A112-95200	SET BOLT	2				0.665	1.463
100	04013-50200	WASHER PLAIN	4				0.02	0.044
110	02254-50200	NUT	2				0.35	0.77
120	05511-50430	PIN SPLIT	2				0.004	0.0088
130	99999-99999	MANUAL	1				0	0
140	3A111-95540	LABEL ROPS CAUTION	1			ENGLISH	0.003	0.0066
150	3A212-97600	KIT ROPS REPLACEMENT	1	<=13157		EXCEPT[CS]	0	0
150	3A212-97602	KIT ROPS REPLACEMENT	1	>=13158	1	EXCEPT[CS]	0	0
150	3A211-97600	KIT ROPS REPLACEMENT	1	<=13157		[CS]	0	0
150	3A211-97602	KIT ROPS REPLACEMENT	1	>=13158	1	[CS]	0	0
160	3A011-91080	BRACKET STAB.RH	1			EXCEPT[CS]	4.25	9.35
160	3A411-91080	BRACKET STAB.RH	1			[CS]	5.3	11.66
170	3A011-91090	BRACKET STAB.LH	1			EXCEPT[CS]	4.25	9.35
170	3A411-91090	BRACKET STAB.LH	1			[CS]	5.3	11.66
180	32530-71980	BOLT	8				0.35	0.77
190	04512-60160	WASHER SPRING	8				0.01	0.022
200	02076-50160	NUT	8				0.03	0.066
210	3A111-95540	LABEL ROPS CAUTION	1			ENGLISH	0.003	0.0066
210	3A112-95540	LABEL ROPS CAUTION	1			FRENCH	0.003	0.0066
220	3A011-85300	ASSY BELT SEAT	1				0	0
230	52450-63660	COLLAR	4				0.029	0.0638
230	58056-51170	WASHER	4		«		0.02	0.044
240	3A011-87290	CUSHION	4				0.011	0.0242
250	3A011-87340	CUSHION	4				0.008	0.0176
260	38240-29940	SPACER	4				0.005	0.011

SMV EMBLEM

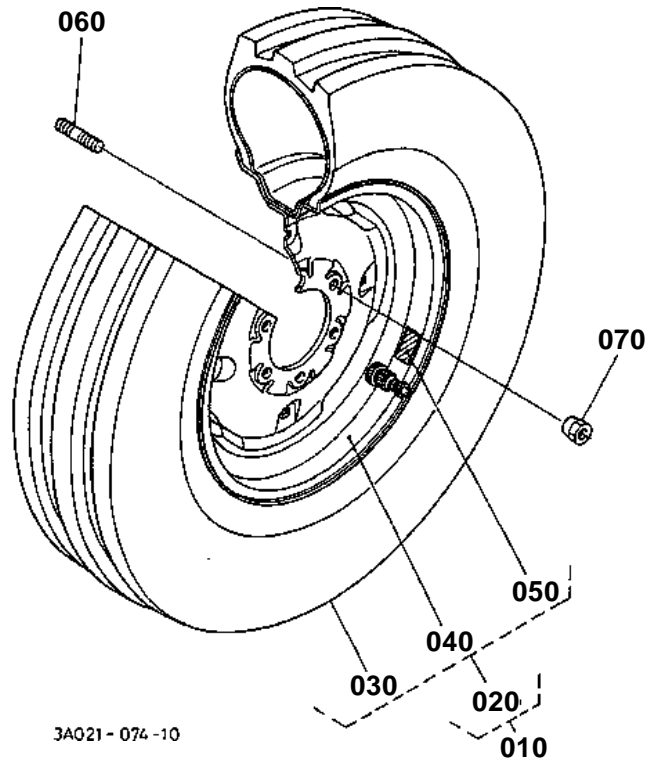


**SMV EMBLEM**

↔ Interchangeable; ≠ not interchangeable; ← new for old; → old for new

REF.No	Part No.	Description	Q'ty	S.No.	I/C	REMARKS	Weight (kgf)	Weight (lb)
010	7L500-89910	SIGN SMV	1				0.32	0.704
020	7L500-89920	SOCKET SMV SIGN	1				0.1	0.22
030	7L500-89930	SOCKET-MTG SMV	1				0.05	0.11
040	7L500-89940	BOLT SQUARE NECK	2				0.01	0.022
050	7L500-89950	NUT	2				0.004	0.0088
060	7L500-89960	SPADE SMV SIGN	1				0.24	0.528
070	7L500-89980	VIS	2				0.02	0.044
080	7L500-89990	NUT	2				0.001	0.0022
090	7L500-89810	BOLT SQUARE NECK	2			OUT OF USE	0.011	0.0242
100	04512-60080	WASHER SPRING	2	>=13054			0.002	0.0044

FRONT WHEEL (6.5-16)



3A021-074-10

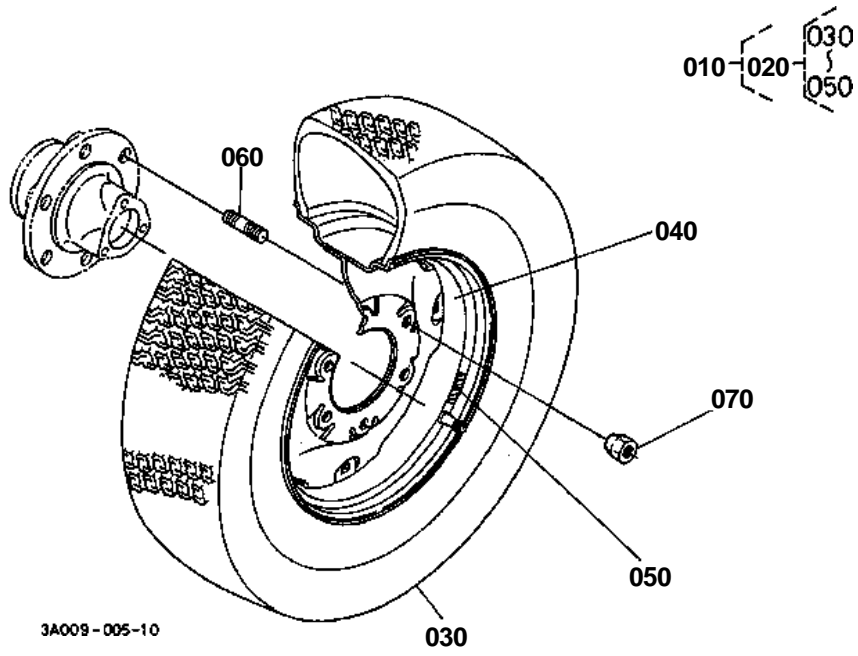


FRONT WHEEL (6.5-16)

↔ Interchangeable; ≠ not interchangeable; ← new for old; → old for new

REF.No	Part No.	Description	Q'ty	S.No.	I/C	REMARKS	Weight (kgf)	Weight (lb)
010	35999-13020	ASSY FRONT WHEEL	1				0	0
020	35999-15190	ASSY FRONT WHEEL R/L	2				0	0
030	35999-13322	TIRE	2				0	0
040	35999-13630	WHEEL	2				0	0
050	35999-14740	LABEL TIRE	2				0	0
060	35450-49160	STUD	12				0.05	0.11
070	35340-11390	NUT	12				0.03	0.066

FRONT WHEEL (29*12.50-15) [CS]



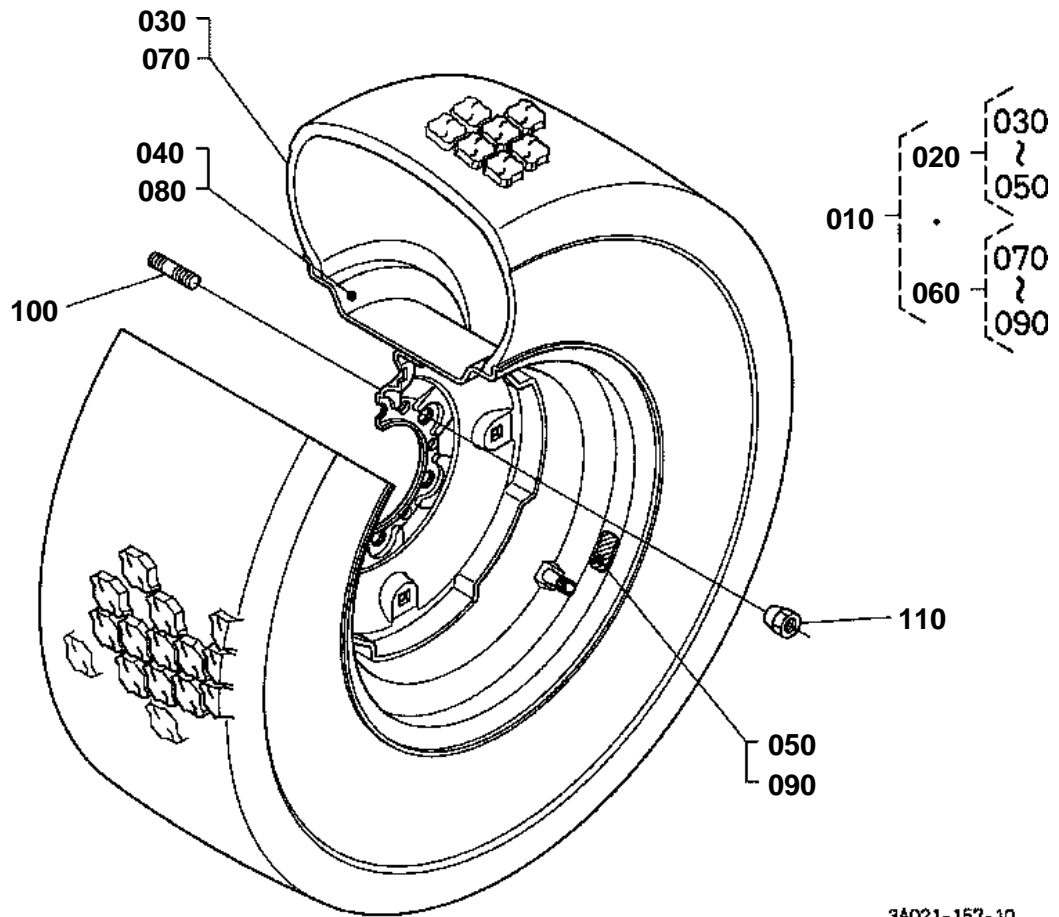


FRONT WHEEL (29*12.50-15) [CS]

↔ Interchangeable; ≠ not interchangeable; ← new for old; → old for new

REF.No	Part No.	Description	Q'ty	S.No.	I/C	REMARKS	Weight (kgf)	Weight (lb)
010	35080-11500	ASSY TIRE	1				0	0
020	35080-11510	TIRE ASSY	2				0	0
030	35080-11530	TIRE	2				0	0
040	35080-11540	WHEEL	2				0	0
050	35080-11550	LABEL TIRE	2				0	0
060	35450-49160	STUD	12				0.05	0.11
070	35340-11390	NUT	12				0.03	0.066

FRONT WHEEL (12LL*16)



3A021-157-10

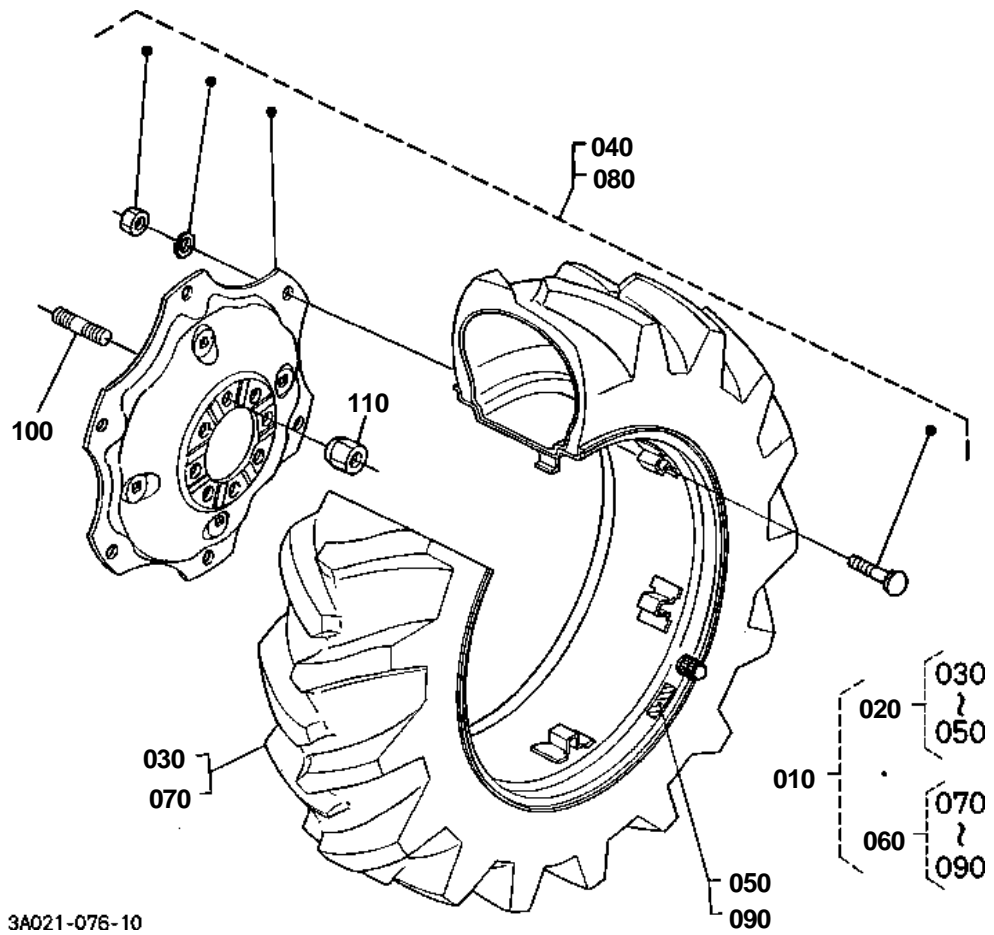


FRONT WHEEL (12LL*16)

↔ Interchangeable; ≠ not interchangeable; ← new for old; → old for new

REF.No	Part No.	Description	Q'ty	S.No.	I/C	REMARKS	Weight (kgf)	Weight (lb)
010	3A999-12810	ASSY FRONT WHEEL	1				0	0
020	3A999-12820	ASSY FRONT WHEEL R	1				0	0
030	3A999-12840	ASSY TIRE	1				0	0
040	3A999-12850	WHEEL	1				0	0
050	3A999-12860	LABEL	1				0	0
060	3A999-12830	ASSY FRONT WHEEL L	1				0	0
070	3A999-12840	ASSY TIRE	1				0	0
080	3A999-12850	WHEEL	1				0	0
090	3A999-12870	LABEL	1				0	0
100	35450-49160	STUD	12				0.05	0.11
110	35340-11390	NUT	12				0.03	0.066

REAR WHEEL (14.9-28)



3A021-076-10



REAR WHEEL (14.9-28)

↔ Interchangeable; ≠ not interchangeable; ← new for old; → old for new

REF.No	Part No.	Description	Q'ty	S.No.	I/C	REMARKS	Weight (kgf)	Weight (lb)
010	35999-12830	ASSY REAR WHEEL	1				0	0
020	35999-13810	ASSY REAR WHEEL RH	1				0	0
030	35999-13160	ASSY TIRE	1				0	0
040	35999-13460	ASSY WHEEL	1				0	0
050	35999-14390	LABEL TIRE RH	1				0	0
060	35999-13820	ASSY REAR WHEEL LH	1				0	0
070	35999-13160	ASSY TIRE	1				0	0
080	35999-13460	ASSY WHEEL	1				0	0
090	35999-14400	LABEL TIRE LH	1				0	0
100	35707-49153	STUD	16				0.1	0.22
110	33251-49170	NUT	16			[A]	0.045	0.099

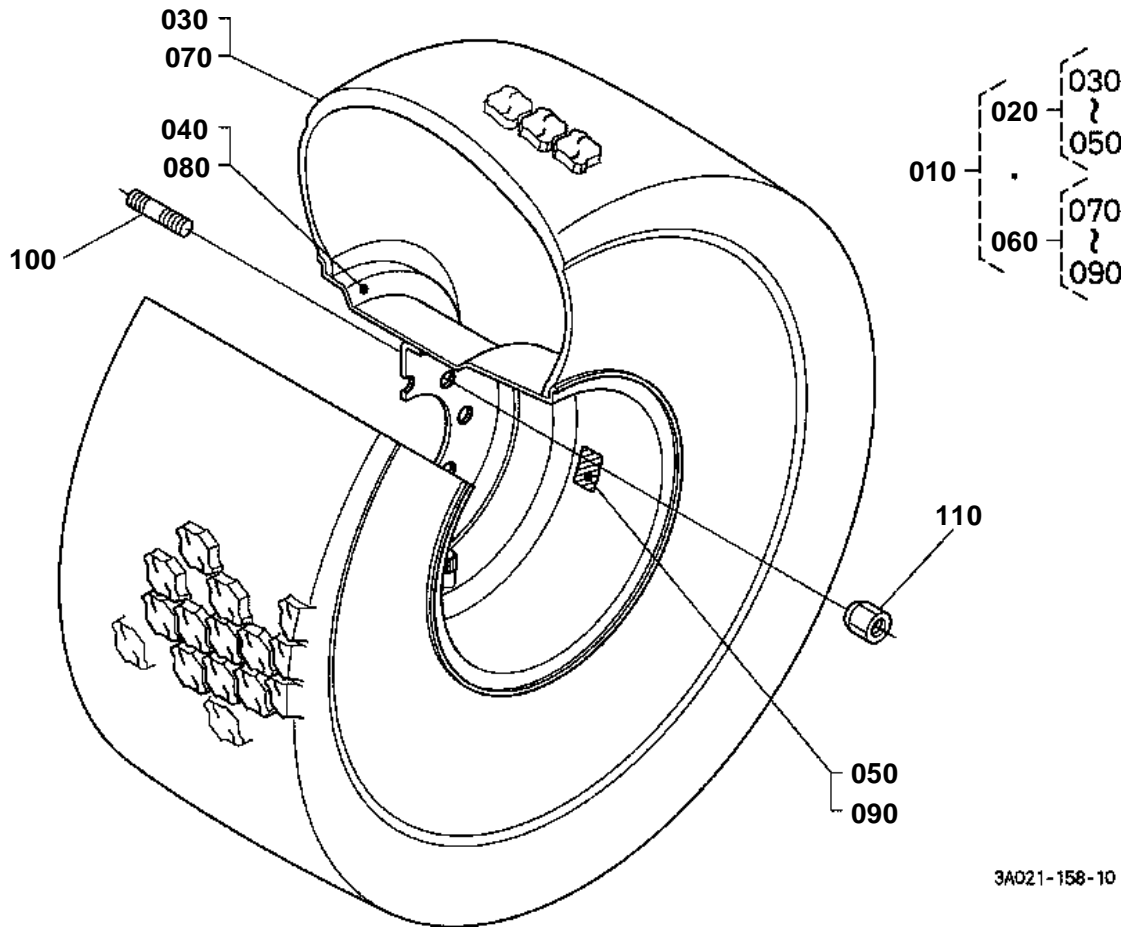


REAR WHEEL (21.5L-16.1) [CS]

↔ Interchangeable; ≠ not interchangeable; ← new for old; → old for new

REF.No	Part No.	Description	Q'ty	S.No.	I/C	REMARKS	Weight (kgf)	Weight (lb)
010	32550-42500	ASSY REAR WHEEL	1				0	0
020	32550-42540	ASSY TIRE	2				0	0
030	32550-42510	ASSY TIRE	2				0	0
040	32550-42520	WHEEL	2				0	0
050	32550-42530	LABEL TIRE	2				0	0
060	35707-49153	STUD	16				0.1	0.22
070	33251-49170	NUT	16			[A]	0.045	0.099
070	35707-49170	NUT	16			[CA]	0.136	0.2992

REAR WHEEL (22.5L*16.1)



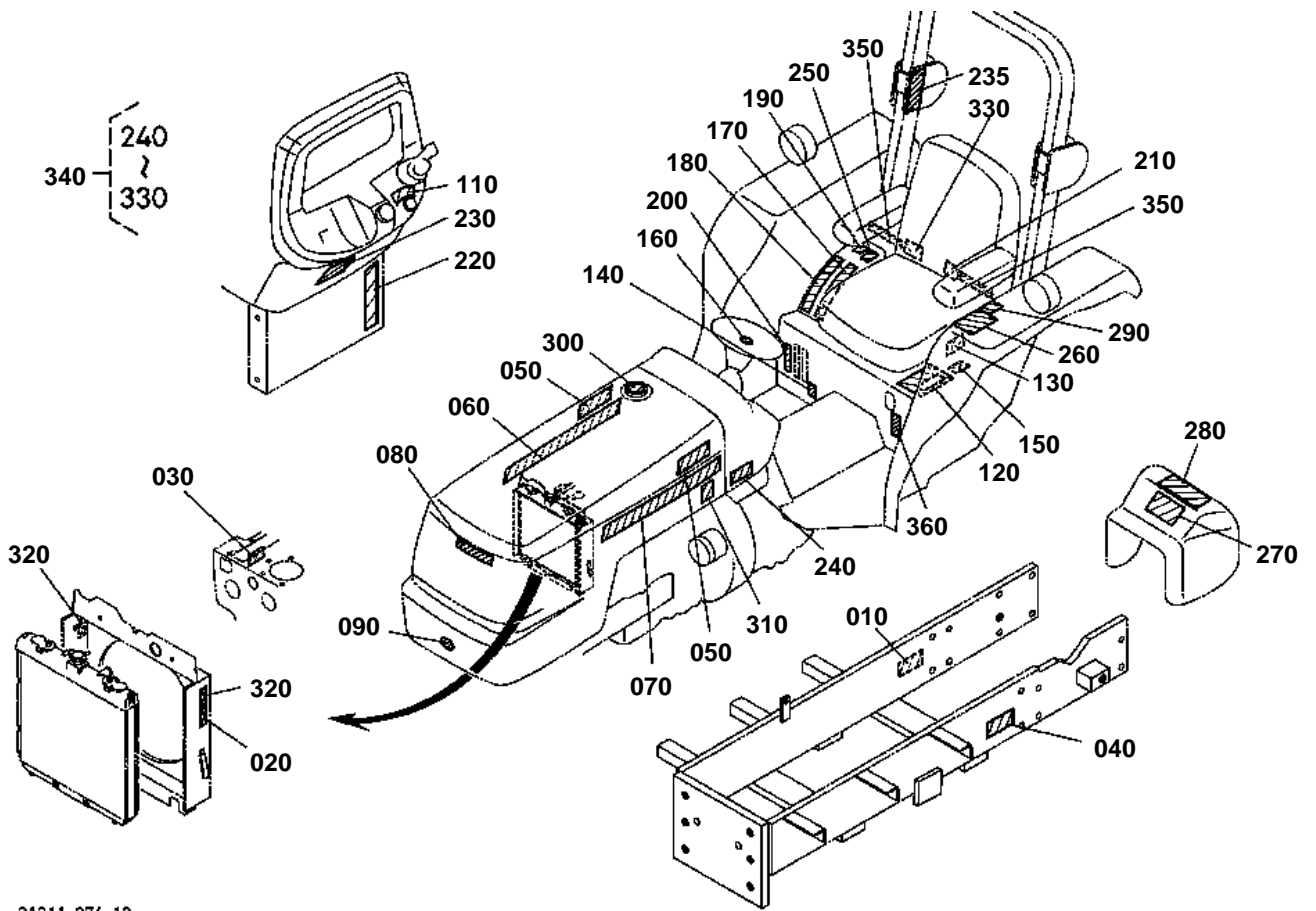
3A021-158-10



REAR WHEEL (22.5L*16.1)

↔ Interchangeable; ≠ not interchangeable; ← new for old; → old for new

REF.No	Part No.	Description	Q'ty	S.No.	I/C	REMARKS	Weight (kgf)	Weight (lb)
010	3A999-12880	ASSY REAR WHEEL	1				0	0
020	3A999-12890	ASSY REAR WHEEL R	1				0	0
030	3A999-12910	ASSY TIRE	1				0	0
040	3A999-12920	WHEEL	1				0	0
050	3A999-12930	LABEL	1				0	0
060	3A999-12900	ASSY REAR WHEEL L	1				0	0
070	3A999-12910	ASSY TIRE	1				0	0
080	3A999-12920	WHEEL	1				0	0
090	3A999-12940	LABEL	1				0	0
100	35707-49153	STUD	16				0.1	0.22
110	33251-49170	NUT	16			[A]	0.045	0.099



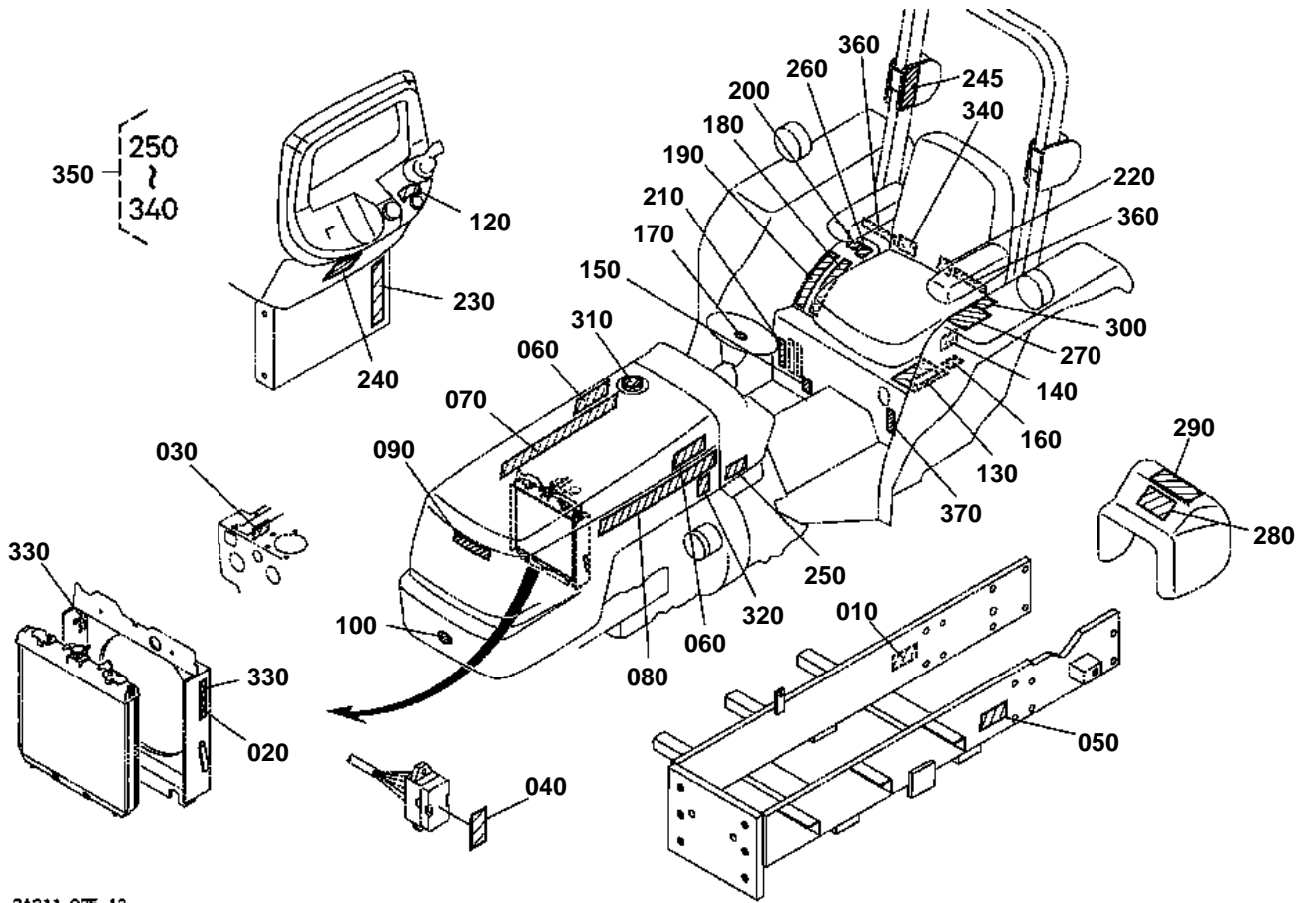
3A211-074-13



LABEL [A]

↔ Interchangeable; ≠ not interchangeable; ← new for old; → old for new

REF.No	Part No.	Description	Q'ty	S.No.	I/C	REMARKS	Weight (kgf)	Weight (lb)
010	16478-88220	LABEL FILTER	1				0.002	0.0044
020	16478-88230	LABEL RADIATOR	1				0.001	0.0022
030	16478-88210	LABEL	1				0.001	0.0022
040	99999-99999	NAME PLATE	1				0	0
050	35080-65350	LABEL KUBOTA	2				0.001	0.0022
060	3A211-98200	MARK MODEL RH	1				0.015	0.033
070	3A211-98220	MARK MODEL LH	1				0.015	0.033
080	33740-83193	NAMER KUBOTA	1				0.007	0.0154
090	3F240-83200	MARK SYMBOL	1				0.015	0.033
100	99999-99999	BLANK	0				0	0
110	3A111-98180	LABEL MAIN SWITCH	1				0.001	0.0022
120	3A152-98960	MARK H-L	1			W/O CREEP	0.034	0.0748
120	3A131-98960	MARK RANGE SHIFT	1			WITH CREEP	0.025	0.055
130	3A211-98450	LABEL SPEED	1			W/O CREEP	0.003	0.0066
130	3A212-98450	LABEL SPEED	1			WITH CREEP	0.002	0.0044
140	TA040-49760	MARK DIFF.LOCK	1				0.001	0.0022
160	36919-62802	MARK HANDLE	1				0.01	0.022
170	3A011-98370	LABEL DRAFT	1				0.002	0.0044
180	3A011-98230	LABEL POSITION	1				0.002	0.0044
190	33740-98290	LABEL PTO CLUTCH	1				0.001	0.0022
200	3A111-98392	LABEL AUX.CON.VALVE	1				0.001	0.0022
210	3A111-98572	LABEL AUX.CONT.VALVE	1				0.001	0.0022
220	TA040-49460	LABEL PARKING	1				0.001	0.0022
230	35080-65280	LABEL KEY STOP	1				0.001	0.0022
235	3A111-95540	LABEL ROPS CAUTION	1				0.003	0.0066
240	TA040-49650	LABEL START CAUTION	1				0.004	0.0088
250	TA040-49302	LABEL I-PTO CAUTION	1				0.001	0.0022
260	35260-34913	LABEL SAFETY	1	<=12863		NOT SALE	0	0
260	35260-34914	LABEL SAFETY	1	>=12864	→		0.005	0.011
270	TA040-49350	LABEL DRAWBAR	1				0.002	0.0044
280	TA040-49590	LABEL PTO WARNING	1				0.002	0.0044
290	3A111-98482	LABEL ROPS WARNING	1				0.004	0.0088
300	6C040-47412	LABEL FILLER CAUTION	1				0.001	0.0022
310	32310-49580	LABEL WARNING	1				0.002	0.0044
320	32751-49580	LABEL FAN BELT	2				0.001	0.0022
330	3A111-98563	LABEL LIFT ROD	1				0.002	0.0044
340	3A211-97300	KIT LABEL SAFETY (A)	1	<=12863		NOT SALE	0	0
340	3A211-97302	KIT LABEL SAFETY (A)	1	>=12864	→		0.031	0.0682
350	3A211-75800	REFLECTOR LABEL	2	>=12439			0.004	0.0088
360	3A152-98440	LABEL CLUTCH PEDAL	1	>=13262			0.003	0.0066



3A211-075-13



LABEL [CA]

↔ Interchangeable; ≠ not interchangeable; ← new for old; → old for new

REF.No	Part No.	Description	Q'ty	S.No.	I/C	REMARKS	Weight (kgf)	Weight (lb)
010	16478-88220	LABEL FILTER	1			ENGLISH	0.002	0.0044
010	15372-87213	LABEL OIL FILTER	1			ENGLISH/FRENCH	0.003	0.0066
020	16478-88230	LABEL RADIATOR	1			ENGLISH	0.001	0.0022
020	15227-87612	LABEL RADIATOR	1			FRENCH	0.002	0.0044
030	16478-88210	LABEL	1			ENGLISH	0.001	0.0022
030	3A112-98560	LABEL LIFT ROD	1			FRENCH	0.002	0.0044
040	3A212-98280	LABEL FUSE	1				0.001	0.0022
040	3A252-98280	LABEL FUSE	1			OUT OF USE	0.001	0.0022
040	3A112-98280	LABEL FUSE	1			OUT OF USE	0.001	0.0022
050	99999-99999	NAME PLATE	1				0	0
060	35080-65350	LABEL KUBOTA	2				0.001	0.0022
070	3A211-98200	MARK MODEL RH	1				0.015	0.033
080	3A211-98220	MARK MODEL LH	1				0.015	0.033
090	33740-83193	NAMER KUBOTA	1				0.007	0.0154
100	3F240-83200	MARK SYMBOL	1				0.015	0.033
110	99999-99999	BLANK	0				0	0
120	3A111-98180	LABEL MAIN SWITCH	1				0.001	0.0022
130	3A131-98960	MARK RANGE SHIFT	1			WITH CREEP	0.025	0.055
140	3A212-98450	LABEL SPEED	1			WITH CREEP	0.002	0.0044
150	TA040-49760	MARK DIFF.LOCK	1				0.001	0.0022
170	36919-62802	MARK HANDLE	1				0.01	0.022
180	3A011-98370	LABEL DRAFT	1			ENGLISH	0.002	0.0044
180	3A012-98370	LABEL DRAFT	1			FRENCH	0.002	0.0044
190	3A011-98230	LABEL POSITION	1			ENGLISH	0.002	0.0044
190	3A012-98230	LABEL POSITION	1			FRENCH	0.002	0.0044
200	33740-98290	LABEL PTO CLUTCH	1				0.001	0.0022
210	3A111-98392	LABEL AUX.CON.VALVE	1				0.001	0.0022
220	3A111-98572	LABEL AUX.CONT.VALVE	1				0.001	0.0022
230	TA040-49460	LABEL PARKING	1				0.001	0.0022
240	35080-65280	LABEL KEY STOP	1				0.001	0.0022
245	3A111-95540	LABEL ROPS CAUTION	1			ENGLISH	0.003	0.0066
245	3A112-95540	LABEL ROPS CAUTION	1			FRENCH	0.003	0.0066
250	TA040-49650	LABEL START CAUTION	1			ENGLISH	0.004	0.0088
250	TA041-49650	LABEL START CAUTION	1			FRENCH	0.004	0.0088
260	TA040-49302	LABEL I-PTO CAUTION	1			ENGLISH	0.001	0.0022
260	TA041-49300	LABEL I-PTO CAUTION	1			FRENCH	0.003	0.0066
270	35260-34913	LABEL SAFETY	1	<=12863		ENGLISH NOT SALE	0	0
270	35260-34914	LABEL SAFETY	1	>=12864	-	ENGLISH	0.005	0.011
270	TA041-65700	LABEL SAFETY	1	<=12863		FRENCH	0	0
270	TA041-65702	LABEL SAFETY	1	>=12864	-	FRENCH	0.01	0.022
280	TA040-49350	LABEL DRAWBAR	1			ENGLISH	0.002	0.0044
280	TA041-49350	LABEL DRAWBAR	1			FRENCH	0.003	0.0066
290	TA040-49590	LABEL PTO WARNING	1			ENGLISH	0.002	0.0044
290	TA041-49590	LABEL PTO WARNING	1			FRENCH	0.001	0.0022
300	3A111-98482	LABEL ROPS WARNING	1			ENGLISH	0.004	0.0088
300	3A112-98480	LABEL ROPS WARNING	1			FRENCH	0.004	0.0088
310	6C040-47412	LABEL FILLER CAUTION	1				0.001	0.0022
320	32310-49580	LABEL WARNING	1				0.002	0.0044
330	32751-49580	LABEL FAN BELT	2				0.001	0.0022
340	3A111-98563	LABEL LIFT ROD	1			ENGLISH	0.002	0.0044
340	3A112-98560	LABEL LIFT ROD	1			FRENCH	0.002	0.0044

**LABEL [CA]**

↔ Interchangeable; ≠ not interchangeable; ← new for old; → old for new

REF.No	Part No.	Description	Q'ty	S.No.	I/C	REMARKS	Weight (kgf)	Weight (lb)
350	3A211-97300	KIT LABEL SAFETY (A)	1	<=12863		ENGLISH NOT SALE	0	0
350	3A211-97302	KIT LABEL SAFETY (A)	1	>=12864	-	ENGLISH	0.031	0.0682
350	3A211-97500	KIT LABEL SAFETY (B)	1	<=12863		FRENCH	0.03	0.066
350	3A211-97502	KIT LABEL SAFETY (B)	1	>=12864	-	FRENCH	0.03	0.066
360	3A211-75800	REFLECTOR LABEL	2	>=12439			0.004	0.0088
370	3A152-98440	LABEL CLUTCH PEDAL	1	>=13262			0.003	0.0066

**ACCESSORIES AND SERVICE PARTS
ACCESSOIRES ET PIECES DE SERVICE
SONTIGES ZUBEHOER UND SERVICE-TEILE**

TITLE-001-10

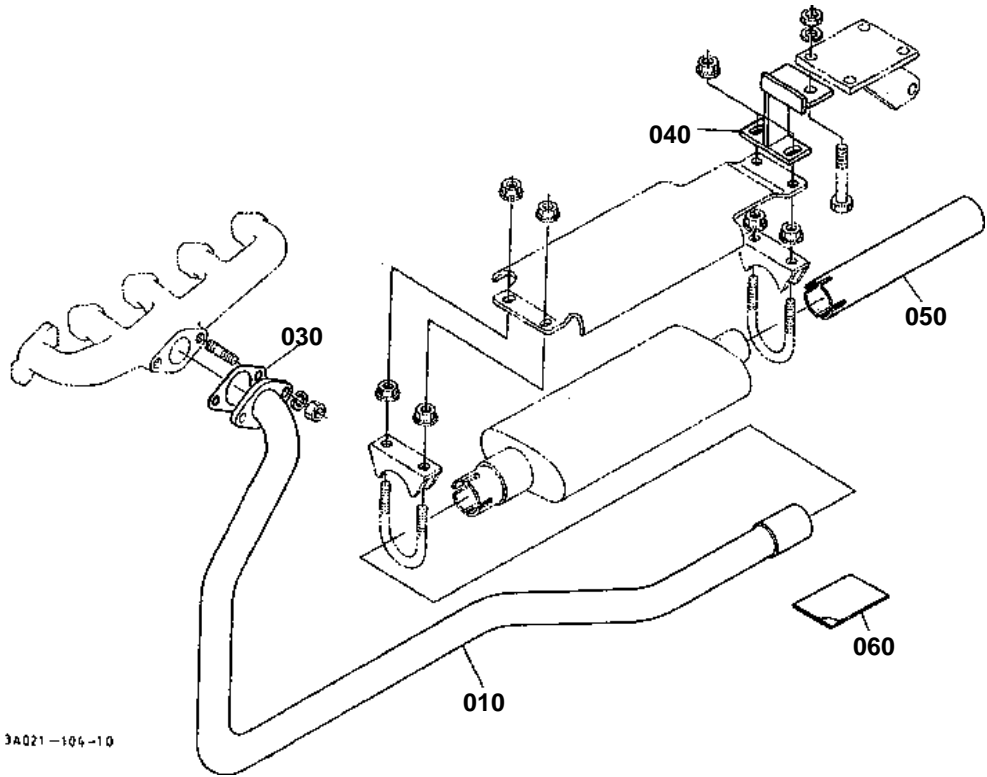


ACCESSORIES AND SERVICE PARTS

↔ Interchangeable; ≠ not interchangeable; ← new for old; → old for new

REF.No	Part No.	Description	Q'ty	S.No.	I/C	REMARKS	Weight (kgf)	Weight (lb)
010	3A211-99710	OPERATOR'S MANUAL	1	<=13409		ENGLISH	0.21	0.462
010	3A211-99712	OPERATOR'S MANUAL	1	>=13410	-	ENGLISH	0.21	0.462
010	3A212-99710	OPERATOR'S MANUAL	1			FRENCH	0.215	0.473
020	35450-49160	STUD	12			FOR FRONT WHEEL	0.05	0.11
030	35340-11390	NUT	12			FOR FRONT WHEEL	0.03	0.066
070	35707-49153	STUD	16			FOR REAR WHEEL	0.1	0.22
080	33251-49170	NUT	16			[A] FOR REAR WHEEL	0.045	0.099
080	35707-49170	NUT	16			[CA] FOR REAR WHEEL	0.136	0.2992
090	35080-34530	FUSE	1			50A	0.015	0.033
100	18510-63720	ASSY KEY STARTER	1				0.025	0.055

UNDER MUFFLER KIT [OPTION]



3A021-104-10

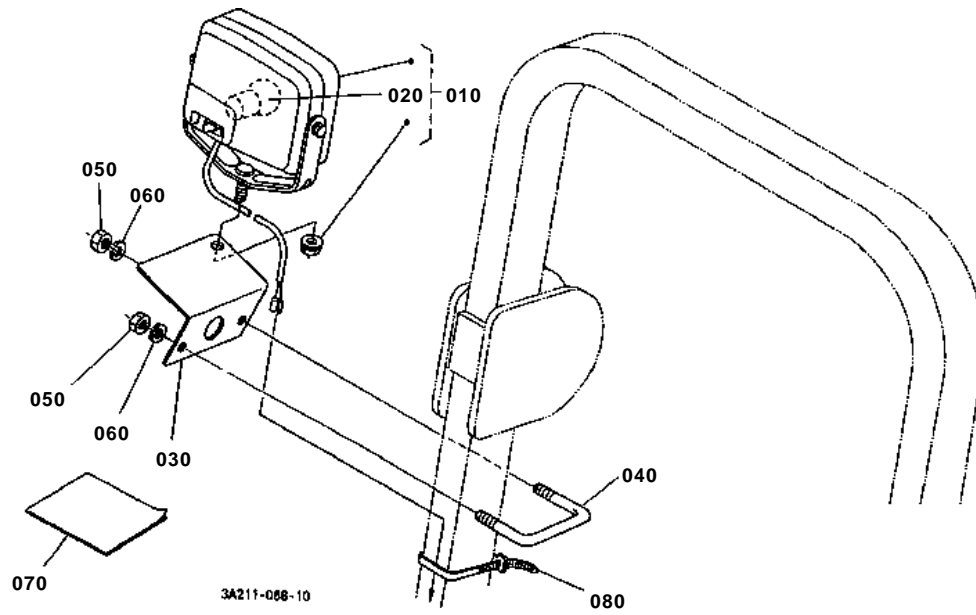


UNDER MUFFLER KIT [OPTION]

↔ Interchangeable; ≠ not interchangeable; ← new for old; → old for new

REF.No	Part No.	Description	Q'ty	S.No.	I/C	REMARKS	Weight (kgf)	Weight (lb)
010	3A011-12310	PIPE UNDER MUFFLER	1				0	0
020	99999-99999	BLANK	0				0	0
030	15625-12360	GASKET MUFFLER FLANG	1				0.01	0.022
040	3A011-12320	STAY UNDER MUFFLER	1				0.39	0.858
050	3A011-12330	PIPE UNDER MUFFLER	1				0	0
060	3A011-12340	MANUAL ASSEMBLY	1				0	0

WORKING LIGHT KIT [OPTION]



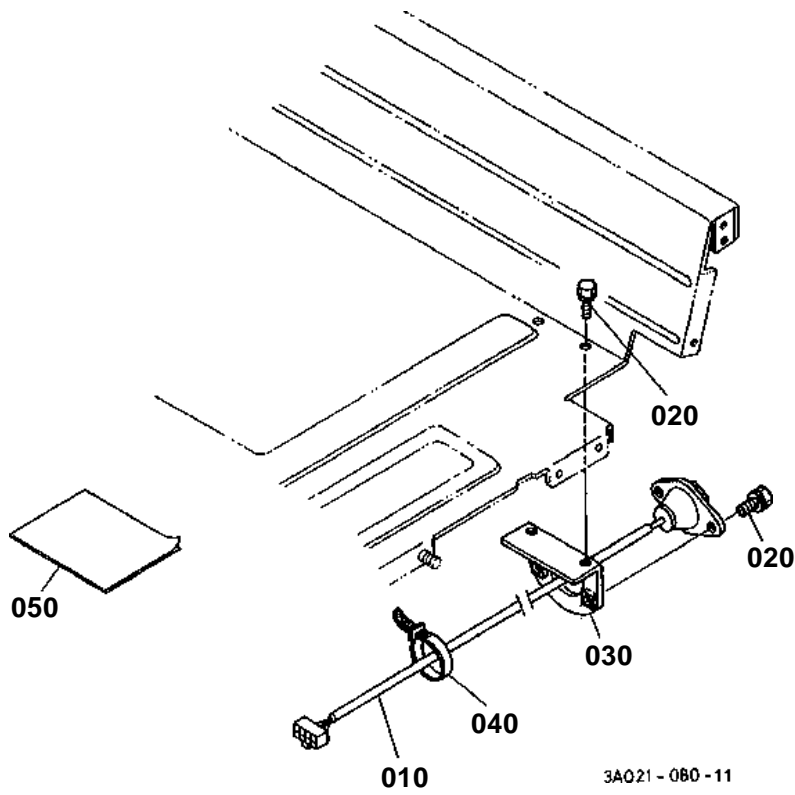


WORKING LIGHT KIT [OPTION]

↔ Interchangeable; ≠ not interchangeable; ← new for old; → old for new

REF.No	Part No.	Description	Q'ty	S.No.	I/C	REMARKS	Weight (kgf)	Weight (lb)
010	3A011-75903	ASSY LIGHT WORKING	1				0.64	1.408
020	3A011-75930	BULB	1			35W	0.008	0.0176
030	3A012-75910	STAY WORKING LIGHT	1				0.64	1.408
040	3A011-75920	U-BOLT	1	<=12580			0.117	0.2574
040	3A011-75922	U-BOLT	1	>=12581	→		0.117	0.2574
050	02176-50100	NUT	2				0.005	0.011
060	04512-60100	WASHER SPRING	2				0.002	0.0044
070	3A012-99820	MANUAL INSTRUCTION	1				0.005	0.011
080	32751-96300	BAND WORK LIGHT	1				0.005	0.011

TRAILER HARNESS KIT [OPTION]



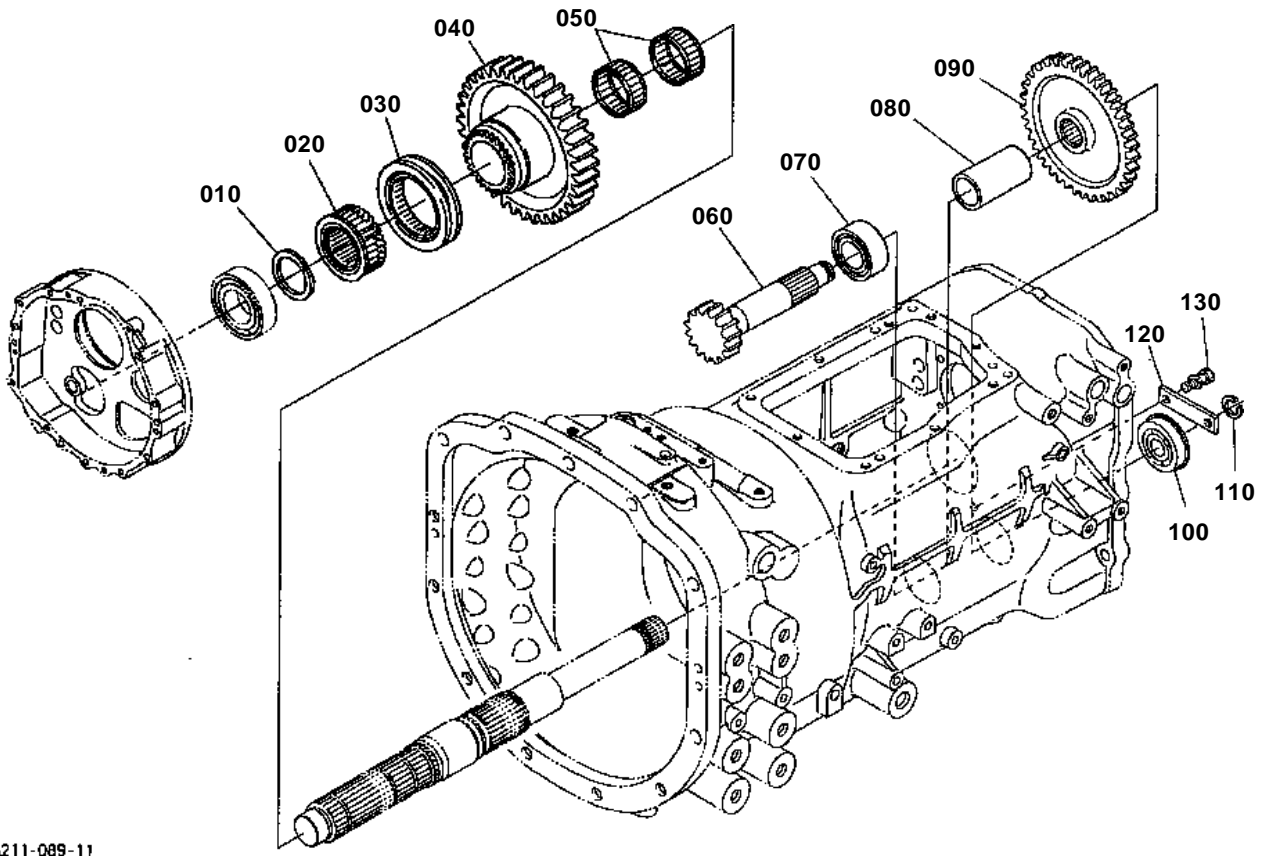


TRAILER HARNESS KIT [OPTION]

↔ Interchangeable; ≠ not interchangeable; ← new for old; → old for new

REF.No	Part No.	Description	Q'ty	S.No.	I/C	REMARKS	Weight (kgf)	Weight (lb)
010	99884-48110	HARNESS TRAILER	1				0.52	1.144
020	01123-50820	BOLT	4				0.011	0.0242
030	3A011-77770	STAY TRAILER SOCKET	1				0.205	0.451
040	55311-41260	BAND CORD	1				0.007	0.0154
050	3A011-99830	MANUAL INSTRUCTION	1				0.005	0.011

CREEP SPEED KIT 1 [OPTION]

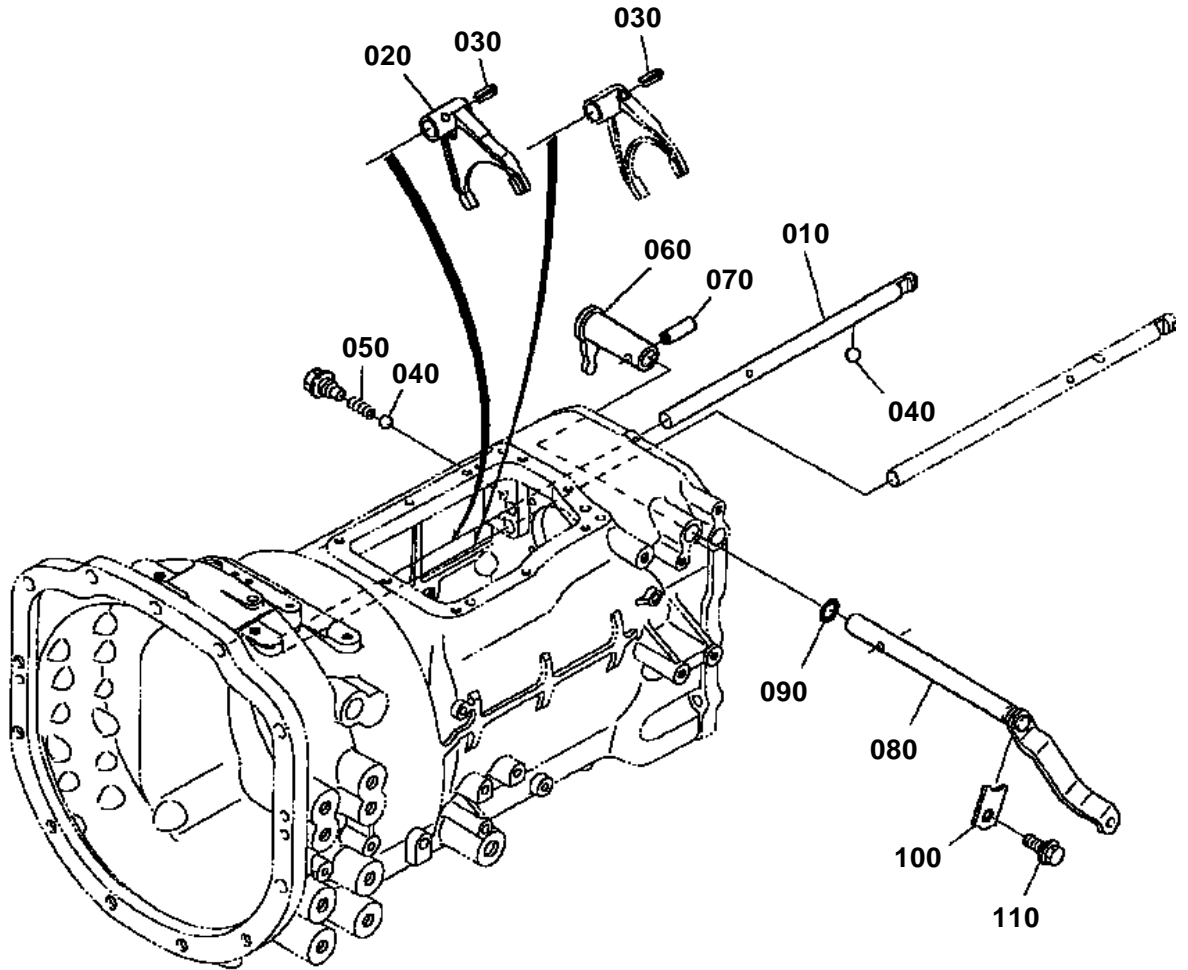


3A211-089-11

**CREEP SPEED KIT 1 [OPTION]**

↔ Interchangeable; ≠ not interchangeable; ← new for old; → old for new

REF.No	Part No.	Description	Q'ty	S.No.	I/C	REMARKS	Weight (kgf)	Weight (lb)
010	36730-28043	CIR-CLIP EXTERNAL	1				0.01	0.022
020	3A211-28480	BOSS SPLINE	1				0.21	0.462
030	3A011-28470	SHIFTER	1				0.275	0.605
040	3A111-31240	GEAR CREEP	1			47T	1.975	4.345
050	08824-34817	BEARING NEEDLE	2				0.03	0.066
060	3A011-31280	GEAR-SHAFT CREEP	1			15T	0.695	1.529
070	33740-31180	BEARING ROLLER	1				0.22	0.484
080	32430-21600	COLLAR(SC)	1				0.15	0.33
090	3A011-31250	GEAR CREEP	1			43T	1.11	2.442
100	08151-06304	BEARING BALL	1				0.148	0.3256
110	3A011-31290	CIR CLIP EXTERNAL	1				0.005	0.011
120	3A011-28690	RETAINER BEARING	1				0.06	0.132
130	01123-50825	BOLT	2	<=11745			0.013	0.0286
130	01128-50825	BOLT	2	>=11746	→		0.015	0.033



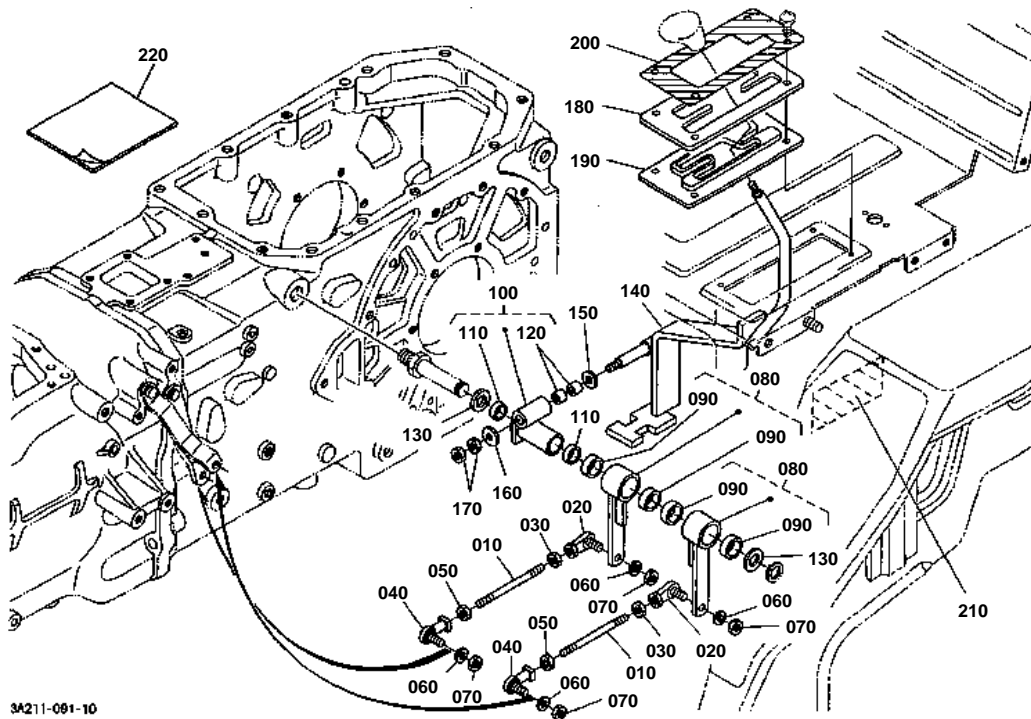
3A211-090-10

**CREEP SPEED KIT 2 [OPTION]**

↔ Interchangeable; ≠ not interchangeable; ← new for old; → old for new

REF.No	Part No.	Description	Q'ty	S.No.	I/C	REMARKS	Weight (kgf)	Weight (lb)
010	3A211-31320	ROD FORK	1				0.69	1.518
020	3A011-31310	FORK SHIFT	1				0.39	0.858
030	05411-00628	PIN SPRING	2				0.004	0.0088
040	07715-03211	BALL	2				0.003	0.0066
050	62231-18530	SPRING	1				0.01	0.022
060	3A011-31420	LEVER SHIFT	1				0.33	0.726
070	05411-00836	PIN SPRING	2				0.008	0.0176
080	3A111-31430	LEVER SHIFT	1				0.74	1.628
090	04816-00160	O RING	1				0.003	0.0066
090	04816-00160	O RING	1			-	0.003	0.0066
100	34150-24350	STOPPER LEVER	1				0.01	0.022
110	01123-60816	BOLT	1				0.01	0.022

CREEP SPEED KIT 3 [OPTION]

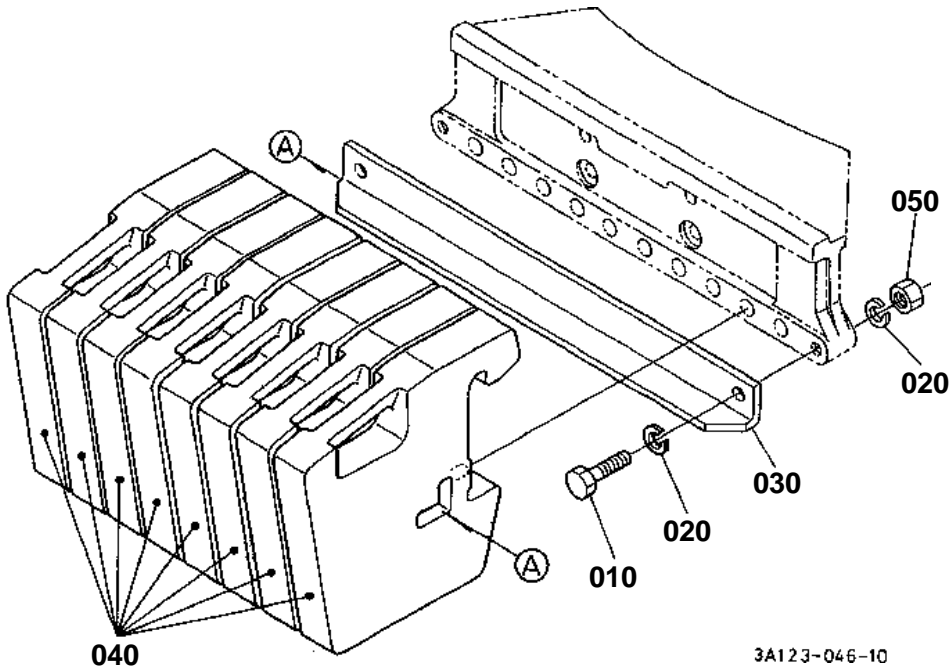


**CREEP SPEED KIT 3 [OPTION]**

↔ Interchangeable; ≠ not interchangeable; ← new for old; → old for new

REF.No	Part No.	Description	Q'ty	S.No.	I/C	REMARKS	Weight (kgf)	Weight (lb)
010	3A011-31450	ROD RANGE SHIFT	2				0.03	0.066
020	54721-31850	BALL LINK	2				0.065	0.143
030	31351-24260	NUT	2				0.005	0.011
040	45404-95770	END ROD	2				0.05	0.11
050	02112-50080	NUT	2				0.003	0.0066
060	04512-60080	WASHER SPRING	4				0.002	0.0044
070	02114-50080	NUT	4				0.005	0.011
080	3A212-29910	LEVER RANGE SHIFT	2				0.31	0.682
090	08511-02812	BUSH	4				0.02	0.044
100	3A152-29700	ASSY SUPPORT LEVER	1				0.305	0.671
110	08511-01910	BUSH	2				0.008	0.0176
120	08511-01412	BUSH	2				0.004	0.0088
130	04013-50180	WASHER PLAIN	2				0.015	0.033
140	3A212-29960	LEVER RANGE SHIFT	1				1.89	4.158
150	04011-50140	WASHER PLAIN	1				0.007	0.0154
160	04015-50100	WASHER PLAIN	1				0.016	0.0352
170	02118-50100	NUT	2				0.005	0.011
180	3A011-29730	GUIDE LEVER	1				0.47	1.034
190	3A152-29740	CUSHION	1				0.065	0.143
200	3A131-98960	MARK RANGE SHIFT	1				0.025	0.055
210	3A212-98450	LABEL SPEED	1				0.002	0.0044
220	99999-99999	MANUAL INSTRUCTION	1				0	0

FRONT WEIGHT BUMPER KIT [OPTION]



3A123-046-10

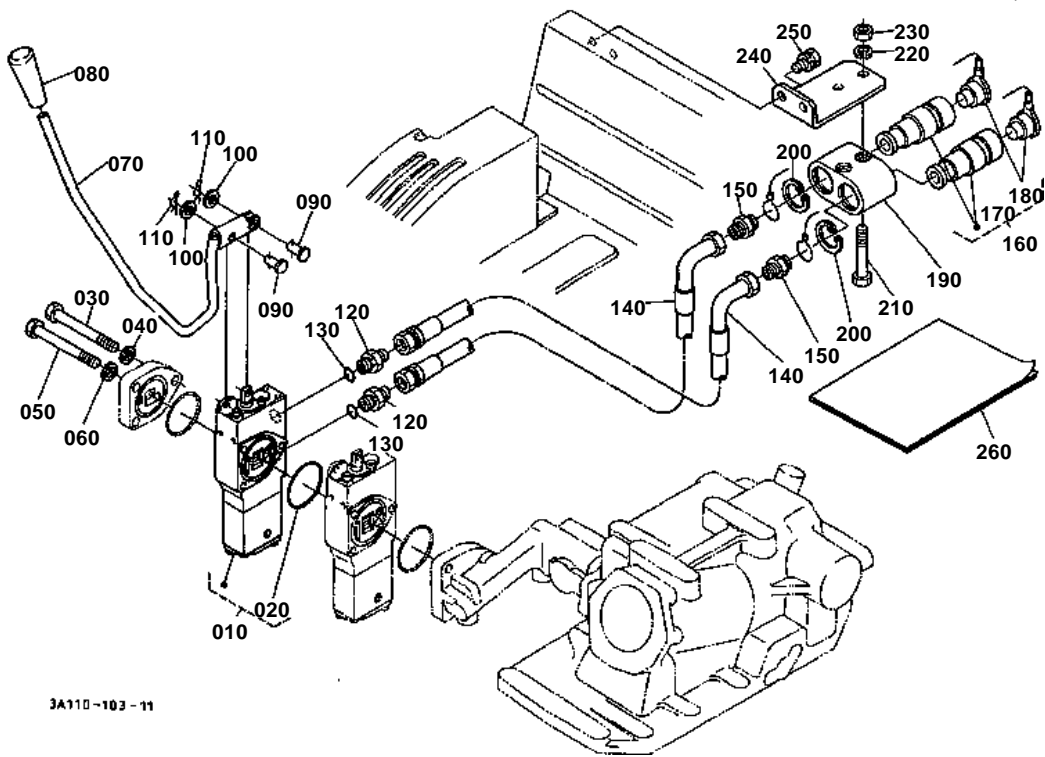


FRONT WEIGHT BUMPER KIT [OPTION]

↔ Interchangeable; ≠ not interchangeable; ← new for old; → old for new

REF.No	Part No.	Description	Q'ty	S.No.	I/C	REMARKS	Weight (kgf)	Weight (lb)
010	01173-51802	BOLT	2				0.24	0.528
020	04512-60180	WASHER SPRING	4				0.02	0.044
030	3A113-12070	RETAINER WEIGHT	1				4.2	9.24
040	3A013-12080	WEIGHT FRONT	8				47	103.4
050	02174-50180	NUT	2				0.029	0.0638

AUXILIARY CONTROL VALVE KIT (SCD) [OPTION]



3A110-103-11

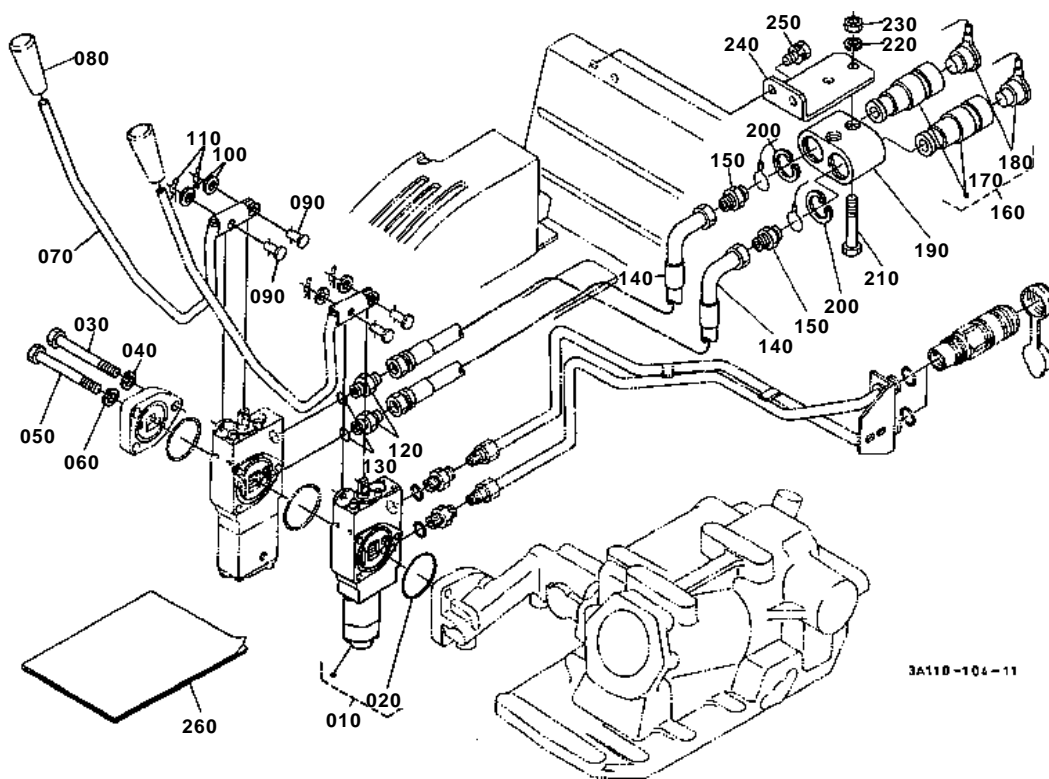


AUXILIARY CONTROL VALVE KIT (SCD) [OPTION]

↔ Interchangeable; ≠ not interchangeable; ← new for old; → old for new

REF.No	Part No.	Description	Q'ty	S.No.	I/C	REMARKS	Weight (kgf)	Weight (lb)
010	3A111-82540	VALVE AUX.CONTROL	1				3.6	7.92
020	04815-07560	O RING	1				0.002	0.0044
030	01173-51002	BOLT	1				0.065	0.143
040	04512-60100	WASHER SPRING	1				0.002	0.0044
050	01153-50802	BOLT	2				0.04	0.088
060	04512-60080	WASHER SPRING	2				0.002	0.0044
070	3A011-82462	LEVER AUX.CON.VALVE	1				0.765	1.683
080	36330-82450	GRIP	1				0.025	0.055
090	05122-50518	PIN JOINT	2				0.002	0.0044
100	04012-50050	WASHER PLAIN	2				0.001	0.0022
110	05525-60500	PIN SNAP	2				0.001	0.0022
120	35861-82370	NIPPLE	2				0.05	0.11
130	04811-00140	O RING	2				0	0
130	04817-00140	O RING	2		-		0.001	0.0022
130	04816-00140	O RING	2		-		0.002	0.0044
140	3A011-82370	HOSE AUX.CONT.VALVE	2				0.3	0.66
150	99063-93410	ADAPTER	2				0.07	0.154
160	35861-82032	ASSY COUPLER FEMALE	2				0.32	0.704
170	35861-94510	O RING	2			NOT SHOWN IN FIG.	0.002	0.0044
180	35861-94520	PLUG COUPLER	2				0.005	0.011
190	35893-82610	SUPPORT COUPLER	1				0.73	1.606
200	04611-00380	CIR CLIP INTERNAL	2				0.004	0.0088
210	01153-50865	BOLT	2				0.025	0.055
220	04512-60080	WASHER SPRING	2				0.002	0.0044
230	02114-50080	NUT	2				0.005	0.011
240	3A011-82430	STAY COUPLER	1				0.43	0.946
250	01133-51020	BOLT	2				0.02	0.044
260	3A111-99850	MANUAL INSTRUCTION	1				0.01	0.022

AUXILIARY CONTROL VALVE KIT (FD) [OPTION]



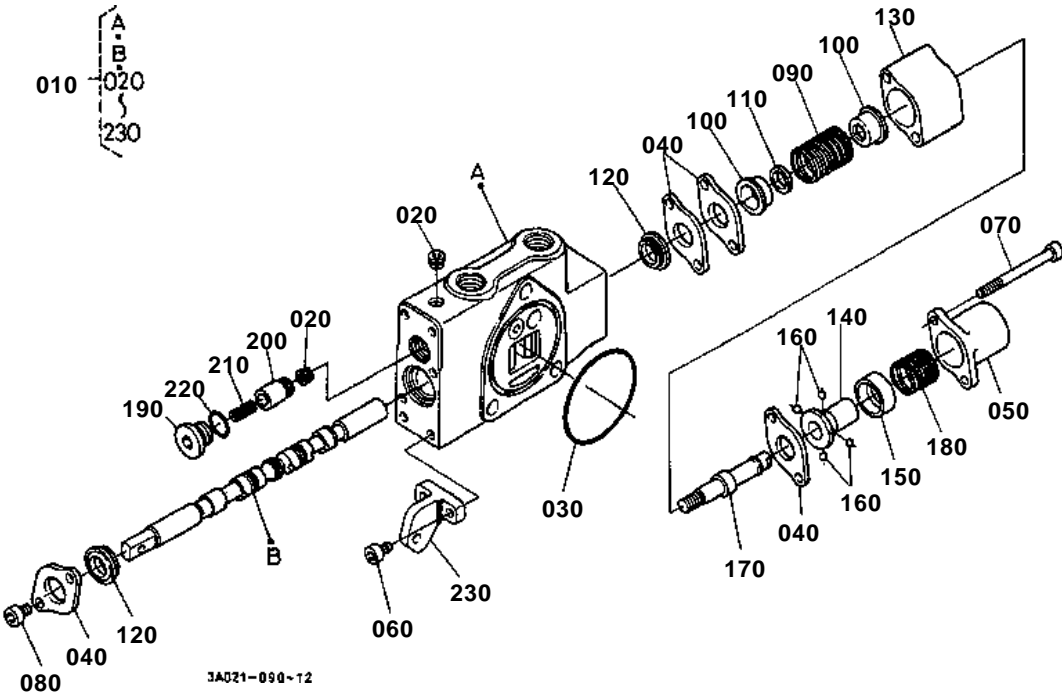


AUXILIARY CONTROL VALVE KIT (FD) [OPTION]

↔ Interchangeable; ≠ not interchangeable; ← new for old; → old for new

REF.No	Part No.	Description	Q'ty	S.No.	I/C	REMARKS	Weight (kgf)	Weight (lb)
010	3A031-82800	VALVE AUX.CONTROL	1				3	6.6
020	04815-07560	O RING	1				0.002	0.0044
030	01173-51002	BOLT	1				0.065	0.143
040	04512-60100	WASHER SPRING	1				0.002	0.0044
050	01153-50802	BOLT	2				0.04	0.088
060	04512-60080	WASHER SPRING	2				0.002	0.0044
070	3A011-82462	LEVER AUX.CON.VALVE	1				0.765	1.683
080	36330-82450	GRIP	1				0.025	0.055
090	05122-50518	PIN JOINT	2				0.002	0.0044
100	04012-50050	WASHER PLAIN	2				0.001	0.0022
110	05525-60500	PIN SNAP	2				0.001	0.0022
120	35861-82370	NIPPLE	2				0.05	0.11
130	04811-00140	O RING	2				0	0
130	04817-00140	O RING	2		-		0.001	0.0022
130	04816-00140	O RING	2		-		0.002	0.0044
140	3A011-82370	HOSE AUX.CONT.VALVE	2				0.3	0.66
150	99063-93410	ADAPTER	2				0.07	0.154
160	35861-82032	ASSY COUPLER FEMALE	2				0.32	0.704
170	35861-94510	O RING	2			NOT SHOWN IN FIG.	0.002	0.0044
180	35861-94520	PLUG COUPLER	2				0.005	0.011
190	35893-82610	SUPPORT COUPLER	1				0.73	1.606
200	04611-00380	CIR CLIP INTERNAL	2				0.004	0.0088
210	01153-50865	BOLT	2				0.025	0.055
220	02114-50080	NUT	2				0.005	0.011
230	04512-60080	WASHER SPRING	2				0.002	0.0044
240	3A011-82430	STAY COUPLER	1				0.43	0.946
250	01133-51020	BOLT	2				0.02	0.044
260	3A111-99860	MANUAL INSTRUCTION	1				0.01	0.022

AUXILIARY CONTROL VALVE [COMPONENT PARTS]

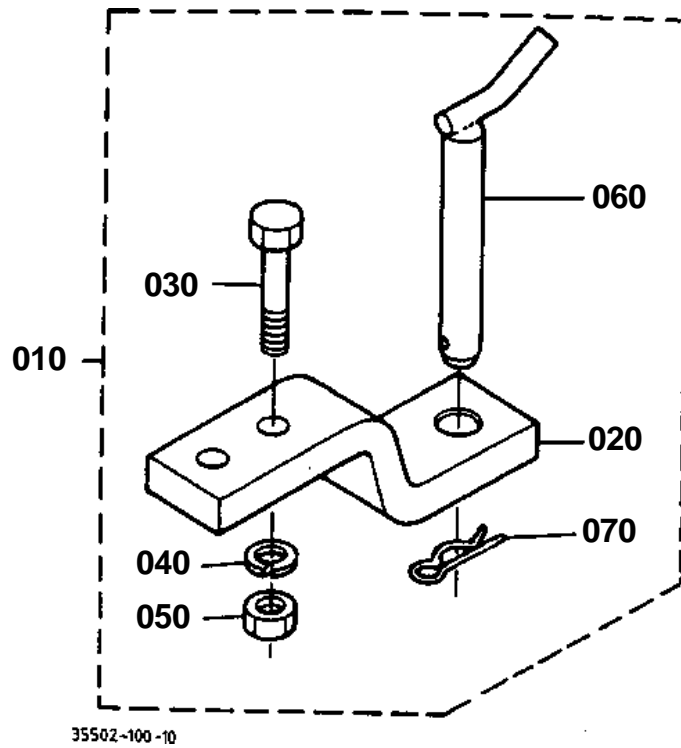




AUXILIARY CONTROL VALVE [COMPONENT PARTS]
[OPTION]

↔ Interchangeable; ≠ not interchangeable; ← new for old; → old for new

REF.No	Part No.	Description	Q'ty	S.No.	I/C	REMARKS	Weight (kgf)	Weight (lb)
010	3A031-82800	VALVE AUX.CONTROL	1				3	6.6
020	3F740-06020	PLUG	2				0.001	0.0022
030	04815-07560	O RING	1				0.002	0.0044
040	3F740-06040	COVER	4				0.014	0.0308
050	3F740-06050	COVER	1				0.077	0.1694
060	01311-10616	BOLT HEX-SOC-HD	2				0.005	0.011
070	01311-10660	BOLT HEX-SOC-HD	2				0.07	0.154
080	01311-10612	BOLT HEX-SOC-HD	2				0.01	0.022
090	3F740-06650	SPRING	1				0.018	0.0396
100	3F740-06070	SEAT SPRING	2				0.005	0.011
110	3F740-06660	SPACER	1				0.002	0.0044
120	3F740-06080	GASKET	2				0.003	0.0066
130	3F740-06670	COVER	1				0.12	0.264
140	3F740-06680	BUSH	1				0.019	0.0418
150	3F740-06690	RING	1				0.01	0.022
160	07715-03205	BALL	4				0.001	0.0022
170	3F740-06710	BOLT SPACER	1				0.04	0.088
180	3F740-06480	SPRING	1				0.01	0.022
190	3F740-06700	PLUG	1				0.02	0.044
200	3F740-06110	PLUNGER	1				0.011	0.0242
210	3F740-06120	SPRING	1				0.001	0.0022
220	04816-00120	O RING	1				0.001	0.0022
230	3A031-82410	ARM	1				0.05	0.11





DRAWBAR/HITCH [OPTION]

↔ Interchangeable; ≠ not interchangeable; ← new for old; → old for new

REF.No	Part No.	Description	Q'ty	S.No.	I/C	REMARKS	Weight (kgf)	Weight (lb)
010	35820-97570	ASSY HITCH DRAWBAR	1				4.9	10.78
020	36330-89130	HITCH DRAWBAR	1				3.58	7.876
030	01173-51880	BOLT	2				0.187	0.4114
040	04512-60180	WASHER SPRING	2				0.02	0.044
050	02174-50180	NUT	2				0.029	0.0638
060	36330-89210	PIN DRAWBAR	1				0.7	1.54
070	33251-89310	PIN SET	1				0.032	0.0704