

Instructions for Parts Books

The heading at the top of the page will be the same for the picture of the parts as it is for the page with the part numbers.

Definition of column headings on part number pages:

REF.No → The number referring to the part on the picture page of the parts book.

Part No. → The number assigned to this part at the time of printing the parts book.

Description → Description of part.

Q'ty → Quantity of part used on that page.

S.No. → Serial number range of the equipment that this part will fit.

>= Your serial number should be greater than or equal to the number shown.

<= Your serial number should be lesser than or equal to the serial number shown.

I/C → Interchangeability of part shown.

↔ The part shown will work for the older and later serial number.

The part shown is not interchangeable with the other serial number.

← new for old

→ old for new

Remarks → Notes about this particular part. Sometimes this may say except [FR] or [CA]

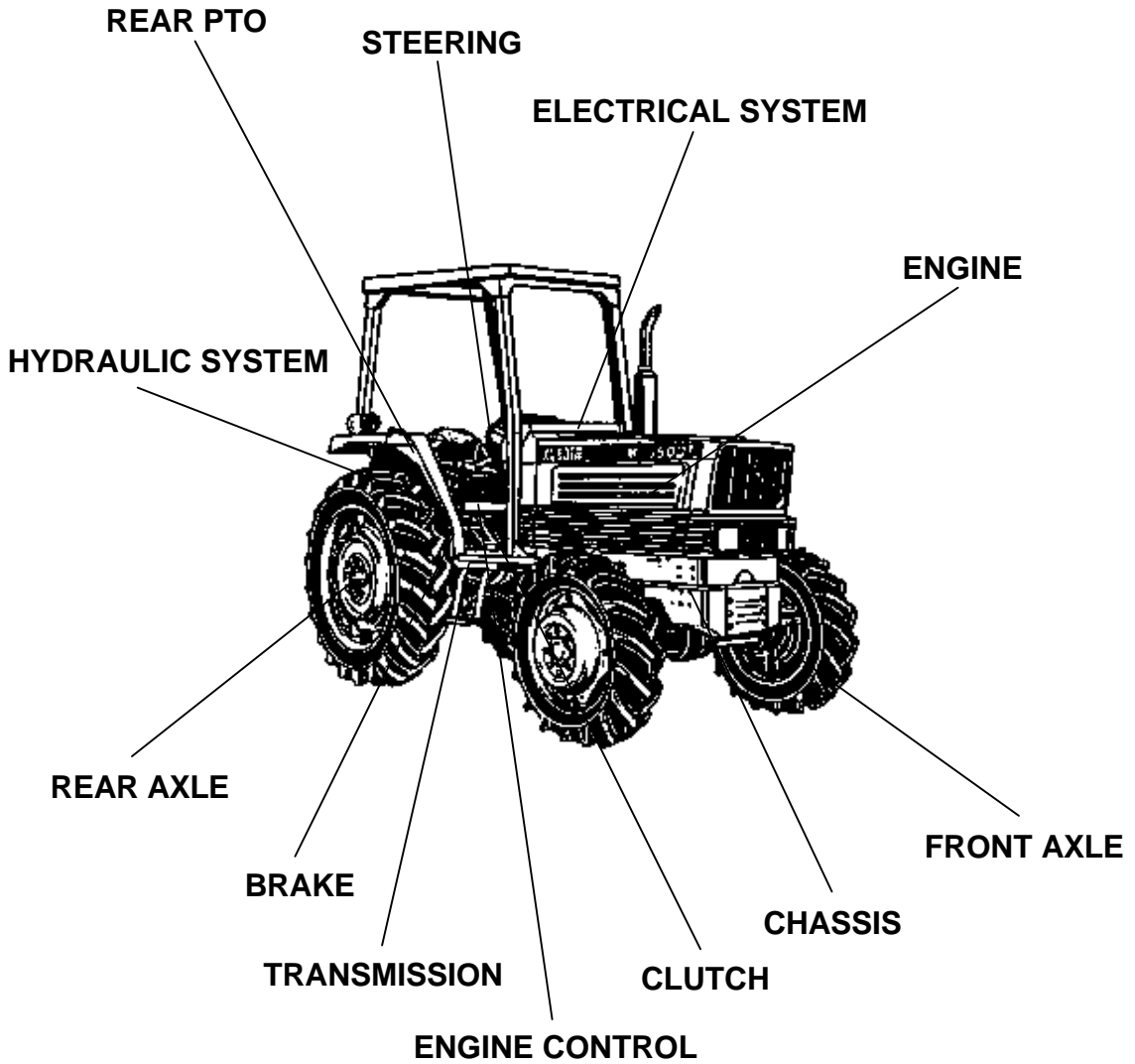
Note about Country Codes:

The parts books we use in the United States of America may also contain information about a part that would be different in another country. It is important that you are aware of the country codes in some instances.

Symbol	Country
A	United States of America
CA	Canada
FR	France
GR	Greece
PO	Portugal
AU	Australia

If the remarks column says for example EXCEPT [FR] this part works in all countries except France. That means it will work here in the USA.

ALL PRODUCT INDEX
M4950DT



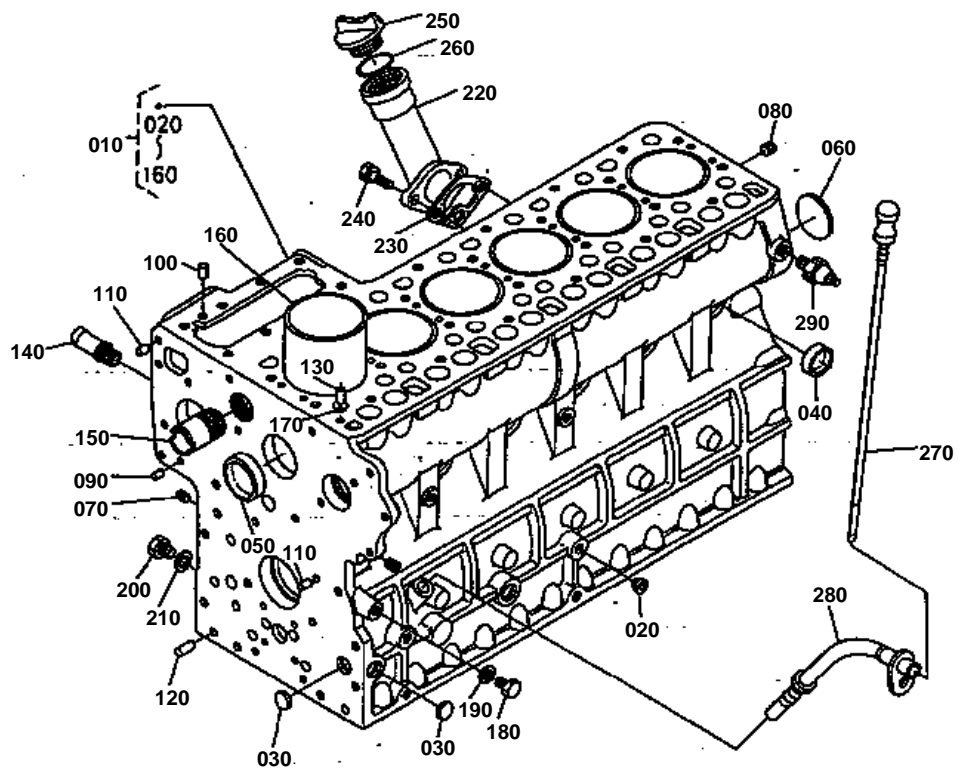
LABEL
MOUNTING CAB SPEC
OPTION
SECTION PARTS
ACCESSORIES AND SERVICE PARTS

Item	Part No.	Description	Book	
ENGINE	01E001	CRANKCASE	100K0012	
	01E002	OIL PAN	100K0012	
	01E003	CYLINDER HEAD	100K0012	
	01E004	GEAR CASE	100K0012	
	01E005	BEARING CASE	100K0012	
	01E006	DOUBLE AIR CLEANER	100K0012	
	01E007	MUFFLER	100K0012	
	01E008	VALVE AND ROCKER ARM	100K0012	
	01E009	CYLINDER HEAD COVER	100K0012	
	01E010	CAMSHAFT	100K0012	
	01E011	PISTON AND CRANKSHAFT	100K0012	
	01E012	FLYWHEEL	100K0012	
	01E013	NOZZLE HOLDER	100K0012	
	01E014	FUEL PUMP	100K0012	
	01E015	SPEED CONTROL	100K0012	
	01E016	STOP SOLENOID	100K0012	
	01E017	GOVERNOR	100K0012	
	01E018	DYNAMO	100K0012	
	01E019	RADIATOR	100K0012	
	01E020	INJECTION PUMP	100K0012	
	01E021	WATER PUMP	100K0012	
SECTION PARTS	01E022	OIL FILTER [SECTION PARTS]	100K0012	
	01E023	STARTER [SECTION PARTS]	100K0012	
	01E024	NOZZLE HOLDER [SECTION PARTS]	100K0012	
	01E025	DYNAMO [SECTION PARTS]	100K0012	
	01E026	INJECTION PUMP [SECTION PARTS]	100K0012	
	01E027	DOUBLE AIR CLEANER [SECTION PARTS]	100K0012	
ENGINE CONTROL	01T001	FUEL TANK	100K0012	
	01T002	FUEL PIPING	100K0012	
	01T003	HAND ACCELERATOR	100K0012	
	01T00401	ACCELERATOR PEDAL	100K0012	
	01T005	ENGINE STOP ROD	100K0012	
CLUTCH	01T00601	AIR CLEANER BRACKET	100K0012	
	01T007	CLUTCH HOUSING	100K0012	
TRANSMISSION	01T008	TRANSMISSION CASE	100K0012	
FRONT AXLE	01T009	FRONT AXLE BRACKET	100K0012	
CLUTCH	01T01001	CLUTCH [OLD TYPE]	100K0012	
	01T01002	CLUTCH [NEW TYPE]	100K0012	
TRANSMISSION	01T011	CLUTCH PEDAL	100K0012	
	01T012	PTO CLUTCH LEVER	100K0012	
	01T013	PTO PROPELLER SHAFT	100K0012	
	01T014	COUNTER SHAFT	100K0012	
	01T015	BACK IDLE SHAFT	100K0012	
	01T016	HALF GEAR SHAFT	100K0012	
	01T017	HI-LO SHIFT GEAR SHAFT	100K0012	
	01T018	BEVEL GEAR	100K0012	
	REAR PTO	01T019	POWER TAKE-OFF SHAFT	100K0012
		01T020	PTO SHAFT COVER	100K0012
TRANSMISSION	01T021	MAIN SPEED CHANGE SHIFT LEVER	100K0012	
	01T022	HI-LO SHIFT LEVER	100K0012	
	01T023	HI-LO AND HALF SHIFT LEVER	100K0012	
	01T024	HARF SHIFT LEVER	100K0012	
REAR PTO	01T025	GROUND PTO SHIFT LEVER	100K0012	
	01T026	PTO BRAKE	100K0012	
REAR AXLE	01T027	DIFFERENTIAL SYSTEM	100K0012	
	01T028	DIFF LOCK PEDAL	100K0012	
	01T029	REAR AXLE CASE	100K0012	
	01T030	REAR AXLE	100K0012	
STEERING	01T034	STEERING HANDLE	100K0012	

Item	Part No.	Description	Book
STEERING	01T035	POWER STEERING CYLINDER	100K0012
	01T036	POWER STEERING OIL TANK	100K0012
	01T037	POWER STEERING OIL PUMP	100K0012
	01T03801	POWER STEERING PIPING	100K0012
BRAKE	01T039	BRAKE	100K0012
	01T040	BRAKE PEDAL	100K0012
	01T041	PARKING BRAKE	100K0012
ELECTRICAL SYSTEM	01T04201	BATTERY SUPPORT	100K0012
	01T043	PANEL BOARD	100K0012
	01T044	ELECTRICAL SYSTEM 1	100K0012
HYDRAULIC SYSTEM	01T045	ELECTRICAL SYSTEM 2	100K0012
	01T046	ELECTRICAL SYSTEM 3	100K0012
	01T047	HYDRAULIC CYLINDER BODY	100K0012
	01T048	HYDRAULIC CYLINDER LINER	100K0012
	01T049	DOWN SPEED ADJUSTING LEVER	100K0012
	01T050	LIFT LEVER	100K0012
	01T051	HYDRAULIC SYSTEM 1	100K0012
	01T052	HYDRAULIC SYSTEM 2	100K0012
	01T053	TOP LINK BRACKET	100K0012
	01T054	DRAFT AND POSITION CONTROL LEVER	100K0012
	01T05501	AUX.CONTROL VALVE [OLD TYPE] [A]	100K0012
	01T05502	AUX.CONTROL VALVE [NEW TYPE]	100K0012
CHASSIS	01T05601	HYDRAULIC PUMP	100K0012
	01T057	DELIVERY PIPE	100K0012
	01T058	HOOD 1	100K0012
	01T059	HOOD 2	100K0012
	01T060	HOOD 3	100K0012
	01T061	HOOD 4	100K0012
	01T062	HOOD 5	100K0012
	01T063	SEAT	100K0012
	01T064	FENDER	100K0012
	01T065	STEP	100K0012
	01T066	CENTER FRAME	100K0012
	01T067	HOUSING COVER	100K0012
	01T068	TOWING DRAWBAR	100K0012
	01T069	3-POINT LINKAGE 1	100K0012
	01T070	3-POINT LINKAGE 2	100K0012
	01T071	3-POINT LINKAGE 3	100K0012
	LABEL	01T07201	LABEL [ENGLISH]
01T07202		LABEL [FRENCH]	100K0012
CHASSIS	01T073	TOOL BOX	100K0012
TRANSMISSION	01T074	DRIVE SHAFT	100K0012
FRONT AXLE	01T075	DRIVE CASE	100K0012
	01T076	PROPELLER SHAFT	100K0012
TRANSMISSION FRONT AXLE	01T077	CHANGE LEVER	100K0012
	01T078	FRONT DIFF CASE	100K0012
	01T079	BEVEL GEAR	100K0012
	01T080	DIFFERENTIAL SYSTEM	100K0012
	01T081	DIFF LOCK PEDAL	100K0012
	01T082	DIFF GEAR SHAFT	100K0012
	01T083	BEVEL GEAR CASE	100K0012
	01T084	FRONT AXLE	100K0012
	01T085	STEERING LINKAGE	100K0012
	STEERING OPTION	01T089	AUX.CONTROL VALVE KIT 1 [OPTION]
01T090		AUX.CONTROL VALVE KIT 2 [OPTION]	100K0012
01T091		AUX.CONTROL VALVE KIT 3 [OPTION]	100K0012
01T092		AUX.CONTROL VALVE KIT 4 [OPTION]	100K0012
01T093		DRAWBAR HITCH [OPTION]	100K0012

Item	Part No.	Description	Book
OPTION	01T094	REAR WORK LIGHT AND TRAILER HARNESS	100K0012
		[OPTION]	
	01T095	HANDRAIL [OPTION]	100K0012
	01T096	BIG TOOL BOX PARTS KIT	100K0012
	01T097	BOLT KIT OF FRONT WEIGHT [OPTION]	100K0012
	01T098	HYDRAULIC OUTLET KIT [OPTION]	100K0012
	01T099	FRONT DRIVE GEAR KIT [OPTION]	100K0012
	01T100	80 INCH TREAD KIT [OPTION]	100K0012
	01T101	PRECLEANER PARTS KIT 1 [OPTION]	100K0012
SECTION PARTS	01T104	PANEL BOARD [SECTION PARTS]	100K0012
ACCESSORIES AND SERVICE PARTS	01T105	ACCESSORIES AND SERVICE PARTS	100K0012

CRANKCASE

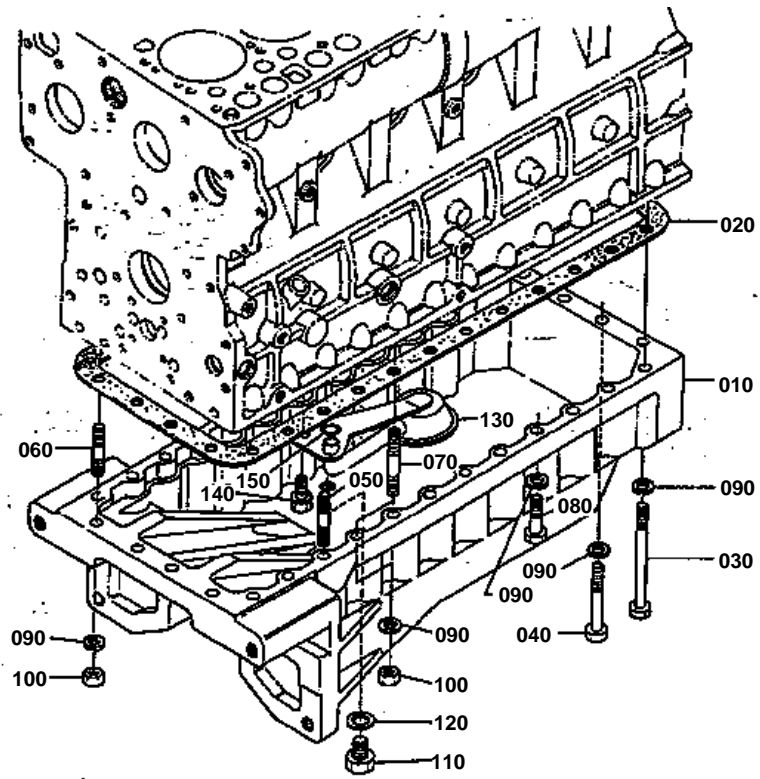


**CRANKCASE**

↔ Interchangeable; ≠ not interchangeable; ← new for old; → old for new

REF.No	Part No.	Description	Q'ty	S.No.	I/C	REMARKS	Weight (kgf)	Weight (lb)
010	15621-01010	COMP.CRANKCASE	1				75	165
020	34150-27580	PLUG	3				0.001	0.0022
030	06311-75018	PLUG	3				0.004	0.0088
040	15221-03380	CAP SEALING	10				0.017	0.0374
050	15221-03390	CAP SEALING	2				0.03	0.066
060	06311-75045	PLUG	1				0.026	0.0572
070	15521-96020	PLUG	2				0.003	0.0066
080	15521-96030	PLUG	1				0.007	0.0154
090	05012-00408	PIN STRAIGHT	2				0.001	0.0022
100	05012-00609	PIN STRAIGHT	2				0.003	0.0066
110	05012-00612	PIN STRAIGHT	2				0.003	0.0066
120	05012-01018	PIN STRAIGHT	1				0.012	0.0264
130	15221-33650	PIN PIPE	1				0.004	0.0088
140	15321-73340	PIPE WATER RETURN	1				0.016	0.0352
150	15221-72840	PIPE WATER	1				0.078	0.1716
160	15521-02310	LINER CYLINDER	6				0.66	1.452
170	15221-33700	O RING	1				0.001	0.0022
180	15221-33610	PLUG	7				0.009	0.0198
190	15021-33660	GASKET	7				0.001	0.0022
200	15221-33750	PLUG	1				0.032	0.0704
210	15109-33660	GASKET	1				0.001	0.0022
220	15601-33110	FLANGE OIL FILLER	1				0.195	0.429
230	15401-32890	GASKET	1				0	0
240	01123-50825	BOLT	2				0.013	0.0286
250	15221-33140	PLUG OIL FILLER	1				0.038	0.0836
260	04811-50300	RING	1				0	0
270	15621-36410	GAUGE OIL	1				0.03	0.066
280	15621-36420	GUIDE OIL GAUGE	1				0.1	0.22
290	15231-39010	SWITCH OIL	1	≤33349			0	0
290	15451-39010	SWITCH OIL	1	≥33350	←		0	0

OIL PAN

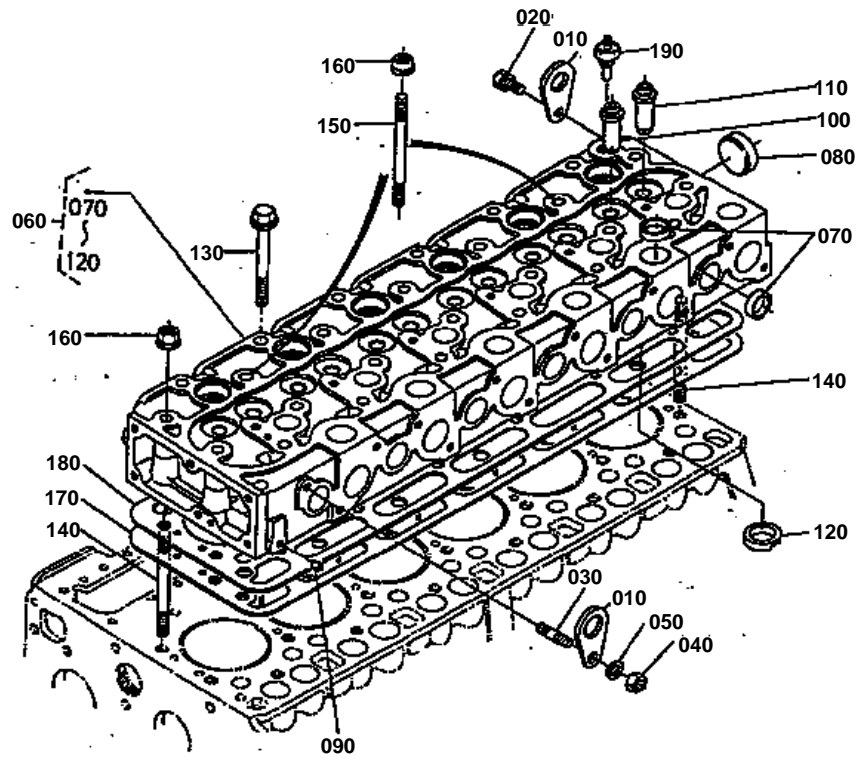


**OIL PAN**

↔ Interchangeable; ≠ not interchangeable; ← new for old; → old for new

REF.No	Part No.	Description	Q'ty	S.No.	I/C	REMARKS	Weight (kgf)	Weight (lb)
010	15621-01610	OIL PAN	1				40	88
020	15601-01622	GASKET	1				0	0
030	15601-91070	BOLT	2				0.066	0.1452
040	01173-51085	BOLT	4				0.051	0.1122
050	01517-51060	STUD	1				0.042	0.0924
060	15621-91490	STUD	6				0.05	0.11
070	01517-51045	STUD	5				0.032	0.0704
080	01173-51055	BOLT	14				0.036	0.0792
090	04512-50100	WASHER SPRING	32				0	0
100	02176-50100	NUT	12				0.005	0.011
110	15221-33750	PLUG	1				0.032	0.0704
120	15109-33660	GASKET	1				0.001	0.0022
130	15601-32110	FILTER OIL	1				0.325	0.715
140	01123-50816	BOLT	1				0	0
150	04811-00160	RING	1				0	0

CYLINDER HEAD



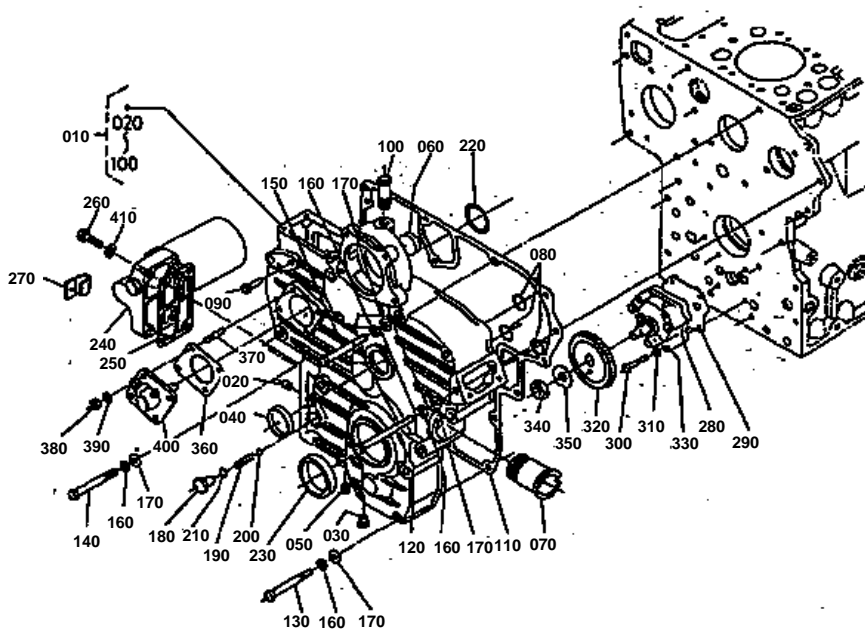


CYLINDER HEAD

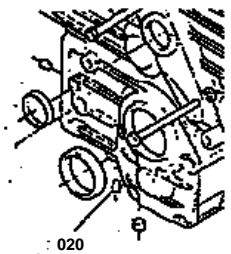
↔ Interchangeable; ≠ not interchangeable; ← new for old; → old for new

REF.No	Part No.	Description	Q'ty	S.No.	I/C	REMARKS	Weight (kgf)	Weight (lb)
010	15221-01750	HOOK ENGINE	2				0.04	0.088
020	01123-50816	BOLT	1				0	0
030	15471-91530	STUD	1				0.01	0.022
040	02156-50080	NUT	1				0.004	0.0088
050	04512-50080	WASHER SPRING	1				0	0
060	15621-03040	COMP.CYLINDER HEAD	1				26.3	57.86
070	15221-03370	CAP SEALING	18				0.01	0.022
080	15221-03490	CAP SEALING	1				0.02	0.044
090	15261-96010	PLUG	2				0.002	0.0044
100	15221-13580	GUIDE VALVE	6				0	0
110	15601-13560	GUIDE EXHAUST VALVE	6				0	0
120	15521-03140	ROOM COMBUSTION	6				0.028	0.0616
130	19202-03450	BOLT CYLINDER HEAD	22				0.065	0.143
140	19202-03410	STUD HEAD	2				0.065	0.143
150	15612-03420	STUD HEAD	2				0.07	0.154
160	19202-03510	NUT HEAD	4				0.012	0.0264
170	15621-03310	GASKET CYLINDER HEAD	1				0	0
180	15621-03320	SHIM HEAD GASKET	1				0.18	0.396
190	38240-32830	SWITCH THERMOMETER	1	<=18423			0.03	0.066
190	35820-75250	SWITCH THERMOMETER	1	>=18424	←		0	0

GEAR CASE



REF. No. 020 15221-3982-0



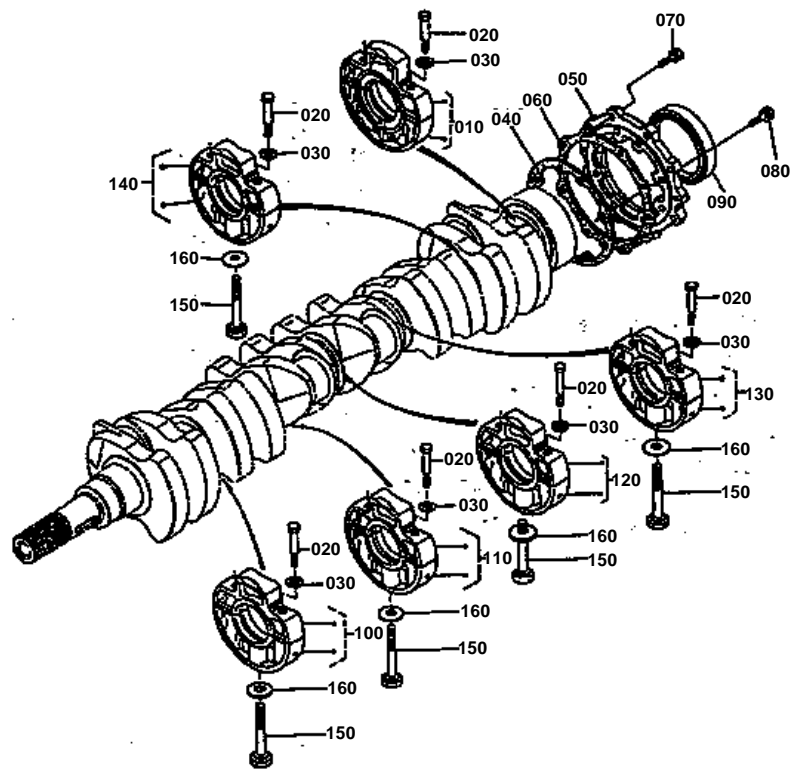


GEAR CASE

↔ Interchangeable; ≠ not interchangeable; ← new for old; → old for new

REF.No	Part No.	Description	Q'ty	S.No.	I/C	REMARKS	Weight (kgf)	Weight (lb)
010	15601-04022	COMP.CASE GEAR	1	<=23830			4	8.8
010	15601-04023	COMP.CASE GEAR	1	>=23831	≠		4.59	10.098
020	15221-33620	PLUG PIN	2	<=23830			0.002	0.0044
020	15221-33620	PLUG PIN	1	>=23831	≠		0.002	0.0044
030	15221-33640	PLUG PIN	1	<=23830			0.003	0.0066
030	15261-96020	PLUG	1	>=23831	≠		0	0
040	15221-03490	CAP SEALING	1				0.02	0.044
050	17381-96050	PLUG	1	>=23831			0.002	0.0044
060	15321-96260	CAP SEALING	1				0.014	0.0308
070	15221-72880	PIPE WATER	1				0.115	0.253
080	04810-00150	RING	3				0	0
090	15221-56280	PIN START SPRING	1				0.006	0.0132
100	15321-73340	PIPE WATER RETURN	1				0.016	0.0352
110	15601-04130	GASKET GEAR CASE	1				0	0
120	01053-50885	BOLT	1				0.031	0.0682
130	15221-91040	BOLT	9				0	0
140	01053-50880	BOLT	1				0.03	0.066
150	15321-91010	BOLT	4				0.03	0.066
160	04512-50080	WASHER SPRING	15				0	0
170	04012-50080	WASHER PLAIN	15				0.001	0.0022
180	15221-38420	CAP	1				0.025	0.055
190	15221-38440	SPRING	1				0.004	0.0088
200	07715-00803	BALL	1				0.004	0.0088
210	04810-00100	RING	1				0	0
220	04811-40240	RING	1				0.002	0.0044
230	09550-00001	SEAL OIL	1				0.015	0.033
240	15402-32023	ASSY FILTER OIL	1				1.05	2.31
250	15213-32320	GASKET	1				0	0
260	15402-91010	BOLT	4				0	0
270	36200-77520	CLAMP CORD	1				0.007	0.0154
280	15321-35010	ASSY PUMP OIL	1				0.525	1.155
290	15221-35150	GASKET OIL PUMP	1				0	0
300	01053-50648	BOLT	4				0.01	0.022
310	04512-50060	WASHER SPRING	4				0	0
320	15601-35660	GEAR OIL PUMP DRIVE	1				0.2	0.44
330	05712-00410	KEY FEATHER	1				0.001	0.0022
340	15221-35680	NUT	1				0	0
350	04211-50120	WASHER CLAW	1				0.003	0.0066
360	15221-88130	GASKET	1				0	0
370	15221-88210	STUD	4				0.005	0.011
380	02056-50060	NUT	4				0.002	0.0044
390	04512-50060	WASHER SPRING	4				0	0
400	37150-34660	ASSY UNIT HOUR METER	1				0.32	0.704
410	04512-50080	WASHER SPRING	4				0	0

BEARING CASE

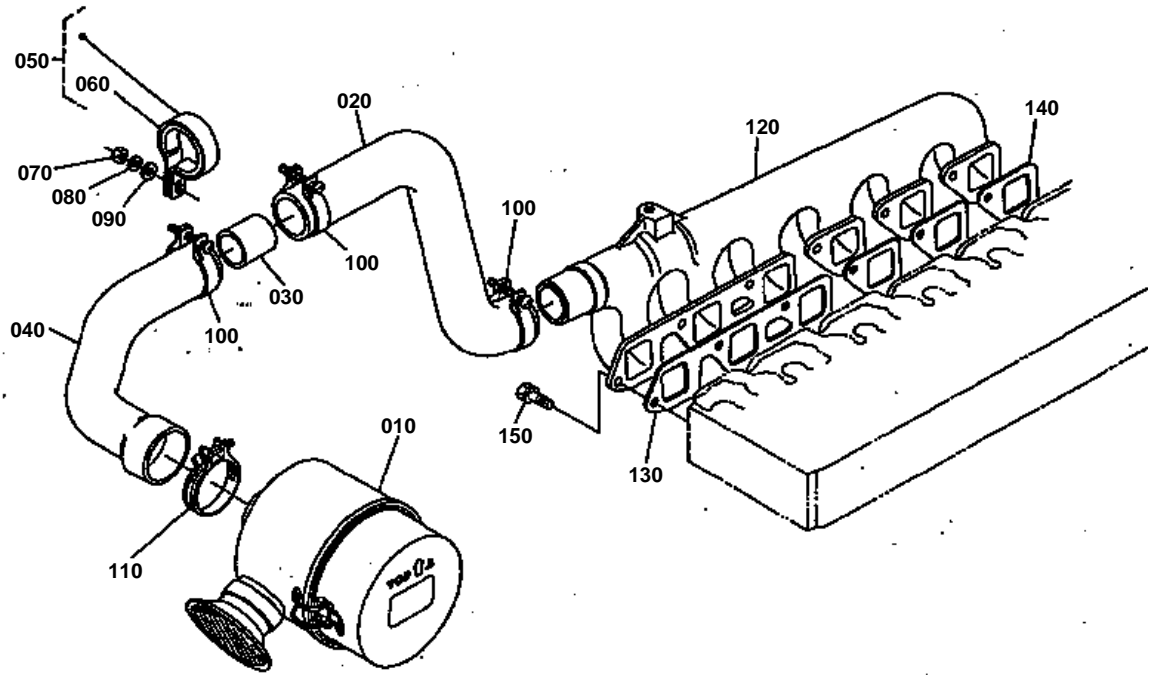


**BEARING CASE**

↔ Interchangeable; ≠ not interchangeable; ← new for old; → old for new

REF.No	Part No.	Description	Q'ty	S.No.	I/C	REMARKS	Weight (kgf)	Weight (lb)
010	19202-04040	ASSY CASE MAIN BRG.	1				1.28	2.816
020	15521-04540	BOLT BEARING CASE	12				0	0
030	15521-94010	WASHER PLAIN	12				0.001	0.0022
040	15221-04360	GASKET	1				0	0
050	15221-04810	COVER BEARING	1				0.3	0.66
060	15221-04820	GASKET	1				0	0
070	01123-50825	BOLT	8				0.013	0.0286
080	01123-50828	BOLT	8				0.014	0.0308
090	15601-04460	SEAL OIL	1				0.053	0.1166
100	15601-04050	ASSY CASE MAIN BRG.	1				1.19	2.618
110	15601-04060	ASSY CASE MAIN BRG.	1				1.23	2.706
120	15601-04070	ASSY CASE MAIN BRG.	1				1.24	2.728
130	15601-04080	ASSY CASE MAIN BRG.	1				1.28	2.816
140	15601-04090	ASSY CASE MAIN BRG.	1				1.3	2.86
150	15291-04560	BOLT	5				0.06	0.132
160	15521-94020	WASHER PLAIN	5				0.004	0.0088

DOUBLE AIR CLEANER



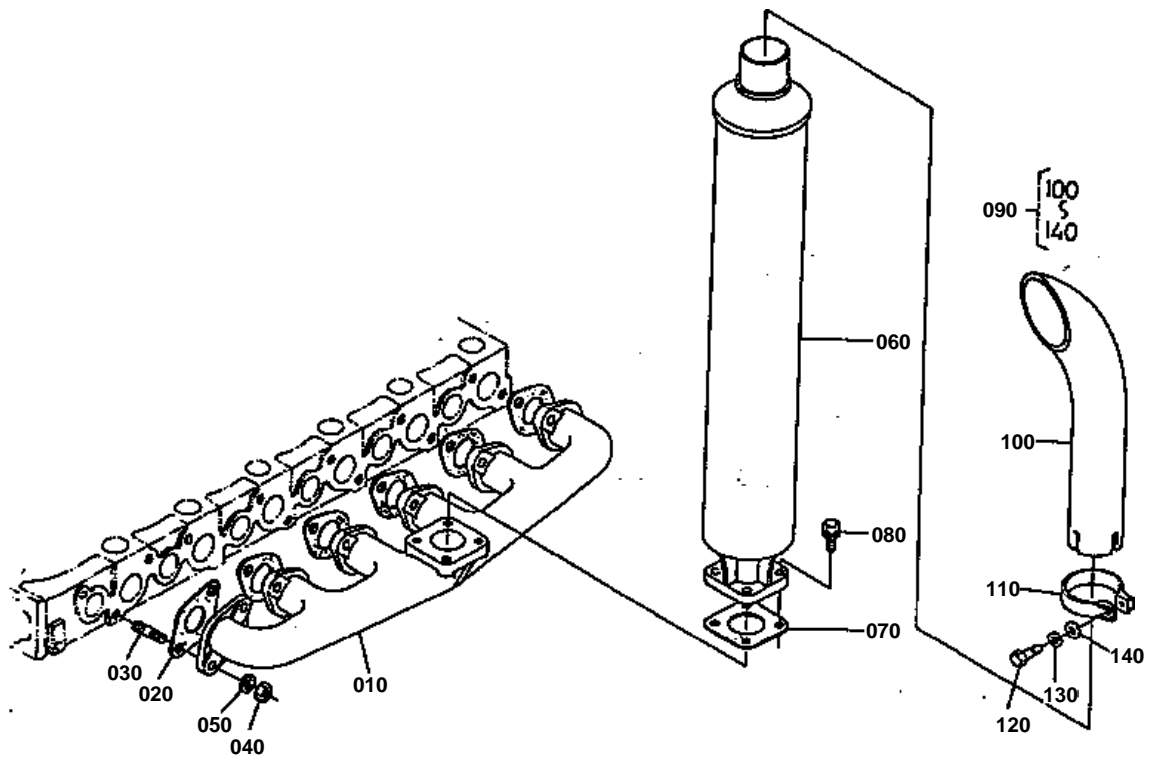


DOUBLE AIR CLEANER

↔ Interchangeable; ≠ not interchangeable; ← new for old; → old for new

REF.No	Part No.	Description	Q'ty	S.No.	I/C	REMARKS	Weight (kgf)	Weight (lb)
010	15621-11020	ASSY CLEANER AIR	1				6.1	13.42
020	15621-11620	PIPE INLET	1				1.32	2.904
030	15621-11630	PIPE INLET	1				0.13	0.286
040	15621-11642	PIPE INLET	1	<=19075			0.7	1.54
040	15621-11660	PIPE INLET	1	>=19076	←		0.56	1.232
050	15621-11700	ASSY HOLDER PIPE	1				0.07	0.154
060	15401-11690	PROTECTOR INLET PIPE	1				0.018	0.0396
070	02156-50080	NUT	1				0.004	0.0088
080	04512-50080	WASHER SPRING	1				0	0
090	04012-50080	WASHER PLAIN	1				0.001	0.0022
100	15401-11720	BAND PIPE	3				0.05	0.11
110	15571-11720	BAND INLET MANIFOLD	1				0.045	0.099
120	15601-11760	MANIFOLD INLET	1				1.8	3.96
130	15601-11820	GASKET	1				0	0
140	15601-11830	GASKET	3				0	0
150	01123-50822	BOLT	11				0.012	0.0264

MUFFLER

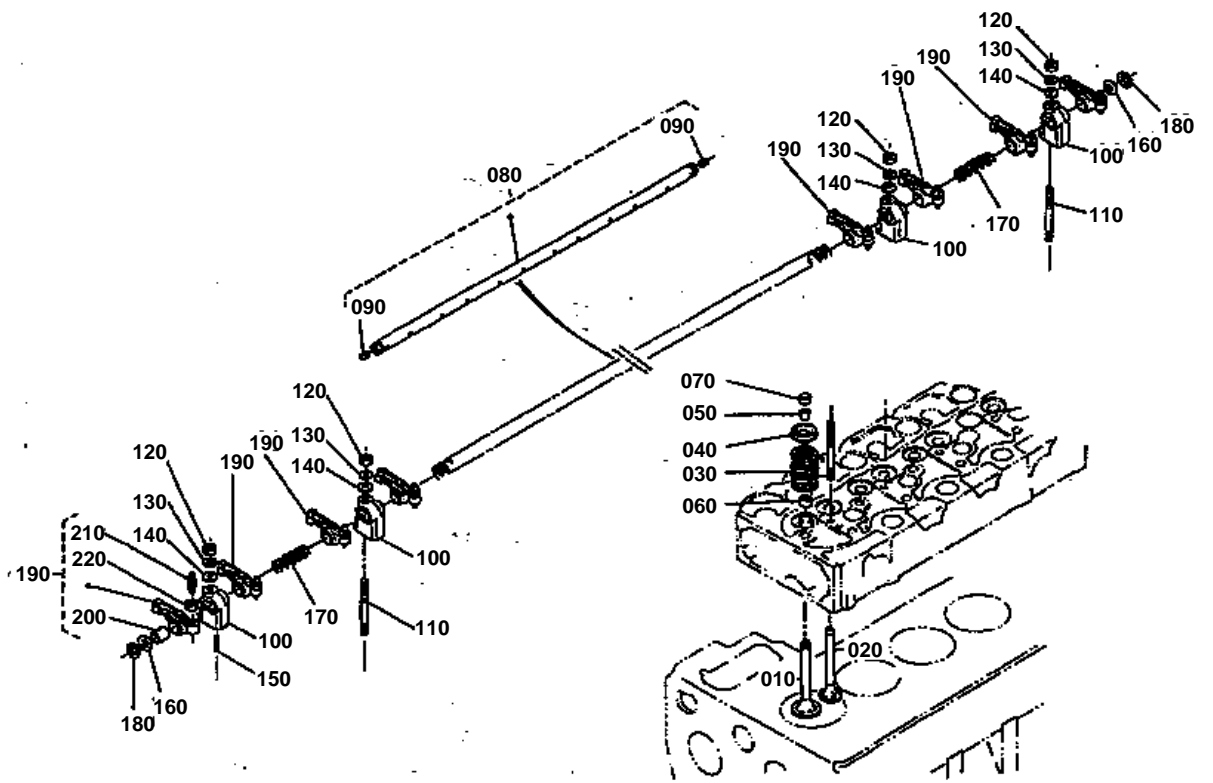


**MUFFLER**

↔ Interchangeable; ≠ not interchangeable; ← new for old; → old for new

REF.No	Part No.	Description	Q'ty	S.No.	I/C	REMARKS	Weight (kgf)	Weight (lb)
010	15621-12310	MANIFOLD EXHAUST	1				4.5	9.9
020	15521-12350	GASKET EX-MANIFOLD	6				0	0
030	15221-91530	STUD	12				0.011	0.0242
040	02156-50080	NUT	12				0.004	0.0088
050	04512-50080	WASHER SPRING	12				0	0
060	15621-12110	MUFFLER	1				7.5	16.5
070	15621-12230	GASKET MUFFLER	1				0	0
080	01133-51025	BOLT	4				0.023	0.0506
090	15621-99700	ASSY PIPE MUFFLER	1				1.13	2.486
100	15621-12410	PIPE MUFFLER	1				0.93	2.046
110	15521-12143	BAND MUFFLER	1				0.13	0.286
120	15521-91040	BOLT	1				0.017	0.0374
130	15521-94070	WASHER SPRING	1				0.003	0.0066
140	15521-94040	WASHER PLAIN	1				0.001	0.0022

VALVE AND ROCKER ARM



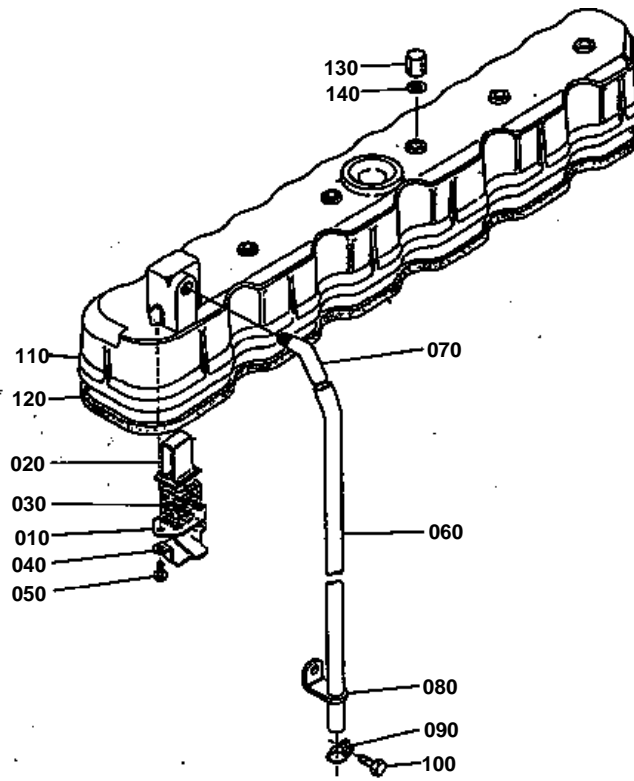


VALVE AND ROCKER ARM

↔ Interchangeable; ≠ not interchangeable; ← new for old; → old for new

REF.No	Part No.	Description	Q'ty	S.No.	I/C	REMARKS	Weight (kgf)	Weight (lb)
010	15221-13110	VALVE INLET	6				0.062	0.1364
020	15221-13120	VALVE EXHAUST	6				0.054	0.1188
030	15221-13240	SPRING VALVE	12				0.036	0.0792
040	15221-13330	RETAINER VALVE SP.	12				0.03	0.066
050	15221-13360	COLLET VALVE SPRING	12				0	0
060	15221-13150	SEAL VALVE STEM	12				0.001	0.0022
070	15221-13280	CAP VALVE	12				0.006	0.0132
080	15601-14050	ASSY SHAFT R-ARM	1				0	0
090	03410-00808	SCREW	2				0.002	0.0044
100	15221-14350	BRACKET ROCKER ARM	6				0.044	0.0968
110	15521-91500	STUD	6				0.035	0.077
120	02156-50080	NUT	6				0.004	0.0088
130	04512-50080	WASHER SPRING	6				0	0
140	04012-50080	WASHER PLAIN	6				0.001	0.0022
150	15221-14420	SCREW SET	1				0.003	0.0066
160	15221-14430	WASHER	2				0.002	0.0044
170	15221-14310	SPRING ROCKER ARM	5				0.005	0.011
180	04612-00140	CIR-CLIP EXTERNAL	2				0.001	0.0022
190	15601-14030	ASSY ROCKER ARM	12				0	0
200	15221-14180	BUSH ROCKER ARM	12				0.007	0.0154
210	15521-14230	SCREW ADJUSTING	12				0.009	0.0198
220	15021-14240	NUT	12				0.003	0.0066

CYLINDER HEAD COVER



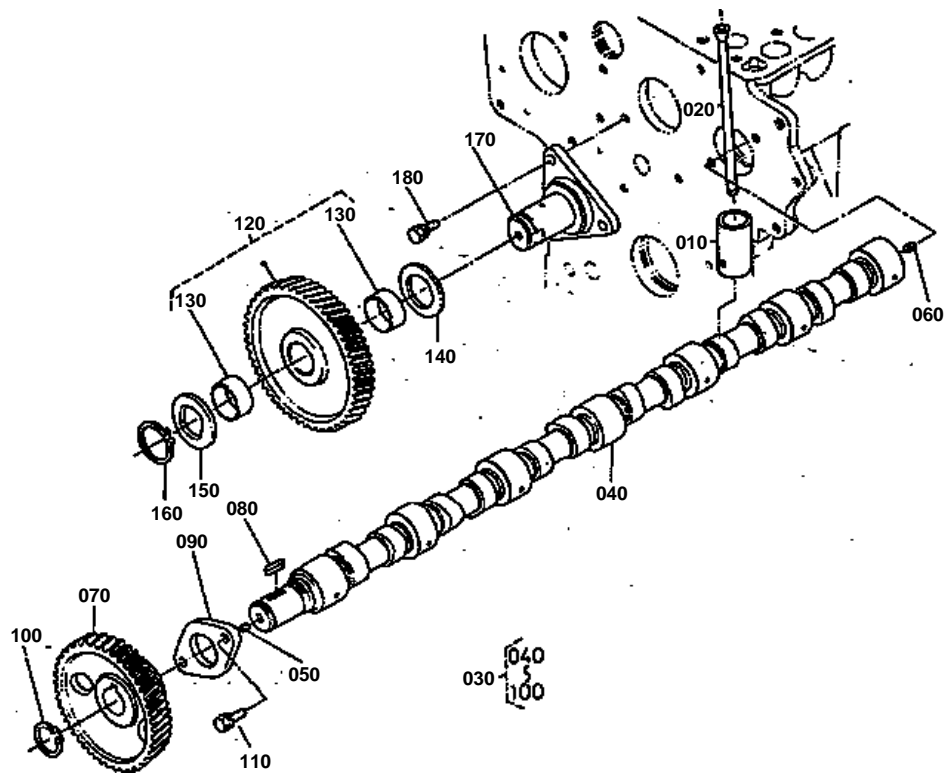


CYLINDER HEAD COVER

↔ Interchangeable; ≠ not interchangeable; ← new for old; → old for new

REF.No	Part No.	Description	Q'ty	S.No.	I/C	REMARKS	Weight (kgf)	Weight (lb)
010	15521-05140	PLATE ELEMENT	1				0.005	0.011
020	15521-05150	PLATE ELEMENT	1				0.01	0.022
030	15521-05670	ELEMENT BREATHER	1				0.01	0.022
040	15521-05370	OIL SHIELD BREATHER	1				0.005	0.011
050	15521-93310	SCREW	2				0	0
060	15521-05510	PIPE BREATHER	1				0.075	0.165
070	15521-05550	JOINT BREATHER PIPE	1				0.04	0.088
080	15401-05580	CLAMP PIPE	1				0.02	0.044
090	15401-05590	CLAMP PIPE	1				0.003	0.0066
100	01173-51018	BOLT	1				0.018	0.0396
110	15621-14510	COVER CYL.HEAD	1				1.7	3.74
120	15621-14520	GASKET HEAD COVER	1				0.07	0.154
130	15451-92330	NUT CAP	6				0.015	0.033
140	15021-33660	GASKET	6				0.001	0.0022

CAMSHAFT

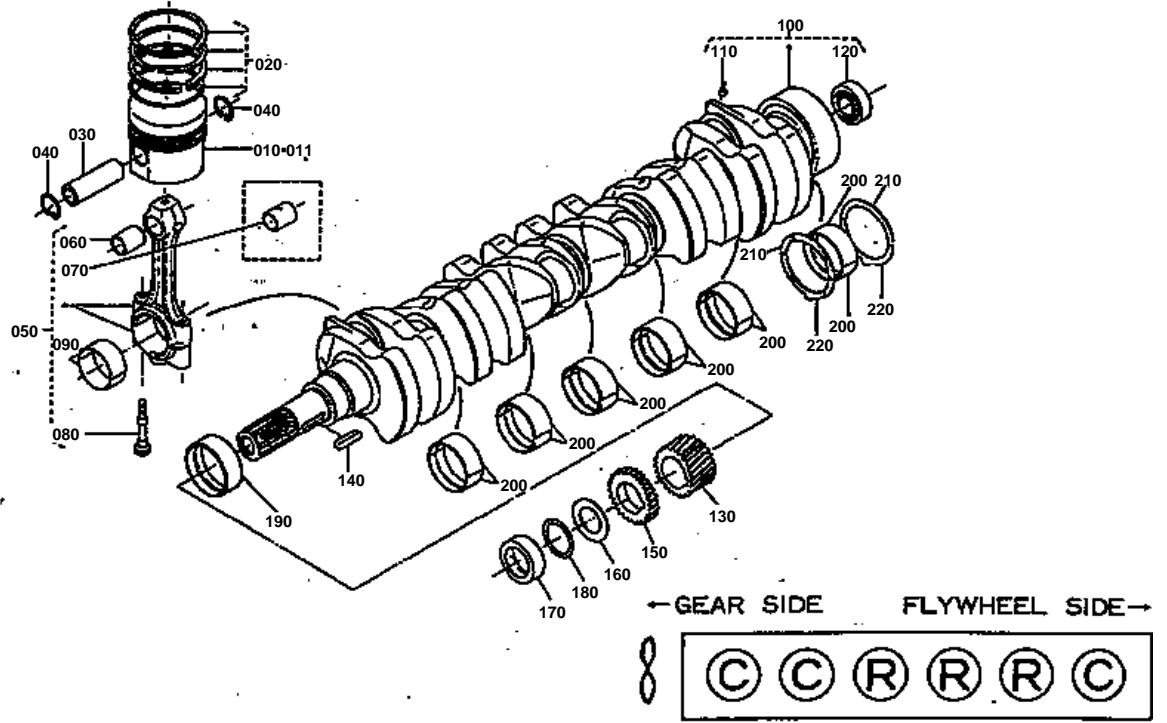


**CAMSHAFT**

↔ Interchangeable; ≠ not interchangeable; ← new for old; → old for new

REF.No	Part No.	Description	Q'ty	S.No.	I/C	REMARKS	Weight (kgf)	Weight (lb)
010	15221-15550	TAPPET	12				0	0
020	15221-15110	ROD PUSH	12				0.05	0.11
030	15601-16010	ASSY CAMSHAFT	1				2.5	5.5
040	15601-16030	CAMSHAFT	1				3.4	7.48
050	15521-93610	SCREW	1				0.002	0.0044
060	15601-93620	SCREW	1				0.025	0.055
070	15601-16510	GEAR CAMSHAFT	1				0	0
080	05712-00720	KEY FEATHER	1				0.008	0.0176
090	15221-16270	STOPPER CAMSHAFT	1				0.073	0.1606
100	04612-00240	CIR-CLIP EXTERNAL	1				0.002	0.0044
110	01123-50818	BOLT	2				0.012	0.0264
120	15601-24010	COMP.GEAR IDLE	1				1.07	2.354
130	15221-24980	BUSH IDLE GEAR	2				0.02	0.044
140	15521-24360	COLLAR	1				0.015	0.033
150	15521-24370	COLLAR	1				0.015	0.033
160	15221-24320	CIR-CLIP IDLE GEAR	1				0.01	0.022
170	15221-24250	SHAFT IDLE GEAR	1				0.48	1.056
180	01123-50818	BOLT	3				0.012	0.0264

PISTON AND CRANKSHAFT



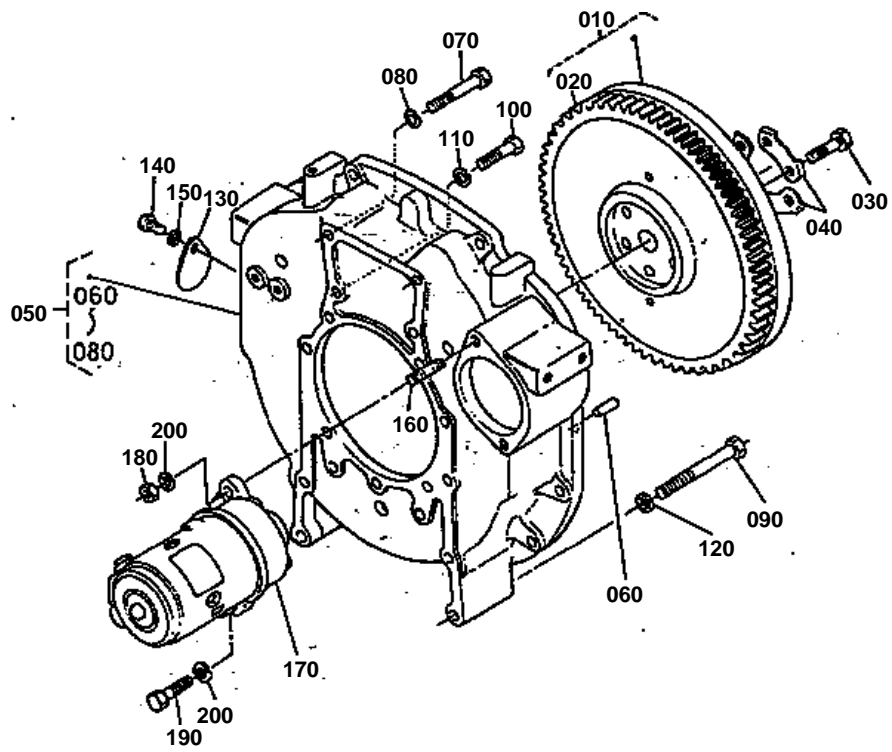


PISTON AND CRANKSHAFT

↔ Interchangeable; ≠ not interchangeable; ← new for old; → old for new

REF.No	Part No.	Description	Q'ty	S.No.	I/C	REMARKS	Weight (kgf)	Weight (lb)
010	15521-21110	PISTON	6	≤34137			0.53	1.166
010	19274-21110	PISTON	3	≥34138	←	[C]MARK	0.56	1.232
010	19274-21910	PISTON	3	≥34138		+0.5 [C]MARK	0.57	1.254
011	19439-21110	PISTON	3	≥34138		[R]MARK	0.56	1.232
011	19439-21910	PISTON	3	≥34138		+0.5 [R]MARK	0.54	1.188
020	15521-21050	ASSY PISTON RING	6			STD	0.06	0.132
020	15521-21090	ASSY PISTON RING	6			+0.5	0	0
030	15521-21310	PIN PISTON	6				0.156	0.3432
040	15221-21330	CIR-CLIP PISTON PIN	12				0.002	0.0044
050	15471-22010	ASSY CONNECTING ROD	6	≤19075			0	0
050	15471-22012	ASSY CONNECTING ROD	6	≥19076	←		0.76	1.672
060	15221-21980	BUSH PISTON PIN	6				0	0
070	15221-21980	BUSH PISTON PIN	6				0	0
080	15521-22140	BOLT CONNECTING ROD	12				0	0
090	15471-22310	METAL CRANKPIN	6			STD	0.03	0.066
090	15471-22970	METAL CRANKPIN	6			-0.2	0.04	0.088
090	15471-22980	METAL CRANKPIN	6			-0.4	0.04	0.088
100	15621-23010	COMP.CRANKSHAFT	1				23.5	51.7
110	15131-01380	PLUG PIN	6				0.001	0.0022
120	15601-23420	BEARING PILOT	1				0.07	0.154
130	15601-24110	GEAR CRANKSHAFT	1				0.34	0.748
140	05712-00730	KEY FEATHER	1				0.011	0.0242
150	15601-35630	GEAR OIL PUMP DRIVE	1				0.181	0.3982
160	15401-23310	SLINGER OIL	1				0	0
170	15601-23250	COLLAR CRANKSHAFT	1				0.067	0.1474
180	04811-10300	RING	1				0.001	0.0022
190	15221-23470	METAL CRANKSHAFT	1			STD	0	0
190	15221-23910	METAL CRANKSHAFT	1			-0.2	0	0
190	15221-23920	METAL CRANKSHAFT	1			-0.4	0	0
200	15221-23480	METAL CRANKSHAFT	6			STD	0	0
200	15221-23930	METAL CRANKSHAFT	6			-0.2	0.055	0.121
200	15221-23940	METAL CRANKSHAFT	6			-0.4	0.056	0.1232
210	15221-23530	METAL SIDE	2			STD	0	0
210	15221-23950	METAL SIDE	2			+0.2	0	0
210	15221-23960	METAL SIDE	2			+0.4	0	0
220	15221-23540	METAL SIDE	2			STD	0	0
220	15221-23970	METAL SIDE	2			+0.2	0.009	0.0198
220	15221-23980	METAL SIDE	2			+0.4	0.009	0.0198

FLYWHEEL



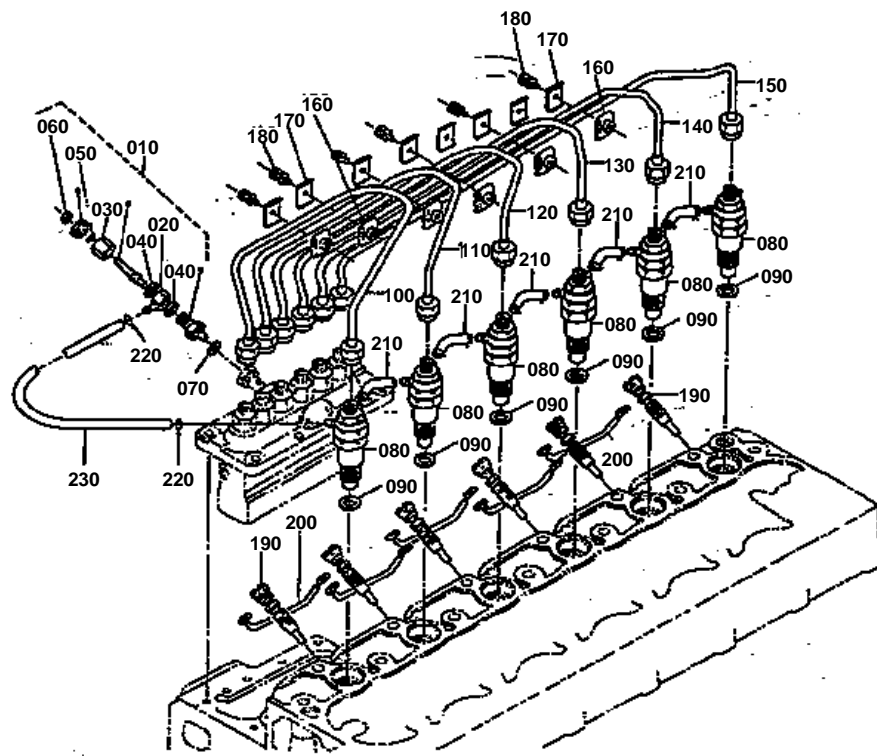


FLYWHEEL

↔ Interchangeable; ≠ not interchangeable; ← new for old; → old for new

REF.No	Part No.	Description	Q'ty	S.No.	I/C	REMARKS	Weight (kgf)	Weight (lb)
010	15621-25010	COMP.FLYWHEEL	1				0	0
020	15601-63820	GEAR RING	1				0	0
030	15521-25160	BOLT FLYWHEEL	6				0.06	0.132
040	15601-25170	WASHER FLYWHEEL	3				0.009	0.0198
050	15601-04600	COMP.HOUSING F-W.	1				18.5	40.7
060	05012-01018	PIN STRAIGHT	2				0.012	0.0264
070	01073-51250	BOLT	2				0.055	0.121
080	04512-50120	WASHER SPRING	2				0	0
090	01073-51290	BOLT	2				0.087	0.1914
100	01073-51032	BOLT	11				0.03	0.066
110	04512-50100	WASHER SPRING	11				0	0
120	04512-50120	WASHER SPRING	2				0	0
130	31220-14170	COVER	1				0.014	0.0308
140	01153-50812	BOLT	1				0.008	0.0176
150	04512-50080	WASHER SPRING	1				0	0
160	01517-51028	STUD	1				0.022	0.0484
170	15601-63010	ASSY STARTER	1				0	0
180	02176-50100	NUT	1				0.005	0.011
190	01173-51030	BOLT	1				0.023	0.0506
200	04512-50100	WASHER SPRING	2				0	0

NOZZLE HOLDER



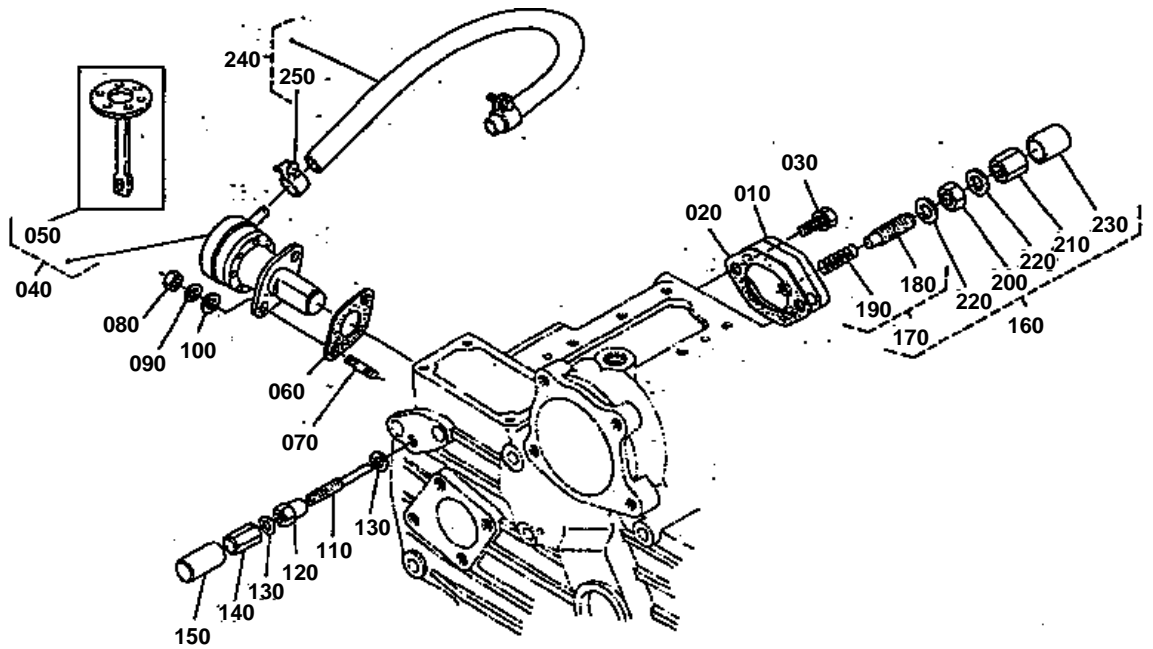


NOZZLE HOLDER

↔ Interchangeable; ≠ not interchangeable; ← new for old; → old for new

REF.No	Part No.	Description	Q'ty	S.No.	I/C	REMARKS	Weight (kgf)	Weight (lb)
010	15401-51900	ASSY COCK	1				0.075	0.165
020	15401-95680	JOINT	1				0.01	0.022
030	15401-92320	NUT CAP	1				0.015	0.033
040	15221-96650	GASKET	2				0.001	0.0022
050	04811-00040	RING	1				0	0
060	02054-50040	NUT	1				0.001	0.0022
070	15021-33660	GASKET	1				0.001	0.0022
080	15271-53020	ASSY HOLDER NOZZLE	6				0.26	0.572
090	17011-53620	GASKET	6				0.003	0.0066
100	15601-53710	PIPE INJECTION	1				0.15	0.33
110	15601-53720	PIPE INJECTION	1				0.15	0.33
120	15601-53730	PIPE INJECTION	1				0.15	0.33
130	15601-53740	PIPE INJECTION	1				0.15	0.33
140	15601-53750	PIPE INJECTION	1				0.15	0.33
150	15601-53760	PIPE INJECTION	1				0.15	0.33
160	15121-53850	CLAMP PIPE	8				0	0
170	15121-53860	CLAMP PIPE	8				0	0
180	03024-50520	SCREW	8				0.004	0.0088
190	15521-65510	PLUG GLOW	6				0.025	0.055
200	15401-65560	CORD GLOW PLUG	5				0.005	0.011
210	15221-42510	PIPE FUEL OVER FLOW	5				0.005	0.011
220	10244-42320	CLIP PIPE	12				0.001	0.0022
230	15401-42520	PIPE FUEL OVER FLOW	1				0.01	0.022

FUEL PUMP

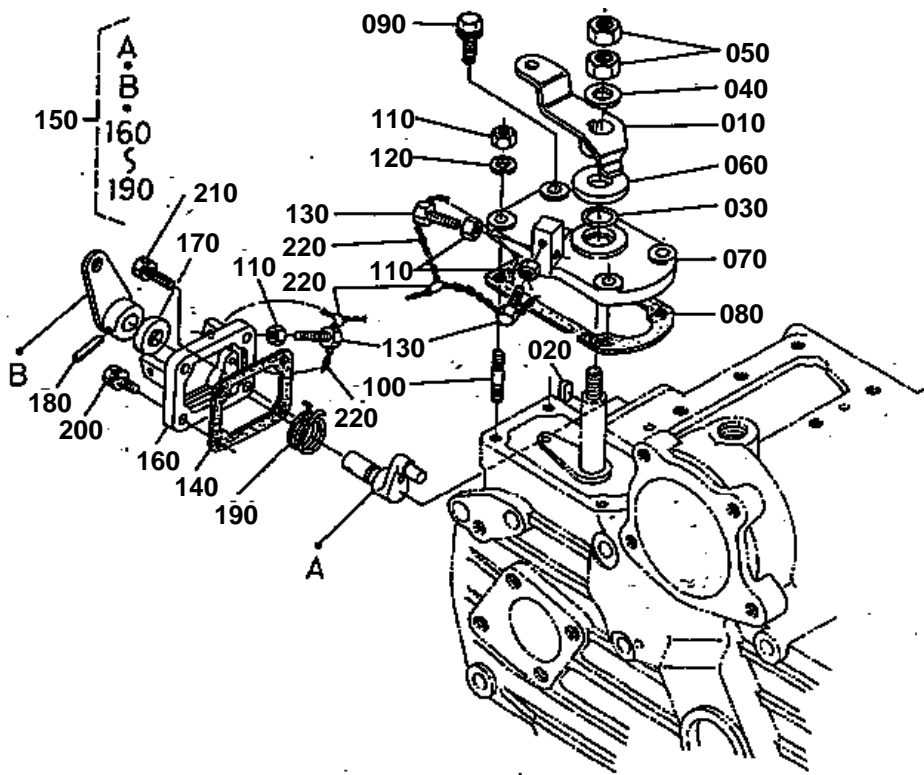


**FUEL PUMP**

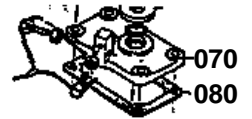
↔ Interchangeable; ≠ not interchangeable; ← new for old; → old for new

REF.No	Part No.	Description	Q'ty	S.No.	I/C	REMARKS	Weight (kgf)	Weight (lb)
010	15401-01930	COVER	1				0.09	0.198
020	15221-05430	GASKET	1				0	0
030	01023-50616	BOLT	2				0.005	0.011
040	15381-52030	ASSY PUMP FUEL	1				0	0
050	15381-52040	COMP.DIAPHRAGM	1				0	0
060	15241-52140	GASKET FUEL PUMP	1				0	0
070	01513-50616	STUD	2				0.004	0.0088
080	02056-50060	NUT	2				0.002	0.0044
090	04512-50060	WASHER SPRING	2				0	0
100	04012-50060	WASHER PLAIN	2				0.001	0.0022
110	15601-54120	BOLT ADJUSTING	1				0.011	0.0242
120	15601-92010	NUT	1				0	0
130	15601-96650	GASKET	2				0.001	0.0022
140	15601-54220	NUT CAP	1				0	0
150	15601-54420	CAP	1				0	0
160	15601-54090	APPARATUS IDLING	1				0.04	0.088
170	15601-54100	ASSY BOLT ADJUSTING	1				0.01	0.022
180	15401-54250	BOLT ADJUSTING	1				0.01	0.022
190	15601-54260	SPRING	1				0.002	0.0044
200	15401-92010	NUT	1				0.01	0.022
210	15401-92330	NUT CAP	1				0.01	0.022
220	15021-33660	GASKET	2				0.001	0.0022
230	15401-54270	CAP	1				0.004	0.0088
240	15401-42010	ASSY PIPE FUEL	1				0.04	0.088
250	14301-42750	CLIP PIPE	2				0.005	0.011

SPEED CONTROL



REF. No. 070 15611-5711-0
REF. No. 080 15221-5721-0

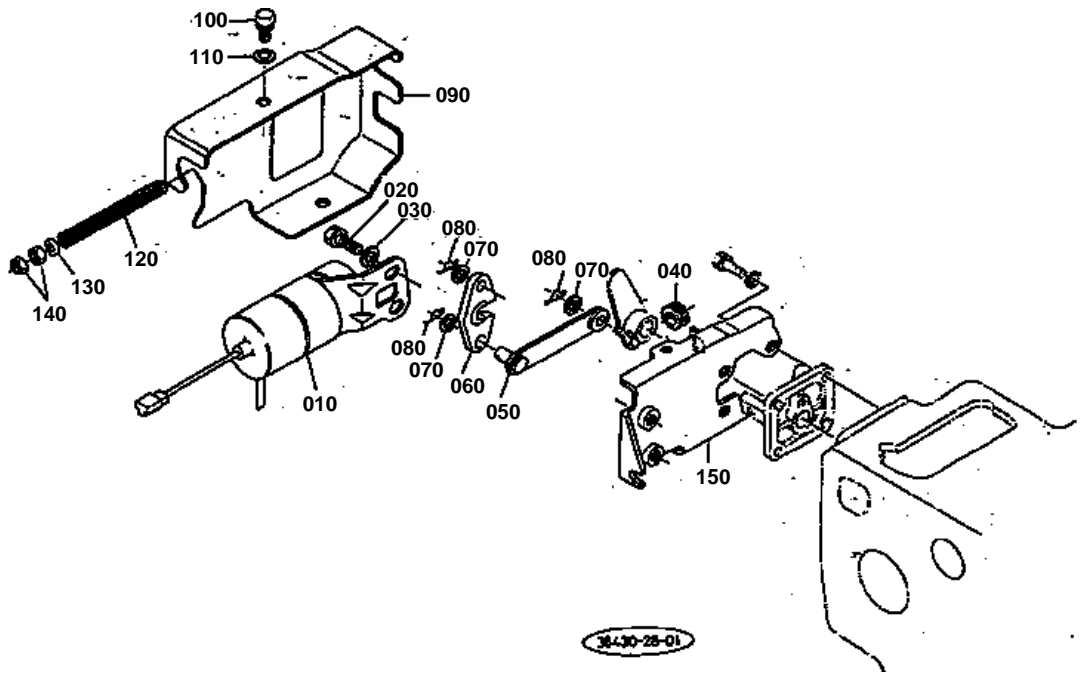


**SPEED CONTROL**

↔ Interchangeable; ≠ not interchangeable; ← new for old; → old for new

REF.No	Part No.	Description	Q'ty	S.No.	I/C	REMARKS	Weight (kgf)	Weight (lb)
010	15469-57150	LEVER SPEED CONTROL	1				0.06	0.132
020	05712-00408	KEY FEATHER	1				0.001	0.0022
030	04811-00120	RING	1				0	0
040	04013-50080	WASHER PLAIN	1				0	0
050	02112-50080	NUT	2				0.003	0.0066
060	17011-57380	DISK FRICTION	1				0	0
070	15611-57110	PLATE SPEED CONTROL	1	≤=23830			0	0
070	15611-57113	PLATE SPEED CONTROL	1	≥=23831	≠		0	0
080	15221-57210	GASKET	1	≤=23830			0	0
080	17331-57210	GASKET	1	≥=23831	≠		0	0
090	01023-50620	BOLT	2				0.006	0.0132
100	15221-88210	STUD	2				0.005	0.011
110	02056-50060	NUT	5				0.002	0.0044
120	04512-50060	WASHER SPRING	2				0	0
130	99999-99999	NON SALE	0				0	0
140	15221-51660	GASKET PUMP COVER	1				0	0
150	15471-57700	ASSY LVR.ENGINE STOP	1				0	0
160	15471-51650	COVER INJECTION PUMP	1				0	0
170	15471-57980	SEAL OIL	1				0.001	0.0022
180	05411-00420	PIN SPRING	1				0.001	0.0022
190	15471-57920	SPRING RETURN	1				0.005	0.011
200	01023-50622	BOLT	3				0.005	0.011
210	01023-50618	BOLT	1				0.006	0.0132
220	99999-99999	NON SALE	0				0	0

STOP SOLENOID

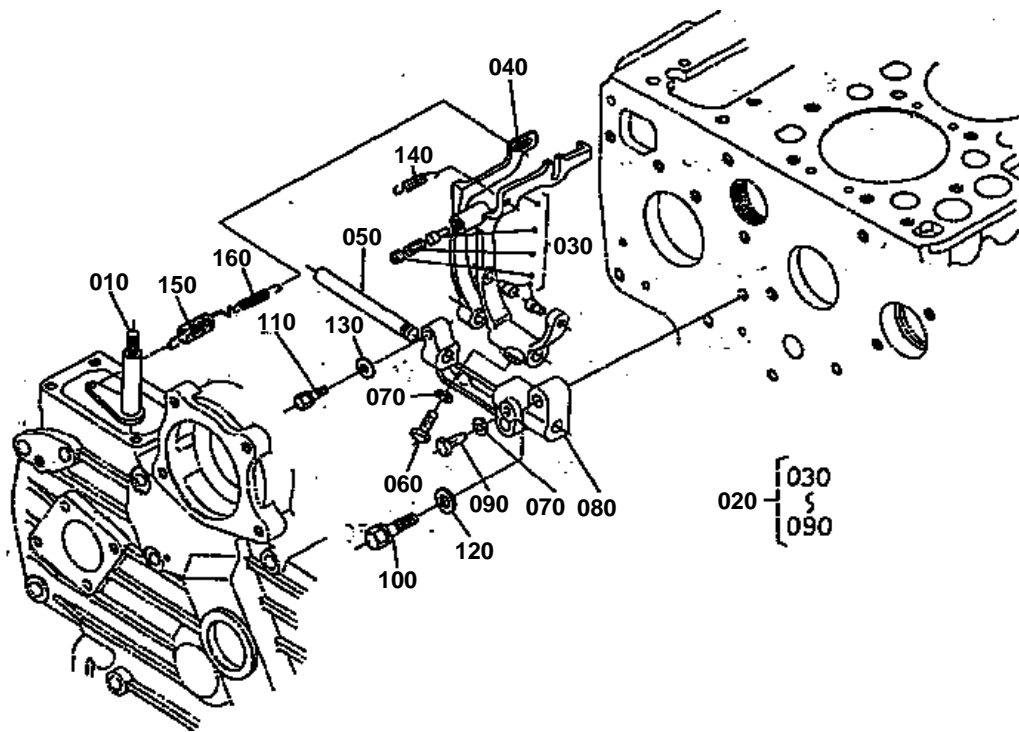




STOP SOLENOID

↔ Interchangeable; ≠ not interchangeable; ← new for old; → old for new

REF.No	Part No.	Description	Q'ty	S.No.	I/C	REMARKS	Weight (kgf)	Weight (lb)
010	15471-60010	SOLENOID	1				0.415	0.913
020	01123-50816	BOLT	2				0	0
030	04012-50080	WASHER PLAIN	2				0.001	0.0022
040	66591-54580	RUBBER RELEASE ROD	1				0.003	0.0066
050	15471-60150	LEVER STOP	1				0	0
060	15471-60162	LEVER STOP	1				0.007	0.0154
070	04012-50060	WASHER PLAIN	3				0.001	0.0022
080	15471-94810	PIN SNAP	3				0	0
090	15461-60120	COVER SOLENOID	1				0.16	0.352
100	01023-50612	BOLT	2				0.005	0.011
110	04012-50060	WASHER PLAIN	2				0.001	0.0022
120	15471-60250	SPRING	1				0.005	0.011
130	04012-50060	WASHER PLAIN	1				0.001	0.0022
140	02012-50060	NUT	2				0	0
150	15471-60110	SUPPORT SOLENOID	1				0.295	0.649

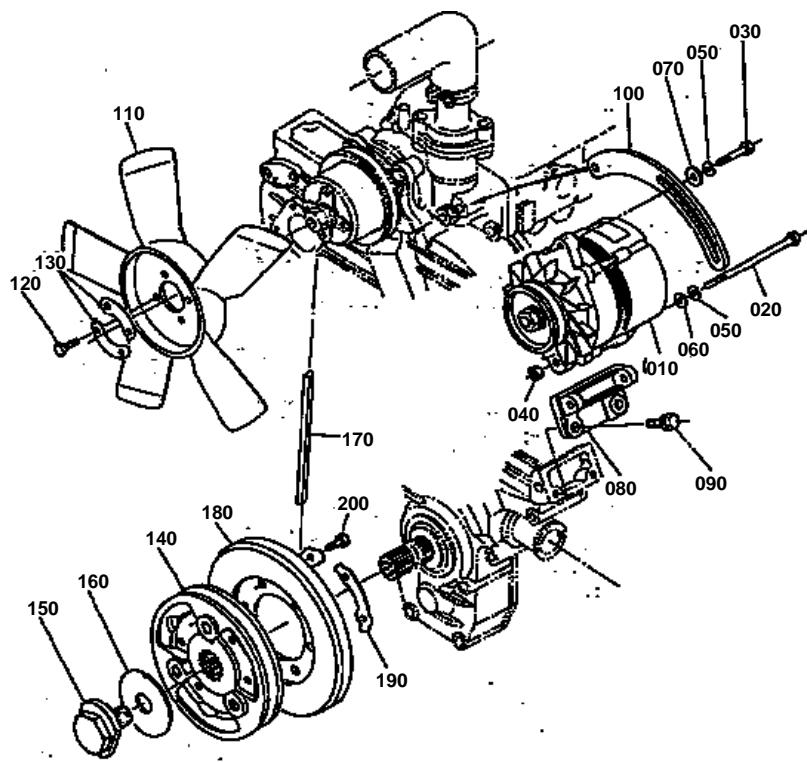


**GOVERNOR**

↔ Interchangeable; ≠ not interchangeable; ← new for old; → old for new

REF.No	Part No.	Description	Q'ty	S.No.	I/C	REMARKS	Weight (kgf)	Weight (lb)
010	15601-56020	COMP.LEVER GOVERNOR	1				0.055	0.121
020	15621-56050	ASSY LEVER FORK	1				0.4	0.88
030	15621-56040	COMP.LEVER FORK	1				0.2	0.44
040	15611-56130	LEVER FORK	1				0.07	0.154
050	15221-56150	SHAFT FORK LEVER	1				0.1	0.22
060	15021-56240	BOLT LEVER SHAFT	1				0.005	0.011
070	04512-50060	WASHER SPRING	2				0	0
080	15221-56230	HOLDER FORK LEVER	1				0.1	0.22
090	15221-66410	BOLT	1				0.005	0.011
100	01123-50832	BOLT	2				0.016	0.0352
110	01023-50628	BOLT	1				0.015	0.033
120	04012-50080	WASHER PLAIN	2				0.001	0.0022
130	04012-50060	WASHER PLAIN	1				0.001	0.0022
140	15611-56480	SPRING START	1				0.001	0.0022
150	15611-56410	SPRING GOVERNOR	1				0.005	0.011
160	15611-56420	SPRING GOVERNOR	1				0.002	0.0044

DYNAMO

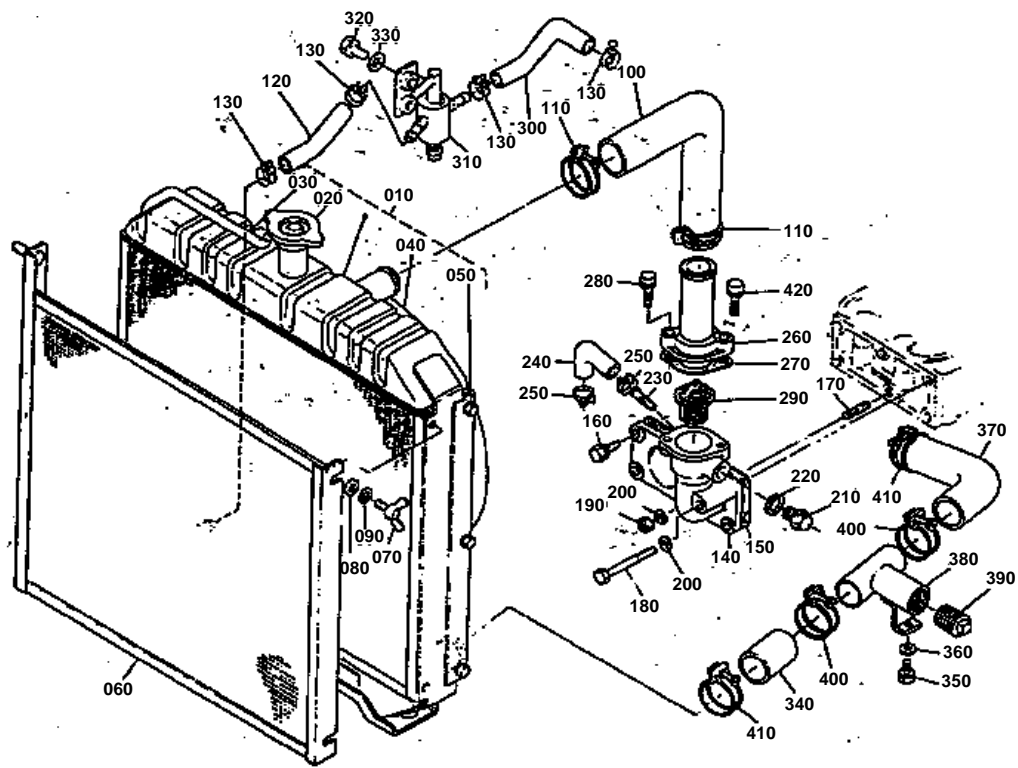


**DYNAMO**

↔ Interchangeable; ≠ not interchangeable; ← new for old; → old for new

REF.No	Part No.	Description	Q'ty	S.No.	I/C	REMARKS	Weight (kgf)	Weight (lb)
010	15621-64010	ASSY DYNAMO	1				3.6	7.92
020	15521-91030	BOLT	1				0	0
030	01153-50830	BOLT	1				0	0
040	02156-50080	NUT	2				0.004	0.0088
050	04512-50080	WASHER SPRING	2				0	0
060	04012-50080	WASHER PLAIN	1				0.001	0.0022
070	04015-50080	WASHER PLAIN	1				0	0
080	15601-64350	SUPPORT DYNAMO	1				0.28	0.616
090	01123-50825	BOLT	2				0.013	0.0286
100	15601-64420	STAY DYNAMO	1				0.105	0.231
110	15621-74110	FAN	1				0.56	1.232
120	01053-50816	BOLT	4				0.011	0.0242
130	15606-74230	WASHER FAN	2				0.006	0.0132
140	15606-74280	PULLEY FAN DRIVE	1				2.015	4.433
150	15601-91010	BOLT	1				0	0
160	15601-94190	WASHER CLAW	1				0.023	0.0506
170	15606-97012	BELT V	1				0.18	0.396
180	15601-23780	DAMPER CRANK SHAFT	1				1.7	3.74
190	15601-23810	WASHER DAMPER	3				0.006	0.0132
200	01053-50820	BOLT	6				0.012	0.0264

RADIATOR

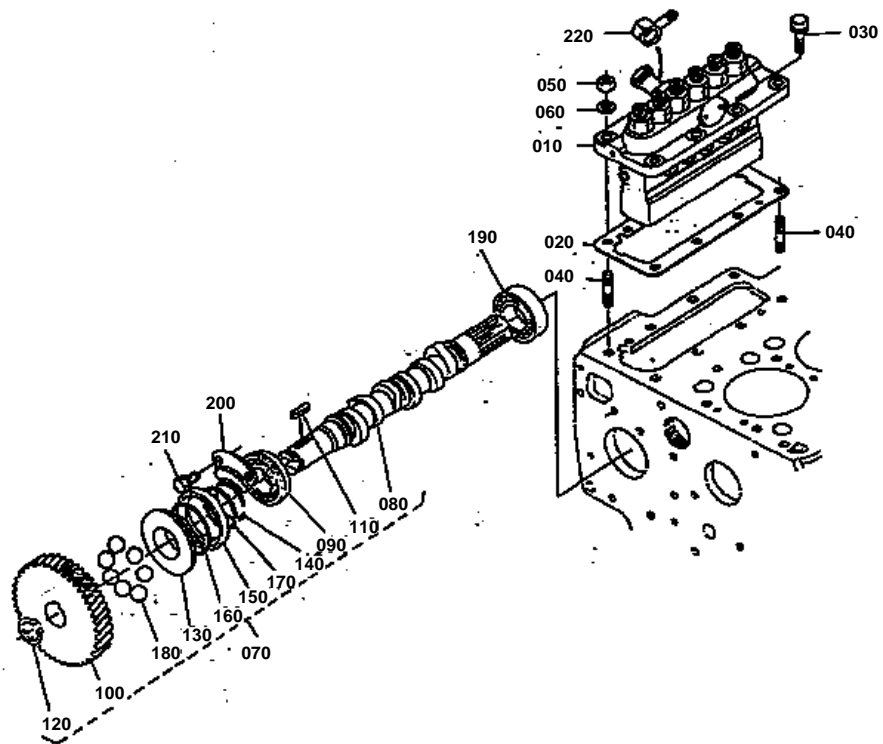


**RADIATOR**

↔ Interchangeable; ≠ not interchangeable; ← new for old; → old for new

REF.No	Part No.	Description	Q'ty	S.No.	I/C	REMARKS	Weight (kgf)	Weight (lb)
010	15621-72063	ASSY RADIATOR	1				13.2	29.04
020	15101-72030	CAP RADIATOR	1				0.075	0.165
030	15621-72710	PIPE WATER OVER FLOW	1				0.08	0.176
040	15621-72330	SHROUD FAN	1				2	4.4
050	01202-50610	BOLT	4				0.004	0.0088
060	15621-72250	NET RADIATOR	1				1.03	2.266
070	01811-50615	BOLT WING	4				0.015	0.033
080	04012-50060	WASHER PLAIN	6				0.001	0.0022
090	04512-50060	WASHER SPRING	6				0	0
100	15621-72942	PIPE WATER	1				0.32	0.704
110	15001-72870	BAND PIPE	2				0.026	0.0572
120	15621-73343	PIPE WATER RETURN	1				0.04	0.088
130	68171-63630	BAND HOSE	4				0.013	0.0286
140	15324-72910	FLANGE WATER	1				0	0
150	15601-72920	GASKET WATER FLANGE	1				0	0
160	01123-50822	BOLT	4				0.012	0.0264
170	01513-50822	STUD	1				0.01	0.022
180	01153-50870	BOLT	1				0.026	0.0572
190	02156-50080	NUT	1				0.004	0.0088
200	04512-50080	WASHER SPRING	2				0	0
210	34150-14260	PLUG	1				0	0
220	15324-96650	GASKET	1				0.005	0.011
230	15321-73340	PIPE WATER RETURN	1				0.016	0.0352
240	15321-73350	PIPE WATER RETURN	1				0.02	0.044
250	15109-73360	BAND PIPE	2				0.01	0.022
260	15601-73260	COVER THERMOSTAT	1				0.17	0.374
270	15321-73270	GASKET	1				0	0
280	01123-50835	BOLT	1				0.02	0.044
290	15321-73010	ASSY THERMOSTAT	1				0	0
300	15621-73350	PIPE WATER RETURN	1				0.03	0.066
310	15571-73110	ASSY COCK DRAIN	1				0.29	0.638
320	01123-50822	BOLT	2				0.012	0.0264
330	04012-50080	WASHER PLAIN	2				0.001	0.0022
340	15622-72852	PIPE WATER	1				0.07	0.154
350	01123-50814	BOLT	1				0	0
360	04013-50080	WASHER PLAIN	1				0	0
370	15622-72860	PIPE WATER	1				0.11	0.242
380	15622-72870	PIPE WATER	1				0.39	0.858
390	06312-10100	PLUG	1				0.147	0.3234
400	15108-72870	BAND	2				0.027	0.0594
410	15108-72870	BAND	2				0.027	0.0594
420	01123-50840	BOLT	1				0.018	0.0396

INJECTION PUMP



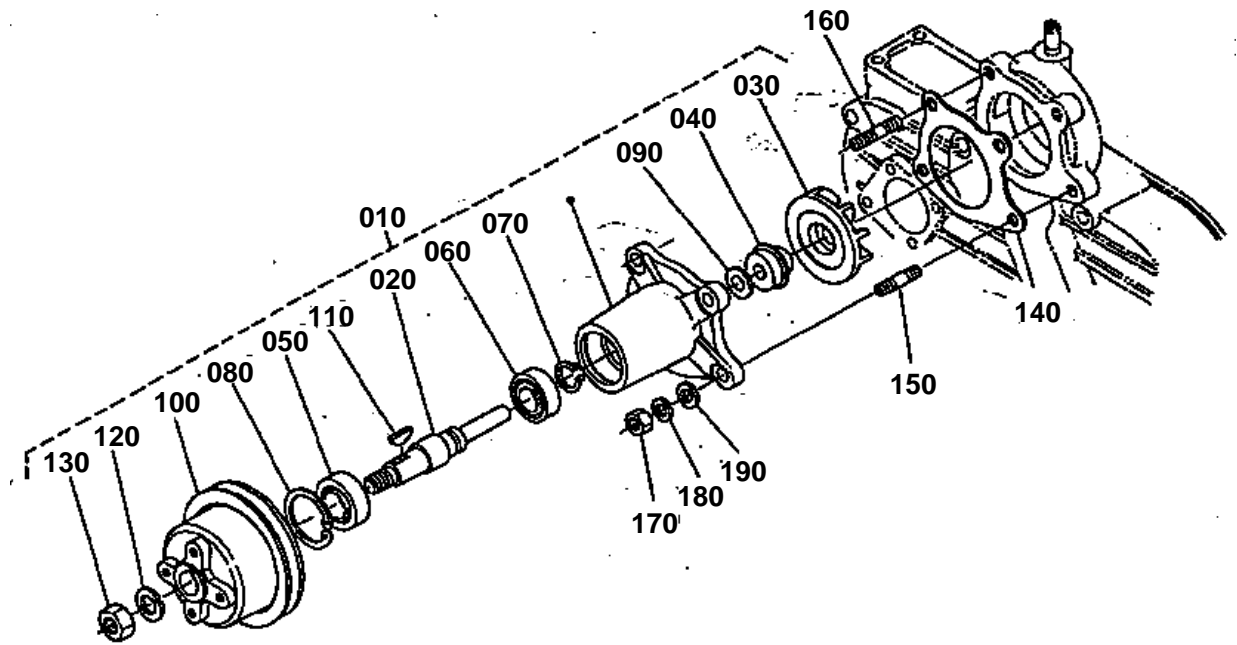


INJECTION PUMP

↔ Interchangeable; ≠ not interchangeable; ← new for old; → old for new

REF.No	Part No.	Description	Q'ty	S.No.	I/C	REMARKS	Weight (kgf)	Weight (lb)
010	15601-51010	ASSY PUMP INJECTION	1				3.9	8.58
020	15601-52110	SHIM INJECTION PUMP	5				0.01	0.022
030	01123-50822	BOLT	6				0.012	0.0264
040	01513-50822	STUD	2				0.01	0.022
050	02156-50080	NUT	2				0.004	0.0088
060	04512-50080	WASHER SPRING	2				0	0
070	15611-16020	ASSY CAMSHAFT FUEL	1				2.8	6.16
080	15601-16170	CAMSHAFT FUEL	1				1.25	2.75
090	08153-06205	BEARING BALL	1				0.13	0.286
100	15611-51150	GEAR INJECTION PUMP	1				1.035	2.277
110	05712-00525	KEY FEATHER	1				0.005	0.011
120	04612-00240	CIR-CLIP EXTERNAL	1				0.002	0.0044
130	15611-55450	SLEEVE GOVERNOR	1				0.117	0.2574
140	15221-55470	CIR-CLIP GOV. SLEEVE	1				0.003	0.0066
150	15611-55690	CASE GOVERNOR BALL	1				0.03	0.066
160	07715-03205	BALL	39				0.001	0.0022
170	15221-55740	CIR-CLIP	1				0.002	0.0044
180	07715-00403	BALL	7				0.03	0.066
190	08240-00001	BEARING BALL	1				0.19	0.418
200	15221-16320	STOPPER	1				0.02	0.044
210	01123-50814	BOLT	2				0	0
220	15401-95690	JOINT	1				0.04	0.088

WATER PUMP



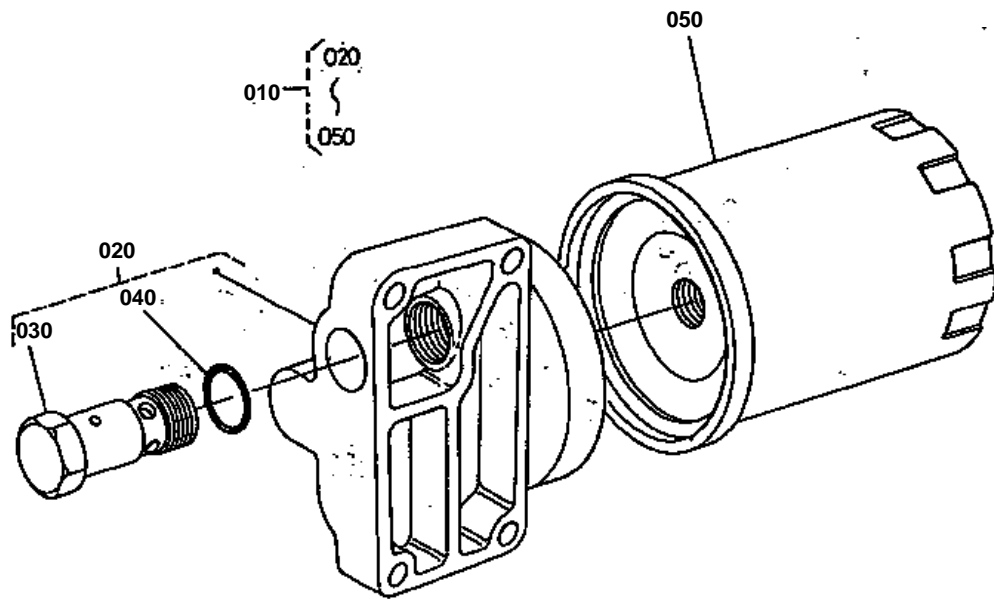


WATER PUMP

↔ Interchangeable; ≠ not interchangeable; ← new for old; → old for new

REF.No	Part No.	Description	Q'ty	S.No.	I/C	REMARKS	Weight (kgf)	Weight (lb)
010	15621-73030	ASSY PUMP WATER	1				0	0
020	15601-73480	SHAFT WATER PUMP	1				0	0
030	15321-73510	IMPELLER WATER PUMP	1				0.22	0.484
040	15121-73050	SET SEAL	1				0	0
050	08143-06302	BEARING BALL	1				0.082	0.1804
060	08143-06202	BEARING BALL	1				0.043	0.0946
070	04612-00150	CIR-CLIP EXTERNAL	1				0.001	0.0022
080	04611-00420	CIR-CLIP INTERNAL	1				0.006	0.0132
090	15121-73620	SLINGER	1				0.002	0.0044
100	15621-74250	PULLEY FAN	1				0.98	2.156
110	05811-00416	KEY	1				0.002	0.0044
120	04512-50140	WASHER SPRING	1				0	0
130	02076-50140	NUT	1				0.022	0.0484
140	15321-73430	GASKET WATER PUMP	1				0	0
150	01518-50822	STUD	2				0.012	0.0264
160	01518-50825	STUD	2				0.014	0.0308
170	02056-50080	NUT	4				0.005	0.011
180	04512-50080	WASHER SPRING	4				0	0
190	04012-50080	WASHER PLAIN	4				0.001	0.0022

OIL FILTER [SECTION PARTS]



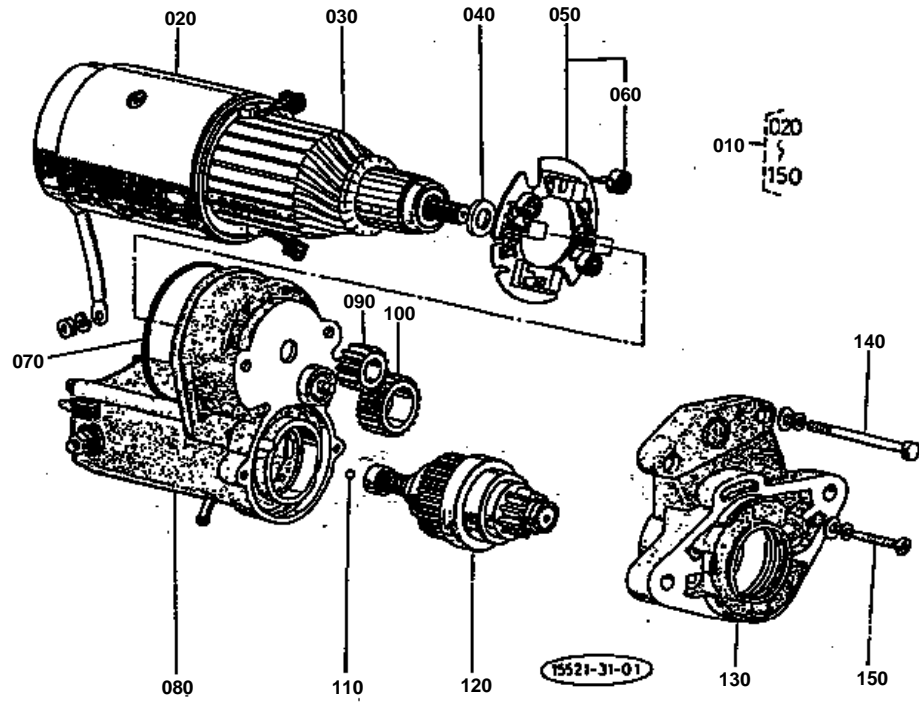


OIL FILTER [SECTION PARTS]

↔ Interchangeable; ≠ not interchangeable; ← new for old; → old for new

REF.No	Part No.	Description	Q'ty	S.No.	I/C	REMARKS	Weight (kgf)	Weight (lb)
010	15402-32023	ASSY FILTER OIL	1				1.05	2.31
020	15402-32070	ASSY COVER	1				0.52	1.144
030	15213-36070	COMP VALVE RELIEF	1				0.13	0.286
040	04811-00200	O RING	1				0	0
050	15402-32430	CARTRIDGE FILTER	1				0.5	1.1

STARTER [SECTION PARTS]

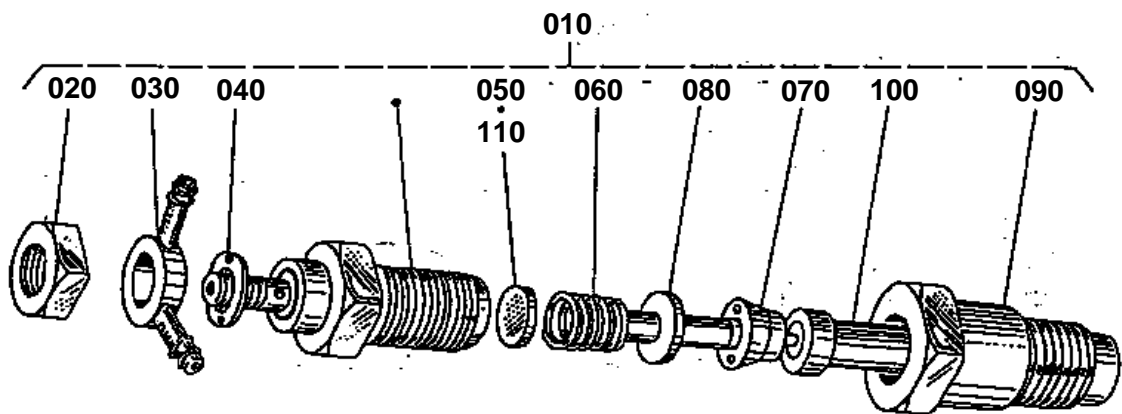


**STARTER [SECTION PARTS]**

↔ Interchangeable; ≠ not interchangeable; ← new for old; → old for new

REF.No	Part No.	Description	Q'ty	S.No.	I/C	REMARKS	Weight (kgf)	Weight (lb)
010	15601-63010	ASSY STARTER	1				0	0
020	15401-63080	YOKE	1				1.2	2.64
030	19212-63070	ARMATURE	1				1	2.2
040	19212-96670	GASKET	1				0.001	0.0022
050	15401-63380	HOLDER BRUSH	1				0.1	0.22
060	15401-63390	SPRING BRUSH	4				0.003	0.0066
070	15401-96660	GASKET	1				0.002	0.0044
080	15521-63020	SWITCH MAGNETIC	1				1.29	2.838
090	15521-63260	GEAR	1				0.03	0.066
100	15401-63270	GEAR	1				0.043	0.0946
110	19212-97130	BALL	1				0.003	0.0066
120	15601-63042	CLUTCH OVER RUNNING	1				0.75	1.65
130	15521-63030	FRAME DRIVE END	1				0.455	1.001
140	15401-63320	BOLT	2				0.017	0.0374
150	15401-93310	SCREW PAN HEAD	2				0.01	0.022

NOZZLE HOLDER [SECTION PARTS]

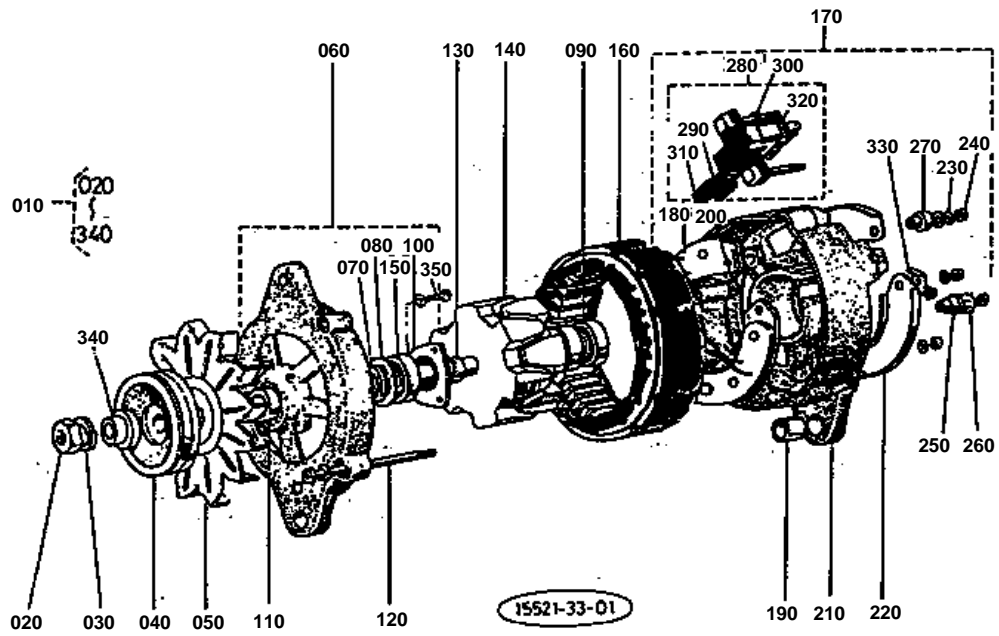


**NOZZLE HOLDER [SECTION PARTS]**

↔ Interchangeable; ≠ not interchangeable; ← new for old; → old for new

REF.No	Part No.	Description	Q'ty	S.No.	I/C	REMARKS	Weight (kgf)	Weight (lb)
010	15271-53020	ASSY HOLDER NOZZLE	6				0.26	0.572
020	15221-92020	NUT	6				0.011	0.0242
030	15221-95690	JOINT	6				0.022	0.0484
040	15221-94020	WASHER PLAIN	6				0.002	0.0044
050	15221-53230	WASHER ADJUSTING	6				0.001	0.0022
060	15221-53170	SPRING NOZZLE	6				0.01	0.022
070	15221-53350	PIECE DISTANCE	6				0.016	0.0352
080	15221-53160	ROD PUSH	6				0.003	0.0066
090	15221-53280	NUT NOZZLE	6				0.068	0.1496
100	15021-53610	PIECE NOZZLE	6				0	0
110	15221-98110	WASHER ADJUSTING	6			1.00MM	0.001	0.0022
110	15221-98120	WASHER ADJUSTING	6			1.05MM	0.001	0.0022
110	15221-98130	WASHER ADJUSTING	6			1.10MM	0.001	0.0022
110	15221-98140	WASHER ADJUSTING	6			1.15MM	0.001	0.0022
110	15221-98150	WASHER ADJUSTING	6			1.20MM	0.001	0.0022
110	15221-98160	WASHER ADJUSTING	6			1.25MM	0.001	0.0022
110	15221-98170	WASHER ADJUSTING	6			1.30MM	0.001	0.0022
110	15221-98180	WASHER ADJUSTING	6			1.35MM	0.001	0.0022
110	15221-98190	WASHER ADJUSTING	6			1.40MM	0.002	0.0044
110	15221-98200	WASHER ADJUSTING	6			1.45MM	0.001	0.0022
110	15221-98210	WASHER ADJUSTING	6			1.50MM	0.001	0.0022
110	15221-98220	WASHER ADJUSTING	6			1.55MM	0.003	0.0066
110	15221-98230	WASHER ADJUSTING	6			1.60MM	0.003	0.0066
110	15221-98240	WASHER ADJUSTING	6			1.65MM	0.002	0.0044
110	15221-98250	WASHER ADJUSTING	6			1.70MM	0.002	0.0044
110	15221-98260	WASHER ADJUSTING	6			1.75MM	0.002	0.0044
110	15221-98270	WASHER ADJUSTING	6			1.80MM	0.002	0.0044
110	15221-98280	WASHER ADJUSTING	6			1.85MM	0.002	0.0044
110	15221-98290	WASHER ADJUSTING	6			1.90MM	0.002	0.0044
110	15221-98300	WASHER ADJUSTING	6			1.95MM	0.003	0.0066

DYNAMO [SECTION PARTS]

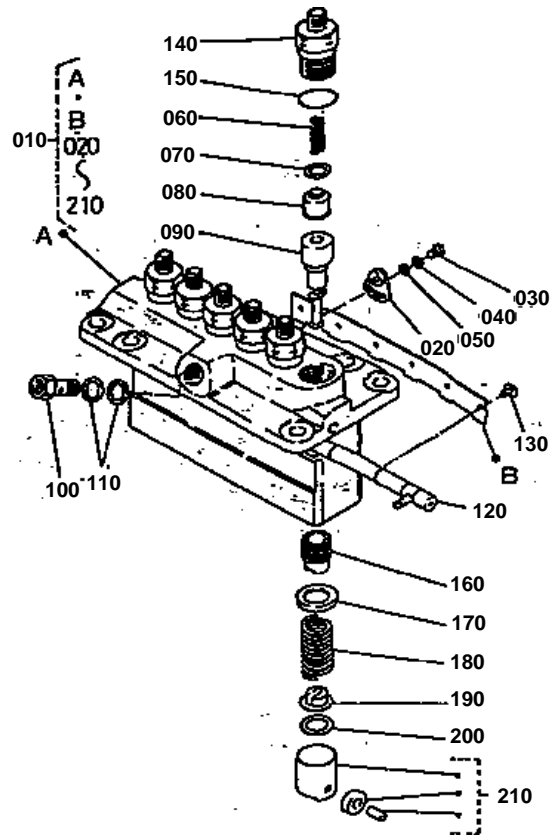


**DYNAMO [SECTION PARTS]**

↔ Interchangeable; ≠ not interchangeable; ← new for old; → old for new

REF.No	Part No.	Description	Q'ty	S.No.	I/C	REMARKS	Weight (kgf)	Weight (lb)
010	15621-64010	ASSY DYNAMO	1				3.6	7.92
020	15221-92010	NUT	1				0.012	0.0264
030	15221-94070	WASHER SPRING	1				0.008	0.0176
040	15606-64110	PULLEY DYNAMO	1				0.46	1.012
050	15221-64130	FAN DYNAMO	1				0	0
060	15321-64020	FRAME DRIVE END	1				0	0
070	15221-64790	FELT OIL	1				0.001	0.0022
080	15221-64830	COVER FELT	1				0.003	0.0066
090	08121-06201	BEARING BALL	1				0.036	0.0792
100	15221-64710	PLATE RETAINER	1				0.018	0.0396
110	15221-64150	COLLAR	1				0.008	0.0176
120	15321-64260	BOLT	2				0.008	0.0176
130	15321-64170	SPACER	1				0.007	0.0154
140	15606-64030	ARMATURE	1				1.34	2.948
150	08141-06202	BEARING BALL	1				0.043	0.0946
160	15606-64050	YOKE	1				0.76	1.672
170	15321-64070	ASSY FRAME END	1				0.52	1.144
180	15321-64850	ASSY RECTIFIER	1				0.134	0.2948
190	15221-64210	BUSH	1				0.007	0.0154
200	15321-64880	WASHER INSULATION	1				0.001	0.0022
210	15321-64060	FRAME END	1				0.298	0.6556
220	15321-64230	COVER END	1				0.029	0.0638
230	04512-50050	WASHER SPRING	5				0	0
240	15221-92030	NUT	5				0.001	0.0022
250	15321-64920	BUSH INSULATION	1				0.001	0.0022
260	04512-50060	WASHER	1				0	0
270	15221-64910	BUSH INSULATION	1				0.001	0.0022
280	15321-64310	ASSY HOLDER BRUSH	1				0.039	0.0858
290	15221-64330	SPRING BRUSH	2				0.001	0.0022
300	15221-64880	WASHER INSULATION	2				0.001	0.0022
310	15221-64090	BRUSH	2				0.002	0.0044
320	15321-64940	INSULATOR TERMINAL	1				0.001	0.0022
330	15321-67570	CLAMP CORD	1				0.04	0.088
340	15321-64170	SPACER	1				0.007	0.0154
350	15321-93310	SCREW	3				0	0

INJECTION PUMP [SECTION PARTS]



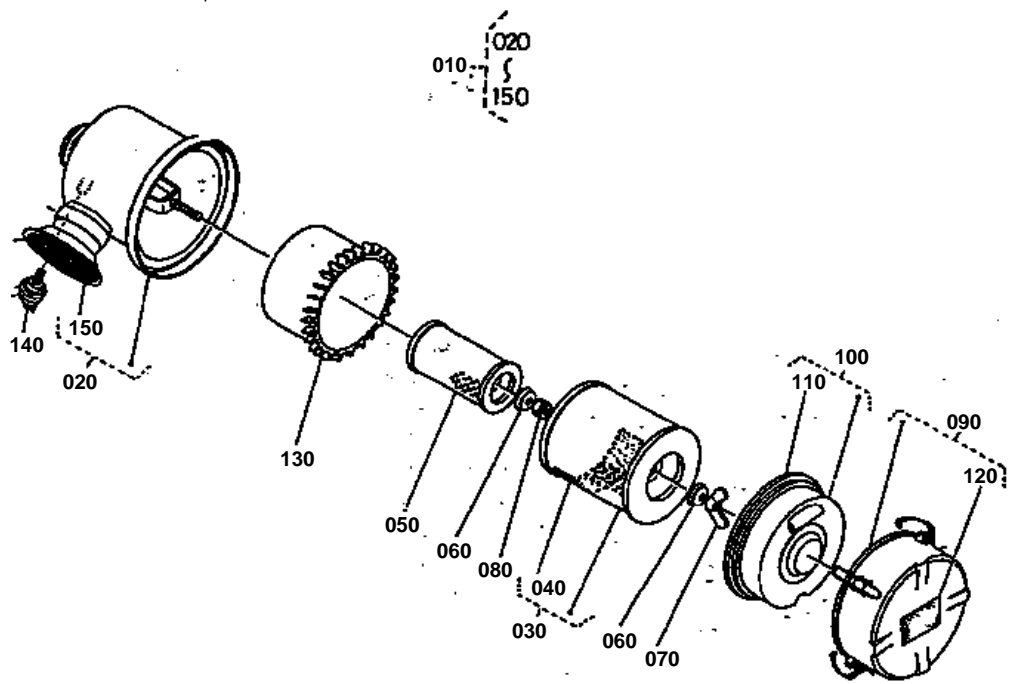


INJECTION PUMP [SECTION PARTS]

↔ Interchangeable; ≠ not interchangeable; ← new for old; → old for new

REF.No	Part No.	Description	Q'ty	S.No.	I/C	REMARKS	Weight (kgf)	Weight (lb)
010	15601-51010	ASSY PUMP INJECTION	1				3.9	8.58
020	15221-51390	PLATE ADJUSTING	5				0	0
030	15221-91030	BOLT	5				0	0
040	14952-51550	WASHER WAVE	5				0.002	0.0044
050	04013-50060	WASHER PLAIN	5				0	0
060	15221-51230	SPRING DELIV.VALVE	6				0.002	0.0044
070	15221-51240	GASKET	6				0.001	0.0022
080	15221-51030	VALVE DELIVERY	6				0.012	0.0264
090	15221-51050	PLUNGER	6				0.053	0.1166
100	15401-51320	SCREW FOLLOW	1				0.032	0.0704
110	15401-96650	GASKET	2				0.001	0.0022
120	15601-51060	RACK CONTROL	1				0.065	0.143
130	15221-51250	PIN TAPPET GUIDE	6				0.001	0.0022
140	15601-51220	HOLDER DELIV.VALVE	6				0.055	0.121
150	14611-51200	O RING	6				0.001	0.0022
160	15221-51380	SLEEVE CONTROL	6				0	0
170	15221-51270	SEAT SPRING UPPER	6				0.004	0.0088
180	15221-51280	SPRING PLUNGER	6				0.015	0.033
190	15221-51290	SEAT SPRING UNDER	6				0.01	0.022
200	15221-51490	SHIM	6				0.002	0.0044
210	15221-51070	ASSY TAPPET	6				0.039	0.0858

DOUBLE AIR CLEANER [SECTION PARTS]

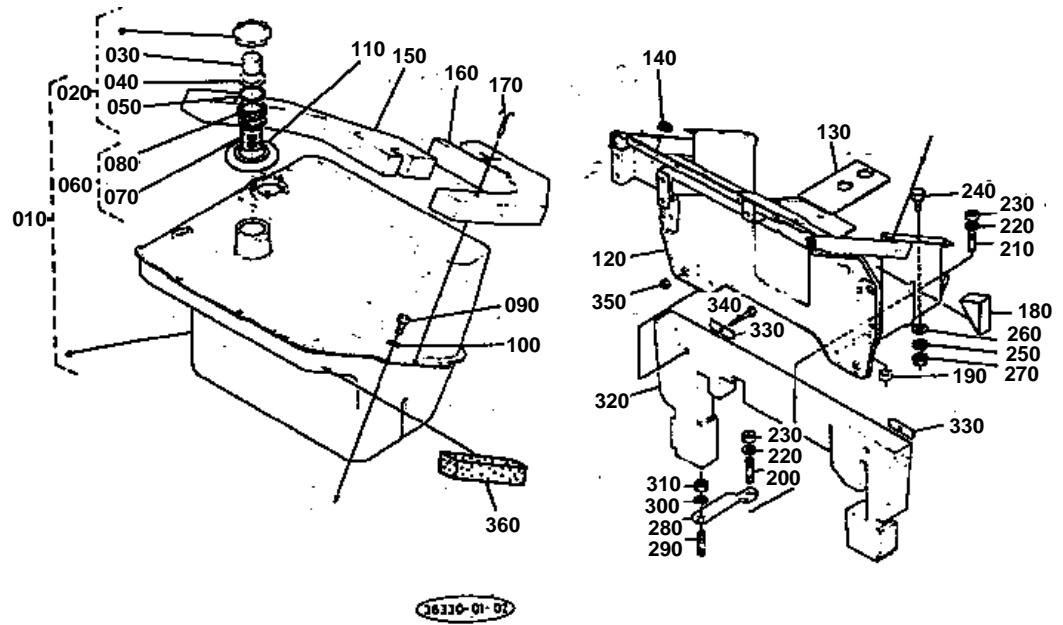


**DOUBLE AIR CLEANER [SECTION PARTS]**

↔ Interchangeable; ≠ not interchangeable; ← new for old; → old for new

REF.No	Part No.	Description	Q'ty	S.No.	I/C	REMARKS	Weight (kgf)	Weight (lb)
010	15621-11020	ASSY CLEANER AIR	1				6.1	13.42
020	99999-99999	ORDER BY REF. No. 01	1				0	0
030	15621-11210	ELEMENT	1				0.95	2.09
040	15621-87480	LABEL ELEMENT A/C	1				0.01	0.022
050	15621-11180	ELEMENT	1				0.31	0.682
060	15621-94440	WASHER SEAL	2				0.008	0.0176
070	15621-92640	NUT WING	1				0.05	0.11
080	15621-92110	NUT	1				0.03	0.066
090	15621-11160	SUB ASSY DUST FAN	1				0.89	1.958
100	15621-11410	COVER BAFFLE	1				0.44	0.968
110	15621-11170	GASKET A/C COVER	1				0.7	1.54
120	15621-87450	LABEL AIR CLEANER	1				0.001	0.0022
130	15621-11600	GUIDE AIR	1				0.12	0.264
140	15621-11090	ASSY INDICATOR	1				0.045	0.099
150	15621-11350	CAP AIR CLEANER	1				0.33	0.726

FUEL TANK

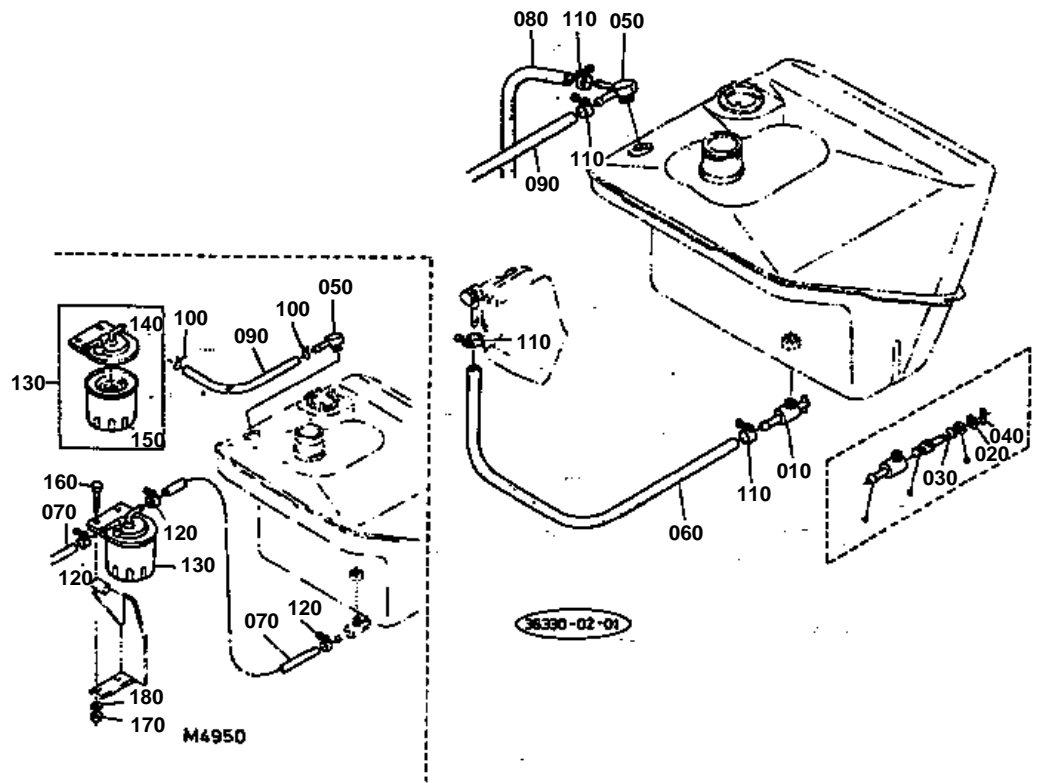


**FUEL TANK**

↔ Interchangeable; ≠ not interchangeable; ← new for old; → old for new

REF.No	Part No.	Description	Q'ty	S.No.	I/C	REMARKS	Weight (kgf)	Weight (lb)
010	36330-04100	COMP.TANK FUEL	1	<=51040			0	0
010	36330-04102	COMP.TANK FUEL	1	>=51041	←		0	0
020	38240-35200	ASSY CAP FUEL TANK	1				0.06	0.132
030	34150-35240	SPONGE	1				0.001	0.0022
040	34150-35230	GASKET	1				0.01	0.022
050	34150-35180	GASKET	1				0.001	0.0022
060	35450-41060	ASSY FILTER FUEL	1				0.015	0.033
070	35450-41350	FILTER FUEL	1				0	0
080	10211-41340	GASKET	1				0.003	0.0066
090	01123-50825	BOLT	6				0.013	0.0286
100	04015-50080	WASHER PLAIN	6				0	0
110	36330-04120	CAP	1				0.015	0.033
120	36330-04219	SUPPORT FUEL TANK	1	<=51040			0	0
120	35880-04210	SUPPORT FUEL TANK	1	>=51041	←		0	0
120	35880-04214	SUPPORT FUEL TANK	1	>=51256	←		0	0
130	36330-04220	CUSHION	2				0.155	0.341
140	32150-29180	CAP RUBBER	3				0.002	0.0044
150	36330-04230	ELEMENT FUEL RH	1				0.075	0.165
160	36330-04240	ELEMENT FUEL LH	1				0.08	0.176
170	36330-04270	RETAINER ELEMENT	4				0.001	0.0022
190	36330-04280	SPACER	4				0.02	0.044
200	01574-51240	STUD	2				0	0
210	01574-51230	STUD	2				0.037	0.0814
220	04512-50120	WASHER SPRING	4				0	0
230	02174-50120	NUT	4				0.01	0.022
240	01133-51020	BOLT	2	<=50142			0.02	0.044
240	01173-51020	BOLT	2	>=50143	↔		0.017	0.0374
250	04512-50100	WASHER SPRING	2	>=50143			0	0
260	04015-50100	WASHER PLAIN	2	>=50143			0.016	0.0352
270	02118-50100	NUT	2	>=50143			0.005	0.011
280	36230-04290	REINFORCING	2				0.18	0.396
290	01574-51230	STUD	2				0.037	0.0814
300	04512-50120	WASHER SPRING	2				0	0
310	02174-50120	NUT	2				0.01	0.022
320	36330-04310	ELEMENT HOUSING	1				0.15	0.33
330	36330-04320	RETAINER ELEMENT	2				0.013	0.0286
340	01053-50655	BOLT	2				0.013	0.0286
350	02014-50060	NUT	2				0.003	0.0066

FUEL PIPING

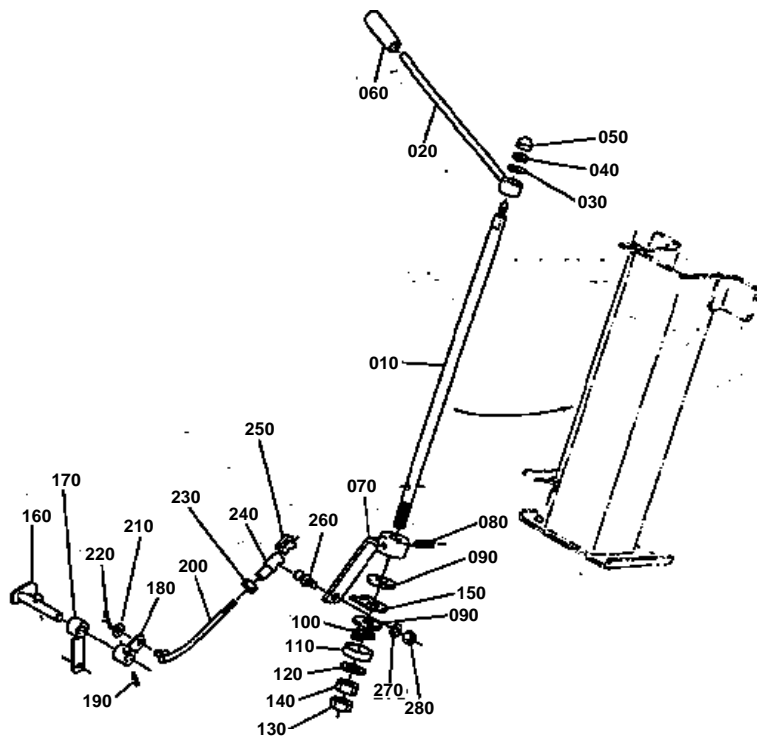


**FUEL PIPING**

↔ Interchangeable; ≠ not interchangeable; ← new for old; → old for new

REF.No	Part No.	Description	Q'ty	S.No.	I/C	REMARKS	Weight (kgf)	Weight (lb)
010	31220-35400	ASSY COCK FUEL	1				0.11	0.242
020	04611-00140	CIR-CLIP INTERNAL	1				0.001	0.0022
030	04811-00080	RING	1				0	0
040	05411-00330	PIN SPRING	1				0.001	0.0022
050	36200-04440	UNION	1				0.065	0.143
070	36200-04420	PIPE FUEL	2				0.007	0.0154
090	36200-04430	PIPE FUEL	1				0.03	0.066
100	10244-42320	CLIP PIPE	2				0.001	0.0022
120	14301-42750	CLIP PIPE	4				0.005	0.011
130	15601-43010	ASSY FILTER FUEL	1				0.8	1.76
140	15601-43210	COVER FILTER	1				0.24	0.528
150	15601-43170	CARTRIDGE FILTER	1				0.47	1.034
160	01153-50830	BOLT	2				0	0
170	02114-50080	NUT	2				0.005	0.011
180	04512-50080	WASHER SPRING	2				0	0

HAND ACCELERATOR

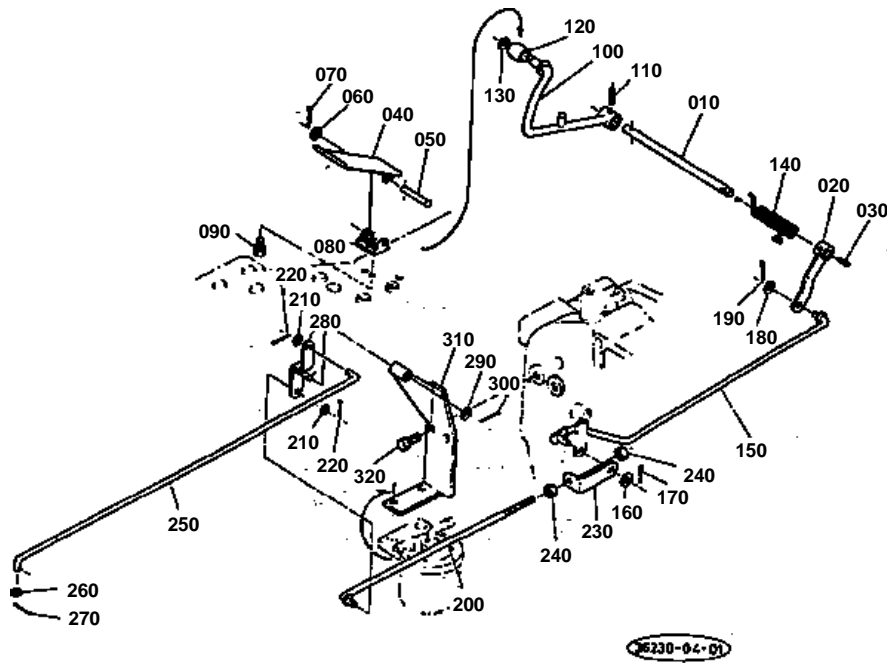


**HAND ACCELERATOR**

↔ Interchangeable; ≠ not interchangeable; ← new for old; → old for new

REF.No	Part No.	Description	Q'ty	S.No.	I/C	REMARKS	Weight (kgf)	Weight (lb)
010	36330-10110	LEVER HANDLE ACCEL	1				0.375	0.825
020	36330-10220	LEVER ACCEL.HAND	1				0.175	0.385
030	04013-50080	WASHER PLAIN	1				0	0
040	04512-50080	WASHER SPRING	1				0	0
050	62633-54280	NUT CAP	1				0.008	0.0176
060	06914-00100	GRIP LEVER	1				0.02	0.044
070	36330-10390	LEVER ARM	1				0.065	0.143
080	05411-00630	PIN SPRING	1				0.004	0.0088
090	33251-10260	DISK FRICTION	1	≤51040			0	0
090	33251-10260	DISK FRICTION	2	≥51041			0	0
100	33251-10320	SPRING ACCEL.LEVER	1				0.012	0.0264
110	33251-10270	CAP SPRING	1				0.01	0.022
120	04013-50120	WASHER PLAIN	1				0	0
130	02172-50120	NUT	1				0.01	0.022
140	02174-50120	NUT	1				0.01	0.022
150	36330-10380	PLATE ACCEL.LEVER	1	≥51041			0.033	0.0726
160	36330-10210	SHAFT ACCEL.	1				0.065	0.143
170	36330-10160	LEVER PEDAL CONTROL	1				0.05	0.11
180	36330-10170	LEVER CONTROL	1				0.04	0.088
190	05411-00320	PIN SPRING	1				0.001	0.0022
200	36330-10120	ROD ACCEL.	1				0.02	0.044
210	04013-50050	WASHER PLAIN	1				0	0
220	05511-50215	PIN SPLIT	1				0.001	0.0022
230	02054-50050	NUT	1				0.002	0.0044
240	33251-10360	JOINT ACCEL.LEVER	1				0.015	0.033
250	33251-10370	SPRING	1				0.002	0.0044
260	33251-10380	PIN JOINT	1				0.005	0.011
270	04512-50050	WASHER SPRING	1				0	0
280	02054-50050	NUT	1				0.002	0.0044

ACCELERATOR PEDAL

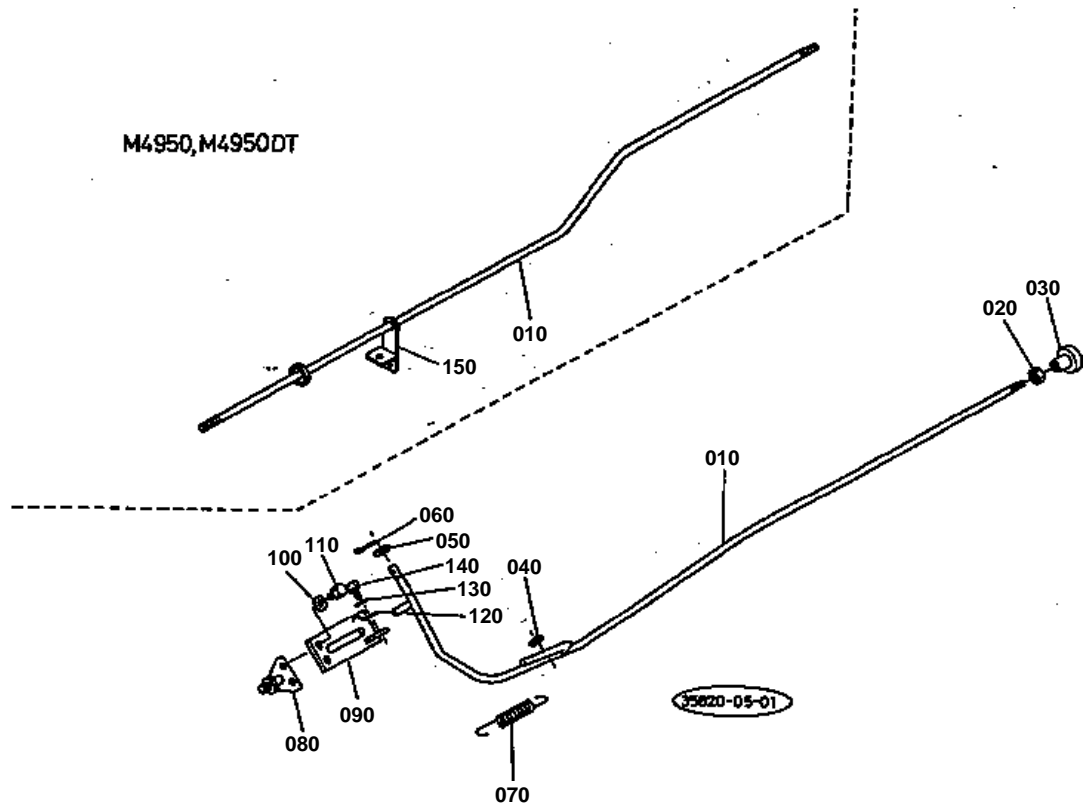


**ACCELERATOR PEDAL**

↔ Interchangeable; ≠ not interchangeable; ← new for old; → old for new

REF.No	Part No.	Description	Q'ty	S.No.	I/C	REMARKS	Weight (kgf)	Weight (lb)
010	36330-10130	SHAFT PEDAL	1				0.12	0.264
020	36330-10140	LEVER PEDAL SHAFT	1				0.07	0.154
030	05411-00520	PIN SPRING	1				0.002	0.0044
040	36330-10240	PEDAL ACCEL.	1				0.175	0.385
050	05122-50645	PIN JOINT	1				0.01	0.022
060	04013-50060	WASHER PLAIN	1				0	0
070	05511-51612	PIN SPLIT	1				0.001	0.0022
080	36330-10180	HOLDER ACCEL.PEDAL	1				0.025	0.055
090	01202-50612	BOLT	2				0.005	0.011
100	36330-10190	LEVER ACCEL.PEDAL	1				0.185	0.407
110	05411-00520	PIN SPRING	1				0.002	0.0044
120	36330-10230	COLLAR	1				0.001	0.0022
130	04613-50070	CIR-CLIP EXTERNAL	1				0.001	0.0022
140	36330-10280	SPRING	1	<=50226			0	0
140	36330-10282	SPRING	1	>=50227	←		0.06	0.132
150	36330-10150	ROD ACCEL.PEDAL	1				0	0
160	04013-50050	WASHER PLAIN	1				0	0
170	05511-51210	PIN SPLIT	1				0.001	0.0022
180	04013-50060	WASHER PLAIN	1				0	0
190	05511-51612	PIN SPLIT	1				0.001	0.0022
200	36220-10100	ROD ACCEL.CONTROL	1				0.129	0.2838
210	04013-50060	WASHER PLAIN	2				0	0
220	05511-51612	PIN SPLIT	2				0.001	0.0022
230	33430-10250	END ACCEL.ROD	1				0.025	0.055
240	02014-50060	NUT	2				0.003	0.0066
250	36220-10480	ROD ACCEL.CONTROL	1				0.055	0.121
260	04012-50060	WASHER PLAIN	1				0.001	0.0022
270	05511-51615	PIN SPLIT	1				0.001	0.0022
280	36220-10470	LEVER CONTROL ROD	1				0.07	0.154
290	04011-50100	WASHER PLAIN	1				0.002	0.0044
300	05511-50318	PIN SPLIT	1				0.001	0.0022
310	36230-10460	BRACKET	1				0.6	1.32
320	01133-51020	BOLT	2				0.02	0.044

ENGINE STOP ROD



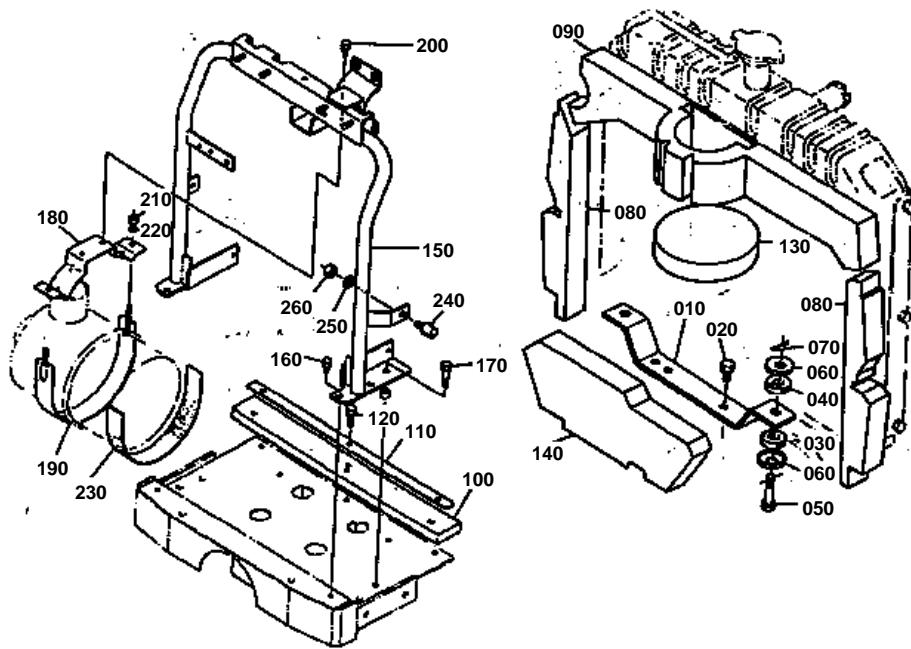


ENGINE STOP ROD

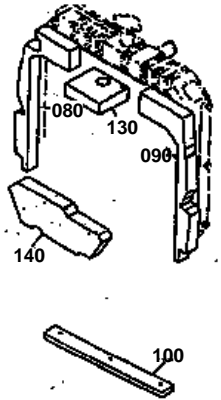
↔ Interchangeable; ≠ not interchangeable; ← new for old; → old for new

REF.No	Part No.	Description	Q'ty	S.No.	I/C	REMARKS	Weight (kgf)	Weight (lb)
010	35800-10340	ROD ENGINE STOP	1				0.23	0.506
020	02014-50060	NUT	1				0.003	0.0066
030	35260-17160	KNOB	1				0.015	0.033
040	04013-50050	WASHER PLAIN	1				0	0
050	04013-50060	WASHER PLAIN	1				0	0
060	05511-50215	PIN SPLIT	1				0.001	0.0022
120	38430-17180	SPRING	1				0.1	0.22
130	04013-50060	WASHER PLAIN	1				0	0
140	01023-50616	BOLT	1				0.005	0.011
150	36230-10350	SUPPORT STOP ROD	1				0.04	0.088

AIR CLEANER BRACKET



REF. No. 080 36230-1714-0
REF. No. 090 36230-1715-0
REF. No. 100 36330-1718-0
REF. No. 130 36330-1718-0
REF. No. 140 36230-1718-0

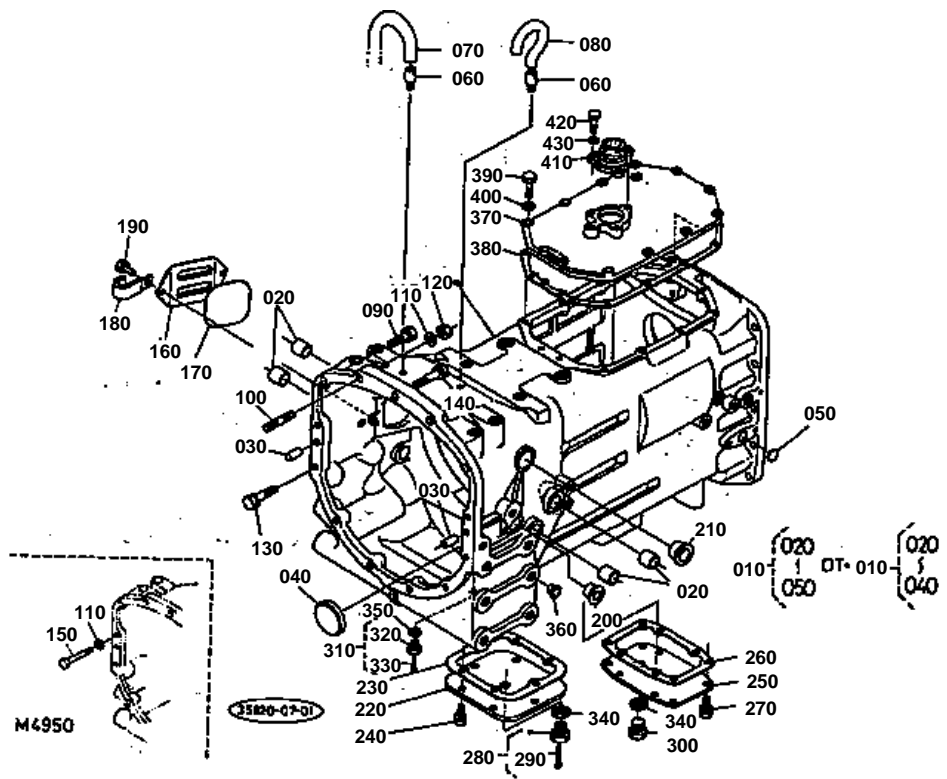


**AIR CLEANER BRACKET**

↔ Interchangeable; ≠ not interchangeable; ← new for old; → old for new

REF.No	Part No.	Description	Q'ty	S.No.	I/C	REMARKS	Weight (kgf)	Weight (lb)
010	35800-17310	SUPPORT RADIATOR	1				1.55	3.41
020	01133-51225	BOLT	2				0.038	0.0836
030	15111-72180	CUSHION	2				0.015	0.033
040	15111-72190	CUSHION	2				0.016	0.0352
050	15108-72380	BOLT	2				0.04	0.088
060	15111-72200	WASHER	4				0.013	0.0286
070	05515-51000	PIN SNAP	2				0	0
080	36230-17140	ELEMENT RH	1	≤51173			0.06	0.132
080	35800-17140	ELEMENT SIDE	2	≥51174	≠		0.09	0.198
090	36230-17150	ELEMENT LH	1	≤51173			0.07	0.154
090	35800-17170	ELEMENT UPPER	1	≥51174	≠		0	0
100	36330-17160	ELEMENT FRONT	1	≤51173			0.02	0.044
100	35820-17160	ELEMENT FRONT	1	≥51174	≠		0.03	0.066
110	36330-17170	PLATE	1				0	0
120	01123-50830	BOLT	3				0.015	0.033
130	36330-17190	ELEMENT UPPER	1	≤51173			0.001	0.0022
130	35820-17190	ELEMENT UPPER	1	≥51174	≠		0.02	0.044
140	36230-17180	ELEMENT LOWER	1	≤51173			0.055	0.121
140	35800-17180	ELEMENT LOWER	1	≥51174	≠		0.14	0.308
150	35802-19130	SUPPORT AIR CLEANER	1				7	15.4
160	01133-51020	BOLT	2				0.02	0.044
170	01133-51050	BOLT	4				0.035	0.077
180	36330-19140	SUPPORT AIR CLEANER	1				0.355	0.781
190	36330-19150	SUPPORT AIR CLEANER	1				0.405	0.891
200	01123-50816	BOLT	2				0	0
210	02114-50080	NUT	2				0.005	0.011
220	04512-50080	WASHER SPRING	2				0	0
230	36330-19160	CUSHION	1				0.04	0.088
240	33251-85180	RUBBER SEAT BLOCK	2				0.038	0.0836
250	04512-50100	WASHER SPRING	2				0	0
260	02118-50100	NUT	2				0.005	0.011

CLUTCH HOUSING



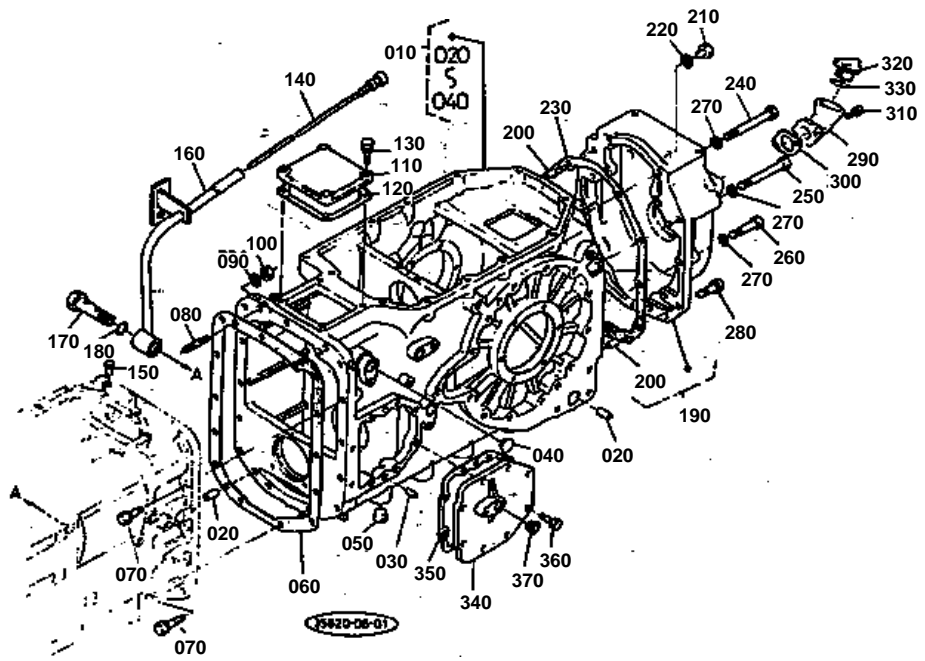


CLUTCH HOUSING

↔ Interchangeable; ≠ not interchangeable; ← new for old; → old for new

REF.No	Part No.	Description	Q'ty	S.No.	I/C	REMARKS	Weight (kgf)	Weight (lb)
010	35811-21100	ASSY HOUSING CLUTCH	1				0	0
020	36200-21130	BUSH	4				0.003	0.0066
030	05012-01020	PIN STRAIGHT	2				0.02	0.044
040	36200-21230	PLUG	1				0.039	0.0858
060	36200-21610	BREATHER	2	>=51081			0.008	0.0176
070	36330-21200	PIPE BREATHER	1	>=51081			0.05	0.11
080	36200-21620	BREATHER	1	>=51081			0.006	0.0132
090	01133-51240	BOLT	2				0.05	0.11
100	01574-51245	STUD	2				0.051	0.1122
110	04512-50120	WASHER SPRING	3				0	0
120	02176-50120	NUT	2				0.01	0.022
130	01133-51245	BOLT	7				0.055	0.121
140	01133-51250	BOLT	1				0.055	0.121
150	01173-51280	BOLT	1				0.1	0.22
160	35801-21160	COVER INSPECTION	1				0.25	0.55
170	35820-21170	GASKET	1				0.045	0.099
180	34150-29390	CLAMP CORD	1	>=51081			0.004	0.0088
190	01123-50818	BOLT	4	<=50142			0.012	0.0264
190	01123-50816	BOLT	2	>=50143	←		0	0
200	36330-21180	PLUG	1				0.009	0.0198
210	36330-21190	PLUG	2				0.015	0.033
220	36200-21180	COVER HOUSING	1				1.097	2.4134
230	36200-21190	GASKET	1				0	0
240	01133-51020	BOLT	6				0.02	0.044
260	36200-21220	GASKET	1				0	0
280	36200-97580	PLUG	1				0.05	0.11
290	05511-50530	PIN SPLIT	1				0.006	0.0132
300	06331-35020	PLUG	1				0.068	0.1496
310	35861-97500	KIT PLUG	1				0.04	0.088
320	35861-97510	PLUG	1				0.027	0.0594
330	05511-50425	PIN SPLIT	1				0.003	0.0066
340	04717-02000	WASHER WITH RUBBER	2				0.004	0.0088
350	04717-01400	WASHER WITH RUBBER	1				0.003	0.0066
360	36330-21290	PLUG BLIND	14				0.002	0.0044
370	36330-21254	COVER SPEED CHANGE	1				4.6	10.12
380	36530-21260	GASKET	1				0.01	0.022
390	01156-50830	BOLT	12				0.012	0.0264
400	04512-50080	WASHER SPRING	12				0	0
410	36330-21270	BASE SPEED CHANGE	1				0.26	0.572
420	01156-50820	BOLT	4				0.01	0.022
430	04512-50080	WASHER SPRING	4				0	0

TRANSMISSION CASE



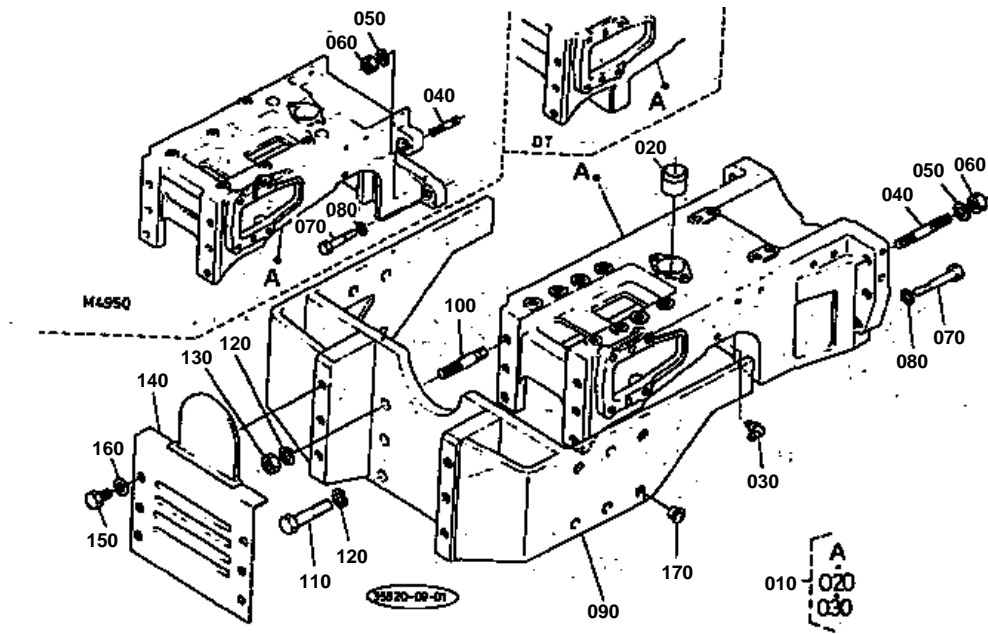


TRANSMISSION CASE

↔ Interchangeable; ≠ not interchangeable; ← new for old; → old for new

REF.No	Part No.	Description	Q'ty	S.No.	I/C	REMARKS	Weight (kgf)	Weight (lb)
010	36330-21300	ASSY CASE TR-MIS'ON	1				89	195.8
020	05012-01325	PIN STRAIGHT	6				0.028	0.0616
030	05012-01020	PIN STRAIGHT	2				0.02	0.044
040	36200-21240	PLUG	1				0	0
050	33300-90910	PLUG BLIND	10				0.002	0.0044
060	36330-21320	GASKET	1	<=51255			0	0
060	35880-21320	GASKET	1	>=51256	←		0	0
070	01133-51240	BOLT	12				0.05	0.11
080	01574-51240	STUD	2				0	0
090	04512-50120	WASHER SPRING	2				0	0
100	02176-50120	NUT	2				0.01	0.022
110	36330-21340	COVER MISSION CASE	1				0.73	1.606
120	36330-21350	GASKET	1				0	0
130	01133-51030	BOLT	4				0.025	0.055
140	35820-21510	GAUGE OIL	1	<=51095			0	0
140	35868-21510	GAUGE OIL	1	>=51096	↔		0.045	0.099
150	35820-21520	PLUG	1				0.004	0.0088
160	35820-21550	GUIDE OIL GAUGE	1				0.4	0.88
170	35820-21560	BOLT JOINT	1				0.18	0.396
180	04811-00220	RING	1				0	0
190	36330-21400	ASSY COVER CASE	1	<=51210			0	0
190	36330-21402	ASSY COVER CASE	1	>=51211	←		0	0
200	05012-01020	PIN STRAIGHT	2				0.02	0.044
210	06311-45040	PLUG	1	>=51211			0.115	0.253
220	04717-02150	WASHER WITH RUBBER	1	>=51211			0.004	0.0088
230	36200-21420	GASKET	1				0	0
240	01173-51204	BOLT	2				0	0
250	01173-51202	BOLT	2				0.101	0.2222
260	01173-51255	BOLT	2				0.057	0.1254
270	04512-50120	WASHER SPRING	6				0	0
280	01133-51235	BOLT	4				0.05	0.11
290	36330-21470	FILLER OIL	1				0.42	0.924
300	36330-21480	GASKET	1				0.001	0.0022
310	01123-50820	BOLT	2				0.011	0.0242
320	38430-21410	PLUG	1				0.045	0.099
330	04811-50300	RING	1				0	0
340	36330-21450	COVER SIDE	1				1.44	3.168
350	36330-21460	GASKET	1				0	0
360	01133-51028	BOLT	8				0.027	0.0594
370	36200-21240	PLUG	1				0	0

FRONT AXLE BRACKET



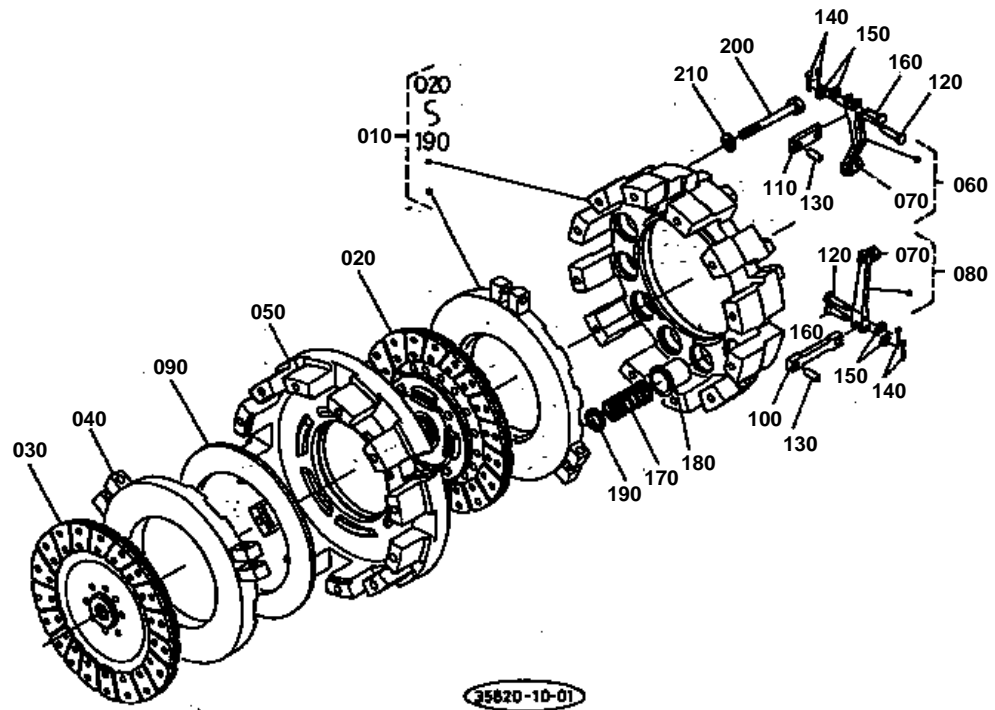


FRONT AXLE BRACKET

↔ Interchangeable; ≠ not interchangeable; ← new for old; → old for new

REF.No	Part No.	Description	Q'ty	S.No.	I/C	REMARKS	Weight (kgf)	Weight (lb)
010	36240-21700	ASSY BRACKET AXLE	1				52	114.4
020	36280-21720	BUSH	1				0.07	0.154
030	06613-10010	NIPPLE GREASE	1				0.006	0.0132
040	35802-21800	STUD	2				0.162	0.3564
050	36200-49130	SPRING PLATE	2				0.026	0.0572
060	02176-50180	NUT	2				0.028	0.0616
070	36230-21740	BOLT	2				0.164	0.3608
080	04512-50180	WASHER SPRING	2				0	0
090	36330-21760	BUMPER FRONT	1				0	0
100	36330-21680	STUD	2				0.2	0.44
110	01173-51850	BOLT	4				0.13	0.286
120	04512-50180	WASHER SPRING	6				0	0
130	02174-50180	NUT	2				0.029	0.0638
140	36330-21770	COVER FRONT BUMPER	1				0.84	1.848
150	01173-51635	BOLT	4	<=51264			0.078	0.1716
150	01173-51635	BOLT	6	>=51265			0.078	0.1716
160	04011-50160	WASHER PLAIN	4	<=51264			0	0
160	04011-50160	WASHER PLAIN	6	>=51265			0	0
170	36330-21290	PLUG BLIND	12				0.002	0.0044

CLUTCH [OLD TYPE]



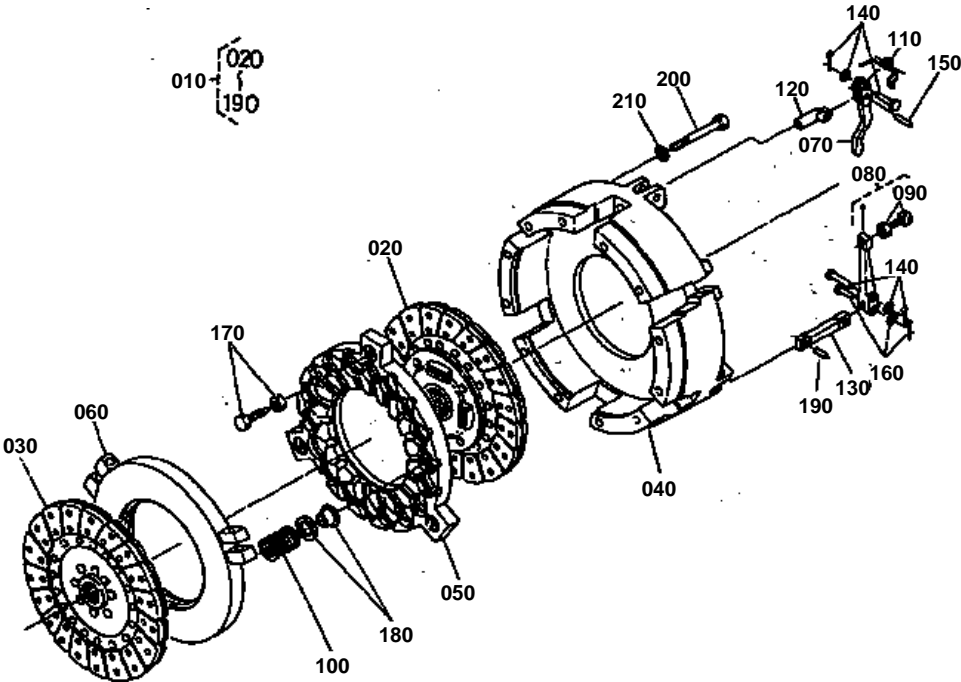
**CLUTCH [OLD TYPE]**

S.No.:M4950;>=10001 <=10050 M4950DT;>=50001 <=50122 M5950;>=10001 <=10060 M5950DT;>=50001 <=50032

↔ Interchangeable; ≠ not interchangeable; ← new for old; → old for new

REF.No	Part No.	Description	Q'ty	S.No.	I/C	REMARKS	Weight (kgf)	Weight (lb)
010	35820-25100	ASSY CLUTCH	1				0	0
020	36200-25134	DISK CLUTCH	1				0	0
030	36200-25142	DISK PTO CLUTCH	1				0	0
040	36200-25150	PLATE PRESSURE	1				4.15	9.13
050	36200-25163	COVER CLUTCH(PTO)	1				10	22
060	36200-25230	KIT LEVER	1				0.71	1.562
070	36200-25250	KIT BOLT NUT	6				0.06	0.132
080	36200-25240	KIT LEVER	1				0.54	1.188
090	36200-25210	SPRING DIAPHRAGM	1				0.882	1.9404
100	36200-25260	ASSY ROD	3				0.16	0.352
110	36200-25270	ASSY ROD SUB	3				0.07	0.154
120	36200-25280	PIN JOINT	6				0.02	0.044
130	36200-25290	PIN STRAIGHT	6				0.015	0.033
140	05511-50315	PIN SPLIT	12				0.002	0.0044
150	04012-50080	WASHER PLAIN	12				0.001	0.0022
160	36200-25300	PIN JOINT	6				0.015	0.033
170	35999-02580	SPRING PRESSURE	12				0.08	0.176
180	35999-02590	CAP SPRING	12				0.026	0.0572
190	35999-02610	SEAT SPRING	12				0	0
200	01053-50800	BOLT	12				0.036	0.0792
210	04512-50080	WASHER SPRING	12				0	0

CLUTCH [NEW TYPE]



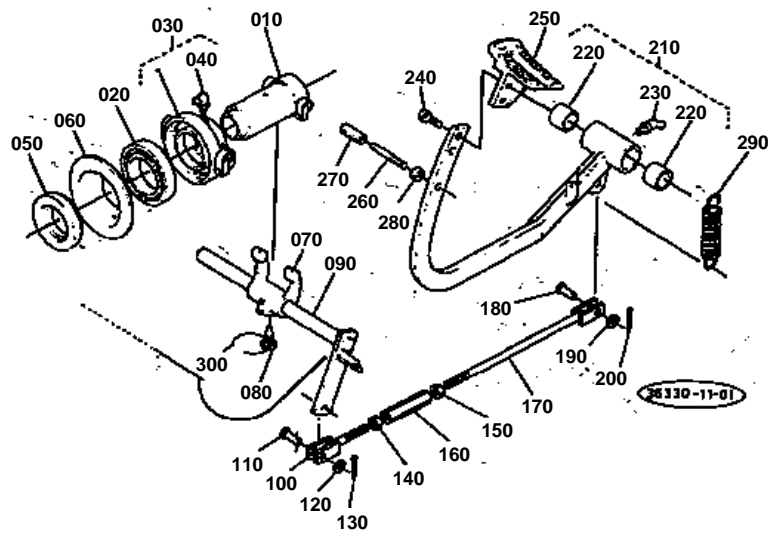
**CLUTCH [NEW TYPE]**

S.No.:M4950;>=10051 M4950DT;>=50123 M5950;>=10061 M5950DT;>=50033

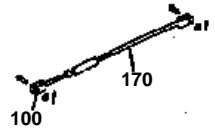
↔ Interchangeable; ≠ not interchangeable; ← new for old; → old for new

REF.No	Part No.	Description	Q'ty	S.No.	I/C	REMARKS	Weight (kgf)	Weight (lb)
010	35830-25102	ASSY CLUTCH	1				0	0
020	35820-25132	DISK CLUTCH	1				0	0
030	36200-25142	DISK PTO CLUTCH	1				0	0
040	35820-25160	COVER CLUTCH	1				0	0
050	35820-25150	PLATE PRESSURE	1				5.2	11.44
060	35820-25220	PLATE PRESSURE	1				0	0
070	35820-25230	KIT LEVER	1				0.55	1.21
080	35820-25240	KIT LEVER	1				0.55	1.21
090	35820-25250	KIT BOLT NUT	1				0.06	0.132
100	35820-25310	KIT PRESSURE SPRING	1				1	2.2
110	35820-25320	KIT SPRING RETURN	1				0.024	0.0528
120	35820-25260	KIT ROD	1				0.225	0.495
130	35820-25270	KIT ROD	1				0.5	1.1
140	35820-25330	KIT PIN JOINT	1				0	0
150	35820-25340	KIT PIN STRAIGHT	1				0	0
160	35820-25350	KIT PIN JOINT	1				0.05	0.11
170	35820-25360	KIT BOLT NUT	1				0.08	0.176
180	35820-25370	KIT SEAT SPRING	1				0.162	0.3564
190	35820-25380	KIT PIN STRAIGHT	1				0.05	0.11
200	01053-50800	BOLT	12				0.036	0.0792
210	04512-50080	WASHER SPRING	12				0	0

CLUTCH PEDAL



REF. No. 100 36330-2617-0
REF. No. 170 36330-2618-0

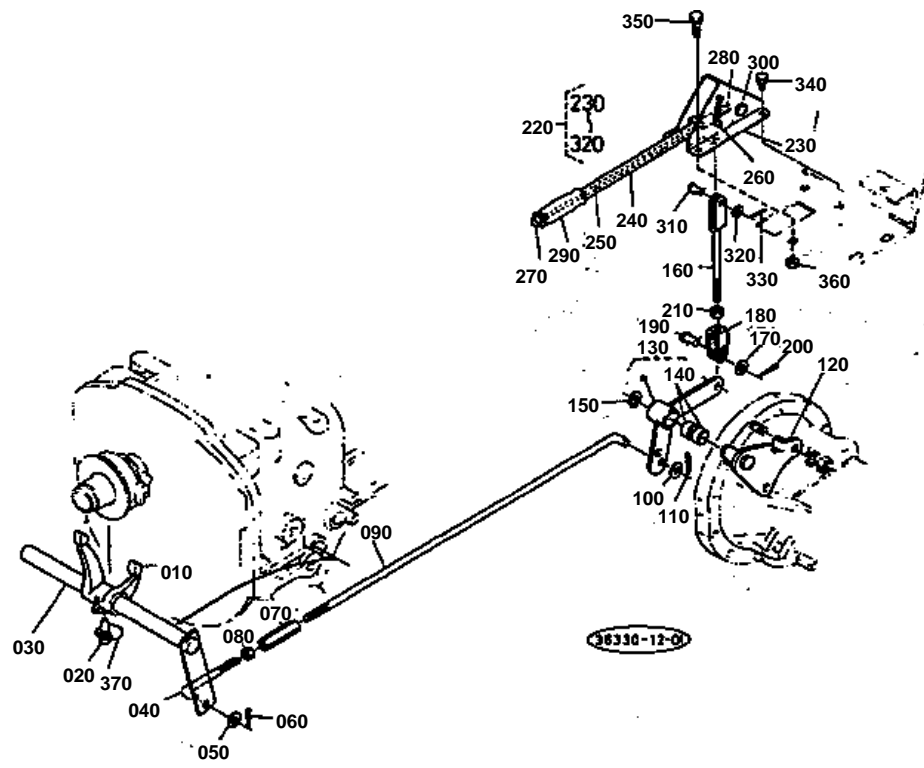


**CLUTCH PEDAL**

↔ Interchangeable; ≠ not interchangeable; ← new for old; → old for new

REF.No	Part No.	Description	Q'ty	S.No.	I/C	REMARKS	Weight (kgf)	Weight (lb)
010	36330-26300	ASSY HUB CLUTCH	1				0.84	1.848
020	36200-26410	BEARING RELEASE	1				0.504	1.1088
030	36330-26730	ASSY COUPLING	1				0.98	2.156
040	06613-30010	NIPPLE GREASE	1				0.01	0.022
050	08121-06013	BEARING BALL	1				0.45	0.99
060	33400-26770	HUB CLUTCH RELEASE	1				0.65	1.43
070	36330-26190	FORK CLUTCH RELEASE	1				0.55	1.21
080	33251-26350	BOLT	1				0.045	0.099
090	36330-26210	SHAFT CLUTCH CONTROL	1	≤50286			0	0
090	36330-26213	SHAFT CLUTCH CONTROL	1	≥50287	←		0	0
100	36330-26170	ROD CLUTCH	1	≤50286			0	0
100	36330-26173	ROD CLUTCH	1	≥50287	←		0.11	0.242
110	36330-26130	PIN CLUTCH LINK	1				0	0
120	04011-50100	WASHER PLAIN	1				0.002	0.0044
130	05511-50318	PIN SPLIT	1				0.001	0.0022
140	02116-50100	NUT	1				0.004	0.0088
150	55311-31550	NUT	1	≥50287			0.007	0.0154
160	32350-28980	TURNBUCKLE	1				0.124	0.2728
170	36330-26180	ROD CLUTCH	1	≤50286			0	0
170	36330-26182	ROD CLUTCH	1	≥50287	←		0.22	0.484
180	36330-26130	PIN CLUTCH LINK	1				0	0
190	04011-50100	WASHER PLAIN	1				0.002	0.0044
200	05511-50318	PIN SPLIT	1				0.001	0.0022
210	36330-26100	ASSY LEVER CLUTCH	1	≤50286			0	0
210	36330-26105	ASSY LEVER CLUTCH	1	≥50287	←		3	6.6
220	32150-28440	BUSH	2				0.043	0.0946
230	06613-30010	NIPPLE GREASE	1				0.01	0.022
240	01123-50825	BOLT	2				0.013	0.0286
250	35861-26150	HEEL PEDAL	1				0.9	1.98
260	36330-26140	STOPPER CLUTCH PEDAL	1				0.03	0.066
270	36330-26270	RUBBER PROTECTOR	1				0.005	0.011
280	02116-50100	NUT	2				0.004	0.0088
290	36330-26160	SPRING PEDAL RETURN	1				0.17	0.374
300	99999-99999	YOUR SUPPLY	1				0	0

PTO CLUTCH LEVER



6330-12-0

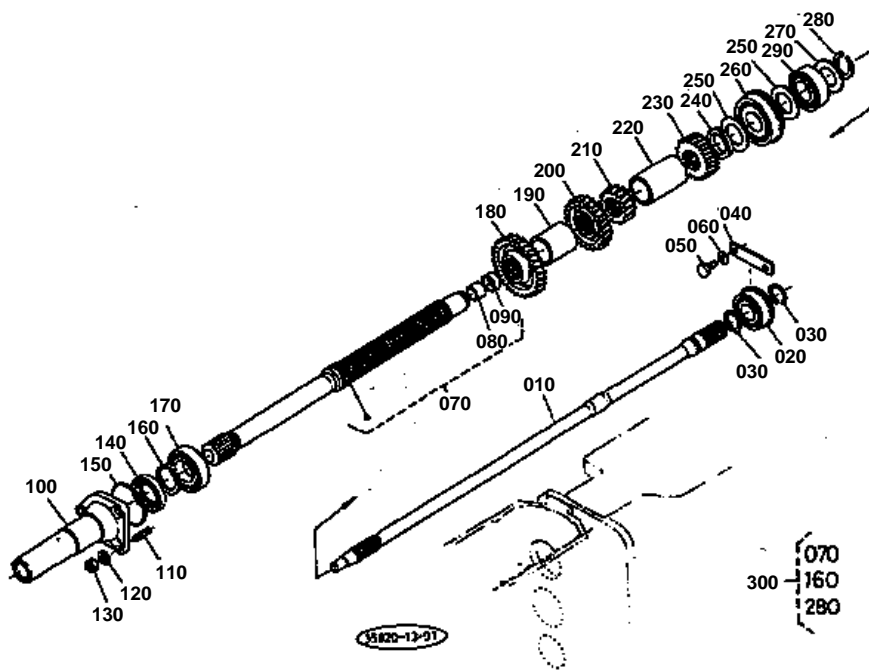


PTO CLUTCH LEVER

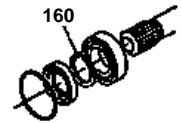
↔ Interchangeable; ≠ not interchangeable; ← new for old; → old for new

REF.No	Part No.	Description	Q'ty	S.No.	I/C	REMARKS	Weight (kgf)	Weight (lb)
010	36330-26710	FORK CLUTCH RELEASE	1				0.65	1.43
020	33251-26350	BOLT	1				0.045	0.099
030	36330-26660	SHAFT CONTROL LEVER	1				1.8	3.96
040	36330-26620	ROD PTO	1				0.07	0.154
050	04011-50100	WASHER PLAIN	1				0.002	0.0044
060	05511-50318	PIN SPLIT	1				0.001	0.0022
070	32350-28980	TURNBUCKLE	1				0.124	0.2728
080	02116-50100	NUT	1				0.004	0.0088
090	36330-26650	ROD PTO	1				0.36	0.792
100	04011-50100	WASHER PLAIN	1				0.002	0.0044
110	05511-50318	PIN SPLIT	1				0.001	0.0022
120	36330-26360	BRACKET FULCRUM	1				0.56	1.232
130	36330-26410	ASSY LINK CLUTCH	1				0.42	0.924
140	36330-26430	BUSH	2				0	0
150	04612-00220	CIR-CLIP EXTERNAL	1				0.001	0.0022
160	36330-26440	ROD PTO	1				0.12	0.264
170	04011-50100	WASHER PLAIN	1				0.002	0.0044
180	38240-24360	JOINT	1				0.08	0.176
190	05122-51022	PIN JOINT	1				0.014	0.0308
200	05511-50318	PIN SPLIT	1				0.001	0.0022
210	02116-50100	NUT	1				0.004	0.0088
220	36330-26002	ASSY LEVER CONTROL	1			←	1.27	2.794
230	36330-26013	GUIDE LEVER	1			←	0.7	1.54
240	36330-26020	LEVER CLUTCH CONTROL	1				0.56	1.232
250	36330-26030	ROD RELEASE	1				0.09	0.198
260	05411-00540	PIN SPRING	1				0.004	0.0088
270	36330-26040	BUTTON	1				0.01	0.022
280	36330-26050	SPRING	1				0.01	0.022
290	36330-26060	GRIP	1				0.04	0.088
300	36330-26070	PIN	1				0.04	0.088
310	05122-50816	PIN JOINT	1				0.007	0.0154
320	04012-50080	WASHER PLAIN	1				0.001	0.0022
330	05511-50215	PIN SPLIT	1				0.001	0.0022
340	01123-50816	BOLT	3			≥51242	0	0
350	01123-50825	BOLT	1			≥51242	0.013	0.0286
360	02114-50080	NUT	1			≥51242	0.005	0.011
370	99999-99999	YOUR SUPPLY	1				0	0

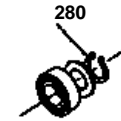
PTO PROPELLER SHAFT



REF. No. 160 04812-00450



REF. No. 280 04812-00400



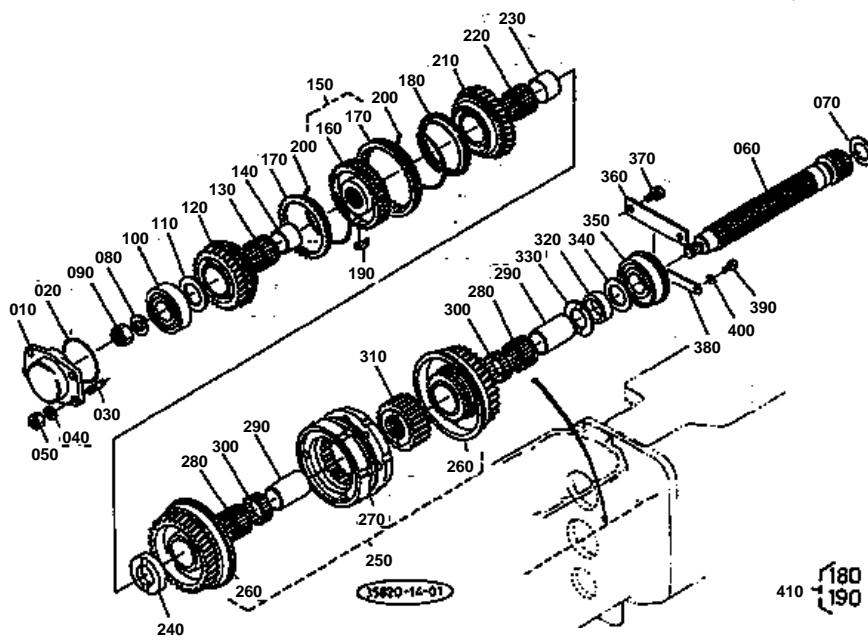


PTO PROPELLER SHAFT

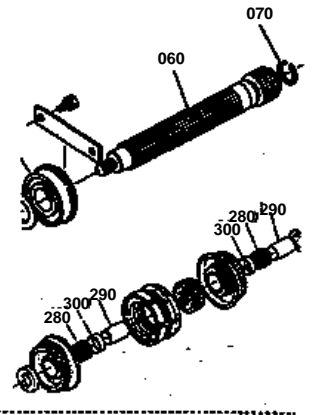
↔ Interchangeable; ≠ not interchangeable; ← new for old; → old for new

REF.No	Part No.	Description	Q'ty	S.No.	I/C	REMARKS	Weight (kgf)	Weight (lb)
010	36230-25614	SHAFT PTO PROPELLER	1				3.8	8.36
020	08151-06306	BEARING BALL	1				0.36	0.792
030	04612-00300	CIR-CLIP EXTERNAL	2				0.003	0.0066
040	36200-28680	RETAINER BEARING	1				0.058	0.1276
050	01153-50820	BOLT	2				0.012	0.0264
060	04411-50080	WASHER	2				0.001	0.0022
070	36330-28102	ASSY SHAFT FIRST	1	≤51288			0	0
070	36330-28103	ASSY SHAFT FIRST	1	≥51289	←		3.9	8.58
080	33251-28640	BUSH FIRST SHAFT	1				0.018	0.0396
090	36330-28650	SEAL FIRST SHAFT	1	≤51288			0.002	0.0044
090	36730-24330	SEAL FIRST SHAFT	1	≥51289	≠		0.005	0.011
100	36330-28510	COMP.CASE BEARING	1				1.96	4.312
110	01513-50828	STUD	3				0.013	0.0286
120	04512-50080	WASHER SPRING	3				0	0
130	02114-50080	NUT	3				0.005	0.011
140	36730-24650	SEAL OIL	1				0.03	0.066
150	04811-50900	RING	1				0.003	0.0066
160	04612-00450	CIR-CLIP EXTERNAL	1	≤51288			0.007	0.0154
160	36730-28050	CIR-CLIP EXTERNAL	1	≥51289	≠		0.01	0.022
170	08101-06209	BEARING BALL	1				0.42	0.924
180	36330-28480	GEAR	1			30T	0.82	1.804
190	36330-28432	COLLAR	1				0.28	0.616
200	36330-28230	GEAR	1	≤51255		25T	0.63	1.386
200	36330-28232	GEAR	1	≥51256	←	25T	0.7	1.54
210	36530-28250	GEAR	1			16T	0.37	0.814
220	35820-28450	COLLAR	1				0.43	0.946
230	35822-28220	GEAR	1			22T	0.8	1.76
240	35820-28440	COLLAR	1				0.08	0.176
250	36330-28180	COLLAR	2				0.025	0.055
260	35822-28330	BEARING BALL	1				0.65	1.43
270	36330-28410	SHIM	2			0.3MM	0.002	0.0044
270	36330-28420	SHIM	2			0.1MM	0.002	0.0044
280	04612-00400	CIR-CLIP EXTERNAL	1	≤51288			0.005	0.011
280	36730-28040	CIR-CLIP EXTERNAL	1	≥51289	≠		0	0
290	35822-32380	BEARING BALL	1				0.36	0.792
300	36330-97240	SHAFT 1ST	1				0	0

COUNTER SHAFT



REF. No. 060 36330-2818-0
 REF. No. 070 36330-2818-0
 REF. No. 280 36200-2834-0
 REF. No. 290 35820-2833-0
 REF. No. 300 35820-2888-0





COUNTER SHAFT

↔ Interchangeable; ≠ not interchangeable; ← new for old; → old for new

REF.No	Part No.	Description	Q'ty	S.No.	I/C	REMARKS	Weight (kgf)	Weight (lb)
010	36330-28630	COVER COUNTERSHAFT	1				0.65	1.43
020	04811-50800	RING	1				0.003	0.0066
030	01513-50828	STUD	4				0.013	0.0286
040	04512-50080	WASHER SPRING	4				0	0
050	02114-50080	NUT	4				0.005	0.011
060	36330-28160	COUNTERSHAFT	1	<=50286			2.85	6.27
060	36330-28166	COUNTERSHAFT	1	>=50287	←		0	0
070	36330-28190	CIR-CLIP EXTERNAL	1	<=51154			0.001	0.0022
070	35820-28190	COLLAR	1	>=51155	←		0.003	0.0066
080	36330-80080	COLLAR	1				0.03	0.066
090	34150-25330	NUT	1				0.04	0.088
100	08101-06307	BEARING BALL	1				0.44	0.968
110	36330-28610	COLLAR THRUST	1				0.04	0.088
120	36330-28290	GEAR	1	<=51000		29T	0	0
120	36330-28293	GEAR	1	>=51001	←	29T	1.62	3.564
130	36200-28340	BEARING NEEDLE	1				0	0
140	36200-28330	RING INNER	1				0.088	0.1936
150	36330-28400	ASSY SHIFTER	1	<=51032			1.95	4.29
150	36330-28402	ASSY SHIFTER	1	>=51033	←		0	0
160	99999-99999	ORDER BY REF No.150	0				0	0
170	99999-99999	ORDER BY REF No.150	0				0	0
180	36200-28410	RING SYNCHRONIZER	2	<=51000			0	0
180	36530-28412	RING SYNCHRONIZER	2	>=51001	←		0	0
180	36530-28413	RING SYNCHRONIZER	2	>=51300	←		0	0
190	36200-28420	KEY SYNCHRONIZER	3	<=50226			0	0
190	36330-28500	KEY SYNCHRONIZER	2	>=50227	←		0	0
190	36330-28502	KEY SYNCHRONIZER	3	>=51041	←		0.008	0.0176
200	36200-28430	SPRING	2	<=51000			0	0
200	36200-28432	SPRING	2	>=51001	←		0	0
210	36330-28280	GEAR	1	<=51375		33T	1.77	3.894
210	36330-28284	GEAR	1	>=51376	←	33T	0	0
220	36200-28340	BEARING NEEDLE	1				0	0
230	36200-28330	RING INNER	1				0.088	0.1936
240	35820-28620	COLLAR THRUST	1	<=51357			0.33	0.726
240	36330-28620	COLLAR THRUST	1	>=51358	≠		0.18	0.396
250	35820-28540	ASSY GEAR SYNCHRO.	1			37T	10.8	23.76
260	35820-28550	ASSY GEAR	2	<=51357		37T	3.5	7.7
260	35820-28553	ASSY GEAR	2	>=51358	≠		3.58	7.876
270	35820-28580	ASSY RING SYNCHORO.	1				3.08	6.776
280	36200-28340	BEARING NEEDLE	2	<=51288			0	0
280	08824-55027	BEARING NEEDLE	2	>=51289	≠		0.06	0.132
280	08825-05530	BEARING NEEDLE	2	>=51358	≠		0.06	0.132
290	35820-28330	RING INNER	2	<=51357			0.14	0.308
290	35820-28332	RING INNER	2	>=51358	≠		0.3	0.66
300	35820-28680	COLLAR	2	<=51288			0.03	0.066
300	08824-55017	BEARING NEEDLE	2	>=51289	≠		0.03	0.066
300	08825-05520	BEARING NEEDLE	2	>=51358	≠		0.04	0.088
310	35820-28460	COUPLING	1	<=51299			0	0
310	35820-28462	COUPLING	1	>=51300	←		1.45	3.19
320	35820-28700	COLLAR	1	<=50288			0	0
320	35820-28702	COLLAR	1	>=50289	←		0.144	0.3168
320	35820-28703	COLLAR	1	>=51300	≠		0.126	0.2772
320	35820-28704	COLLAR	1	>=51358	≠		0.08	0.176
330	36330-28660	COLLAR THRUST	1	<=51299			0	0
330	36730-28622	COLLAR THRUST	1	>=51300	≠		0.12	0.264
340	36330-28180	COLLAR	1				0.025	0.055
350	08151-06308	BEARING BALL	1				0.64	1.408
360	36530-28690	RETAINER BEARING	1				0.15	0.33
370	01123-50820	BOLT	2				0.011	0.0242

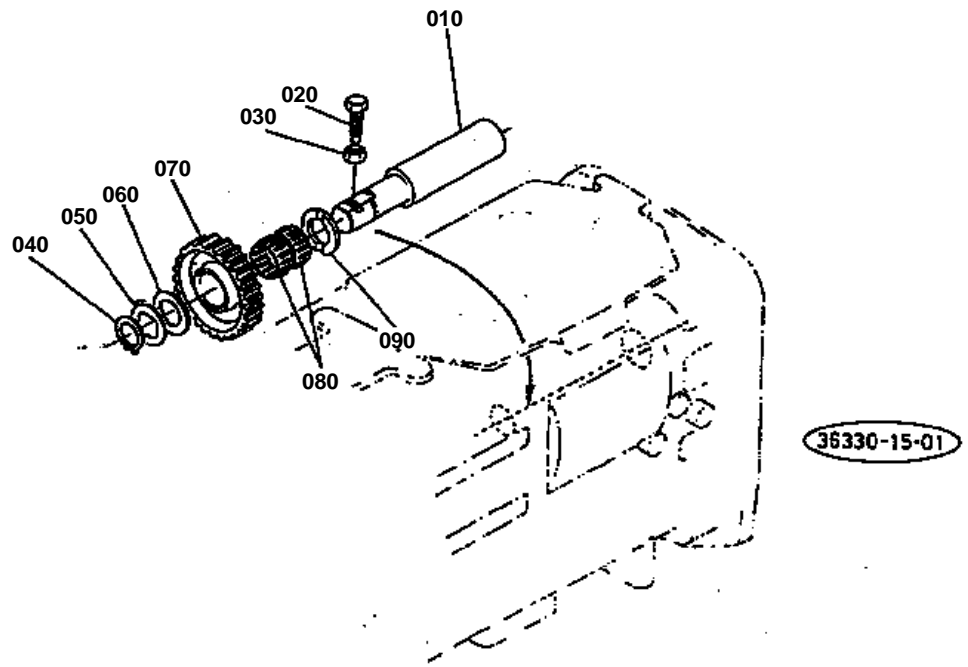


COUNTER SHAFT

↔ Interchangeable; ≠ not interchangeable; ← new for old; → old for new

REF.No	Part No.	Description	Q'ty	S.No.	I/C	REMARKS	Weight (kgf)	Weight (lb)
380	36200-28680	RETAINER BEARING	1	>=51256			0.058	0.1276
390	01153-50820	BOLT	2	>=51256			0.012	0.0264
400	04411-50080	WASHER	2	>=51256			0.001	0.0022
410	36530-97282	KIT RING SYNCHRO.	1				0	0

BACK IDLE SHAFT



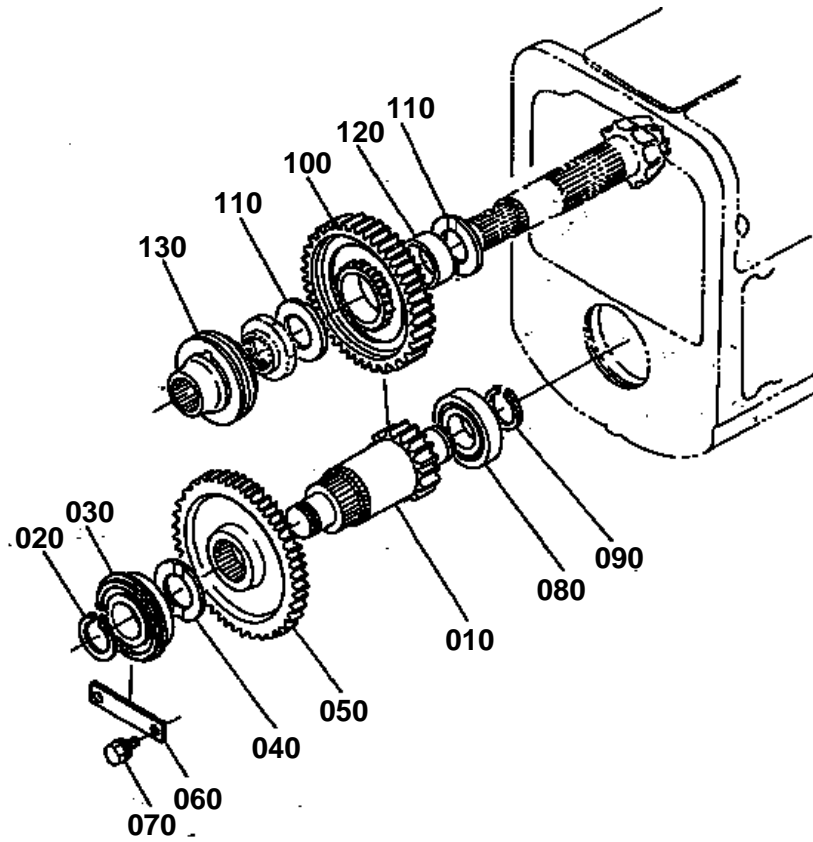


BACK IDLE SHAFT

↔ Interchangeable; ≠ not interchangeable; ← new for old; → old for new

REF.No	Part No.	Description	Q'ty	S.No.	I/C	REMARKS	Weight (kgf)	Weight (lb)
010	36330-28150	SHAFT BACK IDLE	1				1.58	3.476
020	36200-28730	BOLT	1				0.025	0.055
030	02116-50100	NUT	1				0.004	0.0088
040	04612-00300	CIR-CLIP EXTERNAL	1				0.003	0.0066
050	36200-28720	COLLAR	1				0.009	0.0198
060	36330-28710	COLLAR THRUST	1				0.03	0.066
070	36570-28350	GEAR	1				1.3	2.86
080	36200-28360	BEARING NEEDLE	2				0.053	0.1166
090	36330-28710	COLLAR THRUST	1				0.03	0.066

HALF GEAR SHAFT



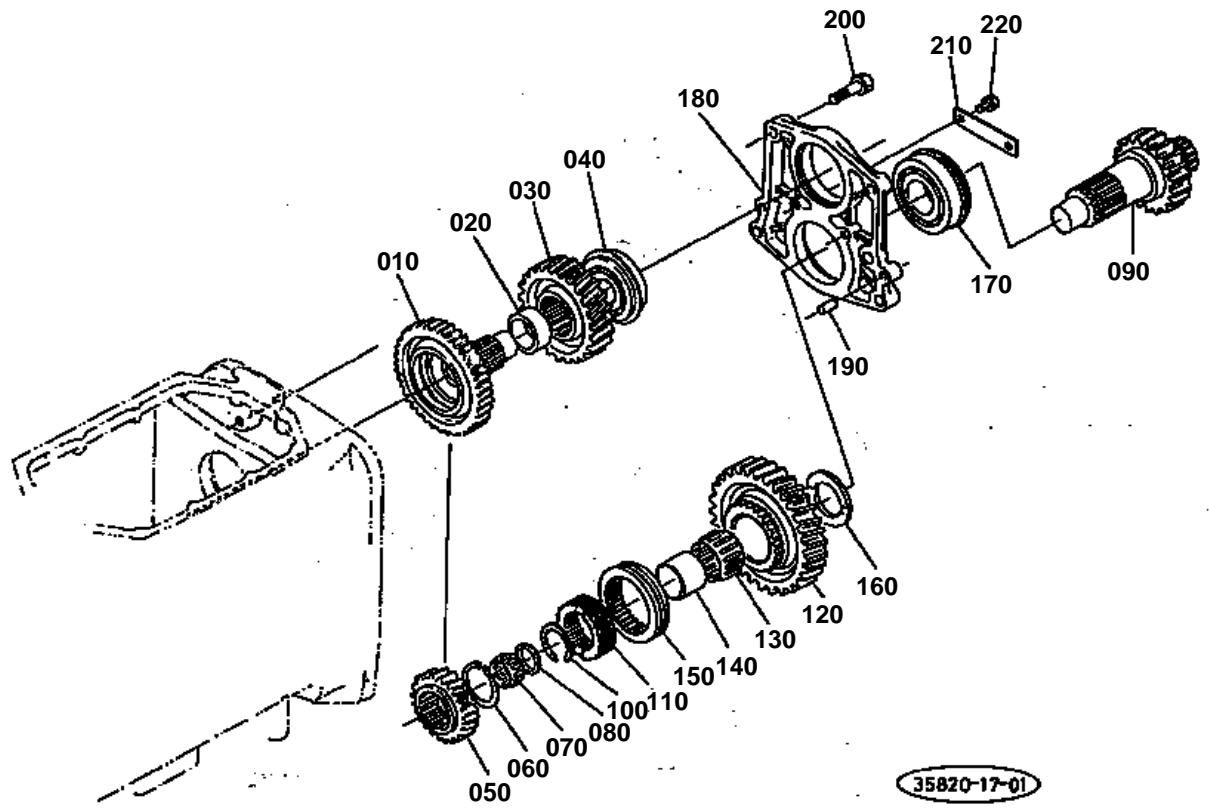


HALF GEAR SHAFT

↔ Interchangeable; ≠ not interchangeable; ← new for old; → old for new

REF.No	Part No.	Description	Q'ty	S.No.	I/C	REMARKS	Weight (kgf)	Weight (lb)
020	04612-00350	CIR-CLIP EXTERNAL	1				0.01	0.022
030	08151-06307	BEARING BALL	1				0.469	1.0318
040	36330-28610	COLLAR THRUST	1				0.04	0.088
050	35820-31250	GEAR	1			40T	1.3	2.86
060	36200-28680	RETAINER BEARING	1				0.058	0.1276
070	01123-50820	BOLT	2				0.011	0.0242
100	35820-31240	GEAR	1	≤=51375		45T	2.24	4.928
100	35820-31242	GEAR	1	≥=51376	←	45T	0	0
110	36330-28660	COLLAR THRUST	2				0	0
120	36530-31280	RING INNER	1				0.11	0.242
130	36530-31290	SHIFTER CREEP	1				0.69	1.518

HI-LO SHIFT GEAR SHAFT



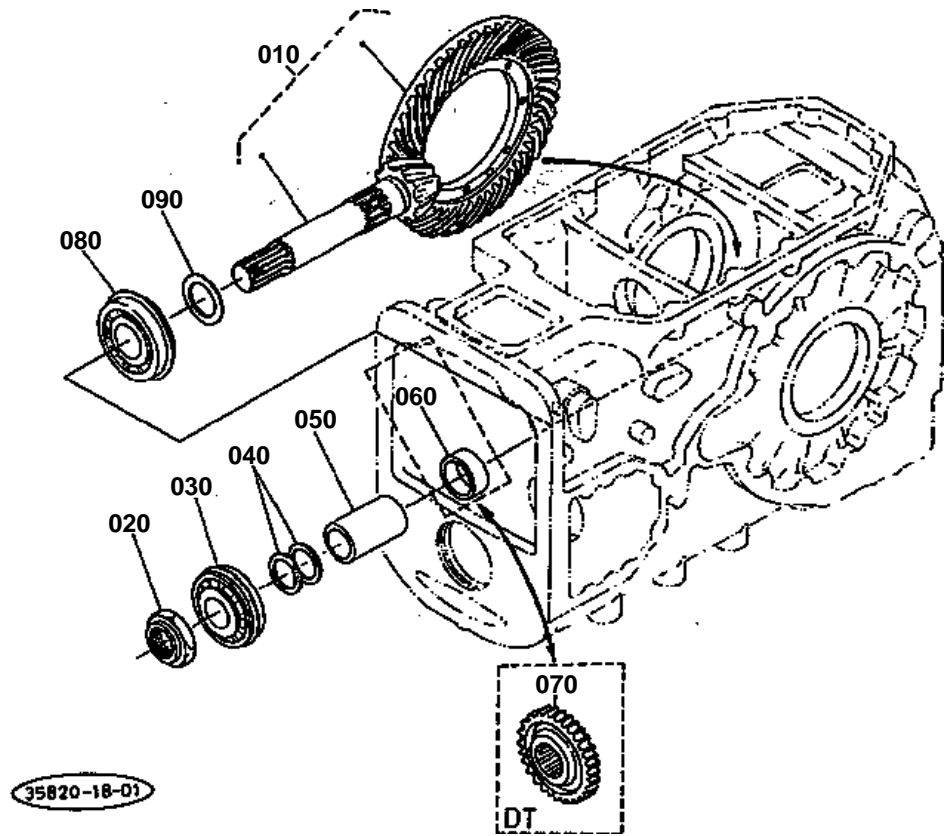


HI-LO SHIFT GEAR SHAFT

↔ Interchangeable; ≠ not interchangeable; ← new for old; → old for new

REF.No	Part No.	Description	Q'ty	S.No.	I/C	REMARKS	Weight (kgf)	Weight (lb)
010	36330-32320	GEAR	1	<=51255		39T	0	0
010	36330-32326	GEAR	1	>=51256	←	39T	1.4	3.08
020	36330-32350	COLLAR	1	<=51040			0	0
020	36330-32352	COLLAR	1	>=51041	←		0.1	0.22
030	35822-32360	GEAR	1			27T	1.05	2.31
040	36530-80150	BEARING BALL	1				0.47	1.034
050	36330-32260	GEAR	1			23T	0.69	1.518
060	04612-00450	CIR-CLIP EXTERNAL	1				0.007	0.0154
070	36330-31330	BEARING NEEDLE	1	<=50226			0	0
070	36330-31332	BEARING NEEDLE	1	>=50227	←		0.03	0.066
080	36330-32370	COLLAR	1				0.01	0.022
090	35820-32330	GEAR-SHAFT	1			23T	2	4.4
100	36730-28040	CIR-CLIP EXTERNAL	1				0	0
110	35820-32270	COUPLING	1				0.44	0.968
120	35822-32340	GEAR	1			35T	1.92	4.224
130	36200-28340	BEARING NEEDLE	1				0	0
140	36200-28330	RING INNER	1				0.088	0.1936
150	35820-28470	SHIFTER	1				0.41	0.902
160	36330-28660	COLLAR THRUST	1				0	0
170	35822-32290	BEARING BALL	1				0.7	1.54
180	35822-32310	SUPPORT BEARING	1				2.48	5.456
190	05012-01020	PIN STRAIGHT	2				0.02	0.044
200	01133-51240	BOLT	4				0.05	0.11
210	36200-28680	RETAINER BEARING	1				0.058	0.1276
220	01123-50820	BOLT	2				0.011	0.0242

BEVEL GEAR

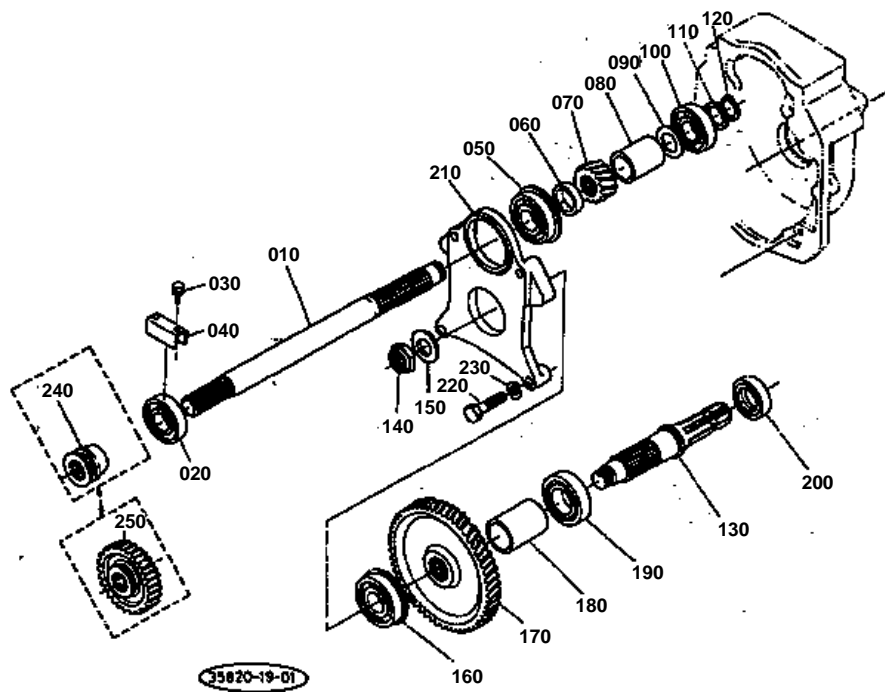


**BEVEL GEAR**

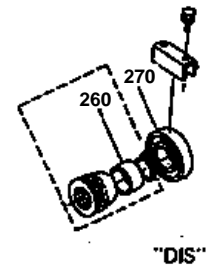
↔ Interchangeable; ≠ not interchangeable; ← new for old; → old for new

REF.No	Part No.	Description	Q'ty	S.No.	I/C	REMARKS	Weight (kgf)	Weight (lb)
010	35800-32400	ASSY GEAR STR BEVEL	1			8-39T	10	22
020	36330-32580	NUT PINION SHAFT	1				0.08	0.176
030	33400-32260	BEARING TAPER-ROLLER	1				1.13	2.486
040	33251-32450	COLLAR PINION ADJUST	1				0.005	0.011
040	33251-32460	COLLAR PINION ADJUST	1				0.008	0.0176
040	33251-32470	COLLAR PINION ADJUST	1				0.009	0.0198
040	33251-32480	COLLAR PINION ADJUST	1				0.01	0.022
040	33251-32490	COLLAR PINION ADJUST	1				0.01	0.022
040	33251-32510	COLLAR PINION ADJUST	1				0.011	0.0242
040	33251-32520	COLLAR PINION ADJUST	1				0.011	0.0242
040	33251-32530	COLLAR PINION ADJUST	1				0.011	0.0242
040	33251-32540	COLLAR PINION ADJUST	1				0.011	0.0242
040	33251-32550	COLLAR PINION ADJUST	1				0.012	0.0264
040	33251-32560	COLLAR PINION ADJUST	1				0.012	0.0264
050	36330-32440	COLLAR	1				0.5	1.1
070	36330-32430	GEAR	1			32T	0.98	2.156
080	14351-23450	BEARING MAIN	1				0.7	1.54
090	36200-32610	COLLAR PINION ADJUST	1				0.023	0.0506
090	36200-32630	COLLAR PINION ADJUST	1				0.025	0.055
090	36200-32650	COLLAR PINION ADJUST	1				0.027	0.0594
090	36200-32670	COLLAR PINION ADJUST	1				0.029	0.0638
090	36200-32690	COLLAR PINION ADJUST	1				0.031	0.0682

POWER TAKE-OFF SHAFT



REF. No. 260 95420-8039-0
REF. No. 270 04812-00300



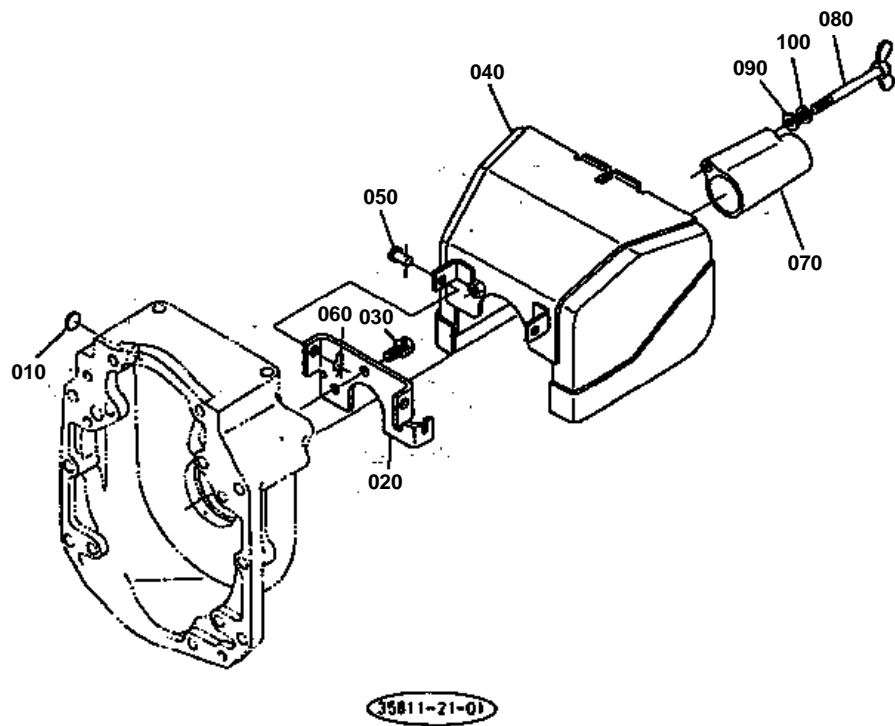


POWER TAKE-OFF SHAFT

↔ Interchangeable; ≠ not interchangeable; ← new for old; → old for new

REF.No	Part No.	Description	Q'ty	S.No.	I/C	REMARKS	Weight (kgf)	Weight (lb)
010	36530-80110	SHAFT PTO DRIVE	1				3.5	7.7
020	08101-06306	BEARING BALL	1				0.335	0.737
030	01123-50820	BOLT	2				0.011	0.0242
040	36530-80140	RETAINER BEARING	1				0.14	0.308
050	08151-06307	BEARING BALL	1				0.469	1.0318
060	35801-80190	COLLAR	1				0.035	0.077
070	36230-80120	GEAR P.T.O.	1			16T	0.33	0.726
080	35801-80180	COLLAR	1				0.3	0.66
090	36330-80060	COLLAR	1				0.014	0.0308
100	08101-06306	BEARING BALL	1				0.335	0.737
110	36330-80070	COLLAR	1				0.015	0.033
120	04612-00300	CIR-CLIP EXTERNAL	1				0.003	0.0066
130	36200-97670	SHAFT PTO	1				0	0
140	34150-25330	NUT	1				0.04	0.088
150	36330-80080	COLLAR	1				0.03	0.066
160	08151-06307	BEARING BALL	1				0.469	1.0318
170	35450-80150	GEAR	1			65T	3.74	8.228
180	35801-80370	COLLAR	1				0.36	0.792
190	08101-06208	BEARING BALL	1				0.355	0.781
200	36330-80380	SEAL OIL	1	≤51264			0.026	0.0572
200	35708-80290	SEAL	1	≥51265	≠		0	0
210	36330-80215	SUPPORT BEARING	1				3.24	7.128
220	01173-51255	BOLT	4				0.057	0.1254
230	04512-50120	WASHER SPRING	4				0	0
240	35420-80400	COUPLING	1			[A]	0.31	0.682
250	36200-80410	GEAR	1			31T [CA]	1.1	2.42
260	35420-80390	COLLAR	1	≤50208		[A]	0.06	0.132
270	04612-00300	CIR-CLIP EXTERNAL	1	≤50143			0.003	0.0066

PTO SHAFT COVER



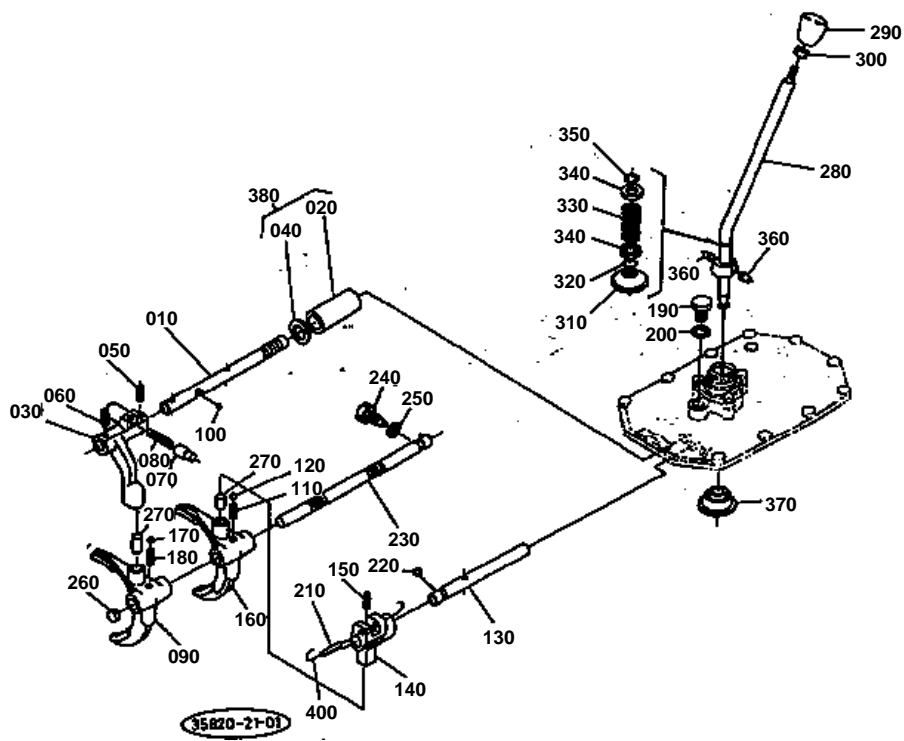


PTO SHAFT COVER

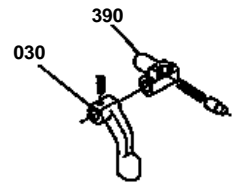
↔ Interchangeable; ≠ not interchangeable; ← new for old; → old for new

REF.No	Part No.	Description	Q'ty	S.No.	I/C	REMARKS	Weight (kgf)	Weight (lb)
010	36200-21240	PLUG	1				0	0
020	36330-80360	BRACKET PTO COVER	1	≤51264			0	0
020	36330-80363	BRACKET PTO COVER	1	≥51265	←		0.31	0.682
030	01123-50816	BOLT	3				0	0
040	35861-80340	COVER PTO	1				0	0
050	05122-50818	PIN JOINT	2				0.008	0.0176
060	05515-50800	PIN SNAP	2				0	0
070	34350-25440	COVER PTO SHAFT	1				0.065	0.143
080	36330-90630	BOLT WING	1				0.055	0.121
090	04013-50080	WASHER PLAIN	1				0	0
100	04512-50080	WASHER SPRING	1				0	0

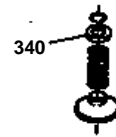
MAIN SPEED CHANGE SHIFT LEVER



REF. No. 030 35820-2924-0
REF. No. 390 36330-2901-3



REF. No. 340 33251-2865-0



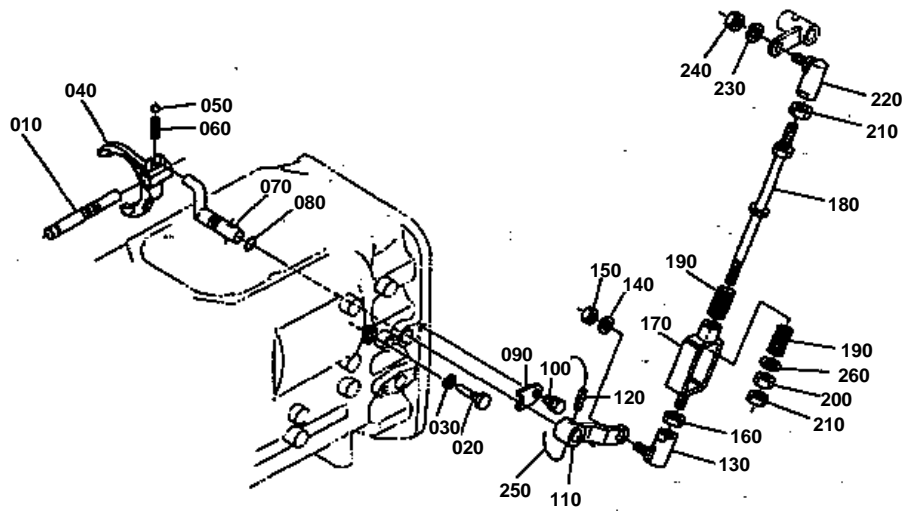


MAIN SPEED CHANGE SHIFT LEVER

↔ Interchangeable; ≠ not interchangeable; ← new for old; → old for new

REF.No	Part No.	Description	Q'ty	S.No.	I/C	REMARKS	Weight (kgf)	Weight (lb)
010	36330-29223	ROD SHIFT	1				0.37	0.814
020	36330-29290	COLLAR	1	>=51242			0.05	0.11
030	35820-29240	LEVER SHIFT	1	<=51080			0	0
030	35820-29242	LEVER SHIFT	1	>=51081	←		0.55	1.21
040	36330-29300	SHIM	3	>=51242		0.5MM	0.001	0.0022
050	05411-00628	PIN SPRING	1				0.004	0.0088
060	05411-00628	PIN SPRING	1				0.004	0.0088
070	36330-29020	PIECE NEUTRAL	1				0.02	0.044
080	36330-29030	SPRING	1				0.001	0.0022
090	35820-29154	FORK SHIFT	1				0.6	1.32
100	07715-03211	BALL	1				0.003	0.0066
110	33251-29410	SPRING	1				0.005	0.011
120	07715-03211	BALL	1				0.003	0.0066
130	35820-29260	ROD SHIFT	1				0.33	0.726
140	35820-29270	LEVER SHIFT	1				0	0
150	05411-00635	PIN SPRING	1				0.005	0.011
160	35820-29160	FORK SHIFT	1				0.85	1.87
170	07715-03211	BALL	1				0.003	0.0066
180	33251-29410	SPRING	1				0.005	0.011
190	06331-35014	PLUG	1				0.03	0.066
200	04717-01400	WASHER WITH RUBBER	1				0.003	0.0066
210	05411-00628	PIN SPRING	1				0.004	0.0088
220	07715-03211	BALL	1				0.003	0.0066
230	35820-29400	BAR SHIFT	1				0.7	1.54
240	35820-29410	BOLT	1				0.04	0.088
250	04717-01200	WASHER WITH RUBBER	1				0.002	0.0044
260	35820-29420	PLUG	1				0.005	0.011
270	35820-29430	PIN FORK SET	2				0	0
280	35820-29610	LEVER MAIN S-CHANGE	1				0.74	1.628
290	36330-29620	GRIP LEVER	1				0	0
300	02116-50100	NUT	1				0.004	0.0088
310	33251-29640	CAP CHANGE PIPE	1	<=50208			0.042	0.0924
310	36330-29700	CAP CHANGE LEVER	1	>=50209	≠		0.04	0.088
320	04815-00150	O RING	1	>=50209			0	0
330	33251-29630	SPRING	1				0.013	0.0286
340	33251-29650	CAP SPRING	1	<=50208			0.005	0.011
340	33251-29650	CAP SPRING	2	>=50209			0.005	0.011
350	33251-29660	STOPPER SPRING	1				0.001	0.0022
360	34150-23740	PIN	2				0.002	0.0044
370	36330-29690	SHIELD	1	<=50208			0	0
370	36330-29692	SHIELD	1	>=50209	←		0.015	0.033
380	36330-97060	KIT COLLAR	1				0	0
390	36330-29013	SUPPORT SHIFT	1	<=51080			0.2	0.44
400	99999-99999	YOUR SUPPLY	1				0	0

HI-LO SHIFT LEVER



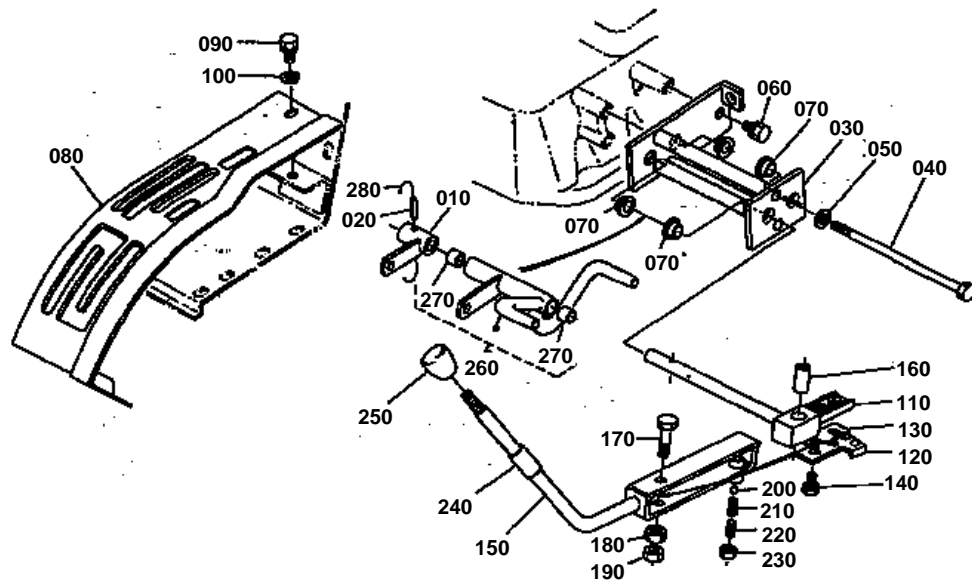


HI-LO SHIFT LEVER

↔ Interchangeable; ≠ not interchangeable; ← new for old; → old for new

REF.No	Part No.	Description	Q'ty	S.No.	I/C	REMARKS	Weight (kgf)	Weight (lb)
010	36330-29883	ROD SHIFT	1				0.19	0.418
020	36200-31333	PIN SHIFT BAR	1				0.015	0.033
030	04717-00800	WASHER WITH RUBBER	1				0.001	0.0022
040	36330-29870	FORK SHIFT	1				0.37	0.814
050	07715-03211	BALL	1				0.003	0.0066
060	62581-18230	SPRING STOPPER	1				0.01	0.022
070	35820-29630	SHAFT SHIFT LEVER	1				0.23	0.506
080	04811-00150	RING	1				0.001	0.0022
090	34150-24350	STOPPER LEVER	1				0.015	0.033
100	01123-50816	BOLT	1				0	0
110	35820-29920	LEVER SHIFT	1				0.3	0.66
120	05411-00840	PIN SPRING	1				0.008	0.0176
130	35820-29500	END ROD	1				0.07	0.154
140	04512-50080	WASHER SPRING	1				0	0
150	02114-50080	NUT	1				0.005	0.011
160	02112-50080	NUT	1				0.003	0.0066
170	35820-29510	HOLDER SPRING	1				0.2	0.44
180	35820-29520	ROD SPEED CHANGE	1				0.152	0.3344
190	35820-29530	SPRING	2				0.03	0.066
200	02118-50100	NUT	1				0.005	0.011
210	02116-50100	NUT	2				0.004	0.0088
220	68221-34330	END ROD RH	1				0.1	0.22
230	04512-50100	WASHER SPRING	1				0	0
240	02118-50100	NUT	1				0.005	0.011
250	99999-99999	YOUR SUPPLY	1				0	0
260	04613-50100	WASHER PLAIN	1				0.002	0.0044

HI-LO AND HALF SHIFT LEVER



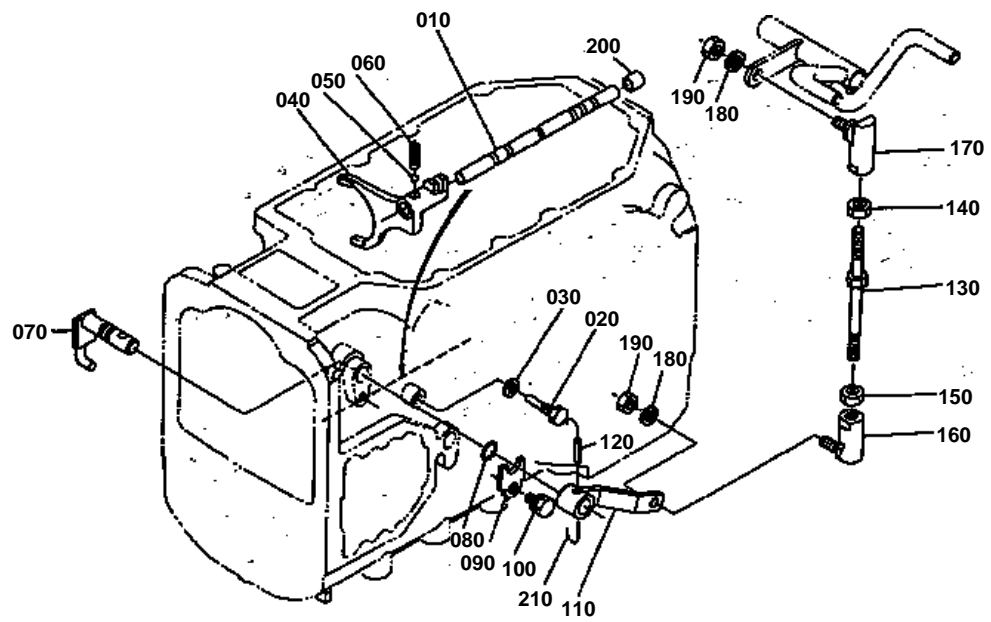


HI-LO AND HALF SHIFT LEVER

↔ Interchangeable; ≠ not interchangeable; ← new for old; → old for new

REF.No	Part No.	Description	Q'ty	S.No.	I/C	REMARKS	Weight (kgf)	Weight (lb)
010	36530-29650	SHAFT S-CHANGE LEVER	1				0.205	0.451
020	05411-00630	PIN SPRING	1				0.004	0.0088
030	35820-29680	HOLDER	1				1	2.2
040	36330-29710	BOLT	2				0.12	0.264
050	04512-50100	WASHER SPRING	2				0	0
060	01133-51020	BOLT	1				0.02	0.044
070	36330-29722	BUSH	4				0.005	0.011
080	35820-29730	GUIDE LEVER	1				1.6	3.52
090	01123-50816	BOLT	3				0	0
100	04013-50080	WASHER PLAIN	3				0	0
110	35820-29540	FULCRUM LEVER	1				0.53	1.166
120	35820-29550	PLATE GUIDE	1				0.04	0.088
130	35820-29590	SHIM	2			0.6MM	0.003	0.0066
140	01123-50816	BOLT	2				0	0
150	35820-29562	LEVER S-CHANGE	1				0.77	1.694
160	35820-29570	PIN	1				0.02	0.044
170	01153-50850	BOLT	1				0.02	0.044
180	02114-50080	NUT	1				0.005	0.011
190	02112-50080	NUT	1				0.003	0.0066
200	07715-00803	BALL	1				0.004	0.0088
210	35820-29580	SPRING	1	≤50192			0	0
210	35820-29582	SPRING	1	≥50193	←		0.003	0.0066
220	03470-51020	SCREW	1	≥50209			0.01	0.022
230	02116-50100	NUT	1				0.004	0.0088
240	36730-29820	PIPE LEVER	1				0.01	0.022
250	33251-29620	GRIP	1				0.057	0.1254
260	35820-31460	ASSY LEVER S-CHANGE	1				0.7	1.54
270	54821-51230	BUSH	2				0	0
280	99999-99999	YOUR SUPPLY	1				0	0

HARF SHIFT LEVER



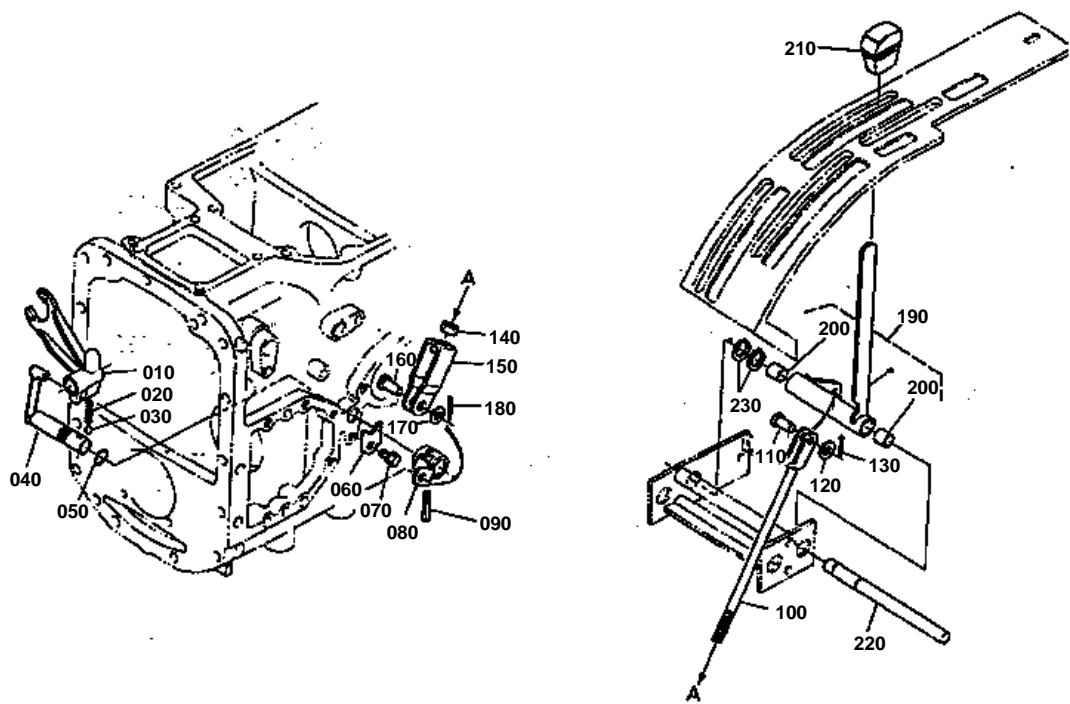


HARF SHIFT LEVER

↔ Interchangeable; ≠ not interchangeable; ← new for old; → old for new

REF.No	Part No.	Description	Q'ty	S.No.	I/C	REMARKS	Weight (kgf)	Weight (lb)
010	36530-31320	SHAFT FORK	1				0.38	0.836
020	36200-31333	PIN SHIFT BAR	1				0.015	0.033
030	04717-00800	WASHER WITH RUBBER	1				0.001	0.0022
040	36530-31310	FORK SHIFT	1	<=50226			0	0
040	36530-31313	FORK SHIFT	1	>=50227	←		0	0
050	07715-03211	BALL	1				0.003	0.0066
060	62581-18230	SPRING STOPPER	1				0.01	0.022
070	35860-31430	SHAFT SHIFT LEVER	1				0.28	0.616
080	04811-00150	RING	1				0.001	0.0022
090	34150-24350	STOPPER LEVER	1				0.015	0.033
100	01123-50816	BOLT	1				0	0
110	35860-31440	LEVER SHIFT	1				0.35	0.77
120	05411-00840	PIN SPRING	1				0.008	0.0176
130	35820-31450	ROD SPEED CHANGE	1				0.09	0.198
140	02116-50100	NUT	1				0.004	0.0088
150	68011-32680	NUT LOCK	1	<=50122			0.006	0.0132
150	32350-28990	NUT	1	>=50123	↔		0.009	0.0198
160	68221-34330	END ROD RH	1				0.1	0.22
170	68221-34310	END ROD LH	1				0.096	0.2112
180	04512-50100	WASHER SPRING	2				0	0
190	02118-50100	NUT	2				0.005	0.011
200	35820-80460	COLLAR	1	>=50209		[A]	0.057	0.1254
210	99999-99999	YOUR SUPPLY	1				0	0

GROUND PTO SHIFT LEVER



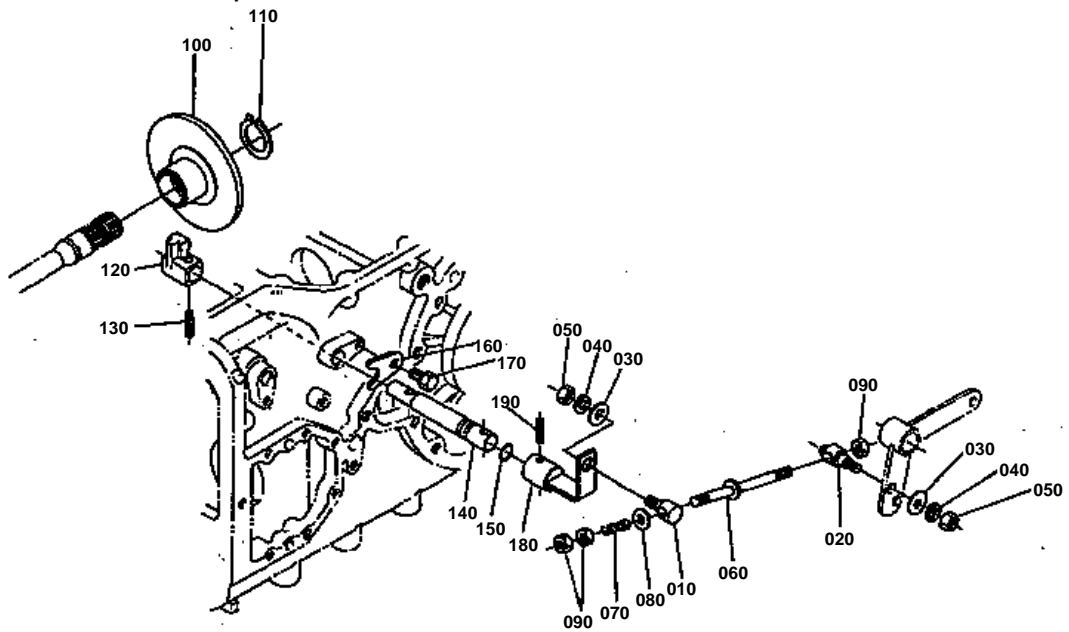


GROUND PTO SHIFT LEVER

↔ Interchangeable; ≠ not interchangeable; ← new for old; → old for new

REF.No	Part No.	Description	Q'ty	S.No.	I/C	REMARKS	Weight (kgf)	Weight (lb)
010	36330-80450	FORK SHIFT	1	<=50226			0	0
010	36330-80453	FORK SHIFT	1	>=50227	←		0.356	0.7832
020	62581-18230	SPRING STOPPER	1				0.01	0.022
030	07715-03211	BALL	1				0.003	0.0066
040	36330-80510	SHAFT SHIFT LEVER	1				0.25	0.55
050	04811-00150	RING	1				0.001	0.0022
060	34150-24350	STOPPER LEVER	1				0.015	0.033
070	01123-50816	BOLT	1				0	0
080	36330-80520	LEVER SHIFT	1				0.18	0.396
090	05411-00636	PIN SPRING	1				0.005	0.011
100	36330-80530	ROD	1				0.18	0.396
110	05122-51022	PIN JOINT	1				0.014	0.0308
120	04011-50100	WASHER PLAIN	1				0.002	0.0044
130	05511-50318	PIN SPLIT	1				0.001	0.0022
140	02116-50100	NUT	1				0.004	0.0088
150	38240-24360	JOINT	1				0.08	0.176
160	05122-51025	PIN JOINT	1				0.017	0.0374
170	04011-50100	WASHER PLAIN	1				0.002	0.0044
180	05511-50318	PIN SPLIT	1				0.001	0.0022
190	35820-80540	ASSY LEVER S-CHANGE	1				0.6	1.32
200	54821-51230	BUSH	2				0	0
210	36330-29670	GRIP	1				0.06	0.132

PTO BRAKE

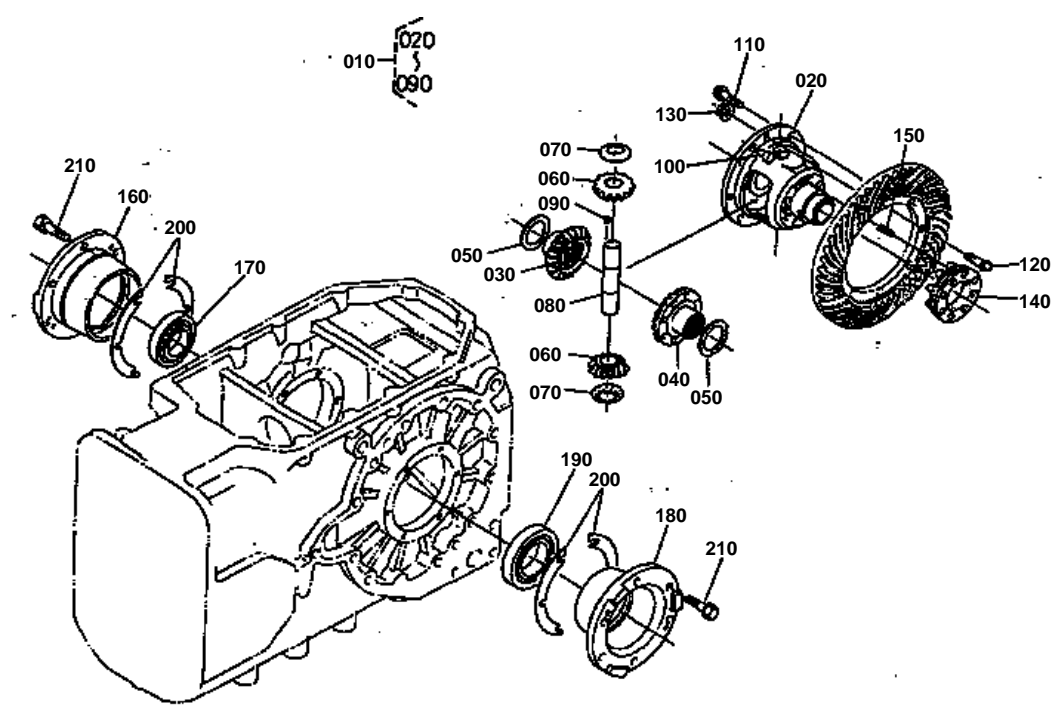


**PTO BRAKE**

↔ Interchangeable; ≠ not interchangeable; ← new for old; → old for new

REF.No	Part No.	Description	Q'ty	S.No.	I/C	REMARKS	Weight (kgf)	Weight (lb)
010	36330-26830	PIN	1				0.025	0.055
020	36330-26870	PIN	1				0.028	0.0616
030	04013-50080	WASHER PLAIN	2				0	0
040	04512-50080	WASHER SPRING	2				0	0
050	02114-50080	NUT	2				0.005	0.011
060	36330-26850	ROD PTO BRAKE	1				0.03	0.066
070	36330-26860	SPRING	1				0.006	0.0132
080	04013-50060	WASHER PLAIN	1				0	0
090	02014-50060	NUT	3				0.003	0.0066
100	36330-80612	DISK FRICTION	1				0	0
110	36330-80660	CIR-CLIP EXTERNAL	1				0.02	0.044
120	36330-80640	CAM PTO BRAKE	1				0.1	0.22
130	05411-00425	PIN SPRING	1				0.001	0.0022
140	36330-80620	SHAFT PTO BRAKE	1				0.19	0.418
150	04811-00120	RING	1				0	0
160	36330-80650	STOPPER	1				0.018	0.0396
170	01123-50816	BOLT	1				0	0
180	36330-80630	LEVER PTO BRAKE	1				0.14	0.308
190	05411-00525	PIN SPRING	1				0.002	0.0044

DIFFERENTIAL SYSTEM



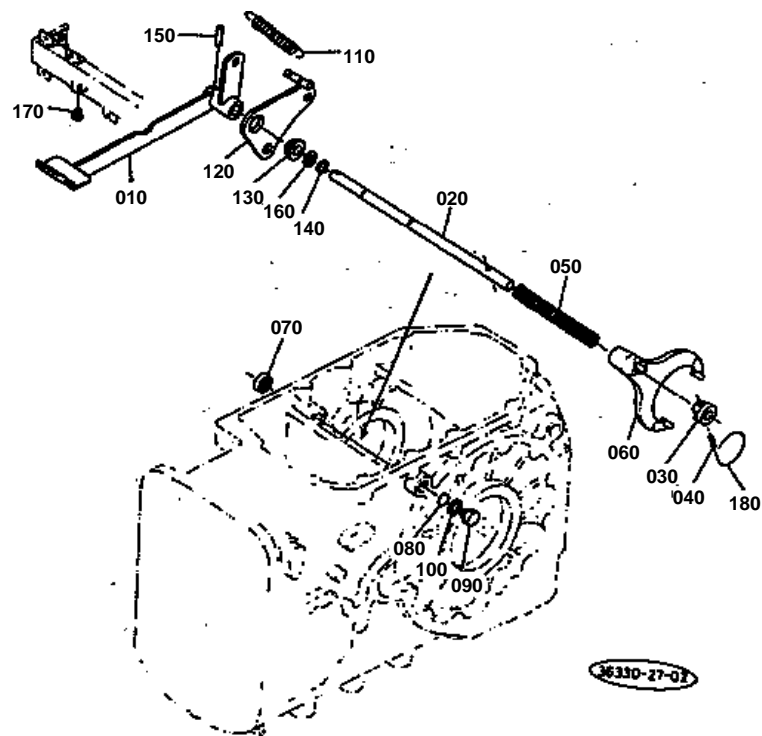


DIFFERENTIAL SYSTEM

↔ Interchangeable; ≠ not interchangeable; ← new for old; → old for new

REF.No	Part No.	Description	Q'ty	S.No.	I/C	REMARKS	Weight (kgf)	Weight (lb)
010	36330-32203	ASSY DIFFERENTIAL	1				0	0
020	36330-32714	CASE DIFFERENTIAL	1				4.6	10.12
030	36330-32723	GEAR DIFF.SIDE	1				0.765	1.683
040	36330-32732	GEAR DIFF.SIDE	1				1.05	2.31
050	36330-32780	WASHER SIDE GEAR	2				0	0
050	36330-32790	WASHER SIDE GEAR	2				0.02	0.044
050	36330-32760	WASHER SIDE GEAR	2				0.02	0.044
060	36330-32750	PINION DIFF.	2				0	0
070	36330-32810	WASHER DIFF.PINION	2				0.018	0.0396
080	36330-32770	SHAFT DIFF PINION	1				0	0
090	33251-32820	KEY	1				0.002	0.0044
100	36340-42330	PIN KNOCK	2				0.03	0.066
110	36280-42320	BOLT	6				0.042	0.0924
120	33251-32224	BOLT	2				0.055	0.121
130	36330-32030	NUT UBS	2				0.02	0.044
140	36330-32850	COMP SHIFTER	1				0	0
150	36330-32922	SPRING	4				0.01	0.022
160	36500-32110	SUPPORT DIFF.BEARING	1				0	0
170	08711-30212	BEARING TAPER-ROLLER	1				0.868	1.9096
180	36500-32120	SUPPORT DIFF.BEARING	1				0	0
190	08711-30210	BEARING TAPER-ROLLER	1				0.528	1.1616
200	36200-32130	SHIM	8			0.1MM	0.002	0.0044
200	36200-32140	SHIM	8			0.3MM	0.006	0.0132
200	36200-32150	SHIM	4			0.5MM	0.012	0.0264
210	01133-51035	BOLT	12				0.03	0.066

DIFF LOCK PEDAL



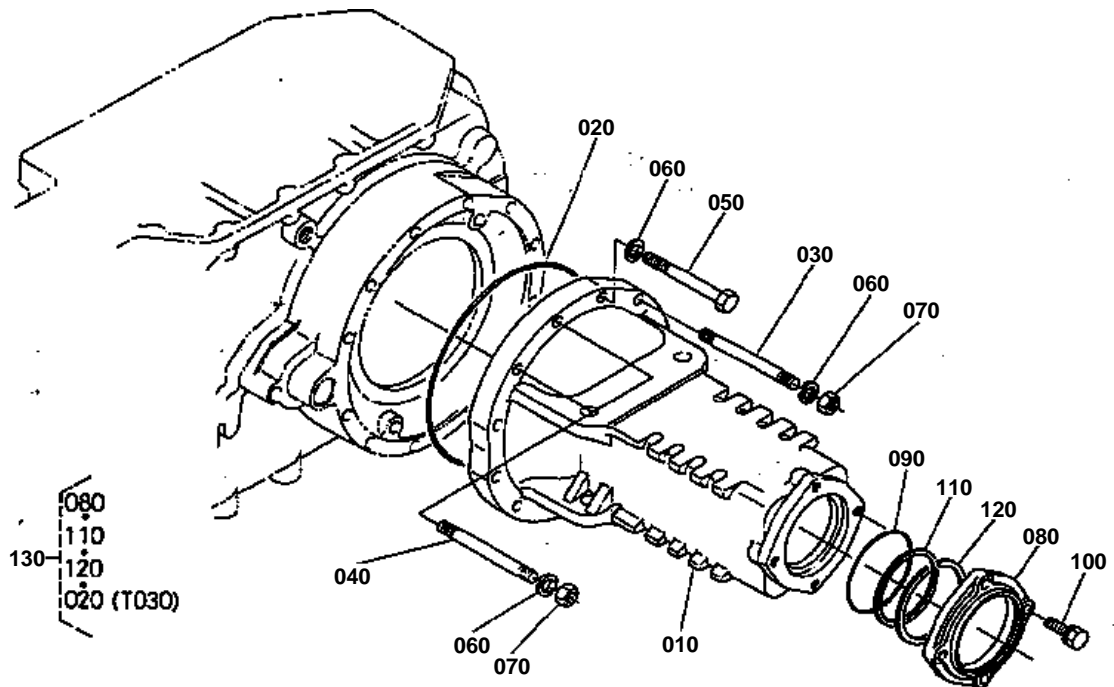


DIFF LOCK PEDAL

↔ Interchangeable; ≠ not interchangeable; ← new for old; → old for new

REF.No	Part No.	Description	Q'ty	S.No.	I/C	REMARKS	Weight (kgf)	Weight (lb)
010	36330-32946	PEDAL DIFF.LOCK	1				0.82	1.804
020	36330-33020	SHAFT DIFF.LOCK	1				0.9	1.98
030	36330-32890	CAM DIFF LOCK	1				0.095	0.209
040	05411-00640	PIN SPRING	1				0.006	0.0132
050	36730-32930	SPRING SHIFT FORK	1				0	0
060	36530-32880	FORK SHIFT	1				1.58	3.476
070	09500-18308	SEAL OIL	1				0.006	0.0132
080	36200-32950	SHIM	1				0.002	0.0044
080	36330-32970	SHIM	1				0.001	0.0022
090	06331-35020	PLUG	1				0.068	0.1496
100	04717-02000	WASHER WITH RUBBER	1				0.004	0.0088
110	36730-33070	SPRING	1				0.04	0.088
120	36330-33000	SUPPORT	1				0.3	0.66
130	36330-33040	BUSH	1				0.003	0.0066
140	04612-00180	CIR-CLIP EXTERNAL	1				0.001	0.0022
150	05411-00628	PIN SPRING	1				0.004	0.0088
160	04011-50180	WASHER PLAIN	1				0.012	0.0264
170	63611-52350	RUBBER	1				0.001	0.0022
180	99999-99999	YOUR SUPPLY	1				0	0

REAR AXLE CASE



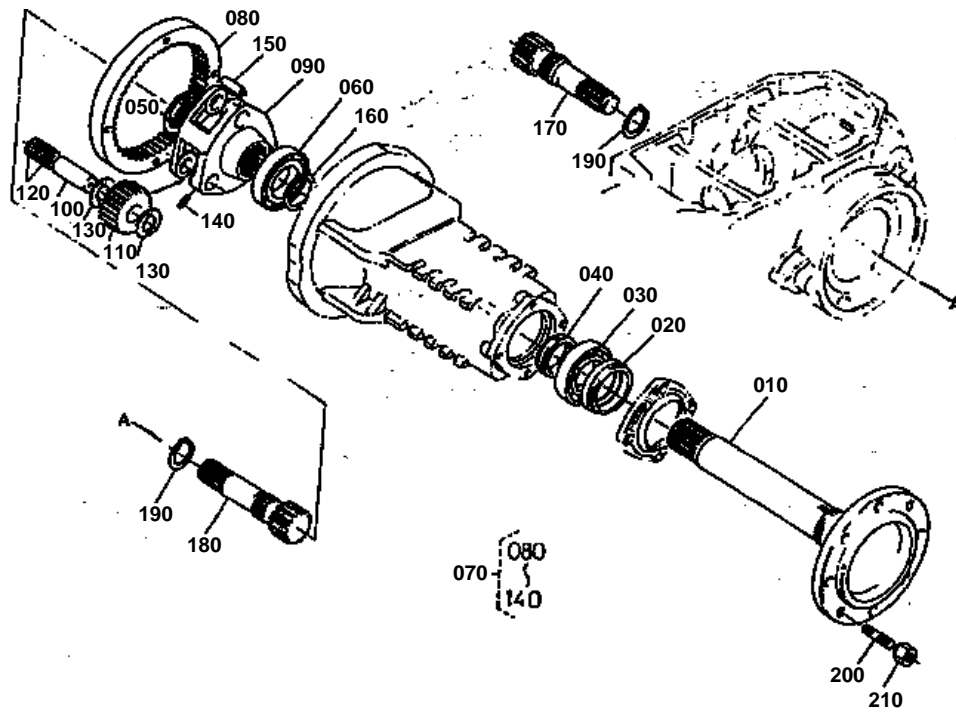


REAR AXLE CASE

↔ Interchangeable; ≠ not interchangeable; ← new for old; → old for new

REF.No	Part No.	Description	Q'ty	S.No.	I/C	REMARKS	Weight (kgf)	Weight (lb)
010	36330-48115	CASE REAR AXLE	2				41	90.2
020	36200-48160	O RING	2				0.006	0.0132
030	36500-48170	STUD	4				0.178	0.3916
040	36330-48180	STUD	5				0.19	0.418
050	36330-48190	BOLT	15				0.18	0.396
060	04512-50140	WASHER SPRING	24				0	0
070	02176-50140	NUT	9				0.014	0.0308
080	36330-48120	COVER REAR AXLE	2	<=51357			1.4	3.08
080	36330-48123	COVER REAR AXLE	2	>=51358	≠		0	0
090	04811-51200	RING	2				0.004	0.0088
100	01133-51245	BOLT	8				0.055	0.121
110	36830-48280	SPACER	2	>=51385			0.1	0.22
120	36830-48290	CIR-CLIP EXTERNAL	2	>=51358			0.02	0.044
130	36830-97360	KIT SEAL AXLE	1				3.8	8.36

REAR AXLE

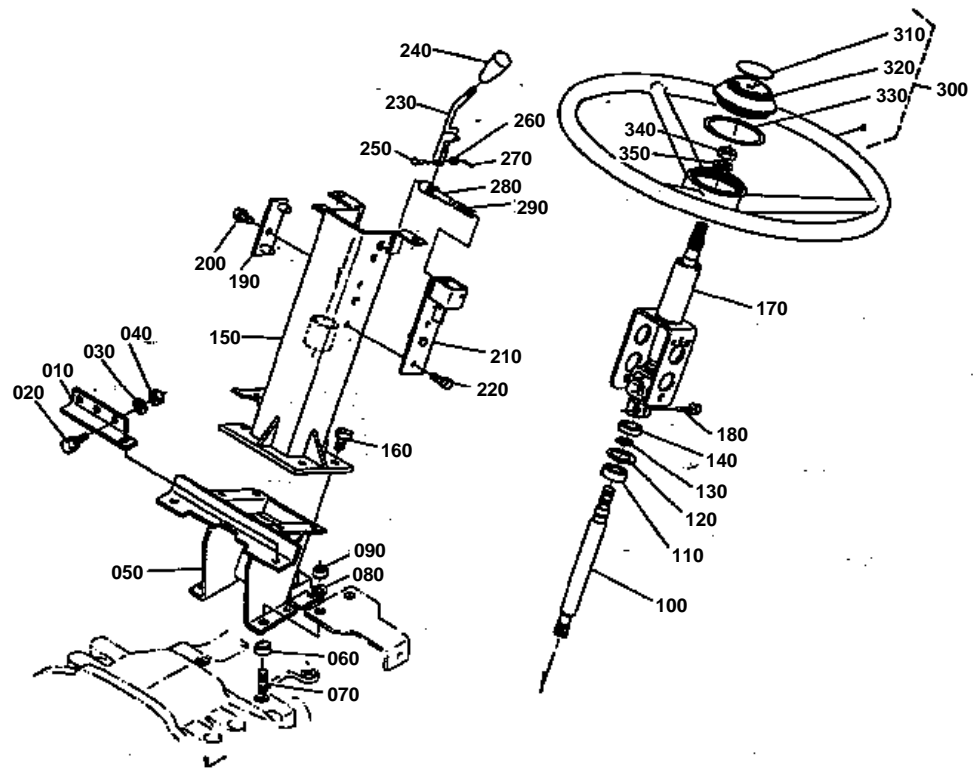


**REAR AXLE**

↔ Interchangeable; ≠ not interchangeable; ← new for old; → old for new

REF.No	Part No.	Description	Q'ty	S.No.	I/C	REMARKS	Weight (kgf)	Weight (lb)
010	35820-48210	AXLE REAR	2				25	55
020	36330-48250	SEAL	2	<=50208			0	0
020	36330-48252	SEAL	2	>=50209	←		0.15	0.33
020	36830-48250	SEAL	2	>=51358	≠		0.14	0.308
030	08101-06213	BEARING BALL	2				0.97	2.134
040	36330-48270	NUT	2				0.26	0.572
050	04612-00600	CIR-CLIP EXTERNAL	2				0.012	0.0264
060	08101-06212	BEARING BALL	2				0.78	1.716
070	35822-48300	ASSY GEAR PLANETARY	2				0	0
080	35822-48310	GEAR INTERNAL	2			56T	4.3	9.46
090	36330-48340	SUPPORT PLANE.GEAR	2				6.1	13.42
100	36500-48360	PIN PLANETARY GEAR	6	<=50286			0	0
100	36500-48363	PIN PLANETARY GEAR	6	>=50287	←		0.4	0.88
110	36500-48320	GEAR PLANETARY	6				1.3	2.86
120	36200-28360	BEARING NEEDLE	12				0.053	0.1166
130	36330-48370	COLLAR THRUST	12				0.02	0.044
140	05411-00825	PIN SPRING	6				0.006	0.0132
150	36200-48410	PIN STRAIGHT	4				0.005	0.011
160	04612-00600	CIR-CLIP EXTERNAL	2				0.012	0.0264
170	36330-48463	SHAFT BRAKE RH	1	<=51288			0	0
170	36330-48464	SHAFT BRAKE RH	1	>=51289	←		2.85	6.27
180	36330-48473	SHAFT BRAKE LH	1	<=51288			0	0
180	36330-48474	SHAFT BRAKE LH	1	>=51289	←		3.05	6.71
190	04612-00550	CIR-CLIP EXTERNAL	2				0.01	0.022
200	35707-49150	STUD	16				0	0
210	33251-49170	NUT	16				0.045	0.099

STEERING HANDLE



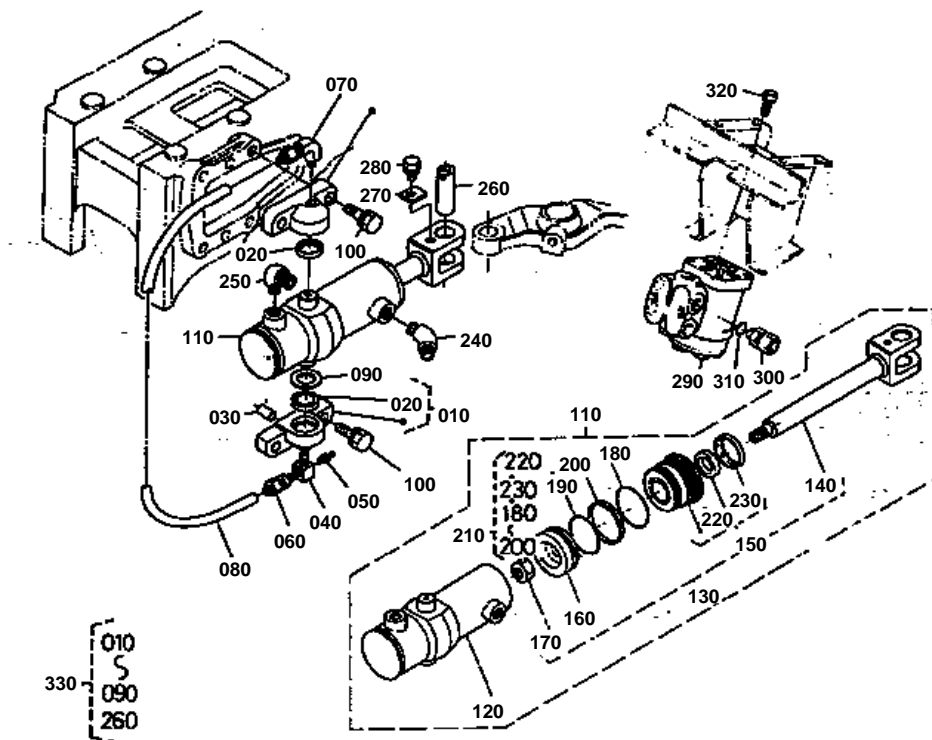


STEERING HANDLE

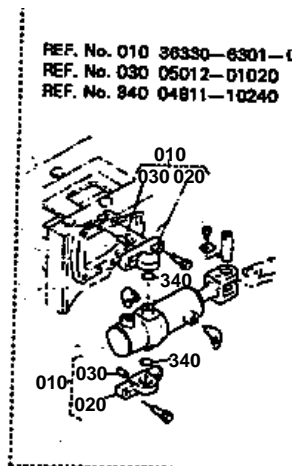
↔ Interchangeable; ≠ not interchangeable; ← new for old; → old for new

REF.No	Part No.	Description	Q'ty	S.No.	I/C	REMARKS	Weight (kgf)	Weight (lb)
010	35800-10490	STAY	1				0.126	0.2772
020	01023-50614	BOLT	3				0.005	0.011
030	04512-50060	WASHER SPRING	3				0	0
040	02014-50060	NUT	3				0.003	0.0066
050	36330-62130	SUPPORT STEERING	1				3.13	6.886
060	36330-04280	SPACER	4				0.02	0.044
070	01574-51230	STUD	4				0.037	0.0814
080	04512-50120	WASHER SPRING	4				0	0
090	02174-50120	NUT	4				0.01	0.022
100	36330-62110	JOINT STEERING	1				0.72	1.584
110	08141-06003	BEARING BALL	1				0.037	0.0814
120	36330-62220	CIR-CLIP	1				0.004	0.0088
130	04612-00170	CIR-CLIP EXTERNAL	1				0.001	0.0022
140	09230-17355	SEAL OIL	1				0.007	0.0154
150	36330-62140	HOLDER STRG.SHAFT	1				4.6	10.12
160	01133-51022	BOLT	4				0.025	0.055
170	36530-62150	SHAFT STEERING	1				1.84	4.048
180	01123-50830	BOLT	1				0.015	0.033
190	36330-62160	PIN FULCRUM	1				0.12	0.264
200	01123-50816	BOLT	1				0	0
210	36330-62170	HOLDER TILT	1				0.37	0.814
220	01123-50816	BOLT	2				0	0
230	36330-62180	LEVER TILT	1				0.06	0.132
240	33251-80170	GRIP	1				0.008	0.0176
250	05122-50518	PIN JOINT	1				0.002	0.0044
260	04012-50050	WASHER PLAIN	1				0.001	0.0022
270	05511-51210	PIN SPLIT	1				0.001	0.0022
280	36330-62190	PIN	1				0.03	0.066
290	36330-62210	SPRING	1				0.005	0.011
300	36330-62560	ASSY HANDLE STRG.	1				2	4.4
310	36330-62610	MARK HANDLE	1				0.004	0.0088
320	36330-62580	CAP HANDLE	1				0.04	0.088
330	36330-62620	GASKET	1				0.002	0.0044
340	02174-50140	NUT	1				0.014	0.0308
350	04512-50140	WASHER SPRING	1				0	0

POWER STEERING CYLINDER



REF. No. 010 36330-6301-1
 REF. No. 030 06012-01020
 REF. No. 340 04811-10240



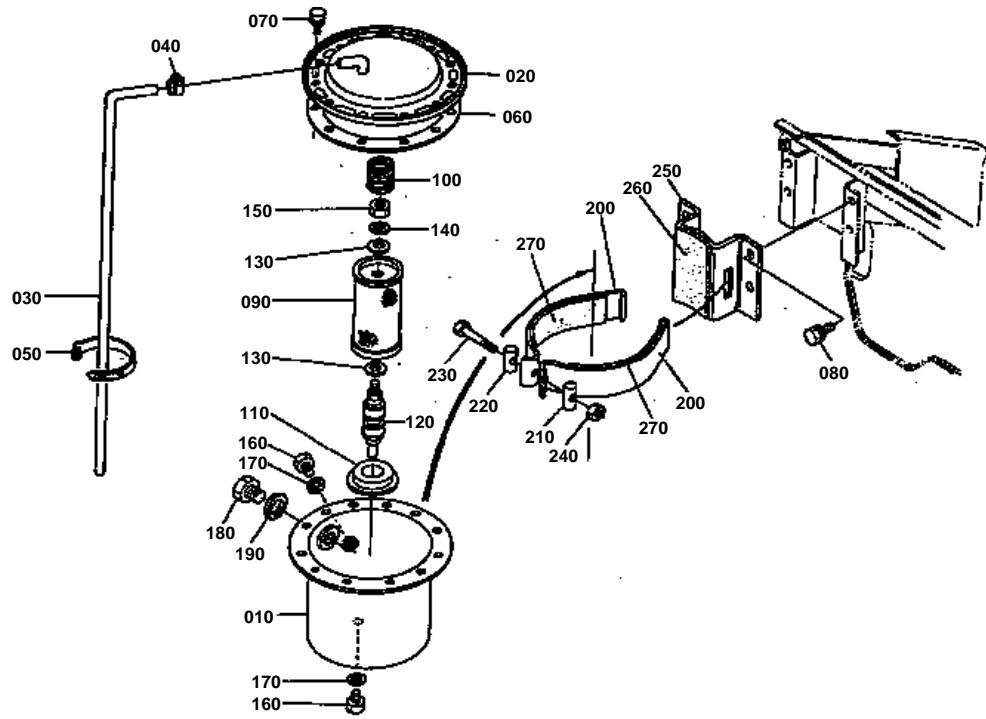


POWER STEERING CYLINDER

↔ Interchangeable; ≠ not interchangeable; ← new for old; → old for new

REF.No	Part No.	Description	Q'ty	S.No.	I/C	REMARKS	Weight (kgf)	Weight (lb)
010	36330-63010	SUPPORT STEERING	2	<=50286			0	0
010	36330-63013	ASSY BRACKET CYL.	2	>=50287	←		1.24	2.728
020	36330-63120	SEAL DUST	2	>=50287			0.002	0.0044
030	05012-01020	PIN STRAIGHT	2	<=50286			0.02	0.044
030	05012-01020	PIN STRAIGHT	1	>=50287	←		0.02	0.044
040	36330-63092	JOINT	1	>=51001			0.041	0.0902
050	06613-10010	NIPPLE GREASE	1	>=50287			0.006	0.0132
060	36330-63130	JOINT	1	>=50287			0.015	0.033
070	36330-63140	JOINT	1	>=50287			0.02	0.044
080	36330-63150	HOSE HYDRAULIC	1	>=50287			0.005	0.011
090	36330-63110	SPACER	1	>=50287			0.01	0.022
100	01133-51240	BOLT	4				0.05	0.11
110	36330-63710	CYLINDER STEERING	1				5.5	12.1
120	36330-63720	ASSY CYLINDER	1				3.4	7.48
130	36330-63730	ASSY ROD	1				2.6	5.72
140	36330-63740	ASSY ROD SUB	1				1.45	3.19
150	36330-63750	ASSY BOX	1				0.78	1.716
160	36330-63760	PISTON	1				0.32	0.704
170	36330-63770	NUT	1				0.045	0.099
180	36330-63780	O RING	1				0.001	0.0022
190	36330-63790	O RING	1				0.001	0.0022
200	36330-63810	SEAL	1				0.005	0.011
210	36330-63820	KIT SEAL	1				0.02	0.044
220	36330-63830	O RING	1				0.002	0.0044
230	36330-63840	RING WIPER	1				0.01	0.022
240	36330-63030	JOINT CYLINDER	1				0.07	0.154
250	36330-63040	JOINT CYLINDER	1				0	0
260	36330-63050	SHAFT CYLINDER	1	<=50286			0	0
260	36330-63052	SHAFT CYLINDER	1	>=50287	←		0.23	0.506
270	36330-63060	STOPPER	1				0.015	0.033
280	01123-50816	BOLT	1				0	0
290	35860-63070	CONTROLLER STEERING	1	<=50286			0	0
290	35860-63072	CONTROLLER STEERING	1	>=50287	←		6	13.2
300	36330-63080	NIPPLE	4				0.07	0.154
310	04811-00140	RING	4				0	0
320	01133-51020	BOLT	4				0.02	0.044
330	35820-97630	KIT BRACKET STRG.CYL	1				0	0
340	04811-10240	RING	2	<=50287			0.001	0.0022

POWER STEERING OIL TANK

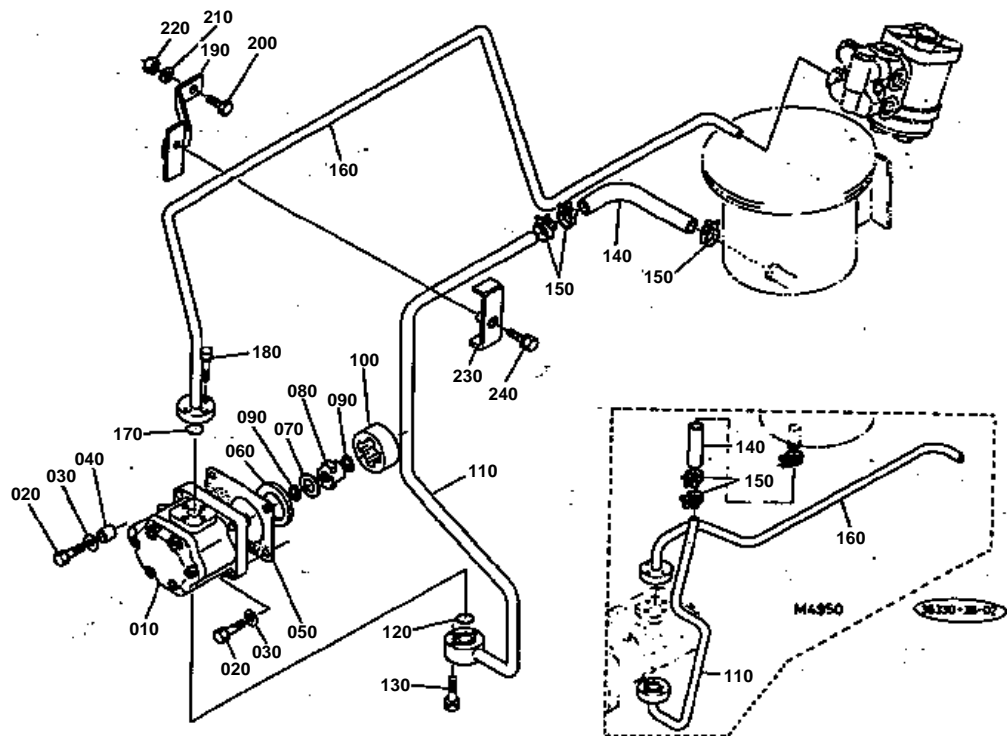


**POWER STEERING OIL TANK**

↔ Interchangeable; ≠ not interchangeable; ← new for old; → old for new

REF.No	Part No.	Description	Q'ty	S.No.	I/C	REMARKS	Weight (kgf)	Weight (lb)
010	36230-63413	TANK OIL	1				1.1	2.42
020	36330-63443	COVER OIL TANK	1				0.45	0.99
030	36300-04430	PIPE FUEL	1				0.1	0.22
040	14301-42750	CLIP PIPE	1				0.005	0.011
050	53581-64150	BAND CORD	1				0.002	0.0044
060	36330-63450	GASKET OIL TANK	1				0.03	0.066
070	01023-50616	BOLT	12				0.005	0.011
080	01123-50816	BOLT	4				0	0
090	36330-63460	FILTER OIL	1				0.22	0.484
100	36330-63480	SPRING	1				0.04	0.088
110	36330-63500	GASKET FILTER	1				0.01	0.022
120	36330-63490	MAGNET	1				0.09	0.198
130	04013-50060	WASHER PLAIN	2				0	0
140	04512-50060	WASHER SPRING	1				0	0
150	02014-50060	NUT	1				0.003	0.0066
160	06331-35010	PLUG	2				0.012	0.0264
170	04717-01000	WASHER WITH RUBBER	2				0.001	0.0022
180	06331-35020	PLUG	1				0.068	0.1496
190	04717-02000	WASHER WITH RUBBER	1				0.004	0.0088
200	36330-63610	BAND	2				0.21	0.462
210	33400-63440	CLAMP BAND	1				0.015	0.033
220	33400-63450	CLAMP BAND	1				0.015	0.033
230	01053-50645	BOLT	1				0.012	0.0264
240	02014-50060	NUT	1				0.003	0.0066
250	36330-63620	BRACKET POWER STRG.	1				0.48	1.056
260	36330-63630	CUSHION	1				0.03	0.066
270	36330-63640	CUSHION	2				0.04	0.088

POWER STEERING OIL PUMP



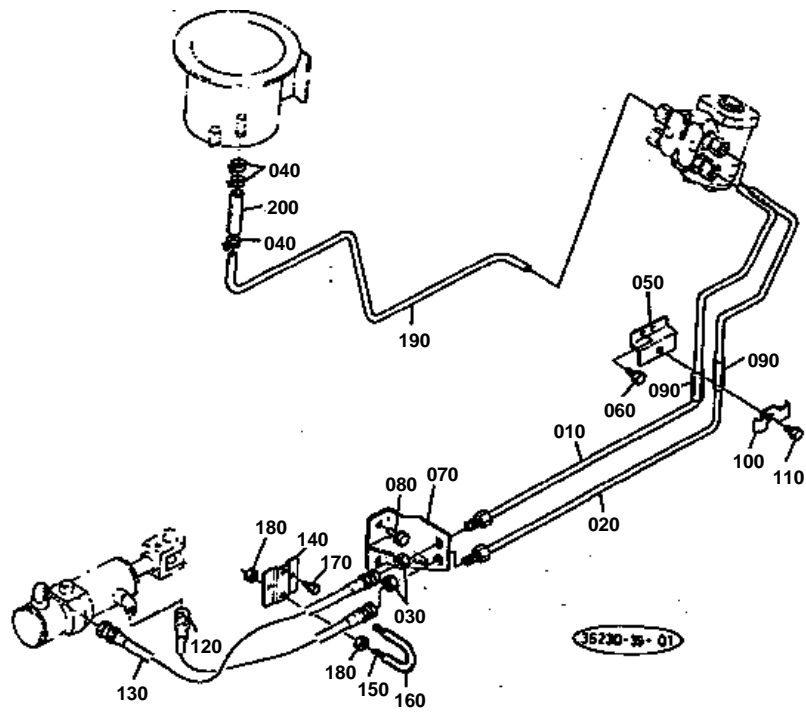


POWER STEERING OIL PUMP

↔ Interchangeable; ≠ not interchangeable; ← new for old; → old for new

REF.No	Part No.	Description	Q'ty	S.No.	I/C	REMARKS	Weight (kgf)	Weight (lb)
110	36230-63234	PIPE SUCTION	1				0.375	0.825
120	35880-63650	O RING	1				0.001	0.0022
130	01023-50625	BOLT	3				0.007	0.0154
140	36230-63672	JOINT RUBBER	1				0.075	0.165
150	19269-16160	BAND	3				0.01	0.022
160	36230-63240	PIPE DERIVERY	1				0	0
170	35880-63650	O RING	1				0.001	0.0022
180	01023-50625	BOLT	3				0.007	0.0154

POWER STEERING PIPING



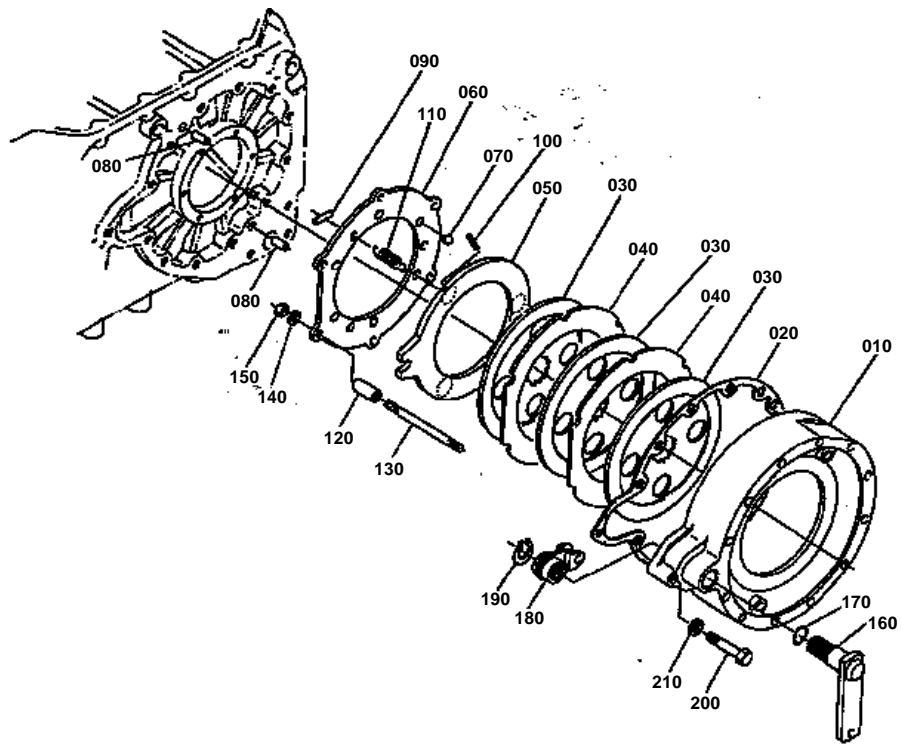


POWER STEERING PIPING

↔ Interchangeable; ≠ not interchangeable; ← new for old; → old for new

REF.No	Part No.	Description	Q'ty	S.No.	I/C	REMARKS	Weight (kgf)	Weight (lb)
010	36330-63270	PIPE DELIVERY	1				0.5	1.1
020	36330-63280	PIPE DELIVERY	1				0.53	1.166
030	36330-63290	NUT	2				0.02	0.044
040	36330-63690	BAND HOSE	3				0.01	0.022
050	36230-63310	STAY PIPE	1				0.125	0.275
060	01133-51020	BOLT	2				0.02	0.044
070	36230-63320	STAY PIPE	1				0	0
080	01123-50816	BOLT	2				0	0
090	36330-63330	RUBBER PROTECTOR	2				0.01	0.022
100	36330-63340	CLAMP PIPE	1				0.055	0.121
110	01123-50816	BOLT	1				0	0
120	36230-63350	HOSE DELIVERY	1				0.36	0.792
130	36230-63360	HOSE DELIVERY	1				0.385	0.847
140	36330-63510	STAY SUPPORT HOSE	1				0.13	0.286
150	36330-63520	SUPPORT HOSE	1				0.06	0.132
160	36330-63530	COVER PROTECT.	1				0.015	0.033
170	01123-50816	BOLT	1				0	0
180	02114-50080	NUT	4				0.005	0.011
190	36230-63370	PIPE RETURN	1				0.32	0.704
200	36330-63663	JOINT RUBBER	1				0.03	0.066

BRAKE

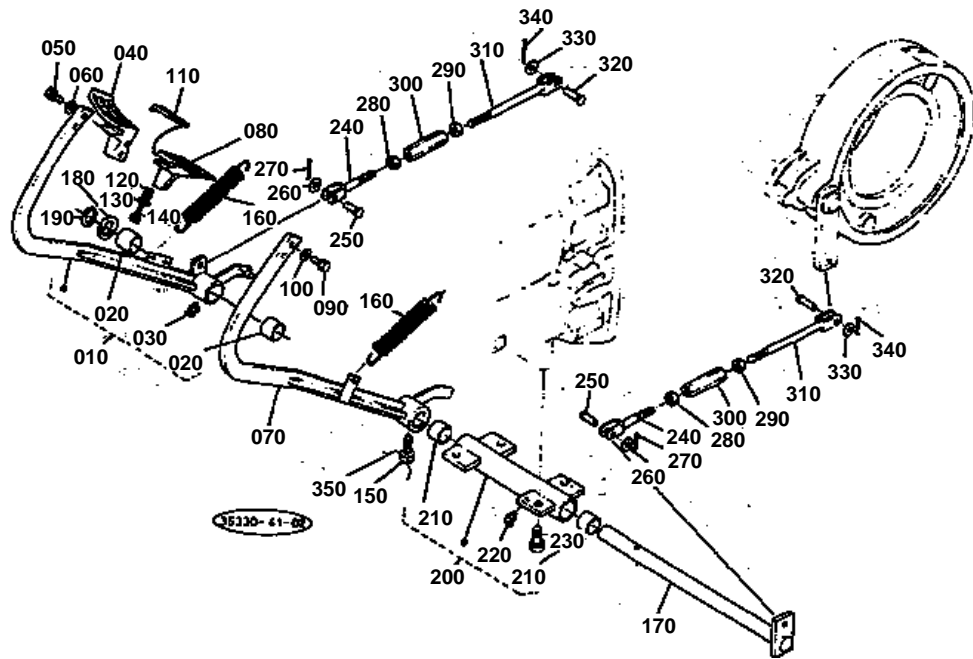


**BRAKE**

↔ Interchangeable; ≠ not interchangeable; ← new for old; → old for new

REF.No	Part No.	Description	Q'ty	S.No.	I/C	REMARKS	Weight (kgf)	Weight (lb)
010	36330-65110	CASE BRAKE	2				16.4	36.08
020	36330-65210	GASKET	2				0	0
030	36200-65120	PLATE FRICTION	6				0	0
040	36330-65130	PLATE	4				0.56	1.232
050	36200-65147	PLATE CAM	2				2.5	5.5
060	36200-65150	PLATE CAM	2				2.42	5.324
070	07715-00805	BALL	12				0.016	0.0352
080	05012-01325	PIN STRAIGHT	4				0.028	0.0616
090	36200-65180	RETAINER SPRING	6				0.025	0.055
100	05411-00435	PIN SPRING	6				0.002	0.0044
110	36200-65810	SPRING	6				0.003	0.0066
120	36500-65160	SPACER	12				0.02	0.044
130	36500-65170	STUD	12				0.042	0.0924
140	04512-50100	WASHER SPRING	12				0	0
150	02118-50100	NUT	12				0.005	0.011
160	36330-65330	SHAFT BRAKE CAM	2				0.93	2.046
170	04811-05260	RING	2				0.001	0.0022
180	36200-65310	LEVER BRAKE CAM	2				0.35	0.77
190	04612-00280	CIR-CLIP EXTERNAL	2				0.003	0.0066
200	01173-51270	BOLT	2				0.067	0.1474
210	04512-50120	WASHER SPRING	2				0	0

BRAKE PEDAL

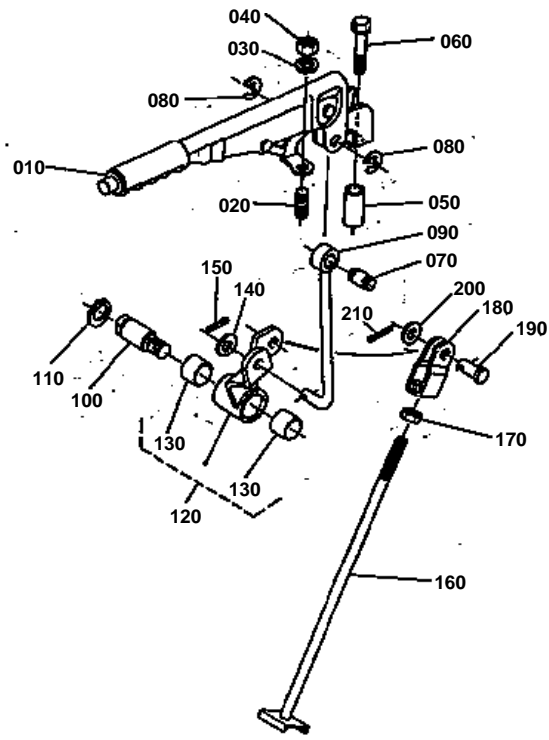


**BRAKE PEDAL**

↔ Interchangeable; ≠ not interchangeable; ← new for old; → old for new

REF.No	Part No.	Description	Q'ty	S.No.	I/C	REMARKS	Weight (kgf)	Weight (lb)
010	36330-67100	ASSY PEDAL BRAKE RH	1	<=50286			0	0
010	36330-67104	ASSY PEDAL BRAKE RH	1	>=50287	←		3.15	6.93
020	32150-28440	BUSH	2				0.043	0.0946
030	06613-30010	NIPPLE GREASE	1				0.01	0.022
040	36330-67120	HEEL PEDAL	1				0.85	1.87
050	01123-50825	BOLT	2				0.013	0.0286
060	04013-50080	WASHER PLAIN	2				0	0
070	36330-67210	PEDAL BRAKE LH	1	<=50208			0	0
070	36330-67216	PEDAL BRAKE LH	1	>=50209	←		3.4	7.48
080	36330-67220	HEEL PEDAL	1				0.86	1.892
090	01123-50825	BOLT	2				0.013	0.0286
100	04013-50080	WASHER PLAIN	2				0	0
110	36330-67230	STOPPER BRAKE PEDAL	1				0.06	0.132
120	36330-67240	SPRING	1				0.001	0.0022
130	04013-50060	WASHER PLAIN	1				0	0
140	01023-50625	BOLT	1				0.007	0.0154
150	33251-26350	BOLT	1				0.045	0.099
160	36330-26160	SPRING PEDAL RETURN	2				0.17	0.374
170	36330-67310	SHAFT BRAKE PEDAL	1	<=50286			0	0
170	36330-67314	SHAFT BRAKE PEDAL	1	>=50287	←		2.7	5.94
180	33251-67340	COLLAR PEDAL SHAFT	1				0.029	0.0638
190	04612-00280	CIR-CLIP EXTERNAL	1				0.003	0.0066
200	36330-67320	ASSY SUPPORT PEDAL	1				2.55	5.61
210	32150-28440	BUSH	2				0.043	0.0946
220	06613-30010	NIPPLE GREASE	1				0.01	0.022
230	01133-51230	BOLT	4				0.04	0.088
240	36200-67410	ROD BRAKE	2	<=50286			0.1	0.22
240	36200-67415	ROD BRAKE	2	>=50287	←		0.12	0.264
250	36330-26130	PIN CLUTCH LINK	2				0	0
260	04011-50100	WASHER PLAIN	2				0.002	0.0044
270	05511-50318	PIN SPLIT	2				0.001	0.0022
280	02172-50120	NUT	2				0.01	0.022
290	36330-67430	NUT LOCK	2	>=50287			0.009	0.0198
300	37720-28980	TURNBUCKLE	2				0.099	0.2178
310	36330-67420	ROD BRAKE	2				0.22	0.484
320	05122-51035	PIN JOINT	2				0.023	0.0506
330	04011-50100	WASHER PLAIN	2				0.002	0.0044
340	05511-50318	PIN SPLIT	2				0.001	0.0022
350	99999-99999	YOUR SUPPLY	1				0	0

PARKING BRAKE

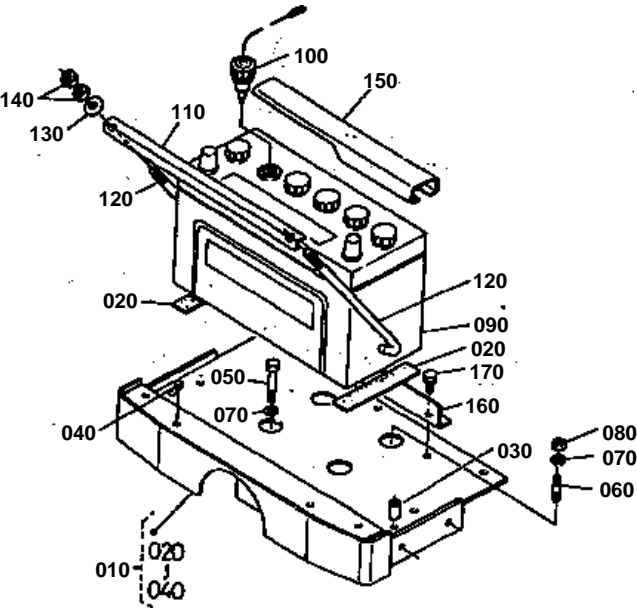


**PARKING BRAKE**

↔ Interchangeable; ≠ not interchangeable; ← new for old; → old for new

REF.No	Part No.	Description	Q'ty	S.No.	I/C	REMARKS	Weight (kgf)	Weight (lb)
010	68221-32330	LEVER BRAKE	1				0.53	1.166
020	01513-50814	STUD	1				0.008	0.0176
030	04512-50080	WASHER SPRING	1				0	0
040	02114-50080	NUT	1				0.005	0.011
050	36330-67760	COLLAR	1				0.025	0.055
060	01123-50855	BOLT	1				0.02	0.044
070	36330-67770	PIN	1				0.025	0.055
080	04613-00100	CIR-CLIP EXTERNAL	2				0.001	0.0022
090	36330-67780	ROD HAND BRAKE	1				0.15	0.33
100	36330-67790	FULCRUM	1				0.15	0.33
110	04612-00220	CIR-CLIP EXTERNAL	1				0.001	0.0022
120	36330-67800	ASSY LEVER BRAKE	1				0.43	0.946
130	36330-26430	BUSH	2				0	0
140	04011-50100	WASHER PLAIN	1				0.002	0.0044
150	05511-50318	PIN SPLIT	1				0.001	0.0022
160	36330-67820	ROD HAND BRAKE	1				0.18	0.396
170	02116-50100	NUT	1				0.004	0.0088
180	38240-24360	JOINT	1				0.08	0.176
190	05122-51025	PIN JOINT	1				0.017	0.0374
200	04011-50100	WASHER PLAIN	1				0.002	0.0044
210	05511-50318	PIN SPLIT	1				0.001	0.0022

BATTERY SUPPORT



36230-43-01

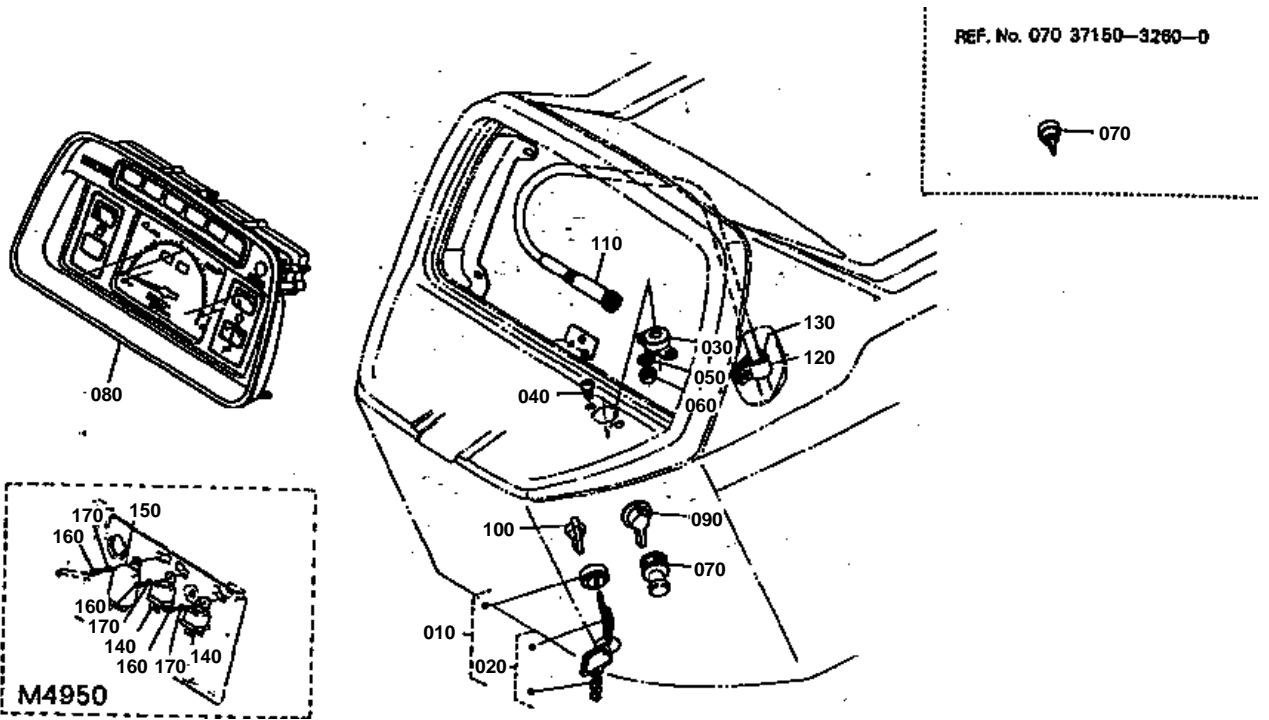


BATTERY SUPPORT

↔ Interchangeable; ≠ not interchangeable; ← new for old; → old for new

REF.No	Part No.	Description	Q'ty	S.No.	I/C	REMARKS	Weight (kgf)	Weight (lb)
010	36230-74100	ASSY SUPPORT BATTERY	1				12.7	27.94
020	36500-74180	CUSHION BATTERY	2				0	0
030	36230-74120	SPACER	4				0.034	0.0748
040	38430-17170	CUSHION	2				0.005	0.011
050	01170-51230	BOLT	2				0	0
060	01574-51225	STUD	2				0.034	0.0748
070	04512-50120	WASHER SPRING	4				0	0
080	02174-50120	NUT	2				0.01	0.022
090	35450-74310	BATTERY (DRY)	1				0	0
100	36330-74250	SENER BATTERY	1				0.03	0.066
110	36230-74350	RETAINER BATTERY	1				0.41	0.902
120	36230-74360	BOLT	2				0.07	0.154
130	04015-50080	WASHER PLAIN	2				0	0
140	02114-50080	NUT	4				0.005	0.011
150	38240-33390	COVER BATTERY	1				0.03	0.066
160	36230-74370	SUPPORT BATTERY	1				0.75	1.65
170	01133-51016	BOLT	2				0.015	0.033

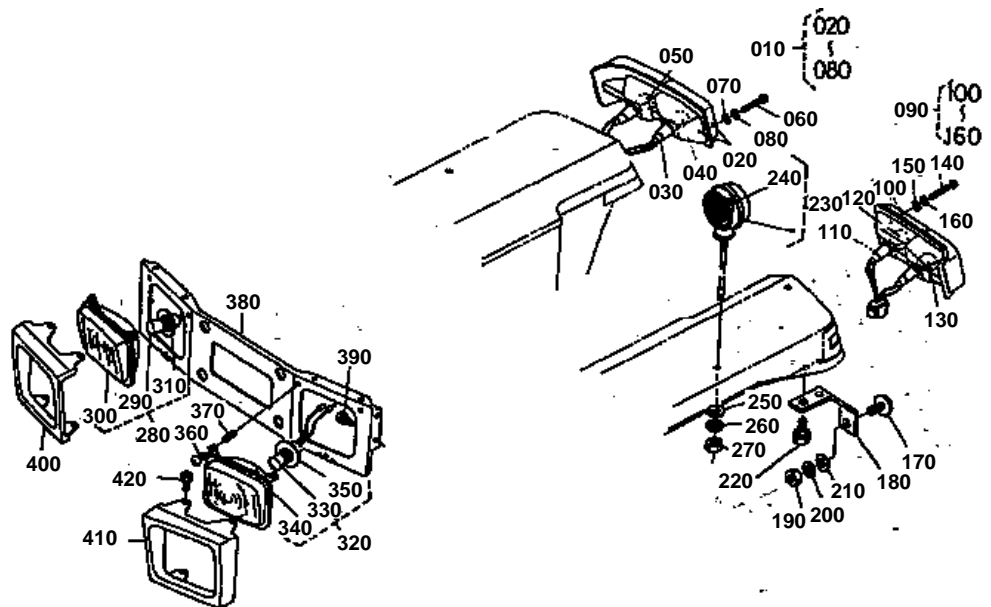
PANEL BOARD



**PANEL BOARD**

↔ Interchangeable; ≠ not interchangeable; ← new for old; → old for new

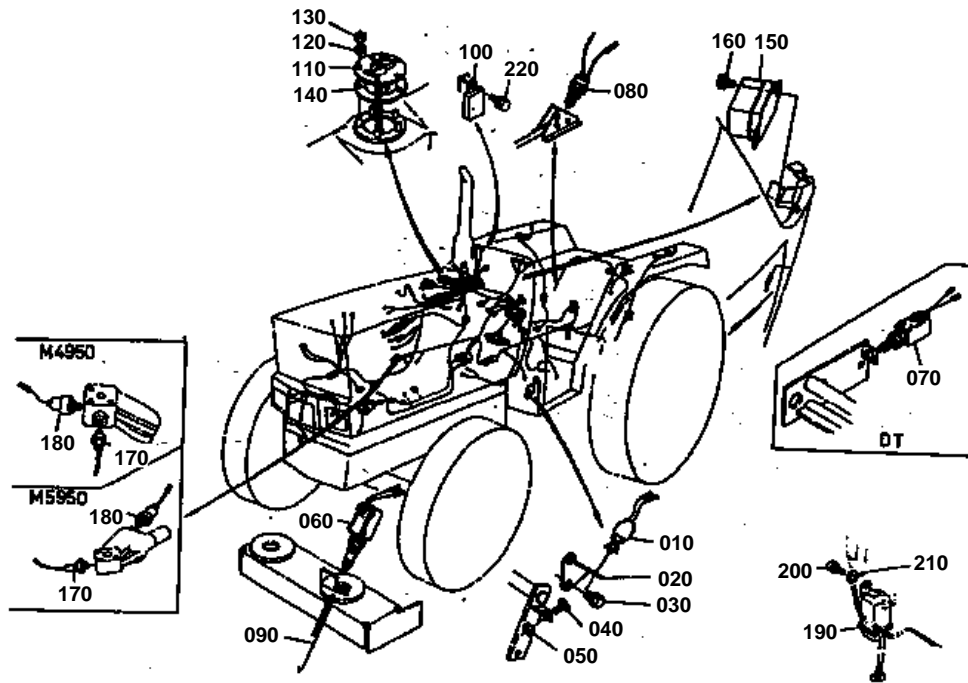
REF.No	Part No.	Description	Q'ty	S.No.	I/C	REMARKS	Weight (kgf)	Weight (lb)
010	35822-75170	ASSY SWITCH MAIN	1				0.4	0.88
020	35822-75180	ASSY KEY MAIN SWITCH	1				0.02	0.044
030	15621-65950	INDICATOR GLOW	1				0.05	0.11
040	03054-50510	SCREW PAN HEAD	2				0.003	0.0066
050	04512-50050	WASHER SPRING	2				0	0
060	02054-50050	NUT	2				0.002	0.0044
070	37150-32600	SWITCH PARKING	1	≤51210			0.05	0.11
070	35820-75090	SWITCH PARKING	1	≥51211	≠		0.04	0.088
080	35801-75600	ASSY BOARD PANEL	1				2	4.4
090	35450-75040	SWITCH HAZARD	1				0.15	0.33
100	38240-32100	SWITCH LIGHT	1				0.063	0.1386
110	36200-30113	CABLE HOUR METER	1				0.31	0.682
140	15471-60230	RELAY	2				0.08	0.176
150	15471-60240	TIMER	1				0.09	0.198
160	01202-50610	BOLT	3				0.004	0.0088
170	04013-50060	WASHER PLAIN	3				0	0



**ELECTRICAL SYSTEM 1**

↔ Interchangeable; ≠ not interchangeable; ← new for old; → old for new

REF.No	Part No.	Description	Q'ty	S.No.	I/C	REMARKS	Weight (kgf)	Weight (lb)
010	36330-75882	LIGHT REAR COMBI.RH	1				0.27	0.594
020	36330-76280	BODY LIGHT	1				0.38	0.836
030	36330-76290	COMP.CORD SOCKET RH	1				0.04	0.088
040	36330-76270	BULB FLASHER	1				0.01	0.022
050	36330-76260	BULB BRAKE	1				0.01	0.022
060	03054-50545	SCREW PAN HEAD	2				0.006	0.0132
070	36330-76320	WASHER NYRON	2				0.001	0.0022
080	04012-50050	WASHER PLAIN	2				0.001	0.0022
090	36330-75892	LIGHT REAR COMBI.LH	1				0.27	0.594
100	36330-76310	BODY LIGHT	1				0.19	0.418
110	36330-76300	COMP.CORD SOCKET LH	1				0.04	0.088
120	36330-76270	BULB FLASHER	1				0.01	0.022
130	36330-76260	BULB BRAKE	1				0.01	0.022
140	03054-50545	SCREW PAN HEAD	2				0.006	0.0132
150	36330-76320	WASHER NYRON	2				0.001	0.0022
160	04012-50050	WASHER PLAIN	2				0.001	0.0022
170	33251-34900	ASSY REFLECTOR	2				0.019	0.0418
180	36330-75780	BRACKET REFLECTOR	2				0.15	0.33
190	02054-50050	NUT	2				0.002	0.0044
200	04512-50050	WASHER SPRING	2				0	0
210	04012-50050	WASHER PLAIN	2				0.001	0.0022
220	01123-50820	BOLT	4				0.011	0.0242
230	35450-75010	ASSY LIGHT FLASHER	2				0.3	0.66
240	35450-75022	BULB	2				0.008	0.0176
250	04013-50100	WASHER PLAIN	2				0	0
260	04512-50100	WASHER SPRING	2				0	0
270	02114-50100	NUT	2				0.005	0.011
280	36330-75800	ASSY LIGHT HEAD RH	1				0.52	1.144
290	38450-33870	BULB LIGHT	1				0.025	0.055
300	36330-75810	COMP.LIGHT UNIT RH	1				0.41	0.902
310	36330-75840	COMP.CORD SOCKET	1				0.056	0.1232
320	36330-75920	ASSY LIGHT HEAD LH	1				0.53	1.166
330	38450-33870	BULB LIGHT	1				0.025	0.055
340	36330-75930	COMP.LIGHT UNIT LH	1				0.41	0.902
350	36330-75840	COMP.CORD SOCKET	1				0.056	0.1232
360	03054-50525	SCREW PAN HEAD	6				0.005	0.011
370	38240-33860	SPRING LIGHT	6				0.001	0.0022
380	36330-75730	PLATE HEAD LIGHT	1				0.945	2.079
390	01023-50616	BOLT	4				0.005	0.011
400	35861-75710	GRILLE LIGHT RH	1				0.1	0.22
410	35861-75720	GRILLE LIGHT LH	1				0.1	0.22
420	01202-50616	BOLT	8				0.006	0.0132

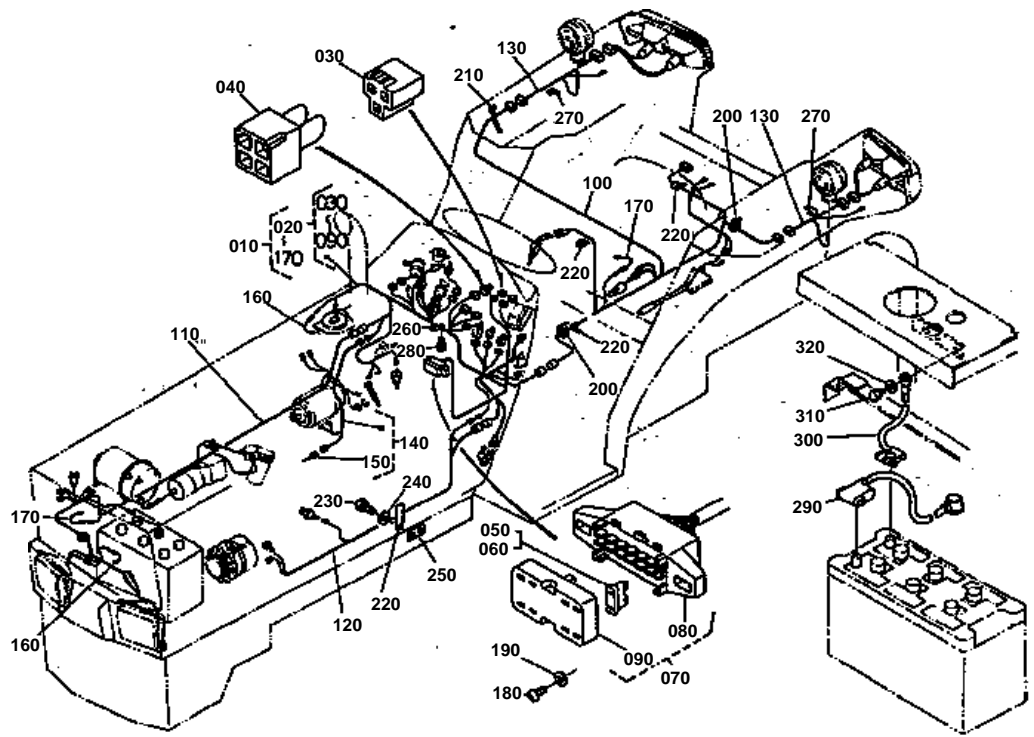




ELECTRICAL SYSTEM 2

↔ Interchangeable; ≠ not interchangeable; ← new for old; → old for new

REF.No	Part No.	Description	Q'ty	S.No.	I/C	REMARKS	Weight (kgf)	Weight (lb)
010	37150-32240	SWITCH SAFETY	1				0.12	0.264
020	36330-75280	BRACKET SWITCH	1				0.06	0.132
030	01123-50816	BOLT	2				0	0
040	01952-00830	BOLT WELD	1				0.005	0.011
050	02112-50080	NUT	1				0.003	0.0066
050	02112-50080	NUT	2	>=50001			0.003	0.0066
060	36330-75480	SWITCH STOP	1				0.08	0.176
070	36330-75480	SWITCH STOP	1				0.08	0.176
080	67111-55810	ASSY SWITCH SAFETY	1				0.09	0.198
090	36330-75490	SPRING	1				0.015	0.033
100	35450-75590	UNIT FLASHER HAZARD	1				0	0
110	36330-75303	UNIT TANK	1				0	0
120	04013-50050	WASHER PLAIN	5				0	0
130	02054-50050	NUT	5				0.002	0.0044
140	36330-75310	GASKET	1				0.005	0.011
150	33251-74010	ASSY REGULATOR	1				0.35	0.77
160	01023-50612	BOLT	2				0.005	0.011
170	36330-75080	SWITCH THERMOMETER	1				0.02	0.044
180	38240-37930	SWITCH VACUUM	1				0.051	0.1122
190	35800-75070	RELAY STARTER	1	>=51256			0.08	0.176
200	01023-50614	BOLT	1	>=51256			0.005	0.011
210	04013-50060	WASHER PLAIN	1	>=51256			0	0
220	01023-50612	BOLT	1				0.005	0.011

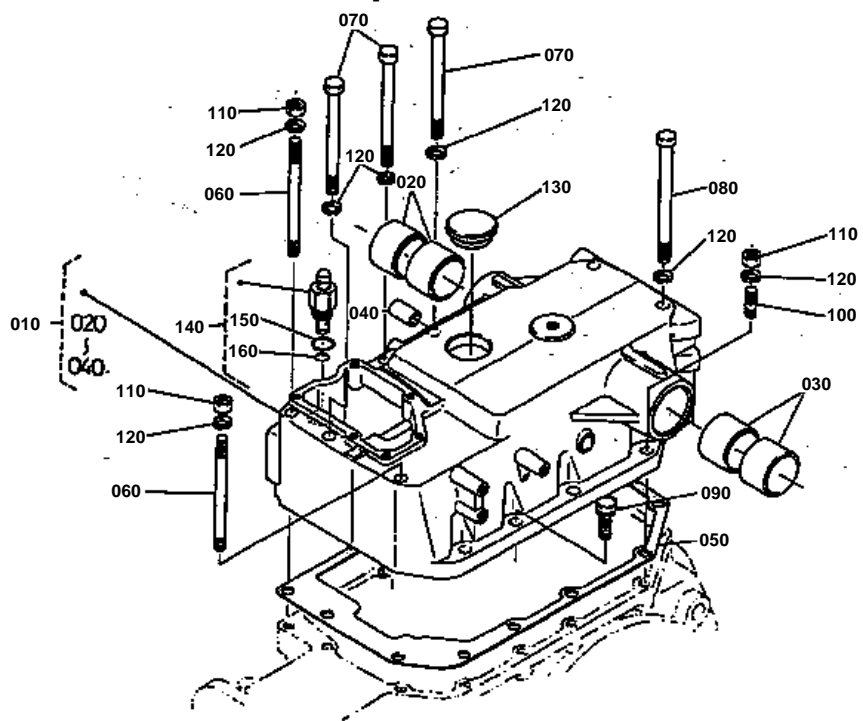


**ELECTRICAL SYSTEM 3**

↔ Interchangeable; ≠ not interchangeable; ← new for old; → old for new

REF.No	Part No.	Description	Q'ty	S.No.	I/C	REMARKS	Weight (kgf)	Weight (lb)
010	35800-77200	ASSY WIRE HARNESS	1	≤51255			2.6	5.72
010	35800-77202	ASSY WIRE HARNESS	1	≥51256	≠		3	6.6
020	35800-77210	WIRE HARNESS	1	≤50142			0	0
020	35800-77212	WIRE HARNESS	1	≥50143	←		1.43	3.146
030	36330-75390	DIODE	2				0.01	0.022
040	36730-75380	LINK FUSIBLE	1				0.01	0.022
050	36730-75550	FUSE	10				0.001	0.0022
060	35820-75560	FUSE	3				0.002	0.0044
070	35800-75500	ASSY BOX FUSE	1	≥50103			0.1	0.22
080	35820-75510	ASSY CASE FUSE	1	≤51173			0	0
080	35820-75512	ASSY CASE FUSE	1	≥51174	←		0.1	0.22
090	36730-75522	COVER FUSE CASE	1	≤50102			0.05	0.11
090	35800-75520	COVER FUSE CASE	1	≥50103	←		0.026	0.0572
100	35801-77222	WIRE HARNESS	1				0.32	0.704
110	35800-77230	WIRE HARNESS	1				0.37	0.814
120	36240-77240	WIRE HARNESS	1				0.15	0.33
130	35861-77250	WIRE HARNESS	2				0.09	0.198
140	36230-77260	WIRE HARNESS	1	≤51255			0.18	0.396
140	36230-77263	WIRE HARNESS	1	≥51256	≠		0.216	0.4752
150	36330-75380	LINK FUSIBLE	1				0.01	0.022
160	36330-77270	WIRE HARNESS	2				0.005	0.011
170	36330-77290	WIRE HARNESS	2				0	0
180	03027-50510	SCREW	2				0.003	0.0066
190	04013-50050	WASHER PLAIN	2				0	0
200	55311-41260	BAND CORD	5				0.007	0.0154
210	53581-64150	BAND CORD	14				0.002	0.0044
220	34150-29390	CLAMP CORD	11	≤50058			0.004	0.0088
220	34150-29390	CLAMP CORD	12	≥50059	←		0.004	0.0088
230	01053-50620	BOLT	6				0.006	0.0132
240	04013-50060	WASHER PLAIN	6				0	0
250	38240-29250	NUT	6				0.005	0.011
260	35340-29380	CLAMP CORD	1				0.01	0.022
270	54711-42630	CLAMP CORD	6				0.002	0.0044
280	01123-50816	BOLT	1				0	0
290	36220-77112	CORD BATTERY	1				0	0
300	36500-77140	CORD EARTH	1				0.41	0.902
310	01133-51020	BOLT	1				0.02	0.044
320	04013-50100	WASHER PLAIN	1				0	0

HYDRAULIC CYLINDER BODY

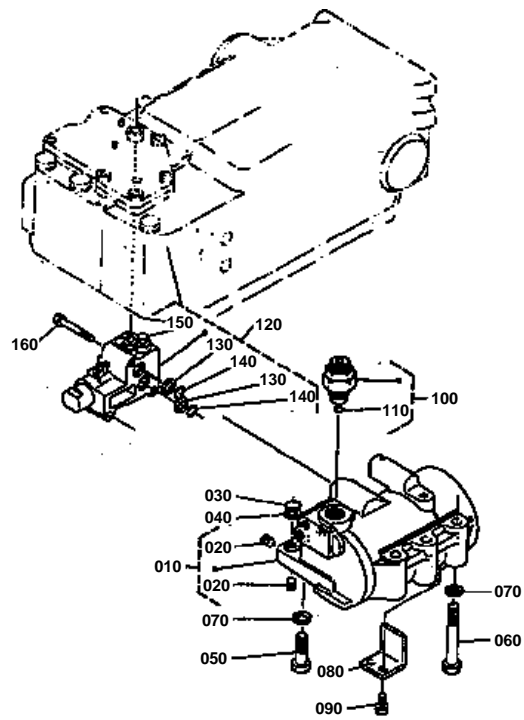




HYDRAULIC CYLINDER BODY

↔ Interchangeable; ≠ not interchangeable; ← new for old; → old for new

REF.No	Part No.	Description	Q'ty	S.No.	I/C	REMARKS	Weight (kgf)	Weight (lb)
010	36330-82100	ASSY BODY HYD.CYL.	1	<=50286			0	0
010	36330-82103	ASSY BODY HYD.CYL.	1	>=50287	←		0	0
020	36200-82130	BUSH	2				0	0
030	33251-82060	BUSH	2				0	0
040	36200-81330	BUSH	1				0.04	0.088
050	36330-82142	GASKET	1				0	0
060	36330-82150	STUD	2				0.14	0.308
070	36330-82160	BOLT	3				0.15	0.33
080	36330-82170	BOLT	2				0.17	0.374
090	01133-51245	BOLT	3				0.055	0.121
100	01574-51240	STUD	2				0	0
110	02176-50120	NUT	4				0.01	0.022
120	04512-50120	WASHER SPRING	9				0	0
130	36200-81670	PLUG	1				0	0
140	36330-82360	ASSY VALVE RELIEF	1				0.25	0.55
150	04810-00220	RING	1				0	0
160	04811-05150	RING	1				0	0

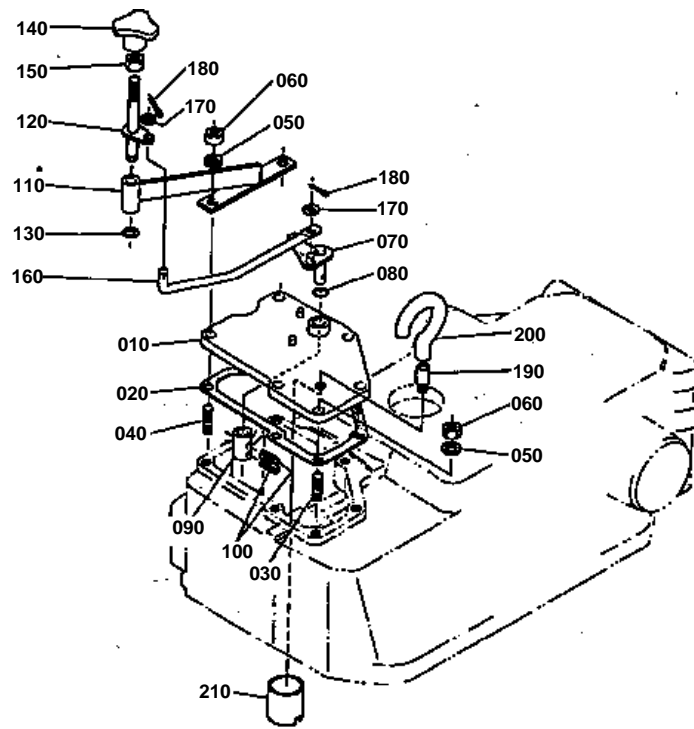


**HYDRAULIC CYLINDER LINER**

↔ Interchangeable; ≠ not interchangeable; ← new for old; → old for new

REF.No	Part No.	Description	Q'ty	S.No.	I/C	REMARKS	Weight (kgf)	Weight (lb)
010	36330-82500	ASSY LINER HYD.CYL.	1	<=50208			0	0
010	36330-82503	ASSY LINER HYD.CYL.	1	>=50209	←		11.8	25.96
020	36200-82520	PLUG	5	<=50208			0.007	0.0154
020	36741-94022	PLUG TAPER	5	>=50209	≠		0.01	0.022
030	04811-00140	RING	1				0	0
040	36200-82330	RING BACK UP	1				0.001	0.0022
050	36330-82290	BOLT	3				0.06	0.132
060	36330-82340	BOLT	3				0	0
070	04512-50140	WASHER SPRING	6				0	0
080	36330-82530	SUPPORT ROD	1				0.1	0.22
090	01123-50816	BOLT	2				0	0
100	36330-82400	ASSY VALVE SAFETY	1	<=50286			0	0
100	36330-82402	ASSY VALVE SAFETY	1	>=50287	←		0.25	0.55
110	04810-00110	RING	1				0	0
120	35861-82300	ASSY VALVE CONTROL	1				2.1	4.62
130	36200-82330	RING BACK UP	2				0.001	0.0022
140	04810-00140	RING	2				0	0
150	35861-82310	ASSY VALVE CHECK	1				0.08	0.176
160	01123-50855	BOLT	3				0.02	0.044

DOWN SPEED ADJUSTING LEVER



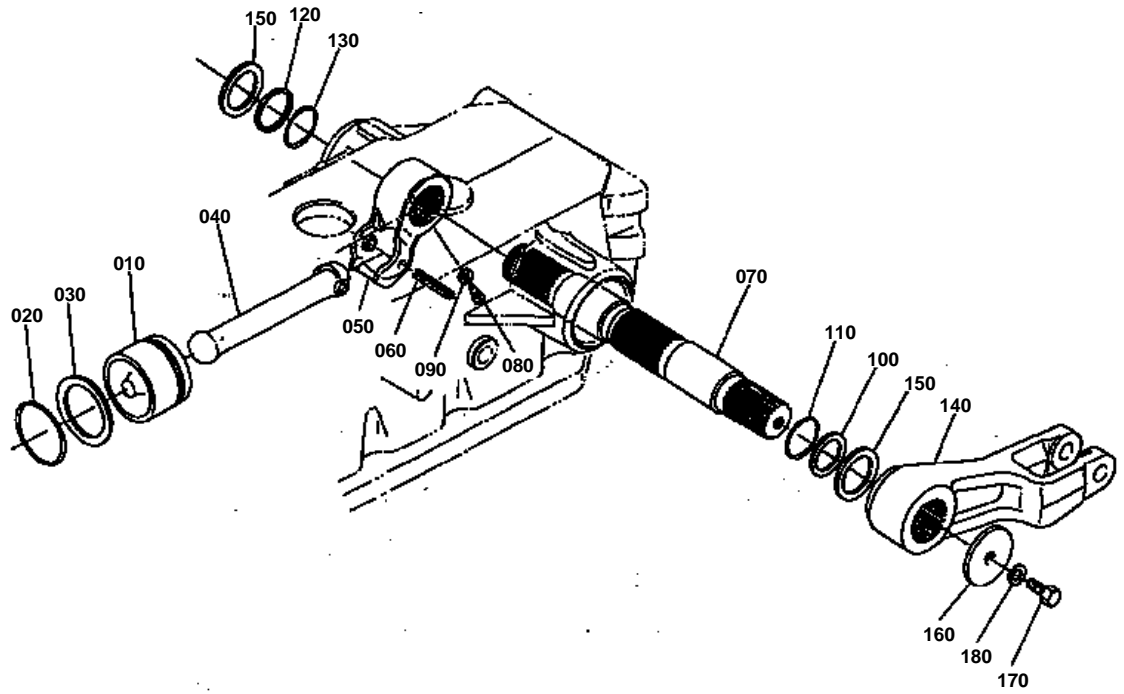


DOWN SPEED ADJUSTING LEVER

↔ Interchangeable; ≠ not interchangeable; ← new for old; → old for new

REF.No	Part No.	Description	Q'ty	S.No.	I/C	REMARKS	Weight (kgf)	Weight (lb)
010	36330-81613	COVER	1				1.1	2.42
020	36330-81620	GASKET	1				0.001	0.0022
030	01513-50822	STUD	4				0.01	0.022
040	01513-50828	STUD	2				0.013	0.0286
050	04512-50080	WASHER SPRING	6				0	0
060	02114-50080	NUT	6				0.005	0.011
070	36330-81650	SHAFT LEVER	1				0.06	0.132
080	04811-00070	RING	1				0	0
090	36330-81640	JOINT	1				0	0
100	05411-00318	PIN SPRING	2				0.001	0.0022
110	36330-81020	HOLDER ADJUST.LEVER	1				0.185	0.407
120	36330-81042	LEVER ADJUST	1				0.06	0.132
130	04612-00100	CIR-CLIP EXTERNAL	1				0.001	0.0022
140	02820-00100	NUT KNOB	1				0.029	0.0638
150	02112-50100	NUT	1				0.004	0.0088
160	36330-81050	ROD ADJUST.LEVER	1				0.048	0.1056
170	04012-50060	WASHER PLAIN	4				0.001	0.0022
180	05511-51612	PIN SPLIT	2				0.001	0.0022
190	36200-21610	BREATHER	1				0.008	0.0176
200	36200-21620	BREATHER	1				0.006	0.0132
210	36330-21632	PIPE RUBBER	1				0.02	0.044

LIFT LEVER

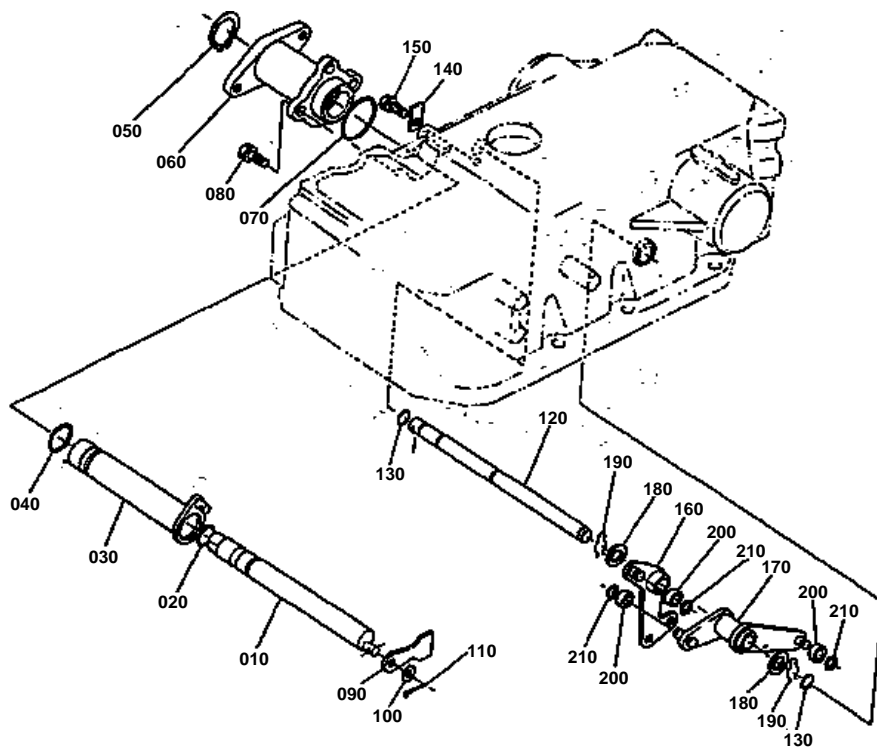


**LIFT LEVER**

↔ Interchangeable; ≠ not interchangeable; ← new for old; → old for new

REF.No	Part No.	Description	Q'ty	S.No.	I/C	REMARKS	Weight (kgf)	Weight (lb)
010	36330-82570	PISTON HYD.	1				2.23	4.906
020	04811-40430	O RING	1				0.007	0.0154
030	33400-82550	RING BACK UP	1	≤50226			0	0
030	36330-82550	RING BACK UP	1	≥50227	←		0.009	0.0198
040	36330-82860	ROD HYD.PISTON	1				1.53	3.366
050	36330-82840	ARM HYDRAULIC	1				0	0
060	05411-00870	PIN SPRING	1				0.015	0.033
070	36330-82830	SHAFT HYD.ARM	1				0	0
080	33251-82850	BOLT STOPPER	1				0.015	0.033
090	04512-50100	WASHER SPRING	1				0	0
100	36200-82890	COLLAR DISTANCE LH	1				0.019	0.0418
110	04811-40310	RING	1				0.005	0.011
120	33251-82880	COLLAR DISTANCE RH	1				0.03	0.066
130	04811-40320	RING	1				0.005	0.011
140	36330-82910	LEVER LIFT	2				6.2	13.64
150	36830-82900	COLLAR THRUST	2	≥51300			0.012	0.0264
160	36330-82920	RETAINER LEVER	2				0.22	0.484
170	01173-51435	BOLT	2				0.056	0.1232
180	04512-50140	WASHER SPRING	2				0	0

HYDRAULIC SYSTEM 1

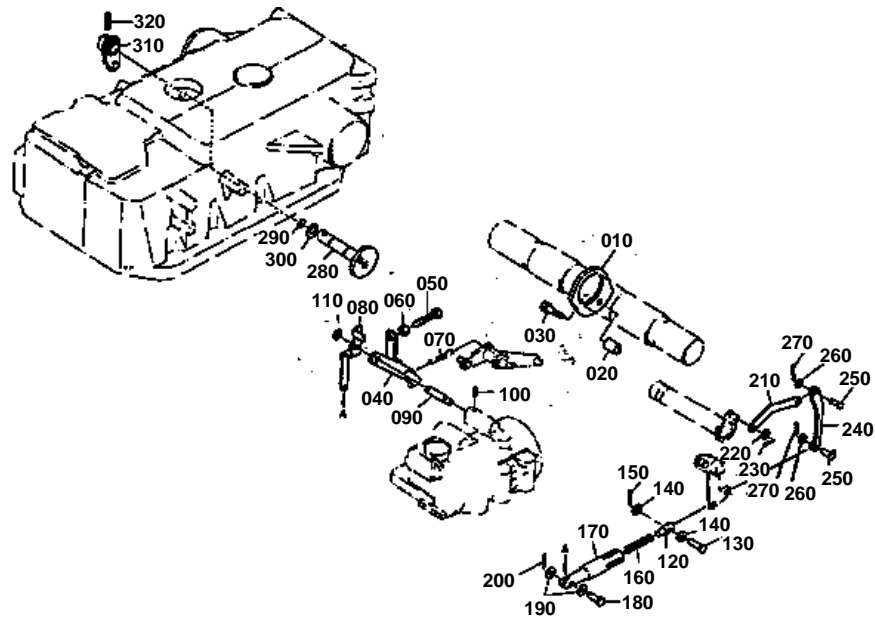




HYDRAULIC SYSTEM 1

↔ Interchangeable; ≠ not interchangeable; ← new for old; → old for new

REF.No	Part No.	Description	Q'ty	S.No.	I/C	REMARKS	Weight (kgf)	Weight (lb)
010	36330-81110	SHAFT CONTROL	1				0	0
020	04811-00180	RING	1				0	0
030	36330-81120	SHAFT DRAFT CONTROL	1	≤50208			0	0
030	36330-81124	SHAFT DRAFT CONTROL	1	≥50209	←		0.46	1.012
040	04811-06260	RING	1				0	0
050	04612-00300	CIR-CLIP EXTERNAL	1				0.003	0.0066
060	35861-81130	BRACKET GUIDE	1				0.94	2.068
070	04811-50450	RING	1				0.003	0.0066
080	01123-50820	BOLT	3				0.011	0.0242
090	36200-81150	CONNECTOR POSITION	1				0	0
100	04012-50080	WASHER PLAIN	1				0.001	0.0022
110	05511-51612	PIN SPLIT	1				0.001	0.0022
120	36330-81180	BAR CONNECTOR	1				0.32	0.704
130	04811-10120	RING	2				0.001	0.0022
140	36200-81190	STOPPER	1				0.008	0.0176
150	01123-50816	BOLT	1				0	0
160	36200-81230	CONNECTOR	1				0.166	0.3652
170	36330-81240	BALANCER POSITION	1				0.232	0.5104
180	04011-50140	WASHER PLAIN	2				0.007	0.0154
190	36200-81210	CIR-CLIP	2				0.001	0.0022
200	36200-81220	ROLLER	3				0.008	0.0176
210	04612-00100	CIR-CLIP EXTERNAL	3				0.001	0.0022



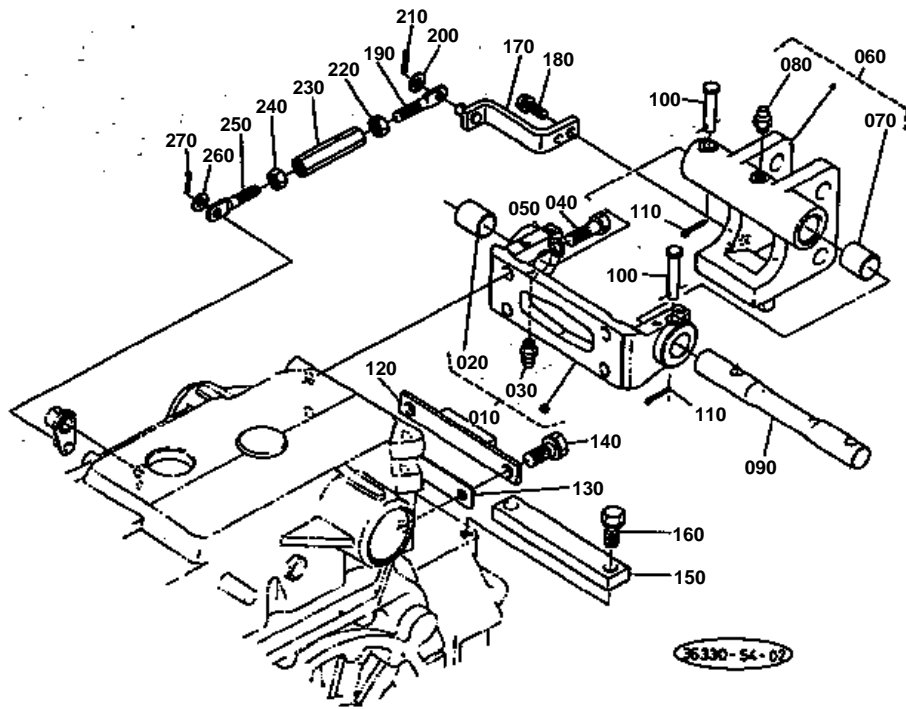


HYDRAULIC SYSTEM 2

↔ Interchangeable; ≠ not interchangeable; ← new for old; → old for new

REF.No	Part No.	Description	Q'ty	S.No.	I/C	REMARKS	Weight (kgf)	Weight (lb)
010	36330-81250	CAM POSITION	1				0.165	0.363
020	36330-81290	SPACER	1				0.02	0.044
030	01123-50835	BOLT	1				0.02	0.044
040	36330-81680	METAL FEED BACK	1				0	0
050	01172-51045	BOLT	1				0	0
060	02118-50100	NUT	1				0.005	0.011
070	36330-81670	SPRING	1				0.002	0.0044
080	36330-81160	RETAINER SPOOL	1				0.12	0.264
090	36330-81170	PIN	1				0.03	0.066
100	05411-00416	PIN SPRING	1				0.001	0.0022
110	04612-00100	CIR-CLIP EXTERNAL	1				0.001	0.0022
120	36200-81270	HOLDER PUSH	1				0.026	0.0572
130	05122-50628	PIN JOINT	1				0.006	0.0132
140	04012-50060	WASHER PLAIN	2				0.001	0.0022
150	05511-51612	PIN SPLIT	1				0.001	0.0022
160	36200-81280	SPRING	1				0.019	0.0418
170	36200-81260	HOLDER PUSH	1				0	0
180	05122-50628	PIN JOINT	1				0.006	0.0132
190	04012-50060	WASHER PLAIN	2				0.001	0.0022
200	05511-51612	PIN SPLIT	1				0.001	0.0022
210	36330-81310	LINK DRAFT	1				0	0
220	04012-50080	WASHER PLAIN	1				0.001	0.0022
230	05511-51612	PIN SPLIT	1				0.001	0.0022
240	36200-81324	LINK DRAFT	1				0.08	0.176
250	05122-50818	PIN JOINT	2				0.008	0.0176
260	04012-50080	WASHER PLAIN	2				0.001	0.0022
270	05511-50215	PIN SPLIT	2				0.001	0.0022
280	36330-81340	CAM DRAFT	1				0	0
290	04811-05120	RING	1				0	0
300	04612-00150	CIR-CLIP EXTERNAL	1				0.001	0.0022
310	36330-81350	LEVER DRAFT	1				0	0
320	05411-00525	PIN SPRING	1				0.002	0.0044

TOP LINK BRACKET



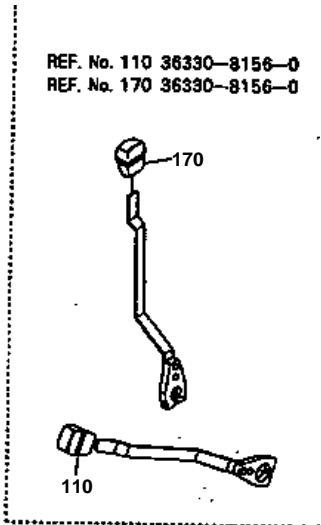
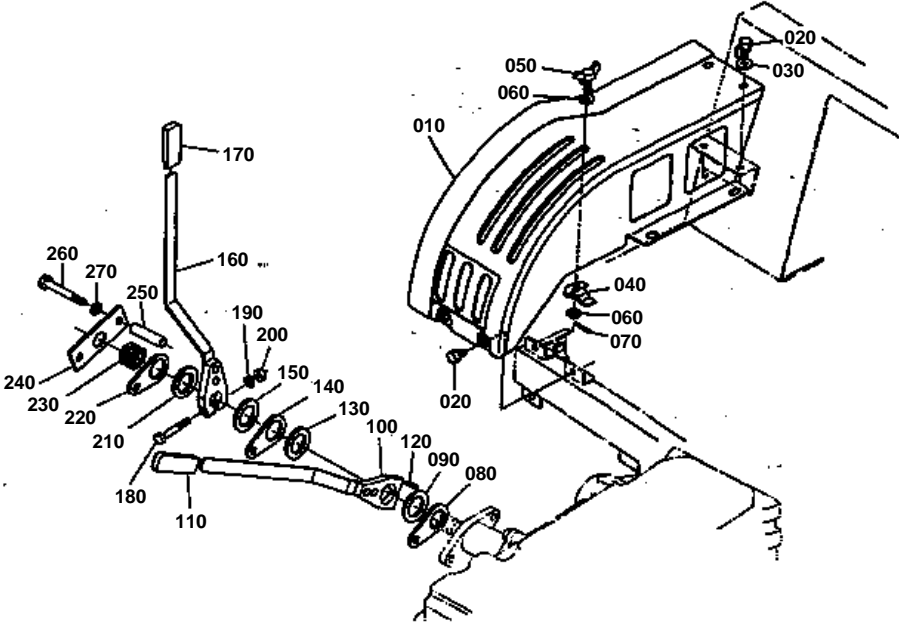


TOP LINK BRACKET

↔ Interchangeable; ≠ not interchangeable; ← new for old; → old for new

REF.No	Part No.	Description	Q'ty	S.No.	I/C	REMARKS	Weight (kgf)	Weight (lb)
010	36330-81780	ASSY BRACKET BAR	1				0	0
020	36330-81830	BUSH	1				0.035	0.077
030	06613-10010	NIPPLE GREASE	1				0.006	0.0132
040	01176-51240	BOLT	4				0.046	0.1012
050	04512-50120	WASHER SPRING	4				0	0
060	36330-81800	ASSY BRACKET TOP LIN	1				0	0
070	36330-81830	BUSH	1				0.035	0.077
080	06613-10010	NIPPLE GREASE	1				0.006	0.0132
090	36330-81750	BAR TORSION	1				1.035	2.277
100	36330-81840	PIN	2				0	0
110	05511-50425	PIN SPLIT	2				0.003	0.0066
120	36330-81850	STOPPER	1				0.42	0.924
130	36330-81860	SHIM	2				0.034	0.0748
130	36330-81870	SHIM	1				0.02	0.044
140	01133-51230	BOLT	2				0.04	0.088
150	36330-81880	STOPPER	1				0.69	1.518
160	01133-51235	BOLT	2				0.05	0.11
170	36330-81360	PLATE DRAFT	1				0	0
180	01123-50825	BOLT	2				0.013	0.0286
190	36330-81390	ROD DRAFT CONTROL	1				0	0
200	04011-50100	WASHER PLAIN	1				0.002	0.0044
210	05511-50318	PIN SPLIT	1				0.001	0.0022
220	32350-28990	NUT	1				0.009	0.0198
230	32350-28980	TURNBUCKLE	1				0.124	0.2728
240	02116-50100	NUT	1				0.004	0.0088
250	36330-81380	ROD DRAFT CONTROL	1				0	0
260	04011-50100	WASHER PLAIN	1				0.002	0.0044
270	05511-50318	PIN SPLIT	1				0.001	0.0022

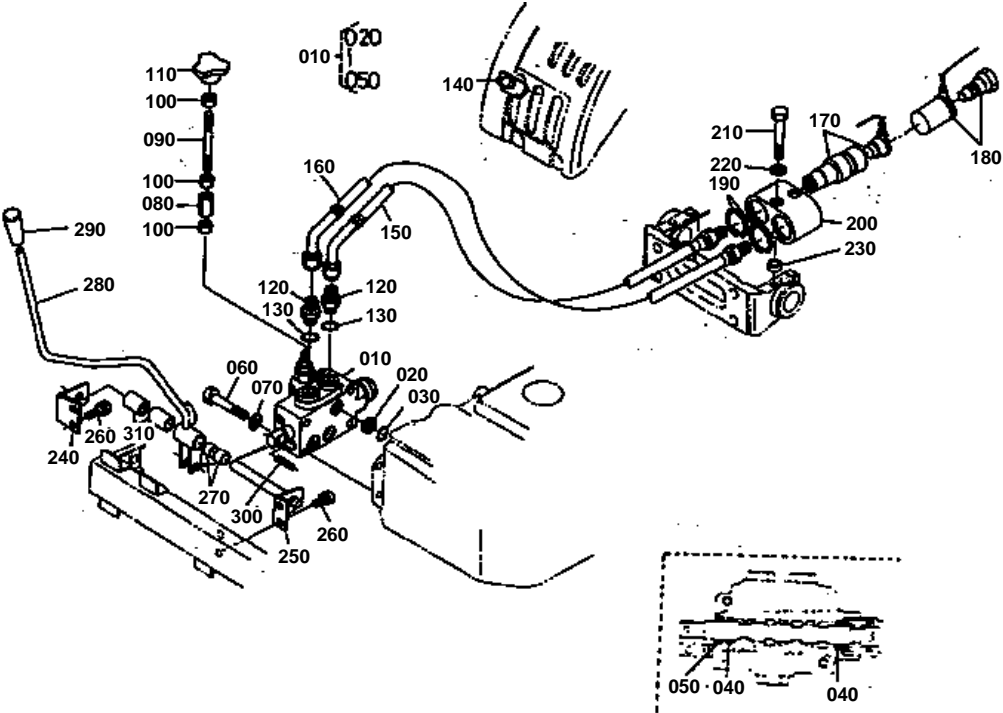
DRAFT AND POSITION CONTROL LEVER



**DRAFT AND POSITION CONTROL LEVER**

↔ Interchangeable; ≠ not interchangeable; ← new for old; → old for new

REF.No	Part No.	Description	Q'ty	S.No.	I/C	REMARKS	Weight (kgf)	Weight (lb)
010	35822-81412	GUIDE LEVER	1				1.74	3.828
020	01123-50816	BOLT	6				0	0
030	04013-50080	WASHER PLAIN	4				0	0
040	36330-81520	STOPPER LEVER	2				0.02	0.044
050	36330-81530	SCREW	2				0.03	0.066
060	04013-50080	WASHER PLAIN	4				0	0
070	05511-50215	PIN SPLIT	2				0.001	0.0022
080	35861-81490	PLATE	1				0.04	0.088
090	36200-81440	WASHER FRICTION	1				0.005	0.011
100	35820-81430	LEVER DRAFT CONTROL	1				0.4	0.88
110	36330-81560	GRIP LEVER	1	<=50286			0	0
110	31351-36880	GRIP LEVER	1	>=50287	←		0.04	0.088
120	05712-00510	KEY FEATHER	1				0.002	0.0044
130	36200-81450	WASHER FRICTION	1				0.006	0.0132
140	35861-81480	PLATE	1				0.04	0.088
150	36200-81450	WASHER FRICTION	1				0.006	0.0132
160	35820-81420	LEVER CONTROL	1				0.43	0.946
170	36330-81560	GRIP LEVER	1	<=50287			0	0
170	31351-36880	GRIP LEVER	1	>=50287	←		0.04	0.088
180	36200-81530	BOLT	1				0.016	0.0352
190	04512-50060	WASHER SPRING	1				0	0
200	02056-50060	NUT	1				0.002	0.0044
210	36200-81450	WASHER FRICTION	1				0.006	0.0132
220	35861-81480	PLATE	1				0.04	0.088
230	36200-81460	SPRING	1				0.03	0.066
240	35861-81470	STOPPER SPRING	1				0.11	0.242
250	36730-81500	PIPE	2				0.04	0.088
260	01153-50875	BOLT	2				0.028	0.0616
270	04512-50080	WASHER SPRING	2				0	0



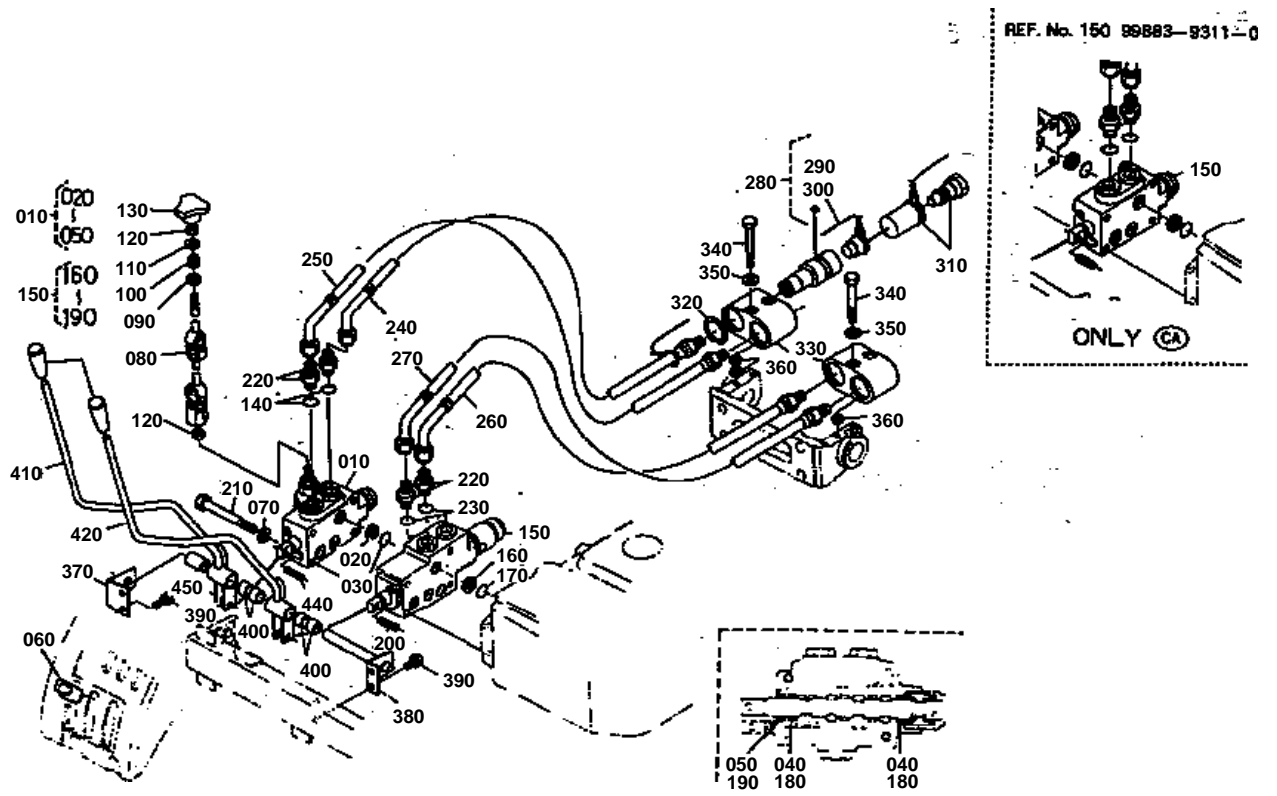
**AUX.CONTROL VALVE [OLD TYPE] [A]**

S.No.:M4950;>=10001 <=10176 M4950DT;>=50001 <=50226 M5950;>=10001 <=10114 M5950DT;>=50001 <=50071

↔ Interchangeable; ≠ not interchangeable; ← new for old; → old for new

REF.No	Part No.	Description	Q'ty	S.No.	I/C	REMARKS	Weight (kgf)	Weight (lb)
010	35820-82350	ASSY VALVE SUB CON.	1				0	0
020	36200-82330	RING BACK UP	3				0.001	0.0022
030	04810-00140	RING	3				0	0
040	36200-82810	SEAL SPOOL	2				0.001	0.0022
050	36200-82820	SEAL DUST	1				0.002	0.0044
060	01153-50865	BOLT	4				0.025	0.055
070	04512-50080	WASHER SPRING	4				0	0
080	36330-82010	JOINT 1	1				0.02	0.044
090	36330-82020	JOINT 2	1				0.05	0.11
100	02112-50080	NUT	3				0.003	0.0066
110	02820-00080	NUT KNOB	1				0.02	0.044
120	35861-82370	NIPPLE	2				0.05	0.11
130	04811-00140	RING	2				0	0
140	35820-82980	STOPPER	2				0.04	0.088
150	35861-82580	HOSE	1				0.31	0.682
160	35861-82590	HOSE	1				0.325	0.715
170	35861-82032	ASSY COUPLER FEMALE	2				0.32	0.704
180	35861-82190	ASSY COUPLER MALE	2				0.086	0.1892
190	04611-00380	CIR-CLIP INTERNAL	2				0.004	0.0088
200	35861-82610	SUPPORT COUPLER	1				0.82	1.804
210	01170-50865	BOLT	2				0	0
220	04512-50080	WASHER SPRING	2				0	0
230	35801-82620	SPACER	2				0.003	0.0066
240	35822-82410	HOLDER	1				0.1	0.22
250	35822-82420	HOLDER	1				0.27	0.594
260	01123-50816	BOLT	4				0	0
270	54821-51230	BUSH	2				0	0
280	35822-82463	LEVER CONTROL	1				0.6	1.32
290	36330-82450	GRIP	1				0.025	0.055
300	05411-00635	PIN SPRING	1				0.005	0.011
310	35822-82470	SPACER	2				0.065	0.143

AUX.CONTROL VALVE [NEW TYPE]





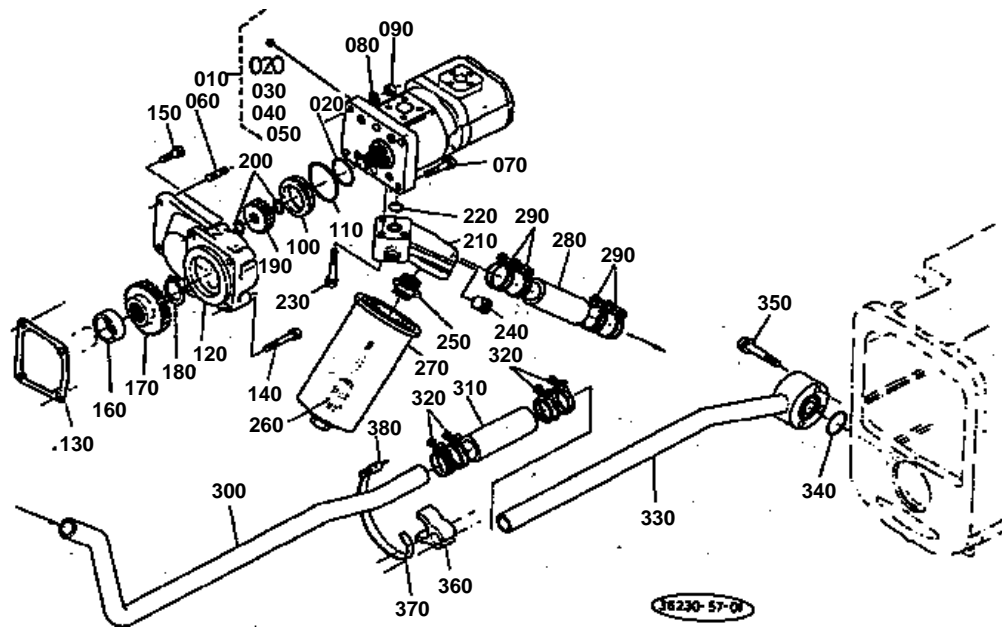
AUX.CONTROL VALVE [NEW TYPE]

S.No.:M4950;>=10177 M4950DT;>=50227[A] M4950DT;>=50001[CA] M5950;>=10115 M5950DT;>=50072

↔ Interchangeable; ≠ not interchangeable; ← new for old; → old for new

REF.No	Part No.	Description	Q'ty	S.No.	I/C	REMARKS	Weight (kgf)	Weight (lb)
010	35820-82350	ASSY VALVE SUB CON.	1				0	0
020	36200-82330	RING BACK UP	3				0.001	0.0022
030	04810-00140	RING	3				0	0
040	36200-82810	SEAL SPOOL	2				0.001	0.0022
050	36200-82820	SEAL DUST	1				0.002	0.0044
060	35820-82980	STOPPER	2				0.04	0.088
070	04512-50080	WASHER SPRING	4				0	0
080	35801-82010	JOINT	1				0.09	0.198
090	04013-50100	WASHER PLAIN	1				0	0
100	35861-82020	SPRING	1				0.003	0.0066
110	04013-50080	WASHER PLAIN	1				0	0
120	02112-50080	NUT	2				0.003	0.0066
130	02820-00080	NUT KNOB	1				0.02	0.044
140	04811-00140	RING	2				0	0
150	99883-93110	ASSY VALVE AUX.CON.	1	<=50286		[CA]	2	4.4
150	35820-82800	ASSY VALVE FLOATING	1	>=50287	≠		3.35	7.37
160	36200-82330	RING BACK UP	4				0.001	0.0022
170	04810-00140	RING	4				0	0
180	36200-82810	SEAL SPOOL	2				0.001	0.0022
190	36200-82820	SEAL DUST	1				0.002	0.0044
200	05411-00635	PIN SPRING	1				0.005	0.011
210	01153-50801	BOLT	4				0.047	0.1034
220	35861-82370	NIPPLE	4				0.05	0.11
230	04811-00140	RING	2				0	0
240	35861-82380	HOSE	1				0.3	0.66
250	35861-82560	HOSE	1				0.31	0.682
260	35861-82580	HOSE	1				0.31	0.682
270	35861-82590	HOSE	1				0.325	0.715
280	35861-82032	ASSY COUPLER FEMALE	4				0.32	0.704
290	35861-94510	O RING	4			NOT SHOWING IN FIG.	0.002	0.0044
300	35861-94520	PLUG COUPLER	4				0.005	0.011
310	35861-82190	ASSY COUPLER MALE	4				0.086	0.1892
320	04611-00380	CIR-CLIP INTERNAL	4				0.004	0.0088
330	35861-82610	SUPPORT COUPLER	2				0.82	1.804
340	01153-50865	BOLT	4				0.025	0.055
350	04512-50080	WASHER SPRING	4				0	0
360	35801-82620	SPACER	6				0.003	0.0066
370	35822-82410	HOLDER	1				0.1	0.22
380	35822-82420	HOLDER	1				0.27	0.594
390	01123-50816	BOLT	4				0	0
400	54821-51230	BUSH	4				0	0
410	35822-82443	LEVER CONTROL VALVE	1				0.65	1.43
420	35822-82463	LEVER CONTROL VALVE	1	<=50286		[CA]	0.6	1.32
420	35820-82460	LEVER CONTROL VALVE	1	>=50287	≠		0.7	1.54
430	36330-82450	GRIP	2				0.025	0.055
440	05411-00635	PIN SPRING	1				0.005	0.011
450	35822-82470	SPACER	1				0.065	0.143

HYDRAULIC PUMP



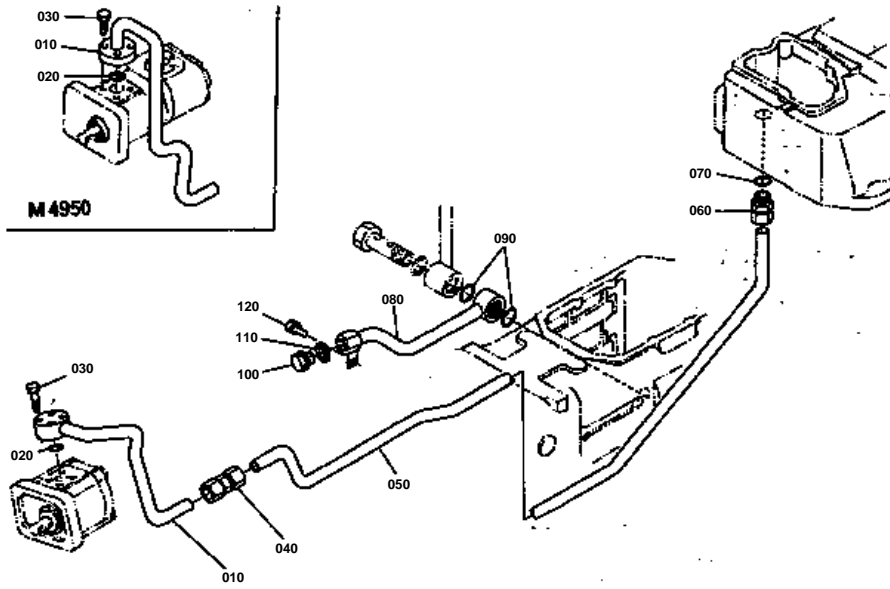


HYDRAULIC PUMP

↔ Interchangeable; ≠ not interchangeable; ← new for old; → old for new

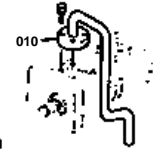
REF.No	Part No.	Description	Q'ty	S.No.	I/C	REMARKS	Weight (kgf)	Weight (lb)
010	36230-82200	PUMP HYDRAULIC	1	<=50286			0	0
010	36230-82203	PUMP HYDRAULIC	1	>=50287	←		6.2	13.64
020	04811-06400	RING	1				0	0
030	36200-82320	SEAL OIL	2	<=50286			0.007	0.0154
030	36330-82320	SEAL OIL	2	>=50287	←	NOT SHOWING IN FIG.	0.01	0.022
040	36330-82480	SET SEAL	1	>=50287		NOT SHOWING IN FIG.	0.005	0.011
050	36200-82482	SET SEAL	2	<=50286		NOT SHOWING IN FIG.	0.01	0.022
050	36200-82482	SET SEAL	1	>=50287		NOT SHOWING IN FIG.	0.01	0.022
060	01513-50830	STUD	2				0	0
070	01123-50835	BOLT	2				0.02	0.044
080	04512-50080	WASHER SPRING	2				0	0
090	02114-50080	NUT	2				0.005	0.011
100	36200-82250	RING	1				0.072	0.1584
110	04811-10500	RING	1				0.001	0.0022
120	36230-82240	BASE PUMP	1				1.63	3.586
130	34150-37860	GASKET	1				0	0
140	01123-50850	BOLT	2				0.02	0.044
150	01123-50825	BOLT	2				0.013	0.0286
160	36200-82260	COLLAR	1				0.035	0.077
170	36230-82270	GEAR	1			27T	0.42	0.924
180	04612-00250	CIR-CLIP EXTERNAL	1				0.002	0.0044
190	36230-82280	GEAR	1			16T	0.16	0.352
200	04612-00170	CIR-CLIP EXTERNAL	2				0.001	0.0022
210	36230-82650	BRACKET FILTER	1				0.48	1.056
220	35880-94870	O RING	1				0.001	0.0022
230	01053-50650	BOLT	3				0.011	0.0242
240	36230-82660	PLUG	1				0.035	0.077
250	36330-82670	JOINT	1				0.04	0.088
260	36530-82640	FILTER MAGNET	1				0	0
270	36330-82630	COMP.FILTER HYD.	1				0.6	1.32
280	36330-82730	PIPE RUBBER	1				0.08	0.176
290	36200-82720	CLAMP	4				0.025	0.055
300	36230-82680	PIPE SUCTION	1				0.67	1.474
310	36330-82730	PIPE RUBBER	1				0.08	0.176
320	36200-82720	CLAMP	4				0.025	0.055
330	36330-82690	PIPE SUCTION	1				1.2	2.64
340	04811-00280	RING	1				0.002	0.0044
350	01123-50850	BOLT	3				0.02	0.044
360	36330-82720	CUSHION	1				0.02	0.044
370	33251-82760	BAND PIPE	1				0.016	0.0352
380	33430-82760	PIN BAND	1				0.004	0.0088

DELIVERY PIPE

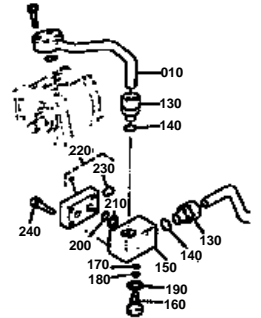


M4950

- REF. No. 010 36230-8274-0
- REF. No. 010 36330-8274-0
- REF. No. 130 36330-8275-0
- REF. No. 140 04811-00180
- REF. No. 150 36330-8293-0
- REF. No. 160 36330-8296-0
- REF. No. 170 04811-00090
- REF. No. 180 36330-8297-0
- REF. No. 190 04512-50120
- REF. No. 200 04811-00140
- REF. No. 210 36200-8233-0
- REF. No. 220 36330-8294-0
- REF. No. 230 06312-10030
- REF. No. 240 01123-50835



M4950

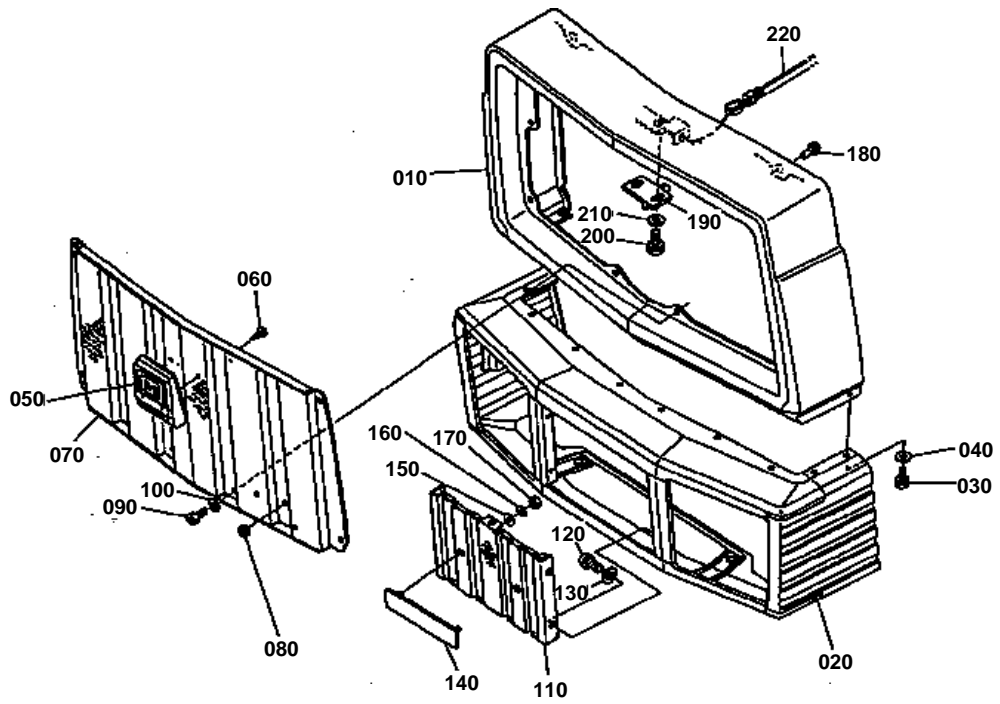


**DELIVERY PIPE**

↔ Interchangeable; ≠ not interchangeable; ← new for old; → old for new

REF.No	Part No.	Description	Q'ty	S.No.	I/C	REMARKS	Weight (kgf)	Weight (lb)
010	36230-82740	PIPE DELIVERY	1	≤50122			0	0
010	35800-82740	PIPE DELIVERY	1	≥50123	≠		0.44	0.968
020	35880-63650	O RING	1				0.001	0.0022
030	01023-50625	BOLT	4				0.007	0.0154
040	35820-82760	UNION	1	≥50123			0.156	0.3432
050	36230-82770	PIPE DELIVERY	1				0.685	1.507
060	36330-82750	NIPPLE	1				0.12	0.264
070	04811-00180	RING	1				0	0
080	36330-82790	PIPE RETURN	1				0.36	0.792
090	04811-00220	RING	2				0	0
100	06311-55040	PLUG	1				0.093	0.2046
110	04717-02150	WASHER WITH RUBBER	1				0.004	0.0088
120	01123-50816	BOLT	1				0	0
130	36330-82750	NIPPLE	2	≤50122			0.12	0.264
140	04811-00180	RING	2	≤50122			0	0
150	36330-82930	PORT HYD.OUTLET	1	≤50122			0.87	1.914
160	36330-82960	BOLT BREATHER	1	≤50122			0.02	0.044
170	04811-00090	RING	1	≤50122			0	0
180	36330-82970	RING BACK UP	1	≤50122			0.001	0.0022
190	04512-50120	WASHER SPRING	1	≤50122			0	0
200	04811-00140	RING	2	≤50122			0	0
210	36200-82330	RING BACK UP	2	≤50122			0.001	0.0022
220	36330-82940	ASSY COVER	1	≤50122			0.45	0.99
230	06312-10030	PLUG	1	≤50122			0.029	0.0638
240	01123-50835	BOLT	4	≤50122			0.02	0.044

HOOD 1

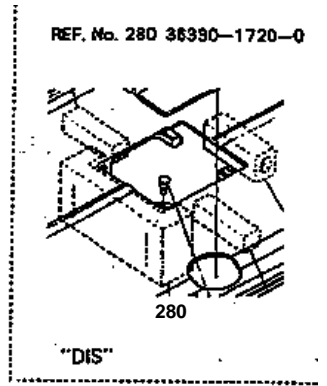
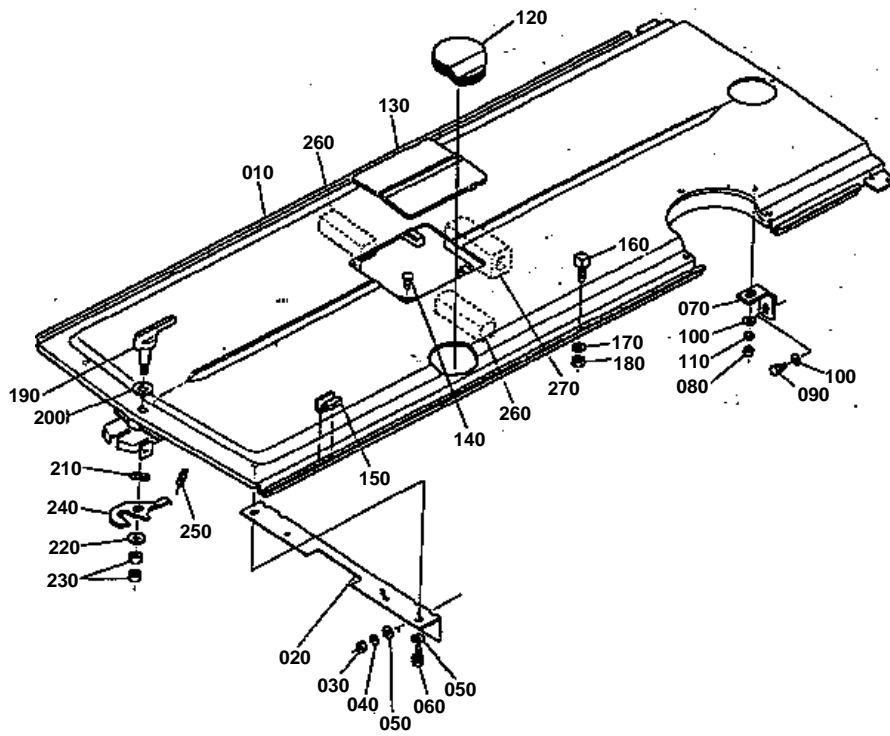




HOOD 1

↔ Interchangeable; ≠ not interchangeable; ← new for old; → old for new

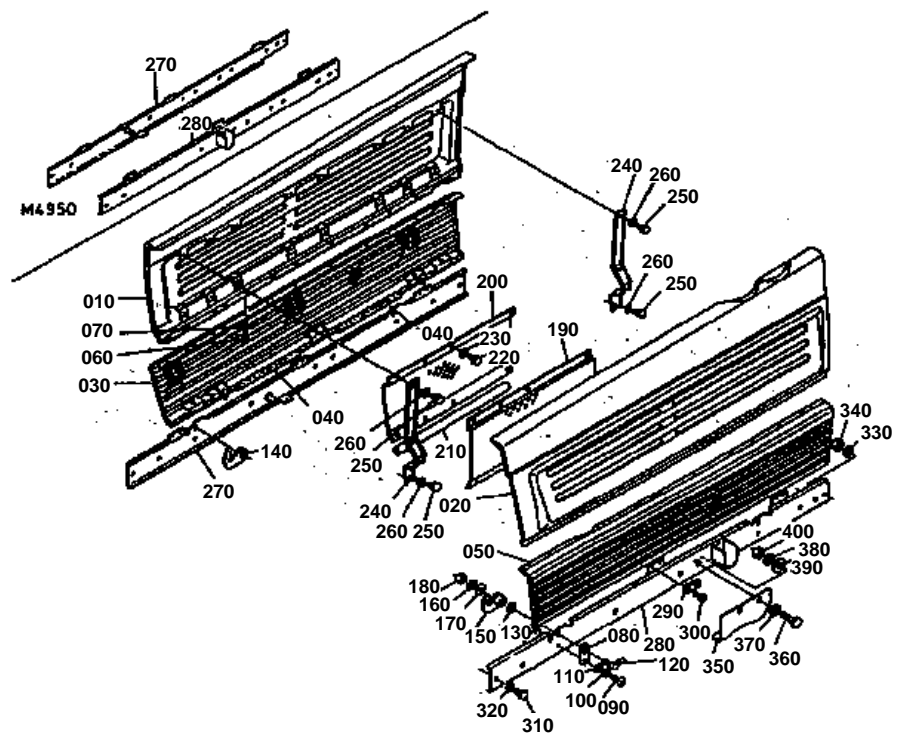
REF.No	Part No.	Description	Q'ty	S.No.	I/C	REMARKS	Weight (kgf)	Weight (lb)
010	35861-83110	COMP.BONNET FRONT	1				3.06	6.732
020	35861-83160	COMP.BONNET FRONT	1				2.75	6.05
030	01023-50614	BOLT	10				0.005	0.011
040	04013-50060	WASHER PLAIN	10				0	0
050	36330-83210	MARK SYMBOL	1				0.04	0.088
060	38430-18270	SCREW	2				0.002	0.0044
070	35861-83220	GRILLE FRONT	1				1	2.2
080	36330-87450	RING RUBBER	1				0.001	0.0022
090	36330-83270	BOLT	8				0.006	0.0132
100	04013-50060	WASHER PLAIN	8				0	0
110	35820-83240	NET GRILLE	1				0.25	0.55
120	03004-50614	SCREW	6				0.006	0.0132
130	04013-50060	WASHER PLAIN	6				0	0
140	35861-83190	MARK FRONT	1				0	0
150	04013-50050	WASHER PLAIN	2				0	0
160	04512-50050	WASHER SPRING	2				0	0
170	02054-50050	NUT	2				0.002	0.0044
180	36330-83120	CUSHION	2				0.001	0.0022
190	36330-83260	STOPPER	1				0.06	0.132
200	01123-50820	BOLT	2				0.011	0.0242
210	04015-50080	WASHER PLAIN	2				0	0
220	36330-83293	SUSPENDER	1				0	0



↔ Interchangeable; ≠ not interchangeable; ← new for old; → old for new

REF.No	Part No.	Description	Q'ty	S.No.	I/C	REMARKS	Weight (kgf)	Weight (lb)
010	35802-83310	ASSY BONNET	1				0	0
020	36330-83350	SUPPORT BONNET	1				0	0
030	02114-50080	NUT	4				0.005	0.011
040	04512-50080	WASHER SPRING	4				0	0
050	04015-50080	WASHER PLAIN	6				0	0
060	01123-50816	BOLT	2				0	0
070	36330-83340	SUPPORT BONNET	1				0.05	0.11
080	02114-50080	NUT	1				0.005	0.011
090	01123-50816	BOLT	1				0	0
100	04013-50080	WASHER PLAIN	2				0	0
110	04512-50080	WASHER SPRING	1				0	0
120	35820-83910	COVER RUBBER	1				0.1	0.22
130	36330-83360	COVER BONNET	1				0.15	0.33
140	32280-18180	CUSHION	2				0.001	0.0022
150	36330-83370	CUSHION	8	≤50122			0	0
150	31351-18620	CUSHION	8	≥50123	↔		0.01	0.022
160	36330-83330	PIN	2				0	0
170	04512-50050	WASHER SPRING	2				0	0
180	02054-50050	NUT	2				0.002	0.0044
190	36330-83382	HANDLE BONNET	1				0.135	0.297
200	33251-83850	WASHER	1				0.001	0.0022
210	33251-83950	WASHER SPRING	1				0.001	0.0022
220	04013-50080	WASHER PLAIN	1				0	0
230	02114-50080	NUT	2				0.005	0.011
240	36330-83390	LOCK PLATE	1				0.055	0.121
250	36330-83420	SPRING LOCK	1				0.006	0.0132
260	36330-83490	ELEMENT	2	≤51173			0.001	0.0022
260	35880-83490	ELEMENT	2	≥51174	≠		0.01	0.022
270	36330-83480	CUSHION	1				0.1	0.22
280	36330-17200	ELEMENT UPPER	1	≤51173			0.02	0.044

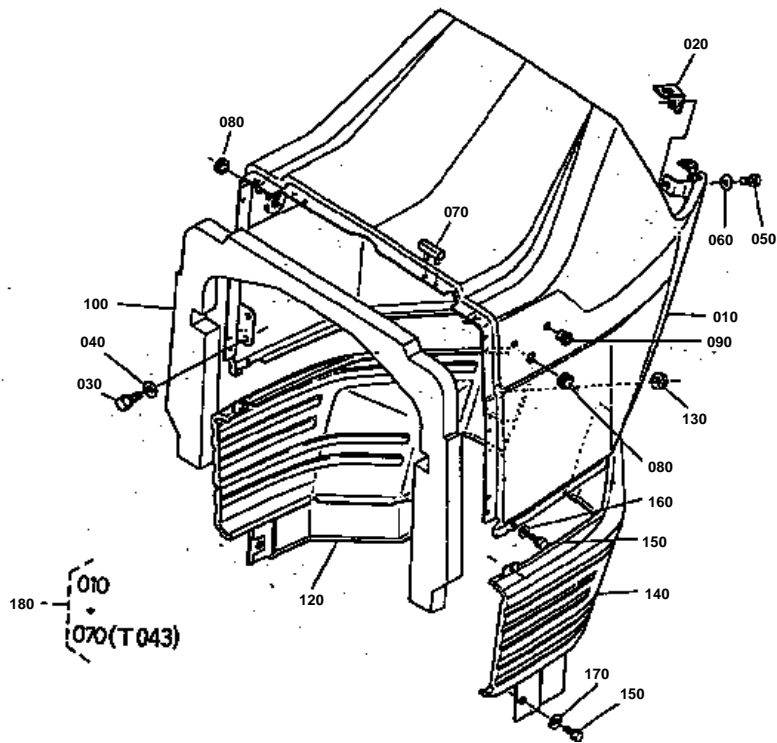
HOOD 3



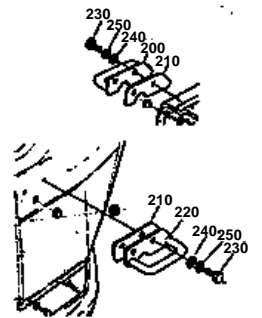
↔ Interchangeable; ≠ not interchangeable; ← new for old; → old for new

REF.No	Part No.	Description	Q'ty	S.No.	I/C	REMARKS	Weight (kgf)	Weight (lb)
010	36330-83430	PLATE SIDE RH	1				5.2	11.44
020	36330-83440	PLATE SIDE LH	1				5	11
030	35801-83462	COMP PLATE SIDE RH	1				3.2	7.04
040	36330-83470	CUSHION	4	<=50226			0	0
040	36330-83472	CUSHION	4	>=50227	←		0.03	0.066
050	35801-83512	COMP PLATE SIDE LH	1				3.2	7.04
060	01023-50614	BOLT	23				0.005	0.011
070	04013-50060	WASHER PLAIN	23				0	0
080	36330-83550	SUPPORT HANDLE	4				0.04	0.088
090	36330-83630	SCREW PAN HEAD	4				0.02	0.044
100	04512-50100	WASHER SPRING	4				0	0
110	04013-50100	WASHER PLAIN	4				0	0
120	36330-83840	HANDLE BONNET COVER	4				0.12	0.264
130	33251-83950	WASHER SPRING	4				0.001	0.0022
140	33251-83860	HOOK BONNET COVER	2				0.053	0.1166
150	36330-83850	HOOK BONNET COVER	2				0.05	0.11
160	04512-50080	WASHER SPRING	4				0	0
170	04012-50080	WASHER PLAIN	4				0.001	0.0022
180	02114-50080	NUT	4				0.005	0.011
190	35822-83570	COVER SAFETY LH	1				0.41	0.902
200	35822-83560	COVER SAFETY RH	1				0.41	0.902
210	35822-83580	CUSHION	2				0.06	0.132
220	01023-50614	BOLT	8				0.005	0.011
230	04013-50060	WASHER PLAIN	8				0	0
240	36330-83590	PLATE REINFORCING	6				0.21	0.462
250	01023-50614	BOLT	18				0.005	0.011
260	04015-50060	WASHER PLAIN	18				0	0
270	36230-83614	FRAME RH	1	<=50142			0	0
270	36230-83615	FRAME RH	1	>=50143	←		5.7	12.54
280	36230-83620	FRAME LH	1				5.7	12.54
290	37150-18180	CUSHION	6				0.015	0.033
300	03024-50512	SCREW	12				0.003	0.0066
310	01173-51220	BOLT	8				0.03	0.066
320	04512-50120	WASHER SPRING	10				0	0
330	04013-50120	WASHER PLAIN	1				0	0
340	02172-50120	NUT	2				0.01	0.022

HOOD 4



- REF. No. 200 35820-8392-0
- REF. No. 210 35820-8393-0
- REF. No. 220 35820-8394-0
- REF. No. 230 35820-8398-0
- REF. No. 240 04013-60100
- REF. No. 260 04512-60100

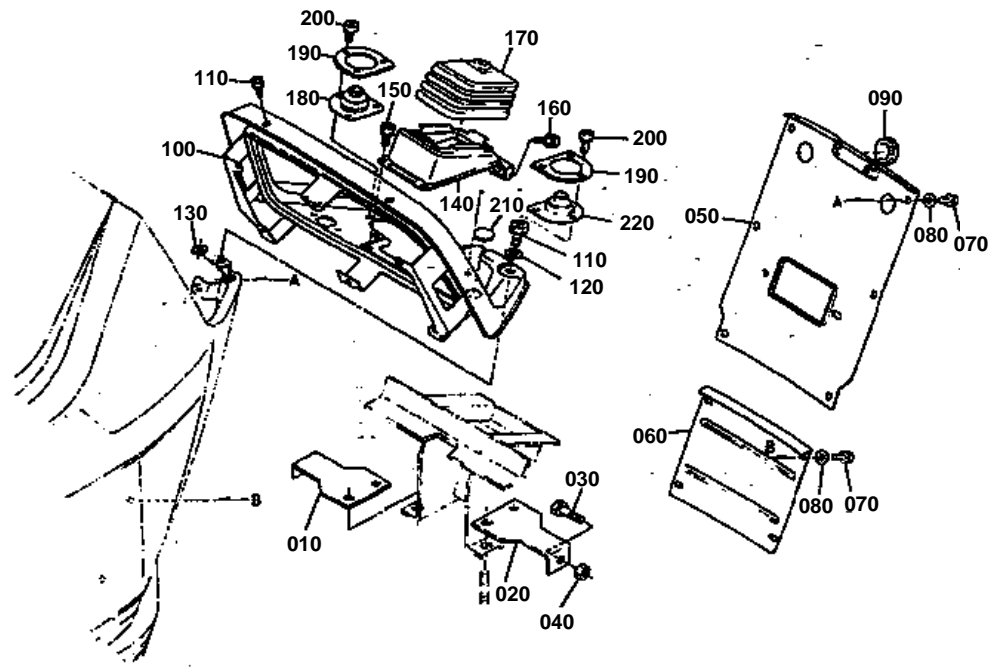


"DIS"

**HOOD 4**

↔ Interchangeable; ≠ not interchangeable; ← new for old; → old for new

REF.No	Part No.	Description	Q'ty	S.No.	I/C	REMARKS	Weight (kgf)	Weight (lb)
010	36330-83656	COMP.BONNET REAR	1	<=51000			7	15.4
010	36330-83657	COMP.BONNET REAR	1	>=51001	≠		11	24.2
020	36330-83660	PLATE BONNET REAR	2				0.04	0.088
030	01133-51025	BOLT	4				0.023	0.0506
040	04015-50100	WASHER PLAIN	2				0.016	0.0352
050	01123-50820	BOLT	2				0.011	0.0242
060	04013-50080	WASHER PLAIN	2				0	0
070	36330-83670	CUSHION	8				0.006	0.0132
080	34159-34290	PLUG	2	>=50123			0.004	0.0088
090	66591-54390	PLUG BLIND	4	>=50209			0.001	0.0022
100	36330-83710	ELEMENT BONNET REAR	1	<=50208			0	0
100	36530-54710	ELEMENT BONNET REAR	1	>=50209	←		0.2	0.44
110	99999-99999	BLANK	0				0	0
120	35801-83730	BONNET REAR LOWER RH	1				1.2	2.64
130	32150-29180	CAP RUBBER	1				0.002	0.0044
140	35801-83740	BONNET REAR LOWER LH	1				1.2	2.64
150	01023-50620	BOLT	8				0.006	0.0132
160	04013-50060	WASHER PLAIN	4				0	0
170	04015-50060	WASHER PLAIN	4				0	0
180	35820-97490	KIT BONNET REAR	1				0	0
190	99999-99999	BLANK	0				0	0
200	35820-83920	BALUSTRADE RH	1	<=50208			0.86	1.892
210	35820-83930	CUSHION	2	<=50208			0.02	0.044
220	35820-83940	BALUSTRADE LH	1	<=50208			0.85	1.87
230	35820-83960	BOLT	4	<=50208			0.02	0.044
240	04013-50100	WASHER PLAIN	4	<=50208			0	0
250	04512-50100	WASHER SPRING	4	<=50208			0	0

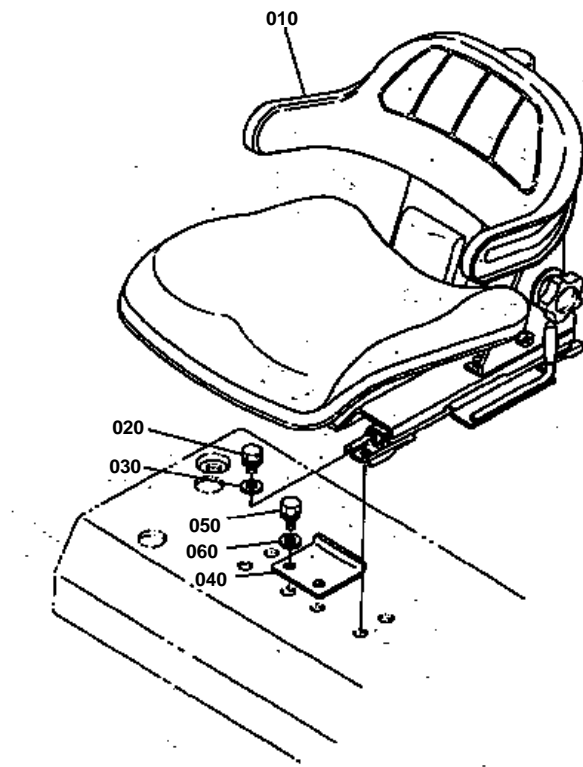




HOOD 5

↔ Interchangeable; ≠ not interchangeable; ← new for old; → old for new

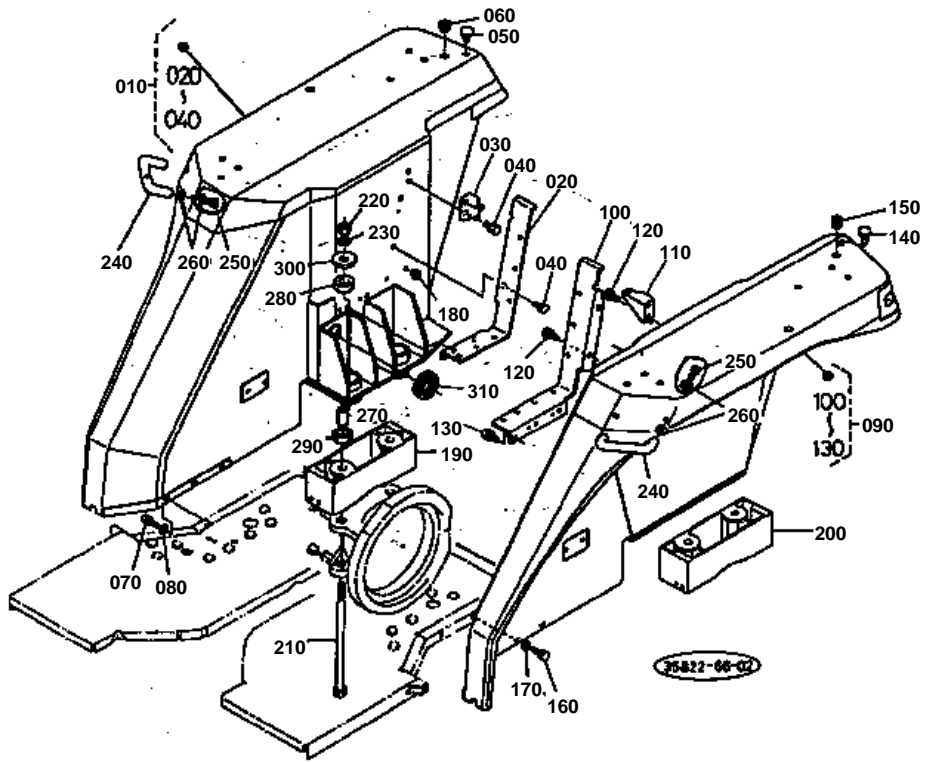
REF.No	Part No.	Description	Q'ty	S.No.	I/C	REMARKS	Weight (kgf)	Weight (lb)
010	36330-83760	PLATE BONNET RH	1				0	0
020	36330-83770	PLATE BONNET LH	1				0	0
030	01173-51030	BOLT	2				0.023	0.0506
040	02118-50100	NUT	2				0.005	0.011
050	36330-83810	COVER REAR	1	<=50142			0.67	1.474
050	36330-83814	COVER REAR	1	>=50143	←		0.63	1.386
060	35861-83820	COVER REAR	1				0.26	0.572
070	01023-50616	BOLT	10				0.005	0.011
080	04013-50060	WASHER PLAIN	10				0	0
090	36330-83830	PLUG BLIND	2				0.01	0.022
100	36330-83700	COMP.PANEL	1				0	0
110	36330-83270	BOLT	4				0.006	0.0132
120	31351-18860	WASHER	2	>=51174			0.002	0.0044
130	38240-29250	NUT	2				0.005	0.011
140	36330-83790	HOLDER POST COVER	1				0.15	0.33
150	36330-83270	BOLT	2				0.006	0.0132
160	35820-83970	BOLT	2				0	0
170	36530-83780	COVER POST	1				0.09	0.198
180	36330-83860	COVER HANDLE	1				0.01	0.022
190	36330-83870	RETAINER COVER	2				0.03	0.066
200	36330-83270	BOLT	6				0.006	0.0132
210	36330-83890	PLUG BLIND	1				0.001	0.0022
220	36830-83880	COVER TILT LEVER	1				0.01	0.022



**SEAT**

↔ Interchangeable; ≠ not interchangeable; ← new for old; → old for new

REF.No	Part No.	Description	Q'ty	S.No.	I/C	REMARKS	Weight (kgf)	Weight (lb)
010	35820-85010	ASSY SEAT	1				23	50.6
020	01133-51025	BOLT	4				0.023	0.0506
030	04013-50100	WASHER PLAIN	4				0	0
040	35820-85110	STOPPER SEAT	1				0	0
050	01123-50820	BOLT	2				0.011	0.0242
060	04013-50080	WASHER PLAIN	2				0	0

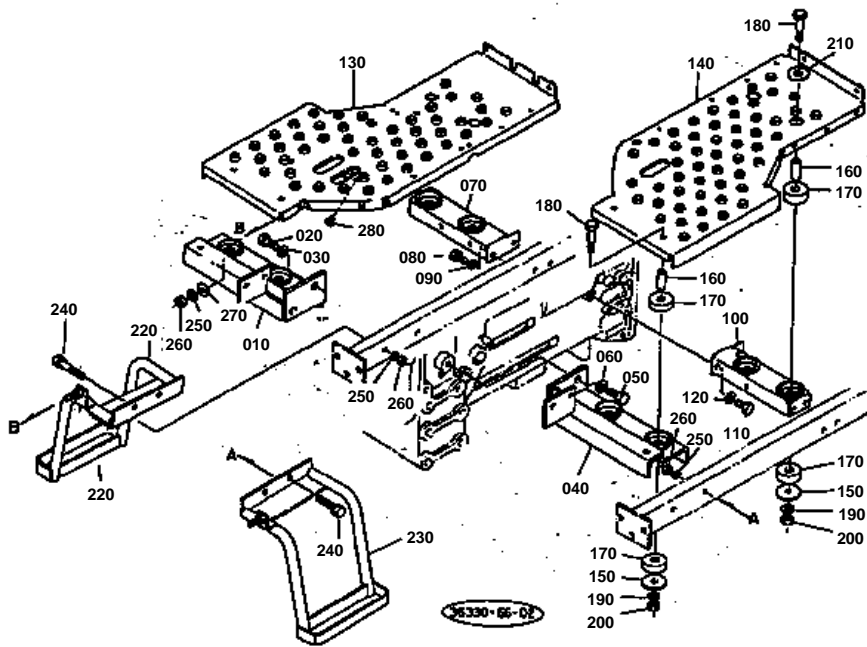


**FENDER**

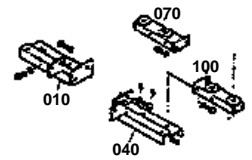
↔ Interchangeable; ≠ not interchangeable; ← new for old; → old for new

REF.No	Part No.	Description	Q'ty	S.No.	I/C	REMARKS	Weight (kgf)	Weight (lb)
010	35861-87100	ASSY FENDER RH	1				73	160.6
020	35822-87260	BRACKET RH	1				0.75	1.65
030	35822-87270	BRACKET RH	1				0.15	0.33
040	01133-51020	BOLT	6				0.02	0.044
050	38240-29290	PLUG	1				0.001	0.0022
060	13582-57820	CUSHION CHOKE ROD	1				0.002	0.0044
070	01133-51020	BOLT	4				0.02	0.044
080	04013-50100	WASHER PLAIN	4				0	0
090	35861-87200	ASSY FENDER LH	1				58	127.6
100	35822-87540	BRACKET LH	1				0.8	1.76
110	35822-87550	BRACKET LH	1				0.1	0.22
120	01130-51020	BOLT	6				0	0
130	01133-51016	BOLT	1				0.015	0.033
140	38240-29290	PLUG	1				0.001	0.0022
150	13582-57820	CUSHION CHOKE ROD	1				0.002	0.0044
160	01133-51020	BOLT	4				0.02	0.044
170	04013-50100	WASHER PLAIN	4				0	0
180	66591-51130	PLUG BLIND	4				0.001	0.0022
190	36330-87040	BRACKET FENDER RH	1				8	17.6
200	36330-87120	BRACKET FENDER LH	1				7.9	17.38
210	36330-87050	BOLT	4				0.79	1.738
220	02076-50180	NUT	4				0.044	0.0968
230	04512-50180	WASHER SPRING	4				0	0
240	36330-87183	BALUSTRAD	2				0.51	1.122
250	01173-51020	BOLT	4				0.017	0.0374
260	04013-50100	WASHER PLAIN	8				0	0
270	36330-87030	COLLAR	4				0.09	0.198
280	36330-87160	CUSHION	4				0.03	0.066
290	35820-87160	CUSHION	4				0.05	0.11
300	36330-87170	WASHER	4				0.17	0.374
310	36330-87370	COVER RUBBER	2				0.005	0.011

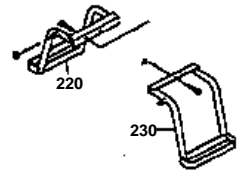
STEP



REF. No. 010 36330-8721-0
 REF. No. 040 36330-8722-0
 REF. No. 070 36330-8723-0
 REF. No. 100 36330-8724-0



REF. No. 220 36330-8730-0
 REF. No. 230 36330-8731-0

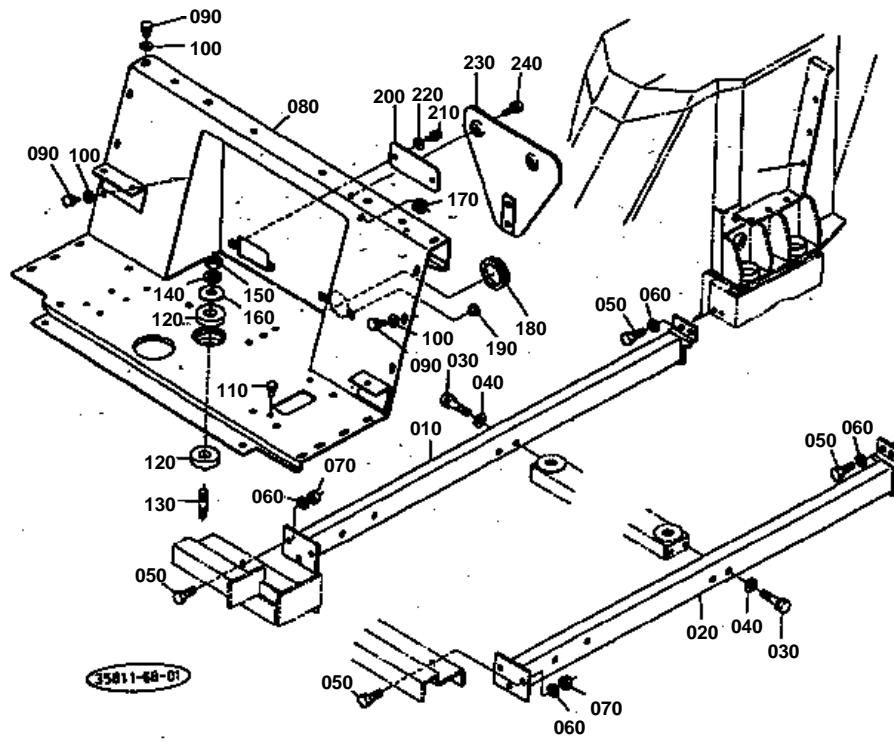


**STEP**

↔ Interchangeable; ≠ not interchangeable; ← new for old; → old for new

REF.No	Part No.	Description	Q'ty	S.No.	I/C	REMARKS	Weight (kgf)	Weight (lb)
010	36330-87210	BRACKET FRONT RH	1	<=50208			0	0
010	36330-87214	BRACKET FRONT RH	1	>=50209	←		4.45	9.79
020	01173-51635	BOLT	2				0.078	0.1716
030	04512-50160	WASHER SPRING	2				0	0
040	36330-87220	BRACKET FRONT LH	1	<=50208			0	0
040	36330-87224	BRACKET FRONT LH	1	>=50209	←		4.42	9.724
050	01173-51635	BOLT	2				0.078	0.1716
060	04512-50160	WASHER SPRING	2				0	0
070	36330-87230	BRACKET REAR RH	1	<=50208			0	0
070	36330-87235	BRACKET REAR RH	1	>=50209	←		1.2	2.64
080	01173-51225	BOLT	2				0.033	0.0726
090	04512-50120	WASHER SPRING	2				0	0
100	36330-87240	BRACKET REAR LH	1	<=50208			0	0
100	36330-87244	BRACKET REAR LH	1	>=50209	←		1.16	2.552
110	01173-51225	BOLT	2				0.033	0.0726
120	04512-50120	WASHER SPRING	2				0	0
130	35822-87060	STEP RH	1				7.5	16.5
140	35822-87070	STEP LH	1				5.55	12.21
150	36330-87080	WASHER	8				0.05	0.11
160	36330-87090	COLLAR	8	<=50142			0.04	0.088
160	35820-87090	COLLAR	8	>=50143	←		0.055	0.121
170	36330-87110	CUSHION	16				0.05	0.11
180	01173-51270	BOLT	8				0.067	0.1474
190	04512-50120	WASHER SPRING	8				0	0
200	02174-50120	NUT	8				0.01	0.022
210	04013-50120	WASHER PLAIN	4				0	0
220	36330-87300	STEP AID RH	1	<=51173			0	0
220	36330-87302	STEP AID RH	1	>=51174	←		2.75	6.05
230	36330-87310	STEP AID LH	1	<=51173			0	0
230	36330-87313	STEP AID LH	1	>=51174	←		3.2	7.04
240	01133-51050	BOLT	4				0.035	0.077
250	04512-50100	WASHER SPRING	6	<=51095			0	0
250	04512-50100	WASHER SPRING	2	>=51096			0	0
260	02118-50100	NUT	6	<=51095			0.005	0.011
260	02118-50100	NUT	2	>=51096			0.005	0.011
270	04013-50100	WASHER PLAIN	2				0	0
280	63611-52350	RUBBER	3				0.001	0.0022

CENTER FRAME

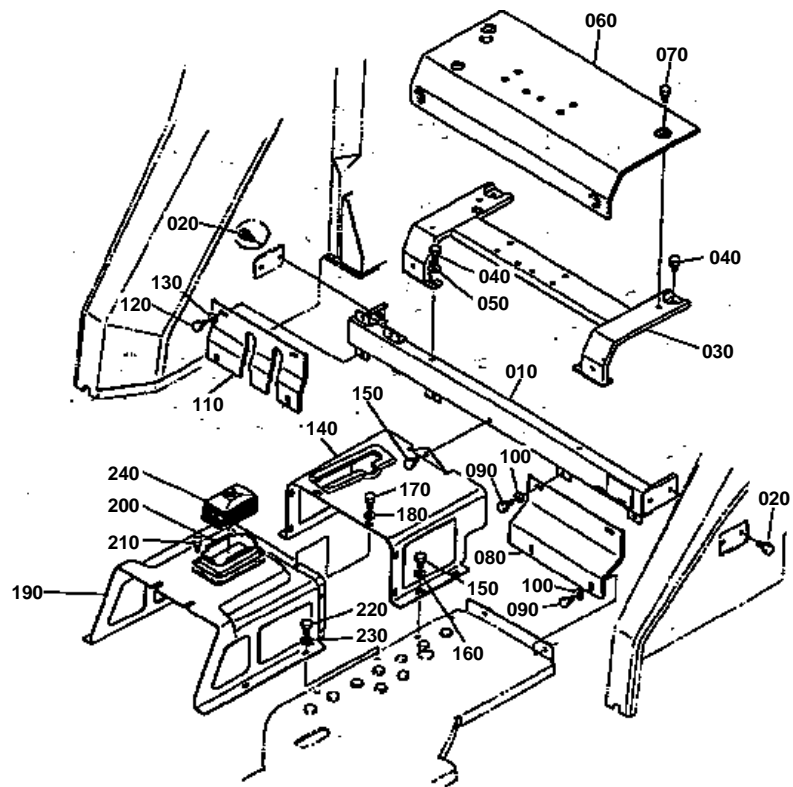


**CENTER FRAME**

↔ Interchangeable; ≠ not interchangeable; ← new for old; → old for new

REF.No	Part No.	Description	Q'ty	S.No.	I/C	REMARKS	Weight (kgf)	Weight (lb)
010	36330-87350	FRAME FENDER RH	1				3.8	8.36
020	36330-87360	FRAME FENDER LH	1				3.8	8.36
030	01133-51045	BOLT	4				0.034	0.0748
040	04013-50100	WASHER PLAIN	4	>=50209			0	0
050	01173-51025	BOLT	8				0.021	0.0462
060	04512-50100	WASHER SPRING	8				0	0
070	02118-50100	NUT	4				0.005	0.011
080	35801-87410	FRAME CENTER	1				10.5	23.1
090	01123-50816	BOLT	15				0	0
100	04013-50080	WASHER PLAIN	15				0	0
110	63611-52350	RUBBER	1				0.001	0.0022
120	36330-87430	CUSHION	2	<=50208			0.05	0.11
120	35820-87430	CUSHION	2	>=50209	≠		0.035	0.077
130	01517-51450	STUD	1				0.08	0.176
140	04512-50140	WASHER SPRING	1				0	0
150	02172-50140	NUT	1				0.01	0.022
160	36330-87440	WASHER	1				0.04	0.088
170	36330-87450	RING RUBBER	1				0.001	0.0022
180	36330-87470	COVER RUBBER	1				0.014	0.0308
190	66591-51130	PLUG BLIND	2				0.001	0.0022
200	35822-87400	COVER	1				0.08	0.176
210	03024-50414	SCREW	2				0.002	0.0044
220	04013-50040	WASHER PLAIN	2				0	0
230	35861-87500	BRACKET SMV	1				0.55	1.21
240	01123-50816	BOLT	2				0	0

HOUSING COVER



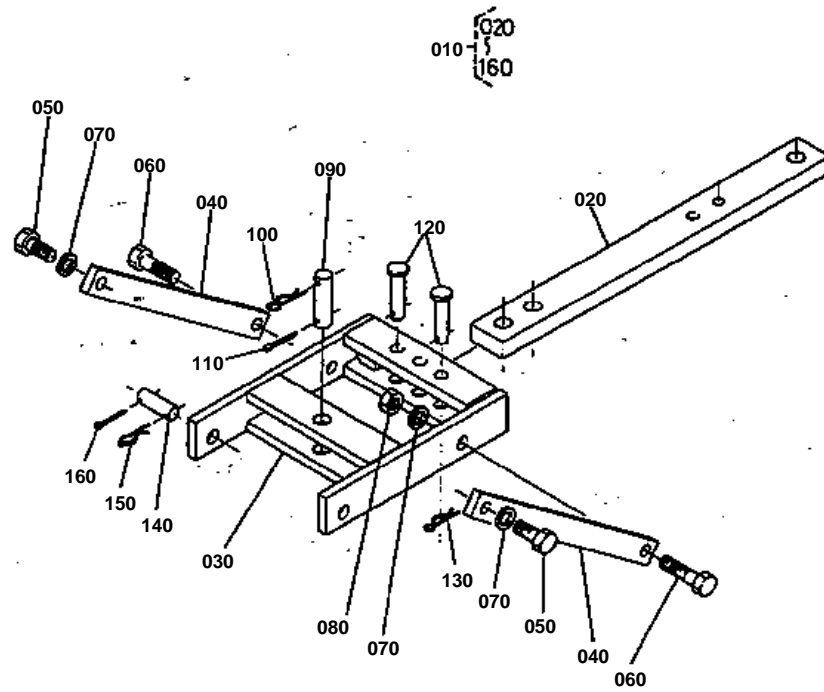


HOUSING COVER

↔ Interchangeable; ≠ not interchangeable; ← new for old; → old for new

REF.No	Part No.	Description	Q'ty	S.No.	I/C	REMARKS	Weight (kgf)	Weight (lb)
010	35822-87510	FRAME FRONT	1				0	0
020	01123-50816	BOLT	4				0	0
030	35861-87520	FRAME SEAT	1				1.6	3.52
040	01123-50816	BOLT	4				0	0
050	04013-50080	WASHER PLAIN	2				0	0
060	35861-87530	COVER	1				1.7	3.74
070	01123-50816	BOLT	4				0	0
080	35822-87560	COVER LOWER LH	1				0.49	1.078
090	01123-50816	BOLT	4				0	0
100	04013-50080	WASHER PLAIN	4				0	0
110	35822-87570	COVER LOWER RH	1				0.38	0.836
120	01123-50816	BOLT	4				0	0
130	04013-50080	WASHER PLAIN	4				0	0
140	36330-87612	COVER HOUSING	1				1.36	2.992
150	01123-50816	BOLT	5				0	0
160	04013-50080	WASHER PLAIN	4				0	0
170	01023-50612	BOLT	6				0.005	0.011
180	04013-50060	WASHER PLAIN	6				0	0
190	36330-87620	COVER HOUSING	1				2	4.4
200	36330-87630	RETAINER SEAL	1				0.07	0.154
210	01023-50616	BOLT	4				0.005	0.011
220	01123-50816	BOLT	4				0	0
230	04013-50080	WASHER PLAIN	4				0	0
240	36330-83780	COVER POST	1				0.1	0.22

TOWING DRAWBAR



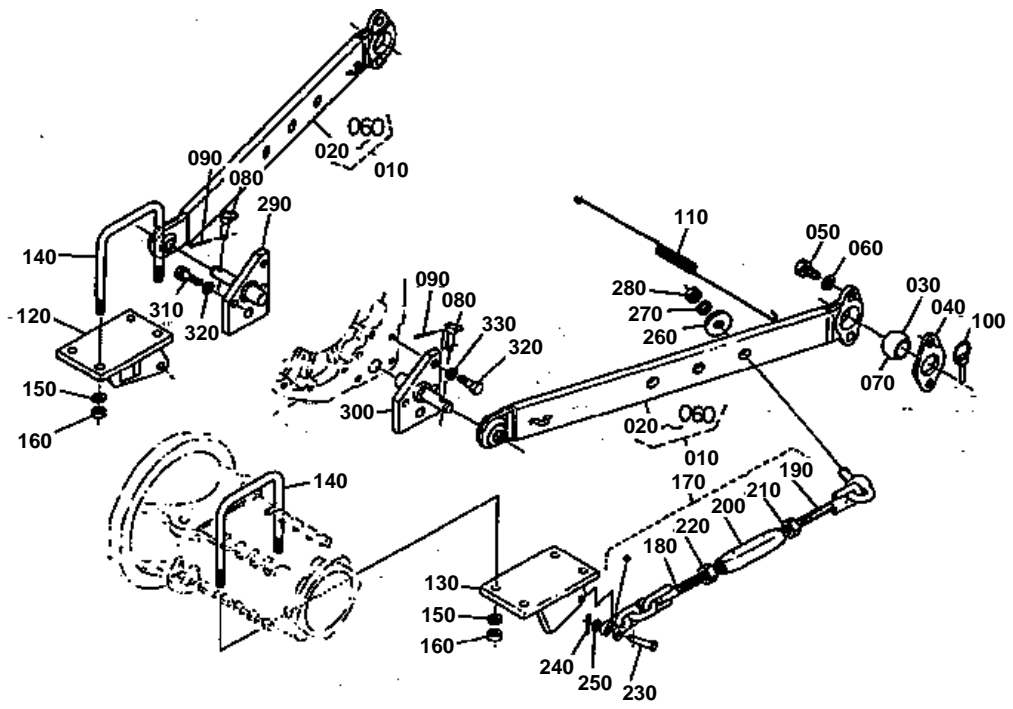


TOWING DRAWBAR

↔ Interchangeable; ≠ not interchangeable; ← new for old; → old for new

REF.No	Part No.	Description	Q'ty	S.No.	I/C	REMARKS	Weight (kgf)	Weight (lb)
010	35820-89100	ASSY DRAWBAR SWING.	1			[A]	33	72.6
010	35801-89102	ASSY DRAWBAR SWING.	1			[CA]	30.5	67.1
020	36330-89120	DRAWBAR	1			[A]	10.2	22.44
020	35801-89120	DRAWBAR	1			[CA]	10.01	22.022
030	35822-89320	MEMBER CROSS	1				15	33
040	36330-89330	PLATE SIDE	2				2.1	4.62
050	01173-52045	BOLT	2				0.162	0.3564
060	01173-52055	BOLT	2				0.183	0.4026
070	04512-50200	WASHER SPRING	4				0	0
080	02174-50200	NUT	2				0.04	0.088
090	33251-89340	PIN DRAWBAR	1				0	0
100	70515-16330	PIN	1				0.028	0.0616
110	05511-50540	PIN SPLIT	1				0.009	0.0198
120	05122-51885	PIN JOINT	2				0.18	0.396
130	05515-51600	PIN SNAP	2				0.007	0.0154
140	36200-89360	PIN	2				0.146	0.3212
150	70515-16330	PIN	2				0.028	0.0616
160	05511-50540	PIN SPLIT	2				0.009	0.0198

3-POINT LINKAGE 1



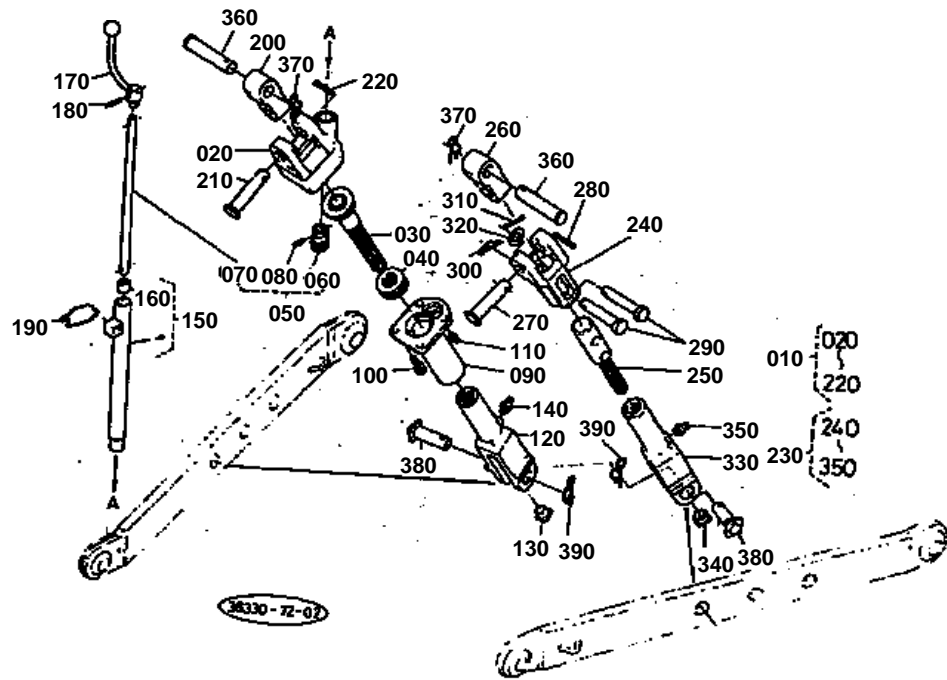


3-POINT LINKAGE 1

↔ Interchangeable; ≠ not interchangeable; ← new for old; → old for new

REF.No	Part No.	Description	Q'ty	S.No.	I/C	REMARKS	Weight (kgf)	Weight (lb)
010	35820-92000	ASSY LINK LOWER	2				10.7	23.54
020	99999-99999	ORDER BY REF.No.010	0				0	0
030	33400-91920	JOINT LOWER LINK	2			CATEGORY 1	0.49	1.078
040	33400-91860	RETAINER	2				0.275	0.605
050	33400-91880	BOLT	4				0.02	0.044
060	04512-50100	WASHER SPRING	4				0	0
070	33400-91040	JOINT LOWER LINK	2			CATEGORY 2	0.42	0.924
080	36330-91840	ASSY PIN SET	2				0.055	0.121
090	05511-50420	PIN SPLIT	2				0.002	0.0044
100	36200-91840	ASSY PIN SET	2				0.06	0.132
110	36330-91830	SPRING SET	1				0.185	0.407
120	36530-91080	BRACKET CHAIN RH	1	<=50122			0	0
120	36530-91082	BRACKET CHAIN RH	1	>=50123	←		5	11
130	36530-91090	BRACKET CHAIN LH	1	<=50122			0	0
130	36530-91092	BRACKET CHAIN LH	1	>=50123	←		5	11
140	36330-91070	BOLT	4				0.72	1.584
150	04512-50160	WASHER SPRING	8				0	0
160	02176-50160	NUT	8				0.021	0.0462
170	36330-91105	ASSY CHAIN CHECK	2				2.55	5.61
180	36330-91110	COMP CHAIN CHECK	2				0.915	2.013
190	36330-91160	COMP CHAIN CHECK	2				0.8	1.76
200	36330-91190	TURNBUCKLE	2				0.95	2.09
210	02054-50180	NUT	2				0.049	0.1078
220	35999-02530	NUT LOCK	2				0.035	0.077
230	36330-91180	PIN CHAIN SET	2				0.06	0.132
240	05511-50525	PIN SPLIT	2				0.005	0.011
250	04011-50140	WASHER PLAIN	2				0.007	0.0154
260	36330-91220	WASHER CHECK CHAIN	2				0.25	0.55
270	04512-50180	WASHER SPRING	2				0	0
280	02174-50180	NUT	2				0.029	0.0638
290	36570-91882	PIN LOWER LINK RH	1	<=50122			0	0
290	35820-91880	PIN LOWER LINK RH	1	>=50123	←		2.5	5.5
300	36570-91892	PIN LOWER LINK LH	1	<=50122			0	0
300	35820-91890	PIN LOWER LINK LH	1	>=50123	←		2.47	5.434
310	01173-51440	BOLT	6				0.062	0.1364
320	04512-50140	WASHER SPRING	6				0	0

3-POINT LINKAGE 2



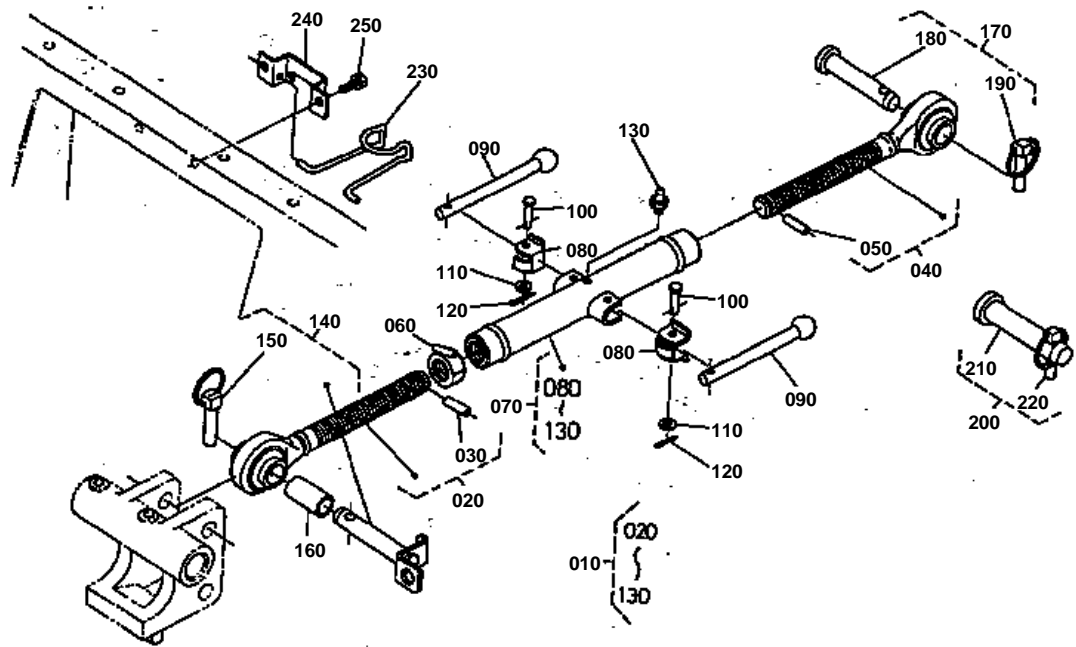


3-POINT LINKAGE 2

↔ Interchangeable; ≠ not interchangeable; ← new for old; → old for new

REF.No	Part No.	Description	Q'ty	S.No.	I/C	REMARKS	Weight (kgf)	Weight (lb)
010	36330-91230	ASSY ROD LIFT RH	1				9.5	20.9
020	36330-91240	CASE LIFT ROD GEAR	1				2.3	5.06
030	36330-91280	COMP.SHAFT ADJUSTING	1				0.97	2.134
040	08401-51106	BEARING THRUST BALL	1				0.064	0.1408
050	36330-91203	ASSY PINION LIFT ROD	1				0.48	1.056
060	36330-91330	PINION	1				0.11	0.242
070	36330-91392	SHAFT HANDLE	1				0.36	0.792
080	05411-00520	PIN SPRING	1				0.002	0.0044
090	36330-91300	COMP SLEEVE LIFT ROD	1				1.11	2.442
100	01133-51030	BOLT	4				0.025	0.055
110	06613-20010	NIPPLE GREASE	1				0.01	0.022
120	36330-91260	ROD LIFT LOWER	1				2.5	5.5
130	36330-91360	PLUG	1				0.001	0.0022
140	06613-10010	NIPPLE GREASE	1				0.006	0.0132
150	36330-91372	SUPPORT HANDLE	1				0.55	1.21
160	36330-91380	BUSH	1				0	0
170	36330-91320	HANDLE	1				0	0
180	05411-00525	PIN SPRING	1				0.002	0.0044
190	36330-91270	HOLDER HANDLE	1				0.025	0.055
200	36330-91510	JOINT	1				0.72	1.584
210	36330-91530	PIN LIFT ROD UPPER	1				0.27	0.594
220	05511-50535	PIN SPLIT	1				0.007	0.0154
230	36330-91450	ASSY ROD LIFT LH	1				7	15.4
240	36330-91460	ROD LIFT UPPER LH	1				2.15	4.73
250	36330-91430	ROD LIFT UPPER	1				1.05	2.31
260	36330-91510	JOINT	1				0.72	1.584
270	36330-91530	PIN LIFT ROD UPPER	1				0.27	0.594
280	05511-50535	PIN SPLIT	1				0.007	0.0154
290	36330-91470	PIN LIFT ROD LH	2				0.175	0.385
300	33251-91860	PIN	1				0.023	0.0506
310	05511-50535	PIN SPLIT	1				0.007	0.0154
320	04011-50180	WASHER PLAIN	1				0.012	0.0264
330	36330-91260	ROD LIFT LOWER	1				2.5	5.5
340	36330-91360	PLUG	1				0.001	0.0022
350	06613-10010	NIPPLE GREASE	1				0.006	0.0132
360	36330-91520	PIN LIFT ROD	2				0	0
370	33251-91860	PIN	2				0.023	0.0506
380	36330-91540	PIN LIFT ROD LOWER	2				0.26	0.572
390	33251-91860	PIN	2				0.023	0.0506

3-POINT LINKAGE 3

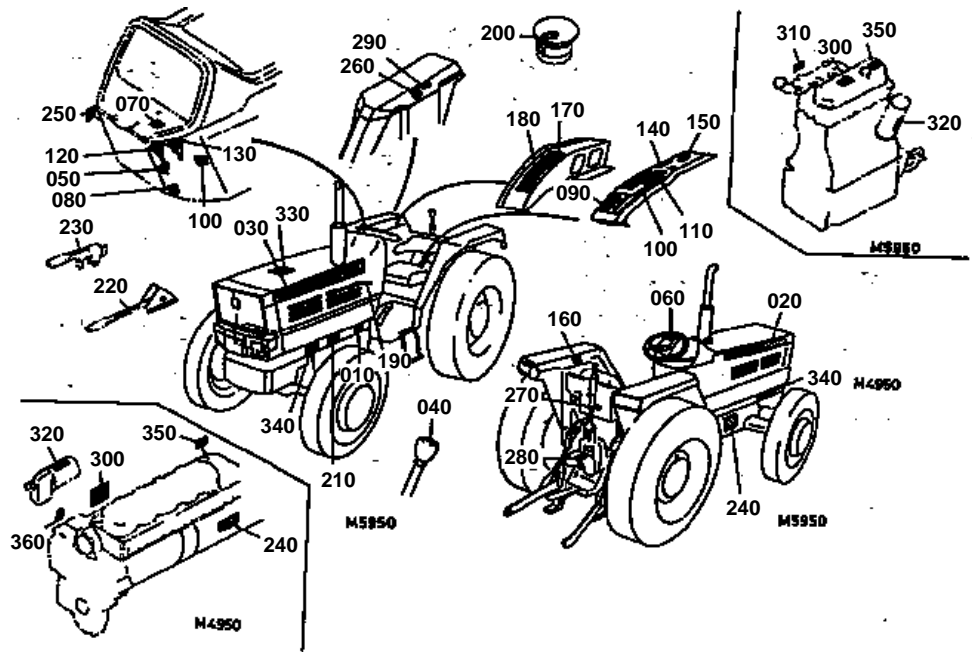




3-POINT LINKAGE 3

↔ Interchangeable; ≠ not interchangeable; ← new for old; → old for new

REF.No	Part No.	Description	Q'ty	S.No.	I/C	REMARKS	Weight (kgf)	Weight (lb)
010	36330-91700	ASSY LINK TOP	1	<=50208			0	0
010	36330-91702	ASSY LINK TOP	1	>=50209	←		5.3	11.66
020	36330-91550	ASSY LINK TOP FRONT	1	<=50208			0	0
020	36330-91552	ASSY LINK TOP FRONT	1	>=50209	←		1.63	3.586
030	05411-00632	PIN SPRING	1	<=50208			0.004	0.0088
030	36330-91790	PIN	1	>=50209	←		0.007	0.0154
040	36330-91610	ASSY LINK TOP REAR	1	<=50208			0	0
040	36330-91612	ASSY LINK TOP REAR	1	>=50209	←		1.55	3.41
050	05411-00632	PIN SPRING	1	<=50208			0.004	0.0088
050	36330-91790	PIN	1	>=50209	←		0.007	0.0154
060	33400-91590	NUT TOP LINK	1				0.11	0.242
070	36330-91620	ASSY SLEEVE TOP LINK	1				2.5	5.5
080	36330-91690	HOLDER HANDLE	2	<=50192			0	0
080	36330-91693	HOLDER HANDLE	2	>=50193	←		0.01	0.022
090	36330-91643	HANDLE TOP LINK	2				0.175	0.385
100	05122-50635	PIN JOINT	2				0.01	0.022
110	04012-50060	WASHER PLAIN	2				0.001	0.0022
120	05511-51610	PIN SPLIT	2				0.001	0.0022
130	06613-10010	NIPPLE GREASE	1				0.006	0.0132
140	36330-91650	ASSY PIN TOP LINK	1				0.375	0.825
150	36200-91840	ASSY PIN SET	1				0.06	0.132
160	36330-91720	COLLAR	1				0.065	0.143
170	36330-91743	ASSY PIN TOP LINK	1			CATEGORY 1	0.3	0.66
180	36330-91752	PIN TOP LINK REAR	1				0.25	0.55
190	36200-91840	ASSY PIN SET	1				0.06	0.132
200	36330-91773	ASSY PIN TOP LINK	1			CATEGORY 2	0.55	1.21
210	36330-91762	PIN TOP LINK REAR	1				0.49	1.078
220	36200-91840	ASSY PIN SET	1				0.06	0.132
230	36330-91960	HOLDER TOP LINK	1				0.06	0.132
240	36330-91970	PLATE	1				0.1	0.22
250	01123-50820	BOLT	2				0.011	0.0242

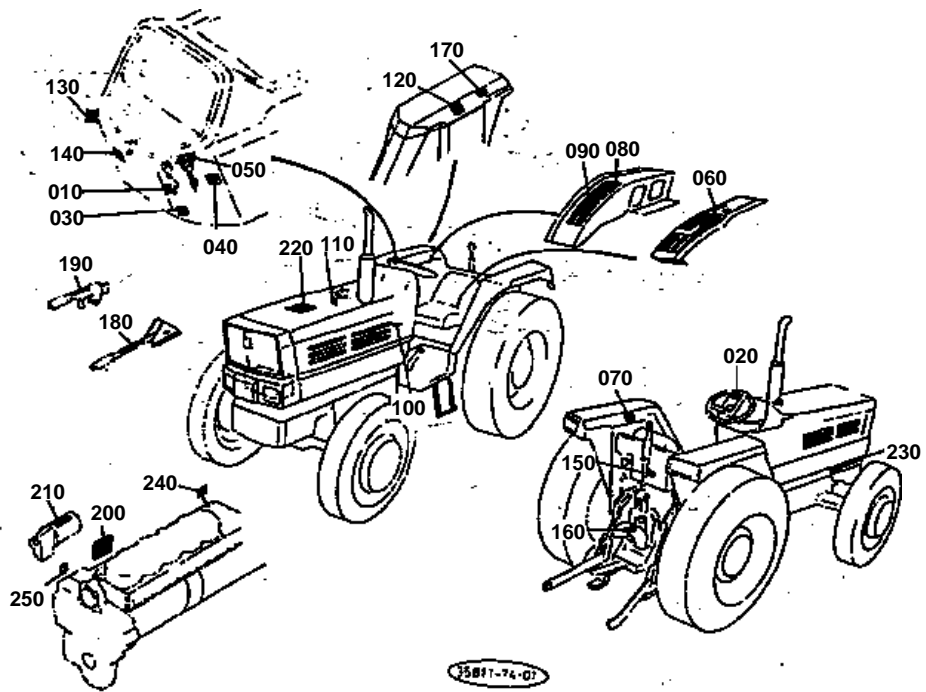




LABEL [ENGLISH]

↔ Interchangeable; ≠ not interchangeable; ← new for old; → old for new

REF.No	Part No.	Description	Q'ty	S.No.	I/C	REMARKS	Weight (kgf)	Weight (lb)
010	35812-98120	NAME PLATE	1				0.001	0.0022
020	35811-98132	MARK SIDE RH	1				0.04	0.088
030	35811-98142	MARK SIDE LH	1				0.04	0.088
040	35820-98160	MARK MAIN S-CHANGE	1				0.003	0.0066
050	35822-98180	MARK MAIN SWITCH	1				0.001	0.0022
060	35822-98260	LABEL MONITOR	1				0.001	0.0022
070	36330-98420	LABEL HANDLE ACCEL.	1				0.001	0.0022
080	35822-98430	LABEL ENGINE STOP	1				0	0
090	35820-98310	LABEL AUX.S-CHANGE	1				0.002	0.0044
100	35832-98570	LABEL DT CHANGE(ON)	1				0.001	0.0022
110	35832-98580	LABEL DT CHANGE(OFF)	1				0.001	0.0022
120	35861-98470	LABEL LIGHT SWITCH	1				0.001	0.0022
130	35420-98440	LABEL HAZARD FLASHER	1				0	0
140	35820-98320	LABEL PTO CHANGE	1				0.001	0.0022
140	35822-98320	LABEL GROUND LIVE	1				0.001	0.0022
150	35822-98240	LABEL PTO SHIFT LVR.	1	>=51289			0.001	0.0022
160	35800-98340	LABEL SPEED	1			[A]	0.009	0.0198
160	35801-98340	LABEL SPEED	1			[CA]	0.005	0.011
170	35822-98220	LABEL DRAFT CONTROL	1				0.002	0.0044
180	35822-98230	LABEL POSITION CON.	1				0.001	0.0022
190	35822-98380	LABEL DOWN SPEED	1				0.001	0.0022
200	35822-98560	LABEL STRG.HOSE	1				0.002	0.0044
210	35820-98940	LABEL STRG.GREASE	1				0.001	0.0022
220	35801-98810	LABEL CLUTCH LEVER	1				0.001	0.0022
230	35801-98820	LABEL HAND BRAKE	1				0.001	0.0022
240	35820-98630	LABEL START CAUTION	1				0	0
250	35820-98690	LABEL CLUTCH	1				0.002	0.0044
260	35260-34910	LABEL SAFETY	1				0	0
270	35260-29790	LABEL DRAWBAR	1				0.002	0.0044
280	35260-25340	LABEL PTO(DRAWBAR)	1				0.005	0.011
290	35260-29780	LABEL ROPS	1				0	0
300	15612-88310	LABEL OIL	1				0.001	0.0022
320	15213-94400	LABEL CAUTION	1				0.001	0.0022
330	15101-94610	LABEL RADIATOR	1				0.002	0.0044
340	15103-94590	LABEL DRAIN CAUTION	1				0.001	0.0022
350	15222-88210	LABEL CAUTION	1				0.003	0.0066
360	15612-87210	LABEL CAUTION	1				0.001	0.0022



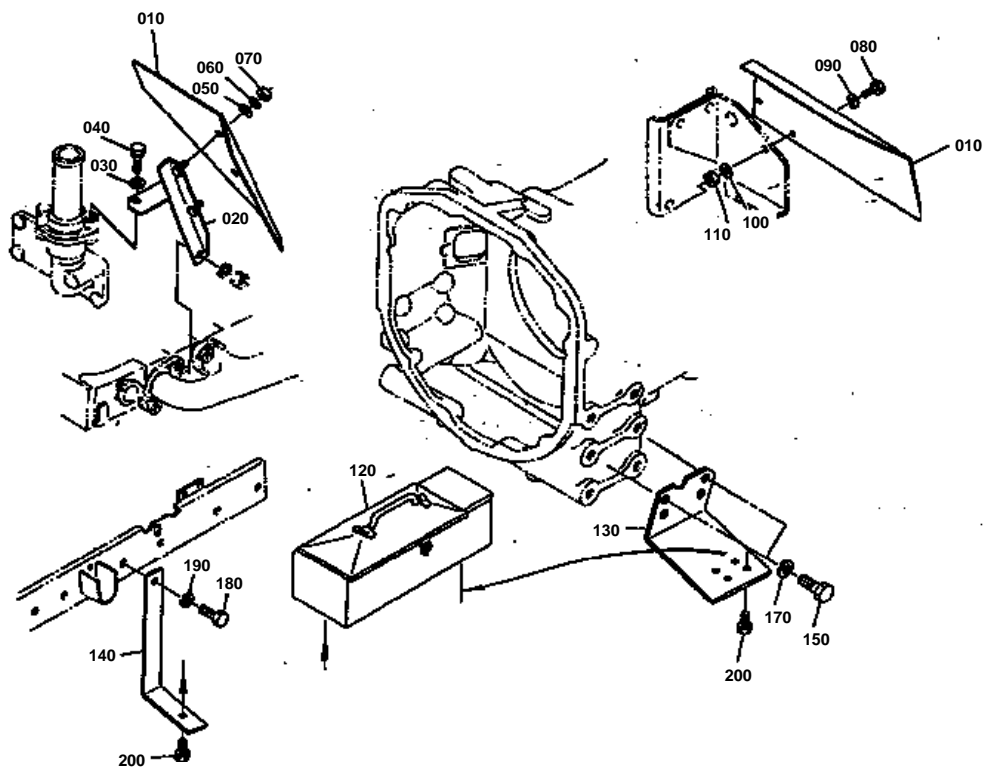


LABEL [FRENCH]

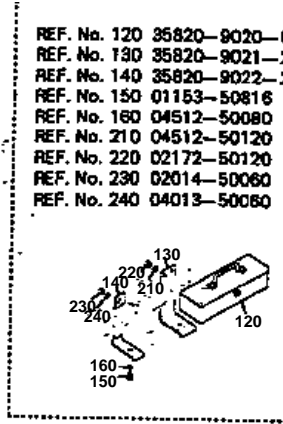
↔ Interchangeable; ≠ not interchangeable; ← new for old; → old for new

REF.No	Part No.	Description	Q'ty	S.No.	I/C	REMARKS	Weight (kgf)	Weight (lb)
010	35871-98180	MARK MAIN SWITCH	1				0.001	0.0022
020	35811-98260	LABEL MONITOR	1				0	0
030	35871-98430	LABEL ENGINE STOP	1				0.001	0.0022
040	35871-98460	LABEL SWITCH	1				0.001	0.0022
050	35871-98440	LABEL	1				0.001	0.0022
060	35871-98320	LABEL	1				0.001	0.0022
070	35811-98342	LABEL SPEED CHANGE	1				0.002	0.0044
080	35871-98220	LABEL DRAFT	1				0.001	0.0022
090	35871-98230	LABEL POSITION	1				0.001	0.0022
100	35871-98380	LABEL	1				0.001	0.0022
110	35871-98560	LABEL	1				0.001	0.0022
120	35871-98360	LABEL SAFETY	1				0.002	0.0044
130	35811-98690	LABEL CLUTCH	1				0.003	0.0066
140	35811-98890	LABEL FUSE CASE	1				0.001	0.0022
150	35871-98660	LABEL DRAWBAR	1				0.001	0.0022
160	35261-25340	LABEL PTO	1				0.003	0.0066
170	35871-98640	LABEL ROPS	1				0.002	0.0044
180	35871-98810	LABEL CLUTCH LEVER	1				0.001	0.0022
190	35871-98820	LABEL HAND BRAKE	1				0.001	0.0022
200	15227-87310	LABEL OIL	1				0.001	0.0022
210	15227-87390	LABEL OIL FILTER	1				0.002	0.0044
220	15481-88610	LABEL RADIATOR CARE	1				0.002	0.0044
230	15227-87590	LABEL DRAIN CAUTION	1				0.001	0.0022
240	15227-87680	LABEL GLOW PLUG	1				0.001	0.0022
250	15621-87210	LABEL CAUTION	1				0.001	0.0022

TOOL BOX



- REF. No. 120 35820-9020-0
- REF. No. 130 35820-9021-2
- REF. No. 140 35820-9022-2
- REF. No. 150 01153-50816
- REF. No. 160 04512-50080
- REF. No. 210 04512-50120
- REF. No. 220 02172-50120
- REF. No. 230 02014-50060
- REF. No. 240 04013-50060

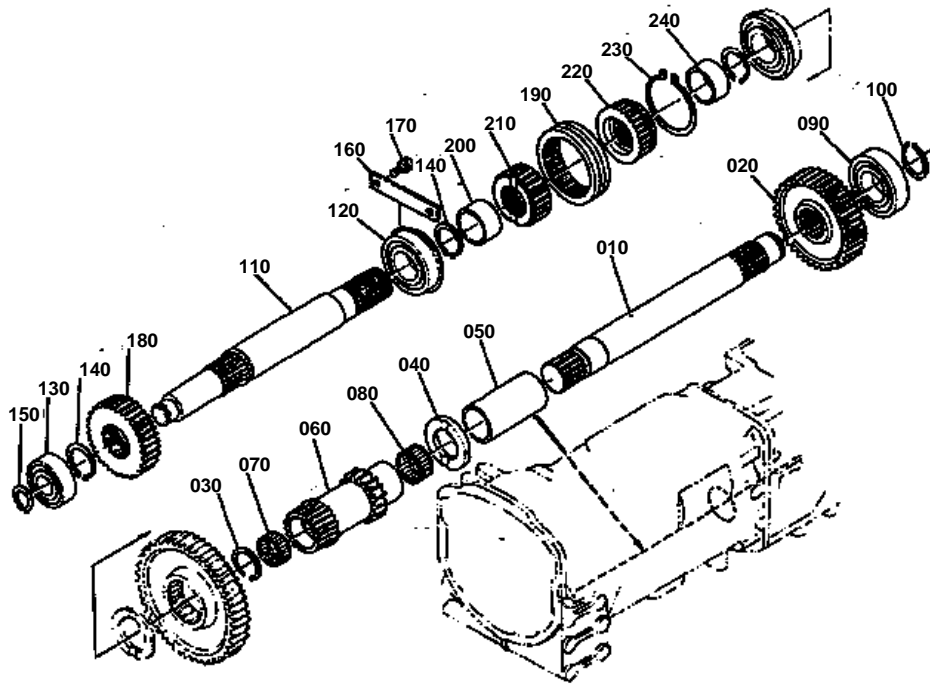


**TOOL BOX**

↔ Interchangeable; ≠ not interchangeable; ← new for old; → old for new

REF.No	Part No.	Description	Q'ty	S.No.	I/C	REMARKS	Weight (kgf)	Weight (lb)
010	35800-04350	PLATE AIR CONTROL	1				0.41	0.902
020	35800-04360	BRACKET	1				0.19	0.418
030	04012-50080	WASHER PLAIN	1				0.001	0.0022
040	01123-50840	BOLT	1	>=50123			0.018	0.0396
050	04013-50060	WASHER PLAIN	2				0	0
060	04512-50060	WASHER SPRING	2				0	0
070	02014-50060	NUT	2				0.003	0.0066
120	35820-90200	COMP.BOX TOOLS	1	<=51288			1.3	2.86
120	35830-90202	COMP.BOX TOOLS	1	>=51289	≠		0	0
130	35820-90212	STAY RH	1	<=51288			0.71	1.562
130	35830-90212	STAY	1	>=51289	≠		2.04	4.488
140	35820-90222	STAY LH	1	<=51288			0.5	1.1
140	35830-90222	STAY	1	>=51289	≠		1.28	2.816
150	01153-50816	BOLT	2	<=51288			0.01	0.022
150	01173-51840	BOLT	2	>=51289	≠		0.114	0.2508
160	04512-50080	WASHER SPRING	2	<=51288			0	0
170	04512-50180	WASHER SPRING	2	>=51289			0	0
180	01173-51432	BOLT	1	>=51289			0.053	0.1166
190	04512-50140	WASHER SPRING	1	>=51289			0	0
200	01133-51022	BOLT	2	>=51289			0.025	0.055
210	04512-50120	WASHER SPRING	1	<=51288			0	0
220	02172-50120	NUT	1	<=51288			0.01	0.022
230	02014-50060	NUT	1	<=51288			0.003	0.0066
240	04013-50060	WASHER PLAIN	1	<=51288			0	0

DRIVE SHAFT



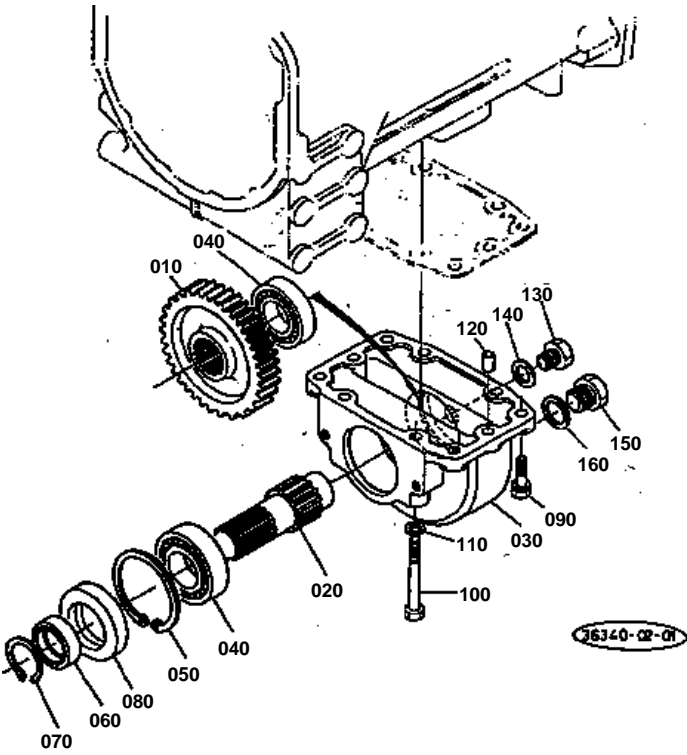


DRIVE SHAFT

↔ Interchangeable; ≠ not interchangeable; ← new for old; → old for new

REF.No	Part No.	Description	Q'ty	S.No.	I/C	REMARKS	Weight (kgf)	Weight (lb)
010	36340-41110	SHAFT DRIVE REAR	1				2.48	5.456
020	36280-41130	GEAR	1			31T	0.93	2.046
030	36280-41140	RING SNAP	1				0.002	0.0044
040	36330-28610	COLLAR THRUST	1				0.04	0.088
050	36340-41160	COLLAR	1				0.3	0.66
060	35830-41180	GEAR-SHAFT	1			18T	0.325	0.715
070	08823-54017	BEARING NEEDLE	1				0.03	0.066
080	08823-54220	BEARING NEEDLE	1				0.05	0.11
090	08101-06306	BEARING BALL	1				0.335	0.737
100	04612-00300	CIR-CLIP EXTERNAL	1				0.003	0.0066
110	36340-41210	SHAFT DRIVE FRONT	1				2.74	6.028
120	08151-06207	BEARING BALL	1				0.28	0.616
130	36340-41290	BEARING	1				0.235	0.517
140	04612-00350	CIR-CLIP EXTERNAL	2				0.01	0.022
150	04612-00250	CIR-CLIP EXTERNAL	1				0.002	0.0044
160	36200-28680	RETAINER BEARING	1				0.058	0.1276
170	01123-50820	BOLT	2				0.011	0.0242
180	35780-41220	GEAR	1			19T	0.7	1.54
190	36330-28473	SHIFTER	1				0.4	0.88
200	36340-41550	COLLAR	1				0.1	0.22
210	36340-41480	COUPLING	1				0.51	1.122
220	36340-41490	COUPLING	1				0.4	0.88
230	04612-00720	CIR-CLIP EXTERNAL	1				0.022	0.0484
240	36340-41560	COLLAR	1				0	0

DRIVE CASE

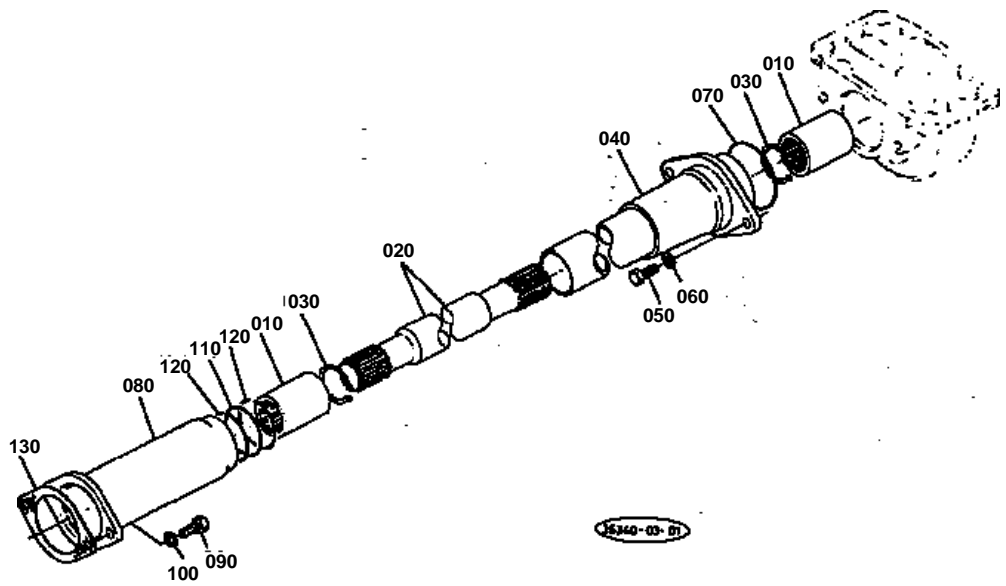


**DRIVE CASE**

↔ Interchangeable; ≠ not interchangeable; ← new for old; → old for new

REF.No	Part No.	Description	Q'ty	S.No.	I/C	REMARKS	Weight (kgf)	Weight (lb)
010	35787-41230	GEAR	1			28T [A]	1.2	2.64
010	35780-41230	GEAR	1			29T [CA]	1.15	2.53
020	36280-41240	SHAFT	1	<=50208			0	0
020	36280-41243	SHAFT	1	>=50209	←		0.56	1.232
030	36340-41252	CASE DRIVE	1				0	0
040	08101-06206	BEARING BALL	2				0.196	0.4312
050	04611-00620	CIR-CLIP INTERNAL	1				0.011	0.0242
060	36340-41300	SLEEVE	1				0.034	0.0748
070	04612-00300	CIR-CLIP EXTERNAL	1	>=50209			0.003	0.0066
080	36340-41260	SEAL OIL	1				0.03	0.066
090	01133-51030	BOLT	6				0.025	0.055
100	01173-51085	BOLT	2				0.051	0.1122
110	04512-50100	WASHER SPRING	2				0	0
120	05012-01020	PIN STRAIGHT	2				0.02	0.044
130	06331-35012	PLUG	1				0.022	0.0484
140	04717-01200	WASHER WITH RUBBER	1				0.002	0.0044
150	06331-35020	PLUG	1				0.068	0.1496
160	04717-02000	WASHER WITH RUBBER	1				0.004	0.0088

PROPELLER SHAFT



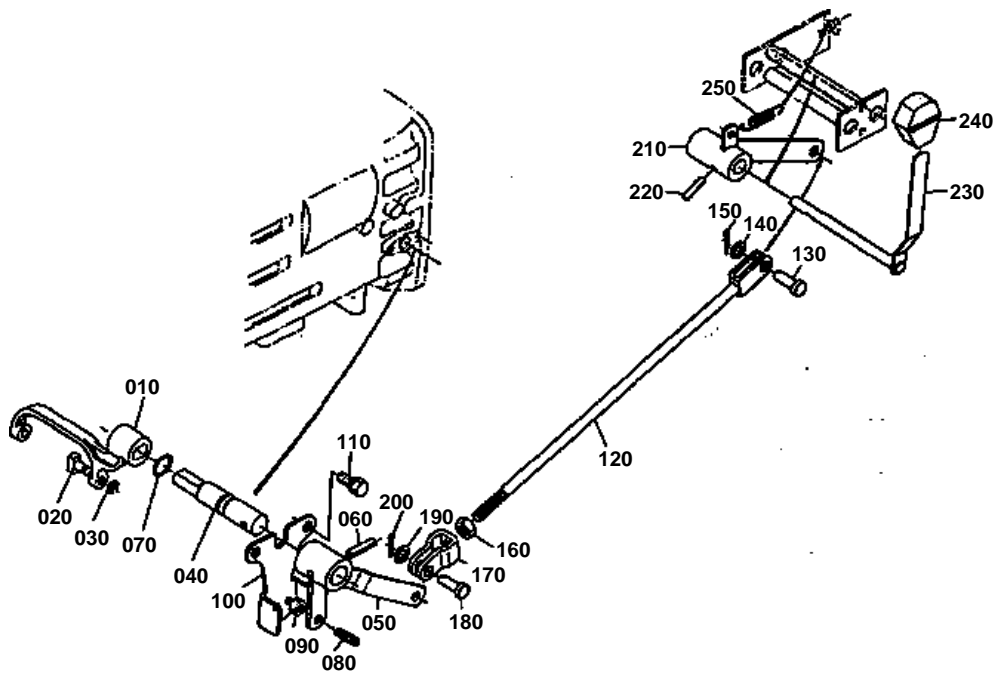


PROPELLER SHAFT

↔ Interchangeable; ≠ not interchangeable; ← new for old; → old for new

REF.No	Part No.	Description	Q'ty	S.No.	I/C	REMARKS	Weight (kgf)	Weight (lb)
010	36280-41310	COUPLING	2				0.24	0.528
020	36240-41320	SHAFT PROPELLER	1				5.2	11.44
030	04612-00300	CIR-CLIP EXTERNAL	2				0.003	0.0066
040	36340-41340	COVER PROP.SHAFT	1				2.1	4.62
050	01153-50820	BOLT	2				0.012	0.0264
060	04512-50080	WASHER SPRING	2				0	0
070	04811-50600	RING	1				0.002	0.0044
080	36280-41350	COVER PROP.SHAFT	1				0.85	1.87
090	01153-50820	BOLT	2				0.012	0.0264
100	04512-50080	WASHER SPRING	2				0	0
110	04811-00420	RING	1				0.002	0.0044
120	36280-41360	CIR-CLIP	2				0.003	0.0066
130	36280-41370	GASKET	1				0	0

CHANGE LEVER



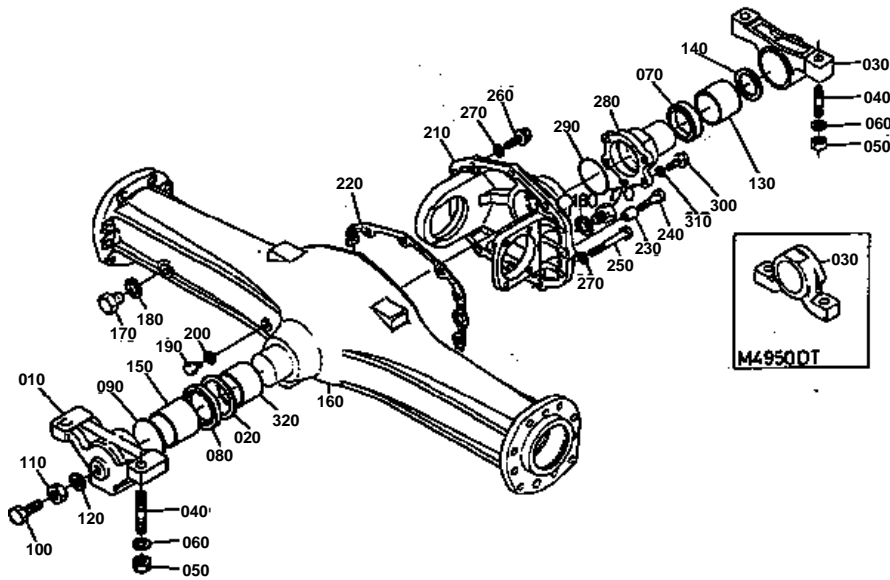


CHANGE LEVER

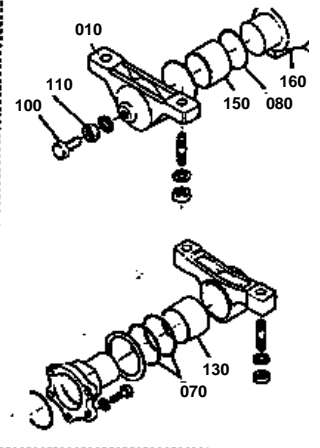
↔ Interchangeable; ≠ not interchangeable; ← new for old; → old for new

REF.No	Part No.	Description	Q'ty	S.No.	I/C	REMARKS	Weight (kgf)	Weight (lb)
010	36340-41510	FORK	1				0.38	0.836
020	36280-41530	COTTER	2				0.015	0.033
030	04613-00060	CIR-CLIP EXTERNAL	2				0	0
040	36340-41520	SHAFT FORK	1				0.23	0.506
050	36340-41530	SHAFT CHANGE LEVER	1				0	0
060	05411-00636	PIN SPRING	1				0.005	0.011
070	04811-00150	RING	1				0.001	0.0022
080	36280-41460	SCREW	1				0.01	0.022
090	02116-50100	NUT	1				0.004	0.0088
100	36340-41540	PLATE GUIDE	1				0.105	0.231
110	01123-50816	BOLT	2				0	0
120	36340-41570	ROD DT	1				0.24	0.528
130	05122-51022	PIN JOINT	1				0.014	0.0308
140	04011-50100	WASHER PLAIN	1				0.002	0.0044
150	05511-50318	PIN SPLIT	1				0.001	0.0022
160	02116-50100	NUT	1				0.004	0.0088
170	38240-24360	JOINT	1				0.08	0.176
180	05122-51025	PIN JOINT	1				0.017	0.0374
190	04011-50100	WASHER PLAIN	1				0.002	0.0044
200	05511-50318	PIN SPLIT	1				0.001	0.0022
210	35830-41580	SHAFT LEVER	1				0.25	0.55
220	05411-00636	PIN SPRING	1				0.005	0.011
230	36330-29665	LEVER SPEED CHANGE	1				0.64	1.408
240	36330-29670	GRIP	1				0.06	0.132
250	36340-26840	SPRING	1				0.002	0.0044

FRONT DIFF CASE



- REF. No. 010 38340-4181-0
- REF. No. 070 04811-50550
- REF. No. 080 04811-50600
- REF. No. 100 01173-81840
- REF. No. 110 02172-50180
- REF. No. 130 38280-4188-0
- REF. No. 150 38340-4188-2
- REF. No. 160 38340-4215-4



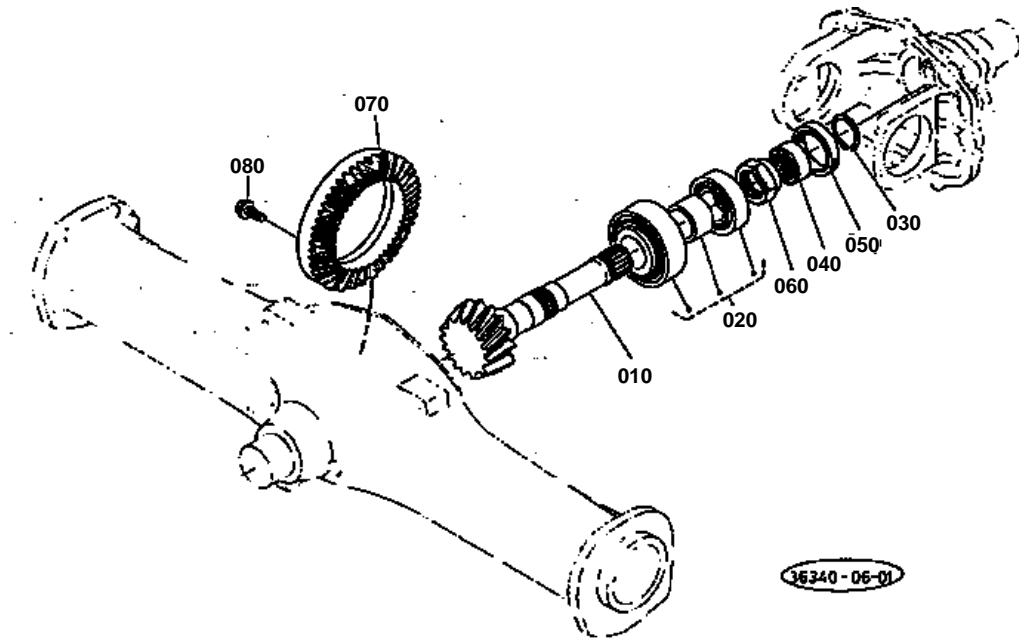


FRONT DIFF CASE

↔ Interchangeable; ≠ not interchangeable; ← new for old; → old for new

REF.No	Part No.	Description	Q'ty	S.No.	I/C	REMARKS	Weight (kgf)	Weight (lb)
010	36340-41610	BRACKET FRONT	1	<=51337			3.52	7.744
010	35830-41610	BRACKET FRONT	1	>=51338	≠		4.25	9.35
020	36840-42180	WASHER	1	>=51338			0.1	0.22
030	36240-41620	BRACKET REAR	1				2.66	5.852
040	01519-51848	STUD	4				0.15	0.33
050	02076-50180	NUT	4				0.044	0.0968
060	04512-50180	WASHER SPRING	4				0	0
070	04811-50550	RING	2	<=51337			0.002	0.0044
070	35999-05460	SEAL OIL	2	>=51338	≠		0.01	0.022
080	04811-50600	RING	1	<=51337			0.002	0.0044
080	09230-65885	SEAL OIL	1	>=51338	≠		0.02	0.044
090	36280-41630	WASHER	1				0.06	0.132
100	01173-51640	BOLT	1	<=51337			0.085	0.187
100	01175-51645	BOLT	1	>=51338	≠		0.09	0.198
110	02172-50160	NUT	1	<=51337			0.017	0.0374
110	32580-44580	NUT	1	>=51338	≠		0.1	0.22
120	38440-44750	WASHER SEAL	1				0.003	0.0066
130	36280-41660	BUSH	1	<=51032			0	0
130	36340-41670	BUSH	1	>=51033	←		0	0
140	36280-41670	WASHER THRUST	1				0.04	0.088
150	36340-41662	BUSH	1	<=51337			0	0
150	36840-41680	BUSH	1	>=51338	≠		0	0
160	36340-42154	CASE FRONT DIFF	1				0	0
170	06331-35020	PLUG	2				0.068	0.1496
180	04717-02000	WASHER WITH RUBBER	2				0.004	0.0088
190	06331-35010	PLUG	1				0.012	0.0264
200	04717-01000	WASHER WITH RUBBER	1				0.001	0.0022
210	36340-42210	CASE BEARING	1	<=51255			0	0
210	36340-42214	CASE BEARING	1	>=51256	←		12	26.4
220	36340-42170	GASKET	1	<=51255			0	0
220	36340-42172	GASKET	1	>=51256	←		0.001	0.0022
230	36280-43170	PIPE KNOCK	2				0.022	0.0484
240	36340-43180	BOLT UBS	2				0.05	0.11
250	01176-51295	BOLT	3				0.09	0.198
260	36740-42220	BOLT	7				0.05	0.11
270	04512-50120	WASHER SPRING	10				0	0
280	36240-42250	COVER PINION SHAFT	1				1.87	4.114
290	04811-10750	RING	1				0.001	0.0022
300	36340-42220	BOLT	5				0.03	0.066
310	04512-50100	WASHER SPRING	5				0	0
320	36840-42160	RING INNER	1	>=51338			0.185	0.407

BEVEL GEAR



36340-06-01

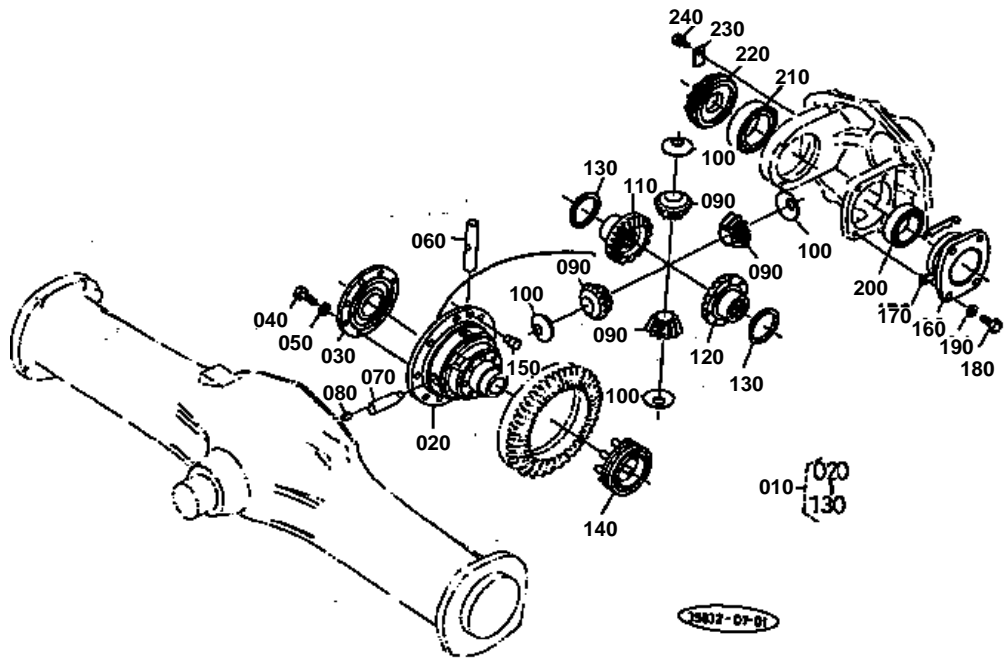


BEVEL GEAR

↔ Interchangeable; ≠ not interchangeable; ← new for old; → old for new

REF.No	Part No.	Description	Q'ty	S.No.	I/C	REMARKS	Weight (kgf)	Weight (lb)
010	36340-42260	SHAFT BEVEL PINION	1				2.13	4.686
020	36280-42270	COMP BEARING	1				1.43	3.146
030	04612-00300	CIR-CLIP EXTERNAL	1				0.003	0.0066
040	36340-41300	SLEEVE	1				0.034	0.0748
050	09500-38508	SEAL OIL	1				0.012	0.0264
060	70531-54750	NUT	1				0.105	0.231
070	36340-42310	GEAR BEVEL	1				3.2	7.04
080	36280-42320	BOLT	8				0.042	0.0924

DIFFERENTIAL SYSTEM



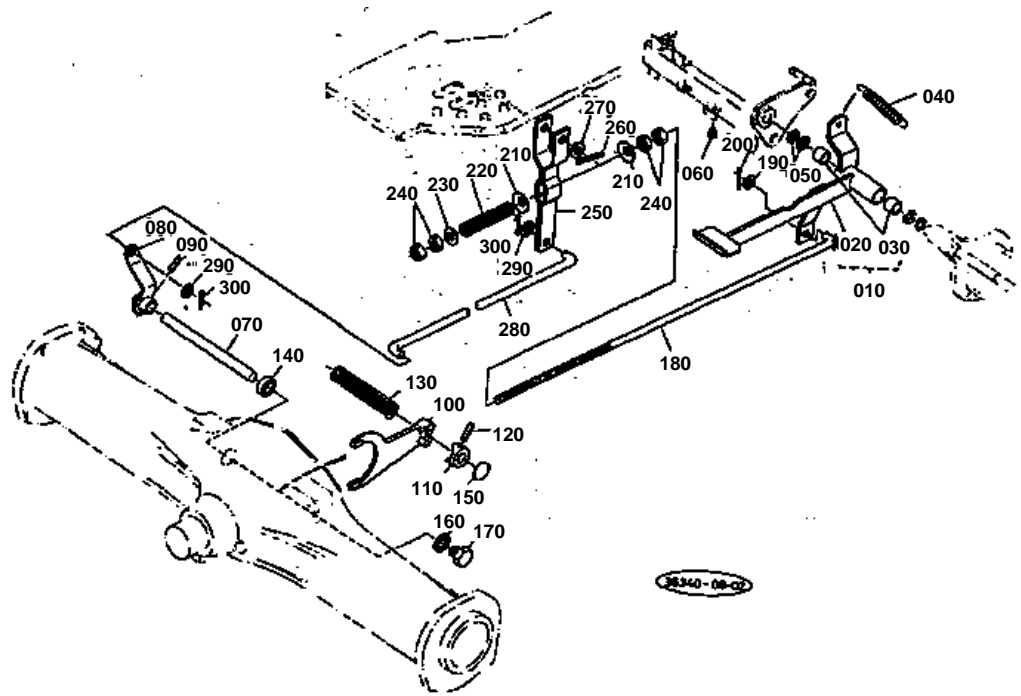


DIFFERENTIAL SYSTEM

↔ Interchangeable; ≠ not interchangeable; ← new for old; → old for new

REF.No	Part No.	Description	Q'ty	S.No.	I/C	REMARKS	Weight (kgf)	Weight (lb)
010	35430-43100	ASSY DIFFERENTIAL	1				7.2	15.84
020	36340-43120	CASE DIFFERENTIAL	1				5	11
030	36340-43130	COVER DIFF CASE	1				0.91	2.002
040	01173-51025	BOLT	8				0.021	0.0462
050	04512-50100	WASHER SPRING	8				0	0
060	35430-26340	SHAFT DIFF PINION	1				0.31	0.682
070	35430-26330	SHAFT DIFF PINION	2				0.136	0.2992
080	31220-26280	KEY FEATHER	2				0.005	0.011
090	35430-26350	PINION DIFF.	4				0.16	0.352
100	31220-26390	WASHER DIFF.PINION	4				0	0
110	37300-26430	GEAR DIFF.SIDE RH	1				0.475	1.045
120	37300-26440	GEAR DIFF.SIDE LH	1				0.63	1.386
130	37300-26480	WASHER SIDE GEAR	2				0.015	0.033
130	37300-26490	WASHER SIDE GEAR	2				0.015	0.033
130	38240-26470	WASHER SIDE GEAR	2				0.02	0.044
140	37300-26610	SHIFTER DIFF LOCK	1				0.46	1.012
150	36340-42330	PIN KNOCK	2				0.03	0.066
160	36340-42410	SUPPORT DIFF.BEARING	1				1.05	2.31
170	36340-42470	SHIM	4			0.3MM	0.002	0.0044
170	36340-42480	SHIM	8			0.1MM	0.001	0.0022
180	01173-51025	BOLT	4				0.021	0.0462
190	04512-50100	WASHER SPRING	4				0	0
200	08711-32009	BEARING TAPER-ROLLER	1				0.345	0.759
210	08711-32011	BEARING TAPER-ROLLER	1				0.538	1.1836
220	36340-42430	SCREW ADJUSTING	1				0	0
230	36340-42440	WASHER LOCK	1				0.005	0.011
240	01023-50612	BOLT	1				0.005	0.011

DIFF LOCK PEDAL

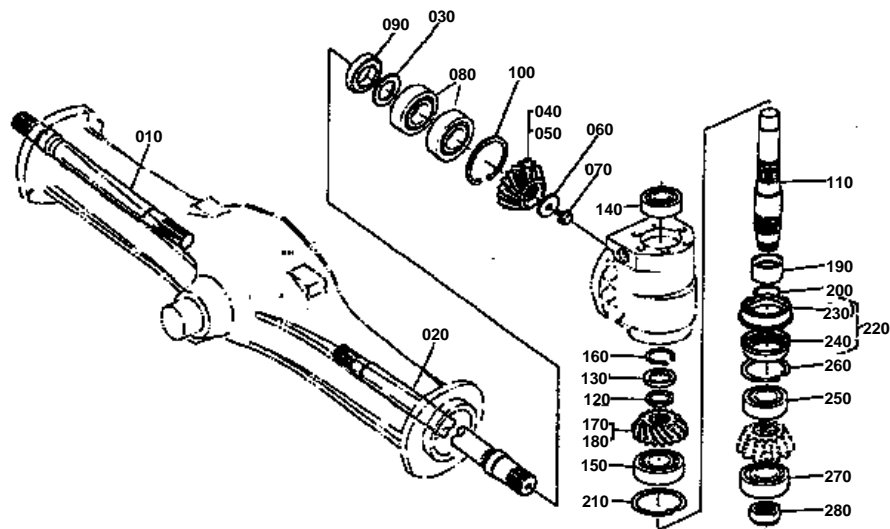


**DIFF LOCK PEDAL**

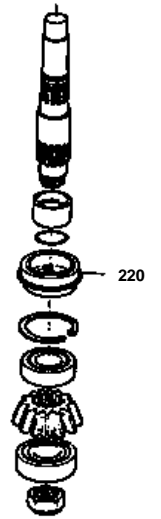
↔ Interchangeable; ≠ not interchangeable; ← new for old; → old for new

REF.No	Part No.	Description	Q'ty	S.No.	I/C	REMARKS	Weight (kgf)	Weight (lb)
010	36340-32930	ASSY PEDAL DIFF.LOCK	1				1.07	2.354
020	36340-32946	PEDAL DIFF.LOCK	1				1.05	2.31
030	36330-91380	BUSH	2				0	0
040	36730-33070	SPRING	1				0.04	0.088
050	04011-50180	WASHER PLAIN	2				0.012	0.0264
060	63611-52350	RUBBER	2				0.001	0.0022
070	36340-42510	BAR DIFF.LOCK	1				0.45	0.99
080	36340-42530	LEVER	1				0.24	0.528
090	05411-00830	PIN SPRING	1				0.007	0.0154
100	36340-42520	FORK SHIFT	1				0.5	1.1
110	36340-42630	CAM DIFF LOCK	1				0.08	0.176
120	05411-00640	PIN SPRING	1				0.006	0.0132
130	36340-42540	SPRING	1				0.085	0.187
140	09500-18327	SEAL OIL	1				0.009	0.0198
150	36200-32950	SHIM	1				0.002	0.0044
150	36330-32970	SHIM	1				0.001	0.0022
160	04717-02000	WASHER WITH RUBBER	1				0.004	0.0088
170	06331-35020	PLUG	1				0.068	0.1496
180	36340-42550	ROD DIFF.LOCK	1	<=51241			0	0
180	36340-42552	ROD DIFF.LOCK	1	>=51242	←		0.5	1.1
190	04011-50100	WASHER PLAIN	1				0.002	0.0044
200	05511-50318	PIN SPLIT	1				0.001	0.0022
210	36340-42560	WASHER	1	<=51241			0.005	0.011
210	36340-42560	WASHER	2	>=51242			0.005	0.011
220	36340-42570	SPRING	1				0.08	0.176
230	04011-50100	WASHER PLAIN	1				0.002	0.0044
240	02118-50100	NUT	2	<=51241			0.005	0.011
240	02118-50100	NUT	4	>=51242			0.005	0.011
250	36340-42580	LINK DIFF.LOCK	1				0.28	0.616
260	05511-50318	PIN SPLIT	1				0.001	0.0022
270	04013-50120	WASHER PLAIN	1				0	0
280	36240-42590	ROD DIFF.LOCK	1				0.72	1.584
290	04011-50100	WASHER PLAIN	2				0.002	0.0044
300	05511-50318	PIN SPLIT	2				0.001	0.0022

DIFF GEAR SHAFT



REF. No. 220 36340-4348-0



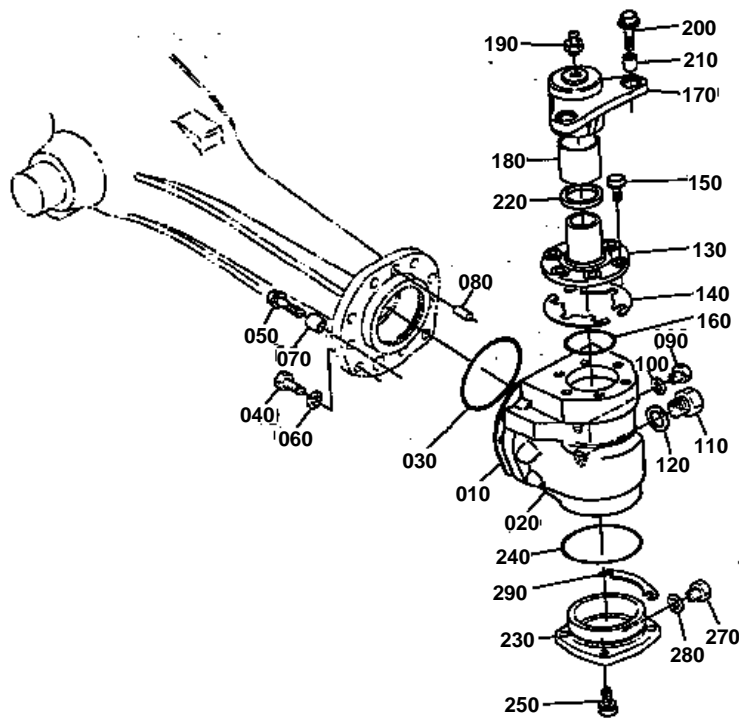


DIFF GEAR SHAFT

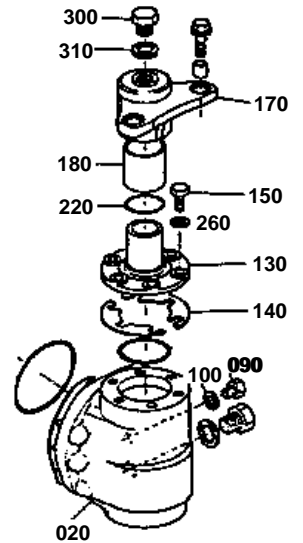
↔ Interchangeable; ≠ not interchangeable; ← new for old; → old for new

REF.No	Part No.	Description	Q'ty	S.No.	I/C	REMARKS	Weight (kgf)	Weight (lb)
010	36340-43210	SHAFT DIFF GEAR RH	1				5	11
020	36340-43220	SHAFT DIFF GEAR LH	1				4	8.8
030	36280-43233	COLLAR	2				0.039	0.0858
040	36340-43240	PINION BEVEL RH	1				0.9	1.98
050	36340-43250	PINION BEVEL LH	1				0.9	1.98
060	36340-43290	COLLAR	2				0.05	0.11
070	37800-43870	BOLT	2				0.026	0.0572
080	35831-43380	BEARING BALL	4				0.6	1.32
090	36340-43390	SEAL OIL	2				0.039	0.0858
100	04611-00900	CIR-CLIP INTERNAL	2				0.031	0.0682
110	36340-43410	KINGPIN	2				2.8	6.16
120	36340-43420	COLLAR SET	2				0.02	0.044
130	36340-43470	COLLAR SET	2				0.035	0.077
140	08241-03306	BEARING BALL	2				0.58	1.276
150	35831-43380	BEARING BALL	2				0.6	1.32
160	04612-00400	CIR-CLIP EXTERNAL	2				0.005	0.011
170	36340-43440	GEAR BEVEL RH	1				1.3	2.86
180	36340-43450	GEAR BEVEL LH	1				1.3	2.86
190	36340-43460	COLLAR SEAL	2				0.19	0.418
200	04811-50450	RING	2				0.003	0.0066
210	04611-00900	CIR-CLIP INTERNAL	2				0.031	0.0682
220	36340-43480	SEAL OIL	2	<=50286			0	0
220	36340-43500	ASSY SEAL KINGPIN	2	>=50287	←		0.18	0.396
230	36340-43530	SEAL OIL	2	>=50287			0.08	0.176
240	36340-43550	SEAL OIL	2	>=50287			0.095	0.209
250	08101-06209	BEARING BALL	2				0.42	0.924
260	04611-00850	CIR-CLIP INTERNAL	2				0.029	0.0638
270	08101-06308	BEARING BALL	2				0.63	1.386
280	70531-54750	NUT	2				0.105	0.231

BEVEL GEAR CASE



REF. No. 020 36340-4331-4
 REF. No. 090 06331-35012
 REF. No. 100 04717-01200
 REF. No. 130 36340-4332-0
 REF. No. 140 36340-4336-0
 REF. No. 150 01173-51030
 REF. No. 170 36340-4334-0
 REF. No. 180 36340-4335-0
 REF. No. 220 04811-50500
 REF. No. 300 06311-35020
 REF. No. 310 04717-02000

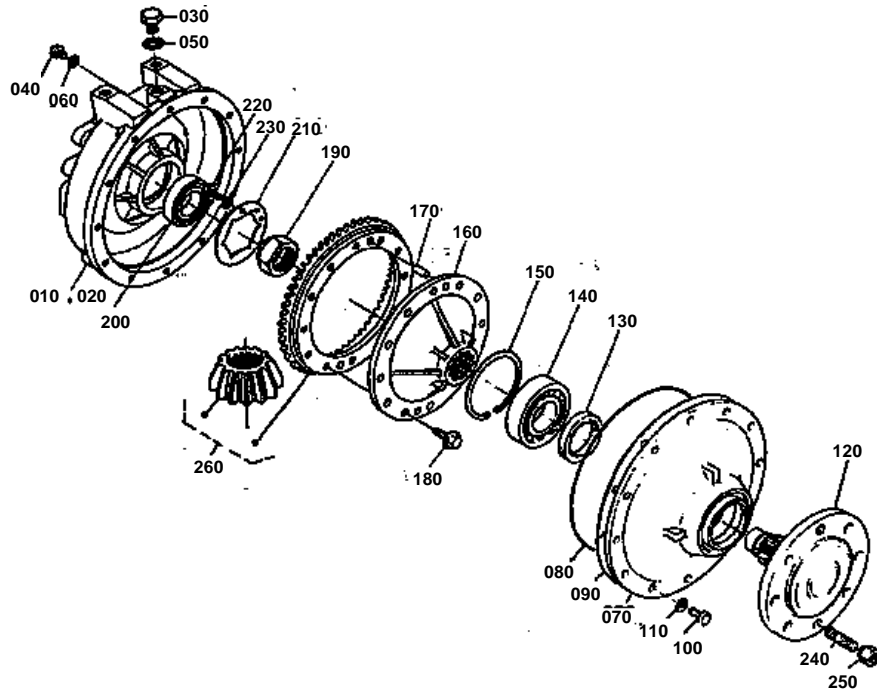


**BEVEL GEAR CASE**

↔ Interchangeable; ≠ not interchangeable; ← new for old; → old for new

REF.No	Part No.	Description	Q'ty	S.No.	I/C	REMARKS	Weight (kgf)	Weight (lb)
010	36340-43270	SHIM	8			0.3MM	0.01	0.022
010	36340-43280	SHIM	12			0.1MM	0.002	0.0044
020	36340-43314	CASE BEVEL GEAR	2	≤51337			7	15.4
020	35830-43310	CASE BEVEL GEAR	2	≥51338	≠		9	19.8
030	04811-51100	RING	2				0.004	0.0088
040	01176-51240	BOLT	18				0.046	0.1012
050	36340-43180	BOLT UBS	2				0.05	0.11
060	04512-50120	WASHER SPRING	18				0	0
070	36340-43170	PIPE KNOCK	2				0.025	0.055
080	05012-01325	PIN STRAIGHT	2				0.028	0.0616
090	06331-35012	PLUG	2	≤51337			0.022	0.0484
090	06331-35020	PLUG	2	≥51338	≠		0.068	0.1496
100	04717-01200	WASHER WITH RUBBER	2	≤51337			0.002	0.0044
100	04717-02000	WASHER WITH RUBBER	2	≥51338	≠		0.004	0.0088
110	36340-43563	PLUG	2				0.095	0.209
120	04717-02400	WASHER WITH RUBBER	2				0.005	0.011
130	36340-43320	RETAINER BEARING	2	≤51337			1.25	2.75
130	36840-43320	RETAINER BEARING	2	≥51338	≠		1.88	4.136
140	36340-43360	SHIM	8	≤51337		0.1MM	0.002	0.0044
140	36840-43360	SHIM	8	≥51338	≠	0.1MM	0.001	0.0022
150	01173-51030	BOLT	12	≤51337			0.023	0.0506
150	01133-51235	BOLT	12	≥51338	≠		0.05	0.11
160	04811-10700	RING	2				0.001	0.0022
170	36340-43340	SUPPORT FRONT WHEEL	2	≤51337			2.3	5.06
170	35830-43340	SUPPORT F-WHEEL CASE	2	≥51338	≠		2.82	6.204
180	36340-43350	BUSH	2	≤51337			0	0
180	36840-43350	BUSH	2	≥51338	≠		0.19	0.418
190	06613-10010	NIPPLE GREASE	2	≥51338			0.006	0.0132
200	36340-43180	BOLT UBS	4				0.05	0.11
210	36280-43170	PIPE KNOCK	4				0.022	0.0484
220	04811-50500	RING	2	≤51137			0.001	0.0022
220	09230-60756	SEAL OIL	2	≥51138	≠		0.015	0.033
230	36340-43540	CASE BEARING	2				1.53	3.366
240	04811-51000	RING	2				0.003	0.0066
250	01173-51028	BOLT	8				0.022	0.0484
260	04512-50100	WASHER SPRING	8				0	0
270	06331-35020	PLUG	2	≥51138			0.068	0.1496
280	04717-02000	WASHER WITH RUBBER	2	≥51138			0.004	0.0088
290	36280-43550	SHIM	8				0.001	0.0022
300	06311-35020	PLUG	2	≤51137			0.037	0.0814
310	04717-02000	WASHER WITH RUBBER	2	≤51137			0.004	0.0088

FRONT AXLE



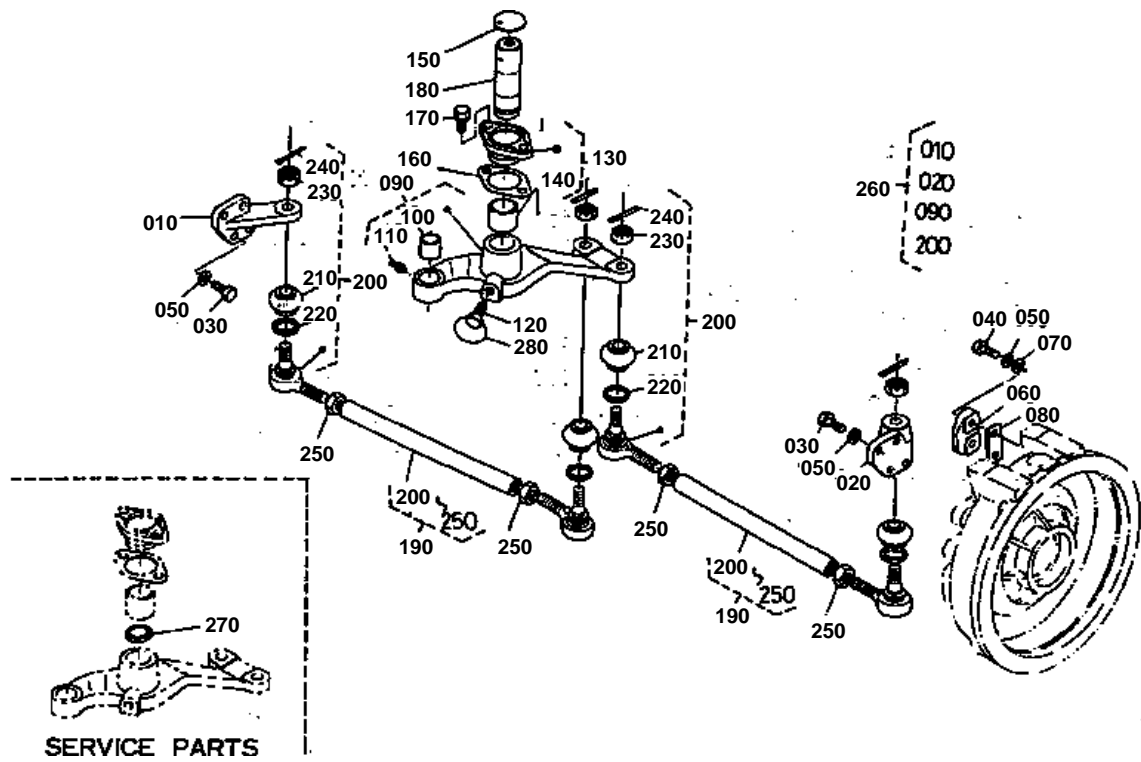


FRONT AXLE

↔ Interchangeable; ≠ not interchangeable; ← new for old; → old for new

REF.No	Part No.	Description	Q'ty	S.No.	I/C	REMARKS	Weight (kgf)	Weight (lb)
010	36340-43610	CASE FRONT WHEEL RH	1	<=51210			0	0
010	36340-43612	CASE FRONT WHEEL RH	1	>=51211	←		22.6	49.72
020	36340-43650	CASE FRONT WHEEL LH	1	<=51210			0	0
020	36340-43652	CASE FRONT WHEEL LH	1	>=51211	←		24	52.8
030	06331-35020	PLUG	2				0.068	0.1496
040	06331-35010	PLUG	2				0.012	0.0264
050	04717-02000	WASHER WITH RUBBER	2				0.004	0.0088
060	04717-01000	WASHER WITH RUBBER	2				0.001	0.0022
070	36340-43620	COVER FRONT WHEEL	2				12	26.4
080	36340-43630	O RING	2				0.01	0.022
090	36340-43640	SHIM	12				0.03	0.066
100	01173-51028	BOLT	24				0.022	0.0484
110	04512-50100	WASHER SPRING	24				0	0
120	36340-43710	AXLE FRONT	2				0	0
130	34350-27560	SEAL OIL	2	<=50208			0.11	0.242
130	36340-48250	SEAL	2	>=50209	←		0.112	0.2464
140	08101-06311	BEARING BALL	2				1.36	2.992
150	04611-01200	CIR-CLIP INTERNAL	2				0.083	0.1826
160	36340-43730	SUPPORT BEVEL GEAR	2				6	13.2
170	05012-01325	PIN STRAIGHT	4				0.028	0.0616
180	36280-42320	BOLT	24				0.042	0.0924
190	35780-43750	NUT	2				0.205	0.451
200	35831-43380	BEARING BALL	2	<=50226			0.6	1.32
200	36340-43510	BEARING BALL	2	>=50227	←		0.615	1.353
210	36340-43874	WASHER LOCK	2				0	0
220	01173-51018	BOLT	2				0.018	0.0396
230	04512-50100	WASHER SPRING	2				0	0
240	35410-49150	STUD	16				0.078	0.1716
250	33251-49170	NUT	16				0.045	0.099
260	36340-43800	ASSY GEAR BEVEL	2	<=50286			0	0
260	36340-43700	ASSY GEAR BEVEL	2	>=50287	↔		7.8	17.16

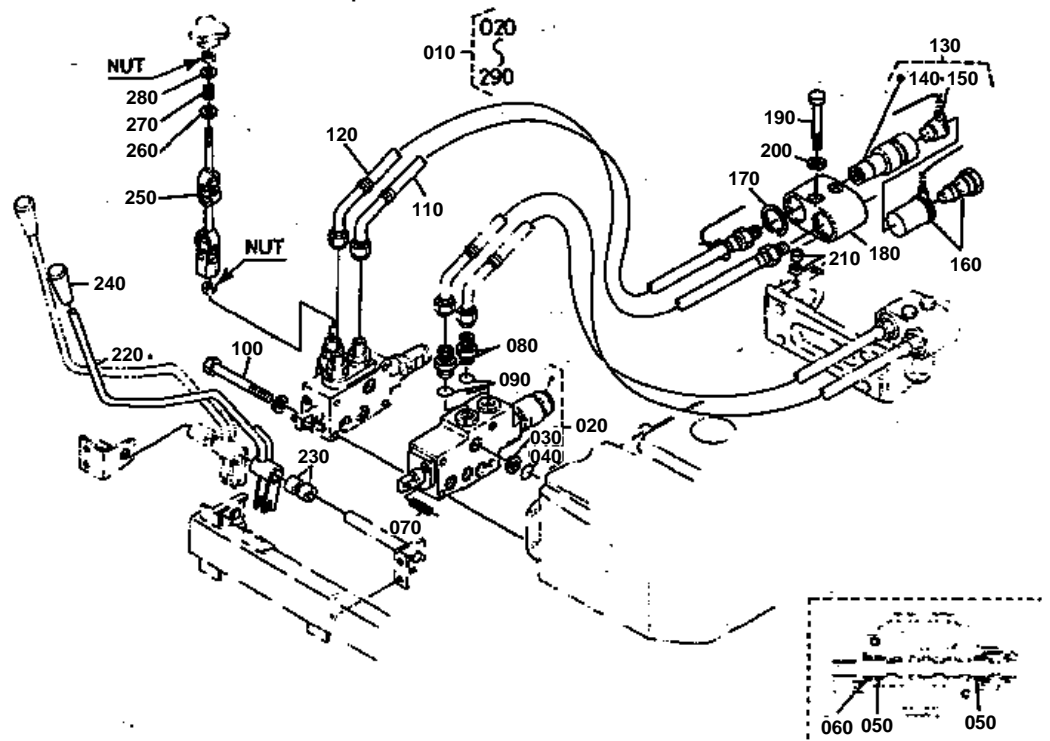
STEERING LINKAGE



**STEERING LINKAGE**

↔ Interchangeable; ≠ not interchangeable; ← new for old; → old for new

REF.No	Part No.	Description	Q'ty	S.No.	I/C	REMARKS	Weight (kgf)	Weight (lb)
010	36340-43810	ARM KNUCKLE RH	1	<=50122			0	0
010	35830-43810	ARM KNUCKLE RH	1	>=50123	≠		1.2	2.64
020	36340-43820	ARM KNUCKLE LH	1	<=50122			0	0
020	35830-43820	ARM KNUCKLE LH	1	>=50123	≠		1.15	2.53
030	01176-51235	BOLT	8				0.041	0.0902
040	01176-51240	BOLT	4				0.046	0.1012
050	04512-50120	WASHER SPRING	12				0	0
060	36340-43835	STOPPER	2				0.27	0.594
070	04013-50120	WASHER PLAIN	4				0	0
080	36340-43900	SHIM	6			1.0MM	0.015	0.033
090	36330-62603	ASSY LEVER STRG.	1	<=50122			4.8	10.56
090	36330-62604	ASSY LEVER STRG.	1	>=50123	≠		5.2	11.44
100	36330-62630	BUSH	1				0.02	0.044
110	06613-10675	NIPPLE GREASE	1				0.003	0.0066
120	36580-62680	BOLT LOCK	1				0	0
130	36330-62703	ASSY SUPPORT SHAFT	1				0.465	1.023
140	33251-62720	BUSH	1				0.074	0.1628
150	36330-62680	PLUG	1				0.03	0.066
160	36330-62540	SHIM	1				0.004	0.0088
160	36330-62550	SHIM	1				0.01	0.022
170	01133-51025	BOLT	2				0.023	0.0506
180	36330-62650	SHAFT STRG.LEVER	1				0.73	1.606
190	36340-62905	ASSY ROD TIE	1	<=50122			3.04	6.688
190	35830-62970	ASSY ROD TIE	2	>=50123	≠		3.08	6.776
200	35820-62930	ASSY END TIE ROD	4	<=50122			0.645	1.419
200	35860-62930	ASSY END TIE ROD	4	>=50123	≠		0.67	1.474
210	35860-62852	COVER DUST	4				0.014	0.0308
220	36280-62860	CLIP	4				0.002	0.0044
230	35820-62750	NUT	4	<=50122			0.05	0.11
230	35860-62750	NUT	4	>=50123	≠		0.04	0.088
240	05511-50335	PIN SPLIT	4				0.002	0.0044
250	02172-50200	NUT	4				0.03	0.066
260	36240-97250	KIT PARTS F-W.CON.	1	>=50001			11.2	24.64
270	36330-97640	SHIM	4			0.2MM	0.001	0.0022
270	36330-97650	SHIM	3			0.5MM	0.005	0.011
280	99999-99999	YOUR SUPPLY	1				0	0



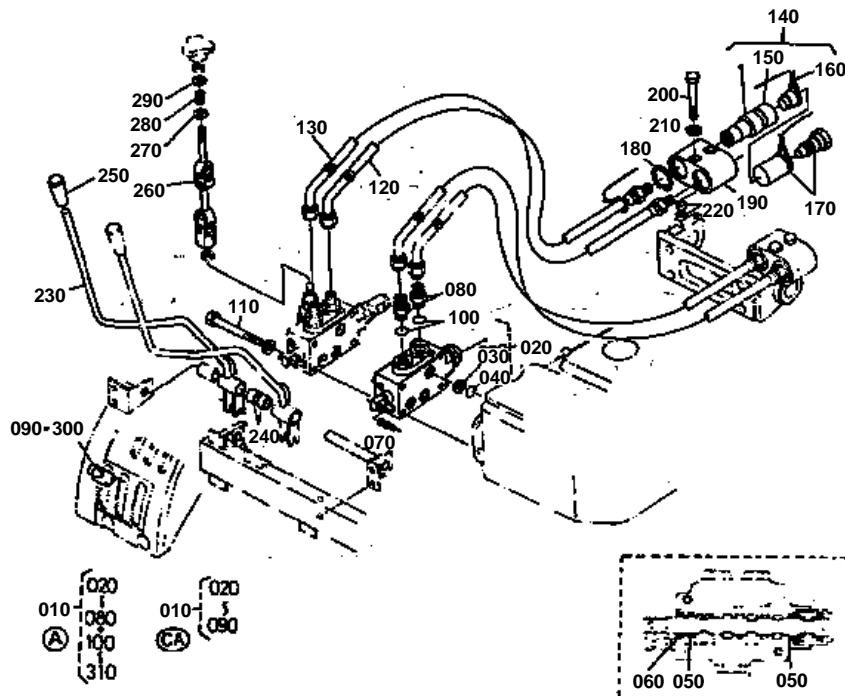


AUX.CONTROL VALVE KIT 1 [OPTION]
DETENTED FLOAT POSITION

↔ Interchangeable; ≠ not interchangeable; ← new for old; → old for new

REF.No	Part No.	Description	Q'ty	S.No.	I/C	REMARKS	Weight (kgf)	Weight (lb)
010	35820-97780	KIT VALVE AUX.CON.	1			[A]	0	0
010	35811-97780	KIT VALVE AUX.CON.	1			[CA]	0	0
020	35820-82800	ASSY VALVE FLOATING	1				3.35	7.37
030	36200-82330	RING BACK UP	4				0.001	0.0022
040	04810-00140	RING	4				0	0
050	36200-82810	SEAL SPOOL	2				0.001	0.0022
060	36200-82820	SEAL DUST	1				0.002	0.0044
070	05411-00635	PIN SPRING	1				0.005	0.011
080	35861-82370	NIPPLE	2				0.05	0.11
090	04811-00140	RING	2				0	0
100	01153-50801	BOLT	4				0.047	0.1034
110	35861-82380	HOSE	1				0.3	0.66
120	35861-82560	HOSE	1				0.31	0.682
130	35861-82032	ASSY COUPLER FEMALE	2				0.32	0.704
140	35861-94510	O RING	2				0.002	0.0044
150	35861-94520	PLUG COUPLER	2				0.005	0.011
160	35861-82190	ASSY COUPLER MALE	2				0.086	0.1892
170	04611-00380	CIR-CLIP INTERNAL	2				0.004	0.0088
180	35861-82610	SUPPORT COUPLER	1				0.82	1.804
190	01153-50865	BOLT	2				0.025	0.055
200	04512-50080	WASHER SPRING	2				0	0
210	35801-82620	SPACER	4				0.003	0.0066
220	35820-82460	LEVER CONTROL VALVE	1				0.7	1.54
230	54821-51230	BUSH	2				0	0
240	36330-82450	GRIP	1				0.025	0.055
250	35801-82010	JOINT	1				0.09	0.198
260	04013-50100	WASHER PLAIN	1				0	0
270	35861-82020	SPRING	1				0.003	0.0066
280	04013-50080	WASHER PLAIN	1				0	0
290	35820-97790	MANUAL CONSTRUCTION	1			NOT SHOWN IN FIG.	0	0

AUX.CONTROL VALVE KIT 2 [OPTION]

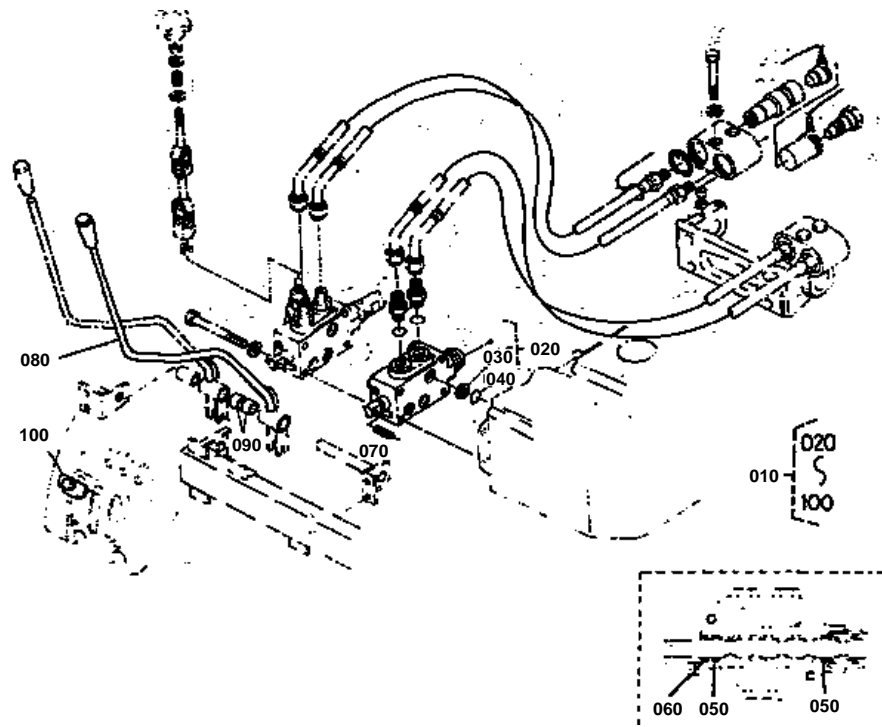


**AUX.CONTROL VALVE KIT 2 [OPTION]**

SELF-CANCELLING WITH DETENTS S.No.:M4950;<=10176 DT;<=50226[A] <=50286[CA] M5950;<=10114 DT;<=50071

↔ Interchangeable; ≠ not interchangeable; ← new for old; → old for new

REF.No	Part No.	Description	Q'ty	S.No.	I/C	REMARKS	Weight (kgf)	Weight (lb)
010	35820-97810	KIT VALVE AUX.CON.	1			[A]	0	0
010	35811-97810	KIT VALVE AUX.CON.	1			[CA]	0	0
020	35820-82540	ASSY VALVE AUX.CON.	1				2.85	6.27
030	36200-82330	RING BACK UP	3				0.001	0.0022
040	04810-00140	RING	3				0	0
050	36200-82810	SEAL SPOOL	2				0.001	0.0022
060	36200-82820	SEAL DUST	1				0.002	0.0044
070	05411-00635	PIN SPRING	1				0.005	0.011
080	35861-82370	NIPPLE	2				0.05	0.11
090	35820-82980	STOPPER	2			[CA]	0.04	0.088
100	04811-00140	RING	2				0	0
110	01153-50801	BOLT	4				0.047	0.1034
120	35861-82380	HOSE	1				0.3	0.66
130	35861-82560	HOSE	1				0.31	0.682
140	35861-82032	ASSY COUPLER FEMALE	2				0.32	0.704
150	35861-94510	O RING	2				0.002	0.0044
160	35861-94520	PLUG COUPLER	2				0.005	0.011
170	35861-82190	ASSY COUPLER MALE	2				0.086	0.1892
180	04611-00380	CIR-CLIP INTERNAL	2				0.004	0.0088
190	35861-82610	SUPPORT COUPLER	1				0.82	1.804
200	01153-50865	BOLT	2				0.025	0.055
210	04512-50080	WASHER SPRING	2				0	0
220	35801-82620	SPACER	4				0.003	0.0066
230	35822-82443	LEVER CONTROL VALVE	1				0.65	1.43
240	54821-51230	BUSH	2				0	0
250	36330-82450	GRIP	1				0.025	0.055
260	35801-82010	JOINT	1				0.09	0.198
270	04013-50100	WASHER PLAIN	1				0	0
280	35861-82020	SPRING	1				0.003	0.0066
290	04013-50080	WASHER PLAIN	1				0	0
300	35820-82980	STOPPER	2				0.04	0.088
310	35820-97820	MANUAL CONSTRUCTION	1				0.005	0.011



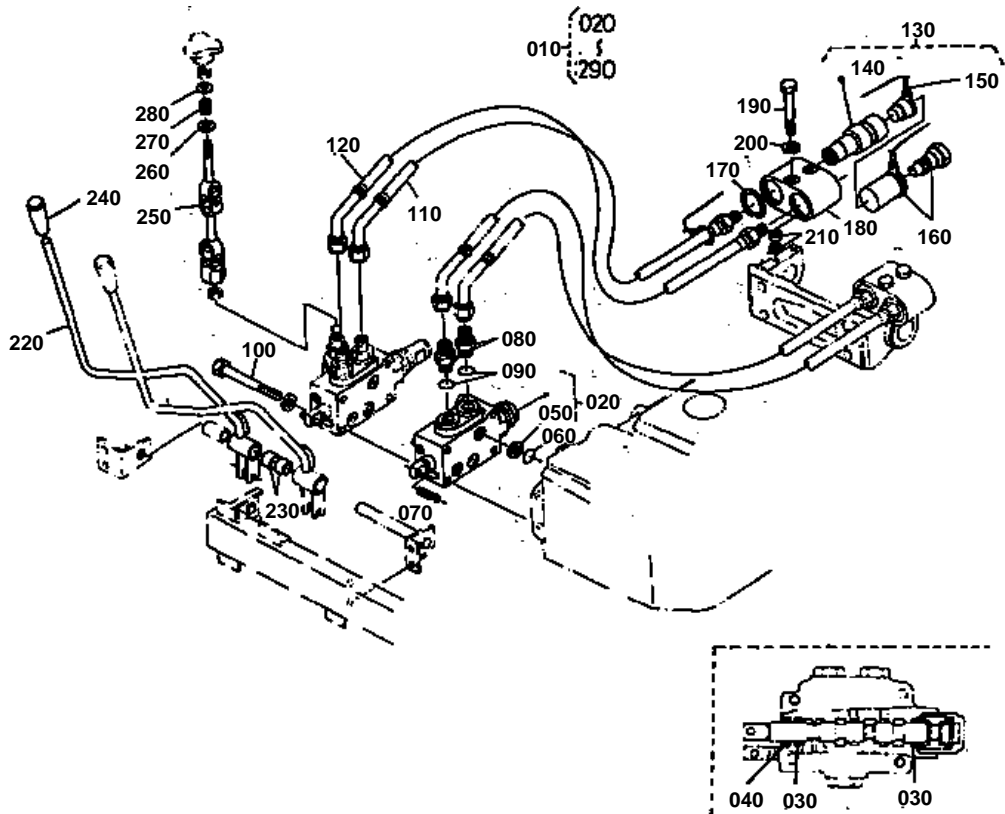
**AUX.CONTROL VALVE KIT 3 [OPTION]**

SELF-CANCELLING WITH DETENTS S.No.:M4950;>=10117 DT;>=50227[A] >=50287[CA] M5950;>=10115 DT;>=50072

↔ Interchangeable; ≠ not interchangeable; ← new for old; → old for new

REF.No	Part No.	Description	Q'ty	S.No.	I/C	REMARKS	Weight (kgf)	Weight (lb)
010	35800-97810	KIT VALVE AUX.CON.	1				0	0
020	35820-82540	ASSY VALVE AUX.CON.	1				2.85	6.27
030	36200-82330	RING BACK UP	3				0.001	0.0022
040	04810-00140	RING	3				0	0
050	36200-82810	SEAL SPOOL	2				0.001	0.0022
060	36200-82820	SEAL DUST	1				0.002	0.0044
070	05411-00635	PIN SPRING	1				0.005	0.011
080	35822-82463	LEVER CONTROL VALVE	1				0.6	1.32
090	54821-51230	BUSH	2				0	0
100	35820-82980	STOPPER	2				0.04	0.088

AUX.CONTROL VALVE KIT 4 [OPTION]



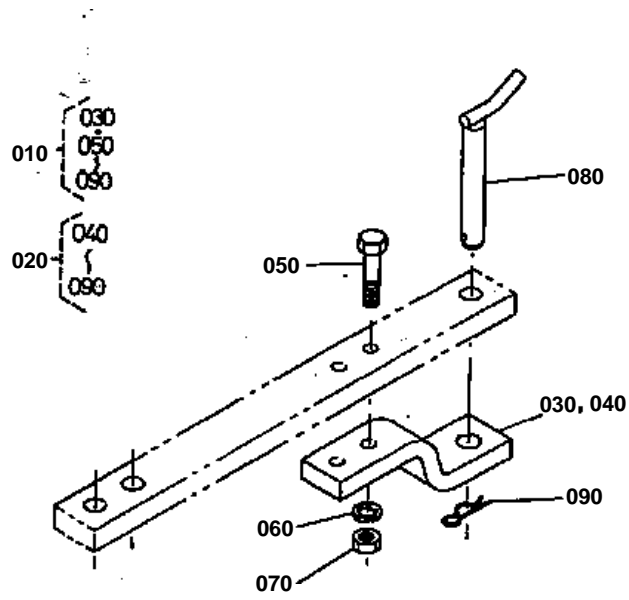


AUX.CONTROL VALVE KIT 4 [OPTION]
NO DETENTS OR SELF-CANCELLING

↔ Interchangeable; ≠ not interchangeable; ← new for old; → old for new

REF.No	Part No.	Description	Q'ty	S.No.	I/C	REMARKS	Weight (kgf)	Weight (lb)
010	35820-97840	KIT VALVE AUX.CON.	1				0	0
020	99883-93110	ASSY VALVE AUX.CON.	1				2	4.4
030	36200-82810	SEAL SPOOL	2				0.001	0.0022
040	36200-82820	SEAL DUST	1				0.002	0.0044
050	36200-82330	RING BACK UP	3				0.001	0.0022
060	04810-00140	RING	3				0	0
070	05411-00635	PIN SPRING	1				0.005	0.011
080	35861-82370	NIPPLE	2				0.05	0.11
090	04811-00140	RING	2				0	0
100	01153-50801	BOLT	4				0.047	0.1034
110	35861-82380	HOSE	1				0.3	0.66
120	35861-82560	HOSE	1				0.31	0.682
130	35861-82032	ASSY COUPLER FEMALE	2				0.32	0.704
140	35861-94510	O RING	2				0.002	0.0044
150	35861-94520	PLUG COUPLER	2				0.005	0.011
160	35861-82190	ASSY COUPLER MALE	2				0.086	0.1892
170	04611-00380	CIR-CLIP INTERNAL	2				0.004	0.0088
180	35861-82610	SUPPORT COUPLER	1				0.82	1.804
190	01153-50865	BOLT	2				0.025	0.055
200	04512-50080	WASHER SPRING	2				0	0
210	35801-82620	SPACER	4				0.003	0.0066
220	35822-82443	LEVER CONTROL VALVE	1				0.65	1.43
230	54821-51230	BUSH	2				0	0
240	36330-82450	GRIP	1				0.025	0.055
250	35801-82010	JOINT	1				0.09	0.198
260	04013-50100	WASHER PLAIN	1				0	0
270	35861-82020	SPRING	1				0.003	0.0066
280	04013-50080	WASHER PLAIN	1				0	0
290	35820-97820	MANUAL CONSTRUCTION	1			NOT SHOWN IN FIG.	0.005	0.011

DRAWBAR HITCH [OPTION]

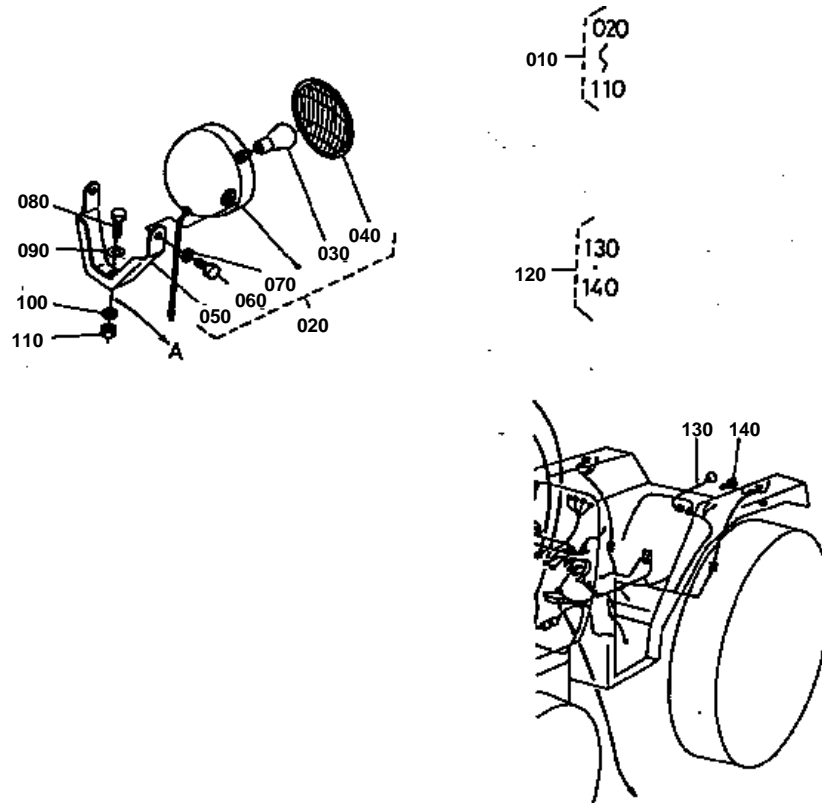




DRAWBAR HITCH [OPTION]

↔ Interchangeable; ≠ not interchangeable; ← new for old; → old for new

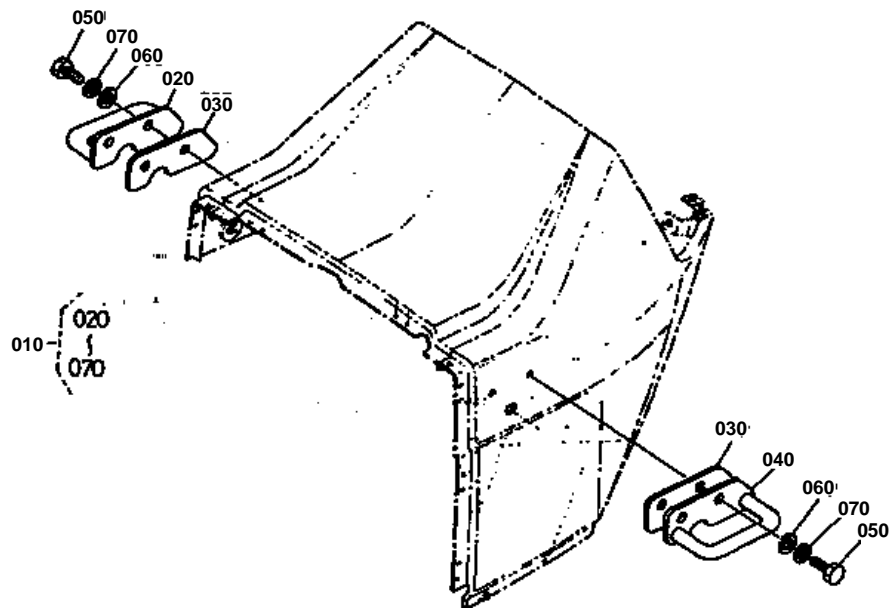
REF.No	Part No.	Description	Q'ty	S.No.	I/C	REMARKS	Weight (kgf)	Weight (lb)
010	35820-97570	ASSY HITCH DRAWBAR	1			[A]	4.9	10.78
020	35811-97572	ASSY HITCH DRAWBAR	1			[C]	5	11
030	36330-89130	HITCH DRAWBAR	1			[A]	3.58	7.876
040	35811-89130	HITCH DRAWBAR	1			[C]	3.56	7.832
050	01173-51880	BOLT	2				0.187	0.4114
060	04512-50180	WASHER SPRING	2				0	0
070	02174-50180	NUT	2				0.029	0.0638
080	36330-89210	PIN DRAWBAR	1				0.7	1.54
090	70515-16330	PIN	1				0.028	0.0616



**REAR WORK LIGHT AND TRAILER HARNESS [OPTION]**

↔ Interchangeable; ≠ not interchangeable; ← new for old; → old for new

REF.No	Part No.	Description	Q'ty	S.No.	I/C	REMARKS	Weight (kgf)	Weight (lb)
010	35820-97600	ASSY LIGHT WORKING	1				0.9	1.98
020	35861-75900	ASSY LIGHT WORKING	1				0.9	1.98
030	68331-53360	BULB LAMP	1				0.015	0.033
040	68331-53310	LENS LIGHT	1				0.15	0.33
050	35861-75910	STAY WORKING LIGHT	1				0.25	0.55
060	01153-50820	BOLT	2				0.012	0.0264
070	04512-50080	WASHER SPRING	2				0	0
080	01173-51020	BOLT	1				0.017	0.0374
090	04013-50100	WASHER PLAIN	1				0	0
100	04512-50100	WASHER SPRING	1				0	0
110	02118-50100	NUT	1				0.005	0.011
120	99884-48000	ASSY HARNESS TRAILER	1				0.5	1.1
130	99884-48110	HARNESS TRAILER	1				0.5	1.1
140	01123-50820	BOLT	2				0.011	0.0242

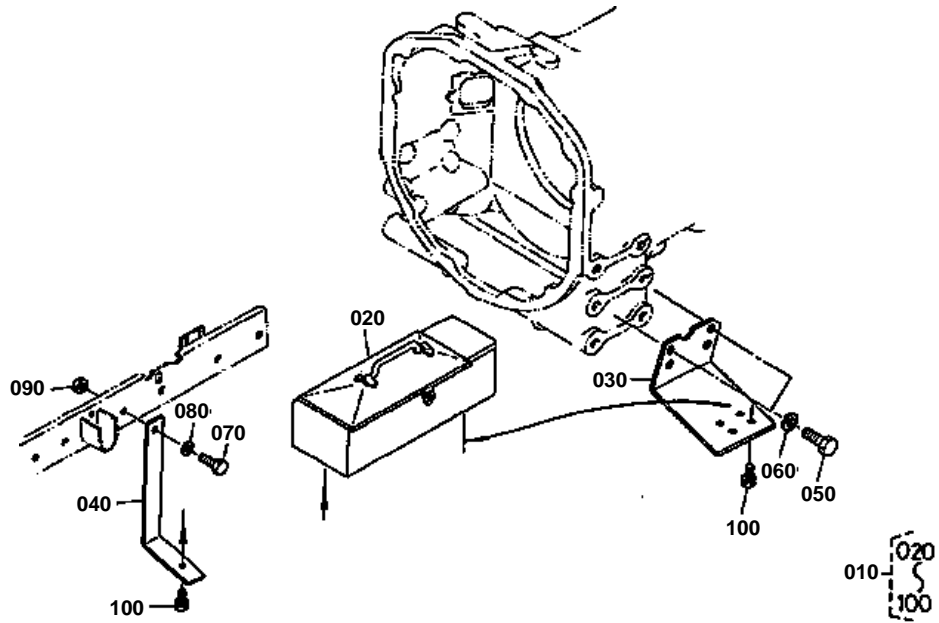


**HANDRAIL [OPTION]**

↔ Interchangeable; ≠ not interchangeable; ← new for old; → old for new

REF.No	Part No.	Description	Q'ty	S.No.	I/C	REMARKS	Weight (kgf)	Weight (lb)
010	35820-97650	ASSY BALUSTRADE	1				1.845	4.059
020	35820-83920	BALUSTRADE RH	1				0.86	1.892
030	35820-83930	CUSHION	2				0.02	0.044
040	35820-83940	BALUSTRADE LH	1				0.85	1.87
050	35820-83960	BOLT	4				0.02	0.044
060	04013-50100	WASHER PLAIN	4				0	0
070	04512-50100	WASHER SPRING	4				0	0

BIG TOOL BOX PARTS KIT





BIG TOOL BOX PARTS KIT

↔ Interchangeable; ≠ not interchangeable; ← new for old; → old for new

REF.No	Part No.	Description	Q'ty	S.No.	I/C	REMARKS	Weight (kgf)	Weight (lb)
010	35820-97532	KIT BOX BIG TOOLS	1				0	0
020	35830-90202	COMP.BOX TOOLS	1				0	0
030	35830-90212	STAY	1				2.04	4.488
040	35830-90222	STAY	1				1.28	2.816
060	04512-50180	WASHER SPRING	2				0	0
080	04512-50140	WASHER SPRING	1				0	0
090	02174-50140	NUT	1				0.014	0.0308
110	35820-97540	MANUAL CONSTRUCTION	1			NOT SHOWN IN FIG.	0.012	0.0264

IMAGE NOT AVAILABLE

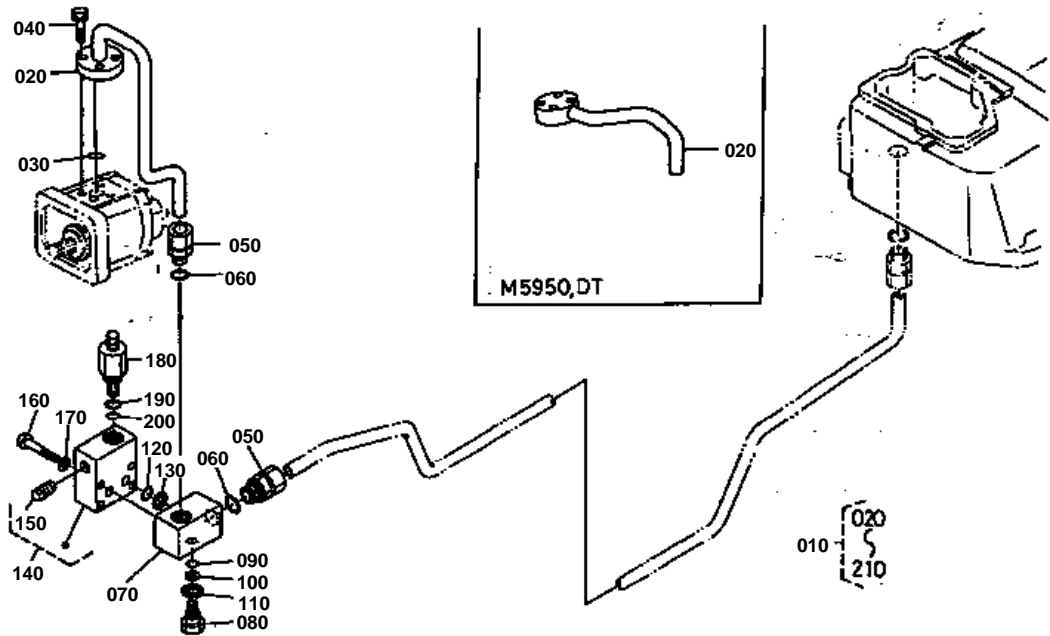


BOLT KIT OF FRONT WEIGHT [OPTION]

↔ Interchangeable; ≠ not interchangeable; ← new for old; → old for new

REF.No	Part No.	Description	Q'ty	S.No.	I/C	REMARKS	Weight (kgf)	Weight (lb)
010	35820-97730	KIT BOLT F-WEIGHT	1			NOT SHOWING IN FIG.	0	0
020	01173-51830	BOLT	4			NOT SHOWING IN FIG.	0.096	0.2112
030	04512-50180	WASHER SPRING	4			NOT SHOWING IN FIG.	0	0
040	01173-51635	BOLT	4			NOT SHOWING IN FIG.	0.078	0.1716
050	04512-50160	WASHER SPRING	4			NOT SHOWING IN FIG.	0	0
060	04015-50160	WASHER PLAIN	2			NOT SHOWING IN FIG.	0	0

HYDRAULIC OUTLET KIT [OPTION]



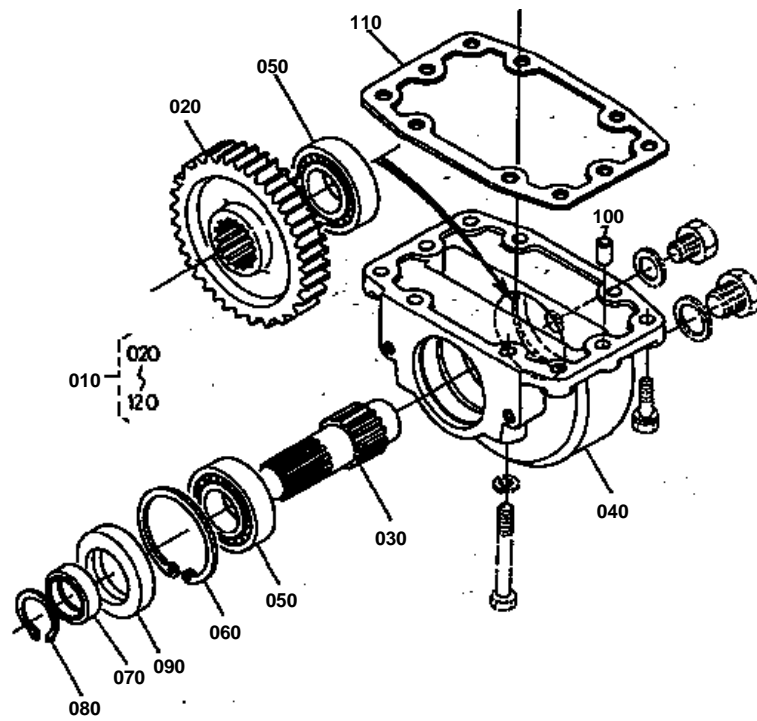


HYDRAULIC OUTLET KIT [OPTION]

↔ Interchangeable; ≠ not interchangeable; ← new for old; → old for new

REF.No	Part No.	Description	Q'ty	S.No.	I/C	REMARKS	Weight (kgf)	Weight (lb)
010	35800-97860	KIT OUTLET HYDRAULIC	1				0	0
020	36230-82740	PIPE DELIVERY	1				0	0
030	35880-63650	O RING	1				0.001	0.0022
040	01023-50625	BOLT	4				0.007	0.0154
050	36330-82750	NIPPLE	2				0.12	0.264
060	04811-00180	RING	2				0	0
070	36330-82930	PORT HYD.OUTLET	1				0.87	1.914
080	36330-82960	BOLT BREATHER	1				0.02	0.044
090	04811-00090	RING	1				0	0
100	36330-82970	RING BACK UP	1				0.001	0.0022
110	04512-50120	WASHER SPRING	1				0	0
120	04811-00140	RING	2				0	0
130	36200-82330	RING BACK UP	2				0.001	0.0022
140	39713-81701	ASSY BLOCK HYD.	1				1.39	3.058
150	06312-10030	PLUG	1				0.029	0.0638
160	01153-50850	BOLT	4				0.02	0.044
170	04512-50080	WASHER SPRING	4				0	0
180	36330-82360	ASSY VALVE RELIEF	1				0.25	0.55
190	04810-00220	RING	1				0	0
200	04811-05150	RING	1				0	0
210	35820-97830	MANUAL CONSTRUCTION	1			NOT SHOWN IN FIG.	0.01	0.022

FRONT DRIVE GEAR KIT [OPTION]

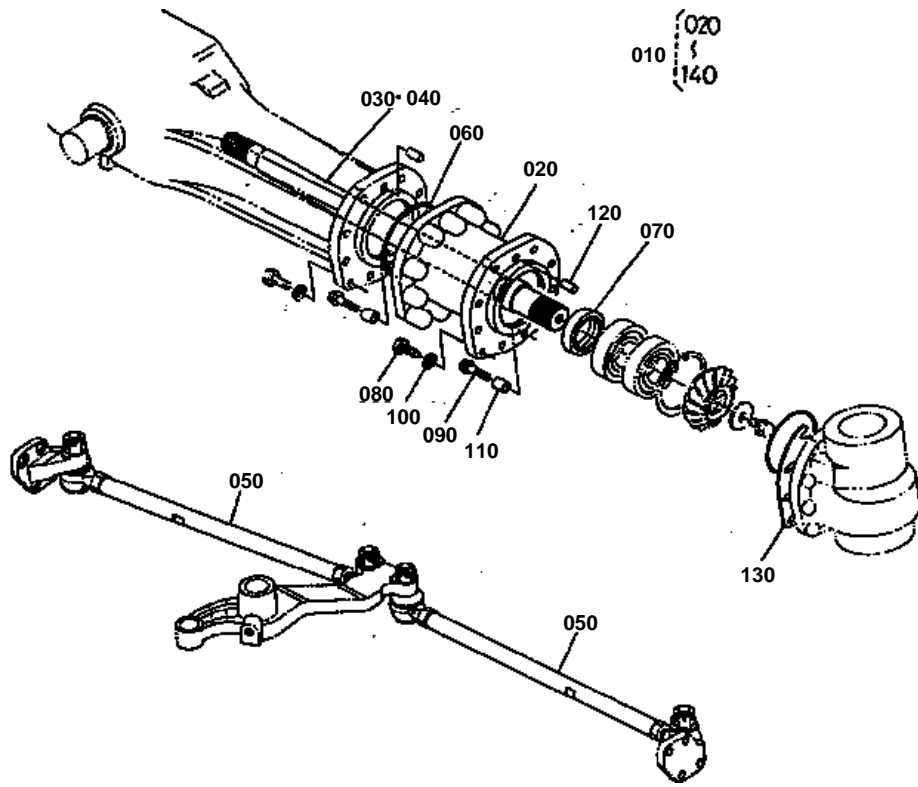




FRONT DRIVE GEAR KIT [OPTION]

↔ Interchangeable; ≠ not interchangeable; ← new for old; → old for new

REF.No	Part No.	Description	Q'ty	S.No.	I/C	REMARKS	Weight (kgf)	Weight (lb)
010	35810-97950	KIT GEAR FRONT DRIVE	1				0	0
010	35810-97953	KIT GEAR FRONT DRIVE	1		←		0	0
020	35780-41230	GEAR	1			29T	1.15	2.53
030	36280-41243	SHAFT	1				0.56	1.232
040	36340-41252	CASE DRIVE	1				0	0
050	08101-06206	BEARING BALL	2				0.196	0.4312
060	04611-00620	CIR-CLIP INTERNAL	1				0.011	0.0242
070	36340-41300	SLEEVE	1				0.034	0.0748
080	04612-00300	CIR-CLIP EXTERNAL	1				0.003	0.0066
090	36340-41260	SEAL OIL	1				0.03	0.066
100	05012-01020	PIN STRAIGHT	2				0.02	0.044
110	36200-21220	GASKET	1				0	0
120	35810-97960	MANUAL CONSTRUCTION	1			NOT SHOWN IN FIG.	0.001	0.0022

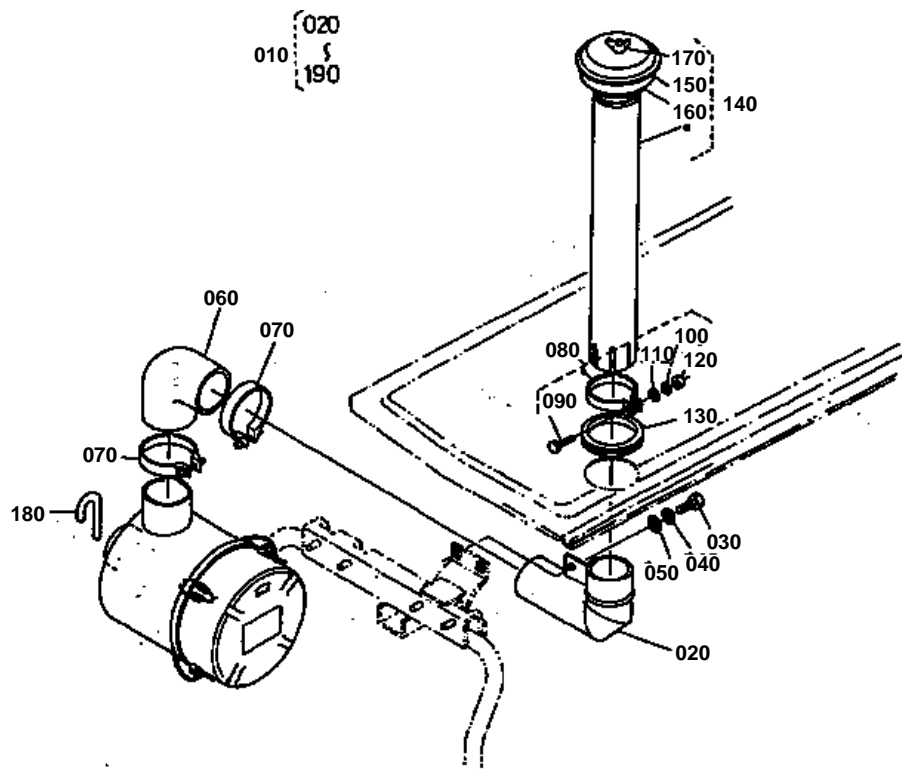




80 INCH TREAD KIT [OPTION]

↔ Interchangeable; ≠ not interchangeable; ← new for old; → old for new

REF.No	Part No.	Description	Q'ty	S.No.	I/C	REMARKS	Weight (kgf)	Weight (lb)
010	35830-97930	KIT TREAD DT80 INCH	1				0	0
020	35830-43950	SPACER	2				13.5	29.7
030	35830-43960	SHAFT DIFF GEAR RH	1				6	13.2
040	35830-43970	SHAFT DIFF GEAR LH	1				6.5	14.3
050	35830-43980	ASSY ROD TIE	2				4	8.8
060	04811-51100	RING	2				0.004	0.0088
070	36340-43390	SEAL OIL	2				0.039	0.0858
080	01176-51240	BOLT	18				0.046	0.1012
090	36340-43180	BOLT UBS	2				0.05	0.11
100	04512-50120	WASHER SPRING	18				0	0
110	36340-43170	PIPE KNOCK	2				0.025	0.055
120	05012-01325	PIN STRAIGHT	2				0.028	0.0616
130	36340-43280	SHIM	8				0.002	0.0044
140	35830-97940	MANUAL CONSTRUCTION	1			NOT SHOWN IN FIG.	0.001	0.0022

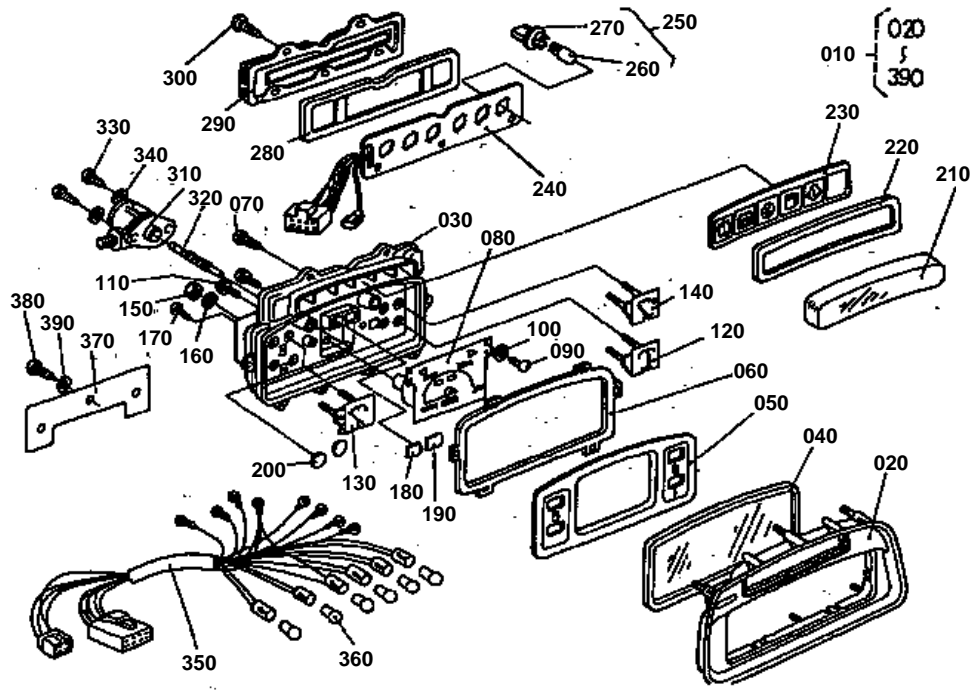


**PRECLEANER PARTS KIT 1 [OPTION]**

↔ Interchangeable; ≠ not interchangeable; ← new for old; → old for new

REF.No	Part No.	Description	Q'ty	S.No.	I/C	REMARKS	Weight (kgf)	Weight (lb)
010	35800-97750	KIT PARTS PRECLEANER	1				9	19.8
020	35802-19120	COMP COVER DUCT	1				0.84	1.848
030	01152-50835	BOLT	4				0.015	0.033
040	04512-50080	WASHER SPRING	4				0	0
050	04013-50080	WASHER PLAIN	4				0	0
060	15621-11670	PIPE INLET	1				0.32	0.704
070	35466-74470	BAND PIPE	2				0.05	0.11
080	35466-74530	BAND PIPE	1				0.14	0.308
090	01173-51035	BOLT	1				0.025	0.055
100	04512-50100	WASHER SPRING	1				0	0
110	04013-50100	WASHER PLAIN	1				0	0
120	02118-50100	NUT	1				0.005	0.011
130	35822-19150	COVER RUBBER	1				0.024	0.0528
140	15572-11990	COMP PRE-CLEANER	1				2.7	5.94
150	15453-10250	ASSY COVER	1				0.3	0.66
160	15453-10260	BOWL	1				0.2	0.44
170	15453-11530	NUT WING	1				0.005	0.011
180	15621-11810	PIPE BREATHER	1				0.007	0.0154
190	35800-97770	MANUAL CONSTRUCTION	1			NOT SHOWN IN FIG.	0.001	0.0022

PANEL BOARD [SECTION PARTS]





PANEL BOARD [SECTION PARTS]

↔ Interchangeable; ≠ not interchangeable; ← new for old; → old for new

REF.No	Part No.	Description	Q'ty	S.No.	I/C	REMARKS	Weight (kgf)	Weight (lb)
010	35801-75600	ASSY BOARD PANEL	1				2	4.4
020	36330-76110	HOOD	1				0.34	0.748
030	36330-76120	CASE	1				0.45	0.99
040	36330-76130	GASKET	1				0.28	0.616
050	36330-76140	PLATE WIND	1				0.08	0.176
060	36330-76220	GASKET	1				0.01	0.022
070	03514-50425	SCREW	6				0.001	0.0022
080	35801-11350	ASSY TACHOMETER	1				0.12	0.264
090	03514-50414	SCREW	2				0.001	0.0022
100	04512-50040	WASHER SPRING	2				0	0
110	03024-50308	SCREW	2				0.001	0.0022
120	36330-11360	ASSY AMMETER	1				0.05	0.11
130	35880-11370	ASSY METER FUEL	1				0.05	0.11
140	35862-11380	ASSY THERMOMETER	1				0.05	0.11
150	02054-50040	NUT	6				0.001	0.0022
160	04512-50040	WASHER SPRING	6				0	0
170	03024-50308	SCREW	1				0.001	0.0022
180	36330-11330	LENS LIGHT	1				0.001	0.0022
190	36530-11330	LENS LIGHT	1				0.002	0.0044
200	36330-11340	LENS LIGHT	2				0.001	0.0022
210	36330-76150	GLASS FRONT	1				0.04	0.088
220	36330-76210	GASKET	1				0.003	0.0066
230	36330-76160	LENS LIGHT	1				0.03	0.066
240	36330-11290	ASSY PLATE	1				0.06	0.132
250	38240-31460	ASSY LIGHT	5				0.015	0.033
260	38240-31470	BULB	5				0.01	0.022
270	38240-31480	SOCKET	5				0.001	0.0022
280	36330-11310	GASKET	1				0.05	0.11
290	36330-11320	CASE	1				0.09	0.198
300	03514-50425	SCREW	5				0.001	0.0022
310	36230-76190	ADAPTER	1				0.1	0.22
320	36330-76180	KEY	1				0.001	0.0022
330	03514-50414	SCREW	2				0.001	0.0022
340	04512-50040	WASHER SPRING	2				0	0
350	35862-11390	ASSY SOCKET	1				0.14	0.308
360	38240-31380	BULB	6				0.01	0.022
370	36330-76170	COVER	1				0.06	0.132
380	03514-50414	SCREW	3				0.001	0.0022
390	04512-50040	WASHER SPRING	3				0	0

IMAGE NOT AVAILABLE



ACCESSORIES AND SERVICE PARTS

↔ Interchangeable; ≠ not interchangeable; ← new for old; → old for new

REF.No	Part No.	Description	Q'ty	S.No.	I/C	REMARKS	Weight (kgf)	Weight (lb)
010	35820-99713	MANUAL INSTRUCTION	1				0	0
010	35871-99713	MANUAL INSTRUCTION	1	≤=51665			0	0
010	35871-99715	MANUAL INSTRUCTION	1	≥=51666	≠		0.174	0.3828
020	07211-10150	PLIERS	1				0.16	0.352
030	35861-99150	ASSY WRENCH SOCKET	1				0	0
040	31830-19140	WRENCH MONKEY	1				0.54	1.188
050	15601-86610	WRENCH FILTER	1				0.139	0.3058
060	36330-75380	LINK FUSIBLE	1				0.01	0.022
070	36730-75380	LINK FUSIBLE	1				0.01	0.022
080	36330-91773	ASSY PIN TOP LINK	1				0.55	1.21
090	36330-91762	PIN TOP LINK REAR	1				0.49	1.078
100	36200-91840	ASSY PIN SET	1				0.06	0.132
110	33400-91040	JOINT LOWER LINK	2				0.42	0.924
120	35822-75180	ASSY KEY MAIN SWITCH	1				0.02	0.044
150	35410-49150	STUD	16				0.078	0.1716
160	33251-49170	NUT	16				0.045	0.099
170	35707-49150	STUD	16				0	0
180	33251-49170	NUT	16				0.045	0.099
190	35861-82190	ASSY COUPLER MALE	4				0.086	0.1892
200	35820-26910	PIECE DISTANCE	1				0.11	0.242