

Instructions for Parts Books

The heading at the top of the page will be the same for the picture of the parts at it is for the page with the part numbers.

Definition of column headings on part number pages:

REF.No → The number referring to the part on the picture page of the parts book.

Part No. → The number assigned to this part at the time of printing the parts book.

Description → Discription of part.

Q'ty → Quantity of part used on that page.

S.No. → Serial number range of the equipment that this part will fit.

>= Your serial number should be greater than or equal to the number shown.

<= Your serial number should be lesser than or equal to the serial number shown.

I/C → Interchangeability of part shown.

↔ The part shown will work for the older and later serial number.

The part shown is not interchangeable with the other serial number.

← new for old

→ old for new

Remarks → Notes about this particulart part. Sometimes this may say except [FR] or [CA]

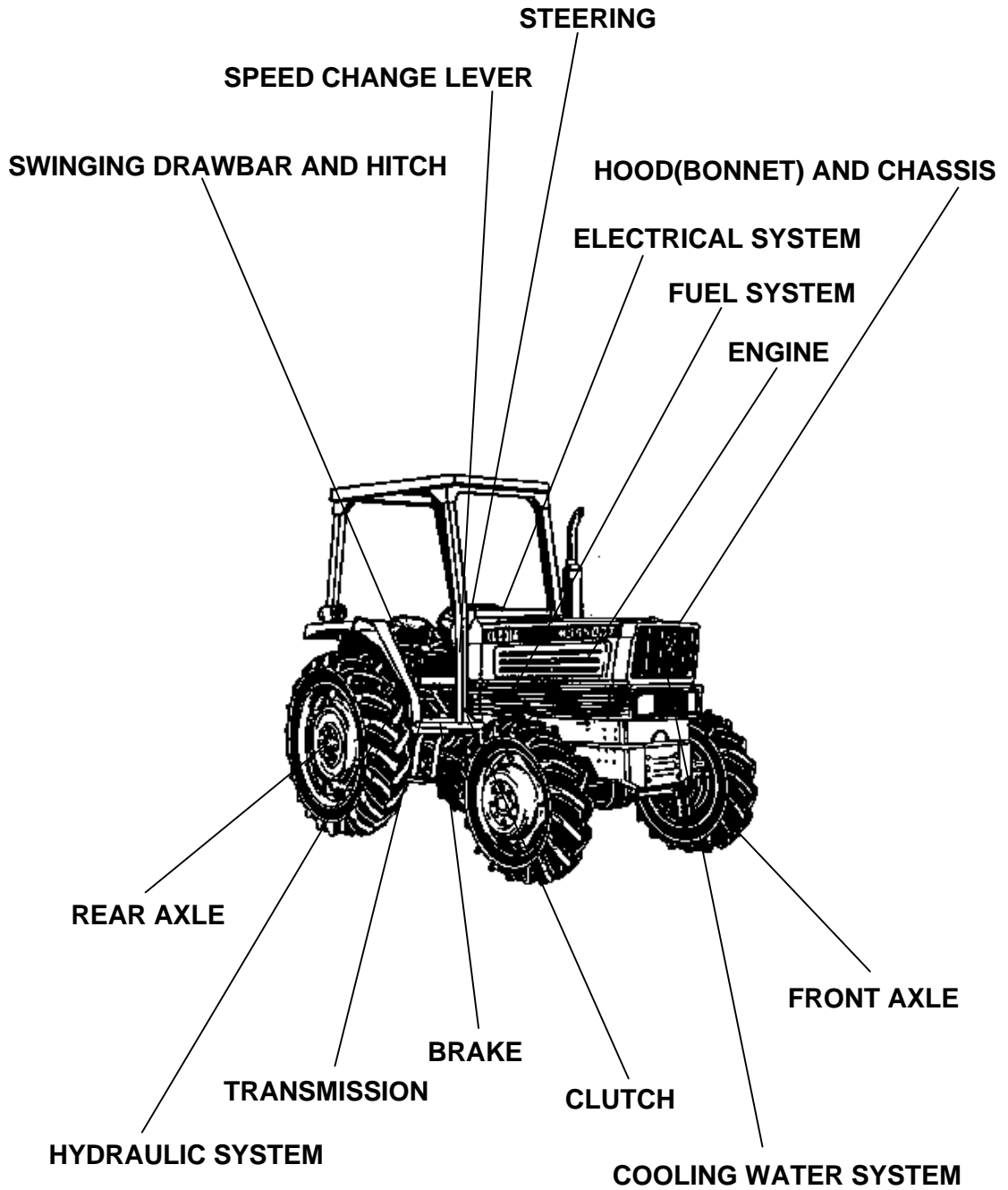
Note about Country Codes:

The parts books we use in the United States of America may also contain information about a part that would be different in another country. It is important that you are aware of the country codes in some instances.

| Symbol | Country |
|--------|--------------------------|
| A | United States of America |
| CA | Canada |
| FR | France |
| GR | Greece |
| PO | Portugal |
| AU | Australia |

If the remarks column says for example EXCEPT [FR] this part works in all countries except France. That means it will work here in the USA.

ALL PRODUCT INDEX
M4950DT-S



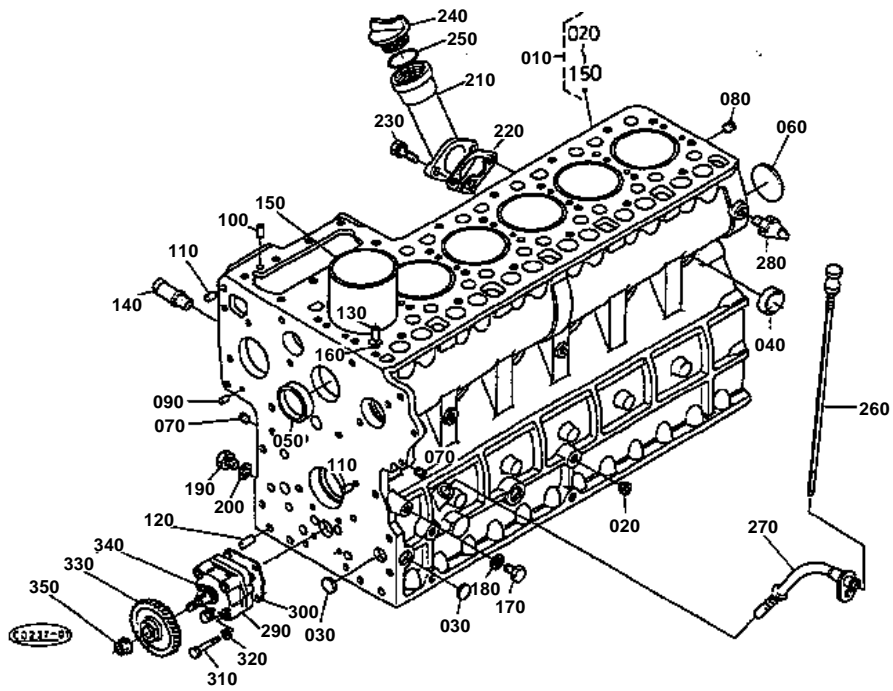
LABELS
ACCESSORIES

| Item | Part No. | Description | Book | |
|--------|----------------------|--|-------------------------------|----------|
| ENGINE | 01T001 | CRANKCASE | 100K0360 | |
| | 01T00201 | OIL PAN (2WD) | 100K0360 | |
| | 01T00202 | OIL PAN (4WD) | 100K0360 | |
| | 01T003 | PISTON AND CRANKSHAFT | 100K0360 | |
| | 01T004 | MAIN BEARING CASE | 100K0360 | |
| | 01T005 | FLYWHEEL | 100K0360 | |
| | 01T006 | CYLINDER HEAD | 100K0360 | |
| | 01T007 | VALVE AND ROCKER ARM | 100K0360 | |
| | 01T008 | NOZZLE HOLDER AND FUEL PIPE | 100K0360 | |
| | 01T009 | NOZZLE HOLDER [COMPONENT PARTS] | 100K0360 | |
| | 01T010 | CYLINDER HEAD COVER | 100K0360 | |
| | 01T011 | INLET MANIFOLD | 100K0360 | |
| | 01T012 | AIR CLEANER (DOUBLE) | 100K0360 | |
| | 01T013 | AIR CLEANER (DOUBLE) [COMPONENT PARTS] | 100K0360 | |
| | 01T014 | AIR CLEANER SUPPORT | 100K0360 | |
| | 01T015 | PRE-CLEANER [OPTION] | 100K0360 | |
| | 01T016 | MUFFLER AND EXHAUST MANIFOLD | 100K0360 | |
| | 01T017 | UNDER MUFFLER [OPTION] | 100K0360 | |
| | 01T018 | CAMSHAFT | 100K0360 | |
| | 01T019 | GEAR CASE | 100K0360 | |
| | 01T020 | OIL FILTER [COMPONENT PARTS] | 100K0360 | |
| | 01T021 | WATER FLANGE AND THERMOSTAT | 100K0360 | |
| | 01T022 | WATER PUMP | 100K0360 | |
| | 01T023 | FUEL CAMSHAFT | 100K0360 | |
| | 01T024 | INJECTION PUMP | 100K0360 | |
| | 01T025 | INJECTION PUMP [COMPONENT PARTS] | 100K0360 | |
| | 01T026 | ENGINE STOP LEVER | 100K0360 | |
| | 01T027 | SPEED CONTROL PLATE | 100K0360 | |
| | 01T028 | GOVERNOR | 100K0360 | |
| | 01T057 | HAND ACCELERATOR | 100K0360 | |
| | 01T05801 | ACCELERATOR PEDAL | 100K0360 | |
| | 01T05901 | ENGINE STOP ROD | 100K0360 | |
| | FUEL SYSTEM | 01T060 | FUEL TANK | 100K0360 |
| | | 01T061 | FUEL TANK SUPPORT | 100K0360 |
| | | 01T06201 | FUEL PIPE | 100K0360 |
| | COOLING WATER SYSTEM | 01T063 | FUEL FILTER [COMPONENT PARTS] | 100K0360 |
| | | 01T06401 | RADIATOR | 100K0360 |
| | | 01T06501 | WATER PIPE | 100K0360 |
| | ELECTRICAL SYSTEM | 01T066 | STARTER | 100K0360 |
| | | 01T067 | DYNAMO AND FAN | 100K0360 |
| | | 01T06901 | STARTER [COMPONENT PARTS] | 100K0360 |
| | | 01T07001 | DYNAMO [COMPONENT PARTS] | 100K0360 |
| | | 01T07101 | BATTERY | 100K0360 |
| | | 01T072 | PANEL BOARD | 100K0360 |
| | | 01T073 | PANEL BOARD [COMPONENT PARTS] | 100K0360 |
| | | 01T074 | SWITCH 1 | 100K0360 |
| | | 01T075 | LIGHT 1 | 100K0360 |
| 01T076 | | LIGHT 2 | 100K0360 | |
| CLUTCH | 01T077 | WORKING LIGHT AND TRAILER HARNESS [OPTION] | 100K0360 | |
| | 01T078 | WIRE HARNESS | 100K0360 | |
| | 01T079 | CLUTCH | 100K0360 | |
| | 01T080 | CLUTCH FORK | 100K0360 | |
| | 01T081 | CLUTCH PEDAL | 100K0360 | |
| | 01T082 | PTO CLUTCH FORK | 100K0360 | |
| | 01T083 | PTO CLUTCH LEVER | 100K0360 | |

| Item | Part No. | Description | Book | |
|--------------------|----------|---------------------------------------|-------------------------------------|----------|
| CLUTCH | 01T084 | CLUTCH HOUSING 1 | 100K0360 | |
| | 01T085 | CLUTCH HOUSING 2 | 100K0360 | |
| TRANSMISSION | 01T086 | TRANSMISSION CASE | 100K0360 | |
| | 01T087 | TRANSMISSION CASE REAR COVER | 100K0360 | |
| | 01T088 | PTO PROPELLER SHAFT | 100K0360 | |
| | 01T089 | FIRST SHAFT | 100K0360 | |
| | 01T090 | COUNTER SHAFT | 100K0360 | |
| | 01T091 | HI-LO GEAR SHAFT | 100K0360 | |
| | 01T093 | HALF GEAR SHAFT AND FRONT DRIVE SHAFT | 100K0360 | |
| | 01T094 | BACK IDLE SHAFT | 100K0360 | |
| | 01T095 | PTO DRIVE SHAFT | 100K0360 | |
| | 01T096 | PTO SHAFT | 100K0360 | |
| SPEED CHANGE LEVER | 01T097 | MAIN GEAR SHIFT LEVER | 100K0360 | |
| | 01T098 | MAIN GEAR SHIFT FORK | 100K0360 | |
| | 01T099 | HI-LO GEAR SHIFT FORK | 100K0360 | |
| | 01T100 | HI-LO GEAR SHIFT LEVER | 100K0360 | |
| | 01T101 | HALF GEAR SHIFT FORK | 100K0360 | |
| | 01T102 | PTO GEAR SHIFT LEVER | 100K0360 | |
| | 01T103 | PTO SHIELD COVER | 100K0360 | |
| | 01T104 | FRONT WHEEL DRIVE LEVER | 100K0360 | |
| | 01T105 | BEVEL GEAR (REAR) | 100K0360 | |
| | 01T106 | DIFFERENTIAL (REAR) | 100K0360 | |
| REAR AXLE | 01T107 | DIFF.LOCK PEDAL | 100K0360 | |
| | 01T108 | REAR AXLE CASE | 100K0360 | |
| BRAKE | 01T109 | REAR AXLE | 100K0360 | |
| | 01T110 | BRAKE | 100K0360 | |
| | 01T111 | BRAKE PEDAL | 100K0360 | |
| | 01T112 | BRAKE ROD | 100K0360 | |
| | 01T113 | PARKING BRAKE LEVER | 100K0360 | |
| FRONT AXLE | 01T11601 | FRONT DRIVE SHAFT | 100K0360 | |
| | 01T11901 | PROPELLER SHAFT | 100K0360 | |
| | 01T12001 | FRONT DIFF.CASE BRACKET | 100K0360 | |
| | 01T12101 | FRONT DIFF.CASE | 100K0360 | |
| | 01T12201 | BEVEL GEAR (FRONT) | 100K0360 | |
| | 01T12301 | DIFFERENTIAL (FRONT) | 100K0360 | |
| | 01T12401 | DIFF.LOCK CLUTCH | 100K0360 | |
| | 01T12402 | DIFF.LOCK ROD | 100K0360 | |
| | 01T12501 | DIFF.GEAR SHAFT | 100K0360 | |
| | 01T12601 | BEVEL GEAR CASE | 100K0360 | |
| | 01T128 | FRONT WHEEL CASE | 100K0360 | |
| | 01T12901 | FRONT AXLE | 100K0360 | |
| | 01T13102 | FRONT AXLE BRACKET | 100K0360 | |
| | STEERING | 01T13202 | STEERING LINKAGE | 100K0360 |
| | | 01T13301 | STEERING CYLINDER [COMPONENT PARTS] | 100K0360 |
| | | 01T137 | STEERING HANDLE | 100K0360 |
| HYDRAULIC SYSTEM | 01T138 | POWER STEERING OIL TANK | 100K0360 | |
| | 01T139 | POWER STEERING OIL PUMP | 100K0360 | |
| | 01T14102 | POWER STEERING OIL PIPE | 100K0360 | |
| | 01T142 | STEERING CONTROLLER [COMPONENT PARTS] | 100K0360 | |
| | 01T143 | HYD.CYLINDER BODY | 100K0360 | |
| | 01T144 | HYD.CYLINDER LINER | 100K0360 | |
| | 01T145 | DOWN SPEED ADJUSTING ROD | 100K0360 | |
| | 01T146 | LIFT LEVER | 100K0360 | |
| | 01T147 | HYDRAULIC SYSTEM 1 | 100K0360 | |

| Item | Part No. | Description | Book | |
|------------------|----------------------------|-------------------------------------|---------------------------|----------|
| HYDRAULIC SYSTEM | 01T148 | HYDRAULIC SYSTEM 2 | 100K0360 | |
| | 01T149 | HYDRAULIC SYSTEM 3 | 100K0360 | |
| | 01T150 | HYD.CONTROL LEVER GUIDE | 100K0360 | |
| | 01T151 | DRAFT & POSITION CONTROL LEVER | 100K0360 | |
| | 01T15201 | HYDRAULIC PUMP AND SUCTION PIPE | 100K0360 | |
| | 01T15301 | HYDRAULIC PUMP [COMPONENT PARTS] | 100K0360 | |
| | 01T154 | DELIVERY PIPE | 100K0360 | |
| | 01T155 | HYDRAULIC OUTLET BLOCK [OPTION] | 100K0360 | |
| | 01T156 | AUX.CONTROL VALVE | 100K0360 | |
| | 01T157 | AUX.CONTROL VALVE HOSE | 100K0360 | |
| | 01T15801 | AUX.CONTROL VALVE [OPTION] | 100K0360 | |
| | 01T15802 | AUX.CONTROL VALVE [OPTION] | 100K0360 | |
| | 01T15803 | AUX.CONTROL VALVE [OPTION] | 100K0360 | |
| | 01T159 | AUX.CONTROL VALVE [COMPONENT PARTS] | 100K0360 | |
| | 01T160 | AUX.CONTROL VALVE [COMPONENT PARTS] | 100K0360 | |
| | 01T161 | AUX.CONTROL VALVE [COMPONENT PARTS] | 100K0360 | |
| | 01T162 | AUX.CONTROL VALVE [COMPONENT PARTS] | 100K0360 | |
| | 01T163 | HYDRAULIC LIFT LINK 1 (LOWER LINK) | 100K0360 | |
| | 01T164 | TELESCOPE LOWER LINK [OPTION] | 100K0360 | |
| | 01T165 | HYDRAULIC LIFT LINK 2 (CHECK CHAIN) | 100K0360 | |
| | 01T166 | HYDRAULIC LIFT LINK 3 (LIFT ROD RH) | 100K0360 | |
| | 01T167 | HYDRAULIC LIFT LINK 4 (LIFT ROD LH) | 100K0360 | |
| | 01T168 | HYDRAULIC LIFT LINK 5 (TOP LINK) | 100K0360 | |
| | 01T169 | TOP LINK BRACKET | 100K0360 | |
| | SWINGING DRAWBAR AND HITCH | 01T170 | SWINGING DRAWBAR | 100K0360 |
| | | 01T171 | DRAWBAR HITCH [OPTION] | 100K0360 |
| | HOOD(BONNET) AND CHASSIS | 01T172 | HOOD FRONT (BONNET FRONT) | 100K0360 |
| | | 01T173 | HOOD (BONNET) | 100K0360 |
| 01T174 | | HOOD SIDE 1 (BONNET SIDE 1) | 100K0360 | |
| 01T175 | | HOOD SIDE 2 (BONNET SIDE 2) | 100K0360 | |
| 01T176 | | HOOD REAR (BONNET REAR) | 100K0360 | |
| 01T177 | | HANDRAIL [OPTION] | 100K0360 | |
| 01T178 | | PANEL AND REAR COVER | 100K0360 | |
| 01T179 | | FENDER | 100K0360 | |
| 01T180 | | FENDER BRACKET | 100K0360 | |
| 01T181 | | SEAT | 100K0360 | |
| 01T182 | SEAT [COMPONENT PARTS] | 100K0360 | | |
| 01T183 | STEP | 100K0360 | | |
| 01T184 | AID STEP | 100K0360 | | |
| 01T185 | CENTER FRAME | 100K0360 | | |
| 01T186 | HOUSING COVER | 100K0360 | | |
| 01T187 | TOOL BOX | 100K0360 | | |
| LABELS | 01T18801 | LABEL 1 (ENGLISH) | 100K0360 | |
| | 01T18802 | LABEL 2 (ENGLISH) | 100K0360 | |
| ACCESSORIES | 01T189 | ACCESSORIES AND SERVICE PARTS | 100K0360 | |

CRANKCASE



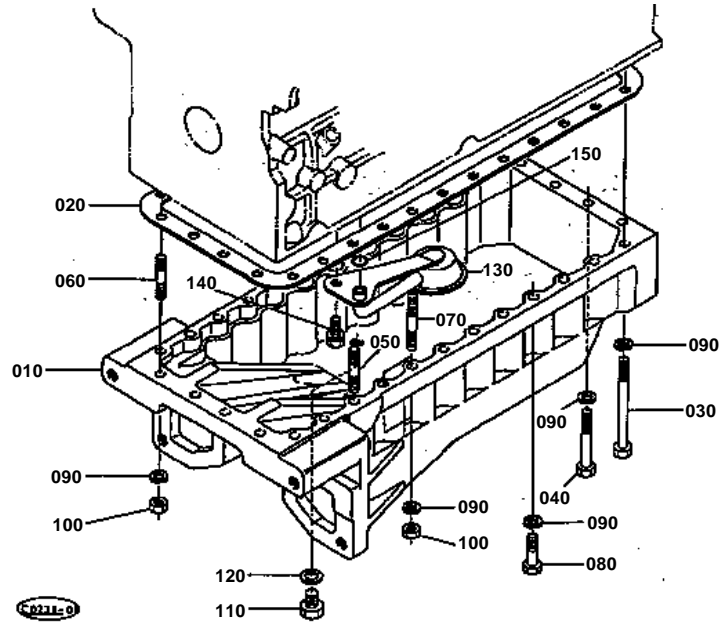


CRANKCASE

↔ Interchangeable; ≠ not interchangeable; ← new for old; → old for new

| REF.No | Part No. | Description | Q'ty | S.No. | I/C | REMARKS | Weight (kgf) | Weight (lb) |
|--------|-------------|---------------------|------|---------|-----|---------|--------------|-------------|
| 010 | 15621-01013 | COMP.CRANKCASE | 1 | <=65328 | | | 94 | 206.8 |
| 010 | 15621-01014 | COMP.CRANKCASE | 1 | >=65329 | ≠ | | 93 | 204.6 |
| 010 | 15621-01015 | COMP.CRANKCASE | 1 | >=71276 | ≠ | | 95 | 209 |
| 020 | 34150-27580 | PLUG | 3 | | | | 0.001 | 0.0022 |
| 030 | 06311-75018 | PLUG | 3 | | | | 0.004 | 0.0088 |
| 040 | 15221-03380 | CAP SEALING | 10 | | | | 0.017 | 0.0374 |
| 050 | 15221-03390 | CAP SEALING | 2 | | | | 0.03 | 0.066 |
| 060 | 16271-96160 | PLUG | 1 | | | | 0.025 | 0.055 |
| 070 | 15521-96020 | PLUG | 2 | | | | 0.003 | 0.0066 |
| 080 | 15521-96030 | PLUG | 1 | | | | 0.007 | 0.0154 |
| 090 | 05012-00408 | PIN STRAIGHT | 2 | | | | 0.001 | 0.0022 |
| 100 | 05012-00609 | PIN STRAIGHT | 2 | | | | 0.003 | 0.0066 |
| 110 | 05012-00612 | PIN STRAIGHT | 2 | | | | 0.003 | 0.0066 |
| 120 | 05012-01018 | PIN STRAIGHT | 1 | | | | 0.012 | 0.0264 |
| 130 | 15221-33650 | PIN PIPE | 1 | | | | 0.004 | 0.0088 |
| 140 | 15321-73340 | PIPE WATER RETURN | 1 | | | | 0.016 | 0.0352 |
| 150 | 15521-02310 | LINER CYLINDER | 6 | | | | 0.66 | 1.452 |
| 160 | 15221-33700 | O RING | 1 | | | | 0.001 | 0.0022 |
| 170 | 15221-33610 | PLUG | 7 | | | | 0.009 | 0.0198 |
| 180 | 15021-33660 | GASKET | 7 | | | | 0.001 | 0.0022 |
| 190 | 15221-33750 | PLUG | 1 | | | | 0.032 | 0.0704 |
| 200 | 15109-33660 | GASKET | 1 | | | | 0.001 | 0.0022 |
| 210 | 15601-33110 | FLANGE OIL FILLER | 1 | | | | 0.195 | 0.429 |
| 220 | 15401-32890 | GASKET | 1 | | | | 0 | 0 |
| 230 | 01123-50825 | BOLT | 2 | | | | 0.013 | 0.0286 |
| 240 | 15221-33140 | PLUG OIL FILLER | 1 | | | | 0.038 | 0.0836 |
| 250 | 04811-50300 | O RING | 1 | | | | 0 | 0 |
| 260 | 15621-36410 | GAUGE OIL | 1 | | | | 0.03 | 0.066 |
| 270 | 15621-36420 | GUIDE OIL GAUGE | 1 | | | | 0.1 | 0.22 |
| 280 | 15451-39012 | SWITCH OIL | 1 | | | | 0.032 | 0.0704 |
| 290 | 15321-35010 | ASSY PUMP OIL | 1 | | | | 0.525 | 1.155 |
| 300 | 15221-35150 | GASKET OIL PUMP | 1 | | | | 0 | 0 |
| 310 | 01053-50648 | BOLT | 4 | | | | 0.01 | 0.022 |
| 320 | 04512-50060 | WASHER SPRING | 4 | | | | 0 | 0 |
| 330 | 15401-35660 | GEAR OIL PUMP DRIVE | 1 | | | | 0.2 | 0.44 |
| 340 | 05712-00410 | KEY FEATHER | 1 | | | | 0.001 | 0.0022 |
| 350 | 15221-35682 | NUT FLANGE | 1 | | | | 0.014 | 0.0308 |

OIL PAN (2WD)

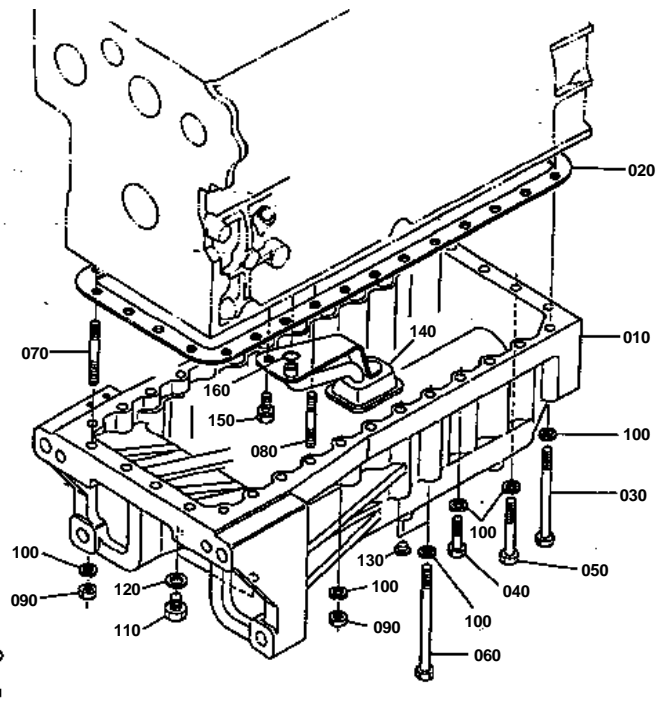


**OIL PAN (2WD)**

↔ Interchangeable; ≠ not interchangeable; ← new for old; → old for new

| REF.No | Part No. | Description | Q'ty | S.No. | I/C | REMARKS | Weight (kgf) | Weight (lb) |
|--------|-------------|----------------|------|---------|-----|---------|--------------|-------------|
| 010 | 15621-01610 | OIL PAN | 1 | | | | 40 | 88 |
| 020 | 15601-01622 | GASKET OIL PAN | 1 | | | | 0 | 0 |
| 030 | 15601-91070 | BOLT | 2 | | | | 0.066 | 0.1452 |
| 040 | 01173-51085 | BOLT | 4 | | | | 0.051 | 0.1122 |
| 050 | 01517-51060 | STUD | 1 | | | | 0.042 | 0.0924 |
| 060 | 15621-91490 | STUD | 6 | | | | 0.05 | 0.11 |
| 070 | 01517-51045 | STUD | 5 | | | | 0.032 | 0.0704 |
| 080 | 01173-51055 | BOLT | 14 | | | | 0.036 | 0.0792 |
| 090 | 04512-50100 | WASHER SPRING | 32 | | | | 0 | 0 |
| 100 | 02176-50100 | NUT | 12 | | | | 0.005 | 0.011 |
| 110 | 15221-33750 | PLUG | 1 | | | | 0.032 | 0.0704 |
| 120 | 15109-33660 | GASKET | 1 | | | | 0.001 | 0.0022 |
| 130 | 15601-32110 | FILTER OIL | 1 | <=65328 | | | 0.325 | 0.715 |
| 130 | 15601-32114 | FILTER OIL | 1 | >=65329 | ≠ | | 0.3 | 0.66 |
| 140 | 01123-50816 | BOLT | 1 | | | | 0 | 0 |
| 150 | 04811-00160 | O RING | 1 | <=65328 | | | 0 | 0 |
| 150 | 04811-00180 | O RING | 1 | >=65329 | ≠ | | 0 | 0 |

OIL PAN (4WD)

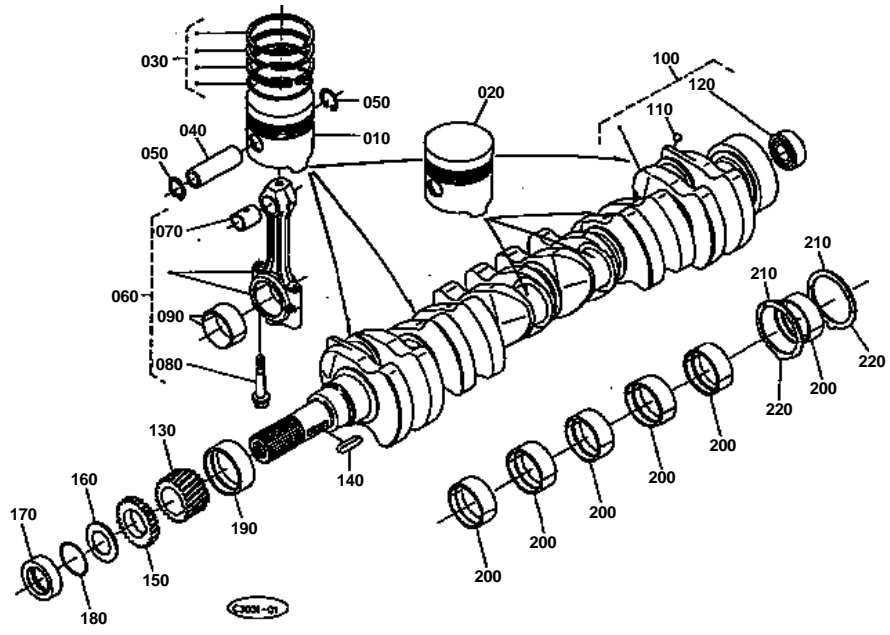


**OIL PAN (4WD)**

↔ Interchangeable; ≠ not interchangeable; ← new for old; → old for new

| REF.No | Part No. | Description | Q'ty | S.No. | I/C | REMARKS | Weight (kgf) | Weight (lb) |
|--------|-------------|----------------|------|---------|-----|---------|--------------|-------------|
| 010 | 17301-01610 | OIL PAN | 1 | | | | 47 | 103.4 |
| 020 | 15601-01622 | GASKET OIL PAN | 1 | | | | 0 | 0 |
| 030 | 15601-91070 | BOLT | 2 | | | | 0.066 | 0.1452 |
| 040 | 01173-51055 | BOLT | 10 | | | | 0.036 | 0.0792 |
| 050 | 01173-51085 | BOLT | 4 | | | | 0.051 | 0.1122 |
| 060 | 17381-91010 | BOLT | 2 | | | | 0.085 | 0.187 |
| 070 | 01517-51060 | STUD | 6 | | | | 0.042 | 0.0924 |
| 080 | 01517-51045 | STUD | 8 | | | | 0.032 | 0.0704 |
| 090 | 02176-50100 | NUT | 14 | | | | 0.005 | 0.011 |
| 100 | 04512-50100 | WASHER SPRING | 32 | | | | 0 | 0 |
| 110 | 15221-33750 | PLUG | 2 | | | | 0.032 | 0.0704 |
| 120 | 15109-33660 | GASKET | 2 | | | | 0.001 | 0.0022 |
| 130 | 34150-27580 | PLUG | 5 | | | | 0.001 | 0.0022 |
| 140 | 17301-32110 | FILTER OIL | 1 | <=65328 | | | 0.324 | 0.7128 |
| 140 | 17301-32112 | FILTER OIL | 1 | >=65329 | ≠ | | 0.33 | 0.726 |
| 150 | 01123-50816 | BOLT | 1 | | | | 0 | 0 |
| 160 | 04811-00160 | O RING | 1 | <=65328 | | | 0 | 0 |
| 160 | 04811-00180 | O RING | 1 | >=65329 | ≠ | | 0 | 0 |

PISTON AND CRANKSHAFT



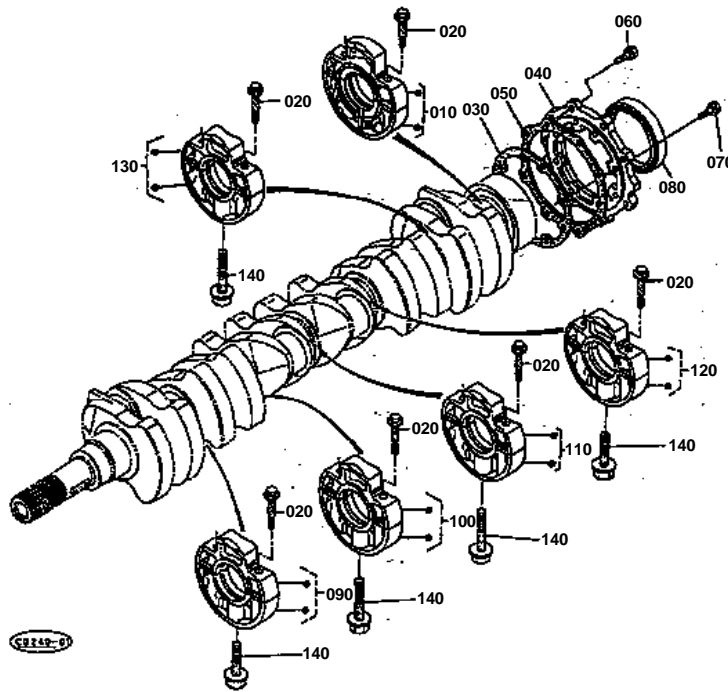


PISTON AND CRANKSHAFT

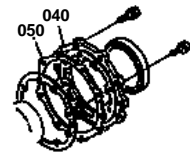
↔ Interchangeable; ≠ not interchangeable; ← new for old; → old for new

| REF.No | Part No. | Description | Q'ty | S.No. | I/C | REMARKS | Weight (kgf) | Weight (lb) |
|--------|-------------|---------------------|------|-------|-----|---------|--------------|-------------|
| 010 | 19274-21110 | PISTON | 3 | | | STD | 0.56 | 1.232 |
| 010 | 19274-21910 | PISTON | 3 | | | +0.50mm | 0.57 | 1.254 |
| 020 | 19439-21110 | PISTON | 3 | | | STD | 0.56 | 1.232 |
| 020 | 19439-21910 | PISTON | 3 | | | +0.50mm | 0.54 | 1.188 |
| 030 | 15521-21050 | ASSY PISTON RING | 6 | | | STD | 0.06 | 0.132 |
| 030 | 15521-21092 | ASSY PISTON RING | 6 | | | +0.50mm | 0.055 | 0.121 |
| 040 | 15521-21310 | PIN PISTON | 6 | | | | 0.156 | 0.3432 |
| 050 | 15221-21330 | CIR-CLIP PISTON PIN | 12 | | | | 0.002 | 0.0044 |
| 060 | 15471-22012 | ASSY CONNECTING ROD | 6 | | | | 0.76 | 1.672 |
| 070 | 15221-21980 | BUSH PISTON PIN | 6 | | | | 0 | 0 |
| 080 | 15521-22142 | BOLT CONNECTING ROD | 12 | | | | 0.026 | 0.0572 |
| 090 | 15471-22310 | METAL CRANKPIN | 6 | | | STD | 0.03 | 0.066 |
| 090 | 15471-22970 | METAL CRANKPIN | 6 | | | -0.20mm | 0.04 | 0.088 |
| 090 | 15471-22980 | METAL CRANKPIN | 6 | | | -0.40mm | 0.04 | 0.088 |
| 100 | 15621-23010 | COMP.CRANKSHAFT | 1 | | | | 23.5 | 51.7 |
| 110 | 07715-00401 | BALL | 6 | | | | 0.001 | 0.0022 |
| 120 | 15601-23420 | BEARING PILOT | 1 | | | | 0.07 | 0.154 |
| 130 | 15601-24110 | GEAR CRANKSHAFT | 1 | | | | 0.34 | 0.748 |
| 140 | 05712-00730 | KEY FEATHER | 1 | | | | 0.011 | 0.0242 |
| 150 | 15401-35630 | GEAR OIL PUMP DRIVE | 1 | | | | 0.185 | 0.407 |
| 160 | 15401-23312 | SLINGER OIL | 1 | | | | 0.01 | 0.022 |
| 170 | 15601-23250 | COLLAR CRANKSHAFT | 1 | | | | 0.067 | 0.1474 |
| 180 | 04811-10300 | O RING | 1 | | | | 0.001 | 0.0022 |
| 190 | 17331-23470 | METAL CRANKSHAFT | 1 | | | STD | 0 | 0 |
| 190 | 17331-23910 | METAL CRANKSHAFT | 1 | | | -0.20mm | 0 | 0 |
| 190 | 17331-23920 | METAL CRANKSHAFT | 1 | | | -0.40mm | 0 | 0 |
| 200 | 17331-23480 | METAL CRANKSHAFT | 6 | | | STD | 0 | 0 |
| 200 | 17331-23930 | METAL CRANKSHAFT | 6 | | | -0.20mm | 0 | 0 |
| 200 | 17331-23940 | METAL CRANKSHAFT | 6 | | | -0.40mm | 0 | 0 |
| 210 | 15221-23530 | METAL SIDE | 2 | | | STD | 0 | 0 |
| 210 | 15221-23950 | METAL SIDE | 2 | | | +0.20mm | 0 | 0 |
| 210 | 15221-23960 | METAL SIDE | 2 | | | +0.40mm | 0 | 0 |
| 220 | 15221-23540 | METAL SIDE | 2 | | | STD | 0 | 0 |
| 220 | 15221-23970 | METAL SIDE | 2 | | | +0.20mm | 0.009 | 0.0198 |
| 220 | 15221-23980 | METAL SIDE | 2 | | | +0.40mm | 0.009 | 0.0198 |

MAIN BEARING CASE



040 15221-0481-0
050 15221-0482-0



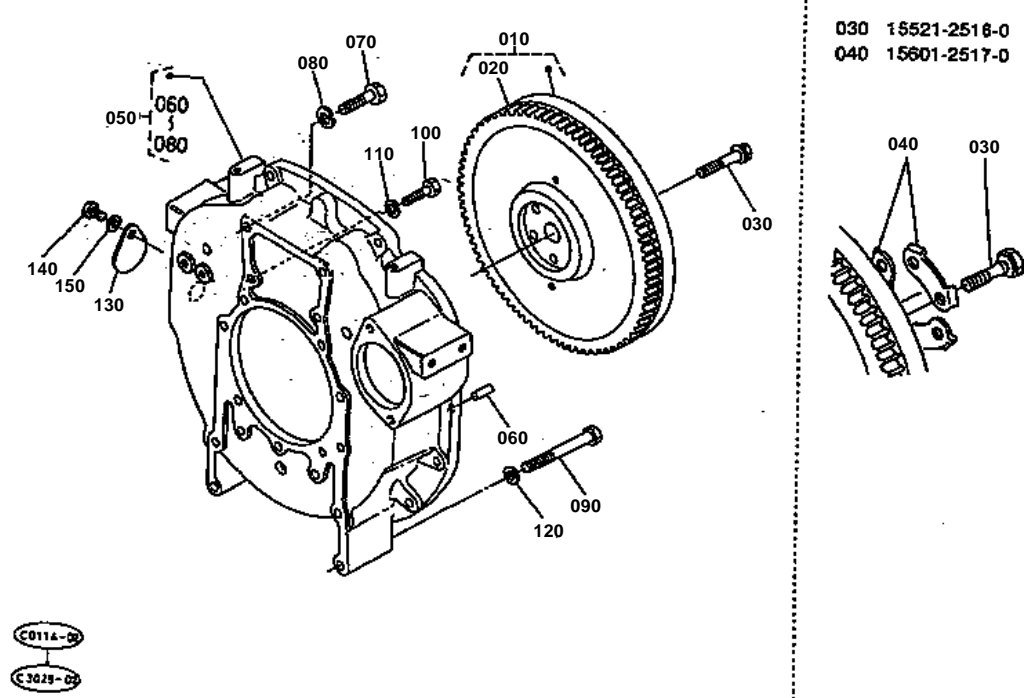


MAIN BEARING CASE

↔ Interchangeable; ≠ not interchangeable; ← new for old; → old for new

| REF.No | Part No. | Description | Q'ty | S.No. | I/C | REMARKS | Weight (kgf) | Weight (lb) |
|--------|-------------|----------------------|------|---------|-----|---------|--------------|-------------|
| 010 | 19202-04040 | ASSY CASE MAIN BRG. | 1 | | | | 1.28 | 2.816 |
| 020 | 15601-04540 | BOLT BEARING CASE | 12 | | | | 0.034 | 0.0748 |
| 030 | 15221-04360 | GASKET | 1 | | | | 0 | 0 |
| 040 | 15221-04810 | COVER BEARING CASE | 1 | <=65328 | | | 0.3 | 0.66 |
| 040 | 15621-04812 | COVER BEARING CASE | 1 | >=65329 | ≠ | | 0.415 | 0.913 |
| 050 | 15221-04820 | GASKET | 1 | <=65328 | | | 0 | 0 |
| 050 | 15621-04820 | GASKET BRG.CASE COV. | 1 | >=65329 | ≠ | | 0 | 0 |
| 060 | 01123-50825 | BOLT | 8 | | | | 0.013 | 0.0286 |
| 070 | 01123-50828 | BOLT | 8 | | | | 0.014 | 0.0308 |
| 080 | 15601-04460 | SEAL OIL | 1 | | | | 0.053 | 0.1166 |
| 090 | 15521-04055 | ASSY CASE BEARING | 1 | <=71275 | | | 1.2 | 2.64 |
| 090 | 17331-04050 | ASSY CASE BEARING | 1 | >=71276 | ≠ | | 0 | 0 |
| 100 | 15521-04065 | ASSY CASE BEARING | 1 | <=71275 | | | 1.225 | 2.695 |
| 100 | 17331-04060 | ASSY CASE BEARING | 1 | >=71276 | ≠ | | 0 | 0 |
| 110 | 15601-04070 | ASSY CASE BEARING | 1 | <=71275 | | | 1.24 | 2.728 |
| 110 | 17345-04073 | ASSY CASE BEARING | 1 | >=71276 | ≠ | | 1.27 | 2.794 |
| 120 | 15601-04080 | ASSY CASE MAIN BRG. | 1 | | | | 1.28 | 2.816 |
| 130 | 15601-04090 | ASSY CASE MAIN BRG. | 1 | | | | 1.3 | 2.86 |
| 140 | 15601-04560 | BOLT BEARING CASE | 5 | | | | 0.06 | 0.132 |

FLYWHEEL



030 15521-2516-0
040 15601-2517-0

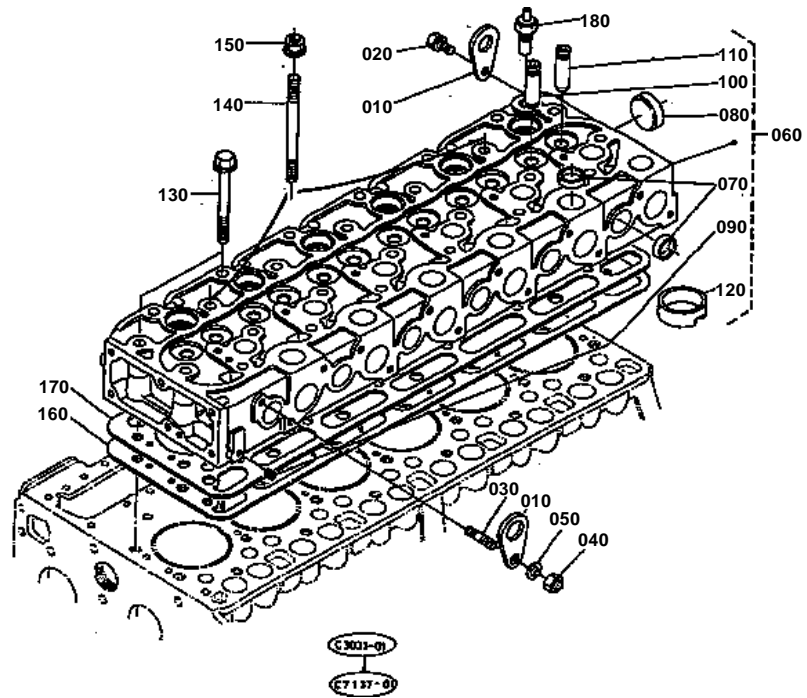


FLYWHEEL

↔ Interchangeable; ≠ not interchangeable; ← new for old; → old for new

| REF.No | Part No. | Description | Q'ty | S.No. | I/C | REMARKS | Weight (kgf) | Weight (lb) |
|--------|-------------|-------------------|------|---------|-----|---------|--------------|-------------|
| 010 | 15621-25012 | COMP.FLYWHEEL | 1 | | | | 38 | 83.6 |
| 020 | 15601-63820 | GEAR RING | 1 | | | | 0 | 0 |
| 030 | 15521-25160 | BOLT FLYWHEEL | 6 | <=69832 | | | 0.06 | 0.132 |
| 030 | 15521-25162 | BOLT FLYWHEEL | 6 | >=69833 | ≠ | | 0.05 | 0.11 |
| 040 | 15601-25170 | WASHER FLYWHEEL | 3 | <=69832 | | | 0.009 | 0.0198 |
| 050 | 15601-04600 | COMP.HOUSING F-W. | 1 | <=65328 | | | 18.5 | 40.7 |
| 050 | 15601-04602 | COMP.HOUSING F-W. | 1 | >=65329 | ≠ | | 19.3 | 42.46 |
| 060 | 05012-01018 | PIN STRAIGHT | 2 | | | | 0.012 | 0.0264 |
| 070 | 01073-51250 | BOLT | 2 | | | | 0.055 | 0.121 |
| 080 | 04512-50120 | WASHER SPRING | 2 | | | | 0 | 0 |
| 090 | 01073-51290 | BOLT | 2 | | | | 0.087 | 0.1914 |
| 100 | 01073-51032 | BOLT | 11 | | | | 0.03 | 0.066 |
| 110 | 04512-50100 | WASHER SPRING | 11 | | | | 0 | 0 |
| 120 | 04512-50120 | WASHER SPRING | 2 | | | | 0 | 0 |
| 130 | 31220-14170 | COVER | 1 | | | | 0.014 | 0.0308 |
| 140 | 01153-50812 | BOLT | 1 | | | | 0.008 | 0.0176 |
| 150 | 04512-50080 | WASHER SPRING | 1 | | | | 0 | 0 |

CYLINDER HEAD



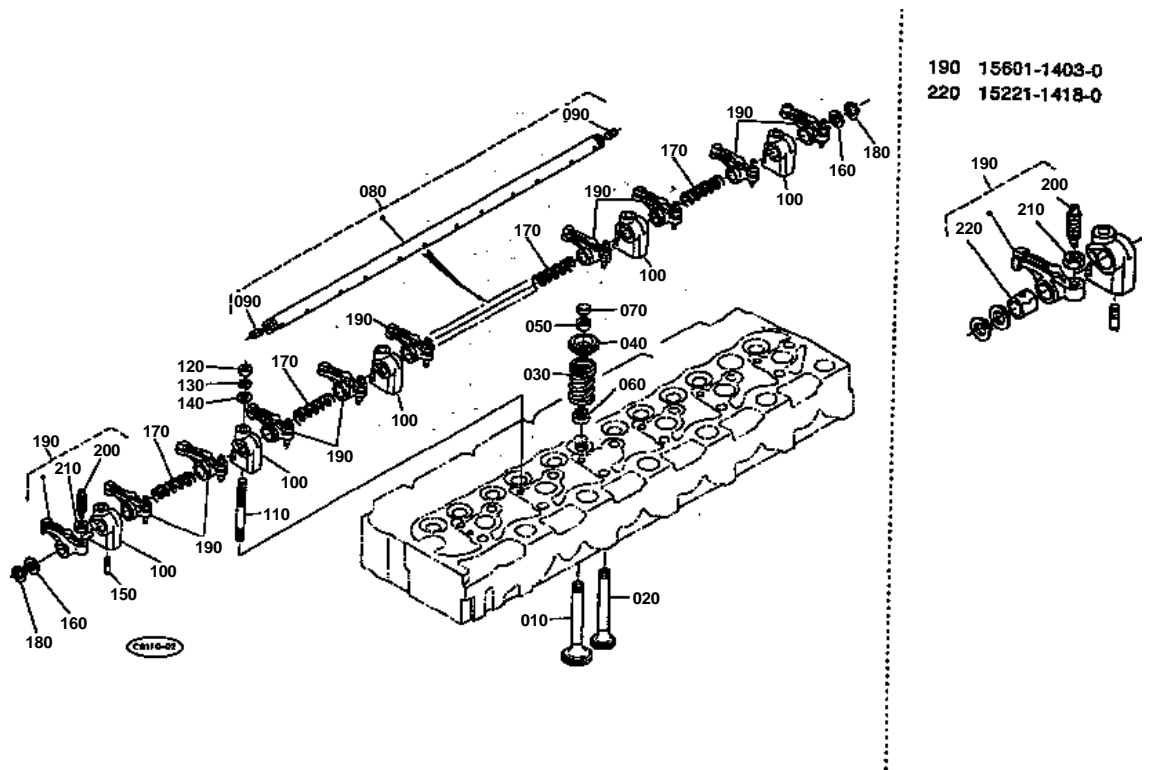


CYLINDER HEAD

↔ Interchangeable; ≠ not interchangeable; ← new for old; → old for new

| REF.No | Part No. | Description | Q'ty | S.No. | I/C | REMARKS | Weight (kgf) | Weight (lb) |
|--------|-------------|----------------------|------|---------|-----|---------|--------------|-------------|
| 010 | 15221-01750 | HOOK ENGINE | 2 | | | | 0.04 | 0.088 |
| 020 | 01123-50816 | BOLT | 1 | | | | 0 | 0 |
| 030 | 15471-91530 | STUD | 1 | | | | 0.01 | 0.022 |
| 040 | 02156-50080 | NUT | 1 | | | | 0.004 | 0.0088 |
| 050 | 04512-50080 | WASHER SPRING | 1 | | | | 0 | 0 |
| 060 | 15622-03040 | COMP.CYLINDER HEAD | 1 | <=65328 | | | 27.5 | 60.5 |
| 060 | 15622-03042 | COMP.CYLINDER HEAD | 1 | >=65329 | ≠ | | 29 | 63.8 |
| 070 | 15221-03370 | CAP SEALING | 18 | | | | 0.01 | 0.022 |
| 080 | 15221-03490 | CAP SEALING | 1 | | | | 0.02 | 0.044 |
| 090 | 15261-96010 | PLUG | 2 | | | | 0.002 | 0.0044 |
| 100 | 15521-13580 | GUIDE INLET VALVE | 6 | | | | 0 | 0 |
| 110 | 17321-13560 | GUIDE EXHAUST VALVE | 6 | | | | 0.02 | 0.044 |
| 120 | 15521-03140 | COMBUSTION CHAMBER | 6 | | | | 0.028 | 0.0616 |
| 130 | 19202-03450 | BOLT CYLINDER HEAD | 24 | <=65328 | | | 0.065 | 0.143 |
| 130 | 17391-03450 | BOLT CYLINDER HEAD | 24 | >=65329 | ≠ | | 0.007 | 0.0154 |
| 140 | 15612-03420 | STUD CYLINDER HEAD | 2 | <=65328 | | | 0.07 | 0.154 |
| 140 | 17391-03420 | STUD CYLINDER HEAD | 2 | >=65329 | ≠ | | 0.071 | 0.1562 |
| 150 | 19202-03510 | NUT CYLINDER HEAD | 2 | | | | 0.012 | 0.0264 |
| 160 | 15621-03313 | GASKET CYLINDER HEAD | 1 | <=65328 | | | 0 | 0 |
| 160 | 15621-03314 | GASKET CYLINDER HEAD | 1 | >=65329 | ≠ | | 0 | 0 |
| 170 | 15621-03320 | SHIM CYL.HEAD GASKET | 1 | <=65328 | | | 0.18 | 0.396 |
| 170 | 15621-03322 | SHIM CYL.HEAD GASKET | 1 | >=65329 | ≠ | | 0.08 | 0.176 |
| 180 | 35820-75250 | SWITCH THERMOMETER | 1 | | | | 0 | 0 |

VALVE AND ROCKER ARM



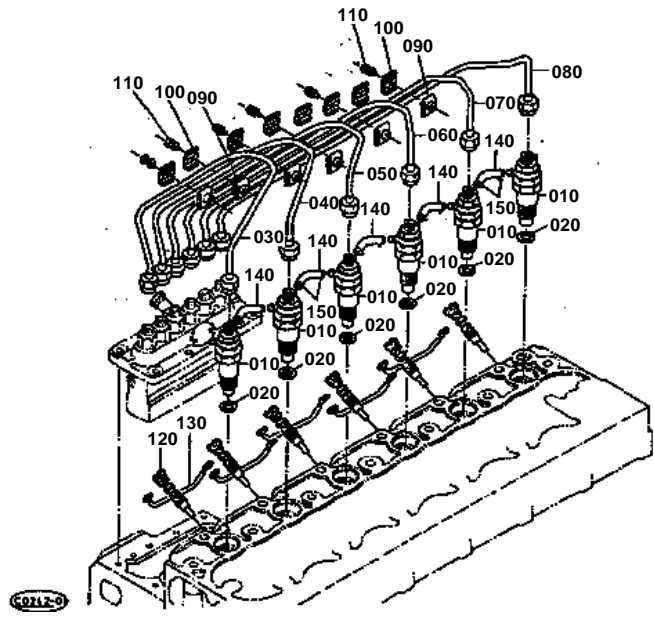


VALVE AND ROCKER ARM

↔ Interchangeable; ≠ not interchangeable; ← new for old; → old for new

| REF.No | Part No. | Description | Q'ty | S.No. | I/C | REMARKS | Weight (kgf) | Weight (lb) |
|--------|-------------|---------------------|------|---------|-----|---------|--------------|-------------|
| 010 | 15221-13110 | VALVE INLET | 6 | | | | 0.063 | 0.1386 |
| 020 | 15221-13120 | VALVE EXHAUST | 6 | | | | 0.063 | 0.1386 |
| 030 | 15221-13240 | SPRING VALVE | 12 | | | | 0.036 | 0.0792 |
| 040 | 15221-13330 | RETAINER VALVE SP. | 12 | | | | 0.03 | 0.066 |
| 050 | 15221-13360 | COLLET VALVE SPRING | 12 | | | | 0 | 0 |
| 060 | 15221-13150 | SEAL VALVE STEM | 12 | | | | 0.001 | 0.0022 |
| 070 | 15221-13280 | CAP VALVE | 12 | | | | 0.006 | 0.0132 |
| 080 | 15601-14050 | ASSY SHAFT R-ARM | 1 | | | | 0 | 0 |
| 090 | 03410-00808 | SCREW SET | 2 | | | | 0.002 | 0.0044 |
| 100 | 15221-14350 | BRACKET ROCKER ARM | 6 | | | | 0.044 | 0.0968 |
| 110 | 15521-91500 | STUD | 6 | | | | 0.035 | 0.077 |
| 120 | 02156-50080 | NUT | 6 | | | | 0.004 | 0.0088 |
| 130 | 04512-50080 | WASHER SPRING | 6 | | | | 0 | 0 |
| 140 | 04012-50080 | WASHER PLAIN | 6 | | | | 0.001 | 0.0022 |
| 150 | 15221-14420 | SCREW SET | 1 | | | | 0.003 | 0.0066 |
| 160 | 15221-14430 | WASHER | 2 | | | | 0.002 | 0.0044 |
| 170 | 15221-14310 | SPRING ROCKER ARM | 5 | | | | 0.005 | 0.011 |
| 180 | 04612-00140 | CIR-CLIP EXTERNAL | 2 | | | | 0.001 | 0.0022 |
| 190 | 15601-14030 | ASSY ROCKER ARM | 12 | <=71275 | | | 0 | 0 |
| 190 | 15621-14030 | ASSY ROCKER ARM | 12 | >=71276 | ← | | 0.1 | 0.22 |
| 200 | 15521-14230 | SCREW ADJUSTING | 12 | | | | 0.009 | 0.0198 |
| 210 | 15021-14240 | NUT | 12 | | | | 0.003 | 0.0066 |
| 220 | 15221-14180 | BUSH ROCKER ARM | 12 | <=71275 | | | 0.007 | 0.0154 |

NOZZLE HOLDER AND FUEL PIPE



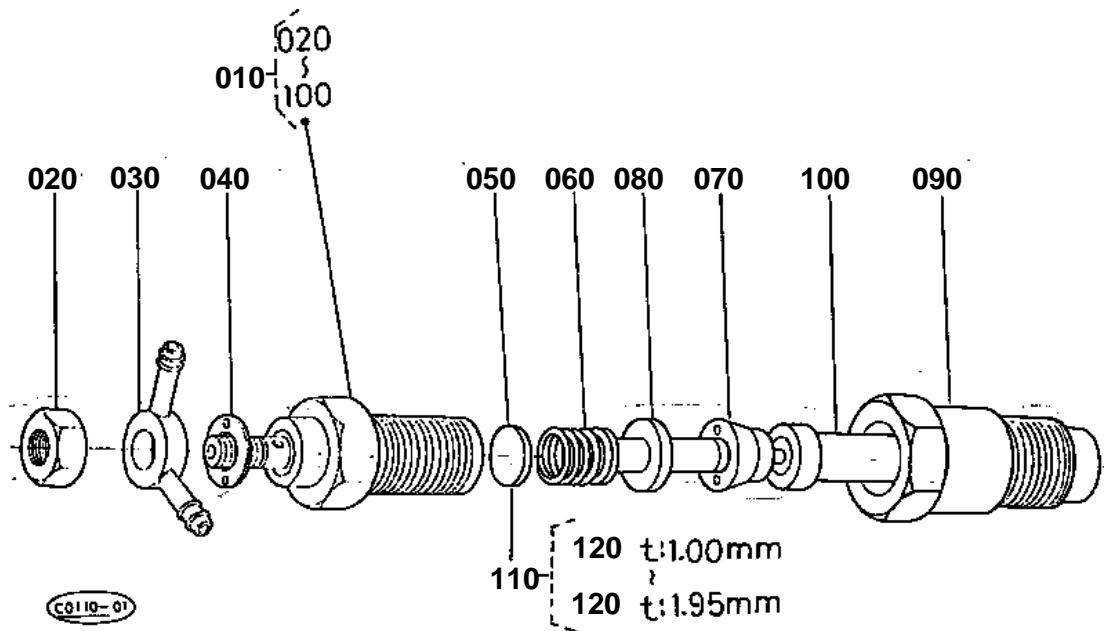


NOZZLE HOLDER AND FUEL PIPE

↔ Interchangeable; ≠ not interchangeable; ← new for old; → old for new

| REF.No | Part No. | Description | Q'ty | S.No. | I/C | REMARKS | Weight (kgf) | Weight (lb) |
|--------|-------------|--------------------|------|-------|-----|---------|--------------|-------------|
| 010 | 15271-53020 | ASSY HOLDER NOZZLE | 6 | | | | 0.26 | 0.572 |
| 020 | 17011-53620 | GASKET | 6 | | | | 0.003 | 0.0066 |
| 030 | 15601-53710 | PIPE INJECTION | 1 | | | | 0.15 | 0.33 |
| 040 | 15601-53720 | PIPE INJECTION | 1 | | | | 0.15 | 0.33 |
| 050 | 15601-53730 | PIPE INJECTION | 1 | | | | 0.15 | 0.33 |
| 060 | 15601-53740 | PIPE INJECTION | 1 | | | | 0.15 | 0.33 |
| 070 | 15601-53750 | PIPE INJECTION | 1 | | | | 0.15 | 0.33 |
| 080 | 15601-53760 | PIPE INJECTION | 1 | | | | 0.15 | 0.33 |
| 090 | 15841-53850 | CLAMP PIPE | 8 | | | | 0.01 | 0.022 |
| 100 | 15841-53860 | CLAMP PIPE | 8 | | | | 0.009 | 0.0198 |
| 110 | 03024-50520 | SCREW WITH WASHER | 8 | | | | 0.004 | 0.0088 |
| 120 | 15521-65510 | PLUG GLOW | 6 | | | | 0.025 | 0.055 |
| 130 | 15401-65560 | CORD GLOW PLUG | 5 | | | | 0.005 | 0.011 |
| 140 | 09661-40095 | TUBE FUEL | 5 | | | | 0.01 | 0.022 |
| 150 | 10244-42320 | CLIP PIPE | 12 | | | | 0.001 | 0.0022 |

NOZZLE HOLDER [COMPONENT PARTS]

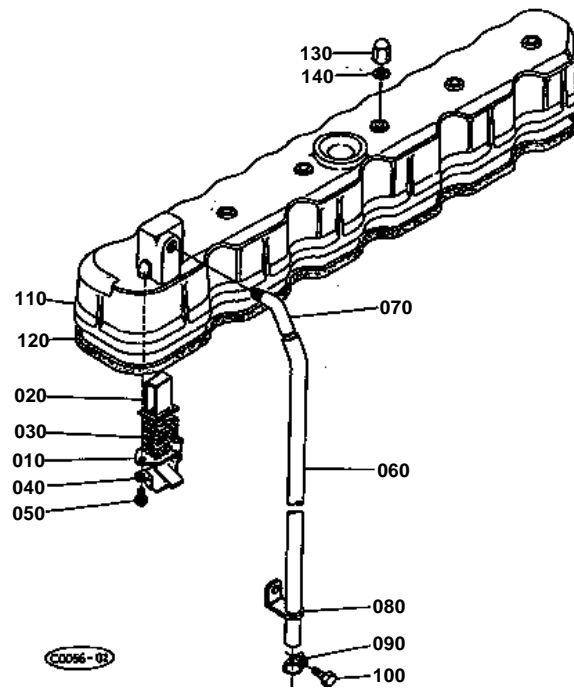


**NOZZLE HOLDER [COMPONENT PARTS]**

↔ Interchangeable; ≠ not interchangeable; ← new for old; → old for new

| REF.No | Part No. | Description | Q'ty | S.No. | I/C | REMARKS | Weight (kgf) | Weight (lb) |
|--------|-------------|--------------------|------|-------|-----|---------|--------------|-------------|
| 010 | 15271-53020 | ASSY HOLDER NOZZLE | 6 | | | | 0.26 | 0.572 |
| 020 | 15221-92020 | NUT | 6 | | | | 0.011 | 0.0242 |
| 030 | 15221-95690 | JOINT | 6 | | | | 0.022 | 0.0484 |
| 040 | 15221-94020 | WASHER PLAIN | 6 | | | | 0.002 | 0.0044 |
| 050 | 15221-53230 | WASHER ADJUSTING | 6 | | | | 0.001 | 0.0022 |
| 060 | 15221-53170 | SPRING NOZZLE | 6 | | | | 0.01 | 0.022 |
| 070 | 15221-53350 | PIECE DISTANCE | 6 | | | | 0.016 | 0.0352 |
| 080 | 15221-53160 | PUSH ROD | 6 | | | | 0.003 | 0.0066 |
| 090 | 15221-53280 | NUT NOZZLE | 6 | | | | 0.068 | 0.1496 |
| 100 | 15021-53610 | PIECE NOZZLE | 6 | | | | 0 | 0 |
| 110 | 15221-98100 | ASSY WASHER | 6 | | | | 0.03 | 0.066 |
| 120 | 15221-98110 | WASHER ADJUSTING | 6 | | | 1.00mm | 0.001 | 0.0022 |
| 120 | 15221-98120 | WASHER ADJUSTING | 6 | | | 1.05mm | 0.001 | 0.0022 |
| 120 | 15221-98130 | WASHER ADJUSTING | 6 | | | 1.10mm | 0.001 | 0.0022 |
| 120 | 15221-98140 | WASHER ADJUSTING | 6 | | | 1.15mm | 0.001 | 0.0022 |
| 120 | 15221-98150 | WASHER ADJUSTING | 6 | | | 1.20mm | 0.001 | 0.0022 |
| 120 | 15221-98160 | WASHER ADJUSTING | 6 | | | 1.25mm | 0.001 | 0.0022 |
| 120 | 15221-98170 | WASHER ADJUSTING | 6 | | | 1.30mm | 0.001 | 0.0022 |
| 120 | 15221-98180 | WASHER ADJUSTING | 6 | | | 1.35mm | 0.001 | 0.0022 |
| 120 | 15221-98190 | WASHER ADJUSTING | 6 | | | 1.40mm | 0.002 | 0.0044 |
| 120 | 15221-98200 | WASHER ADJUSTING | 6 | | | 1.45mm | 0.001 | 0.0022 |
| 120 | 15221-98210 | WASHER ADJUSTING | 6 | | | 1.50mm | 0.001 | 0.0022 |
| 120 | 15221-98220 | WASHER ADJUSTING | 6 | | | 1.55mm | 0.003 | 0.0066 |
| 120 | 15221-98230 | WASHER ADJUSTING | 6 | | | 1.60mm | 0.003 | 0.0066 |
| 120 | 15221-98240 | WASHER ADJUSTING | 6 | | | 1.65mm | 0.002 | 0.0044 |
| 120 | 15221-98250 | WASHER ADJUSTING | 6 | | | 1.70mm | 0.002 | 0.0044 |
| 120 | 15221-98260 | WASHER ADJUSTING | 6 | | | 1.75mm | 0.002 | 0.0044 |
| 120 | 15221-98270 | WASHER ADJUSTING | 6 | | | 1.80mm | 0.002 | 0.0044 |
| 120 | 15221-98280 | WASHER ADJUSTING | 6 | | | 1.85mm | 0.002 | 0.0044 |
| 120 | 15221-98290 | WASHER ADJUSTING | 6 | | | 1.90mm | 0.002 | 0.0044 |
| 120 | 15221-98300 | WASHER ADJUSTING | 6 | | | 1.95mm | 0.003 | 0.0066 |

CYLINDER HEAD COVER



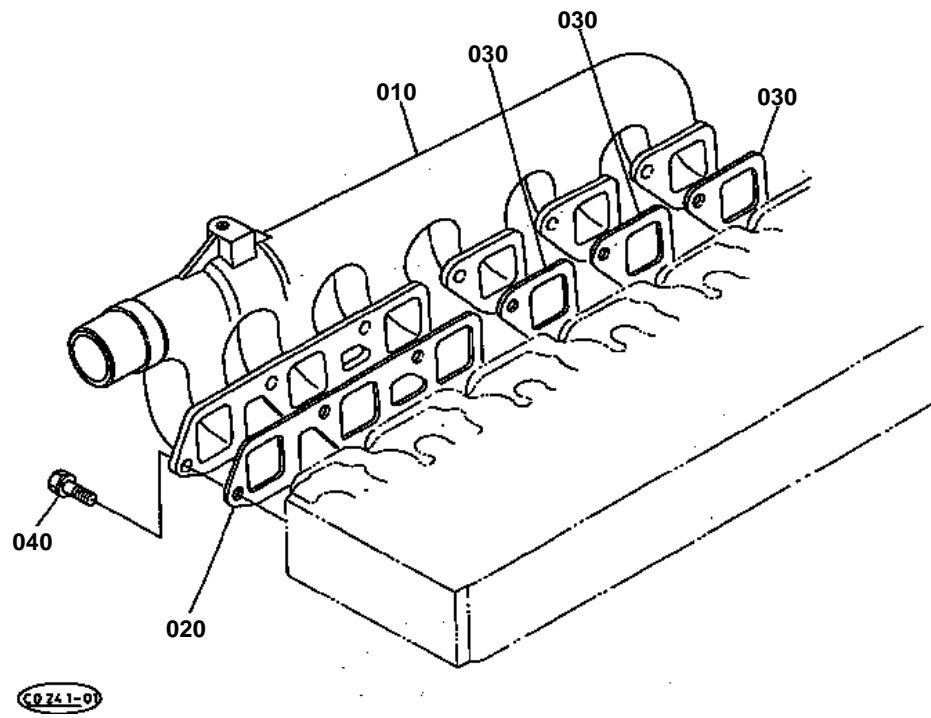


CYLINDER HEAD COVER

↔ Interchangeable; ≠ not interchangeable; ← new for old; → old for new

| REF.No | Part No. | Description | Q'ty | S.No. | I/C | REMARKS | Weight (kgf) | Weight (lb) |
|--------|-------------|---------------------|------|-------|-----|---------|--------------|-------------|
| 010 | 15521-05140 | PLATE ELEMENT | 1 | | | | 0.005 | 0.011 |
| 020 | 15521-05150 | PLATE ELEMENT | 1 | | | | 0.01 | 0.022 |
| 030 | 15521-05670 | ELEMENT BREATHER | 1 | | | | 0.01 | 0.022 |
| 040 | 15521-05370 | OIL SHIELD BREATHER | 1 | | | | 0.005 | 0.011 |
| 050 | 15521-93310 | SCREW WITH WASHER | 2 | | | | 0 | 0 |
| 060 | 15521-05510 | PIPE BREATHER | 1 | | | | 0.075 | 0.165 |
| 070 | 15521-05550 | JOINT BREATHER PIPE | 1 | | | | 0.04 | 0.088 |
| 080 | 15401-05580 | CLAMP PIPE | 1 | | | | 0.02 | 0.044 |
| 090 | 15401-05590 | CLAMP PIPE | 1 | | | | 0.003 | 0.0066 |
| 100 | 01173-51018 | BOLT | 1 | | | | 0.018 | 0.0396 |
| 110 | 15621-14510 | COVER CYL.HEAD | 1 | | | | 1.7 | 3.74 |
| 120 | 15621-14520 | GASKET HEAD COVER | 1 | | | | 0.07 | 0.154 |
| 130 | 15451-92330 | NUT CAP | 6 | | | | 0.008 | 0.0176 |
| 140 | 15021-33660 | GASKET | 6 | | | | 0.001 | 0.0022 |

INLET MANIFOLD



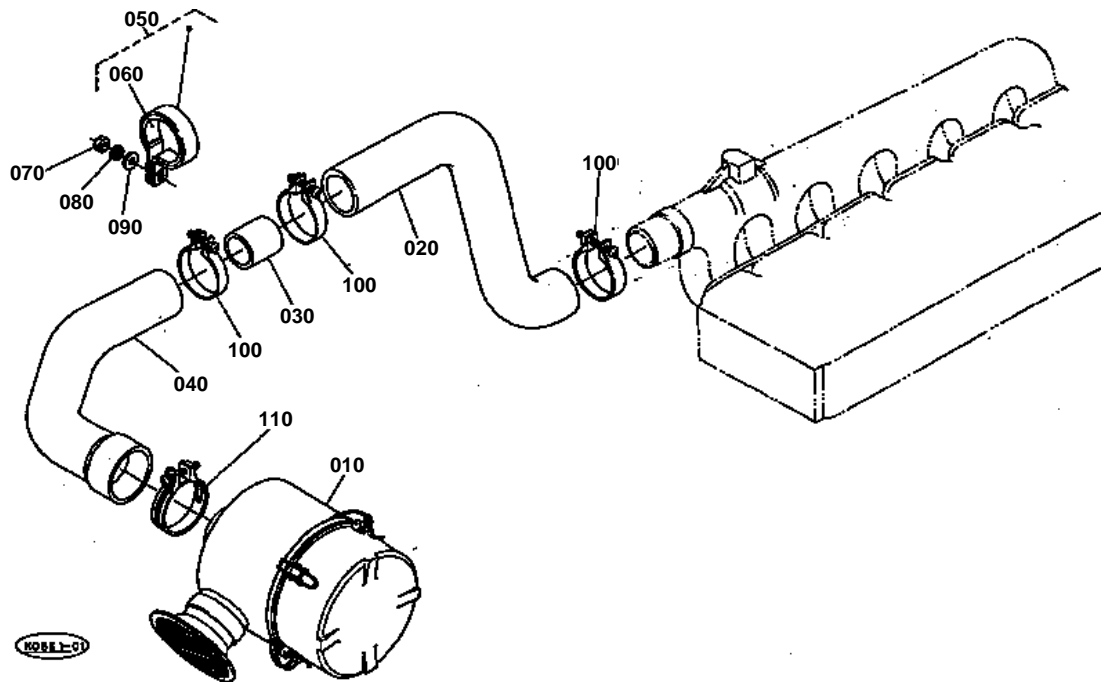


INLET MANIFOLD

↔ Interchangeable; ≠ not interchangeable; ← new for old; → old for new

| REF.No | Part No. | Description | Q'ty | S.No. | I/C | REMARKS | Weight (kgf) | Weight (lb) |
|--------|-------------|--------------------|------|-------|-----|---------|--------------|-------------|
| 010 | 15601-11760 | MANIFOLD INLET | 1 | | | | 1.8 | 3.96 |
| 020 | 15601-11820 | GASKET IN-MANIFOLD | 1 | | | | 0 | 0 |
| 030 | 15601-11830 | GASKET IN-MANIFOLD | 3 | | | | 0 | 0 |
| 040 | 01123-50822 | BOLT | 11 | | | | 0.012 | 0.0264 |

AIR CLEANER (DOUBLE)



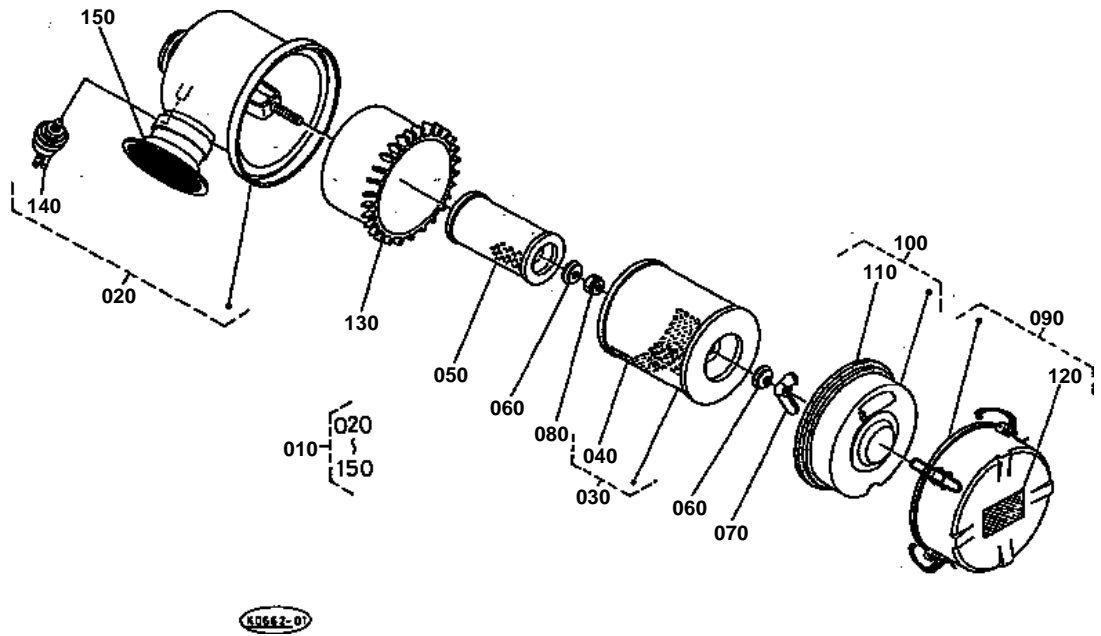


AIR CLEANER (DOUBLE)

↔ Interchangeable; ≠ not interchangeable; ← new for old; → old for new

| REF.No | Part No. | Description | Q'ty | S.No. | I/C | REMARKS | Weight (kgf) | Weight (lb) |
|--------|-------------|----------------------|------|-------|-----|---------|--------------|-------------|
| 010 | 15621-11020 | ASSY CLEANER AIR | 1 | | | | 6.1 | 13.42 |
| 020 | 15621-11620 | PIPE INLET | 1 | | | | 0.82 | 1.804 |
| 030 | 15621-11630 | PIPE INLET | 1 | | | | 0.13 | 0.286 |
| 040 | 15621-11660 | PIPE INLET | 1 | | | | 0.56 | 1.232 |
| 050 | 15621-11700 | ASSY HOLDER PIPE | 1 | | | | 0.07 | 0.154 |
| 060 | 15401-11690 | PROTECTOR INLET PIPE | 1 | | | | 0.018 | 0.0396 |
| 070 | 02156-50080 | NUT | 1 | | | | 0.004 | 0.0088 |
| 080 | 04512-50080 | WASHER SPRING | 1 | | | | 0 | 0 |
| 090 | 04012-50080 | WASHER PLAIN | 1 | | | | 0.001 | 0.0022 |
| 100 | 15401-11720 | BAND PIPE | 3 | | | | 0.03 | 0.066 |
| 110 | 15571-11720 | BAND INLET MANIFOLD | 1 | | | | 0.045 | 0.099 |

AIR CLEANER (DOUBLE) [COMPONENT PARTS]

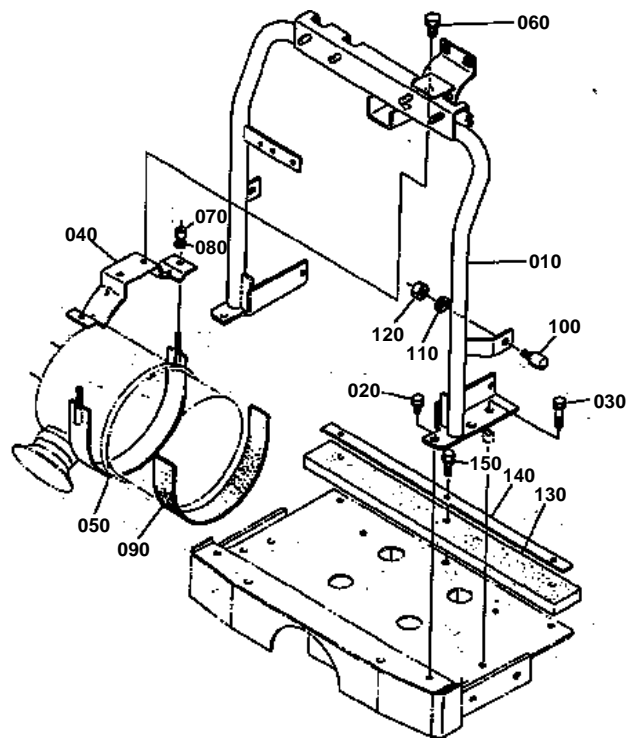


**AIR CLEANER (DOUBLE) [COMPONENT PARTS]**

↔ Interchangeable; ≠ not interchangeable; ← new for old; → old for new

| REF.No | Part No. | Description | Q'ty | S.No. | I/C | REMARKS | Weight (kgf) | Weight (lb) |
|--------|-------------|--------------------|------|-------|-----|---------|--------------|-------------|
| 010 | 15621-11020 | ASSY CLEANER AIR | 1 | | | | 6.1 | 13.42 |
| 020 | 15621-11910 | ASSY BODY | 1 | | | | 2.28 | 5.016 |
| 030 | 15621-11210 | ELEMENT | 1 | | | | 0.95 | 2.09 |
| 040 | 15621-87480 | LABEL CAUTION | 1 | | | | 0.01 | 0.022 |
| 050 | 15621-11180 | ASSY ELEMENT INNER | 1 | | | | 0.31 | 0.682 |
| 060 | 15621-94440 | ASSY GASKET | 2 | | | | 0.008 | 0.0176 |
| 070 | 15621-92640 | NUT WING | 1 | | | | 0.05 | 0.11 |
| 080 | 15621-92110 | NUT | 1 | | | | 0.03 | 0.066 |
| 090 | 15621-11160 | ASSY PAN DUST | 1 | | | | 0.89 | 1.958 |
| 100 | 15621-11410 | COVER BAFFLE | 1 | | | | 0.44 | 0.968 |
| 110 | 15621-11170 | GASKET | 1 | | | | 0.07 | 0.154 |
| 120 | 15621-87450 | PAPER | 1 | | | | 0.001 | 0.0022 |
| 130 | 15621-11600 | GUIDE AIR | 1 | | | | 0.12 | 0.264 |
| 140 | 15621-11090 | ASSY INDICATOR | 1 | | | | 0.045 | 0.099 |
| 150 | 15621-11350 | CAP AIR CLEANER | 1 | | | | 0.33 | 0.726 |

AIR CLEANER SUPPORT



00612-01

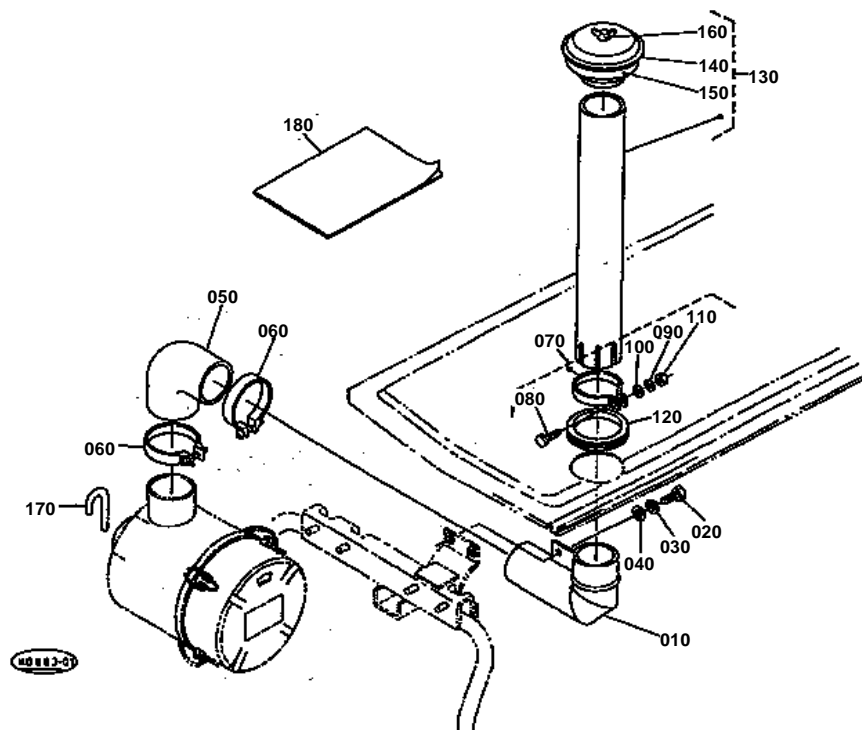


AIR CLEANER SUPPORT

↔ Interchangeable; ≠ not interchangeable; ← new for old; → old for new

| REF.No | Part No. | Description | Q'ty | S.No. | I/C | REMARKS | Weight (kgf) | Weight (lb) |
|--------|-------------|---------------------|------|-------|-----|---------|--------------|-------------|
| 010 | 35802-19130 | SUPPORT AIR CLEANER | 1 | | | | 7 | 15.4 |
| 020 | 01133-51020 | BOLT | 2 | | | | 0.02 | 0.044 |
| 030 | 01133-51050 | BOLT | 4 | | | | 0.035 | 0.077 |
| 040 | 36330-19140 | SUPPORT AIR CLEANER | 1 | | | | 0.355 | 0.781 |
| 050 | 36330-19150 | SUPPORT AIR CLEANER | 1 | | | | 0.405 | 0.891 |
| 060 | 01123-50816 | BOLT | 2 | | | | 0 | 0 |
| 070 | 02114-50080 | NUT | 2 | | | | 0.005 | 0.011 |
| 080 | 04512-50080 | WASHER SPRING | 2 | | | | 0 | 0 |
| 090 | 36330-19160 | CUSHION | 1 | | | | 0.04 | 0.088 |
| 100 | 33251-85180 | RUBBER SEAT BLOCK | 2 | | | | 0.038 | 0.0836 |
| 110 | 04512-50100 | WASHER SPRING | 2 | | | | 0 | 0 |
| 120 | 02118-50100 | NUT | 2 | | | | 0.005 | 0.011 |
| 130 | 35820-17160 | ELEMENT FRONT | 1 | | | | 0.03 | 0.066 |
| 140 | 36330-17170 | PLATE | 1 | | | | 0 | 0 |
| 150 | 01123-50830 | BOLT | 3 | | | | 0.015 | 0.033 |

PRE-CLEANER [OPTION]

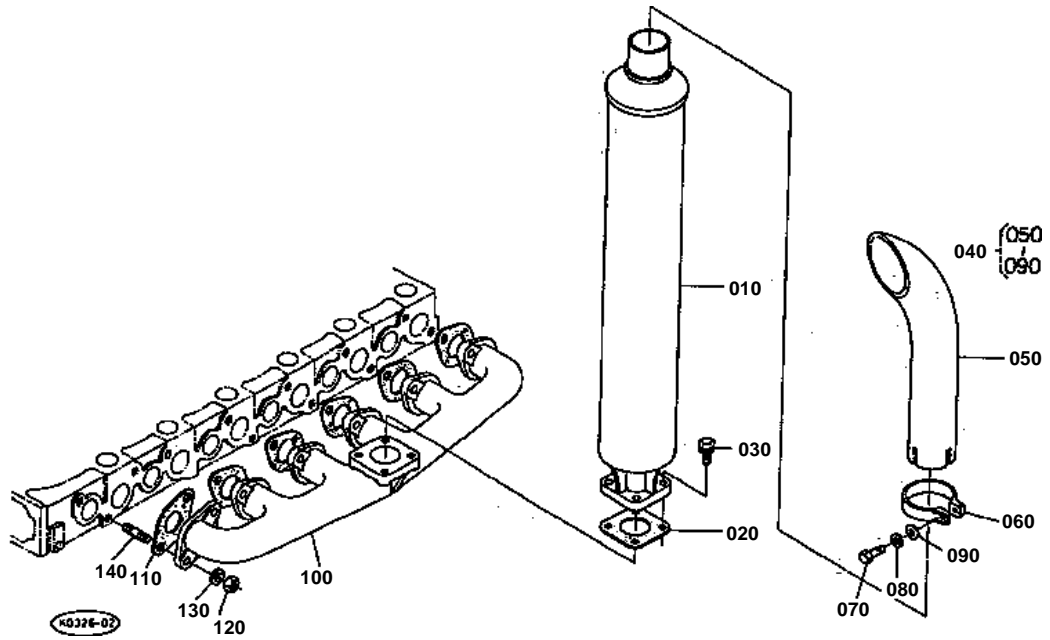


**PRE-CLEANER [OPTION]**

↔ Interchangeable; ≠ not interchangeable; ← new for old; → old for new

| REF.No | Part No. | Description | Q'ty | S.No. | I/C | REMARKS | Weight (kgf) | Weight (lb) |
|--------|-------------|---------------------|------|-------|-----|---------|--------------|-------------|
| 010 | 35802-19120 | COMP COVER DUCT | 1 | | | | 0.84 | 1.848 |
| 020 | 01152-50835 | BOLT | 4 | | | | 0.015 | 0.033 |
| 030 | 04512-50080 | WASHER SPRING | 4 | | | | 0 | 0 |
| 040 | 04013-50080 | WASHER PLAIN | 4 | | | | 0 | 0 |
| 050 | 15621-11670 | PIPE INLET | 1 | | | | 0.32 | 0.704 |
| 060 | 35466-74470 | BAND PIPE | 2 | | | | 0.05 | 0.11 |
| 070 | 35466-74530 | BAND PIPE | 1 | | | | 0.135 | 0.297 |
| 080 | 01173-51035 | BOLT | 1 | | | | 0.025 | 0.055 |
| 090 | 04512-50100 | WASHER SPRING | 1 | | | | 0 | 0 |
| 100 | 04013-50100 | WASHER PLAIN | 1 | | | | 0 | 0 |
| 110 | 02118-50100 | NUT | 1 | | | | 0.005 | 0.011 |
| 120 | 35822-19150 | COVER RUBBER | 1 | | | | 0.024 | 0.0528 |
| 130 | 15572-11990 | COMP PRE-CLEANER | 1 | | | | 2.7 | 5.94 |
| 140 | 15453-10250 | ASSY COVER | 1 | | | | 0.3 | 0.66 |
| 150 | 15453-10260 | BOWL | 1 | | | | 0.2 | 0.44 |
| 160 | 15453-11530 | NUT WING | 1 | | | | 0.005 | 0.011 |
| 170 | 15621-11810 | PIPE BREATHER | 1 | | | | 0.007 | 0.0154 |
| 180 | 35800-97770 | MANUAL CONSTRUCTION | 1 | | | | 0.001 | 0.0022 |

MUFFLER AND EXHAUST MANIFOLD



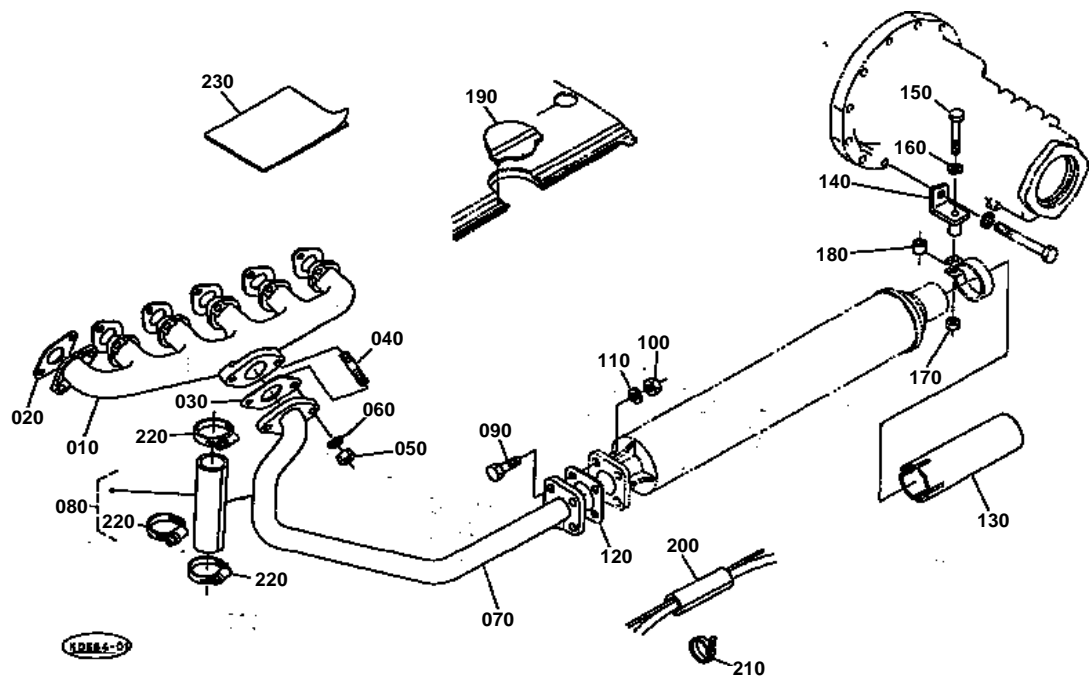


MUFFLER AND EXHAUST MANIFOLD

↔ Interchangeable; ≠ not interchangeable; ← new for old; → old for new

| REF.No | Part No. | Description | Q'ty | S.No. | I/C | REMARKS | Weight (kgf) | Weight (lb) |
|--------|-------------|--------------------|------|-------|-----|---------|--------------|-------------|
| 010 | 15621-12110 | MUFFLER | 1 | | | | 7.5 | 16.5 |
| 020 | 15621-12230 | GASKET MUFFLER | 1 | | | | 0 | 0 |
| 030 | 01133-51025 | BOLT | 4 | | | | 0.023 | 0.0506 |
| 040 | 15621-99700 | ASSY PIPE MUFFLER | 1 | | | | 1.13 | 2.486 |
| 050 | 15621-12410 | PIPE MUFFLER | 1 | | | | 0.93 | 2.046 |
| 060 | 15521-12143 | BAND MUFFLER | 1 | | | | 0.13 | 0.286 |
| 070 | 15521-91040 | BOLT | 1 | | | | 0.017 | 0.0374 |
| 080 | 15521-94070 | WASHER SPRING | 1 | | | | 0.003 | 0.0066 |
| 090 | 15521-94040 | WASHER PLAIN | 1 | | | | 0.001 | 0.0022 |
| 100 | 15621-12310 | MANIFOLD EXHAUST | 1 | | | | 4.73 | 10.406 |
| 110 | 15521-12350 | GASKET EX-MANIFOLD | 6 | | | | 0 | 0 |
| 120 | 02156-50080 | NUT | 12 | | | | 0.004 | 0.0088 |
| 130 | 04512-50080 | WASHER SPRING | 12 | | | | 0 | 0 |
| 140 | 15221-91530 | STUD | 12 | | | | 0.011 | 0.0242 |

UNDER MUFFLER [OPTION]



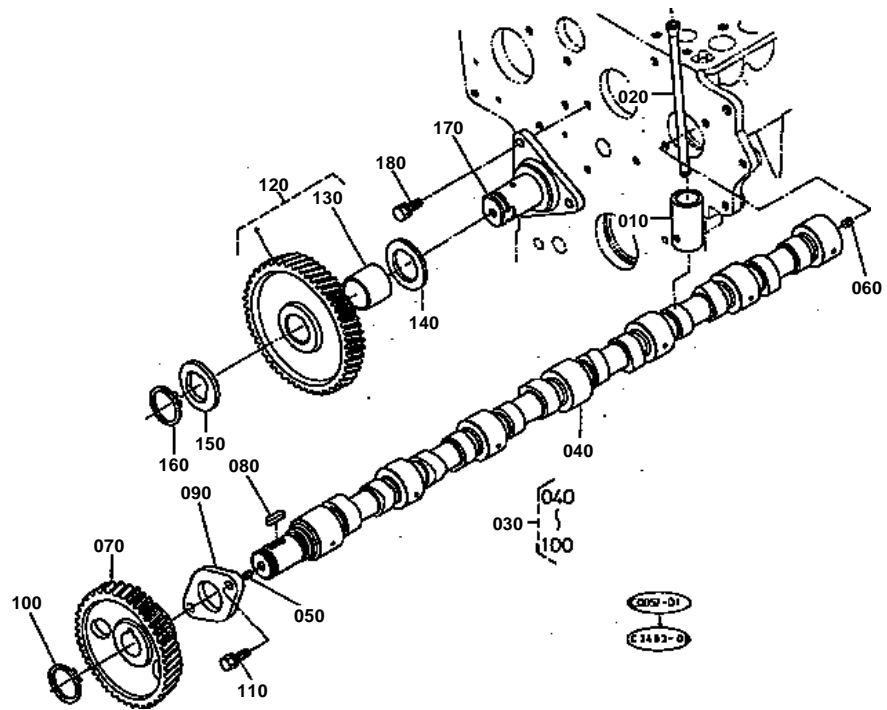


UNDER MUFFLER [OPTION]

↔ Interchangeable; ≠ not interchangeable; ← new for old; → old for new

| REF.No | Part No. | Description | Q'ty | S.No. | I/C | REMARKS | Weight (kgf) | Weight (lb) |
|--------|-------------|----------------------|------|-------|-----|---------|--------------|-------------|
| 010 | 15601-12310 | MANIFOLD EXHAUST | 1 | | | | 4.05 | 8.91 |
| 020 | 15521-12350 | GASKET EX-MANIFOLD | 6 | | | | 0 | 0 |
| 030 | 15021-12360 | GASKET MUFFLER FLANG | 1 | | | | 0 | 0 |
| 040 | 01517-51025 | STUD | 2 | | | | 0 | 0 |
| 050 | 15021-12260 | NUT | 2 | | | | 0.013 | 0.0286 |
| 060 | 04512-50100 | WASHER SPRING | 2 | | | | 0 | 0 |
| 070 | 35800-15110 | PIPE UNDER MUFFLER | 1 | | | | 3.14 | 6.908 |
| 080 | 35820-15160 | ASSY COVER | 1 | | | | 0.05 | 0.11 |
| 090 | 01173-51035 | BOLT | 4 | | | | 0.025 | 0.055 |
| 100 | 02176-50100 | NUT | 4 | | | | 0.005 | 0.011 |
| 110 | 04512-50100 | WASHER SPRING | 4 | | | | 0 | 0 |
| 120 | 15621-12230 | GASKET MUFFLER | 1 | | | | 0 | 0 |
| 130 | 35820-15120 | PIPE UNDER MUFFLER | 1 | | | | 0.5 | 1.1 |
| 140 | 35820-15130 | SUPPORT MUFFLER | 1 | | | | 0.16 | 0.352 |
| 150 | 01153-50860 | BOLT | 1 | | | | 0.024 | 0.0528 |
| 160 | 04512-50080 | WASHER SPRING | 1 | | | | 0 | 0 |
| 170 | 02156-50080 | NUT | 1 | | | | 0.004 | 0.0088 |
| 180 | 35820-15150 | COLLAR | 1 | | | | 0.02 | 0.044 |
| 190 | 35820-15140 | COVER MUFFLER HOLE | 1 | | | | 0.224 | 0.4928 |
| 200 | 35820-15170 | COVER | 1 | | | | 0.015 | 0.033 |
| 210 | 55311-41260 | BAND CORD | 1 | | | | 0.007 | 0.0154 |
| 220 | 35820-15180 | BAND | 3 | | | | 0.04 | 0.088 |
| 230 | 35820-97470 | MANUAL CONSTRUCTION | 1 | | | | 0.005 | 0.011 |

CAMSHAFT



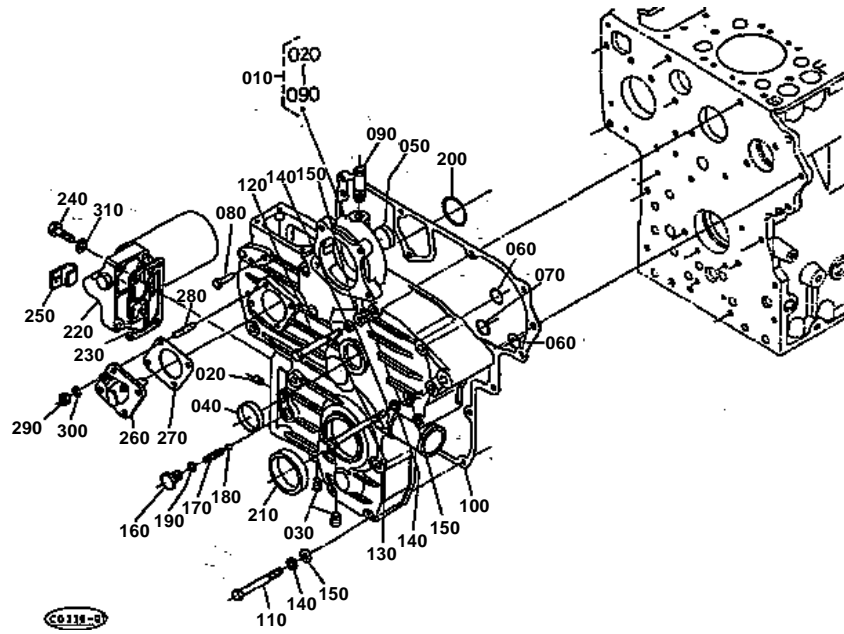


CAMSHAFT

↔ Interchangeable; ≠ not interchangeable; ← new for old; → old for new

| REF.No | Part No. | Description | Q'ty | S.No. | I/C | REMARKS | Weight (kgf) | Weight (lb) |
|--------|-------------|-------------------|------|-------|-----|---------|--------------|-------------|
| 010 | 15601-15550 | TAPPET | 12 | | | | 0.08 | 0.176 |
| 020 | 15221-15110 | PUSH ROD | 12 | | | | 0.05 | 0.11 |
| 030 | 15606-16016 | ASSY CAMSHAFT | 1 | | | | 4.16 | 9.152 |
| 040 | 15601-16030 | CAMSHAFT | 1 | | | | 3.4 | 7.48 |
| 050 | 15521-93610 | SCREW SET | 1 | | | | 0.002 | 0.0044 |
| 060 | 15601-93620 | SCREW SET | 1 | | | | 0.025 | 0.055 |
| 070 | 15221-16510 | GEAR CAMSHAFT | 1 | | | | 0.85 | 1.87 |
| 080 | 05712-00720 | KEY FEATHER | 1 | | | | 0.008 | 0.0176 |
| 090 | 15221-16270 | STOPPER CAMSHAFT | 1 | | | | 0.073 | 0.1606 |
| 100 | 04612-00240 | CIR-CLIP EXTERNAL | 1 | | | | 0.002 | 0.0044 |
| 110 | 01123-50818 | BOLT | 2 | | | | 0.012 | 0.0264 |
| 120 | 17331-24010 | COMP.GEAR IDLE | 1 | | | | 1.11 | 2.442 |
| 130 | 17331-24980 | BUSH IDLE GEAR | 1 | | | | 0.06 | 0.132 |
| 140 | 17331-24360 | COLLAR | 1 | | | | 0.02 | 0.044 |
| 150 | 17331-24370 | COLLAR | 1 | | | | 0.02 | 0.044 |
| 160 | 15451-95390 | CIR-CLIP EXTERNAL | 1 | | | | 0.007 | 0.0154 |
| 170 | 17331-24250 | SHAFT IDLE GEAR | 1 | | | | 0.575 | 1.265 |
| 180 | 01123-50818 | BOLT | 3 | | | | 0.012 | 0.0264 |

GEAR CASE



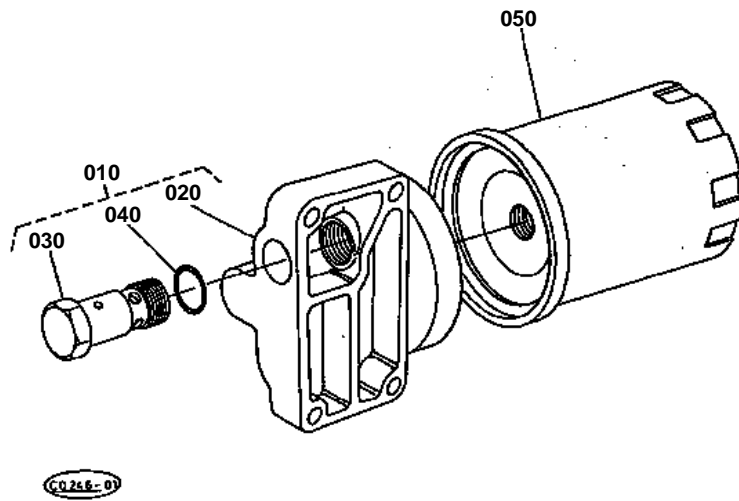


GEAR CASE

↔ Interchangeable; ≠ not interchangeable; ← new for old; → old for new

| REF.No | Part No. | Description | Q'ty | S.No. | I/C | REMARKS | Weight (kgf) | Weight (lb) |
|--------|-------------|---------------------|------|---------|-----|---------|--------------|-------------|
| 010 | 15601-04024 | COMP.CASE GEAR | 1 | <=65328 | | | 4 | 8.8 |
| 010 | 15601-04025 | COMP.CASE GEAR | 1 | >=65329 | ≠ | | 4.2 | 9.24 |
| 020 | 15221-33620 | PLUG PIN | 1 | | | | 0.002 | 0.0044 |
| 030 | 15261-96020 | PLUG | 2 | | | | 0 | 0 |
| 040 | 15221-03490 | CAP SEALING | 1 | | | | 0.02 | 0.044 |
| 050 | 15321-96260 | CAP SEALING | 1 | | | | 0.014 | 0.0308 |
| 060 | 04811-00150 | O RING | 3 | <=65328 | | | 0 | 0 |
| 060 | 04811-00150 | O RING | 2 | >=65329 | | | 0 | 0 |
| 070 | 04811-00200 | O RING | 1 | >=65329 | | | 0 | 0 |
| 080 | 15221-56280 | PIN START SPRING | 1 | | | | 0.006 | 0.0132 |
| 090 | 15321-73340 | PIPE WATER RETURN | 1 | | | | 0.016 | 0.0352 |
| 100 | 15601-04132 | GASKET GEAR CASE | 1 | <=65328 | | | 0 | 0 |
| 100 | 19819-04132 | GASKET GEAR CASE | 1 | >=65329 | ≠ | | 0 | 0 |
| 110 | 15221-91040 | BOLT | 9 | | | | 0 | 0 |
| 120 | 01053-50880 | BOLT | 1 | | | | 0.03 | 0.066 |
| 130 | 15321-91010 | BOLT | 5 | | | | 0.03 | 0.066 |
| 140 | 04512-50080 | WASHER SPRING | 15 | | | | 0 | 0 |
| 150 | 04012-50080 | WASHER PLAIN | 15 | | | | 0.001 | 0.0022 |
| 160 | 15221-38420 | CAP | 1 | | | | 0.025 | 0.055 |
| 170 | 15221-38440 | SPRING | 1 | | | | 0.004 | 0.0088 |
| 180 | 07715-00803 | BALL | 1 | | | | 0.004 | 0.0088 |
| 190 | 04810-00100 | O RING | 1 | | | | 0 | 0 |
| 200 | 04811-00360 | O RING | 1 | | | | 0 | 0 |
| 210 | 09550-00001 | SEAL OIL | 1 | | | | 0.015 | 0.033 |
| 220 | 15402-32023 | ASSY FILTER OIL | 1 | | | | 1.05 | 2.31 |
| 230 | 15213-32320 | GASKET | 1 | | | | 0 | 0 |
| 240 | 15402-91010 | BOLT | 4 | | | | 0 | 0 |
| 250 | 36200-77520 | CLAMP CORD | 1 | | | | 0.007 | 0.0154 |
| 260 | 37150-34660 | CASE H/METER DRIVE | 1 | | | | 0.32 | 0.704 |
| 270 | 15221-88130 | GASKET H/METER UNIT | 1 | | | | 0 | 0 |
| 280 | 15221-88210 | STUD | 4 | | | | 0.005 | 0.011 |
| 290 | 02056-50060 | NUT | 4 | | | | 0.002 | 0.0044 |
| 300 | 04512-50060 | WASHER SPRING | 4 | | | | 0 | 0 |
| 310 | 04512-50080 | WASHER SPRING | 4 | | | | 0 | 0 |

OIL FILTER [COMPONENT PARTS]



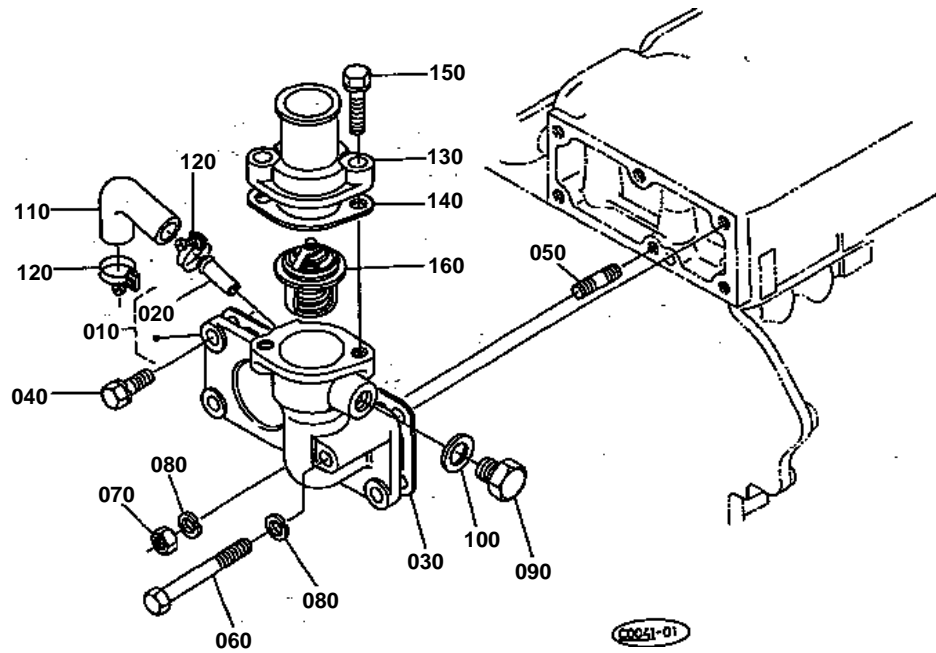


OIL FILTER [COMPONENT PARTS]

↔ Interchangeable; ≠ not interchangeable; ← new for old; → old for new

| REF.No | Part No. | Description | Q'ty | S.No. | I/C | REMARKS | Weight (kgf) | Weight (lb) |
|--------|-------------|-------------------|------|-------|-----|---------|--------------|-------------|
| 010 | 15402-32023 | ASSY FILTER OIL | 1 | | | | 1.05 | 2.31 |
| 020 | 15402-32070 | ASSY COVER | 1 | | | | 0.52 | 1.144 |
| 030 | 15213-36070 | COMP VALVE RELIEF | 1 | | | | 0.13 | 0.286 |
| 040 | 04811-00200 | O RING | 1 | | | | 0 | 0 |
| 050 | 15402-32430 | CARTRIDGE FILTER | 1 | | | | 0.5 | 1.1 |

WATER FLANGE AND THERMOSTAT



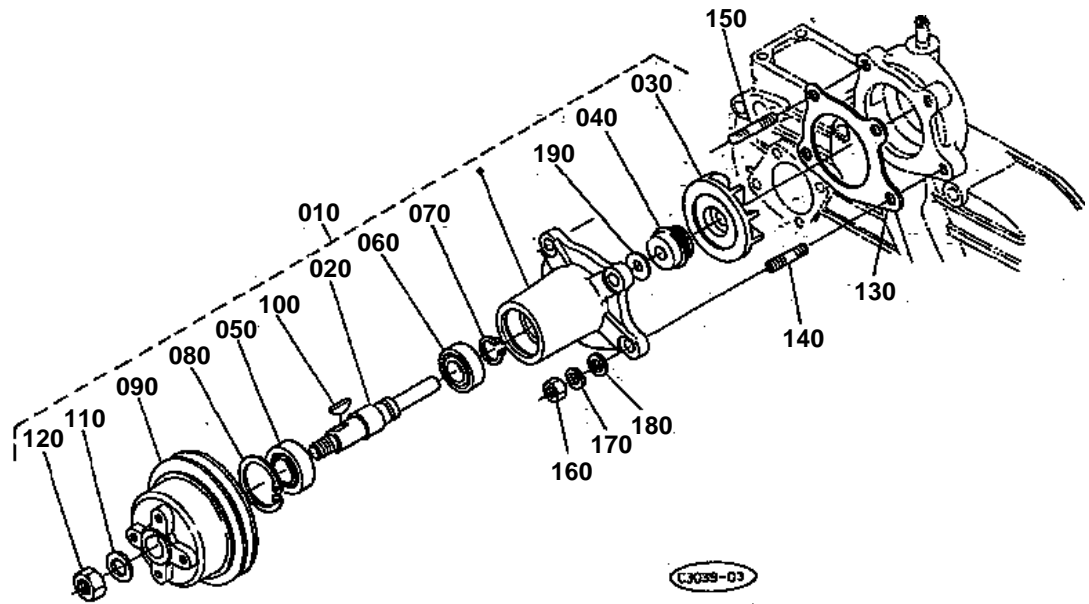


WATER FLANGE AND THERMOSTAT

↔ Interchangeable; ≠ not interchangeable; ← new for old; → old for new

| REF.No | Part No. | Description | Q'ty | S.No. | I/C | REMARKS | Weight (kgf) | Weight (lb) |
|--------|-------------|---------------------|------|-------|-----|---------|--------------|-------------|
| 010 | 15324-72700 | COMP.FLANGE WATER | 1 | | | | 0 | 0 |
| 020 | 17331-73340 | PIPE WATER RETURN | 1 | | | | 0 | 0 |
| 030 | 15601-72920 | GASKET WATER FLANGE | 1 | | | | 0 | 0 |
| 040 | 01123-50822 | BOLT | 4 | | | | 0.012 | 0.0264 |
| 050 | 01513-50822 | STUD | 1 | | | | 0.01 | 0.022 |
| 060 | 01153-50870 | BOLT | 1 | | | | 0.026 | 0.0572 |
| 070 | 02156-50080 | NUT | 1 | | | | 0.004 | 0.0088 |
| 080 | 04512-50080 | WASHER SPRING | 2 | | | | 0 | 0 |
| 090 | 15512-96010 | PLUG | 1 | | | | 0.101 | 0.2222 |
| 100 | 04717-02150 | WASHER WITH RUBBER | 1 | | | | 0.004 | 0.0088 |
| 110 | 15321-73350 | PIPE WATER RETURN | 1 | | | | 0.02 | 0.044 |
| 120 | 15109-73360 | BAND PIPE | 2 | | | | 0.01 | 0.022 |
| 130 | 15601-73260 | COVER THERMOSTAT | 1 | | | | 0.17 | 0.374 |
| 140 | 15321-73270 | GASKET | 1 | | | | 0 | 0 |
| 150 | 01123-50835 | BOLT | 2 | | | | 0.02 | 0.044 |
| 160 | 15321-73010 | ASSY THERMOSTAT | 1 | | | | 0 | 0 |

WATER PUMP



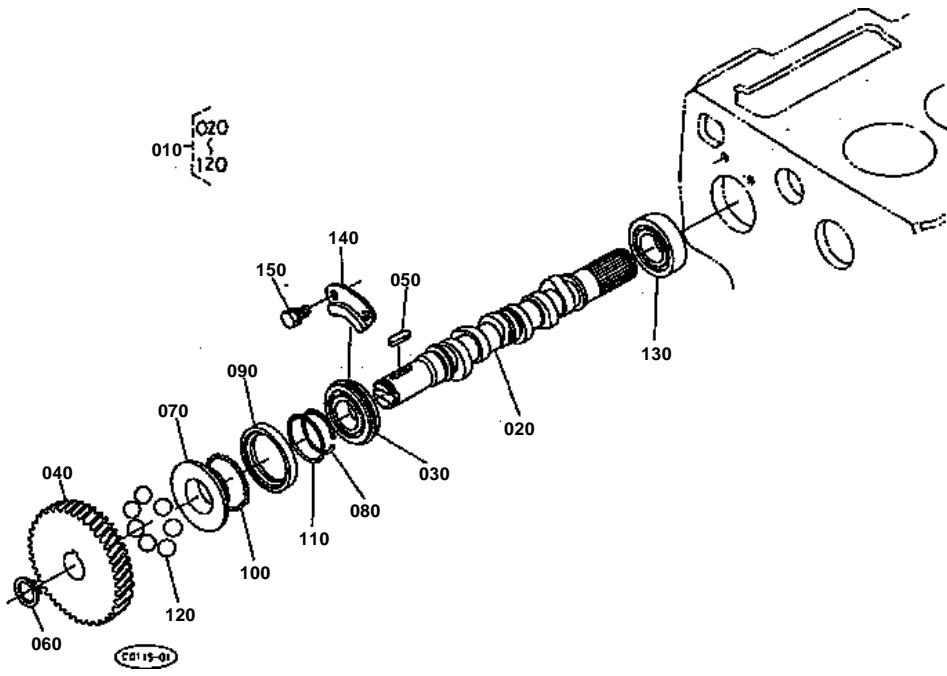


WATER PUMP

↔ Interchangeable; ≠ not interchangeable; ← new for old; → old for new

| REF.No | Part No. | Description | Q'ty | S.No. | I/C | REMARKS | Weight (kgf) | Weight (lb) |
|--------|-------------|----------------------|------|-------|-----|---------|--------------|-------------|
| 010 | 15622-73030 | ASSY PUMP WATER | 1 | | | | 1.92 | 4.224 |
| 020 | 17382-73480 | SHAFT WATER PUMP | 1 | | | | 0.1 | 0.22 |
| 030 | 17382-73510 | IMPELLER WATER PUMP | 1 | | | | 0.22 | 0.484 |
| 040 | 17382-73050 | ASSY SEAL MECHANICAL | 1 | | | | 0.03 | 0.066 |
| 050 | 08143-06302 | BEARING BALL | 1 | | | | 0.082 | 0.1804 |
| 060 | 08143-06202 | BEARING BALL | 1 | | | | 0.043 | 0.0946 |
| 070 | 04612-00150 | CIR-CLIP EXTERNAL | 1 | | | | 0.001 | 0.0022 |
| 080 | 04611-00420 | CIR-CLIP INTERNAL | 1 | | | | 0.006 | 0.0132 |
| 090 | 15622-74250 | PULLEY FAN | 1 | | | | 1.1 | 2.42 |
| 100 | 05811-00416 | KEY WOODRUFF | 1 | | | | 0.002 | 0.0044 |
| 110 | 04512-50140 | WASHER SPRING | 1 | | | | 0 | 0 |
| 120 | 02076-50140 | NUT | 1 | | | | 0.022 | 0.0484 |
| 130 | 15321-73430 | GASKET WATER PUMP | 1 | | | | 0 | 0 |
| 140 | 01518-50822 | STUD | 2 | | | | 0.012 | 0.0264 |
| 150 | 01518-50825 | STUD | 2 | | | | 0.014 | 0.0308 |
| 160 | 02056-50080 | NUT | 4 | | | | 0.005 | 0.011 |
| 170 | 04512-50080 | WASHER SPRING | 4 | | | | 0 | 0 |
| 180 | 04012-50080 | WASHER PLAIN | 4 | | | | 0.001 | 0.0022 |
| 190 | 17382-73620 | SLINGER WATER PUMP | 1 | | | | 0.003 | 0.0066 |

FUEL CAMSHAFT



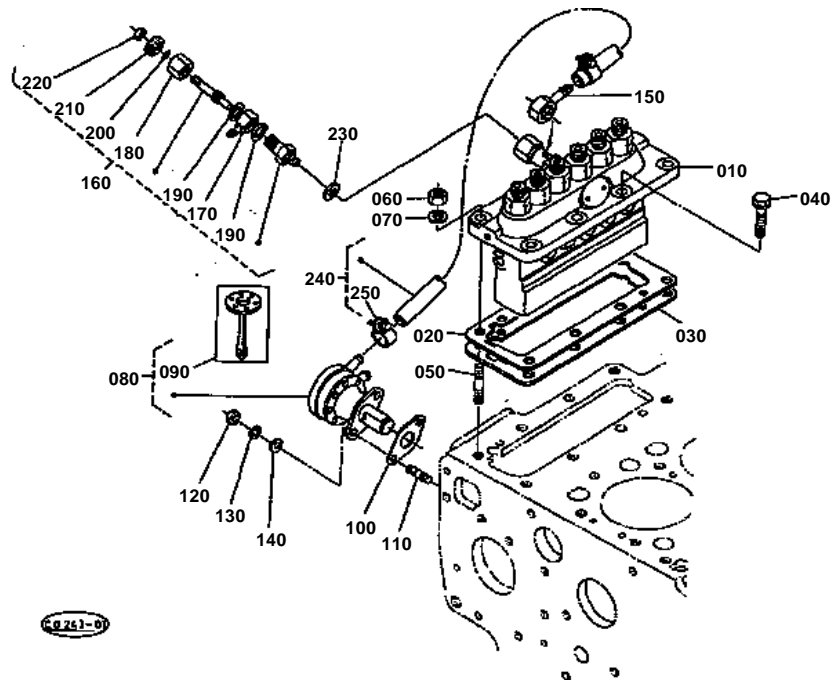


FUEL CAMSHAFT

↔ Interchangeable; ≠ not interchangeable; ← new for old; → old for new

| REF.No | Part No. | Description | Q'ty | S.No. | I/C | REMARKS | Weight (kgf) | Weight (lb) |
|--------|-------------|----------------------|------|-------|-----|---------|--------------|-------------|
| 010 | 15611-16020 | ASSY CAMSHAFT FUEL | 1 | | | | 2.8 | 6.16 |
| 020 | 15601-16170 | CAMSHAFT FUEL | 1 | | | | 1.25 | 2.75 |
| 030 | 08153-06205 | BEARING BALL | 1 | | | | 0.13 | 0.286 |
| 040 | 15611-51150 | GEAR INJECTION PUMP | 1 | | | | 1.035 | 2.277 |
| 050 | 05712-00525 | KEY FEATHER | 1 | | | | 0.005 | 0.011 |
| 060 | 04612-00240 | CIR-CLIP EXTERNAL | 1 | | | | 0.002 | 0.0044 |
| 070 | 15611-55450 | SLEEVE GOVERNOR | 1 | | | | 0.117 | 0.2574 |
| 080 | 15221-55470 | CIR-CLIP GOV. SLEEVE | 1 | | | | 0.003 | 0.0066 |
| 090 | 15611-55690 | CASE GOVERNOR BALL | 1 | | | | 0.03 | 0.066 |
| 100 | 07715-03205 | BALL | 39 | | | | 0.001 | 0.0022 |
| 110 | 15221-55740 | CIR-CLIP | 1 | | | | 0.002 | 0.0044 |
| 120 | 07715-00403 | BALL | 7 | | | | 0.03 | 0.066 |
| 130 | 08240-00001 | BEARING BALL | 1 | | | | 0.19 | 0.418 |
| 140 | 15221-16320 | STOPPER | 1 | | | | 0.02 | 0.044 |
| 150 | 01123-50814 | BOLT | 2 | | | | 0 | 0 |

INJECTION PUMP



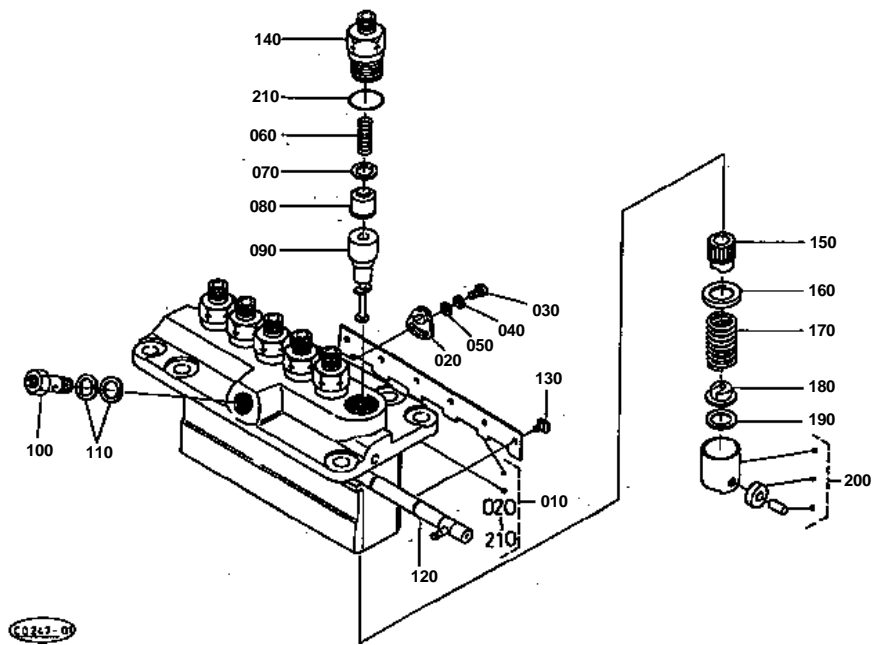


INJECTION PUMP

↔ Interchangeable; ≠ not interchangeable; ← new for old; → old for new

| REF.No | Part No. | Description | Q'ty | S.No. | I/C | REMARKS | Weight (kgf) | Weight (lb) |
|--------|-------------|---------------------|------|-------|-----|---------|--------------|-------------|
| 010 | 15601-51010 | ASSY PUMP INJECTION | 1 | | | | 3.9 | 8.58 |
| 020 | 17301-52120 | SHIM | 2 | | | 0.30mm | 0.001 | 0.0022 |
| 030 | 15601-52110 | SHIM INJECTION PUMP | 1 | | | 0.15mm | 0.01 | 0.022 |
| 040 | 01123-50822 | BOLT | 6 | | | | 0.012 | 0.0264 |
| 050 | 01513-50822 | STUD | 2 | | | | 0.01 | 0.022 |
| 060 | 02156-50080 | NUT | 2 | | | | 0.004 | 0.0088 |
| 070 | 04512-50080 | WASHER SPRING | 2 | | | | 0 | 0 |
| 080 | 15381-52030 | ASSY PUMP FUEL | 1 | | | | 0 | 0 |
| 090 | 15381-52040 | COMP.DIAPHRAGM | 1 | | | | 0 | 0 |
| 100 | 15241-52140 | GASKET FUEL PUMP | 1 | | | | 0 | 0 |
| 110 | 01513-50616 | STUD | 2 | | | | 0.004 | 0.0088 |
| 120 | 02056-50060 | NUT | 2 | | | | 0.002 | 0.0044 |
| 130 | 04512-50060 | WASHER SPRING | 2 | | | | 0 | 0 |
| 140 | 04012-50060 | WASHER PLAIN | 2 | | | | 0.001 | 0.0022 |
| 150 | 15401-95690 | JOINT | 1 | | | | 0.04 | 0.088 |
| 160 | 15401-51900 | ASSY COCK | 1 | | | | 0.075 | 0.165 |
| 170 | 15401-95680 | JOINT | 1 | | | | 0.01 | 0.022 |
| 180 | 15401-92320 | NUT CAP | 1 | | | | 0.015 | 0.033 |
| 190 | 15221-96650 | GASKET | 2 | | | | 0.001 | 0.0022 |
| 200 | 04811-00040 | O RING | 1 | | | | 0 | 0 |
| 210 | 14311-60540 | KNOB | 1 | | | | 0.015 | 0.033 |
| 220 | 02054-50040 | NUT | 1 | | | | 0.001 | 0.0022 |
| 230 | 15021-33660 | GASKET | 1 | | | | 0.001 | 0.0022 |
| 240 | 15401-42010 | ASSY PIPE FUEL | 1 | | | | 0.04 | 0.088 |
| 250 | 14301-42750 | CLIP PIPE | 2 | | | | 0.005 | 0.011 |

INJECTION PUMP [COMPONENT PARTS]



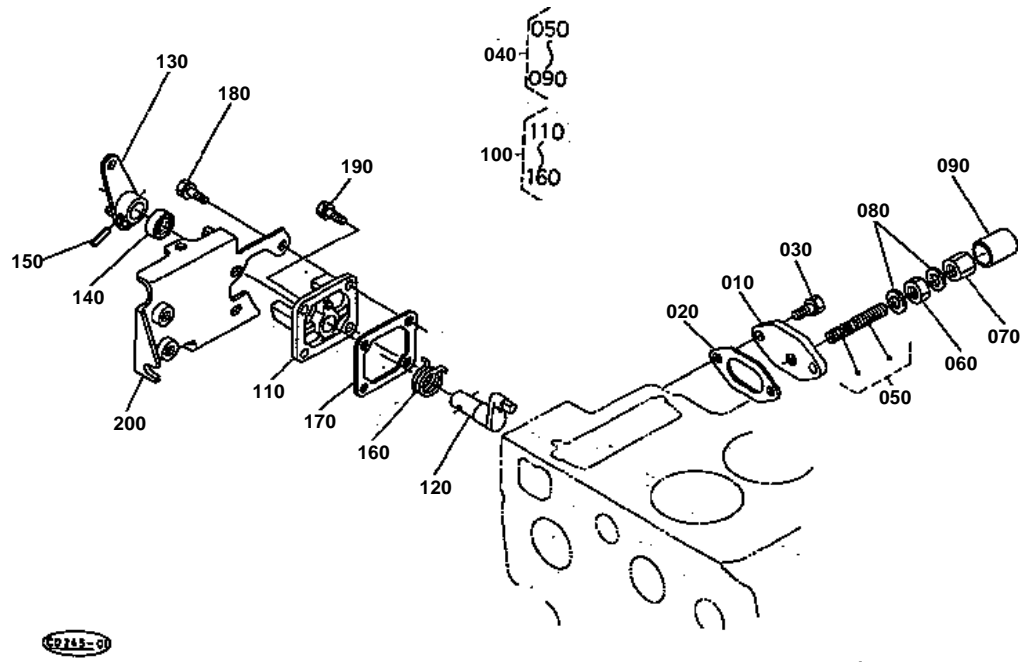


INJECTION PUMP [COMPONENT PARTS]

↔ Interchangeable; ≠ not interchangeable; ← new for old; → old for new

| REF.No | Part No. | Description | Q'ty | S.No. | I/C | REMARKS | Weight (kgf) | Weight (lb) |
|--------|-------------|---------------------|------|-------|-----|---------|--------------|-------------|
| 010 | 15601-51010 | ASSY PUMP INJECTION | 1 | | | | 3.9 | 8.58 |
| 020 | 14384-51390 | PLATE ADJUSTING | 5 | | | | 0.006 | 0.0132 |
| 030 | 15221-91030 | BOLT | 5 | | | | 0 | 0 |
| 040 | 14952-51550 | WASHER WAVE | 5 | | | | 0.002 | 0.0044 |
| 050 | 04013-50060 | WASHER PLAIN | 5 | | | | 0 | 0 |
| 060 | 15221-51230 | SPRING DELIV.VALVE | 6 | | | | 0.002 | 0.0044 |
| 070 | 15221-51240 | GASKET DELIV.VALVE | 6 | | | | 0.001 | 0.0022 |
| 080 | 15221-51030 | VALVE DELIVERY | 6 | | | | 0.012 | 0.0264 |
| 090 | 15221-51050 | PLUNGER PUMP | 6 | | | | 0.053 | 0.1166 |
| 100 | 15401-51320 | SCREW FOLLOW | 1 | | | | 0.032 | 0.0704 |
| 110 | 15401-96650 | GASKET | 2 | | | | 0.001 | 0.0022 |
| 120 | 15601-51060 | RACK CONTROL | 1 | | | | 0.065 | 0.143 |
| 130 | 15221-51250 | PIN TAPPET GUIDE | 6 | | | | 0.001 | 0.0022 |
| 140 | 15601-51220 | HOLDER DELIV.VALVE | 6 | | | | 0.055 | 0.121 |
| 150 | 15221-51382 | SLEEVE CONTROL | 6 | | | | 0.011 | 0.0242 |
| 160 | 15221-51270 | SEAT SPRING UPPER | 6 | | | | 0.004 | 0.0088 |
| 170 | 15221-51280 | SPRING PLUNGER | 6 | | | | 0.015 | 0.033 |
| 180 | 15221-51290 | SEAT SPRING LOWER | 6 | | | | 0.01 | 0.022 |
| 190 | 15221-51490 | SHIM | 6 | | | | 0.002 | 0.0044 |
| 200 | 15221-51070 | ASSY TAPPET | 6 | | | | 0.039 | 0.0858 |
| 210 | 14611-51200 | O RING | 6 | | | | 0.001 | 0.0022 |

ENGINE STOP LEVER



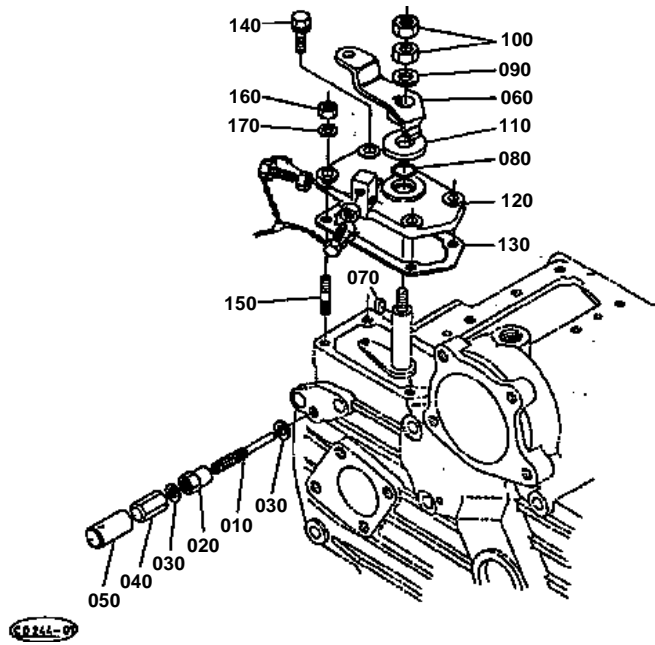


ENGINE STOP LEVER

↔ Interchangeable; ≠ not interchangeable; ← new for old; → old for new

| REF.No | Part No. | Description | Q'ty | S.No. | I/C | REMARKS | Weight (kgf) | Weight (lb) |
|--------|-------------|----------------------|------|---------|-----|---------|--------------|-------------|
| 010 | 15401-01930 | COVER | 1 | <=65328 | | | 0.09 | 0.198 |
| 010 | 15621-01930 | COVER | 1 | >=65329 | ≠ | | 0.08 | 0.176 |
| 020 | 15221-05430 | GASKET | 1 | <=65328 | | | 0 | 0 |
| 020 | 15621-05430 | GASKET | 1 | >=65329 | ≠ | | 0 | 0 |
| 030 | 01023-50616 | BOLT | 2 | | | | 0.005 | 0.011 |
| 040 | 15601-54090 | ASSY APPARATUS I/D. | 1 | | | | 0.04 | 0.088 |
| 050 | 15601-54100 | ASSY BOLT ADJUSTING | 1 | | | | 0.01 | 0.022 |
| 060 | 15401-92010 | NUT | 1 | | | | 0.01 | 0.022 |
| 070 | 15521-92330 | NUT CAP | 1 | | | | 0.02 | 0.044 |
| 080 | 15021-33660 | GASKET | 2 | | | | 0.001 | 0.0022 |
| 090 | 15521-54270 | CAP | 1 | | | | 0.003 | 0.0066 |
| 100 | 19223-57702 | ASSY LEVER ENG.STOP | 1 | | | | 0.18 | 0.396 |
| 110 | 15471-51652 | COVER INJECTION PUMP | 1 | | | | 0.02 | 0.044 |
| 120 | 15471-57740 | SHAFT LEVER | 1 | | | | 0 | 0 |
| 130 | 19223-57720 | LEVER ENGINE STOP | 1 | | | | 0 | 0 |
| 140 | 15471-57980 | SEAL OIL | 1 | | | | 0.001 | 0.0022 |
| 150 | 05411-00420 | PIN SPRING | 1 | | | | 0.001 | 0.0022 |
| 160 | 15471-57920 | SPRING RETURN | 1 | | | | 0.005 | 0.011 |
| 170 | 15221-51660 | GASKET PUMP COVER | 1 | | | | 0 | 0 |
| 180 | 01023-50622 | BOLT | 3 | | | | 0.005 | 0.011 |
| 190 | 01023-50618 | BOLT | 1 | | | | 0.006 | 0.0132 |
| 200 | 15471-60110 | SUPPORT SOLENOID | 1 | | | | 0.295 | 0.649 |

SPEED CONTROL PLATE



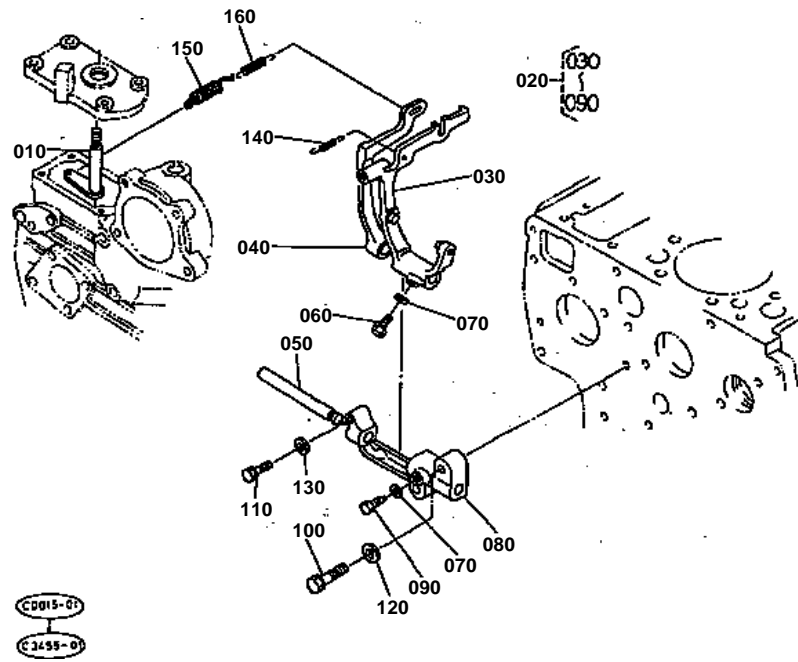


SPEED CONTROL PLATE

↔ Interchangeable; ≠ not interchangeable; ← new for old; → old for new

| REF.No | Part No. | Description | Q'ty | S.No. | I/C | REMARKS | Weight (kgf) | Weight (lb) |
|--------|-------------|---------------------|------|-------|-----|---------|--------------|-------------|
| 010 | 15601-54120 | BOLT ADJUSTING | 1 | | | | 0.011 | 0.0242 |
| 020 | 15601-92010 | NUT | 1 | | | | 0 | 0 |
| 030 | 15601-96650 | GASKET | 2 | | | | 0.001 | 0.0022 |
| 040 | 15841-14620 | NUT CAP | 1 | | | | 0.01 | 0.022 |
| 050 | 16241-54420 | CAP | 1 | | | | 0.004 | 0.0088 |
| 060 | 15469-57150 | LEVER SPEED CONTROL | 1 | | | | 0.06 | 0.132 |
| 070 | 05712-00408 | KEY FEATHER | 1 | | | | 0.001 | 0.0022 |
| 080 | 04811-00120 | O RING | 1 | | | | 0 | 0 |
| 090 | 04013-50080 | WASHER PLAIN | 1 | | | | 0 | 0 |
| 100 | 02112-50080 | NUT | 2 | | | | 0.003 | 0.0066 |
| 110 | 17011-57384 | COLLAR | 1 | | | | 0.03 | 0.066 |
| 120 | 15521-57114 | PLATE SPEED CONTROL | 1 | | | | 0 | 0 |
| 130 | 17331-57210 | GASKET | 1 | | | | 0 | 0 |
| 140 | 01023-50620 | BOLT | 2 | | | | 0.006 | 0.0132 |
| 150 | 15221-88210 | STUD | 2 | | | | 0.005 | 0.011 |
| 160 | 02056-50060 | NUT | 2 | | | | 0.002 | 0.0044 |
| 170 | 04512-50060 | WASHER SPRING | 2 | | | | 0 | 0 |

GOVERNOR



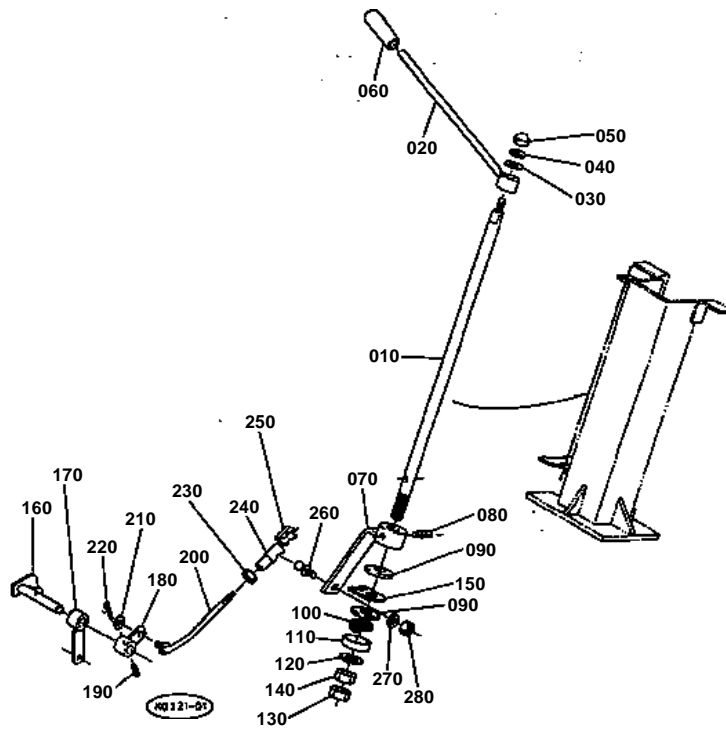


GOVERNOR

↔ Interchangeable; ≠ not interchangeable; ← new for old; → old for new

| REF.No | Part No. | Description | Q'ty | S.No. | I/C | REMARKS | Weight (kgf) | Weight (lb) |
|--------|-------------|---------------------|------|-------|-----|---------|--------------|-------------|
| 010 | 15601-56020 | COMP.LEVER GOVERNOR | 1 | | | | 0.055 | 0.121 |
| 020 | 15621-56050 | ASSY LEVER FORK | 1 | | | | 0.4 | 0.88 |
| 030 | 15621-56040 | COMP.LEVER FORK | 1 | | | | 0.2 | 0.44 |
| 040 | 15611-56130 | LEVER FORK | 1 | | | | 0.07 | 0.154 |
| 050 | 15221-56150 | SHAFT FORK LEVER | 1 | | | | 0.1 | 0.22 |
| 060 | 15021-56240 | BOLT LEVER SHAFT | 1 | | | | 0.005 | 0.011 |
| 070 | 04512-50060 | WASHER SPRING | 2 | | | | 0 | 0 |
| 080 | 15221-56230 | HOLDER FORK LEVER | 1 | | | | 0.1 | 0.22 |
| 090 | 15221-66410 | BOLT | 1 | | | | 0.005 | 0.011 |
| 100 | 01123-50832 | BOLT | 2 | | | | 0.016 | 0.0352 |
| 110 | 01023-50628 | BOLT | 1 | | | | 0.015 | 0.033 |
| 120 | 04012-50080 | WASHER PLAIN | 2 | | | | 0.001 | 0.0022 |
| 130 | 04012-50060 | WASHER PLAIN | 1 | | | | 0.001 | 0.0022 |
| 140 | 15611-56480 | SPRING START | 1 | | | | 0.001 | 0.0022 |
| 150 | 15611-56410 | SPRING GOVERNOR | 1 | | | | 0.005 | 0.011 |
| 160 | 15611-56420 | SPRING GOVERNOR | 1 | | | | 0.002 | 0.0044 |

HAND ACCELERATOR



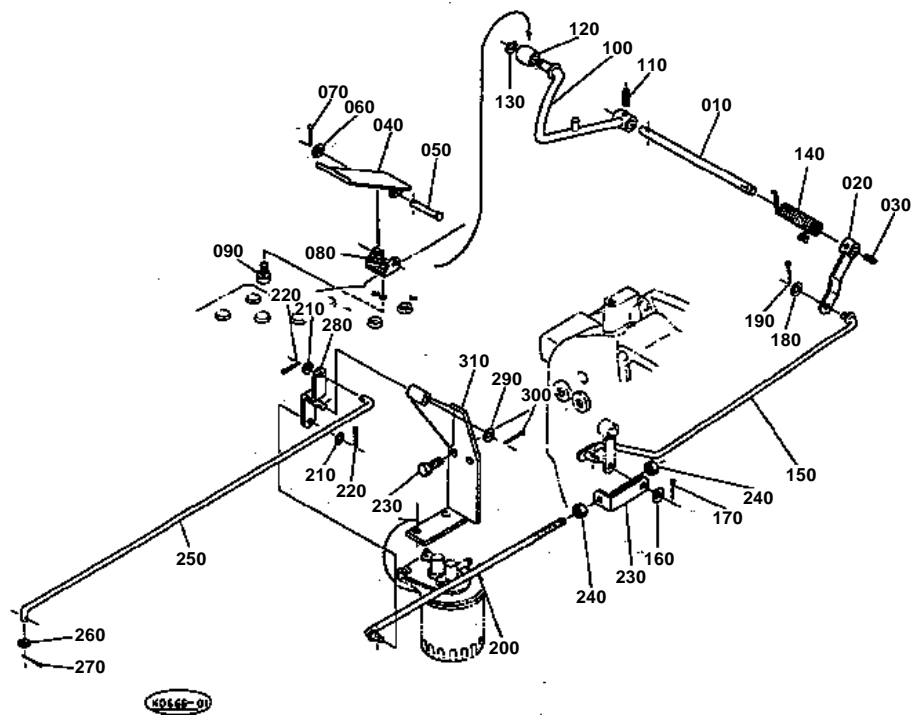


HAND ACCELERATOR

↔ Interchangeable; ≠ not interchangeable; ← new for old; → old for new

| REF.No | Part No. | Description | Q'ty | S.No. | I/C | REMARKS | Weight (kgf) | Weight (lb) |
|--------|-------------|---------------------|------|-------|-----|---------|--------------|-------------|
| 010 | 36330-10110 | LEVER HANDLE ACCEL | 1 | | | | 0.375 | 0.825 |
| 020 | 36330-10220 | LEVER ACCEL.HAND | 1 | | | | 0.175 | 0.385 |
| 030 | 04013-50080 | WASHER PLAIN | 1 | | | | 0 | 0 |
| 040 | 04512-50080 | WASHER SPRING | 1 | | | | 0 | 0 |
| 050 | 62633-54280 | NUT CAP | 1 | | | | 0.008 | 0.0176 |
| 060 | 06914-00100 | GRIP LEVER | 1 | | | | 0.02 | 0.044 |
| 070 | 36330-10390 | LEVER ARM | 1 | | | | 0.065 | 0.143 |
| 080 | 05411-00630 | PIN SPRING | 1 | | | | 0.004 | 0.0088 |
| 090 | 33251-10260 | DISK FRICTION | 2 | | | | 0 | 0 |
| 100 | 33251-10320 | SPRING ACCEL.LEVER | 1 | | | | 0.012 | 0.0264 |
| 110 | 33251-10270 | CAP SPRING | 1 | | | | 0.01 | 0.022 |
| 120 | 04013-50120 | WASHER PLAIN | 1 | | | | 0 | 0 |
| 130 | 02172-50120 | NUT | 1 | | | | 0.01 | 0.022 |
| 140 | 02174-50120 | NUT | 1 | | | | 0.01 | 0.022 |
| 150 | 36330-10380 | PLATE ACCEL.LEVER | 1 | | | | 0.033 | 0.0726 |
| 160 | 36330-10210 | SHAFT ACCEL. | 1 | | | | 0.065 | 0.143 |
| 170 | 36330-10160 | LEVER PEDAL CONTROL | 1 | | | | 0.05 | 0.11 |
| 180 | 36330-10170 | LEVER ACCEL.CONTROL | 1 | | | | 0.04 | 0.088 |
| 190 | 05411-00320 | PIN SPRING | 1 | | | | 0.001 | 0.0022 |
| 200 | 36330-10120 | ROD ACCEL. | 1 | | | | 0.02 | 0.044 |
| 210 | 04013-50050 | WASHER PLAIN | 1 | | | | 0 | 0 |
| 220 | 05511-50215 | PIN SPLIT | 1 | | | | 0.001 | 0.0022 |
| 230 | 02054-50050 | NUT | 1 | | | | 0.002 | 0.0044 |
| 240 | 33251-10360 | JOINT ACCEL.LEVER | 1 | | | | 0.015 | 0.033 |
| 250 | 33251-10370 | SPRING | 1 | | | | 0.002 | 0.0044 |
| 260 | 33251-10380 | PIN JOINT | 1 | | | | 0.005 | 0.011 |
| 270 | 04512-50050 | WASHER SPRING | 1 | | | | 0 | 0 |
| 280 | 02054-50050 | NUT | 1 | | | | 0.002 | 0.0044 |

ACCELERATOR PEDAL



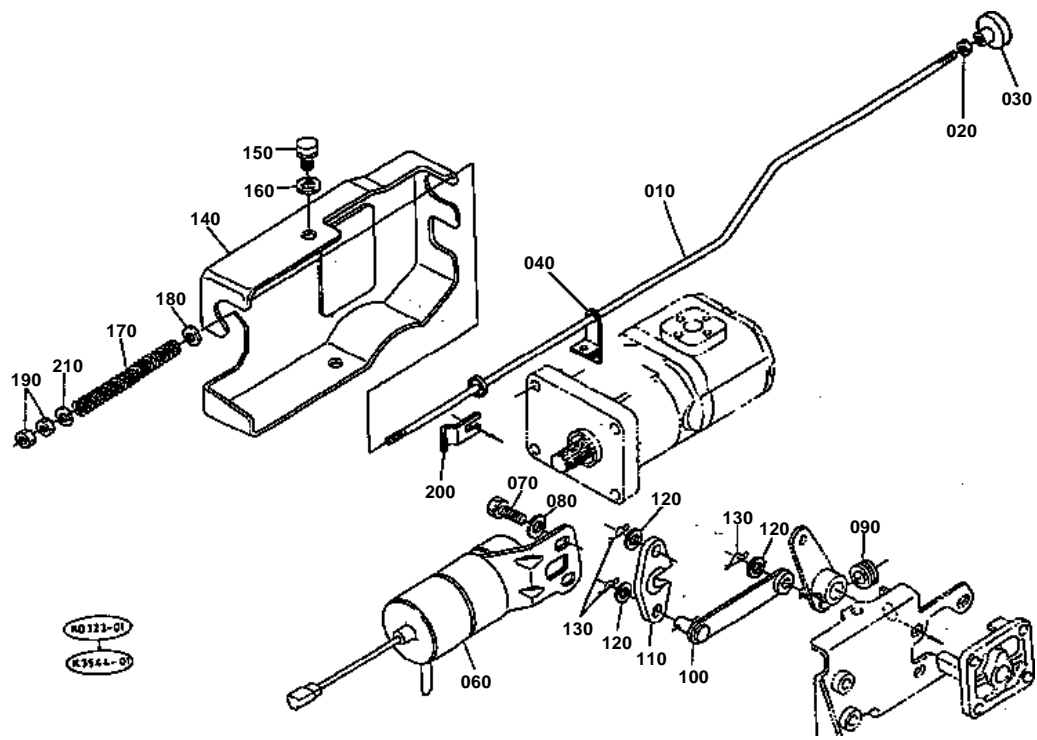


ACCELERATOR PEDAL

↔ Interchangeable; ≠ not interchangeable; ← new for old; → old for new

| REF.No | Part No. | Description | Q'ty | S.No. | I/C | REMARKS | Weight (kgf) | Weight (lb) |
|--------|-------------|--------------------|------|-------|-----|---------|--------------|-------------|
| 010 | 36330-10130 | SHAFT ACCEL.PEDAL | 1 | | | | 0.12 | 0.264 |
| 020 | 36330-10140 | LEVER PEDAL SHAFT | 1 | | | | 0.07 | 0.154 |
| 030 | 05411-00520 | PIN SPRING | 1 | | | | 0.002 | 0.0044 |
| 040 | 36330-10240 | PEDAL ACCEL. | 1 | | | | 0.175 | 0.385 |
| 050 | 05122-50645 | PIN JOINT | 1 | | | | 0.01 | 0.022 |
| 060 | 04013-50060 | WASHER PLAIN | 1 | | | | 0 | 0 |
| 070 | 05511-51612 | PIN SPLIT | 1 | | | | 0.001 | 0.0022 |
| 080 | 36330-10180 | HOLDER ACCEL.PEDAL | 1 | | | | 0.025 | 0.055 |
| 090 | 01202-50612 | BOLT | 2 | | | | 0.005 | 0.011 |
| 100 | 36330-10190 | LEVER ACCEL.PEDAL | 1 | | | | 0.185 | 0.407 |
| 110 | 05411-00520 | PIN SPRING | 1 | | | | 0.002 | 0.0044 |
| 120 | 36330-10230 | COLLAR ACCEL PEDAL | 1 | | | | 0.001 | 0.0022 |
| 130 | 04613-00070 | CIR-CLIP EXTERNAL | 1 | | | | 0 | 0 |
| 140 | 36330-10282 | SPRING ACCEL.PEDAL | 1 | | | | 0.06 | 0.132 |
| 150 | 36330-10153 | ROD ACCEL.PEDAL | 1 | | | | 0.11 | 0.242 |
| 160 | 04013-50050 | WASHER PLAIN | 1 | | | | 0 | 0 |
| 170 | 05511-51210 | PIN SPLIT | 1 | | | | 0.001 | 0.0022 |
| 180 | 04013-50060 | WASHER PLAIN | 1 | | | | 0 | 0 |
| 190 | 05511-51612 | PIN SPLIT | 1 | | | | 0.001 | 0.0022 |
| 200 | 36220-10100 | ROD ACCEL.CONTROL | 1 | | | | 0.129 | 0.2838 |
| 210 | 04013-50060 | WASHER PLAIN | 2 | | | | 0 | 0 |
| 220 | 05511-51612 | PIN SPLIT | 2 | | | | 0.001 | 0.0022 |
| 230 | 33430-10250 | END ACCEL.ROD | 1 | | | | 0.025 | 0.055 |
| 240 | 02014-50060 | NUT | 2 | | | | 0.002 | 0.0044 |
| 250 | 36220-10480 | ROD ACCEL.CONTROL | 1 | | | | 0.055 | 0.121 |
| 260 | 04012-50060 | WASHER PLAIN | 1 | | | | 0.001 | 0.0022 |
| 270 | 05511-51615 | PIN SPLIT | 1 | | | | 0.001 | 0.0022 |
| 280 | 36220-10470 | LEVER CONTROL ROD | 1 | | | | 0.07 | 0.154 |
| 290 | 04011-50100 | WASHER PLAIN | 1 | | | | 0.002 | 0.0044 |
| 300 | 05511-50318 | PIN SPLIT | 1 | | | | 0.001 | 0.0022 |
| 310 | 36230-10460 | BRACKET | 1 | | | | 0.6 | 1.32 |
| 320 | 01133-51020 | BOLT | 2 | | | | 0.02 | 0.044 |

ENGINE STOP ROD



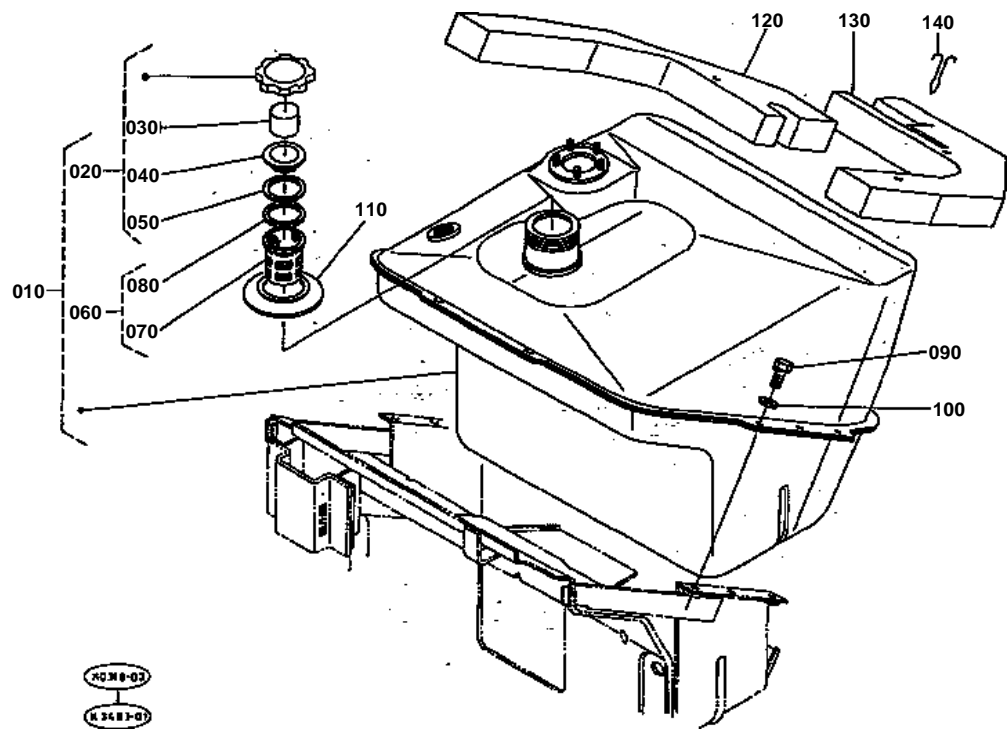


ENGINE STOP ROD

↔ Interchangeable; ≠ not interchangeable; ← new for old; → old for new

| REF.No | Part No. | Description | Q'ty | S.No. | I/C | REMARKS | Weight (kgf) | Weight (lb) |
|--------|-------------|--------------------|------|-------|-----|---------|--------------|-------------|
| 010 | 35800-10340 | ROD ENGINE STOP | 1 | | | | 0.23 | 0.506 |
| 020 | 02014-50060 | NUT | 1 | | | | 0.002 | 0.0044 |
| 030 | 35260-17160 | KNOB | 1 | | | | 0.015 | 0.033 |
| 040 | 36230-10350 | SUPPORT STOP ROD | 1 | | | | 0.04 | 0.088 |
| 050 | 99999-99999 | BLANK | 0 | | | | 0 | 0 |
| 060 | 15471-60010 | SOLENOID STOP | 1 | | | | 0.35 | 0.77 |
| 070 | 01123-50816 | BOLT | 2 | | | | 0 | 0 |
| 080 | 04012-50080 | WASHER PLAIN | 2 | | | | 0.001 | 0.0022 |
| 090 | 66591-54580 | RUBBER RELEASE ROD | 1 | | | | 0.003 | 0.0066 |
| 100 | 17331-60150 | LEVER STOP | 1 | | | | 0.025 | 0.055 |
| 110 | 15471-60162 | LEVER STOP | 1 | | | | 0.007 | 0.0154 |
| 120 | 04012-50060 | WASHER PLAIN | 3 | | | | 0.001 | 0.0022 |
| 130 | 15471-94810 | PIN SNAP | 3 | | | | 0 | 0 |
| 140 | 15461-60120 | COVER SOLENOID | 1 | | | | 0.16 | 0.352 |
| 150 | 01023-50612 | BOLT | 2 | | | | 0.005 | 0.011 |
| 160 | 04012-50060 | WASHER PLAIN | 2 | | | | 0.001 | 0.0022 |
| 170 | 15471-60250 | SPRING | 1 | | | | 0.005 | 0.011 |
| 180 | 04012-50060 | WASHER PLAIN | 1 | | | | 0.001 | 0.0022 |
| 190 | 02012-50060 | NUT | 2 | | | | 0 | 0 |
| 200 | 38430-17180 | SPRING | 1 | | | | 0.1 | 0.22 |
| 210 | 04013-50060 | WASHER PLAIN | 1 | | | | 0 | 0 |

FUEL TANK



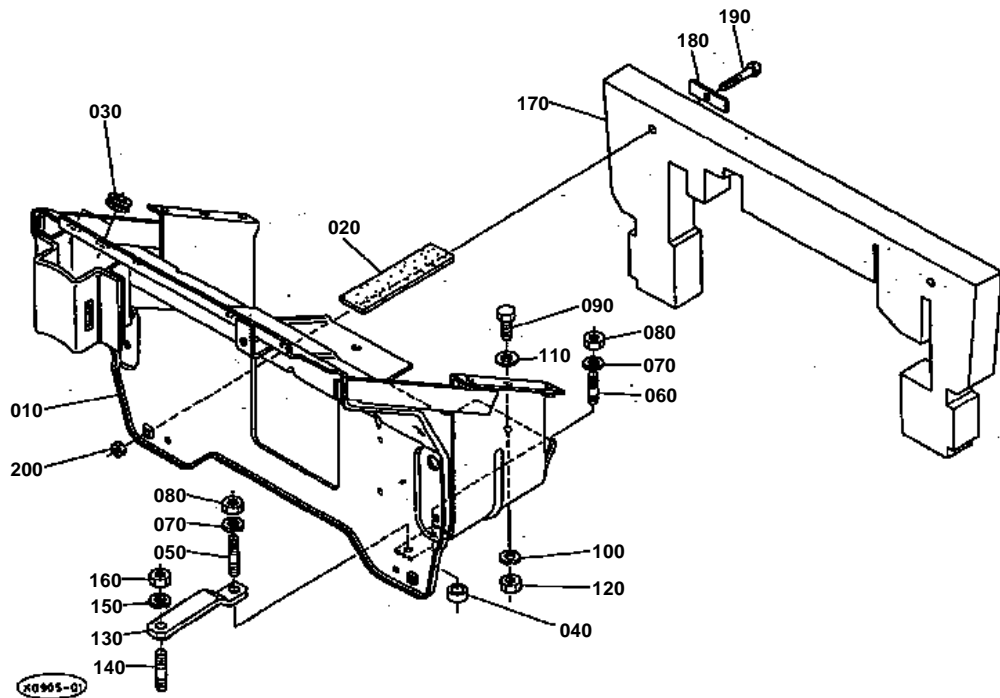


FUEL TANK

↔ Interchangeable; ≠ not interchangeable; ← new for old; → old for new

| REF.No | Part No. | Description | Q'ty | S.No. | I/C | REMARKS | Weight (kgf) | Weight (lb) |
|--------|-------------|--------------------|------|-------|-----|---------|--------------|-------------|
| 010 | 36330-04103 | COMP.TANK FUEL | 1 | | | | 12 | 26.4 |
| 020 | 38240-35200 | ASSY CAP FUEL TANK | 1 | | | | 0.06 | 0.132 |
| 030 | 34150-35240 | SPONGE | 1 | | | | 0.001 | 0.0022 |
| 040 | 34150-35230 | GASKET | 1 | | | | 0.01 | 0.022 |
| 050 | 34150-35180 | GASKET | 1 | | | | 0.001 | 0.0022 |
| 060 | 35450-41060 | ASSY FILTER FUEL | 1 | | | | 0.01 | 0.022 |
| 070 | 35450-41350 | FILTER FUEL | 1 | | | | 0 | 0 |
| 080 | 10211-41340 | GASKET | 1 | | | | 0.003 | 0.0066 |
| 090 | 01123-50825 | BOLT | 6 | | | | 0.013 | 0.0286 |
| 100 | 04015-50080 | WASHER PLAIN | 6 | | | | 0 | 0 |
| 110 | 36330-04120 | CAP | 1 | | | | 0.015 | 0.033 |
| 120 | 36330-04230 | ELEMENT FUEL RH | 1 | | | | 0.075 | 0.165 |
| 130 | 36330-04240 | ELEMENT FUEL LH | 1 | | | | 0.08 | 0.176 |
| 140 | 36330-04270 | RETAINER ELEMENT | 4 | | | | 0.001 | 0.0022 |

FUEL TANK SUPPORT



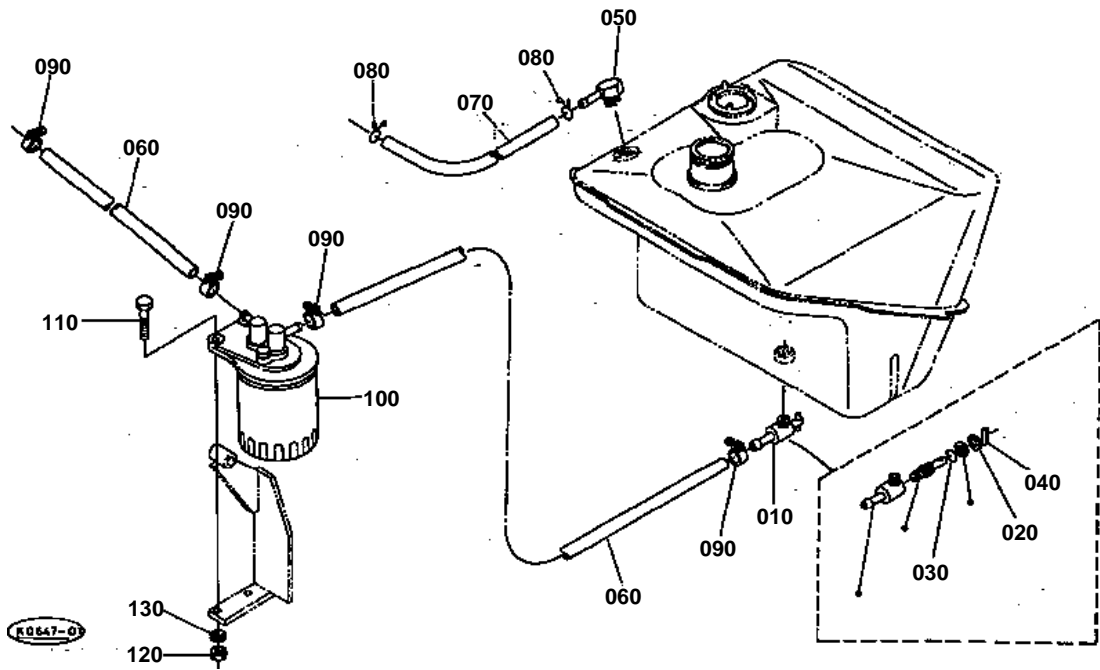


FUEL TANK SUPPORT

↔ Interchangeable; ≠ not interchangeable; ← new for old; → old for new

| REF.No | Part No. | Description | Q'ty | S.No. | I/C | REMARKS | Weight (kgf) | Weight (lb) |
|--------|-------------|-------------------|------|-------|-----|---------|--------------|-------------|
| 010 | 35880-04216 | SUPPORT FUEL TANK | 1 | | | | 14 | 30.8 |
| 020 | 36330-04220 | CUSHION | 2 | | | | 0.155 | 0.341 |
| 030 | 32150-29180 | CAP RUBBER | 3 | | | | 0.002 | 0.0044 |
| 040 | 36330-04280 | SPACER | 4 | | | | 0.02 | 0.044 |
| 050 | 01574-51240 | STUD | 2 | | | | 0 | 0 |
| 060 | 01574-51230 | STUD | 2 | | | | 0.037 | 0.0814 |
| 070 | 04512-50120 | WASHER SPRING | 4 | | | | 0 | 0 |
| 080 | 02174-50120 | NUT | 4 | | | | 0.01 | 0.022 |
| 090 | 01173-51020 | BOLT | 2 | | | | 0.017 | 0.0374 |
| 100 | 04512-50100 | WASHER SPRING | 2 | | | | 0 | 0 |
| 110 | 04015-50100 | WASHER PLAIN | 2 | | | | 0.016 | 0.0352 |
| 120 | 02118-50100 | NUT | 2 | | | | 0.005 | 0.011 |
| 130 | 36230-04290 | REINFORCE | 2 | | | | 0.18 | 0.396 |
| 140 | 01574-51230 | STUD | 2 | | | | 0.037 | 0.0814 |
| 150 | 04512-50120 | WASHER SPRING | 2 | | | | 0 | 0 |
| 160 | 02174-50120 | NUT | 2 | | | | 0.01 | 0.022 |
| 170 | 36330-04310 | ELEMENT HOUSING | 1 | | | | 0.15 | 0.33 |
| 180 | 36330-04320 | RETAINER ELEMENT | 2 | | | | 0.013 | 0.0286 |
| 190 | 01053-50655 | BOLT | 2 | | | | 0.013 | 0.0286 |
| 200 | 02014-50060 | NUT | 2 | | | | 0.002 | 0.0044 |

FUEL PIPE



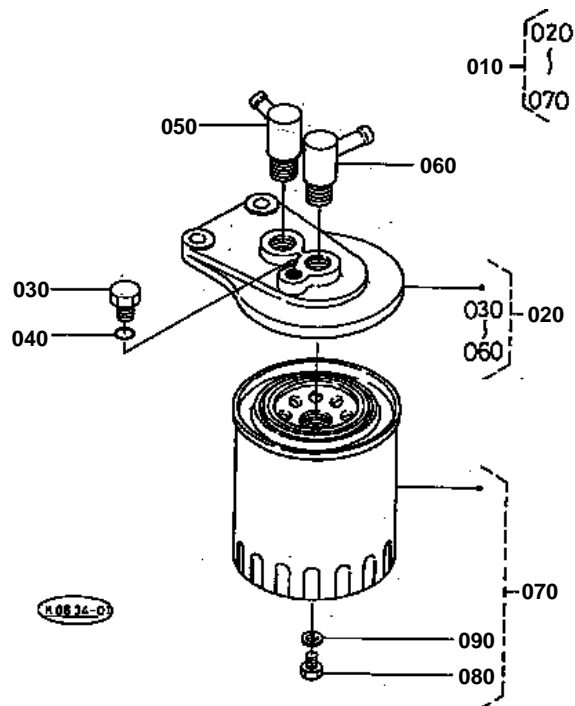


FUEL PIPE

↔ Interchangeable; ≠ not interchangeable; ← new for old; → old for new

| REF.No | Part No. | Description | Q'ty | S.No. | I/C | REMARKS | Weight (kgf) | Weight (lb) |
|--------|-------------|-------------------|------|-------|-----|---------|--------------|-------------|
| 010 | 31220-35400 | ASSY COCK FUEL | 1 | | | | 0.11 | 0.242 |
| 020 | 04611-00140 | CIR-CLIP INTERNAL | 1 | | | | 0.001 | 0.0022 |
| 030 | 04811-00080 | O RING | 1 | | | | 0 | 0 |
| 040 | 05411-00330 | PIN SPRING | 1 | | | | 0.001 | 0.0022 |
| 050 | 36200-04440 | UNION | 1 | | | | 0.065 | 0.143 |
| 060 | 36200-04420 | PIPE FUEL | 2 | | | | 0.007 | 0.0154 |
| 070 | 36200-04430 | PIPE FUEL | 1 | | | | 0.03 | 0.066 |
| 080 | 10244-42320 | CLIP PIPE | 2 | | | | 0.001 | 0.0022 |
| 090 | 14301-42750 | CLIP PIPE | 4 | | | | 0.005 | 0.011 |
| 100 | 15601-43010 | ASSY FILTER FUEL | 1 | | | | 0.8 | 1.76 |
| 110 | 01153-50830 | BOLT | 2 | | | | 0 | 0 |
| 120 | 02114-50080 | NUT | 2 | | | | 0.005 | 0.011 |
| 130 | 04512-50080 | WASHER SPRING | 2 | | | | 0 | 0 |

FUEL FILTER [COMPONENT PARTS]



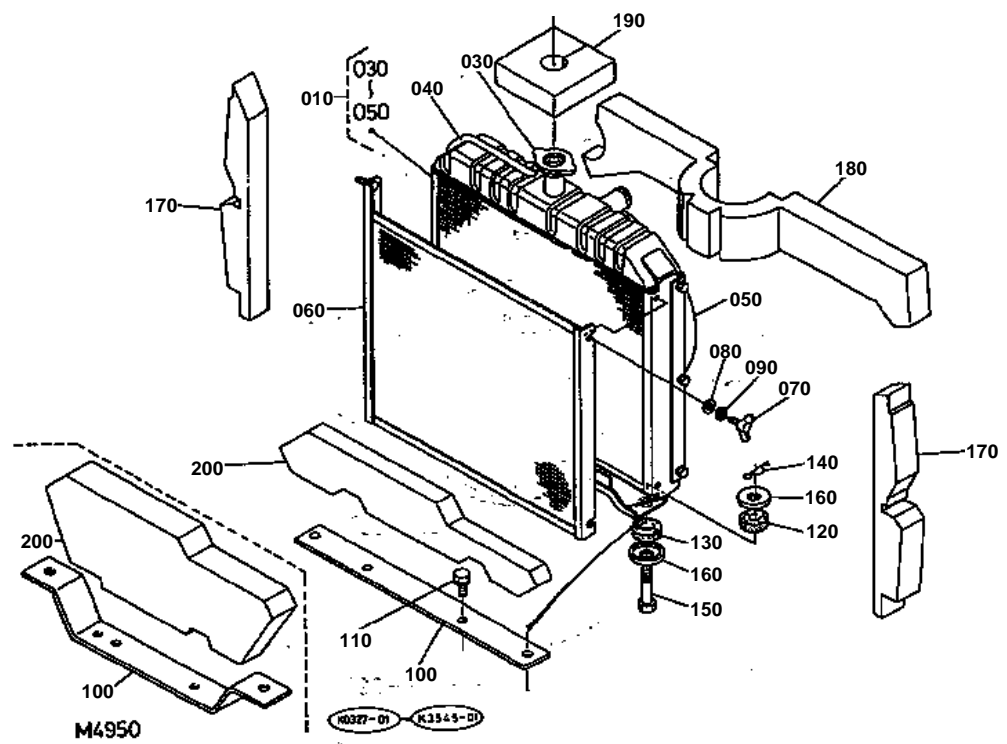


FUEL FILTER [COMPONENT PARTS]

↔ Interchangeable; ≠ not interchangeable; ← new for old; → old for new

| REF.No | Part No. | Description | Q'ty | S.No. | I/C | REMARKS | Weight (kgf) | Weight (lb) |
|--------|-------------|----------------------|------|-------|-----|---------|--------------|-------------|
| 010 | 15601-43010 | ASSY FILTER FUEL | 1 | | | | 0.8 | 1.76 |
| 020 | 15601-43210 | COVER FILTER | 1 | | | | 0.24 | 0.528 |
| 030 | 19222-43280 | PLUG FILTER BREATHER | 1 | | | | 0.01 | 0.022 |
| 040 | 15108-43290 | O RING | 1 | | | | 0.001 | 0.0022 |
| 050 | 15108-43610 | JOINT | 1 | | | | 0.02 | 0.044 |
| 060 | 15108-43780 | JOINT | 1 | | | | 0.02 | 0.044 |
| 070 | 15601-43170 | CARTRIDGE FILTER | 1 | | | | 0.47 | 1.034 |
| 080 | 15601-43340 | PLUG DRAIN | 1 | | | | 0 | 0 |
| 090 | 15601-43360 | GASKET | 1 | | | | 0.001 | 0.0022 |

RADIATOR



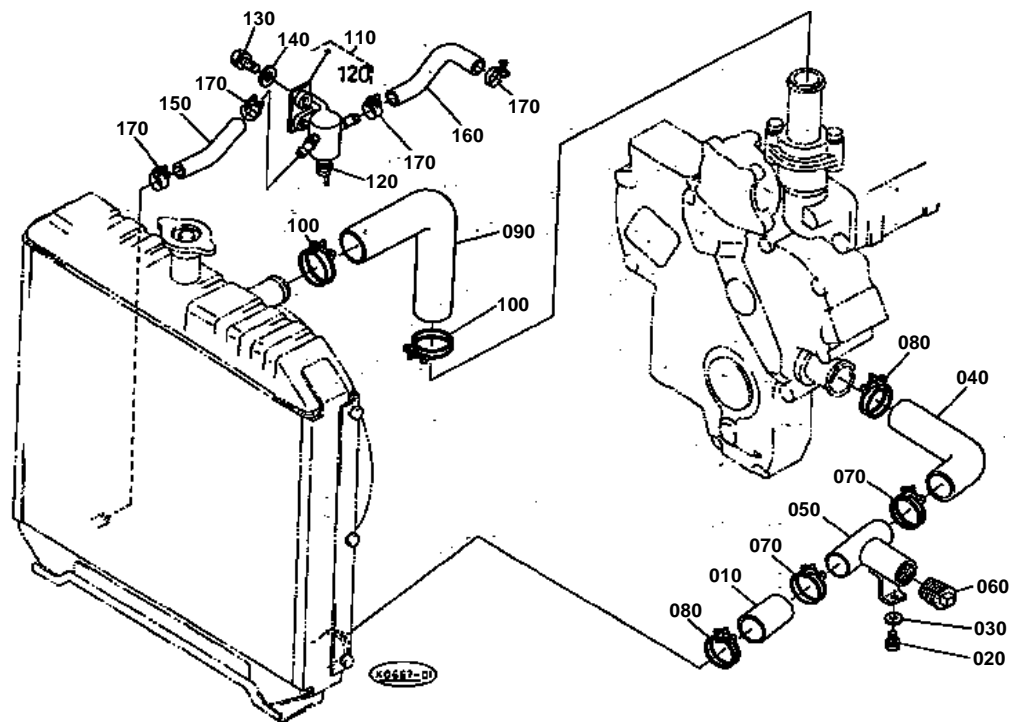


RADIATOR

↔ Interchangeable; ≠ not interchangeable; ← new for old; → old for new

| REF.No | Part No. | Description | Q'ty | S.No. | I/C | REMARKS | Weight (kgf) | Weight (lb) |
|--------|-------------|----------------------|------|-------|-----|---------|--------------|-------------|
| 010 | 15621-72063 | ASSY RADIATOR | 1 | | | | 13.2 | 29.04 |
| 020 | 99999-99999 | BLANK | 0 | | | | 0 | 0 |
| 030 | 15101-72030 | CAP RADIATOR | 1 | | | | 0.075 | 0.165 |
| 040 | 15621-72710 | PIPE WATER OVER FLOW | 1 | | | | 0.08 | 0.176 |
| 050 | 15621-72330 | SHROUD FAN | 1 | | | | 1.2 | 2.64 |
| 060 | 15621-72250 | NET RADIATOR | 1 | | | | 1.03 | 2.266 |
| 070 | 01811-50615 | BOLT WING | 4 | | | | 0.015 | 0.033 |
| 080 | 04012-50060 | WASHER PLAIN | 6 | | | | 0.001 | 0.0022 |
| 090 | 04512-50060 | WASHER SPRING | 6 | | | | 0 | 0 |
| 100 | 36780-17310 | SUPPORT RADIATOR | 1 | | | | 1.1 | 2.42 |
| 110 | 01133-51225 | BOLT | 2 | | | | 0.035 | 0.077 |
| 120 | 15111-72190 | CUSHION | 2 | | | | 0.016 | 0.0352 |
| 130 | 15111-72180 | CUSHION | 2 | | | | 0.015 | 0.033 |
| 140 | 05515-51000 | PIN SNAP | 2 | | | | 0 | 0 |
| 150 | 15108-72380 | BOLT | 2 | | | | 0.04 | 0.088 |
| 160 | 15111-72200 | WASHER | 4 | | | | 0.013 | 0.0286 |
| 170 | 35800-17140 | ELEMENT SIDE | 2 | | | | 0.09 | 0.198 |
| 180 | 35800-17172 | ELEMENT UPPER | 1 | | | | 0.21 | 0.462 |
| 190 | 35820-17190 | ELEMENT UPPER | 1 | | | | 0.02 | 0.044 |
| 200 | 36780-17180 | ELEMENT LOWER | 1 | | | | 0.06 | 0.132 |

WATER PIPE



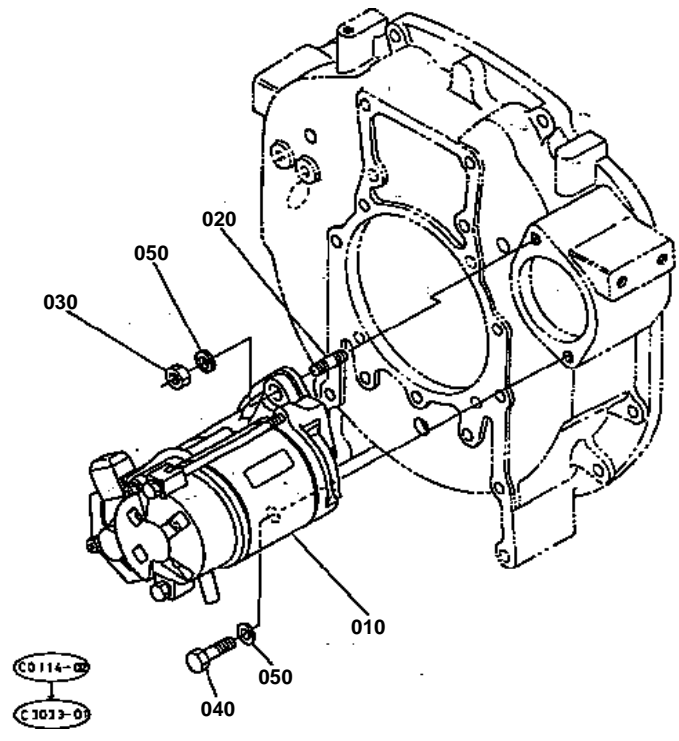


WATER PIPE

↔ Interchangeable; ≠ not interchangeable; ← new for old; → old for new

| REF.No | Part No. | Description | Q'ty | S.No. | I/C | REMARKS | Weight (kgf) | Weight (lb) |
|--------|-------------|-------------------|------|-------|-----|---------|--------------|-------------|
| 010 | 15622-72852 | PIPE WATER | 1 | | | | 0.07 | 0.154 |
| 020 | 01123-50814 | BOLT | 1 | | | | 0 | 0 |
| 030 | 04013-50080 | WASHER PLAIN | 1 | | | | 0 | 0 |
| 040 | 15622-72860 | PIPE WATER | 1 | | | | 0.11 | 0.242 |
| 050 | 15622-72870 | PIPE WATER | 1 | | | | 0.39 | 0.858 |
| 060 | 06312-10100 | PLUG | 1 | | | | 0.147 | 0.3234 |
| 070 | 15108-72870 | BAND | 2 | | | | 0.027 | 0.0594 |
| 080 | 15108-72870 | BAND | 2 | | | | 0.027 | 0.0594 |
| 090 | 15621-72942 | PIPE WATER | 1 | | | | 0.32 | 0.704 |
| 100 | 15001-72870 | BAND PIPE | 2 | | | | 0.026 | 0.0572 |
| 110 | 15621-73110 | ASSY COCK DRAIN | 1 | | | | 0.29 | 0.638 |
| 120 | 14301-73110 | COCK DRAIN | 1 | | | | 0.094 | 0.2068 |
| 130 | 01123-50822 | BOLT | 2 | | | | 0.012 | 0.0264 |
| 140 | 04012-50080 | WASHER PLAIN | 2 | | | | 0.001 | 0.0022 |
| 150 | 15621-73343 | PIPE WATER RETURN | 1 | | | | 0.04 | 0.088 |
| 160 | 15621-73350 | PIPE WATER RETURN | 1 | | | | 0.03 | 0.066 |
| 170 | 68171-63630 | BAND HOSE | 4 | | | | 0.013 | 0.0286 |

STARTER



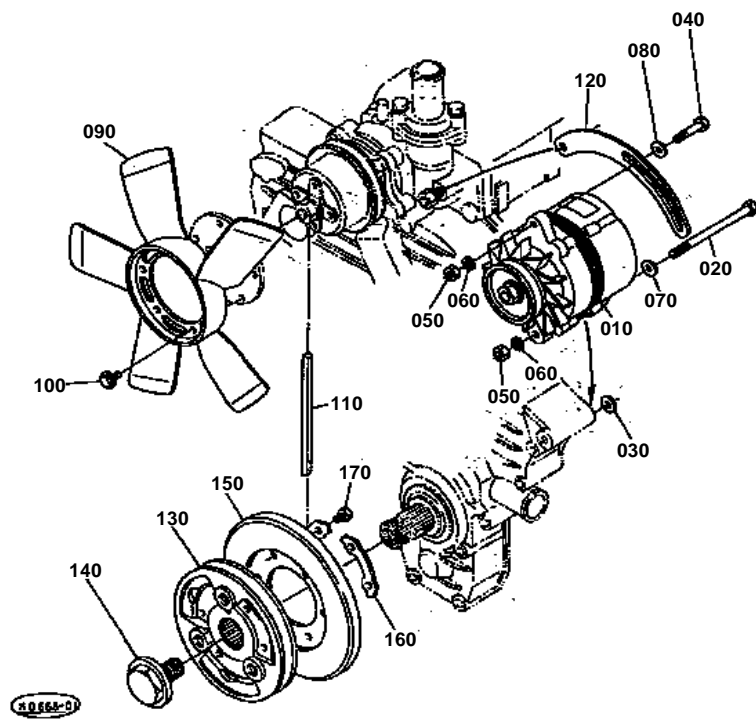


STARTER

↔ Interchangeable; ≠ not interchangeable; ← new for old; → old for new

| REF.No | Part No. | Description | Q'ty | S.No. | I/C | REMARKS | Weight (kgf) | Weight (lb) |
|--------|-------------|---------------|------|-------|-----|---------|--------------|-------------|
| 010 | 15621-63012 | ASSY STARTER | 1 | | | | 3.87 | 8.514 |
| 020 | 01517-51028 | STUD | 1 | | | | 0.022 | 0.0484 |
| 030 | 02176-50100 | NUT | 1 | | | | 0.005 | 0.011 |
| 040 | 01173-51030 | BOLT | 1 | | | | 0.023 | 0.0506 |
| 050 | 04512-50100 | WASHER SPRING | 2 | | | | 0 | 0 |

DYNAMO AND FAN



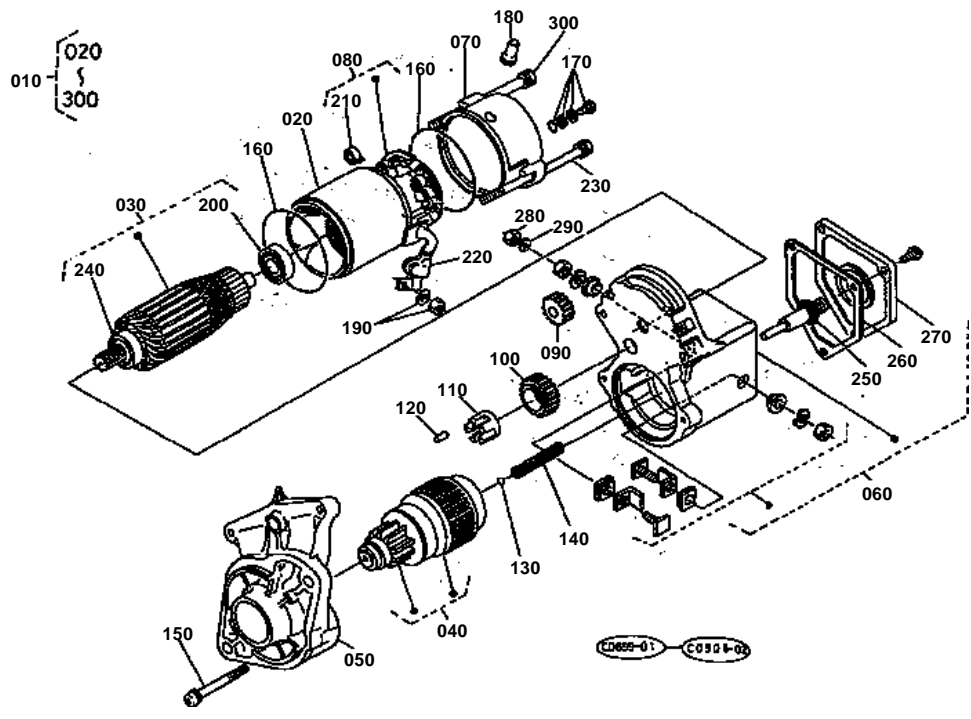


DYNAMO AND FAN

↔ Interchangeable; ≠ not interchangeable; ← new for old; → old for new

| REF.No | Part No. | Description | Q'ty | S.No. | I/C | REMARKS | Weight (kgf) | Weight (lb) |
|--------|-------------|--------------------|------|-------|-----|---------|--------------|-------------|
| 010 | 15763-64010 | ASSY DYNAMO | 1 | | | | 3.47 | 7.634 |
| 020 | 15521-91030 | BOLT | 1 | | | | 0 | 0 |
| 030 | 15521-94030 | WASHER PLAIN | 1 | | | | 0.01 | 0.022 |
| 040 | 01153-50830 | BOLT | 1 | | | | 0 | 0 |
| 050 | 02156-50080 | NUT | 2 | | | | 0.004 | 0.0088 |
| 060 | 04512-50080 | WASHER SPRING | 2 | | | | 0 | 0 |
| 070 | 04012-50080 | WASHER PLAIN | 1 | | | | 0.001 | 0.0022 |
| 080 | 04015-50080 | WASHER PLAIN | 1 | | | | 0 | 0 |
| 090 | 15621-74110 | FAN | 1 | | | | 0.56 | 1.232 |
| 100 | 01754-50816 | BOLT FLANGE | 4 | | | | 0.011 | 0.0242 |
| 110 | 15196-97010 | V BELT | 1 | | | | 0.124 | 0.2728 |
| 120 | 15601-64420 | STAY DYNAMO | 1 | | | | 0.105 | 0.231 |
| 130 | 15606-74280 | PULLEY FAN DRIVE | 1 | | | | 2.015 | 4.433 |
| 140 | 15601-91013 | BOLT | 1 | | | | 0 | 0 |
| 150 | 15601-23780 | DAMPER CRANK SHAFT | 1 | | | | 1.7 | 3.74 |
| 160 | 15601-23810 | WASHER DAMPER | 3 | | | | 0.006 | 0.0132 |
| 170 | 01053-50820 | BOLT | 6 | | | | 0.012 | 0.0264 |

STARTER [COMPONENT PARTS]

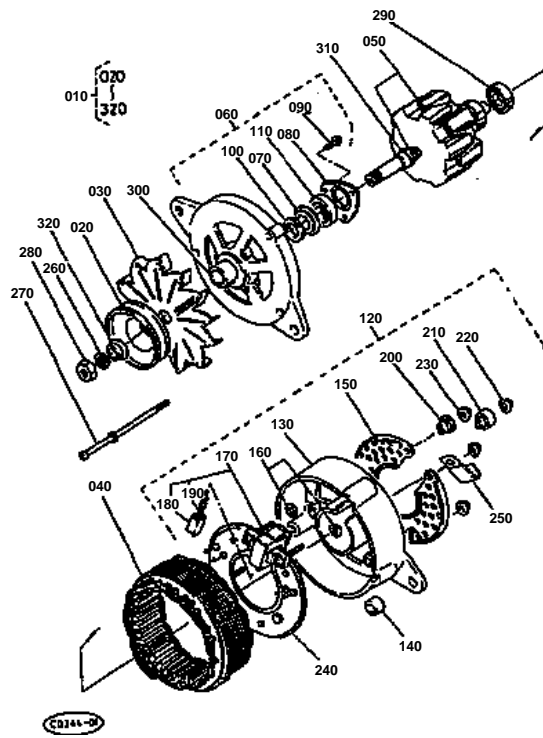


**STARTER [COMPONENT PARTS]**

↔ Interchangeable; ≠ not interchangeable; ← new for old; → old for new

| REF.No | Part No. | Description | Q'ty | S.No. | I/C | REMARKS | Weight (kgf) | Weight (lb) |
|--------|-------------|-------------------|------|-------|-----|---------|--------------|-------------|
| 010 | 15621-63012 | ASSY STARTER | 1 | | | | 3.87 | 8.514 |
| 020 | 15461-63080 | ASSY YOKE | 1 | | | | 1.13 | 2.486 |
| 030 | 15511-63070 | ASSY ARMATURE | 1 | | | | 1.05 | 2.31 |
| 040 | 15601-63042 | CLUTCH | 1 | | | | 0.75 | 1.65 |
| 050 | 15511-63030 | HOUSING | 1 | | | | 0.32 | 0.704 |
| 060 | 15621-63020 | SWITCH MAGNETIC | 1 | | | | 1.17 | 2.574 |
| 070 | 15511-63200 | FRAME END | 1 | | | | 0.14 | 0.308 |
| 080 | 15511-63380 | ASSY HOLDER BRUSH | 1 | | | | 0.09 | 0.198 |
| 090 | 15511-63260 | GEAR | 1 | | | | 0.02 | 0.044 |
| 100 | 15401-63270 | GEAR | 1 | | | | 0.043 | 0.0946 |
| 110 | 19212-63110 | RETAINER | 1 | | | | 0.002 | 0.0044 |
| 120 | 19212-63100 | ROLLER | 5 | | | | 0.002 | 0.0044 |
| 130 | 19212-97130 | BALL | 1 | | | | 0.003 | 0.0066 |
| 140 | 19212-63120 | SPRING | 1 | | | | 0.004 | 0.0088 |
| 150 | 15501-93310 | SCREW PAN HEAD | 2 | | | | 0.01 | 0.022 |
| 160 | 15511-96660 | O RING | 2 | | | | 0.005 | 0.011 |
| 170 | 15511-63760 | ASSY BOLT | 2 | | | | 0.005 | 0.011 |
| 180 | 15511-63450 | COVER | 1 | | | | 0.002 | 0.0044 |
| 190 | 13963-92010 | NUT HEXAGON | 1 | | | | 0.005 | 0.011 |
| 200 | 15511-63530 | BEARING BALL | 1 | | | | 0.025 | 0.055 |
| 210 | 15401-63390 | SPRING BRUSH | 4 | | | | 0.003 | 0.0066 |
| 220 | 17381-63450 | COVER CORD | 1 | | | | 0.01 | 0.022 |
| 230 | 19215-63320 | BOLT THROUGH | 1 | | | | 0.03 | 0.066 |
| 240 | 15511-63500 | BEARING BALL | 1 | | | | 0.04 | 0.088 |
| 250 | 15461-63990 | PLUNGER | 1 | | | | 0.15 | 0.33 |
| 260 | 15461-63520 | GASKET | 1 | | | | 0.01 | 0.022 |
| 270 | 15461-63510 | COVER SOLENOID | 1 | | | | 0.06 | 0.132 |
| 280 | 19616-92010 | NUT HEXAGON | 1 | | | | 0.04 | 0.088 |
| 290 | 04512-50080 | WASHER SPRING | 1 | | | | 0 | 0 |
| 300 | 15621-63320 | BOLT THROUGH | 1 | | | | 0.04 | 0.088 |

DYNAMO [COMPONENT PARTS]

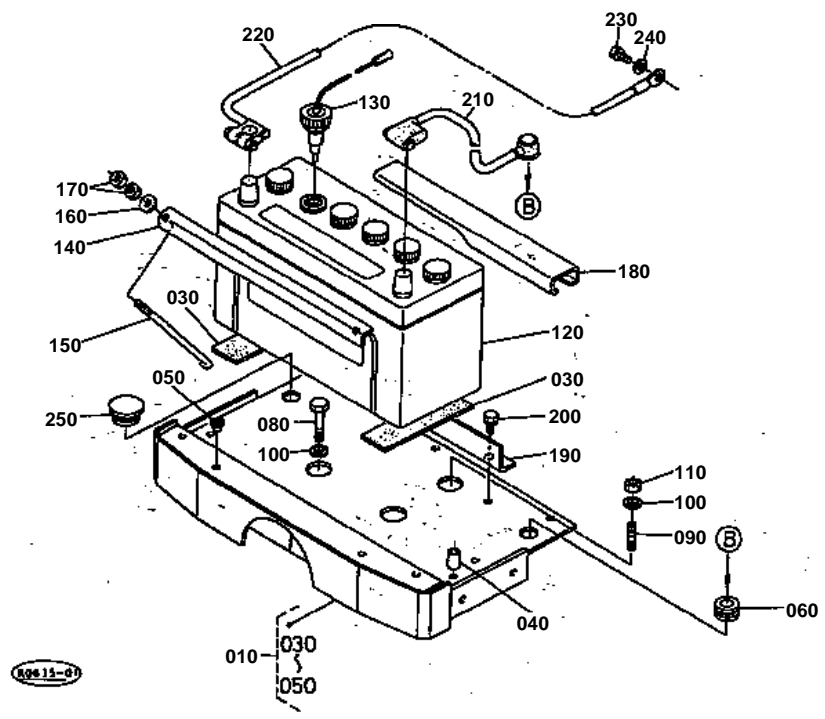


**DYNAMO [COMPONENT PARTS]**

↔ Interchangeable; ≠ not interchangeable; ← new for old; → old for new

| REF.No | Part No. | Description | Q'ty | S.No. | I/C | REMARKS | Weight (kgf) | Weight (lb) |
|--------|-------------|-------------------|------|-------|-----|---------|--------------|-------------|
| 010 | 15763-64010 | ASSY DYNAMO | 1 | | | | 3.47 | 7.634 |
| 020 | 15471-64110 | PULLEY DYNAMO | 1 | | | | 0.435 | 0.957 |
| 030 | 15253-64130 | FAN DYNAMO | 1 | | | | 0.18 | 0.396 |
| 040 | 15606-64050 | YOKE | 1 | | | | 0.76 | 1.672 |
| 050 | 15253-64030 | ARMATURE | 1 | | | | 1.46 | 3.212 |
| 060 | 15253-64020 | FRAME DRIVE END | 1 | | | | 0.365 | 0.803 |
| 070 | 15221-64830 | COVER FELT | 1 | | | | 0.003 | 0.0066 |
| 080 | 15221-64710 | PLATE RETAINER | 1 | | | | 0.018 | 0.0396 |
| 090 | 01053-50516 | BOLT | 3 | | | | 0.003 | 0.0066 |
| 100 | 15221-64790 | FELT OIL | 1 | | | | 0.001 | 0.0022 |
| 110 | 08141-06202 | BEARING BALL | 1 | | | | 0.043 | 0.0946 |
| 120 | 15253-64070 | ASSY FRAME END | 1 | | | | 0.55 | 1.21 |
| 130 | 15253-64060 | FRAME END | 1 | | | | 0.29 | 0.638 |
| 140 | 15221-64210 | BUSH | 1 | | | | 0.007 | 0.0154 |
| 150 | 15253-64230 | COVER END | 1 | | | | 0.02 | 0.044 |
| 160 | 15321-64880 | WASHER INSULATION | 2 | | | | 0.001 | 0.0022 |
| 170 | 15253-64310 | ASSY HOLDER BRUSH | 1 | | | | 0.04 | 0.088 |
| 180 | 15221-64090 | BRUSH | 2 | | | | 0.002 | 0.0044 |
| 190 | 15221-64330 | SPRING BRUSH | 2 | | | | 0.001 | 0.0022 |
| 200 | 15321-64910 | BUSH INSULATION | 1 | | | | 0.001 | 0.0022 |
| 210 | 15321-64920 | BUSH INSULATION | 1 | | | | 0.001 | 0.0022 |
| 220 | 15451-94080 | WASHER | 5 | | | | 0.001 | 0.0022 |
| 230 | 14182-92030 | NUT | 2 | | | | 0.003 | 0.0066 |
| 240 | 15321-64850 | ASSY RECTIFIER | 1 | | | | 0.134 | 0.2948 |
| 250 | 15321-67570 | CLAMP CORD | 1 | | | | 0.04 | 0.088 |
| 260 | 15221-94070 | WASHER SPRING | 1 | | | | 0.008 | 0.0176 |
| 270 | 15321-64260 | BOLT THROUGH | 3 | | | | 0.008 | 0.0176 |
| 280 | 15221-92010 | NUT | 1 | | | | 0.012 | 0.0264 |
| 290 | 08121-06201 | BEARING BALL | 1 | | | | 0.036 | 0.0792 |
| 300 | 15221-64150 | COLLAR | 1 | | | | 0.008 | 0.0176 |
| 310 | 15321-64170 | SPACER | 1 | | | | 0.007 | 0.0154 |
| 320 | 15221-64160 | SPACER | 1 | | | | 0.006 | 0.0132 |

BATTERY

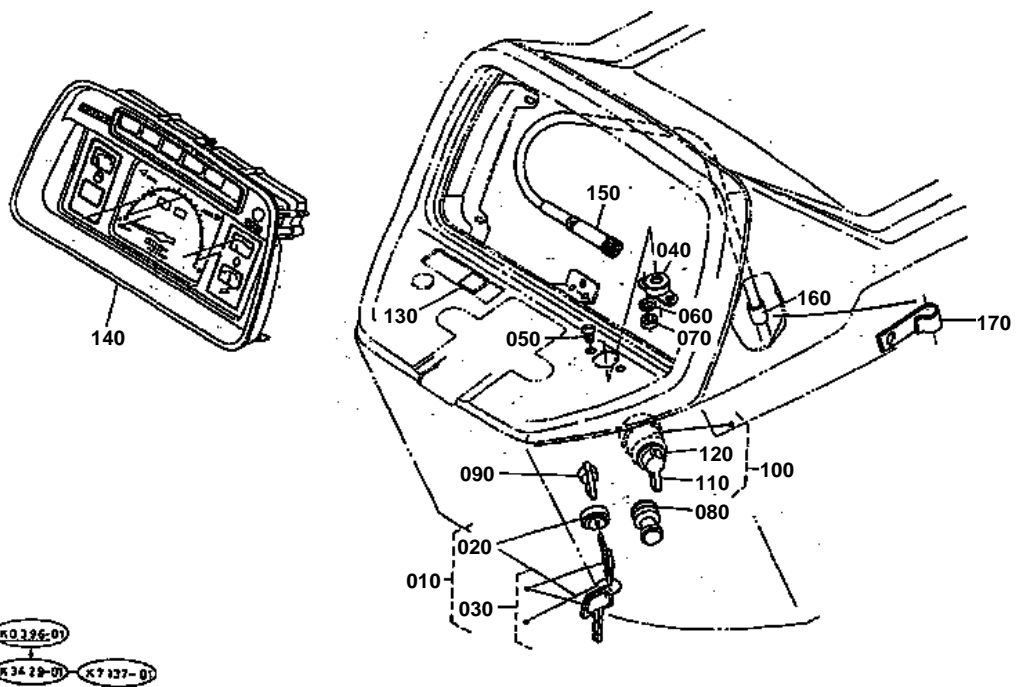


**BATTERY**

↔ Interchangeable; ≠ not interchangeable; ← new for old; → old for new

| REF.No | Part No. | Description | Q'ty | S.No. | I/C | REMARKS | Weight (kgf) | Weight (lb) |
|--------|-------------|----------------------|------|-------|-----|---------|--------------|-------------|
| 010 | 36780-74100 | ASSY SUPPORT BATTERY | 1 | | | | 12.5 | 27.5 |
| 020 | 99999-99999 | BLANK | 0 | | | | 0 | 0 |
| 030 | 36500-74180 | CUSHION BATTERY | 2 | | | | 0 | 0 |
| 040 | 36230-74120 | SPACER | 4 | | | | 0.034 | 0.0748 |
| 050 | 38430-17170 | CUSHION | 2 | | | | 0.005 | 0.011 |
| 060 | 35593-74620 | RUBBER PROTECTOR | 1 | | | | 0.005 | 0.011 |
| 070 | 99999-99999 | BLANK | 0 | | | | 0 | 0 |
| 080 | 01173-51230 | BOLT | 2 | | | | 0.037 | 0.0814 |
| 090 | 01574-51225 | STUD | 2 | | | | 0.034 | 0.0748 |
| 100 | 04512-50120 | WASHER SPRING | 4 | | | | 0 | 0 |
| 110 | 02174-50120 | NUT | 2 | | | | 0.01 | 0.022 |
| 120 | 35450-74310 | BATTERY (DRY) | 1 | | | | 0 | 0 |
| 130 | 36330-74250 | SENER BATTERY | 1 | | | | 0.03 | 0.066 |
| 140 | 36230-74350 | RETAINER BATTERY | 1 | | | | 0.41 | 0.902 |
| 150 | 36230-74360 | BOLT BATTERY | 2 | | | | 0.07 | 0.154 |
| 160 | 04015-50080 | WASHER PLAIN | 2 | | | | 0 | 0 |
| 170 | 02114-50080 | NUT | 4 | | | | 0.005 | 0.011 |
| 180 | 38240-33390 | COVER BATTERY | 1 | | | | 0.03 | 0.066 |
| 190 | 36230-74370 | SUPPORT BATTERY | 1 | | | | 0.75 | 1.65 |
| 200 | 01133-51016 | BOLT | 2 | | | | 0.015 | 0.033 |
| 210 | 36220-77114 | CORD BATTERY | 1 | | | | 0.3 | 0.66 |
| 220 | 36500-77140 | CORD EARTH | 1 | | | | 0.41 | 0.902 |
| 230 | 01133-51020 | BOLT | 1 | | | | 0.02 | 0.044 |
| 240 | 04013-50100 | WASHER PLAIN | 1 | | | | 0 | 0 |
| 250 | 35880-04570 | CAP | 1 | | | | 0.01 | 0.022 |

PANEL BOARD



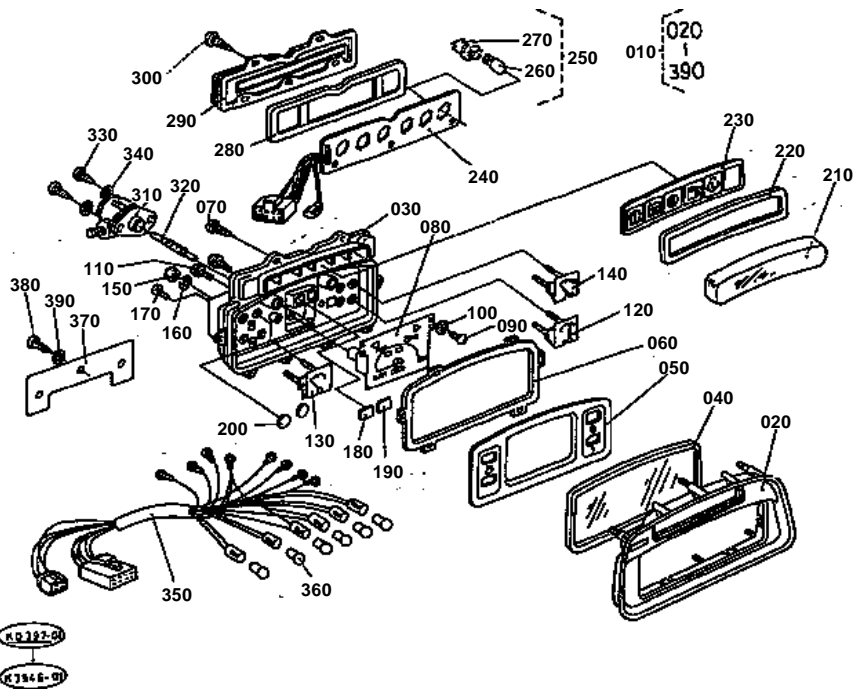


PANEL BOARD

↔ Interchangeable; ≠ not interchangeable; ← new for old; → old for new

| REF.No | Part No. | Description | Q'ty | S.No. | I/C | REMARKS | Weight (kgf) | Weight (lb) |
|--------|-------------|----------------------|------|-------|-----|---------|--------------|-------------|
| 010 | 35822-75170 | ASSY SWITCH MAIN | 1 | | | | 0.4 | 0.88 |
| 020 | 36330-75162 | SWITCH MAIN | 1 | | | | 0.35 | 0.77 |
| 030 | 35822-75180 | ASSY KEY MAIN SWITCH | 1 | | | | 0.02 | 0.044 |
| 040 | 15621-65950 | INDICATOR GLOW PLUG | 1 | | | | 0.05 | 0.11 |
| 050 | 03054-50510 | SCREW PAN HEAD | 2 | | | | 0.003 | 0.0066 |
| 060 | 04512-50050 | WASHER SPRING | 2 | | | | 0 | 0 |
| 070 | 02054-50050 | NUT | 2 | | | | 0.002 | 0.0044 |
| 080 | 35820-75090 | SWITCH PARKING | 1 | | | | 0.04 | 0.088 |
| 090 | 38240-32100 | SWITCH LIGHT | 1 | | | | 0.063 | 0.1386 |
| 100 | 35450-75040 | SWITCH HAZARD | 1 | | | | 0.15 | 0.33 |
| 110 | 35999-12660 | NUT RING | 1 | | | | 0.015 | 0.033 |
| 120 | 35999-12670 | LEVER SWITCH | 1 | | | | 0.005 | 0.011 |
| 130 | 36830-83670 | COVER RUBBER | 1 | | | | 0.005 | 0.011 |
| 140 | 35801-75600 | ASSY BOARD PANEL | 1 | | | | 2 | 4.4 |
| 150 | 36200-30113 | CABLE HOUR METER | 1 | | | | 0.31 | 0.682 |

PANEL BOARD [COMPONENT PARTS]



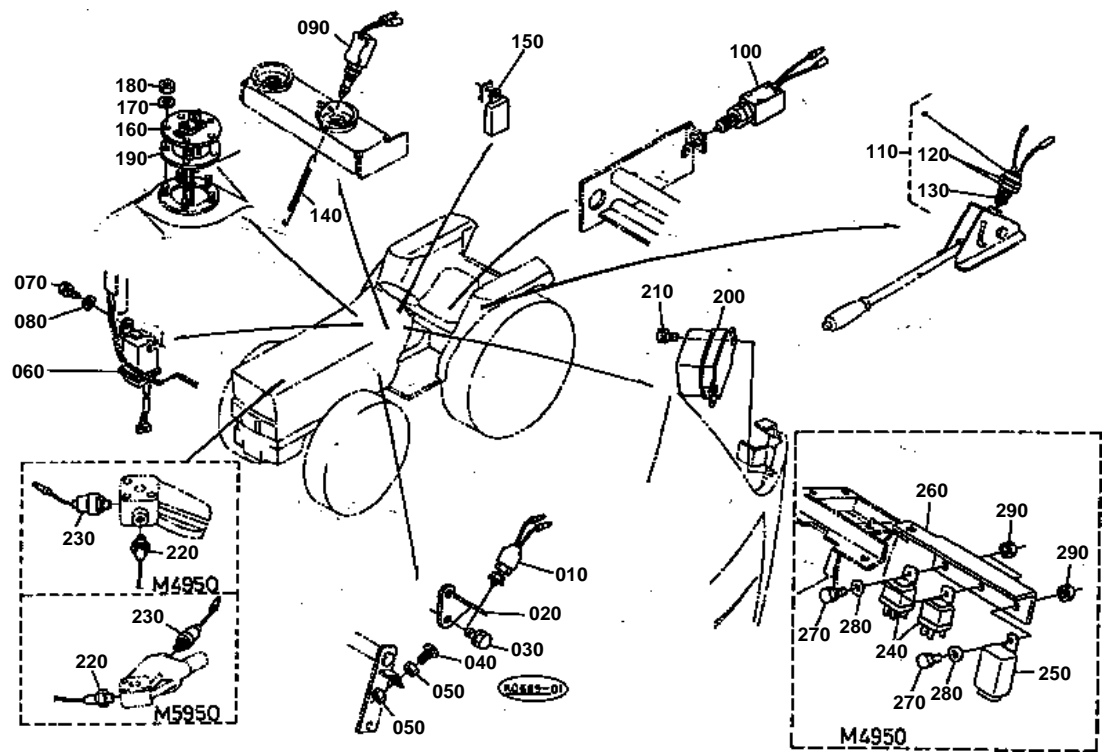


PANEL BOARD [COMPONENT PARTS]

↔ Interchangeable; ≠ not interchangeable; ← new for old; → old for new

| REF.No | Part No. | Description | Q'ty | S.No. | I/C | REMARKS | Weight (kgf) | Weight (lb) |
|--------|-------------|-------------------|------|-------|-----|---------|--------------|-------------|
| 010 | 35801-75600 | ASSY BOARD PANEL | 1 | | | | 2 | 4.4 |
| 020 | 36330-76110 | HOOD | 1 | | | | 0.34 | 0.748 |
| 030 | 36330-76120 | CASE | 1 | | | | 0.45 | 0.99 |
| 040 | 36330-76130 | GLASS WITH GASKET | 1 | | | | 0.28 | 0.616 |
| 050 | 36330-76140 | PLATE WIND | 1 | | | | 0.08 | 0.176 |
| 060 | 36330-76220 | GASKET | 1 | | | | 0.01 | 0.022 |
| 070 | 03514-50425 | SCREW | 6 | | | | 0.001 | 0.0022 |
| 080 | 35801-11350 | ASSY TACHOMETER | 1 | | | | 0.12 | 0.264 |
| 090 | 03514-50414 | SCREW | 2 | | | | 0.001 | 0.0022 |
| 100 | 04512-50040 | WASHER SPRING | 2 | | | | 0 | 0 |
| 110 | 03024-50308 | SCREW WITH WASHER | 2 | | | | 0.001 | 0.0022 |
| 120 | 36330-11360 | ASSY AMMETER | 1 | | | | 0.05 | 0.11 |
| 130 | 35880-11370 | ASSY METER FUEL | 1 | | | | 0.05 | 0.11 |
| 140 | 35862-11380 | ASSY THERMOMETER | 1 | | | | 0.05 | 0.11 |
| 150 | 02054-50040 | NUT | 6 | | | | 0.001 | 0.0022 |
| 160 | 04512-50040 | WASHER SPRING | 6 | | | | 0 | 0 |
| 170 | 03024-50308 | SCREW WITH WASHER | 1 | | | | 0.001 | 0.0022 |
| 180 | 36330-11330 | LENS | 1 | | | | 0.001 | 0.0022 |
| 190 | 36530-11330 | LENS | 1 | | | | 0.002 | 0.0044 |
| 200 | 36330-11340 | LENS | 2 | | | | 0.001 | 0.0022 |
| 210 | 36330-76150 | GLASS FRONT | 1 | | | | 0.04 | 0.088 |
| 220 | 36330-76210 | GASKET | 1 | | | | 0.003 | 0.0066 |
| 230 | 36330-76160 | LENS | 1 | | | | 0.03 | 0.066 |
| 240 | 36330-11290 | ASSY PLATE | 1 | | | | 0.06 | 0.132 |
| 250 | 38240-31460 | ASSY LAMP | 5 | | | | 0.015 | 0.033 |
| 260 | 38240-31470 | BULB | 5 | | | | 0.01 | 0.022 |
| 270 | 38240-31480 | SOCKET | 5 | | | | 0.001 | 0.0022 |
| 280 | 36330-11310 | GASKET | 1 | | | | 0.05 | 0.11 |
| 290 | 36330-11320 | CASE | 1 | | | | 0.09 | 0.198 |
| 300 | 03514-50425 | SCREW | 5 | | | | 0.001 | 0.0022 |
| 310 | 36230-76190 | ADAPTER | 1 | | | | 0.1 | 0.22 |
| 320 | 36330-76180 | KEY | 1 | | | | 0.001 | 0.0022 |
| 330 | 03514-50414 | SCREW | 2 | | | | 0.001 | 0.0022 |
| 340 | 04512-50040 | WASHER SPRING | 2 | | | | 0 | 0 |
| 350 | 35862-11390 | ASSY SOCKET | 1 | | | | 0.14 | 0.308 |
| 360 | 38240-31380 | BULB | 6 | | | | 0.01 | 0.022 |
| 370 | 36330-76170 | COVER | 1 | | | | 0.06 | 0.132 |
| 380 | 03514-50414 | SCREW | 3 | | | | 0.001 | 0.0022 |
| 390 | 04512-50040 | WASHER SPRING | 3 | | | | 0 | 0 |

SWITCH 1



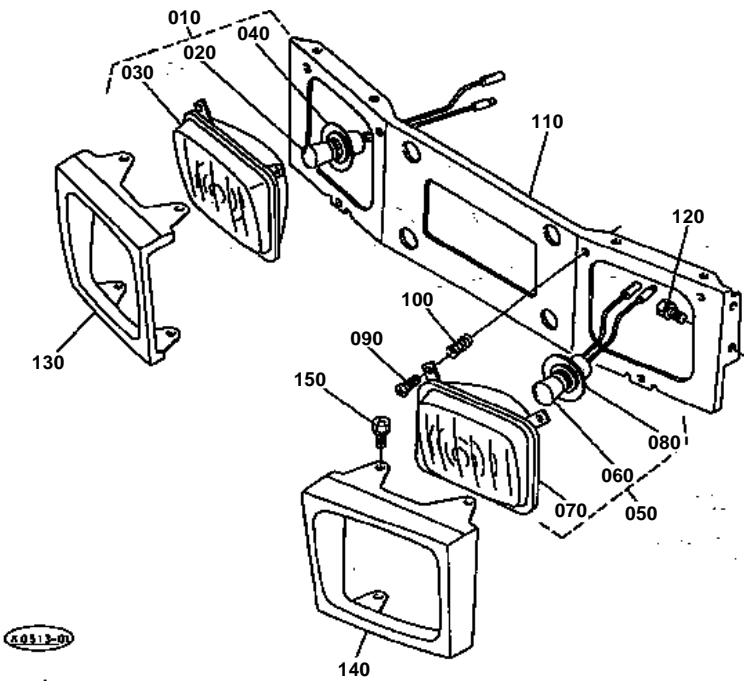


SWITCH 1

↔ Interchangeable; ≠ not interchangeable; ← new for old; → old for new

| REF.No | Part No. | Description | Q'ty | S.No. | I/C | REMARKS | Weight (kgf) | Weight (lb) |
|--------|-------------|---------------------|------|-------|-----|---------|--------------|-------------|
| 010 | 37150-32240 | SWITCH SAFETY | 1 | | | | 0.12 | 0.264 |
| 020 | 36330-75280 | BRACKET SWITCH | 1 | | | | 0.06 | 0.132 |
| 030 | 01123-50816 | BOLT | 2 | | | | 0 | 0 |
| 040 | 01952-00830 | BOLT WELD | 1 | | | | 0.005 | 0.011 |
| 050 | 02112-50080 | NUT | 2 | | | | 0.003 | 0.0066 |
| 060 | 35800-75070 | RELAY STARTER | 1 | | | | 0.08 | 0.176 |
| 070 | 01023-50614 | BOLT | 1 | | | | 0.005 | 0.011 |
| 080 | 04013-50060 | WASHER PLAIN | 1 | | | | 0 | 0 |
| 090 | 36330-75480 | SWITCH STOP | 1 | | | | 0.08 | 0.176 |
| 100 | 36330-75480 | SWITCH STOP | 1 | | | | 0.08 | 0.176 |
| 110 | 67176-55810 | ASSY SWITCH SAFETY | 1 | | | | 0.11 | 0.242 |
| 120 | 67111-55830 | NUT SAFETY SWITCH | 2 | | | | 0.035 | 0.077 |
| 130 | 67111-55840 | CAP SAFETY SWITCH | 1 | | | | 0.002 | 0.0044 |
| 140 | 36330-75490 | SPRING | 1 | | | | 0.015 | 0.033 |
| 150 | 35450-75592 | UNIT FLASHER HAZARD | 1 | | | | 0.06 | 0.132 |
| 160 | 36330-75304 | UNIT TANK | 1 | | | | 0.28 | 0.616 |
| 170 | 04013-50050 | WASHER PLAIN | 5 | | | | 0 | 0 |
| 180 | 02054-50050 | NUT | 5 | | | | 0.002 | 0.0044 |
| 190 | 36330-75310 | GASKET | 1 | | | | 0.005 | 0.011 |
| 200 | 33251-74010 | ASSY REGULATOR | 1 | | | | 0.35 | 0.77 |
| 210 | 01023-50612 | BOLT | 2 | | | | 0.005 | 0.011 |
| 220 | 36330-75080 | SWITCH THERMOMETER | 1 | | | | 0.02 | 0.044 |
| 230 | 38240-37930 | SWITCH VACUUM | 1 | | | | 0.051 | 0.1122 |
| 240 | 15471-60230 | RELAY | 2 | | | | 0.08 | 0.176 |
| 250 | 15471-60240 | TIMER | 1 | | | | 0.09 | 0.198 |
| 260 | 35800-10490 | STAY | 1 | | | | 0.126 | 0.2772 |
| 270 | 01023-50614 | BOLT | 3 | | | | 0.005 | 0.011 |
| 280 | 04512-50060 | WASHER SPRING | 3 | | | | 0 | 0 |
| 290 | 02014-50060 | NUT | 3 | | | | 0.002 | 0.0044 |

LIGHT 1



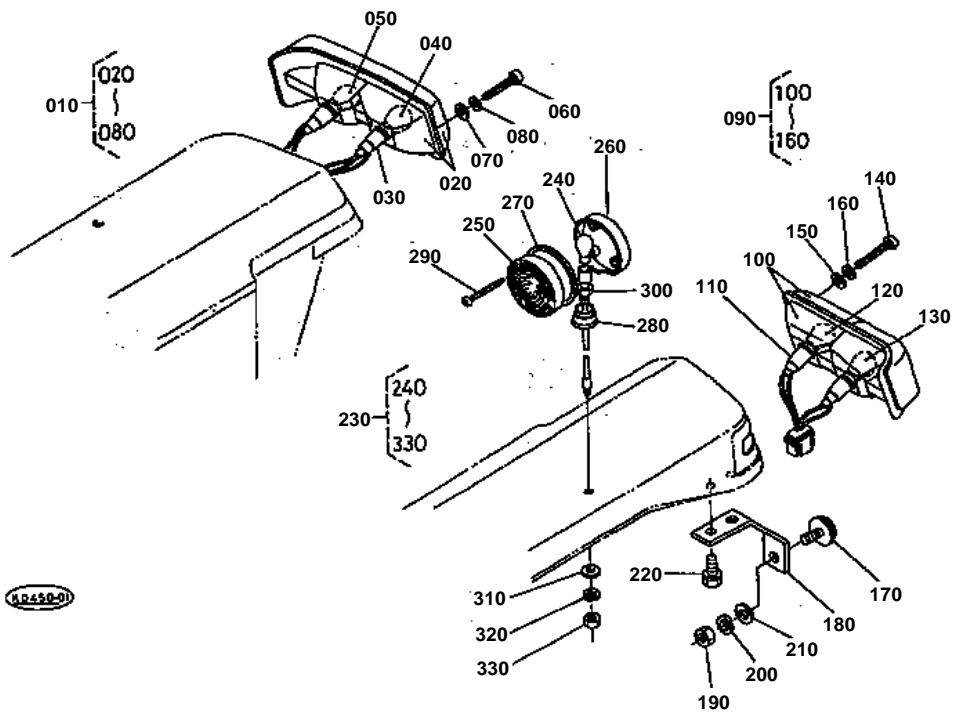


LIGHT 1

↔ Interchangeable; ≠ not interchangeable; ← new for old; → old for new

| REF.No | Part No. | Description | Q'ty | S.No. | I/C | REMARKS | Weight (kgf) | Weight (lb) |
|--------|-------------|--------------------|------|-------|-----|---------|--------------|-------------|
| 010 | 36330-75800 | ASSY LIGHT HEAD RH | 1 | | | | 0.52 | 1.144 |
| 020 | 38450-33870 | BULB | 1 | | | | 0.025 | 0.055 |
| 030 | 36330-75810 | COMP.LIGHT UNIT RH | 1 | | | | 0.41 | 0.902 |
| 040 | 36330-75840 | COMP.CORD SOCKET | 1 | | | | 0.056 | 0.1232 |
| 050 | 36330-75920 | ASSY LIGHT HEAD LH | 1 | | | | 0.53 | 1.166 |
| 060 | 38450-33870 | BULB | 1 | | | | 0.025 | 0.055 |
| 070 | 36330-75930 | COMP.LIGHT UNIT LH | 1 | | | | 0.41 | 0.902 |
| 080 | 36330-75840 | COMP.CORD SOCKET | 1 | | | | 0.056 | 0.1232 |
| 090 | 03054-50525 | SCREW PAN HEAD | 6 | | | | 0.005 | 0.011 |
| 100 | 38240-33860 | SPRING LIGHT | 6 | | | | 0.001 | 0.0022 |
| 110 | 36330-75730 | PLATE HEAD LIGHT | 1 | | | | 0.945 | 2.079 |
| 120 | 01023-50616 | BOLT | 4 | | | | 0.005 | 0.011 |
| 130 | 35861-75710 | GRILLE LIGHT RH | 1 | | | | 0.1 | 0.22 |
| 140 | 35861-75720 | GRILLE LIGHT LH | 1 | | | | 0.1 | 0.22 |
| 150 | 01202-50616 | BOLT | 8 | | | | 0.006 | 0.0132 |

LIGHT 2

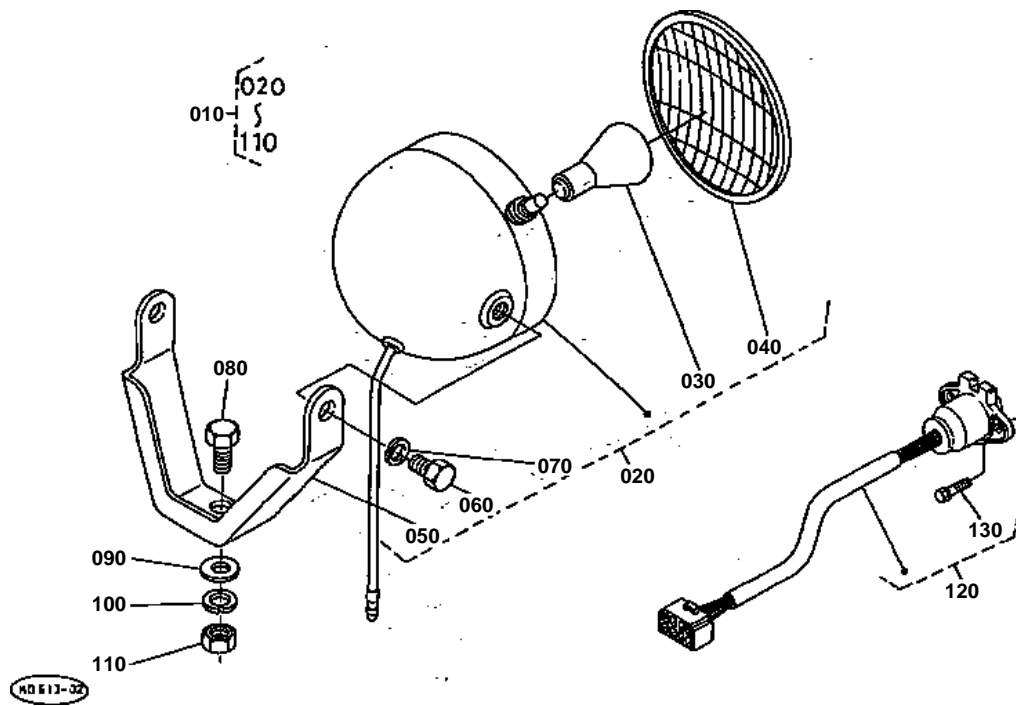


**LIGHT 2**

↔ Interchangeable; ≠ not interchangeable; ← new for old; → old for new

| REF.No | Part No. | Description | Q'ty | S.No. | I/C | REMARKS | Weight (kgf) | Weight (lb) |
|--------|-------------|---------------------|------|-------|-----|---------|--------------|-------------|
| 010 | 36330-75882 | LIGHT REAR COMBI.RH | 1 | | | | 0.27 | 0.594 |
| 020 | 36330-76280 | BODY LIGHT RH | 1 | | | | 0.38 | 0.836 |
| 030 | 36330-76290 | COMP.CORD SOCKET RH | 1 | | | | 0.04 | 0.088 |
| 040 | 36330-76270 | BULB FLASHER | 1 | | | | 0.01 | 0.022 |
| 050 | 36330-76260 | BULB BRAKE | 1 | | | | 0.01 | 0.022 |
| 060 | 03054-50545 | SCREW PAN HEAD | 2 | | | | 0.006 | 0.0132 |
| 070 | 36330-76320 | WASHER NYRON | 2 | | | | 0.001 | 0.0022 |
| 080 | 04012-50050 | WASHER PLAIN | 2 | | | | 0.001 | 0.0022 |
| 090 | 36330-75892 | LIGHT REAR COMBI.LH | 1 | | | | 0.27 | 0.594 |
| 100 | 36330-76310 | BODY LIGHT LH | 1 | | | | 0.19 | 0.418 |
| 110 | 36330-76300 | COMP.CORD SOCKET LH | 1 | | | | 0.04 | 0.088 |
| 120 | 36330-76270 | BULB FLASHER | 1 | | | | 0.01 | 0.022 |
| 130 | 36330-76260 | BULB BRAKE | 1 | | | | 0.01 | 0.022 |
| 140 | 03054-50545 | SCREW PAN HEAD | 2 | | | | 0.006 | 0.0132 |
| 150 | 36330-76320 | WASHER NYRON | 2 | | | | 0.001 | 0.0022 |
| 160 | 04012-50050 | WASHER PLAIN | 2 | | | | 0.001 | 0.0022 |
| 170 | 67601-55730 | ASSY REFLETOR | 2 | | | | 0.02 | 0.044 |
| 180 | 35830-75780 | BRACKET REFLECTOR | 2 | | | | 0.13 | 0.286 |
| 190 | 02054-50050 | NUT | 2 | | | | 0.002 | 0.0044 |
| 200 | 04512-50050 | WASHER SPRING | 2 | | | | 0 | 0 |
| 210 | 04012-50050 | WASHER PLAIN | 2 | | | | 0.001 | 0.0022 |
| 220 | 01123-50820 | BOLT | 4 | | | | 0.011 | 0.0242 |
| 230 | 35450-75010 | ASSY LIGHT FLASHER | 2 | | | | 0.3 | 0.66 |
| 240 | 35450-75022 | BULB HAZARD FLASHER | 2 | | | | 0.008 | 0.0176 |
| 250 | 35450-75110 | LENS | 2 | | | | 0.07 | 0.154 |
| 260 | 35450-75050 | LENS | 2 | | | | 0.07 | 0.154 |
| 270 | 35450-75060 | GASKET SEAL | 2 | | | | 0.02 | 0.044 |
| 280 | 35450-75070 | HOUSING | 2 | | | | 0.04 | 0.088 |
| 290 | 35450-75080 | SCREW | 6 | | | | 0.005 | 0.011 |
| 300 | 35450-75090 | ASSY SOCKET | 2 | | | | 0.035 | 0.077 |
| 310 | 04013-50100 | WASHER PLAIN | 2 | | | | 0 | 0 |
| 320 | 04512-50100 | WASHER SPRING | 2 | | | | 0 | 0 |
| 330 | 02114-50100 | NUT | 2 | | | | 0.005 | 0.011 |

WORKING LIGHT AND TRAILER HARNESS [OPTION]

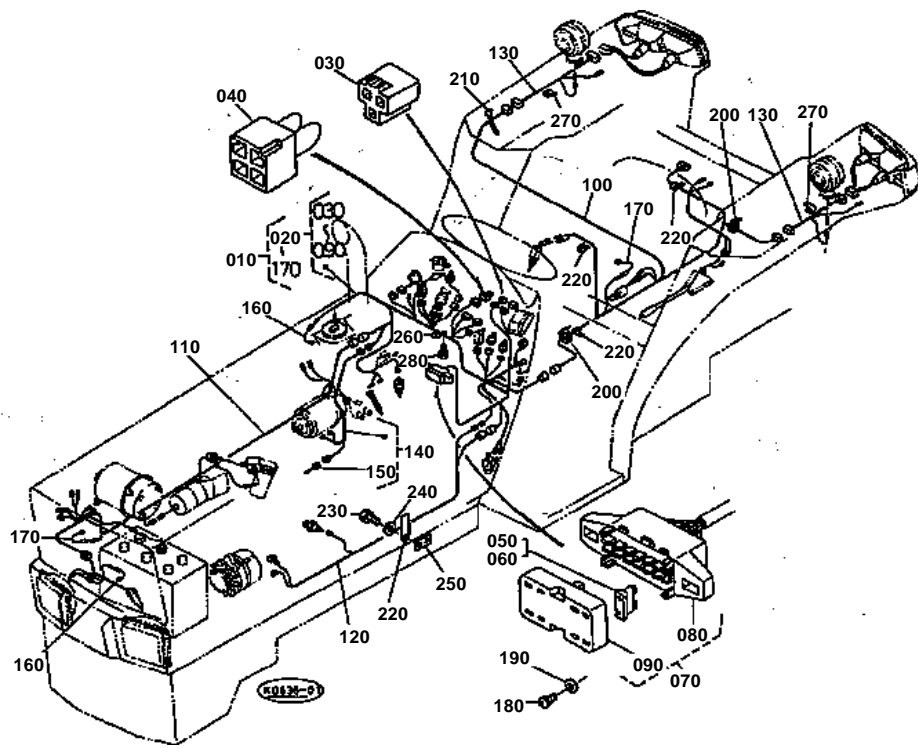


**WORKING LIGHT AND TRAILER HARNESS [OPTION]**

↔ Interchangeable; ≠ not interchangeable; ← new for old; → old for new

| REF.No | Part No. | Description | Q'ty | S.No. | I/C | REMARKS | Weight (kgf) | Weight (lb) |
|--------|-------------|----------------------|------|-------|-----|---------|--------------|-------------|
| 010 | 35871-97600 | ASSY LIGHT WORKING | 1 | | | | 0.88 | 1.936 |
| 020 | 35871-75900 | ASSY LIGHT WORKING | 1 | | | | 0.85 | 1.87 |
| 030 | 68331-53360 | BULB | 1 | | | | 0.015 | 0.033 |
| 040 | 68331-53310 | LENS | 1 | | | | 0.15 | 0.33 |
| 050 | 35861-75910 | STAY LIGHT | 1 | | | | 0.25 | 0.55 |
| 060 | 01153-50820 | BOLT | 2 | | | | 0.012 | 0.0264 |
| 070 | 04512-50080 | WASHER SPRING | 2 | | | | 0 | 0 |
| 080 | 01173-51020 | BOLT | 1 | | | | 0.017 | 0.0374 |
| 090 | 04013-50100 | WASHER PLAIN | 1 | | | | 0 | 0 |
| 100 | 04512-50100 | WASHER SPRING | 1 | | | | 0 | 0 |
| 110 | 02118-50100 | NUT | 1 | | | | 0.005 | 0.011 |
| 120 | 99884-48000 | ASSY HARNESS TRAILER | 1 | | | | 0.5 | 1.1 |
| 130 | 01123-50820 | BOLT | 2 | | | | 0.011 | 0.0242 |

WIRE HARNESS



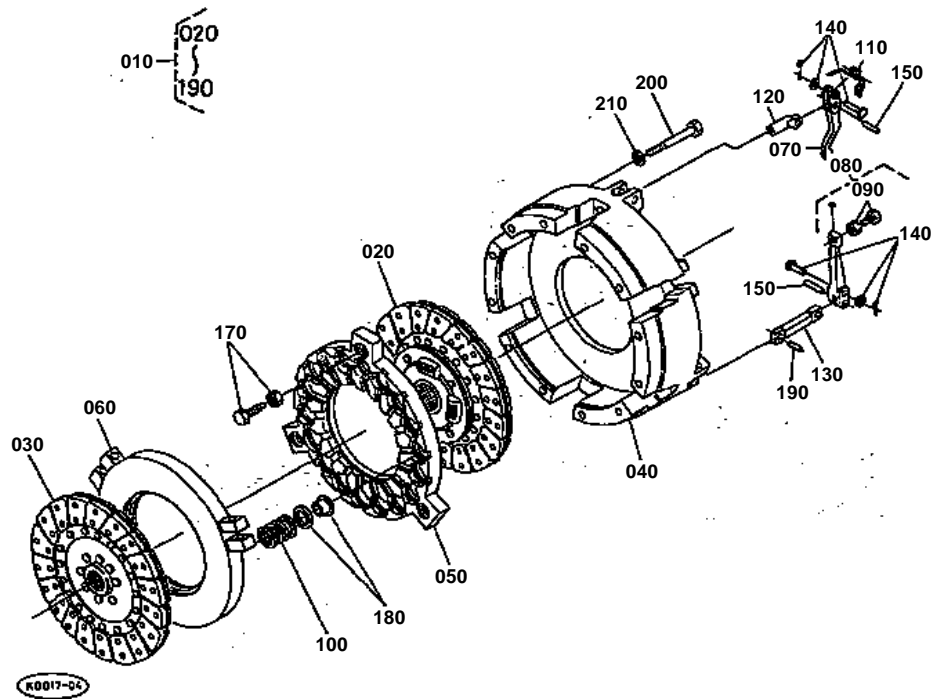


WIRE HARNESS

↔ Interchangeable; ≠ not interchangeable; ← new for old; → old for new

| REF.No | Part No. | Description | Q'ty | S.No. | I/C | REMARKS | Weight (kgf) | Weight (lb) |
|--------|-------------|-------------------|------|-------|-----|---------|--------------|-------------|
| 010 | 35800-77202 | ASSY WIRE HARNESS | 1 | | | | 3 | 6.6 |
| 020 | 35800-77212 | WIRE HARNESS | 1 | | | | 1.43 | 3.146 |
| 030 | 36330-75390 | DIODE | 2 | | | | 0.01 | 0.022 |
| 040 | 36730-75380 | LINK FUSIBLE | 1 | | | | 0.01 | 0.022 |
| 050 | 36730-75550 | FUSE | 10 | | | 10A | 0.001 | 0.0022 |
| 060 | 35820-75560 | FUSE | 3 | | | 15A | 0.002 | 0.0044 |
| 070 | 35800-75500 | ASSY BOX FUSE | 1 | | | | 0.1 | 0.22 |
| 080 | 35820-75512 | ASSY CASE FUSE | 1 | | | | 0.1 | 0.22 |
| 090 | 35800-75520 | COVER FUSE CASE | 1 | | | | 0.026 | 0.0572 |
| 100 | 35801-77222 | WIRE HARNESS | 1 | | | | 0.32 | 0.704 |
| 110 | 35800-77230 | WIRE HARNESS | 1 | | | | 0.37 | 0.814 |
| 120 | 36240-77240 | WIRE HARNESS | 1 | | | | 0.15 | 0.33 |
| 130 | 35861-77250 | WIRE HARNESS | 2 | | | | 0.09 | 0.198 |
| 140 | 36230-77263 | WIRE HARNESS | 1 | | | | 0.216 | 0.4752 |
| 150 | 36330-75380 | LINK FUSIBLE | 1 | | | | 0.01 | 0.022 |
| 160 | 36330-77270 | WIRE HARNESS | 2 | | | | 0.005 | 0.011 |
| 170 | 36330-77292 | WIRE HARNESS | 2 | | | | 0.01 | 0.022 |
| 180 | 03027-50510 | SCREW WITH WASHER | 2 | | | | 0.003 | 0.0066 |
| 190 | 04013-50050 | WASHER PLAIN | 2 | | | | 0 | 0 |
| 200 | 55311-41260 | BAND CORD | 5 | | | | 0.007 | 0.0154 |
| 210 | 53581-64150 | BAND CORD | 14 | | | | 0.002 | 0.0044 |
| 220 | 13824-67580 | CLAMP CORD | 12 | | | | 0.006 | 0.0132 |
| 230 | 01053-50620 | BOLT | 6 | | | | 0.006 | 0.0132 |
| 240 | 04013-50060 | WASHER PLAIN | 6 | | | | 0 | 0 |
| 250 | 38240-29250 | NUT SPRING | 6 | | | | 0.005 | 0.011 |
| 260 | 35340-29380 | CLAMP CORD | 1 | | | | 0.01 | 0.022 |
| 270 | 54711-42630 | CLAMP CORD | 6 | | | | 0.002 | 0.0044 |
| 280 | 01123-50816 | BOLT | 1 | | | | 0 | 0 |

CLUTCH



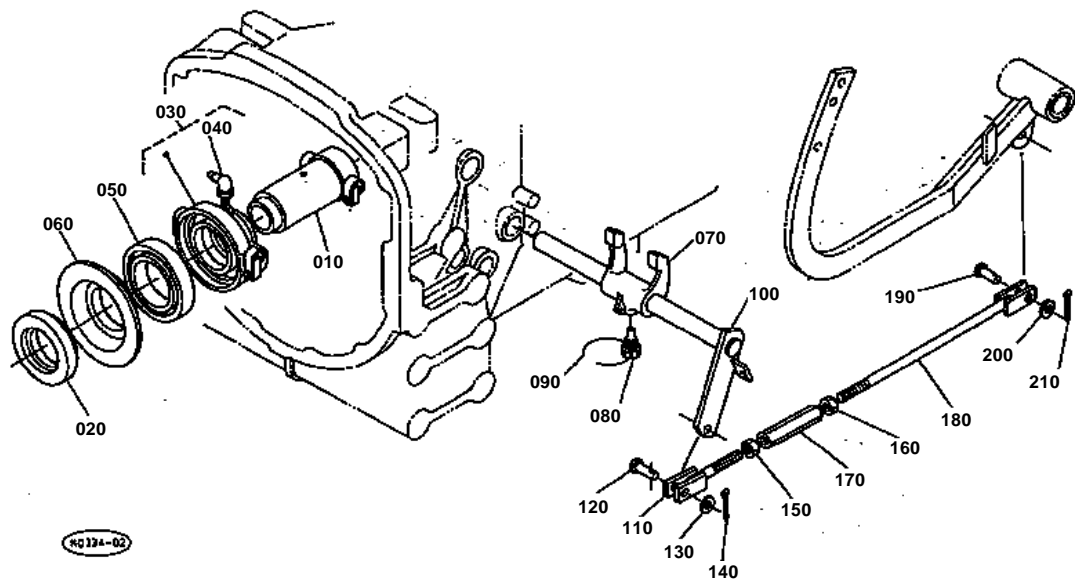


CLUTCH

↔ Interchangeable; ≠ not interchangeable; ← new for old; → old for new

| REF.No | Part No. | Description | Q'ty | S.No. | I/C | REMARKS | Weight (kgf) | Weight (lb) |
|--------|-------------|---------------------|------|-------|-----|---------|--------------|-------------|
| 010 | 35830-25104 | ASSY CLUTCH | 1 | | | | 0 | 0 |
| 020 | 35820-25133 | DISK CLUTCH | 1 | | | | 0 | 0 |
| 030 | 36200-25142 | DISK PTO CLUTCH | 1 | | | | 0 | 0 |
| 040 | 35820-25162 | COVER CLUTCH | 1 | | | | 16 | 35.2 |
| 050 | 35820-25150 | PLATE PRESSURE | 1 | | | | 5.2 | 11.44 |
| 060 | 35820-25222 | PLATE PRESSURE | 1 | | | | 5.2 | 11.44 |
| 070 | 35820-25230 | KIT LEVER | 1 | | | | 0.55 | 1.21 |
| 080 | 35820-25240 | KIT LEVER | 1 | | | | 0.55 | 1.21 |
| 090 | 35820-25250 | KIT BOLT NUT | 1 | | | | 0.06 | 0.132 |
| 100 | 35820-25310 | KIT SPRING PRESSURE | 1 | | | | 1 | 2.2 |
| 110 | 35820-25320 | KIT SPRING RETURN | 1 | | | | 0.024 | 0.0528 |
| 120 | 35820-25260 | KIT ROD | 1 | | | | 0.225 | 0.495 |
| 130 | 35820-25270 | KIT ROD | 1 | | | | 0.5 | 1.1 |
| 140 | 35820-25332 | KIT PIN JOINT | 1 | | | | 0.065 | 0.143 |
| 150 | 35820-25342 | KIT PIN STRAIGHT | 1 | | | | 0.03 | 0.066 |
| 160 | 99999-99999 | BLANK | 0 | | | | 0 | 0 |
| 170 | 35820-25360 | KIT BOLT NUT | 1 | | | | 0.08 | 0.176 |
| 180 | 35820-25370 | KIT SEAT SPRING | 1 | | | | 0.162 | 0.3564 |
| 190 | 35820-25380 | KIT PIN STRAIGHT | 1 | | | | 0.05 | 0.11 |
| 200 | 01053-50800 | BOLT | 12 | | | | 0.036 | 0.0792 |
| 210 | 04512-50080 | WASHER SPRING | 12 | | | | 0 | 0 |

CLUTCH FORK



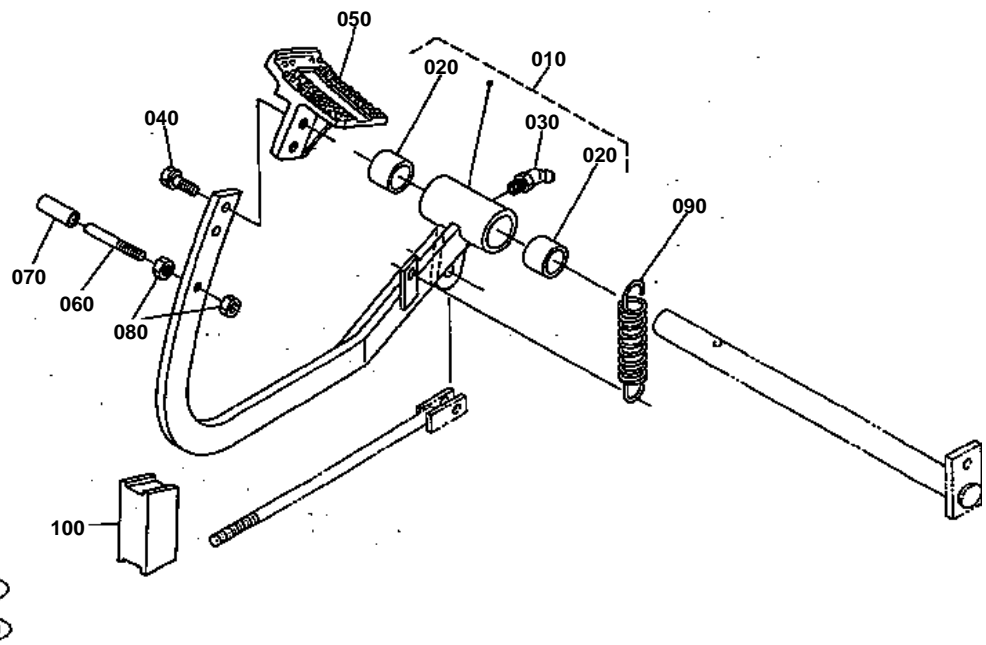


CLUTCH FORK

↔ Interchangeable; ≠ not interchangeable; ← new for old; → old for new

| REF.No | Part No. | Description | Q'ty | S.No. | I/C | REMARKS | Weight (kgf) | Weight (lb) |
|--------|-------------|----------------------|------|-------|-----|------------------|--------------|-------------|
| 010 | 36330-26300 | ASSY HUB CLUTCH | 1 | | | | 0.84 | 1.848 |
| 020 | 36200-26410 | BEARING BALL | 1 | | | | 0.504 | 1.1088 |
| 030 | 36330-26730 | ASSY COUPLING | 1 | | | | 0.98 | 2.156 |
| 040 | 06613-30010 | NIPPLE GREASE | 1 | | | | 0.01 | 0.022 |
| 050 | 08121-06013 | BEARING BALL | 1 | | | | 0.45 | 0.99 |
| 060 | 33400-26770 | HUB CLUTCH RELEASE | 1 | | | | 0.65 | 1.43 |
| 070 | 36330-26190 | FORK CLUTCH RELEASE | 1 | | | | 0.55 | 1.21 |
| 080 | 33251-26350 | BOLT SET | 1 | | | | 0.045 | 0.099 |
| 090 | 99999-99999 | WIRE | 1 | | | OBTAINED LOCALLY | 0 | 0 |
| 100 | 36330-26214 | SHAFT CLUTCH CONTROL | 1 | | | | 1.55 | 3.41 |
| 110 | 36330-26173 | ROD CLUTCH | 1 | | | | 0.11 | 0.242 |
| 120 | 36330-26132 | PIN CLUTCH LINK | 1 | | | | 0.02 | 0.044 |
| 130 | 04011-50100 | WASHER PLAIN | 1 | | | | 0.002 | 0.0044 |
| 140 | 05511-50318 | PIN SPLIT | 1 | | | | 0.001 | 0.0022 |
| 150 | 02116-50100 | NUT | 1 | | | | 0.004 | 0.0088 |
| 160 | 55311-31550 | NUT | 1 | | | | 0.007 | 0.0154 |
| 170 | 32350-28980 | TURNBUCKLE | 1 | | | | 0.124 | 0.2728 |
| 180 | 36330-26182 | ROD CLUTCH | 1 | | | | 0.22 | 0.484 |
| 190 | 36330-26132 | PIN CLUTCH LINK | 1 | | | | 0.02 | 0.044 |
| 200 | 04011-50100 | WASHER PLAIN | 1 | | | | 0.002 | 0.0044 |
| 210 | 05511-50318 | PIN SPLIT | 1 | | | | 0.001 | 0.0022 |

CLUTCH PEDAL



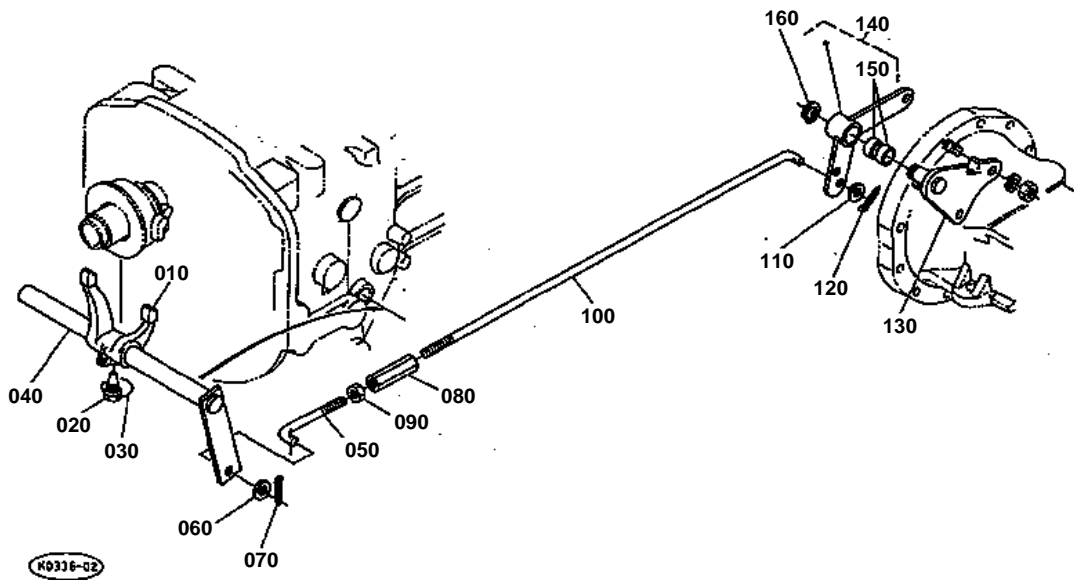


CLUTCH PEDAL

↔ Interchangeable; ≠ not interchangeable; ← new for old; → old for new

| REF.No | Part No. | Description | Q'ty | S.No. | I/C | REMARKS | Weight (kgf) | Weight (lb) |
|--------|-------------|----------------------|------|-------|-----|---------|--------------|-------------|
| 010 | 36330-26105 | ASSY LEVER CLUTCH | 1 | | | | 3 | 6.6 |
| 020 | 32150-28440 | BUSH | 2 | | | | 0.043 | 0.0946 |
| 030 | 06613-30010 | NIPPLE GREASE | 1 | | | | 0.01 | 0.022 |
| 040 | 01123-50825 | BOLT | 2 | | | | 0.013 | 0.0286 |
| 050 | 35861-26150 | HEEL PEDAL | 1 | | | | 0.9 | 1.98 |
| 060 | 36330-26140 | STOPPER CLUTCH PEDAL | 1 | | | | 0.03 | 0.066 |
| 070 | 36330-26270 | RUBBER PROTECTOR | 1 | | | | 0.005 | 0.011 |
| 080 | 02116-50100 | NUT | 2 | | | | 0.004 | 0.0088 |
| 090 | 36330-26160 | SPRING PEDAL RETURN | 1 | | | | 0.17 | 0.374 |
| 100 | 35820-26910 | PIECE DISTANCE | 1 | | | | 0.11 | 0.242 |

PTO CLUTCH FORK



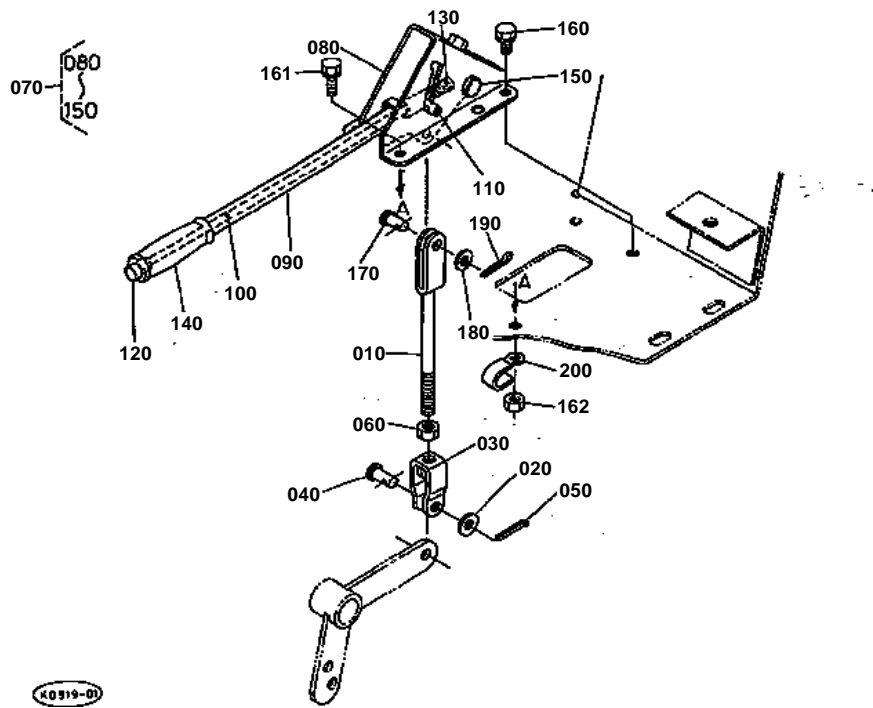


PTO CLUTCH FORK

↔ Interchangeable; ≠ not interchangeable; ← new for old; → old for new

| REF.No | Part No. | Description | Q'ty | S.No. | I/C | REMARKS | Weight (kgf) | Weight (lb) |
|--------|-------------|---------------------|------|-------|-----|------------------|--------------|-------------|
| 010 | 36730-26710 | FORK CLUTCH RELEASE | 1 | | | | 0.65 | 1.43 |
| 020 | 33251-26350 | BOLT SET | 1 | | | | 0.045 | 0.099 |
| 030 | 99999-99999 | WIRE | 1 | | | OBTAINED LOCALLY | 0 | 0 |
| 040 | 36330-26660 | SHAFT CONTROL LEVER | 1 | | | | 1.8 | 3.96 |
| 050 | 36330-26620 | ROD PTO | 1 | | | | 0.07 | 0.154 |
| 060 | 04011-50100 | WASHER PLAIN | 1 | | | | 0.002 | 0.0044 |
| 070 | 05511-50318 | PIN SPLIT | 1 | | | | 0.001 | 0.0022 |
| 080 | 32350-28980 | TURNBUCKLE | 1 | | | | 0.124 | 0.2728 |
| 090 | 02116-50100 | NUT | 1 | | | | 0.004 | 0.0088 |
| 100 | 36330-26650 | ROD PTO | 1 | | | | 0.36 | 0.792 |
| 110 | 04011-50100 | WASHER PLAIN | 1 | | | | 0.002 | 0.0044 |
| 120 | 05511-50318 | PIN SPLIT | 1 | | | | 0.001 | 0.0022 |
| 130 | 36330-26360 | BRACKET FULCRUM | 1 | | | | 0.56 | 1.232 |
| 140 | 36330-26410 | ASSY LINK CLUTCH | 1 | | | | 0.42 | 0.924 |
| 150 | 36330-26430 | BUSH | 2 | | | | 0 | 0 |
| 160 | 04612-00220 | CIR-CLIP EXTERNAL | 1 | | | | 0.001 | 0.0022 |

PTO CLUTCH LEVER



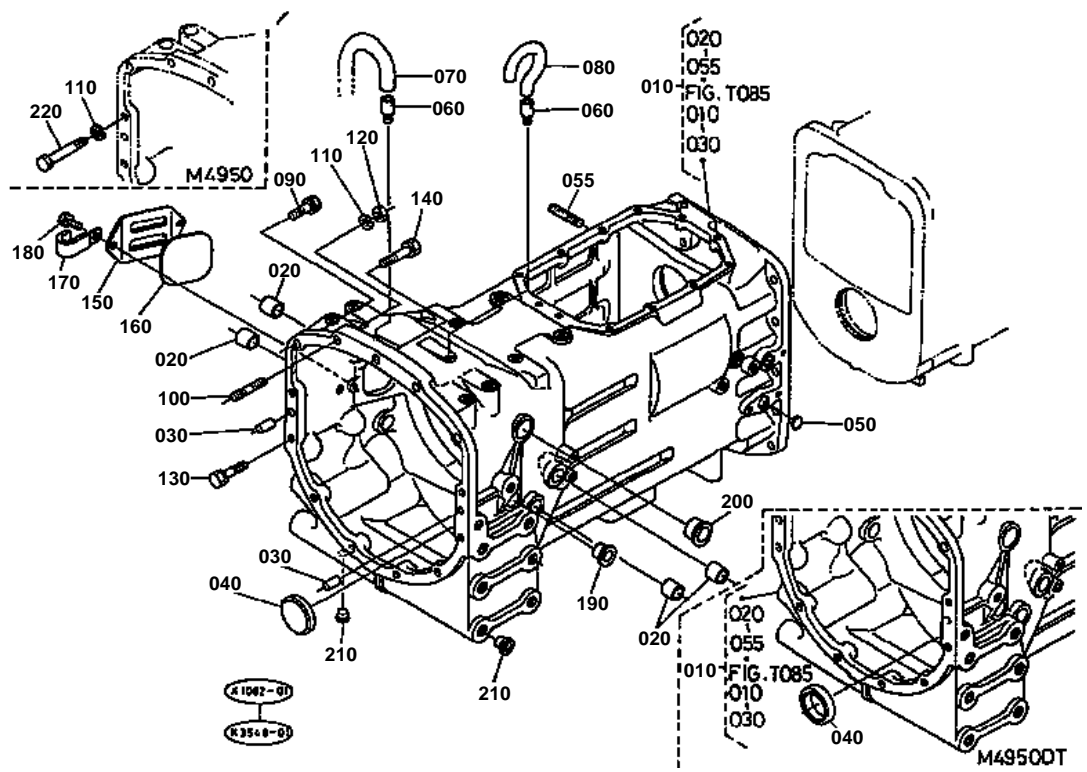


PTO CLUTCH LEVER

↔ Interchangeable; ≠ not interchangeable; ← new for old; → old for new

| REF.No | Part No. | Description | Q'ty | S.No. | I/C | REMARKS | Weight (kgf) | Weight (lb) |
|--------|-------------|----------------------|------|-------|-----|---------|--------------|-------------|
| 010 | 36330-26440 | ROD PTO | 1 | | | | 0.12 | 0.264 |
| 020 | 04011-50100 | WASHER PLAIN | 1 | | | | 0.002 | 0.0044 |
| 030 | 38240-24360 | JOINT | 1 | | | | 0.08 | 0.176 |
| 040 | 05122-51022 | PIN JOINT | 1 | | | | 0.014 | 0.0308 |
| 050 | 05511-50318 | PIN SPLIT | 1 | | | | 0.001 | 0.0022 |
| 060 | 02116-50100 | NUT | 1 | | | | 0.004 | 0.0088 |
| 070 | 36330-26002 | ASSY LEVER CONTROL | 1 | | | | 1.27 | 2.794 |
| 080 | 36330-26013 | GUIDE LEVER | 1 | | | | 0.7 | 1.54 |
| 090 | 36330-26020 | LEVER CLUTCH CONTROL | 1 | | | | 0.56 | 1.232 |
| 100 | 36330-26030 | ROD RELEASE | 1 | | | | 0.09 | 0.198 |
| 110 | 05411-00540 | PIN SPRING | 1 | | | | 0.004 | 0.0088 |
| 120 | 36330-26040 | BUTTON | 1 | | | | 0.01 | 0.022 |
| 130 | 36330-26050 | SPRING | 1 | | | | 0.01 | 0.022 |
| 140 | 36330-26060 | GRIP | 1 | | | | 0.04 | 0.088 |
| 150 | 36330-26070 | PIN | 1 | | | | 0.04 | 0.088 |
| 160 | 01123-50816 | BOLT | 3 | | | | 0 | 0 |
| 161 | 01123-50825 | BOLT | 1 | | | | 0.013 | 0.0286 |
| 162 | 02114-50080 | NUT | 1 | | | | 0.005 | 0.011 |
| 170 | 05122-50816 | PIN JOINT | 1 | | | | 0.007 | 0.0154 |
| 180 | 04012-50080 | WASHER PLAIN | 1 | | | | 0.001 | 0.0022 |
| 190 | 05511-50215 | PIN SPLIT | 1 | | | | 0.001 | 0.0022 |
| 200 | 34150-29390 | CLAMP.CORD | 1 | | | | 0.004 | 0.0088 |

CLUTCH HOUSING 1



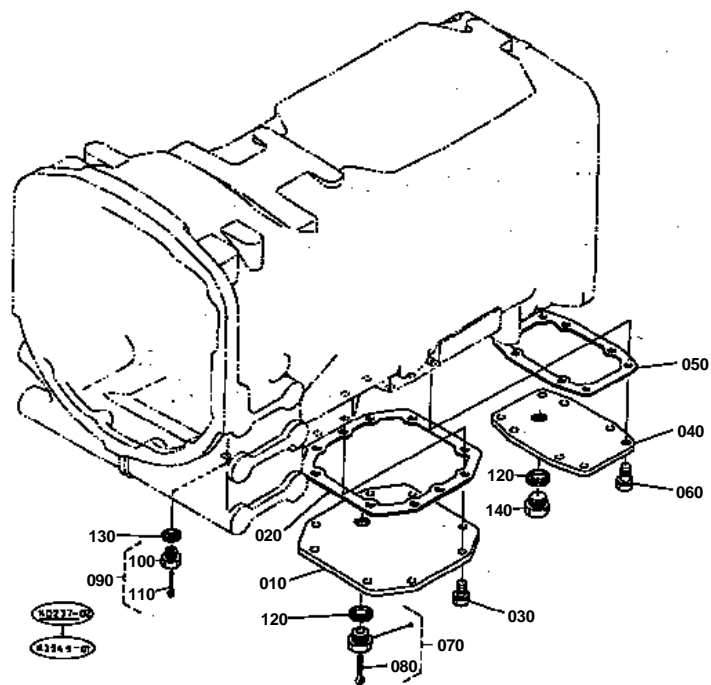


CLUTCH HOUSING 1

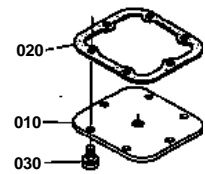
↔ Interchangeable; ≠ not interchangeable; ← new for old; → old for new

| REF.No | Part No. | Description | Q'ty | S.No. | I/C | REMARKS | Weight (kgf) | Weight (lb) |
|--------|-------------|---------------------|------|-------|-----|---------|--------------|-------------|
| 010 | 35810-21100 | ASSY HOUSING CLUTCH | 1 | | | | 0 | 0 |
| 020 | 36200-21130 | BUSH | 4 | | | | 0.003 | 0.0066 |
| 030 | 05012-01020 | PIN STRAIGHT | 2 | | | | 0.013 | 0.0286 |
| 040 | 36780-41330 | SEAL OIL | 1 | | | | 0 | 0 |
| 055 | 01574-51228 | STUD | 1 | | | | 0.035 | 0.077 |
| 060 | 36200-21610 | BREATHER | 2 | | | | 0.008 | 0.0176 |
| 070 | 36330-21200 | PIPE BREATHER | 1 | | | | 0.05 | 0.11 |
| 080 | 35820-21620 | BREATHER | 1 | | | | 0.007 | 0.0154 |
| 090 | 01133-51240 | BOLT | 2 | | | | 0.05 | 0.11 |
| 100 | 01574-51245 | STUD | 2 | | | | 0.051 | 0.1122 |
| 110 | 04512-50120 | WASHER SPRING | 3 | | | | 0 | 0 |
| 120 | 02176-50120 | NUT | 2 | | | | 0.01 | 0.022 |
| 130 | 01133-51245 | BOLT | 7 | | | | 0.055 | 0.121 |
| 140 | 01133-51250 | BOLT | 1 | | | | 0.055 | 0.121 |
| 150 | 35801-21160 | COVER INSPECTION | 1 | | | | 0.25 | 0.55 |
| 160 | 35820-21170 | GASKET | 1 | | | | 0.045 | 0.099 |
| 170 | 13824-67580 | CLAMP CORD | 1 | | | | 0.006 | 0.0132 |
| 180 | 01123-50816 | BOLT | 2 | | | | 0 | 0 |
| 190 | 36330-21180 | PLUG | 1 | | | | 0.009 | 0.0198 |
| 200 | 36330-21190 | PLUG | 2 | | | | 0.015 | 0.033 |
| 210 | 36330-21290 | PLUG BLIND | 14 | | | | 0.002 | 0.0044 |
| 220 | 01173-51280 | BOLT | 1 | | | | 0.1 | 0.22 |

CLUTCH HOUSING 2



- 010 36200-2118-0
- 020 36200-2119-0
- 030 01133-51020



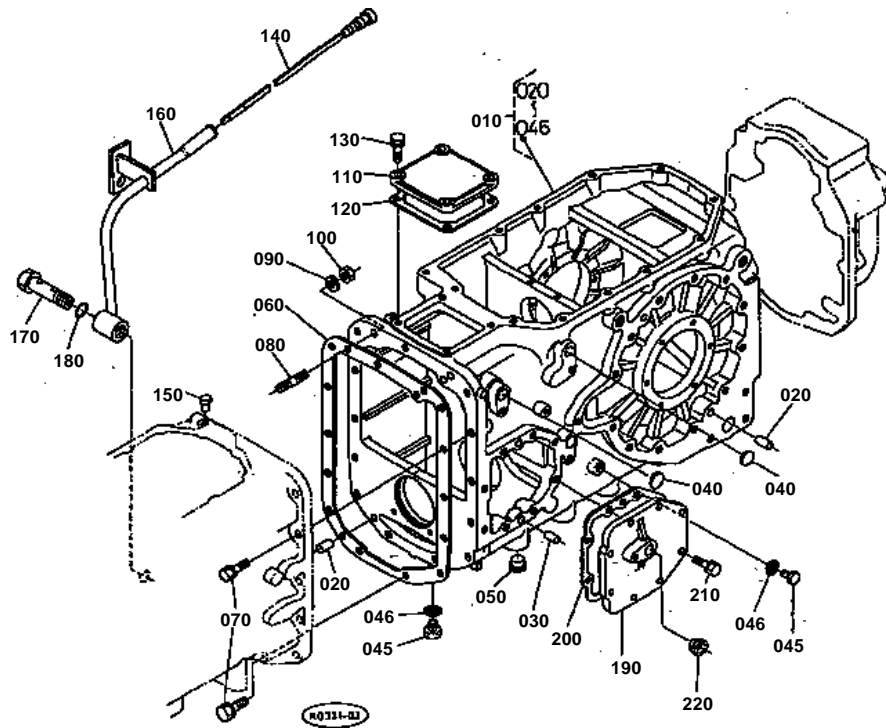


CLUTCH HOUSING 2

↔ Interchangeable; ≠ not interchangeable; ← new for old; → old for new

| REF.No | Part No. | Description | Q'ty | S.No. | I/C | REMARKS | Weight (kgf) | Weight (lb) |
|--------|-------------|--------------------|------|-------|-----|---------|--------------|-------------|
| 010 | 33740-21180 | COVER HOUSING | 1 | | ≠ | | 1.9 | 4.18 |
| 020 | 36920-40100 | GASKET | 1 | | ≠ | | 0 | 0 |
| 030 | 01133-51020 | BOLT | 8 | | | | 0.02 | 0.044 |
| 040 | 36330-21210 | COVER HOUSING | 1 | | | | 16.5 | 36.3 |
| 050 | 36200-21220 | GASKET | 1 | | | | 0 | 0 |
| 060 | 01133-51020 | BOLT | 8 | | | | 0.02 | 0.044 |
| 070 | 36200-97580 | PLUG | 1 | | | | 0.05 | 0.11 |
| 080 | 05511-50530 | PIN SPLIT | 1 | | | | 0.006 | 0.0132 |
| 090 | 35861-97500 | KIT PLUG | 1 | | | | 0.04 | 0.088 |
| 100 | 35861-97510 | PLUG | 1 | | | | 0.027 | 0.0594 |
| 110 | 05511-50425 | PIN SPLIT | 1 | | | | 0.003 | 0.0066 |
| 120 | 04717-02000 | WASHER WITH RUBBER | 2 | | | | 0.004 | 0.0088 |
| 130 | 04717-01400 | WASHER WITH RUBBER | 1 | | | | 0.003 | 0.0066 |
| 140 | 06331-35020 | PLUG | 1 | | | | 0.068 | 0.1496 |

TRANSMISSION CASE



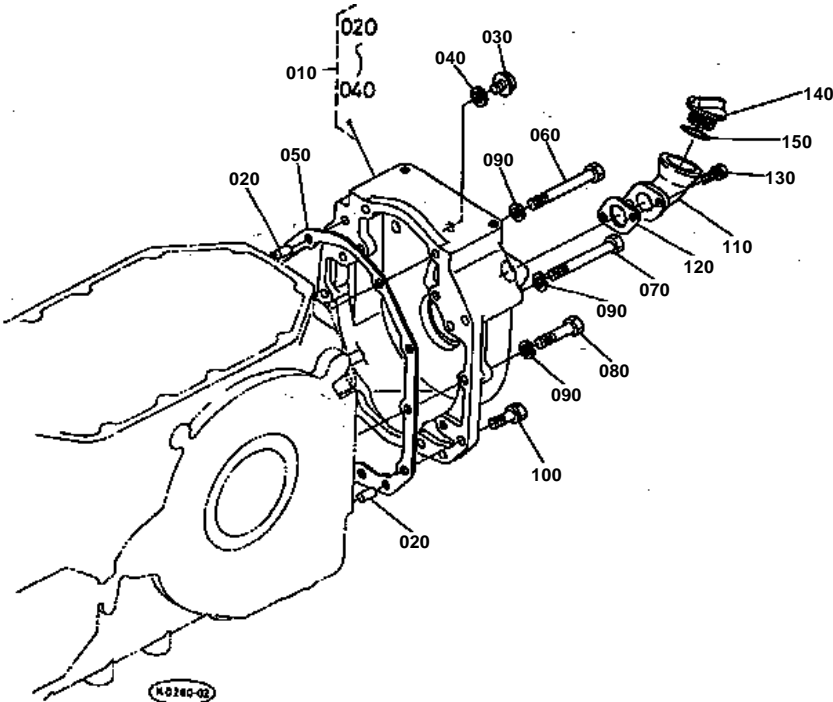


TRANSMISSION CASE

↔ Interchangeable; ≠ not interchangeable; ← new for old; → old for new

| REF.No | Part No. | Description | Q'ty | S.No. | IC | REMARKS | Weight (kgf) | Weight (lb) |
|--------|-------------|---------------------|------|-------|----|---------|--------------|-------------|
| 010 | 36330-21303 | ASSY CASE TR-MIS'ON | 1 | | | | 103 | 226.6 |
| 020 | 05012-01325 | PIN STRAIGHT | 6 | | | | 0.028 | 0.0616 |
| 030 | 05012-01020 | PIN STRAIGHT | 2 | | | | 0.013 | 0.0286 |
| 040 | 31321-38720 | COVER BLIND | 2 | | | | 0.005 | 0.011 |
| 045 | 06331-35020 | PLUG | 2 | | | | 0.068 | 0.1496 |
| 046 | 04717-02000 | WASHER WITH RUBBER | 2 | | | | 0.004 | 0.0088 |
| 050 | 33300-90910 | PLUG BLIND | 10 | | | | 0.002 | 0.0044 |
| 060 | 36710-21320 | GASKET | 1 | | | | 0 | 0 |
| 070 | 01133-51240 | BOLT | 12 | | | | 0.05 | 0.11 |
| 080 | 01574-51240 | STUD | 2 | | | | 0 | 0 |
| 090 | 04512-50120 | WASHER SPRING | 2 | | | | 0 | 0 |
| 100 | 02176-50120 | NUT | 2 | | | | 0.01 | 0.022 |
| 110 | 36330-21340 | COVER MISSION CASE | 1 | | | | 0.73 | 1.606 |
| 120 | 36330-21352 | GASKET | 1 | | | | 0 | 0 |
| 130 | 01133-51030 | BOLT | 4 | | | | 0.025 | 0.055 |
| 140 | 35868-21510 | GAUGE OIL | 1 | | | | 0.045 | 0.099 |
| 150 | 35820-21520 | PLUG | 1 | | | | 0.004 | 0.0088 |
| 160 | 35820-21550 | GUIDE OIL GAUGE | 1 | | | | 0.4 | 0.88 |
| 170 | 35820-21560 | BOLT JOINT | 1 | | | | 0.18 | 0.396 |
| 180 | 04811-00220 | O RING | 1 | | | | 0 | 0 |
| 190 | 36330-21450 | COVER MISSION CASE | 1 | | | | 1.44 | 3.168 |
| 200 | 36330-21460 | GASKET | 1 | | | | 0 | 0 |
| 210 | 01133-51028 | BOLT | 8 | | | | 0.027 | 0.0594 |
| 220 | 31321-38720 | COVER BLIND | 1 | | | | 0.005 | 0.011 |

TRANSMISSION CASE REAR COVER



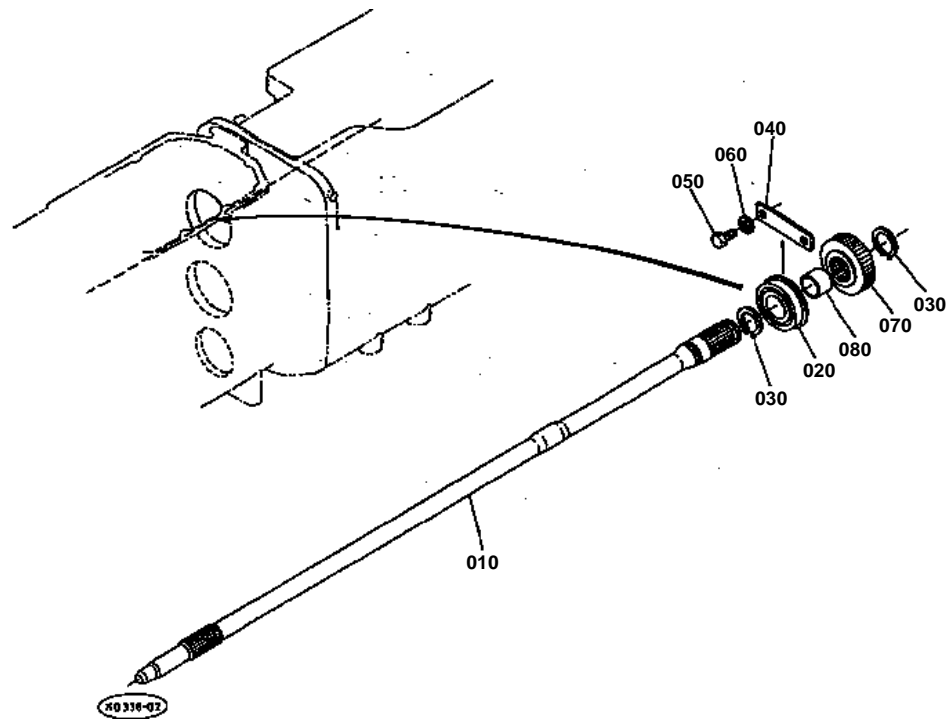


TRANSMISSION CASE REAR COVER

↔ Interchangeable; ≠ not interchangeable; ← new for old; → old for new

| REF.No | Part No. | Description | Q'ty | S.No. | I/C | REMARKS | Weight (kgf) | Weight (lb) |
|--------|-------------|--------------------|------|-------|-----|---------|--------------|-------------|
| 010 | 36330-21402 | ASSY COVER CASE | 1 | | | | 0 | 0 |
| 020 | 05012-01020 | PIN STRAIGHT | 2 | | | | 0.013 | 0.0286 |
| 030 | 06311-55040 | PLUG | 1 | | | | 0.093 | 0.2046 |
| 040 | 04717-02150 | WASHER WITH RUBBER | 1 | | | | 0.004 | 0.0088 |
| 050 | 36200-21420 | GASKET | 1 | | | | 0 | 0 |
| 060 | 01173-51204 | BOLT | 2 | | | | 0 | 0 |
| 070 | 01173-51202 | BOLT | 2 | | | | 0.1 | 0.22 |
| 080 | 01173-51255 | BOLT | 2 | | | | 0.055 | 0.121 |
| 090 | 04512-50120 | WASHER SPRING | 6 | | | | 0 | 0 |
| 100 | 01133-51235 | BOLT | 4 | | | | 0.043 | 0.0946 |
| 110 | 36330-21470 | FILLER OIL | 1 | | | | 0.42 | 0.924 |
| 120 | 36330-21480 | GASKET | 1 | | | | 0 | 0 |
| 130 | 01123-50820 | BOLT | 2 | | | | 0.011 | 0.0242 |
| 140 | 38240-21410 | PLUG | 1 | | | | 0.015 | 0.033 |
| 150 | 04811-50300 | O RING | 1 | | | | 0 | 0 |

PTO PROPELLER SHAFT



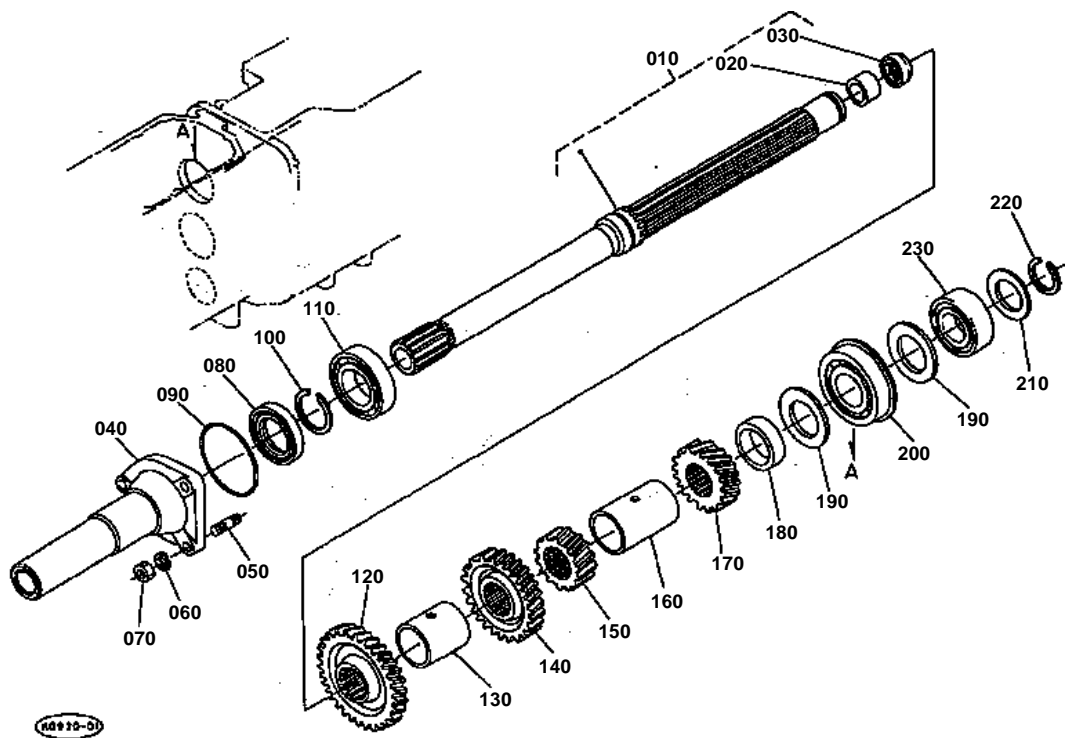


PTO PROPELLER SHAFT

↔ Interchangeable; ≠ not interchangeable; ← new for old; → old for new

| REF.No | Part No. | Description | Q'ty | S.No. | I/C | REMARKS | Weight (kgf) | Weight (lb) |
|--------|-------------|---------------------|------|-------|-----|---------|--------------|-------------|
| 010 | 36230-25616 | SHAFT PTO PROPELLER | 1 | | | | 3.79 | 8.338 |
| 020 | 08151-06306 | BEARING BALL | 1 | | | | 0.35 | 0.77 |
| 030 | 36330-80660 | CIR-CLIP EXTERNAL | 2 | | | | 0.02 | 0.044 |
| 040 | 36200-28680 | RETAINER BEARING | 1 | | | | 0.058 | 0.1276 |
| 050 | 01153-50820 | BOLT | 2 | | | | 0.012 | 0.0264 |
| 060 | 04411-50080 | WASHER TOOTHED | 2 | | | | 0.001 | 0.0022 |
| 070 | 36830-80400 | COUPLING | 1 | | | | 0.37 | 0.814 |
| 080 | 36330-80470 | COLLAR | 1 | | | 34.0mm | 0.12 | 0.264 |

FIRST SHAFT



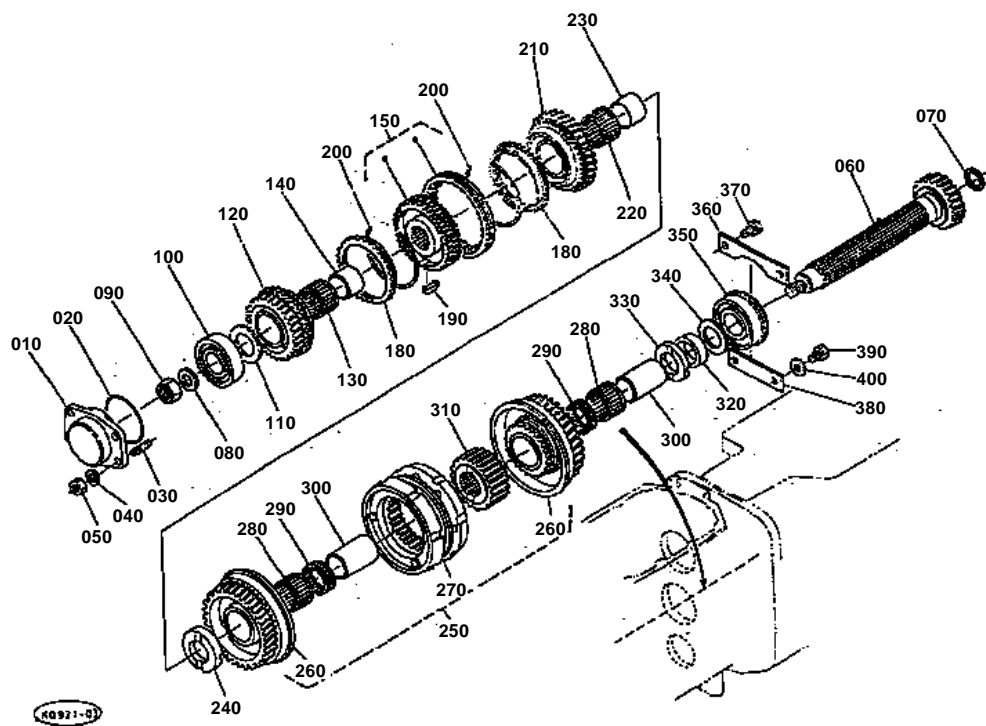


FIRST SHAFT

↔ Interchangeable; ≠ not interchangeable; ← new for old; → old for new

| REF.No | Part No. | Description | Q'ty | S.No. | I/C | REMARKS | Weight (kgf) | Weight (lb) |
|--------|-------------|--------------------|------|-------|-----|---------|--------------|-------------|
| 010 | 36330-28103 | ASSY SHAFT FIRST | 1 | | | | 3.9 | 8.58 |
| 020 | 33251-28640 | BUSH FIRST SHAFT | 1 | | | | 0.018 | 0.0396 |
| 030 | 36730-24330 | SEAL FIRST SHAFT | 1 | | | | 0.005 | 0.011 |
| 040 | 36330-28510 | COMP.CASE BEARING | 1 | | | | 1.96 | 4.312 |
| 050 | 01513-50828 | STUD | 3 | | | | 0.013 | 0.0286 |
| 060 | 04512-50080 | WASHER SPRING | 3 | | | | 0 | 0 |
| 070 | 02114-50080 | NUT | 3 | | | | 0.005 | 0.011 |
| 080 | 36730-24650 | SEAL OIL | 1 | | | | 0.03 | 0.066 |
| 090 | 04811-50900 | O RING | 1 | | | | 0.003 | 0.0066 |
| 100 | 36730-28050 | CIR-CLIP EXTERNAL | 1 | | | | 0.01 | 0.022 |
| 110 | 08101-06209 | BEARING BALL | 1 | | | | 0.42 | 0.924 |
| 120 | 36330-28480 | GEAR | 1 | | | 30T | 0.82 | 1.804 |
| 130 | 36330-28432 | COLLAR FIRST SHAFT | 1 | | | 59.0mm | 0.28 | 0.616 |
| 140 | 36330-28232 | GEAR | 1 | | | 25T | 0.7 | 1.54 |
| 150 | 36530-28250 | GEAR BACK DRIVE | 1 | | | 16T | 0.37 | 0.814 |
| 160 | 35820-28450 | COLLAR | 1 | | | 88.5mm | 0.43 | 0.946 |
| 170 | 35822-28220 | GEAR | 1 | | | 22T | 0.8 | 1.76 |
| 180 | 35820-28440 | COLLAR | 1 | | | 11.5mm | 0.08 | 0.176 |
| 190 | 36330-28180 | COLLAR FIRST SHAFT | 2 | | | 2.0mm | 0.025 | 0.055 |
| 200 | 35822-28330 | BEARING BALL | 1 | | | | 0.65 | 1.43 |
| 210 | 36330-28410 | SHIM | 2 | | | 0.3mm | 0.002 | 0.0044 |
| 210 | 36330-28420 | SHIM | 2 | | | 0.2mm | 0.002 | 0.0044 |
| 220 | 36730-28040 | CIR-CLIP EXTERNAL | 1 | | | | 0 | 0 |
| 230 | 35822-32380 | BEARING BALL | 1 | | | | 0.36 | 0.792 |

COUNTER SHAFT



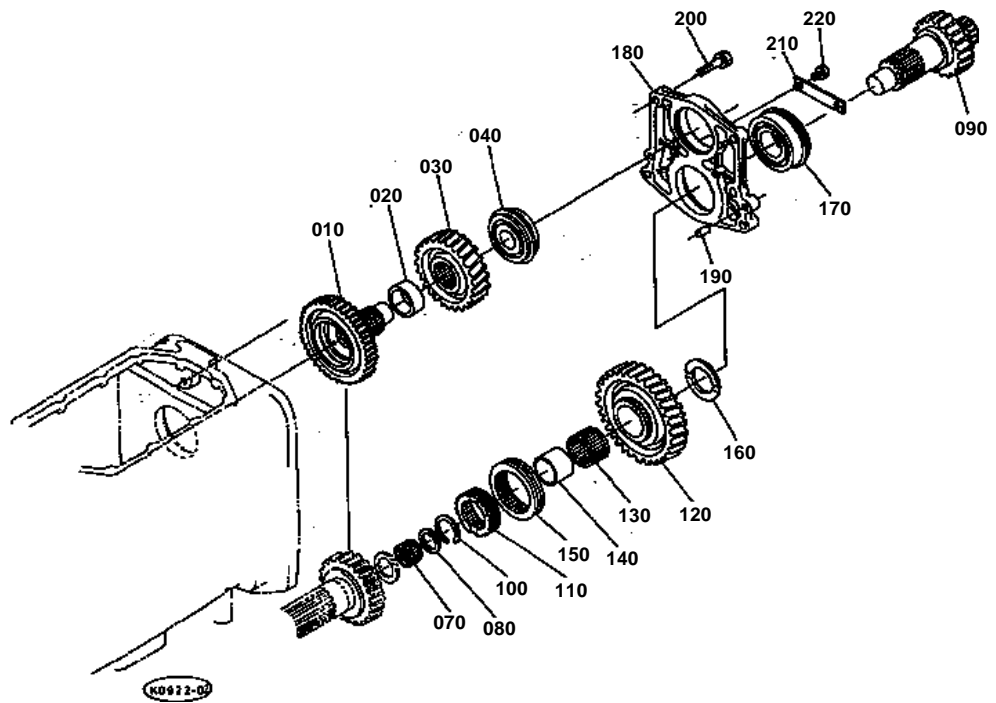


COUNTER SHAFT

↔ Interchangeable; ≠ not interchangeable; ← new for old; → old for new

| REF.No | Part No. | Description | Q'ty | S.No. | I/C | REMARKS | Weight (kgf) | Weight (lb) |
|--------|-------------|---------------------|------|-------|-----|---------|--------------|-------------|
| 010 | 36330-28630 | COVER COUNTERSHAFT | 1 | | | | 0.65 | 1.43 |
| 020 | 04811-50800 | O RING | 1 | | | | 0.003 | 0.0066 |
| 030 | 01513-50828 | STUD | 4 | | | | 0.013 | 0.0286 |
| 040 | 04512-50080 | WASHER SPRING | 4 | | | | 0 | 0 |
| 050 | 02114-50080 | NUT | 4 | | | | 0.005 | 0.011 |
| 060 | 36330-28200 | COUNTERSHAFT | 1 | | | | 3.66 | 8.052 |
| 070 | 35820-28190 | COLLAR | 1 | | | 1.6mm | 0.003 | 0.0066 |
| 080 | 36330-80080 | COLLAR | 1 | | | 3.2mm | 0.03 | 0.066 |
| 090 | 34150-25330 | NUT | 1 | | | | 0.039 | 0.0858 |
| 100 | 08101-06307 | BEARING BALL | 1 | | | | 0.455 | 1.001 |
| 110 | 36330-28610 | COLLAR THRUST | 1 | | | 3.0mm | 0.04 | 0.088 |
| 120 | 36330-28293 | GEAR | 1 | | | 29T | 1.62 | 3.564 |
| 130 | 36200-28340 | BEARING NEEDLE | 1 | | | | 0 | 0 |
| 140 | 36200-28330 | RING INNER | 1 | | | 32.0mm | 0.088 | 0.1936 |
| 150 | 36330-28403 | COUPLING-SHIFTER | 1 | | | | 1.93 | 4.246 |
| 160 | 99999-99999 | BLANK | 0 | | | | 0 | 0 |
| 170 | 99999-99999 | BLANK | 0 | | | | 0 | 0 |
| 180 | 36530-28414 | RING SYNCHRONIZER | 2 | | | | 0.01 | 0.022 |
| 190 | 36330-28502 | KEY SYNCHRONIZER | 3 | | | | 0.008 | 0.0176 |
| 200 | 36200-28434 | SPRING | 2 | | | | 0.01 | 0.022 |
| 210 | 36330-28280 | GEAR | 1 | | | 33T | 1.77 | 3.894 |
| 220 | 36200-28340 | BEARING NEEDLE | 1 | | | | 0 | 0 |
| 230 | 36200-28330 | RING INNER | 1 | | | 32.0mm | 0.088 | 0.1936 |
| 240 | 36330-28620 | COLLAR THRUST | 1 | | | 9.0mm | 0.18 | 0.396 |
| 250 | 35820-28543 | ASSY GEAR SYNCHRO. | 1 | | | | 11.5 | 25.3 |
| 260 | 35820-28553 | ASSY GEAR | 2 | | | 37T | 3.58 | 7.876 |
| 270 | 35820-28580 | ASSY RING SYNCHORO. | 1 | | | | 3.08 | 6.776 |
| 280 | 08825-05530 | BEARING NEEDLE | 2 | | | | 0.06 | 0.132 |
| 290 | 08825-05520 | BEARING NEEDLE | 2 | | | | 0.04 | 0.088 |
| 300 | 35820-28332 | RING INNER | 2 | | | 52.8mm | 0.3 | 0.66 |
| 310 | 35820-28462 | COUPLING | 1 | | | | 1.45 | 3.19 |
| 320 | 35820-28704 | COLLAR | 1 | | | 8.0mm | 0.08 | 0.176 |
| 330 | 36730-28622 | COLLAR THRUST | 1 | | | 6.0mm | 0.12 | 0.264 |
| 340 | 36330-28180 | COLLAR FIRST SHAFT | 1 | | | 2.0mm | 0.025 | 0.055 |
| 350 | 08151-06308 | BEARING BALL | 1 | | | | 0.64 | 1.408 |
| 360 | 36530-28690 | RETAINER BEARING | 1 | | | | 0.15 | 0.33 |
| 370 | 01123-50820 | BOLT | 2 | | | | 0.011 | 0.0242 |
| 380 | 36200-28680 | RETAINER BEARING | 1 | | | | 0.058 | 0.1276 |
| 390 | 01153-50820 | BOLT | 2 | | | | 0.012 | 0.0264 |
| 400 | 04411-50080 | WASHER TOOTHED | 2 | | | | 0.001 | 0.0022 |

HI-LO GEAR SHAFT



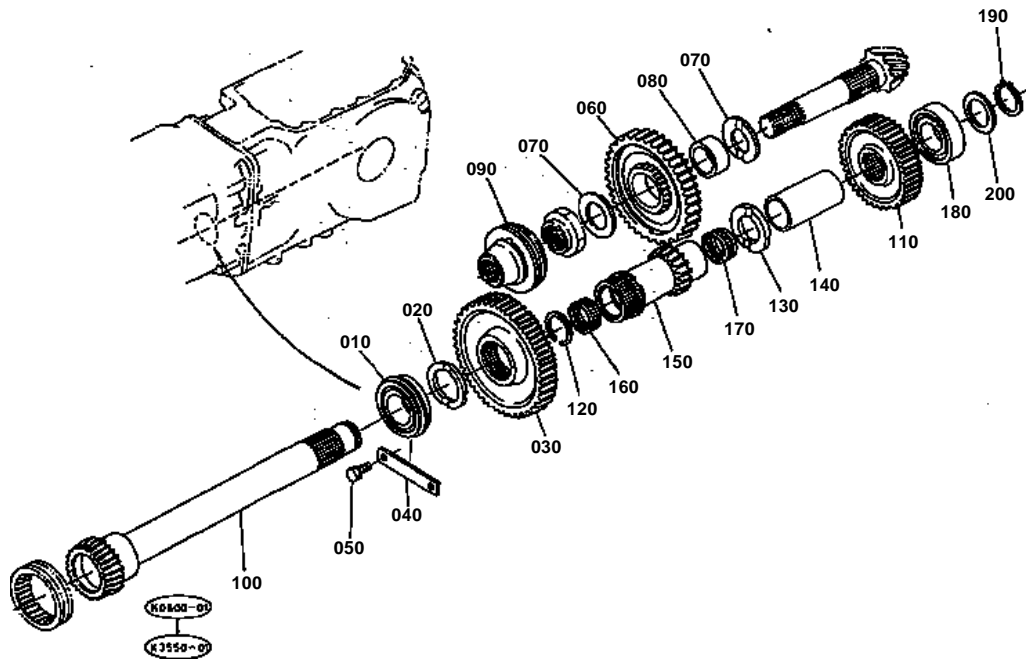


HI-LO GEAR SHAFT

↔ Interchangeable; ≠ not interchangeable; ← new for old; → old for new

| REF.No | Part No. | Description | Q'ty | S.No. | I/C | REMARKS | Weight (kgf) | Weight (lb) |
|--------|-------------|-------------------|------|-------|-----|---------|--------------|-------------|
| 010 | 36330-32326 | GEAR HI-LO | 1 | | | 39T | 1.4 | 3.08 |
| 020 | 36330-32352 | COLLAR | 1 | | | 19.5mm | 0.1 | 0.22 |
| 030 | 35822-32360 | GEAR HI-LO | 1 | | | 27T | 1.05 | 2.31 |
| 040 | 36530-80150 | BEARING BALL | 1 | | | | 0.47 | 1.034 |
| 050 | 99999-99999 | BLANK | 0 | | | | 0 | 0 |
| 060 | 99999-99999 | BLANK | 0 | | | | 0 | 0 |
| 070 | 36330-31332 | BEARING NEEDLE | 1 | | | | 0.03 | 0.066 |
| 080 | 36330-32370 | COLLAR | 1 | | | 4.0mm | 0.01 | 0.022 |
| 090 | 35820-32330 | GEAR-SHAFT | 1 | | | 23T | 2 | 4.4 |
| 100 | 36730-28040 | CIR-CLIP EXTERNAL | 1 | | | | 0 | 0 |
| 110 | 35820-32270 | COUPLING | 1 | | | | 0.44 | 0.968 |
| 120 | 35822-32340 | GEAR HI-LO | 1 | | | 35T | 1.92 | 4.224 |
| 130 | 36200-28340 | BEARING NEEDLE | 1 | | | | 0 | 0 |
| 140 | 36200-28330 | RING INNER | 1 | | | 32.0mm | 0.088 | 0.1936 |
| 150 | 35820-28470 | SHIFTER | 1 | | | | 0.41 | 0.902 |
| 160 | 36330-28663 | COLLAR THRUST | 1 | | | 3.0mm | 0.04 | 0.088 |
| 170 | 35822-32290 | BEARING BALL | 1 | | | | 0.55 | 1.21 |
| 180 | 35822-32310 | SUPPORT BEARING | 1 | | | | 2.48 | 5.456 |
| 190 | 05012-01020 | PIN STRAIGHT | 2 | | | | 0.013 | 0.0286 |
| 200 | 01133-51240 | BOLT | 4 | | | | 0.05 | 0.11 |
| 210 | 36200-28680 | RETAINER BEARING | 1 | | | | 0.058 | 0.1276 |
| 220 | 01123-50820 | BOLT | 2 | | | | 0.011 | 0.0242 |

HALF GEAR SHAFT AND FRONT DRIVE SHAFT



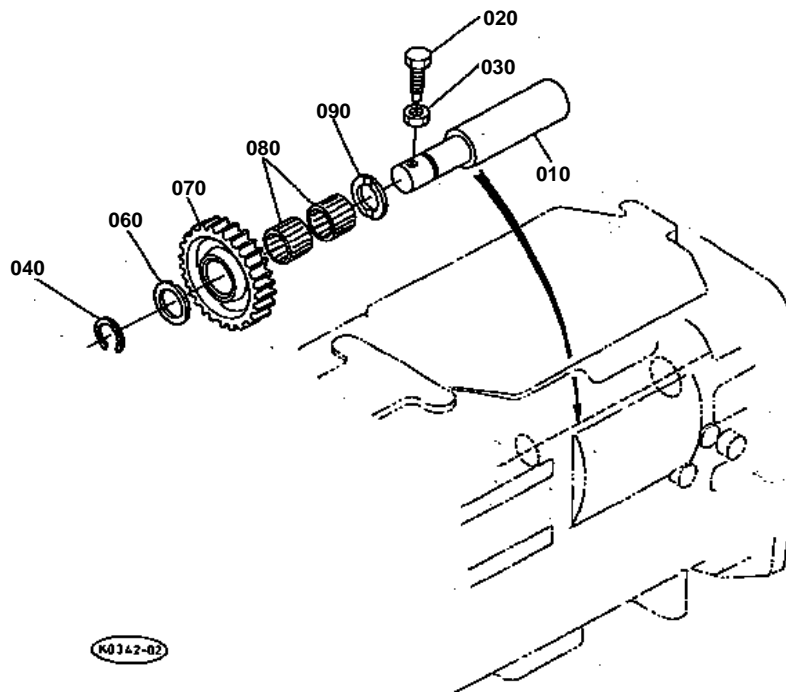


HALF GEAR SHAFT AND FRONT DRIVE SHAFT

↔ Interchangeable; ≠ not interchangeable; ← new for old; → old for new

| REF.No | Part No. | Description | Q'ty | S.No. | I/C | REMARKS | Weight (kgf) | Weight (lb) |
|--------|-------------|-------------------|------|-------|-----|---------|--------------|-------------|
| 010 | 08151-06307 | BEARING BALL | 1 | | | | 0.469 | 1.0318 |
| 020 | 36330-28610 | COLLAR THRUST | 1 | | | 3.0mm | 0.04 | 0.088 |
| 030 | 35820-31250 | GEAR HALF | 1 | | | 40T | 1.3 | 2.86 |
| 040 | 36200-28680 | RETAINER BEARING | 1 | | | | 0.058 | 0.1276 |
| 050 | 01123-50820 | BOLT | 2 | | | | 0.011 | 0.0242 |
| 060 | 35820-31240 | GEAR HALF | 1 | | | 45T | 2.24 | 4.928 |
| 070 | 36330-28663 | COLLAR THRUST | 2 | | | 3.0mm | 0.04 | 0.088 |
| 080 | 36530-31280 | RING INNER | 1 | | | 21.0mm | 0.11 | 0.242 |
| 090 | 36530-31290 | SHIFTER CREEP | 1 | | | | 0.69 | 1.518 |
| 100 | 35533-41280 | SHAFT DRIVE REAR | 1 | | | | 3 | 6.6 |
| 110 | 36280-41130 | GEAR | 1 | | | 31T | 0.93 | 2.046 |
| 120 | 36280-41140 | RING SNAP | 1 | | | | 0.002 | 0.0044 |
| 130 | 36330-28610 | COLLAR THRUST | 1 | | | 3.0mm | 0.04 | 0.088 |
| 140 | 36340-41160 | COLLAR | 1 | | | 88.5mm | 0.3 | 0.66 |
| 150 | 35830-41180 | GEAR-SHAFT | 1 | | | 18T | 0.325 | 0.715 |
| 160 | 08823-54017 | BEARING NEEDLE | 1 | | | | 0.03 | 0.066 |
| 170 | 08823-54220 | BEARING NEEDLE | 1 | | | | 0.05 | 0.11 |
| 180 | 08101-06306 | BEARING BALL | 1 | | | | 0.335 | 0.737 |
| 190 | 36330-80660 | CIR-CLIP EXTERNAL | 1 | | | | 0.02 | 0.044 |
| 200 | 35533-41140 | SHIM | 1 | | | 0.5mm | 0.002 | 0.0044 |

BACK IDLE SHAFT



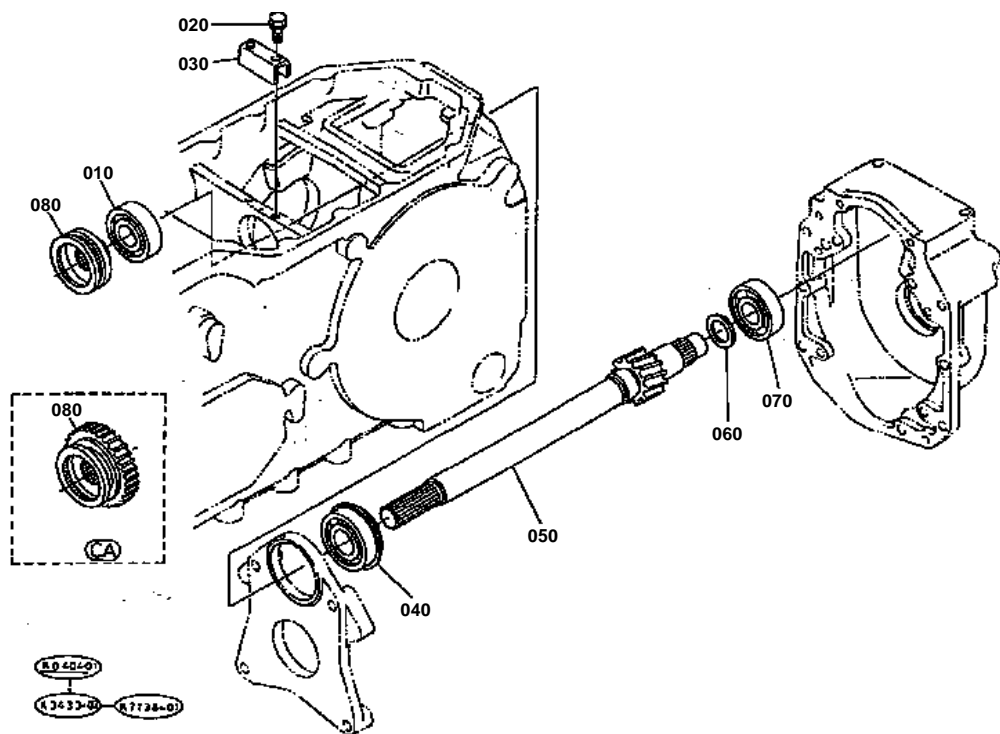


BACK IDLE SHAFT

↔ Interchangeable; ≠ not interchangeable; ← new for old; → old for new

| REF.No | Part No. | Description | Q'ty | S.No. | I/C | REMARKS | Weight (kgf) | Weight (lb) |
|--------|-------------|-------------------|------|-------|-----|---------|--------------|-------------|
| 010 | 36330-28153 | SHAFT BACK IDLE | 1 | | | | 1.6 | 3.52 |
| 020 | 36200-28730 | BOLT | 1 | | | | 0.025 | 0.055 |
| 030 | 02116-50100 | NUT | 1 | | | | 0.004 | 0.0088 |
| 040 | 38430-25540 | CIR-CLIP EXTERNAL | 1 | | | | 0.004 | 0.0088 |
| 050 | 99999-99999 | BLANK | 0 | | | | 0 | 0 |
| 060 | 36330-28710 | COLLAR THRUST | 1 | | | 3.0mm | 0.03 | 0.066 |
| 070 | 36570-28350 | GEAR BACK IDLE | 1 | | | 26T | 1.3 | 2.86 |
| 080 | 36200-28360 | BEARING NEEDLE | 2 | | | | 0.053 | 0.1166 |
| 090 | 36330-28710 | COLLAR THRUST | 1 | | | 3.0mm | 0.03 | 0.066 |

PTO DRIVE SHAFT



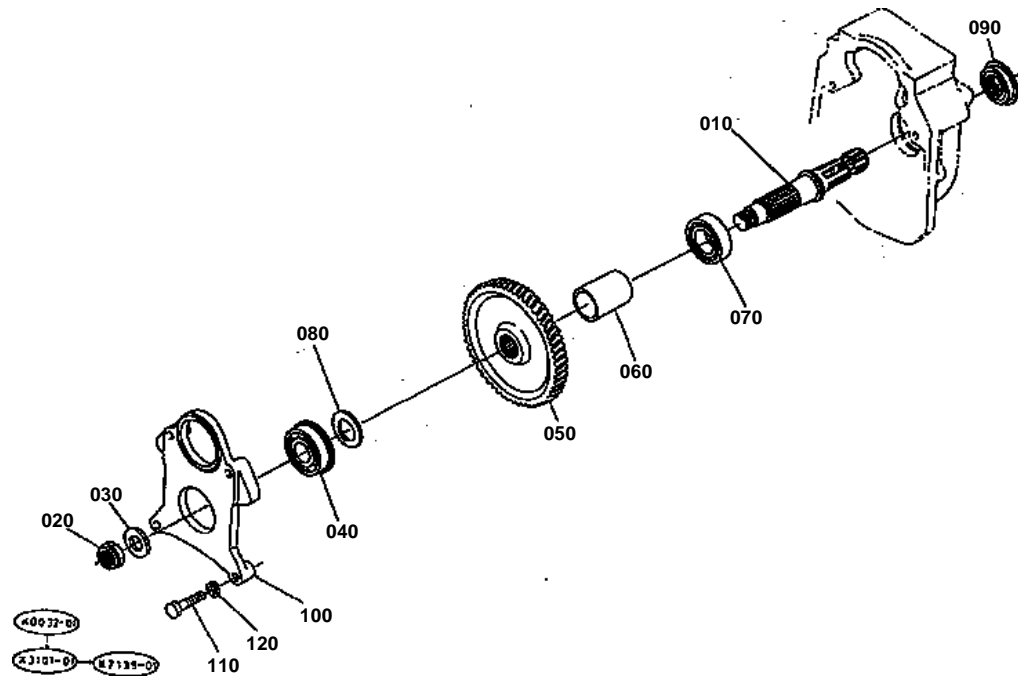


PTO DRIVE SHAFT

↔ Interchangeable; ≠ not interchangeable; ← new for old; → old for new

| REF.No | Part No. | Description | Q'ty | S.No. | I/C | REMARKS | Weight (kgf) | Weight (lb) |
|--------|-------------|------------------|------|-------|-----|---------|--------------|-------------|
| 010 | 08101-06306 | BEARING BALL | 1 | | | | 0.335 | 0.737 |
| 020 | 01123-50820 | BOLT | 2 | | | | 0.011 | 0.0242 |
| 030 | 36530-80140 | RETAINER BEARING | 1 | | | | 0.14 | 0.308 |
| 040 | 08151-06307 | BEARING BALL | 1 | | | | 0.469 | 1.0318 |
| 050 | 36230-80170 | SHAFT PTO DRIVE | 1 | | | 16T | 3.7 | 8.14 |
| 060 | 36330-80060 | COLLAR | 1 | | | 2.0mm | 0.014 | 0.0308 |
| 070 | 08101-06306 | BEARING BALL | 1 | | | | 0.335 | 0.737 |
| 080 | 35820-80400 | COUPLING | 1 | | | [A] | 0.86 | 1.892 |

PTO SHAFT



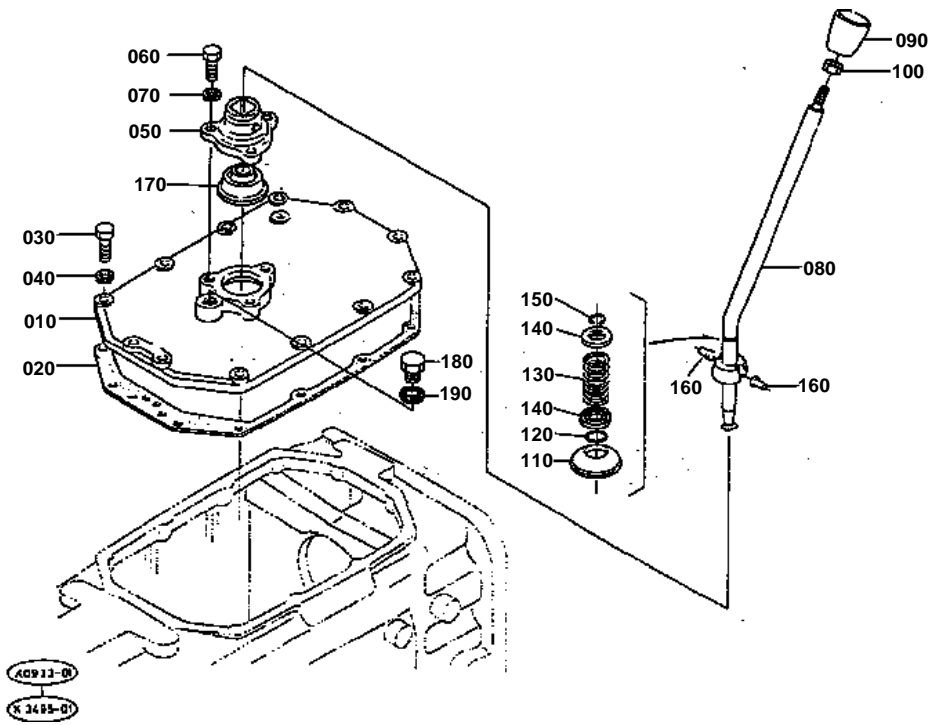


PTO SHAFT

↔ Interchangeable; ≠ not interchangeable; ← new for old; → old for new

| REF.No | Part No. | Description | Q'ty | S.No. | I/C | REMARKS | Weight (kgf) | Weight (lb) |
|--------|-------------|---------------------|------|-------|-----|---------|--------------|-------------|
| 010 | 36200-97673 | SHAFT PTO | 1 | | | | 0 | 0 |
| 020 | 34150-25330 | NUT | 1 | | | | 0.039 | 0.0858 |
| 030 | 36330-80080 | COLLAR | 1 | | | 3.2mm | 0.03 | 0.066 |
| 040 | 08151-06307 | BEARING BALL | 1 | | | | 0.469 | 1.0318 |
| 050 | 35450-80150 | GEAR | 1 | | | 65T | 3.74 | 8.228 |
| 060 | 35801-80370 | COLLAR PTO SHAFT | 1 | | | 60.0mm | 0.36 | 0.792 |
| 070 | 08101-06208 | BEARING BALL | 1 | | | | 0.355 | 0.781 |
| 080 | 36910-80390 | SHIM | 2 | | | 0.3mm | 0.002 | 0.0044 |
| 090 | 33740-80290 | SEAL | 1 | | | | 0.075 | 0.165 |
| 100 | 36330-80215 | SUPPORT PTO BEARING | 1 | | | | 3.24 | 7.128 |
| 110 | 01173-51255 | BOLT | 4 | | | | 0.055 | 0.121 |
| 120 | 04512-50120 | WASHER SPRING | 4 | | | | 0 | 0 |

MAIN GEAR SHIFT LEVER



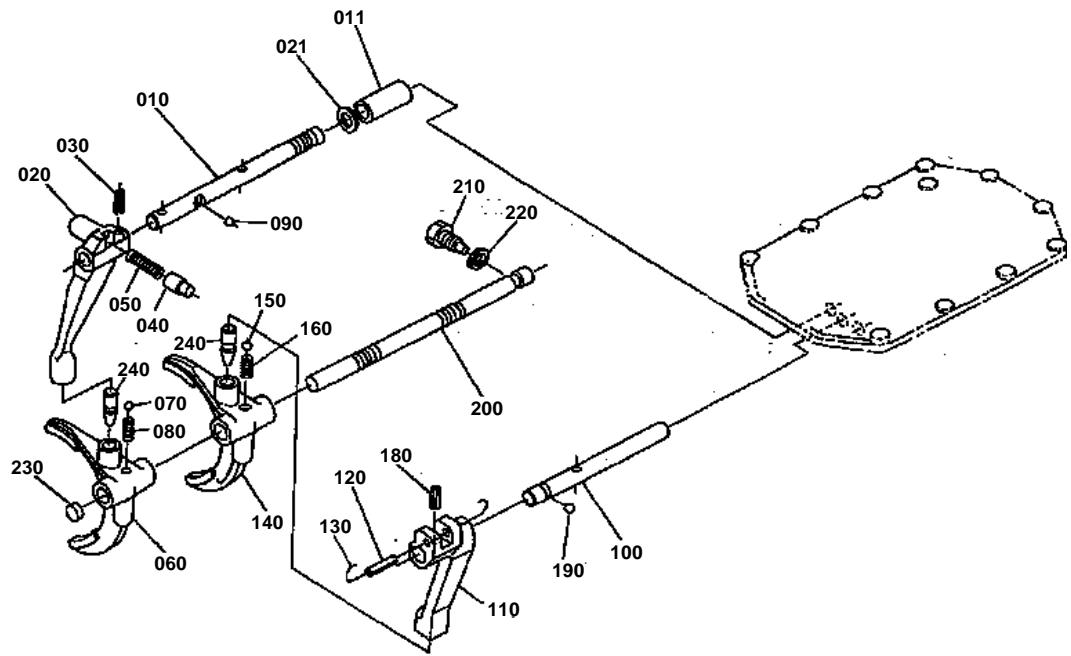


MAIN GEAR SHIFT LEVER

↔ Interchangeable; ≠ not interchangeable; ← new for old; → old for new

| REF.No | Part No. | Description | Q'ty | S.No. | I/C | REMARKS | Weight (kgf) | Weight (lb) |
|--------|-------------|--------------------|------|-------|-----|---------|--------------|-------------|
| 010 | 36330-21254 | COVER GEAR SHIFT | 1 | | | | 4.6 | 10.12 |
| 020 | 36530-21260 | GASKET | 1 | | | | 0 | 0 |
| 030 | 01156-50830 | BOLT | 12 | | | | 0.012 | 0.0264 |
| 040 | 04512-50080 | WASHER SPRING | 12 | | | | 0 | 0 |
| 050 | 36330-21270 | BRACKET GEAR SHIFT | 1 | | | | 0.26 | 0.572 |
| 060 | 01156-50820 | BOLT | 4 | | | | 0.01 | 0.022 |
| 070 | 04512-50080 | WASHER SPRING | 4 | | | | 0 | 0 |
| 080 | 35820-29610 | LEVER MAIN SHIFT | 1 | | | | 0.74 | 1.628 |
| 090 | 35828-29620 | GRIP LEVER | 1 | | | | 0.055 | 0.121 |
| 100 | 02116-50100 | NUT | 1 | | | | 0.004 | 0.0088 |
| 110 | 36330-29700 | CAP SHIFT LEVER | 1 | | | | 0.04 | 0.088 |
| 120 | 04815-00150 | O RING | 1 | | | | 0 | 0 |
| 130 | 33251-29630 | SPRING | 1 | | | | 0.013 | 0.0286 |
| 140 | 33251-29650 | CAP SPRING | 2 | | | | 0.005 | 0.011 |
| 150 | 33251-29660 | STOPPER SPRING | 1 | | | | 0.001 | 0.0022 |
| 160 | 34150-23740 | PIN SET | 2 | | | | 0.002 | 0.0044 |
| 170 | 36330-29692 | SHIELD | 1 | | | | 0.015 | 0.033 |
| 180 | 06331-35014 | PLUG | 1 | | | | 0.03 | 0.066 |
| 190 | 04717-01400 | WASHER WITH RUBBER | 1 | | | | 0.003 | 0.0066 |

MAIN GEAR SHIFT FORK



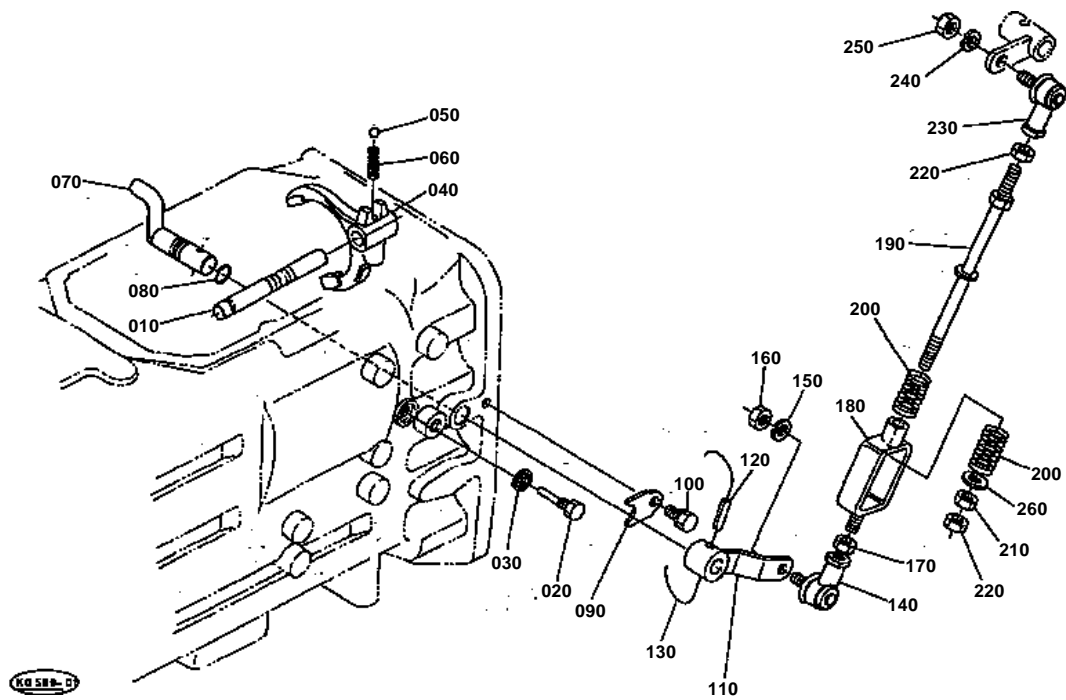


MAIN GEAR SHIFT FORK

↔ Interchangeable; ≠ not interchangeable; ← new for old; → old for new

| REF.No | Part No. | Description | Q'ty | S.No. | I/C | REMARKS | Weight (kgf) | Weight (lb) |
|--------|-------------|--------------------|------|-------|-----|------------------|--------------|-------------|
| 010 | 36330-29223 | ROD SHIFT | 1 | | | | 0.37 | 0.814 |
| 011 | 36330-29290 | COLLAR | 1 | | | | 0.05 | 0.11 |
| 020 | 35820-29242 | LEVER SHIFT | 1 | | | | 0.55 | 1.21 |
| 021 | 36330-29300 | SHIM ADJUSTING | 3 | | | 0.5mm | 0.001 | 0.0022 |
| 030 | 05411-00628 | PIN SPRING | 1 | | | | 0.004 | 0.0088 |
| 040 | 36330-29020 | PIECE NEUTRAL | 1 | | | | 0.02 | 0.044 |
| 050 | 36330-29030 | SPRING | 1 | | | | 0.001 | 0.0022 |
| 060 | 35820-29154 | FORK SHIFT | 1 | | | | 0.6 | 1.32 |
| 070 | 07715-03211 | BALL | 1 | | | | 0.003 | 0.0066 |
| 080 | 33251-29410 | SPRING | 1 | | | | 0.005 | 0.011 |
| 090 | 07715-03211 | BALL | 1 | | | | 0.003 | 0.0066 |
| 100 | 35820-29260 | ROD SHIFT | 1 | | | | 0.33 | 0.726 |
| 110 | 35820-29272 | LEVER SHIFT | 1 | | | | 0.52 | 1.144 |
| 120 | 05411-00635 | PIN SPRING | 1 | | | | 0.005 | 0.011 |
| 130 | 99999-99999 | WIRE | 1 | | | OBTAINED LOCALLY | 0 | 0 |
| 140 | 35820-29160 | FORK SHIFT | 1 | | | | 0.85 | 1.87 |
| 150 | 07715-03211 | BALL | 1 | | | | 0.003 | 0.0066 |
| 160 | 33251-29410 | SPRING | 1 | | | | 0.005 | 0.011 |
| 170 | 99999-99999 | BLANK | 0 | | | | 0 | 0 |
| 180 | 05411-00628 | PIN SPRING | 1 | | | | 0.004 | 0.0088 |
| 190 | 07715-03211 | BALL | 1 | | | | 0.003 | 0.0066 |
| 200 | 35820-29400 | BAR SHIFT | 1 | | | | 0.7 | 1.54 |
| 210 | 35820-29410 | BOLT | 1 | | | | 0.04 | 0.088 |
| 220 | 04717-01200 | WASHER WITH RUBBER | 1 | | | | 0.002 | 0.0044 |
| 230 | 35820-29420 | PLUG | 1 | | | | 0.005 | 0.011 |
| 240 | 35820-29432 | PIN FORK SET | 2 | | | | 0.001 | 0.0022 |

HI-LO GEAR SHIFT FORK



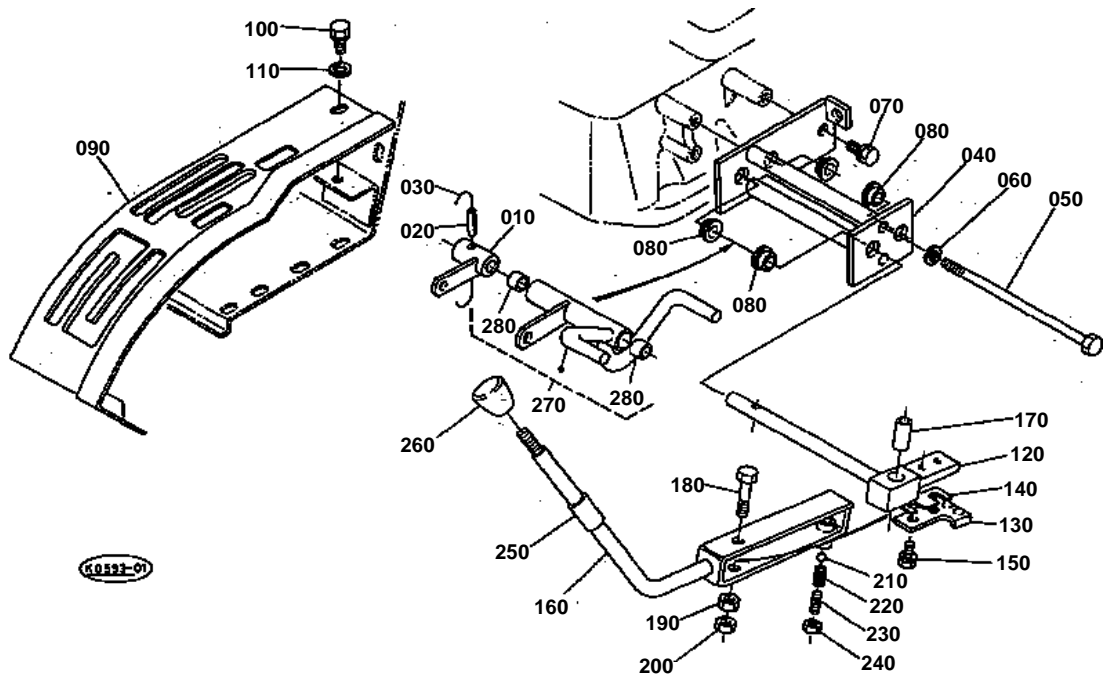


HI-LO GEAR SHIFT FORK

↔ Interchangeable; ≠ not interchangeable; ← new for old; → old for new

| REF.No | Part No. | Description | Q'ty | S.No. | I/C | REMARKS | Weight (kgf) | Weight (lb) |
|--------|-------------|--------------------|------|-------|-----|------------------|--------------|-------------|
| 010 | 36330-29883 | ROD HI-LO SHIFT | 1 | | | | 0.19 | 0.418 |
| 020 | 36200-31333 | PIN SHIFT BAR | 1 | | | | 0.015 | 0.033 |
| 030 | 04717-00800 | WASHER WITH RUBBER | 1 | | | | 0.001 | 0.0022 |
| 040 | 36330-29870 | FORK HI-LO SHIFT | 1 | | | | 0.37 | 0.814 |
| 050 | 07715-03211 | BALL | 1 | | | | 0.003 | 0.0066 |
| 060 | 62581-18230 | SPRING | 1 | | | | 0.01 | 0.022 |
| 070 | 35820-29630 | SHAFT SHIFT LEVER | 1 | | | | 0.23 | 0.506 |
| 080 | 04811-00150 | O RING | 1 | | | | 0 | 0 |
| 090 | 34150-24350 | STOPPER LEVER | 1 | | | | 0.01 | 0.022 |
| 100 | 01123-50816 | BOLT | 1 | | | | 0 | 0 |
| 110 | 35820-29920 | LEVER SHIFT | 1 | | | | 0.3 | 0.66 |
| 120 | 05411-00840 | PIN SPRING | 1 | | | | 0.008 | 0.0176 |
| 130 | 99999-99999 | WIRE | 1 | | | OBTAINED LOCALLY | 0 | 0 |
| 140 | 35820-29500 | END ROD | 1 | | | | 0.07 | 0.154 |
| 150 | 04512-50080 | WASHER SPRING | 1 | | | | 0 | 0 |
| 160 | 02114-50080 | NUT | 1 | | | | 0.005 | 0.011 |
| 170 | 02112-50080 | NUT | 1 | | | | 0.003 | 0.0066 |
| 180 | 35820-29510 | HOLDER SPRING | 1 | | | | 0.2 | 0.44 |
| 190 | 35820-29520 | ROD SPEED CHANGE | 1 | | | | 0.152 | 0.3344 |
| 200 | 35820-29530 | SPRING | 2 | | | | 0.03 | 0.066 |
| 210 | 02118-50100 | NUT | 1 | | | | 0.005 | 0.011 |
| 220 | 02116-50100 | NUT | 2 | | | | 0.004 | 0.0088 |
| 230 | 66021-56210 | END ROD RH | 1 | | | | 0.055 | 0.121 |
| 240 | 04512-50100 | WASHER SPRING | 1 | | | | 0 | 0 |
| 250 | 02118-50100 | NUT | 1 | | | | 0.005 | 0.011 |
| 260 | 04013-50100 | WASHER PLAIN | 1 | | | | 0 | 0 |

HI-LO GEAR SHIFT LEVER



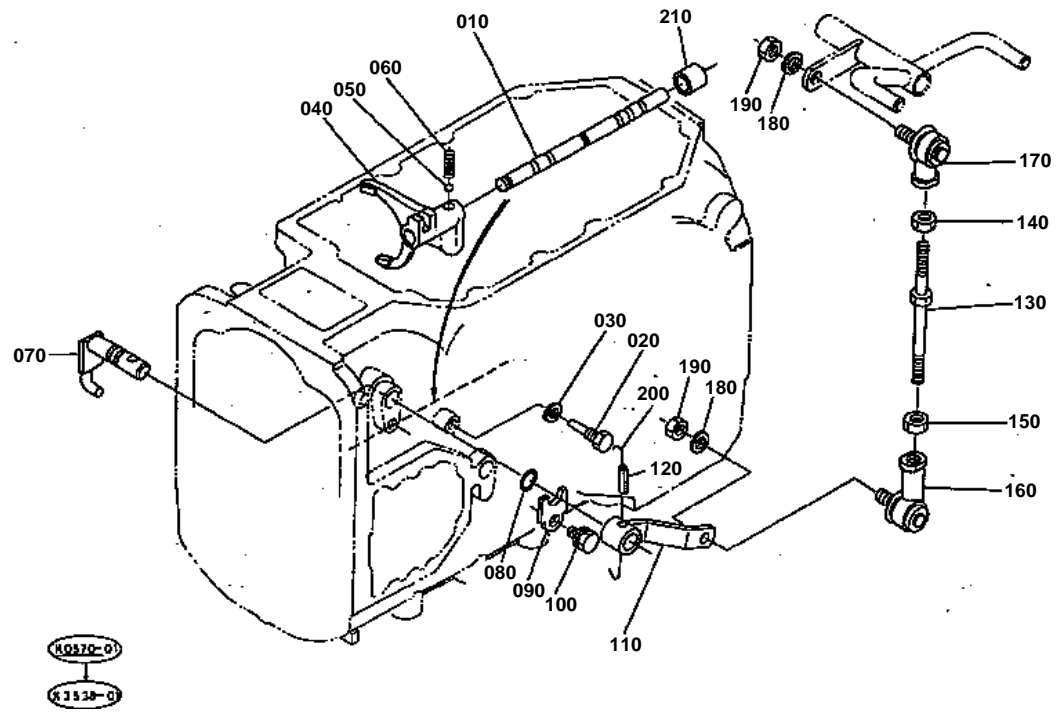


HI-LO GEAR SHIFT LEVER

↔ Interchangeable; ≠ not interchangeable; ← new for old; → old for new

| REF.No | Part No. | Description | Q'ty | S.No. | I/C | REMARKS | Weight (kgf) | Weight (lb) |
|--------|-------------|---------------------|------|-------|-----|------------------|--------------|-------------|
| 010 | 36530-29650 | SHAFT SHIFT LEVER | 1 | | | | 0.205 | 0.451 |
| 020 | 05411-00630 | PIN SPRING | 1 | | | | 0.004 | 0.0088 |
| 030 | 99999-99999 | WIRE | 1 | | | OBTAINED LOCALLY | 0 | 0 |
| 040 | 35820-29680 | HOLDER | 1 | | | | 1 | 2.2 |
| 050 | 36330-29710 | BOLT | 2 | | | | 0.12 | 0.264 |
| 060 | 04512-50100 | WASHER SPRING | 2 | | | | 0 | 0 |
| 070 | 01133-51020 | BOLT | 1 | | | | 0.02 | 0.044 |
| 080 | 36330-29722 | BUSH | 4 | | | | 0.005 | 0.011 |
| 090 | 35820-29730 | GUIDE SHIFT LEVER | 1 | | | | 1.54 | 3.388 |
| 100 | 01123-50816 | BOLT | 3 | | | | 0 | 0 |
| 110 | 04013-50080 | WASHER PLAIN | 3 | | | | 0 | 0 |
| 120 | 35820-29540 | FULCRUM LEVER | 1 | | | | 0.53 | 1.166 |
| 130 | 35820-29550 | PLATE GUIDE | 1 | | | | 0.04 | 0.088 |
| 140 | 35820-29590 | SHIM ADJUSTING | 2 | | | 0.6mm | 0.003 | 0.0066 |
| 150 | 01123-50816 | BOLT | 2 | | | | 0 | 0 |
| 160 | 35820-29562 | LEVER S-CHANGE | 1 | | | | 0.77 | 1.694 |
| 170 | 35820-29570 | PIN FULCRUM | 1 | | | | 0.02 | 0.044 |
| 180 | 01153-50850 | BOLT | 1 | | | | 0.02 | 0.044 |
| 190 | 02114-50080 | NUT | 1 | | | | 0.005 | 0.011 |
| 200 | 02112-50080 | NUT | 1 | | | | 0.003 | 0.0066 |
| 210 | 07715-00803 | BALL | 1 | | | | 0.004 | 0.0088 |
| 220 | 35820-29582 | SPRING | 1 | | | | 0.003 | 0.0066 |
| 230 | 03470-51020 | SCREW SET | 1 | | | | 0.01 | 0.022 |
| 240 | 02116-50100 | NUT | 1 | | | | 0.004 | 0.0088 |
| 250 | 36730-29820 | PIPE LEVER | 1 | | | | 0.01 | 0.022 |
| 260 | 33251-29620 | GRIP GEAR SHIFT | 1 | | | | 0.057 | 0.1254 |
| 270 | 35820-31460 | ASSY LEVER S-CHANGE | 1 | | | | 0.7 | 1.54 |
| 280 | 08511-01515 | BUSH | 2 | | | | 0.002 | 0.0044 |

HALF GEAR SHIFT FORK



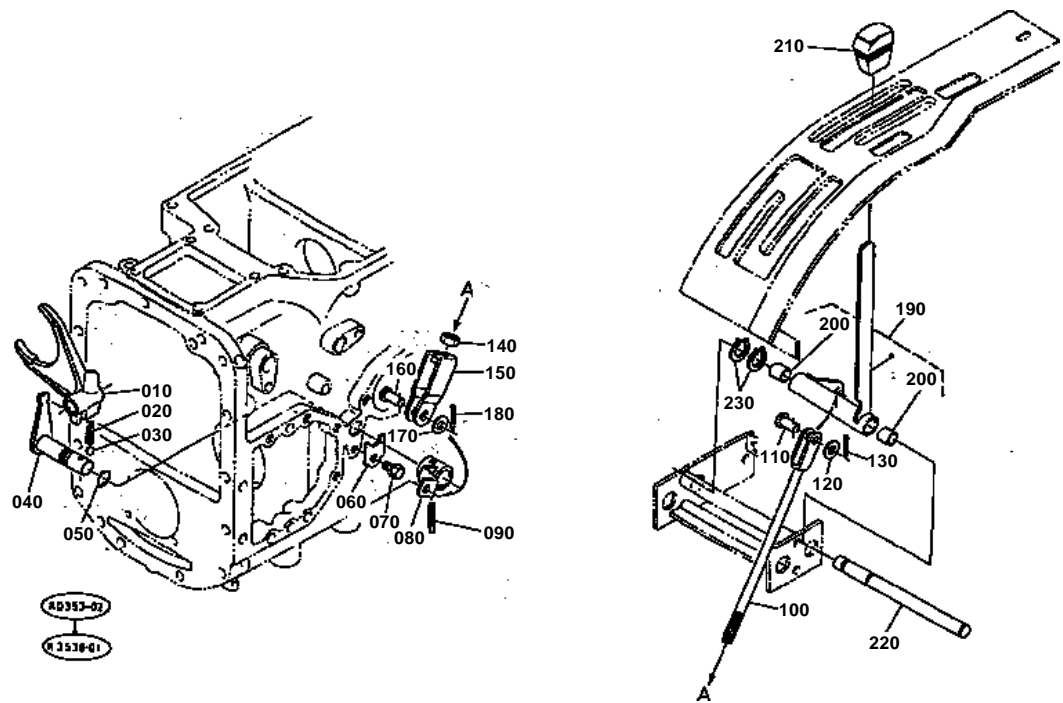


HALF GEAR SHIFT FORK

↔ Interchangeable; ≠ not interchangeable; ← new for old; → old for new

| REF.No | Part No. | Description | Q'ty | S.No. | I/C | REMARKS | Weight (kgf) | Weight (lb) |
|--------|-------------|--------------------|------|-------|-----|------------------|--------------|-------------|
| 010 | 36530-31322 | SHAFT FORK | 1 | | | | 0.39 | 0.858 |
| 020 | 36200-31333 | PIN SHIFT BAR | 1 | | | | 0.015 | 0.033 |
| 030 | 04717-00800 | WASHER WITH RUBBER | 1 | | | | 0.001 | 0.0022 |
| 040 | 36530-31316 | FORK CREEP SHIFT | 1 | | | | 0.4 | 0.88 |
| 050 | 07715-03211 | BALL | 1 | | | | 0.003 | 0.0066 |
| 060 | 62581-18230 | SPRING | 1 | | | | 0.01 | 0.022 |
| 070 | 35860-31430 | SHAFT SHIFT LEVER | 1 | | | | 0.28 | 0.616 |
| 080 | 04811-00150 | O RING | 1 | | | | 0 | 0 |
| 090 | 34150-24350 | STOPPER LEVER | 1 | | | | 0.01 | 0.022 |
| 100 | 01123-50816 | BOLT | 1 | | | | 0 | 0 |
| 110 | 35860-31440 | LEVER SHIFT | 1 | | | | 0.35 | 0.77 |
| 120 | 05411-00840 | PIN SPRING | 1 | | | | 0.008 | 0.0176 |
| 130 | 35820-31450 | ROD SPEED CHANGE | 1 | | | | 0.09 | 0.198 |
| 140 | 02116-50100 | NUT | 1 | | | | 0.004 | 0.0088 |
| 150 | 32350-28990 | NUT | 1 | | | | 0.009 | 0.0198 |
| 160 | 66021-56210 | END ROD RH | 1 | | | | 0.055 | 0.121 |
| 170 | 66021-56220 | END ROD LH | 1 | | | | 0.11 | 0.242 |
| 180 | 04512-50100 | WASHER SPRING | 2 | | | | 0 | 0 |
| 190 | 02118-50100 | NUT | 2 | | | | 0.005 | 0.011 |
| 200 | 99999-99999 | WIRE | 1 | | | OBTAINED LOCALLY | 0 | 0 |
| 210 | 35820-80460 | COLLAR | 1 | | | [A] | 0.057 | 0.1254 |

PTO GEAR SHIFT LEVER



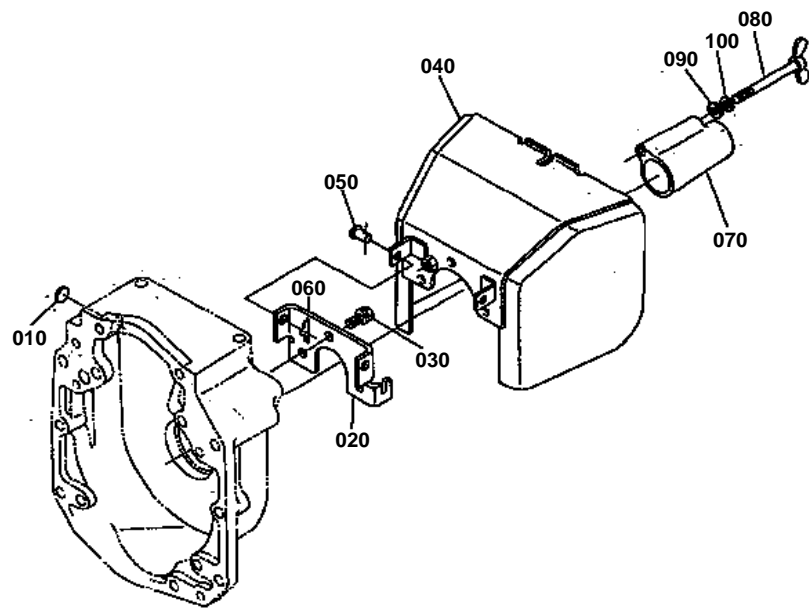


PTO GEAR SHIFT LEVER

↔ Interchangeable; ≠ not interchangeable; ← new for old; → old for new

| REF.No | Part No. | Description | Q'ty | S.No. | I/C | REMARKS | Weight (kgf) | Weight (lb) |
|--------|-------------|---------------------|------|-------|-----|---------|--------------|-------------|
| 010 | 36830-80450 | FORK PTO SHIFT | 1 | | | | 0.47 | 1.034 |
| 020 | 62581-18230 | SPRING | 1 | | | | 0.01 | 0.022 |
| 030 | 07715-03211 | BALL | 1 | | | | 0.003 | 0.0066 |
| 040 | 36530-80510 | SHAFT SHIFT LEVER | 1 | | | | 0.24 | 0.528 |
| 050 | 04811-00150 | O RING | 1 | | | | 0 | 0 |
| 060 | 34150-24350 | STOPPER LEVER | 1 | | | | 0.01 | 0.022 |
| 070 | 01123-50816 | BOLT | 1 | | | | 0 | 0 |
| 080 | 36330-80520 | LEVER SHIFT | 1 | | | | 0.18 | 0.396 |
| 090 | 05411-00636 | PIN SPRING | 1 | | | | 0.005 | 0.011 |
| 100 | 36330-80530 | ROD | 1 | | | | 0.18 | 0.396 |
| 110 | 05122-51022 | PIN JOINT | 1 | | | | 0.014 | 0.0308 |
| 120 | 04011-50100 | WASHER PLAIN | 1 | | | | 0.002 | 0.0044 |
| 130 | 05511-50318 | PIN SPLIT | 1 | | | | 0.001 | 0.0022 |
| 140 | 02116-50100 | NUT | 1 | | | | 0.004 | 0.0088 |
| 150 | 38240-24360 | JOINT | 1 | | | | 0.08 | 0.176 |
| 160 | 05122-51025 | PIN JOINT | 1 | | | | 0.017 | 0.0374 |
| 170 | 04011-50100 | WASHER PLAIN | 1 | | | | 0.002 | 0.0044 |
| 180 | 05511-50318 | PIN SPLIT | 1 | | | | 0.001 | 0.0022 |
| 190 | 35820-80540 | ASSY LEVER S-CHANGE | 1 | | | | 0.6 | 1.32 |
| 200 | 08511-01515 | BUSH | 2 | | | | 0.002 | 0.0044 |
| 210 | 36330-29670 | GRIP | 1 | | | | 0.06 | 0.132 |

PTO SHIELD COVER



30511-01

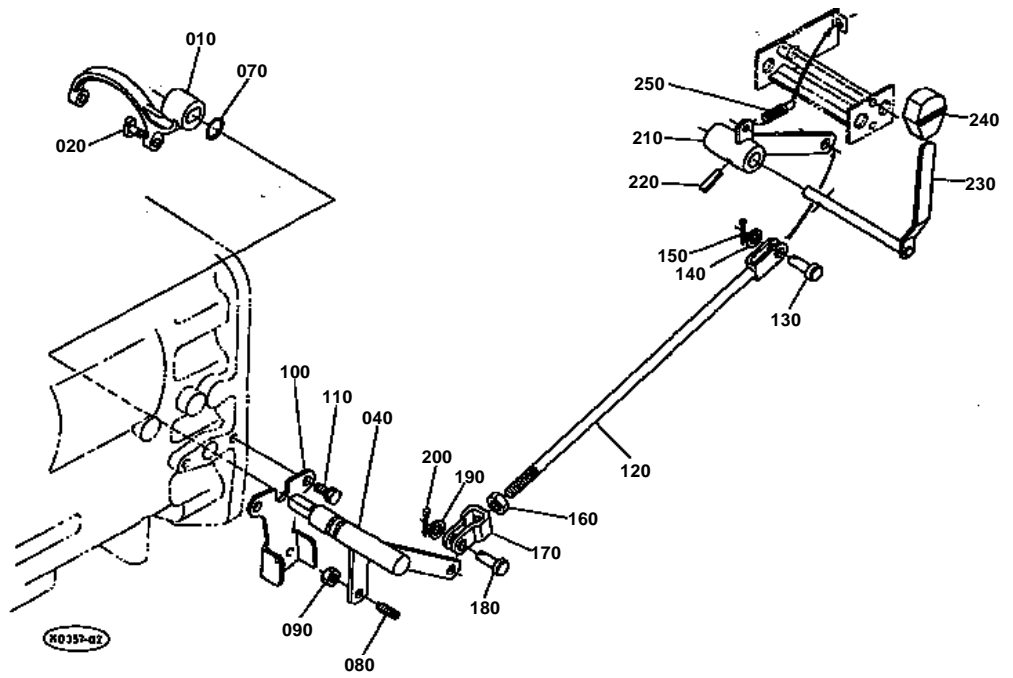


PTO SHIELD COVER

↔ Interchangeable; ≠ not interchangeable; ← new for old; → old for new

| REF.No | Part No. | Description | Q'ty | S.No. | I/C | REMARKS | Weight (kgf) | Weight (lb) |
|--------|-------------|-------------------|------|-------|-----|---------|--------------|-------------|
| 010 | 31321-38720 | COVER BLIND | 1 | | | | 0.005 | 0.011 |
| 020 | 36330-80363 | BRACKET PTO COVER | 1 | | | | 0.31 | 0.682 |
| 030 | 01123-50816 | BOLT | 3 | | | | 0 | 0 |
| 040 | 35861-80343 | COVER PTO | 1 | | | | 2.11 | 4.642 |
| 050 | 05122-50818 | PIN JOINT | 2 | | | | 0.008 | 0.0176 |
| 060 | 05515-50800 | PIN SNAP | 2 | | | | 0 | 0 |
| 070 | 34350-25440 | COVER PTO SHAFT | 1 | | | | 0.062 | 0.1364 |
| 080 | 36330-90630 | BOLT WING | 1 | | | | 0.055 | 0.121 |
| 090 | 04013-50080 | WASHER PLAIN | 1 | | | | 0 | 0 |
| 100 | 04512-50080 | WASHER SPRING | 1 | | | | 0 | 0 |

FRONT WHEEL DRIVE LEVER



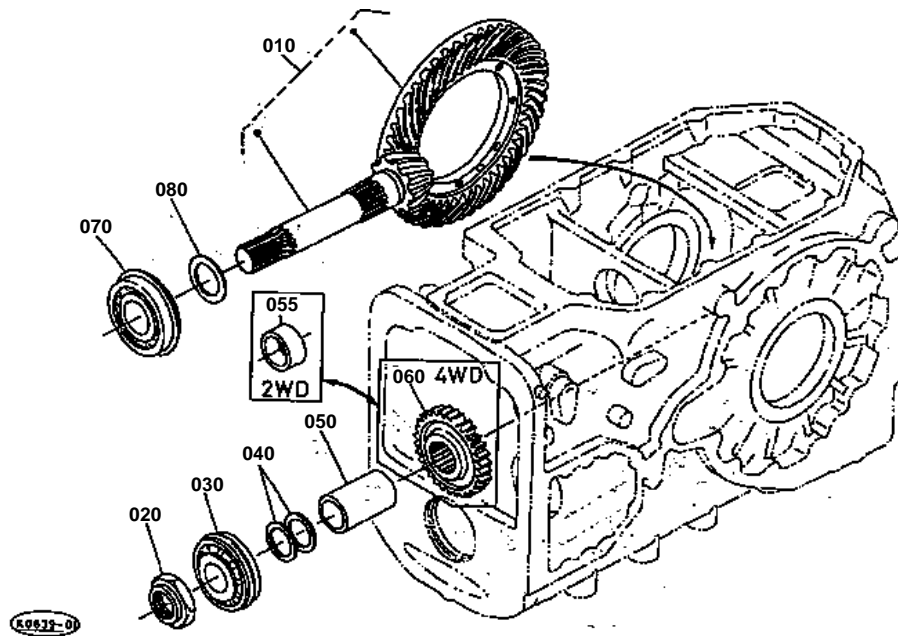


FRONT WHEEL DRIVE LEVER

↔ Interchangeable; ≠ not interchangeable; ← new for old; → old for new

| REF.No | Part No. | Description | Q'ty | S.No. | I/C | REMARKS | Weight (kgf) | Weight (lb) |
|--------|-------------|----------------------|------|-------|-----|---------|--------------|-------------|
| 010 | 35533-41520 | FORK 4WD | 1 | | | | 0.51 | 1.122 |
| 020 | 36280-41530 | SHOE | 2 | | | | 0.015 | 0.033 |
| 030 | 99999-99999 | BLANK | 0 | | | | 0 | 0 |
| 040 | 36340-41533 | SHAFT CHANGE LEVER | 1 | | | | 0.5 | 1.1 |
| 050 | 99999-99999 | BLANK | 0 | | | | 0 | 0 |
| 060 | 99999-99999 | BLANK | 0 | | | | 0 | 0 |
| 070 | 04811-00150 | O RING | 1 | | | | 0 | 0 |
| 080 | 36280-41460 | SCREW SET | 1 | | | | 0.01 | 0.022 |
| 090 | 02116-50100 | NUT | 1 | | | | 0.004 | 0.0088 |
| 100 | 36340-41540 | PLATE GUIDE | 1 | | | | 0.105 | 0.231 |
| 110 | 01123-50816 | BOLT | 2 | | | | 0 | 0 |
| 120 | 36340-41570 | ROD 4WD | 1 | | | | 0.24 | 0.528 |
| 130 | 05122-51022 | PIN JOINT | 1 | | | | 0.014 | 0.0308 |
| 140 | 04011-50100 | WASHER PLAIN | 1 | | | | 0.002 | 0.0044 |
| 150 | 05511-50318 | PIN SPLIT | 1 | | | | 0.001 | 0.0022 |
| 160 | 02116-50100 | NUT | 1 | | | | 0.004 | 0.0088 |
| 170 | 38240-24360 | JOINT | 1 | | | | 0.08 | 0.176 |
| 180 | 05122-51025 | PIN JOINT | 1 | | | | 0.017 | 0.0374 |
| 190 | 04011-50100 | WASHER PLAIN | 1 | | | | 0.002 | 0.0044 |
| 200 | 05511-50318 | PIN SPLIT | 1 | | | | 0.001 | 0.0022 |
| 210 | 35830-41580 | SHAFT LEVER | 1 | | | | 0.25 | 0.55 |
| 220 | 05411-00636 | PIN SPRING | 1 | | | | 0.005 | 0.011 |
| 230 | 36330-29665 | LEVER FRONT WHEEL DR | 1 | | | | 0.58 | 1.276 |
| 240 | 36330-29670 | GRIP | 1 | | | | 0.06 | 0.132 |
| 250 | 36340-26840 | SPRING | 1 | | | | 0.002 | 0.0044 |

BEVEL GEAR (REAR)

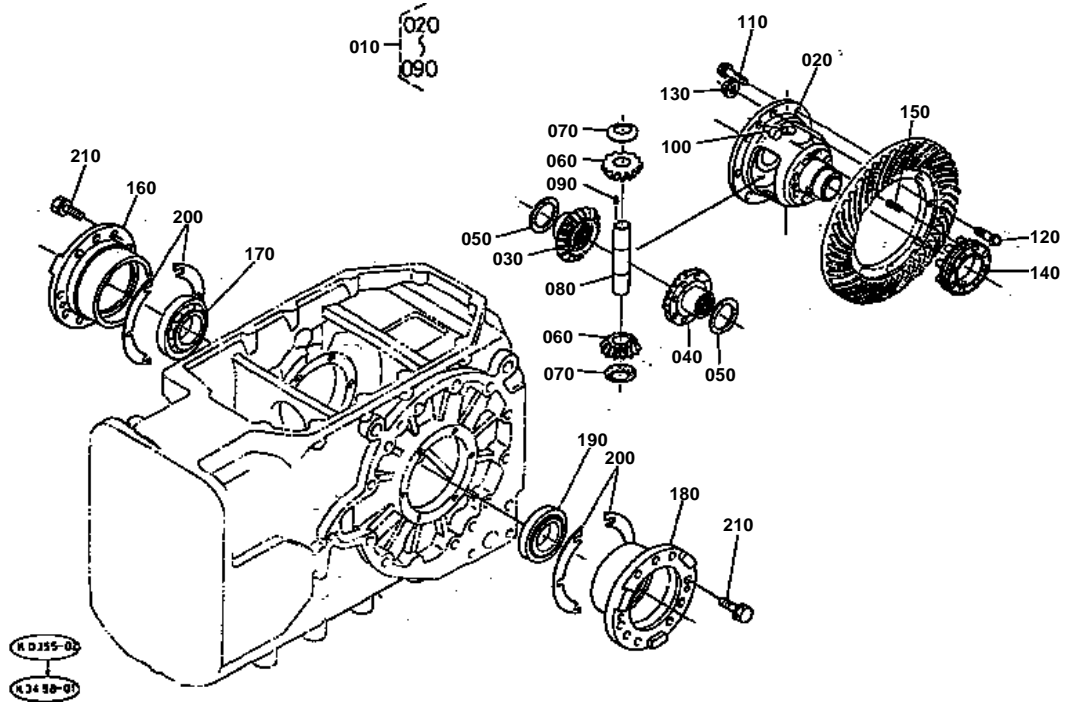


**BEVEL GEAR (REAR)**

↔ Interchangeable; ≠ not interchangeable; ← new for old; → old for new

| REF.No | Part No. | Description | Q'ty | S.No. | I/C | REMARKS | Weight (kgf) | Weight (lb) |
|--------|-------------|----------------------|------|-------|-----|---------|--------------|-------------|
| 010 | 35800-32400 | ASSY GEAR BEVEL | 1 | | | 8-39T | 10 | 22 |
| 020 | 36330-32580 | NUT PINION SHAFT | 1 | | | | 0.08 | 0.176 |
| 030 | 36330-32570 | BEARING TAPER-ROLLER | 1 | | | | 0.76 | 1.672 |
| 040 | 33251-32450 | COLLAR PINION ADJUST | 1 | | | 1.0mm | 0.005 | 0.011 |
| 040 | 33251-32460 | COLLAR PINION ADJUST | 1 | | | 1.5mm | 0.008 | 0.0176 |
| 040 | 33251-32470 | COLLAR PINION ADJUST | 1 | | | 1.7mm | 0.009 | 0.0198 |
| 040 | 33251-32480 | COLLAR PINION ADJUST | 1 | | | 1.75mm | 0.01 | 0.022 |
| 040 | 33251-32490 | COLLAR PINION ADJUST | 1 | | | 1.8mm | 0.01 | 0.022 |
| 040 | 33251-32510 | COLLAR PINION ADJUST | 1 | | | 1.9mm | 0.011 | 0.0242 |
| 040 | 33251-32520 | COLLAR PINION ADJUST | 1 | | | 2.0mm | 0.011 | 0.0242 |
| 040 | 33251-32530 | COLLAR PINION ADJUST | 1 | | | 2.1mm | 0.011 | 0.0242 |
| 040 | 33251-32540 | COLLAR PINION ADJUST | 1 | | | 2.2mm | 0.011 | 0.0242 |
| 040 | 33251-32550 | COLLAR PINION ADJUST | 1 | | | 2.25mm | 0.012 | 0.0264 |
| 040 | 33251-32560 | COLLAR PINION ADJUST | 1 | | | 2.3mm | 0.012 | 0.0264 |
| 050 | 36330-32440 | COLLAR PINION SHAFT | 1 | | | 84.5mm | 0.5 | 1.1 |
| 060 | 36330-32430 | GEAR GROUND PTO | 1 | | | 32T | 0.98 | 2.156 |
| 070 | 33400-32260 | BEARING TAPER-ROLLER | 1 | | | | 1.13 | 2.486 |
| 080 | 36200-32610 | COLLAR PINION ADJUST | 1 | | | 2.8mm | 0.023 | 0.0506 |
| 080 | 36200-32630 | COLLAR PINION ADJUST | 1 | | | 3.0mm | 0.025 | 0.055 |
| 080 | 36200-32650 | COLLAR PINION ADJUST | 1 | | | 3.2mm | 0.027 | 0.0594 |
| 080 | 36200-32670 | COLLAR PINION ADJUST | 1 | | | 3.4mm | 0.029 | 0.0638 |
| 080 | 36200-32690 | COLLAR PINION ADJUST | 1 | | | 3.6mm | 0.031 | 0.0682 |

DIFFERENTIAL (REAR)

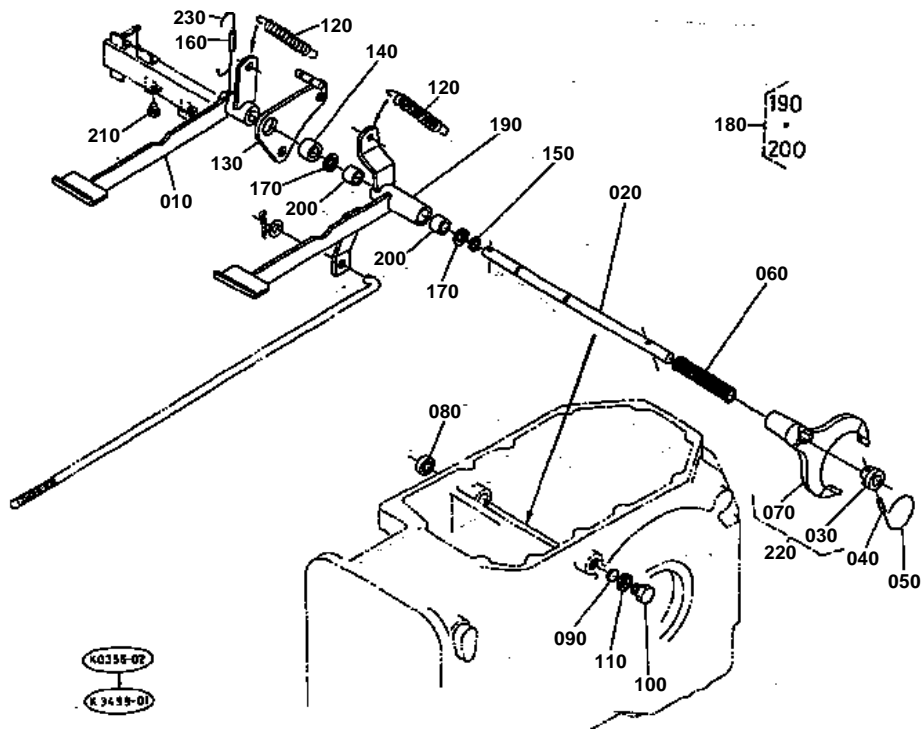


**DIFFERENTIAL (REAR)**

↔ Interchangeable; ≠ not interchangeable; ← new for old; → old for new

| REF.No | Part No. | Description | Q'ty | S.No. | I/C | REMARKS | Weight (kgf) | Weight (lb) |
|--------|-------------|----------------------|------|---------|-----|---------|--------------|-------------|
| 010 | 36330-32204 | ASSY DIFFERENTIAL | 1 | <=60007 | | | 0 | 0 |
| 010 | 35569-32200 | ASSY DIFFERENTIAL | 1 | >=60008 | ← | | 0 | 0 |
| 020 | 36330-32714 | CASE DIFFERENTIAL | 1 | <=60007 | | | 4.6 | 10.12 |
| 020 | 35633-32710 | CASE DIFFERENTIAL | 1 | >=60008 | ≠ | | 0 | 0 |
| 030 | 36330-32724 | GEAR DIFF.SIDE | 1 | <=60007 | | | 0 | 0 |
| 030 | 35569-32722 | GEAR DIFF.SIDE | 1 | >=60008 | ≠ | | 0.8 | 1.76 |
| 040 | 36330-32732 | GEAR DIFF.SIDE | 1 | | | | 1.05 | 2.31 |
| 050 | 36330-32782 | WASHER SIDE GEAR | 2 | | | 1.6mm | 0.018 | 0.0396 |
| 050 | 36330-32790 | WASHER SIDE GEAR | 2 | | | 1.7mm | 0.02 | 0.044 |
| 050 | 36330-32760 | WASHER SIDE GEAR | 2 | | | 1.5mm | 0.02 | 0.044 |
| 060 | 36330-32753 | PINION DIFF. | 2 | | | | 0.3 | 0.66 |
| 070 | 36330-32810 | WASHER DIFF.PINION | 2 | | | | 0.018 | 0.0396 |
| 080 | 36330-32773 | SHAFT DIFF.PINION | 1 | | | | 0.62 | 1.364 |
| 090 | 33251-32820 | KEY | 1 | | | | 0.002 | 0.0044 |
| 100 | 36340-42330 | PIN KNOCK | 2 | | | | 0.03 | 0.066 |
| 110 | 36280-42320 | BOLT | 6 | | | | 0.042 | 0.0924 |
| 120 | 33251-32224 | BOLT | 2 | | | | 0.055 | 0.121 |
| 130 | 36330-32030 | NUT UBS | 2 | | | | 0.02 | 0.044 |
| 140 | 36330-32852 | COMP SHIFTER | 1 | | | | 1 | 2.2 |
| 150 | 36330-32922 | SPRING | 4 | | | | 0.01 | 0.022 |
| 160 | 36500-32113 | SUPPORT DIFF.BEARING | 1 | | | | 2.95 | 6.49 |
| 170 | 08711-30212 | BEARING TAPER-ROLLER | 1 | | | | 0.868 | 1.9096 |
| 180 | 36500-32123 | SUPPORT DIFF.BEARING | 1 | | | | 2.6 | 5.72 |
| 190 | 08711-30210 | BEARING TAPER-ROLLER | 1 | | | | 0.528 | 1.1616 |
| 200 | 36200-32130 | SHIM | 8 | | | 0.1mm | 0.002 | 0.0044 |
| 200 | 36200-32140 | SHIM | 8 | | | 0.3mm | 0.006 | 0.0132 |
| 200 | 36200-32150 | SHIM | 4 | | | 0.5mm | 0.012 | 0.0264 |
| 210 | 01133-51035 | BOLT | 12 | | | | 0.03 | 0.066 |

DIFF.LOCK PEDAL



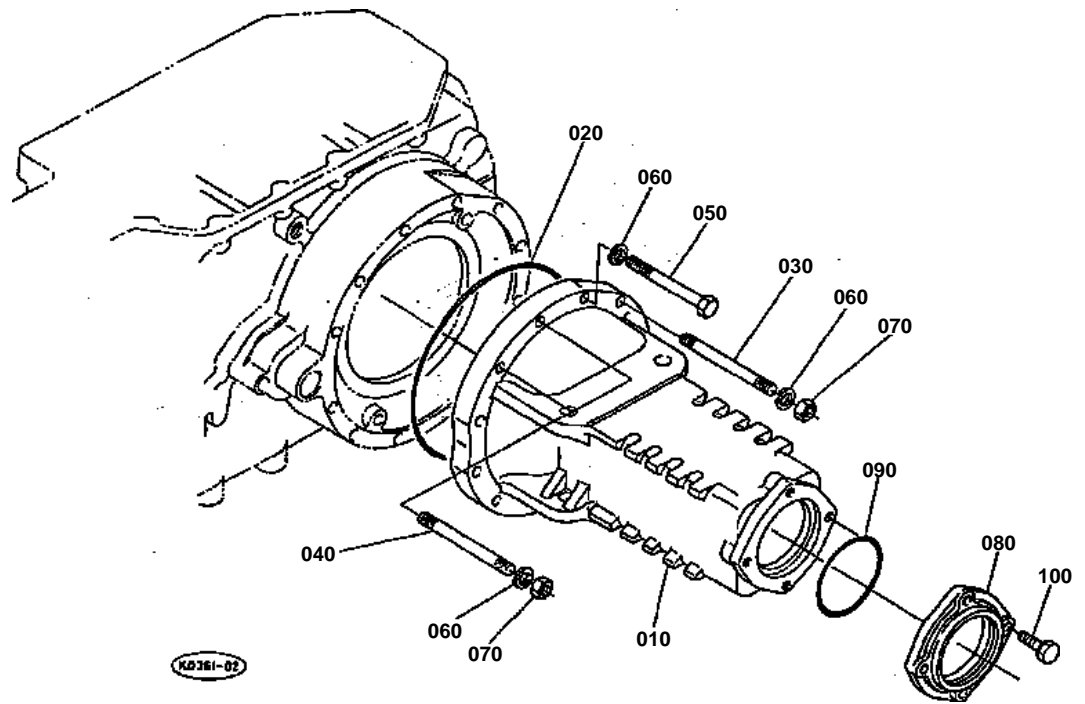


DIFF.LOCK PEDAL

↔ Interchangeable; ≠ not interchangeable; ← new for old; → old for new

| REF.No | Part No. | Description | Q'ty | S.No. | I/C | REMARKS | Weight (kgf) | Weight (lb) |
|--------|-------------|----------------------|------|-------|-----|------------------|--------------|-------------|
| 010 | 36330-32946 | PEDAL DIFF.LOCK | 1 | | | | 0.82 | 1.804 |
| 020 | 36330-33020 | SHAFT DIFF.LOCK | 1 | | | | 0.9 | 1.98 |
| 030 | 36330-32890 | CAM DIFF.LOCK | 1 | | | | 0.095 | 0.209 |
| 040 | 05411-00640 | PIN SPRING | 1 | | | | 0.006 | 0.0132 |
| 050 | 99999-99999 | WIRE | 1 | | | OBTAINED LOCALLY | 0 | 0 |
| 060 | 36730-32932 | SPRING SHIFT FORK | 1 | | | | 0.1 | 0.22 |
| 070 | 36530-32880 | FORK DIFF.LOCK SHIFT | 1 | | | | 1.58 | 3.476 |
| 080 | 09500-18308 | SEAL OIL | 1 | | | | 0.006 | 0.0132 |
| 090 | 36200-32950 | SHIM ADJUSTING | 1 | | | 1.0mm | 0.002 | 0.0044 |
| 090 | 36330-32970 | SHIM ADJUSTING | 1 | | | 0.5mm | 0.001 | 0.0022 |
| 100 | 06331-35020 | PLUG | 1 | | | | 0.068 | 0.1496 |
| 110 | 04717-02000 | WASHER WITH RUBBER | 1 | | | | 0.004 | 0.0088 |
| 120 | 36730-33070 | SPRING | 2 | | | | 0.04 | 0.088 |
| 130 | 36330-33000 | SUPPORT | 1 | | | | 0.3 | 0.66 |
| 140 | 36330-33040 | BUSH | 1 | | | | 0.003 | 0.0066 |
| 150 | 04612-00180 | CIR-CLIP EXTERNAL | 1 | | | | 0.001 | 0.0022 |
| 160 | 05411-00628 | PIN SPRING | 1 | | | | 0.004 | 0.0088 |
| 170 | 04011-50180 | WASHER PLAIN | 2 | | | | 0.012 | 0.0264 |
| 180 | 36340-32930 | ASSY PEDAL DIFF.LOCK | 1 | | | | 1.07 | 2.354 |
| 190 | 36340-32946 | PEDAL DIFF.LOCK | 1 | | | | 1.05 | 2.31 |
| 200 | 36330-91380 | BUSH | 2 | | | | 0 | 0 |
| 210 | 63611-52350 | RUBBER | 2 | | | | 0.001 | 0.0022 |
| 220 | 36530-32900 | ASSY FORK DIFF.LOCK | 1 | | | | 1.68 | 3.696 |
| 230 | 99999-99999 | WIRE | 1 | | | OBTAINED LOCALLY | 0 | 0 |

REAR AXLE CASE



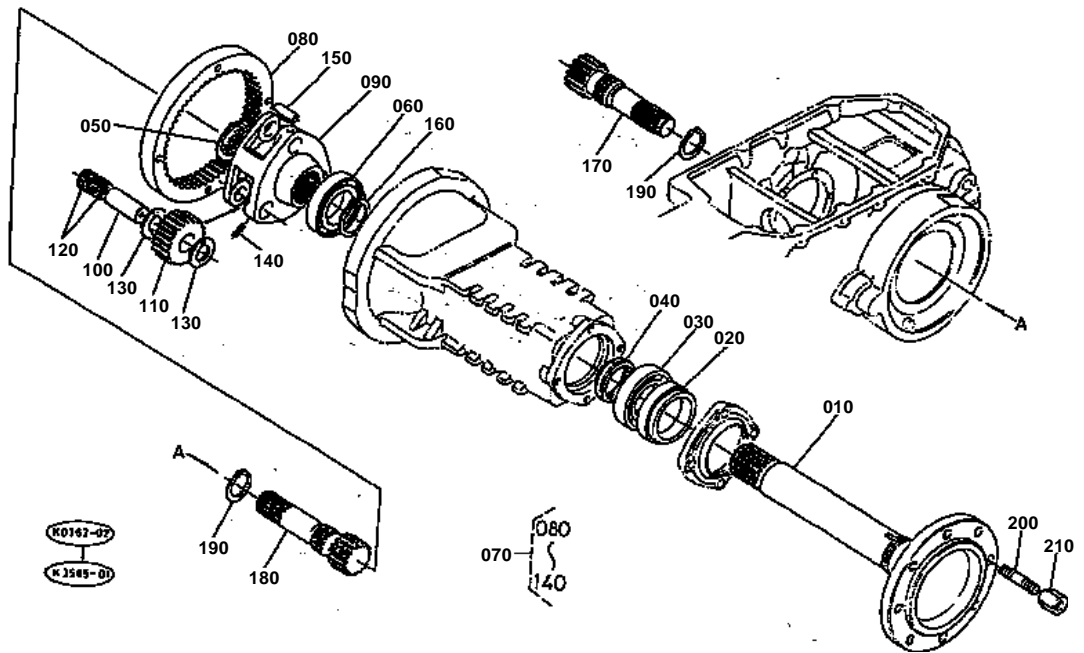


REAR AXLE CASE

↔ Interchangeable; ≠ not interchangeable; ← new for old; → old for new

| REF.No | Part No. | Description | Q'ty | S.No. | I/C | REMARKS | Weight (kgf) | Weight (lb) |
|--------|-------------|-----------------|------|-------|-----|---------|--------------|-------------|
| 010 | 36330-48115 | CASE REAR AXLE | 2 | | | | 41 | 90.2 |
| 020 | 36200-48160 | O RING | 2 | | | | 0.006 | 0.0132 |
| 030 | 36500-48170 | STUD | 4 | | | | 0.178 | 0.3916 |
| 040 | 36330-48180 | STUD | 5 | | | | 0.19 | 0.418 |
| 050 | 36330-48190 | BOLT | 15 | | | | 0.18 | 0.396 |
| 060 | 04512-50140 | WASHER SPRING | 24 | | | | 0 | 0 |
| 070 | 02176-50140 | NUT | 9 | | | | 0.014 | 0.0308 |
| 080 | 36330-48125 | COVER REAR AXLE | 2 | | | | 1.36 | 2.992 |
| 090 | 04811-51200 | O RING | 2 | | | | 0.004 | 0.0088 |
| 100 | 01133-51240 | BOLT | 8 | | | | 0.05 | 0.11 |

REAR AXLE

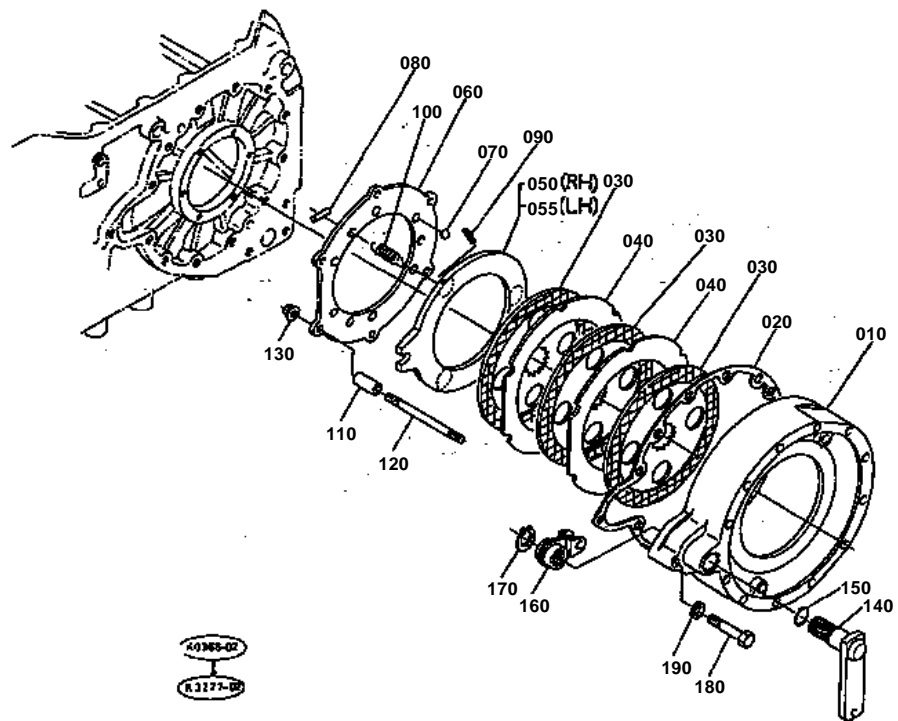


**REAR AXLE**

↔ Interchangeable; ≠ not interchangeable; ← new for old; → old for new

| REF.No | Part No. | Description | Q'ty | S.No. | I/C | REMARKS | Weight (kgf) | Weight (lb) |
|--------|-------------|---------------------|------|-------|-----|---------|--------------|-------------|
| 010 | 35820-48210 | AXLE REAR | 2 | | | | 25 | 55 |
| 020 | 36830-48250 | SEAL WITH SHAFT | 2 | | | | 0.14 | 0.308 |
| 030 | 08101-06213 | BEARING BALL | 2 | | | | 0.97 | 2.134 |
| 040 | 36330-48270 | NUT | 2 | | | | 0.26 | 0.572 |
| 050 | 04612-00600 | CIR-CLIP EXTERNAL | 2 | | | | 0.012 | 0.0264 |
| 060 | 08101-06212 | BEARING BALL | 2 | | | | 0.78 | 1.716 |
| 070 | 33660-48300 | ASSY GEAR PLANETARY | 2 | | | | 16 | 35.2 |
| 080 | 35822-48310 | GEAR INTERNAL | 2 | | | 56T | 4.3 | 9.46 |
| 090 | 33660-48340 | SUPPORT PLANE.GEAR | 2 | | | | 5.84 | 12.848 |
| 100 | 36500-48363 | PIN PLANETARY GEAR | 6 | | | | 0.4 | 0.88 |
| 110 | 35788-48320 | GEAR PLANETARY | 6 | | | | 1.3 | 2.86 |
| 120 | 35788-28360 | BEARING NEEDLE | 12 | | | | 0.07 | 0.154 |
| 130 | 36330-48370 | COLLAR THRUST | 12 | | | 1.6mm | 0.02 | 0.044 |
| 140 | 05411-00825 | PIN SPRING | 6 | | | | 0.006 | 0.0132 |
| 150 | 36200-48410 | PIN STRAIGHT | 4 | | | | 0.005 | 0.011 |
| 160 | 04612-00600 | CIR-CLIP EXTERNAL | 2 | | | | 0.012 | 0.0264 |
| 170 | 36330-48464 | SHAFT BRAKE RH | 1 | | | | 2.85 | 6.27 |
| 180 | 36330-48474 | SHAFT BRAKE LH | 1 | | | | 3.05 | 6.71 |
| 190 | 04612-00550 | CIR-CLIP EXTERNAL | 2 | | | | 0.01 | 0.022 |
| 200 | 35707-49150 | STUD | 16 | | | | 0 | 0 |
| 210 | 33251-49170 | NUT | 16 | | | | 0.045 | 0.099 |

BRAKE

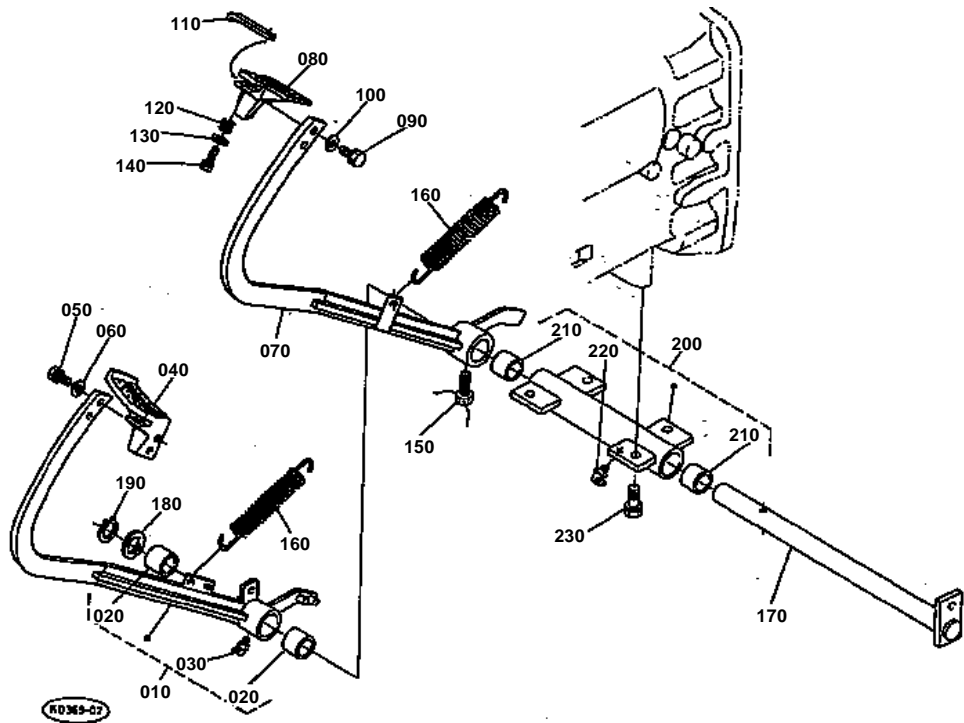


**BRAKE**

↔ Interchangeable; ≠ not interchangeable; ← new for old; → old for new

| REF.No | Part No. | Description | Q'ty | S.No. | I/C | REMARKS | Weight (kgf) | Weight (lb) |
|--------|-------------|-------------------|------|-------|-----|---------|--------------|-------------|
| 010 | 36330-65110 | CASE BRAKE | 2 | | | | 16.6 | 36.52 |
| 020 | 36330-65210 | GASKET | 2 | | | | 0 | 0 |
| 030 | 32530-28280 | PLATE FRICTION | 6 | | | | 0.92 | 2.024 |
| 040 | 36330-65130 | PLATE | 4 | | | | 0.56 | 1.232 |
| 050 | 32530-28310 | PLATE CAM RH | 1 | | | | 2.56 | 5.632 |
| 055 | 32530-28320 | PLATE CAM LH | 1 | | | | 2.58 | 5.676 |
| 060 | 36200-65153 | PLATE CAM | 2 | | | | 3.5 | 7.7 |
| 070 | 07715-00805 | BALL | 12 | | | | 0.016 | 0.0352 |
| 080 | 36200-65180 | RETAINER SPRING | 6 | | | | 0.025 | 0.055 |
| 090 | 05411-00435 | PIN SPRING | 6 | | | | 0.002 | 0.0044 |
| 100 | 36200-65810 | SPRING | 6 | | | | 0.003 | 0.0066 |
| 110 | 36500-65160 | SPACER | 12 | | | | 0.02 | 0.044 |
| 120 | 36830-65170 | STUD | 12 | | | | 0.045 | 0.099 |
| 130 | 36830-65180 | NUT UBS | 12 | | | | 0.01 | 0.022 |
| 140 | 36330-65330 | SHAFT BRAKE CAM | 2 | | | | 0.93 | 2.046 |
| 150 | 04811-05260 | O RING | 2 | | | | 0 | 0 |
| 160 | 36200-65310 | LEVER BRAKE CAM | 2 | | | | 0.35 | 0.77 |
| 170 | 04612-00280 | CIR-CLIP EXTERNAL | 2 | | | | 0.003 | 0.0066 |
| 180 | 01173-51270 | BOLT | 2 | | | | 0.067 | 0.1474 |
| 190 | 04512-50120 | WASHER SPRING | 2 | | | | 0 | 0 |

BRAKE PEDAL

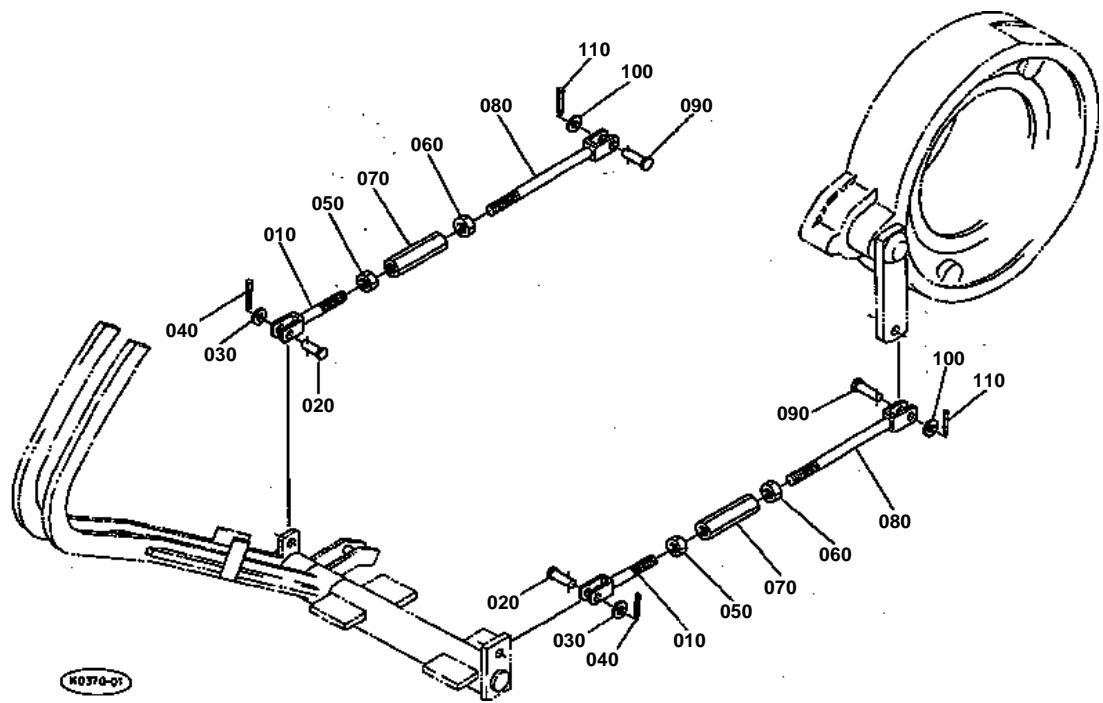


**BRAKE PEDAL**

↔ Interchangeable; ≠ not interchangeable; ← new for old; → old for new

| REF.No | Part No. | Description | Q'ty | S.No. | I/C | REMARKS | Weight (kgf) | Weight (lb) |
|--------|-------------|---------------------|------|-------|-----|---------|--------------|-------------|
| 010 | 36330-67104 | ASSY PEDAL BRAKE RH | 1 | | | | 3.15 | 6.93 |
| 020 | 32150-28440 | BUSH | 2 | | | | 0.043 | 0.0946 |
| 030 | 06613-30010 | NIPPLE GREASE | 1 | | | | 0.01 | 0.022 |
| 040 | 36330-67120 | HEEL PEDAL | 1 | | | | 0.85 | 1.87 |
| 050 | 01123-50825 | BOLT | 2 | | | | 0.013 | 0.0286 |
| 060 | 04013-50080 | WASHER PLAIN | 2 | | | | 0 | 0 |
| 070 | 36330-67216 | PEDAL BRAKE LH | 1 | | | | 3.4 | 7.48 |
| 080 | 36330-67220 | HEEL PEDAL | 1 | | | | 0.86 | 1.892 |
| 090 | 01123-50825 | BOLT | 2 | | | | 0.013 | 0.0286 |
| 100 | 04013-50080 | WASHER PLAIN | 2 | | | | 0 | 0 |
| 110 | 36330-67230 | STOPPER BRAKE PEDAL | 1 | | | | 0.06 | 0.132 |
| 120 | 36330-67240 | SPRING | 1 | | | | 0.001 | 0.0022 |
| 130 | 04013-50060 | WASHER PLAIN | 1 | | | | 0 | 0 |
| 140 | 01023-50625 | BOLT | 1 | | | | 0.007 | 0.0154 |
| 150 | 33251-26350 | BOLT SET | 1 | | | | 0.045 | 0.099 |
| 160 | 36330-26160 | SPRING PEDAL RETURN | 2 | | | | 0.17 | 0.374 |
| 170 | 36330-67314 | SHAFT BRAKE PEDAL | 1 | | | | 2.7 | 5.94 |
| 180 | 33251-67340 | COLLAR PEDAL SHAFT | 1 | | | | 0.029 | 0.0638 |
| 190 | 04612-00280 | CIR-CLIP EXTERNAL | 1 | | | | 0.003 | 0.0066 |
| 200 | 36330-67320 | ASSY SUPPORT PEDAL | 1 | | | | 2.55 | 5.61 |
| 210 | 32150-28440 | BUSH | 2 | | | | 0.043 | 0.0946 |
| 220 | 06613-30010 | NIPPLE GREASE | 1 | | | | 0.01 | 0.022 |
| 230 | 01133-51230 | BOLT | 4 | | | | 0.04 | 0.088 |

BRAKE ROD

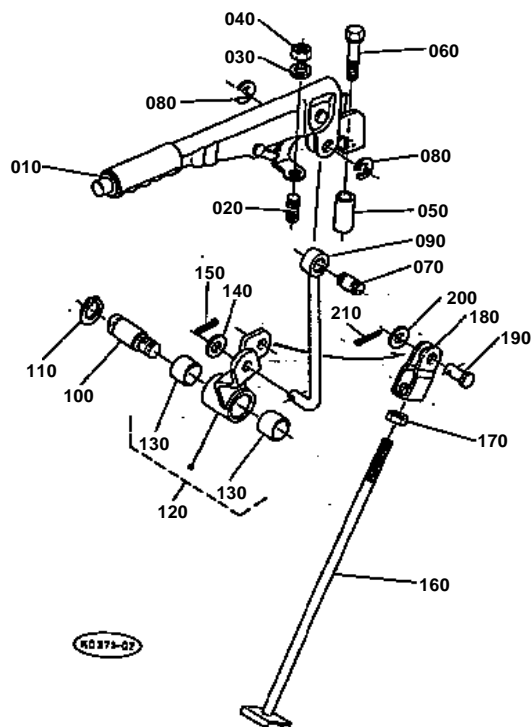


**BRAKE ROD**

↔ Interchangeable; ≠ not interchangeable; ← new for old; → old for new

| REF.No | Part No. | Description | Q'ty | S.No. | I/C | REMARKS | Weight (kgf) | Weight (lb) |
|--------|-------------|-----------------|------|-------|-----|---------|--------------|-------------|
| 010 | 36200-67415 | ROD BRAKE | 2 | | | | 0.12 | 0.264 |
| 020 | 36330-26132 | PIN CLUTCH LINK | 2 | | | | 0.02 | 0.044 |
| 030 | 04011-50100 | WASHER PLAIN | 2 | | | | 0.002 | 0.0044 |
| 040 | 05511-50318 | PIN SPLIT | 2 | | | | 0.001 | 0.0022 |
| 050 | 02172-50120 | NUT | 2 | | | | 0.01 | 0.022 |
| 060 | 36330-67430 | NUT LOCK | 2 | | | | 0.009 | 0.0198 |
| 070 | 37720-28980 | TURNBUCKLE | 2 | | | | 0.099 | 0.2178 |
| 080 | 36330-67420 | ROD BRAKE | 2 | | | | 0.22 | 0.484 |
| 090 | 05122-51035 | PIN JOINT | 2 | | | | 0.023 | 0.0506 |
| 100 | 04011-50100 | WASHER PLAIN | 2 | | | | 0.002 | 0.0044 |
| 110 | 05511-50318 | PIN SPLIT | 2 | | | | 0.001 | 0.0022 |

PARKING BRAKE LEVER



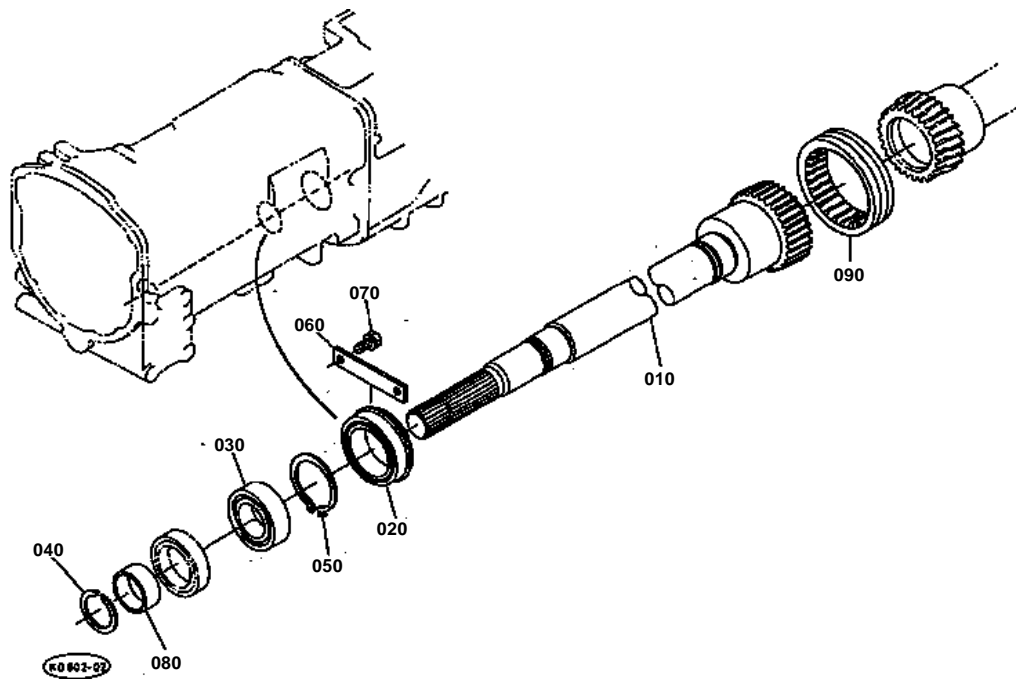


PARKING BRAKE LEVER

↔ Interchangeable; ≠ not interchangeable; ← new for old; → old for new

| REF.No | Part No. | Description | Q'ty | S.No. | I/C | REMARKS | Weight (kgf) | Weight (lb) |
|--------|-------------|-------------------|------|-------|-----|---------|--------------|-------------|
| 010 | 68221-32330 | LEVER BRAKE | 1 | | | | 0.53 | 1.166 |
| 020 | 01513-50814 | STUD | 1 | | | | 0.008 | 0.0176 |
| 030 | 04512-50080 | WASHER SPRING | 1 | | | | 0 | 0 |
| 040 | 02114-50080 | NUT | 1 | | | | 0.005 | 0.011 |
| 050 | 36330-67760 | COLLAR | 1 | | | | 0.025 | 0.055 |
| 060 | 01123-50855 | BOLT | 1 | | | | 0.02 | 0.044 |
| 070 | 36330-67770 | PIN | 1 | | | | 0.025 | 0.055 |
| 080 | 04613-00100 | CIR-CLIP EXTERNAL | 2 | | | | 0.001 | 0.0022 |
| 090 | 36330-67780 | ROD HAND BRAKE | 1 | | | | 0.15 | 0.33 |
| 100 | 36330-67790 | FULCRUM | 1 | | | | 0.15 | 0.33 |
| 110 | 04612-00220 | CIR-CLIP EXTERNAL | 1 | | | | 0.001 | 0.0022 |
| 120 | 36330-67800 | ASSY LEVER BRAKE | 1 | | | | 0.43 | 0.946 |
| 130 | 36330-26430 | BUSH | 2 | | | | 0 | 0 |
| 140 | 04011-50100 | WASHER PLAIN | 1 | | | | 0.002 | 0.0044 |
| 150 | 05511-50318 | PIN SPLIT | 1 | | | | 0.001 | 0.0022 |
| 160 | 36330-67820 | ROD HAND BRAKE | 1 | | | | 0.18 | 0.396 |
| 170 | 02116-50100 | NUT | 1 | | | | 0.004 | 0.0088 |
| 180 | 38240-24360 | JOINT | 1 | | | | 0.08 | 0.176 |
| 190 | 05122-51025 | PIN JOINT | 1 | | | | 0.017 | 0.0374 |
| 200 | 04011-50100 | WASHER PLAIN | 1 | | | | 0.002 | 0.0044 |
| 210 | 05511-50318 | PIN SPLIT | 1 | | | | 0.001 | 0.0022 |

FRONT DRIVE SHAFT



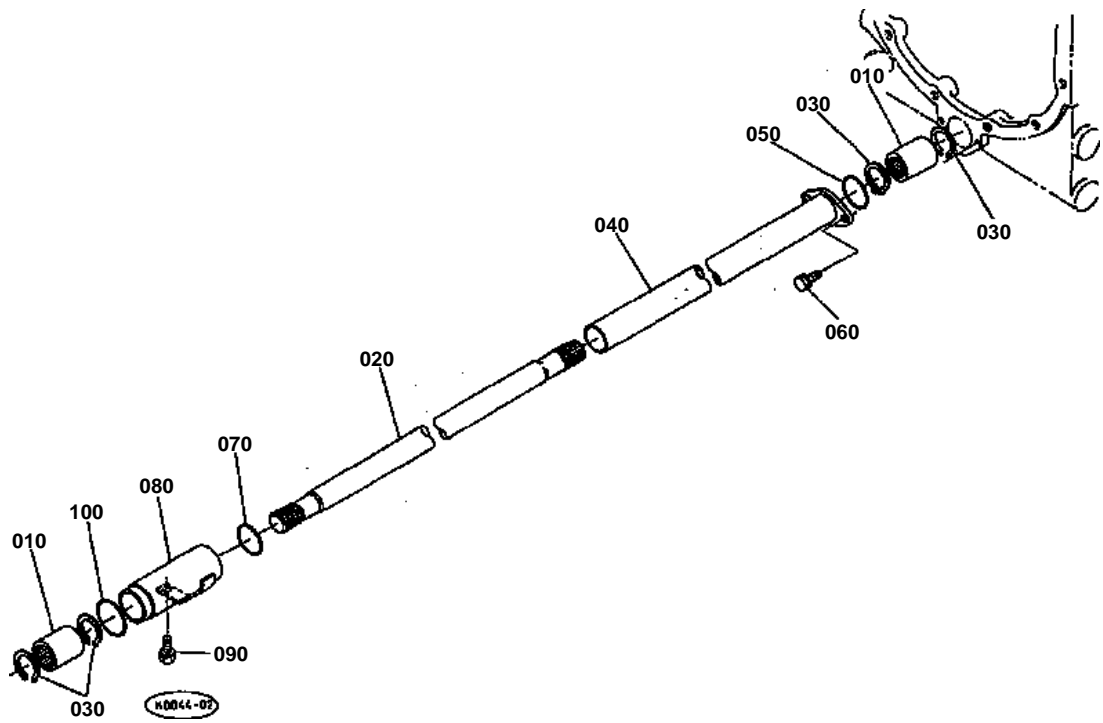


FRONT DRIVE SHAFT

↔ Interchangeable; ≠ not interchangeable; ← new for old; → old for new

| REF.No | Part No. | Description | Q'ty | S.No. | I/C | REMARKS | Weight (kgf) | Weight (lb) |
|--------|-------------|-------------------|------|-------|-----|---------|--------------|-------------|
| 010 | 36780-41260 | SHAFT DRIVE FRONT | 1 | | | | 2.9 | 6.38 |
| 020 | 08151-06207 | BEARING BALL | 1 | | | | 0.28 | 0.616 |
| 030 | 08101-06206 | BEARING BALL | 1 | | | | 0.196 | 0.4312 |
| 040 | 31391-15360 | CIR-CLIP | 1 | | | | 0.005 | 0.011 |
| 050 | 04612-00350 | CIR-CLIP EXTERNAL | 1 | | | | 0.01 | 0.022 |
| 060 | 36200-28680 | RETAINER BEARING | 1 | | | | 0.058 | 0.1276 |
| 070 | 01123-50820 | BOLT | 2 | | | | 0.011 | 0.0242 |
| 080 | 36340-41300 | SLEEVE | 1 | | | | 0.034 | 0.0748 |
| 090 | 32530-21750 | SHIFTER | 1 | | | | 0.315 | 0.693 |

PROPELLER SHAFT



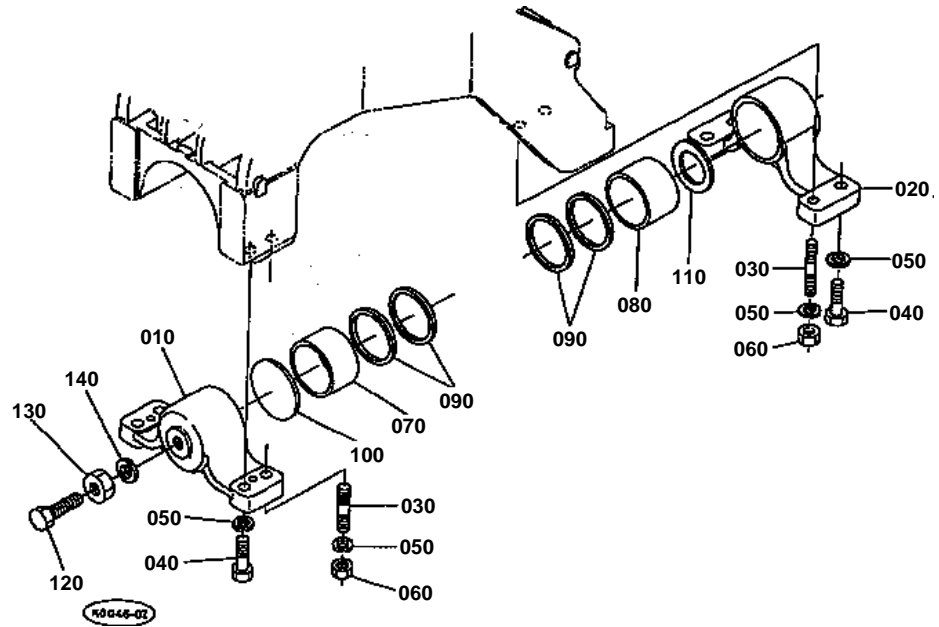


PROPELLER SHAFT

↔ Interchangeable; ≠ not interchangeable; ← new for old; → old for new

| REF.No | Part No. | Description | Q'ty | S.No. | I/C | REMARKS | Weight (kgf) | Weight (lb) |
|--------|-------------|-------------------|------|-------|-----|---------|--------------|-------------|
| 010 | 35300-21660 | COUPLING | 2 | | | | 0.19 | 0.418 |
| 020 | 35533-41320 | SHAFT PROPELLER | 1 | | | | 3.4 | 7.48 |
| 030 | 04612-00250 | CIR-CLIP EXTERNAL | 4 | | | | 0.002 | 0.0044 |
| 040 | 35533-41340 | COVER SHAFT | 1 | | | | 0.7 | 1.54 |
| 050 | 04811-10350 | O RING | 1 | | | | 0.001 | 0.0022 |
| 060 | 01123-50820 | BOLT | 2 | | | | 0.011 | 0.0242 |
| 070 | 04811-50350 | O RING | 1 | | | | 0 | 0 |
| 080 | 35533-41350 | COVER SHAFT | 1 | | | | 0.7 | 1.54 |
| 090 | 01133-51020 | BOLT | 1 | | | | 0.02 | 0.044 |
| 100 | 04811-00420 | O RING | 1 | | | | 0 | 0 |

FRONT DIFF.CASE BRACKET



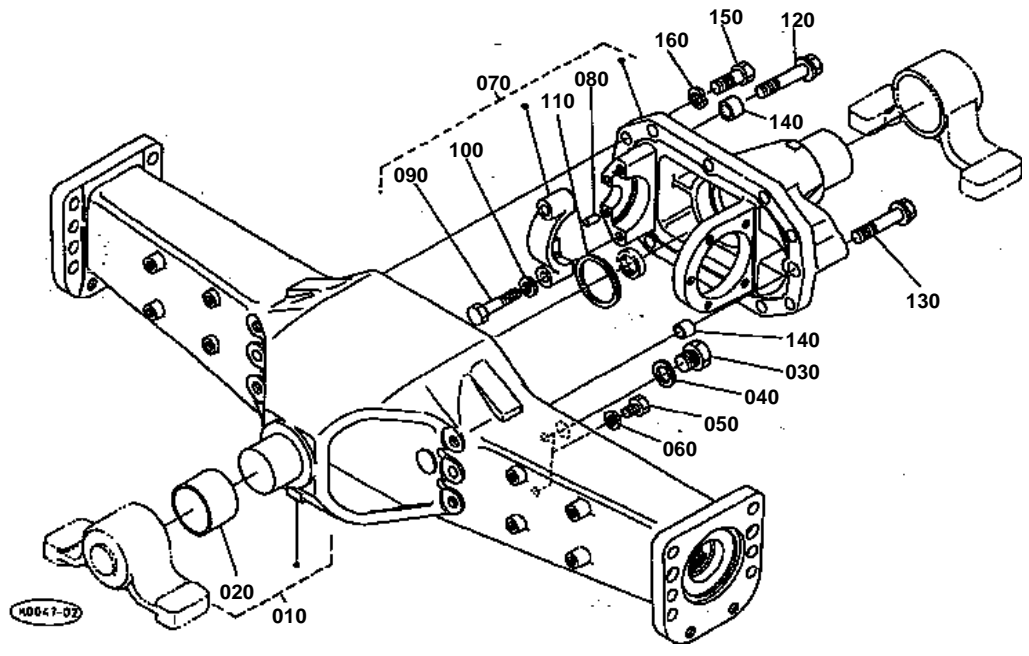


FRONT DIFF.CASE BRACKET

↔ Interchangeable; ≠ not interchangeable; ← new for old; → old for new

| REF.No | Part No. | Description | Q'ty | S.No. | I/C | REMARKS | Weight (kgf) | Weight (lb) |
|--------|-------------|---------------|------|-------|-----|---------|--------------|-------------|
| 010 | 35533-41610 | BRACKET FRONT | 1 | | | | 0 | 0 |
| 020 | 35533-41620 | BRACKET REAR | 1 | | | | 0 | 0 |
| 030 | 01517-51440 | STUD | 4 | | | | 0.064 | 0.1408 |
| 040 | 01173-51445 | BOLT | 4 | | | | 0.067 | 0.1474 |
| 050 | 04512-50140 | WASHER SPRING | 8 | | | | 0 | 0 |
| 060 | 02176-50140 | NUT | 4 | | | | 0.014 | 0.0308 |
| 070 | 08511-06540 | BUSH | 1 | | | | 0.158 | 0.3476 |
| 080 | 35533-41690 | BUSH DU | 1 | | | | 0.2 | 0.44 |
| 090 | 38440-44820 | SEAL OIL | 4 | | | | 0.01 | 0.022 |
| 100 | 36280-41630 | WASHER | 1 | | | | 0.06 | 0.132 |
| 110 | 35533-41670 | COLLAR THRUST | 1 | | | 2.0mm | 0.03 | 0.066 |
| 120 | 01175-51645 | BOLT | 1 | | | | 0.09 | 0.198 |
| 130 | 32580-44580 | NUT | 1 | | | | 0.1 | 0.22 |
| 140 | 38440-44750 | WASHER SEAL | 1 | | | | 0.003 | 0.0066 |

FRONT DIFF.CASE

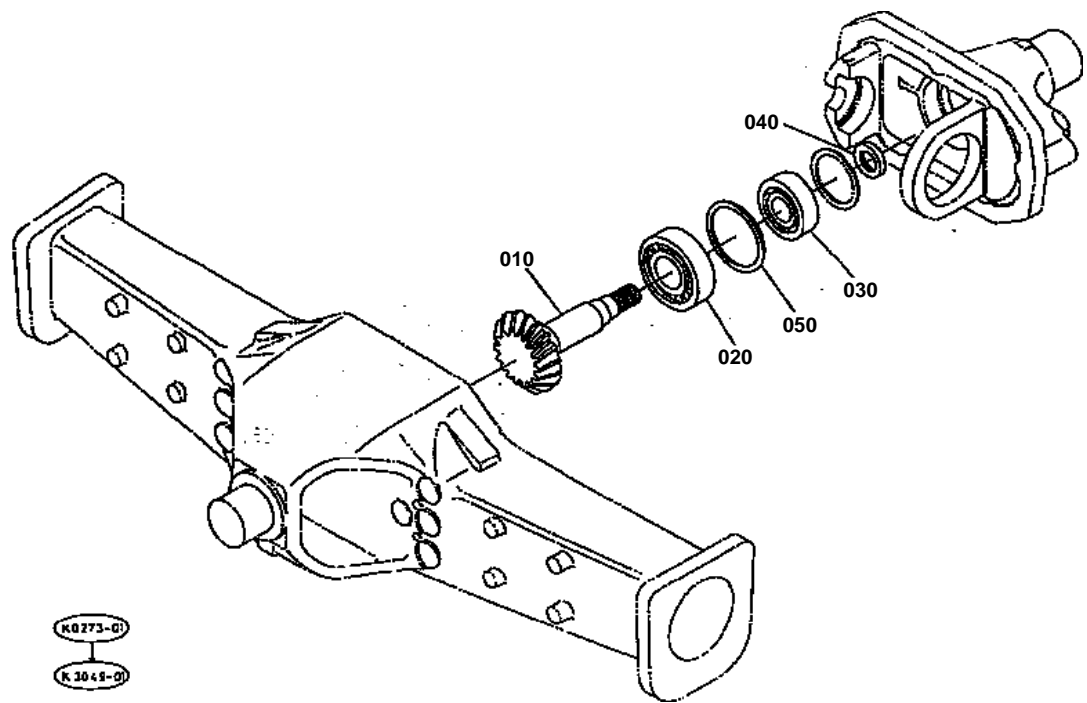


**FRONT DIFF.CASE**

↔ Interchangeable; ≠ not interchangeable; ← new for old; → old for new

| REF.No | Part No. | Description | Q'ty | S.No. | I/C | REMARKS | Weight (kgf) | Weight (lb) |
|--------|-------------|----------------------|------|-------|-----|---------|--------------|-------------|
| 010 | 35533-42140 | ASSY CASE FRONT DIFF | 1 | | | | 0 | 0 |
| 020 | 36840-42160 | RING INNER | 1 | | | | 0.185 | 0.407 |
| 030 | 06331-35020 | PLUG | 1 | | | | 0.068 | 0.1496 |
| 040 | 04717-02000 | WASHER WITH RUBBER | 1 | | | | 0.004 | 0.0088 |
| 050 | 06331-35010 | PLUG | 2 | | | | 0.012 | 0.0264 |
| 060 | 04717-01000 | WASHER WITH RUBBER | 2 | | | | 0.001 | 0.0022 |
| 070 | 36780-42300 | ASSY CASE PINION BRG | 1 | | | | 17.8 | 39.16 |
| 080 | 05012-00816 | PIN STRAIGHT | 2 | | | | 0.007 | 0.0154 |
| 090 | 01173-51260 | BOLT | 2 | | | | 0.06 | 0.132 |
| 100 | 04512-50120 | WASHER SPRING | 2 | | | | 0 | 0 |
| 110 | 35533-42350 | SHIM | 1 | | | 0.1mm | 0.002 | 0.0044 |
| 110 | 35533-42360 | SHIM | 1 | | | 0.2mm | 0.003 | 0.0066 |
| 110 | 35533-42370 | SHIM | 1 | | | 0.4mm | 0.005 | 0.011 |
| 110 | 35533-42450 | SHIM | 1 | | | 1.6mm | 0.015 | 0.033 |
| 120 | 36280-43180 | BOLT UBS | 1 | | | | 0.052 | 0.1144 |
| 130 | 36780-43160 | BOLT UBS | 1 | | | | 0.1 | 0.22 |
| 140 | 35533-43170 | PIPE KNOCK | 2 | | | | 0.02 | 0.044 |
| 150 | 01173-51445 | BOLT | 11 | | | | 0.067 | 0.1474 |
| 160 | 04512-50140 | WASHER SPRING | 11 | | | | 0 | 0 |

BEVEL GEAR (FRONT)



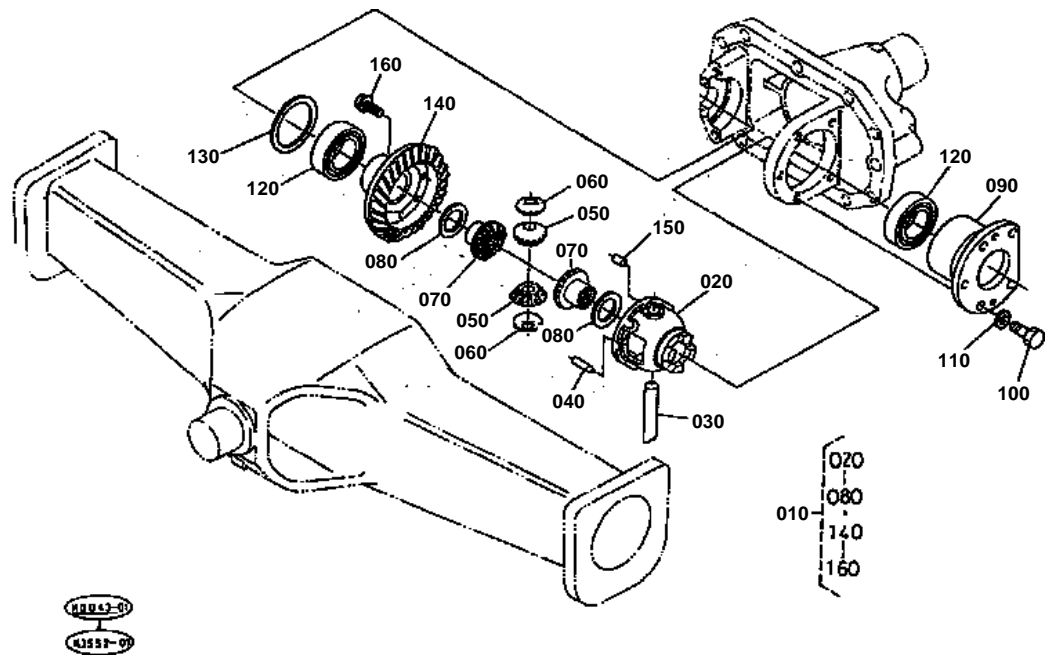


BEVEL GEAR (FRONT)

↔ Interchangeable; ≠ not interchangeable; ← new for old; → old for new

| REF.No | Part No. | Description | Q'ty | S.No. | I/C | REMARKS | Weight (kgf) | Weight (lb) |
|--------|-------------|--------------------|------|-------|-----|---------|--------------|-------------|
| 010 | 35533-42260 | SHAFT BEVEL PINION | 1 | | | 18T | 2.3 | 5.06 |
| 020 | 35831-43380 | BEARING BALL | 1 | | | | 0.6 | 1.32 |
| 030 | 38450-25350 | BEARING BALL | 1 | | | | 0.345 | 0.759 |
| 040 | 09500-25388 | SEAL OIL | 1 | | | | 0.01 | 0.022 |
| 050 | 35533-44120 | SHIM | 1 | | | 1.0mm | 0.012 | 0.0264 |

DIFFERENTIAL (FRONT)



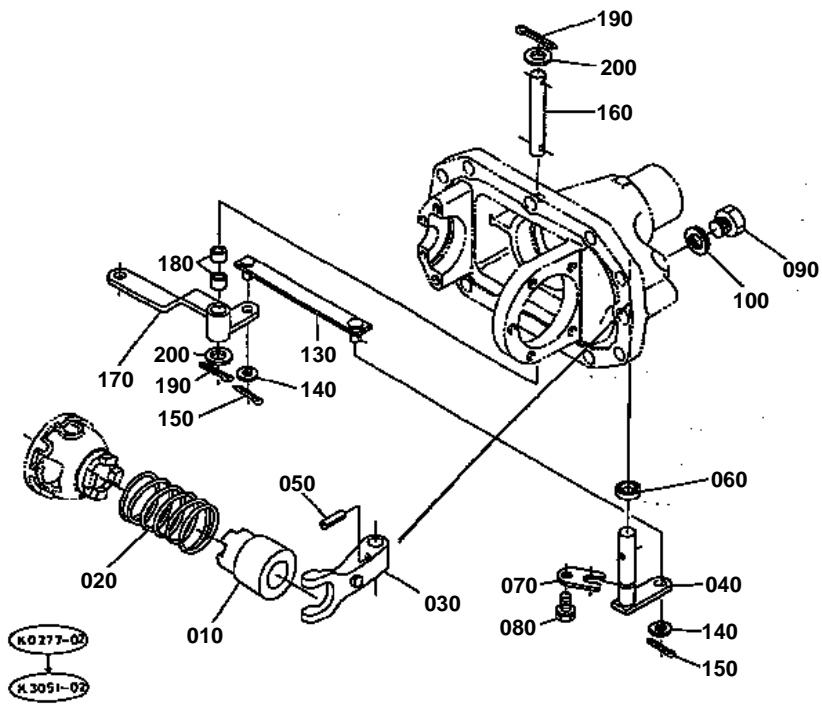


DIFFERENTIAL (FRONT)

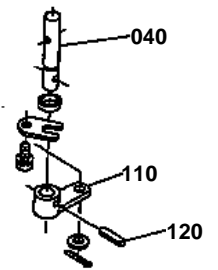
↔ Interchangeable; ≠ not interchangeable; ← new for old; → old for new

| REF.No | Part No. | Description | Q'ty | S.No. | I/C | REMARKS | Weight (kgf) | Weight (lb) |
|--------|-------------|----------------------|------|-------|-----|---------|--------------|-------------|
| 010 | 36790-43100 | ASSY DIFFERENTIAL | 1 | | | | 3.6 | 7.92 |
| 020 | 36790-43122 | CASE DIFFERENTIAL | 1 | | | | 0.7 | 1.54 |
| 030 | 36790-43110 | SHAFT DIFF.PINION | 1 | | | | 0.13 | 0.286 |
| 040 | 36790-43170 | PIN STRAIGHT | 1 | | | | 0.015 | 0.033 |
| 050 | 67711-14920 | PINION DIFF. | 2 | | | | 0.11 | 0.242 |
| 060 | 67311-14980 | COLLAR PINION THRUST | 2 | | | | 0.002 | 0.0044 |
| 070 | 66101-14940 | GEAR DIFF.SIDE | 2 | | | | 0.18 | 0.396 |
| 080 | 67211-15160 | SHIM | 2 | | | 1.0mm | 0.01 | 0.022 |
| 080 | 67211-15170 | SHIM | 2 | | | 0.8mm | 0.008 | 0.0176 |
| 080 | 67211-15180 | SHIM | 2 | | | 1.2mm | 0.01 | 0.022 |
| 090 | 36780-42410 | SUPPORT DIFF.BEARING | 1 | | | | 2.2 | 4.84 |
| 100 | 01173-51028 | BOLT | 5 | | | | 0.022 | 0.0484 |
| 110 | 04512-50100 | WASHER SPRING | 5 | | | | 0 | 0 |
| 120 | 36780-43330 | BEARING BALL | 2 | | | | 0.25 | 0.55 |
| 130 | 35533-43010 | SHIM | 1 | | | 0.1mm | 0.002 | 0.0044 |
| 130 | 35533-43020 | SHIM | 1 | | | 0.2mm | 0.003 | 0.0066 |
| 130 | 35533-43030 | SHIM | 1 | | | 0.4mm | 0.004 | 0.0088 |
| 130 | 35533-43040 | SHIM | 1 | | | 0.8mm | 0.009 | 0.0198 |
| 130 | 35533-43050 | SHIM | 1 | | | 1.0mm | 0.01 | 0.022 |
| 130 | 35533-43060 | SHIM | 1 | | | 1.2mm | 0.012 | 0.0264 |
| 140 | 36790-42312 | GEAR BEVEL | 1 | | | 27T | 2.1 | 4.62 |
| 150 | 36790-43180 | PIN STRAIGHT | 1 | | | | 0.01 | 0.022 |
| 160 | 01779-50830 | BOLT UBS | 6 | | | | 0.02 | 0.044 |

DIFF.LOCK CLUTCH



- 040 36780-4251-0
- 110 36780-4261-0
- 120 05411-00630

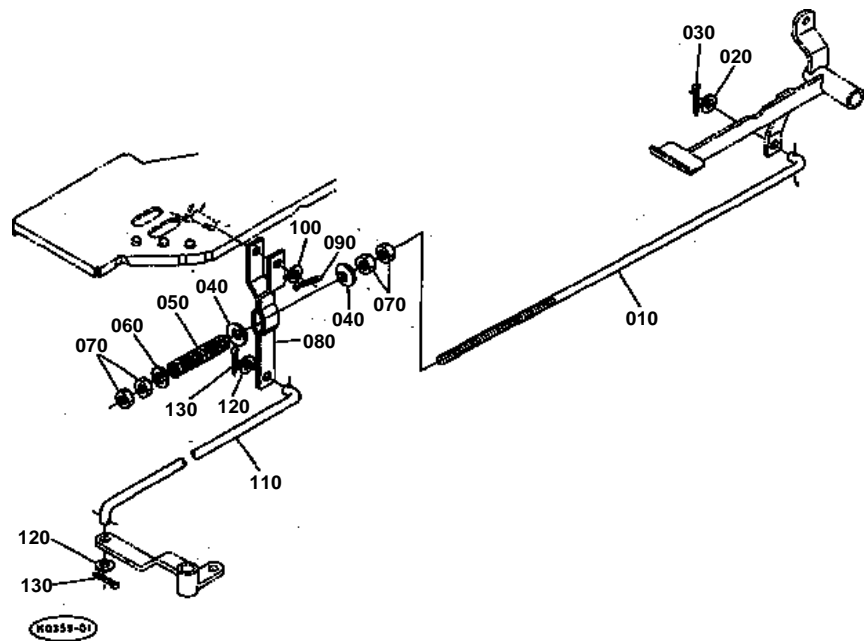


**DIFF.LOCK CLUTCH**

↔ Interchangeable; ≠ not interchangeable; ← new for old; → old for new

| REF.No | Part No. | Description | Q'ty | S.No. | I/C | REMARKS | Weight (kgf) | Weight (lb) |
|--------|-------------|--------------------|------|---------|-----|---------|--------------|-------------|
| 010 | 36780-42644 | CLUTCH DIFF.LOCK | 1 | | | | 0.95 | 2.09 |
| 020 | 36780-42540 | SPRING | 1 | | | | 0.135 | 0.297 |
| 030 | 36780-42522 | LEVER DIFF.LOCK | 1 | | | | 0.37 | 0.814 |
| 040 | 36780-42510 | SHAFT LEVER | 1 | <=60013 | | | 0 | 0 |
| 040 | 36780-42512 | SHAFT LEVER | 1 | >=60014 | ← | | 0.18 | 0.396 |
| 050 | 05411-00625 | PIN SPRING | 1 | | | | 0.004 | 0.0088 |
| 060 | 09500-16307 | SEAL OIL | 1 | | | | 0.007 | 0.0154 |
| 070 | 36780-42560 | PLATE | 1 | | | | 0.022 | 0.0484 |
| 080 | 01133-51016 | BOLT | 1 | | | | 0.015 | 0.033 |
| 090 | 06331-35020 | PLUG | 1 | | | | 0.068 | 0.1496 |
| 100 | 04717-02000 | WASHER WITH RUBBER | 1 | | | | 0.004 | 0.0088 |
| 110 | 36780-42610 | LEVER | 1 | <=60013 | | | 0.15 | 0.33 |
| 120 | 05411-00630 | PIN SPRING | 1 | <=60013 | | | 0.004 | 0.0088 |
| 130 | 36780-42580 | LINK | 1 | | | | 0.15 | 0.33 |
| 140 | 04013-50100 | WASHER PLAIN | 2 | | | | 0 | 0 |
| 150 | 05511-50320 | PIN SPLIT | 2 | | | | 0.002 | 0.0044 |
| 160 | 36780-42620 | SHAFT LEVER | 1 | | | | 0.134 | 0.2948 |
| 170 | 36780-42650 | LEVER | 1 | | | | 0.25 | 0.55 |
| 180 | 68021-62210 | BUSH | 2 | | | | 0.004 | 0.0088 |
| 190 | 05511-50425 | PIN SPLIT | 2 | | | | 0.003 | 0.0066 |
| 200 | 04013-50140 | WASHER PLAIN | 2 | | | | 0 | 0 |

DIFF.LOCK ROD

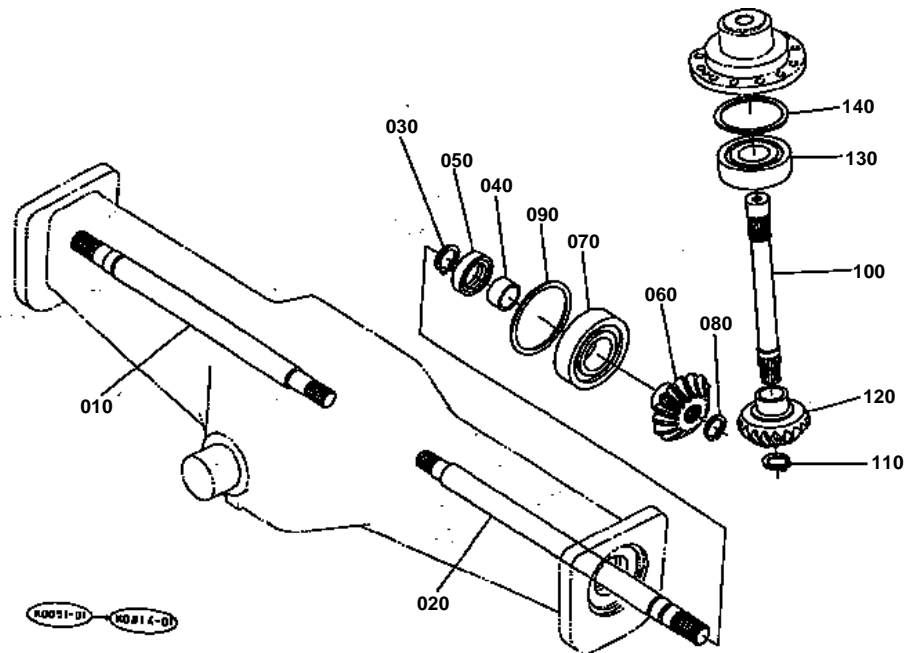


**DIFF.LOCK ROD**

↔ Interchangeable; ≠ not interchangeable; ← new for old; → old for new

| REF.No | Part No. | Description | Q'ty | S.No. | I/C | REMARKS | Weight (kgf) | Weight (lb) |
|--------|-------------|----------------|------|-------|-----|---------|--------------|-------------|
| 010 | 36340-42552 | ROD DIFF.LOCK | 1 | | | | 0.5 | 1.1 |
| 020 | 04011-50100 | WASHER PLAIN | 1 | | | | 0.002 | 0.0044 |
| 030 | 05511-50318 | PIN SPLIT | 1 | | | | 0.001 | 0.0022 |
| 040 | 36340-42560 | WASHER | 2 | | | | 0.005 | 0.011 |
| 050 | 36340-42570 | SPRING | 1 | | | | 0.08 | 0.176 |
| 060 | 04011-50100 | WASHER PLAIN | 1 | | | | 0.002 | 0.0044 |
| 070 | 02118-50100 | NUT | 4 | | | | 0.005 | 0.011 |
| 080 | 36340-42580 | LINK DIFF.LOCK | 1 | | | | 0.28 | 0.616 |
| 090 | 05511-50318 | PIN SPLIT | 1 | | | | 0.001 | 0.0022 |
| 100 | 04013-50120 | WASHER PLAIN | 1 | | | | 0 | 0 |
| 110 | 36780-42590 | ROD DIFF.LOCK | 1 | | | | 0.75 | 1.65 |
| 120 | 04011-50100 | WASHER PLAIN | 2 | | | | 0.002 | 0.0044 |
| 130 | 05511-50318 | PIN SPLIT | 2 | | | | 0.001 | 0.0022 |

DIFF.GEAR SHAFT



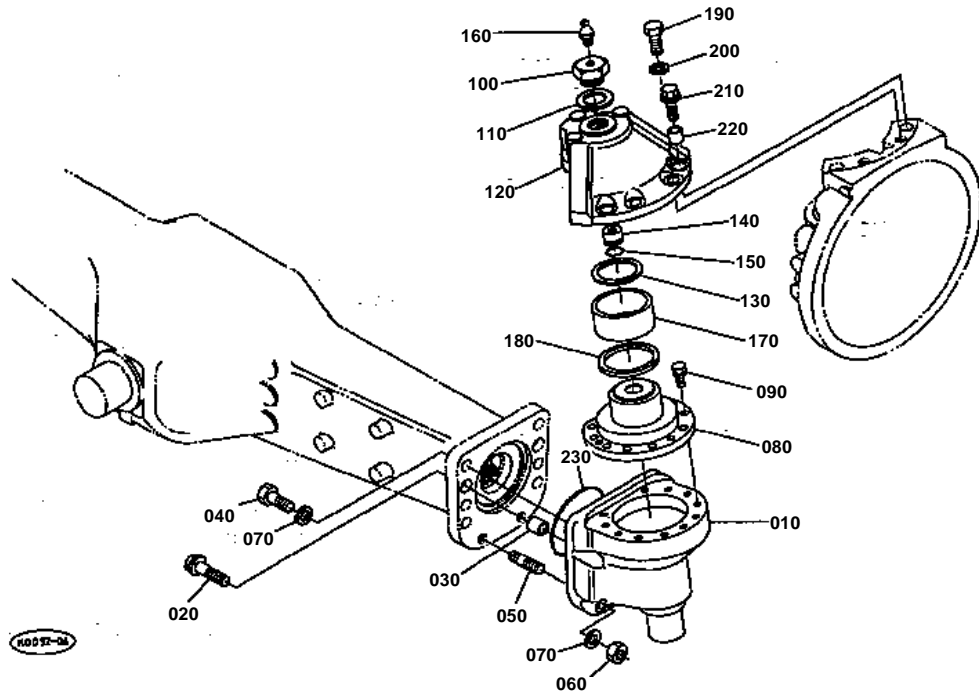


DIFF.GEAR SHAFT

↔ Interchangeable; ≠ not interchangeable; ← new for old; → old for new

| REF.No | Part No. | Description | Q'ty | S.No. | I/C | REMARKS | Weight (kgf) | Weight (lb) |
|--------|-------------|--------------------|------|-------|-----|---------|--------------|-------------|
| 010 | 35512-43210 | SHAFT DIFF.GEAR RH | 1 | | | | 2.7 | 5.94 |
| 020 | 35512-43220 | SHAFT DIFF.GEAR LH | 1 | | | | 3.003 | 6.6066 |
| 030 | 31391-15360 | CIR-CLIP | 2 | | | | 0.005 | 0.011 |
| 040 | 54617-22830 | SLEEVE | 2 | | | | 0.02 | 0.044 |
| 050 | 09403-55511 | SEAL OIL | 2 | | | | 0.023 | 0.0506 |
| 060 | 35533-43240 | GEAR BEVEL | 2 | | | 18T | 0.98 | 2.156 |
| 070 | 35533-43470 | BEARING BALL | 2 | | | | 0.88 | 1.936 |
| 080 | 04612-00280 | CIR-CLIP EXTERNAL | 2 | | | | 0.003 | 0.0066 |
| 090 | 35533-44020 | SHIM | 1 | | | 0.1mm | 0.002 | 0.0044 |
| 090 | 35533-44030 | SHIM | 1 | | | 0.2mm | 0.003 | 0.0066 |
| 090 | 35533-44040 | SHIM | 1 | | | 0.4mm | 0.005 | 0.011 |
| 090 | 35533-44050 | SHIM | 1 | | | 0.8mm | 0.011 | 0.0242 |
| 090 | 35533-44060 | SHIM | 1 | | | 1.0mm | 0.012 | 0.0264 |
| 090 | 35533-44070 | SHIM | 1 | | | 1.2mm | 0.02 | 0.044 |
| 100 | 35533-43410 | SHAFT | 2 | | | | 0.9 | 1.98 |
| 110 | 04612-00280 | CIR-CLIP EXTERNAL | 2 | | | | 0.003 | 0.0066 |
| 120 | 35533-43440 | GEAR BEVEL | 2 | | | 19T | 1.08 | 2.376 |
| 130 | 08101-06308 | BEARING BALL | 2 | | | | 0.63 | 1.386 |
| 140 | 35533-44080 | SHIM | 1 | | | 0.1mm | 0.001 | 0.0022 |
| 140 | 35533-44090 | SHIM | 1 | | | 0.2mm | 0.002 | 0.0044 |
| 140 | 35533-44100 | SHIM | 1 | | | 0.4mm | 0.005 | 0.011 |
| 140 | 35533-44110 | SHIM | 1 | | | 0.8mm | 0.01 | 0.022 |
| 140 | 35533-44120 | SHIM | 1 | | | 1.0mm | 0.012 | 0.0264 |
| 140 | 35533-44130 | SHIM | 1 | | | 1.2mm | 0.015 | 0.033 |

BEVEL GEAR CASE

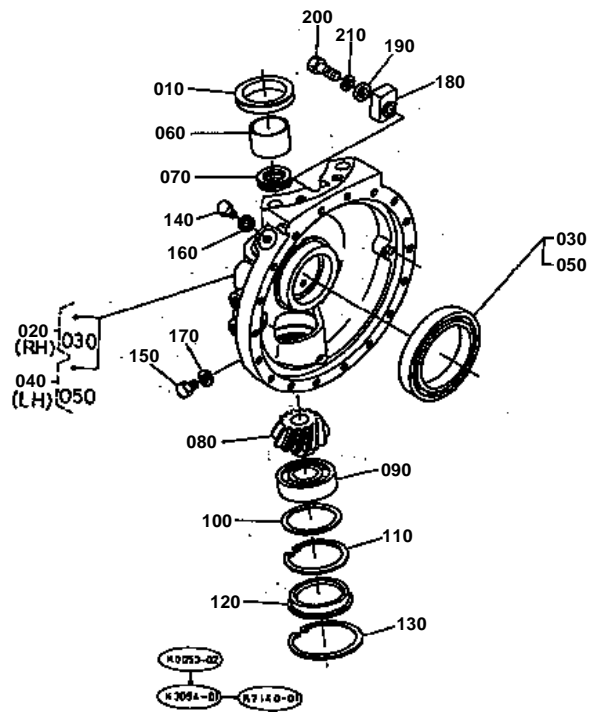


**BEVEL GEAR CASE**

↔ Interchangeable; ≠ not interchangeable; ← new for old; → old for new

| REF.No | Part No. | Description | Q'ty | S.No. | I/C | REMARKS | Weight (kgf) | Weight (lb) |
|--------|-------------|----------------------|------|--------|-----|---------|--------------|-------------|
| 010 | 35533-43314 | CASE BEVEL GEAR | 2 | | | | 7.03 | 15.466 |
| 020 | 36340-43180 | BOLT UBS | 4 | | | | 0.05 | 0.11 |
| 030 | 35533-43170 | PIPE KNOCK | 4 | | | | 0.02 | 0.044 |
| 040 | 01173-51440 | BOLT | 12 | | | | 0.062 | 0.1364 |
| 050 | 01517-51435 | STUD | 4 | | | | 0 | 0 |
| 060 | 02174-50140 | NUT | 4 | | | | 0.014 | 0.0308 |
| 070 | 04512-50140 | WASHER SPRING | 16 | | | | 0 | 0 |
| 080 | 35533-43320 | RETAINER BEARING | 2 | | | | 1.8 | 3.96 |
| 090 | 01123-50825 | BOLT | 22 | | | | 0.013 | 0.0286 |
| 100 | 35533-43390 | PLUG | 2 | | | | 0.08 | 0.176 |
| 110 | 04717-02400 | WASHER WITH RUBBER | 2 | | | | 0.005 | 0.011 |
| 120 | 35533-43344 | SUPPORT F-WHEEL CASE | 2 | | | | 3.32 | 7.304 |
| 130 | 35533-43330 | WASHER THRUST | 2 | | | 3.2mm | 0.028 | 0.0616 |
| 140 | 35533-43370 | PLUG | 2 | | | | 0.02 | 0.044 |
| 150 | 04811-00160 | O RING | 2 | | | | 0 | 0 |
| 160 | 06611-15010 | NIPPLE GREASE | 2 | | | | 0.01 | 0.022 |
| 170 | 35533-43350 | BUSH DX | 2 | | | | 0.1 | 0.22 |
| 180 | 38440-44820 | SEAL OIL | 2 | | | | 0.01 | 0.022 |
| 190 | 01173-51430 | BOLT | 4 | | | | 0.052 | 0.1144 |
| 200 | 04512-50140 | WASHER SPRING | 4 | | | | 0 | 0 |
| 210 | 36280-43180 | BOLT UBS | 4 | | | | 0.052 | 0.1144 |
| 220 | 35533-43170 | PIPE KNOCK | 4 | | | | 0.02 | 0.044 |
| 230 | 04811-51000 | O RING | 2 | ≥60013 | | | 0.003 | 0.0066 |

FRONT WHEEL CASE



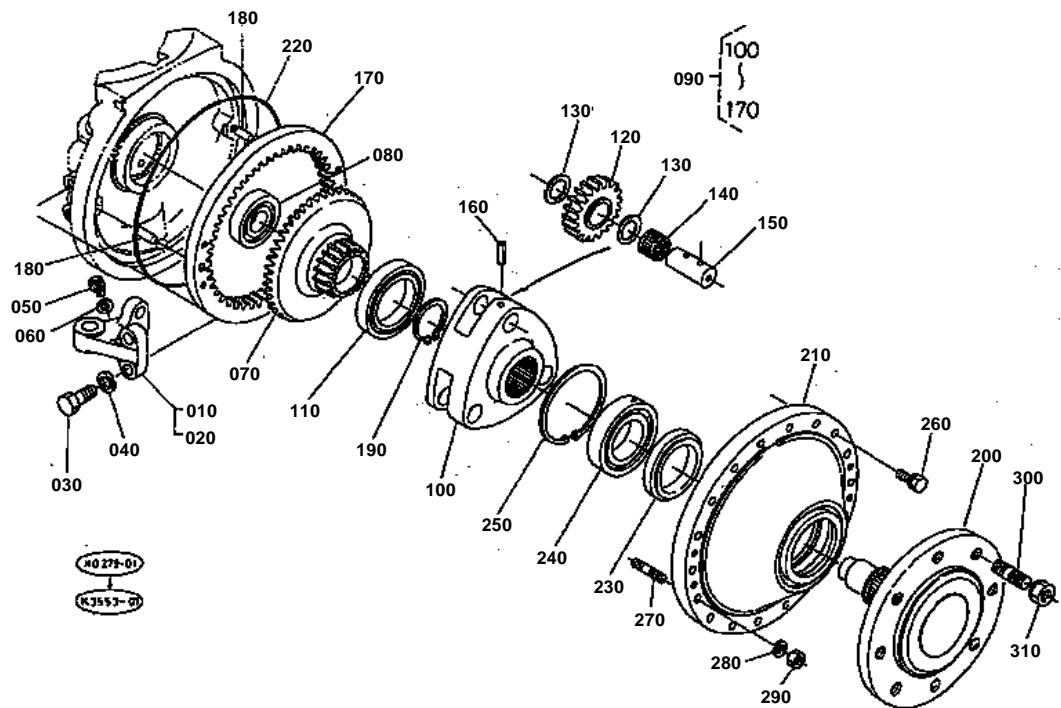


FRONT WHEEL CASE

↔ Interchangeable; ≠ not interchangeable; ← new for old; → old for new

| REF.No | Part No. | Description | Q'ty | S.No. | I/C | REMARKS | Weight (kgf) | Weight (lb) |
|--------|-------------|----------------------|------|-------|-----|---------|--------------|-------------|
| 010 | 33670-43360 | SEAL OIL | 2 | | | | 0.01 | 0.022 |
| 020 | 35533-43642 | ASSY CASE F.WHEEL RH | 1 | | | | 0 | 0 |
| 030 | 35533-43290 | BEARING BALL | 1 | | | | 0.65 | 1.43 |
| 040 | 35533-43632 | ASSY CASE F.WHEEL LH | 1 | | | | 0 | 0 |
| 050 | 35533-43290 | BEARING BALL | 1 | | | | 0.65 | 1.43 |
| 060 | 35533-43600 | BUSH DX | 2 | | | | 0.1 | 0.22 |
| 070 | 35533-43380 | HOLDER THRUST BRG. | 2 | | | | 0.1 | 0.22 |
| 080 | 35533-43520 | GEAR BEVEL | 2 | | | 13T | 0 | 0 |
| 090 | 36530-80160 | BEARING BALL | 2 | | | | 0.46 | 1.012 |
| 100 | 35533-43010 | SHIM | 1 | | | 0.1mm | 0.002 | 0.0044 |
| 100 | 35533-43020 | SHIM | 1 | | | 0.2mm | 0.003 | 0.0066 |
| 100 | 35533-43030 | SHIM | 1 | | | 0.4mm | 0.004 | 0.0088 |
| 100 | 35533-43040 | SHIM | 1 | | | 0.8mm | 0.009 | 0.0198 |
| 100 | 35533-44140 | SHIM | 1 | | | 1.0mm | 0.012 | 0.0264 |
| 100 | 35533-44150 | SHIM | 1 | | | 1.2mm | 0.015 | 0.033 |
| 100 | 35533-44160 | SHIM | 1 | | | 1.8mm | 0.02 | 0.044 |
| 100 | 35533-44170 | SHIM | 1 | | | 2.0mm | 0.025 | 0.055 |
| 100 | 35533-44180 | SHIM | 1 | | | 2.3mm | 0.03 | 0.066 |
| 110 | 04611-00800 | CIR-CLIP INTERNAL | 2 | | | | 0.02 | 0.044 |
| 120 | 35533-43540 | PLUG | 2 | | | | 0.18 | 0.396 |
| 130 | 04611-00900 | CIR-CLIP INTERNAL | 2 | | | | 0.037 | 0.0814 |
| 140 | 06331-35016 | PLUG | 2 | | | | 0.04 | 0.088 |
| 150 | 06331-35010 | PLUG | 4 | | | | 0.012 | 0.0264 |
| 160 | 04717-01600 | WASHER WITH RUBBER | 2 | | | | 0.003 | 0.0066 |
| 170 | 04717-01000 | WASHER WITH RUBBER | 4 | | | | 0.001 | 0.0022 |
| 180 | 35533-44270 | STOPPER | 2 | | | | 0.25 | 0.55 |
| 190 | 35810-43740 | COLLAR ADJUSTING | 2 | | | 7.0mm | 0 | 0 |
| 200 | 01173-51440 | BOLT | 2 | | | | 0.062 | 0.1364 |
| 210 | 04512-50140 | WASHER SPRING | 2 | | | | 0 | 0 |

FRONT AXLE

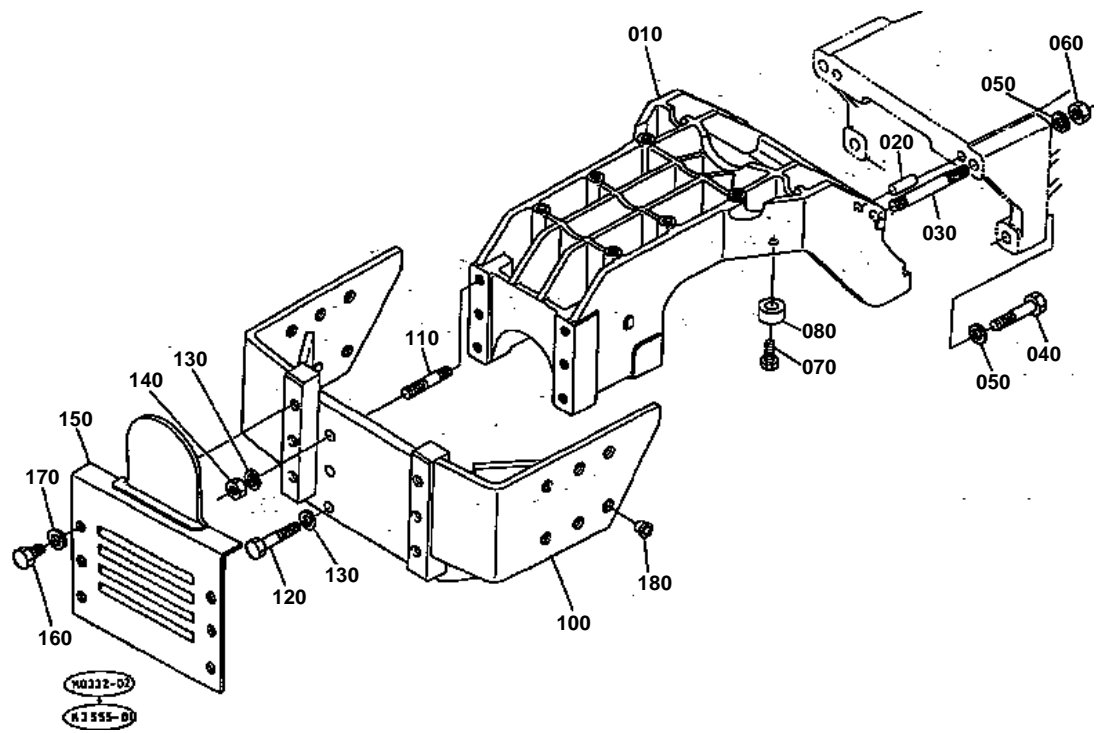


**FRONT AXLE**

↔ Interchangeable; ≠ not interchangeable; ← new for old; → old for new

| REF.No | Part No. | Description | Q'ty | S.No. | I/C | REMARKS | Weight (kgf) | Weight (lb) |
|--------|-------------|---------------------|------|-------|-----|----------|--------------|-------------|
| 010 | 35533-43810 | ARM KNUCKLE LH | 1 | | | | 0 | 0 |
| 020 | 35533-43820 | ARM KNUCKLE RH | 1 | | | | 0 | 0 |
| 030 | 01173-51440 | BOLT | 8 | | | | 0.062 | 0.1364 |
| 040 | 04512-50140 | WASHER SPRING | 8 | | | | 0 | 0 |
| 050 | 01133-51220 | BOLT | 2 | | | | 0.04 | 0.088 |
| 060 | 04013-50120 | WASHER PLAIN | 4 | | | | 0 | 0 |
| 070 | 36790-43720 | GEAR BEVEL | 2 | | | 34T | 0 | 0 |
| 080 | 38450-25350 | BEARING BALL | 2 | | | | 0.345 | 0.759 |
| 090 | 36790-44200 | ASSY GEAR PLANETARY | 2 | | | | 9.6 | 21.12 |
| 100 | 35533-44210 | SUPPORT PLANE.GEAR | 2 | | | | 4.4 | 9.68 |
| 110 | 08101-16013 | BEARING BALL | 2 | | | | 0.29 | 0.638 |
| 120 | 36790-44220 | GEAR PLANETARY | 6 | | | 22T | 0.62 | 1.364 |
| 130 | 35533-44230 | COLLAR THRUST | 12 | | | 1.6mm | 0.01 | 0.022 |
| 140 | 35533-44240 | BEARING NEEDLE | 6 | | | | 0.04 | 0.088 |
| 150 | 35533-44250 | PIN PLANETARY GEAR | 6 | | | | 0.2 | 0.44 |
| 160 | 05411-00522 | PIN SPRING | 6 | | | | 0.002 | 0.0044 |
| 170 | 36790-44190 | GEAR INTERNAL | 2 | | | 63T | 2.2 | 4.84 |
| 180 | 35533-44260 | PIN STRAIGHT | 4 | | | | 0.02 | 0.044 |
| 190 | 35533-44280 | CIR-CLIP EXTERNAL | 2 | | | | 0.012 | 0.0264 |
| 200 | 35533-43710 | AXLE FRONT | 2 | | | | 0 | 0 |
| 210 | 35533-43620 | COVER FRONT WHEEL | 2 | | | | 9.3 | 20.46 |
| 220 | 35533-44292 | O RING | 2 | | | | 0.005 | 0.011 |
| 230 | 36340-48250 | SEAL WITH SHAFT | 2 | | | NOT SALE | 0.112 | 0.2464 |
| 230 | 3A161-48250 | SEAL,OIL | 2 | | ← | | 0 | 0 |
| 240 | 08101-06211 | BEARING BALL | 2 | | | | 0.6 | 1.32 |
| 250 | 04611-01000 | CIR-CLIP INTERNAL | 2 | | | | 0.042 | 0.0924 |
| 260 | 01133-51040 | BOLT | 32 | | | | 0.03 | 0.066 |
| 270 | 01517-51040 | STUD | 4 | | | | 0.03 | 0.066 |
| 280 | 04512-50100 | WASHER SPRING | 4 | | | | 0 | 0 |
| 290 | 02118-50100 | NUT | 4 | | | | 0.005 | 0.011 |
| 300 | 35410-49150 | STUD | 16 | | | | 0.078 | 0.1716 |
| 310 | 33251-49170 | NUT | 16 | | | | 0.045 | 0.099 |

FRONT AXLE BRACKET



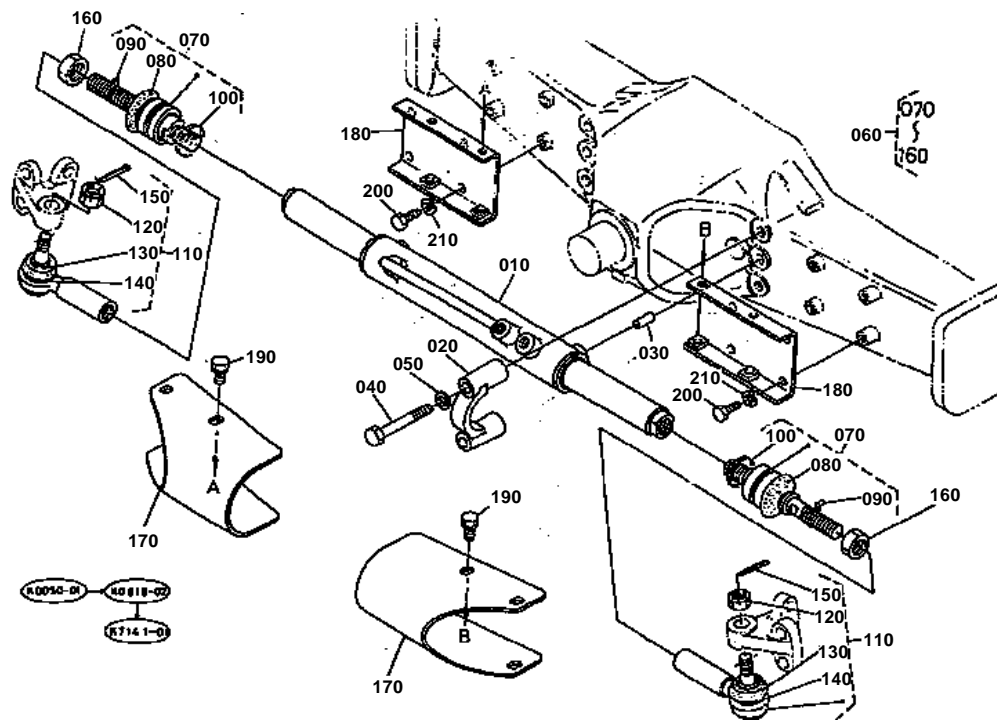


FRONT AXLE BRACKET

↔ Interchangeable; ≠ not interchangeable; ← new for old; → old for new

| REF.No | Part No. | Description | Q'ty | S.No. | I/C | REMARKS | Weight (kgf) | Weight (lb) |
|--------|-------------|--------------------|------|-------|-----|---------|--------------|-------------|
| 010 | 36780-21710 | BRACKET FRONT AXLE | 1 | | | | 73 | 160.6 |
| 020 | 05012-01645 | PIN STRAIGHT | 2 | | | | 0.08 | 0.176 |
| 030 | 35533-21800 | STUD | 2 | | | | 0.33 | 0.726 |
| 040 | 01173-51880 | BOLT | 2 | | | | 0.187 | 0.4114 |
| 050 | 04512-50180 | WASHER SPRING | 4 | | | | 0 | 0 |
| 060 | 02076-50180 | NUT | 2 | | | | 0.044 | 0.0968 |
| 070 | 36780-21740 | BOLT ADJUSTING | 2 | | | | 0.06 | 0.132 |
| 080 | 36780-21780 | SPACER | 2 | | | | 0.06 | 0.132 |
| 090 | 99999-99999 | BLANK | 0 | | | | 0 | 0 |
| 100 | 35850-21760 | BUMPER FRONT | 1 | | | | 35 | 77 |
| 110 | 36330-21680 | STUD | 2 | | | | 0.2 | 0.44 |
| 120 | 01173-51850 | BOLT | 4 | | | | 0.13 | 0.286 |
| 130 | 04512-50180 | WASHER SPRING | 6 | | | | 0 | 0 |
| 140 | 02174-50180 | NUT | 2 | | | | 0.029 | 0.0638 |
| 150 | 36330-21770 | COVER FRONT BUMPER | 1 | | | | 0.84 | 1.848 |
| 160 | 01173-51635 | BOLT | 6 | | | | 0.008 | 0.0176 |
| 170 | 04011-50160 | WASHER PLAIN | 6 | | | | 0 | 0 |
| 180 | 36330-21290 | PLUG BLIND | 12 | | | | 0.002 | 0.0044 |

STEERING LINKAGE



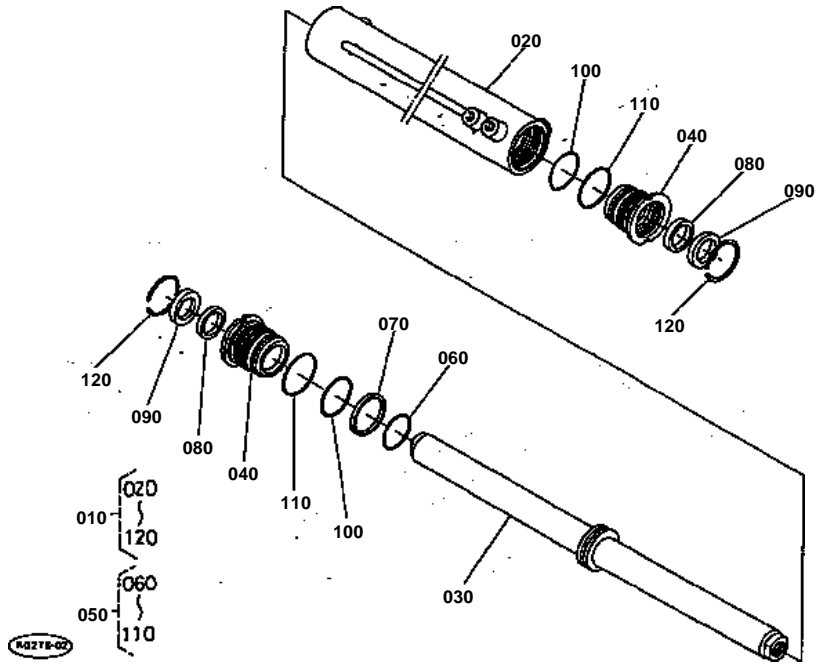


STEERING LINKAGE

↔ Interchangeable; ≠ not interchangeable; ← new for old; → old for new

| REF.No | Part No. | Description | Q'ty | S.No. | I/C | REMARKS | Weight (kgf) | Weight (lb) |
|--------|-------------|---------------------|------|-------|-----|---------|--------------|-------------|
| 010 | 36780-63880 | CYLINDER STEERING | 1 | | | | 97 | 213.4 |
| 020 | 35533-62130 | BRACKET POWER STRG. | 2 | | | | 0.5 | 1.1 |
| 030 | 35533-63970 | PIN STRAIGHT | 2 | | | | 0.018 | 0.0396 |
| 040 | 01173-51490 | BOLT | 4 | | | | 0.113 | 0.2486 |
| 050 | 04512-50140 | WASHER SPRING | 4 | | | | 0 | 0 |
| 060 | 35533-62970 | ASSY ROD TIE | 2 | | | | 2 | 4.4 |
| 070 | 35533-62980 | JOINT TIE ROD | 2 | | | | 1.08 | 2.376 |
| 080 | 35533-62850 | COVER DUST | 2 | | | | 0.02 | 0.044 |
| 090 | 35533-62820 | CLIP | 2 | | | | 0.003 | 0.0066 |
| 100 | 35533-62860 | RING SET | 2 | | | | 0.005 | 0.011 |
| 110 | 35533-62920 | ROD TIE | 2 | | | | 0.93 | 2.046 |
| 120 | 35860-62750 | NUT | 2 | | | | 0.04 | 0.088 |
| 130 | 35860-62852 | COVER DUST | 2 | | | | 0.014 | 0.0308 |
| 140 | 36280-62860 | CLIP | 2 | | | | 0.002 | 0.0044 |
| 150 | 05511-50335 | PIN SPLIT | 2 | | | | 0.002 | 0.0044 |
| 160 | 02072-50200 | NUT | 2 | | | | 0.046 | 0.1012 |
| 170 | 35533-64013 | COVER POWER STRG. | 2 | | | | 1.5 | 3.3 |
| 180 | 35533-64020 | BRACKET STRG.COVER | 2 | | | | 0 | 0 |
| 190 | 01133-51022 | BOLT | 8 | | | | 0.025 | 0.055 |
| 200 | 01173-51020 | BOLT | 8 | | | | 0.017 | 0.0374 |
| 210 | 04512-50100 | WASHER SPRING | 8 | | | | 0 | 0 |

STEERING CYLINDER [COMPONENT PARTS]



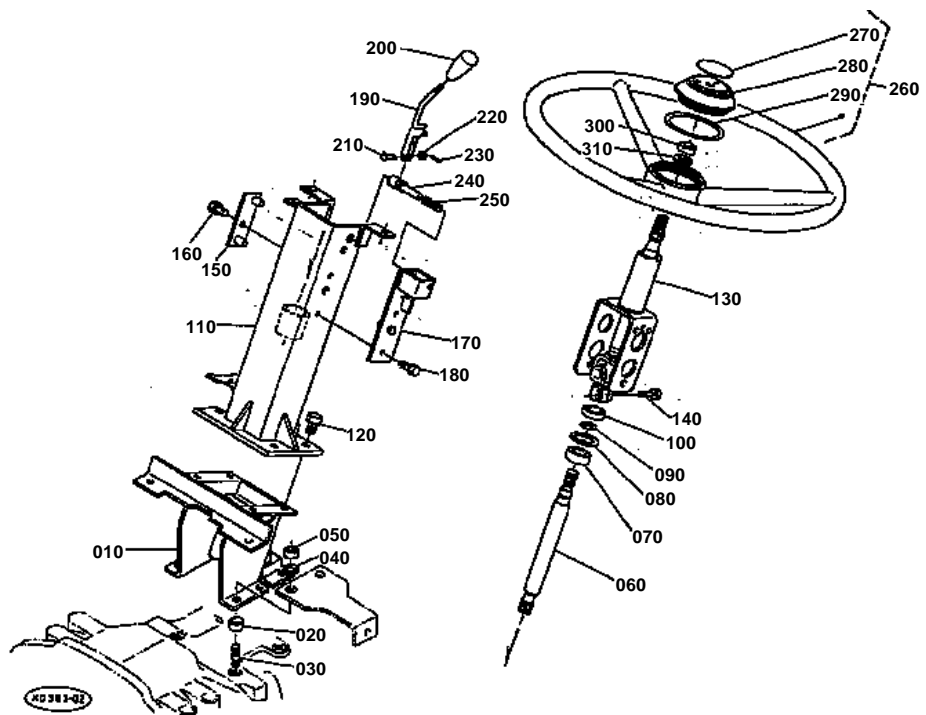


STEERING CYLINDER [COMPONENT PARTS]

↔ Interchangeable; ≠ not interchangeable; ← new for old; → old for new

| REF.No | Part No. | Description | Q'ty | S.No. | I/C | REMARKS | Weight (kgf) | Weight (lb) |
|--------|-------------|-------------------|------|-------|-----|---------|--------------|-------------|
| 010 | 36780-63880 | CYLINDER STEERING | 1 | | | | 97 | 213.4 |
| 020 | 36780-24010 | ASSY CYLINDER | 1 | | | | 2.5 | 5.5 |
| 030 | 35999-24020 | ASSY ROD | 1 | | | | 4.6 | 10.12 |
| 040 | 35999-24030 | ASSY GUIDE | 2 | | | | 0.35 | 0.77 |
| 050 | 35999-24040 | KIT SEAL | 1 | | | | 0.06 | 0.132 |
| 060 | 35999-24050 | O RING | 1 | | | | 0.003 | 0.0066 |
| 070 | 35999-24060 | SEAL | 1 | | | | 0.003 | 0.0066 |
| 080 | 35999-24070 | GASKET U | 2 | | | | 0.003 | 0.0066 |
| 090 | 35999-24080 | WIPER DUST | 2 | | | | 0.015 | 0.033 |
| 100 | 35999-24090 | O RING | 2 | | | | 0.002 | 0.0044 |
| 110 | 35999-24110 | O RING | 2 | | | | 0.003 | 0.0066 |
| 120 | 35999-24130 | RING SNAP | 2 | | | | 0.003 | 0.0066 |

STEERING HANDLE



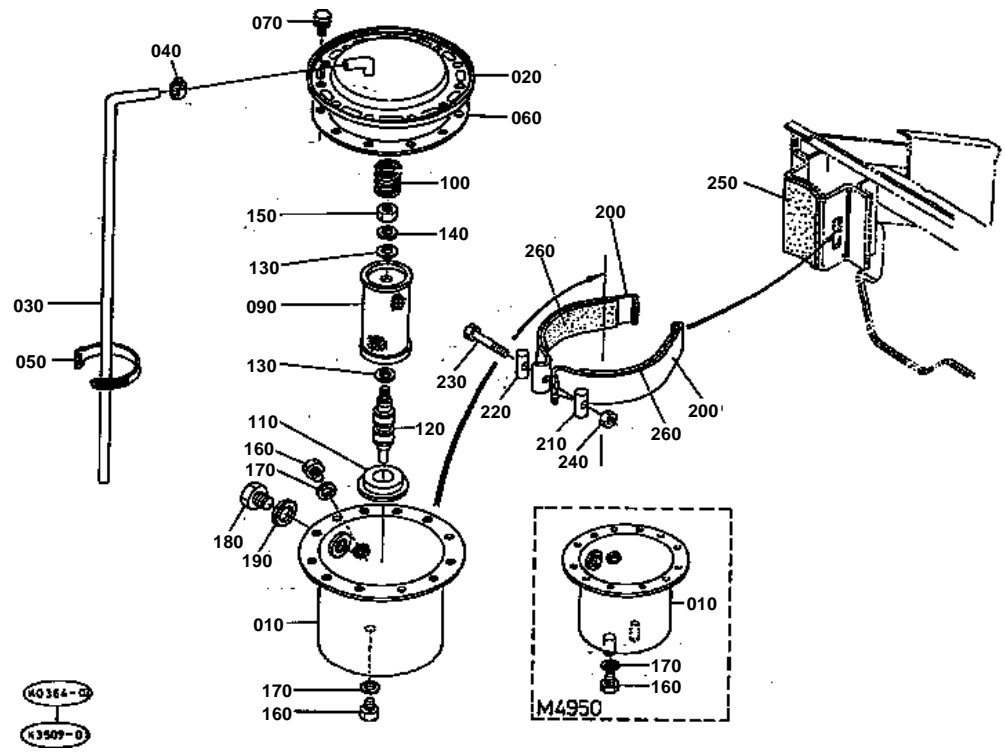


STEERING HANDLE

↔ Interchangeable; ≠ not interchangeable; ← new for old; → old for new

| REF.No | Part No. | Description | Q'ty | S.No. | I/C | REMARKS | Weight (kgf) | Weight (lb) |
|--------|-------------|-------------------|------|-------|-----|---------|--------------|-------------|
| 010 | 36330-62130 | SUPPORT STEERING | 1 | | | | 3.13 | 6.886 |
| 020 | 36330-04280 | SPACER | 4 | | | | 0.02 | 0.044 |
| 030 | 01574-51230 | STUD | 4 | | | | 0.037 | 0.0814 |
| 040 | 04512-50120 | WASHER SPRING | 4 | | | | 0 | 0 |
| 050 | 02174-50120 | NUT | 4 | | | | 0.01 | 0.022 |
| 060 | 36330-62110 | JOINT STEERING | 1 | | | | 0.72 | 1.584 |
| 070 | 08141-06003 | BEARING BALL | 1 | | | | 0.037 | 0.0814 |
| 080 | 36330-62220 | CIR-CLIP | 1 | | | | 0.004 | 0.0088 |
| 090 | 04612-00170 | CIR-CLIP EXTERNAL | 1 | | | | 0.001 | 0.0022 |
| 100 | 09230-17355 | SEAL OIL | 1 | | | | 0.007 | 0.0154 |
| 110 | 36330-62140 | HOLDER STRG.SHAFT | 1 | | | | 4.6 | 10.12 |
| 120 | 01133-51022 | BOLT | 4 | | | | 0.025 | 0.055 |
| 130 | 36530-62150 | SHAFT STEERING | 1 | | | | 1.84 | 4.048 |
| 140 | 01123-50830 | BOLT | 1 | | | | 0.015 | 0.033 |
| 150 | 36330-62160 | PIN FULCRUM | 1 | | | | 0.12 | 0.264 |
| 160 | 01123-50816 | BOLT | 1 | | | | 0 | 0 |
| 170 | 36330-62170 | HOLDER TILT | 1 | | | | 0.37 | 0.814 |
| 180 | 01123-50816 | BOLT | 2 | | | | 0 | 0 |
| 190 | 36330-62180 | LEVER TILT | 1 | | | | 0.06 | 0.132 |
| 200 | 33251-80170 | GRIP | 1 | | | | 0.008 | 0.0176 |
| 210 | 05122-50518 | PIN JOINT | 1 | | | | 0.002 | 0.0044 |
| 220 | 04012-50050 | WASHER PLAIN | 1 | | | | 0.001 | 0.0022 |
| 230 | 05511-51210 | PIN SPLIT | 1 | | | | 0.001 | 0.0022 |
| 240 | 36330-62190 | PIN | 1 | | | | 0.03 | 0.066 |
| 250 | 36330-62210 | SPRING | 1 | | | | 0.005 | 0.011 |
| 260 | 36330-62560 | ASSY HANDLE STRG. | 1 | | | | 2 | 4.4 |
| 270 | 36330-62610 | MARK HANDLE | 1 | | | | 0.004 | 0.0088 |
| 280 | 36330-62580 | CAP HANDLE | 1 | | | | 0.04 | 0.088 |
| 290 | 36330-62620 | GASKET | 1 | | | | 0.002 | 0.0044 |
| 300 | 02174-50140 | NUT | 1 | | | | 0.014 | 0.0308 |
| 310 | 04512-50140 | WASHER SPRING | 1 | | | | 0 | 0 |

POWER STEERING OIL TANK



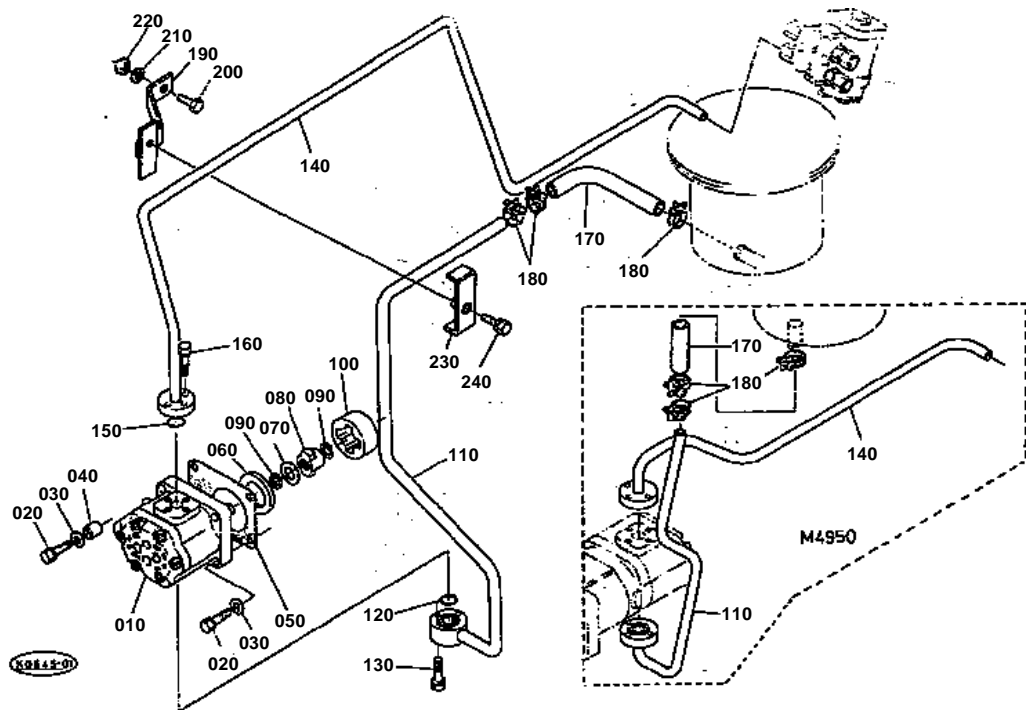


POWER STEERING OIL TANK

↔ Interchangeable; ≠ not interchangeable; ← new for old; → old for new

| REF.No | Part No. | Description | Q'ty | S.No. | I/C | REMARKS | Weight (kgf) | Weight (lb) |
|--------|-------------|--------------------|------|-------|-----|---------|--------------|-------------|
| 010 | 36230-63413 | TANK OIL | 1 | | | | 1.1 | 2.42 |
| 020 | 36330-63443 | COVER OIL TANK | 1 | | | | 0.45 | 0.99 |
| 030 | 36300-04430 | PIPE FUEL | 1 | | | | 0.1 | 0.22 |
| 040 | 14301-42750 | CLIP PIPE | 1 | | | | 0.005 | 0.011 |
| 050 | 53581-64150 | BAND CORD | 1 | | | | 0.002 | 0.0044 |
| 060 | 36330-63450 | GASKET OIL TANK | 1 | | | | 0.03 | 0.066 |
| 070 | 01023-50616 | BOLT | 12 | | | | 0.005 | 0.011 |
| 080 | 99999-99999 | BLANK | 0 | | | | 0 | 0 |
| 090 | 36330-63460 | FILTER OIL | 1 | | | | 0.22 | 0.484 |
| 100 | 36330-63480 | SPRING | 1 | | | | 0.04 | 0.088 |
| 110 | 36330-63500 | GASKET FILTER | 1 | | | | 0.01 | 0.022 |
| 120 | 36330-63490 | MAGNET | 1 | | | | 0.09 | 0.198 |
| 130 | 04013-50060 | WASHER PLAIN | 2 | | | | 0 | 0 |
| 140 | 04512-50060 | WASHER SPRING | 1 | | | | 0 | 0 |
| 150 | 02014-50060 | NUT | 1 | | | | 0.002 | 0.0044 |
| 160 | 06331-35010 | PLUG | 2 | | | | 0.012 | 0.0264 |
| 170 | 04717-01000 | WASHER WITH RUBBER | 2 | | | | 0.001 | 0.0022 |
| 180 | 06331-35020 | PLUG | 1 | | | | 0.068 | 0.1496 |
| 190 | 04717-02000 | WASHER WITH RUBBER | 1 | | | | 0.004 | 0.0088 |
| 200 | 36330-63610 | BAND | 2 | | | | 0.2 | 0.44 |
| 210 | 33400-63440 | CLAMP BAND | 1 | | | | 0.015 | 0.033 |
| 220 | 33400-63450 | CLAMP BAND | 1 | | | | 0.015 | 0.033 |
| 230 | 01053-50645 | BOLT | 1 | | | | 0.012 | 0.0264 |
| 240 | 02014-50060 | NUT | 1 | | | | 0.002 | 0.0044 |
| 250 | 36330-63630 | CUSHION | 1 | | | | 0.03 | 0.066 |
| 260 | 36330-63640 | CUSHION | 2 | | | | 0.04 | 0.088 |

POWER STEERING OIL PUMP



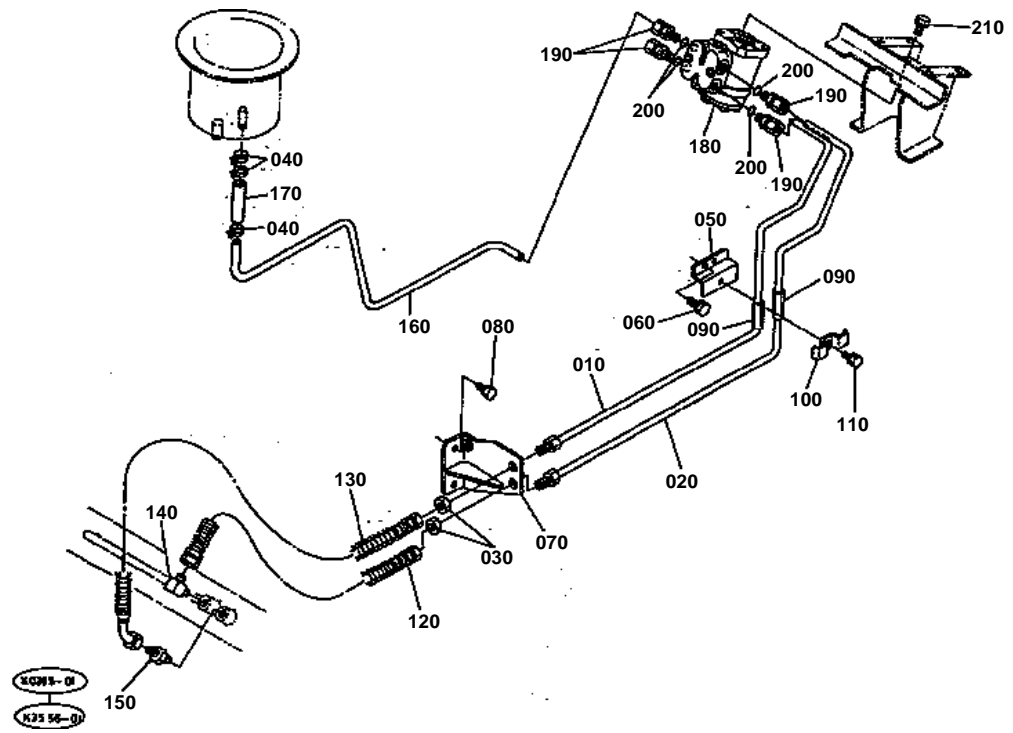


POWER STEERING OIL PUMP

↔ Interchangeable; ≠ not interchangeable; ← new for old; → old for new

| REF.No | Part No. | Description | Q'ty | S.No. | I/C | REMARKS | Weight (kgf) | Weight (lb) |
|--------|-------------|---------------|------|-------|-----|---------|--------------|-------------|
| 110 | 36230-63234 | PIPE SUCTION | 1 | | | | 0.375 | 0.825 |
| 120 | 35880-63650 | O RING | 1 | | | | 0.001 | 0.0022 |
| 130 | 01023-50625 | BOLT | 3 | | | | 0.007 | 0.0154 |
| 140 | 36230-63672 | JOINT RUBBER | 1 | | | | 0.075 | 0.165 |
| 160 | 36230-63244 | PIPE DELIVERY | 1 | | | | 0 | 0 |
| 170 | 35880-63650 | O RING | 1 | | | | 0.001 | 0.0022 |
| 180 | 01023-50625 | BOLT | 3 | | | | 0.007 | 0.0154 |

POWER STEERING OIL PIPE



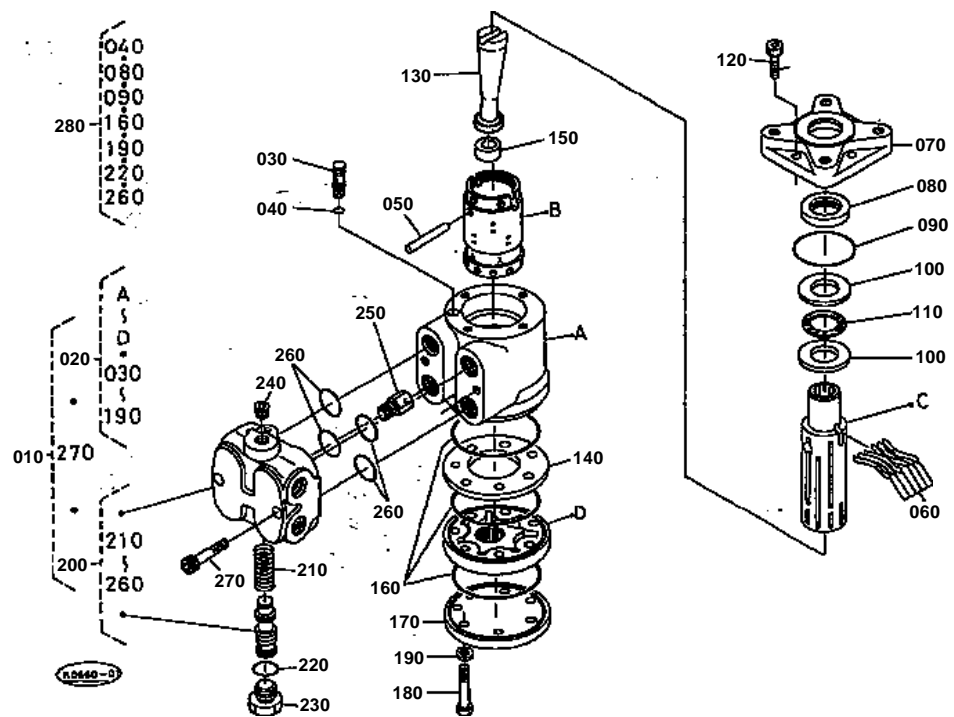


POWER STEERING OIL PIPE

↔ Interchangeable; ≠ not interchangeable; ← new for old; → old for new

| REF.No | Part No. | Description | Q'ty | S.No. | I/C | REMARKS | Weight (kgf) | Weight (lb) |
|--------|-------------|---------------------|------|-------|-----|---------|--------------|-------------|
| 010 | 36780-63270 | PIPE DELIVERY | 1 | | | | 0.51 | 1.122 |
| 020 | 36780-63280 | PIPE DELIVERY | 1 | | | | 0.5 | 1.1 |
| 030 | 36830-63290 | NUT | 2 | | | | 0.01 | 0.022 |
| 040 | 19269-16160 | BAND | 3 | | | | 0.01 | 0.022 |
| 050 | 36230-63310 | STAY PIPE | 1 | | | | 0.125 | 0.275 |
| 060 | 01133-51020 | BOLT | 2 | | | | 0.02 | 0.044 |
| 070 | 36230-63322 | STAY PIPE | 1 | | | | 0.5 | 1.1 |
| 080 | 01133-51020 | BOLT | 2 | | | | 0.02 | 0.044 |
| 090 | 36330-63330 | RUBBER PROTECTOR | 2 | | | | 0.01 | 0.022 |
| 100 | 36330-63340 | CLAMP PIPE | 1 | | | | 0.055 | 0.121 |
| 110 | 01123-50816 | BOLT | 1 | | | | 0 | 0 |
| 120 | 36760-63350 | HOSE DELIVERY | 1 | | | | 0.3 | 0.66 |
| 130 | 36760-63360 | HOSE DELIVERY | 1 | | | | 0.3 | 0.66 |
| 140 | 35533-63380 | ELBOW | 1 | | | | 0 | 0 |
| 150 | 68221-68770 | ADAPTER | 1 | | | | 0 | 0 |
| 160 | 36230-63370 | PIPE RETURN | 1 | | | | 0.32 | 0.704 |
| 170 | 36330-63663 | JOINT RUBBER | 1 | | | | 0.03 | 0.066 |
| 180 | 35870-63070 | CONTROLLER STEERING | 1 | | | | 6.4 | 14.08 |
| 190 | 36330-63080 | NIPPLE | 4 | | | | 0.07 | 0.154 |
| 200 | 04811-00140 | O RING | 4 | | | | 0 | 0 |
| 210 | 01133-51020 | BOLT | 4 | | | | 0.02 | 0.044 |

STEERING CONTROLLER [COMPONENT PARTS]



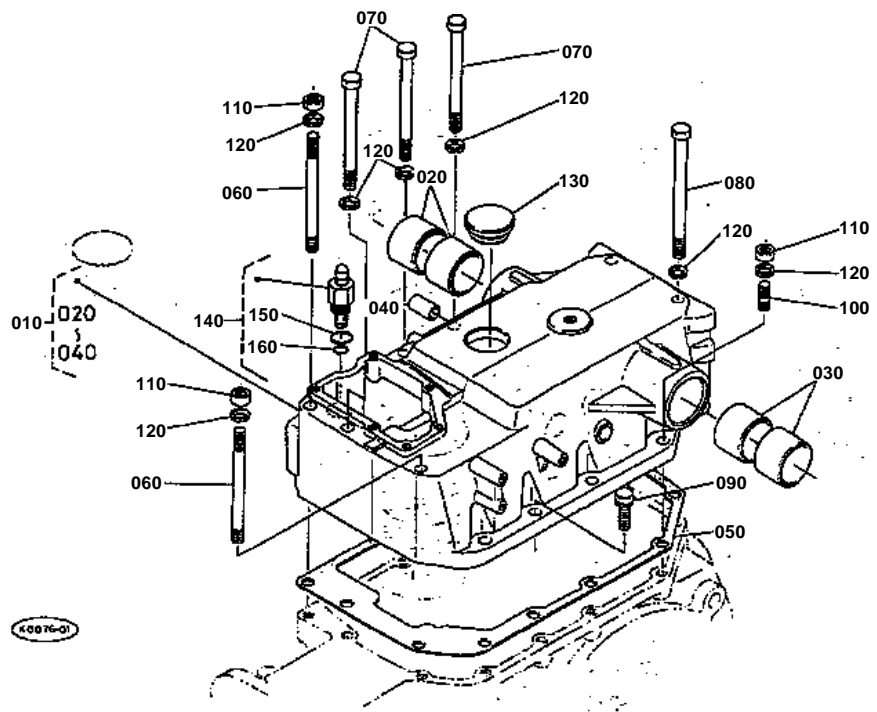


STEERING CONTROLLER [COMPONENT PARTS]

↔ Interchangeable; ≠ not interchangeable; ← new for old; → old for new

| REF.No | Part No. | Description | Q'ty | S.No. | I/C | REMARKS | Weight (kgf) | Weight (lb) |
|--------|-------------|---------------------|------|-------|-----|---------|--------------|-------------|
| 010 | 35870-63070 | CONTROLLER STEERING | 1 | | | | 6.4 | 14.08 |
| 020 | 35860-64620 | BODY STEERING | 1 | | | | 4.72 | 10.384 |
| 030 | 36780-64460 | ASSY VALVE CHECK | 1 | | | | 0.014 | 0.0308 |
| 040 | 36840-64550 | O RING | 1 | | | | 0.001 | 0.0022 |
| 050 | 68811-94730 | PIN STRAIGHT | 1 | | | | 0.01 | 0.022 |
| 060 | 68811-94720 | SPRING | 6 | | | | 0.005 | 0.011 |
| 070 | 68811-94680 | PLATE | 1 | | | | 0.52 | 1.144 |
| 080 | 68811-94670 | Y-GASKET | 1 | | | | 0.01 | 0.022 |
| 090 | 68811-94660 | O RING | 1 | | | | 0 | 0 |
| 100 | 68811-94650 | LACE SIDE | 2 | | | | 0.02 | 0.044 |
| 110 | 68811-94640 | BEARING NEEDLE | 1 | | | | 0.01 | 0.022 |
| 120 | 36710-64630 | BOLT SOCKET | 4 | | | | 0.015 | 0.033 |
| 130 | 36780-64612 | SHAFT DRIVE | 1 | | | | 0.1 | 0.22 |
| 140 | 36780-64362 | PLATE | 1 | | | | 0.2 | 0.44 |
| 150 | 36710-64370 | SPACER | 1 | | | | 0.015 | 0.033 |
| 160 | 68811-94590 | O RING | 3 | | | | 0.005 | 0.011 |
| 170 | 36780-64390 | COVER END | 1 | | | | 0.4 | 0.88 |
| 180 | 36710-64410 | BOLT | 7 | | | | 0.02 | 0.044 |
| 190 | 36780-64420 | WASHER | 7 | | | | 0.002 | 0.0044 |
| 200 | 35870-64300 | ASSY VALVE RELIEF | 1 | | | | 1.31 | 2.882 |
| 210 | 68811-94550 | SPRING | 1 | | | | 0.005 | 0.011 |
| 220 | 68811-94540 | O RING | 1 | | | | 0 | 0 |
| 230 | 36830-64400 | PLUG | 1 | | | | 0.054 | 0.1188 |
| 240 | 68811-94530 | PLUG TAPER | 1 | | | | 0.005 | 0.011 |
| 250 | 36830-64460 | ASSY VALVE CHECK | 1 | | | | 0.02 | 0.044 |
| 260 | 68811-94510 | O RING | 4 | | | | 0 | 0 |
| 270 | 68811-94520 | BOLT SOCKET | 2 | | | | 0.035 | 0.077 |
| 280 | 36780-64500 | KIT REPAIR | 1 | | | | 0.035 | 0.077 |

HYD.CYLINDER BODY



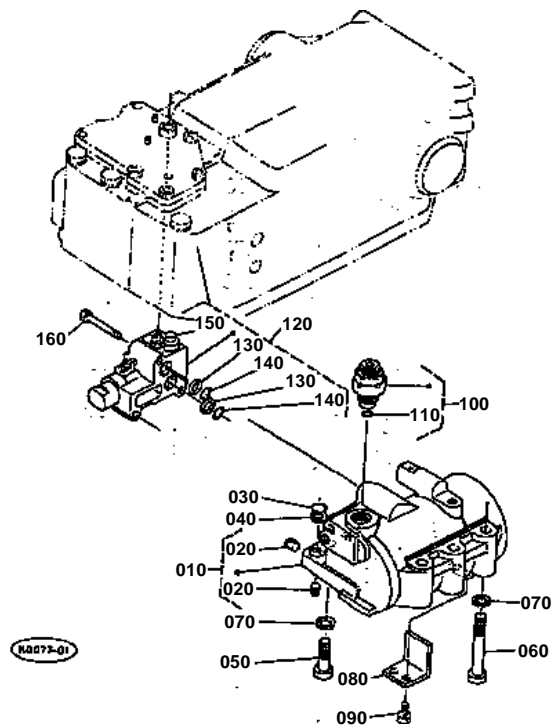


HYD.CYLINDER BODY

↔ Interchangeable; ≠ not interchangeable; ← new for old; → old for new

| REF.No | Part No. | Description | Q'ty | S.No. | I/C | REMARKS | Weight (kgf) | Weight (lb) |
|--------|-------------|--------------------|------|-------|-----|---------|--------------|-------------|
| 010 | 36330-82103 | ASSY BODY HYD.CYL. | 1 | | | | 0 | 0 |
| 020 | 36200-82130 | BUSH | 2 | | | | 0 | 0 |
| 030 | 33251-82060 | BUSH | 2 | | | | 0 | 0 |
| 040 | 36200-81330 | BUSH | 1 | | | | 0.04 | 0.088 |
| 050 | 33740-82140 | GASKET | 1 | | | | 0 | 0 |
| 060 | 36330-82150 | STUD | 2 | | | | 0.14 | 0.308 |
| 070 | 36330-82160 | BOLT | 3 | | | | 0.15 | 0.33 |
| 080 | 36330-82170 | BOLT | 2 | | | | 0.17 | 0.374 |
| 090 | 01133-51245 | BOLT | 3 | | | | 0.055 | 0.121 |
| 100 | 01574-51240 | STUD | 2 | | | | 0 | 0 |
| 110 | 02176-50120 | NUT | 4 | | | | 0.01 | 0.022 |
| 120 | 04512-50120 | WASHER SPRING | 9 | | | | 0 | 0 |
| 130 | 36200-81672 | PLUG | 1 | | | | 0.03 | 0.066 |
| 140 | 36330-82360 | ASSY VALVE RELIEF | 1 | | | | 0.25 | 0.55 |
| 150 | 04810-00220 | O RING | 1 | | | | 0 | 0 |
| 160 | 04811-05150 | O RING | 1 | | | | 0 | 0 |

HYD.CYLINDER LINER



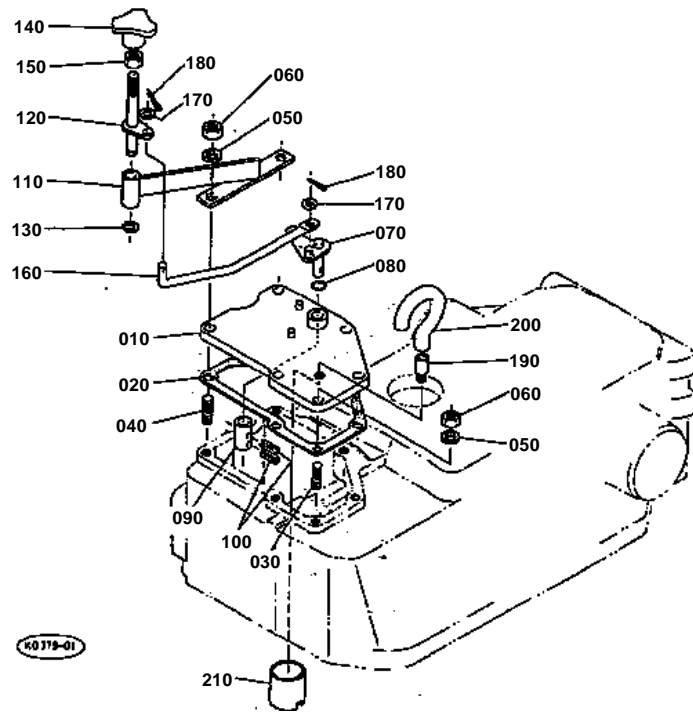


HYD.CYLINDER LINER

↔ Interchangeable; ≠ not interchangeable; ← new for old; → old for new

| REF.No | Part No. | Description | Q'ty | S.No. | I/C | REMARKS | Weight (kgf) | Weight (lb) |
|--------|-------------|---------------------|------|-------|-----|---------|--------------|-------------|
| 010 | 36330-82503 | ASSY LINER HYD.CYL. | 1 | | | | 11.8 | 25.96 |
| 020 | 36741-94022 | PLUG TAPER | 5 | | | | 0.01 | 0.022 |
| 030 | 04811-00140 | O RING | 1 | | | | 0 | 0 |
| 040 | 36200-82330 | RING BACK UP | 1 | | | | 0.001 | 0.0022 |
| 050 | 36330-82290 | BOLT | 3 | | | | 0.06 | 0.132 |
| 060 | 36330-82340 | BOLT | 3 | | | | 0 | 0 |
| 070 | 04512-50140 | WASHER SPRING | 6 | | | | 0 | 0 |
| 080 | 36330-82530 | SUPPORT ROD | 1 | | | | 0.1 | 0.22 |
| 090 | 01123-50816 | BOLT | 2 | | | | 0 | 0 |
| 100 | 36330-82402 | ASSY VALVE SAFETY | 1 | | | | 0.25 | 0.55 |
| 110 | 04810-00110 | O RING | 1 | | | | 0 | 0 |
| 120 | 35861-82300 | ASSY VALVE CONTROL | 1 | | | | 2.1 | 4.62 |
| 130 | 36200-82330 | RING BACK UP | 2 | | | | 0.001 | 0.0022 |
| 140 | 04810-00140 | O RING | 2 | | | | 0 | 0 |
| 150 | 35861-82310 | ASSY VALVE CHECK | 1 | | | | 0.08 | 0.176 |
| 160 | 01123-50855 | BOLT | 3 | | | | 0.02 | 0.044 |

DOWN SPEED ADJUSTING ROD



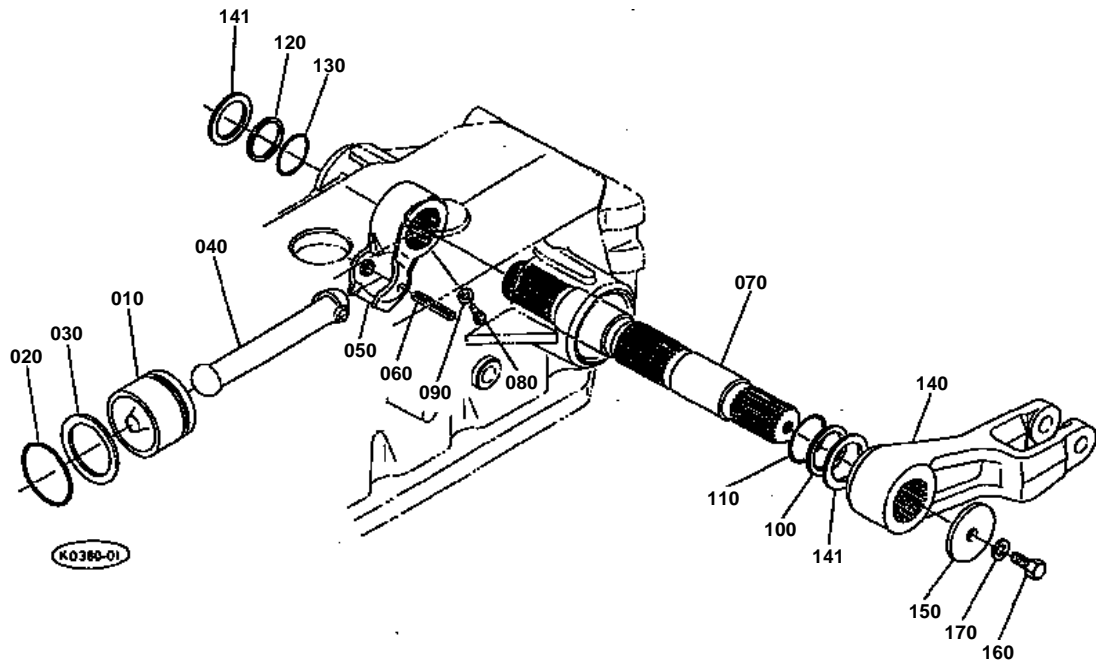


DOWN SPEED ADJUSTING ROD

↔ Interchangeable; ≠ not interchangeable; ← new for old; → old for new

| REF.No | Part No. | Description | Q'ty | S.No. | I/C | REMARKS | Weight (kgf) | Weight (lb) |
|--------|-------------|---------------------|------|-------|-----|---------|--------------|-------------|
| 010 | 36330-81613 | COVER ADJUSTING | 1 | | | | 1.12 | 2.464 |
| 020 | 36330-81620 | GASKET | 1 | | | | 0 | 0 |
| 030 | 01513-50822 | STUD | 4 | | | | 0.01 | 0.022 |
| 040 | 01513-50828 | STUD | 2 | | | | 0.013 | 0.0286 |
| 050 | 04512-50080 | WASHER SPRING | 6 | | | | 0 | 0 |
| 060 | 02114-50080 | NUT | 6 | | | | 0.005 | 0.011 |
| 070 | 36330-81650 | SHAFT LEVER | 1 | | | | 0.06 | 0.132 |
| 080 | 04811-00070 | O RING | 1 | | | | 0 | 0 |
| 090 | 36330-81643 | JOINT | 1 | | | | 0.03 | 0.066 |
| 100 | 05411-00318 | PIN SPRING | 2 | | | | 0.001 | 0.0022 |
| 110 | 36330-81020 | HOLDER ADJUST.LEVER | 1 | | | | 0.185 | 0.407 |
| 120 | 36330-81042 | LEVER ADJUST | 1 | | | | 0.06 | 0.132 |
| 130 | 04612-00100 | CIR-CLIP EXTERNAL | 1 | | | | 0.001 | 0.0022 |
| 140 | 02820-00100 | NUT KNOB | 1 | | | | 0.029 | 0.0638 |
| 150 | 02112-50100 | NUT | 1 | | | | 0.004 | 0.0088 |
| 160 | 36330-81050 | ROD ADJUST.LEVER | 1 | | | | 0.048 | 0.1056 |
| 170 | 04012-50060 | WASHER PLAIN | 4 | | | | 0.001 | 0.0022 |
| 180 | 05511-51612 | PIN SPLIT | 2 | | | | 0.001 | 0.0022 |
| 190 | 36200-21610 | BREATHER | 1 | | | | 0.008 | 0.0176 |
| 200 | 35820-21620 | BREATHER | 1 | | | | 0.007 | 0.0154 |
| 210 | 36330-21632 | PIPE RUBBER | 1 | | | | 0.02 | 0.044 |

LIFT LEVER



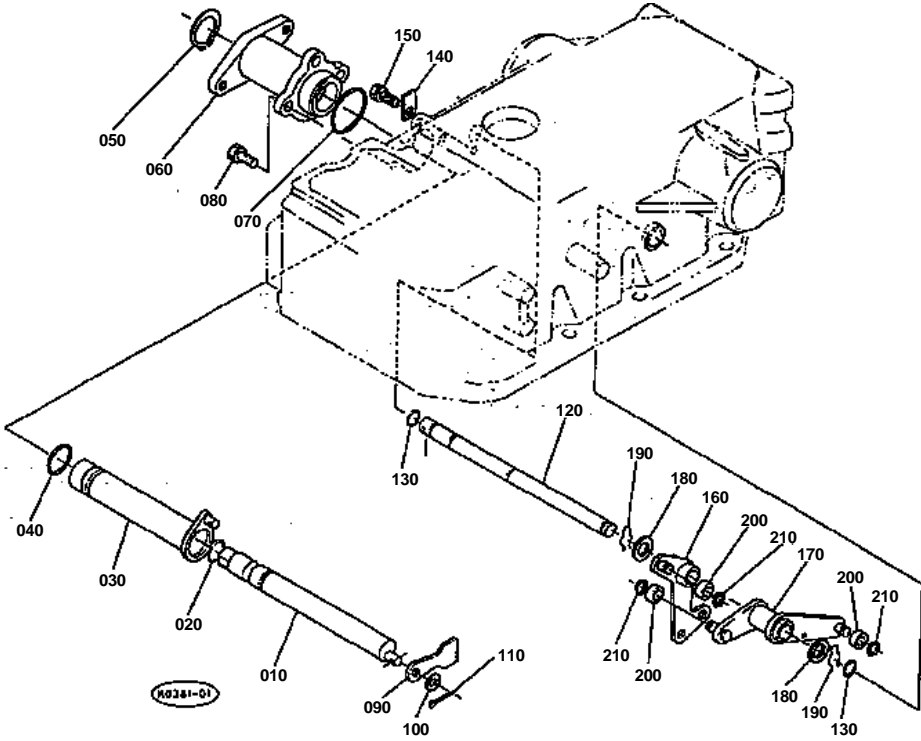


LIFT LEVER

↔ Interchangeable; ≠ not interchangeable; ← new for old; → old for new

| REF.No | Part No. | Description | Q'ty | S.No. | I/C | REMARKS | Weight (kgf) | Weight (lb) |
|--------|-------------|--------------------|------|-------|-----|---------|--------------|-------------|
| 010 | 36330-82570 | PISTON HYD. | 1 | | | | 2.23 | 4.906 |
| 020 | 04811-40430 | O RING | 1 | | | | 0.007 | 0.0154 |
| 030 | 36330-82550 | RING BACK UP | 1 | | | | 0.009 | 0.0198 |
| 040 | 36330-82860 | ROD HYD.PISTON | 1 | | | | 1.53 | 3.366 |
| 050 | 36330-82844 | ARM HYDRAULIC | 1 | | | | 2 | 4.4 |
| 060 | 05411-00870 | PIN SPRING | 1 | | | | 0.015 | 0.033 |
| 070 | 36330-82830 | SHAFT HYD.ARM | 1 | | | | 0 | 0 |
| 080 | 33251-82850 | BOLT STOPPER | 1 | | | | 0.015 | 0.033 |
| 090 | 04512-50100 | WASHER SPRING | 1 | | | | 0 | 0 |
| 100 | 36200-82890 | COLLAR DISTANCE LH | 1 | | | | 0.019 | 0.0418 |
| 110 | 04811-40310 | O RING | 1 | | | | 0.005 | 0.011 |
| 120 | 33251-82880 | COLLAR DISTANCE RH | 1 | | | | 0.03 | 0.066 |
| 130 | 04811-40320 | O RING | 1 | | | | 0.005 | 0.011 |
| 140 | 36330-82910 | LEVER LIFT | 2 | | | | 5.8 | 12.76 |
| 141 | 36830-82900 | COLLAR THRUST | 2 | | | | 0.012 | 0.0264 |
| 150 | 36330-82920 | RETAINER LEVER | 2 | | | | 0.22 | 0.484 |
| 160 | 01173-51435 | BOLT | 2 | | | | 0.056 | 0.1232 |
| 170 | 04512-50140 | WASHER SPRING | 2 | | | | 0 | 0 |

HYDRAULIC SYSTEM 1



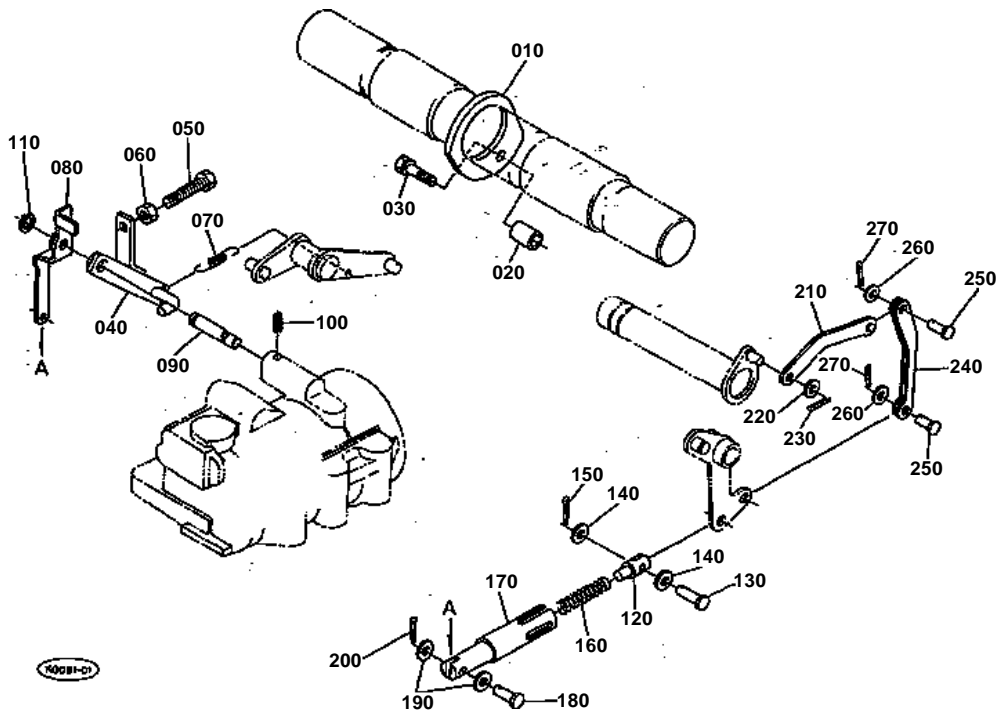


HYDRAULIC SYSTEM 1

↔ Interchangeable; ≠ not interchangeable; ← new for old; → old for new

| REF.No | Part No. | Description | Q'ty | S.No. | I/C | REMARKS | Weight (kgf) | Weight (lb) |
|--------|-------------|---------------------|------|-------|-----|---------|--------------|-------------|
| 010 | 36330-81110 | SHAFT POSITION CON. | 1 | | | | 0 | 0 |
| 020 | 04811-00180 | O RING | 1 | | | | 0 | 0 |
| 030 | 36330-81124 | SHAFT DRAFT CONTROL | 1 | | | | 0.46 | 1.012 |
| 040 | 04811-06260 | O RING | 1 | | | | 0 | 0 |
| 050 | 04612-00300 | CIR-CLIP EXTERNAL | 1 | | | | 0.003 | 0.0066 |
| 060 | 35861-81130 | BRACKET GUIDE | 1 | | | | 0.94 | 2.068 |
| 070 | 04811-50450 | O RING | 1 | | | | 0 | 0 |
| 080 | 01123-50820 | BOLT | 3 | | | | 0.011 | 0.0242 |
| 090 | 36200-81155 | CONNECTOR POSITION | 1 | | | | 0.03 | 0.066 |
| 100 | 04012-50080 | WASHER PLAIN | 1 | | | | 0.001 | 0.0022 |
| 110 | 05511-51612 | PIN SPLIT | 1 | | | | 0.001 | 0.0022 |
| 120 | 36330-81180 | BAR CONNECTOR | 1 | | | | 0.32 | 0.704 |
| 130 | 04811-10120 | O RING | 2 | | | | 0.001 | 0.0022 |
| 140 | 36200-81190 | STOPPER | 1 | | | | 0.008 | 0.0176 |
| 150 | 01123-50816 | BOLT | 1 | | | | 0 | 0 |
| 160 | 36200-81230 | CONNECTOR | 1 | | | | 0.166 | 0.3652 |
| 170 | 36330-81240 | BALANCER POSITION | 1 | | | | 0.232 | 0.5104 |
| 180 | 04011-50140 | WASHER PLAIN | 2 | | | | 0.007 | 0.0154 |
| 190 | 36200-81210 | CIR-CLIP | 2 | | | | 0.001 | 0.0022 |
| 200 | 36200-81220 | ROLLER | 3 | | | | 0.008 | 0.0176 |
| 210 | 04612-00100 | CIR-CLIP EXTERNAL | 3 | | | | 0.001 | 0.0022 |

HYDRAULIC SYSTEM 2



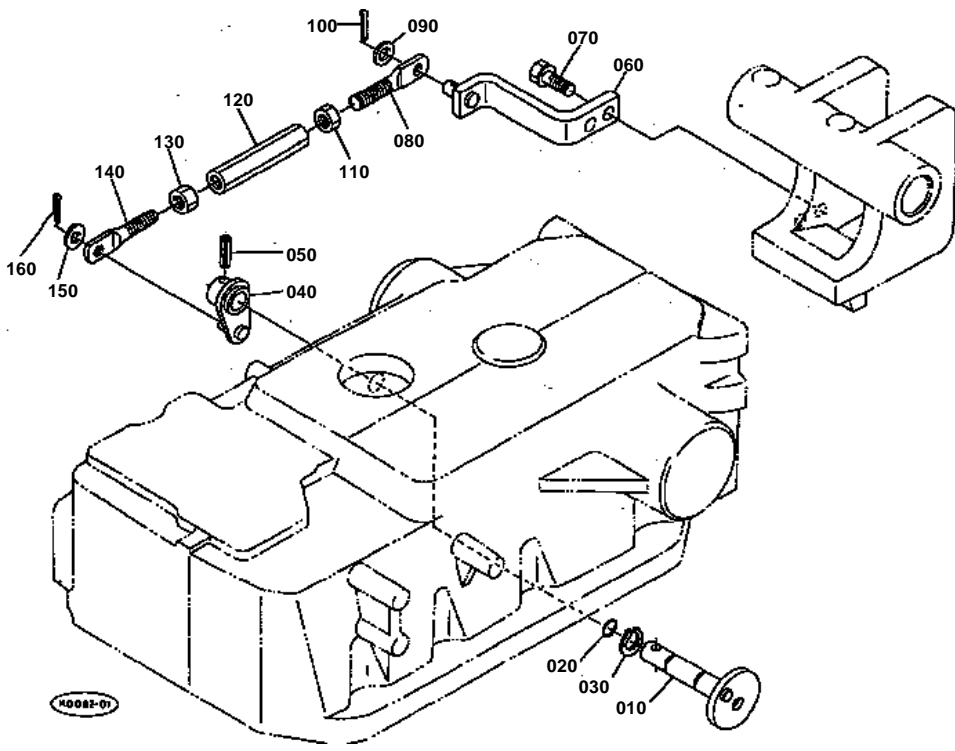


HYDRAULIC SYSTEM 2

↔ Interchangeable; ≠ not interchangeable; ← new for old; → old for new

| REF.No | Part No. | Description | Q'ty | S.No. | I/C | REMARKS | Weight (kgf) | Weight (lb) |
|--------|-------------|-------------------|------|-------|-----|---------|--------------|-------------|
| 010 | 36330-81250 | CAM POSITION | 1 | | | | 0.165 | 0.363 |
| 020 | 36330-81290 | SPACER | 1 | | | | 0.02 | 0.044 |
| 030 | 01123-50835 | BOLT | 1 | | | | 0.02 | 0.044 |
| 040 | 36330-81680 | HOLDER FEED BACK | 1 | | | | 0 | 0 |
| 050 | 01172-51045 | BOLT | 1 | | | | 0 | 0 |
| 060 | 02118-50100 | NUT | 1 | | | | 0.005 | 0.011 |
| 070 | 36330-81670 | SPRING | 1 | | | | 0.002 | 0.0044 |
| 080 | 36330-81160 | RETAINER SPOOL | 1 | | | | 0.12 | 0.264 |
| 090 | 36330-81170 | PIN | 1 | | | | 0.03 | 0.066 |
| 100 | 05411-00416 | PIN SPRING | 1 | | | | 0.001 | 0.0022 |
| 110 | 04612-00100 | CIR-CLIP EXTERNAL | 1 | | | | 0.001 | 0.0022 |
| 120 | 36200-81270 | HOLDER PUSH | 1 | | | | 0.026 | 0.0572 |
| 130 | 05122-50628 | PIN JOINT | 1 | | | | 0.006 | 0.0132 |
| 140 | 04012-50060 | WASHER PLAIN | 2 | | | | 0.001 | 0.0022 |
| 150 | 05511-51612 | PIN SPLIT | 1 | | | | 0.001 | 0.0022 |
| 160 | 36200-81280 | SPRING | 1 | | | | 0.019 | 0.0418 |
| 170 | 36200-81263 | HOLDER PUSH | 1 | | | | 0.19 | 0.418 |
| 180 | 05122-50628 | PIN JOINT | 1 | | | | 0.006 | 0.0132 |
| 190 | 04012-50060 | WASHER PLAIN | 2 | | | | 0.001 | 0.0022 |
| 200 | 05511-51612 | PIN SPLIT | 1 | | | | 0.001 | 0.0022 |
| 210 | 36330-81312 | LINK DRAFT | 1 | | | | 0.06 | 0.132 |
| 220 | 04012-50080 | WASHER PLAIN | 1 | | | | 0.001 | 0.0022 |
| 230 | 05511-51612 | PIN SPLIT | 1 | | | | 0.001 | 0.0022 |
| 240 | 36200-81324 | LINK DRAFT | 1 | | | | 0.08 | 0.176 |
| 250 | 05122-50818 | PIN JOINT | 2 | | | | 0.008 | 0.0176 |
| 260 | 04012-50080 | WASHER PLAIN | 2 | | | | 0.001 | 0.0022 |
| 270 | 05511-50215 | PIN SPLIT | 2 | | | | 0.001 | 0.0022 |

HYDRAULIC SYSTEM 3



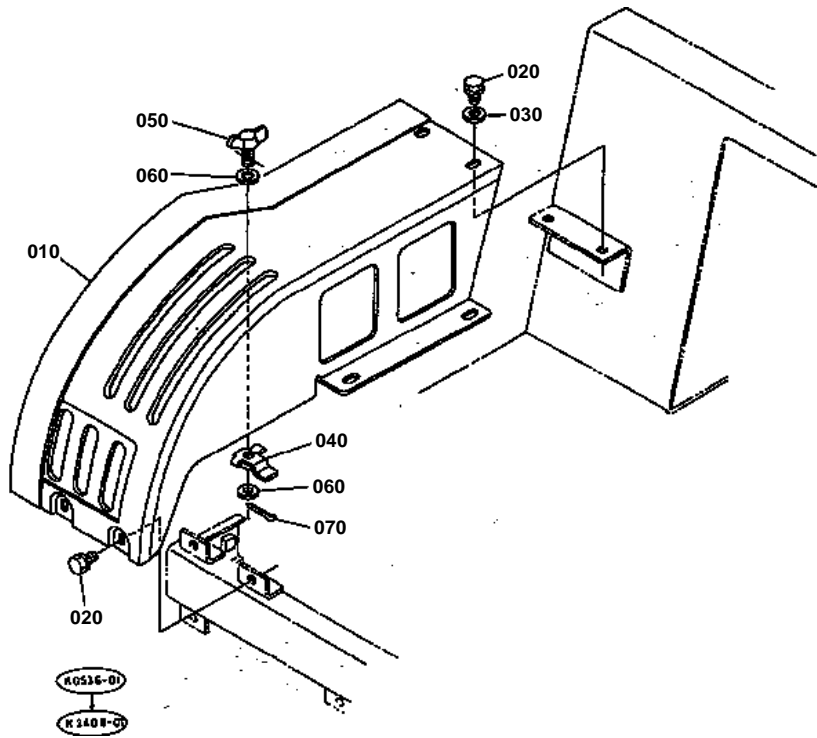


HYDRAULIC SYSTEM 3

↔ Interchangeable; ≠ not interchangeable; ← new for old; → old for new

| REF.No | Part No. | Description | Q'ty | S.No. | I/C | REMARKS | Weight (kgf) | Weight (lb) |
|--------|-------------|---------------------|------|-------|-----|---------|--------------|-------------|
| 010 | 36330-81340 | CAM DRAFT | 1 | | | | 0 | 0 |
| 020 | 04811-05120 | O RING | 1 | | | | 0 | 0 |
| 030 | 04612-00150 | CIR-CLIP EXTERNAL | 1 | | | | 0.001 | 0.0022 |
| 040 | 36330-81352 | LEVER DRAFT CONTROL | 1 | | | | 0.1 | 0.22 |
| 050 | 05411-00525 | PIN SPRING | 1 | | | | 0.002 | 0.0044 |
| 060 | 36330-81363 | PLATE DRAFT | 1 | | | | 0.25 | 0.55 |
| 070 | 01123-50825 | BOLT | 2 | | | | 0.013 | 0.0286 |
| 080 | 36330-81392 | ROD DRAFT CONTROL | 1 | | | | 0.1 | 0.22 |
| 090 | 04011-50100 | WASHER PLAIN | 1 | | | | 0.002 | 0.0044 |
| 100 | 05511-50318 | PIN SPLIT | 1 | | | | 0.001 | 0.0022 |
| 110 | 32350-28990 | NUT | 1 | | | | 0.009 | 0.0198 |
| 120 | 32350-28980 | TURNBUCKLE | 1 | | | | 0.124 | 0.2728 |
| 130 | 02116-50100 | NUT | 1 | | | | 0.004 | 0.0088 |
| 140 | 36330-81382 | ROD DRAFT CONTROL | 1 | | | | 0.033 | 0.0726 |
| 150 | 04011-50100 | WASHER PLAIN | 1 | | | | 0.002 | 0.0044 |
| 160 | 05511-50318 | PIN SPLIT | 1 | | | | 0.001 | 0.0022 |

HYD.CONTROL LEVER GUIDE



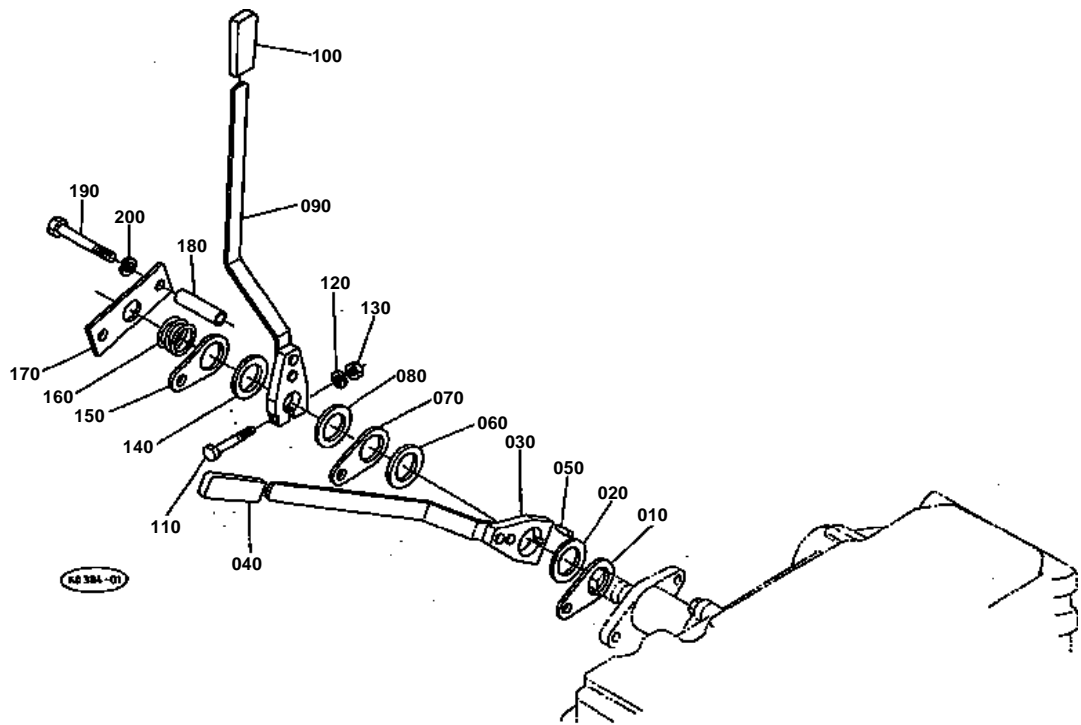


HYD.CONTROL LEVER GUIDE

↔ Interchangeable; ≠ not interchangeable; ← new for old; → old for new

| REF.No | Part No. | Description | Q'ty | S.No. | I/C | REMARKS | Weight (kgf) | Weight (lb) |
|--------|-------------|-----------------|------|-------|-----|---------|--------------|-------------|
| 010 | 35822-81412 | GUIDE HYD.LEVER | 1 | | | | 1.69 | 3.718 |
| 020 | 01123-50816 | BOLT | 6 | | | | 0 | 0 |
| 030 | 04013-50080 | WASHER PLAIN | 4 | | | | 0 | 0 |
| 040 | 36330-81520 | STOPPER LEVER | 2 | | | | 0.02 | 0.044 |
| 050 | 36330-81530 | SCREW | 2 | | | | 0.03 | 0.066 |
| 060 | 04013-50080 | WASHER PLAIN | 4 | | | | 0 | 0 |
| 070 | 05511-50215 | PIN SPLIT | 2 | | | | 0.001 | 0.0022 |

DRAFT & POSITION CONTROL LEVER



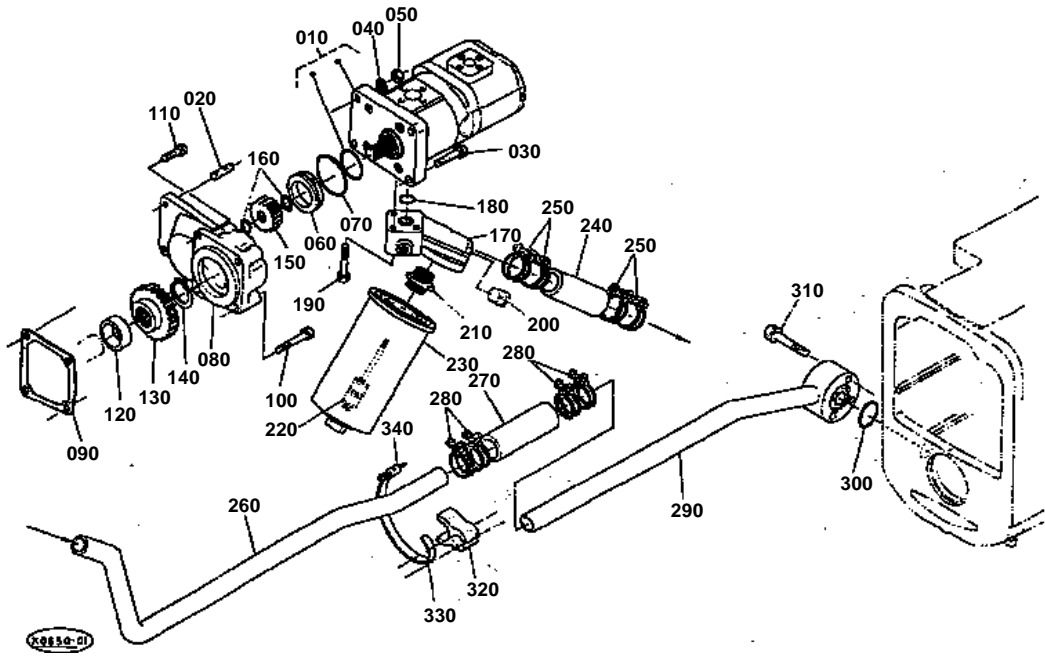


DRAFT & POSITION CONTROL LEVER

↔ Interchangeable; ≠ not interchangeable; ← new for old; → old for new

| REF.No | Part No. | Description | Q'ty | S.No. | I/C | REMARKS | Weight (kgf) | Weight (lb) |
|--------|-------------|----------------------|------|-------|-----|---------|--------------|-------------|
| 010 | 35861-81490 | PLATE | 1 | | | | 0.04 | 0.088 |
| 020 | 36200-81440 | WASHER FRICTION | 1 | | | | 0 | 0 |
| 030 | 35820-81430 | LEVER DRAFT CONTROL | 1 | | | | 0.4 | 0.88 |
| 040 | 31351-36880 | GRIP LEVER | 1 | | | | 0.04 | 0.088 |
| 050 | 05712-00510 | KEY FEATHER | 1 | | | | 0.002 | 0.0044 |
| 060 | 36200-81450 | WASHER FRICTION | 1 | | | | 0 | 0 |
| 070 | 35861-81480 | PLATE | 1 | | | | 0.04 | 0.088 |
| 080 | 36200-81450 | WASHER FRICTION | 1 | | | | 0 | 0 |
| 090 | 35820-81420 | LEVER POSITION CONT. | 1 | | | | 0.43 | 0.946 |
| 100 | 31351-36880 | GRIP LEVER | 1 | | | | 0.04 | 0.088 |
| 110 | 36200-81530 | BOLT | 1 | | | | 0.016 | 0.0352 |
| 120 | 04512-50060 | WASHER SPRING | 1 | | | | 0 | 0 |
| 130 | 02056-50060 | NUT | 1 | | | | 0.002 | 0.0044 |
| 140 | 36200-81450 | WASHER FRICTION | 1 | | | | 0 | 0 |
| 150 | 35861-81480 | PLATE | 1 | | | | 0.04 | 0.088 |
| 160 | 36200-81460 | SPRING | 1 | | | | 0.03 | 0.066 |
| 170 | 35861-81470 | STOPPER SPRING | 1 | | | | 0.11 | 0.242 |
| 180 | 36730-81500 | PIPE | 2 | | | | 0.04 | 0.088 |
| 190 | 01153-50875 | BOLT | 2 | | | | 0.028 | 0.0616 |
| 200 | 04512-50080 | WASHER SPRING | 2 | | | | 0 | 0 |

HYDRAULIC PUMP AND SUCTION PIPE



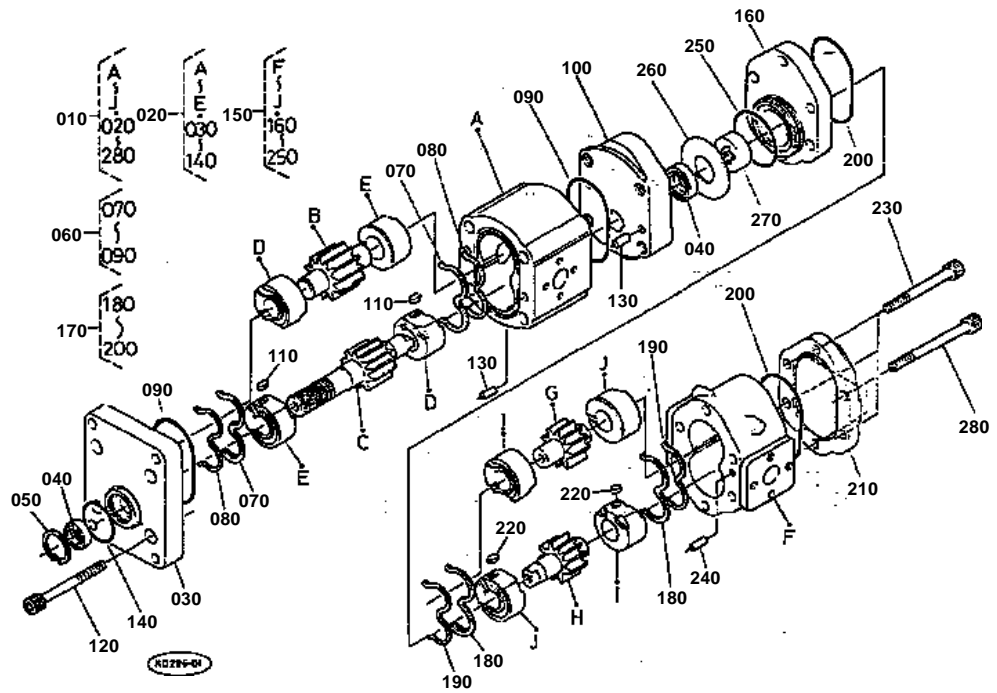


HYDRAULIC PUMP AND SUCTION PIPE

↔ Interchangeable; ≠ not interchangeable; ← new for old; → old for new

| REF.No | Part No. | Description | Q'ty | S.No. | I/C | REMARKS | Weight (kgf) | Weight (lb) |
|--------|-------------|-------------------|------|-------|-----|---------|--------------|-------------|
| 010 | 36230-82203 | PUMP HYDRAULIC | 1 | | | | 6.2 | 13.64 |
| 020 | 01513-50830 | STUD | 2 | | | | 0 | 0 |
| 030 | 01123-50835 | BOLT | 2 | | | | 0.02 | 0.044 |
| 040 | 04512-50080 | WASHER SPRING | 2 | | | | 0 | 0 |
| 050 | 02114-50080 | NUT | 2 | | | | 0.005 | 0.011 |
| 060 | 36200-82250 | RING | 1 | | | | 0.072 | 0.1584 |
| 070 | 04811-10500 | O RING | 1 | | | | 0.001 | 0.0022 |
| 080 | 36230-82240 | BASE PUMP | 1 | | | | 1.63 | 3.586 |
| 090 | 34150-37860 | GASKET | 1 | | | | 0 | 0 |
| 100 | 01123-50850 | BOLT | 2 | | | | 0.02 | 0.044 |
| 110 | 01123-50825 | BOLT | 2 | | | | 0.013 | 0.0286 |
| 120 | 36200-82260 | COLLAR | 1 | | | | 0.035 | 0.077 |
| 130 | 36230-82270 | GEAR | 1 | | | 27T | 0.42 | 0.924 |
| 140 | 04612-00250 | CIR-CLIP EXTERNAL | 1 | | | | 0.002 | 0.0044 |
| 150 | 36230-82280 | GEAR | 1 | | | 16T | 0.16 | 0.352 |
| 160 | 04612-00170 | CIR-CLIP EXTERNAL | 2 | | | | 0.001 | 0.0022 |
| 170 | 36230-82650 | BRACKET FILTER | 1 | | | | 0.48 | 1.056 |
| 180 | 35880-94870 | O RING | 1 | | | | 0.001 | 0.0022 |
| 190 | 01053-50650 | BOLT | 3 | | | | 0.011 | 0.0242 |
| 200 | 36230-82660 | PLUG | 1 | | | | 0.035 | 0.077 |
| 210 | 36330-82670 | JOINT | 1 | | | | 0.04 | 0.088 |
| 220 | 35880-82640 | FILTER MAGNET | 1 | | | | 0.11 | 0.242 |
| 230 | 36330-82630 | COMP.FILTER HYD. | 1 | | | | 0.6 | 1.32 |
| 240 | 36330-82730 | PIPE RUBBER | 1 | | | | 0.08 | 0.176 |
| 250 | 36200-82720 | CLAMP | 4 | | | | 0.025 | 0.055 |
| 260 | 36230-82680 | PIPE SUCTION | 1 | | | | 0.67 | 1.474 |
| 270 | 36330-82730 | PIPE RUBBER | 1 | | | | 0.08 | 0.176 |
| 280 | 36200-82720 | CLAMP | 4 | | | | 0.025 | 0.055 |
| 290 | 36330-82690 | PIPE SUCTION | 1 | | | | 1.2 | 2.64 |
| 300 | 04811-00280 | O RING | 1 | | | | 0 | 0 |
| 310 | 01123-50850 | BOLT | 3 | | | | 0.02 | 0.044 |
| 320 | 36330-82720 | CUSHION | 1 | | | | 0.02 | 0.044 |
| 330 | 33251-82760 | BAND PIPE | 1 | | | | 0.016 | 0.0352 |
| 340 | 33430-82760 | PIN BAND | 1 | | | | 0.004 | 0.0088 |

HYDRAULIC PUMP [COMPONENT PARTS]



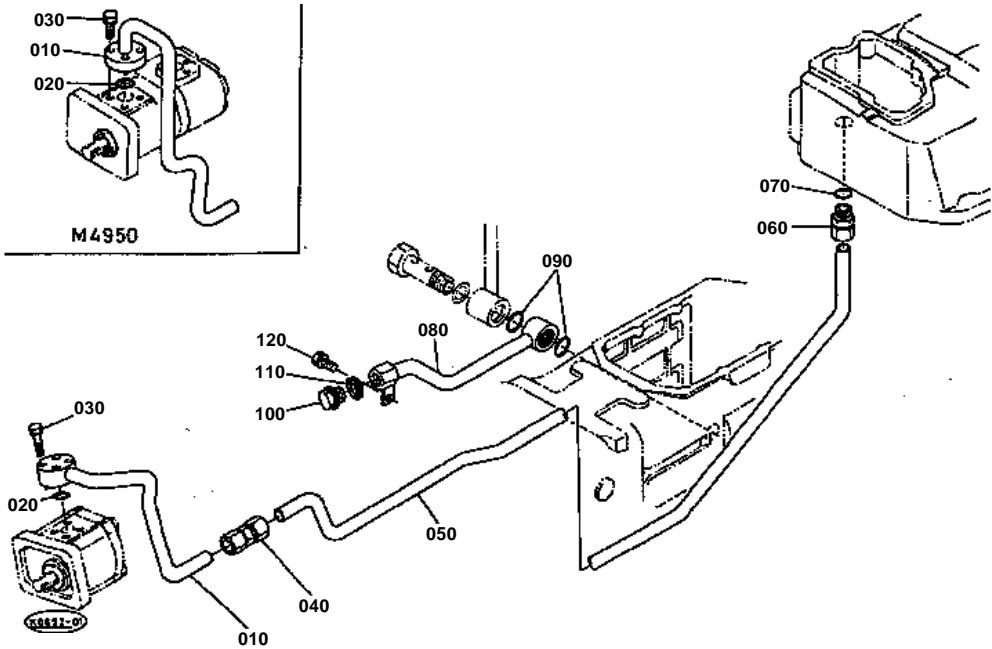


HYDRAULIC PUMP [COMPONENT PARTS]

↔ Interchangeable; ≠ not interchangeable; ← new for old; → old for new

| REF.No | Part No. | Description | Q'ty | S.No. | I/C | REMARKS | Weight (kgf) | Weight (lb) |
|--------|-------------|-----------------|------|-------|-----|---------|--------------|-------------|
| 010 | 36230-82203 | PUMP HYDRAULIC | 1 | | | | 6.2 | 13.64 |
| 020 | 36230-12950 | PUMP HYDRAULIC | 1 | | | | 2.5 | 5.5 |
| 030 | 35430-12860 | FLANGE | 1 | | | | 1.25 | 2.75 |
| 040 | 36330-82320 | SEAL OIL | 1 | | | | 0.01 | 0.022 |
| 050 | 68051-91850 | RING SNAP | 1 | | | | 0.001 | 0.0022 |
| 060 | 36330-82480 | SET SEAL | 1 | | | | 0.005 | 0.011 |
| 070 | 35430-12870 | ELEMENT SEAL | 2 | | | | 0.003 | 0.0066 |
| 080 | 68051-91880 | ELEMENT BACK UP | 2 | | | | 0.001 | 0.0022 |
| 090 | 68051-91910 | O RING | 2 | | | | 0.001 | 0.0022 |
| 100 | 35430-12880 | COVER | 1 | | | | 0.9 | 1.98 |
| 110 | 68051-91890 | KEY | 2 | | | | 0.001 | 0.0022 |
| 120 | 35430-12890 | BOLT | 4 | | | | 0.064 | 0.1408 |
| 130 | 68271-91240 | PIN | 4 | | | | 0.004 | 0.0088 |
| 140 | 35430-12910 | O RING | 1 | | | | 0.001 | 0.0022 |
| 150 | 36230-12960 | PUMP HYDRAULIC | 1 | | | | 2.1 | 4.62 |
| 160 | 35430-12920 | FLANGE | 1 | | | | 0.27 | 0.594 |
| 170 | 36200-82482 | SET SEAL | 1 | | | | 0.01 | 0.022 |
| 180 | 68051-91860 | ELEMENT SEAL | 2 | | | | 0.002 | 0.0044 |
| 190 | 68051-91880 | ELEMENT BACK UP | 2 | | | | 0.001 | 0.0022 |
| 200 | 68051-91910 | O RING | 2 | | | | 0.001 | 0.0022 |
| 210 | 69351-61170 | COVER | 1 | | | | 0.26 | 0.572 |
| 220 | 68051-91890 | KEY | 2 | | | | 0.001 | 0.0022 |
| 230 | 36330-12940 | BOLT | 3 | | | | 0.03 | 0.066 |
| 240 | 68271-91240 | PIN | 2 | | | | 0.004 | 0.0088 |
| 250 | 35410-06440 | O RING | 1 | | | | 0.001 | 0.0022 |
| 260 | 35410-06450 | PLATE | 1 | | | | 0.012 | 0.0264 |
| 270 | 68051-92130 | COUPLING | 1 | | | | 0.04 | 0.088 |
| 280 | 36230-12890 | BOLT | 3 | | | | 0.04 | 0.088 |

DELIVERY PIPE



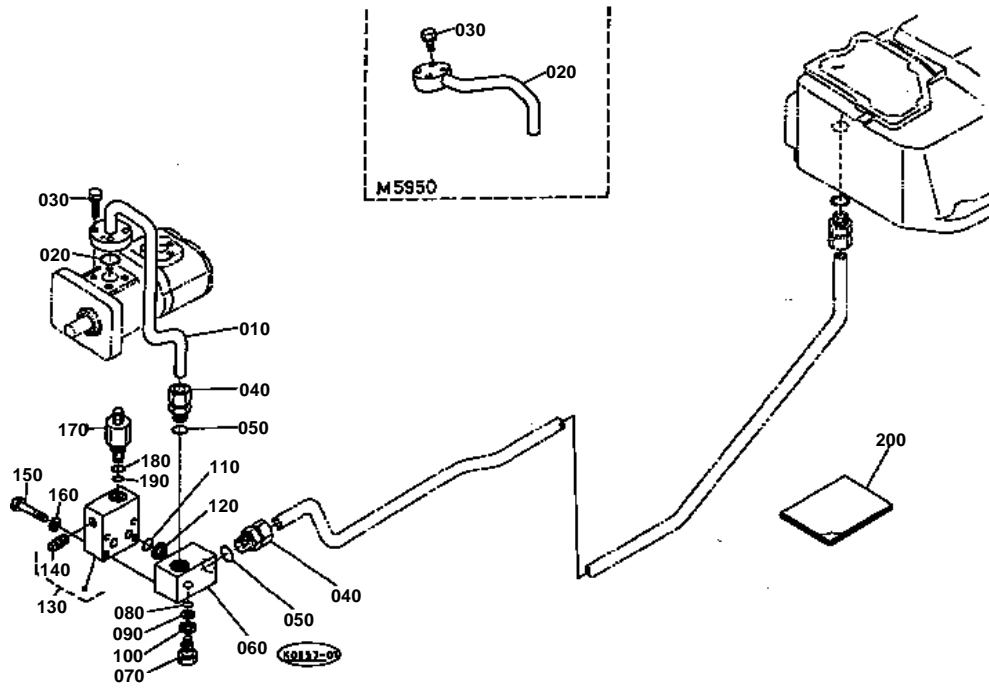


DELIVERY PIPE

↔ Interchangeable; ≠ not interchangeable; ← new for old; → old for new

| REF.No | Part No. | Description | Q'ty | S.No. | I/C | REMARKS | Weight (kgf) | Weight (lb) |
|--------|-------------|--------------------|------|-------|-----|---------|--------------|-------------|
| 010 | 35800-82740 | PIPE DELIVERY | 1 | | | | 0 | 0 |
| 020 | 35880-63650 | O RING | 1 | | | | 0.001 | 0.0022 |
| 030 | 01023-50625 | BOLT | 4 | | | | 0.007 | 0.0154 |
| 040 | 35820-82760 | UNION | 1 | | | | 0.156 | 0.3432 |
| 050 | 36230-82770 | PIPE DELIVERY | 1 | | | | 0.685 | 1.507 |
| 060 | 36330-82750 | NIPPLE | 1 | | | | 0.12 | 0.264 |
| 070 | 04811-00180 | O RING | 1 | | | | 0 | 0 |
| 080 | 36330-82790 | PIPE RETURN | 1 | | | | 0.36 | 0.792 |
| 090 | 04811-00220 | O RING | 2 | | | | 0 | 0 |
| 100 | 06311-55040 | PLUG | 1 | | | | 0.093 | 0.2046 |
| 110 | 04717-02150 | WASHER WITH RUBBER | 1 | | | | 0.004 | 0.0088 |
| 120 | 01123-50816 | BOLT | 1 | | | | 0 | 0 |

HYDRAULIC OUTLET BLOCK [OPTION]



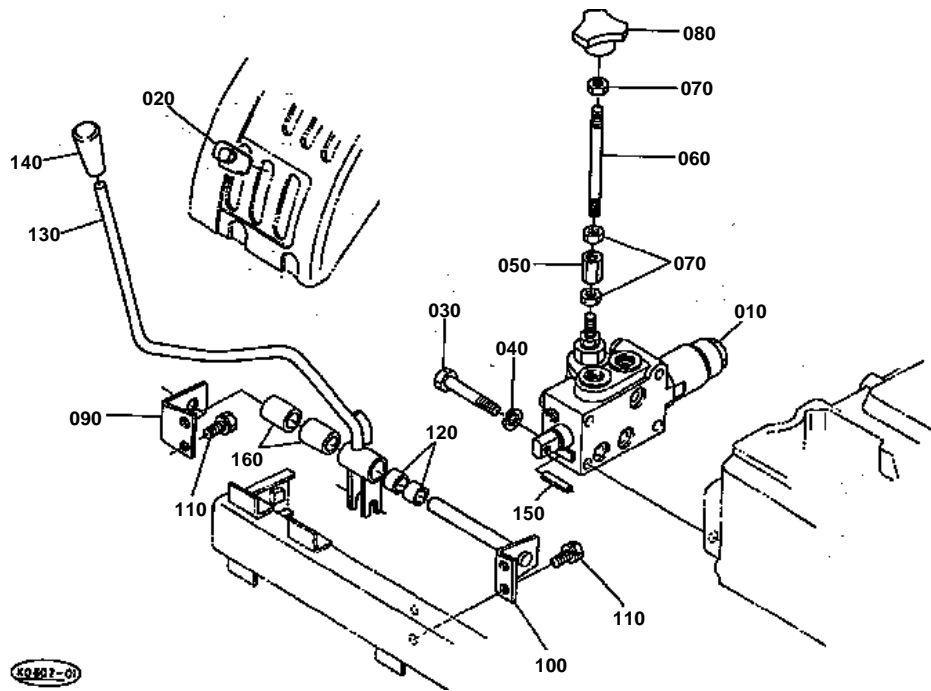


HYDRAULIC OUTLET BLOCK [OPTION]

↔ Interchangeable; ≠ not interchangeable; ← new for old; → old for new

| REF.No | Part No. | Description | Q'ty | S.No. | I/C | REMARKS | Weight (kgf) | Weight (lb) |
|--------|-------------|---------------------|------|-------|-----|---------|--------------|-------------|
| 010 | 36230-82740 | PIPE DELIVERY | 1 | | | | 0 | 0 |
| 020 | 35880-63650 | O RING | 1 | | | | 0.001 | 0.0022 |
| 030 | 01023-50625 | BOLT | 4 | | | | 0.007 | 0.0154 |
| 040 | 36330-82750 | NIPPLE | 2 | | | | 0.12 | 0.264 |
| 050 | 04811-00180 | O RING | 2 | | | | 0 | 0 |
| 060 | 36330-82930 | PORT HYD.OUTLET | 1 | | | | 0.87 | 1.914 |
| 070 | 36330-82960 | BOLT BREATHER | 1 | | | | 0.02 | 0.044 |
| 080 | 04811-00090 | O RING | 1 | | | | 0 | 0 |
| 090 | 36330-82970 | RING BACK UP | 1 | | | | 0.001 | 0.0022 |
| 100 | 04512-50120 | WASHER SPRING | 1 | | | | 0 | 0 |
| 110 | 04811-00140 | O RING | 2 | | | | 0 | 0 |
| 120 | 36200-82330 | RING BACK UP | 2 | | | | 0.001 | 0.0022 |
| 130 | 39713-81701 | ASSY BLOCK HYD. | 1 | | | | 1.39 | 3.058 |
| 140 | 06312-10030 | PLUG | 1 | | | | 0.029 | 0.0638 |
| 150 | 01153-50850 | BOLT | 4 | | | | 0.02 | 0.044 |
| 160 | 04512-50080 | WASHER SPRING | 4 | | | | 0 | 0 |
| 170 | 36330-82360 | ASSY VALVE RELIEF | 1 | | | | 0.25 | 0.55 |
| 180 | 04810-00220 | O RING | 1 | | | | 0 | 0 |
| 190 | 04811-05150 | O RING | 1 | | | | 0 | 0 |
| 200 | 35820-97830 | MANUAL CONSTRUCTION | 1 | | | | 0.01 | 0.022 |

AUX.CONTROL VALVE



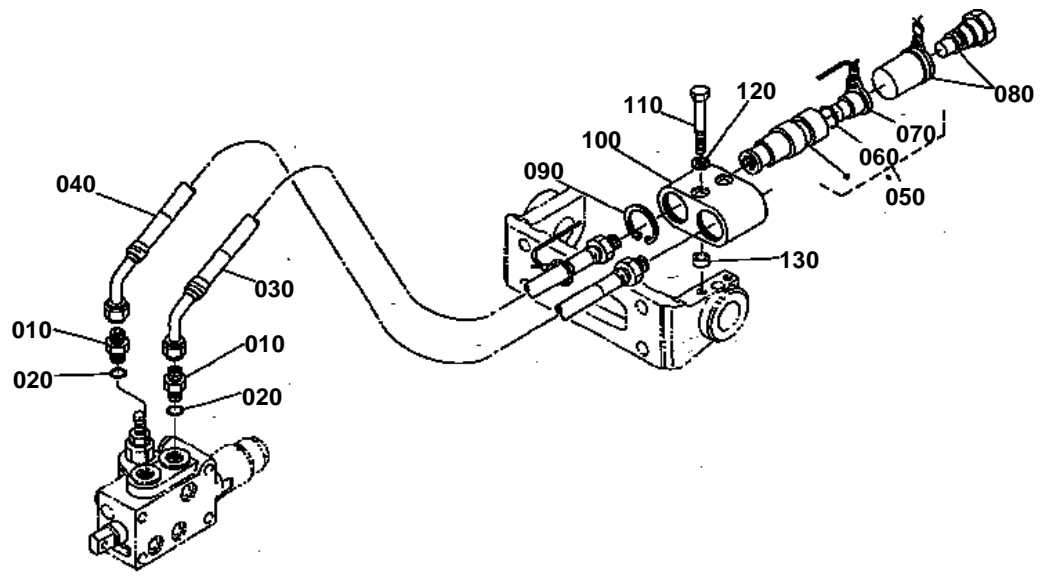


AUX.CONTROL VALVE
SELF-CANCELLING WITH DETENTS (SINGLE/DOUBLE ACTING TYPE)

↔ Interchangeable; ≠ not interchangeable; ← new for old; → old for new

| REF.No | Part No. | Description | Q'ty | S.No. | I/C | REMARKS | Weight (kgf) | Weight (lb) |
|--------|-------------|---------------------|------|-------|-----|---------|--------------|-------------|
| 010 | 35820-82350 | ASSY VALVE AUX.CON. | 1 | | | | 0 | 0 |
| 020 | 35820-82980 | STOPPER | 2 | | | | 0.04 | 0.088 |
| 030 | 01153-50865 | BOLT | 4 | | | | 0.025 | 0.055 |
| 040 | 04512-50080 | WASHER SPRING | 4 | | | | 0 | 0 |
| 050 | 36330-82010 | JOINT | 1 | | | | 0.02 | 0.044 |
| 060 | 36330-82020 | JOINT | 1 | | | | 0.05 | 0.11 |
| 070 | 02112-50080 | NUT | 3 | | | | 0.003 | 0.0066 |
| 080 | 02820-00080 | NUT KNOB | 1 | | | | 0.02 | 0.044 |
| 090 | 35822-82410 | HOLDER | 1 | | | | 0.1 | 0.22 |
| 100 | 35822-82420 | HOLDER | 1 | | | | 0.27 | 0.594 |
| 110 | 01123-50816 | BOLT | 4 | | | | 0 | 0 |
| 120 | 08511-01515 | BUSH | 2 | | | | 0.002 | 0.0044 |
| 130 | 35822-82463 | LEVER AUX.CON.VALVE | 1 | | | | 0.6 | 1.32 |
| 140 | 36330-82450 | GRIP | 1 | | | | 0.025 | 0.055 |
| 150 | 05411-00635 | PIN SPRING | 1 | | | | 0.005 | 0.011 |
| 160 | 35822-82470 | SPACER | 2 | | | | 0.065 | 0.143 |

AUX.CONTROL VALVE HOSE



10105-01

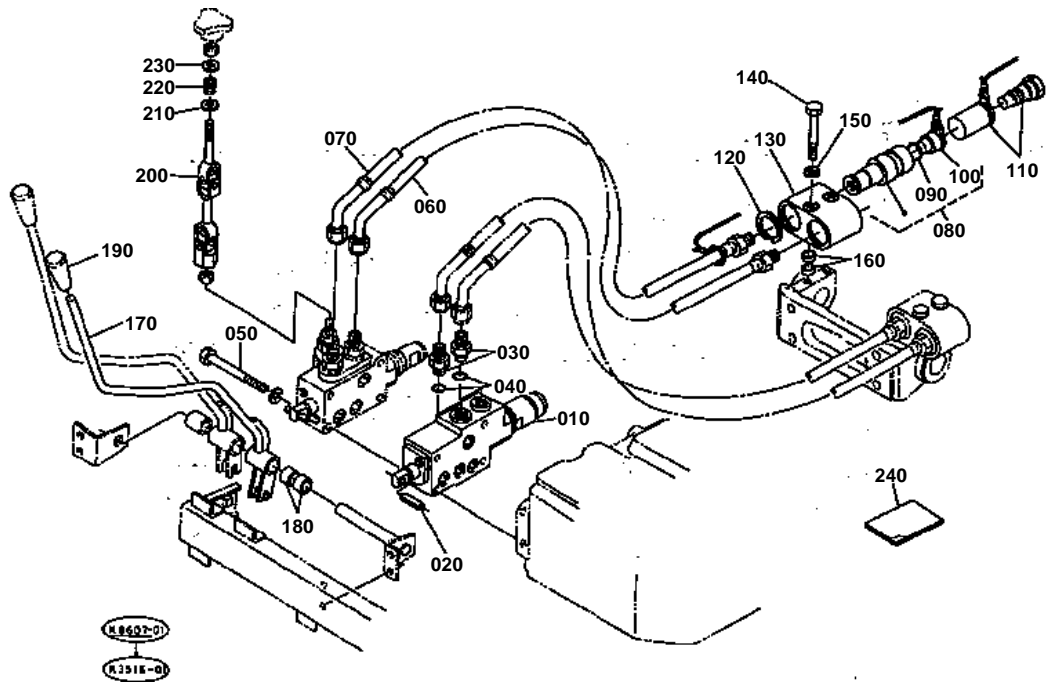


AUX.CONTROL VALVE HOSE

↔ Interchangeable; ≠ not interchangeable; ← new for old; → old for new

| REF.No | Part No. | Description | Q'ty | S.No. | I/C | REMARKS | Weight (kgf) | Weight (lb) |
|--------|-------------|---------------------|------|-------|-----|---------|--------------|-------------|
| 010 | 35861-82370 | NIPPLE | 2 | | | | 0.05 | 0.11 |
| 020 | 04811-00140 | O RING | 2 | | | | 0 | 0 |
| 030 | 35861-82580 | HOSE | 1 | | | | 0.31 | 0.682 |
| 040 | 35861-82590 | HOSE | 1 | | | | 0.325 | 0.715 |
| 050 | 35861-82032 | ASSY COUPLER FEMALE | 2 | | | | 0.32 | 0.704 |
| 060 | 35861-94510 | O RING | 2 | | | | 0.002 | 0.0044 |
| 070 | 35861-94520 | PLUG COUPLER | 2 | | | | 0.005 | 0.011 |
| 080 | 35861-82190 | ASSY COUPLER MALE | 2 | | | | 0.086 | 0.1892 |
| 090 | 04611-00380 | CIR-CLIP INTERNAL | 2 | | | | 0.004 | 0.0088 |
| 100 | 35861-82610 | SUPPORT COUPLER | 1 | | | | 0.75 | 1.65 |
| 110 | 01153-50865 | BOLT | 2 | | | | 0.025 | 0.055 |
| 120 | 04512-50080 | WASHER SPRING | 2 | | | | 0 | 0 |
| 130 | 35801-82620 | SPACER | 2 | | | | 0.003 | 0.0066 |

AUX.CONTROL VALVE [OPTION]



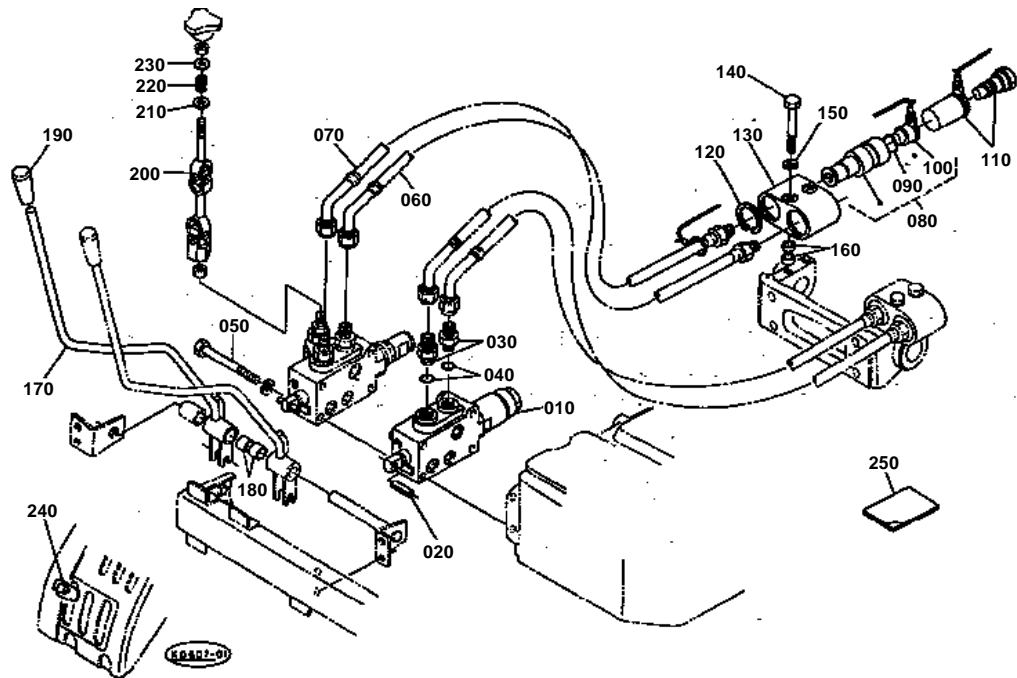


AUX.CONTROL VALVE [OPTION]
DETENTED FLOAT POSITION (DOUBLE ACTING TYPE)

↔ Interchangeable; ≠ not interchangeable; ← new for old; → old for new

| REF.No | Part No. | Description | Q'ty | S.No. | I/C | REMARKS | Weight (kgf) | Weight (lb) |
|--------|-------------|---------------------|------|-------|-----|---------|--------------|-------------|
| 010 | 35820-82800 | ASSY VALVE FLOATING | 1 | | | | 3.35 | 7.37 |
| 020 | 05411-00635 | PIN SPRING | 1 | | | | 0.005 | 0.011 |
| 030 | 35861-82370 | NIPPLE | 2 | | | | 0.05 | 0.11 |
| 040 | 04811-00140 | O RING | 2 | | | | 0 | 0 |
| 050 | 01153-50801 | BOLT | 4 | | | | 0.047 | 0.1034 |
| 060 | 35861-82380 | HOSE | 1 | | | | 0.3 | 0.66 |
| 070 | 35861-82560 | HOSE | 1 | | | | 0.31 | 0.682 |
| 080 | 35861-82032 | ASSY COUPLER FEMALE | 2 | | | | 0.32 | 0.704 |
| 090 | 35861-94510 | O RING | 2 | | | | 0.002 | 0.0044 |
| 100 | 35861-94520 | PLUG COUPLER | 2 | | | | 0.005 | 0.011 |
| 110 | 35861-82190 | ASSY COUPLER MALE | 2 | | | | 0.086 | 0.1892 |
| 120 | 04611-00380 | CIR-CLIP INTERNAL | 2 | | | | 0.004 | 0.0088 |
| 130 | 35861-82610 | SUPPORT COUPLER | 1 | | | | 0.75 | 1.65 |
| 140 | 01153-50865 | BOLT | 2 | | | | 0.025 | 0.055 |
| 150 | 04512-50080 | WASHER SPRING | 2 | | | | 0 | 0 |
| 160 | 35801-82620 | SPACER | 4 | | | | 0.003 | 0.0066 |
| 170 | 35820-82460 | LEVER CONTROL VALVE | 1 | | | | 0.7 | 1.54 |
| 180 | 08511-01515 | BUSH | 2 | | | | 0.002 | 0.0044 |
| 190 | 36330-82450 | GRIP | 1 | | | | 0.025 | 0.055 |
| 200 | 35801-82010 | JOINT | 1 | | | | 0.09 | 0.198 |
| 210 | 04013-50100 | WASHER PLAIN | 1 | | | | 0 | 0 |
| 220 | 35861-82020 | SPRING | 1 | | | | 0.003 | 0.0066 |
| 230 | 04013-50080 | WASHER PLAIN | 1 | | | | 0 | 0 |
| 240 | 35820-97790 | MANUAL CONSTRUCTION | 1 | | | | 0 | 0 |

AUX.CONTROL VALVE [OPTION]



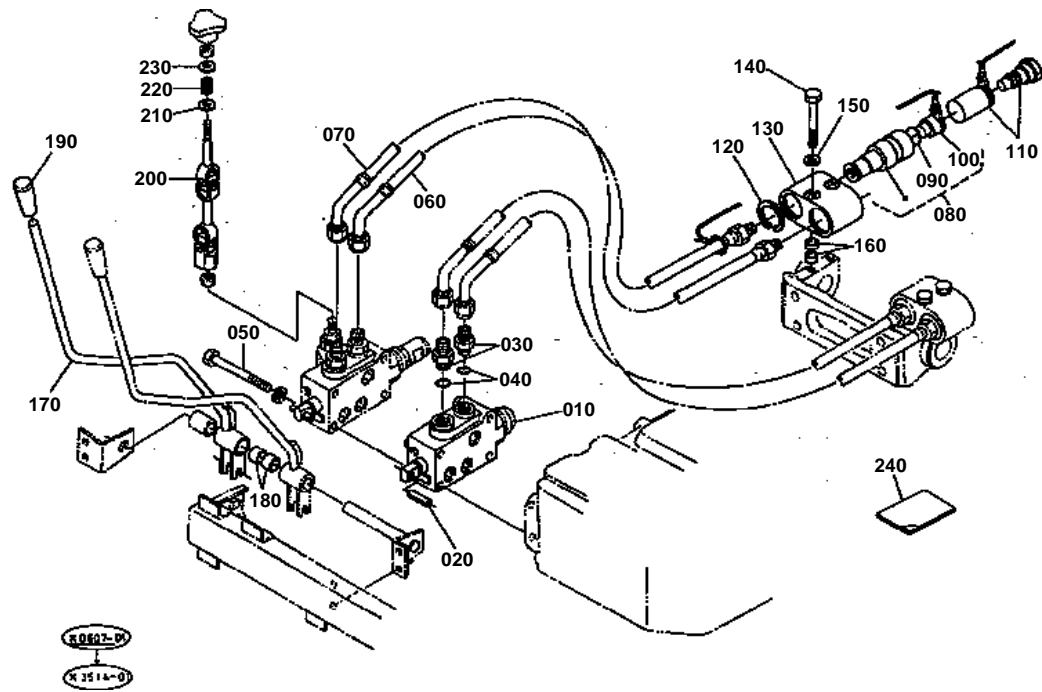


AUX.CONTROL VALVE [OPTION]
SELF-CANCELLING WITH DETENTS (DOUBLE ACTING TYPE)

↔ Interchangeable; ≠ not interchangeable; ← new for old; → old for new

| REF.No | Part No. | Description | Q'ty | S.No. | I/C | REMARKS | Weight (kgf) | Weight (lb) |
|--------|-------------|---------------------|------|-------|-----|---------|--------------|-------------|
| 010 | 35820-82540 | ASSY VALVE AUX.CON. | 1 | | | | 2.85 | 6.27 |
| 020 | 05411-00635 | PIN SPRING | 1 | | | | 0.005 | 0.011 |
| 030 | 35861-82370 | NIPPLE | 2 | | | | 0.05 | 0.11 |
| 040 | 04811-00140 | O RING | 2 | | | | 0 | 0 |
| 050 | 01153-50801 | BOLT | 4 | | | | 0.047 | 0.1034 |
| 060 | 35861-82380 | HOSE | 1 | | | | 0.3 | 0.66 |
| 070 | 35861-82560 | HOSE | 1 | | | | 0.31 | 0.682 |
| 080 | 35861-82032 | ASSY COUPLER FEMALE | 2 | | | | 0.32 | 0.704 |
| 090 | 35861-94510 | O RING | 2 | | | | 0.002 | 0.0044 |
| 100 | 35861-94520 | PLUG COUPLER | 2 | | | | 0.005 | 0.011 |
| 110 | 35861-82190 | ASSY COUPLER MALE | 2 | | | | 0.086 | 0.1892 |
| 120 | 04611-00380 | CIR-CLIP INTERNAL | 2 | | | | 0.004 | 0.0088 |
| 130 | 35861-82610 | SUPPORT COUPLER | 1 | | | | 0.75 | 1.65 |
| 140 | 01153-50865 | BOLT | 2 | | | | 0.025 | 0.055 |
| 150 | 04512-50080 | WASHER SPRING | 2 | | | | 0 | 0 |
| 160 | 35801-82620 | SPACER | 4 | | | | 0.003 | 0.0066 |
| 170 | 35822-82443 | LEVER AUX.CON.VALVE | 1 | | | | 0.65 | 1.43 |
| 180 | 08511-01515 | BUSH | 2 | | | | 0.002 | 0.0044 |
| 190 | 36330-82450 | GRIP | 1 | | | | 0.025 | 0.055 |
| 200 | 35801-82010 | JOINT | 1 | | | | 0.09 | 0.198 |
| 210 | 04013-50100 | WASHER PLAIN | 1 | | | | 0 | 0 |
| 220 | 35861-82020 | SPRING | 1 | | | | 0.003 | 0.0066 |
| 230 | 04013-50080 | WASHER PLAIN | 1 | | | | 0 | 0 |
| 240 | 35820-82980 | STOPPER | 2 | | | | 0.04 | 0.088 |
| 250 | 35820-97820 | MANUAL CONSTRUCTION | 1 | | | | 0.005 | 0.011 |

AUX.CONTROL VALVE [OPTION]



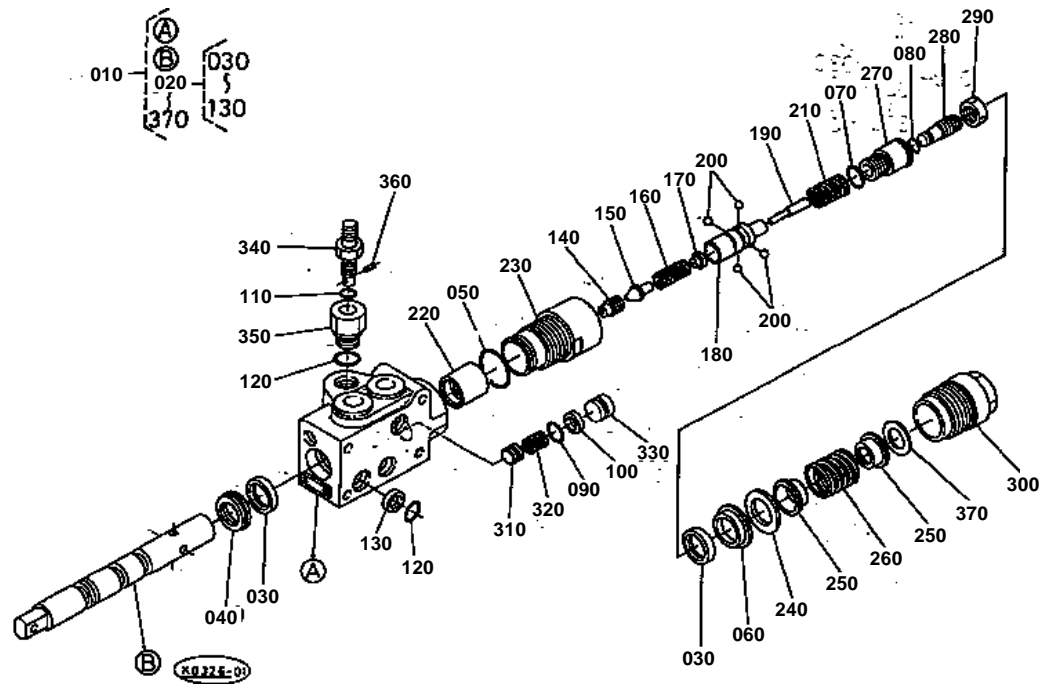


AUX.CONTROL VALVE [OPTION]
NO DETENTS OR SELF-CANCELLING (DOUBLE ACTING TYPE)

↔ Interchangeable; ≠ not interchangeable; ← new for old; → old for new

| REF.No | Part No. | Description | Q'ty | S.No. | I/C | REMARKS | Weight (kgf) | Weight (lb) |
|--------|-------------|---------------------|------|-------|-----|---------|--------------|-------------|
| 010 | 99883-93110 | ASSY VALVE AUX.CON. | 1 | | | | 2 | 4.4 |
| 020 | 05411-00635 | PIN SPRING | 1 | | | | 0.005 | 0.011 |
| 030 | 35861-82370 | NIPPLE | 2 | | | | 0.05 | 0.11 |
| 040 | 04811-00140 | O RING | 2 | | | | 0 | 0 |
| 050 | 01153-50801 | BOLT | 4 | | | | 0.047 | 0.1034 |
| 060 | 35861-82380 | HOSE | 1 | | | | 0.3 | 0.66 |
| 070 | 35861-82560 | HOSE | 1 | | | | 0.31 | 0.682 |
| 080 | 35861-82032 | ASSY COUPLER FEMALE | 2 | | | | 0.32 | 0.704 |
| 090 | 35861-94510 | O RING | 2 | | | | 0.002 | 0.0044 |
| 100 | 35861-94520 | PLUG COUPLER | 2 | | | | 0.005 | 0.011 |
| 110 | 35861-82190 | ASSY COUPLER MALE | 2 | | | | 0.086 | 0.1892 |
| 120 | 04611-00380 | CIR-CLIP INTERNAL | 2 | | | | 0.004 | 0.0088 |
| 130 | 35861-82610 | SUPPORT COUPLER | 1 | | | | 0.75 | 1.65 |
| 140 | 01153-50865 | BOLT | 2 | | | | 0.025 | 0.055 |
| 150 | 04512-50080 | WASHER SPRING | 2 | | | | 0 | 0 |
| 160 | 35801-82620 | SPACER | 4 | | | | 0.003 | 0.0066 |
| 170 | 35822-82443 | LEVER AUX.CON.VALVE | 1 | | | | 0.65 | 1.43 |
| 180 | 08511-01515 | BUSH | 2 | | | | 0.002 | 0.0044 |
| 190 | 36330-82450 | GRIP | 1 | | | | 0.025 | 0.055 |
| 200 | 35801-82010 | JOINT | 1 | | | | 0.09 | 0.198 |
| 210 | 04013-50100 | WASHER PLAIN | 1 | | | | 0 | 0 |
| 220 | 35861-82020 | SPRING | 1 | | | | 0.003 | 0.0066 |
| 230 | 04013-50080 | WASHER PLAIN | 1 | | | | 0 | 0 |
| 240 | 35820-97820 | MANUAL CONSTRUCTION | 1 | | | | 0.005 | 0.011 |

AUX.CONTROL VALVE [COMPONENT PARTS]



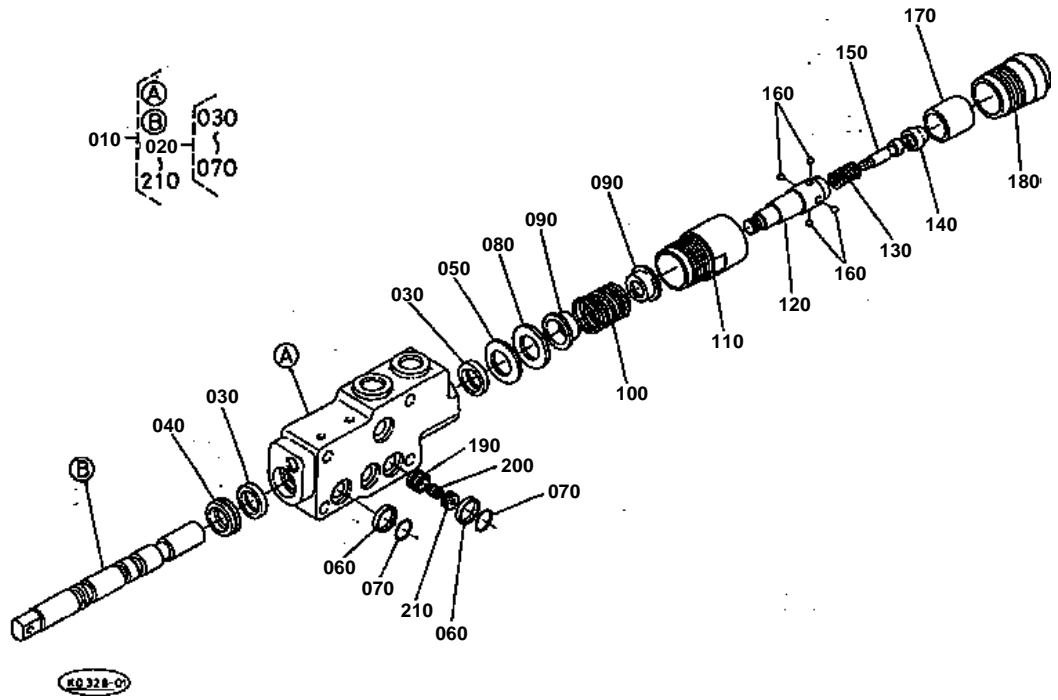


AUX.CONTROL VALVE [COMPONENT PARTS]
SELF-CANCELLING WITH DETENTS (SINGLE/DOUBLE ACTING TYPE)

↔ Interchangeable; ≠ not interchangeable; ← new for old; → old for new

| REF.No | Part No. | Description | Q'ty | S.No. | I/C | REMARKS | Weight (kgf) | Weight (lb) |
|--------|-------------|---------------------|------|-------|-----|---------|--------------|-------------|
| 010 | 35820-82350 | ASSY VALVE AUX.CON. | 1 | | | | 0 | 0 |
| 020 | 36998-00110 | KIT SEAL | 1 | | | | 0.01 | 0.022 |
| 030 | 36200-82810 | SEAL SPOOL | 2 | | | | 0.001 | 0.0022 |
| 040 | 36200-82820 | SEAL DUST | 1 | | | | 0.002 | 0.0044 |
| 050 | 04811-05280 | O RING | 1 | | | | 0 | 0 |
| 060 | 36330-84210 | RING SUPPORT | 1 | | | | 0.005 | 0.011 |
| 070 | 04811-05110 | O RING | 1 | | | | 0 | 0 |
| 080 | 04810-00030 | O RING | 1 | | | | 0 | 0 |
| 090 | 04810-00100 | O RING | 1 | | | | 0 | 0 |
| 100 | 36330-84310 | RING BACK UP | 1 | | | | 0.005 | 0.011 |
| 110 | 04811-00080 | O RING | 1 | | | | 0 | 0 |
| 120 | 04810-00140 | O RING | 4 | | | | 0 | 0 |
| 130 | 36200-82330 | RING BACK UP | 3 | | | | 0.001 | 0.0022 |
| 140 | 35820-84300 | SEAT | 1 | | | | 0.005 | 0.011 |
| 150 | 35820-84310 | VALVE | 1 | | | | 0.01 | 0.022 |
| 160 | 35820-84320 | SPRING | 1 | | | | 0.01 | 0.022 |
| 170 | 35820-84330 | SEAT SPRING | 1 | | | | 0.005 | 0.011 |
| 180 | 35820-84340 | CONE | 1 | | | | 0.02 | 0.044 |
| 190 | 35820-84350 | ROD | 1 | | | | 0.003 | 0.0066 |
| 200 | 35820-84360 | BALL | 4 | | | | 0.005 | 0.011 |
| 210 | 35820-84370 | SPRING | 1 | | | | 0.01 | 0.022 |
| 220 | 35820-84380 | BUSH | 1 | | | | 0.04 | 0.088 |
| 230 | 35820-84390 | BUSH | 1 | | | | 0.04 | 0.088 |
| 240 | 36330-84220 | WASHER | 1 | | | | 0.007 | 0.0154 |
| 250 | 35820-84400 | SEAT SPRING | 2 | | | | 0.01 | 0.022 |
| 260 | 35820-84410 | SPRING | 1 | | | | 0.016 | 0.0352 |
| 270 | 35820-84420 | SCREW | 1 | | | | 0.02 | 0.044 |
| 280 | 35820-84430 | SCREW | 1 | | | | 0.01 | 0.022 |
| 290 | 35820-84440 | NUT | 1 | | | | 0.005 | 0.011 |
| 300 | 36330-84280 | NUT | 1 | | | | 0.1 | 0.22 |
| 310 | 36330-84290 | VALVE CHECK | 1 | | | | 0.007 | 0.0154 |
| 320 | 36330-84300 | SPRING | 1 | | | | 0.003 | 0.0066 |
| 330 | 36330-84320 | PLUG | 1 | | | | 0.013 | 0.0286 |
| 340 | 36330-84330 | VALVE | 1 | | | | 0.032 | 0.0704 |
| 350 | 36330-84340 | SCREW GUIDE | 1 | | | | 0.047 | 0.1034 |
| 360 | 36330-84350 | PIN SPRING | 1 | | | | 0.001 | 0.0022 |
| 370 | 36330-84270 | SHIM | 2 | | | | 0.001 | 0.0022 |

AUX.CONTROL VALVE [COMPONENT PARTS]



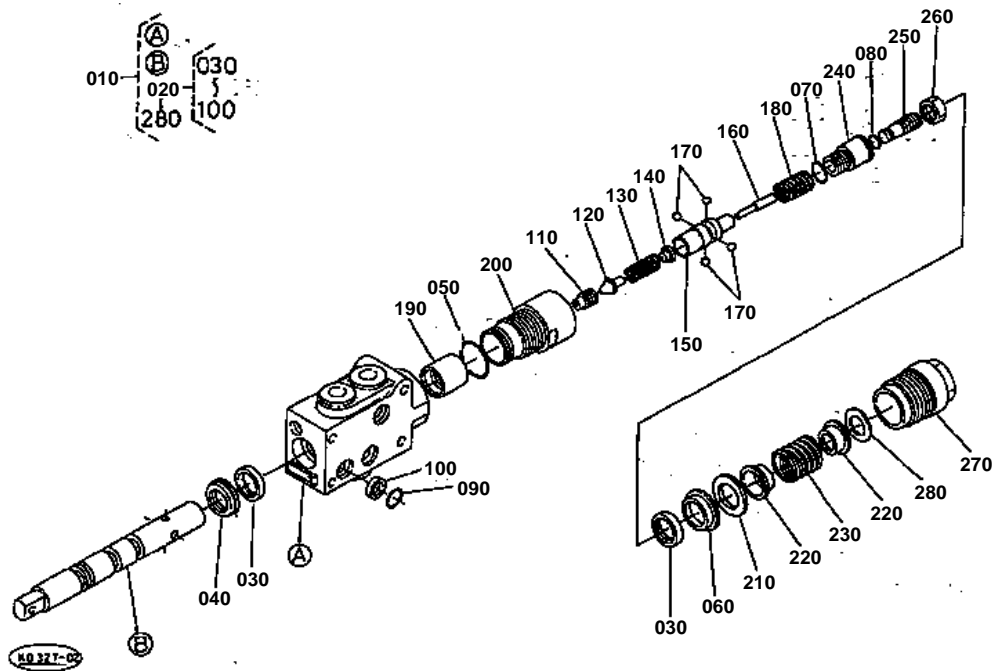


AUX.CONTROL VALVE [COMPONENT PARTS]
DETENTED FLOAT POSITION (DOUBLE ACTING TYPE)

↔ Interchangeable; ≠ not interchangeable; ← new for old; → old for new

| REF.No | Part No. | Description | Q'ty | S.No. | I/C | REMARKS | Weight (kgf) | Weight (lb) |
|--------|-------------|---------------------|------|-------|-----|---------|--------------|-------------|
| 010 | 35820-82800 | ASSY VALVE FLOATING | 1 | | | | 3.35 | 7.37 |
| 020 | 36998-00130 | KIT SEAL | 1 | | | | 0.01 | 0.022 |
| 030 | 36200-82810 | SEAL SPOOL | 2 | | | | 0.001 | 0.0022 |
| 040 | 36200-82820 | SEAL DUST | 1 | | | | 0.002 | 0.0044 |
| 050 | 36330-84210 | RING SUPPORT | 1 | | | | 0.005 | 0.011 |
| 060 | 36200-82330 | RING BACK UP | 4 | | | | 0.001 | 0.0022 |
| 070 | 04810-00140 | O RING | 4 | | | | 0 | 0 |
| 080 | 36330-84220 | WASHER | 1 | | | | 0.007 | 0.0154 |
| 090 | 36330-84230 | SEAT SPRING | 2 | | | | 0.01 | 0.022 |
| 100 | 35820-84210 | SPRING | 1 | | | | 0.03 | 0.066 |
| 110 | 35820-84220 | BUSH | 1 | | | | 0.23 | 0.506 |
| 120 | 35820-84230 | SCREW | 1 | | | | 0.1 | 0.22 |
| 130 | 35820-84240 | SPRING | 1 | | | | 0.008 | 0.0176 |
| 140 | 35820-84250 | CONE | 1 | | | | 0.01 | 0.022 |
| 150 | 35820-84260 | BOLT | 1 | | | | 0.01 | 0.022 |
| 160 | 35820-84270 | BALL | 4 | | | | 0.001 | 0.0022 |
| 170 | 35820-84280 | BUSH | 1 | | | | 0.05 | 0.11 |
| 180 | 36330-84280 | NUT | 1 | | | | 0.1 | 0.22 |
| 190 | 36330-84290 | VALVE CHECK | 1 | | | | 0.007 | 0.0154 |
| 200 | 36330-84300 | SPRING | 1 | | | | 0.003 | 0.0066 |
| 210 | 35820-84290 | WASHER | 1 | | | | 0.003 | 0.0066 |

AUX.CONTROL VALVE [COMPONENT PARTS]



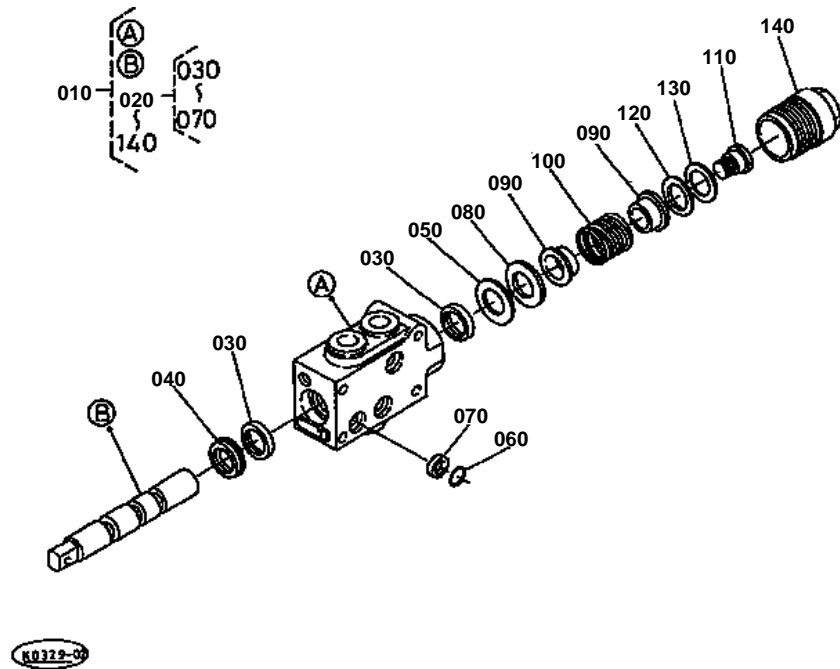


AUX.CONTROL VALVE [COMPONENT PARTS]
SELF-CANCELLING WITH DETENTS (DOUBLE ACTING TYPE)

↔ Interchangeable; ≠ not interchangeable; ← new for old; → old for new

| REF.No | Part No. | Description | Q'ty | S.No. | I/C | REMARKS | Weight (kgf) | Weight (lb) |
|--------|-------------|---------------------|------|-------|-----|---------|--------------|-------------|
| 010 | 35820-82540 | ASSY VALVE AUX.CON. | 1 | | | | 2.85 | 6.27 |
| 020 | 36998-00120 | KIT SEAL | 1 | | | | 0.01 | 0.022 |
| 030 | 36200-82810 | SEAL SPOOL | 2 | | | | 0.001 | 0.0022 |
| 040 | 36200-82820 | SEAL DUST | 1 | | | | 0.002 | 0.0044 |
| 050 | 04811-05280 | O RING | 1 | | | | 0 | 0 |
| 060 | 36330-84210 | RING SUPPORT | 1 | | | | 0.005 | 0.011 |
| 070 | 04811-05110 | O RING | 1 | | | | 0 | 0 |
| 080 | 04811-00030 | O RING | 1 | | | | 0 | 0 |
| 090 | 04810-00140 | O RING | 3 | | | | 0 | 0 |
| 100 | 36200-82330 | RING BACK UP | 3 | | | | 0.001 | 0.0022 |
| 110 | 35820-84300 | SEAT | 1 | | | | 0.005 | 0.011 |
| 120 | 35820-84310 | VALVE | 1 | | | | 0.01 | 0.022 |
| 130 | 35820-84320 | SPRING | 1 | | | | 0.01 | 0.022 |
| 140 | 35820-84330 | SEAT SPRING | 1 | | | | 0.005 | 0.011 |
| 150 | 35820-84340 | CONE | 1 | | | | 0.02 | 0.044 |
| 160 | 35820-84350 | ROD | 1 | | | | 0.003 | 0.0066 |
| 170 | 35820-84360 | BALL | 4 | | | | 0.005 | 0.011 |
| 180 | 35820-84370 | SPRING | 1 | | | | 0.01 | 0.022 |
| 190 | 35820-84380 | BUSH | 1 | | | | 0.04 | 0.088 |
| 200 | 35820-84390 | BUSH | 1 | | | | 0.04 | 0.088 |
| 210 | 36330-84220 | WASHER | 1 | | | | 0.007 | 0.0154 |
| 220 | 35820-84400 | SEAT SPRING | 2 | | | | 0.01 | 0.022 |
| 230 | 35820-84410 | SPRING | 1 | | | | 0.016 | 0.0352 |
| 240 | 35820-84420 | SCREW | 1 | | | | 0.02 | 0.044 |
| 250 | 35820-84430 | SCREW | 1 | | | | 0.01 | 0.022 |
| 260 | 35820-84440 | NUT | 1 | | | | 0.005 | 0.011 |
| 270 | 36330-84280 | NUT | 1 | | | | 0.1 | 0.22 |
| 280 | 36330-84270 | SHIM | 2 | | | | 0.001 | 0.0022 |

AUX.CONTROL VALVE [COMPONENT PARTS]



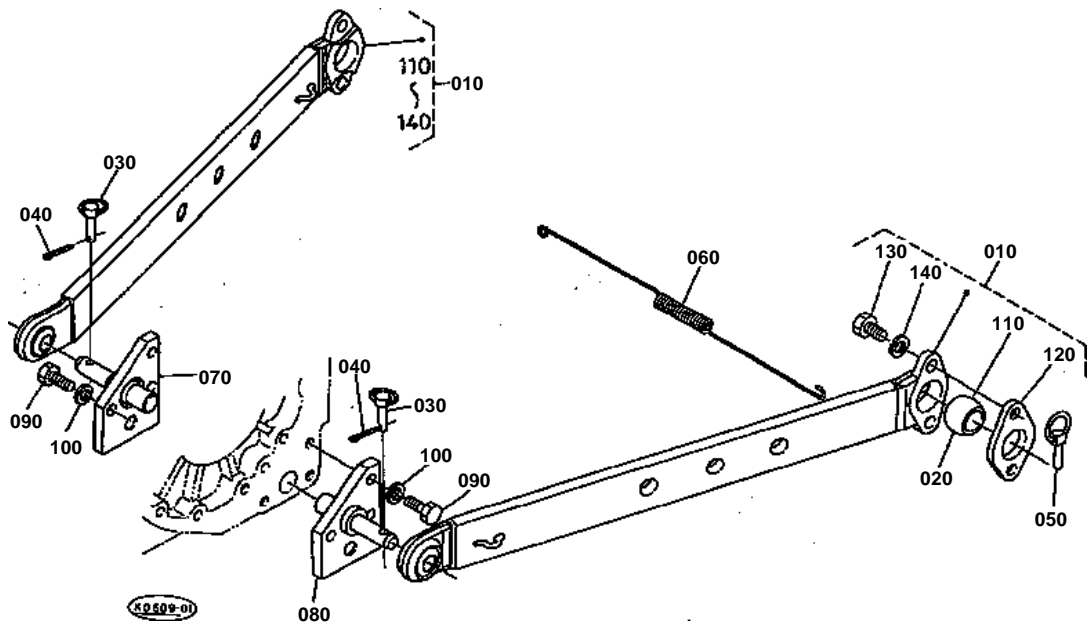


AUX.CONTROL VALVE [COMPONENT PARTS]
NO DETENTS OR SELF-CANCELLING (DOUBLE ACTING TYPE)

↔ Interchangeable; ≠ not interchangeable; ← new for old; → old for new

| REF.No | Part No. | Description | Q'ty | S.No. | I/C | REMARKS | Weight (kgf) | Weight (lb) |
|--------|-------------|---------------------|------|-------|-----|---------|--------------|-------------|
| 010 | 99883-93110 | ASSY VALVE AUX.CON. | 1 | | | | 2 | 4.4 |
| 020 | 36998-00100 | KIT SEAL | 1 | | | | 0.02 | 0.044 |
| 030 | 36200-82810 | SEAL SPOOL | 2 | | | | 0.001 | 0.0022 |
| 040 | 36200-82820 | SEAL DUST | 1 | | | | 0.002 | 0.0044 |
| 050 | 36330-84210 | RING SUPPORT | 1 | | | | 0.005 | 0.011 |
| 060 | 04810-00140 | O RING | 3 | | | | 0 | 0 |
| 070 | 36200-82330 | RING BACK UP | 3 | | | | 0.001 | 0.0022 |
| 080 | 36330-84220 | WASHER | 1 | | | | 0.007 | 0.0154 |
| 090 | 36330-84230 | SEAT SPRING | 2 | | | | 0.01 | 0.022 |
| 100 | 36330-84360 | SPRING | 1 | | | | 0.016 | 0.0352 |
| 110 | 36330-84250 | BOLT | 1 | | | | 0.005 | 0.011 |
| 120 | 36330-84260 | WASHER | 1 | | | | 0.005 | 0.011 |
| 130 | 36330-84270 | SHIM | 1 | | | | 0.001 | 0.0022 |
| 140 | 36330-84280 | NUT | 1 | | | | 0.1 | 0.22 |

HYDRAULIC LIFT LINK 1 (LOWER LINK)



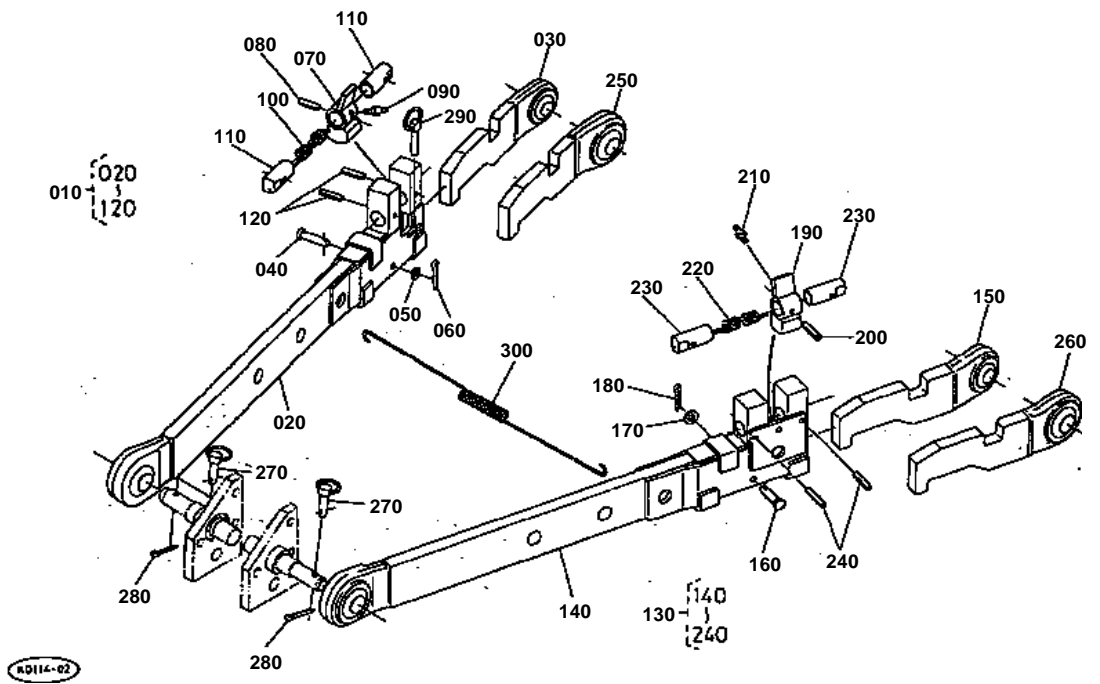


HYDRAULIC LIFT LINK 1 (LOWER LINK)

↔ Interchangeable; ≠ not interchangeable; ← new for old; → old for new

| REF.No | Part No. | Description | Q'ty | S.No. | I/C | REMARKS | Weight (kgf) | Weight (lb) |
|--------|-------------|-------------------|------|-------|-----|------------|--------------|-------------|
| 010 | 35820-92000 | ASSY LINK LOWER | 2 | | | | 10.7 | 23.54 |
| 020 | 33400-91040 | JOINT LOWER LINK | 2 | | | CATEGORY 2 | 0.42 | 0.924 |
| 030 | 36330-91840 | ASSY PIN SET | 2 | | | | 0.055 | 0.121 |
| 040 | 05511-50420 | PIN SPLIT | 2 | | | | 0.002 | 0.0044 |
| 050 | 36200-91840 | ASSY PIN SET | 2 | | | | 0.06 | 0.132 |
| 060 | 36330-91830 | SPRING SET | 1 | | | | 0.185 | 0.407 |
| 070 | 35820-91880 | PIN LOWER LINK RH | 1 | | | | 2.5 | 5.5 |
| 080 | 35820-91890 | PIN LOWER LINK LH | 1 | | | | 2.47 | 5.434 |
| 090 | 01173-51440 | BOLT | 6 | | | | 0.062 | 0.1364 |
| 100 | 04512-50140 | WASHER SPRING | 6 | | | | 0 | 0 |
| 110 | 33400-91920 | JOINT LOWER LINK | 2 | | | CATEGORY 1 | 0.49 | 1.078 |
| 120 | 33400-91860 | RETAINER | 2 | | | | 0.275 | 0.605 |
| 130 | 33400-91880 | BOLT | 4 | | | | 0.02 | 0.044 |
| 140 | 04512-50100 | WASHER SPRING | 4 | | | | 0 | 0 |

TELESCOPE LOWER LINK [OPTION]



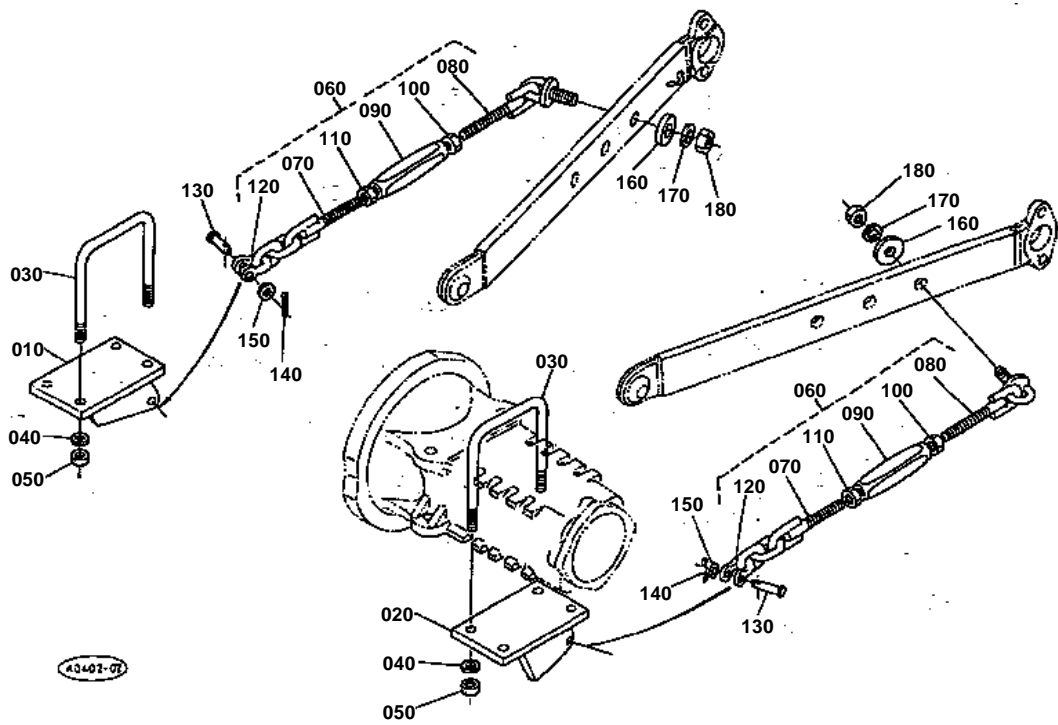


TELESCOPE LOWER LINK [OPTION]

↔ Interchangeable; ≠ not interchangeable; ← new for old; → old for new

| REF.No | Part No. | Description | Q'ty | S.No. | I/C | REMARKS | Weight (kgf) | Weight (lb) |
|--------|-------------|--------------------|------|-------|-----|------------|--------------|-------------|
| 010 | 36330-92000 | ASSY LINK LOWER RH | 1 | | | | 15.5 | 34.1 |
| 020 | 36330-92010 | COMP LINK LOWER RH | 1 | | | | 12 | 26.4 |
| 030 | 36330-92030 | COMP LINK LOWER RH | 1 | | | CATEGORY 1 | 2.48 | 5.456 |
| 040 | 05122-51050 | PIN JOINT | 1 | | | | 0.032 | 0.0704 |
| 050 | 04011-50100 | WASHER PLAIN | 1 | | | | 0.002 | 0.0044 |
| 060 | 05511-50318 | PIN SPLIT | 1 | | | | 0.001 | 0.0022 |
| 070 | 36330-92190 | LEVER | 1 | | | | 0.43 | 0.946 |
| 080 | 05411-00536 | PIN SPRING | 1 | | | | 0.003 | 0.0066 |
| 090 | 06613-10675 | NIPPLE GREASE | 1 | | | | 0.003 | 0.0066 |
| 100 | 36330-92170 | SPRING | 1 | | | | 0.04 | 0.088 |
| 110 | 36330-92220 | SHAFT LEVER | 2 | | | | 0.1 | 0.22 |
| 120 | 05411-00550 | PIN SPRING | 2 | | | | 0.005 | 0.011 |
| 130 | 36330-92100 | ASSY LINK LOWER LH | 1 | | | | 15.5 | 34.1 |
| 140 | 36330-92110 | COMP LINK LOWER LH | 1 | | | | 12 | 26.4 |
| 150 | 36330-92130 | COMP LINK LOWER LH | 1 | | | CATEGORY 1 | 2.47 | 5.434 |
| 160 | 05122-51050 | PIN JOINT | 1 | | | | 0.032 | 0.0704 |
| 170 | 04011-50100 | WASHER PLAIN | 1 | | | | 0.002 | 0.0044 |
| 180 | 05511-50318 | PIN SPLIT | 1 | | | | 0.001 | 0.0022 |
| 190 | 36330-92190 | LEVER | 1 | | | | 0.43 | 0.946 |
| 200 | 05411-00536 | PIN SPRING | 1 | | | | 0.003 | 0.0066 |
| 210 | 06613-10675 | NIPPLE GREASE | 1 | | | | 0.003 | 0.0066 |
| 220 | 36330-92170 | SPRING | 1 | | | | 0.04 | 0.088 |
| 230 | 36330-92220 | SHAFT LEVER | 2 | | | | 0.1 | 0.22 |
| 240 | 05411-00550 | PIN SPRING | 2 | | | | 0.005 | 0.011 |
| 250 | 36330-92050 | COMP LINK LOWER RH | 1 | | | CATEGORY 2 | 2.9 | 6.38 |
| 260 | 36330-92150 | COMP LINK LOWER LH | 1 | | | CATEGORY 2 | 3 | 6.6 |
| 270 | 36330-91840 | ASSY PIN SET | 2 | | | | 0.055 | 0.121 |
| 280 | 05511-50420 | PIN SPLIT | 2 | | | | 0.002 | 0.0044 |
| 290 | 36200-91840 | ASSY PIN SET | 2 | | | | 0.06 | 0.132 |
| 300 | 36330-91830 | SPRING SET | 1 | | | | 0.185 | 0.407 |

HYDRAULIC LIFT LINK 2 (CHECK CHAIN)



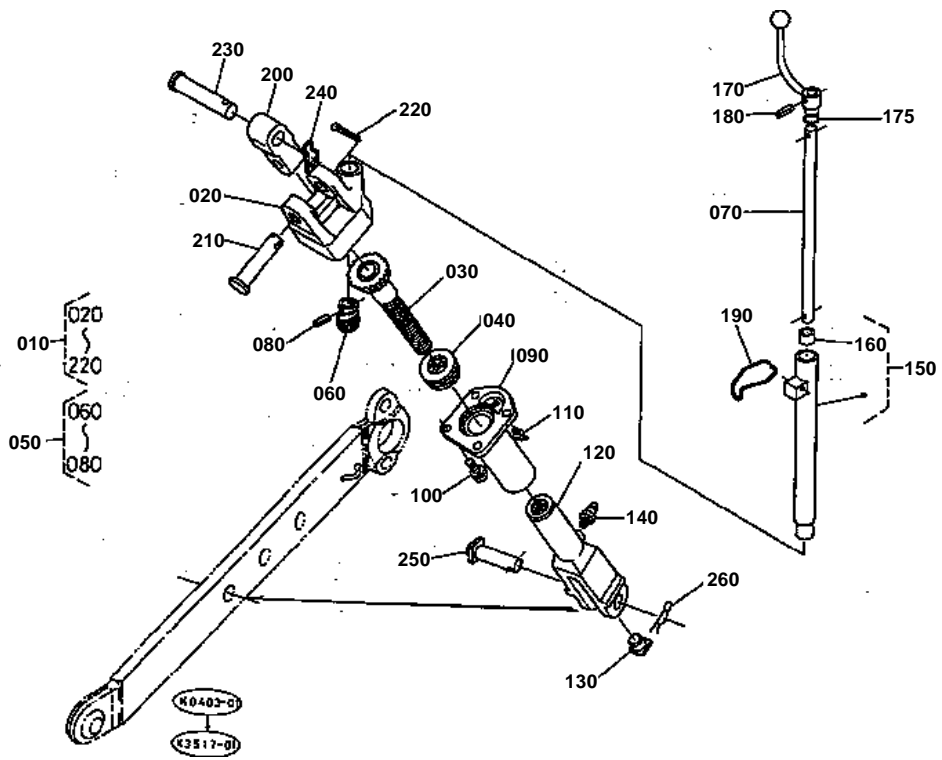


HYDRAULIC LIFT LINK 2 (CHECK CHAIN)

↔ Interchangeable; ≠ not interchangeable; ← new for old; → old for new

| REF.No | Part No. | Description | Q'ty | S.No. | I/C | REMARKS | Weight (kgf) | Weight (lb) |
|--------|-------------|--------------------|------|-------|-----|---------|--------------|-------------|
| 010 | 35535-91080 | BRACKET CHAIN RH | 1 | | | | 5 | 11 |
| 020 | 35535-91090 | BRACKET CHAIN LH | 1 | | | | 5 | 11 |
| 030 | 36330-91070 | BOLT | 4 | | | | 0.72 | 1.584 |
| 040 | 04512-50160 | WASHER SPRING | 8 | | | | 0 | 0 |
| 050 | 02176-50160 | NUT | 8 | | | | 0.025 | 0.055 |
| 060 | 36330-91105 | ASSY CHAIN CHECK | 2 | | | | 2.55 | 5.61 |
| 070 | 36330-91110 | COMP CHAIN CHECK | 2 | | | | 0.915 | 2.013 |
| 080 | 36330-91160 | COMP CHAIN CHECK | 2 | | | | 0.8 | 1.76 |
| 090 | 36330-91190 | TURNBUCKLE | 2 | | | | 0.92 | 2.024 |
| 100 | 02054-50180 | NUT | 2 | | | | 0.049 | 0.1078 |
| 110 | 35999-02530 | NUT LOCK | 2 | | | | 0.035 | 0.077 |
| 120 | 36330-91150 | END CHAIN | 2 | | | | 0.14 | 0.308 |
| 130 | 36330-91180 | PIN CHAIN SET | 2 | | | | 0.06 | 0.132 |
| 140 | 05511-50525 | PIN SPLIT | 2 | | | | 0.005 | 0.011 |
| 150 | 04011-50140 | WASHER PLAIN | 2 | | | | 0.007 | 0.0154 |
| 160 | 36330-91220 | WASHER CHECK CHAIN | 2 | | | | 0.25 | 0.55 |
| 170 | 04512-50180 | WASHER SPRING | 2 | | | | 0 | 0 |
| 180 | 02174-50180 | NUT | 2 | | | | 0.029 | 0.0638 |

HYDRAULIC LIFT LINK 3 (LIFT ROD RH)



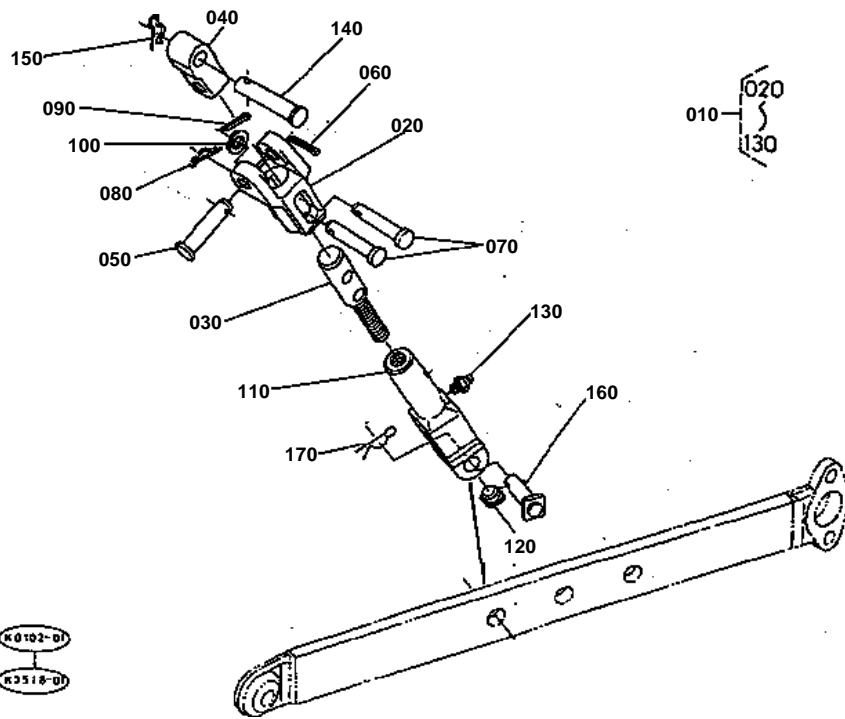


HYDRAULIC LIFT LINK 3 (LIFT ROD RH)

↔ Interchangeable; ≠ not interchangeable; ← new for old; → old for new

| REF.No | Part No. | Description | Q'ty | S.No. | I/C | REMARKS | Weight (kgf) | Weight (lb) |
|--------|-------------|----------------------|------|-------|-----|---------|--------------|-------------|
| 010 | 36330-91230 | ASSY ROD LIFT RH | 1 | | | | 9.5 | 20.9 |
| 020 | 36330-91240 | CASE LIFT ROD GEAR | 1 | | | | 2.28 | 5.016 |
| 030 | 36330-91280 | COMP.SHAFT ADJUSTING | 1 | | | | 0.97 | 2.134 |
| 040 | 08401-51106 | BEARING THRUST BALL | 1 | | | | 0.064 | 0.1408 |
| 050 | 36330-91203 | ASSY PINION LIFT ROD | 1 | | | | 0.48 | 1.056 |
| 060 | 36330-91330 | PINION LIFT ROD RH | 1 | | | | 0.11 | 0.242 |
| 070 | 36330-91392 | SHAFT HANDLE | 1 | | | | 0.36 | 0.792 |
| 080 | 05411-00520 | PIN SPRING | 1 | | | | 0.002 | 0.0044 |
| 090 | 36330-91300 | COMP SLEEVE LIFT ROD | 1 | | | | 1.11 | 2.442 |
| 100 | 01133-51030 | BOLT | 4 | | | | 0.025 | 0.055 |
| 110 | 06613-20010 | NIPPLE GREASE | 1 | | | | 0.01 | 0.022 |
| 120 | 36330-91260 | ROD LIFT LOWER | 1 | | | | 2.5 | 5.5 |
| 130 | 36330-91360 | PLUG | 1 | | | | 0.001 | 0.0022 |
| 140 | 06613-10010 | NIPPLE GREASE | 1 | | | | 0.006 | 0.0132 |
| 150 | 36330-91372 | SUPPORT HANDLE | 1 | | | | 0.55 | 1.21 |
| 160 | 36330-91380 | BUSH | 1 | | | | 0 | 0 |
| 170 | 36330-91323 | HANDLE LIFT ROD RH | 1 | | | | 0.2 | 0.44 |
| 175 | 04811-10180 | O RING | 1 | | | | 0.001 | 0.0022 |
| 180 | 05411-00525 | PIN SPRING | 1 | | | | 0.002 | 0.0044 |
| 190 | 36330-91270 | SPRING HANDLE LOCK | 1 | | | | 0.025 | 0.055 |
| 200 | 36330-91510 | JOINT | 1 | | | | 0.72 | 1.584 |
| 210 | 36330-91530 | PIN LIFT ROD UPPER | 1 | | | | 0.27 | 0.594 |
| 220 | 05511-50535 | PIN SPLIT | 1 | | | | 0.007 | 0.0154 |
| 230 | 35595-91520 | PIN LIFT ROD | 1 | | | | 0.3 | 0.66 |
| 240 | 33251-91860 | PIN SET | 1 | | | | 0.023 | 0.0506 |
| 250 | 36330-91540 | PIN LIFT ROD LOWER | 1 | | | | 0.26 | 0.572 |
| 260 | 33251-91860 | PIN SET | 1 | | | | 0.023 | 0.0506 |

HYDRAULIC LIFT LINK 4 (LIFT ROD LH)



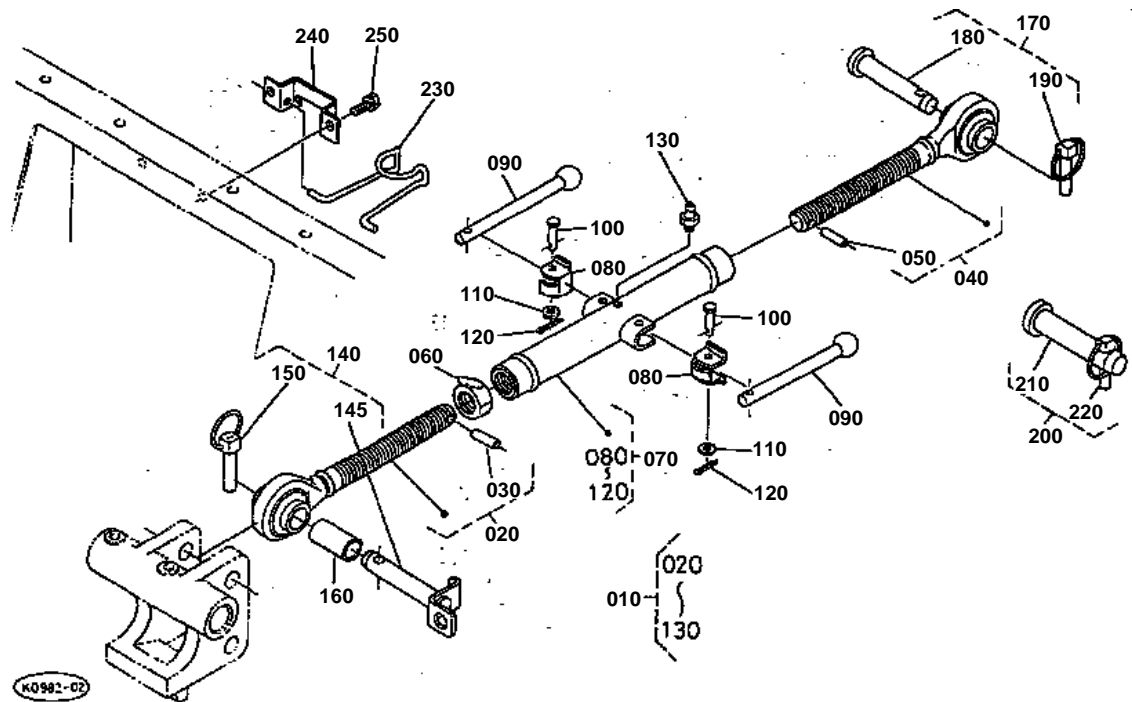


HYDRAULIC LIFT LINK 4 (LIFT ROD LH)

↔ Interchangeable; ≠ not interchangeable; ← new for old; → old for new

| REF.No | Part No. | Description | Q'ty | S.No. | I/C | REMARKS | Weight (kgf) | Weight (lb) |
|--------|-------------|--------------------|------|-------|-----|---------|--------------|-------------|
| 010 | 36330-91450 | ASSY ROD LIFT LH | 1 | | | | 7 | 15.4 |
| 020 | 36330-91460 | ROD LIFT UPPER LH | 1 | | | | 2.08 | 4.576 |
| 030 | 36330-91430 | ROD LIFT UPPER | 1 | | | | 0 | 0 |
| 040 | 36330-91510 | JOINT | 1 | | | | 0.72 | 1.584 |
| 050 | 36330-91530 | PIN LIFT ROD UPPER | 1 | | | | 0.27 | 0.594 |
| 060 | 05511-50535 | PIN SPLIT | 1 | | | | 0.007 | 0.0154 |
| 070 | 36330-91470 | PIN LIFT ROD LH | 2 | | | | 0.175 | 0.385 |
| 080 | 33251-91860 | PIN SET | 1 | | | | 0.023 | 0.0506 |
| 090 | 05511-50535 | PIN SPLIT | 1 | | | | 0.007 | 0.0154 |
| 100 | 04011-50180 | WASHER PLAIN | 1 | | | | 0.012 | 0.0264 |
| 110 | 36330-91260 | ROD LIFT LOWER | 1 | | | | 2.5 | 5.5 |
| 120 | 36330-91360 | PLUG | 1 | | | | 0.001 | 0.0022 |
| 130 | 06613-10010 | NIPPLE GREASE | 1 | | | | 0.006 | 0.0132 |
| 140 | 35595-91520 | PIN LIFT ROD | 1 | | | | 0.3 | 0.66 |
| 150 | 33251-91860 | PIN SET | 1 | | | | 0.023 | 0.0506 |
| 160 | 36330-91540 | PIN LIFT ROD LOWER | 1 | | | | 0.26 | 0.572 |
| 170 | 33251-91860 | PIN SET | 1 | | | | 0.023 | 0.0506 |

HYDRAULIC LIFT LINK 5 (TOP LINK)



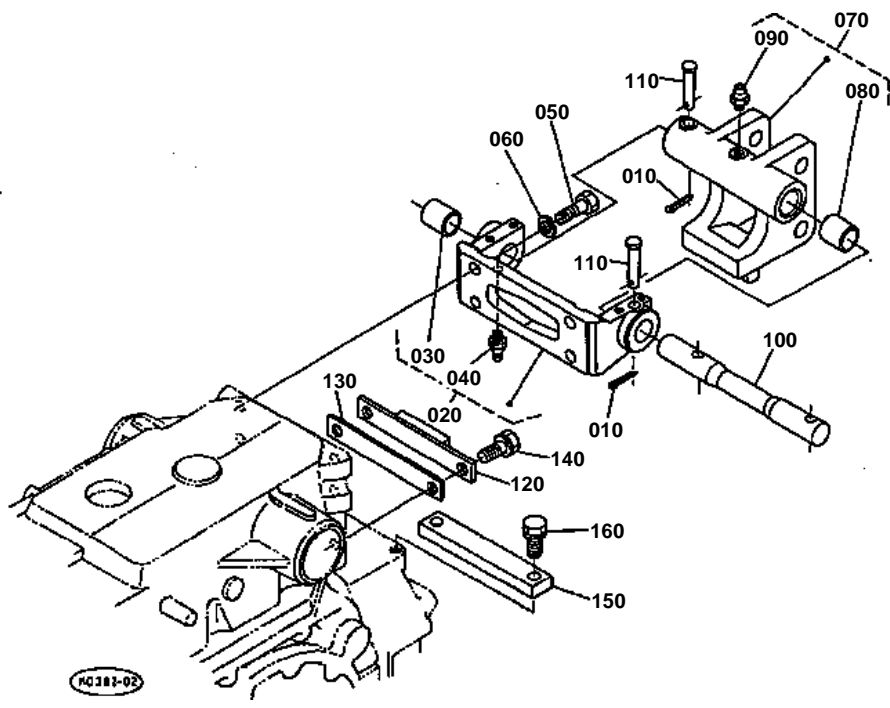


HYDRAULIC LIFT LINK 5 (TOP LINK)

↔ Interchangeable; ≠ not interchangeable; ← new for old; → old for new

| REF.No | Part No. | Description | Q'ty | S.No. | I/C | REMARKS | Weight (kgf) | Weight (lb) |
|--------|-------------|----------------------|------|-------|-----|---------|--------------|-------------|
| 010 | 36330-91702 | ASSY LINK TOP | 1 | | | | 5.3 | 11.66 |
| 020 | 36330-91552 | ASSY LINK TOP FRONT | 1 | | | | 1.63 | 3.586 |
| 030 | 36330-91790 | PIN | 1 | | | | 0.007 | 0.0154 |
| 040 | 36330-91612 | ASSY LINK TOP REAR | 1 | | | | 1.55 | 3.41 |
| 050 | 36330-91790 | PIN | 1 | | | | 0.007 | 0.0154 |
| 060 | 33400-91590 | NUT TOP LINK | 1 | | | | 0.11 | 0.242 |
| 070 | 36330-91620 | ASSY SLEEVE TOP LINK | 1 | | | | 2.5 | 5.5 |
| 080 | 36330-91693 | SPRING HANDLE LOCK | 2 | | | | 0.01 | 0.022 |
| 090 | 36330-91643 | HANDLE TOP LINK | 2 | | | | 0.175 | 0.385 |
| 100 | 05122-50635 | PIN JOINT | 2 | | | | 0.01 | 0.022 |
| 110 | 04012-50060 | WASHER PLAIN | 2 | | | | 0.001 | 0.0022 |
| 120 | 05511-51610 | PIN SPLIT | 2 | | | | 0.001 | 0.0022 |
| 130 | 06613-10010 | NIPPLE GREASE | 1 | | | | 0.006 | 0.0132 |
| 140 | 36330-91650 | ASSY PIN TOP LINK | 1 | | | | 0.375 | 0.825 |
| 145 | 36330-91660 | PIN TOP LINK | 1 | | | | 0.3 | 0.66 |
| 150 | 36200-91840 | ASSY PIN SET | 1 | | | | 0.06 | 0.132 |
| 160 | 36330-91720 | COLLAR ADJUSTING | 1 | | | | 0.065 | 0.143 |
| 170 | 36330-91743 | ASSY PIN TOP LINK | 1 | | | | 0.3 | 0.66 |
| 180 | 36330-91752 | PIN TOP LINK REAR | 1 | | | | 0.25 | 0.55 |
| 190 | 36200-91840 | ASSY PIN SET | 1 | | | | 0.06 | 0.132 |
| 200 | 36330-91773 | ASSY PIN TOP LINK | 1 | | | | 0.55 | 1.21 |
| 210 | 36330-91762 | PIN TOP LINK REAR | 1 | | | | 0.49 | 1.078 |
| 220 | 36200-91840 | ASSY PIN SET | 1 | | | | 0.06 | 0.132 |
| 230 | 36330-91960 | HOLDER TOP LINK | 1 | | | | 0.06 | 0.132 |
| 240 | 35569-91970 | PLATE LOCK | 1 | | | | 0.08 | 0.176 |
| 250 | 01123-50820 | BOLT | 2 | | | | 0.011 | 0.0242 |

TOP LINK BRACKET



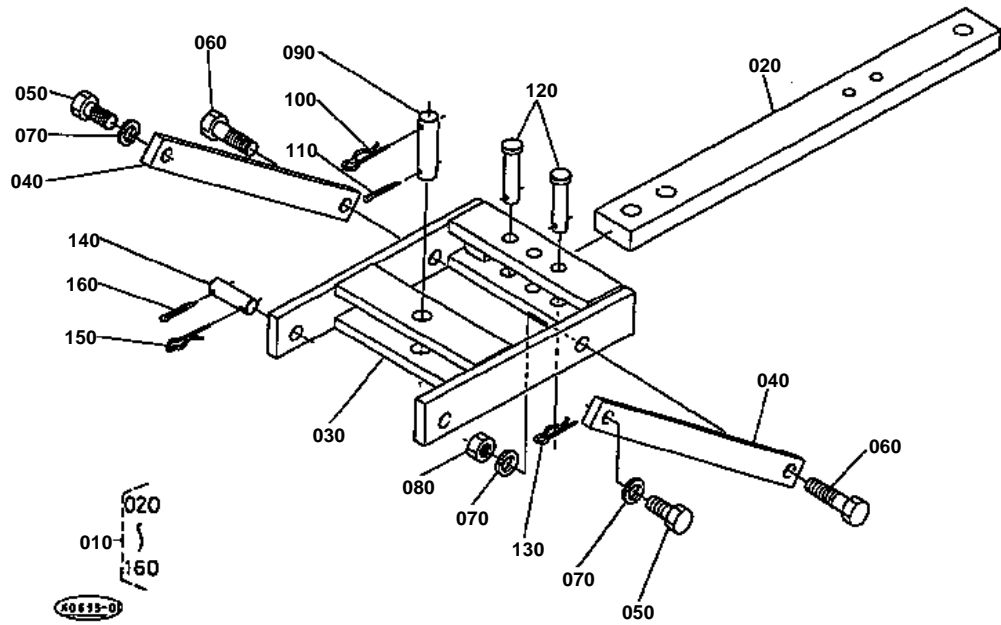


TOP LINK BRACKET

↔ Interchangeable; ≠ not interchangeable; ← new for old; → old for new

| REF.No | Part No. | Description | Q'ty | S.No. | I/C | REMARKS | Weight (kgf) | Weight (lb) |
|--------|-------------|----------------------|------|-------|-----|---------|--------------|-------------|
| 020 | 36330-81780 | ASSY BRACKET BAR | 1 | | | | 0 | 0 |
| 030 | 36330-81830 | BUSH | 1 | | | | 0.035 | 0.077 |
| 040 | 06613-10010 | NIPPLE GREASE | 1 | | | | 0.006 | 0.0132 |
| 050 | 01176-51240 | BOLT | 4 | | | | 0.046 | 0.1012 |
| 060 | 04512-50120 | WASHER SPRING | 4 | | | | 0 | 0 |
| 070 | 36330-81800 | ASSY BRACKET TOP LIN | 1 | | | | 0 | 0 |
| 080 | 36330-81830 | BUSH | 1 | | | | 0.035 | 0.077 |
| 090 | 06613-10010 | NIPPLE GREASE | 1 | | | | 0.006 | 0.0132 |
| 100 | 36330-81750 | BAR TORSION | 1 | | | | 1.035 | 2.277 |
| 110 | 36330-81842 | PIN | 2 | | | | 0 | 0 |
| 120 | 36330-81850 | STOPPER | 1 | | | | 0.42 | 0.924 |
| 130 | 36330-81860 | SHIM | 2 | | | 0.1mm | 0.034 | 0.0748 |
| 130 | 36330-81870 | SHIM | 1 | | | 0.5mm | 0.02 | 0.044 |
| 140 | 01133-51230 | BOLT | 2 | | | | 0.04 | 0.088 |
| 150 | 36330-81880 | STOPPER | 1 | | | | 0.69 | 1.518 |
| 160 | 01133-51235 | BOLT | 2 | | | | 0.043 | 0.0946 |

SWINGING DRAWBAR



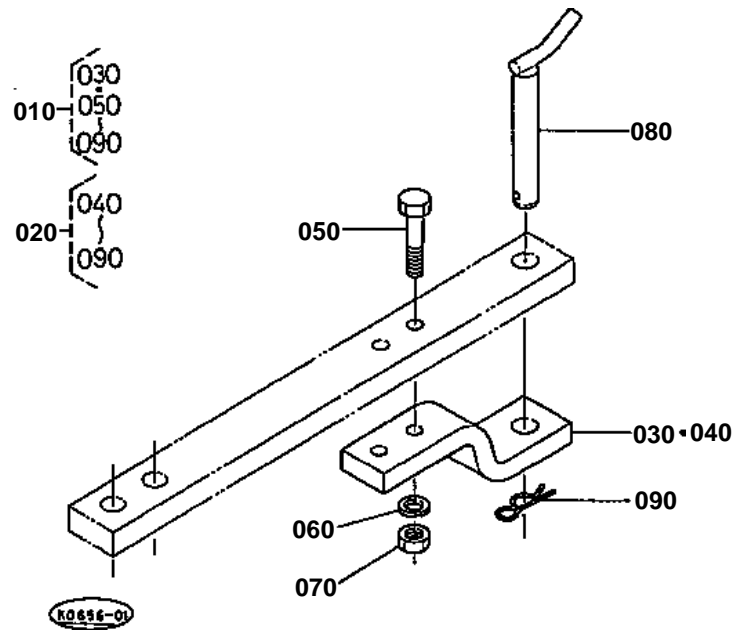


SWINGING DRAWBAR

↔ Interchangeable; ≠ not interchangeable; ← new for old; → old for new

| REF.No | Part No. | Description | Q'ty | S.No. | I/C | REMARKS | Weight (kgf) | Weight (lb) |
|--------|-------------|---------------------|------|-------|-----|---------|--------------|-------------|
| 010 | 35820-89100 | ASSY DRAWBAR SWING. | 1 | | | [A] | 33 | 72.6 |
| 020 | 36330-89120 | DRAWBAR | 1 | | | [A] | 10.2 | 22.44 |
| 030 | 35822-89320 | MEMBER CROSS | 1 | | | | 15 | 33 |
| 040 | 36330-89330 | PLATE SIDE | 2 | | | | 2.1 | 4.62 |
| 050 | 01173-52045 | BOLT | 2 | | | | 0.162 | 0.3564 |
| 060 | 01173-52055 | BOLT | 2 | | | | 0.183 | 0.4026 |
| 070 | 04512-50200 | WASHER SPRING | 4 | | | | 0 | 0 |
| 080 | 02174-50200 | NUT | 2 | | | | 0.04 | 0.088 |
| 090 | 33251-89340 | PIN DRAWBAR | 1 | | | | 0 | 0 |
| 100 | 33251-89310 | PIN SET | 1 | | | | 0.032 | 0.0704 |
| 110 | 05511-50540 | PIN SPLIT | 1 | | | | 0.009 | 0.0198 |
| 120 | 05122-51885 | PIN JOINT | 2 | | | | 0.18 | 0.396 |
| 130 | 05515-51600 | PIN SNAP | 2 | | | | 0.007 | 0.0154 |
| 140 | 36200-89360 | PIN SET | 2 | | | | 0.146 | 0.3212 |
| 150 | 33251-89310 | PIN SET | 2 | | | | 0.032 | 0.0704 |
| 160 | 05511-50540 | PIN SPLIT | 2 | | | | 0.009 | 0.0198 |

DRAWBAR HITCH [OPTION]



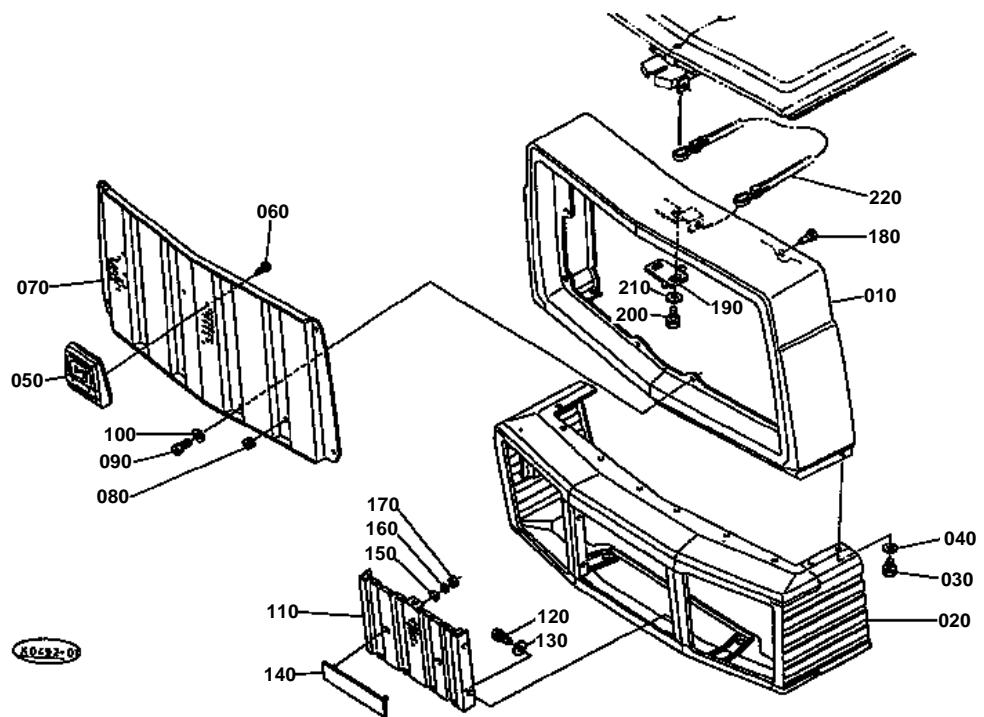


DRAWBAR HITCH [OPTION]

↔ Interchangeable; ≠ not interchangeable; ← new for old; → old for new

| REF.No | Part No. | Description | Q'ty | S.No. | I/C | REMARKS | Weight (kgf) | Weight (lb) |
|--------|-------------|--------------------|------|-------|-----|---------|--------------|-------------|
| 010 | 35820-97570 | ASSY HITCH DRAWBAR | 1 | | | [A] | 4.9 | 10.78 |
| 030 | 36330-89130 | HITCH DRAWBAR | 1 | | | [A] | 3.58 | 7.876 |
| 050 | 01173-51880 | BOLT | 2 | | | | 0.187 | 0.4114 |
| 060 | 04512-50180 | WASHER SPRING | 2 | | | | 0 | 0 |
| 070 | 02174-50180 | NUT | 2 | | | | 0.029 | 0.0638 |
| 080 | 36330-89210 | PIN DRAWBAR | 1 | | | | 0.7 | 1.54 |
| 090 | 33251-89310 | PIN SET | 1 | | | | 0.032 | 0.0704 |

HOOD FRONT (BONNET FRONT)



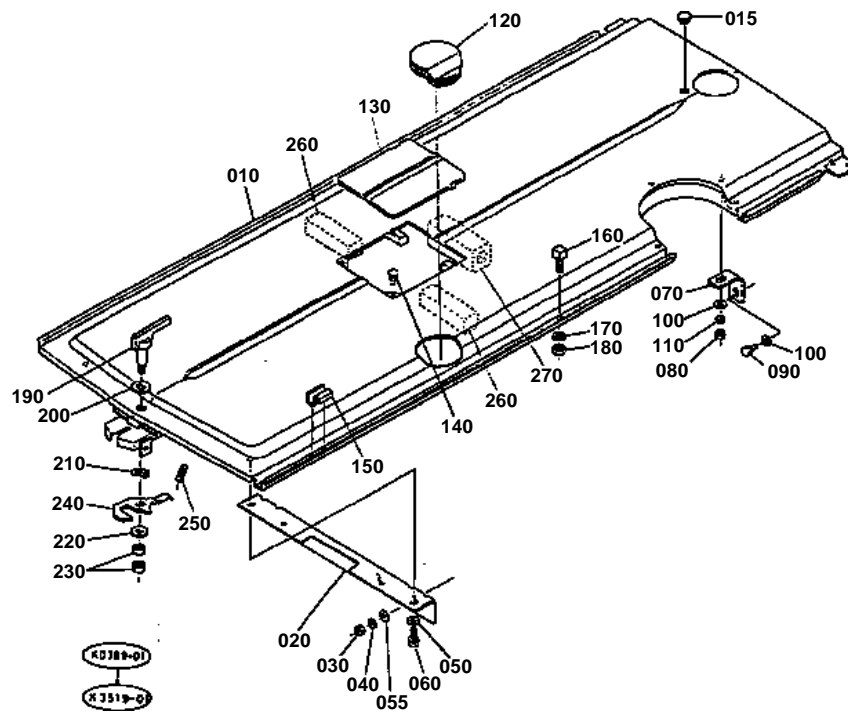


HOOD FRONT (BONNET FRONT)

↔ Interchangeable; ≠ not interchangeable; ← new for old; → old for new

| REF.No | Part No. | Description | Q'ty | S.No. | I/C | REMARKS | Weight (kgf) | Weight (lb) |
|--------|-------------|---------------------|------|-------|-----|---------|--------------|-------------|
| 010 | 35873-83110 | COMP BONNET F.UPPER | 1 | | | | 3.06 | 6.732 |
| 020 | 35873-83160 | COMP BONNET F.LOWER | 1 | | | | 3.4 | 7.48 |
| 030 | 01023-50614 | BOLT | 10 | | | | 0.005 | 0.011 |
| 040 | 04013-50060 | WASHER PLAIN | 10 | | | | 0 | 0 |
| 050 | 36330-83210 | MARK SYMBOL | 1 | | | | 0.04 | 0.088 |
| 060 | 38430-18270 | SCREW | 2 | | | | 0.002 | 0.0044 |
| 070 | 35861-83220 | GRILLE FRONT | 1 | | | | 1 | 2.2 |
| 080 | 36330-87450 | RING RUBBER | 1 | | | | 0.001 | 0.0022 |
| 090 | 36330-83270 | BOLT | 8 | | | | 0.006 | 0.0132 |
| 100 | 04013-50060 | WASHER PLAIN | 8 | | | | 0 | 0 |
| 110 | 35820-83240 | NET GRILLE | 1 | | | | 0.25 | 0.55 |
| 120 | 03004-50614 | SCREW WITH WASHER | 6 | | | | 0.006 | 0.0132 |
| 130 | 04013-50060 | WASHER PLAIN | 6 | | | | 0 | 0 |
| 140 | 35861-83190 | MARK FRONT | 1 | | | | 0 | 0 |
| 150 | 04013-50050 | WASHER PLAIN | 2 | | | | 0 | 0 |
| 160 | 04512-50050 | WASHER SPRING | 2 | | | | 0 | 0 |
| 170 | 02054-50050 | NUT | 2 | | | | 0.002 | 0.0044 |
| 180 | 36330-83120 | CUSHION | 2 | | | | 0.001 | 0.0022 |
| 190 | 36330-83260 | STOPPER | 1 | | | | 0.06 | 0.132 |
| 200 | 01123-50820 | BOLT | 2 | | | | 0.011 | 0.0242 |
| 210 | 04015-50080 | WASHER PLAIN | 2 | | | | 0 | 0 |
| 220 | 33740-83290 | SUSPENDER | 1 | | | | 0.03 | 0.066 |

HOOD (BONNET)



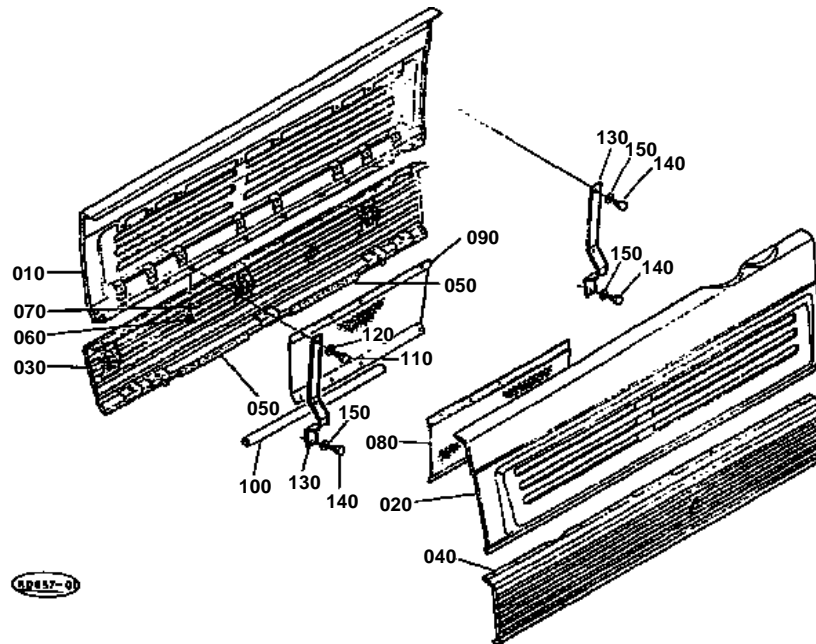


HOOD (BONNET)

↔ Interchangeable; ≠ not interchangeable; ← new for old; → old for new

| REF.No | Part No. | Description | Q'ty | S.No. | I/C | REMARKS | Weight (kgf) | Weight (lb) |
|--------|-------------|--------------------|------|-------|-----|---------|--------------|-------------|
| 010 | 35810-83313 | ASSY BONNET | 1 | | | | 10 | 22 |
| 015 | 38240-29570 | PLUG | 1 | | | | 0.001 | 0.0022 |
| 020 | 36730-83352 | SUPPORT BONNET | 1 | | | | 0.55 | 1.21 |
| 030 | 02114-50080 | NUT | 4 | | | | 0.005 | 0.011 |
| 040 | 04512-50080 | WASHER SPRING | 4 | | | | 0 | 0 |
| 050 | 04015-50080 | WASHER PLAIN | 2 | | | | 0 | 0 |
| 055 | 04013-50080 | WASHER PLAIN | 4 | | | | 0 | 0 |
| 060 | 01123-50816 | BOLT | 2 | | | | 0 | 0 |
| 070 | 36330-83340 | SUPPORT BONNET | 1 | | | | 0.05 | 0.11 |
| 080 | 02114-50080 | NUT | 1 | | | | 0.005 | 0.011 |
| 090 | 01123-50816 | BOLT | 1 | | | | 0 | 0 |
| 100 | 04013-50080 | WASHER PLAIN | 2 | | | | 0 | 0 |
| 110 | 04512-50080 | WASHER SPRING | 1 | | | | 0 | 0 |
| 120 | 35820-83910 | COVER RUBBER | 1 | | | | 0.1 | 0.22 |
| 130 | 33740-83360 | COVER BONNET | 1 | | | | 0.15 | 0.33 |
| 140 | 32280-18180 | CUSHION | 2 | | | | 0.001 | 0.0022 |
| 150 | 31351-18620 | CUSHION | 8 | | | | 0.01 | 0.022 |
| 160 | 36330-83332 | PIN SET | 2 | | | | 0.01 | 0.022 |
| 170 | 04512-50050 | WASHER SPRING | 2 | | | | 0 | 0 |
| 180 | 02054-50050 | NUT | 2 | | | | 0.002 | 0.0044 |
| 190 | 36330-83382 | HANDLE BONNET | 1 | | | | 0.135 | 0.297 |
| 200 | 33251-83850 | WASHER HANDLE | 1 | | | | 0.001 | 0.0022 |
| 210 | 33251-83950 | WASHER SPRING | 1 | | | | 0.001 | 0.0022 |
| 220 | 04013-50080 | WASHER PLAIN | 1 | | | | 0 | 0 |
| 230 | 02114-50080 | NUT | 2 | | | | 0.005 | 0.011 |
| 240 | 36330-83390 | HOLDER BONNET LOCK | 1 | | | | 0.055 | 0.121 |
| 250 | 36330-83420 | SPRING LOCK | 1 | | | | 0.006 | 0.0132 |
| 260 | 35880-83490 | ELEMENT | 2 | | | | 0.01 | 0.022 |
| 270 | 36330-83480 | CUSHION | 1 | | | | 0.1 | 0.22 |

HOOD SIDE 1 (BONNET SIDE 1)



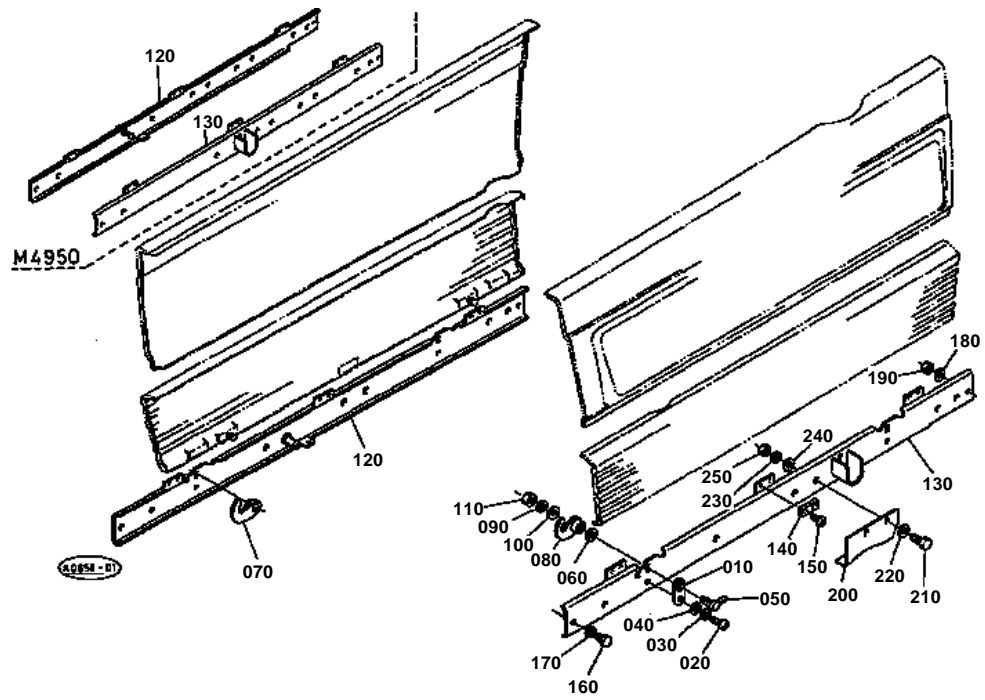


HOOD SIDE 1 (BONNET SIDE 1)

↔ Interchangeable; ≠ not interchangeable; ← new for old; → old for new

| REF.No | Part No. | Description | Q'ty | S.No. | I/C | REMARKS | Weight (kgf) | Weight (lb) |
|--------|-------------|---------------------|------|-------|-----|---------|--------------|-------------|
| 010 | 35830-83430 | PLATE SIDE UPPER RH | 1 | | | | 5 | 11 |
| 020 | 35830-83440 | PLATE SIDE UPPER LH | 1 | | | | 5 | 11 |
| 030 | 35830-83460 | COMP.PLATE SIDE RH | 1 | | | | 2.7 | 5.94 |
| 040 | 35830-83510 | COMP.PLATE SIDE LH | 1 | | | | 2.64 | 5.808 |
| 050 | 36330-83472 | CUSHION | 4 | | | | 0.03 | 0.066 |
| 060 | 01023-50614 | BOLT | 23 | | | | 0.005 | 0.011 |
| 070 | 04013-50060 | WASHER PLAIN | 23 | | | | 0 | 0 |
| 080 | 35822-83570 | COVER SAFETY LH | 1 | | | | 0.41 | 0.902 |
| 090 | 35822-83560 | COVER SAFETY RH | 1 | | | | 0.41 | 0.902 |
| 100 | 35822-83580 | CUSHION | 2 | | | | 0.06 | 0.132 |
| 110 | 01023-50614 | BOLT | 8 | | | | 0.005 | 0.011 |
| 120 | 04013-50060 | WASHER PLAIN | 8 | | | | 0 | 0 |
| 130 | 36330-83590 | PLATE REINFORCING | 6 | | | | 0.21 | 0.462 |
| 140 | 01023-50614 | BOLT | 18 | | | | 0.005 | 0.011 |
| 150 | 04015-50060 | WASHER PLAIN | 18 | | | | 0 | 0 |

HOOD SIDE 2 (BONNET SIDE 2)

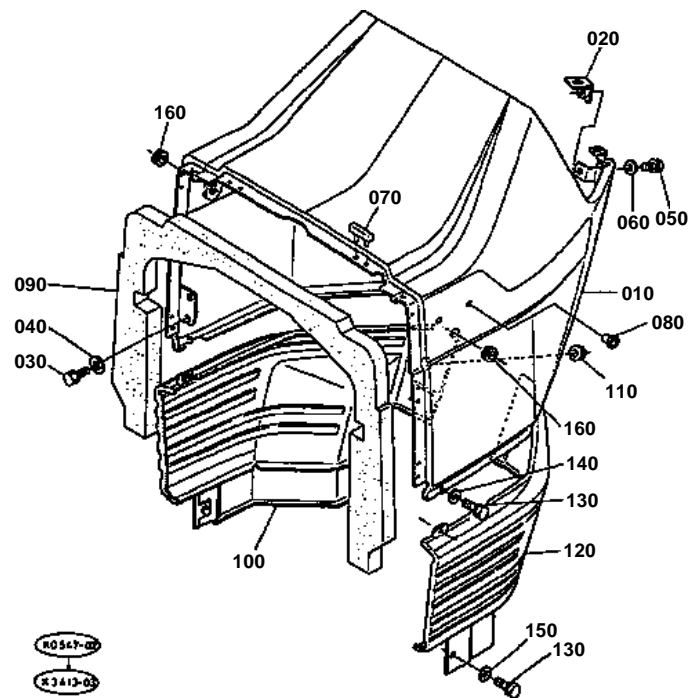


**HOOD SIDE 2 (BONNET SIDE 2)**

↔ Interchangeable; ≠ not interchangeable; ← new for old; → old for new

| REF.No | Part No. | Description | Q'ty | S.No. | I/C | REMARKS | Weight (kgf) | Weight (lb) |
|--------|-------------|---------------------|------|-------|-----|---------|--------------|-------------|
| 010 | 36330-83550 | SUPPORT HANDLE | 4 | | | | 0.04 | 0.088 |
| 020 | 36330-83630 | SCREW PAN HEAD | 4 | | | | 0.02 | 0.044 |
| 030 | 04512-50100 | WASHER SPRING | 4 | | | | 0 | 0 |
| 040 | 04013-50100 | WASHER PLAIN | 4 | | | | 0 | 0 |
| 050 | 36330-83840 | HANDLE BONNET COVER | 4 | | | | 0.12 | 0.264 |
| 060 | 33251-83950 | WASHER SPRING | 4 | | | | 0.001 | 0.0022 |
| 070 | 33251-83860 | HOOK BONNET COVER | 2 | | | | 0.053 | 0.1166 |
| 080 | 36330-83850 | HOOK BONNET COVER | 2 | | | | 0.05 | 0.11 |
| 090 | 04512-50080 | WASHER SPRING | 4 | | | | 0 | 0 |
| 100 | 04012-50080 | WASHER PLAIN | 4 | | | | 0.001 | 0.0022 |
| 110 | 02114-50080 | NUT | 4 | | | | 0.005 | 0.011 |
| 120 | 36230-83615 | FRAME RH | 1 | | | | 5.7 | 12.54 |
| 130 | 36230-83620 | FRAME LH | 1 | | | | 5.7 | 12.54 |
| 140 | 37150-18180 | CUSHION | 6 | | | | 0.015 | 0.033 |
| 150 | 03024-50512 | SCREW WITH WASHER | 12 | | | | 0.003 | 0.0066 |
| 160 | 01173-51220 | BOLT | 8 | | | | 0.03 | 0.066 |
| 170 | 04512-50120 | WASHER SPRING | 10 | | | | 0 | 0 |
| 180 | 04013-50120 | WASHER PLAIN | 1 | | | | 0 | 0 |
| 190 | 02172-50120 | NUT | 2 | | | | 0.01 | 0.022 |

HOOD REAR (BONNET REAR)



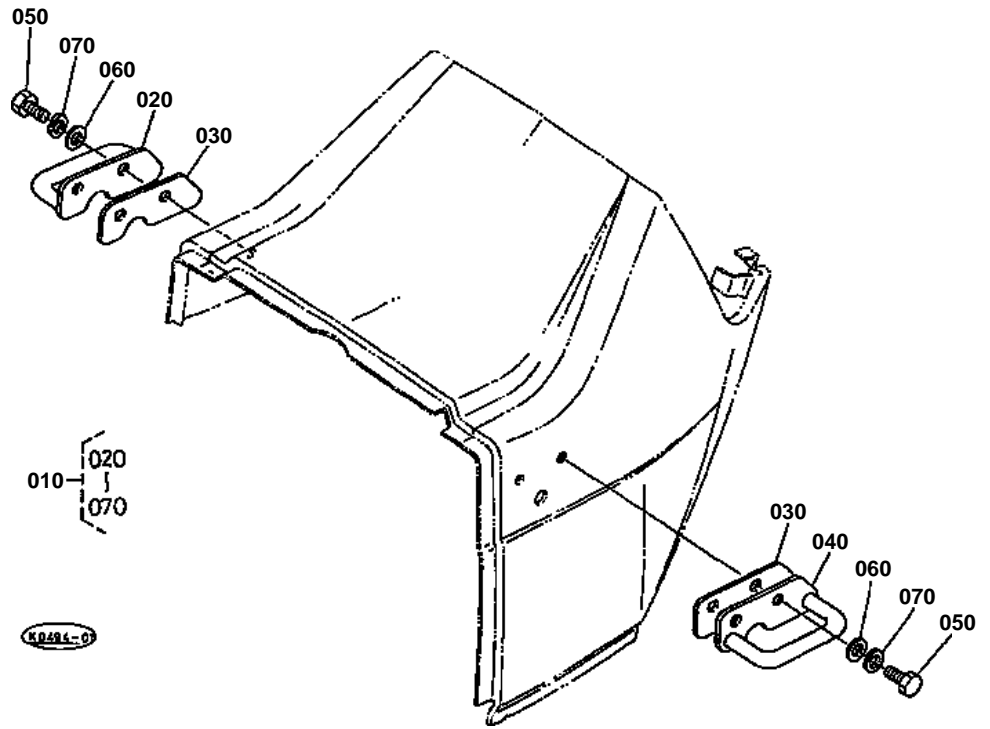


HOOD REAR (BONNET REAR)

↔ Interchangeable; ≠ not interchangeable; ← new for old; → old for new

| REF.No | Part No. | Description | Q'ty | S.No. | I/C | REMARKS | Weight (kgf) | Weight (lb) |
|--------|-------------|----------------------|------|-------|-----|---------|--------------|-------------|
| 010 | 35873-83650 | COMP.BONNET REAR | 1 | | | | 10.5 | 23.1 |
| 020 | 36330-83660 | PLATE BONNET REAR | 2 | | | | 0.04 | 0.088 |
| 030 | 01133-51025 | BOLT | 4 | | | | 0.023 | 0.0506 |
| 040 | 04015-50100 | WASHER PLAIN | 2 | | | | 0.016 | 0.0352 |
| 050 | 01123-50820 | BOLT | 2 | | | | 0.011 | 0.0242 |
| 060 | 04013-50080 | WASHER PLAIN | 2 | | | | 0 | 0 |
| 070 | 36330-83670 | CUSHION | 8 | | | | 0.006 | 0.0132 |
| 080 | 66591-54390 | PLUG BLIND | 4 | | | | 0.001 | 0.0022 |
| 090 | 36530-54710 | ELEMENT BONNET REAR | 1 | | | | 0.2 | 0.44 |
| 100 | 35830-83730 | BONNET REAR LOWER RH | 1 | | | | 0 | 0 |
| 110 | 32150-29180 | CAP RUBBER | 1 | | | | 0.002 | 0.0044 |
| 120 | 35830-83740 | BONNET REAR LOWER LH | 1 | | | | 0 | 0 |
| 130 | 01023-50620 | BOLT | 8 | | | | 0.006 | 0.0132 |
| 140 | 04013-50060 | WASHER PLAIN | 4 | | | | 0 | 0 |
| 150 | 04015-50060 | WASHER PLAIN | 4 | | | | 0 | 0 |
| 160 | 34159-34290 | PLUG | 2 | | | | 0.004 | 0.0088 |

HANDRAIL [OPTION]



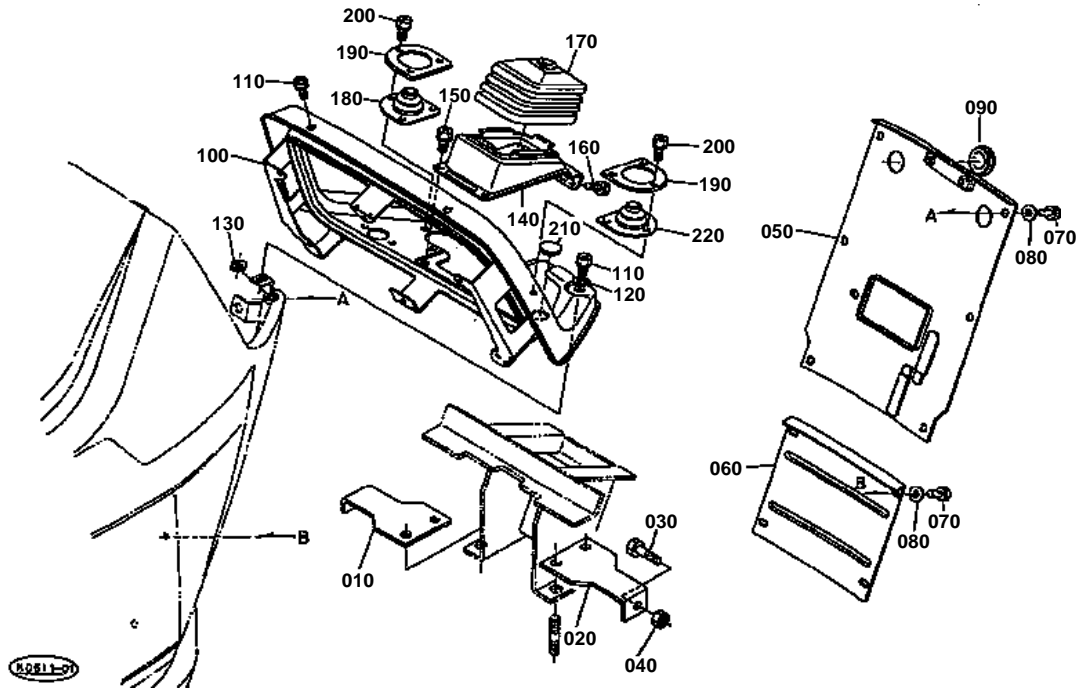


HANDRAIL [OPTION]

↔ Interchangeable; ≠ not interchangeable; ← new for old; → old for new

| REF.No | Part No. | Description | Q'ty | S.No. | I/C | REMARKS | Weight (kgf) | Weight (lb) |
|--------|-------------|-----------------|------|-------|-----|---------|--------------|-------------|
| 010 | 35820-97650 | ASSY BALUSTRADE | 1 | | | | 1.845 | 4.059 |
| 020 | 35820-83920 | BALUSTRADE RH | 1 | | | | 0.86 | 1.892 |
| 030 | 35820-83930 | CUSHION | 2 | | | | 0.02 | 0.044 |
| 040 | 35820-83940 | BALUSTRADE LH | 1 | | | | 0.85 | 1.87 |
| 050 | 35820-83960 | BOLT | 4 | | | | 0.02 | 0.044 |
| 060 | 04013-50100 | WASHER PLAIN | 4 | | | | 0 | 0 |
| 070 | 04512-50100 | WASHER SPRING | 4 | | | | 0 | 0 |

PANEL AND REAR COVER

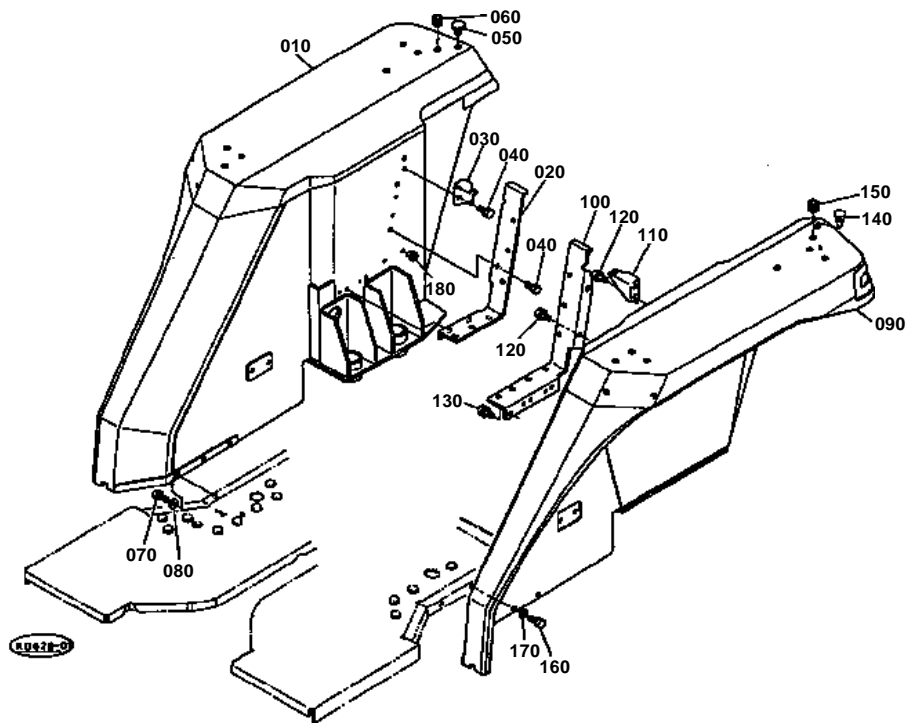




PANEL AND REAR COVER

↔ Interchangeable; ≠ not interchangeable; ← new for old; → old for new

| REF.No | Part No. | Description | Q'ty | S.No. | I/C | REMARKS | Weight (kgf) | Weight (lb) |
|--------|-------------|-------------------|------|-------|-----|---------|--------------|-------------|
| 010 | 36330-83765 | PLATE BONNET RH | 1 | | | | 0.3 | 0.66 |
| 020 | 36330-83775 | PLATE BONNET LH | 1 | | | | 0.3 | 0.66 |
| 030 | 01173-51030 | BOLT | 2 | | | | 0.023 | 0.0506 |
| 040 | 02118-50100 | NUT | 2 | | | | 0.005 | 0.011 |
| 050 | 35830-83810 | COVER REAR | 1 | | | | 0.6 | 1.32 |
| 060 | 35873-83820 | COVER REAR | 1 | | | | 0.24 | 0.528 |
| 070 | 01023-50616 | BOLT | 10 | | | | 0.005 | 0.011 |
| 080 | 04013-50060 | WASHER PLAIN | 10 | | | | 0 | 0 |
| 090 | 36330-83830 | PLUG BLIND | 2 | | | | 0.01 | 0.022 |
| 100 | 36330-83703 | COMP.PANEL | 1 | | | | 1.22 | 2.684 |
| 110 | 36330-83270 | BOLT | 4 | | | | 0.006 | 0.0132 |
| 120 | 31351-18860 | WASHER | 2 | | | | 0.002 | 0.0044 |
| 130 | 38240-29250 | NUT SPRING | 2 | | | | 0.005 | 0.011 |
| 140 | 36330-83790 | HOLDER POST COVER | 1 | | | | 0.15 | 0.33 |
| 150 | 36330-83270 | BOLT | 2 | | | | 0.006 | 0.0132 |
| 160 | 35820-83972 | BOLT | 2 | | | | 0.01 | 0.022 |
| 170 | 36530-83780 | COVER POST | 1 | | | | 0.09 | 0.198 |
| 180 | 36330-83860 | COVER HANDLE | 1 | | | | 0.01 | 0.022 |
| 190 | 36330-83870 | RETAINER COVER | 2 | | | | 0.03 | 0.066 |
| 200 | 36330-83270 | BOLT | 6 | | | | 0.006 | 0.0132 |
| 210 | 36330-83890 | PLUG BLIND | 2 | | | | 0.001 | 0.0022 |
| 220 | 36830-83880 | COVER | 1 | | | | 0.01 | 0.022 |

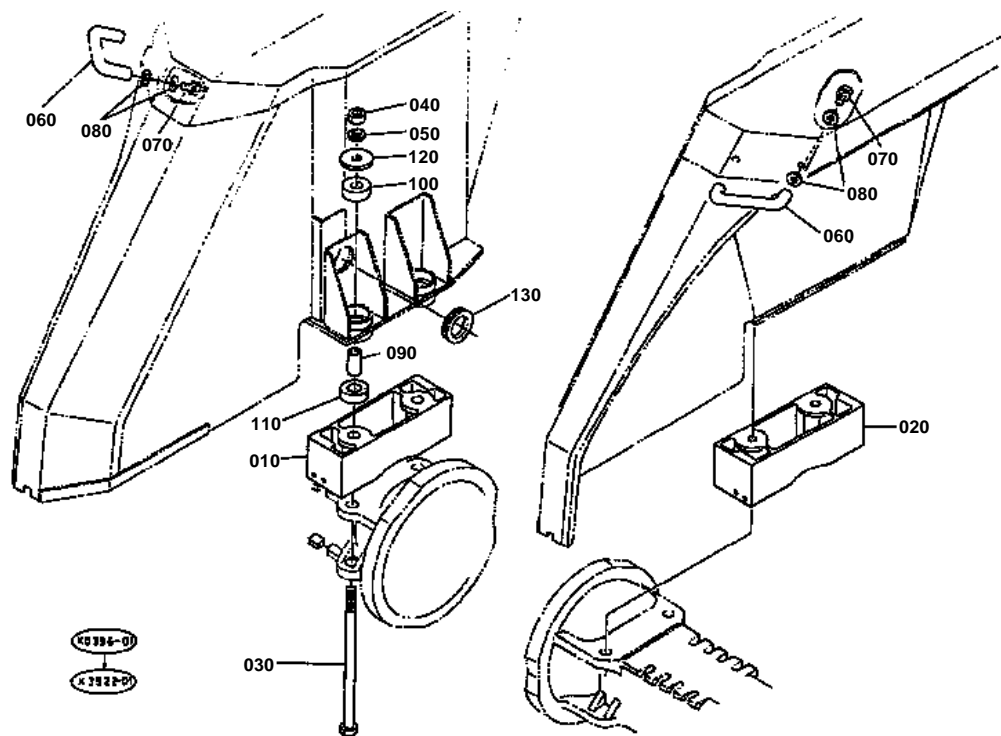


**FENDER**

↔ Interchangeable; ≠ not interchangeable; ← new for old; → old for new

| REF.No | Part No. | Description | Q'ty | S.No. | I/C | REMARKS | Weight (kgf) | Weight (lb) |
|--------|-------------|-------------------|------|-------|-----|---------|--------------|-------------|
| 010 | 35830-87010 | COMP.FENDER RH | 1 | | | | 50 | 110 |
| 020 | 35873-87260 | BRACKET RH | 1 | | | | 0.7 | 1.54 |
| 030 | 35873-87270 | BRACKET RH | 1 | | | | 0.16 | 0.352 |
| 040 | 01133-51020 | BOLT | 6 | | | | 0.02 | 0.044 |
| 050 | 38240-29290 | PLUG | 1 | | | | 0.001 | 0.0022 |
| 060 | 13582-57820 | CUSHION CHOKE ROD | 1 | | | | 0.002 | 0.0044 |
| 070 | 01133-51020 | BOLT | 4 | | | | 0.02 | 0.044 |
| 080 | 04013-50100 | WASHER PLAIN | 4 | | | | 0 | 0 |
| 090 | 35830-87020 | COMP.FENDER LH | 1 | | | | 50 | 110 |
| 100 | 35873-87540 | BRACKET LH | 1 | | | | 0.82 | 1.804 |
| 110 | 35873-87550 | BRACKET LH | 1 | | | | 0.16 | 0.352 |
| 120 | 01133-51020 | BOLT | 6 | | | | 0.02 | 0.044 |
| 130 | 01133-51016 | BOLT | 1 | | | | 0.015 | 0.033 |
| 140 | 38240-29290 | PLUG | 1 | | | | 0.001 | 0.0022 |
| 150 | 13582-57820 | CUSHION CHOKE ROD | 1 | | | | 0.002 | 0.0044 |
| 160 | 01133-51020 | BOLT | 4 | | | | 0.02 | 0.044 |
| 170 | 04013-50100 | WASHER PLAIN | 4 | | | | 0 | 0 |
| 180 | 66591-51130 | PLUG BLIND | 4 | | | | 0.001 | 0.0022 |

FENDER BRACKET



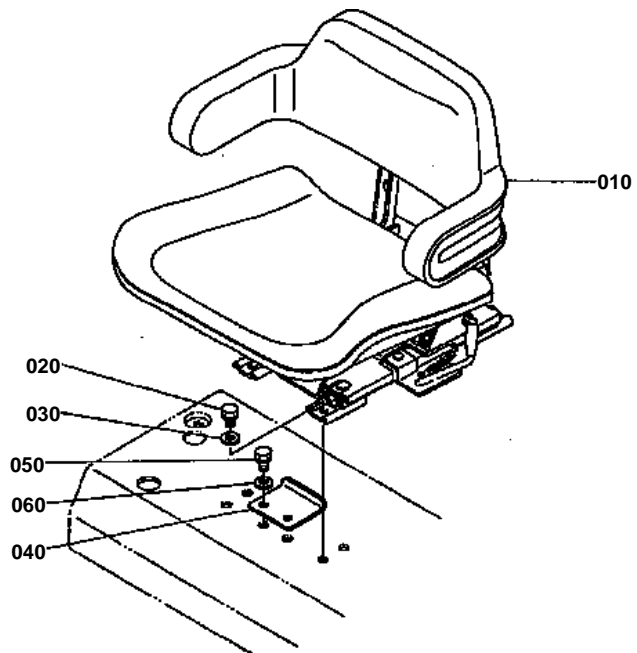


FENDER BRACKET

↔ Interchangeable; ≠ not interchangeable; ← new for old; → old for new

| REF.No | Part No. | Description | Q'ty | S.No. | I/C | REMARKS | Weight (kgf) | Weight (lb) |
|--------|-------------|-------------------|------|-------|-----|---------|--------------|-------------|
| 010 | 36330-87040 | BRACKET FENDER RH | 1 | | | | 8 | 17.6 |
| 020 | 36330-87120 | BRACKET FENDER LH | 1 | | | | 7.9 | 17.38 |
| 030 | 36330-87050 | BOLT | 4 | | | | 0.79 | 1.738 |
| 040 | 02076-50180 | NUT | 4 | | | | 0.044 | 0.0968 |
| 050 | 04512-50180 | WASHER SPRING | 4 | | | | 0 | 0 |
| 060 | 36330-87183 | BALUSTRAD | 2 | | | | 0.51 | 1.122 |
| 070 | 01173-51020 | BOLT | 4 | | | | 0.017 | 0.0374 |
| 080 | 04013-50100 | WASHER PLAIN | 8 | | | | 0 | 0 |
| 090 | 36330-87030 | COLLAR | 4 | | | | 0.09 | 0.198 |
| 100 | 36330-87160 | CUSHION | 4 | | | | 0.03 | 0.066 |
| 110 | 35820-87160 | CUSHION | 4 | | | | 0.05 | 0.11 |
| 120 | 36330-87170 | WASHER | 4 | | | | 0.17 | 0.374 |
| 130 | 36330-87370 | COVER RUBBER | 2 | | | | 0.005 | 0.011 |

SEAT



40516-00

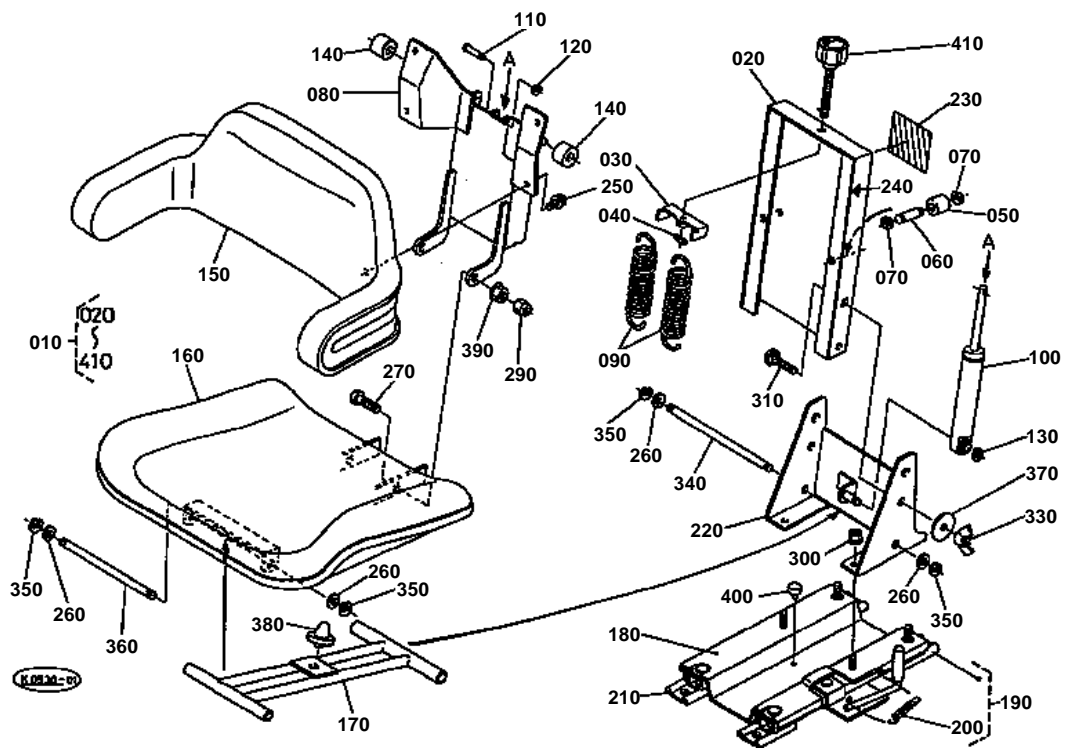


SEAT

↔ Interchangeable; ≠ not interchangeable; ← new for old; → old for new

| REF.No | Part No. | Description | Q'ty | S.No. | I/C | REMARKS | Weight (kgf) | Weight (lb) |
|--------|-------------|--------------|------|-------|-----|---------|--------------|-------------|
| 010 | 35820-85010 | ASSY SEAT | 1 | | | | 23 | 50.6 |
| 020 | 01133-51025 | BOLT | 4 | | | | 0.023 | 0.0506 |
| 030 | 04013-50100 | WASHER PLAIN | 4 | | | | 0 | 0 |
| 040 | 35820-85112 | STOPPER SEAT | 1 | | | | 0.1 | 0.22 |
| 050 | 01123-50820 | BOLT | 2 | | | | 0.011 | 0.0242 |
| 060 | 04013-50080 | WASHER PLAIN | 2 | | | | 0 | 0 |

SEAT [COMPONENT PARTS]



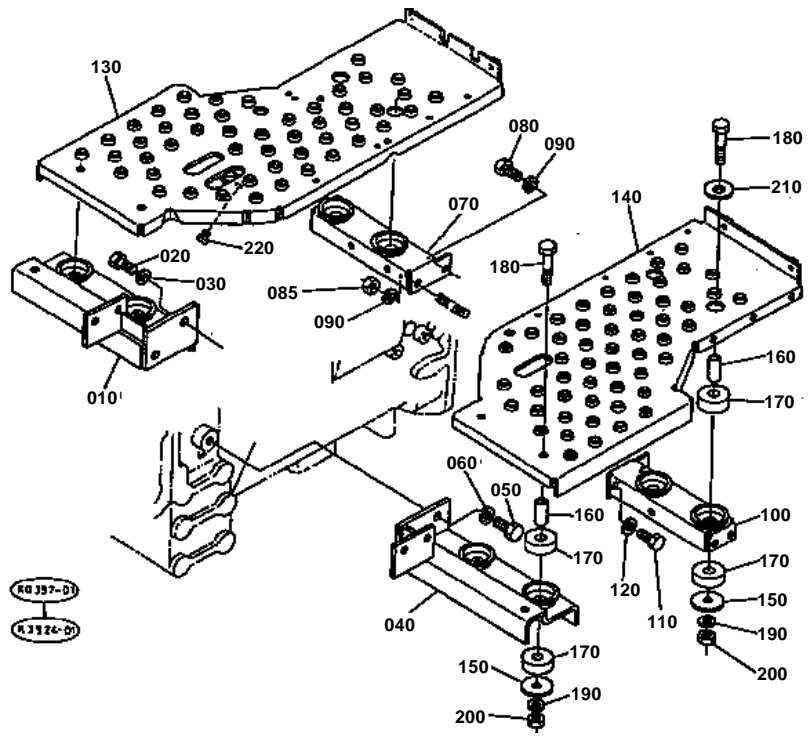


SEAT [COMPONENT PARTS]

↔ Interchangeable; ≠ not interchangeable; ← new for old; → old for new

| REF.No | Part No. | Description | Q'ty | S.No. | I/C | REMARKS | Weight (kgf) | Weight (lb) |
|--------|-------------|-------------------|------|-------|-----|---------|--------------|-------------|
| 010 | 35820-85010 | ASSY SEAT | 1 | | | | 23 | 50.6 |
| 020 | 35820-85170 | COMP.CASE OUTER | 1 | | | | 2.9 | 6.38 |
| 030 | 36530-85290 | COMP.NUT HANGER | 1 | | | | 0.09 | 0.198 |
| 040 | 05411-00414 | PIN SPRING | 1 | | | | 0.001 | 0.0022 |
| 050 | 35820-85460 | COMP.ROLLER | 2 | | | | 0.014 | 0.0308 |
| 060 | 35820-85300 | SHAFT | 2 | | | | 0.04 | 0.088 |
| 070 | 04613-00050 | CIR-CLIP EXTERNAL | 4 | | | | 0 | 0 |
| 080 | 35820-85600 | COMP.CASE INNER | 1 | | | | 2.55 | 5.61 |
| 090 | 36530-85260 | SPRING COIL | 2 | | | | 0.4 | 0.88 |
| 100 | 36530-85270 | DAMPER OIL | 1 | | | | 0.25 | 0.55 |
| 110 | 36530-85340 | PIN DAMPER | 1 | | | | 0.01 | 0.022 |
| 120 | 04613-00030 | CIR-CLIP EXTERNAL | 1 | | | | 0 | 0 |
| 130 | 04612-00100 | CIR-CLIP EXTERNAL | 1 | | | | 0.001 | 0.0022 |
| 140 | 36530-85470 | ROLLER | 2 | | | | 0.022 | 0.0484 |
| 150 | 35820-85400 | ASSY ARM REST | 1 | | | | 2.48 | 5.456 |
| 160 | 35820-85502 | ASSY CUSHION | 1 | | | | 3.68 | 8.096 |
| 170 | 35820-85190 | COMP.ARM SWING | 1 | | | | 1.65 | 3.63 |
| 180 | 36530-85210 | COMP.PLATE BASE | 1 | | | | 1.93 | 4.246 |
| 190 | 36530-85220 | SEAT ADJUST LH | 1 | | | | 1.25 | 2.75 |
| 200 | 36530-85200 | SPRING | 1 | | | | 0.38 | 0.836 |
| 210 | 36530-85230 | SEAT ADJUST RH | 1 | | | | 1.06 | 2.332 |
| 220 | 36530-85180 | COMP.GASSET | 1 | | | | 2 | 4.4 |
| 230 | 36530-85580 | LABEL | 1 | | | | 0.001 | 0.0022 |
| 240 | 36530-85590 | MARK TRIANGLE | 2 | | | | 0.001 | 0.0022 |
| 250 | 36530-85550 | BOLT FLANGE | 4 | | | | 0.014 | 0.0308 |
| 260 | 36530-85380 | WASHER PLAIN | 4 | | | | 0.025 | 0.055 |
| 270 | 35820-85422 | BOLT | 2 | | | | 0.03 | 0.066 |
| 280 | 99999-99999 | BLANK | 0 | | | | 0 | 0 |
| 290 | 35820-85560 | NUT SELF LOCKING | 2 | | | | 0.02 | 0.044 |
| 300 | 02751-50080 | NUT FLANGE | 6 | | | | 0.006 | 0.0132 |
| 310 | 35820-85622 | BOLT | 2 | | | | 0.025 | 0.055 |
| 320 | 99999-99999 | BLANK | 0 | | | | 0 | 0 |
| 330 | 35820-85642 | NUT WING | 2 | | | | 0.02 | 0.044 |
| 340 | 36530-85280 | SHAFT | 1 | | | | 0.2 | 0.44 |
| 350 | 04613-00100 | CIR-CLIP EXTERNAL | 4 | | | | 0.001 | 0.0022 |
| 360 | 35820-85280 | SHAFT | 1 | | | | 0.2 | 0.44 |
| 370 | 35820-85482 | WASHER PLAIN | 2 | | | | 0.01 | 0.022 |
| 380 | 36530-85240 | RUBBER STOPPER | 1 | | | | 0.025 | 0.055 |
| 390 | 35820-85432 | NUT FLANGE | 2 | | | | 0.01 | 0.022 |
| 400 | 36530-85450 | RUBBER PROTECTOR | 2 | | | | 0.003 | 0.0066 |
| 410 | 36530-85310 | HANDLE ADJUSTING | 1 | | | | 0.09 | 0.198 |

STEP

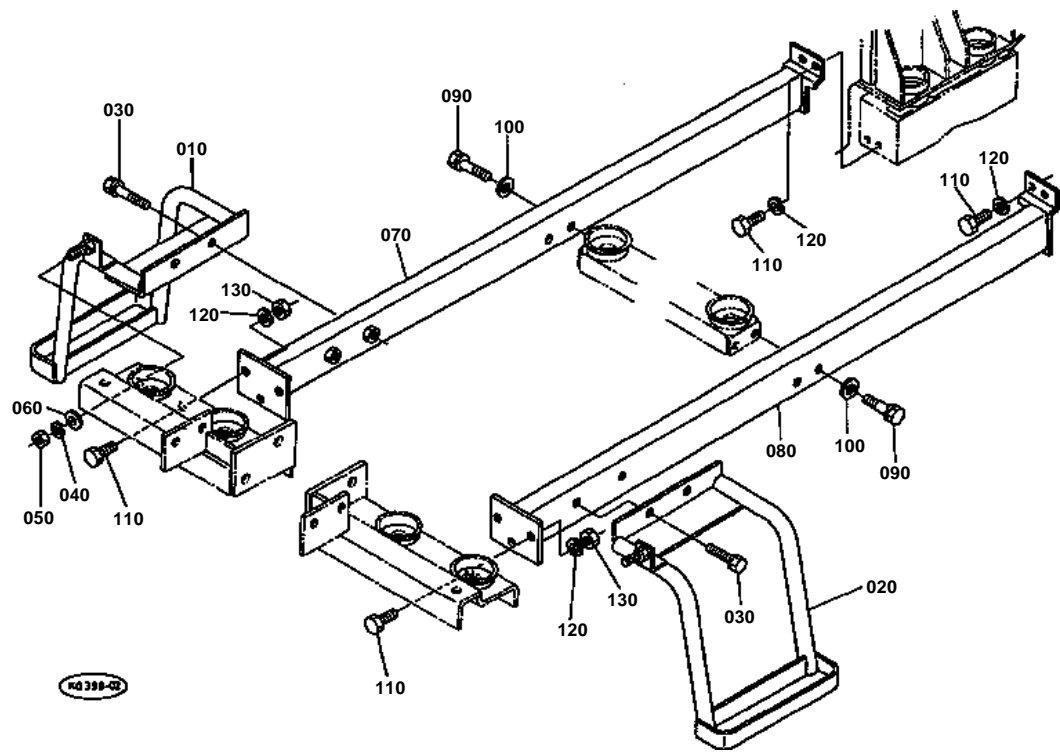


**STEP**

↔ Interchangeable; ≠ not interchangeable; ← new for old; → old for new

| REF.No | Part No. | Description | Q'ty | S.No. | I/C | REMARKS | Weight (kgf) | Weight (lb) |
|--------|-------------|------------------|------|---------|-----|---------|--------------|-------------|
| 010 | 36330-87214 | BRACKET FRONT RH | 1 | | | | 4.45 | 9.79 |
| 020 | 01173-51635 | BOLT | 2 | | | | 0.008 | 0.0176 |
| 030 | 04512-50160 | WASHER SPRING | 2 | | | | 0 | 0 |
| 040 | 36330-87224 | BRACKET FRONT LH | 1 | | | | 4.42 | 9.724 |
| 050 | 01173-51635 | BOLT | 2 | | | | 0.008 | 0.0176 |
| 060 | 04512-50160 | WASHER SPRING | 2 | | | | 0 | 0 |
| 070 | 36330-87235 | BRACKET REAR RH | 1 | | | | 1.2 | 2.64 |
| 080 | 01173-51225 | BOLT | 2 | <=60001 | | | 0.033 | 0.0726 |
| 080 | 01173-51225 | BOLT | 1 | >=60002 | | | 0.033 | 0.0726 |
| 085 | 02174-50120 | NUT | 1 | >=60002 | | | 0.01 | 0.022 |
| 090 | 04512-50120 | WASHER SPRING | 2 | | | | 0 | 0 |
| 100 | 36330-87244 | BRACKET REAR LH | 1 | | | | 1.16 | 2.552 |
| 110 | 01173-51225 | BOLT | 2 | | | | 0.033 | 0.0726 |
| 120 | 04512-50120 | WASHER SPRING | 2 | | | | 0 | 0 |
| 130 | 35822-87060 | STEP RH | 1 | | | | 6.06 | 13.332 |
| 140 | 35822-87070 | STEP LH | 1 | | | | 5.55 | 12.21 |
| 150 | 36330-87080 | WASHER | 8 | | | | 0.05 | 0.11 |
| 160 | 35820-87090 | COLLAR | 8 | | | | 0.055 | 0.121 |
| 170 | 36330-87110 | CUSHION | 16 | | | | 0.05 | 0.11 |
| 180 | 01173-51270 | BOLT | 8 | | | | 0.067 | 0.1474 |
| 190 | 04512-50120 | WASHER SPRING | 8 | | | | 0 | 0 |
| 200 | 02174-50120 | NUT | 8 | | | | 0.01 | 0.022 |
| 210 | 04013-50120 | WASHER PLAIN | 4 | | | | 0 | 0 |
| 220 | 63611-52350 | RUBBER | 3 | | | | 0.001 | 0.0022 |

AID STEP



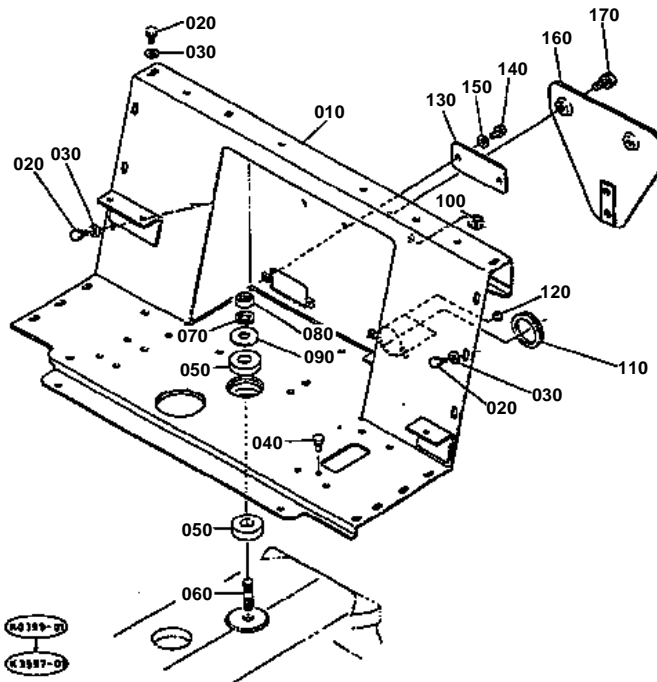


AID STEP

↔ Interchangeable; ≠ not interchangeable; ← new for old; → old for new

| REF.No | Part No. | Description | Q'ty | S.No. | I/C | REMARKS | Weight (kgf) | Weight (lb) |
|--------|-------------|-----------------|------|-------|-----|---------|--------------|-------------|
| 010 | 36330-87302 | STEP AID RH | 1 | | | | 2.75 | 6.05 |
| 020 | 36330-87313 | STEP AID LH | 1 | | | | 3.2 | 7.04 |
| 030 | 01133-51050 | BOLT | 4 | | | | 0.035 | 0.077 |
| 040 | 04512-50100 | WASHER SPRING | 2 | | | | 0 | 0 |
| 050 | 02118-50100 | NUT | 2 | | | | 0.005 | 0.011 |
| 060 | 04013-50100 | WASHER PLAIN | 2 | | | | 0 | 0 |
| 070 | 36330-87350 | FRAME FENDER RH | 1 | | | | 3.8 | 8.36 |
| 080 | 36330-87360 | FRAME FENDER LH | 1 | | | | 3.8 | 8.36 |
| 090 | 01133-51045 | BOLT | 4 | | | | 0.034 | 0.0748 |
| 100 | 04013-50100 | WASHER PLAIN | 4 | | | | 0 | 0 |
| 110 | 01173-51025 | BOLT | 8 | | | | 0.021 | 0.0462 |
| 120 | 04512-50100 | WASHER SPRING | 8 | | | | 0 | 0 |
| 130 | 02118-50100 | NUT | 4 | | | | 0.005 | 0.011 |

CENTER FRAME

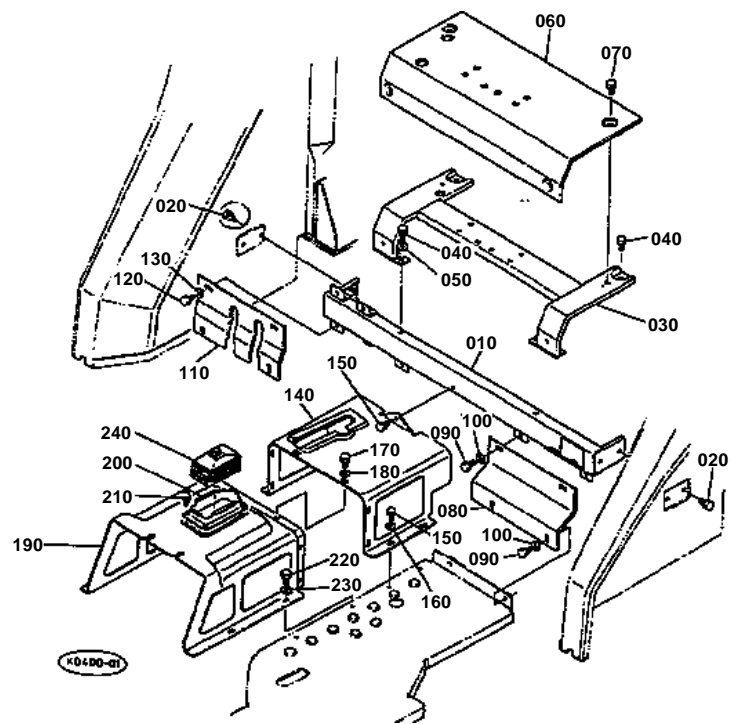


**CENTER FRAME**

↔ Interchangeable; ≠ not interchangeable; ← new for old; → old for new

| REF.No | Part No. | Description | Q'ty | S.No. | I/C | REMARKS | Weight (kgf) | Weight (lb) |
|--------|-------------|-------------------|------|-------|-----|---------|--------------|-------------|
| 010 | 35830-87410 | FRAME CENTER | 1 | | | | 11.6 | 25.52 |
| 020 | 01123-50816 | BOLT | 15 | | | | 0 | 0 |
| 030 | 04013-50080 | WASHER PLAIN | 15 | | | | 0 | 0 |
| 040 | 63611-52350 | RUBBER | 1 | | | | 0.001 | 0.0022 |
| 050 | 35820-87430 | CUSHION | 2 | | | | 0.035 | 0.077 |
| 060 | 01517-51450 | STUD | 1 | | | | 0.08 | 0.176 |
| 070 | 04512-50140 | WASHER SPRING | 1 | | | | 0 | 0 |
| 080 | 02172-50140 | NUT | 1 | | | | 0.01 | 0.022 |
| 090 | 36330-87440 | WASHER | 1 | | | | 0.04 | 0.088 |
| 100 | 36330-87450 | RING RUBBER | 1 | | | | 0.001 | 0.0022 |
| 110 | 36330-87470 | COVER RUBBER | 1 | | | | 0.014 | 0.0308 |
| 120 | 66591-51130 | PLUG BLIND | 2 | | | | 0.001 | 0.0022 |
| 130 | 35822-87400 | COVER | 1 | | | | 0.08 | 0.176 |
| 140 | 03024-50414 | SCREW WITH WASHER | 2 | | | | 0.002 | 0.0044 |
| 150 | 04013-50040 | WASHER PLAIN | 2 | | | | 0 | 0 |
| 160 | 35830-87500 | BRACKET SMV | 1 | | | | 0.52 | 1.144 |
| 170 | 01123-50816 | BOLT | 2 | | | | 0 | 0 |

HOUSING COVER



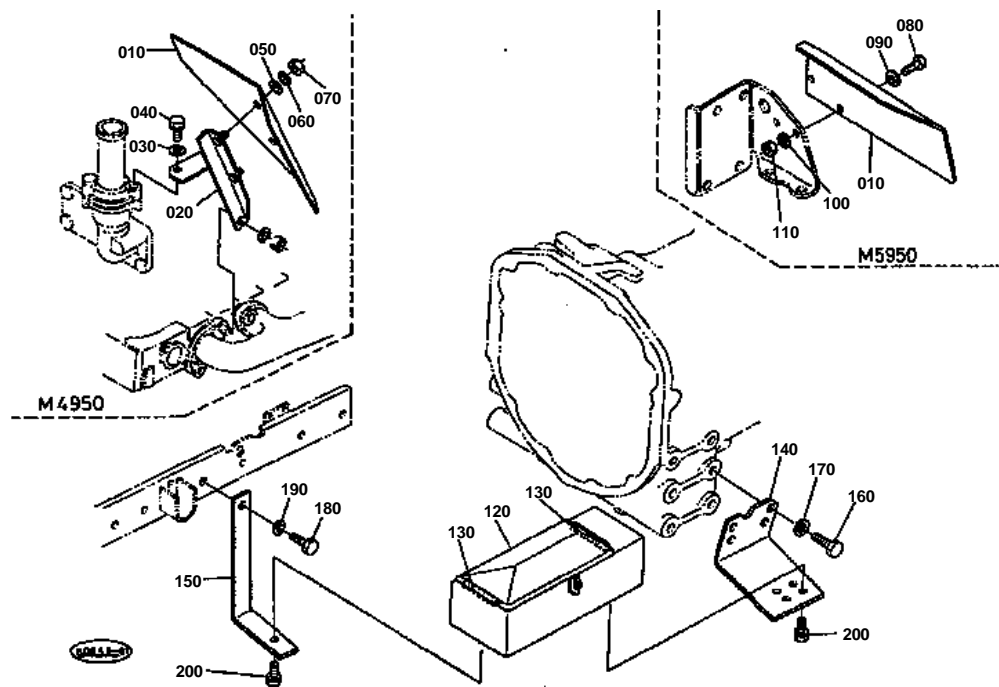


HOUSING COVER

↔ Interchangeable; ≠ not interchangeable; ← new for old; → old for new

| REF.No | Part No. | Description | Q'ty | S.No. | I/C | REMARKS | Weight (kgf) | Weight (lb) |
|--------|-------------|----------------|------|-------|-----|---------|--------------|-------------|
| 010 | 35822-87510 | FRAME FRONT | 1 | | | | 0 | 0 |
| 020 | 01123-50816 | BOLT | 4 | | | | 0 | 0 |
| 030 | 35861-87520 | FRAME SEAT | 1 | | | | 1.6 | 3.52 |
| 040 | 01123-50816 | BOLT | 4 | | | | 0 | 0 |
| 050 | 04013-50080 | WASHER PLAIN | 2 | | | | 0 | 0 |
| 060 | 35861-87530 | COVER | 1 | | | | 1.7 | 3.74 |
| 070 | 01123-50816 | BOLT | 4 | | | | 0 | 0 |
| 080 | 35822-87560 | COVER LOWER LH | 1 | | | | 0.49 | 1.078 |
| 090 | 01123-50816 | BOLT | 4 | | | | 0 | 0 |
| 100 | 04013-50080 | WASHER PLAIN | 4 | | | | 0 | 0 |
| 110 | 35822-87570 | COVER LOWER RH | 1 | | | | 0.38 | 0.836 |
| 120 | 01123-50816 | BOLT | 4 | | | | 0 | 0 |
| 130 | 04013-50080 | WASHER PLAIN | 4 | | | | 0 | 0 |
| 140 | 36330-87612 | COVER HOUSING | 1 | | | | 1.36 | 2.992 |
| 150 | 01123-50816 | BOLT | 5 | | | | 0 | 0 |
| 160 | 04013-50080 | WASHER PLAIN | 4 | | | | 0 | 0 |
| 170 | 01023-50612 | BOLT | 6 | | | | 0.005 | 0.011 |
| 180 | 04013-50060 | WASHER PLAIN | 6 | | | | 0 | 0 |
| 190 | 36330-87620 | COVER HOUSING | 1 | | | | 2 | 4.4 |
| 200 | 36330-87630 | RETAINER SEAL | 1 | | | | 0.07 | 0.154 |
| 210 | 01023-50616 | BOLT | 4 | | | | 0.005 | 0.011 |
| 220 | 01123-50816 | BOLT | 4 | | | | 0 | 0 |
| 230 | 04013-50080 | WASHER PLAIN | 4 | | | | 0 | 0 |
| 240 | 36330-83780 | COVER POST | 1 | | | | 0.1 | 0.22 |

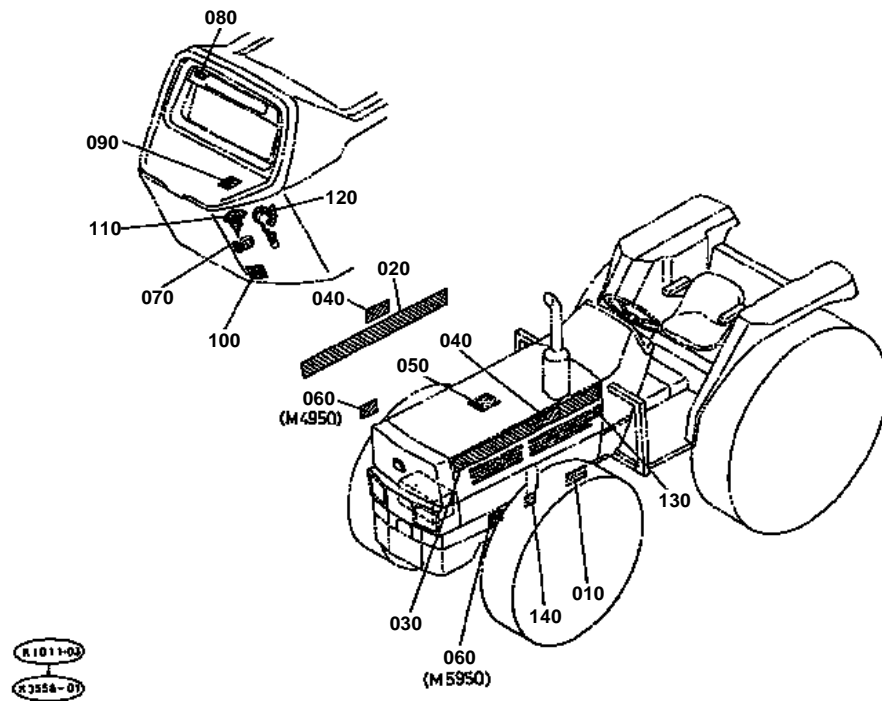
TOOL BOX



**TOOL BOX**

↔ Interchangeable; ≠ not interchangeable; ← new for old; → old for new

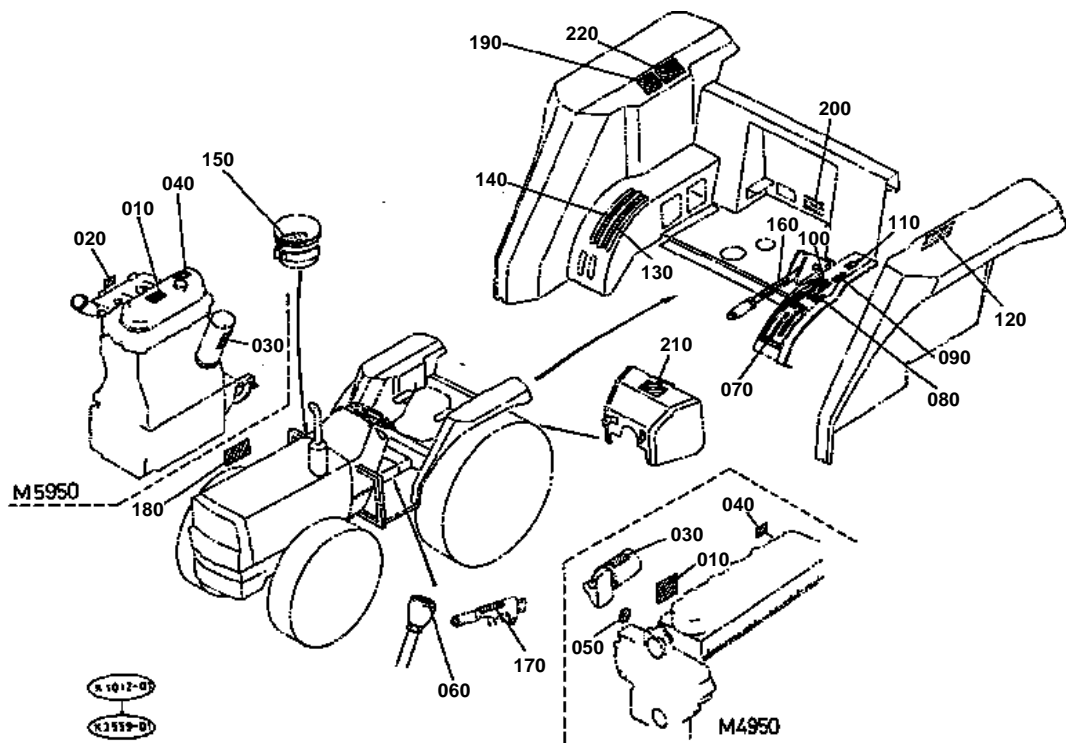
| REF.No | Part No. | Description | Q'ty | S.No. | I/C | REMARKS | Weight (kgf) | Weight (lb) |
|--------|-------------|-------------------|------|-------|-----|---------|--------------|-------------|
| 010 | 35800-04350 | PLATE AIR CONTROL | 1 | | | | 0.41 | 0.902 |
| 020 | 35800-04360 | BRACKET | 1 | | | | 0.19 | 0.418 |
| 030 | 04012-50080 | WASHER PLAIN | 1 | | | | 0.001 | 0.0022 |
| 040 | 01123-50840 | BOLT | 1 | | | | 0.018 | 0.0396 |
| 050 | 04013-50060 | WASHER PLAIN | 2 | | | | 0 | 0 |
| 060 | 04512-50060 | WASHER SPRING | 2 | | | | 0 | 0 |
| 070 | 02014-50060 | NUT | 2 | | | | 0.002 | 0.0044 |
| 120 | 35860-90200 | COMP.BOX TOOLS | 1 | | | | 2.58 | 5.676 |
| 130 | 35533-90160 | CUSHION | 2 | | | | 0.006 | 0.0132 |
| 140 | 35830-90212 | STAY | 1 | | | | 2.04 | 4.488 |
| 150 | 35830-90222 | STAY | 1 | | | | 1.28 | 2.816 |
| 160 | 01173-51840 | BOLT | 2 | | | | 0.114 | 0.2508 |
| 170 | 04512-50180 | WASHER SPRING | 2 | | | | 0 | 0 |
| 180 | 01173-51432 | BOLT | 1 | | | | 0.053 | 0.1166 |
| 190 | 04512-50140 | WASHER SPRING | 1 | | | | 0 | 0 |
| 200 | 01133-51022 | BOLT | 2 | | | | 0.025 | 0.055 |



**LABEL 1 (ENGLISH)**

↔ Interchangeable; ≠ not interchangeable; ← new for old; → old for new

| REF.No | Part No. | Description | Q'ty | S.No. | I/C | REMARKS | Weight (kgf) | Weight (lb) |
|--------|-------------|----------------------|------|-------|-----|---------|--------------|-------------|
| 010 | 35810-98120 | NAME PLATE MAIN | 1 | | | | 0 | 0 |
| 020 | 35810-98030 | MARK SIDE RH | 1 | | | | 0.05 | 0.11 |
| 030 | 35810-98040 | MARK SIDE LH | 1 | | | | 0.05 | 0.11 |
| 040 | 35572-98130 | MARK 4WD | 2 | | | | 0.002 | 0.0044 |
| 050 | 15409-94610 | LABEL RADIATOR | 1 | | | | 0.001 | 0.0022 |
| 060 | 15103-94590 | LABEL DRAIN CAUTION | 1 | | | | 0.001 | 0.0022 |
| 070 | 35822-98180 | MARK MAIN SWITCH | 1 | | | | 0.001 | 0.0022 |
| 080 | 35822-98260 | LABEL MONITOR | 1 | | | | 0.001 | 0.0022 |
| 090 | 36330-98420 | LABEL HANDLE ACCEL. | 1 | | | | 0.001 | 0.0022 |
| 100 | 35822-98430 | LABEL ENGINE STOP | 1 | | | | 0 | 0 |
| 110 | 35861-98470 | LABEL LIGHT SWITCH | 1 | | | | 0.001 | 0.0022 |
| 120 | 35420-98440 | LABEL HAZARD FLASHER | 1 | | | | 0 | 0 |
| 130 | 35822-98380 | LABEL DOWN SPEED | 1 | | | | 0.001 | 0.0022 |



**LABEL 2 (ENGLISH)**

↔ Interchangeable; ≠ not interchangeable; ← new for old; → old for new

| REF.No | Part No. | Description | Q'ty | S.No. | I/C | REMARKS | Weight (kgf) | Weight (lb) |
|--------|-------------|----------------------|------|-------|-----|---------|--------------|-------------|
| 010 | 15612-88310 | LABEL OIL | 1 | | | | 0.001 | 0.0022 |
| 030 | 15213-94400 | LABEL CAUTION | 1 | | | | 0.001 | 0.0022 |
| 040 | 15222-88210 | LABEL CAUTION | 1 | | | | 0.003 | 0.0066 |
| 050 | 15612-87210 | LABEL CAUTION | 1 | | | | 0.001 | 0.0022 |
| 060 | 35820-98160 | MARK MAIN SHIFT | 1 | | | | 0.003 | 0.0066 |
| 070 | 35820-98310 | LABEL AUX.S-CHANGE | 1 | | | | 0.002 | 0.0044 |
| 080 | 35832-98570 | LABEL DT CHANGE(ON) | 1 | | | | 0.001 | 0.0022 |
| 090 | 35832-98580 | LABEL DT CHANGE(OFF) | 1 | | | | 0.001 | 0.0022 |
| 100 | 35820-98320 | LABEL PTO CHANGE | 1 | | | [A] | 0.001 | 0.0022 |
| 110 | 35822-98240 | LABEL PTO SHIFT LVR. | 1 | | | | 0.001 | 0.0022 |
| 120 | 35800-98340 | LABEL SPEED | 1 | | | | 0.009 | 0.0198 |
| 130 | 35822-98220 | LABEL DRAFT CONTROL | 1 | | | | 0.002 | 0.0044 |
| 140 | 35822-98230 | LABEL POSITION CON. | 1 | | | | 0.001 | 0.0022 |
| 150 | 35822-98560 | LABEL STRG.HOSE | 1 | | | | 0.002 | 0.0044 |
| 160 | 35801-98810 | LABEL CLUTCH LEVER | 1 | | | | 0.001 | 0.0022 |
| 170 | 35801-98820 | LABEL HAND BRAKE | 1 | | | | 0.001 | 0.0022 |
| 180 | 35820-98632 | LABEL START CAUTION | 1 | | | | 0.003 | 0.0066 |
| 190 | 35260-34913 | LABEL SAFETY | 1 | | | | 0.005 | 0.011 |
| 200 | 35260-29790 | LABEL DRAWBAR | 1 | | | | 0.002 | 0.0044 |
| 210 | 35260-25340 | LABEL PTO(DRAWBAR) | 1 | | | | 0.005 | 0.011 |
| 220 | 35260-29782 | LABEL ROPS CAUTION | 1 | | | | 0.001 | 0.0022 |

IMAGE NOT AVAILABLE



ACCESSORIES AND SERVICE PARTS

↔ Interchangeable; ≠ not interchangeable; ← new for old; → old for new

| REF.No | Part No. | Description | Q'ty | S.No. | I/C | REMARKS | Weight (kgf) | Weight (lb) |
|--------|-------------|----------------------|------|---------|-----|-----------------|--------------|-------------|
| 010 | 35830-99710 | MANUAL INSTRUCTION | 1 | <=60013 | | [A][CA] ENGLISH | 0.16 | 0.352 |
| 010 | 35830-99714 | MANUAL INSTRUCTION | 1 | >=60014 | ≠ | [A][CA] ENGLISH | 0.16 | 0.352 |
| 020 | 07211-10150 | PLIERS | 1 | | | | 0.16 | 0.352 |
| 030 | 31830-19140 | WRENCH MONKEY | 1 | | | | 0.54 | 1.188 |
| 040 | 15601-86610 | WRENCH FILTER | 1 | | | | 0.139 | 0.3058 |
| 050 | 36330-75380 | LINK FUSIBLE | 1 | | | | 0.01 | 0.022 |
| 060 | 36730-75380 | LINK FUSIBLE | 1 | | | | 0.01 | 0.022 |
| 070 | 36330-91773 | ASSY PIN TOP LINK | 1 | | | REF.No.080 090 | 0.55 | 1.21 |
| 080 | 36330-91762 | PIN TOP LINK REAR | 1 | | | | 0.49 | 1.078 |
| 090 | 36200-91840 | ASSY PIN SET | 1 | | | | 0.06 | 0.132 |
| 100 | 33400-91040 | JOINT LOWER LINK | 2 | | | | 0.42 | 0.924 |
| 110 | 35822-75180 | ASSY KEY MAIN SWITCH | 1 | | | | 0.02 | 0.044 |
| 120 | 35861-82190 | ASSY COUPLER MALE | 2 | | | | 0.086 | 0.1892 |
| 130 | 35820-26910 | PIECE DISTANCE | 1 | | | | 0.11 | 0.242 |
| 140 | 35861-99150 | ASSY SPANNER BOX | 1 | | | | 0 | 0 |