

Instructions for Parts Books

The heading at the top of the page will be the same for the picture of the parts as it is for the page with the part numbers.

Definition of column headings on part number pages:

REF.No → The number referring to the part on the picture page of the parts book.

Part No. → The number assigned to this part at the time of printing the parts book.

Description → Description of part.

Q'ty → Quantity of part used on that page.

S.No. → Serial number range of the equipment that this part will fit.

>= Your serial number should be greater than or equal to the number shown.

<= Your serial number should be lesser than or equal to the serial number shown.

I/C → Interchangeability of part shown.

↔ The part shown will work for the older and later serial number.

The part shown is not interchangeable with the other serial number.

← new for old

→ old for new

Remarks → Notes about this particular part. Sometimes this may say except [FR] or [CA]

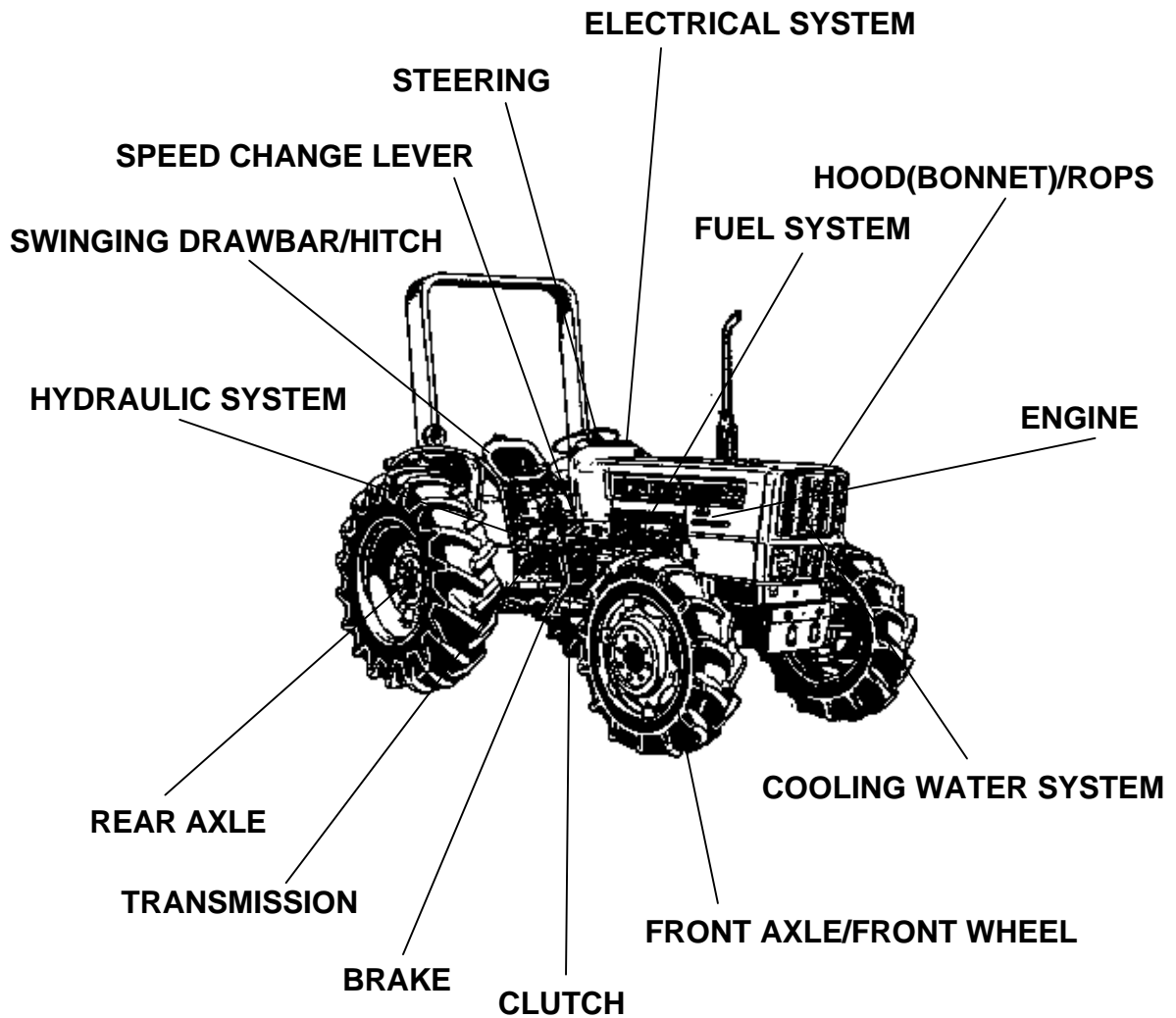
Note about Country Codes:

The parts books we use in the United States of America may also contain information about a part that would be different in another country. It is important that you are aware of the country codes in some instances.

| Symbol | Country |
|--------|--------------------------|
| A | United States of America |
| CA | Canada |
| FR | France |
| GR | Greece |
| PO | Portugal |
| AU | Australia |

If the remarks column says for example EXCEPT [FR] this part works in all countries except France. That means it will work here in the USA.

ALL PRODUCT INDEX
M5030



LABELS

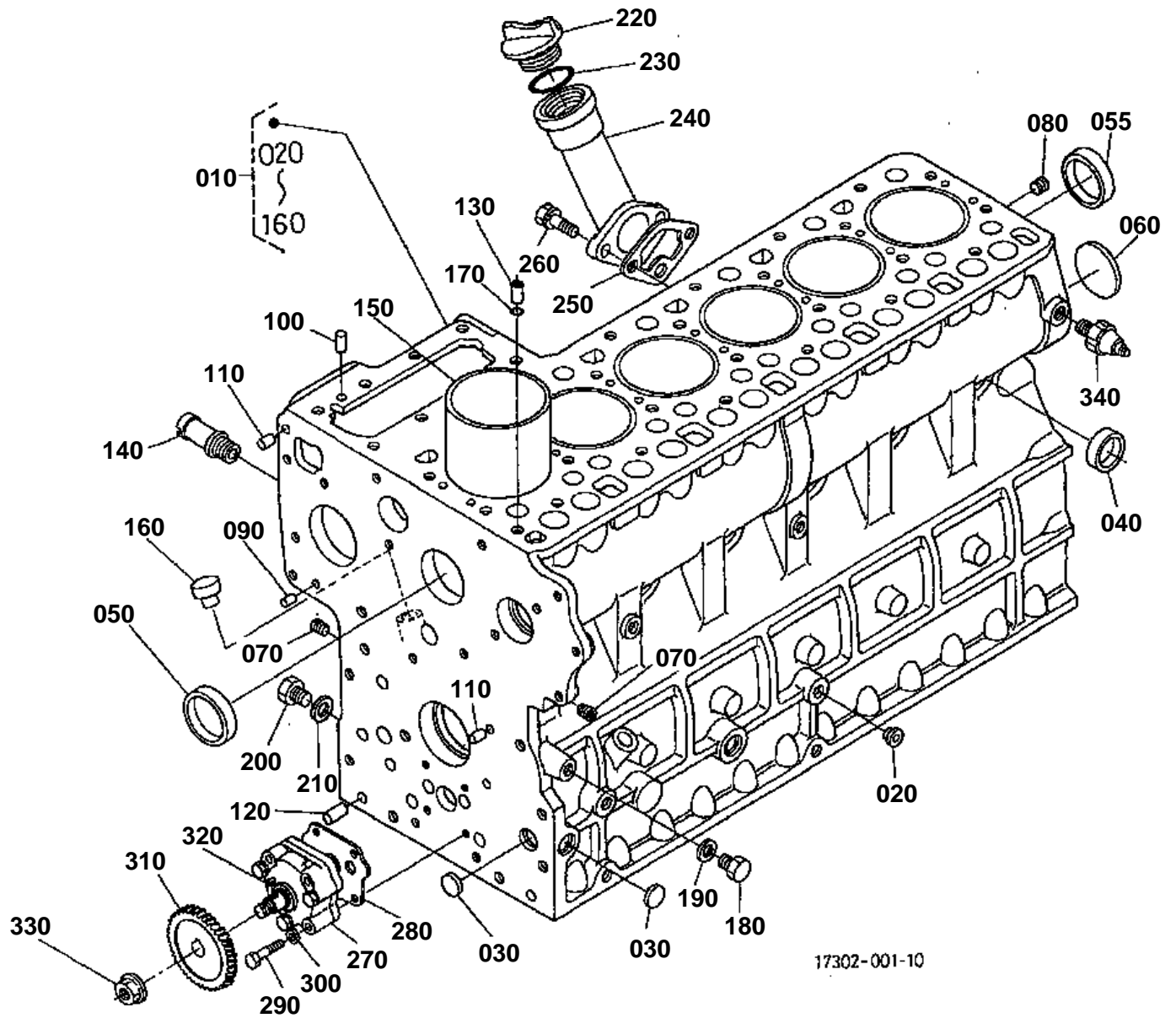
ACCESSORIES

| Item | Part No. | Description | Book | |
|----------|-----------------------------|--|--------------------------------------|----------|
| ENGINE | 01T001 | CRANKCASE | 100K0427 | |
| | 01T002 | OIL PAN | 100K0427 | |
| | 01T003 | PISTON AND CRANKSHAFT | 100K0427 | |
| | 01T004 | MAIN BEARING CASE | 100K0427 | |
| | 01T005 | FLYWHEEL | 100K0427 | |
| | 01T006 | CYLINDER HEAD | 100K0427 | |
| | 01T007 | VALVE AND ROCKER ARM | 100K0427 | |
| | 01T008 | NOZZLE AND GLOW PLUG | 100K0427 | |
| | 01T009 | CYLINDER HEAD COVER | 100K0427 | |
| | 01T010 | INLET MANIFOLD | 100K0427 | |
| | 02T01101 | AIR CLEANER (DOUBLE) | 100K0427 | |
| | 02T01102 | PRE-CLEANER [OPTION] | 100K0427 | |
| | 02T012 | AIR CLEANER (DOUBLE) [COMPONENT PARTS] | 100K0427 | |
| | 02T013 | MUFFLER AND EXHAUST MANIFOLD | 100K0427 | |
| | 02T014 | UNDER MUFFLER (LOW-PROFILE KIT) [OPTION] | 100K0427 | |
| | 01T015 | CAMSHAFT | 100K0427 | |
| | 01T016 | GEAR CASE | 100K0427 | |
| | 01T017 | OIL FILTER [COMPONENT PARTS] | 100K0427 | |
| | 01T01801 | WATER PUMP [OLD TYPE] | 100K0427 | |
| | 01T01802 | WATER PUMP [NEW TYPE] | 100K0427 | |
| | 01T019 | WATER FLANGE AND THERMOSTAT | 100K0427 | |
| | 01T020 | FUEL CAMSHAFT | 100K0427 | |
| | 01T021 | INJECTION PUMP | 100K0427 | |
| | 01T022 | INJECTION PUMP [COMPONENT PARTS] | 100K0427 | |
| | 01T023 | ENGINE STOP LEVER | 100K0427 | |
| | 01T024 | SPEED CONTROL PLATE | 100K0427 | |
| | 01T025 | COMPENSATOR | 100K0427 | |
| | 01T026 | GOVERNOR | 100K0427 | |
| | 01T027 | UPPER GASKET KIT | 100K0427 | |
| | 01T028 | LOWER GASKET KIT | 100K0427 | |
| | 02T02901 | ENGINE STOP ROD | 100K0427 | |
| | 02T02902 | ENGINE KEY STOP KIT [OPTION] | 100K0427 | |
| | 02T030 | HAND ACCELERATOR | 100K0427 | |
| | 02T031 | ACCELERATOR PEDAL | 100K0427 | |
| | FUEL SYSTEM | 02T032 | FUEL TANK | 100K0427 |
| | | 02T033 | FUEL TANK SUPPORT | 100K0427 |
| | | 02T034 | FUEL PIPE | 100K0427 |
| | 02T035 | FUEL FILTER [COMPONENT PARTS] | 100K0427 | |
| | COOLING WATER SYSTEM | 02T036 | RADIATOR | 100K0427 |
| | | 02T037 | WATER PIPE | 100K0427 |
| | ELECTRICAL SYSTEM | 02T038 | STARTER | 100K0427 |
| | | 02T03901 | STARTER [OLD TYPE] [COMPONENT PARTS] | 100K0427 |
| | | 02T03902 | STARTER [OLD TYPE] [COMPONENT PARTS] | 100K0427 |
| 02T03903 | | STARTER [NEW TYPE] [COMPONENT PARTS] | 100K0427 | |
| 02T040 | | DYNAMO | 100K0427 | |
| 02T041 | | DYNAMO [COMPONENT PARTS] | 100K0427 | |
| 02T042 | | BATTERY | 100K0427 | |
| 02T043 | | PANEL BOARD | 100K0427 | |
| 02T044 | | PANEL BOARD [COMPONENT PARTS] | 100K0427 | |
| 02T04501 | | SWITCH [EXCEPT SU] | 100K0427 | |
| 02T04502 | | SWITCH [SU TYPE] | 100K0427 | |
| 02T046 | | LIGHT | 100K0427 | |
| 02T047 | | WORKING LIGHT [OPTION] | 100K0427 | |
| 02T048 | | TRAILER HARNESS [OPTION] | 100K0427 | |
| 02T04901 | | ELECTRICAL WIRING [EXCEPT SU] | 100K0427 | |
| 02T04902 | ELECTRICAL WIRING [SU TYPE] | 100K0427 | | |
| CLUTCH | 02T05001 | CLUTCH | 100K0427 | |
| | 02T051 | CLUTCH FORK | 100K0427 | |
| | 02T052 | CLUTCH PEDAL | 100K0427 | |

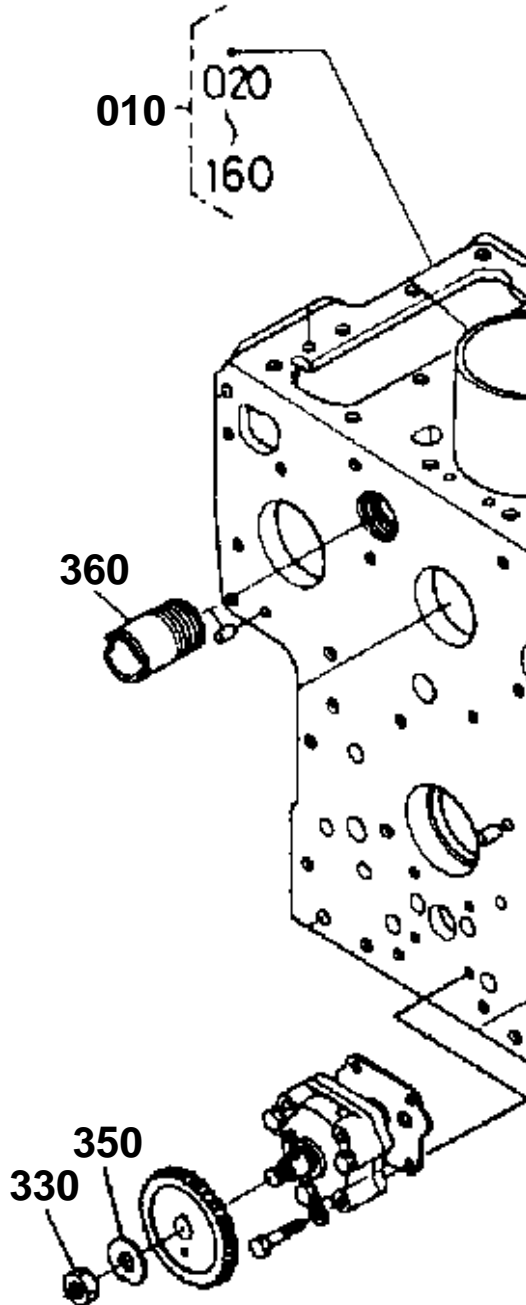
| Item | Part No. | Description | Book | |
|------------------------|--------------------|---|-----------|----------|
| CLUTCH | 02T053 | PTO CLUTCH FORK | 100K0427 | |
| | 02T054 | PTO CLUTCH LEVER | 100K0427 | |
| | 02T055 | CLUTCH HOUSING | 100K0427 | |
| TRANSMISSION | 02T056 | HOUSING COVER | 100K0427 | |
| | 02T05701 | TRANSMISSION CASE [EXCEPT MANUAL SHUTTLE] | 100K0427 | |
| | 02T05702 | TRANSMISSION CASE [MANUAL SHUTTLE] | 100K0427 | |
| | 02T058 | TRANSMISSION CASE REAR COVER | 100K0427 | |
| | 02T059 | PTO PROPELLER SHAFT | 100K0427 | |
| | 02T060 | FIRST SHAFT | 100K0427 | |
| | 02T06101 | COUNTERSHAFT [EXCEPT MANUAL SHUTTLE AND SU] | 100K0427 | |
| | 02T06102 | COUNTERSHAFT [MANUAL SHUTTLE/EXCEPT SU] | 100K0427 | |
| | 02T06103 | COUNTERSHAFT [SU TYPE] | 100K0427 | |
| | 02T062 | BACK IDLE SHAFT [EXCEPT MANUAL SHUTTLE] | 100K0427 | |
| | 02T063 | MANUAL SHUTTLE GEAR SUPPORT [MANUAL SHUTTLE] | 100K0427 | |
| | 02T06403 | CREEP GEAR SHAFT | 100K0427 | |
| | 02T06406 | MANUAL SHUTTLE GEAR | 100K0427 | |
| | 02T06501 | RANGE SHIFT SHAFT [EXCEPT SU TYPE] | 100K0427 | |
| | 02T06502 | RANGE SHIFT SHAFT [SU TYPE] | 100K0427 | |
| | 02T06601 | PTO DRIVE SHAFT [OLD TYPE] | 100K0427 | |
| | 02T06602 | PTO DRIVE SHAFT [NEW TYPE] | 100K0427 | |
| | SPEED CHANGE LEVER | 02T067 | PTO SHAFT | 100K0427 |
| 02T068 | | MAIN AND RANGE GEAR SHIFT LEVER | 100K0427 | |
| 02T06901 | | MAIN GEAR SHIFT FORK [EXCEPT MANUAL SHUTTLE & SU] | 100K0427 | |
| 02T06902 | | MAIN GEAR SHIFT FORK [MANUAL SHUTTLE/EXCEPT SU] | 100K0427 | |
| 02T06903 | | MAIN GEAR SHIFT FORK [SU TYPE] | 100K0427 | |
| 02T070 | | RANGE GEAR SHIFT FORK | 100K0427 | |
| 02T071 | | CREEP GEAR SHIFT LEVER | 100K0427 | |
| 02T072 | | MANUAL SHUTTLE SHIFT LEVER [MANUAL SHUTTLE] | 100K0427 | |
| 02T073 | | MANUAL SHUTTLE SHIFT FORK [MANUAL SHUTTLE] | 100K0427 | |
| 02T074 | | PTO GEAR SHIFT LEVER | 100K0427 | |
| 02T075 | | PTO GEAR SHIFT FORK AND PTO COVER | 100K0427 | |
| 02T076 | | BEVEL GEAR (REAR) | 100K0427 | |
| 02T07702 | | DIFFERENTIAL (REAR) [OLD TYPE] | 100K0427 | |
| 02T07703 | | DIFFERENTIAL (REAR) [NEW TYPE] | 100K0427 | |
| 02T078 | | DIFFERENTIAL LOCK PEDAL | 100K0427 | |
| 02T07902 | | REAR AXLE CASE | 100K0427 | |
| REAR AXLE | | 02T08002 | REAR AXLE | 100K0427 |
| BRAKE | | 02T08102 | BRAKE | 100K0427 |
| | 02T082 | BRAKE PEDAL | 100K0427 | |
| | 02T083 | BRAKE ROD | 100K0427 | |
| FRONT AXLE/FRONT WHEEL | 02T084 | PARKING BRAKE LEVER | 100K0427 | |
| | 02T08501 | FRONT AXLE [OLD TYPE] | 100K0427 | |
| | 02T08502 | FRONT AXLE [NEW TYPE] | 100K0427 | |
| | 02T086 | FRONT WHEEL HUB | 100K0427 | |
| | 02T087 | FRONT AXLE (LOW-PROFILE) [OPTION] | 100K0427 | |
| STEERING | 02T104 | FRONT AXLE BRACKET | 100K0427 | |
| | 02T10501 | STEERING LINKAGE | 100K0427 | |
| | 02T10601 | STEERING CYLINDER [COMPONENT PARTS] | 100K0427 | |
| | 02T107 | STEERING HANDLE AND STEERING CONTROLLER | 100K0427 | |
| | 02T108 | STEERING CONTROLLER [COMPONENT PARTS] [OLD TYPE] | 100K0427 | |
| | 02T10801 | STEERING CONTROLLER [COMPONENT PARTS] [NEW TYPE] | 100K0427 | |
| HYDRAULIC SYSTEM | 02T109 | POWER STEERING OIL TANK | 100K0427 | |
| | 02T110 | HYDRAULIC OIL LINE (POWER STEERING) 1 | 100K0427 | |

| Item | Part No. | Description | Book | |
|------------------|------------------------|---|---|----------|
| HYDRAULIC SYSTEM | 02T11101 | HYDRAULIC OIL LINE (POWER STEERING) 2 [EXCEPT SU] | 100K0427 | |
| | 02T11102 | HYDRAULIC OIL LINE (POWER STEERING) 2 [SU TYPE] | 100K0427 | |
| | 02T11201 | HYDRAULIC PUMP [EXCEPT SU] | 100K0427 | |
| | 02T11202 | HYDRAULIC PUMP [SU TYPE] | 100K0427 | |
| | 02T113 | HYDRAULIC PUMP [COMPONENT PARTS] | 100K0427 | |
| | 02T11401 | HYDRAULIC OIL LINE (SUCTION) [EXCEPT SU] | 100K0427 | |
| | 02T11402 | HYDRAULIC OIL LINE (SUCTION) [SU TYPE] | 100K0427 | |
| | 02T115 | HYDRAULIC OIL LINE (DELIVERY) | 100K0427 | |
| | 02T116 | HYDRAULIC CYLINDER BODY | 100K0427 | |
| | SWINGING DRAWBAR/HITCH | 02T117 | HYDRAULIC CYLINDER LINER | 100K0427 |
| | | 02T118 | CONTROL VALVE [COMPONENT PARTS] | 100K0427 |
| | HOOD(BONNET)/ROPS | 02T119 | AUXILIARY CONTROL VALVE COVER [SU TYPE] | 100K0427 |
| | | 02T120 | DOWN SPEED ADJUSTING LEVER | 100K0427 |
| | | 02T121 | HYDRAULIC LIFT ARM | 100K0427 |
| | | 02T122 | HYDRAULIC SYSTEM 1 | 100K0427 |
| | | 02T123 | HYDRAULIC SYSTEM 2 | 100K0427 |
| | | 02T124 | HYDRAULIC SYSTEM 3 | 100K0427 |
| | | 02T125 | HYDARULIC LEVER GUIDE | 100K0427 |
| | | 02T126 | DRAFT AND POSITION CONTROL LEVER | 100K0427 |
| | | 02T12701 | AUXILIARY CONTROL VALVE 1 [EXCEPT SU] | 100K0427 |
| | | 02T12702 | AUXILIARY CONTROL VALVE 2 [OPTION] | 100K0427 |
| | | 02T12703 | AUXILIARY CONTROL VALVE 3 [OPTION] | 100K0427 |
| | | 02T12704 | AUXILIARY CONTROL VALVE 4 [OPTION] | 100K0427 |
| | | 02T12801 | AUXILIARY CONTROL VALVE [COMPONENT PARTS] | 100K0427 |
| | | 02T12802 | AUXILIARY CONTROL VALVE [COMPONENT PARTS] | 100K0427 |
| | | 02T12803 | AUXILIARY CONTROL VALVE [COMPONENT PARTS] | 100K0427 |
| | 02T12804 | AUXILIARY CONTROL VALVE [COMPONENT PARTS] | 100K0427 | |
| | 02T12901 | HYDRAULIC COUPLER AND HOSE 1 | 100K0427 | |
| | 02T12902 | HYDRAULIC COUPLER AND HOSE 2 [OPTION] | 100K0427 | |
| | 02T130 | HYDRAULIC LIFT LINK 1 (LOWER LINK) | 100K0427 | |
| | 02T131 | HYDRAULIC LIFT LINK (TELESCOPE LOWER LINK) [OPTION] | 100K0427 | |
| | 02T132 | HYDRAULIC LIFT LINK 2 (CHECK CHIN) | 100K0427 | |
| | 02T133 | HYDRAULIC LIFT LINK 3 (LIFT ROD RH) | 100K0427 | |
| | 02T13401 | HYDRAULIC LIFT LINK 4 (LIFT ROD LH) [OLD TYPE] | 100K0427 | |
| | 02T13402 | HYDRAULIC LIFT LINK 4 (LIFT ROD LH) [NEW TYPE] | 100K0427 | |
| | 02T135 | HYDRAULIC LIFT LINK 5 (TOP LINK) | 100K0427 | |
| | 02T136 | TOP LINK BRACKET | 100K0427 | |
| | 02T137 | SWINGING DRAWBAR | 100K0427 | |
| | 02T138 | DRAWBAR AND HITCH [OPTION] | 100K0427 | |
| | 02T139 | HOOD (BONNET) FRONT | 100K0427 | |
| | 02T140 | HOOD (BONNET) UPPER AND SIDE | 100K0427 | |
| | 02T141 | HOOD REAR (BONNET REAR) | 100K0427 | |
| | 02T142 | SEAT | 100K0427 | |
| | 02T143 | SEAT [COMPONENT PARTS] | 100K0427 | |
| | 02T144 | FENDER | 100K0427 | |
| | 02T145 | FENDER BRACKET | 100K0427 | |
| | 02T146 | FENDER BRACKET (LOW PROFILE KIT) [OPTION] | 100K0427 | |
| | 02T14701 | STEP [OLD TYPE] | 100K0427 | |
| | 02T14702 | STEP [NEW TYPE] | 100K0427 | |
| | 02T148 | TOOLS BOX | 100K0427 | |
| | 02T149 | ROPS | 100K0427 | |
| LABELS | 02T15001 | LABEL 1 | 100K0427 | |
| | 02T15002 | LABEL 1 [SU TYPE] | 100K0427 | |
| | 02T15101 | LABEL 2 [EXCEPT MANUAL SHUTTLE] | 100K0427 | |
| | 02T15102 | LABEL 2 [MANUAL SHUTTLE] | 100K0427 | |
| ACCESSORIES | 02T152 | ACCESSORIES AND SERVICE PARTS | 100K0427 | |

CRANKCASE



- 010 17302-0101-0
- 010 17301-0101-0
- 330 15221-3568-0
- 350 04211-50120
- 360 15221-7284-0



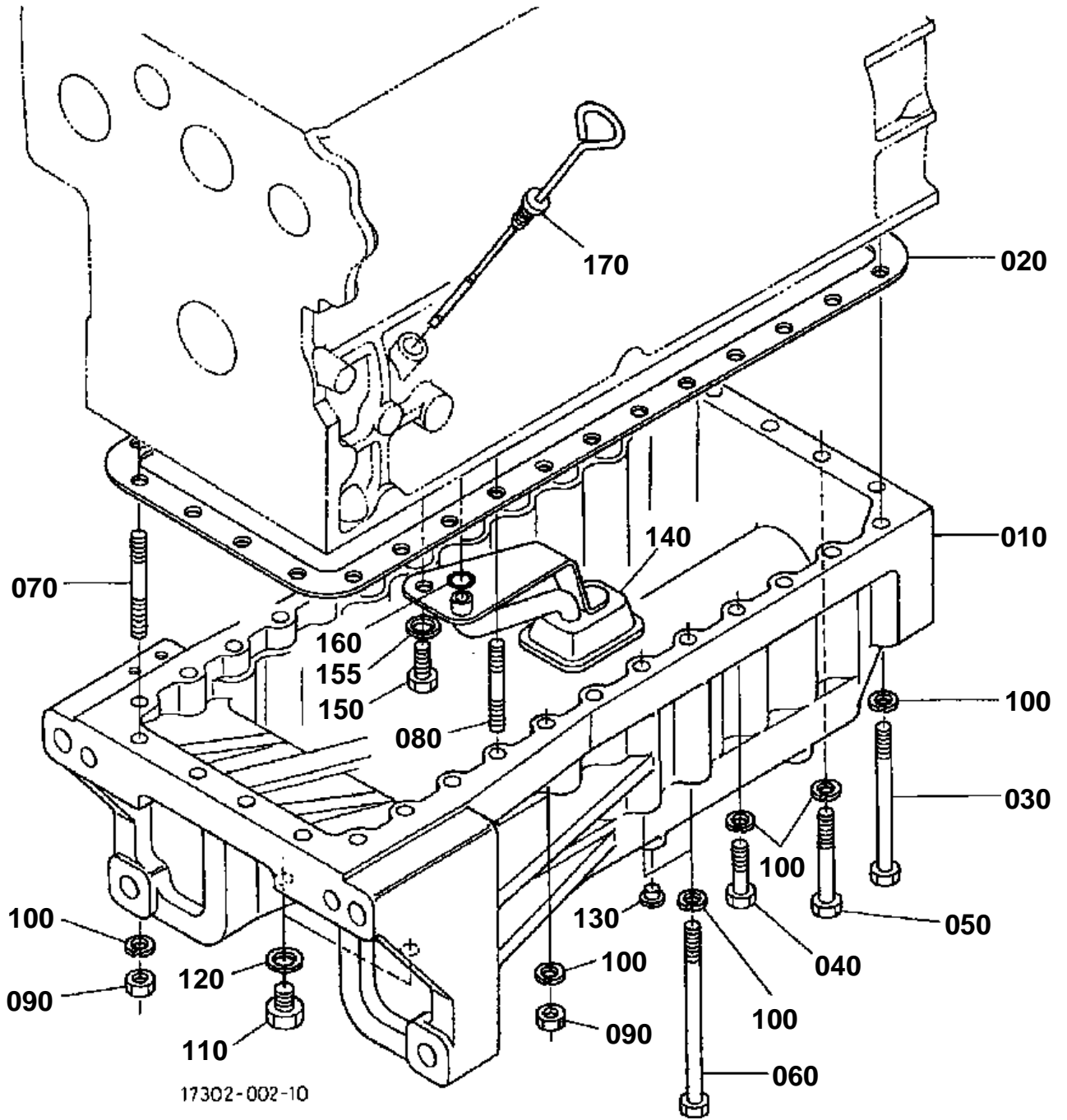
17302-800-10

**CRANKCASE**

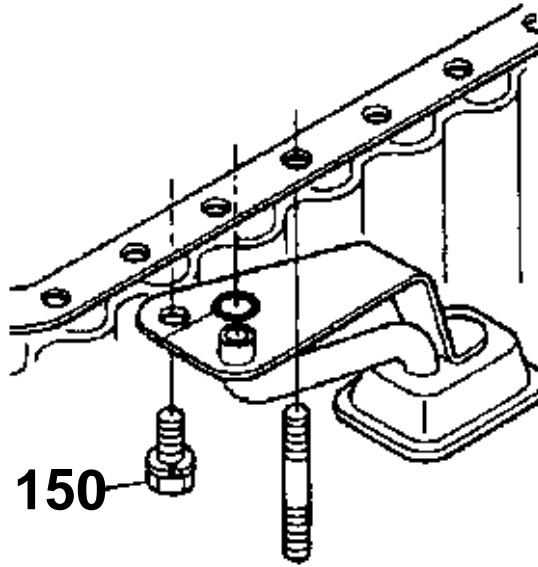
↔ Interchangeable; ≠ not interchangeable; ← new for old; → old for new

| REF.No | Part No. | Description | Q'ty | S.No. | I/C | REMARKS | Weight (kgf) | Weight (lb) |
|--------|-------------|---------------------|------|---------|-----|---------|--------------|-------------|
| 010 | 17301-01010 | COMP.CRANKCASE | 1 | ≤50132 | | | 87 | 191.4 |
| 010 | 17301-01013 | COMP.CRANKCASE | 1 | ≥50133 | ≠ | | 87 | 191.4 |
| 010 | 17301-01014 | COMP.CRANKCASE | 1 | ≥67197 | ≠ | | 93 | 204.6 |
| 020 | 34150-27580 | PLUG | 3 | | | | 0.001 | 0.0022 |
| 030 | 06311-75018 | PLUG EXPANSION | 3 | ≤84111 | | | 0.004 | 0.0088 |
| 030 | 17391-96160 | PLUG EXPANSION | 3 | ≥84112 | ← | | 0.003 | 0.0066 |
| 040 | 15221-03380 | CAP SEALING | 10 | | | | 0.017 | 0.0374 |
| 050 | 15221-03390 | CAP SEALING | 1 | | | | 0.03 | 0.066 |
| 055 | 15221-03390 | CAP SEALING | 1 | | | | 0.03 | 0.066 |
| 060 | 06311-75045 | PLUG EXPANSION | 1 | ≤72635 | | | 0.026 | 0.0572 |
| 060 | 16271-96160 | PLUG EXPANSION | 1 | ≥72636 | ↔ | | 0.025 | 0.055 |
| 070 | 15521-96020 | PLUG | 2 | | | | 0.003 | 0.0066 |
| 080 | 15521-96030 | PLUG | 1 | | | | 0.007 | 0.0154 |
| 090 | 05012-00408 | PIN STRAIGHT | 2 | | | | 0.001 | 0.0022 |
| 100 | 05012-00609 | PIN STRAIGHT | 2 | | | | 0.003 | 0.0066 |
| 110 | 05012-00612 | PIN STRAIGHT | 2 | | | | 0.003 | 0.0066 |
| 120 | 05012-01018 | PIN STRAIGHT | 1 | | | | 0.012 | 0.0264 |
| 130 | 15221-33650 | PIN PIPE | 1 | | | | 0.004 | 0.0088 |
| 140 | 15321-73340 | PIPE WATER RETURN | 1 | | | | 0.016 | 0.0352 |
| 150 | 15521-02310 | LINER CYLINDER | 6 | | | | 0.66 | 1.452 |
| 160 | 15202-94570 | PIN JOINT | 1 | ≥40852 | | | 0.014 | 0.0308 |
| 170 | 15221-33700 | O RING | 1 | | | | 0.001 | 0.0022 |
| 180 | 15221-33610 | PLUG | 7 | | | | 0.009 | 0.0198 |
| 190 | 15021-33660 | GASKET | 6 | | | | 0.001 | 0.0022 |
| 200 | 15221-33750 | PLUG | 1 | | | | 0.032 | 0.0704 |
| 210 | 15109-33660 | GASKET | 1 | | | | 0.001 | 0.0022 |
| 220 | 15221-33140 | PLUG OIL FILLER | 1 | ≤90278 | | | 0.038 | 0.0836 |
| 220 | 15852-33140 | PLUG OIL FILLER | 1 | ≥90279 | ↔ | | 0.038 | 0.0836 |
| 230 | 04811-50300 | O RING | 1 | | | | 0 | 0 |
| 240 | 15601-33110 | FLANGE OIL FILLER | 1 | | | | 0.195 | 0.429 |
| 250 | 15625-32890 | GASKET | 1 | | | | 0.001 | 0.0022 |
| 260 | 01123-50825 | BOLT | 2 | ≤119194 | | | 0.013 | 0.0286 |
| 260 | 01123-50822 | BOLT | 2 | ≥119195 | ↔ | | 0.012 | 0.0264 |
| 270 | 15471-35010 | ASSY PUMP OIL | 1 | | | | 0 | 0 |
| 280 | 15296-35150 | GASKET OIL PUMP | 1 | | | | 0 | 0 |
| 290 | 01053-50650 | BOLT | 4 | | | | 0.011 | 0.0242 |
| 300 | 04512-60060 | WASHER SPRING | 4 | | | | 0.001 | 0.0022 |
| 310 | 17301-35660 | GEAR OIL PUMP DRIVE | 1 | | | | 0.222 | 0.4884 |
| 320 | 05712-00410 | KEY FEATHER | 1 | | | | 0.001 | 0.0022 |
| 330 | 15221-35680 | NUT | 1 | ≤54893 | | | 0 | 0 |
| 330 | 15221-35682 | NUT FLANGE | 1 | ≥54894 | ← | | 0.014 | 0.0308 |
| 340 | 15531-39010 | SWITCH OIL | 1 | | | | 0.032 | 0.0704 |
| 350 | 04211-50120 | WASHER WITH CLAW | 1 | ≤54893 | | | 0.003 | 0.0066 |
| 360 | 15221-72840 | PIPE WATER | 1 | ≤49639 | | | 0.078 | 0.1716 |

OIL PAN



150 01123-50816



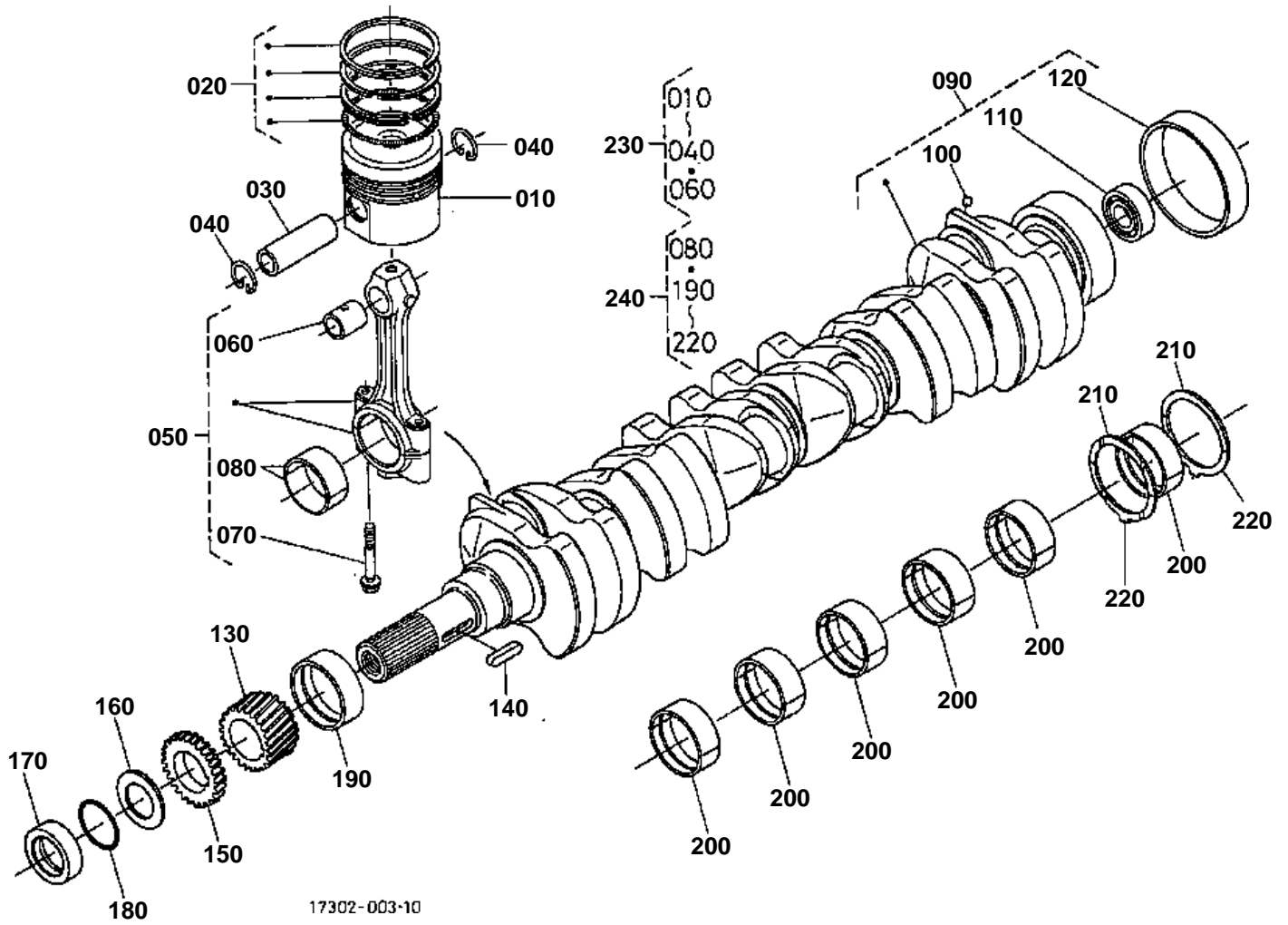
17302-801-10

**OIL PAN**

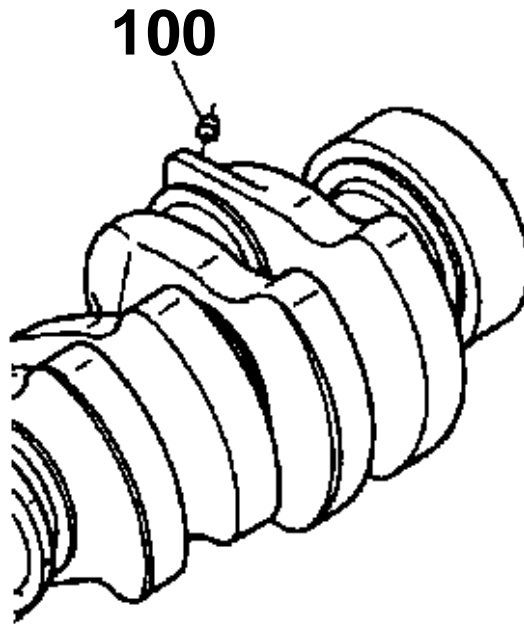
↔ Interchangeable; ≠ not interchangeable; ← new for old; → old for new

| REF.No | Part No. | Description | Q'ty | S.No. | I/C | REMARKS | Weight (kgf) | Weight (lb) |
|--------|-------------|----------------|------|--------|-----|---------|--------------|-------------|
| 010 | 17301-01610 | OIL PAN | 1 | | | | 47 | 103.4 |
| 020 | 15625-01620 | GASKET OIL PAN | 1 | | | | 0.025 | 0.055 |
| 030 | 15601-91070 | BOLT | 2 | | | | 0.066 | 0.1452 |
| 040 | 01173-51055 | BOLT | 10 | | | | 0.036 | 0.0792 |
| 050 | 01173-51085 | BOLT | 4 | | | | 0.051 | 0.1122 |
| 060 | 17381-91010 | BOLT | 2 | | | | 0.085 | 0.187 |
| 070 | 01517-51060 | STUD | 6 | | | | 0.042 | 0.0924 |
| 080 | 01517-51045 | STUD | 8 | | | | 0.032 | 0.0704 |
| 090 | 02176-50100 | NUT | 14 | | | | 0.005 | 0.011 |
| 100 | 04512-60100 | WASHER SPRING | 32 | | | | 0.002 | 0.0044 |
| 110 | 15221-33750 | PLUG | 2 | | | | 0.032 | 0.0704 |
| 120 | 15109-33660 | GASKET | 2 | | | | 0.001 | 0.0022 |
| 130 | 34150-27580 | PLUG | 5 | | | | 0.001 | 0.0022 |
| 140 | 17301-32110 | FILTER OIL | 1 | ≤65747 | | | 0.324 | 0.7128 |
| 140 | 17301-32112 | FILTER OIL | 1 | ≥65748 | ≠ | | 0.33 | 0.726 |
| 150 | 01123-60816 | BOLT | 1 | ≤89559 | | | 0.01 | 0.022 |
| 150 | 01153-50816 | BOLT | 1 | ≥89560 | ↔ | | 0.01 | 0.022 |
| 155 | 04512-60080 | WASHER SPRING | 1 | ≥89560 | | | 0.002 | 0.0044 |
| 160 | 04811-00160 | O RING | 1 | ≤65747 | | | 0 | 0 |
| 160 | 04811-00180 | O RING | 1 | ≥65748 | ≠ | | 0 | 0 |
| 170 | 17371-36410 | GAUGE OIL | 1 | | | | 0.05 | 0.11 |

PISTON AND CRANKSHAFT



100 15131-0138-0



17302-802-10



PISTON AND CRANKSHAFT

↔ Interchangeable; ≠ not interchangeable; ← new for old; → old for new

| REF.No | Part No. | Description | Q'ty | S.No. | I/C | REMARKS | Weight (kgf) | Weight (lb) |
|--------|-------------|---------------------|------|---------|-----|-----------------|--------------|-------------|
| 010 | 19821-21110 | PISTON | 6 | ≤92011 | | STD | 0.55 | 1.21 |
| 010 | 16109-21120 | PISTON | 6 | ≥92012 | ↔ | STD | 0.55 | 1.21 |
| 010 | 19821-21910 | PISTON | 6 | ≤92011 | | +0.50MM | 0.55 | 1.21 |
| 010 | 16109-21910 | PISTON | 6 | ≥92012 | ↔ | +0.50MM | 0.54 | 1.188 |
| 020 | 15521-21050 | ASSY PISTON RING | 6 | | | STD | 0.06 | 0.132 |
| 020 | 15521-21092 | ASSY PISTON RING | 6 | | | +0.50MM | 0.055 | 0.121 |
| 030 | 14901-21310 | PIN PISTON | 6 | | | | 0.17 | 0.374 |
| 040 | 14109-21330 | CLIP PISTON PIN | 12 | | | | 0.001 | 0.0022 |
| 050 | 17331-22010 | ASSY CONNECTING ROD | 6 | ≤53456 | | | 0 | 0 |
| 050 | 17311-22010 | ASSY CONNECTING ROD | 6 | ≥53457 | ↔ | | 0.885 | 1.947 |
| 060 | 17331-21980 | BUSH PISTON PIN | 6 | | | | 0.025 | 0.055 |
| 070 | 15521-22140 | BOLT CONNECTING ROD | 12 | ≤69101 | | | 0 | 0 |
| 070 | 15521-22142 | BOLT CONNECTING ROD | 12 | ≥69102 | ↔ | | 0.026 | 0.0572 |
| 080 | 17331-22310 | METAL CRANKPIN | 6 | ≤53456 | | STD | 0 | 0 |
| 080 | 17311-22310 | METAL CRANKPIN | 6 | ≥53457 | ↔ | STD | 0.045 | 0.099 |
| 080 | 17331-22970 | METAL CRANKPIN | 6 | | | -0.20MM | 0.05 | 0.11 |
| 080 | 17331-22980 | METAL CRANKPIN | 6 | | | -0.40MM | 0.045 | 0.099 |
| 090 | 17301-23010 | COMP.CRANKSHAFT | 1 | | | | 24.5 | 53.9 |
| 100 | 15131-01380 | PLUG PIN | 6 | ≤50200 | | | 0.001 | 0.0022 |
| 100 | 07715-03209 | BALL | 6 | ≥50201 | ≠ | | 0.002 | 0.0044 |
| 100 | 07715-00401 | BALL | 6 | ≥53452 | ≠ | | 0.001 | 0.0022 |
| 110 | 15601-23420 | BEARING PILOT | 1 | | | | 0.07 | 0.154 |
| 120 | 17381-23280 | SLEEVE CRANKSHAFT | 1 | | | | 0.09 | 0.198 |
| 130 | 15601-24110 | GEAR CRANK | 1 | | | | 0.34 | 0.748 |
| 140 | 05712-00730 | KEY FEATHER | 1 | | | | 0.011 | 0.0242 |
| 150 | 15601-35630 | GEAR OIL PUMP DRIVE | 1 | ≤52113 | | | 0.181 | 0.3982 |
| 150 | 15401-35630 | GEAR OIL PUMP DRIVE | 1 | ≥52114 | ↔ | | 0.185 | 0.407 |
| 160 | 15401-23310 | SLINGER OIL | 1 | ≤53451 | | | 0 | 0 |
| 160 | 15401-23312 | SLINGER OIL | 1 | ≥53452 | ← | | 0.01 | 0.022 |
| 170 | 17381-23250 | COLLAR CRANKSHAFT | 1 | | | | 0.07 | 0.154 |
| 180 | 04811-10300 | O RING | 1 | | | | 0.001 | 0.0022 |
| 190 | 17331-23470 | METAL CRANKSHAFT | 1 | ≤53456 | | STD | 0 | 0 |
| 190 | 17311-23470 | METAL CRANKSHAFT | 1 | ≥53457 | ↔ | STD | 0 | 0 |
| 190 | 17331-23910 | METAL CRANKSHAFT | 1 | ≤53456 | | -0.20MM | 0 | 0 |
| 190 | 17311-23910 | METAL CRANKSHAFT | 1 | ≥53457 | ↔ | -0.20MM | 0.05 | 0.11 |
| 190 | 17311-23920 | METAL CRANKSHAFT | 1 | ≤53456 | | -0.40MM | 0.06 | 0.132 |
| 190 | 17311-23920 | METAL CRANKSHAFT | 1 | ≥53457 | ↔ | -0.40MM | 0.06 | 0.132 |
| 200 | 17331-23480 | METAL CRANKSHAFT | 6 | ≤53456 | | STD | 0 | 0 |
| 200 | 17311-23480 | METAL CRANKSHAFT | 6 | ≥53457 | ↔ | STD | 0.045 | 0.099 |
| 200 | 17331-23930 | METAL CRANKSHAFT | 6 | ≤53456 | | -0.20MM | 0 | 0 |
| 200 | 17311-23930 | METAL CRANKSHAFT | 6 | ≥53457 | ↔ | -0.20MM | 0.05 | 0.11 |
| 200 | 17331-23940 | METAL CRANKSHAFT | 6 | ≤53456 | | -0.40MM | 0 | 0 |
| 200 | 17311-23940 | METAL CRANKSHAFT | 6 | ≥53457 | ↔ | -0.40MM | 0.06 | 0.132 |
| 210 | 15521-23530 | METAL SIDE | 2 | ≤109953 | | STD | 0.01 | 0.022 |
| 210 | 15521-23530 | METAL SIDE | 2 | ≥109954 | ↔ | STD | 0.01 | 0.022 |
| 210 | 15221-23950 | METAL SIDE | 2 | ≤109953 | | +0.20MM | 0 | 0 |
| 210 | 15521-23950 | METAL SIDE | 2 | ≥109954 | ↔ | +0.20MM | 0.01 | 0.022 |
| 210 | 15221-23960 | METAL SIDE | 2 | ≤109953 | | +0.40MM | 0 | 0 |
| 210 | 15521-23960 | METAL SIDE | 2 | ≥109954 | ↔ | +0.40MM | 0.01 | 0.022 |
| 220 | 15221-23540 | METAL SIDE | 2 | ≤109953 | | STD | 0 | 0 |
| 220 | 19202-23540 | METAL SIDE | 2 | ≥109954 | ↔ | STD | 0.01 | 0.022 |
| 220 | 15221-23970 | METAL SIDE | 2 | ≤109953 | | +0.20MM | 0.009 | 0.0198 |
| 220 | 19202-23970 | METAL SIDE | 2 | ≥109954 | ↔ | +0.20MM | 0.01 | 0.022 |
| 220 | 15221-23980 | METAL SIDE | 2 | ≤109953 | | +0.40MM | 0.009 | 0.0198 |
| 220 | 19202-23980 | METAL SIDE | 2 | ≥109954 | ↔ | +0.40MM | 0.01 | 0.022 |
| 230 | 07916-27280 | KIT PISTON-RING | 6 | | | STD | 0.84 | 1.848 |
| 230 | 07916-27290 | KIT PISTON-RING | 6 | | | +0.50MM | 0.2 | 0.44 |
| 240 | 07916-28230 | KIT METAL ENGINE | 1 | | | STD | 0.56 | 1.232 |
| 240 | 07916-28810 | KIT METAL ENGINE | 1 | | | -0.20MM/+0.20MM | 0 | 0 |

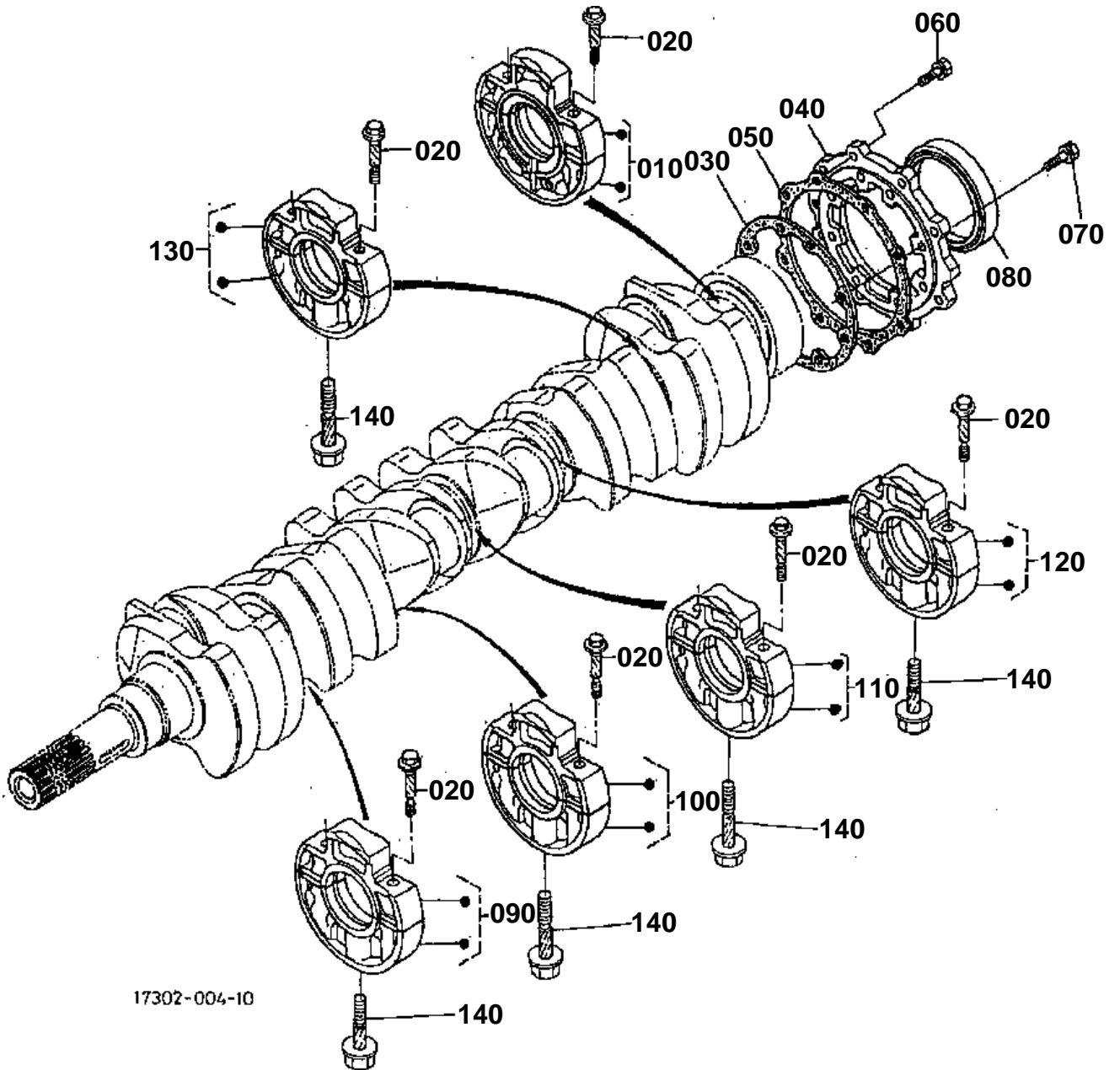


PISTON AND CRANKSHAFT

↔ Interchangeable; ≠ not interchangeable; ← new for old; → old for new

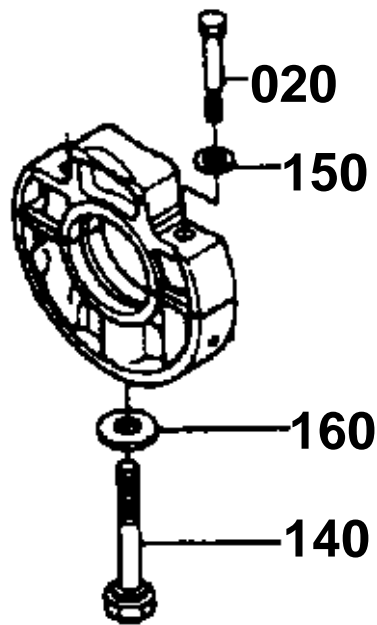
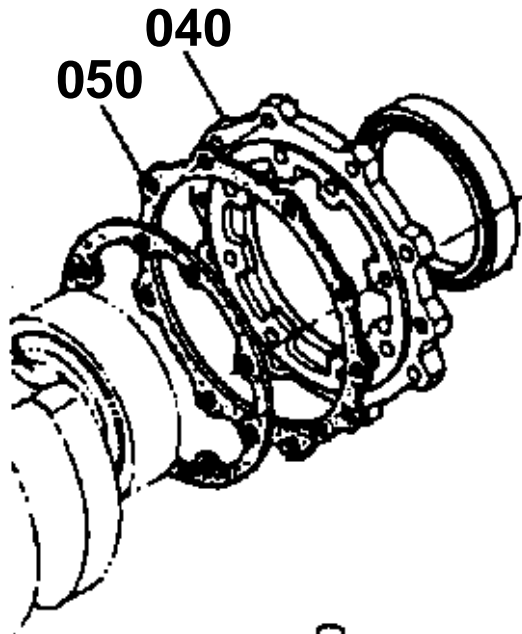
| REF.No | Part No. | Description | Q'ty | S.No. | I/C | REMARKS | Weight (kgf) | Weight (lb) |
|--------|-------------|------------------|------|-------|-----|-----------------|--------------|-------------|
| 240 | 07916-28820 | KIT METAL ENGINE | 1 | | | -0.40MM/+0.40MM | 0.65 | 1.43 |

MAIN BEARING CASE



17302-004-10

- 020 15521-0454-0
- 040 19202-0481-0
- 050 15221-0482-0
- 140 15291-0456-0
- 150 15521-9401-0
- 160 15521-9402-0



17302-803-10

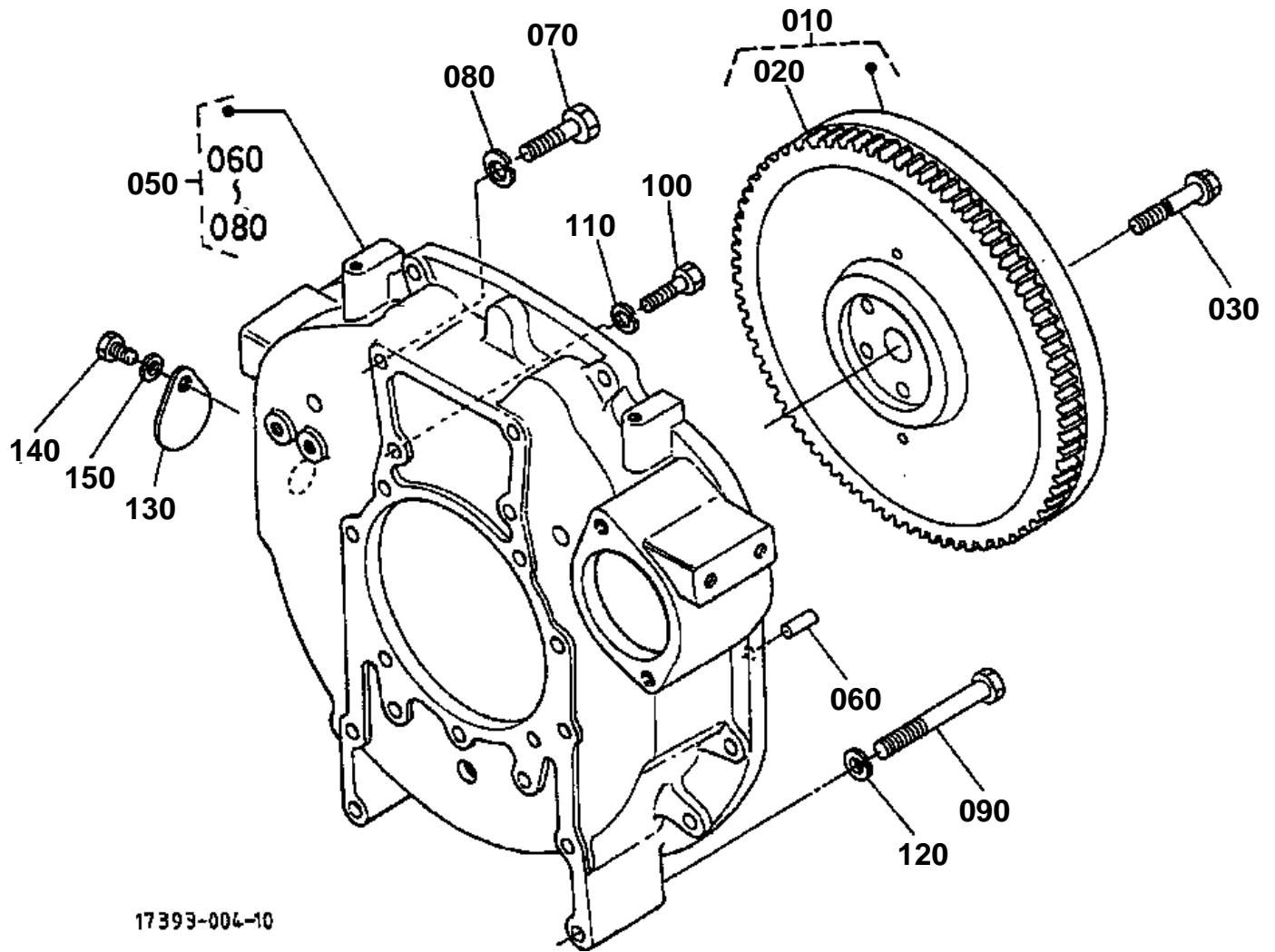


MAIN BEARING CASE

↔ Interchangeable; ≠ not interchangeable; ← new for old; → old for new

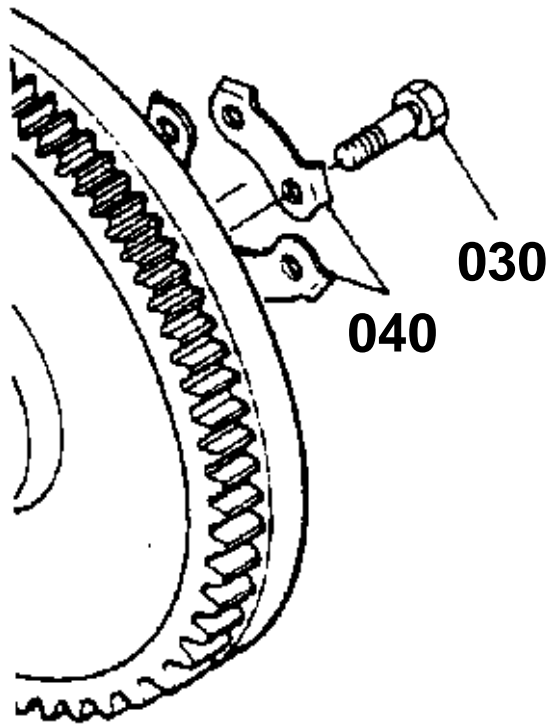
| REF.No | Part No. | Description | Q'ty | S.No. | I/C | REMARKS | Weight (kgf) | Weight (lb) |
|--------|-------------|----------------------|------|----------|-----|---------|--------------|-------------|
| 010 | 19202-04040 | ASSY CASE MAIN BRG. | 1 | | | | 1.28 | 2.816 |
| 020 | 15521-04540 | BOLT BEARING CASE | 12 | ←=57018 | | | 0 | 0 |
| 020 | 15601-04540 | BOLT BEARING CASE | 12 | >=57019 | ≠ | | 0.034 | 0.0748 |
| 030 | 15221-04360 | GASKET | 1 | ←=92961 | | | 0 | 0 |
| 030 | 19207-04360 | GASKET | 1 | >=92962 | ↔ | | 0.005 | 0.011 |
| 030 | 19207-04360 | GASKET BEARING CASE | 1 | >=110857 | ↔ | | 0.005 | 0.011 |
| 040 | 19202-04810 | COVER BEARING CASE | 1 | ←=65747 | | | 0.36 | 0.792 |
| 040 | 17381-04810 | COVER BEARING CASE | 1 | >=65748 | ≠ | | 0 | 0 |
| 040 | 17381-04812 | COVER BEARING CASE | 1 | >=70566 | ← | | 0.4 | 0.88 |
| 050 | 15296-04820 | GASKET | 1 | ←=65747 | | | 0.01 | 0.022 |
| 050 | 16361-04820 | GASKET BRG.CASE COV. | 1 | >=65748 | ≠ | | 0.005 | 0.011 |
| 060 | 01123-50825 | BOLT | 8 | | | | 0.013 | 0.0286 |
| 070 | 01123-50828 | BOLT | 8 | | | | 0.014 | 0.0308 |
| 080 | 17381-04460 | SEAL OIL | 1 | | | | 0.05 | 0.11 |
| 090 | 17331-04050 | ASSY CASE BEARING | 1 | | | | 0 | 0 |
| 100 | 17331-04060 | ASSY CASE BEARING | 1 | | | | 0 | 0 |
| 110 | 17345-04070 | ASSY CASE MAIN BRG. | 1 | ←=51078 | | | 0 | 0 |
| 110 | 17345-04073 | ASSY CASE BEARING | 1 | >=51079 | ↔ | | 1.27 | 2.794 |
| 120 | 15601-04080 | ASSY CASE MAIN BRG. | 1 | ←=51078 | | | 1.28 | 2.816 |
| 120 | 15601-04083 | ASSY CASE MAIN BRG. | 1 | >=51079 | ≠ | | 1.2 | 2.64 |
| 130 | 15601-04090 | ASSY CASE MAIN BRG. | 1 | ←=51078 | | | 1.3 | 2.86 |
| 130 | 15601-04093 | ASSY CASE MAIN BRG. | 1 | >=51079 | ≠ | | 1.28 | 2.816 |
| 140 | 15291-04560 | BOLT | 5 | ←=61706 | | | 0 | 0 |
| 140 | 15601-04560 | BOLT BEARING CASE | 5 | >=61707 | ≠ | | 0.06 | 0.132 |
| 150 | 15521-94010 | WASHER PLAIN | 12 | ←=57018 | | | 0.001 | 0.0022 |
| 160 | 15521-94020 | WASHER PLAIN | 5 | ←=61706 | | | 0.004 | 0.0088 |

FLYWHEEL



030 15321-2516-0

040 15601-2517-0



17302-804-10

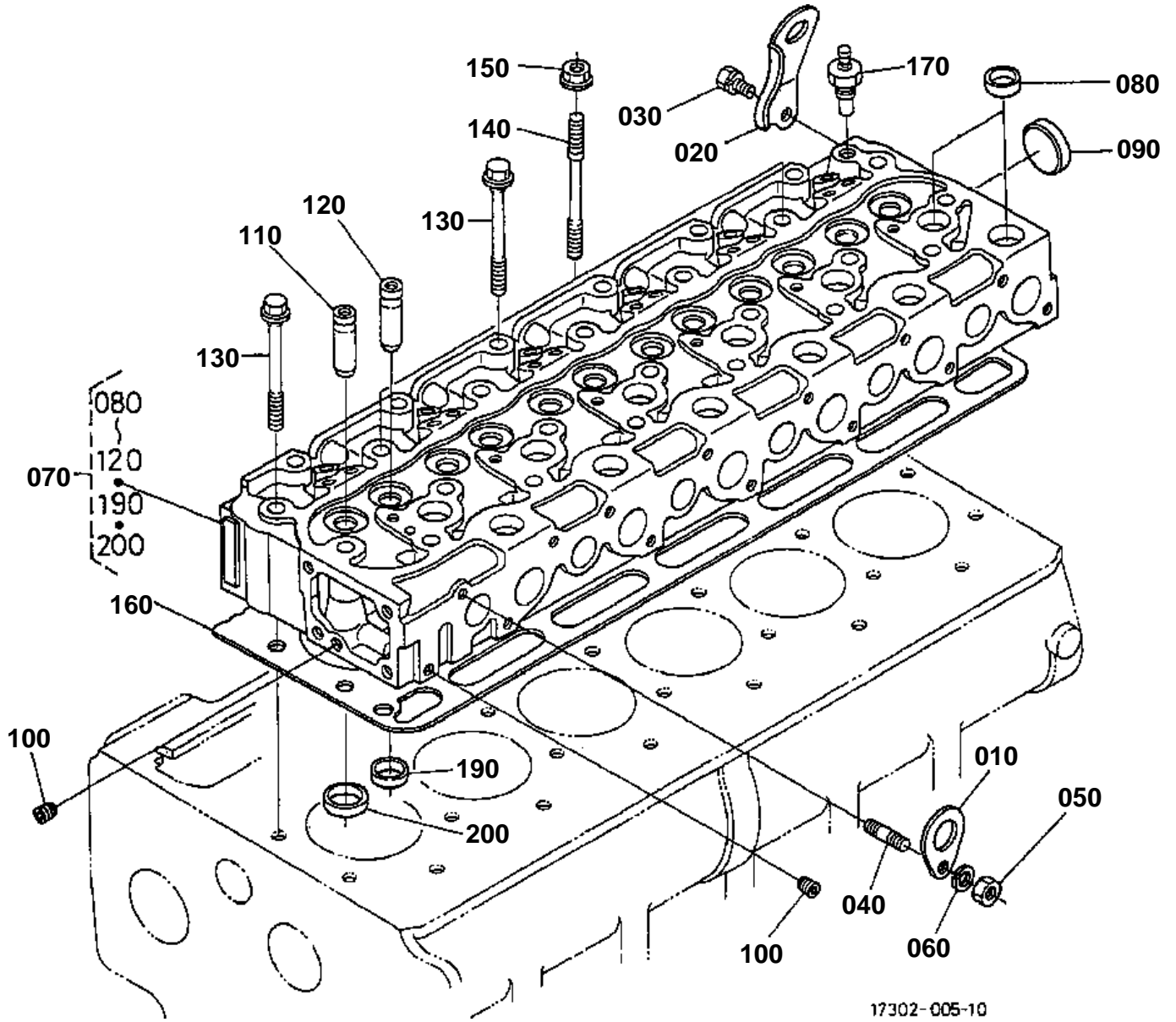


FLYWHEEL

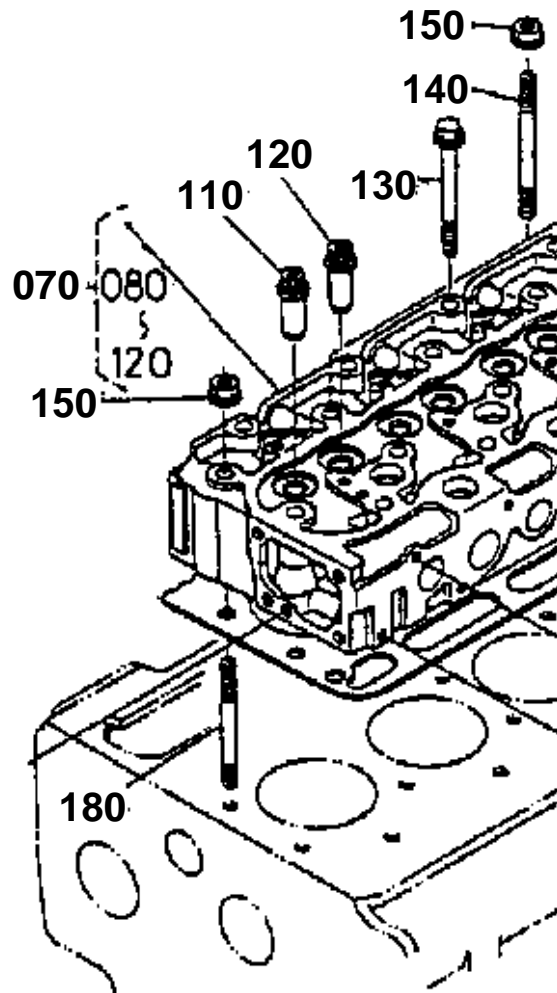
↔ Interchangeable; ≠ not interchangeable; ← new for old; → old for new

| REF.No | Part No. | Description | Q'ty | S.No. | I/C | REMARKS | Weight (kgf) | Weight (lb) |
|--------|-------------|-------------------|------|---------|-----|---------|--------------|-------------|
| 010 | 17301-25010 | COMP.FLYWHEEL | 1 | <=48404 | | | 0 | 0 |
| 010 | 15601-25010 | COMP.FLYWHEEL | 1 | >=48405 | ← | | 0 | 0 |
| 010 | 15601-25012 | COMP.FLYWHEEL | 1 | >=77289 | ↔ | | 22 | 48.4 |
| 020 | 15601-63820 | GEAR RING | 1 | <=86030 | | | 0 | 0 |
| 020 | 15602-63820 | GEAR RING | 1 | >=86031 | ↔ | | 2 | 4.4 |
| 030 | 15321-25160 | BOLT FLYWHEEL | 6 | <=62475 | | | 0.05 | 0.11 |
| 030 | 15321-25163 | BOLT FLYWHEEL | 6 | >=62476 | ≠ | | 0.05 | 0.11 |
| 040 | 15601-25170 | WASHER FLYWHEEL | 3 | <=62475 | | | 0.009 | 0.0198 |
| 050 | 15601-04600 | COMP.HOUSING F-W. | 1 | <=64747 | | | 18.5 | 40.7 |
| 050 | 15601-04602 | COMP.HOUSING F-W. | 1 | >=64748 | ≠ | | 19.3 | 42.46 |
| 060 | 05012-01018 | PIN STRAIGHT | 2 | | | | 0.012 | 0.0264 |
| 070 | 01073-51250 | BOLT | 2 | | | | 0.055 | 0.121 |
| 080 | 04512-60120 | WASHER SPRING | 2 | | | | 0.005 | 0.011 |
| 090 | 01073-51290 | BOLT | 2 | | | | 0.087 | 0.1914 |
| 100 | 01073-51032 | BOLT | 11 | | | | 0.03 | 0.066 |
| 110 | 04512-60100 | WASHER SPRING | 11 | | | | 0.002 | 0.0044 |
| 120 | 04512-60120 | WASHER SPRING | 2 | | | | 0.005 | 0.011 |
| 130 | 31220-14170 | COVER | 1 | | | | 0.014 | 0.0308 |
| 140 | 01153-50812 | BOLT | 1 | | | | 0.008 | 0.0176 |
| 150 | 04512-60080 | WASHER SPRING | 1 | | | | 0.002 | 0.0044 |

CYLINDER HEAD



- 070 17301-0304-0
- 110 17331-1358-0
- 120 17331-1356-0
- 130 19202-0345-0
- 140 15612-0342-0
- 150 19202-0351-0
- 180 19202-0341-0



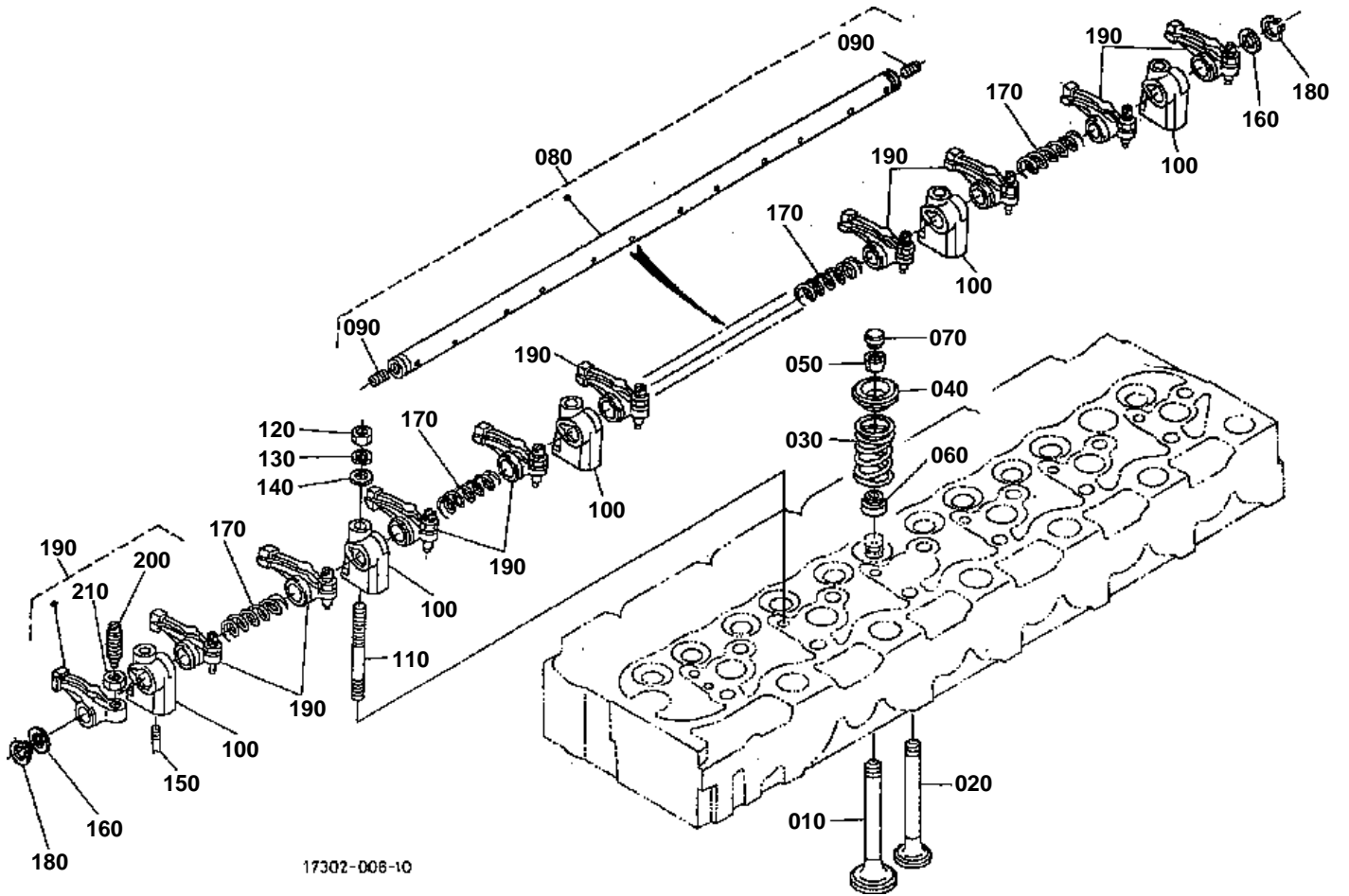
17302-805-10

**CYLINDER HEAD**

↔ Interchangeable; ≠ not interchangeable; ← new for old; → old for new

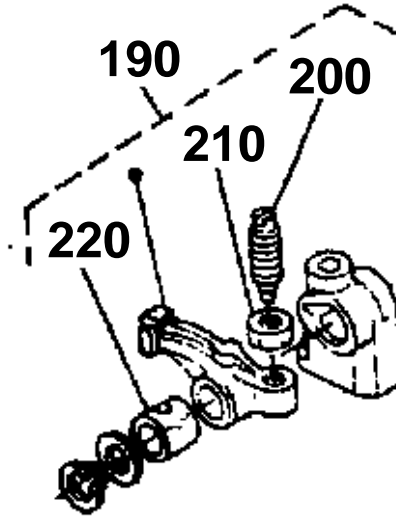
| REF.No | Part No. | Description | Q'ty | S.No. | I/C | REMARKS | Weight (kgf) | Weight (lb) |
|--------|-------------|----------------------|------|---------|-----|---------|--------------|-------------|
| 010 | 15221-01750 | HOOK ENGINE | 1 | | | | 0.04 | 0.088 |
| 020 | 17331-01750 | HOOK ENGINE | 1 | | | | 0.09 | 0.198 |
| 030 | 01123-60816 | BOLT | 1 | | | | 0.01 | 0.022 |
| 040 | 15471-91530 | STUD | 1 | | | | 0.01 | 0.022 |
| 050 | 02156-50080 | NUT | 1 | | | | 0.004 | 0.0088 |
| 060 | 04512-60080 | WASHER SPRING | 1 | | | | 0.002 | 0.0044 |
| 070 | 17301-03040 | COMP.CYLINDER HEAD | 1 | <=65747 | | | 29 | 63.8 |
| 070 | 17301-03043 | COMP.CYLINDER HEAD | 1 | >=65748 | ≠ | | 31 | 68.2 |
| 080 | 15221-03370 | CAP SEALING | 18 | | | | 0.01 | 0.022 |
| 090 | 15221-03490 | CAP SEALING | 1 | | | | 0.02 | 0.044 |
| 100 | 15261-96010 | PLUG | 2 | | | | 0.002 | 0.0044 |
| 110 | 17331-13580 | GUIDE INLET VALVE | 6 | <=49021 | | | 0 | 0 |
| 110 | 17321-13580 | GUIDE INLET VALVE | 6 | >=49022 | ↔ | | 0.015 | 0.033 |
| 120 | 17331-13560 | GUIDE EXHAUST VALVE | 6 | <=49021 | | | 0 | 0 |
| 120 | 17321-13560 | GUIDE EXHAUST VALVE | 6 | >=49022 | ↔ | | 0.02 | 0.044 |
| 130 | 19202-03450 | BOLT CYLINDER HEAD | 22 | <=43189 | | | 0.065 | 0.143 |
| 130 | 19202-03450 | BOLT CYLINDER HEAD | 24 | >=43190 | | | 0.065 | 0.143 |
| 130 | 17391-03450 | BOLT CYLINDER HEAD | 24 | >=65748 | ≠ | | 0.007 | 0.0154 |
| 140 | 15612-03420 | STUD CYLINDER HEAD | 2 | <=65747 | | | 0.07 | 0.154 |
| 140 | 17391-03420 | STUD CYLINDER HEAD | 2 | >=65748 | ≠ | | 0.071 | 0.1562 |
| 150 | 19202-03510 | NUT CYLINDER HEAD | 4 | <=43189 | | | 0.012 | 0.0264 |
| 150 | 19202-03510 | NUT CYLINDER HEAD | 2 | >=43190 | | | 0.012 | 0.0264 |
| 160 | 17301-03310 | GASKET CYLINDER HEAD | 1 | <=65747 | | | 0 | 0 |
| 160 | 17303-03310 | GASKET CYLINDER HEAD | 1 | >=65748 | ≠ | | 0.17 | 0.374 |
| 170 | 31351-32830 | SENSOR THERMO | 1 | | | | 0.02 | 0.044 |
| 180 | 19202-03410 | STUD CYLINDER HEAD | 2 | <=43189 | | | 0.065 | 0.143 |
| 190 | 17331-13620 | SEAT INLET VALVE | 6 | | | | 0.01 | 0.022 |
| 200 | 17331-13610 | SEAT EXHAUST VALVE | 6 | | | | 0.05 | 0.11 |

VALVE AND ROCKER ARM



17302-006-10

190 15601-1403-0
220 15221-1418-0



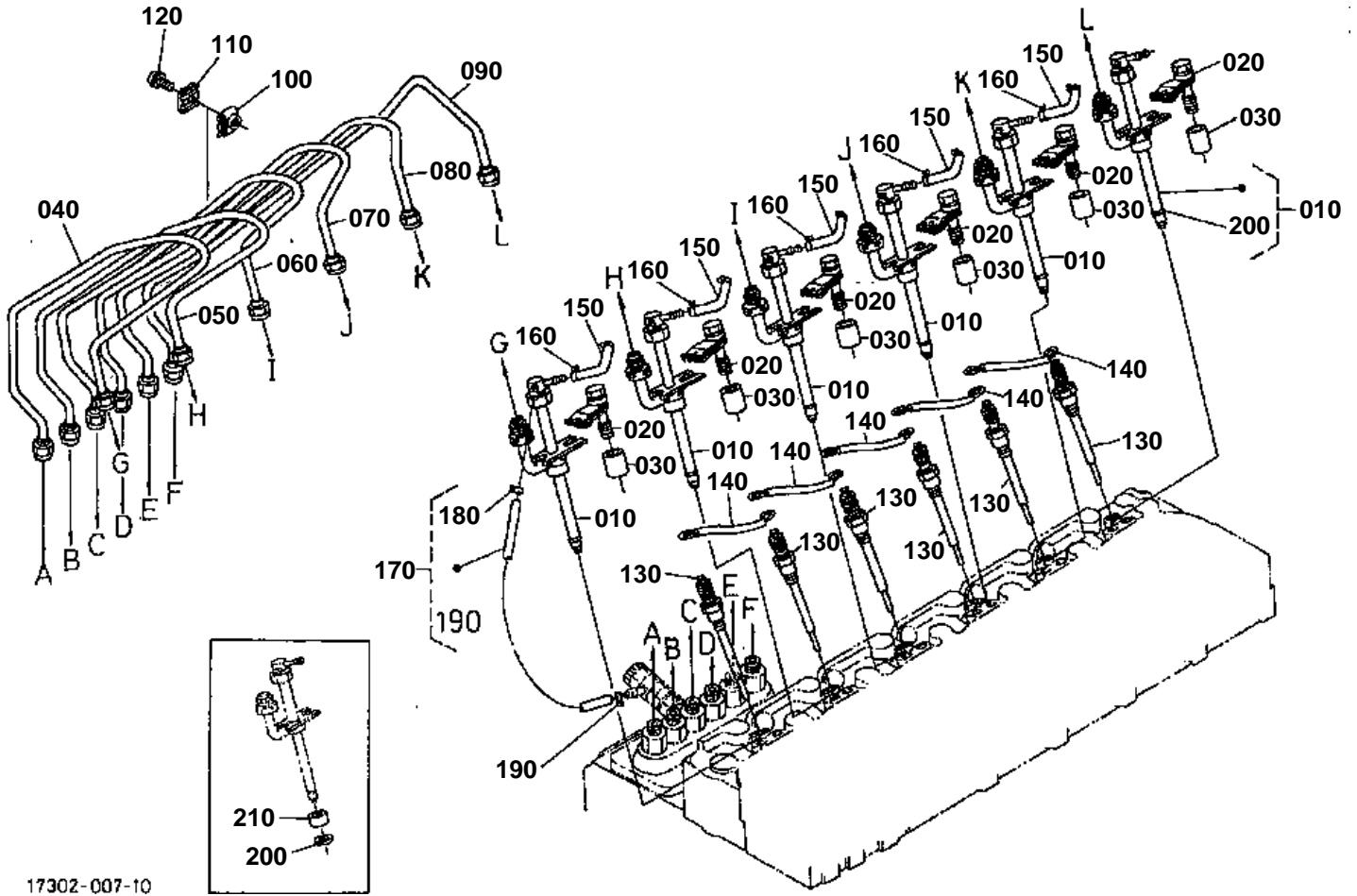
17302-806-10

**VALVE AND ROCKER ARM**

↔ Interchangeable; ≠ not interchangeable; ← new for old; → old for new

| REF.No | Part No. | Description | Q'ty | S.No. | I/C | REMARKS | Weight (kgf) | Weight (lb) |
|--------|-------------|----------------------|------|---------|-----|---------|--------------|-------------|
| 010 | 17331-13110 | VALVE INLET | 6 | <=57018 | | | 0.065 | 0.143 |
| 010 | 17381-13110 | VALVE INLET | 6 | >=57019 | ↔ | | 0.05 | 0.11 |
| 020 | 17331-13120 | VALVE EXHAUST | 6 | <=57018 | | | 0.061 | 0.1342 |
| 020 | 17381-13120 | VALVE EXHAUST | 6 | >=57019 | ↔ | | 0.05 | 0.11 |
| 030 | 15221-13240 | SPRING VALVE | 12 | | | | 0.036 | 0.0792 |
| 040 | 15221-13330 | RETAINER VALVE SP. | 12 | | | | 0.03 | 0.066 |
| 050 | 15221-13360 | COLLET VALVE SPRING | 12 | | | | 0 | 0 |
| 060 | 15221-13150 | SEAL VALVE STEM | 12 | | | | 0.001 | 0.0022 |
| 070 | 15221-13280 | CAP VALVE | 12 | | | | 0.006 | 0.0132 |
| 080 | 15601-14050 | ASSY SHAFT R-ARM | 1 | | | | 0 | 0 |
| 090 | 03410-00808 | SCREW SET | 2 | | | | 0.002 | 0.0044 |
| 100 | 15221-14350 | BRACKET ROCKER ARM | 6 | | | | 0.044 | 0.0968 |
| 110 | 15521-91500 | STUD | 6 | | | | 0.035 | 0.077 |
| 120 | 02156-50080 | NUT | 6 | | | | 0.004 | 0.0088 |
| 130 | 04512-60080 | WASHER SPRING | 6 | | | | 0.002 | 0.0044 |
| 140 | 04012-50080 | WASHER PLAIN | 6 | | | | 0.001 | 0.0022 |
| 150 | 15221-14420 | SCREW SET.ROCKER ARM | 1 | | | | 0.003 | 0.0066 |
| 160 | 15221-14430 | WASHER R-ARM.SHAFT | 2 | | | | 0.002 | 0.0044 |
| 170 | 15221-14310 | SPRING ROCKER ARM | 5 | | | | 0.005 | 0.011 |
| 180 | 04612-00140 | CIRCLIP EXTERNAL | 2 | | | | 0.001 | 0.0022 |
| 190 | 15601-14030 | ASSY ROCKER ARM | 12 | <=71275 | | | 0 | 0 |
| 190 | 15621-14030 | ASSY ROCKER ARM | 12 | >=71276 | ↔ | | 0.1 | 0.22 |
| 200 | 15521-14230 | SCREW ADJUSTING | 12 | | | | 0.009 | 0.0198 |
| 210 | 15021-14240 | NUT | 12 | | | | 0.003 | 0.0066 |
| 220 | 15221-14180 | BUSH ROCKER ARM | 12 | <=71275 | | | 0.007 | 0.0154 |

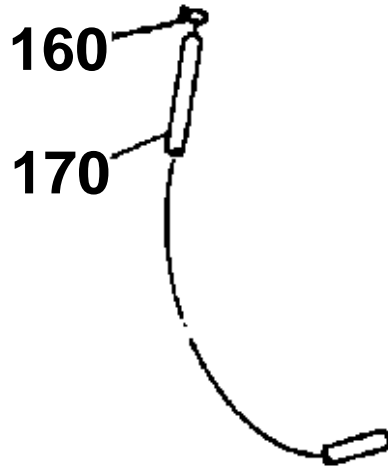
NOZZLE AND GLOW PLUG



17302-007-10

160 14971-4275-0

170 15471-4252-0



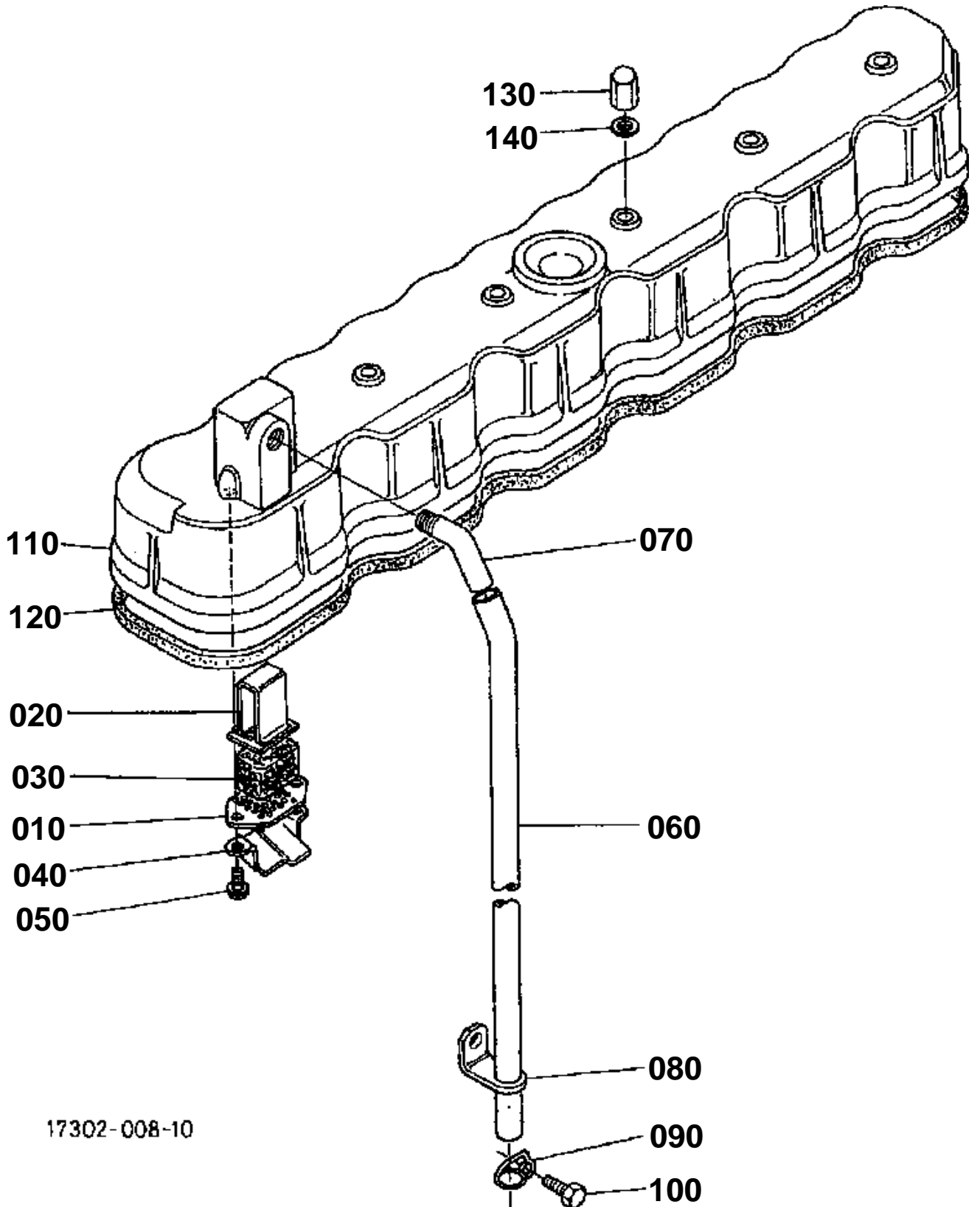
17302-807-10

**NOZZLE AND GLOW PLUG**

↔ Interchangeable; ≠ not interchangeable; ← new for old; → old for new

| REF.No | Part No. | Description | Q'ty | S.No. | I/C | REMARKS | Weight (kgf) | Weight (lb) |
|--------|-------------|---------------------|------|---------|-----|---------|--------------|-------------|
| 010 | 17391-53000 | ASSY NOZZLE | 6 | | | | 0.16 | 0.352 |
| 020 | 17371-53450 | CLAMP NOZZLE | 6 | | | | 0.035 | 0.077 |
| 030 | 17371-53460 | SPACER NOZZLE | 6 | | | | 0.015 | 0.033 |
| 040 | 17301-53710 | PIPE INJECTION | 1 | | | | 0.172 | 0.3784 |
| 050 | 17301-53720 | PIPE INJECTION | 1 | | | | 0.15 | 0.33 |
| 060 | 17301-53730 | PIPE INJECTION | 1 | | | | 0.15 | 0.33 |
| 070 | 17301-53740 | PIPE INJECTION | 1 | | | | 0.15 | 0.33 |
| 080 | 17301-53750 | PIPE INJECTION | 1 | | | | 0.15 | 0.33 |
| 090 | 17301-53760 | PIPE INJECTION | 1 | | | | 0.15 | 0.33 |
| 100 | 15841-53850 | CLAMP PIPE | 10 | | | | 0.01 | 0.022 |
| 110 | 15841-53860 | CLAMP PIPE | 10 | | | | 0.009 | 0.0198 |
| 120 | 03024-50520 | SCREW WITH WASHER | 10 | | | | 0.004 | 0.0088 |
| 130 | 17331-65510 | PLUG GLOW | 6 | | | | 0.05 | 0.11 |
| 140 | 17331-65560 | CORD GLOW PLUG | 5 | | | | 0.005 | 0.011 |
| 150 | 17301-42510 | PIPE FUEL OVER FLOW | 5 | | | | 0 | 0 |
| 160 | 14971-42750 | CLIP PIPE | 12 | <=46074 | | | 0.001 | 0.0022 |
| 160 | 14971-42750 | CLIP PIPE | 10 | >=46075 | | | 0.001 | 0.0022 |
| 170 | 15471-42520 | PIPE FUEL OVER FLOW | 1 | <=46074 | | | 0 | 0 |
| 170 | 17331-42500 | PIPE FUEL OVER FLOW | 1 | >=46075 | ↔ | | 0.02 | 0.044 |
| 180 | 14971-42750 | CLIP PIPE | 1 | >=46075 | | | 0.001 | 0.0022 |
| 190 | 10244-42320 | CLIP PIPE | 1 | >=46075 | | | 0.001 | 0.0022 |
| 200 | 17331-53180 | SEAL CARBON STOP | 6 | | | | 0.001 | 0.0022 |
| 210 | 17371-99220 | SEAL COMPRESSION | 6 | | | | 0.001 | 0.0022 |

CYLINDER HEAD COVER



17302-008-10

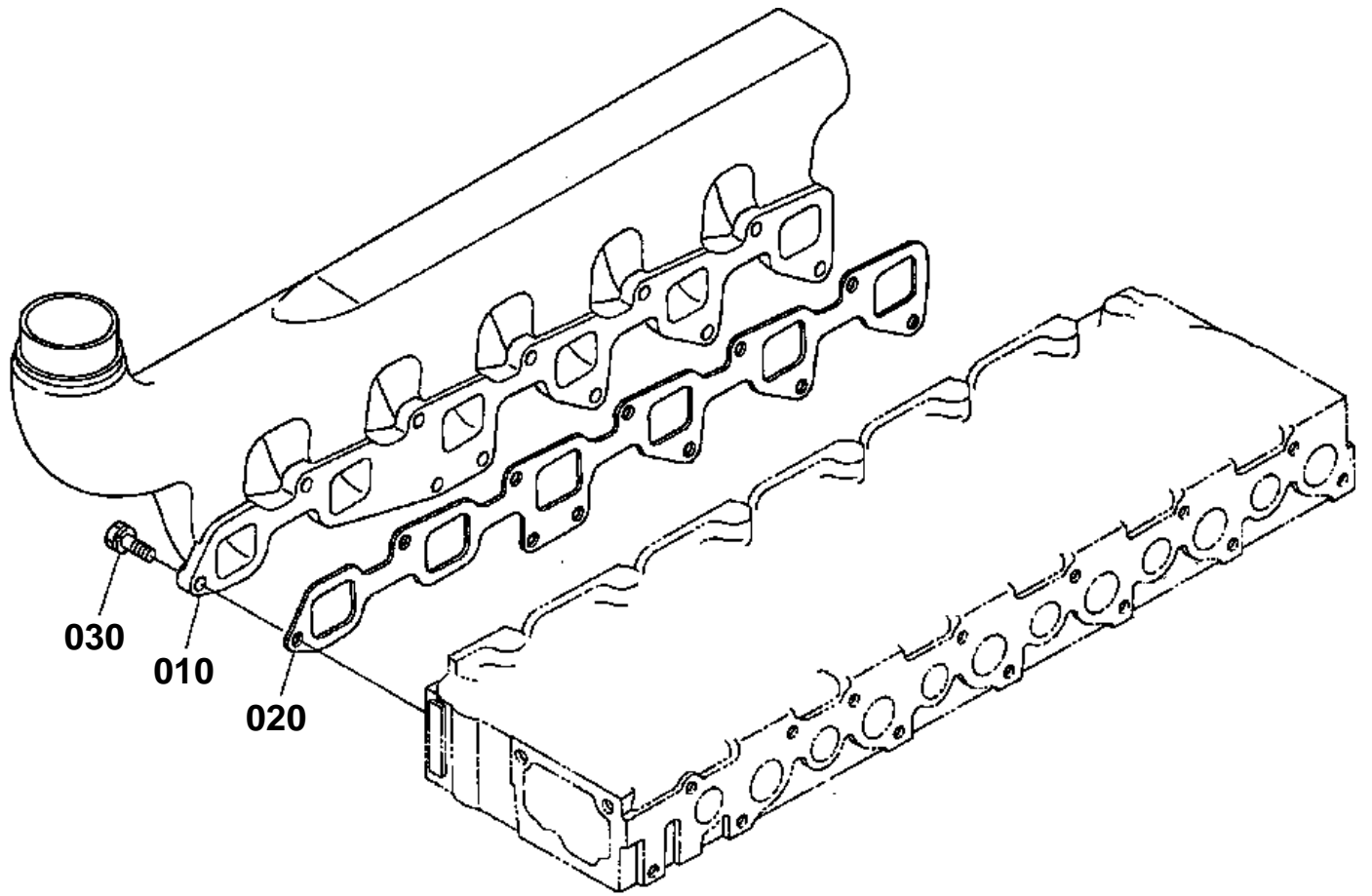


CYLINDER HEAD COVER

↔ Interchangeable; ≠ not interchangeable; ← new for old; → old for new

| REF.No | Part No. | Description | Q'ty | S.No. | I/C | REMARKS | Weight (kgf) | Weight (lb) |
|--------|-------------|----------------------|------|---------|-----|---------|--------------|-------------|
| 010 | 15521-05140 | PLATE B/THER ELEMENT | 1 | | | | 0.005 | 0.011 |
| 020 | 15521-05150 | PLATE B/THER ELEMENT | 1 | | | | 0.01 | 0.022 |
| 030 | 15521-05670 | ELEMENT BREATHER | 1 | | | | 0.01 | 0.022 |
| 040 | 15521-05370 | OIL SHIELD BREATHER | 1 | | | | 0.005 | 0.011 |
| 050 | 15521-93310 | SCREW WITH WASHER | 2 | <=88313 | | | 0 | 0 |
| 050 | 03024-50510 | SCREW WITH WASHER | 2 | >=88314 | ↔ | | 0.002 | 0.0044 |
| 050 | 03034-50510 | SCREW WITH WASHER | 2 | >=91147 | ↔ | | 0.003 | 0.0066 |
| 060 | 15521-05510 | PIPE BREATHER | 1 | | | | 0.075 | 0.165 |
| 070 | 15521-05550 | JOINT BREATHER PIPE | 1 | | | | 0.04 | 0.088 |
| 080 | 15401-05580 | CLAMP PIPE | 1 | | | | 0.02 | 0.044 |
| 090 | 15401-05590 | CLAMP PIPE | 1 | | | | 0.003 | 0.0066 |
| 100 | 01173-51018 | BOLT | 1 | | | | 0.018 | 0.0396 |
| 110 | 15621-14510 | COVER CYL.HEAD | 1 | | | | 1.7 | 3.74 |
| 120 | 15621-14520 | GASKET HEAD COVER | 1 | | | | 0.07 | 0.154 |
| 130 | 15451-92330 | NUT CAP | 6 | | | | 0.008 | 0.0176 |
| 140 | 15021-33660 | GASKET | 6 | | | | 0.001 | 0.0022 |

INLET MANIFOLD



17302-009-10

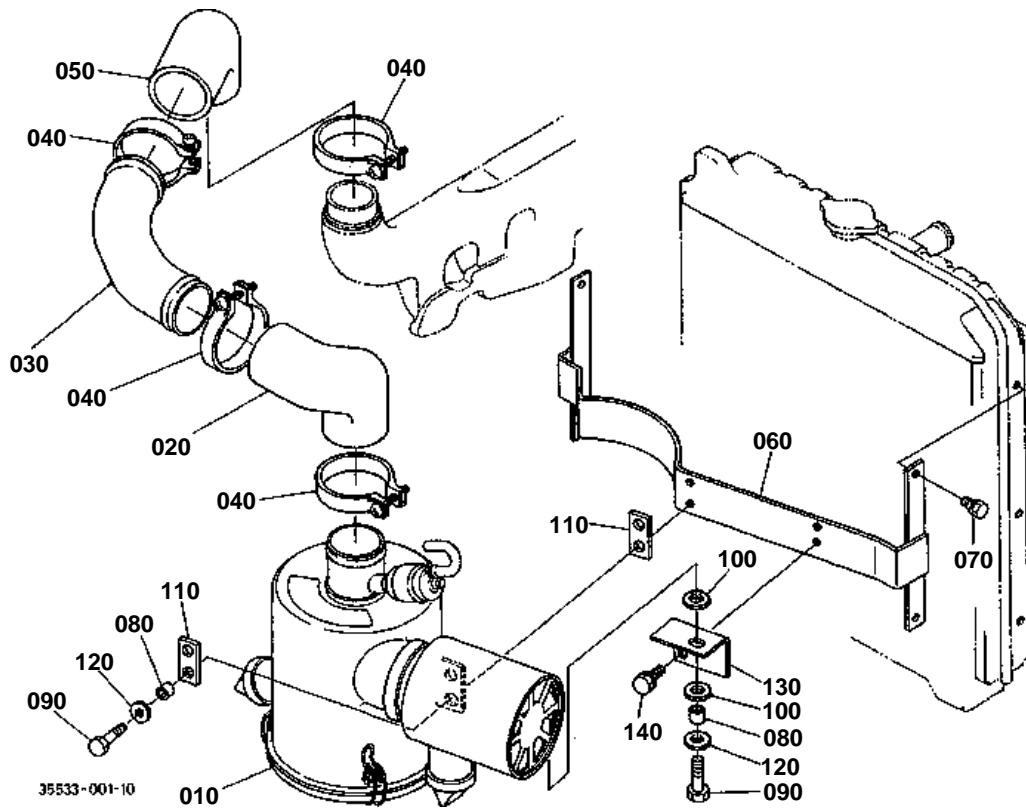


INLET MANIFOLD

↔ Interchangeable; ≠ not interchangeable; ← new for old; → old for new

| REF.No | Part No. | Description | Q'ty | S.No. | I/C | REMARKS | Weight (kgf) | Weight (lb) |
|--------|-------------|--------------------|------|-------|-----|---------|--------------|-------------|
| 010 | 17301-11760 | MANIFOLD INLET | 1 | | | | 2.6 | 5.72 |
| 020 | 17303-11820 | GASKET IN-MANIFOLD | 1 | | | | 0.023 | 0.0506 |
| 030 | 01123-50822 | BOLT | 11 | | | | 0.012 | 0.0264 |

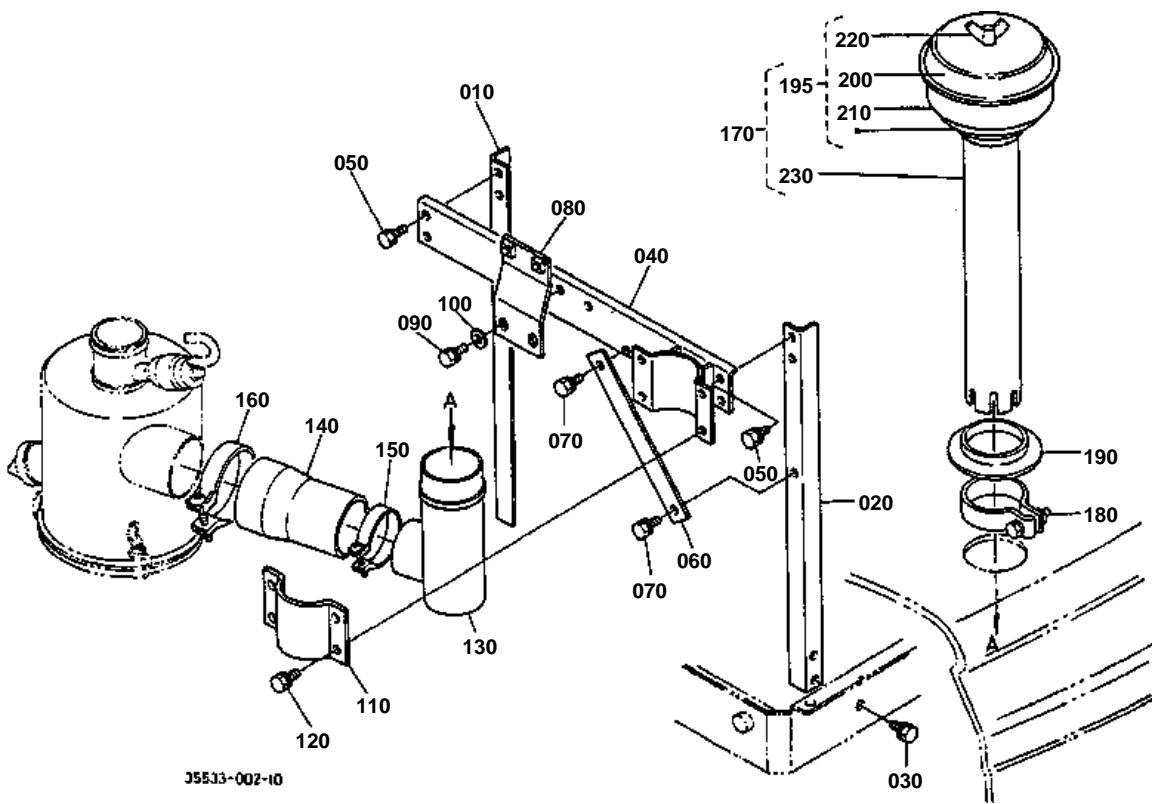
AIR CLEANER (DOUBLE)



**AIR CLEANER (DOUBLE)**

↔ Interchangeable; ≠ not interchangeable; ← new for old; → old for new

| REF.No | Part No. | Description | Q'ty | S.No. | I/C | REMARKS | Weight (kgf) | Weight (lb) |
|--------|-------------|---------------------|------|---------|-----|---------|--------------|-------------|
| 010 | 17301-11010 | ASSY CLEANER AIR | 1 | | | | 4.2 | 9.24 |
| 020 | 35533-17310 | HOSE | 1 | | | | 0.26 | 0.572 |
| 030 | 35533-17320 | HOSE | 1 | | | | 0.4 | 0.88 |
| 040 | 68811-42270 | BAND PIPE | 4 | | | | 0.04 | 0.088 |
| 050 | 35533-17330 | PIPE INLET | 1 | | | | 0.6 | 1.32 |
| 060 | 35533-19110 | SUPPORT AIR CLEANER | 1 | | | | 1.35 | 2.97 |
| 070 | 01023-50612 | BOLT | 6 | | | | 0.005 | 0.011 |
| 080 | 35533-19220 | COLLAR | 5 | ≤=20208 | | | 0 | 0 |
| 080 | 67401-51260 | COLLAR | 5 | ≥=20209 | ↔ | | 0.005 | 0.011 |
| 090 | 01123-50830 | BOLT | 5 | | | | 0.015 | 0.033 |
| 090 | 01123-50830 | BOLT | 5 | | | | 0.015 | 0.033 |
| 100 | 35533-19230 | CUSHION RUBBER | 2 | | | | 0.002 | 0.0044 |
| 110 | 35533-19240 | CUSHION RUBBER | 4 | | | | 0.002 | 0.0044 |
| 120 | 04015-60080 | WASHER PLAIN | 5 | | | | 0.01 | 0.022 |
| 130 | 35533-19250 | HOLDER | 1 | | | | 0.05 | 0.11 |
| 140 | 01123-60816 | BOLT | 2 | | | | 0.01 | 0.022 |

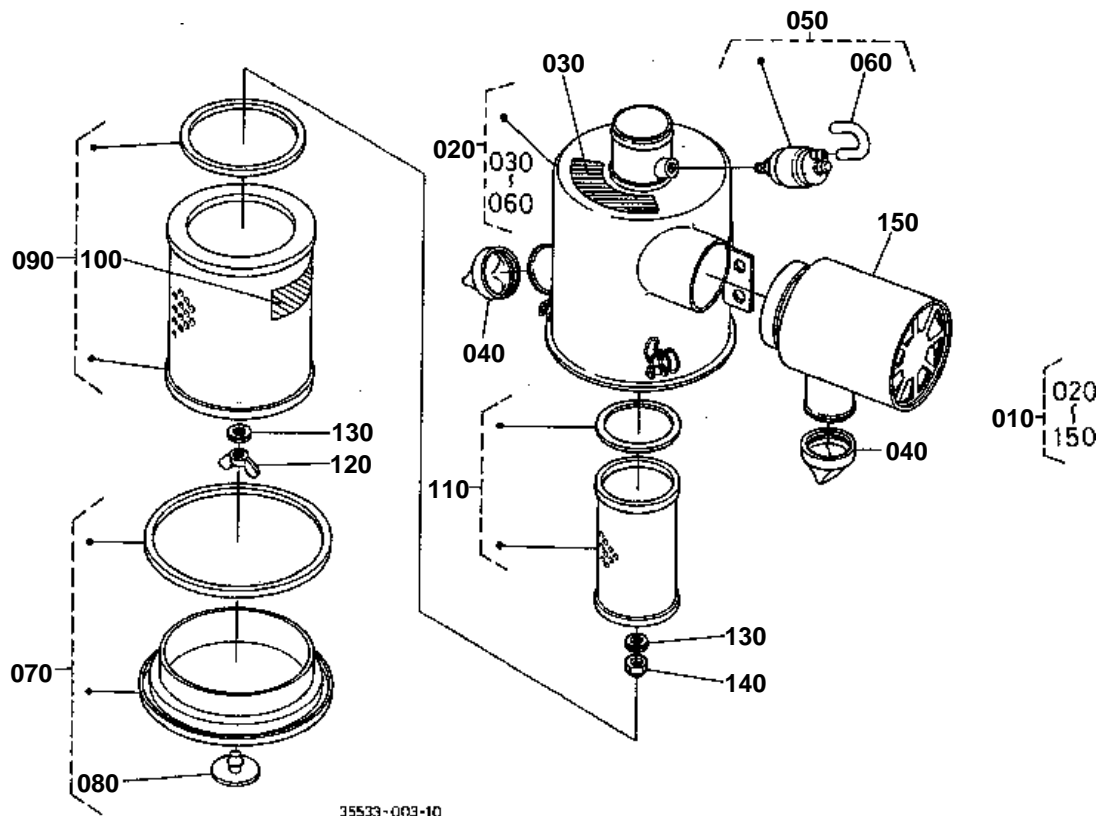


**PRE-CLEANER [OPTION]**

↔ Interchangeable; ≠ not interchangeable; ← new for old; → old for new

| REF.No | Part No. | Description | Q'ty | S.No. | I/C | REMARKS | Weight (kgf) | Weight (lb) |
|--------|-------------|----------------------|------|-------|-----|---------|--------------|-------------|
| 010 | 35533-19290 | STEEL ANGLE | 1 | | | | 0.6 | 1.32 |
| 020 | 35533-19300 | STEEL ANGLE | 1 | | | | 0.61 | 1.342 |
| 030 | 01133-51020 | BOLT | 4 | | | | 0.02 | 0.044 |
| 040 | 35533-19280 | STEEL ANGLE | 1 | | | | 1.1 | 2.42 |
| 050 | 01133-51020 | BOLT | 4 | | | | 0.02 | 0.044 |
| 060 | 35533-19320 | STAY | 1 | | | | 0.14 | 0.308 |
| 070 | 01133-51020 | BOLT | 2 | | | | 0.02 | 0.044 |
| 080 | 35533-19310 | STAY | 1 | | | | 0.22 | 0.484 |
| 090 | 01123-50820 | BOLT | 2 | | | | 0.011 | 0.0242 |
| 100 | 04013-50080 | WASHER PLAIN | 2 | | | | 0 | 0 |
| 110 | 35466-74480 | COVER | 1 | | | | 0.28 | 0.616 |
| 120 | 01123-50830 | BOLT | 4 | | | | 0.015 | 0.033 |
| 130 | 35533-19260 | DUCT | 1 | | | | 0.47 | 1.034 |
| 140 | 35533-19270 | HOSE | 1 | | | | 0.28 | 0.616 |
| 150 | 35466-74470 | BAND PIPE | 1 | | | | 0.05 | 0.11 |
| 160 | 15571-11720 | BAND INLET MANIFOLD | 1 | | | | 0.045 | 0.099 |
| 170 | 35466-74540 | ASSY PIPE PRECLEANER | 1 | | | | 2.65 | 5.83 |
| 180 | 35466-74530 | BAND PIPE | 1 | | | | 0.135 | 0.297 |
| 190 | 35999-02100 | COVER RUBBER | 1 | | | | 0.04 | 0.088 |
| 195 | 15453-11040 | ASSY PRE-CLEANER | 1 | | | | 1.3 | 2.86 |
| 200 | 15453-10250 | ASSY COVER | 1 | | | | 0.3 | 0.66 |
| 210 | 15453-10260 | BOWL PRE-CLEANER | 1 | | | | 0.2 | 0.44 |
| 220 | 15453-11530 | BOLT WING | 1 | | | | 0.005 | 0.011 |
| 230 | 35466-74510 | PIPE PRE-CLEANER | 1 | | | | 1.4 | 3.08 |

AIR CLEANER (DOUBLE) [COMPONENT PARTS]

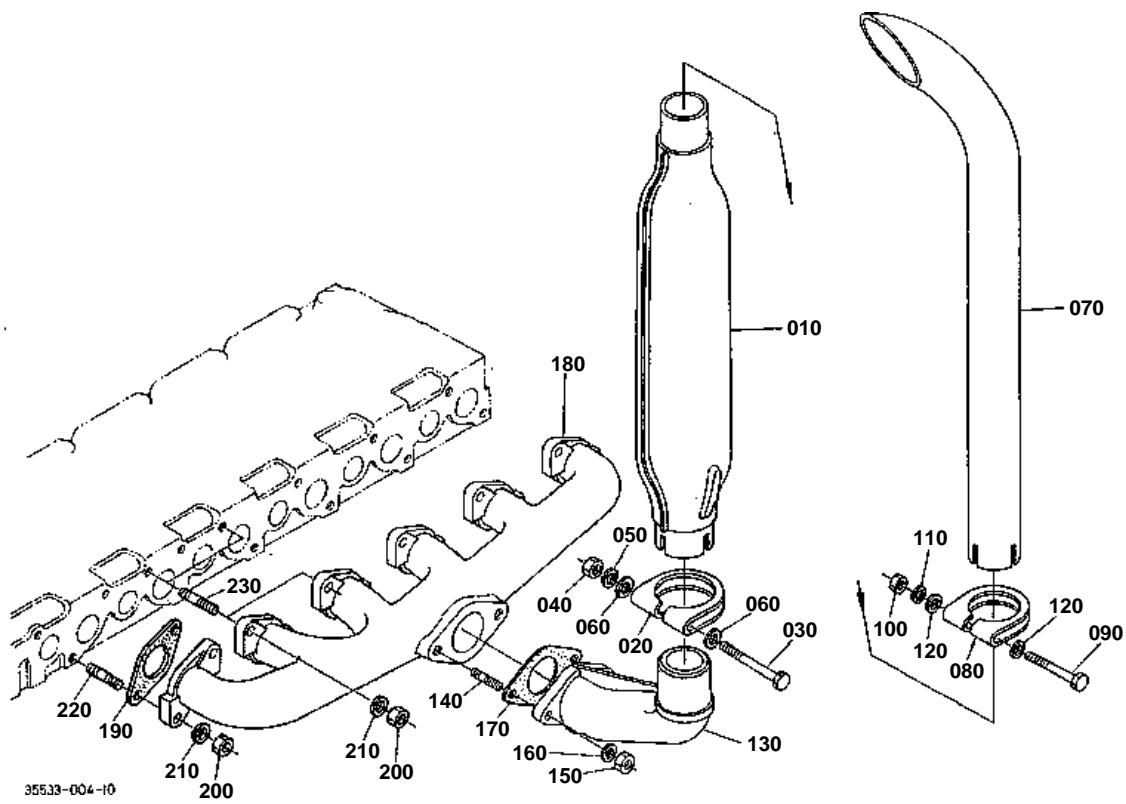


**AIR CLEANER (DOUBLE) [COMPONENT PARTS]**

↔ Interchangeable; ≠ not interchangeable; ← new for old; → old for new

| REF.No | Part No. | Description | Q'ty | S.No. | I/C | REMARKS | Weight (kgf) | Weight (lb) |
|--------|-------------|----------------------|------|-------|-----|---------|--------------|-------------|
| 010 | 17301-11010 | ASSY CLEANER AIR | 1 | | | | 4.2 | 9.24 |
| 020 | 17301-11150 | ASSY BODY A/C | 1 | | | | 1.1 | 2.42 |
| 030 | 17301-87450 | LABEL AIR CLEANER | 1 | | | | 0.002 | 0.0044 |
| 040 | 15483-11470 | VALVE | 2 | | | | 0.02 | 0.044 |
| 050 | 17301-11090 | ASSY INDICATOR | 1 | | | | 0.1 | 0.22 |
| 060 | 17301-11930 | HOSE | 1 | | | | 0.01 | 0.022 |
| 070 | 17301-11160 | ASSY COVER A/C | 1 | | | | 0.42 | 0.924 |
| 080 | 17301-11140 | GASKET | 1 | | | | 0.001 | 0.0022 |
| 090 | 17301-11080 | ASSY ELEMENT CLEANER | 1 | | | | 0.895 | 1.969 |
| 100 | 15621-87480 | LABEL CAUTION | 1 | | | | 0.01 | 0.022 |
| 110 | 17301-11180 | ELEMENT A/C INNER | 1 | | | | 0.4 | 0.88 |
| 120 | 15621-92640 | NUT WING | 1 | | | | 0.05 | 0.11 |
| 130 | 15621-94440 | ASSY GASKET | 2 | | | | 0.008 | 0.0176 |
| 140 | 15621-92110 | NUT | 1 | | | | 0.03 | 0.066 |
| 150 | 17301-11400 | ASSY CYCLONE | 1 | | | | 0.98 | 2.156 |

MUFFLER AND EXHAUST MANIFOLD

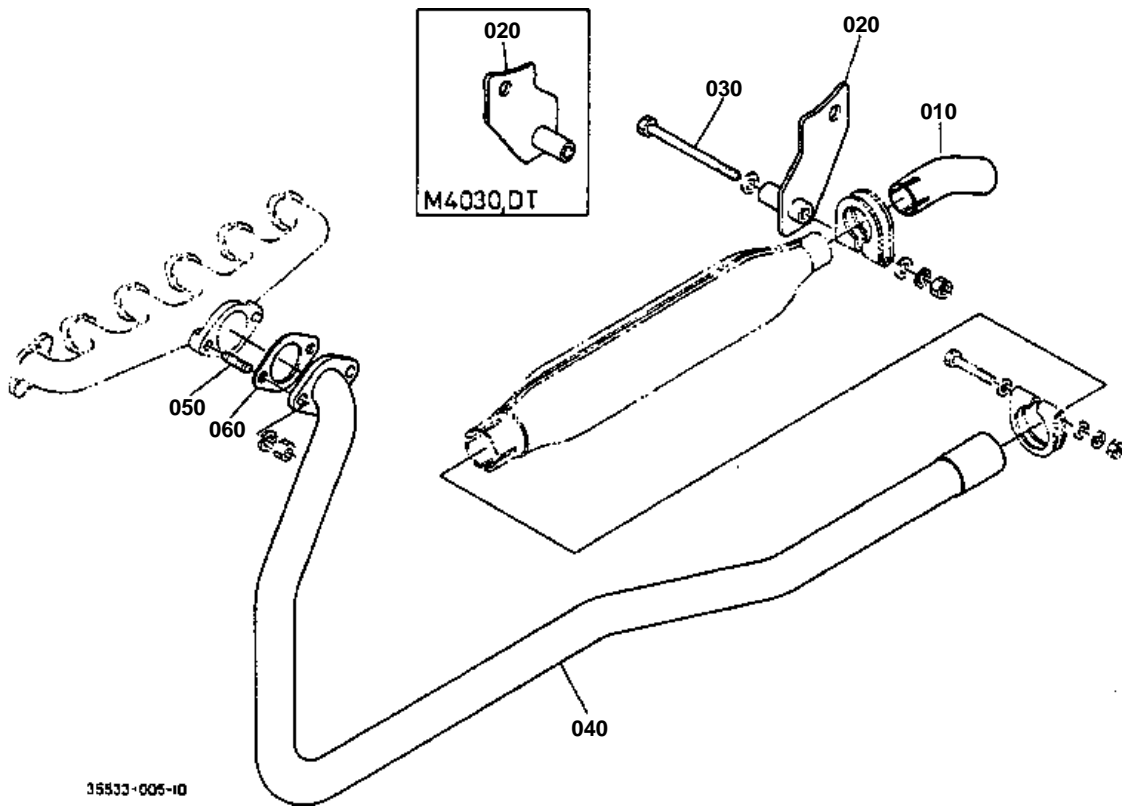




MUFFLER AND EXHAUST MANIFOLD

↔ Interchangeable; ≠ not interchangeable; ← new for old; → old for new

| REF.No | Part No. | Description | Q'ty | S.No. | I/C | REMARKS | Weight (kgf) | Weight (lb) |
|--------|-------------|----------------------|------|---------|-----|---------|--------------|-------------|
| 010 | 15616-12110 | MUFFLER | 1 | | | | 2.84 | 6.248 |
| 020 | 15616-12130 | BAND MUFFLER | 1 | | | | 0.13 | 0.286 |
| 030 | 01153-50885 | BOLT | 1 | | | | 0.031 | 0.0682 |
| 040 | 15151-04430 | NUT | 1 | <=20208 | | | 0.006 | 0.0132 |
| 040 | 02156-50080 | NUT | 1 | >=20209 | ↔ | | 0.004 | 0.0088 |
| 050 | 04512-60080 | WASHER SPRING | 1 | | | | 0.002 | 0.0044 |
| 060 | 04012-50080 | WASHER PLAIN | 2 | | | | 0.001 | 0.0022 |
| 070 | 15616-12410 | PIPE MUFFLER | 1 | | | | 0.7 | 1.54 |
| 080 | 15616-12420 | BAND PIPE | 1 | | | | 0.045 | 0.099 |
| 090 | 01153-50875 | BOLT | 1 | | | | 0.028 | 0.0616 |
| 100 | 15151-04430 | NUT | 1 | <=20208 | | | 0.006 | 0.0132 |
| 100 | 02156-50080 | NUT | 1 | >=20209 | ↔ | | 0.004 | 0.0088 |
| 110 | 04512-60080 | WASHER SPRING | 1 | | | | 0.002 | 0.0044 |
| 120 | 04012-50080 | WASHER PLAIN | 2 | | | | 0.001 | 0.0022 |
| 130 | 15616-12320 | FLANGE MUFFLER | 1 | | | | 0 | 0 |
| 140 | 01517-61030 | STUD | 2 | | | | 0.021 | 0.0462 |
| 150 | 15021-12260 | NUT | 2 | | | | 0.013 | 0.0286 |
| 160 | 04512-60100 | WASHER SPRING | 2 | | | | 0.002 | 0.0044 |
| 170 | 15625-12360 | GASKET MUFFLER FLANG | 1 | | | | 0.01 | 0.022 |
| 180 | 15616-12310 | MANIFOLD EXHAUST | 1 | | | | 4.1 | 9.02 |
| 190 | 15521-12350 | GASKET EX-MANIFOLD | 6 | | | | 0 | 0 |
| 200 | 02156-50080 | NUT | 12 | | | | 0.004 | 0.0088 |
| 210 | 04512-60080 | WASHER SPRING | 12 | | | | 0.002 | 0.0044 |
| 220 | 15221-91530 | STUD | 10 | | | | 0.011 | 0.0242 |
| 230 | 15621-91530 | STUD | 2 | | | | 0 | 0 |



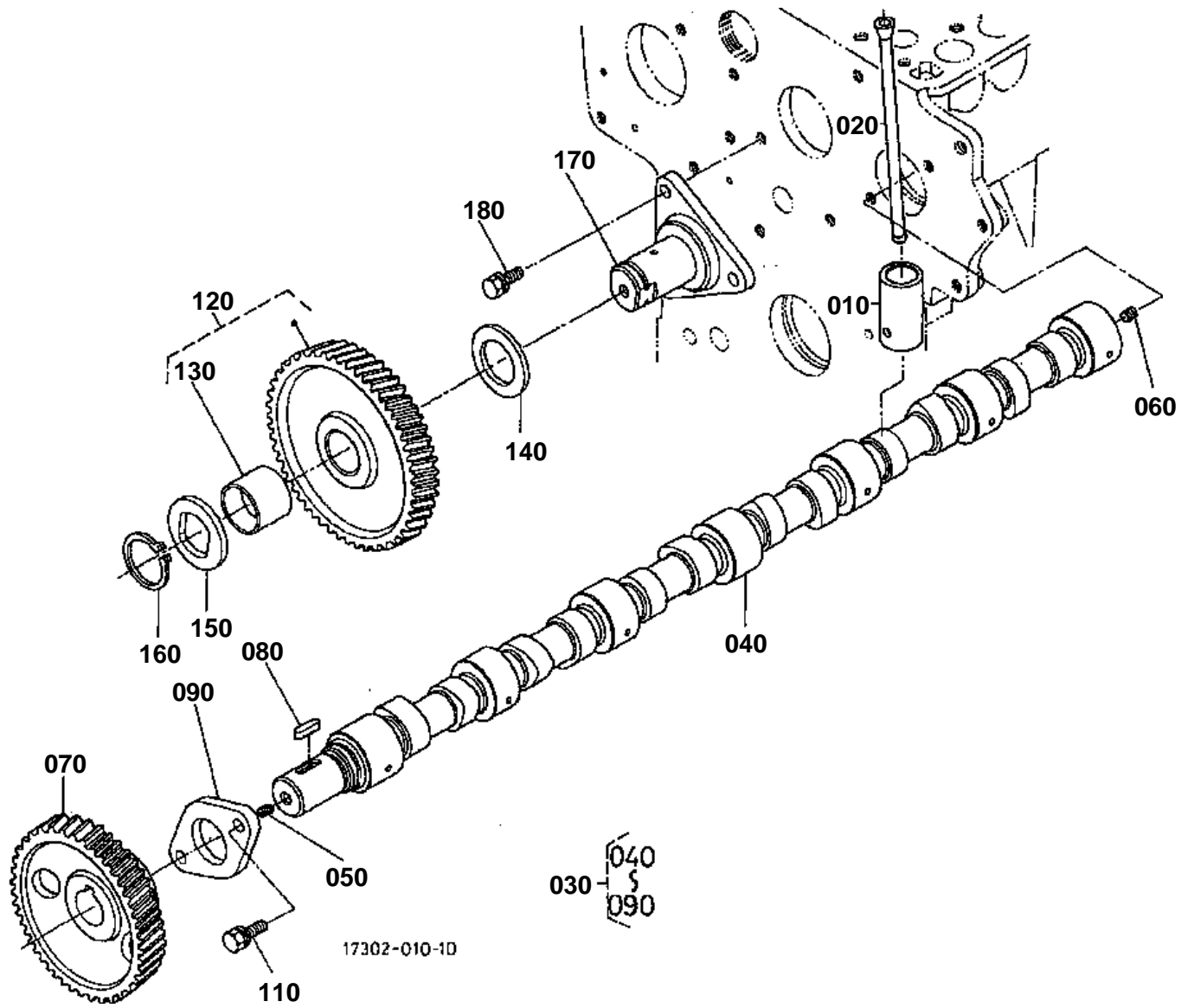


UNDER MUFFLER (LOW-PROFILE KIT) [OPTION]

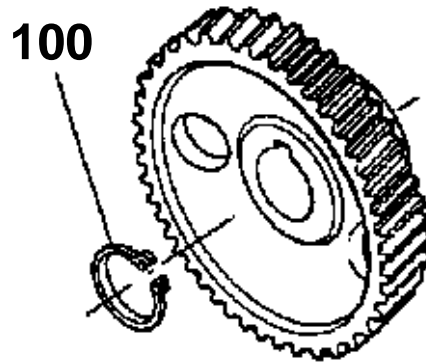
↔ Interchangeable; ≠ not interchangeable; ← new for old; → old for new

| REF.No | Part No. | Description | Q'ty | S.No. | I/C | REMARKS | Weight (kgf) | Weight (lb) |
|--------|-------------|----------------------|------|-------|-----|---------|--------------|-------------|
| 010 | 35999-02330 | PIPE MUFFLER | 1 | | | | 0.2 | 0.44 |
| 020 | 35537-03130 | SUPPORT MUFFLER | 1 | | | | 0.15 | 0.33 |
| 030 | 01153-50802 | BOLT | 1 | | | | 0.04 | 0.088 |
| 040 | 35537-03120 | PIPE UNDER MUFFLER | 1 | | | | 3.4 | 7.48 |
| 050 | 01517-61025 | STUD | 2 | | | | 0.02 | 0.044 |
| 060 | 15625-12360 | GASKET MUFFLER FLANG | 1 | | | | 0.01 | 0.022 |

CAMSHAFT

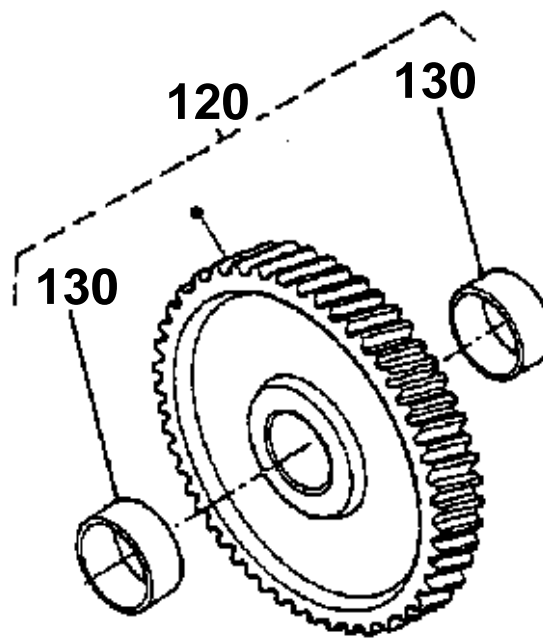


100 04612-00240



120 15601-2401-0

130 15221-2498-0



17302-808-10

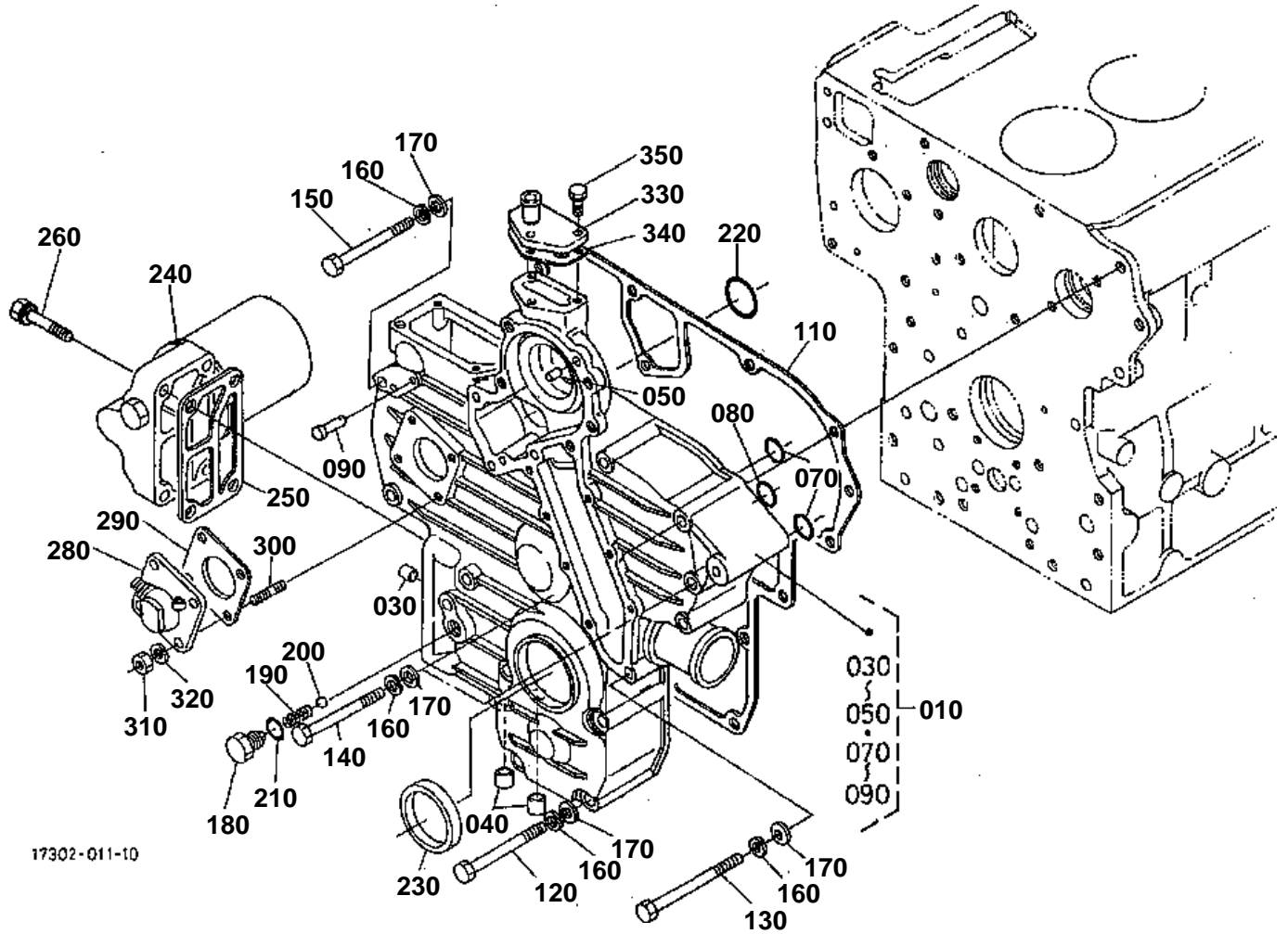


CAMSHAFT

↔ Interchangeable; ≠ not interchangeable; ← new for old; → old for new

| REF.No | Part No. | Description | Q'ty | S.No. | I/C | REMARKS | Weight (kgf) | Weight (lb) |
|--------|-------------|--------------------|------|---------|-----|---------|--------------|-------------|
| 010 | 15221-15550 | TAPPET | 12 | <=55594 | | | 0 | 0 |
| 010 | 15601-15550 | TAPPET | 12 | >=55595 | ≠ | | 0.08 | 0.176 |
| 020 | 15221-15110 | PUSH ROD | 12 | | | | 0.05 | 0.11 |
| 030 | 17301-16010 | ASSY CAMSHAFT | 1 | | | | 4.4 | 9.68 |
| 040 | 17301-16150 | CAMSHAFT | 1 | | | | 3.5 | 7.7 |
| 050 | 15521-93610 | SCREW SET | 1 | | | | 0.002 | 0.0044 |
| 060 | 15601-93620 | SCREW SET | 1 | | | | 0.025 | 0.055 |
| 070 | 15601-16510 | GEAR CAM | 1 | <=52113 | | | 0 | 0 |
| 070 | 15221-16510 | GEAR CAM | 1 | >=52114 | ↔ | | 0.85 | 1.87 |
| 080 | 05712-00720 | KEY FEATHER | 1 | | | | 0.008 | 0.0176 |
| 090 | 15221-16270 | STOPPER CAMSHAFT | 1 | | | | 0.073 | 0.1606 |
| 100 | 04612-00240 | CIRCLIP EXTERNAL | 1 | <=48404 | | | 0.002 | 0.0044 |
| 110 | 01123-50818 | BOLT | 2 | | | | 0.012 | 0.0264 |
| 120 | 15601-24010 | COMP GEAR IDLE | 1 | <=52113 | | | 1.07 | 2.354 |
| 120 | 17331-24010 | COMP GEAR IDLE | 1 | >=52114 | ≠ | | 1.11 | 2.442 |
| 130 | 15221-24980 | BUSH IDLE GEAR | 2 | <=52113 | | | 0.02 | 0.044 |
| 130 | 17331-24980 | BUSH IDLE GEAR | 1 | >=52114 | ≠ | | 0.06 | 0.132 |
| 140 | 15521-24360 | COLLAR | 1 | <=52113 | | | 0.015 | 0.033 |
| 140 | 17331-24360 | COLLAR | 1 | >=52114 | ≠ | | 0.02 | 0.044 |
| 150 | 15521-24370 | COLLAR | 1 | <=52113 | | | 0.015 | 0.033 |
| 150 | 17331-24370 | COLLAR | 1 | >=52114 | ≠ | | 0.02 | 0.044 |
| 160 | 15221-24320 | CIR CLIP IDLE GEAR | 1 | <=52113 | | | 0.01 | 0.022 |
| 160 | 15451-95390 | CIRCLIP EXTERNAL | 1 | >=52114 | ≠ | | 0.007 | 0.0154 |
| 170 | 15221-24250 | SHAFT IDLE GEAR | 1 | <=52113 | | | 0.48 | 1.056 |
| 170 | 17331-24250 | SHAFT IDLE GEAR | 1 | >=52114 | ≠ | | 0.575 | 1.265 |
| 180 | 01123-50818 | BOLT | 3 | | | | 0.012 | 0.0264 |

GEAR CASE



17302-011-10

010 17381-0402-0

010 17381-0402-2

020 17381-9605-0

060 15221-0349-0

070 04811-00150

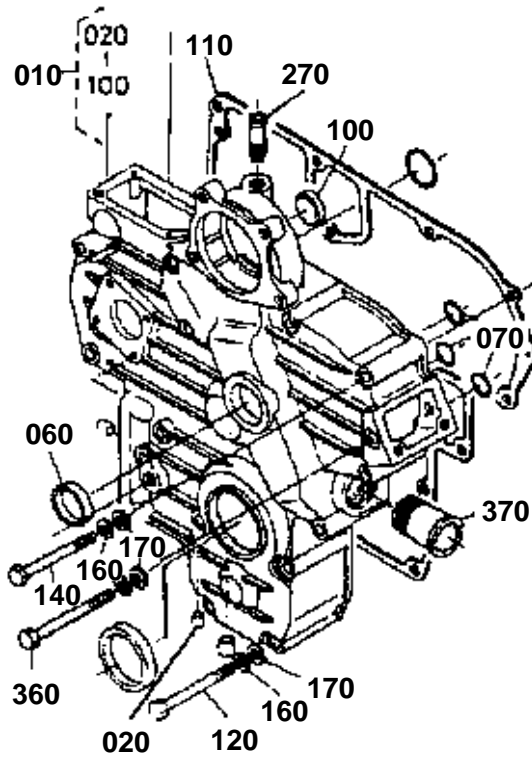
100 15321-9626-0

120 15221-9104-0

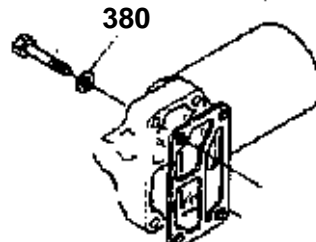
270 15321-7334-0

360 01053-50885

370 15221-7288-0



380 04512-50080

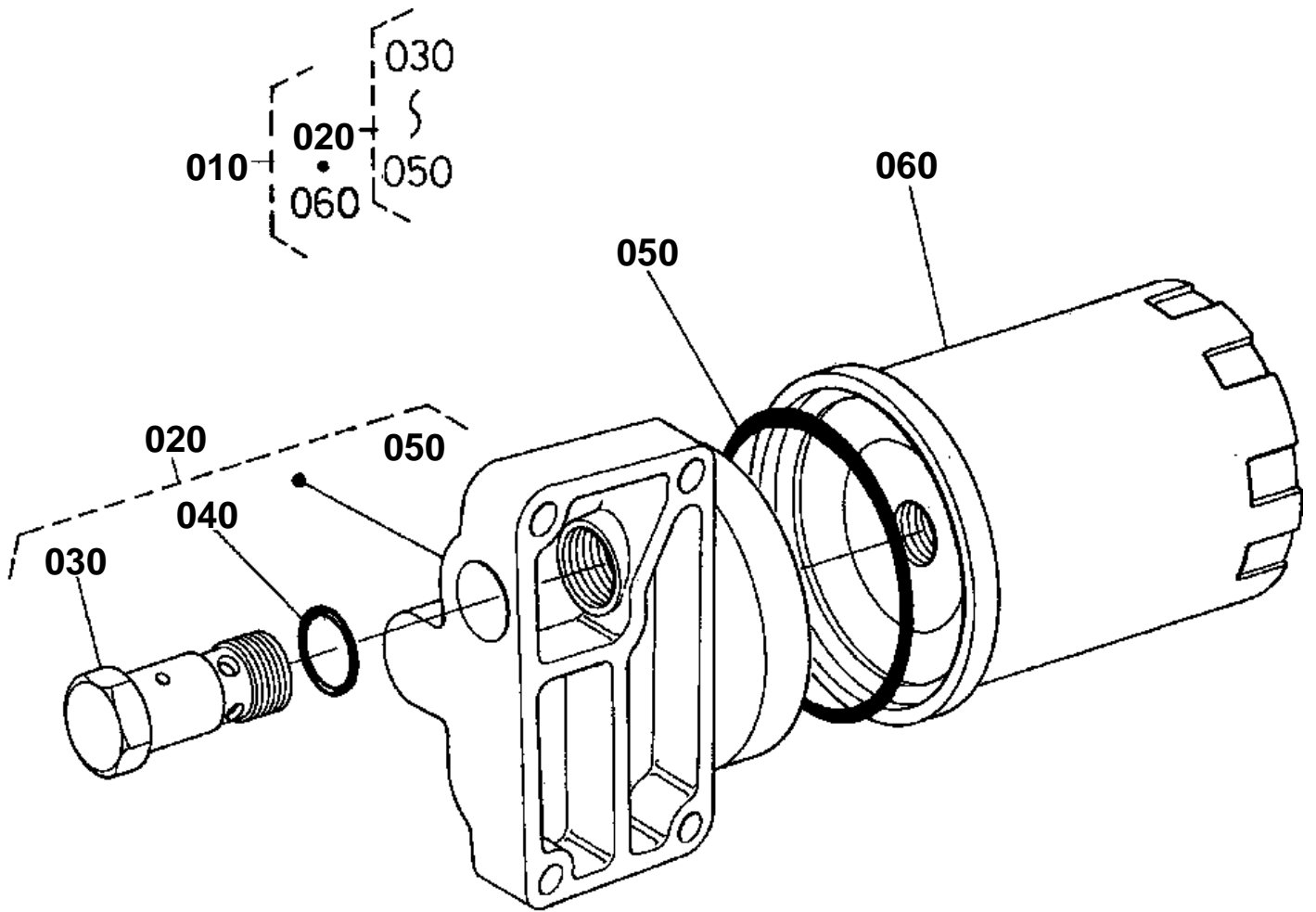


17302-809-10

**GEAR CASE**

↔ Interchangeable; ≠ not interchangeable; ← new for old; → old for new

| REF.No | Part No. | Description | Q'ty | S.No. | I/C | REMARKS | Weight (kgf) | Weight (lb) |
|--------|-------------|---------------------|------|---------|-----|---------|--------------|-------------|
| 010 | 17381-04020 | COMP.CASE GEAR | 1 | <=50132 | | | 4 | 8.8 |
| 010 | 17381-04022 | COMP.CASE GEAR | 1 | >=50133 | ≠ | | 0.39 | 0.858 |
| 010 | 17381-04023 | COMP.CASE GEAR | 1 | >=65748 | ≠ | | 4.1 | 9.02 |
| 010 | 17381-04024 | ASSY CASE GEAR | 1 | >=80544 | ≠ | | 3.67 | 8.074 |
| 020 | 17381-96050 | PLUG | 1 | <=50132 | | | 0 | 0 |
| 030 | 15221-33620 | PLUG PIN | 1 | | | | 0.002 | 0.0044 |
| 040 | 15261-96020 | PLUG | 1 | <=50132 | | | 0 | 0 |
| 040 | 15261-96020 | PLUG | 2 | >=50133 | | | 0 | 0 |
| 040 | 16851-96010 | PLUG | 2 | >=90279 | ↔ | | 0.015 | 0.033 |
| 050 | 05012-00612 | PIN STRAIGHT | 2 | >=80544 | | | 0.003 | 0.0066 |
| 060 | 15221-03490 | CAP SEALING | 1 | <=80543 | | | 0.02 | 0.044 |
| 070 | 04811-00150 | O RING | 3 | <=65747 | | | 0 | 0 |
| 070 | 04811-00150 | O RING | 2 | >=65748 | | | 0 | 0 |
| 080 | 04811-00200 | O RING | 1 | >=65748 | | | 0 | 0 |
| 090 | 15221-56280 | PIN START SPRING | 1 | | | | 0.006 | 0.0132 |
| 100 | 15321-96260 | CAP SEALING | 1 | <=80543 | | | 0.001 | 0.0022 |
| 110 | 15313-04130 | GASKET GEAR CASE | 1 | <=51078 | | | 0.002 | 0.0044 |
| 110 | 15601-04130 | GASKET GEAR CASE | 1 | >=51079 | ← | | 0 | 0 |
| 110 | 15296-04132 | GASKET GEAR CASE | 1 | >=65748 | ≠ | | 0.018 | 0.0396 |
| 120 | 15221-91010 | BOLT | 9 | <=80543 | | | 0 | 0 |
| 120 | 17367-91010 | BOLT | 6 | >=80544 | ≠ | | 0.005 | 0.011 |
| 130 | 17367-91020 | BOLT | 3 | >=80544 | | | 0.035 | 0.077 |
| 140 | 15321-91010 | BOLT | 4 | <=50132 | | | 0.03 | 0.066 |
| 140 | 15321-91010 | BOLT | 5 | >=50133 | | | 0.03 | 0.066 |
| 150 | 01053-50880 | BOLT | 1 | | | | 0.03 | 0.066 |
| 160 | 04512-60080 | WASHER SPRING | 15 | | | | 0.002 | 0.0044 |
| 170 | 04012-50080 | WASHER PLAIN | 15 | | | | 0.001 | 0.0022 |
| 180 | 15221-38420 | CAP SAFETY VALVE | 1 | | | | 0.025 | 0.055 |
| 190 | 15221-38440 | SPRING | 1 | | | | 0.004 | 0.0088 |
| 200 | 07715-00803 | BALL | 1 | | | | 0.004 | 0.0088 |
| 210 | 04811-00100 | O RING | 1 | | | | 0 | 0 |
| 220 | 04811-04024 | O RING | 1 | <=50132 | | | 0.002 | 0.0044 |
| 220 | 04811-00360 | O RING | 1 | >=50133 | ≠ | | 0 | 0 |
| 230 | 09550-00001 | SEAL OIL | 1 | | | | 0.015 | 0.033 |
| 240 | 15402-32023 | ASSY FILTER OIL | 1 | | | | 1.05 | 2.31 |
| 250 | 15296-32320 | GASKET | 1 | | | | 0.006 | 0.0132 |
| 260 | 15402-91010 | BOLT | 4 | <=78837 | | | 0 | 0 |
| 260 | 01123-50848 | BOLT | 4 | >=78838 | ↔ | | 0.02 | 0.044 |
| 270 | 15321-73340 | PIPE WATER RETURN | 1 | <=50132 | | | 0.016 | 0.0352 |
| 280 | 37150-34660 | ASSY GEAR CASE H/M | 1 | | | | 0.32 | 0.704 |
| 290 | 15296-88130 | GASKET H/METER UNIT | 1 | | | | 0.002 | 0.0044 |
| 300 | 15221-88210 | STUD | 4 | | | | 0.005 | 0.011 |
| 310 | 02056-50060 | NUT | 4 | | | | 0.002 | 0.0044 |
| 320 | 04512-60060 | WASHER SPRING | 4 | | | | 0.001 | 0.0022 |
| 330 | 15521-73320 | FLANGE WATER RETURN | 1 | >=80544 | | | 0.04 | 0.088 |
| 340 | 15766-73330 | GASKET | 1 | >=80544 | | | 0 | 0 |
| 350 | 01023-50620 | BOLT | 3 | >=80544 | | | 0.006 | 0.0132 |
| 360 | 01053-50885 | BOLT | 1 | <=50200 | | | 0.031 | 0.0682 |
| 370 | 15221-72880 | PIPE WATER | 1 | <=49639 | | | 0.115 | 0.253 |
| 380 | 04512-60080 | WASHER SPRING | 4 | <=78837 | | | 0.002 | 0.0044 |



17302-012-10

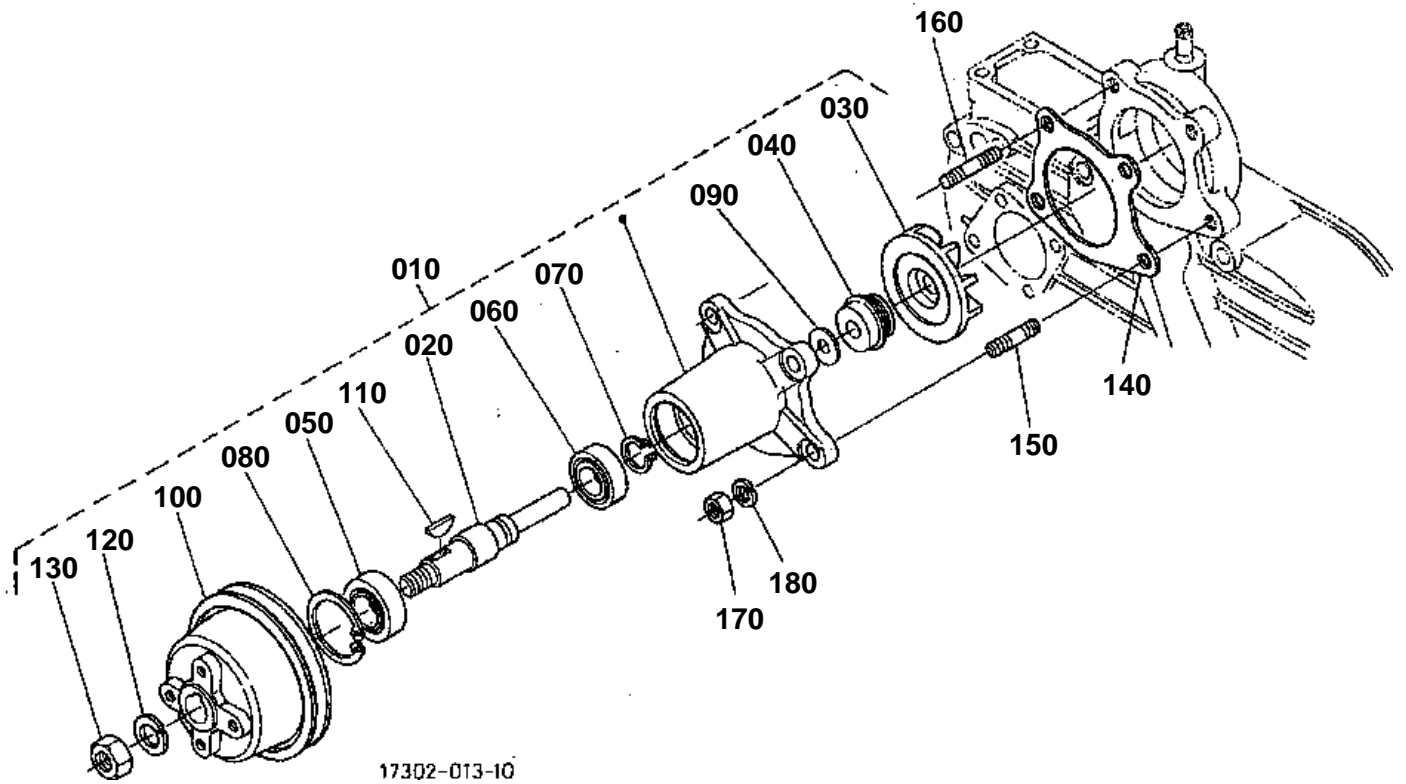


OIL FILTER [COMPONENT PARTS]

↔ Interchangeable; ≠ not interchangeable; ← new for old; → old for new

| REF.No | Part No. | Description | Q'ty | S.No. | I/C | REMARKS | Weight (kgf) | Weight (lb) |
|--------|-------------|-------------------|------|-------|-----|---------|--------------|-------------|
| 010 | 15402-32023 | ASSY FILTER OIL | 1 | | | | 1.05 | 2.31 |
| 020 | 15402-32070 | ASSY COVER | 1 | | | | 0.52 | 1.144 |
| 030 | 15213-36070 | COMP VALVE RELIEF | 1 | | | | 0.13 | 0.286 |
| 040 | 04811-00200 | O RING | 1 | | | | 0 | 0 |
| 050 | 19701-96802 | O RING | 1 | | | | 0.001 | 0.0022 |
| 060 | 16080-32430 | CARTRIDGE FILTER | 1 | | | | 0 | 0 |

WATER PUMP [OLD TYPE]

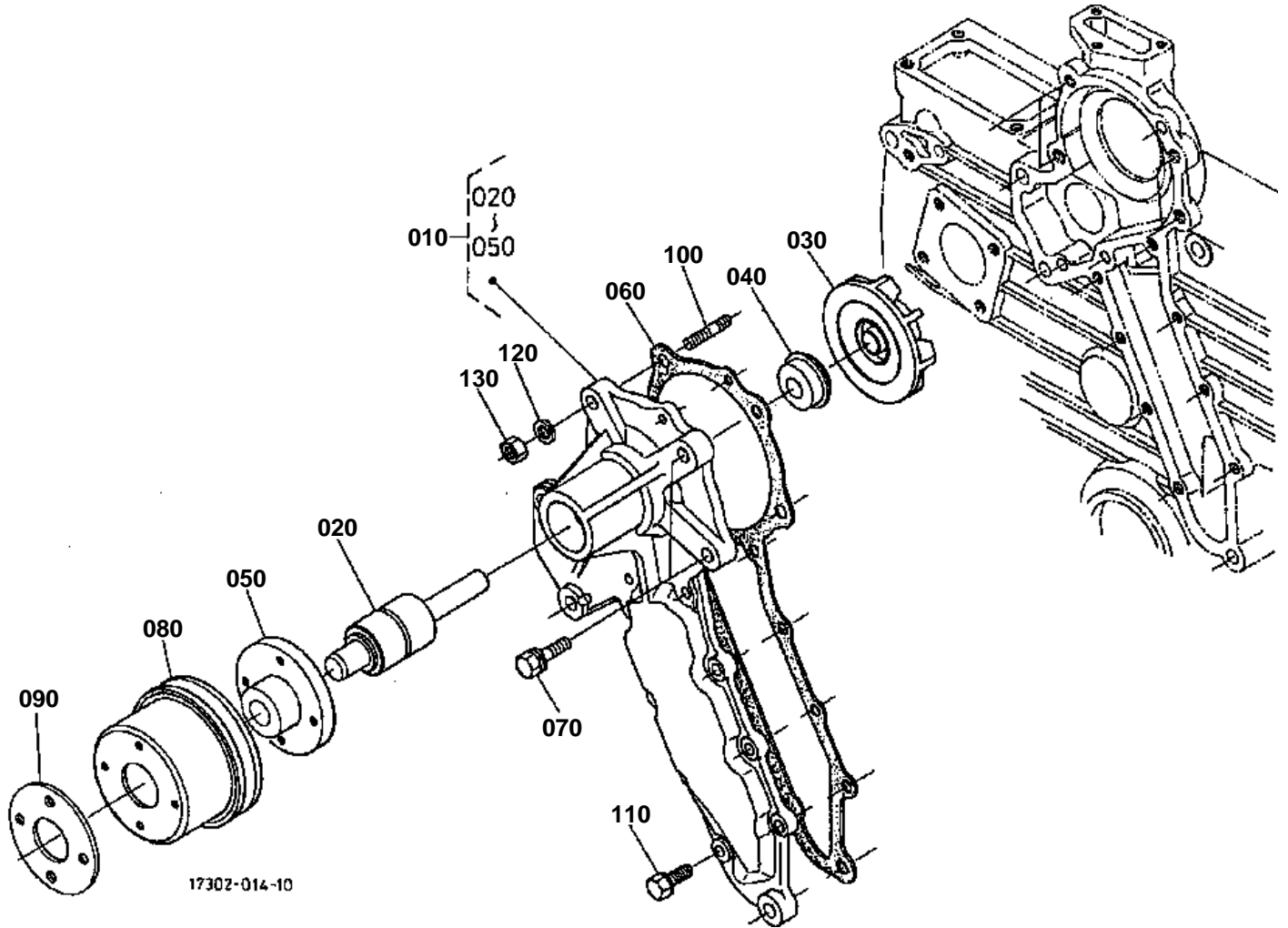




WATER PUMP [OLD TYPE]
S.No.;<=80543

↔ Interchangeable; ≠ not interchangeable; ← new for old; → old for new

| REF.No | Part No. | Description | Q'ty | S.No. | I/C | REMARKS | Weight (kgf) | Weight (lb) |
|--------|-------------|----------------------|------|---------|-----|---------|--------------|-------------|
| 010 | 17301-73030 | ASSY PUMP WATER | 1 | <=57018 | | | 0 | 0 |
| 010 | 17303-73030 | ASSY PUMP WATER | 1 | >=57019 | ↔ | | 2.4 | 5.28 |
| 020 | 15601-73480 | SHAFT WATER PUMP | 1 | <=57018 | | | 0 | 0 |
| 020 | 17382-73480 | SHAFT WATER PUMP | 1 | >=57019 | ≠ | | 0.1 | 0.22 |
| 030 | 19202-73510 | IMPELLER WATER PUMP | 1 | <=57018 | | | 0.22 | 0.484 |
| 030 | 17382-73510 | IMPELLER WATER PUMP | 1 | >=57019 | ≠ | | 0.22 | 0.484 |
| 040 | 19202-73050 | ASSY SEAL MECHANICAL | 1 | <=57018 | | | 0.02 | 0.044 |
| 040 | 17382-73050 | SET SEAL | 1 | >=57019 | ≠ | | 0.03 | 0.066 |
| 050 | 08143-06302 | BEARING BALL | 1 | | | | 0.082 | 0.1804 |
| 060 | 08143-06202 | BEARING BALL | 1 | | | | 0.043 | 0.0946 |
| 070 | 04612-00150 | CIRCLIP EXTERNAL | 1 | | | | 0.001 | 0.0022 |
| 080 | 04611-00420 | CIR CLIP INTERNAL | 1 | | | | 0.006 | 0.0132 |
| 090 | 17382-73620 | SLINGER WATER PUMP | 1 | >=57019 | | | 0.003 | 0.0066 |
| 100 | 17301-74250 | PULLEY FAN | 1 | <=57018 | | | 1.3 | 2.86 |
| 100 | 17303-74250 | PULLEY FAN | 1 | >=57019 | ≠ | | 1.24 | 2.728 |
| 110 | 05811-00416 | KEY WOODRUFF | 1 | | | | 0.002 | 0.0044 |
| 120 | 04512-60140 | WASHER SPRING | 1 | | | | 0.008 | 0.0176 |
| 130 | 02076-50140 | NUT | 1 | | | | 0.022 | 0.0484 |
| 140 | 15439-73430 | GASKET WATER PUMP | 1 | | | | 0.005 | 0.011 |
| 150 | 01518-50822 | STUD | 2 | | | | 0.012 | 0.0264 |
| 160 | 01518-50825 | STUD | 2 | | | | 0.014 | 0.0308 |
| 170 | 02056-50080 | NUT | 4 | | | | 0.005 | 0.011 |
| 180 | 04512-60080 | WASHER SPRING | 4 | | | | 0.002 | 0.0044 |



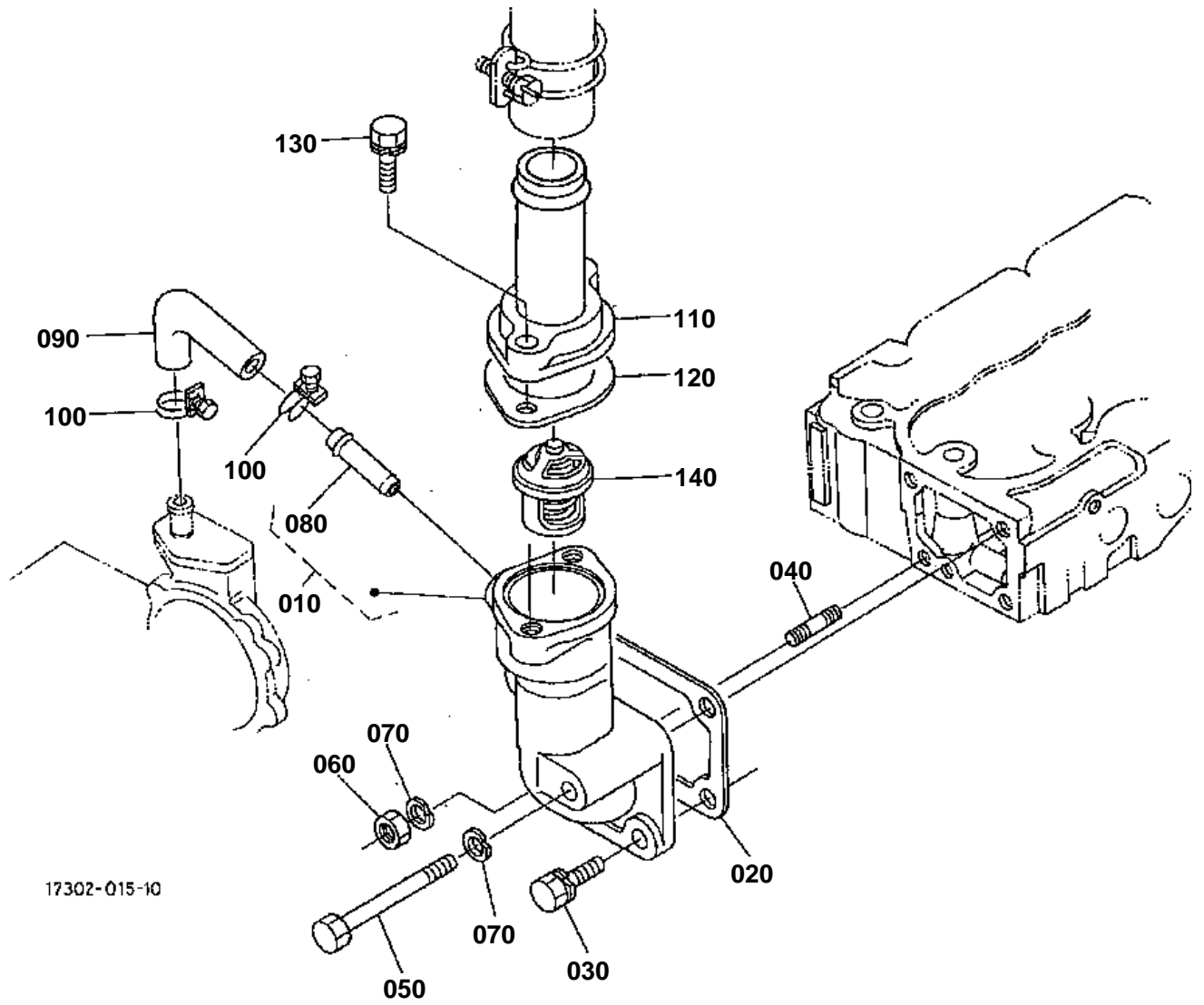


WATER PUMP [NEW TYPE]
S.No.;>=80544

↔ Interchangeable; ≠ not interchangeable; ← new for old; → old for new

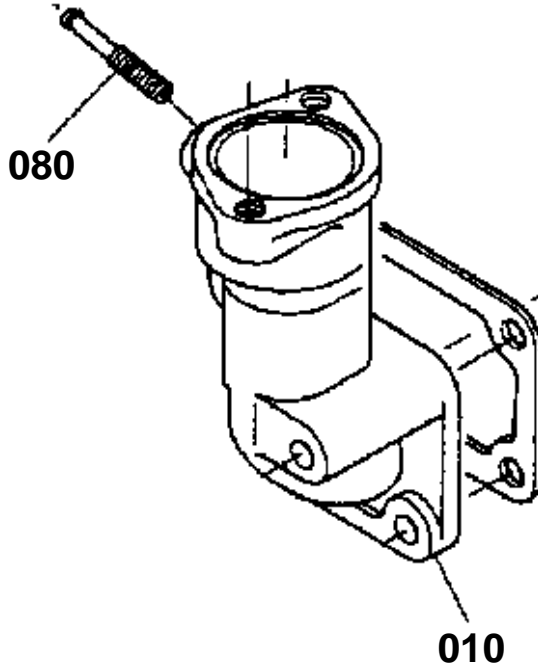
| REF.No | Part No. | Description | Q'ty | S.No. | I/C | REMARKS | Weight (kgf) | Weight (lb) |
|--------|-------------|----------------------|------|---------|-----|---------|--------------|-------------|
| 010 | 15612-73030 | ASSY PUMP WATER | 1 | ≤117953 | | | 0 | 0 |
| 010 | 15612-73032 | ASSY PUMP WATER | 1 | ≥117954 | ← | | 0 | 0 |
| 020 | 15521-73550 | BEARING | 1 | | | | 0.235 | 0.517 |
| 030 | 15521-73510 | IMPELLER WATER PUMP | 1 | ≤117953 | | | 0.22 | 0.484 |
| 030 | 16661-73510 | IMPELLER | 1 | ≥117954 | ≠ | | 0.195 | 0.429 |
| 040 | 19202-73050 | ASSY SEAL MECHANICAL | 1 | ≤117953 | | | 0.02 | 0.044 |
| 040 | 16661-73050 | ASSY SEAL MECHANICAL | 1 | ≥117954 | ≠ | | 0.025 | 0.055 |
| 050 | 17385-73520 | FLANGE W/PUMP SHAFT | 1 | | | | 0.365 | 0.803 |
| 060 | 15766-73430 | GASKET WATER PUMP | 1 | | | | 0.01 | 0.022 |
| 070 | 01123-50828 | BOLT | 2 | | | | 0.014 | 0.0308 |
| 080 | 17304-74250 | PULLEY FAN | 1 | | | | 0.36 | 0.792 |
| 090 | 15451-74230 | WASHER FAN | 1 | | | | 0.07 | 0.154 |
| 100 | 15521-91510 | STUD | 2 | ≤86030 | | | 0.012 | 0.0264 |
| 100 | 01518-50825 | STUD | 2 | ≥86031 | ↔ | | 0.014 | 0.0308 |
| 110 | 01023-50618 | BOLT | 8 | | | | 0.006 | 0.0132 |
| 120 | 04512-60080 | WASHER SPRING | 2 | | | | 0.002 | 0.0044 |
| 130 | 02156-50080 | NUT | 2 | | | | 0.004 | 0.0088 |

WATER FLANGE AND THERMOSTAT



010 15521-7291-0

080 15321-7334-0



17302-810-10

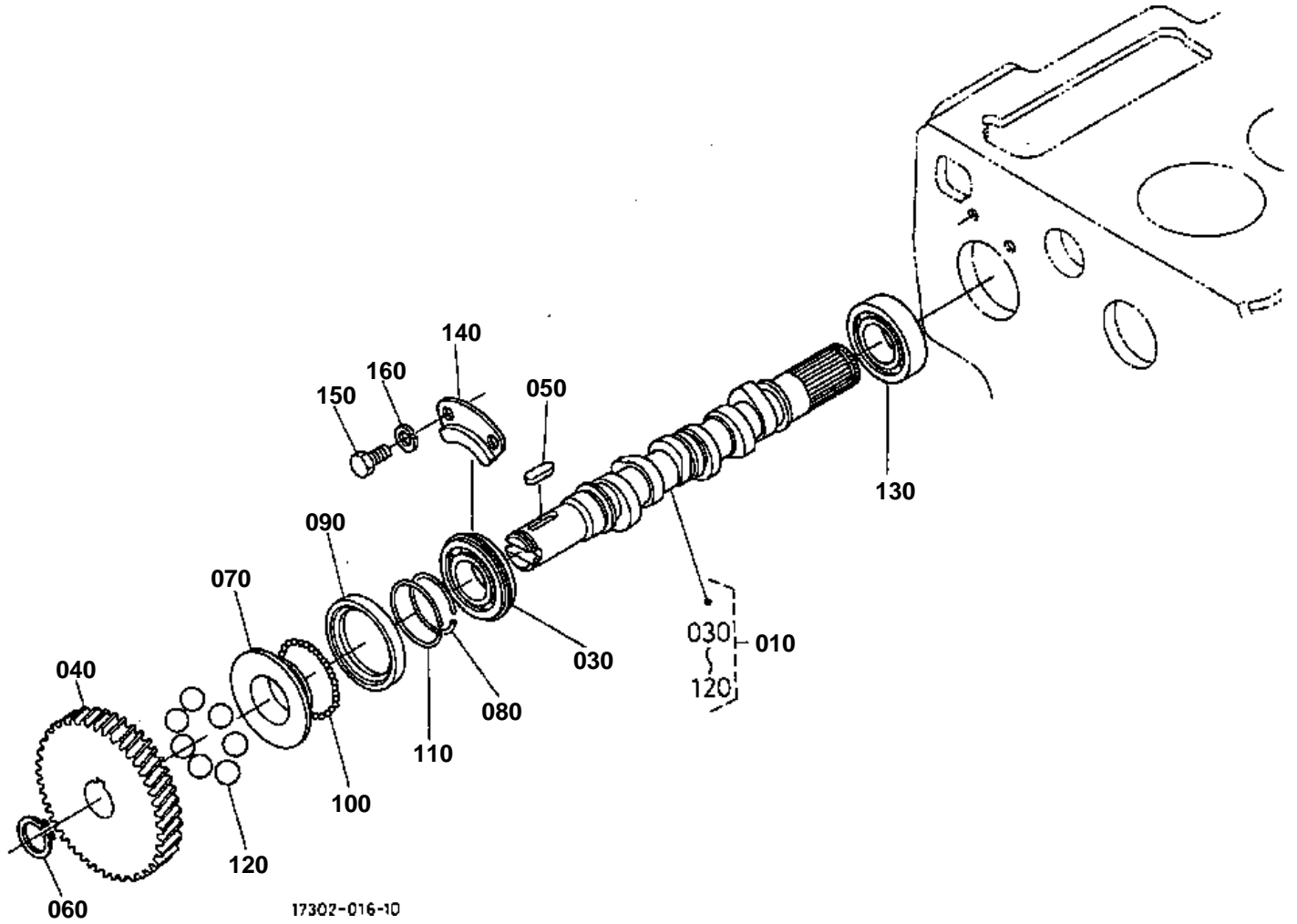


WATER FLANGE AND THERMOSTAT

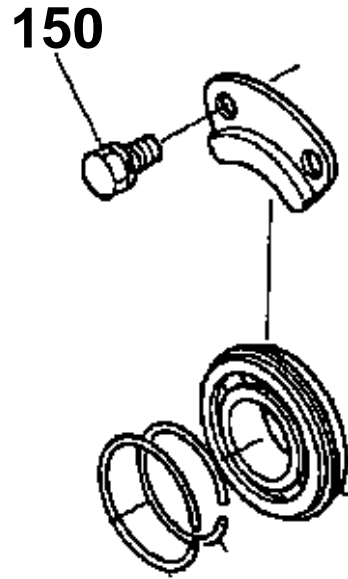
↔ Interchangeable; ≠ not interchangeable; ← new for old; → old for new

| REF.No | Part No. | Description | Q'ty | S.No. | I/C | REMARKS | Weight (kgf) | Weight (lb) |
|--------|-------------|---------------------|------|---------|-----|---------|--------------|-------------|
| 010 | 15521-72913 | FLANGE WATER | 1 | <=47736 | | | 0 | 0 |
| 010 | 15521-72700 | COMP.FLANGE WATER | 1 | >=47737 | ← | | 0 | 0 |
| 010 | 15521-72702 | COMP.FLANGE WATER | 1 | >=83225 | ← | | 0.1 | 0.22 |
| 020 | 15766-72920 | GASKET WATER FLANGE | 1 | | | | 0 | 0 |
| 030 | 01123-50822 | BOLT | 2 | | | | 0.012 | 0.0264 |
| 030 | 01123-50820 | BOLT | 2 | | ↔ | | 0.011 | 0.0242 |
| 040 | 01513-50822 | STUD | 1 | | | | 0.01 | 0.022 |
| 050 | 01153-50870 | BOLT | 1 | | | | 0.026 | 0.0572 |
| 060 | 02156-50080 | NUT | 1 | | | | 0.004 | 0.0088 |
| 070 | 04512-60080 | WASHER SPRING | 2 | | | | 0.002 | 0.0044 |
| 080 | 15321-73340 | PIPE WATER RETURN | 1 | <=47736 | | | 0.016 | 0.0352 |
| 080 | 17331-73340 | PIPE WATER RETURN | 1 | >=47737 | ≠ | | 0 | 0 |
| 080 | 17331-73342 | PIPE WATER RETURN | 1 | >=83225 | ← | | 0.01 | 0.022 |
| 090 | 17381-73350 | PIPE WATER RETURN | 1 | <=80543 | | | 0.025 | 0.055 |
| 090 | 15521-73340 | PIPE WATER RETURN | 1 | >=80544 | ≠ | | 0.025 | 0.055 |
| 100 | 15109-73360 | BAND PIPE | 2 | | | | 0.01 | 0.022 |
| 110 | 15601-73260 | COVER THERMOSTAT | 1 | | | | 0.17 | 0.374 |
| 120 | 15313-73270 | GASKET | 1 | | | | 0 | 0 |
| 130 | 01123-50835 | BOLT | 2 | | | | 0.02 | 0.044 |
| 140 | 15321-73010 | ASSY THERMOSTAT | 1 | | | | 0 | 0 |

FUEL CAMSHAFT



150 01123-50814



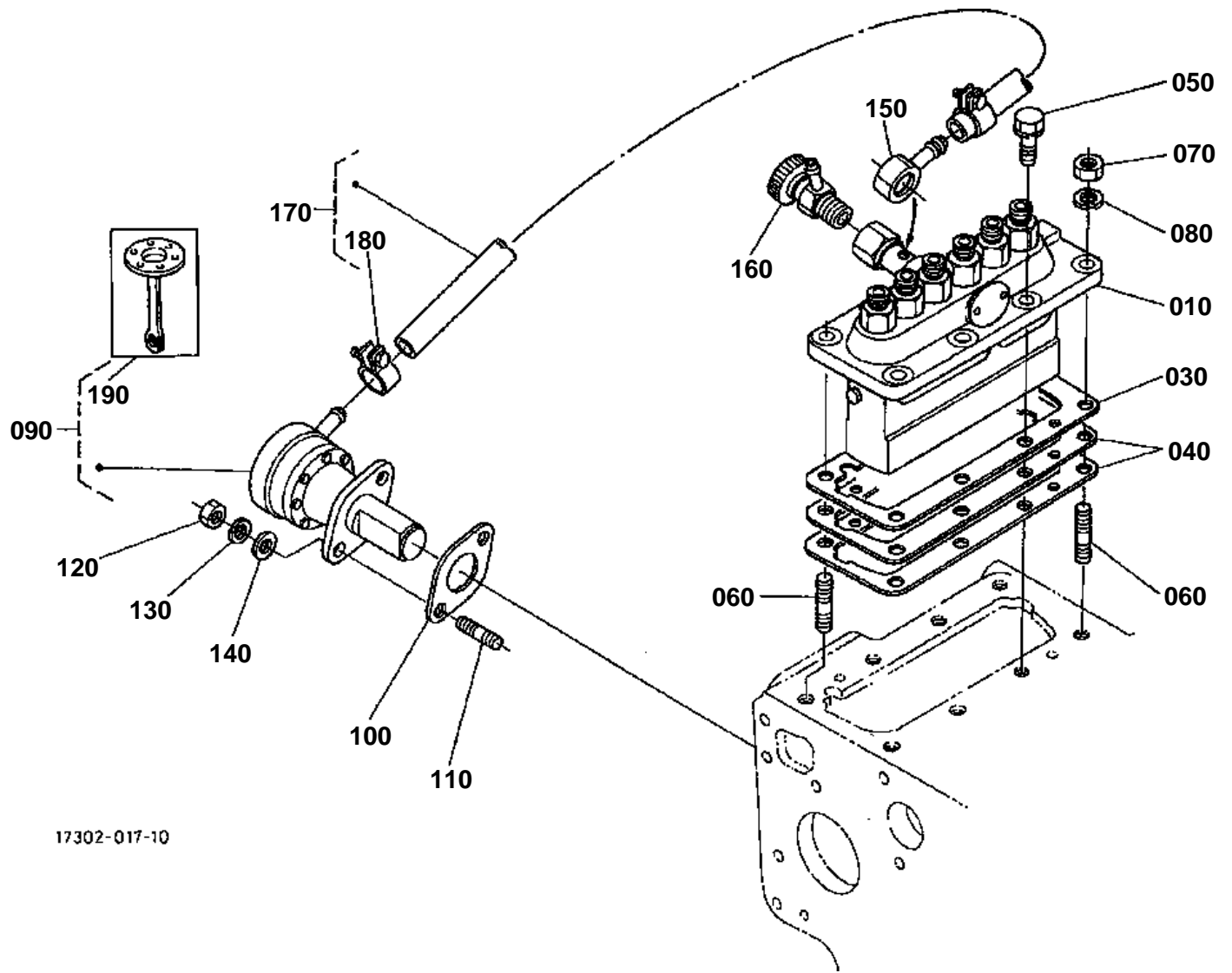
17302-811-10

**FUEL CAMSHAFT**

↔ Interchangeable; ≠ not interchangeable; ← new for old; → old for new

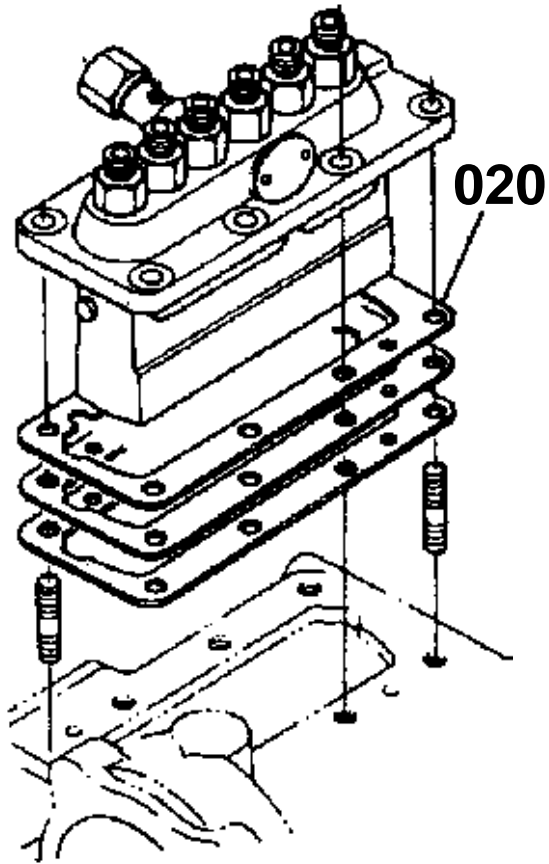
| REF.No | Part No. | Description | Q'ty | S.No. | I/C | REMARKS | Weight (kgf) | Weight (lb) |
|--------|-------------|----------------------|------|---------|-----|---------|--------------|-------------|
| 010 | 15611-16020 | ASSY CAMSHAFT FUEL | 1 | | | | 2.8 | 6.16 |
| 030 | 08153-06205 | BEARING BALL | 1 | | | | 0.13 | 0.286 |
| 040 | 15611-51150 | GEAR INJECTION PUMP | 1 | | | | 1.035 | 2.277 |
| 050 | 05712-00525 | KEY FEATHER | 1 | | | | 0.005 | 0.011 |
| 060 | 04612-00240 | CIRCLIP EXTERNAL | 1 | | | | 0.002 | 0.0044 |
| 070 | 15611-55450 | SLEEVE GOVERNOR | 1 | | | | 0.117 | 0.2574 |
| 080 | 15221-55470 | CIR-CLIP GOV. SLEEVE | 1 | | | | 0.003 | 0.0066 |
| 090 | 15611-55690 | CASE GOVERNOR BALL | 1 | | | | 0.03 | 0.066 |
| 100 | 07715-03205 | BALL | 39 | | | | 0.001 | 0.0022 |
| 110 | 15221-55740 | CIR-CLIP | 1 | | | | 0.002 | 0.0044 |
| 120 | 07715-00403 | BALL | 7 | | | | 0.03 | 0.066 |
| 130 | 08240-00001 | BEARING BALL | 1 | | | | 0.19 | 0.418 |
| 140 | 15221-16320 | STOPPER FUEL.C/SHAFT | 1 | | | | 0.02 | 0.044 |
| 150 | 01123-60814 | BOLT | 2 | ≤=90278 | | | 0.01 | 0.022 |
| 150 | 01153-50814 | BOLT | 2 | ≥=90279 | ↔ | | 0.009 | 0.0198 |
| 160 | 04512-60080 | WASHER SPRING | 2 | ≥=90279 | | | 0.002 | 0.0044 |

INJECTION PUMP



17302-017-10

020 17301-5209-0



17302-812-10

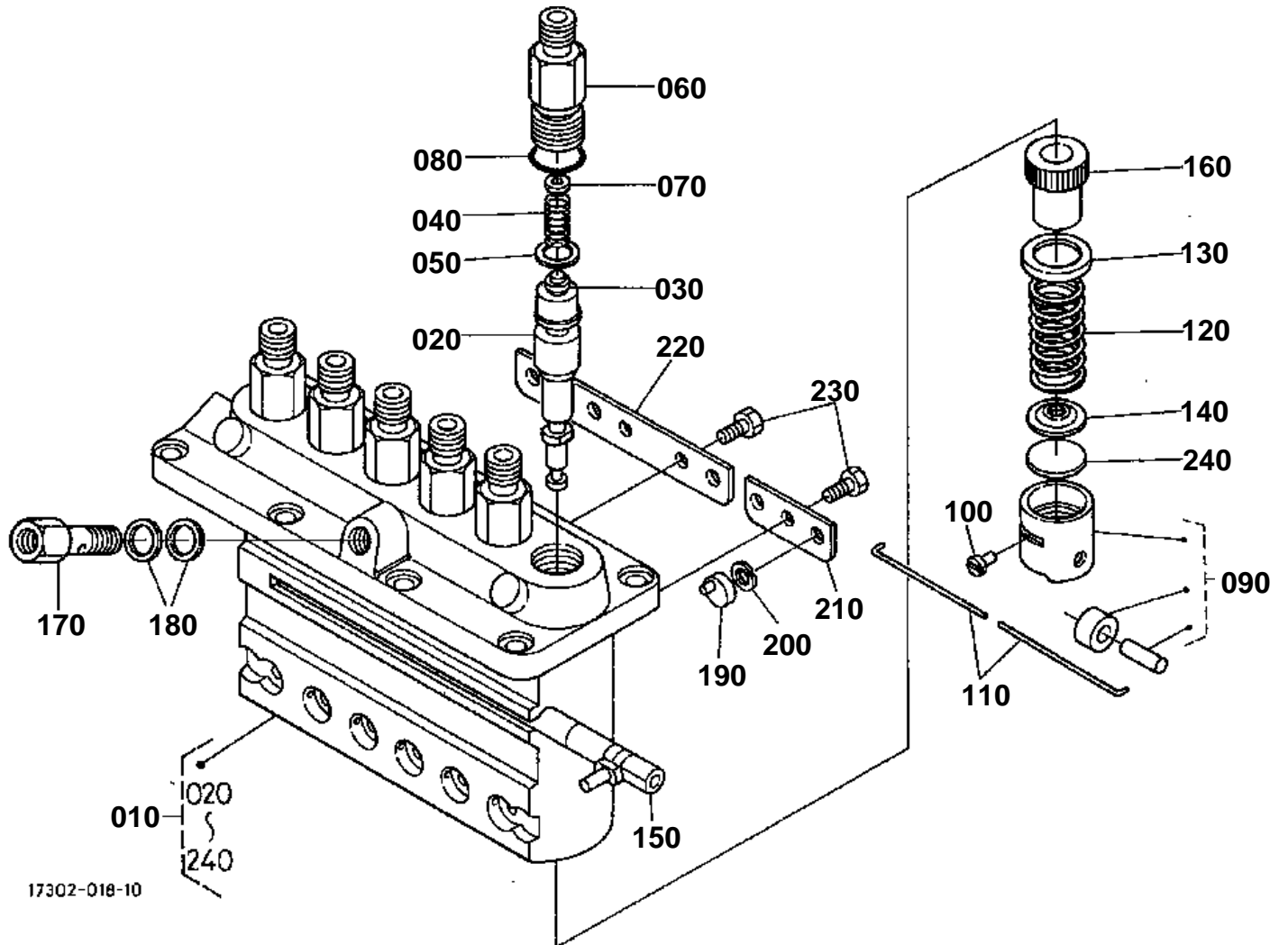


INJECTION PUMP

↔ Interchangeable; ≠ not interchangeable; ← new for old; → old for new

| REF.No | Part No. | Description | Q'ty | S.No. | I/C | REMARKS | Weight (kgf) | Weight (lb) |
|--------|-------------|---------------------|------|--------|-----|---------|--------------|-------------|
| 010 | 17301-51010 | ASSY PUMP INJECTION | 1 | | | | 4 | 8.8 |
| 020 | 17301-52090 | SHIM | 1 | ≤49639 | | 0.10MM | 0.001 | 0.0022 |
| 030 | 15601-52110 | SHIM INJECTION PUMP | 2 | ≤49639 | | 0.15MM | 0.01 | 0.022 |
| 030 | 15601-52110 | SHIM INJECTION PUMP | 1 | ≥49640 | | 0.15MM | 0.01 | 0.022 |
| 040 | 17301-52120 | SHIM | 3 | ≤49639 | | 0.30MM | 0.001 | 0.0022 |
| 040 | 17301-52120 | SHIM | 4 | ≥49640 | | 0.30MM | 0.001 | 0.0022 |
| 050 | 01123-50822 | BOLT | 6 | | | | 0.012 | 0.0264 |
| 060 | 01513-50822 | STUD | 2 | | | | 0.01 | 0.022 |
| 070 | 02156-50080 | NUT | 2 | | | | 0.004 | 0.0088 |
| 080 | 04512-60080 | WASHER SPRING | 2 | | | | 0.002 | 0.0044 |
| 090 | 15263-52030 | ASSY PUMP FUEL | 1 | | | | 0.23 | 0.506 |
| 100 | 15263-52140 | GASKET FUEL PUMP | 1 | | | | 0 | 0 |
| 110 | 01513-50616 | STUD | 2 | | | | 0.004 | 0.0088 |
| 120 | 02056-50060 | NUT | 2 | | | | 0.002 | 0.0044 |
| 130 | 04512-60060 | WASHER SPRING | 2 | | | | 0.001 | 0.0022 |
| 140 | 04012-50060 | WASHER PLAIN | 2 | | | | 0.001 | 0.0022 |
| 150 | 15401-95690 | JOINT EYE | 1 | | | | 0.04 | 0.088 |
| 160 | 14311-60504 | ASSY COCK JET START | 1 | | | | 0.034 | 0.0748 |
| 170 | 35533-04500 | ASSY TUBE FUEL | 1 | | | | 0.027 | 0.0594 |
| 180 | 14911-42750 | CLIP PIPE | 2 | | | | 0.002 | 0.0044 |
| 190 | 15263-52040 | COMP.DIAPHRAGM | 1 | | | | 0.02 | 0.044 |

INJECTION PUMP [COMPONENT PARTS]

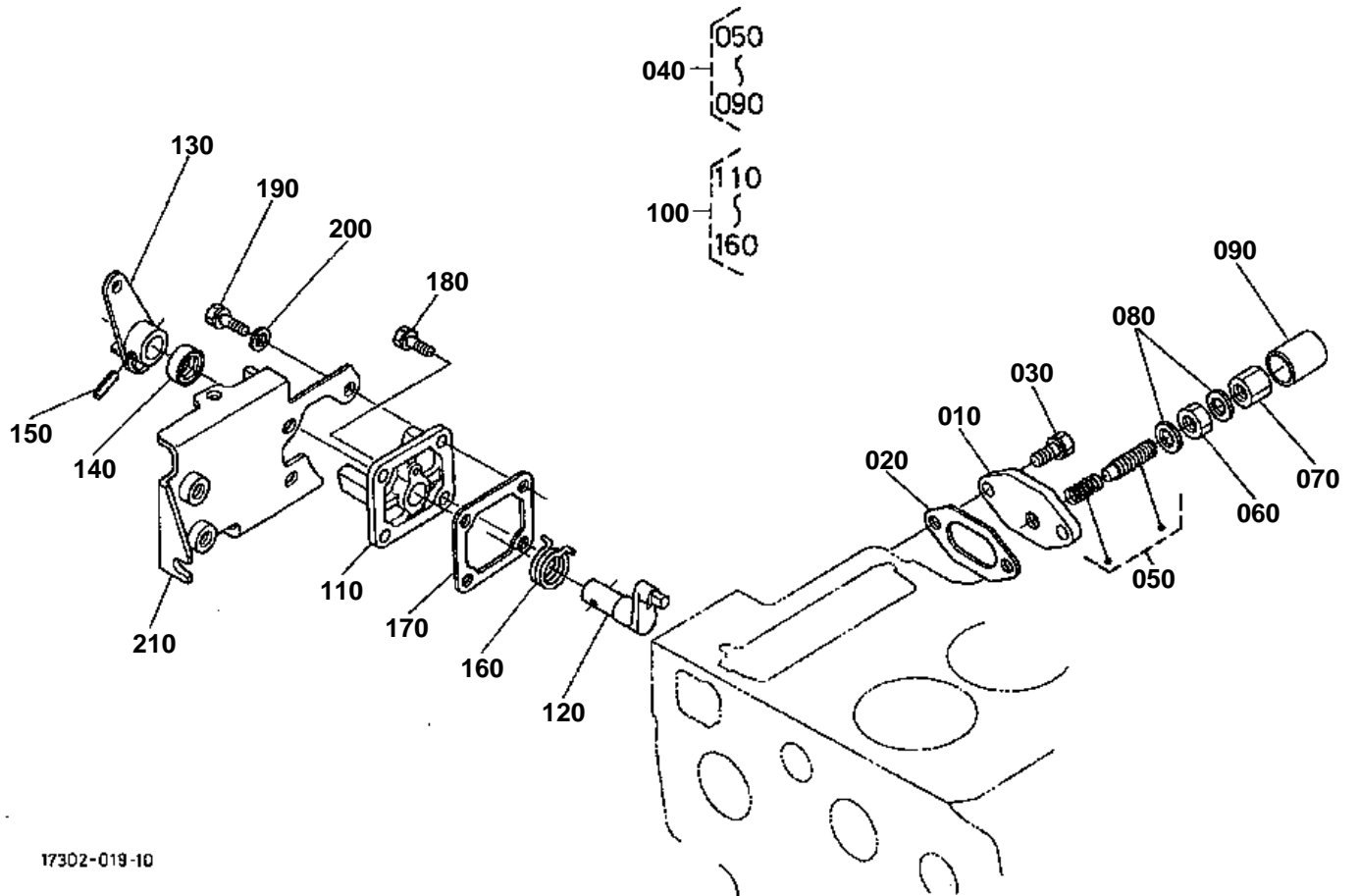


**INJECTION PUMP [COMPONENT PARTS]**

↔ Interchangeable; ≠ not interchangeable; ← new for old; → old for new

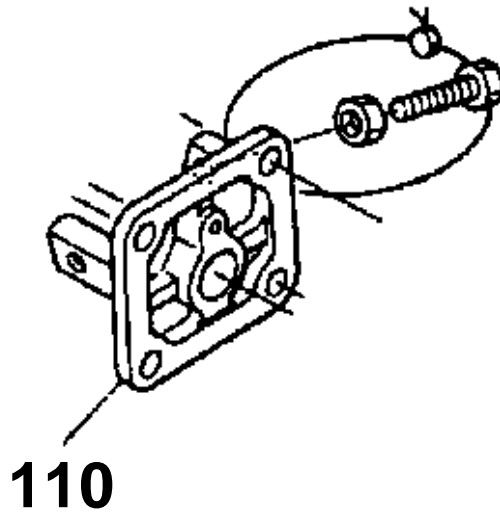
| REF.No | Part No. | Description | Q'ty | S.No. | I/C | REMARKS | Weight (kgf) | Weight (lb) |
|--------|-------------|---------------------|------|-------|-----|---------|--------------|-------------|
| 010 | 17301-51010 | ASSY PUMP INJECTION | 1 | | | | 4 | 8.8 |
| 020 | 17301-51050 | PLUNGER PUMP | 6 | | | | 0.05 | 0.11 |
| 030 | 17371-51030 | VALVE DELIVERY | 6 | | | | 0.015 | 0.033 |
| 040 | 17371-51230 | SPRING DELIV.VALVE | 6 | | | | 0.005 | 0.011 |
| 050 | 15331-51240 | GASKET DELIV.VALVE | 6 | | | | 0.001 | 0.0022 |
| 060 | 15331-51220 | HOLDER DELIV.VALVE | 6 | | | | 0.053 | 0.1166 |
| 070 | 17371-51160 | SEAT SPRING | 6 | | | | 0.005 | 0.011 |
| 080 | 15331-96760 | O RING | 6 | | | | 0.001 | 0.0022 |
| 090 | 15331-51070 | ASSY TAPPET | 6 | | | | 0.036 | 0.0792 |
| 100 | 15331-51250 | PIN TAPPET GUIDE | 6 | | | | 0.001 | 0.0022 |
| 110 | 15331-51430 | PIN CLAMP | 2 | | | | 0.001 | 0.0022 |
| 120 | 17331-51280 | SPRING PLUNGER | 6 | | | | 0.017 | 0.0374 |
| 130 | 15331-51270 | SEAT SPRING UPPER | 6 | | | | 0.001 | 0.0022 |
| 140 | 15331-51290 | SEAT SPRING LOWER | 6 | | | | 0.001 | 0.0022 |
| 150 | 17301-51060 | RACK CONTROL | 1 | | | | 0.05 | 0.11 |
| 160 | 15331-51380 | SLEEVE CONTROL | 6 | | | | 0.012 | 0.0264 |
| 170 | 15471-51320 | SCREW FOLLOW | 1 | | | | 0.032 | 0.0704 |
| 180 | 15401-96650 | GASKET | 2 | | | | 0.001 | 0.0022 |
| 190 | 15331-51480 | COLLAR | 5 | | | | 0.005 | 0.011 |
| 200 | 04512-60060 | WASHER SPRING | 5 | | | | 0.001 | 0.0022 |
| 210 | 17381-51390 | PLATE ADJUSTING | 1 | | | | 0.015 | 0.033 |
| 220 | 17345-51390 | PLATE ADJUSTING | 1 | | | | 0.015 | 0.033 |
| 230 | 15331-91010 | BOLT | 4 | | | | 0.034 | 0.0748 |
| 240 | 15381-51490 | SHIM | 6 | | | | 0.008 | 0.0176 |

ENGINE STOP LEVER



17302-019-10

110 15471-5165-0



17302-813-10

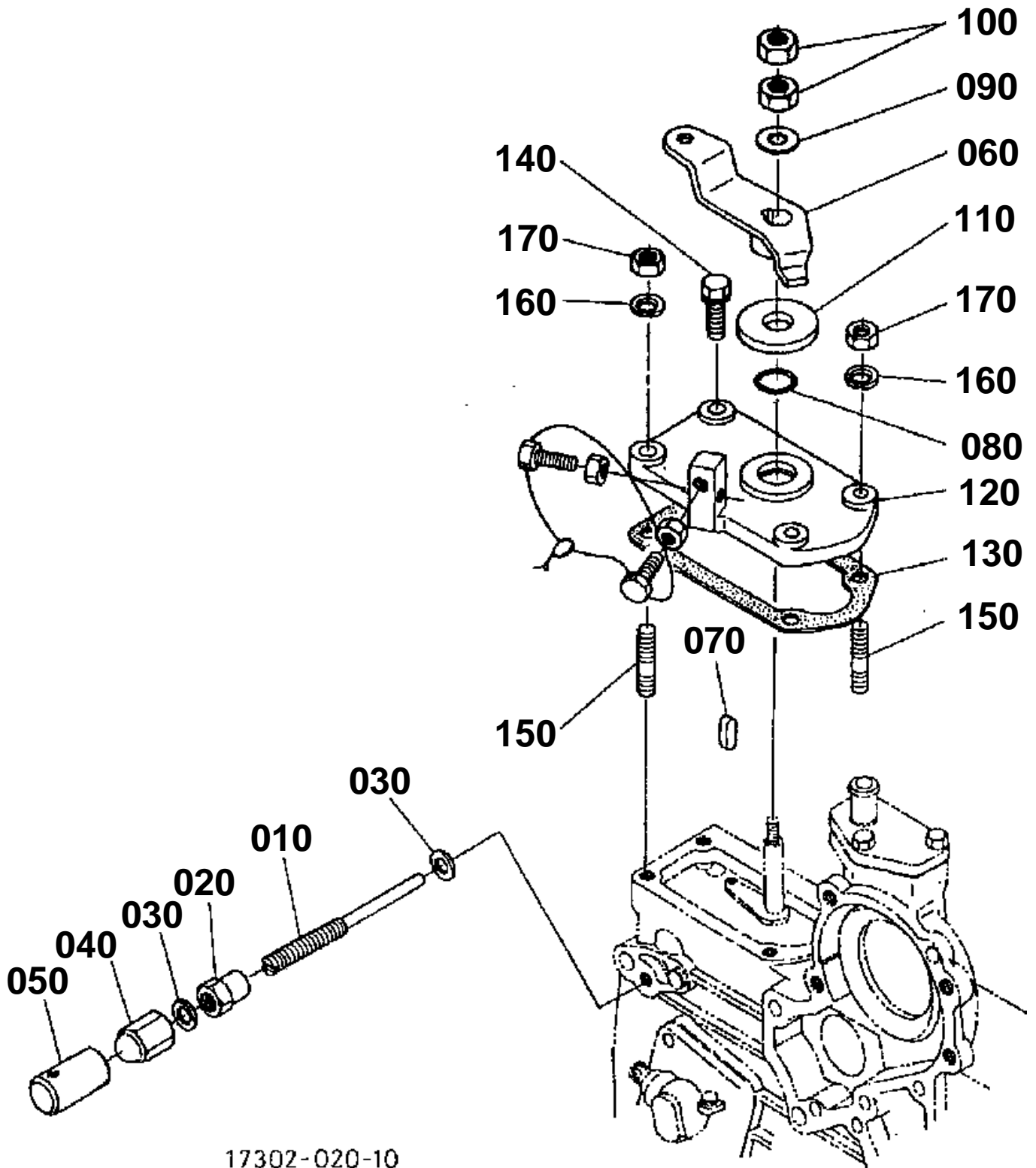


ENGINE STOP LEVER

↔ Interchangeable; ≠ not interchangeable; ← new for old; → old for new

| REF.No | Part No. | Description | Q'ty | S.No. | I/C | REMARKS | Weight (kgf) | Weight (lb) |
|--------|-------------|----------------------|------|---------|-----|---------|--------------|-------------|
| 010 | 15401-01930 | COVER | 1 | <=65747 | | | 0.09 | 0.198 |
| 010 | 15621-01930 | COVER | 1 | >=65748 | ← | | 0.08 | 0.176 |
| 020 | 15625-05430 | GASKET | 1 | <=65747 | | | 0.002 | 0.0044 |
| 020 | 16361-05430 | GASKET | 1 | >=65748 | ← | | 0.002 | 0.0044 |
| 030 | 01023-50616 | BOLT | 2 | | | | 0.005 | 0.011 |
| 040 | 15521-54090 | APPARATUS IDLING | 1 | | | | 0.045 | 0.099 |
| 050 | 15521-54100 | ASSY BOLT ADJUSTMENT | 1 | | | | 0.015 | 0.033 |
| 060 | 15401-92010 | NUT | 1 | | | | 0.01 | 0.022 |
| 070 | 15521-92330 | NUT CAP | 1 | | | | 0.02 | 0.044 |
| 080 | 15021-33660 | GASKET | 2 | | | | 0.001 | 0.0022 |
| 090 | 15521-54270 | CAP | 1 | | | | 0.003 | 0.0066 |
| 100 | 17331-57700 | ASSY LEVER ENG.STOP | 1 | <=57018 | | | 0 | 0 |
| 100 | 17331-57702 | ASSY LEVER ENG.STOP | 1 | >=57019 | ≠ | | 0.19 | 0.418 |
| 110 | 15471-51650 | COVER INJECTION PUMP | 1 | <=57018 | | | 0 | 0 |
| 110 | 15471-51652 | COVER INJECTION PUMP | 1 | >=57019 | ≠ | | 0.02 | 0.044 |
| 120 | 17331-57740 | SHAFT LEVER | 1 | | | | 0.04 | 0.088 |
| 130 | 17331-57720 | LEVER ENGINE STOP | 1 | | | | 0.05 | 0.11 |
| 140 | 15471-57980 | SEAL OIL | 1 | | | | 0.001 | 0.0022 |
| 150 | 05411-00420 | PIN SPRING | 1 | | | | 0.001 | 0.0022 |
| 160 | 15471-57920 | SPRING RETURN | 1 | | | | 0.005 | 0.011 |
| 170 | 15296-51660 | GASKET PUMP COVER | 1 | | | | 0 | 0 |
| 180 | 01023-50618 | BOLT | 1 | | | | 0.006 | 0.0132 |
| 190 | 01023-50622 | BOLT | 3 | | | | 0.005 | 0.011 |
| 200 | 04012-50060 | WASHER PLAIN | 3 | | | | 0.001 | 0.0022 |
| 210 | 15471-60110 | SUPPORT SOLENOID | 1 | | | | 0.295 | 0.649 |

SPEED CONTROL PLATE



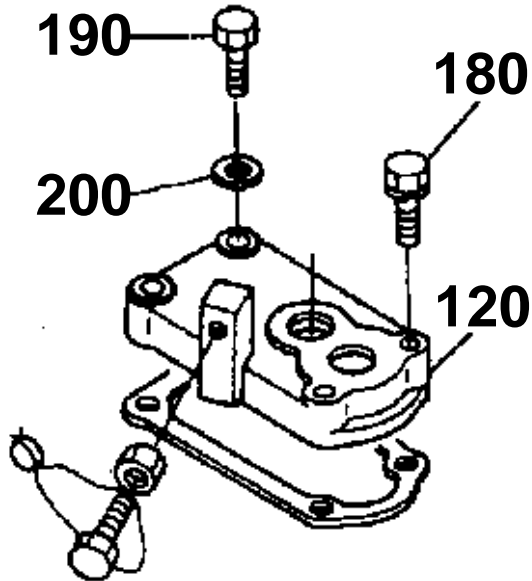
17302-020-10

120 17331-5711-0

180 01023-50630

190 17331-9104-0

200 15601-9665-0



17302-814-10

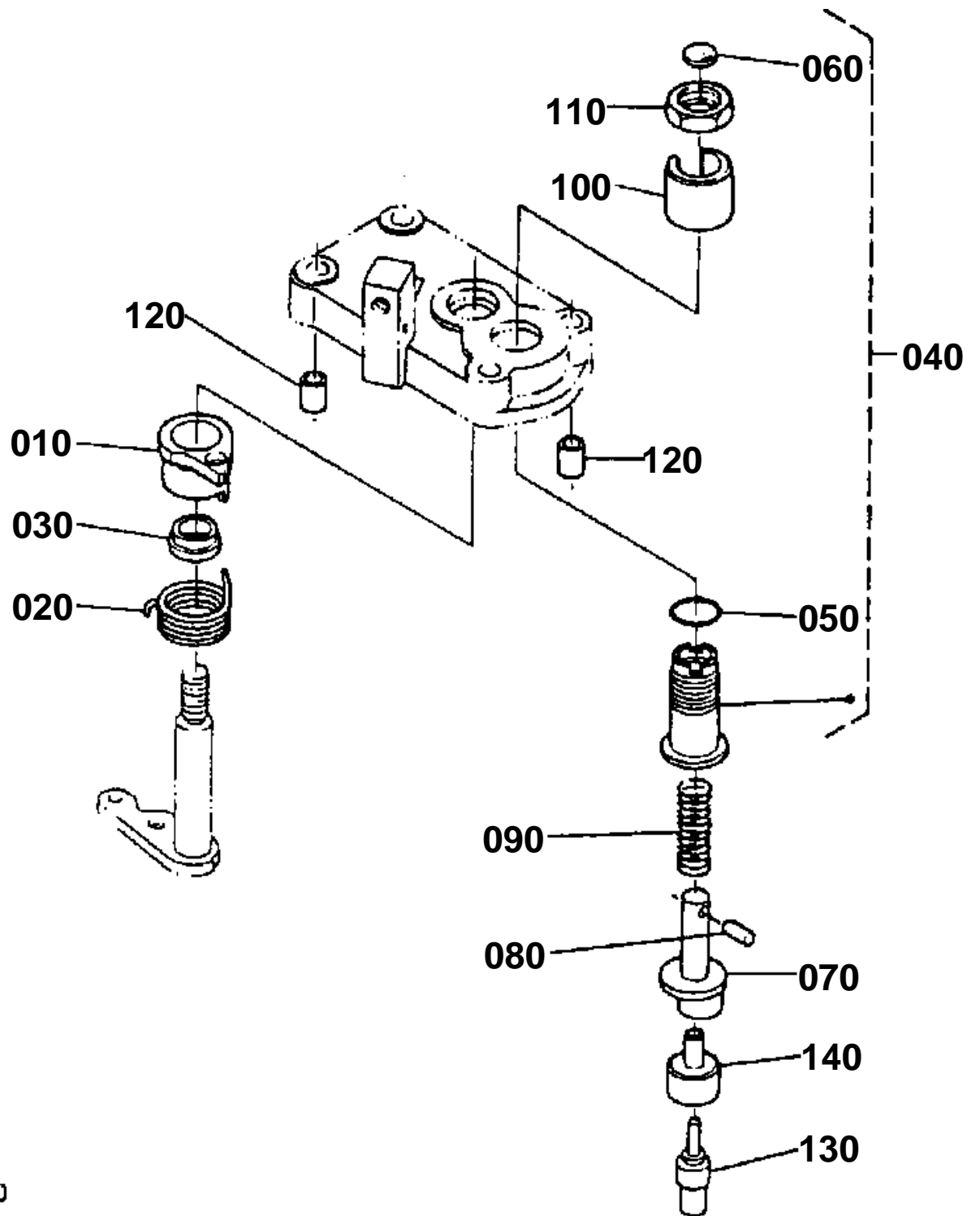


SPEED CONTROL PLATE

↔ Interchangeable; ≠ not interchangeable; ← new for old; → old for new

| REF.No | Part No. | Description | Q'ty | S.No. | I/C | REMARKS | Weight (kgf) | Weight (lb) |
|--------|-------------|---------------------|------|---------|-----|---------|--------------|-------------|
| 010 | 15601-54120 | BOLT ADJUSTING | 1 | | | | 0.011 | 0.0242 |
| 020 | 15601-92010 | NUT | 1 | ≤152899 | | | 0 | 0 |
| 020 | 15601-92012 | NUT | 1 | ≥152900 | ← | | 0.006 | 0.0132 |
| 030 | 15601-96650 | GASKET | 2 | | | | 0.001 | 0.0022 |
| 040 | 15601-54220 | NUT CAP | 1 | ≤60824 | | | 0 | 0 |
| 040 | 15841-14620 | NUT CAP | 1 | ≥66825 | ↔ | | 0.01 | 0.022 |
| 050 | 16241-54420 | CAP | 1 | | | | 0 | 0 |
| 060 | 17331-57150 | LEVER SPEED CONTROL | 1 | ≤51139 | | | 0.05 | 0.11 |
| 060 | 15469-57150 | LEVER SPEED CONTROL | 1 | ≥51140 | ≠ | | 0.06 | 0.132 |
| 070 | 05712-00408 | KEY FEATHER | 1 | | | | 0.001 | 0.0022 |
| 080 | 04811-00120 | O RING | 1 | | | | 0 | 0 |
| 090 | 04013-50080 | WASHER PLAIN | 1 | | | | 0 | 0 |
| 100 | 02112-50080 | NUT | 2 | | | | 0.003 | 0.0066 |
| 110 | 17011-57384 | COLLAR | 1 | ≤82365 | | | 0.03 | 0.066 |
| 110 | 15521-57240 | COLLAR | 1 | ≥82366 | ↔ | | 0.002 | 0.0044 |
| 120 | 17331-57110 | PLATE SPEED CONTROL | 1 | ≤51139 | | | 0.15 | 0.33 |
| 120 | 15521-57114 | PLATE SPEED CONTROL | 1 | ≥51140 | ≠ | | 0 | 0 |
| 130 | 15439-57210 | GASKET | 1 | | | | 0.005 | 0.011 |
| 140 | 01023-50625 | BOLT | 2 | ≥51140 | | | 0.007 | 0.0154 |
| 150 | 15221-88210 | STUD | 2 | ≥51140 | | | 0.005 | 0.011 |
| 160 | 04512-60060 | WASHER SPRING | 2 | ≥51140 | | | 0.001 | 0.0022 |
| 170 | 02056-50060 | NUT | 4 | ≥51140 | | | 0.002 | 0.0044 |
| 180 | 01023-50630 | BOLT | 3 | ≤51139 | | | 0.008 | 0.0176 |
| 190 | 17331-91040 | BOLT | 1 | ≤51139 | | | 0.01 | 0.022 |
| 200 | 15601-96650 | GASKET | 1 | ≤51139 | | | 0.001 | 0.0022 |

COMPENSATOR



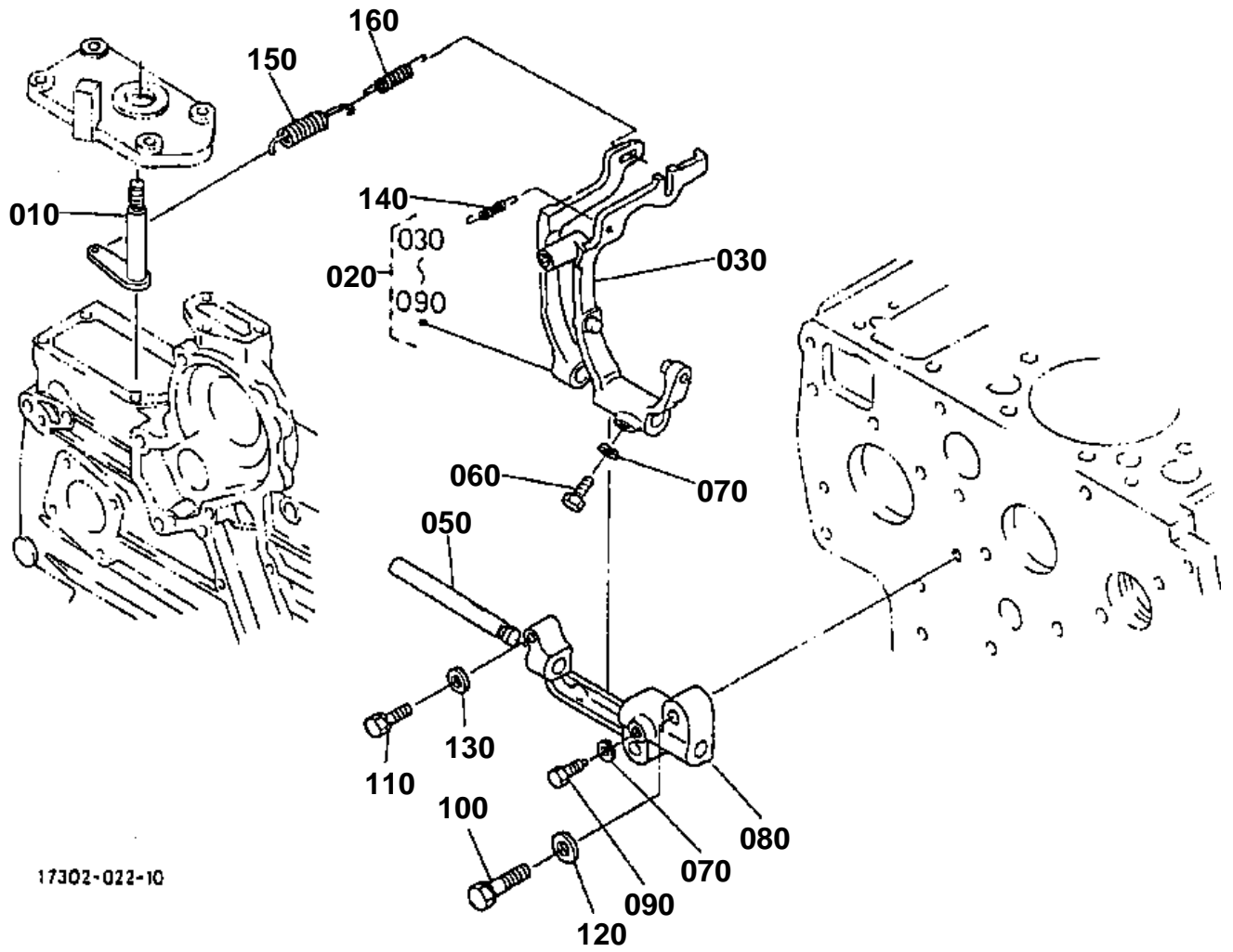
17302-021-10



COMPENSATOR
S.No.;<=51139

↔ Interchangeable; ≠ not interchangeable; ← new for old; → old for new

| REF.No | Part No. | Description | Q'ty | S.No. | I/C | REMARKS | Weight (kgf) | Weight (lb) |
|--------|-------------|---------------------|------|-------|-----|---------|--------------|-------------|
| 010 | 17331-59100 | LEVER COMPENSATOR | 1 | | | | 0.03 | 0.066 |
| 020 | 17331-59110 | SPRING RETURN | 1 | | | | 0.01 | 0.022 |
| 030 | 17331-59120 | COLLAR | 1 | | | | 0.005 | 0.011 |
| 040 | 17331-59010 | HOUSING COMPENSATOR | 1 | | | | 0.035 | 0.077 |
| 050 | 04811-10160 | O RING | 1 | | | | 0.001 | 0.0022 |
| 060 | 06311-75012 | PLUG EXPANSION | 1 | | | | 0.002 | 0.0044 |
| 070 | 17331-59140 | COMPENSATOR IDLE | 1 | | | | 0.03 | 0.066 |
| 080 | 17331-59150 | PIN STRAIGHT | 1 | | | | 0.005 | 0.011 |
| 090 | 17331-59160 | SPRING | 1 | | | | 0.005 | 0.011 |
| 100 | 17331-59170 | WASHER | 1 | | | | 0.023 | 0.0506 |
| 110 | 17331-59180 | NUT LOCK | 1 | | | | 0.01 | 0.022 |
| 120 | 17331-59190 | PIN PIPE | 2 | | | | 0.02 | 0.044 |
| 130 | 17331-59200 | THERMOSTAT | 1 | | | | 0.015 | 0.033 |
| 140 | 17331-59210 | HOUSING THERMOSTAT | 1 | | | | 0.015 | 0.033 |



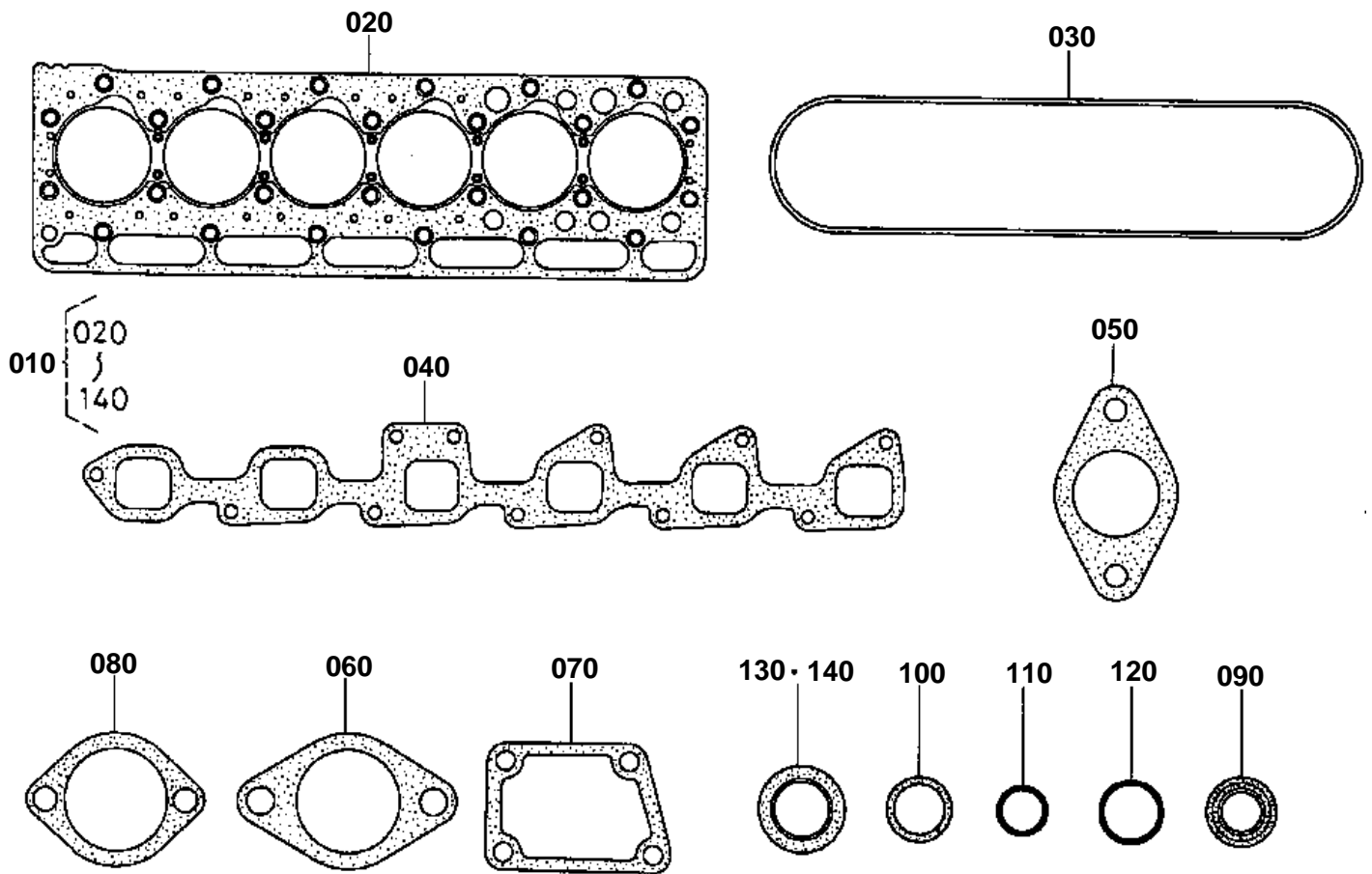
17302-022-10

**GOVERNOR**

↔ Interchangeable; ≠ not interchangeable; ← new for old; → old for new

| REF.No | Part No. | Description | Q'ty | S.No. | I/C | REMARKS | Weight (kgf) | Weight (lb) |
|--------|-------------|---------------------|------|---------|-----|---------|--------------|-------------|
| 010 | 17391-56020 | COMP.LEVER GOVERNOR | 1 | <=51139 | | | 0.066 | 0.1452 |
| 010 | 15601-56020 | COMP.LEVER GOVERNOR | 1 | >=51140 | ≠ | | 0.055 | 0.121 |
| 020 | 17301-56050 | ASSY LEVER FORK | 1 | | | | 0.41 | 0.902 |
| 030 | 17301-56040 | COMP.LEVER FORK | 1 | | | | 0.192 | 0.4224 |
| 050 | 15221-56150 | SHAFT FORK LEVER | 1 | | | | 0.1 | 0.22 |
| 060 | 15021-56240 | BOLT LEVER SHAFT | 1 | | | | 0.005 | 0.011 |
| 070 | 04512-60060 | WASHER SPRING | 2 | | | | 0.001 | 0.0022 |
| 080 | 15221-56230 | HOLDER FORK LEVER | 1 | | | | 0.1 | 0.22 |
| 090 | 15221-66410 | BOLT | 1 | | | | 0.005 | 0.011 |
| 100 | 01123-50832 | BOLT | 2 | | | | 0.016 | 0.0352 |
| 110 | 01023-50628 | BOLT | 1 | | | | 0.015 | 0.033 |
| 120 | 04012-50080 | WASHER PLAIN | 2 | | | | 0.001 | 0.0022 |
| 130 | 04012-50060 | WASHER PLAIN | 1 | | | | 0.001 | 0.0022 |
| 140 | 17241-56480 | SPRING START | 1 | | | | 0.005 | 0.011 |
| 150 | 17301-56410 | SPRING GOVERNOR | 1 | | | | 0.001 | 0.0022 |
| 160 | 17301-56420 | SPRING GOVERNOR | 1 | | | | 0.002 | 0.0044 |

UPPER GASKET KIT



17302-023-10

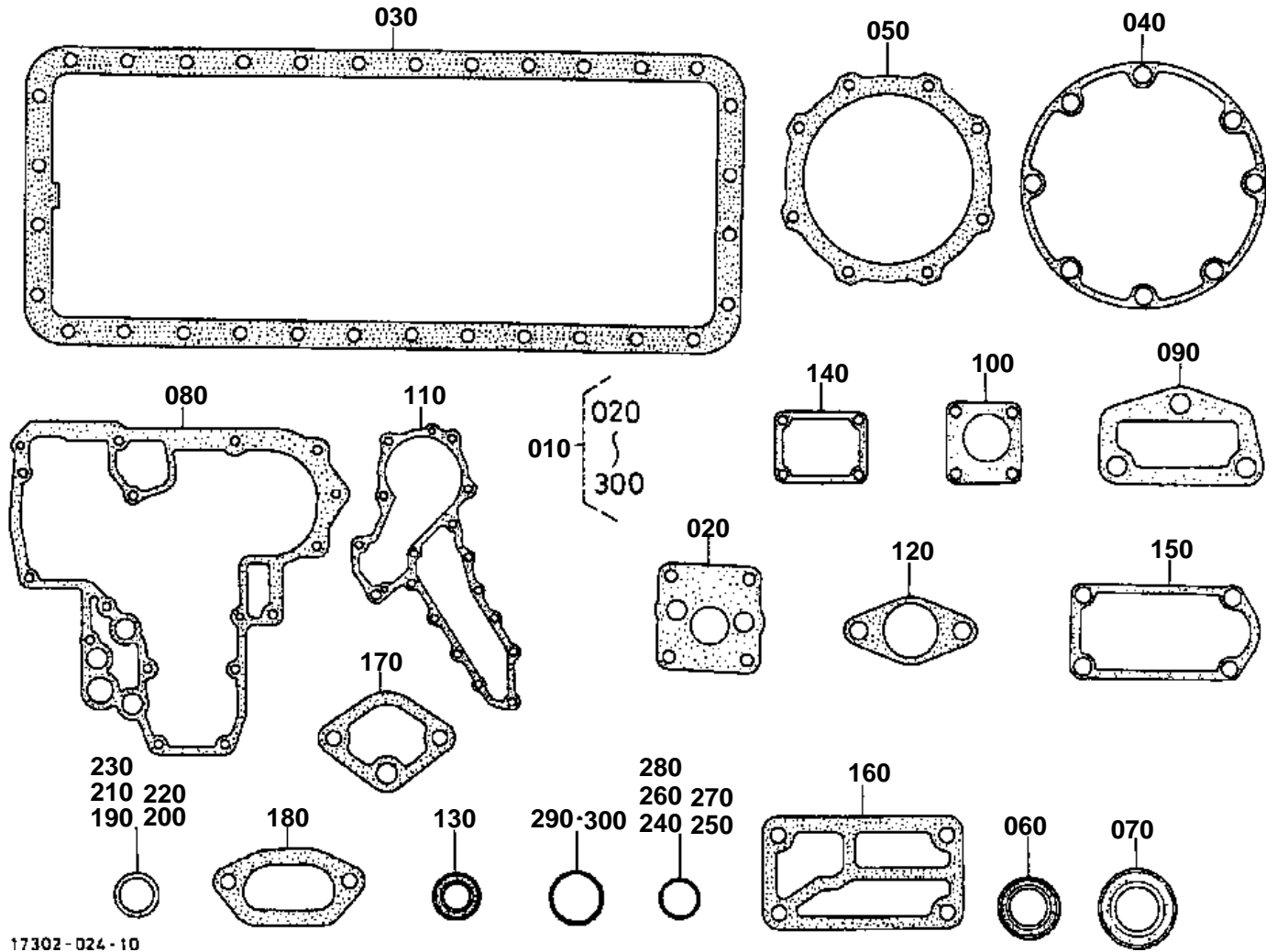


UPPER GASKET KIT

↔ Interchangeable; ≠ not interchangeable; ← new for old; → old for new

| REF.No | Part No. | Description | Q'ty | S.No. | I/C | REMARKS | Weight (kgf) | Weight (lb) |
|--------|-------------|----------------------|------|--------|-----|---------|--------------|-------------|
| 010 | 07916-29210 | KIT GASKET UPPER | 1 | ≤65747 | | | 0 | 0 |
| 010 | 07916-29215 | KIT GASKET UPPER | 1 | ≥65748 | ≠ | | 0.47 | 1.034 |
| 020 | 17301-03310 | GASKET CYLINDER HEAD | 1 | ≤65747 | | | 0 | 0 |
| 020 | 17303-03310 | GASKET CYLINDER HEAD | 1 | ≥65748 | ≠ | | 0.17 | 0.374 |
| 030 | 15621-14520 | GASKET HEAD COVER | 1 | | | | 0.07 | 0.154 |
| 040 | 17303-11820 | GASKET IN-MANIFOLD | 1 | | | | 0.023 | 0.0506 |
| 050 | 15522-12350 | GASKET EX-MANIFOLD | 6 | | | | 0.005 | 0.011 |
| 060 | 15625-12360 | GASKET MUFFLER FLANG | 1 | | | | 0.01 | 0.022 |
| 070 | 15766-72920 | GASKET WATER FLANGE | 1 | | | | 0 | 0 |
| 080 | 15313-73270 | GASKET | 1 | | | | 0 | 0 |
| 090 | 15221-13150 | SEAL VALVE STEM | 12 | | | | 0.001 | 0.0022 |
| 100 | 15021-33660 | GASKET | 6 | | | | 0.001 | 0.0022 |
| 110 | 15221-33700 | O RING | 1 | | | | 0.001 | 0.0022 |
| 120 | 04811-50300 | O RING | 1 | | | | 0 | 0 |
| 130 | 17331-53180 | SEAL CARBON STOP | 6 | | | | 0.001 | 0.0022 |
| 140 | 17371-99220 | SEAL COMPRESSION | 6 | | | | 0.001 | 0.0022 |

LOWER GASKET KIT



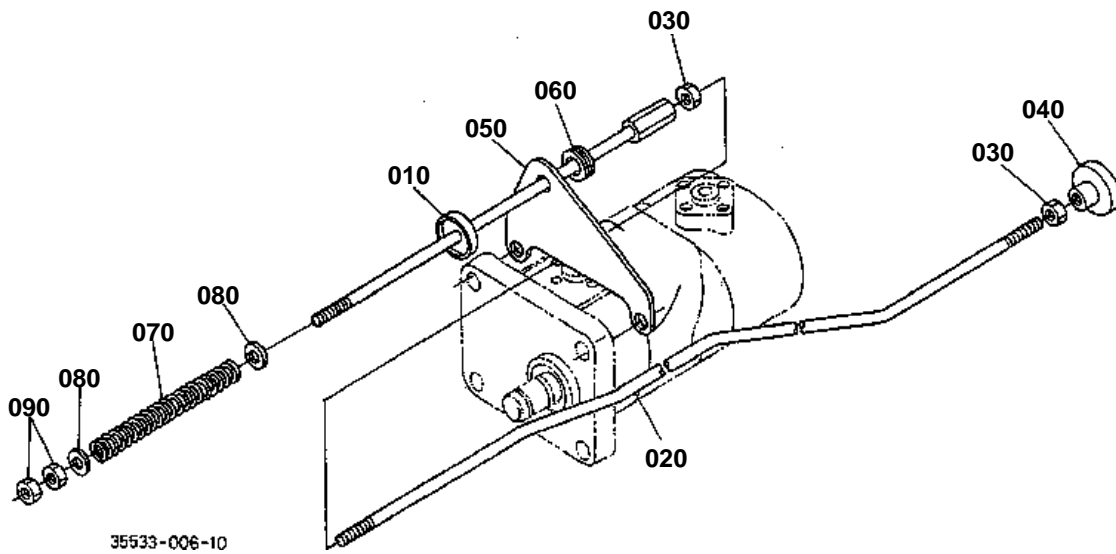


LOWER GASKET KIT

↔ Interchangeable; ≠ not interchangeable; ← new for old; → old for new

| REF.No | Part No. | Description | Q'ty | S.No. | I/C | REMARKS | Weight (kgf) | Weight (lb) |
|--------|-------------|----------------------|------|---------|-----|---------|--------------|-------------|
| 010 | 07916-29225 | KIT GASKET LOWER | 1 | | | | 0.36 | 0.792 |
| 020 | 15296-35150 | GASKET OIL PUMP | 1 | | | | 0 | 0 |
| 030 | 15625-01620 | GASKET OIL PAN | 1 | | | | 0.025 | 0.055 |
| 040 | 19207-04360 | GASKET BEARING CASE | 1 | | | | 0.005 | 0.011 |
| 050 | 15296-04820 | GASKET | 1 | <=65747 | | | 0.01 | 0.022 |
| 050 | 16361-04820 | GASKET BRG.CASE COV. | 1 | >=65748 | ≠ | | 0.005 | 0.011 |
| 060 | 09550-00001 | SEAL OIL | 1 | | | | 0.015 | 0.033 |
| 070 | 17381-04460 | SEAL OIL | 1 | | | | 0.05 | 0.11 |
| 080 | 15313-04130 | GASKET GEAR CASE | 1 | <=65747 | | | 0.002 | 0.0044 |
| 080 | 15296-04132 | GASKET GEAR CASE | 1 | >=65748 | ≠ | | 0.018 | 0.0396 |
| 090 | 15766-73330 | GASKET | 1 | >=80544 | | | 0 | 0 |
| 100 | 15296-88130 | GASKET H/METER UNIT | 1 | | | | 0.002 | 0.0044 |
| 110 | 15439-73430 | GASKET WATER PUMP | 1 | <=80543 | | | 0.005 | 0.011 |
| 110 | 15766-73430 | GASKET WATER PUMP | 1 | >=80544 | ≠ | | 0.01 | 0.022 |
| 120 | 15263-52140 | GASKET FUEL PUMP | 1 | | | | 0 | 0 |
| 130 | 15471-57980 | SEAL OIL | 1 | | | | 0.001 | 0.0022 |
| 140 | 15296-51660 | GASKET PUMP COVER | 1 | | | | 0 | 0 |
| 150 | 15439-57210 | GASKET | 1 | | | | 0.005 | 0.011 |
| 160 | 15296-32320 | GASKET | 1 | | | | 0.006 | 0.0132 |
| 170 | 15625-32890 | GASKET | 1 | | | | 0.001 | 0.0022 |
| 180 | 15625-05430 | GASKET | 1 | <=65747 | | | 0.002 | 0.0044 |
| 180 | 16361-05430 | GASKET | 1 | >=65748 | ← | | 0.002 | 0.0044 |
| 190 | 15021-33660 | GASKET | 6 | | | | 0.001 | 0.0022 |
| 200 | 15021-33660 | GASKET | 2 | | | | 0.001 | 0.0022 |
| 210 | 15109-33660 | GASKET | 1 | | | | 0.001 | 0.0022 |
| 220 | 15109-33660 | GASKET | 2 | | | | 0.001 | 0.0022 |
| 230 | 15601-96650 | GASKET | 1 | <=51139 | | | 0.001 | 0.0022 |
| 240 | 04811-00100 | O RING | 1 | | | | 0 | 0 |
| 250 | 04811-00160 | O RING | 1 | <=65747 | | | 0 | 0 |
| 250 | 04811-00180 | O RING | 1 | >=65748 | ≠ | | 0 | 0 |
| 260 | 04811-00150 | O RING | 3 | <=65747 | | | 0 | 0 |
| 260 | 04810-00150 | O RING | 2 | >=65748 | | | 0 | 0 |
| 270 | 04811-00200 | O RING | 1 | >=65748 | | | 0 | 0 |
| 280 | 04811-00120 | O RING | 1 | | | | 0 | 0 |
| 290 | 04811-40240 | O RING | 1 | <=50132 | | | 0.002 | 0.0044 |
| 290 | 04811-00360 | O RING | 1 | >=50133 | ≠ | | 0 | 0 |
| 300 | 04811-10300 | O RING | 1 | | | | 0.001 | 0.0022 |

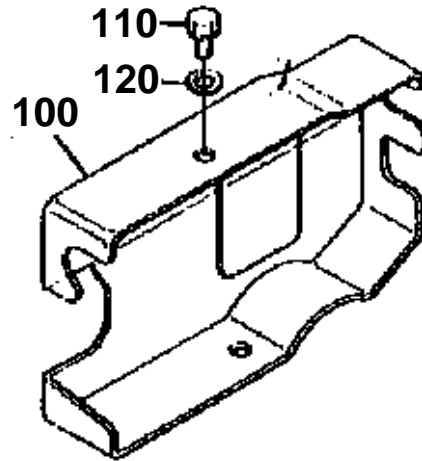
ENGINE STOP ROD



100 15461-6012-0

110 01023-50612

120 04012-50060



130 15471-6001-0

140 01123-50816

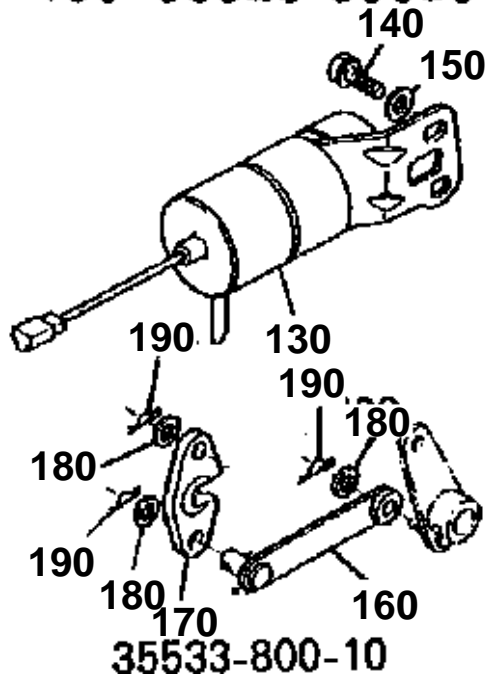
150 04012-50080

160 17331-6015-0

170 15471-6016-2

180 04012-50060

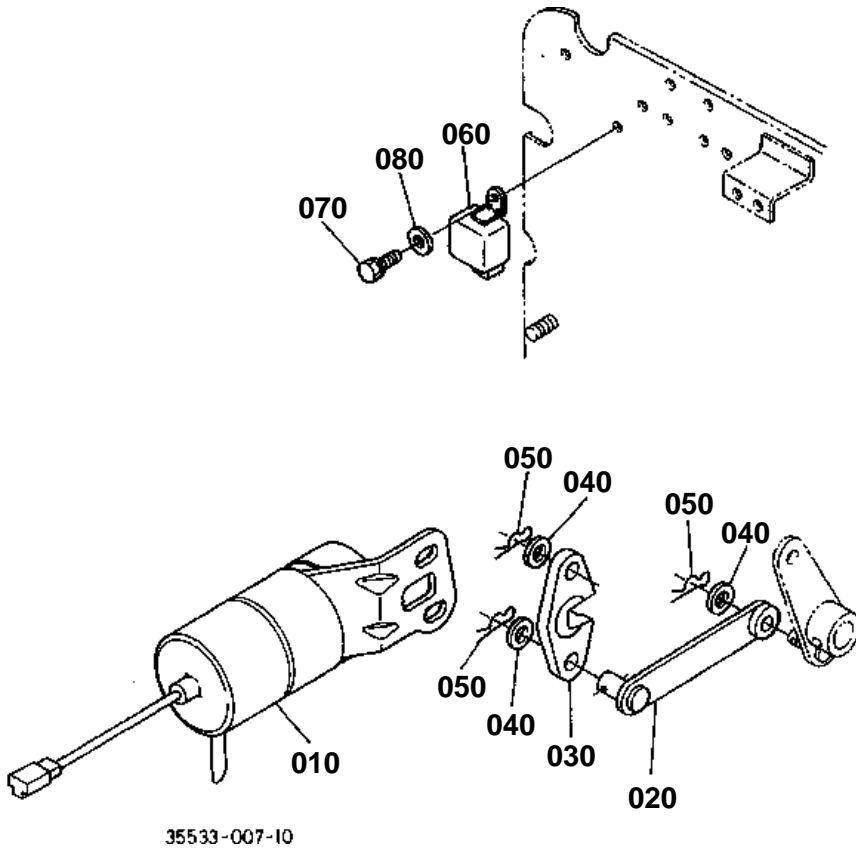
190 05525-50600



**ENGINE STOP ROD**

↔ Interchangeable; ≠ not interchangeable; ← new for old; → old for new

| REF.No | Part No. | Description | Q'ty | S.No. | I/C | REMARKS | Weight (kgf) | Weight (lb) |
|--------|-------------|-------------------|------|--------|-----|---------|--------------|-------------|
| 010 | 35533-10340 | ROD ENGINE STOP | 1 | | | | 0.07 | 0.154 |
| 020 | 35533-10350 | ROD ENGINE STOP | 1 | | | | 0.15 | 0.33 |
| 030 | 02014-50060 | NUT | 2 | | | | 0.002 | 0.0044 |
| 040 | 35260-17160 | KNOB | 1 | | | | 0.015 | 0.033 |
| 050 | 35533-10510 | SUPPORT STOP ROD | 1 | ≤10058 | | | 0 | 0 |
| 050 | 35533-10512 | SUPPORT STOP ROD | 1 | ≥10059 | ← | | 0.06 | 0.132 |
| 060 | 13582-57820 | CUSHION CHOKE ROD | 1 | ≥10059 | | | 0.002 | 0.0044 |
| 070 | 15471-60250 | SPRING | 1 | | | | 0.005 | 0.011 |
| 080 | 04012-50060 | WASHER PLAIN | 2 | | | | 0.001 | 0.0022 |
| 090 | 02012-60060 | NUT | 2 | | | | 0.005 | 0.011 |
| 100 | 15461-60120 | COVER SOLENOID | 1 | ≤20205 | | | 0.16 | 0.352 |
| 110 | 01023-50612 | BOLT | 2 | ≤20205 | | | 0.005 | 0.011 |
| 120 | 04012-50060 | WASHER PLAIN | 2 | ≤20205 | | | 0.001 | 0.0022 |
| 130 | 15471-60010 | SOLENOID STOP | 1 | ≤20205 | | | 0.35 | 0.77 |
| 140 | 01123-50816 | BOLT | 2 | ≤20205 | | | 0 | 0 |
| 150 | 04012-50080 | WASHER PLAIN | 2 | ≤20205 | | | 0.001 | 0.0022 |
| 160 | 17331-60150 | LEVER STOP | 1 | ≤20205 | | | 0.025 | 0.055 |
| 170 | 15471-60162 | LEVER STOP | 1 | ≤20205 | | | 0.007 | 0.0154 |
| 180 | 04012-50060 | WASHER PLAIN | 3 | ≤20205 | | | 0.001 | 0.0022 |
| 190 | 05525-50600 | PIN SNAP | 3 | ≤20205 | | | 0 | 0 |

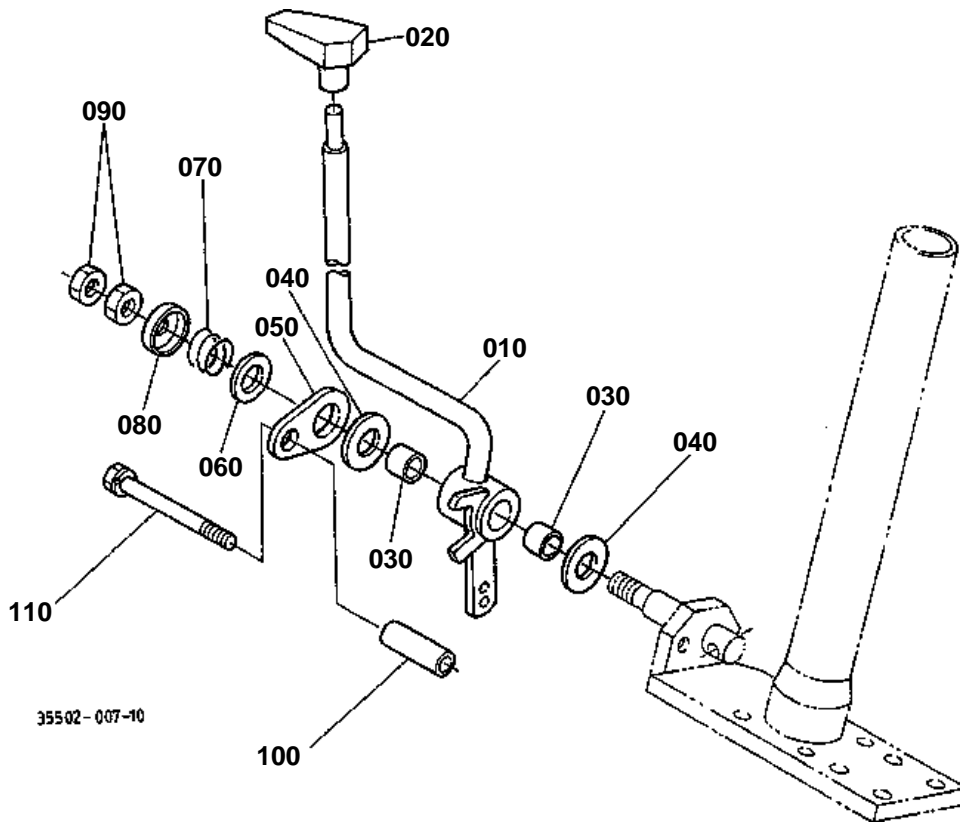


**ENGINE KEY STOP KIT [OPTION]**

↔ Interchangeable; ≠ not interchangeable; ← new for old; → old for new

| REF.No | Part No. | Description | Q'ty | S.No. | I/C | REMARKS | Weight (kgf) | Weight (lb) |
|--------|-------------|---------------|------|-------|-----|---------|--------------|-------------|
| 010 | 15471-60010 | SOLENOID STOP | 1 | | | | 0.35 | 0.77 |
| 020 | 17331-60150 | LEVER STOP | 1 | | | | 0.025 | 0.055 |
| 030 | 15471-60162 | LEVER STOP | 1 | | | | 0.007 | 0.0154 |
| 040 | 04012-50060 | WASHER PLAIN | 3 | | | | 0.001 | 0.0022 |
| 050 | 05525-50600 | PIN SNAP | 3 | | | | 0 | 0 |
| 060 | T0070-31410 | TIMER | 1 | | | | 0.065 | 0.143 |
| 070 | 01023-50612 | BOLT | 1 | | | | 0.005 | 0.011 |
| 080 | 04013-60060 | WASHER PLAIN | 1 | | | | 0.001 | 0.0022 |

HAND ACCELERATOR



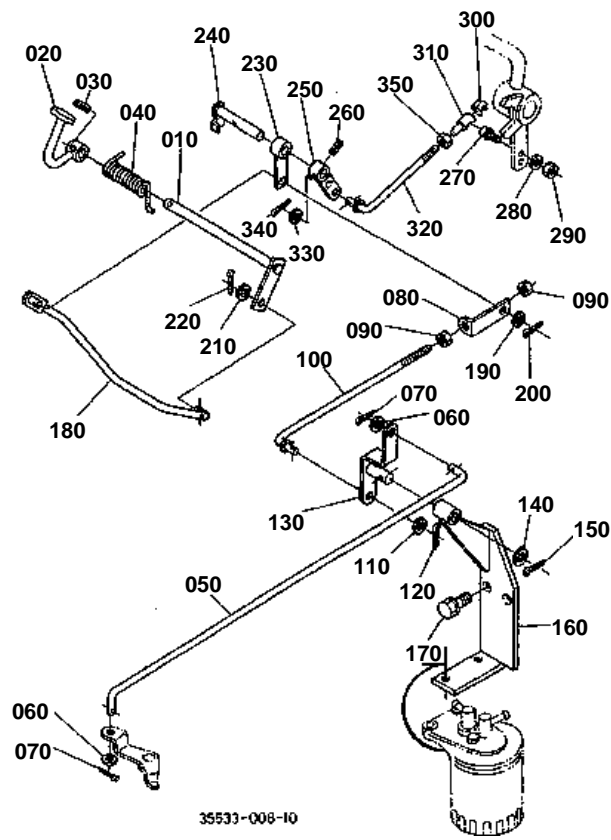


HAND ACCELERATOR

↔ Interchangeable; ≠ not interchangeable; ← new for old; → old for new

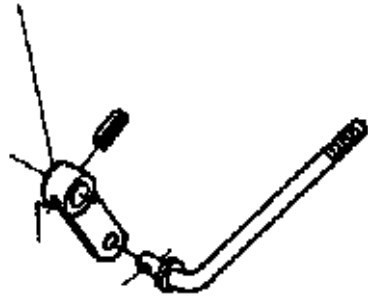
| REF.No | Part No. | Description | Q'ty | S.No. | I/C | REMARKS | Weight (kgf) | Weight (lb) |
|--------|-------------|--------------------|------|---------|-----|---------|--------------|-------------|
| 010 | 35533-10220 | LEVER HAND ACCEL. | 1 | <=10034 | | | 0 | 0 |
| 010 | 35533-10223 | LEVER HAND ACCEL. | 1 | >=10035 | ← | | 0.8 | 1.76 |
| 020 | 35320-17170 | GRIP ACCEL | 1 | | | | 0.018 | 0.0396 |
| 030 | 08511-01815 | BUSH | 2 | | | | 0.007 | 0.0154 |
| 040 | 35533-10260 | DISK FRICTION | 2 | | | | 0 | 0 |
| 050 | 35533-10380 | PLATE ACCEL.LEVER | 1 | | | | 0.03 | 0.066 |
| 060 | 04015-60120 | WASHER PLAIN | 1 | | | | 0.022 | 0.0484 |
| 070 | 33251-10320 | SPRING ACCEL.LEVER | 1 | | | | 0.012 | 0.0264 |
| 080 | 33251-10270 | CAP SPRING | 1 | | | | 0.01 | 0.022 |
| 090 | 02172-50120 | NUT | 2 | | | | 0.01 | 0.022 |
| 100 | 35533-10440 | COLLAR ACCEL.LEVER | 1 | | | | 0.04 | 0.088 |
| 110 | 01123-50860 | BOLT | 1 | | | | 0.002 | 0.0044 |

ACCELERATOR PEDAL



250 35533-1017-0

250



35533-801-10

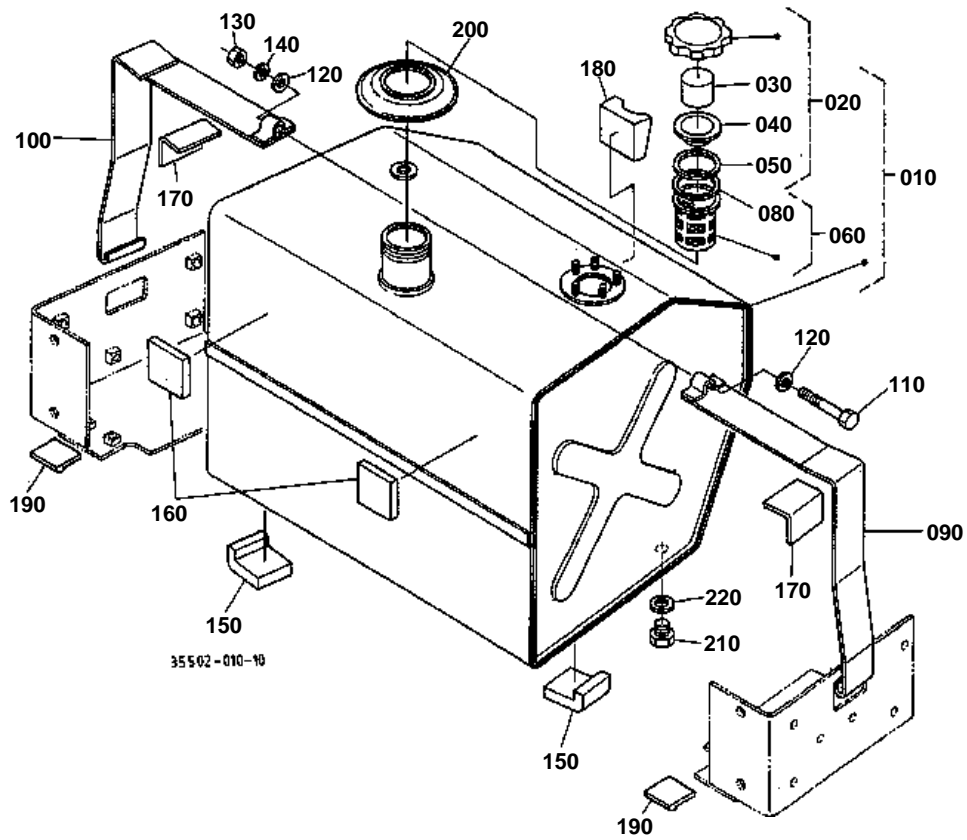


ACCELERATOR PEDAL

↔ Interchangeable; ≠ not interchangeable; ← new for old; → old for new

| REF.No | Part No. | Description | Q'ty | S.No. | I/C | REMARKS | Weight (kgf) | Weight (lb) |
|--------|-------------|---------------------|------|--------|-----|---------|--------------|-------------|
| 010 | 36200-10130 | SHAFT ACCEL.PEDAL | 1 | | | | 0.16 | 0.352 |
| 020 | 36200-10240 | PEDAL ACCEL. | 1 | | | | 0.127 | 0.2794 |
| 030 | 05411-00520 | PIN SPRING | 1 | | | | 0.002 | 0.0044 |
| 040 | 33251-10280 | SPRING ACCEL.PEDAL | 1 | | | | 0.065 | 0.143 |
| 050 | 36220-10100 | ROD ACCEL.CONTROL | 1 | | | | 0.129 | 0.2838 |
| 060 | 04012-50060 | WASHER PLAIN | 2 | | | | 0.001 | 0.0022 |
| 070 | 05511-51612 | PIN SPLIT | 2 | | | | 0.001 | 0.0022 |
| 080 | 33430-10250 | END ACCEL.ROD | 1 | | | | 0.025 | 0.055 |
| 090 | 02014-50060 | NUT | 2 | | | | 0.002 | 0.0044 |
| 100 | 35533-10480 | ROD ACCEL.CONTROL | 1 | | | | 0.1 | 0.22 |
| 110 | 04012-50060 | WASHER PLAIN | 1 | | | | 0.001 | 0.0022 |
| 120 | 05511-51612 | PIN SPLIT | 1 | | | | 0.001 | 0.0022 |
| 130 | 36220-10470 | LEVER CONTROL ROD | 1 | | | | 0.07 | 0.154 |
| 140 | 04011-50100 | WASHER PLAIN | 1 | | | | 0.002 | 0.0044 |
| 150 | 05511-50318 | PIN SPLIT | 1 | | | | 0.001 | 0.0022 |
| 160 | 36230-10460 | BRACKET | 1 | | | | 0.6 | 1.32 |
| 170 | 01133-51020 | BOLT | 2 | | | | 0.02 | 0.044 |
| 180 | 35533-10150 | ROD ACCEL.PEDAL | 1 | | | | 0.2 | 0.44 |
| 190 | 04012-50060 | WASHER PLAIN | 1 | | | | 0.001 | 0.0022 |
| 200 | 05511-51612 | PIN SPLIT | 1 | | | | 0.001 | 0.0022 |
| 210 | 04012-50050 | WASHER PLAIN | 1 | | | | 0.001 | 0.0022 |
| 220 | 05511-51210 | PIN SPLIT | 1 | | | | 0.001 | 0.0022 |
| 230 | 36330-10160 | LEVER PEDAL CONTROL | 1 | | | | 0.05 | 0.11 |
| 240 | 35533-10210 | SHAFT ACCEL. | 1 | | | | 0.05 | 0.11 |
| 250 | 35533-10170 | LEVER ACCEL.CONTROL | 1 | ≤10075 | | | 0 | 0 |
| 250 | 35533-10172 | LEVER ACCEL.CONTROL | 1 | ≥10076 | ← | | 0.05 | 0.11 |
| 260 | 05411-00420 | PIN SPRING | 1 | | | | 0.001 | 0.0022 |
| 270 | 33251-10380 | PIN JOINT | 1 | | | | 0.005 | 0.011 |
| 280 | 04512-50050 | WASHER SPRING | 1 | | | | 0 | 0 |
| 290 | 02054-50050 | NUT | 1 | | | | 0.002 | 0.0044 |
| 300 | 33251-10370 | SPRING | 1 | | | | 0.002 | 0.0044 |
| 310 | 33251-10360 | JOINT ACCEL.LEVER | 1 | | | | 0.015 | 0.033 |
| 320 | 36330-10120 | ROD ACCEL. | 1 | | | | 0.02 | 0.044 |
| 330 | 04012-50050 | WASHER PLAIN | 1 | | | | 0.001 | 0.0022 |
| 340 | 05511-51612 | PIN SPLIT | 1 | | | | 0.001 | 0.0022 |
| 350 | 02054-50050 | NUT | 1 | | | | 0.002 | 0.0044 |

FUEL TANK

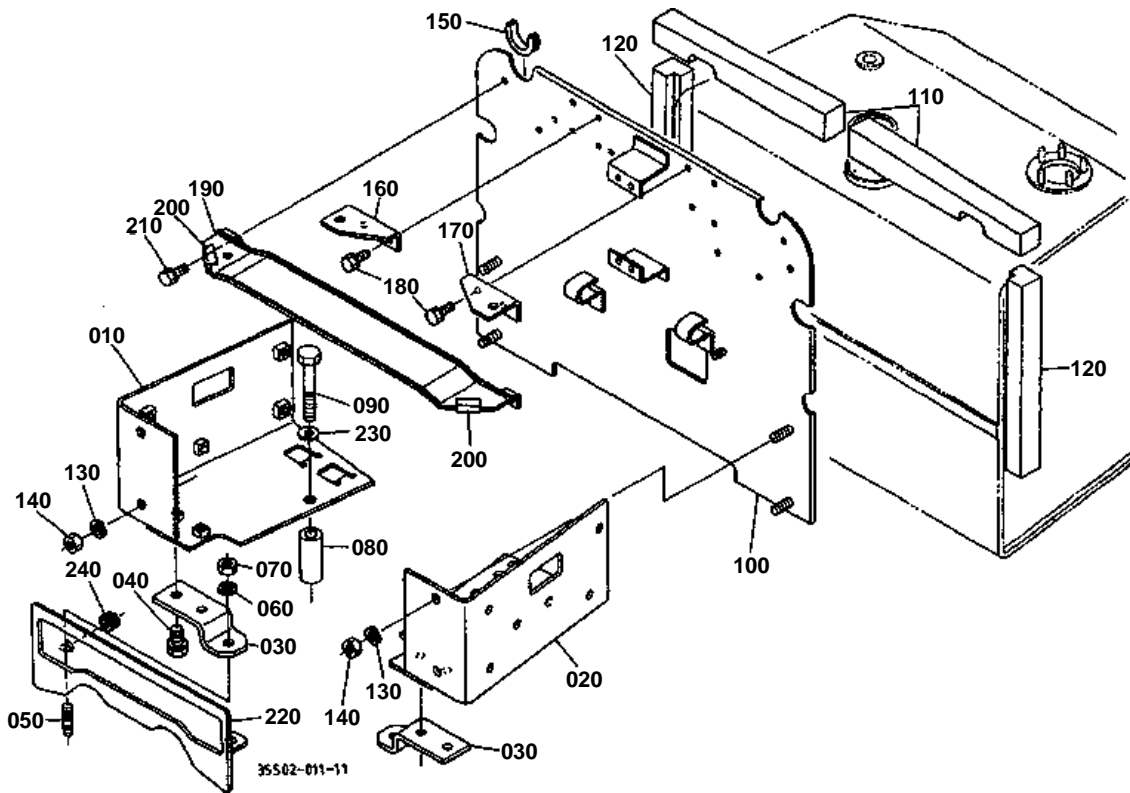


**FUEL TANK**

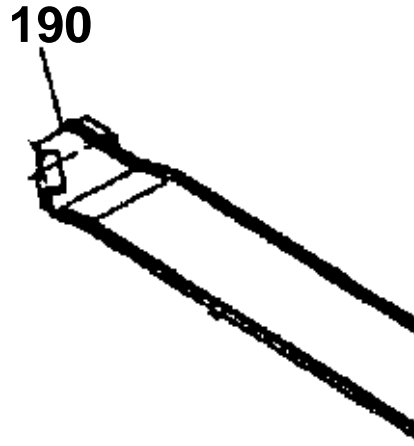
↔ Interchangeable; ≠ not interchangeable; ← new for old; → old for new

| REF.No | Part No. | Description | Q'ty | S.No. | I/C | REMARKS | Weight (kgf) | Weight (lb) |
|--------|-------------|--------------------|------|--------|-----|---------|--------------|-------------|
| 010 | 35533-04100 | ASSY TANK FUEL | 1 | | | | 14 | 30.8 |
| 020 | 38240-35200 | ASSY CAP FUEL TANK | 1 | | | | 0.06 | 0.132 |
| 030 | 34150-35240 | SPONGE | 1 | | | | 0.001 | 0.0022 |
| 040 | 34150-35230 | GASKET | 1 | | | | 0.01 | 0.022 |
| 050 | 34150-35180 | GASKET | 1 | | | | 0.001 | 0.0022 |
| 060 | 35450-41060 | ASSY FILTER FUEL | 1 | | | | 0.01 | 0.022 |
| 080 | 10211-41340 | GASKET | 1 | | | | 0.003 | 0.0066 |
| 090 | 35533-04620 | BAND FUEL TANK LH | 1 | | | | 0.5 | 1.1 |
| 100 | 35533-04630 | BAND FUEL TANK RH | 1 | | | | 0.5 | 1.1 |
| 110 | 01153-50880 | BOLT | 1 | | | | 0.03 | 0.066 |
| 120 | 04012-50080 | WASHER PLAIN | 2 | | | | 0.001 | 0.0022 |
| 130 | 02114-50080 | NUT | 1 | | | | 0.005 | 0.011 |
| 140 | 04512-60080 | WASHER SPRING | 1 | | | | 0.002 | 0.0044 |
| 150 | 35533-04160 | CUSHION | 4 | | | | 0.06 | 0.132 |
| 160 | 35533-04170 | CUSHION | 3 | | | | 0.03 | 0.066 |
| 170 | 35533-04180 | CUSHION | 3 | ≤10058 | | | 0.015 | 0.033 |
| 170 | 35533-04180 | CUSHION | 2 | ≥10059 | | | 0.015 | 0.033 |
| 180 | 35533-04190 | CUSHION | 1 | | | | 0.05 | 0.11 |
| 190 | 35533-04600 | RUBBER PROTECTOR | 2 | | | | 0.008 | 0.0176 |
| 200 | 35533-04120 | COVER OIL FILLER | 1 | ≤10197 | | | 0 | 0 |
| 200 | 36330-04120 | CAP | 1 | ≥10198 | ↔ | | 0.015 | 0.033 |
| 210 | 06311-45030 | PLUG | 1 | | | | 0.06 | 0.132 |
| 220 | 04717-01700 | WASHER WITH RUBBER | 1 | | | | 0.003 | 0.0066 |

FUEL TANK SUPPORT



190 35533-0496-0



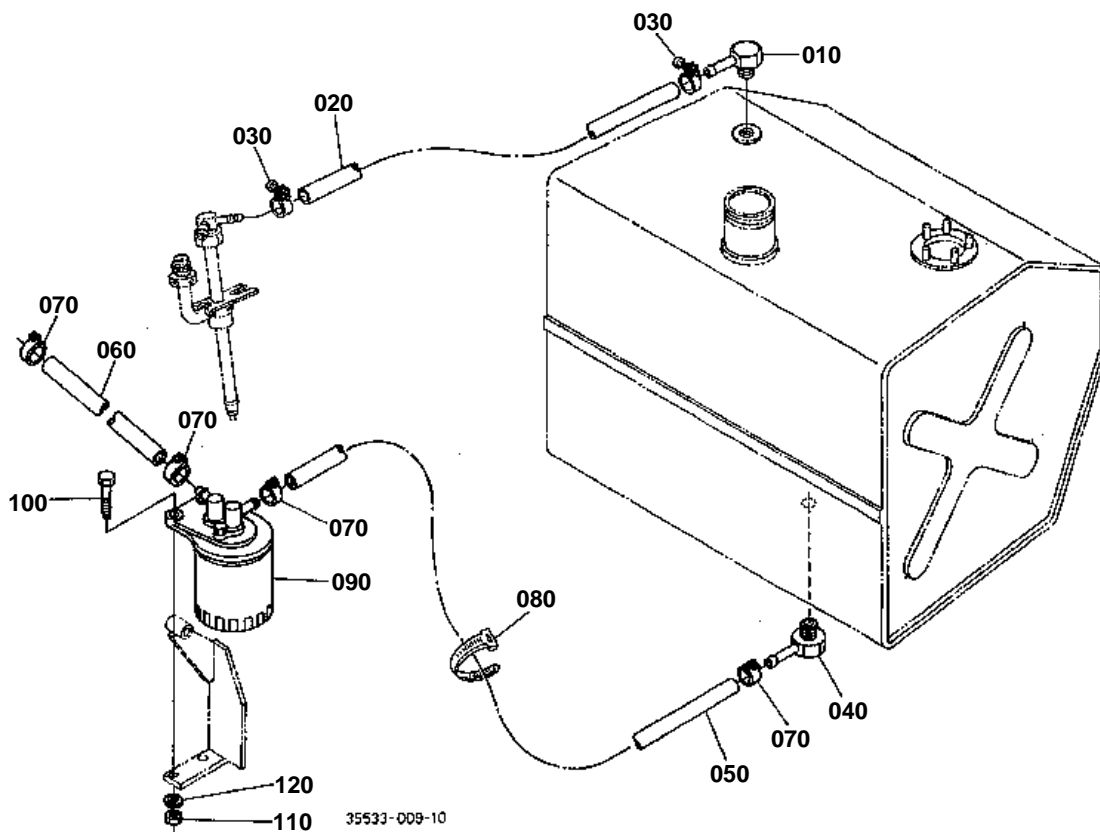
35533-858-10

**FUEL TANK SUPPORT**

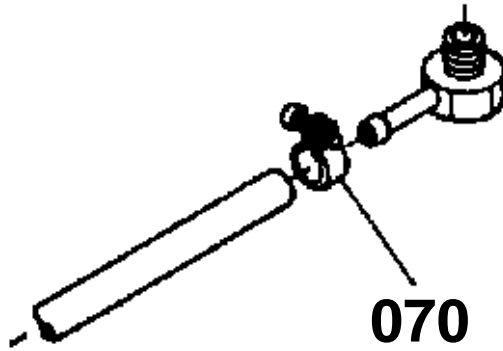
↔ Interchangeable; ≠ not interchangeable; ← new for old; → old for new

| REF.No | Part No. | Description | Q'ty | S.No. | I/C | REMARKS | Weight (kgf) | Weight (lb) |
|--------|-------------|-------------------|------|--------|-----|---------|--------------|-------------|
| 010 | 35533-04513 | STAY TANK RH | 1 | | | | 2.6 | 5.72 |
| 020 | 35533-04543 | STAY TANK LH | 1 | | | | 2.68 | 5.896 |
| 030 | 35533-04270 | STAY TANK SUPPORT | 2 | | | | 0.2 | 0.44 |
| 040 | 01133-51025 | BOLT | 4 | | | | 0.023 | 0.0506 |
| 050 | 01574-51225 | STUD | 2 | | | | 0.034 | 0.0748 |
| 060 | 04512-60120 | WASHER SPRING | 2 | | | | 0.005 | 0.011 |
| 070 | 02176-50120 | NUT | 2 | | | | 0.01 | 0.022 |
| 080 | 35533-04280 | COLLAR TANK STAY | 2 | | | | 0.1 | 0.22 |
| 090 | 01173-51280 | BOLT | 2 | | | | 0.1 | 0.22 |
| 100 | 35533-04610 | PLATE SHUTTER | 1 | ≤10034 | | | 0 | 0 |
| 100 | 35533-04614 | PLATE SHUTTER | 1 | ≥10035 | ← | | 3.1 | 6.82 |
| 110 | 35533-04580 | ELEMENT SHUTTER | 2 | | | | 0.04 | 0.088 |
| 120 | 35533-04590 | ELEMENT SHUTTER | 2 | | | | 0.03 | 0.066 |
| 130 | 04512-60100 | WASHER SPRING | 4 | | | | 0.002 | 0.0044 |
| 140 | 02118-50100 | NUT | 4 | | | | 0.005 | 0.011 |
| 150 | 35533-04750 | RING RUBBER | 2 | | | | 0.002 | 0.0044 |
| 160 | 35533-04770 | SUPPORT BONNET | 1 | | | | 0.076 | 0.1672 |
| 170 | 35533-04790 | SUPPORT BONNET | 1 | | | | 0.05 | 0.11 |
| 180 | 01023-50612 | BOLT | 4 | | | | 0.005 | 0.011 |
| 190 | 35533-04960 | STAY COVER | 1 | ≤21042 | | | 0 | 0 |
| 190 | 35533-04962 | STAY COVER | 1 | ≥21043 | ← | | 0.63 | 1.386 |
| 200 | 35533-04680 | CUSHION | 4 | | | | 0.005 | 0.011 |
| 210 | 01023-50612 | BOLT | 3 | | | | 0.005 | 0.011 |
| 220 | 35533-04893 | PLATE SHUTTER | 1 | | | | 0.4 | 0.88 |
| 230 | 04512-60120 | WASHER SPRING | 2 | | | | 0.005 | 0.011 |
| 240 | 36330-87450 | RING RUBBER | 2 | | | | 0.001 | 0.0022 |

FUEL PIPE



070 14301-4275-0



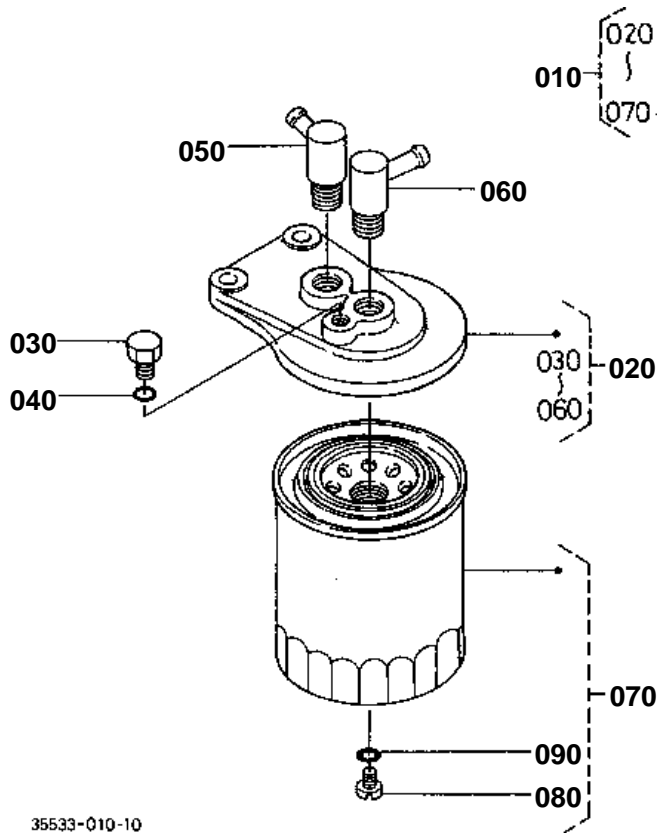
35533-802-10

**FUEL PIPE**

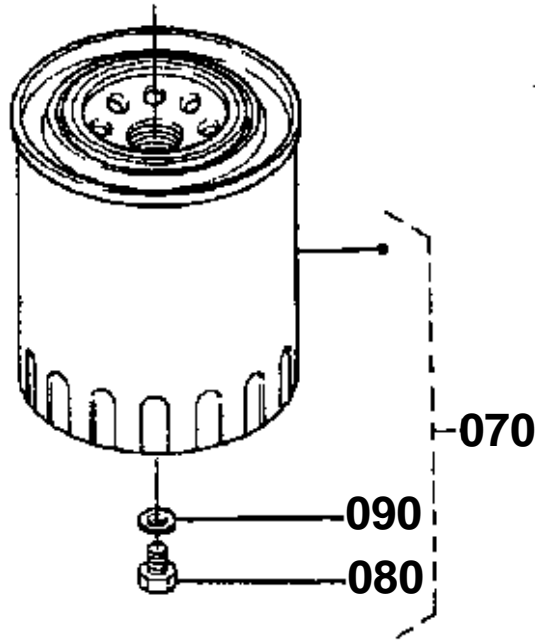
↔ Interchangeable; ≠ not interchangeable; ← new for old; → old for new

| REF.No | Part No. | Description | Q'ty | S.No. | I/C | REMARKS | Weight (kgf) | Weight (lb) |
|--------|-------------|-------------------|------|--------|-----|---------|--------------|-------------|
| 010 | 36200-04440 | UNION | 1 | | | | 0.065 | 0.143 |
| 020 | 35533-04430 | PIPE FUEL | 1 | | | | 0.04 | 0.088 |
| 030 | 14971-42750 | CLIP PIPE | 2 | | | | 0.001 | 0.0022 |
| 040 | 36919-04440 | UNION FUEL RETURN | 1 | | | | 0.075 | 0.165 |
| 050 | 36200-04410 | PIPE FUEL | 1 | ≤10034 | | | 0.009 | 0.0198 |
| 050 | 36200-04420 | PIPE FUEL | 1 | ≥10035 | ≠ | | 0.007 | 0.0154 |
| 060 | 36200-04420 | PIPE FUEL | 1 | | | | 0.007 | 0.0154 |
| 070 | 14301-42750 | CLIP PIPE | 4 | ≤10197 | | | 0.005 | 0.011 |
| 070 | 14911-42750 | CLIP PIPE | 4 | ≥10198 | ↔ | | 0.002 | 0.0044 |
| 080 | 34350-29380 | BAND CORD | 2 | | | | 0.001 | 0.0022 |
| 090 | 15601-43010 | ASSY FILTER FUEL | 1 | | | | 0.8 | 1.76 |
| 100 | 01153-60830 | BOLT | 2 | | | | 0.01 | 0.022 |
| 110 | 02114-50080 | NUT | 2 | | | | 0.005 | 0.011 |
| 120 | 04512-60080 | WASHER SPRING | 2 | | | | 0.002 | 0.0044 |

FUEL FILTER [COMPONENT PARTS]



090 15601-4336-0



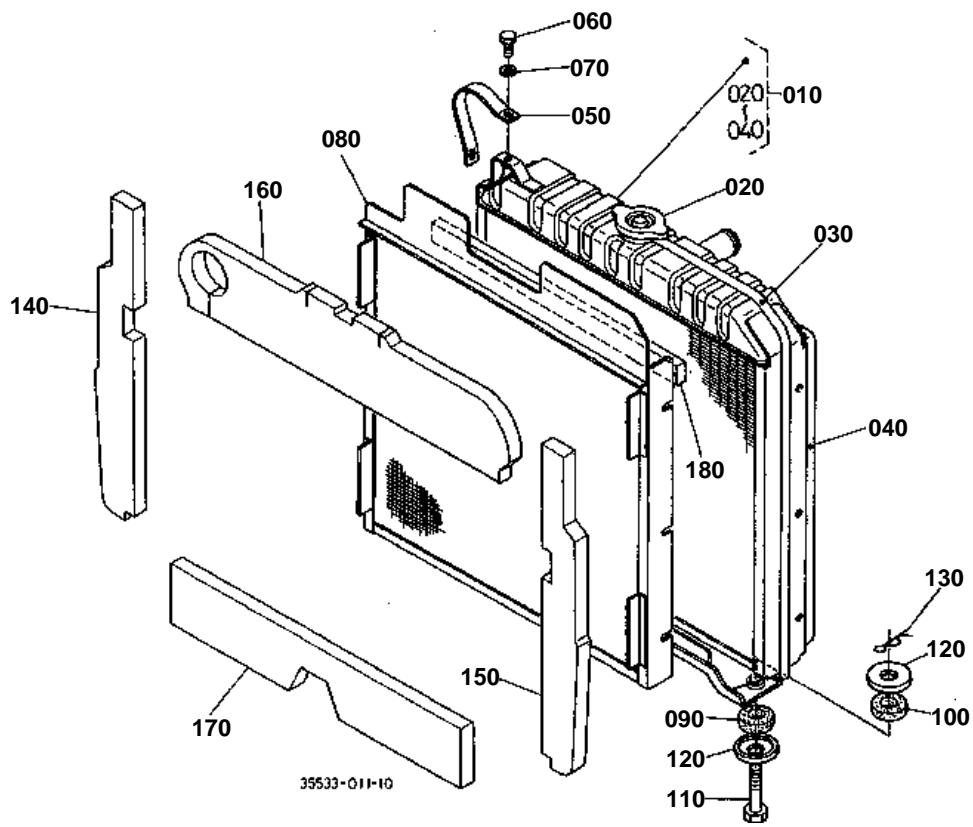
35533-803-10

**FUEL FILTER [COMPONENT PARTS]**

↔ Interchangeable; ≠ not interchangeable; ← new for old; → old for new

| REF.No | Part No. | Description | Q'ty | S.No. | I/C | REMARKS | Weight (kgf) | Weight (lb) |
|--------|-------------|----------------------|------|--------|-----|---------|--------------|-------------|
| 010 | 15601-43010 | ASSY FILTER FUEL | 1 | | | | 0.8 | 1.76 |
| 020 | 15601-43210 | COVER FILTER | 1 | | | | 0.24 | 0.528 |
| 030 | 19222-43280 | PLUG FILTER BREATHER | 1 | | | | 0.01 | 0.022 |
| 040 | 15108-43290 | O RING | 1 | | | | 0.001 | 0.0022 |
| 050 | 15108-43610 | JOINT | 1 | | | | 0.02 | 0.044 |
| 060 | 15108-43780 | JOINT | 1 | | | | 0.02 | 0.044 |
| 070 | 15601-43170 | CARTRIDGE FILTER | 1 | | | | 0.47 | 1.034 |
| 080 | 15601-43340 | PLUG DRAIN | 1 | ≤20208 | | 6MM | 0 | 0 |
| 080 | 15601-43342 | PLUG DRAIN | 1 | ≥20209 | ≠ | 8MM | 0.01 | 0.022 |
| 090 | 15601-43360 | GASKET | 1 | ≤20208 | | | 0.001 | 0.0022 |
| 090 | 04811-00060 | O RING | 1 | ≥20209 | ↔ | | 0 | 0 |

RADIATOR



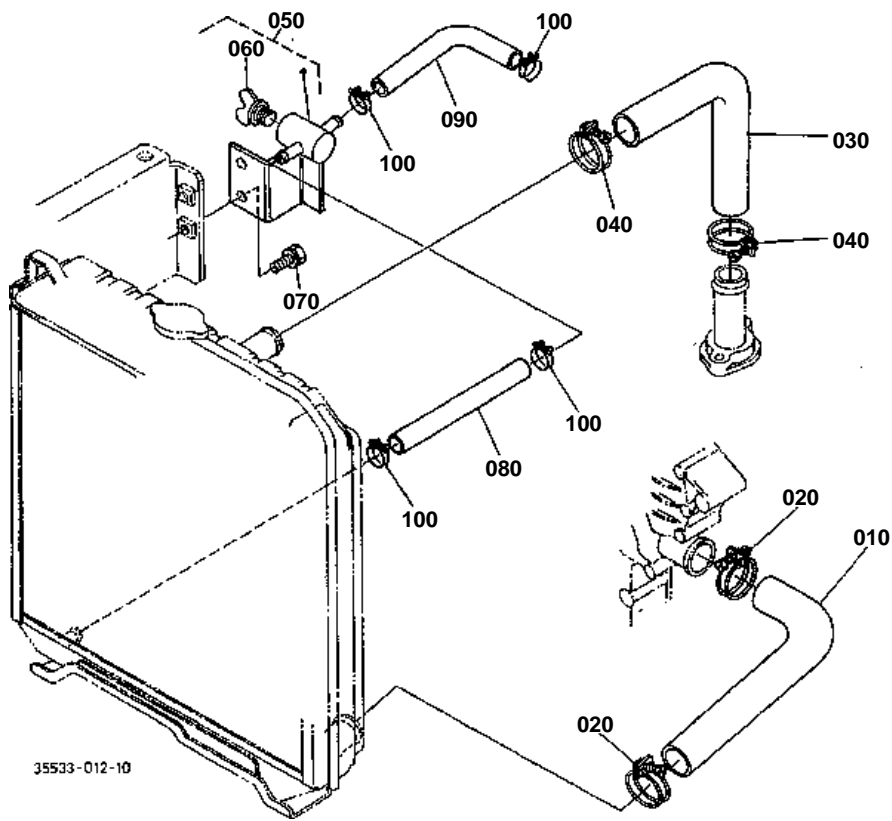


RADIATOR

↔ Interchangeable; ≠ not interchangeable; ← new for old; → old for new

| REF.No | Part No. | Description | Q'ty | S.No. | I/C | REMARKS | Weight (kgf) | Weight (lb) |
|--------|-------------|----------------------|------|-------|-----|---------|--------------|-------------|
| 010 | 17301-72060 | ASSY RADIATOR | 1 | | | | 15 | 33 |
| 020 | 15101-72030 | CAP RADIATOR | 1 | | | | 0 | 0 |
| 030 | 15621-72710 | PIPE WATER OVERFLOW | 1 | | | | 0.08 | 0.176 |
| 040 | 15621-72330 | SHROUD FAN | 1 | | | | 1.2 | 2.64 |
| 050 | 35533-17210 | SUPPORT INLET PIPE | 1 | | | | 0.035 | 0.077 |
| 060 | 01153-50812 | BOLT | 2 | | | | 0.008 | 0.0176 |
| 070 | 04512-60080 | WASHER SPRING | 2 | | | | 0.002 | 0.0044 |
| 080 | 35533-17340 | NET RADIATOR | 1 | | | | 1.51 | 3.322 |
| 090 | 15111-72180 | CUSHION | 2 | | | | 0.015 | 0.033 |
| 100 | 15111-72190 | CUSHION | 2 | | | | 0.016 | 0.0352 |
| 110 | 15108-72380 | BOLT | 2 | | | | 0.04 | 0.088 |
| 120 | 15111-72200 | WASHER | 4 | | | | 0.013 | 0.0286 |
| 130 | 05515-61000 | PIN SNAP | 2 | | | | 0.002 | 0.0044 |
| 140 | 35533-17140 | ELEMENT SIDE RH | 1 | | | | 0.05 | 0.11 |
| 150 | 35533-17150 | ELEMENT SIDE LH | 1 | | | | 0.06 | 0.132 |
| 160 | 35533-17170 | ELEMENT UPPER | 1 | | | | 0.15 | 0.33 |
| 170 | 35533-17180 | ELEMENT LOWER | 1 | | | | 0.1 | 0.22 |
| 180 | 35533-17200 | ELEMENT RADIATOR NET | 1 | | | | 0.005 | 0.011 |

WATER PIPE



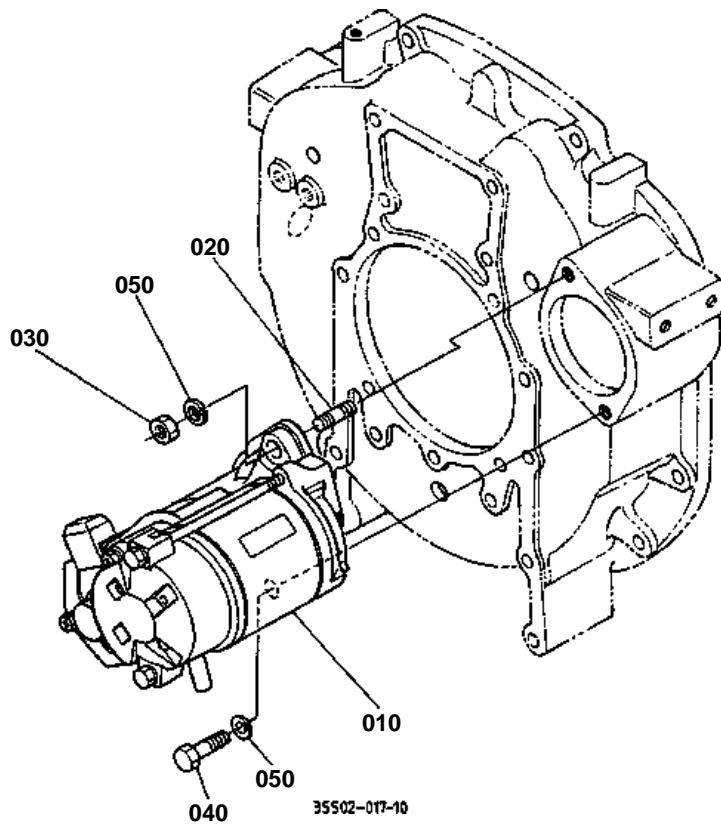


WATER PIPE

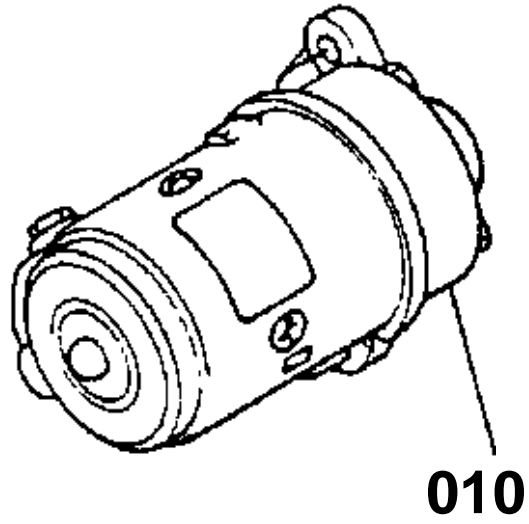
↔ Interchangeable; ≠ not interchangeable; ← new for old; → old for new

| REF.No | Part No. | Description | Q'ty | S.No. | I/C | REMARKS | Weight (kgf) | Weight (lb) |
|--------|-------------|-------------------|------|--------|-----|---------|--------------|-------------|
| 010 | 15621-72852 | PIPE WATER | 1 | | | | 0.19 | 0.418 |
| 020 | 15108-72870 | BAND | 2 | | | | 0.027 | 0.0594 |
| 030 | 15621-72942 | PIPE WATER | 1 | | | | 0.32 | 0.704 |
| 040 | 15001-72870 | BAND PIPE | 2 | ≤10193 | | | 0.026 | 0.0572 |
| 040 | 15701-72870 | BAND HOSE | 2 | ≥10194 | ← | | 0.027 | 0.0594 |
| 050 | 35533-17410 | ASSY COCK DRAIN | 1 | | | | 0.2 | 0.44 |
| 060 | 55364-82110 | COCK DRAIN | 1 | | | | 0.005 | 0.011 |
| 070 | 01133-50816 | BOLT | 2 | | | | 0 | 0 |
| 080 | 35533-17430 | PIPE WATER RETURN | 1 | | | | 0.04 | 0.088 |
| 090 | 35533-17440 | PIPE WATER RETURN | 1 | | | | 0.03 | 0.066 |
| 100 | 68171-63630 | BAND HOSE | 4 | | | | 0.013 | 0.0286 |

STARTER



010 15601-6301-0



35533-804-10

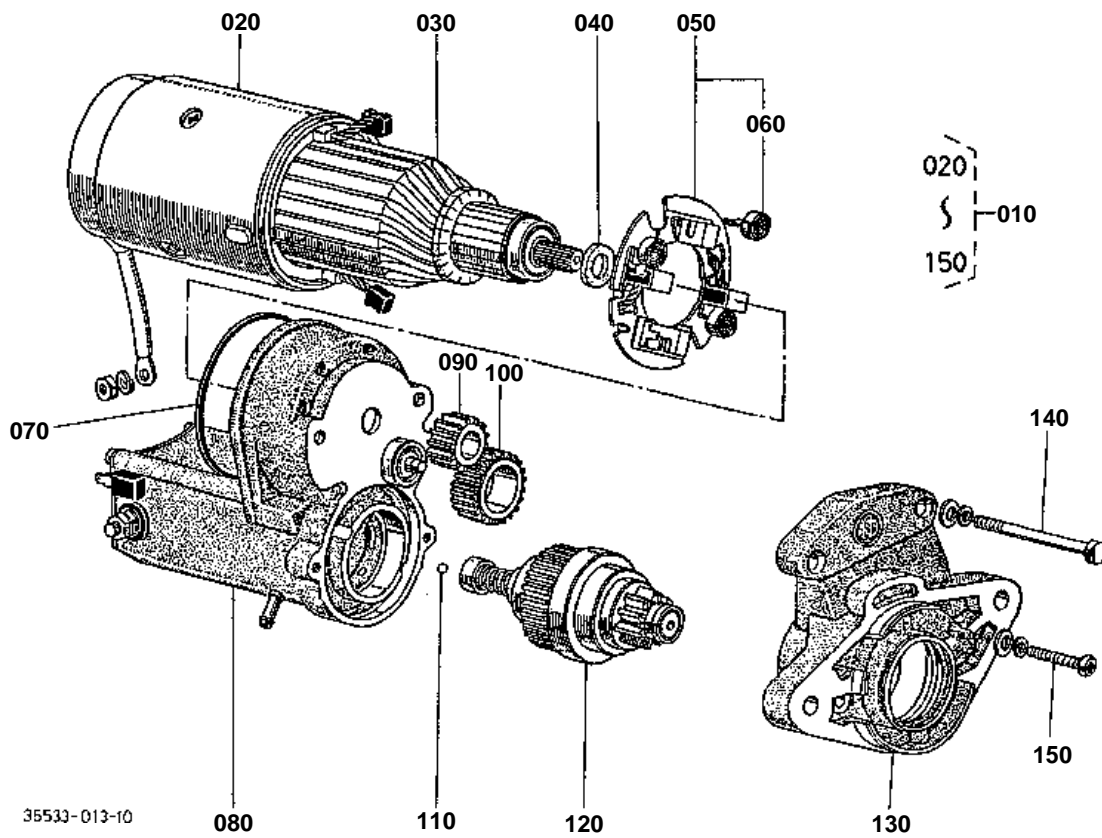


STARTER

↔ Interchangeable; ≠ not interchangeable; ← new for old; → old for new

| REF.No | Part No. | Description | Q'ty | S.No. | I/C | REMARKS | Weight (kgf) | Weight (lb) |
|--------|-------------|---------------|------|---------|-----|---------|--------------|-------------|
| 010 | 15601-63010 | ASSY STARTER | 1 | <=10058 | | | 0 | 0 |
| 010 | 15621-63010 | ASSY STARTER | 1 | >=10059 | ← | | 0 | 0 |
| 010 | 15621-63012 | ASSY STARTER | 1 | >=10098 | ← | | 3.87 | 8.514 |
| 020 | 01517-51028 | STUD | 1 | | | | 0.022 | 0.0484 |
| 030 | 02176-50100 | NUT | 1 | | | | 0.005 | 0.011 |
| 040 | 01173-51030 | BOLT | 1 | | | | 0.023 | 0.0506 |
| 050 | 04512-60100 | WASHER SPRING | 2 | | | | 0.002 | 0.0044 |

STARTER [OLD TYPE] [COMPONENT PARTS]



35533-013-10

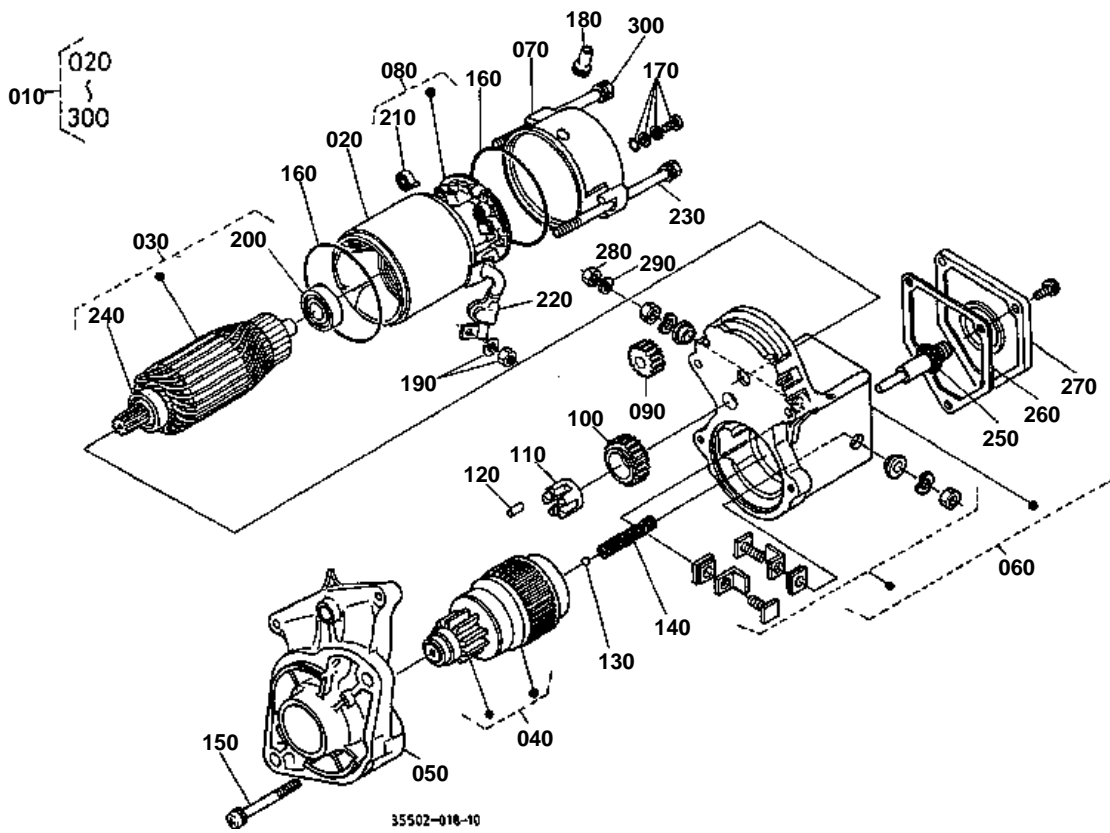


STARTER [OLD TYPE] [COMPONENT PARTS]
S.No.;<=10058

↔ Interchangeable; ≠ not interchangeable; ← new for old; → old for new

| REF.No | Part No. | Description | Q'ty | S.No. | I/C | REMARKS | Weight (kgf) | Weight (lb) |
|--------|-------------|---------------------|------|-------|-----|---------------------|--------------|-------------|
| 010 | 15601-63010 | ASSY STARTER | 1 | | | (ND NO.028000-6250) | 0 | 0 |
| 020 | 15401-63080 | YOKE | 1 | | | | 1.2 | 2.64 |
| 030 | 19212-63070 | ARMATURE | 1 | | | | 1 | 2.2 |
| 040 | 19212-96670 | WASHER FELT | 1 | | | | 0.001 | 0.0022 |
| 050 | 15401-63380 | HOLDER BRUSH | 1 | | | | 0.1 | 0.22 |
| 060 | 15401-63390 | SPRING BRUSH | 4 | | | | 0.003 | 0.0066 |
| 070 | 15401-96660 | GASKET | 1 | | | | 0.002 | 0.0044 |
| 080 | 15521-63020 | SWITCH MAGNETIC | 1 | | | | 1.29 | 2.838 |
| 090 | 15521-63260 | GEAR | 1 | | | | 0.03 | 0.066 |
| 100 | 15401-63270 | GEAR | 1 | | | | 0.043 | 0.0946 |
| 110 | 19212-97130 | BALL | 1 | | | | 0.003 | 0.0066 |
| 120 | 15601-63042 | CLUTCH OVER RUNNING | 1 | | | | 0.75 | 1.65 |
| 130 | 15521-63030 | FRAME DRIVE END | 1 | | | | 0.455 | 1.001 |
| 140 | 15401-63320 | BOLT THROUGH | 2 | | | | 0.017 | 0.0374 |
| 150 | 15401-93310 | SCREW PAN-HEAD | 2 | | | | 0.01 | 0.022 |

STARTER [OLD TYPE] [COMPONENT PARTS]



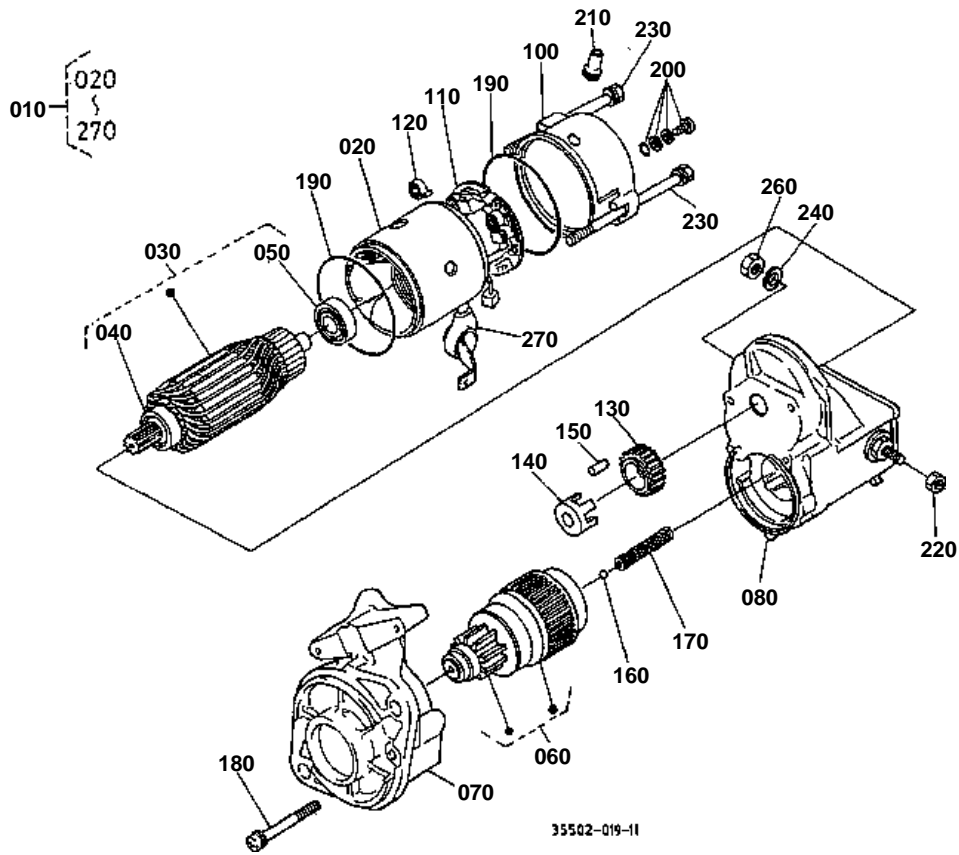


STARTER [OLD TYPE] [COMPONENT PARTS]
S.No.;>=10059

↔ Interchangeable; ≠ not interchangeable; ← new for old; → old for new

| REF.No | Part No. | Description | Q'ty | S.No. | I/C | REMARKS | Weight (kgf) | Weight (lb) |
|--------|-------------|---------------------|------|---------|-----|---------------------|--------------|-------------|
| 010 | 15621-63010 | ASSY STARTER | 1 | <=10097 | | (ND NO.128000-0070) | 0 | 0 |
| 010 | 15621-63012 | ASSY STARTER | 1 | >=10098 | ← | (ND NO.128002-0071) | 3.87 | 8.514 |
| 020 | 15461-63080 | ASSY YOKE | 1 | | | | 1.13 | 2.486 |
| 030 | 15511-63070 | ASSY ARMTURE | 1 | | | | 1.05 | 2.31 |
| 040 | 15601-63042 | CLUTCH OVER RUNNING | 1 | | | | 0.75 | 1.65 |
| 050 | 15511-63030 | FRAME DRIVE END | 1 | | | | 0.32 | 0.704 |
| 060 | 15621-63020 | ASSY SWITCH MAGNET | 1 | | | | 1.17 | 2.574 |
| 070 | 15511-63200 | FRAME END | 1 | | | | 0.14 | 0.308 |
| 080 | 15511-63380 | ASSY HOLDER BRUSH | 1 | | | | 0.09 | 0.198 |
| 090 | 15511-63260 | GEAR | 1 | | | | 0.02 | 0.044 |
| 100 | 15401-63270 | GEAR | 1 | | | | 0.043 | 0.0946 |
| 110 | 19212-63110 | RETAINER | 1 | | | | 0.002 | 0.0044 |
| 120 | 19212-63100 | ROLLER | 5 | | | | 0.002 | 0.0044 |
| 130 | 19212-97130 | BALL | 1 | | | | 0.003 | 0.0066 |
| 140 | 19212-63120 | SPRING | 1 | | | | 0.004 | 0.0088 |
| 150 | 15501-93310 | SCREW PAN-HEAD | 2 | | | | 0.01 | 0.022 |
| 160 | 15511-96660 | O RING | 2 | | | | 0.005 | 0.011 |
| 170 | 15511-63760 | ASSY BOLT | 2 | | | | 0.005 | 0.011 |
| 180 | 15511-63450 | COVER | 1 | | | | 0.002 | 0.0044 |
| 190 | 13963-92010 | NUT HEXAGON | 1 | | | | 0.005 | 0.011 |
| 200 | 15511-63530 | BEARING BALL | 1 | | | | 0.025 | 0.055 |
| 210 | 15401-63390 | SPRING BRUSH | 4 | | | | 0.003 | 0.0066 |
| 220 | 17381-63450 | COVER | 1 | | | | 0.01 | 0.022 |
| 230 | 19215-63320 | BOLT THROUGH | 2 | | | | 0.03 | 0.066 |
| 240 | 15511-63500 | BEARING BALL | 1 | | | | 0.04 | 0.088 |
| 250 | 15461-63990 | PLUNGER | 1 | | | | 0.15 | 0.33 |
| 260 | 15461-63520 | GASKET | 1 | | | | 0.01 | 0.022 |
| 270 | 15461-63510 | COVER SOLENOID | 1 | | | | 0.06 | 0.132 |
| 280 | 19616-92010 | NUT HEXAGON | 1 | | | | 0.04 | 0.088 |
| 290 | 04512-60080 | WASHER SPRING | 1 | | | | 0.002 | 0.0044 |
| 300 | 15621-63320 | BOLT | 1 | | | | 0.04 | 0.088 |

STARTER [NEW TYPE] [COMPONENT PARTS]

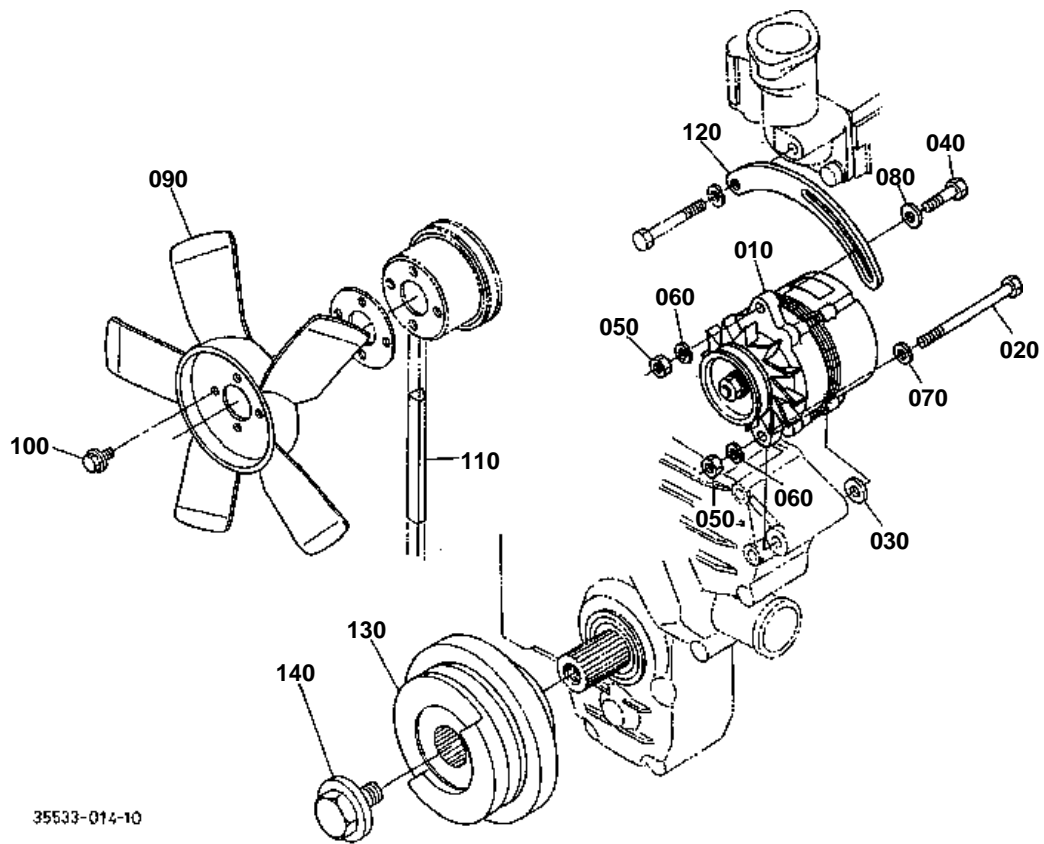




STARTER [NEW TYPE] [COMPONENT PARTS]
S.No.;>=20346

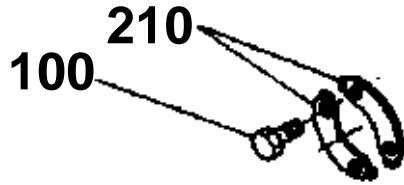
↔ Interchangeable; ≠ not interchangeable; ← new for old; → old for new

| REF.No | Part No. | Description | Q'ty | S.No. | I/C | REMARKS | Weight (kgf) | Weight (lb) |
|--------|-------------|----------------------|------|-------|-----|--------------------|--------------|-------------|
| 010 | 15621-63012 | ASSY STARTER | 1 | | | (ND NO.22800-1000) | 3.87 | 8.514 |
| 020 | 11197-63080 | ASSY YOKE | 1 | | | | 0.92 | 2.024 |
| 030 | 11197-63070 | ASSY ARMTURE | 1 | | | | 0.8 | 1.76 |
| 040 | 11460-63500 | BEARING | 1 | | | | 0.03 | 0.066 |
| 050 | 11460-63530 | BEARING | 1 | | | | 0.02 | 0.044 |
| 060 | 15621-63040 | CLUTCH OVER RUNNING | 1 | | | | 0.6 | 1.32 |
| 070 | 16661-63030 | FRAME DRIVE END | 1 | | | | 0.41 | 0.902 |
| 080 | 11173-63020 | ASSY SWITCH MAGNETIC | 1 | | | | 0.2 | 0.44 |
| 100 | 17341-63200 | FRAME END | 1 | | | | 0.13 | 0.286 |
| 110 | 11197-63380 | ASSY HOLDER BRUSH | 1 | | | | 0.05 | 0.11 |
| 120 | 15401-63390 | SPRING BRUSH | 4 | | | | 0.003 | 0.0066 |
| 130 | 11460-63270 | GEAR | 1 | | | | 0.04 | 0.088 |
| 140 | 11460-63110 | RETAINER | 1 | | | | 0.01 | 0.022 |
| 150 | 19212-63100 | ROLLER | 5 | | | | 0.002 | 0.0044 |
| 160 | 19212-97130 | BALL | 1 | | | | 0.003 | 0.0066 |
| 170 | 11460-63120 | SPRING | 1 | | | | 0.01 | 0.022 |
| 180 | 11460-93310 | BOLT | 2 | | | | 0.01 | 0.022 |
| 190 | 15511-96660 | O RING | 2 | | | | 0.005 | 0.011 |
| 200 | 15511-63760 | ASSY BOLT | 2 | | | | 0.005 | 0.011 |
| 210 | 16285-63570 | PIPE DRAIN | 1 | | | | 0.005 | 0.011 |
| 220 | 13963-92010 | NUT HEXAGON | 1 | | | | 0.005 | 0.011 |
| 230 | 11197-63320 | BOLT | 2 | | | | 0.02 | 0.044 |
| 240 | 04512-60080 | WASHER SPRING | 1 | | | | 0.002 | 0.0044 |
| 260 | 16285-92010 | NUT HEXAGON | 1 | | | | 0.005 | 0.011 |
| 270 | 11173-63130 | COVER TERMINAL | 1 | | | | 0.007 | 0.0154 |

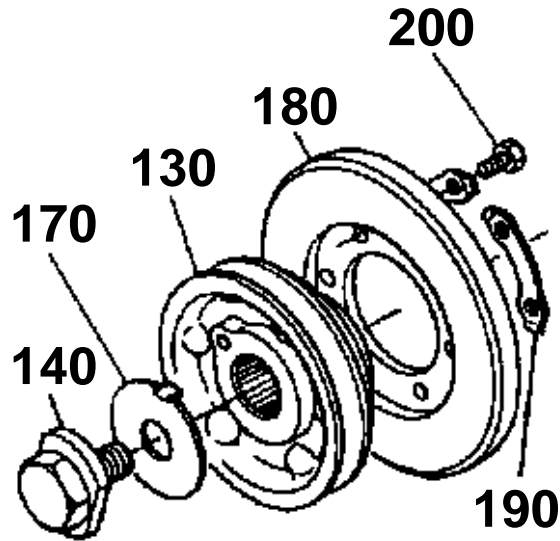


35533-014-10

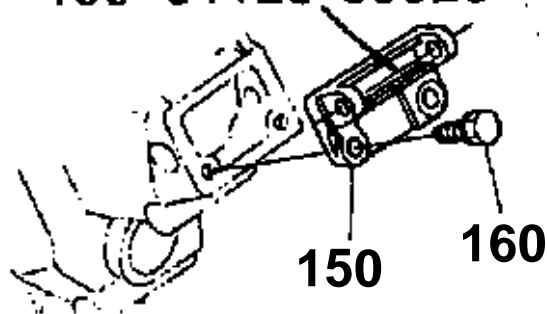
100 01053-50816
210 15606-7423-0



130 17301-7428-0
140 15601-9101-0
170 15601-9419-0
180 15601-2378-0
190 15601-2381-0
200 01053-50814



150 15601-6435-0
160 01123-50825

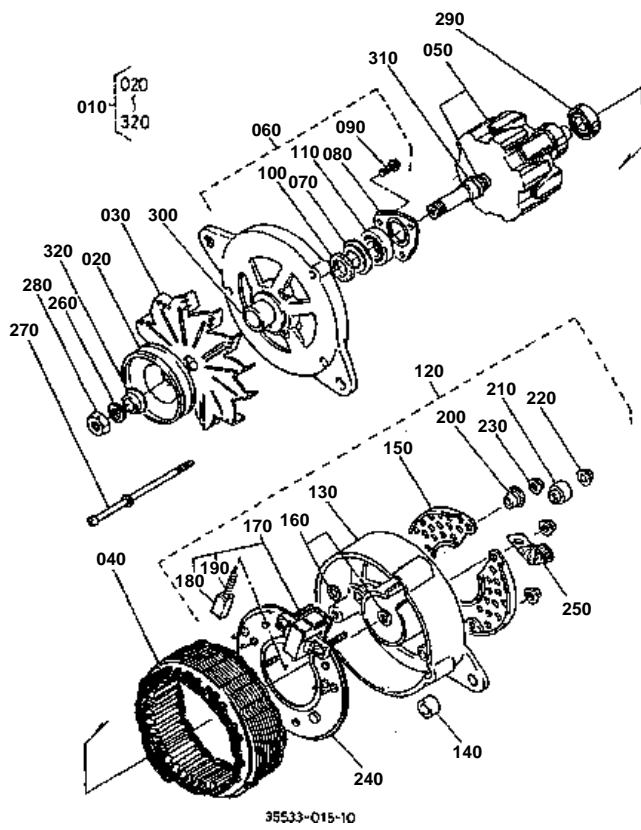


35533-805-10

**DYNAMO**

↔ Interchangeable; ≠ not interchangeable; ← new for old; → old for new

| REF.No | Part No. | Description | Q'ty | S.No. | I/C | REMARKS | Weight (kgf) | Weight (lb) |
|--------|-------------|--------------------|------|---------|-----|---------|--------------|-------------|
| 010 | 15763-64010 | ASSY DYNAMO | 1 | | | | 3.47 | 7.634 |
| 020 | 17367-91030 | BOLT | 1 | | | | 0.02 | 0.044 |
| 030 | 15521-94030 | WASHER PLAIN | 1 | >=10076 | | | 0.01 | 0.022 |
| 040 | 01153-60830 | BOLT | 1 | | | | 0.01 | 0.022 |
| 050 | 02156-50080 | NUT | 2 | | | | 0.004 | 0.0088 |
| 060 | 04512-60080 | WASHER SPRING | 2 | | | | 0.002 | 0.0044 |
| 070 | 04012-50080 | WASHER PLAIN | 1 | | | | 0.001 | 0.0022 |
| 080 | 04015-60080 | WASHER PLAIN | 1 | | | | 0.01 | 0.022 |
| 090 | 15621-74110 | FAN | 1 | | | | 0.56 | 1.232 |
| 100 | 01053-50816 | BOLT | 4 | <=10075 | | | 0.011 | 0.0242 |
| 100 | 01754-50816 | BOLT FLANGE | 4 | >=10076 | ← | | 0.011 | 0.0242 |
| 110 | 15196-97010 | V BELT A | 1 | | | | 0.124 | 0.2728 |
| 120 | 15601-64420 | STAY DYNAMO | 1 | | | | 0.105 | 0.231 |
| 130 | 17303-74280 | PULLEY FAN DRIVE | 1 | <=10058 | | | 3.16 | 6.952 |
| 130 | 17303-74280 | PULLEY FAN DRIVE | 1 | >=10059 | ← | | 3.16 | 6.952 |
| 130 | 17303-74282 | PULLEY FAN DRIVE | 1 | >=10092 | ≠ | | 3.2 | 7.04 |
| 140 | 15601-91013 | STAY DYNAMO | 1 | <=10091 | | | 0 | 0 |
| 140 | 15601-91013 | BOLT | 1 | >=10092 | ≠ | | 0 | 0 |
| 150 | 15601-64350 | SUPPORT DYNAMO | 1 | <=10075 | | | 0.28 | 0.616 |
| 160 | 01123-50825 | BOLT | 2 | <=10075 | | | 0.013 | 0.0286 |
| 170 | 15601-94190 | WASHER WITH CLAW | 1 | <=10091 | | | 0.023 | 0.0506 |
| 180 | 15601-23780 | DAMPER CRANK SHAFT | 1 | <=10058 | | | 1.7 | 3.74 |
| 190 | 15601-23810 | WASHER DAMPER | 3 | <=10058 | | | 0.006 | 0.0132 |
| 200 | 01053-50814 | BOLT | 6 | <=10058 | | | 0.01 | 0.022 |
| 210 | 15606-74230 | WASHER FAN | 2 | <=10075 | | | 0.006 | 0.0132 |

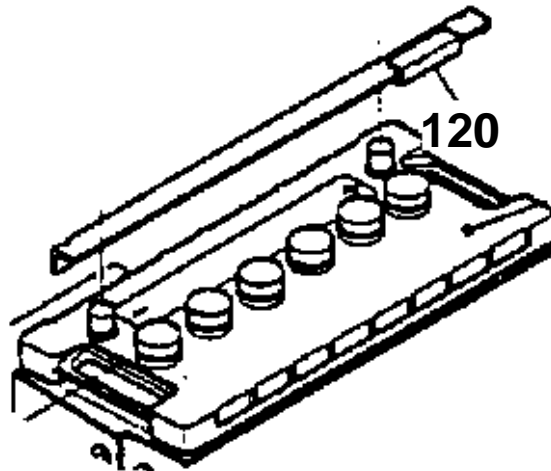


**DYNAMO [COMPONENT PARTS]**

↔ Interchangeable; ≠ not interchangeable; ← new for old; → old for new

| REF.No | Part No. | Description | Q'ty | S.No. | I/C | REMARKS | Weight (kgf) | Weight (lb) |
|--------|-------------|-------------------|------|-------|-----|---------|--------------|-------------|
| 010 | 15763-64010 | ASSY DYNAMO | 1 | | | | 3.47 | 7.634 |
| 020 | 15471-64110 | PULLEY DYNAMO | 1 | | | | 0.435 | 0.957 |
| 030 | 15253-64130 | FAN DYNAMO | 1 | | | | 0.18 | 0.396 |
| 040 | 15606-64050 | YOKE | 1 | | | | 0.76 | 1.672 |
| 050 | 15253-64030 | ARMATURE | 1 | | | | 1.46 | 3.212 |
| 060 | 15253-64020 | FRAME DRIVE END | 1 | | | | 0.365 | 0.803 |
| 070 | 15221-64830 | COVER FELT | 1 | | | | 0.003 | 0.0066 |
| 080 | 15221-64710 | PLATE RETAINER | 1 | | | | 0.018 | 0.0396 |
| 090 | 01053-50516 | BOLT | 3 | | | | 0.003 | 0.0066 |
| 100 | 15221-64790 | FELT OIL | 1 | | | | 0.001 | 0.0022 |
| 110 | 08141-06202 | BEARING BALL | 1 | | | | 0.043 | 0.0946 |
| 120 | 15253-64070 | ASSY FRAME END | 1 | | | | 0.55 | 1.21 |
| 130 | 15253-64060 | FRAME END | 1 | | | | 0.29 | 0.638 |
| 140 | 15221-64210 | BUSH | 1 | | | | 0.007 | 0.0154 |
| 150 | 15253-64230 | COVER END | 1 | | | | 0.02 | 0.044 |
| 160 | 15321-64880 | WASHER INSULATION | 2 | | | | 0.001 | 0.0022 |
| 170 | 15253-64310 | ASSY HOLDER BRUSH | 1 | | | | 0.04 | 0.088 |
| 180 | 15221-64090 | BRUSH | 2 | | | | 0.002 | 0.0044 |
| 190 | 15221-64330 | SPRING BRUSH | 2 | | | | 0.001 | 0.0022 |
| 200 | 15321-64910 | BUSH INSULATION | 1 | | | | 0.001 | 0.0022 |
| 210 | 15321-64920 | BUSH INSULATION | 1 | | | | 0.001 | 0.0022 |
| 220 | 15451-94080 | WASHER | 5 | | | | 0.001 | 0.0022 |
| 230 | 14182-92030 | NUT | 2 | | | | 0.003 | 0.0066 |
| 240 | 15321-64850 | ASSY RECTIFIER | 1 | | | | 0.134 | 0.2948 |
| 250 | 15321-67570 | CLAMP CORD | 1 | | | | 0.04 | 0.088 |
| 260 | 15221-94070 | WASHER SPRING | 1 | | | | 0.008 | 0.0176 |
| 270 | 15321-64260 | BOLT THROUGH | 3 | | | | 0.008 | 0.0176 |
| 280 | 15221-92010 | NUT | 1 | | | | 0.012 | 0.0264 |
| 290 | 08121-06201 | BEARING BALL | 1 | | | | 0.036 | 0.0792 |
| 300 | 15221-64150 | COLLAR | 1 | | | | 0.008 | 0.0176 |
| 310 | 15321-64170 | SPACER | 1 | | | | 0.007 | 0.0154 |
| 320 | 15221-64160 | SPACER | 1 | | | | 0.006 | 0.0132 |

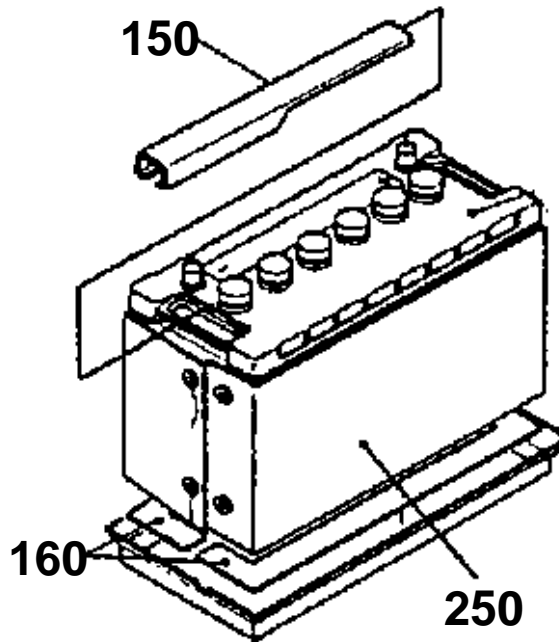
120 38430-2967-0



150 38240-3339-0

160 36200-7432-0

250 36200-7438-0



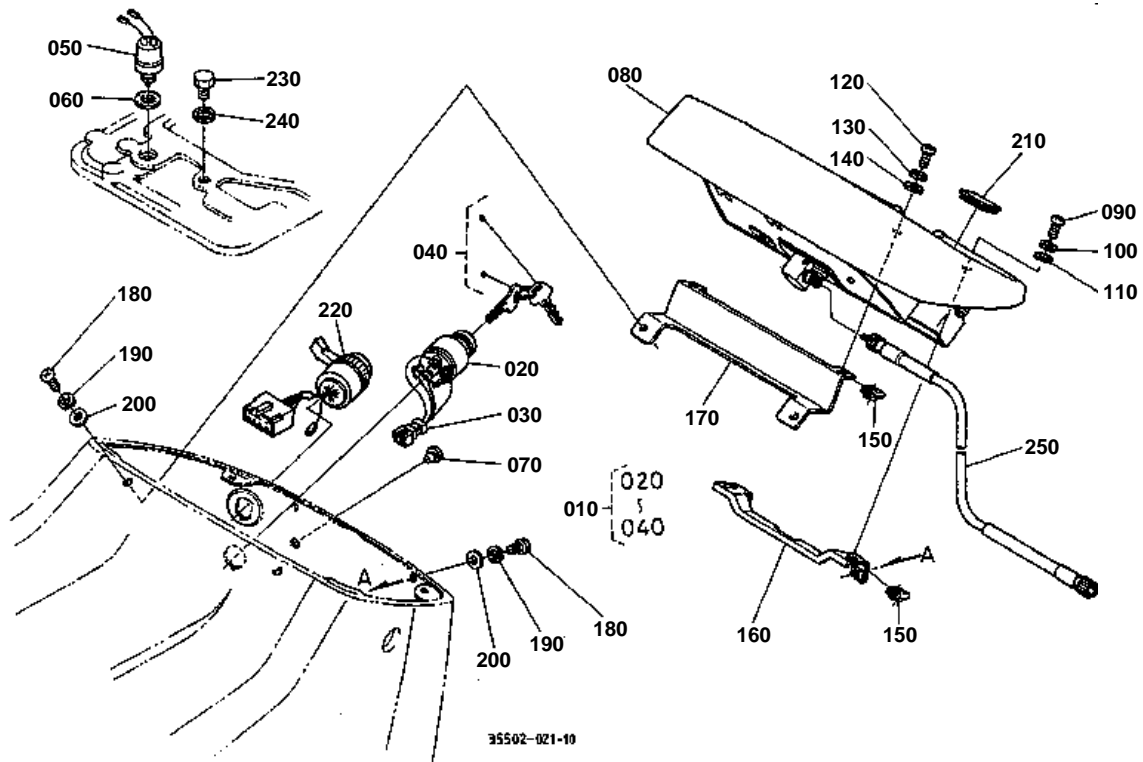
35533-806-10

**BATTERY**

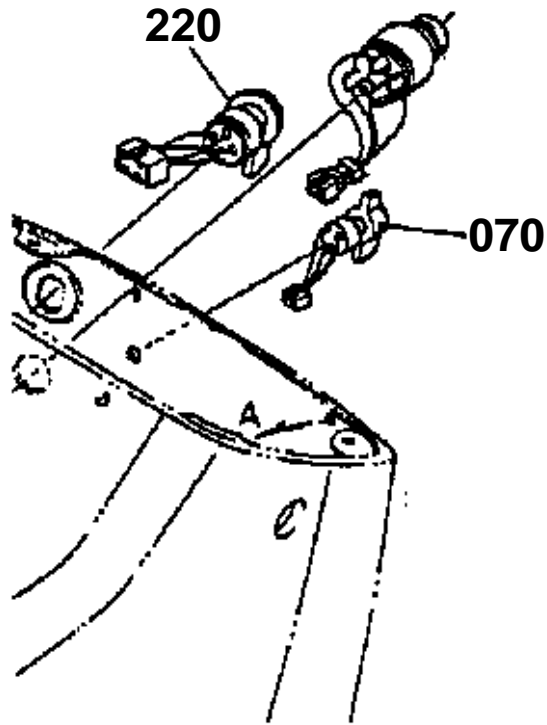
↔ Interchangeable; ≠ not interchangeable; ← new for old; → old for new

| REF.No | Part No. | Description | Q'ty | S.No. | I/C | REMARKS | Weight (kgf) | Weight (lb) |
|--------|-------------|------------------|------|--------|-----|---------|--------------|-------------|
| 010 | 36200-74117 | SUPPORT BATTERY | 1 | | | | 1.46 | 3.212 |
| 020 | 36200-74160 | JOINT | 2 | | | | 0.125 | 0.275 |
| 030 | 01133-51020 | BOLT | 2 | | | | 0.02 | 0.044 |
| 040 | 04512-60100 | WASHER SPRING | 2 | | | | 0.002 | 0.0044 |
| 050 | 04011-50100 | WASHER PLAIN | 2 | | | | 0.002 | 0.0044 |
| 060 | 35533-74170 | STAY BATTERY | 1 | | | | 0.7 | 1.54 |
| 070 | 01173-51018 | BOLT | 1 | | | | 0.018 | 0.0396 |
| 080 | 04512-60100 | WASHER SPRING | 1 | | | | 0.002 | 0.0044 |
| 090 | 04011-50100 | WASHER PLAIN | 1 | | | | 0.002 | 0.0044 |
| 100 | 02118-50100 | NUT | 1 | | | | 0.005 | 0.011 |
| 110 | 01133-51025 | BOLT | 4 | | | | 0.023 | 0.0506 |
| 120 | 38430-29670 | CUSHION | 1 | ≤10197 | | [A] | 0.01 | 0.022 |
| 130 | 04011-50100 | WASHER PLAIN | 4 | | | | 0.002 | 0.0044 |
| 140 | 32360-33200 | BATTERY DRY | 1 | | | [A] | 18.8 | 41.36 |
| 150 | 38240-33390 | COVER BATTERY | 1 | ≤10197 | | | 0.03 | 0.066 |
| 160 | 36200-74320 | CUSHION | 2 | ≤10197 | | | 0.08 | 0.176 |
| 170 | 36200-74330 | SUPPORT BATTERY | 1 | | | | 0.308 | 0.6776 |
| 180 | 36200-74340 | PIPE | 1 | | | | 0.045 | 0.099 |
| 190 | 14301-42750 | CLIP PIPE | 1 | ≤10197 | | | 0.005 | 0.011 |
| 190 | 14911-42750 | CLIP PIPE | 1 | ≥10198 | ↔ | | 0.002 | 0.0044 |
| 200 | 36200-74510 | CLAMP PIPE | 1 | | | | 0.002 | 0.0044 |
| 210 | 36230-74350 | RETAINER BATTERY | 1 | | | | 0.41 | 0.902 |
| 220 | 36200-74360 | HOLDER | 2 | | | | 0.107 | 0.2354 |
| 230 | 02114-50080 | NUT | 4 | | | | 0.005 | 0.011 |
| 240 | 04012-50080 | WASHER PLAIN | 2 | | | | 0.001 | 0.0022 |
| 250 | 36200-74383 | COVER BATTERY | 1 | ≤10197 | | | 0.26 | 0.572 |
| 250 | 36200-74380 | COVER BATTERY | 1 | ≥10198 | ← | | 0 | 0 |
| 260 | 35533-74610 | LABEL BATTERY | 1 | | | | 0 | 0 |
| 270 | 35533-74610 | SUPPORT BONNET | 1 | ≤10058 | | | 0 | 0 |
| 270 | 35533-74615 | SUPPORT BONNET | 1 | ≥10059 | ← | | 8.5 | 18.7 |
| 280 | 01173-51220 | BOLT | 4 | | | | 0.03 | 0.066 |
| 290 | 04512-60120 | WASHER SPRING | 4 | | | | 0.005 | 0.011 |
| 300 | 35880-04570 | CAP | 2 | | | | 0.01 | 0.022 |
| 310 | 36220-77112 | CORD BATTERY | 1 | ≤10034 | | | 0 | 0 |
| 310 | 36220-77113 | CORD BATTERY | 1 | ≥10035 | ← | | 0 | 0 |
| 310 | 36220-77114 | CORD BATTERY | 1 | ≥10059 | ← | | 0.3 | 0.66 |
| 320 | 36220-77120 | CORD EARTH | 1 | | | | 0.337 | 0.7414 |
| 330 | 01153-50818 | BOLT | 1 | | | | 0.01 | 0.022 |
| 340 | 04013-50080 | WASHER PLAIN | 2 | | | | 0 | 0 |
| 350 | 04512-60080 | WASHER SPRING | 1 | | | | 0.002 | 0.0044 |
| 360 | 02114-50080 | NUT | 1 | | | | 0.005 | 0.011 |
| 370 | 35533-17160 | ELEMENT FRONT | 1 | ≤10094 | | | 0 | 0 |
| 370 | 35533-17164 | ELEMENT FRONT | 1 | ≥10095 | ← | | 0.06 | 0.132 |

PANEL BOARD



070 38240-3210-0
220 35450-7504-0



35533-807-10

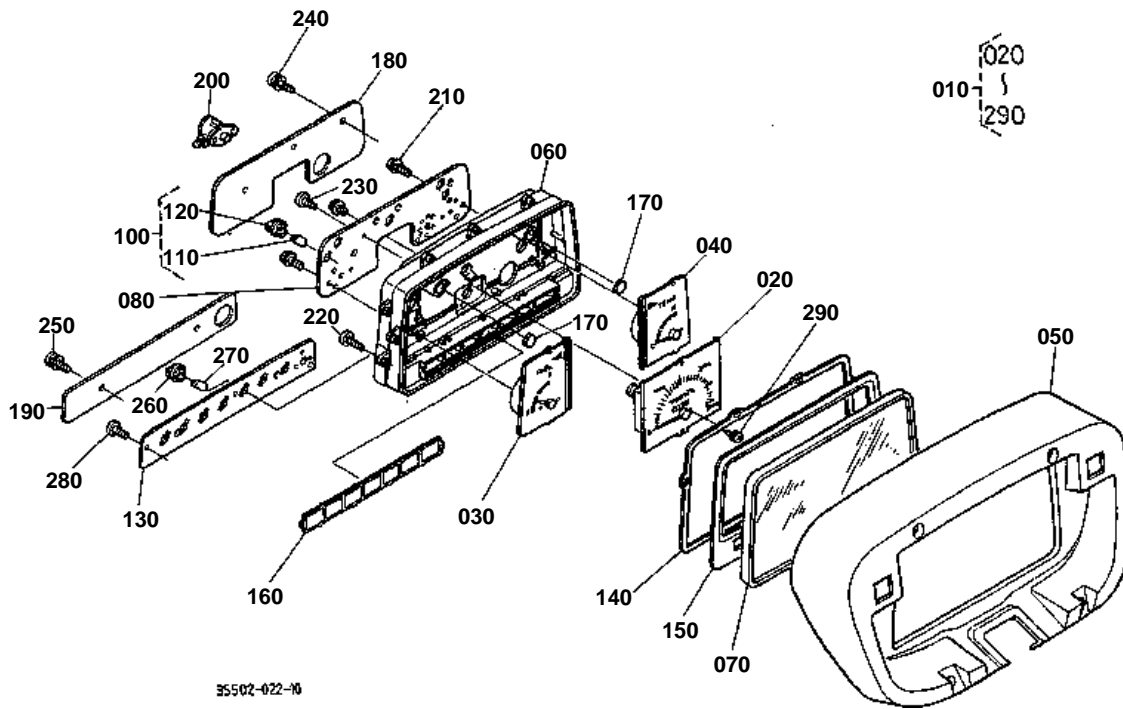


PANEL BOARD

↔ Interchangeable; ≠ not interchangeable; ← new for old; → old for new

| REF.No | Part No. | Description | Q'ty | S.No. | I/C | REMARKS | Weight (kgf) | Weight (lb) |
|--------|-------------|---------------------|------|--------|-----|---------|--------------|-------------|
| 010 | 35533-75170 | ASSYKEY MAIN SWITCH | 1 | | | | 0.26 | 0.572 |
| 020 | 66021-55140 | SWITCH MAIN | 1 | | | | 0.17 | 0.374 |
| 030 | 35533-75240 | HARNESS MAIN SWITCH | 1 | | | | 0.05 | 0.11 |
| 040 | 35822-75180 | ASSYKEY MAIN SWITCH | 1 | | | | 0.02 | 0.044 |
| 050 | 33251-75100 | SWITCH STARTER | 1 | | | | 0.095 | 0.209 |
| 060 | 33251-75130 | GASKET | 1 | | | | 0.001 | 0.0022 |
| 070 | 38240-32100 | SWITCH LIGHT | 1 | ≤20205 | | | 0.063 | 0.1386 |
| 070 | 31301-29070 | PLUG | 1 | ≥20206 | ≠ | | 0.001 | 0.0022 |
| 080 | 35533-75600 | ASSY BOARD PANEL | 1 | | | | 1.8 | 3.96 |
| 090 | 32530-31120 | SCREW PAN-HEAD | 2 | | | | 0.01 | 0.022 |
| 100 | 66021-55280 | WASHER SPRING | 2 | | | | 0.001 | 0.0022 |
| 110 | 32530-18390 | WASHER PLAIN | 2 | | | | 0.001 | 0.0022 |
| 120 | 03014-50625 | SCREW PAN-HEAD | 2 | | | | 0 | 0 |
| 130 | 04512-60060 | WASHER SPRING | 2 | | | | 0.001 | 0.0022 |
| 140 | 04012-50060 | WASHER PLAIN | 2 | | | | 0.001 | 0.0022 |
| 150 | 38240-29250 | NUT SPRING | 4 | | | | 0.005 | 0.011 |
| 160 | 35533-75622 | STAY PANEL | 1 | ≤10034 | | | 0.1 | 0.22 |
| 160 | 35533-75622 | STAY PANEL | 1 | ≥10035 | ← | | 0.1 | 0.22 |
| 170 | 35533-75630 | STAY PANEL | 1 | | | | 0.257 | 0.5654 |
| 180 | 03014-50616 | SCREW PAN-HEAD | 4 | | | | 0.003 | 0.0066 |
| 190 | 04512-60060 | WASHER SPRING | 4 | | | | 0.001 | 0.0022 |
| 200 | 04012-50060 | WASHER PLAIN | 4 | | | | 0.001 | 0.0022 |
| 210 | 35533-75790 | COVER RUBBER | 2 | | | | 0.005 | 0.011 |
| 220 | 35450-75040 | SWITCH HAZARD | 1 | ≤20205 | | | 0.15 | 0.33 |
| 220 | 36330-75010 | SWITCH COMBINATION | 1 | ≥20206 | ≠ | | 0.09 | 0.198 |
| 230 | 35410-75330 | PLUG | 1 | | | | 0.02 | 0.044 |
| 240 | 04711-00120 | GASKET | 1 | | | | 0.001 | 0.0022 |
| 250 | 35533-75610 | CABLE HOUR METER | 1 | | | | 0.3 | 0.66 |

PANEL BOARD [COMPONENT PARTS]



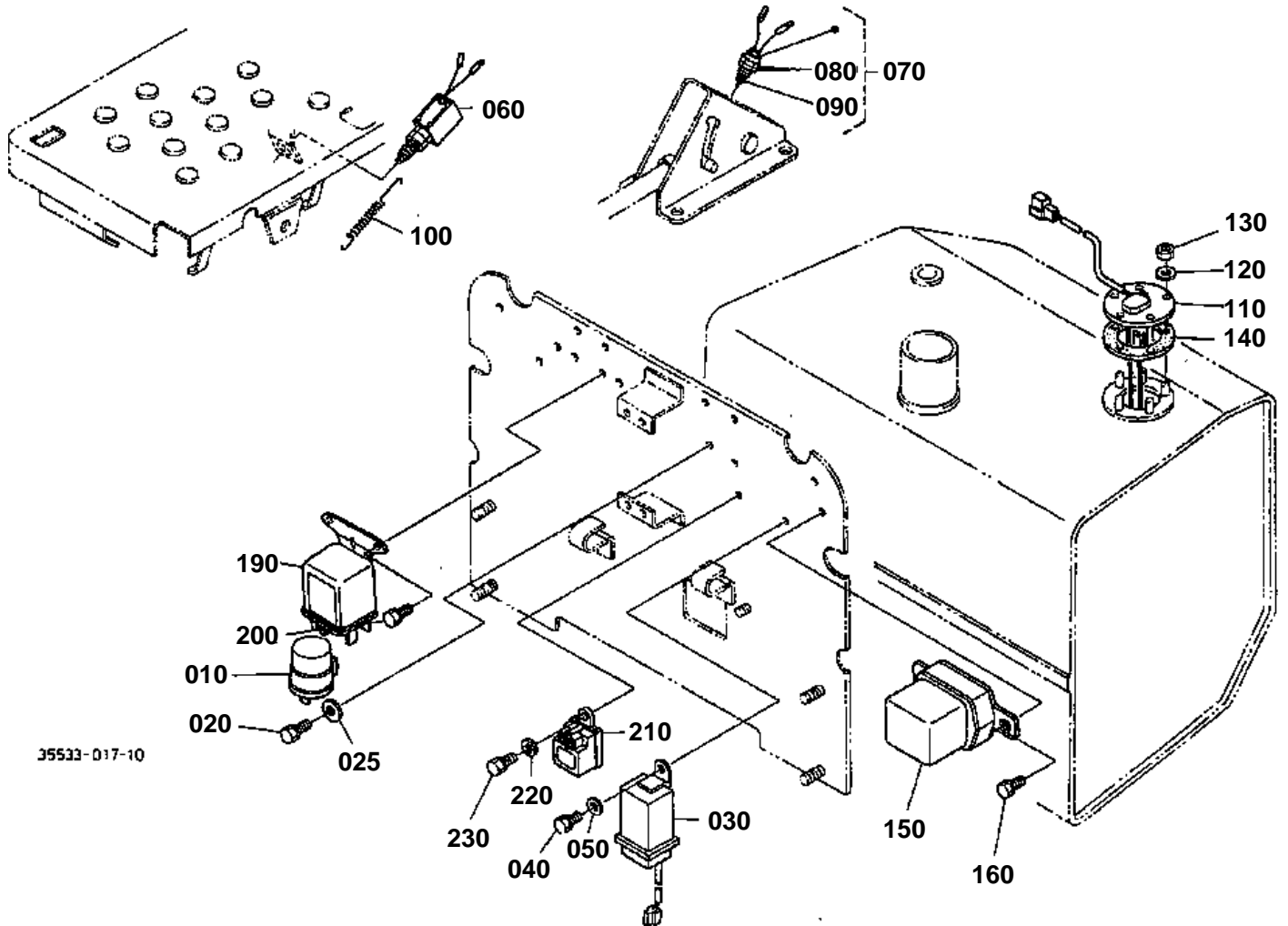


PANEL BOARD [COMPONENT PARTS]

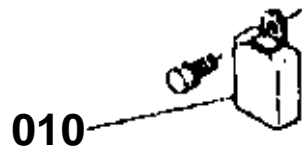
↔ Interchangeable; ≠ not interchangeable; ← new for old; → old for new

| REF.No | Part No. | Description | Q'ty | S.No. | I/C | REMARKS | Weight (kgf) | Weight (lb) |
|--------|-------------|-------------------|------|-------|-----|---------|--------------|-------------|
| 010 | 35533-75600 | ASSY BOARD PANEL | 1 | | | | 1.8 | 3.96 |
| 020 | 35533-76120 | ASSY TACHOMETER | 1 | | | | 0.1 | 0.22 |
| 030 | 31351-93720 | ASSY GAUGE FUEL | 1 | | | | 0.125 | 0.275 |
| 040 | 31351-93730 | ASSY GAUGE TEMP. | 1 | | | | 0.13 | 0.286 |
| 050 | 35533-76110 | HOOD | 1 | | | | 0.55 | 1.21 |
| 060 | 31351-93750 | CASE | 1 | | | | 0.5 | 1.1 |
| 070 | 31351-93760 | GLASS WITH GASKET | 1 | | | | 0.475 | 1.045 |
| 080 | 31351-93770 | ASSY PLATE | 1 | | | | 0.06 | 0.132 |
| 100 | 38240-31460 | ASSY BULB | 5 | | | | 0.015 | 0.033 |
| 110 | 38240-31470 | VALVE | 5 | | | | 0.01 | 0.022 |
| 120 | 38240-31480 | SOCKET | 5 | | | | 0.001 | 0.0022 |
| 130 | 35533-76140 | ASSY PLATE | 1 | | | | 0.02 | 0.044 |
| 140 | 31351-93790 | GASKET RUBBER | 1 | | | | 0.055 | 0.121 |
| 150 | 31351-93800 | PLATE WIND | 1 | | | | 0.18 | 0.396 |
| 160 | 35533-76150 | LENS | 1 | | | | 0.01 | 0.022 |
| 170 | 31351-93820 | LENS | 2 | | | | 0.005 | 0.011 |
| 180 | 31351-93830 | CASE | 1 | | | | 0.2 | 0.44 |
| 190 | 31351-93840 | CASE | 1 | | | | 0.13 | 0.286 |
| 200 | 35533-76190 | ASSY ADAPTER | 1 | | | | 0 | 0 |
| 210 | 35533-76230 | SCREW WITH WASHER | 6 | | | | 0.002 | 0.0044 |
| 220 | 03514-50420 | SCREW | 11 | | | | 0.002 | 0.0044 |
| 230 | 35533-76210 | SCREW | 6 | | | | 0.002 | 0.0044 |
| 240 | 35533-76180 | SCREW | 5 | | | | 0.001 | 0.0022 |
| 250 | 32530-94900 | SCREW WITH WASHER | 2 | | | | 0.002 | 0.0044 |
| 260 | 38240-31480 | SOCKET | 6 | | | | 0.001 | 0.0022 |
| 270 | 38240-31470 | VALVE | 6 | | | | 0.01 | 0.022 |
| 280 | 35533-76160 | SCREW WITH WASHER | 2 | | | | 0.001 | 0.0022 |
| 290 | 32530-94690 | SCREW TAPPING | 2 | | | | 0.001 | 0.0022 |

SWITCH [EXCEPT SU]



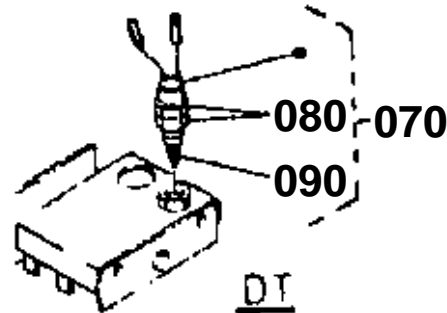
010 35450-7559-2



070 67176-5581-0

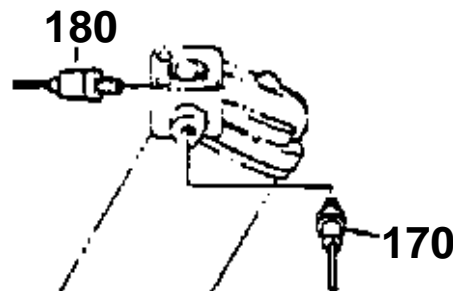
080 67111-5583-0

090 67111-5584-0



170 36330-7508-0

180 38240-3793-0



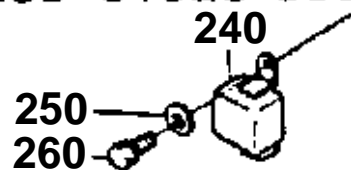
190 35533-7521-0



240 31351-3141-0

250 04013-60060

260 01023-50612



35533-808-10

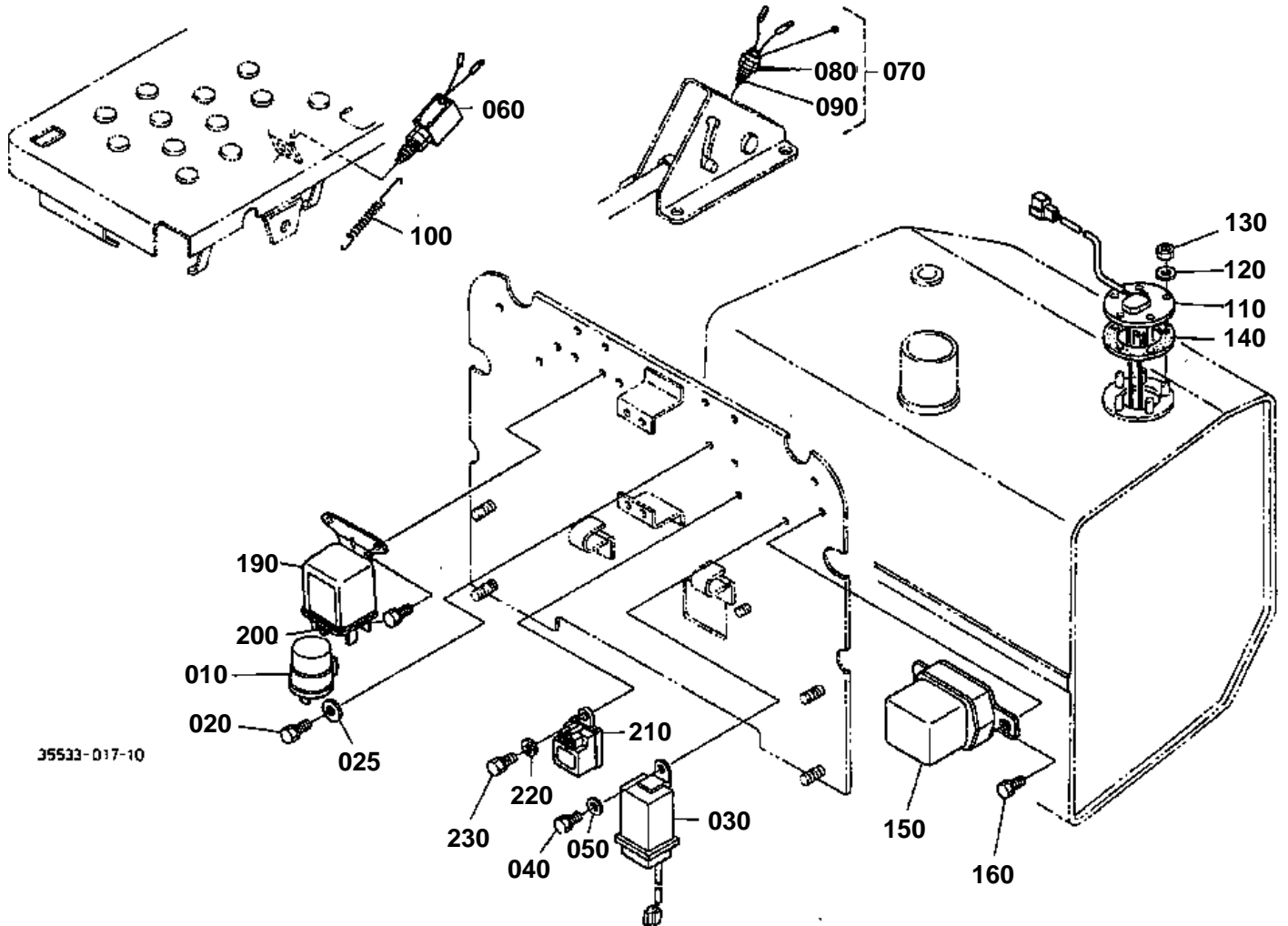


SWITCH [EXCEPT SU]

↔ Interchangeable; ≠ not interchangeable; ← new for old; → old for new

| REF.No | Part No. | Description | Q'ty | S.No. | I/C | REMARKS | Weight (kgf) | Weight (lb) |
|--------|-------------|---------------------|------|---------|-----|---------|--------------|-------------|
| 010 | 35450-75592 | UNIT FLASHER HAZARD | 1 | <=20205 | | | 0.06 | 0.132 |
| 010 | 35569-33700 | HAZARD UNIT | 1 | >=20206 | ≠ | | 0.055 | 0.121 |
| 020 | 01053-50616 | BOLT | 1 | | | | 0.005 | 0.011 |
| 025 | 04013-60060 | WASHER PLAIN | 1 | | | | 0.001 | 0.0022 |
| 030 | 35800-75070 | RELAY STARTER | 1 | | | | 0.08 | 0.176 |
| 040 | 01023-50612 | BOLT | 1 | | | | 0.005 | 0.011 |
| 050 | 04013-60060 | WASHER PLAIN | 1 | | | | 0.001 | 0.0022 |
| 060 | 36330-75480 | SWITCH STOP | 1 | | | | 0.08 | 0.176 |
| 070 | 67111-55810 | ASSY SWITCH SAFETY | 1 | <=10113 | | | 0.09 | 0.198 |
| 070 | 67176-55810 | ASSY SWITCH SAFETY | 1 | >=10114 | ← | | 0.11 | 0.242 |
| 080 | 67111-55830 | NUT SAFETY SWITCH | 2 | | | | 0.035 | 0.077 |
| 090 | 67111-55840 | CAP SAFETY SWITCH | 1 | | | | 0.002 | 0.0044 |
| 100 | 36200-75490 | SPRING | 1 | | | | 0.014 | 0.0308 |
| 110 | 35533-75303 | ASSY GAUGE FUEL | 1 | <=10183 | | | 0.32 | 0.704 |
| 110 | 35533-75300 | ASSY GAUGE FUEL | 1 | >=10184 | ← | | 0 | 0 |
| 120 | 04013-60160 | WASHER PLAIN | 5 | | | | 0.01 | 0.022 |
| 130 | 02054-50050 | NUT | 5 | | | | 0.002 | 0.0044 |
| 140 | 36330-75310 | GASKET | 1 | | | | 0.005 | 0.011 |
| 150 | 33251-74010 | ASSY REGULATOR | 1 | | | | 0.35 | 0.77 |
| 160 | 01023-50612 | BOLT | 2 | | | | 0.005 | 0.011 |
| 170 | 36330-75080 | SWITCH THERMOMETER | 1 | <=20205 | | | 0.02 | 0.044 |
| 180 | 38240-37930 | SWITCH VACUUM | 1 | <=20205 | | | 0.051 | 0.1122 |
| 190 | 35533-75210 | RELAY GLOW PLUG | 1 | <=20205 | | | 0.17 | 0.374 |
| 190 | 35593-75210 | RELAY GLOW PLUG | 1 | >=20206 | ≠ | | 0.088 | 0.1936 |
| 200 | 01023-50612 | BOLT | 2 | | | | 0.005 | 0.011 |
| 210 | 35533-75290 | TIMER GLOW LAMP | 1 | | | | 0.01 | 0.022 |
| 220 | 04013-60060 | WASHER PLAIN | 1 | | | | 0.001 | 0.0022 |
| 230 | 01023-50616 | BOLT | 1 | | | | 0.005 | 0.011 |
| 240 | 31351-31410 | TIMER | 1 | <=20205 | | | 0 | 0 |
| 250 | 04013-60060 | WASHER PLAIN | 1 | <=20205 | | | 0.001 | 0.0022 |
| 260 | 01023-50612 | BOLT | 1 | <=20205 | | | 0.005 | 0.011 |

SWITCH [SU TYPE]



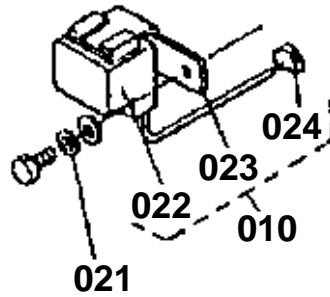
010 32430-3370-0

021 04512-50060

022 32430-9426-0

023 32430-9427-0

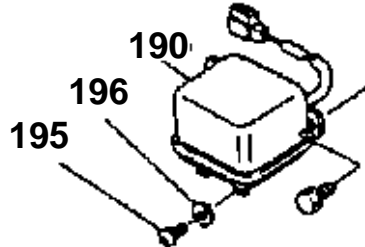
024 32430-9428-0



190 36919-7521-2

195 03024-50512

196 04013-50050



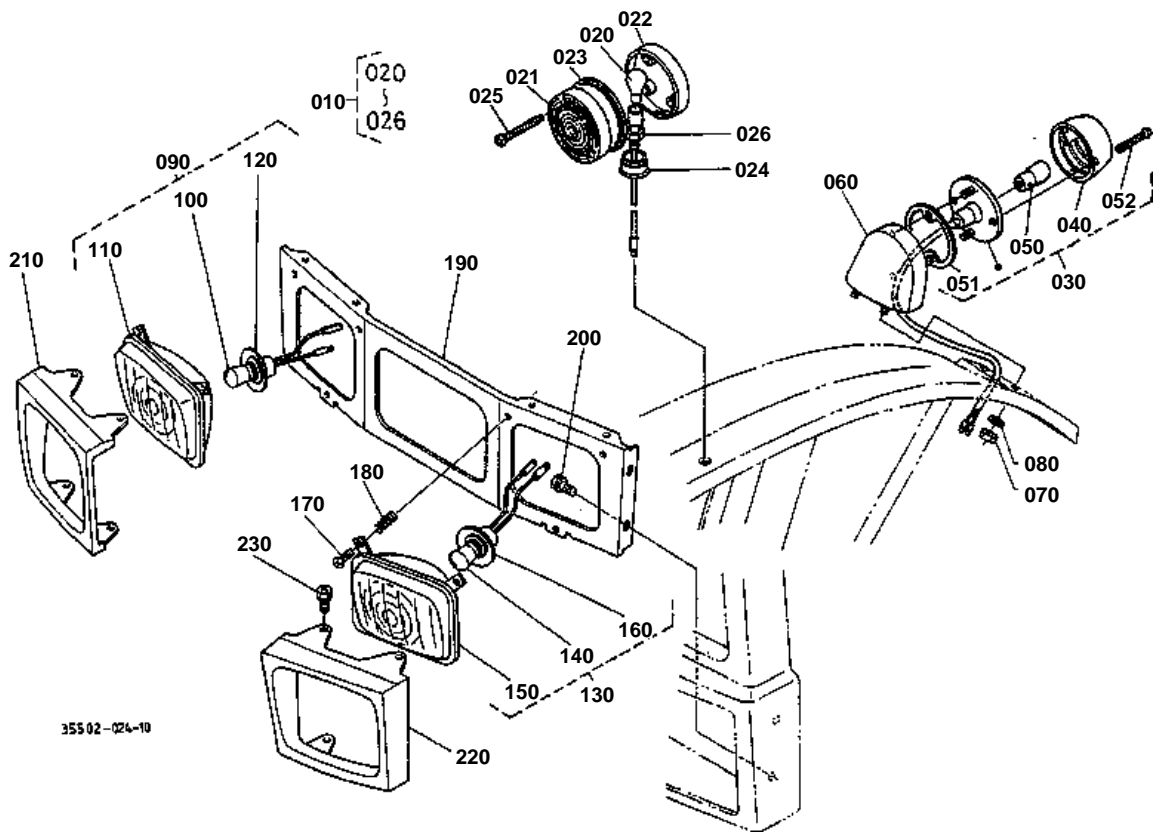
35533-857-10

**SWITCH [SU TYPE]**

↔ Interchangeable; ≠ not interchangeable; ← new for old; → old for new

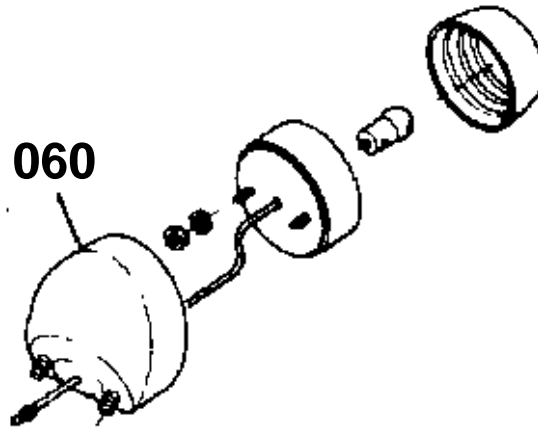
| REF.No | Part No. | Description | Q'ty | S.No. | I/C | REMARKS | Weight (kgf) | Weight (lb) |
|--------|-------------|---------------------|------|--------|-----|---------|--------------|-------------|
| 010 | 32430-33700 | ASSY HAZARD UNIT | 1 | ≤20205 | | | 0.095 | 0.209 |
| 010 | 35569-33700 | HAZARD UNIT | 1 | ≥20206 | ≠ | | 0.055 | 0.121 |
| 020 | 01053-50616 | BOLT | 1 | | | | 0.005 | 0.011 |
| 021 | 04512-50060 | WASHER SPRING | 1 | ≤20205 | | | 0 | 0 |
| 022 | 32430-94260 | BODY HAZARD UNIT | 1 | ≤20205 | | | 0.045 | 0.099 |
| 023 | 32430-94270 | BRACKET HAZARD UNIT | 1 | ≤20205 | | | 0.015 | 0.033 |
| 024 | 32430-94280 | HARNES HAZARD UNIT | 1 | ≤20205 | | | 0.02 | 0.044 |
| 025 | 04013-60060 | WASHER PLAIN | 1 | | | | 0.001 | 0.0022 |
| 030 | 35800-75070 | RELAY STARTER | 1 | | | | 0.08 | 0.176 |
| 040 | 01023-50612 | BOLT | 1 | | | | 0.005 | 0.011 |
| 050 | 04013-60060 | WASHER PLAIN | 1 | | | | 0.001 | 0.0022 |
| 060 | 36330-75480 | SWITCH STOP | 1 | | | | 0.08 | 0.176 |
| 070 | 67176-55810 | ASSY SWITCH SAFETY | 1 | | | | 0.11 | 0.242 |
| 080 | 67111-55830 | NUT SAFETY SWITCH | 2 | | | | 0.035 | 0.077 |
| 090 | 67111-55840 | CAP SAFETY SWITCH | 1 | | | | 0.002 | 0.0044 |
| 100 | 36200-75490 | SPRING | 1 | | | | 0.014 | 0.0308 |
| 110 | 35533-75303 | ASSY GAUGE FUEL | 1 | | | | 0.32 | 0.704 |
| 120 | 04013-60160 | WASHER PLAIN | 5 | | | | 0.01 | 0.022 |
| 130 | 02054-50050 | NUT | 5 | | | | 0.002 | 0.0044 |
| 140 | 36330-75310 | GASKET | 1 | | | | 0.005 | 0.011 |
| 150 | 33251-74010 | ASSY REGULATOR | 1 | | | | 0.35 | 0.77 |
| 160 | 01023-50612 | BOLT | 2 | | | | 0.005 | 0.011 |
| 190 | 36919-75212 | RELAY GLOW PLUG | 1 | ≤20205 | | | 0.34 | 0.748 |
| 190 | 35593-75210 | RELAY GLOW PLUG | 1 | ≥20206 | ≠ | | 0.088 | 0.1936 |
| 195 | 03024-50512 | SCREW WITH WASHER | 3 | ≤20205 | | | 0.003 | 0.0066 |
| 196 | 04013-50050 | WASHER PLAIN | 3 | ≤20205 | | | 0 | 0 |
| 200 | 01023-50612 | BOLT | 2 | | | | 0.005 | 0.011 |
| 210 | 35533-75290 | TIMER GLOW LAMP | 1 | | | | 0.01 | 0.022 |
| 220 | 04013-60060 | WASHER PLAIN | 1 | | | | 0.001 | 0.0022 |
| 230 | 01023-50616 | BOLT | 1 | | | | 0.005 | 0.011 |

LIGHT



355 02-024-10

060 34350-3419-0

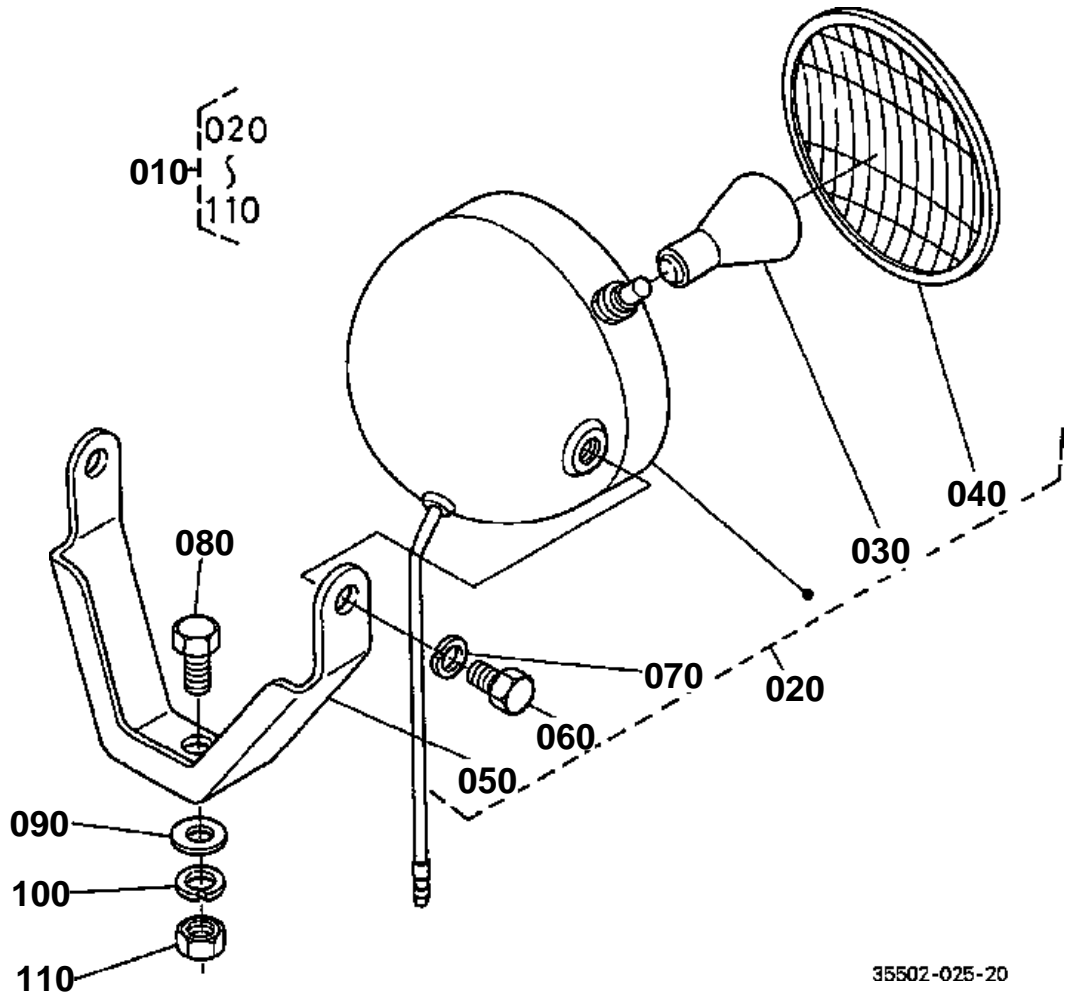


35533-809-10

**LIGHT**

↔ Interchangeable; ≠ not interchangeable; ← new for old; → old for new

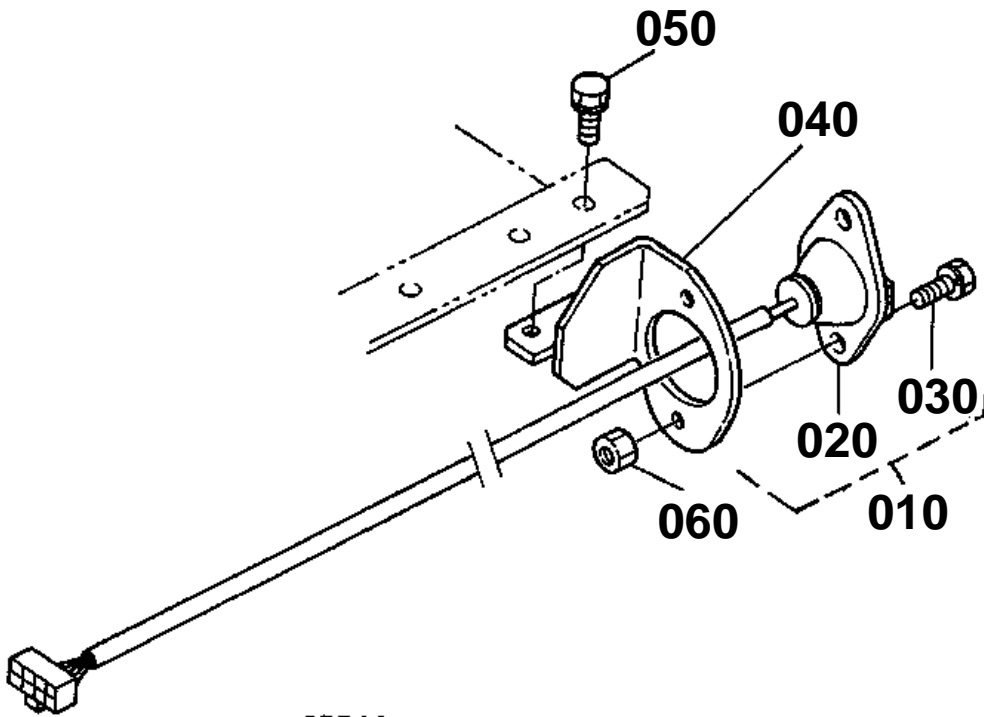
| REF.No | Part No. | Description | Q'ty | S.No. | I/C | REMARKS | Weight (kgf) | Weight (lb) |
|--------|-------------|---------------------|------|---------|-----|-------------|--------------|-------------|
| 010 | 35450-75010 | ASSY LIGHT FLASHER | 2 | | | | 0.3 | 0.66 |
| 020 | 35450-75022 | BULB HAZARD FLASHER | 2 | | | | 0.008 | 0.0176 |
| 021 | 35450-75110 | LENS | 2 | | | | 0.07 | 0.154 |
| 022 | 35450-75050 | LENS | 2 | | | | 0.07 | 0.154 |
| 023 | 35450-75060 | GASKET SEAL | 2 | | | | 0.02 | 0.044 |
| 024 | 35450-75070 | HOUSING | 2 | | | | 0.04 | 0.088 |
| 025 | 35450-75080 | SCREW TAPPING | 6 | | | | 0.005 | 0.011 |
| 026 | 35450-75090 | ASSY SOCKET | 2 | | | | 0.035 | 0.077 |
| 030 | 34350-34100 | ASSY LIGHT TAIL | 2 | | | | 0.13 | 0.286 |
| 040 | 34350-34120 | LENS TAIL LIGHT | 2 | | | | 0.05 | 0.11 |
| 050 | 34350-34140 | BULB TAIL LIGHT | 2 | | | | 0.008 | 0.0176 |
| 051 | 34350-99220 | GASKET LENS | 2 | | | | 0 | 0 |
| 052 | 03056-50335 | SCREW CSK-HD | 4 | | | | 0.001 | 0.0022 |
| 060 | 34350-34190 | BRACKET TAIL LIGHT | 2 | <=10159 | | ORANGE | 0.107 | 0.2354 |
| 060 | 32400-34190 | HOLDER TAIL LIGHT | 2 | >=10160 | ≠ | DEEP ORANGE | 0.11 | 0.242 |
| 070 | 02014-50060 | NUT | 4 | | | | 0.002 | 0.0044 |
| 080 | 04512-60060 | WASHER SPRING | 4 | | | | 0.001 | 0.0022 |
| 090 | 36330-75800 | ASSY LIGHT HEAD RH | 1 | | | | 0.52 | 1.144 |
| 100 | 38450-33870 | BULB | 1 | | | | 0.025 | 0.055 |
| 110 | 36330-75810 | COMP.LIGHT UNIT RH | 1 | | | | 0.41 | 0.902 |
| 120 | 36330-75840 | COMP.CORD SOCKET | 1 | | | | 0.056 | 0.1232 |
| 130 | 36330-75920 | ASSY LIGHT HEAD LH | 1 | | | | 0.53 | 1.166 |
| 140 | 38450-33870 | BULB | 1 | | | | 0.025 | 0.055 |
| 150 | 36330-75930 | COMP.LIGHT UNIT LH | 1 | | | | 0.41 | 0.902 |
| 160 | 36330-75840 | COMP.CORD SOCKET | 1 | | | | 0.056 | 0.1232 |
| 170 | 03054-50525 | SCREW PAN-HEAD | 6 | | | | 0.005 | 0.011 |
| 180 | 38240-33860 | SPRING LIGHT | 6 | | | | 0.001 | 0.0022 |
| 190 | 35533-75730 | PLATE HEAD LIGHT | 1 | | | | 0.75 | 1.65 |
| 200 | 01023-50614 | BOLT | 4 | | | | 0.005 | 0.011 |
| 210 | 35861-75710 | GRILLE LIGHT RH | 1 | | | | 0.1 | 0.22 |
| 220 | 35861-75720 | GRILLE LIGHT LH | 1 | | | | 0.1 | 0.22 |
| 230 | 01202-50616 | BOLT | 8 | | | | 0.006 | 0.0132 |



**WORKING LIGHT [OPTION]**

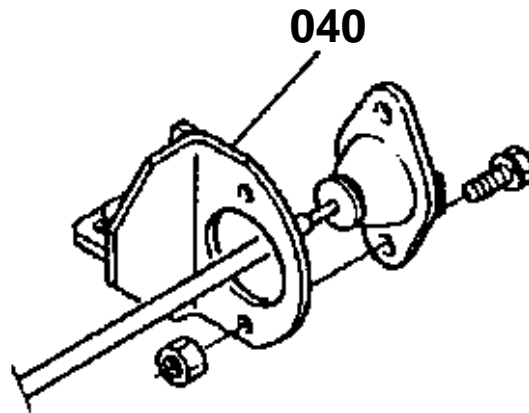
↔ Interchangeable; ≠ not interchangeable; ← new for old; → old for new

| REF.No | Part No. | Description | Q'ty | S.No. | I/C | REMARKS | Weight (kgf) | Weight (lb) |
|--------|-------------|----------------------|------|--------|-----|-------------|--------------|-------------|
| 010 | 35820-97600 | ASSY LIGHT WORKING | 1 | ≤10180 | | ORANGE | 0.9 | 1.98 |
| 010 | 35871-97600 | ASSY LIGHT WORKING | 1 | ≥10181 | ≠ | DEEP ORANGE | 0.88 | 1.936 |
| 020 | 35861-75900 | ASSY LIGHT WORKING | 1 | ≤10180 | | ORANGE | 0.9 | 1.98 |
| 020 | 35871-75900 | ASSY LIGHT WORKING | 1 | ≥10181 | ≠ | DEEP ORANGE | 0.85 | 1.87 |
| 030 | 68331-53360 | BULB | 1 | | | | 0.015 | 0.033 |
| 040 | 68331-53310 | LENS | 1 | | | | 0.15 | 0.33 |
| 050 | 35861-75910 | STAY LIGHT | 1 | | | | 0.25 | 0.55 |
| 060 | 01153-50820 | BOLT | 2 | | | | 0.012 | 0.0264 |
| 070 | 04512-60080 | WASHER SPRING | 2 | | | | 0.002 | 0.0044 |
| 080 | 01173-51020 | BOLT | 1 | | | | 0.017 | 0.0374 |
| 090 | 01013-50100 | WASHER PLAIN | 1 | | | | 0 | 0 |
| 100 | 04512-60100 | WASHER SPRING | 1 | | | | 0.002 | 0.0044 |
| 110 | 02118-50100 | NUT | 1 | | | | 0.005 | 0.011 |
| 120 | 99884-48000 | ASSY HARNESS TRAILER | 1 | | | | 0.5 | 1.1 |
| 130 | 01123-50820 | BOLT | 2 | | | | 0.011 | 0.0242 |



35502-026-10

040 35533-7777-0



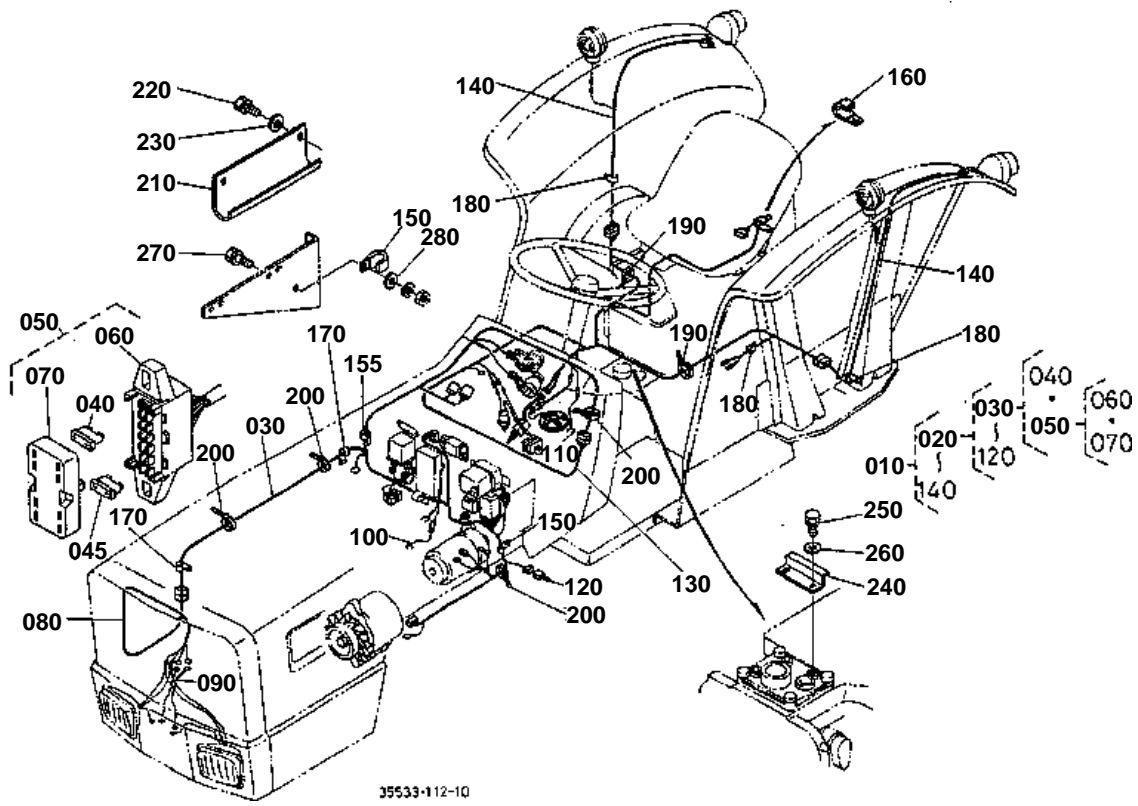
35502-806-10



TRAILER HARNESS [OPTION]

↔ Interchangeable; ≠ not interchangeable; ← new for old; → old for new

| REF.No | Part No. | Description | Q'ty | S.No. | I/C | REMARKS | Weight (kgf) | Weight (lb) |
|--------|-------------|----------------------|------|--------|-----|---------|--------------|-------------|
| 010 | 99884-48000 | ASSY HARNESS TRAILER | 1 | | | | 0.5 | 1.1 |
| 020 | 99884-48110 | HARNESS TRAILER | 1 | | | | 0.52 | 1.144 |
| 030 | 01123-50820 | BOLT | 2 | | | | 0.011 | 0.0242 |
| 040 | 35533-77770 | STAY TRAILER | 1 | ≤10197 | | | 0 | 0 |
| 040 | 35533-77772 | STAY TRAILER | 1 | ≥10198 | ← | | 0.03 | 0.066 |
| 050 | 01123-50820 | BOLT | 1 | | | | 0.011 | 0.0242 |
| 060 | 02114-50080 | NUT | 2 | | | | 0.005 | 0.011 |

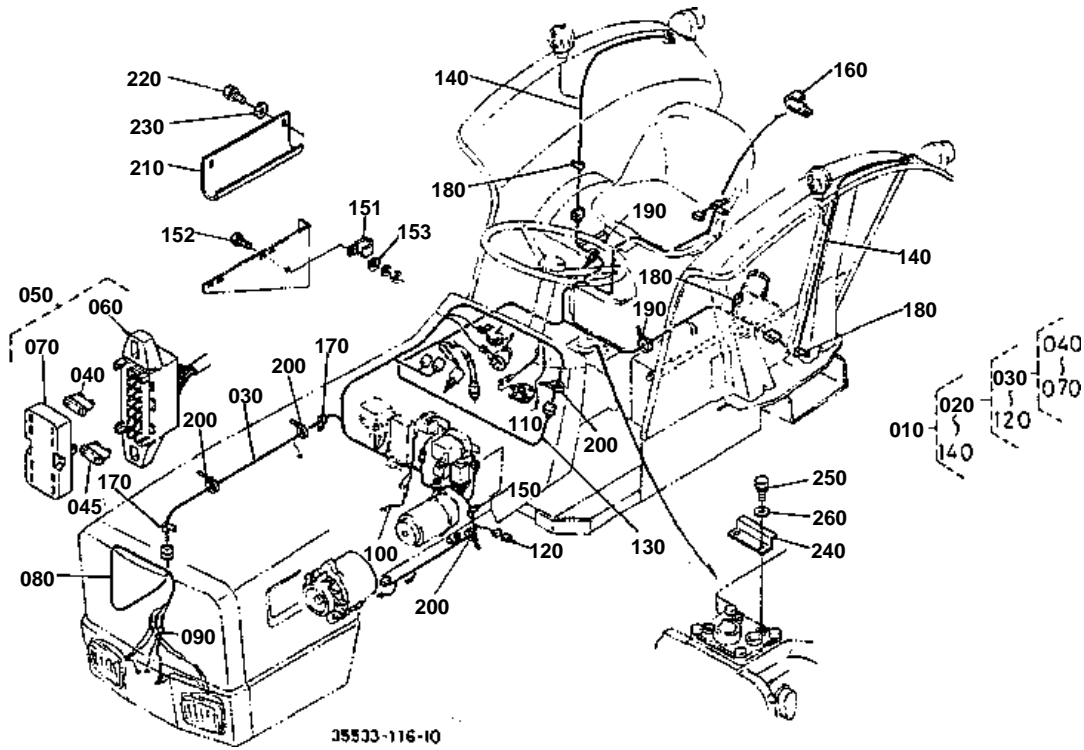




ELECTRICAL WIRING [EXCEPT SU]

↔ Interchangeable; ≠ not interchangeable; ← new for old; → old for new

| REF.No | Part No. | Description | Q'ty | S.No. | I/C | REMARKS | Weight (kgf) | Weight (lb) |
|--------|-------------|-------------------|------|---------|-----|---------|--------------|-------------|
| 010 | 35533-77200 | ASSY WIRE HARNESS | 1 | <=10020 | | | 0 | 0 |
| 010 | 35533-77202 | ASSY WIRE HARNESS | 1 | >=10021 | ← | | 0 | 0 |
| 010 | 35533-77203 | ASSY WIRE HARNESS | 1 | >=10055 | ← | | 0 | 0 |
| 010 | 35533-77204 | ASSY WIRE HARNESS | 1 | >=10194 | ← | | 2.1 | 4.62 |
| 010 | 35502-77203 | ASSY WIRE HARNESS | 1 | >=20201 | ← | | 1.9 | 4.18 |
| 020 | 35533-77210 | ASSY WIRE HARNESS | 1 | <=20205 | | | 1.9 | 4.18 |
| 020 | 35502-77212 | ASSY WIRE HARNESS | 1 | >=20206 | ≠ | | 1.35 | 2.97 |
| 030 | 35533-77240 | WIRE HARNESS | 1 | <=10020 | | | 0 | 0 |
| 030 | 35533-77242 | WIRE HARNESS | 1 | >=10021 | ← | | 2.18 | 4.796 |
| 030 | 35502-77242 | WIRE HARNESS | 1 | >=20206 | ≠ | | 1.4 | 3.08 |
| 040 | 36730-75550 | FUSE | 12 | <=20205 | | 10A | 0.001 | 0.0022 |
| 040 | 36730-75550 | FUSE | 4 | >=20206 | ≠ | 10A | 0.001 | 0.0022 |
| 045 | 35820-75560 | FUSE | 2 | <=20205 | | 15A | 0.002 | 0.0044 |
| 045 | 35820-75560 | FUSE | 4 | >=20206 | ≠ | 15A | 0.002 | 0.0044 |
| 050 | 35533-77340 | ASSY BOX FUSE | 1 | <=20205 | | | 0.1 | 0.22 |
| 050 | 35593-77342 | ASSY BOX FUSE | 1 | >=20206 | ≠ | | 0.08 | 0.176 |
| 060 | 35533-77350 | ASSY CASE FUSE | 1 | | | | 0.04 | 0.088 |
| 070 | 35533-77370 | COVER FUSE CASE | 1 | <=20205 | | | 0.03 | 0.066 |
| 070 | 35593-77372 | COVER FUSE CASE | 1 | >=20206 | ≠ | | 0.03 | 0.066 |
| 080 | 35533-77250 | HARNESS AUX. | 1 | | | | 0.02 | 0.044 |
| 090 | 35533-77260 | HARNESS AUX. | 2 | | | | 0.01 | 0.022 |
| 100 | 35533-77270 | HARNESS AUX. | 1 | | | | 0.01 | 0.022 |
| 110 | 35533-77290 | HARNESS AUX. | 1 | | | | 0.005 | 0.011 |
| 120 | 36330-75380 | LINK FUSIBLE | 1 | | | | 0.01 | 0.022 |
| 130 | 35533-77220 | WIRE HARNESS | 1 | <=10020 | | | 0 | 0 |
| 130 | 35533-77222 | WIRE HARNESS | 1 | >=10021 | ← | | 0 | 0 |
| 130 | 35533-77223 | WIRE HARNESS | 1 | >=10055 | ← | | 0.8 | 1.76 |
| 130 | 35593-77220 | WIRE HARNESS | 1 | >=20206 | ≠ | | 0.44 | 0.968 |
| 140 | 35533-77230 | WIRE HARNESS | 2 | <=10193 | | | 0 | 0 |
| 140 | 35533-77232 | WIRE HARNESS | 2 | >=10194 | ← | | 0 | 0 |
| 140 | 35533-77233 | WIRE HARNESS | 2 | >=20206 | ← | | 0.065 | 0.143 |
| 150 | 36200-77610 | ASSY CLAMP CORD | 4 | <=10167 | | | 0.002 | 0.0044 |
| 150 | 35340-29380 | CLAMP CORD | 4 | >=10168 | ≠ | | 0.01 | 0.022 |
| 155 | 36200-77610 | ASSY CLAMP CORD | 1 | >=10168 | | | 0.002 | 0.0044 |
| 160 | 69331-11120 | ASSY CLAMP CORD | 1 | <=20783 | | | 0.01 | 0.022 |
| 160 | 36200-77610 | ASSY CLAMP CORD | 1 | >=20784 | ↔ | | 0.002 | 0.0044 |
| 170 | 37150-34470 | CLAMP CORD | 2 | <=10058 | | | 0.004 | 0.0088 |
| 170 | 13824-67590 | CLAMP CORD | 2 | >=10059 | ≠ | | 0.002 | 0.0044 |
| 170 | 13824-67580 | CLAMP CORD | 1 | >=20784 | ↔ | | 0.006 | 0.0132 |
| 180 | 34150-29390 | CLAMP CORD | 3 | <=10058 | | | 0.004 | 0.0088 |
| 180 | 13824-67580 | CLAMP CORD | 3 | >=10059 | ≠ | | 0.006 | 0.0132 |
| 190 | 55311-41260 | BAND CORD | 2 | | | | 0.007 | 0.0154 |
| 200 | 53581-64150 | BAND CORD | 8 | | | | 0.002 | 0.0044 |
| 210 | 35533-77493 | SUPPORT HARNESS | 1 | | | | 0.25 | 0.55 |
| 220 | 01133-51018 | BOLT | 2 | | | | 0.018 | 0.0396 |
| 230 | 04013-50100 | WASHER PLAIN | 2 | | | | 0 | 0 |
| 240 | 35533-77510 | SUPPORT HARNESS | 1 | | | | 0.03 | 0.066 |
| 250 | 01023-50612 | BOLT | 2 | | | | 0.005 | 0.011 |
| 260 | 04012-50060 | WASHER PLAIN | 2 | | | | 0.001 | 0.0022 |
| 270 | 01123-60814 | BOLT | 1 | | | | 0.01 | 0.022 |
| 280 | 04013-50080 | WASHER PLAIN | 1 | | | | 0 | 0 |



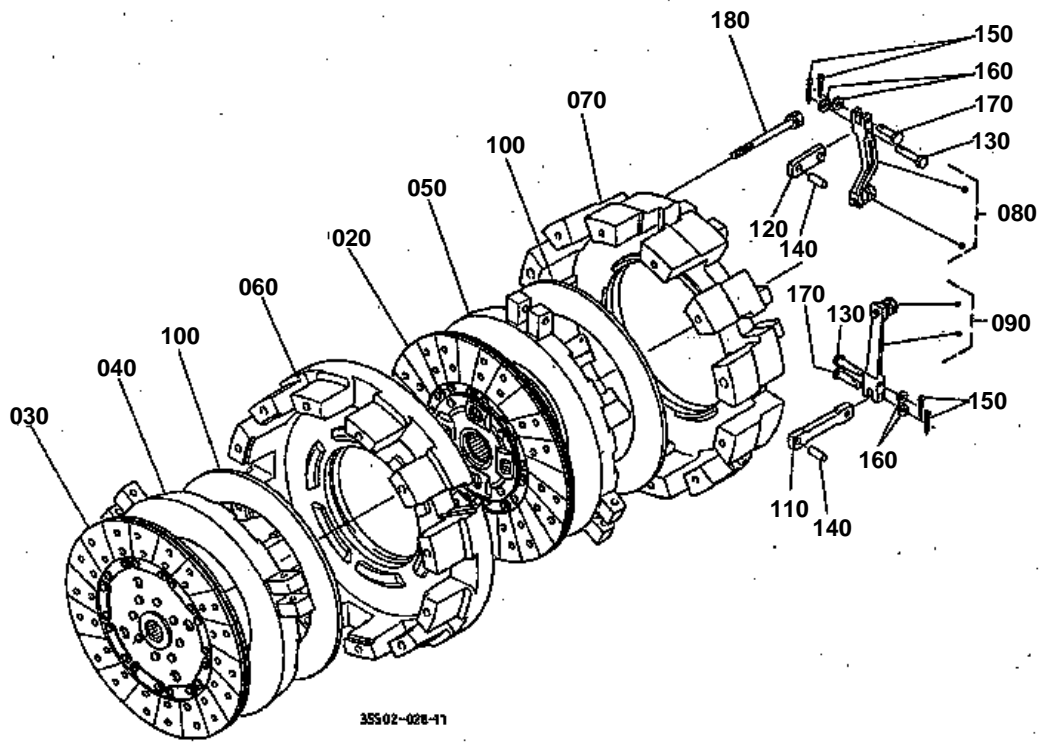


ELECTRICAL WIRING [SU TYPE]

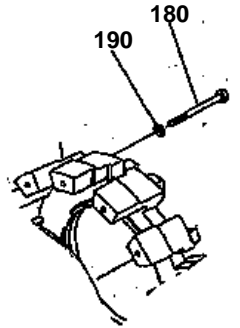
↔ Interchangeable; ≠ not interchangeable; ← new for old; → old for new

| REF.No | Part No. | Description | Q'ty | S.No. | I/C | REMARKS | Weight (kgf) | Weight (lb) |
|--------|-------------|-------------------|------|---------|-----|---------|--------------|-------------|
| 010 | 35502-77200 | ASSY WIRE HARNESS | 1 | <=20050 | | | 0 | 0 |
| 010 | 35502-77202 | ASSY WIRE HARNESS | 1 | >=20051 | ← | | 2.3 | 5.06 |
| 010 | 35502-77203 | ASSY WIRE HARNESS | 1 | >=20206 | ≠ | | 1.9 | 4.18 |
| 020 | 35502-77210 | ASSY WIRE HARNESS | 1 | <=20205 | | | 1 | 2.2 |
| 020 | 35502-77212 | ASSY WIRE HARNESS | 1 | >=20206 | ≠ | | 1.35 | 2.97 |
| 030 | 35502-77240 | ASSY WIRE HARNESS | 1 | <=20205 | | | 1.4 | 3.08 |
| 030 | 35502-77242 | WIRE HARNESS | 1 | >=20206 | ≠ | | 1.4 | 3.08 |
| 040 | 36730-75550 | FUSE | 12 | | | 10A | 0.001 | 0.0022 |
| 040 | 36730-75550 | FUSE | 4 | >=20206 | | 10A | 0.001 | 0.0022 |
| 045 | 35820-45560 | FUSE | 2 | <=20205 | | 15A | 0 | 0 |
| 045 | 35820-75560 | FUSE | 4 | >=20206 | | 15A | 0.002 | 0.0044 |
| 050 | 35533-77340 | ASSY BOX FUSE | 1 | <=20205 | | | 0.1 | 0.22 |
| 050 | 35593-77342 | ASSY BOX FUSE | 1 | >=20206 | ≠ | | 0.08 | 0.176 |
| 060 | 35533-77350 | ASSY CASE FUSE | 1 | | | | 0.04 | 0.088 |
| 070 | 35533-77370 | COVER FUSE CASE | 1 | <=20205 | | | 0.03 | 0.066 |
| 070 | 35593-77372 | COVER FUSE CASE | 1 | >=20206 | ≠ | | 0.03 | 0.066 |
| 080 | 35533-77250 | HARNESS AUX. | 1 | | | | 0.02 | 0.044 |
| 090 | 35533-77260 | HARNESS AUX. | 2 | | | | 0.01 | 0.022 |
| 100 | 35533-77270 | HARNESS AUX. | 1 | | | | 0.01 | 0.022 |
| 110 | 35533-77290 | HARNESS AUX. | 1 | | | | 0.005 | 0.011 |
| 120 | 36330-75380 | LINK FUSIBLE | 1 | | | | 0.01 | 0.022 |
| 130 | 35502-77220 | WIRE HARNESS | 1 | <=20205 | | | 0.42 | 0.924 |
| 130 | 35593-77220 | WIRE HARNESS | 1 | >=20206 | ≠ | | 0.44 | 0.968 |
| 140 | 35533-77230 | WIRE HARNESS | 1 | <=20202 | | | 0 | 0 |
| 140 | 35533-77233 | WIRE HARNESS | 1 | >=20203 | ← | | 0.065 | 0.143 |
| 150 | 36200-77610 | ASSY CLAMP CORD | 1 | | | | 0.002 | 0.0044 |
| 151 | 35340-29380 | CLAMP CORD | 4 | | | | 0.01 | 0.022 |
| 152 | 01123-60814 | BOLT | 1 | | | | 0.01 | 0.022 |
| 153 | 04013-50080 | WASHER PLAIN | 1 | | | | 0 | 0 |
| 160 | 69331-11120 | CLAMP CORD | 1 | <=20783 | | | 0.01 | 0.022 |
| 160 | 36200-77610 | ASSY CLAMP CORD | 1 | >=20784 | ↔ | | 0.002 | 0.0044 |
| 170 | 13824-67590 | CLAMP CORD | 1 | <=20783 | | | 0.002 | 0.0044 |
| 170 | 13824-67580 | CLAMP CORD | 1 | >=20784 | ↔ | | 0.006 | 0.0132 |
| 180 | 13824-67580 | CLAMP CORD | 3 | | | | 0.006 | 0.0132 |
| 190 | 55311-41260 | BAND CORD | 2 | | | | 0.007 | 0.0154 |
| 200 | 53581-64150 | BAND CORD | 8 | | | | 0.002 | 0.0044 |
| 210 | 35533-77493 | SUPPORT HARNESS | 1 | | | | 0.25 | 0.55 |
| 220 | 01133-51018 | BOLT | 2 | | | | 0.018 | 0.0396 |
| 230 | 04013-50100 | WASHER PLAIN | 2 | | | | 0 | 0 |
| 240 | 35533-77510 | SUPPORT HARNESS | 1 | | | | 0.03 | 0.066 |
| 250 | 01023-50612 | BOLT | 2 | | | | 0.005 | 0.011 |
| 260 | 04012-50060 | WASHER PLAIN | 2 | | | | 0.001 | 0.0022 |

CLUTCH



180 01053-50800
190 04512-50800



35502-028-11

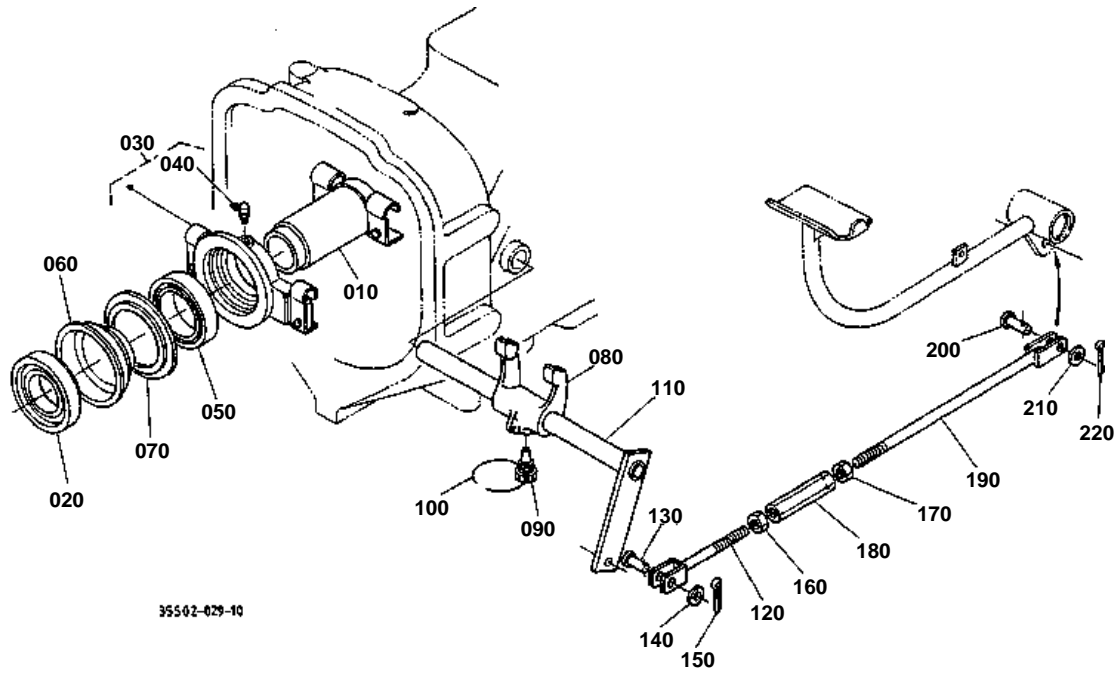


CLUTCH

↔ Interchangeable; ≠ not interchangeable; ← new for old; → old for new

| REF.No | Part No. | Description | Q'ty | S.No. | I/C | REMARKS | Weight (kgf) | Weight (lb) |
|--------|-------------|-------------------|------|--------|-----|---------|--------------|-------------|
| 010 | 36200-25105 | ASSY CLUTCH | 1 | ≤10075 | | | 0 | 0 |
| 010 | 36200-25106 | ASSY CLUTCH | 1 | ≥10076 | ← | | 0 | 0 |
| 010 | 32590-14500 | ASSY CLUTCH | 1 | ≥20552 | ↔ | | 0 | 0 |
| 010 | 35502-25100 | ASSY CLUTCH | 1 | ≥20624 | ↔ | | 34.16 | 75.152 |
| 020 | 36200-35134 | DISK CLUTCH | 1 | ≤10075 | | | 0 | 0 |
| 020 | 36200-25135 | DISK CLUTCH | 1 | ≥10076 | ← | | 0 | 0 |
| 020 | 32590-14530 | DISK CLUTCH | 1 | ≥20552 | ↔ | | 0 | 0 |
| 020 | 35502-25130 | DISK CLUTCH | 1 | ≥20624 | ↔ | | 0 | 0 |
| 020 | 35515-25130 | DISK CLUTCH | 1 | | | OPTION | 0 | 0 |
| 030 | 36200-25140 | DISK PTO CLUTCH | 1 | ≤20551 | | | 0 | 0 |
| 030 | 35502-25140 | DISK CLUTCH | 1 | ≥20552 | ↔ | | 0 | 0 |
| 030 | 35502-25140 | DISK PTO CLUTCH | 1 | ≥20624 | ↔ | | 0 | 0 |
| 040 | 36200-25150 | PLATE PRESSURE | 1 | | | | 4.15 | 9.13 |
| 050 | 36200-25220 | PLATE PRESSURE | 1 | | | | 5 | 11 |
| 060 | 36200-25163 | COVER CLUTCH(PTO) | 1 | | | | 10 | 22 |
| 070 | 36200-25192 | COVER CLUTCH | 1 | | | | 7.5 | 16.5 |
| 080 | 36200-25230 | KIT LEVER | 1 | | | | 0.071 | 0.1562 |
| 090 | 36200-25240 | KIT LEVER | 1 | | | | 0.54 | 1.188 |
| 100 | 36200-25210 | SPRING DIAPHRAGM | 2 | | | | 0.882 | 1.9404 |
| 110 | 36200-25260 | ASSY ROD | 3 | | | | 0.16 | 0.352 |
| 120 | 36200-25270 | ASSY ROD SUB | 3 | | | | 0.07 | 0.154 |
| 130 | 36200-25280 | PIN JOINT | 6 | | | | 0.02 | 0.044 |
| 140 | 36200-25290 | PIN STRAIGHT | 6 | | | | 0.015 | 0.033 |
| 150 | 05511-50315 | PIN SPLIT | 12 | | | | 0.002 | 0.0044 |
| 160 | 04012-50080 | WASHER PLAIN | 12 | | | | 0.001 | 0.0022 |
| 170 | 36200-25300 | PIN JOINT | 6 | | | | 0.015 | 0.033 |
| 180 | 01053-50800 | BOLT | 12 | ≤21042 | | | 0.036 | 0.0792 |
| 180 | 01123-50800 | BOLT | 12 | ≥21043 | ← | | 0.04 | 0.088 |
| 190 | 04512-60080 | WASHER SPRING | 12 | ≤21042 | | | 0.002 | 0.0044 |

CLUTCH FORK



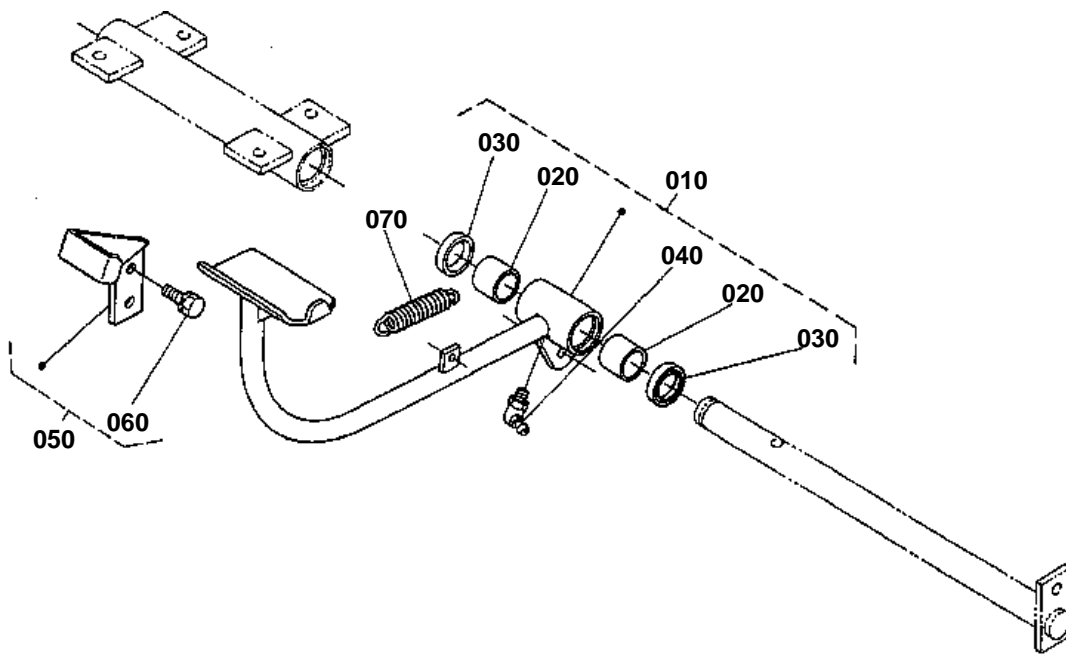


CLUTCH FORK

↔ Interchangeable; ≠ not interchangeable; ← new for old; → old for new

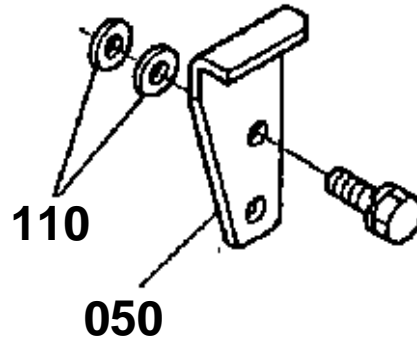
| REF.No | Part No. | Description | Q'ty | S.No. | I/C | REMARKS | Weight (kgf) | Weight (lb) |
|--------|-------------|----------------------|------|--------|-----|------------------|--------------|-------------|
| 010 | 36200-26300 | ASSY HUB CLUTCH | 1 | | | | 0.83 | 1.826 |
| 020 | 36200-26410 | BEARING BALL | 1 | | | | 0.504 | 1.1088 |
| 030 | 33400-26730 | ASSY COUPLING | 1 | | | | 1.06 | 2.332 |
| 040 | 06613-30010 | NIPPLE GREASE | 1 | | | | 0.01 | 0.022 |
| 050 | 08101-16013 | BEARING BALL | 1 | | | | 0.29 | 0.638 |
| 060 | 33400-26770 | HUB CLUTCH RELEASE | 1 | | | | 0.65 | 1.43 |
| 070 | 33400-26780 | COVER BEARING | 1 | | | | 0.028 | 0.0616 |
| 080 | 36330-26190 | FORK CLUTCH RELEASE | 1 | | | | 0.55 | 1.21 |
| 090 | 33251-26350 | BOLT SET | 1 | | | | 0.045 | 0.099 |
| 100 | 99999-99999 | WIRE | 1 | | | OBTAINED LOCALLY | 0 | 0 |
| 110 | 35593-26210 | SHAFT CLUTCH CONTROL | 1 | | | | 1.4 | 3.08 |
| 120 | 36200-67415 | ROD BRAKE | 1 | | | | 0.12 | 0.264 |
| 130 | 36330-26132 | PIN CLUTCH LINK | 1 | | | | 0.02 | 0.044 |
| 140 | 04011-50100 | WASHER PLAIN | 1 | | | | 0.002 | 0.0044 |
| 150 | 05511-50318 | PIN SPLIT | 1 | | | | 0.001 | 0.0022 |
| 160 | 02172-50120 | NUT | 1 | | | | 0.01 | 0.022 |
| 170 | 36330-67430 | NUT LOCK | 1 | ≤20281 | | | 0.009 | 0.0198 |
| 170 | 37720-28990 | NUT | 1 | ≥20282 | ↔ | | 0.008 | 0.0176 |
| 180 | 37720-28980 | TURNBUCKLE | 1 | | | | 0.099 | 0.2178 |
| 190 | 35533-26230 | ROD CLUTCH | 1 | | | | 0.25 | 0.55 |
| 200 | 36330-26132 | PIN CLUTCH LINK | 1 | | | | 0.02 | 0.044 |
| 210 | 04011-50100 | WASHER PLAIN | 1 | | | | 0.002 | 0.0044 |
| 220 | 05511-50318 | PIN SPLIT | 1 | | | | 0.001 | 0.0022 |

CLUTCH PEDAL

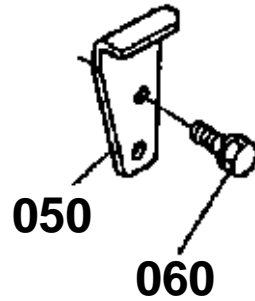


35533-019-10

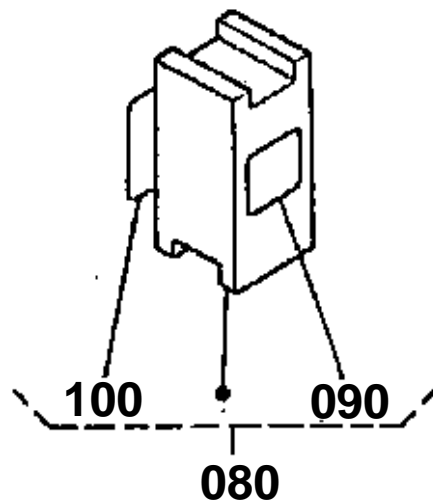
050 35533-2614-0
110 04011-50100



050 35533-2614-3
060 01133-51020



080 35410-2690-0
090 36200-2694-0
100 32170-1593-0



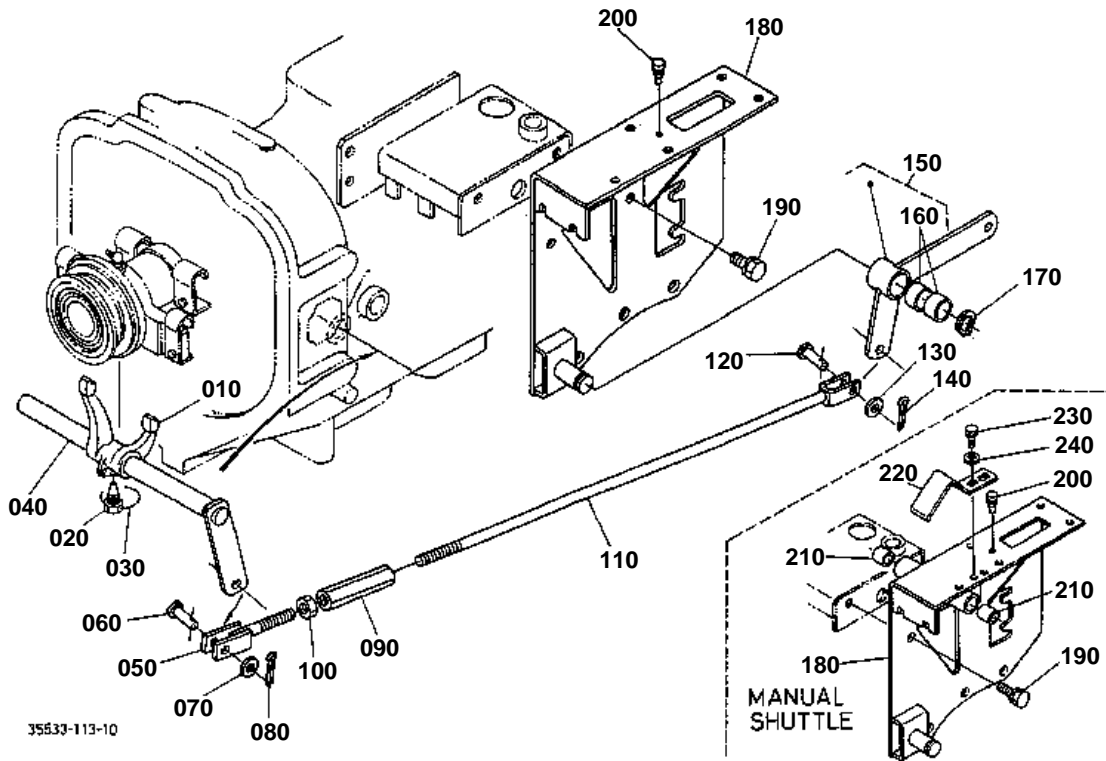
35533-811-10

**CLUTCH PEDAL**

↔ Interchangeable; ≠ not interchangeable; ← new for old; → old for new

| REF.No | Part No. | Description | Q'ty | S.No. | I/C | REMARKS | Weight (kgf) | Weight (lb) |
|--------|-------------|----------------------|------|--------|-----|---------|--------------|-------------|
| 010 | 35533-26100 | ASSY PEDAL CLUTCH | 1 | ≤20483 | | | 1.2 | 2.64 |
| 010 | 35533-26102 | ASSY PEDAL CLUTCH | 1 | ≥20484 | ≠ | | 0 | 0 |
| 010 | 35533-26103 | ASSY PEDAL CLUTCH | 1 | ≥20920 | ← | | 2.34 | 5.148 |
| 020 | 32150-28440 | BUSH | 2 | | | | 0.043 | 0.0946 |
| 030 | 35533-26270 | SEAL DUST | 2 | | | | 0.005 | 0.011 |
| 040 | 06613-30010 | NIPPLE GREASE | 1 | | | | 0.01 | 0.022 |
| 050 | 35533-26140 | STOPPER CLUTCH PEDAL | 1 | ≤20483 | | | 0.1 | 0.22 |
| 050 | 35533-26143 | STOPPER CLUTCH PEDAL | 1 | ≥20484 | ≠ | | 0.1 | 0.22 |
| 050 | 35502-26150 | STOPPER | 1 | ≥20920 | ← | | 0.33 | 0.726 |
| 060 | 01133-51020 | BOLT | 2 | ≤20919 | | | 0.02 | 0.044 |
| 060 | 01133-51030 | BOLT | 2 | ≥20920 | ← | | 0.025 | 0.055 |
| 070 | 36200-26150 | SPRING | 1 | | | | 0.125 | 0.275 |
| 080 | 35410-26900 | ASSY PIECE DISTANCE | 1 | ≤20483 | | | 0.07 | 0.154 |
| 090 | 36200-26940 | MARK SPACER | 1 | ≤20483 | | | 0.001 | 0.0022 |
| 100 | 32170-15930 | LABEL | 1 | ≤20483 | | | 0.001 | 0.0022 |
| 110 | 04011-50100 | WASHER PLAIN | 6 | ≥20888 | | | 0.002 | 0.0044 |
| 110 | 04011-50100 | WASHER PLAIN | 6 | ≤20919 | | | 0.002 | 0.0044 |

PTO CLUTCH FORK



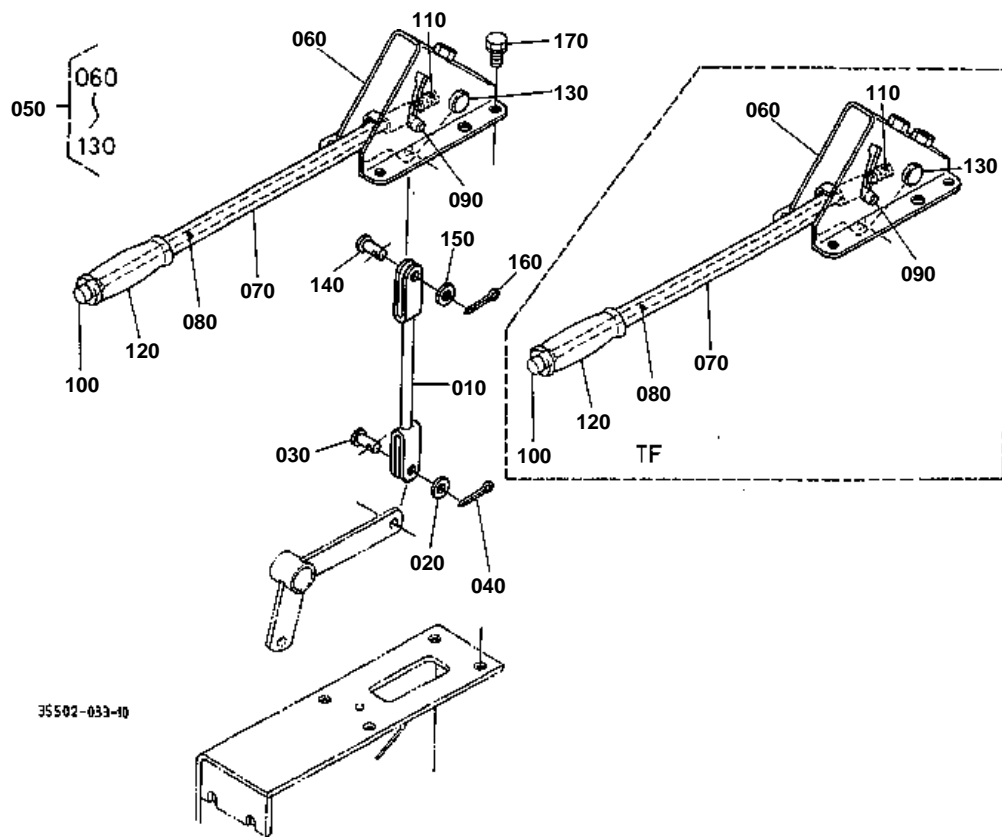


PTO CLUTCH FORK

↔ Interchangeable; ≠ not interchangeable; ← new for old; → old for new

| REF.No | Part No. | Description | Q'ty | S.No. | I/C | REMARKS | Weight (kgf) | Weight (lb) |
|--------|-------------|---------------------|------|---------|-----|-----------------------|--------------|-------------|
| 010 | 36330-26710 | FORK CLUTCH RELEASE | 1 | <=10091 | | | 0.65 | 1.43 |
| 010 | 36730-26710 | FORK CLUTCH RELEASE | 1 | >=10092 | ← | | 0.65 | 1.43 |
| 020 | 33251-26350 | BOLT SET | 1 | | | | 0.045 | 0.099 |
| 030 | 99999-99999 | WIRE | 1 | | | OBTAINED LOCALLY | 0 | 0 |
| 040 | 35533-26220 | SHAFT CONTROL LEVER | 1 | | | | 1.55 | 3.41 |
| 050 | 36330-26173 | ROD CLUTCH | 1 | | | | 0.11 | 0.242 |
| 060 | 05122-61028 | PIN JOINT | 1 | | | | 0.02 | 0.044 |
| 070 | 04011-50100 | WASHER PLAIN | 1 | | | | 0.002 | 0.0044 |
| 080 | 05511-50318 | PIN SPLIT | 1 | | | | 0.001 | 0.0022 |
| 090 | 32350-28980 | TURNBUCKLE | 1 | | | | 0.124 | 0.2728 |
| 100 | 02116-50100 | NUT | 1 | | | | 0.004 | 0.0088 |
| 110 | 35533-26330 | ROD CLUTCH(PTO) | 1 | | | | 0.57 | 1.254 |
| 120 | 05122-61028 | PIN JOINT | 1 | | | | 0.02 | 0.044 |
| 130 | 04011-50100 | WASHER PLAIN | 1 | | | | 0.002 | 0.0044 |
| 140 | 05511-50318 | PIN SPLIT | 1 | | | | 0.001 | 0.0022 |
| 150 | 35533-26340 | ASSY LINK CLUTCH | 1 | | | | 0.5 | 1.1 |
| 160 | 08511-02212 | BUSH | 2 | | | | 0.1 | 0.22 |
| 170 | 04612-00220 | CIRCLIP EXTERNAL | 1 | | | | 0.001 | 0.0022 |
| 180 | 35533-26380 | SUPPORT | 1 | | | EXCEPT MANUAL SHUTTLE | 3.81 | 8.382 |
| 180 | 35533-34510 | SUPPORT CON.LEVER | 1 | | | MANUAL SHUTTLE | 4.4 | 9.68 |
| 190 | 01133-51225 | BOLT | 2 | | | | 0.035 | 0.077 |
| 200 | 63611-52350 | RUBBER | 1 | | | | 0.001 | 0.0022 |
| 210 | 08511-02020 | BUSH TENSION ARM | 2 | | | MANUAL SHUTTLE | 0.01 | 0.022 |
| 220 | 35533-34610 | PLATE | 1 | | | MANUAL SHUTTLE | 0.05 | 0.11 |
| 230 | 01123-50820 | BOLT | 2 | | | MANUAL SHUTTLE | 0.011 | 0.0242 |
| 240 | 04013-50080 | WASHER PLAIN | 2 | | | MANUAL SHUTTLE | 0 | 0 |

PTO CLUTCH LEVER



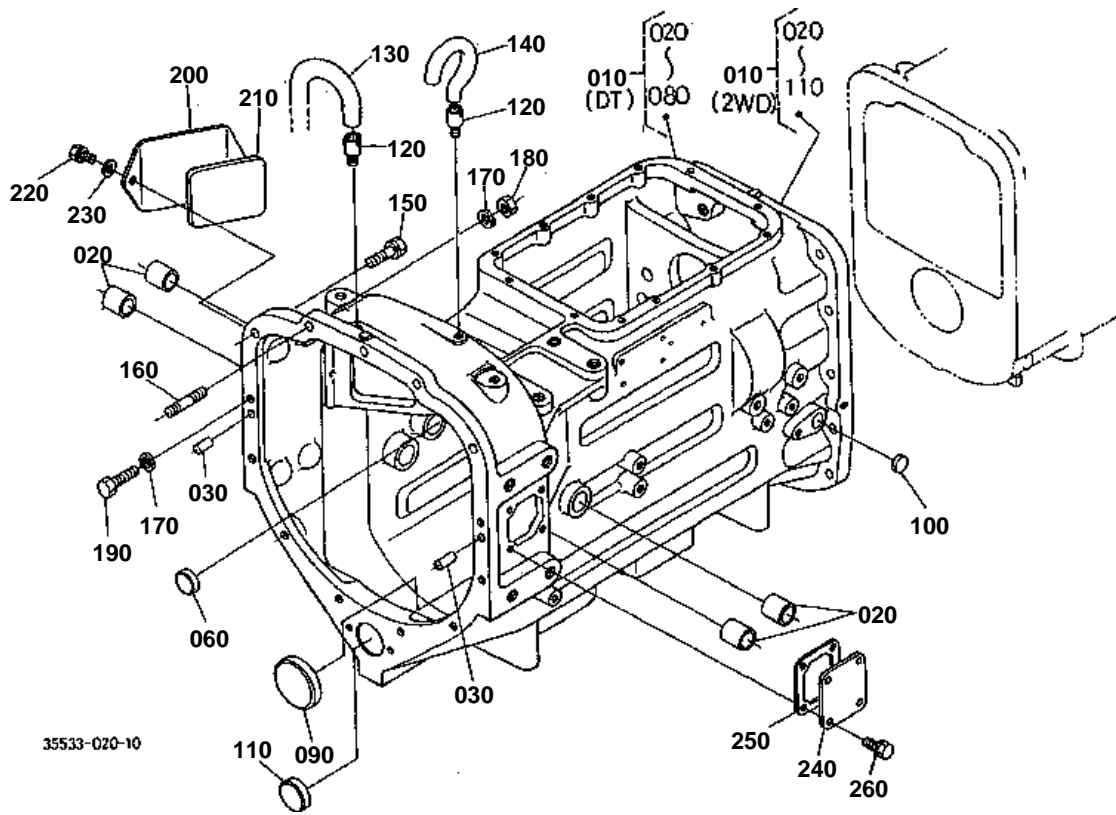


PTO CLUTCH LEVER

↔ Interchangeable; ≠ not interchangeable; ← new for old; → old for new

| REF.No | Part No. | Description | Q'ty | S.No. | I/C | REMARKS | Weight (kgf) | Weight (lb) |
|--------|-------------|----------------------|------|-------|-----|---------|--------------|-------------|
| 010 | 35533-26370 | ROD CLUTCH(PTO) | 1 | | | | 0.15 | 0.33 |
| 020 | 04011-50100 | WASHER PLAIN | 1 | | | | 0.002 | 0.0044 |
| 030 | 05122-51022 | PIN JOINT | 1 | | | | 0.014 | 0.0308 |
| 040 | 05511-50318 | PIN SPLIT | 1 | | | | 0.001 | 0.0022 |
| 050 | 36330-26002 | ASSY LEVER CONTROL | 1 | | | | 1.27 | 2.794 |
| 060 | 36330-26013 | GUIDE LEVER | 1 | | | | 0.7 | 1.54 |
| 070 | 36330-26020 | LEVER CLUTCH CONTROL | 1 | | | | 0.56 | 1.232 |
| 080 | 36330-26030 | ROD RELEASE | 1 | | | | 0.09 | 0.198 |
| 090 | 05411-00540 | PIN SPRING | 1 | | | | 0.004 | 0.0088 |
| 100 | 36330-26040 | BUTTON | 1 | | | | 0.01 | 0.022 |
| 110 | 36330-26050 | SPRING | 1 | | | | 0.01 | 0.022 |
| 120 | 36330-26060 | GRIP | 1 | | | | 0.04 | 0.088 |
| 130 | 36330-26070 | PIN | 1 | | | | 0.04 | 0.088 |
| 140 | 05122-50816 | PIN JOINT | 1 | | | | 0.007 | 0.0154 |
| 150 | 04012-50080 | WASHER PLAIN | 1 | | | | 0.001 | 0.0022 |
| 160 | 05511-50215 | PIN SPLIT | 1 | | | | 0.001 | 0.0022 |
| 170 | 01123-60816 | BOLT | 4 | | | | 0.01 | 0.022 |

CLUTCH HOUSING



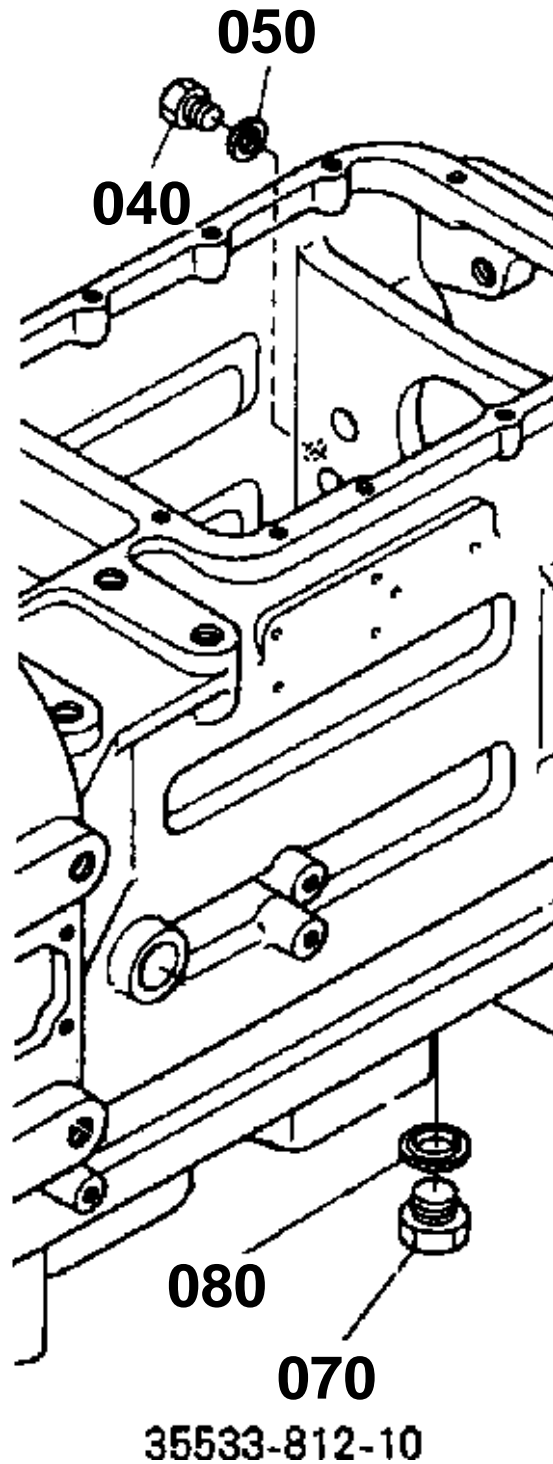
CLUTCH HOUSING

040 06311-55040

050 04717-02150

070 06331-35020

080 04717-02000

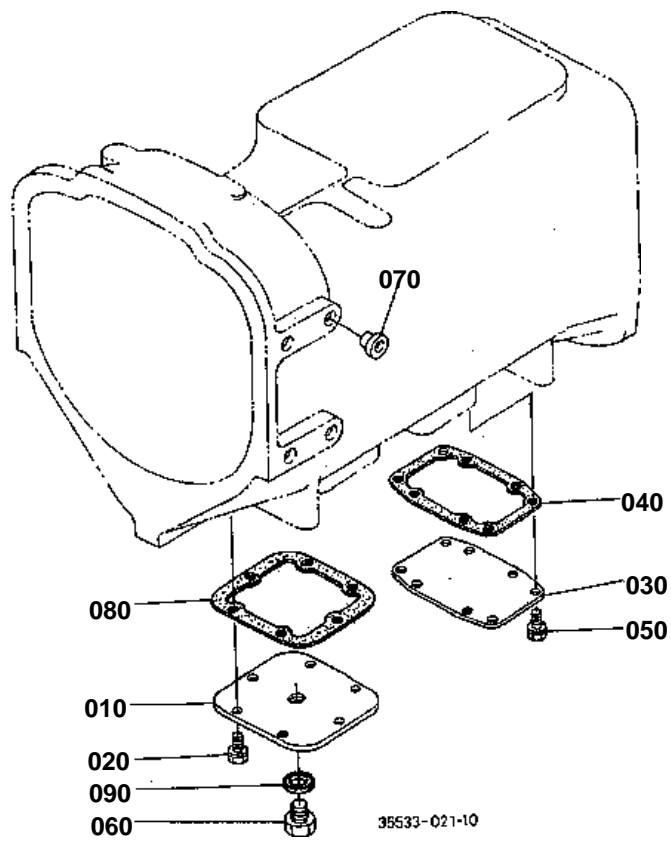


**CLUTCH HOUSING**

↔ Interchangeable; ≠ not interchangeable; ← new for old; → old for new

| REF.No | Part No. | Description | Q'ty | S.No. | I/C | REMARKS | Weight (kgf) | Weight (lb) |
|--------|-------------|---------------------|------|--------|-----|---------|--------------|-------------|
| 010 | 35523-21100 | ASSY HOUSING CLUTCH | 1 | ≤10058 | | | 0 | 0 |
| 010 | 35523-21102 | ASSY HOUSING CLUTCH | 1 | ≥10059 | ← | | 106 | 233.2 |
| 020 | 08511-02430 | BUSH | 4 | | | | 0.027 | 0.0594 |
| 030 | 05012-01020 | PIN STRAIGHT | 2 | | | | 0.013 | 0.0286 |
| 040 | 06311-55040 | PLUG | 1 | ≤10058 | | | 0.093 | 0.2046 |
| 050 | 04717-02150 | WASHER WITH RUBBER | 1 | ≤10058 | | | 0.004 | 0.0088 |
| 060 | 35820-29420 | PLUG | 1 | | | | 0.005 | 0.011 |
| 070 | 06331-35020 | PLUG | 1 | ≤10058 | | | 0.068 | 0.1496 |
| 080 | 04717-02000 | WASHER WITH RUBBER | 1 | ≤10058 | | | 0.004 | 0.0088 |
| 090 | 36200-21230 | PLUG | 1 | | | | 0.039 | 0.0858 |
| 100 | 31321-38720 | PLUG | 1 | | | | 0.005 | 0.011 |
| 110 | 36730-24630 | PLUG | 1 | | | | 0.025 | 0.055 |
| 120 | 36200-21610 | BREATHER | 2 | | | | 0.008 | 0.0176 |
| 130 | 36330-21200 | PIPE BREATHER | 1 | | | | 0.05 | 0.11 |
| 140 | 36200-21620 | BREATHER | 1 | ≤10054 | | | 0.006 | 0.0132 |
| 140 | 35820-21620 | BREATHER | 1 | ≥10055 | ≠ | | 0.007 | 0.0154 |
| 150 | 01133-51240 | BOLT | 9 | | | | 0.05 | 0.11 |
| 160 | 01574-51235 | STUD | 2 | | | | 0 | 0 |
| 170 | 04512-60120 | WASHER SPRING | 3 | | | | 0.005 | 0.011 |
| 180 | 02176-50120 | NUT | 2 | | | | 0.01 | 0.022 |
| 190 | 01173-51280 | BOLT | 1 | | | | 0.1 | 0.22 |
| 200 | 36200-21160 | COVER INSPECTION | 1 | | | | 0.47 | 1.034 |
| 210 | 35820-21170 | GASKET | 1 | ≤10193 | | | 0.045 | 0.099 |
| 210 | 35820-21170 | GASKET | 1 | ≥10194 | ↔ | | 0.045 | 0.099 |
| 220 | 01123-50818 | BOLT | 2 | | | | 0.012 | 0.0264 |
| 230 | 04013-50080 | WASHER PLAIN | 2 | | | | 0 | 0 |
| 240 | 36200-21140 | COVER CLUTCH | 1 | | | | 0.19 | 0.418 |
| 250 | 36200-21150 | GASKET | 1 | | | | 0.005 | 0.011 |
| 260 | 01123-50818 | BOLT | 2 | | | | 0.012 | 0.0264 |

HOUSING COVER



HOUSING COVER

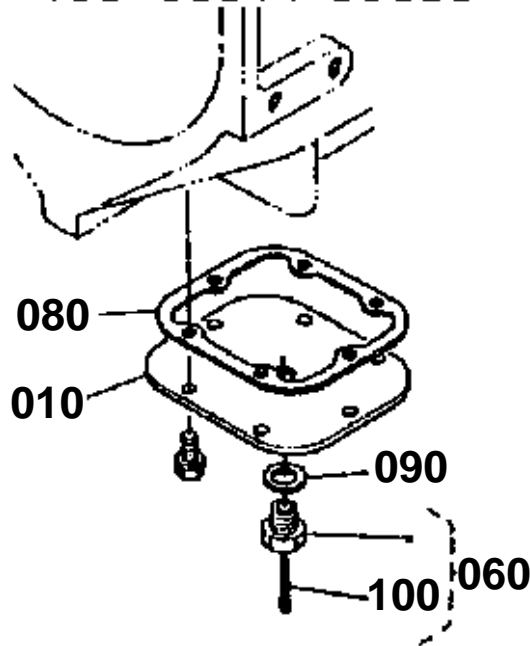
010 36200-2118-0

060 36200-9758-0

080 36200-2119-0

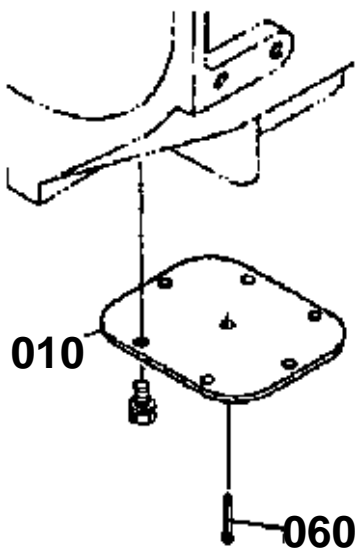
090 04717-02000

100 05511-50530



010 35450-2118-0

060 05511-50525



35533-813-10

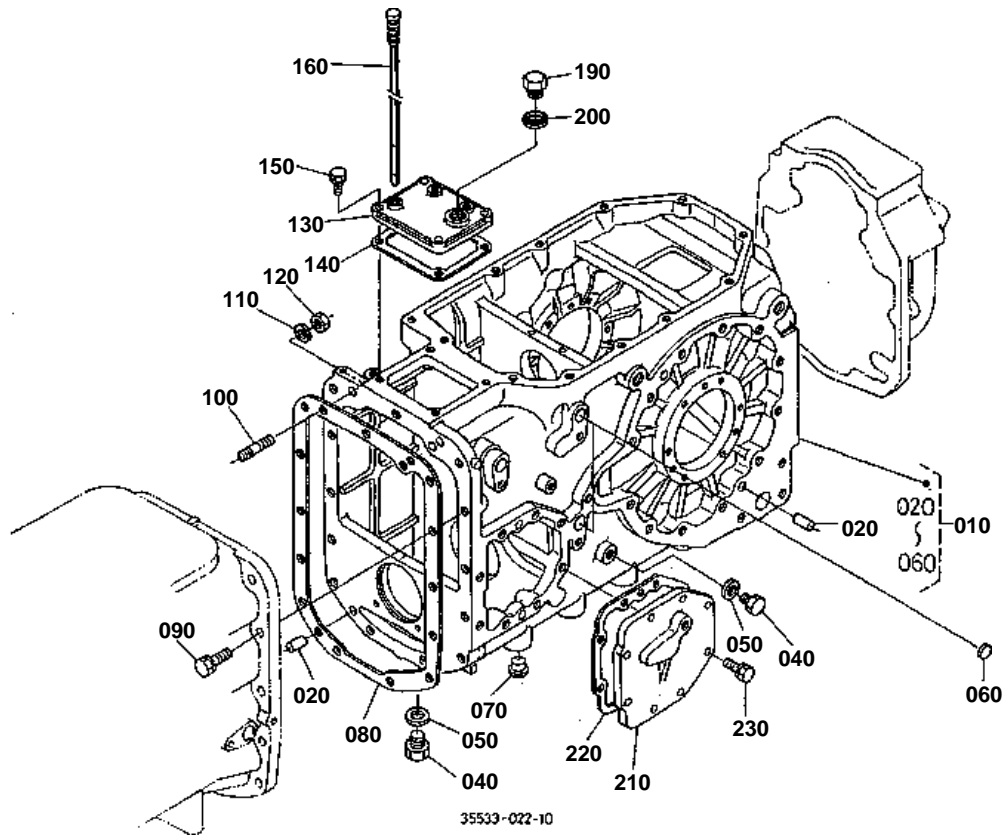


HOUSING COVER

↔ Interchangeable; ≠ not interchangeable; ← new for old; → old for new

| REF.No | Part No. | Description | Q'ty | S.No. | I/C | REMARKS | Weight (kgf) | Weight (lb) |
|--------|-------------|--------------------|------|--------|-----|---------|--------------|-------------|
| 010 | 36200-21180 | COVER HOUSING | 1 | ≤10058 | | | 1.12 | 2.464 |
| 010 | 35450-21180 | COVER HOUSING | 1 | ≥10059 | ≠ | | 1.1 | 2.42 |
| 010 | 36200-21180 | COVER HOUSING | 1 | ≥20253 | ≠ | | 1.12 | 2.464 |
| 020 | 01133-51020 | BOLT | 6 | | | | 0.02 | 0.044 |
| 030 | 36200-21210 | COVER HOUSING | 1 | | | | 0.87 | 1.914 |
| 040 | 36200-21220 | GASKET | 1 | | | | 0 | 0 |
| 050 | 01133-51020 | BOLT | 8 | | | | 0.02 | 0.044 |
| 060 | 36200-97580 | PLUG | 1 | ≤10058 | | | 0.05 | 0.11 |
| 060 | 05511-50525 | PIN SPLIT | 1 | ≥10059 | ≠ | | 0.005 | 0.011 |
| 060 | 06331-35020 | PLUG | 1 | ≥20253 | ≠ | | 0.068 | 0.1496 |
| 070 | 33300-90910 | PLUG | 8 | | | | 0.002 | 0.0044 |
| 080 | 36200-21190 | GASKET | 1 | ≤10058 | | | 0 | 0 |
| 080 | 36200-21190 | GASKET | 1 | ≥20253 | | | 0 | 0 |
| 090 | 04717-02000 | WASHER WITH RUBBER | 1 | ≤10058 | | | 0.004 | 0.0088 |
| 090 | 04717-02000 | WASHER WITH RUBBER | 1 | ≥20253 | | | 0.004 | 0.0088 |
| 100 | 05511-50530 | PIN SPLIT | 1 | ≤10058 | | | 0.006 | 0.0132 |

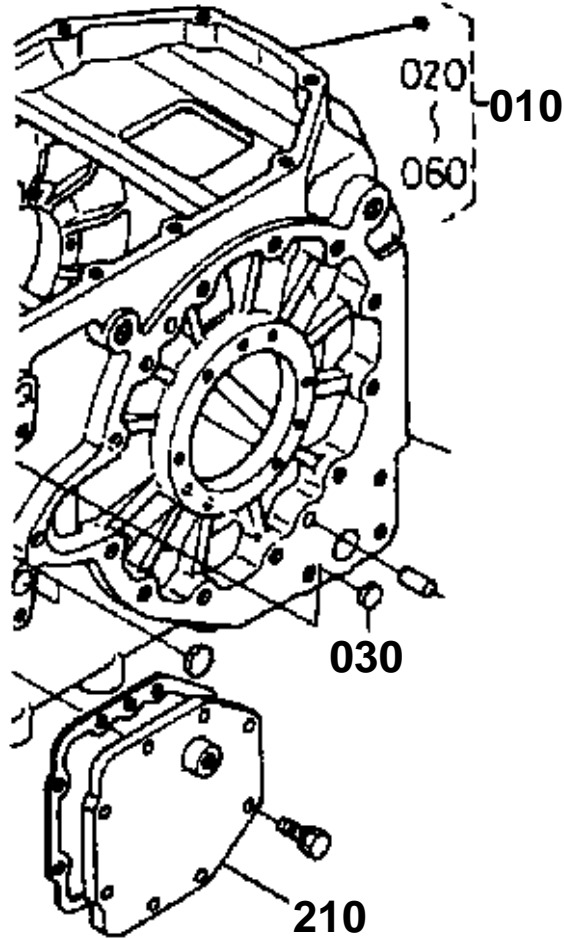
TRANSMISSION CASE [EXCEPT MANUAL SHUTTLE]



010 35533-2130-0

030 35533-2148-0

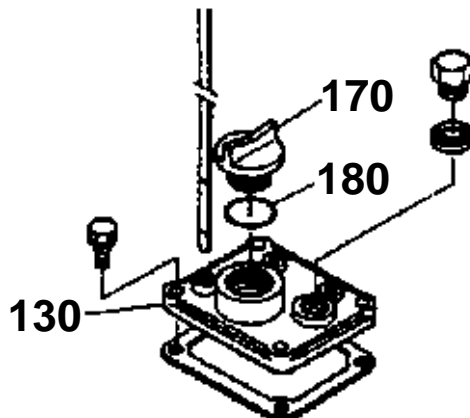
210 35533-2145-3



130 35533-2134-0

170 38240-2141-0

180 04811-50300



35533-814-10

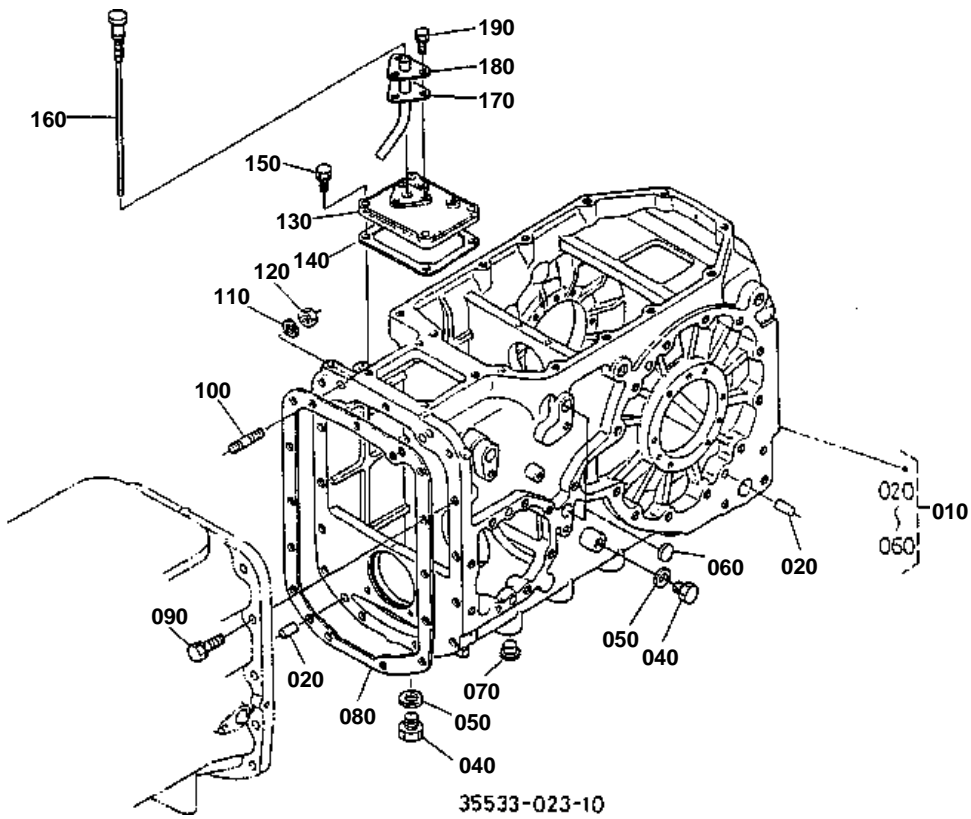


TRANSMISSION CASE [EXCEPT MANUAL SHUTTLE]

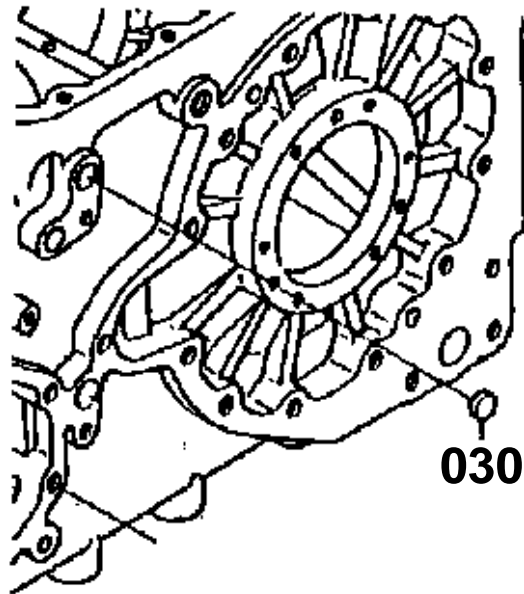
↔ Interchangeable; ≠ not interchangeable; ← new for old; → old for new

| REF.No | Part No. | Description | Q'ty | S.No. | I/C | REMARKS | Weight (kgf) | Weight (lb) |
|--------|-------------|---------------------|------|---------|-----|---------|--------------|-------------|
| 010 | 35533-21300 | ASSY CASE TR-MIS'ON | 1 | <=10058 | | | 0 | 0 |
| 010 | 35533-21302 | ASSY CASE TR-MIS'ON | 1 | >=10059 | ≠ | | 0 | 0 |
| 010 | 35533-21303 | ASSY CASE TR-MIS'ON | 1 | >=10092 | ≠ | | 91 | 200.2 |
| 020 | 05012-01325 | PIN STRAIGHT | 6 | | | | 0.028 | 0.0616 |
| 030 | 35533-21480 | PLUG | 1 | <=10091 | | | 0 | 0 |
| 040 | 06331-35020 | PLUG | 1 | <=10091 | | | 0.068 | 0.1496 |
| 040 | 06331-35020 | PLUG | 2 | >=10092 | | | 0.068 | 0.1496 |
| 050 | 04717-02000 | WASHER WITH RUBBER | 1 | <=10091 | | | 0.004 | 0.0088 |
| 050 | 04717-02000 | WASHER WITH RUBBER | 2 | >=10092 | | | 0.004 | 0.0088 |
| 060 | 31321-38720 | PLUG | 2 | | | | 0.005 | 0.011 |
| 070 | 33300-90910 | PLUG | 10 | | | | 0.002 | 0.0044 |
| 080 | 35880-21323 | GASKET | 1 | | | | 0 | 0 |
| 090 | 01133-51240 | BOLT | 12 | | | | 0.05 | 0.11 |
| 100 | 01574-51240 | STUD | 3 | | | | 0 | 0 |
| 110 | 04512-60120 | WASHER SPRING | 3 | | | | 0.005 | 0.011 |
| 120 | 02176-50120 | NUT | 3 | | | | 0.01 | 0.022 |
| 130 | 35533-21340 | COVER MISSION CASE | 1 | | | | 0.87 | 1.914 |
| 140 | 36330-21350 | GASKET | 1 | <=10121 | | | 0 | 0 |
| 140 | 3F740-21350 | GASKET | 1 | >=10122 | ← | | 0.004 | 0.0088 |
| 150 | 01133-51030 | BOLT | 4 | | | | 0.025 | 0.055 |
| 160 | 35458-21510 | GAUGE OIL | 1 | | | | 0.03 | 0.066 |
| 170 | 38240-21410 | PLUG | 1 | <=20252 | | | 0.015 | 0.033 |
| 180 | 04811-50300 | O RING | 1 | <=20252 | | | 0 | 0 |
| 190 | 06331-35020 | PLUG | 1 | | | | 0.068 | 0.1496 |
| 200 | 04717-02000 | WASHER WITH RUBBER | 1 | | | | 0.004 | 0.0088 |
| 210 | 35533-21450 | COVER MISSION CASE | 1 | <=10034 | | | 1.3 | 2.86 |
| 210 | 35533-21453 | COVER MISSION CASE | 1 | >=10035 | ≠ | | 0 | 0 |
| 210 | 35533-21455 | COVER MISSION CASE | 1 | >=10198 | ↔ | | 1.7 | 3.74 |
| 220 | 36330-21460 | GASKET | 1 | | | | 0 | 0 |
| 230 | 01133-51028 | BOLT | 8 | | | | 0.027 | 0.0594 |

TRANSMISSION CASE [MANUAL SHUTTLE]



030 35533-2148-0



35533-849-10

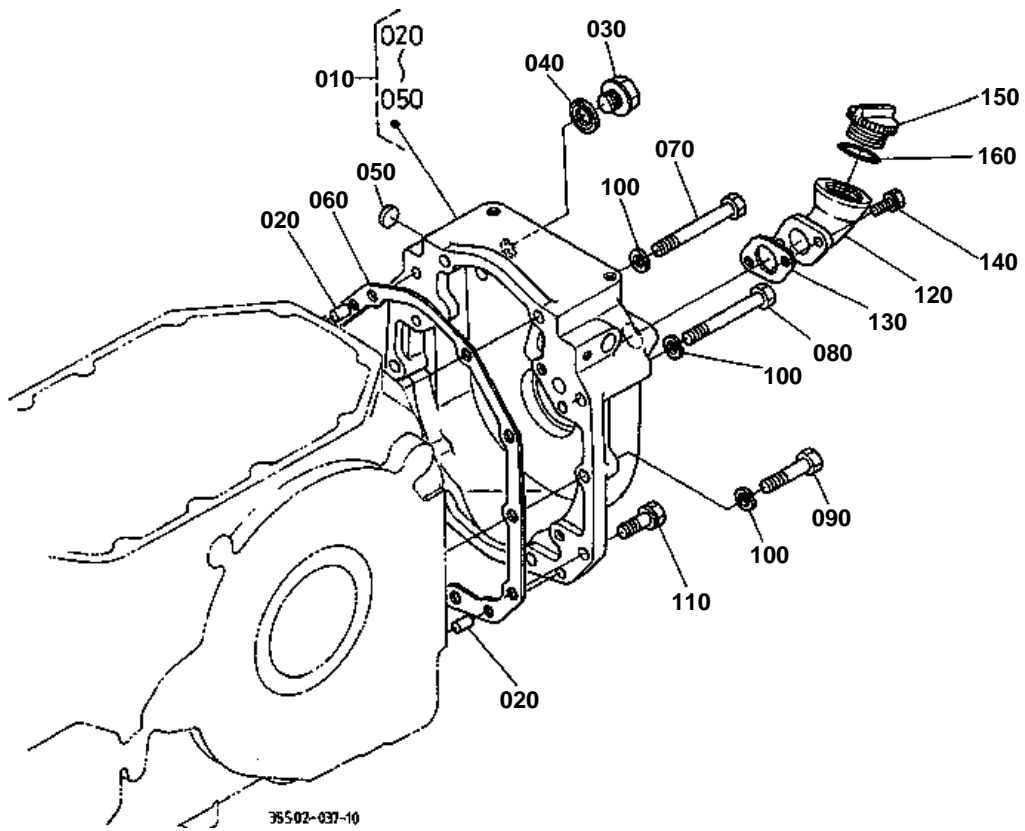


TRANSMISSION CASE [MANUAL SHUTTLE]

↔ Interchangeable; ≠ not interchangeable; ← new for old; → old for new

| REF.No | Part No. | Description | Q'ty | S.No. | I/C | REMARKS | Weight (kgf) | Weight (lb) |
|--------|-------------|---------------------|------|---------|-----|---------|--------------|-------------|
| 010 | 35533-21300 | ASSY CASE TR-MIS'ON | 1 | <=10091 | | | 0 | 0 |
| 010 | 35533-21303 | ASSY CASE TR-MIS'ON | 1 | >=10092 | ≠ | | 91 | 200.2 |
| 020 | 05012-01325 | PIN STRAIGHT | 6 | | | | 0.028 | 0.0616 |
| 030 | 35533-21480 | PLUG | 1 | <=10091 | | | 0 | 0 |
| 040 | 06331-35020 | PLUG | 2 | | | | 0.068 | 0.1496 |
| 050 | 04717-02000 | WASHER WITH RUBBER | 2 | | | | 0.004 | 0.0088 |
| 060 | 31321-38720 | PLUG | 2 | | | | 0.005 | 0.011 |
| 070 | 33300-90910 | PLUG | 10 | | | | 0.002 | 0.0044 |
| 080 | 35880-21323 | GASKET | 1 | | | | 0 | 0 |
| 090 | 01133-51240 | BOLT | 12 | | | | 0.05 | 0.11 |
| 100 | 01574-51240 | STUD | 3 | | | | 0 | 0 |
| 110 | 04512-60120 | WASHER SPRING | 3 | | | | 0.005 | 0.011 |
| 120 | 02176-50120 | NUT | 3 | | | | 0.01 | 0.022 |
| 130 | 35533-21440 | COVER MISSION CASE | 1 | | | | 1.05 | 2.31 |
| 140 | 36330-21350 | GASKET | 1 | <=10121 | | | 0 | 0 |
| 140 | 3F740-21350 | GASKET | 1 | >=10122 | ← | | 0.004 | 0.0088 |
| 150 | 01133-51030 | BOLT | 4 | | | | 0.025 | 0.055 |
| 160 | 35533-21520 | GAUGE OIL | 1 | | | | 0.02 | 0.044 |
| 170 | 36330-21460 | GASKET | 1 | | | | 0 | 0 |
| 180 | 35533-21530 | GUIDE OIL GAUGE | 1 | | | | 0.1 | 0.22 |
| 190 | 01023-50614 | BOLT | 3 | | | | 0.005 | 0.011 |

TRANSMISSION CASE REAR COVER



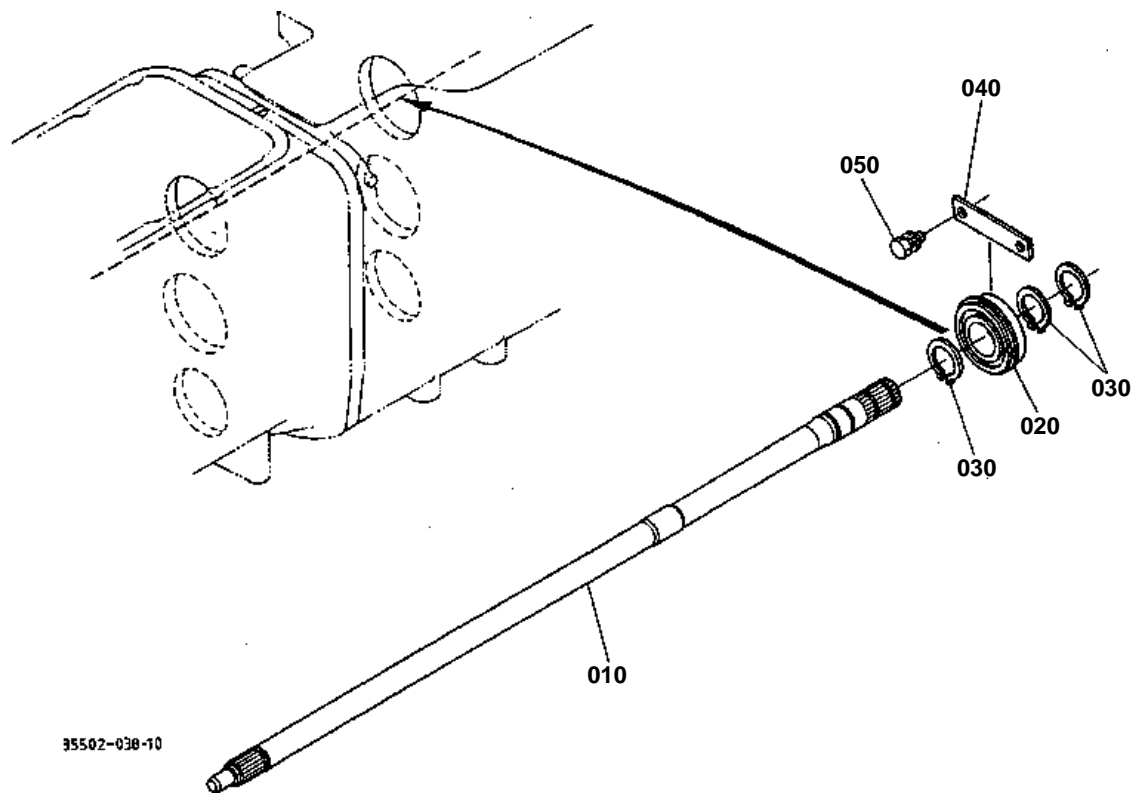


TRANSMISSION CASE REAR COVER

↔ Interchangeable; ≠ not interchangeable; ← new for old; → old for new

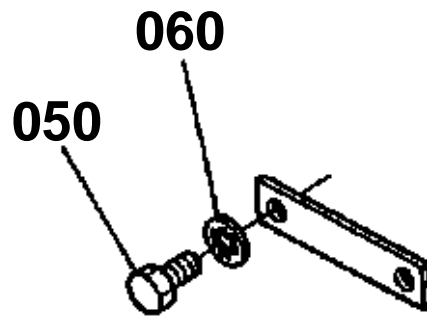
| REF.No | Part No. | Description | Q'ty | S.No. | I/C | REMARKS | Weight (kgf) | Weight (lb) |
|--------|-------------|--------------------|------|--------|-----|---------|--------------|-------------|
| 010 | 35533-21400 | ASSY COVER CASE | 1 | | | | 0 | 0 |
| 020 | 05012-01020 | PIN STRAIGHT | 2 | | | | 0.013 | 0.0286 |
| 030 | 06311-45040 | PLUG | 1 | ≤10058 | | | 0.115 | 0.253 |
| 030 | 06311-55040 | PLUG | 1 | ≥10059 | ≠ | | 0.093 | 0.2046 |
| 040 | 04717-02150 | WASHER WITH RUBBER | 1 | | | | 0.004 | 0.0088 |
| 050 | 36200-21240 | PLUG | 1 | ≤10193 | | | 0 | 0 |
| 050 | 31321-38720 | PLUG | 1 | ≥10194 | ↔ | | 0.005 | 0.011 |
| 060 | 36200-21420 | GASKET | 1 | | | | 0 | 0 |
| 070 | 01173-51204 | BOLT | 2 | | | | 0 | 0 |
| 080 | 01173-51202 | BOLT | 2 | | | | 0.1 | 0.22 |
| 090 | 01173-51255 | BOLT | 2 | | | | 0.055 | 0.121 |
| 100 | 04512-60120 | WASHER SPRING | 6 | | | | 0.005 | 0.011 |
| 110 | 01133-51235 | BOLT | 4 | | | | 0.043 | 0.0946 |
| 120 | 36330-21470 | FILLER OIL | 1 | | | | 0.42 | 0.924 |
| 130 | 36330-21480 | GASKET | 1 | | | | 0 | 0 |
| 140 | 01123-50820 | BOLT | 2 | | | | 0.011 | 0.0242 |
| 150 | 38240-21410 | PLUG | 1 | | | | 0.015 | 0.033 |
| 160 | 04811-50300 | O RING | 1 | | | | 0 | 0 |

PTO PROPELLER SHAFT



050 01153-50820

060 04411-50080



35502-810-10

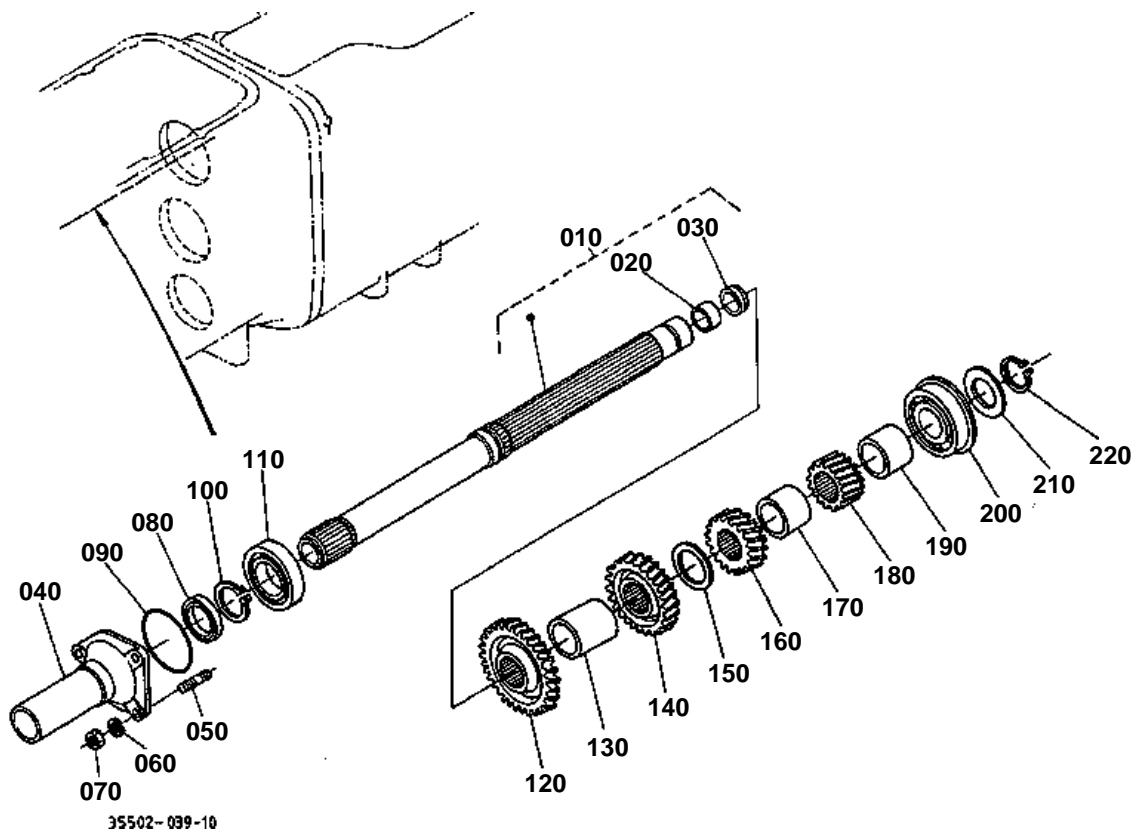


PTO PROPELLER SHAFT

↔ Interchangeable; ≠ not interchangeable; ← new for old; → old for new

| REF.No | Part No. | Description | Q'ty | S.No. | I/C | REMARKS | Weight (kgf) | Weight (lb) |
|--------|-------------|---------------------|------|---------|-----|---------|--------------|-------------|
| 010 | 35533-25610 | SHAFT PTO PROPELLER | 1 | <=10034 | | | 0 | 0 |
| 010 | 35533-25612 | SHAFT PTO PROPELLER | 1 | >=10035 | ← | | 3.6 | 7.92 |
| 020 | 08151-06306 | BEARING BALL | 1 | | | | 0.35 | 0.77 |
| 030 | 37880-44270 | CIRCLIP EXTERNAL | 3 | <=10193 | | | 0 | 0 |
| 030 | 36330-80660 | CIRCLIP EXTERNAL | 3 | >=10194 | ↔ | | 0.02 | 0.044 |
| 040 | 38430-25530 | RETAINER BEARING | 1 | <=10034 | | | 0.05 | 0.11 |
| 040 | 36200-28680 | RETAINER BEARING | 1 | >=10035 | ≠ | | 0.058 | 0.1276 |
| 050 | 01153-50820 | BOLT | 2 | <=20208 | | | 0.012 | 0.0264 |
| 050 | 01123-50820 | BOLT | 2 | >=20209 | | | 0.011 | 0.0242 |
| 060 | 04411-50080 | WASHER TOOTHED | 2 | <=20208 | | | 0.001 | 0.0022 |

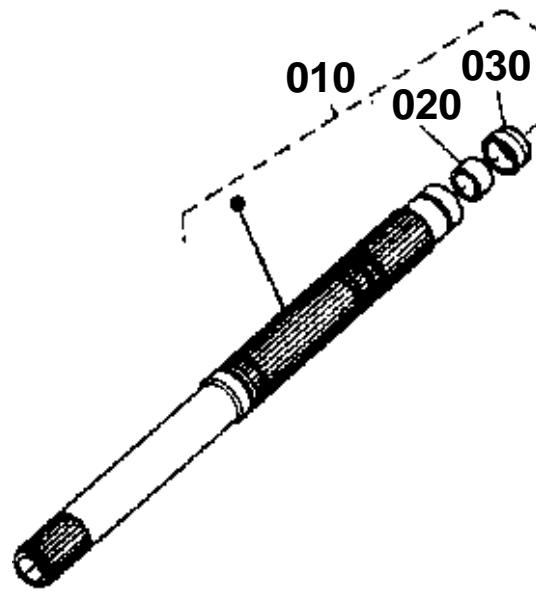
FIRST SHAFT



FIRST SHAFT

010 35533-2810-0

030 36330-2865-0



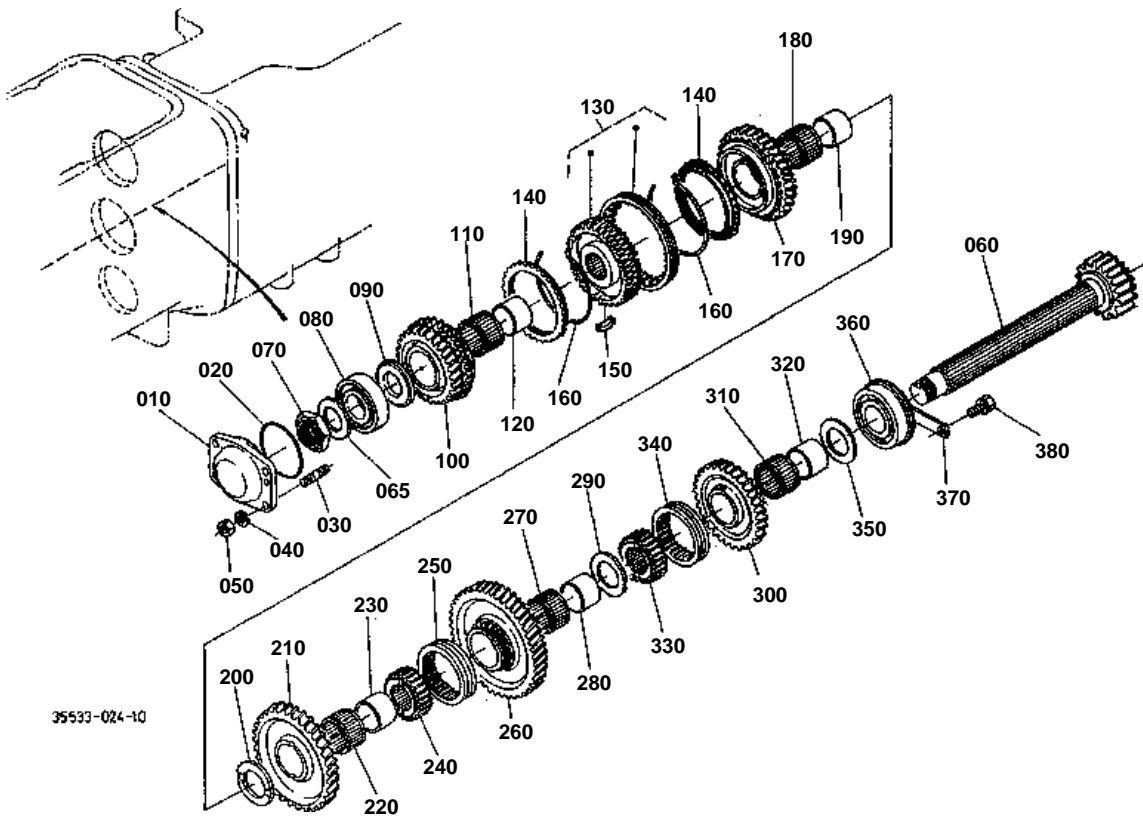
35533-815-10

**FIRST SHAFT**

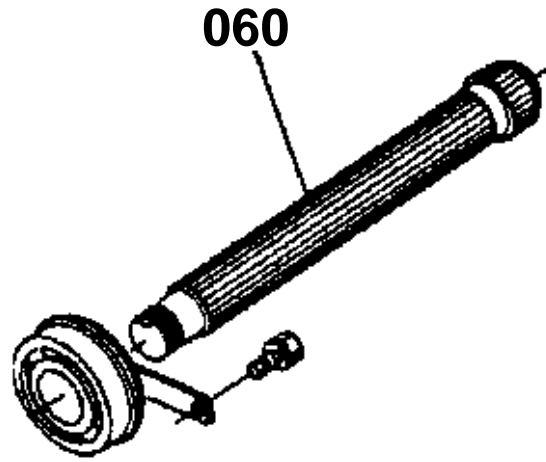
↔ Interchangeable; ≠ not interchangeable; ← new for old; → old for new

| REF.No | Part No. | Description | Q'ty | S.No. | I/C | REMARKS | Weight (kgf) | Weight (lb) |
|--------|-------------|--------------------|------|---------|-----|---------|--------------|-------------|
| 010 | 35533-28100 | ASSY SHAFT FIRST | 1 | <=10182 | | | 0 | 0 |
| 010 | 35574-28100 | ASSY SHAFT FIRST | 1 | >=10183 | ↔ | | 2.3 | 5.06 |
| 020 | 33251-28640 | BUSH FIRST SHAFT | 1 | | | | 0.018 | 0.0396 |
| 030 | 36330-28650 | SEAL FIRST SHAFT | 1 | <=10182 | | | 0.002 | 0.0044 |
| 030 | 36730-24330 | SEAL FIRST SHAFT | 1 | >=10183 | ↔ | | 0.005 | 0.011 |
| 040 | 36200-28513 | COMP.CASE BEARING | 1 | | | | 1.48 | 3.256 |
| 050 | 01513-50825 | STUD | 3 | | | | 0 | 0 |
| 060 | 04512-60080 | WASHER SPRING | 3 | | | | 0.002 | 0.0044 |
| 070 | 02114-50080 | NUT | 3 | | | | 0.005 | 0.011 |
| 080 | 36730-24650 | SEAL OIL | 1 | | | | 0.03 | 0.066 |
| 090 | 04811-50900 | O RING | 1 | | | | 0.003 | 0.0066 |
| 100 | 04612-00450 | CIRCLIP EXTERNAL | 1 | | | | 0.007 | 0.0154 |
| 110 | 08101-06209 | BEARING BALL | 1 | | | | 0.42 | 0.924 |
| 120 | 36330-28480 | GEAR | 1 | | | 30T | 0.82 | 1.804 |
| 130 | 35420-28012 | COLLAR FIRST SHAFT | 1 | | | 51.6MM | 0.24 | 0.528 |
| 140 | 36330-28232 | GEAR | 1 | | | 25T | 0.7 | 1.54 |
| 150 | 35420-28180 | COLLAR FIRST SHAFT | 1 | | | 1.0MM | 0.01 | 0.022 |
| 160 | 36330-28220 | GEAR | 1 | | | 18T | 0.46 | 1.012 |
| 170 | 36200-28560 | COLLAR | 1 | | | 38.0MM | 0.156 | 0.3432 |
| 180 | 35420-28210 | GEAR | 1 | | | 16T | 0.44 | 0.968 |
| 190 | 36200-28560 | COLLAR | 1 | | | 38.0MM | 0.156 | 0.3432 |
| 200 | 08151-06308 | BEARING BALL | 1 | | | | 0.64 | 1.408 |
| 210 | 36330-28410 | SHIM | 1 | | | 0.3MM | 0.002 | 0.0044 |
| 210 | 36330-28420 | SHIM | 1 | | | 0.1MM | 0.002 | 0.0044 |
| 220 | 04612-00400 | CIRCLIP EXTERNAL | 1 | | | | 0.005 | 0.011 |

COUNTERSHAFT [EXCEPT MANUAL SHUTTLE AND SU]



060 36200-2816-0



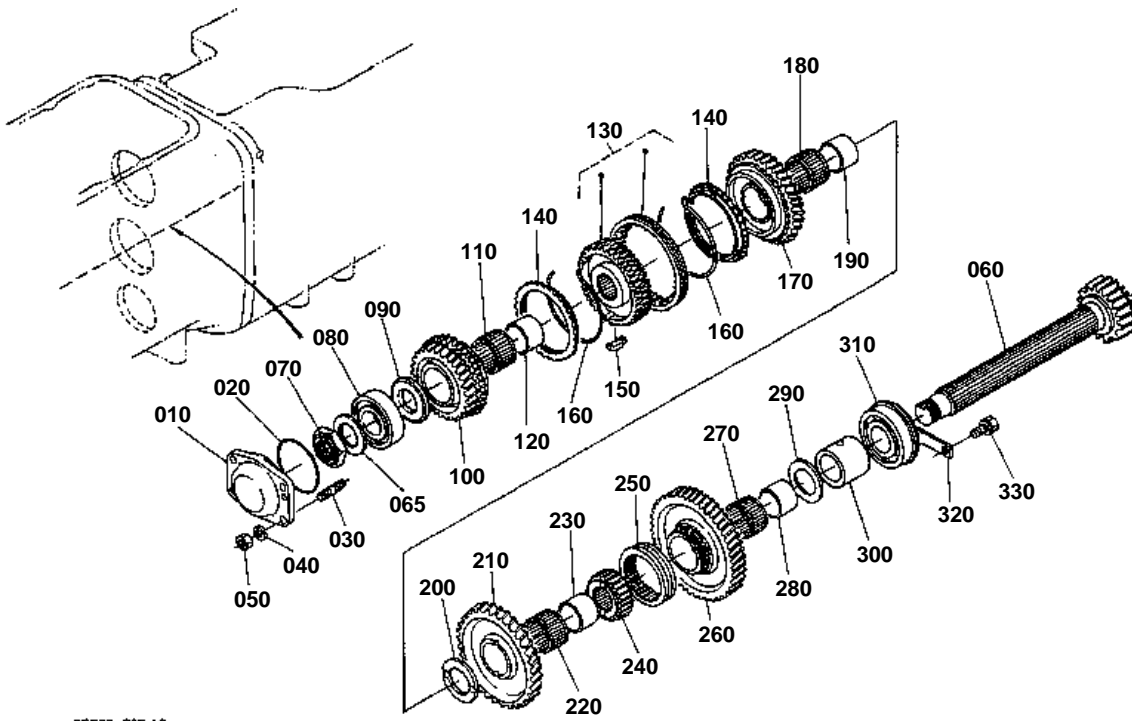
35533-816-10



COUNTERSHAFT [EXCEPT MANUAL SHUTTLE AND SU]

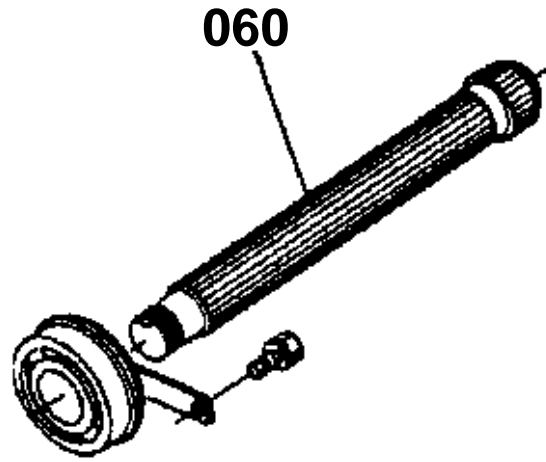
↔ Interchangeable; ≠ not interchangeable; ← new for old; → old for new

| REF.No | Part No. | Description | Q'ty | S.No. | I/C | REMARKS | Weight (kgf) | Weight (lb) |
|--------|-------------|--------------------|------|--------|-----|---------|--------------|-------------|
| 010 | 36200-28630 | COVER COUNTERSHAFT | 1 | | | | 0.7 | 1.54 |
| 020 | 04811-50800 | O RING | 1 | | | | 0.003 | 0.0066 |
| 030 | 01513-50825 | STUD | 3 | | | | 0 | 0 |
| 040 | 04512-60080 | WASHER SPRING | 3 | | | | 0.002 | 0.0044 |
| 050 | 02114-50080 | NUT | 3 | | | | 0.005 | 0.011 |
| 060 | 36200-28160 | COUNTERSHAFT | 1 | ≤10075 | | | 2.75 | 6.05 |
| 060 | 35535-28160 | COUNTERSHAFT | 1 | ≥10076 | ≠ | 23T | 0 | 0 |
| 060 | 35535-28162 | COUNTERSHAFT | 1 | ≥10161 | ← | 23T | 3.5 | 7.7 |
| 065 | 36330-80080 | COLLAR | 1 | ≥10076 | | 3.2MM | 0.03 | 0.066 |
| 070 | 39141-14750 | NUT | 1 | ≤10075 | | | 0.108 | 0.2376 |
| 070 | 34150-25330 | NUT | 1 | ≥10076 | ≠ | | 0.039 | 0.0858 |
| 080 | 08101-06307 | BEARING BALL | 1 | | | | 0.455 | 1.001 |
| 090 | 36200-28610 | COLLAR THRUST | 1 | | | 3.0MM | 0.048 | 0.1056 |
| 100 | 36330-28293 | GEAR | 1 | | | 29T | 1.62 | 3.564 |
| 110 | 36200-28340 | BEARING NEEDLE | 1 | ≤20208 | | | 0 | 0 |
| 110 | 33740-30410 | BEARING NEEDLE | 1 | ≥20209 | ← | | 0.045 | 0.099 |
| 120 | 36200-28330 | RING INNER | 1 | | | | 0.088 | 0.1936 |
| 130 | 36330-28402 | COUPLING-SHIFTER | 1 | ≤10034 | | | 0 | 0 |
| 130 | 36330-28403 | COUPLING-SHIFTER | 1 | ≥10035 | ← | | 1.93 | 4.246 |
| 140 | 36530-28413 | RING SYNCHRONIZER | 2 | ≤10054 | | | 0 | 0 |
| 140 | 36530-28414 | RING SYNCHRONIZER | 2 | ≥10055 | ← | | 0.01 | 0.022 |
| 150 | 36330-28502 | KEY SYNCHRONIZER | 3 | | | | 0.008 | 0.0176 |
| 160 | 36200-28434 | SPRING | 2 | ≤10054 | | | 0.01 | 0.022 |
| 160 | 36200-28434 | SPRING | 2 | ≥10055 | ← | | 0.01 | 0.022 |
| 170 | 35420-28284 | GEAR | 1 | | | 33T | 1.68 | 3.696 |
| 180 | 08824-55027 | BEARING NEEDLE | 1 | | | | 0.06 | 0.132 |
| 190 | 35420-28330 | RING INNER | 1 | | | | 0.09 | 0.198 |
| 200 | 36330-28660 | COLLAR THRUST | 1 | ≤10034 | | | 0 | 0 |
| 200 | 36330-28663 | COLLAR THRUST | 1 | ≥10035 | ← | | 0.04 | 0.088 |
| 210 | 35420-28270 | GEAR | 1 | | | 40T | 1.63 | 3.586 |
| 220 | 08824-55027 | BEARING NEEDLE | 1 | | | | 0.06 | 0.132 |
| 230 | 35420-28330 | RING INNER | 1 | | | | 0.09 | 0.198 |
| 240 | 36330-28462 | COUPLING | 1 | ≤20205 | | | 0.45 | 0.99 |
| 240 | 35820-32270 | COUPLING | 1 | ≥20206 | ← | | 0.44 | 0.968 |
| 250 | 36330-28473 | SHIFTER | 1 | ≤20205 | | | 0.4 | 0.88 |
| 250 | 35820-28470 | SHIFTER | 1 | ≥20206 | ← | | 0.41 | 0.902 |
| 260 | 35420-28260 | GEAR | 1 | | | 44T | 2.14 | 4.708 |
| 270 | 36200-28340 | BEARING NEEDLE | 1 | ≤20208 | | | 0 | 0 |
| 270 | 33740-30410 | BEARING NEEDLE | 1 | ≥20209 | ← | | 0.045 | 0.099 |
| 280 | 36200-28330 | RING INNER | 1 | | | | 0.088 | 0.1936 |
| 290 | 35420-28660 | COLLAR THRUST | 1 | | | 2.5MM | 0.03 | 0.066 |
| 300 | 35420-28370 | GEAR | 1 | | | 33T | 1.07 | 2.354 |
| 310 | 08824-55027 | BEARING NEEDLE | 1 | | | | 0.06 | 0.132 |
| 320 | 35420-28330 | RING INNER | 1 | | | | 0.09 | 0.198 |
| 330 | 36330-28462 | COUPLING | 1 | ≤20205 | | | 0.45 | 0.99 |
| 330 | 35820-32270 | COUPLING | 1 | ≥20206 | ← | | 0.44 | 0.968 |
| 340 | 36330-28473 | SHIFTER | 1 | ≤20205 | | | 0.4 | 0.88 |
| 340 | 35820-28470 | SHIFTER | 1 | ≥20206 | ← | | 0.41 | 0.902 |
| 350 | 35420-28610 | COLLAR THRUST | 1 | | | 2.0MM | 0.025 | 0.055 |
| 360 | 08151-06308 | BEARING BALL | 1 | | | | 0.64 | 1.408 |
| 370 | 36200-28680 | RETAINER BEARING | 1 | | | | 0.058 | 0.1276 |
| 380 | 01123-50818 | BOLT | 2 | | | | 0.012 | 0.0264 |



35533-025-10

060 36200-2816-0



35533-816-10

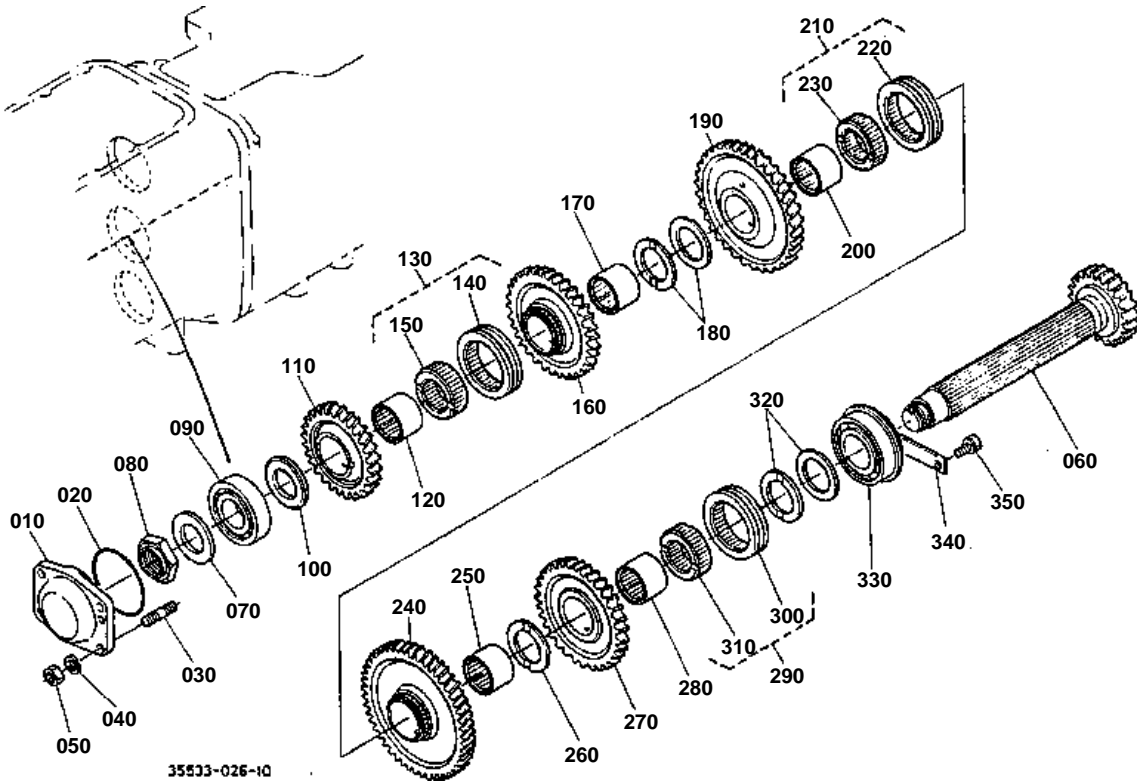


COUNTERSHAFT [MANUAL SHUTTLE/EXCEPT SU]

↔ Interchangeable; ≠ not interchangeable; ← new for old; → old for new

| REF.No | Part No. | Description | Q'ty | S.No. | I/C | REMARKS | Weight (kgf) | Weight (lb) |
|--------|-------------|--------------------|------|--------|-----|---------|--------------|-------------|
| 010 | 36200-28630 | COVER COUNTERSHAFT | 1 | | | | 0.7 | 1.54 |
| 020 | 04811-50800 | O RING | 1 | | | | 0.003 | 0.0066 |
| 030 | 01513-50825 | STUD | 3 | | | | 0 | 0 |
| 040 | 04512-60080 | WASHER SPRING | 3 | | | | 0.002 | 0.0044 |
| 050 | 02114-50080 | NUT | 3 | | | | 0.005 | 0.011 |
| 060 | 36200-28160 | COUNTERSHAFT | 1 | ≤10075 | | | 2.75 | 6.05 |
| 060 | 35535-28160 | COUNTERSHAFT | 1 | ≥10076 | ≠ | 23T | 0 | 0 |
| 060 | 35535-28162 | COUNTERSHAFT | 1 | ≥10161 | ← | 23T | 3.5 | 7.7 |
| 065 | 36330-80080 | COLLAR | 1 | ≥10076 | | 3.2MM | 0.03 | 0.066 |
| 070 | 39141-14750 | NUT | 1 | ≤10075 | | | 0.108 | 0.2376 |
| 070 | 34150-25330 | NUT | 1 | ≥10076 | ≠ | | 0.039 | 0.0858 |
| 080 | 08101-06307 | BEARING BALL | 1 | | | | 0.455 | 1.001 |
| 090 | 36200-28610 | COLLAR THRUST | 1 | | | 3.0MM | 0.048 | 0.1056 |
| 100 | 36330-28293 | GEAR | 1 | | | 29T | 1.62 | 3.564 |
| 110 | 36200-28340 | BEARING NEEDLE | 1 | ≤20208 | | | 0 | 0 |
| 110 | 33740-30410 | BEARING NEEDLE | 1 | ≥20209 | ← | | 0.045 | 0.099 |
| 120 | 36200-28330 | RING INNER | 1 | | | | 0.088 | 0.1936 |
| 130 | 36330-28403 | COUPLING-SHIFTER | 1 | | | | 1.93 | 4.246 |
| 140 | 36530-28414 | RING SYNCHRONIZER | 2 | | | | 0.01 | 0.022 |
| 150 | 36330-28502 | KEY SYNCHRONIZER | 3 | | | | 0.008 | 0.0176 |
| 160 | 36200-28434 | SPRING | 2 | | | | 0.01 | 0.022 |
| 170 | 35420-28284 | GEAR | 1 | | | 33T | 1.68 | 3.696 |
| 180 | 08824-55027 | BEARING NEEDLE | 1 | | | | 0.06 | 0.132 |
| 190 | 35420-28330 | RING INNER | 1 | | | | 0.09 | 0.198 |
| 200 | 36330-28663 | COLLAR THRUST | 1 | | | | 0.04 | 0.088 |
| 210 | 35420-28270 | GEAR | 1 | | | 40T | 1.63 | 3.586 |
| 220 | 08824-55027 | BEARING NEEDLE | 1 | | | | 0.06 | 0.132 |
| 230 | 35420-28330 | RING INNER | 1 | | | | 0.09 | 0.198 |
| 240 | 36330-28462 | COUPLING | 1 | ≤20205 | | | 0.45 | 0.99 |
| 240 | 35820-32270 | COUPLING | 1 | ≥20206 | ← | | 0.44 | 0.968 |
| 250 | 36330-28473 | SHIFTER | 1 | ≤20205 | | | 0.4 | 0.88 |
| 250 | 35820-28470 | SHIFTER | 1 | ≥20206 | ← | | 0.41 | 0.902 |
| 260 | 35420-28260 | GEAR | 1 | | | 44T | 2.14 | 4.708 |
| 270 | 36200-28340 | BEARING NEEDLE | 1 | ≤20208 | | | 0 | 0 |
| 270 | 33740-30410 | BEARING NEEDLE | 1 | ≥20209 | ← | | 0.045 | 0.099 |
| 280 | 36200-28330 | RING INNER | 1 | | | | 0.088 | 0.1936 |
| 290 | 35420-28660 | COLLAR THRUST | 1 | | | 2.5MM | 0.03 | 0.066 |
| 300 | 35533-34400 | SPACER | 1 | | | | 0.43 | 0.946 |
| 310 | 08151-06308 | BEARING BALL | 1 | | | | 0.64 | 1.408 |
| 320 | 36200-28680 | RETAINER BEARING | 1 | | | | 0.058 | 0.1276 |
| 330 | 01123-50820 | BOLT | 2 | | | | 0.011 | 0.0242 |

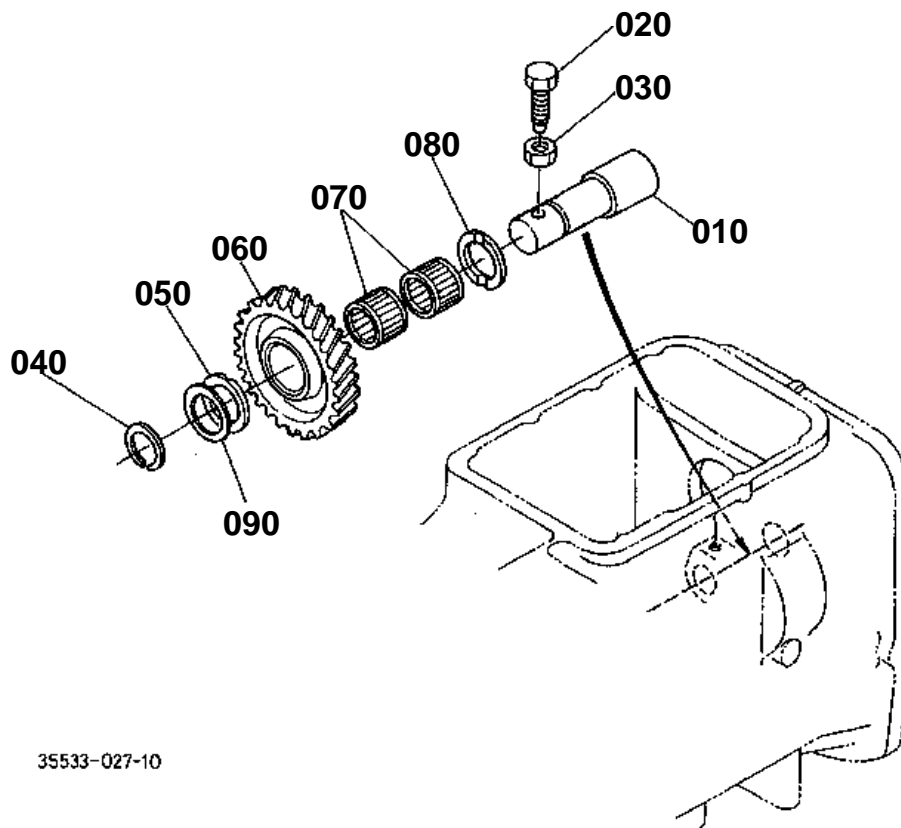
COUNTERSHAFT [SU TYPE]



**COUNTERSHAFT [SU TYPE]**

↔ Interchangeable; ≠ not interchangeable; ← new for old; → old for new

| REF.No | Part No. | Description | Q'ty | S.No. | I/C | REMARKS | Weight (kgf) | Weight (lb) |
|--------|-------------|--------------------|------|-------|-----|---------|--------------|-------------|
| 010 | 36200-28630 | COVER COUNTERSHAFT | 1 | | | | 0.7 | 1.54 |
| 020 | 04811-50800 | O RING | 1 | | | | 0.003 | 0.0066 |
| 030 | 01513-50825 | STUD | 3 | | | | 0 | 0 |
| 040 | 04512-60080 | WASHER SPRING | 3 | | | | 0.002 | 0.0044 |
| 050 | 02114-50080 | NUT | 3 | | | | 0.005 | 0.011 |
| 060 | 35502-28160 | COUNTERSHAFT | 1 | | | | 3.6 | 7.92 |
| 070 | 36330-80080 | COLLAR | 1 | | | 3.2MM | 0.03 | 0.066 |
| 080 | 34150-25330 | NUT | 1 | | | | 0.039 | 0.0858 |
| 090 | 08101-06307 | BEARING BALL | 1 | | | | 0.455 | 1.001 |
| 100 | 36200-28610 | COLLAR THRUST | 1 | | | 3.0MM | 0.048 | 0.1056 |
| 110 | 35502-28290 | GEAR | 1 | | | 29T | 0.8 | 1.76 |
| 120 | 32530-21870 | RACE INNER | 1 | | | | 0.11 | 0.242 |
| 130 | 35502-28400 | COUPLING | 1 | | | | 0.5 | 1.1 |
| 140 | 32530-21750 | SHIFTER | 1 | | | | 0.315 | 0.693 |
| 150 | 32530-21810 | BOSS SPLINE | 1 | | | | 0.21 | 0.462 |
| 160 | 35502-28280 | GEAR | 1 | | | 33T | 1 | 2.2 |
| 170 | 32530-21870 | RACE INNER | 1 | | | | 0.11 | 0.242 |
| 180 | 35420-28660 | COLLAR THRUST | 2 | | | | 0.03 | 0.066 |
| 190 | 35502-28270 | GEAR | 1 | | | 40T | 1.48 | 3.256 |
| 200 | 32530-21870 | RACE INNER | 1 | | | | 0.11 | 0.242 |
| 210 | 35502-28400 | COUPLING | 1 | | | | 0.5 | 1.1 |
| 220 | 32530-21750 | SHIFTER | 1 | | | | 0.315 | 0.693 |
| 230 | 32530-21810 | BOSS SPLINE | 1 | | | | 0.21 | 0.462 |
| 240 | 35502-28260 | GEAR | 1 | | | 44T | 1.66 | 3.652 |
| 250 | 32530-21870 | RACE INNER | 1 | | | | 0.11 | 0.242 |
| 260 | 36330-28663 | COLLAR THRUST | 1 | | | | 0.04 | 0.088 |
| 270 | 35502-28370 | GEAR BACK DRIVE | 1 | | | 33T | 1 | 2.2 |
| 280 | 32530-21820 | RACE INNER | 1 | | | | 0.09 | 0.198 |
| 290 | 35502-28400 | COUPLING | 1 | | | | 0.5 | 1.1 |
| 300 | 32530-21750 | SHIFTER | 1 | | | | 0.315 | 0.693 |
| 310 | 32530-21810 | BOSS SPLINE | 1 | | | | 0.21 | 0.462 |
| 320 | 35420-28610 | COLLAR THRUST | 2 | | | 2.0MM | 0.025 | 0.055 |
| 330 | 08151-06308 | BEARING BALL | 1 | | | | 0.64 | 1.408 |
| 340 | 36200-28680 | RETAINER BEARING | 1 | | | | 0.058 | 0.1276 |
| 350 | 01123-50820 | BOLT | 2 | | | | 0.011 | 0.0242 |

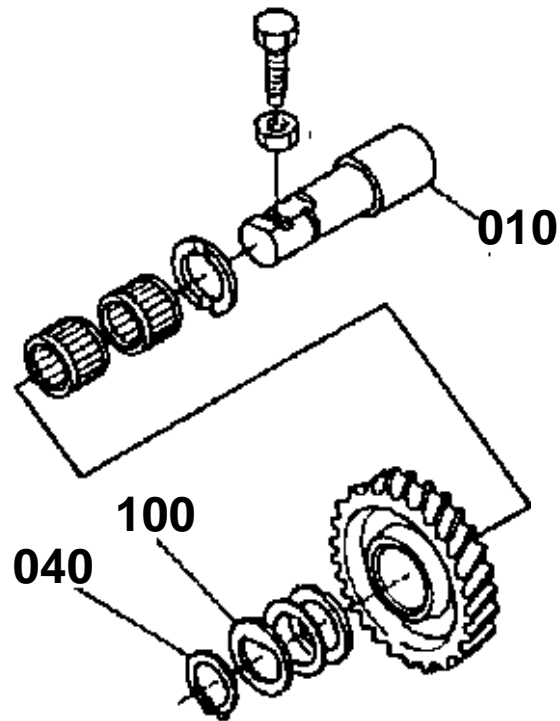


35533-027-10

010 35533-2815-0

040 37880-4427-0

100 36200-2872-0

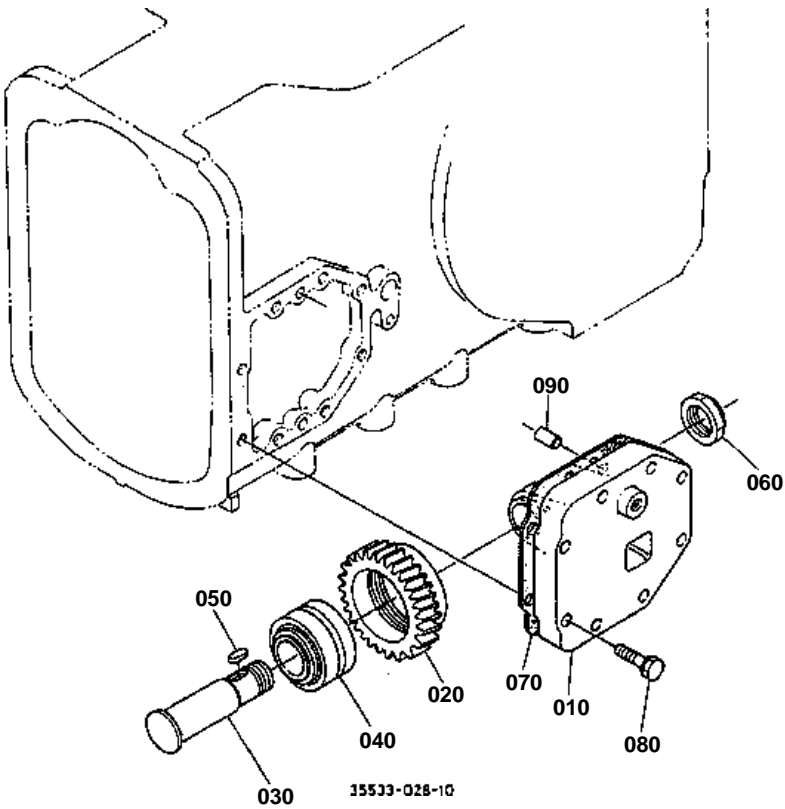


35533-817-10

**BACK IDLE SHAFT [EXCEPT MANUAL SHUTTLE]**

↔ Interchangeable; ≠ not interchangeable; ← new for old; → old for new

| REF.No | Part No. | Description | Q'ty | S.No. | I/C | REMARKS | Weight (kgf) | Weight (lb) |
|--------|-------------|------------------|------|--------|-----|---------|--------------|-------------|
| 010 | 35533-28150 | SHAFT BACK IDLE | 1 | ≤10075 | | | 0.7 | 1.54 |
| 010 | 35533-28152 | SHAFT BACK IDLE | 1 | ≥10076 | ≠ | | 0.72 | 1.584 |
| 020 | 36200-28730 | BOLT | 1 | | | | 0.025 | 0.055 |
| 030 | 02016-50100 | NUT | 1 | | | | 0.009 | 0.0198 |
| 040 | 37880-44270 | CIRCLIP EXTERNAL | 1 | ≤10075 | | | 0 | 0 |
| 040 | 38430-25540 | CIRCLIP EXTERNAL | 1 | ≥10076 | ≠ | | 0.004 | 0.0088 |
| 050 | 36330-28710 | COLLAR THRUST | 1 | | | 3.0MM | 0.03 | 0.066 |
| 060 | 35533-28350 | GEAR BACK IDLE | 1 | | | 26T | 0.81 | 1.782 |
| 070 | 35533-28360 | BEARING NEEDLE | 2 | | | | 0.02 | 0.044 |
| 080 | 36330-28710 | COLLAR THRUST | 2 | | | | 0.03 | 0.066 |
| 090 | 35533-28170 | SHIM | 1 | | | 0.3MM | 0.002 | 0.0044 |
| 090 | 35533-28180 | SHIM | 1 | | | 0.5MM | 0.003 | 0.0066 |
| 100 | 36200-28720 | COLLAR | 1 | ≤10075 | | | 0.009 | 0.0198 |

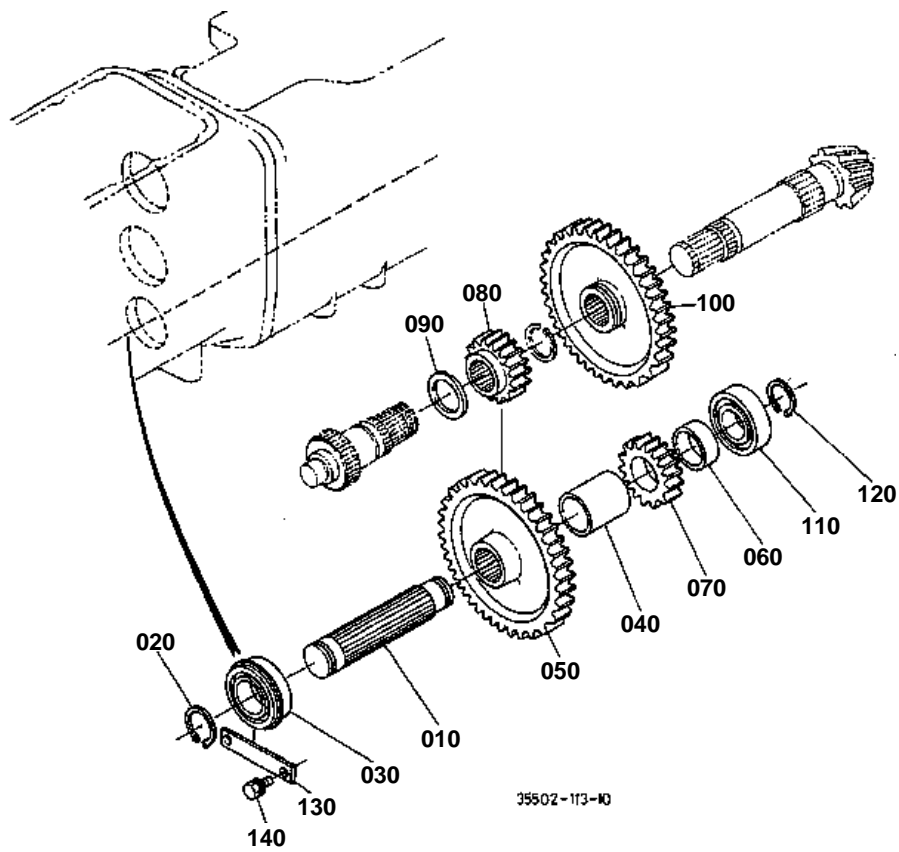


**MANUAL SHUTTLE GEAR SUPPORT [MANUAL SHUTTLE]**

↔ Interchangeable; ≠ not interchangeable; ← new for old; → old for new

| REF.No | Part No. | Description | Q'ty | S.No. | I/C | REMARKS | Weight (kgf) | Weight (lb) |
|--------|-------------|----------------------|------|-------|-----|---------|--------------|-------------|
| 010 | 35533-34210 | SUPPORT SHUTTLE GEAR | 1 | | | | 7.22 | 15.884 |
| 020 | 35533-34220 | GEAR SHUTTLE IDLE | 1 | | | 24T | 1 | 2.2 |
| 030 | 35533-34242 | SHAFT REVERSE | 1 | | | | 0.91 | 2.002 |
| 040 | 35533-34230 | BEARING TAPER-ROLLER | 1 | | | | 0.83 | 1.826 |
| 050 | 05712-00520 | KEY FEATHER | 1 | | | | 0.004 | 0.0088 |
| 060 | 34150-25320 | NUT | 1 | | | | 0.03 | 0.066 |
| 070 | 36330-21460 | GASKET | 1 | | | | 0 | 0 |
| 080 | 01133-51040 | BOLT | 8 | | | | 0.03 | 0.066 |
| 090 | 05012-01020 | PIN STRAIGHT | 2 | | | | 0.013 | 0.0286 |

CREEP GEAR SHAFT

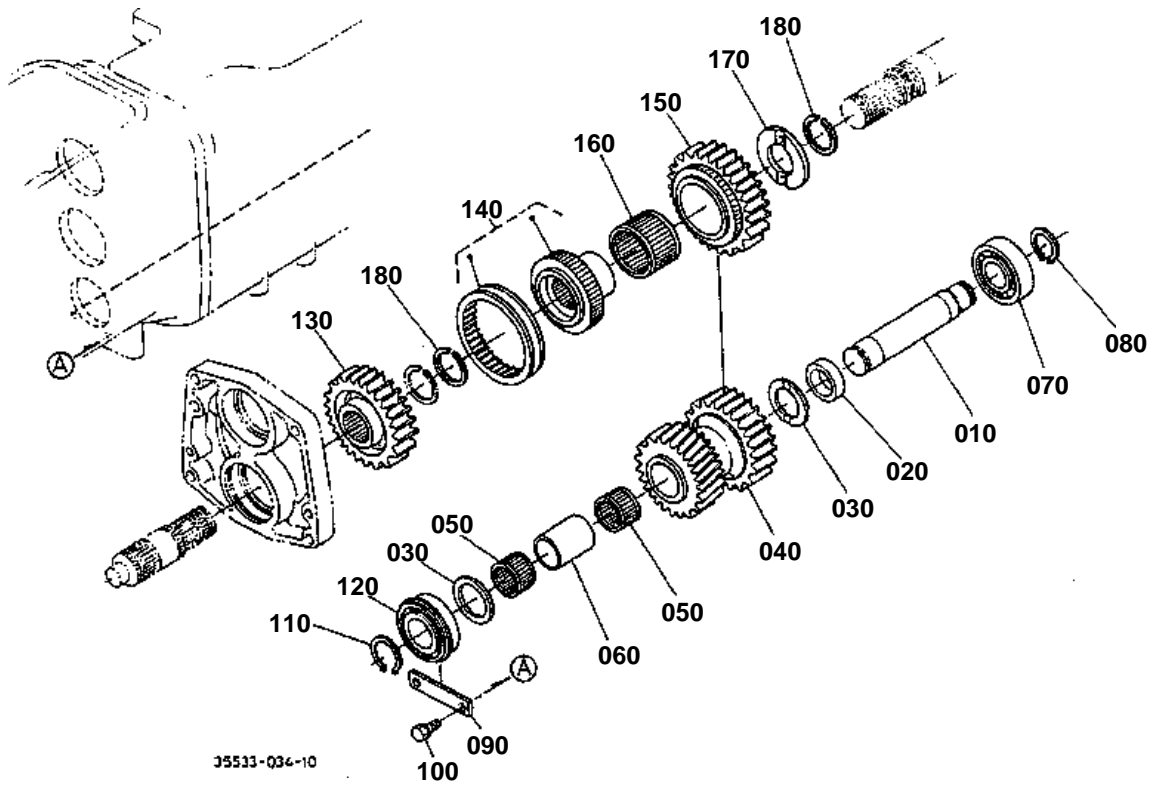


**CREEP GEAR SHAFT**

↔ Interchangeable; ≠ not interchangeable; ← new for old; → old for new

| REF.No | Part No. | Description | Q'ty | S.No. | I/C | REMARKS | Weight (kgf) | Weight (lb) |
|--------|-------------|------------------|------|---------|-----|---------|--------------|-------------|
| 010 | 35523-31210 | SHAFT CREEP | 1 | | | | 1.2 | 2.64 |
| 020 | 36740-41150 | CIRCLIP EXTERNAL | 1 | | | | 0.01 | 0.022 |
| 030 | 08151-06307 | BEARING BALL | 1 | | | | 0.469 | 1.0318 |
| 040 | 36200-31280 | COLLAR | 1 | | | | 0.166 | 0.3652 |
| 050 | 36200-31250 | GEAR | 1 | | | 46T | 1.6 | 3.52 |
| 060 | 35523-31290 | COLLAR CREEP | 1 | | | | 0.08 | 0.176 |
| 070 | 36200-31262 | GEAR CREEP | 1 | | | 20T | 0.499 | 1.0978 |
| 080 | 35533-31230 | GEAR CREEP | 1 | | | 17T | 0.29 | 0.638 |
| 090 | 35533-31270 | COLLAR | 1 | | | | 0.02 | 0.044 |
| 100 | 36200-31242 | GEAR | 1 | | | 43T | 1.65 | 3.63 |
| 110 | 08101-06306 | BEARING BALL | 1 | | | | 0.335 | 0.737 |
| 120 | 37880-44270 | CIRCLIP EXTERNAL | 1 | <=10193 | | | 0 | 0 |
| 120 | 36330-80660 | CIRCLIP EXTERNAL | 1 | >=10194 | ↔ | | 0.02 | 0.044 |
| 130 | 36200-28680 | RETAINER BEARING | 1 | | | | 0.058 | 0.1276 |
| 140 | 01123-50820 | BOLT | 2 | | | | 0.011 | 0.0242 |

MANUAL SHUTTLE GEAR

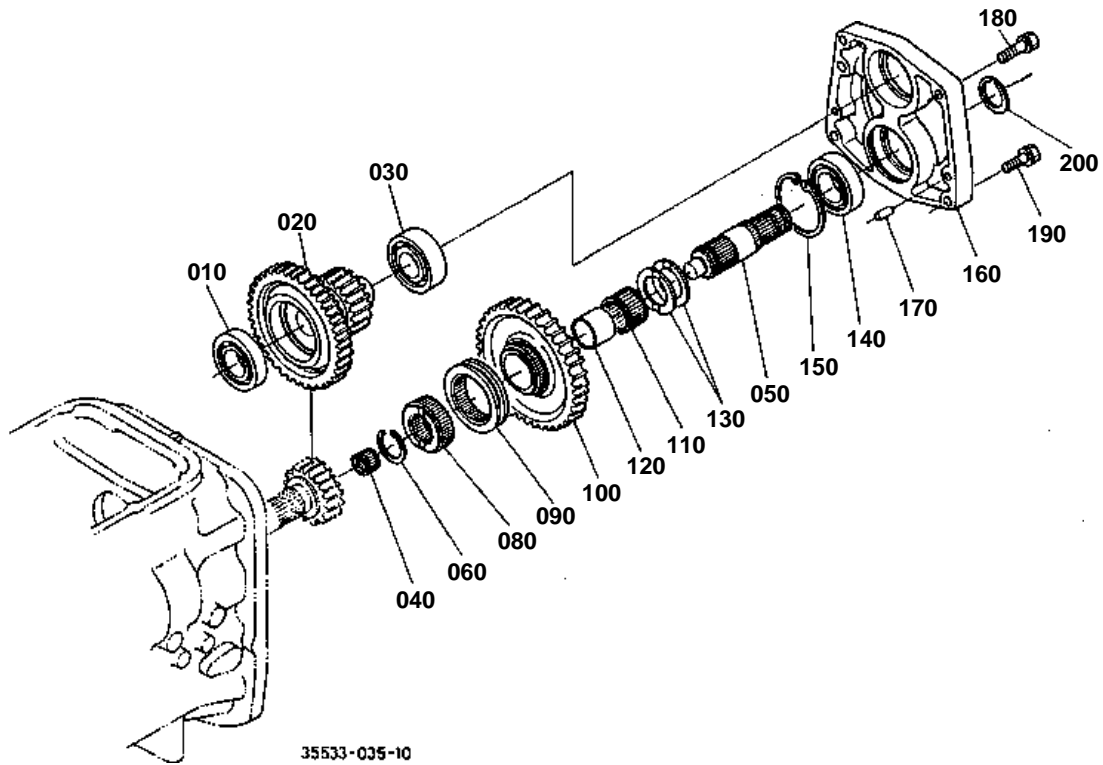


**MANUAL SHUTTLE GEAR**

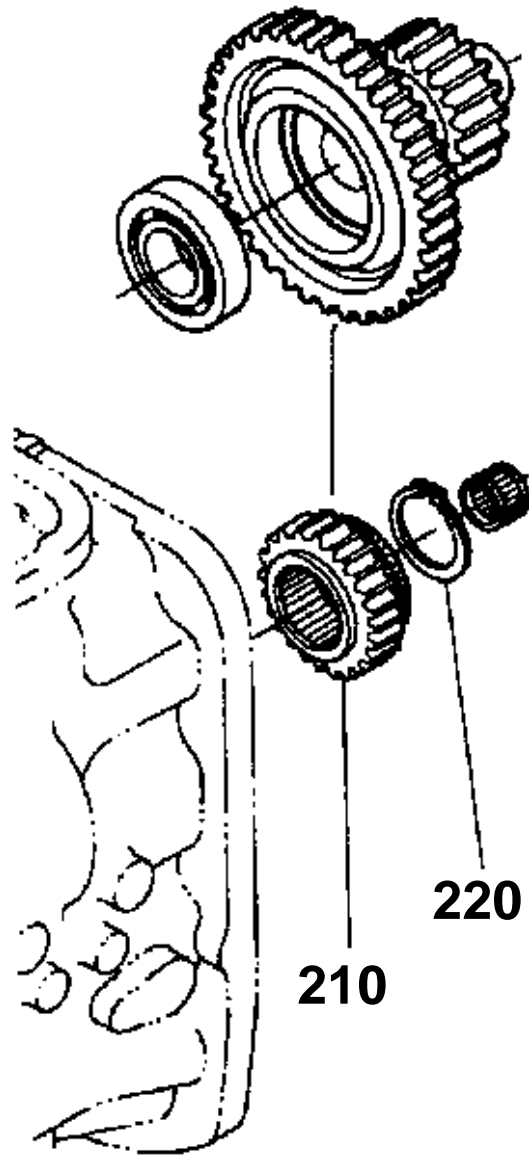
↔ Interchangeable; ≠ not interchangeable; ← new for old; → old for new

| REF.No | Part No. | Description | Q'ty | S.No. | I/C | REMARKS | Weight (kgf) | Weight (lb) |
|--------|-------------|-------------------|------|--------|-----|---------|--------------|-------------|
| 010 | 35533-34310 | SHAFT SHUTTLE | 1 | | | | 0 | 0 |
| 020 | 35533-34380 | COLLAR SHUTTLE | 1 | | | | 0.74 | 1.628 |
| 030 | 36280-41150 | WASHER THRUST | 2 | | | | 0.04 | 0.088 |
| 040 | 35533-34320 | GEAR SHUTTLE | 1 | | | 23-29T | 3.6 | 7.92 |
| 050 | 08823-54027 | BEARING NEEDLE | 2 | | | | 0.05 | 0.11 |
| 060 | 35533-34350 | COLLAR SHUTTLE | 1 | | | | 0.07 | 0.154 |
| 070 | 36540-41130 | BEARING BALL | 1 | | | | 0.34 | 0.748 |
| 080 | 37880-44270 | CIRCLIP EXTERNAL | 1 | ≤10193 | | | 0 | 0 |
| 080 | 36330-80660 | CIRCLIP EXTERNAL | 1 | ≥10194 | ↔ | | 0.02 | 0.044 |
| 090 | 36200-28680 | RETAINER BEARING | 1 | | | | 0.058 | 0.1276 |
| 100 | 01123-50820 | BOLT | 2 | | | | 0.011 | 0.0242 |
| 110 | 36740-41150 | CIRCLIP EXTERNAL | 1 | | | 0.5MM | 0.01 | 0.022 |
| 120 | 36530-80150 | BEARING BALL | 1 | | | | 0.47 | 1.034 |
| 130 | 35533-34260 | GEAR SHUTTLE | 1 | | | 26T | 1.7 | 3.74 |
| 140 | 35533-34250 | COUPLING-SHIFTER | 1 | | | | 1.5 | 3.3 |
| 150 | 35533-34290 | GEAR SHUTTLE | 1 | | | 34T | 2 | 4.4 |
| 160 | 08825-05530 | BEARING NEEDLE | 1 | | | | 0.06 | 0.132 |
| 170 | 35533-34300 | COLLAR THRUST | 1 | | | | 0.1 | 0.22 |
| 180 | 35533-32300 | CIR-CRIP EXTERNAL | 2 | | | | 0.01 | 0.022 |

RANGE SHIFT SHAFT [EXCEPT SU TYPE]



210 35420-3226-0
220 04612-00450



35533-818-10

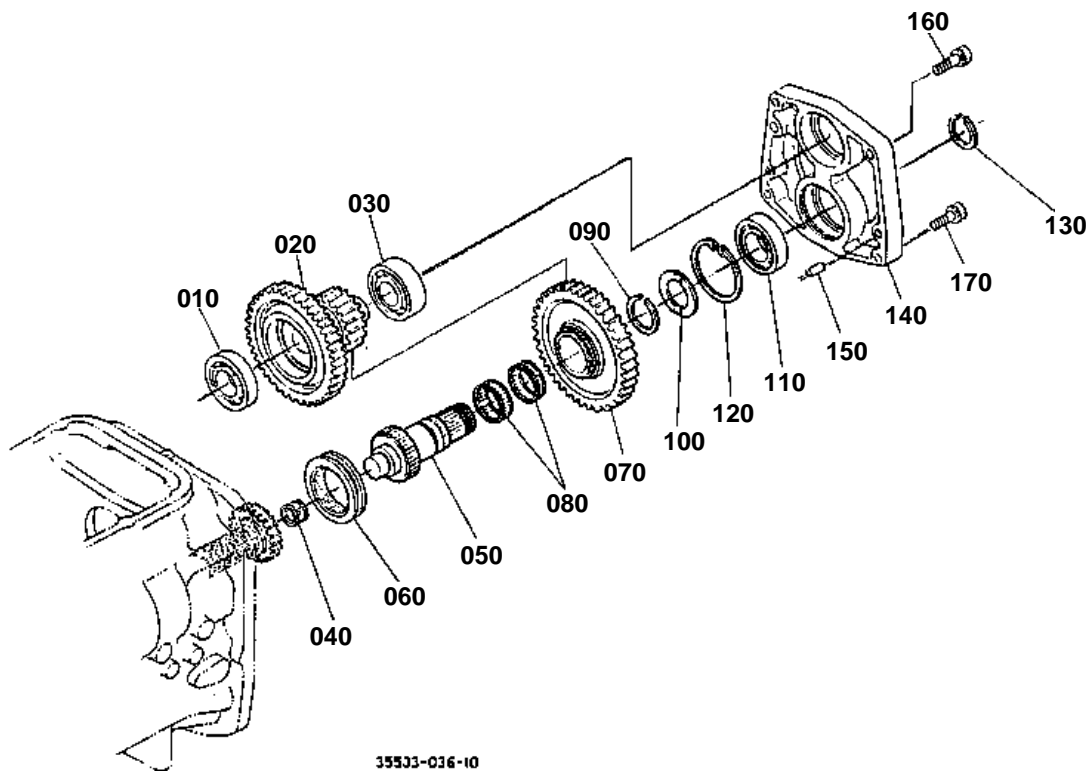


RANGE SHIFT SHAFT [EXCEPT SU TYPE]

↔ Interchangeable; ≠ not interchangeable; ← new for old; → old for new

| REF.No | Part No. | Description | Q'ty | S.No. | I/C | REMARKS | Weight (kgf) | Weight (lb) |
|--------|-------------|-------------------|------|---------|-----|-----------------------|--------------|-------------|
| 010 | 08101-06208 | BEARING BALL | 1 | | | | 0.355 | 0.781 |
| 020 | 36200-32320 | GEAR | 1 | <=10058 | | 20-40T | 3.24 | 7.128 |
| 020 | 35533-32390 | GEAR | 1 | >=10059 | ← | 20-40T | 3 | 6.6 |
| 030 | 38260-26790 | BEARING BALL | 1 | | | | 0.05 | 0.11 |
| 040 | 08822-53216 | BEARING NEEDLE | 1 | | | | 0.026 | 0.0572 |
| 050 | 35533-32330 | SHAFT RANGE SHIFT | 1 | | | | 1.1 | 2.42 |
| 060 | 36730-28040 | CIR-CRIP EXTERNAL | 1 | | | | 0 | 0 |
| 080 | 36330-28462 | COUPLING | 1 | | | | 0.45 | 0.99 |
| 090 | 36330-28473 | SHIFTER | 1 | | | | 0.4 | 0.88 |
| 100 | 35420-32340 | GEAR | 1 | <=10091 | | 43T | 0 | 0 |
| 100 | 35420-32343 | GEAR | 1 | >=10092 | ← | 43T | 1.98 | 4.356 |
| 110 | 36200-28340 | BEARING NEEDLE | 1 | <=20208 | | | 0 | 0 |
| 110 | 33740-30410 | BEARING NEEDLE | 1 | >=20209 | ← | | 0.045 | 0.099 |
| 120 | 36200-28330 | RING INNER | 1 | | | | 0.088 | 0.1936 |
| 130 | 36330-28660 | COLLAR THRUST | 2 | <=10034 | | 3.0MM | 0 | 0 |
| 130 | 36330-28663 | COLLAR THRUST | 2 | >=10035 | ← | 3.0MM | 0.04 | 0.088 |
| 140 | 08101-06208 | BEARING BALL | 1 | | | EXCEPT MANUAL SHUTTLE | 0.355 | 0.781 |
| 140 | 35533-34270 | BEARING ROLLER | 1 | | | MANUAL SHUTTLE | 0.42 | 0.924 |
| 150 | 04611-00800 | CIR CLIP INTERNAL | 1 | | | | 0.02 | 0.044 |
| 160 | 36200-32314 | SUPPORT BEARING | 1 | <=10058 | | | 0 | 0 |
| 160 | 36200-32315 | SUPPORT BEARING | 1 | >=10059 | ← | | 0 | 0 |
| 160 | 36200-32316 | SUPPORT BEARING | 1 | >=10168 | ← | | 3.02 | 6.644 |
| 170 | 05012-01020 | PIN STRAIGHT | 2 | | | | 0.013 | 0.0286 |
| 180 | 01133-51245 | BOLT | 3 | | | | 0.055 | 0.121 |
| 190 | 01133-51235 | BOLT | 1 | | | | 0.043 | 0.0946 |
| 200 | 35533-32300 | CIR-CRIP EXTERNAL | 1 | | | | 0.01 | 0.022 |
| 210 | 35420-32260 | GEAR | 1 | <=10075 | | 23T | 0.71 | 1.562 |
| 220 | 04612-00450 | CIRCLIP EXTERNAL | 1 | <=10075 | | | 0.007 | 0.0154 |

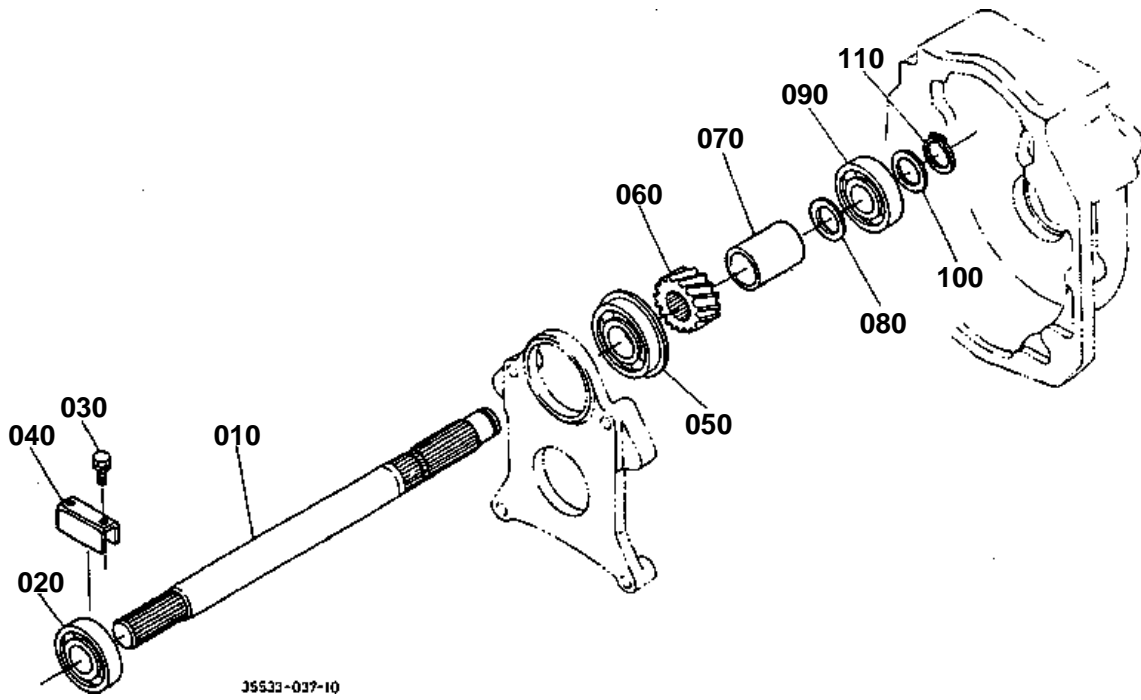
RANGE SHIFT SHAFT [SU TYPE]



**RANGE SHIFT SHAFT [SU TYPE]**

↔ Interchangeable; ≠ not interchangeable; ← new for old; → old for new

| REF.No | Part No. | Description | Q'ty | S.No. | I/C | REMARKS | Weight (kgf) | Weight (lb) |
|--------|-------------|-------------------|------|-------|-----|---------|--------------|-------------|
| 010 | 08101-06208 | BEARING BALL | 1 | | | | 0.355 | 0.781 |
| 020 | 35533-32390 | GEAR | 1 | | | 20-40T | 3 | 6.6 |
| 030 | 38260-26790 | BEARING BALL | 1 | | | | 0.05 | 0.11 |
| 040 | 08822-53216 | BEARING NEEDLE | 1 | | | | 0.026 | 0.0572 |
| 050 | 35532-32280 | SHAFT RANGE SHIFT | 1 | | | | 1.4 | 3.08 |
| 060 | 32530-21750 | SHIFTER | 1 | | | | 0.315 | 0.693 |
| 070 | 35502-32340 | GEAR | 1 | | | 43T | 1.7 | 3.74 |
| 080 | 08824-04517 | BEARING NEEDLE | 2 | | | | 0.03 | 0.066 |
| 090 | 35502-32300 | RING SNAP | 1 | | | | 0.02 | 0.044 |
| 100 | 36330-28663 | COLLAR THRUST | 1 | | | | 0.04 | 0.088 |
| 110 | 08101-06208 | BEARING BALL | 1 | | | | 0.355 | 0.781 |
| 120 | 04611-00800 | CIR CLIP INTERNAL | 1 | | | | 0.02 | 0.044 |
| 130 | 35533-32300 | CIR-CRIP EXTERNAL | 1 | | | | 0.01 | 0.022 |
| 140 | 36200-32316 | SUPPORT BEARING | 1 | | | | 3.02 | 6.644 |
| 150 | 05012-01020 | PIN STRAIGHT | 2 | | | | 0.013 | 0.0286 |
| 160 | 01133-51245 | BOLT | 3 | | | | 0.055 | 0.121 |
| 170 | 01133-51235 | BOLT | 1 | | | | 0.043 | 0.0946 |

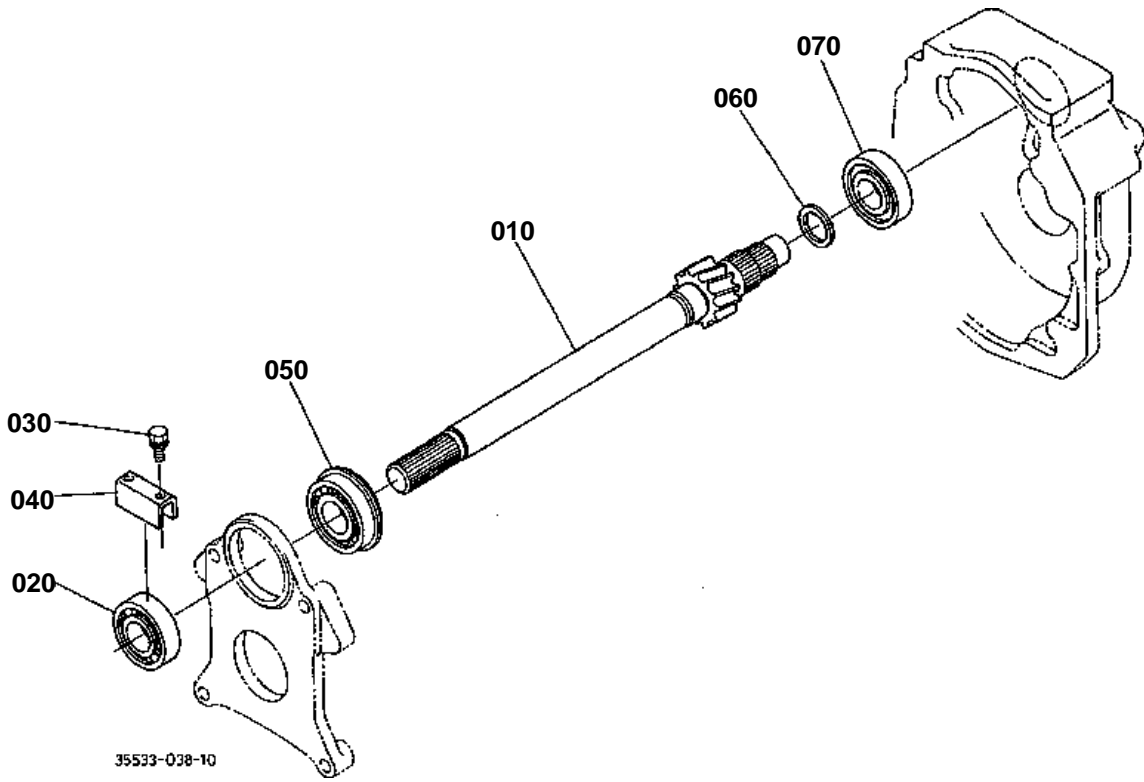




PTO DRIVE SHAFT [OLD TYPE]
S.No.;<=10058

↔ Interchangeable; ≠ not interchangeable; ← new for old; → old for new

| REF.No | Part No. | Description | Q'ty | S.No. | I/C | REMARKS | Weight (kgf) | Weight (lb) |
|--------|-------------|------------------|------|-------|-----|---------|--------------|-------------|
| 010 | 36530-80110 | SHAFT PTO DRIVE | 1 | | | | 3.5 | 7.7 |
| 020 | 08101-06306 | BEARING BALL | 1 | | | | 0.335 | 0.737 |
| 030 | 01123-50820 | BOLT | 1 | | | | 0.011 | 0.0242 |
| 040 | 36530-80140 | RETAINER BEARING | 1 | | | | 0.14 | 0.308 |
| 050 | 08151-06307 | BEARING BALL | 1 | | | | 0.469 | 1.0318 |
| 060 | 36230-80120 | GEAR PTO | 1 | | | 16T | 0.33 | 0.726 |
| 070 | 35533-80190 | COLLAR PTO DRIVE | 1 | | | 64.9MM | 0.32 | 0.704 |
| 080 | 36330-80060 | COLLAR | 1 | | | 2.0MM | 0.014 | 0.0308 |
| 090 | 08101-06306 | BEARING BALL | 1 | | | | 0.335 | 0.737 |
| 100 | 36330-80070 | COLLAR | 1 | | | 4.0MM | 0.015 | 0.033 |
| 110 | 04612-00300 | CIRCLIP EXTERNAL | 1 | | | | 0.003 | 0.0066 |



35533-038-10

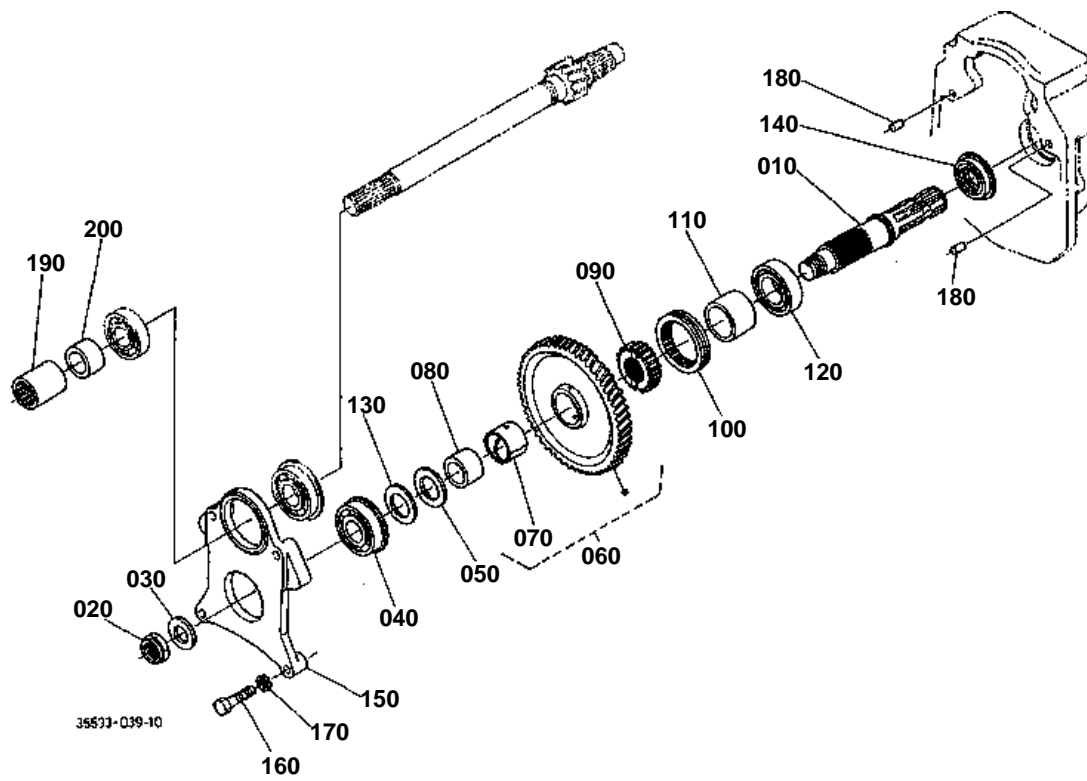


PTO DRIVE SHAFT [NEW TYPE]
S.No.;>=10059

↔ Interchangeable; ≠ not interchangeable; ← new for old; → old for new

| REF.No | Part No. | Description | Q'ty | S.No. | I/C | REMARKS | Weight (kgf) | Weight (lb) |
|--------|-------------|------------------|------|-------|-----|---------|--------------|-------------|
| 010 | 36230-80170 | SHAFT PTO DRIVE | 1 | | | 16T | 3.7 | 8.14 |
| 020 | 08101-06306 | BEARING BALL | 1 | | | | 0.335 | 0.737 |
| 030 | 01123-50820 | BOLT | 1 | | | | 0.011 | 0.0242 |
| 040 | 36530-80140 | RETAINER BEARING | 1 | | | | 0.14 | 0.308 |
| 050 | 08151-06307 | BEARING BALL | 1 | | | | 0.469 | 1.0318 |
| 060 | 36330-80060 | COLLAR | 1 | | | 2.0MM | 0.014 | 0.0308 |
| 070 | 08101-06306 | BEARING BALL | 1 | | | | 0.335 | 0.737 |

PTO SHAFT



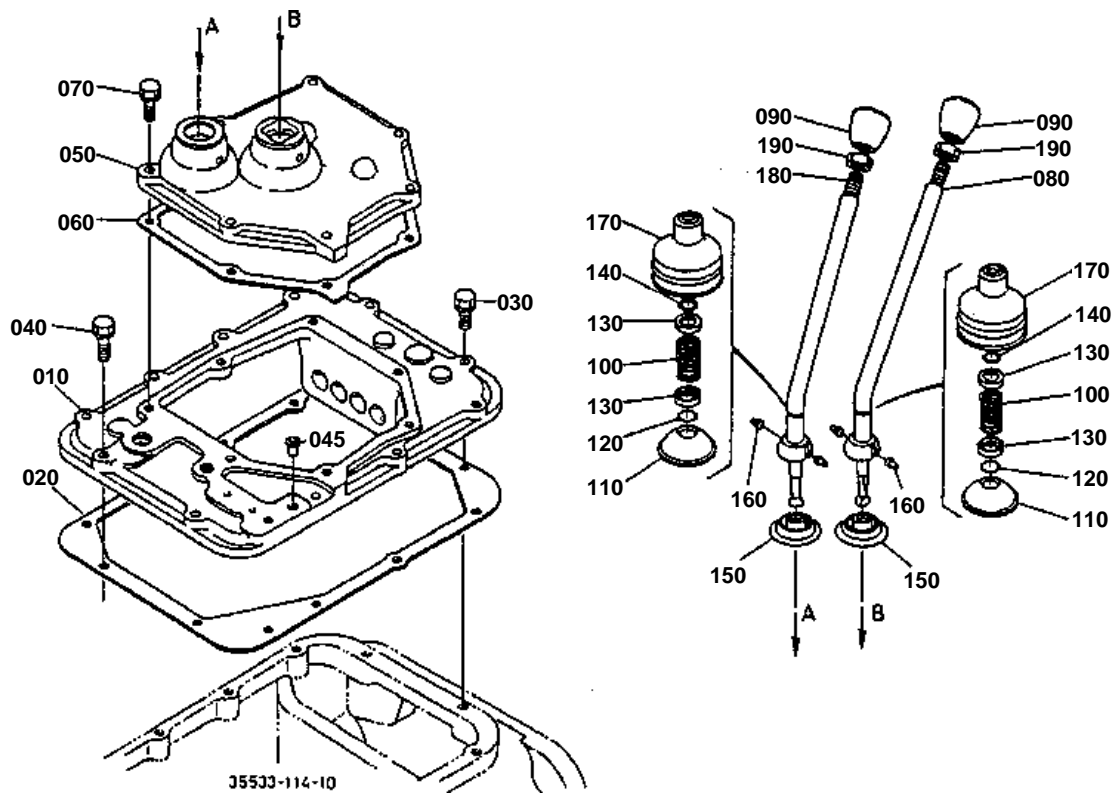


PTO SHAFT

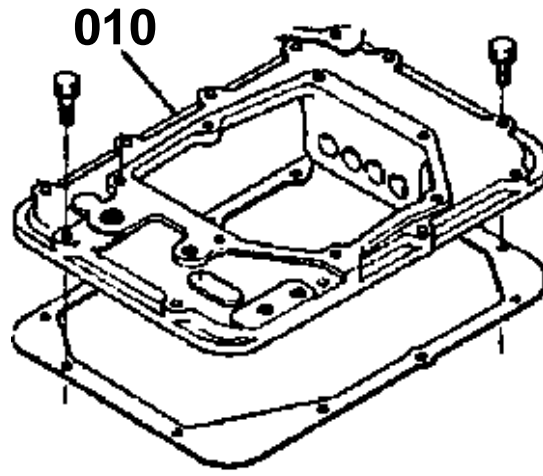
↔ Interchangeable; ≠ not interchangeable; ← new for old; → old for new

| REF.No | Part No. | Description | Q'ty | S.No. | I/C | REMARKS | Weight (kgf) | Weight (lb) |
|--------|-------------|---------------------|------|---------|-----|---------|--------------|-------------|
| 010 | 36200-97670 | SHAFT PTO | 1 | <=10197 | | | 0 | 0 |
| 010 | 36200-97673 | SHAFT PTO | 1 | >=10198 | ↔ | | 0 | 0 |
| 020 | 34150-25330 | NUT | 1 | | | | 0.039 | 0.0858 |
| 030 | 36330-80080 | COLLAR | 1 | | | 3.2MM | 0.03 | 0.066 |
| 040 | 08151-06307 | BEARING BALL | 1 | | | | 0.469 | 1.0318 |
| 050 | 36330-28610 | COLLAR THRUST | 1 | | | 3.0MM | 0.04 | 0.088 |
| 060 | 36230-80300 | ASSY GEAR | 1 | | | 65T | 3.75 | 8.25 |
| 070 | 36200-80190 | BUSH | 1 | | | | 0.084 | 0.1848 |
| 080 | 36200-28330 | RING INNER | 1 | | | | 0.088 | 0.1936 |
| 090 | 36330-28462 | COUPLING | 1 | | | | 0.45 | 0.99 |
| 100 | 36330-28473 | SHIFTER | 1 | | | | 0.4 | 0.88 |
| 110 | 35533-80180 | COLLAR PTO SHAFT | 1 | | | 35.0MM | 0.21 | 0.462 |
| 120 | 08101-06208 | BEARING BALL | 1 | | | | 0.355 | 0.781 |
| 130 | 36910-80390 | SHIM | 2 | | | 0.3MM | 0.002 | 0.0044 |
| 140 | 35708-80290 | SEAL | 1 | <=10160 | | | 0 | 0 |
| 140 | 33740-80290 | SEAL | 1 | >=10161 | ← | | 0.075 | 0.165 |
| 150 | 36330-80215 | SUPPORT PTO BEARING | 1 | | | | 3.24 | 7.128 |
| 160 | 01173-51255 | BOLT | 4 | | | | 0.055 | 0.121 |
| 170 | 04512-60120 | WASHER SPRING | 4 | | | | 0.005 | 0.011 |
| 180 | 05012-01020 | PIN STRAIGHT | 2 | | | | 0.013 | 0.0286 |
| 190 | 35533-80400 | COUPLING | 1 | | | | 0.25 | 0.55 |
| 200 | 35533-80390 | COLLAR PTO DRIVE | 1 | | | 47.0MM | 0.06 | 0.132 |

MAIN AND RANGE GEAR SHIFT LEVER



010 36570-2125-0



35502-812-10

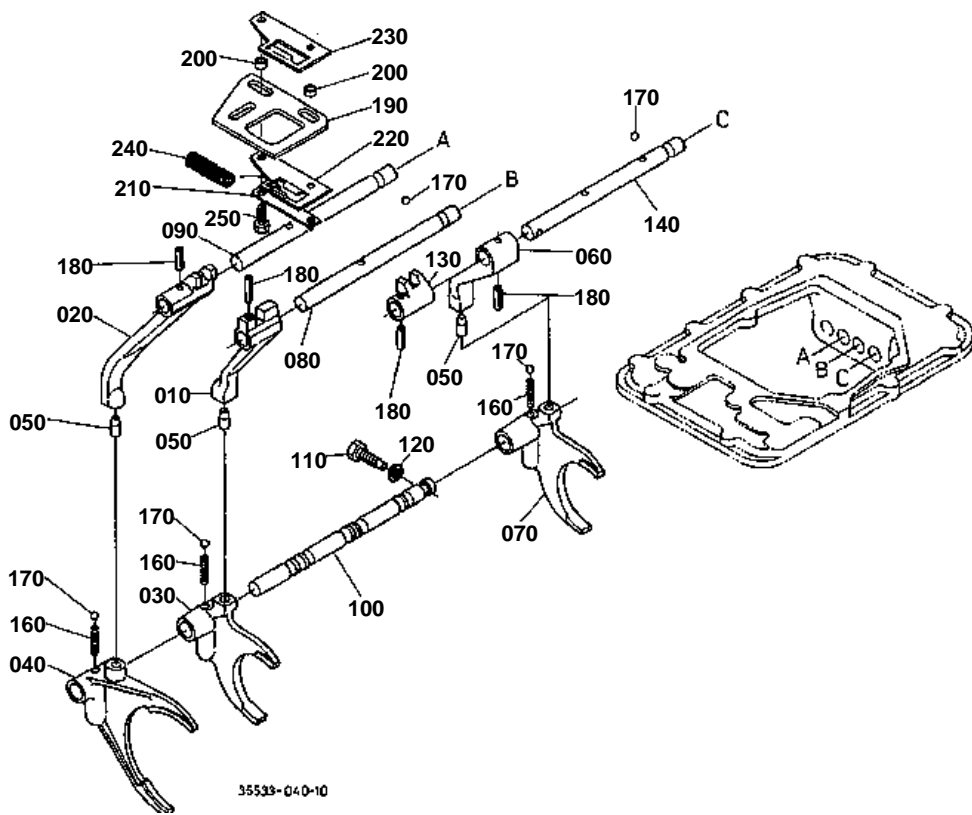


MAIN AND RANGE GEAR SHIFT LEVER

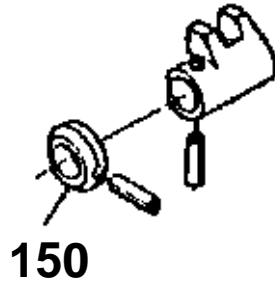
↔ Interchangeable; ≠ not interchangeable; ← new for old; → old for new

| REF.No | Part No. | Description | Q'ty | S.No. | I/C | REMARKS | Weight (kgf) | Weight (lb) |
|--------|-------------|--------------------|------|--------|-----|---------|--------------|-------------|
| 010 | 36570-21250 | COVER SHIFT | 1 | ≤10197 | | | 4.5 | 9.9 |
| 010 | 36570-21256 | COVER SHIFT | 1 | ≥10198 | ≠ | | 0 | 0 |
| 010 | 36570-21257 | COVER GEAR SHIFT | 1 | ≥20484 | ← | | 4.46 | 9.812 |
| 020 | 36200-21264 | GASKET | 1 | | | | 0 | 0 |
| 030 | 01123-50828 | BOLT | 10 | | | | 0.014 | 0.0308 |
| 040 | 01123-50830 | BOLT | 2 | | | | 0.015 | 0.033 |
| 045 | 66591-51130 | BOLT | 1 | ≥20484 | | | 0.001 | 0.0022 |
| 050 | 36200-21270 | BRACKET GEAR SHIFT | 1 | ≤10058 | | | 2.06 | 4.532 |
| 050 | 36200-21270 | BRACKET GEAR SHIFT | 1 | ≥10059 | ≠ | | 2.06 | 4.532 |
| 060 | 36200-21280 | GASKET | 1 | | | | 0 | 0 |
| 070 | 01123-50825 | BOLT | 7 | | | | 0.013 | 0.0286 |
| 080 | 35533-29360 | LEVER MAIN SHIFT | 1 | | | | 0.65 | 1.43 |
| 090 | 35828-29620 | GRIP LEVER | 2 | | | | 0.055 | 0.121 |
| 100 | 33251-29630 | SPRING | 2 | | | | 0.013 | 0.0286 |
| 110 | 36330-29700 | CAP SHIFT LEVER | 2 | | | | 0.04 | 0.088 |
| 120 | 04815-00150 | O RING | 2 | | | | 0 | 0 |
| 130 | 33251-29650 | CAP SPRING | 4 | | | | 0.005 | 0.011 |
| 140 | 33251-29660 | STOPPER SPRING | 2 | | | | 0.001 | 0.0022 |
| 150 | 34150-23870 | SHIELD | 2 | ≤20419 | | | 0 | 0 |
| 150 | 34150-23873 | SHIELD | 2 | ≥20420 | ← | | 0 | 0 |
| 160 | 34150-23740 | PIN SET | 4 | | | | 0.002 | 0.0044 |
| 170 | 36200-29690 | SEAL SHIFT LEVER | 2 | | | | 0.032 | 0.0704 |
| 180 | 35533-29370 | LAVER RANGE SHIFT | 1 | | | | 0.5 | 1.1 |
| 190 | 02116-50100 | NUT | 2 | ≥10035 | | | 0.004 | 0.0088 |

MAIN GEAR SHIFT FORK [EXCEPT MANUAL SHUTTLE & SU]



150 36570-2917-2



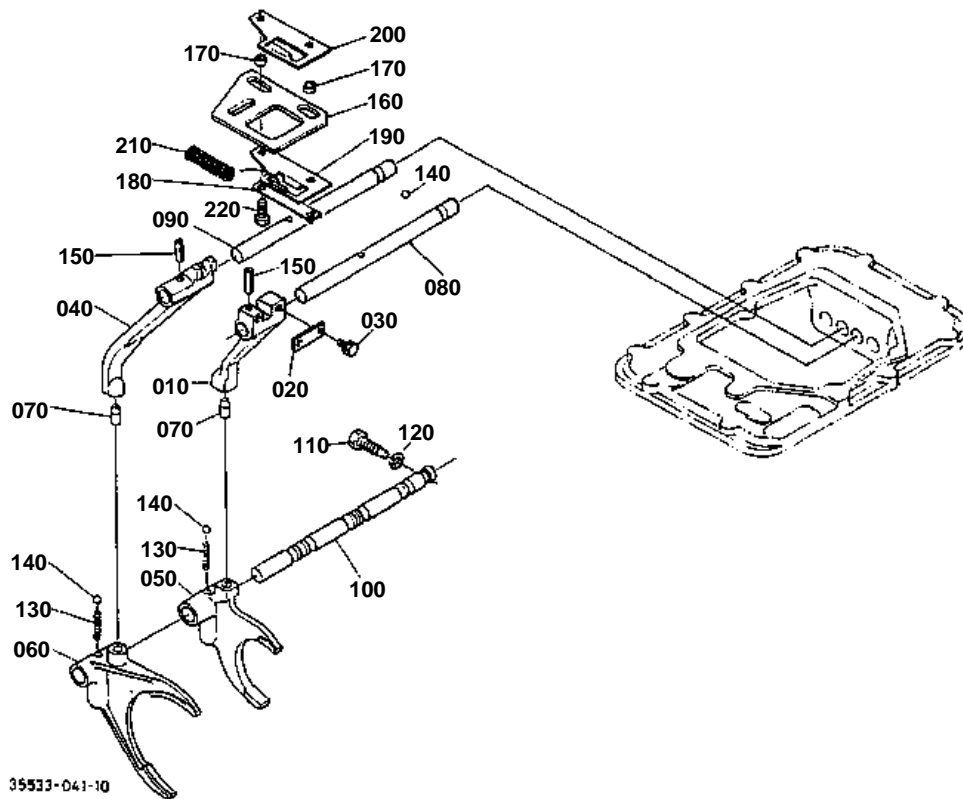
35533-850-10

**MAIN GEAR SHIFT FORK [EXCEPT MANUAL SHUTTLE & SU]**

↔ Interchangeable; ≠ not interchangeable; ← new for old; → old for new

| REF.No | Part No. | Description | Q'ty | S.No. | I/C | REMARKS | Weight (kgf) | Weight (lb) |
|--------|-------------|---------------------|------|--------|-----|---------|--------------|-------------|
| 010 | 35420-29110 | LEVER SHIFT | 1 | | | | 0.36 | 0.792 |
| 020 | 36200-29120 | LEVER SHIFT | 1 | | | | 0.41 | 0.902 |
| 030 | 35420-29140 | FORK SHIFT | 1 | ≤10167 | | | 0 | 0 |
| 030 | 35420-29142 | FORK SHIFT | 1 | ≥10168 | ← | | 0.46 | 1.012 |
| 040 | 36200-29140 | FORK SHIFT | 1 | ≤10167 | | | 0 | 0 |
| 040 | 36200-29144 | FORK SHIFT | 1 | ≥10168 | ← | | 0.2 | 0.44 |
| 050 | 36200-29150 | PIN FORK SET | 3 | | | | 0.01 | 0.022 |
| 060 | 35420-29190 | LEVER BACK SHIFT | 1 | | | | 0.51 | 1.122 |
| 070 | 35420-29160 | FORK BACK | 1 | ≤10167 | | | 0 | 0 |
| 070 | 35420-29162 | FORK BACK | 1 | ≥10168 | ← | | 0.48 | 1.056 |
| 080 | 36200-29210 | ROD SHIFT | 1 | | | | 0.348 | 0.7656 |
| 090 | 36200-29220 | ROD SHIFT | 1 | | | | 0.356 | 0.7832 |
| 100 | 35533-29240 | BAR MAIN SHIFT | 1 | | | | 0.5 | 1.1 |
| 110 | 35820-29410 | BOLT | 1 | | | | 0.04 | 0.088 |
| 120 | 04717-01200 | WASHER WITH RUBBER | 1 | | | | 0.002 | 0.0044 |
| 130 | 35420-29010 | HOLDER SHIFT | 1 | | | | 0.135 | 0.297 |
| 140 | 35420-29260 | ROD BACK SHIFT | 1 | | | | 0.36 | 0.792 |
| 150 | 36570-29172 | STAY LIGHT | 1 | ≤10058 | | | 0.14 | 0.308 |
| 160 | 33251-29410 | SPRING | 3 | | | | 0.005 | 0.011 |
| 170 | 07715-03211 | BALL | 5 | | | | 0.003 | 0.0066 |
| 180 | 05411-00625 | PIN SPRING | 5 | | | | 0.004 | 0.0088 |
| 190 | 36200-29440 | SECTOR SHIFT LEVER | 1 | | | | 0.19 | 0.418 |
| 200 | 33251-29450 | COLLAR SECTOR GUIDE | 2 | | | | 0.002 | 0.0044 |
| 210 | 33251-29510 | WASHER | 1 | | | | 0.008 | 0.0176 |
| 220 | 36200-29520 | SECTOR LOWER | 1 | | | | 0.055 | 0.121 |
| 230 | 36200-29530 | SECTOR UPPER | 1 | | | | 0.054 | 0.1188 |
| 240 | 33251-29540 | SPRING | 1 | | | | 0.02 | 0.044 |
| 250 | 01153-50820 | BOLT | 2 | | | | 0.012 | 0.0264 |

MAIN GEAR SHIFT FORK [MANUAL SHUTTLE/EXCEPT SU]



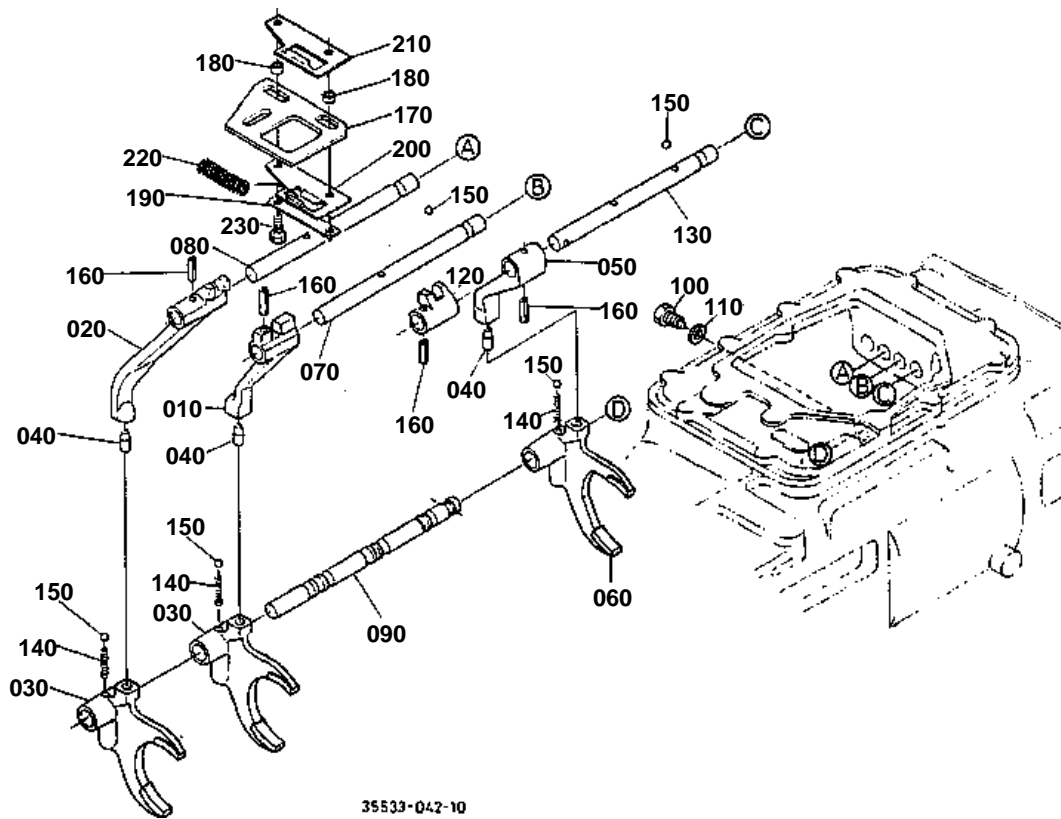


MAIN GEAR SHIFT FORK [MANUAL SHUTTLE/EXCEPT SU]

↔ Interchangeable; ≠ not interchangeable; ← new for old; → old for new

| REF.No | Part No. | Description | Q'ty | S.No. | I/C | REMARKS | Weight (kgf) | Weight (lb) |
|--------|-------------|---------------------|------|--------|-----|---------|--------------|-------------|
| 010 | 35533-29110 | LEVER GEAR SHIFT | 1 | | | | 0.53 | 1.166 |
| 020 | 35533-29130 | PLATE | 1 | | | | 0.025 | 0.055 |
| 030 | 01023-50612 | BOLT | 2 | | | | 0.005 | 0.011 |
| 040 | 36200-29120 | LEVER SHIFT | 1 | | | | 0.41 | 0.902 |
| 050 | 35420-29140 | FORK SHIFT | 1 | ≤10167 | | | 0 | 0 |
| 050 | 35420-29142 | FORK SHIFT | 1 | ≥10168 | ← | | 0.46 | 1.012 |
| 060 | 36200-29140 | FORK SHIFT | 1 | ≤10167 | | | 0 | 0 |
| 060 | 36200-29144 | FORK SHIFT | 1 | ≥10168 | ← | | 0.2 | 0.44 |
| 070 | 36200-29150 | PIN FORK SET | 2 | | | | 0.01 | 0.022 |
| 080 | 36200-29210 | ROD SHIFT | 1 | | | | 0.348 | 0.7656 |
| 090 | 36200-29220 | ROD SHIFT | 1 | | | | 0.356 | 0.7832 |
| 100 | 35533-29240 | BAR MAIN SHIFT | 1 | | | | 0.5 | 1.1 |
| 110 | 35820-29410 | BOLT | 1 | | | | 0.04 | 0.088 |
| 120 | 04717-01200 | WASHER WITH RUBBER | 1 | | | | 0.002 | 0.0044 |
| 130 | 33251-29410 | SPRING | 2 | | | | 0.005 | 0.011 |
| 140 | 07715-03211 | BALL | 3 | | | | 0.003 | 0.0066 |
| 150 | 05411-00625 | PIN SPRING | 2 | | | | 0.004 | 0.0088 |
| 160 | 36200-29440 | SECTOR SHIFT LEVER | 1 | | | | 0.19 | 0.418 |
| 170 | 33251-29450 | COLLAR SECTOR GUIDE | 2 | | | | 0.002 | 0.0044 |
| 180 | 33251-29510 | WASHER | 1 | | | | 0.008 | 0.0176 |
| 190 | 36200-29520 | SECTOR LOWER | 1 | | | | 0.055 | 0.121 |
| 200 | 36200-29530 | SECTOR UPPER | 1 | | | | 0.054 | 0.1188 |
| 210 | 33251-29540 | SPRING | 1 | | | | 0.02 | 0.044 |
| 220 | 01153-50820 | BOLT | 2 | | | | 0.012 | 0.0264 |

MAIN GEAR SHIFT FORK [SU TYPE]



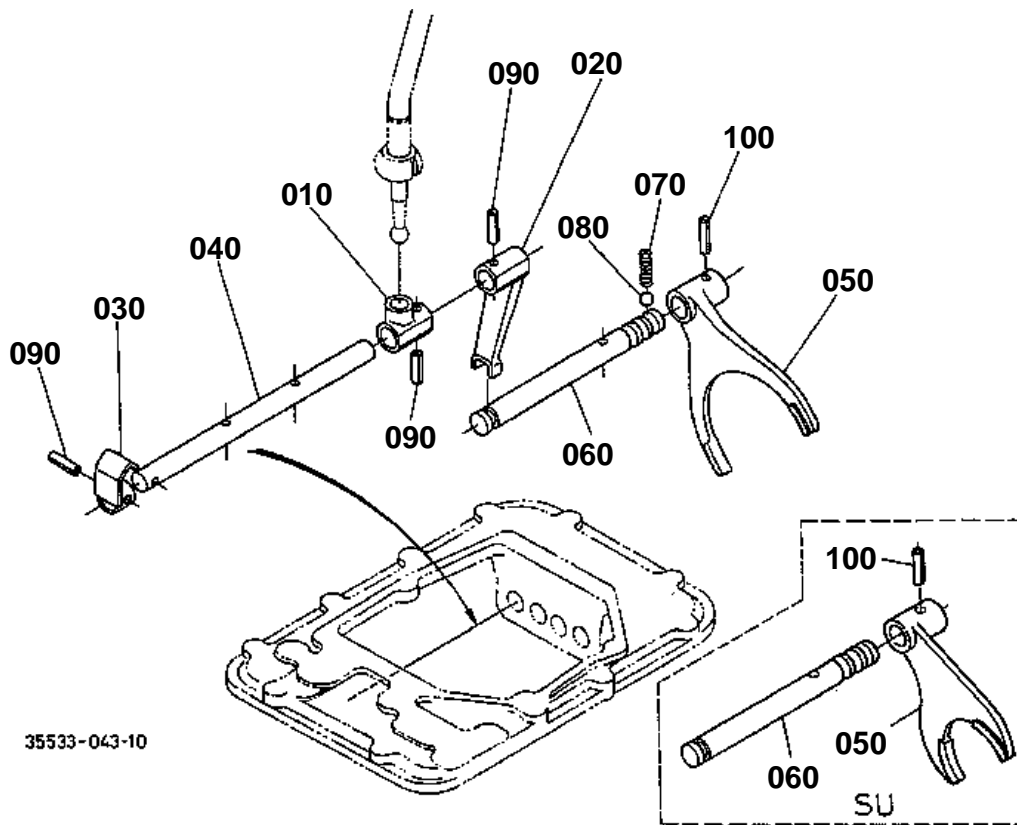


MAIN GEAR SHIFT FORK [SU TYPE]

↔ Interchangeable; ≠ not interchangeable; ← new for old; → old for new

| REF.No | Part No. | Description | Q'ty | S.No. | I/C | REMARKS | Weight (kgf) | Weight (lb) |
|--------|-------------|---------------------|------|-------|-----|---------|--------------|-------------|
| 010 | 35420-29110 | LEVER SHIFT | 1 | | | | 0.36 | 0.792 |
| 020 | 36200-29120 | LEVER SHIFT | 1 | | | | 0.41 | 0.902 |
| 030 | 35502-29140 | FORK SHIFT | 2 | | | | 0.47 | 1.034 |
| 040 | 36200-29150 | PIN FORK SET | 3 | | | | 0.01 | 0.022 |
| 050 | 35420-29190 | LEVER BACK SHIFT | 1 | | | | 0.51 | 1.122 |
| 060 | 35502-29160 | FORK BACK | 1 | | | | 0.47 | 1.034 |
| 070 | 36200-29210 | ROD SHIFT | 1 | | | | 0.348 | 0.7656 |
| 080 | 36200-29220 | ROD SHIFT | 1 | | | | 0.356 | 0.7832 |
| 090 | 35502-29290 | BAR MAIN SHIFT | 1 | | | | 0.5 | 1.1 |
| 100 | 35820-29410 | BOLT | 1 | | | | 0.04 | 0.088 |
| 110 | 04717-01200 | WASHER WITH RUBBER | 1 | | | | 0.002 | 0.0044 |
| 120 | 35420-29010 | HOLDER SHIFT | 1 | | | | 0.135 | 0.297 |
| 130 | 35420-29260 | ROD BACK SHIFT | 1 | | | | 0.36 | 0.792 |
| 140 | 33251-29410 | SPRING | 3 | | | | 0.005 | 0.011 |
| 150 | 07715-03211 | BALL | 5 | | | | 0.003 | 0.0066 |
| 160 | 05411-00625 | PIN SPRING | 4 | | | | 0.004 | 0.0088 |
| 170 | 36200-29440 | SECTOR SHIFT LEVER | 1 | | | | 0.19 | 0.418 |
| 180 | 33251-29450 | COLLAR SECTOR GUIDE | 2 | | | | 0.002 | 0.0044 |
| 190 | 33251-29510 | WASHER | 1 | | | | 0.008 | 0.0176 |
| 200 | 36200-29520 | SECTOR LOWER | 1 | | | | 0.055 | 0.121 |
| 210 | 36200-29530 | SECTOR UPPER | 1 | | | | 0.054 | 0.1188 |
| 220 | 33251-29540 | SPRING | 1 | | | | 0.02 | 0.044 |
| 230 | 01153-50820 | BOLT | 2 | | | | 0.012 | 0.0264 |

RANGE GEAR SHIFT FORK



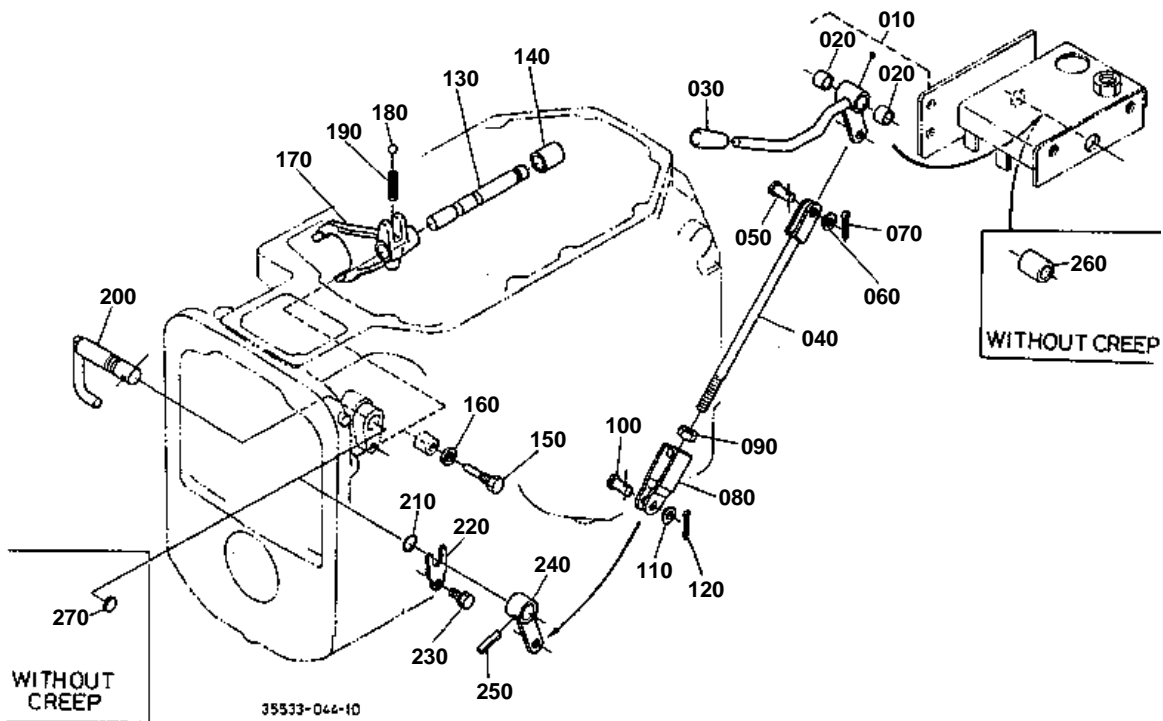


RANGE GEAR SHIFT FORK

↔ Interchangeable; ≠ not interchangeable; ← new for old; → old for new

| REF.No | Part No. | Description | Q'ty | S.No. | I/C | REMARKS | Weight (kgf) | Weight (lb) |
|--------|-------------|----------------------|------|-------|-----|---------|--------------|-------------|
| 010 | 36200-29830 | HOLDER | 1 | | | | 0.083 | 0.1826 |
| 020 | 36200-29840 | LAVER RANGE SHIFT | 1 | | | | 0.2 | 0.44 |
| 030 | 36200-29850 | HOLDER SAFETY SWITCH | 1 | | | | 0.044 | 0.0968 |
| 040 | 36200-29860 | ROD RANGE SHIFT | 1 | | | | 0.38 | 0.836 |
| 050 | 35420-29870 | FORK RANGE SHIFT | 1 | | | | 0.375 | 0.825 |
| 060 | 35420-29880 | ROD RANGE SHIFT | 1 | | | | 0.36 | 0.792 |
| 070 | 33251-29410 | SPRING | 1 | | | | 0.005 | 0.011 |
| 080 | 07715-03211 | BALL | 1 | | | | 0.003 | 0.0066 |
| 090 | 05411-00625 | PIN SPRING | 3 | | | | 0.004 | 0.0088 |
| 100 | 05411-00630 | PIN SPRING | 1 | | | | 0.004 | 0.0088 |

CREEP GEAR SHIFT LEVER

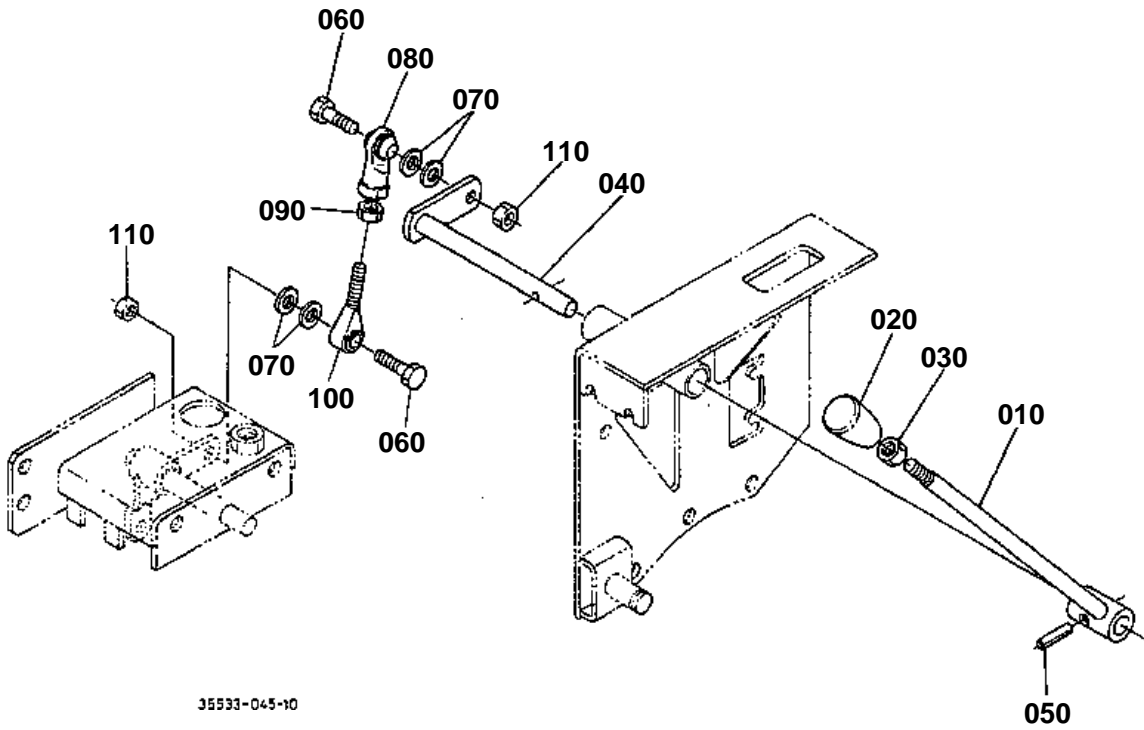




CREEP GEAR SHIFT LEVER

↔ Interchangeable; ≠ not interchangeable; ← new for old; → old for new

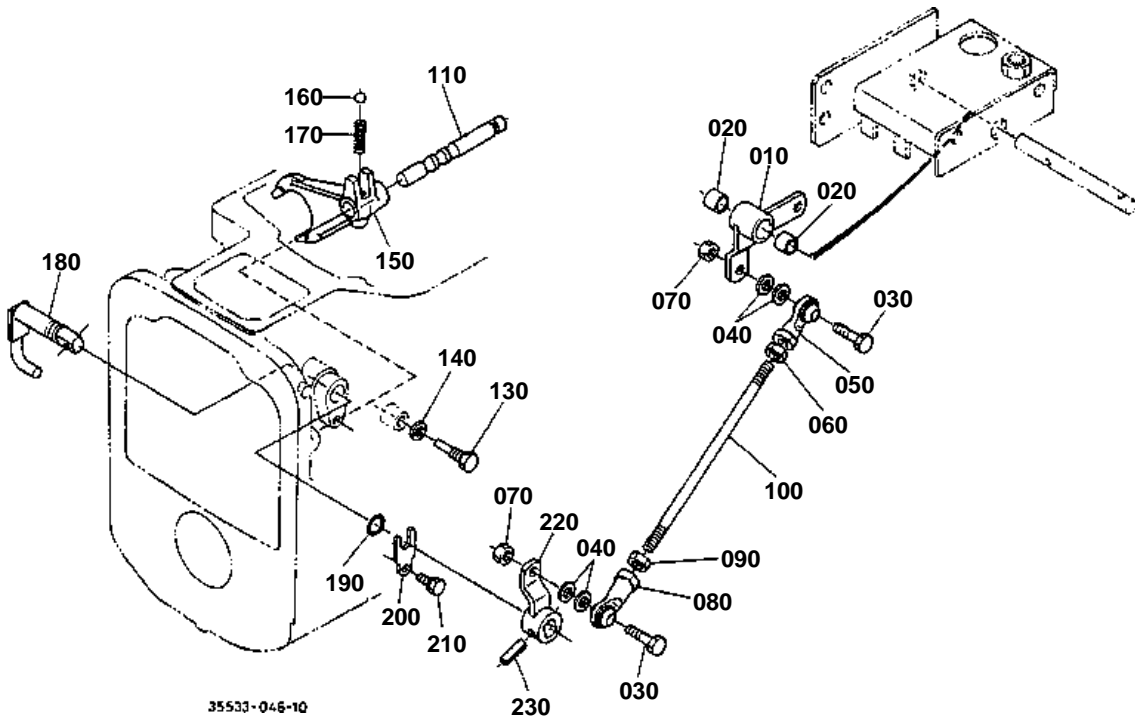
| REF.No | Part No. | Description | Q'ty | S.No. | I/C | REMARKS | Weight (kgf) | Weight (lb) |
|--------|-------------|---------------------|------|---------|-----|---------|--------------|-------------|
| 010 | 35533-29780 | ASSY LEVER S-CHANGE | 1 | | | | 0.3 | 0.66 |
| 020 | 54841-51320 | BUSH | 2 | ≤=10058 | | | 0 | 0 |
| 020 | 08511-01510 | BUSH | 2 | ≥=10059 | ↔ | | 0.005 | 0.011 |
| 030 | 06914-00120 | GRIP LEVER | 1 | | | | 0.018 | 0.0396 |
| 040 | 36330-31450 | ROD CREEP | 1 | | | | 0.17 | 0.374 |
| 050 | 05122-51022 | PIN JOINT | 1 | | | | 0.014 | 0.0308 |
| 060 | 04011-50100 | WASHER PLAIN | 1 | | | | 0.002 | 0.0044 |
| 070 | 05511-50318 | PIN SPLIT | 1 | | | | 0.001 | 0.0022 |
| 080 | 38240-24360 | U-JOINT | 1 | | | | 0.08 | 0.176 |
| 090 | 02116-50100 | NUT | 1 | | | | 0.004 | 0.0088 |
| 100 | 05122-51025 | PIN JOINT | 1 | | | | 0.017 | 0.0374 |
| 110 | 04011-50100 | WASHER PLAIN | 1 | | | | 0.002 | 0.0044 |
| 120 | 05511-50318 | PIN SPLIT | 1 | | | | 0.001 | 0.0022 |
| 130 | 35533-31320 | BAR CREEP SHIFT | 1 | | | | 0.2 | 0.44 |
| 140 | 35533-31340 | COLLAR | 1 | | | | 0.03 | 0.066 |
| 150 | 36200-31333 | PIN SHIFT BAR | 1 | | | | 0.015 | 0.033 |
| 160 | 04717-00800 | WASHER WITH RUBBER | 1 | | | | 0.001 | 0.0022 |
| 170 | 35533-31310 | FORK CREEP SHIFT | 1 | | | | 0.35 | 0.77 |
| 180 | 07715-03211 | BALL | 1 | | | | 0.003 | 0.0066 |
| 190 | 62231-18530 | SPRING | 1 | | | | 0.01 | 0.022 |
| 200 | 35533-31430 | SHAFT SHIFT LEVER | 1 | | | | 0.25 | 0.55 |
| 210 | 04811-00150 | O RING | 1 | | | | 0 | 0 |
| 220 | 34150-24350 | STOPPER LEVER | 1 | | | | 0.01 | 0.022 |
| 230 | 01123-60816 | BOLT | 1 | | | | 0.01 | 0.022 |
| 240 | 35533-31440 | LEVER CREEP SHIFT | 1 | | | | 0.11 | 0.242 |
| 250 | 05411-00636 | PIN SPRING | 1 | | | | 0.005 | 0.011 |



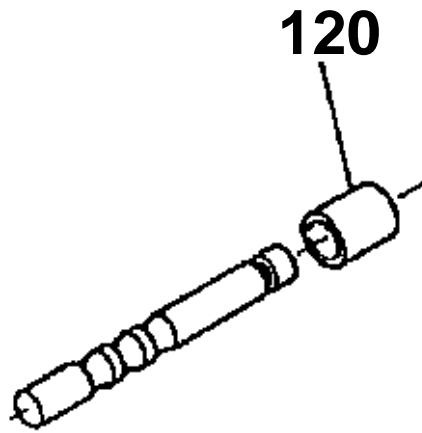
**MANUAL SHUTTLE SHIFT LEVER [MANUAL SHUTTLE]**

↔ Interchangeable; ≠ not interchangeable; ← new for old; → old for new

| REF.No | Part No. | Description | Q'ty | S.No. | I/C | REMARKS | Weight (kgf) | Weight (lb) |
|--------|-------------|---------------------|------|--------|-----|---------|--------------|-------------|
| 010 | 35533-34520 | LEVER SHUTTLE | 1 | | | | 0.62 | 1.364 |
| 020 | 35828-29620 | GRIP LEVER | 1 | | | | 0.055 | 0.121 |
| 030 | 02116-50100 | NUT | 1 | | | | 0.004 | 0.0088 |
| 040 | 35533-34550 | SHAFT SHUTTLE LEVER | 1 | | | | 0.6 | 1.32 |
| 050 | 05411-00836 | PIN SPRING | 1 | | | | 0.008 | 0.0176 |
| 060 | 35533-34540 | BOLT FULCRUM | 2 | | | | 0.03 | 0.066 |
| 070 | 04013-50100 | WASHER PLAIN | 4 | | | | 0 | 0 |
| 080 | 68551-33250 | JOINT | 1 | ≤10193 | | | 0.067 | 0.1474 |
| 080 | 33740-29480 | END ROD RH | 1 | ≥10194 | ↔ | | 0.07 | 0.154 |
| 090 | 02112-50100 | NUT | 1 | | | | 0.004 | 0.0088 |
| 100 | 68111-65260 | END ROD | 1 | | | | 0.055 | 0.121 |
| 110 | 02116-50100 | NUT | 2 | | | | 0.004 | 0.0088 |



120 35533-3134-0



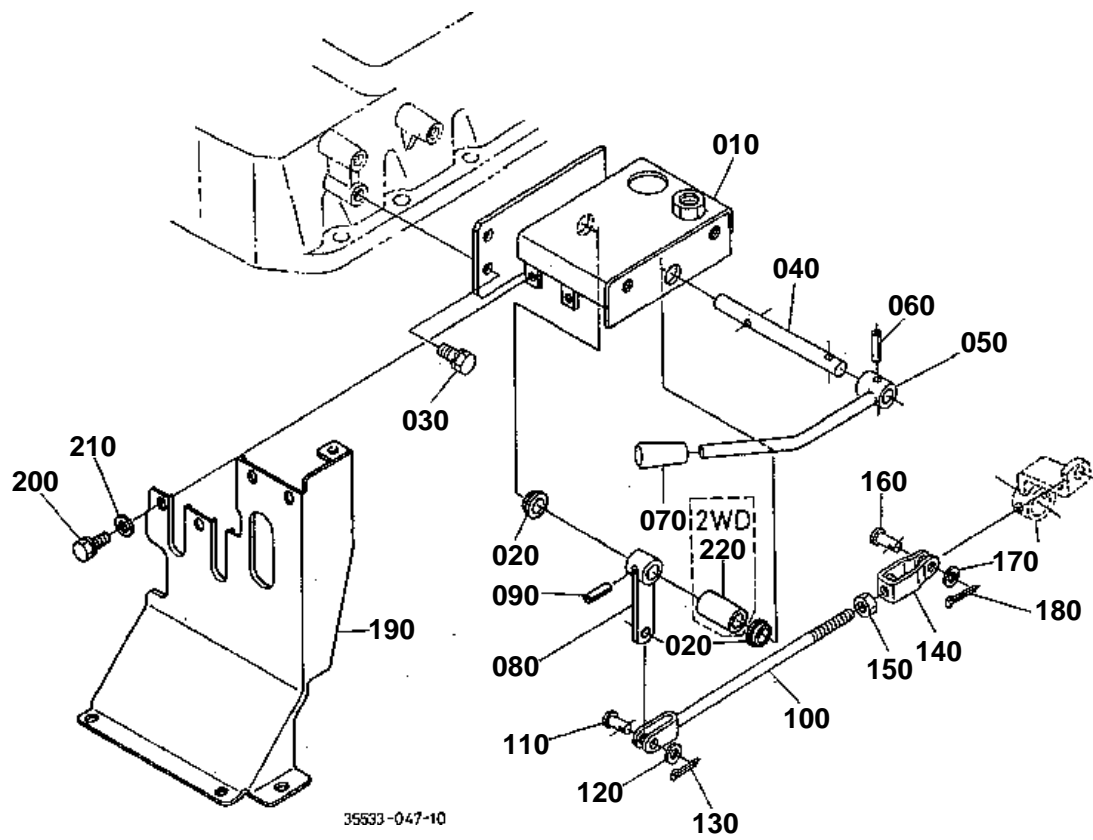
35533-851-10

**MANUAL SHUTTLE SHIFT FORK [MANUAL SHUTTLE]**

↔ Interchangeable; ≠ not interchangeable; ← new for old; → old for new

| REF.No | Part No. | Description | Q'ty | S.No. | I/C | REMARKS | Weight (kgf) | Weight (lb) |
|--------|-------------|---------------------|------|---------|-----|---------|--------------|-------------|
| 010 | 35533-34560 | LEVER SHUTTLE SHIFT | 1 | | | | 0.185 | 0.407 |
| 020 | 08511-01510 | BUSH | 2 | | | | 0.005 | 0.011 |
| 030 | 35533-34540 | BOLT FULCRUM | 2 | | | | 0.03 | 0.066 |
| 040 | 04013-50100 | WASHER PLAIN | 4 | | | | 0 | 0 |
| 050 | 68551-33250 | JOINT | 1 | <=10197 | | | 0.067 | 0.1474 |
| 050 | 33740-29480 | END ROD RH | 1 | >=10198 | ↔ | | 0.07 | 0.154 |
| 060 | 02112-50100 | NUT | 1 | | | | 0.004 | 0.0088 |
| 070 | 02116-50100 | NUT | 2 | | | | 0.004 | 0.0088 |
| 080 | 68731-65250 | JOINT | 1 | <=10197 | | | 0.067 | 0.1474 |
| 080 | 33740-29500 | END ROD LH | 1 | >=10198 | ↔ | | 0.07 | 0.154 |
| 090 | 68731-65240 | NUT | 1 | | | | 0.01 | 0.022 |
| 100 | 35533-34570 | ROD SHUTTLE | 1 | | | | 0.13 | 0.286 |
| 110 | 35533-34470 | BAR SHUTTLE SHIFT | 1 | | | | 0.2 | 0.44 |
| 120 | 35533-31340 | COLLAR | 1 | <=10193 | | | 0.03 | 0.066 |
| 130 | 36200-31333 | PIN SHIFT BAR | 1 | | | | 0.015 | 0.033 |
| 140 | 04717-00800 | WASHER WITH RUBBER | 1 | | | | 0.001 | 0.0022 |
| 150 | 35533-34460 | FORK SHUTTLE SHIFT | 1 | | | | 0.62 | 1.364 |
| 160 | 07715-03211 | BALL | 1 | | | | 0.003 | 0.0066 |
| 170 | 62231-18530 | SPRING | 1 | | | | 0.01 | 0.022 |
| 180 | 35533-34480 | SHAFT SHIFT LEVER | 1 | | | | 0.29 | 0.638 |
| 190 | 04811-00150 | O RING | 1 | | | | 0 | 0 |
| 200 | 34150-24350 | STOPPER LEVER | 1 | | | | 0.01 | 0.022 |
| 210 | 01123-60816 | BOLT | 1 | | | | 0.01 | 0.022 |
| 220 | 35533-34490 | LEVER SHUTTLE SHIFT | 1 | | | | 0.13 | 0.286 |
| 230 | 05411-00636 | PIN SPRING | 1 | | | | 0.005 | 0.011 |

PTO GEAR SHIFT LEVER



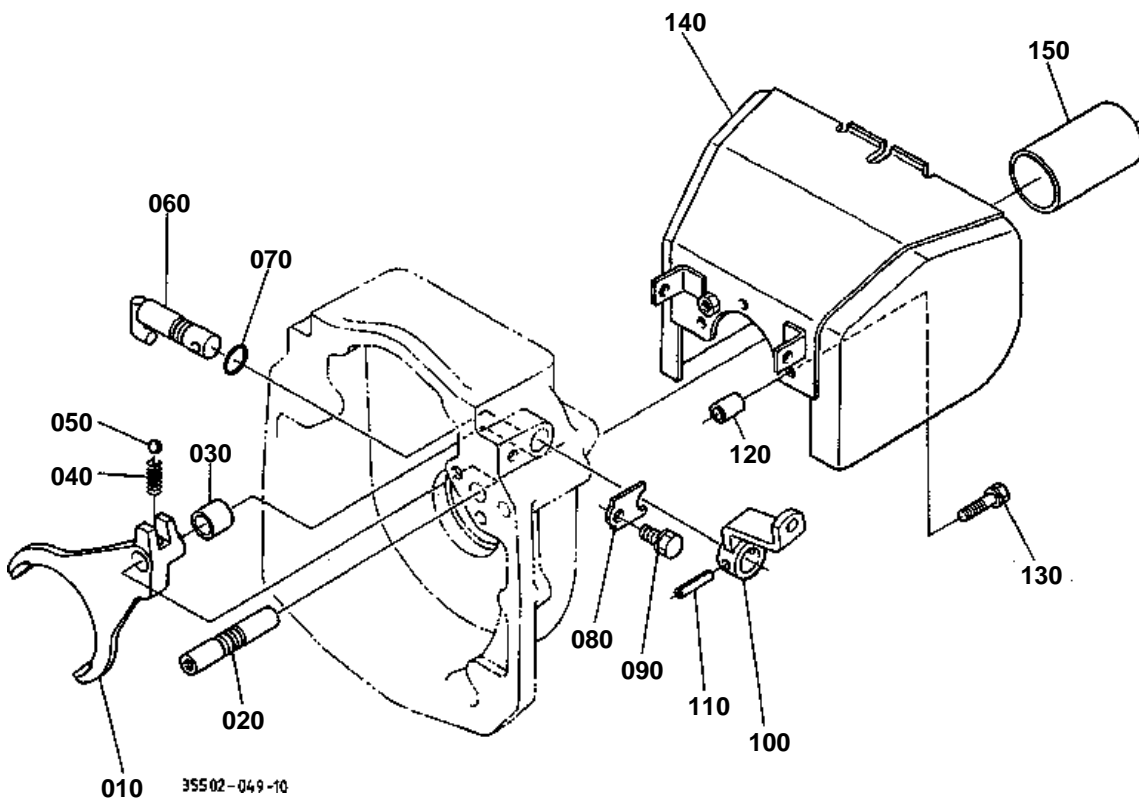


PTO GEAR SHIFT LEVER

↔ Interchangeable; ≠ not interchangeable; ← new for old; → old for new

| REF.No | Part No. | Description | Q'ty | S.No. | I/C | REMARKS | Weight (kgf) | Weight (lb) |
|--------|-------------|----------------------|------|--------|-----|---------|--------------|-------------|
| 010 | 35533-29590 | SUPPORT CHANGE LEVER | 1 | | | | 2.15 | 4.73 |
| 020 | 36330-29722 | BUSH | 2 | | | | 0.005 | 0.011 |
| 030 | 01133-51022 | BOLT | 2 | | | | 0.025 | 0.055 |
| 040 | 35533-29750 | SHAFT S-C LEVER | 1 | | | | 0.23 | 0.506 |
| 050 | 35533-29760 | LEVER PTO SHIFT | 1 | | | | 0.28 | 0.616 |
| 060 | 05411-00628 | PIN SPRING | 1 | | | | 0.004 | 0.0088 |
| 070 | 06914-00120 | GRIP LEVER | 1 | | | | 0.018 | 0.0396 |
| 080 | 35533-29770 | LEVER PTO SHIFT | 1 | | | | 0.1 | 0.22 |
| 090 | 05411-00628 | PIN SPRING | 1 | | | | 0.004 | 0.0088 |
| 100 | 36330-31450 | ROD CREEP | 1 | | | | 0.17 | 0.374 |
| 110 | 05122-51022 | PIN JOINT | 1 | | | | 0.014 | 0.0308 |
| 120 | 04011-50100 | WASHER PLAIN | 1 | | | | 0.002 | 0.0044 |
| 130 | 05511-50318 | PIN SPLIT | 1 | | | | 0.001 | 0.0022 |
| 140 | 38240-24360 | U-JOINT | 1 | | | | 0.08 | 0.176 |
| 150 | 02116-50100 | NUT | 1 | | | | 0.004 | 0.0088 |
| 160 | 05122-51025 | PIN JOINT | 1 | | | | 0.017 | 0.0374 |
| 170 | 04011-50100 | WASHER PLAIN | 1 | | | | 0.002 | 0.0044 |
| 180 | 05511-50318 | PIN SPLIT | 1 | | | | 0.001 | 0.0022 |
| 190 | 35533-29904 | COVER SHIFT | 1 | ≤10054 | | | 0.75 | 1.65 |
| 190 | 35533-29904 | COVER SHIFT | 1 | ≥10055 | ← | | 0.75 | 1.65 |
| 200 | 01123-60816 | BOLT | 8 | | | | 0.01 | 0.022 |
| 210 | 04013-50080 | WASHER PLAIN | 8 | | | | 0 | 0 |
| 220 | 35523-29820 | COLLAR 4WD LEVER | 1 | | | | 0.18 | 0.396 |

PTO GEAR SHIFT FORK AND PTO COVER

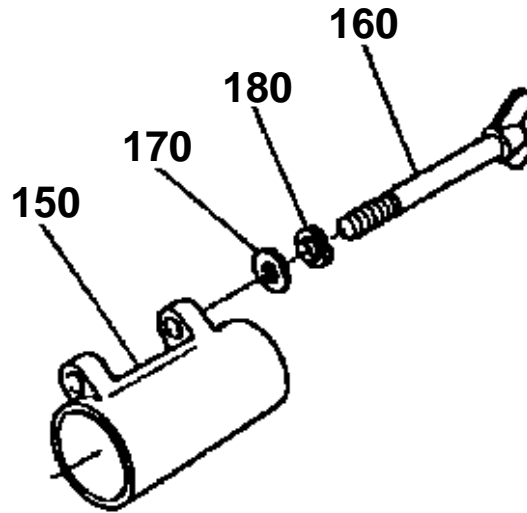


150 34350-2544-0

160 36330-9063-0

170 04013-50080

180 04512-50080



35502-813-10

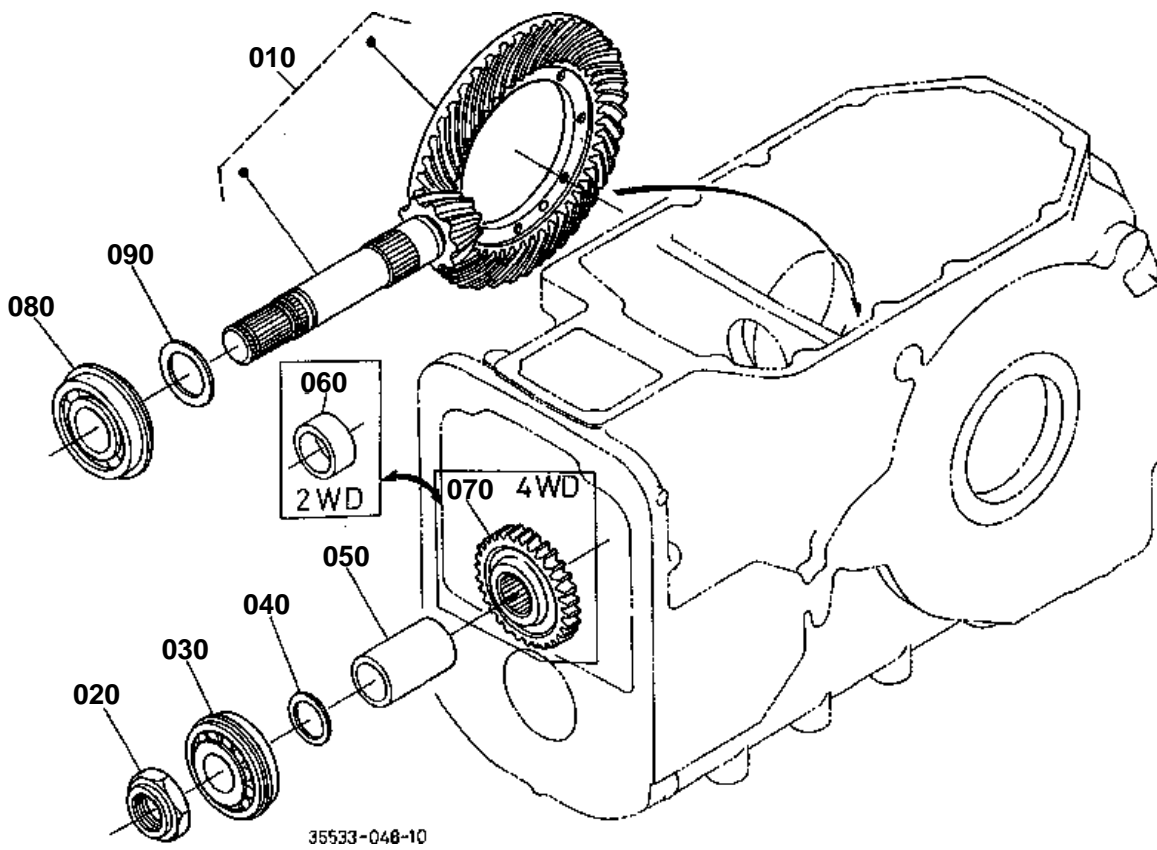


PTO GEAR SHIFT FORK AND PTO COVER

↔ Interchangeable; ≠ not interchangeable; ← new for old; → old for new

| REF.No | Part No. | Description | Q'ty | S.No. | I/C | REMARKS | Weight (kgf) | Weight (lb) |
|--------|-------------|-----------------|------|--------|-----|---------|--------------|-------------|
| 010 | 35533-80240 | FORK PTO SHIFT | 1 | | | | 0.4 | 0.88 |
| 020 | 36330-80250 | SHAFT PTO FORK | 1 | | | | 0.115 | 0.253 |
| 030 | 35533-80230 | COLLAR | 1 | | | | 0.02 | 0.044 |
| 040 | 62231-18530 | SPRING | 1 | | | | 0.01 | 0.022 |
| 050 | 07715-03211 | BALL | 1 | | | | 0.003 | 0.0066 |
| 060 | 36200-80260 | LEVER SHIFT | 1 | | | | 0.166 | 0.3652 |
| 070 | 04811-00150 | O RING | 1 | | | | 0 | 0 |
| 080 | 34150-24350 | STOPPER LEVER | 1 | | | | 0.01 | 0.022 |
| 090 | 01123-60816 | BOLT | 1 | | | | 0.01 | 0.022 |
| 100 | 35533-80270 | LEVER PTO SHIFT | 1 | | | | 0.1 | 0.22 |
| 110 | 05411-00630 | PIN SPRING | 1 | | | | 0.004 | 0.0088 |
| 120 | 35999-02550 | COLLAR | 3 | | | | 0.01 | 0.022 |
| 130 | 01123-50830 | BOLT | 3 | | | | 0.015 | 0.033 |
| 140 | 35861-80343 | COVER PTO | 1 | | | | 2.11 | 4.642 |
| 150 | 34350-25440 | COVER PTO SHAFT | 1 | ≤10197 | | | 0.062 | 0.1364 |
| 150 | 31220-25820 | CAP | 1 | ≥10198 | ≠ | | 0.055 | 0.121 |
| 160 | 36330-90630 | BOLT WING | 1 | ≤10197 | | | 0.055 | 0.121 |
| 170 | 04013-50080 | WASHER PLAIN | 1 | ≤10197 | | | 0 | 0 |
| 180 | 04512-60080 | WASHER SPRING | 1 | ≤10197 | | | 0.002 | 0.0044 |

BEVEL GEAR (REAR)

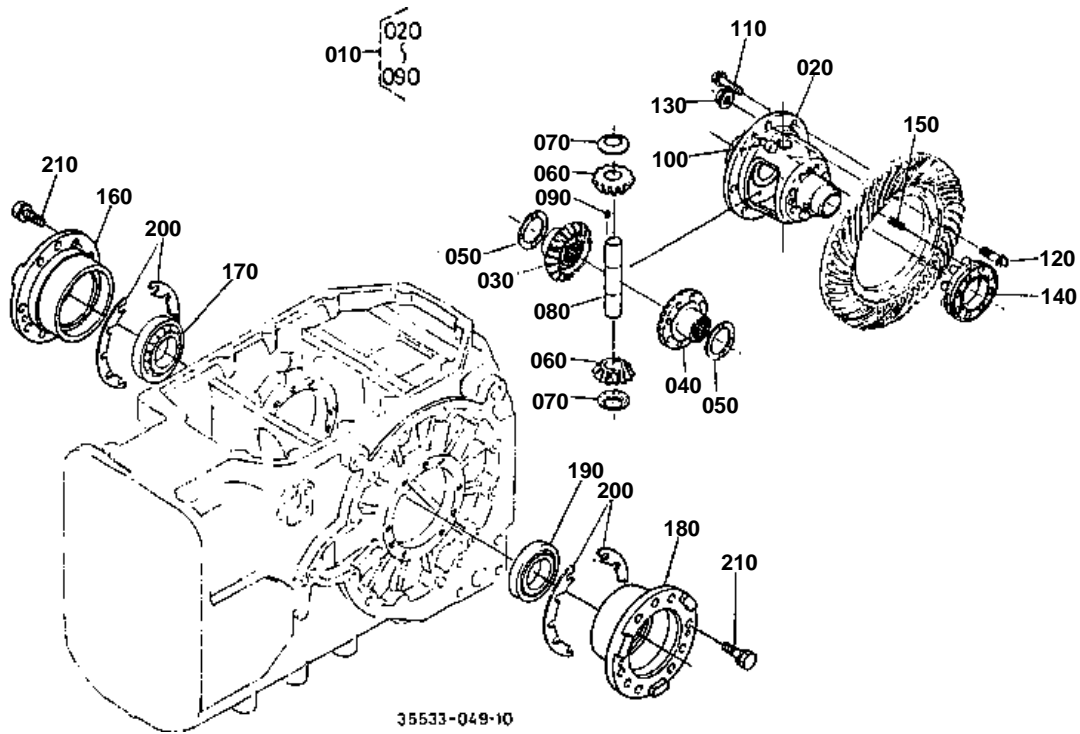


**BEVEL GEAR (REAR)**

↔ Interchangeable; ≠ not interchangeable; ← new for old; → old for new

| REF.No | Part No. | Description | Q'ty | S.No. | I/C | REMARKS | Weight (kgf) | Weight (lb) |
|--------|-------------|----------------------|------|-------|-----|---------|--------------|-------------|
| 010 | 35533-32400 | ASSY GEAR BEVEL | 1 | | | 8-35T | 10.2 | 22.44 |
| 020 | 36330-32580 | NUT PINION SHAFT | 1 | | | | 0.08 | 0.176 |
| 030 | 33400-32260 | BEARING TAPER-ROLLER | 1 | | | | 1.13 | 2.486 |
| 040 | 33251-32450 | COLLAR PINION ADJUST | 1 | | | 1.0MM | 0.005 | 0.011 |
| 040 | 33251-32460 | COLLAR PINION ADJUST | 1 | | | 1.5MM | 0.008 | 0.0176 |
| 040 | 33251-32470 | COLLAR PINION ADJUST | 1 | | | 1.7MM | 0.009 | 0.0198 |
| 040 | 33251-32480 | COLLAR PINION ADJUST | 1 | | | 1.75MM | 0.01 | 0.022 |
| 040 | 33251-32490 | COLLAR PINION ADJUST | 1 | | | 1.8MM | 0.01 | 0.022 |
| 040 | 33251-32510 | COLLAR PINION ADJUST | 1 | | | 1.9MM | 0.011 | 0.0242 |
| 040 | 33251-32520 | COLLAR PINION ADJUST | 1 | | | 2.0MM | 0.011 | 0.0242 |
| 040 | 33251-32530 | COLLAR PINION ADJUST | 1 | | | 2.1MM | 0.011 | 0.0242 |
| 040 | 33251-32540 | COLLAR PINION ADJUST | 1 | | | 2.2MM | 0.011 | 0.0242 |
| 040 | 33251-32550 | COLLAR PINION ADJUST | 1 | | | 2.25MM | 0.012 | 0.0264 |
| 040 | 33251-32560 | COLLAR PINION ADJUST | 1 | | | 2.3MM | 0.012 | 0.0264 |
| 050 | 36330-32440 | COLLAR PINION SHAFT | 1 | | | 84.5MM | 0.5 | 1.1 |
| 060 | 35523-32430 | COLLAR PINION SHAFT | 1 | | | 22.5MM | 0.12 | 0.264 |
| 080 | 36330-32570 | BEARING TAPER-ROLLER | 1 | | | | 0 | 0 |
| 090 | 36200-32610 | COLLAR PINION ADJUST | 1 | | | 2.8MM | 0.023 | 0.0506 |
| 090 | 36200-32630 | COLLAR PINION ADJUST | 1 | | | 3.0MM | 0.025 | 0.055 |
| 090 | 36200-32650 | COLLAR PINION ADJUST | 1 | | | 3.2MM | 0.027 | 0.0594 |
| 090 | 36200-32670 | COLLAR PINION ADJUST | 1 | | | 3.4MM | 0.029 | 0.0638 |
| 090 | 36200-32690 | COLLAR PINION ADJUST | 1 | | | 3.6MM | 0.031 | 0.0682 |

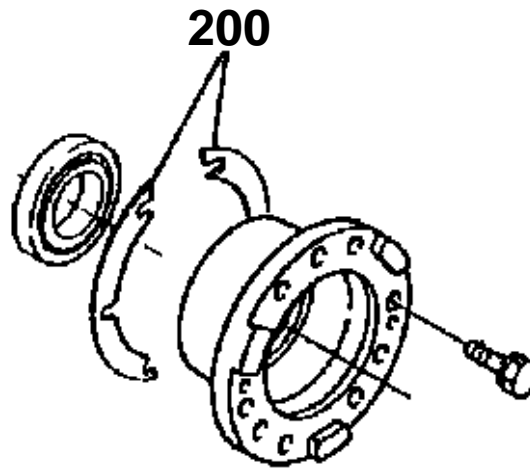
DIFFERENTIAL (REAR) [OLD TYPE]



200 36200-3213-0

200 36200-3214-0

200 36200-3215-0



35533-853-10

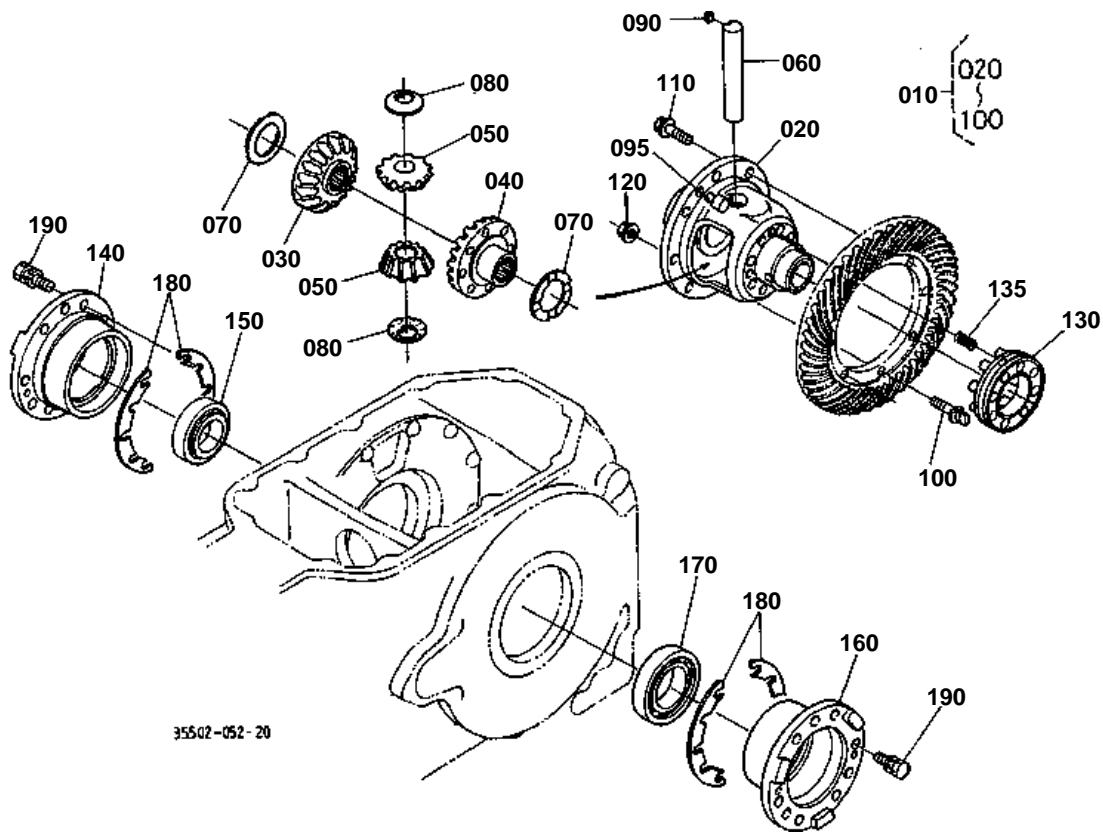


DIFFERENTIAL (REAR) [OLD TYPE]
S.No.;<=10193

↔ Interchangeable; ≠ not interchangeable; ← new for old; → old for new

| REF.No | Part No. | Description | Q'ty | S.No. | I/C | REMARKS | Weight (kgf) | Weight (lb) |
|--------|-------------|----------------------|------|---------|-----|---------|--------------|-------------|
| 010 | 35569-32204 | ASSY DIFFERENTIAL | 1 | | | | 8.48 | 18.656 |
| 020 | 36330-32714 | CASE DIFFERENTIAL | 1 | | | | 4.6 | 10.12 |
| 030 | 36330-32723 | GEAR DIFF.SIDE | 1 | | | | 0.765 | 1.683 |
| 040 | 36330-32732 | GEAR DIFF.SIDE | 1 | | | | 1.05 | 2.31 |
| 050 | 36330-32782 | WASHER SIDE GEAR | 2 | | | 1.6MM | 0.018 | 0.0396 |
| 050 | 36330-32790 | WASHER SIDE GEAR | 2 | | | 1.7MM | 0.02 | 0.044 |
| 050 | 36330-32760 | WASHER SIDE GEAR | 2 | | | 1.5MM | 0.02 | 0.044 |
| 060 | 36330-32753 | PINION DIFF. | 2 | | | | 0.3 | 0.66 |
| 070 | 36330-32810 | WASHER DIFF.PINION | 2 | | | 1.5MM | 0.018 | 0.0396 |
| 080 | 36330-32773 | SHAFT DIFF.PINION | 1 | | | | 0.62 | 1.364 |
| 090 | 33251-32820 | KEY | 1 | | | | 0.002 | 0.0044 |
| 100 | 36340-42330 | PIN KNOCK | 2 | | | | 0.03 | 0.066 |
| 110 | 36280-42320 | BOLT | 6 | | | | 0.042 | 0.0924 |
| 120 | 33251-32224 | BOLT | 2 | | | | 0.055 | 0.121 |
| 130 | 36330-32030 | NUT UBS | 2 | | | | 0.02 | 0.044 |
| 140 | 36330-32850 | COMP SHIFTER | 1 | <=10058 | | | 0 | 0 |
| 140 | 36330-32852 | COMP SHIFTER | 1 | >=10059 | ← | | 1 | 2.2 |
| 150 | 36330-32922 | SPRING | 4 | | | | 0.01 | 0.022 |
| 160 | 36500-32110 | SUPPORT DIFF.BEARING | 1 | <=10107 | | | 0 | 0 |
| 160 | 36500-32113 | SUPPORT DIFF.BEARING | 1 | >=10108 | ← | | 2.95 | 6.49 |
| 170 | 08711-30210 | BEARING TAPER-ROLLER | 1 | | | | 0.528 | 1.1616 |
| 180 | 36500-32120 | SUPPORT DIFF.BEARING | 1 | <=10107 | | | 0 | 0 |
| 180 | 36500-32123 | SUPPORT DIFF.BEARING | 1 | >=10108 | ← | | 2.6 | 5.72 |
| 190 | 08711-30210 | BEARING TAPER-ROLLER | 1 | | | | 0.528 | 1.1616 |
| 200 | 36200-32130 | SHIM | 8 | <=10182 | | 0.1MM | 0.002 | 0.0044 |
| 200 | 36530-32132 | SHIM | 4 | >=10183 | ≠ | 0.1MM | 0.002 | 0.0044 |
| 200 | 36200-32140 | SHIM | 8 | <=10182 | | 0.3MM | 0.006 | 0.0132 |
| 200 | 36530-32142 | SHIM | 10 | >=10183 | ≠ | 0.3MM | 0.012 | 0.0264 |
| 200 | 36200-32150 | SHIM | 4 | <=10182 | | 0.5MM | 0.012 | 0.0264 |
| 200 | 36530-32152 | SHIM | 4 | >=10183 | ≠ | 0.5MM | 0.012 | 0.0264 |
| 210 | 01133-51035 | BOLT | 12 | | | | 0.03 | 0.066 |

DIFFERENTIAL (REAR) [NEW TYPE]



35502-052-20

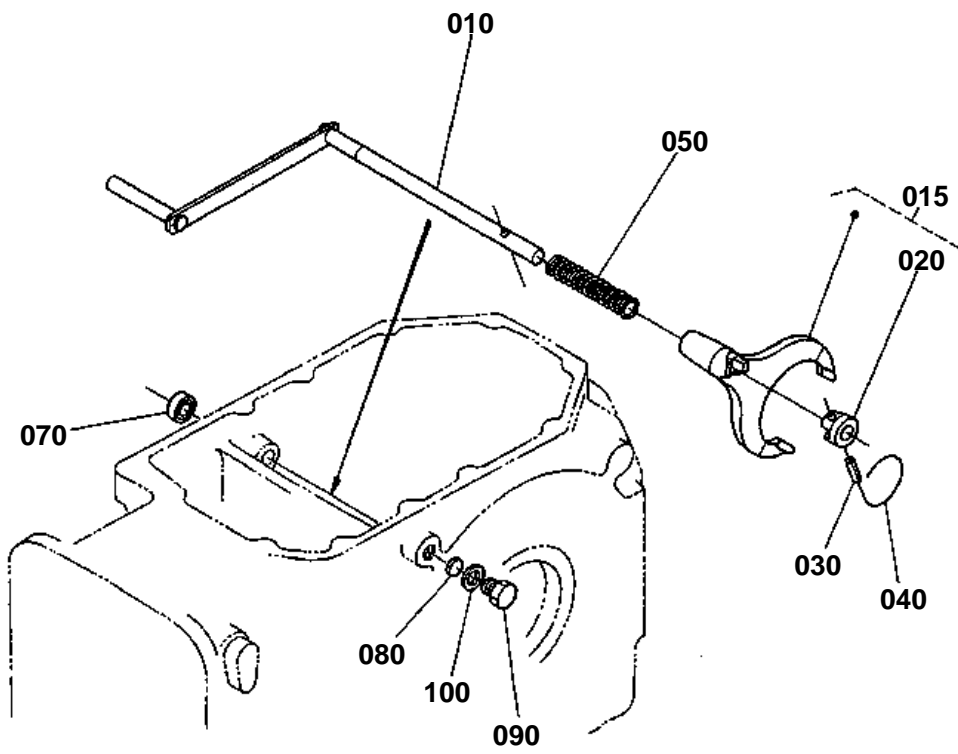


DIFFERENTIAL (REAR) [NEW TYPE]
S.No.;>=10194

↔ Interchangeable; ≠ not interchangeable; ← new for old; → old for new

| REF.No | Part No. | Description | Q'ty | S.No. | I/C | REMARKS | Weight (kgf) | Weight (lb) |
|--------|-------------|----------------------|------|---------|-----|---------|--------------|-------------|
| 010 | 35569-32200 | ASSY DIFFERENTIAL | 1 | <=20473 | | | 0 | 0 |
| 010 | 35569-32204 | ASSY DIFFERENTIAL | 1 | >=20474 | ← | | 8.48 | 18.656 |
| 020 | 35633-32712 | CASE DIFFERENTIAL | 1 | | | | 5.3 | 11.66 |
| 030 | 35569-32722 | GEAR DIFF.SIDE | 1 | <=20419 | | | 0.8 | 1.76 |
| 030 | 35533-32720 | GEAR BEVEL | 1 | >=20420 | ≠ | | 0.9 | 1.98 |
| 040 | 36330-32732 | GEAR BEVEL | 1 | <=20419 | | | 1.05 | 2.31 |
| 040 | 36330-32734 | GEAR BEVEL | 1 | >=20420 | ≠ | | 1.1 | 2.42 |
| 050 | 36330-32753 | PINION DIFF. | 2 | <=20419 | | | 0.3 | 0.66 |
| 050 | 36330-32753 | PINION DIFF. | 2 | >=20420 | ≠ | | 0.3 | 0.66 |
| 060 | 36330-32773 | SHAFT DIFF.PINION | 1 | | | | 0.62 | 1.364 |
| 070 | 36330-32760 | WASHER SIDE GEAR | 2 | | | 1.6MM | 0.02 | 0.044 |
| 070 | 36330-32782 | WASHER SIDE GEAR | 2 | | | 1.6MM | 0.018 | 0.0396 |
| 070 | 36330-32790 | WASHER SIDE GEAR | 2 | | | 1.7MM | 0.02 | 0.044 |
| 080 | 36330-32810 | WASHER DIFF.PINION | 2 | <=20783 | | | 0.018 | 0.0396 |
| 080 | 33980-32810 | COLLAR THRUST | 2 | >=20784 | ← | | 0.02 | 0.044 |
| 090 | 33251-32820 | KEY | 1 | | | | 0.002 | 0.0044 |
| 095 | 36340-42330 | PIN KNOCK | 2 | >=10198 | | | 0.03 | 0.066 |
| 100 | 33251-32224 | BOLT | 2 | | | | 0.055 | 0.121 |
| 110 | 36280-42320 | BOLT | 6 | | | | 0.042 | 0.0924 |
| 120 | 36330-32030 | NUT UBS | 2 | | | | 0.02 | 0.044 |
| 130 | 36330-32852 | COMP SHIFTER | 1 | | | | 1 | 2.2 |
| 135 | 36330-32922 | SPRING | 4 | | | | 0.01 | 0.022 |
| 140 | 36500-32113 | SUPPORT DIFF.BEARING | 1 | | | | 2.95 | 6.49 |
| 150 | 08711-30212 | BEARING TAPER-ROLLER | 1 | | | | 0.868 | 1.9096 |
| 160 | 36500-32123 | SUPPORT DIFF.BEARING | 1 | | | | 2.6 | 5.72 |
| 170 | 08711-30210 | BEARING TAPER-ROLLER | 1 | | | | 0.528 | 1.1616 |
| 180 | 36530-32132 | SHIM | 4 | | | 0.1MM | 0.002 | 0.0044 |
| 180 | 36530-32142 | SHIM | 10 | | | 0.3MM | 0.012 | 0.0264 |
| 180 | 36200-32152 | SHIM | 4 | | | 0.5MM | 0 | 0 |
| 190 | 01133-51035 | BOLT | 18 | | | | 0.03 | 0.066 |

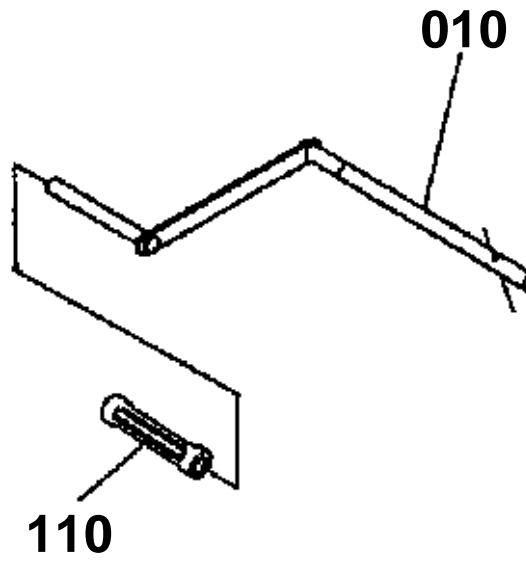
DIFFERENTIAL LOCK PEDAL



35502-053-10

010 35533-3294-0

110 35533-3312-0



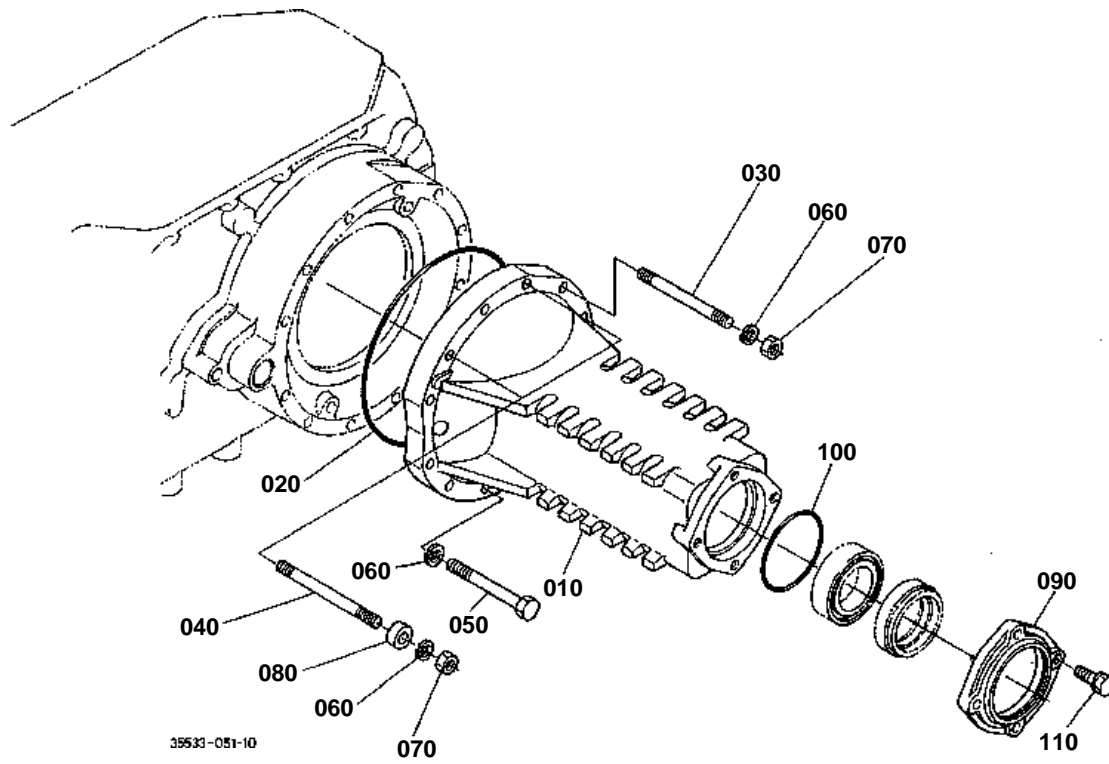
35533-819-10

**DIFFERENTIAL LOCK PEDAL**

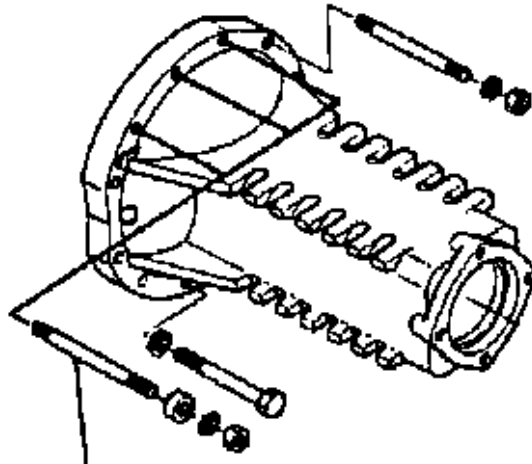
↔ Interchangeable; ≠ not interchangeable; ← new for old; → old for new

| REF.No | Part No. | Description | Q'ty | S.No. | I/C | REMARKS | Weight (kgf) | Weight (lb) |
|--------|-------------|----------------------|------|--------|-----|---------|--------------|-------------|
| 010 | 35533-32940 | SHAFT DIFF LOCK LEVE | 1 | ≤10197 | | | 1.35 | 2.97 |
| 010 | 36760-32940 | SHAFT DIFF LOCK LEVE | 1 | ≥10198 | ↔ | | 1.28 | 2.816 |
| 015 | 36530-32900 | ASSY FORK DIFF.LOCK | 1 | | | | 1.68 | 3.696 |
| 020 | 36330-32890 | CAM DIFF.LOCK | 1 | | | | 0.095 | 0.209 |
| 030 | 05411-00640 | PIN SPRING | 1 | | | | 0.006 | 0.0132 |
| 050 | 36730-32930 | SPRING SHIFT FORK | 1 | ≤10054 | | | 0 | 0 |
| 050 | 36730-32932 | SPRING SHIFT FORK | 1 | ≥10055 | ← | | 0.1 | 0.22 |
| 070 | 09500-18308 | SEAL OIL | 1 | | | | 0.006 | 0.0132 |
| 080 | 36200-32950 | SHIM ADJUSTING | 1 | | | 1.0MM | 0.002 | 0.0044 |
| 080 | 36330-32970 | SHIM ADJUSTING | 1 | | | 0.5MM | 0.001 | 0.0022 |
| 090 | 06331-35020 | PLUG | 1 | | | | 0.068 | 0.1496 |
| 100 | 04717-02000 | WASHER WITH RUBBER | 1 | | | | 0.004 | 0.0088 |
| 110 | 35533-33120 | COVER RUBBER | 1 | ≤10058 | | | 0.08 | 0.176 |

REAR AXLE CASE



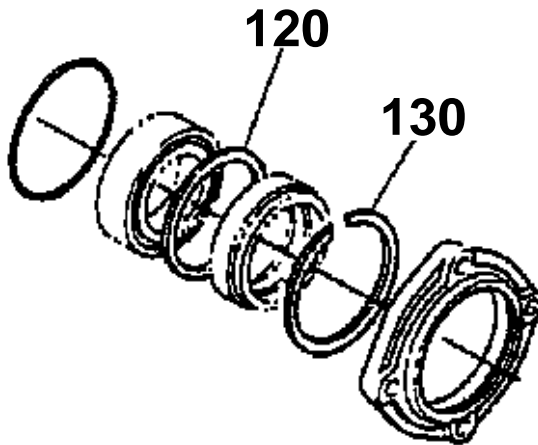
040 35533-4817-0



040

120 36830-4828-0

130 36830-4829-0



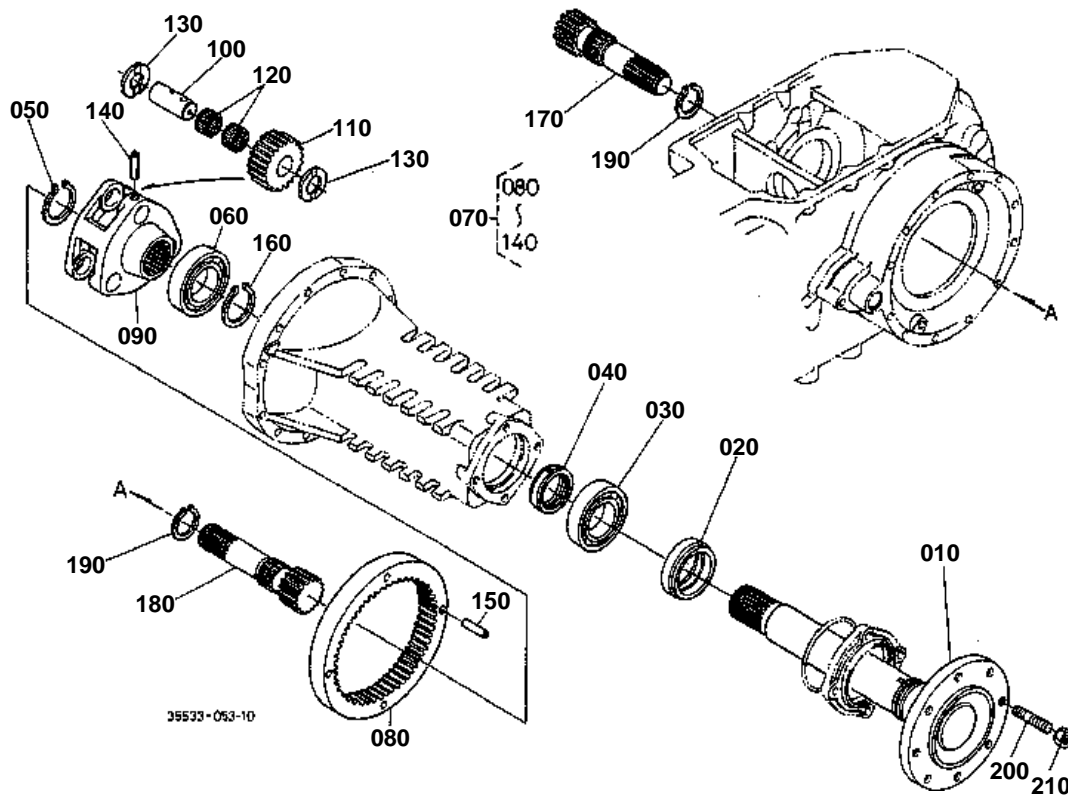
35533-821-10

**REAR AXLE CASE**

↔ Interchangeable; ≠ not interchangeable; ← new for old; → old for new

| REF.No | Part No. | Description | Q'ty | S.No. | I/C | REMARKS | Weight (kgf) | Weight (lb) |
|--------|-------------|------------------|------|--------|-----|---------|--------------|-------------|
| 010 | 35533-48110 | CASE REAR AXLE | 2 | | | | 44 | 96.8 |
| 020 | 36200-48160 | O RING | 2 | | | | 0.006 | 0.0132 |
| 030 | 36500-48170 | STUD | 5 | | | | 0.178 | 0.3916 |
| 040 | 35533-48170 | STUD | 3 | ≤10058 | | | 0 | 0 |
| 040 | 35533-48170 | STUD | 2 | ≥10059 | | | 0 | 0 |
| 040 | 33740-48170 | STUD | 2 | ≥20209 | ← | | 0.2 | 0.44 |
| 050 | 36330-48190 | BOLT | 16 | ≤10058 | | | 0.18 | 0.396 |
| 050 | 36330-48190 | BOLT | 17 | ≥10059 | | | 0.18 | 0.396 |
| 060 | 04512-60140 | WASHER SPRING | 24 | | | | 0.008 | 0.0176 |
| 070 | 02176-50140 | NUT | 8 | ≤10058 | | | 0.014 | 0.0308 |
| 070 | 02176-50140 | NUT | 7 | ≥10059 | | | 0.014 | 0.0308 |
| 080 | 35533-48160 | COLLAR REAR AXLE | 3 | ≤10058 | | | 0.05 | 0.11 |
| 080 | 35533-48160 | COLLAR REAR AXLE | 2 | ≥10059 | | | 0.05 | 0.11 |
| 090 | 36330-48123 | COVER REAR AXLE | 2 | ≤10058 | | | 0 | 0 |
| 090 | 36330-48124 | COVER REAR AXLE | 2 | ≥10059 | ← | | 0 | 0 |
| 090 | 36330-48125 | COVER REAR AXLE | 2 | ≥10160 | ↔ | | 1.36 | 2.992 |
| 100 | 04811-51200 | O RING | 2 | | | | 0.004 | 0.0088 |
| 110 | 01133-51245 | BOLT | 8 | ≤10159 | | | 0.055 | 0.121 |
| 110 | 01133-51240 | BOLT | 8 | ≥10160 | ↔ | | 0.05 | 0.11 |
| 120 | 36830-48280 | SPACER | 2 | ≤10058 | | | 0.1 | 0.22 |
| 130 | 36830-48290 | CIRCLIP EXTERNAL | 2 | ≤10058 | | | 0.02 | 0.044 |

REAR AXLE



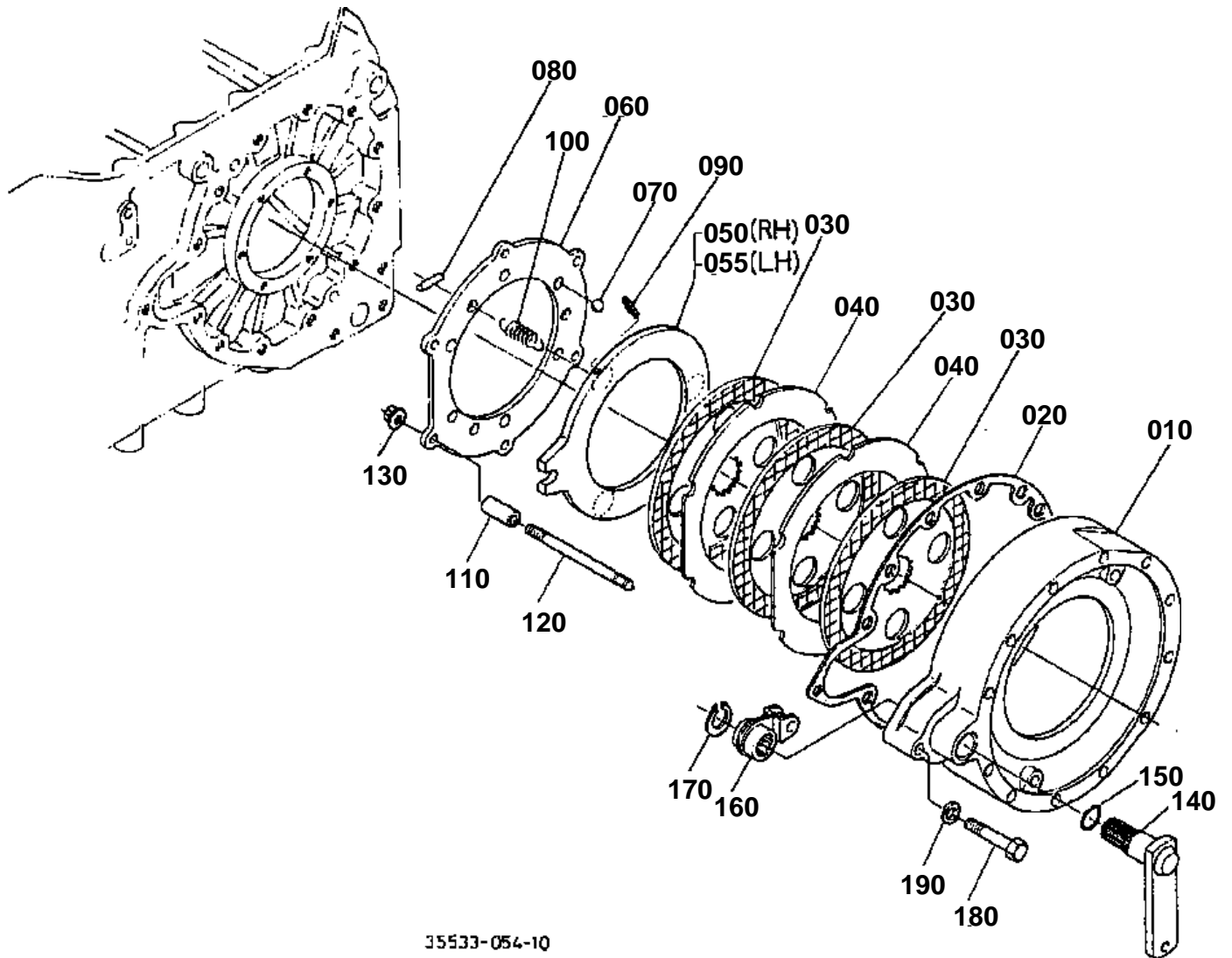


REAR AXLE

↔ Interchangeable; ≠ not interchangeable; ← new for old; → old for new

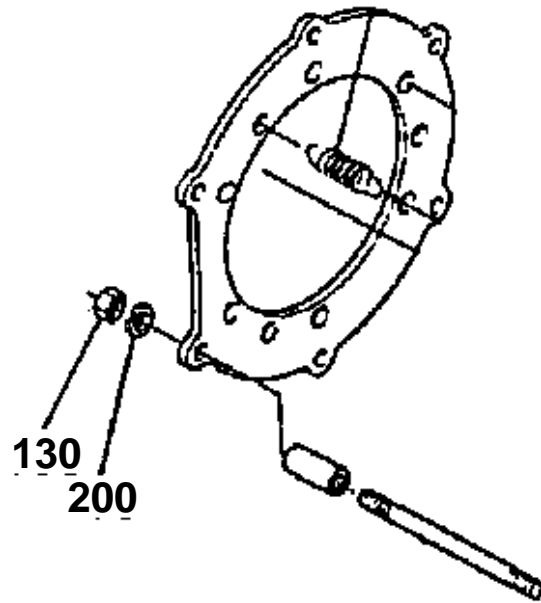
| REF.No | Part No. | Description | Q'ty | S.No. | I/C | REMARKS | Weight (kgf) | Weight (lb) |
|--------|-------------|---------------------|------|--------|-----|---------|--------------|-------------|
| 010 | 35533-48210 | AXLE REAR | 2 | | | | 20.8 | 45.76 |
| 020 | 36830-48250 | SEAL WITH SHAFT | 2 | | | | 0.14 | 0.308 |
| 030 | 08101-06213 | BEARING BALL | 2 | | | | 0.97 | 2.134 |
| 040 | 36330-48270 | NUT | 2 | | | | 0.26 | 0.572 |
| 050 | 04612-00600 | CIRCLIP EXTERNAL | 2 | | | | 0.012 | 0.0264 |
| 060 | 08101-06212 | BEARING BALL | 2 | | | | 0.78 | 1.716 |
| 070 | 35822-48300 | ASSY GEAR PLANETARY | 2 | ≤10193 | | | 0 | 0 |
| 070 | 33660-48300 | ASSY GEAR PLANETARY | 2 | ≥10194 | ↔ | | 16 | 35.2 |
| 080 | 35822-48310 | GEAR INTERNAL | 2 | | | 56T | 4.3 | 9.46 |
| 090 | 36330-48340 | SUPPORT PLANE.GEAR | 2 | ≤10193 | | | 6.1 | 13.42 |
| 090 | 33660-48340 | SUPPORT PLANE.GEAR | 2 | ≥10194 | ≠ | | 5.84 | 12.848 |
| 100 | 36500-48363 | PIN PLANETARY GEAR | 6 | | | | 0.4 | 0.88 |
| 110 | 36500-48320 | GEAR PLANETARY | 6 | ≤10193 | | | 1.3 | 2.86 |
| 110 | 35788-48320 | GEAR PLANETARY | 3 | ≥10194 | ≠ | | 1.3 | 2.86 |
| 120 | 36200-28360 | BEARING NEEDLE | 12 | ≤10193 | | | 0.053 | 0.1166 |
| 120 | 35788-28360 | BEARING NEEDLE | 12 | ≥10194 | ≠ | | 0.07 | 0.154 |
| 130 | 36330-48370 | COLLAR THRUST | 12 | | | 1.6MM | 0.02 | 0.044 |
| 140 | 05411-00825 | PIN SPRING | 6 | | | | 0.006 | 0.0132 |
| 150 | 36200-48410 | PIN STRAIGHT | 4 | | | | 0.005 | 0.011 |
| 160 | 04612-00600 | CIRCLIP EXTERNAL | 2 | | | | 0.012 | 0.0264 |
| 170 | 36330-48464 | SHAFT BRAKE RH | 1 | | | | 2.85 | 6.27 |
| 180 | 36330-48474 | SHAFT BRAKE LH | 1 | | | | 3.05 | 6.71 |
| 190 | 04612-00550 | CIRCLIP EXTERNAL | 2 | | | | 0.01 | 0.022 |
| 200 | 35707-49150 | STUD | 16 | | | | 0 | 0 |
| 210 | 33251-49170 | NUT | 16 | | | | 0.045 | 0.099 |

BRAKE



35533-054-10

130 02118-50100
200 04512-60100



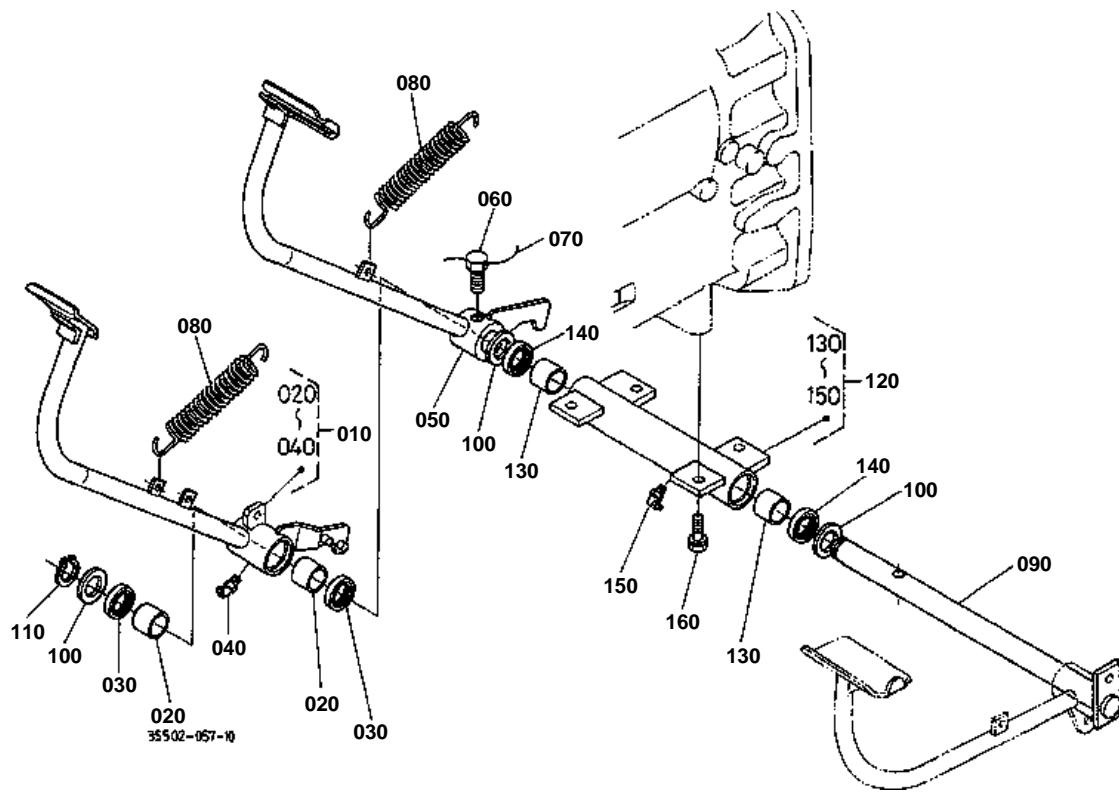
35533-824-10

**BRAKE**

↔ Interchangeable; ≠ not interchangeable; ← new for old; → old for new

| REF.No | Part No. | Description | Q'ty | S.No. | I/C | REMARKS | Weight (kgf) | Weight (lb) |
|--------|-------------|------------------|------|---------|-----|---------|--------------|-------------|
| 010 | 36330-65110 | CASE BRAKE | 2 | | | | 16.6 | 36.52 |
| 020 | 36330-65210 | GASKET | 2 | | | | 0 | 0 |
| 030 | 36200-65120 | PLATE FRICTION | 6 | <=10180 | | | 0 | 0 |
| 030 | 32530-28280 | PLATE FRICTION | 6 | >=10181 | ↔ | | 0.92 | 2.024 |
| 040 | 36330-65130 | PLATE | 4 | | | | 0.56 | 1.232 |
| 050 | 36200-65147 | PLATE CAM | 2 | <=10183 | | | 2.5 | 5.5 |
| 050 | 32530-28310 | PLATE CAM RH | 1 | >=10184 | ← | | 2.56 | 5.632 |
| 055 | 32530-28320 | PLATE CAM LH | 1 | >=10184 | | | 2.58 | 5.676 |
| 060 | 36200-65150 | PLATE CAM | 2 | <=10054 | | | 2.42 | 5.324 |
| 060 | 36200-65153 | PLATE CAM | 2 | >=10055 | ≠ | | 3.5 | 7.7 |
| 070 | 07715-00805 | BALL | 12 | | | | 0.016 | 0.0352 |
| 080 | 36200-65180 | RETAINER SPRING | 6 | | | | 0.025 | 0.055 |
| 090 | 05411-00435 | PIN SPRING | 6 | | | | 0.002 | 0.0044 |
| 100 | 36200-65810 | SPRING | 6 | | | | 0.003 | 0.0066 |
| 110 | 36500-65160 | SPACER | 12 | | | | 0.02 | 0.044 |
| 120 | 36500-65170 | STUD | 12 | <=10054 | | | 0.042 | 0.0924 |
| 120 | 36830-65170 | STUD | 12 | >=10055 | ≠ | | 0.045 | 0.099 |
| 130 | 02118-50100 | NUT | 12 | <=10054 | | | 0.005 | 0.011 |
| 130 | 36830-65180 | NUT UBS | 12 | >=10055 | ≠ | | 0.01 | 0.022 |
| 140 | 36330-65330 | SHAFT BRAKE CAM | 2 | | | | 0.93 | 2.046 |
| 150 | 04811-05260 | O RING | 2 | | | | 0 | 0 |
| 160 | 36200-65310 | LEVER BRAKE CAM | 2 | | | | 0.35 | 0.77 |
| 170 | 04612-00280 | CIRCLIP EXTERNAL | 2 | | | | 0.003 | 0.0066 |
| 180 | 01173-51270 | BOLT | 2 | | | | 0.067 | 0.1474 |
| 190 | 04512-60120 | WASHER SPRING | 2 | | | | 0.005 | 0.011 |
| 200 | 04512-60100 | WASHER SPRING | 12 | <=10054 | | | 0.002 | 0.0044 |

BRAKE PEDAL

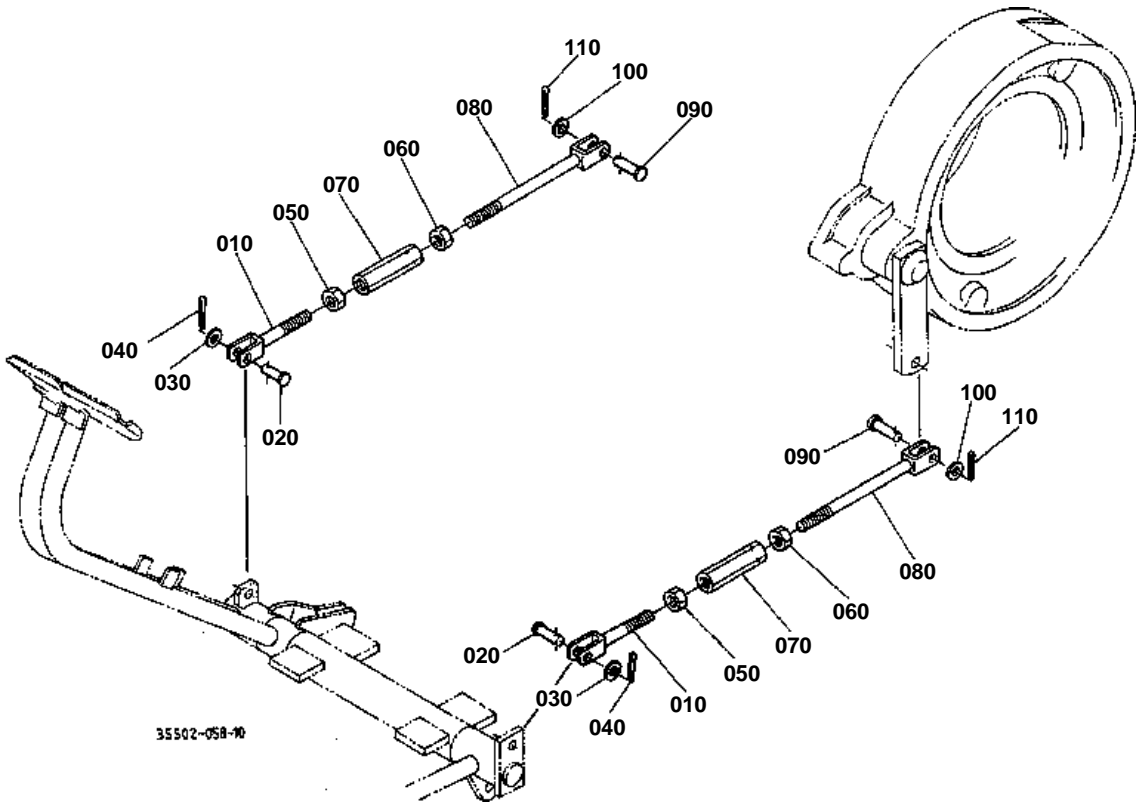


**BRAKE PEDAL**

↔ Interchangeable; ≠ not interchangeable; ← new for old; → old for new

| REF.No | Part No. | Description | Q'ty | S.No. | I/C | REMARKS | Weight (kgf) | Weight (lb) |
|--------|-------------|---------------------|------|--------|-----|---------|--------------|-------------|
| 010 | 35533-67102 | ASSY PEDAL BRAKE RH | 1 | | | | 3.44 | 7.568 |
| 020 | 32150-28440 | BUSH | 2 | | | | 0.043 | 0.0946 |
| 030 | 35533-26270 | SEAL DUST | 2 | | | | 0.005 | 0.011 |
| 040 | 06613-30010 | NIPPLE GREASE | 1 | | | | 0.01 | 0.022 |
| 050 | 35533-67210 | PEDAL BRAKE LH | 1 | | | | 2.6 | 5.72 |
| 060 | 33251-26350 | BOLT SET | 1 | | | | 0.045 | 0.099 |
| 080 | 36330-26160 | SPRING PEDAL RETURN | 2 | | | | 0.17 | 0.374 |
| 090 | 35533-67310 | SHAFT BRAKE PEDAL | 1 | ≤10054 | | | 0 | 0 |
| 090 | 35533-67313 | SHAFT BRAKE PEDAL | 1 | ≥10055 | ← | | 2.52 | 5.544 |
| 100 | 33251-67340 | COLLAR PEDAL SHAFT | 3 | | | | 0.029 | 0.0638 |
| 110 | 04612-00280 | CIRCLIP EXTERNAL | 1 | | | | 0.003 | 0.0066 |
| 120 | 35533-67320 | ASSY SUPPORT PEDAL | 1 | | | | 2.45 | 5.39 |
| 130 | 32150-28440 | BUSH | 2 | | | | 0.043 | 0.0946 |
| 140 | 35533-26270 | SEAL DUST | 2 | | | | 0.005 | 0.011 |
| 150 | 06613-30010 | NIPPLE GREASE | 1 | | | | 0.01 | 0.022 |
| 160 | 01133-51230 | BOLT | 4 | | | | 0.04 | 0.088 |

BRAKE ROD

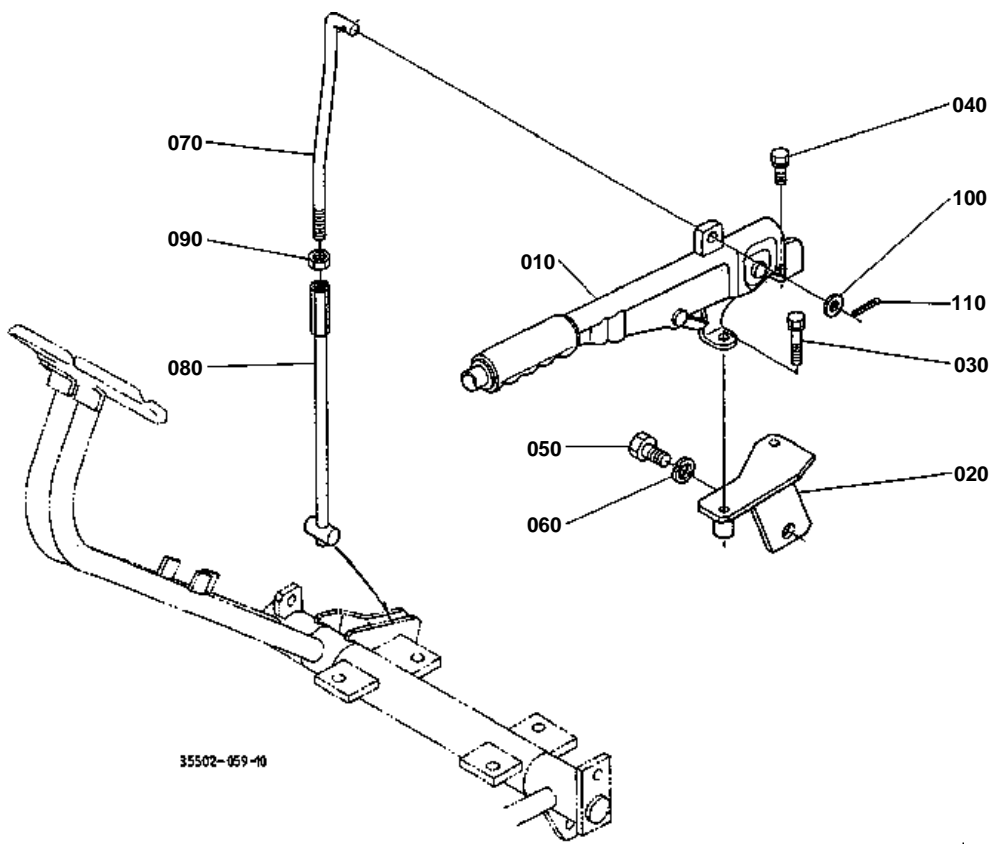


**BRAKE ROD**

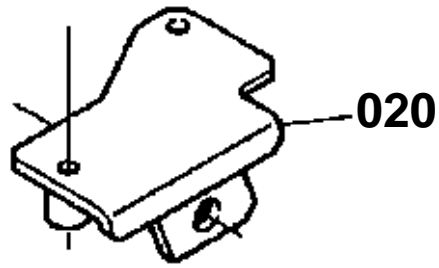
↔ Interchangeable; ≠ not interchangeable; ← new for old; → old for new

| REF.No | Part No. | Description | Q'ty | S.No. | I/C | REMARKS | Weight (kgf) | Weight (lb) |
|--------|-------------|-----------------|------|---------|-----|---------|--------------|-------------|
| 010 | 36200-67415 | ROD BRAKE | 2 | | | | 0.12 | 0.264 |
| 020 | 36330-26132 | PIN CLUTCH LINK | 2 | | | | 0.02 | 0.044 |
| 030 | 04011-50100 | WASHER PLAIN | 2 | | | | 0.002 | 0.0044 |
| 040 | 05511-50318 | PIN SPLIT | 2 | | | | 0.001 | 0.0022 |
| 050 | 02172-50120 | NUT | 2 | | | | 0.01 | 0.022 |
| 060 | 36330-67430 | NUT LOCK | 2 | ≤=20281 | | | 0.009 | 0.0198 |
| 060 | 37720-28990 | NUT | 2 | ≥=20282 | ↔ | | 0.008 | 0.0176 |
| 070 | 37720-28980 | TURNBUCKLE | 2 | | | | 0.099 | 0.2178 |
| 080 | 36330-67420 | ROD BRAKE | 2 | | | | 0.22 | 0.484 |
| 090 | 05122-51035 | PIN JOINT | 2 | | | | 0.023 | 0.0506 |
| 100 | 04011-50100 | WASHER PLAIN | 2 | | | | 0.002 | 0.0044 |
| 110 | 05511-50318 | PIN SPLIT | 2 | | | | 0.001 | 0.0022 |

PARKING BRAKE LEVER



020 35533-6774-0



35502-815-10



PARKING BRAKE LEVER

↔ Interchangeable; ≠ not interchangeable; ← new for old; → old for new

| REF.No | Part No. | Description | Q'ty | S.No. | I/C | REMARKS | Weight (kgf) | Weight (lb) |
|--------|-------------|--------------------|------|---------|-----|---------|--------------|-------------|
| 010 | 35533-67600 | LEVER HAND BRAKE | 1 | | | | 0.55 | 1.21 |
| 020 | 35533-67740 | SUPPORT HAND BRAKE | 1 | <=10180 | | | 0 | 0 |
| 020 | 35533-67742 | SUPPORT HAND BRAKE | 1 | >=10181 | ← | | 0.45 | 0.99 |
| 030 | 01123-50845 | BOLT | 1 | | | | 0.02 | 0.044 |
| 040 | 01123-50820 | BOLT | 1 | | | | 0.011 | 0.0242 |
| 050 | 01173-51425 | BOLT | 1 | | | | 0.053 | 0.1166 |
| 060 | 04512-60140 | WASHER SPRING | 1 | | | | 0.008 | 0.0176 |
| 070 | 35533-67780 | ROD HAND BRAKE | 1 | | | | 0.15 | 0.33 |
| 080 | 35533-67820 | ROD HAND BRAKE | 1 | | | | 0.24 | 0.528 |
| 090 | 02116-50100 | NUT | 1 | | | | 0.004 | 0.0088 |
| 100 | 04011-50100 | WASHER PLAIN | 1 | | | | 0.002 | 0.0044 |
| 110 | 05511-50315 | PIN SPLIT | 1 | | | | 0.002 | 0.0044 |

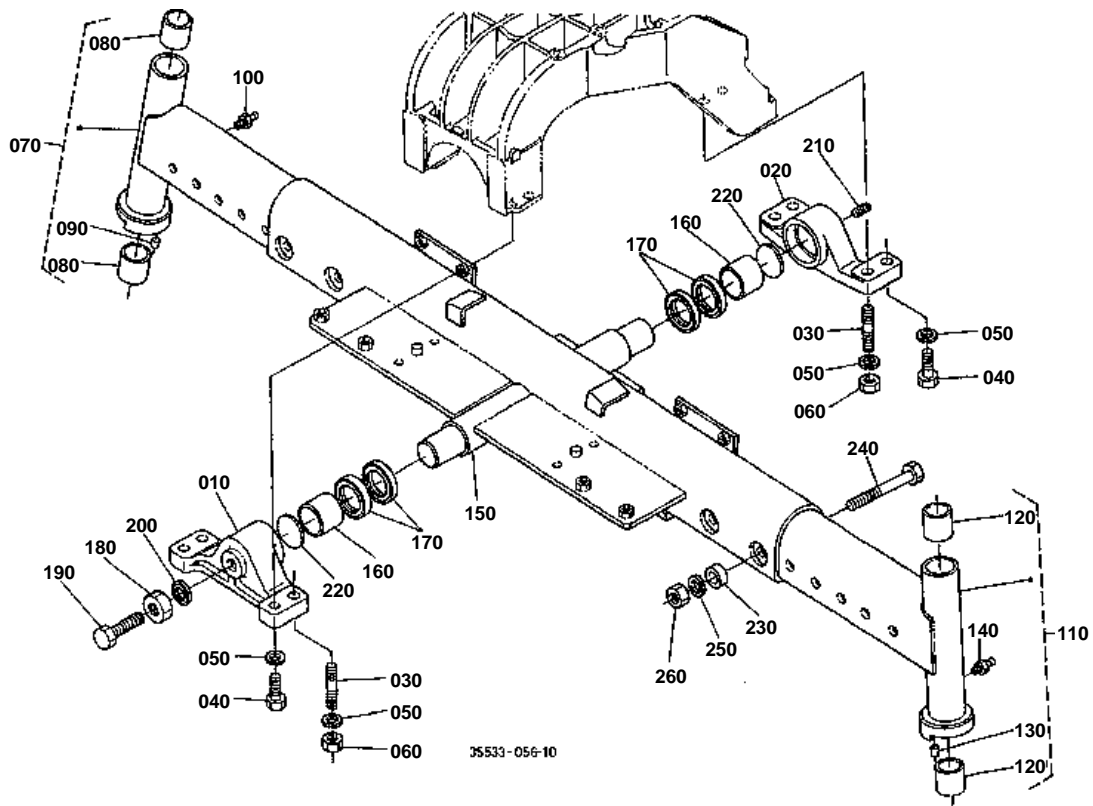


FRONT AXLE [OLD TYPE]
S.No.;<=10091

↔ Interchangeable; ≠ not interchangeable; ← new for old; → old for new

| REF.No | Part No. | Description | Q'ty | S.No. | I/C | REMARKS | Weight (kgf) | Weight (lb) |
|--------|-------------|----------------------|------|-------|-----|---------|--------------|-------------|
| 010 | 35523-41610 | BRACKET FRONT | 1 | | | | 2.4 | 5.28 |
| 020 | 35523-41620 | BRACKET REAR | 1 | | | | 3 | 6.6 |
| 030 | 01517-51440 | STUD | 4 | | | | 0.064 | 0.1408 |
| 040 | 01173-51445 | BOLT | 4 | | | | 0.065 | 0.143 |
| 050 | 04512-60140 | WASHER SPRING | 8 | | | | 0.008 | 0.0176 |
| 060 | 02176-50140 | NUT | 4 | | | | 0.014 | 0.0308 |
| 070 | 35700-58100 | ASSY AXLE FRONT RH | 1 | | | | 11.7 | 25.74 |
| 080 | 33251-58250 | BUSH | 2 | | | | 0.08 | 0.176 |
| 090 | 33251-58260 | PIN KNOCK | 1 | | | | 0.001 | 0.0022 |
| 100 | 06613-10675 | NIPPLE GREASE | 1 | | | | 0.003 | 0.0066 |
| 110 | 35700-58200 | ASSY AXLE FRONT LH | 1 | | | | 12 | 26.4 |
| 120 | 33251-58250 | BUSH | 2 | | | | 0.08 | 0.176 |
| 130 | 33251-58260 | PIN KNOCK | 1 | | | | 0.001 | 0.0022 |
| 140 | 06613-10675 | NIPPLE GREASE | 1 | | | | 0.003 | 0.0066 |
| 150 | 35523-58300 | ASSY AXLE FRONT MID. | 1 | | | | 50 | 110 |
| 160 | 33251-58360 | BUSH | 2 | | | | 0.085 | 0.187 |
| 170 | 36830-58400 | SEAL DUST | 2 | | | | 0.004 | 0.0088 |
| 180 | 06613-30010 | NIPPLE GREASE | 1 | | | | 0.01 | 0.022 |
| 190 | 35523-58410 | PIN CENTER | 1 | | | | 3.15 | 6.93 |
| 200 | 01173-51240 | BOLT | 1 | | | | 0.045 | 0.099 |
| 210 | 04512-60120 | WASHER SPRING | 1 | | | | 0.005 | 0.011 |
| 220 | 36830-58420 | WASHER THRUST | 2 | | | | 0.058 | 0.1276 |
| 230 | 36510-58780 | COLLAR | 4 | | | | 0.072 | 0.1584 |
| 240 | 36830-58530 | BOLT | 4 | | | | 0.21 | 0.462 |
| 250 | 04512-60160 | WASHER SPRING | 4 | | | | 0.01 | 0.022 |
| 260 | 02174-50160 | NUT | 4 | | | | 0.022 | 0.0484 |

FRONT AXLE [NEW TYPE]



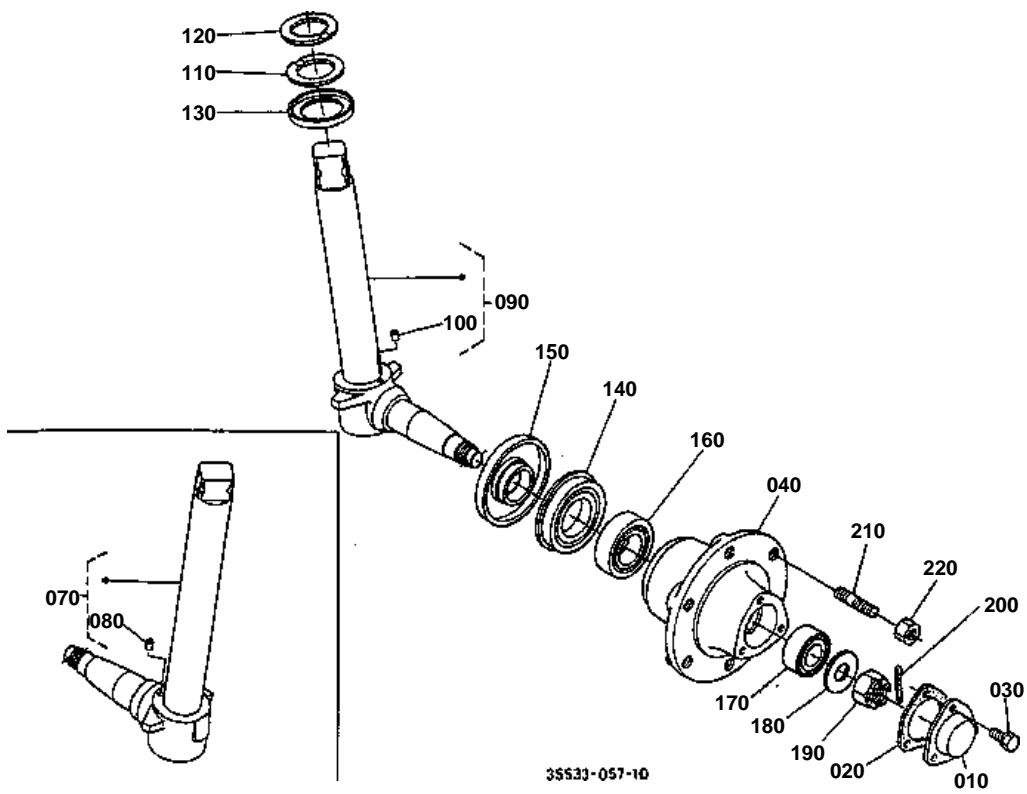


FRONT AXLE [NEW TYPE]
S.No.;>=10092

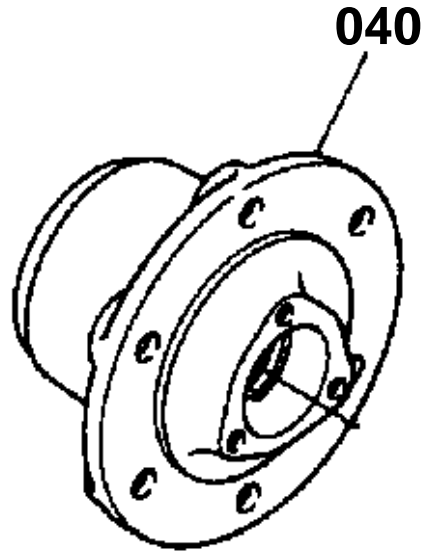
↔ Interchangeable; ≠ not interchangeable; ← new for old; → old for new

| REF.No | Part No. | Description | Q'ty | S.No. | I/C | REMARKS | Weight (kgf) | Weight (lb) |
|--------|-------------|--------------------|------|-------|-----|---------|--------------|-------------|
| 010 | 35564-41610 | BRACKET FRONT | 1 | | | | 2.69 | 5.918 |
| 020 | 35564-41620 | BRACKET REAR | 1 | | | | 3.2 | 7.04 |
| 030 | 01517-51440 | STUD | 4 | | | | 0.064 | 0.1408 |
| 040 | 01173-51445 | BOLT | 4 | | | | 0.065 | 0.143 |
| 050 | 04512-60140 | WASHER SPRING | 8 | | | | 0.008 | 0.0176 |
| 060 | 02176-50140 | NUT | 4 | | | | 0.014 | 0.0308 |
| 070 | 36200-58100 | ASSY AXLE FRONT RH | 1 | | | | 10.7 | 23.54 |
| 080 | 33251-58250 | BUSH | 2 | | | | 0.08 | 0.176 |
| 090 | 33251-58260 | PIN KNOCK | 1 | | | | 0.001 | 0.0022 |
| 100 | 06613-10675 | NIPPLE GREASE | 1 | | | | 0.003 | 0.0066 |
| 110 | 36200-58200 | ASSY AXLE FRONT LH | 1 | | | | 10 | 22 |
| 120 | 33251-58250 | BUSH | 2 | | | | 0.08 | 0.176 |
| 130 | 33251-58260 | PIN KNOCK | 1 | | | | 0.001 | 0.0022 |
| 140 | 06613-10675 | NIPPLE GREASE | 1 | | | | 0.003 | 0.0066 |
| 150 | 35503-58310 | AXLE FRONT MIDDLE | 1 | | | | 31 | 68.2 |
| 160 | 08511-04530 | DU-BUSH | 2 | | | | 0.085 | 0.187 |
| 170 | 09230-45606 | SEAL OIL | 4 | | | | 0.01 | 0.022 |
| 180 | 32580-44580 | NUT | 1 | | | | 0.1 | 0.22 |
| 190 | 01175-51645 | BOLT | 1 | | | | 0.09 | 0.198 |
| 200 | 38440-44750 | WASHER SEAL | 1 | | | | 0.003 | 0.0066 |
| 210 | 06312-10010 | PLUG | 1 | | | | 0.007 | 0.0154 |
| 220 | 32530-13630 | WASHER THRUST | 2 | | | | 0.05 | 0.11 |
| 230 | 36510-58780 | COLLAR | 4 | | | | 0.072 | 0.1584 |
| 240 | 36830-58530 | BOLT | 4 | | | | 0.21 | 0.462 |
| 250 | 04512-60160 | WASHER SPRING | 4 | | | | 0.01 | 0.022 |
| 260 | 02174-50160 | NUT | 4 | | | | 0.022 | 0.0484 |

FRONT WHEEL HUB



040 35523-5881-0



35533-825-10

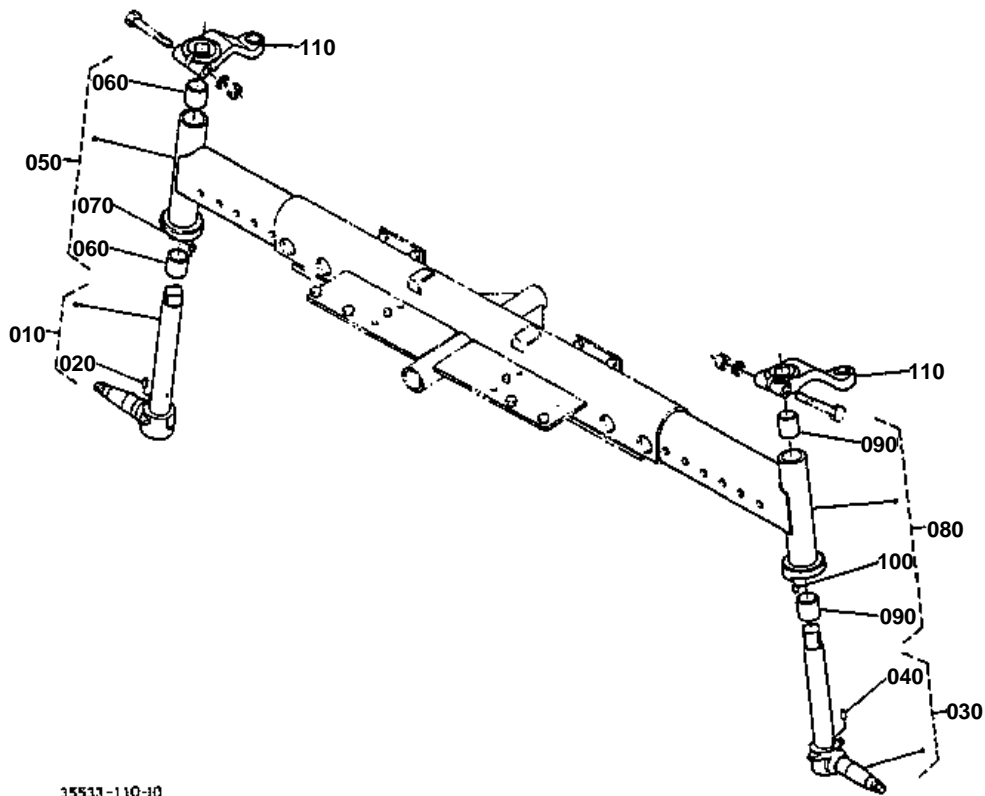


FRONT WHEEL HUB

↔ Interchangeable; ≠ not interchangeable; ← new for old; → old for new

| REF.No | Part No. | Description | Q'ty | S.No. | I/C | REMARKS | Weight (kgf) | Weight (lb) |
|--------|-------------|----------------------|------|--------|-----|---------|--------------|-------------|
| 010 | 32240-11350 | CAP FRONT WHEEL | 2 | | | | 0.065 | 0.143 |
| 020 | 32150-11360 | GASKET | 2 | | | | 0 | 0 |
| 030 | 01123-60816 | BOLT | 6 | | | | 0.01 | 0.022 |
| 040 | 35523-58810 | HUB FRONT WHEEL | 2 | ≤10091 | | | 5.8 | 12.76 |
| 040 | 35503-58810 | HUB FRONT WHEEL | 2 | ≥10092 | ≠ | | 5.4 | 11.88 |
| 050 | 99999-99999 | BLANK | 0 | | | | 0 | 0 |
| 060 | 99999-99999 | BLANK | 0 | | | | 0 | 0 |
| 070 | 36330-58500 | SHAFT KNUCKLE RH | 1 | ≤10091 | | | 4.48 | 9.856 |
| 070 | 36500-58500 | SHAFT KNUCKLE RH | 1 | ≥10092 | ≠ | | 4.52 | 9.944 |
| 080 | 33251-58260 | PIN KNOCK | 1 | | | | 0.001 | 0.0022 |
| 090 | 36330-58600 | SHAFT KNUCKLE LH | 1 | ≤10091 | | | 4.54 | 9.988 |
| 090 | 36500-58600 | SHAFT KNUCKLE LH | 1 | ≥10092 | ≠ | | 4.58 | 10.076 |
| 100 | 33251-58260 | PIN KNOCK | 1 | | | | 0.001 | 0.0022 |
| 110 | 33251-58710 | COLLAR THRUST | 2 | | | 4.0MM | 0.051 | 0.1122 |
| 120 | 33251-58720 | COLLAR THRUST | 2 | | | 4.0MM | 0.05 | 0.11 |
| 130 | 33251-58740 | CAP THRUST COLLAR | 2 | | | | 0.024 | 0.0528 |
| 140 | 33251-58760 | GASKET | 2 | | | | 0.102 | 0.2244 |
| 150 | 33251-58770 | COVER KNUCKLE | 2 | | | | 0.34 | 0.748 |
| 160 | 08711-30207 | BEARING TAPER-ROLLER | 2 | | | | 0.365 | 0.803 |
| 170 | 08711-30205 | BEARING TAPER-ROLLER | 2 | | | | 0.148 | 0.3256 |
| 180 | 36220-58550 | WASHER | 2 | | | | 0.026 | 0.0572 |
| 190 | 02375-50200 | NUT | 2 | | | | 0.025 | 0.055 |
| 200 | 05511-50435 | PIN SPLIT | 2 | | | | 0.004 | 0.0088 |
| 210 | 35822-49150 | STUD | 12 | ≤10091 | | | 0.048 | 0.1056 |
| 210 | 35450-49160 | STUD | 12 | ≥10092 | ≠ | | 0.05 | 0.11 |
| 220 | 35340-11390 | NUT | 12 | | | | 0.03 | 0.066 |

FRONT AXLE (LOW-PROFILE) [OPTION]



35533-110-10

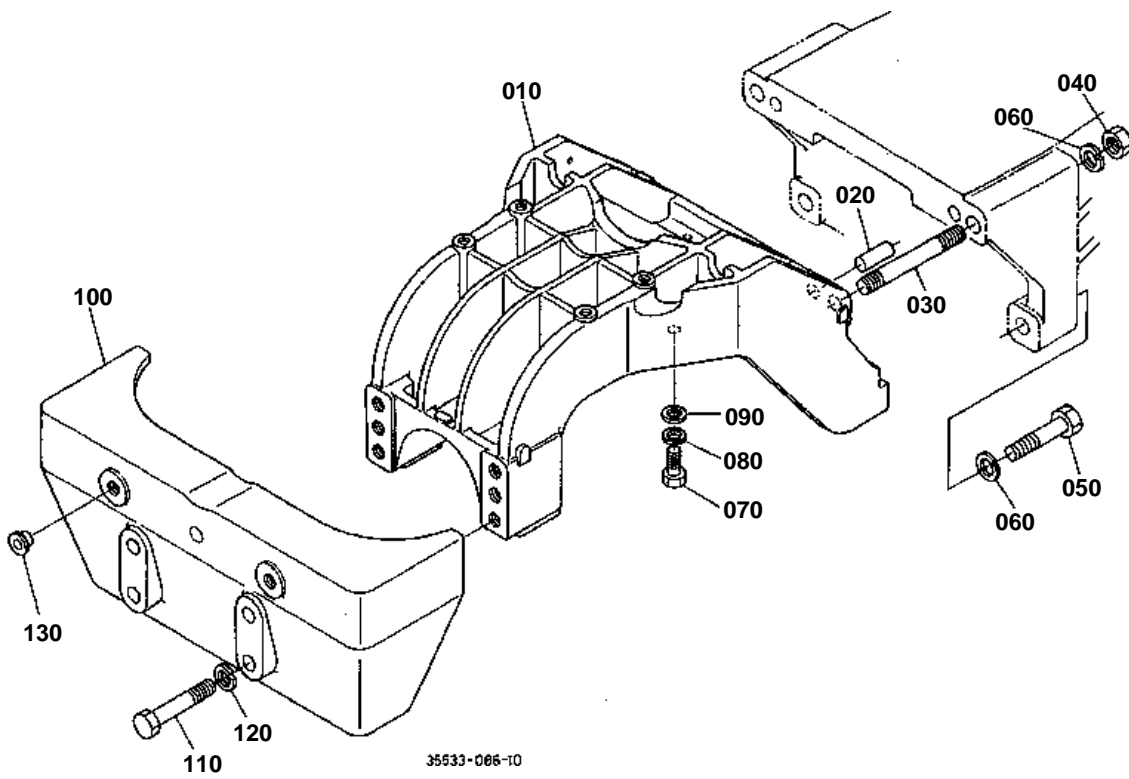


FRONT AXLE (LOW-PROFILE) [OPTION]

↔ Interchangeable; ≠ not interchangeable; ← new for old; → old for new

| REF.No | Part No. | Description | Q'ty | S.No. | I/C | REMARKS | Weight (kgf) | Weight (lb) |
|--------|-------------|--------------------|------|-------|-----|---------|--------------|-------------|
| 010 | 35527-58500 | SHAFT KNUCKLE RH | 1 | | | | 4.1 | 9.02 |
| 020 | 33251-58260 | PIN KNOCK | 1 | | | | 0.001 | 0.0022 |
| 030 | 35527-58600 | SHAFT KNUCKLE LH | 1 | | | | 4.08 | 8.976 |
| 040 | 33251-58260 | PIN KNOCK | 1 | | | | 0.001 | 0.0022 |
| 050 | 35707-58100 | ASSY AXLE FRONT RH | 1 | | | | 11 | 24.2 |
| 060 | 33251-58250 | BUSH | 2 | | | | 0.08 | 0.176 |
| 070 | 33251-58260 | PIN KNOCK | 1 | | | | 0.001 | 0.0022 |
| 080 | 35707-58200 | ASSY AXLE FRONT LH | 1 | | | | 11 | 24.2 |
| 090 | 33251-58250 | BUSH | 2 | | | | 0.08 | 0.176 |
| 100 | 33251-58260 | PIN KNOCK | 1 | | | | 0.001 | 0.0022 |
| 110 | 35527-62730 | ARM KNUCKLE | 2 | | | | 1.98 | 4.356 |

FRONT AXLE BRACKET



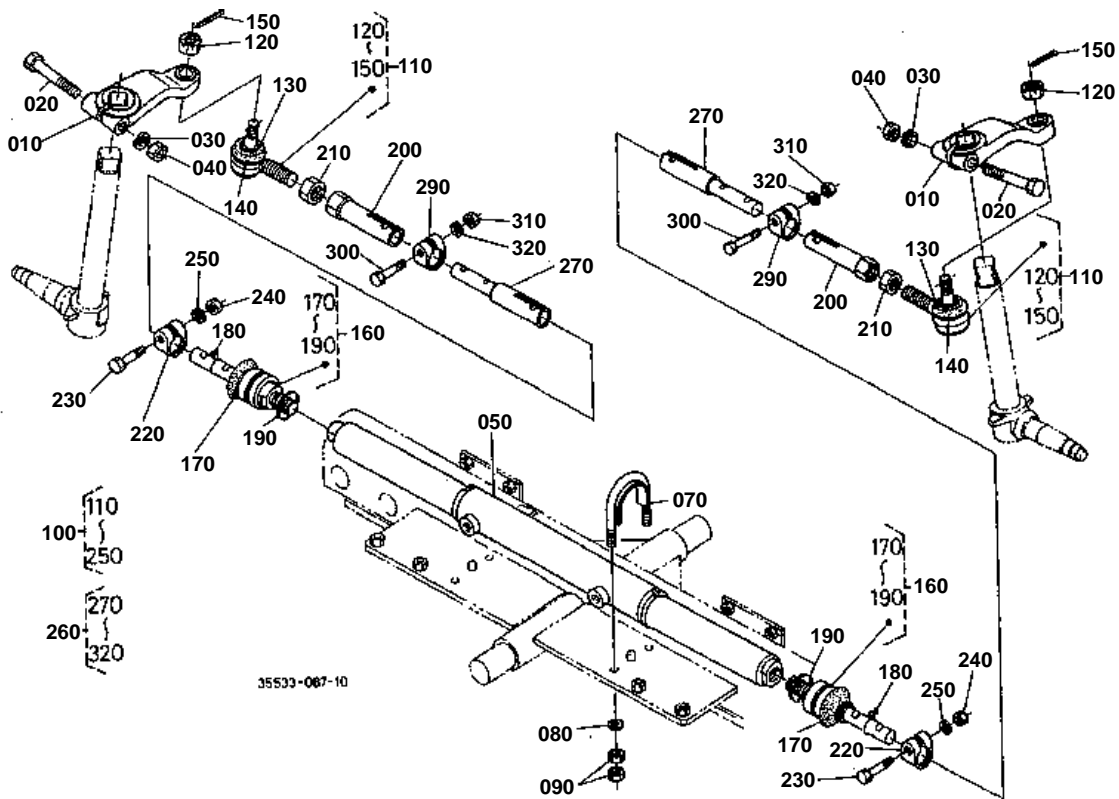


FRONT AXLE BRACKET

↔ Interchangeable; ≠ not interchangeable; ← new for old; → old for new

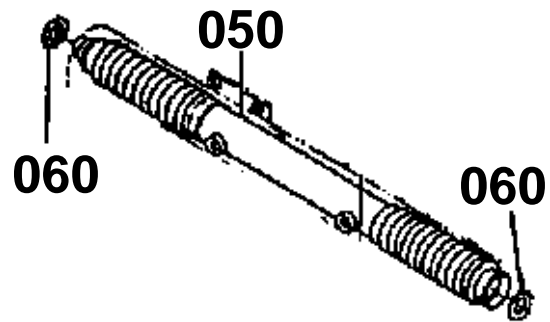
| REF.No | Part No. | Description | Q'ty | S.No. | I/C | REMARKS | Weight (kgf) | Weight (lb) |
|--------|-------------|--------------------|------|---------|-----|---------|--------------|-------------|
| 010 | 35533-21710 | BRACKET FRONT AXLE | 1 | <=10034 | | | 0 | 0 |
| 010 | 35533-21714 | BRACKET FRONT AXLE | 1 | >=10035 | ← | | 46.3 | 101.86 |
| 020 | 05012-01645 | PIN STRAIGHT | 2 | | | | 0.08 | 0.176 |
| 030 | 35533-21800 | STUD | 2 | | | | 0.33 | 0.726 |
| 040 | 02076-50180 | NUT | 2 | | | | 0.044 | 0.0968 |
| 050 | 01173-51885 | BOLT | 2 | <=10058 | | | 0.2 | 0.44 |
| 050 | 01173-51880 | BOLT | 2 | >=10059 | ≠ | | 0.187 | 0.4114 |
| 060 | 04512-60180 | WASHER SPRING | 4 | | | | 0.02 | 0.044 |
| 070 | 01176-51430 | BOLT | 2 | | | | 0.052 | 0.1144 |
| 080 | 04512-60140 | WASHER SPRING | 2 | | | | 0.008 | 0.0176 |
| 090 | 04013-60140 | WASHER PLAIN | 2 | | | | 0.01 | 0.022 |
| 100 | 35533-21760 | BUMPER FRONT | 1 | | | | 22 | 48.4 |
| 110 | 01173-51695 | BOLT | 4 | | | | 0.016 | 0.0352 |
| 120 | 04512-60160 | WASHER SPRING | 4 | | | | 0.01 | 0.022 |
| 130 | 33300-90910 | PLUG | 2 | | | | 0.002 | 0.0044 |

STEERING LINKAGE

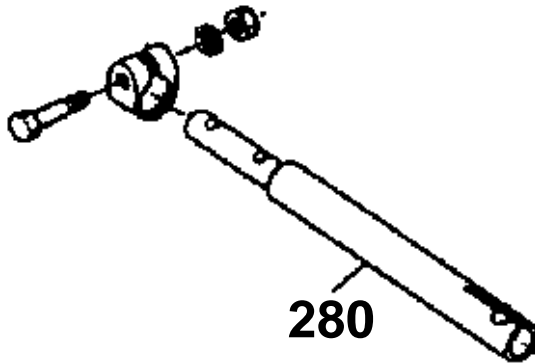


050 35523-6388-0

060 35533-6398-0



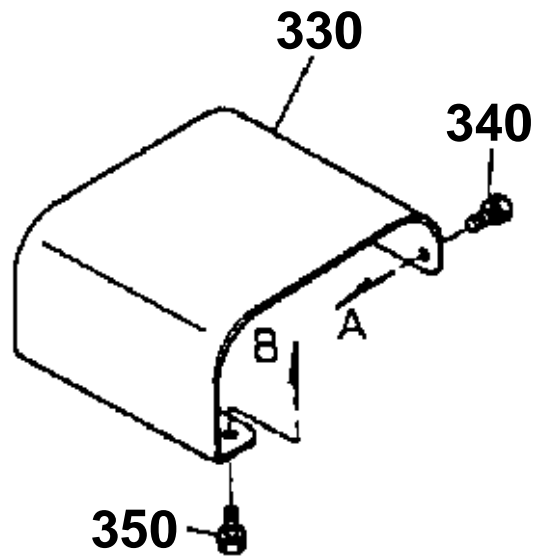
280 35523-6288-0



330 35523-6401-0

340 01133-51018

350 01133-51022



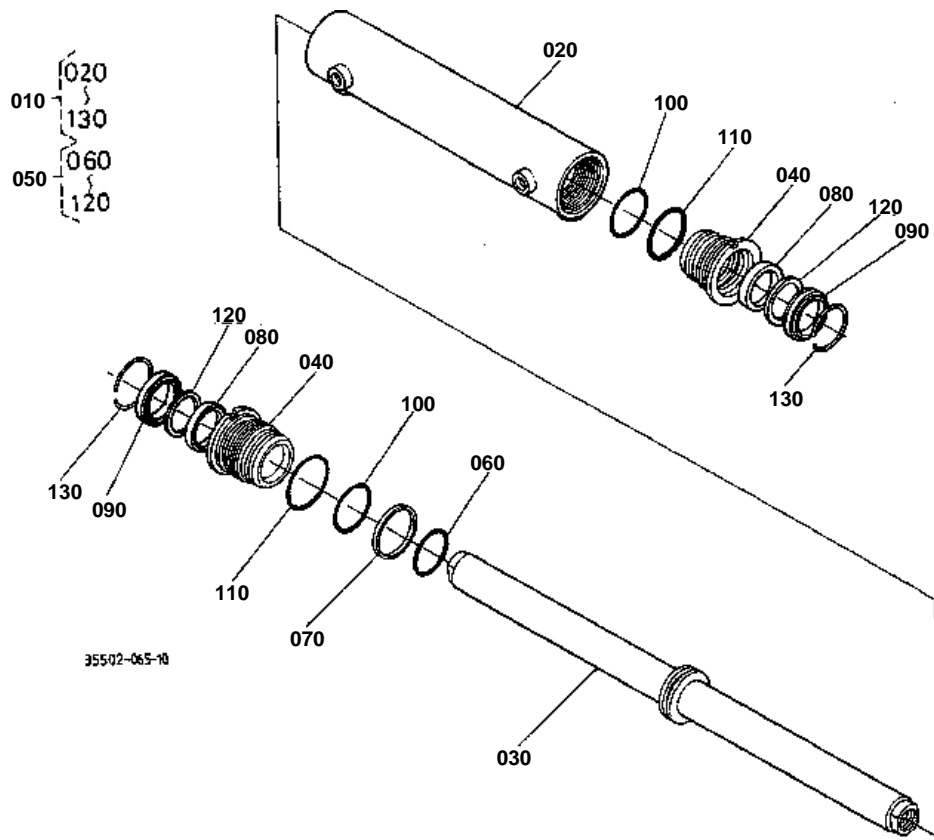
35533-833-10

**STEERING LINKAGE**

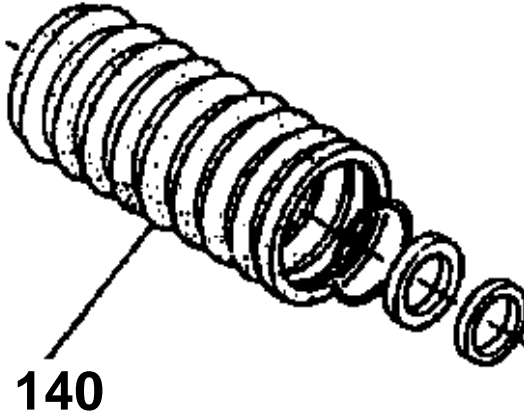
↔ Interchangeable; ≠ not interchangeable; ← new for old; → old for new

| REF.No | Part No. | Description | Q'ty | S.No. | I/C | REMARKS | Weight (kgf) | Weight (lb) |
|--------|-------------|----------------------|------|---------|-----|---------|--------------|-------------|
| 010 | 35523-62730 | ARM KNUCKLE | 2 | | | | 1.65 | 3.63 |
| 020 | 36830-58430 | BOLT | 2 | | | | 0.11 | 0.242 |
| 030 | 04512-60140 | WASHER SPRING | 2 | | | | 0.008 | 0.0176 |
| 040 | 02174-50140 | NUT | 2 | | | | 0.014 | 0.0308 |
| 050 | 35523-63880 | CYLINDER STEERING | 1 | <=10180 | | | 0 | 0 |
| 050 | 35523-63883 | CYLINDER POWER STRG. | 1 | >=10181 | ← | | 7.5 | 16.5 |
| 060 | 35533-63980 | WASHER LOCK | 2 | <=10058 | | | 0.01 | 0.022 |
| 070 | 35523-62130 | BRACKET POWER STRG. | 2 | | | | 0.205 | 0.451 |
| 080 | 04512-60100 | WASHER SPRING | 4 | | | | 0.002 | 0.0044 |
| 090 | 02118-50100 | NUT | 8 | | | | 0.005 | 0.011 |
| 100 | 35523-62970 | ASSY ROD TIE | 2 | | | | 2.2 | 4.84 |
| 110 | 35523-62920 | ASSY END TIE ROD | 2 | | | | 0.66 | 1.452 |
| 120 | 35860-62750 | NUT | 2 | | | | 0.04 | 0.088 |
| 130 | 35860-62852 | COVER DUST | 2 | | | | 0.014 | 0.0308 |
| 140 | 36280-62860 | CLIP | 2 | | | | 0.002 | 0.0044 |
| 150 | 05511-50335 | PIN SPLIT | 2 | | | | 0.002 | 0.0044 |
| 160 | 35523-62980 | JOINT TIE ROD | 2 | | | | 1.16 | 2.552 |
| 170 | 35533-62850 | COVER DUST | 2 | | | | 0.02 | 0.044 |
| 180 | 35533-62820 | CLIP | 2 | | | | 0.003 | 0.0066 |
| 190 | 35533-62860 | RING SET | 2 | | | | 0.005 | 0.011 |
| 200 | 35523-62910 | ROD TIE OUTER | 2 | | | | 0.25 | 0.55 |
| 210 | 02172-50200 | NUT | 2 | | | | 0.03 | 0.066 |
| 220 | 33251-62860 | CLAMP TIE ROD | 2 | | | | 0.078 | 0.1716 |
| 230 | 38430-12560 | BOLT | 2 | | | | 0.35 | 0.77 |
| 240 | 02176-50100 | NUT | 2 | | | | 0.005 | 0.011 |
| 250 | 04512-60100 | WASHER SPRING | 2 | | | | 0.002 | 0.0044 |
| 260 | 35523-62820 | ASSY SPACER TIE ROD | 2 | <=10091 | | | 1.2 | 2.64 |
| 260 | 35564-62820 | ASSY SPACER TIE ROD | 2 | >=10092 | ≠ | | 0.52 | 1.144 |
| 270 | 35523-62870 | SPACER TIE ROD | 2 | | | | 0.4 | 0.88 |
| 280 | 35523-62880 | SPACER TIE ROD | 2 | <=10091 | | | 0.65 | 1.43 |
| 290 | 33251-62860 | CLAMP TIE ROD | 2 | | | | 0.078 | 0.1716 |
| 300 | 38430-12560 | BOLT | 2 | | | | 0.35 | 0.77 |
| 310 | 02176-50100 | NUT | 2 | | | | 0.005 | 0.011 |
| 320 | 04512-60100 | WASHER SPRING | 2 | | | | 0.002 | 0.0044 |
| 330 | 35523-64010 | COVER POWER STRG. | 2 | <=10091 | | | 1.8 | 3.96 |
| 340 | 01133-51018 | BOLT | 4 | <=10091 | | | 0.018 | 0.0396 |
| 350 | 01133-51022 | BOLT | 4 | <=10091 | | | 0.025 | 0.055 |

STEERING CYLINDER [COMPONENT PARTS]



140 35999-2412-0

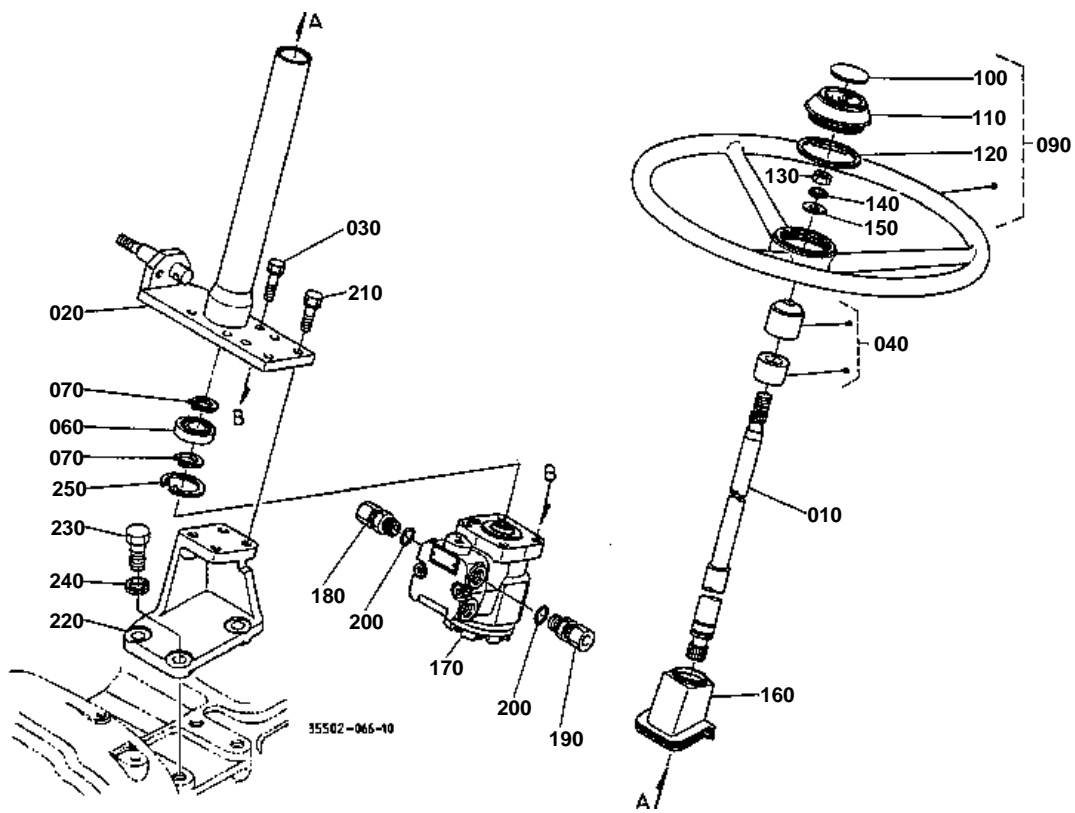


35502-817-10

**STEERING CYLINDER [COMPONENT PARTS]**

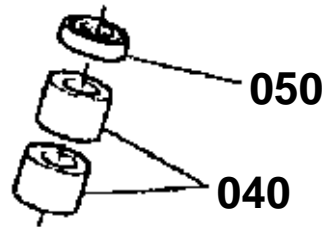
↔ Interchangeable; ≠ not interchangeable; ← new for old; → old for new

| REF.No | Part No. | Description | Q'ty | S.No. | I/C | REMARKS | Weight (kgf) | Weight (lb) |
|--------|-------------|----------------------|------|---------|-----|---------|--------------|-------------|
| 010 | 35523-63880 | CYLINDER STEERING | 1 | <=10180 | | | 0 | 0 |
| 010 | 35523-63883 | CYLINDER POWER STRG. | 1 | >=10181 | ← | | 7.5 | 16.5 |
| 020 | 35999-24140 | ASSY CYLINDER | 1 | | | | 2 | 4.4 |
| 030 | 35999-24020 | ASSY ROD | 1 | | | | 4.6 | 10.12 |
| 040 | 35999-24030 | ASSY GUIDE | 1 | <=10180 | | | 0.35 | 0.77 |
| 040 | 35999-24390 | ASSY GUIDE | 2 | >=10181 | ≠ | | 0.4 | 0.88 |
| 050 | 35999-24040 | KIT SEAL | 1 | <=10180 | | | 0.06 | 0.132 |
| 050 | 35999-24400 | KIT SEAL | 1 | >=10181 | ≠ | | 0.09 | 0.198 |
| 060 | 35999-24050 | O RING | 1 | | | | 0.003 | 0.0066 |
| 070 | 35999-24060 | SEAL | 1 | <=10180 | | | 0.003 | 0.0066 |
| 070 | 35999-24350 | SEAL | 1 | >=10181 | ≠ | | 0.01 | 0.022 |
| 080 | 35999-24070 | GASKET U | 2 | | | | 0.003 | 0.0066 |
| 090 | 35999-24080 | WIPER DUST | 2 | | | | 0.015 | 0.033 |
| 100 | 35999-24090 | O RING | 2 | | | | 0.002 | 0.0044 |
| 110 | 35999-24110 | O RING | 2 | | | | 0.003 | 0.0066 |
| 120 | 35999-24370 | RING BACK UP | 2 | >=10181 | | | 0.005 | 0.011 |
| 130 | 35999-24130 | RING SNAP | 2 | | | | 0.003 | 0.0066 |
| 140 | 35999-24120 | BOOT | 2 | <=10197 | | | 0.11 | 0.242 |

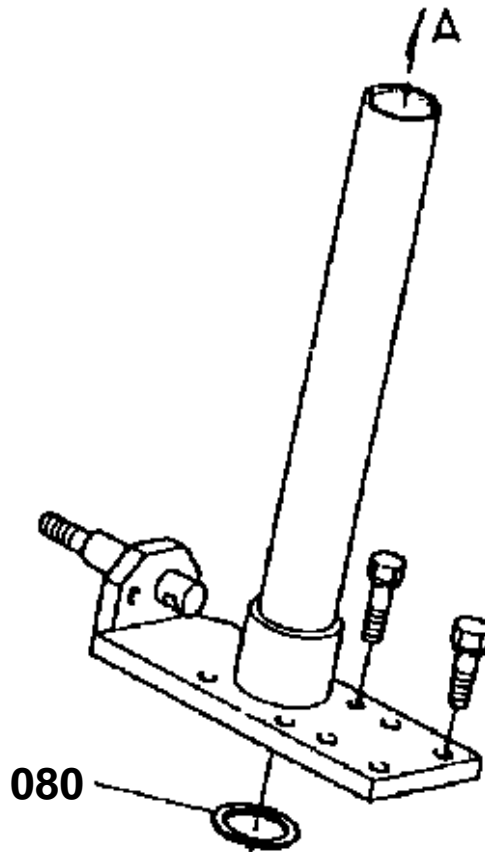


040 36200-6217-0

050 36200-6218-0



080 35533-6340-0



35502-818-10

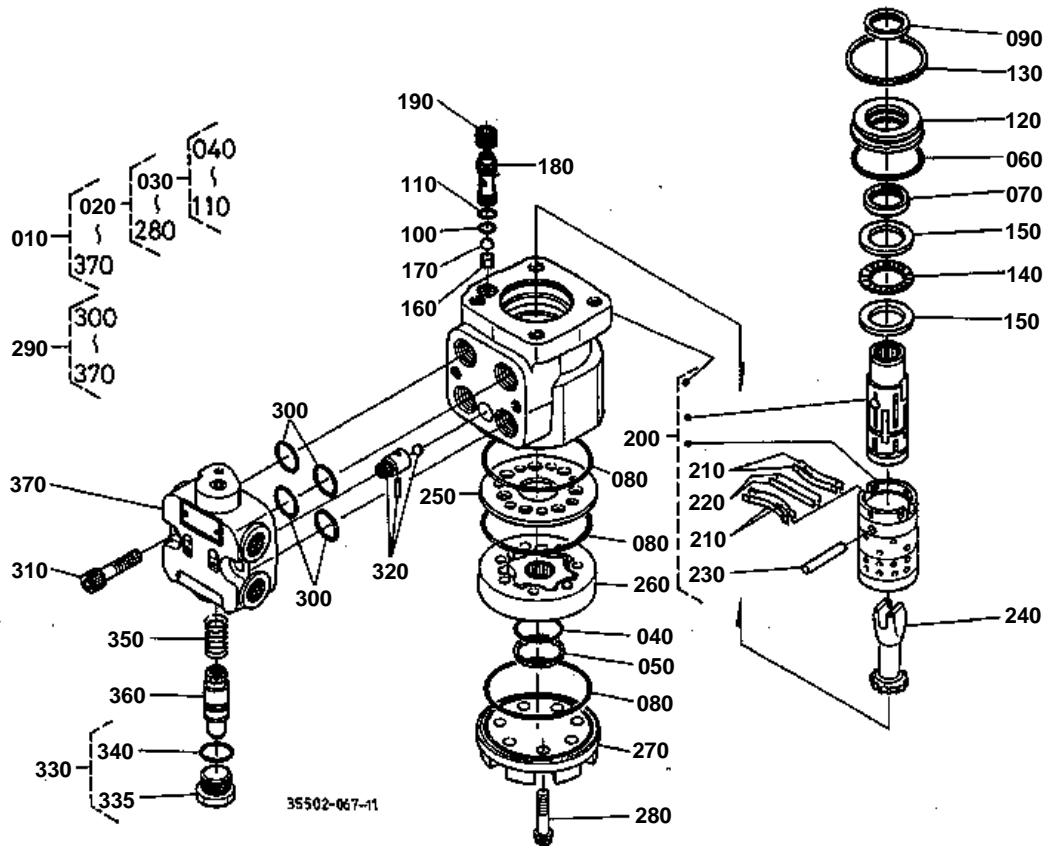


STEERING HANDLE AND STEERING CONTROLLER

↔ Interchangeable; ≠ not interchangeable; ← new for old; → old for new

| REF.No | Part No. | Description | Q'ty | S.No. | I/C | REMARKS | Weight (kgf) | Weight (lb) |
|--------|-------------|---------------------|------|---------|-----|----------|--------------|-------------|
| 010 | 35533-62150 | SHAFT STEERING | 1 | | | | 1.3 | 2.86 |
| 020 | 35533-62140 | POST HANDLE | 1 | | | | 2.9 | 6.38 |
| 030 | 01133-51030 | BOLT | 4 | | | | 0.025 | 0.055 |
| 040 | 36200-62170 | BUSH STEERING POST | 2 | <=20783 | | NOT SALE | 0.045 | 0.099 |
| 040 | 35999-15660 | KIT BUSH | 1 | >=20784 | ← | | 0.082 | 0.1804 |
| 050 | 36200-62180 | SEAL OIL | 1 | <=20783 | | | 0.01 | 0.022 |
| 060 | 35533-62360 | BEARING BALL | 1 | | | | 0.08 | 0.176 |
| 070 | 04612-00220 | CIRCLIP EXTERNAL | 2 | | | | 0.001 | 0.0022 |
| 080 | 35533-63400 | SHIM | 1 | <=10197 | | | 0.002 | 0.0044 |
| 090 | 36330-62560 | ASSY HANDLE STRG. | 1 | | | | 2 | 4.4 |
| 100 | 36330-62610 | MARK HANDLE | 1 | | | | 0.004 | 0.0088 |
| 110 | 36330-62580 | CAP HANDLE | 1 | | | | 0.04 | 0.088 |
| 120 | 36330-62620 | GASKET | 1 | | | | 0.002 | 0.0044 |
| 130 | 02174-50140 | NUT | 1 | | | | 0.014 | 0.0308 |
| 140 | 04512-60140 | WASHER SPRING | 1 | | | | 0.008 | 0.0176 |
| 150 | 04011-60160 | WASHER PLAIN | 1 | | | | 0.01 | 0.022 |
| 160 | 35533-62380 | COVER POST | 1 | | | | 0.05 | 0.11 |
| 170 | 35533-63070 | CONTROLLER STEERING | 1 | <=10159 | | | 0 | 0 |
| 170 | 35533-63072 | CONTROLLER STEERING | 1 | >=10160 | ← | | 0 | 0 |
| 170 | 35533-63074 | CONTROLLER STEERING | 1 | >=21043 | ← | | 6.5 | 14.3 |
| 180 | 36330-63080 | NIPPLE | 2 | | | | 0.07 | 0.154 |
| 190 | 35533-63170 | NIPPLE | 2 | | | | 0.07 | 0.154 |
| 200 | 04811-00140 | O RING | 4 | | | | 0 | 0 |
| 210 | 01133-51230 | BOLT | 4 | | | | 0.04 | 0.088 |
| 220 | 35533-63190 | SUPPORT CONTROLLER | 1 | <=20483 | | | 0 | 0 |
| 220 | 35533-63192 | SUPPORT CONTROLLER | 1 | >=20484 | ← | | 2.85 | 6.27 |
| 230 | 01173-51645 | BOLT | 3 | | | | 0.092 | 0.2024 |
| 240 | 04512-60160 | WASHER SPRING | 3 | | | | 0.01 | 0.022 |
| 250 | 04611-00450 | CIR CLIP INTERNAL | 1 | | | | 0.01 | 0.022 |

STEERING CONTROLLER [COMPONENT PARTS] [OLD TYPE]



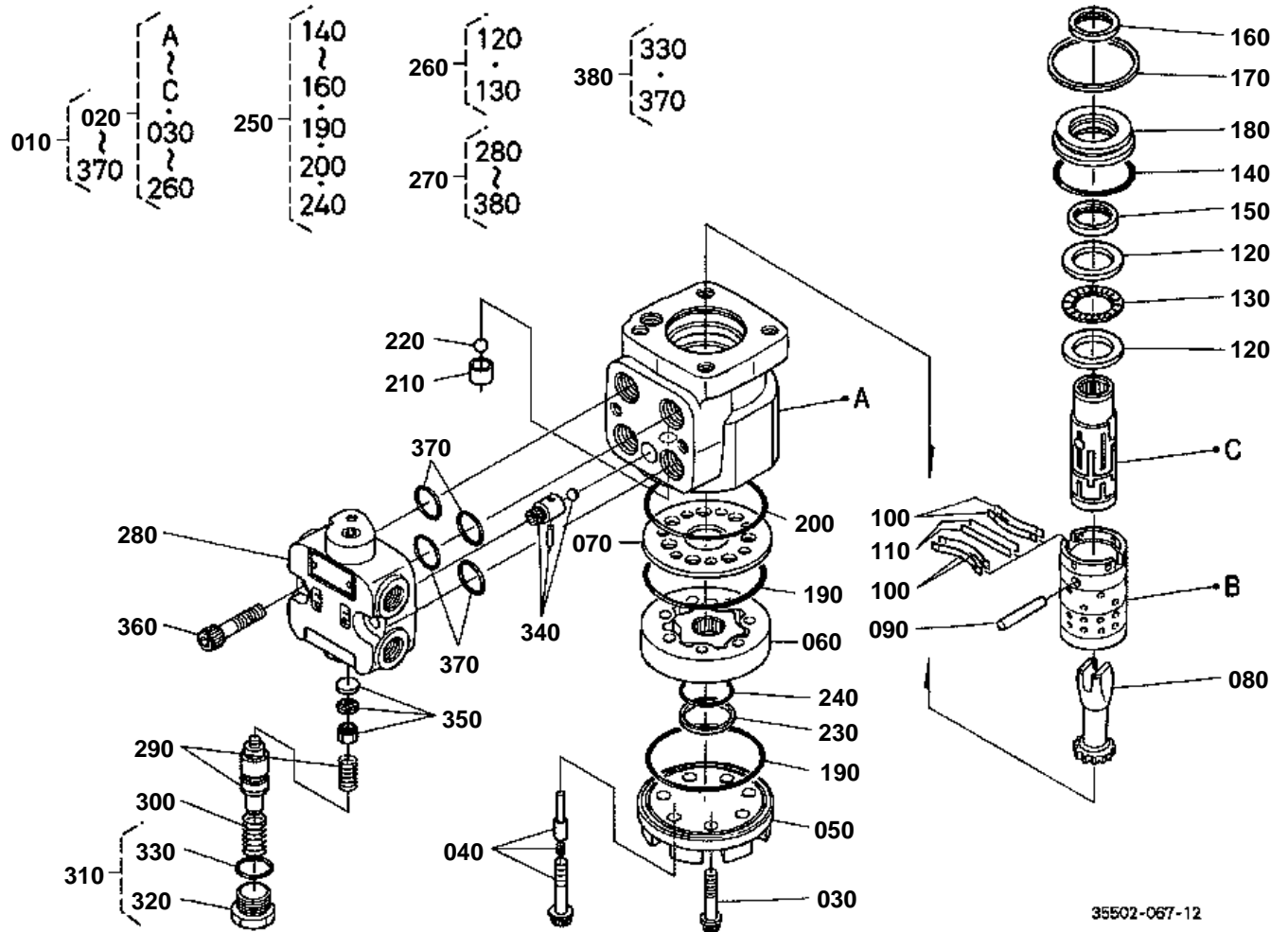


STEERING CONTROLLER [COMPONENT PARTS] [OLD TYPE]
S.No.;<=21042

↔ Interchangeable; ≠ not interchangeable; ← new for old; → old for new

| REF.No | Part No. | Description | Q'ty | S.No. | I/C | REMARKS | Weight (kgf) | Weight (lb) |
|--------|-------------|---------------------|------|---------|-----|----------|--------------|-------------|
| 010 | 35533-63070 | CONTROLLER STEERING | 1 | <=10159 | | | 0 | 0 |
| 010 | 35533-63072 | CONTROLLER STEERING | 1 | >=10160 | ← | | 0 | 0 |
| 020 | 35533-63080 | CONTROLLER | 1 | | | | 4.5 | 9.9 |
| 030 | 35999-22010 | KIT SEAL | 1 | | | | 0.01 | 0.022 |
| 040 | 35999-22020 | RING | 1 | | | | 0.001 | 0.0022 |
| 050 | 35999-22030 | SEAL | 1 | | | | 0.001 | 0.0022 |
| 060 | 35999-22040 | RING | 1 | | | | 0.005 | 0.011 |
| 070 | 35999-22050 | SEAL OIL | 1 | | | | 0.001 | 0.0022 |
| 080 | 35999-22080 | O RING | 3 | | | | 0.001 | 0.0022 |
| 090 | 35999-22110 | SEAL DUST | 1 | | | | 0.002 | 0.0044 |
| 100 | 35999-22140 | O RING | 1 | | | | 0.001 | 0.0022 |
| 110 | 35999-22160 | O RING | 1 | | | | 0.001 | 0.0022 |
| 120 | 35999-22060 | BUSH | 1 | | | | 0.11 | 0.242 |
| 130 | 35999-22070 | RING RETAINING | 1 | | | | 0.005 | 0.011 |
| 140 | 35999-22090 | NEEDLE THRUST | 1 | | | | 0.01 | 0.022 |
| 150 | 35999-22100 | RACE BEARING | 2 | | | | 0.02 | 0.044 |
| 160 | 35999-22120 | BALL RETAINER CHECK | 1 | | | | 0.001 | 0.0022 |
| 170 | 35999-22130 | BALL | 1 | | | | 0.002 | 0.0044 |
| 180 | 35999-22150 | SEAT CHECK | 1 | | | | 0.01 | 0.022 |
| 190 | 35999-22170 | SCREW SET | 1 | | | | 0.01 | 0.022 |
| 200 | 35999-22210 | ASSY PARTS CONTROL | 1 | | | | 3.5 | 7.7 |
| 210 | 35999-22200 | SPRING | 4 | | | | 0.002 | 0.0044 |
| 220 | 35999-22190 | SPRING FLAT | 2 | | | | 0.001 | 0.0022 |
| 230 | 35999-22180 | PIN | 1 | | | | 0.01 | 0.022 |
| 240 | 35999-22220 | DRIVE | 1 | | | | 0.1 | 0.22 |
| 250 | 35999-22230 | PLATE SPACER | 1 | | | | 0.1 | 0.22 |
| 260 | 35999-22240 | SET ROTOR | 1 | | | | 0.27 | 0.594 |
| 270 | 35999-22250 | CAP END | 1 | | | | 0.4 | 0.88 |
| 280 | 35999-22260 | SCREW | 7 | | | | 0.02 | 0.044 |
| 290 | 35533-63090 | VALVE | 1 | | | | 1.37 | 3.014 |
| 300 | 35999-22320 | O RING | 4 | | | | 0.001 | 0.0022 |
| 310 | 35999-22330 | BOLT | 2 | | | | 0.03 | 0.066 |
| 320 | 35999-22340 | ASSY CHECK ORIFICE | 1 | | | | 0.02 | 0.044 |
| 330 | 35999-22310 | ASSY PLUG SUB | 1 | | | NOT SALE | 0.05 | 0.11 |
| 335 | 35999-16240 | PLUG | 1 | | | | 0.05 | 0.11 |
| 340 | 35999-22350 | O RING | 1 | | | | 0.001 | 0.0022 |
| 350 | 35999-22360 | SPRING OUTER VALVE | 1 | | | | 0.008 | 0.0176 |
| 360 | 35999-22370 | ASSY VALVE AUX. | 1 | | | | 0.05 | 0.11 |
| 370 | 35999-22380 | ASSY HOUSING | 1 | | | | 1.2 | 2.64 |

STEERING CONTROLLER [COMPONENT PARTS] [NEW TYPE]



35502-067-12

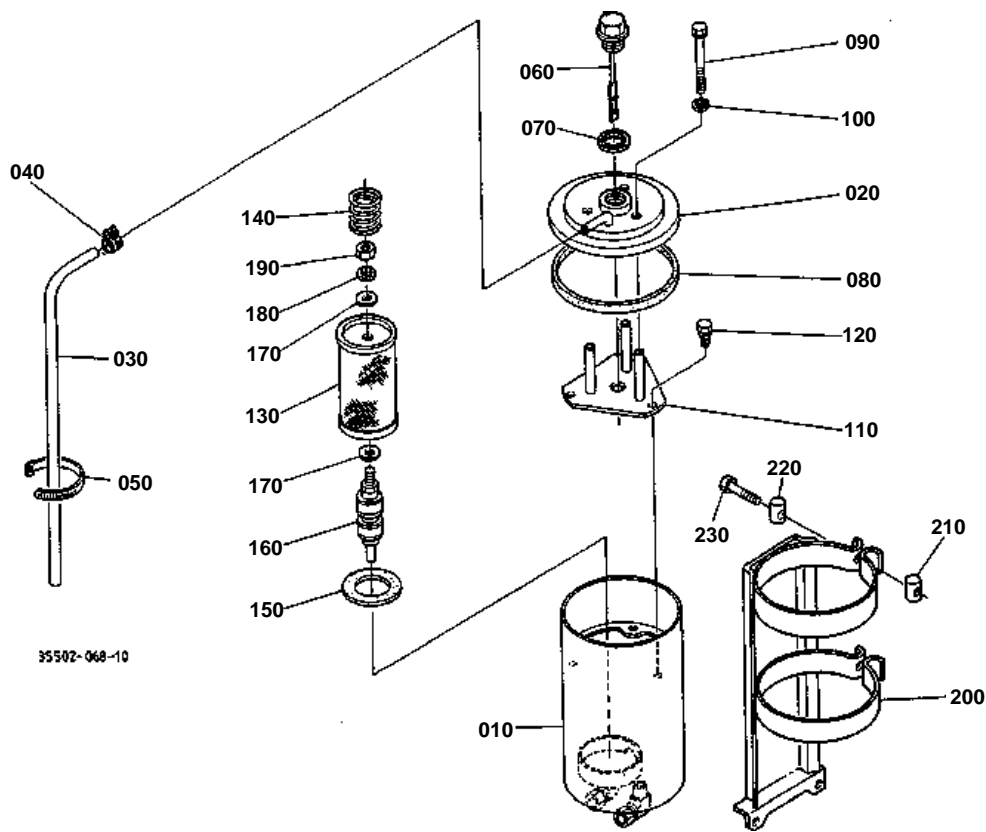


STEERING CONTROLLER [COMPONENT PARTS] [NEW TYPE]
S.No.;>=21043

↔ Interchangeable; ≠ not interchangeable; ← new for old; → old for new

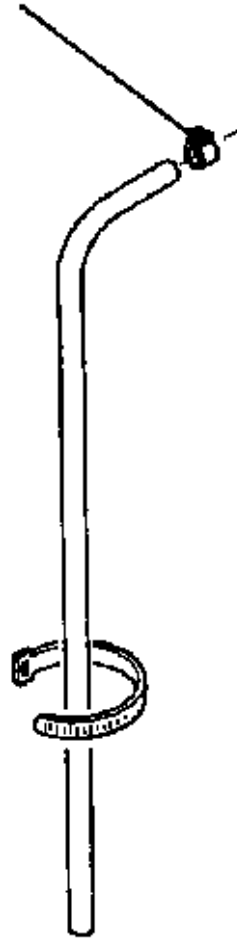
| REF.No | Part No. | Description | Q'ty | S.No. | I/C | REMARKS | Weight (kgf) | Weight (lb) |
|--------|-------------|---------------------|------|-------|-----|----------|--------------|-------------|
| 010 | 35533-63074 | CONTROLLER STEERING | 1 | | | | 6.5 | 14.3 |
| 020 | 35533-63082 | CONTROLLER | 1 | | | | 0 | 0 |
| 030 | 35999-22260 | SCREW | 6 | | | | 0.02 | 0.044 |
| 040 | 33550-64410 | ASSY SCREW | 1 | | | | 0.02 | 0.044 |
| 050 | 35999-22250 | CAP END | 1 | | | | 0.4 | 0.88 |
| 060 | 35999-22240 | SET ROTOR | 1 | | | | 0.27 | 0.594 |
| 070 | 35999-22230 | PLATE SPACER | 1 | | | | 0.1 | 0.22 |
| 080 | 76611-37150 | DRIVE | 1 | | | | 0.123 | 0.2706 |
| 090 | 35999-22180 | PIN | 1 | | | | 0.01 | 0.022 |
| 100 | 35999-22200 | SPRING | 4 | | | | 0.002 | 0.0044 |
| 110 | 35999-22190 | SPRING FLAT | 2 | | | | 0.001 | 0.0022 |
| 120 | 35999-22100 | RACE BEARING | 2 | | | | 0.02 | 0.044 |
| 130 | 35999-22090 | NEEDLE THRUST | 1 | | | | 0.01 | 0.022 |
| 140 | 35999-22040 | O RING | 1 | | | | 0.005 | 0.011 |
| 150 | 35999-22050 | SEAL OIL | 1 | | | | 0.001 | 0.0022 |
| 160 | 35999-22110 | SEAL DUST | 1 | | | | 0.002 | 0.0044 |
| 170 | 35999-22070 | RING RETAINING | 1 | | | | 0.005 | 0.011 |
| 180 | 35999-22060 | BUSH | 1 | | | | 0.11 | 0.242 |
| 190 | 35999-22080 | O RING | 2 | | | | 0.001 | 0.0022 |
| 200 | R1401-94650 | O RING | 1 | | | | 0.001 | 0.0022 |
| 210 | R1401-94660 | SCREW ADAPTER | 1 | | | | 0.002 | 0.0044 |
| 220 | R1401-94670 | BALL | 1 | | | | 0.001 | 0.0022 |
| 230 | 33740-64440 | PLUG | 1 | | | | 0.015 | 0.033 |
| 240 | 33740-64450 | O RING | 1 | | | | 0.001 | 0.0022 |
| 250 | 35999-22010 | KIT SEAL | 1 | | | | 0.01 | 0.022 |
| 260 | R1401-94620 | KIT BEARING NEEDLE | 1 | | | | 0.04 | 0.088 |
| 270 | 35533-63090 | VALVE | 1 | | | | 1.37 | 3.014 |
| 280 | 35999-22380 | ASSY HOUSING | 1 | | | | 1.2 | 2.64 |
| 290 | 35999-22370 | ASSY VALVE AUX. | 1 | | | | 0.05 | 0.11 |
| 300 | 35999-22360 | SPRING OUTER VALVE | 1 | | | | 0.008 | 0.0176 |
| 310 | 35999-22310 | ASSY PLUG SUB | 1 | | | NOT SALE | 0.05 | 0.11 |
| 320 | 35999-16240 | PLUG | 1 | | | | 0.05 | 0.11 |
| 330 | 35999-22350 | O RING | 1 | | | | 0.001 | 0.0022 |
| 340 | 35999-22340 | ASSY CHECK ORIFICE | 1 | | | | 0.02 | 0.044 |
| 350 | 35999-16260 | ASSY FILTER | 1 | | | | 0.004 | 0.0088 |
| 360 | 35999-22330 | BOLT | 2 | | | | 0.03 | 0.066 |
| 370 | 35999-22320 | O RING | 4 | | | | 0.001 | 0.0022 |
| 380 | 35999-16270 | KIT SEAL | 1 | | | | 0.003 | 0.0066 |

POWER STEERING OIL TANK



040 14301-4275-0

040



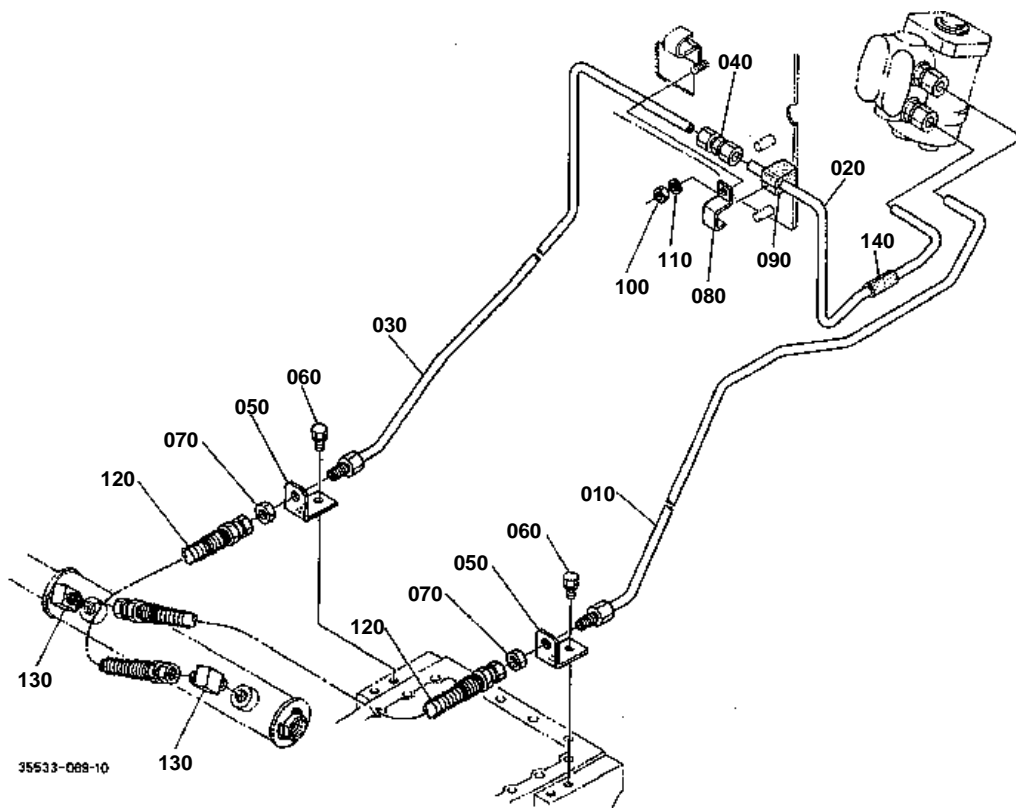
35533-835-10

**POWER STEERING OIL TANK**

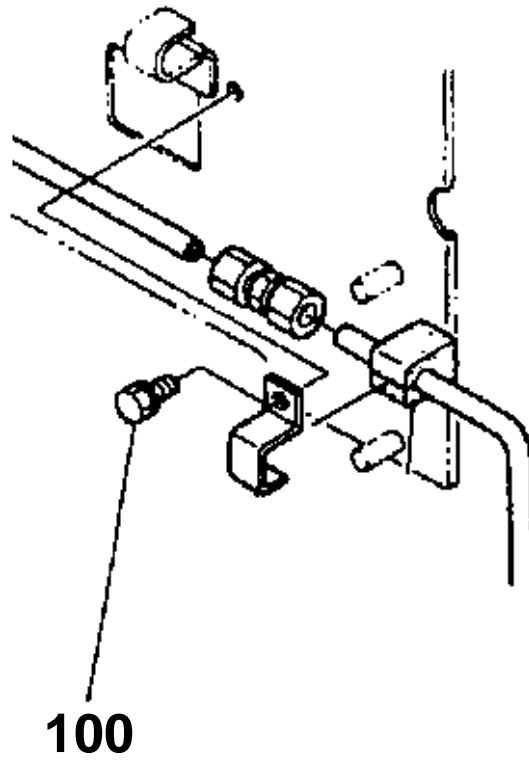
↔ Interchangeable; ≠ not interchangeable; ← new for old; → old for new

| REF.No | Part No. | Description | Q'ty | S.No. | I/C | REMARKS | Weight (kgf) | Weight (lb) |
|--------|-------------|--------------------|------|--------|-----|---------|--------------|-------------|
| 010 | 35533-63410 | TANK OIL | 1 | | | | 1.36 | 2.992 |
| 020 | 35533-63444 | CAP OIL TANK | 1 | | | | 0.349 | 0.7678 |
| 030 | 36300-04430 | PIPE FUEL | 1 | | | | 0.1 | 0.22 |
| 040 | 14301-42750 | CLIP PIPE | 1 | ≤10197 | | | 0.005 | 0.011 |
| 040 | 14911-42750 | CLIP PIPE | 1 | ≥10198 | ↔ | | 0.002 | 0.0044 |
| 050 | 53581-64150 | BAND CORD | 1 | | | | 0.002 | 0.0044 |
| 060 | 35533-63470 | GAUGE OIL | 1 | | | | 0.07 | 0.154 |
| 070 | 04717-02150 | WASHER WITH RUBBER | 1 | | | | 0.004 | 0.0088 |
| 080 | 35533-63450 | GASKET | 1 | | | | 0.02 | 0.044 |
| 090 | 01053-50675 | BOLT | 3 | | | | 0.015 | 0.033 |
| 100 | 04717-00600 | WASHER WITH RUBBER | 3 | | | | 0.001 | 0.0022 |
| 110 | 35533-63480 | PLATE | 1 | | | | 0.25 | 0.55 |
| 120 | 01023-50614 | BOLT | 3 | | | | 0.005 | 0.011 |
| 130 | 36330-63460 | FILTER OIL | 1 | | | | 0.22 | 0.484 |
| 140 | 36830-63480 | SPRING | 1 | | | | 0.06 | 0.132 |
| 150 | 35533-63500 | GASKET FILTER | 1 | | | | 0.01 | 0.022 |
| 160 | 36330-63490 | MAGNET | 1 | | | | 0.09 | 0.198 |
| 170 | 04013-60060 | WASHER PLAIN | 2 | | | | 0.001 | 0.0022 |
| 180 | 04512-60060 | WASHER SPRING | 1 | | | | 0.001 | 0.0022 |
| 190 | 02014-50060 | NUT | 1 | | | | 0.002 | 0.0044 |
| 200 | 36210-63430 | BAND TANK | 1 | ≤10034 | | | 0 | 0 |
| 200 | 36210-63434 | BAND TANK | 1 | ≥10035 | ← | | 0.96 | 2.112 |
| 210 | 33400-63440 | CLAMP BAND | 2 | | | | 0.015 | 0.033 |
| 220 | 33400-63450 | CLAMP BAND | 2 | | | | 0.015 | 0.033 |
| 230 | 01053-50645 | BOLT | 2 | | | | 0.012 | 0.0264 |

HYDRAULIC OIL LINE (POWER STEERING) 1



100 01123-50814



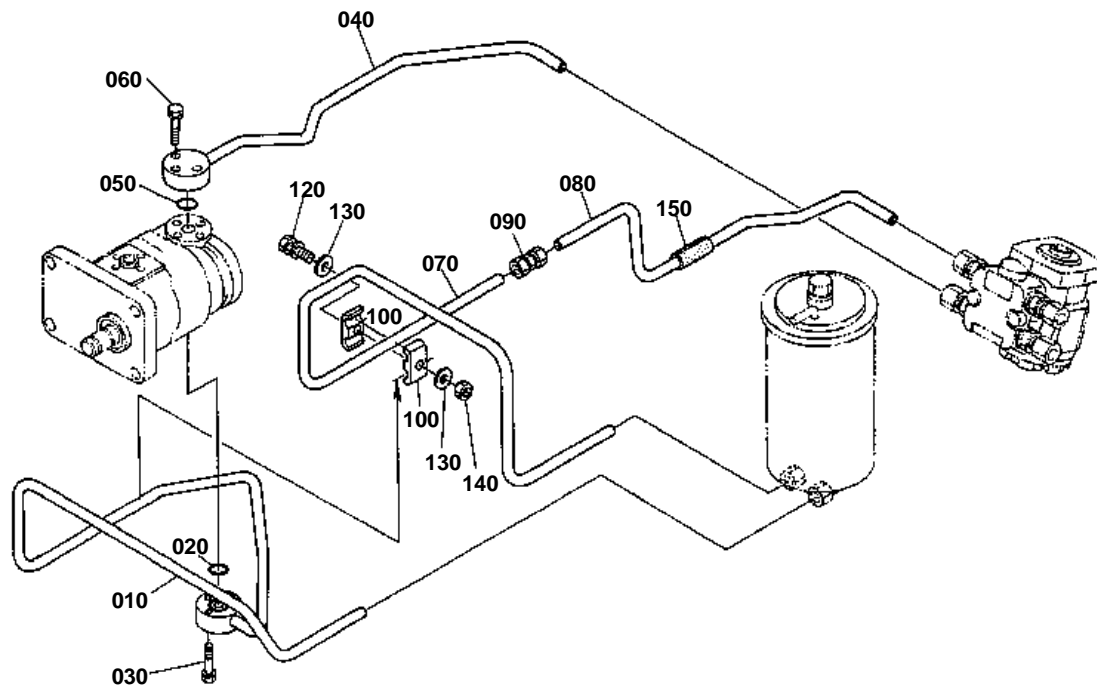
35533-836-10



HYDRAULIC OIL LINE (POWER STEERING) 1

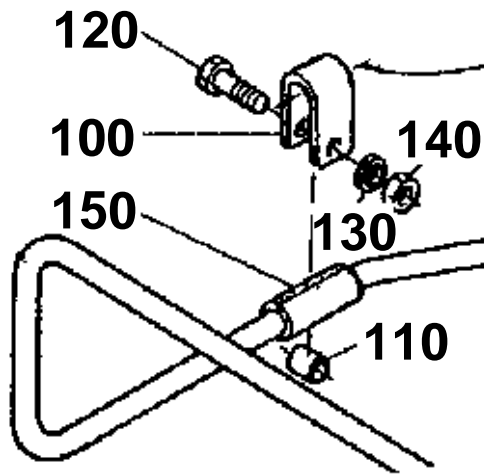
↔ Interchangeable; ≠ not interchangeable; ← new for old; → old for new

| REF.No | Part No. | Description | Q'ty | S.No. | I/C | REMARKS | Weight (kgf) | Weight (lb) |
|--------|-------------|------------------|------|--------|-----|---------|--------------|-------------|
| 010 | 35533-63270 | PIPE DELIVERY | 1 | | | | 0.35 | 0.77 |
| 020 | 35533-63280 | PIPE DELIVERY | 1 | | | | 0.207 | 0.4554 |
| 030 | 35533-63950 | PIPE DELIVERY | 1 | | | | 0.35 | 0.77 |
| 040 | 36530-27632 | UNION | 1 | | | | 0.075 | 0.165 |
| 050 | 35533-63320 | STAY PIPE | 2 | | | | 0.05 | 0.11 |
| 060 | 01123-60816 | BOLT | 4 | | | | 0.01 | 0.022 |
| 070 | 36830-63290 | NUT | 2 | | | | 0.01 | 0.022 |
| 080 | 35533-63310 | CLAMP PIPE | 1 | | | | 0.04 | 0.088 |
| 090 | 35533-63330 | CUSHION | 1 | | | | 0.01 | 0.022 |
| 100 | 01123-50814 | BOLT | 1 | ≤10107 | | | 0 | 0 |
| 100 | 02114-50080 | NUT | 1 | ≥10108 | ≠ | | 0.005 | 0.011 |
| 110 | 04512-60080 | WASHER SPRING | 1 | ≥10108 | | | 0.002 | 0.0044 |
| 120 | 35533-63350 | HOSE DELIVERY | 2 | | | | 0.452 | 0.9944 |
| 130 | 35533-63380 | ELBOW | 2 | | | | 0 | 0 |
| 140 | 36830-63330 | RUBBER PROTECTOR | 1 | | | | 0.01 | 0.022 |



35533-115-10

- 100 35533-6366-0
- 110 35533-6367-0
- 120 01053-50630
- 130 04512-50060
- 140 02014-50060
- 150 36330-6333-0



35502-819-10

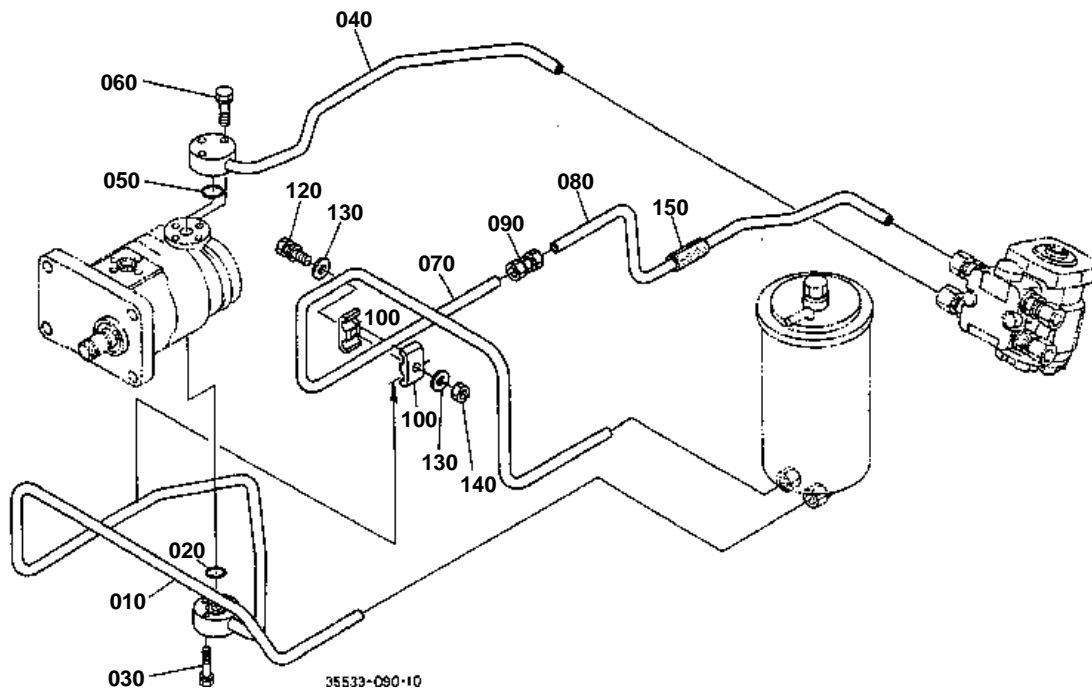


HYDRAULIC OIL LINE (POWER STEERING) 2 [EXCEPT SU]

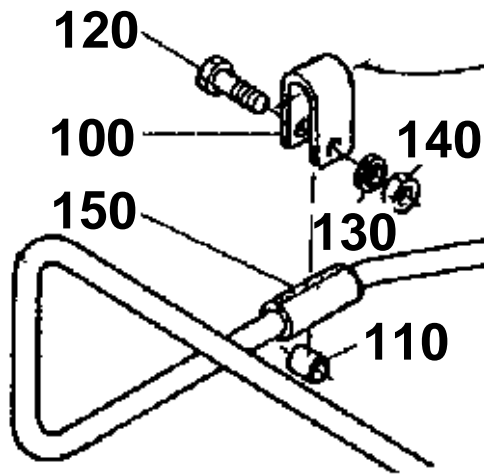
↔ Interchangeable; ≠ not interchangeable; ← new for old; → old for new

| REF.No | Part No. | Description | Q'ty | S.No. | I/C | REMARKS | Weight (kgf) | Weight (lb) |
|--------|-------------|-------------------|------|--------|-----|---------|--------------|-------------|
| 010 | 35533-63230 | COMP.PIPE SUCTION | 1 | | | | 0.8 | 1.76 |
| 020 | 04811-00200 | O RING | 1 | | | | 0 | 0 |
| 030 | 01023-50635 | BOLT | 3 | | | | 0.01 | 0.022 |
| 040 | 35533-63240 | PIPE DELIVERY | 1 | | | | 0.5 | 1.1 |
| 050 | 04811-00200 | O RING | 1 | | | | 0 | 0 |
| 060 | 01023-50635 | BOLT | 3 | | | | 0.01 | 0.022 |
| 070 | 35533-63370 | PIPE RETURN | 1 | | | | 0.4 | 0.88 |
| 080 | 35533-63390 | PIPE RETURN | 1 | | | | 0.208 | 0.4576 |
| 090 | 35533-63430 | JOINT | 1 | | | | 0.1 | 0.22 |
| 100 | 35533-63660 | CLAMP | 1 | ≤20483 | | | 0.05 | 0.11 |
| 100 | 66711-36140 | CLAMP PIPE | 1 | ≥20484 | ← | | 0.007 | 0.0154 |
| 110 | 35533-63670 | COLLAR CLAMP | 1 | ≤20483 | | | 0.003 | 0.0066 |
| 120 | 01053-50630 | BOLT | 1 | ≤20483 | | | 0.009 | 0.0198 |
| 120 | 01053-50635 | BOLT | 1 | ≥20484 | ← | | 0.009 | 0.0198 |
| 130 | 04512-50060 | WASHER SPRING | 1 | ≤20483 | | | 0 | 0 |
| 130 | 04015-60060 | WASHER PLAIN | 1 | ≥20484 | ← | | 0.005 | 0.011 |
| 140 | 02014-50060 | NUT | 1 | ≤20483 | | | 0.002 | 0.0044 |
| 140 | 02012-60060 | NUT | 1 | ≥20484 | ← | | 0.005 | 0.011 |
| 150 | 36330-63330 | RUBBER PROTECTOR | 3 | ≤20483 | | | 0.01 | 0.022 |
| 150 | 36330-63330 | RUBBER PROTECTOR | 1 | ≥20484 | ← | | 0.01 | 0.022 |

HYDRAULIC OIL LINE (POWER STEERING) 2 [SU TYPE]



- 100 35533-6366-0
- 110 35533-6367-0
- 120 01053-50630
- 130 04512-50060
- 140 02014-50060
- 150 36330-6333-0



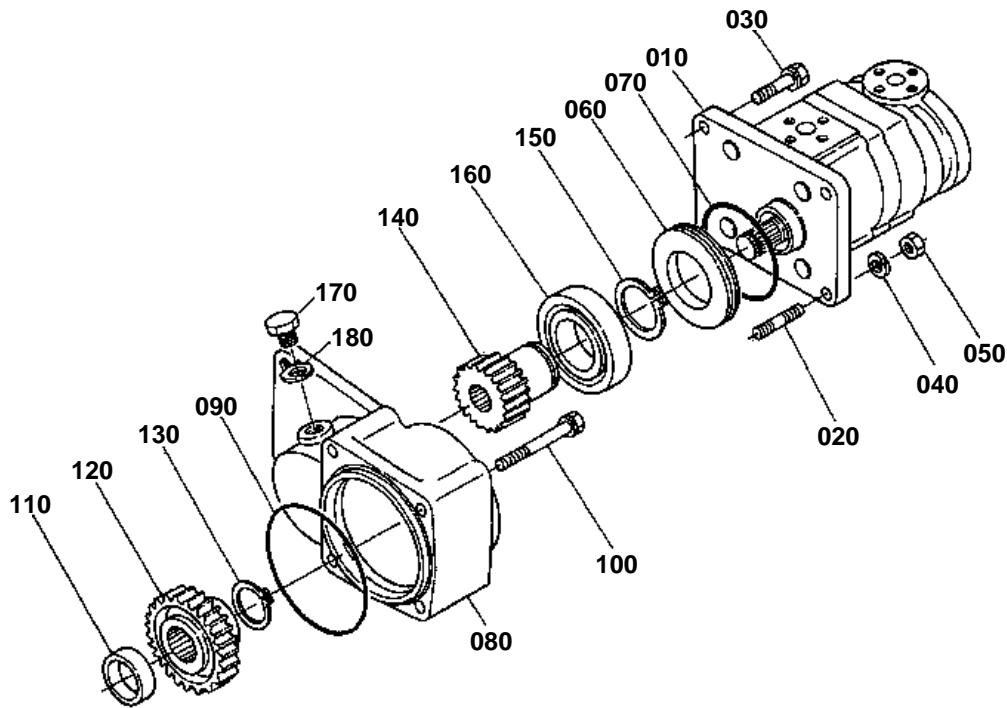
35502-819-10



HYDRAULIC OIL LINE (POWER STEERING) 2 [SU TYPE]

↔ Interchangeable; ≠ not interchangeable; ← new for old; → old for new

| REF.No | Part No. | Description | Q'ty | S.No. | I/C | REMARKS | Weight (kgf) | Weight (lb) |
|--------|-------------|-------------------|------|---------|-----|---------|--------------|-------------|
| 010 | 35533-63290 | COMP.PIPE SUCTION | 1 | | | | 0.71 | 1.562 |
| 020 | 04811-00200 | O RING | 1 | | | | 0 | 0 |
| 030 | 01023-50635 | BOLT | 3 | | | | 0.01 | 0.022 |
| 040 | 35533-63260 | PIPE DELIVERY | 1 | | | | 0.52 | 1.144 |
| 050 | 04811-00200 | O RING | 1 | | | | 0 | 0 |
| 060 | 01023-50635 | BOLT | 3 | | | | 0.01 | 0.022 |
| 070 | 35533-63370 | PIPE RETURN | 1 | | | | 0.4 | 0.88 |
| 080 | 35533-63390 | PIPE RETURN | 1 | >=20784 | | | 0.208 | 0.4576 |
| 090 | 35533-63430 | JOINT | 1 | | | | 0.1 | 0.22 |
| 100 | 35533-63660 | CLAMP | 1 | <=20483 | | | 0.05 | 0.11 |
| 100 | 66711-36140 | CLAMP PIPE | 1 | >=20484 | ← | | 0.007 | 0.0154 |
| 110 | 35533-63670 | COLLAR CLAMP | 1 | <=20483 | | | 0.003 | 0.0066 |
| 120 | 01053-50630 | BOLT | 1 | <=20483 | | | 0.009 | 0.0198 |
| 120 | 01053-50635 | BOLT | 1 | >=20484 | ← | | 0.009 | 0.0198 |
| 130 | 04512-50060 | WASHER SPRING | 1 | <=20483 | | | 0 | 0 |
| 130 | 04015-60060 | WASHER PLAIN | 1 | >=20484 | ← | | 0.005 | 0.011 |
| 140 | 02014-50060 | NUT | 1 | <=20483 | | | 0.002 | 0.0044 |
| 140 | 02012-60060 | NUT | 1 | >=20484 | ← | | 0.005 | 0.011 |
| 150 | 36330-63330 | RUBBER PROTECTOR | 3 | <=20483 | | | 0.01 | 0.022 |
| 150 | 36330-63330 | RUBBER PROTECTOR | 1 | >=20484 | ← | | 0.01 | 0.022 |



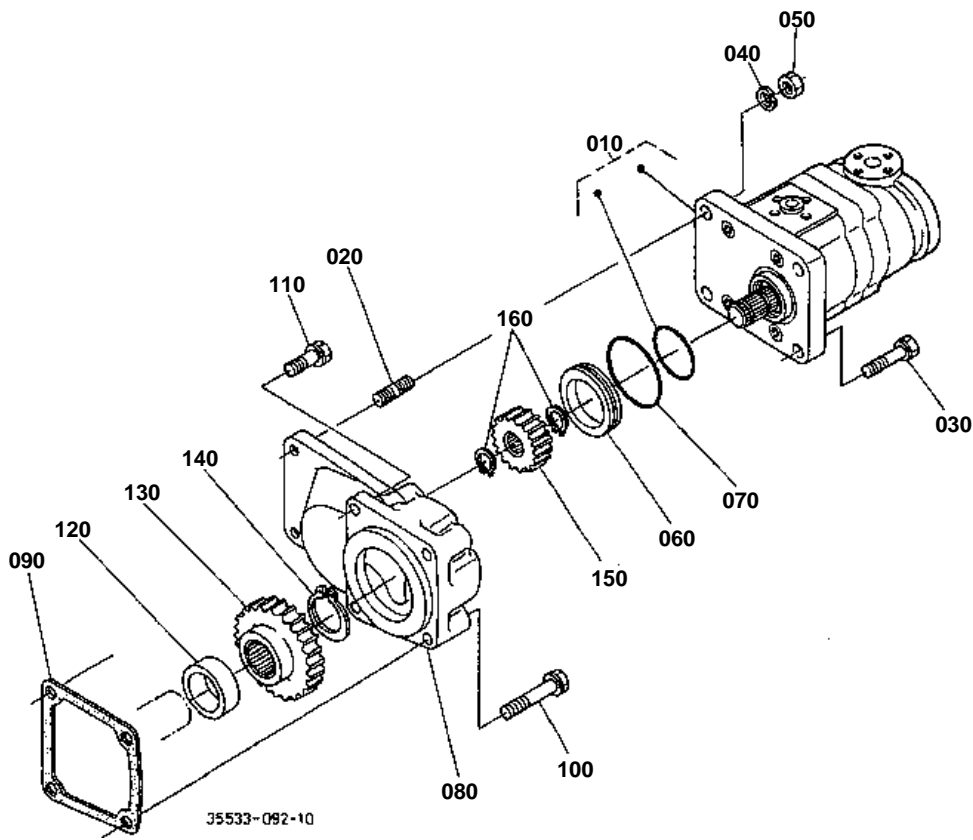
35533-091-10

**HYDRAULIC PUMP [EXCEPT SU]**

↔ Interchangeable; ≠ not interchangeable; ← new for old; → old for new

| REF.No | Part No. | Description | Q'ty | S.No. | I/C | REMARKS | Weight (kgf) | Weight (lb) |
|--------|-------------|--------------------|------|-------|-----|---------|--------------|-------------|
| 010 | 32530-76102 | PUMP HYDRAULIC | 1 | | | | 6.5 | 14.3 |
| 020 | 01513-60830 | STUD | 2 | | | | 0.013 | 0.0286 |
| 030 | 01123-50835 | BOLT | 2 | | | | 0.02 | 0.044 |
| 040 | 04512-60080 | WASHER SPRING | 2 | | | | 0.002 | 0.0044 |
| 050 | 02156-50080 | NUT | 2 | | | | 0.004 | 0.0088 |
| 060 | 32530-10640 | SPACER | 1 | | | | 0.115 | 0.253 |
| 070 | 04811-06560 | O RING | 1 | | | | 0.001 | 0.0022 |
| 080 | 35533-82240 | BASE PUMP | 1 | | | | 2.14 | 4.708 |
| 090 | 04811-10850 | O RING | 1 | | | | 0.002 | 0.0044 |
| 100 | 01123-50860 | BOLT | 4 | | | | 0.002 | 0.0044 |
| 110 | 32530-10650 | COLLAR | 1 | | | | 0.02 | 0.044 |
| 120 | 32530-10620 | GEAR | 1 | | | 27T | 0.4 | 0.88 |
| 130 | 04612-00250 | CIRCLIP EXTERNAL | 1 | | | | 0.002 | 0.0044 |
| 140 | 32530-10630 | GEAR | 1 | | | 16T | 0.27 | 0.594 |
| 150 | 04612-00300 | CIRCLIP EXTERNAL | 2 | | | | 0.003 | 0.0066 |
| 160 | 08241-03206 | BEARING BALL | 1 | | | | 0.302 | 0.6644 |
| 170 | 06331-35012 | PLUG | 1 | | | | 0.022 | 0.0484 |
| 180 | 04717-01200 | WASHER WITH RUBBER | 1 | | | | 0.002 | 0.0044 |

HYDRAULIC PUMP [SU TYPE]

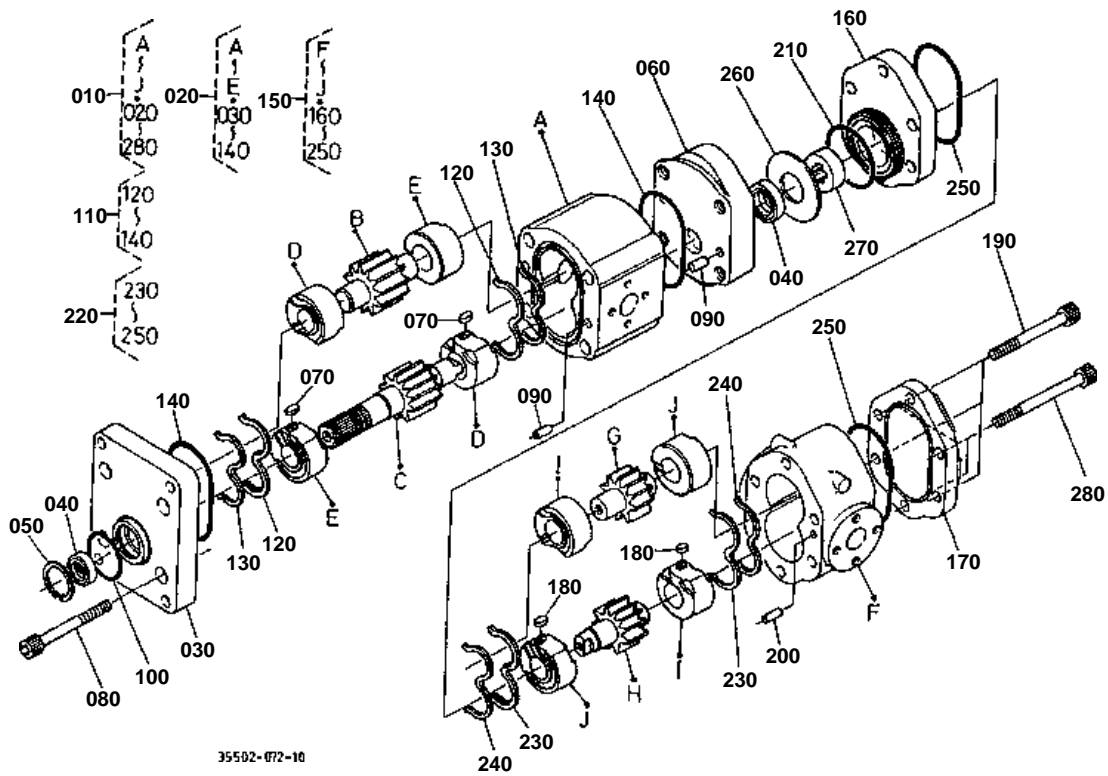


**HYDRAULIC PUMP [SU TYPE]**

↔ Interchangeable; ≠ not interchangeable; ← new for old; → old for new

| REF.No | Part No. | Description | Q'ty | S.No. | I/C | REMARKS | Weight (kgf) | Weight (lb) |
|--------|-------------|------------------|------|-------|-----|---------|--------------|-------------|
| 010 | 35430-82202 | PUMP HYDRAULIC | 1 | | | | 5.8 | 12.76 |
| 020 | 01513-60830 | STUD | 2 | | | | 0.013 | 0.0286 |
| 030 | 01123-50835 | BOLT | 2 | | | | 0.02 | 0.044 |
| 040 | 04512-60080 | WASHER SPRING | 2 | | | | 0.002 | 0.0044 |
| 050 | 02114-50080 | NUT | 2 | | | | 0.005 | 0.011 |
| 060 | 36200-82250 | RING | 1 | | | | 0.072 | 0.1584 |
| 070 | 04811-10500 | O RING | 1 | | | | 0.001 | 0.0022 |
| 080 | 36230-82240 | BASE PUMP | 1 | | | | 1.63 | 3.586 |
| 090 | 35394-37860 | GASKET | 1 | | | | 0.005 | 0.011 |
| 100 | 01123-50850 | BOLT | 2 | | | | 0.02 | 0.044 |
| 110 | 01123-50825 | BOLT | 2 | | | | 0.013 | 0.0286 |
| 120 | 36200-82260 | COLLAR | 1 | | | | 0.035 | 0.077 |
| 130 | 36230-82270 | GEAR | 1 | | | 27T | 0.42 | 0.924 |
| 140 | 04612-00250 | CIRCLIP EXTERNAL | 1 | | | | 0.002 | 0.0044 |
| 150 | 36230-82280 | GEAR | 1 | | | 16T | 0.16 | 0.352 |
| 160 | 04612-00170 | CIRCLIP EXTERNAL | 2 | | | | 0.001 | 0.0022 |

HYDRAULIC PUMP [COMPONENT PARTS]

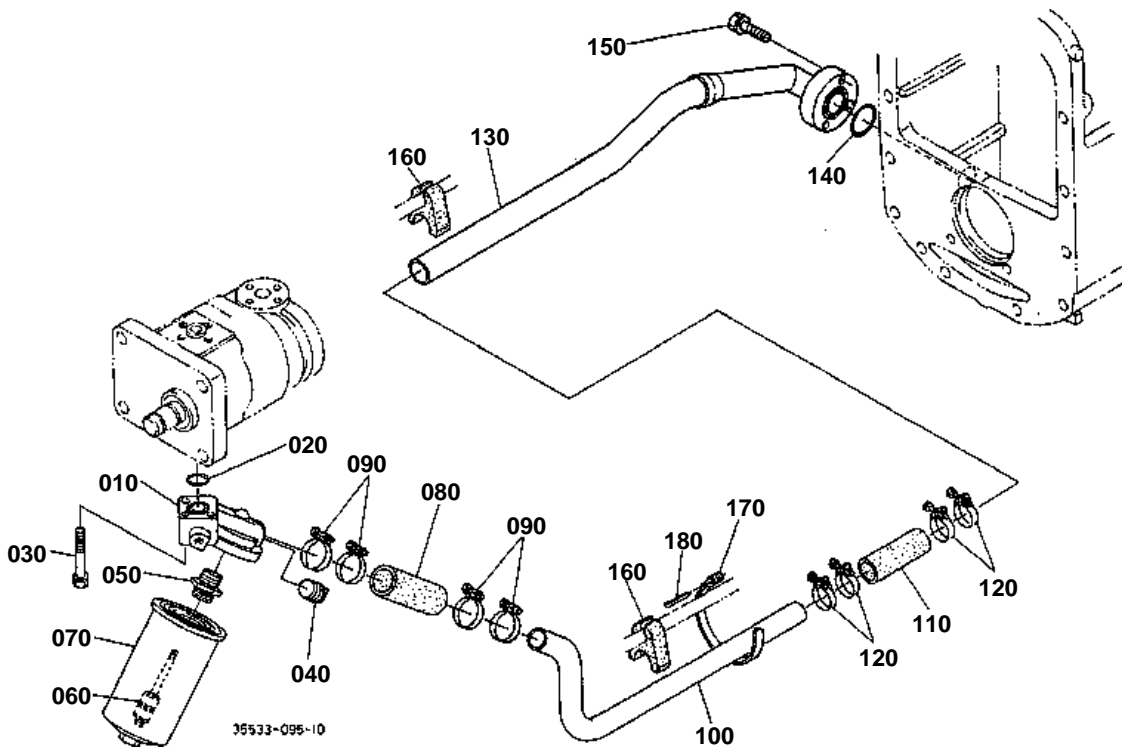


**HYDRAULIC PUMP [COMPONENT PARTS]**

↔ Interchangeable; ≠ not interchangeable; ← new for old; → old for new

| REF.No | Part No. | Description | Q'ty | S.No. | I/C | REMARKS | Weight (kgf) | Weight (lb) |
|--------|-------------|-----------------|------|-------|-----|---------|--------------|-------------|
| 010 | 32530-76102 | PUMP HYDRAULIC | 1 | | | | 6.5 | 14.3 |
| 020 | 32530-91620 | PUMP HYDRAULIC | 1 | | | | 4.2 | 9.24 |
| 030 | 35430-12860 | FLANGE | 1 | | | | 1.25 | 2.75 |
| 040 | 36330-82320 | SEAL OIL | 2 | | | | 0.01 | 0.022 |
| 050 | 68051-91850 | RING SNAP | 1 | | | | 0.001 | 0.0022 |
| 060 | 35430-12880 | COVER | 1 | | | | 0.9 | 1.98 |
| 070 | 68051-91890 | KEY | 2 | | | | 0.001 | 0.0022 |
| 080 | 32530-91630 | BOLT | 4 | | | | 0.07 | 0.154 |
| 090 | 68271-91240 | PIN | 4 | | | | 0.004 | 0.0088 |
| 100 | 35430-12910 | O RING | 1 | | | | 0.001 | 0.0022 |
| 110 | 36330-82480 | SET SEAL | 1 | | | | 0.005 | 0.011 |
| 120 | 35430-12870 | ELEMENT SEAL | 2 | | | | 0.003 | 0.0066 |
| 130 | 68051-91880 | ELEMENT BACK UP | 2 | | | | 0.001 | 0.0022 |
| 140 | 68051-91910 | O RING | 2 | | | | 0.001 | 0.0022 |
| 150 | 35430-12960 | PUMP HYDRAULIC | 1 | | | | 1.9 | 4.18 |
| 160 | 35430-12920 | FLANGE | 1 | | | | 0.27 | 0.594 |
| 170 | 69351-61170 | COVER | 1 | | | | 0.26 | 0.572 |
| 180 | 68051-91890 | KEY | 2 | | | | 0.001 | 0.0022 |
| 190 | 35430-12940 | BOLT | 3 | | | | 0.034 | 0.0748 |
| 200 | 68271-91240 | PIN | 2 | | | | 0.004 | 0.0088 |
| 210 | 35410-06440 | O RING | 1 | | | | 0.001 | 0.0022 |
| 220 | 36330-82480 | SET SEAL | 1 | | | | 0.005 | 0.011 |
| 230 | 35430-12870 | ELEMENT SEAL | 2 | | | | 0.003 | 0.0066 |
| 240 | 68051-91880 | ELEMENT BACK UP | 2 | | | | 0.001 | 0.0022 |
| 250 | 68051-91910 | O RING | 2 | | | | 0.001 | 0.0022 |
| 260 | 35410-06450 | PLATE | 1 | | | | 0.012 | 0.0264 |
| 270 | 68051-92130 | COUPLING | 1 | | | | 0.04 | 0.088 |
| 280 | 69351-61180 | BOLT | 3 | | | | 0.04 | 0.088 |

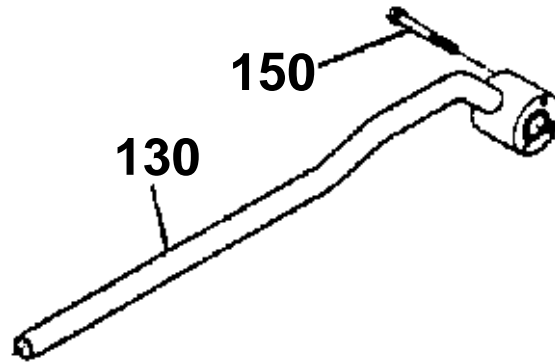
HYDRAULIC OIL LINE (SUCTION) [EXCEPT SU]



130 35533-8269-0

130 35533-8269-2

150 01123-50875



35533-837-10

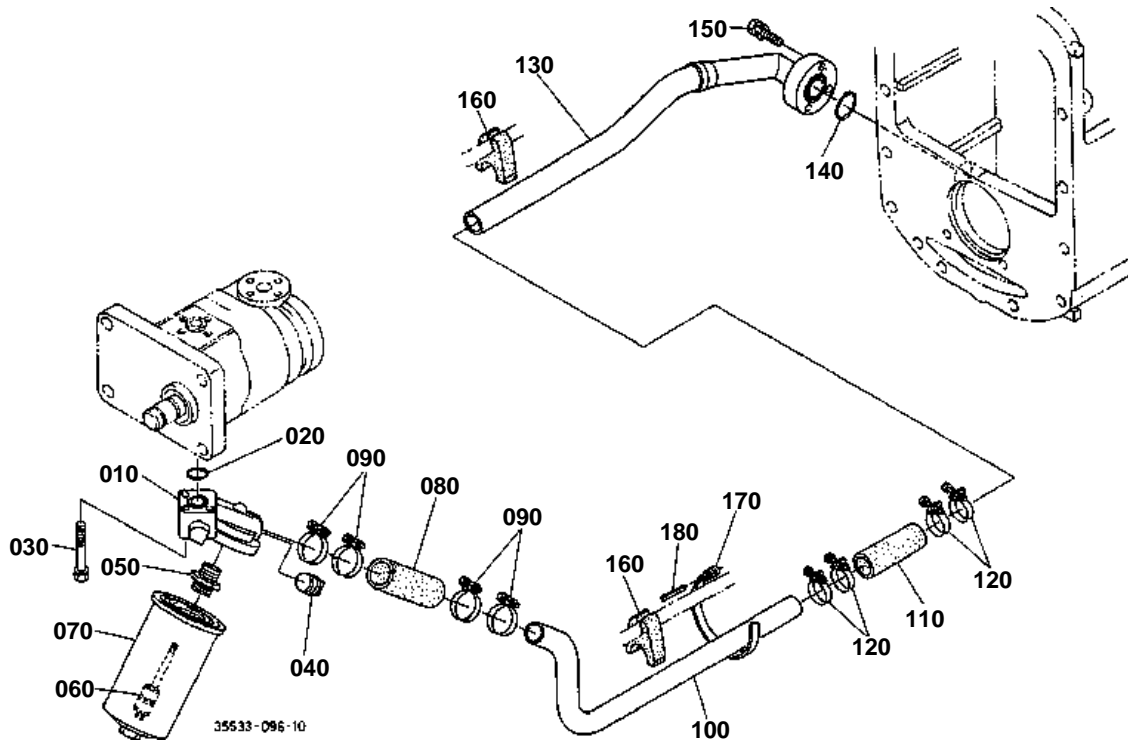


HYDRAULIC OIL LINE (SUCTION) [EXCEPT SU]

↔ Interchangeable; ≠ not interchangeable; ← new for old; → old for new

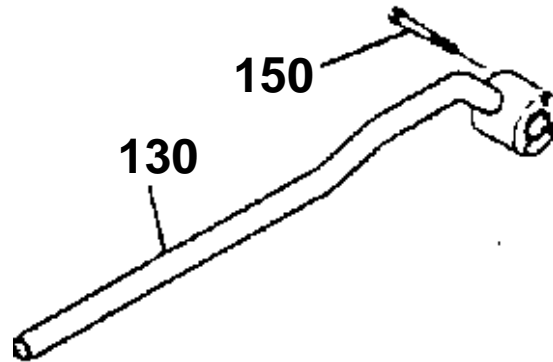
| REF.No | Part No. | Description | Q'ty | S.No. | I/C | REMARKS | Weight (kgf) | Weight (lb) |
|--------|-------------|------------------|------|--------|-----|---------|--------------|-------------|
| 010 | 35533-82650 | BRACKET FILTER | 1 | ≤20205 | | | 0.5 | 1.1 |
| 010 | 35458-82650 | BRACKET FILTER | 1 | ≥20206 | ≠ | | 0.51 | 1.122 |
| 020 | 35880-94870 | O RING | 1 | | | | 0 | 0 |
| 030 | 01053-50650 | BOLT | 3 | | | | 0.011 | 0.0242 |
| 040 | 36230-82660 | PLUG | 1 | | | | 0.035 | 0.077 |
| 050 | 35861-82670 | JOINT | 1 | | | | 0.03 | 0.066 |
| 060 | 35880-82640 | FILTER MAGNET | 1 | | | | 0.11 | 0.242 |
| 070 | 35861-82630 | COMP.FILTER HYD. | 1 | | | | 0.66 | 1.452 |
| 080 | 36330-82730 | PIPE RUBBER | 1 | | | | 0.08 | 0.176 |
| 090 | 36200-82720 | CLAMP | 4 | | | | 0.025 | 0.055 |
| 100 | 35533-82680 | PIPE SUCTION | 1 | | | | 0.53 | 1.166 |
| 110 | 36330-82730 | PIPE RUBBER | 1 | | | | 0.08 | 0.176 |
| 120 | 36200-82720 | CLAMP | 4 | | | | 0.025 | 0.055 |
| 130 | 35533-82690 | PIPE SUCTION | 1 | ≤10075 | | | 0 | 0 |
| 130 | 35533-82692 | PIPE SUCTION | 1 | ≥10076 | ← | | 1.7 | 3.74 |
| 130 | 35533-82693 | PIPE SUCTION | 1 | ≥10198 | ≠ | | 0.8 | 1.76 |
| 140 | 04811-00280 | O RING | 1 | | | | 0 | 0 |
| 150 | 01123-50875 | BOLT | 3 | ≤10197 | | | 0.04 | 0.088 |
| 150 | 01123-50825 | BOLT | 3 | ≥10198 | ≠ | | 0.013 | 0.0286 |
| 160 | 35533-82720 | CUSHION | 2 | | | | 0.03 | 0.066 |
| 170 | 33251-82760 | BAND PIPE | 1 | | | | 0.016 | 0.0352 |
| 180 | 33430-82760 | PIN BAND | 1 | | | | 0.004 | 0.0088 |

HYDRAULIC OIL LINE (SUCTION) [SU TYPE]



130 35533-8269-2

150 01123-50875



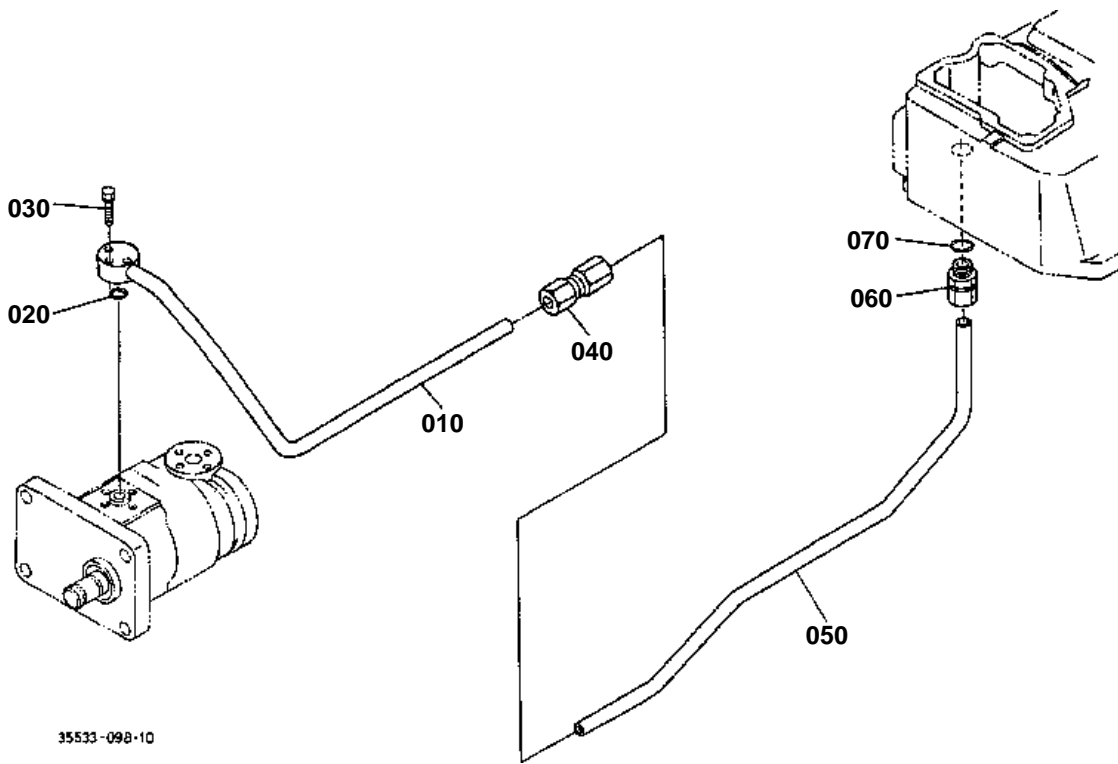
35533-846-10

**HYDRAULIC OIL LINE (SUCTION) [SU TYPE]**

↔ Interchangeable; ≠ not interchangeable; ← new for old; → old for new

| REF.No | Part No. | Description | Q'ty | S.No. | I/C | REMARKS | Weight (kgf) | Weight (lb) |
|--------|-------------|------------------|------|--------|-----|---------|--------------|-------------|
| 010 | 35458-82650 | BRACKET FILTER | 1 | | | | 0.51 | 1.122 |
| 020 | 35880-94870 | O RING | 1 | | | | 0 | 0 |
| 030 | 01053-50650 | BOLT | 3 | | | | 0.011 | 0.0242 |
| 040 | 36230-82660 | PLUG | 1 | | | | 0.035 | 0.077 |
| 050 | 35861-82670 | JOINT | 1 | | | | 0.03 | 0.066 |
| 060 | 35880-82640 | FILTER MAGNET | 1 | | | | 0.11 | 0.242 |
| 070 | 35861-82630 | COMP.FILTER HYD. | 1 | | | | 0.66 | 1.452 |
| 080 | 36330-82730 | PIPE RUBBER | 1 | | | | 0.08 | 0.176 |
| 090 | 36200-82720 | CLAMP | 4 | | | | 0.025 | 0.055 |
| 100 | 35533-82710 | PIPE SUCTION | 1 | | | | 0.7 | 1.54 |
| 110 | 36330-82730 | PIPE RUBBER | 1 | | | | 0.08 | 0.176 |
| 120 | 36200-82720 | CLAMP | 4 | | | | 0.025 | 0.055 |
| 130 | 35533-82692 | PIPE SUCTION | 1 | ≤20202 | | | 1.7 | 3.74 |
| 130 | 35533-82693 | PIPE SUCTION | 1 | ≥20203 | ≠ | | 0.8 | 1.76 |
| 140 | 04811-00280 | O RING | 1 | | | | 0 | 0 |
| 150 | 01123-50875 | BOLT | 3 | ≤20202 | | | 0.04 | 0.088 |
| 150 | 01123-50825 | BOLT | 3 | ≥20203 | ≠ | | 0.013 | 0.0286 |
| 160 | 35533-82720 | CUSHION | 2 | | | | 0.03 | 0.066 |
| 170 | 33251-82760 | BAND PIPE | 1 | | | | 0.016 | 0.0352 |
| 180 | 33430-82760 | PIN BAND | 1 | | | | 0.004 | 0.0088 |

HYDRAULIC OIL LINE (DELIVERY)



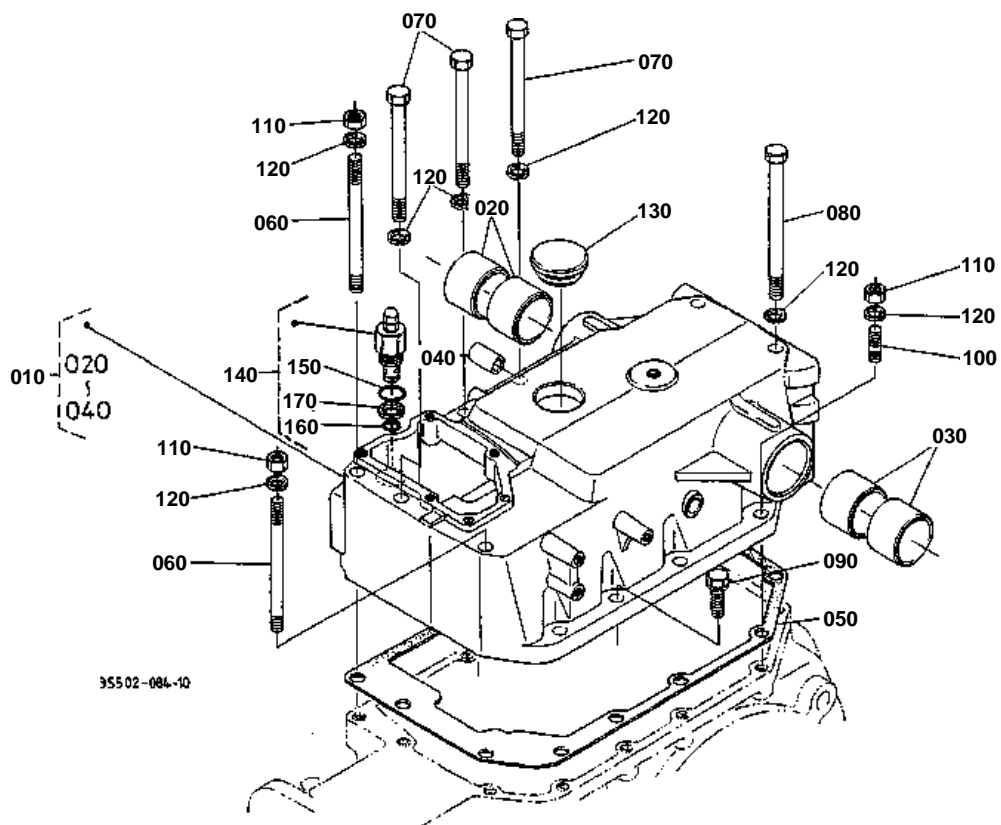


HYDRAULIC OIL LINE (DELIVERY)

↔ Interchangeable; ≠ not interchangeable; ← new for old; → old for new

| REF.No | Part No. | Description | Q'ty | S.No. | I/C | REMARKS | Weight (kgf) | Weight (lb) |
|--------|-------------|---------------|------|--------|-----|---------|--------------|-------------|
| 010 | 35533-82740 | PIPE DELIVERY | 1 | | | | 0.68 | 1.496 |
| 020 | 35458-82080 | O RING | 1 | | | | 0.001 | 0.0022 |
| 030 | 01023-50635 | BOLT | 3 | | | | 0.01 | 0.022 |
| 040 | 36200-82760 | JOINT | 1 | ≤10197 | | | 0 | 0 |
| 040 | 35820-82760 | UNION | 1 | ≥10198 | ← | | 0.156 | 0.3432 |
| 050 | 35533-82770 | PIPE DELIVERY | 1 | | | | 0.35 | 0.77 |
| 060 | 36330-82750 | NIPPLE | 1 | | | | 0.12 | 0.264 |
| 070 | 04811-00180 | O RING | 1 | | | | 0 | 0 |

HYDRAULIC CYLINDER BODY

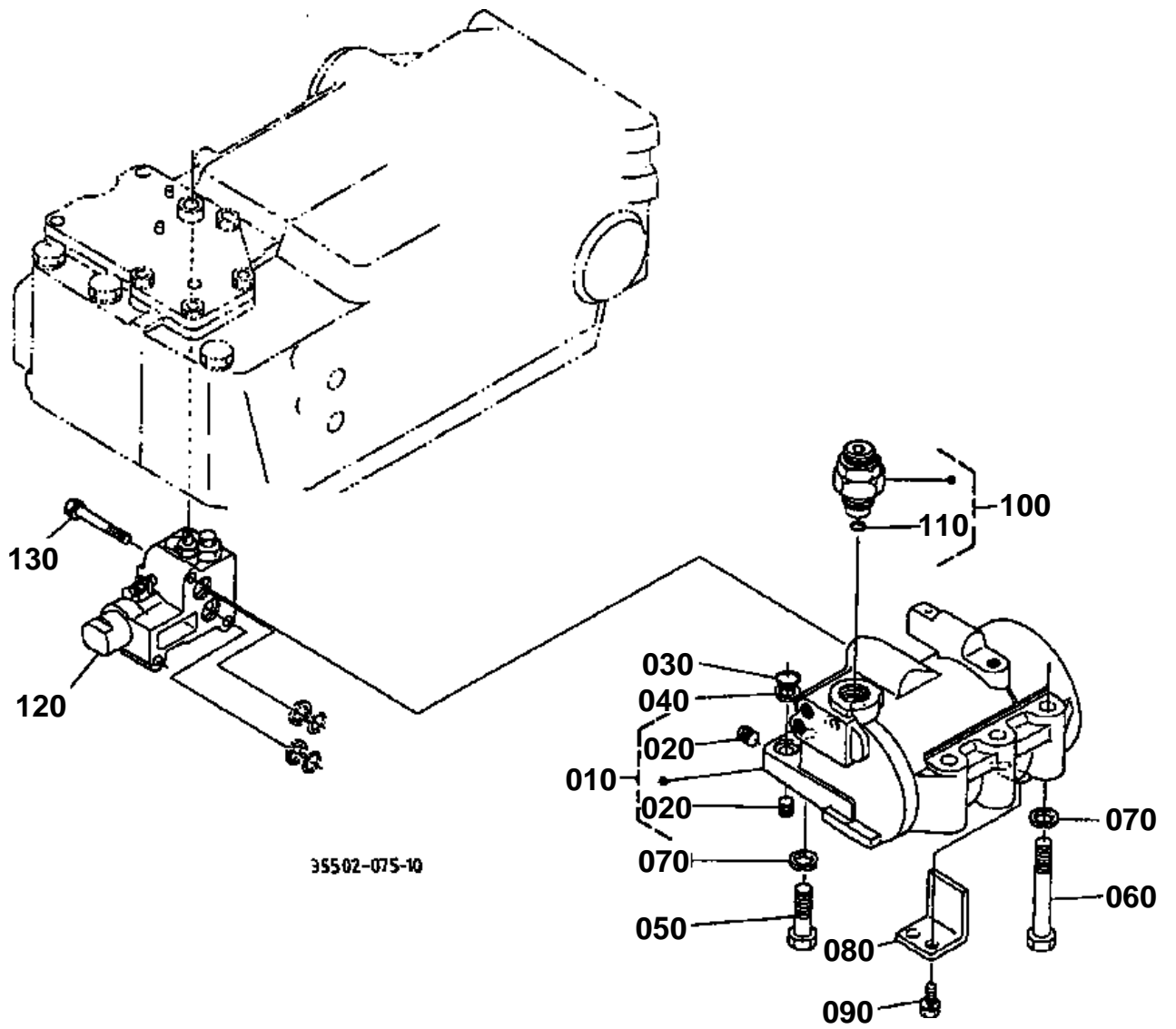




HYDRAULIC CYLINDER BODY

↔ Interchangeable; ≠ not interchangeable; ← new for old; → old for new

| REF.No | Part No. | Description | Q'ty | S.No. | I/C | REMARKS | Weight (kgf) | Weight (lb) |
|--------|-------------|--------------------|------|--------|-----|---------|--------------|-------------|
| 010 | 36330-82103 | ASSY BODY HYD.CYL. | 1 | | | | 0 | 0 |
| 020 | 36200-82130 | BUSH | 2 | | | | 0 | 0 |
| 030 | 33251-82060 | BUSH | 2 | | | | 0 | 0 |
| 040 | 36200-81330 | BUSH | 1 | | | | 0.04 | 0.088 |
| 050 | 36330-82142 | GASKET | 1 | ≤10193 | | | 0 | 0 |
| 050 | 33740-82140 | GASKET | 1 | ≥10194 | ↔ | | 0 | 0 |
| 060 | 36330-82150 | STUD | 2 | | | | 0.14 | 0.308 |
| 070 | 36330-82160 | BOLT | 3 | | | | 0.15 | 0.33 |
| 080 | 35702-82170 | BOLT | 2 | ≤10058 | | | 0.196 | 0.4312 |
| 080 | 35450-82170 | BOLT | 2 | ≥10059 | ≠ | | 0.16 | 0.352 |
| 090 | 01133-51245 | BOLT | 3 | | | | 0.055 | 0.121 |
| 100 | 01574-51240 | STUD | 2 | | | | 0 | 0 |
| 110 | 02176-50120 | NUT | 4 | | | | 0.01 | 0.022 |
| 120 | 04512-60120 | WASHER SPRING | 9 | | | | 0.005 | 0.011 |
| 130 | 36200-81672 | PLUG | 1 | | | | 0.03 | 0.066 |
| 140 | 36330-82360 | ASSY VALVE RELIEF | 1 | | | | 0.25 | 0.55 |
| 150 | 04810-00220 | O RING | 1 | | | | 0 | 0 |
| 160 | 04811-05150 | O RING | 1 | | | | 0 | 0 |
| 170 | 67810-38370 | RING BACK UP | 1 | | | | 0.001 | 0.0022 |



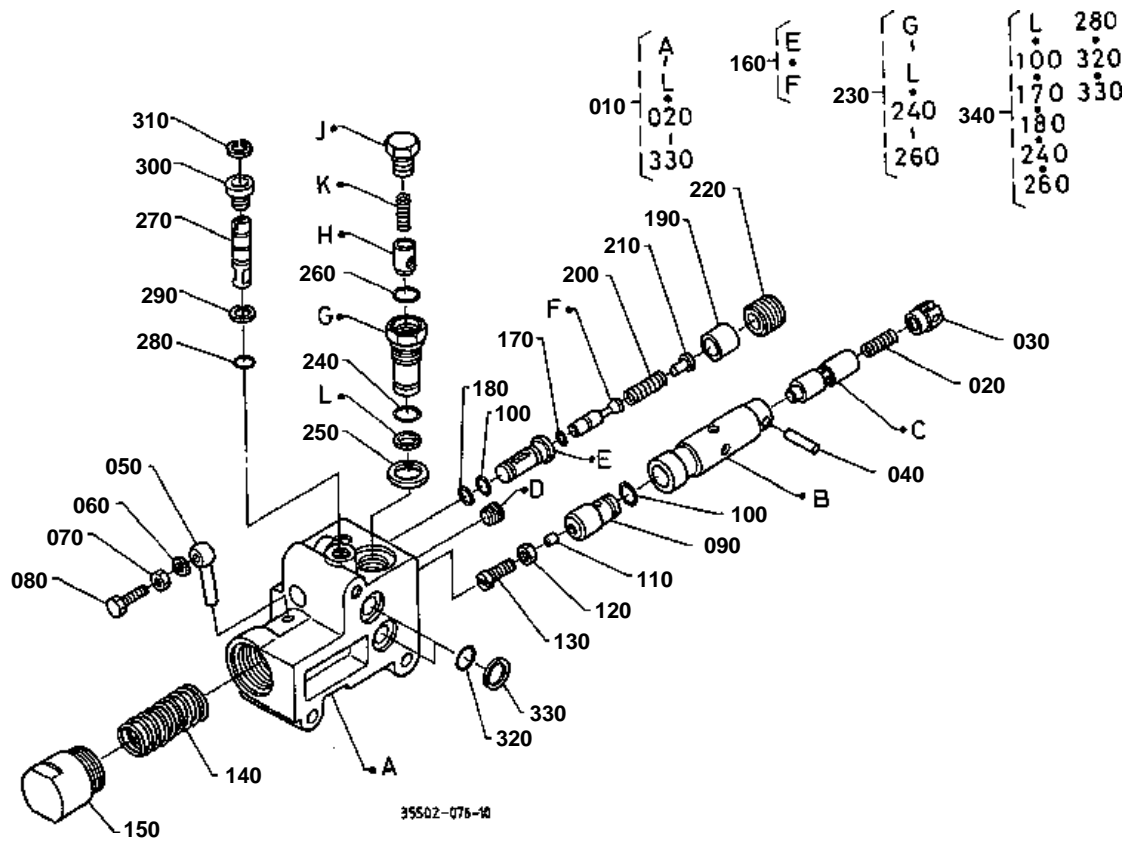


HYDRAULIC CYLINDER LINER

↔ Interchangeable; ≠ not interchangeable; ← new for old; → old for new

| REF.No | Part No. | Description | Q'ty | S.No. | I/C | REMARKS | Weight (kgf) | Weight (lb) |
|--------|-------------|---------------------|------|-------|-----|---------|--------------|-------------|
| 010 | 36330-82503 | ASSY LINER HYD.CYL. | 1 | | | | 11.8 | 25.96 |
| 020 | 36741-94022 | PLUG TAPER | 5 | | | | 0.01 | 0.022 |
| 030 | 04811-00140 | O RING | 1 | | | | 0 | 0 |
| 040 | 36200-82330 | RING BACK UP | 1 | | | | 0.001 | 0.0022 |
| 050 | 36330-82290 | BOLT | 3 | | | | 0.06 | 0.132 |
| 060 | 36330-82340 | BOLT | 3 | | | | 0 | 0 |
| 070 | 04512-60140 | WASHER SPRING | 6 | | | | 0.008 | 0.0176 |
| 080 | 36330-82530 | SUPPORT ROD | 1 | | | | 0.1 | 0.22 |
| 090 | 01123-60816 | BOLT | 2 | | | | 0.01 | 0.022 |
| 100 | 36330-82402 | ASSY VALVE SAFETY | 1 | | | | 0.25 | 0.55 |
| 110 | 04810-00110 | O RING | 1 | | | | 0 | 0 |
| 120 | 35861-82300 | ASSY VALVE CONTROL | 1 | | | | 2.1 | 4.62 |
| 130 | 01123-50855 | BOLT | 3 | | | | 0.02 | 0.044 |

CONTROL VALVE [COMPONENT PARTS]

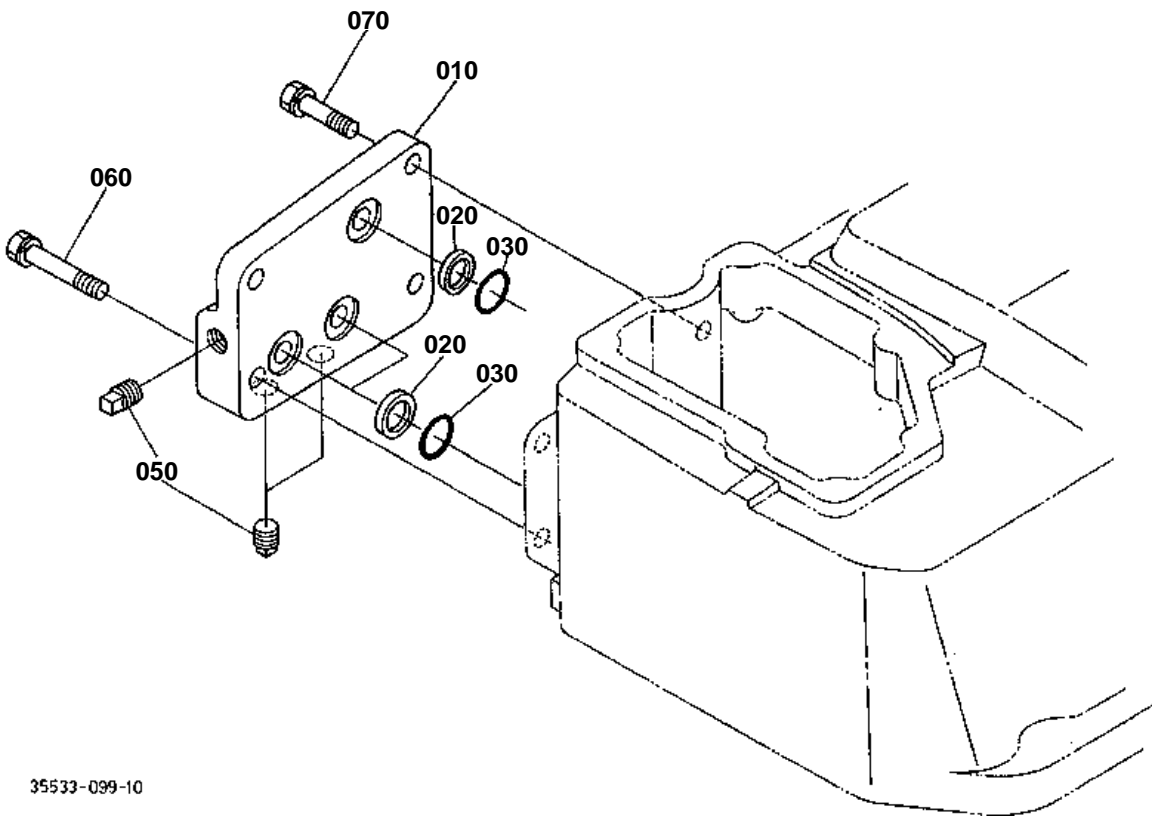


**CONTROL VALVE [COMPONENT PARTS]**

↔ Interchangeable; ≠ not interchangeable; ← new for old; → old for new

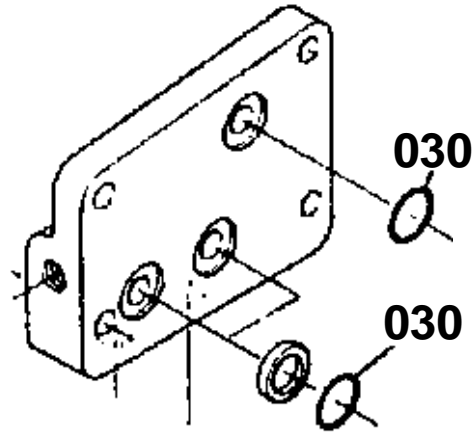
| REF.No | Part No. | Description | Q'ty | S.No. | I/C | REMARKS | Weight (kgf) | Weight (lb) |
|--------|-------------|--------------------|------|-------|-----|---------|--------------|-------------|
| 010 | 35861-82300 | ASSY VALVE CONTROL | 1 | | | | 2.1 | 4.62 |
| 020 | 35410-07110 | SPRING | 1 | | | | 0.002 | 0.0044 |
| 030 | 35410-07120 | SEAT SPRING | 1 | | | | 0.003 | 0.0066 |
| 040 | 35410-07130 | PIN | 1 | | | | 0.003 | 0.0066 |
| 050 | 35410-07140 | PIN | 1 | | | | 0.013 | 0.0286 |
| 060 | 04512-50050 | WASHER SPRING | 1 | | | | 0 | 0 |
| 070 | 02052-50050 | NUT | 1 | | | | 0.001 | 0.0022 |
| 080 | 35410-07170 | BOLT | 1 | | | | 0.004 | 0.0088 |
| 090 | 35410-07180 | PLUG | 1 | | | | 0.04 | 0.088 |
| 100 | 35410-07190 | O RING | 2 | | | | 0.002 | 0.0044 |
| 110 | 35410-07200 | PLUG | 1 | | | | 0.002 | 0.0044 |
| 120 | 35410-07210 | NUT | 1 | | | | 0.004 | 0.0088 |
| 130 | 35410-07220 | SCREW | 1 | | | | 0.01 | 0.022 |
| 140 | 35410-07230 | SPRING | 1 | | | | 0.03 | 0.066 |
| 150 | 35410-07240 | CAP | 1 | | | | 0.1 | 0.22 |
| 160 | 35410-07250 | ASSY VALVE | 1 | | | | 0.03 | 0.066 |
| 170 | 35410-07260 | O RING | 1 | | | | 0.001 | 0.0022 |
| 180 | 35410-07270 | O RING | 1 | | | | 0.003 | 0.0066 |
| 190 | 35410-07280 | COLLAR | 1 | | | | 0.01 | 0.022 |
| 200 | 35410-07290 | SPRING | 1 | | | | 0.003 | 0.0066 |
| 210 | 35410-07300 | SEAT SPRING | 1 | | | | 0.005 | 0.011 |
| 220 | 35410-07310 | PLUG | 1 | | | | 0.024 | 0.0528 |
| 230 | 35861-82310 | ASSY VALVE CHECK | 1 | | | | 0.08 | 0.176 |
| 240 | 35410-07190 | O RING | 1 | | | | 0.002 | 0.0044 |
| 250 | 35700-82480 | GASKET | 1 | | | | 0.002 | 0.0044 |
| 260 | 04811-00110 | O RING | 1 | | | | 0 | 0 |
| 270 | 35410-07380 | VALVE THROTTLE | 1 | | | | 0.015 | 0.033 |
| 280 | 35410-07390 | O RING | 1 | | | | 0.001 | 0.0022 |
| 290 | 35410-07400 | RING SNAP | 1 | | | | 0.001 | 0.0022 |
| 300 | 35410-07410 | BUSH | 1 | | | | 0.007 | 0.0154 |
| 310 | 04613-00060 | CIRCLIP EXTERNAL | 1 | | | | 0 | 0 |
| 320 | 04810-00140 | O RING | 2 | | | | 0 | 0 |
| 330 | 36200-82330 | RING BACK UP | 2 | | | | 0.001 | 0.0022 |
| 340 | 35861-82320 | KIT SEAL | 1 | | | | 0.005 | 0.011 |

AUXILIARY CONTROL VALVE COVER [SU TYPE]

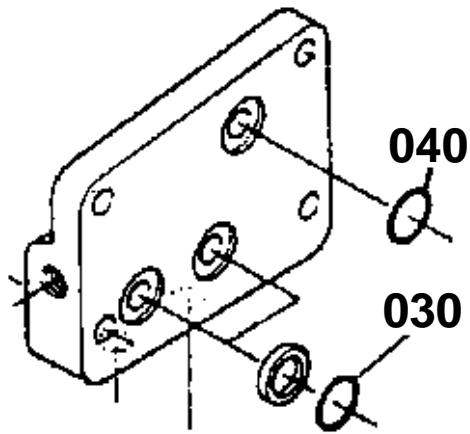


35533-099-10

030 04810-00140



040 04811-00160



35533-847-10

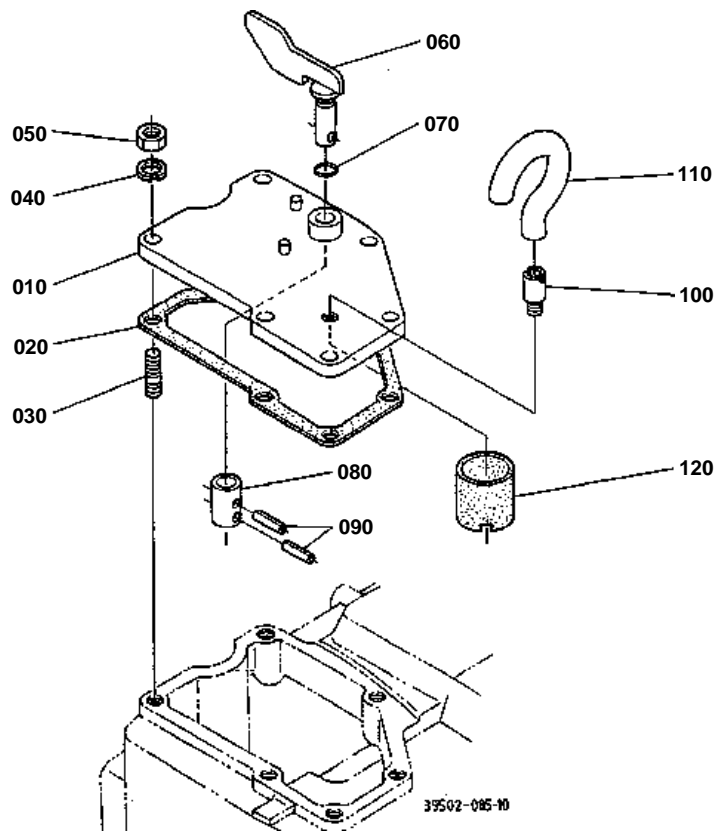


AUXILIARY CONTROL VALVE COVER [SU TYPE]

↔ Interchangeable; ≠ not interchangeable; ← new for old; → old for new

| REF.No | Part No. | Description | Q'ty | S.No. | I/C | REMARKS | Weight (kgf) | Weight (lb) |
|--------|-------------|----------------|------|--------|-----|---------|--------------|-------------|
| 010 | 35574-82350 | COVER AUX.CON. | 1 | | | | 1.1 | 2.42 |
| 020 | 36200-82330 | RING BACK UP | 2 | ≤20050 | | | 0.001 | 0.0022 |
| 020 | 36200-82330 | RING BACK UP | 3 | ≥20051 | | | 0.001 | 0.0022 |
| 030 | 04810-00140 | O RING | 2 | ≤20050 | | | 0 | 0 |
| 030 | 04810-00140 | O RING | 3 | ≥20051 | | | 0 | 0 |
| 040 | 04810-00160 | O RING | 1 | ≤20050 | | | 0 | 0 |
| 050 | 36741-94022 | PLUG TAPER | 3 | | | | 0.01 | 0.022 |
| 060 | 01123-50840 | BOLT | 2 | | | | 0.018 | 0.0396 |
| 070 | 01123-50828 | BOLT | 2 | | | | 0.014 | 0.0308 |

DOWN SPEED ADJUSTING LEVER



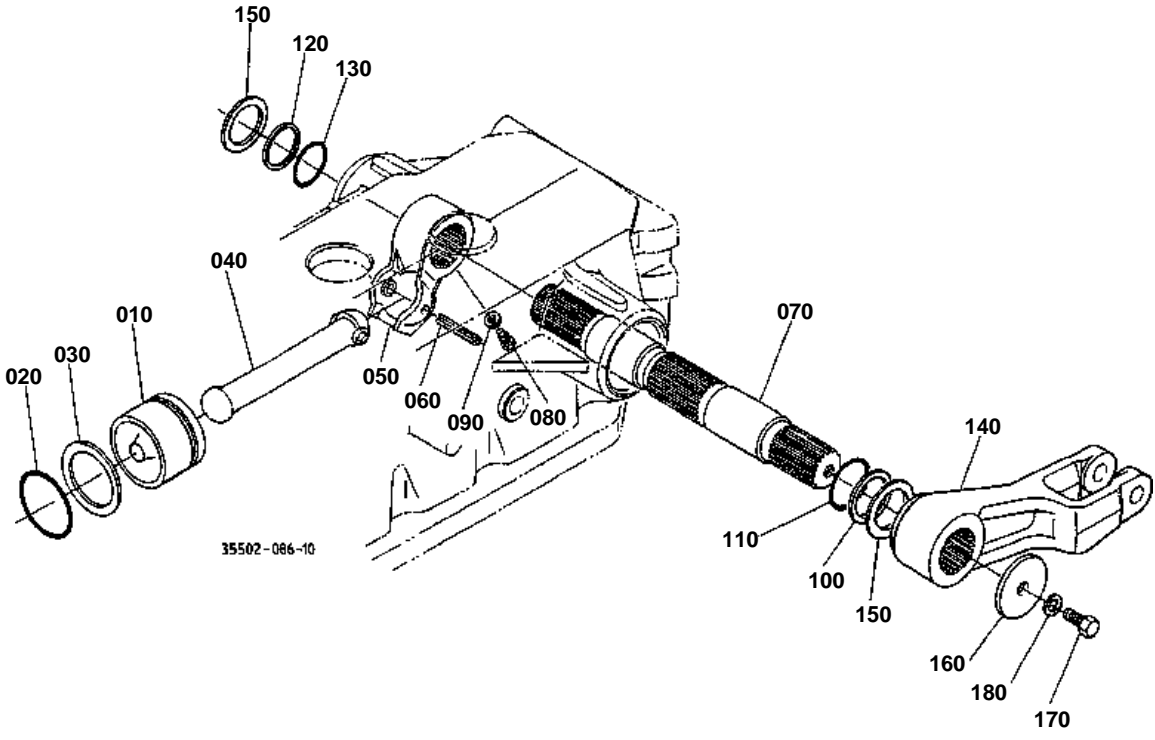


DOWN SPEED ADJUSTING LEVER

↔ Interchangeable; ≠ not interchangeable; ← new for old; → old for new

| REF.No | Part No. | Description | Q'ty | S.No. | I/C | REMARKS | Weight (kgf) | Weight (lb) |
|--------|-------------|-----------------|------|--------|-----|---------|--------------|-------------|
| 010 | 36330-81613 | COVER ADJUSTING | 1 | | | | 1.12 | 2.464 |
| 020 | 36330-81620 | GASKET | 1 | | | | 0 | 0 |
| 030 | 01513-50822 | STUD | 6 | | | | 0.01 | 0.022 |
| 040 | 04512-60080 | WASHER SPRING | 6 | | | | 0.002 | 0.0044 |
| 050 | 02114-50080 | NUT | 6 | | | | 0.005 | 0.011 |
| 060 | 35533-81630 | LEVER ADJUSTING | 1 | | | | 0.04 | 0.088 |
| 070 | 04811-00070 | O RING | 1 | | | | 0 | 0 |
| 080 | 36330-81640 | JOINT | 1 | ≤10193 | | | 0 | 0 |
| 080 | 36330-81643 | JOINT | 1 | ≥10191 | ← | | 0.03 | 0.066 |
| 090 | 05411-00318 | PIN SPRING | 2 | | | | 0.001 | 0.0022 |
| 100 | 36200-21610 | BREATHER | 1 | | | | 0.008 | 0.0176 |
| 110 | 36200-21620 | BREATHER | 1 | ≤10054 | | | 0.006 | 0.0132 |
| 110 | 35820-21620 | BREATHER | 1 | ≥10055 | ≠ | | 0.007 | 0.0154 |
| 120 | 36330-21632 | PIPE RUBBER | 1 | | | | 0.02 | 0.044 |

HYDRAULIC LIFT ARM

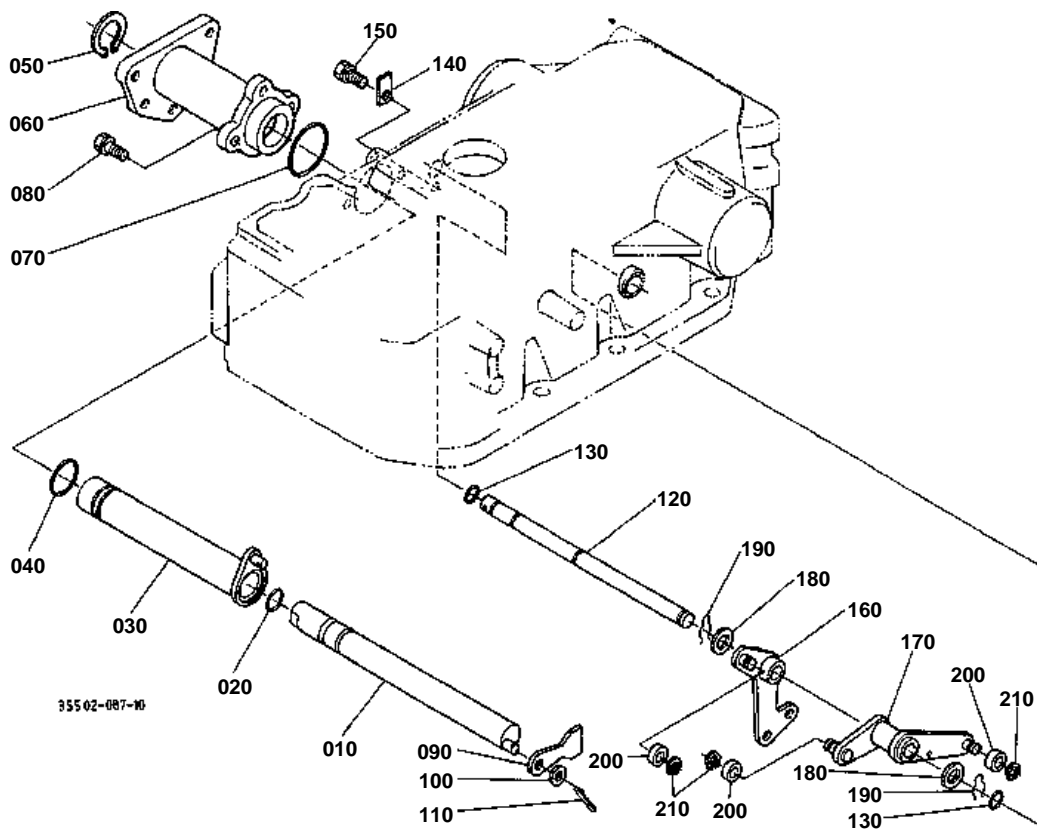


**HYDRAULIC LIFT ARM**

↔ Interchangeable; ≠ not interchangeable; ← new for old; → old for new

| REF.No | Part No. | Description | Q'ty | S.No. | I/C | REMARKS | Weight (kgf) | Weight (lb) |
|--------|-------------|--------------------|------|---------|-----|---------|--------------|-------------|
| 010 | 36330-82570 | PISTON HYD. | 1 | | | | 2.23 | 4.906 |
| 020 | 04811-40430 | O RING | 1 | | | | 0.007 | 0.0154 |
| 030 | 36330-82550 | RING BACK UP | 1 | | | | 0.009 | 0.0198 |
| 040 | 36330-82860 | ROD HYD.PISTON | 1 | | | | 1.53 | 3.366 |
| 050 | 36330-82840 | ARM HYDRAULIC | 1 | <=10058 | | | 0 | 0 |
| 050 | 36330-82844 | ARM HYDRAULIC | 1 | >=10059 | ← | | 2 | 4.4 |
| 060 | 05411-00870 | PIN SPRING | 1 | | | | 0.015 | 0.033 |
| 070 | 36330-82830 | SHAFT HYD.ARM | 1 | | | | 0 | 0 |
| 080 | 33251-82850 | BOLT STOPPER | 1 | | | | 0.015 | 0.033 |
| 090 | 04512-60100 | WASHER SPRING | 1 | | | | 0.002 | 0.0044 |
| 100 | 36200-82890 | COLLAR DISTANCE LH | 1 | | | | 0.019 | 0.0418 |
| 110 | 04811-40310 | O RING | 1 | | | | 0.005 | 0.011 |
| 120 | 33251-82880 | COLLAR DISTANCE RH | 1 | | | | 0.03 | 0.066 |
| 130 | 04811-40320 | O RING | 1 | | | | 0.005 | 0.011 |
| 140 | 36330-82910 | LEVER LIFT | 2 | | | | 5.8 | 12.76 |
| 150 | 36830-82900 | COLLAR THRUST | 2 | | | 0.5MM | 0.012 | 0.0264 |
| 160 | 36330-82920 | RETAINER LEVER | 2 | | | | 0.22 | 0.484 |
| 170 | 01173-51435 | BOLT | 2 | | | | 0.056 | 0.1232 |
| 180 | 04512-60140 | WASHER SPRING | 2 | | | | 0.008 | 0.0176 |

HYDRAULIC SYSTEM 1

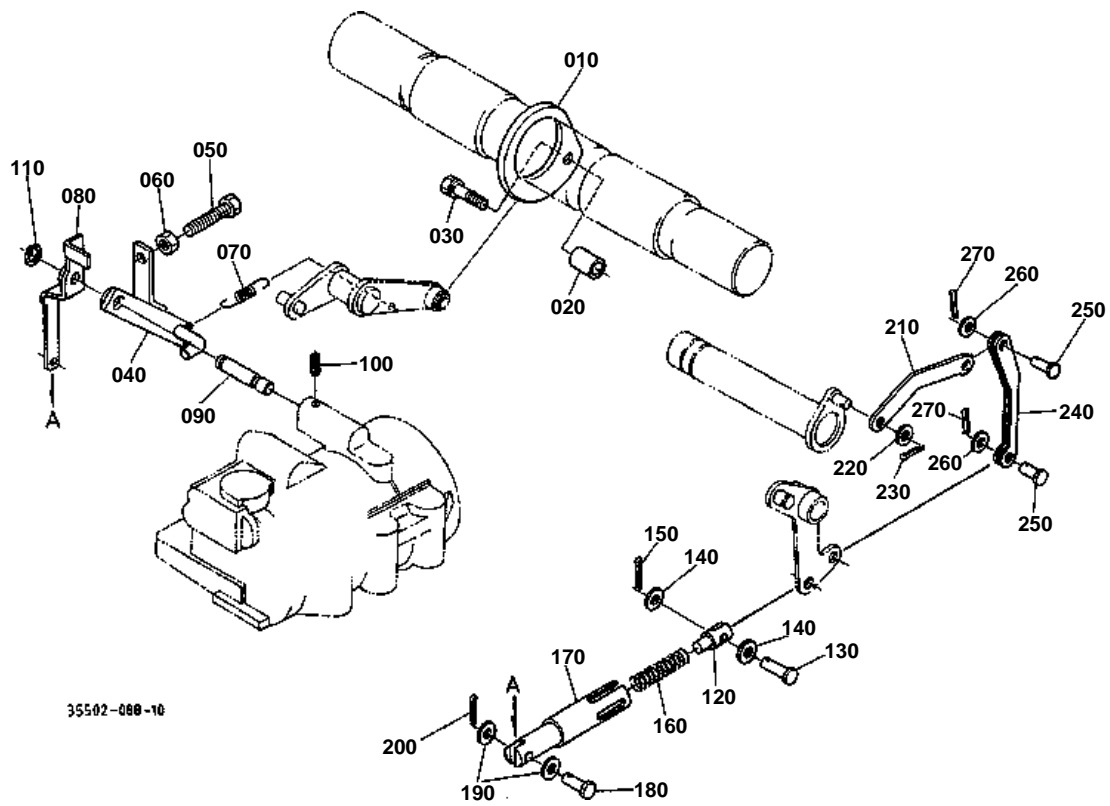




HYDRAULIC SYSTEM 1

↔ Interchangeable; ≠ not interchangeable; ← new for old; → old for new

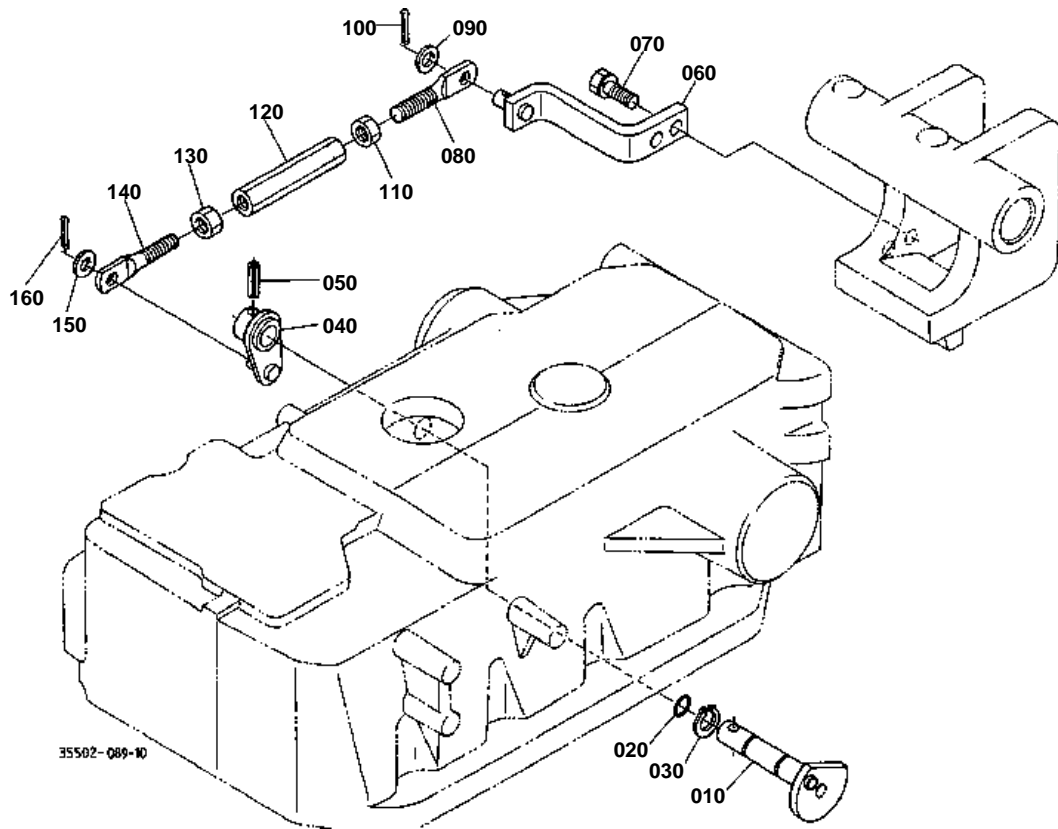
| REF.No | Part No. | Description | Q'ty | S.No. | I/C | REMARKS | Weight (kgf) | Weight (lb) |
|--------|-------------|---------------------|------|--------|-----|---------|--------------|-------------|
| 010 | 35533-81110 | SHAFT POSITION CON. | 1 | | | | 0.75 | 1.65 |
| 020 | 04811-00180 | O RING | 1 | | | | 0 | 0 |
| 030 | 35533-81120 | SHAFT DRAFT CONTROL | 1 | ≤10034 | | | 0 | 0 |
| 030 | 35533-81122 | SHAFT DRAFT CONTROL | 1 | ≥10035 | ← | | 0.5 | 1.1 |
| 040 | 04811-06260 | O RING | 1 | | | | 0 | 0 |
| 050 | 04612-00300 | CIRCLIP EXTERNAL | 1 | | | | 0.003 | 0.0066 |
| 060 | 35533-81130 | BRACKET GUIDE | 1 | | | | 1.2 | 2.64 |
| 070 | 04811-50450 | O RING | 1 | | | | 0 | 0 |
| 080 | 01123-50820 | BOLT | 3 | | | | 0.011 | 0.0242 |
| 090 | 36200-81150 | CONNECTOR POSITION | 1 | ≤10132 | | | 0 | 0 |
| 090 | 36200-81155 | CONNECTOR POSITION | 1 | ≥10133 | ← | | 0.03 | 0.066 |
| 100 | 04012-50080 | WASHER PLAIN | 1 | | | | 0.001 | 0.0022 |
| 110 | 05511-51612 | PIN SPLIT | 1 | | | | 0.001 | 0.0022 |
| 120 | 36330-81180 | BAR CONNECTOR | 1 | | | | 0.32 | 0.704 |
| 130 | 04811-10120 | O RING | 2 | | | | 0.001 | 0.0022 |
| 140 | 36200-81190 | STOPPER | 1 | | | | 0.008 | 0.0176 |
| 150 | 01123-60816 | BOLT | 1 | | | | 0.01 | 0.022 |
| 160 | 36200-81230 | CONNECTOR | 1 | | | | 0.166 | 0.3652 |
| 170 | 36330-81240 | BALANCER POSITION | 1 | | | | 0.232 | 0.5104 |
| 180 | 04011-50140 | WASHER PLAIN | 2 | | | | 0.007 | 0.0154 |
| 190 | 36200-81210 | CIR-CLIP | 2 | | | | 0.001 | 0.0022 |
| 200 | 36200-81220 | ROLLER | 3 | | | | 0.008 | 0.0176 |
| 210 | 04612-00100 | CIRCLIP EXTERNAL | 3 | | | | 0.001 | 0.0022 |



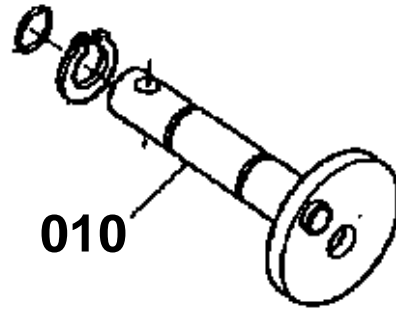
**HYDRAULIC SYSTEM 2**

↔ Interchangeable; ≠ not interchangeable; ← new for old; → old for new

| REF.No | Part No. | Description | Q'ty | S.No. | I/C | REMARKS | Weight (kgf) | Weight (lb) |
|--------|-------------|------------------|------|--------|-----|---------|--------------|-------------|
| 010 | 36330-81250 | CAM POSITION | 1 | | | | 0.165 | 0.363 |
| 020 | 36330-81290 | SPACER | 1 | | | | 0.02 | 0.044 |
| 030 | 01123-50835 | BOLT | 1 | | | | 0.02 | 0.044 |
| 040 | 36330-81682 | HOLDER FEED BACK | 1 | | | | 0.2 | 0.44 |
| 050 | 01172-51045 | BOLT | 1 | | | | 0 | 0 |
| 060 | 02118-50100 | NUT | 1 | | | | 0.005 | 0.011 |
| 070 | 36330-81670 | SPRING | 1 | | | | 0.002 | 0.0044 |
| 080 | 36330-81160 | RETAINER SPOOL | 1 | | | | 0.12 | 0.264 |
| 090 | 36330-81170 | PIN | 1 | | | | 0.03 | 0.066 |
| 100 | 05411-00416 | PIN SPRING | 1 | | | | 0.001 | 0.0022 |
| 110 | 04612-00100 | CIRCLIP EXTERNAL | 1 | | | | 0.001 | 0.0022 |
| 120 | 36200-81270 | HOLDER PUSH | 1 | | | | 0.026 | 0.0572 |
| 130 | 05122-50628 | PIN JOINT | 1 | | | | 0.006 | 0.0132 |
| 140 | 04012-50060 | WASHER PLAIN | 2 | | | | 0.001 | 0.0022 |
| 150 | 05511-51612 | PIN SPLIT | 1 | | | | 0.001 | 0.0022 |
| 160 | 36200-81280 | SPRING | 1 | | | | 0.019 | 0.0418 |
| 170 | 36200-81260 | HOLDER PUSH | 1 | ≤10121 | | | 0 | 0 |
| 170 | 36200-81263 | HOLDER PUSH | 1 | ≥10122 | ← | | 0.19 | 0.418 |
| 180 | 05122-50628 | PIN JOINT | 1 | | | | 0.006 | 0.0132 |
| 190 | 04012-50060 | WASHER PLAIN | 2 | | | | 0.001 | 0.0022 |
| 200 | 05511-51612 | PIN SPLIT | 1 | | | | 0.001 | 0.0022 |
| 210 | 36330-81310 | LINK DRAFT | 1 | ≤10121 | | | 0 | 0 |
| 210 | 36330-81312 | LINK DRAFT | 1 | ≥10122 | ← | | 0.06 | 0.132 |
| 220 | 04012-50080 | WASHER PLAIN | 1 | | | | 0.001 | 0.0022 |
| 230 | 05511-51612 | PIN SPLIT | 1 | | | | 0.001 | 0.0022 |
| 240 | 36200-81324 | LINK DRAFT | 1 | | | | 0.08 | 0.176 |
| 250 | 05122-50818 | PIN JOINT | 2 | | | | 0.008 | 0.0176 |
| 260 | 04012-50080 | WASHER PLAIN | 2 | | | | 0.001 | 0.0022 |
| 270 | 05511-50215 | PIN SPLIT | 2 | | | | 0.001 | 0.0022 |



010 36330-8134-0



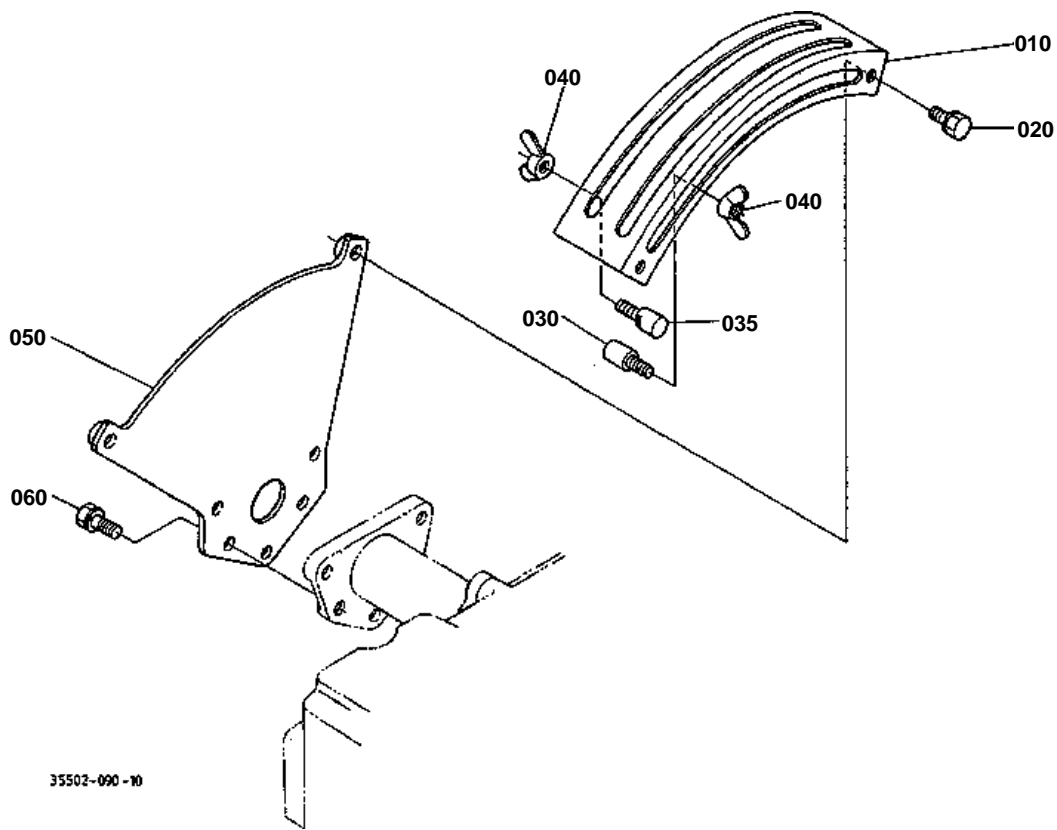
35502-822-10



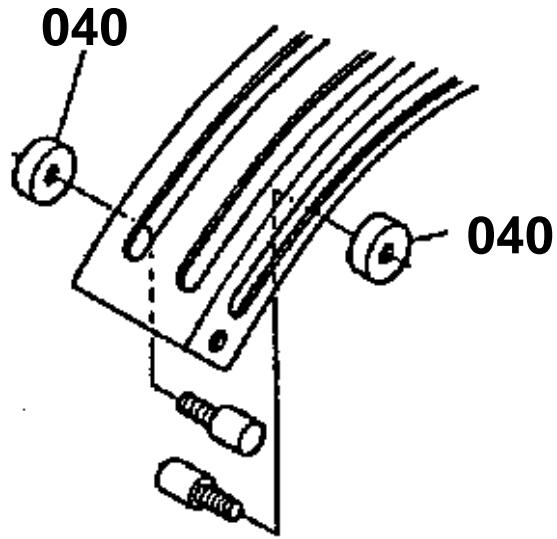
HYDRAULIC SYSTEM 3

↔ Interchangeable; ≠ not interchangeable; ← new for old; → old for new

| REF.No | Part No. | Description | Q'ty | S.No. | I/C | REMARKS | Weight (kgf) | Weight (lb) |
|--------|-------------|---------------------|------|---------|-----|---------|--------------|-------------|
| 010 | 36330-81340 | CAM DRAFT | 1 | <=20599 | | | 0 | 0 |
| 010 | 36330-81346 | CAM DRAFT | 1 | >=20600 | ← | | 0.25 | 0.55 |
| 020 | 04811-05120 | O RING | 1 | | | | 0 | 0 |
| 030 | 04612-00150 | CIRCLIP EXTERNAL | 1 | | | | 0.001 | 0.0022 |
| 040 | 36330-81352 | LEVER DRAFT CONTROL | 1 | | | | 0.1 | 0.22 |
| 050 | 05411-00525 | PIN SPRING | 1 | | | | 0.002 | 0.0044 |
| 060 | 36330-81363 | PLATE DRAFT | 1 | | | | 0.25 | 0.55 |
| 070 | 01123-50825 | BOLT | 2 | | | | 0.013 | 0.0286 |
| 080 | 36330-81392 | ROD DRAFT CONTROL | 1 | | | | 0.1 | 0.22 |
| 090 | 04011-50100 | WASHER PLAIN | 1 | | | | 0.002 | 0.0044 |
| 100 | 05511-50318 | PIN SPLIT | 1 | | | | 0.001 | 0.0022 |
| 110 | 32350-28990 | NUT | 1 | | | | 0.009 | 0.0198 |
| 120 | 32350-28980 | TURNBUCKLE | 1 | | | | 0.124 | 0.2728 |
| 130 | 02116-50100 | NUT | 1 | | | | 0.004 | 0.0088 |
| 140 | 36330-81382 | ROD DRAFT CONTROL | 1 | | | | 0.033 | 0.0726 |
| 150 | 04011-50100 | WASHER PLAIN | 1 | | | | 0.002 | 0.0044 |
| 160 | 05511-50318 | PIN SPLIT | 1 | | | | 0.001 | 0.0022 |



040 36200-8154-0



35502-823-10

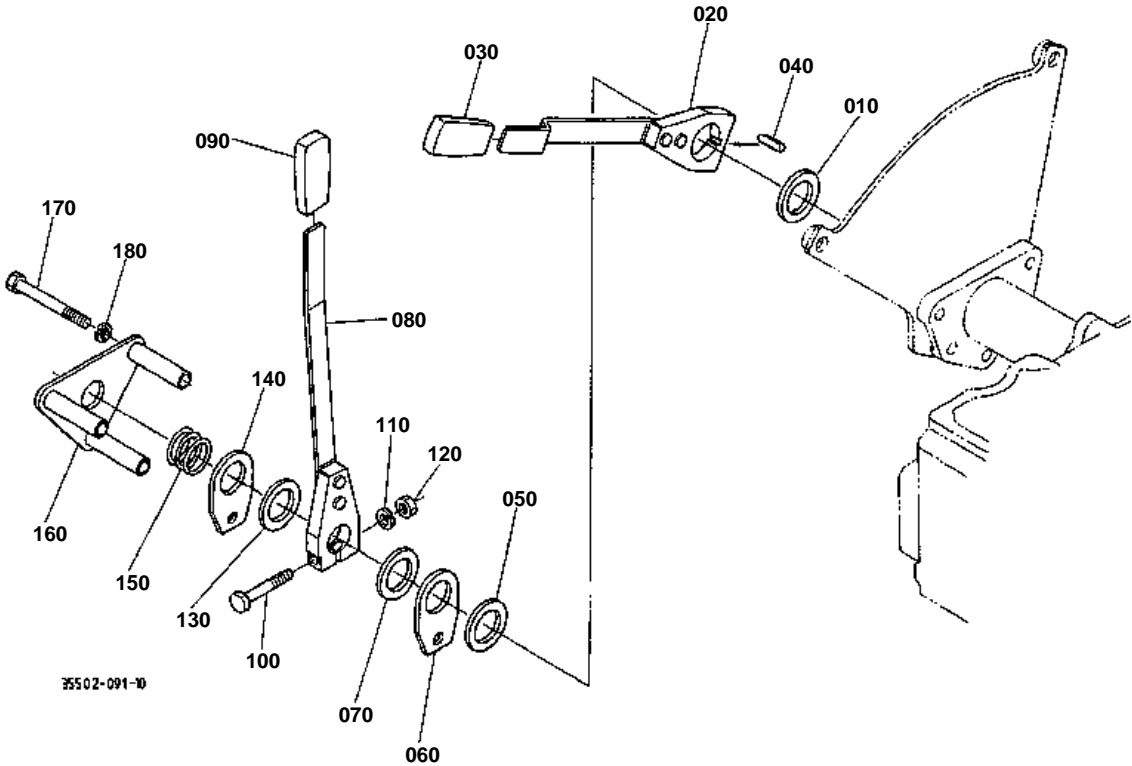


HYDARULIC LEVER GUIDE

↔ Interchangeable; ≠ not interchangeable; ← new for old; → old for new

| REF.No | Part No. | Description | Q'ty | S.No. | I/C | REMARKS | Weight (kgf) | Weight (lb) |
|--------|-------------|-----------------|------|--------|-----|---------|--------------|-------------|
| 010 | 35533-81410 | PLATE HYD.GUIDE | 1 | | | | 0.424 | 0.9328 |
| 020 | 01123-60816 | BOLT | 2 | | | | 0.01 | 0.022 |
| 030 | 36200-81520 | STOPPER LEVER | 1 | | | | 0.034 | 0.0748 |
| 035 | 36200-81520 | STOPPER LEVER | 1 | | | | 0.034 | 0.0748 |
| 040 | 36200-81540 | NUT | 2 | ≤20483 | | | 0.075 | 0.165 |
| 040 | 02870-50100 | NUT WING | 2 | ≥20484 | ← | | 0.015 | 0.033 |
| 050 | 35533-81510 | PLATE HYD.GUIDE | 1 | | | | 0.8 | 1.76 |
| 060 | 01123-60816 | BOLT | 2 | | | | 0.01 | 0.022 |

DRAFT AND POSITION CONTROL LEVER



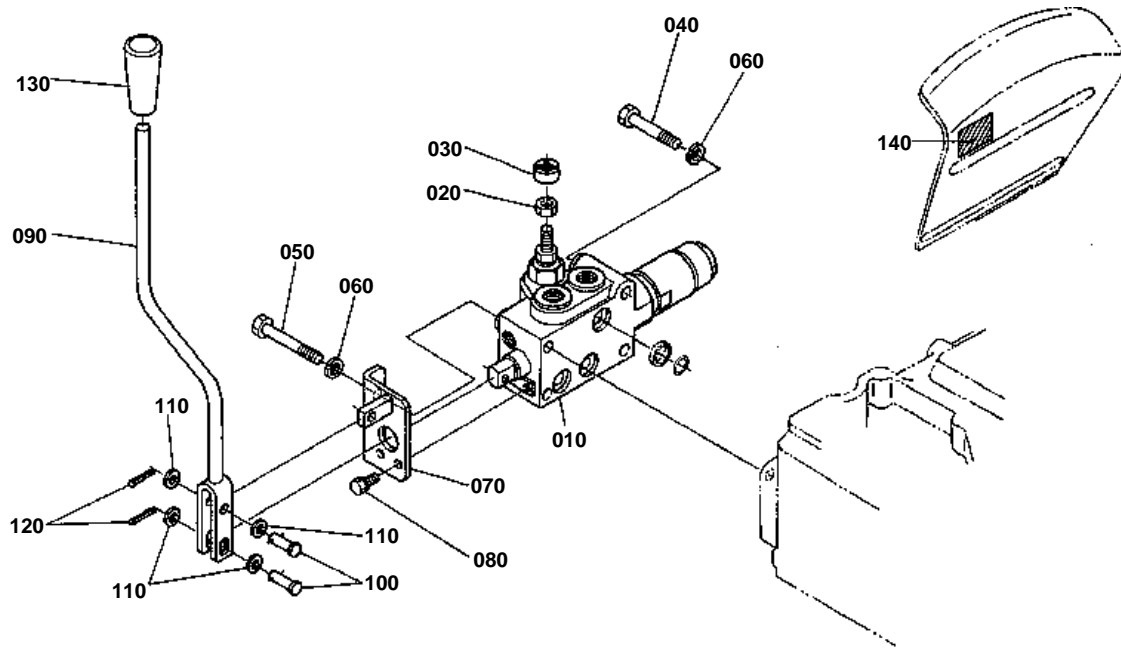


DRAFT AND POSITION CONTROL LEVER

↔ Interchangeable; ≠ not interchangeable; ← new for old; → old for new

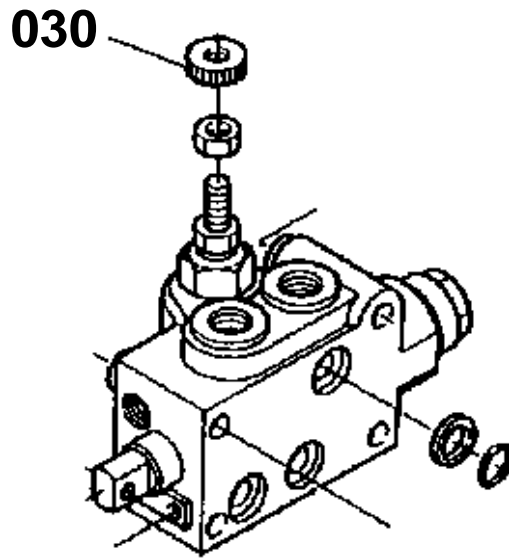
| REF.No | Part No. | Description | Q'ty | S.No. | I/C | REMARKS | Weight (kgf) | Weight (lb) |
|--------|-------------|----------------------|------|-------|-----|---------|--------------|-------------|
| 010 | 36200-81440 | WASHER FRICTION | 1 | | | | 0 | 0 |
| 020 | 35533-81430 | LEVER DRAFT CONTROL | 1 | | | | 0.3 | 0.66 |
| 030 | 31351-36880 | GRIP LEVER | 1 | | | | 0.04 | 0.088 |
| 040 | 05712-00510 | KEY FEATHER | 1 | | | | 0.002 | 0.0044 |
| 050 | 36200-81450 | WASHER FRICTION | 1 | | | | 0 | 0 |
| 060 | 36200-81480 | PLATE | 1 | | | | 0.034 | 0.0748 |
| 070 | 36200-81450 | WASHER FRICTION | 1 | | | | 0 | 0 |
| 080 | 35533-81420 | LEVER POSITION CONT. | 1 | | | | 0.346 | 0.7612 |
| 090 | 31351-36880 | GRIP LEVER | 1 | | | | 0.04 | 0.088 |
| 100 | 36200-81530 | BOLT | 1 | | | | 0.016 | 0.0352 |
| 110 | 04512-60060 | WASHER SPRING | 1 | | | | 0.001 | 0.0022 |
| 120 | 02056-50060 | NUT | 1 | | | | 0.002 | 0.0044 |
| 130 | 36200-81450 | WASHER FRICTION | 1 | | | | 0 | 0 |
| 140 | 36200-81480 | PLATE | 1 | | | | 0.034 | 0.0748 |
| 150 | 36200-81460 | SPRING | 1 | | | | 0.03 | 0.066 |
| 160 | 35533-81470 | RETAINER SPRING | 1 | | | | 0.234 | 0.5148 |
| 170 | 01153-50875 | BOLT | 3 | | | | 0.028 | 0.0616 |
| 180 | 04512-60080 | WASHER SPRING | 3 | | | | 0.002 | 0.0044 |

AUXILIARY CONTROL VALVE 1 [EXCEPT SU]



35502-078-10

030 99883-9313-0



35502-821-10

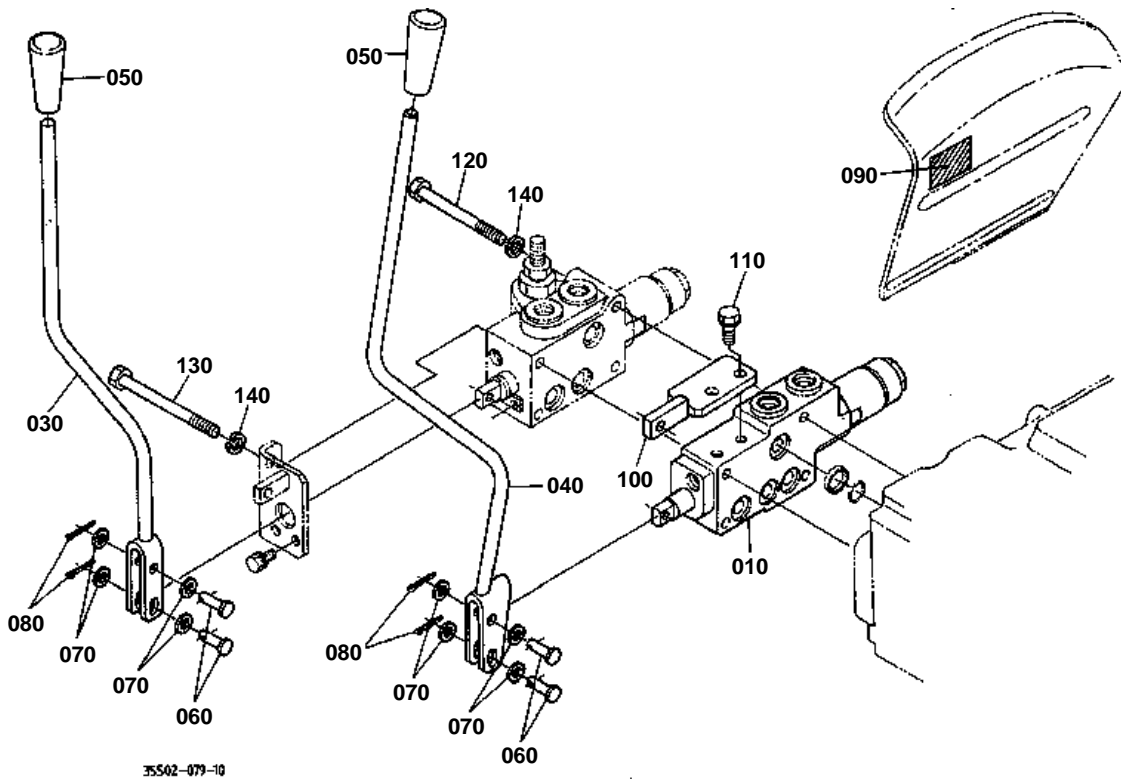


AUXILIARY CONTROL VALVE 1 [EXCEPT SU]
SELF CANCELLING WITH DETENTS

↔ Interchangeable; ≠ not interchangeable; ← new for old; → old for new

| REF.No | Part No. | Description | Q'ty | S.No. | I/C | REMARKS | Weight (kgf) | Weight (lb) |
|--------|-------------|---------------------|------|---------|-----|---------|--------------|-------------|
| 010 | 35820-82350 | ASSY VALVE AUX.CON. | 1 | <=20687 | | | 0 | 0 |
| 010 | 35820-82352 | ASSY VALVE AUX.CON. | 1 | >=20688 | ← | | 4.32 | 9.504 |
| 020 | 02112-50080 | NUT | 1 | | | | 0.003 | 0.0066 |
| 030 | 99883-93130 | KNOB | 1 | <=10197 | | | 0 | 0 |
| 030 | 36730-82010 | KNOB | 1 | >=10198 | ↔ | | 0.021 | 0.0462 |
| 040 | 01153-50865 | BOLT | 2 | | | | 0.025 | 0.055 |
| 050 | 01153-50870 | BOLT | 2 | | | | 0.026 | 0.0572 |
| 060 | 04512-60080 | WASHER SPRING | 4 | | | | 0.002 | 0.0044 |
| 070 | 35533-82410 | SUPPORT CON.LEVER | 1 | | | | 0.226 | 0.4972 |
| 080 | 01023-50614 | BOLT | 2 | | | | 0.005 | 0.011 |
| 090 | 35533-82530 | LEVER AUX.CON.VALVE | 1 | | | | 0.414 | 0.9108 |
| 100 | 05122-50625 | PIN JOINT | 2 | | | | 0.006 | 0.0132 |
| 110 | 04012-50060 | WASHER PLAIN | 4 | | | | 0.001 | 0.0022 |
| 120 | 05511-51612 | PIN SPLIT | 2 | | | | 0.001 | 0.0022 |
| 130 | 36330-82450 | GRIP | 1 | | | | 0.025 | 0.055 |
| 140 | 35533-98560 | LABEL AUX.CON.VALVE | 1 | <=10058 | | | 0 | 0 |
| 140 | 35533-98562 | LABEL AUX.CON.VALVE | 1 | >=10059 | ← | | 0.006 | 0.0132 |

AUXILIARY CONTROL VALVE 2 [OPTION]



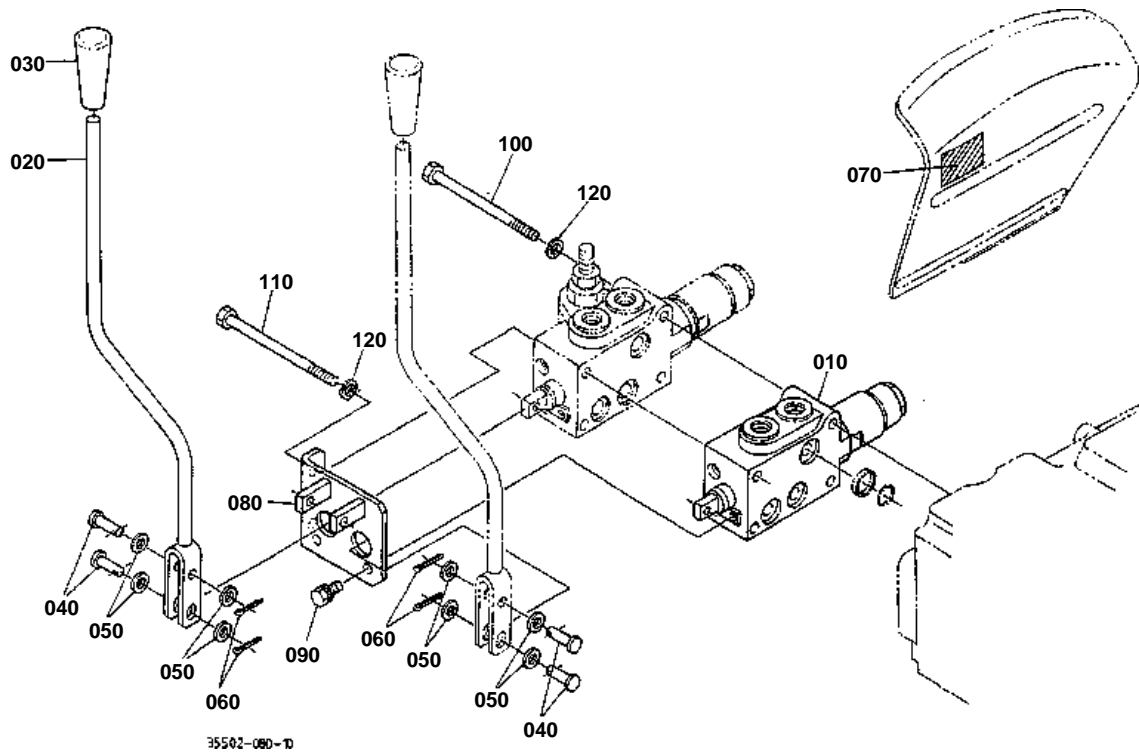


AUXILIARY CONTROL VALVE 2 [OPTION]
DETENTED FLOAT POSITION

↔ Interchangeable; ≠ not interchangeable; ← new for old; → old for new

| REF.No | Part No. | Description | Q'ty | S.No. | I/C | REMARKS | Weight (kgf) | Weight (lb) |
|--------|-------------|---------------------|------|--------|-----|---------|--------------|-------------|
| 010 | 35860-82802 | ASSY VALVE FLOATING | 1 | | | | 3.32 | 7.304 |
| 030 | 35533-82460 | LEVER AUX.CON.VALVE | 1 | | | | 0.45 | 0.99 |
| 040 | 35533-82470 | LEVER AUX.CON.VALVE | 1 | ≤10182 | | | 0 | 0 |
| 040 | 35533-82472 | LEVER AUX.CON.VALVE | 1 | ≥10183 | ← | | 0.42 | 0.924 |
| 050 | 36330-82450 | GRIP | 2 | | | | 0.025 | 0.055 |
| 060 | 05122-50625 | PIN JOINT | 4 | | | | 0.006 | 0.0132 |
| 070 | 04012-50060 | WASHER PLAIN | 8 | | | | 0.001 | 0.0022 |
| 080 | 05511-51612 | PIN SPLIT | 4 | | | | 0.001 | 0.0022 |
| 090 | 35533-98390 | LABEL AUX.CON.VALVE | 1 | ≤10058 | | | 0 | 0 |
| 090 | 35533-98392 | LABEL AUX.CON.VALVE | 1 | ≥10059 | ← | | 0.006 | 0.0132 |
| 100 | 35533-82420 | SUPPORT CON.LEVER | 1 | ≤10182 | | | 0 | 0 |
| 100 | 35533-82422 | SUPPORT CON.LEVER | 1 | ≥10183 | ← | | 0.2 | 0.44 |
| 110 | 01123-50820 | BOLT | 2 | | | | 0.011 | 0.0242 |
| 120 | 01153-50801 | BOLT | 2 | | | | 0.047 | 0.1034 |
| 130 | 01153-50802 | BOLT | 2 | | | | 0.04 | 0.088 |
| 140 | 04512-60080 | WASHER SPRING | 4 | | | | 0.002 | 0.0044 |

AUXILIARY CONTROL VALVE 3 [OPTION]



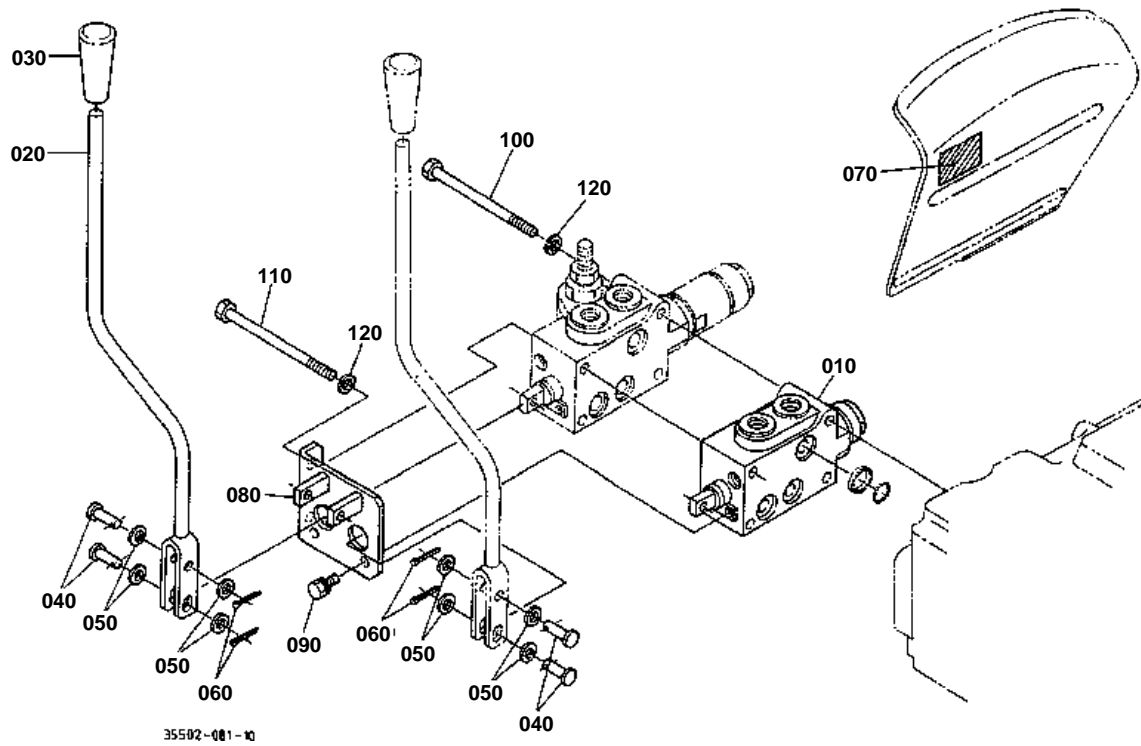


AUXILIARY CONTROL VALVE 3 [OPTION]
SELF CANCELLING WITH DETENTS

↔ Interchangeable; ≠ not interchangeable; ← new for old; → old for new

| REF.No | Part No. | Description | Q'ty | S.No. | I/C | REMARKS | Weight (kgf) | Weight (lb) |
|--------|-------------|---------------------|------|---------|-----|---------|--------------|-------------|
| 010 | 35820-82540 | ASSY VALVE AUX.CON. | 1 | | | | 2.85 | 6.27 |
| 020 | 35533-82460 | LEVER AUX.CON.VALVE | 1 | | | | 0.45 | 0.99 |
| 030 | 36330-82450 | GRIP | 1 | | | | 0.025 | 0.055 |
| 040 | 05122-50625 | PIN JOINT | 4 | | | | 0.006 | 0.0132 |
| 050 | 04012-50060 | WASHER PLAIN | 8 | | | | 0.001 | 0.0022 |
| 060 | 05511-51612 | PIN SPLIT | 4 | | | | 0.001 | 0.0022 |
| 070 | 35533-98390 | LABEL AUX.CON.VALVE | 1 | <=10058 | | | 0 | 0 |
| 070 | 35533-98392 | LABEL AUX.CON.VALVE | 1 | >=10059 | ← | | 0.006 | 0.0132 |
| 080 | 35533-82480 | SUPPORT CON.LEVER | 1 | | | | 0.38 | 0.836 |
| 090 | 01023-50614 | BOLT | 2 | | | | 0.005 | 0.011 |
| 100 | 01153-50801 | BOLT | 2 | | | | 0.047 | 0.1034 |
| 110 | 01153-50802 | BOLT | 2 | | | | 0.04 | 0.088 |
| 120 | 04512-60080 | WASHER SPRING | 4 | | | | 0.002 | 0.0044 |

AUXILIARY CONTROL VALVE 4 [OPTION]



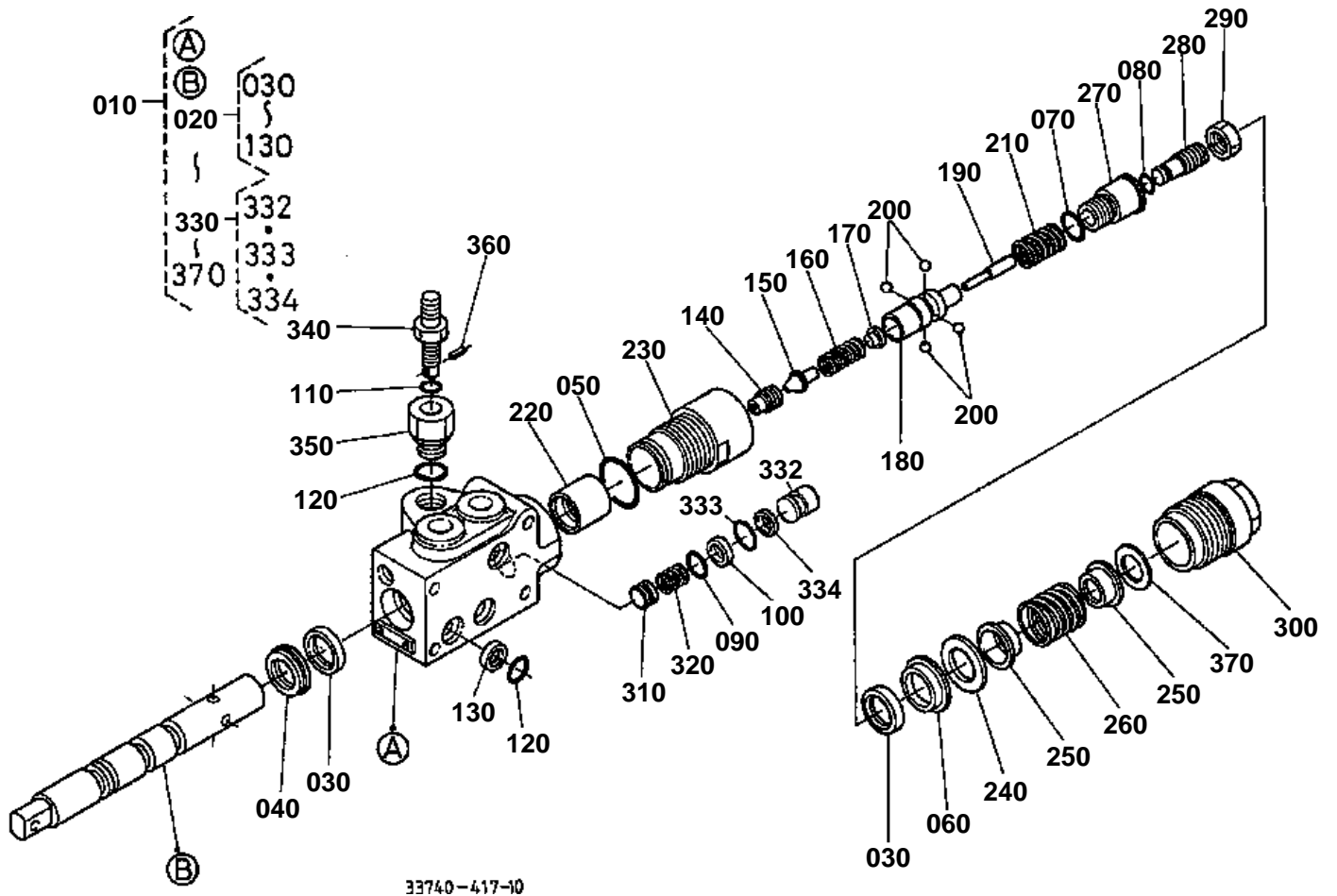


AUXILIARY CONTROL VALVE 4 [OPTION]
NO DETENTS OR SELF CANCELLING

↔ Interchangeable; ≠ not interchangeable; ← new for old; → old for new

| REF.No | Part No. | Description | Q'ty | S.No. | I/C | REMARKS | Weight (kgf) | Weight (lb) |
|--------|-------------|---------------------|------|---------|-----|---------|--------------|-------------|
| 010 | 99883-93110 | ASSY VALVE AUX.CON. | 1 | | | | 2 | 4.4 |
| 020 | 35533-82460 | LEVER AUX.CON.VALVE | 1 | | | | 0.45 | 0.99 |
| 030 | 36330-82450 | GRIP | 1 | | | | 0.025 | 0.055 |
| 040 | 05122-50625 | PIN JOINT | 4 | | | | 0.006 | 0.0132 |
| 050 | 04012-50060 | WASHER PLAIN | 8 | | | | 0.001 | 0.0022 |
| 060 | 05511-51612 | PIN SPLIT | 4 | | | | 0.001 | 0.0022 |
| 070 | 35533-98390 | LABEL AUX.CON.VALVE | 1 | <=10058 | | | 0 | 0 |
| 070 | 35533-98392 | LABEL AUX.CON.VALVE | 1 | >=10059 | ← | | 0.006 | 0.0132 |
| 080 | 35533-82480 | SUPPORT CON.LEVER | 1 | | | | 0.38 | 0.836 |
| 090 | 01023-50614 | BOLT | 2 | | | | 0.005 | 0.011 |
| 100 | 01153-50801 | BOLT | 2 | | | | 0.047 | 0.1034 |
| 110 | 01153-50802 | BOLT | 2 | | | | 0.04 | 0.088 |
| 120 | 04512-60080 | WASHER SPRING | 4 | | | | 0.002 | 0.0044 |

AUXILIARY CONTROL VALVE [COMPONENT PARTS]



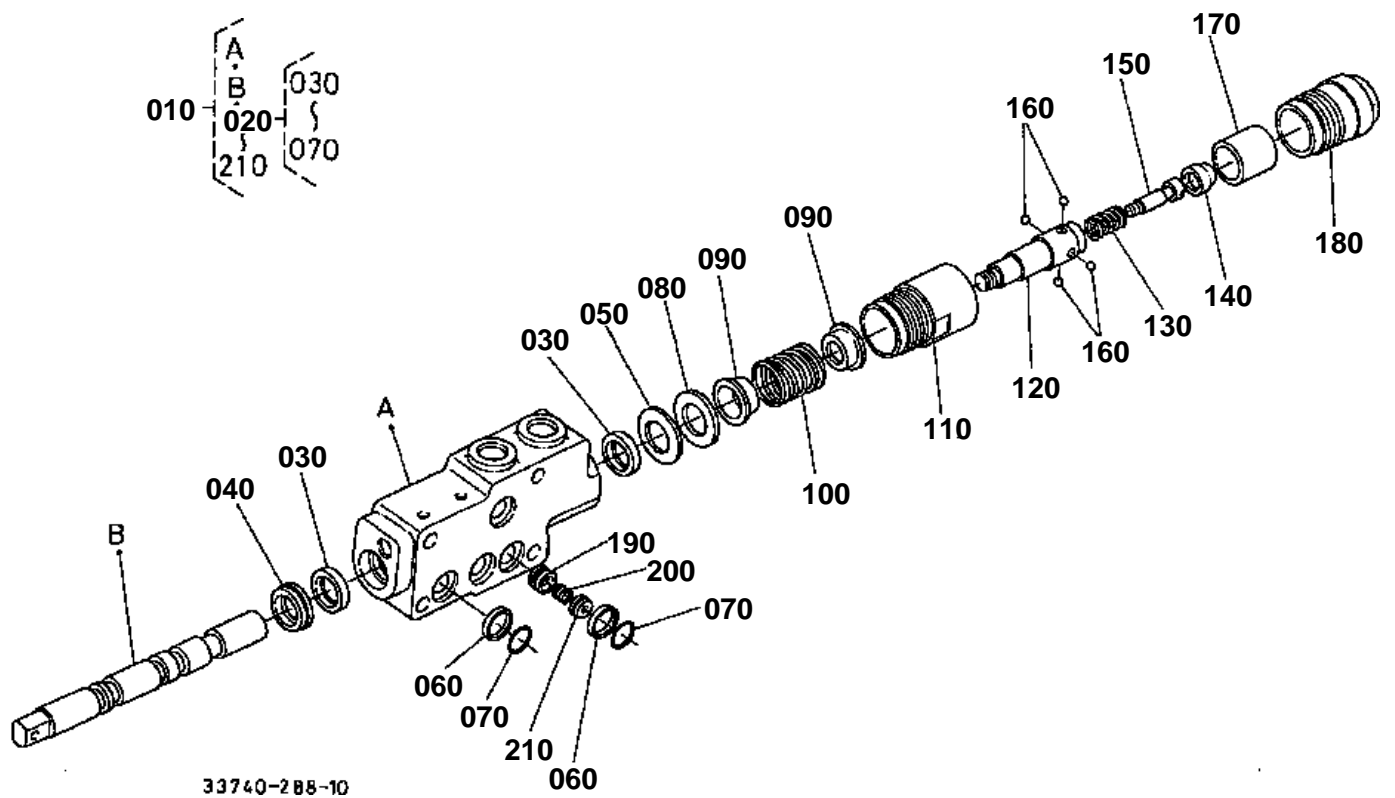


AUXILIARY CONTROL VALVE [COMPONENT PARTS]
SELF CANCELLING WITH DETENTS

↔ Interchangeable; ≠ not interchangeable; ← new for old; → old for new

| REF.No | Part No. | Description | Q'ty | S.No. | I/C | REMARKS | Weight (kgf) | Weight (lb) |
|--------|-------------|---------------------|------|---------|-----|---------|--------------|-------------|
| 010 | 35820-82350 | ASSY VALVE AUX.CON. | 1 | ≤=20687 | | | 0 | 0 |
| 010 | 35820-82352 | ASSY VALVE AUX.CON. | 1 | ≥=20688 | ← | | 4.32 | 9.504 |
| 020 | 36998-00110 | KIT SEAL | 1 | | | | 0.01 | 0.022 |
| 030 | 36200-82810 | SEAL SPOOL | 2 | | | | 0.001 | 0.0022 |
| 040 | 36200-82820 | SEAL DUST | 1 | | | | 0.002 | 0.0044 |
| 050 | 04811-05280 | O RING | 1 | | | | 0 | 0 |
| 060 | 36330-84210 | RING SUPPORT | 1 | | | | 0.005 | 0.011 |
| 070 | 04811-05110 | O RING | 1 | | | | 0 | 0 |
| 080 | 04811-00030 | O RING | 1 | | | | 0 | 0 |
| 090 | 04810-00100 | O RING | 1 | | | | 0 | 0 |
| 100 | 36330-84310 | RING BACK UP | 1 | | | | 0.005 | 0.011 |
| 110 | 04810-00080 | O RING | 1 | | | | 0 | 0 |
| 120 | 04810-00140 | O RING | 4 | | | | 0 | 0 |
| 130 | 36200-82330 | RING BACK UP | 3 | | | | 0.001 | 0.0022 |
| 140 | 35820-84300 | SEAT | 1 | | | | 0.005 | 0.011 |
| 150 | 35820-84310 | VALVE | 1 | | | | 0.01 | 0.022 |
| 160 | 35820-84320 | SPRING | 1 | | | | 0.01 | 0.022 |
| 170 | 35820-84330 | SEAT SPRING | 1 | | | | 0.005 | 0.011 |
| 180 | 35820-84340 | CONE | 1 | | | | 0.02 | 0.044 |
| 190 | 35820-84350 | ROD | 1 | | | | 0.003 | 0.0066 |
| 200 | 35820-84360 | BALL | 4 | | | | 0.005 | 0.011 |
| 210 | 35820-84370 | SPRING | 1 | | | | 0.01 | 0.022 |
| 220 | 35820-84380 | BUSH | 1 | | | | 0.04 | 0.088 |
| 230 | 35820-84390 | BUSH | 1 | | | | 0.04 | 0.088 |
| 240 | 36330-84220 | WASHER | 1 | | | | 0.007 | 0.0154 |
| 250 | 35820-84400 | SEAT SPRING | 2 | | | | 0.01 | 0.022 |
| 260 | 35820-84410 | SPRING | 1 | | | | 0.016 | 0.0352 |
| 270 | 35820-84420 | SCREW | 1 | | | | 0.02 | 0.044 |
| 280 | 35820-84430 | SCREW | 1 | | | | 0.01 | 0.022 |
| 290 | 35820-84440 | NUT | 1 | | | | 0.005 | 0.011 |
| 300 | 36330-84280 | NUT | 1 | | | | 0.1 | 0.22 |
| 310 | 36330-84290 | VALVE CHECK | 1 | ≤=20687 | | | 0.007 | 0.0154 |
| 310 | 33960-84292 | VALVE CHECK | 1 | ≥=20688 | ← | | 0.007 | 0.0154 |
| 320 | 36330-84300 | SPRING | 1 | | | | 0.003 | 0.0066 |
| 330 | 36330-84320 | ASSY PLUG | 1 | | | | 0.013 | 0.0286 |
| 332 | 36330-84370 | PLUG | 1 | ≥=20688 | | | 0.01 | 0.022 |
| 333 | 04810-05110 | O RING | 1 | ≥=20688 | | | 0.001 | 0.0022 |
| 334 | 36330-84310 | RING BACK UP | 1 | ≥=20688 | | | 0.005 | 0.011 |
| 340 | 36330-84330 | VALVE | 1 | | | | 0.032 | 0.0704 |
| 350 | 36330-84340 | SCREW GUIDE | 1 | | | | 0.047 | 0.1034 |
| 360 | 36330-84350 | PIN SPRING | 1 | | | | 0.001 | 0.0022 |
| 370 | 36330-84270 | SHIM | 2 | | | | 0.001 | 0.0022 |

AUXILIARY CONTROL VALVE [COMPONENT PARTS]



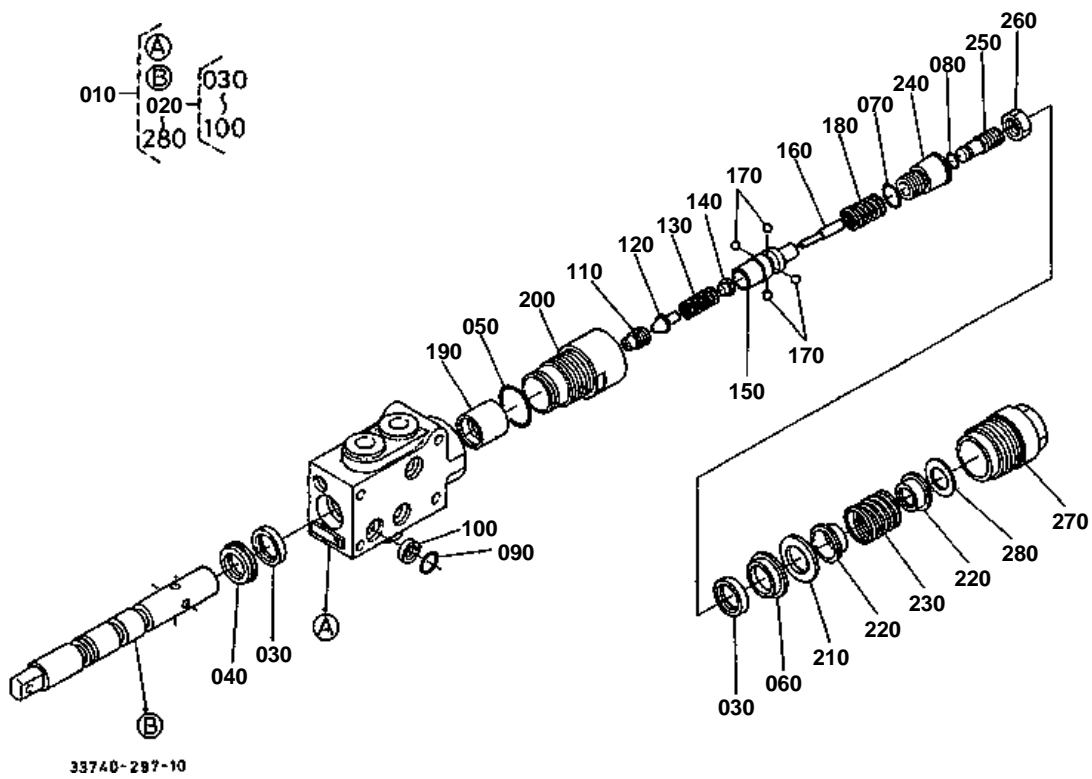


AUXILIARY CONTROL VALVE [COMPONENT PARTS]
DETENTED FLOAT POSITION

↔ Interchangeable; ≠ not interchangeable; ← new for old; → old for new

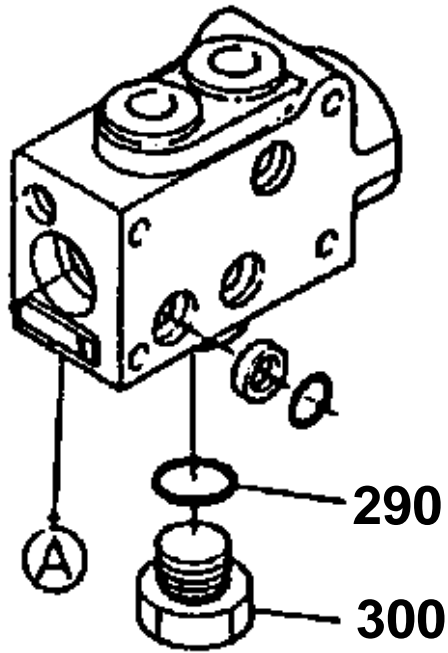
| REF.No | Part No. | Description | Q'ty | S.No. | I/C | REMARKS | Weight (kgf) | Weight (lb) |
|--------|-------------|---------------------|------|-------|-----|---------|--------------|-------------|
| 010 | 35860-82802 | ASSY VALVE FLOATING | 1 | | | | 3.32 | 7.304 |
| 020 | 36998-00130 | KIT SEAL | 1 | | | | 0.01 | 0.022 |
| 030 | 36200-82810 | SEAL SPOOL | 2 | | | | 0.001 | 0.0022 |
| 040 | 36200-82820 | SEAL DUST | 1 | | | | 0.002 | 0.0044 |
| 050 | 36330-84210 | RING SUPPORT | 1 | | | | 0.005 | 0.011 |
| 060 | 36200-82330 | RING BACK UP | 4 | | | | 0.001 | 0.0022 |
| 070 | 04810-00140 | O RING | 4 | | | | 0 | 0 |
| 080 | 36330-84220 | WASHER | 1 | | | | 0.007 | 0.0154 |
| 090 | 36330-84230 | SEAT SPRING | 2 | | | | 0.01 | 0.022 |
| 100 | 35820-84210 | SPRING | 1 | | | | 0.03 | 0.066 |
| 110 | 35820-84220 | BUSH | 1 | | | | 0.23 | 0.506 |
| 120 | 35820-84230 | SCREW | 1 | | | | 0.1 | 0.22 |
| 130 | 35820-84240 | SPRING | 1 | | | | 0.008 | 0.0176 |
| 140 | 35820-84250 | CONE | 1 | | | | 0.01 | 0.022 |
| 150 | 35820-84260 | BOLT | 1 | | | | 0.01 | 0.022 |
| 160 | 35820-84270 | BALL | 4 | | | | 0.001 | 0.0022 |
| 170 | 35820-84280 | BUSH | 1 | | | | 0.05 | 0.11 |
| 180 | 36330-84280 | NUT | 1 | | | | 0.1 | 0.22 |
| 190 | 36330-84290 | VALVE CHECK | 1 | | | | 0.007 | 0.0154 |
| 200 | 36330-84300 | SPRING | 1 | | | | 0.003 | 0.0066 |
| 210 | 35820-84290 | WASHER | 1 | | | | 0.003 | 0.0066 |

AUXILIARY CONTROL VALVE [COMPONENT PARTS]



290 04810-00180

300 35820-8445-0



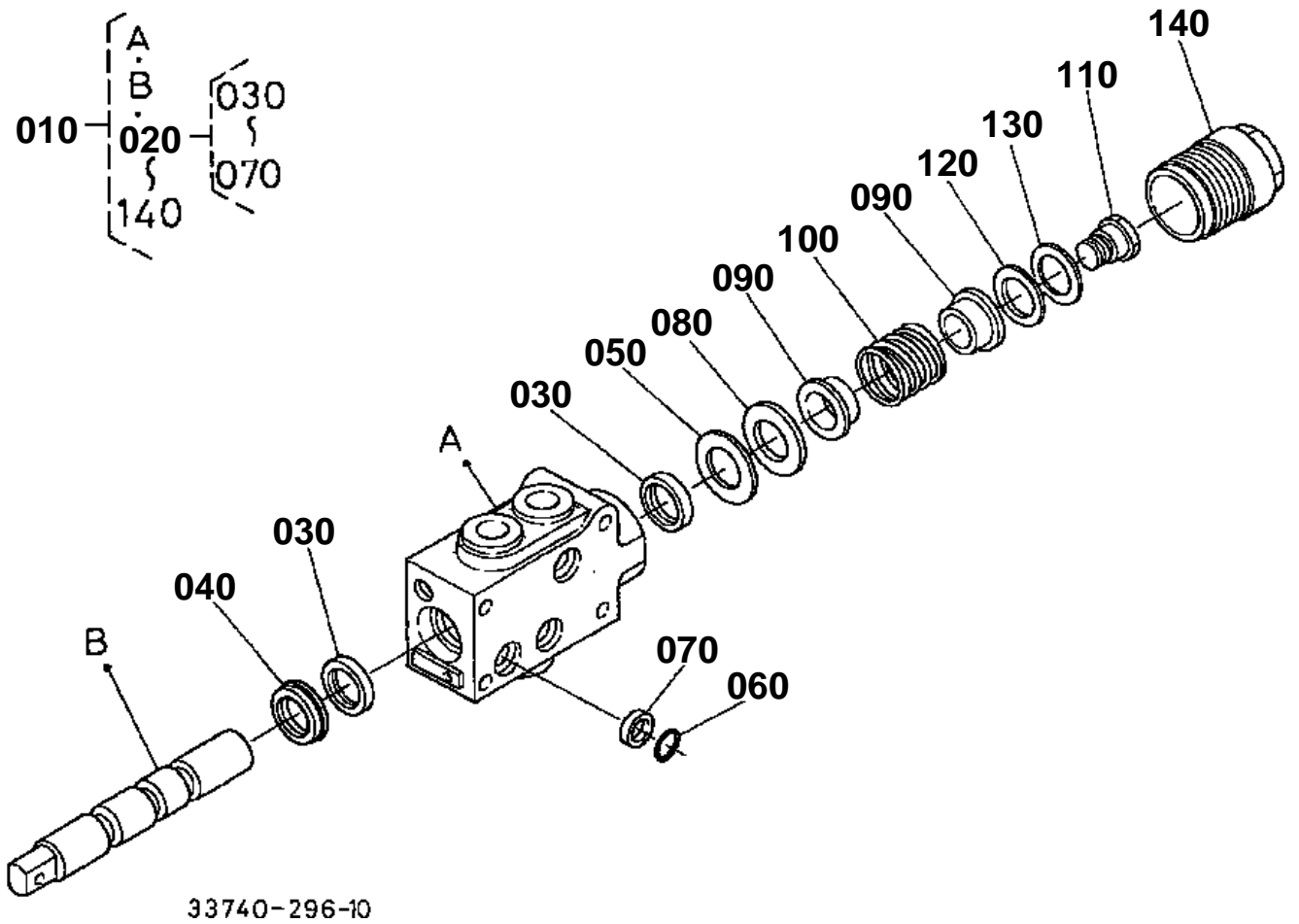
33740-845-10



AUXILIARY CONTROL VALVE [COMPONENT PARTS]
SELF CANCELLING WITH DETENTS

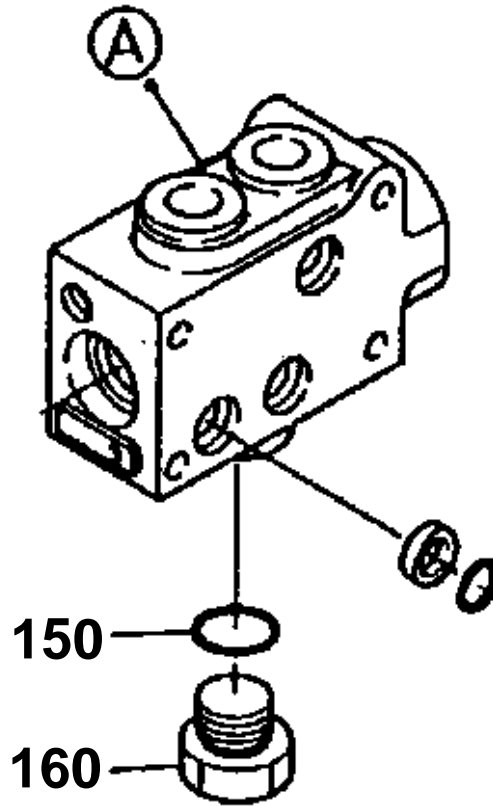
↔ Interchangeable; ≠ not interchangeable; ← new for old; → old for new

| REF.No | Part No. | Description | Q'ty | S.No. | I/C | REMARKS | Weight (kgf) | Weight (lb) |
|--------|-------------|---------------------|------|--------|-----|---------|--------------|-------------|
| 010 | 35820-82540 | ASSY VALVE AUX.CON. | 1 | | | | 2.85 | 6.27 |
| 020 | 36998-00120 | KIT SEAL | 1 | | | | 0.01 | 0.022 |
| 030 | 36200-82810 | SEAL SPOOL | 2 | | | | 0.001 | 0.0022 |
| 040 | 36200-82820 | SEAL DUST | 1 | | | | 0.002 | 0.0044 |
| 050 | 04811-05280 | O RING | 1 | | | | 0 | 0 |
| 060 | 36330-84210 | RING SUPPORT | 1 | | | | 0.005 | 0.011 |
| 070 | 04811-05110 | O RING | 1 | | | | 0 | 0 |
| 080 | 04811-00030 | O RING | 1 | | | | 0 | 0 |
| 090 | 04810-00140 | O RING | 3 | | | | 0 | 0 |
| 100 | 36200-82330 | RING BACK UP | 3 | | | | 0.001 | 0.0022 |
| 110 | 35820-84300 | SEAT | 1 | | | | 0.005 | 0.011 |
| 120 | 35820-84310 | VALVE | 1 | | | | 0.01 | 0.022 |
| 130 | 35820-84320 | SPRING | 1 | | | | 0.01 | 0.022 |
| 140 | 35820-84330 | SEAT SPRING | 1 | | | | 0.005 | 0.011 |
| 150 | 35820-84340 | CONE | 1 | | | | 0.02 | 0.044 |
| 160 | 35820-84350 | ROD | 1 | | | | 0.003 | 0.0066 |
| 170 | 35820-84360 | BALL | 4 | | | | 0.005 | 0.011 |
| 180 | 35820-84370 | SPRING | 1 | | | | 0.01 | 0.022 |
| 190 | 35820-84380 | BUSH | 1 | | | | 0.04 | 0.088 |
| 200 | 35820-84390 | BUSH | 1 | | | | 0.04 | 0.088 |
| 210 | 36330-84220 | WASHER | 1 | | | | 0.007 | 0.0154 |
| 220 | 35820-84400 | SEAT SPRING | 2 | | | | 0.01 | 0.022 |
| 230 | 35820-84410 | SPRING | 1 | | | | 0.016 | 0.0352 |
| 240 | 35820-84420 | SCREW | 1 | | | | 0.02 | 0.044 |
| 250 | 35820-84430 | SCREW | 1 | | | | 0.01 | 0.022 |
| 260 | 35820-84440 | NUT | 1 | | | | 0.005 | 0.011 |
| 270 | 36330-84280 | NUT | 1 | | | | 0.1 | 0.22 |
| 280 | 36330-84270 | SHIM | 2 | | | | 0.001 | 0.0022 |
| 290 | 04810-00180 | O RING | 1 | ≤10183 | | | 0 | 0 |
| 300 | 35820-84450 | PLUG | 1 | ≤10183 | | | 0.07 | 0.154 |



150 04810-00180

160 35820-8445-0



33740-844-10

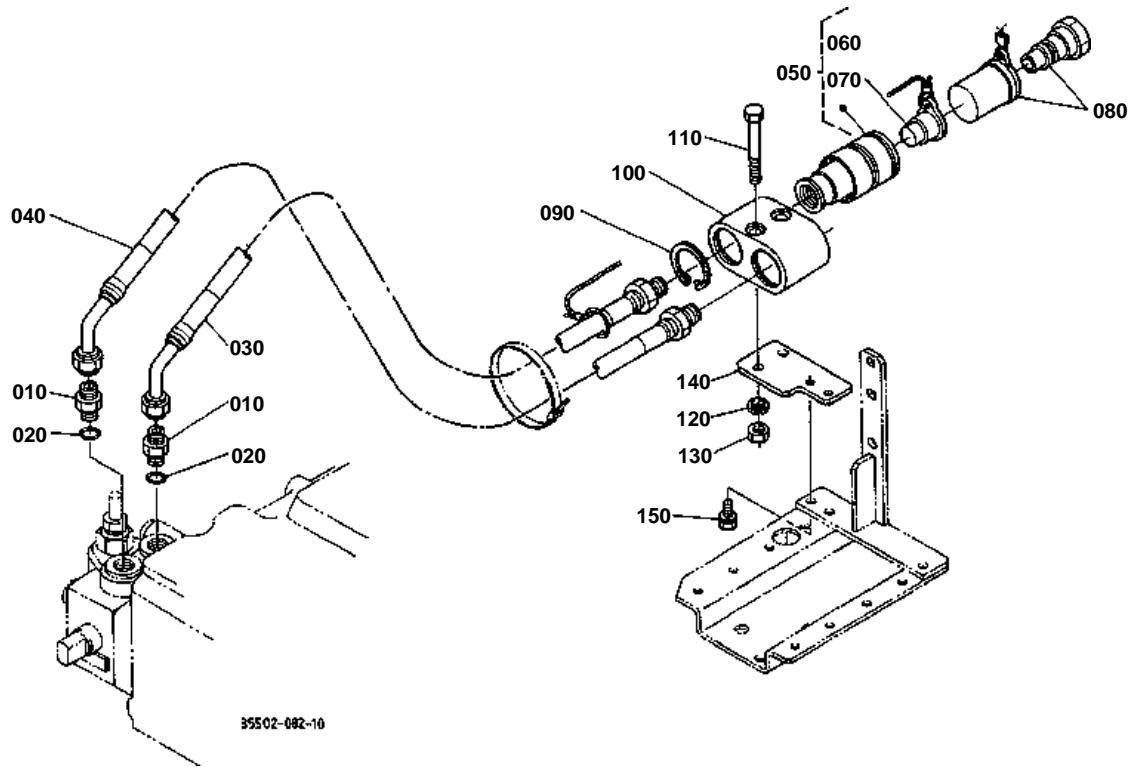


AUXILIARY CONTROL VALVE [COMPONENT PARTS]
NO DETENTS OR SELF CANCELLING

↔ Interchangeable; ≠ not interchangeable; ← new for old; → old for new

| REF.No | Part No. | Description | Q'ty | S.No. | I/C | REMARKS | Weight (kgf) | Weight (lb) |
|--------|-------------|---------------------|------|--------|-----|---------|--------------|-------------|
| 010 | 99883-93110 | ASSY VALVE AUX.CON. | 1 | | | | 2 | 4.4 |
| 020 | 36998-00100 | KIT SEAL | 1 | | | | 0.02 | 0.044 |
| 030 | 36200-82810 | SEAL SPOOL | 2 | | | | 0.001 | 0.0022 |
| 040 | 36200-82820 | SEAL DUST | 1 | | | | 0.002 | 0.0044 |
| 050 | 36330-84210 | RING SUPPORT | 1 | | | | 0.005 | 0.011 |
| 060 | 04810-00140 | O RING | 3 | | | | 0 | 0 |
| 070 | 36200-82330 | RING BACK UP | 3 | | | | 0.001 | 0.0022 |
| 080 | 36330-84220 | WASHER | 1 | | | | 0.007 | 0.0154 |
| 090 | 36330-84230 | SEAT SPRING | 2 | | | | 0.01 | 0.022 |
| 100 | 36330-84360 | SPRING | 1 | | | | 0.016 | 0.0352 |
| 110 | 36330-84250 | BOLT | 1 | | | | 0.005 | 0.011 |
| 120 | 36330-84260 | WASHER | 1 | | | | 0.005 | 0.011 |
| 130 | 36330-84270 | SHIM | 1 | | | | 0.001 | 0.0022 |
| 140 | 36330-84280 | NUT | 1 | | | | 0.1 | 0.22 |
| 150 | 04810-00180 | O RING | 1 | ≤10183 | | | 0 | 0 |
| 160 | 35820-84450 | PLUG | 1 | ≤10183 | | | 0.07 | 0.154 |

HYDRAULIC COUPLER AND HOSE 1

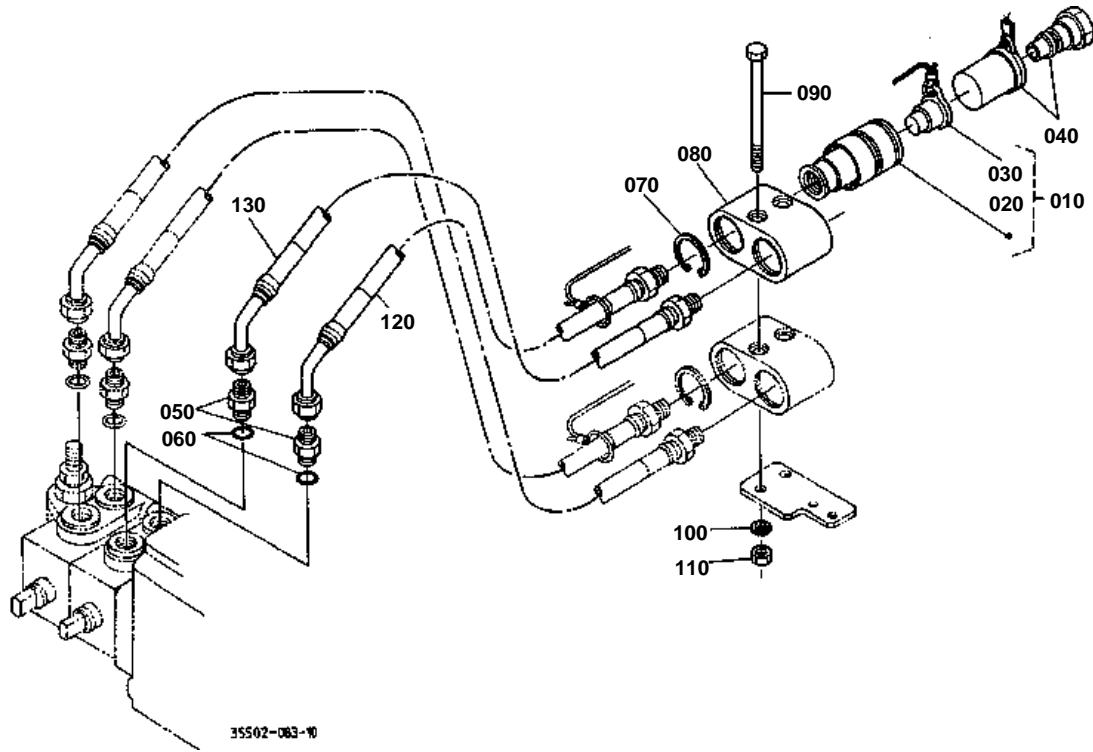




HYDRAULIC COUPLER AND HOSE 1
(FOR FIG.NO.T127-01)

↔ Interchangeable; ≠ not interchangeable; ← new for old; → old for new

| REF.No | Part No. | Description | Q'ty | S.No. | I/C | REMARKS | Weight (kgf) | Weight (lb) |
|--------|-------------|---------------------|------|-------|-----|-------------------|--------------|-------------|
| 010 | 35861-82370 | NIPPLE | 2 | | | | 0.05 | 0.11 |
| 020 | 04811-00140 | O RING | 2 | | | | 0 | 0 |
| 030 | 35861-82380 | HOSE | 1 | | | L=475MM | 0.3 | 0.66 |
| 040 | 35533-82380 | HOSE | 1 | | | L=520MM | 0.3 | 0.66 |
| 050 | 35861-82032 | ASSY COUPLER FEMALE | 2 | | | | 0.32 | 0.704 |
| 060 | 35861-94510 | O RING | 2 | | | NOT SHOWN IN FIG. | 0.002 | 0.0044 |
| 070 | 35861-94520 | PLUG COUPLER | 2 | | | | 0.005 | 0.011 |
| 080 | 35861-82190 | ASSY COUPLER MALE | 2 | | | | 0.086 | 0.1892 |
| 090 | 04611-00380 | CIR CLIP INTERNAL | 2 | | | | 0.004 | 0.0088 |
| 100 | 35861-82610 | SUPPORT COUPLER | 1 | | | | 0.75 | 1.65 |
| 110 | 01153-50865 | BOLT | 2 | | | | 0.025 | 0.055 |
| 120 | 04512-60080 | WASHER SPRING | 2 | | | | 0.002 | 0.0044 |
| 130 | 02114-50080 | NUT | 2 | | | | 0.005 | 0.011 |
| 140 | 35533-82430 | STAY COUPLER | 1 | | | | 0.3 | 0.66 |
| 150 | 01123-50820 | BOLT | 2 | | | | 0.011 | 0.0242 |



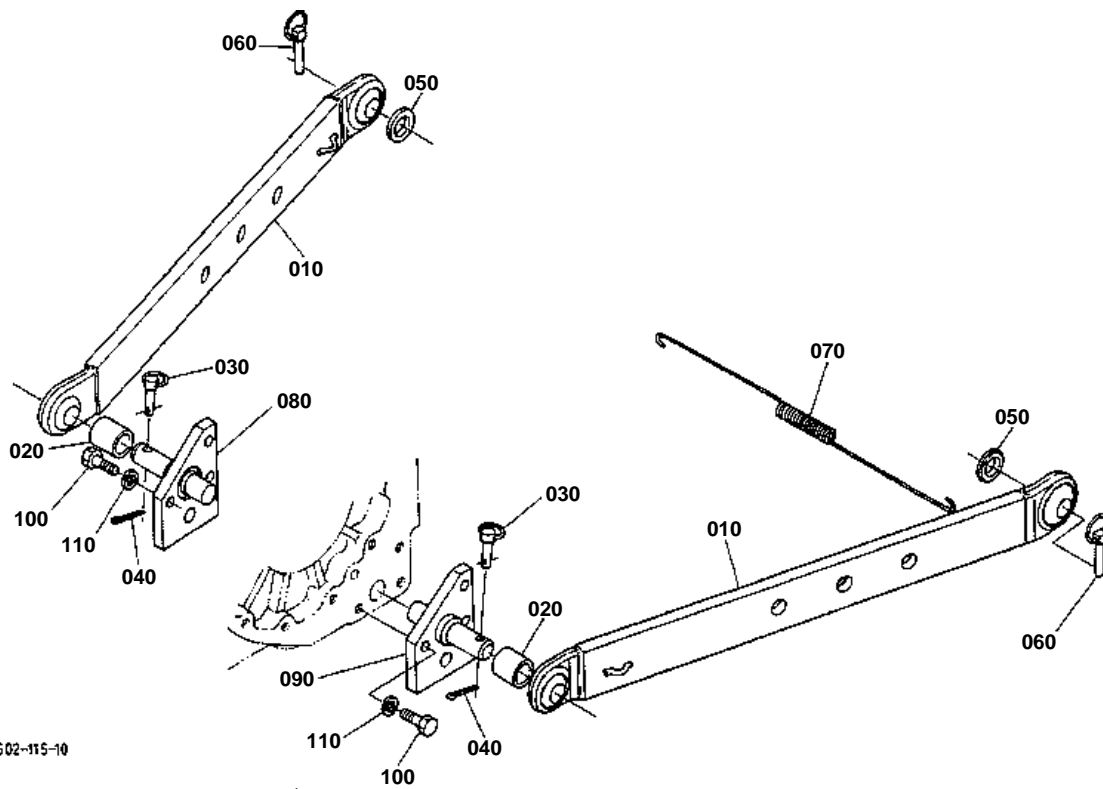


HYDRAULIC COUPLER AND HOSE 2 [OPTION]
(FOR FIG.NO.T127-02 T127-03&T127-04)

↔ Interchangeable; ≠ not interchangeable; ← new for old; → old for new

| REF.No | Part No. | Description | Q'ty | S.No. | I/C | REMARKS | Weight (kgf) | Weight (lb) |
|--------|-------------|---------------------|------|-------|-----|----------------------------|--------------|-------------|
| 010 | 35861-82032 | ASSY COUPLER FEMALE | 2 | | | | 0.32 | 0.704 |
| 020 | 35861-94510 | O RING | 2 | | | NOT SHOWN IN FIG. | 0.002 | 0.0044 |
| 030 | 35861-94520 | PLUG COUPLER | 2 | | | | 0.005 | 0.011 |
| 040 | 35861-82190 | ASSY COUPLER MALE | 2 | | | | 0.086 | 0.1892 |
| 050 | 35861-82370 | NIPPLE | 2 | | | | 0.05 | 0.11 |
| 060 | 04811-00140 | O RING | 2 | | | | 0 | 0 |
| 070 | 04611-00380 | CIR CLIP INTERNAL | 2 | | | | 0.004 | 0.0088 |
| 080 | 35861-82610 | SUPPORT COUPLER | 2 | | | | 0.75 | 1.65 |
| 090 | 01153-50802 | BOLT | 2 | | | | 0.04 | 0.088 |
| 100 | 04512-60080 | WASHER SPRING | 2 | | | | 0.002 | 0.0044 |
| 110 | 02114-50080 | NUT | 2 | | | | 0.005 | 0.011 |
| 120 | 35861-82380 | HOSE (L=475MM) | 1 | | | FOR FIG.NO.T127-03 T127-04 | 0.3 | 0.66 |
| 120 | 35533-82370 | HOSE (L=425MM) | 1 | | | FOR FIG.NO.T127-02 | 0.28 | 0.616 |
| 130 | 35533-82380 | HOSE (L=520MM) | 1 | | | FOR FIG.NO.T127-03 T127-04 | 0.3 | 0.66 |
| 130 | 35861-82380 | HOSE (L=475MM) | 1 | | | FOR FIG.NO.T127-02 | 0.3 | 0.66 |

HYDRAULIC LIFT LINK 1 (LOWER LINK)



35502-115-10

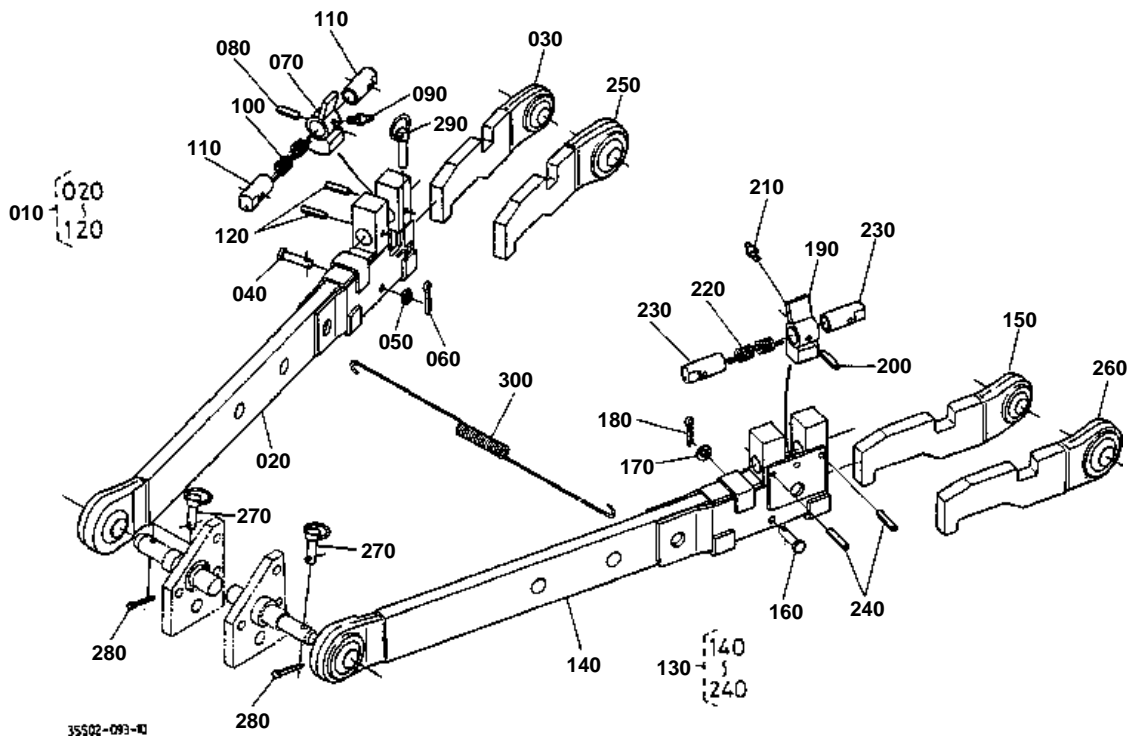


HYDRAULIC LIFT LINK 1 (LOWER LINK)

↔ Interchangeable; ≠ not interchangeable; ← new for old; → old for new

| REF.No | Part No. | Description | Q'ty | S.No. | I/C | REMARKS | Weight (kgf) | Weight (lb) |
|--------|-------------|-------------------|------|---------|-----|---------|--------------|-------------|
| 010 | 36330-91010 | COMP.LINK LOWER | 2 | <=10058 | | | 17.9 | 39.38 |
| 010 | 35535-91010 | COMP.LINK LOWER | 2 | >=10059 | ↔ | | 11.5 | 25.3 |
| 020 | 36330-91990 | COLLAR ADJUSTING | 2 | | | | 0.08 | 0.176 |
| 030 | 36330-91840 | ASSY PIN SET | 2 | | | | 0.055 | 0.121 |
| 040 | 05511-50420 | PIN SPLIT | 2 | | | | 0.002 | 0.0044 |
| 050 | 36330-91980 | COLLAR ADJUSTING | 2 | | | | 0.02 | 0.044 |
| 060 | 36200-91840 | ASSY PIN SET | 2 | | | | 0.06 | 0.132 |
| 070 | 36330-91830 | SPRING SET | 1 | | | | 0.185 | 0.407 |
| 080 | 36330-91880 | PIN LOWER LINK RH | 1 | | | | 2.3 | 5.06 |
| 090 | 36330-91890 | PIN LOWER LINK LH | 1 | | | | 2.5 | 5.5 |
| 100 | 01173-51440 | BOLT | 6 | | | | 0.062 | 0.1364 |
| 110 | 04512-60140 | WASHER SPRING | 6 | | | | 0.008 | 0.0176 |

HYDRAULIC LIFT LINK (TELESCOPE LOWER LINK) [OPTION]



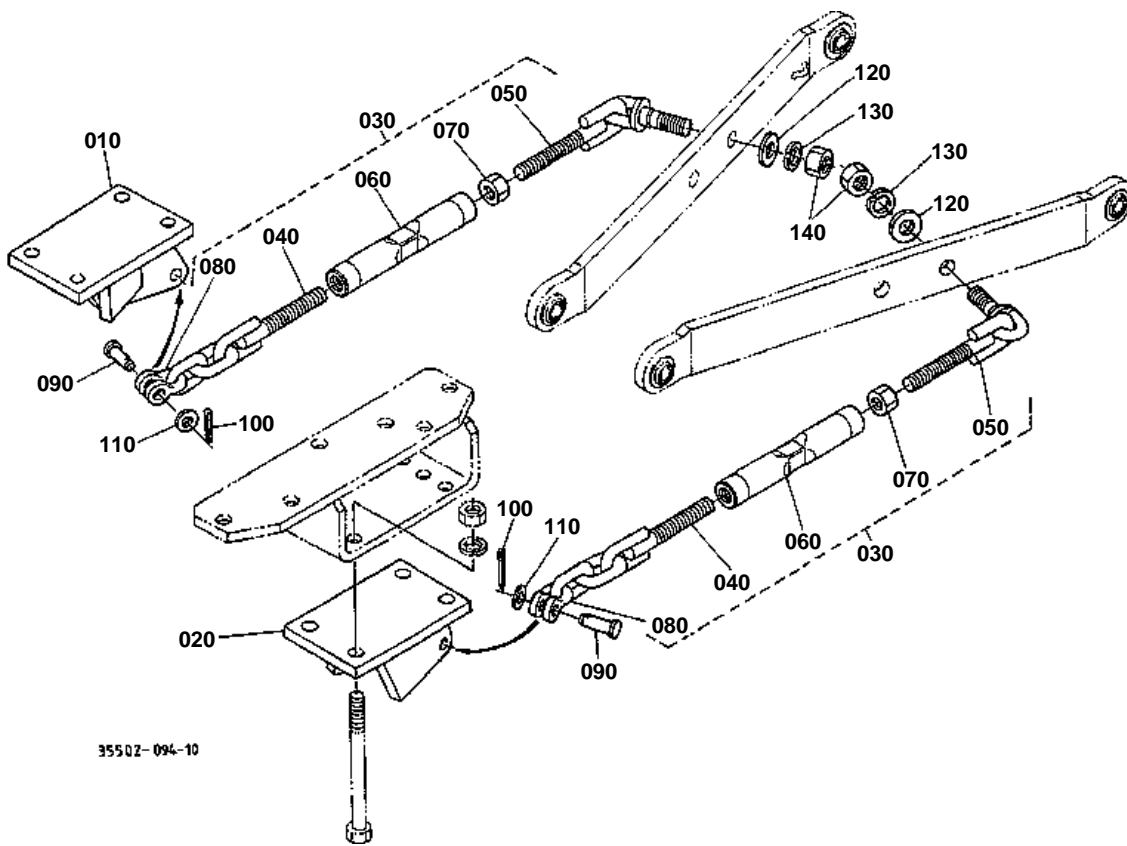


HYDRAULIC LIFT LINK (TELESCOPE LOWER LINK) [OPTION]

↔ Interchangeable; ≠ not interchangeable; ← new for old; → old for new

| REF.No | Part No. | Description | Q'ty | S.No. | I/C | REMARKS | Weight (kgf) | Weight (lb) |
|--------|-------------|--------------------|------|-------|-----|------------|--------------|-------------|
| 010 | 36330-92000 | ASSY LINK LOWER RH | 1 | | | | 15.5 | 34.1 |
| 020 | 36330-92010 | COMP LINK LOWER RH | 1 | | | | 12 | 26.4 |
| 030 | 36330-92030 | COMP LINK LOWER RH | 1 | | | CATEGORY 1 | 2.48 | 5.456 |
| 040 | 05122-51050 | PIN JOINT | 1 | | | | 0.032 | 0.0704 |
| 050 | 04011-50100 | WASHER PLAIN | 1 | | | | 0.002 | 0.0044 |
| 060 | 05511-50318 | PIN SPLIT | 1 | | | | 0.001 | 0.0022 |
| 070 | 36330-92190 | LEVER | 1 | | | | 0.43 | 0.946 |
| 080 | 05411-00536 | PIN SPRING | 1 | | | | 0.003 | 0.0066 |
| 090 | 06613-10675 | NIPPLE GREASE | 1 | | | | 0.003 | 0.0066 |
| 100 | 36330-92170 | SPRING | 1 | | | | 0.04 | 0.088 |
| 110 | 36330-92220 | SHAFT LEVER | 2 | | | | 0.1 | 0.22 |
| 120 | 05411-00550 | PIN SPRING | 2 | | | | 0.005 | 0.011 |
| 130 | 36330-92100 | ASSY LINK LOWER LH | 1 | | | | 15.5 | 34.1 |
| 140 | 36330-92110 | COMP LINK LOWER LH | 1 | | | | 12 | 26.4 |
| 150 | 36330-92130 | COMP LINK LOWER LH | 1 | | | CATEGORY 1 | 2.47 | 5.434 |
| 160 | 05122-51050 | PIN JOINT | 1 | | | | 0.032 | 0.0704 |
| 170 | 04011-50100 | WASHER PLAIN | 1 | | | | 0.002 | 0.0044 |
| 180 | 05511-50318 | PIN SPLIT | 1 | | | | 0.001 | 0.0022 |
| 190 | 36330-92190 | LEVER | 1 | | | | 0.43 | 0.946 |
| 200 | 05411-00536 | PIN SPRING | 1 | | | | 0.003 | 0.0066 |
| 210 | 06613-10675 | NIPPLE GREASE | 1 | | | | 0.003 | 0.0066 |
| 220 | 36330-92170 | SPRING | 1 | | | | 0.04 | 0.088 |
| 230 | 36330-92220 | SHAFT LEVER | 2 | | | | 0.1 | 0.22 |
| 240 | 05411-00550 | PIN SPRING | 2 | | | | 0.005 | 0.011 |
| 250 | 36330-92050 | COMP LINK LOWER RH | 1 | | | CATEGORY 2 | 2.9 | 6.38 |
| 260 | 36330-92150 | COMP LINK LOWER LH | 1 | | | CATEGORY 2 | 3 | 6.6 |
| 270 | 36330-91840 | ASSY PIN SET | 2 | | | | 0.055 | 0.121 |
| 280 | 05511-50420 | PIN SPLIT | 2 | | | | 0.002 | 0.0044 |
| 290 | 36200-91840 | ASSY PIN SET | 2 | | | | 0.06 | 0.132 |
| 300 | 36330-91830 | SPRING SET | 1 | | | | 0.185 | 0.407 |

HYDRAULIC LIFT LINK 2 (CHECK CHIN)

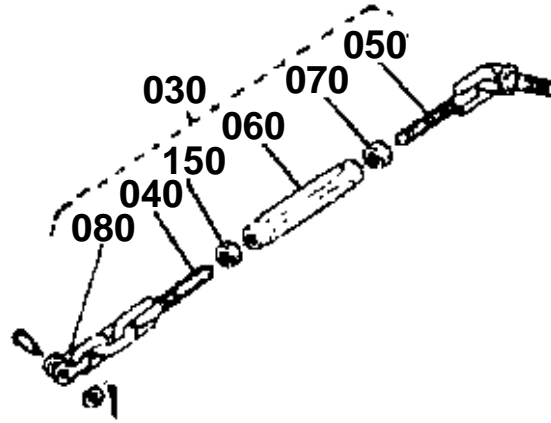


35502-094-10

030 36330-9110-5

060 36330-9119-0

150 35999-0253-0



35533-838-10

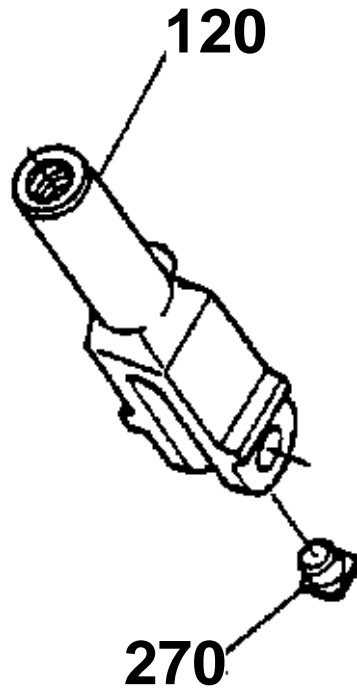
**HYDRAULIC LIFT LINK 2 (CHECK CHIN)**

↔ Interchangeable; ≠ not interchangeable; ← new for old; → old for new

| REF.No | Part No. | Description | Q'ty | S.No. | I/C | REMARKS | Weight (kgf) | Weight (lb) |
|--------|-------------|--------------------|------|---------|-----|---------|--------------|-------------|
| 010 | 36530-91082 | BRACKET CHAIN RH | 1 | <=10058 | | | 5 | 11 |
| 010 | 35535-91080 | BRACKET CHAIN RH | 1 | >=10059 | ↔ | | 5 | 11 |
| 020 | 36530-91092 | BRACKET CHAIN LH | 1 | <=10058 | | | 5 | 11 |
| 020 | 35535-91090 | BRACKET CHAIN LH | 1 | >=10059 | ↔ | | 5 | 11 |
| 030 | 36330-91105 | ASSY CHAIN CHECK | 2 | <=10182 | | | 2.55 | 5.61 |
| 030 | 35502-91100 | ASSY CHAIN CHECK | 2 | >=10183 | ↔ | | 2.34 | 5.148 |
| 040 | 36330-91110 | COMP CHAIN CHECK | 2 | | | | 0.915 | 2.013 |
| 050 | 36330-91160 | COMP CHAIN CHECK | 2 | | | | 0.8 | 1.76 |
| 060 | 36330-91190 | TURNBUCKLE | 2 | <=10182 | | | 0.92 | 2.024 |
| 060 | 35502-91190 | TURNBUCKLE | 2 | >=10183 | ↔ | | 0.76 | 1.672 |
| 070 | 02054-50180 | NUT | 2 | | | | 0.049 | 0.1078 |
| 080 | 36330-91150 | END CHAIN | 2 | | | | 0.14 | 0.308 |
| 090 | 36330-91180 | PIN CHAIN SET | 2 | | | | 0.06 | 0.132 |
| 100 | 05511-50525 | PIN SPLIT | 2 | | | | 0.005 | 0.011 |
| 110 | 04011-50140 | WASHER PLAIN | 2 | | | | 0.007 | 0.0154 |
| 120 | 36330-91220 | WASHER CHECK CHAIN | 2 | | | | 0.25 | 0.55 |
| 130 | 04512-60180 | WASHER SPRING | 2 | | | | 0.02 | 0.044 |
| 140 | 02174-50180 | NUT | 2 | | | | 0.029 | 0.0638 |
| 150 | 35999-02530 | NUT LOCK | 2 | <=10182 | | | 0.035 | 0.077 |

120 36330-9126-0

270 36330-9136-0



35533-839-10

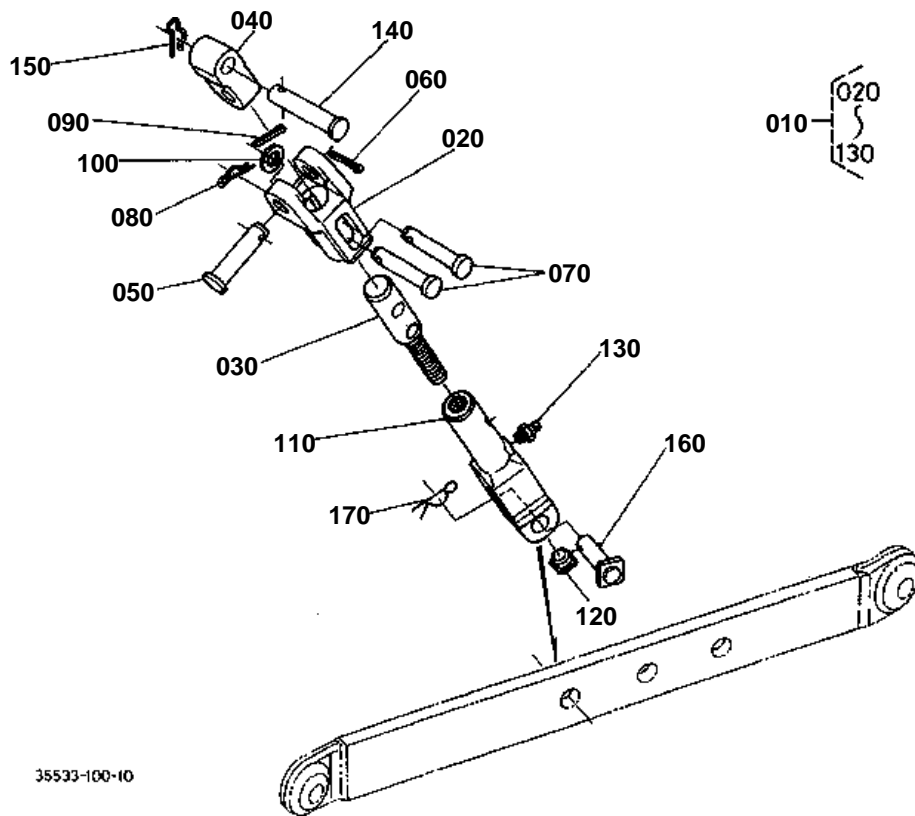


HYDRAULIC LIFT LINK 3 (LIFT ROD RH)

↔ Interchangeable; ≠ not interchangeable; ← new for old; → old for new

| REF.No | Part No. | Description | Q'ty | S.No. | I/C | REMARKS | Weight (kgf) | Weight (lb) |
|--------|-------------|----------------------|------|---------|-----|---------|--------------|-------------|
| 010 | 35533-91230 | ASSY ROD LIFT RH | 1 | <=10058 | | | 9 | 19.8 |
| 010 | 35535-91230 | ASSY ROD LIFT RH | 1 | >=10059 | ↔ | | 8.4 | 18.48 |
| 020 | 36330-91240 | CASE LIFT ROD GEAR | 1 | | | | 2.28 | 5.016 |
| 030 | 36330-91280 | COMP.SHAFT ADJUSTING | 1 | | | | 0.97 | 2.134 |
| 040 | 08401-51106 | BEARING THRUST BALL | 1 | | | | 0.064 | 0.1408 |
| 050 | 36530-91200 | ASSY PINION LIFT ROD | 1 | | | | 0.315 | 0.693 |
| 060 | 36330-91330 | PINION LIFT ROD RH | 1 | | | | 0.11 | 0.242 |
| 070 | 36530-91390 | SHAFT HANDLE | 1 | | | | 0.2 | 0.44 |
| 080 | 05411-00520 | PIN SPRING | 1 | | | | 0.002 | 0.0044 |
| 090 | 36330-91300 | COMP SLEEVE LIFT ROD | 1 | | | | 1.11 | 2.442 |
| 100 | 01133-51030 | BOLT | 4 | | | | 0.025 | 0.055 |
| 110 | 06613-20010 | NIPPLE GREASE | 1 | | | | 0.01 | 0.022 |
| 120 | 36330-91260 | ROD LIFT LOWER | 1 | <=10058 | | | 2.5 | 5.5 |
| 120 | 35535-91260 | ROD LIFT LOWER | 1 | >=10058 | ↔ | | 1.9 | 4.18 |
| 130 | 06613-10010 | NIPPLE GREASE | 1 | <=10058 | | | 0.006 | 0.0132 |
| 130 | 36530-91680 | NIPPLE GREASE | 1 | >=10058 | ↔ | | 0.004 | 0.0088 |
| 140 | 36530-91370 | SUPPORT HANDLE | 1 | | | | 0.31 | 0.682 |
| 150 | 08511-01815 | BUSH | 1 | | | | 0.007 | 0.0154 |
| 160 | 04811-10180 | O RING | 1 | | | | 0.001 | 0.0022 |
| 170 | 36330-91323 | HANDLE LIFT ROD RH | 1 | | | | 0.2 | 0.44 |
| 180 | 05411-00525 | PIN SPRING | 1 | | | | 0.002 | 0.0044 |
| 190 | 36330-91270 | SPRING HANDLE LOCK | 1 | | | | 0.025 | 0.055 |
| 200 | 36330-91510 | JOINT | 1 | | | | 0.72 | 1.584 |
| 210 | 36330-91530 | PIN LIFT ROD UPPER | 1 | | | | 0.27 | 0.594 |
| 220 | 05511-50535 | PIN SPLIT | 1 | | | | 0.007 | 0.0154 |
| 230 | 36330-91520 | PIN LIFT ROD | 1 | <=10183 | | | 0 | 0 |
| 230 | 35595-91520 | PIN LIFT ROD | 1 | >=10184 | ← | | 0.3 | 0.66 |
| 240 | 33251-91860 | PIN SET | 1 | | | | 0.023 | 0.0506 |
| 250 | 36330-91540 | PIN LIFT ROD LOWER | 1 | | | | 0.26 | 0.572 |
| 260 | 33251-91860 | PIN SET | 1 | | | | 0.023 | 0.0506 |
| 270 | 36330-91360 | PLUG | 1 | <=10058 | | | 0.001 | 0.0022 |

HYDRAULIC LIFT LINK 4 (LIFT ROD LH) [OLD TYPE]



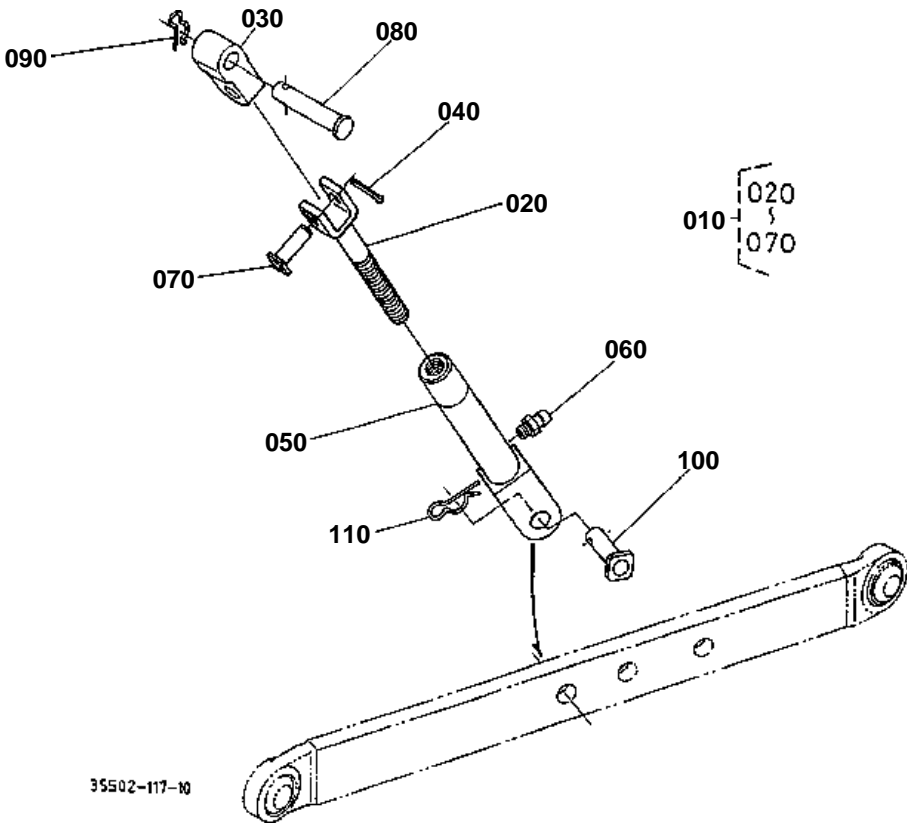
35533-100-10



HYDRAULIC LIFT LINK 4 (LIFT ROD LH) [OLD TYPE]
S.No.;<=10057

↔ Interchangeable; ≠ not interchangeable; ← new for old; → old for new

| REF.No | Part No. | Description | Q'ty | S.No. | I/C | REMARKS | Weight (kgf) | Weight (lb) |
|--------|-------------|--------------------|------|-------|-----|---------|--------------|-------------|
| 010 | 36330-91450 | ASSY ROD LIFT LH | 1 | | | | 7 | 15.4 |
| 020 | 36330-91460 | ROD LIFT UPPER LH | 1 | | | | 2.08 | 4.576 |
| 030 | 36330-91430 | ROD LIFT UPPER | 1 | | | | 0 | 0 |
| 040 | 36330-91510 | JOINT | 1 | | | | 0.72 | 1.584 |
| 050 | 36330-91530 | PIN LIFT ROD UPPER | 1 | | | | 0.27 | 0.594 |
| 060 | 05511-50535 | PIN SPLIT | 1 | | | | 0.007 | 0.0154 |
| 070 | 36330-91470 | PIN LIFT ROD LH | 2 | | | | 0.175 | 0.385 |
| 080 | 33251-91860 | PIN SET | 1 | | | | 0.023 | 0.0506 |
| 090 | 05511-50535 | PIN SPLIT | 1 | | | | 0.007 | 0.0154 |
| 100 | 04011-50180 | WASHER PLAIN | 1 | | | | 0.012 | 0.0264 |
| 110 | 36330-91260 | ROD LIFT LOWER | 1 | | | | 2.5 | 5.5 |
| 120 | 36330-91360 | PLUG | 1 | | | | 0.001 | 0.0022 |
| 130 | 06613-10010 | NIPPLE GREASE | 1 | | | | 0.006 | 0.0132 |
| 140 | 35595-91520 | PIN LIFT ROD | 1 | | | | 0.3 | 0.66 |
| 150 | 33251-91860 | PIN SET | 1 | | | | 0.023 | 0.0506 |
| 160 | 36330-91540 | PIN LIFT ROD LOWER | 1 | | | | 0.26 | 0.572 |
| 170 | 33251-91860 | PIN SET | 1 | | | | 0.023 | 0.0506 |



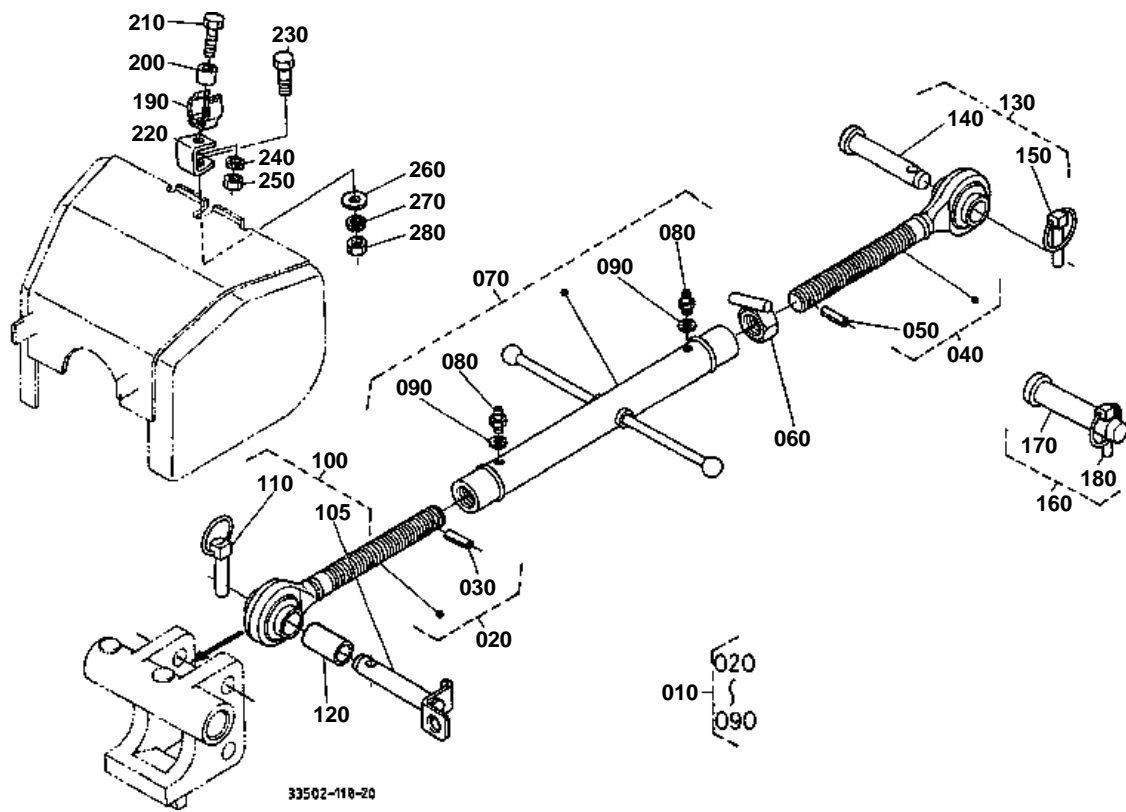


HYDRAULIC LIFT LINK 4 (LIFT ROD LH) [NEW TYPE]
S.No.;>=10058

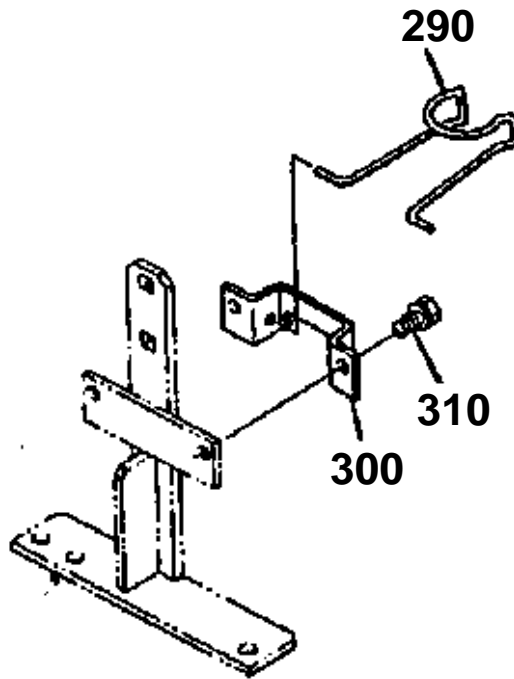
↔ Interchangeable; ≠ not interchangeable; ← new for old; → old for new

| REF.No | Part No. | Description | Q'ty | S.No. | I/C | REMARKS | Weight (kgf) | Weight (lb) |
|--------|-------------|--------------------|------|---------|-----|---------|--------------|-------------|
| 010 | 35535-91400 | ASSY ROD LIFT LH | 1 | | | | 4.15 | 9.13 |
| 020 | 35535-91460 | ROD LIFT UPPER LH | 1 | | | | 1.3 | 2.86 |
| 030 | 36330-91510 | JOINT | 1 | | | | 0.72 | 1.584 |
| 040 | 05511-50535 | PIN SPLIT | 1 | | | | 0.007 | 0.0154 |
| 050 | 35535-91260 | ROD LIFT LOWER | 1 | | | | 1.9 | 4.18 |
| 060 | 36530-91680 | NIPPLE GREASE | 1 | | | | 0.004 | 0.0088 |
| 070 | 36530-91540 | PIN LIFT ROD LOWER | 1 | | | | 0 | 0 |
| 080 | 36330-91520 | PIN LIFT ROD | 1 | <=10183 | | | 0 | 0 |
| 080 | 35595-91520 | PIN LIFT ROD | 1 | >=10184 | ← | | 0.3 | 0.66 |
| 090 | 33251-91860 | PIN SET | 1 | | | | 0.023 | 0.0506 |
| 100 | 36330-91540 | PIN LIFT ROD LOWER | 1 | | | | 0.26 | 0.572 |
| 110 | 33251-91860 | PIN SET | 1 | | | | 0.023 | 0.0506 |

HYDRAULIC LIFT LINK 5 (TOP LINK)



290 35593-9196-0
300 35502-9197-0
310 01123-50816



35502-825-10

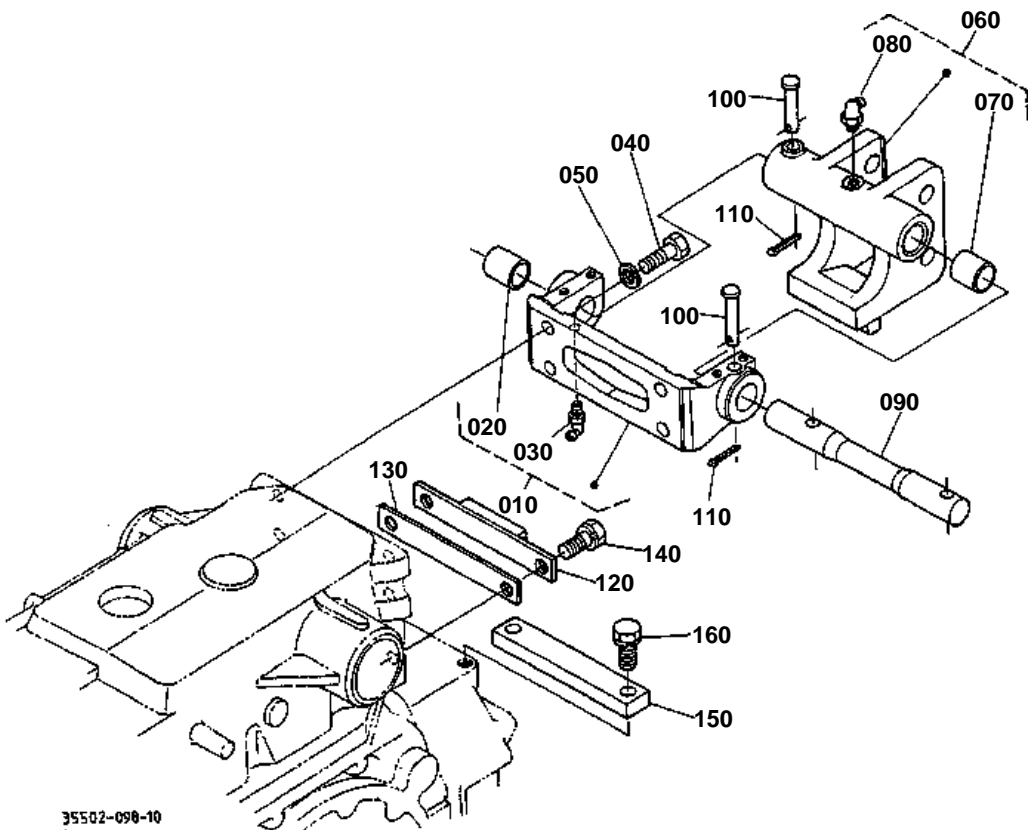


HYDRAULIC LIFT LINK 5 (TOP LINK)

↔ Interchangeable; ≠ not interchangeable; ← new for old; → old for new

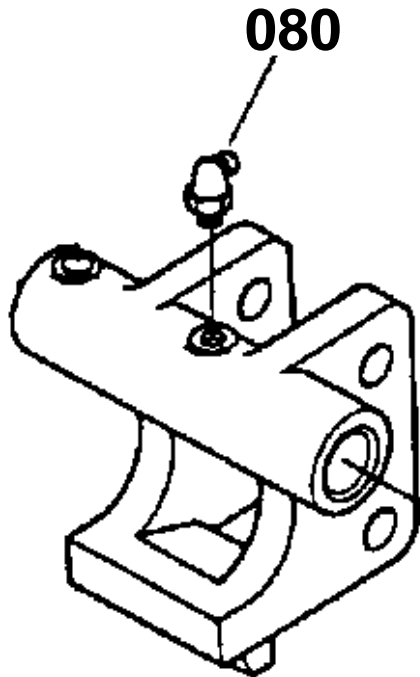
| REF.No | Part No. | Description | Q'ty | S.No. | I/C | REMARKS | Weight (kgf) | Weight (lb) |
|--------|-------------|----------------------|------|---------|-----|------------|--------------|-------------|
| 010 | 35533-91700 | ASSY LINK TOP | 1 | | | | 5.3 | 11.66 |
| 020 | 36330-91552 | ASSY LINK TOP FRONT | 1 | | | | 1.63 | 3.586 |
| 030 | 36330-91790 | PIN | 1 | | | | 0.007 | 0.0154 |
| 040 | 36330-91612 | ASSY LINK TOP REAR | 1 | | | | 1.55 | 3.41 |
| 050 | 36330-91790 | PIN | 1 | | | | 0.007 | 0.0154 |
| 060 | 33400-91590 | NUT TOP LINK | 1 | | | | 0.11 | 0.242 |
| 070 | 35458-91620 | ASSY SLEEVE TOP LINK | 1 | | | | 2.17 | 4.774 |
| 080 | 36530-91680 | NIPPLE GREASE | 2 | | | | 0.004 | 0.0088 |
| 090 | 04724-00100 | GASKET | 2 | | | | 0.001 | 0.0022 |
| 100 | 36330-91650 | ASSY PIN TOP LINK | 1 | | | | 0.375 | 0.825 |
| 105 | 36330-91660 | PIN TOP LINK | 1 | | | | 0.3 | 0.66 |
| 110 | 36200-91840 | ASSY PIN SET | 1 | | | | 0.06 | 0.132 |
| 120 | 36330-91720 | COLLAR ADJUSTING | 1 | | | | 0.065 | 0.143 |
| 130 | 36330-91743 | ASSY PIN TOP LINK | 1 | | | CATEGORY 1 | 0.3 | 0.66 |
| 140 | 36330-91752 | PIN TOP LINK REAR | 1 | | | | 0.25 | 0.55 |
| 150 | 36200-91840 | ASSY PIN SET | 1 | | | | 0.06 | 0.132 |
| 160 | 36330-91773 | ASSY PIN TOP LINK | 1 | | | CATEGORY 2 | 0.55 | 1.21 |
| 170 | 36330-91762 | PIN TOP LINK REAR | 1 | | | | 0.49 | 1.078 |
| 180 | 36200-91840 | ASSY PIN SET | 1 | | | | 0.06 | 0.132 |
| 190 | 33400-91970 | SPRING TOP LINK LOCK | 1 | >=20484 | | | 0.078 | 0.1716 |
| 200 | 33740-91980 | COLLAR | 1 | >=20484 | | | 0.02 | 0.044 |
| 210 | 01153-50835 | BOLT | 1 | >=20484 | | | 0.016 | 0.0352 |
| 220 | 33780-91960 | BRACKET | 1 | >=20484 | | | 0.1 | 0.22 |
| 230 | 01173-51020 | BOLT | 1 | >=20484 | | | 0.017 | 0.0374 |
| 240 | 04512-60080 | WASHER SPRING | 1 | >=20484 | | | 0.002 | 0.0044 |
| 250 | 02156-50080 | NUT | 1 | >=20484 | | | 0.004 | 0.0088 |
| 260 | 04015-60100 | WASHER PLAIN | 1 | >=20484 | | | 0.015 | 0.033 |
| 270 | 04512-60100 | WASHER SPRING | 1 | >=20484 | | | 0.002 | 0.0044 |
| 280 | 02176-50100 | NUT | 1 | >=20484 | | | 0.005 | 0.011 |
| 290 | 35593-91960 | HOLDER TOP LINK | 1 | <=20483 | | | 0.05 | 0.11 |
| 300 | 35533-91970 | PLATE | 1 | <=20385 | | | 0.094 | 0.2068 |
| 300 | 35502-91970 | PLATE | 1 | >=20386 | ↔ | | 0.1 | 0.22 |
| 300 | 35502-91970 | PLATE | 1 | <=20483 | | | 0.1 | 0.22 |
| 310 | 01123-50816 | BOLT | 2 | <=20483 | | | 0 | 0 |

TOP LINK BRACKET



35502-090-10

080 06613-30010



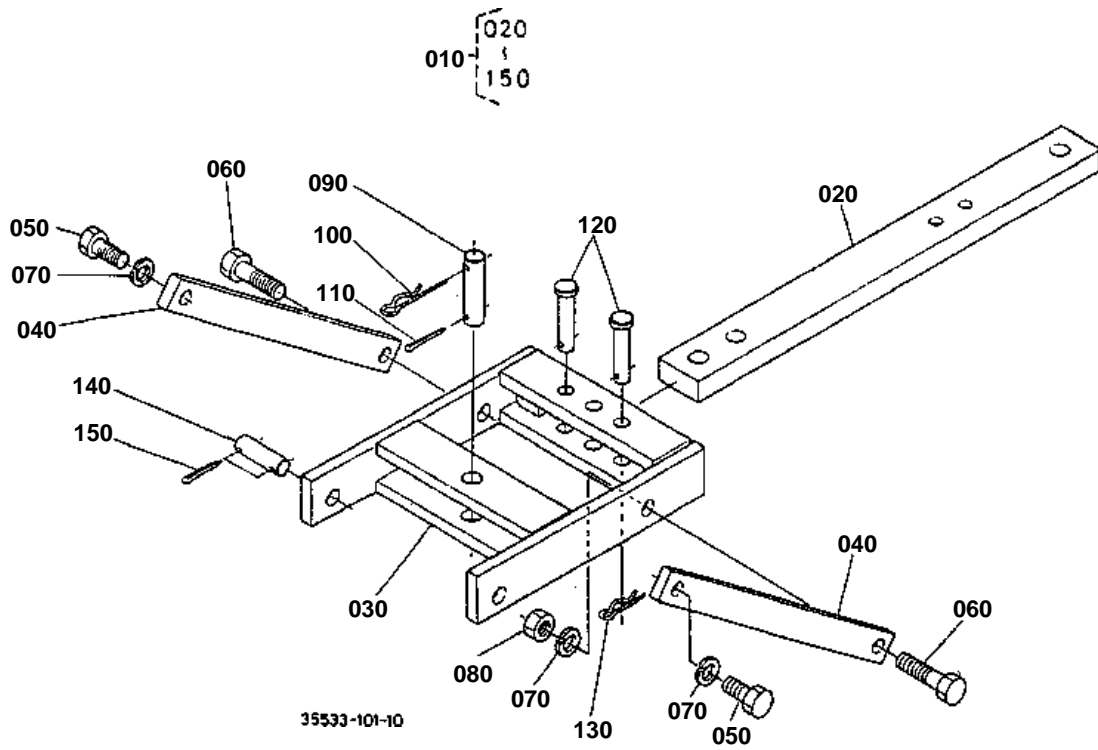
35533-840-10

**TOP LINK BRACKET**

↔ Interchangeable; ≠ not interchangeable; ← new for old; → old for new

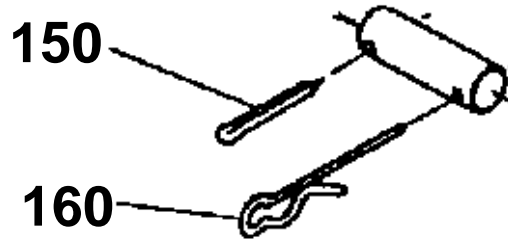
| REF.No | Part No. | Description | Q'ty | S.No. | I/C | REMARKS | Weight (kgf) | Weight (lb) |
|--------|-------------|----------------------|------|---------|-----|---------|--------------|-------------|
| 010 | 35533-81780 | ASSY BRACKET BAR | 1 | | | | 0 | 0 |
| 020 | 36330-81830 | BUSH | 1 | | | | 0.035 | 0.077 |
| 030 | 06613-30010 | NIPPLE GREASE | 1 | | | | 0.01 | 0.022 |
| 040 | 01176-51240 | BOLT | 4 | | | | 0.046 | 0.1012 |
| 050 | 04512-60120 | WASHER SPRING | 4 | | | | 0.005 | 0.011 |
| 060 | 35533-81800 | ASSY BRACKET TOP LIN | 1 | <=20385 | | | 5.2 | 11.44 |
| 060 | 35593-81800 | ASSY BRACKET | 1 | >=20386 | ≠ | | 5 | 11 |
| 070 | 36330-81830 | BUSH | 1 | | | | 0.035 | 0.077 |
| 080 | 06613-30010 | NIPPLE GREASE | 1 | <=20799 | | | 0.01 | 0.022 |
| 080 | 06613-20010 | NIPPLE GREASE | 1 | >=20800 | ← | | 0.01 | 0.022 |
| 090 | 36330-81750 | BARTORSION | 1 | <=20385 | | | 1.035 | 2.277 |
| 090 | 35593-81750 | BARTORSION | 1 | >=20386 | ← | | 0 | 0 |
| 090 | 35593-81752 | BARTORSION | 1 | >=20410 | ← | | 0.99 | 2.178 |
| 100 | 36330-81842 | PIN | 2 | <=20385 | | | 0 | 0 |
| 100 | 36330-81843 | PIN | 2 | >=20386 | ← | | 0.085 | 0.187 |
| 110 | 05511-50425 | PIN SPLIT | 2 | | | | 0.003 | 0.0066 |
| 120 | 36330-81850 | STOPPER | 1 | | | | 0.42 | 0.924 |
| 130 | 36330-81860 | SHIM | 2 | | | 1.0MM | 0.034 | 0.0748 |
| 130 | 36330-81870 | SHIM | 1 | | | 0.5MM | 0.02 | 0.044 |
| 140 | 01133-51230 | BOLT | 2 | | | | 0.04 | 0.088 |
| 150 | 36330-81880 | STOPPER | 1 | | | | 0.69 | 1.518 |
| 160 | 01133-51235 | BOLT | 2 | | | | 0.043 | 0.0946 |

SWINGING DRAWBAR



150 05511-50540

160 33251-8931-0



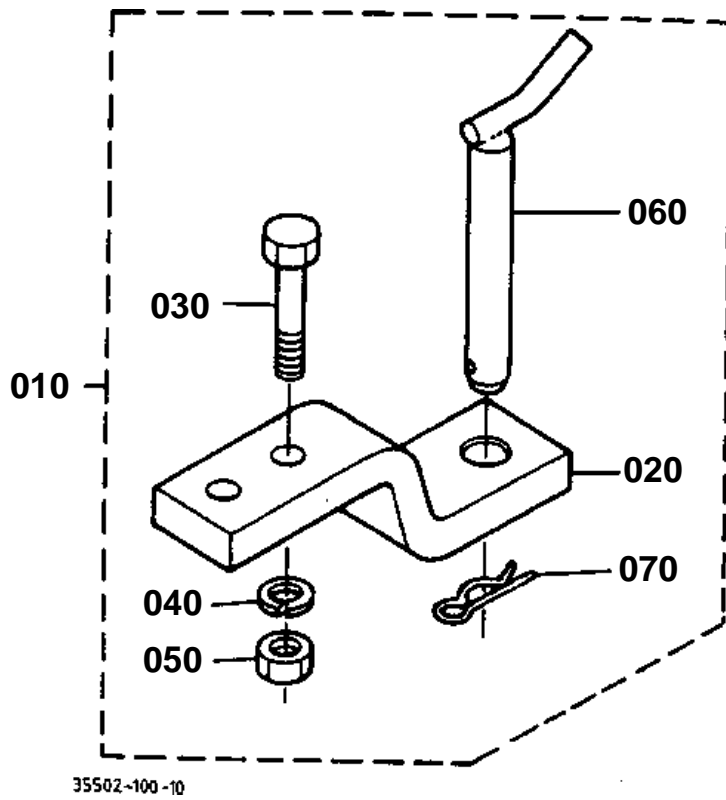
35533-856-10



SWINGING DRAWBAR

↔ Interchangeable; ≠ not interchangeable; ← new for old; → old for new

| REF.No | Part No. | Description | Q'ty | S.No. | I/C | REMARKS | Weight (kgf) | Weight (lb) |
|--------|-------------|---------------------|------|---------|-----|---------|--------------|-------------|
| 010 | 35820-89100 | ASSY DRAWBAR SWING. | 1 | | | | 33 | 72.6 |
| 020 | 36330-89120 | DRAWBAR | 1 | | | | 10.2 | 22.44 |
| 030 | 35822-89320 | MEMBER CROSS | 1 | | | | 15 | 33 |
| 040 | 36330-89330 | PLATE SIDE | 2 | | | | 0 | 0 |
| 050 | 01173-52045 | BOLT | 2 | | | | 0.162 | 0.3564 |
| 060 | 01173-52055 | BOLT | 2 | | | | 0.183 | 0.4026 |
| 070 | 04512-60200 | WASHER SPRING | 4 | | | | 0.02 | 0.044 |
| 080 | 02174-50200 | NUT | 2 | | | | 0.04 | 0.088 |
| 090 | 33251-89340 | PIN DRAWBAR | 1 | <=20419 | | | 0 | 0 |
| 090 | 33251-89343 | PIN DRAWBAR | 1 | >=20420 | ≠ | | 0.35 | 0.77 |
| 100 | 70515-16330 | PIN SPRING | 1 | <=20783 | | | 0.03 | 0.066 |
| 100 | 33251-89310 | PIN SET | 1 | >=20784 | ← | | 0.032 | 0.0704 |
| 110 | 05511-50540 | PIN SPLIT | 1 | | | | 0.009 | 0.0198 |
| 120 | 05122-51885 | PIN JOINT | 2 | | | | 0.18 | 0.396 |
| 130 | 05515-51600 | PIN SNAP | 2 | | | | 0.007 | 0.0154 |
| 140 | 36200-89360 | PIN SET | 2 | | | | 0.146 | 0.3212 |
| 150 | 05511-50540 | PIN SPLIT | 2 | <=20205 | | | 0.009 | 0.0198 |
| 150 | 05511-50550 | PIN SPLIT | 4 | >=20206 | ← | | 0.009 | 0.0198 |
| 160 | 33251-89310 | PIN SET | 2 | <=20205 | | | 0.032 | 0.0704 |



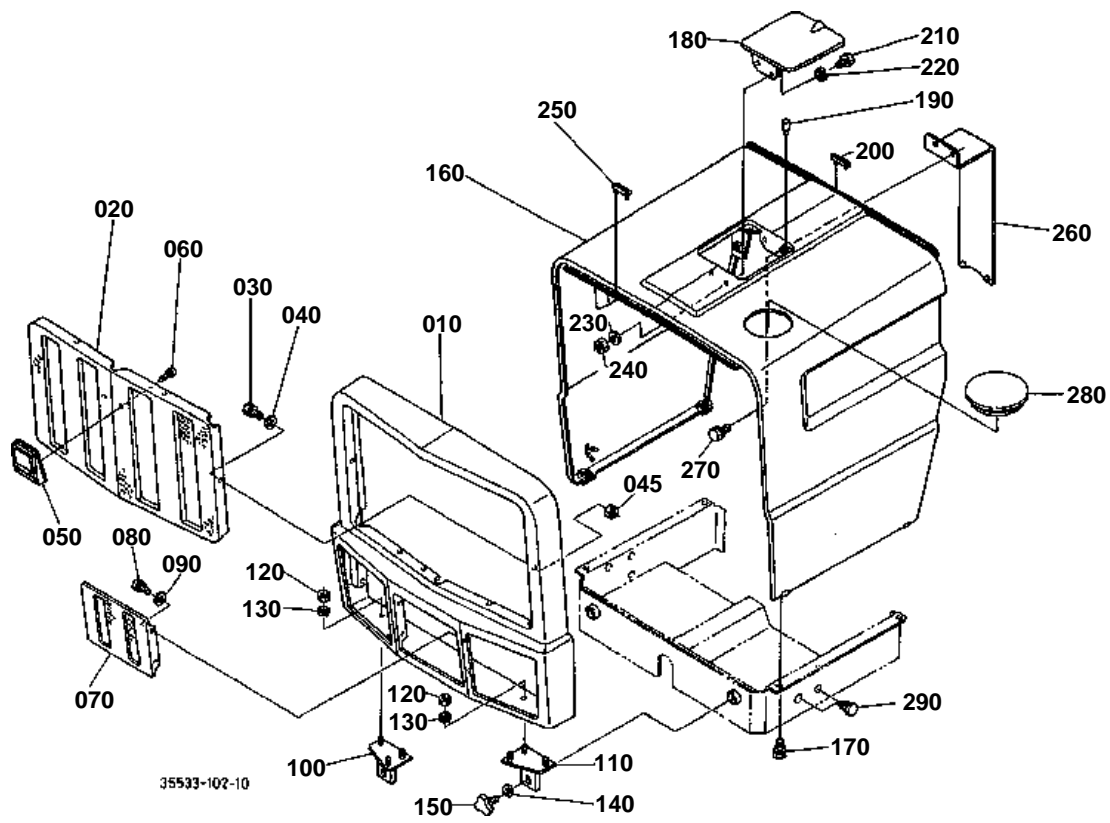


DRAWBAR AND HITCH [OPTION]

↔ Interchangeable; ≠ not interchangeable; ← new for old; → old for new

| REF.No | Part No. | Description | Q'ty | S.No. | I/C | REMARKS | Weight (kgf) | Weight (lb) |
|--------|-------------|--------------------|------|-------|-----|---------|--------------|-------------|
| 010 | 35820-97570 | ASSY HITCH DRAWBAR | 1 | | | | 4.9 | 10.78 |
| 020 | 36330-89130 | HITCH DRAWBAR | 1 | | | | 3.58 | 7.876 |
| 030 | 01173-51880 | BOLT | 2 | | | | 0.187 | 0.4114 |
| 040 | 04512-60180 | WASHER SPRING | 2 | | | | 0.02 | 0.044 |
| 050 | 02174-50180 | NUT | 2 | | | | 0.029 | 0.0638 |
| 060 | 36330-89210 | PIN DRAWBAR | 1 | | | | 0.7 | 1.54 |
| 070 | 33251-89310 | PIN SET | 1 | | | | 0.032 | 0.0704 |

HOOD (BONNET) FRONT

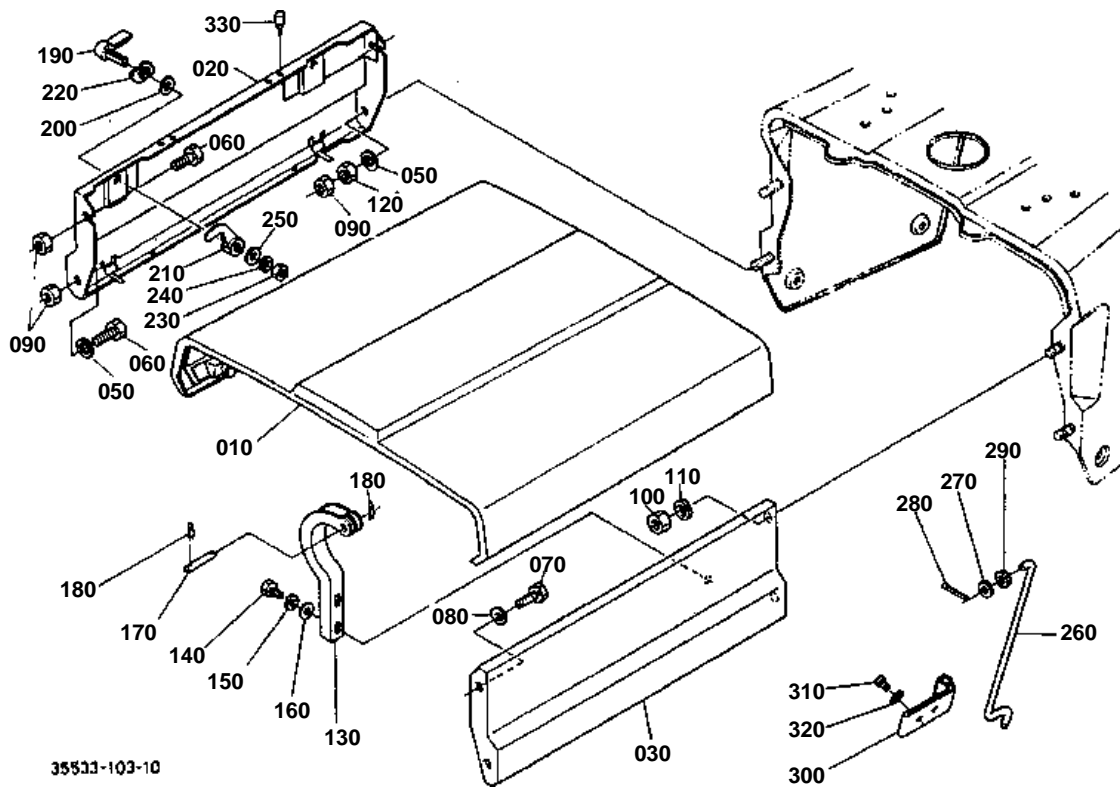


**HOOD (BONNET) FRONT**

↔ Interchangeable; ≠ not interchangeable; ← new for old; → old for new

| REF.No | Part No. | Description | Q'ty | S.No. | I/C | REMARKS | Weight (kgf) | Weight (lb) |
|--------|-------------|-------------------|------|---------|-----|-------------|--------------|-------------|
| 010 | 35533-83280 | COMP BONNET FRONT | 1 | ←=10159 | | ORANGE | 3 | 6.6 |
| 010 | 35535-83280 | COMP BONNET FRONT | 1 | ≥=10160 | ≠ | DEEP ORANGE | 3 | 6.6 |
| 020 | 35533-83220 | GRILLE FRONT | 1 | | | | 0.74 | 1.628 |
| 030 | 01023-50614 | BOLT | 7 | ←=10075 | | | 0.005 | 0.011 |
| 030 | 01023-50614 | BOLT | 6 | ≥=10076 | | | 0.005 | 0.011 |
| 040 | 04013-60060 | WASHER PLAIN | 6 | | | | 0.001 | 0.0022 |
| 045 | 02014-50060 | NUT | 6 | ≥=10076 | | | 0.002 | 0.0044 |
| 050 | 35533-83670 | MARK SYMBOL | 1 | ←=10197 | | | 0 | 0 |
| 050 | 35533-83672 | MARK SYMBOL | 1 | ≥=10198 | ← | | 0.04 | 0.088 |
| 060 | 38430-18270 | SCREW TAPPING | 2 | | | | 0.002 | 0.0044 |
| 070 | 35533-83250 | NET GRILLE | 1 | | | | 0.12 | 0.264 |
| 080 | 01023-50614 | BOLT | 4 | | | | 0.005 | 0.011 |
| 090 | 04013-60060 | WASHER PLAIN | 4 | | | | 0.001 | 0.0022 |
| 100 | 35533-83260 | SUPPORT BONNET RH | 1 | | | | 0.2 | 0.44 |
| 110 | 35533-83270 | SUPPORT BONNET LH | 1 | | | | 0.2 | 0.44 |
| 120 | 02156-50080 | NUT | 6 | | | | 0.004 | 0.0088 |
| 130 | 04512-60080 | WASHER SPRING | 6 | | | | 0.002 | 0.0044 |
| 140 | 35533-83300 | CUSHION | 2 | | | | 0.001 | 0.0022 |
| 150 | 01820-50830 | BOLT KNOB | 2 | | | | 0.041 | 0.0902 |
| 160 | 35533-83370 | COMP BONNET FRONT | 1 | ←=10159 | | ORANGE | 11.9 | 26.18 |
| 160 | 35535-83370 | COMP BONNET FRONT | 1 | ≥=10160 | ≠ | DEEP ORANGE | 8 | 17.6 |
| 170 | 01123-50818 | BOLT | 4 | | | | 0.012 | 0.0264 |
| 180 | 33251-83700 | ASSY COVER BONNET | 1 | ←=10159 | | ORANGE | 0.265 | 0.583 |
| 180 | 35535-83700 | ASSY COVER BONNET | 1 | ≥=10160 | ≠ | DEEP ORANGE | 0.26 | 0.572 |
| 190 | 33251-90120 | CUSHION | 4 | ←=10197 | | | 0.001 | 0.0022 |
| 190 | 33251-90120 | CUSHION | 2 | ≥=10198 | | | 0.001 | 0.0022 |
| 200 | 33251-83870 | CUSHION BONNET | 6 | ←=10058 | | | 0.007 | 0.0154 |
| 200 | 33251-83870 | CUSHION BONNET | 3 | ≥=10059 | | | 0.007 | 0.0154 |
| 210 | 01053-50616 | BOLT | 2 | | | | 0.005 | 0.011 |
| 220 | 04512-60060 | WASHER SPRING | 2 | | | | 0.001 | 0.0022 |
| 230 | 04013-60060 | WASHER PLAIN | 2 | | | | 0.001 | 0.0022 |
| 240 | 02014-50060 | NUT | 2 | | | | 0.002 | 0.0044 |
| 250 | 33251-83870 | CUSHION BONNET | 2 | ←=10058 | | | 0.007 | 0.0154 |
| 250 | 33251-83510 | CUSHION | 2 | ≥=10059 | ≠ | | 0.008 | 0.0176 |
| 260 | 35533-83960 | STOPPER BONNET | 1 | | | | 0.95 | 2.09 |
| 270 | 01123-60814 | BOLT | 2 | | | | 0.01 | 0.022 |
| 280 | 35420-74520 | COVER RUBBER | 1 | | | | 0.16 | 0.352 |
| 290 | 50400-31370 | PLUG | 4 | ←=10020 | | | 0.001 | 0.0022 |
| 290 | 67156-52790 | PLUG | 4 | ≥=10021 | ≠ | | 0.003 | 0.0066 |
| 290 | 67156-52790 | PLUG | 6 | ≥=10059 | ← | | 0.003 | 0.0066 |

HOOD (BONNET) UPPER AND SIDE



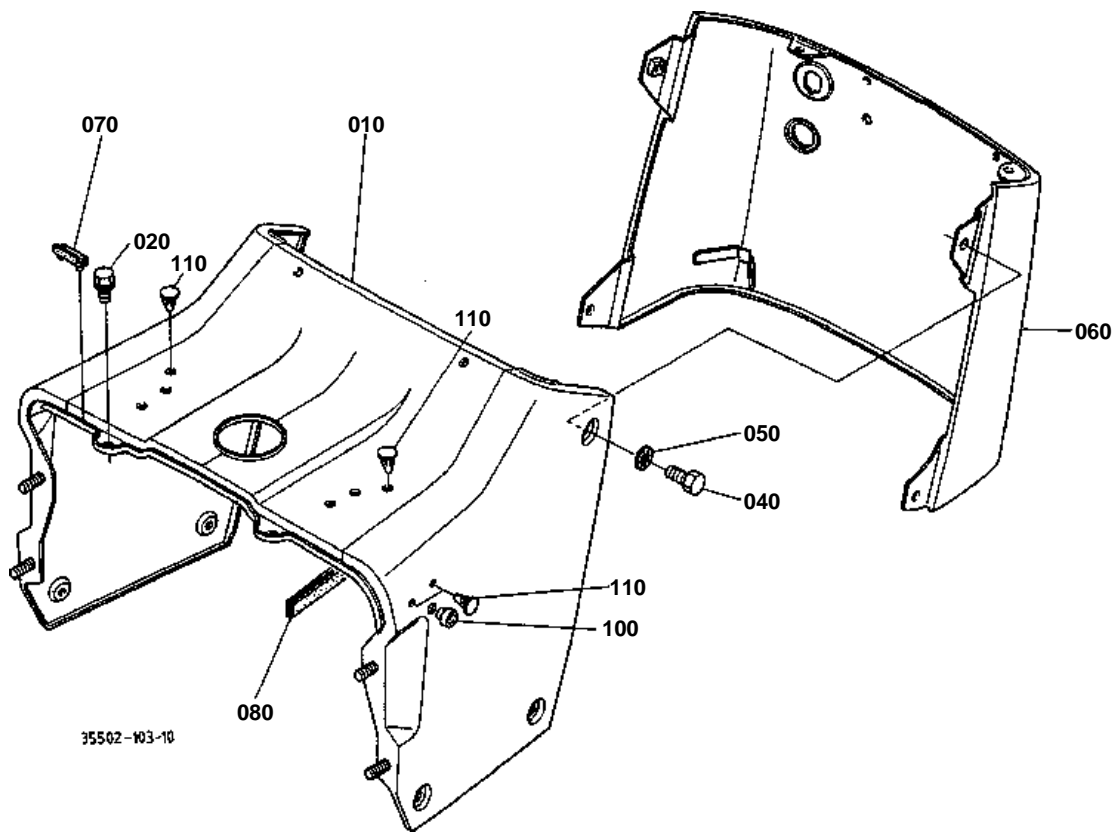


HOOD (BONNET) UPPER AND SIDE

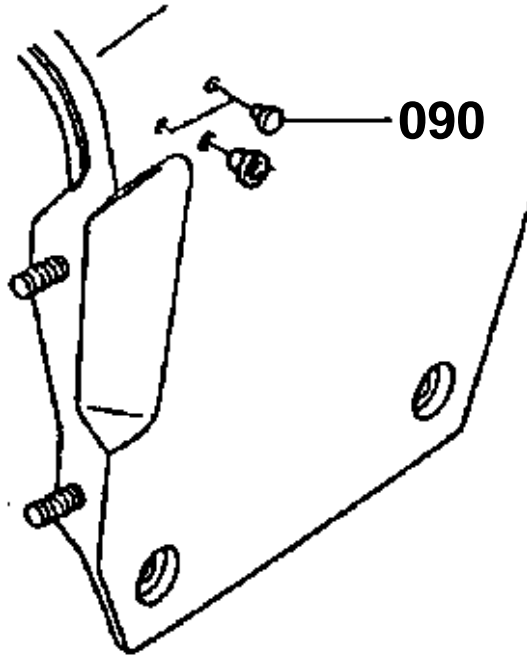
↔ Interchangeable; ≠ not interchangeable; ← new for old; → old for new

| REF.No | Part No. | Description | Q'ty | S.No. | I/C | REMARKS | Weight (kgf) | Weight (lb) |
|--------|-------------|----------------------|------|---------|-----|-------------|--------------|-------------|
| 010 | 36300-83020 | COMP.BONNET MIDDLE | 1 | ←=10159 | | ORANGE | 6 | 13.2 |
| 010 | 35535-83020 | COMP.BONNET MIDDLE | 1 | ≥=10160 | ≠ | DEEP ORANGE | 6 | 13.2 |
| 020 | 35533-83160 | COMP.BONNET SIDE RH | 1 | ←=10159 | | ORANGE | 1.5 | 3.3 |
| 020 | 35535-83160 | COMP.BONNET SIDE RH | 1 | ≥=10160 | ≠ | DEEP ORANGE | 0 | 0 |
| 020 | 35535-83162 | COMP.BONNET SIDE RH | 1 | ≥=20209 | ← | DEEP ORANGE | 1.5 | 3.3 |
| 030 | 35533-83210 | COMP.BONNET SIDE LH | 1 | ←=10159 | | ORANGE | 1.95 | 4.29 |
| 030 | 35535-83210 | COMP.BONNET SIDE LH | 1 | ≥=10160 | ≠ | DEEP ORANGE | 1.95 | 4.29 |
| 050 | 36200-83250 | CUSHION | 4 | | | | 0.002 | 0.0044 |
| 060 | 36200-83240 | BOLT | 2 | | | | 0.025 | 0.055 |
| 070 | 01133-51016 | BOLT | 2 | | | | 0.015 | 0.033 |
| 080 | 04013-50100 | WASHER PLAIN | 2 | | | | 0 | 0 |
| 090 | 02116-50100 | NUT | 2 | | | | 0.004 | 0.0088 |
| 100 | 02118-50100 | NUT | 2 | | | | 0.005 | 0.011 |
| 110 | 04512-60100 | WASHER SPRING | 2 | | | | 0.002 | 0.0044 |
| 120 | 35533-83240 | NUT | 2 | | | | 0.02 | 0.044 |
| 130 | 33251-83810 | HINGE COVER | 2 | ←=10159 | | ORANGE | 0.125 | 0.275 |
| 130 | 35535-83810 | HINGE COVER | 2 | ≥=10160 | ≠ | DEEP ORANGE | 0.16 | 0.352 |
| 140 | 01153-50816 | BOLT | 4 | | | | 0.01 | 0.022 |
| 150 | 04512-60080 | WASHER SPRING | 4 | | | | 0.002 | 0.0044 |
| 160 | 04013-50080 | WASHER PLAIN | 4 | | | | 0 | 0 |
| 170 | 33251-83830 | PIN | 2 | | | | 0.011 | 0.0242 |
| 180 | 05525-50800 | PIN SNAP | 4 | | | | 0.001 | 0.0022 |
| 190 | 36330-83840 | HANDLE BONNET COVER | 2 | | | | 0.12 | 0.264 |
| 200 | 33251-83850 | WASHER HANDLE | 2 | | | | 0.001 | 0.0022 |
| 210 | 33251-83860 | HOOK BONNET COVER | 2 | | | | 0.053 | 0.1166 |
| 220 | 33251-83950 | WASHER SPRING | 2 | | | | 0.001 | 0.0022 |
| 230 | 02112-50080 | NUT | 2 | | | | 0.003 | 0.0066 |
| 240 | 04512-60080 | WASHER SPRING | 2 | | | | 0.002 | 0.0044 |
| 250 | 04013-50080 | WASHER PLAIN | 2 | | | | 0 | 0 |
| 260 | 33251-83880 | SUPPORT BONNET | 1 | | | | 0.108 | 0.2376 |
| 270 | 04013-50080 | WASHER PLAIN | 1 | | | | 0 | 0 |
| 280 | 05511-50215 | PIN SPLIT | 1 | | | | 0.001 | 0.0022 |
| 290 | 33251-83890 | CUSHION | 1 | | | | 0.002 | 0.0044 |
| 300 | 33251-83900 | SPRING BONNET HOLDER | 1 | | | | 0.008 | 0.0176 |
| 310 | 03054-50508 | SCREW PAN-HEAD | 2 | | | | 0.002 | 0.0044 |
| 320 | 04411-50050 | WASHER TOOTHED | 2 | | | | 0.001 | 0.0022 |
| 330 | 33251-74210 | CUSHION BATTERY | 2 | | | | 0.001 | 0.0022 |

HOOD REAR (BONNET REAR)



090 36760-9039-0



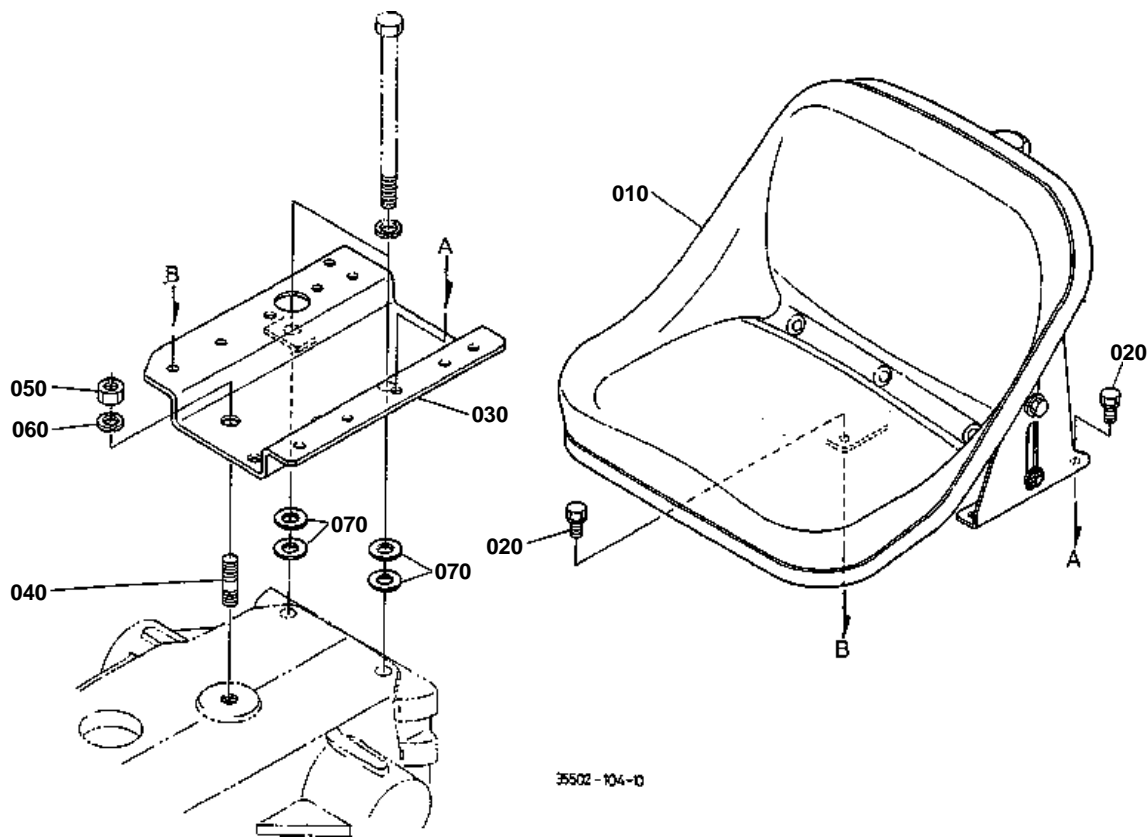
35502-828-10

**HOOD REAR (BONNET REAR)**

↔ Interchangeable; ≠ not interchangeable; ← new for old; → old for new

| REF.No | Part No. | Description | Q'ty | S.No. | I/C | REMARKS | Weight (kgf) | Weight (lb) |
|--------|-------------|------------------|------|--------|-----|-------------|--------------|-------------|
| 010 | 35533-83550 | COMP BONNET REAR | 1 | ≤10159 | | ORANGE | 4 | 8.8 |
| 010 | 35535-83550 | COMP.BONNET REAR | 1 | ≥10160 | ≠ | DEEP ORANGE | 4.05 | 8.91 |
| 020 | 01133-51016 | BOLT | 2 | | | | 0.015 | 0.033 |
| 040 | 33251-83930 | SCREW SET BONNET | 6 | | | | 0.02 | 0.044 |
| 050 | 04411-50300 | WASHER TOOTHED | 6 | | | | 0.001 | 0.0022 |
| 060 | 35533-83640 | COMP BONNET REAR | 1 | ≤10159 | | ORANGE | 2.2 | 4.84 |
| 060 | 35535-83640 | COMP.BONNET REAR | 1 | ≥10160 | ≠ | DEEP ORANGE | 2.3 | 5.06 |
| 070 | 33251-83870 | CUSHION BONNET | 3 | | | | 0.007 | 0.0154 |
| 080 | 36200-04680 | CUSHION | 2 | | | | 0.009 | 0.0198 |
| 090 | 36760-90390 | PLUG | 4 | ≤10260 | | | 0.005 | 0.011 |
| 100 | 34159-34290 | PLUG | 2 | ≥10035 | | | 0.004 | 0.0088 |
| 110 | 38240-29570 | PLUG | 6 | ≤10260 | | | 0.001 | 0.0022 |
| 110 | 38240-29570 | PLUG | 10 | ≥20203 | | | 0.001 | 0.0022 |

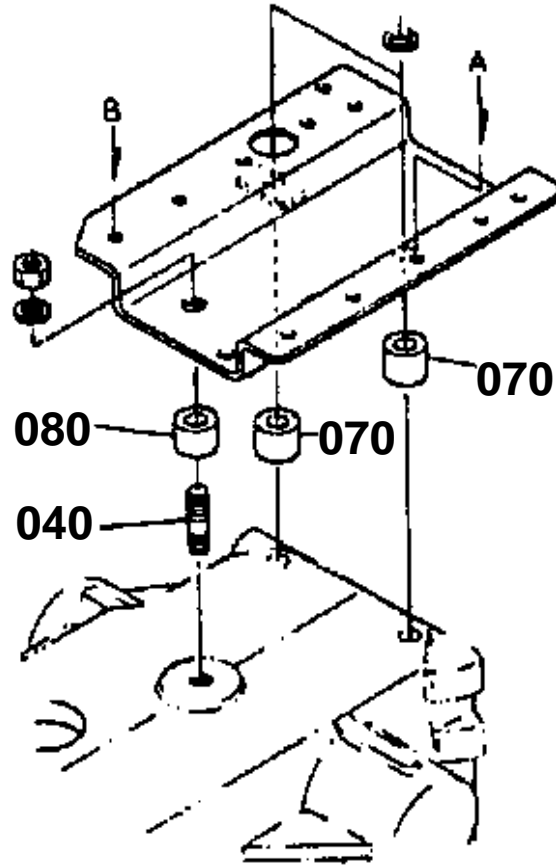
SEAT



040 01517-51445

070 35533-8519-0

080 35533-8517-0



35533-841-10

**SEAT**

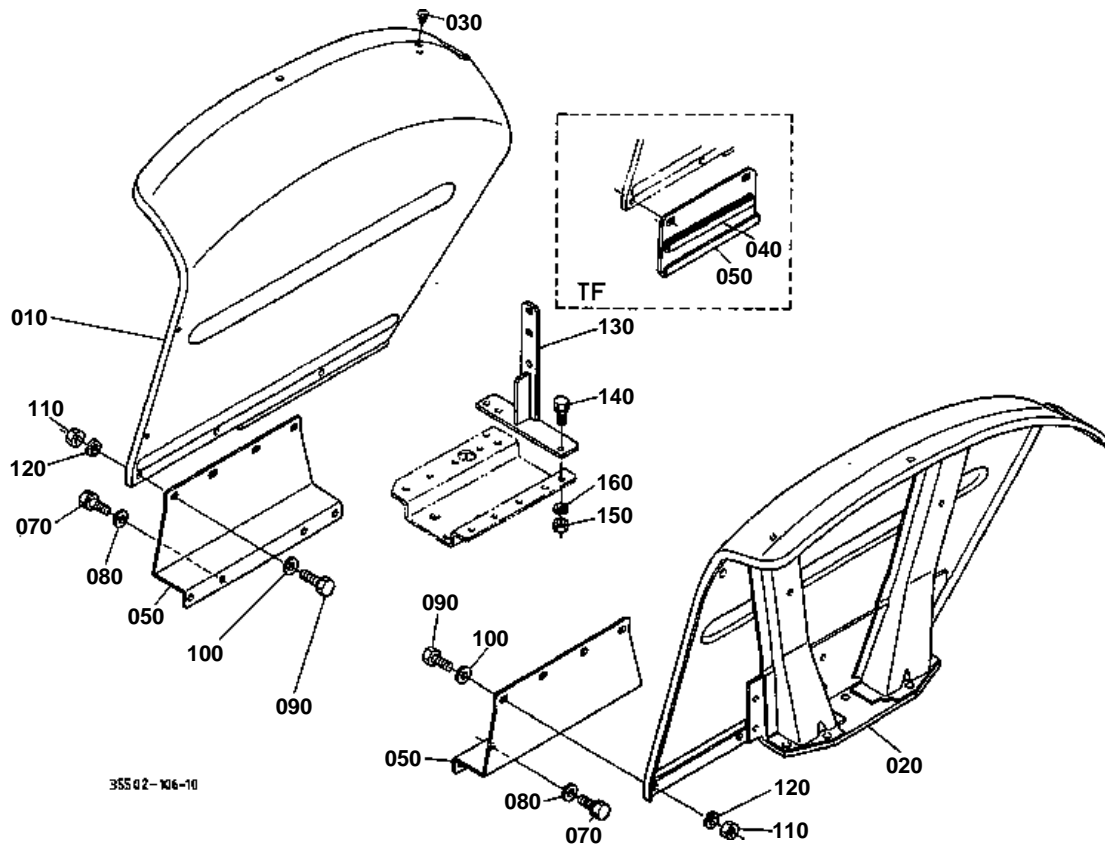
↔ Interchangeable; ≠ not interchangeable; ← new for old; → old for new

| REF.No | Part No. | Description | Q'ty | S.No. | I/C | REMARKS | Weight (kgf) | Weight (lb) |
|--------|-------------|------------------|------|--------|-----|---------|--------------|-------------|
| 010 | 35420-85010 | ASSY SEAT | 1 | | | | 16.5 | 36.3 |
| 020 | 01123-60816 | BOLT | 2 | | | | 0.01 | 0.022 |
| 030 | 35533-85150 | STAY SEAT | 1 | | | | 1.78 | 3.916 |
| 040 | 01517-51445 | STUD | 1 | ≤10058 | | | 0.075 | 0.165 |
| 040 | 01517-51430 | STUD | 1 | ≥10059 | ≠ | | 0.052 | 0.1144 |
| 050 | 02174-50140 | NUT | 1 | | | | 0.014 | 0.0308 |
| 060 | 04512-60140 | WASHER SPRING | 1 | | | | 0.008 | 0.0176 |
| 070 | 35533-85190 | COLLAR SEAT STAY | 2 | ≤10058 | | | 0 | 0 |
| 070 | 04013-60120 | WASHER PLAIN | 4 | ≥10059 | ≠ | | 0.01 | 0.022 |
| 080 | 35533-85170 | COLLAR SEAT STAY | 2 | ≤10058 | | | 0.07 | 0.154 |

**SEAT [COMPONENT PARTS]**

↔ Interchangeable; ≠ not interchangeable; ← new for old; → old for new

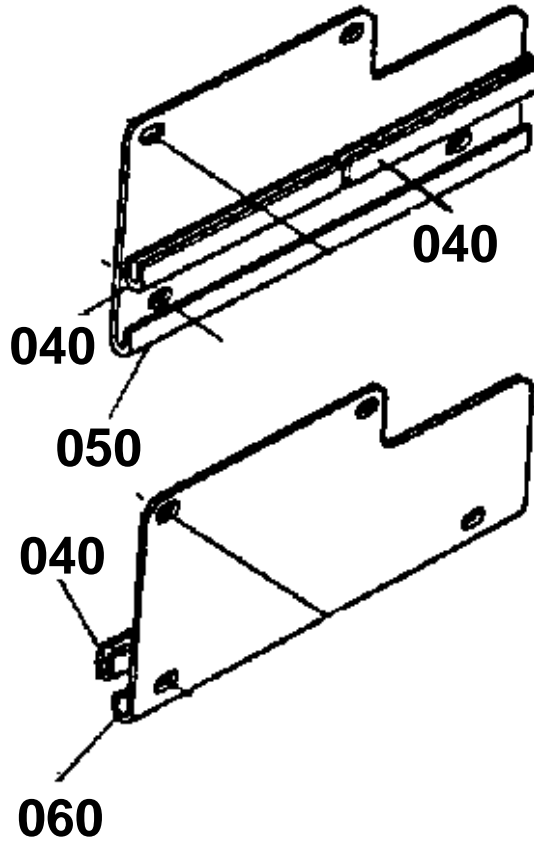
| REF.No | Part No. | Description | Q'ty | S.No. | I/C | REMARKS | Weight (kgf) | Weight (lb) |
|--------|-------------|-------------------|------|-------|-----|---------|--------------|-------------|
| 010 | 35420-85010 | ASSY SEAT | 1 | | | | 16.5 | 36.3 |
| 020 | 35822-85160 | ASSY CUSHION.SEAT | 1 | | | | 8 | 17.6 |
| 030 | 36530-85170 | COMP.CASE OUTER | 1 | | | | 3.08 | 6.776 |
| 040 | 36530-85180 | COMP.GASSET | 1 | | | | 2 | 4.4 |
| 050 | 36530-85190 | COMP.ARM SWING | 1 | | | | 1.8 | 3.96 |
| 060 | 36530-85240 | RUBBER STOPPER | 1 | | | | 0.025 | 0.055 |
| 070 | 36530-85260 | SPRING COIL | 2 | | | | 0.4 | 0.88 |
| 080 | 36530-85270 | DAMPER OIL | 1 | | | | 0.25 | 0.55 |
| 090 | 36530-85280 | SHAFT | 1 | | | | 0.2 | 0.44 |
| 100 | 36530-85290 | COMP.NUT HANGER | 1 | | | | 0.09 | 0.198 |
| 110 | 36530-85310 | HANDLE ADJUSTING | 1 | | | | 0.09 | 0.198 |
| 120 | 36530-85320 | SUPPORT | 2 | | | | 0.12 | 0.264 |
| 130 | 04613-00030 | CIRCLIP EXTERNAL | 1 | | | | 0 | 0 |
| 140 | 36530-85340 | PIN DAMPER | 1 | | | | 0.01 | 0.022 |
| 150 | 04612-00100 | CIRCLIP EXTERNAL | 1 | | | | 0.001 | 0.0022 |
| 160 | 04613-50100 | CIRCLIP EXTERNAL | 2 | | | | 0.002 | 0.0044 |
| 170 | 05411-00414 | PIN SPRING | 1 | | | | 0.001 | 0.0022 |
| 180 | 36530-85380 | WASHER PLAIN | 2 | | | | 0.025 | 0.055 |
| 190 | 36530-85390 | WASHER PLAIN | 2 | | | | 0.002 | 0.0044 |
| 200 | 04512-60100 | WASHER SPRING | 2 | | | | 0.002 | 0.0044 |
| 210 | 01073-51020 | BOLT | 2 | | | | 0.024 | 0.0528 |
| 220 | 02751-50080 | NUT FLANGE | 4 | | | | 0.006 | 0.0132 |
| 230 | 36530-85440 | RUBBER PROTECTOR | 2 | | | | 0.001 | 0.0022 |
| 240 | 36530-85470 | ROLLER | 2 | | | | 0.022 | 0.0484 |
| 250 | 36530-85480 | WASHER PLAIN | 2 | | | | 0.03 | 0.066 |
| 260 | 36530-85490 | BUSH | 2 | | | | 0.01 | 0.022 |
| 270 | 36530-85510 | BUSH FLANGE | 2 | | | | 0.005 | 0.011 |
| 280 | 36530-85580 | LABEL | 1 | | | | 0.001 | 0.0022 |
| 290 | 36530-85590 | MARK TRIANGLE | 2 | | | | 0.001 | 0.0022 |



040 33251-8714-0

050 35501-8721-0

060 35501-8722-0



170 35593-8740-0

180 03004-50816



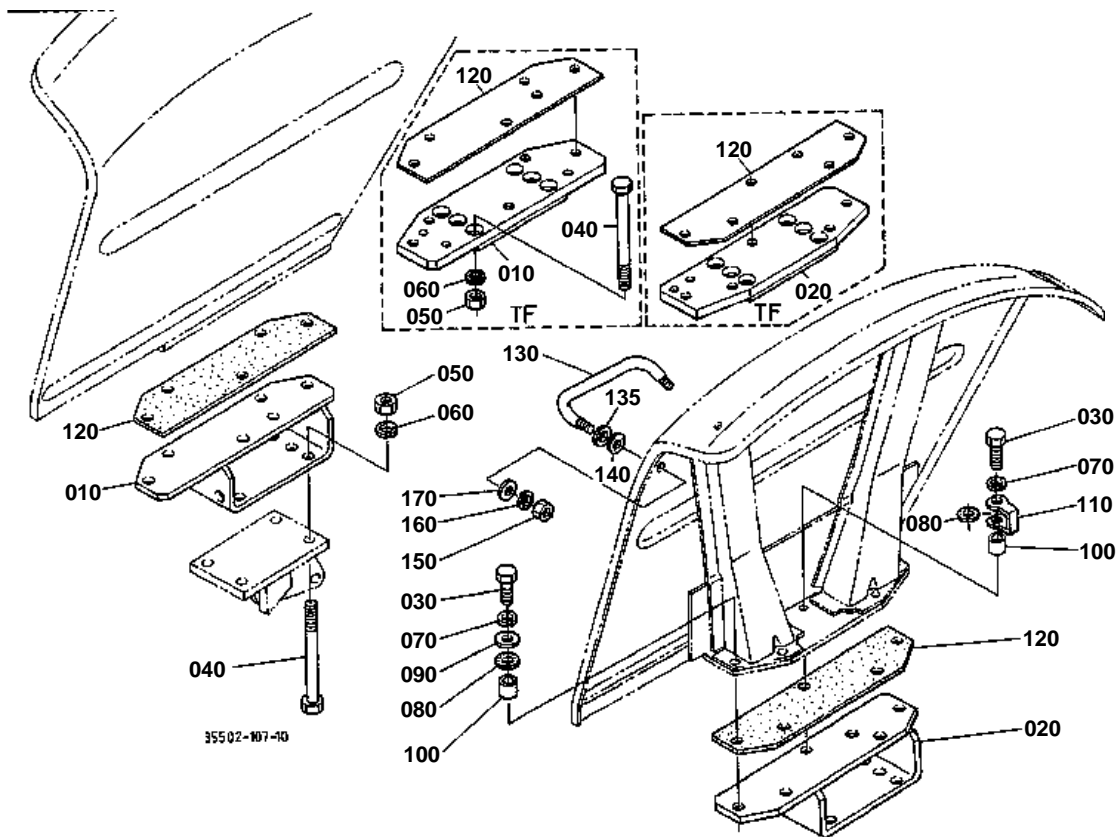
35533-842-10

**FENDER**

↔ Interchangeable; ≠ not interchangeable; ← new for old; → old for new

| REF.No | Part No. | Description | Q'ty | S.No. | I/C | REMARKS | Weight (kgf) | Weight (lb) |
|--------|-------------|-------------------|------|--------|-----|-------------|--------------|-------------|
| 010 | 35440-87012 | FENDER RH | 1 | ≤10159 | | ORANGE | 20 | 44 |
| 010 | 35533-87010 | FENDER RH | 1 | ≥10160 | ≠ | DEEP ORANGE | 17 | 37.4 |
| 020 | 35440-87022 | FENDER LH | 1 | ≤10159 | | ORANGE | 20 | 44 |
| 020 | 35533-87020 | FENDER LH | 1 | ≥10160 | ≠ | DEEP ORANGE | 16.8 | 36.96 |
| 030 | 38240-29290 | PLUG | 2 | | | | 0.001 | 0.0022 |
| 040 | 33251-87140 | CUSHION FENDER | 4 | ≤20483 | | | 0.02 | 0.044 |
| 050 | 35420-87210 | SUPPORT FENDER RH | 1 | ≤10159 | | ORANGE | 1.6 | 3.52 |
| 050 | 35501-87210 | SUPPORT FENDER RH | 1 | ≥10160 | ≠ | DEEP ORANGE | 1.6 | 3.52 |
| 050 | 35502-87210 | PLATE | 2 | ≥20484 | ≠ | DEEP ORANGE | 2.2 | 4.84 |
| 060 | 35420-87220 | SUPPORT FENDER LH | 1 | ≤10159 | | ORANGE | 1.6 | 3.52 |
| 060 | 35501-87220 | SUPPORT FENDER LH | 1 | ≥10160 | ≠ | DEEP ORANGE | 1.6 | 3.52 |
| 060 | 35501-87220 | SUPPORT FENDER LH | 1 | ≤20483 | | DEEP ORANGE | 1.6 | 3.52 |
| 070 | 01123-60816 | BOLT | 4 | | | | 0.01 | 0.022 |
| 080 | 04013-50080 | WASHER PLAIN | 4 | | | | 0 | 0 |
| 090 | 01173-51020 | BOLT | 4 | | | | 0.017 | 0.0374 |
| 100 | 04011-50100 | WASHER PLAIN | 4 | | | | 0.002 | 0.0044 |
| 110 | 02118-50100 | NUT | 4 | | | | 0.005 | 0.011 |
| 120 | 04512-60100 | WASHER SPRING | 4 | | | | 0.002 | 0.0044 |
| 130 | 35533-90110 | STAY SMV | 1 | ≤10034 | | [A] | 0 | 0 |
| 130 | 35533-90113 | STAY SMV | 1 | ≥10035 | ← | [A] | 0.95 | 2.09 |
| 140 | 01123-50820 | BOLT | 1 | | | | 0.011 | 0.0242 |
| 150 | 02114-50080 | NUT | 1 | | | | 0.005 | 0.011 |
| 160 | 04512-60080 | WASHER SPRING | 1 | | | | 0.002 | 0.0044 |
| 170 | 35593-87400 | PLATE BALANCE | 2 | ≤10091 | | | 0.15 | 0.33 |
| 180 | 03004-50816 | SCREW WITH WASHER | 4 | ≤10091 | | | 0.01 | 0.022 |

FENDER BRACKET

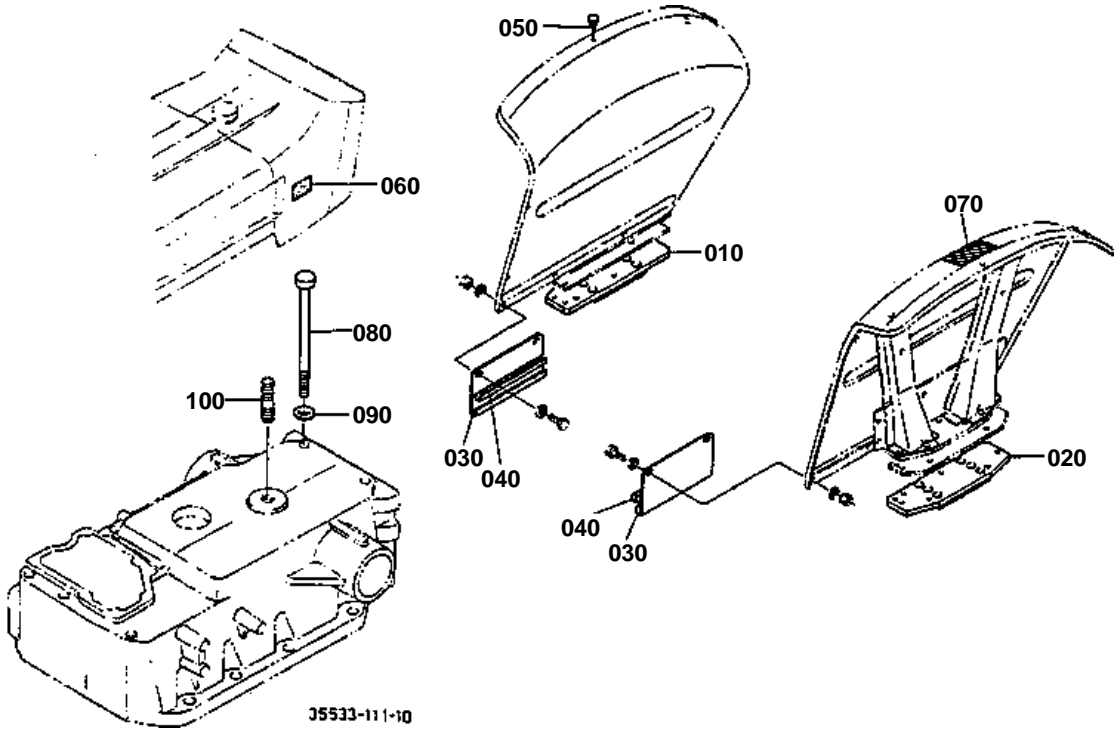


**FENDER BRACKET**

↔ Interchangeable; ≠ not interchangeable; ← new for old; → old for new

| REF.No | Part No. | Description | Q'ty | S.No. | I/C | REMARKS | Weight (kgf) | Weight (lb) |
|--------|-------------|--------------------|------|---------|-----|---------|--------------|-------------|
| 010 | 36280-87040 | BRACKET FENDER RH | 1 | | | | 6.7 | 14.74 |
| 020 | 36200-87054 | BRACKET FENDER LH | 1 | | | | 7 | 15.4 |
| 030 | 01173-51245 | BOLT | 10 | | | | 0.049 | 0.1078 |
| 040 | 36200-87080 | BOLT | 8 | | | | 0.466 | 1.0252 |
| 050 | 02176-50160 | NUT | 8 | | | | 0.021 | 0.0462 |
| 060 | 04512-60160 | WASHER SPRING | 8 | | | | 0.01 | 0.022 |
| 070 | 04512-60120 | WASHER SPRING | 10 | | | | 0.005 | 0.011 |
| 080 | 33251-87110 | PAD FENDER | 10 | | | | 0.004 | 0.0088 |
| 090 | 33251-87120 | WASHER | 8 | | | | 0.02 | 0.044 |
| 100 | 36200-87130 | PIECE DISTANCE | 10 | | | | 0.02 | 0.044 |
| 110 | 33251-87150 | PLATE FENDER EARTH | 2 | | | | 0.04 | 0.088 |
| 120 | 35707-87160 | RUBBER FENDER | 2 | | | | 0.38 | 0.836 |
| 130 | 36200-87320 | HANDRAIL | 1 | <=20208 | | | 0.32 | 0.704 |
| 130 | 36200-87323 | HANDRAIL | 1 | >=20209 | ← | | 0.22 | 0.484 |
| 135 | 04015-60100 | WASHER PLAIN | 2 | >=20209 | | | 0.015 | 0.033 |
| 140 | 36200-87330 | CUSHION | 2 | | | | 0.002 | 0.0044 |
| 150 | 02114-50100 | NUT | 2 | | | | 0.005 | 0.011 |
| 160 | 04512-60100 | WASHER SPRING | 2 | | | | 0.002 | 0.0044 |
| 170 | 04013-50100 | WASHER PLAIN | 2 | | | | 0 | 0 |

FENDER BRACKET (LOW PROFILE KIT) [OPTION]

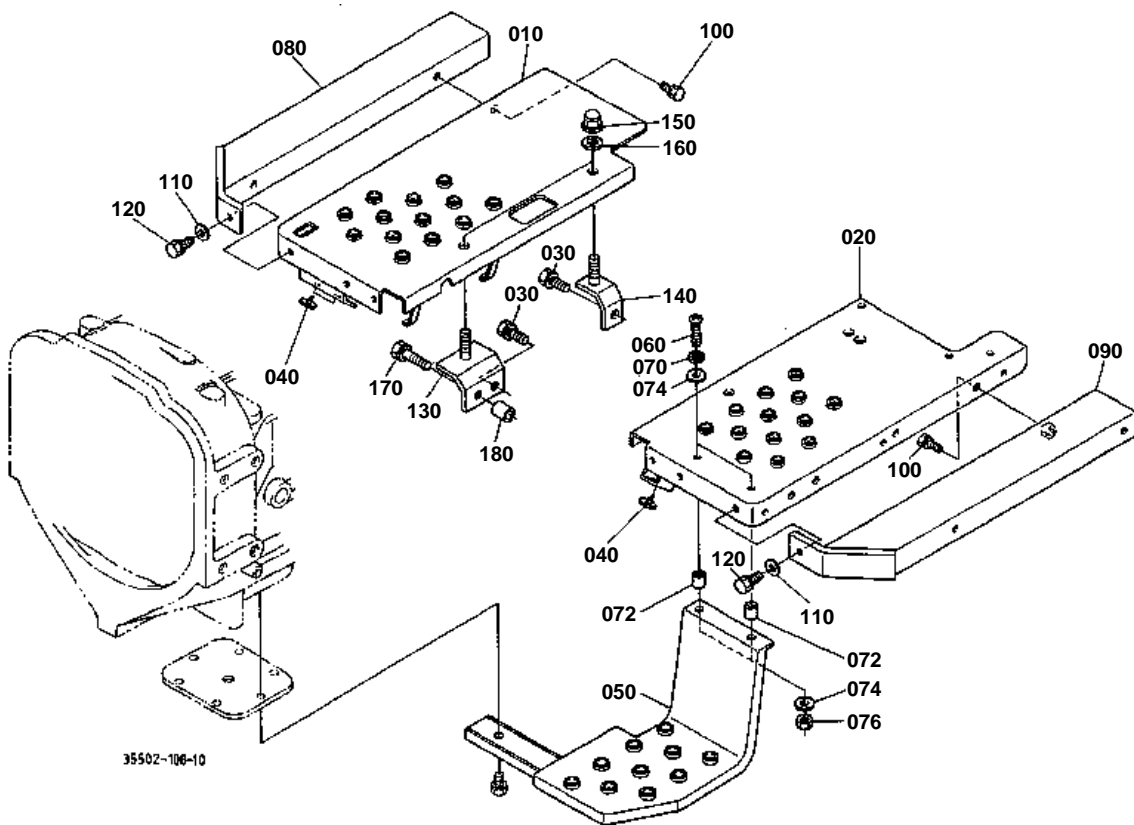




FENDER BRACKET (LOW PROFILE KIT) [OPTION]

↔ Interchangeable; ≠ not interchangeable; ← new for old; → old for new

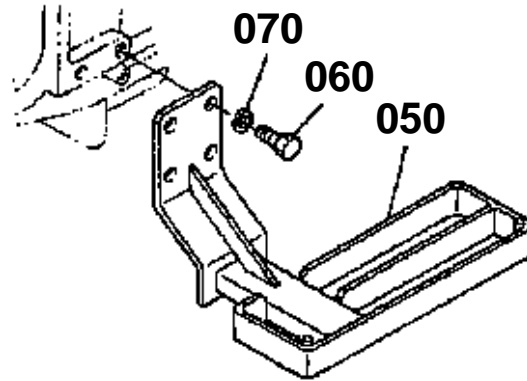
| REF.No | Part No. | Description | Q'ty | S.No. | I/C | REMARKS | Weight (kgf) | Weight (lb) |
|--------|-------------|-------------------|------|-------|-----|---------|--------------|-------------|
| 010 | 35440-87046 | BRACKET FENDER RH | 1 | | | | 6.62 | 14.564 |
| 020 | 35440-87054 | BRACKET FENDER LH | 1 | | | | 6.8 | 14.96 |
| 030 | 35440-87210 | PLATE | 2 | | | | 0.7 | 1.54 |
| 040 | 33251-87140 | CUSHION FENDER | 2 | | | | 0.02 | 0.044 |
| 050 | 38240-29290 | PLUG | 2 | | | | 0.001 | 0.0022 |
| 060 | 35537-98152 | MARK LOW PROFILE | 2 | | | | 0.002 | 0.0044 |
| 070 | 35517-98340 | NAME PLATE SPEED | 1 | | | | 0.002 | 0.0044 |
| 080 | 35450-82170 | BOLT | 2 | | | | 0.16 | 0.352 |
| 090 | 04013-60120 | WASHER PLAIN | 4 | | | | 0.01 | 0.022 |
| 100 | 01517-51430 | STUD | 1 | | | | 0.052 | 0.1144 |



050 35533-8731-0

060 01173-51635

070 04512-50160



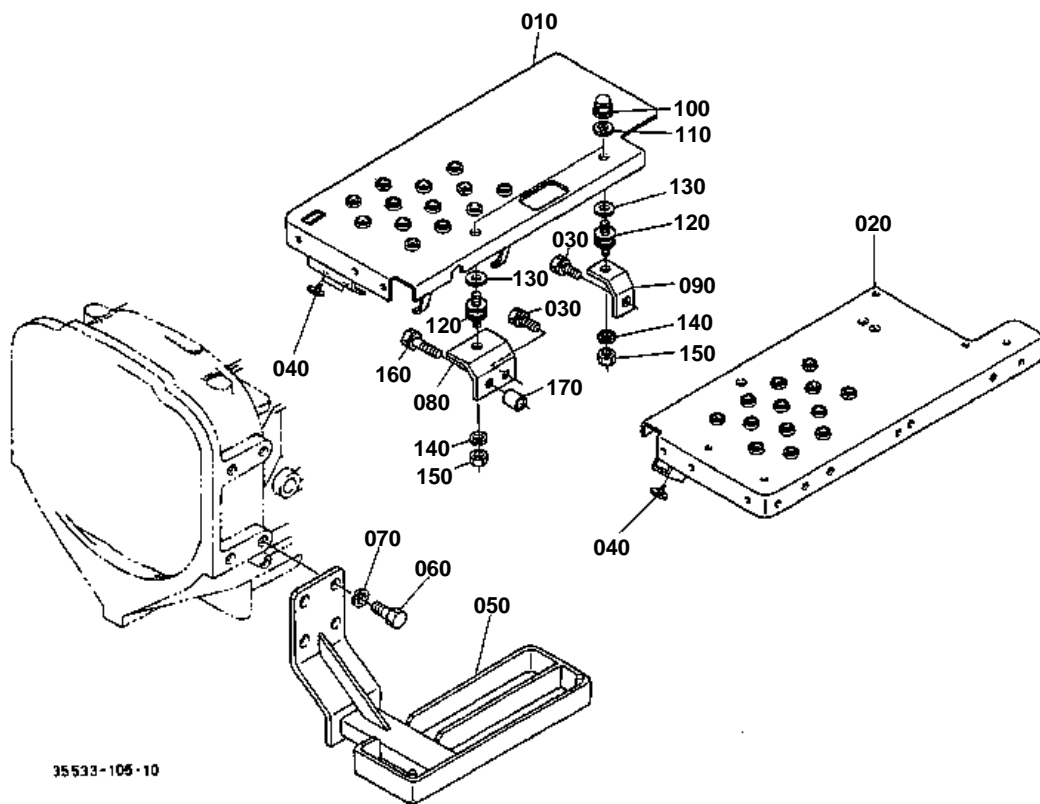
35502-835-10



STEP [OLD TYPE]
S.No.;<=20501

↔ Interchangeable; ≠ not interchangeable; ← new for old; → old for new

| REF.No | Part No. | Description | Q'ty | S.No. | I/C | REMARKS | Weight (kgf) | Weight (lb) |
|--------|-------------|-------------------|------|---------|-----|---------|--------------|-------------|
| 010 | 35533-87065 | STEP RH | 1 | | | | 3.85 | 8.47 |
| 020 | 35533-87075 | STEP LH | 1 | | | | 3.57 | 7.854 |
| 030 | 01133-51022 | BOLT | 4 | | | | 0.025 | 0.055 |
| 040 | 63611-52350 | RUBBER | 3 | <=10020 | | | 0.001 | 0.0022 |
| 040 | 35533-87090 | CUSHION PEDAL | 3 | >=10021 | ≠ | | 0.002 | 0.0044 |
| 050 | 35533-87310 | STEP AUX | 1 | <=20483 | | | 4.5 | 9.9 |
| 050 | 35596-87310 | STEP AUX | 1 | >=20484 | ≠ | | 2.93 | 6.446 |
| 060 | 01173-51645 | BOLT | 2 | <=20483 | | | 0.092 | 0.2024 |
| 060 | 03014-50860 | SCREW PAN-HEAD | 2 | >=20484 | ≠ | | 0.023 | 0.0506 |
| 070 | 04512-50160 | WASHER SPRING | 2 | <=20483 | | | 0 | 0 |
| 070 | 04512-60080 | WASHER SPRING | 2 | >=20484 | ≠ | | 0.002 | 0.0044 |
| 072 | 36330-67760 | COLLAR | 2 | >=20484 | | | 0.025 | 0.055 |
| 074 | 04012-50080 | WASHER PLAIN | 4 | >=20484 | | | 0.001 | 0.0022 |
| 076 | 02114-50080 | NUT | 2 | >=20484 | | | 0.005 | 0.011 |
| 080 | 35533-87170 | STEP EXTENSION RH | 1 | <=20483 | | | 1.55 | 3.41 |
| 090 | 35533-87190 | STEP EXTENSION LH | 1 | <=20483 | | | 1.5 | 3.3 |
| 100 | 01133-51020 | BOLT | 4 | <=20483 | | | 0.02 | 0.044 |
| 110 | 04013-50080 | WASHER PLAIN | 2 | <=20483 | | | 0 | 0 |
| 120 | 01123-60816 | BOLT | 2 | <=20483 | | | 0.01 | 0.022 |
| 130 | 35593-87380 | STAY STEP | 2 | | | | 0.2 | 0.44 |
| 140 | 35593-87390 | STAY STEP | 2 | | | | 0.07 | 0.154 |
| 150 | 36919-53380 | NUT CAP | 4 | | | | 0.01 | 0.022 |
| 160 | 04013-50080 | WASHER PLAIN | 4 | | | | 0 | 0 |
| 170 | 01133-51035 | BOLT | 2 | | | | 0.03 | 0.066 |
| 180 | 35708-87132 | PIECE DISTANCE | 2 | | | | 0.01 | 0.022 |



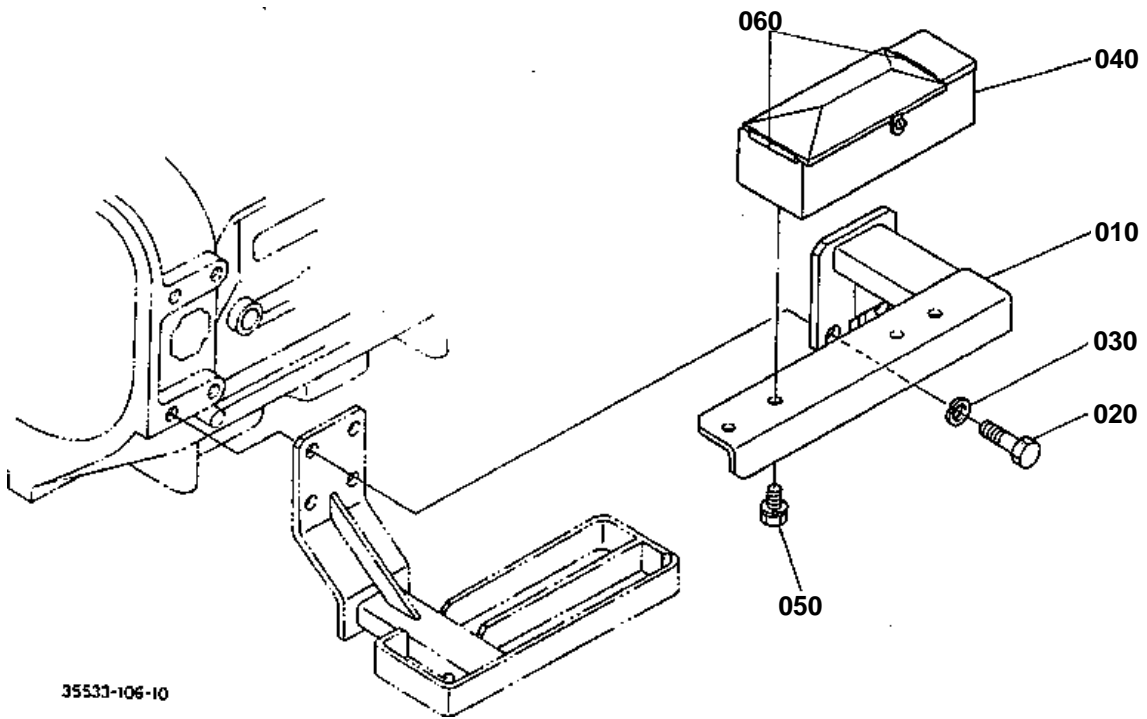
35533-105-10



STEP [NEW TYPE]
S.No.;>=20502

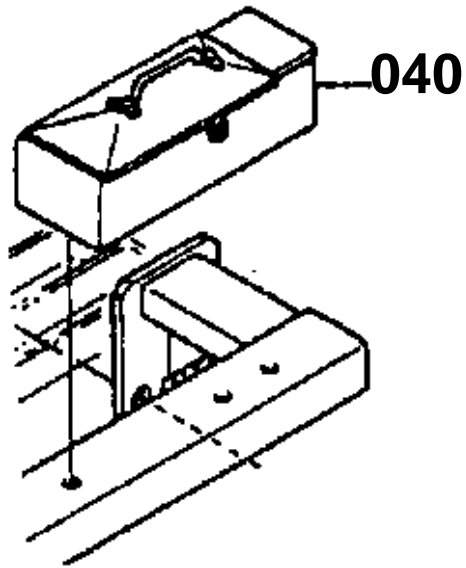
↔ Interchangeable; ≠ not interchangeable; ← new for old; → old for new

| REF.No | Part No. | Description | Q'ty | S.No. | I/C | REMARKS | Weight (kgf) | Weight (lb) |
|--------|-------------|----------------|------|-------|-----|---------|--------------|-------------|
| 010 | 35533-87065 | STEP RH | 1 | | | | 3.85 | 8.47 |
| 020 | 35533-87075 | STEP LH | 1 | | | | 3.57 | 7.854 |
| 030 | 01133-51022 | BOLT | 4 | | | | 0.025 | 0.055 |
| 040 | 35533-87090 | CUSHION PEDAL | 3 | | | | 0.002 | 0.0044 |
| 050 | 35533-87310 | STEP AUX | 1 | | | | 4.5 | 9.9 |
| 060 | 01173-51635 | BOLT | 2 | | | | 0.008 | 0.0176 |
| 070 | 04512-60160 | WASHER SPRING | 2 | | | | 0.01 | 0.022 |
| 080 | 35593-87380 | STAY STEP | 2 | | | | 0.2 | 0.44 |
| 090 | 35593-87390 | STAY STEP | 2 | | | | 0.07 | 0.154 |
| 100 | 36919-53380 | NUT CAP | 4 | | | | 0.01 | 0.022 |
| 110 | 04013-50080 | WASHER PLAIN | 4 | | | | 0 | 0 |
| 120 | 35593-87410 | CUSHION | 4 | | | | 0.05 | 0.11 |
| 130 | 04015-60080 | WASHER PLAIN | 4 | | | | 0.01 | 0.022 |
| 140 | 04512-60080 | WASHER SPRING | 4 | | | | 0.002 | 0.0044 |
| 150 | 02114-50080 | NUT | 4 | | | | 0.005 | 0.011 |
| 160 | 01133-51035 | BOLT | 2 | | | | 0.03 | 0.066 |
| 170 | 35708-87132 | PIECE DISTANCE | 2 | | | | 0.01 | 0.022 |



35533-106-10

040 35830-9020-2

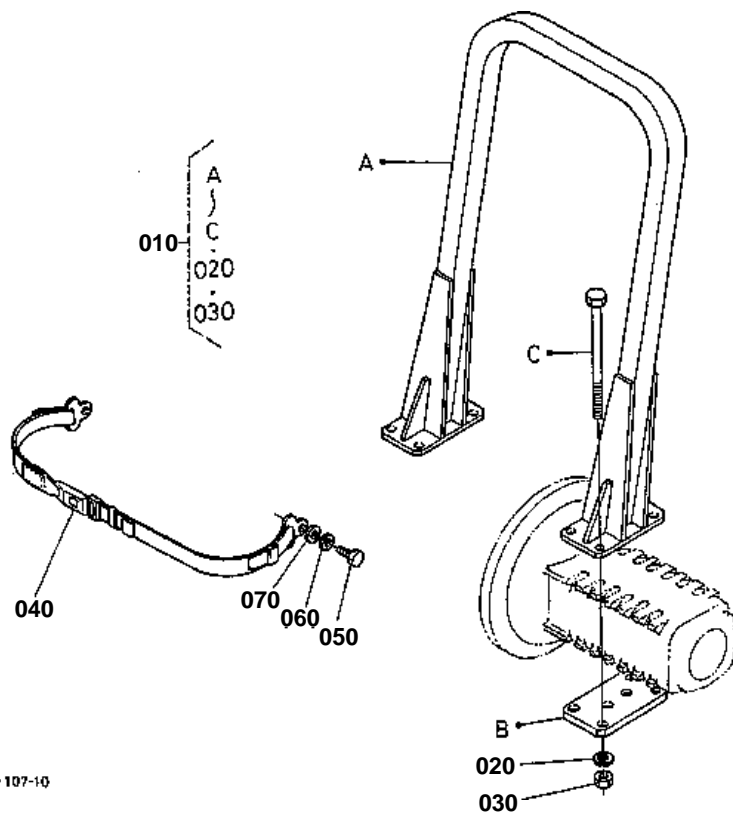


35533-843-10

**TOOLS BOX**

↔ Interchangeable; ≠ not interchangeable; ← new for old; → old for new

| REF.No | Part No. | Description | Q'ty | S.No. | I/C | REMARKS | Weight (kgf) | Weight (lb) |
|--------|-------------|--------------------|------|--------|-----|---------|--------------|-------------|
| 010 | 35533-90140 | SUPPORT TOOLS CASE | 1 | | | | 2.7 | 5.94 |
| 020 | 01173-51645 | BOLT | 2 | | | | 0.092 | 0.2024 |
| 030 | 04512-60160 | WASHER SPRING | 2 | | | | 0.01 | 0.022 |
| 040 | 35830-90202 | COMP.BOX TOOLS | 1 | ≤10058 | | | 0 | 0 |
| 040 | 35860-90200 | COMP.BOX TOOLS | 1 | ≥10059 | ≠ | | 2.58 | 5.676 |
| 050 | 01133-51022 | BOLT | 2 | | | | 0.025 | 0.055 |
| 060 | 35533-90160 | CUSHION | 2 | ≥10035 | | | 0.006 | 0.0132 |

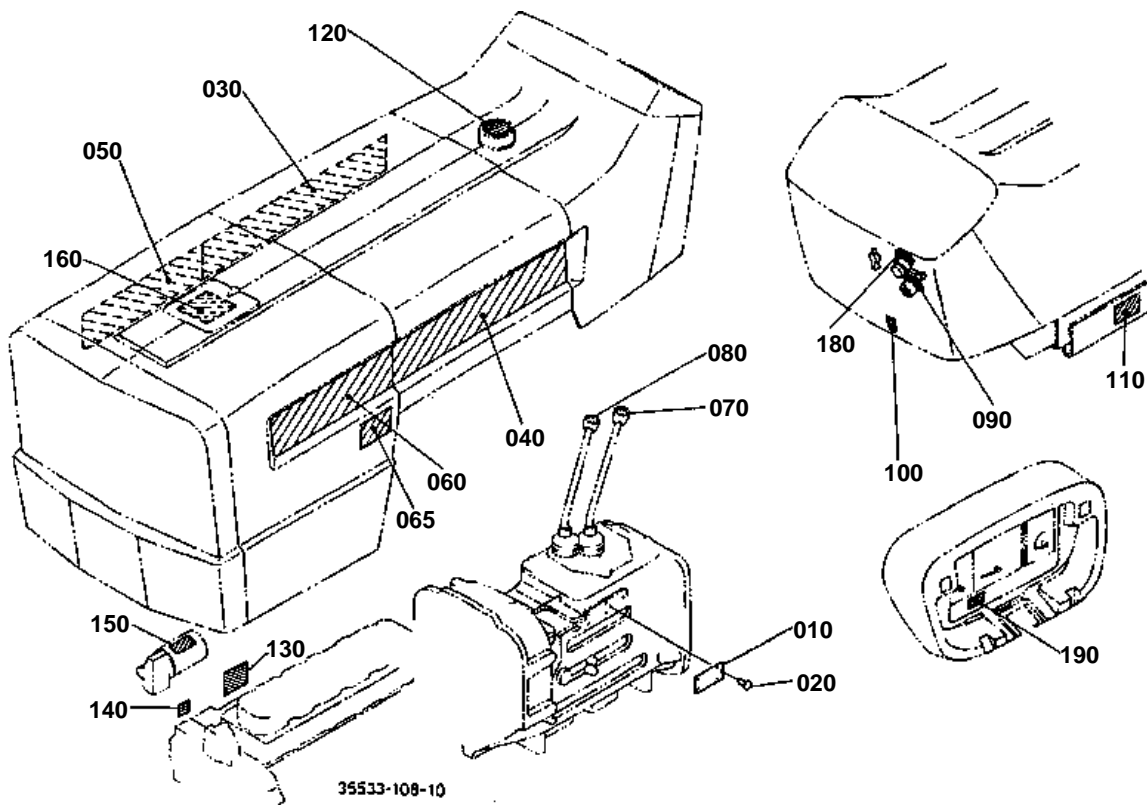


35533-107-10

**ROPS**

↔ Interchangeable; ≠ not interchangeable; ← new for old; → old for new

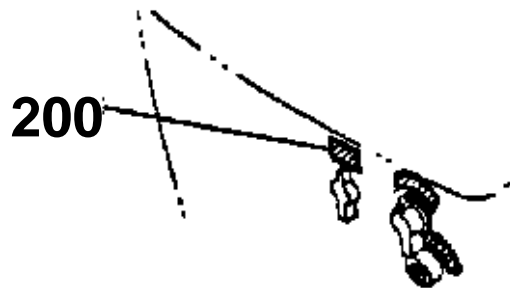
| REF.No | Part No. | Description | Q'ty | S.No. | I/C | REMARKS | Weight (kgf) | Weight (lb) |
|--------|-------------|----------------|------|-------|-----|---------|--------------|-------------|
| 010 | 35999-15430 | ASSY ROPS | 1 | | | | 0 | 0 |
| 020 | 04512-60160 | WASHER SPRING | 8 | | | | 0.01 | 0.022 |
| 030 | 02176-50160 | NUT | 8 | | | | 0.021 | 0.0462 |
| 040 | 36330-85150 | ASSY BELT SEAT | 1 | | | | 0.35 | 0.77 |
| 050 | 01173-51020 | BOLT | 2 | | | | 0.017 | 0.0374 |
| 060 | 04512-60100 | WASHER SPRING | 2 | | | | 0.002 | 0.0044 |
| 070 | 04013-50100 | WASHER PLAIN | 2 | | | | 0 | 0 |



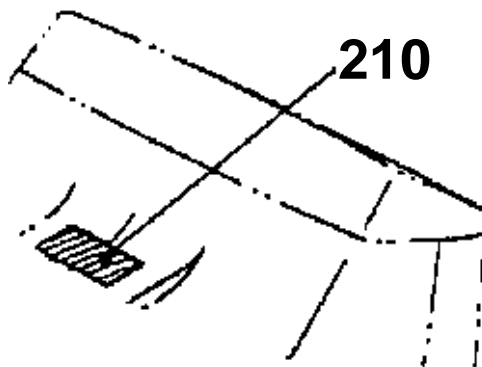
170 15222-8821-0



200 35861-9847-0



210 35822-9828-0



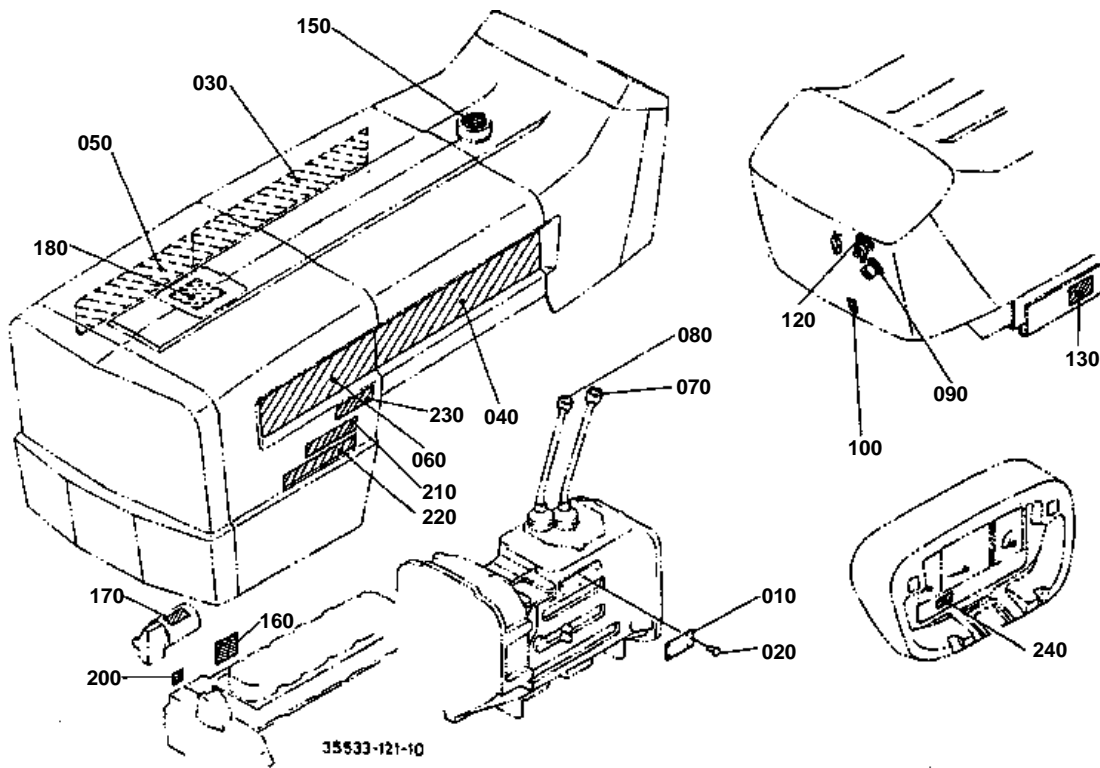
35533-844-10



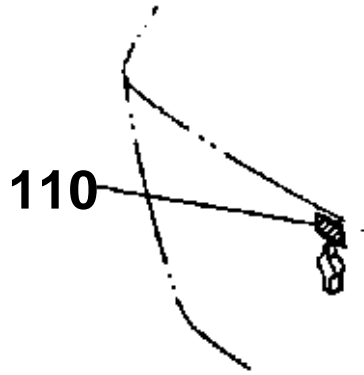
LABEL 1

↔ Interchangeable; ≠ not interchangeable; ← new for old; → old for new

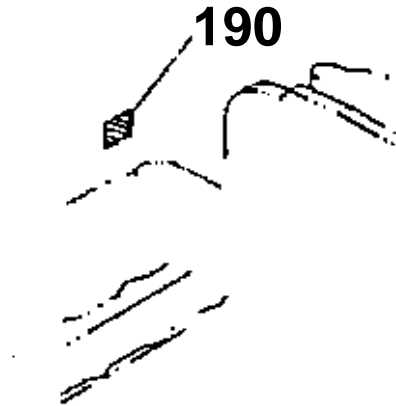
| REF.No | Part No. | Description | Q'ty | S.No. | I/C | REMARKS | Weight (kgf) | Weight (lb) |
|--------|-------------|----------------------|------|---------|-----|----------|--------------|-------------|
| 010 | 99999-99999 | NAME PLATE | 1 | | | NON SALE | 0 | 0 |
| 020 | 34152-57920 | RIVET | 5 | | | | 0.001 | 0.0022 |
| 030 | 35523-98110 | MARK SIDE RH | 1 | <=10197 | | | 0.02 | 0.044 |
| 030 | 35532-98182 | MARK KUBOTA RH | 1 | >=10198 | ≠ | | 0.022 | 0.0484 |
| 040 | 35523-98150 | MARK SIDE LH | 1 | <=10197 | | | 0.02 | 0.044 |
| 040 | 35532-98212 | MARK KUBOTA LH | 1 | >=10198 | ≠ | | 0.02 | 0.044 |
| 050 | 35533-98200 | MARK SIDE RH | 1 | <=10197 | | | 0.01 | 0.022 |
| 050 | 35513-98200 | MARK MODEL RH | 1 | >=10198 | ≠ | | 0.011 | 0.0242 |
| 060 | 35533-98220 | MARK SIDE LH | 1 | <=10197 | | | 0.01 | 0.022 |
| 060 | 35513-98220 | MARK MODEL LH | 1 | >=10198 | ≠ | | 0.011 | 0.0242 |
| 070 | 35533-98950 | LABEL MAIN SHIFT | 1 | <=20208 | | | 0 | 0 |
| 070 | 35533-98952 | LABEL MAIN SHIFT | 1 | >=20209 | ← | | 0.001 | 0.0022 |
| 080 | 35533-98960 | LABEL RANGE SHIFT | 1 | <=20208 | | | 0 | 0 |
| 080 | 35533-98962 | LABEL RANGE SHIFT | 1 | >=20209 | ← | | 0.002 | 0.0044 |
| 090 | 35822-98180 | MARK MAIN SWITCH | 1 | | | | 0.001 | 0.0022 |
| 100 | 35822-98430 | LABEL ENGINE STOP | 1 | <=10197 | | | 0 | 0 |
| 100 | 35080-65280 | LABEL KEY STOP | 1 | >=10198 | ← | | 0.001 | 0.0022 |
| 110 | 35820-98632 | LABEL START CAUTION | 1 | <=10058 | | | 0.003 | 0.0066 |
| 110 | 35820-98632 | LABEL START CAUTION | 1 | >=10059 | ← | | 0.003 | 0.0066 |
| 120 | 36919-56400 | MARK RED(FUEL CAP) | 1 | | | | 0.001 | 0.0022 |
| 130 | 16478-88310 | LABEL OIL | 1 | | | | 0.001 | 0.0022 |
| 140 | 15612-87210 | LABEL CAUTION | 1 | | | | 0.001 | 0.0022 |
| 150 | 15213-94400 | LABEL CAUTION | 1 | | | | 0.001 | 0.0022 |
| 160 | 15101-94610 | LABEL RADIATOR | 1 | | | | 0.002 | 0.0044 |
| 170 | 15222-88210 | LABEL CAUTION | 1 | <=20345 | | | 0.003 | 0.0066 |
| 180 | 35420-98440 | LABEL HAZARD FLASHER | 1 | <=10197 | | | 0 | 0 |
| 180 | 32539-65530 | LABEL HAZARD MARK | 1 | >=10198 | ← | | 0.001 | 0.0022 |
| 190 | 35583-98260 | LABEL PANEL BOARD | 1 | >=20206 | | | 0.001 | 0.0022 |
| 200 | 35861-98470 | LABEL LIGHT SWITCH | 1 | <=10197 | | | 0.001 | 0.0022 |
| 210 | 35822-98280 | LABEL OIL FILLER | 1 | <=10054 | | | 0.001 | 0.0022 |



110 35861-9847-0



190 15222-8821-0



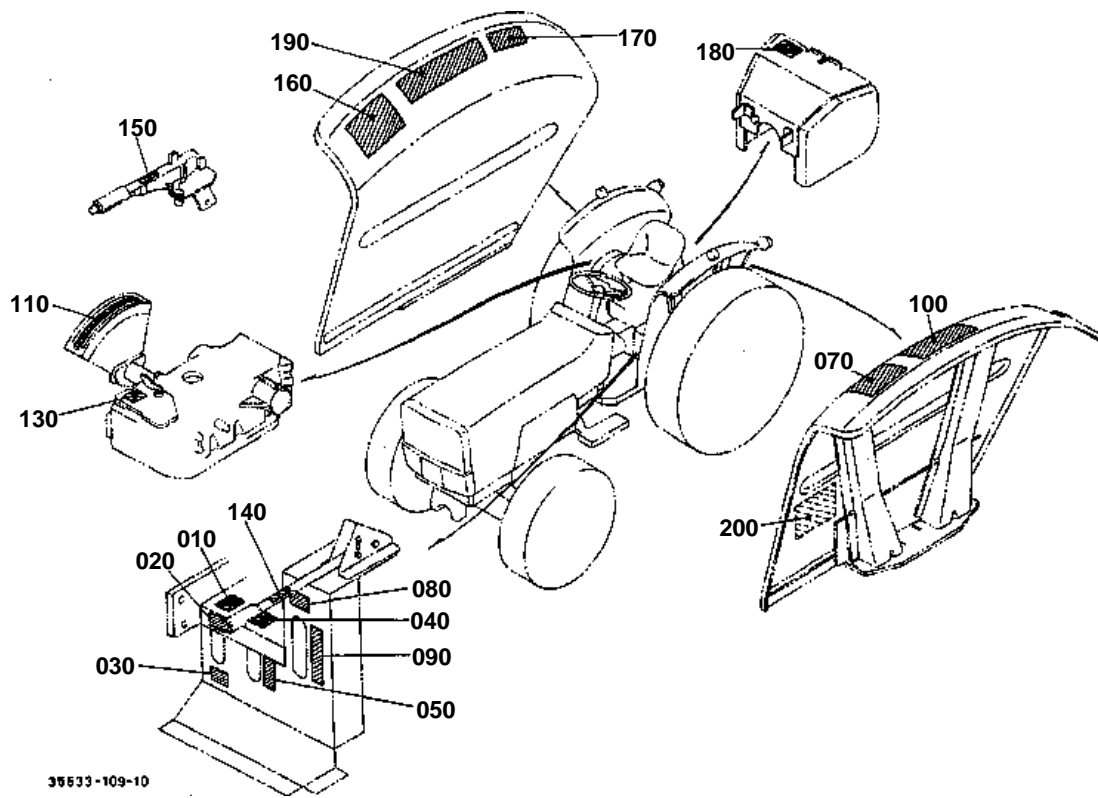
35533-848-10



LABEL 1 [SU TYPE]

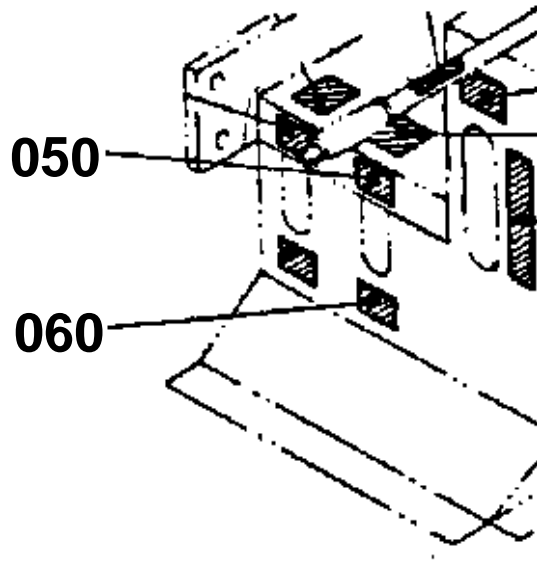
↔ Interchangeable; ≠ not interchangeable; ← new for old; → old for new

| REF.No | Part No. | Description | Q'ty | S.No. | I/C | REMARKS | Weight (kgf) | Weight (lb) |
|--------|-------------|----------------------|------|---------|-----|----------|--------------|-------------|
| 010 | 99999-99999 | NAME PLATE | 1 | | | NON SALE | 0 | 0 |
| 020 | 34152-57920 | RIVET | 5 | | | | 0.001 | 0.0022 |
| 030 | 35532-98180 | MARK SIDE RH | 1 | <=20050 | | | 0.03 | 0.066 |
| 030 | 35532-98182 | MARK KUBOTA RH | 1 | >=20051 | ≠ | | 0.022 | 0.0484 |
| 040 | 35532-98210 | MARK SIDE LH | 1 | <=20050 | | | 0.08 | 0.176 |
| 040 | 35532-98212 | MARK KUBOTA LH | 1 | >=20051 | ≠ | | 0.02 | 0.044 |
| 050 | 35532-98200 | MARK SIDE RH | 1 | <=20050 | | | 0.015 | 0.033 |
| 050 | 35532-98202 | MARK MODEL RH | 1 | >=20051 | ≠ | | 0.012 | 0.0264 |
| 060 | 35532-98220 | MARK SIDE LH | 1 | <=20050 | | | 0.005 | 0.011 |
| 060 | 35532-98222 | MARK MODEL LH | 1 | >=20051 | ≠ | | 0.012 | 0.0264 |
| 070 | 35533-98952 | LABEL MAIN SHIFT | 1 | <=20208 | | | 0.001 | 0.0022 |
| 070 | 35533-98952 | LABEL MAIN SHIFT | 1 | >=20209 | ← | | 0.001 | 0.0022 |
| 080 | 35533-98960 | LABEL RANGE SHIFT | 1 | <=20208 | | | 0 | 0 |
| 080 | 35533-98962 | LABEL RANGE SHIFT | 1 | >=20209 | ← | | 0.002 | 0.0044 |
| 090 | 35822-98180 | MARK MAIN SWITCH | 1 | | | | 0.001 | 0.0022 |
| 100 | 35080-65280 | LABEL ENGINE STOP | 1 | <=20050 | | | 0.001 | 0.0022 |
| 100 | 35080-65280 | LABEL KEY STOP | 1 | >=20051 | ← | | 0.001 | 0.0022 |
| 110 | 35861-98470 | LABEL LIGHT SWITCH | 1 | <=20050 | | | 0.001 | 0.0022 |
| 120 | 35420-98440 | LABEL HAZARD FLASHER | 1 | <=20050 | | | 0 | 0 |
| 120 | 32539-65530 | LABEL HAZARD MARK | 1 | >=20051 | ← | | 0.001 | 0.0022 |
| 130 | 35820-98632 | LABEL START CAUTION | 1 | | | | 0.003 | 0.0066 |
| 140 | 99999-99999 | BLANK | 0 | | | | 0 | 0 |
| 150 | 36919-56400 | MARK RED(FUEL CAP) | 1 | | | | 0.001 | 0.0022 |
| 160 | 15612-88310 | LABEL OIL | 1 | | | | 0.001 | 0.0022 |
| 170 | 15213-94400 | LABEL CAUTION | 1 | | | | 0.001 | 0.0022 |
| 180 | 15101-94610 | LABEL RADIATOR | 1 | | | | 0.002 | 0.0044 |
| 190 | 15222-88210 | LABEL CAUTION | 1 | <=20345 | | | 0.003 | 0.0066 |
| 200 | 15612-87210 | LABEL CAUTION | 1 | | | | 0.001 | 0.0022 |
| 220 | 35502-98990 | LABEL UTILITY | 2 | | | | 0.002 | 0.0044 |
| 240 | 35583-98260 | LABEL PANEL BOARD | 1 | >=20206 | | | 0.001 | 0.0022 |



35533-109-10

050 35533-9866-0
060 35533-9870-0



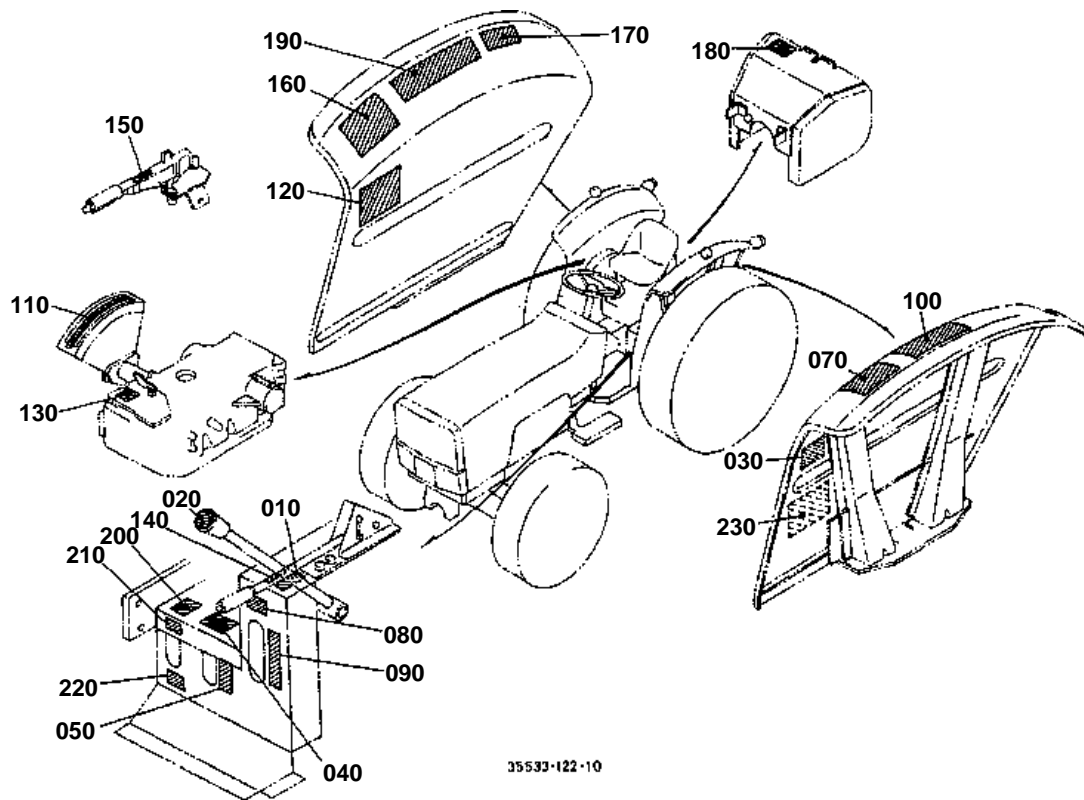
35533-845-10



LABEL 2 [EXCEPT MANUAL SHUTTLE]

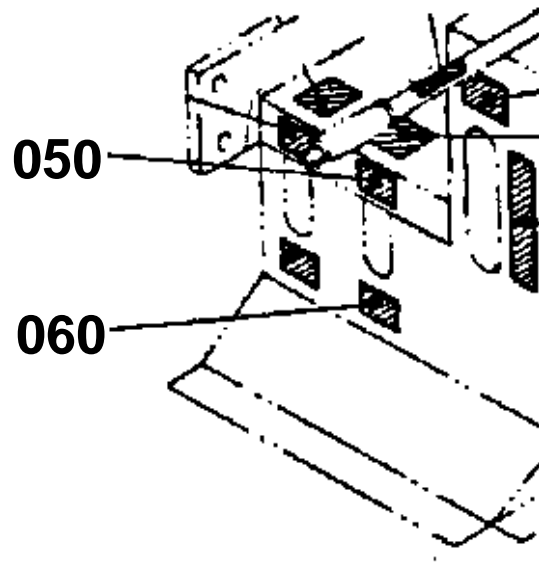
↔ Interchangeable; ≠ not interchangeable; ← new for old; → old for new

| REF.No | Part No. | Description | Q'ty | S.No. | I/C | REMARKS | Weight (kgf) | Weight (lb) |
|--------|-------------|----------------------|------|---------|-----|---------|--------------|-------------|
| 010 | 35533-98310 | LABEL CREEP | 1 | | | | 0.001 | 0.0022 |
| 020 | 35533-98450 | LABEL CREEP | 1 | | | | 0.001 | 0.0022 |
| 030 | 35533-98460 | LABEL CREEP | 1 | | | | 0.001 | 0.0022 |
| 070 | 35822-98240 | LABEL PTO SHIFT LVR. | 1 | | | | 0.001 | 0.0022 |
| 080 | 35533-98330 | LABEL PTO | 1 | | | | 0.001 | 0.0022 |
| 090 | 35533-98400 | LABEL PTO | 1 | <=20483 | | | 0 | 0 |
| 090 | 35533-98402 | LABEL PTO | 1 | >=20484 | ← | | 0.001 | 0.0022 |
| 100 | 35533-98340 | LABEL SPEED | 1 | | | | 0.005 | 0.011 |
| 110 | 35533-98370 | LABEL HYD.CONTROL | 1 | | | | 0.003 | 0.0066 |
| 120 | 99999-99999 | BLANK | 0 | | | | 0 | 0 |
| 130 | 35533-98380 | LABEL DOWN SPEED | 1 | | | | 0.001 | 0.0022 |
| 140 | 35801-98810 | LABEL CLUTCH LEVER | 1 | | | | 0.001 | 0.0022 |
| 150 | 35801-98820 | LABEL HAND BRAKE | 1 | | | | 0.001 | 0.0022 |
| 160 | 35260-34910 | LABEL SAFETY | 1 | <=10058 | | | 0 | 0 |
| 160 | 35260-34912 | LABEL SAFETY | 1 | >=10059 | ← | | 0 | 0 |
| 160 | 35260-34913 | LABEL SAFETY | 1 | >=10194 | ← | | 0 | 0 |
| 170 | 35260-29790 | LABEL DRAWBAR | 1 | | | | 0.002 | 0.0044 |
| 180 | 35260-25340 | LABEL PTO WARNING | 1 | | | | 0.005 | 0.011 |
| 190 | 35260-29780 | LABEL ROPS | 1 | <=10058 | | | 0 | 0 |
| 190 | 35260-29782 | LABEL ROPS WARNING | 1 | >=10059 | ← | | 0.001 | 0.0022 |
| 200 | 33966-98510 | LABEL PARKING | 1 | >=20474 | | | 0.004 | 0.0088 |



35533-122-10

050 35533-9866-0
060 35533-9870-0



35533-845-10



LABEL 2 [MANUAL SHUTTLE]

↔ Interchangeable; ≠ not interchangeable; ← new for old; → old for new

| REF.No | Part No. | Description | Q'ty | S.No. | I/C | REMARKS | Weight (kgf) | Weight (lb) |
|--------|-------------|----------------------|------|---------|-----|---------|--------------|-------------|
| 010 | 35533-34580 | LABEL SHUTTLE | 1 | | | | 0.001 | 0.0022 |
| 020 | 35533-34530 | LABEL SHUTTLE | 1 | | | | 0.003 | 0.0066 |
| 030 | 35533-34640 | LABEL SHUTTLE | 1 | | | | 0.005 | 0.011 |
| 070 | 35822-98240 | LABEL PTO SHIFT LVR. | 1 | | | | 0.001 | 0.0022 |
| 080 | 35533-98330 | LABEL PTO | 1 | | | | 0.001 | 0.0022 |
| 090 | 35533-98402 | LABEL PTO | 1 | <=20483 | | | 0.001 | 0.0022 |
| 090 | 35533-98402 | LABEL PTO | 1 | >=20484 | ← | | 0.001 | 0.0022 |
| 100 | 35533-34600 | LABEL SPEED | 1 | | | | 0.006 | 0.0132 |
| 110 | 35533-98370 | LABEL HYD.CONTROL | 1 | | | | 0.003 | 0.0066 |
| 120 | 35533-98562 | LABEL AUX.CON.VALVE | 1 | | | | 0.006 | 0.0132 |
| 130 | 35533-98380 | LABEL DOWN SPEED | 1 | | | | 0.001 | 0.0022 |
| 140 | 35801-98810 | LABEL CLUTCH LEVER | 1 | | | | 0.001 | 0.0022 |
| 150 | 35801-98820 | LABEL HAND BRAKE | 1 | | | | 0.001 | 0.0022 |
| 160 | 35260-34910 | LABEL SAFETY | 1 | <=10058 | | | 0 | 0 |
| 160 | 35260-34912 | LABEL SAFETY | 1 | >=10059 | ← | | 0 | 0 |
| 160 | 35260-34913 | LABEL SAFETY | 1 | >=10194 | ← | | 0 | 0 |
| 170 | 35260-29790 | LABEL DRAWBAR | 1 | | | | 0.002 | 0.0044 |
| 180 | 35260-25340 | LABEL PTO WARNING | 1 | | | | 0.005 | 0.011 |
| 190 | 35260-29780 | LABEL ROPS | 1 | <=10058 | | | 0 | 0 |
| 190 | 35260-29782 | LABEL ROPS WARNING | 1 | >=10059 | ← | | 0.001 | 0.0022 |
| 200 | 35533-98310 | LABEL CREEP | 1 | | | | 0.001 | 0.0022 |
| 210 | 35533-98450 | LABEL CREEP | 1 | | | | 0.001 | 0.0022 |
| 220 | 35533-98460 | LABEL CREEP | 1 | | | | 0.001 | 0.0022 |
| 230 | 33966-98510 | LABEL PARKING | 1 | >=20474 | | | 0.004 | 0.0088 |



ACCESSORIES AND SERVICE PARTS

↔ Interchangeable; ≠ not interchangeable; ← new for old; → old for new

| REF.No | Part No. | Description | Q'ty | S.No. | I/C | REMARKS | Weight (kgf) | Weight (lb) |
|--------|-------------|---------------------|------|---------|-----|---------|--------------|-------------|
| 010 | 35533-99710 | MANUAL INSTRUCTION | 1 | <=10034 | | | 0 | 0 |
| 010 | 35533-99712 | MANUAL INSTRUCTION | 1 | >=10035 | ← | | 0 | 0 |
| 010 | 35533-99713 | MANUAL INSTRUCTION | 1 | >=10059 | ← | | 0 | 0 |
| 010 | 35502-99710 | MANUAL INSTRUCTION | 1 | >=10098 | ← | | 0 | 0 |
| 010 | 35502-99712 | MANUAL INSTRUCTION | 1 | >=10108 | ← | | 0 | 0 |
| 010 | 35502-99713 | MANUAL INSTRUCTION | 1 | >=10198 | ≠ | | 0 | 0 |
| 010 | 35502-99714 | MANUAL INSTRUCTION | 1 | >=10261 | ≠ | | 0.17 | 0.374 |
| 010 | 35502-99715 | MANUAL INSTRUCTION | 1 | >=20253 | ≠ | | 0 | 0 |
| 020 | 36330-75380 | LINK FUSIBLE | 1 | | | | 0.01 | 0.022 |
| 030 | 36330-91980 | COLLAR ADJUSTING | 2 | | | | 0.02 | 0.044 |
| 040 | 36330-91773 | ASSY PIN TOP LINK | 1 | | | | 0.55 | 1.21 |
| 050 | 35822-75180 | ASSYKEY MAIN SWITCH | 1 | | | | 0.02 | 0.044 |
| 060 | 35861-82190 | ASSY COUPLER MALE | 2 | | | | 0.086 | 0.1892 |
| 070 | 35523-62820 | ASSY SPACER TIE ROD | 2 | | | | 1.2 | 2.64 |
| 080 | 35861-99154 | ASSY SPANNER BOX | 1 | | | | 5 | 11 |
| 090 | 35410-26900 | ASSY PIECE DISTANCE | 1 | | | | 0.07 | 0.154 |