

# Instructions for Parts Books

The heading at the top of the page will be the same for the picture of the parts as it is for the page with the part numbers.

Definition of column headings on part number pages:

**REF.No** → The number referring to the part on the picture page of the parts book.

**Part No.** → The number assigned to this part at the time of printing the parts book.

**Description** → Description of part.

**Q'ty** → Quantity of part used on that page.

**S.No.** → Serial number range of the equipment that this part will fit.

>= Your serial number should be greater than or equal to the number shown.

<= Your serial number should be lesser than or equal to the serial number shown.

**I/C** → Interchangeability of part shown.

↔ The part shown will work for the older and later serial number.

# The part shown is not interchangeable with the other serial number.

← new for old

→ old for new

**Remarks** → Notes about this particular part. Sometimes this may say except [FR] or [CA]

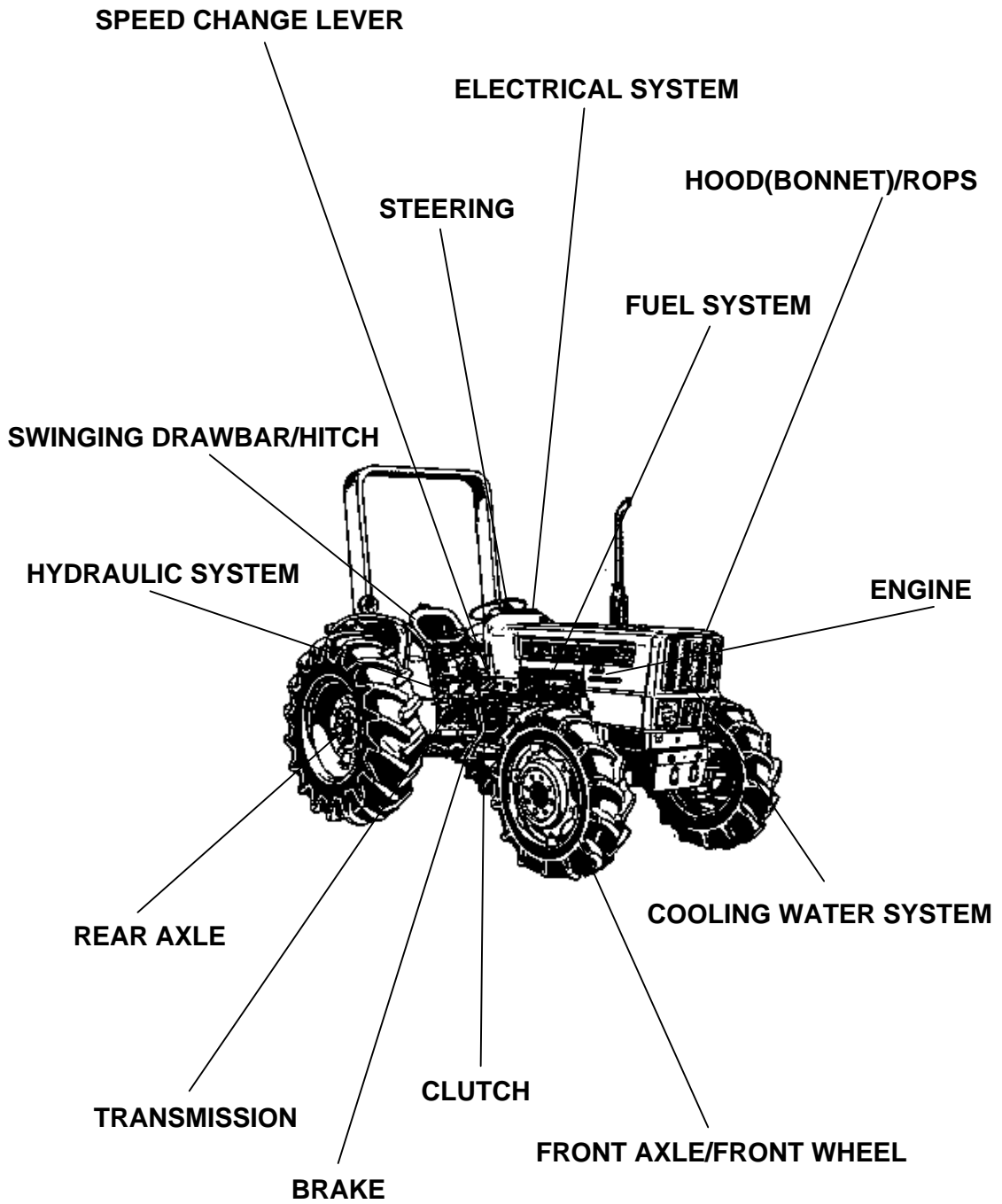
## Note about Country Codes:

The parts books we use in the United States of America may also contain information about a part that would be different in another country. It is important that you are aware of the country codes in some instances.

Symbol	Country
A	United States of America
CA	Canada
FR	France
GR	Greece
PO	Portugal
AU	Australia

If the remarks column says for example EXCEPT [FR] this part works in all countries except France. That means it will work here in the USA.

ALL PRODUCT INDEX  
M5030SU



LABELS  
ACCESSORIES

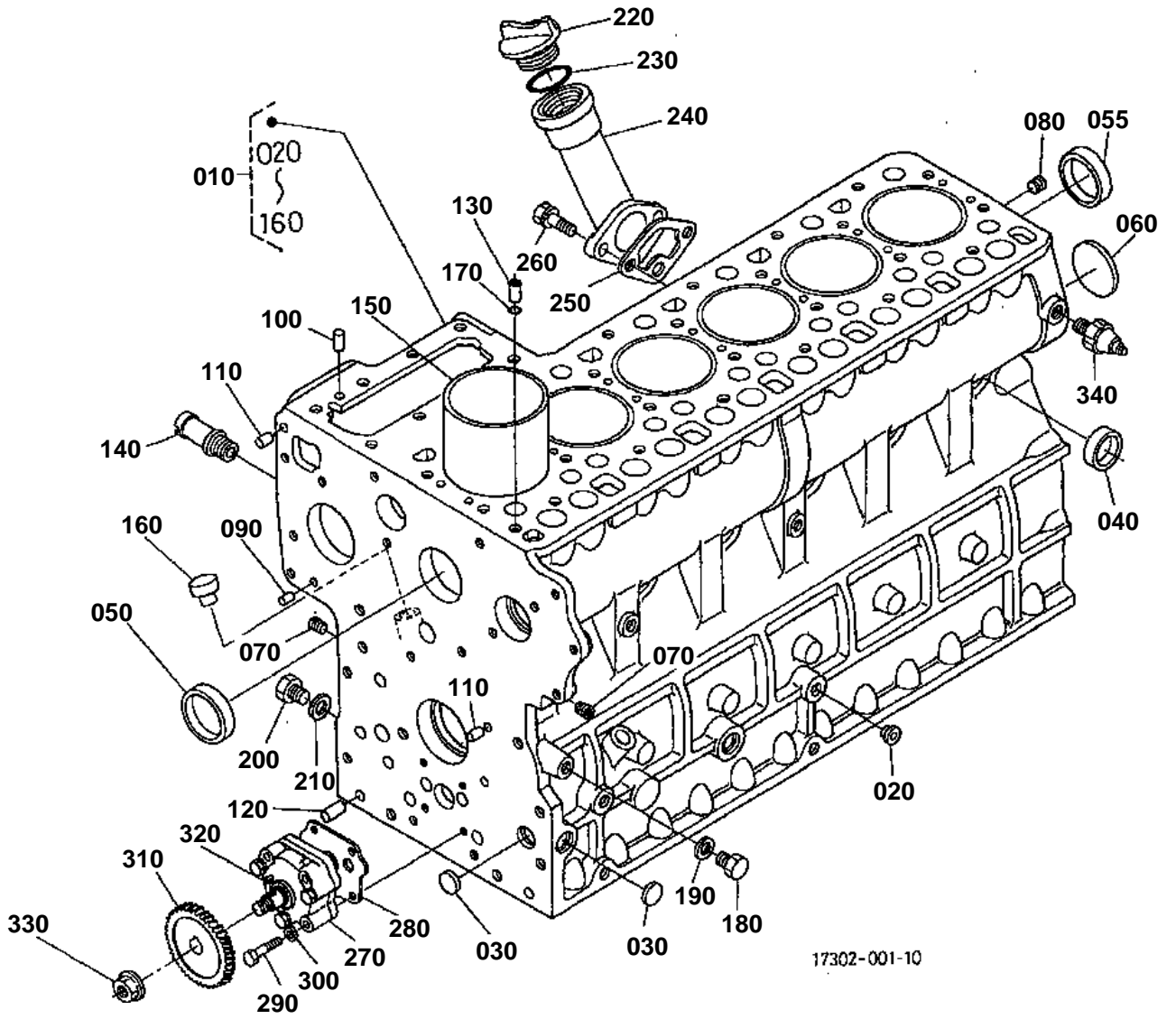
Item	Part No.	Description	Book	
ENGINE	01T001	CRANKCASE	100K0429	
	01T002	OIL PAN	100K0429	
	01T003	PISTON AND CRANKSHAFT	100K0429	
	01T004	MAIN BEARING CASE	100K0429	
	01T005	FLYWHEEL	100K0429	
	01T006	CYLINDER HEAD	100K0429	
	01T007	VALVE AND ROCKER ARM	100K0429	
	01T008	NOZZLE AND GLOW PLUG	100K0429	
	01T009	CYLINDER HEAD COVER	100K0429	
	01T010	INLET MANIFOLD	100K0429	
	01T015	CAMSHAFT	100K0429	
	01T016	GEAR CASE	100K0429	
	01T017	OIL FILTER [COMPONENT PARTS]	100K0429	
	01T01801	WATER PUMP [OLD TYPE]	100K0429	
	01T01802	WATER PUMP [NEW TYPE]	100K0429	
	01T019	WATER FLANGE AND THERMOSTAT	100K0429	
	01T020	FUEL CAMSHAFT	100K0429	
	01T021	INJECTION PUMP	100K0429	
	01T022	INJECTION PUMP [COMPONENT PARTS]	100K0429	
	01T023	ENGINE STOP LEVER	100K0429	
	01T024	SPEED CONTROL PLATE	100K0429	
	01T025	COMPENSATOR	100K0429	
	01T026	GOVERNOR	100K0429	
	01T027	UPPER GASKET KIT	100K0429	
	01T028	LOWER GASKET KIT	100K0429	
	02T01101	AIR CLEANER (DOUBLE)	100K0429	
	02T01102	PRE-CLEANER [OPTION]	100K0429	
	02T012	AIR CLEANER (DOUBLE) [COMPONENT PARTS]	100K0429	
	02T013	MUFFLER AND EXHAUST MANIFOLD	100K0429	
	02T014	UNDER MUFFLER (LOW-PROFILE KIT) [OPTION]	100K0429	
		02T02901	ENGINE STOP ROD	100K0429
		02T02902	ENGINE KEY STOP KIT [OPTION]	100K0429
		02T030	HAND ACCELERATOR	100K0429
		02T031	ACCELERATOR PEDAL	100K0429
	FUEL SYSTEM	02T032	FUEL TANK	100K0429
		02T033	FUEL TANK SUPPORT	100K0429
		02T034	FUEL PIPE	100K0429
		02T035	FUEL FILTER [COMPONENT PARTS]	100K0429
	COOLING WATER SYSTEM	02T036	RADIATOR	100K0429
		02T037	WATER PIPE	100K0429
	ELECTRICAL SYSTEM	02T038	STARTER	100K0429
		02T03901	STARTER [OLD TYPE] [COMPONENT PARTS]	100K0429
		02T03902	STARTER [OLD TYPE] [COMPONENT PARTS]	100K0429
		02T03903	STARTER [NEW TYPE] [COMPONENT PARTS]	100K0429
		02T040	DYNAMO	100K0429
		02T041	DYNAMO [COMPONENT PARTS]	100K0429
		02T042	BATTERY	100K0429
		02T043	PANEL BOARD	100K0429
		02T044	PANEL BOARD [COMPONENT PARTS]	100K0429
	02T04501	SWITCH [EXCEPT SU]	100K0429	
	02T04502	SWITCH [SU TYPE]	100K0429	
	02T046	LIGHT	100K0429	
	02T047	WORKING LIGHT [OPTION]	100K0429	
	02T048	TRAILER HARNESS [OPTION]	100K0429	
	02T04901	ELECTRICAL WIRING [EXCEPT SU]	100K0429	

Item	Part No.	Description	Book	
ELECTRICAL SYSTEM	02T04902	ELECTRICAL WIRING [SU TYPE]	100K0429	
	02T05001	CLUTCH	100K0429	
CLUTCH	02T051	CLUTCH FORK	100K0429	
	02T052	CLUTCH PEDAL	100K0429	
	02T053	PTO CLUTCH FORK	100K0429	
	02T054	PTO CLUTCH LEVER	100K0429	
	02T055	CLUTCH HOUSING	100K0429	
	02T056	HOUSING COVER	100K0429	
	TRANSMISSION	02T05701	TRANSMISSION CASE [EXCEPT MANUAL SHUTTLE]	100K0429
		02T05702	TRANSMISSION CASE [MANUAL SHUTTLE]	100K0429
		02T058	TRANSMISSION CASE REAR COVER	100K0429
		02T059	PTO PROPELLER SHAFT	100K0429
		02T060	FIRST SHAFT	100K0429
		02T06101	COUNTERSHAFT [EXCEPT MANUAL SHUTTLE AND SU]	100K0429
		02T06102	COUNTERSHAFT [MANUAL SHUTTLE/EXCEPT SU]	100K0429
		02T06103	COUNTERSHAFT [SU TYPE]	100K0429
		02T062	BACK IDLE SHAFT [EXCEPT MANUAL SHUTTLE]	100K0429
		02T063	MANUAL SHUTTLE GEAR SUPPORT [MANUAL SHUTTLE]	100K0429
		02T06403	CREEP GEAR SHAFT	100K0429
02T06406		MANUAL SHUTTLE GEAR	100K0429	
02T06501		RANGE SHIFT SHAFT [EXCEPT SU TYPE]	100K0429	
02T06502		RANGE SHIFT SHAFT [SU TYPE]	100K0429	
02T06601		PTO DRIVE SHAFT [OLD TYPE]	100K0429	
02T06602		PTO DRIVE SHAFT [NEW TYPE]	100K0429	
02T067		PTO SHAFT	100K0429	
SPEED CHANGE LEVER		02T068	MAIN AND RANGE GEAR SHIFT LEVER	100K0429
		02T06901	MAIN GEAR SHIFT FORK [EXCEPT MANUAL SHUTTLE & SU]	100K0429
		02T06902	MAIN GEAR SHIFT FORK [MANUAL SHUTTLE/EXCEPT SU]	100K0429
	02T06903	MAIN GEAR SHIFT FORK [SU TYPE]	100K0429	
	02T070	RANGE GEAR SHIFT FORK	100K0429	
	02T071	CREEP GEAR SHIFT LEVER	100K0429	
	02T072	MANUAL SHUTTLE SHIFT LEVER [MANUAL SHUTTLE]	100K0429	
	02T073	MANUAL SHUTTLE SHIFT FORK [MANUAL SHUTTLE]	100K0429	
	02T074	PTO GEAR SHIFT LEVER	100K0429	
	02T075	PTO GEAR SHIFT FORK AND PTO COVER	100K0429	
	02T076	BEVEL GEAR (REAR)	100K0429	
	02T07702	DIFFERENTIAL (REAR) [OLD TYPE]	100K0429	
	02T07703	DIFFERENTIAL (REAR) [NEW TYPE]	100K0429	
	02T078	DIFFERENTIAL LOCK PEDAL	100K0429	
	REAR AXLE	02T07902	REAR AXLE CASE	100K0429
BRAKE	02T08002	REAR AXLE	100K0429	
	02T08102	BRAKE	100K0429	
	02T082	BRAKE PEDAL	100K0429	
	02T083	BRAKE ROD	100K0429	
	02T084	PARKING BRAKE LEVER	100K0429	
	FRONT AXLE/FRONT WHEEL	02T08501	FRONT AXLE [OLD TYPE]	100K0429
	02T08502	FRONT AXLE [NEW TYPE]	100K0429	

Item	Part No.	Description	Book
FRONT AXLE/FRONT WHEEL	02T086	FRONT WHEEL HUB	100K0429
	02T087	FRONT AXLE (LOW-PROFILE) [OPTION]	100K0429
STEERING	02T104	FRONT AXLE BRACKET	100K0429
	02T10501	STEERING LINKAGE	100K0429
	02T10601	STEERING CYLINDER [COMPONENT PARTS]	100K0429
	02T107	STEERING HANDLE AND STEERING CONTROLLER	100K0429
	02T108	STEERING CONTROLLER [COMPONENT PARTS]	100K0429
HYDRAULIC SYSTEM	02T109	POWER STEERING OIL TANK	100K0429
	02T110	HYDRAULIC OIL LINE (POWER STEERING) 1	100K0429
	02T11101	HYDRAULIC OIL LINE (POWER STEERING) 2 [EXCEPT SU]	100K0429
	02T11102	HYDRAULIC OIL LINE (POWER STEERING) 2 [SU TYPE]	100K0429
	02T11201	HYDRAULIC PUMP [EXCEPT SU]	100K0429
	02T11202	HYDRAULIC PUMP [SU TYPE]	100K0429
	02T113	HYDRAULIC PUMP [COMPONENT PARTS]	100K0429
	02T11401	HYDRAULIC OIL LINE (SUCTION) [EXCEPT SU]	100K0429
	02T11402	HYDRAULIC OIL LINE (SUCTION) [SU TYPE]	100K0429
	02T115	HYDRAULIC OIL LINE (DELIVERY)	100K0429
SWINGING DRAWBAR/HITCH	02T116	HYDRAULIC CYLINDER BODY	100K0429
	02T117	HYDRAULIC CYLINDER LINER	100K0429
HOOD(BONNET)/ROPS	02T118	CONTROL VALVE [COMPONENT PARTS]	100K0429
	02T119	AUXILIARY CONTROL VALVE COVER [SU TYPE]	100K0429
	02T120	DOWN SPEED ADJUSTING LEVER	100K0429
	02T121	HYDRAULIC LIFT ARM	100K0429
	02T122	HYDRAULIC SYSTEM 1	100K0429
	02T123	HYDRAULIC SYSTEM 2	100K0429
	02T124	HYDRAULIC SYSTEM 3	100K0429
	02T125	HYDRAULIC LEVER GUIDE	100K0429
	02T126	DRAFT AND POSITION CONTROL LEVER	100K0429
	02T12701	AUXILIARY CONTROL VALVE 1 [EXCEPT SU]	100K0429
	02T12702	AUXILIARY CONTROL VALVE 2 [OPTION]	100K0429
	02T12703	AUXILIARY CONTROL VALVE 3 [OPTION]	100K0429
	02T12704	AUXILIARY CONTROL VALVE 4 [OPTION]	100K0429
	02T12801	AUXILIARY CONTROL VALVE [COMPONENT PARTS]	100K0429
	02T12802	AUXILIARY CONTROL VALVE [COMPONENT PARTS]	100K0429
	02T12803	AUXILIARY CONTROL VALVE [COMPONENT PARTS]	100K0429
	02T12804	AUXILIARY CONTROL VALVE [COMPONENT PARTS]	100K0429
	02T12901	HYDRAULIC COUPLER AND HOSE 1	100K0429
	02T12902	HYDRAULIC COUPLER AND HOSE 2 [OPTION]	100K0429
	02T130	HYDRAULIC LIFT LINK 1 (LOWER LINK)	100K0429
	02T131	HYDRAULIC LIFT LINK (TELESCOPE LOWER LINK) [OPTION]	100K0429
	02T132	HYDRAULIC LIFT LINK 2 (CHECK CHIN)	100K0429
	02T133	HYDRAULIC LIFT LINK 3 (LIFT ROD RH)	100K0429
	02T13401	HYDRAULIC LIFT LINK 4 (LIFT ROD LH) [OLD TYPE]	100K0429
	02T13402	HYDRAULIC LIFT LINK 4 (LIFT ROD LH) [NEW TYPE]	100K0429

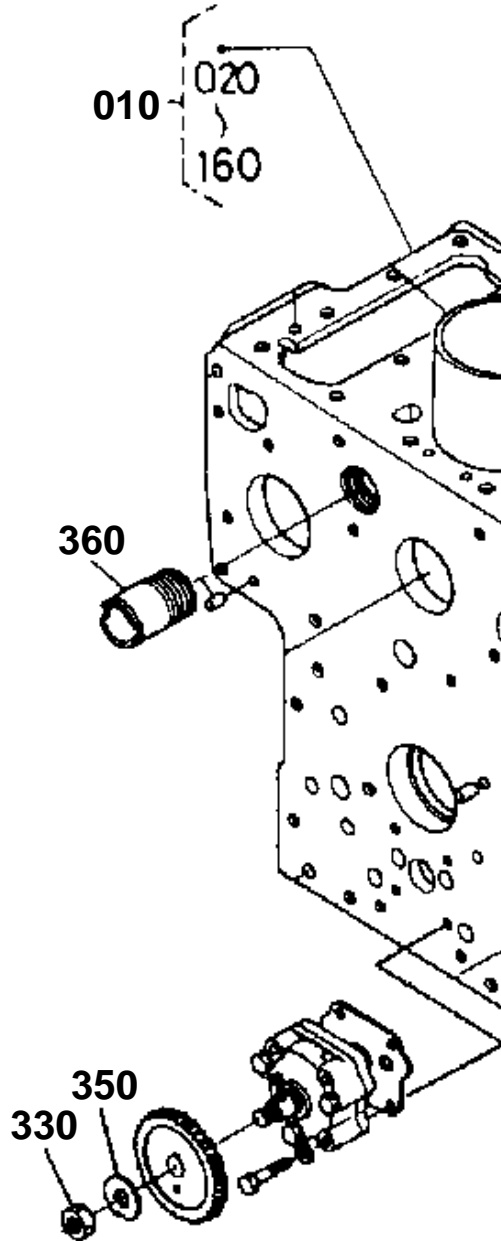
Item	Part No.	Description	Book	
HOOD(BONNET)/ROPS	02T135	HYDRAULIC LIFT LINK 5 (TOP LINK)	100K0429	
	02T136	TOP LINK BRACKET	100K0429	
	02T137	SWINGING DRAWBAR	100K0429	
	02T138	DRAWBAR AND HITCH [OPTION]	100K0429	
	02T139	HOOD (BONNET) FRONT	100K0429	
	02T140	HOOD (BONNET) UPPER AND SIDE	100K0429	
	02T141	HOOD REAR (BONNET REAR)	100K0429	
	02T142	SEAT	100K0429	
	02T143	SEAT [COMPONENT PARTS]	100K0429	
	02T144	FENDER	100K0429	
	02T145	FENDER BRACKET	100K0429	
	02T146	FENDER BRACKET (LOW PROFILE KIT) [OPTION]	100K0429	
		02T14701	STEP [OLD TYPE]	100K0429
		02T14702	STEP [NEW TYPE]	100K0429
		02T148	TOOLS BOX	100K0429
		02T149	ROPS	100K0429
LABELS	02T15001	LABEL 1	100K0429	
	02T15002	LABEL 1 [SU TYPE]	100K0429	
	02T15101	LABEL 2 [EXCEPT MANUAL SHUTTLE]	100K0429	
	02T15102	LABEL 2 [MANUAL SHUTTLE]	100K0429	
ACCESSORIES	02T152	ACCESSORIES AND SERVICE PARTS	100K0429	

# CRANKCASE



CRANKCASE

- 010 17302-0101-0
- 010 17301-0101-0
- 330 15221-3568-0
- 350 04211-50120
- 360 15221-7284-0



17302-800-10



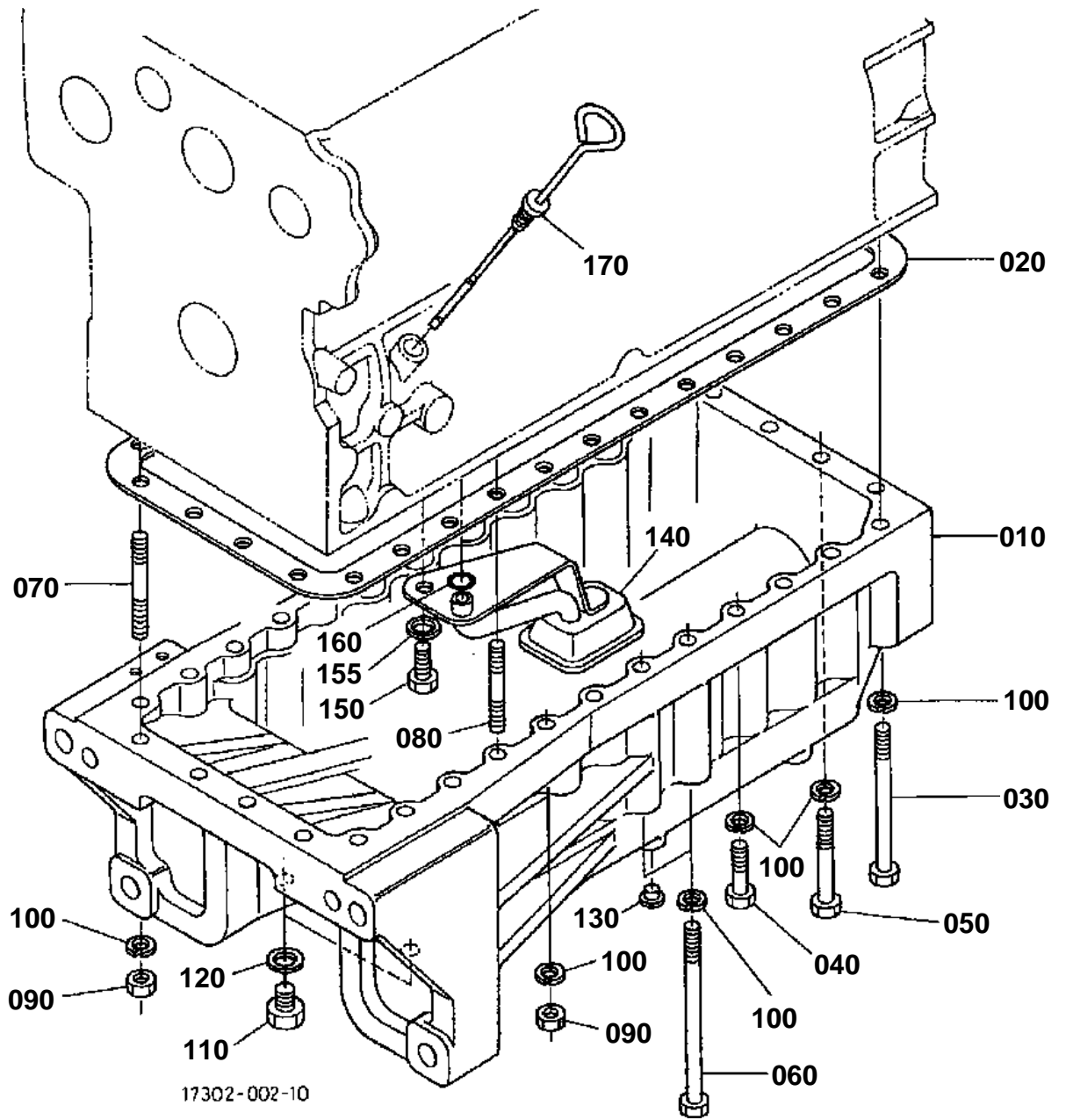


# CRANKCASE

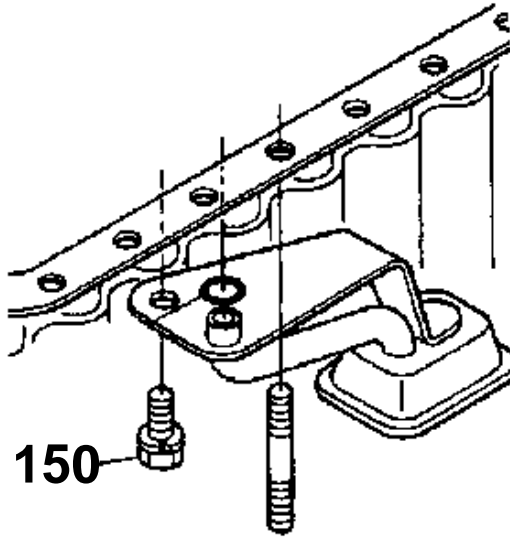
↔ Interchangeable; ≠ not interchangeable; ← new for old; → old for new

REF.No	Part No.	Description	Q'ty	S.No.	I/C	REMARKS	Weight (kgf)	Weight (lb)
010	17301-01010	COMP.CRANKCASE	1	<=50132			95	209
010	17301-01013	COMP.CRANKCASE	1	>=50133	≠		95	209
010	17301-01014	COMP.CRANKCASE	1	>=67197	≠		93	204.6
020	34150-27580	PLUG	3				0.001	0.0022
030	06311-75018	PLUG EXPANSION	3	<=84111			0.004	0.0088
030	17391-96160	PLUG EXPANSION	3	>=84112	←		0.003	0.0066
040	15221-03380	CAP SEALING	10				0.017	0.0374
050	15221-03390	CAP SEALING	1				0.03	0.066
055	15221-03390	CAP SEALING	1				0.03	0.066
060	06311-75045	PLUG EXPANSION	1	<=72635			0.026	0.0572
060	16271-96160	PLUG EXPANSION	1	>=72636	↔		0.025	0.055
070	15521-96020	PLUG	2				0.003	0.0066
080	15521-96030	PLUG	1				0.007	0.0154
090	05012-00408	PIN STRAIGHT	2				0.001	0.0022
100	05012-00609	PIN STRAIGHT	2				0.003	0.0066
110	05012-00612	PIN STRAIGHT	2				0.003	0.0066
120	05012-01018	PIN STRAIGHT	1				0.012	0.0264
130	15221-33650	PIN PIPE	1				0.004	0.0088
140	15321-73340	PIPE WATER RETURN	1				0.016	0.0352
150	15521-02310	LINER CYLINDER	6				0.66	1.452
160	15202-94570	PIN JOINT	1	>=40852			0.014	0.0308
170	15221-33700	O RING	1				0.001	0.0022
180	15221-33610	PLUG	7				0.009	0.0198
190	15021-33660	GASKET	6				0.001	0.0022
200	15221-33750	PLUG	1				0.032	0.0704
210	15109-33660	GASKET	1				0.001	0.0022
220	15221-33140	PLUG OIL FILLER	1	<=90278			0.038	0.0836
220	15852-33140	PLUG OIL FILLER	1	>=90279	↔		0.038	0.0836
230	04811-50300	O RING	1				0.001	0.0022
240	15601-33110	FLANGE OIL FILLER	1				0.195	0.429
250	15625-32890	GASKET	1				0.001	0.0022
260	01123-50825	BOLT	2	<=119194			0.013	0.0286
260	01123-50822	BOLT	2	>=119195	↔		0.012	0.0264
270	15471-35010	ASSY PUMP OIL	1				0	0
280	15296-35150	GASKET OIL PUMP	1				0	0
290	01053-50650	BOLT	4				0.011	0.0242
300	04512-60060	WASHER SPRING	4				0.001	0.0022
310	17301-35660	GEAR OIL PUMP DRIVE	1				0.222	0.4884
320	05712-00410	KEY FEATHER	1				0.001	0.0022
330	15221-35680	NUT	1	<=54893			0	0
330	15221-35682	NUT FLANGE	1	>=54894	←		0.014	0.0308
340	15531-39010	SWITCH OIL	1				0.032	0.0704
350	04211-50120	WASHER WITH CLAW	1	<=54893			0.003	0.0066
360	15221-72840	PIPE WATER	1	<=49639			0.078	0.1716

OIL PAN



150 01123-50816



17302-801-10

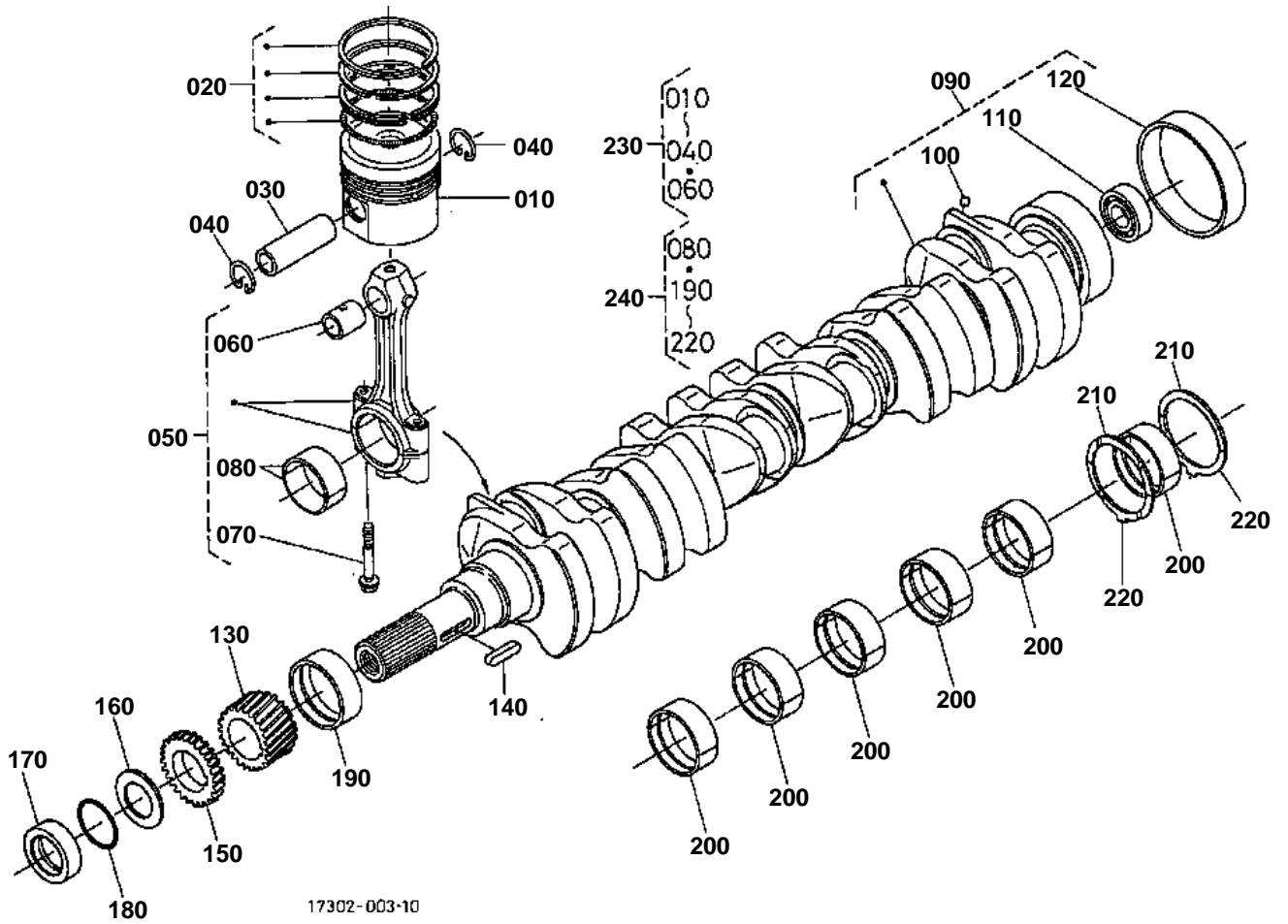


# OIL PAN

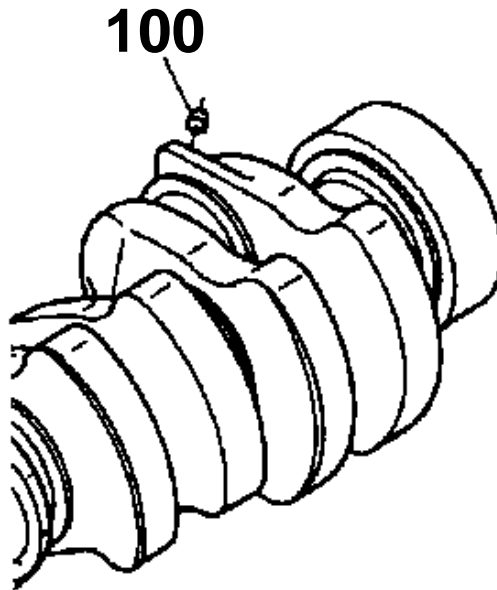
↔ Interchangeable; ≠ not interchangeable; ← new for old; → old for new

REF.No	Part No.	Description	Q'ty	S.No.	I/C	REMARKS	Weight (kgf)	Weight (lb)
010	17301-01610	OIL PAN	1				47	103.4
020	15625-01620	GASKET OIL PAN	1				0.025	0.055
030	15601-91070	BOLT	2				0.066	0.1452
040	01173-51055	BOLT	10				0.036	0.0792
050	01173-51085	BOLT	4				0.051	0.1122
060	17381-91010	BOLT	2				0.085	0.187
070	01517-51060	STUD	6				0.042	0.0924
080	01517-51045	STUD	8				0.032	0.0704
090	02176-50100	NUT	14				0.005	0.011
100	04512-60100	WASHER SPRING	32				0.002	0.0044
110	15221-33750	PLUG	2				0.032	0.0704
120	15109-33660	GASKET	2				0.001	0.0022
130	34150-27580	PLUG	5				0.001	0.0022
140	17301-32110	FILTER OIL	1	<=65747			0.324	0.7128
140	17301-32112	FILTER OIL	1	>=65748	≠		0.33	0.726
150	01123-60816	BOLT	1	<=89559			0.01	0.022
150	01153-50816	BOLT	1	>=89560	↔		0.01	0.022
155	04512-60080	WASHER SPRING	1	>=89560			0.002	0.0044
160	04811-00160	O RING	1	<=65747			0.001	0.0022
160	04811-00180	O RING	1	>=65748	≠		0.001	0.0022
170	17371-36410	GAUGE OIL	1				0.05	0.11

PISTON AND CRANKSHAFT



100 15131-0138-0



17302-802-10



## PISTON AND CRANKSHAFT

↔ Interchangeable; ≠ not interchangeable; ← new for old; → old for new

REF.No	Part No.	Description	Q'ty	S.No.	I/C	REMARKS	Weight (kgf)	Weight (lb)
010	19821-21110	PISTON	6	≤92011		STD	0.565	1.243
010	16109-21120	PISTON	6	≥92012	↔	STD	0.55	1.21
010	19821-21910	PISTON	6	≤92011		+0.50MM	0.55	1.21
010	16109-21910	PISTON	6	≥92012	↔	+0.50MM	0.54	1.188
020	15521-21050	ASSY PISTON RING	6			STD	0.06	0.132
020	15521-21092	ASSY PISTON RING	6			+0.50MM	0.055	0.121
030	14901-21310	PIN PISTON	6				0.17	0.374
040	14109-21330	CLIP PISTON PIN	12				0.015	0.033
050	17331-22010	ASSY CONNECTING ROD	6	≤53456			0	0
050	17311-22010	ASSY CONNECTING ROD	6	≥53457	↔		0.885	1.947
060	17331-21980	BUSH PISTON PIN	6				0.025	0.055
070	15521-22140	BOLT CONNECTING ROD	12	≤69101			0	0
070	15521-22142	BOLT CONNECTING ROD	12	≥69102	↔		0.026	0.0572
080	17331-22310	METAL CRANKPIN	6	≤53456		STD	0.045	0.099
080	17311-22310	METAL CRANKPIN	6	≥53457	↔	STD	0.045	0.099
080	17331-22970	METAL CRANKPIN	6			-0.20MM	0.05	0.11
080	17331-22980	METAL CRANKPIN	6			-0.40MM	0.045	0.099
090	17301-23010	COMP.CRANKSHAFT	1				31	68.2
100	15131-01380	PLUG PIN	6	≤50200			0.001	0.0022
100	07715-03209	BALL	6	≥50201	≠		0.002	0.0044
100	07715-00401	BALL	6	≥53452	≠		0.001	0.0022
110	15601-23420	BEARING PILOT	1				0.07	0.154
120	17381-23280	SLEEVE CRANKSHAFT	1				0.09	0.198
130	15601-24110	GEAR CRANK	1				0.34	0.748
140	05712-00730	KEY FEATHER	1				0.011	0.0242
150	15601-35630	GEAR OIL PUMP DRIVE	1	≤52113			0.181	0.3982
150	15401-35630	GEAR OIL PUMP DRIVE	1	≥52114	↔		0.185	0.407
160	15401-23310	SLINGER OIL	1	≤53451			0	0
160	15401-23312	SLINGER OIL	1	≥53452	←		0.01	0.022
170	17381-23250	COLLAR CRANKSHAFT	1				0.07	0.154
180	04811-10300	O RING	1				0.001	0.0022
190	17331-23470	METAL CRANKSHAFT	1	≤53456		STD	0.06	0.132
190	17311-23470	METAL CRANKSHAFT	1	≥53457	↔	STD	0	0
190	17331-23910	METAL CRANKSHAFT	1	≤53456		-0.20MM	0	0
190	17311-23910	METAL CRANKSHAFT	1	≥53457	↔	-0.20MM	0.05	0.11
190	17311-23920	METAL CRANKSHAFT	1	≤53456		-0.40MM	0.06	0.132
190	17311-23920	METAL CRANKSHAFT	1	≥53457	↔	-0.40MM	0.06	0.132
200	17331-23480	METAL CRANKSHAFT	6	≤53456		STD	0.05	0.11
200	17311-23480	METAL CRANKSHAFT	6	≥53457	↔	STD	0.045	0.099
200	17331-23930	METAL CRANKSHAFT	6	≤53456		-0.20MM	0	0
200	17311-23930	METAL CRANKSHAFT	6	≥53457	↔	-0.20MM	0.05	0.11
200	17331-23940	METAL CRANKSHAFT	6	≤53456		-0.40MM	0	0
200	17311-23940	METAL CRANKSHAFT	6	≥53457	↔	-0.40MM	0.06	0.132
210	15521-23530	METAL SIDE	2	≤109953		STD	0.01	0.022
210	15521-23530	METAL SIDE	2	≥109954	↔	STD	0.01	0.022
210	15221-23950	METAL SIDE	2	≤109953		+0.20MM	0	0
210	15521-23950	METAL SIDE	2	≥109954	↔	+0.20MM	0.01	0.022
210	15221-23960	METAL SIDE	2	≤109953		+0.40MM	0	0
210	15521-23960	METAL SIDE	2	≥109954	↔	+0.40MM	0.01	0.022
220	15221-23540	METAL SIDE	2	≤109953		STD	0	0
220	19202-23540	METAL SIDE	2	≥109954	↔	STD	0.01	0.022
220	15221-23970	METAL SIDE	2	≤109953		+0.20MM	0.009	0.0198
220	19202-23970	METAL SIDE	2	≥109954	↔	+0.20MM	0.01	0.022
220	15221-23980	METAL SIDE	2	≤109953		+0.40MM	0.009	0.0198
220	19202-23980	METAL SIDE	2	≥109954	↔	+0.40MM	0.01	0.022
230	07916-27280	KIT PISTON-RING	6			STD	0.84	1.848



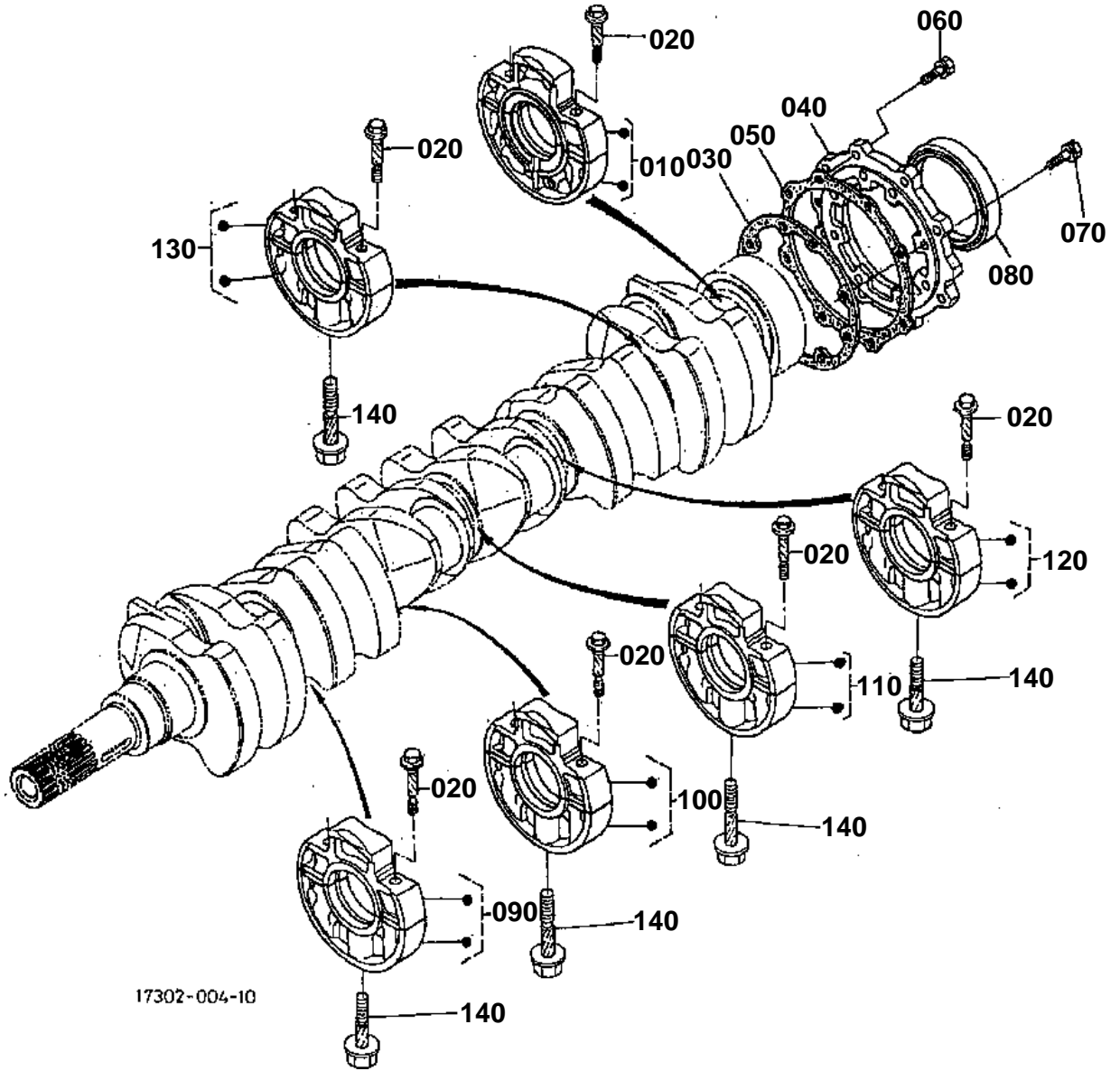
## PISTON AND CRANKSHAFT

↔ Interchangeable; ≠ not interchangeable; ← new for old; → old for new

REF.No	Part No.	Description	Q'ty	S.No.	I/C	REMARKS	Weight (kgf)	Weight (lb)
230	07916-27290	KIT PISTON-RING	6			+0.50MM	0.2	0.44
240	07916-28230	KIT METAL ENGINE	1			STD	0.56	1.232
240	07916-28810	KIT METAL ENGINE	1			-0.20MM/+0.20MM	0	0
240	07916-28820	KIT METAL ENGINE	1			-0.40MM/+0.40MM	0.65	1.43

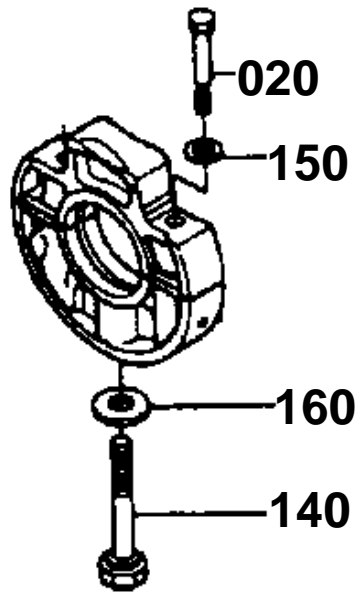
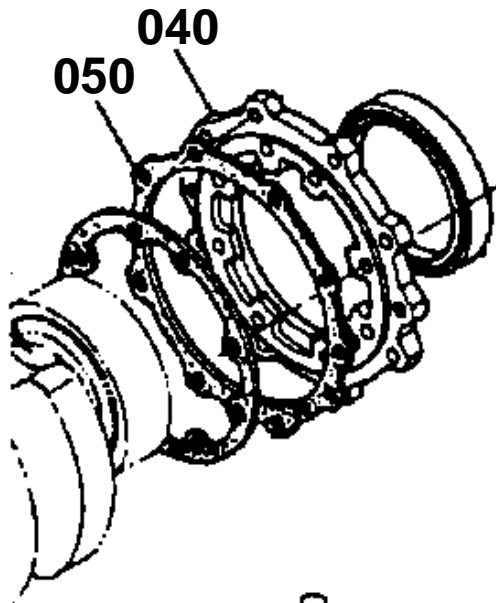


MAIN BEARING CASE



MAIN BEARING CASE

- 020 15521-0454-0
- 040 19202-0481-0
- 050 15221-0482-0
- 140 15291-0456-0
- 150 15521-9401-0
- 160 15521-9402-0



17302-803-10

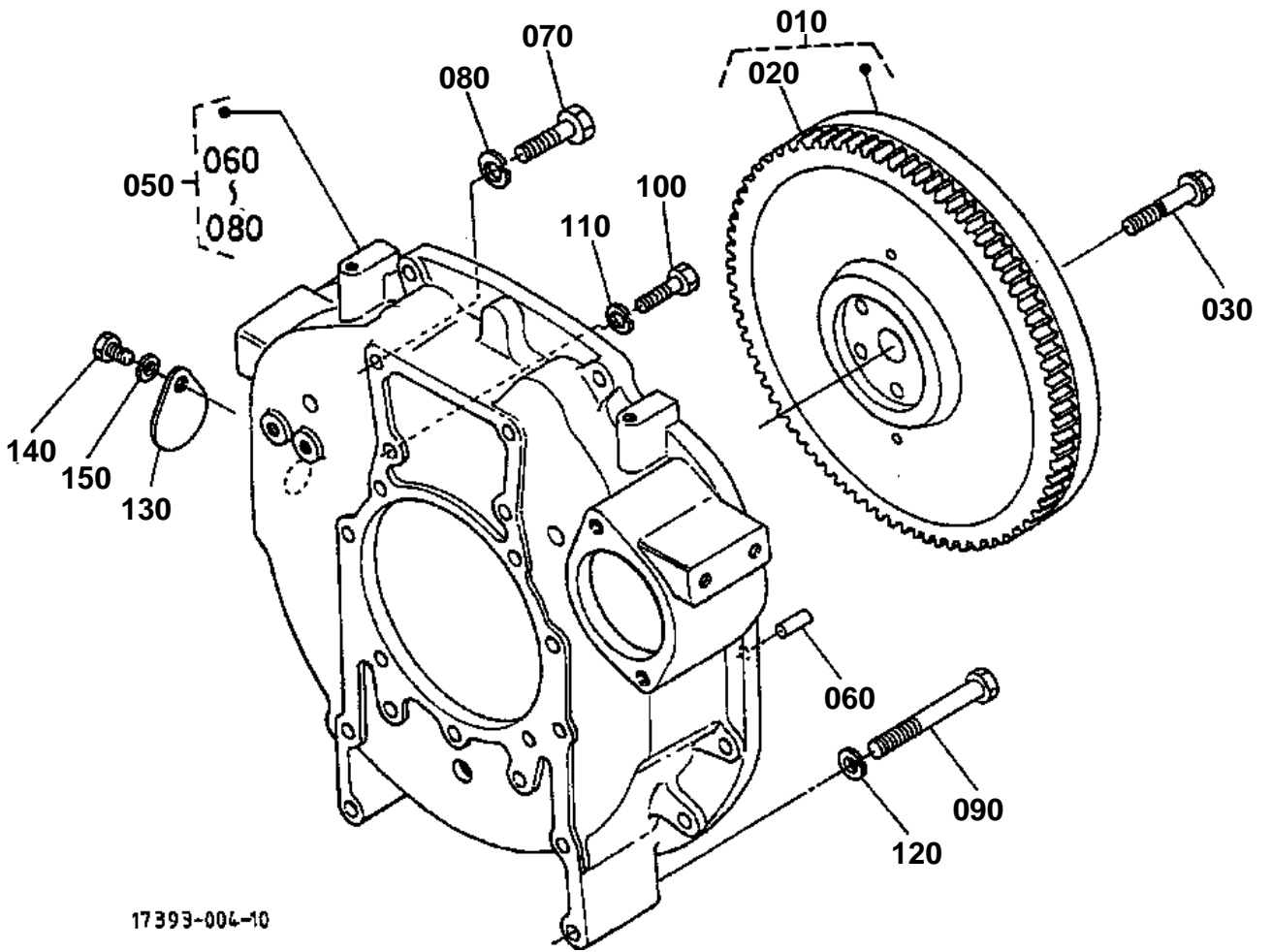


# MAIN BEARING CASE

↔ Interchangeable; ≠ not interchangeable; ← new for old; → old for new

REF.No	Part No.	Description	Q'ty	S.No.	I/C	REMARKS	Weight (kgf)	Weight (lb)
010	19202-04040	ASSY CASE MAIN BRG.	1				1.28	2.816
020	15521-04540	BOLT BEARING CASE	12	←=57018			0	0
020	15601-04540	BOLT BEARING CASE	12	>=57019	≠		0.034	0.0748
030	15221-04360	GASKET	1	←=92961			0	0
030	19207-04360	GASKET	1	>=92962	↔		0.005	0.011
030	19207-04360	GASKET BEARING CASE	1	>=110857	↔		0.005	0.011
040	19202-04810	COVER BEARING CASE	1	←=65747			0.36	0.792
040	17381-04810	COVER BEARING CASE	1	>=65748	≠		0	0
040	17381-04812	COVER BEARING CASE	1	>=70566	←		0.4	0.88
050	15296-04820	GASKET	1	←=65747			0.01	0.022
050	16361-04820	GASKET BRG.CASE COV.	1	>=65748	≠		0.005	0.011
060	01123-50825	BOLT	8				0.013	0.0286
070	01123-50828	BOLT	8				0.014	0.0308
080	17381-04460	SEAL OIL	1				0.05	0.11
090	17331-04050	ASSY CASE BEARING	1				0	0
100	17331-04060	ASSY CASE BEARING	1				0	0
110	17345-04070	ASSY CASE MAIN BRG.	1	←=51078			0	0
110	17345-04073	ASSY CASE BEARING	1	>=51079	↔		1.27	2.794
120	15601-04080	ASSY CASE MAIN BRG.	1	←=51078			1.28	2.816
120	15601-04083	ASSY CASE MAIN BRG.	1	>=51079	≠		1.2	2.64
130	15601-04090	ASSY CASE MAIN BRG.	1	←=51078			1.3	2.86
130	15601-04093	ASSY CASE MAIN BRG.	1	>=51079	≠		1.28	2.816
140	15291-04560	BOLT	5	←=61706			0.06	0.132
140	15601-04560	BOLT BEARING CASE	5	>=61707	≠		0.06	0.132
150	15521-94010	WASHER PLAIN	12	←=57018			0.001	0.0022
160	15521-94020	WASHER PLAIN	5	←=61706			0.004	0.0088

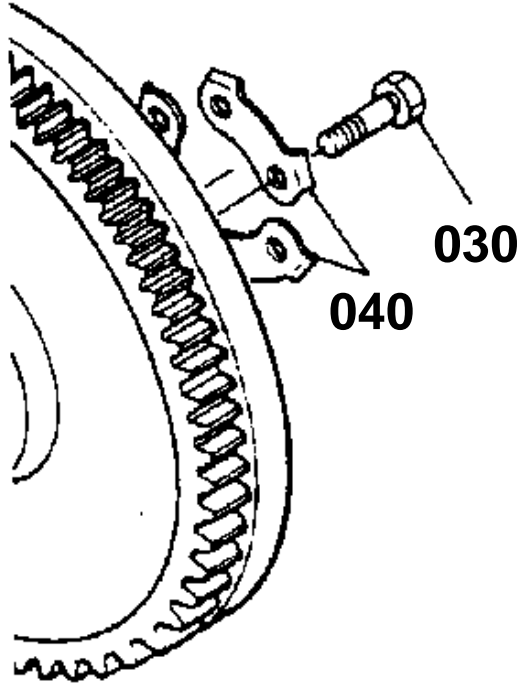
FLYWHEEL



FLYWHEEL

030 15321-2516-0

040 15601-2517-0



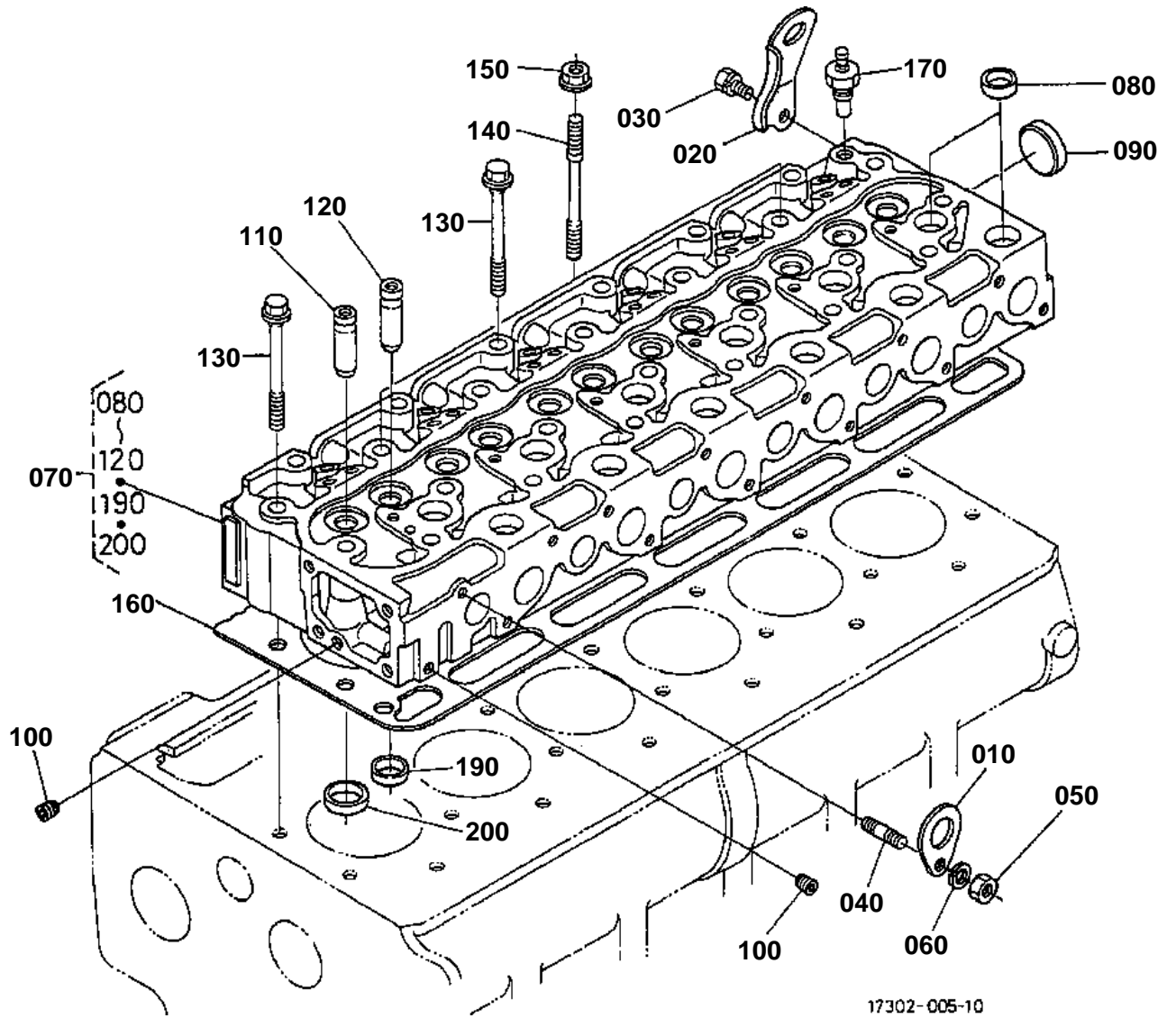
17302-804-10

**FLYWHEEL**

↔ Interchangeable; ≠ not interchangeable; ← new for old; → old for new

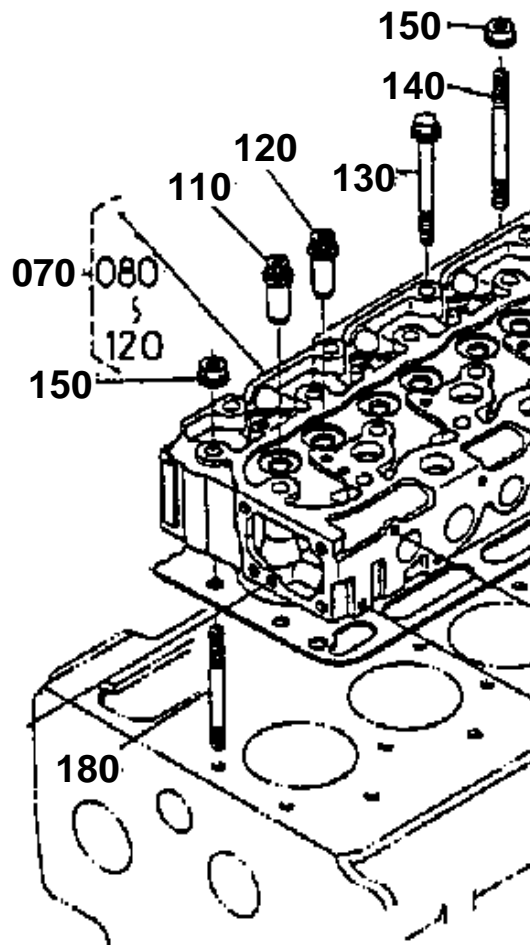
REF.No	Part No.	Description	Q'ty	S.No.	I/C	REMARKS	Weight (kgf)	Weight (lb)
010	17301-25010	COMP.FLYWHEEL	1	≤48404			0	0
010	15601-25010	COMP.FLYWHEEL	1	≥48405	←		0	0
010	15601-25012	COMP.FLYWHEEL	1	≥77289	↔		22	48.4
020	15601-63820	GEAR RING	1	≤86030			0	0
020	15602-63820	GEAR RING	1	≥86031	↔		2	4.4
030	15321-25160	BOLT FLYWHEEL	6	≤62475			0.05	0.11
030	15321-25163	BOLT FLYWHEEL	6	≥62476	≠		0.05	0.11
040	15601-25170	WASHER FLYWHEEL	3	≤62475			0.009	0.0198
050	15601-04600	COMP.HOUSING F-W.	1	≤64747			18.5	40.7
050	15601-04602	COMP.HOUSING F-W.	1	≥64748	≠		19.3	42.46
060	05012-01018	PIN STRAIGHT	2				0.012	0.0264
070	01073-51250	BOLT	2				0.055	0.121
080	04512-60120	WASHER SPRING	2				0.005	0.011
090	01073-51290	BOLT	2				0.087	0.1914
100	01073-51032	BOLT	11				0.03	0.066
110	04512-60100	WASHER SPRING	11				0.002	0.0044
120	04512-60120	WASHER SPRING	2				0.005	0.011
130	31220-14170	COVER	1				0.014	0.0308
140	01153-50812	BOLT	1				0.008	0.0176
150	04512-60080	WASHER SPRING	1				0.002	0.0044

# CYLINDER HEAD



CYLINDER HEAD

- 070 17301-0304-0
- 110 17331-1358-0
- 120 17331-1356-0
- 130 19202-0345-0
- 140 15612-0342-0
- 150 19202-0351-0
- 180 19202-0341-0



17302-805-10

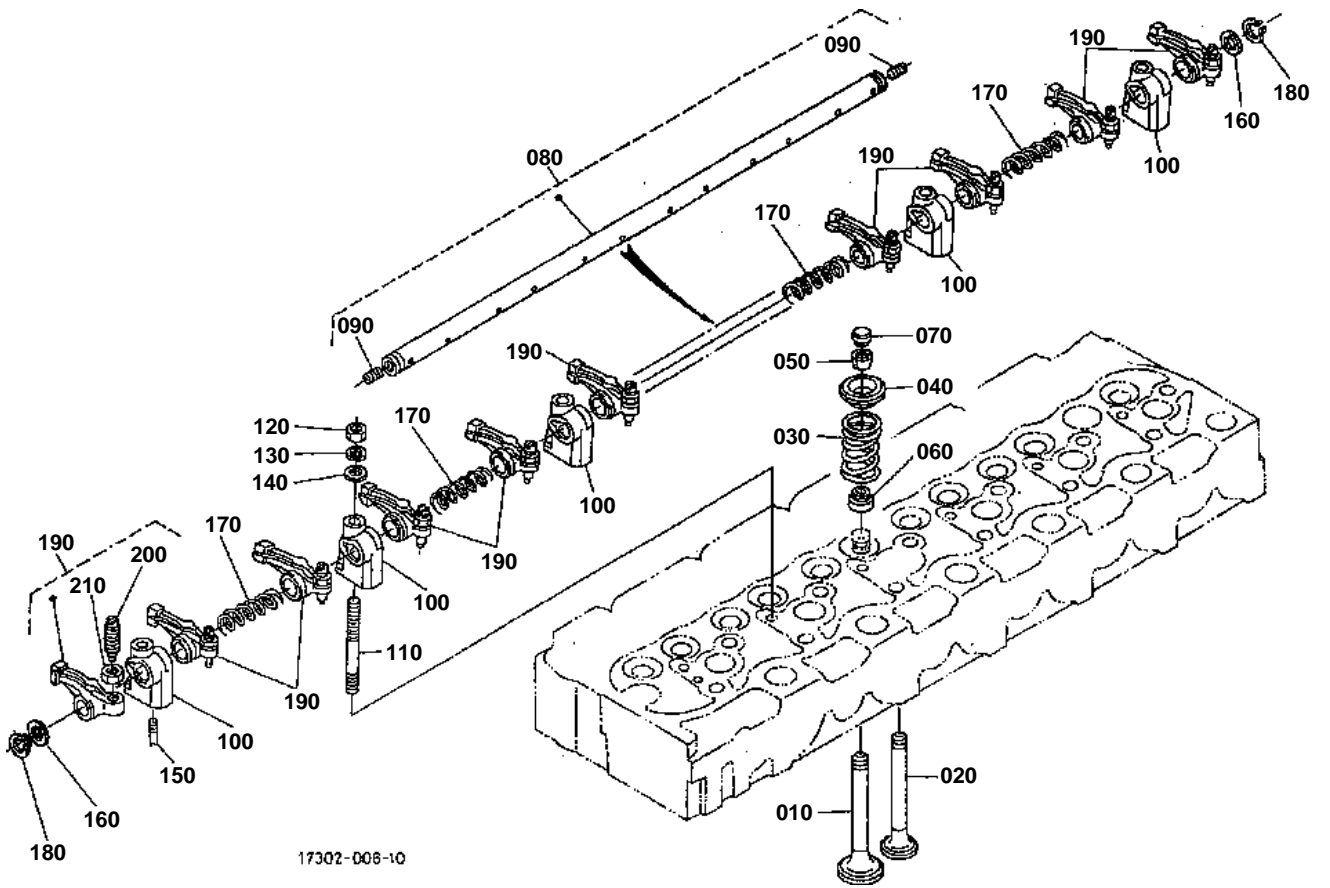


**CYLINDER HEAD**

↔ Interchangeable; ≠ not interchangeable; ← new for old; → old for new

REF.No	Part No.	Description	Q'ty	S.No.	I/C	REMARKS	Weight (kgf)	Weight (lb)
010	15221-01750	HOOK ENGINE	1				0.04	0.088
020	17331-01750	HOOK ENGINE	1				0.09	0.198
030	01123-60816	BOLT	1				0.01	0.022
040	15471-91530	STUD	1				0.01	0.022
050	02156-50080	NUT	1				0.004	0.0088
060	04512-60080	WASHER SPRING	1				0.002	0.0044
070	17301-03040	COMP.CYLINDER HEAD	1	≤65747			29	63.8
070	17301-03043	COMP.CYLINDER HEAD	1	≥65748	≠		31	68.2
080	15221-03370	CAP SEALING	18				0.01	0.022
090	15221-03490	CAP SEALING	1				0.02	0.044
100	15261-96010	PLUG	2				0.002	0.0044
110	17331-13580	GUIDE INLET VALVE	6	≤49021			0	0
110	17321-13580	GUIDE INLET VALVE	6	≥49022	↔		0.015	0.033
120	17331-13560	GUIDE EXHAUST VALVE	6	≤49021			0	0
120	17321-13560	GUIDE EXHAUST VALVE	6	≥49022	↔		0.02	0.044
130	19202-03450	BOLT CYLINDER HEAD	22	≤43189			0.065	0.143
130	19202-03450	BOLT CYLINDER HEAD	24	≥43190			0.065	0.143
130	17391-03450	BOLT CYLINDER HEAD	24	≥65748	≠		0.007	0.0154
140	15612-03420	STUD CYLINDER HEAD	2	≤65747			0.07	0.154
140	17391-03420	STUD CYLINDER HEAD	2	≥65748	≠		0.071	0.1562
150	19202-03510	NUT CYLINDER HEAD	4	≤43189			0.012	0.0264
150	19202-03510	NUT CYLINDER HEAD	2	≥43190			0.012	0.0264
160	17301-03310	GASKET CYLINDER HEAD	1	≤65747			0.2	0.44
160	17303-03310	GASKET CYLINDER HEAD	1	≥65748	≠		0.17	0.374
170	31351-32830	SENSOR THERMO	1				0.02	0.044
180	19202-03410	STUD CYLINDER HEAD	2	≤43189			0.065	0.143
190	17331-13620	SEAT INLET VALVE	6				0.01	0.022
200	17331-13610	SEAT EXHAUST VALVE	6				0.05	0.11

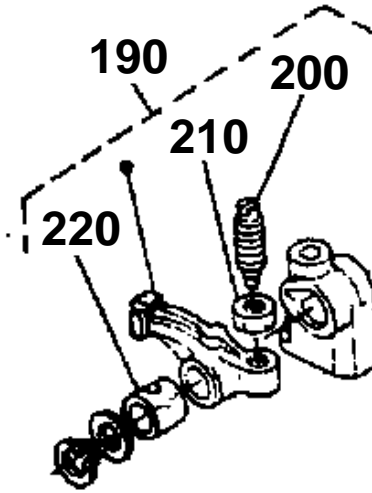
# VALVE AND ROCKER ARM



VALVE AND ROCKER ARM

---

190 15601-1403-0  
220 15221-1418-0



17302-806-10

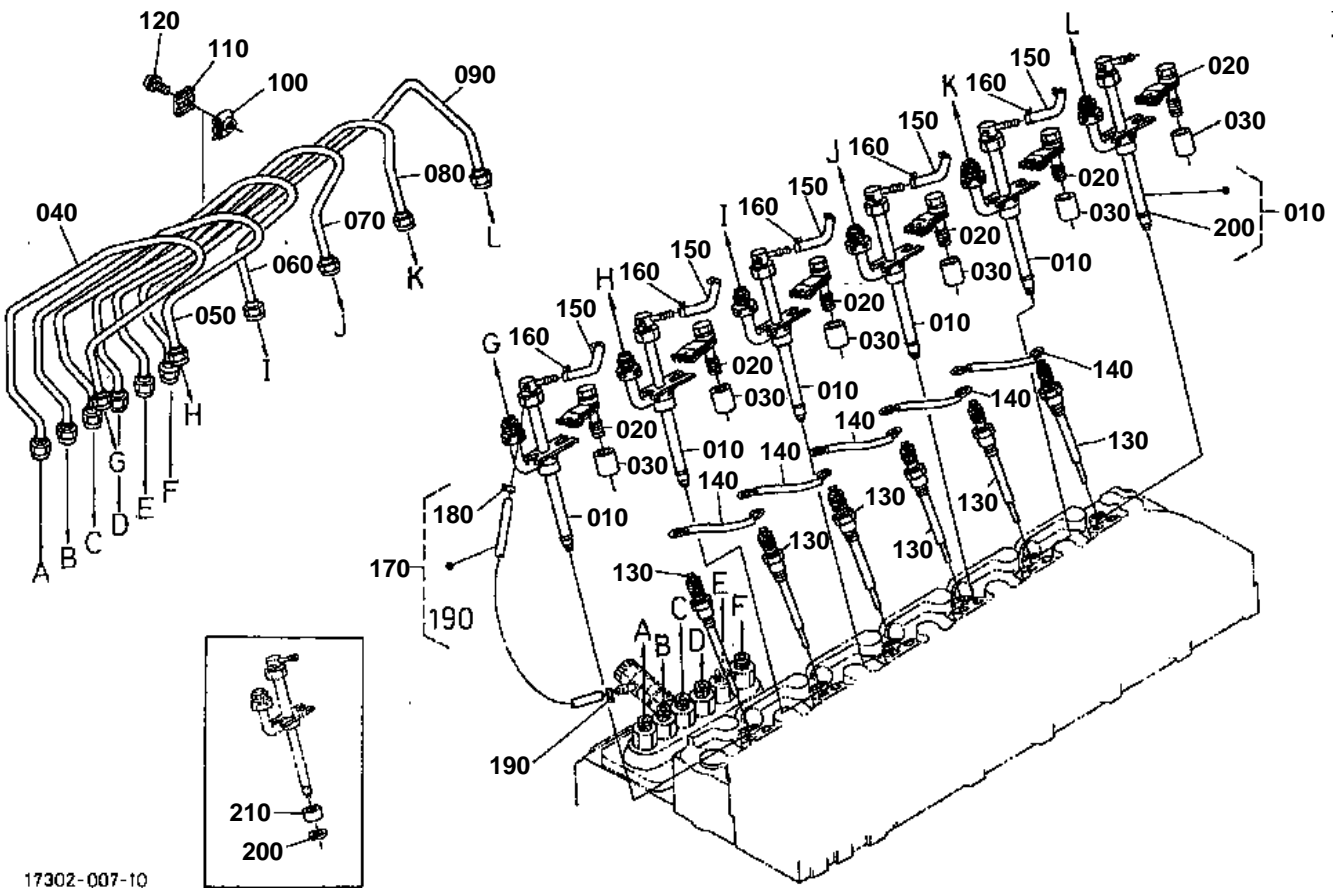


# VALVE AND ROCKER ARM

↔ Interchangeable; ≠ not interchangeable; ← new for old; → old for new

REF.No	Part No.	Description	Q'ty	S.No.	I/C	REMARKS	Weight (kgf)	Weight (lb)
010	17331-13110	VALVE INLET	6	<=57018			0.065	0.143
010	17381-13110	VALVE INLET	6	>=57019	↔		0.05	0.11
020	17331-13120	VALVE EXHAUST	6	<=57018			0.061	0.1342
020	17381-13120	VALVE EXHAUST	6	>=57019	↔		0.05	0.11
030	15221-13240	SPRING VALVE	12				0.036	0.0792
040	15221-13330	RETAINER VALVE SP.	12				0.03	0.066
050	15221-13360	COLLET VALVE SPRING	12				0	0
060	15221-13150	SEAL VALVE STEM	12				0.001	0.0022
070	15221-13280	CAP VALVE	12				0.006	0.0132
080	15601-14050	ASSY SHAFT R-ARM	1				0	0
090	03410-00808	SCREW SET	2				0.002	0.0044
100	15221-14350	BRACKET ROCKER ARM	6				0.044	0.0968
110	15521-91500	STUD	6				0.035	0.077
120	02156-50080	NUT	6				0.004	0.0088
130	04512-60080	WASHER SPRING	6				0.002	0.0044
140	04012-50080	WASHER PLAIN	6				0.001	0.0022
150	15221-14420	SCREW SET.ROCKER ARM	1				0.003	0.0066
160	15221-14430	WASHER R-ARM.SHAFT	2				0.002	0.0044
170	15221-14310	SPRING ROCKER ARM	5				0.005	0.011
180	04612-00140	CIRCLIP EXTERNAL	2				0.001	0.0022
190	15601-14030	ASSY ROCKER ARM	12	<=71275			0	0
190	15621-14030	ASSY ROCKER ARM	12	>=71276	↔		0.1	0.22
200	15521-14230	SCREW ADJUSTING	12				0.009	0.0198
210	15021-14240	NUT	12				0.003	0.0066
220	15221-14180	BUSH ROCKER ARM	12	<=71275			0.007	0.0154

NOZZLE AND GLOW PLUG

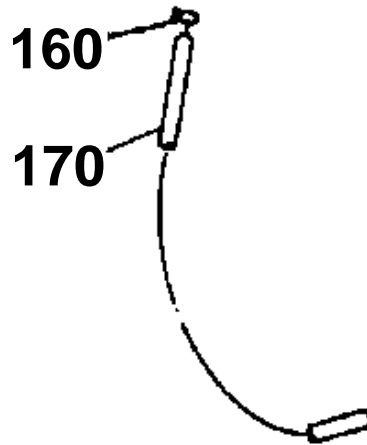


NOZZLE AND GLOW PLUG

---

160 14971-4275-0

170 15471-4252-0



17302-807-10

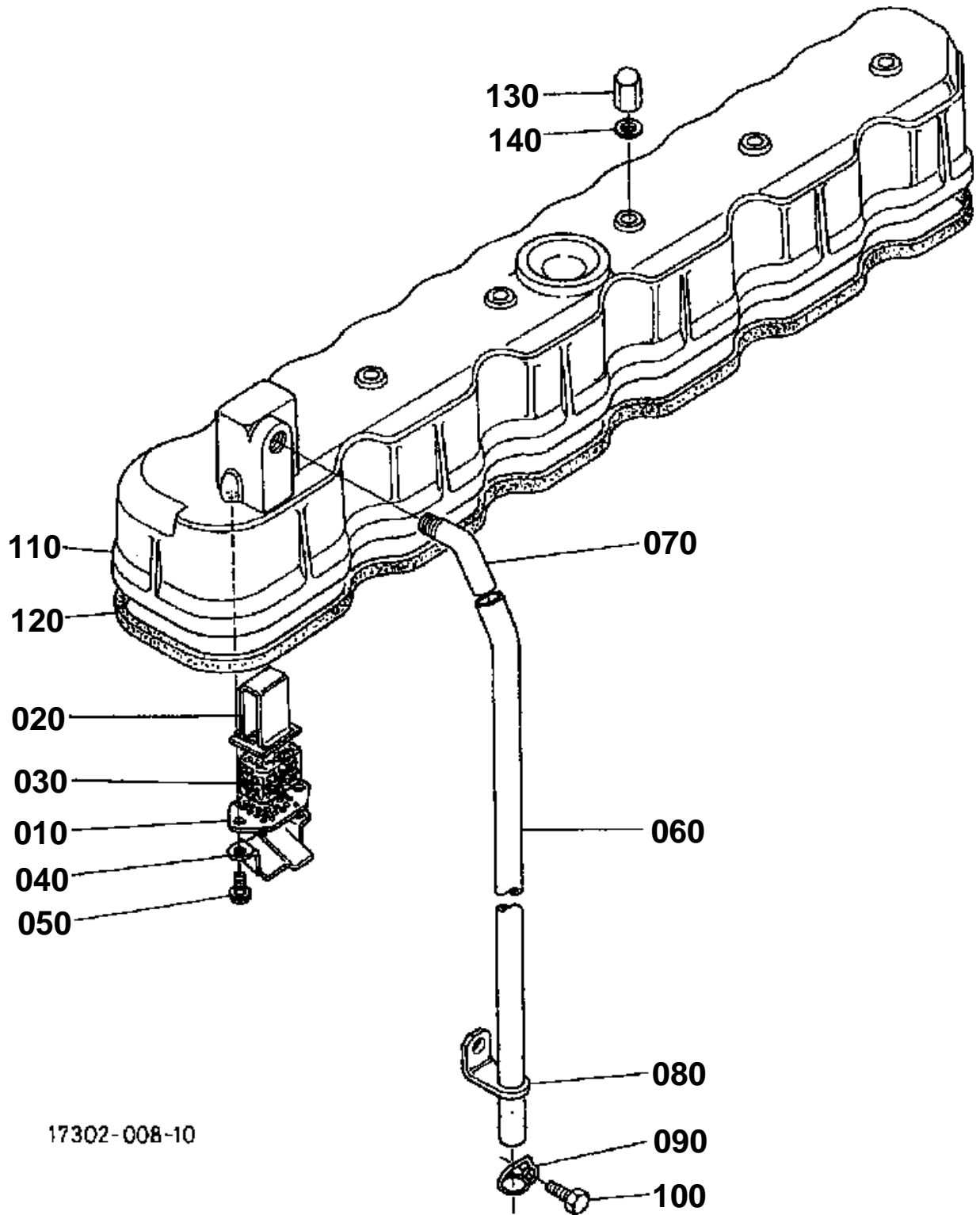


# NOZZLE AND GLOW PLUG

↔ Interchangeable; ≠ not interchangeable; ← new for old; → old for new

REF.No	Part No.	Description	Q'ty	S.No.	I/C	REMARKS	Weight (kgf)	Weight (lb)
010	17391-53000	ASSY NOZZLE	6				0.16	0.352
020	17371-53450	CLAMP NOZZLE	6				0.035	0.077
030	17371-53460	SPACER NOZZLE	6				0.015	0.033
040	17301-53710	PIPE INJECTION	1				0.172	0.3784
050	17301-53720	PIPE INJECTION	1				0.15	0.33
060	17301-53730	PIPE INJECTION	1				0.15	0.33
070	17301-53740	PIPE INJECTION	1				0.15	0.33
080	17301-53750	PIPE INJECTION	1				0.15	0.33
090	17301-53760	PIPE INJECTION	1				0.15	0.33
100	15841-53850	CLAMP PIPE	10				0.01	0.022
110	15841-53860	CLAMP PIPE	10				0.009	0.0198
120	03024-50520	SCREW WITH WASHER	10				0.004	0.0088
130	17331-65510	GLOW PLUG	6				0.05	0.11
140	17331-65560	CORD GLOW PLUG	5				0.005	0.011
150	17301-42510	PIPE FUEL OVER FLOW	5				0	0
160	14971-42750	CLIP PIPE	12	<=46074			0.001	0.0022
160	14971-42750	CLIP PIPE	10	>=46075			0.001	0.0022
170	15471-42520	PIPE FUEL OVER FLOW	1	<=46074			0	0
170	17331-42500	PIPE FUEL OVER FLOW	1	>=46075	↔		0.02	0.044
180	14971-42750	CLIP PIPE	1	>=46075			0.001	0.0022
190	10244-42320	CLIP PIPE	1	>=46075			0.001	0.0022
200	17331-53180	SEAL CARBON STOP	6				0.001	0.0022
210	17371-99220	SEAL COMPRESSION	6				0.001	0.0022

CYLINDER HEAD COVER



17302-008-10



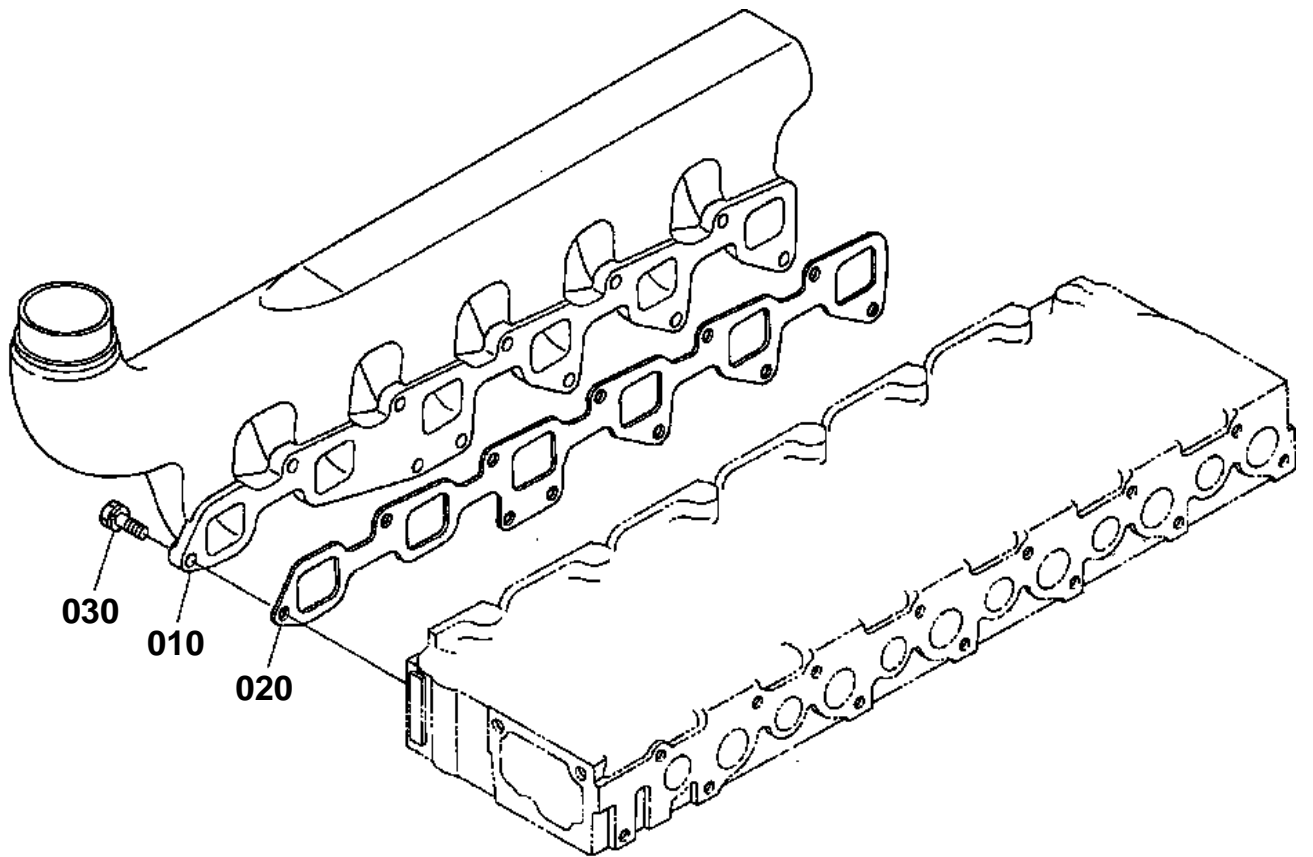


# CYLINDER HEAD COVER

↔ Interchangeable; ≠ not interchangeable; ← new for old; → old for new

REF.No	Part No.	Description	Q'ty	S.No.	I/C	REMARKS	Weight (kgf)	Weight (lb)
010	15521-05140	PLATE B/THER ELEMENT	1				0.005	0.011
020	15521-05150	PLATE B/THER ELEMENT	1				0.01	0.022
030	15521-05670	ELEMENT BREATHER	1				0.01	0.022
040	15521-05370	OIL SHIELD BREATHER	1				0.005	0.011
050	15521-93310	SCREW WITH WASHER	2	<=88313			0	0
050	03024-50510	SCREW WITH WASHER	2	>=88314	↔		0.002	0.0044
050	03034-50510	SCREW WITH WASHER	2	>=91147	↔		0.003	0.0066
060	15521-05510	PIPE BREATHER	1				0.075	0.165
070	15521-05550	JOINT BREATHER PIPE	1				0.04	0.088
080	15401-05580	CLAMP PIPE	1				0.02	0.044
090	15401-05590	CLAMP PIPE	1				0.003	0.0066
100	01173-51018	BOLT	1				0.018	0.0396
110	15621-14510	COVER CYL.HEAD	1				1.7	3.74
120	15621-14520	GASKET HEAD COVER	1				0.07	0.154
130	15451-92330	NUT CAP	6				0.015	0.033
140	15021-33660	GASKET	6				0.001	0.0022

# INLET MANIFOLD



17302-009-10

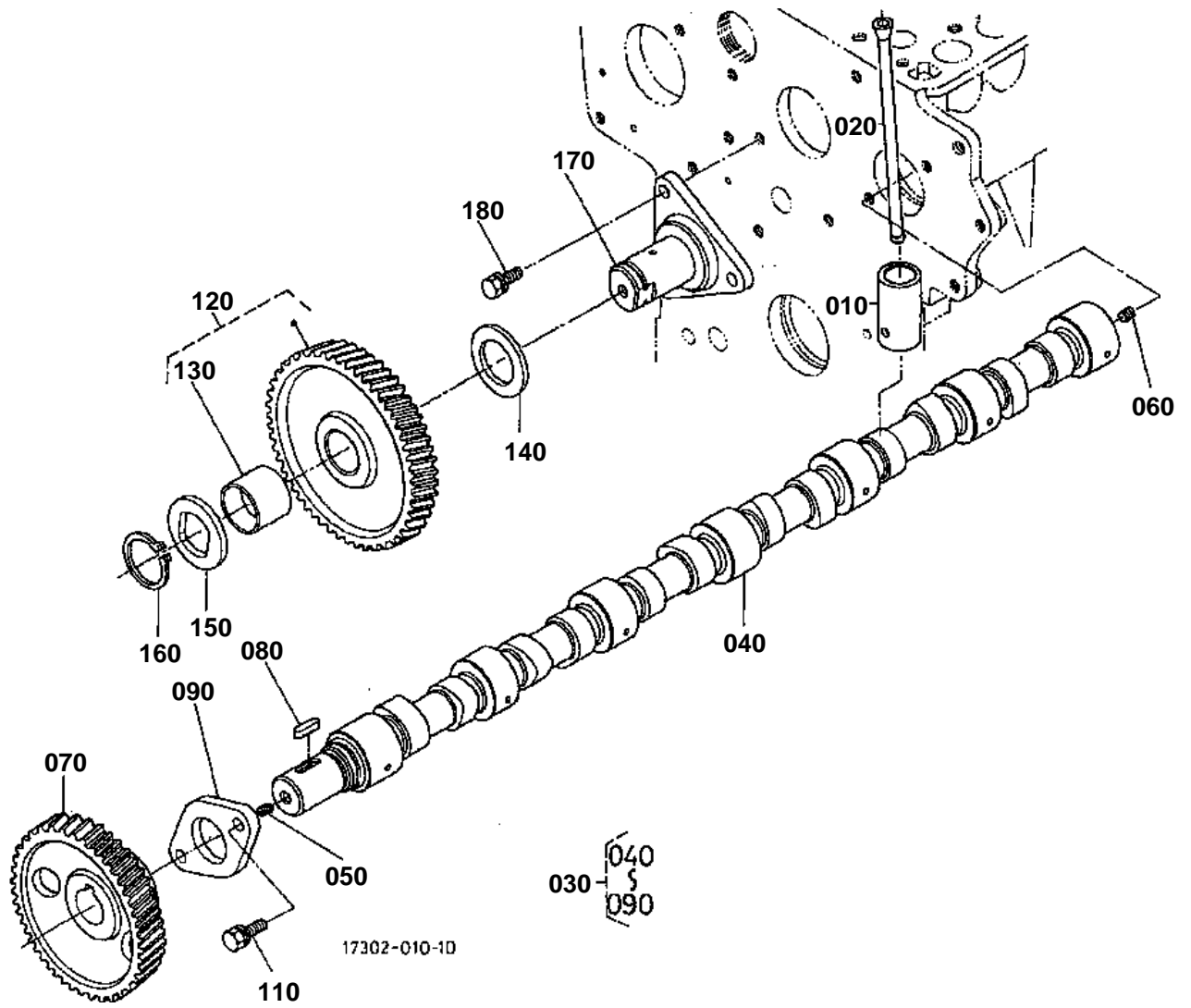


## INLET MANIFOLD

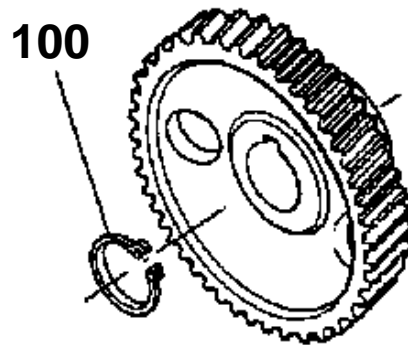
↔ Interchangeable; ≠ not interchangeable; ← new for old; → old for new

REF.No	Part No.	Description	Q'ty	S.No.	I/C	REMARKS	Weight (kgf)	Weight (lb)
010	17301-11760	MANIFOLD INLET	1				2.6	5.72
020	17303-11820	GASKET IN-MANIFOLD	1				0.023	0.0506
030	01123-50822	BOLT	11				0.012	0.0264

# CAMSHAFT

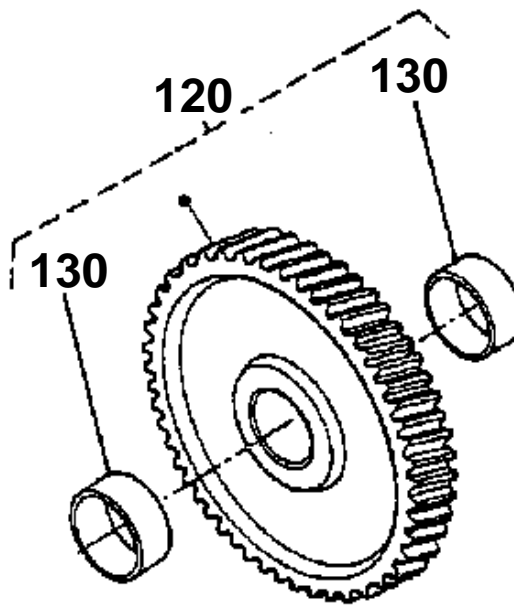


100 04612-00240



120 15601-2401-0

130 15221-2498-0



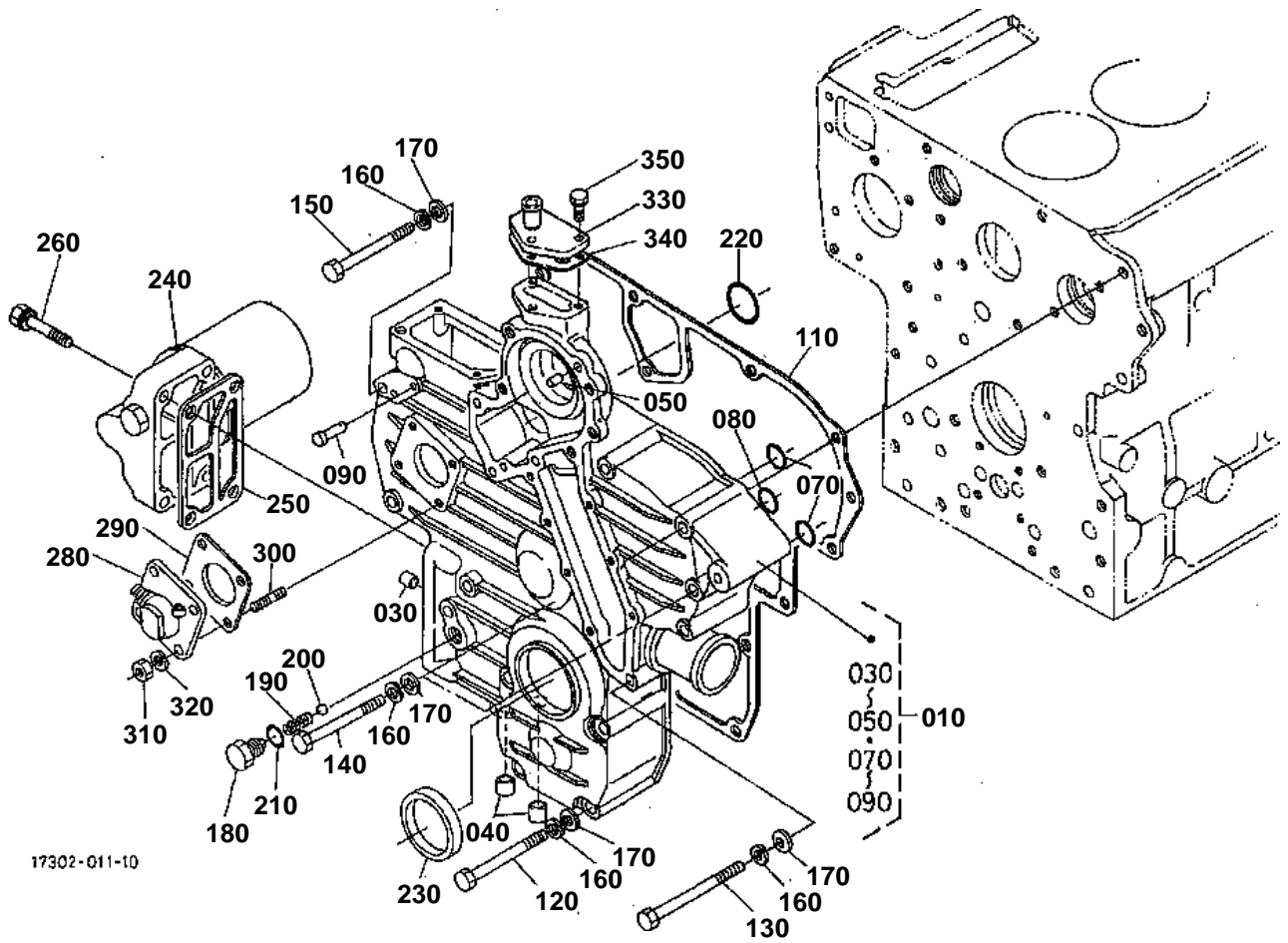
17302-808-10

**CAMSHAFT**

↔ Interchangeable; ≠ not interchangeable; ← new for old; → old for new

REF.No	Part No.	Description	Q'ty	S.No.	I/C	REMARKS	Weight (kgf)	Weight (lb)
010	15221-15550	TAPPET	12	<=55594			0	0
010	15601-15550	TAPPET	12	>=55595	≠		0.08	0.176
020	15221-15110	PUSH ROD	12				0.05	0.11
030	17301-16010	ASSY CAMSHAFT	1				4.4	9.68
040	17301-16150	CAMSHAFT	1				3.5	7.7
050	15521-93610	SCREW SET	1				0.002	0.0044
060	15601-93620	SCREW SET	1				0.025	0.055
070	15601-16510	GEAR CAM	1	<=52113			0	0
070	15221-16510	GEAR CAM	1	>=52114	↔		0.85	1.87
080	05712-00720	KEY FEATHER	1				0.008	0.0176
090	15221-16270	STOPPER CAMSHAFT	1				0.073	0.1606
100	04612-00240	CIRCLIP EXTERNAL	1	<=48404			0.002	0.0044
110	01123-50818	BOLT	2				0.012	0.0264
120	15601-24010	COMP GEAR IDLE	1	<=52113			1.07	2.354
120	17331-24010	COMP GEAR IDLE	1	>=52114	≠		1.11	2.442
130	15221-24980	BUSH IDLE GEAR	2	<=52113			0.02	0.044
130	17331-24980	BUSH IDLE GEAR	1	>=52114	≠		0.06	0.132
140	15521-24360	COLLAR	1	<=52113			0.015	0.033
140	17331-24360	COLLAR	1	>=52114	≠		0.02	0.044
150	15521-24370	COLLAR	1	<=52113			0.015	0.033
150	17331-24370	COLLAR	1	>=52114	≠		0.02	0.044
160	15221-24320	CIR CLIP IDLE GEAR	1	<=52113			0.01	0.022
160	15451-95390	CIRCLIP EXTERNAL	1	>=52114	≠		0.007	0.0154
170	15221-24250	SHAFT IDLE GEAR	1	<=52113			0.48	1.056
170	17331-24250	SHAFT IDLE GEAR	1	>=52114	≠		0.575	1.265
180	01123-50818	BOLT	3				0.012	0.0264

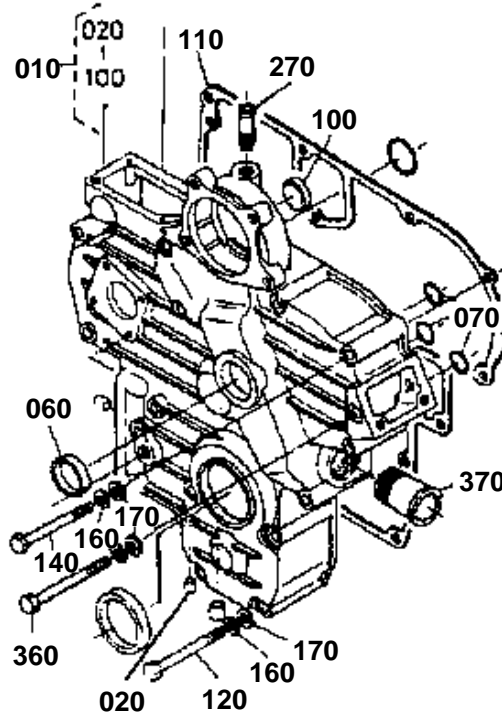
GEAR CASE



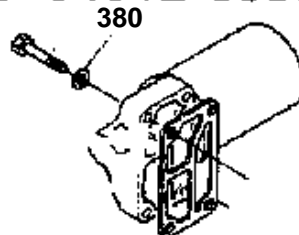
17302-011-10

GEAR CASE

- 010 17381-0402-0
- 010 17381-0402-2
- 020 17381-9605-0
- 060 15221-0349-0
- 070 04811-00150
- 100 15321-9626-0
- 120 15221-9104-0
- 270 15321-7334-0
- 360 01053-50885
- 370 15221-7288-0



380 04512-50080



17302-809-10





# GEAR CASE

↔ Interchangeable; ≠ not interchangeable; ← new for old; → old for new

REF.No	Part No.	Description	Q'ty	S.No.	I/C	REMARKS	Weight (kgf)	Weight (lb)
010	17381-04020	COMP.CASE GEAR	1	<=50132			4	8.8
010	17381-04022	COMP.CASE GEAR	1	>=50133	≠		0.39	0.858
010	17381-04023	COMP.CASE GEAR	1	>=65748	≠		4.1	9.02
010	17381-04024	ASSY CASE GEAR	1	>=80544	≠		3.67	8.074
020	17381-96050	PLUG	1	<=50132			0.002	0.0044
030	15221-33620	PLUG PIN	1				0.002	0.0044
040	15261-96020	PLUG	1	<=50132			0	0
040	15261-96020	PLUG	2	>=50133			0	0
040	16851-96010	PLUG	2	>=90279	↔		0.015	0.033
050	05012-00612	PIN STRAIGHT	2	>=80544			0.003	0.0066
060	15221-03490	CAP SEALING	1	<=80543			0.02	0.044
070	04811-00150	O RING	3	<=65747			0.001	0.0022
070	04811-00150	O RING	2	>=65748			0.001	0.0022
080	04811-00200	O RING	1	>=65748			0.001	0.0022
090	15221-56280	PIN START SPRING	1				0.006	0.0132
100	15321-96260	CAP SEALING	1	<=80543			0.014	0.0308
110	15313-04130	GASKET GEAR CASE	1	<=51078			0.002	0.0044
110	15601-04130	GASKET GEAR CASE	1	>=51079	←		0	0
110	15296-04132	GASKET GEAR CASE	1	>=65748	≠		0.03	0.066
120	15221-91010	BOLT	9	<=80543			0	0
120	17367-91010	BOLT	6	>=80544	≠		0.005	0.011
130	17367-91020	BOLT	3	>=80544			0.035	0.077
140	15321-91010	BOLT	4	<=50132			0.03	0.066
140	15321-91010	BOLT	5	>=50133			0.03	0.066
150	01053-50880	BOLT	1				0.03	0.066
160	04512-60080	WASHER SPRING	15				0.002	0.0044
170	04012-50080	WASHER PLAIN	15				0.001	0.0022
180	15221-38420	CAP SAFETY VALVE	1				0.025	0.055
190	15221-38440	SPRING	1				0.004	0.0088
200	07715-00803	BALL	1				0.004	0.0088
210	04811-00100	O RING	1				0.001	0.0022
220	04811-40240	O RING	1	<=50132			0.002	0.0044
220	04811-00360	O RING	1	>=50133	≠		0.002	0.0044
230	09550-00001	SEAL OIL	1				0.015	0.033
240	15402-32023	ASSY FILTER OIL	1			REFER TO L.No.0B11-R0 FOR COMPONENTS.	1.05	2.31
250	15296-32320	GASKET	1				0.006	0.0132
260	15402-91010	BOLT	4	<=78837			0	0
260	01123-50848	BOLT	4	>=78838	↔		0.02	0.044
270	15321-73340	PIPE WATER RETURN	1	<=50132			0.016	0.0352
280	37150-34660	ASSY GEAR CASE H/M	1				0.32	0.704
290	15296-88130	GASKET H/METER UNIT	1				0.002	0.0044
300	15221-88210	STUD	4				0.005	0.011
310	02056-50060	NUT	4				0.002	0.0044
320	04512-60060	WASHER SPRING	4				0.001	0.0022
330	15521-73320	FLANGE WATER RETURN	1	>=80544			0.04	0.088
340	15766-73330	GASKET	1	>=80544			0.002	0.0044
350	01023-50620	BOLT	3	>=80544			0.006	0.0132

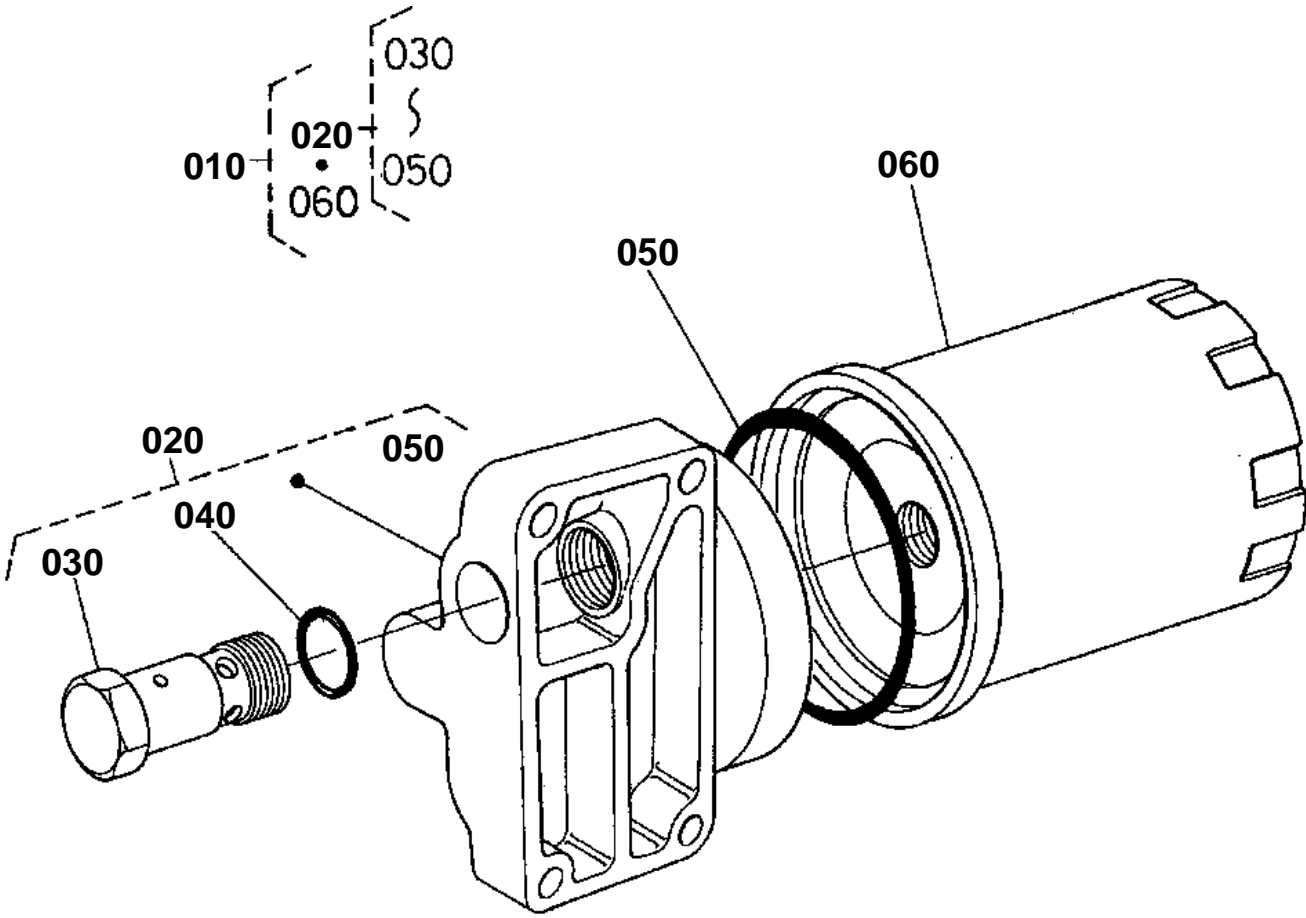


## GEAR CASE

↔ Interchangeable; ≠ not interchangeable; ← new for old; → old for new

REF.No	Part No.	Description	Q'ty	S.No.	I/C	REMARKS	Weight (kgf)	Weight (lb)
360	01053-50885	BOLT	1	≤50200			0.031	0.0682
370	15221-72880	PIPE WATER	1	≤49639			0.115	0.253
380	04512-60080	WASHER SPRING	4	≤78837			0.002	0.0044

OIL FILTER [COMPONENT PARTS]



17302-012-10

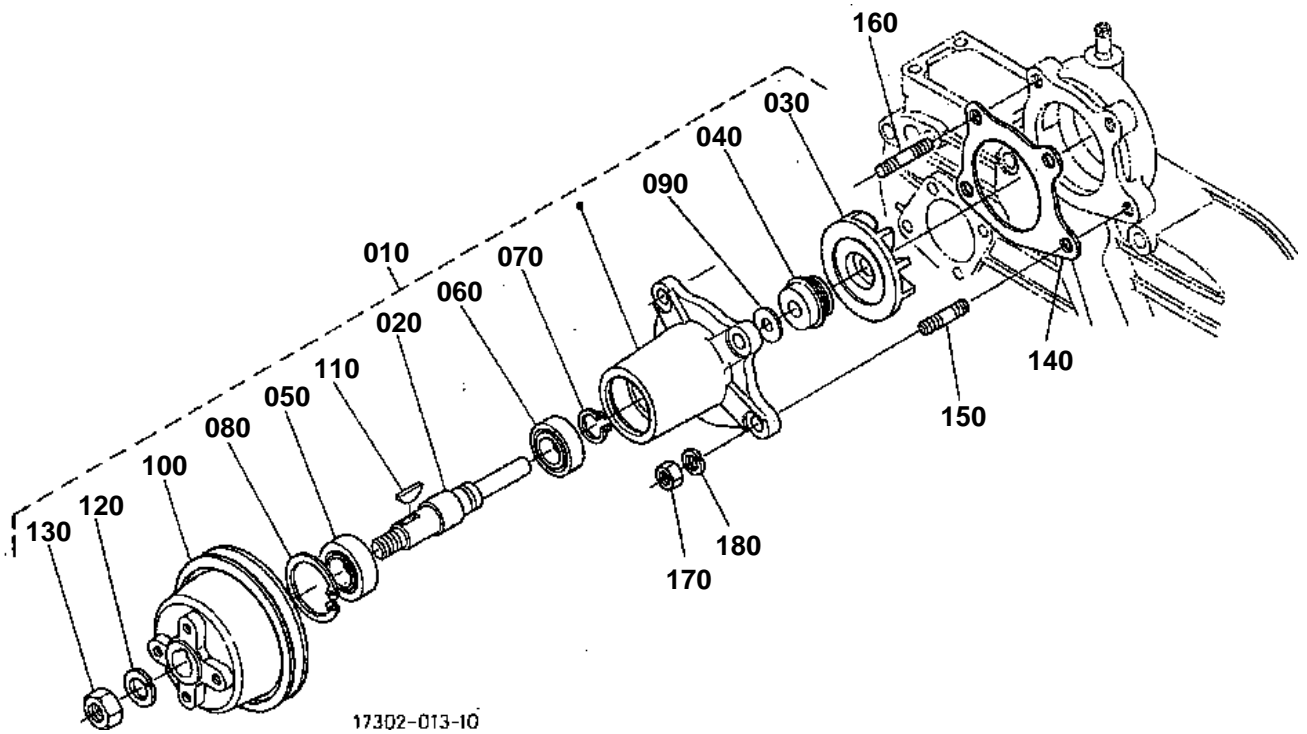


## OIL FILTER [COMPONENT PARTS]

↔ Interchangeable; ≠ not interchangeable; ← new for old; → old for new

REF.No	Part No.	Description	Q'ty	S.No.	I/C	REMARKS	Weight (kgf)	Weight (lb)
010	15402-32023	ASSY FILTER OIL	1				1.05	2.31
020	15402-32070	ASSY COVER	1				0.52	1.144
030	15213-36070	COMP VALVE RELIEF	1				0.13	0.286
040	04811-00200	O RING	1				0.001	0.0022
050	19701-96802	O RING	1				0.001	0.0022
060	16080-32430	CARTRIDGE FILTER	1				0	0

WATER PUMP [OLD TYPE]



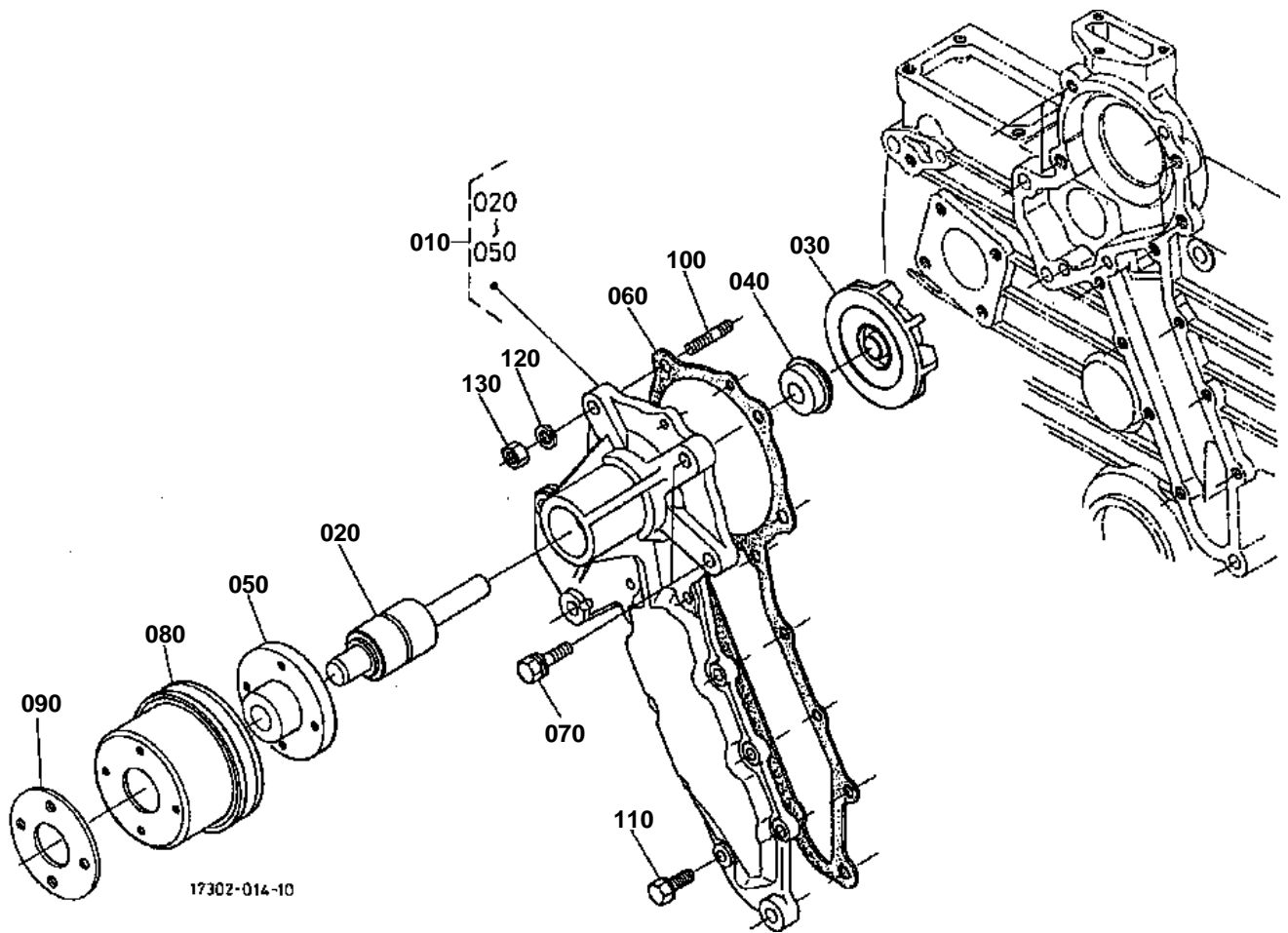
**WATER PUMP [OLD TYPE]**

S.No.;&lt;=80543

↔ Interchangeable; ≠ not interchangeable; ← new for old; → old for new

REF.No	Part No.	Description	Q'ty	S.No.	I/C	REMARKS	Weight (kgf)	Weight (lb)
010	17301-73030	ASSY PUMP WATER	1	<=57018			0	0
010	17303-73030	ASSY PUMP WATER	1	>=57019	↔		2.4	5.28
020	15601-73480	SHAFT WATER PUMP	1	<=57018			0	0
020	17382-73480	SHAFT WATER PUMP	1	>=57019	≠		0.1	0.22
030	19202-73510	IMPELLER WATER PUMP	1	<=57018			0.22	0.484
030	17382-73510	IMPELLER WATER PUMP	1	>=57019	≠		0.22	0.484
040	19202-73050	ASSY SEAL MECHANICAL	1	<=57018			0.02	0.044
040	17382-73050	SET SEAL	1	>=57019	≠		0.03	0.066
050	08143-06302	BEARING BALL	1				0.082	0.1804
060	08143-06202	BEARING BALL	1				0.043	0.0946
070	04612-00150	CIRCLIP EXTERNAL	1				0.001	0.0022
080	04611-00420	CIR CLIP INTERNAL	1				0.006	0.0132
090	17382-73620	SLINGER WATER PUMP	1	>=57019			0.003	0.0066
100	17301-74250	PULLEY FAN	1	<=57018			1.3	2.86
100	17303-74250	PULLEY FAN	1	>=57019	≠		1.24	2.728
110	05811-00416	KEY WOODRUFF	1				0.002	0.0044
120	04512-60140	WASHER SPRING	1				0.006	0.0132
130	02076-50140	NUT	1				0.022	0.0484
140	15439-73430	GASKET WATER PUMP	1				0.005	0.011
150	01518-50822	STUD	2				0.012	0.0264
160	01518-50825	STUD	2				0.014	0.0308
170	02056-50080	NUT	4				0.005	0.011
180	04512-60080	WASHER SPRING	4				0.002	0.0044

WATER PUMP [NEW TYPE]



**WATER PUMP [NEW TYPE]**

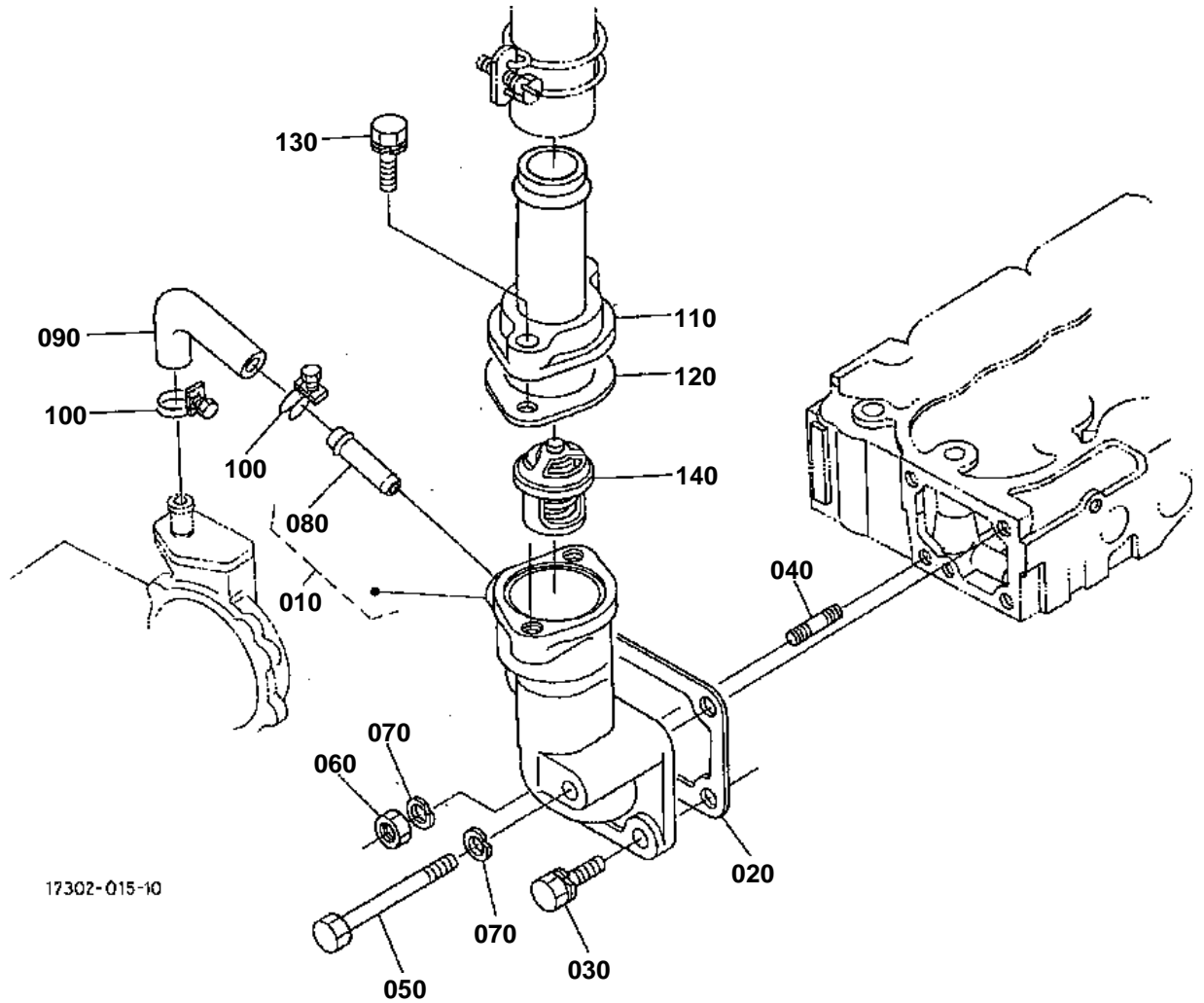
S.No.;&gt;=80544

↔ Interchangeable; ≠ not interchangeable; ← new for old; → old for new

REF.No	Part No.	Description	Q'ty	S.No.	I/C	REMARKS	Weight (kgf)	Weight (lb)
010	15612-73030	ASSY PUMP WATER	1	≤117953			0	0
010	15612-73032	ASSY PUMP WATER	1	≥117954	←		1.25	2.75
020	15521-73550	BEARING	1				0.235	0.517
030	15521-73510	IMPELLER WATER PUMP	1	≤117953			0.22	0.484
030	16661-73510	IMPELLER	1	≥117954	≠		0.195	0.429
040	19202-73050	ASSY SEAL MECHANICAL	1	≤117953			0.02	0.044
040	16661-73050	ASSY SEAL MECHANICAL	1	≥117954	≠		0.025	0.055
050	17385-73520	FLANGE W/PUMP SHAFT	1				0.365	0.803
060	15766-73430	GASKET WATER PUMP	1				0.01	0.022
070	01123-50828	BOLT	2				0.014	0.0308
080	17304-74250	PULLEY FAN	1				0.36	0.792
090	15451-74230	WASHER FAN	1				0.07	0.154
100	15521-91510	STUD	2	≤86030			0.012	0.0264
100	01518-50825	STUD	2	≥86031	↔		0.014	0.0308
110	01023-50618	BOLT	8				0.006	0.0132
120	04512-60080	WASHER SPRING	2				0.002	0.0044
130	02156-50080	NUT	2				0.004	0.0088

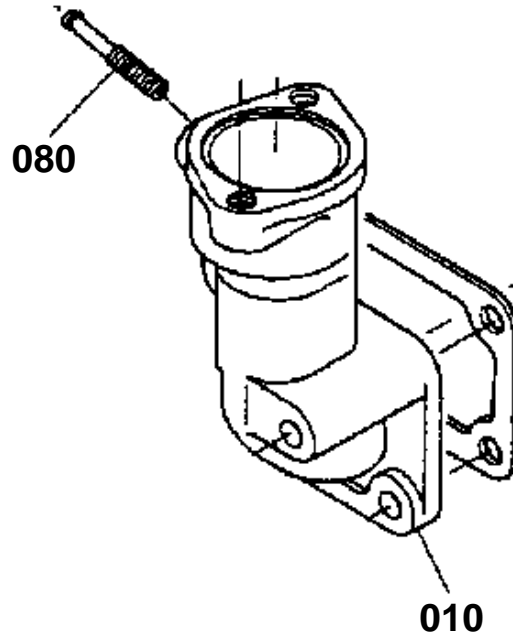


WATER FLANGE AND THERMOSTAT



010 15521-7291-0

080 15321-7334-0



17302-810-10

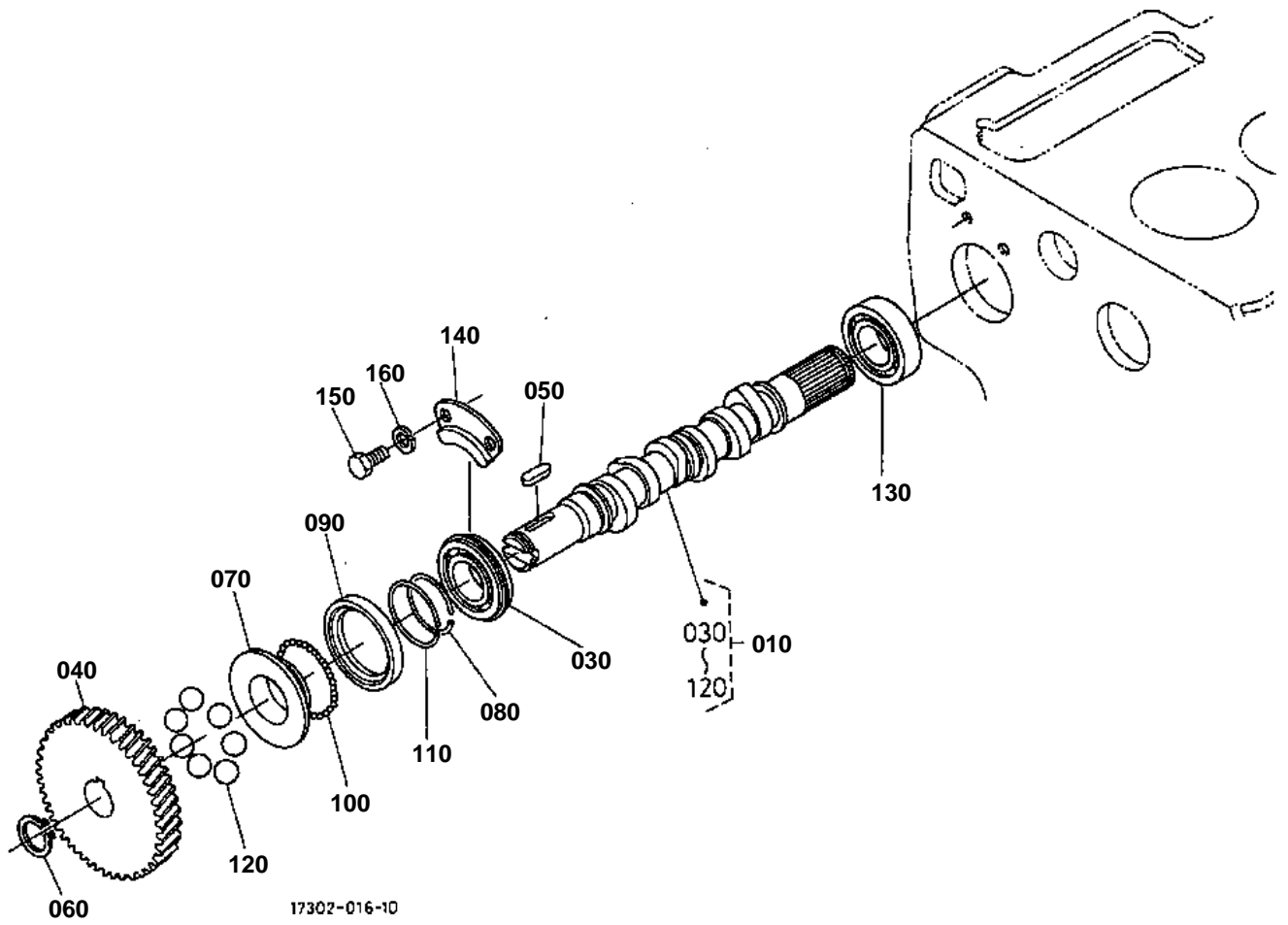


# WATER FLANGE AND THERMOSTAT

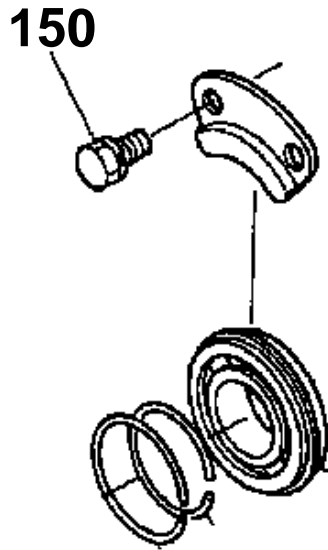
↔ Interchangeable; ≠ not interchangeable; ← new for old; → old for new

REF.No	Part No.	Description	Q'ty	S.No.	I/C	REMARKS	Weight (kgf)	Weight (lb)
010	15521-72913	FLANGE WATER	1	<=47736			0	0
010	15521-72700	COMP.FLANGE WATER	1	>=47737	←		0	0
010	15521-72702	COMP.FLANGE WATER	1	>=83225	←		0.1	0.22
020	15766-72920	GASKET WATER FLANGE	1				0	0
030	01123-50822	BOLT	2				0.012	0.0264
030	01123-50820	BOLT	2		↔		0.011	0.0242
040	01513-50822	STUD	1				0.01	0.022
050	01153-50870	BOLT	1				0.026	0.0572
060	02156-50080	NUT	1				0.004	0.0088
070	04512-60080	WASHER SPRING	2				0.002	0.0044
080	15321-73340	PIPE WATER RETURN	1	<=47736			0.016	0.0352
080	17331-73340	PIPE WATER RETURN	1	>=47737	≠		0	0
080	17331-73342	PIPE WATER RETURN	1	>=83225	←		0.01	0.022
090	17381-73350	PIPE WATER RETURN	1	<=80543			0.025	0.055
090	15521-73340	PIPE WATER RETURN	1	>=80544	≠		0.025	0.055
100	15109-73360	BAND PIPE	2				0.01	0.022
110	15601-73260	COVER THERMOSTAT	1				0.17	0.374
120	15313-73270	GASKET	1				0.001	0.0022
130	01123-50835	BOLT	2				0.02	0.044
140	15321-73010	ASSY THERMOSTAT	1				0	0

# FUEL CAMSHAFT



150 01123-50814



17302-811-10

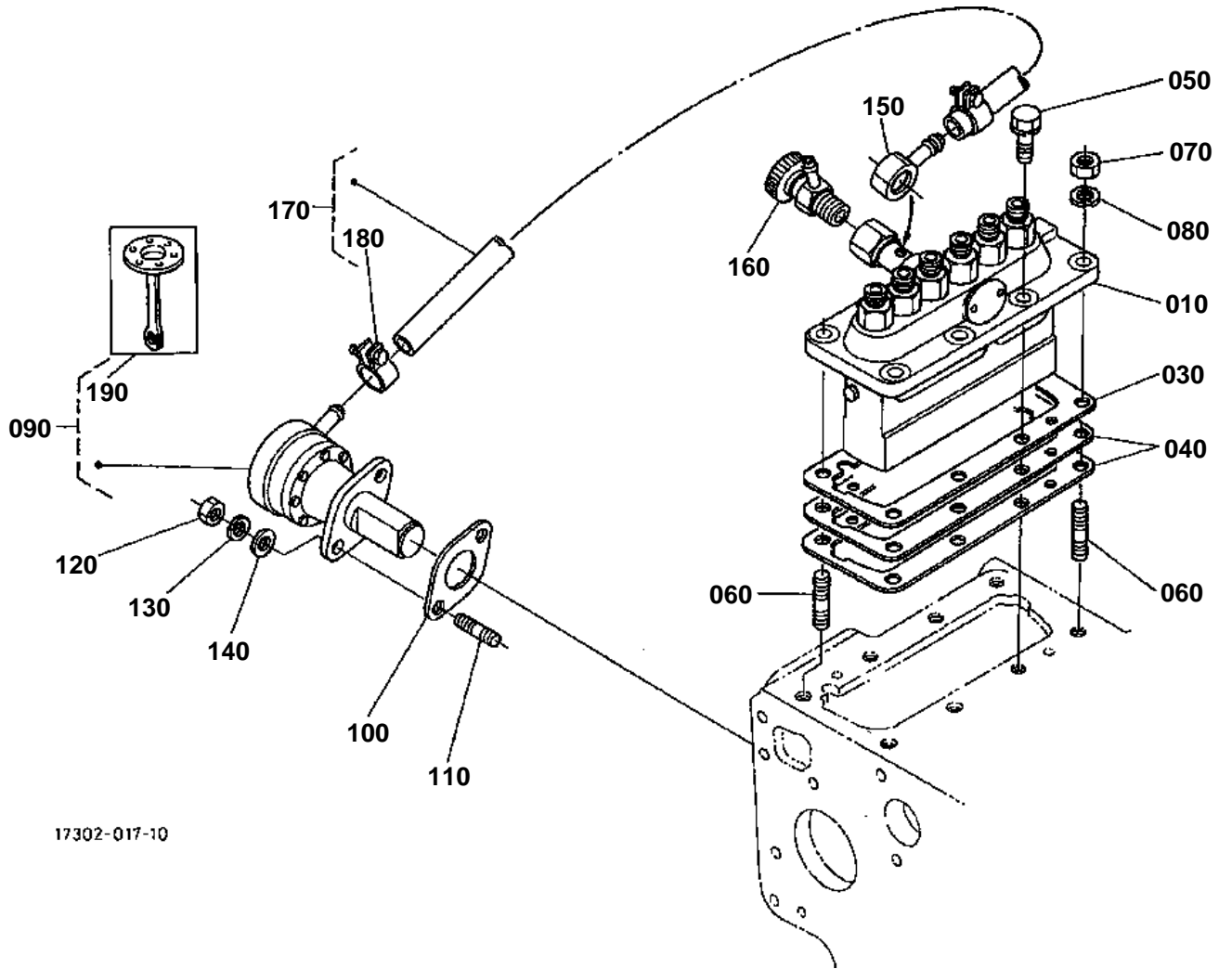


# FUEL CAMSHAFT

↔ Interchangeable; ≠ not interchangeable; ← new for old; → old for new

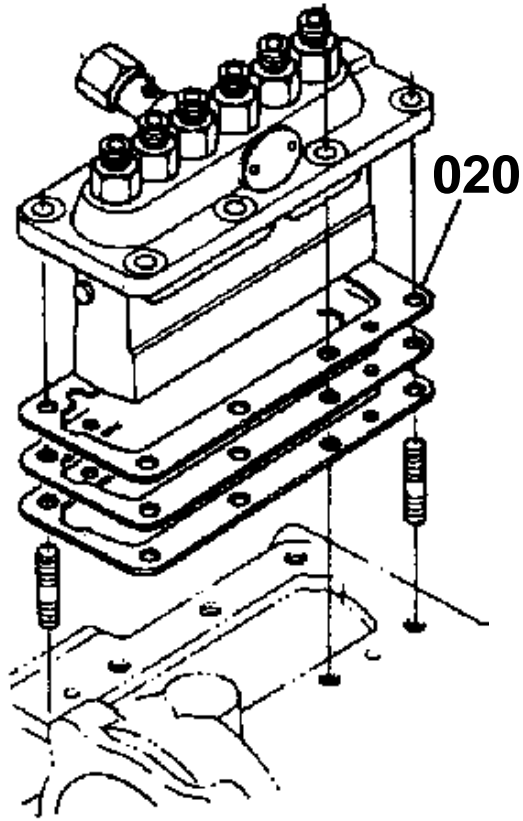
REF.No	Part No.	Description	Q'ty	S.No.	I/C	REMARKS	Weight (kgf)	Weight (lb)
010	15611-16020	ASSY CAMSHAFT FUEL	1				2.8	6.16
030	08153-06205	BEARING BALL	1				0.13	0.286
040	15611-51150	GEAR INJECTION PUMP	1				1.035	2.277
050	05712-00525	KEY FEATHER	1				0.005	0.011
060	04612-00240	CIRCLIP EXTERNAL	1				0.002	0.0044
070	15611-55450	SLEEVE GOVERNOR	1				0.117	0.2574
080	15221-55470	CIR-CLIP GOV. SLEEVE	1				0.003	0.0066
090	15611-55690	CASE GOVERNOR BALL	1				0.03	0.066
100	07715-03205	BALL	39				0.001	0.0022
110	15221-55740	CIR-CLIP	1				0.002	0.0044
120	07715-00403	BALL	7				0.03	0.066
130	08240-00001	BEARING BALL	1				0.19	0.418
140	15221-16320	STOPPER FUEL.C/SHAFT	1				0.02	0.044
150	01123-60814	BOLT	2	<=90278			0.008	0.0176
150	01153-50814	BOLT	2	>=90279	↔		0.009	0.0198
160	04512-60080	WASHER SPRING	2	>=90279			0.002	0.0044

INJECTION PUMP



17302-017-10

020 17301-5209-0



17302-812-10



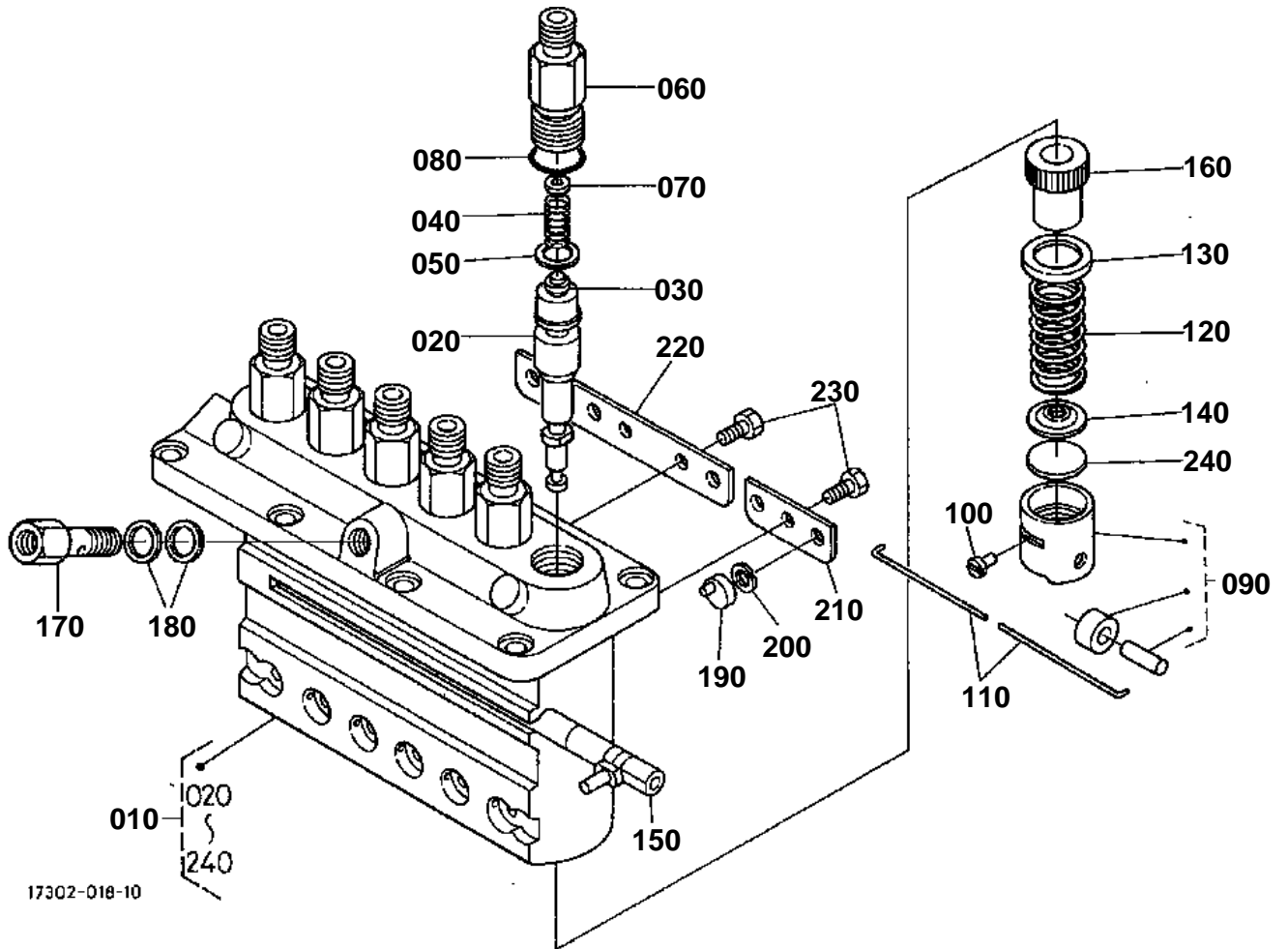


# INJECTION PUMP

↔ Interchangeable; ≠ not interchangeable; ← new for old; → old for new

REF.No	Part No.	Description	Q'ty	S.No.	I/C	REMARKS	Weight (kgf)	Weight (lb)
010	17301-51010	ASSY PUMP INJECTION	1			REFER TO L.No.0B14-R0 FOR COMPONENTS.	4	8.8
020	17301-52090	SHIM	1	<=49639		0.10MM	0.001	0.0022
030	15601-52110	SHIM INJECTION PUMP	2	<=49639		0.15MM	0.01	0.022
030	15601-52110	SHIM INJECTION PUMP	1	>=49640		0.15MM	0.01	0.022
040	17301-52120	SHIM	3	<=49639		0.30MM	0.001	0.0022
040	17301-52120	SHIM	4	>=49640		0.30MM	0.001	0.0022
050	01123-50822	BOLT	6				0.012	0.0264
060	01513-50822	STUD	2				0.01	0.022
070	02156-50080	NUT	2				0.004	0.0088
080	04512-60080	WASHER SPRING	2				0.002	0.0044
090	15263-52030	ASSY PUMP FUEL	1				0.23	0.506
100	15263-52140	GASKET FUEL PUMP	1				0	0
110	01513-50616	STUD	2				0.004	0.0088
120	02056-50060	NUT	2				0.002	0.0044
130	04512-60060	WASHER SPRING	2				0.001	0.0022
140	04012-50060	WASHER PLAIN	2				0.001	0.0022
150	15401-95690	JOINT EYE	1				0.04	0.088
160	14311-60504	ASSY COCK JET START	1				0.034	0.0748
170	35533-04500	ASSY TUBE FUEL	1				0.027	0.0594
180	14911-42750	CLIP PIPE	2				0.002	0.0044
190	15263-52040	COMP.DIAPHRAGM	1				0.02	0.044

INJECTION PUMP [COMPONENT PARTS]

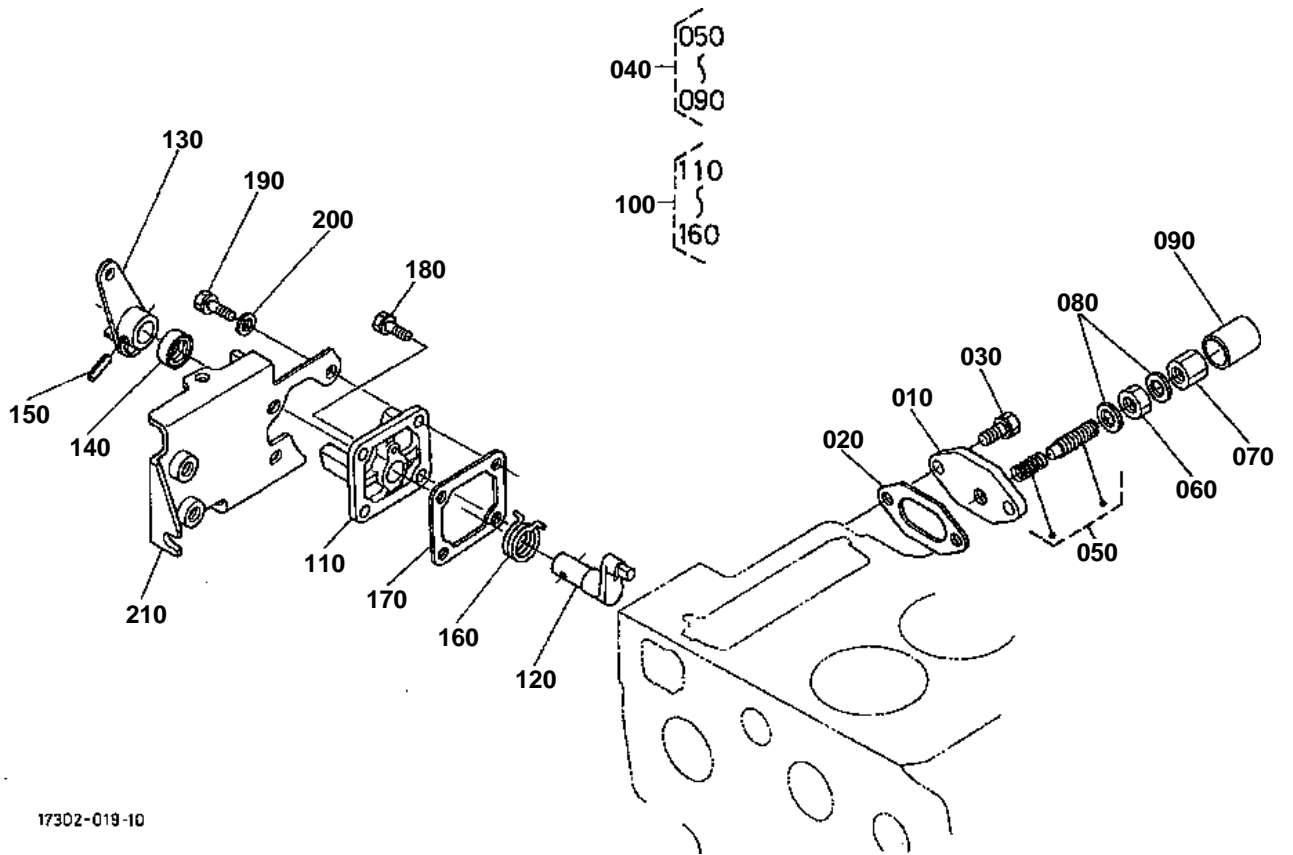


**INJECTION PUMP [COMPONENT PARTS]**

↔ Interchangeable; ≠ not interchangeable; ← new for old; → old for new

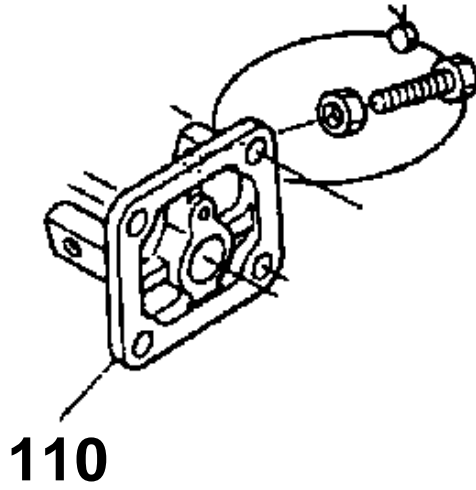
REF.No	Part No.	Description	Q'ty	S.No.	I/C	REMARKS	Weight (kgf)	Weight (lb)
010	17301-51010	ASSY PUMP INJECTION	1				4	8.8
020	17301-51050	PLUNGER PUMP	6				0.05	0.11
030	17371-51030	VALVE DELIVERY	6				0.015	0.033
040	17371-51230	SPRING DELIV.VALVE	6				0.005	0.011
050	15331-51240	GASKET DELIV.VALVE	6				0.001	0.0022
060	15331-51220	HOLDER DELIV.VALVE	6				0.053	0.1166
070	17371-51160	SEAT SPRING	6				0.005	0.011
080	15331-96760	O RING	6				0.001	0.0022
090	15331-51070	ASSY TAPPET	6				0.036	0.0792
100	15331-51250	PIN TAPPET GUIDE	6				0.001	0.0022
110	15331-51430	PIN CLAMP	2				0.001	0.0022
120	17331-51280	SPRING PLUNGER	6				0.017	0.0374
130	15331-51270	SEAT SPRING UPPER	6				0.001	0.0022
140	15331-51290	SEAT SPRING LOWER	6				0.001	0.0022
150	17301-51060	RACK CONTROL	1				0.05	0.11
160	15331-51380	SLEEVE CONTROL	6				0.012	0.0264
170	15471-51320	SCREW FOLLOW	1				0.032	0.0704
180	15401-96650	GASKET	2				0.001	0.0022
190	15331-51480	COLLAR	5				0.005	0.011
200	04512-60060	WASHER SPRING	5				0.001	0.0022
210	17381-51390	PLATE ADJUSTING	1				0.015	0.033
220	17345-51390	PLATE ADJUSTING	1				0.015	0.033
230	15331-91010	BOLT	4				0.034	0.0748
240	15381-51490	SHIM	6				0.008	0.0176

# ENGINE STOP LEVER



17302-019-10

110 15471-5165-0



17302-813-10

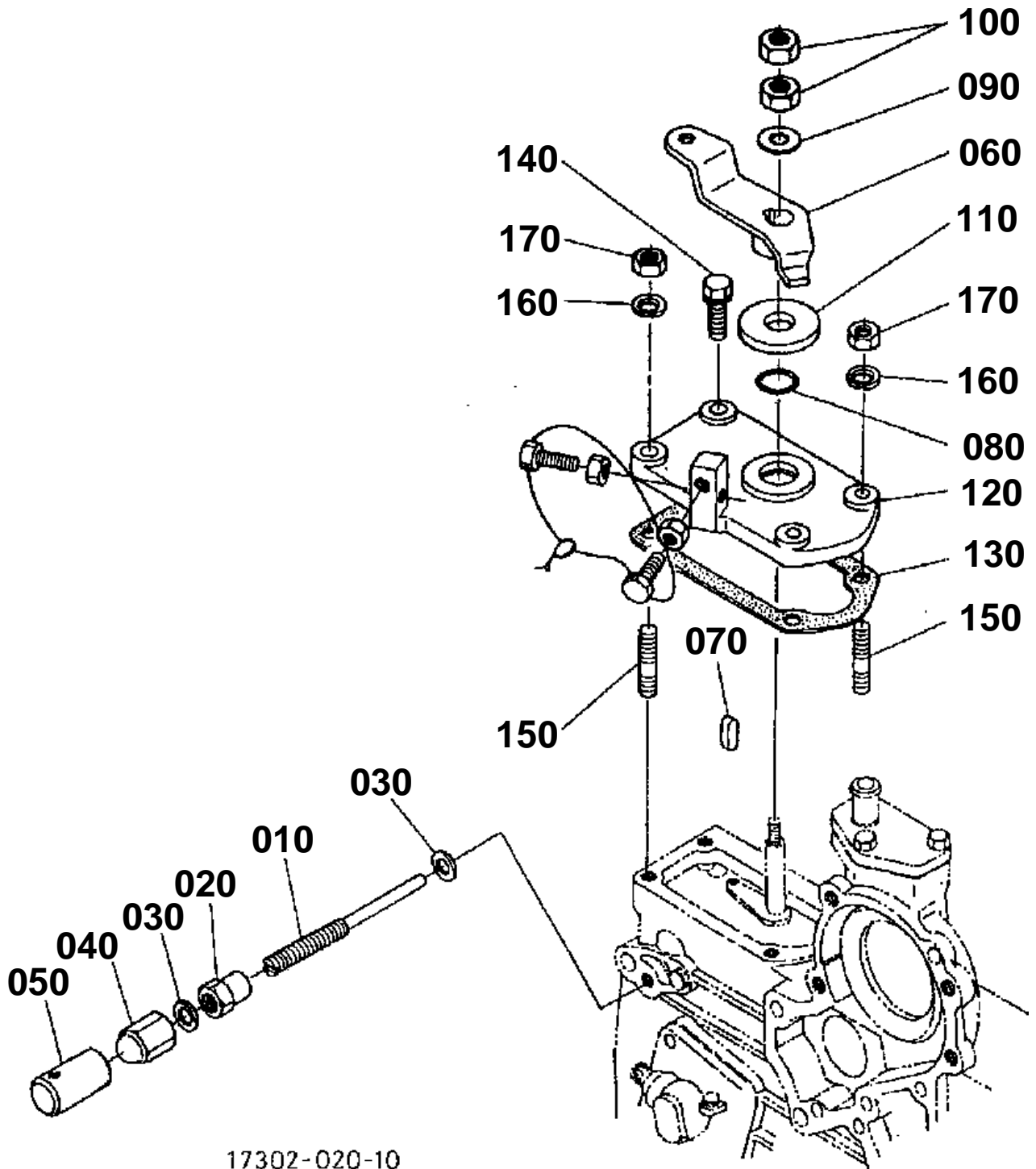


## ENGINE STOP LEVER

↔ Interchangeable; ≠ not interchangeable; ← new for old; → old for new

REF.No	Part No.	Description	Q'ty	S.No.	I/C	REMARKS	Weight (kgf)	Weight (lb)
010	15401-01930	COVER	1	<=65747			0.09	0.198
010	15621-01930	COVER	1	>=65748	←		0.08	0.176
020	15625-05430	GASKET	1	<=65747			0.002	0.0044
020	16361-05430	GASKET	1	>=65748	←		0.002	0.0044
030	01023-50616	BOLT	2				0.005	0.011
040	15521-54090	APPARATUS IDLING	1				0.045	0.099
050	15521-54100	ASSY BOLT ADJUSTMENT	1				0.015	0.033
060	15401-92010	NUT	1				0.01	0.022
070	15521-92330	NUT CAP	1				0.02	0.044
080	15021-33660	GASKET	2				0.001	0.0022
090	15521-54270	CAP	1				0.003	0.0066
100	17331-57700	ASSY LEVER ENG.STOP	1	<=57018			0	0
100	17331-57702	ASSY LEVER ENG.STOP	1	>=57019	≠		0.19	0.418
110	15471-51650	COVER INJECTION PUMP	1	<=57018			0	0
110	15471-51652	COVER INJECTION PUMP	1	>=57019	≠		0.02	0.044
120	17331-57740	SHAFT LEVER	1				0.04	0.088
130	17331-57720	LEVER ENGINE STOP	1				0.05	0.11
140	15471-57980	SEAL OIL	1				0.001	0.0022
150	05411-00420	PIN SPRING	1				0.001	0.0022
160	15471-57920	SPRING RETURN	1				0.005	0.011
170	15296-51660	GASKET PUMP COVER	1				0	0
180	01023-50618	BOLT	1				0.006	0.0132
190	01023-50622	BOLT	3				0.005	0.011
200	04012-50060	WASHER PLAIN	3				0.001	0.0022
210	15471-60110	SUPPORT SOLENOID	1				0.295	0.649

SPEED CONTROL PLATE



SPEED CONTROL PLATE

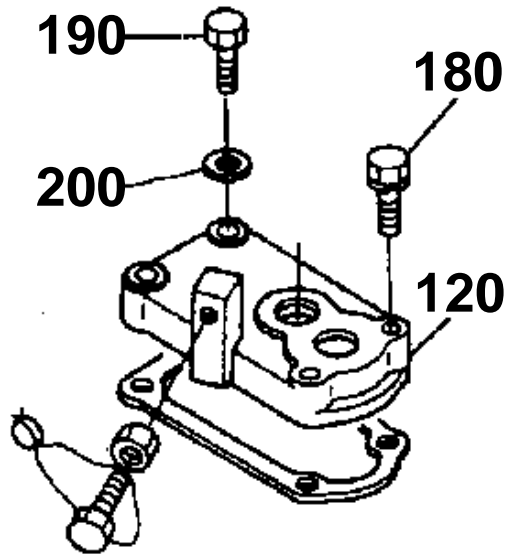
---

120 17331-5711-0

180 01023-50630

190 17331-9104-0

200 15601-9665-0



17302-814-10

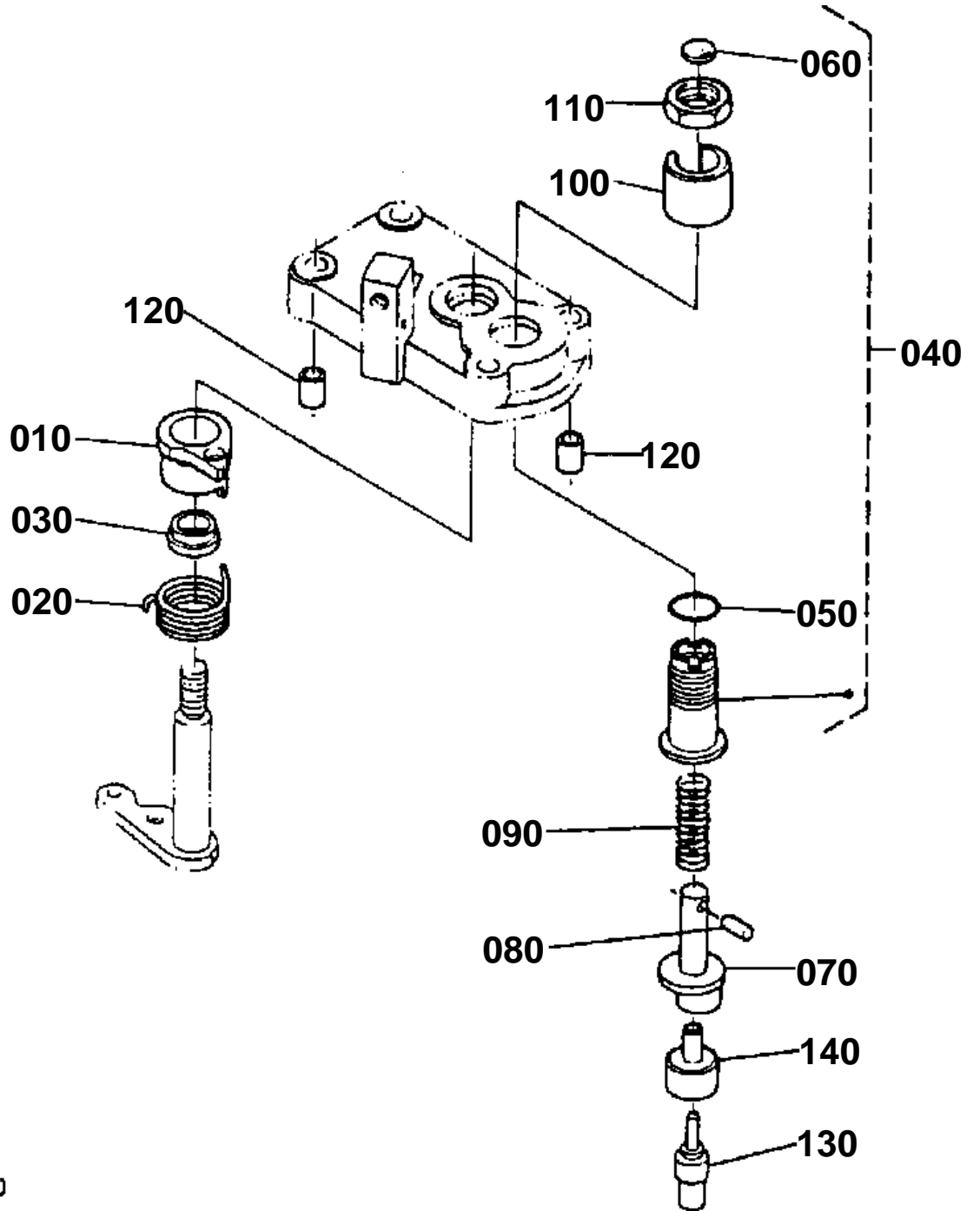


**SPEED CONTROL PLATE**

↔ Interchangeable; ≠ not interchangeable; ← new for old; → old for new

REF.No	Part No.	Description	Q'ty	S.No.	I/C	REMARKS	Weight (kgf)	Weight (lb)
010	15601-54120	BOLT ADJUSTING	1				0.011	0.0242
020	15601-92010	NUT	1	≤152899			0	0
020	15601-92012	NUT	1	≥152900	←		0.006	0.0132
030	15601-96650	GASKET	2				0.001	0.0022
040	15601-54220	NUT CAP	1	≤60824			0	0
040	15841-14620	NUT CAP	1	≥66825	↔		0.01	0.022
050	16241-54420	CAP	1				0.004	0.0088
060	17331-57150	LEVER SPEED CONTROL	1	≤51139			0.05	0.11
060	15469-57150	LEVER SPEED CONTROL	1	≥51140	≠		0.06	0.132
070	05712-00408	KEY FEATHER	1				0.001	0.0022
080	04811-00120	O RING	1				0.001	0.0022
090	04013-50080	WASHER PLAIN	1				0	0
100	02112-50080	NUT	2				0.003	0.0066
110	17011-57384	COLLAR	1	≤82365			0.03	0.066
110	15521-57240	COLLAR	1	≥82366	↔		0.002	0.0044
120	17331-57110	PLATE SPEED CONTROL	1	≤51139			0.15	0.33
120	15521-57114	PLATE SPEED CONTROL	1	≥51140	≠		0	0
130	15439-57210	GASKET	1				0.005	0.011
140	01023-50625	BOLT	2	≥51140			0.007	0.0154
150	15221-88210	STUD	2	≥51140			0.005	0.011
160	04512-60060	WASHER SPRING	2	≥51140			0.001	0.0022
170	02056-50060	NUT	4	≥51140			0.002	0.0044
180	01023-50630	BOLT	3	≤51139			0.008	0.0176
190	17331-91040	BOLT	1	≤51139			0.01	0.022
200	15601-96650	GASKET	1	≤51139			0.001	0.0022

COMPENSATOR



17302-021-10

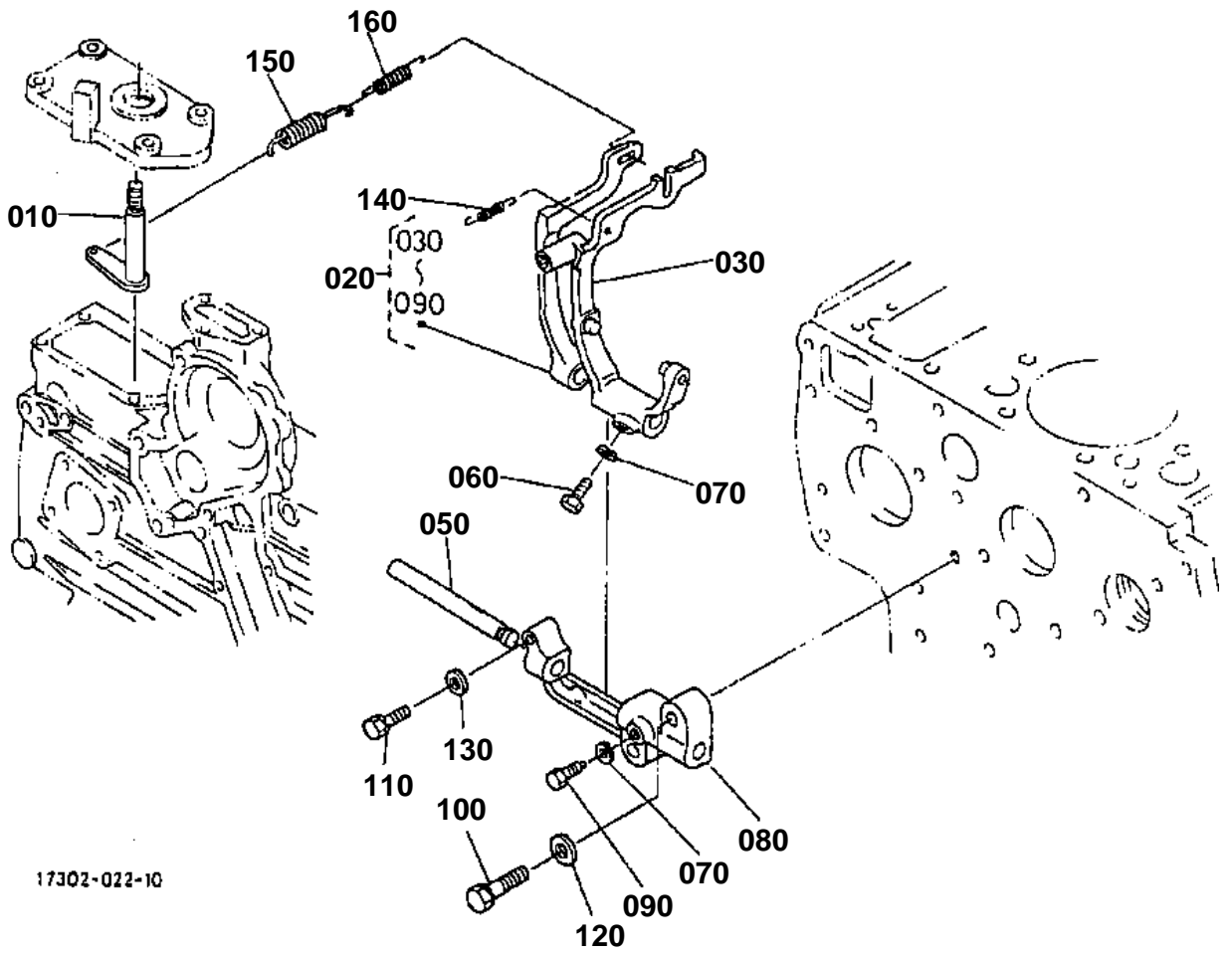
**COMPENSATOR**

S.No.;&lt;=51139

↔ Interchangeable; ≠ not interchangeable; ← new for old; → old for new

REF.No	Part No.	Description	Q'ty	S.No.	I/C	REMARKS	Weight (kgf)	Weight (lb)
010	17331-59100	LEVER COMPENSATOR	1				0.03	0.066
020	17331-59110	SPRING RETURN	1				0.01	0.022
030	17331-59120	COLLAR	1				0.005	0.011
040	17331-59010	HOUSING COMPENSATOR	1				0.035	0.077
050	04811-10160	O RING	1				0.001	0.0022
060	06311-75012	PLUG EXPANSION	1				0.002	0.0044
070	17331-59140	COMPENSATOR IDLE	1				0.03	0.066
080	17331-59150	PIN STRAIGHT	1				0.005	0.011
090	17331-59160	SPRING	1				0.005	0.011
100	17331-59170	WASHER	1				0.023	0.0506
110	17331-59180	NUT LOCK	1				0.01	0.022
120	17331-59190	PIN PIPE	2				0.02	0.044
130	17331-59200	THERMOSTAT	1				0.015	0.033
140	17331-59210	HOUSING THERMOSTAT	1				0.015	0.033

GOVERNOR



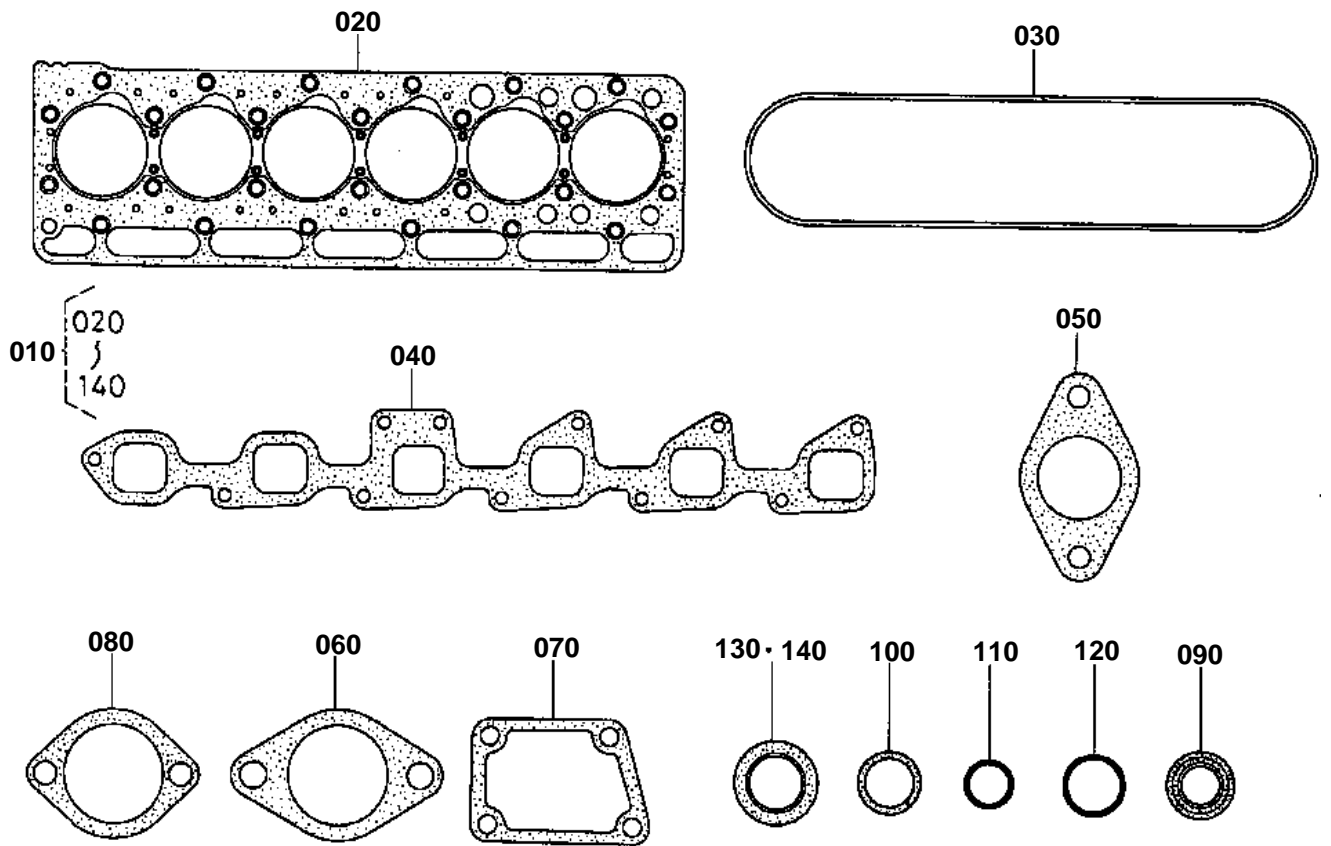


# GOVERNOR

↔ Interchangeable; ≠ not interchangeable; ← new for old; → old for new

REF.No	Part No.	Description	Q'ty	S.No.	I/C	REMARKS	Weight (kgf)	Weight (lb)
010	17391-56020	COMP.LEVER GOVERNOR	1	<=51139			0.066	0.1452
010	15601-56020	COMP.LEVER GOVERNOR	1	>=51140	≠		0.055	0.121
020	17301-56050	ASSY LEVER FORK	1				0.41	0.902
030	17301-56040	COMP.LEVER FORK	1				0.192	0.4224
050	15221-56150	SHAFT FORK LEVER	1				0.1	0.22
060	15021-56240	BOLT LEVER SHAFT	1				0.005	0.011
070	04512-60060	WASHER SPRING	2				0.001	0.0022
080	15221-56230	HOLDER FORK LEVER	1				0.1	0.22
090	15221-66410	BOLT	1				0.005	0.011
100	01123-50832	BOLT	2				0.016	0.0352
110	01023-50628	BOLT	1				0.015	0.033
120	04012-50080	WASHER PLAIN	2				0.001	0.0022
130	04012-50060	WASHER PLAIN	1				0.001	0.0022
140	17241-56480	SPRING START	1				0.005	0.011
150	17301-56410	SPRING GOVERNOR	1				0.001	0.0022
160	17301-56420	SPRING GOVERNOR	1				0.002	0.0044

UPPER GASKET KIT



17302-023-10

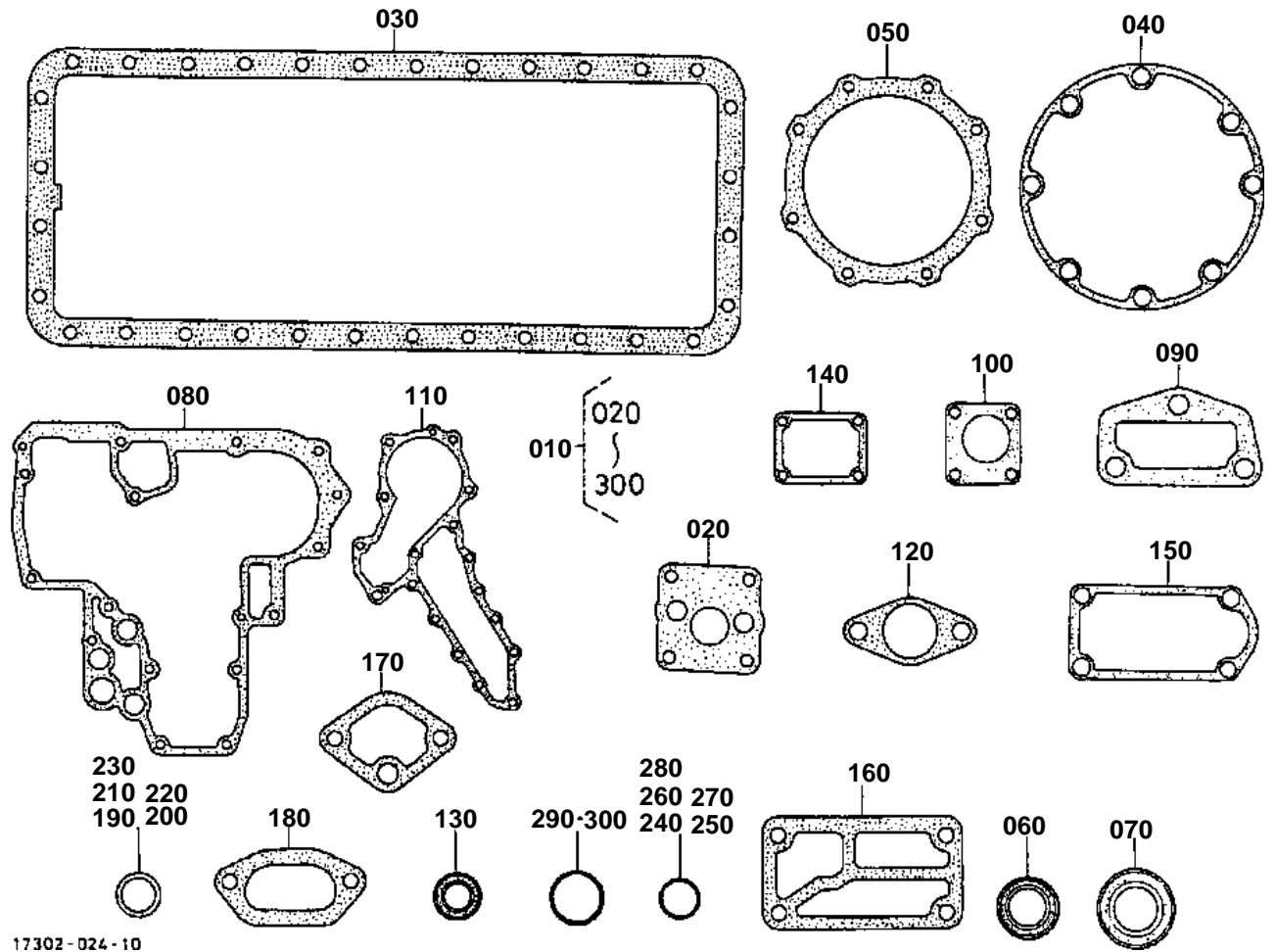


## UPPER GASKET KIT

↔ Interchangeable; ≠ not interchangeable; ← new for old; → old for new

REF.No	Part No.	Description	Q'ty	S.No.	I/C	REMARKS	Weight (kgf)	Weight (lb)
010	07916-29210	KIT GASKET UPPER	1	<=65747			0	0
010	07916-29215	KIT GASKET UPPER	1	>=65748	≠		0.47	1.034
020	17301-03310	GASKET CYLINDER HEAD	1	<=65747			0.2	0.44
020	17303-03310	GASKET CYLINDER HEAD	1	>=65748	≠		0.17	0.374
030	15621-14520	GASKET HEAD COVER	1				0.07	0.154
040	17303-11820	GASKET IN-MANIFOLD	1				0.023	0.0506
050	15522-12350	GASKET EX-MANIFOLD	6				0.005	0.011
060	15625-12360	GASKET MUFFLER FLANG	1				0.01	0.022
070	15766-72920	GASKET WATER FLANGE	1				0	0
080	15313-73270	GASKET	1				0.001	0.0022
090	15221-13150	SEAL VALVE STEM	12				0.001	0.0022
100	15021-33660	GASKET	6				0.001	0.0022
110	15221-33700	O RING	1				0.001	0.0022
120	04811-50300	O RING	1				0.001	0.0022
130	17331-53180	SEAL CARBON STOP	6				0.001	0.0022
140	17371-99220	SEAL COMPRESSION	6				0.001	0.0022

LOWER GASKET KIT





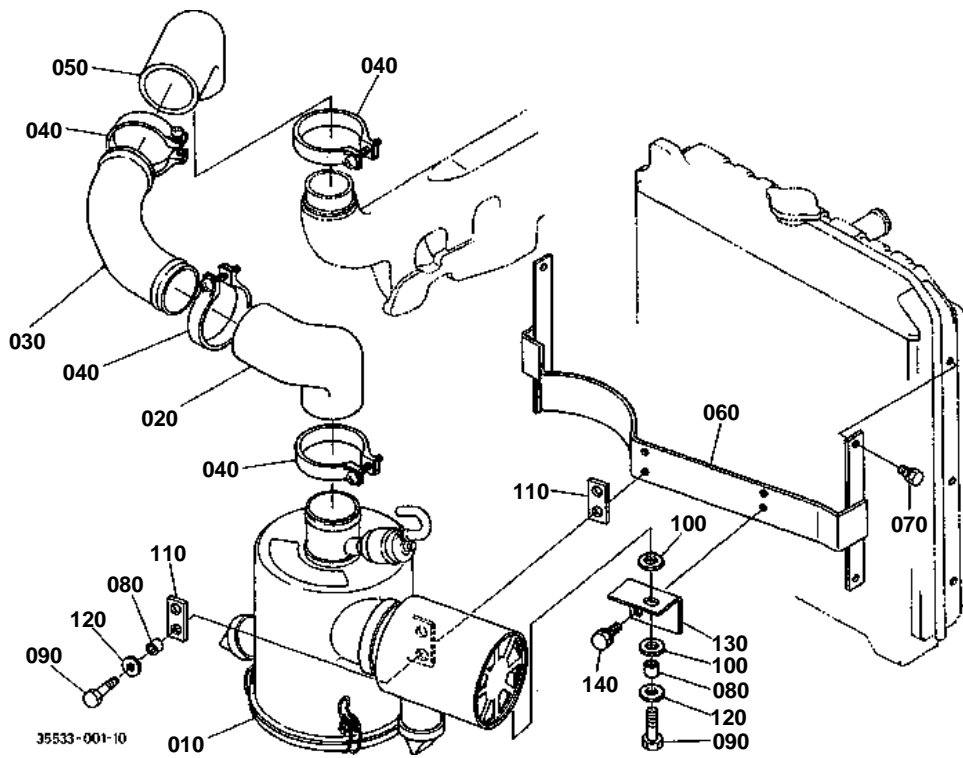


# LOWER GASKET KIT

↔ Interchangeable; ≠ not interchangeable; ← new for old; → old for new

REF.No	Part No.	Description	Q'ty	S.No.	I/C	REMARKS	Weight (kgf)	Weight (lb)
010	07916-29225	KIT GASKET LOWER	1				0.36	0.792
020	15296-35150	GASKET OIL PUMP	1				0	0
030	15625-01620	GASKET OIL PAN	1				0.025	0.055
040	19207-04360	GASKET BEARING CASE	1				0.005	0.011
050	15296-04820	GASKET	1	<=65747			0.01	0.022
050	16361-04820	GASKET BRG.CASE COV.	1	>=65748	≠		0.005	0.011
060	09550-00001	SEAL OIL	1				0.015	0.033
070	17381-04460	SEAL OIL	1				0.05	0.11
080	15313-04130	GASKET GEAR CASE	1	<=65747			0.002	0.0044
080	15296-04132	GASKET GEAR CASE	1	>=65748	≠		0.03	0.066
090	15766-73330	GASKET	1	>=80544			0.002	0.0044
100	15296-88130	GASKET H/METER UNIT	1				0.002	0.0044
110	15439-73430	GASKET WATER PUMP	1	<=80543			0.005	0.011
110	15766-73430	GASKET WATER PUMP	1	>=80544	≠		0.01	0.022
120	15263-52140	GASKET FUEL PUMP	1				0	0
130	15471-57980	SEAL OIL	1				0.001	0.0022
140	15296-51660	GASKET PUMP COVER	1				0	0
150	15439-57210	GASKET	1				0.005	0.011
160	15296-32320	GASKET	1				0.006	0.0132
170	15625-32890	GASKET	1				0.001	0.0022
180	15625-05430	GASKET	1	<=65747			0.002	0.0044
180	16361-05430	GASKET	1	>=65748	←		0.002	0.0044
190	15021-33660	GASKET	6				0.001	0.0022
200	15021-33660	GASKET	2				0.001	0.0022
210	15109-33660	GASKET	1				0.001	0.0022
220	15109-33660	GASKET	2				0.001	0.0022
230	15601-96650	GASKET	1	<=51139			0.001	0.0022
240	04811-00100	O RING	1				0.001	0.0022
250	04811-00160	O RING	1	<=65747			0.001	0.0022
250	04811-00180	O RING	1	>=65748	≠		0.001	0.0022
260	04811-00150	O RING	3	<=65747			0.001	0.0022
260	04810-00150	O RING	2	>=65748			0.001	0.0022
270	04811-00200	O RING	1	>=65748			0.001	0.0022
280	04811-00120	O RING	1				0.001	0.0022
290	04811-40240	O RING	1	<=50132			0.002	0.0044
290	04811-00360	O RING	1	>=50133	≠		0.002	0.0044
300	04811-10300	O RING	1				0.001	0.0022

# AIR CLEANER (DOUBLE)

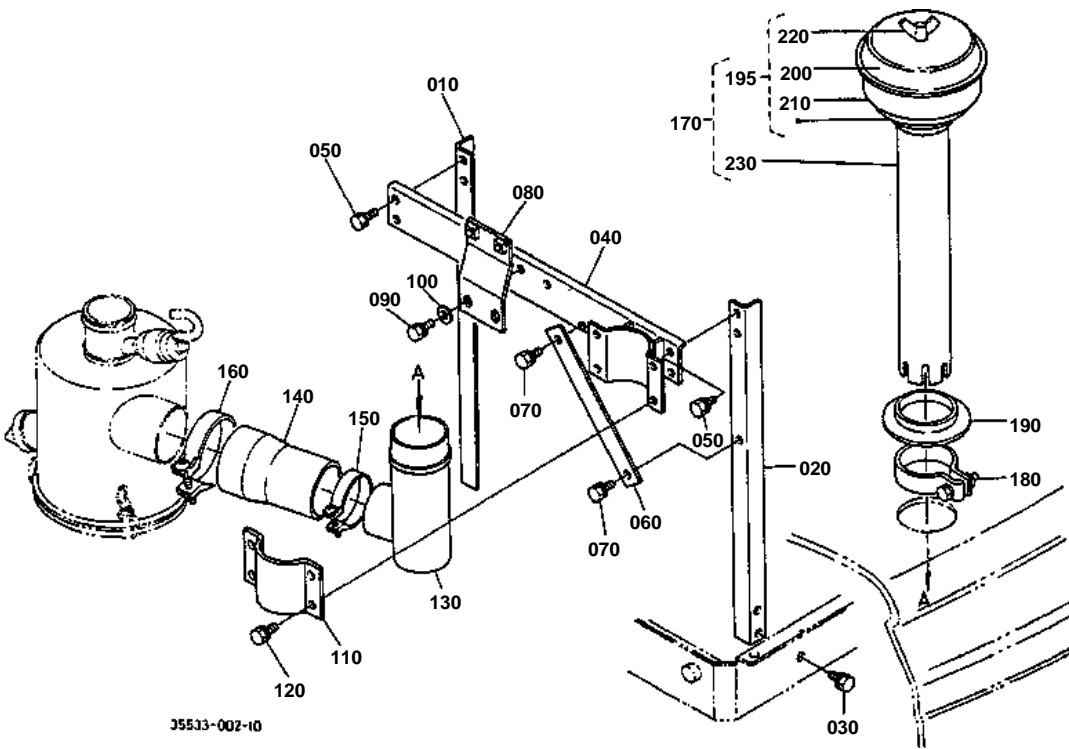


**AIR CLEANER (DOUBLE)**

↔ Interchangeable; ≠ not interchangeable; ← new for old; → old for new

REF.No	Part No.	Description	Q'ty	S.No.	I/C	REMARKS	Weight (kgf)	Weight (lb)
010	17301-11010	ASSY CLEANER AIR	1			REFER TO L.No.0B08-R0 FOR COMPONENTS.	4.2	9.24
020	35533-17310	HOSE	1				0.26	0.572
030	35533-17320	HOSE	1				0.4	0.88
040	68811-42270	BAND PIPE	4				0.04	0.088
050	35533-17330	PIPE INLET	1				0.6	1.32
060	35533-19110	SUPPORT AIR CLEANER	1				1.35	2.97
070	01023-50612	BOLT	6				0.005	0.011
080	35533-19220	COLLAR	5	<=20208			0	0
080	67401-51260	COLLAR	5	>=20209	↔		0.005	0.011
090	01123-50830	BOLT	5				0.015	0.033
090	01123-50830	BOLT	5				0.015	0.033
100	35533-19230	CUSHION RUBBER	2				0.002	0.0044
110	35533-19240	CUSHION RUBBER	4				0.002	0.0044
120	04015-60080	WASHER PLAIN	5				0.01	0.022
130	35533-19250	HOLDER	1			0.05	0.11	
140	01123-60816	BOLT	2			0.01	0.022	

PRE-CLEANER [OPTION]

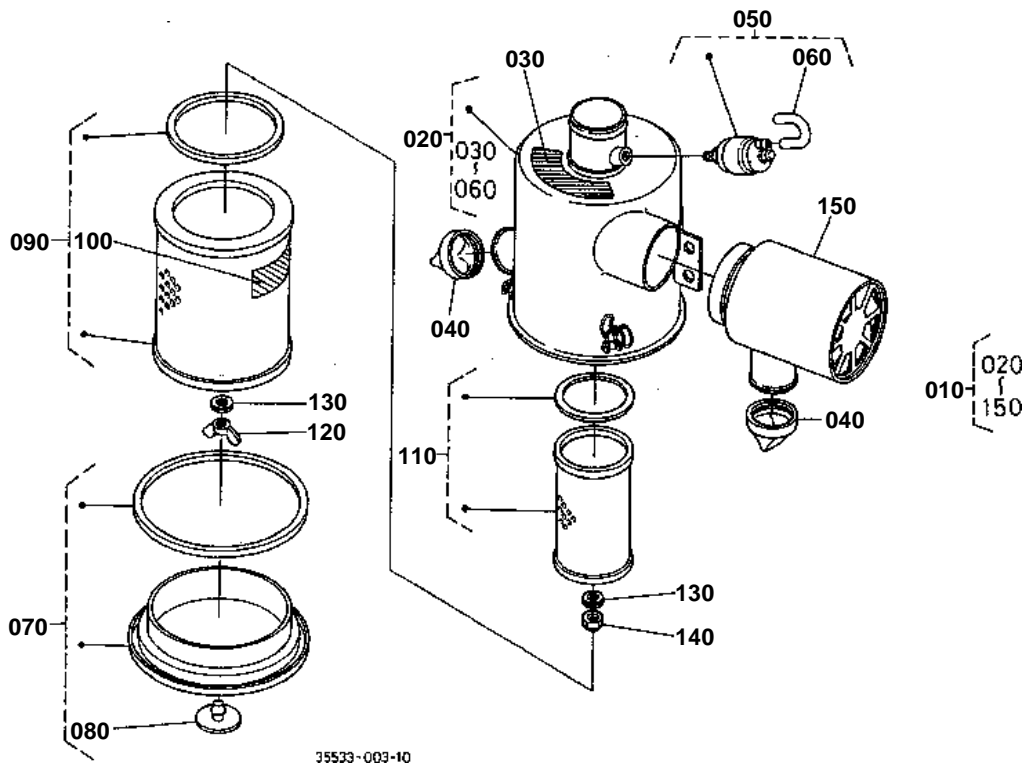


**PRE-CLEANER [OPTION]**

↔ Interchangeable; ≠ not interchangeable; ← new for old; → old for new

REF.No	Part No.	Description	Q'ty	S.No.	I/C	REMARKS	Weight (kgf)	Weight (lb)
010	35533-19290	STEEL ANGLE	1				0.6	1.32
020	35533-19300	STEEL ANGLE	1				0.61	1.342
030	01133-51020	BOLT	4				0.02	0.044
040	35533-19280	STEEL ANGLE	1				1.1	2.42
050	01133-51020	BOLT	4				0.02	0.044
060	35533-19320	STAY	1				0.14	0.308
070	01133-51020	BOLT	2				0.02	0.044
080	35533-19310	STAY	1				0.22	0.484
090	01123-50820	BOLT	2				0.011	0.0242
100	04013-50080	WASHER PLAIN	2				0	0
110	35466-74480	COVER	1				0.28	0.616
120	01123-50830	BOLT	4				0.015	0.033
130	35533-19260	DUCT	1				0.47	1.034
140	35533-19270	HOSE	1				0.28	0.616
150	35466-74470	BAND PIPE	1				0.05	0.11
160	15571-11720	BAND INLET MANIFOLD	1				0.045	0.099
170	35466-74540	ASSY PIPE PRECLEANER	1				2.65	5.83
180	35466-74530	BAND PIPE	1				0.14	0.308
190	35999-02100	COVER RUBBER	1				0.04	0.088
195	15453-11040	ASSY PRE-CLEANER	1				1.3	2.86
200	15453-10250	ASSY COVER	1				0.3	0.66
210	15453-10260	BOWL PRE-CLEANER	1				0.2	0.44
220	15453-11530	BOLT WING	1				0.005	0.011
230	35466-74510	PIPE PRE-CLEANER	1				1.4	3.08

AIR CLEANER (DOUBLE) [COMPONENT PARTS]



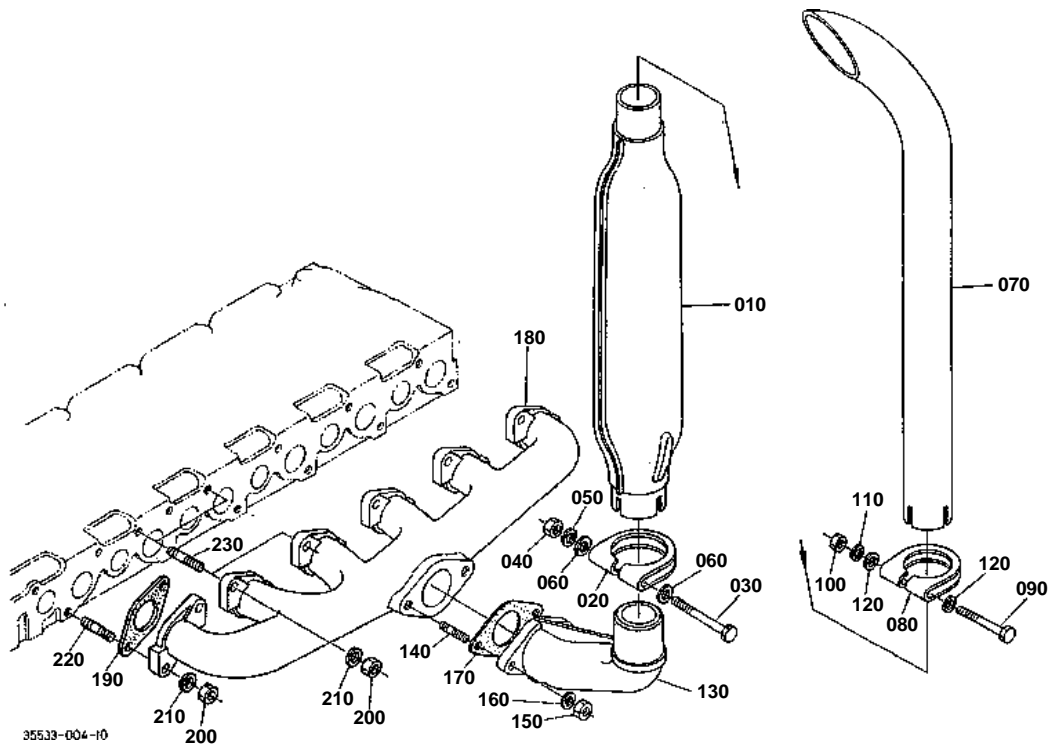


# AIR CLEANER (DOUBLE) [COMPONENT PARTS]

↔ Interchangeable; ≠ not interchangeable; ← new for old; → old for new

REF.No	Part No.	Description	Q'ty	S.No.	I/C	REMARKS	Weight (kgf)	Weight (lb)
010	17301-11010	ASSY CLEANER AIR	1				4.2	9.24
020	17301-11150	ASSY BODY A/C	1				1.1	2.42
030	17301-87450	LABEL AIR CLEANER	1				0.002	0.0044
040	15483-11470	VALVE	2				0.02	0.044
050	17301-11090	ASSY INDICATOR	1				0.1	0.22
060	17301-11930	HOSE	1				0.01	0.022
070	17301-11160	ASSY COVER A/C	1				0.42	0.924
080	17301-11140	GASKET	1				0.001	0.0022
090	17301-11080	ASSY ELEMENT CLEANER	1				0.895	1.969
100	15621-87480	LABEL CAUTION	1				0.01	0.022
110	17301-11180	ELEMENT A/C INNER	1				0.4	0.88
120	15621-92640	NUT WING	1				0.05	0.11
130	15621-94440	ASSY GASKET	2				0.008	0.0176
140	15621-92110	NUT	1				0.03	0.066
150	17301-11400	ASSY CYCLONE	1				0.98	2.156

# MUFFLER AND EXHAUST MANIFOLD



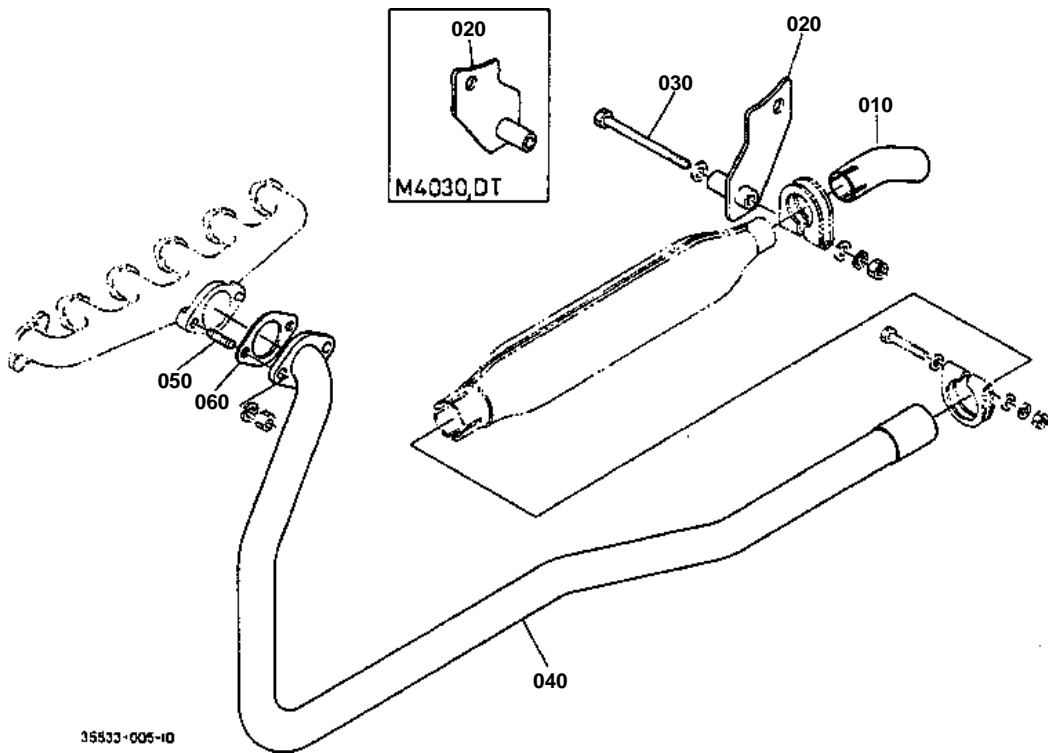


**MUFFLER AND EXHAUST MANIFOLD**

↔ Interchangeable; ≠ not interchangeable; ← new for old; → old for new

REF.No	Part No.	Description	Q'ty	S.No.	I/C	REMARKS	Weight (kgf)	Weight (lb)
010	15616-12110	MUFFLER	1				2.84	6.248
020	15616-12130	BAND MUFFLER	1				0.125	0.275
030	01153-50885	BOLT	1				0.031	0.0682
040	15151-04430	NUT	1	<=20208			0.006	0.0132
040	02156-50080	NUT	1	>=20209	↔		0.004	0.0088
050	04512-60080	WASHER SPRING	1				0.002	0.0044
060	04012-50080	WASHER PLAIN	2				0.001	0.0022
070	15616-12410	PIPE MUFFLER	1				0.7	1.54
080	15616-12420	BAND PIPE	1				0.045	0.099
090	01153-50875	BOLT	1				0.028	0.0616
100	15151-04430	NUT	1	<=20208			0.006	0.0132
100	02156-50080	NUT	1	>=20209	↔		0.004	0.0088
110	04512-60080	WASHER SPRING	1				0.002	0.0044
120	04012-50080	WASHER PLAIN	2				0.001	0.0022
130	15616-12320	FLANGE MUFFLER	1				1.3	2.86
140	01517-61030	STUD	2				0.021	0.0462
150	15021-12260	NUT	2				0.013	0.0286
160	04512-60100	WASHER SPRING	2				0.002	0.0044
170	15625-12360	GASKET MUFFLER FLANG	1				0.01	0.022
180	15616-12310	MANIFOLD EXHAUST	1				4.1	9.02
190	15521-12350	GASKET EX-MANIFOLD	6				0	0
200	02156-50080	NUT	12				0.004	0.0088
210	04512-60080	WASHER SPRING	12				0.002	0.0044
220	15221-91530	STUD	10				0.011	0.0242
230	15621-91530	STUD	2				0	0

UNDER MUFFLER (LOW-PROFILE KIT) [OPTION]



35833-005-10

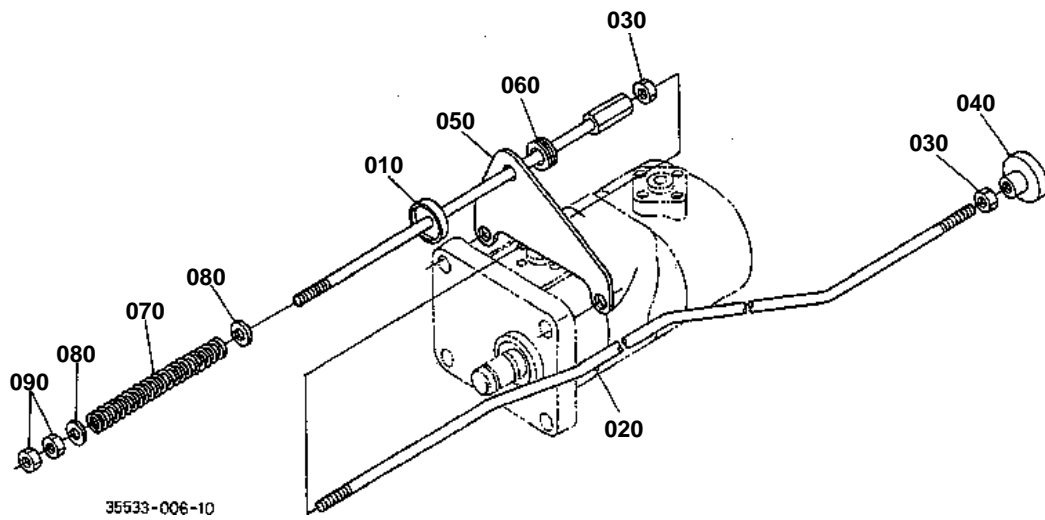


## UNDER MUFFLER (LOW-PROFILE KIT) [OPTION]

↔ Interchangeable; ≠ not interchangeable; ← new for old; → old for new

REF.No	Part No.	Description	Q'ty	S.No.	I/C	REMARKS	Weight (kgf)	Weight (lb)
010	35999-02330	PIPE MUFFLER	1				0.2	0.44
020	35537-03130	SUPPORT MUFFLER	1				0.15	0.33
030	01153-50802	BOLT	1				0.045	0.099
040	35537-03120	PIPE UNDER MUFFLER	1				3.4	7.48
050	01517-61025	STUD	2				0.02	0.044
060	15625-12360	GASKET MUFFLER FLANG	1				0.01	0.022

# ENGINE STOP ROD

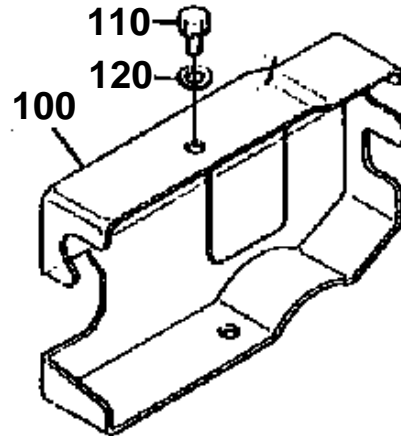


ENGINE STOP ROD

100 15461-6012-0

110 01023-50612

120 04012-50060



130 15471-6001-0

140 01123-50816

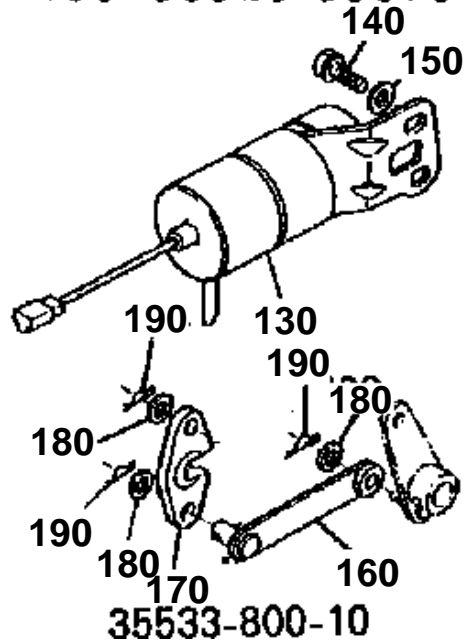
150 04012-50080

160 17331-6015-0

170 15471-6016-2

180 04012-50060

190 05525-50600



35533-800-10

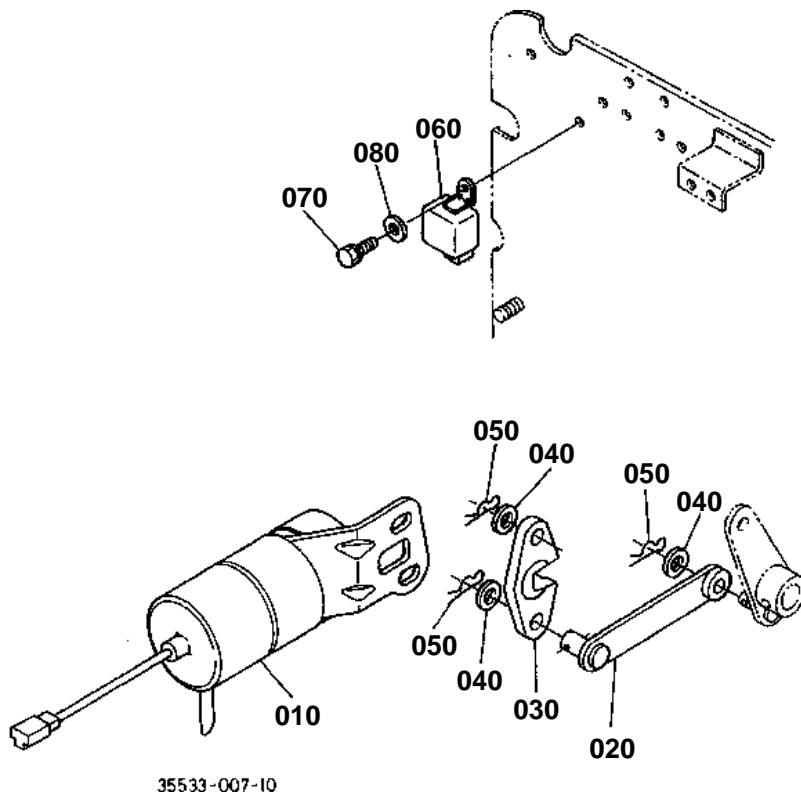


## ENGINE STOP ROD

↔ Interchangeable; ≠ not interchangeable; ← new for old; → old for new

REF.No	Part No.	Description	Q'ty	S.No.	I/C	REMARKS	Weight (kgf)	Weight (lb)
010	35533-10340	ROD ENGINE STOP	1				0.07	0.154
020	35533-10350	ROD ENGINE STOP	1				0.15	0.33
030	02014-50060	NUT	2				0.003	0.0066
040	35260-17160	KNOB	1				0.015	0.033
050	35533-10510	SUPPORT STOP ROD	1	<=10058			0	0
050	35533-10512	SUPPORT STOP ROD	1	>=10059	←		0.06	0.132
060	13582-57820	CUSHION CHOKE ROD	1	>=10059			0.002	0.0044
070	15471-60250	SPRING	1				0.005	0.011
080	04012-50060	WASHER PLAIN	2				0.001	0.0022
090	02012-60060	NUT	2				0.005	0.011

ENGINE KEY STOP KIT [OPTION]



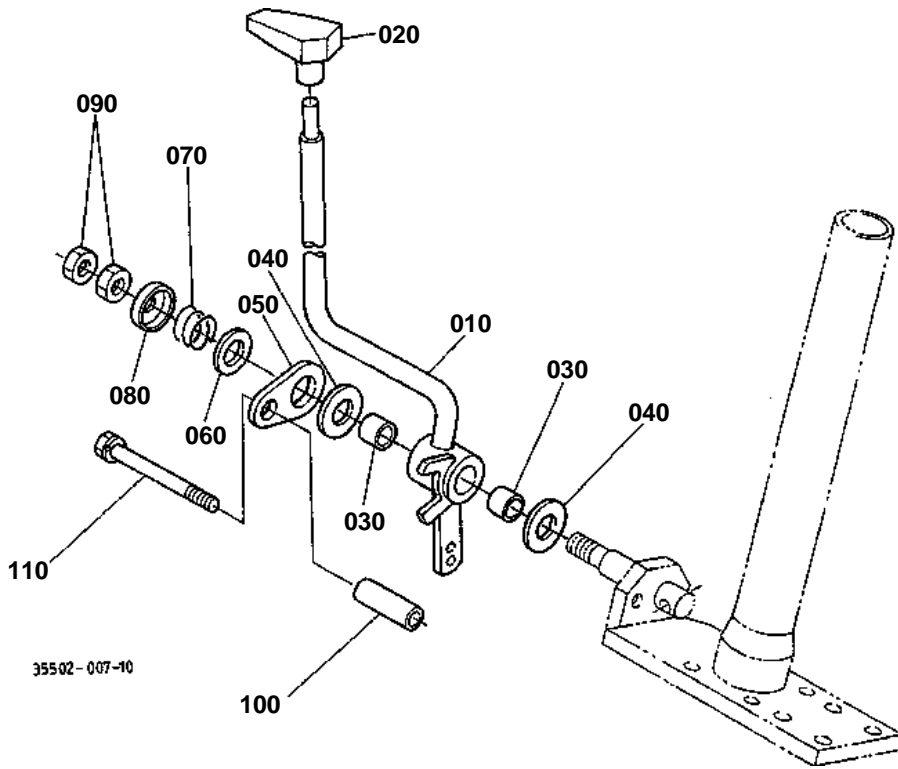
**ENGINE KEY STOP KIT [OPTION]**

↔ Interchangeable; ≠ not interchangeable; ← new for old; → old for new

REF.No	Part No.	Description	Q'ty	S.No.	I/C	REMARKS	Weight (kgf)	Weight (lb)
010	15471-60010	SOLENOID STOP	1				0.415	0.913
020	17331-60150	LEVER STOP	1				0.025	0.055
030	15471-60162	LEVER STOP	1				0.007	0.0154
040	04012-50060	WASHER PLAIN	3				0.001	0.0022
050	05525-50600	PIN SNAP	3				0	0
060	T0070-31410	TIMER	1				0.065	0.143
070	01023-50612	BOLT	1				0.005	0.011
080	04013-60060	WASHER PLAIN	1				0.001	0.0022



HAND ACCELERATOR



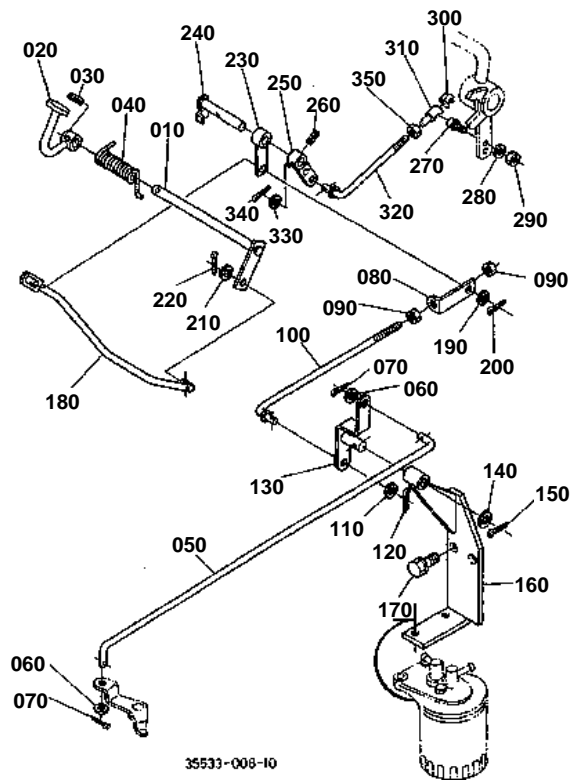


## HAND ACCELERATOR

↔ Interchangeable; ≠ not interchangeable; ← new for old; → old for new

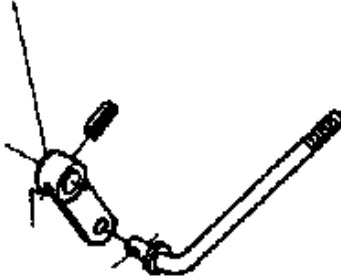
REF.No	Part No.	Description	Q'ty	S.No.	I/C	REMARKS	Weight (kgf)	Weight (lb)
010	35533-10220	LEVER HAND ACCEL.	1	<=10034			0	0
010	35533-10223	LEVER HAND ACCEL.	1	>=10035	←		0.8	1.76
020	35320-17170	GRIP ACCEL	1				0.018	0.0396
030	08511-01815	BUSH	2				0.007	0.0154
040	35533-10260	DISK FRICTION	2				0	0
050	35533-10380	PLATE ACCEL.LEVER	1				0.03	0.066
060	04015-60120	WASHER PLAIN	1				0.022	0.0484
070	33251-10320	SPRING ACCEL.LEVER	1				0.012	0.0264
080	33251-10270	CAP SPRING	1				0.01	0.022
090	02172-50120	NUT	2				0.01	0.022
100	35533-10440	COLLAR ACCEL.LEVER	1				0.04	0.088
110	01123-50860	BOLT	1				0.026	0.0572

# ACCELERATOR PEDAL



250 35533-1017-0

250



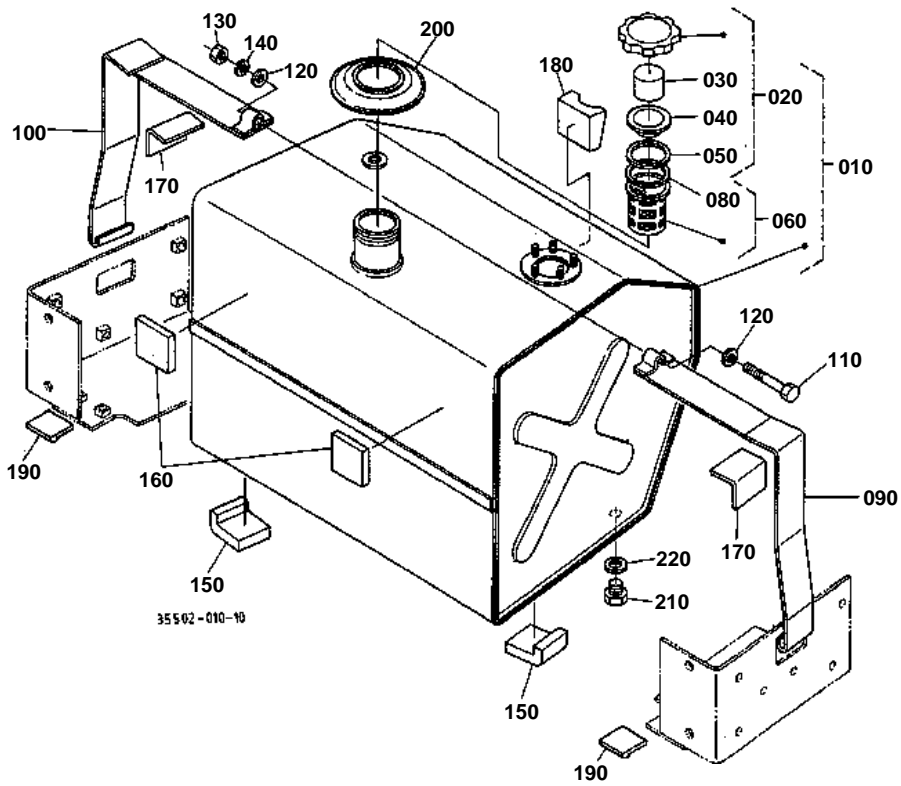
35533-801-10

**ACCELERATOR PEDAL**

↔ Interchangeable; ≠ not interchangeable; ← new for old; → old for new

REF.No	Part No.	Description	Q'ty	S.No.	I/C	REMARKS	Weight (kgf)	Weight (lb)
010	36200-10130	SHAFT ACCEL.PEDAL	1				0.16	0.352
020	36200-10240	PEDAL ACCEL.	1				0.127	0.2794
030	05411-00520	PIN SPRING	1				0.002	0.0044
040	33251-10280	SPRING ACCEL.PEDAL	1				0.065	0.143
050	36220-10100	ROD ACCEL.CONTROL	1				0.129	0.2838
060	04012-50060	WASHER PLAIN	2				0.001	0.0022
070	05511-51612	PIN SPLIT	2				0.001	0.0022
080	33430-10250	END ACCEL.ROD	1				0.025	0.055
090	02014-50060	NUT	2				0.003	0.0066
100	35533-10480	ROD ACCEL.CONTROL	1				0.1	0.22
110	04012-50060	WASHER PLAIN	1				0.001	0.0022
120	05511-51612	PIN SPLIT	1				0.001	0.0022
130	36220-10470	LEVER CONTROL ROD	1				0.07	0.154
140	04011-50100	WASHER PLAIN	1				0.002	0.0044
150	05511-50318	PIN SPLIT	1				0.001	0.0022
160	36230-10460	BRACKET	1				0.6	1.32
170	01133-51020	BOLT	2				0.02	0.044
180	35533-10150	ROD ACCEL.PEDAL	1				0.2	0.44
190	04012-50060	WASHER PLAIN	1				0.001	0.0022
200	05511-51612	PIN SPLIT	1				0.001	0.0022
210	04012-50050	WASHER PLAIN	1				0.001	0.0022
220	05511-51210	PIN SPLIT	1				0.001	0.0022
230	36330-10160	LEVER PEDAL CONTROL	1				0.05	0.11
240	35533-10210	SHAFT ACCEL.	1				0.05	0.11
250	35533-10170	LEVER ACCEL.CONTROL	1	<=10075			0	0
250	35533-10172	LEVER ACCEL.CONTROL	1	>=10076	←		0.05	0.11
260	05411-00420	PIN SPRING	1				0.001	0.0022
270	33251-10380	PIN JOINT	1				0.005	0.011
280	04512-50050	WASHER SPRING	1				0	0
290	02054-50050	NUT	1				0.002	0.0044
300	33251-10370	SPRING	1				0.002	0.0044
310	33251-10360	JOINT ACCEL.LEVER	1				0.015	0.033
320	36330-10120	ROD ACCEL.	1				0.02	0.044
330	04012-50050	WASHER PLAIN	1				0.001	0.0022
340	05511-51612	PIN SPLIT	1				0.001	0.0022
350	02054-50050	NUT	1				0.002	0.0044

# FUEL TANK

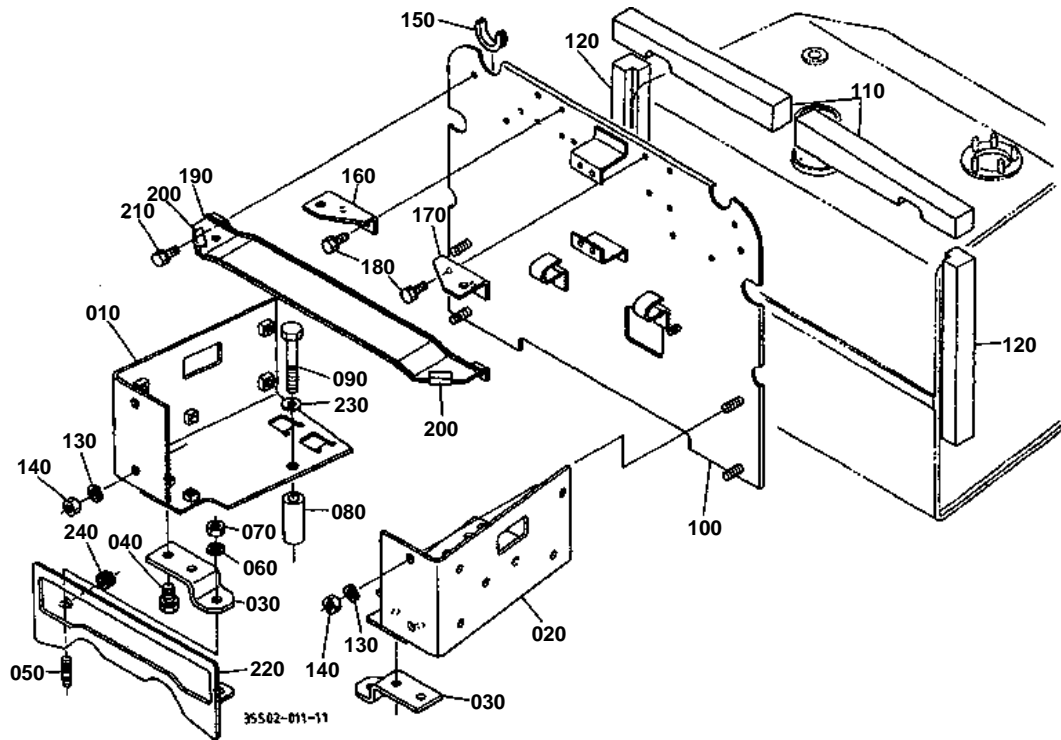


**FUEL TANK**

↔ Interchangeable; ≠ not interchangeable; ← new for old; → old for new

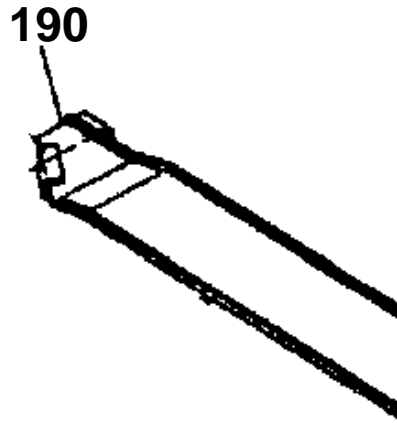
REF.No	Part No.	Description	Q'ty	S.No.	I/C	REMARKS	Weight (kgf)	Weight (lb)
010	35533-04100	ASSY TANK FUEL	1				15	33
020	38240-35200	ASSY CAP FUEL TANK	1				0.06	0.132
030	34150-35240	SPONGE	1				0.001	0.0022
040	34150-35230	GASKET	1				0.01	0.022
050	34150-35180	GASKET	1				0.001	0.0022
060	35450-41060	ASSY FILTER FUEL	1				0.015	0.033
080	10211-41340	GASKET	1				0.003	0.0066
090	35533-04620	BAND FUEL TANK LH	1				0.5	1.1
100	35533-04630	BAND FUEL TANK RH	1				0.5	1.1
110	01153-50880	BOLT	1				0.03	0.066
120	04012-50080	WASHER PLAIN	2				0.001	0.0022
130	02114-50080	NUT	1				0.005	0.011
140	04512-60080	WASHER SPRING	1				0.002	0.0044
150	35533-04160	CUSHION	4				0.06	0.132
160	35533-04170	CUSHION	3				0.03	0.066
170	35533-04180	CUSHION	3	<=10058			0.015	0.033
170	35533-04180	CUSHION	2	>=10059			0.015	0.033
180	35533-04190	CUSHION	1				0.05	0.11
190	35533-04600	RUBBER PROTECTOR	2				0.008	0.0176
200	35533-04120	COVER OIL FILLER	1	<=20186			0.04	0.088
200	36330-04120	CAP	1	>=20187	↔		0.015	0.033
210	06311-45030	PLUG	1				0.06	0.132
220	04717-01700	WASHER WITH RUBBER	1				0.003	0.0066

# FUEL TANK SUPPORT





190 35533-0496-0



35533-858-10

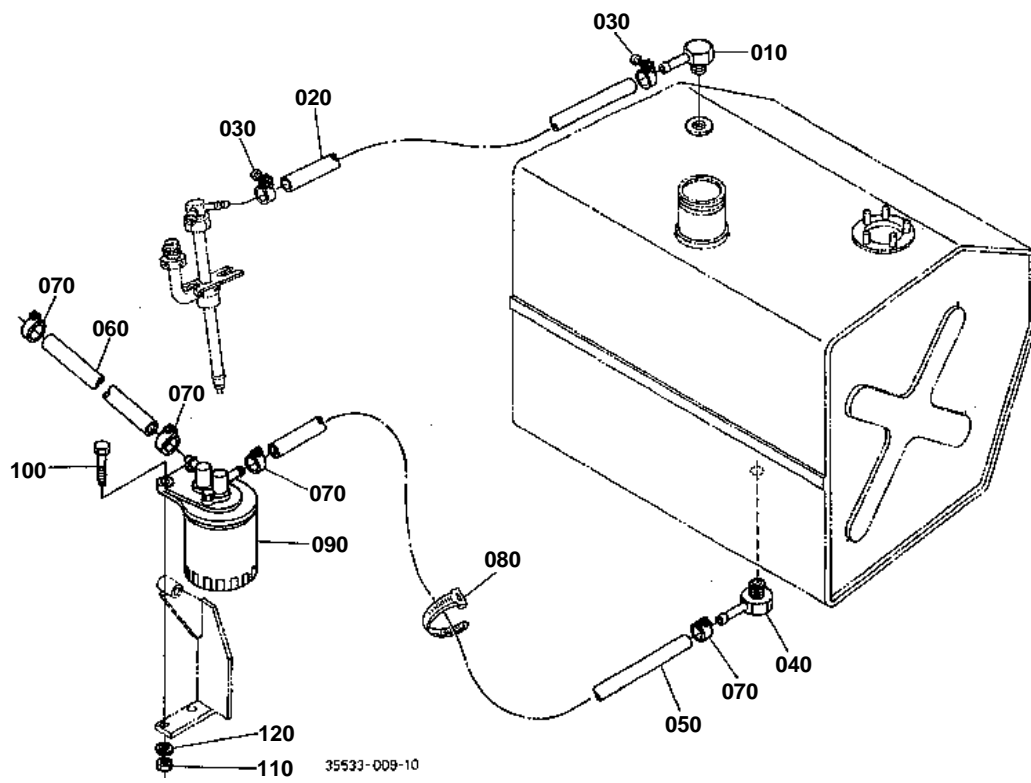


# FUEL TANK SUPPORT

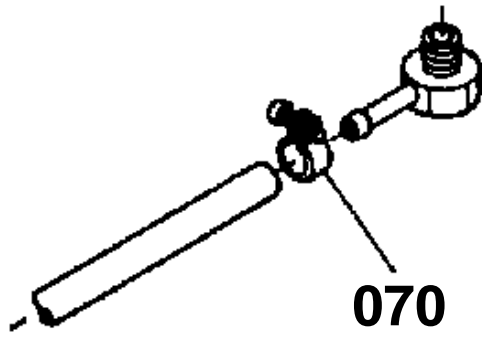
↔ Interchangeable; ≠ not interchangeable; ← new for old; → old for new

REF.No	Part No.	Description	Q'ty	S.No.	I/C	REMARKS	Weight (kgf)	Weight (lb)
010	35533-04513	STAY TANK RH	1				2.6	5.72
020	35533-04543	STAY TANK LH	1				2.68	5.896
030	35533-04270	STAY TANK SUPPORT	2				0.2	0.44
040	01133-51025	BOLT	4				0.023	0.0506
050	01574-51225	STUD	2				0.034	0.0748
060	04512-60120	WASHER SPRING	2				0.005	0.011
070	02176-50120	NUT	2				0.01	0.022
080	35533-04280	COLLAR TANK STAY	2				0.1	0.22
090	01173-51280	BOLT	2				0.1	0.22
100	35533-04610	PLATE SHUTTER	1	<=10034			0	0
100	35533-04614	PLATE SHUTTER	1	>=10035	←		3.1	6.82
110	35533-04580	ELEMENT SHUTTER	2				0.04	0.088
120	35533-04590	ELEMENT SHUTTER	2				0.03	0.066
130	04512-60100	WASHER SPRING	4				0.002	0.0044
140	02118-50100	NUT	4				0.005	0.011
150	35533-04750	RING RUBBER	2				0.002	0.0044
160	35533-04770	SUPPORT BONNET	1				0.07	0.154
170	35533-04790	SUPPORT BONNET	1				0.05	0.11
180	01023-50612	BOLT	4				0.005	0.011
190	35533-04960	STAY COVER	1	<=21042			0	0
190	35533-04962	STAY COVER	1	>=21043	←		0.63	1.386
200	35533-04680	CUSHION	4				0.005	0.011
210	01023-50612	BOLT	3				0.005	0.011
220	35533-04893	PLATE SHUTTER	1				0.4	0.88
230	04512-60120	WASHER SPRING	2				0.005	0.011
240	36330-87450	RING RUBBER	2				0.001	0.0022

# FUEL PIPE



070 14301-4275-0



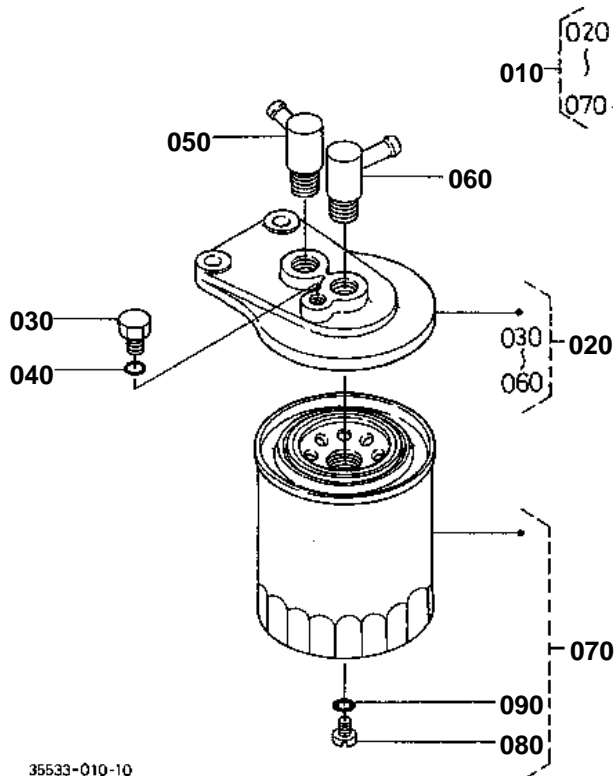
35533-802-10

**FUEL PIPE**

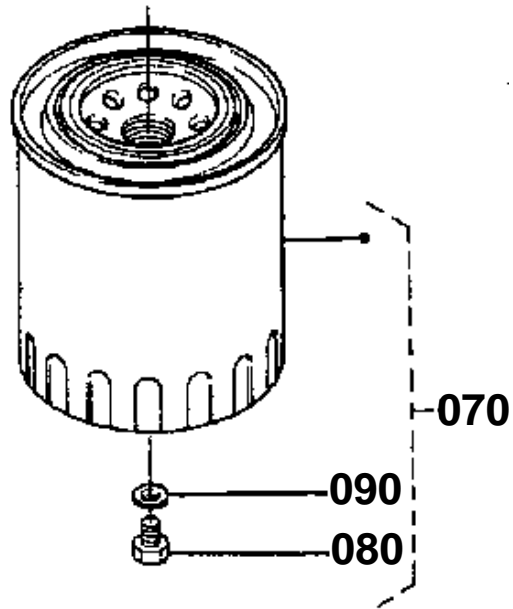
↔ Interchangeable; ≠ not interchangeable; ← new for old; → old for new

REF.No	Part No.	Description	Q'ty	S.No.	I/C	REMARKS	Weight (kgf)	Weight (lb)
010	36200-04440	UNION	1				0.065	0.143
020	35533-04430	PIPE FUEL	1				0.04	0.088
030	14971-42750	CLIP PIPE	2				0.001	0.0022
040	36919-04440	UNION FUEL RETURN	1				0.075	0.165
050	36200-04410	PIPE FUEL	1	<=10034			0.009	0.0198
050	36200-04420	PIPE FUEL	1	>=10035	≠		0.007	0.0154
060	36200-04420	PIPE FUEL	1				0.007	0.0154
070	14301-42750	CLIP PIPE	1	<=20154			0.005	0.011
070	14911-42750	CLIP PIPE	1	>=20155	↔		0.002	0.0044
080	34350-29380	BAND CORD	2				0.001	0.0022
090	15601-43010	ASSY FILTER FUEL	1			REFER TO L.No.0C06-R0 FOR COMPONENTS.	0.8	1.76
100	01153-60830	BOLT	2				0.025	0.055
110	02114-50080	NUT	2				0.005	0.011
120	04512-60080	WASHER SPRING	2				0.002	0.0044

FUEL FILTER [COMPONENT PARTS]



090 15601-4336-0



35533-803-10



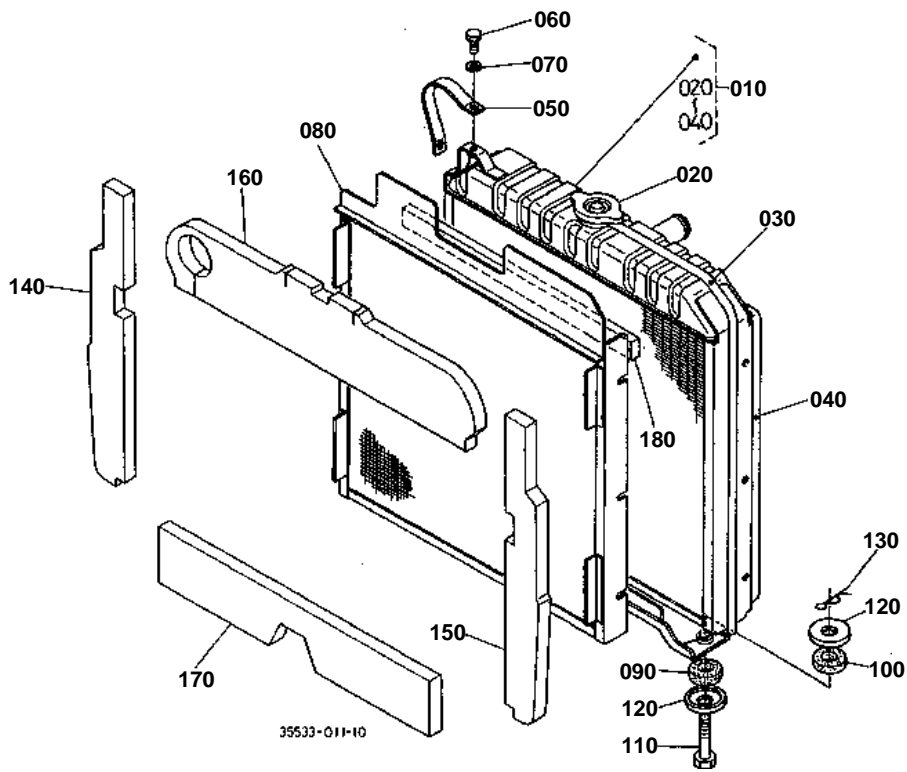
## FUEL FILTER [COMPONENT PARTS]

↔ Interchangeable; ≠ not interchangeable; ← new for old; → old for new

REF.No	Part No.	Description	Q'ty	S.No.	I/C	REMARKS	Weight (kgf)	Weight (lb)
010	15601-43010	ASSY FILTER FUEL	1				0.8	1.76
020	15601-43210	COVER FILTER	1				0.24	0.528
030	19222-43280	PLUG FILTER BREATHER	1				0.01	0.022
040	15108-43290	O RING	1				0.001	0.0022
050	15108-43610	JOINT	1				0.02	0.044
060	15108-43780	JOINT	1				0.02	0.044
070	15601-43170	CARTRIDGE FILTER	1				0.47	1.034
080	15601-43340	PLUG DRAIN	1	<=20208		6MM	0	0
080	15601-43342	PLUG DRAIN	1	>=20209	≠	8MM	0.01	0.022
090	15601-43360	GASKET	1	<=20208			0.001	0.0022
090	04811-00060	O RING	1	>=20209	↔		0.001	0.0022



# RADIATOR



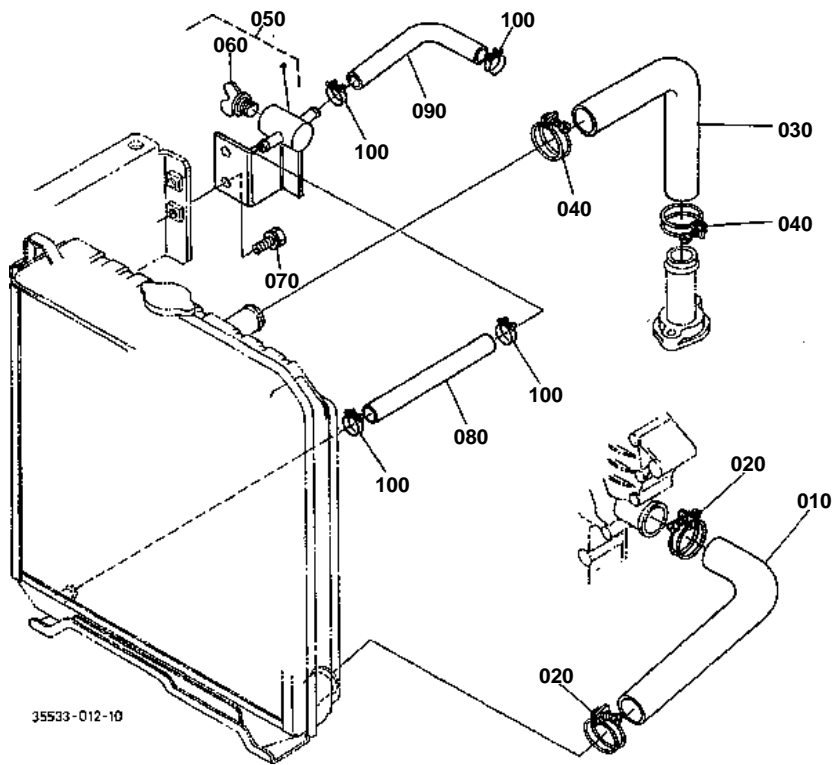


# RADIATOR

↔ Interchangeable; ≠ not interchangeable; ← new for old; → old for new

REF.No	Part No.	Description	Q'ty	S.No.	I/C	REMARKS	Weight (kgf)	Weight (lb)
010	17301-72060	ASSY RADIATOR	1				15	33
020	15101-72030	CAP RADIATOR	1				0.075	0.165
030	15621-72710	PIPE WATER OVERFLOW	1				0.08	0.176
040	15621-72330	SHROUD FAN	1				2	4.4
050	35533-17210	SUPPORT INLET PIPE	1				0.035	0.077
060	01153-50812	BOLT	2				0.008	0.0176
070	04512-60080	WASHER SPRING	2				0.002	0.0044
080	35533-17340	NET RADIATOR	1				1.51	3.322
090	15111-72180	CUSHION	2				0.015	0.033
100	15111-72190	CUSHION	2				0.016	0.0352
110	15108-72380	BOLT	2				0.04	0.088
120	15111-72200	WASHER	4				0.013	0.0286
130	05515-61000	PIN SNAP	2				0.003	0.0066
140	35533-17140	ELEMENT SIDE RH	1				0.05	0.11
150	35533-17150	ELEMENT SIDE LH	1				0.06	0.132
160	35533-17170	ELEMENT UPPER	1				0.15	0.33
170	35533-17180	ELEMENT LOWER	1				0.1	0.22
180	35533-17200	ELEMENT RADIATOR NET	1				0.005	0.011

# WATER PIPE



35533-012-10

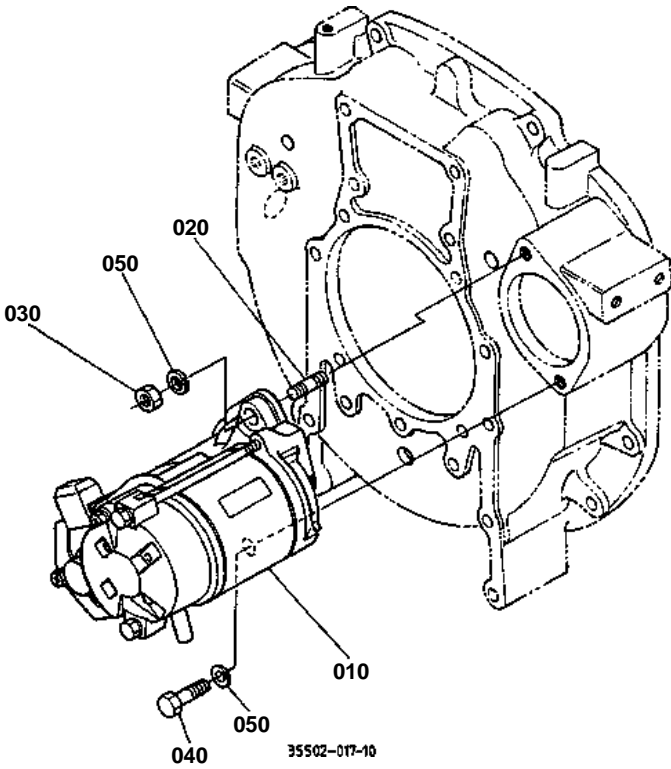


## WATER PIPE

↔ Interchangeable; ≠ not interchangeable; ← new for old; → old for new

REF.No	Part No.	Description	Q'ty	S.No.	I/C	REMARKS	Weight (kgf)	Weight (lb)
010	15621-72852	PIPE WATER	1				0.19	0.418
020	15108-72870	BAND	2				0.027	0.0594
030	15621-72942	PIPE WATER	1				0.32	0.704
040	15001-72870	PIPE WATER RETURN	1	<=20050			0.026	0.0572
040	15701-72870	BAND HOSE	1	>=20051	←		0.027	0.0594
050	35533-17410	ASSY COCK DRAIN	1				0.2	0.44
060	55364-82110	COCK DRAIN	1				0.005	0.011
070	01133-50816	BOLT	2				0	0
080	35533-17430	PIPE WATER RETURN	1				0.04	0.088
090	35533-17440	PIPE WATER RETURN	1				0.03	0.066
100	68171-63630	BAND HOSE	4				0.013	0.0286

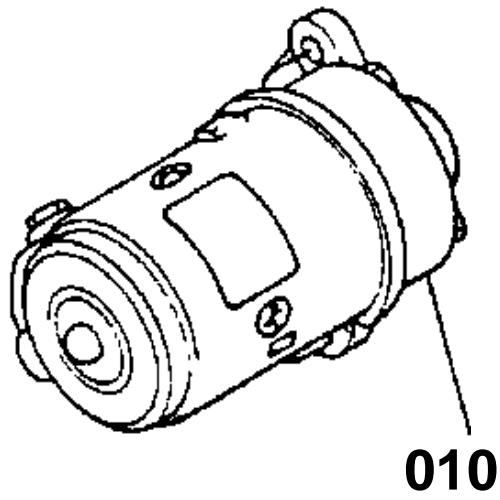
STARTER



STARTER

---

010 15601-6301-0



35533-804-10

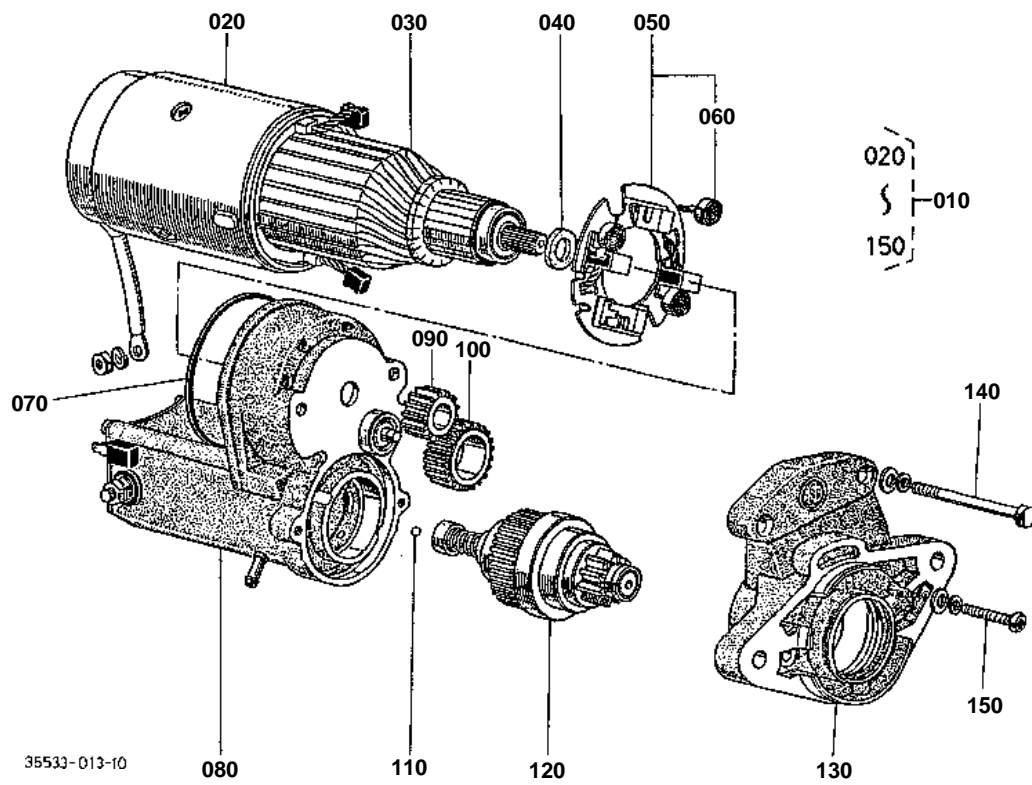


# STARTER

↔ Interchangeable; ≠ not interchangeable; ← new for old; → old for new

REF.No	Part No.	Description	Q'ty	S.No.	I/C	REMARKS	Weight (kgf)	Weight (lb)
010	15601-63010	ASSY STARTER	1	<=10058		REFER TO L.No.0C08-R0 FOR COMPONENTS.	0	0
010	15621-63010	ASSY STARTER	1	>=10059	←	REFER TO L.No.0C09-L0 FOR COMPONENTS.	0	0
010	15621-63012	ASSY STARTER	1	>=10098	←	REFER TO L.No.0C09-L0 FOR COMPONENTS.	3.87	8.514
020	01517-51028	STUD	1				0.022	0.0484
030	02176-50100	NUT	1				0.005	0.011
040	01173-51030	BOLT	1				0.023	0.0506
050	04512-60100	WASHER SPRING	2				0.002	0.0044

STARTER [OLD TYPE] [COMPONENT PARTS]



35533-013-10



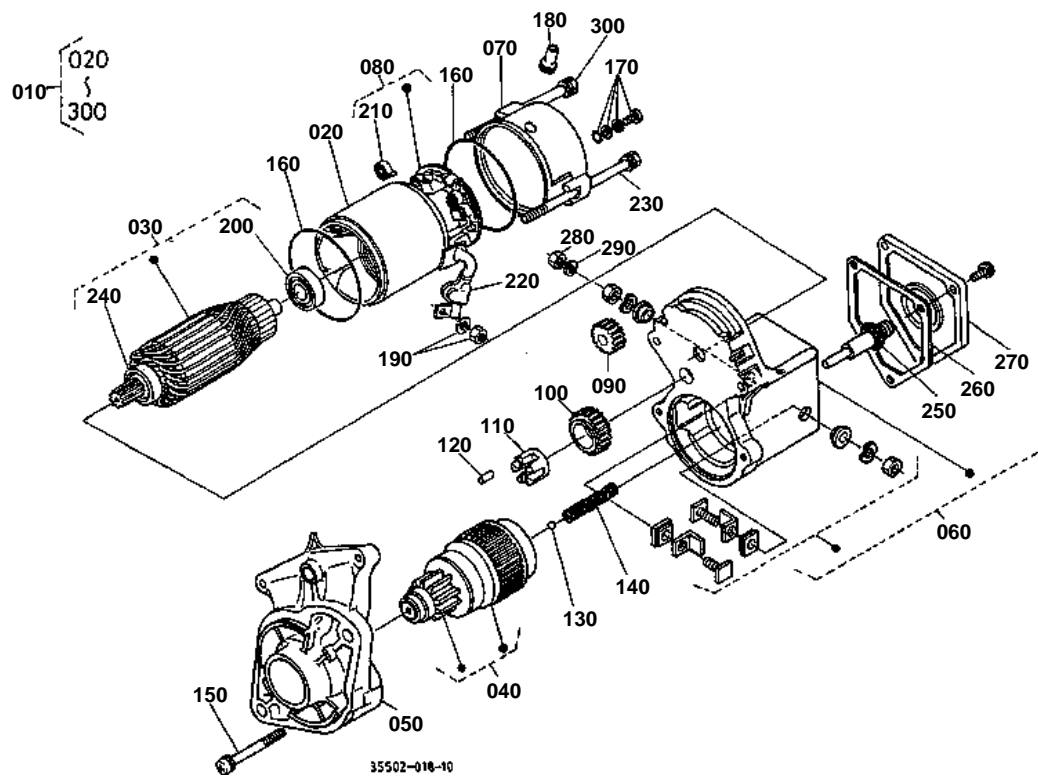
**STARTER [OLD TYPE] [COMPONENT PARTS]**

S.No.;&lt;=10058

↔ Interchangeable; ≠ not interchangeable; ← new for old; → old for new

REF.No	Part No.	Description	Q'ty	S.No.	I/C	REMARKS	Weight (kgf)	Weight (lb)
010	15601-63010	ASSY STARTER	1			(ND NO.028000-6250)	0	0
020	15401-63080	YOKE	1				1.2	2.64
030	19212-63070	ARMATURE	1				1	2.2
040	19212-96670	WASHER FELT	1				0.001	0.0022
050	15401-63380	HOLDER BRUSH	1				0.1	0.22
060	15401-63390	SPRING BRUSH	4				0.003	0.0066
070	15401-96660	GASKET	1				0.002	0.0044
080	15521-63020	SWITCH MAGNETIC	1				1.29	2.838
090	15521-63260	GEAR	1				0.03	0.066
100	15401-63270	GEAR	1				0.043	0.0946
110	19212-97130	BALL	1				0.003	0.0066
120	15601-63042	CLUTCH OVER RUNNING	1				0.75	1.65
130	15521-63030	FRAME DRIVE END	1				0.455	1.001
140	15401-63320	BOLT THROUGH	2				0.017	0.0374
150	15401-93310	SCREW PAN-HEAD	2				0.01	0.022

STARTER [OLD TYPE] [COMPONENT PARTS]



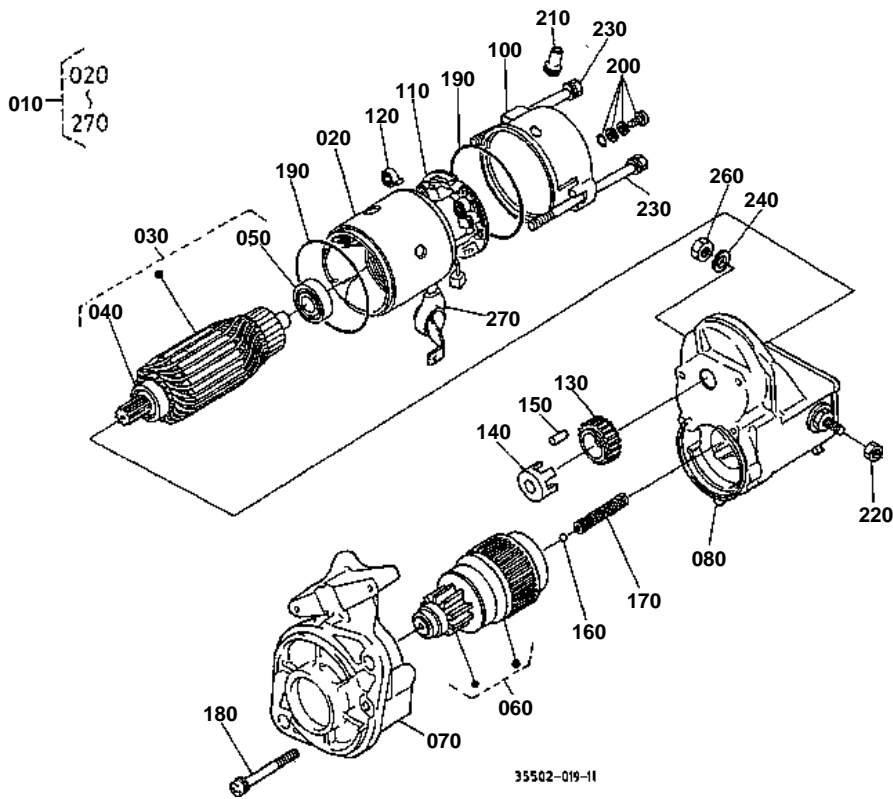
**STARTER [OLD TYPE] [COMPONENT PARTS]**

S.No.;&gt;=10059

↔ Interchangeable; ≠ not interchangeable; ← new for old; → old for new

REF.No	Part No.	Description	Q'ty	S.No.	I/C	REMARKS	Weight (kgf)	Weight (lb)
010	15621-63010	ASSY STARTER	1	<=10097		(ND NO.128000-0070)	0	0
010	15621-63012	ASSY STARTER	1	>=10098	←	(ND NO.128002-0071)	3.87	8.514
020	15461-63080	ASSY YOKE	1				1.13	2.486
030	15511-63070	ASSY ARMATURE	1				1.05	2.31
040	15601-63042	CLUTCH OVER RUNNING	1				0.75	1.65
050	15511-63030	FRAME DRIVE END	1				0.32	0.704
060	15621-63020	ASSY SWITCH MAGNET	1				1.17	2.574
070	15511-63200	FRAME END	1				0.14	0.308
080	15511-63380	ASSY HOLDER BRUSH	1				0.09	0.198
090	15511-63260	GEAR	1				0.02	0.044
100	15401-63270	GEAR	1				0.043	0.0946
110	19212-63110	RETAINER	1				0.002	0.0044
120	19212-63100	ROLLER	5				0.002	0.0044
130	19212-97130	BALL	1				0.003	0.0066
140	19212-63120	SPRING	1				0.004	0.0088
150	15501-93310	SCREW PAN-HEAD	2				0.01	0.022
160	15511-96660	O RING	2				0.005	0.011
170	15511-63760	ASSY BOLT	2				0.005	0.011
180	15511-63450	COVER	1				0.002	0.0044
190	13963-92010	NUT HEXAGON	1				0.005	0.011
200	15511-63530	BEARING BALL	1				0.025	0.055
210	15401-63390	SPRING BRUSH	4				0.003	0.0066
220	17381-63450	COVER	1				0.01	0.022
230	19215-63320	BOLT THROUGH	2				0.03	0.066
240	15511-63500	BEARING BALL	1				0.04	0.088
250	15461-63990	PLUNGER	1				0.15	0.33
260	15461-63520	GASKET	1				0.01	0.022
270	15461-63510	COVER SOLENOID	1				0.06	0.132
280	19616-92010	NUT HEXAGON	1				0.04	0.088
290	04512-60080	WASHER SPRING	1				0.002	0.0044
300	15621-63320	BOLT	1				0.04	0.088

STARTER [NEW TYPE] [COMPONENT PARTS]

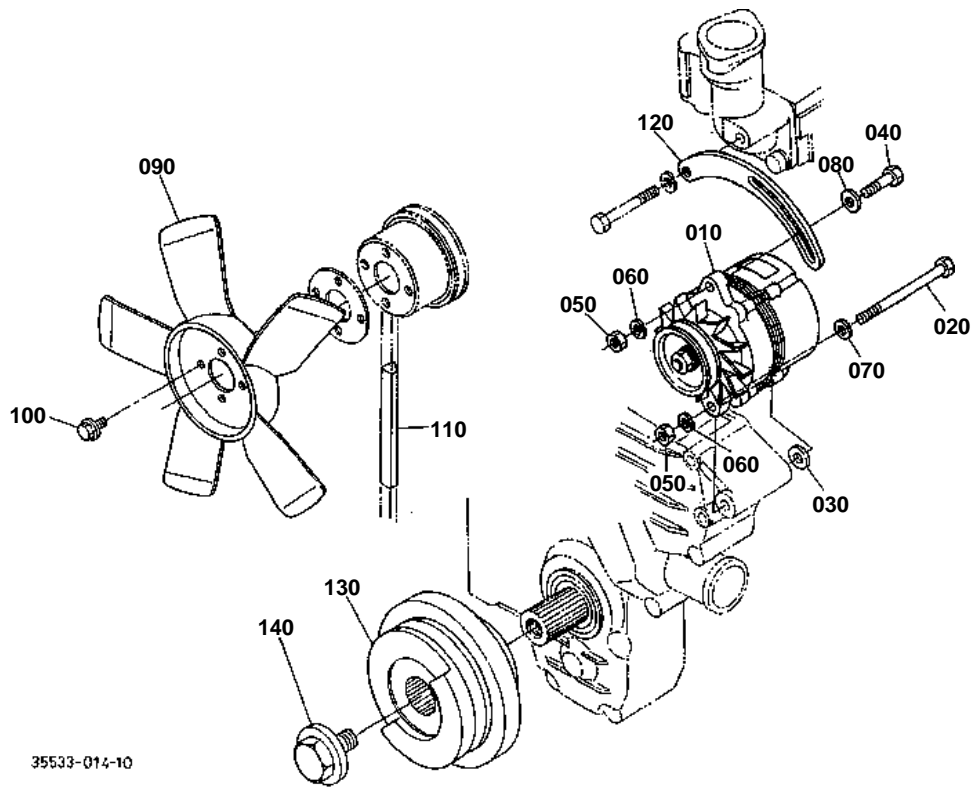


**STARTER [NEW TYPE] [COMPONENT PARTS]**

S.No.;&gt;=20346

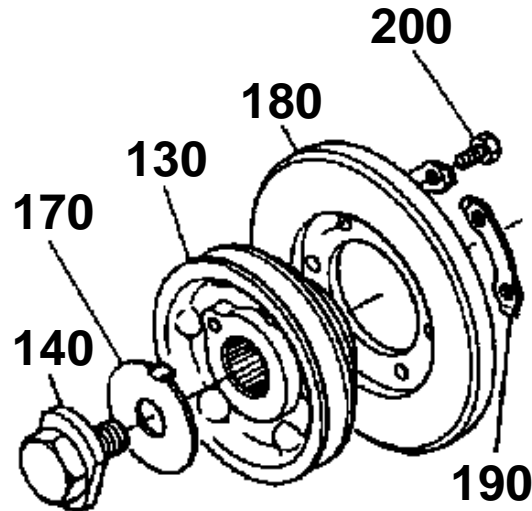
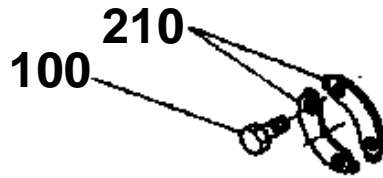
↔ Interchangeable; ≠ not interchangeable; ← new for old; → old for new

REF.No	Part No.	Description	Q'ty	S.No.	I/C	REMARKS	Weight (kgf)	Weight (lb)
010	15621-63012	ASSY STARTER	1			(ND NO.22800-1000)	3.87	8.514
020	11197-63080	ASSY YOKE	1				0.92	2.024
030	11197-63070	ASSY ARMATURE	1				0.8	1.76
040	11460-63500	BEARING	1				0.03	0.066
050	11460-63530	BEARING	1				0.02	0.044
060	15621-63040	CLUTCH OVER RUNNING	1				0.6	1.32
070	16661-63030	FRAME DRIVE END	1				0.41	0.902
080	11173-63020	ASSY SWITCH MAGNETIC	1				0.2	0.44
100	17341-63200	FRAME END	1				0.13	0.286
110	11197-63380	ASSY HOLDER BRUSH	1				0.05	0.11
120	15401-63390	SPRING BRUSH	4				0.003	0.0066
130	11460-63270	GEAR	1				0.04	0.088
140	11460-63110	RETAINER	1				0.01	0.022
150	19212-63100	ROLLER	5				0.002	0.0044
160	19212-97130	BALL	1				0.003	0.0066
170	11460-63120	SPRING	1				0.01	0.022
180	11460-93310	BOLT	2				0.01	0.022
190	15511-96660	O RING	2				0.005	0.011
200	15511-63760	ASSY BOLT	2				0.005	0.011
210	16285-63570	PIPE DRAIN	1				0.005	0.011
220	13963-92010	NUT HEXAGON	1				0.005	0.011
230	11197-63320	BOLT	2				0.02	0.044
240	04512-60080	WASHER SPRING	1				0.002	0.0044
260	16285-92010	NUT HEXAGON	1				0.005	0.011
270	11173-63130	COVER TERMINAL	1				0.007	0.0154

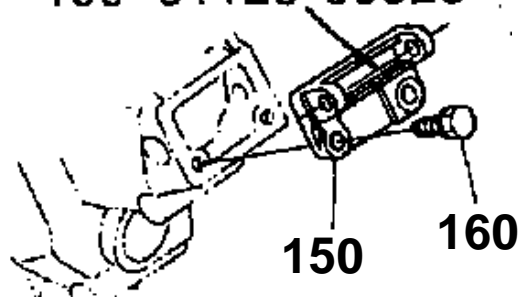


35533-014-10

- 100 01053-50816
- 210 15606-7423-0
- 130 17301-7428-0
- 140 15601-9101-0
- 170 15601-9419-0
- 180 15601-2378-0
- 190 15601-2381-0
- 200 01053-50814



- 150 15601-6435-0
- 160 01123-50825



35533-805-10



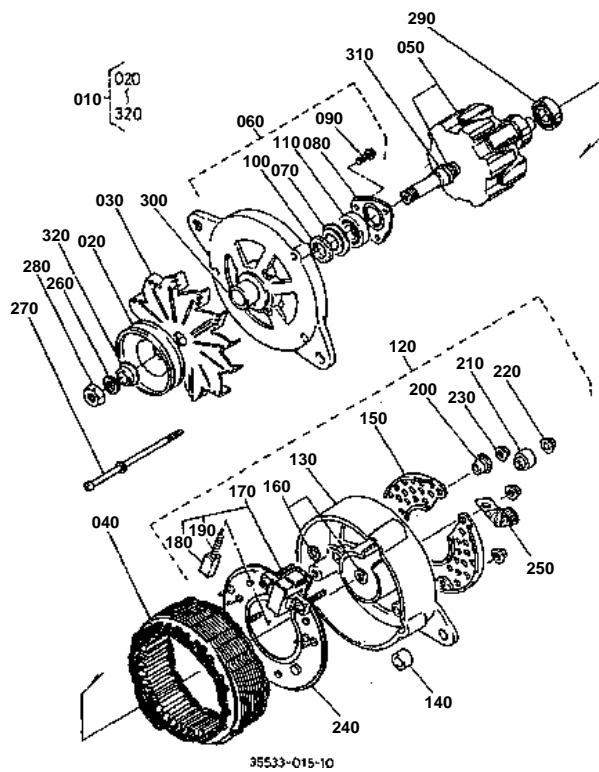
DYNAMO

↔ Interchangeable; ≠ not interchangeable; ← new for old; → old for new

REF.No	Part No.	Description	Q'ty	S.No.	I/C	REMARKS	Weight (kgf)	Weight (lb)
010	15763-64010	ASSY DYNAMO	1			REFER TO L.No.0C11-L0 FOR COMPONENTS.	3.47	7.634
020	17367-91030	BOLT	1				0.02	0.044
030	15521-94030	WASHER PLAIN	1	>=10076			0.01	0.022
040	01153-60830	BOLT	1				0.025	0.055
050	02156-50080	NUT	2				0.004	0.0088
060	04512-60080	WASHER SPRING	2				0.002	0.0044
070	04012-50080	WASHER PLAIN	1				0.001	0.0022
080	04015-60080	WASHER PLAIN	1				0.01	0.022
090	15621-74110	FAN	1				0.56	1.232
100	01053-50816	BOLT	4	<=10075			0.011	0.0242
100	01754-50816	BOLT FLANGE	4	>=10076	←		0.011	0.0242
110	15196-97010	V BELT A	1				0.124	0.2728
120	15601-64420	STAY DYNAMO	1				0.105	0.231
130	17303-74280	PULLEY FAN DRIVE	1	<=10058			3.16	6.952
130	17303-74280	PULLEY FAN DRIVE	1	>=10059	←		3.16	6.952
130	17303-74282	PULLEY FAN DRIVE	1	>=10092	≠		3.2	7.04
140	15601-91013	STAY DYNAMO	1	<=10091			0	0
140	15601-91013	BOLT	1	>=10092	≠		0	0
150	15601-64350	SUPPORT DYNAMO	1	<=10075			0.28	0.616
160	01123-50825	BOLT	2	<=10075			0.013	0.0286
170	15601-94190	WASHER WITH CLAW	1	<=10091		0.023	0.0506	
180	15601-23780	DAMPER CRANK SHAFT	1	<=10058		1.7	3.74	
190	15601-23810	WASHER DAMPER	3	<=10058		0.006	0.0132	
200	01053-50814	BOLT	6	<=10058		0.01	0.022	
210	15606-74230	WASHER FAN	2	<=10075		0.006	0.0132	



DYNAMO [COMPONENT PARTS]

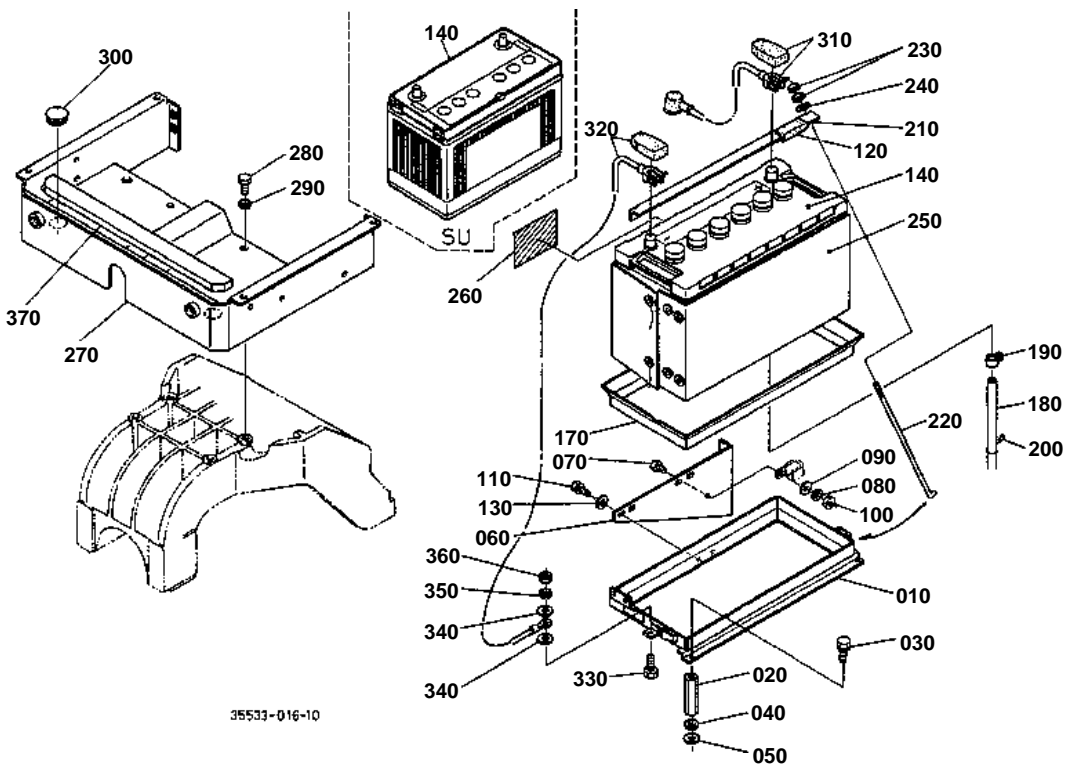


**DYNAMO [COMPONENT PARTS]**

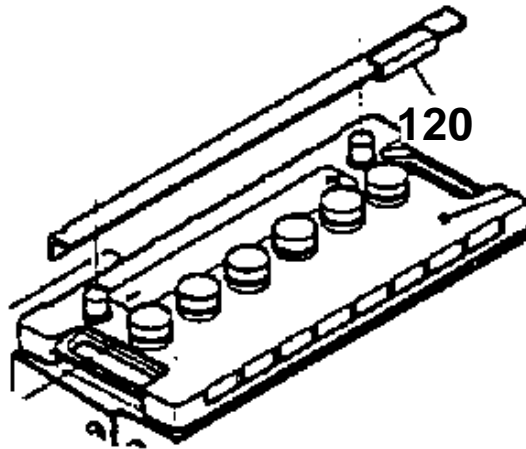
↔ Interchangeable; ≠ not interchangeable; ← new for old; → old for new

REF.No	Part No.	Description	Q'ty	S.No.	I/C	REMARKS	Weight (kgf)	Weight (lb)
010	15763-64010	ASSY DYNAMO	1				3.47	7.634
020	15471-64110	PULLEY DYNAMO	1				0.435	0.957
030	15253-64130	FAN DYNAMO	1				0.18	0.396
040	15606-64050	YOKE	1				0.76	1.672
050	15253-64030	ARMATURE	1				1.46	3.212
060	15253-64020	FRAME DRIVE END	1				0.365	0.803
070	15221-64830	COVER FELT	1				0.003	0.0066
080	15221-64710	PLATE RETAINER	1				0.018	0.0396
090	01053-50516	BOLT	3				0.003	0.0066
100	15221-64790	FELT OIL	1				0.001	0.0022
110	08141-06202	BEARING BALL	1				0.043	0.0946
120	15253-64070	ASSY FRAME END	1				0.55	1.21
130	15253-64060	FRAME END	1				0.29	0.638
140	15221-64210	BUSH	1				0.007	0.0154
150	15253-64230	COVER END	1				0.02	0.044
160	15321-64880	WASHER INSULATION	2				0.001	0.0022
170	15253-64310	ASSY HOLDER BRUSH	1				0.04	0.088
180	15221-64090	BRUSH	2				0.002	0.0044
190	15221-64330	SPRING BRUSH	2				0.001	0.0022
200	15321-64910	BUSH INSULATION	1				0.001	0.0022
210	15321-64920	BUSH INSULATION	1				0.001	0.0022
220	15451-94080	WASHER	5				0.001	0.0022
230	14182-92030	NUT	2				0.003	0.0066
240	15321-64850	ASSY RECTIFIER	1				0.134	0.2948
250	15321-67570	CLAMP CORD	1				0.04	0.088
260	15221-94070	WASHER SPRING	1				0.008	0.0176
270	15321-64260	BOLT THROUGH	3				0.008	0.0176
280	15221-92010	NUT	1				0.012	0.0264
290	08121-06201	BEARING BALL	1				0.036	0.0792
300	15221-64150	COLLAR	1				0.008	0.0176
310	15321-64170	SPACER	1				0.007	0.0154
320	15221-64160	SPACER	1				0.006	0.0132

# BATTERY



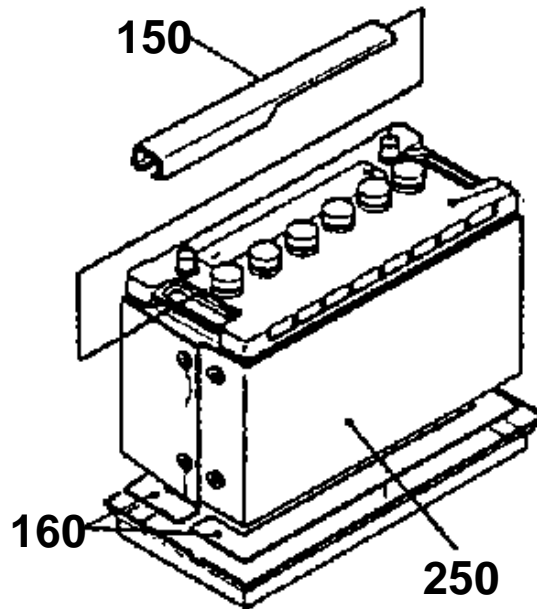
120 38430-2967-0



150 38240-3339-0

160 36200-7432-0

250 36200-7438-0



35533-806-10

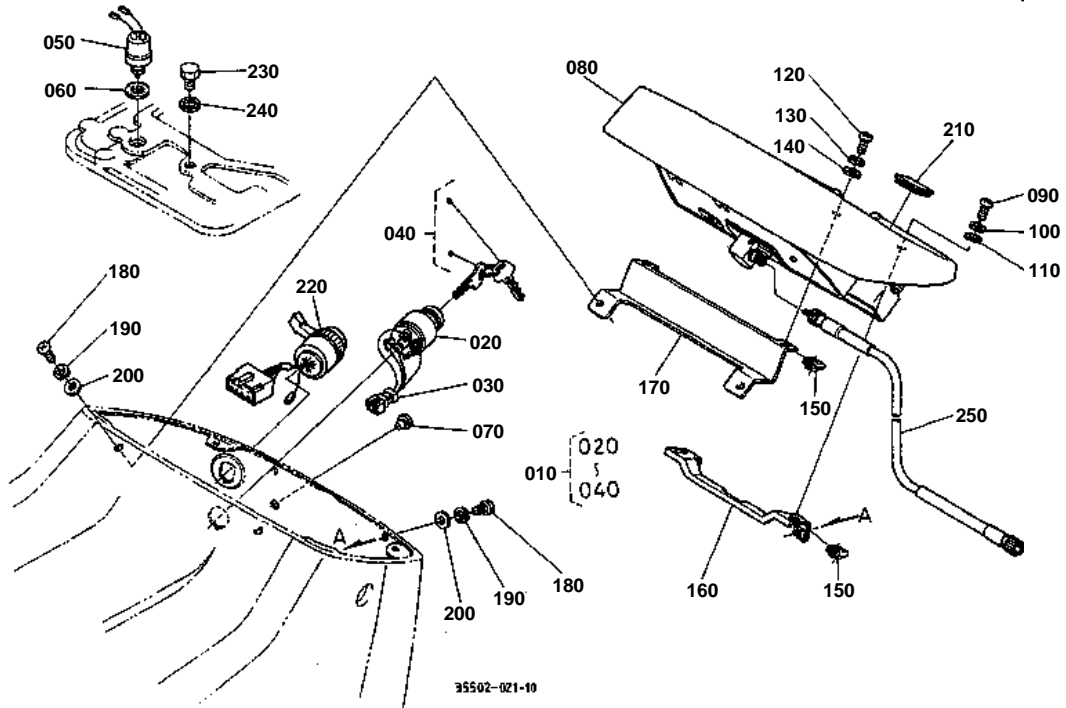


# BATTERY

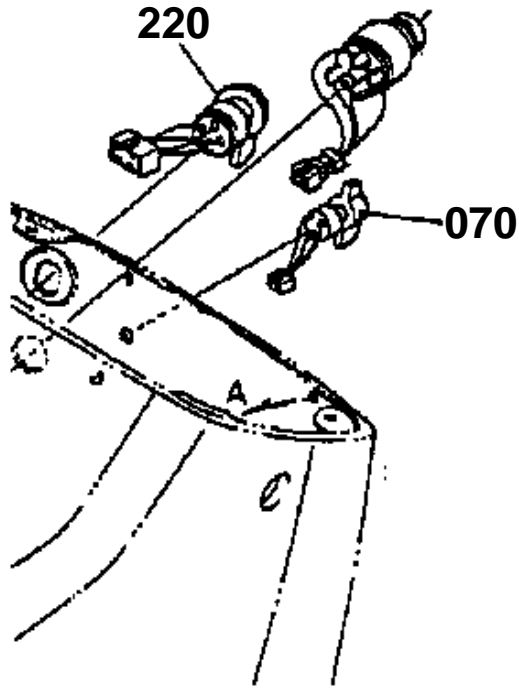
↔ Interchangeable; ≠ not interchangeable; ← new for old; → old for new

REF.No	Part No.	Description	Q'ty	S.No.	I/C	REMARKS	Weight (kgf)	Weight (lb)
010	36200-74117	SUPPORT BATTERY	1				1.6	3.52
020	36200-74160	JOINT	2				0.125	0.275
030	01133-51020	BOLT	2				0.02	0.044
040	04512-60100	WASHER SPRING	2				0.002	0.0044
050	04011-50100	WASHER PLAIN	2				0.002	0.0044
060	35533-74170	STAY BATTERY	1				0.7	1.54
070	01173-51018	BOLT	1				0.018	0.0396
080	04512-60100	WASHER SPRING	1				0.002	0.0044
090	04011-50100	WASHER PLAIN	1				0.002	0.0044
100	02118-50100	NUT	1				0.005	0.011
110	01133-51025	BOLT	4				0.023	0.0506
120	38430-29670	CUSHION	1	≤20050		[A]	0.01	0.022
130	04011-50100	WASHER PLAIN	4				0.002	0.0044
140	32360-33200	BATTERY DRY	1	≤20050		[A]	18	39.6
140	35999-12740	BATTERY	1	≥20051	≠	[A] OBTAINED LOCALLEY	0	0
150	38240-33390	COVER BATTERY	1	≤20050			0.03	0.066
160	36200-74320	CUSHION	1	≤20050			0.08	0.176
170	36200-74330	SUPPORT BATTERY	1				0.308	0.6776
180	36200-74340	PIPE	1				0.045	0.099
190	14301-42750	CLIP PIPE	1	≤10197			0.005	0.011
190	14301-42750	CLIP PIPE	1	≤20154			0.005	0.011
190	14911-42750	CLIP PIPE	1	≥20155	↔		0.002	0.0044
200	36200-74510	CLAMP PIPE	1				0.002	0.0044
210	36230-74350	RETAINER BATTERY	1				0.41	0.902
220	36200-74360	HOLDER	2				0.107	0.2354
230	02114-50080	NUT	4				0.005	0.011
240	04012-50080	WASHER PLAIN	2				0.001	0.0022
250	36200-74383	CLIP PIPE	1	≤20050			0.26	0.572
250	36200-74383	COVER BATTERY	1	≥20051	←		0.26	0.572
260	35533-74610	LABEL BATTERY	1				0	0
270	35533-74610	SUPPORT BONNET	1	≤10058			0	0
270	35533-74615	SUPPORT BONNET	1	≥10059	←		8.5	18.7
280	01173-51220	BOLT	4				0.03	0.066
290	04512-60120	WASHER SPRING	4				0.005	0.011
300	35880-04570	CAP	2				0.01	0.022
310	36220-77112	CORD BATTERY	1	≤10034			0	0
310	36220-77113	CORD BATTERY	1	≥10035	←		0	0
310	36220-77114	CORD BATTERY	1	≥10059	←		0.3	0.66
320	36220-77120	CORD EARTH	1				0.337	0.7414
330	01153-50818	BOLT	1				0.01	0.022
340	04013-50080	WASHER PLAIN	2				0	0
350	04512-60080	WASHER SPRING	1				0.002	0.0044
360	02114-50080	NUT	1				0.005	0.011
370	35533-17160	ELEMENT FRONT	1	≤10094			0	0
370	35533-17164	ELEMENT FRONT	1	≥10095	←		0.06	0.132

PANEL BOARD



070 38240-3210-0  
220 35450-7504-0



35533-807-10



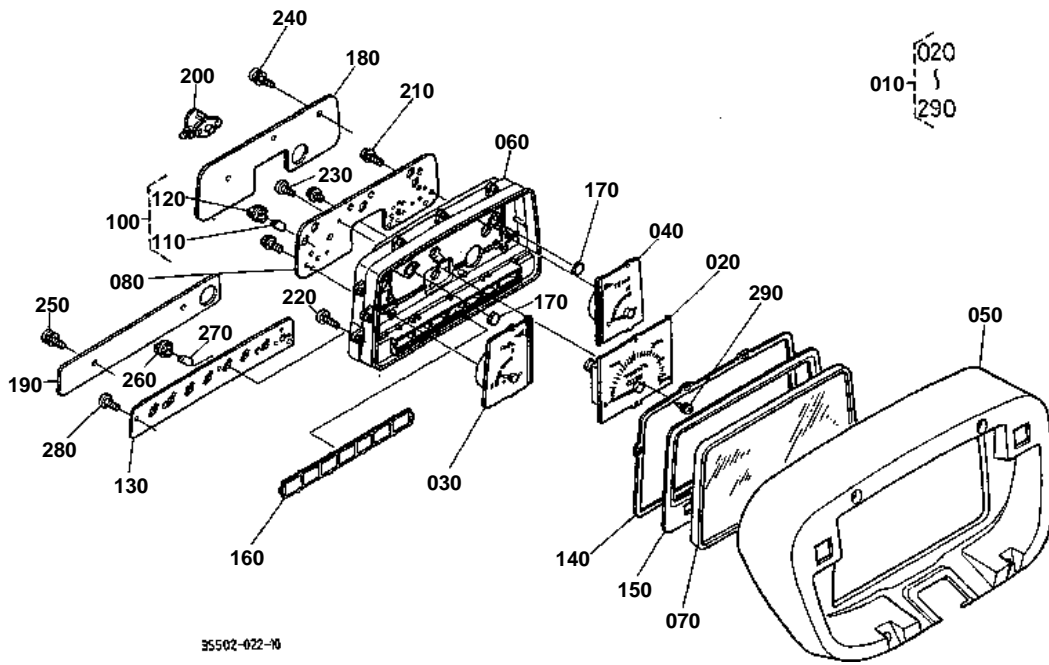
PANEL BOARD

↔ Interchangeable; ≠ not interchangeable; ← new for old; → old for new

REF.No	Part No.	Description	Q'ty	S.No.	I/C	REMARKS	Weight (kgf)	Weight (lb)
010	35533-75170	ASSY KEY MAIN SWITCH	1				0.26	0.572
020	66021-55140	SWITCH MAIN	1				0.17	0.374
030	35533-75240	HARNESS MAIN SWITCH	1				0.05	0.11
040	35822-75180	ASSY KEY MAIN SWITCH	1				0.02	0.044
050	33251-75100	SWITCH STARTER	1				0.095	0.209
060	33251-75130	GASKET	1				0.001	0.0022
070	31301-29070	PLUG	1				0.001	0.0022
080	35502-75600	ASSY BOARD PANEL	1	<=20205		REFER TO L.No.0C14-L0 FOR COMPONENTS.	2.2	4.84
080	35533-75600	ASSY BOARD PANEL	1	>=20206	≠	REFER TO L.No.0C14-L0 FOR COMPONENTS.	1.8	3.96
090	32530-31120	SCREW PAN-HEAD	2				0.01	0.022
100	66021-55280	WASHER SPRING	2				0.001	0.0022
110	32530-18390	WASHER PLAIN	2				0.001	0.0022
120	03014-50625	SCREW PAN-HEAD	2				0	0
130	04512-60060	WASHER SPRING	2				0.001	0.0022
140	04012-50060	WASHER PLAIN	2				0.001	0.0022
150	38240-29250	NUT SPRING	4				0.005	0.011
160	35533-75622	STAY PANEL	1	<=10034			0.1	0.22
160	35533-75622	STAY PANEL	1	>=10035	←		0.1	0.22
170	35533-75630	STAY PANEL	1				0.257	0.5654
180	03014-50616	SCREW PAN-HEAD	4				0.003	0.0066
190	04512-60060	WASHER SPRING	4				0.001	0.0022
200	04012-50060	WASHER PLAIN	4				0.001	0.0022
210	35533-75790	COVER RUBBER	2				0.005	0.011
220	36330-75010	SWITCH COMBINATION	1				0.09	0.198
230	35410-75330	PLUG	1				0.02	0.044
240	04711-00120	GASKET	1				0.001	0.0022
250	35533-75610	CABLE HOUR METER	1				0.3	0.66



PANEL BOARD [COMPONENT PARTS]



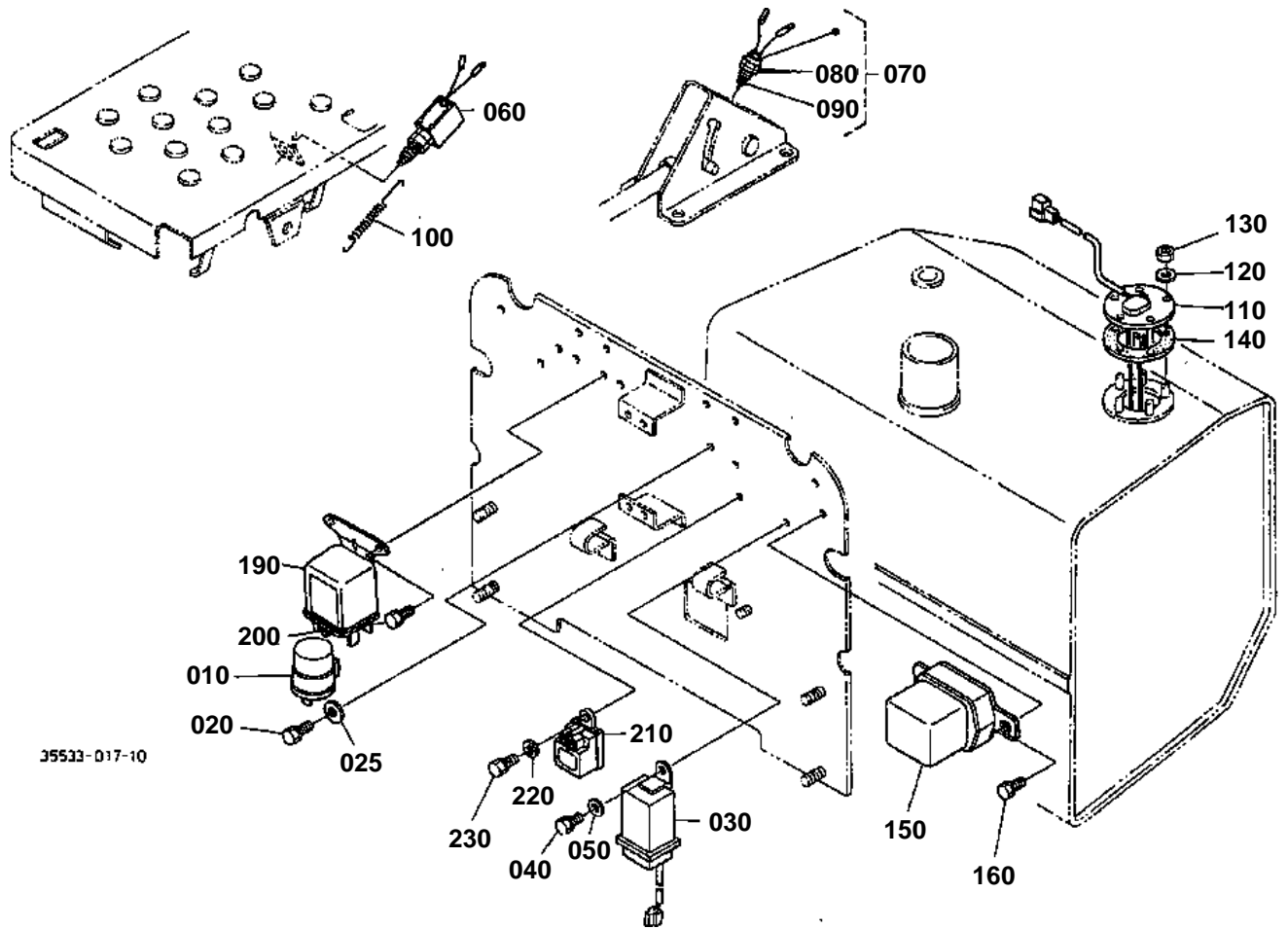


PANEL BOARD [COMPONENT PARTS]

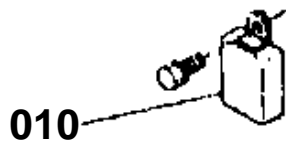
↔ Interchangeable; ≠ not interchangeable; ← new for old; → old for new

REF.No	Part No.	Description	Q'ty	S.No.	I/C	REMARKS	Weight (kgf)	Weight (lb)
010	35502-75600	ASSY BOARD PANEL	1	<=20205			2.2	4.84
010	35533-75600	ASSY BOARD PANEL	1	>=20206	≠		1.8	3.96
020	35533-76120	ASSY TACHOMETER	1				0.1	0.22
030	31351-93720	ASSY GAUGE FUEL	1				0.125	0.275
040	31351-93730	ASSY GAUGE TEMP.	1				0.13	0.286
050	35533-76110	HOOD	1				0.55	1.21
060	31351-93750	CASE	1				0.5	1.1
070	31351-93760	GLASS WITH GASKET	1				0.475	1.045
080	31351-93770	ASSY PLATE	1				0.06	0.132
100	38240-31460	ASSY BULB	5				0.015	0.033
110	38240-31470	VALVE	5				0.01	0.022
120	38240-31480	SOCKET	5				0.001	0.0022
130	35574-76140	ASSY PLATE	1	<=20205			0.12	0.264
130	35533-76140	ASSY PLATE	1	>=20206	≠		0.02	0.044
140	31351-93790	GASKET RUBBER	1				0.055	0.121
150	31351-93800	PLATE WIND	1				0.18	0.396
160	35533-76150	LENS	1				0.01	0.022
170	31351-93820	LENS	2				0.005	0.011
180	31351-93830	CASE	1				0.2	0.44
190	31351-93840	CASE	1				0.13	0.286
200	35533-76190	ASSY ADAPTER	1				0	0
210	35533-76230	SCREW WITH WASHER	6				0.002	0.0044
220	03514-50420	SCREW	11				0.002	0.0044
230	35533-76210	SCREW	6				0.002	0.0044
240	35533-76180	SCREW	5				0.001	0.0022
250	32530-94900	SCREW WITH WASHER	2				0.002	0.0044
260	38240-31480	SOCKET	6				0.001	0.0022
270	38240-31470	VALVE	6				0.01	0.022
280	35533-76160	SCREW WITH WASHER	2				0.001	0.0022
290	32530-94690	SCREW TAPPING	2				0.001	0.0022

SWITCH [EXCEPT SU]



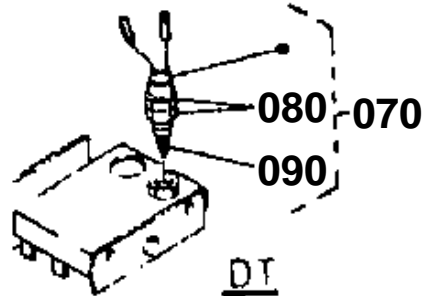
010 35450-7559-2



070 67176-5581-0

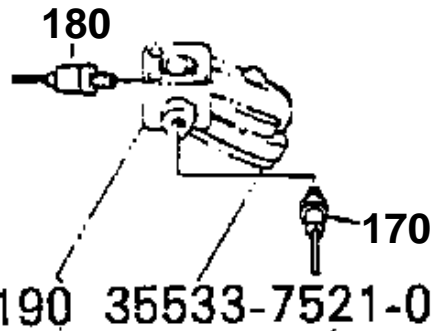
080 67111-5583-0

090 67111-5584-0



170 36330-7508-0

180 38240-3793-0



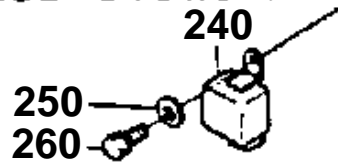
190 35533-7521-0



240 31351-3141-0

250 04013-60060

260 01023-50612



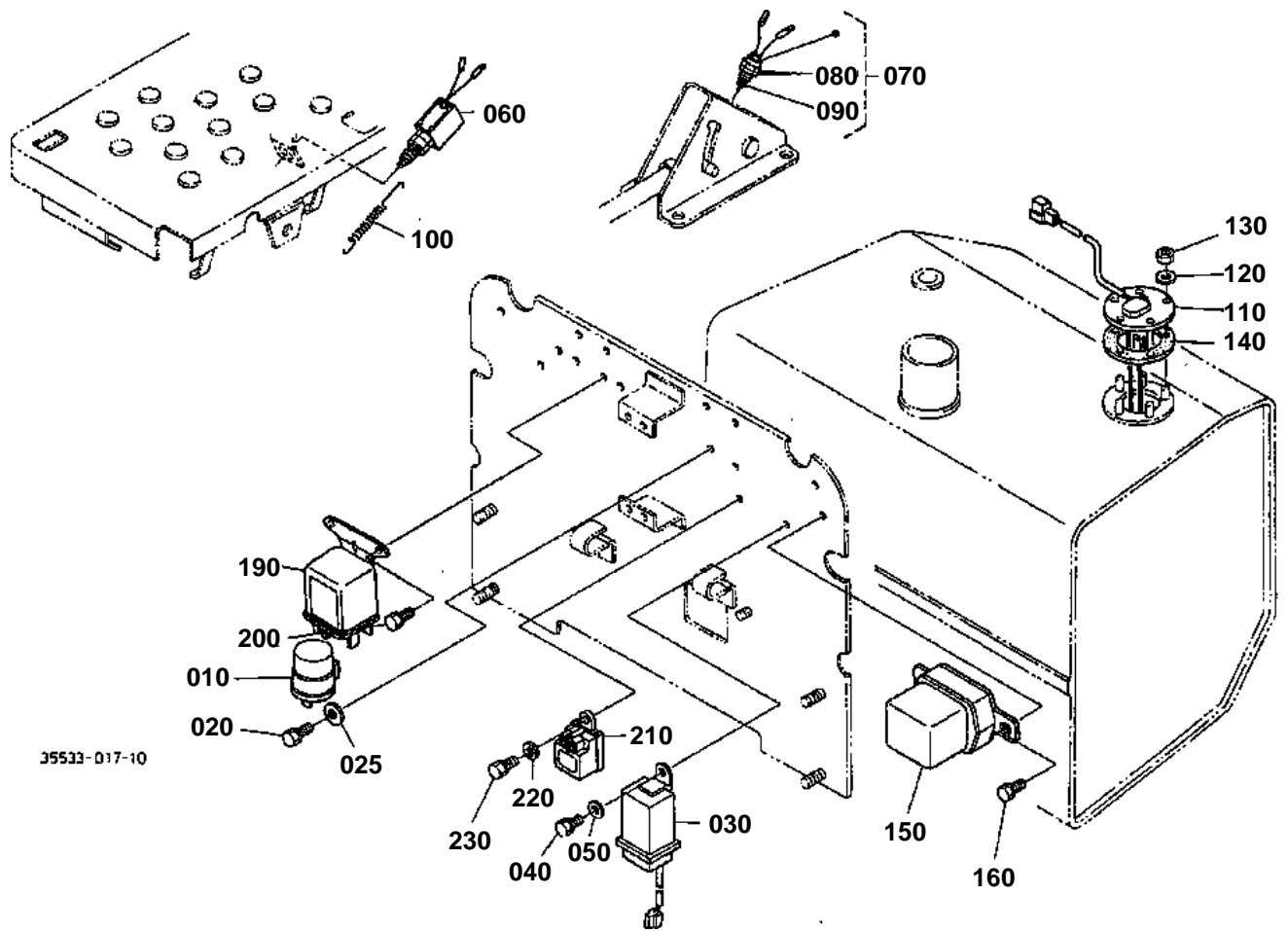
35533-808-10

**SWITCH [EXCEPT SU]**

↔ Interchangeable; ≠ not interchangeable; ← new for old; → old for new

REF.No	Part No.	Description	Q'ty	S.No.	I/C	REMARKS	Weight (kgf)	Weight (lb)
010	35450-75592	UNIT FLASHER HAZARD	1	<=20205			0.06	0.132
010	35569-33700	HAZARD UNIT	1	>=20206	≠		0.055	0.121
020	01053-50616	BOLT	1				0.005	0.011
025	04013-60060	WASHER PLAIN	1				0.001	0.0022
030	35800-75070	RELAY STARTER	1				0.08	0.176
040	01023-50612	BOLT	1				0.005	0.011
050	04013-60060	WASHER PLAIN	1				0.001	0.0022
060	36330-75480	SWITCH STOP	1				0.08	0.176
070	67111-55810	ASSY SWITCH SAFETY	1	<=10113			0.09	0.198
070	67176-55810	ASSY SWITCH SAFETY	1	>=10114	←		0.11	0.242
080	67111-55830	NUT SAFETY SWITCH	2				0.035	0.077
090	67111-55840	CAP SAFETY SWITCH	1				0.002	0.0044
100	36200-75490	SPRING	1				0.014	0.0308
110	35533-75303	ASSY GAUGE FUEL	1	<=10183			0.32	0.704
110	35533-75300	ASSY GAUGE FUEL	1	>=10184	←		0	0
120	04013-60160	WASHER PLAIN	5				0.01	0.022
130	02054-50050	NUT	5				0.002	0.0044
140	36330-75310	GASKET	1				0.005	0.011
150	33251-74010	ASSY REGULATOR	1				0.35	0.77
160	01023-50612	BOLT	2				0.005	0.011
170	36330-75080	SWITCH THERMOMETER	1	<=20205			0.02	0.044
180	38240-37930	SWITCH VACUUM	1	<=20205			0.051	0.1122
190	35533-75210	RELAY GLOW PLUG	1	<=20205			0.17	0.374
190	35593-75210	RELAY GLOW PLUG	1	>=20206	≠		0.088	0.1936
200	01023-50612	BOLT	2				0.005	0.011
210	35533-75290	TIMER GLOW LAMP	1				0.01	0.022
220	04013-60060	WASHER PLAIN	1				0.001	0.0022
230	01023-50616	BOLT	1				0.005	0.011
240	31351-31410	TIMER	1	<=20205			0	0
250	04013-60060	WASHER PLAIN	1	<=20205			0.001	0.0022
260	01023-50612	BOLT	1	<=20205			0.005	0.011

SWITCH [SU TYPE]



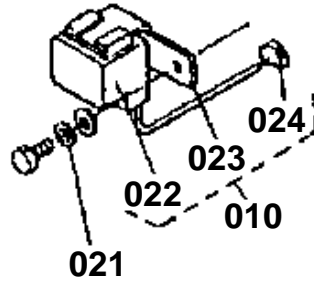
010 32430-3370-0

021 04512-50060

022 32430-9426-0

023 32430-9427-0

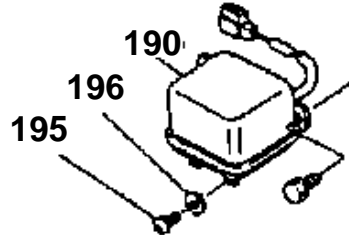
024 32430-9428-0



190 36919-7521-2

195 03024-50512

196 04013-50050



35533-857-10



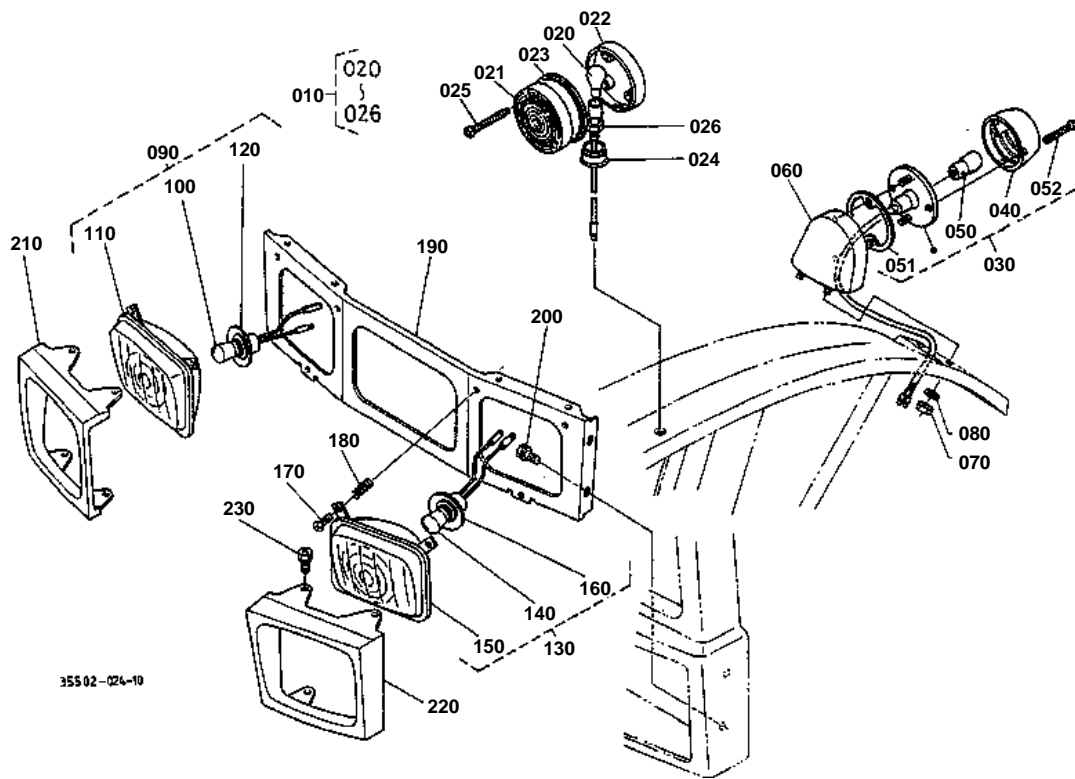
## SWITCH [SU TYPE]

↔ Interchangeable; ≠ not interchangeable; ← new for old; → old for new

REF.No	Part No.	Description	Q'ty	S.No.	I/C	REMARKS	Weight (kgf)	Weight (lb)
010	32430-33700	ASSY HAZARD UNIT	1	<=20205			0.095	0.209
010	35569-33700	HAZARD UNIT	1	>=20206	≠		0.055	0.121
020	01053-50616	BOLT	1				0.005	0.011
021	04512-50060	WASHER SPRING	1	<=20205			0	0
022	32430-94260	BODY HAZARD UNIT	1	<=20205			0.045	0.099
023	32430-94270	BRACKET HAZARD UNIT	1	<=20205			0.015	0.033
024	32430-94280	HARNES HAZARD UNIT	1	<=20205			0.02	0.044
025	04013-60060	WASHER PLAIN	1				0.001	0.0022
030	35800-75070	RELAY STARTER	1				0.08	0.176
040	01023-50612	BOLT	1				0.005	0.011
050	04013-60060	WASHER PLAIN	1				0.001	0.0022
060	36330-75480	SWITCH STOP	1				0.08	0.176
070	67176-55810	ASSY SWITCH SAFETY	1				0.11	0.242
080	67111-55830	NUT SAFETY SWITCH	2				0.035	0.077
090	67111-55840	CAP SAFETY SWITCH	1				0.002	0.0044
100	36200-75490	SPRING	1				0.014	0.0308
110	35533-75303	ASSY GAUGE FUEL	1				0.32	0.704
120	04013-60160	WASHER PLAIN	5				0.01	0.022
130	02054-50050	NUT	5				0.002	0.0044
140	36330-75310	GASKET	1				0.005	0.011
150	33251-74010	ASSY REGULATOR	1				0.35	0.77
160	01023-50612	BOLT	2				0.005	0.011
190	36919-75212	RELAY GLOW PLUG	1	<=20205			0.34	0.748
190	35593-75210	RELAY GLOW PLUG	1	>=20206	≠		0.088	0.1936
195	03024-50512	SCREW WITH WASHER	3	<=20205			0.003	0.0066
196	04013-50050	WASHER PLAIN	3	<=20205			0	0
200	01023-50612	BOLT	2				0.005	0.011
210	35533-75290	TIMER GLOW LAMP	1				0.01	0.022
220	04013-60060	WASHER PLAIN	1				0.001	0.0022
230	01023-50616	BOLT	1				0.005	0.011

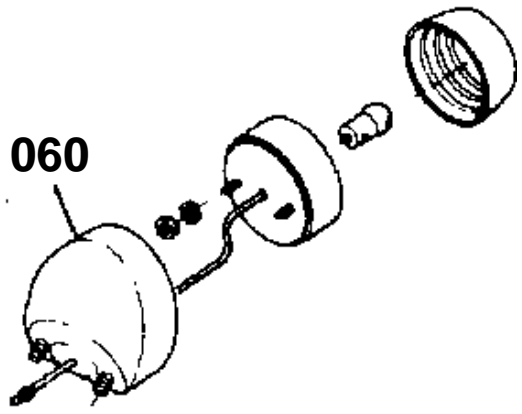


# LIGHT



355 02-024-10

060 34350-3419-0



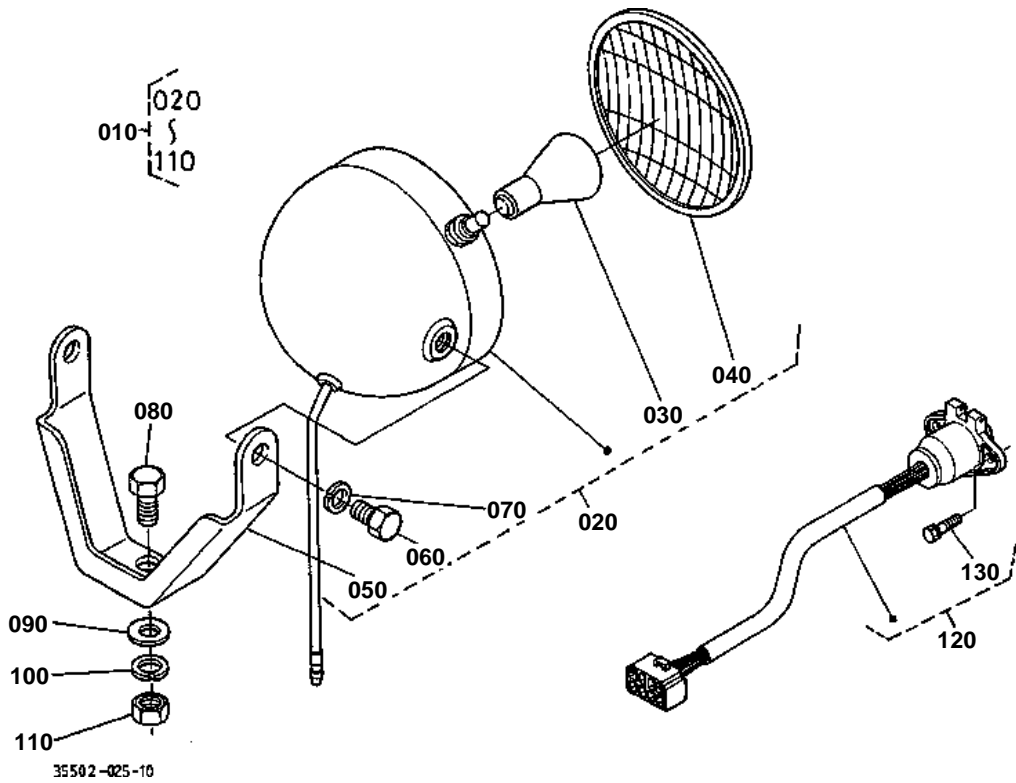
35533-809-10

**LIGHT**

↔ Interchangeable; ≠ not interchangeable; ← new for old; → old for new

REF.No	Part No.	Description	Q'ty	S.No.	I/C	REMARKS	Weight (kgf)	Weight (lb)
010	35450-75010	ASSY LIGHT FLASHER	2				0.3	0.66
020	35450-75022	BULB HAZARD FLASHER	2				0.008	0.0176
021	35450-75110	LENS	2				0.07	0.154
022	35450-75050	LENS	2				0.07	0.154
023	35450-75060	GASKET SEAL	2				0.02	0.044
024	35450-75070	HOUSING	2				0.04	0.088
025	35450-75080	SCREW TAPPING	6				0.005	0.011
026	35450-75090	ASSY SOCKET	2				0.035	0.077
030	34350-34100	ASSY LIGHT TAIL	2				0.13	0.286
040	34350-34120	LENS TAIL LIGHT	2				0.05	0.11
050	34350-34140	BULB TAIL LIGHT	2				0.008	0.0176
051	34350-99220	GASKET LENS	2				0.01	0.022
052	03056-50335	SCREW CSK-HD	4				0.001	0.0022
060	34350-34190	BRACKET TAIL LIGHT	2	<=10159		ORANGE	0.107	0.2354
060	32400-34190	HOLDER TAIL LIGHT	2	>=10160	≠	DEEP ORANGE	0.11	0.242
070	02014-50060	NUT	4				0.003	0.0066
080	04512-60060	WASHER SPRING	4				0.001	0.0022
090	36330-75800	ASSY LIGHT HEAD RH	1				0.52	1.144
100	38450-33870	BULB	1				0.025	0.055
110	36330-75810	COMP.LIGHT UNIT RH	1				0.41	0.902
120	36330-75840	COMP.CORD SOCKET	1				0.056	0.1232
130	36330-75920	ASSY LIGHT HEAD LH	1				0.53	1.166
140	38450-33870	BULB	1				0.025	0.055
150	36330-75930	COMP.LIGHT UNIT LH	1				0.41	0.902
160	36330-75840	COMP.CORD SOCKET	1				0.056	0.1232
170	03054-50525	SCREW PAN-HEAD	6				0.005	0.011
180	38240-33860	SPRING LIGHT	6				0.001	0.0022
190	35533-75730	PLATE HEAD LIGHT	1				0.75	1.65
200	01023-50614	BOLT	4				0.005	0.011
210	35861-75710	GRILLE LIGHT RH	1				0.1	0.22
220	35861-75720	GRILLE LIGHT LH	1				0.1	0.22
230	01202-50616	BOLT	8				0.006	0.0132

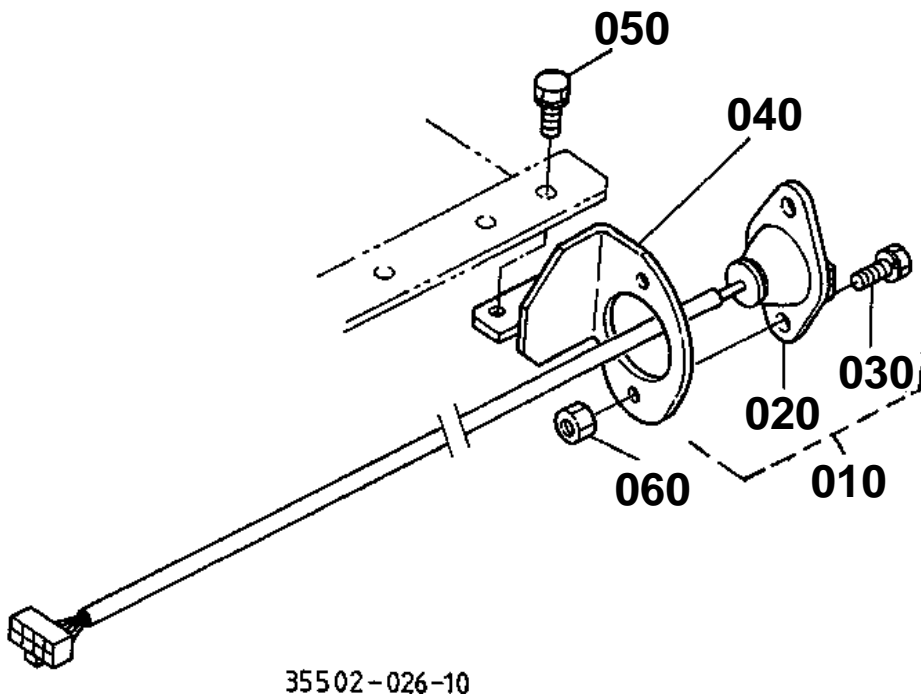
WORKING LIGHT [OPTION]



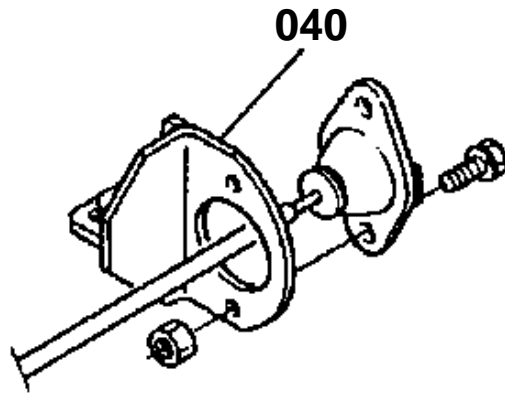
**WORKING LIGHT [OPTION]**

↔ Interchangeable; ≠ not interchangeable; ← new for old; → old for new

REF.No	Part No.	Description	Q'ty	S.No.	I/C	REMARKS	Weight (kgf)	Weight (lb)
010	35820-97600	ASSY LIGHT WORKING	1	≤10180		ORANGE	0.9	1.98
010	35871-97600	ASSY LIGHT WORKING	1	≥10181	≠	DEEP ORANGE	0.88	1.936
020	35861-75900	ASSY LIGHT WORKING	1	≤10180		ORANGE	0.9	1.98
020	35871-75900	ASSY LIGHT WORKING	1	≥10181	≠	DEEP ORANGE	0.85	1.87
030	68331-53360	BULB	1				0.015	0.033
040	68331-53310	LENS	1				0.15	0.33
050	35861-75910	STAY LIGHT	1				0.25	0.55
060	01153-50820	BOLT	2				0.012	0.0264
070	04512-60080	WASHER SPRING	2				0.002	0.0044
080	01173-51020	BOLT	1				0.017	0.0374
090	01013-50100	WASHER PLAIN	1				0	0
100	04512-60100	WASHER SPRING	1				0.002	0.0044
110	02118-50100	NUT	1				0.005	0.011



**040 35533-7777-0**



**35502-806-10**



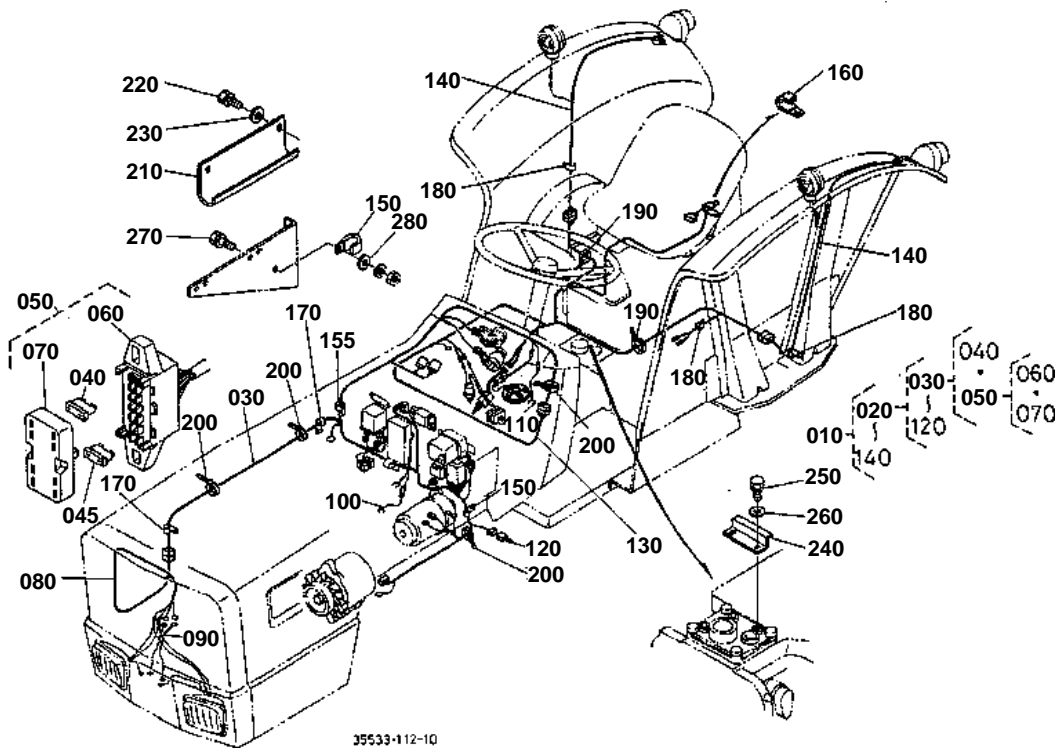
## TRAILER HARNESS [OPTION]

↔ Interchangeable; ≠ not interchangeable; ← new for old; → old for new

REF.No	Part No.	Description	Q'ty	S.No.	I/C	REMARKS	Weight (kgf)	Weight (lb)
010	99884-48000	ASSY HARNESS TRAILER	1				0.5	1.1
020	99884-48110	HARNESS TRAILER	1				0.5	1.1
030	01123-50820	BOLT	2				0.011	0.0242
040	35533-77770	STAY TRAILER	1	<=20186			0	0
040	35533-77772	STAY TRAILER	1	>=20187	←	SU	0.03	0.066
050	01123-50820	BOLT	1				0.011	0.0242
060	02114-50080	NUT	2				0.005	0.011



ELECTRICAL WIRING [EXCEPT SU]



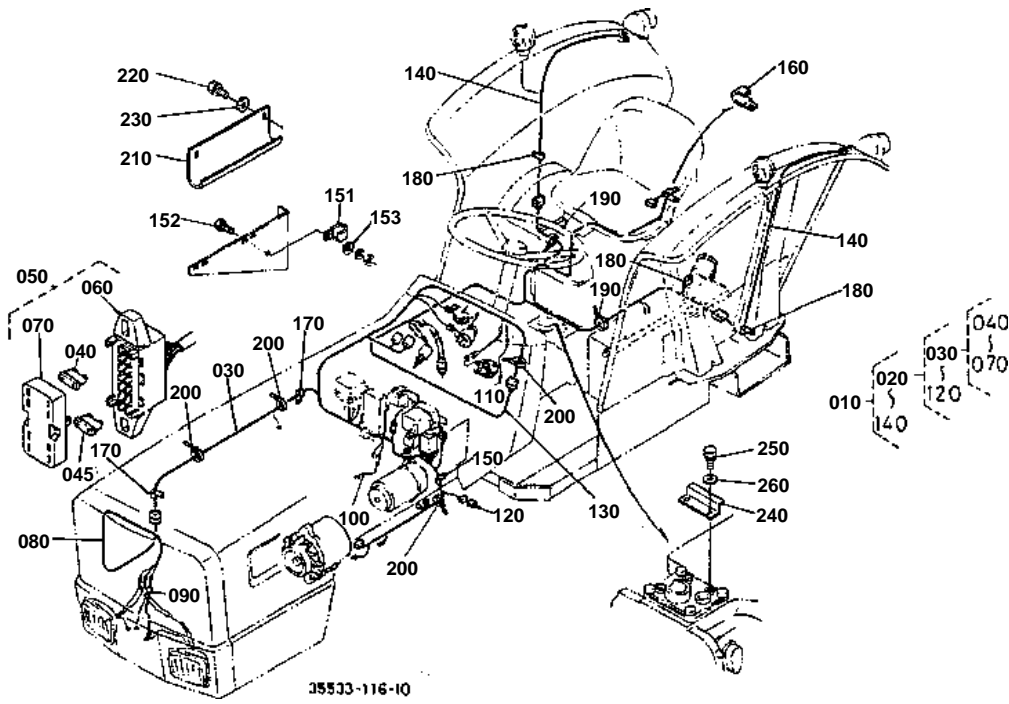


ELECTRICAL WIRING [EXCEPT SU]

↔ Interchangeable; ≠ not interchangeable; ← new for old; → old for new

REF.No	Part No.	Description	Q'ty	S.No.	I/C	REMARKS	Weight (kgf)	Weight (lb)
010	35533-77200	ASSY WIRE HARNESS	1	<=10020			0	0
010	35533-77202	ASSY WIRE HARNESS	1	>=10021	←		0	0
010	35533-77203	ASSY WIRE HARNESS	1	>=10055	←		0	0
010	35533-77204	ASSY WIRE HARNESS	1	>=10194	←		2.1	4.62
010	35502-77203	ASSY WIRE HARNESS	1	>=20201	←		1.9	4.18
020	35533-77210	ASSY WIRE HARNESS	1	<=20205			1.9	4.18
020	35502-77212	ASSY WIRE HARNESS	1	>=20206	≠		1.35	2.97
030	35533-77240	WIRE HARNESS	1	<=10020			0	0
030	35533-77242	WIRE HARNESS	1	>=10021	←		2.18	4.796
030	35502-77242	WIRE HARNESS	1	>=20206	≠		1.4	3.08
040	36730-75550	FUSE	12	<=20205		10A	0.001	0.0022
040	36730-75550	FUSE	4	>=20206	≠	10A	0.001	0.0022
045	35820-75560	FUSE	2	<=20205		15A	0.002	0.0044
045	35820-75560	FUSE	4	>=20206	≠	15A	0.002	0.0044
050	35533-77340	ASSY BOX FUSE	1	<=20205			0.1	0.22
050	35593-77342	ASSY BOX FUSE	1	>=20206	≠		0.08	0.176
060	35533-77350	ASSY CASE FUSE	1				0.04	0.088
070	35533-77370	COVER FUSE CASE	1	<=20205			0.03	0.066
070	35593-77372	COVER FUSE CASE	1	>=20206	≠		0.03	0.066
080	35533-77250	HARNESS AUX.	1				0.02	0.044
090	35533-77260	HARNESS AUX.	2				0.01	0.022
100	35533-77270	HARNESS AUX.	1				0.01	0.022
110	35533-77290	HARNESS AUX.	1				0.005	0.011
120	36330-75380	LINK FUSIBLE	1				0.01	0.022
130	35533-77220	WIRE HARNESS	1	<=10020			0	0
130	35533-77222	WIRE HARNESS	1	>=10021	←		0	0
130	35533-77223	WIRE HARNESS	1	>=10055	←		0.8	1.76
130	35593-77220	WIRE HARNESS	1	>=20206	≠		0.44	0.968
140	35533-77230	WIRE HARNESS	2	<=10193			0	0
140	35533-77232	WIRE HARNESS	2	>=10194	←		0	0
140	35533-77233	WIRE HARNESS	2	>=20206	←		0.065	0.143
150	36200-77610	ASSY CLAMP CORD	4	<=10167			0.002	0.0044
150	35340-29380	CLAMP CORD	4	>=10168	≠		0.01	0.022
155	36200-77610	ASSY CLAMP CORD	1	>=10168			0.002	0.0044
160	69331-11120	ASSY CLAMP CORD	1	<=20783			0.01	0.022
160	36200-77610	ASSY CLAMP CORD	1	>=20784	↔		0.002	0.0044
170	37150-34470	CLAMP CORD	2	<=10058			0.004	0.0088
170	13824-67590	CLAMP CORD	2	>=10059	≠		0.002	0.0044
170	13824-67580	CLAMP CORD	1	>=20784	↔		0.006	0.0132
180	34150-29390	CLAMP CORD	3	<=10058			0.004	0.0088
180	13824-67580	CLAMP CORD	3	>=10059	≠		0.006	0.0132
190	55311-41260	BAND CORD	2				0.007	0.0154
200	53581-64150	BAND CORD	8				0.002	0.0044
210	35533-77493	SUPPORT HARNESS	1				0.25	0.55
220	01133-51018	BOLT	2				0.02	0.044
230	04013-50100	WASHER PLAIN	2				0	0
240	35533-77510	SUPPORT HARNESS	1				0.03	0.066
250	01023-50612	BOLT	2				0.005	0.011
260	04012-50060	WASHER PLAIN	2				0.001	0.0022
270	01123-60814	BOLT	1				0.008	0.0176
280	04013-50080	WASHER PLAIN	1				0	0

ELECTRICAL WIRING [SU TYPE]



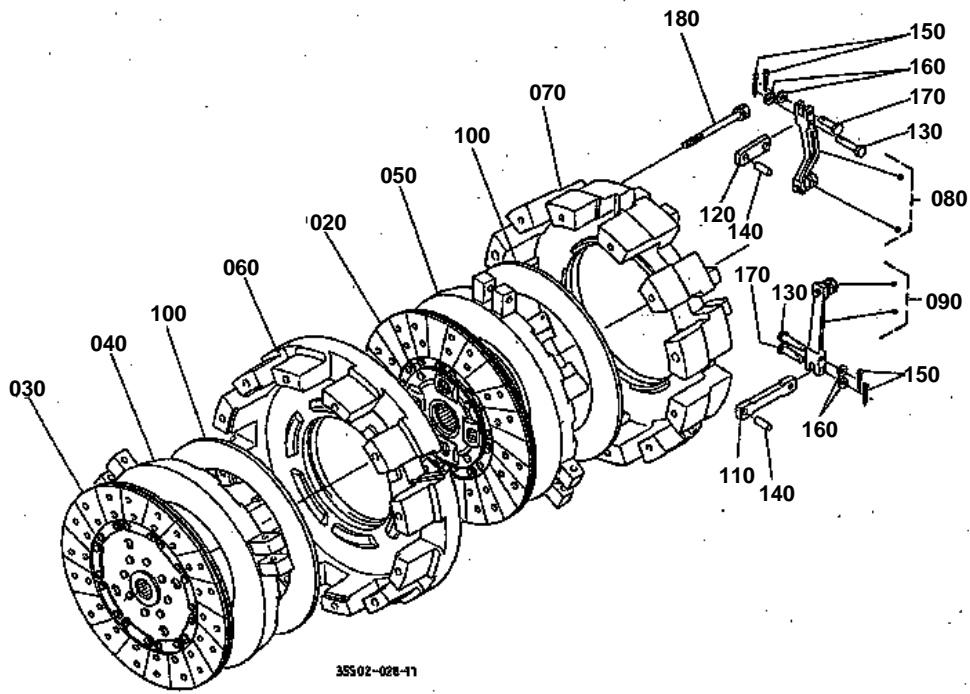


ELECTRICAL WIRING [SU TYPE]

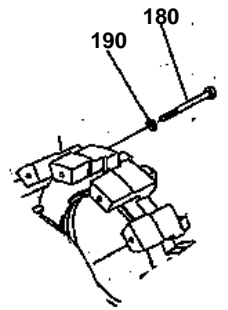
↔ Interchangeable; ≠ not interchangeable; ← new for old; → old for new

REF.No	Part No.	Description	Q'ty	S.No.	I/C	REMARKS	Weight (kgf)	Weight (lb)
010	35502-77200	ASSY WIRE HARNESS	1	<=20050			0	0
010	35502-77202	ASSY WIRE HARNESS	1	>=20051	←		2.3	5.06
010	35502-77203	ASSY WIRE HARNESS	1	>=20206	≠		1.9	4.18
020	35502-77210	ASSY WIRE HARNESS	1	<=20205			1	2.2
020	35502-77212	ASSY WIRE HARNESS	1	>=20206	≠		1.35	2.97
030	35502-77240	ASSY WIRE HARNESS	1	<=20205			1.4	3.08
030	35502-77242	WIRE HARNESS	1	>=20206	≠		1.4	3.08
040	36730-75550	FUSE	12			10A	0.001	0.0022
040	36730-75550	FUSE	4	>=20206		10A	0.001	0.0022
045	35820-45560	FUSE	2	<=20205		15A	0	0
045	35820-75560	FUSE	4	>=20206		15A	0.002	0.0044
050	35533-77340	ASSY BOX FUSE	1	<=20205			0.1	0.22
050	35593-77342	ASSY BOX FUSE	1	>=20206	≠		0.08	0.176
060	35533-77350	ASSY CASE FUSE	1				0.04	0.088
070	35533-77370	COVER FUSE CASE	1	<=20205			0.03	0.066
070	35593-77372	COVER FUSE CASE	1	>=20206	≠		0.03	0.066
080	35533-77250	HARNESS AUX.	1				0.02	0.044
090	35533-77260	HARNESS AUX.	2				0.01	0.022
100	35533-77270	HARNESS AUX.	1				0.01	0.022
110	35533-77290	HARNESS AUX.	1				0.005	0.011
120	36330-75380	LINK FUSIBLE	1				0.01	0.022
130	35502-77220	WIRE HARNESS	1	<=20205			0.42	0.924
130	35593-77220	WIRE HARNESS	1	>=20206	≠		0.44	0.968
140	35533-77230	WIRE HARNESS	1	<=20202			0	0
140	35533-77233	WIRE HARNESS	1	>=20203	←		0.065	0.143
150	36200-77610	ASSY CLAMP CORD	1				0.002	0.0044
151	35340-29380	CLAMP CORD	4				0.01	0.022
152	01123-60814	BOLT	1				0.008	0.0176
153	04013-50080	WASHER PLAIN	1				0	0
160	69331-11120	CLAMP CORD	1	<=20783			0.01	0.022
160	36200-77610	ASSY CLAMP CORD	1	>=20784	↔		0.002	0.0044
170	13824-67590	CLAMP CORD	1	<=20783			0.002	0.0044
170	13824-67580	CLAMP CORD	1	>=20784	↔		0.006	0.0132
180	13824-67580	CLAMP CORD	3				0.006	0.0132
190	55311-41260	BAND CORD	2				0.007	0.0154
200	53581-64150	BAND CORD	8				0.002	0.0044
210	35533-77493	SUPPORT HARNESS	1				0.25	0.55
220	01133-51018	BOLT	2				0.02	0.044
230	04013-50100	WASHER PLAIN	2				0	0
240	35533-77510	SUPPORT HARNESS	1				0.03	0.066
250	01023-50612	BOLT	2				0.005	0.011
260	04012-50060	WASHER PLAIN	2				0.001	0.0022

# CLUTCH



180 01053-50800  
190 04512-50800

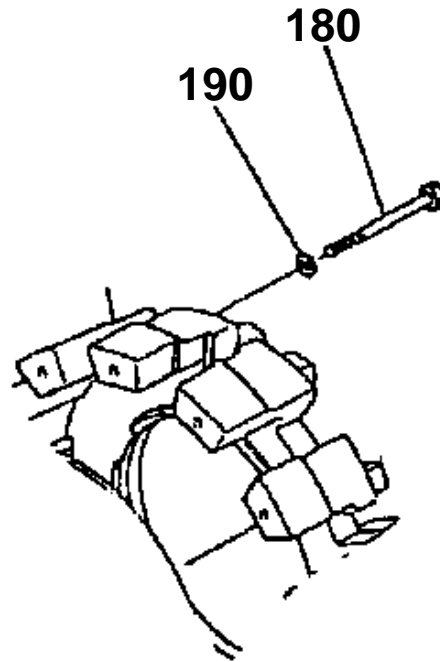


CLUTCH

---

180 01053-50800

190 04512-50800



35533-859-10

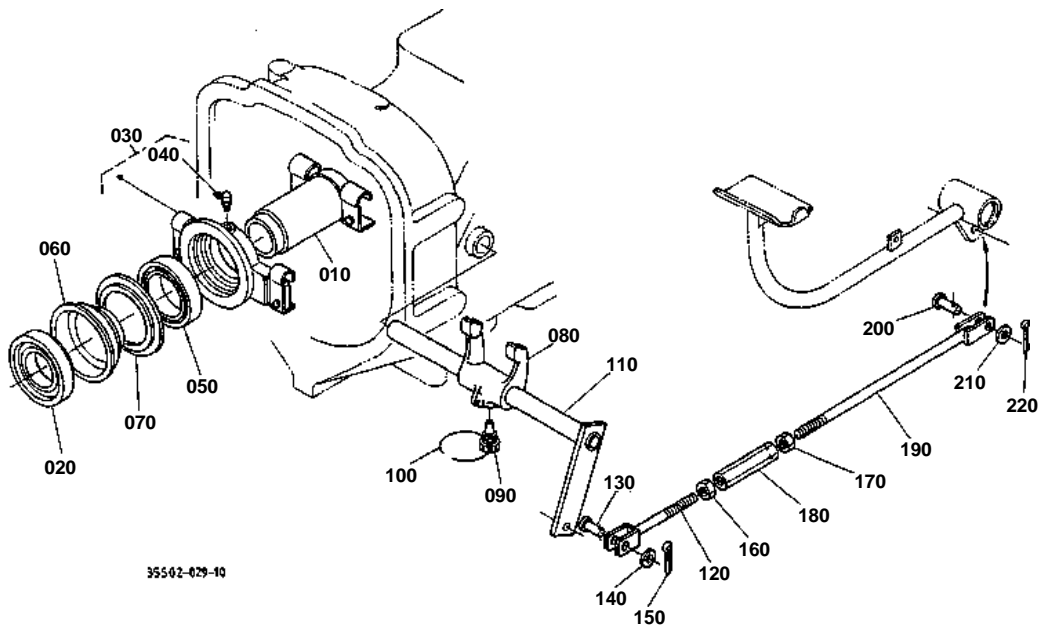


# CLUTCH

↔ Interchangeable; ≠ not interchangeable; ← new for old; → old for new

REF.No	Part No.	Description	Q'ty	S.No.	I/C	REMARKS	Weight (kgf)	Weight (lb)
010	36200-25105	ASSY CLUTCH	1	<=10075			0	0
010	36200-25106	ASSY CLUTCH	1	>=10076	←		0	0
010	32590-14500	ASSY CLUTCH	1	>=20552	↔		34.4	75.68
010	35502-25100	ASSY CLUTCH	1	>=20624	↔		34.16	75.152
020	36200-35134	DISK CLUTCH	1	<=10075			0	0
020	36200-25135	DISK CLUTCH	1	>=10076	←		0	0
020	32590-14530	DISK CLUTCH	1	>=20552	↔		0	0
020	35502-25130	DISK CLUTCH	1	>=20624	↔		2.3	5.06
020	35515-25130	DISK CLUTCH	1			OPTION	0	0
030	36200-25140	DISK PTO CLUTCH	1	<=20551			0	0
030	35502-25140	DISK CLUTCH	1	>=20552	↔		1.78	3.916
030	35502-25140	DISK PTO CLUTCH	1	>=20624	↔		1.78	3.916
040	36200-25150	PLATE PRESSURE	1				4.15	9.13
050	36200-25220	PLATE PRESSURE	1				5	11
060	36200-25163	COVER CLUTCH(PTO)	1				10	22
070	36200-25192	COVER CLUTCH	1				7.5	16.5
080	36200-25230	KIT LEVER	1				0.71	1.562
090	36200-25240	KIT LEVER	1				0.54	1.188
100	36200-25210	SPRING DIAPHRAGM	2				0.882	1.9404
110	36200-25260	ASSY ROD	3				0.16	0.352
120	36200-25270	ASSY ROD SUB	3				0.07	0.154
130	36200-25280	PIN JOINT	6				0.02	0.044
140	36200-25290	PIN STRAIGHT	6				0.015	0.033
150	05511-50315	PIN SPLIT	12				0.002	0.0044
160	04012-50080	WASHER PLAIN	12				0.001	0.0022
170	36200-25300	PIN JOINT	6				0.015	0.033
180	01053-50800	BOLT	12	<=21042			0.036	0.0792
180	01123-50800	BOLT	12	>=21043	←		0.04	0.088
190	04512-60080	WASHER SPRING	12	<=21042			0.002	0.0044

# CLUTCH FORK





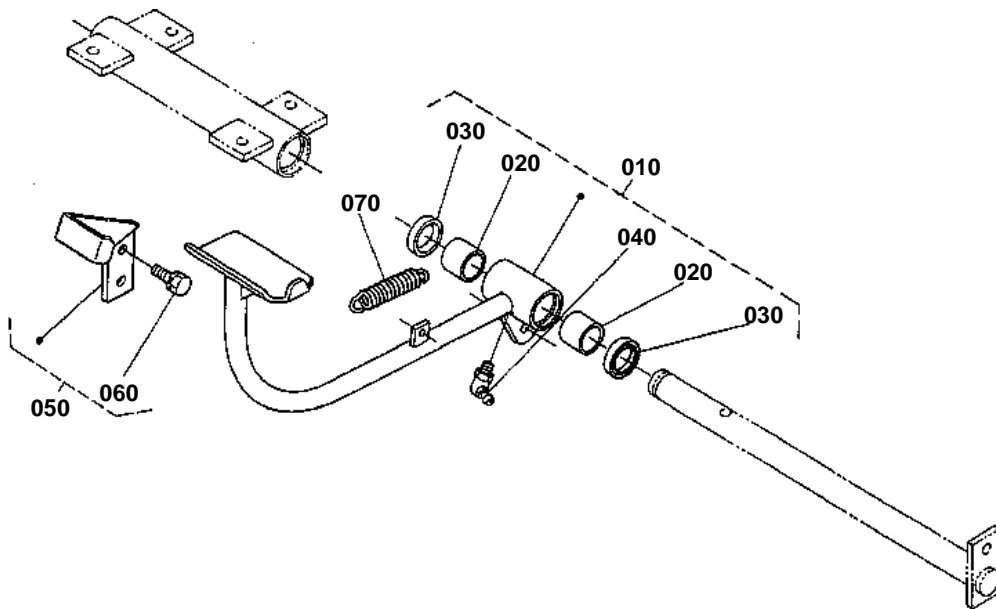


# CLUTCH FORK

↔ Interchangeable; ≠ not interchangeable; ← new for old; → old for new

REF.No	Part No.	Description	Q'ty	S.No.	I/C	REMARKS	Weight (kgf)	Weight (lb)
010	36200-26300	ASSY HUB CLUTCH	1				0.83	1.826
020	36200-26410	BEARING BALL	1				0.504	1.1088
030	33400-26730	ASSY COUPLING	1				1.06	2.332
040	06613-30010	NIPPLE GREASE	1				0.01	0.022
050	08101-16013	BEARING BALL	1				0.29	0.638
060	33400-26770	HUB CLUTCH RELEASE	1				0.65	1.43
070	33400-26780	COVER BEARING	1				0.028	0.0616
080	36330-26190	FORK CLUTCH RELEASE	1				0.55	1.21
090	33251-26350	BOLT SET	1				0.045	0.099
110	35593-26210	SHAFT CLUTCH CONTROL	1				1.4	3.08
120	36200-67415	ROD BRAKE	1				0.12	0.264
130	36330-26132	PIN CLUTCH LINK	1				0.02	0.044
140	04011-50100	WASHER PLAIN	1				0.002	0.0044
150	05511-50318	PIN SPLIT	1				0.001	0.0022
160	02172-50120	NUT	1				0.01	0.022
170	36330-67430	NUT LOCK	1	<=20281			0.009	0.0198
170	37720-28990	NUT	1	>=20282	↔		0.008	0.0176
180	37720-28980	TURNBUCKLE	1				0.099	0.2178
190	35533-26230	ROD CLUTCH	1				0.25	0.55
200	36330-26132	PIN CLUTCH LINK	1				0.02	0.044
210	04011-50100	WASHER PLAIN	1				0.002	0.0044
220	05511-50318	PIN SPLIT	1				0.001	0.0022

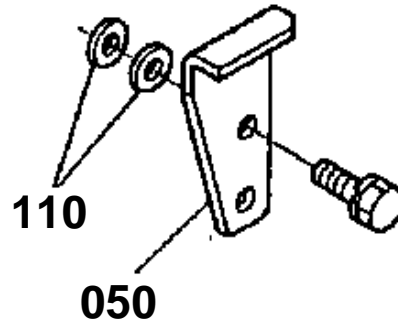
# CLUTCH PEDAL



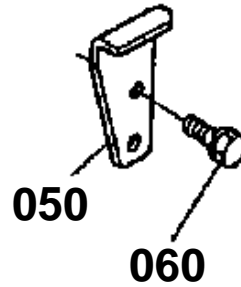
35533-019-10

CLUTCH PEDAL

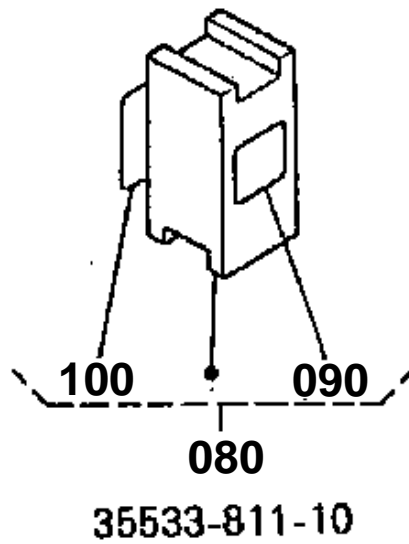
050 35533-2614-0  
110 04011-50100



050 35533-2614-3  
060 01133-51020



080 35410-2690-0  
090 36200-2694-0  
100 32170-1593-0



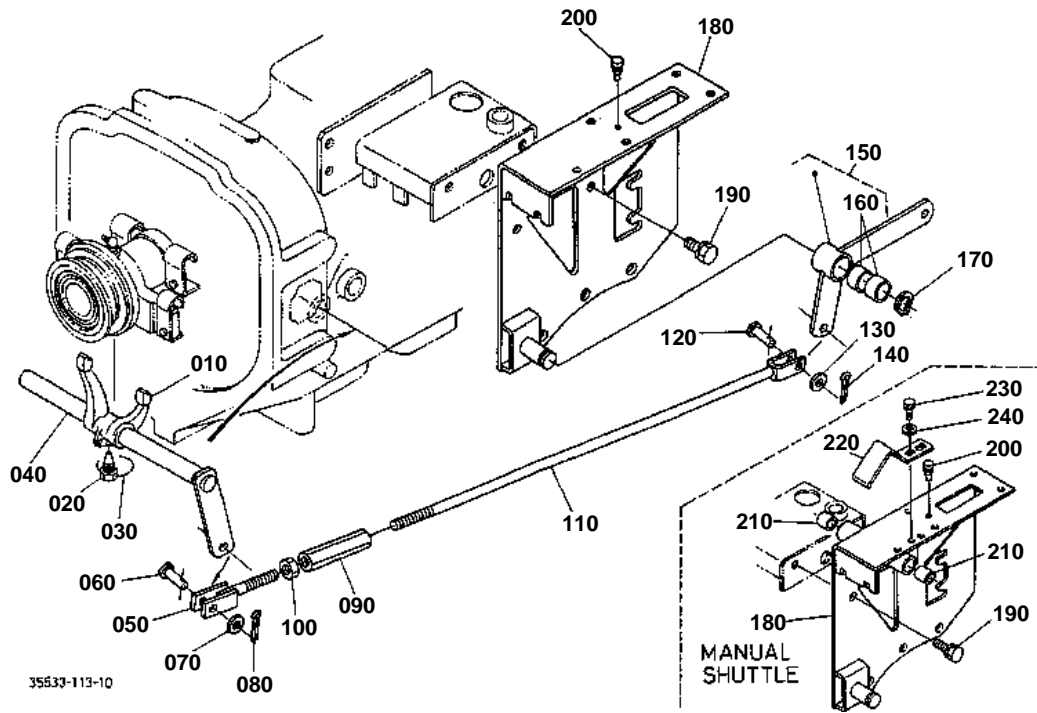


## CLUTCH PEDAL

↔ Interchangeable; ≠ not interchangeable; ← new for old; → old for new

REF.No	Part No.	Description	Q'ty	S.No.	I/C	REMARKS	Weight (kgf)	Weight (lb)
010	35533-26100	ASSY PEDAL CLUTCH	1	<=20483			1.2	2.64
010	35533-26102	ASSY PEDAL CLUTCH	1	>=20484	≠		2.39	5.258
010	35533-26103	ASSY PEDAL CLUTCH	1	>=20920	←		2.34	5.148
020	32150-28440	BUSH	2				0.043	0.0946
030	35533-26270	SEAL DUST	2				0.005	0.011
040	06613-30010	NIPPLE GREASE	1				0.01	0.022
050	35533-26140	STOPPER CLUTCH PEDAL	1	<=20483			0.1	0.22
050	35533-26143	STOPPER CLUTCH PEDAL	1	>=20484	≠		0.1	0.22
050	35502-26150	STOPPER	1	>=20920	←		0.33	0.726
060	01133-51020	BOLT	2	<=20919			0.02	0.044
060	01133-51030	BOLT	2	>=20920	←		0.025	0.055
070	36200-26150	SPRING	1				0.125	0.275
080	35410-26900	ASSY PIECE DISTANCE	1	<=20483			0.07	0.154
090	36200-26940	MARK SPACER	1	<=20483			0.001	0.0022
100	32170-15930	LABEL	1	<=20483			0.001	0.0022
110	04011-50100	WASHER PLAIN	6	>=20888			0.002	0.0044
110	04011-50100	WASHER PLAIN	6	<=20919			0.002	0.0044

# PTO CLUTCH FORK



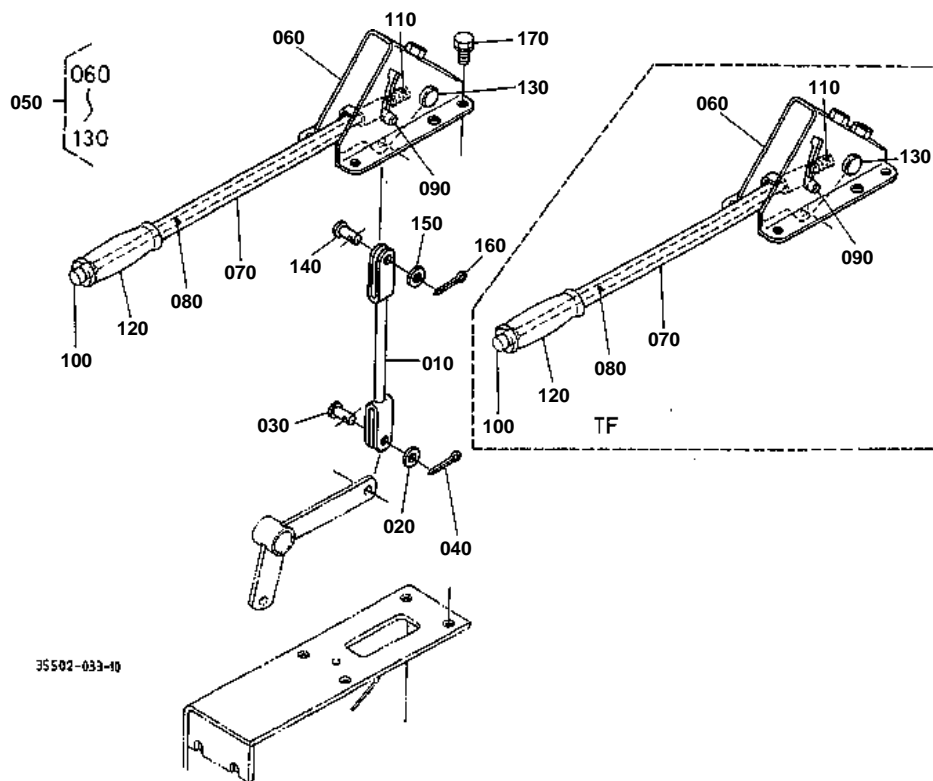


PTO CLUTCH FORK

↔ Interchangeable; ≠ not interchangeable; ← new for old; → old for new

REF.No	Part No.	Description	Q'ty	S.No.	I/C	REMARKS	Weight (kgf)	Weight (lb)
010	36330-26710	FORK CLUTCH RELEASE	1	<=10091			0.65	1.43
010	36730-26710	FORK CLUTCH RELEASE	1	>=10092	←		0.65	1.43
020	33251-26350	BOLT SET	1				0.045	0.099
040	35533-26220	SHAFT CONTROL LEVER	1				1.55	3.41
050	36330-26173	ROD CLUTCH	1				0.11	0.242
060	05122-61028	PIN JOINT	1				0.02	0.044
070	04011-50100	WASHER PLAIN	1				0.002	0.0044
080	05511-50318	PIN SPLIT	1				0.001	0.0022
090	32350-28980	TURNBUCKLE	1				0.124	0.2728
100	02116-50100	NUT	1				0.004	0.0088
110	35533-26330	ROD CLUTCH(PTO)	1				0.57	1.254
120	05122-61028	PIN JOINT	1				0.02	0.044
130	04011-50100	WASHER PLAIN	1				0.002	0.0044
140	05511-50318	PIN SPLIT	1				0.001	0.0022
150	35533-26340	ASSY LINK CLUTCH	1				0.5	1.1
160	08511-02212	BUSH	2				0.1	0.22
170	04612-00220	CIRCLIP EXTERNAL	1				0.001	0.0022
180	35533-26380	SUPPORT	1			EXCEPT MANUAL SHUTTLE	3.86	8.492
180	35533-34510	SUPPORT CON.LEVER	1			MANUAL SHUTTLE	4.4	9.68
190	01133-51225	BOLT	2				0.038	0.0836
200	63611-52350	RUBBER	1				0.001	0.0022
210	08511-02020	BUSH TENSION ARM	2			MANUAL SHUTTLE	0.01	0.022
220	35533-34610	PLATE	1			MANUAL SHUTTLE	0.05	0.11
230	01123-50820	BOLT	2			MANUAL SHUTTLE	0.011	0.0242
240	04013-50080	WASHER PLAIN	2			MANUAL SHUTTLE	0	0

# PTO CLUTCH LEVER





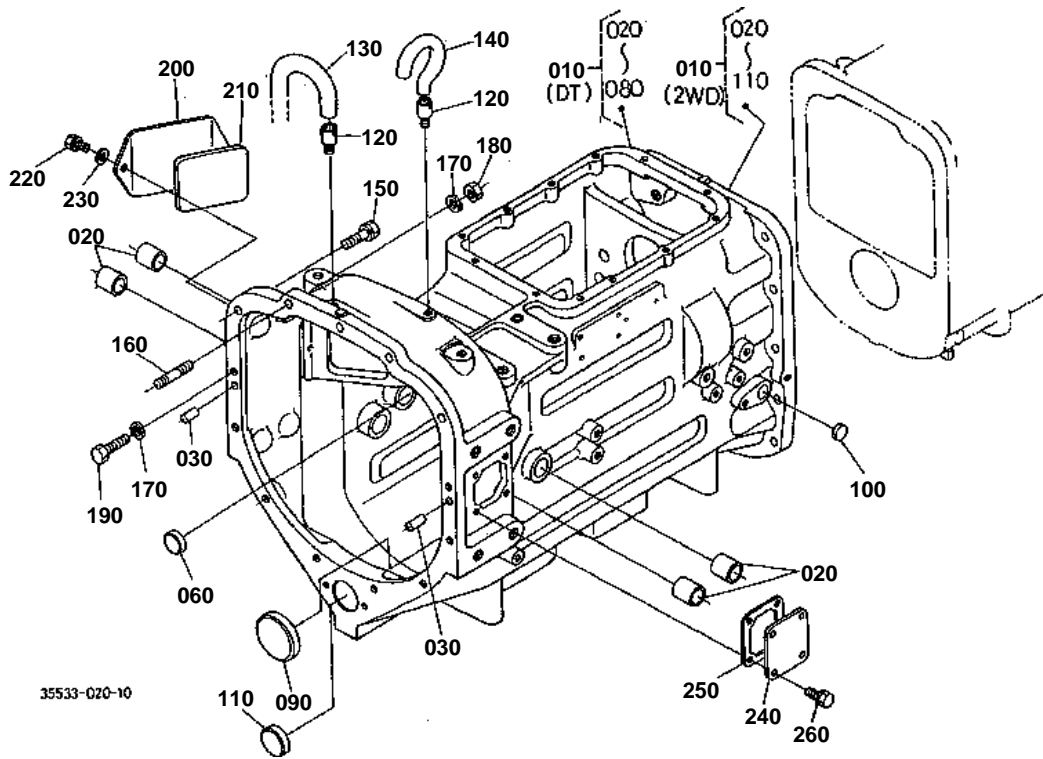
## PTO CLUTCH LEVER

↔ Interchangeable; ≠ not interchangeable; ← new for old; → old for new

REF.No	Part No.	Description	Q'ty	S.No.	I/C	REMARKS	Weight (kgf)	Weight (lb)
010	35533-26370	ROD CLUTCH(PTO)	1				0.15	0.33
020	04011-50100	WASHER PLAIN	1				0.002	0.0044
030	05122-51022	PIN JOINT	1				0.014	0.0308
040	05511-50318	PIN SPLIT	1				0.001	0.0022
050	36330-26002	ASSY LEVER CONTROL	1				1.27	2.794
060	36330-26013	GUIDE LEVER	1				0.7	1.54
070	36330-26020	LEVER CLUTCH CONTROL	1				0.56	1.232
080	36330-26030	ROD RELEASE	1				0.09	0.198
090	05411-00540	PIN SPRING	1				0.004	0.0088
100	36330-26040	BUTTON	1				0.01	0.022
110	36330-26050	SPRING	1				0.01	0.022
120	36330-26060	GRIP	1				0.04	0.088
130	36330-26070	PIN	1				0.04	0.088
140	05122-50816	PIN JOINT	1				0.007	0.0154
150	04012-50080	WASHER PLAIN	1				0.001	0.0022
160	05511-50215	PIN SPLIT	1				0.001	0.0022
170	01123-60816	BOLT	4				0.01	0.022



# CLUTCH HOUSING



CLUTCH HOUSING

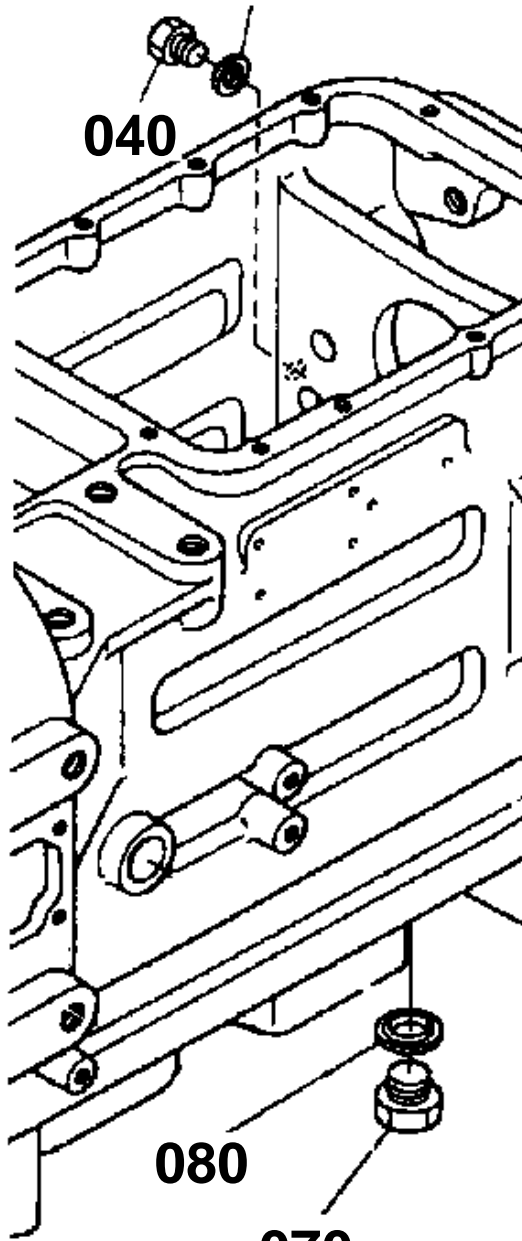
040 06311-55040

050 04717-02150

070 06331-35020

080 04717-02000

**050**



**080**

**070**

35533-812-10

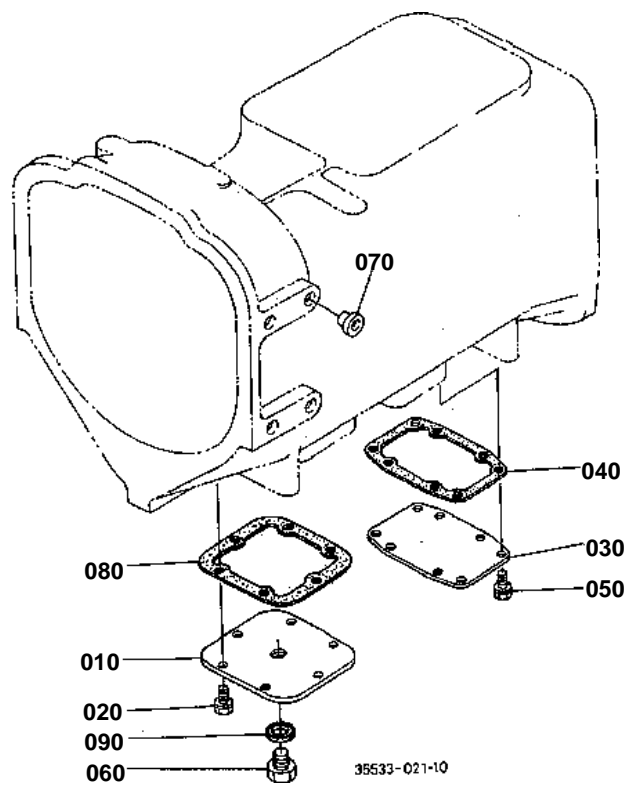


# CLUTCH HOUSING

↔ Interchangeable; ≠ not interchangeable; ← new for old; → old for new

REF.No	Part No.	Description	Q'ty	S.No.	I/C	REMARKS	Weight (kgf)	Weight (lb)
010	35523-21100	ASSY HOUSING CLUTCH	1	≤10058			0	0
010	35523-21102	ASSY HOUSING CLUTCH	1	≥10059	←		106	233.2
020	08511-02430	BUSH	4				0.027	0.0594
030	05012-01020	PIN STRAIGHT	2				0.02	0.044
040	06311-55040	PLUG	1	≤10058			0.093	0.2046
050	04717-02150	WASHER WITH RUBBER	1	≤10058			0.004	0.0088
060	35820-29420	PLUG	1				0.005	0.011
070	06331-35020	PLUG	1	≤10058			0.068	0.1496
080	04717-02000	WASHER WITH RUBBER	1	≤10058			0.004	0.0088
090	36200-21230	PLUG	1				0.039	0.0858
100	31321-38720	PLUG	1				0.005	0.011
110	36730-24630	PLUG	1				0.025	0.055
120	36200-21610	BREATHER	2				0.008	0.0176
130	36330-21200	PIPE BREATHER	1				0.05	0.11
140	36200-21620	BREATHER	1	≤10054			0.006	0.0132
140	35820-21620	BREATHER	1	≥10055	≠		0.007	0.0154
150	01133-51240	BOLT	9				0.05	0.11
160	01574-51235	STUD	2				0	0
170	04512-60120	WASHER SPRING	3				0.005	0.011
180	02176-50120	NUT	2				0.01	0.022
190	01173-51280	BOLT	1				0.1	0.22
200	36200-21160	COVER INSPECTION	1				0.47	1.034
210	35820-21170	GASKET	1	≤10193			0.045	0.099
210	35820-21170	GASKET	1	≥10194	↔		0.045	0.099
220	01123-50818	BOLT	2				0.012	0.0264
230	04013-50080	WASHER PLAIN	2				0	0
240	36200-21140	COVER CLUTCH	1				0.19	0.418
250	36200-21150	GASKET	1				0.005	0.011
260	01123-50818	BOLT	2				0.012	0.0264

# HOUSING COVER



HOUSING COVER

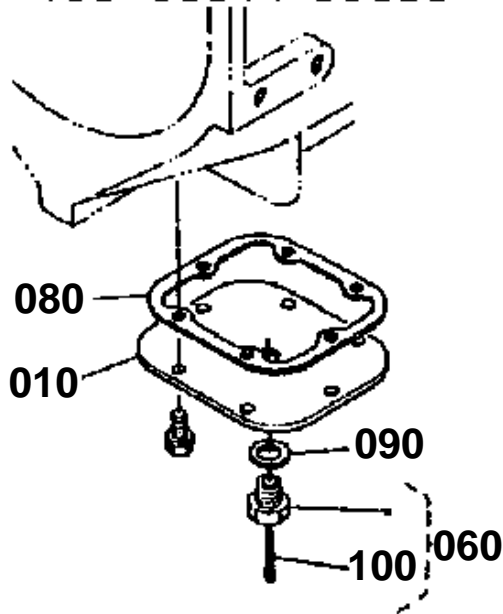
010 36200-2118-0

060 36200-9758-0

080 36200-2119-0

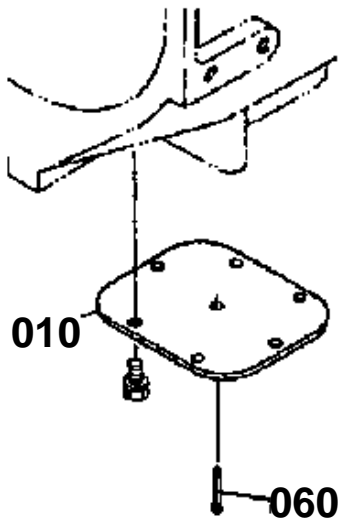
090 04717-02000

100 05511-50530



010 35450-2118-0

060 05511-50525



35533-813-10

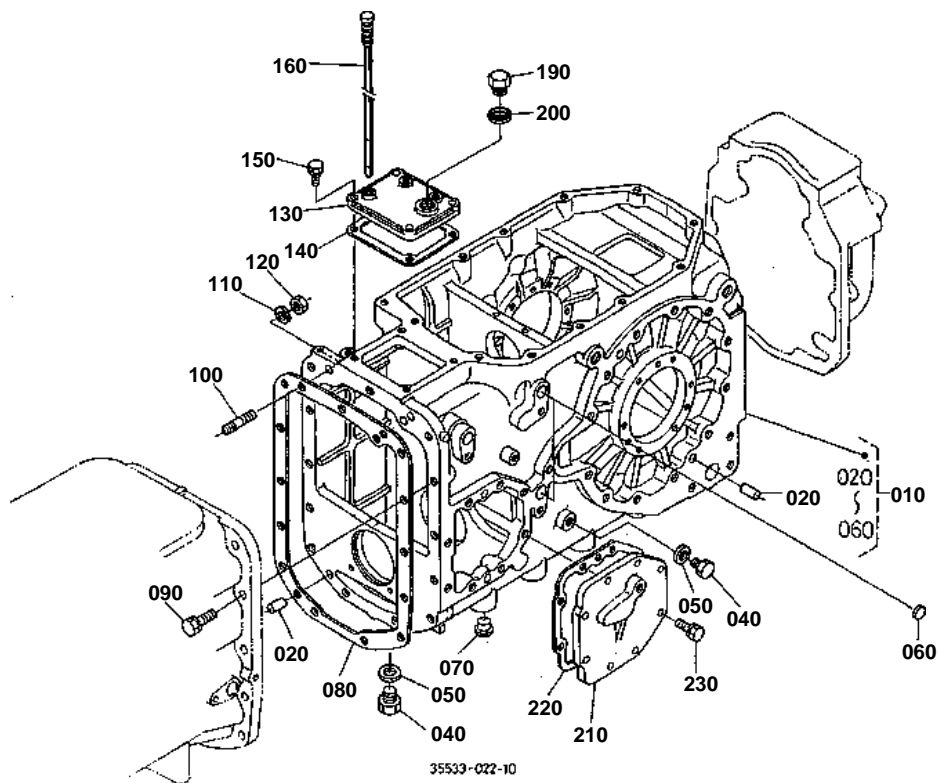


## HOUSING COVER

↔ Interchangeable; ≠ not interchangeable; ← new for old; → old for new

REF.No	Part No.	Description	Q'ty	S.No.	I/C	REMARKS	Weight (kgf)	Weight (lb)
010	36200-21180	COVER HOUSING	1	<=10058			1.097	2.4134
010	35450-21180	COVER HOUSING	1	>=10059	≠		1.2	2.64
010	36200-21180	COVER HOUSING	1	>=20253	≠		1.097	2.4134
020	01133-51020	BOLT	6				0.02	0.044
030	36200-21210	COVER HOUSING	1				0.87	1.914
040	36200-21220	GASKET	1				0	0
050	01133-51020	BOLT	8				0.02	0.044
060	36200-97580	PLUG	1	<=10058			0.05	0.11
060	05511-50525	PIN SPLIT	1	>=10059	≠		0.005	0.011
060	06331-35020	PLUG	1	>=20253	≠		0.068	0.1496
070	33300-90910	PLUG	8				0.002	0.0044
080	36200-21190	GASKET	1	<=10058			0	0
080	36200-21190	GASKET	1	>=20253			0	0
090	04717-02000	WASHER WITH RUBBER	1	<=10058			0.004	0.0088
090	04717-02000	WASHER WITH RUBBER	1	>=20253			0.004	0.0088
100	05511-50530	PIN SPLIT	1	<=10058			0.006	0.0132

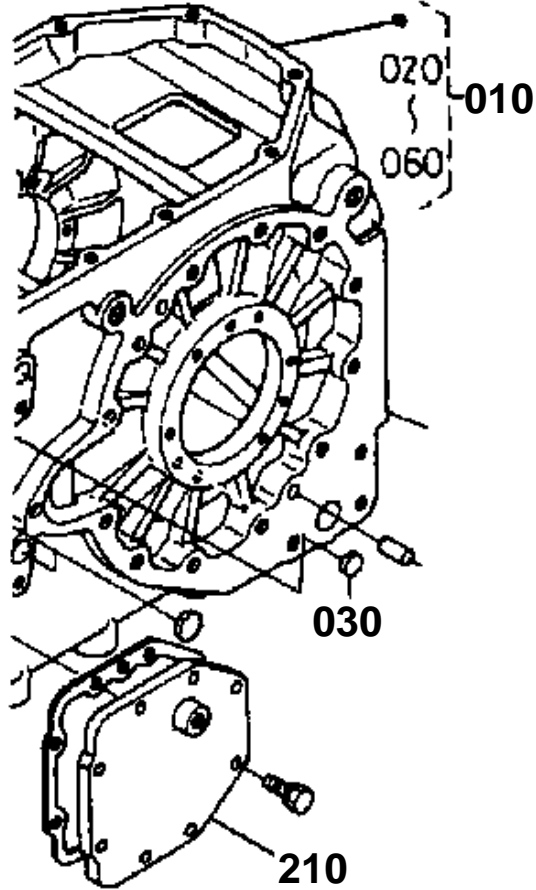
TRANSMISSION CASE [EXCEPT MANUAL SHUTTLE]



010 35533-2130-0

030 35533-2148-0

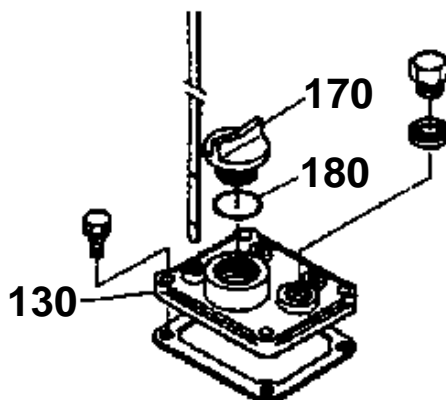
210 35533-2145-3



130 35533-2134-0

170 38240-2141-0

180 04811-50300



35533-814-10



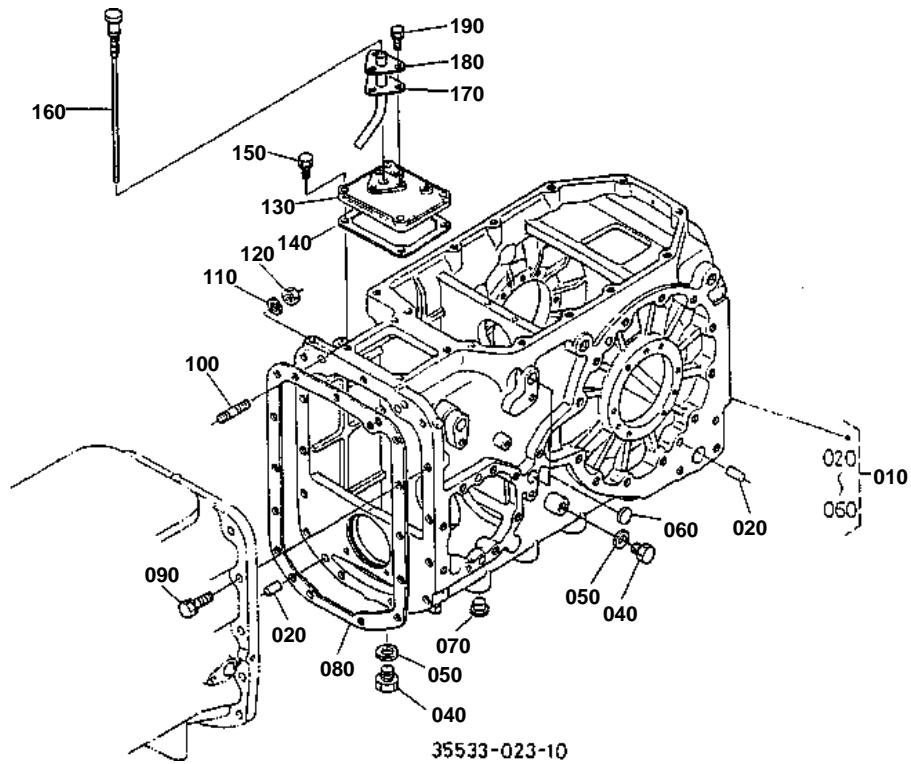


TRANSMISSION CASE [EXCEPT MANUAL SHUTTLE]

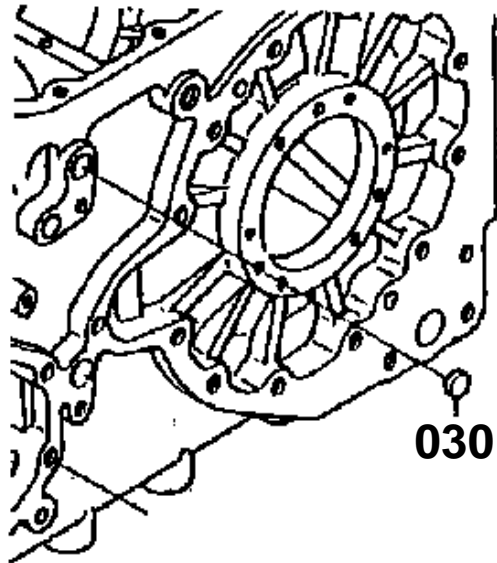
↔ Interchangeable; ≠ not interchangeable; ← new for old; → old for new

REF.No	Part No.	Description	Q'ty	S.No.	I/C	REMARKS	Weight (kgf)	Weight (lb)
010	35533-21300	ASSY CASE TR-MIS'ON	1	<=10058			0	0
010	35533-21302	ASSY CASE TR-MIS'ON	1	>=10059	≠		0	0
010	35533-21303	ASSY CASE TR-MIS'ON	1	>=10092	≠		91	200.2
020	05012-01325	PIN STRAIGHT	6				0.028	0.0616
030	35533-21480	PLUG	1	<=10091			0	0
040	06331-35020	PLUG	1	<=10091			0.068	0.1496
040	06331-35020	PLUG	2	>=10092			0.068	0.1496
050	04717-02000	WASHER WITH RUBBER	1	<=10091			0.004	0.0088
050	04717-02000	WASHER WITH RUBBER	2	>=10092			0.004	0.0088
060	31321-38720	PLUG	2				0.005	0.011
070	33300-90910	PLUG	10				0.002	0.0044
080	35880-21323	GASKET	1				0	0
090	01133-51240	BOLT	12				0.05	0.11
100	01574-51240	STUD	3				0	0
110	04512-60120	WASHER SPRING	3				0.005	0.011
120	02176-50120	NUT	3				0.01	0.022
130	35533-21340	COVER MISSION CASE	1				0.87	1.914
140	36330-21350	GASKET	1	<=10121			0	0
140	3F740-21350	GASKET	1	>=10122	←		0.004	0.0088
150	01133-51030	BOLT	4				0.025	0.055
160	35458-21510	GAUGE OIL	1				0.03	0.066
170	38240-21410	PLUG	1	<=20252			0.015	0.033
180	04811-50300	O RING	1	<=20252			0.001	0.0022
190	06331-35020	PLUG	1				0.068	0.1496
200	04717-02000	WASHER WITH RUBBER	1				0.004	0.0088
210	35533-21450	COVER MISSION CASE	1	<=10034			1.3	2.86
210	35533-21453	COVER MISSION CASE	1	>=10035	≠		0	0
210	35533-21455	COVER MISSION CASE	1	>=10198	↔		1.7	3.74
220	36330-21460	GASKET	1				0	0
230	01133-51028	BOLT	8				0.027	0.0594

TRANSMISSION CASE [MANUAL SHUTTLE]



030 35533-2148-0



35533-849-10

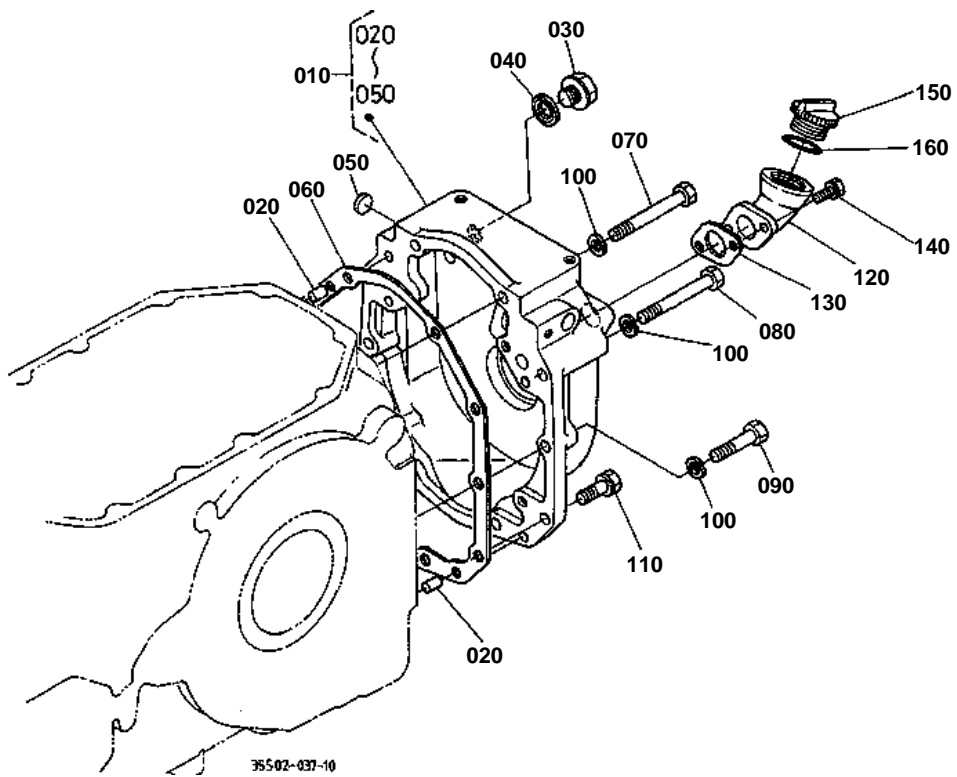


**TRANSMISSION CASE [MANUAL SHUTTLE]**

↔ Interchangeable; ≠ not interchangeable; ← new for old; → old for new

REF.No	Part No.	Description	Q'ty	S.No.	I/C	REMARKS	Weight (kgf)	Weight (lb)
010	35533-21300	ASSY CASE TR-MIS'ON	1	<=10091			0	0
010	35533-21303	ASSY CASE TR-MIS'ON	1	>=10092	≠		91	200.2
020	05012-01325	PIN STRAIGHT	6				0.028	0.0616
030	35533-21480	PLUG	1	<=10091			0	0
040	06331-35020	PLUG	2				0.068	0.1496
050	04717-02000	WASHER WITH RUBBER	2				0.004	0.0088
060	31321-38720	PLUG	2				0.005	0.011
070	33300-90910	PLUG	10				0.002	0.0044
080	35880-21323	GASKET	1				0	0
090	01133-51240	BOLT	12				0.05	0.11
100	01574-51240	STUD	3				0	0
110	04512-60120	WASHER SPRING	3				0.005	0.011
120	02176-50120	NUT	3				0.01	0.022
130	35533-21440	COVER MISSION CASE	1				1.05	2.31
140	36330-21350	GASKET	1	<=10121			0	0
140	3F740-21350	GASKET	1	>=10122	←		0.004	0.0088
150	01133-51030	BOLT	4				0.025	0.055
160	35533-21520	GAUGE OIL	1				0.02	0.044
170	36330-21460	GASKET	1				0	0
180	35533-21530	GUIDE OIL GAUGE	1				0.1	0.22
190	01023-50614	BOLT	3				0.005	0.011

# TRANSMISSION CASE REAR COVER



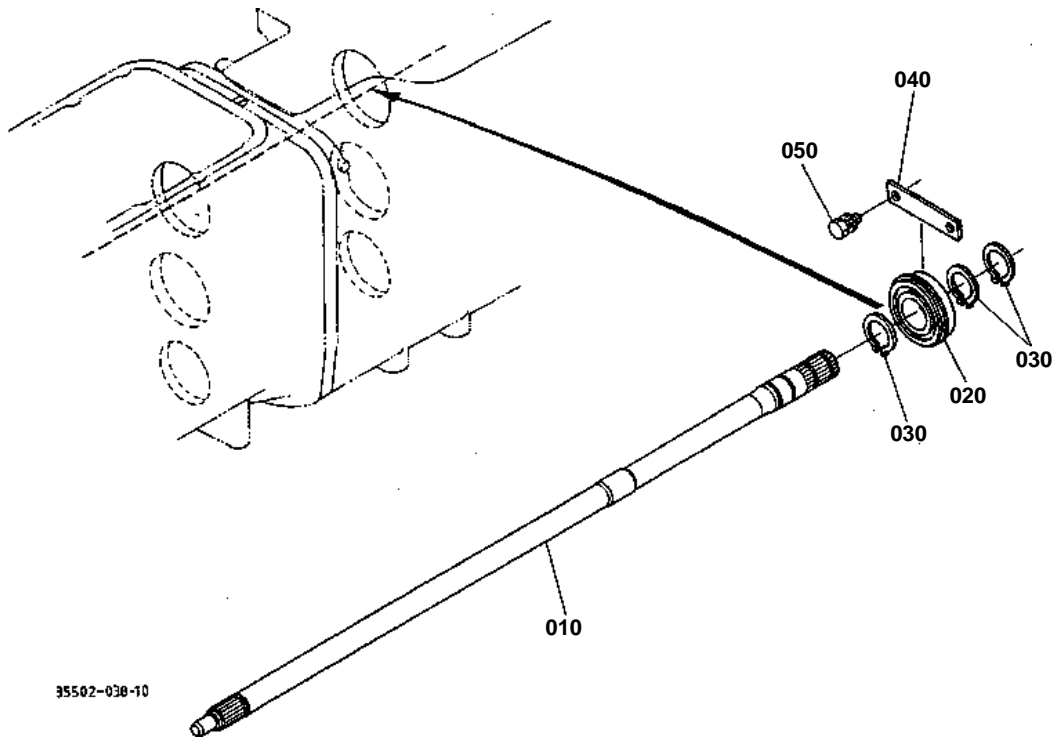


## TRANSMISSION CASE REAR COVER

↔ Interchangeable; ≠ not interchangeable; ← new for old; → old for new

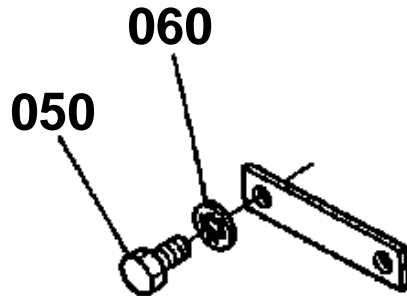
REF.No	Part No.	Description	Q'ty	S.No.	I/C	REMARKS	Weight (kgf)	Weight (lb)
010	35533-21400	ASSY COVER CASE	1				0	0
020	05012-01020	PIN STRAIGHT	2				0.02	0.044
030	06311-45040	PLUG	1	<=10058			0.115	0.253
030	06311-55040	PLUG	1	>=10059	≠		0.093	0.2046
040	04717-02150	WASHER WITH RUBBER	1				0.004	0.0088
050	36200-21240	PLUG	1	<=10193			0	0
050	31321-38720	PLUG	1	>=10194	↔		0.005	0.011
060	36200-21420	GASKET	1				0	0
070	01173-51204	BOLT	2				0	0
080	01173-51202	BOLT	2				0.101	0.2222
090	01173-51255	BOLT	2				0.057	0.1254
100	04512-60120	WASHER SPRING	6				0.005	0.011
110	01133-51235	BOLT	4				0.05	0.11
120	36330-21470	FILLER OIL	1				0.42	0.924
130	36330-21480	GASKET	1				0.001	0.0022
140	01123-50820	BOLT	2				0.011	0.0242
150	38240-21410	PLUG	1				0.015	0.033
160	04811-50300	O RING	1				0.001	0.0022

PTO PROPELLER SHAFT



**050 01153-50820**

**060 04411-50080**



**35502-810-10**



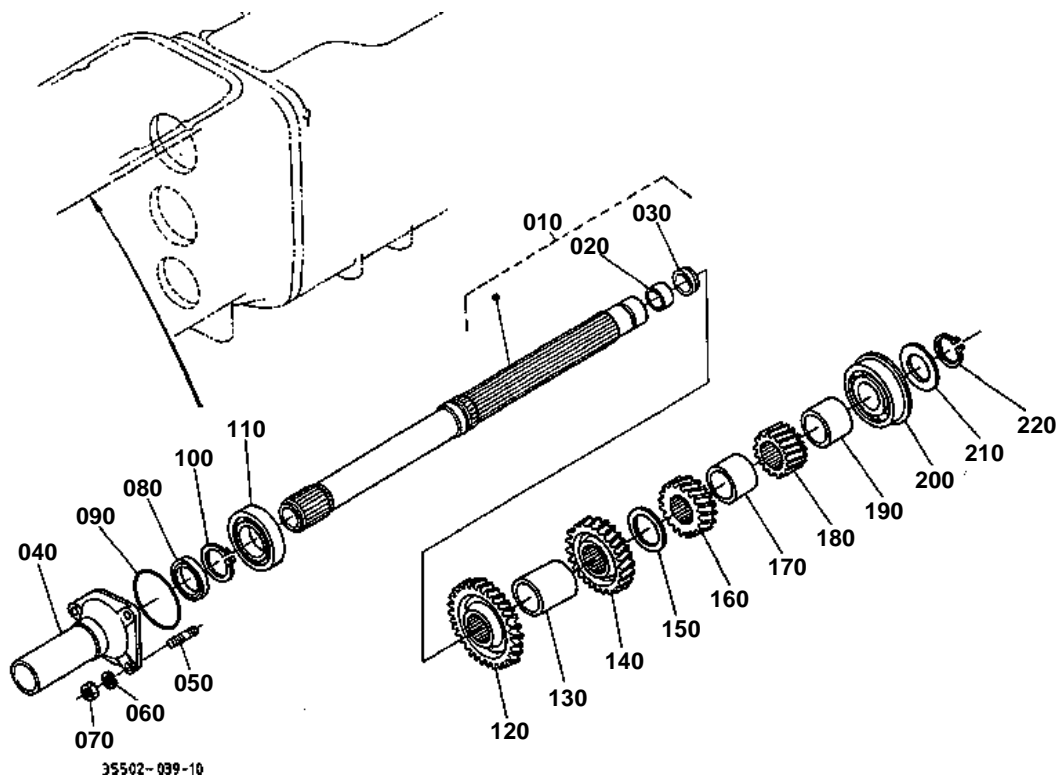


# PTO PROPELLER SHAFT

↔ Interchangeable; ≠ not interchangeable; ← new for old; → old for new

REF.No	Part No.	Description	Q'ty	S.No.	I/C	REMARKS	Weight (kgf)	Weight (lb)
010	35533-25610	SHAFT PTO PROPELLER	1	<=10034			0	0
010	35533-25612	SHAFT PTO PROPELLER	1	>=10035	←		3.6	7.92
020	08151-06306	BEARING BALL	1				0.36	0.792
030	37880-44270	CIRCLIP EXTERNAL	3	<=10193			0	0
030	36330-80660	CIRCLIP EXTERNAL	3	>=10194	↔		0.02	0.044
040	38430-25530	RETAINER BEARING	1	<=10034			0.05	0.11
040	36200-28680	RETAINER BEARING	1	>=10035	≠		0.058	0.1276
050	01153-50820	BOLT	2	<=20208			0.012	0.0264
050	01123-50820	BOLT	2	>=20209			0.011	0.0242
060	04411-50080	WASHER TOOTHED	2	<=20208			0.001	0.0022

# FIRST SHAFT

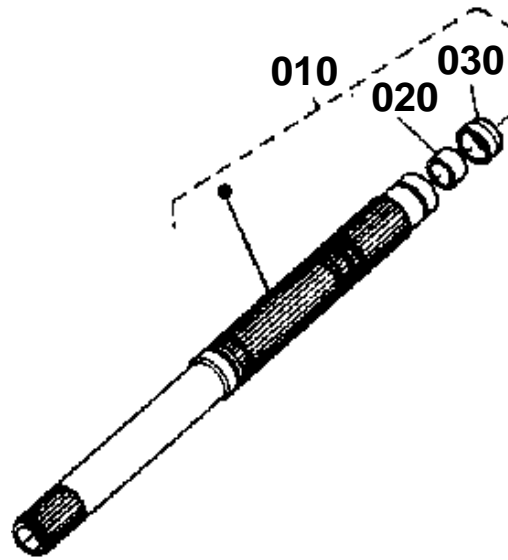


FIRST SHAFT

---

010 35533-2810-0

030 36330-2865-0



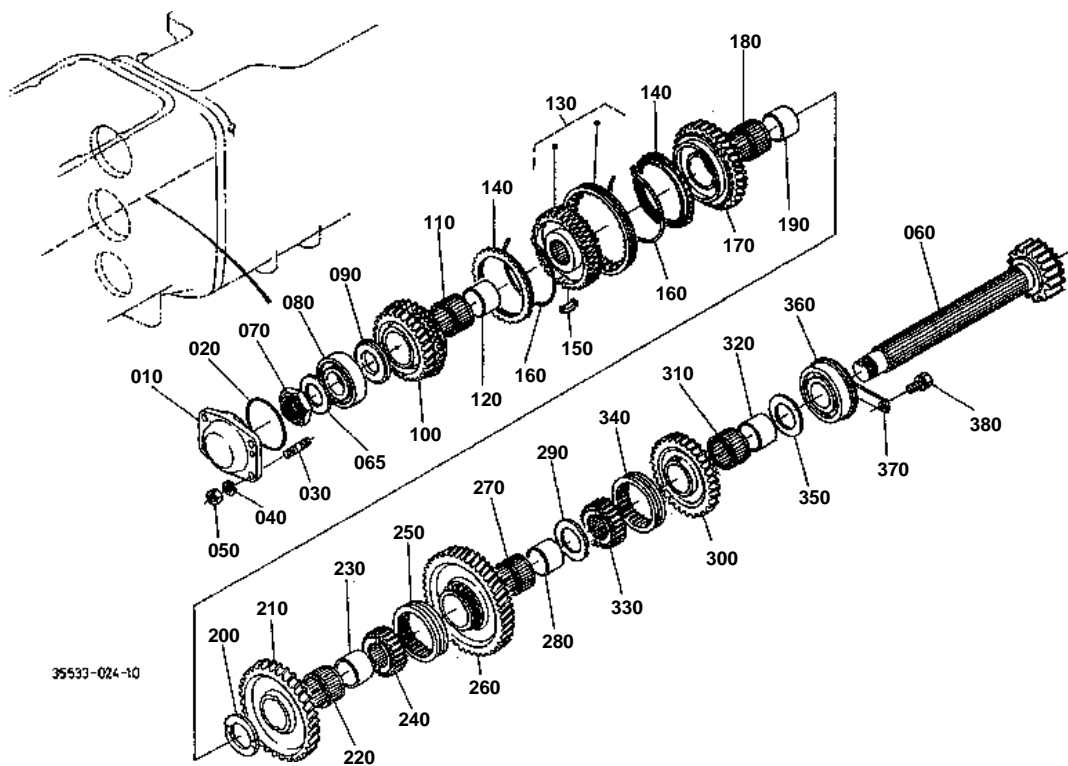
35533-815-10

**FIRST SHAFT**

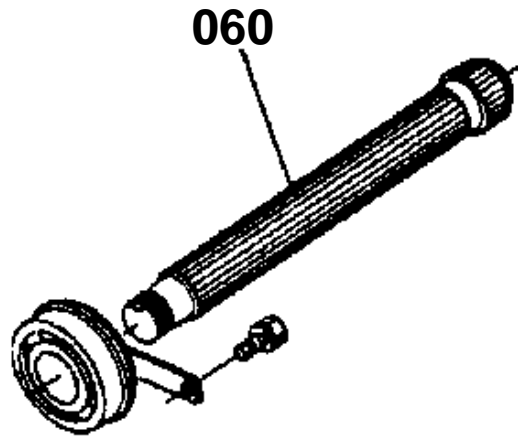
↔ Interchangeable; ≠ not interchangeable; ← new for old; → old for new

REF.No	Part No.	Description	Q'ty	S.No.	I/C	REMARKS	Weight (kgf)	Weight (lb)
010	35533-28100	ASSY SHAFT FIRST	1	<=10182			0	0
010	35574-28100	ASSY SHAFT FIRST	1	>=10183	↔		2.3	5.06
020	33251-28640	BUSH FIRST SHAFT	1				0.018	0.0396
030	36330-28650	SEAL FIRST SHAFT	1	<=10182			0.002	0.0044
030	36730-24330	SEAL FIRST SHAFT	1	>=10183	↔		0.005	0.011
040	36200-28513	COMP.CASE BEARING	1				1.48	3.256
050	01513-50825	STUD	3				0	0
060	04512-60080	WASHER SPRING	3				0.002	0.0044
070	02114-50080	NUT	3				0.005	0.011
080	36730-24650	SEAL OIL	1				0.03	0.066
090	04811-50900	O RING	1				0.003	0.0066
100	04612-00450	CIRCLIP EXTERNAL	1				0.007	0.0154
110	08101-06209	BEARING BALL	1				0.42	0.924
120	36330-28480	GEAR	1			30T	0.82	1.804
130	35420-28012	COLLAR FIRST SHAFT	1			51.6MM	0.24	0.528
140	36330-28232	GEAR	1			25T	0.7	1.54
150	35420-28180	COLLAR FIRST SHAFT	1			1.0MM	0.01	0.022
160	36330-28220	GEAR	1			18T	0.46	1.012
170	36200-28560	COLLAR	1			38.0MM	0.156	0.3432
180	35420-28210	GEAR	1			16T	0.44	0.968
190	36200-28560	COLLAR	1			38.0MM	0.156	0.3432
200	08151-06308	BEARING BALL	1				0.64	1.408
210	36330-28410	SHIM	1			0.3MM	0.002	0.0044
210	36330-28420	SHIM	1			0.1MM	0.002	0.0044
220	04612-00400	CIRCLIP EXTERNAL	1				0.005	0.011

COUNTERSHAFT [EXCEPT MANUAL SHUTTLE AND SU]



060 36200-2816-0



35533-816-10

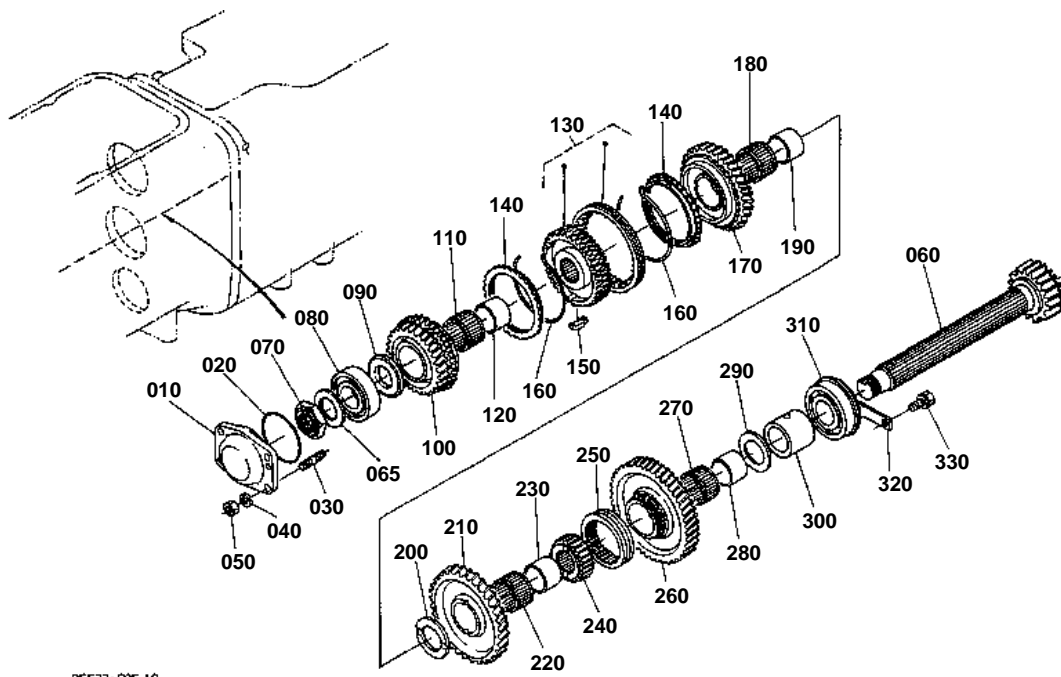


COUNTERSHAFT [EXCEPT MANUAL SHUTTLE AND SU]

↔ Interchangeable; ≠ not interchangeable; ← new for old; → old for new

REF.No	Part No.	Description	Q'ty	S.No.	I/C	REMARKS	Weight (kgf)	Weight (lb)
010	36200-28630	COVER COUNTERSHAFT	1				0.7	1.54
020	04811-50800	O RING	1				0.003	0.0066
030	01513-50825	STUD	3				0	0
040	04512-60080	WASHER SPRING	3				0.002	0.0044
050	02114-50080	NUT	3				0.005	0.011
060	36200-28160	COUNTERSHAFT	1	≤10075			2.75	6.05
060	35535-28160	COUNTERSHAFT	1	≥10076	≠	23T	0	0
060	35535-28162	COUNTERSHAFT	1	≥10161	←	23T	3.5	7.7
065	36330-80080	COLLAR	1	≥10076		3.2MM	0.03	0.066
070	39141-14750	NUT	1	≤10075			0.108	0.2376
070	34150-25330	NUT	1	≥10076	≠		0.04	0.088
080	08101-06307	BEARING BALL	1				0.44	0.968
090	36200-28610	COLLAR THRUST	1			3.0MM	0.048	0.1056
100	36330-28293	GEAR	1			29T	1.62	3.564
110	36200-28340	BEARING NEEDLE	1	≤20208			0	0
110	33740-30410	BEARING NEEDLE	1	≥20209	←		0.045	0.099
120	36200-28330	RING INNER	1				0.088	0.1936
130	36330-28402	COUPLING-SHIFTER	1	≤10034			0	0
130	36330-28403	COUPLING-SHIFTER	1	≥10035	←		1.93	4.246
140	36530-28413	RING SYNCHRONIZER	2	≤10054			0	0
140	36530-28414	RING SYNCHRONIZER	2	≥10055	←		0.1	0.22
150	36330-28502	KEY SYNCHRONIZER	3				0.008	0.0176
160	36200-28434	SPRING	2	≤10054			0.01	0.022
160	36200-28434	SPRING	2	≥10055	←		0.01	0.022
170	35420-28284	GEAR	1			33T	1.68	3.696
180	08824-55027	BEARING NEEDLE	1				0.06	0.132
190	35420-28330	RING INNER	1				0.09	0.198
200	36330-28660	COLLAR THRUST	1	≤10034			0	0
200	36330-28663	COLLAR THRUST	1	≥10035	←		0.04	0.088
210	35420-28270	GEAR	1			40T	1.63	3.586
220	08824-55027	BEARING NEEDLE	1				0.06	0.132
230	35420-28330	RING INNER	1				0.09	0.198
240	36330-28462	COUPLING	1	≤20205			0.45	0.99
240	35820-32270	COUPLING	1	≥20206	←		0.44	0.968
250	36330-28473	SHIFTER	1	≤20205			0.4	0.88
250	35820-28470	SHIFTER	1	≥20206	←		0.41	0.902
260	35420-28260	GEAR	1			44T	2.14	4.708
270	36200-28340	BEARING NEEDLE	1	≤20208			0	0
270	33740-30410	BEARING NEEDLE	1	≥20209	←		0.045	0.099
280	36200-28330	RING INNER	1				0.088	0.1936
290	35420-28660	COLLAR THRUST	1			2.5MM	0.03	0.066
300	35420-28370	GEAR	1			33T	1.07	2.354
310	08824-55027	BEARING NEEDLE	1				0.06	0.132
320	35420-28330	RING INNER	1				0.09	0.198
330	36330-28462	COUPLING	1	≤20205			0.45	0.99
330	35820-32270	COUPLING	1	≥20206	←		0.44	0.968
340	36330-28473	SHIFTER	1	≤20205			0.4	0.88
340	35820-28470	SHIFTER	1	≥20206	←		0.41	0.902
350	35420-28610	COLLAR THRUST	1			2.0MM	0.025	0.055
360	08151-06308	BEARING BALL	1				0.64	1.408
370	36200-28680	RETAINER BEARING	1				0.058	0.1276
380	01123-50818	BOLT	2				0.012	0.0264

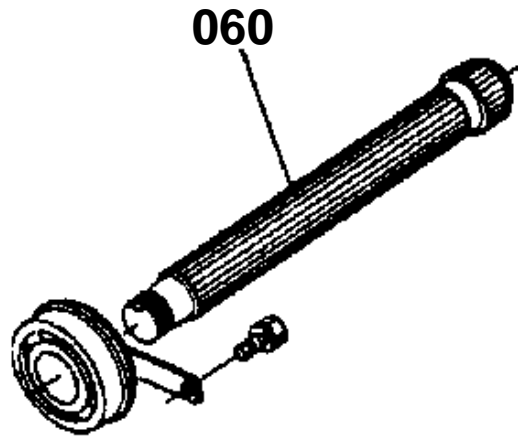
COUNTERSHAFT [MANUAL SHUTTLE/EXCEPT SU]



35533-025-10



060 36200-2816-0



35533-816-10

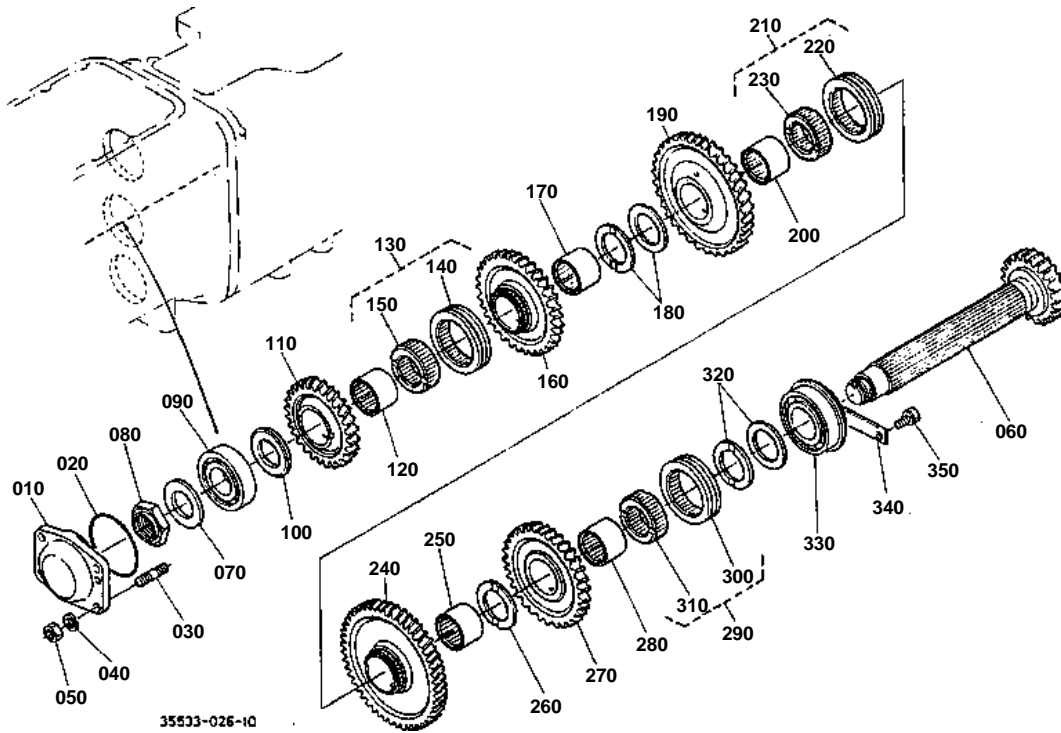


COUNTERSHAFT [MANUAL SHUTTLE/EXCEPT SU]

↔ Interchangeable; ≠ not interchangeable; ← new for old; → old for new

REF.No	Part No.	Description	Q'ty	S.No.	I/C	REMARKS	Weight (kgf)	Weight (lb)
010	36200-28630	COVER COUNTERSHAFT	1				0.7	1.54
020	04811-50800	O RING	1				0.003	0.0066
030	01513-50825	STUD	3				0	0
040	04512-60080	WASHER SPRING	3				0.002	0.0044
050	02114-50080	NUT	3				0.005	0.011
060	36200-28160	COUNTERSHAFT	1	<=10075			2.75	6.05
060	35535-28160	COUNTERSHAFT	1	>=10076	≠	23T	0	0
060	35535-28162	COUNTERSHAFT	1	>=10161	←	23T	3.5	7.7
065	36330-80080	COLLAR	1	>=10076		3.2MM	0.03	0.066
070	39141-14750	NUT	1	<=10075			0.108	0.2376
070	34150-25330	NUT	1	>=10076	≠		0.04	0.088
080	08101-06307	BEARING BALL	1				0.44	0.968
090	36200-28610	COLLAR THRUST	1			3.0MM	0.048	0.1056
100	36330-28293	GEAR	1			29T	1.62	3.564
110	36200-28340	BEARING NEEDLE	1	<=20208			0	0
110	33740-30410	BEARING NEEDLE	1	>=20209	←		0.045	0.099
120	36200-28330	RING INNER	1				0.088	0.1936
130	36330-28403	COUPLING-SHIFTER	1				1.93	4.246
140	36530-28414	RING SYNCHRONIZER	2				0.1	0.22
150	36330-28502	KEY SYNCHRONIZER	3				0.008	0.0176
160	36200-28434	SPRING	2				0.01	0.022
170	35420-28284	GEAR	1			33T	1.68	3.696
180	08824-55027	BEARING NEEDLE	1				0.06	0.132
190	35420-28330	RING INNER	1				0.09	0.198
200	36330-28663	COLLAR THRUST	1				0.04	0.088
210	35420-28270	GEAR	1			40T	1.63	3.586
220	08824-55027	BEARING NEEDLE	1				0.06	0.132
230	35420-28330	RING INNER	1				0.09	0.198
240	36330-28462	COUPLING	1	<=20205			0.45	0.99
240	35820-32270	COUPLING	1	>=20206	←		0.44	0.968
250	36330-28473	SHIFTER	1	<=20205			0.4	0.88
250	35820-28470	SHIFTER	1	>=20206	←		0.41	0.902
260	35420-28260	GEAR	1			44T	2.14	4.708
270	36200-28340	BEARING NEEDLE	1	<=20208			0	0
270	33740-30410	BEARING NEEDLE	1	>=20209	←		0.045	0.099
280	36200-28330	RING INNER	1				0.088	0.1936
290	35420-28660	COLLAR THRUST	1			2.5MM	0.03	0.066
300	35533-34400	SPACER	1				0.43	0.946
310	08151-06308	BEARING BALL	1				0.64	1.408
320	36200-28680	RETAINER BEARING	1				0.058	0.1276
330	01123-50820	BOLT	2				0.011	0.0242

# COUNTERSHAFT [SU TYPE]

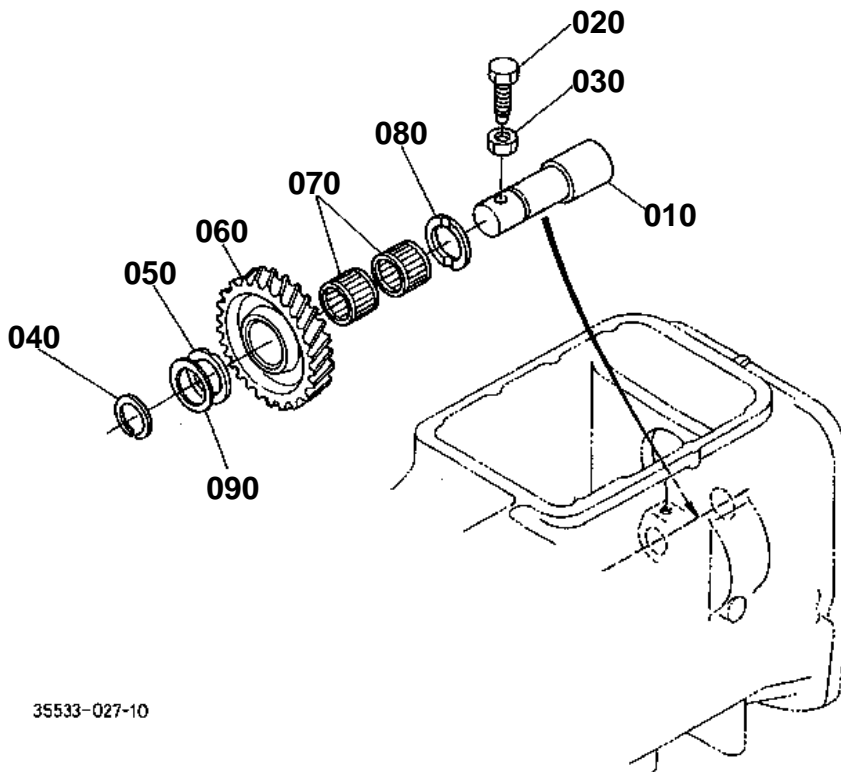


**COUNTERSHAFT [SU TYPE]**

↔ Interchangeable; ≠ not interchangeable; ← new for old; → old for new

REF.No	Part No.	Description	Q'ty	S.No.	I/C	REMARKS	Weight (kgf)	Weight (lb)
010	36200-28630	COVER COUNTERSHAFT	1				0.7	1.54
020	04811-50800	O RING	1				0.003	0.0066
030	01513-50825	STUD	3				0	0
040	04512-60080	WASHER SPRING	3				0.002	0.0044
050	02114-50080	NUT	3				0.005	0.011
060	35502-28160	COUNTERSHAFT	1				3.6	7.92
070	36330-80080	COLLAR	1			3.2MM	0.03	0.066
080	34150-25330	NUT	1				0.04	0.088
090	08101-06307	BEARING BALL	1				0.44	0.968
100	36200-28610	COLLAR THRUST	1			3.0MM	0.048	0.1056
110	35502-28290	GEAR	1			29T	0.8	1.76
120	32530-21870	RACE INNER	1				0.11	0.242
130	35502-28400	COUPLING	1				0.5	1.1
140	32530-21750	SHIFTER	1				0.33	0.726
150	32530-21810	BOSS SPLINE	1				0.21	0.462
160	35502-28280	GEAR	1			33T	1	2.2
170	32530-21870	RACE INNER	1				0.11	0.242
180	35420-28660	COLLAR THRUST	2				0.03	0.066
190	35502-28270	GEAR	1			40T	1.48	3.256
200	32530-21870	RACE INNER	1				0.11	0.242
210	35502-28400	COUPLING	1				0.5	1.1
220	32530-21750	SHIFTER	1				0.33	0.726
230	32530-21810	BOSS SPLINE	1				0.21	0.462
240	35502-28260	GEAR	1			44T	1.66	3.652
250	32530-21870	RACE INNER	1				0.11	0.242
260	36330-28663	COLLAR THRUST	1				0.04	0.088
270	35502-28370	GEAR BACK DRIVE	1			33T	1	2.2
280	32530-21820	RACE INNER	1				0.09	0.198
290	35502-28400	COUPLING	1				0.5	1.1
300	32530-21750	SHIFTER	1				0.33	0.726
310	32530-21810	BOSS SPLINE	1				0.21	0.462
320	35420-28610	COLLAR THRUST	2			2.0MM	0.025	0.055
330	08151-06308	BEARING BALL	1				0.64	1.408
340	36200-28680	RETAINER BEARING	1				0.058	0.1276
350	01123-50820	BOLT	2				0.011	0.0242

BACK IDLE SHAFT [EXCEPT MANUAL SHUTTLE]

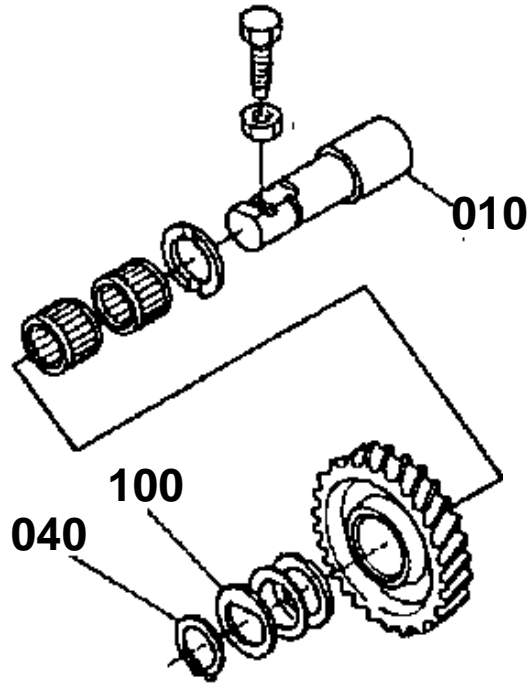


35533-027-10

010 35533-2815-0

040 37880-4427-0

100 36200-2872-0



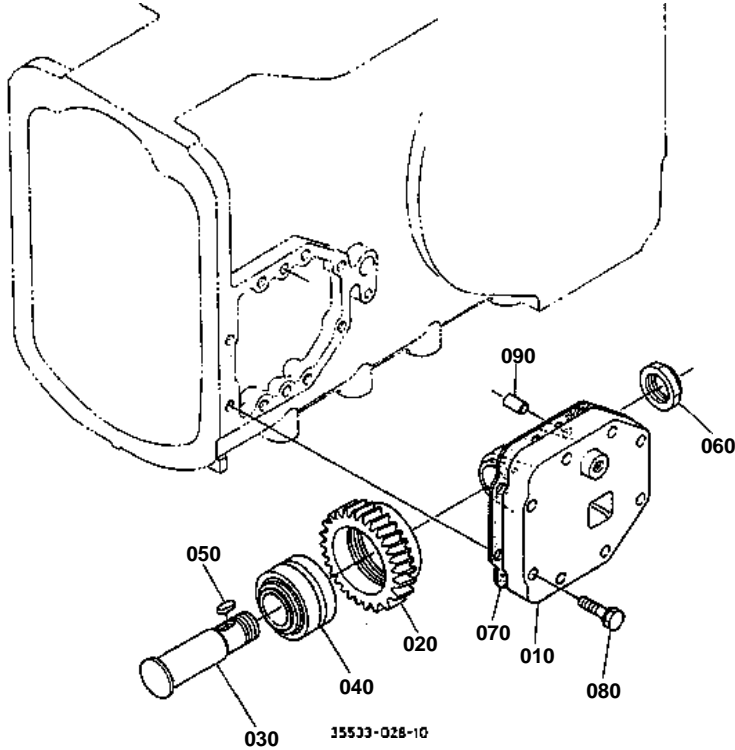
35533-817-10

**BACK IDLE SHAFT [EXCEPT MANUAL SHUTTLE]**

↔ Interchangeable; ≠ not interchangeable; ← new for old; → old for new

REF.No	Part No.	Description	Q'ty	S.No.	I/C	REMARKS	Weight (kgf)	Weight (lb)
010	35533-28150	SHAFT BACK IDLE	1	≤10075			0.7	1.54
010	35533-28152	SHAFT BACK IDLE	1	≥10076	≠		0.72	1.584
020	36200-28730	BOLT	1				0.025	0.055
030	02016-50100	NUT	1				0.009	0.0198
040	37880-44270	CIRCLIP EXTERNAL	1	≤10075			0	0
040	38430-25540	CIRCLIP EXTERNAL	1	≥10076	≠		0.004	0.0088
050	36330-28710	COLLAR THRUST	1			3.0MM	0.03	0.066
060	35533-28350	GEAR BACK IDLE	1			26T	0.81	1.782
070	35533-28360	BEARING NEEDLE	2				0.02	0.044
080	36330-28710	COLLAR THRUST	2				0.03	0.066
090	35533-28170	SHIM	1			0.3MM	0.002	0.0044
090	35533-28180	SHIM	1			0.5MM	0.003	0.0066
100	36200-28720	COLLAR	1	≤10075			0.009	0.0198

MANUAL SHUTTLE GEAR SUPPORT [MANUAL SHUTTLE]





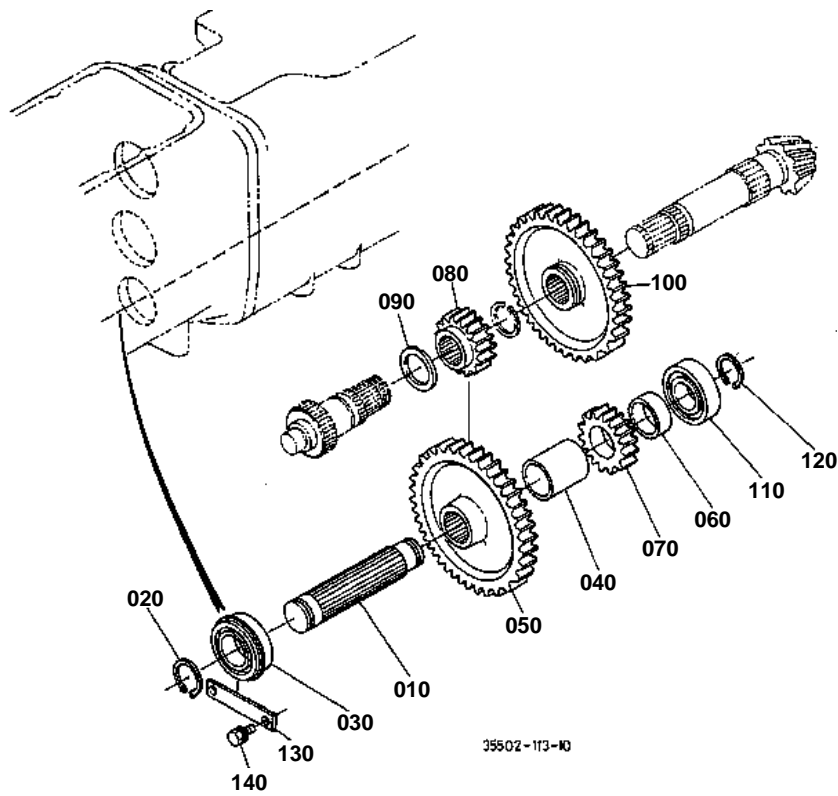


# MANUAL SHUTTLE GEAR SUPPORT [MANUAL SHUTTLE]

↔ Interchangeable; ≠ not interchangeable; ← new for old; → old for new

REF.No	Part No.	Description	Q'ty	S.No.	I/C	REMARKS	Weight (kgf)	Weight (lb)
010	35533-34210	SUPPORT SHUTTLE GEAR	1				7.22	15.884
020	35533-34220	GEAR SHUTTLE IDLE	1			24T	1	2.2
030	35533-34242	SHAFT REVERSE	1				0.91	2.002
040	35533-34230	BEARING TAPER-ROLLER	1				0.83	1.826
050	05712-00520	KEY FEATHER	1				0.004	0.0088
060	34150-25320	NUT	1				0.03	0.066
070	36330-21460	GASKET	1				0	0
080	01133-51040	BOLT	8				0.03	0.066
090	05012-01020	PIN STRAIGHT	2				0.02	0.044

# CREEP GEAR SHAFT



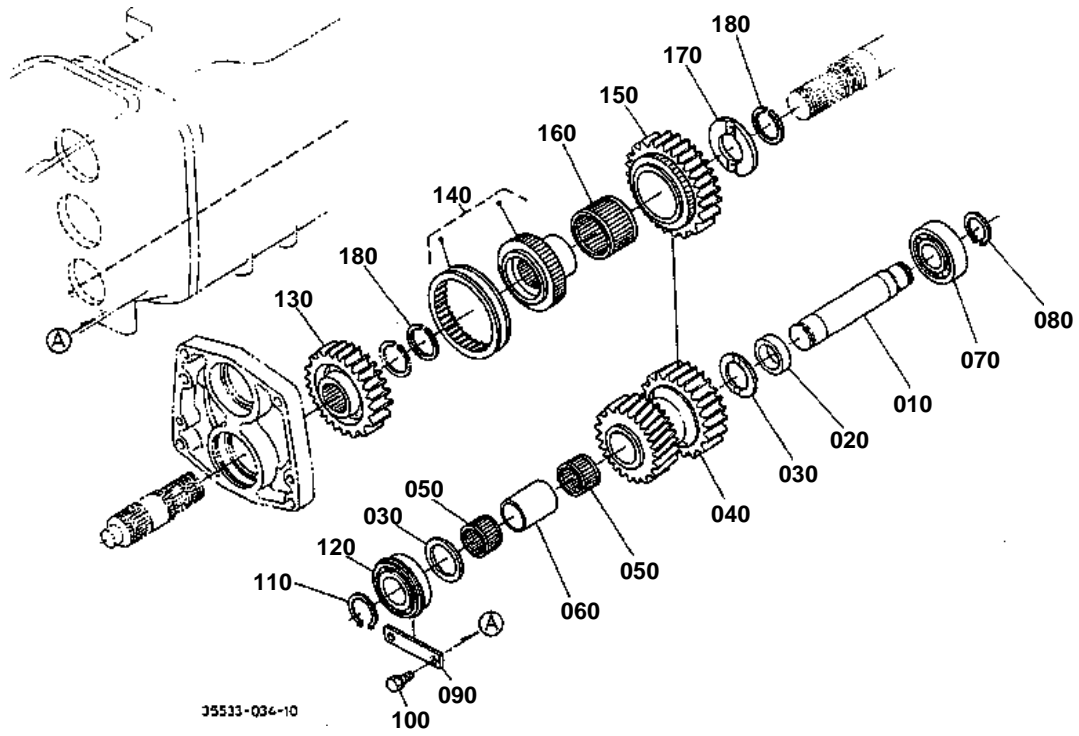


# CREEP GEAR SHAFT

↔ Interchangeable; ≠ not interchangeable; ← new for old; → old for new

REF.No	Part No.	Description	Q'ty	S.No.	I/C	REMARKS	Weight (kgf)	Weight (lb)
010	35523-31210	SHAFT CREEP	1				1.2	2.64
020	36740-41150	CIRCLIP EXTERNAL	1				0.01	0.022
030	08151-06307	BEARING BALL	1				0.469	1.0318
040	36200-31280	COLLAR	1				0.166	0.3652
050	36200-31250	GEAR	1			46T	1.6	3.52
060	35523-31290	COLLAR CREEP	1				0.08	0.176
070	36200-31262	GEAR CREEP	1			20T	0.499	1.0978
080	35533-31230	GEAR CREEP	1			17T	0.29	0.638
090	35533-31270	COLLAR	1				0.02	0.044
100	36200-31242	GEAR	1			43T	1.65	3.63
110	08101-06306	BEARING BALL	1				0.335	0.737
120	37880-44270	CIRCLIP EXTERNAL	1	<=20050			0	0
120	36330-80660	CIRCLIP EXTERNAL	1	>=20051	↔		0.02	0.044
130	36200-28680	RETAINER BEARING	1				0.058	0.1276
140	01123-50820	BOLT	2				0.011	0.0242

# MANUAL SHUTTLE GEAR



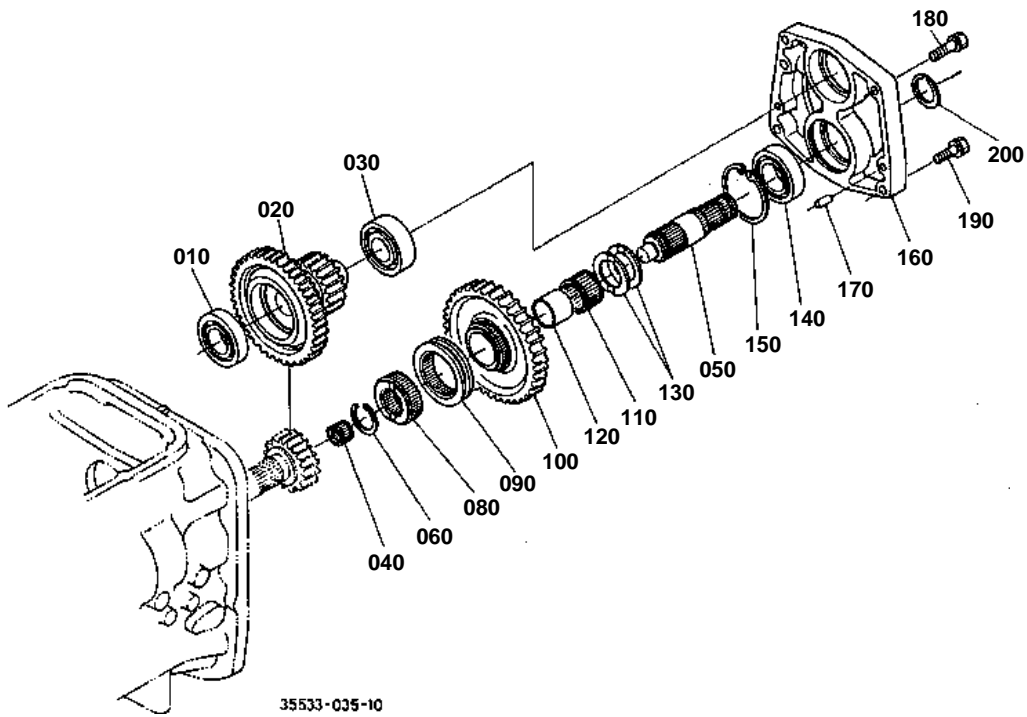


# MANUAL SHUTTLE GEAR

↔ Interchangeable; ≠ not interchangeable; ← new for old; → old for new

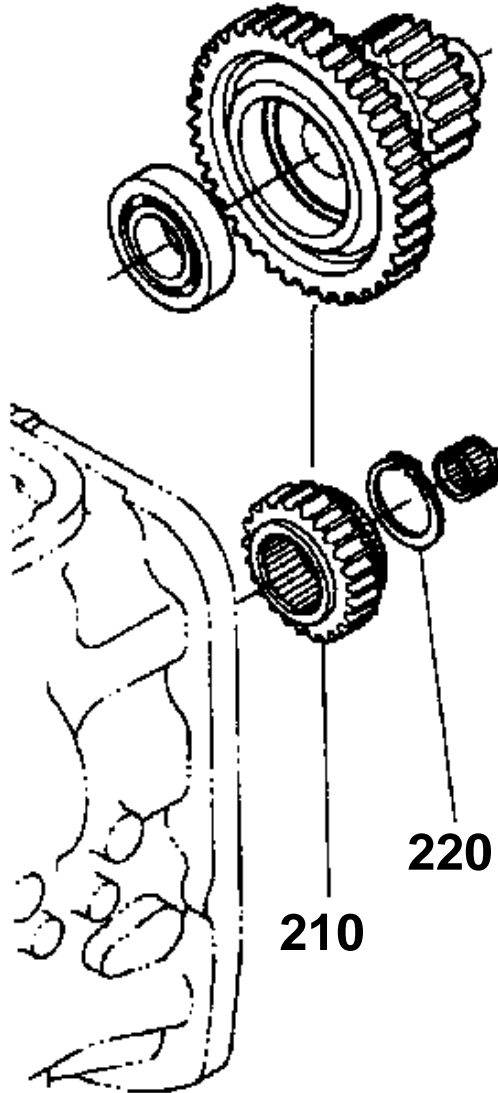
REF.No	Part No.	Description	Q'ty	S.No.	I/C	REMARKS	Weight (kgf)	Weight (lb)
010	35533-34310	SHAFT SHUTTLE	1				0	0
020	35533-34380	COLLAR SHUTTLE	1				0.74	1.628
030	36280-41150	WASHER THRUST	2				0.04	0.088
040	35533-34320	GEAR SHUTTLE	1			23-29T	3.6	7.92
050	08823-54027	BEARING NEEDLE	2				0.05	0.11
060	35533-34350	COLLAR SHUTTLE	1				0.07	0.154
070	36540-41130	BEARING BALL	1				0.34	0.748
080	37880-44270	CIRCLIP EXTERNAL	1	<=10193			0	0
080	36330-80660	CIRCLIP EXTERNAL	1	>=10194	↔		0.02	0.044
090	36200-28680	RETAINER BEARING	1				0.058	0.1276
100	01123-50820	BOLT	2				0.011	0.0242
110	36740-41150	CIRCLIP EXTERNAL	1			0.5MM	0.01	0.022
120	36530-80150	BEARING BALL	1				0.47	1.034
130	35533-34260	GEAR SHUTTLE	1			26T	1.7	3.74
140	35533-34250	COUPLING-SHIFTER	1				1.5	3.3
150	35533-34290	GEAR SHUTTLE	1			34T	2	4.4
160	08825-05530	BEARING NEEDLE	1				0.06	0.132
170	35533-34300	COLLAR THRUST	1				0.1	0.22
180	35533-32300	CIR-CRIP EXTERNAL	2				0.01	0.022

RANGE SHIFT SHAFT [EXCEPT SU TYPE]



210 35420-3226-0

220 04612-00450



35533-818-10



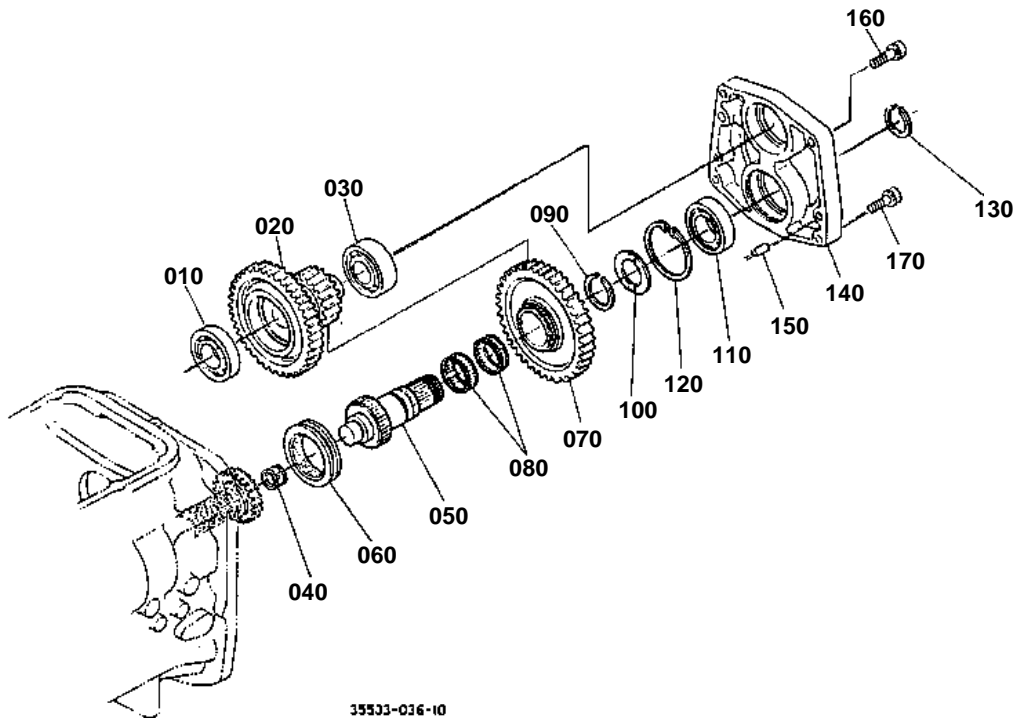
**RANGE SHIFT SHAFT [EXCEPT SU TYPE]**

↔ Interchangeable; ≠ not interchangeable; ← new for old; → old for new

REF.No	Part No.	Description	Q'ty	S.No.	I/C	REMARKS	Weight (kgf)	Weight (lb)
010	08101-06208	BEARING BALL	1				0.355	0.781
020	36200-32320	GEAR	1	<=10058		20-40T	3.24	7.128
020	35533-32390	GEAR	1	>=10059	←	20-40T	3	6.6
030	38260-26790	BEARING BALL	1				0.05	0.11
040	08822-53216	BEARING NEEDLE	1				0.026	0.0572
050	35533-32330	SHAFT RANGE SHIFT	1				1.1	2.42
060	36730-28040	CIR-CRIP EXTERNAL	1				0	0
080	36330-28462	COUPLING	1				0.45	0.99
090	36330-28473	SHIFTER	1				0.4	0.88
100	35420-32340	GEAR	1	<=10091		43T	0	0
100	35420-32343	GEAR	1	>=10092	←	43T	1.98	4.356
110	36200-28340	BEARING NEEDLE	1	<=20208			0	0
110	33740-30410	BEARING NEEDLE	1	>=20209	←		0.045	0.099
120	36200-28330	RING INNER	1				0.088	0.1936
130	36330-28660	COLLAR THRUST	2	<=10034		3.0MM	0	0
130	36330-28663	COLLAR THRUST	2	>=10035	←	3.0MM	0.04	0.088
140	08101-06208	BEARING BALL	1			EXCEPT MANUAL SHUTTLE	0.355	0.781
140	35533-34270	BEARING ROLLER	1			MANUAL SHUTTLE	0.42	0.924
150	04611-00800	CIR CLIP INTERNAL	1				0.02	0.044
160	36200-32314	SUPPORT BEARING	1	<=10058			0	0
160	36200-32315	SUPPORT BEARING	1	>=10059	←		0	0
160	36200-32316	SUPPORT BEARING	1	>=10168	←		3	6.6
170	05012-01020	PIN STRAIGHT	2				0.02	0.044
180	01133-51245	BOLT	3				0.055	0.121
190	01133-51235	BOLT	1				0.05	0.11
200	35533-32300	CIR-CRIP EXTERNAL	1				0.01	0.022
210	35420-32260	GEAR	1	<=10075		23T	0.71	1.562
220	04612-00450	CIRCLIP EXTERNAL	1	<=10075			0.007	0.0154



RANGE SHIFT SHAFT [SU TYPE]

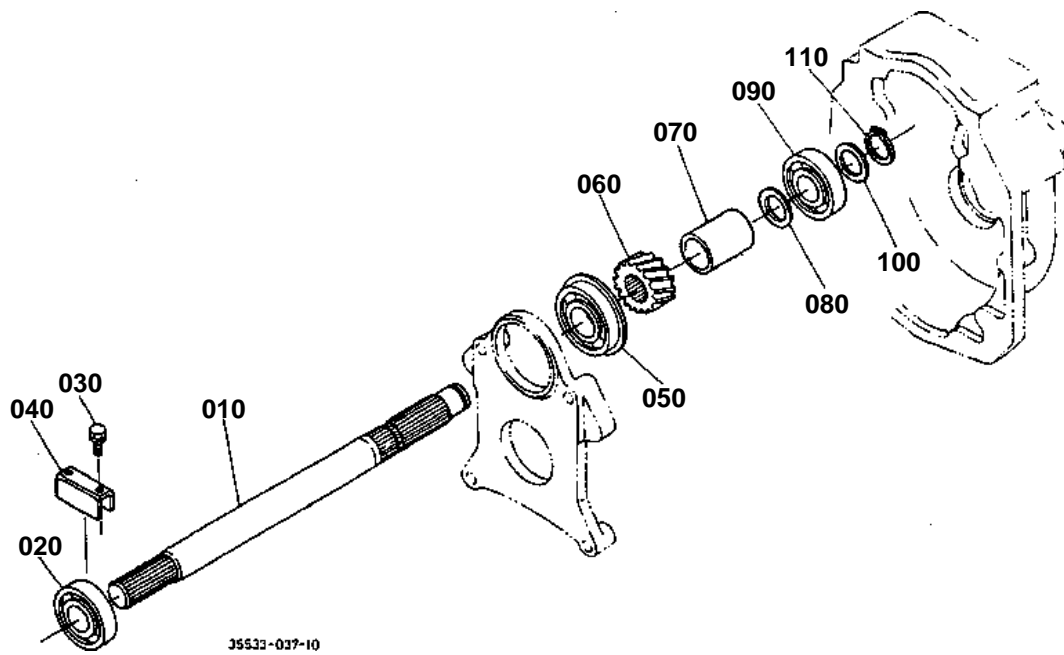


**RANGE SHIFT SHAFT [SU TYPE]**

↔ Interchangeable; ≠ not interchangeable; ← new for old; → old for new

REF.No	Part No.	Description	Q'ty	S.No.	I/C	REMARKS	Weight (kgf)	Weight (lb)
010	08101-06208	BEARING BALL	1				0.355	0.781
020	35533-32390	GEAR	1			20-40T	3	6.6
030	38260-26790	BEARING BALL	1				0.05	0.11
040	08822-53216	BEARING NEEDLE	1				0.026	0.0572
050	35532-32280	SHAFT RANGE SHIFT	1				1.4	3.08
060	32530-21750	SHIFTER	1				0.33	0.726
070	35502-32340	GEAR	1			43T	1.7	3.74
080	08824-04517	BEARING NEEDLE	2				0.03	0.066
090	35502-32300	RING SNAP	1				0.02	0.044
100	36330-28663	COLLAR THRUST	1				0.04	0.088
110	08101-06208	BEARING BALL	1				0.355	0.781
120	04611-00800	CIR CLIP INTERNAL	1				0.02	0.044
130	35533-32300	CIR-CRIP EXTERNAL	1				0.01	0.022
140	36200-32316	SUPPORT BEARING	1				3	6.6
150	05012-01020	PIN STRAIGHT	2				0.02	0.044
160	01133-51245	BOLT	3				0.055	0.121
170	01133-51235	BOLT	1				0.05	0.11

PTO DRIVE SHAFT [OLD TYPE]



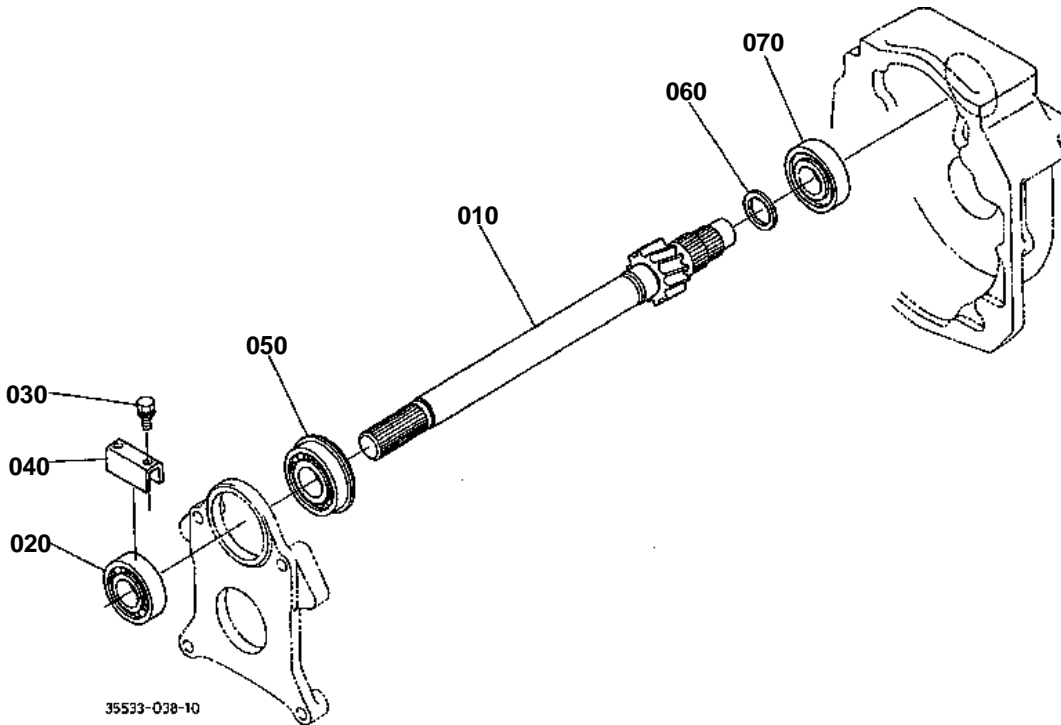
**PTO DRIVE SHAFT [OLD TYPE]**

S.No.;&lt;=10058

↔ Interchangeable; ≠ not interchangeable; ← new for old; → old for new

REF.No	Part No.	Description	Q'ty	S.No.	I/C	REMARKS	Weight (kgf)	Weight (lb)
010	36530-80110	SHAFT PTO DRIVE	1				3.5	7.7
020	08101-06306	BEARING BALL	1				0.335	0.737
030	01123-50820	BOLT	1				0.011	0.0242
040	36530-80140	RETAINER BEARING	1				0.14	0.308
050	08151-06307	BEARING BALL	1				0.469	1.0318
060	36230-80120	GEAR PTO	1			16T	0.33	0.726
070	35533-80190	COLLAR PTO DRIVE	1			64.9MM	0.32	0.704
080	36330-80060	COLLAR	1			2.0MM	0.014	0.0308
090	08101-06306	BEARING BALL	1				0.335	0.737
100	36330-80070	COLLAR	1			4.0MM	0.015	0.033
110	04612-00300	CIRCLIP EXTERNAL	1				0.003	0.0066

PTO DRIVE SHAFT [NEW TYPE]



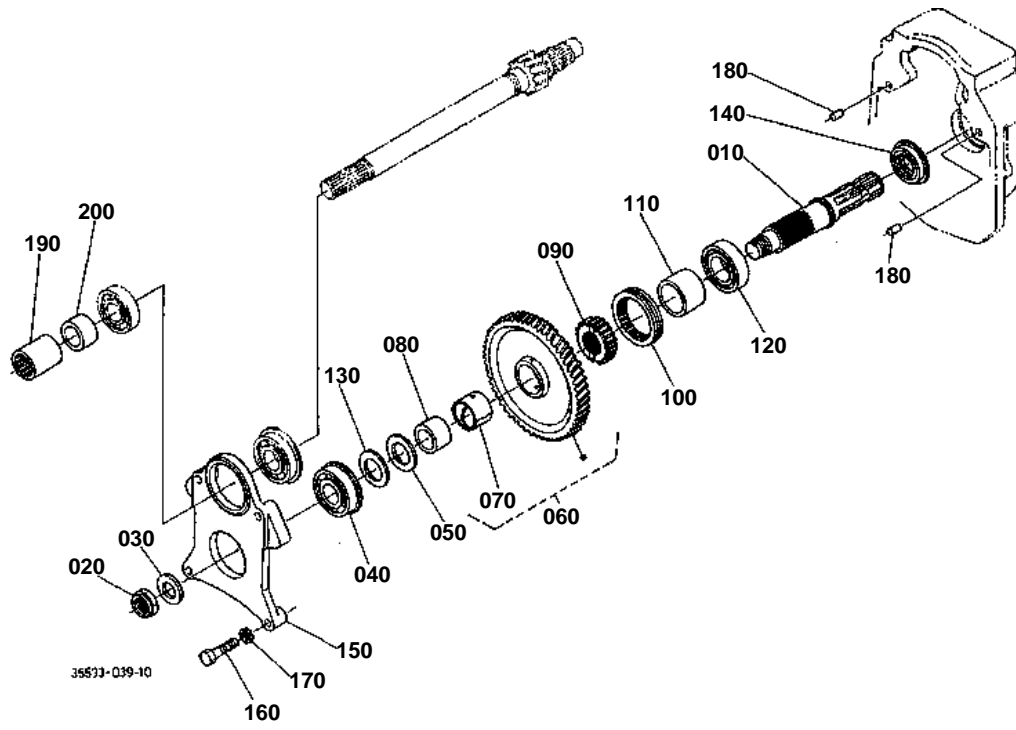
**PTO DRIVE SHAFT [NEW TYPE]**

S.No.;&gt;=10059

↔ Interchangeable; ≠ not interchangeable; ← new for old; → old for new

REF.No	Part No.	Description	Q'ty	S.No.	I/C	REMARKS	Weight (kgf)	Weight (lb)
010	36230-80170	SHAFT PTO DRIVE	1			16T	3.7	8.14
020	08101-06306	BEARING BALL	1				0.335	0.737
030	01123-50820	BOLT	1				0.011	0.0242
040	36530-80140	RETAINER BEARING	1				0.14	0.308
050	08151-06307	BEARING BALL	1				0.469	1.0318
060	36330-80060	COLLAR	1			2.0MM	0.014	0.0308
070	08101-06306	BEARING BALL	1				0.335	0.737

# PTO SHAFT





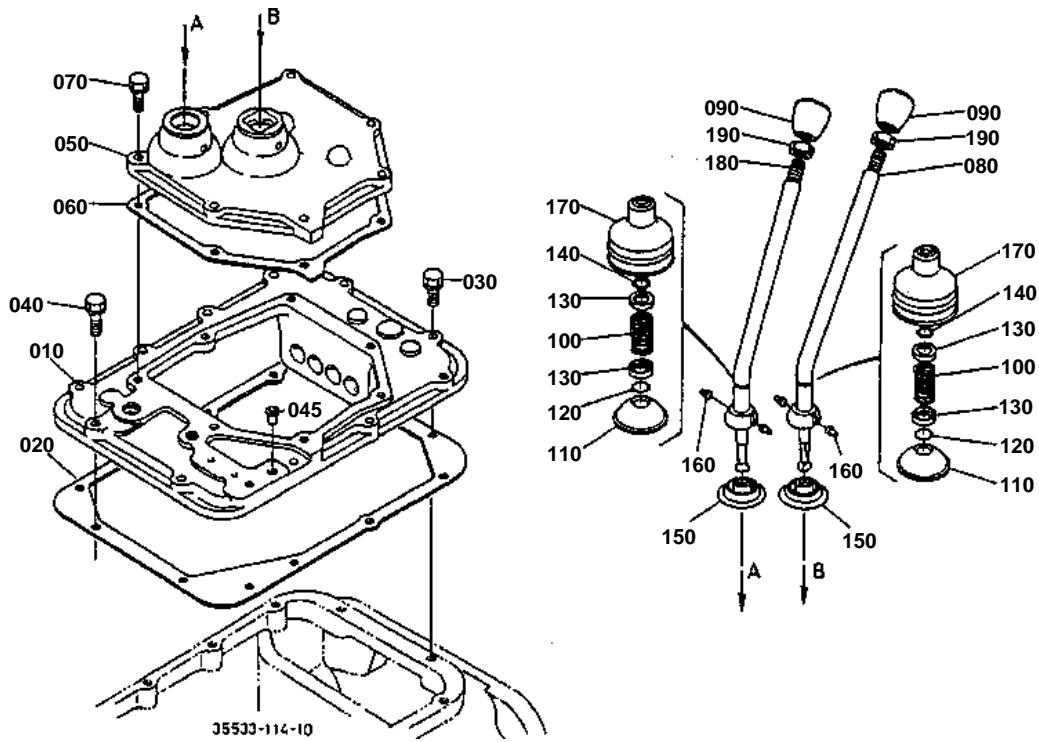
PTO SHAFT

↔ Interchangeable; ≠ not interchangeable; ← new for old; → old for new

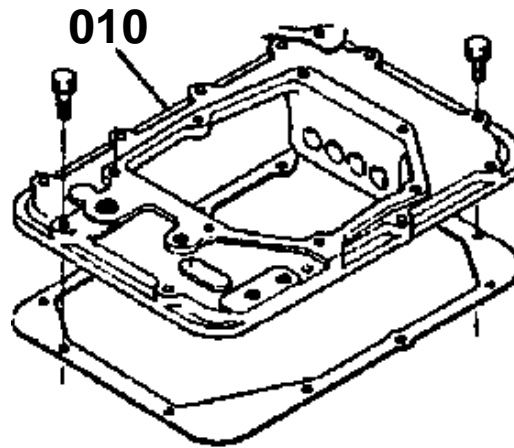
REF.No	Part No.	Description	Q'ty	S.No.	I/C	REMARKS	Weight (kgf)	Weight (lb)
010	36200-97670	SHAFT PTO	1	<=10197			0	0
010	36200-97673	SHAFT PTO	1	>=10198	↔		0	0
020	34150-25330	NUT	1				0.04	0.088
030	36330-80080	COLLAR	1			3.2MM	0.03	0.066
040	08151-06307	BEARING BALL	1				0.469	1.0318
050	36330-28610	COLLAR THRUST	1			3.0MM	0.04	0.088
060	36230-80300	ASSY GEAR	1			65T	3.75	8.25
070	36200-80190	BUSH	1				0.084	0.1848
080	36200-28330	RING INNER	1				0.088	0.1936
090	36330-28462	COUPLING	1				0.45	0.99
100	36330-28473	SHIFTER	1				0.4	0.88
110	35533-80180	COLLAR PTO SHAFT	1			35.0MM	0.21	0.462
120	08101-06208	BEARING BALL	1				0.355	0.781
130	36910-80390	SHIM	2			0.3MM	0.002	0.0044
140	35708-80290	SEAL	1	<=10160			0	0
140	33740-80290	SEAL	1	>=10161	←		0.03	0.066
150	36330-80215	SUPPORT PTO BEARING	1				3.24	7.128
160	01173-51255	BOLT	4				0.057	0.1254
170	04512-60120	WASHER SPRING	4				0.005	0.011
180	05012-01020	PIN STRAIGHT	2				0.02	0.044
190	35533-80400	COUPLING	1				0.25	0.55
200	35533-80390	COLLAR PTO DRIVE	1			47.0MM	0.06	0.132



# MAIN AND RANGE GEAR SHIFT LEVER



010 36570-2125-0



35502-812-10

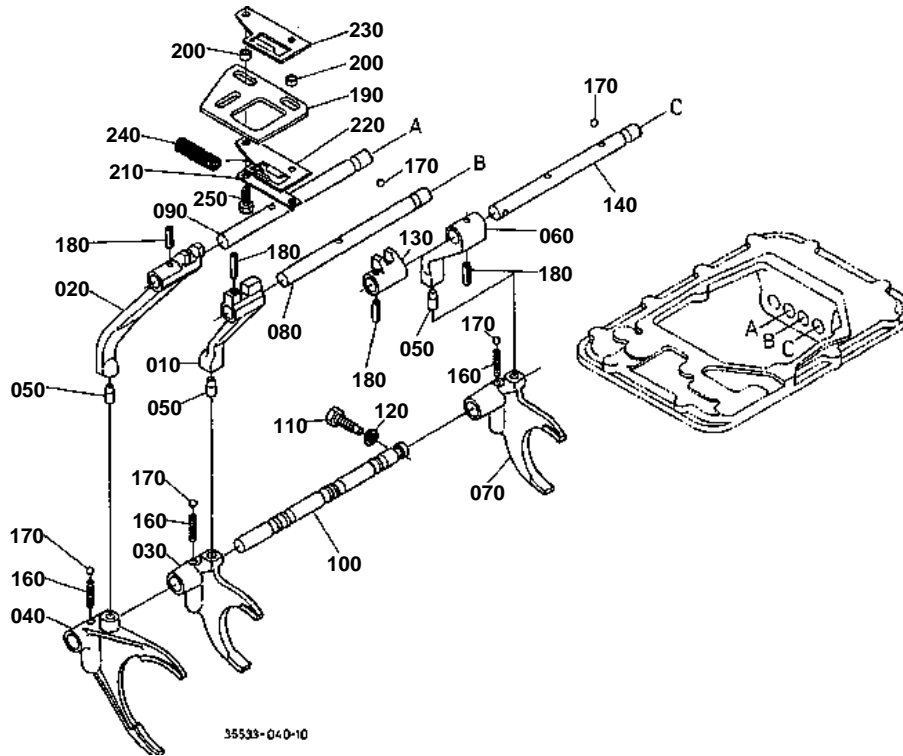


# MAIN AND RANGE GEAR SHIFT LEVER

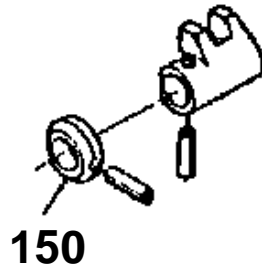
↔ Interchangeable; ≠ not interchangeable; ← new for old; → old for new

REF.No	Part No.	Description	Q'ty	S.No.	I/C	REMARKS	Weight (kgf)	Weight (lb)
010	36570-21250	COVER SHIFT	1	<=20141			4.5	9.9
010	36570-21256	COVER SHIFT	1	>=20142	≠		0	0
010	36570-21257	COVER GEAR SHIFT	1	>=20484	←		4.46	9.812
020	36200-21264	GASKET	1				0.016	0.0352
030	01123-50828	BOLT	10				0.014	0.0308
040	01123-50830	BOLT	2				0.015	0.033
045	66591-51130	BOLT	1	>=20484			0.001	0.0022
050	36200-21270	BRACKET GEAR SHIFT	1	<=10058			2.06	4.532
050	36200-21270	BRACKET GEAR SHIFT	1	>=10059	≠		2.06	4.532
060	36200-21280	GASKET	1				0.005	0.011
070	01123-50825	BOLT	7				0.013	0.0286
080	35533-29360	LEVER MAIN SHIFT	1				0.65	1.43
090	35828-29620	GRIP LEVER	2				0.055	0.121
100	33251-29630	SPRING	2				0.013	0.0286
110	36330-29700	CAP SHIFT LEVER	2				0.04	0.088
120	04815-00150	O RING	2				0.001	0.0022
130	33251-29650	CAP SPRING	4				0.005	0.011
140	33251-29660	STOPPER SPRING	2				0.001	0.0022
150	34150-23870	SHIELD	2	<=20419			0	0
150	34150-23873	SHIELD	2	>=20420	←		0.02	0.044
160	34150-23740	PIN SET	4				0.002	0.0044
170	36200-29690	SEAL SHIFT LEVER	2				0.032	0.0704
180	35533-29370	LAVER RANGE SHIFT	1				0.5	1.1
190	02116-50100	NUT	2	>=10035			0.004	0.0088

MAIN GEAR SHIFT FORK [EXCEPT MANUAL SHUTTLE & SU]



150 36570-2917-2



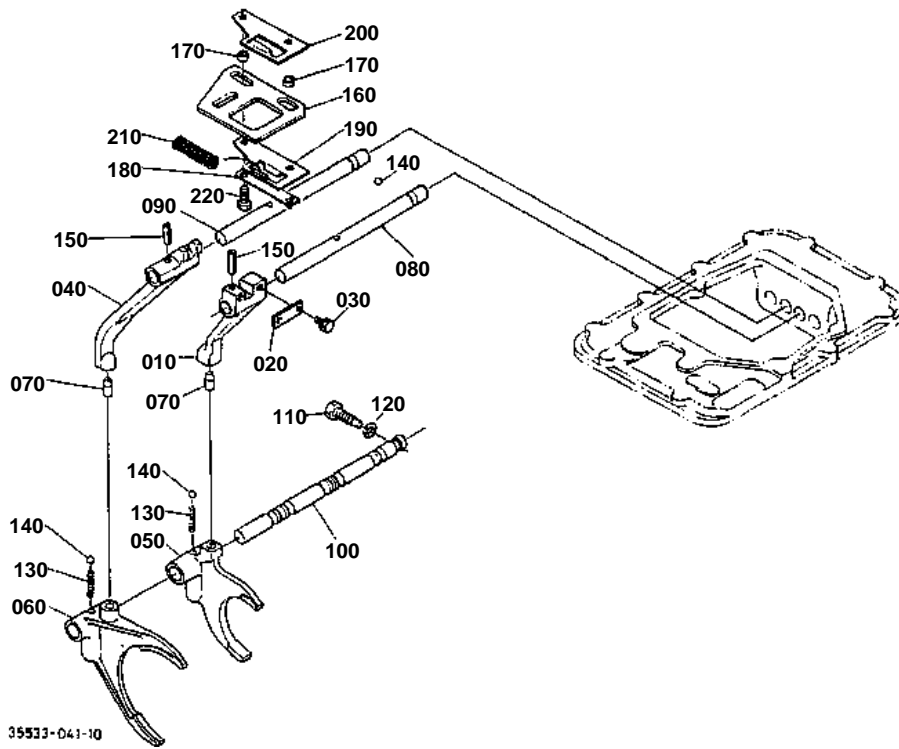
35533-850-10

**MAIN GEAR SHIFT FORK [EXCEPT MANUAL SHUTTLE & SU]**

↔ Interchangeable; ≠ not interchangeable; ← new for old; → old for new

REF.No	Part No.	Description	Q'ty	S.No.	I/C	REMARKS	Weight (kgf)	Weight (lb)
010	35420-29110	LEVER SHIFT	1				0.36	0.792
020	36200-29120	LEVER SHIFT	1				0.41	0.902
030	35420-29140	FORK SHIFT	1	<=10167			0	0
030	35420-29142	FORK SHIFT	1	>=10168	←		0.46	1.012
040	36200-29140	FORK SHIFT	1	<=10167			0	0
040	36200-29144	FORK SHIFT	1	>=10168	←		0.2	0.44
050	36200-29150	PIN FORK SET	3				0.01	0.022
060	35420-29190	LEVER BACK SHIFT	1				0.51	1.122
070	35420-29160	FORK BACK	1	<=10167			0	0
070	35420-29162	FORK BACK	1	>=10168	←		0.48	1.056
080	36200-29210	ROD SHIFT	1				0.348	0.7656
090	36200-29220	ROD SHIFT	1				0.356	0.7832
100	35533-29240	BAR MAIN SHIFT	1				0.5	1.1
110	35820-29410	BOLT	1				0.04	0.088
120	04717-01200	WASHER WITH RUBBER	1				0.002	0.0044
130	35420-29010	HOLDER SHIFT	1				0.135	0.297
140	35420-29260	ROD BACK SHIFT	1				0.36	0.792
150	36570-29172	STAY LIGHT	1	<=10058			0.14	0.308
160	33251-29410	SPRING	3				0.005	0.011
170	07715-03211	BALL	5				0.003	0.0066
180	05411-00625	PIN SPRING	5				0.004	0.0088
190	36200-29440	SECTOR SHIFT LEVER	1				0.19	0.418
200	33251-29450	COLLAR SECTOR GUIDE	2				0.002	0.0044
210	33251-29510	WASHER	1				0.008	0.0176
220	36200-29520	SECTOR LOWER	1				0.055	0.121
230	36200-29530	SECTOR UPPER	1				0.054	0.1188
240	33251-29540	SPRING	1				0.02	0.044
250	01153-50820	BOLT	2				0.012	0.0264

MAIN GEAR SHIFT FORK [MANUAL SHUTTLE/EXCEPT SU]



35533-041-10

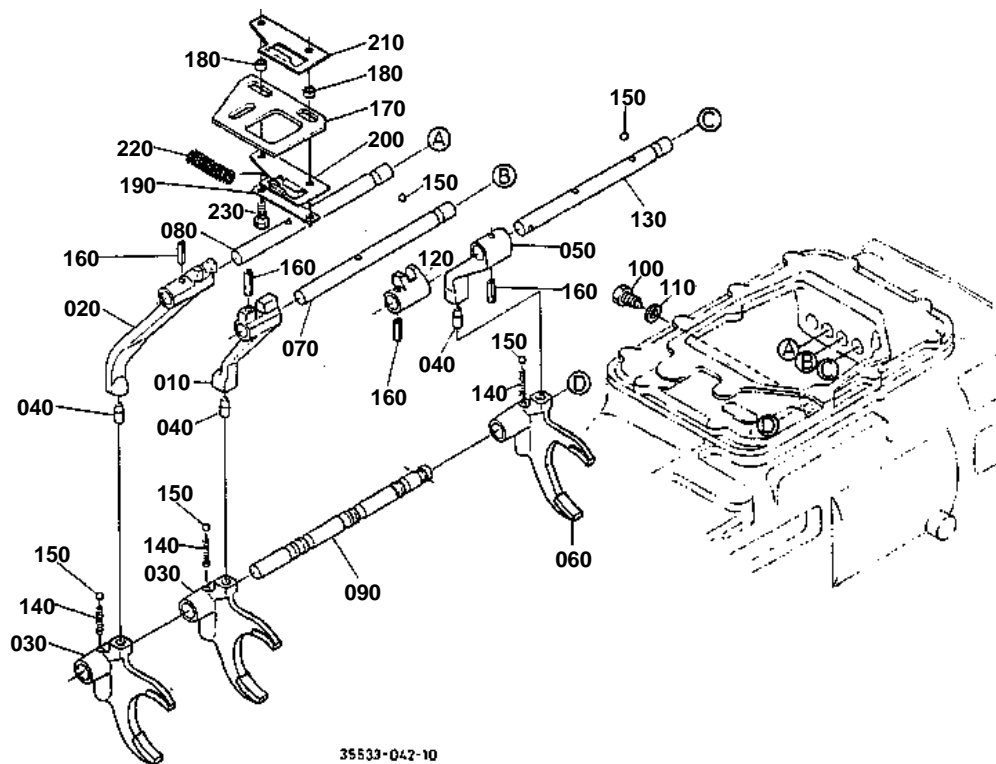
**MAIN GEAR SHIFT FORK [MANUAL SHUTTLE/EXCEPT SU]**

↔ Interchangeable; ≠ not interchangeable; ← new for old; → old for new

REF.No	Part No.	Description	Q'ty	S.No.	I/C	REMARKS	Weight (kgf)	Weight (lb)
010	35533-29110	LEVER GEAR SHIFT	1				0.53	1.166
020	35533-29130	PLATE	1				0.025	0.055
030	01023-50612	BOLT	2				0.005	0.011
040	36200-29120	LEVER SHIFT	1				0.41	0.902
050	35420-29140	FORK SHIFT	1	<=10167			0	0
050	35420-29142	FORK SHIFT	1	>=10168	←		0.46	1.012
060	36200-29140	FORK SHIFT	1	<=10167			0	0
060	36200-29144	FORK SHIFT	1	>=10168	←		0.2	0.44
070	36200-29150	PIN FORK SET	2				0.01	0.022
080	36200-29210	ROD SHIFT	1				0.348	0.7656
090	36200-29220	ROD SHIFT	1				0.356	0.7832
100	35533-29240	BAR MAIN SHIFT	1				0.5	1.1
110	35820-29410	BOLT	1				0.04	0.088
120	04717-01200	WASHER WITH RUBBER	1				0.002	0.0044
130	33251-29410	SPRING	2				0.005	0.011
140	07715-03211	BALL	3				0.003	0.0066
150	05411-00625	PIN SPRING	2				0.004	0.0088
160	36200-29440	SECTOR SHIFT LEVER	1				0.19	0.418
170	33251-29450	COLLAR SECTOR GUIDE	2				0.002	0.0044
180	33251-29510	WASHER	1				0.008	0.0176
190	36200-29520	SECTOR LOWER	1				0.055	0.121
200	36200-29530	SECTOR UPPER	1				0.054	0.1188
210	33251-29540	SPRING	1				0.02	0.044
220	01153-50820	BOLT	2				0.012	0.0264



MAIN GEAR SHIFT FORK [SU TYPE]



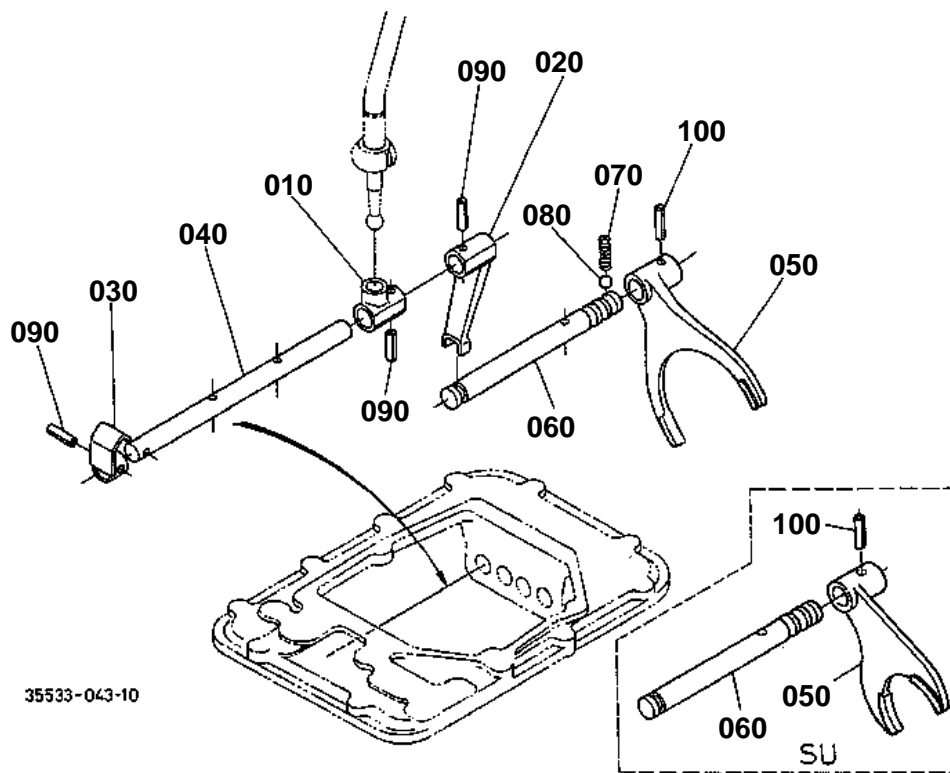


# MAIN GEAR SHIFT FORK [SU TYPE]

↔ Interchangeable; ≠ not interchangeable; ← new for old; → old for new

REF.No	Part No.	Description	Q'ty	S.No.	I/C	REMARKS	Weight (kgf)	Weight (lb)
010	35420-29110	LEVER SHIFT	1				0.36	0.792
020	36200-29120	LEVER SHIFT	1				0.41	0.902
030	35502-29140	FORK SHIFT	2				0.47	1.034
040	36200-29150	PIN FORK SET	3				0.01	0.022
050	35420-29190	LEVER BACK SHIFT	1				0.51	1.122
060	35502-29160	FORK BACK	1				0.47	1.034
070	36200-29210	ROD SHIFT	1				0.348	0.7656
080	36200-29220	ROD SHIFT	1				0.356	0.7832
090	35502-29290	BAR MAIN SHIFT	1				0.5	1.1
100	35820-29410	BOLT	1				0.04	0.088
110	04717-01200	WASHER WITH RUBBER	1				0.002	0.0044
120	35420-29010	HOLDER SHIFT	1				0.135	0.297
130	35420-29260	ROD BACK SHIFT	1				0.36	0.792
140	33251-29410	SPRING	3				0.005	0.011
150	07715-03211	BALL	5				0.003	0.0066
160	05411-00625	PIN SPRING	4				0.004	0.0088
170	36200-29440	SECTOR SHIFT LEVER	1				0.19	0.418
180	33251-29450	COLLAR SECTOR GUIDE	2				0.002	0.0044
190	33251-29510	WASHER	1				0.008	0.0176
200	36200-29520	SECTOR LOWER	1				0.055	0.121
210	36200-29530	SECTOR UPPER	1				0.054	0.1188
220	33251-29540	SPRING	1				0.02	0.044
230	01153-50820	BOLT	2				0.012	0.0264

# RANGE GEAR SHIFT FORK



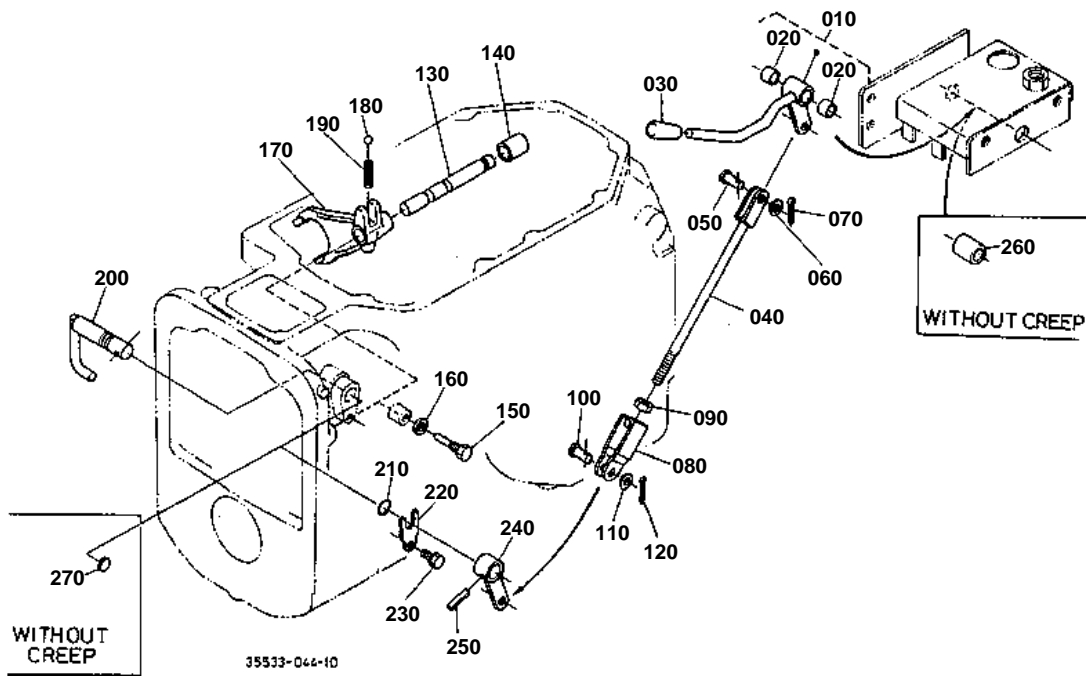


## RANGE GEAR SHIFT FORK

↔ Interchangeable; ≠ not interchangeable; ← new for old; → old for new

REF.No	Part No.	Description	Q'ty	S.No.	I/C	REMARKS	Weight (kgf)	Weight (lb)
010	36200-29830	HOLDER	1				0.083	0.1826
020	36200-29840	LAVER RANGE SHIFT	1				0.2	0.44
030	36200-29850	HOLDER SAFETY SWITCH	1				0.044	0.0968
040	36200-29860	ROD RANGE SHIFT	1				0.38	0.836
050	35502-29870	FORK RANGE SHIFT	1				0.37	0.814
060	35420-29880	ROD RANGE SHIFT	1				0.36	0.792
070	33251-29410	SPRING	1				0.005	0.011
080	07715-03211	BALL	1				0.003	0.0066
090	05411-00625	PIN SPRING	3				0.004	0.0088
100	05411-00625	PIN SPRING	1				0.004	0.0088

# CREEP GEAR SHIFT LEVER



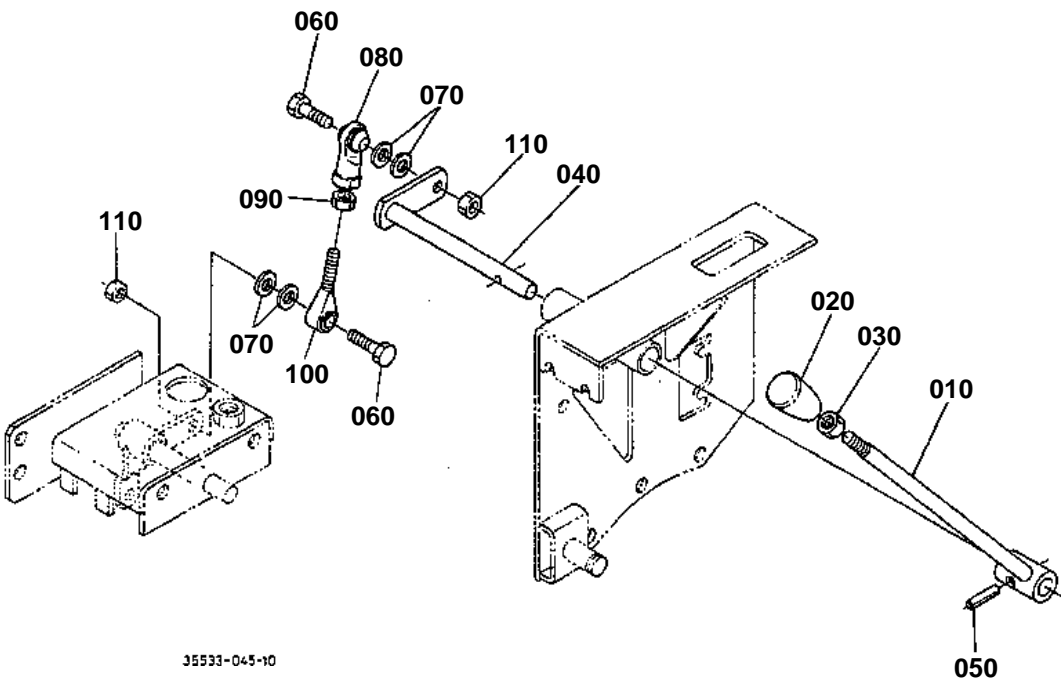


# CREEP GEAR SHIFT LEVER

↔ Interchangeable; ≠ not interchangeable; ← new for old; → old for new

REF.No	Part No.	Description	Q'ty	S.No.	I/C	REMARKS	Weight (kgf)	Weight (lb)
010	35533-29780	ASSY LEVER S-CHANGE	1				0.3	0.66
020	54841-51320	BUSH	2	<=10058			0	0
020	08511-01510	BUSH	2	>=10059	↔		0.005	0.011
030	06914-00120	GRIP LEVER	1				0.018	0.0396
040	36330-31450	ROD CREEP	1				0.18	0.396
050	05122-51022	PIN JOINT	1				0.014	0.0308
060	04011-50100	WASHER PLAIN	1				0.002	0.0044
070	05511-50318	PIN SPLIT	1				0.001	0.0022
080	38240-24360	U-JOINT	1				0.08	0.176
090	02116-50100	NUT	1				0.004	0.0088
100	05122-51025	PIN JOINT	1				0.017	0.0374
110	04011-50100	WASHER PLAIN	1				0.002	0.0044
120	05511-50318	PIN SPLIT	1				0.001	0.0022
130	35533-31320	BAR CREEP SHIFT	1				0.2	0.44
140	35533-31340	COLLAR	1				0.03	0.066
150	36200-31333	PIN SHIFT BAR	1				0.015	0.033
160	04717-00800	WASHER WITH RUBBER	1				0.001	0.0022
170	35533-31310	FORK CREEP SHIFT	1				0.35	0.77
180	07715-03211	BALL	1				0.003	0.0066
190	62231-18530	SPRING	1				0.01	0.022
200	35533-31430	SHAFT SHIFT LEVER	1				0.25	0.55
210	04811-00150	O RING	1				0.001	0.0022
220	34150-24350	STOPPER LEVER	1				0.015	0.033
230	01123-60816	BOLT	1				0.01	0.022
240	35533-31440	LEVER CREEP SHIFT	1				0.11	0.242
250	05411-00636	PIN SPRING	1				0.005	0.011

MANUAL SHUTTLE SHIFT LEVER [MANUAL SHUTTLE]



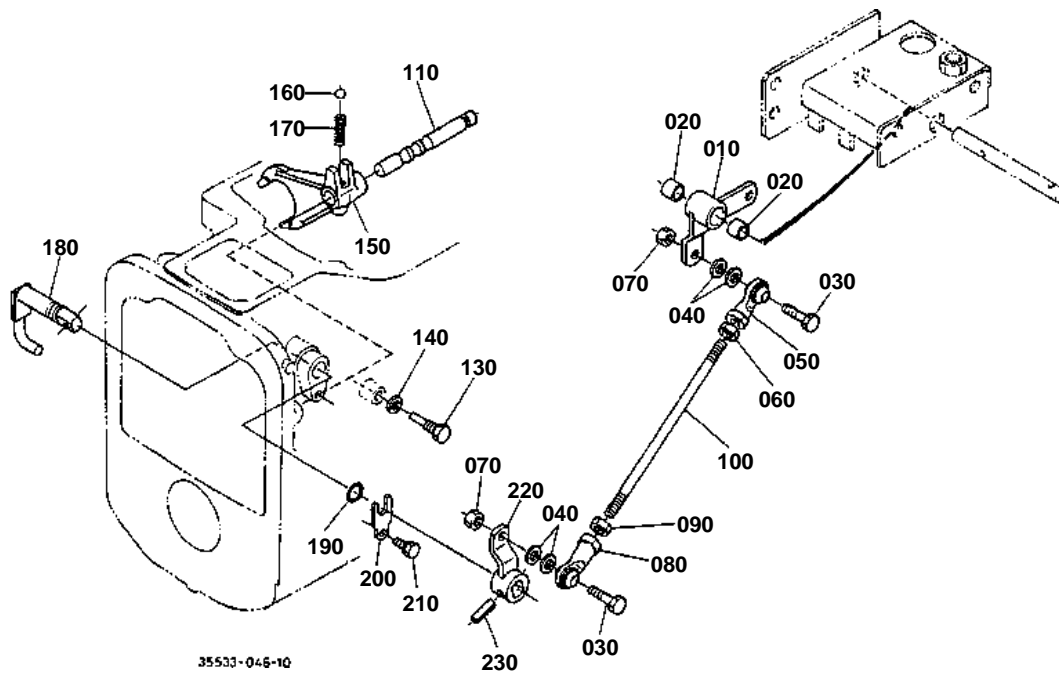
**MANUAL SHUTTLE SHIFT LEVER [MANUAL SHUTTLE]**

↔ Interchangeable; ≠ not interchangeable; ← new for old; → old for new

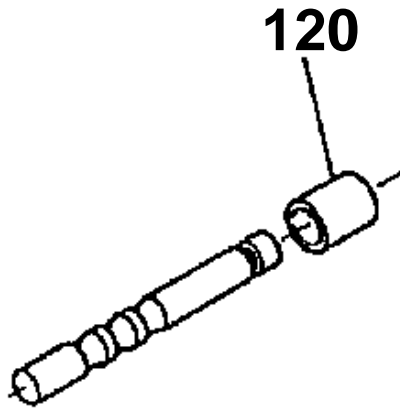
REF.No	Part No.	Description	Q'ty	S.No.	I/C	REMARKS	Weight (kgf)	Weight (lb)
010	35533-34520	LEVER SHUTTLE	1				0.62	1.364
020	35828-29620	GRIP LEVER	1				0.055	0.121
030	02116-50100	NUT	1				0.004	0.0088
040	35533-34550	SHAFT SHUTTLE LEVER	1				0.6	1.32
050	05411-00836	PIN SPRING	1				0.008	0.0176
060	35533-34540	BOLT FULCRUM	2				0.03	0.066
070	04013-50100	WASHER PLAIN	4				0	0
080	68551-33250	JOINT	1	<=10193			0.067	0.1474
080	33740-29480	END ROD RH	1	>=10194	↔		0.07	0.154
090	02112-50100	NUT	1				0.004	0.0088
100	68111-65260	END ROD	1				0.055	0.121
110	02116-50100	NUT	2				0.004	0.0088



MANUAL SHUTTLE SHIFT FORK [MANUAL SHUTTLE]



120 35533-3134-0



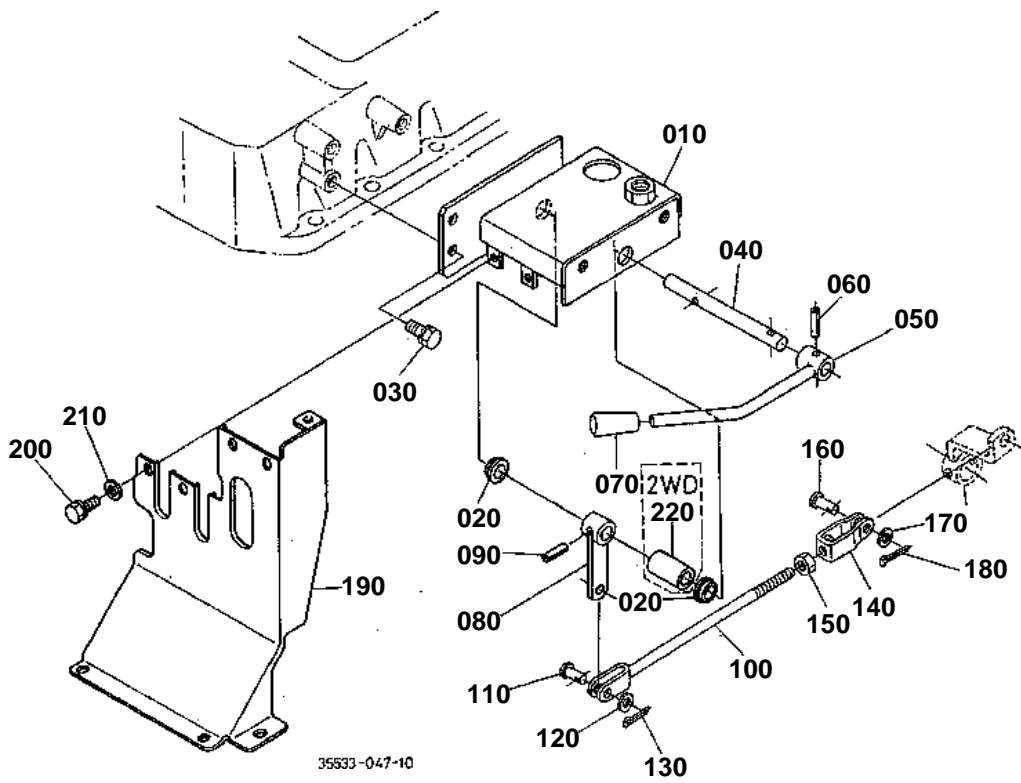
35533-851-10

**MANUAL SHUTTLE SHIFT FORK [MANUAL SHUTTLE]**

↔ Interchangeable; ≠ not interchangeable; ← new for old; → old for new

REF.No	Part No.	Description	Q'ty	S.No.	I/C	REMARKS	Weight (kgf)	Weight (lb)
010	35533-34560	LEVER SHUTTLE SHIFT	1				0.185	0.407
020	08511-01510	BUSH	2				0.005	0.011
030	35533-34540	BOLT FULCRUM	2				0.03	0.066
040	04013-50100	WASHER PLAIN	4				0	0
050	68551-33250	JOINT	1	<=10197			0.067	0.1474
050	33740-29480	END ROD RH	1	>=10198	↔		0.07	0.154
060	02112-50100	NUT	1				0.004	0.0088
070	02116-50100	NUT	2				0.004	0.0088
080	68731-65250	JOINT	1	<=10197			0.067	0.1474
080	33740-29500	END ROD LH	1	>=10198	↔		0.07	0.154
090	68731-65240	NUT	1				0.01	0.022
100	35533-34570	ROD SHUTTLE	1				0.13	0.286
110	35533-34470	BAR SHUTTLE SHIFT	1				0.2	0.44
120	35533-31340	COLLAR	1	<=10193			0.03	0.066
130	36200-31333	PIN SHIFT BAR	1				0.015	0.033
140	04717-00800	WASHER WITH RUBBER	1				0.001	0.0022
150	35533-34460	FORK SHUTTLE SHIFT	1				0.62	1.364
160	07715-03211	BALL	1				0.003	0.0066
170	62231-18530	SPRING	1				0.01	0.022
180	35533-34480	SHAFT SHIFT LEVER	1				0.29	0.638
190	04811-00150	O RING	1				0.001	0.0022
200	34150-24350	STOPPER LEVER	1				0.015	0.033
210	01123-60816	BOLT	1				0.01	0.022
220	35533-34490	LEVER SHUTTLE SHIFT	1				0.13	0.286
230	05411-00636	PIN SPRING	1				0.005	0.011

PTO GEAR SHIFT LEVER



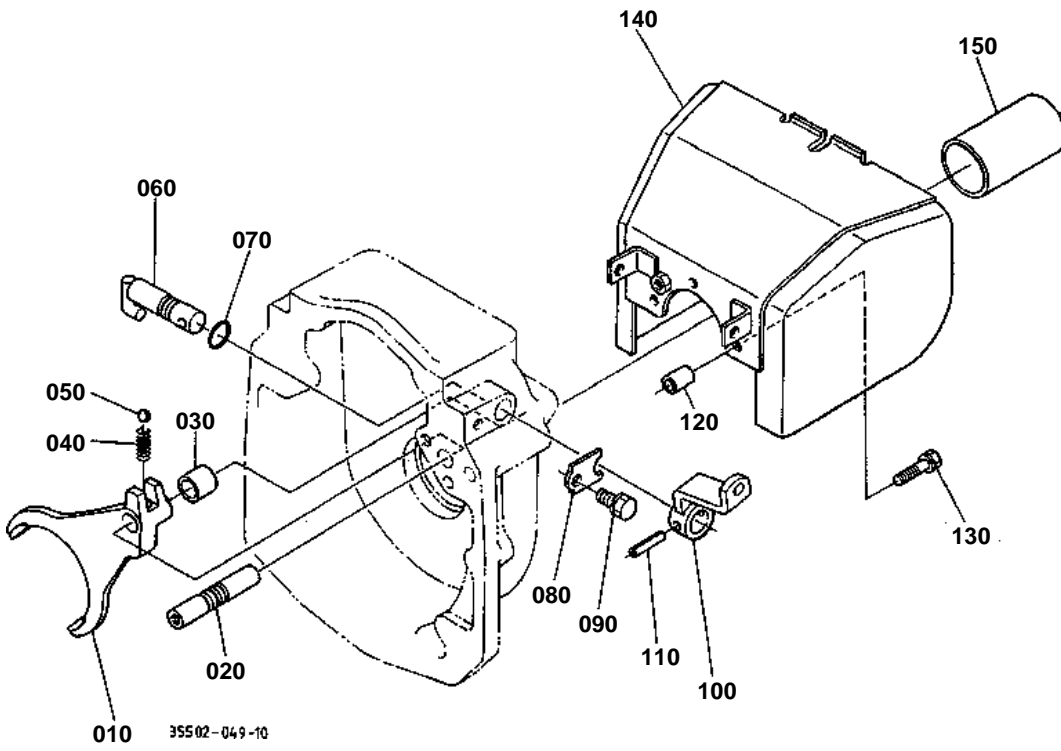


PTO GEAR SHIFT LEVER

↔ Interchangeable; ≠ not interchangeable; ← new for old; → old for new

REF.No	Part No.	Description	Q'ty	S.No.	I/C	REMARKS	Weight (kgf)	Weight (lb)
010	35533-29590	SUPPORT CHANGE LEVER	1				2.15	4.73
020	36330-29722	BUSH	2				0.005	0.011
030	01133-51022	BOLT	2				0.025	0.055
040	35533-29750	SHAFT S-C LEVER	1				0.23	0.506
050	35533-29760	LEVER PTO SHIFT	1				0.25	0.55
060	05411-00628	PIN SPRING	1				0.004	0.0088
070	06914-00120	GRIP LEVER	1				0.018	0.0396
080	35533-29770	LEVER PTO SHIFT	1				0.1	0.22
090	05411-00628	PIN SPRING	1				0.004	0.0088
100	36330-31450	ROD CREEP	1				0.18	0.396
110	05122-51022	PIN JOINT	1				0.014	0.0308
120	04011-50100	WASHER PLAIN	1				0.002	0.0044
130	05511-50318	PIN SPLIT	1				0.001	0.0022
140	38240-24360	U-JOINT	1				0.08	0.176
150	02116-50100	NUT	1				0.004	0.0088
160	05122-51025	PIN JOINT	1				0.017	0.0374
170	04011-50100	WASHER PLAIN	1				0.002	0.0044
180	05511-50318	PIN SPLIT	1				0.001	0.0022
190	35533-29904	COVER SHIFT	1	<=10054			0.75	1.65
190	35533-29904	COVER SHIFT	1	>=10055	←		0.75	1.65
200	01123-60816	BOLT	8				0.01	0.022
210	04013-50080	WASHER PLAIN	8				0	0
220	35523-29820	COLLAR 4WD LEVER	1				0.18	0.396

PTO GEAR SHIFT FORK AND PTO COVER

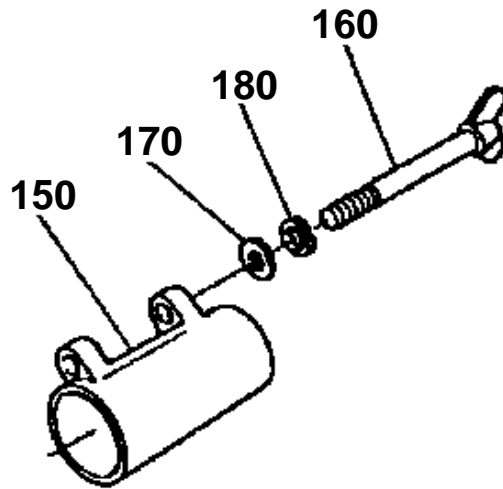


150 34350-2544-0

160 36330-9063-0

170 04013-50080

180 04512-50080



35502-813-10



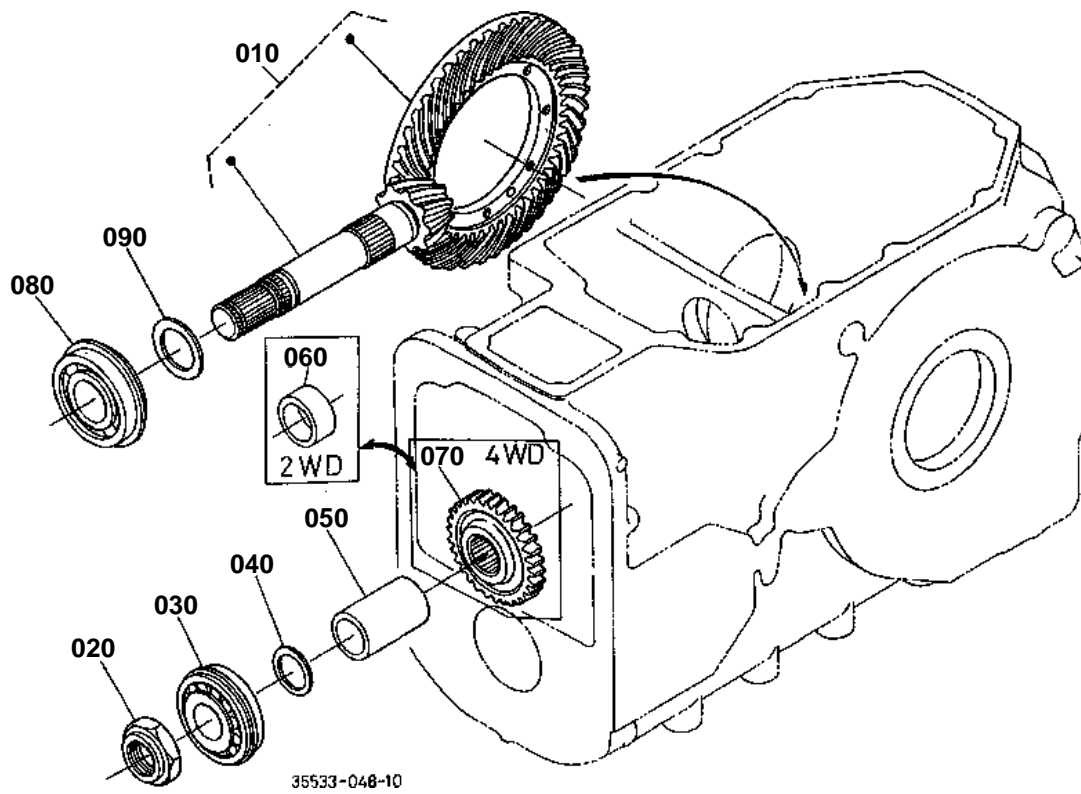
PTO GEAR SHIFT FORK AND PTO COVER

↔ Interchangeable; ≠ not interchangeable; ← new for old; → old for new

REF.No	Part No.	Description	Q'ty	S.No.	I/C	REMARKS	Weight (kgf)	Weight (lb)
010	35533-80240	FORK PTO SHIFT	1				0.4	0.88
020	36330-80250	SHAFT PTO FORK	1				0.123	0.2706
030	35533-80230	COLLAR	1				0.02	0.044
040	62231-18530	SPRING	1				0.01	0.022
050	07715-03211	BALL	1				0.003	0.0066
060	36200-80260	LEVER SHIFT	1				0.17	0.374
070	04811-00150	O RING	1				0.001	0.0022
080	34150-24350	STOPPER LEVER	1				0.015	0.033
090	01123-60816	BOLT	1				0.01	0.022
100	35533-80270	LEVER PTO SHIFT	1				0.1	0.22
110	05411-00630	PIN SPRING	1				0.004	0.0088
120	35999-02550	COLLAR	3				0.01	0.022
130	01123-50830	BOLT	3				0.015	0.033
140	35861-80343	COVER PTO	1				2.11	4.642
150	34350-25440	COVER PTO SHAFT	1	<=20141			0.065	0.143
150	31220-25820	CAP	1	>=20142	≠		0.055	0.121
160	36330-90630	BOLT WING	1	<=20141			0.055	0.121
170	04013-50080	WASHER PLAIN	1	<=20141			0	0
180	04512-60080	WASHER SPRING	1	<=20141			0.002	0.0044



BEVEL GEAR (REAR)



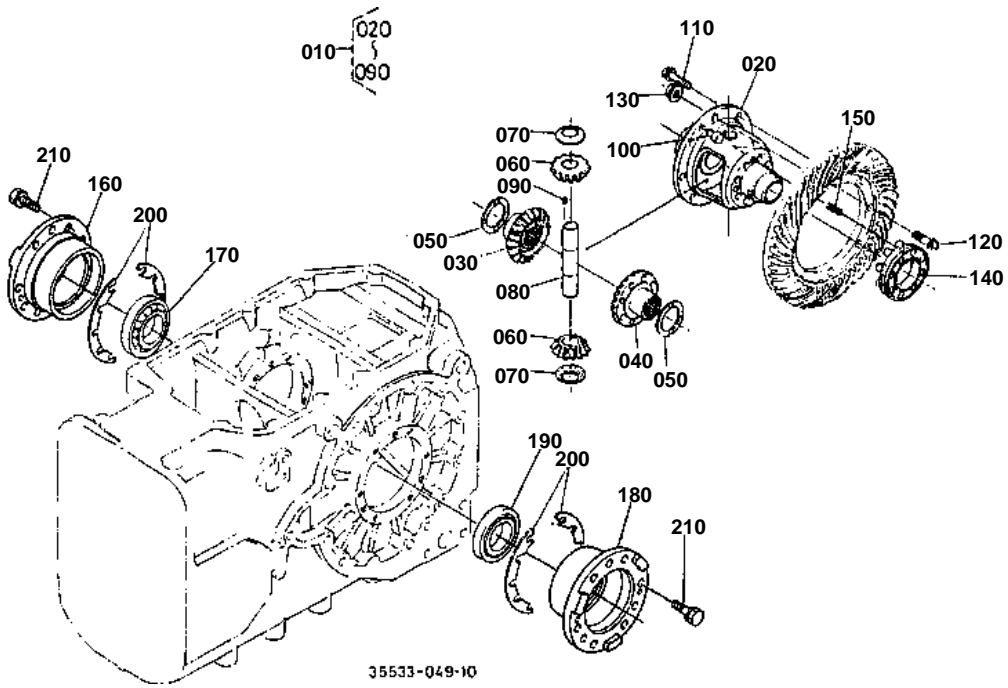


## BEVEL GEAR (REAR)

↔ Interchangeable; ≠ not interchangeable; ← new for old; → old for new

REF.No	Part No.	Description	Q'ty	S.No.	I/C	REMARKS	Weight (kgf)	Weight (lb)
010	35533-32400	ASSY GEAR BEVEL	1			8-35T	10.2	22.44
020	36330-32580	NUT PINION SHAFT	1				0.08	0.176
030	33400-32260	BEARING TAPER-ROLLER	1				1.13	2.486
040	33251-32450	COLLAR PINION ADJUST	1			1.0MM	0.005	0.011
040	33251-32460	COLLAR PINION ADJUST	1			1.5MM	0.008	0.0176
040	33251-32470	COLLAR PINION ADJUST	1			1.7MM	0.009	0.0198
040	33251-32480	COLLAR PINION ADJUST	1			1.75MM	0.01	0.022
040	33251-32490	COLLAR PINION ADJUST	1			1.8MM	0.01	0.022
040	33251-32510	COLLAR PINION ADJUST	1			1.9MM	0.011	0.0242
040	33251-32520	COLLAR PINION ADJUST	1			2.0MM	0.011	0.0242
040	33251-32530	COLLAR PINION ADJUST	1			2.1MM	0.011	0.0242
040	33251-32540	COLLAR PINION ADJUST	1			2.2MM	0.011	0.0242
040	33251-32550	COLLAR PINION ADJUST	1			2.25MM	0.012	0.0264
040	33251-32560	COLLAR PINION ADJUST	1			2.3MM	0.012	0.0264
050	36330-32440	COLLAR PINION SHAFT	1			84.5MM	0.5	1.1
060	35523-32430	COLLAR PINION SHAFT	1			22.5MM	0.12	0.264
080	36330-32570	BEARING TAPER-ROLLER	1				0.76	1.672
090	36200-32610	COLLAR PINION ADJUST	1			2.8MM	0.023	0.0506
090	36200-32630	COLLAR PINION ADJUST	1			3.0MM	0.025	0.055
090	36200-32650	COLLAR PINION ADJUST	1			3.2MM	0.027	0.0594
090	36200-32670	COLLAR PINION ADJUST	1			3.4MM	0.029	0.0638
090	36200-32690	COLLAR PINION ADJUST	1			3.6MM	0.031	0.0682

DIFFERENTIAL (REAR) [OLD TYPE]



35533-049-10

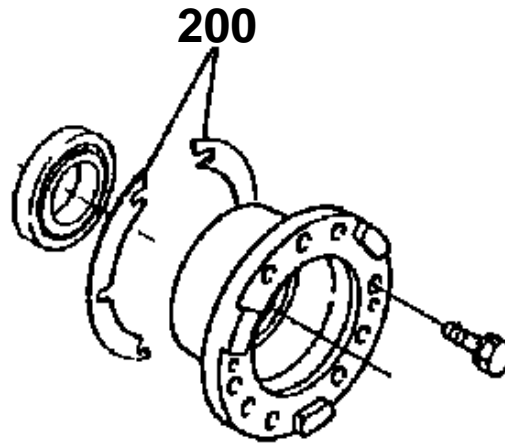
DIFFERENTIAL (REAR) [OLD TYPE]

---

200 36200-3213-0

200 36200-3214-0

200 36200-3215-0



35533-853-10

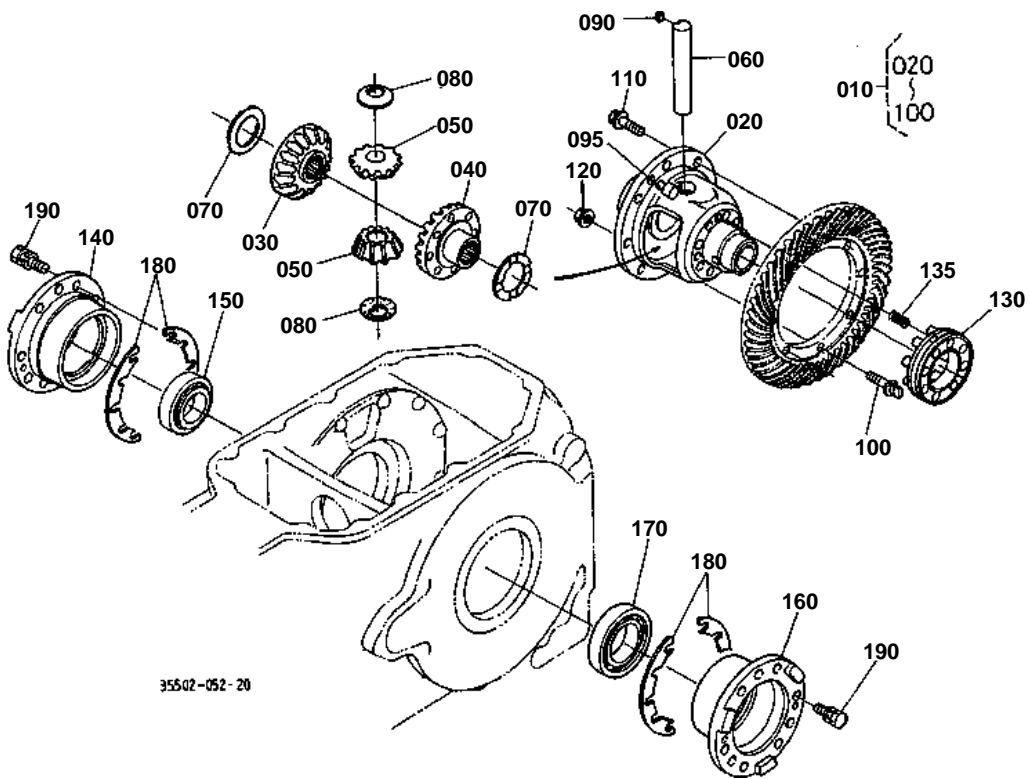
**DIFFERENTIAL (REAR) [OLD TYPE]**

S.No.;&lt;=10193

↔ Interchangeable; ≠ not interchangeable; ← new for old; → old for new

REF.No	Part No.	Description	Q'ty	S.No.	I/C	REMARKS	Weight (kgf)	Weight (lb)
010	35569-32204	ASSY DIFFERENTIAL	1				8.48	18.656
020	36330-32714	CASE DIFFERENTIAL	1				4.6	10.12
030	36330-32723	GEAR DIFF.SIDE	1				0.765	1.683
040	36330-32732	GEAR DIFF.SIDE	1				1.05	2.31
050	36330-32782	WASHER SIDE GEAR	2			1.6MM	0.018	0.0396
050	36330-32790	WASHER SIDE GEAR	2			1.7MM	0.02	0.044
050	36330-32760	WASHER SIDE GEAR	2			1.5MM	0.02	0.044
060	36330-32753	PINION DIFF.	2				0.3	0.66
070	36330-32810	WASHER DIFF.PINION	2			1.5MM	0.018	0.0396
080	36330-32773	SHAFT DIFF.PINION	1				0.62	1.364
090	33251-32820	KEY	1				0.002	0.0044
100	36340-42330	PIN KNOCK	2				0.03	0.066
110	36280-42320	BOLT	6				0.042	0.0924
120	33251-32224	BOLT	2				0.055	0.121
130	36330-32030	NUT UBS	2				0.02	0.044
140	36330-32852	COMP SHIFTER	1				1	2.2
150	36330-32922	SPRING	4				0.01	0.022
160	36500-32113	SUPPORT DIFF.BEARING	1				2.95	6.49
170	08711-30210	BEARING TAPER-ROLLER	1				0.528	1.1616
180	36500-32123	SUPPORT DIFF.BEARING	1				2.6	5.72
190	08711-30210	BEARING TAPER-ROLLER	1				0.528	1.1616
200	36530-32132	SHIM	4			0.1MM	0.002	0.0044
200	36530-32142	SHIM	10			0.3MM	0.012	0.0264
200	36530-32152	SHIM	4			0.5MM	0.012	0.0264
210	01133-51035	BOLT	12				0.03	0.066

DIFFERENTIAL (REAR) [NEW TYPE]



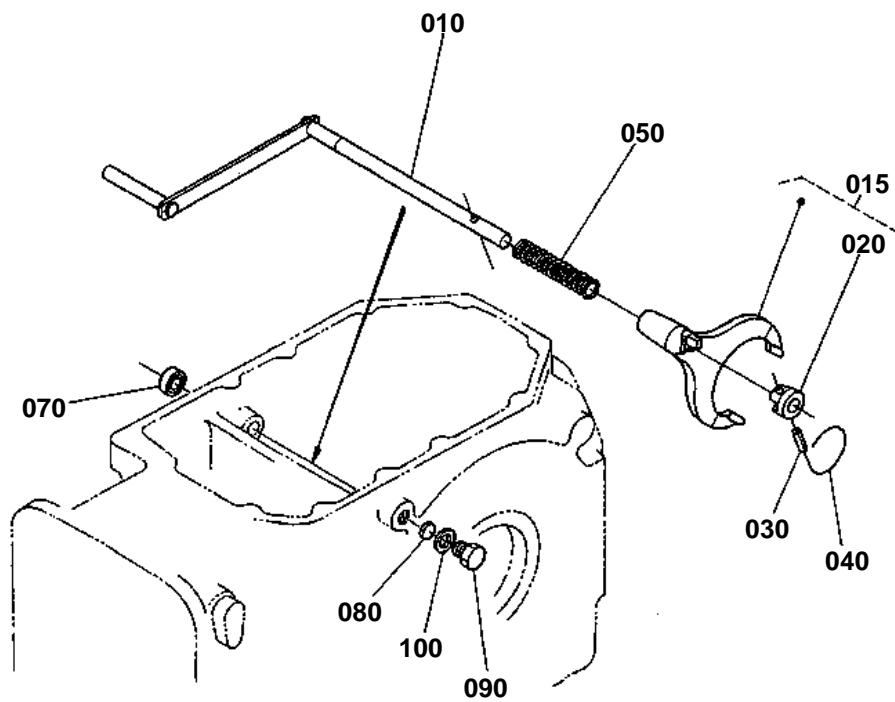
**DIFFERENTIAL (REAR) [NEW TYPE]**

S.No.;&gt;=10194

↔ Interchangeable; ≠ not interchangeable; ← new for old; → old for new

REF.No	Part No.	Description	Q'ty	S.No.	I/C	REMARKS	Weight (kgf)	Weight (lb)
010	35569-32200	ASSY DIFFERENTIAL	1	<=20473			0	0
010	35569-32204	ASSY DIFFERENTIAL	1	>=20474	←		8.48	18.656
020	35633-32712	CASE DIFFERENTIAL	1				5.3	11.66
030	35569-32722	GEAR DIFF.SIDE	1	<=20419			0.8	1.76
030	35533-32720	GEAR BEVEL	1	>=20420	≠		0.9	1.98
040	36330-32732	GEAR BEVEL	1	<=20419			1.05	2.31
040	36330-32734	GEAR BEVEL	1	>=20420	≠		1.1	2.42
050	36330-32753	PINION DIFF.	2	<=20419			0.3	0.66
050	36330-32753	PINION DIFF.	2	>=20420	≠		0.3	0.66
060	36330-32773	SHAFT DIFF.PINION	1				0.62	1.364
070	36330-32760	WASHER SIDE GEAR	2			1.6MM	0.02	0.044
070	36330-32782	WASHER SIDE GEAR	2			1.6MM	0.018	0.0396
070	36330-32790	WASHER SIDE GEAR	2			1.7MM	0.02	0.044
080	36330-32810	WASHER DIFF.PINION	2	<=20783			0.018	0.0396
080	33980-32810	COLLAR THRUST	2	>=20784	←		0.02	0.044
090	33251-32820	KEY	1				0.002	0.0044
095	36340-42330	PIN KNOCK	2	>=20203			0.03	0.066
100	33251-32224	BOLT	2				0.055	0.121
110	36280-42320	BOLT	6				0.042	0.0924
120	36330-32030	NUT UBS	2				0.02	0.044
130	36330-32852	COMP SHIFTER	1				1	2.2
135	36330-32922	SPRING	4				0.01	0.022
140	36500-32113	SUPPORT DIFF.BEARING	1				2.95	6.49
150	08711-30212	BEARING TAPER-ROLLER	1				0.868	1.9096
160	36500-32123	SUPPORT DIFF.BEARING	1				2.6	5.72
170	08711-30210	BEARING TAPER-ROLLER	1				0.528	1.1616
180	36530-32132	SHIM	4			0.1MM	0.002	0.0044
180	36530-32142	SHIM	10			0.3MM	0.012	0.0264
180	36200-32152	SHIM	4			0.5MM	0	0
190	01133-51035	BOLT	18				0.03	0.066

DIFFERENTIAL LOCK PEDAL

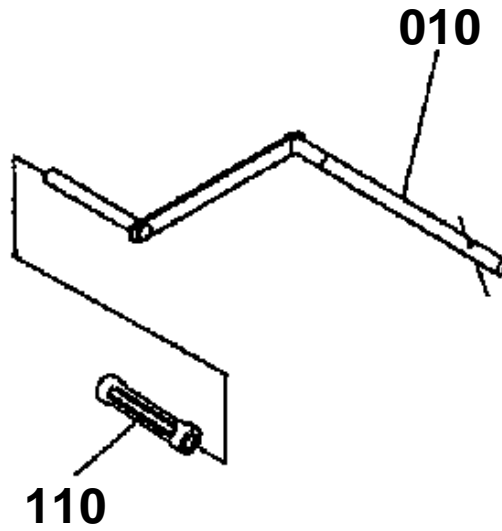


35502-053-10



DIFFERENTIAL LOCK PEDAL

010 35533-3294-0  
110 35533-3312-0



35533-819-10

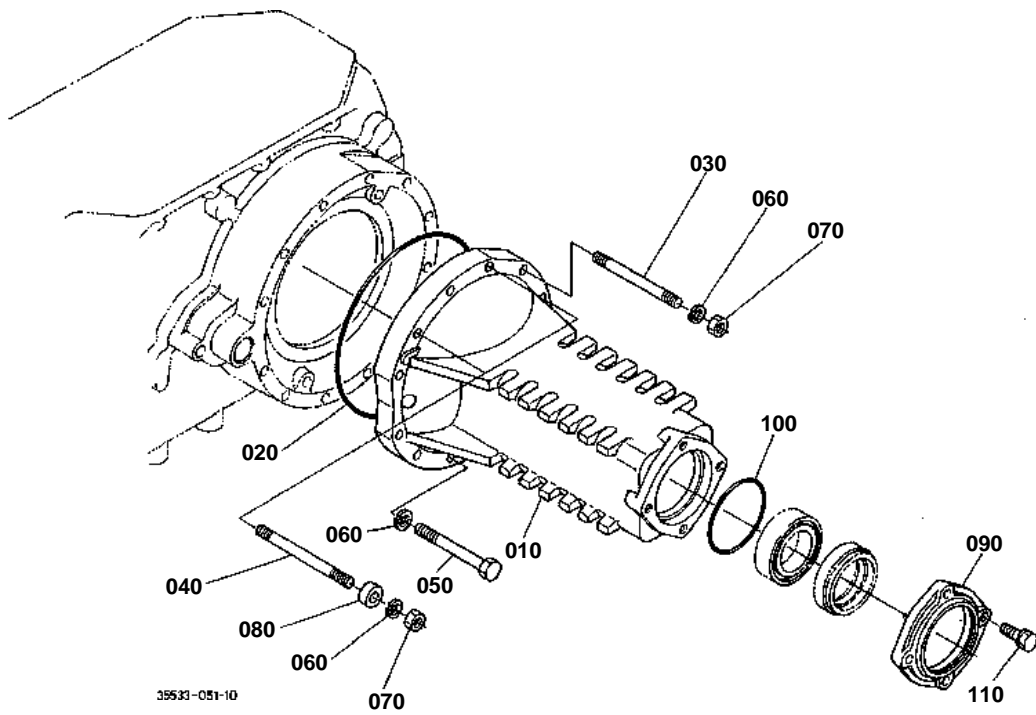


## DIFFERENTIAL LOCK PEDAL

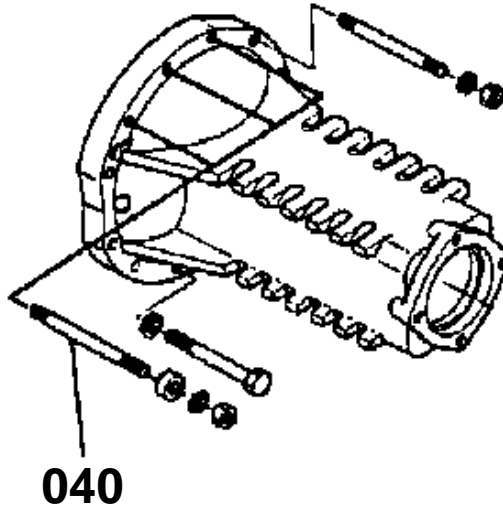
↔ Interchangeable; ≠ not interchangeable; ← new for old; → old for new

REF.No	Part No.	Description	Q'ty	S.No.	I/C	REMARKS	Weight (kgf)	Weight (lb)
010	35533-32940	SHAFT DIFF LOCK LEVE	1	<=20186			1.35	2.97
010	36760-32940	SHAFT DIFF LOCK LEVE	1	>=20187	↔		1.28	2.816
015	36530-32900	ASSY FORK DIFF.LOCK	1				1.68	3.696
020	36330-32890	CAM DIFF.LOCK	1				0.095	0.209
030	05411-00640	PIN SPRING	1				0.006	0.0132
050	36730-32930	SPRING SHIFT FORK	1	<=10054			0	0
050	36730-32932	SPRING SHIFT FORK	1	>=10055	←		0.1	0.22
070	09500-18308	SEAL OIL	1				0.006	0.0132
080	36200-32950	SHIM ADJUSTING	1			1.0MM	0.002	0.0044
080	36330-32970	SHIM ADJUSTING	1			0.5MM	0.001	0.0022
090	06331-35020	PLUG	1				0.068	0.1496
100	04717-02000	WASHER WITH RUBBER	1				0.004	0.0088
110	35533-33120	COVER RUBBER	1	<=10058			0.08	0.176

REAR AXLE CASE

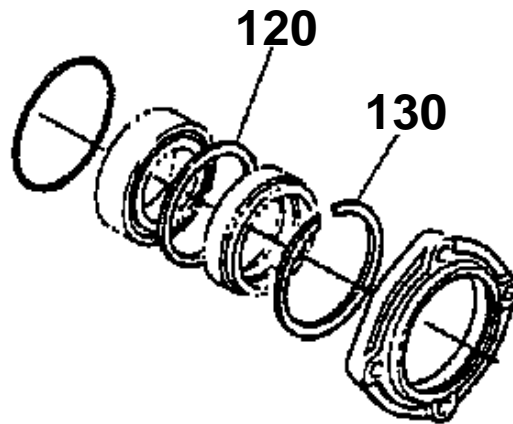


040 35533-4817-0



120 36830-4828-0

130 36830-4829-0



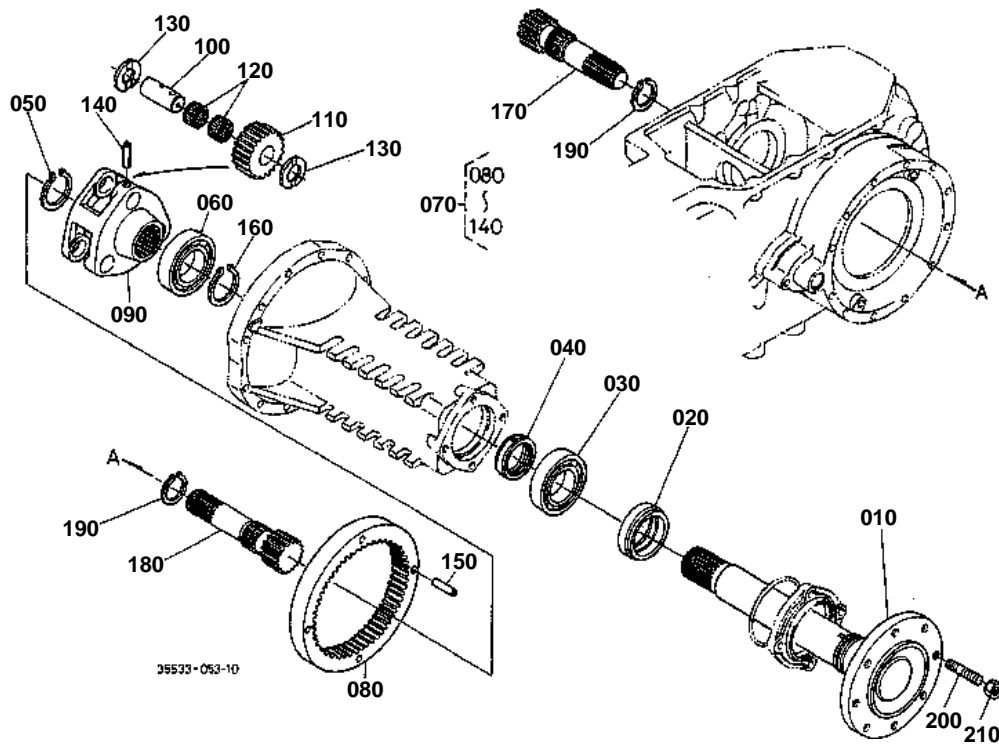
35533-821-10

**REAR AXLE CASE**

↔ Interchangeable; ≠ not interchangeable; ← new for old; → old for new

REF.No	Part No.	Description	Q'ty	S.No.	I/C	REMARKS	Weight (kgf)	Weight (lb)
010	35533-48110	CASE REAR AXLE	2				44	96.8
020	36200-48160	O RING	2				0.006	0.0132
030	36500-48170	STUD	5				0.178	0.3916
040	35533-48170	STUD	3	<=10058			0	0
040	35533-48170	STUD	2	>=10059			0	0
040	33740-48170	STUD	2	>=20209	←		0.2	0.44
050	36330-48190	BOLT	16	<=10058			0.18	0.396
050	36330-48190	BOLT	17	>=10059			0.18	0.396
060	04512-60140	WASHER SPRING	24				0.006	0.0132
070	02176-50140	NUT	8	<=10058			0.014	0.0308
070	02176-50140	NUT	7	>=10059			0.014	0.0308
080	35533-48160	COLLAR REAR AXLE	3	<=10058			0.05	0.11
080	35533-48160	COLLAR REAR AXLE	2	>=10059			0.05	0.11
090	36330-48123	COVER REAR AXLE	2	<=10058			0	0
090	36330-48124	COVER REAR AXLE	2	>=10059	←		0	0
090	36330-48125	COVER REAR AXLE	2	>=10160	↔		1.4	3.08
100	04811-51200	O RING	2				0.004	0.0088
110	01133-51245	BOLT	8	<=10159			0.055	0.121
110	01133-51240	BOLT	8	>=10160	↔		0.05	0.11
120	36830-48280	SPACER	2	<=10058			0.1	0.22
130	36830-48290	CIRCLIP EXTERNAL	2	<=10058			0.02	0.044

REAR AXLE



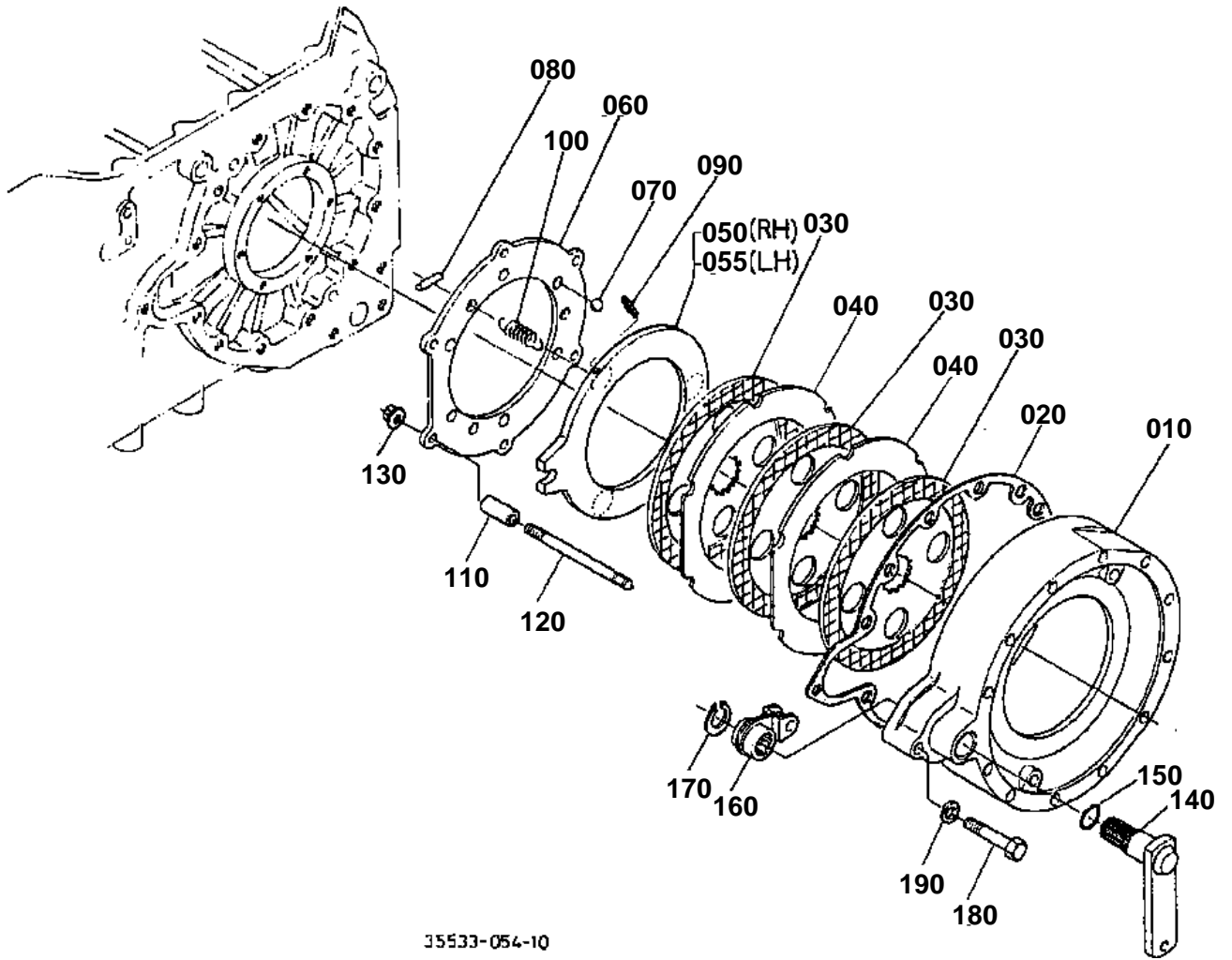


REAR AXLE

↔ Interchangeable; ≠ not interchangeable; ← new for old; → old for new

REF.No	Part No.	Description	Q'ty	S.No.	I/C	REMARKS	Weight (kgf)	Weight (lb)
010	35533-48210	AXLE REAR	2				20.8	45.76
020	36830-48250	SEAL WITH SHAFT	2				0.14	0.308
030	08101-06213	BEARING BALL	2				0.97	2.134
040	36330-48270	NUT	2				0.26	0.572
050	04612-00600	CIRCLIP EXTERNAL	2				0.012	0.0264
060	08101-06212	BEARING BALL	2				0.78	1.716
070	35822-48300	ASSY GEAR PLANETARY	2	≤20050			0	0
070	33660-48300	ASSY GEAR PLANETARY	2	≥20051	↔		16	35.2
080	35822-48310	GEAR INTERNAL	2			56T	4.3	9.46
090	36330-48340	SUPPORT PLANE.GEAR	2	≤20050			6.1	13.42
090	33660-48340	SUPPORT PLANE.GEAR	2	≥20051	≠		5.84	12.848
100	36500-48363	PIN PLANETARY GEAR	6				0.4	0.88
110	36500-48320	GEAR PLANETARY	6	≤20050			1.3	2.86
110	35788-48320	GEAR PLANETARY	6	≥20051	≠		1.3	2.86
120	36200-28360	BEARING NEEDLE	12	≤20050			0.053	0.1166
120	35788-28360	BEARING NEEDLE	12	≥20051	≠		0.07	0.154
130	36330-48370	COLLAR THRUST	12			1.6MM	0.02	0.044
140	05411-00825	PIN SPRING	6				0.006	0.0132
150	36200-48410	PIN STRAIGHT	4				0.005	0.011
160	04612-00600	CIRCLIP EXTERNAL	2				0.012	0.0264
170	36330-48464	SHAFT BRAKE RH	1				2.85	6.27
180	36330-48474	SHAFT BRAKE LH	1				3.05	6.71
190	04612-00550	CIRCLIP EXTERNAL	2				0.01	0.022
200	35707-49150	STUD	16				0	0
210	33251-49170	NUT	16				0.045	0.099

BRAKE

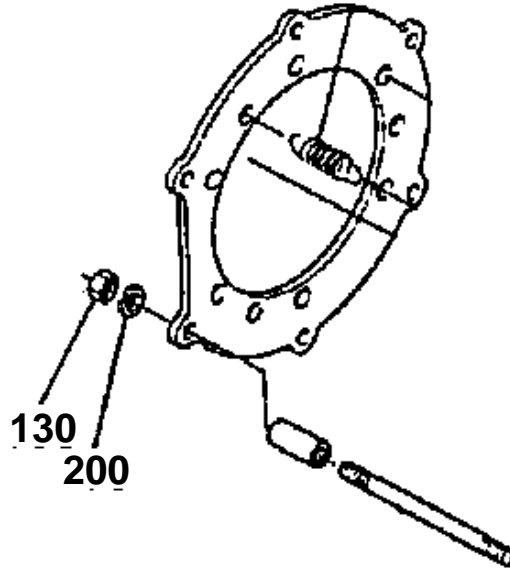


35533-054-10



BRAKE

130 02118-50100  
200 04512-60100



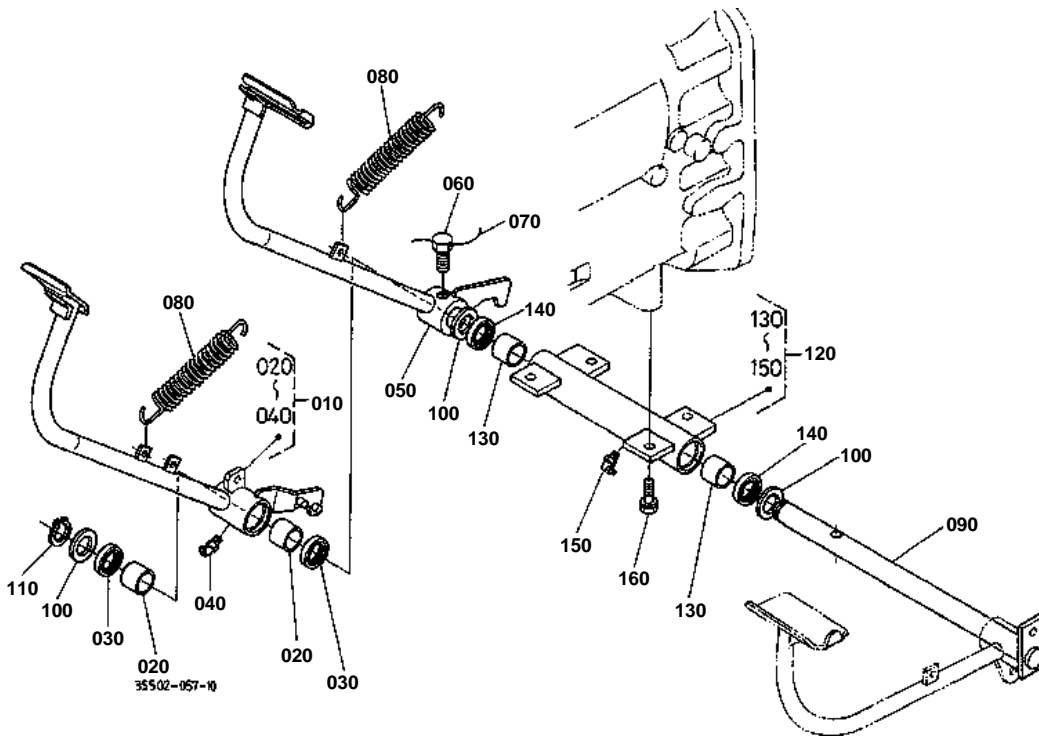
35533-824-10

**BRAKE**

↔ Interchangeable; ≠ not interchangeable; ← new for old; → old for new

REF.No	Part No.	Description	Q'ty	S.No.	I/C	REMARKS	Weight (kgf)	Weight (lb)
010	36330-65110	CASE BRAKE	2				16.4	36.08
020	36330-65210	GASKET	2				0	0
030	36200-65120	PLATE FRICTION	6	<=10180			0	0
030	32530-28280	PLATE FRICTION	6	>=10181	↔		0.92	2.024
040	36330-65130	PLATE	4				0.56	1.232
050	36200-65147	PLATE CAM	2	<=10183			2.5	5.5
050	32530-28310	PLATE CAM RH	1	>=10184	←		2.56	5.632
055	32530-28320	PLATE CAM LH	1	>=10184			2.58	5.676
060	36200-65150	PLATE CAM	2	<=10054			2.42	5.324
060	36200-65153	PLATE CAM	2	>=10055	≠		3.5	7.7
070	07715-00805	BALL	12				0.016	0.0352
080	36200-65180	RETAINER SPRING	6				0.025	0.055
090	05411-00435	PIN SPRING	6				0.002	0.0044
100	36200-65810	SPRING	6				0.003	0.0066
110	36500-65160	SPACER	12				0.02	0.044
120	36500-65170	STUD	12	<=10054			0.042	0.0924
120	36830-65170	STUD	12	>=10055	≠		0.045	0.099
130	02118-50100	NUT	12	<=10054			0.005	0.011
130	36830-65180	NUT UBS	12	>=10055	≠		0.01	0.022
140	36330-65330	SHAFT BRAKE CAM	2				0.93	2.046
150	04811-05260	O RING	2				0.001	0.0022
160	36200-65310	LEVER BRAKE CAM	2				0.35	0.77
170	04612-00280	CIRCLIP EXTERNAL	2				0.003	0.0066
180	01173-51270	BOLT	2				0.067	0.1474
190	04512-60120	WASHER SPRING	2				0.005	0.011
200	04512-60100	WASHER SPRING	12	<=10054			0.002	0.0044

# BRAKE PEDAL

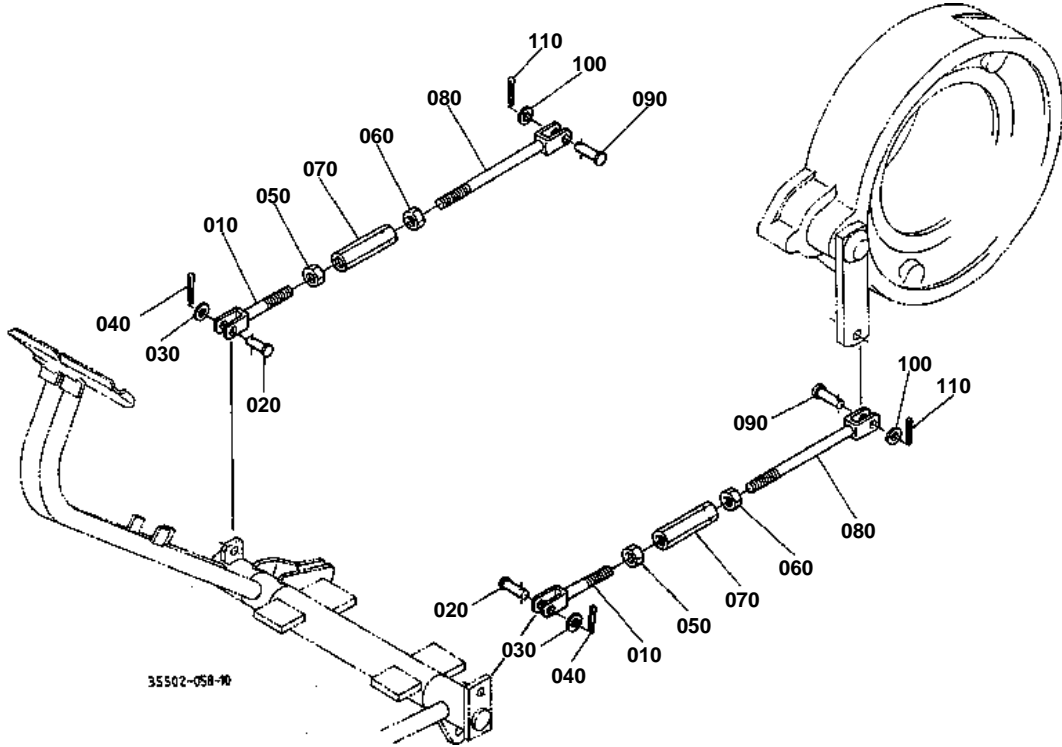


**BRAKE PEDAL**

↔ Interchangeable; ≠ not interchangeable; ← new for old; → old for new

REF.No	Part No.	Description	Q'ty	S.No.	I/C	REMARKS	Weight (kgf)	Weight (lb)
010	35533-67102	ASSY PEDAL BRAKE RH	1				3.44	7.568
020	32150-28440	BUSH	2				0.043	0.0946
030	35533-26270	SEAL DUST	2				0.005	0.011
040	06613-30010	NIPPLE GREASE	1				0.01	0.022
050	35533-67210	PEDAL BRAKE LH	1				2.6	5.72
060	33251-26350	BOLT SET	1				0.045	0.099
080	36330-26160	SPRING PEDAL RETURN	2				0.17	0.374
090	35533-67310	SHAFT BRAKE PEDAL	1	<=10054			0	0
090	35533-67313	SHAFT BRAKE PEDAL	1	>=10055	←		2.52	5.544
100	33251-67340	COLLAR PEDAL SHAFT	3				0.029	0.0638
110	04612-00280	CIRCLIP EXTERNAL	1				0.003	0.0066
120	35533-67320	ASSY SUPPORT PEDAL	1				2.45	5.39
130	32150-28440	BUSH	2				0.043	0.0946
140	35533-26270	SEAL DUST	2				0.005	0.011
150	06613-30010	NIPPLE GREASE	1				0.01	0.022
160	01133-51230	BOLT	4				0.04	0.088

BRAKE ROD

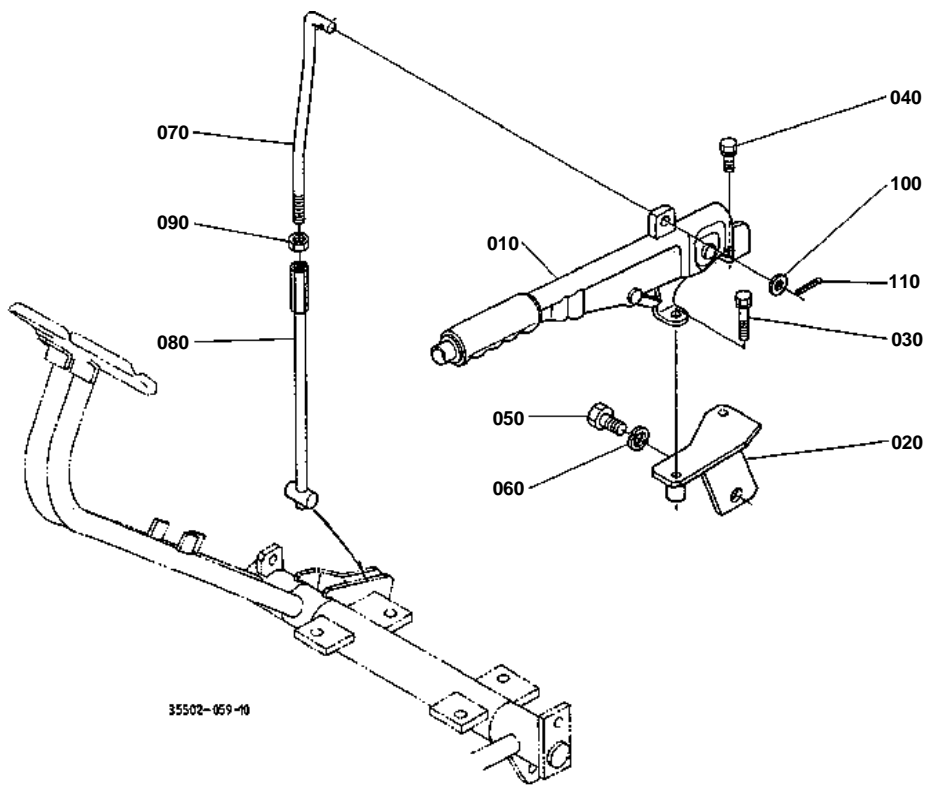


**BRAKE ROD**

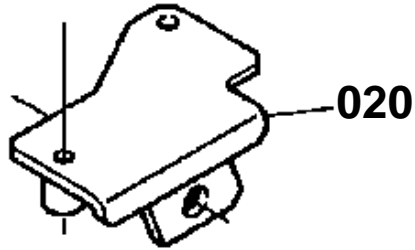
↔ Interchangeable; ≠ not interchangeable; ← new for old; → old for new

REF.No	Part No.	Description	Q'ty	S.No.	I/C	REMARKS	Weight (kgf)	Weight (lb)
010	36200-67415	ROD BRAKE	2				0.12	0.264
020	36330-26132	PIN CLUTCH LINK	2				0.02	0.044
030	04011-50100	WASHER PLAIN	2				0.002	0.0044
040	05511-50318	PIN SPLIT	2				0.001	0.0022
050	02172-50120	NUT	2				0.01	0.022
060	36330-67430	NUT LOCK	2	<=20281			0.009	0.0198
060	37720-28990	NUT	2	>=20282	↔		0.008	0.0176
070	37720-28980	TURNBUCKLE	2				0.099	0.2178
080	36330-67420	ROD BRAKE	2				0.22	0.484
090	05122-51035	PIN JOINT	2				0.023	0.0506
100	04011-50100	WASHER PLAIN	2				0.002	0.0044
110	05511-50318	PIN SPLIT	2				0.001	0.0022

PARKING BRAKE LEVER



**020 35533-6774-0**



**35502-815-10**



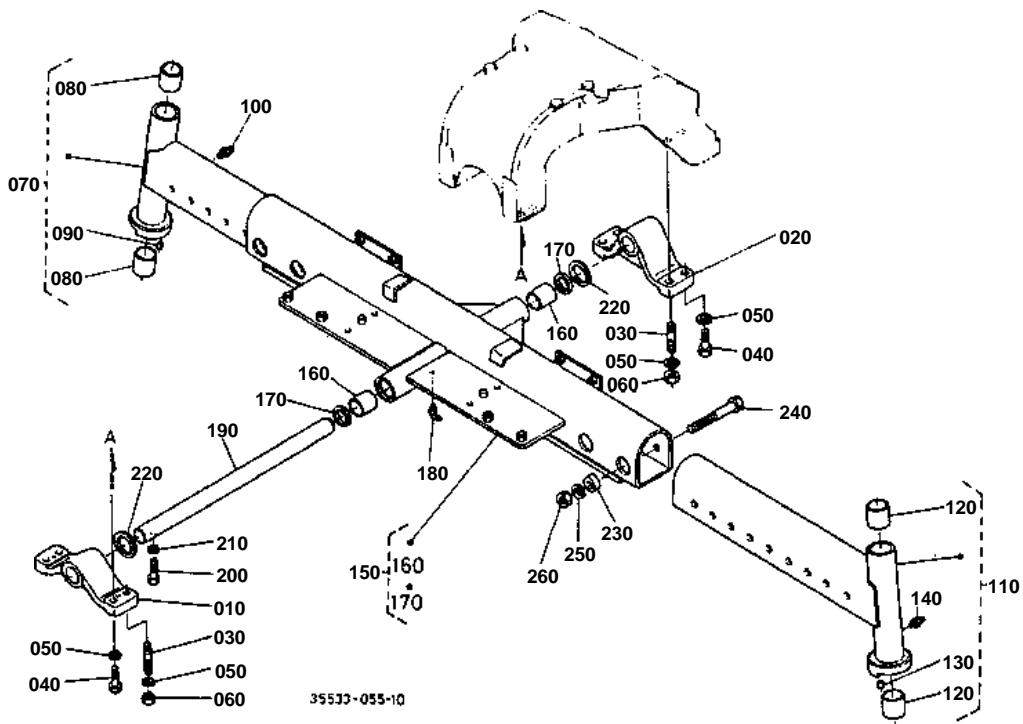


## PARKING BRAKE LEVER

↔ Interchangeable; ≠ not interchangeable; ← new for old; → old for new

REF.No	Part No.	Description	Q'ty	S.No.	I/C	REMARKS	Weight (kgf)	Weight (lb)
010	35533-67600	LEVER HAND BRAKE	1				0.55	1.21
020	35533-67740	SUPPORT HAND BRAKE	1	<=10180			0	0
020	35533-67742	SUPPORT HAND BRAKE	1	>=10181	←		0.45	0.99
030	01123-50845	BOLT	1				0.02	0.044
040	01123-50820	BOLT	1				0.011	0.0242
050	01173-51425	BOLT	1				0.047	0.1034
060	04512-60140	WASHER SPRING	1				0.006	0.0132
070	35533-67780	ROD HAND BRAKE	1				0.15	0.33
080	35533-67820	ROD HAND BRAKE	1				0.24	0.528
090	02116-50100	NUT	1				0.004	0.0088
100	04011-50100	WASHER PLAIN	1				0.002	0.0044
110	05511-50315	PIN SPLIT	1				0.002	0.0044

FRONT AXLE [OLD TYPE]



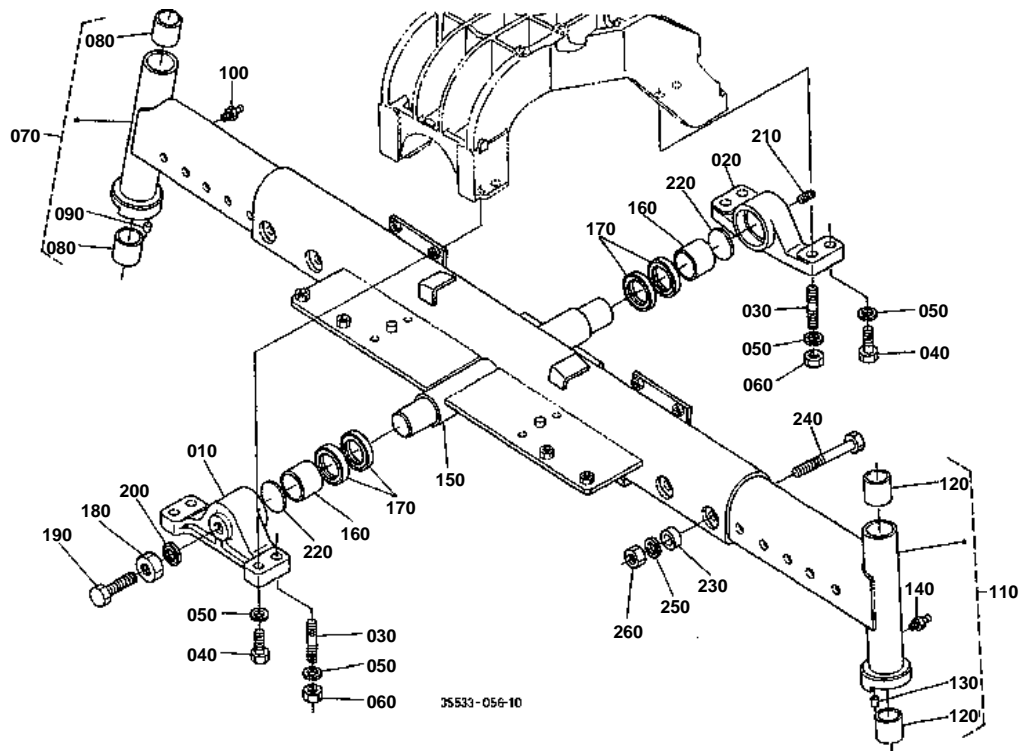
**FRONT AXLE [OLD TYPE]**

S.No.;&lt;=10091

↔ Interchangeable; ≠ not interchangeable; ← new for old; → old for new

REF.No	Part No.	Description	Q'ty	S.No.	I/C	REMARKS	Weight (kgf)	Weight (lb)
010	35523-41610	BRACKET FRONT	1				2.4	5.28
020	35523-41620	BRACKET REAR	1				3	6.6
030	01517-51440	STUD	4				0.064	0.1408
040	01173-51445	BOLT	4				0.067	0.1474
050	04512-60140	WASHER SPRING	8				0.006	0.0132
060	02176-50140	NUT	4				0.014	0.0308
070	35700-58100	ASSY AXLE FRONT RH	1				11.7	25.74
080	33251-58250	BUSH	2				0.08	0.176
090	33251-58260	PIN KNOCK	1				0.001	0.0022
100	06613-10675	NIPPLE GREASE	1				0.003	0.0066
110	35700-58200	ASSY AXLE FRONT LH	1				12	26.4
120	33251-58250	BUSH	2				0.08	0.176
130	33251-58260	PIN KNOCK	1				0.001	0.0022
140	06613-10675	NIPPLE GREASE	1				0.003	0.0066
150	35523-58300	ASSY AXLE FRONT MID.	1				50	110
160	33251-58360	BUSH	2				0.085	0.187
170	36830-58400	SEAL DUST	2				0.004	0.0088
180	06613-30010	NIPPLE GREASE	1				0.01	0.022
190	35523-58410	PIN CENTER	1				3.15	6.93
200	01173-51240	BOLT	1				0.045	0.099
210	04512-60120	WASHER SPRING	1				0.005	0.011
220	36830-58420	WASHER THRUST	2				0.058	0.1276
230	36510-58780	COLLAR	4				0.072	0.1584
240	36830-58530	BOLT	4				0.21	0.462
250	04512-60160	WASHER SPRING	4				0.01	0.022
260	02174-50160	NUT	4				0.022	0.0484

FRONT AXLE [NEW TYPE]



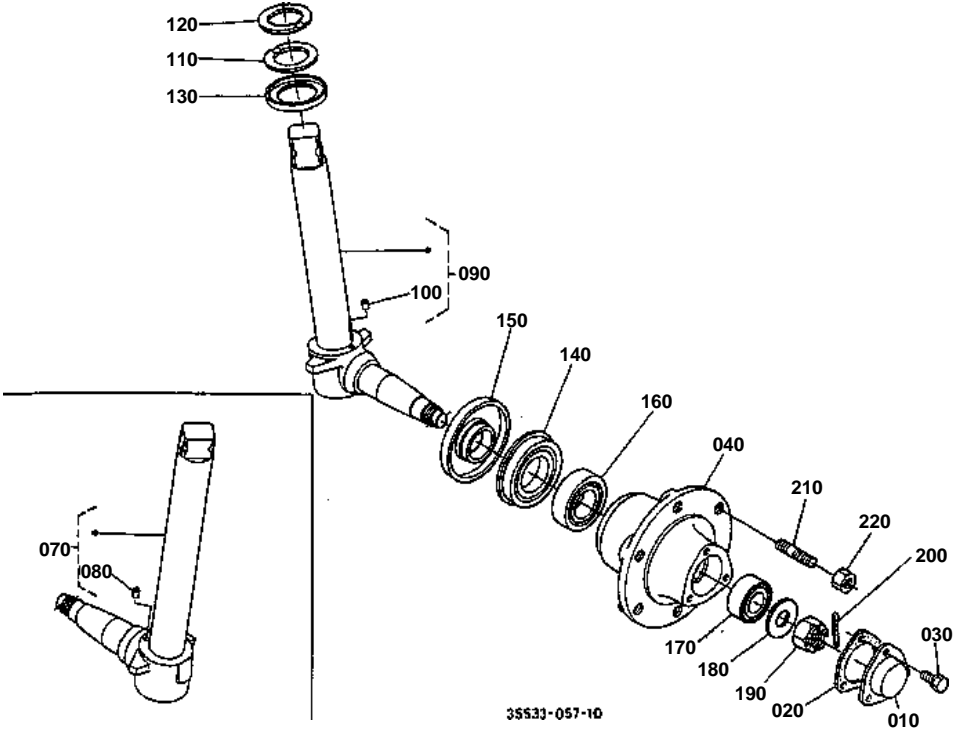
**FRONT AXLE [NEW TYPE]**

S.No.;&gt;=10092

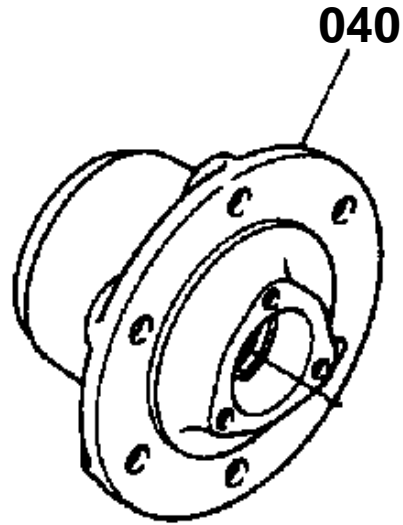
↔ Interchangeable; ≠ not interchangeable; ← new for old; → old for new

REF.No	Part No.	Description	Q'ty	S.No.	I/C	REMARKS	Weight (kgf)	Weight (lb)
010	35564-41610	BRACKET FRONT	1				2.69	5.918
020	35564-41620	BRACKET REAR	1				3.24	7.128
030	01517-51440	STUD	4				0.064	0.1408
040	01173-51445	BOLT	4				0.067	0.1474
050	04512-60140	WASHER SPRING	8				0.006	0.0132
060	02176-50140	NUT	4				0.014	0.0308
070	36200-58100	ASSY AXLE FRONT RH	1				11	24.2
080	33251-58250	BUSH	2				0.08	0.176
090	33251-58260	PIN KNOCK	1				0.001	0.0022
100	06613-10675	NIPPLE GREASE	1				0.003	0.0066
110	36200-58200	ASSY AXLE FRONT LH	1				10	22
120	33251-58250	BUSH	2				0.08	0.176
130	33251-58260	PIN KNOCK	1				0.001	0.0022
140	06613-10675	NIPPLE GREASE	1				0.003	0.0066
150	35503-58310	AXLE FRONT MIDDLE	1				31	68.2
160	08511-04530	DU-BUSH	2				0.085	0.187
170	09230-45606	SEAL OIL	4				0.01	0.022
180	32580-44580	NUT	1				0.1	0.22
190	01175-51645	BOLT	1				0.09	0.198
200	38440-44750	WASHER SEAL	1				0.003	0.0066
210	06312-10010	PLUG	1				0.007	0.0154
220	32530-13630	WASHER THRUST	2				0.05	0.11
230	36510-58780	COLLAR	4				0.072	0.1584
240	36830-58530	BOLT	4				0.21	0.462
250	04512-60160	WASHER SPRING	4				0.01	0.022
260	02174-50160	NUT	4				0.022	0.0484

FRONT WHEEL HUB



040 35523-5881-0



35533-825-10



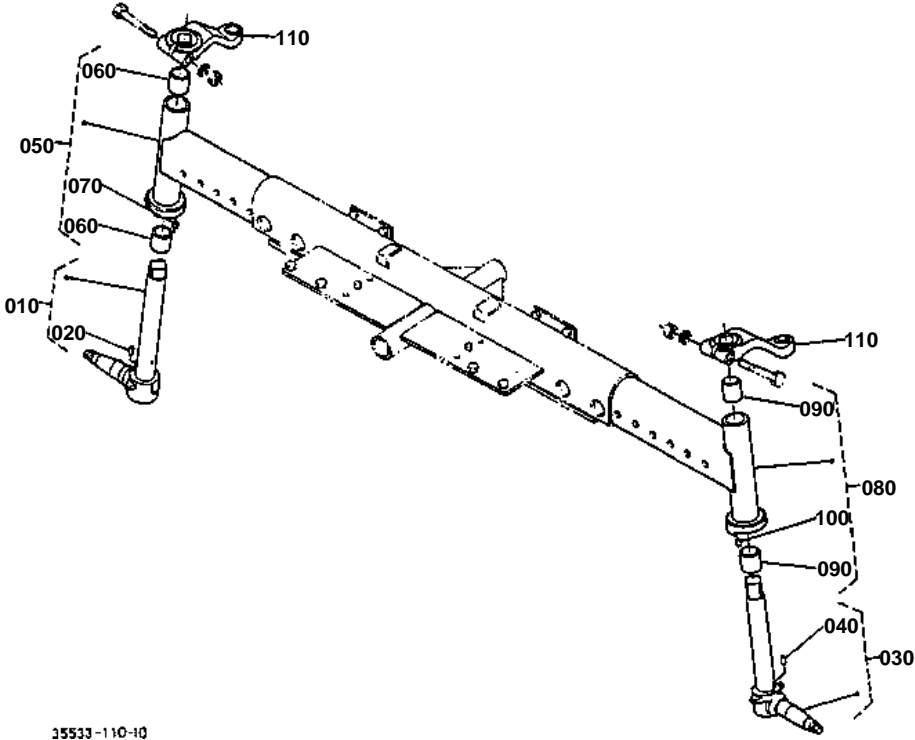
# FRONT WHEEL HUB

↔ Interchangeable; ≠ not interchangeable; ← new for old; → old for new

REF.No	Part No.	Description	Q'ty	S.No.	I/C	REMARKS	Weight (kgf)	Weight (lb)
010	32240-11350	CAP FRONT WHEEL	2				0.065	0.143
020	32150-11360	GASKET	2				0	0
030	01123-60816	BOLT	6				0.01	0.022
040	35523-58810	HUB FRONT WHEEL	2	<=10091			5.8	12.76
040	35503-58810	HUB FRONT WHEEL	2	>=10092	≠		5.4	11.88
070	36330-58500	SHAFT KNUCKLE RH	1	<=10091			4.48	9.856
070	36500-58500	SHAFT KNUCKLE RH	1	>=10092	≠		4.56	10.032
080	33251-58260	PIN KNOCK	1				0.001	0.0022
090	36330-58600	SHAFT KNUCKLE LH	1	<=10091			4.54	9.988
090	36500-58600	SHAFT KNUCKLE LH	1	>=10092	≠		4.58	10.076
100	33251-58260	PIN KNOCK	1				0.001	0.0022
110	33251-58710	COLLAR THRUST	2			4.0MM	0.051	0.1122
120	33251-58720	COLLAR THRUST	2			4.0MM	0.05	0.11
130	33251-58740	CAP THRUST COLLAR	2				0.024	0.0528
140	33251-58760	GASKET	2				0.102	0.2244
150	33251-58770	COVER KNUCKLE	2				0.34	0.748
160	08711-30207	BEARING TAPER-ROLLER	2				0.365	0.803
170	08711-30205	BEARING TAPER-ROLLER	2				0.148	0.3256
180	36220-58550	WASHER	2				0.026	0.0572
190	02375-50200	NUT	2				0.025	0.055
200	05511-50435	PIN SPLIT	2				0.004	0.0088
210	35822-49150	STUD	12	<=10091			0.048	0.1056
210	35450-49150	STUD	12	>=10092	≠		0	0
220	35340-11390	NUT	12				0.03	0.066



FRONT AXLE (LOW-PROFILE) [OPTION]



35533-110-10

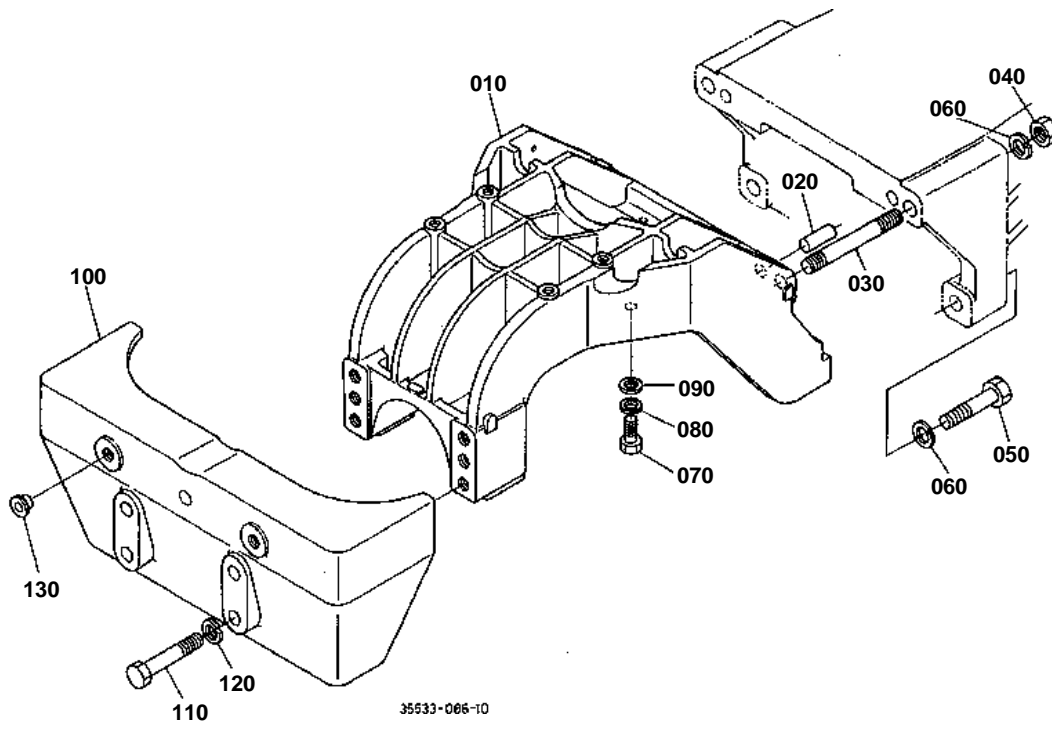


## FRONT AXLE (LOW-PROFILE) [OPTION]

↔ Interchangeable; ≠ not interchangeable; ← new for old; → old for new

REF.No	Part No.	Description	Q'ty	S.No.	I/C	REMARKS	Weight (kgf)	Weight (lb)
010	35527-58500	SHAFT KNUCKLE RH	1				4.1	9.02
020	33251-58260	PIN KNOCK	1				0.001	0.0022
030	35527-58600	SHAFT KNUCKLE LH	1				4.08	8.976
040	33251-58260	PIN KNOCK	1				0.001	0.0022
050	35707-58100	ASSY AXLE FRONT RH	1				11	24.2
060	33251-58250	BUSH	2				0.08	0.176
070	33251-58260	PIN KNOCK	1				0.001	0.0022
080	35707-58200	ASSY AXLE FRONT LH	1				11	24.2
090	33251-58250	BUSH	2				0.08	0.176
100	33251-58260	PIN KNOCK	1				0.001	0.0022
110	35527-62730	ARM KNUCKLE	2				1.95	4.29

# FRONT AXLE BRACKET



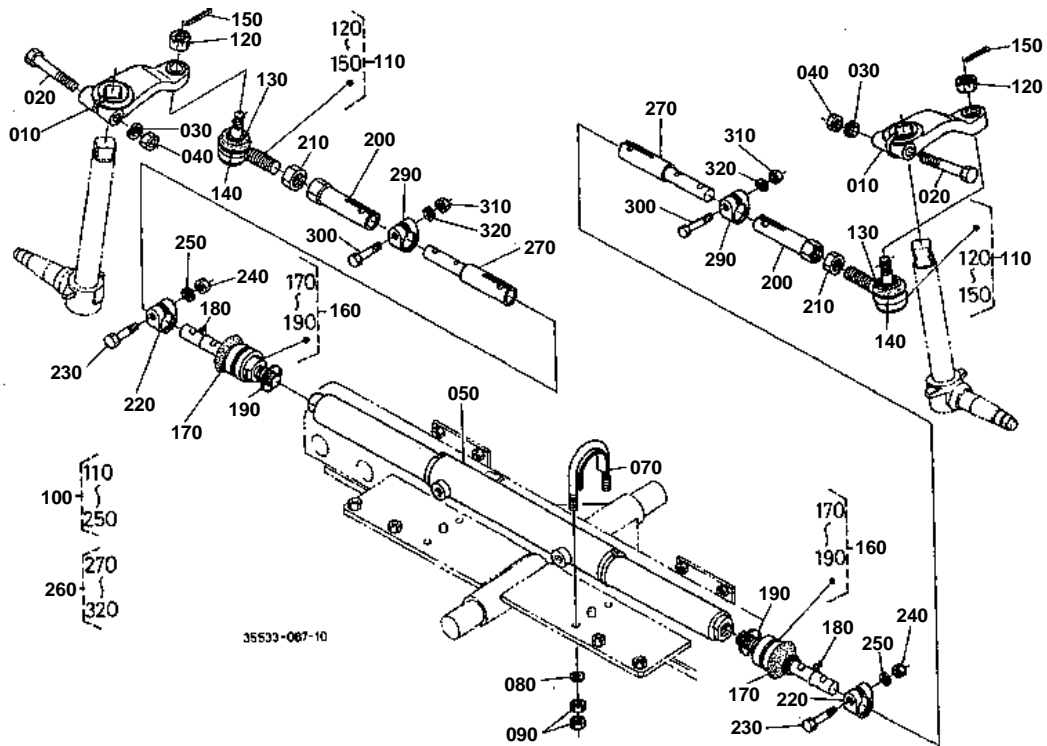


# FRONT AXLE BRACKET

↔ Interchangeable; ≠ not interchangeable; ← new for old; → old for new

REF.No	Part No.	Description	Q'ty	S.No.	I/C	REMARKS	Weight (kgf)	Weight (lb)
010	35533-21710	BRACKET FRONT AXLE	1	<=10034			0	0
010	35533-21714	BRACKET FRONT AXLE	1	>=10035	←		49	107.8
020	05012-01645	PIN STRAIGHT	2				0.08	0.176
030	35533-21800	STUD	2				0.33	0.726
040	02076-50180	NUT	2				0.044	0.0968
050	01173-51885	BOLT	2	<=10058			0.2	0.44
050	01173-51880	BOLT	2	>=10059	≠		0.187	0.4114
060	04512-60180	WASHER SPRING	4				0.02	0.044
070	01176-51430	BOLT	2				0.052	0.1144
080	04512-60140	WASHER SPRING	2				0.006	0.0132
090	04013-60140	WASHER PLAIN	2				0.01	0.022
100	35533-21760	BUMPER FRONT	1				22	48.4
110	01173-51695	BOLT	4				0.16	0.352
120	04512-60160	WASHER SPRING	4				0.01	0.022
130	33300-90910	PLUG	2				0.002	0.0044

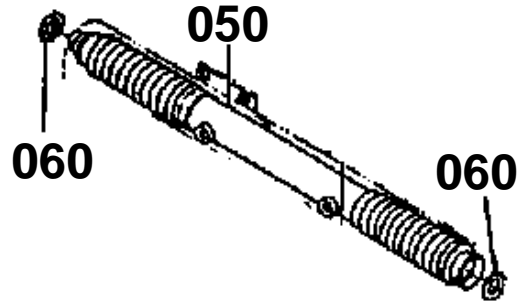
# STEERING LINKAGE



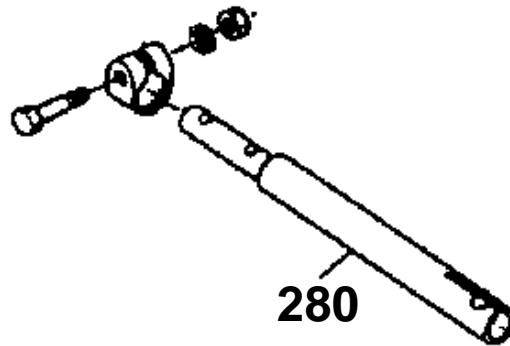
STEERING LINKAGE

050 35523-6388-0

060 35533-6398-0



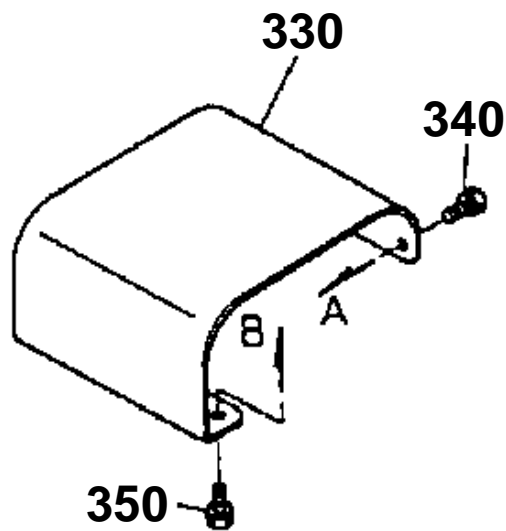
280 35523-6288-0



330 35523-6401-0

340 01133-51018

350 01133-51022



35533-833-10

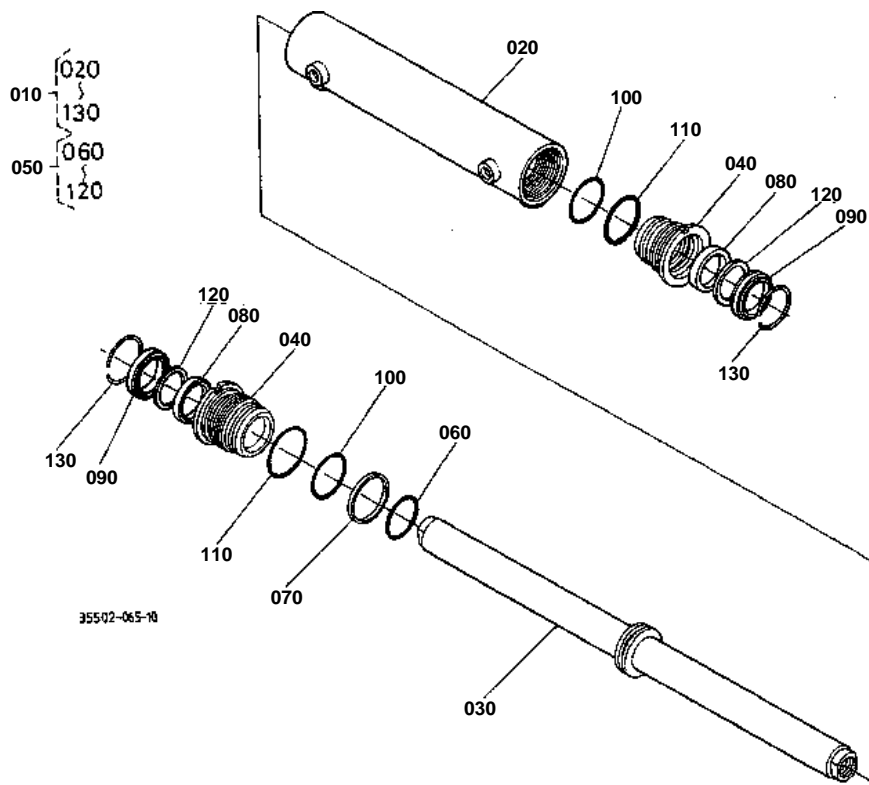


STEERING LINKAGE

↔ Interchangeable; ≠ not interchangeable; ← new for old; → old for new

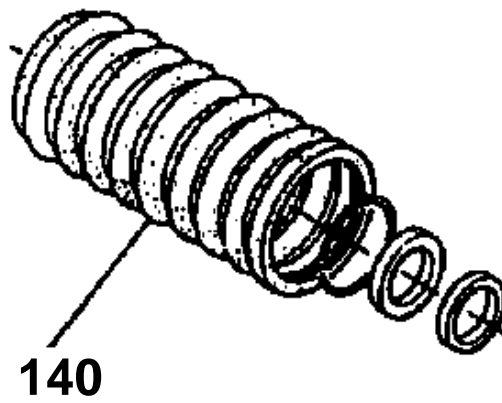
REF.No	Part No.	Description	Q'ty	S.No.	I/C	REMARKS	Weight (kgf)	Weight (lb)
010	35523-62730	ARM KNUCKLE	2				1.65	3.63
020	36830-58430	BOLT	2				0.11	0.242
030	04512-60140	WASHER SPRING	2				0.006	0.0132
040	02174-50140	NUT	2				0.014	0.0308
050	35523-63880	CYLINDER STEERING	1	<=10180		REFER TO L.No.0G06-L0 FOR COMPONENTS.	0	0
050	35523-63883	CYLINDER POWER STRG.	1	>=10181	←	REFER TO L.No.0G06-L0 FOR COMPONENTS.	8	17.6
060	35533-63980	WASHER LOCK	2	<=10058			0.01	0.022
070	35523-62130	BRACKET POWER STRG.	2				0.2	0.44
080	04512-60100	WASHER SPRING	4				0.002	0.0044
090	02118-50100	NUT	8				0.005	0.011
100	35523-62970	ASSY ROD TIE	2				2.2	4.84
110	35523-62920	ASSY END TIE ROD	2				0.66	1.452
120	35860-62750	NUT	2				0.04	0.088
130	35860-62852	COVER DUST	2				0.014	0.0308
140	36280-62860	CLIP	2				0.002	0.0044
150	05511-50335	PIN SPLIT	2				0.002	0.0044
160	35523-62980	JOINT TIE ROD	2				1.16	2.552
170	35533-62850	COVER DUST	2				0.02	0.044
180	35533-62820	CLIP	2				0.003	0.0066
190	35533-62860	RING SET	2				0.005	0.011
200	35523-62910	ROD TIE OUTER	2				2.5	5.5
210	02172-50200	NUT	2				0.03	0.066
220	33251-62860	CLAMP TIE ROD	2				0.078	0.1716
230	38430-12560	BOLT	2				0.35	0.77
240	02176-50100	NUT	2				0.005	0.011
250	04512-60100	WASHER SPRING	2				0.002	0.0044
260	35523-62820	ASSY SPACER TIE ROD	2	<=10091			1.2	2.64
260	35564-62820	ASSY SPACER TIE ROD	2	>=10092	≠		0.52	1.144
270	35523-62870	SPACER TIE ROD	2				0.4	0.88
280	35523-62880	SPACER TIE ROD	2	<=10091			0.65	1.43
290	33251-62860	CLAMP TIE ROD	2				0.078	0.1716
300	38430-12560	BOLT	2				0.35	0.77
310	02176-50100	NUT	2				0.005	0.011
320	04512-60100	WASHER SPRING	2				0.002	0.0044
330	35523-64010	COVER POWER STRG.	2	<=10091			1.8	3.96
340	01133-51018	BOLT	4	<=10091			0.02	0.044
350	01133-51022	BOLT	4	<=10091			0.025	0.055

STEERING CYLINDER [COMPONENT PARTS]





**140 35999-2412-0**



**35502-817-10**

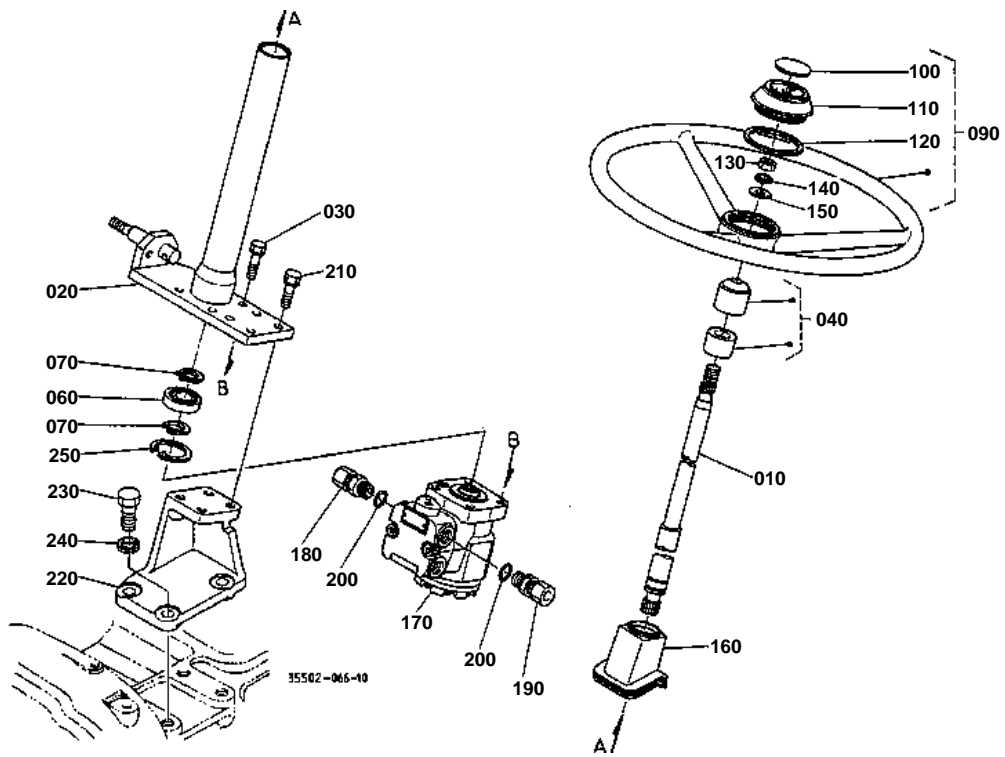


## STEERING CYLINDER [COMPONENT PARTS]

↔ Interchangeable; ≠ not interchangeable; ← new for old; → old for new

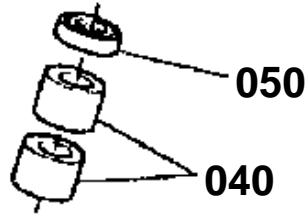
REF.No	Part No.	Description	Q'ty	S.No.	I/C	REMARKS	Weight (kgf)	Weight (lb)
010	35523-63880	CYLINDER STEERING	1	<=10180			0	0
010	35523-63883	CYLINDER POWER STRG.	1	>=10181	←		8	17.6
020	35999-24140	ASSY CYLINDER	1				2	4.4
030	35999-24020	ASSY ROD	1				4.6	10.12
040	35999-24030	ASSY GUIDE	1	<=10180			0.35	0.77
040	35999-24390	ASSY GUIDE	2	>=10181	≠		0.4	0.88
050	35999-24040	KIT SEAL	1	<=10180			0.11	0.242
050	35999-24400	KIT SEAL	1	>=10181	≠		0.11	0.242
060	35999-24050	O RING	1				0.003	0.0066
070	35999-24060	SEAL	1	<=10180			0.003	0.0066
070	35999-24350	SEAL	1	>=10181	≠		0.01	0.022
080	35999-24070	GASKET U	2				0.003	0.0066
090	35999-24080	WIPER DUST	2				0.015	0.033
100	35999-24090	O RING	2				0.002	0.0044
110	35999-24110	O RING	2				0.003	0.0066
120	35999-24370	RING BACK UP	2	>=10181			0.005	0.011
130	35999-24130	RING SNAP	2				0.003	0.0066
140	35999-24120	BOOT	2	<=20141			0.11	0.242

STEERING HANDLE AND STEERING CONTROLLER

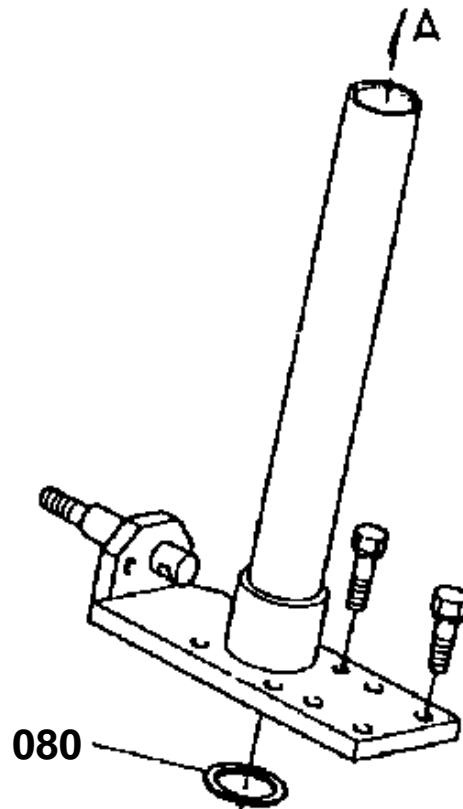


040 36200-6217-0

050 36200-6218-0



080 35533-6340-0



35502-818-10

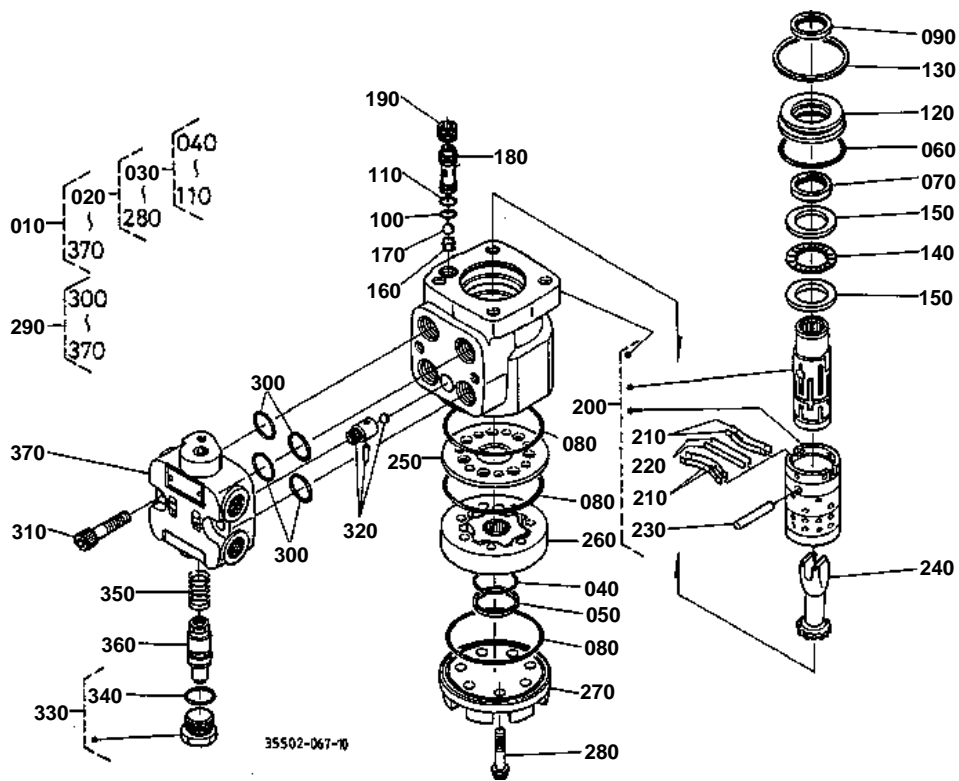


STEERING HANDLE AND STEERING CONTROLLER

↔ Interchangeable; ≠ not interchangeable; ← new for old; → old for new

REF.No	Part No.	Description	Q'ty	S.No.	I/C	REMARKS	Weight (kgf)	Weight (lb)
010	35533-62150	SHAFT STEERING	1				1.3	2.86
020	35533-62140	POST HANDLE	1				2.9	6.38
030	01133-51030	BOLT	4				0.025	0.055
040	36200-62170	BUSH STEERING POST	2	<=20783			0.045	0.099
040	35999-15660	KIT BUSH	1	>=20784	←		0.082	0.1804
050	36200-62180	SEAL OIL	1	<=20783			0.01	0.022
060	35533-62360	BEARING BALL	1				0.08	0.176
070	04612-00220	CIRCLIP EXTERNAL	2				0.001	0.0022
080	35533-63400	SHIM	1	<=20186			0.002	0.0044
090	36330-62560	ASSY HANDLE STRG.	1				2	4.4
100	36330-62610	MARK HANDLE	1				0.004	0.0088
110	36330-62580	CAP HANDLE	1				0.04	0.088
120	36330-62620	GASKET	1				0.002	0.0044
130	02174-50140	NUT	1				0.014	0.0308
140	04512-60140	WASHER SPRING	1				0.006	0.0132
150	04011-60160	WASHER PLAIN	1				0.01	0.022
160	35533-62380	COVER POST	1				0.05	0.11
170	35533-63070	CONTROLLER STEERING	1	<=10159		REFER TO L.No.0G07-R0 FOR COMPONENTS.	0	0
170	35533-63072	CONTROLLER STEERING	1	>=10160	←	REFER TO L.No.0G07-R0 FOR COMPONENTS.	6.5	14.3
180	36330-63080	NIPPLE	2				0.07	0.154
190	35533-63170	NIPPLE	2				0.07	0.154
200	04811-00140	O RING	4				0.001	0.0022
210	01133-51230	BOLT	4				0.04	0.088
220	35533-63190	SUPPORT CONTROLLER	1	<=20483			0	0
220	35533-63192	SUPPORT CONTROLLER	1	>=20484	←		2.85	6.27
230	01173-51645	BOLT	3				0.092	0.2024
240	04512-60160	WASHER SPRING	3				0.01	0.022
250	04611-00450	CIR CLIP INTERNAL	1				0.01	0.022

STEERING CONTROLLER [COMPONENT PARTS]



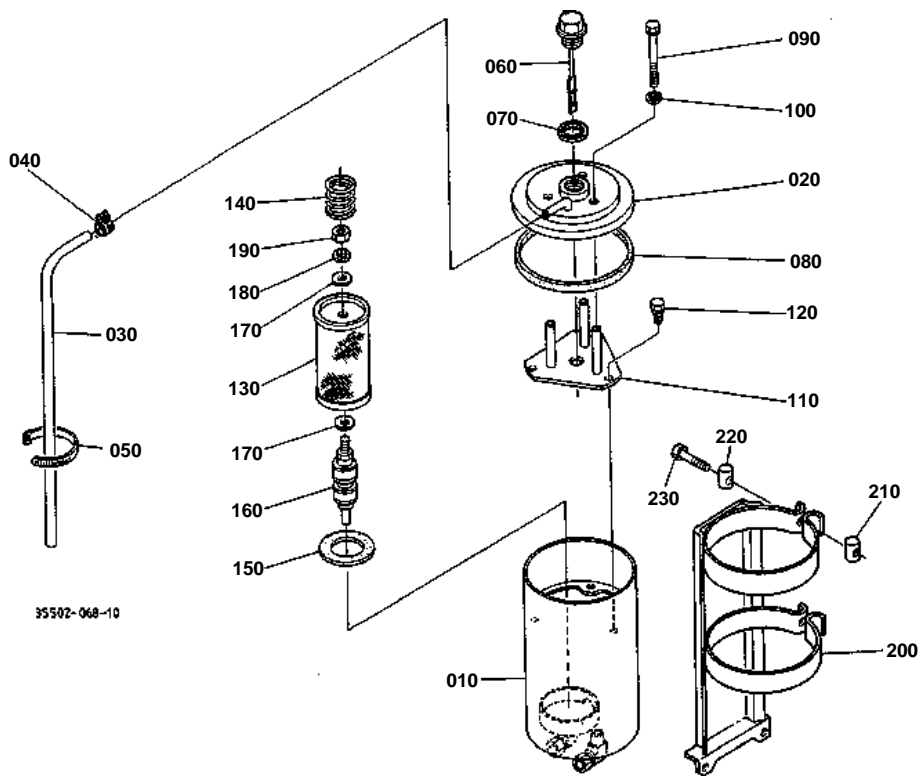


## STEERING CONTROLLER [COMPONENT PARTS]

↔ Interchangeable; ≠ not interchangeable; ← new for old; → old for new

REF.No	Part No.	Description	Q'ty	S.No.	I/C	REMARKS	Weight (kgf)	Weight (lb)
010	35533-63070	CONTROLLER STEERING	1	<=10159			0	0
010	35533-63072	CONTROLLER STEERING	1	>=10160	←		6.5	14.3
020	35533-63080	CONTROLLER	1				4.5	9.9
030	35999-22010	KIT SEAL	1				0.01	0.022
040	35999-22020	RING	1				0.001	0.0022
050	35999-22030	SEAL	1				0.001	0.0022
060	35999-22040	RING	1				0.005	0.011
070	35999-22050	SEAL OIL	1				0.001	0.0022
080	35999-22080	O RING	3				0.001	0.0022
090	35999-22110	SEAL DUST	1				0.002	0.0044
100	35999-22140	O RING	1				0.001	0.0022
110	35999-22160	O RING	1				0.001	0.0022
120	35999-22060	BUSH	1				0.11	0.242
130	35999-22070	RING RETAINING	1				0.005	0.011
140	35999-22090	NEEDLE THRUST	1				0.01	0.022
150	35999-22100	RACE BEARING	2				0.02	0.044
160	35999-22120	BALL RETAINER CHECK	1				0.001	0.0022
170	35999-22130	BALL	1				0.002	0.0044
180	35999-22150	SEAT CHECK	1				0.01	0.022
190	35999-22170	SCREW SET	1				0.01	0.022
200	35999-22210	ASSY PARTS CONTROL	1				3.5	7.7
210	35999-22200	SPRING	4				0.002	0.0044
220	35999-22190	SPRING FLAT	2				0.001	0.0022
230	35999-22180	PIN	1				0.01	0.022
240	35999-22220	DRIVE	1				0.1	0.22
250	35999-22230	PLATE SPACER	1				0.1	0.22
260	35999-22240	SET ROTOR	1				0.27	0.594
270	35999-22250	CAP END	1				0.4	0.88
280	35999-22260	SCREW	7				0.02	0.044
290	35533-63090	VALVE	1				1.37	3.014
300	35999-22320	O RING	4				0.001	0.0022
310	35999-22330	BOLT	2				0.03	0.066
320	35999-22340	ASSY CHECK ORIFICE	1				0.02	0.044
330	35999-22310	ASSY PLUG SUB	1				0.05	0.11
340	35999-22350	O RING	1				0.001	0.0022
350	35999-22360	SPRING OUTER VALVE	1				0.008	0.0176
360	35999-22370	ASSY VALVE AUX.	1				0.05	0.11
370	35999-22380	ASSY HOUSING	1				1.2	2.64

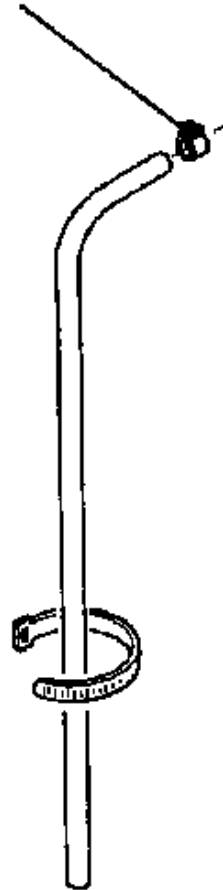
# POWER STEERING OIL TANK





040 14301-4275-0

040



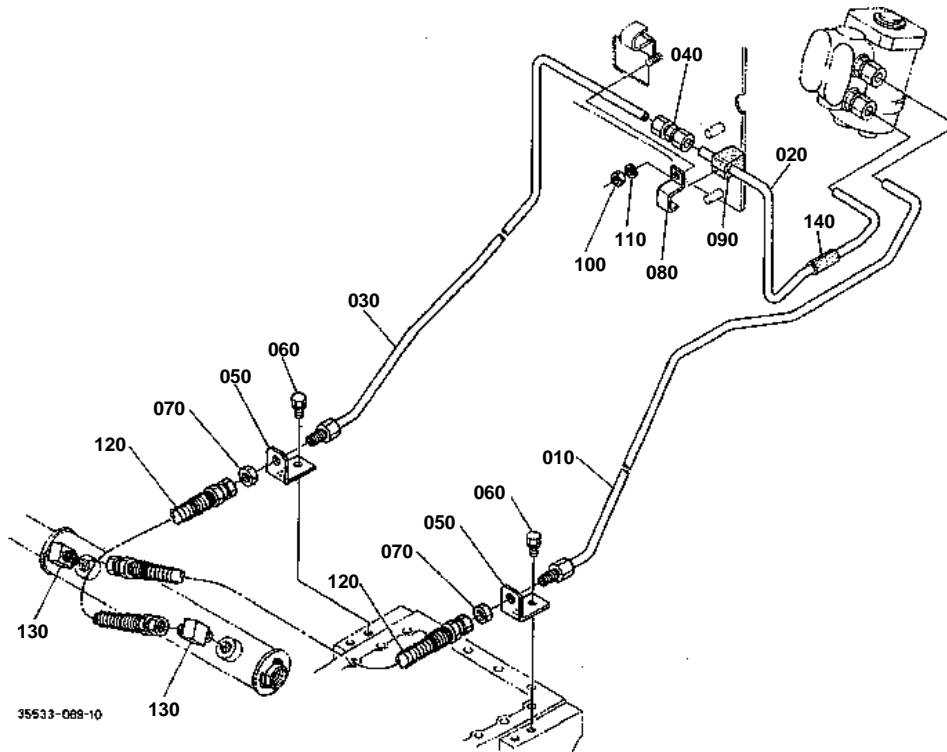
35533-835-10

**POWER STEERING OIL TANK**

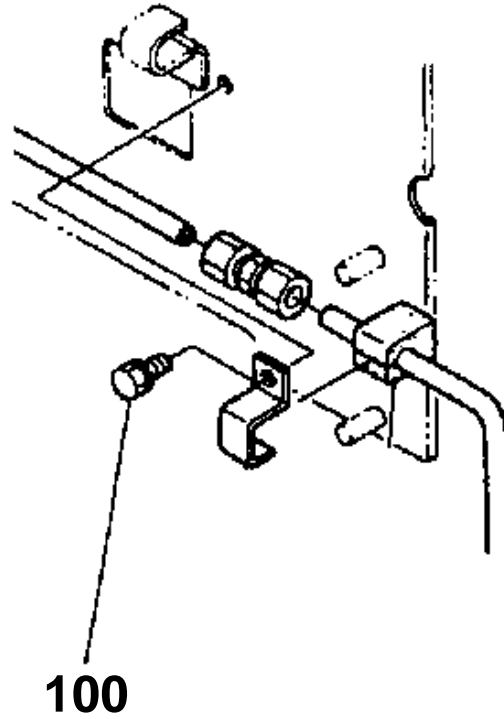
↔ Interchangeable; ≠ not interchangeable; ← new for old; → old for new

REF.No	Part No.	Description	Q'ty	S.No.	I/C	REMARKS	Weight (kgf)	Weight (lb)
010	35533-63410	TANK OIL	1				1.34	2.948
020	35533-63444	CAP OIL TANK	1				0.349	0.7678
030	36300-04430	PIPE FUEL	1				0.1	0.22
040	14301-42750	CLIP PIPE	1	<=20154			0.005	0.011
040	14911-42750	CLIP PIPE	1	>=20155	↔		0.002	0.0044
050	53581-64150	BAND CORD	1				0.002	0.0044
060	35533-63470	GAUGE OIL	1				0.07	0.154
070	04717-02150	WASHER WITH RUBBER	1				0.004	0.0088
080	35533-63450	GASKET	1				0.02	0.044
090	01053-50675	BOLT	3				0.015	0.033
100	04717-00600	WASHER WITH RUBBER	3				0.001	0.0022
110	35533-63480	PLATE	1				0.25	0.55
120	01023-50614	BOLT	3				0.005	0.011
130	36330-63460	FILTER OIL	1				0.22	0.484
140	36830-63480	SPRING	1				0.06	0.132
150	35533-63500	GASKET FILTER	1				0.01	0.022
160	36330-63490	MAGNET	1				0.09	0.198
170	04013-60060	WASHER PLAIN	2				0.001	0.0022
180	04512-60060	WASHER SPRING	1				0.001	0.0022
190	02014-50060	NUT	1				0.003	0.0066
200	36210-63430	BAND TANK	1	<=10034			0	0
200	36210-63434	BAND TANK	1	>=10035	←		0.96	2.112
210	33400-63440	CLAMP BAND	2				0.015	0.033
220	33400-63450	CLAMP BAND	2				0.015	0.033
230	01053-50645	BOLT	2				0.012	0.0264

# HYDRAULIC OIL LINE (POWER STEERING) 1



100 01123-50814



35533-836-10

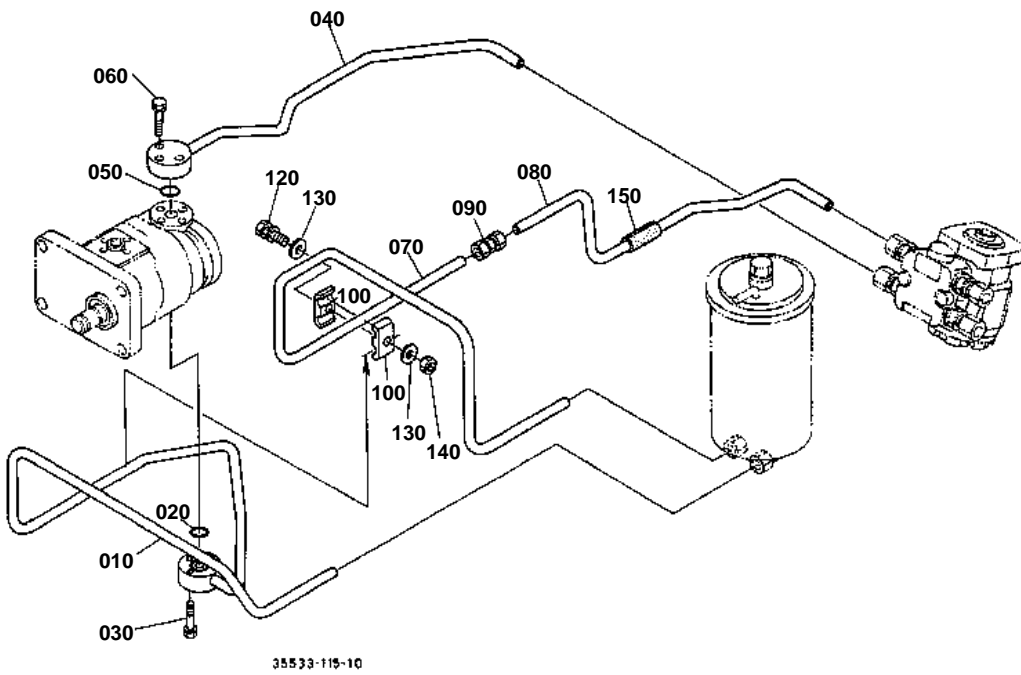


# HYDRAULIC OIL LINE (POWER STEERING) 1

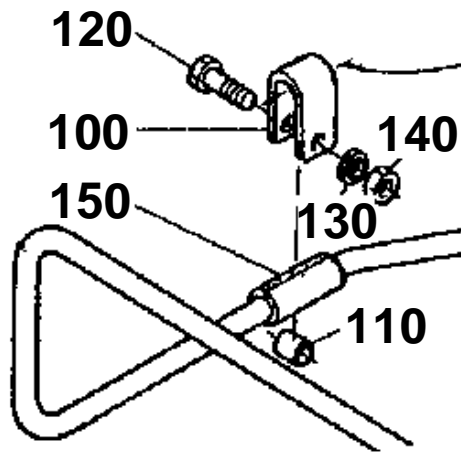
↔ Interchangeable; ≠ not interchangeable; ← new for old; → old for new

REF.No	Part No.	Description	Q'ty	S.No.	I/C	REMARKS	Weight (kgf)	Weight (lb)
010	35533-63270	PIPE DELIVERY	1				0.35	0.77
020	35533-63280	PIPE DELIVERY	1				0.2	0.44
030	35533-63950	PIPE DELIVERY	1				0.35	0.77
040	36530-27632	UNION	1				0.075	0.165
050	35533-63320	STAY PIPE	2				0.05	0.11
060	01123-60816	BOLT	4				0.01	0.022
070	36830-63290	NUT	2				0.01	0.022
080	35533-63310	CLAMP PIPE	1				0.04	0.088
090	35533-63330	CUSHION	1				0.01	0.022
100	01123-50814	BOLT	1	≤10107			0	0
100	02114-50080	NUT	1	≥10108	≠		0.005	0.011
110	04512-60080	WASHER SPRING	1	≥10108			0.002	0.0044
120	35533-63350	HOSE DELIVERY	2				0.452	0.9944
130	35533-63380	ELBOW	2				0	0
140	36830-63330	RUBBER PROTECTOR	1				0.01	0.022

HYDRAULIC OIL LINE (POWER STEERING) 2 [EXCEPT SU]



- 100 35533-6366-0
- 110 35533-6367-0
- 120 01053-50630
- 130 04512-50060
- 140 02014-50060
- 150 36330-6333-0



35502-819-10



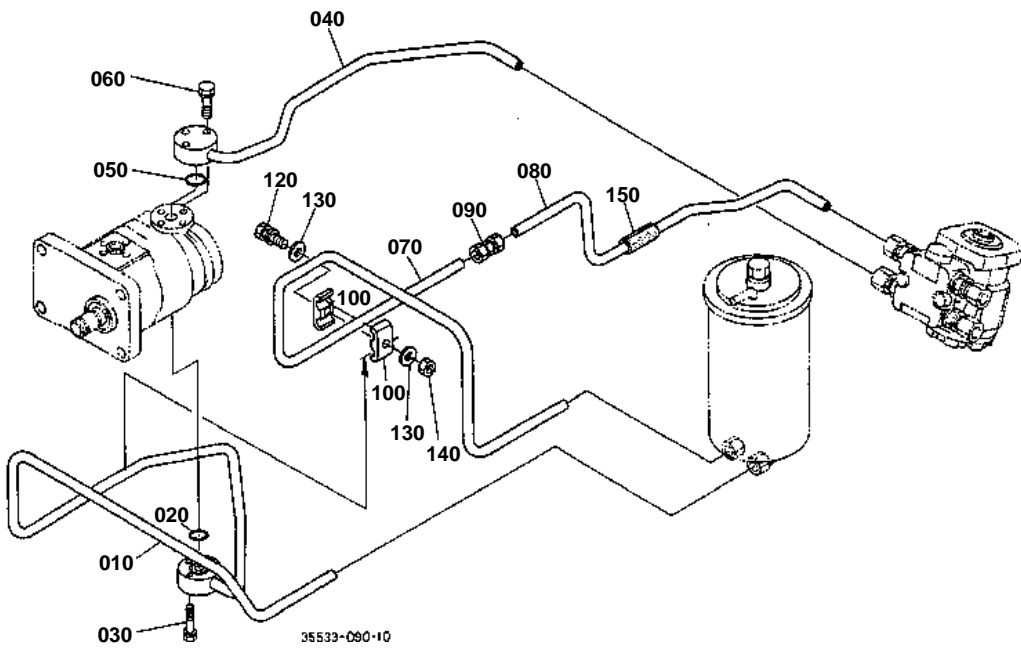
HYDRAULIC OIL LINE (POWER STEERING) 2 [EXCEPT SU]

↔ Interchangeable; ≠ not interchangeable; ← new for old; → old for new

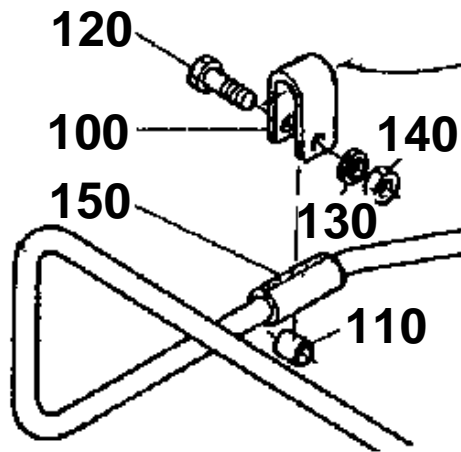
REF.No	Part No.	Description	Q'ty	S.No.	I/C	REMARKS	Weight (kgf)	Weight (lb)
010	35533-63230	COMP.PIPE SUCTION	1				0.8	1.76
020	04811-00200	O RING	1				0.001	0.0022
030	01023-50635	BOLT	3				0.01	0.022
040	35533-63240	PIPE DELIVERY	1				0.5	1.1
050	04811-00200	O RING	1				0.001	0.0022
060	01023-50635	BOLT	3				0.01	0.022
070	35533-63370	PIPE RETURN	1				0.4	0.88
080	35533-63390	PIPE RETURN	1				0.208	0.4576
090	35533-63430	JOINT	1				0.1	0.22
100	35533-63660	CLAMP	1	<=20483			0.05	0.11
100	66711-36140	CLAMP PIPE	1	>=20484	←		0.007	0.0154
110	35533-63670	COLLAR CLAMP	1	<=20483			0.003	0.0066
120	01053-50630	BOLT	1	<=20483			0.009	0.0198
120	01053-50635	BOLT	1	>=20484	←		0.009	0.0198
130	04512-50060	WASHER SPRING	1	<=20483			0	0
130	04015-60060	WASHER PLAIN	1	>=20484	←		0.005	0.011
140	02014-50060	NUT	1	<=20483			0.003	0.0066
140	02012-60060	NUT	1	>=20484	←		0.005	0.011
150	36330-63330	RUBBER PROTECTOR	3	<=20483			0.01	0.022
150	36330-63330	RUBBER PROTECTOR	1	>=20484	←		0.01	0.022



HYDRAULIC OIL LINE (POWER STEERING) 2 [SU TYPE]



- 100 35533-6366-0
- 110 35533-6367-0
- 120 01053-50630
- 130 04512-50060
- 140 02014-50060
- 150 36330-6333-0



35502-819-10

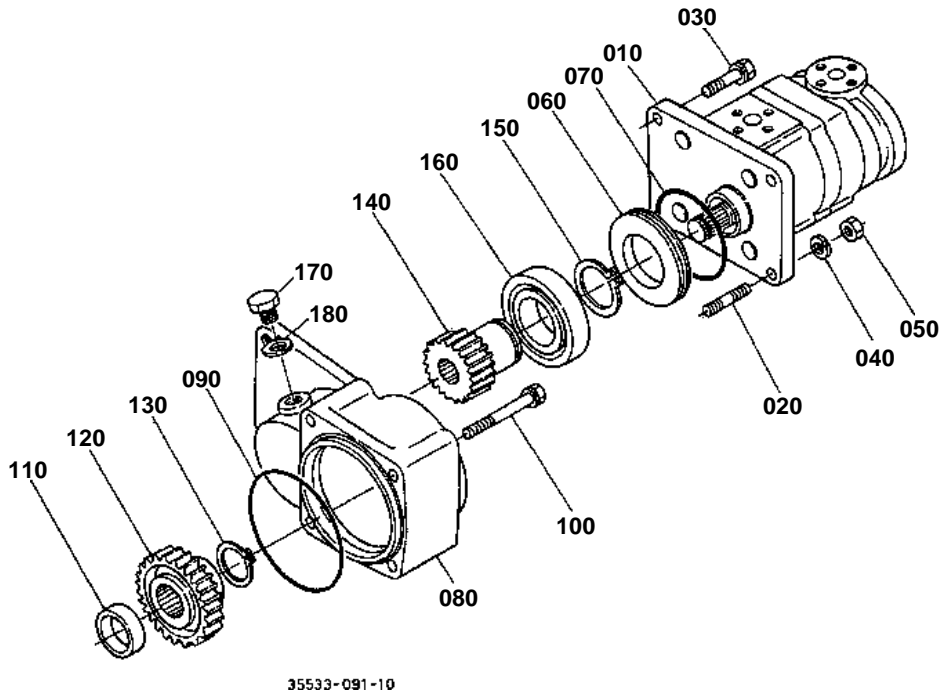


HYDRAULIC OIL LINE (POWER STEERING) 2 [SU TYPE]

↔ Interchangeable; ≠ not interchangeable; ← new for old; → old for new

REF.No	Part No.	Description	Q'ty	S.No.	I/C	REMARKS	Weight (kgf)	Weight (lb)
010	35533-63290	COMP.PIPE SUCTION	1				0.71	1.562
020	04811-00200	O RING	1				0.001	0.0022
030	01023-50635	BOLT	3				0.01	0.022
040	35533-63260	PIPE DELIVERY	1				0.52	1.144
050	04811-00200	O RING	1				0.001	0.0022
060	01023-50635	BOLT	3				0.01	0.022
070	35533-63370	PIPE RETURN	1				0.4	0.88
080	35533-63390	PIPE RETURN	1	>=20784			0.208	0.4576
090	35533-63430	JOINT	1				0.1	0.22
100	35533-63660	CLAMP	1	<=20483			0.05	0.11
100	66711-36140	CLAMP PIPE	1	>=20484	←		0.007	0.0154
110	35533-63670	COLLAR CLAMP	1	<=20483			0.003	0.0066
120	01053-50630	BOLT	1	<=20483			0.009	0.0198
120	01053-50635	BOLT	1	>=20484	←		0.009	0.0198
130	04512-50060	WASHER SPRING	1	<=20483			0	0
130	04015-60060	WASHER PLAIN	1	>=20484	←		0.005	0.011
140	02014-50060	NUT	1	<=20483			0.003	0.0066
140	02012-60060	NUT	1	>=20484	←		0.005	0.011
150	36330-63330	RUBBER PROTECTOR	3	<=20483			0.01	0.022
150	36330-63330	RUBBER PROTECTOR	1	>=20484	←		0.01	0.022

HYDRAULIC PUMP [EXCEPT SU]



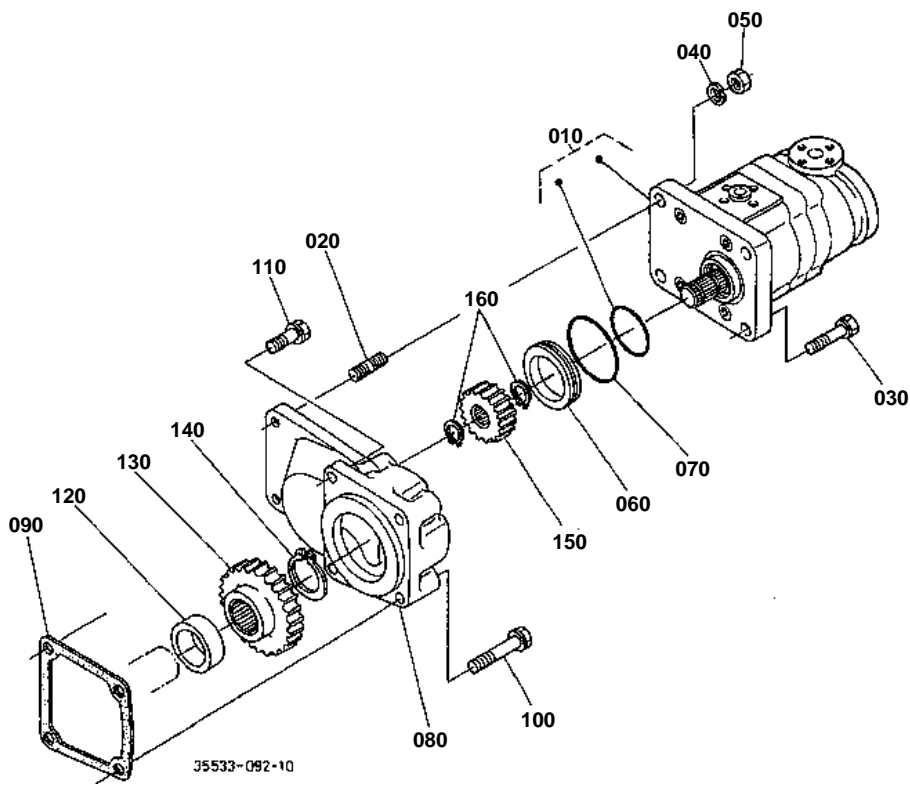


**HYDRAULIC PUMP [EXCEPT SU]**

↔ Interchangeable; ≠ not interchangeable; ← new for old; → old for new

REF.No	Part No.	Description	Q'ty	S.No.	I/C	REMARKS	Weight (kgf)	Weight (lb)
010	32530-76102	PUMP HYDRAULIC	1			REFER TO L.No.0G11-R0 FOR COMPONENTS.	6.5	14.3
020	01513-60830	STUD	2				0.013	0.0286
030	01123-50835	BOLT	2				0.02	0.044
040	04512-60080	WASHER SPRING	2				0.002	0.0044
050	02156-50080	NUT	2				0.004	0.0088
060	32530-10640	SPACER	1				0.115	0.253
070	04811-06560	O RING	1				0.001	0.0022
080	35533-82240	BASE PUMP	1				2.14	4.708
090	04811-10850	O RING	1				0.002	0.0044
100	01123-50860	BOLT	4				0.026	0.0572
110	32530-10650	COLLAR	1				0.02	0.044
120	32530-10620	GEAR	1			27T	0.4	0.88
130	04612-00250	CIRCLIP EXTERNAL	1				0.002	0.0044
140	32530-10630	GEAR	1			16T	0.27	0.594
150	04612-00300	CIRCLIP EXTERNAL	2				0.003	0.0066
160	08241-03206	BEARING BALL	1				0.302	0.6644
170	06331-35012	PLUG	1				0.022	0.0484
180	04717-01200	WASHER WITH RUBBER	1				0.002	0.0044

HYDRAULIC PUMP [SU TYPE]

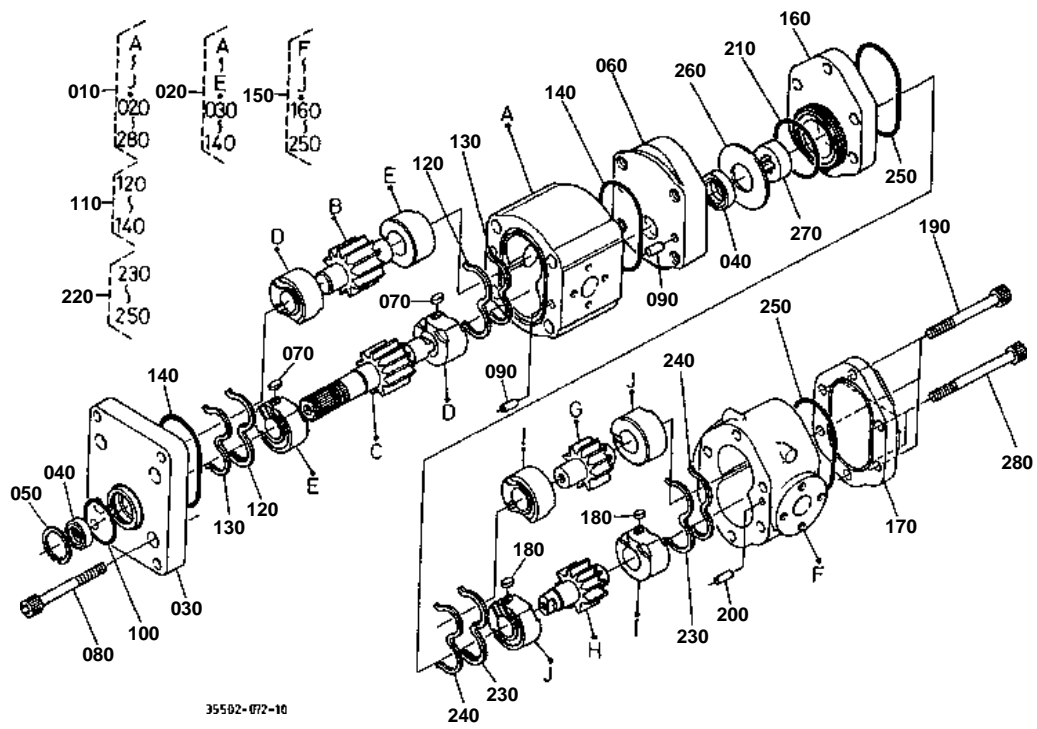


**HYDRAULIC PUMP [SU TYPE]**

↔ Interchangeable; ≠ not interchangeable; ← new for old; → old for new

REF.No	Part No.	Description	Q'ty	S.No.	I/C	REMARKS	Weight (kgf)	Weight (lb)
010	35430-82202	PUMP HYDRAULIC	1			REFER TO L.No.0G11-R0 FOR COMPONENTS.	5.8	12.76
020	01513-60830	STUD	2				0.013	0.0286
030	01123-50835	BOLT	2				0.02	0.044
040	04512-60080	WASHER SPRING	2				0.002	0.0044
050	02114-50080	NUT	2				0.005	0.011
060	36200-82250	RING	1				0.072	0.1584
070	04811-10500	O RING	1				0.001	0.0022
080	36230-82240	BASE PUMP	1				1.63	3.586
090	35394-37860	GASKET	1				0.005	0.011
100	01123-50850	BOLT	2				0.02	0.044
110	01123-50825	BOLT	2				0.013	0.0286
120	36200-82260	COLLAR	1				0.035	0.077
130	36230-82270	GEAR	1		27T		0.42	0.924
140	04612-00250	CIRCLIP EXTERNAL	1				0.002	0.0044
150	36230-82280	GEAR	1		16T		0.16	0.352
160	04612-00170	CIRCLIP EXTERNAL	2				0.001	0.0022

HYDRAULIC PUMP [COMPONENT PARTS]





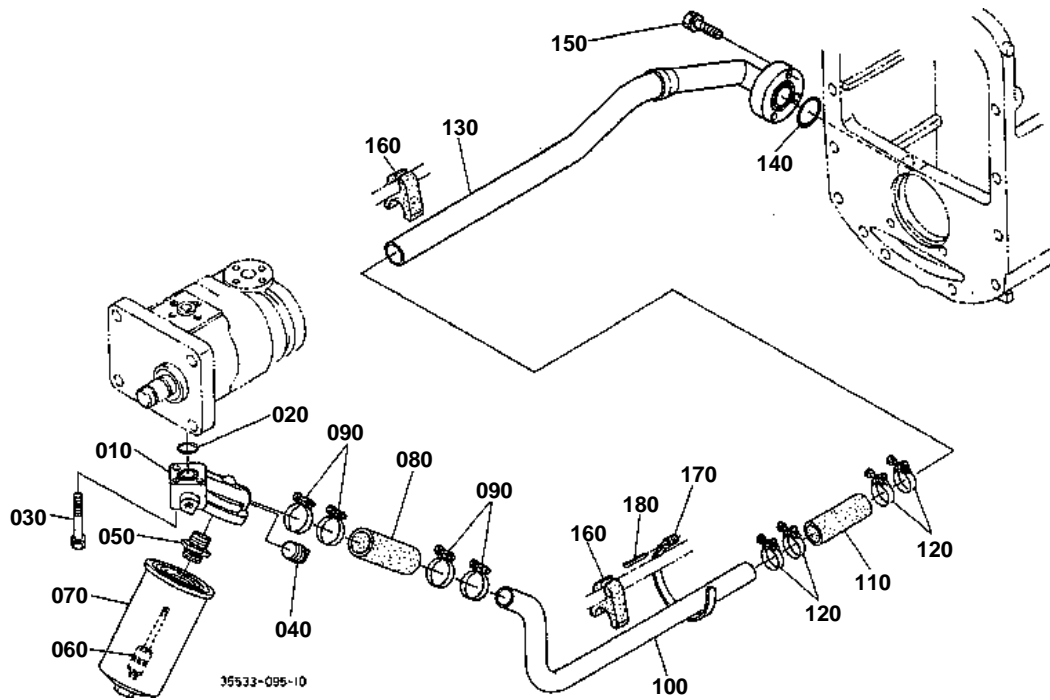


# HYDRAULIC PUMP [COMPONENT PARTS]

↔ Interchangeable; ≠ not interchangeable; ← new for old; → old for new

REF.No	Part No.	Description	Q'ty	S.No.	I/C	REMARKS	Weight (kgf)	Weight (lb)
010	35430-82202	PUMP HYDRAULIC	1				5.8	12.76
020	35430-12950	PUMP HYDRAULIC	1				4	8.8
030	35430-12860	FLANGE	1				1.25	2.75
040	36330-82320	SEAL OIL	2				0.01	0.022
050	68051-91850	RING SNAP	1				0.001	0.0022
060	35430-12880	COVER	1				0.9	1.98
070	68051-91890	KEY	2				0.001	0.0022
080	32530-91630	BOLT	4				0.07	0.154
090	68271-91240	PIN	4				0.004	0.0088
100	35430-12910	O RING	1				0.001	0.0022
110	36330-82480	SET SEAL	1				0.005	0.011
120	35430-12870	ELEMENT SEAL	2				0.003	0.0066
130	68051-91880	ELEMENT BACK UP	2				0.001	0.0022
140	68051-91910	O RING	2				0.001	0.0022
150	35430-12960	PUMP HYDRAULIC	1				1.9	4.18
160	35430-12920	FLANGE	1				0.27	0.594
170	69351-61170	COVER	1				0.26	0.572
180	68051-91890	KEY	2				0.001	0.0022
190	35430-12940	BOLT	3				0.034	0.0748
200	68271-91240	PIN	2				0.004	0.0088
210	35410-06440	O RING	1				0.001	0.0022
220	36330-82480	SET SEAL	1				0.005	0.011
230	35430-12870	ELEMENT SEAL	2				0.003	0.0066
240	68051-91880	ELEMENT BACK UP	2				0.001	0.0022
250	68051-91910	O RING	2				0.001	0.0022
260	35410-06450	PLATE	1				0.012	0.0264
270	68051-92130	COUPLING	1				0.04	0.088
280	69351-61180	BOLT	3				0.04	0.088

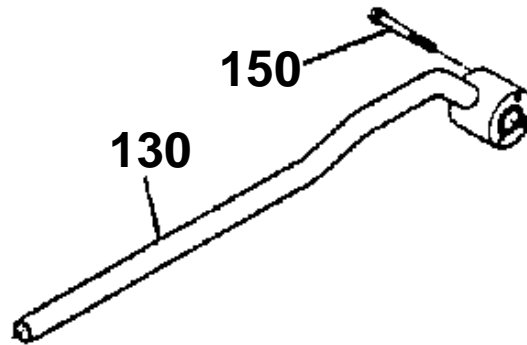
HYDRAULIC OIL LINE (SUCTION) [EXCEPT SU]



130 35533-8269-0

130 35533-8269-2

150 01123-50875



35533-837-10

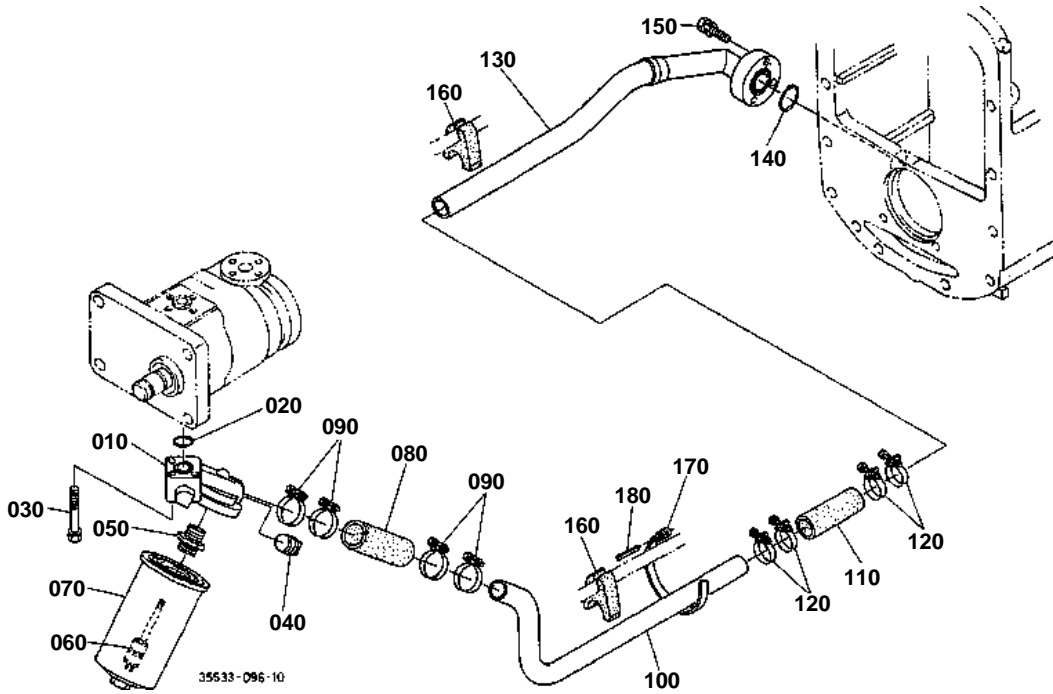


HYDRAULIC OIL LINE (SUCTION) [EXCEPT SU]

↔ Interchangeable; ≠ not interchangeable; ← new for old; → old for new

REF.No	Part No.	Description	Q'ty	S.No.	I/C	REMARKS	Weight (kgf)	Weight (lb)
010	35533-82650	BRACKET FILTER	1	<=20205			0.5	1.1
010	35458-82650	BRACKET FILTER	1	>=20206	≠		0.51	1.122
020	35880-94870	O RING	1				0.001	0.0022
030	01053-50650	BOLT	3				0.011	0.0242
040	36230-82660	PLUG	1				0.035	0.077
050	35861-82670	JOINT	1				0.03	0.066
060	35880-82640	FILTER MAGNET	1				0.11	0.242
070	35861-82630	COMP.FILTER HYD.	1				0.66	1.452
080	36330-82730	PIPE RUBBER	1				0.08	0.176
090	36200-82720	CLAMP	4				0.025	0.055
100	35533-82680	PIPE SUCTION	1				0.53	1.166
110	36330-82730	PIPE RUBBER	1				0.08	0.176
120	36200-82720	CLAMP	4				0.025	0.055
130	35533-82690	PIPE SUCTION	1	<=10075			0	0
130	35533-82692	PIPE SUCTION	1	>=10076	←		1.7	3.74
130	35533-82693	PIPE SUCTION	1	>=10198	≠		0.8	1.76
140	04811-00280	O RING	1				0.002	0.0044
150	01123-50875	BOLT	3	<=10197			0.04	0.088
150	01123-50825	BOLT	3	>=10198	≠		0.013	0.0286
160	35533-82720	CUSHION	2				0.03	0.066
170	33251-82760	BAND PIPE	1				0.016	0.0352
180	33430-82760	PIN BAND	1				0.004	0.0088

HYDRAULIC OIL LINE (SUCTION) [SU TYPE]

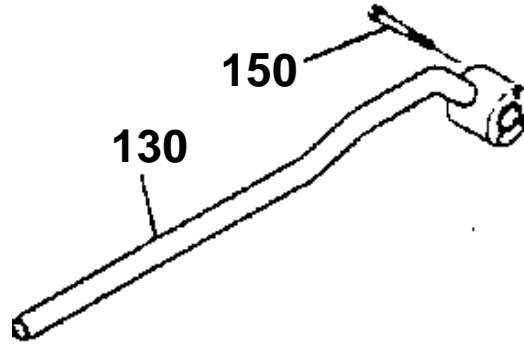


HYDRAULIC OIL LINE (SUCTION) [SU TYPE]

---

130 35533-8269-2

150 01123-50875



35533-846-10

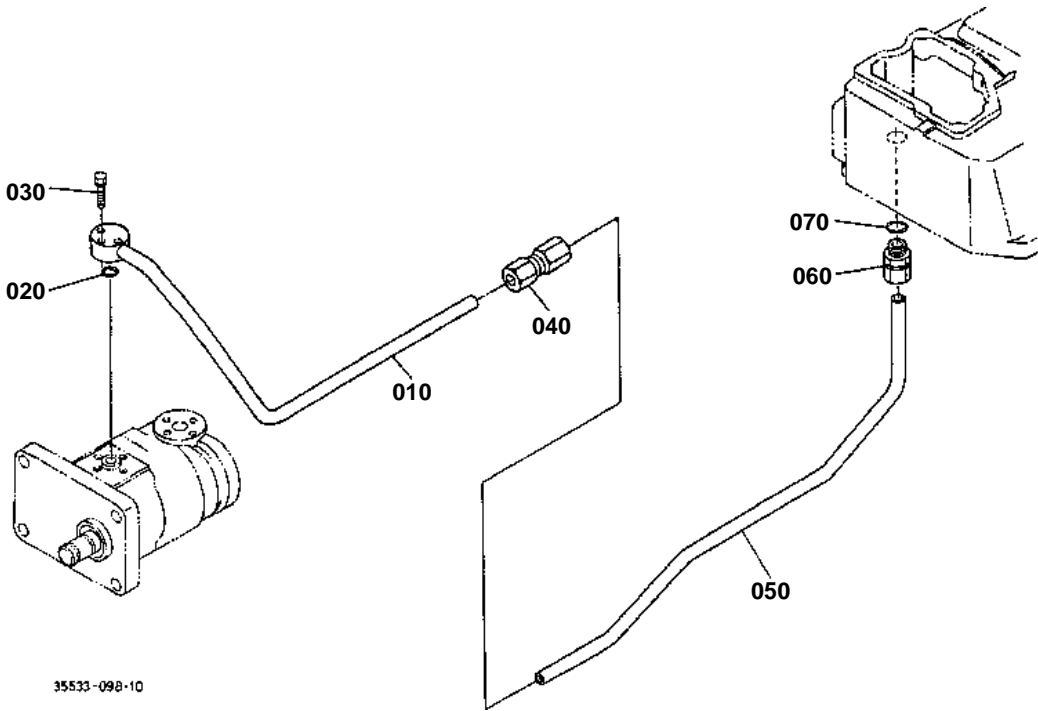


## HYDRAULIC OIL LINE (SUCTION) [SU TYPE]

↔ Interchangeable; ≠ not interchangeable; ← new for old; → old for new

REF.No	Part No.	Description	Q'ty	S.No.	I/C	REMARKS	Weight (kgf)	Weight (lb)
010	35458-82650	BRACKET FILTER	1				0.51	1.122
020	35880-94870	O RING	1				0.001	0.0022
030	01053-50650	BOLT	3				0.011	0.0242
040	36230-82660	PLUG	1				0.035	0.077
050	35861-82670	JOINT	1				0.03	0.066
060	35880-82640	FILTER MAGNET	1				0.11	0.242
070	35861-82630	COMP.FILTER HYD.	1				0.66	1.452
080	36330-82730	PIPE RUBBER	1				0.08	0.176
090	36200-82720	CLAMP	4				0.025	0.055
100	35533-82710	PIPE SUCTION	1				0.7	1.54
110	36330-82730	PIPE RUBBER	1				0.08	0.176
120	36200-82720	CLAMP	4				0.025	0.055
130	35533-82692	PIPE SUCTION	1	<=20202			1.7	3.74
130	35533-82693	PIPE SUCTION	1	>=20203	≠		0.8	1.76
140	04811-00280	O RING	1				0.002	0.0044
150	01123-50875	BOLT	3	<=20202			0.04	0.088
150	01123-50825	BOLT	3	>=20203	≠		0.013	0.0286
160	35533-82720	CUSHION	2				0.03	0.066
170	33251-82760	BAND PIPE	1				0.016	0.0352
180	33430-82760	PIN BAND	1				0.004	0.0088

# HYDRAULIC OIL LINE (DELIVERY)





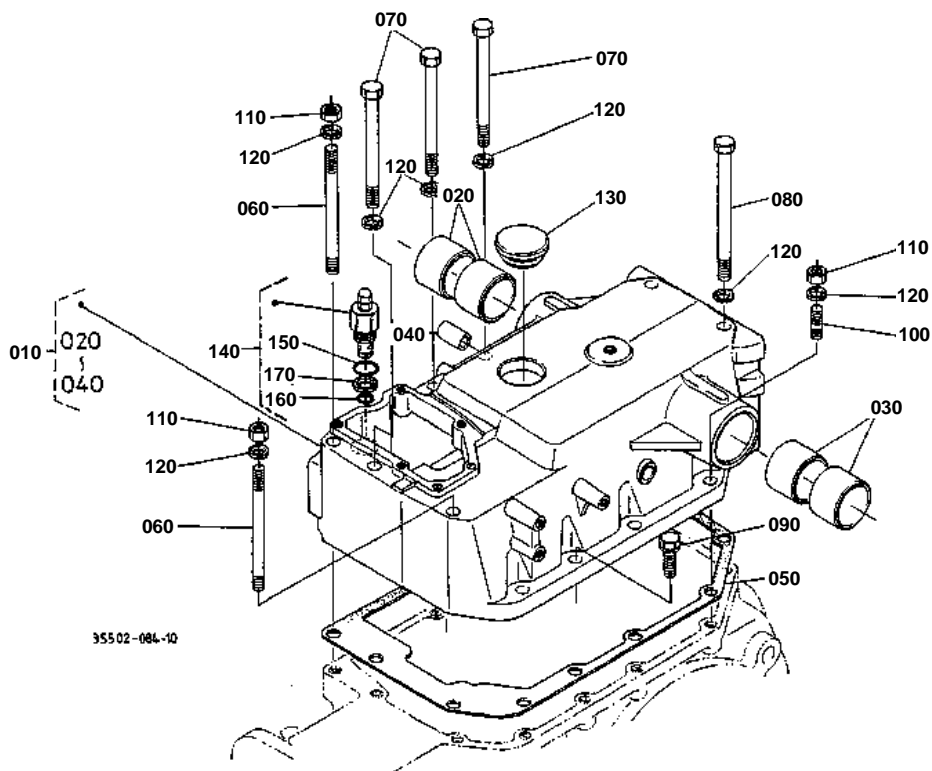


## HYDRAULIC OIL LINE (DELIVERY)

↔ Interchangeable; ≠ not interchangeable; ← new for old; → old for new

REF.No	Part No.	Description	Q'ty	S.No.	I/C	REMARKS	Weight (kgf)	Weight (lb)
010	35533-82740	PIPE DELIVERY	1				0.65	1.43
020	35458-82080	O RING	1				0.001	0.0022
030	01023-50635	BOLT	3				0.01	0.022
040	36200-82760	JOINT	1	<=20141			0	0
040	35820-82760	UNION	1	>=20142	←		0.156	0.3432
050	35533-82770	PIPE DELIVERY	1				0.35	0.77
060	36330-82750	NIPPLE	1				0.12	0.264
070	04811-00180	O RING	1				0.001	0.0022

# HYDRAULIC CYLINDER BODY



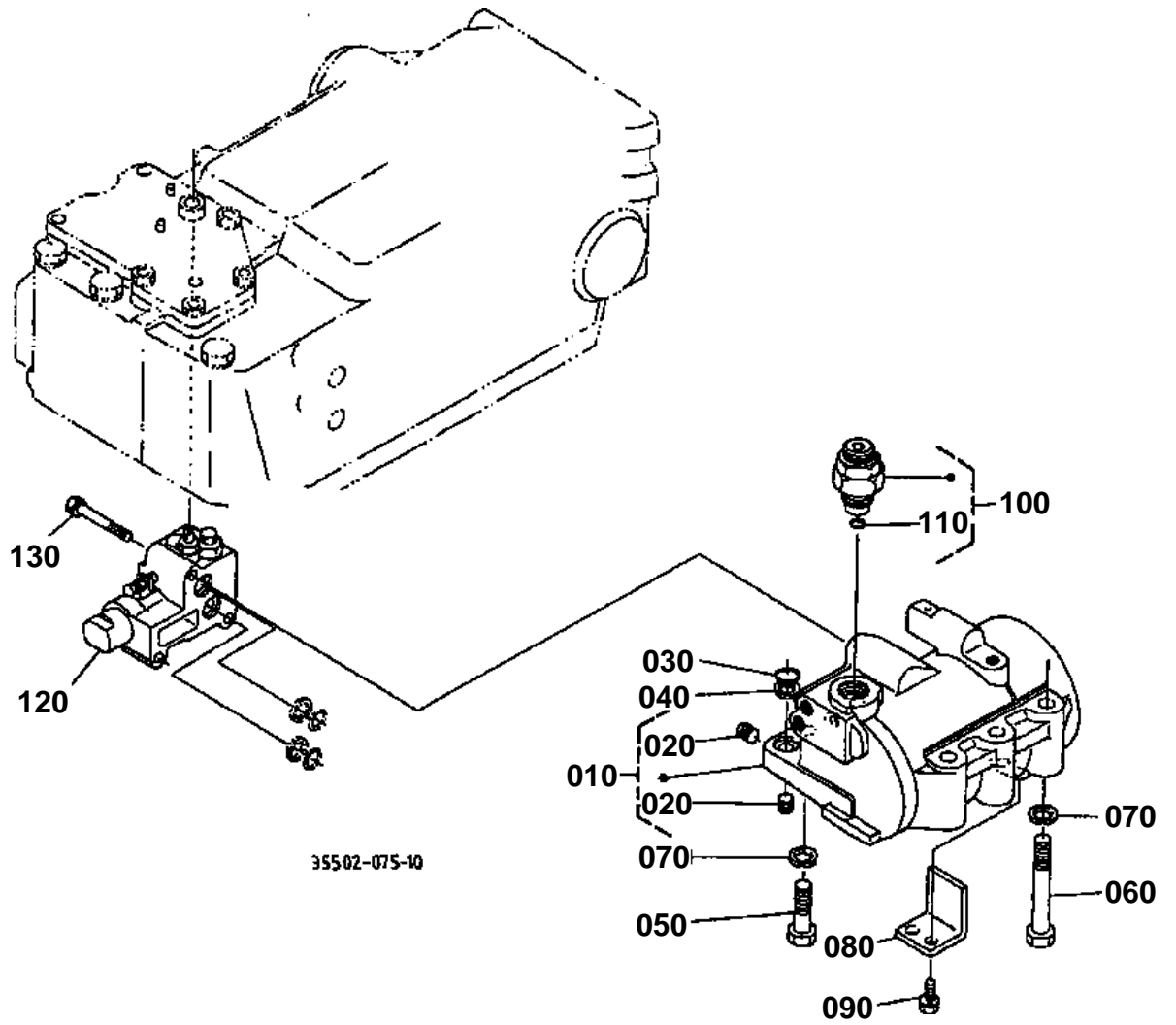


# HYDRAULIC CYLINDER BODY

↔ Interchangeable; ≠ not interchangeable; ← new for old; → old for new

REF.No	Part No.	Description	Q'ty	S.No.	I/C	REMARKS	Weight (kgf)	Weight (lb)
010	36330-82103	ASSY BODY HYD.CYL.	1				0	0
020	36200-82130	BUSH	2				0	0
030	33251-82060	BUSH	2				0	0
040	36200-81330	BUSH	1				0.04	0.088
060	36330-82150	STUD	2				0.14	0.308
070	36330-82160	BOLT	3				0.15	0.33
080	35702-82170	BOLT	2	<=10058			0.196	0.4312
080	35450-82170	BOLT	2	>=10059	≠		0.16	0.352
090	01133-51245	BOLT	3				0.055	0.121
100	01574-51240	STUD	2				0	0
110	02176-50120	NUT	4				0.01	0.022
120	04512-60120	WASHER SPRING	9				0.005	0.011
130	36200-81672	PLUG	1				0.03	0.066
140	36330-82360	ASSY VALVE RELIEF	1				0.25	0.55
150	04810-00220	O RING	1				0.001	0.0022
160	04811-05150	O RING	1				0.001	0.0022
170	67810-38370	RING BACK UP	1				0.001	0.0022

HYDRAULIC CYLINDER LINER



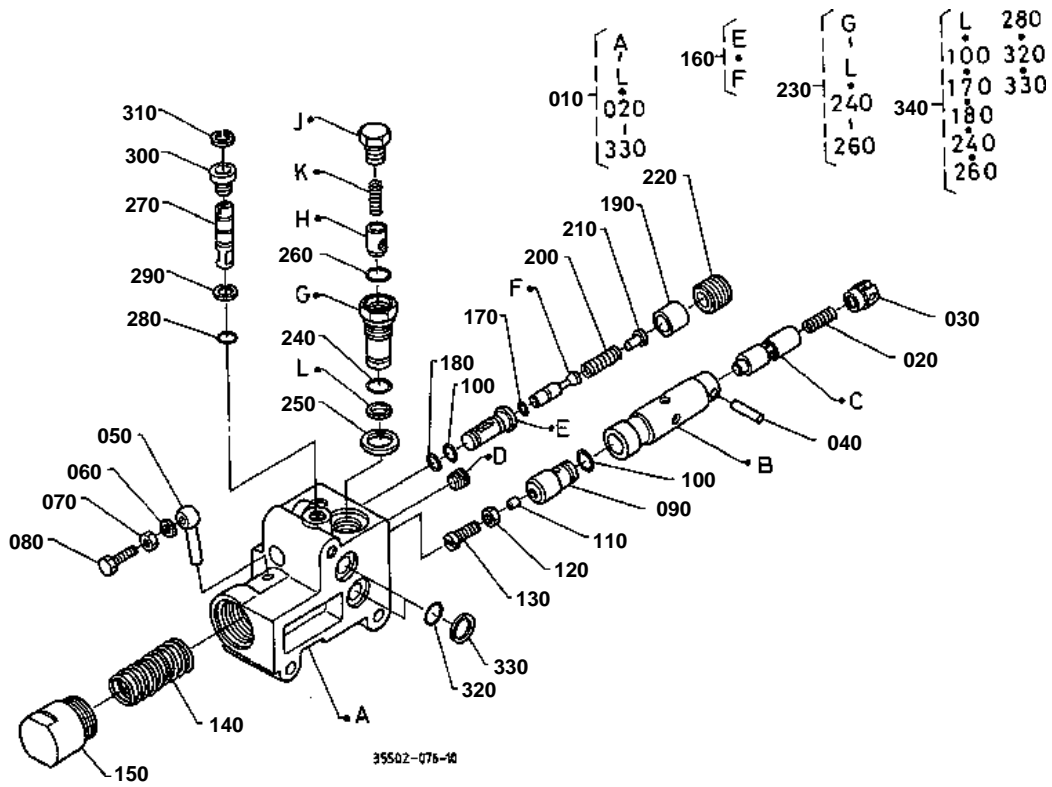


# HYDRAULIC CYLINDER LINER

↔ Interchangeable; ≠ not interchangeable; ← new for old; → old for new

REF.No	Part No.	Description	Q'ty	S.No.	I/C	REMARKS	Weight (kgf)	Weight (lb)
010	36330-82503	ASSY LINER HYD.CYL.	1				11.8	25.96
020	36741-94022	PLUG TAPER	5				0.01	0.022
030	04811-00140	O RING	1				0.001	0.0022
040	36200-82330	RING BACK UP	1				0.001	0.0022
050	36330-82290	BOLT	3				0.06	0.132
060	36330-82340	BOLT	3				0	0
070	04512-60140	WASHER SPRING	6				0.006	0.0132
080	36330-82530	SUPPORT ROD	1				0.1	0.22
090	01123-60816	BOLT	2				0.01	0.022
100	36330-82402	ASSY VALVE SAFETY	1				0.25	0.55
110	04810-00110	O RING	1				0.001	0.0022
120	35861-82300	ASSY VALVE CONTROL	1			REFER TO L.No.0G14-R0 FOR COMPONENTS.	2.1	4.62
130	01123-50855	BOLT	3				0.02	0.044

CONTROL VALVE [COMPONENT PARTS]

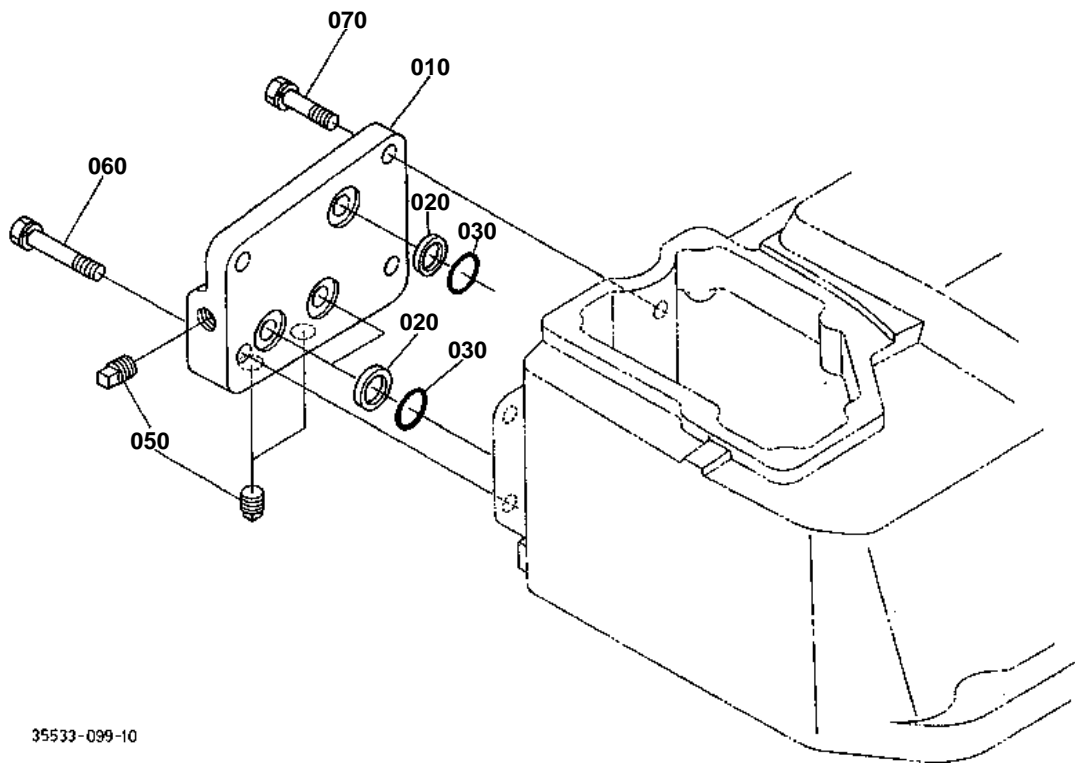


**CONTROL VALVE [COMPONENT PARTS]**

↔ Interchangeable; ≠ not interchangeable; ← new for old; → old for new

REF.No	Part No.	Description	Q'ty	S.No.	I/C	REMARKS	Weight (kgf)	Weight (lb)
010	35861-82300	ASSY VALVE CONTROL	1				2.1	4.62
020	35410-07110	SPRING	1				0.002	0.0044
030	35410-07120	SEAT SPRING	1				0.003	0.0066
040	35410-07130	PIN	1				0.003	0.0066
050	35410-07140	PIN	1				0.013	0.0286
060	04512-50050	WASHER SPRING	1				0	0
070	02052-50050	NUT	1				0.001	0.0022
080	35410-07170	BOLT	1				0.004	0.0088
090	35410-07180	PLUG	1				0.04	0.088
100	35410-07190	O RING	2				0.002	0.0044
110	35410-07200	PLUG	1				0.002	0.0044
120	35410-07210	NUT	1				0.004	0.0088
130	35410-07220	SCREW	1				0.01	0.022
140	35410-07230	SPRING	1				0.03	0.066
150	35410-07240	CAP	1				0.1	0.22
160	35410-07250	ASSY VALVE	1				0.03	0.066
170	35410-07260	O RING	1				0.001	0.0022
180	35410-07270	O RING	1				0.003	0.0066
190	35410-07280	COLLAR	1				0.01	0.022
200	35410-07290	SPRING	1				0.003	0.0066
210	35410-07300	SEAT SPRING	1				0.005	0.011
220	35410-07310	PLUG	1				0.024	0.0528
230	35861-82310	ASSY VALVE CHECK	1				0.08	0.176
240	35410-07190	O RING	1				0.002	0.0044
250	35700-82480	GASKET	1				0.002	0.0044
260	04811-00110	O RING	1				0.001	0.0022
270	35410-07380	VALVE THROTTLE	1				0.015	0.033
280	35410-07390	O RING	1				0.001	0.0022
290	35410-07400	RING SNAP	1				0.001	0.0022
300	35410-07410	BUSH	1				0.007	0.0154
310	04613-00060	CIRCLIP EXTERNAL	1				0	0
320	04810-00140	O RING	2				0.001	0.0022
330	36200-82330	RING BACK UP	2				0.001	0.0022
340	35861-82320	KIT SEAL	1				0.005	0.011

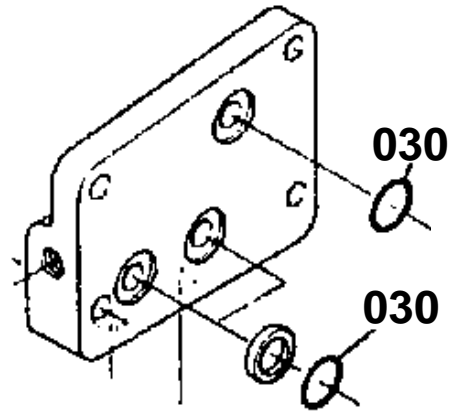
AUXILIARY CONTROL VALVE COVER [SU TYPE]



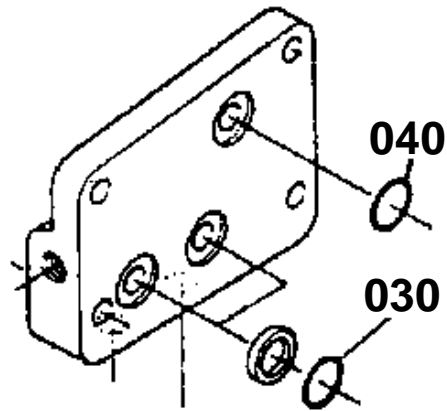
35533-099-10



030 04810-00140



040 04811-00160



35533-847-10

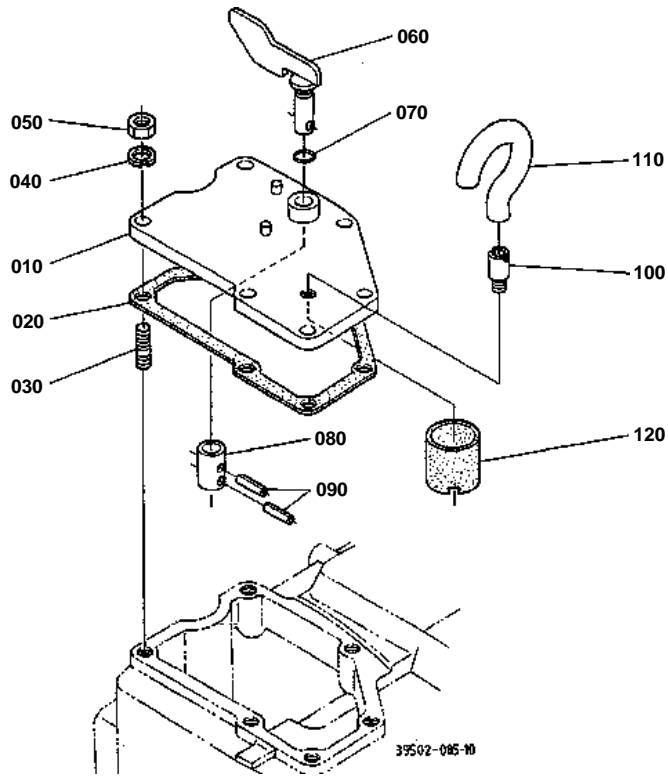


# AUXILIARY CONTROL VALVE COVER [SU TYPE]

↔ Interchangeable; ≠ not interchangeable; ← new for old; → old for new

REF.No	Part No.	Description	Q'ty	S.No.	I/C	REMARKS	Weight (kgf)	Weight (lb)
010	35574-82350	COVER AUX.CON.	1				1.1	2.42
020	36200-82330	RING BACK UP	2	<=20050			0.001	0.0022
020	36200-82330	RING BACK UP	3	>=20051			0.001	0.0022
030	04810-00140	O RING	2	<=20050			0.001	0.0022
030	04810-00140	O RING	3	>=20051			0.001	0.0022
040	04810-00160	O RING	1	<=20050			0.001	0.0022
050	36741-94022	PLUG TAPER	3				0.01	0.022
060	01123-50840	BOLT	2				0.018	0.0396
070	01123-50828	BOLT	2				0.014	0.0308

DOWN SPEED ADJUSTING LEVER



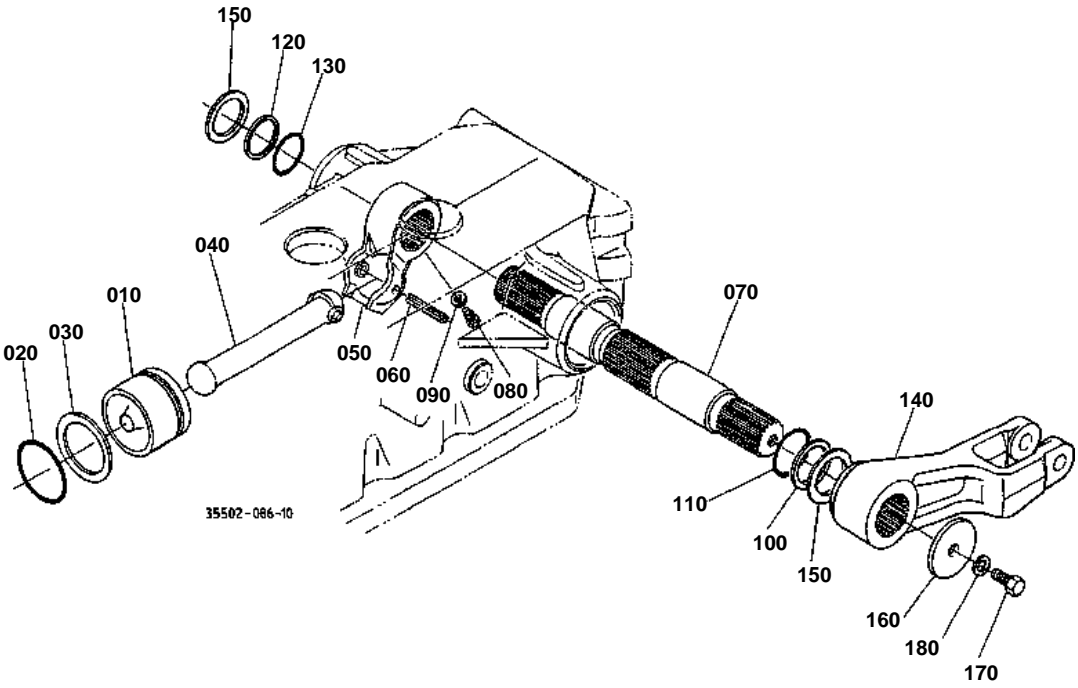


## DOWN SPEED ADJUSTING LEVER

↔ Interchangeable; ≠ not interchangeable; ← new for old; → old for new

REF.No	Part No.	Description	Q'ty	S.No.	I/C	REMARKS	Weight (kgf)	Weight (lb)
010	36330-81613	COVER ADJUSTING	1				1.1	2.42
020	36330-81620	GASKET	1				0.001	0.0022
030	01513-50822	STUD	6				0.01	0.022
040	04512-60080	WASHER SPRING	6				0.002	0.0044
050	02114-50080	NUT	6				0.005	0.011
060	35533-81630	LEVER ADJUSTING	1				0.04	0.088
070	04811-00070	O RING	1				0.001	0.0022
080	36330-81640	JOINT	1	<=10193			0	0
080	36330-81643	JOINT	1	>=10191	←		0.03	0.066
090	05411-00318	PIN SPRING	2				0.001	0.0022
100	36200-21610	BREATHER	1				0.008	0.0176
110	36200-21620	BREATHER	1	<=10054			0.006	0.0132
110	35820-21620	BREATHER	1	>=10055	≠		0.007	0.0154
120	36330-21632	PIPE RUBBER	1				0.02	0.044

HYDRAULIC LIFT ARM



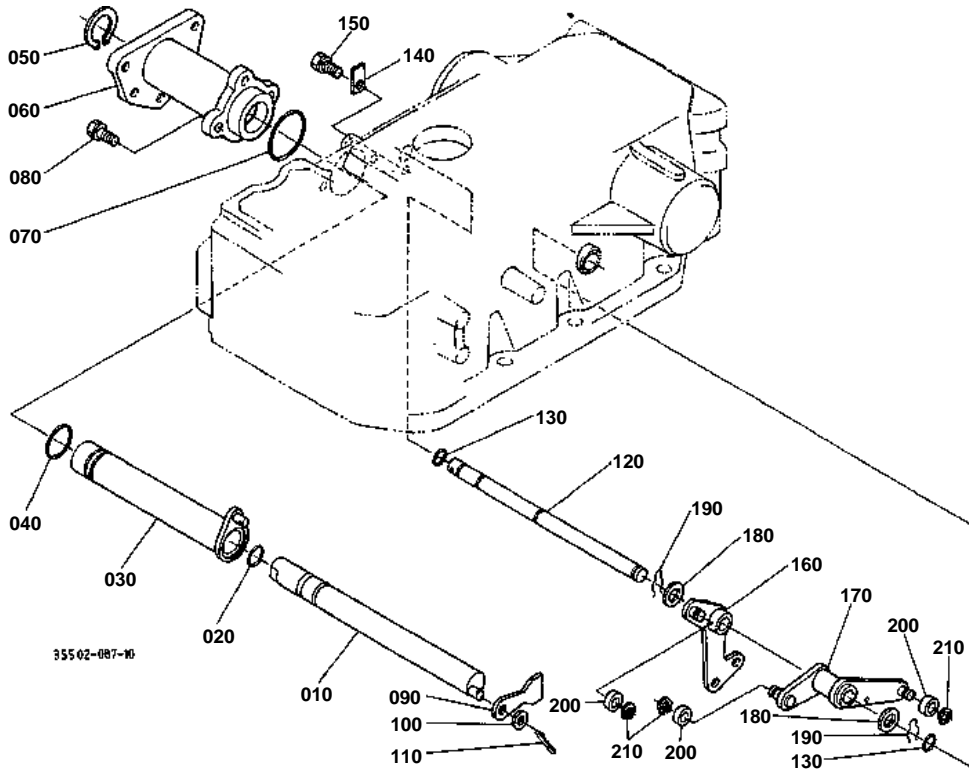


# HYDRAULIC LIFT ARM

↔ Interchangeable; ≠ not interchangeable; ← new for old; → old for new

REF.No	Part No.	Description	Q'ty	S.No.	I/C	REMARKS	Weight (kgf)	Weight (lb)
010	36330-82570	PISTON HYD.	1				2.23	4.906
020	04811-40430	O RING	1				0.007	0.0154
030	36330-82550	RING BACK UP	1				0.009	0.0198
040	36330-82860	ROD HYD.PISTON	1				1.53	3.366
050	36330-82840	ARM HYDRAULIC	1	<=10058			0	0
050	36330-82844	ARM HYDRAULIC	1	>=10059	←		2	4.4
060	05411-00870	PIN SPRING	1				0.015	0.033
070	36330-82830	SHAFT HYD.ARM	1				0	0
080	33251-82850	BOLT STOPPER	1				0.015	0.033
090	04512-60100	WASHER SPRING	1				0.002	0.0044
100	36200-82890	COLLAR DISTANCE LH	1				0.019	0.0418
110	04811-40310	O RING	1				0.005	0.011
120	33251-82880	COLLAR DISTANCE RH	1				0.03	0.066
130	04811-40320	O RING	1				0.005	0.011
140	36330-82910	LEVER LIFT	2				6.2	13.64
150	36830-82900	COLLAR THRUST	2			0.5MM	0.012	0.0264
160	36330-82920	RETAINER LEVER	2				0.22	0.484
170	01173-51435	BOLT	2				0.056	0.1232
180	04512-60140	WASHER SPRING	2				0.006	0.0132

# HYDRAULIC SYSTEM 1





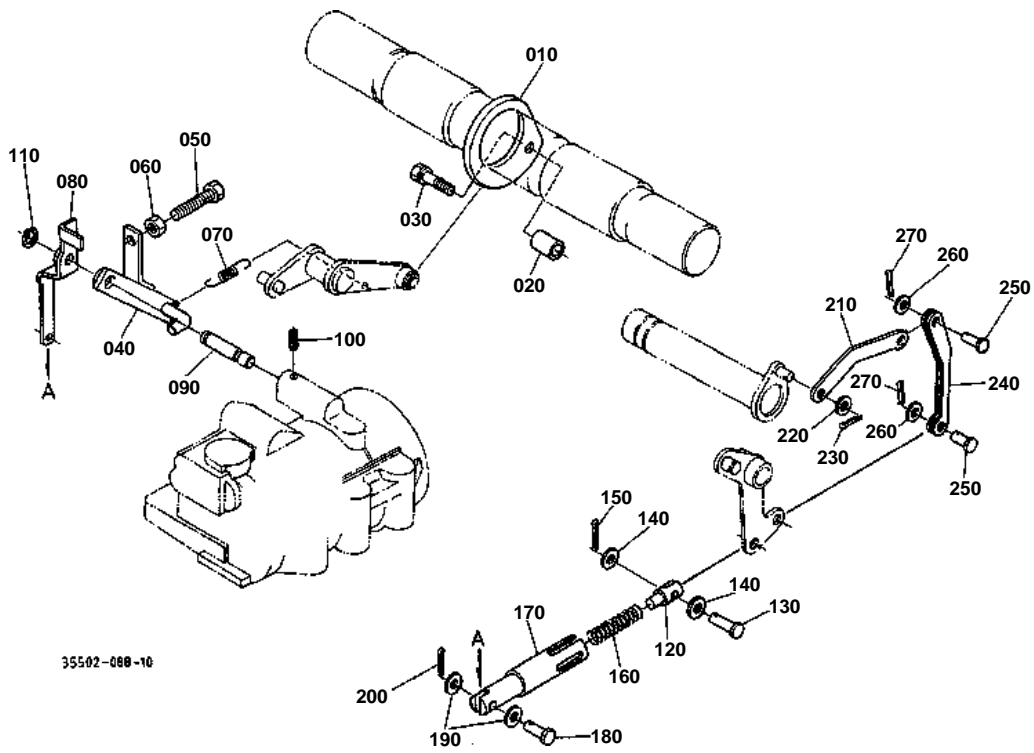
# HYDRAULIC SYSTEM 1

↔ Interchangeable; ≠ not interchangeable; ← new for old; → old for new

REF.No	Part No.	Description	Q'ty	S.No.	I/C	REMARKS	Weight (kgf)	Weight (lb)
010	35533-81110	SHAFT POSITION CON.	1				0.75	1.65
020	04811-00180	O RING	1				0.001	0.0022
030	35533-81120	SHAFT DRAFT CONTROL	1	<=10034			0	0
030	35533-81122	SHAFT DRAFT CONTROL	1	>=10035	←		0.5	1.1
040	04811-06260	O RING	1				0.001	0.0022
050	04612-00300	CIRCLIP EXTERNAL	1				0.003	0.0066
060	35533-81130	BRACKET GUIDE	1				1.2	2.64
070	04811-50450	O RING	1				0.002	0.0044
080	01123-50820	BOLT	3				0.011	0.0242
090	36200-81150	CONNECTOR POSITION	1	<=10132			0	0
090	36200-81155	CONNECTOR POSITION	1	>=10133	←		0.03	0.066
100	04012-50080	WASHER PLAIN	1				0.001	0.0022
110	05511-51612	PIN SPLIT	1				0.001	0.0022
120	36330-81180	BAR CONNECTOR	1				0.32	0.704
130	04811-10120	O RING	2				0.001	0.0022
140	36200-81190	STOPPER	1				0.008	0.0176
150	01123-60816	BOLT	1				0.01	0.022
160	36200-81230	CONNECTOR	1				0.166	0.3652
170	36330-81240	BALANCER POSITION	1				0.232	0.5104
180	04011-50140	WASHER PLAIN	2				0.007	0.0154
190	36200-81210	CIR-CLIP	2				0.001	0.0022
200	36200-81220	ROLLER	3				0.008	0.0176
210	04612-00100	CIRCLIP EXTERNAL	3				0.001	0.0022



HYDRAULIC SYSTEM 2

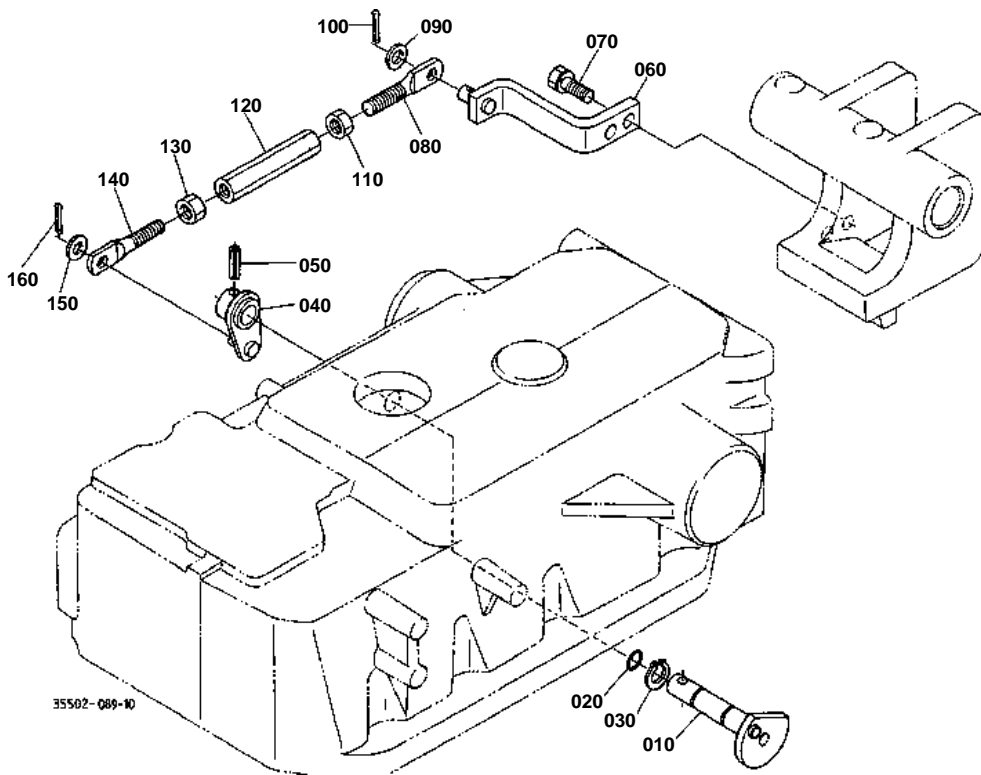


**HYDRAULIC SYSTEM 2**

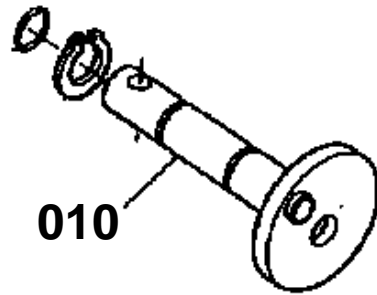
↔ Interchangeable; ≠ not interchangeable; ← new for old; → old for new

REF.No	Part No.	Description	Q'ty	S.No.	I/C	REMARKS	Weight (kgf)	Weight (lb)
010	36330-81250	CAM POSITION	1				0.165	0.363
020	36330-81290	SPACER	1				0.02	0.044
030	01123-50835	BOLT	1				0.02	0.044
040	36330-81682	HOLDER FEED BACK	1				0.2	0.44
050	01172-51045	BOLT	1				0	0
060	02118-50100	NUT	1				0.005	0.011
070	36330-81670	SPRING	1				0.002	0.0044
080	36330-81160	RETAINER SPOOL	1				0.12	0.264
090	36330-81170	PIN	1				0.03	0.066
100	05411-00416	PIN SPRING	1				0.001	0.0022
110	04612-00100	CIRCLIP EXTERNAL	1				0.001	0.0022
120	36200-81270	HOLDER PUSH	1				0.026	0.0572
130	05122-50628	PIN JOINT	1				0.006	0.0132
140	04012-50060	WASHER PLAIN	2				0.001	0.0022
150	05511-51612	PIN SPLIT	1				0.001	0.0022
160	36200-81280	SPRING	1				0.019	0.0418
170	36200-81260	HOLDER PUSH	1	<=10121			0	0
170	36200-81263	HOLDER PUSH	1	>=10122	←		0.19	0.418
180	05122-50628	PIN JOINT	1				0.006	0.0132
190	04012-50060	WASHER PLAIN	2				0.001	0.0022
200	05511-51612	PIN SPLIT	1				0.001	0.0022
210	36330-81310	LINK DRAFT	1	<=10121			0	0
210	36330-81312	LINK DRAFT	1	>=10122	←		0.06	0.132
220	04012-50080	WASHER PLAIN	1				0.001	0.0022
230	05511-51612	PIN SPLIT	1				0.001	0.0022
240	36200-81324	LINK DRAFT	1				0.08	0.176
250	05122-50818	PIN JOINT	2				0.008	0.0176
260	04012-50080	WASHER PLAIN	2				0.001	0.0022
270	05511-50215	PIN SPLIT	2				0.001	0.0022

HYDRAULIC SYSTEM 3



010 36330-8134-0



35502-822-10

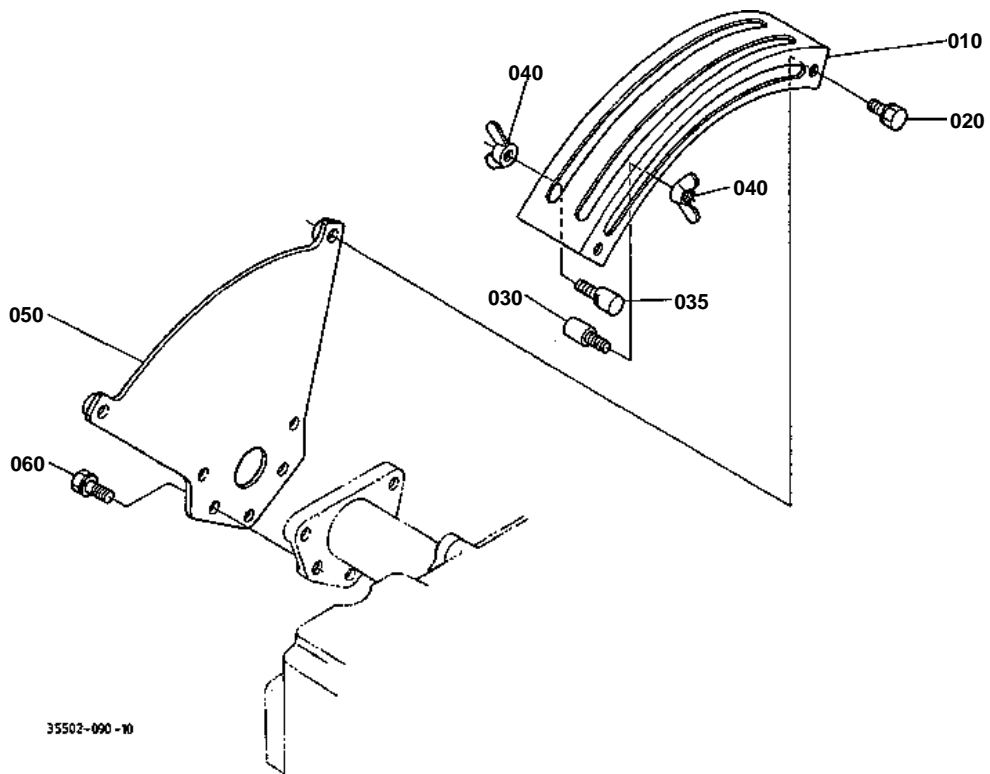


### HYDRAULIC SYSTEM 3

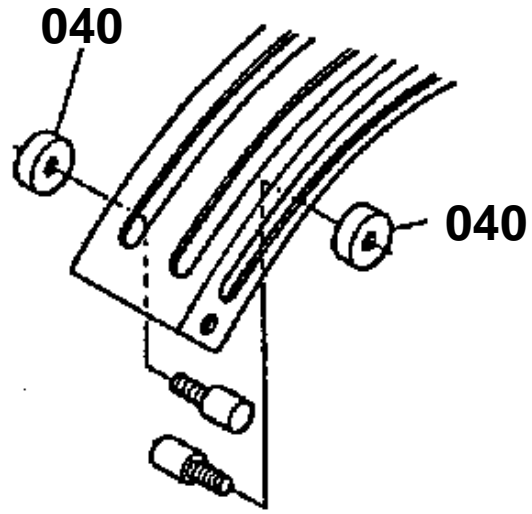
↔ Interchangeable; ≠ not interchangeable; ← new for old; → old for new

REF.No	Part No.	Description	Q'ty	S.No.	I/C	REMARKS	Weight (kgf)	Weight (lb)
010	36330-81340	CAM DRAFT	1	<=20599			0	0
010	36330-81346	CAM DRAFT	1	>=20600	←		0.25	0.55
020	04811-05120	O RING	1				0.001	0.0022
030	04612-00150	CIRCLIP EXTERNAL	1				0.001	0.0022
040	36330-81352	LEVER DRAFT CONTROL	1				0.1	0.22
050	05411-00525	PIN SPRING	1				0.002	0.0044
060	36330-81363	PLATE DRAFT	1				0.25	0.55
070	01123-50825	BOLT	2				0.013	0.0286
080	36330-81392	ROD DRAFT CONTROL	1				0.1	0.22
090	04011-50100	WASHER PLAIN	1				0.002	0.0044
100	05511-50318	PIN SPLIT	1				0.001	0.0022
110	32350-28990	NUT	1				0.009	0.0198
120	32350-28980	TURNBUCKLE	1				0.124	0.2728
130	02116-50100	NUT	1				0.004	0.0088
140	36330-81382	ROD DRAFT CONTROL	1				0.033	0.0726
150	04011-50100	WASHER PLAIN	1				0.002	0.0044
160	05511-50318	PIN SPLIT	1				0.001	0.0022

# HYDARULIC LEVER GUIDE



**040 36200-8154-0**



**35502-823-10**



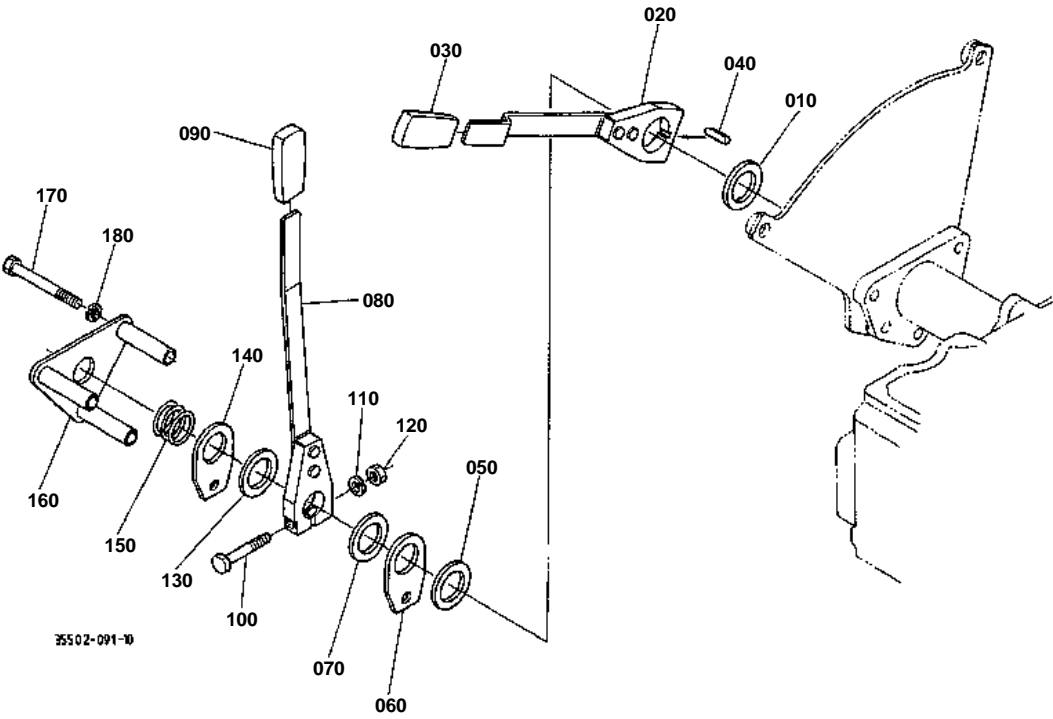
## HYDARULIC LEVER GUIDE

↔ Interchangeable; ≠ not interchangeable; ← new for old; → old for new

REF.No	Part No.	Description	Q'ty	S.No.	I/C	REMARKS	Weight (kgf)	Weight (lb)
010	35533-81410	PLATE HYD.GUIDE	1				0.4	0.88
020	01123-60816	BOLT	2				0.01	0.022
030	36200-81520	STOPPER LEVER	1				0.034	0.0748
035	36200-81520	STOPPER LEVER	1				0.034	0.0748
040	36200-81540	NUT	2	<=20483			0.075	0.165
040	02870-50100	NUT WING	2	>=20484	←		0.015	0.033
050	35533-81510	PLATE HYD.GUIDE	1				0.8	1.76
060	01123-60816	BOLT	2				0.01	0.022



DRAFT AND POSITION CONTROL LEVER



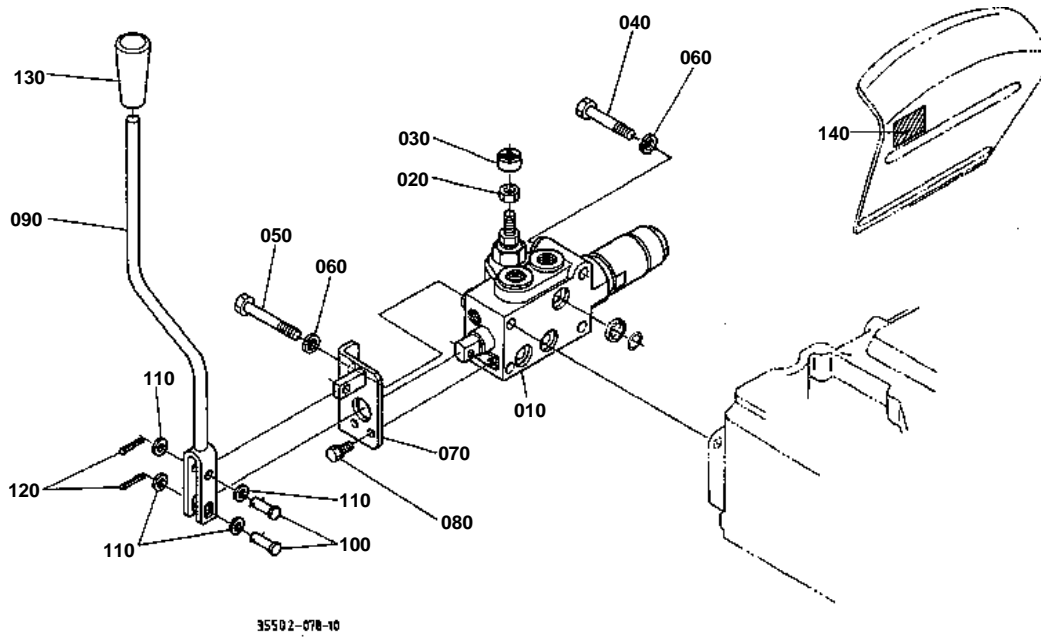


## DRAFT AND POSITION CONTROL LEVER

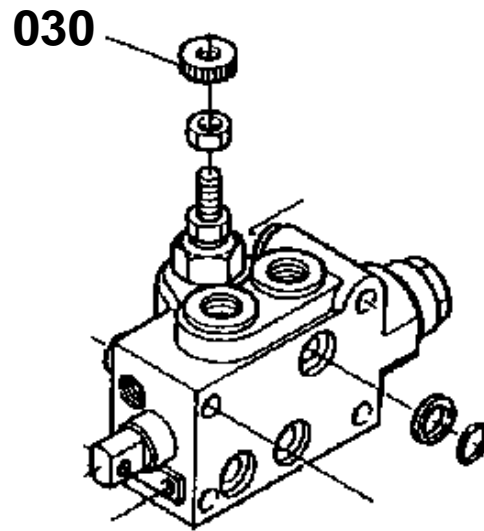
↔ Interchangeable; ≠ not interchangeable; ← new for old; → old for new

REF.No	Part No.	Description	Q'ty	S.No.	I/C	REMARKS	Weight (kgf)	Weight (lb)
010	36200-81440	WASHER FRICTION	1				0.005	0.011
020	35533-81430	LEVER DRAFT CONTROL	1				0.3	0.66
030	31351-36880	GRIP LEVER	1				0.04	0.088
040	05712-00510	KEY FEATHER	1				0.002	0.0044
050	36200-81450	WASHER FRICTION	1				0.006	0.0132
060	36200-81480	PLATE	1				0.034	0.0748
070	36200-81450	WASHER FRICTION	1				0.006	0.0132
080	35533-81420	LEVER POSITION CONT.	1				0.3	0.66
090	31351-36880	GRIP LEVER	1				0.04	0.088
100	36200-81530	BOLT	1				0.016	0.0352
110	04512-60060	WASHER SPRING	1				0.001	0.0022
120	02056-50060	NUT	1				0.002	0.0044
130	36200-81450	WASHER FRICTION	1				0.006	0.0132
140	36200-81480	PLATE	1				0.034	0.0748
150	36200-81460	SPRING	1				0.03	0.066
160	35533-81470	RETAINER SPRING	1				0.2	0.44
170	01153-50875	BOLT	3				0.028	0.0616
180	04512-60080	WASHER SPRING	3				0.002	0.0044

AUXILIARY CONTROL VALVE 1 [EXCEPT SU]



030 99883-9313-0



35502-821-10

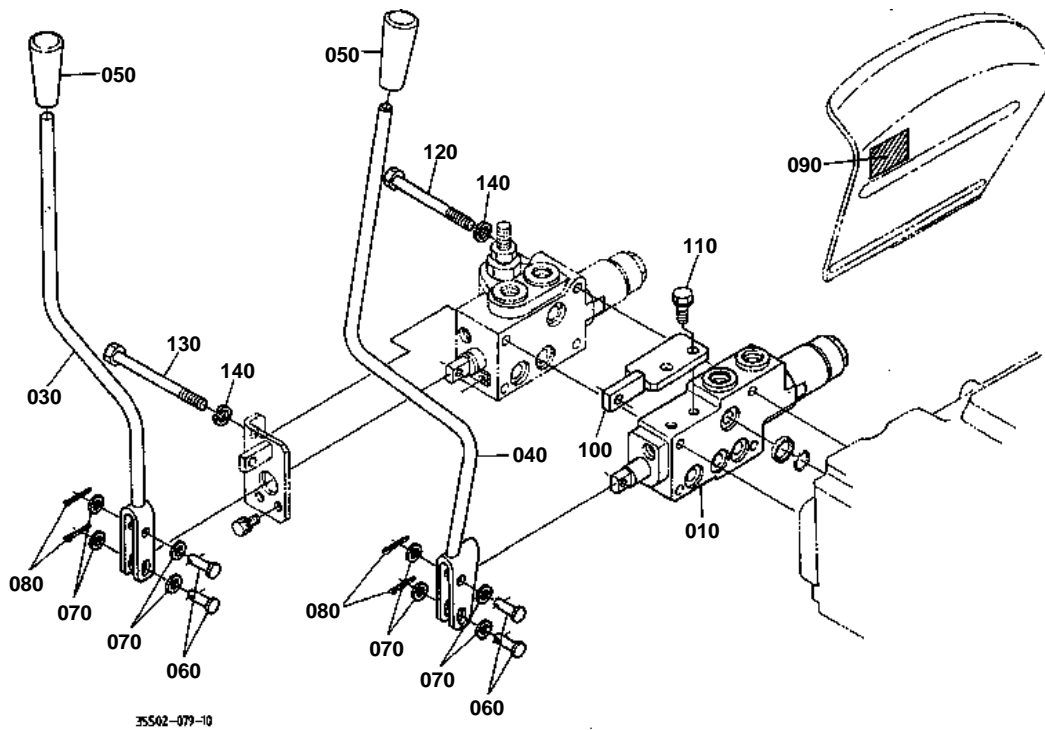


**AUXILIARY CONTROL VALVE 1 [EXCEPT SU]  
SELF CANCELLING WITH DETENTS**

↔ Interchangeable; ≠ not interchangeable; ← new for old; → old for new

REF.No	Part No.	Description	Q'ty	S.No.	I/C	REMARKS	Weight (kgf)	Weight (lb)
010	35820-82350	ASSY VALVE AUX.CON.	1	<=20687		REFER TO L.No.0H05-R0 FOR COMPONENTS.	0	0
010	35820-82352	ASSY VALVE AUX.CON.	1	>=20688	←	REFER TO L.No.0H05-R0 FOR COMPONENTS.	4.32	9.504
020	02112-50080	NUT	1				0.003	0.0066
030	99883-93130	KNOB	1	<=20186			0	0
030	36730-82010	KNOB	1	>=20187	↔		0.021	0.0462
040	01153-50865	BOLT	2				0.025	0.055
050	01153-50870	BOLT	2				0.026	0.0572
060	04512-60080	WASHER SPRING	4				0.002	0.0044
070	35533-82410	SUPPORT CON.LEVER	1				0.2	0.44
080	01023-50614	BOLT	2				0.005	0.011
090	35533-82530	LEVER AUX.CON.VALVE	1				0.4	0.88
100	05122-50625	PIN JOINT	2				0.006	0.0132
110	04012-50060	WASHER PLAIN	4				0.001	0.0022
120	05511-51612	PIN SPLIT	2				0.001	0.0022
130	36330-82450	GRIP	1				0.025	0.055
140	35533-98560	LABEL AUX.CON.VALVE	1	<=10058			0	0
140	35533-98562	LABEL AUX.CON.VALVE	1	>=10059	←		0.006	0.0132

# AUXILIARY CONTROL VALVE 2 [OPTION]



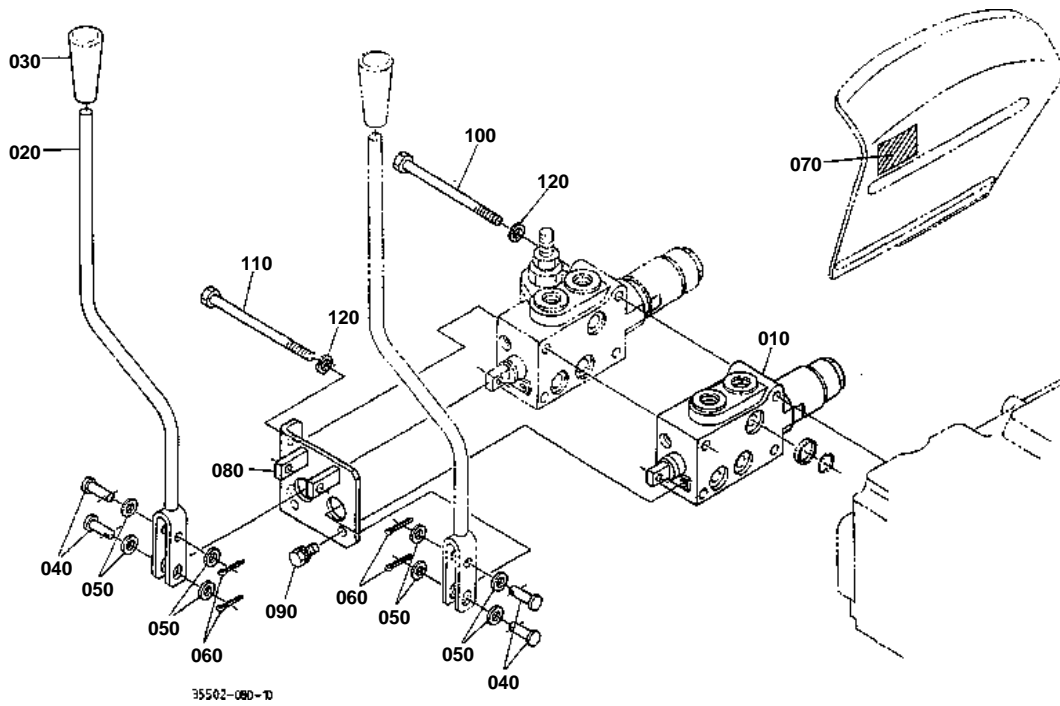


**AUXILIARY CONTROL VALVE 2 [OPTION]**  
**DETENTED FLOAT POSITION**

↔ Interchangeable; ≠ not interchangeable; ← new for old; → old for new

REF.No	Part No.	Description	Q'ty	S.No.	I/C	REMARKS	Weight (kgf)	Weight (lb)
010	35860-82802	ASSY VALVE FLOATING	1			REFER TO L.No.0H06-R0 FOR COMPONENTS.	3.32	7.304
030	35533-82460	LEVER AUX.CON.VALVE	1				0.45	0.99
040	35533-82470	LEVER AUX.CON.VALVE	1	<=10182			0	0
040	35533-82472	LEVER AUX.CON.VALVE	1	>=10183	←		0.42	0.924
050	36330-82450	GRIP	2				0.025	0.055
060	05122-50625	PIN JOINT	4				0.006	0.0132
070	04012-50060	WASHER PLAIN	8				0.001	0.0022
080	05511-51612	PIN SPLIT	4				0.001	0.0022
090	35533-98390	LABEL AUX.CON.VALVE	1	<=10058			0	0
090	35533-98392	LABEL AUX.CON.VALVE	1	>=10059	←		0.006	0.0132
100	35533-82420	SUPPORT CON.LEVER	1	<=10182			0	0
100	35533-82422	SUPPORT CON.LEVER	1	>=10183	←		0.2	0.44
110	01123-50820	BOLT	2				0.011	0.0242
120	01153-50801	BOLT	2				0.047	0.1034
130	01153-50802	BOLT	2				0.045	0.099
140	04512-60080	WASHER SPRING	4				0.002	0.0044

# AUXILIARY CONTROL VALVE 3 [OPTION]





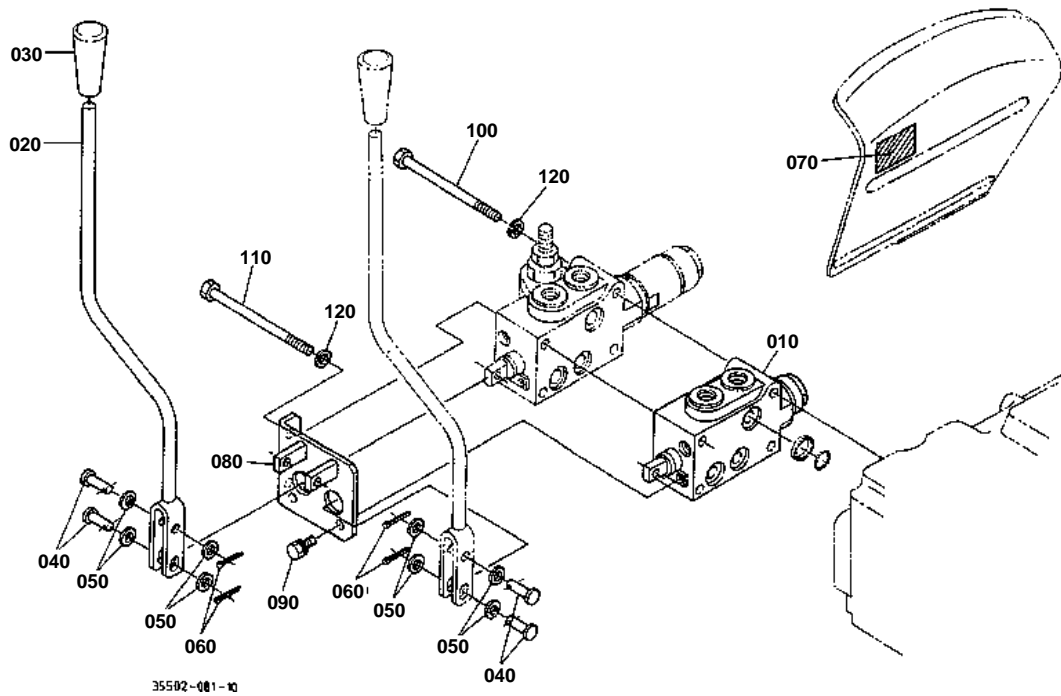


**AUXILIARY CONTROL VALVE 3 [OPTION]**  
**SELF CANCELLING WITH DETENTS**

↔ Interchangeable; ≠ not interchangeable; ← new for old; → old for new

REF.No	Part No.	Description	Q'ty	S.No.	I/C	REMARKS	Weight (kgf)	Weight (lb)
010	35820-82540	ASSY VALVE AUX.CON.	1			REFER TO L.No.0H07-L0 FOR COMPONENTS.	2.85	6.27
020	35533-82460	LEVER AUX.CON.VALVE	1				0.45	0.99
030	36330-82450	GRIP	1			0.025	0.055	
040	05122-50625	PIN JOINT	4			0.006	0.0132	
050	04012-50060	WASHER PLAIN	8			0.001	0.0022	
060	05511-51612	PIN SPLIT	4			0.001	0.0022	
070	35533-98390	LABEL AUX.CON.VALVE	1	≤10058		0	0	
070	35533-98392	LABEL AUX.CON.VALVE	1	≥10059	←	0.006	0.0132	
080	35533-82480	SUPPORT CON.LEVER	1			0.38	0.836	
090	01023-50614	BOLT	2			0.005	0.011	
100	01153-50801	BOLT	2			0.047	0.1034	
110	01153-50802	BOLT	2			0.045	0.099	
120	04512-60080	WASHER SPRING	4			0.002	0.0044	

# AUXILIARY CONTROL VALVE 4 [OPTION]



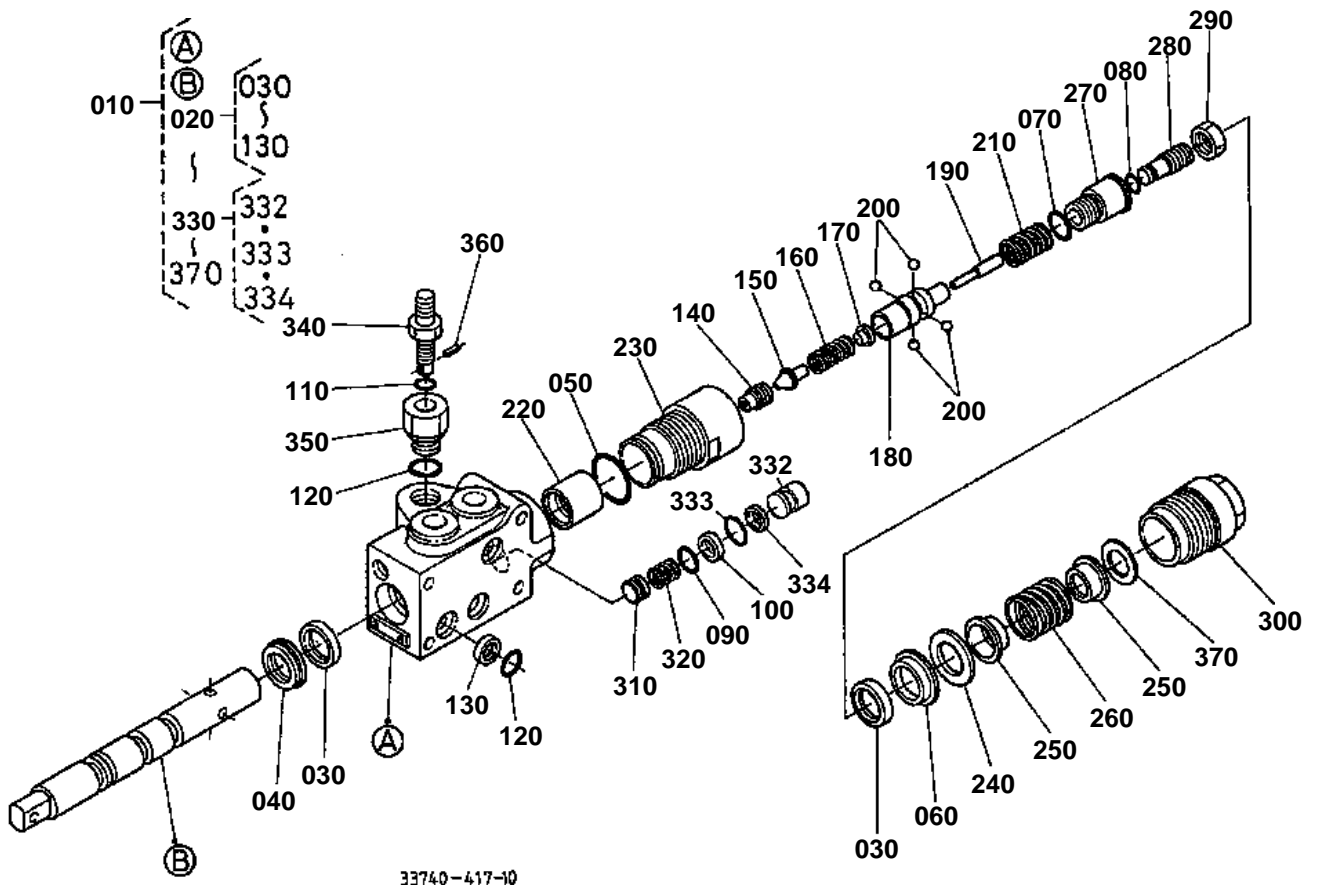


**AUXILIARY CONTROL VALVE 4 [OPTION]**  
**NO DETENTS OR SELF CANCELLING**

↔ Interchangeable; ≠ not interchangeable; ← new for old; → old for new

REF.No	Part No.	Description	Q'ty	S.No.	I/C	REMARKS	Weight (kgf)	Weight (lb)
010	99883-93110	ASSY VALVE AUX.CON.	1			REFER TO L.No.0H07-R0 FOR COMPONENTS.	2	4.4
020	35533-82460	LEVER AUX.CON.VALVE	1				0.45	0.99
030	36330-82450	GRIP	1				0.025	0.055
040	05122-50625	PIN JOINT	4				0.006	0.0132
050	04012-50060	WASHER PLAIN	8				0.001	0.0022
060	05511-51612	PIN SPLIT	4				0.001	0.0022
070	35533-98390	LABEL AUX.CON.VALVE	1	≤10058			0	0
070	35533-98392	LABEL AUX.CON.VALVE	1	≥10059	←		0.006	0.0132
080	35533-82480	SUPPORT CON.LEVER	1				0.38	0.836
090	01023-50614	BOLT	2				0.005	0.011
100	01153-50801	BOLT	2				0.047	0.1034
110	01153-50802	BOLT	2				0.045	0.099
120	04512-60080	WASHER SPRING	4				0.002	0.0044

AUXILIARY CONTROL VALVE [COMPONENT PARTS]



33740-417-10

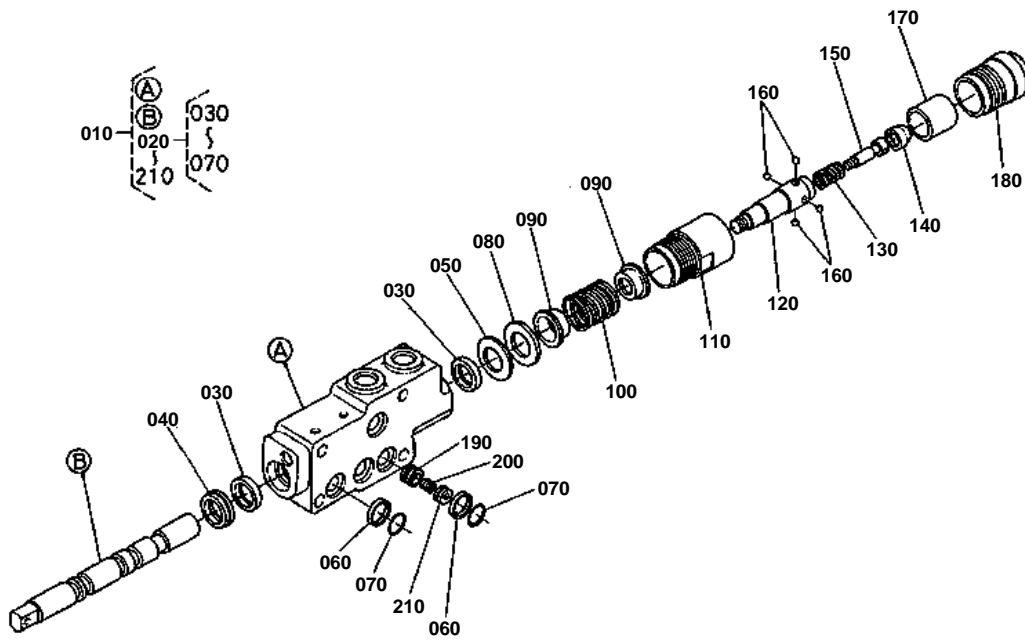


**AUXILIARY CONTROL VALVE [COMPONENT PARTS]**  
**SELF CANCELLING WITH DETENTS**

↔ Interchangeable; ≠ not interchangeable; ← new for old; → old for new

REF.No	Part No.	Description	Q'ty	S.No.	I/C	REMARKS	Weight (kgf)	Weight (lb)
010	35820-82350	ASSY VALVE AUX.CON.	1	<=20687			0	0
010	35820-82352	ASSY VALVE AUX.CON.	1	>=20688	←		4.32	9.504
020	36998-00110	KIT SEAL	1				0.01	0.022
030	36200-82810	SEAL SPOOL	2				0.001	0.0022
040	36200-82820	SEAL DUST	1				0.002	0.0044
050	04811-05280	O RING	1				0.001	0.0022
060	36330-84210	RING SUPPORT	1				0.005	0.011
070	04811-05110	O RING	1				0.001	0.0022
080	04811-00030	O RING	1				0.001	0.0022
090	04810-00100	O RING	1				0.001	0.0022
100	36330-84310	RING BACK UP	1				0.005	0.011
110	04810-00080	O RING	1				0.001	0.0022
120	04810-00140	O RING	4				0.001	0.0022
130	36200-82330	RING BACK UP	3				0.001	0.0022
140	35820-84300	SEAT	1				0.005	0.011
150	35820-84310	VALVE	1				0.01	0.022
160	35820-84320	SPRING	1				0.01	0.022
170	35820-84330	SEAT SPRING	1				0.005	0.011
180	35820-84340	CONE	1				0.02	0.044
190	35820-84350	ROD	1				0.003	0.0066
200	35820-84360	BALL	4				0.005	0.011
210	35820-84370	SPRING	1				0.01	0.022
220	35820-84380	BUSH	1				0.04	0.088
230	35820-84390	BUSH	1				0.04	0.088
240	36330-84220	WASHER	1				0.007	0.0154
250	35820-84400	SEAT SPRING	2				0.01	0.022
260	35820-84410	SPRING	1				0.016	0.0352
270	35820-84420	SCREW	1				0.02	0.044
280	35820-84430	SCREW	1				0.01	0.022
290	35820-84440	NUT	1				0.005	0.011
300	36330-84280	NUT	1				0.1	0.22
310	36330-84290	VALVE CHECK	1	<=20687			0.007	0.0154
310	33960-84292	VALVE CHECK	1	>=20688	←		0.007	0.0154
320	36330-84300	SPRING	1				0.003	0.0066
330	36330-84320	ASSY PLUG	1				0.013	0.0286
332	36330-84370	PLUG	1	>=20688			0.01	0.022
333	04810-05110	O RING	1	>=20688			0.001	0.0022
334	36330-84310	RING BACK UP	1	>=20688			0.005	0.011
340	36330-84330	VALVE	1				0.032	0.0704
350	36330-84340	SCREW GUIDE	1				0.047	0.1034
360	36330-84350	PIN SPRING	1				0.001	0.0022
370	36330-84270	SHIM	2				0.001	0.0022

AUXILIARY CONTROL VALVE [COMPONENT PARTS]



33740-286-10

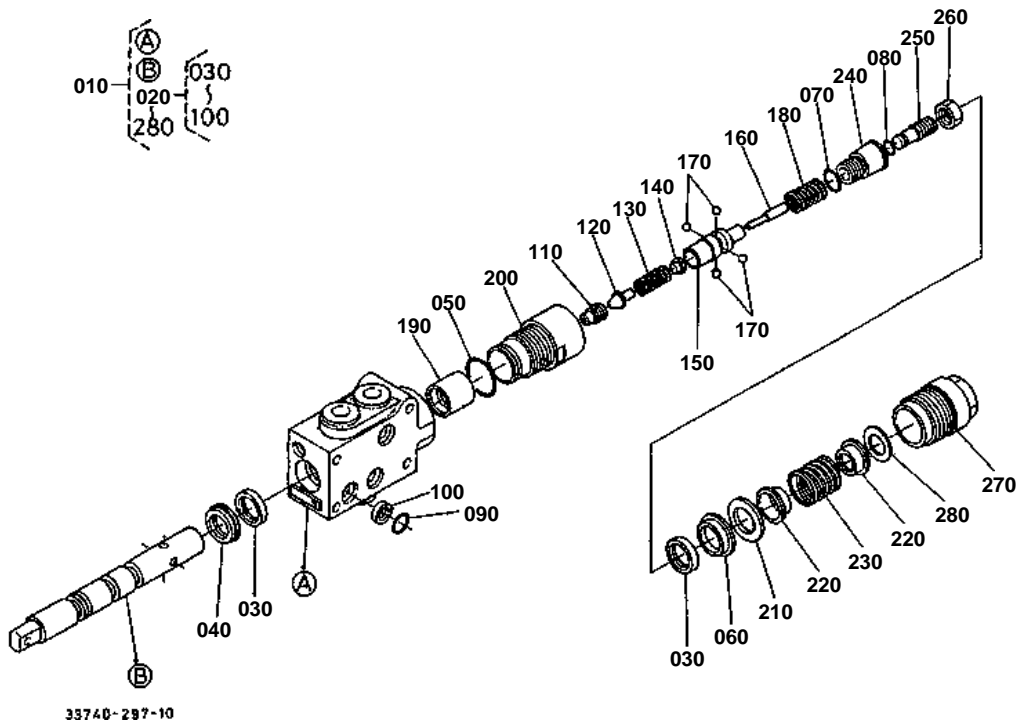


**AUXILIARY CONTROL VALVE [COMPONENT PARTS]**  
**DETENTED FLOAT POSITION**

↔ Interchangeable; ≠ not interchangeable; ← new for old; → old for new

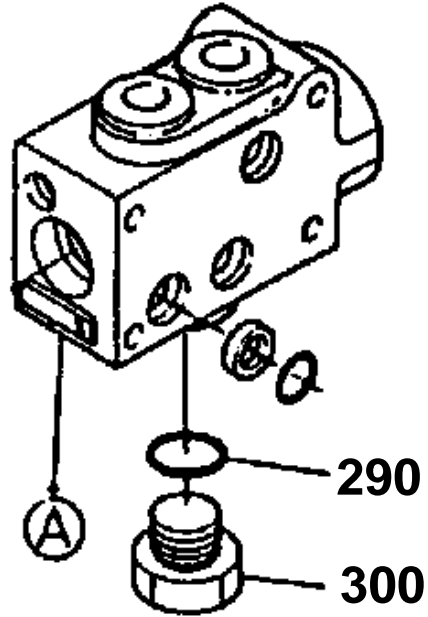
REF.No	Part No.	Description	Q'ty	S.No.	I/C	REMARKS	Weight (kgf)	Weight (lb)
010	35860-82802	ASSY VALVE FLOATING	1				3.32	7.304
020	36998-00130	KIT SEAL	1				0.01	0.022
030	36200-82810	SEAL SPOOL	2				0.001	0.0022
040	36200-82820	SEAL DUST	1				0.002	0.0044
050	36330-84210	RING SUPPORT	1				0.005	0.011
060	36200-82330	RING BACK UP	4				0.001	0.0022
070	04810-00140	O RING	4				0.001	0.0022
080	36330-84220	WASHER	1				0.007	0.0154
090	36330-84230	SEAT SPRING	2				0.01	0.022
100	35820-84210	SPRING	1				0.03	0.066
110	35820-84220	BUSH	1				0.23	0.506
120	35820-84230	SCREW	1				0.1	0.22
130	35820-84240	SPRING	1				0.008	0.0176
140	35820-84250	CONE	1				0.01	0.022
150	35820-84260	BOLT	1				0.01	0.022
160	35820-84270	BALL	4				0.001	0.0022
170	35820-84280	BUSH	1				0.05	0.11
180	36330-84280	NUT	1				0.1	0.22
190	36330-84290	VALVE CHECK	1				0.007	0.0154
200	36330-84300	SPRING	1				0.003	0.0066
210	35820-84290	WASHER	1				0.003	0.0066

AUXILIARY CONTROL VALVE [COMPONENT PARTS]





290 04810-00180  
300 35820-8445-0



33740-845-10

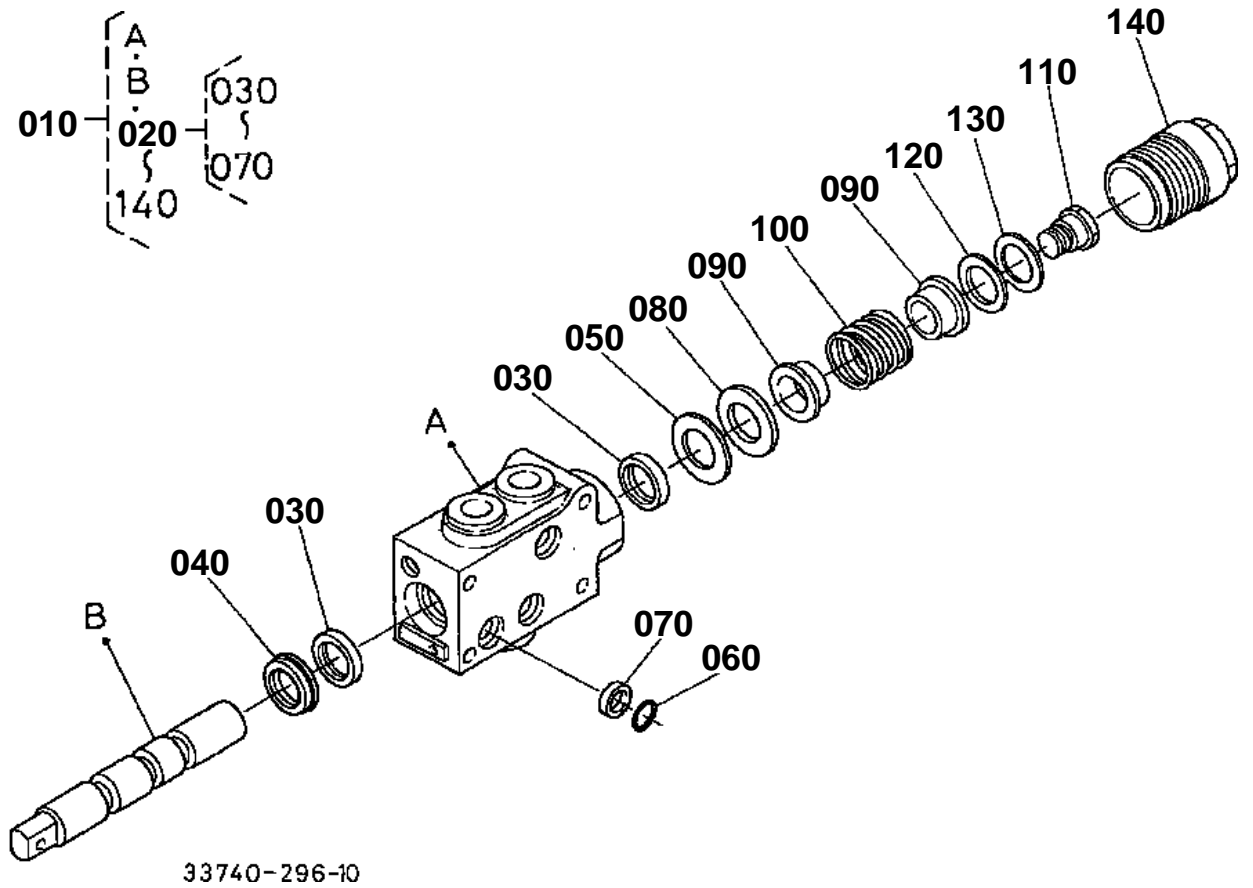


**AUXILIARY CONTROL VALVE [COMPONENT PARTS]**  
SELF CANCELLING WITH DETENTS

↔ Interchangeable; ≠ not interchangeable; ← new for old; → old for new

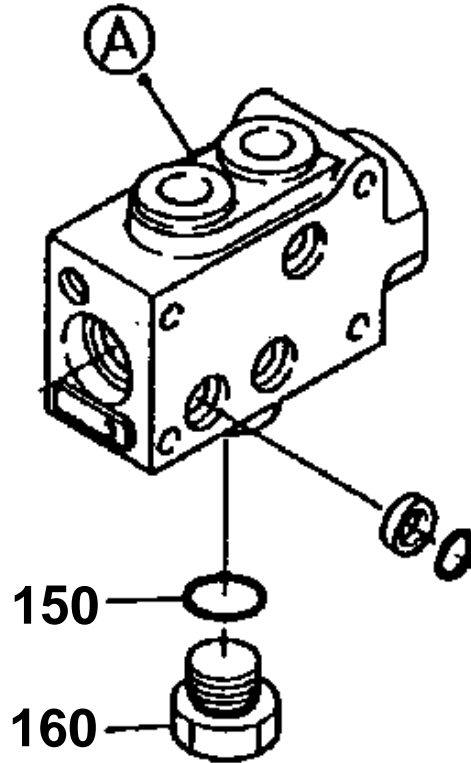
REF.No	Part No.	Description	Q'ty	S.No.	I/C	REMARKS	Weight (kgf)	Weight (lb)
010	35820-82540	ASSY VALVE AUX.CON.	1				2.85	6.27
020	36998-00120	KIT SEAL	1				0.01	0.022
030	36200-82810	SEAL SPOOL	2				0.001	0.0022
040	36200-82820	SEAL DUST	1				0.002	0.0044
050	04811-05280	O RING	1				0.001	0.0022
060	36330-84210	RING SUPPORT	1				0.005	0.011
070	04811-05110	O RING	1				0.001	0.0022
080	04811-00030	O RING	1				0.001	0.0022
090	04810-00140	O RING	3				0.001	0.0022
100	36200-82330	RING BACK UP	3				0.001	0.0022
110	35820-84300	SEAT	1				0.005	0.011
120	35820-84310	VALVE	1				0.01	0.022
130	35820-84320	SPRING	1				0.01	0.022
140	35820-84330	SEAT SPRING	1				0.005	0.011
150	35820-84340	CONE	1				0.02	0.044
160	35820-84350	ROD	1				0.003	0.0066
170	35820-84360	BALL	4				0.005	0.011
180	35820-84370	SPRING	1				0.01	0.022
190	35820-84380	BUSH	1				0.04	0.088
200	35820-84390	BUSH	1				0.04	0.088
210	36330-84220	WASHER	1				0.007	0.0154
220	35820-84400	SEAT SPRING	2				0.01	0.022
230	35820-84410	SPRING	1				0.016	0.0352
240	35820-84420	SCREW	1				0.02	0.044
250	35820-84430	SCREW	1				0.01	0.022
260	35820-84440	NUT	1				0.005	0.011
270	36330-84280	NUT	1				0.1	0.22
280	36330-84270	SHIM	2				0.001	0.0022
290	04810-00180	O RING	1	≤10183			0.001	0.0022
300	35820-84450	PLUG	1	≤10183			0.07	0.154

AUXILIARY CONTROL VALVE [COMPONENT PARTS]



150 04810-00180

160 35820-8445-0



33740-844-10

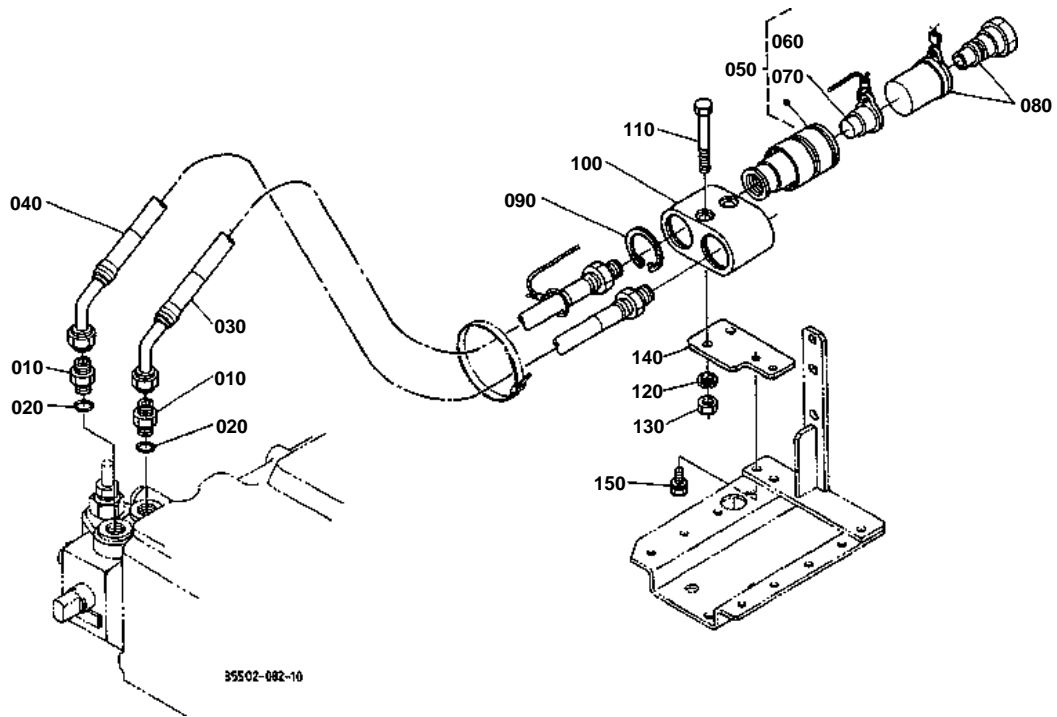


**AUXILIARY CONTROL VALVE [COMPONENT PARTS]**  
NO DETENTS OR SELF CANCELLING

↔ Interchangeable; ≠ not interchangeable; ← new for old; → old for new

REF.No	Part No.	Description	Q'ty	S.No.	I/C	REMARKS	Weight (kgf)	Weight (lb)
010	99883-93110	ASSY VALVE AUX.CON.	1				2	4.4
020	36998-00100	KIT SEAL	1				0.02	0.044
030	36200-82810	SEAL SPOOL	2				0.001	0.0022
040	36200-82820	SEAL DUST	1				0.002	0.0044
050	36330-84210	RING SUPPORT	1				0.005	0.011
060	04810-00140	O RING	3				0.001	0.0022
070	36200-82330	RING BACK UP	3				0.001	0.0022
080	36330-84220	WASHER	1				0.007	0.0154
090	36330-84230	SEAT SPRING	2				0.01	0.022
100	36330-84360	SPRING	1				0.016	0.0352
110	36330-84250	BOLT	1				0.005	0.011
120	36330-84260	WASHER	1				0.005	0.011
130	36330-84270	SHIM	1				0.001	0.0022
140	36330-84280	NUT	1				0.1	0.22
150	04810-00180	O RING	1	<=10183			0.001	0.0022
160	35820-84450	PLUG	1	<=10183			0.07	0.154

# HYDRAULIC COUPLER AND HOSE 1



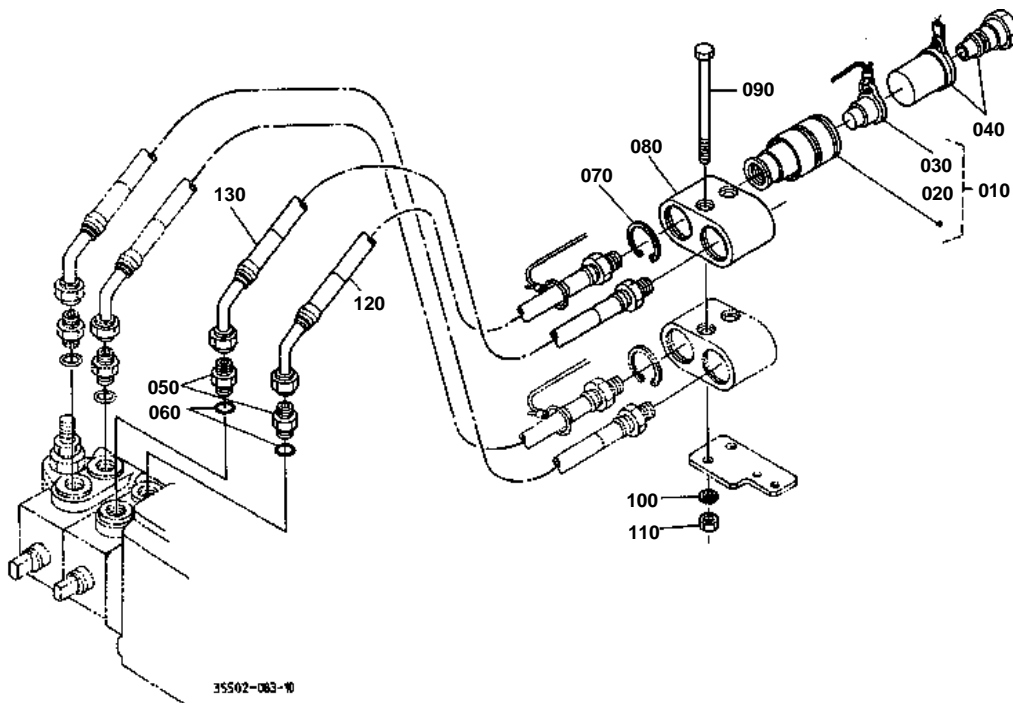


**HYDRAULIC COUPLER AND HOSE 1**  
(FOR FIG.NO.T127-01)

↔ Interchangeable; ≠ not interchangeable; ← new for old; → old for new

REF.No	Part No.	Description	Q'ty	S.No.	I/C	REMARKS	Weight (kgf)	Weight (lb)
010	35861-82370	NIPPLE	2				0.05	0.11
020	04811-00140	O RING	2				0.001	0.0022
030	35861-82380	HOSE	1			L=475MM	0.3	0.66
040	35533-82380	HOSE	1			L=520MM	0.3	0.66
050	35861-82032	ASSY COUPLER FEMALE	2				0.32	0.704
060	35861-94510	O RING	2			NOT SHOWN IN FIG.	0.002	0.0044
070	35861-94520	PLUG COUPLER	2				0.005	0.011
080	35861-82190	ASSY COUPLER MALE	2				0.086	0.1892
090	04611-00380	CIR CLIP INTERNAL	2				0.004	0.0088
100	35861-82610	SUPPORT COUPLER	1				0.82	1.804
110	01153-50865	BOLT	2				0.025	0.055
120	04512-60080	WASHER SPRING	2				0.002	0.0044
130	02114-50080	NUT	2				0.005	0.011
140	35533-82430	STAY COUPLER	1				0.3	0.66
150	01123-50820	BOLT	2				0.011	0.0242

HYDRAULIC COUPLER AND HOSE 2 [OPTION]





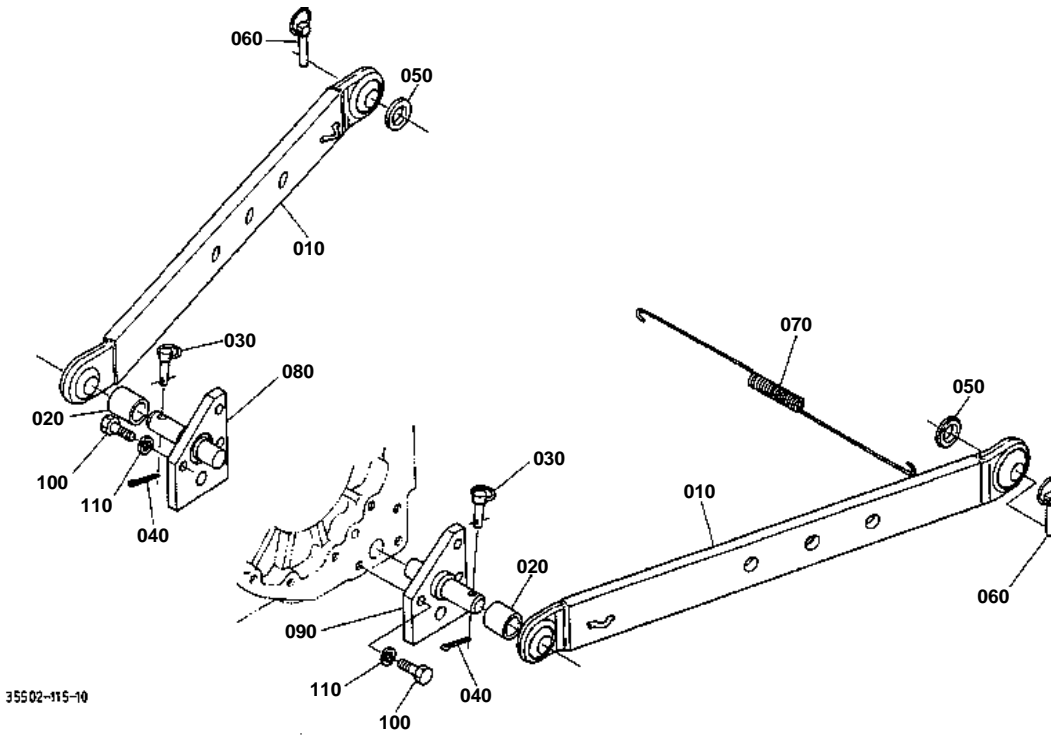


**HYDRAULIC COUPLER AND HOSE 2 [OPTION]**  
(FOR FIG.NO.T127-02 T127-03&T127-04)

↔ Interchangeable; ≠ not interchangeable; ← new for old; → old for new

REF.No	Part No.	Description	Q'ty	S.No.	I/C	REMARKS	Weight (kgf)	Weight (lb)
010	35861-82032	ASSY COUPLER FEMALE	2				0.32	0.704
020	35861-94510	O RING	2			NOT SHOWN IN FIG.	0.002	0.0044
030	35861-94520	PLUG COUPLER	2				0.005	0.011
040	35861-82190	ASSY COUPLER MALE	2				0.086	0.1892
050	35861-82370	NIPPLE	2				0.05	0.11
060	04811-00140	O RING	2				0.001	0.0022
070	04611-00380	CIR CLIP INTERNAL	2				0.004	0.0088
080	35861-82610	SUPPORT COUPLER	2				0.82	1.804
090	01153-50802	BOLT	2				0.045	0.099
100	04512-60080	WASHER SPRING	2				0.002	0.0044
110	02114-50080	NUT	2				0.005	0.011
120	35861-82380	HOSE (L=475MM)	1			FOR FIG.NO.T127-03 T127-04	0.3	0.66
120	35533-82370	HOSE (L=425MM)	1			FOR FIG.NO.T127-02	0.28	0.616
130	35533-82380	HOSE (L=520MM)	1			FOR FIG.NO.T127-03 T127-04	0.3	0.66
130	35861-82380	HOSE (L=475MM)	1			FOR FIG.NO.T127-02	0.3	0.66

HYDRAULIC LIFT LINK 1 (LOWER LINK)



35502-115-10

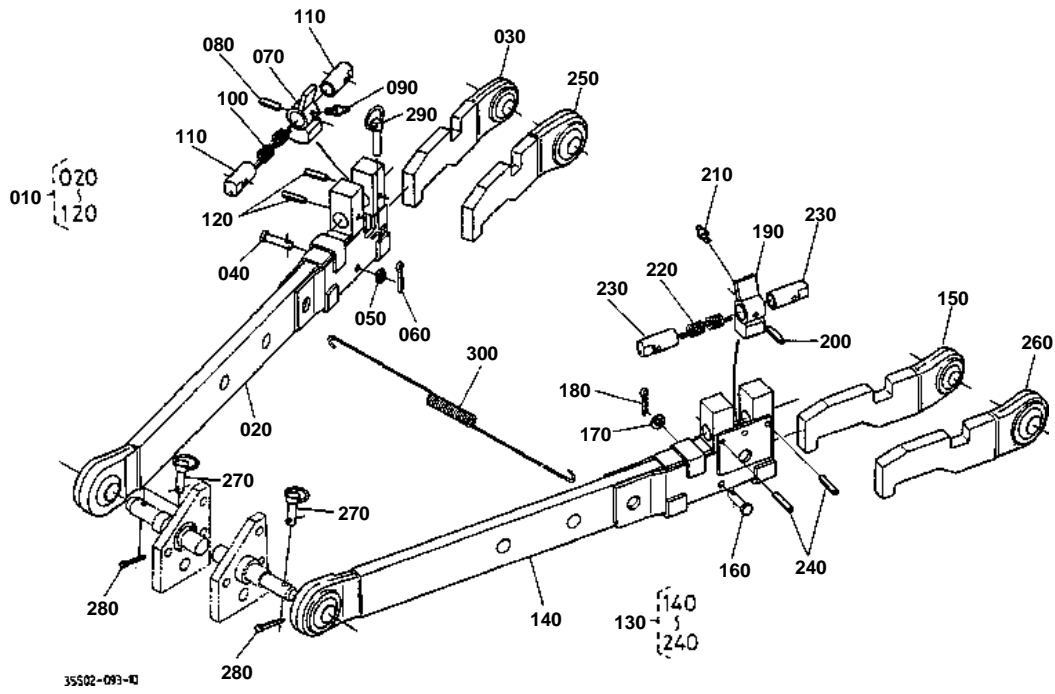


## HYDRAULIC LIFT LINK 1 (LOWER LINK)

↔ Interchangeable; ≠ not interchangeable; ← new for old; → old for new

REF.No	Part No.	Description	Q'ty	S.No.	I/C	REMARKS	Weight (kgf)	Weight (lb)
010	36330-91010	COMP.LINK LOWER	2	<=10058			17.9	39.38
010	35535-91010	COMP.LINK LOWER	2	>=10059	↔		11.5	25.3
020	36330-91990	COLLAR ADJUSTING	2				0.08	0.176
030	36330-91840	ASSY PIN SET	2				0.055	0.121
040	05511-50420	PIN SPLIT	2				0.002	0.0044
050	36330-91980	COLLAR ADJUSTING	2				0.02	0.044
060	36200-91840	ASSY PIN SET	2				0.06	0.132
070	36330-91830	SPRING SET	1				0.185	0.407
080	36330-91880	PIN LOWER LINK RH	1				2.3	5.06
090	36330-91890	PIN LOWER LINK LH	1				2.5	5.5
100	01173-51440	BOLT	6				0.062	0.1364
110	04512-60140	WASHER SPRING	6				0.006	0.0132

HYDRAULIC LIFT LINK (TELESCOPE LOWER LINK) [OPTION]



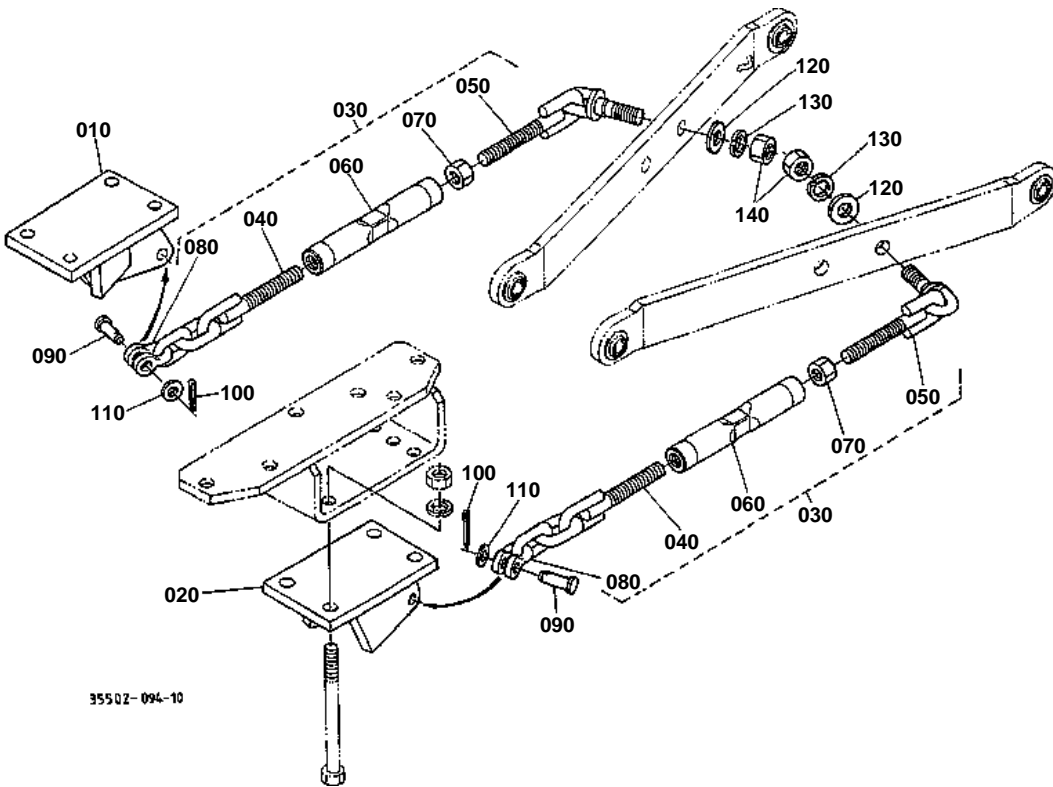


## HYDRAULIC LIFT LINK (TELESCOPE LOWER LINK) [OPTION]

↔ Interchangeable; ≠ not interchangeable; ← new for old; → old for new

REF.No	Part No.	Description	Q'ty	S.No.	I/C	REMARKS	Weight (kgf)	Weight (lb)
010	36330-92000	ASSY LINK LOWER RH	1				15.5	34.1
020	36330-92010	COMP LINK LOWER RH	1				12	26.4
030	36330-92030	COMP LINK LOWER RH	1			CATEGORY 1	2.48	5.456
040	05122-51050	PIN JOINT	1				0.032	0.0704
050	04011-50100	WASHER PLAIN	1				0.002	0.0044
060	05511-50318	PIN SPLIT	1				0.001	0.0022
070	36330-92190	LEVER	1				0.43	0.946
080	05411-00536	PIN SPRING	1				0.003	0.0066
090	06613-10675	NIPPLE GREASE	1				0.003	0.0066
100	36330-92170	SPRING	1				0.04	0.088
110	36330-92220	SHAFT LEVER	2				0.1	0.22
120	05411-00550	PIN SPRING	2				0.005	0.011
130	36330-92100	ASSY LINK LOWER LH	1				15.5	34.1
140	36330-92110	COMP LINK LOWER LH	1				12	26.4
150	36330-92130	COMP LINK LOWER LH	1			CATEGORY 1	2.47	5.434
160	05122-51050	PIN JOINT	1				0.032	0.0704
170	04011-50100	WASHER PLAIN	1				0.002	0.0044
180	05511-50318	PIN SPLIT	1				0.001	0.0022
190	36330-92190	LEVER	1				0.43	0.946
200	05411-00536	PIN SPRING	1				0.003	0.0066
210	06613-10675	NIPPLE GREASE	1				0.003	0.0066
220	36330-92170	SPRING	1				0.04	0.088
230	36330-92220	SHAFT LEVER	2				0.1	0.22
240	05411-00550	PIN SPRING	2				0.005	0.011
250	36330-92050	COMP LINK LOWER RH	1			CATEGORY 2	2.9	6.38
260	36330-92150	COMP LINK LOWER LH	1			CATEGORY 2	3	6.6
270	36330-91840	ASSY PIN SET	2				0.055	0.121
280	05511-50420	PIN SPLIT	2				0.002	0.0044
290	36200-91840	ASSY PIN SET	2				0.06	0.132
300	36330-91830	SPRING SET	1				0.185	0.407

HYDRAULIC LIFT LINK 2 (CHECK CHIN)



35502-094-10

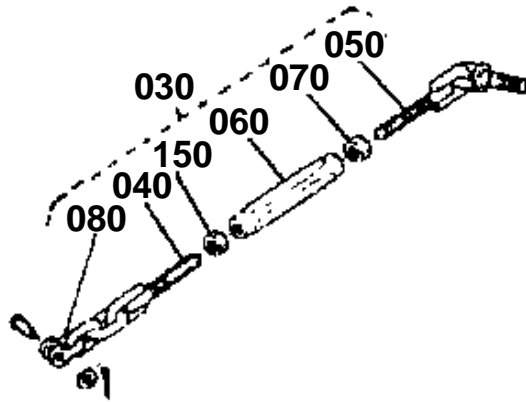
HYDRAULIC LIFT LINK 2 (CHECK CHIN)

---

030 36330-9110-5

060 36330-9119-0

150 35999-0253-0



35533-838-10



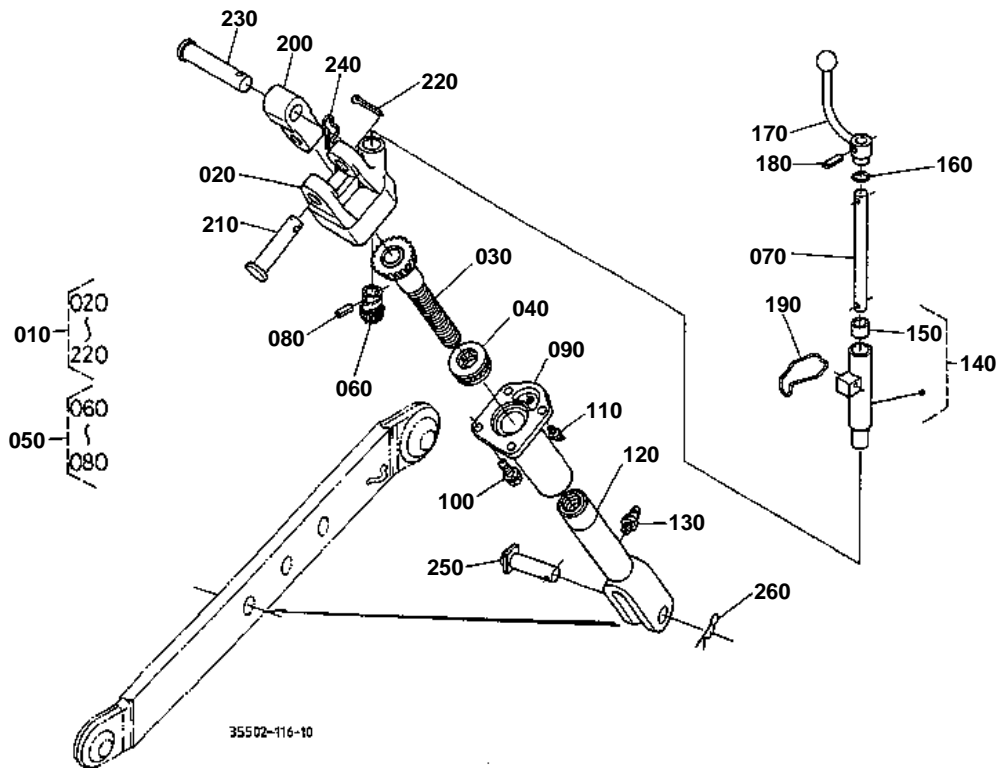
## HYDRAULIC LIFT LINK 2 (CHECK CHIN)

↔ Interchangeable; ≠ not interchangeable; ← new for old; → old for new

REF.No	Part No.	Description	Q'ty	S.No.	I/C	REMARKS	Weight (kgf)	Weight (lb)
010	36530-91082	BRACKET CHAIN RH	1	<=10058			5	11
010	35535-91080	BRACKET CHAIN RH	1	>=10059	↔		5	11
020	36530-91092	BRACKET CHAIN LH	1	<=10058			5	11
020	35535-91090	BRACKET CHAIN LH	1	>=10059	↔		5	11
040	36330-91110	COMP CHAIN CHECK	2				0.915	2.013
050	36330-91160	COMP CHAIN CHECK	2				0.8	1.76
070	02054-50180	NUT	2				0.049	0.1078
080	36330-91150	END CHAIN	2				0.14	0.308
090	36330-91180	PIN CHAIN SET	2				0.06	0.132
100	05511-50525	PIN SPLIT	2				0.005	0.011
110	04011-50140	WASHER PLAIN	2				0.007	0.0154
120	36330-91220	WASHER CHECK CHAIN	2				0.25	0.55
130	04512-60180	WASHER SPRING	2				0.02	0.044
140	02174-50180	NUT	2				0.029	0.0638

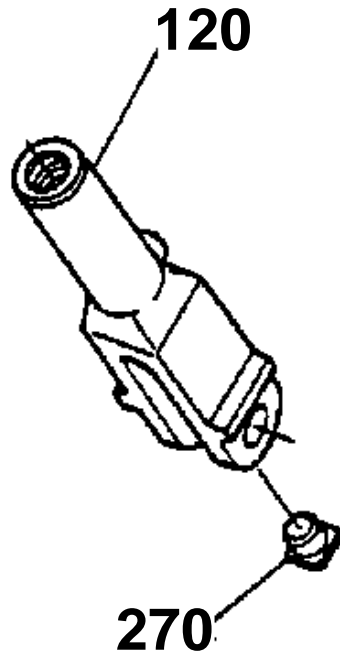


HYDRAULIC LIFT LINK 3 (LIFT ROD RH)



120 36330-9126-0

270 36330-9136-0



35533-839-10

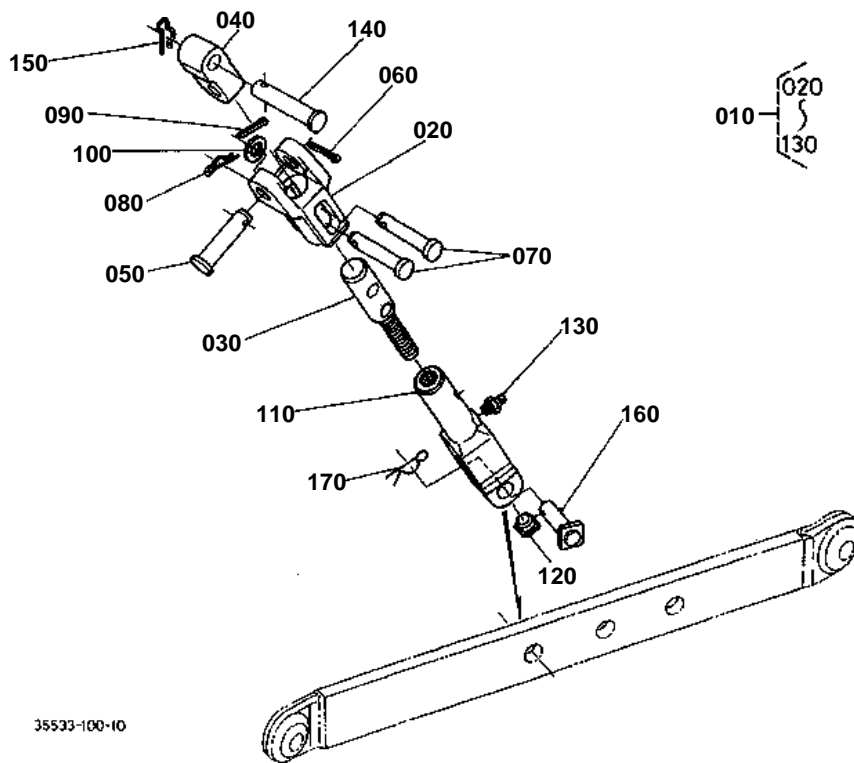


HYDRAULIC LIFT LINK 3 (LIFT ROD RH)

↔ Interchangeable; ≠ not interchangeable; ← new for old; → old for new

REF.No	Part No.	Description	Q'ty	S.No.	I/C	REMARKS	Weight (kgf)	Weight (lb)
010	35533-91230	ASSY ROD LIFT RH	1	<=10058			9	19.8
010	35535-91230	ASSY ROD LIFT RH	1	>=10059	↔		8.4	18.48
020	36330-91240	CASE LIFT ROD GEAR	1				2.3	5.06
030	36330-91280	COMP.SHAFT ADJUSTING	1				0.97	2.134
040	08401-51106	BEARING THRUST BALL	1				0.064	0.1408
050	36530-91200	ASSY PINION LIFT ROD	1				0.315	0.693
060	36330-91330	PINION LIFT ROD RH	1				0.11	0.242
070	36530-91390	SHAFT HANDLE	1				0.2	0.44
080	05411-00520	PIN SPRING	1				0.002	0.0044
090	36330-91300	COMP SLEEVE LIFT ROD	1				1.11	2.442
100	01133-51030	BOLT	4				0.025	0.055
110	06613-20010	NIPPLE GREASE	1				0.01	0.022
120	36330-91260	ROD LIFT LOWER	1	<=10058			2.5	5.5
120	35535-91260	ROD LIFT LOWER	1	>=10058	↔		1.9	4.18
130	06613-10010	NIPPLE GREASE	1	<=10058			0.006	0.0132
130	36530-91680	NIPPLE GREASE	1	>=10058	↔		0.004	0.0088
140	36530-91370	SUPPORT HANDLE	1				0.31	0.682
150	08511-01815	BUSH	1				0.007	0.0154
160	04811-10180	O RING	1				0.001	0.0022
170	36330-91323	HANDLE LIFT ROD RH	1				0.2	0.44
180	05411-00525	PIN SPRING	1				0.002	0.0044
190	36330-91270	SPRING HANDLE LOCK	1				0.025	0.055
200	36330-91510	JOINT	1				0.72	1.584
210	36330-91530	PIN LIFT ROD UPPER	1				0.27	0.594
220	05511-50535	PIN SPLIT	1				0.007	0.0154
240	33251-91860	PIN SET	1				0.023	0.0506
250	36330-91540	PIN LIFT ROD LOWER	1				0.26	0.572
260	33251-91860	PIN SET	1				0.023	0.0506
270	36330-91360	PLUG	1	<=10058			0.001	0.0022

HYDRAULIC LIFT LINK 4 (LIFT ROD LH) [OLD TYPE]



35533-100-10

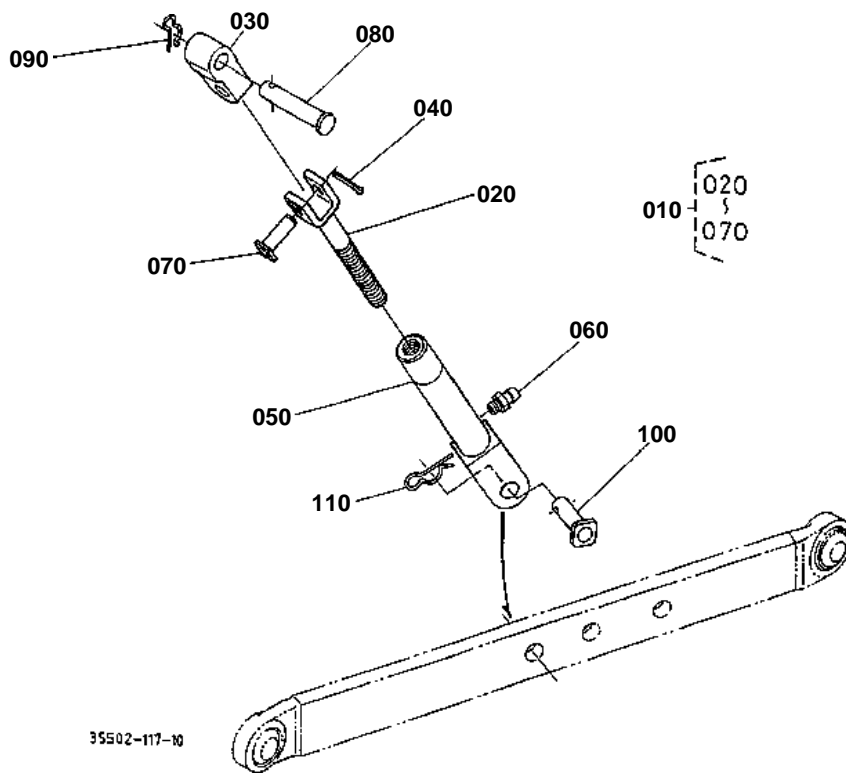
**HYDRAULIC LIFT LINK 4 (LIFT ROD LH) [OLD TYPE]**

S.No.;&lt;=10057

↔ Interchangeable; ≠ not interchangeable; ← new for old; → old for new

REF.No	Part No.	Description	Q'ty	S.No.	I/C	REMARKS	Weight (kgf)	Weight (lb)
010	36330-91450	ASSY ROD LIFT LH	1				7	15.4
020	36330-91460	ROD LIFT UPPER LH	1				2.15	4.73
030	36330-91430	ROD LIFT UPPER	1				1.05	2.31
040	36330-91510	JOINT	1				0.72	1.584
050	36330-91530	PIN LIFT ROD UPPER	1				0.27	0.594
060	05511-50535	PIN SPLIT	1				0.007	0.0154
070	36330-91470	PIN LIFT ROD LH	2				0.175	0.385
080	33251-91860	PIN SET	1				0.023	0.0506
090	05511-50535	PIN SPLIT	1				0.007	0.0154
100	04011-50180	WASHER PLAIN	1				0.012	0.0264
110	36330-91260	ROD LIFT LOWER	1				2.5	5.5
120	36330-91360	PLUG	1				0.001	0.0022
130	06613-10010	NIPPLE GREASE	1				0.006	0.0132
140	35595-91520	PIN LIFT ROD	1				0.3	0.66
150	33251-91860	PIN SET	1				0.023	0.0506
160	36330-91540	PIN LIFT ROD LOWER	1				0.26	0.572
170	33251-91860	PIN SET	1				0.023	0.0506

HYDRAULIC LIFT LINK 4 (LIFT ROD LH) [NEW TYPE]



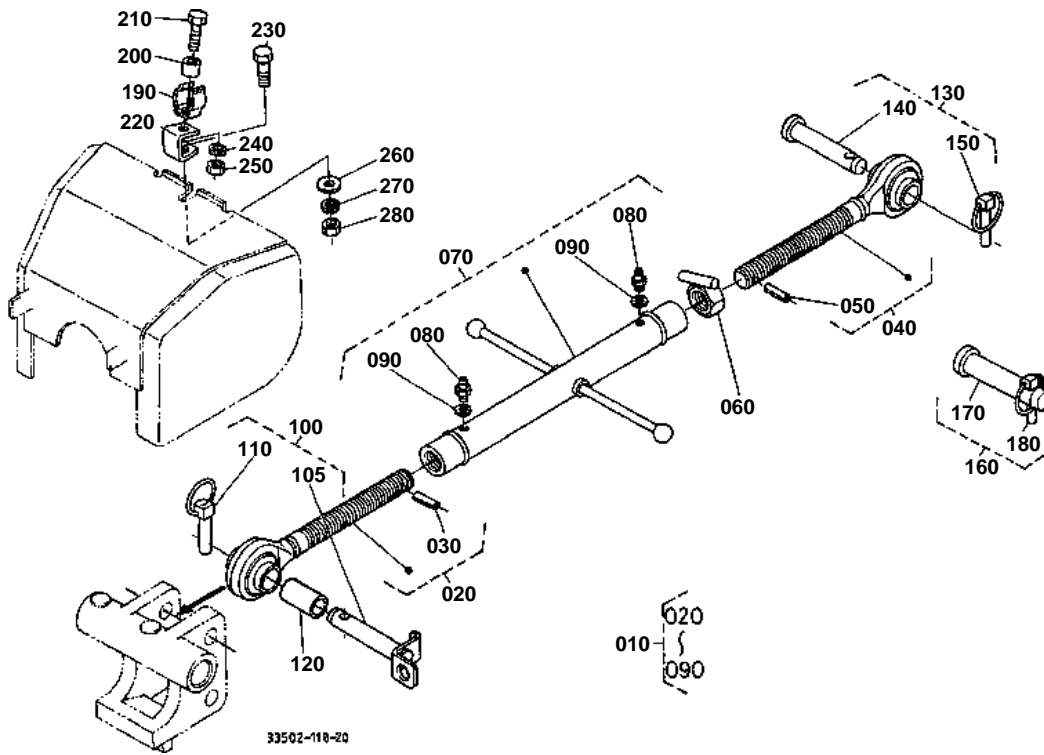
**HYDRAULIC LIFT LINK 4 (LIFT ROD LH) [NEW TYPE]**

S.No.;&gt;=10058

↔ Interchangeable; ≠ not interchangeable; ← new for old; → old for new

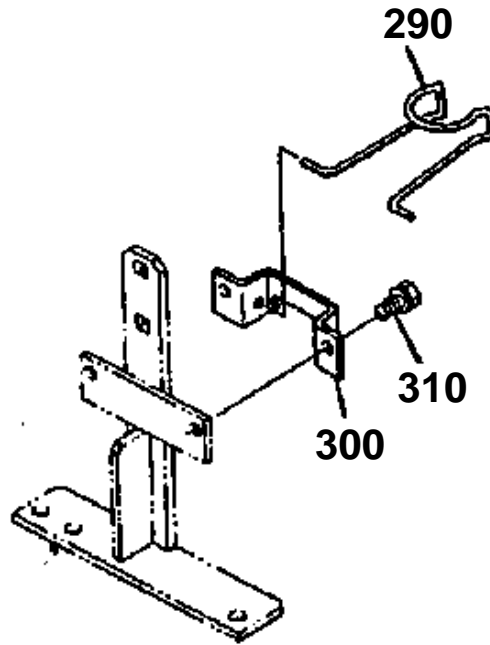
REF.No	Part No.	Description	Q'ty	S.No.	I/C	REMARKS	Weight (kgf)	Weight (lb)
010	35535-91400	ASSY ROD LIFT LH	1				4	8.8
020	35535-91460	ROD LIFT UPPER LH	1				1.3	2.86
030	36330-91510	JOINT	1				0.72	1.584
040	05511-50535	PIN SPLIT	1				0.007	0.0154
050	35535-91260	ROD LIFT LOWER	1				1.9	4.18
060	36530-91680	NIPPLE GREASE	1				0.004	0.0088
070	36530-91540	PIN LIFT ROD LOWER	1				0.25	0.55
090	33251-91860	PIN SET	1				0.023	0.0506
100	36330-91540	PIN LIFT ROD LOWER	1				0.26	0.572
110	33251-91860	PIN SET	1				0.023	0.0506

# HYDRAULIC LIFT LINK 5 (TOP LINK)





290 35593-9196-0  
300 35502-9197-0  
310 01123-50816



35502-825-10

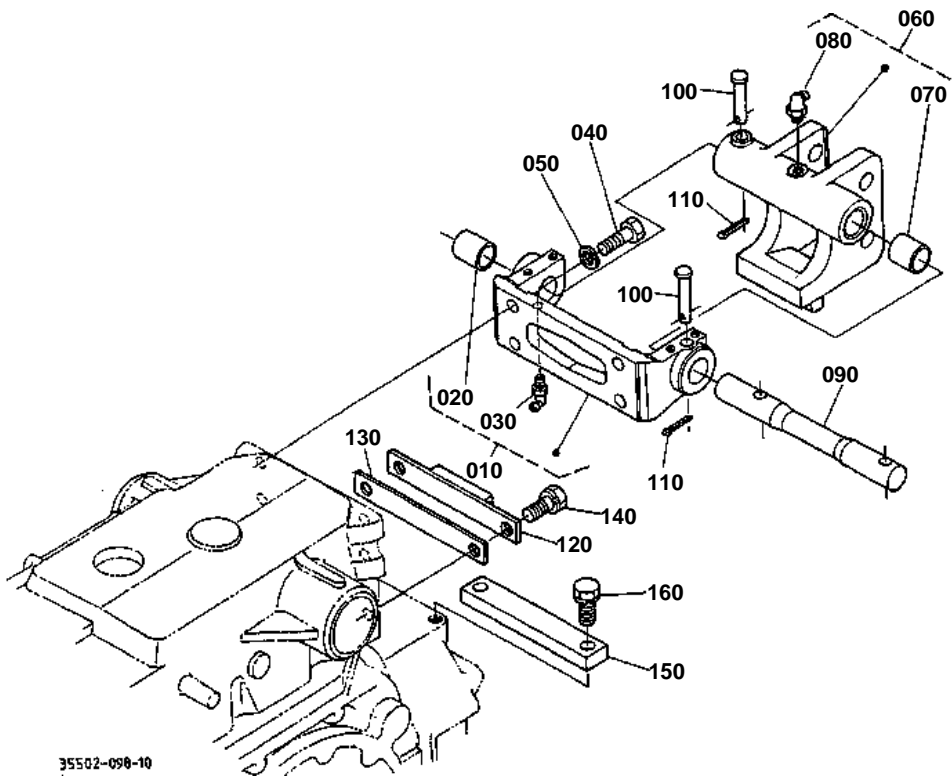


HYDRAULIC LIFT LINK 5 (TOP LINK)

↔ Interchangeable; ≠ not interchangeable; ← new for old; → old for new

REF.No	Part No.	Description	Q'ty	S.No.	I/C	REMARKS	Weight (kgf)	Weight (lb)
010	35533-91700	ASSY LINK TOP	1				5.3	11.66
020	36330-91552	ASSY LINK TOP FRONT	1				1.63	3.586
030	36330-91790	PIN	1				0.007	0.0154
040	36330-91612	ASSY LINK TOP REAR	1				1.55	3.41
050	36330-91790	PIN	1				0.007	0.0154
060	33400-91590	NUT TOP LINK	1				0.11	0.242
070	35458-91620	ASSY SLEEVE TOP LINK	1				2.17	4.774
080	36530-91680	NIPPLE GREASE	2				0.004	0.0088
090	04724-00100	GASKET	2				0.001	0.0022
100	36330-91650	ASSY PIN TOP LINK	1				0.375	0.825
105	36330-91660	PIN TOP LINK	1				0.3	0.66
110	36200-91840	ASSY PIN SET	1				0.06	0.132
120	36330-91720	COLLAR ADJUSTING	1				0.065	0.143
130	36330-91743	ASSY PIN TOP LINK	1			CATEGORY 1	0.3	0.66
140	36330-91752	PIN TOP LINK REAR	1				0.25	0.55
150	36200-91840	ASSY PIN SET	1				0.06	0.132
160	36330-91773	ASSY PIN TOP LINK	1			CATEGORY 2	0.55	1.21
170	36330-91762	PIN TOP LINK REAR	1				0.49	1.078
180	36200-91840	ASSY PIN SET	1				0.06	0.132
190	33400-91970	SPRING TOP LINK LOCK	1	>=20484			0.078	0.1716
200	33740-91980	COLLAR	1	>=20484			0.02	0.044
210	01153-50835	BOLT	1	>=20484			0.016	0.0352
220	33780-91960	BRACKET	1	>=20484			0.1	0.22
230	01173-51020	BOLT	1	>=20484			0.017	0.0374
240	04512-60080	WASHER SPRING	1	>=20484			0.002	0.0044
250	02156-50080	NUT	1	>=20484			0.004	0.0088
260	04015-60100	WASHER PLAIN	1	>=20484			0.015	0.033
270	04512-60100	WASHER SPRING	1	>=20484			0.002	0.0044
280	02176-50100	NUT	1	>=20484			0.005	0.011
290	35593-91960	HOLDER TOP LINK	1	<=20483			0.05	0.11
300	35533-91970	PLATE	1	<=20385			0.094	0.2068
300	35502-91970	PLATE	1	>=20386	↔		0.1	0.22
300	35502-91970	PLATE	1	<=20483			0.1	0.22
310	01123-50816	BOLT	2	<=20483			0.011	0.0242

TOP LINK BRACKET

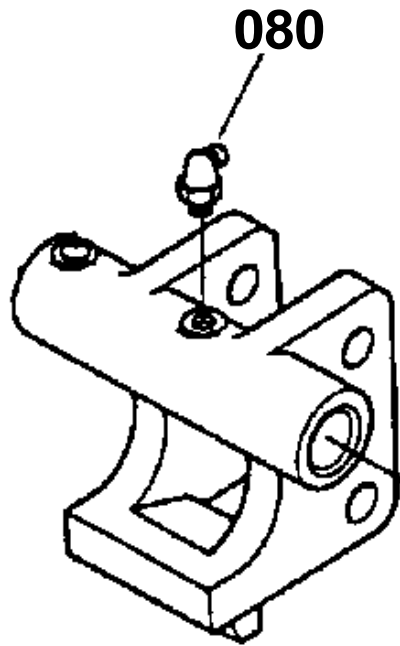


35502-090-10

TOP LINK BRACKET

---

080 06613-30010



35533-840-10

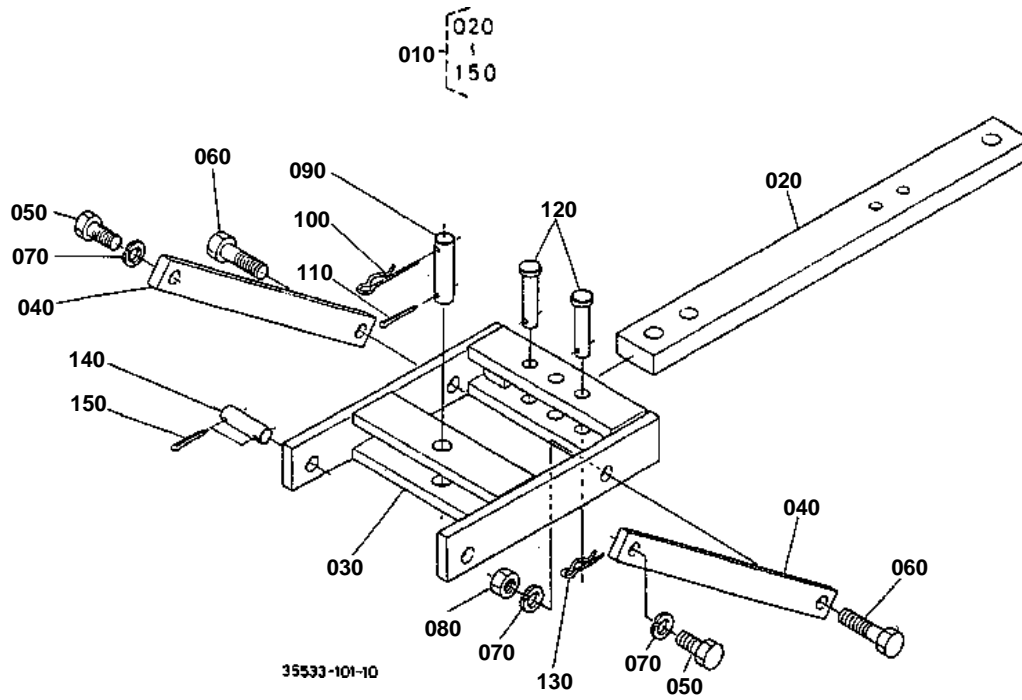


# TOP LINK BRACKET

↔ Interchangeable; ≠ not interchangeable; ← new for old; → old for new

REF.No	Part No.	Description	Q'ty	S.No.	I/C	REMARKS	Weight (kgf)	Weight (lb)
010	35533-81780	ASSY BRACKET BAR	1				0	0
020	36330-81830	BUSH	1				0.035	0.077
030	06613-30010	NIPPLE GREASE	1				0.01	0.022
040	01176-51240	BOLT	4				0.046	0.1012
050	04512-60120	WASHER SPRING	4				0.005	0.011
060	35533-81800	ASSY BRACKET TOP LIN	1	<=20385			5.2	11.44
060	35593-81800	ASSY BRACKET	1	>=20386	≠		5	11
070	36330-81830	BUSH	1				0.035	0.077
080	06613-30010	NIPPLE GREASE	1	<=20799			0.01	0.022
080	06613-20010	NIPPLE GREASE	1	>=20800	←		0.01	0.022
090	36330-81750	BARTORSION	1	<=20385			1.035	2.277
090	35593-81750	BARTORSION	1	>=20386	←		0	0
090	35593-81752	BARTORSION	1	>=20410	←		0.99	2.178
100	36330-81842	PIN	2	<=20385			0	0
100	36330-81843	PIN	2	>=20386	←		0.085	0.187
110	05511-50425	PIN SPLIT	2				0.003	0.0066
120	36330-81850	STOPPER	1				0.42	0.924
130	36330-81860	SHIM	2			1.0MM	0.034	0.0748
130	36330-81870	SHIM	1			0.5MM	0.02	0.044
140	01133-51230	BOLT	2				0.04	0.088
150	36330-81880	STOPPER	1				0.69	1.518
160	01133-51235	BOLT	2				0.05	0.11

# SWINGING DRAWBAR

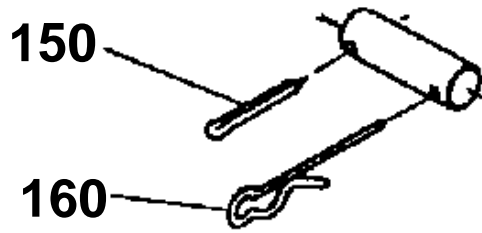


SWINGING DRAWBAR

---

150 05511-50540

160 33251-8931-0



35533-856-10



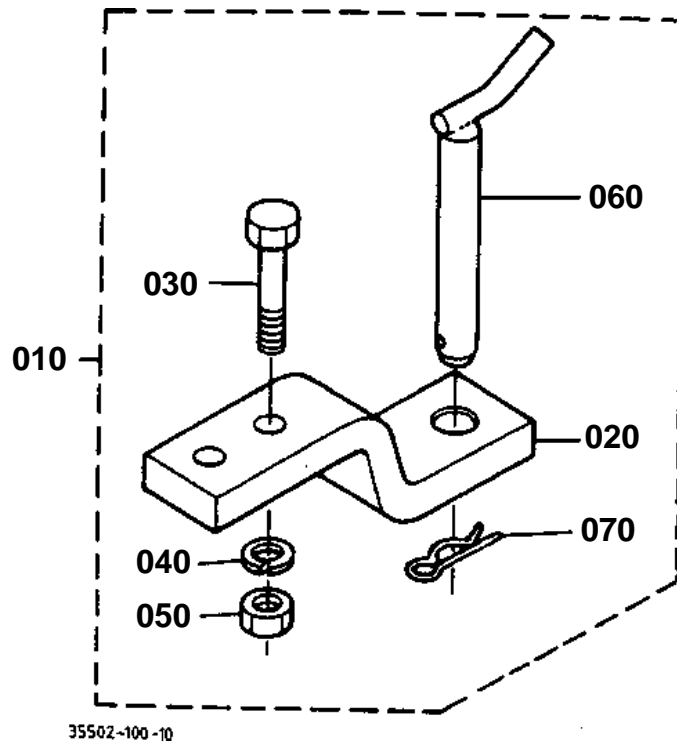
# SWINGING DRAWBAR

↔ Interchangeable; ≠ not interchangeable; ← new for old; → old for new

REF.No	Part No.	Description	Q'ty	S.No.	I/C	REMARKS	Weight (kgf)	Weight (lb)
010	35820-89100	ASSY DRAWBAR SWING.	1				33	72.6
020	36330-89120	DRAWBAR	1				10.2	22.44
030	35822-89320	MEMBER CROSS	1				15	33
040	36330-89330	PLATE SIDE	2				2.1	4.62
050	01173-52045	BOLT	2				0.162	0.3564
060	01173-52055	BOLT	2				0.183	0.4026
070	04512-60200	WASHER SPRING	4				0.02	0.044
080	02174-50200	NUT	2				0.04	0.088
090	33251-89340	PIN DRAWBAR	1	<=20419			0	0
090	33251-89343	PIN DRAWBAR	1	>=20420	≠		0.35	0.77
100	70515-16330	PIN SPRING	1	<=20783			0.028	0.0616
100	33251-89310	PIN SET	1	>=20784	←		0.032	0.0704
110	05511-50540	PIN SPLIT	1				0.009	0.0198
120	05122-51885	PIN JOINT	2				0.18	0.396
130	05515-51600	PIN SNAP	2				0.007	0.0154
140	36200-89360	PIN SET	2				0.146	0.3212
150	05511-50540	PIN SPLIT	2	<=20205			0.009	0.0198
150	05511-50550	PIN SPLIT	4	>=20206	←		0.009	0.0198
160	33251-89310	PIN SET	2	<=20205			0.032	0.0704



DRAWBAR AND HITCH [OPTION]



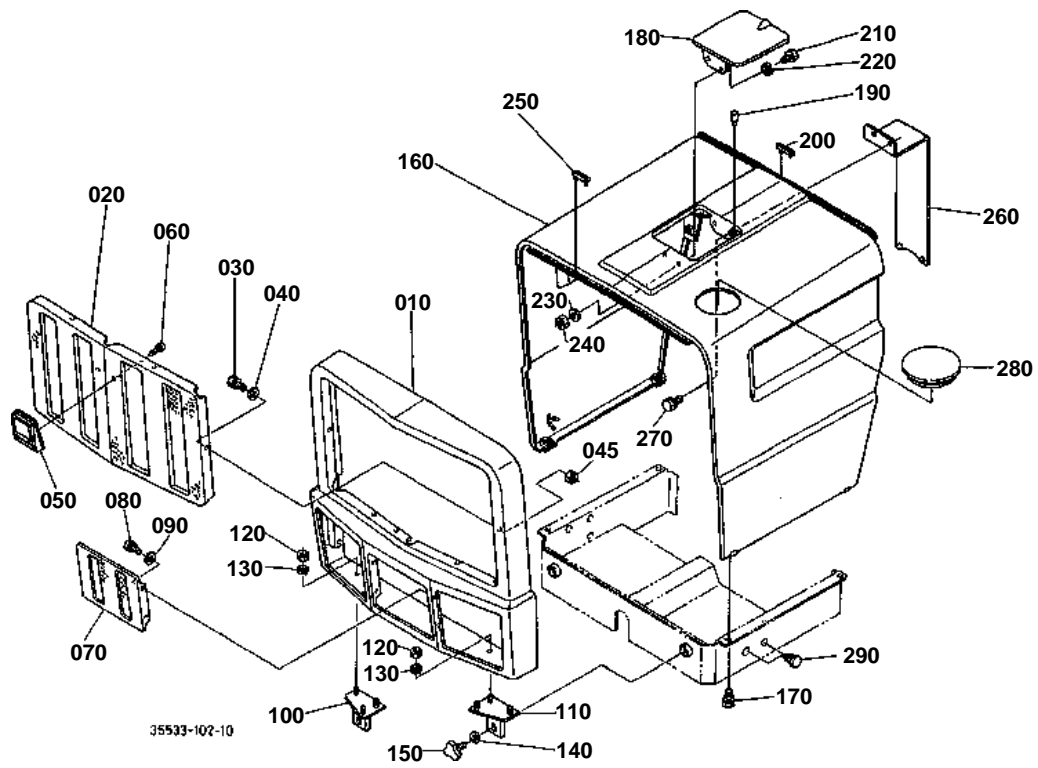


## DRAWBAR AND HITCH [OPTION]

↔ Interchangeable; ≠ not interchangeable; ← new for old; → old for new

REF.No	Part No.	Description	Q'ty	S.No.	I/C	REMARKS	Weight (kgf)	Weight (lb)
010	35820-97570	ASSY HITCH DRAWBAR	1				4.9	10.78
020	36330-89130	HITCH DRAWBAR	1				3.58	7.876
030	01173-51880	BOLT	2				0.187	0.4114
040	04512-60180	WASHER SPRING	2				0.02	0.044
050	02174-50180	NUT	2				0.029	0.0638
060	36330-89210	PIN DRAWBAR	1				0.7	1.54
070	33251-89310	PIN SET	1				0.032	0.0704

# HOOD (BONNET) FRONT



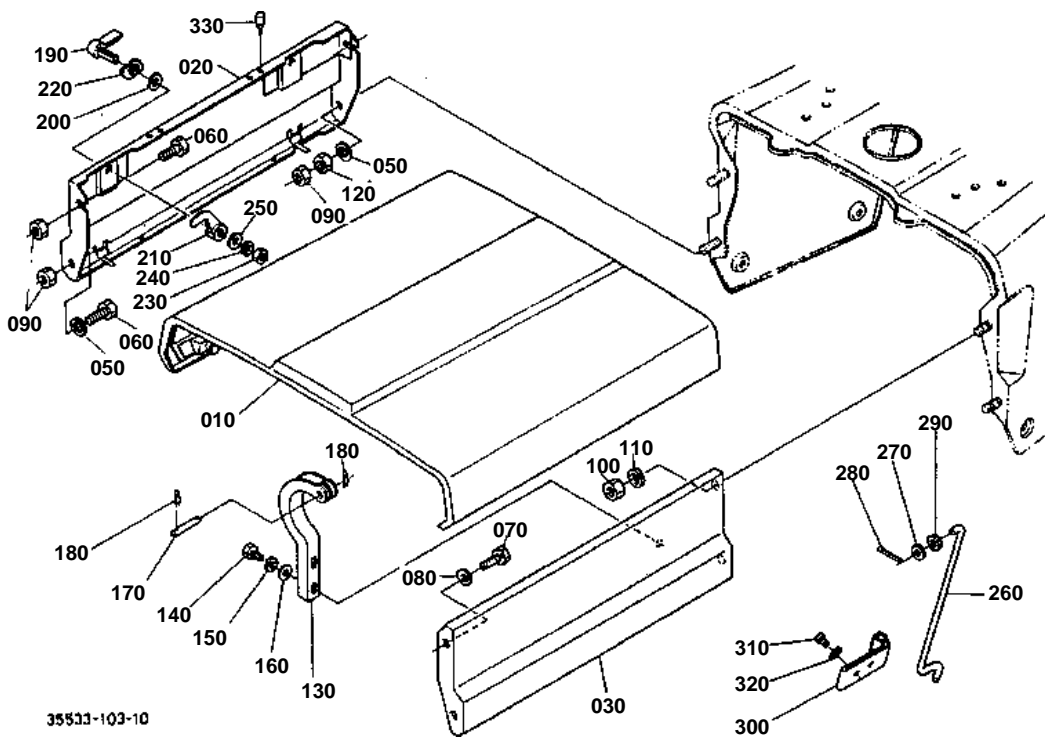


## HOOD (BONNET) FRONT

↔ Interchangeable; ≠ not interchangeable; ← new for old; → old for new

REF.No	Part No.	Description	Q'ty	S.No.	I/C	REMARKS	Weight (kgf)	Weight (lb)
010	35533-83280	COMP BONNET FRONT	1	≤10159		ORANGE	3	6.6
010	35535-83280	COMP BONNET FRONT	1	≥10160	≠	DEEP ORANGE	3	6.6
020	35533-83220	GRILLE FRONT	1				0.74	1.628
030	01023-50614	BOLT	7	≤10075			0.005	0.011
030	01023-50614	BOLT	6	≥10076			0.005	0.011
040	04013-60060	WASHER PLAIN	6				0.001	0.0022
045	02014-50060	NUT	6	≥10076			0.003	0.0066
050	35533-83670	SCREW TAPPING	1	≤20050			0	0
050	35533-83672	MARK SYMBOL	1	≥20051	←		0.04	0.088
060	38430-18270	SCREW TAPPING	2				0.002	0.0044
070	35533-83250	NET GRILLE	1				0.12	0.264
080	01023-50614	BOLT	4				0.005	0.011
090	04013-60060	WASHER PLAIN	4				0.001	0.0022
100	35533-83260	SUPPORT BONNET RH	1				0.2	0.44
110	35533-83270	SUPPORT BONNET LH	1				0.2	0.44
120	02156-50080	NUT	6				0.004	0.0088
130	04512-60080	WASHER SPRING	6				0.002	0.0044
140	35533-83300	CUSHION	2				0.001	0.0022
150	01820-50830	BOLT KNOB	2				0.041	0.0902
160	35533-83370	COMP BONNET FRONT	1	≤10159		ORANGE	11.9	26.18
160	35535-83370	COMP BONNET FRONT	1	≥10160	≠	DEEP ORANGE	8	17.6
170	01123-50818	BOLT	4				0.012	0.0264
180	33251-83700	ASSY COVER BONNET	1	≤10159		ORANGE	0.265	0.583
180	35535-83700	ASSY COVER BONNET	1	≥10160	≠	DEEP ORANGE	0.26	0.572
190	33251-90120	CUSHION	4	≤20050			0.001	0.0022
190	33251-90120	CUSHION	2	≥20051			0.001	0.0022
200	33251-83870	CUSHION BONNET	6	≤10058			0.007	0.0154
200	33251-83870	CUSHION BONNET	3	≥10059			0.007	0.0154
210	01053-50616	BOLT	2				0.005	0.011
220	04512-60060	WASHER SPRING	2				0.001	0.0022
230	04013-60060	WASHER PLAIN	2				0.001	0.0022
240	02014-50060	NUT	2				0.003	0.0066
250	33251-83870	CUSHION BONNET	2	≤10058			0.007	0.0154
250	33251-83510	CUSHION	2	≥10059	≠		0.008	0.0176
260	35533-83960	STOPPER BONNET	1				0.95	2.09
270	01123-60814	BOLT	2				0.008	0.0176
280	35420-74520	COVER RUBBER	1				0.16	0.352
290	50400-31370	PLUG	4	≤10020			0.001	0.0022
290	67156-52790	PLUG	4	≥10021	≠		0.003	0.0066
290	67156-52790	PLUG	6	≥10059	←		0.003	0.0066

# HOOD (BONNET) UPPER AND SIDE



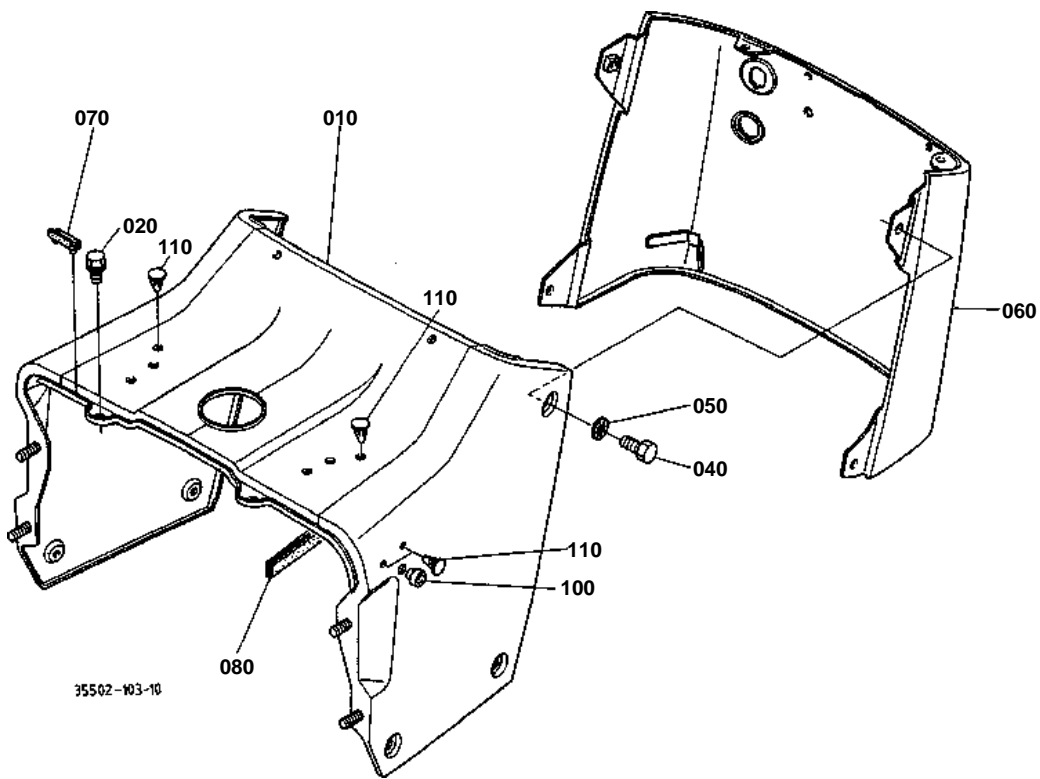


## HOOD (BONNET) UPPER AND SIDE

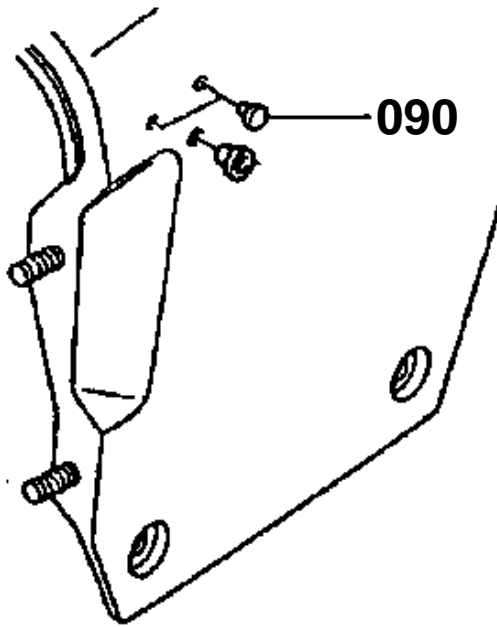
↔ Interchangeable; ≠ not interchangeable; ← new for old; → old for new

REF.No	Part No.	Description	Q'ty	S.No.	I/C	REMARKS	Weight (kgf)	Weight (lb)
010	36300-83020	COMP.BONNET MIDDLE	1	≤10159		ORANGE	6	13.2
010	35535-83020	COMP.BONNET MIDDLE	1	≥10160	≠	DEEP ORANGE	6	13.2
020	35533-83160	COMP.BONNET SIDE RH	1	≤10159		ORANGE	1.5	3.3
020	35535-83160	COMP.BONNET SIDE RH	1	≥10160	≠	DEEP ORANGE	0	0
020	35535-83162	COMP.BONNET SIDE RH	1	≥20209	←	DEEP ORANGE	1.5	3.3
030	35533-83210	COMP.BONNET SIDE LH	1	≤10159		ORANGE	1.95	4.29
030	35535-83210	COMP.BONNET SIDE LH	1	≥10160	≠	DEEP ORANGE	1.95	4.29
050	36200-83250	CUSHION	4				0.002	0.0044
060	36200-83240	BOLT	2				0.025	0.055
070	01133-51016	BOLT	2				0.015	0.033
080	04013-50100	WASHER PLAIN	2				0	0
090	02116-50100	NUT	2				0.004	0.0088
100	02118-50100	NUT	2				0.005	0.011
110	04512-60100	WASHER SPRING	2				0.002	0.0044
120	35533-83240	NUT	2				0.02	0.044
130	33251-83810	HINGE COVER	2	≤10159		ORANGE	0.125	0.275
130	35535-83810	HINGE COVER	2	≥10160	≠	DEEP ORANGE	0.12	0.264
140	01153-50816	BOLT	4				0.01	0.022
150	04512-60080	WASHER SPRING	4				0.002	0.0044
160	04013-50080	WASHER PLAIN	4				0	0
170	33251-83830	PIN	2				0.011	0.0242
180	05525-50800	PIN SNAP	4				0.001	0.0022
190	36330-83840	HANDLE BONNET COVER	2				0.12	0.264
200	33251-83850	WASHER HANDLE	2				0.001	0.0022
210	33251-83860	HOOK BONNET COVER	2				0.053	0.1166
220	33251-83950	WASHER SPRING	2				0.001	0.0022
230	02112-50080	NUT	2				0.003	0.0066
240	04512-60080	WASHER SPRING	2				0.002	0.0044
250	04013-50080	WASHER PLAIN	2				0	0
260	33251-83880	SUPPORT BONNET	1				0.108	0.2376
270	04013-50080	WASHER PLAIN	1				0	0
280	05511-50215	PIN SPLIT	1				0.001	0.0022
290	33251-83890	CUSHION	1				0.002	0.0044
300	33251-83900	SPRING BONNET HOLDER	1				0.008	0.0176
310	03054-50508	SCREW PAN-HEAD	2				0.002	0.0044
320	04411-50050	WASHER TOOTHED	2				0.001	0.0022
330	33251-74210	CUSHION BATTERY	2				0.001	0.0022

HOOD REAR (BONNET REAR)



090 36760-9039-0



35502-828-10



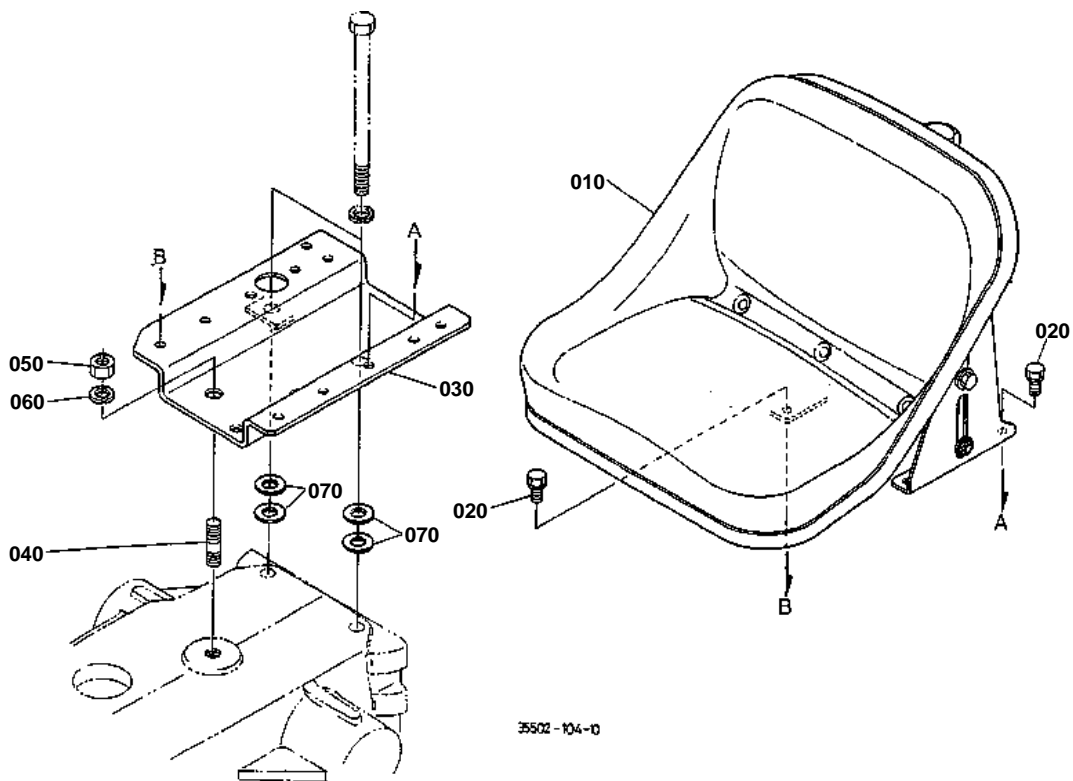


## HOOD REAR (BONNET REAR)

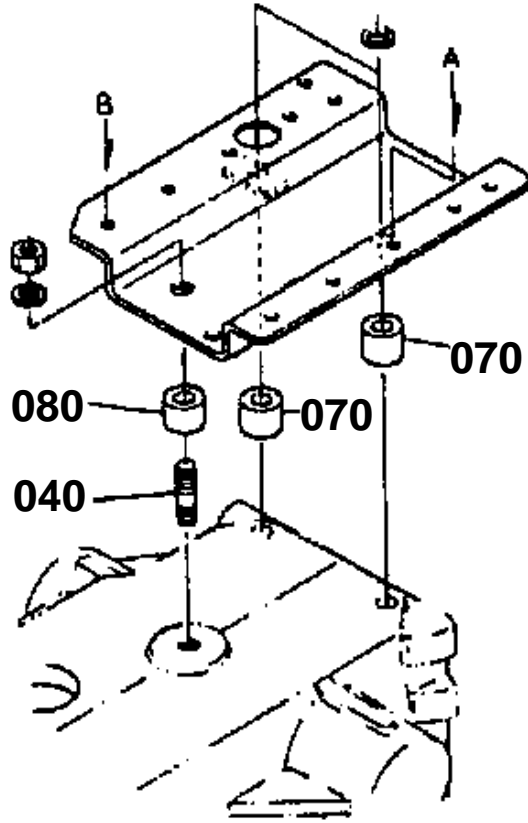
↔ Interchangeable; ≠ not interchangeable; ← new for old; → old for new

REF.No	Part No.	Description	Q'ty	S.No.	I/C	REMARKS	Weight (kgf)	Weight (lb)
010	35533-83550	COMP BONNET REAR	1	<=10159		ORANGE	4	8.8
010	35535-83550	COMP.BONNET REAR	1	>=10160	≠	DEEP ORANGE	4.05	8.91
020	01133-51016	BOLT	2				0.015	0.033
040	33251-83930	SCREW SET BONNET	6				0.02	0.044
050	04411-50300	WASHER TOOTHED	6				0.001	0.0022
060	35533-83640	COMP BONNET REAR	1	<=10159		ORANGE	2.2	4.84
060	35535-83640	COMP.BONNET REAR	1	>=10160	≠	DEEP ORANGE	2.3	5.06
070	33251-83870	CUSHION BONNET	3				0.007	0.0154
080	36200-04680	CUSHION	2				0.009	0.0198
090	36760-90390	PLUG	4	<=20202			0.005	0.011
100	34159-34290	PLUG	2	>=10035			0.004	0.0088
110	38240-29570	PLUG	6	<=20202			0.001	0.0022
110	38240-29570	PLUG	10	>=20203			0.001	0.0022

# SEAT



040 01517-51445  
070 35533-8519-0  
080 35533-8517-0



35533-841-10

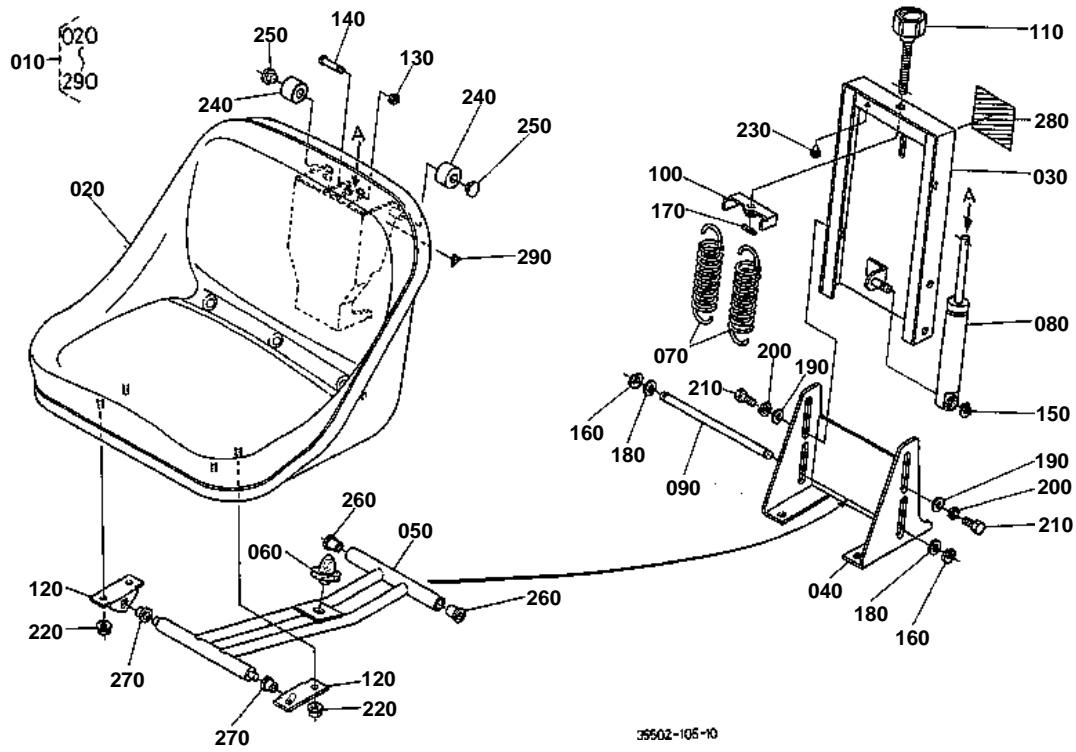


SEAT  
S.No.;<=20252

↔ Interchangeable; ≠ not interchangeable; ← new for old; → old for new

REF.No	Part No.	Description	Q'ty	S.No.	I/C	REMARKS	Weight (kgf)	Weight (lb)
010	35420-85010	ASSY SEAT	1			REFER TO L.No.0102-L0 FOR COMPONENTS.	16.5	36.3
020	01123-60816	BOLT	2				0.01	0.022
030	35533-85150	STAY SEAT	1				1.78	3.916
040	01517-51445	STUD	1	<=10058			0.075	0.165
040	01517-51430	STUD	1	>=10059	≠		0.052	0.1144
050	02174-50140	NUT	1				0.014	0.0308
060	04512-60140	WASHER SPRING	1				0.006	0.0132
070	35533-85190	COLLAR SEAT STAY	2	<=10058			0	0
070	04013-60120	WASHER PLAIN	4	>=10059	≠		0.01	0.022
080	35533-85170	COLLAR SEAT STAY	2	<=10058			0.07	0.154

SEAT [COMPONENT PARTS]



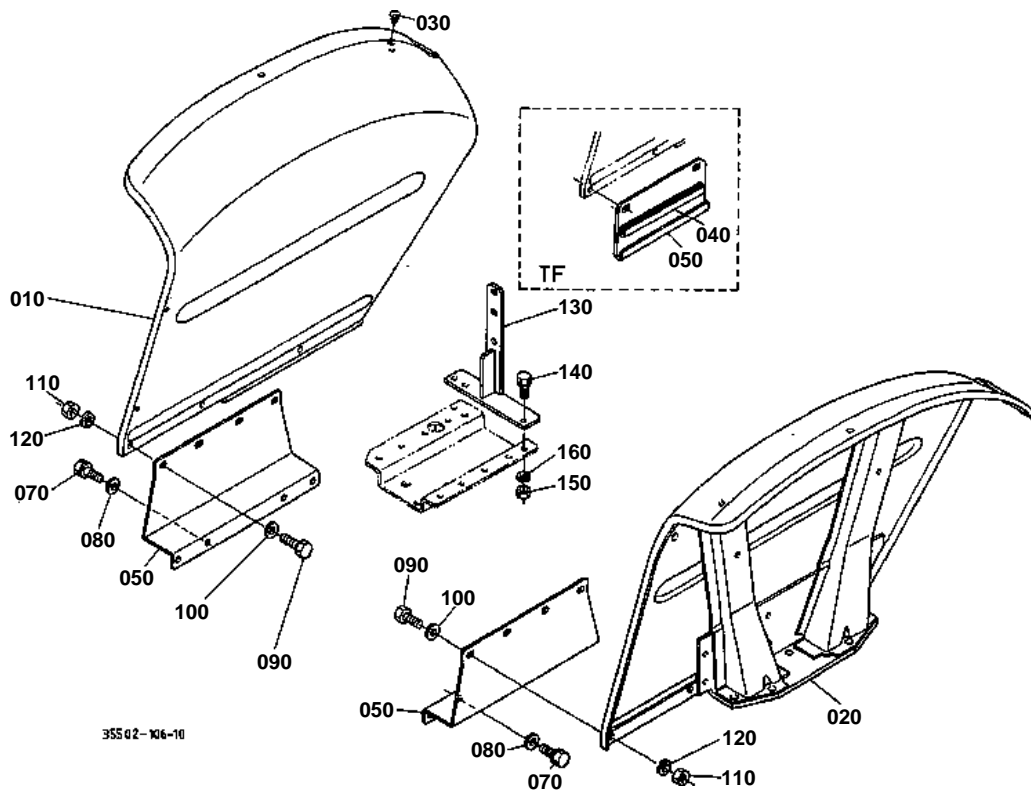
**SEAT [COMPONENT PARTS]**

S.No.;&lt;=20252

↔ Interchangeable; ≠ not interchangeable; ← new for old; → old for new

REF.No	Part No.	Description	Q'ty	S.No.	I/C	REMARKS	Weight (kgf)	Weight (lb)
010	35420-85010	ASSY SEAT	1				16.5	36.3
020	35822-85160	ASSY CUSHION SEAT	1				8	17.6
030	36530-85170	COMP.CASE OUTER	1				3.08	6.776
040	36530-85180	COMP.GASSET	1				2	4.4
050	36530-85190	COMP.ARM SWING	1				1.8	3.96
060	36530-85240	RUBBER STOPPER	1				0.025	0.055
070	36530-85260	SPRING COIL	2				0.4	0.88
080	36530-85270	DAMPER OIL	1				0.25	0.55
090	36530-85280	SHAFT	1				0.2	0.44
100	36530-85290	COMP.NUT HANGER	1				0.09	0.198
110	36530-85310	HANDLE ADJUSTING	1				0.09	0.198
120	36530-85320	SUPPORT	2				0.12	0.264
130	04613-00030	CIRCLIP EXTERNAL	1				0	0
140	36530-85340	PIN DAMPER	1				0.01	0.022
150	04612-00100	CIRCLIP EXTERNAL	1				0.001	0.0022
160	04613-50100	CIRCLIP EXTERNAL	2				0.002	0.0044
170	05411-00414	PIN SPRING	1				0.001	0.0022
180	36530-85380	WASHER PLAIN	2				0.025	0.055
190	36530-85390	WASHER PLAIN	2				0.002	0.0044
200	04512-60100	WASHER SPRING	2				0.002	0.0044
210	01073-51020	BOLT	2				0.024	0.0528
220	02751-50080	NUT FLANGE	4				0.006	0.0132
230	36530-85440	RUBBER PROTECTOR	2				0.001	0.0022
240	36530-85470	ROLLER	2				0.022	0.0484
250	36530-85480	WASHER PLAIN	2				0.03	0.066
260	36530-85490	BUSH	2				0.01	0.022
270	36530-85510	BUSH FLANGE	2				0.005	0.011
280	36530-85580	LABEL	1				0.001	0.0022
290	36530-85590	MARK TRIANGLE	2				0.001	0.0022

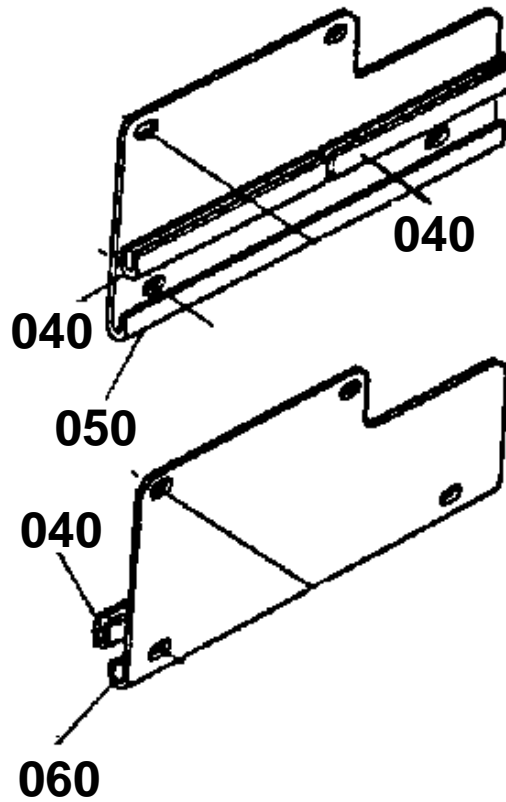
FENDER



040 33251-8714-0

050 35501-8721-0

060 35501-8722-0



170 35593-8740-0

180 03004-50816



35533-842-10

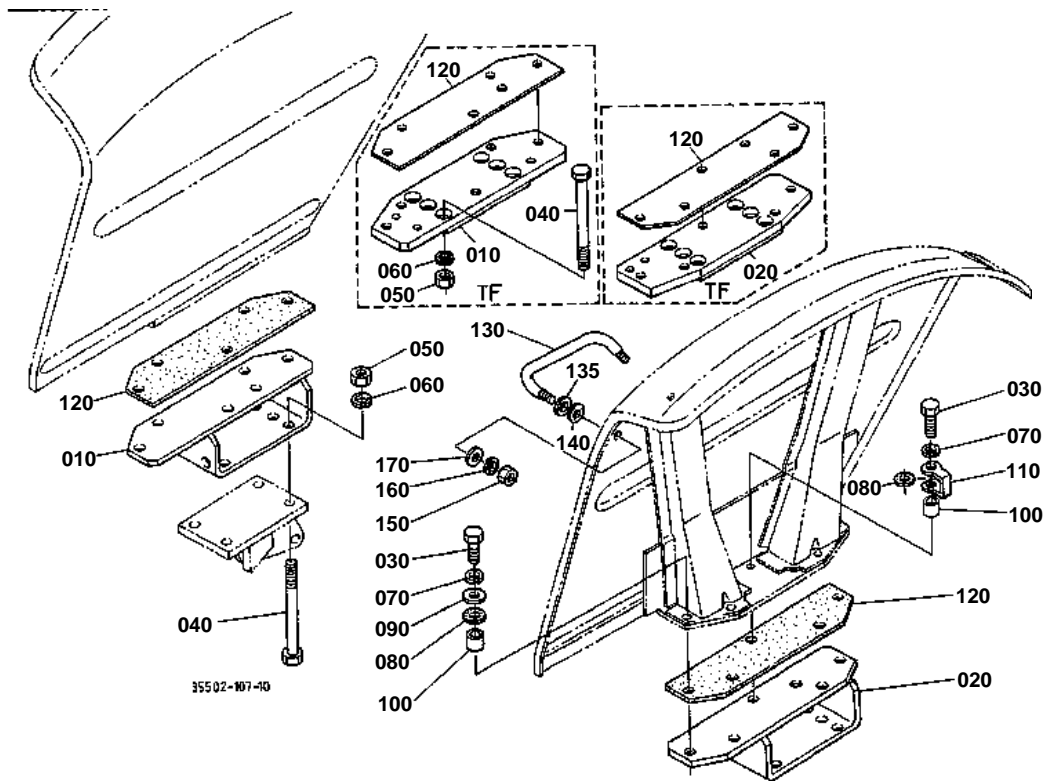


**FENDER**

↔ Interchangeable; ≠ not interchangeable; ← new for old; → old for new

REF.No	Part No.	Description	Q'ty	S.No.	I/C	REMARKS	Weight (kgf)	Weight (lb)
010	35440-87012	FENDER RH	1	<=10159		ORANGE	20	44
010	35533-87010	FENDER RH	1	>=10160	≠	DEEP ORANGE	17	37.4
020	35440-87022	FENDER LH	1	<=10159		ORANGE	20	44
020	35533-87020	FENDER LH	1	>=10160	≠	DEEP ORANGE	17	37.4
030	38240-29290	PLUG	2				0.001	0.0022
040	33251-87140	CUSHION FENDER	4	<=20483			0.02	0.044
050	35420-87210	SUPPORT FENDER RH	1	<=10159		ORANGE	1.6	3.52
050	35501-87210	SUPPORT FENDER RH	1	>=10160	≠	DEEP ORANGE	1.6	3.52
050	35502-87210	PLATE	2	>=20484	≠	DEEP ORANGE	2.2	4.84
060	35420-87220	SUPPORT FENDER LH	1	<=10159		ORANGE	1.6	3.52
060	35501-87220	SUPPORT FENDER LH	1	>=10160	≠	DEEP ORANGE	1.6	3.52
060	35501-87220	SUPPORT FENDER LH	1	<=20483		DEEP ORANGE	1.6	3.52
070	01123-60816	BOLT	4				0.01	0.022
080	04013-50080	WASHER PLAIN	4				0	0
090	01173-51020	BOLT	4				0.017	0.0374
100	04011-50100	WASHER PLAIN	4				0.002	0.0044
110	02118-50100	NUT	4				0.005	0.011
120	04512-60100	WASHER SPRING	4				0.002	0.0044
130	35533-90113	STAY SMV	1	<=20252			0.95	2.09
130	35502-90112	STAY SMV	1	>=20253	↔		0.84	1.848
140	01123-50820	BOLT	1				0.011	0.0242
150	02114-50080	NUT	1				0.005	0.011
160	04512-60080	WASHER SPRING	1				0.002	0.0044
170	35593-87400	PLATE BALANCE	2	<=10091			0.15	0.33
180	03004-50816	SCREW WITH WASHER	4	<=10091			0.01	0.022

# FENDER BRACKET



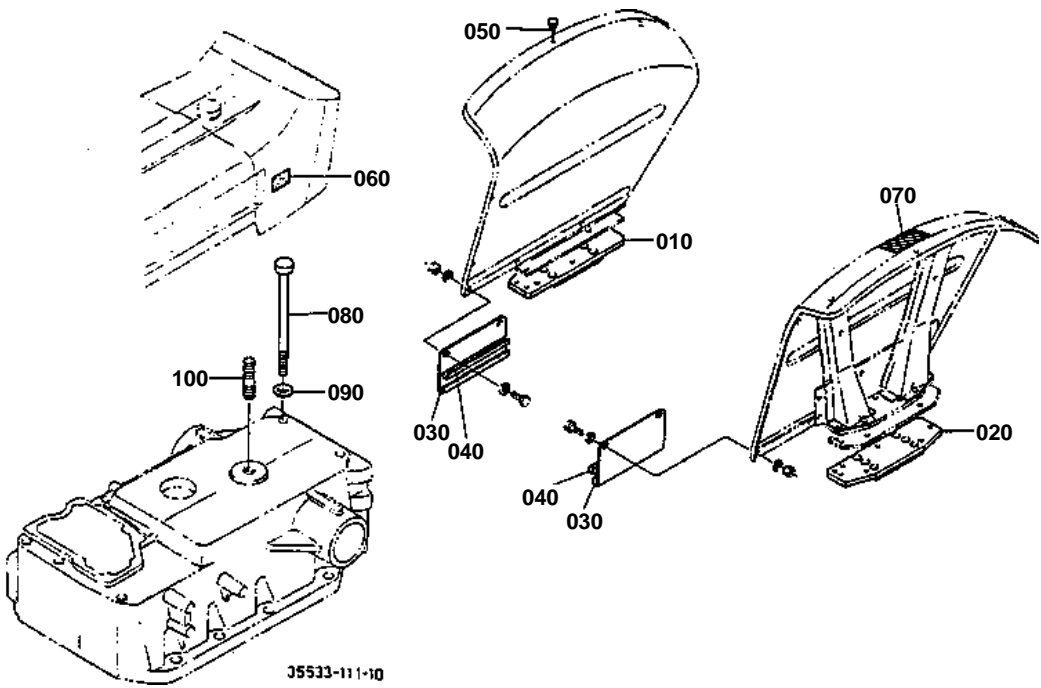


# FENDER BRACKET

↔ Interchangeable; ≠ not interchangeable; ← new for old; → old for new

REF.No	Part No.	Description	Q'ty	S.No.	I/C	REMARKS	Weight (kgf)	Weight (lb)
010	36280-87040	BRACKET FENDER RH	1				6.7	14.74
020	36200-87054	BRACKET FENDER LH	1				7	15.4
030	01173-51245	BOLT	10				0.049	0.1078
040	36200-87080	BOLT	8				0.466	1.0252
050	02176-50160	NUT	8				0.021	0.0462
060	04512-60160	WASHER SPRING	8				0.01	0.022
070	04512-60120	WASHER SPRING	10				0.005	0.011
080	33251-87110	PAD FENDER	10				0.004	0.0088
090	33251-87120	WASHER	8				0.02	0.044
100	36200-87130	PIECE DISTANCE	10				0.02	0.044
110	33251-87150	PLATE FENDER EARTH	2				0.04	0.088
120	35707-87160	RUBBER FENDER	2				0.38	0.836
130	36200-87320	HANDRAIL	1	<=20208			0.32	0.704
130	36200-87323	HANDRAIL	1	>=20209	←		0.22	0.484
135	04015-60100	WASHER PLAIN	2	>=20209			0.015	0.033
140	36200-87330	CUSHION	2				0.002	0.0044
150	02114-50100	NUT	2				0.005	0.011
160	04512-60100	WASHER SPRING	2				0.002	0.0044
170	04013-50100	WASHER PLAIN	2				0	0

FENDER BRACKET (LOW PROFILE KIT) [OPTION]



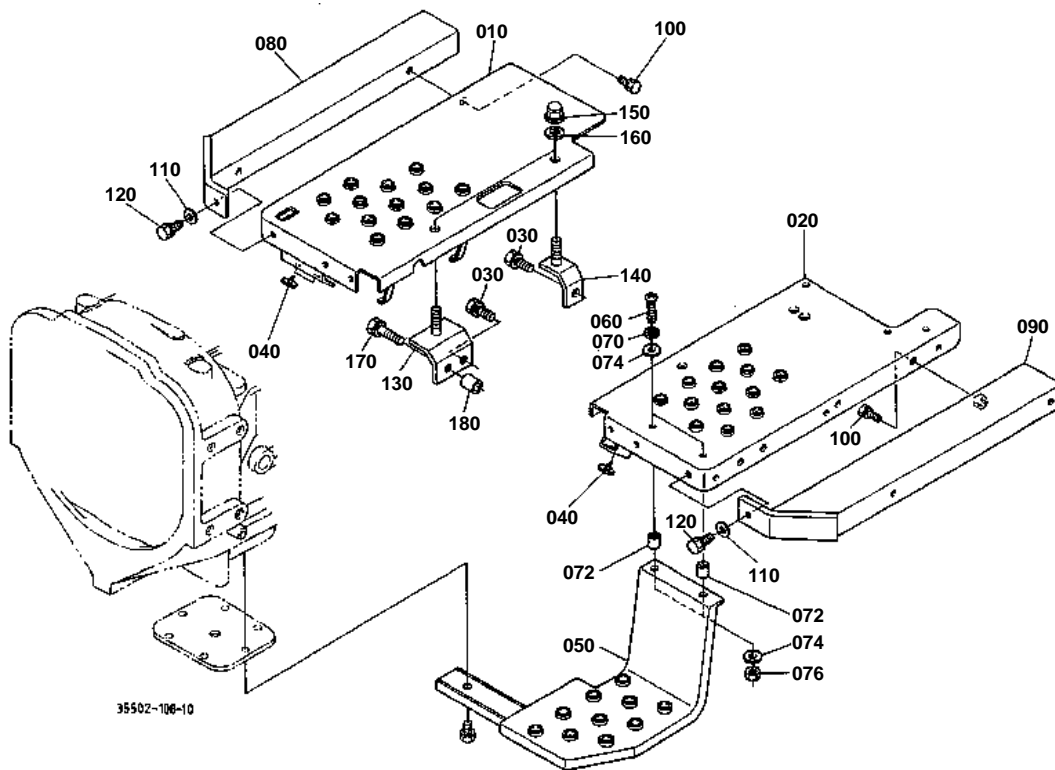


## FENDER BRACKET (LOW PROFILE KIT) [OPTION]

↔ Interchangeable; ≠ not interchangeable; ← new for old; → old for new

REF.No	Part No.	Description	Q'ty	S.No.	I/C	REMARKS	Weight (kgf)	Weight (lb)
010	35440-87046	BRACKET FENDER RH	1				6.62	14.564
020	35440-87054	BRACKET FENDER LH	1				6.8	14.96
030	35440-87210	PLATE	2				0.7	1.54
040	33251-87140	CUSHION FENDER	2				0.02	0.044
050	38240-29290	PLUG	2				0.001	0.0022
060	35537-98152	MARK LOW PROFILE	2				0.002	0.0044
070	35517-98340	NAME PLATE SPEED	1				0.002	0.0044
080	35450-82170	BOLT	2				0.16	0.352
090	04013-60120	WASHER PLAIN	4				0.01	0.022
100	01517-51430	STUD	1				0.052	0.1144

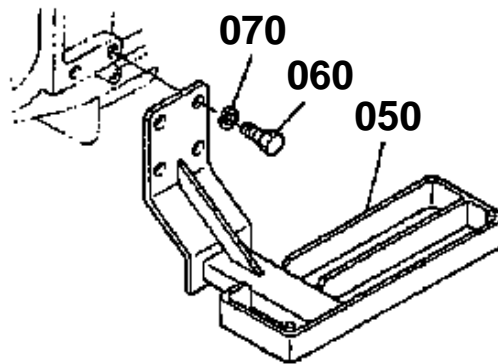
STEP [OLD TYPE]



050 35533-8731-0

060 01173-51635

070 04512-50160



35502-835-10

**STEP [OLD TYPE]**

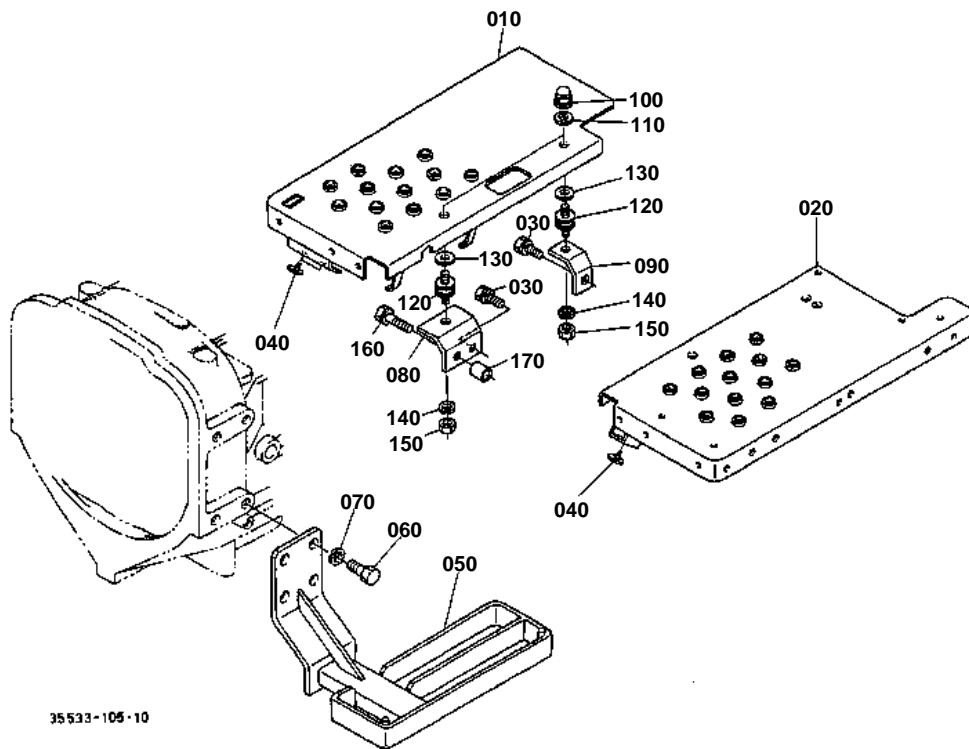
S.No.;&lt;=20501

↔ Interchangeable; ≠ not interchangeable; ← new for old; → old for new

REF.No	Part No.	Description	Q'ty	S.No.	I/C	REMARKS	Weight (kgf)	Weight (lb)
010	35533-87065	STEP RH	1				3.6	7.92
020	35533-87075	STEP LH	1				3.57	7.854
030	01133-51022	BOLT	4				0.025	0.055
040	63611-52350	RUBBER	3	<=10020			0.001	0.0022
040	35533-87090	CUSHION PEDAL	3	>=10021	≠		0.002	0.0044
050	35533-87310	STEP AUX	1	<=20483			4.5	9.9
050	35596-87310	STEP AUX	1	>=20484	≠		2.93	6.446
060	01173-51645	BOLT	2	<=20483			0.092	0.2024
060	03014-50860	SCREW PAN-HEAD	2	>=20484	≠		0.023	0.0506
070	04512-50160	WASHER SPRING	2	<=20483			0	0
070	04512-60080	WASHER SPRING	2	>=20484	≠		0.002	0.0044
072	36330-67760	COLLAR	2	>=20484			0.025	0.055
074	04012-50080	WASHER PLAIN	4	>=20484			0.001	0.0022
076	02114-50080	NUT	2	>=20484			0.005	0.011
080	35533-87170	STEP EXTENSION RH	1	<=20483			1.55	3.41
090	35533-87190	STEP EXTENSION LH	1	<=20483			1.5	3.3
100	01133-51020	BOLT	4	<=20483			0.02	0.044
110	04013-50080	WASHER PLAIN	2	<=20483			0	0
120	01123-60816	BOLT	2	<=20483			0.01	0.022
130	35593-87380	STAY STEP	2				0.2	0.44
140	35593-87390	STAY STEP	2				0.07	0.154
150	36919-53380	NUT CAP	4				0.01	0.022
160	04013-50080	WASHER PLAIN	4				0	0
170	01133-51035	BOLT	2				0.03	0.066
180	35708-87132	PIECE DISTANCE	2				0.01	0.022



STEP [NEW TYPE]



35533-105-10

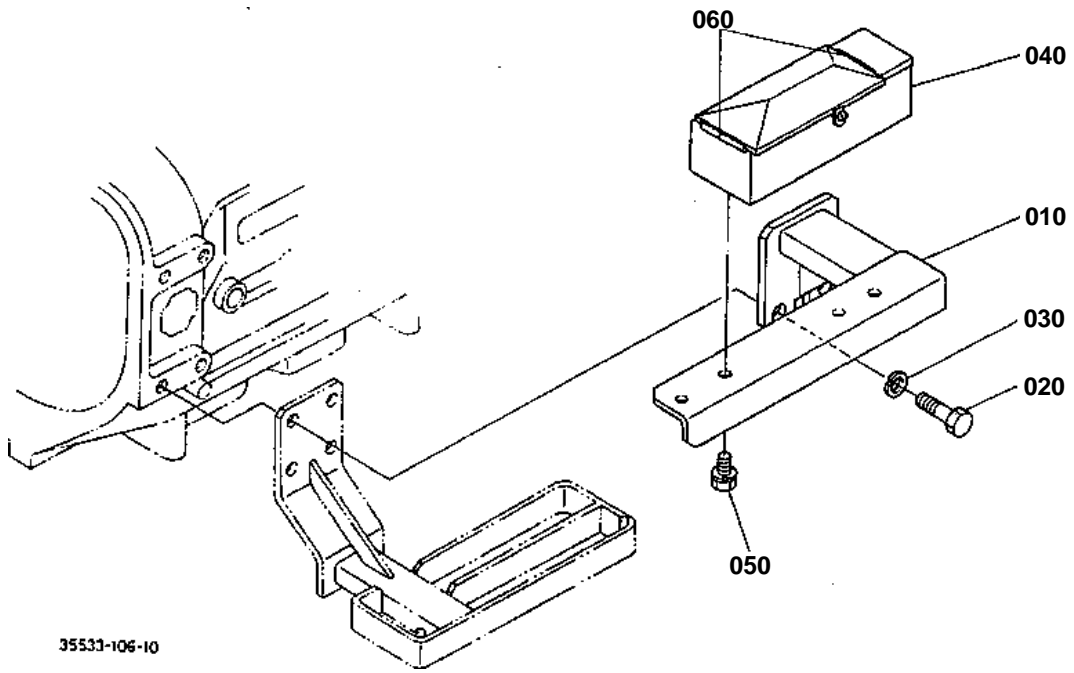
**STEP [NEW TYPE]**

S.No.;&gt;=20502

↔ Interchangeable; ≠ not interchangeable; ← new for old; → old for new

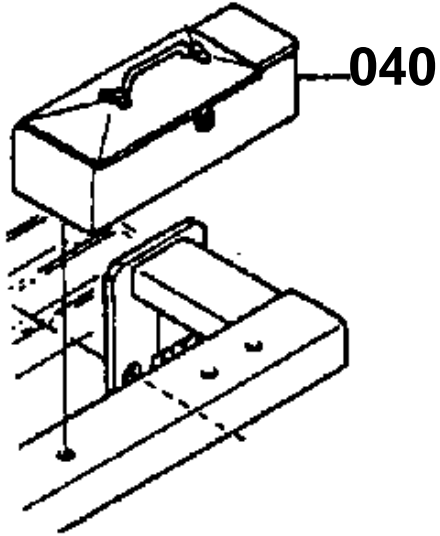
REF.No	Part No.	Description	Q'ty	S.No.	I/C	REMARKS	Weight (kgf)	Weight (lb)
010	35533-87065	STEP RH	1				3.6	7.92
020	35533-87075	STEP LH	1				3.57	7.854
030	01133-51022	BOLT	4				0.025	0.055
040	35533-87090	CUSHION PEDAL	3				0.002	0.0044
050	35533-87310	STEP AUX	1				4.5	9.9
060	01173-51635	BOLT	2				0.078	0.1716
070	04512-60160	WASHER SPRING	2				0.01	0.022
080	35593-87380	STAY STEP	2				0.2	0.44
090	35593-87390	STAY STEP	2				0.07	0.154
100	36919-53380	NUT CAP	4				0.01	0.022
110	04013-50080	WASHER PLAIN	4				0	0
120	35593-87410	CUSHION	4				0.05	0.11
130	04015-60080	WASHER PLAIN	4				0.01	0.022
140	04512-60080	WASHER SPRING	4				0.002	0.0044
150	02114-50080	NUT	4				0.005	0.011
160	01133-51035	BOLT	2				0.03	0.066
170	35708-87132	PIECE DISTANCE	2				0.01	0.022

TOOLS BOX



35533-106-10

040 35830-9020-2



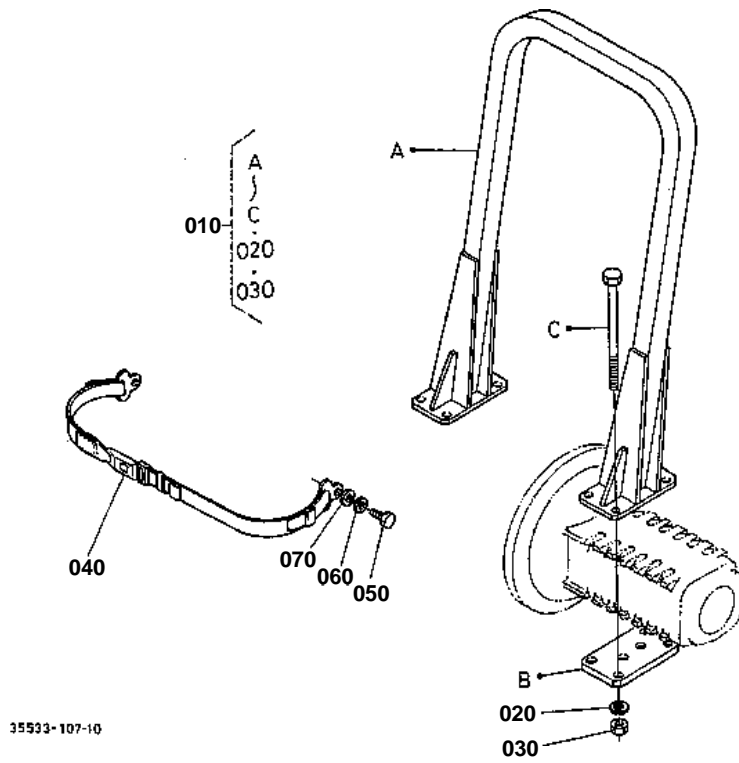
35533-843-10



## TOOLS BOX

↔ Interchangeable; ≠ not interchangeable; ← new for old; → old for new

REF.No	Part No.	Description	Q'ty	S.No.	I/C	REMARKS	Weight (kgf)	Weight (lb)
010	35533-90140	SUPPORT TOOLS CASE	1				2.7	5.94
020	01173-51645	BOLT	2				0.092	0.2024
030	04512-60160	WASHER SPRING	2				0.01	0.022
040	35830-90202	COMP.BOX TOOLS	1	<=10058			0	0
040	35860-90200	COMP.BOX TOOLS	1	>=10059	≠		2.58	5.676
050	01133-51022	BOLT	2				0.025	0.055
060	35533-90160	CUSHION	2	>=10035			0.006	0.0132

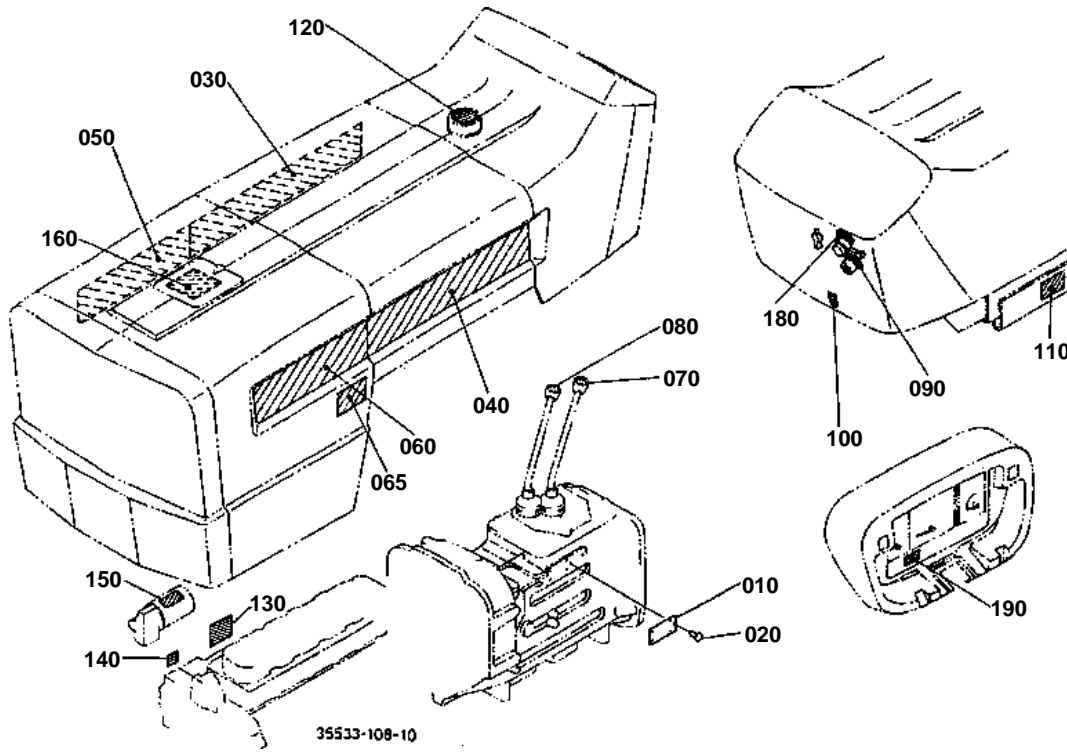


**ROPS**

↔ Interchangeable; ≠ not interchangeable; ← new for old; → old for new

REF.No	Part No.	Description	Q'ty	S.No.	I/C	REMARKS	Weight (kgf)	Weight (lb)
010	35999-15430	ASSY ROPS	1				0	0
020	04512-60160	WASHER SPRING	8				0.01	0.022
030	02176-50160	NUT	8				0.021	0.0462
040	36330-85150	ASSY BELT SEAT	1				0.35	0.77
050	01173-51020	BOLT	2				0.017	0.0374
060	04512-60100	WASHER SPRING	2				0.002	0.0044
070	04013-50100	WASHER PLAIN	2				0	0

LABEL 1

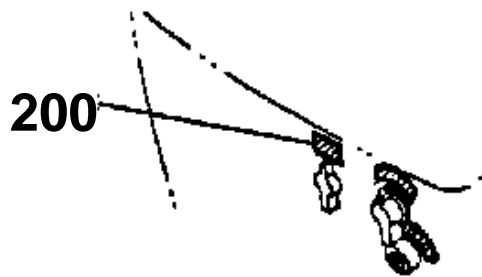




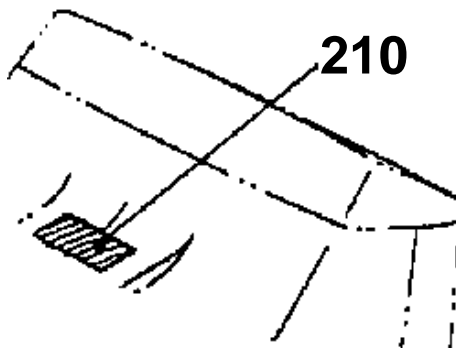
170 15222-8821-0



200 35861-9847-0



210 35822-9828-0



35533-844-10

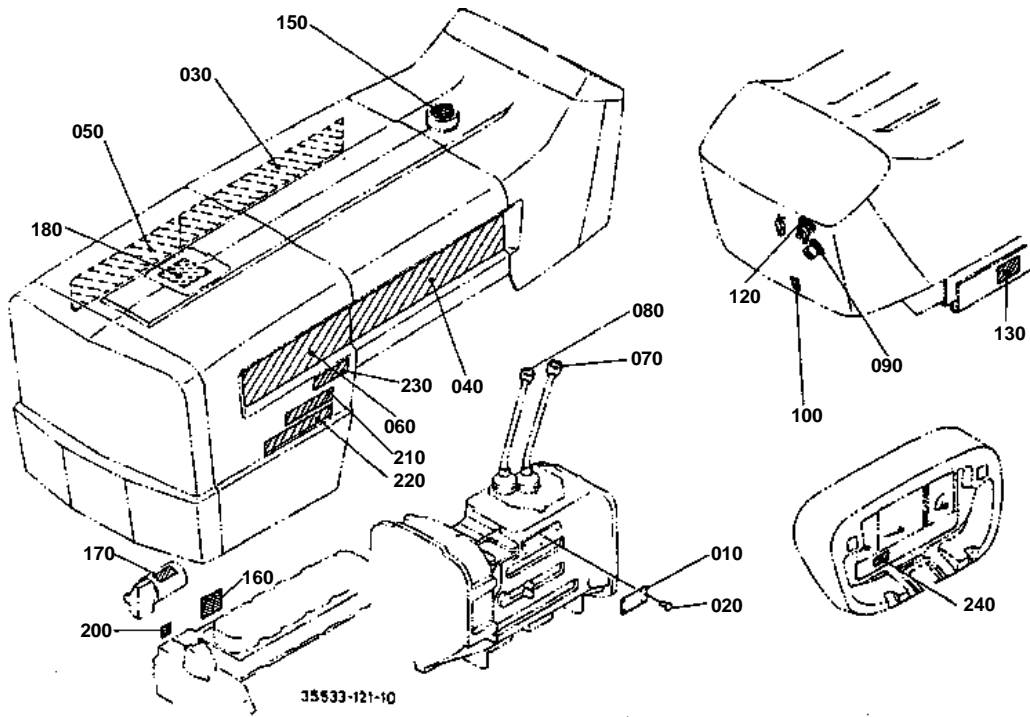


LABEL 1

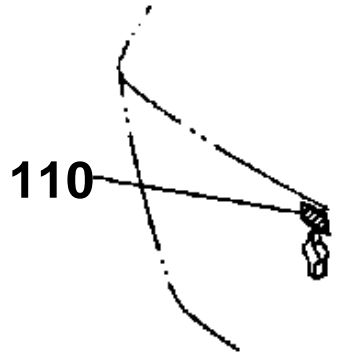
↔ Interchangeable; ≠ not interchangeable; ← new for old; → old for new

REF.No	Part No.	Description	Q'ty	S.No.	I/C	REMARKS	Weight (kgf)	Weight (lb)
020	34152-57920	RIVET	5				0.001	0.0022
030	35523-98110	MARK SIDE RH	1	≤10197			0.02	0.044
030	35532-98182	MARK KUBOTA RH	1	≥10198	≠		0.022	0.0484
040	35523-98150	MARK SIDE LH	1	≤10197			0.02	0.044
040	35532-98212	MARK KUBOTA LH	1	≥10198	≠		0.02	0.044
050	35533-98200	MARK SIDE RH	1	≤10197			0.01	0.022
050	35513-98200	MARK MODEL RH	1	≥10198	≠		0.011	0.0242
060	35533-98220	MARK SIDE LH	1	≤10197			0.01	0.022
060	35513-98220	MARK MODEL LH	1	≥10198	≠		0.011	0.0242
070	35533-98950	LABEL MAIN SHIFT	1	≤20208			0	0
070	35533-98952	LABEL MAIN SHIFT	1	≥20209	←		0.001	0.0022
080	35533-98960	LABEL RANGE SHIFT	1	≤20208			0	0
080	35533-98962	LABEL RANGE SHIFT	1	≥20209	←		0.002	0.0044
090	35822-98180	MARK MAIN SWITCH	1				0.001	0.0022
100	35822-98430	LABEL ENGINE STOP	1	≤10197			0	0
100	35080-65280	LABEL KEY STOP	1	≥10198	←		0.001	0.0022
110	35820-98632	LABEL START CAUTION	1	≤10058			0.003	0.0066
110	35820-98632	LABEL START CAUTION	1	≥10059	←		0.003	0.0066
120	36919-56400	MARK RED(FUEL CAP)	1				0.001	0.0022
130	16478-88310	LABEL OIL	1				0.001	0.0022
140	15612-87210	LABEL CAUTION	1				0.001	0.0022
150	15213-94400	LABEL CAUTION	1				0.001	0.0022
160	15101-94610	LABEL RADIATOR	1				0.002	0.0044
170	15222-88210	LABEL CAUTION	1	≤20345			0.003	0.0066
180	35420-98440	LABEL HAZARD FLASHER	1	≤10197			0	0
180	32539-65530	LABEL HAZARD MARK	1	≥10198	←		0.001	0.0022
190	35583-98260	LABEL PANEL BOARD	1	≥20206			0.001	0.0022
200	35861-98470	LABEL LIGHT SWITCH	1	≤10197			0.001	0.0022
210	35822-98280	LABEL OIL FILLER	1	≤10054			0.001	0.0022

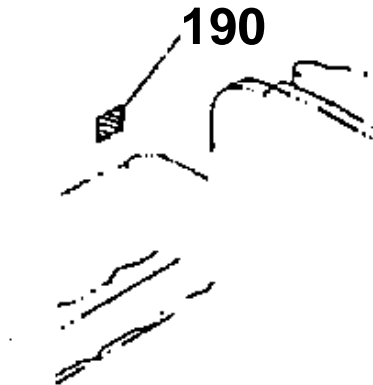
LABEL 1 [SU TYPE]



110 35861-9847-0



190 15222-8821-0



35533-848-10

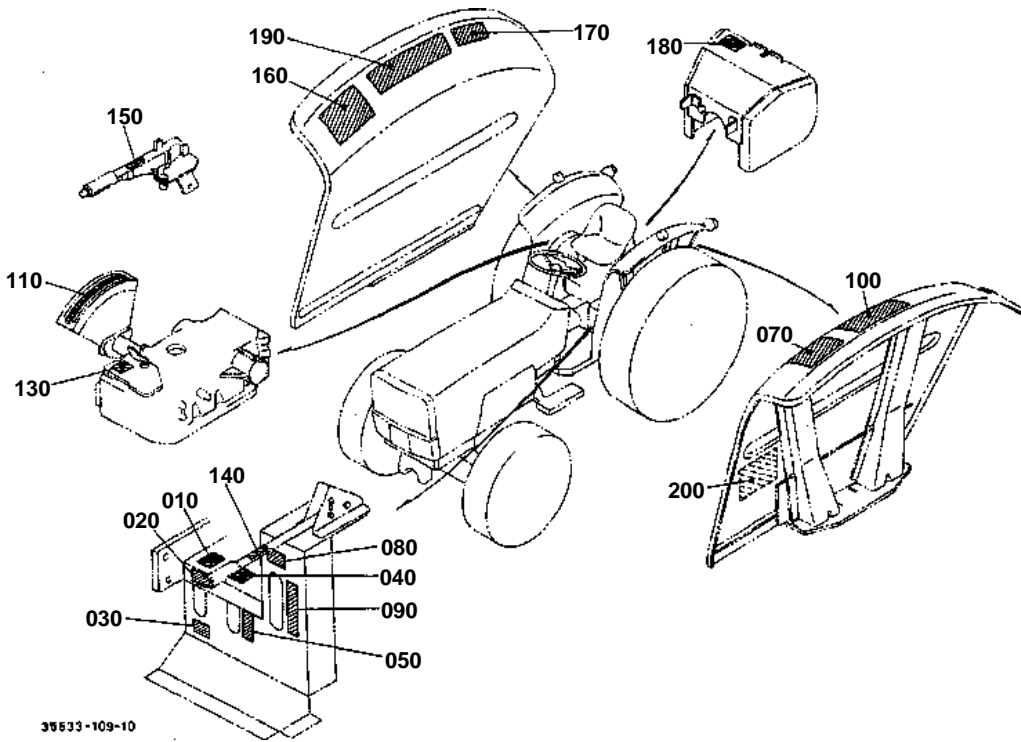


**LABEL 1 [SU TYPE]**

↔ Interchangeable; ≠ not interchangeable; ← new for old; → old for new

REF.No	Part No.	Description	Q'ty	S.No.	I/C	REMARKS	Weight (kgf)	Weight (lb)
020	34152-57920	RIVET	5				0.001	0.0022
030	35532-98180	MARK SIDE RH	1	<=20050			0.03	0.066
030	35532-98182	MARK KUBOTA RH	1	>=20051	≠		0.022	0.0484
040	35532-98210	MARK SIDE LH	1	<=20050			0.08	0.176
040	35532-98212	MARK KUBOTA LH	1	>=20051	≠		0.02	0.044
050	35532-98200	MARK SIDE RH	1	<=20050			0.015	0.033
050	35532-98202	MARK MODEL RH	1	>=20051	≠		0.012	0.0264
060	35532-98220	MARK SIDE LH	1	<=20050			0.005	0.011
060	35532-98222	MARK MODEL LH	1	>=20051	≠		0.012	0.0264
070	35533-98952	LABEL MAIN SHIFT	1	<=20208			0.001	0.0022
070	35533-98952	LABEL MAIN SHIFT	1	>=20209	←		0.001	0.0022
080	35533-98960	LABEL RANGE SHIFT	1	<=20208			0	0
080	35533-98962	LABEL RANGE SHIFT	1	>=20209	←		0.002	0.0044
090	35822-98180	MARK MAIN SWITCH	1				0.001	0.0022
100	35080-65280	LABEL ENGINE STOP	1	<=20050			0.001	0.0022
100	35080-65280	LABEL KEY STOP	1	>=20051	←		0.001	0.0022
110	35861-98470	LABEL LIGHT SWITCH	1	<=20050			0.001	0.0022
120	35420-98440	LABEL HAZARD FLASHER	1	<=20050			0	0
120	32539-65530	LABEL HAZARD MARK	1	>=20051	←		0.001	0.0022
130	35820-98632	LABEL START CAUTION	1				0.003	0.0066
150	36919-56400	MARK RED(FUEL CAP)	1				0.001	0.0022
160	15612-88310	LABEL OIL	1				0.001	0.0022
170	15213-94400	LABEL CAUTION	1				0.001	0.0022
180	15101-94610	LABEL RADIATOR	1				0.002	0.0044
190	15222-88210	LABEL CAUTION	1	<=20345			0.003	0.0066
200	15612-87210	LABEL CAUTION	1				0.001	0.0022
220	35502-98990	LABEL UTILITY	2				0.002	0.0044
240	35583-98260	LABEL PANEL BOARD	1	>=20206			0.001	0.0022

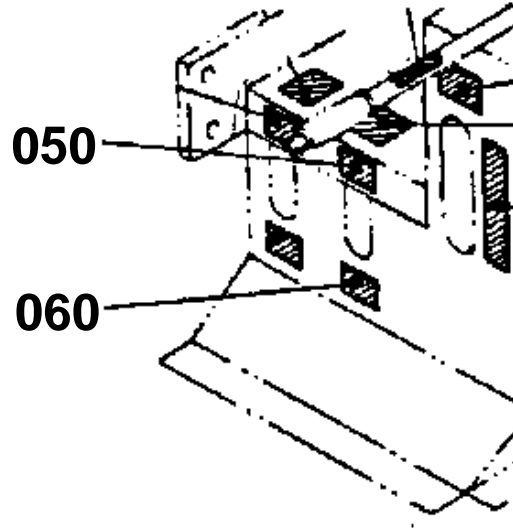
LABEL 2 [EXCEPT MANUAL SHUTTLE]



35533-109-10

050 35533-9866-0

060 35533-9870-0



35533-845-10

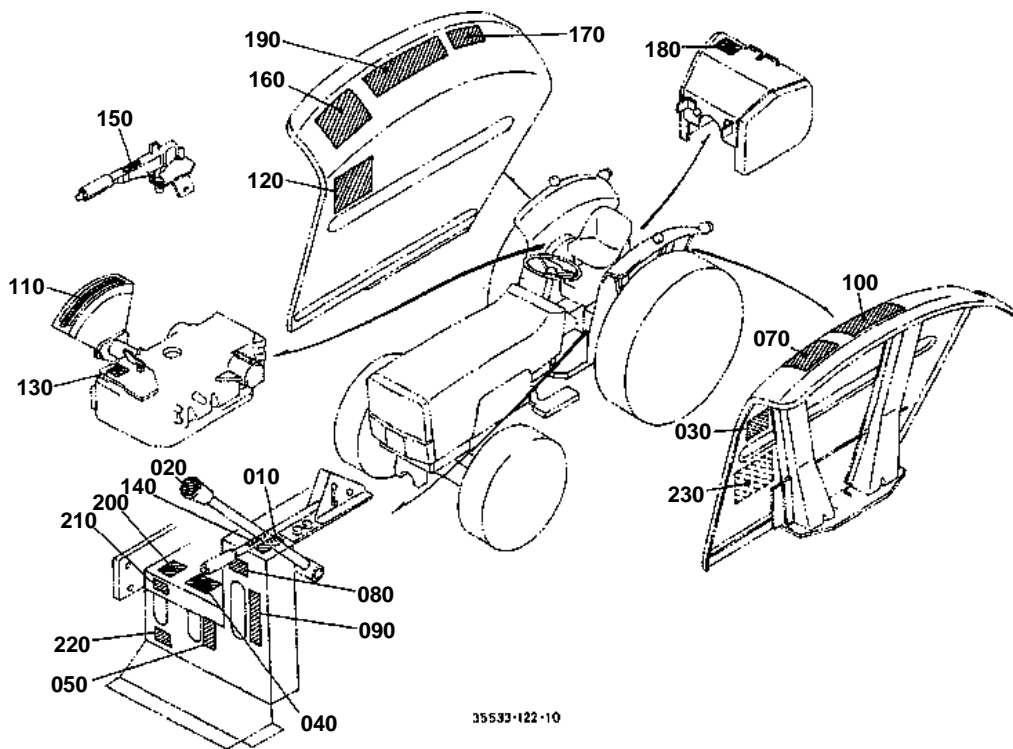
**LABEL 2 [EXCEPT MANUAL SHUTTLE]**

↔ Interchangeable; ≠ not interchangeable; ← new for old; → old for new

REF.No	Part No.	Description	Q'ty	S.No.	I/C	REMARKS	Weight (kgf)	Weight (lb)
010	35533-98310	LABEL CREEP	1				0.001	0.0022
020	35533-98450	LABEL CREEP	1				0.001	0.0022
030	35533-98460	LABEL CREEP	1				0.001	0.0022
070	35822-98240	LABEL PTO SHIFT LVR.	1				0.001	0.0022
080	35533-98330	LABEL PTO	1				0.001	0.0022
090	35533-98400	LABEL PTO	1	<=20483			0	0
090	35533-98402	LABEL PTO	1	>=20484	←		0.001	0.0022
100	35533-98340	LABEL SPEED	1				0.005	0.011
130	35533-98380	LABEL DOWN SPEED	1				0.001	0.0022
140	35801-98810	LABEL CLUTCH LEVER	1				0.001	0.0022
150	35801-98820	LABEL HAND BRAKE	1				0.001	0.0022
160	35260-34910	LABEL SAFETY	1	<=10058			0	0
160	35260-34912	LABEL SAFETY	1	>=10059	←		0	0
160	35260-34913	LABEL SAFETY	1	>=10194	←		0.005	0.011
170	35260-29790	LABEL DRAWBAR	1				0.002	0.0044
180	35260-25340	LABEL PTO WARNING	1				0.005	0.011
190	35260-29780	LABEL ROPS	1	<=10058			0	0
190	35260-29782	LABEL ROPS WARNING	1	>=10059	←		0.001	0.0022
200	33966-98510	LABEL PARKING	1	>=20474			0.004	0.0088

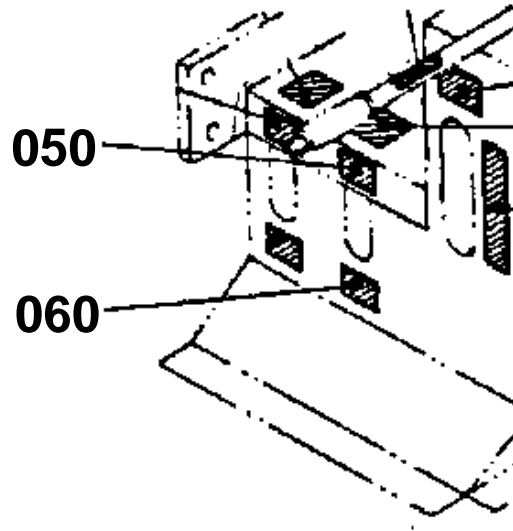


LABEL 2 [MANUAL SHUTTLE]



050 35533-9866-0

060 35533-9870-0



35533-845-10



**LABEL 2 [MANUAL SHUTTLE]**

↔ Interchangeable; ≠ not interchangeable; ← new for old; → old for new

REF.No	Part No.	Description	Q'ty	S.No.	I/C	REMARKS	Weight (kgf)	Weight (lb)
010	35533-34580	LABEL SHUTTLE	1				0.001	0.0022
020	35533-34530	LABEL SHUTTLE	1				0.003	0.0066
030	35533-34640	LABEL SHUTTLE	1				0.005	0.011
070	35822-98240	LABEL PTO SHIFT LVR.	1				0.001	0.0022
080	35533-98330	LABEL PTO	1				0.001	0.0022
090	35533-98402	LABEL PTO	1	<=20483			0.001	0.0022
090	35533-98402	LABEL PTO	1	>=20484	←		0.001	0.0022
100	35533-34600	LABEL SPEED	1				0.006	0.0132
110	35533-98370	LABEL HYD.CONTROL	1				0.003	0.0066
120	35533-98562	LABEL AUX.CON.VALVE	1				0.006	0.0132
130	35533-98380	LABEL DOWN SPEED	1				0.001	0.0022
140	35801-98810	LABEL CLUTCH LEVER	1				0.001	0.0022
150	35801-98820	LABEL HAND BRAKE	1				0.001	0.0022
160	35260-34910	LABEL SAFETY	1	<=10058			0	0
160	35260-34912	LABEL SAFETY	1	>=10059	←		0	0
160	35260-34913	LABEL SAFETY	1	>=10194	←		0.005	0.011
170	35260-29790	LABEL DRAWBAR	1				0.002	0.0044
180	35260-25340	LABEL PTO WARNING	1				0.005	0.011
190	35260-29780	LABEL ROPS	1	<=10058			0	0
190	35260-29782	LABEL ROPS WARNING	1	>=10059	←		0.001	0.0022
201	35533-98310	LABEL CREEP	1				0.001	0.0022
210	35533-98450	LABEL CREEP	1				0.001	0.0022
220	35533-98460	LABEL CREEP	1				0.001	0.0022
230	33966-98510	LABEL PARKING	1	>=20474			0.004	0.0088



## ACCESSORIES AND SERVICE PARTS

↔ Interchangeable; ≠ not interchangeable; ← new for old; → old for new

REF.No	Part No.	Description	Q'ty	S.No.	I/C	REMARKS	Weight (kgf)	Weight (lb)
010	35572-99710	MANUAL INSTRUCTION	1	<=20202			0.2	0.44
010	35572-99714	MANUAL INSTRUCTION	1	>=20203	≠		0	0
010	35572-99715	MANUAL INSTRUCTION	1	>=20253	≠		0	0
020	36330-75380	LINK FUSIBLE	1				0.01	0.022
030	36330-91980	COLLAR ADJUSTING	2				0.02	0.044
040	36330-91773	ASSY PIN TOP LINK	1				0.55	1.21
050	35822-75180	ASSY KEY MAIN SWITCH	1				0.02	0.044
060	35861-82190	ASSY COUPLER MALE	2				0.086	0.1892
070	35523-62820	ASSY SPACER TIE ROD	2				1.2	2.64
080	35861-99154	ASSY SPANNER BOX	1				5	11
090	35410-26900	ASSY PIECE DISTANCE	1				0.07	0.154