

# Instructions for Parts Books

The heading at the top of the page will be the same for the picture of the parts as it is for the page with the part numbers.

Definition of column headings on part number pages:

**REF.No** → The number referring to the part on the picture page of the parts book.

**Part No.** → The number assigned to this part at the time of printing the parts book.

**Description** → Description of part.

**Q'ty** → Quantity of part used on that page.

**S.No.** → Serial number range of the equipment that this part will fit.

>= Your serial number should be greater than or equal to the number shown.

<= Your serial number should be lesser than or equal to the serial number shown.

**I/C** → Interchangeability of part shown.

↔ The part shown will work for the older and later serial number.

# The part shown is not interchangeable with the other serial number.

← new for old

→ old for new

**Remarks** → Notes about this particular part. Sometimes this may say except [FR] or [CA]

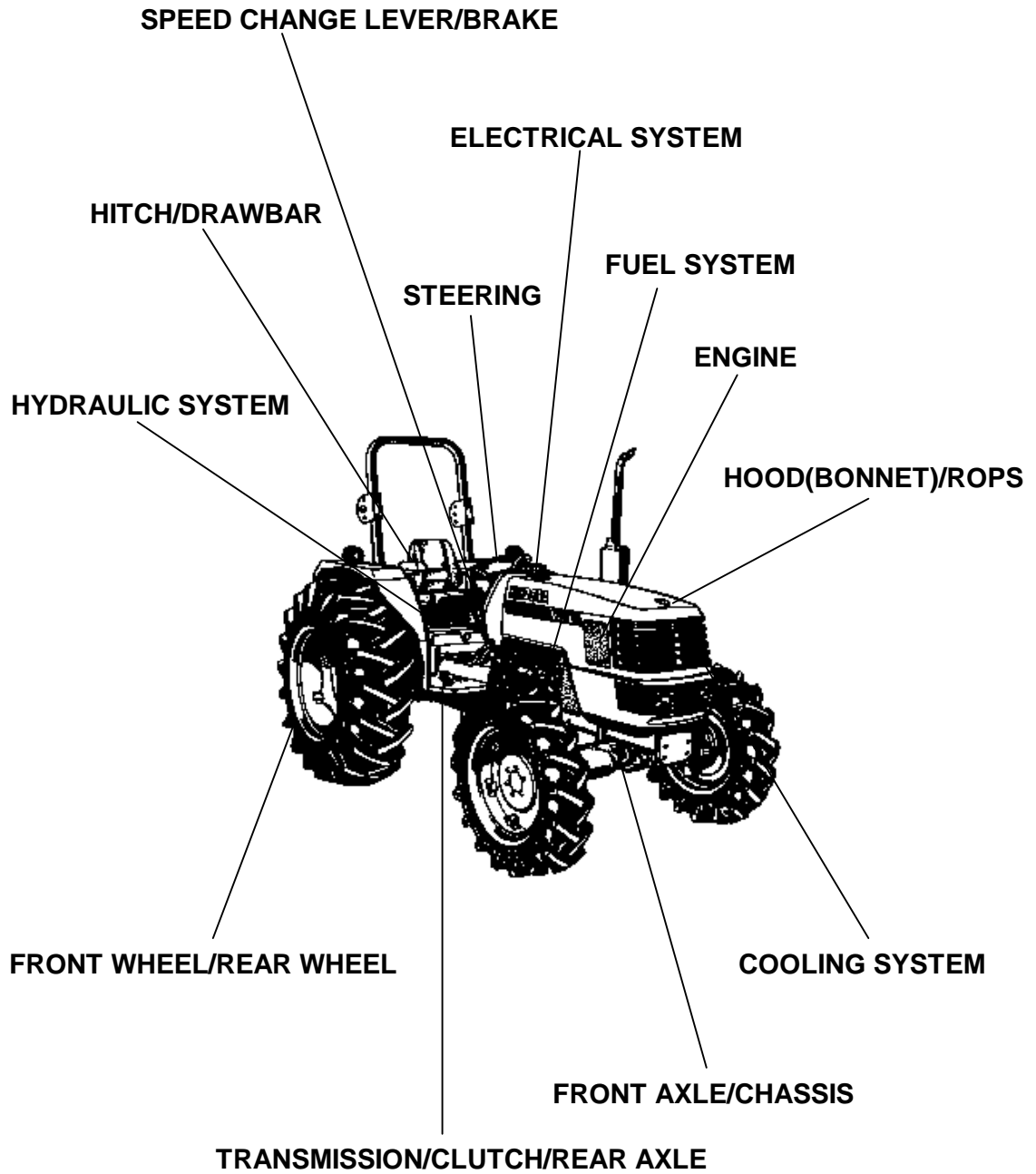
## Note about Country Codes:

The parts books we use in the United States of America may also contain information about a part that would be different in another country. It is important that you are aware of the country codes in some instances.

| Symbol | Country                  |
|--------|--------------------------|
| A      | United States of America |
| CA     | Canada                   |
| FR     | France                   |
| GR     | Greece                   |
| PO     | Portugal                 |
| AU     | Australia                |

If the remarks column says for example EXCEPT [FR] this part works in all countries except France. That means it will work here in the USA.

ALL PRODUCT INDEX  
M5700



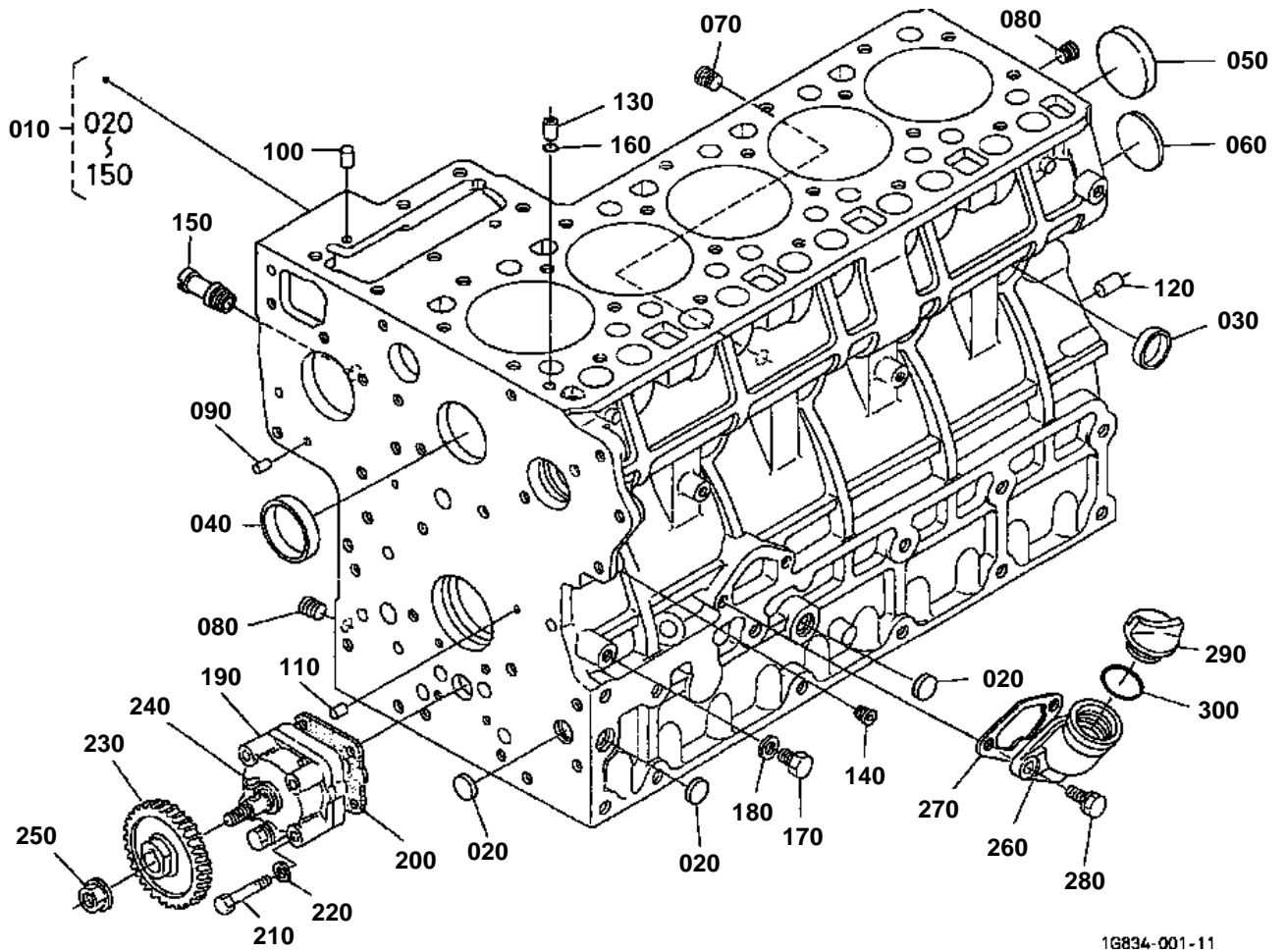
LABELS  
ACCESSORIES  
OPTION

| Item              | Part No.                      | Description                        | Book                          |          |
|-------------------|-------------------------------|------------------------------------|-------------------------------|----------|
| ENGINE            | 010001                        | CRANKCASE                          | 100K0576                      |          |
|                   | 010002                        | OIL PAN                            | 100K0576                      |          |
|                   | 010003                        | CYLINDER HEAD                      | 100K0576                      |          |
|                   | 010004                        | GEAR CASE                          | 100K0576                      |          |
|                   | 010005                        | HEAD COVER                         | 100K0576                      |          |
|                   | 010100                        | MAIN BEARING CASE                  | 100K0576                      |          |
|                   | 010101                        | CAMSHAFT AND IDLE GEAR SHAFT       | 100K0576                      |          |
|                   | 010102                        | PISTON AND CRANKSHAFT              | 100K0576                      |          |
|                   | 010103                        | FLYWHEEL                           | 100K0576                      |          |
|                   | 010105                        | FUEL CAMSHAFT                      | 100K0576                      |          |
|                   | 010200                        | ENGINE STOP LEVER                  | 100K0576                      |          |
|                   | 010202                        | INJECTION PUMP                     | 100K0576                      |          |
|                   | 010203                        | INJECTION PUMP [COMPONENT PARTS]   | 100K0576                      |          |
|                   | 010204                        | GOVERNOR                           | 100K0576                      |          |
|                   | 010205                        | SPEED CONTROL PLATE                | 100K0576                      |          |
|                   | 010206                        | NOZZLE HOLDER AND GLOW PLUG        | 100K0576                      |          |
|                   | 010207                        | NOZZLE HOLDER [COMPONENT PARTS]    | 100K0576                      |          |
|                   | 010500                        | WATER FLANGE AND THERMOSTAT        | 100K0576                      |          |
|                   | 010501                        | WATER PUMP                         | 100K0576                      |          |
|                   | 010600                        | VALVE AND ROCKER ARM               | 100K0576                      |          |
|                   | 010601                        | INLET MANIFOLD                     | 100K0576                      |          |
|                   | 010906                        | UPPER GASKET KIT                   | 100K0576                      |          |
|                   | 010907                        | LOWER GASKET KIT                   | 100K0576                      |          |
|                   | 010602                        | EXHAUST MANIFOLD                   | 100K0576                      |          |
|                   | 010603                        | AIR CLEANER                        | 100K0576                      |          |
|                   | 010604                        | AIR CLEANER [COMPONENT PARTS]      | 100K0576                      |          |
|                   | 01060701                      | MUFFLER                            | 100K0576                      |          |
|                   | 01A010                        | HAND ACCELERATOR LEVER             | 100K0576                      |          |
|                   | 01A070                        | STOP SOLENOID/ENGINE STOP WIRE     | 100K0576                      |          |
|                   | FUEL SYSTEM                   | 01A110                             | FUEL TANK                     | 100K0576 |
|                   |                               | 01A170                             | FUEL FILTER                   | 100K0576 |
|                   |                               | 01A180                             | FUEL FILTER [COMPONENT PARTS] | 100K0576 |
|                   | COOLING SYSTEM                | 01A410                             | FAN                           | 100K0576 |
| 01A420            |                               | WATER PIPE                         | 100K0576                      |          |
| 01A430            |                               | RADIATOR                           | 100K0576                      |          |
| ELECTRICAL SYSTEM | 01A450                        | RESERVE TANK                       | 100K0576                      |          |
|                   | 01A540                        | ALTERNATOR                         | 100K0576                      |          |
|                   | 01A550                        | ALTERNATOR [COMPONENT PARTS]       | 100K0576                      |          |
|                   | 01A560                        | STARTER                            | 100K0576                      |          |
|                   | 01A570                        | STARTER [COMPONENT PARTS]          | 100K0576                      |          |
|                   | 01A580                        | BATTERY                            | 100K0576                      |          |
|                   | 01B015                        | SWITCH/SENSOR                      | 100K0576                      |          |
|                   | 01B106                        | SWITCH(PANEL BOARD)/RELAY          | 100K0576                      |          |
|                   | 01B140                        | PANEL BOARD                        | 100K0576                      |          |
|                   | 01B150                        | PANEL BOARD [COMPONENT PARTS]      | 100K0576                      |          |
|                   | 01B320                        | LIGHT                              | 100K0576                      |          |
|                   | 01B335                        | HAZARD LIGHT/TAIL LIGHT [OLD TYPE] | 100K0576                      |          |
|                   | 01B33501                      | HAZARD LIGHT/TAIL LIGHT [NEW TYPE] | 100K0576                      |          |
|                   | 01B515                        | ELECTRICAL WIRING                  | 100K0576                      |          |
|                   | TRANSMISSION/CLUTCH/REAR AXLE | 01C11001                           | CLUTCH HOUSING                | 100K0576 |
| 01C113            |                               | SHUTTLE GEAR CASE                  | 100K0576                      |          |
| 01C140            |                               | TRANSMISSION CASE                  | 100K0576                      |          |
| 01C150            |                               | TRANSMISSION CASE REAR COVER       | 100K0576                      |          |
| 01C170            |                               | REAR AXLE CASE                     | 100K0576                      |          |
| 01C210            |                               | CLUTCH                             | 100K0576                      |          |
| 01C230            |                               | CLUTCH RELEASE FORK                | 100K0576                      |          |
| 01C240            |                               | CLUTCH PEDAL                       | 100K0576                      |          |

| Item                          | Part No.  | Description                           | Book     |
|-------------------------------|---|---------------------------------------|----------|
| TRANSMISSION/CLUTCH/REAR AXLE | 01D215  | INPUT SHAFT                           | 100K0576 |
|                               | 01D225  | FIRST SHAFT                           | 100K0576 |
|                               | 01D227  | SECOND SHAFT                          | 100K0576 |
|                               | 01D23501  | THIRD SHAFT [W/O CREEP]               | 100K0576 |
|                               | 01D241  | BACK IDLE SHAFT                       | 100K0576 |
|                               | 01D260  | BEVEL GEAR [OLD TYPE]                 | 100K0576 |
|                               | 01D26001  | BEVEL GEAR [NEW TYPE]                 | 100K0576 |
|                               | 01D262  | DIFFERENTIAL REAR                     | 100K0576 |
|                               | 01D265  | PTO PROPELLER SHAFT                   | 100K0576 |
|                               | 01D266  | PTO CLUTCH                            | 100K0576 |
|                               | 01D267  | PTO CLUTCH [COMPONENT PARTS]          | 100K0576 |
|                               | 01D268  | PTO CLUTCH VALVE                      | 100K0576 |
|                               | 01D269  | PTO CLUTCH VALVE [COMPONENT PARTS]    | 100K0576 |
|                               | 01D275  | PTO SHAFT                             | 100K0576 |
|                               | 01D410  | MAIN GEAR SHIFT FORK                  | 100K0576 |
| 01D420                        | SHUTTLE GEAR SHIFT FORK                         | 100K0576                              |          |
| 01D43001                      | RANGE GEAR SHIFT FORK                           | 100K0576                              |          |
| 01D495                        | REAR AXLE                                       | 100K0576                              |          |
| SPEED CHANGE LEVER/BRAKE      | 01E11001  | BRAKE                                 | 100K0576 |
|                               | 01E115  | BRAKE ROD                             | 100K0576 |
|                               | 01F110  | MAIN GEAR SHIFT LEVER                 | 100K0576 |
|                               | 01F125  | SHUTTLE SHIFT LEVER                   | 100K0576 |
|                               | 01F13501  | RANGE GEAR SHIFT LEVER                | 100K0576 |
|                               | 01F145  | PTO CLUTCH LEVER                      | 100K0576 |
|                               | 01F210  | BRAKE PEDAL                           | 100K0576 |
|                               | 01F230  | REAR DIFFERENTIAL LOCK PEDAL          | 100K0576 |
| FRONT AXLE/CHASSIS            | 01G10501  | FRONT AXLE FRAME                      | 100K0576 |
|                               | 01G11001  | FRONT AXLE BRACKET                    | 100K0576 |
|                               | 01G12001  | FRONT AXLE                            | 100K0576 |
|                               | 01G13001  | FRONT WHEEL HUB                       | 100K0576 |
| STEERING                      | 01H110  | STEERING HANDLE                       | 100K0576 |
|                               | 01H14001  | STEERING CONTROLLER                   | 100K0576 |
|                               | 01H150  | STEERING CONTROLLER [COMPONENT PARTS] | 100K0576 |
| HYDRAULIC SYSTEM              | 01J12001  | STEERING LINKAGE                      | 100K0576 |
|                               | 01J12501  | STEERING CYLINDER [COMPONENT PARTS]   | 100K0576 |
|                               | 01J130  | HYDRAULIC PUMP                        | 100K0576 |
|                               | 01J135  | HYDRAULIC PUMP [COMPONENT PARTS]      | 100K0576 |
|                               | 01J210  | HYDRAULIC PIPE (SUCTION)              | 100K0576 |
|                               | 01J220  | HYDRAULIC PIPE (DELIVERY)             | 100K0576 |
|                               | 01J27501  | HYDRAULIC OIL LINE (STEERING/PTO)     | 100K0576 |
|                               | 01J28001  | STEERING HOSE (DELIVERY)              | 100K0576 |
|                               | 01J310  | HYDRAULIC CYLINDER                    | 100K0576 |
|                               | 01J320  | HYDRAULIC CYLINDER COVER              | 100K0576 |
|                               | 01J330  | HYDRAULIC LIFT ARM                    | 100K0576 |
|                               | 01J355  | CONTROL VALVE                         | 100K0576 |
|                               | 01J380  | DRAFT AND POSITION CONTROL LEVER      | 100K0576 |
|                               | 01J390  | POSITION CONTROL SHAFT                | 100K0576 |
|                               | 01J391  | DRAFT CONTROL SHAFT                   | 100K0576 |
|                               | 01J392  | FEED BACK LEVER                       | 100K0576 |
|                               | 01J445  | AUXILIARY CONTROL VALVE (SCD)         | 100K0576 |
| 01J447                        | AUXILIARY CONTROL VALVE (SCD) [COMPONENT PARTS] | 100K0576                              |          |
| 01K105                        | TOP LINK BRACKET                                | 100K0576                              |          |
| 01K110                        | TOP LINK  | 100K0576                              |          |

| Item                  | Part No.               | Description                                   | Book                 |          |
|-----------------------|------------------------|---|----------------------|----------|
| HYDRAULIC SYSTEM      | 01K125                 | LOWER LINK                                    | 100K0576             |          |
|                       | 01K140                 | LIFT ROD RH                                   | 100K0576             |          |
|                       | 01K143                 | LIFT ROD LH                                   | 100K0576             |          |
| HITCH/DRAWBAR         | 01L110                 | SWINGING DRAWBAR                              | 100K0576             |          |
|                       | 01L170                 | PTO SHAFT PROTECTOR                           | 100K0576             |          |
| HOOD(BONNET)/ROPS     | 01M115                 | HOOD(BONNET) FRONT                            | 100K0576             |          |
|                       | 01M120                 | HOOD(BONNET) UPPER                            | 100K0576             |          |
|                       | 01M125                 | HOOD(BONNET) SIDE                             | 100K0576             |          |
|                       | 01M127                 | HOOD(BONNET) SIDE COVER                       | 100K0576             |          |
|                       | 01M155                 | HOOD(BONNET) REAR                             | 100K0576             |          |
|                       | 01M220                 | FENDER  | 100K0576             |          |
|                       | 01M223                 | FLOOR SEAT                                    | 100K0576             |          |
|                       | 01M233                 | STEP  | 100K0576             |          |
|                       | 01M235                 | SEAT  | 100K0576             |          |
|                       | 01M270                 | TOOL BOX                                      | 100K0576             |          |
|                       | 01M310                 | ROPS [OLD TYPE]                               | 100K0576             |          |
|                       | 01M31001               | ROPS [NEW TYPE]                               | 100K0576             |          |
|                       | 01M500                 | SMV EMBLEM                                    | 100K0576             |          |
|                       | FRONT WHEEL/REAR WHEEL | 01R11002                                      | FRONT WHEEL (7.5-16) | 100K0576 |
|                       |                        | 01R12002                                      | REAR WHEEL (16.9-28) | 100K0576 |
|                       | LABELS                 | 01S11001                                      | LABEL [A]            | 100K0576 |
| ACCESSORIES<br>OPTION | 01T110                 | ACCESSORIES AND SERVICE PARTS                 | 100K0576             |          |
|                       | 01U111                 | UNDER MUFFLER KIT [OPTION]                    | 100K0576             |          |
|                       | 01U113                 | WORKING LIGHT KIT [OPTION]                    | 100K0576             |          |
|                       | 01U115                 | TRAILER HARNESS KIT [OPTION]                  | 100K0576             |          |
|                       | 01U12001               | CREEP SPEED KIT 1 [OPTION]                    | 100K0576             |          |
|                       | 01U12002               | CREEP SPEED KIT 2 [OPTION]                    | 100K0576             |          |
|                       | 01U12003               | CREEP SPEED KIT 3 [OPTION]                    | 100K0576             |          |
|                       | 01U125                 | FRONT WEIGHT BUMPER KIT [OPTION]              | 100K0576             |          |
|                       | 01U13701               | AUXILIARY CONTROL VALVE KIT (SCD)<br>[OPTION] | 100K0576             |          |
|                       | 01U13702               | AUXILIARY CONTROL VALVE KIT (FD)<br>[OPTION]  | 100K0576             |          |
|                       | 01U138                 | AUXILIARY CONTROL VALVE<br>[COMPONENT PARTS]  | 100K0576             |          |
|                       | 01U157                 | DRAWBAR/HITCH [OPTION]                        | 100K0576             |          |

# CRANKCASE



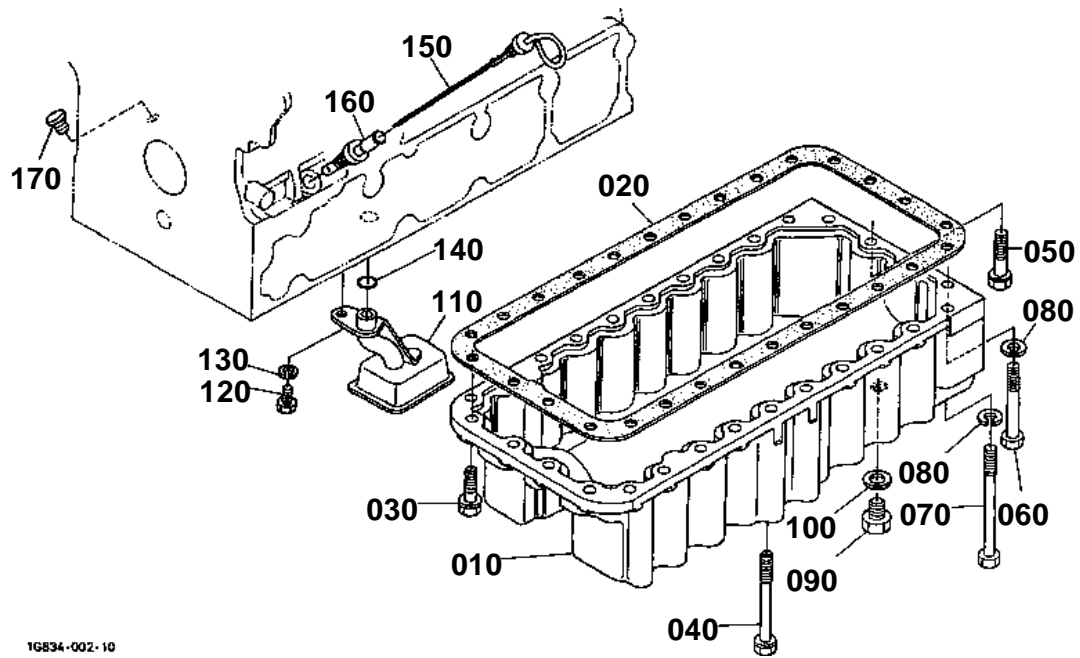
1G834-001-11

**CRANKCASE**

↔ Interchangeable; ≠ not interchangeable; ← new for old; → old for new

| REF.No | Part No.    | Description         | Q'ty | S.No. | I/C | REMARKS | Weight (kgf) | Weight (lb) |
|--------|-------------|---------------------|------|-------|-----|---------|--------------|-------------|
| 010    | 16459-01010 | COMP.CRANKCASE      | 1    |       |     |         | 53           | 116.6       |
| 020    | 17391-96160 | PLUG EXPANSION      | 3    |       |     |         | 0.003        | 0.0066      |
| 030    | 15221-03380 | CAP SEALING         | 8    |       |     |         | 0.017        | 0.0374      |
| 040    | 15221-03390 | CAP SEALING         | 1    |       |     |         | 0.03         | 0.066       |
| 050    | 15221-03390 | CAP SEALING         | 1    |       |     |         | 0.03         | 0.066       |
| 060    | 16271-96160 | PLUG EXPANSION      | 1    |       |     |         | 0.025        | 0.055       |
| 070    | 15521-96020 | PLUG                | 6    |       |     |         | 0.003        | 0.0066      |
| 080    | 15521-96030 | PLUG                | 2    |       |     |         | 0.007        | 0.0154      |
| 090    | 05012-00408 | PIN STRAIGHT        | 2    |       |     |         | 0.001        | 0.0022      |
| 100    | 05012-00609 | PIN STRAIGHT        | 2    |       |     |         | 0.003        | 0.0066      |
| 110    | 05012-00612 | PIN STRAIGHT        | 2    |       |     |         | 0.003        | 0.0066      |
| 120    | 05012-01018 | PIN STRAIGHT        | 1    |       |     |         | 0.012        | 0.0264      |
| 130    | 15221-33650 | PIN PIPE            | 1    |       |     |         | 0.004        | 0.0088      |
| 140    | 15521-96020 | PLUG                | 1    |       |     |         | 0.003        | 0.0066      |
| 150    | 15321-73340 | PIPE WATER RETURN   | 1    |       |     |         | 0.016        | 0.0352      |
| 160    | 15221-33700 | O RING              | 1    |       |     |         | 0.001        | 0.0022      |
| 170    | 15221-33610 | PLUG                | 1    |       |     |         | 0.009        | 0.0198      |
| 180    | 15021-33660 | GASKET              | 1    |       |     |         | 0.001        | 0.0022      |
| 190    | 17331-35012 | ASSY PUMP OIL       | 1    |       |     |         | 0.53         | 1.166       |
| 200    | 15296-35150 | GASKET OIL PUMP     | 1    |       |     |         | 0            | 0           |
| 200    | 1A021-35150 | GASKET OIL PUMP     | 1    |       | ?   |         | 0.001        | 0.0022      |
| 210    | 01053-50648 | BOLT                | 4    |       |     |         | 0.01         | 0.022       |
| 220    | 04512-60060 | WASHER SPRING       | 4    |       |     |         | 0.001        | 0.0022      |
| 230    | 15401-35660 | GEAR OIL PUMP DRIVE | 1    |       |     |         | 0.2          | 0.44        |
| 240    | 05712-00410 | KEY FEATHER         | 1    |       |     |         | 0.001        | 0.0022      |
| 250    | 15221-35682 | NUT FLANGE          | 1    |       |     |         | 0.014        | 0.0308      |
| 260    | 15602-33110 | FLANGE OIL FILLER   | 1    |       |     |         | 0.1          | 0.22        |
| 270    | 15625-32890 | GASKET              | 1    |       |     |         | 0.001        | 0.0022      |
| 280    | 01123-50822 | BOLT                | 2    |       |     |         | 0.012        | 0.0264      |
| 290    | 15852-33140 | PLUG OIL FILLER     | 1    |       |     |         | 0.038        | 0.0836      |
| 290    | E9151-33140 | PLUG OIL FILLER     | 1    |       | ?   |         | 0.017        | 0.0374      |
| 300    | 04811-50300 | O RING              | 1    |       |     |         | 0            | 0           |
| 300    | 04817-50300 | O RING              | 1    |       | ?   |         | 0.001        | 0.0022      |

# OIL PAN



1G834-002-10



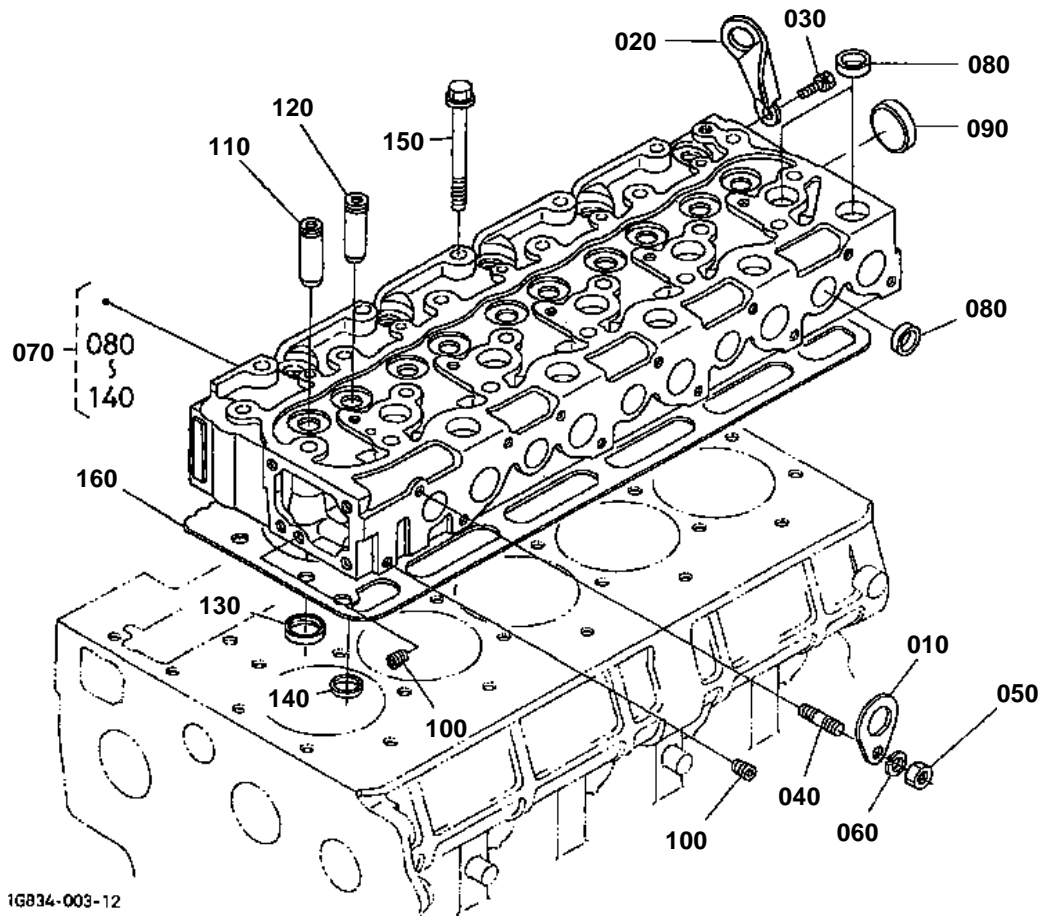


# OIL PAN

↔ Interchangeable; ≠ not interchangeable; ← new for old; → old for new

| REF.No | Part No.    | Description     | Q'ty | S.No. | I/C | REMARKS | Weight (kgf) | Weight (lb) |
|--------|-------------|-----------------|------|-------|-----|---------|--------------|-------------|
| 010    | 17394-01610 | OIL PAN         | 1    |       |     |         | 17.6         | 38.72       |
| 020    | 16478-01620 | GASKET OIL PAN  | 1    |       |     |         | 0.026        | 0.0572      |
| 030    | 01133-51028 | BOLT            | 20   |       |     |         | 0.027        | 0.0594      |
| 040    | 17377-91010 | BOLT            | 2    |       |     |         | 0.08         | 0.176       |
| 050    | 01133-51040 | BOLT            | 2    |       |     |         | 0.03         | 0.066       |
| 060    | 01173-51080 | BOLT            | 2    |       |     |         | 0.049        | 0.1078      |
| 070    | 15601-91070 | BOLT            | 2    |       |     |         | 0.066        | 0.1452      |
| 080    | 04512-60100 | WASHER SPRING   | 4    |       |     |         | 0.002        | 0.0044      |
| 090    | 15221-33750 | PLUG            | 2    |       |     |         | 0.032        | 0.0704      |
| 100    | 6C090-58960 | GASKET          | 2    |       |     |         | 0.002        | 0.0044      |
| 110    | 17391-32110 | FILTER OIL      | 1    |       |     |         | 0.25         | 0.55        |
| 120    | 01153-50814 | BOLT            | 1    |       |     |         | 0.009        | 0.0198      |
| 130    | 04512-60080 | WASHER SPRING   | 1    |       |     |         | 0.002        | 0.0044      |
| 140    | 04811-00180 | O RING          | 1    |       |     |         | 0            | 0           |
| 140    | 04817-00180 | O RING          | 1    |       | ?   |         | 0.003        | 0.0066      |
| 150    | 16478-36410 | GAUGE OIL       | 1    |       |     |         | 0.03         | 0.066       |
| 160    | 15736-36420 | GUIDE OIL GAUGE | 1    |       |     |         | 0.03         | 0.066       |
| 170    | 16484-33640 | PLUG OIL GAUGE  | 1    |       |     |         | 0.002        | 0.0044      |

# CYLINDER HEAD



1G834-003-12

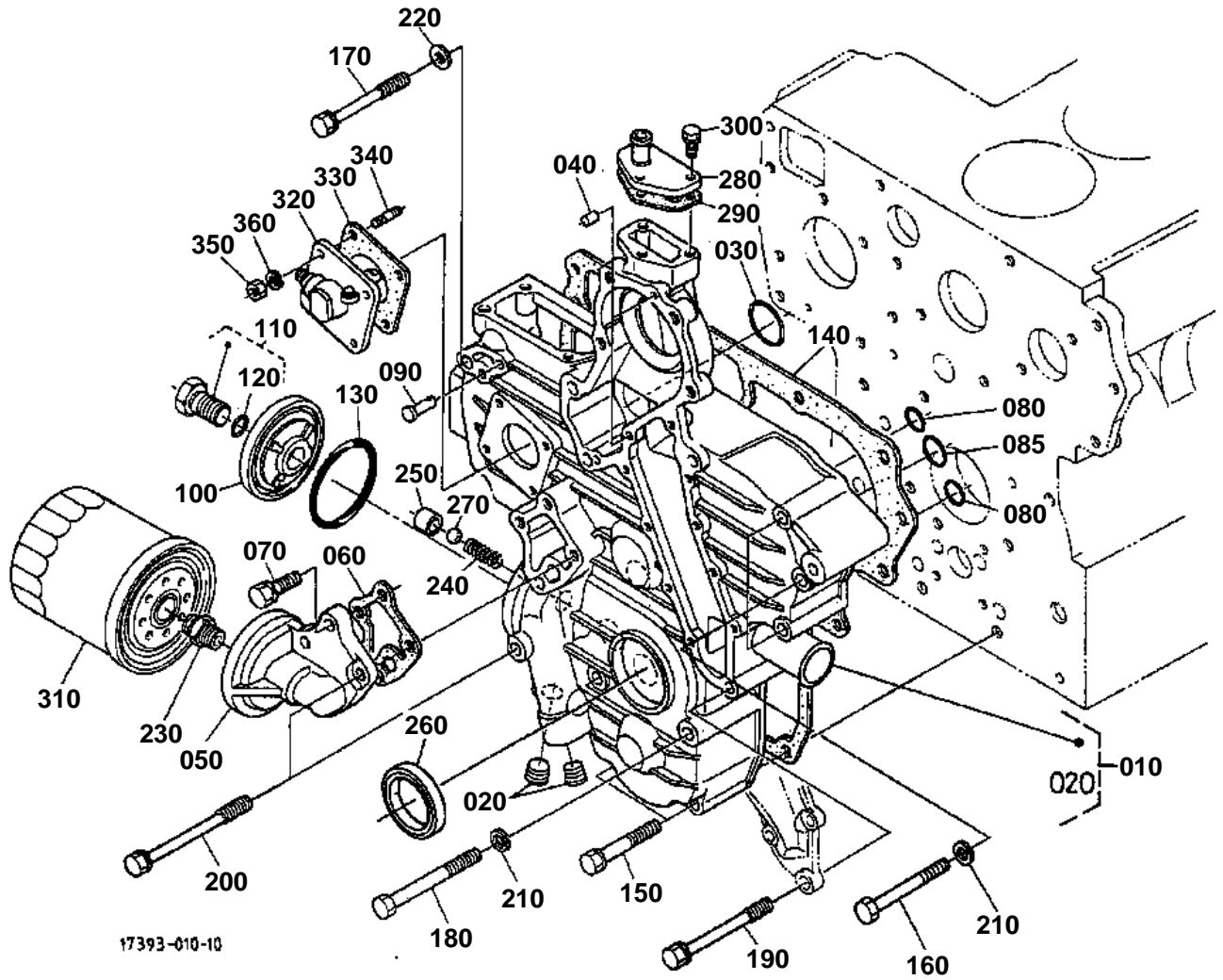


## CYLINDER HEAD

↔ Interchangeable; ≠ not interchangeable; ← new for old; → old for new

| REF.No | Part No.    | Description         | Q'ty | S.No.    | I/C | REMARKS | Weight (kgf) | Weight (lb) |
|--------|-------------|---------------------|------|----------|-----|---------|--------------|-------------|
| 010    | 15221-01750 | HOOK ENGINE         | 1    |          |     |         | 0.04         | 0.088       |
| 020    | 16415-01752 | HOOK ENGINE         | 1    |          |     |         | 0.115        | 0.253       |
| 030    | 01123-50816 | BOLT                | 1    |          |     |         | 0            | 0           |
| 040    | 15471-91530 | STUD                | 1    | <=1Y8640 |     |         | 0.01         | 0.022       |
| 040    | 15221-91530 | STUD                | 1    | >=2A0402 | ?   |         | 0.011        | 0.0242      |
| 050    | 02156-50080 | NUT                 | 1    |          |     |         | 0.004        | 0.0088      |
| 060    | 04512-60080 | WASHER SPRING       | 1    |          |     |         | 0.002        | 0.0044      |
| 070    | 16459-03040 | COMP.CYLINDER HEAD  | 1    |          |     |         | 25.4         | 55.88       |
| 080    | 15221-03370 | CAP SEALING         | 15   |          |     |         | 0.01         | 0.022       |
| 090    | 15221-03490 | CAP SEALING         | 1    |          |     |         | 0.02         | 0.044       |
| 100    | 15261-96010 | PLUG                | 2    |          |     |         | 0.002        | 0.0044      |
| 110    | 17321-13580 | GUIDE INLET VALVE   | 5    |          |     |         | 0.015        | 0.033       |
| 120    | 17321-13560 | GUIDE EXHAUST VALVE | 5    |          |     |         | 0.02         | 0.044       |
| 130    | 16415-13620 | SEAT INLET VALVE    | 5    |          |     |         | 0.01         | 0.022       |
| 140    | 16415-13612 | SEAT EXHAUST VALVE  | 5    |          |     |         | 0.01         | 0.022       |
| 150    | 19013-03450 | BOLT CYLINDER HEAD  | 22   |          |     |         | 0.077        | 0.1694      |
| 160    | 16484-03310 | GASKET CYL.HEAD     | 1    |          |     |         | 0.14         | 0.308       |

GEAR CASE



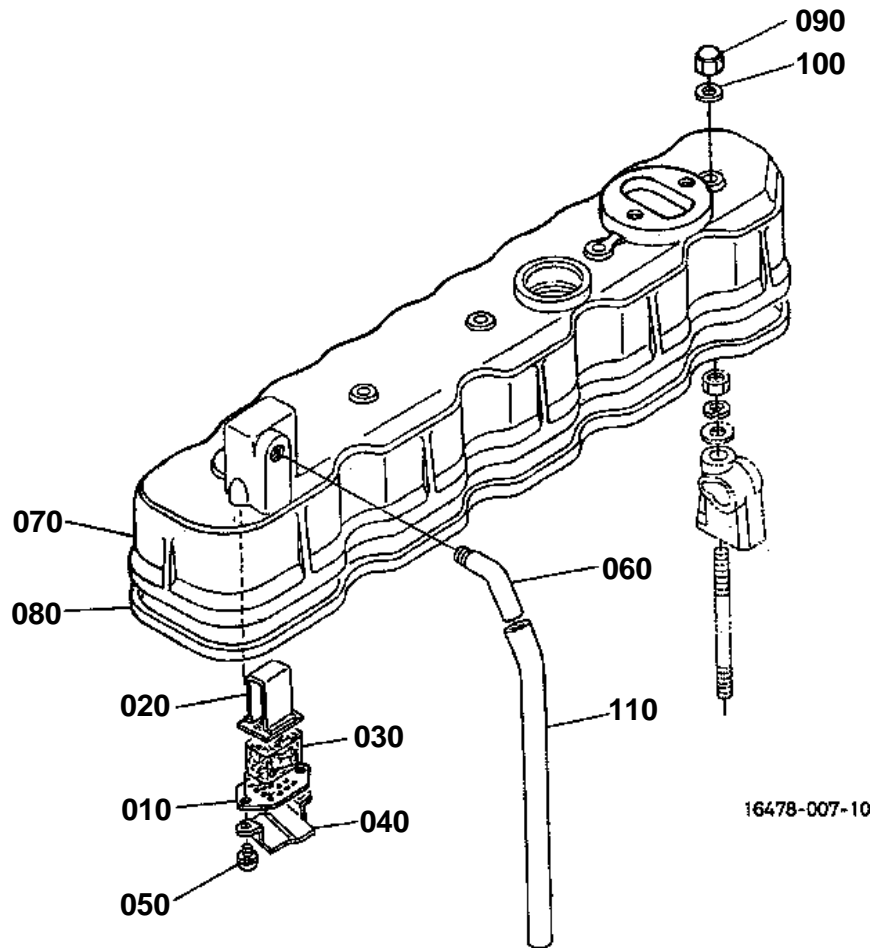


# GEAR CASE

↔ Interchangeable; ≠ not interchangeable; ← new for old; → old for new

| REF.No | Part No.    | Description          | Q'ty | S.No.    | I/C | REMARKS  | Weight (kgf) | Weight (lb) |
|--------|-------------|----------------------|------|----------|-----|----------|--------------|-------------|
| 010    | 17127-04030 | COMP.CASE GEAR       | 1    |          |     |          | 0            | 0           |
| 020    | 16241-96020 | PLUG                 | 2    |          |     |          | 0.015        | 0.033       |
| 030    | 04811-00360 | O RING               | 1    |          |     |          | 0            | 0           |
| 030    | 04817-00360 | O RING               | 1    |          | ?   |          | 0            | 0           |
| 040    | 05012-00612 | PIN STRAIGHT         | 2    |          |     |          | 0.003        | 0.0066      |
| 050    | 17331-32610 | SUPPORT OIL FILTER   | 1    |          |     |          | 0.275        | 0.605       |
| 060    | 17326-32620 | GASKET               | 1    |          |     |          | 0.005        | 0.011       |
| 070    | 01123-50825 | BOLT                 | 3    |          |     |          | 0.013        | 0.0286      |
| 080    | 04811-00150 | O RING               | 2    |          |     |          | 0.001        | 0.0022      |
| 080    | 04817-00150 | O RING               | 2    |          | ?   |          | 0            | 0           |
| 085    | 04811-00200 | O RING               | 1    |          |     |          | 0            | 0           |
| 085    | 04817-00200 | O RING               | 1    |          | ?   |          | 0            | 0           |
| 090    | 16221-56280 | PIN START SPRING     | 1    |          |     |          | 0.005        | 0.011       |
| 100    | 17331-32880 | COVER                | 1    |          |     |          | 0.075        | 0.165       |
| 110    | 17331-32910 | COMP BOLT            | 1    |          |     |          | 0.07         | 0.154       |
| 120    | 04811-00150 | O RING               | 1    |          |     |          | 0.001        | 0.0022      |
| 120    | 04817-00150 | O RING               | 1    |          | ?   |          | 0            | 0           |
| 130    | 19202-96830 | O RING               | 1    |          |     |          | 0.01         | 0.022       |
| 140    | 17326-04132 | GASKET GEAR CASE     | 1    |          |     |          | 0.03         | 0.066       |
| 150    | 01123-50860 | BOLT                 | 3    |          |     |          | 0.026        | 0.0572      |
| 160    | 01153-50870 | BOLT                 | 3    |          |     |          | 0.026        | 0.0572      |
| 170    | 17367-91010 | BOLT                 | 2    |          |     |          | 0.005        | 0.011       |
| 180    | 01153-50880 | BOLT                 | 2    |          |     |          | 0.03         | 0.066       |
| 190    | 17367-91020 | BOLT                 | 3    |          |     |          | 0.035        | 0.077       |
| 200    | 17367-91030 | BOLT                 | 2    |          |     |          | 0.02         | 0.044       |
| 210    | 04512-60080 | WASHER SPRING        | 5    |          |     |          | 0.002        | 0.0044      |
| 220    | 04012-50080 | WASHER PLAIN         | 1    |          |     |          | 0.001        | 0.0022      |
| 230    | 15521-32290 | JOINT PIPE           | 1    |          |     |          | 0            | 0           |
| 230    | 15521-32293 | JOINT PIPE           | 1    |          | ?   |          | 0            | 0           |
| 240    | 17391-36950 | SPRING               | 1    |          |     |          | 0.005        | 0.011       |
| 250    | 15521-36930 | SEAT VALVE           | 1    |          |     |          | 0.015        | 0.033       |
| 260    | 19202-04140 | SEAL OIL             | 1    |          |     |          | 0.015        | 0.033       |
| 270    | 07715-03213 | BALL                 | 1    |          |     |          | 0.004        | 0.0088      |
| 280    | 15521-73320 | FLANGE WATER RETURN  | 1    |          |     |          | 0.04         | 0.088       |
| 290    | 15766-73330 | GASKET WATER FLANGE  | 1    | <=1S7650 |     |          | 0            | 0           |
| 290    | 1A021-73330 | GASKET RETURN FLANGE | 1    | >=1U0321 | ?   |          | 0.001        | 0.0022      |
| 300    | 01023-50620 | BOLT                 | 3    |          |     |          | 0.006        | 0.0132      |
| 310    | 17321-32430 | CARTRIDGE OIL FILTER | 1    |          |     | NOT SALE | 0            | 0           |
| 310    | 16414-32430 | CARTRIDGE OIL FILTER | 1    |          | ?   |          | 0            | 0           |
| 320    | 38240-34660 | ASSY GEAR CASE H/M   | 1    |          |     |          | 0.335        | 0.737       |
| 330    | 15296-88130 | GASKET H/METER UNIT  | 1    |          |     |          | 0.002        | 0.0044      |
| 340    | 15221-88210 | STUD                 | 4    |          |     |          | 0.005        | 0.011       |
| 350    | 02056-50060 | NUT                  | 4    |          |     |          | 0.002        | 0.0044      |
| 360    | 04512-60060 | WASHER SPRING        | 4    |          |     |          | 0.001        | 0.0022      |

# HEAD COVER



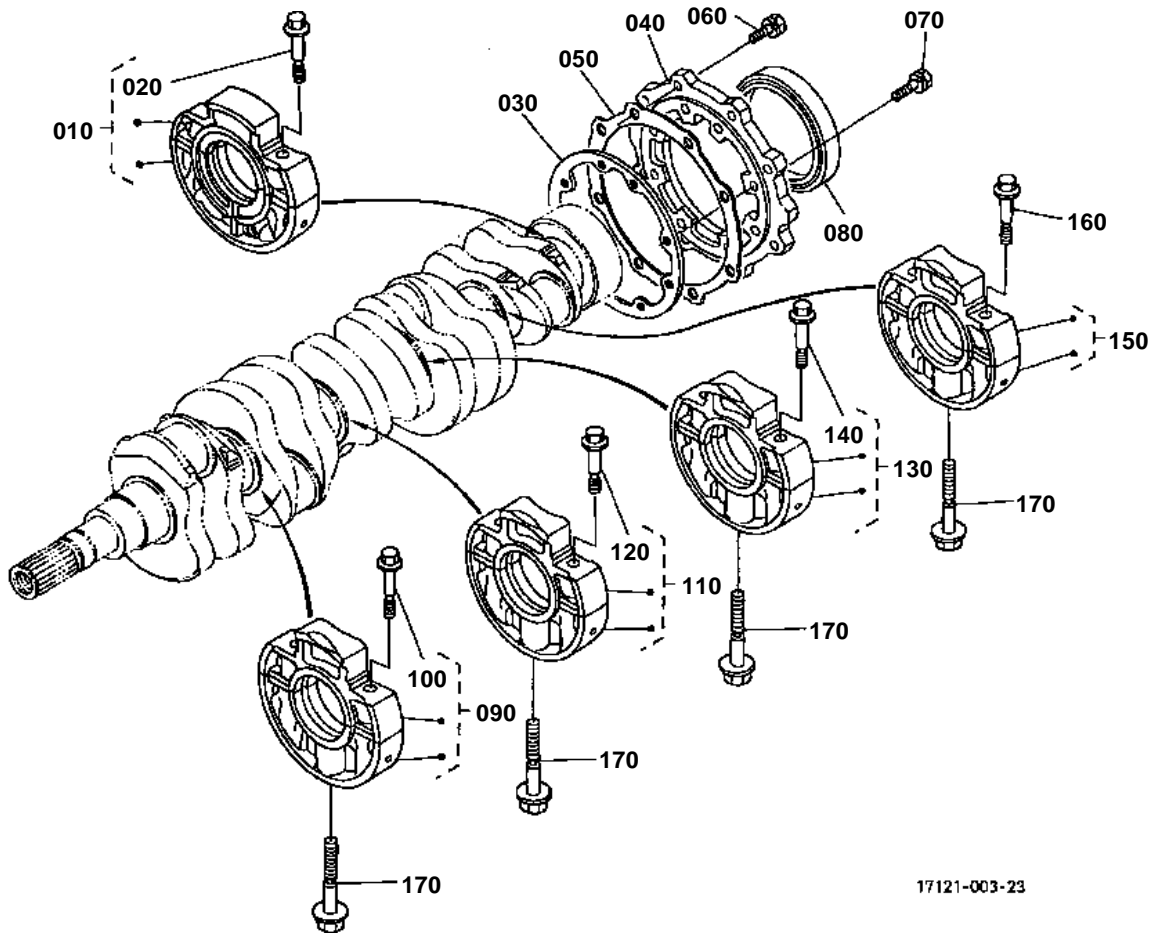


## HEAD COVER

↔ Interchangeable; ≠ not interchangeable; ← new for old; → old for new

| REF.No | Part No.    | Description          | Q'ty | S.No. | I/C | REMARKS | Weight (kgf) | Weight (lb) |
|--------|-------------|----------------------|------|-------|-----|---------|--------------|-------------|
| 010    | 15521-05140 | PLATE B/THER ELEMENT | 1    |       |     |         | 0.005        | 0.011       |
| 020    | 15521-05150 | PLATE B/THER ELEMENT | 1    |       |     |         | 0.01         | 0.022       |
| 030    | 15521-05670 | ELEMENT BREATHER     | 1    |       |     |         | 0.01         | 0.022       |
| 040    | 15521-05370 | OIL SHIELD BREATHER  | 1    |       |     |         | 0.005        | 0.011       |
| 050    | 03034-50510 | SCREW WITH WASHER    | 2    |       |     |         | 0.003        | 0.0066      |
| 060    | 15521-05550 | JOINT BREATHER PIPE  | 1    |       |     |         | 0.04         | 0.088       |
| 070    | 16484-14510 | COVER CYL.HEAD       | 1    |       |     |         | 1.7          | 3.74        |
| 080    | 17381-14520 | GASKET HEAD COVER    | 1    |       |     |         | 0.05         | 0.11        |
| 090    | 15451-92330 | NUT                  | 5    |       |     |         | 0.015        | 0.033       |
| 100    | 15021-33660 | GASKET               | 5    |       |     |         | 0.001        | 0.0022      |
| 110    | 15837-05510 | PIPE BREATHER        | 1    |       |     |         | 0.06         | 0.132       |

MAIN BEARING CASE

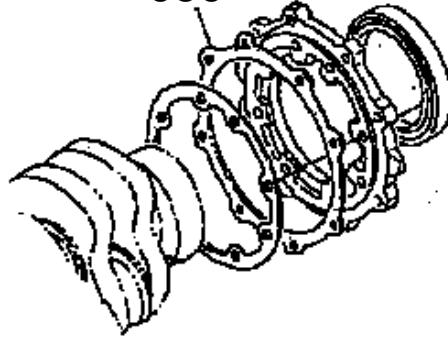


17121-003-23



050 17118-0483-0

050



1A021-804-11

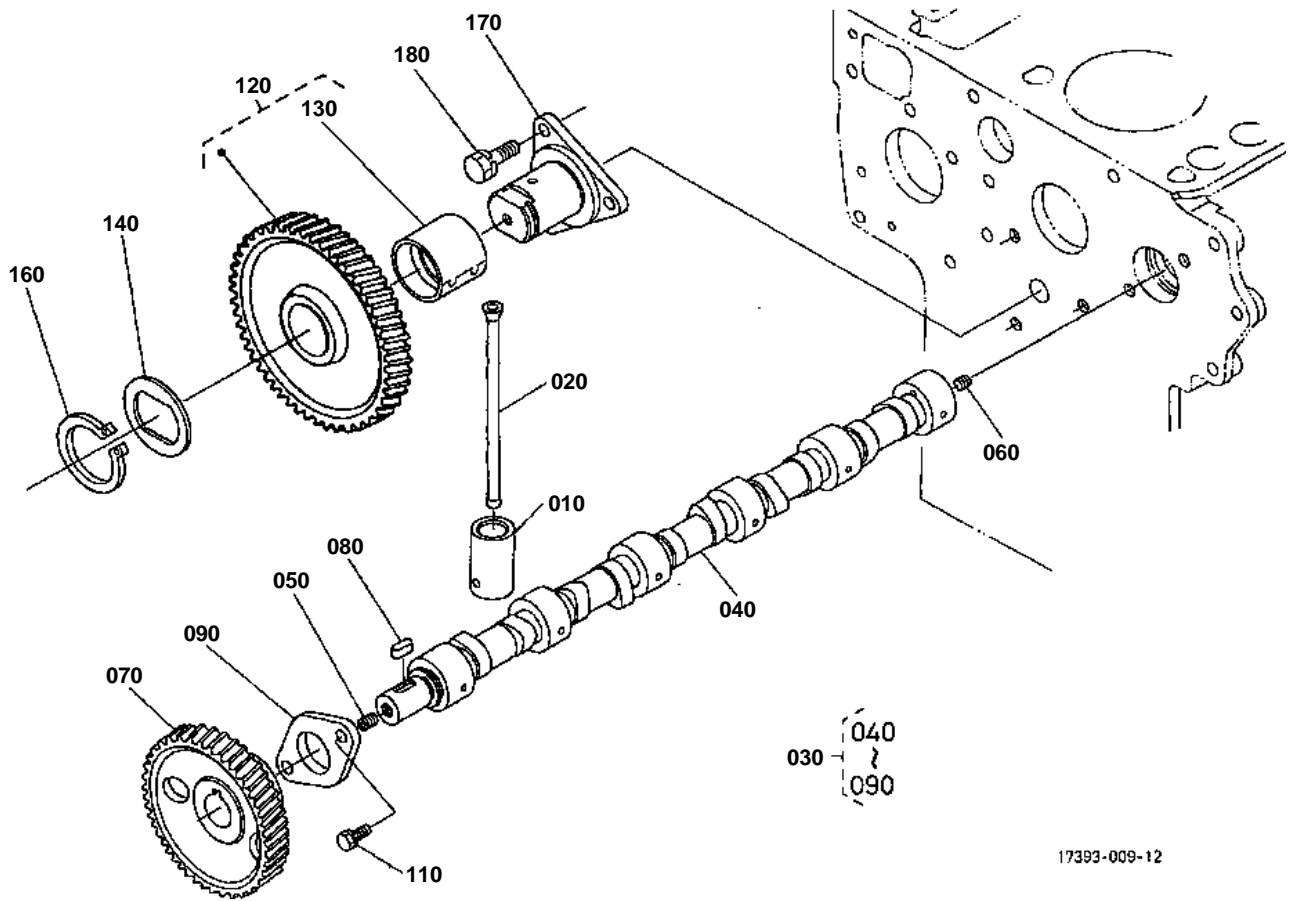


## MAIN BEARING CASE

↔ Interchangeable; ≠ not interchangeable; ← new for old; → old for new

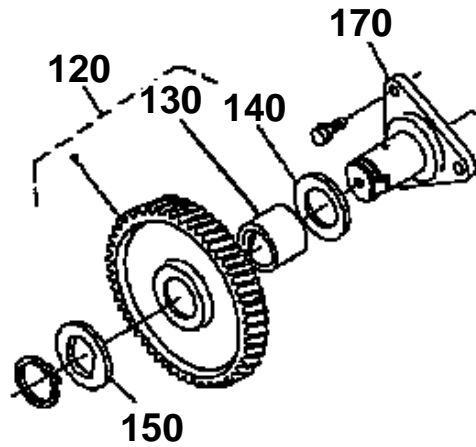
| REF.No | Part No.    | Description          | Q'ty | S.No. | I/C | REMARKS | Weight (kgf) | Weight (lb) |
|--------|-------------|----------------------|------|-------|-----|---------|--------------|-------------|
| 010    | 19013-07090 | ASSY BRG.CASE WHEEL  | 1    |       |     |         | 1.55         | 3.41        |
| 020    | 19013-04540 | BOLT BEARING CASE    | 2    |       |     |         | 0.038        | 0.0836      |
| 030    | 19077-04360 | GASKET BEARING CASE  | 1    |       |     |         | 0.004        | 0.0088      |
| 040    | 19013-04813 | COVER BEARING CASE   | 1    |       |     |         | 0.41         | 0.902       |
| 050    | 17118-04830 | GASKET BRG.CASE COV. | 1    |       |     |         | 0            | 0           |
| 050    | 1A091-04820 | GASKET CASE COVER    | 1    |       | ?   |         | 0.006        | 0.0132      |
| 060    | 01123-50825 | BOLT                 | 8    |       |     |         | 0.013        | 0.0286      |
| 070    | 01123-50828 | BOLT                 | 8    |       |     |         | 0.014        | 0.0308      |
| 080    | 17381-04460 | SEAL OIL             | 1    |       |     |         | 0.05         | 0.11        |
| 090    | 19013-07040 | ASSY BRG.CASE MAIN   | 1    |       |     |         | 1.5          | 3.3         |
| 100    | 19013-04540 | BOLT BEARING CASE    | 2    |       |     |         | 0.038        | 0.0836      |
| 110    | 19013-07050 | ASSY BRG.CASE MAIN   | 1    |       |     |         | 1.495        | 3.289       |
| 120    | 19013-04540 | BOLT BEARING CASE    | 2    |       |     |         | 0.038        | 0.0836      |
| 130    | 19013-07060 | ASSY BRG.CASE MAIN   | 1    |       |     |         | 1.52         | 3.344       |
| 140    | 19013-04540 | BOLT BEARING CASE    | 2    |       |     |         | 0.038        | 0.0836      |
| 150    | 17121-04060 | ASSY CASE MAIN BRG.  | 1    |       |     |         | 1.55         | 3.41        |
| 160    | 19013-04540 | BOLT BEARING CASE    | 2    |       |     |         | 0.038        | 0.0836      |
| 170    | 15601-04560 | BOLT BEARING CASE    | 4    |       |     |         | 0.06         | 0.132       |

# CAMSHAFT AND IDLE GEAR SHAFT



17393-009-12

- 120 16478-2401-0
- 130 16427-2498-0
- 140 16427-2436-0
- 150 16427-2437-0
- 170 16427-2425-0



1G834-801-10

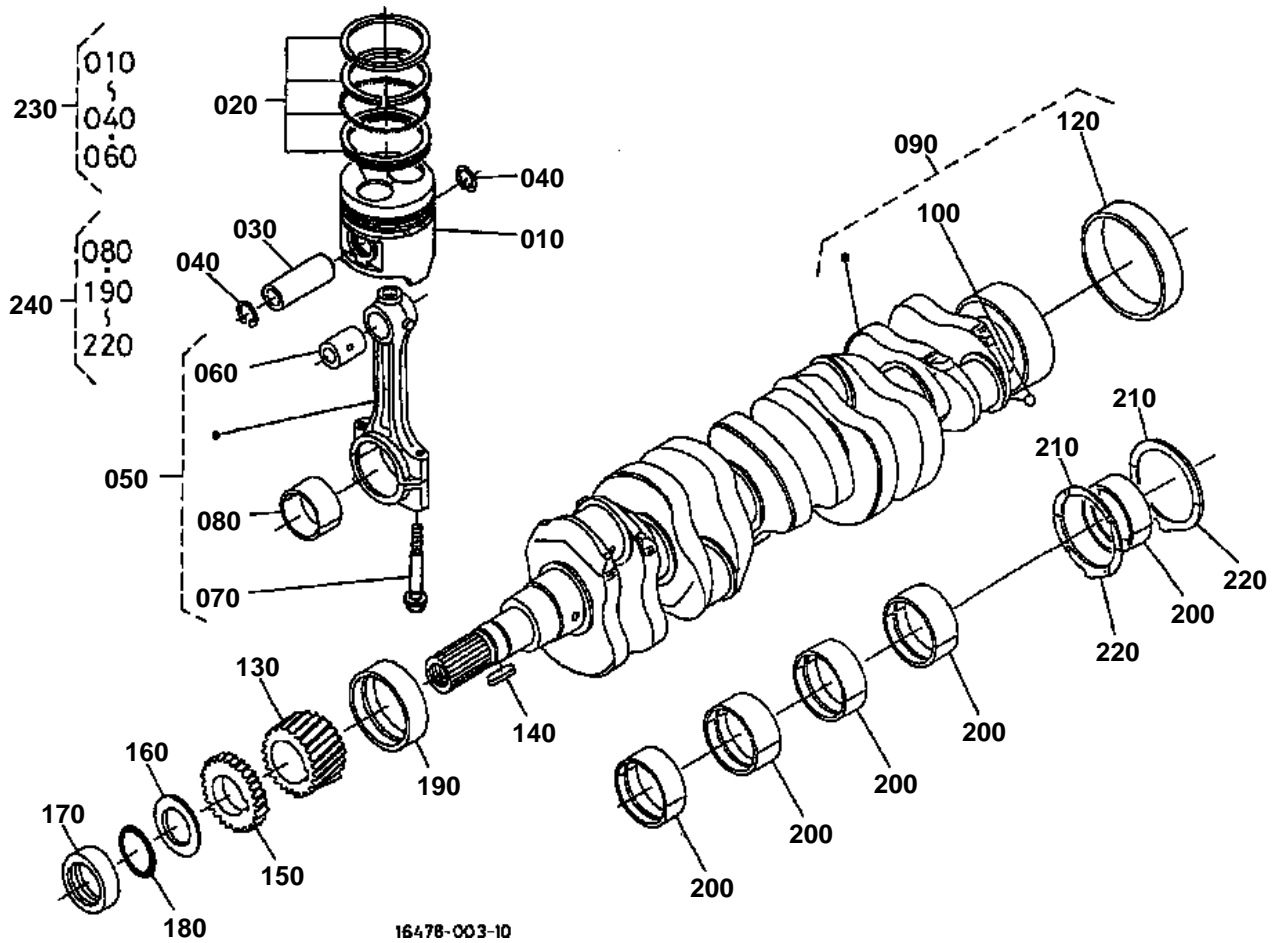


## CAMSHAFT AND IDLE GEAR SHAFT

↔ Interchangeable; ≠ not interchangeable; ← new for old; → old for new

| REF.No | Part No.    | Description       | Q'ty | S.No.   | I/C | REMARKS | Weight (kgf) | Weight (lb) |
|--------|-------------|-------------------|------|---------|-----|---------|--------------|-------------|
| 010    | 15601-15550 | TAPPET            | 10   |         |     |         | 0.08         | 0.176       |
| 020    | 19013-15110 | PUSH ROD          | 10   |         |     |         | 0.05         | 0.11        |
| 030    | 17381-16010 | ASSY CAMSHAFT     | 1    |         |     |         | 3.57         | 7.854       |
| 040    | 17381-16150 | CAMSHAFT          | 1    |         |     |         | 2.6          | 5.72        |
| 050    | 15521-93610 | SCREW SET         | 1    |         |     |         | 0.002        | 0.0044      |
| 060    | 15601-93620 | SCREW SET         | 1    |         |     |         | 0.025        | 0.055       |
| 070    | 15221-16510 | GEAR CAM          | 1    | ≤1Y8640 |     |         | 0.85         | 1.87        |
| 070    | 1A091-16510 | GEAR CAM          | 1    | ≥2A0402 | ?   |         | 0.8          | 1.76        |
| 080    | 05712-00720 | KEY FEATHER       | 1    |         |     |         | 0.008        | 0.0176      |
| 090    | 15221-16270 | STOPPER CAMSHAFT  | 1    |         |     |         | 0.073        | 0.1606      |
| 100    | 99999-99999 | BLANK             | 0    |         |     |         | 0            | 0           |
| 110    | 01123-50818 | BOLT              | 2    |         |     |         | 0.012        | 0.0264      |
| 120    | 16478-24010 | COMP.GEAR IDLE    | 1    | ≤1Q7998 |     |         | 1.24         | 2.728       |
| 120    | 1A021-24010 | COMP.GEAR IDLE    | 1    | ≥1S0344 | ?   |         | 1.24         | 2.728       |
| 120    | 1A091-24010 | COMP.GEAR IDLE    | 1    | ≥2A0402 | ?   |         | 1.21         | 2.662       |
| 130    | 16427-24980 | BUSH IDLE GEAR    | 1    | ≤1Q7998 |     |         | 0.07         | 0.154       |
| 130    | 1A021-24980 | BUSH IDLE GEAR    | 1    | ≥1S0344 | ?   |         | 0.072        | 0.1584      |
| 140    | 16427-24360 | COLLAR            | 1    | ≤1Q7998 |     |         | 0.02         | 0.044       |
| 140    | 1A021-24370 | COLLAR            | 1    | ≥1S0344 | ?   |         | 0.022        | 0.0484      |
| 150    | 16427-24370 | COLLAR            | 1    | ≤1Q7998 |     |         | 0.02         | 0.044       |
| 160    | 15451-95400 | CIR CLIP EXTERNAL | 1    |         |     |         | 0.01         | 0.022       |
| 170    | 16427-24250 | SHAFT IDLE GEAR   | 1    | ≤1Q7998 |     |         | 0.65         | 1.43        |
| 170    | 1A021-24250 | SHAFT IDLE GEAR   | 1    | ≥1S0344 | ?   |         | 0.685        | 1.507       |
| 180    | 01123-50818 | BOLT              | 3    |         |     |         | 0.012        | 0.0264      |

PISTON AND CRANKSHAFT



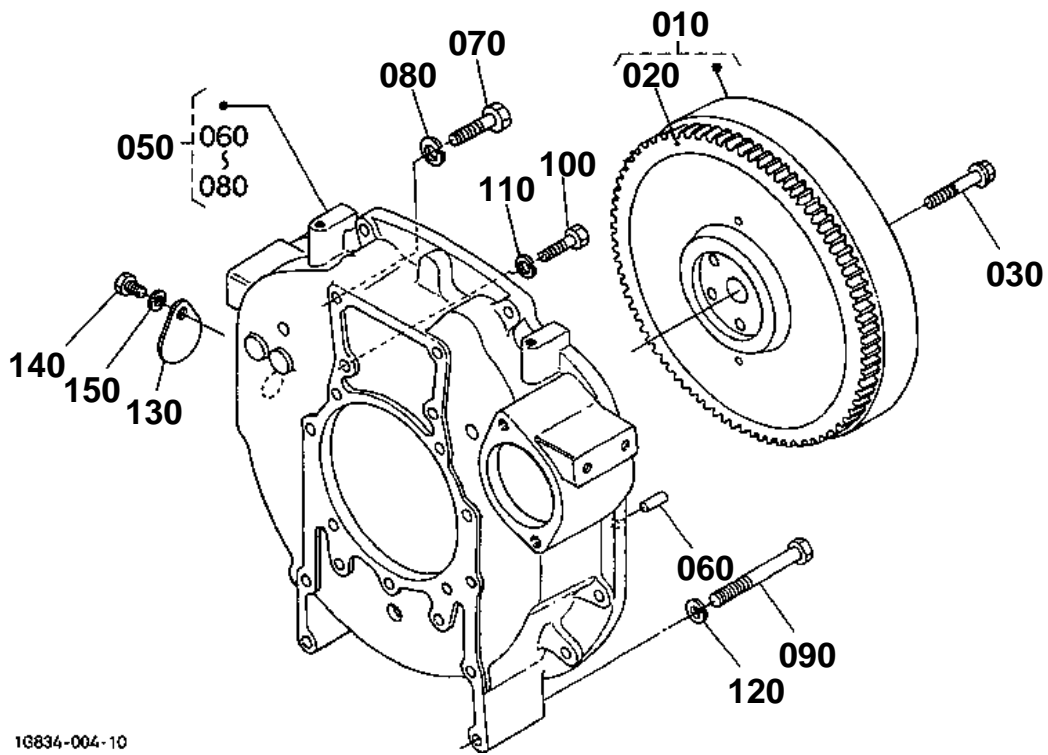


# PISTON AND CRANKSHAFT

↔ Interchangeable; ≠ not interchangeable; ← new for old; → old for new

| REF.No | Part No.    | Description         | Q'ty | S.No. | I/C | REMARKS       | Weight (kgf) | Weight (lb) |
|--------|-------------|---------------------|------|-------|-----|---------------|--------------|-------------|
| 010    | 19077-21110 | PISTON              | 5    |       |     | STD           | 0.58         | 1.276       |
| 010    | 19077-21910 | PISTON              | 5    |       |     | +0.5mm        | 0.585        | 1.287       |
| 020    | 17331-21050 | ASSY PISTON RING    | 5    |       |     | STD           | 0.065        | 0.143       |
| 020    | 17331-21090 | ASSY PISTON RING    | 5    |       |     | +0.5mm        | 0.065        | 0.143       |
| 030    | 14901-21310 | PIN PISTON          | 5    |       |     |               | 0.17         | 0.374       |
| 040    | 14109-21330 | CIR CLIP INTERNAL   | 10   |       |     |               | 0.015        | 0.033       |
| 050    | 17311-22010 | ASSY CONNECTING ROD | 5    |       |     |               | 0.885        | 1.947       |
| 060    | 17331-21980 | BUSH PISTON PIN     | 5    |       |     |               | 0.025        | 0.055       |
| 070    | 15521-22142 | BOLT CONNECTING ROD | 10   |       |     |               | 0.026        | 0.0572      |
| 080    | 17311-22310 | METAL CRANKPIN      | 5    |       |     | STD SET       | 0.045        | 0.099       |
| 080    | 17331-22970 | METAL CRANKPIN      | 5    |       |     | -0.2mm SET    | 0.05         | 0.11        |
| 080    | 17331-22980 | METAL CRANKPIN      | 5    |       |     | -0.4mm SET    | 0.045        | 0.099       |
| 090    | 16449-23010 | COMP.CRANKSHAFT     | 1    |       |     |               | 22.9         | 50.38       |
| 100    | 07715-00401 | BALL                | 5    |       |     |               | 0.001        | 0.0022      |
| 110    | 99999-99999 | BLANK               | 0    |       |     |               | 0            | 0           |
| 120    | 17381-23280 | SLEEVE CRANKSHAFT   | 1    |       |     |               | 0.09         | 0.198       |
| 130    | 15601-24110 | GEAR CRANK          | 1    |       |     |               | 0.34         | 0.748       |
| 140    | 05712-00730 | KEY FEATHER         | 1    |       |     |               | 0.011        | 0.0242      |
| 150    | 15401-35630 | GEAR OIL PUMP DRIVE | 1    |       |     |               | 0.185        | 0.407       |
| 160    | 15401-23312 | SLINGER OIL         | 1    |       |     |               | 0.01         | 0.022       |
| 170    | 17381-23250 | COLLAR CRANKSHAFT   | 1    |       |     |               | 0.07         | 0.154       |
| 180    | 04811-10300 | O RING              | 1    |       |     |               | 0.001        | 0.0022      |
| 190    | 17311-23472 | METAL CRANKSHAFT    | 1    |       |     | STD           | 0            | 0           |
| 190    | 17311-23910 | METAL CRANKSHAFT    | 1    |       |     | -0.2mm        | 0.05         | 0.11        |
| 190    | 17311-23920 | METAL CRANKSHAFT    | 1    |       |     | -0.4mm        | 0.06         | 0.132       |
| 200    | 17311-23480 | METAL CRANKSHAFT    | 5    |       |     | STD SET       | 0.045        | 0.099       |
| 200    | 17311-23930 | METAL CRANKSHAFT    | 5    |       |     | -0.2mm SET    | 0.05         | 0.11        |
| 200    | 17311-23940 | METAL CRANKSHAFT    | 5    |       |     | -0.4mm SET    | 0.06         | 0.132       |
| 210    | 15521-23530 | METAL SIDE          | 2    |       |     | STD           | 0.01         | 0.022       |
| 210    | 15521-23950 | METAL SIDE          | 2    |       |     | +0.2mm        | 0.01         | 0.022       |
| 210    | 15521-23960 | METAL SIDE          | 2    |       |     | +0.4mm        | 0.01         | 0.022       |
| 220    | 19202-23540 | METAL SIDE          | 2    |       |     | STD           | 0.01         | 0.022       |
| 220    | 15221-23970 | METAL SIDE          | 2    |       |     | +0.2mm        | 0.009        | 0.0198      |
| 220    | 15221-23980 | METAL SIDE          | 2    |       |     | +0.4mm        | 0.009        | 0.0198      |
| 230    | 07916-26940 | KIT RING PISTON     | 5    |       |     | STD           | 0.87         | 1.914       |
| 230    | 07916-26950 | KIT RING PISTON     | 5    |       |     | +0.5mm        | 0.88         | 1.936       |
| 240    | 07916-28780 | KIT METAL ENGINE    | 1    |       |     | STD           | 0.5          | 1.1         |
| 240    | 07916-28790 | KIT METAL ENGINE    | 1    |       |     | -0.2mm/+0.2mm | 0.52         | 1.144       |
| 240    | 07916-28800 | KIT METAL ENGINE    | 1    |       |     | -0.4mm/+0.4mm | 0.18         | 0.396       |

FLYWHEEL



1G834-004-10

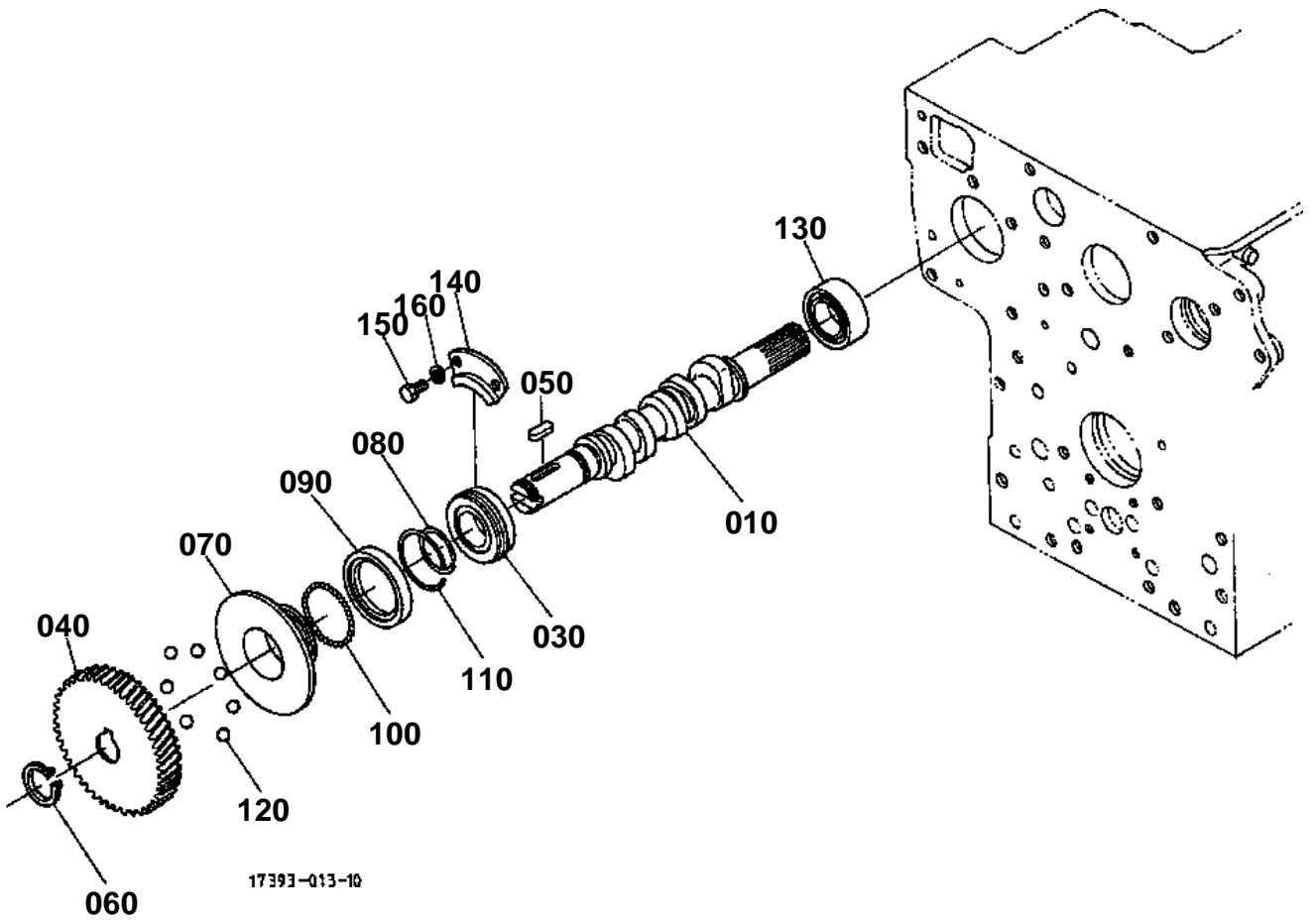


**FLYWHEEL**

↔ Interchangeable; ≠ not interchangeable; ← new for old; → old for new

| REF.No | Part No.    | Description       | Q'ty | S.No. | I/C | REMARKS | Weight (kgf) | Weight (lb) |
|--------|-------------|-------------------|------|-------|-----|---------|--------------|-------------|
| 010    | 16478-25010 | COMP.FLYWHEEL     | 1    |       |     |         | 31.5         | 69.3        |
| 020    | 15602-63820 | GEAR RING         | 1    |       |     |         | 2            | 4.4         |
| 030    | 15321-25163 | BOLT FLYWHEEL     | 6    |       |     |         | 0.05         | 0.11        |
| 040    | 99999-99999 | BLANK             | 0    |       |     |         | 0            | 0           |
| 050    | 16478-04600 | COMP.HOUSING F-W. | 1    |       |     |         | 18.2         | 40.04       |
| 060    | 05012-01018 | PIN STRAIGHT      | 2    |       |     |         | 0.012        | 0.0264      |
| 070    | 01073-51250 | BOLT              | 2    |       |     |         | 0.055        | 0.121       |
| 080    | 04512-60120 | WASHER SPRING     | 2    |       |     |         | 0.005        | 0.011       |
| 090    | 01073-51290 | BOLT              | 2    |       |     |         | 0.087        | 0.1914      |
| 100    | 01073-51032 | BOLT              | 11   |       |     |         | 0.03         | 0.066       |
| 110    | 04512-60100 | WASHER SPRING     | 11   |       |     |         | 0.002        | 0.0044      |
| 120    | 04512-60120 | WASHER SPRING     | 2    |       |     |         | 0.005        | 0.011       |
| 130    | 31220-14170 | COVER             | 1    |       |     |         | 0.014        | 0.0308      |
| 140    | 01153-50812 | BOLT              | 1    |       |     |         | 0.008        | 0.0176      |
| 150    | 04512-60080 | WASHER SPRING     | 1    |       |     |         | 0.002        | 0.0044      |

FUEL CAMSHAFT



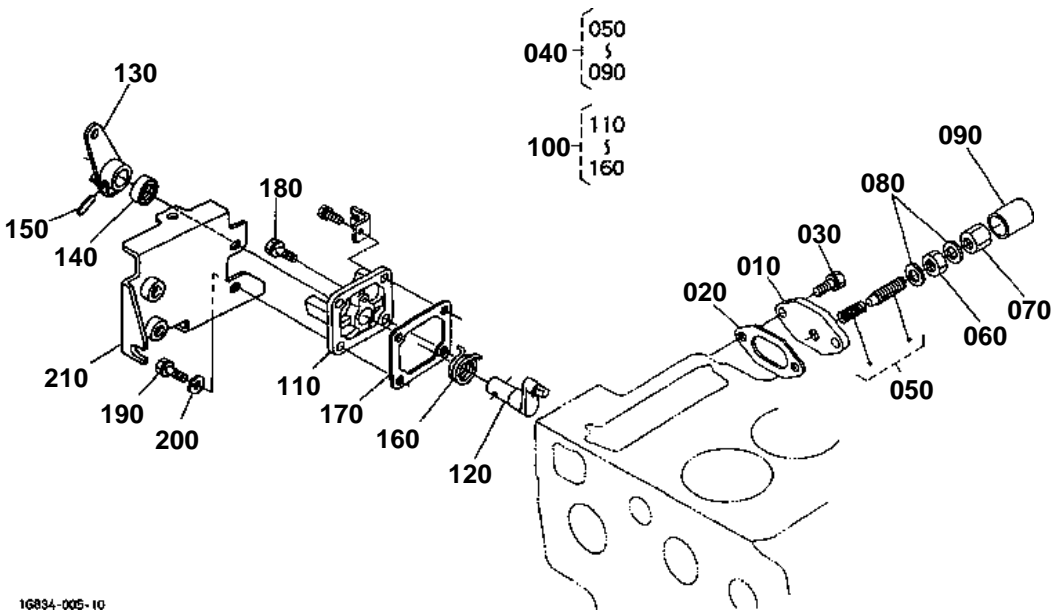


# FUEL CAMSHAFT

↔ Interchangeable; ≠ not interchangeable; ← new for old; → old for new

| REF.No | Part No.    | Description          | Q'ty | S.No. | I/C | REMARKS | Weight (kgf) | Weight (lb) |
|--------|-------------|----------------------|------|-------|-----|---------|--------------|-------------|
| 010    | 16484-16170 | CAMSHAFT FUEL        | 1    |       |     |         | 1.3          | 2.86        |
| 020    | 99999-99999 | BLANK                | 0    |       |     |         | 0            | 0           |
| 030    | 08153-06205 | BEARING BALL         | 1    |       |     |         | 0.13         | 0.286       |
| 040    | 16415-51150 | GEAR INJECTION PUMP  | 1    |       |     |         | 1.075        | 2.365       |
| 050    | 05712-00525 | KEY FEATHER          | 1    |       |     |         | 0.005        | 0.011       |
| 060    | 04612-00240 | CIR CLIP EXTERNAL    | 1    |       |     |         | 0.002        | 0.0044      |
| 070    | 15611-55450 | SLEEVE GOVERNOR      | 1    |       |     |         | 0.117        | 0.2574      |
| 080    | 15221-55470 | CIR-CLIP GOV. SLEEVE | 1    |       |     |         | 0.003        | 0.0066      |
| 090    | 15611-55690 | CASE GOVERNOR BALL   | 1    |       |     |         | 0.03         | 0.066       |
| 100    | 07715-03205 | BALL                 | 39   |       |     |         | 0.001        | 0.0022      |
| 110    | 15221-55740 | CIR-CLIP             | 1    |       |     |         | 0.002        | 0.0044      |
| 120    | 07715-00403 | BALL                 | 7    |       |     |         | 0.03         | 0.066       |
| 130    | 08240-00001 | BEARING BALL         | 1    |       |     |         | 0.19         | 0.418       |
| 140    | 15221-16320 | STOPPER FUEL C/SHAFT | 1    |       |     |         | 0.02         | 0.044       |
| 150    | 01153-50814 | BOLT                 | 2    |       |     |         | 0.009        | 0.0198      |
| 160    | 04512-60080 | WASHER SPRING        | 2    |       |     |         | 0.002        | 0.0044      |

# ENGINE STOP LEVER



16884-005-10

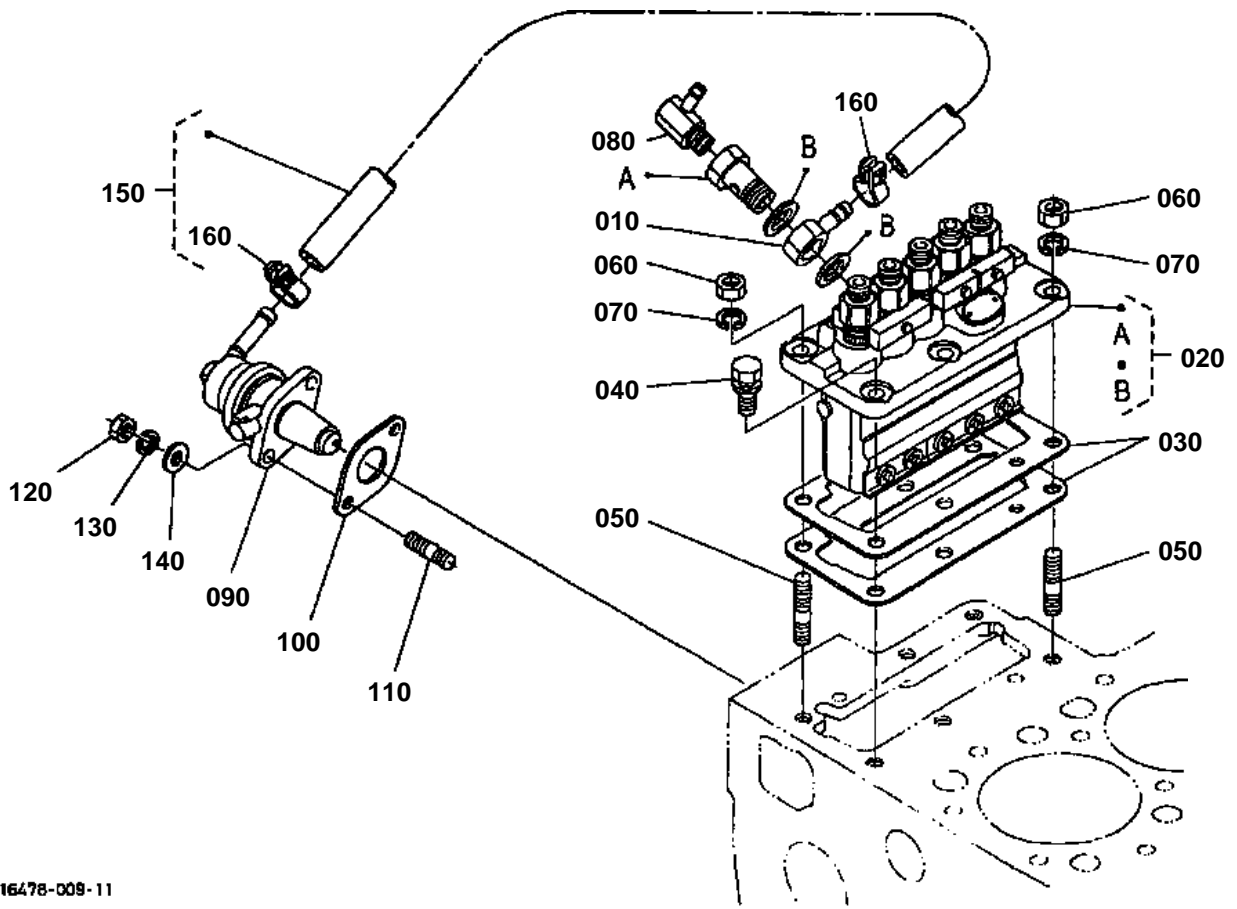


## ENGINE STOP LEVER

↔ Interchangeable; ≠ not interchangeable; ← new for old; → old for new

| REF.No | Part No.    | Description          | Q'ty | S.No. | I/C | REMARKS | Weight (kgf) | Weight (lb) |
|--------|-------------|----------------------|------|-------|-----|---------|--------------|-------------|
| 010    | 15401-01930 | COVER                | 1    |       |     |         | 0.09         | 0.198       |
| 020    | 15625-05430 | GASKET COVER NA      | 1    |       |     |         | 0.002        | 0.0044      |
| 030    | 01023-50616 | BOLT                 | 2    |       |     |         | 0.005        | 0.011       |
| 040    | 15521-54090 | APPARATUS IDLING     | 1    |       |     |         | 0.045        | 0.099       |
| 050    | 15521-54100 | ASSY BOLT ADJUSTMENT | 1    |       |     |         | 0.015        | 0.033       |
| 060    | 15401-92010 | NUT                  | 1    |       |     |         | 0.01         | 0.022       |
| 070    | 15521-92330 | NUT                  | 1    |       |     |         | 0.02         | 0.044       |
| 080    | 15021-33660 | GASKET               | 2    |       |     |         | 0.001        | 0.0022      |
| 090    | 15521-54270 | CAP                  | 1    |       |     |         | 0.003        | 0.0066      |
| 100    | 17331-57702 | ASSY LEVER ENG.STOP  | 1    |       |     |         | 0.19         | 0.418       |
| 110    | 15471-51652 | COVER INJECTION PUMP | 1    |       |     |         | 0.02         | 0.044       |
| 120    | 17331-57740 | SHAFT LEVER          | 1    |       |     |         | 0.04         | 0.088       |
| 130    | 17331-57720 | LEVER ENGINE STOP    | 1    |       |     |         | 0.05         | 0.11        |
| 140    | 15471-57980 | SEAL OIL             | 1    |       |     |         | 0.001        | 0.0022      |
| 150    | 05411-00420 | PIN SPRING           | 1    |       |     |         | 0.001        | 0.0022      |
| 160    | 15471-57920 | SPRING RETURN        | 1    |       |     |         | 0.005        | 0.011       |
| 170    | 15296-51660 | GASKET PUMP COVER    | 1    |       |     |         | 0            | 0           |
| 170    | 1A021-51660 | GASKET PUMP COVER    | 1    |       |     | ?       | 0.003        | 0.0066      |
| 180    | 01023-50618 | BOLT                 | 1    |       |     |         | 0.006        | 0.0132      |
| 190    | 01023-50622 | BOLT                 | 2    |       |     |         | 0.005        | 0.011       |
| 200    | 04012-50060 | WASHER PLAIN         | 2    |       |     |         | 0.001        | 0.0022      |
| 210    | 17394-60110 | SUPPORT SOLENOID     | 1    |       |     |         | 0.28         | 0.616       |

# INJECTION PUMP



16478-009-11

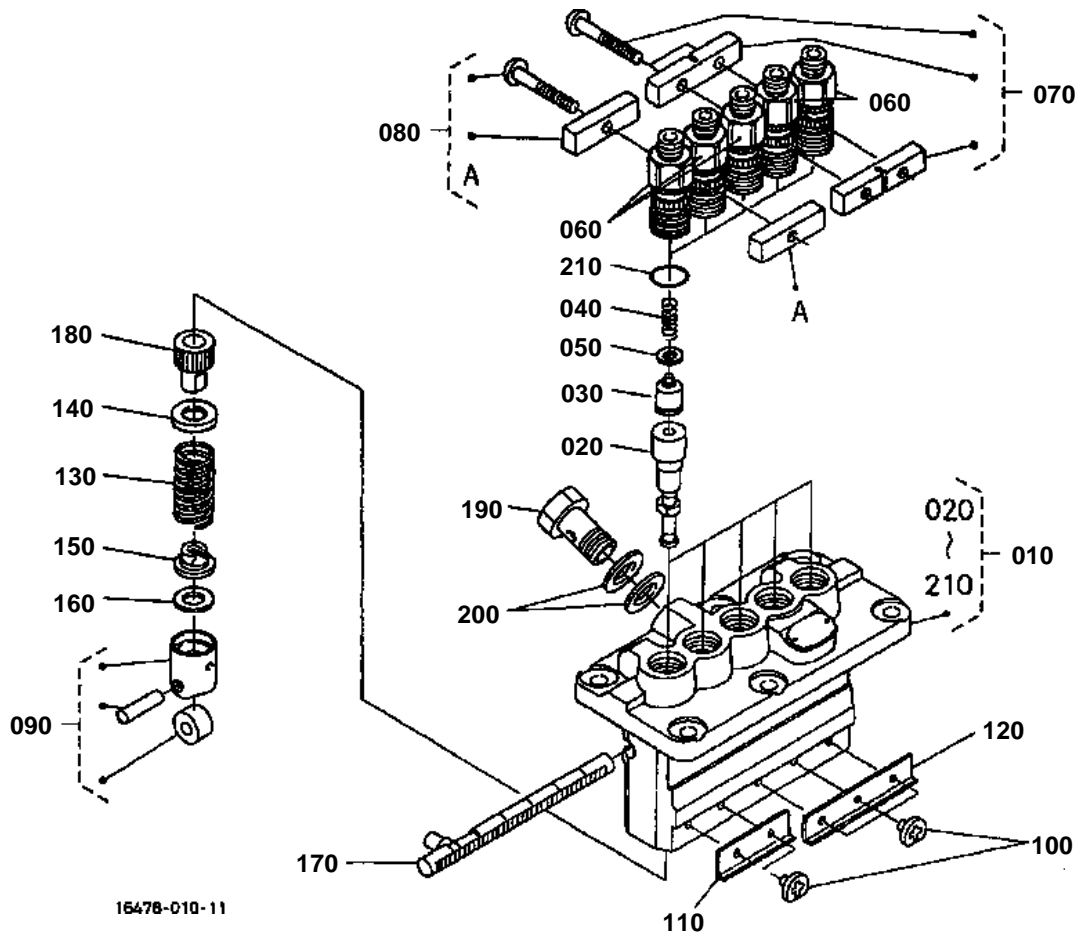


# INJECTION PUMP

↔ Interchangeable; ≠ not interchangeable; ← new for old; → old for new

| REF.No | Part No.    | Description         | Q'ty | S.No.   | I/C | REMARKS | Weight (kgf) | Weight (lb) |
|--------|-------------|---------------------|------|---------|-----|---------|--------------|-------------|
| 010    | 15401-95690 | JOINT EYE           | 1    |         |     |         | 0.04         | 0.088       |
| 020    | 1G833-51010 | ASSY PUMP INJECTION | 1    |         |     |         | 3.03         | 6.666       |
| 030    | 16484-52090 | SHIM INJECTION PUMP | 1    |         |     | 0.20mm  | 0.007        | 0.0154      |
| 030    | 16484-52110 | SHIM INJECTION PUMP | 1    |         |     | 0.25mm  | 0.009        | 0.0198      |
| 030    | 16484-52120 | SHIM INJECTION PUMP | 1    |         |     | 0.30mm  | 0.012        | 0.0264      |
| 040    | 01123-50822 | BOLT                | 4    |         |     |         | 0.012        | 0.0264      |
| 050    | 01513-50822 | STUD                | 2    | ≤1Y8640 |     |         | 0.01         | 0.022       |
| 050    | 15221-91530 | STUD                | 2    | ≥2A0402 | ?   |         | 0.011        | 0.0242      |
| 060    | 02156-50080 | NUT                 | 2    |         |     |         | 0.004        | 0.0088      |
| 070    | 04512-60080 | WASHER SPRING       | 2    |         |     |         | 0.002        | 0.0044      |
| 080    | 15748-60570 | ASSY ORIFICE        | 1    |         |     |         | 0.02         | 0.044       |
| 090    | 17121-52030 | ASSY PUMP FUEL      | 1    |         |     |         | 0.13         | 0.286       |
| 100    | 15263-52140 | GASKET FUEL PUMP    | 1    | ≤1S7650 |     |         | 0            | 0           |
| 100    | 1A021-52140 | GASKET FUEL PUMP    | 1    | ≥1U0321 | ?   |         | 0.001        | 0.0022      |
| 110    | 16245-91540 | STUD                | 2    |         |     |         | 0.005        | 0.011       |
| 120    | 02056-50060 | NUT                 | 2    |         |     |         | 0.002        | 0.0044      |
| 130    | 04512-60060 | WASHER SPRING       | 2    |         |     |         | 0.001        | 0.0022      |
| 140    | 04012-50060 | WASHER PLAIN        | 2    |         |     |         | 0.001        | 0.0022      |
| 150    | 32400-35510 | ASSY PIPE FUEL      | 1    |         |     |         | 0.035        | 0.077       |
| 160    | 14301-42750 | CLIP PIPE           | 2    |         |     |         | 0.005        | 0.011       |

INJECTION PUMP [COMPONENT PARTS]





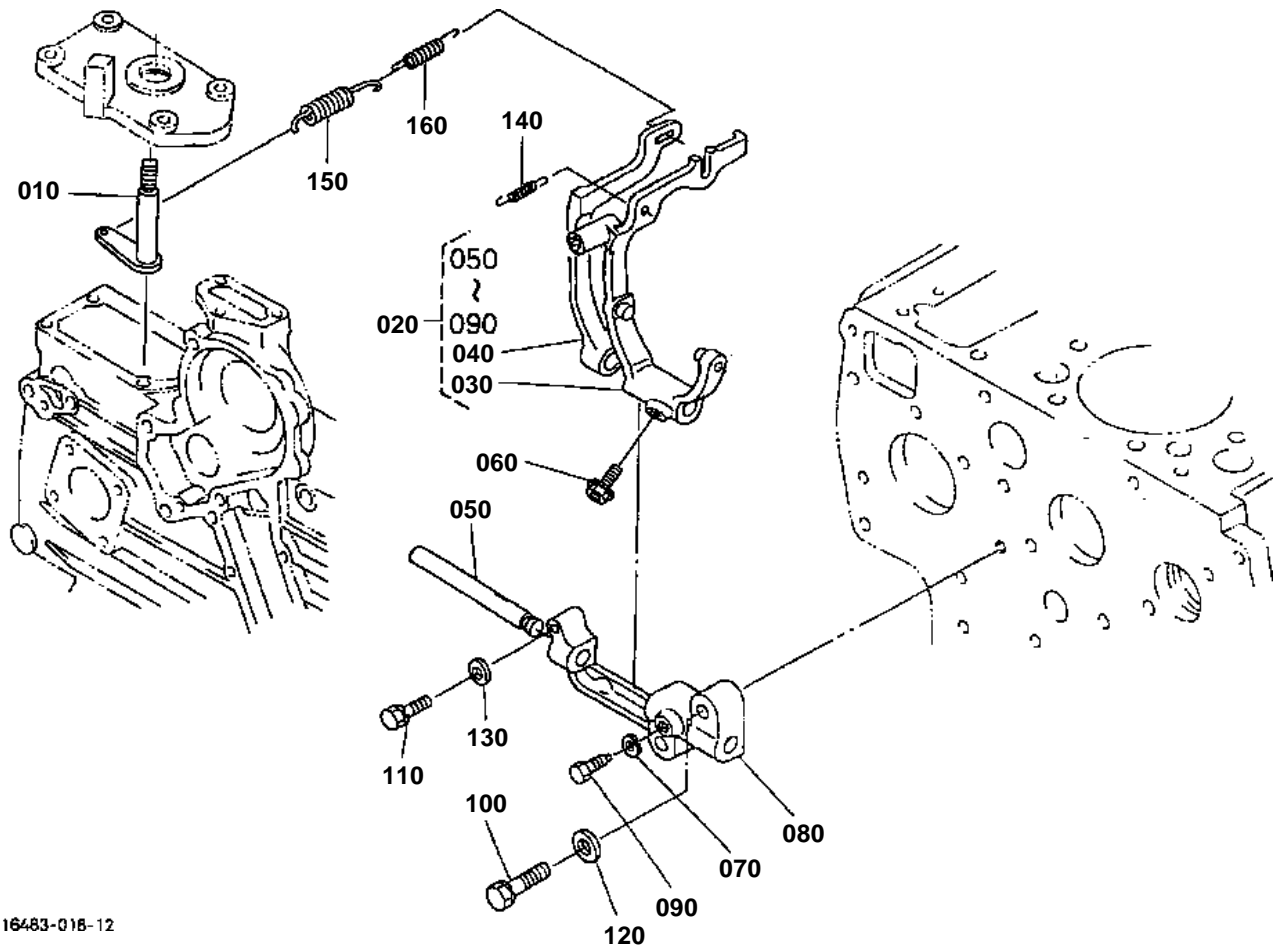


## INJECTION PUMP [COMPONENT PARTS]

↔ Interchangeable; ≠ not interchangeable; ← new for old; → old for new

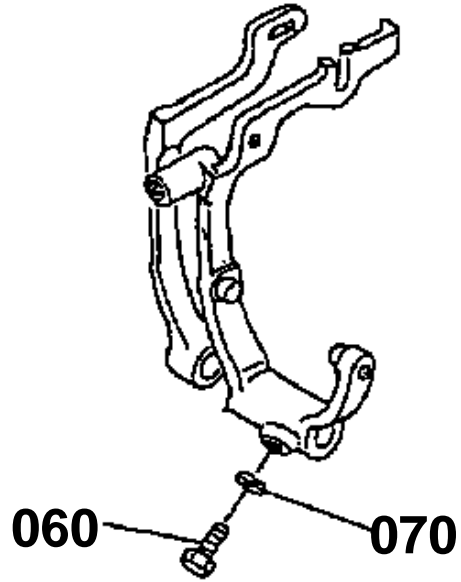
| REF.No | Part No.    | Description         | Q'ty | S.No. | I/C | REMARKS | Weight (kgf) | Weight (lb) |
|--------|-------------|---------------------|------|-------|-----|---------|--------------|-------------|
| 010    | 1G833-51010 | ASSY PUMP INJECTION | 1    |       |     |         | 3.03         | 6.666       |
| 020    | 16454-51050 | PLUNGER PUMP        | 5    |       |     |         | 0.05         | 0.11        |
| 030    | 16454-51030 | VALVE DELIVERY.     | 5    |       |     |         | 0.015        | 0.033       |
| 040    | 16454-51230 | SPRING DELIV.VALVE  | 5    |       |     |         | 0.005        | 0.011       |
| 050    | 15221-51240 | GASKET DELIV.VALVE  | 5    |       |     |         | 0.001        | 0.0022      |
| 060    | 16415-51220 | HOLDER DELIV.VALVE  | 5    |       |     |         | 0.07         | 0.154       |
| 070    | 16475-51610 | ASSY PLATE LOCK     | 1    |       |     |         | 0.06         | 0.132       |
| 080    | 16415-51610 | ASSY PLATE LOCK     | 1    |       |     |         | 0.1          | 0.22        |
| 090    | 15221-51070 | ASSY TAPPET         | 5    |       |     |         | 0.039        | 0.0858      |
| 100    | 14611-51250 | PIN TAPPET GUIDE    | 5    |       |     |         | 0.003        | 0.0066      |
| 110    | 14611-51440 | PLATE               | 1    |       |     |         | 0.005        | 0.011       |
| 120    | 19484-51460 | PLATE               | 1    |       |     |         | 0.003        | 0.0066      |
| 130    | 15221-51280 | SPRING PLUNGER      | 5    |       |     |         | 0.015        | 0.033       |
| 140    | 15221-51270 | SEAT SPRING UPPER   | 5    |       |     |         | 0.004        | 0.0088      |
| 150    | 15221-51290 | SEAT SPRING LOWER   | 5    |       |     |         | 0.01         | 0.022       |
| 160    | 19077-51490 | SHIM                | 5    |       |     |         | 0.001        | 0.0022      |
| 170    | 16484-51060 | RACK CONTROL        | 1    |       |     |         | 0.05         | 0.11        |
| 180    | 15221-51382 | SLEEVE CONTROL      | 5    |       |     |         | 0.011        | 0.0242      |
| 190    | 15471-51320 | SCREW FOLLOW        | 1    |       |     |         | 0.032        | 0.0704      |
| 200    | 15401-96650 | GASKET              | 2    |       |     |         | 0.001        | 0.0022      |
| 210    | 14611-51200 | O RING              | 5    |       |     |         | 0.001        | 0.0022      |

GOVERNOR



16483-016-12

060 15021-5624-0  
070 04512-50060



1G835-800-10

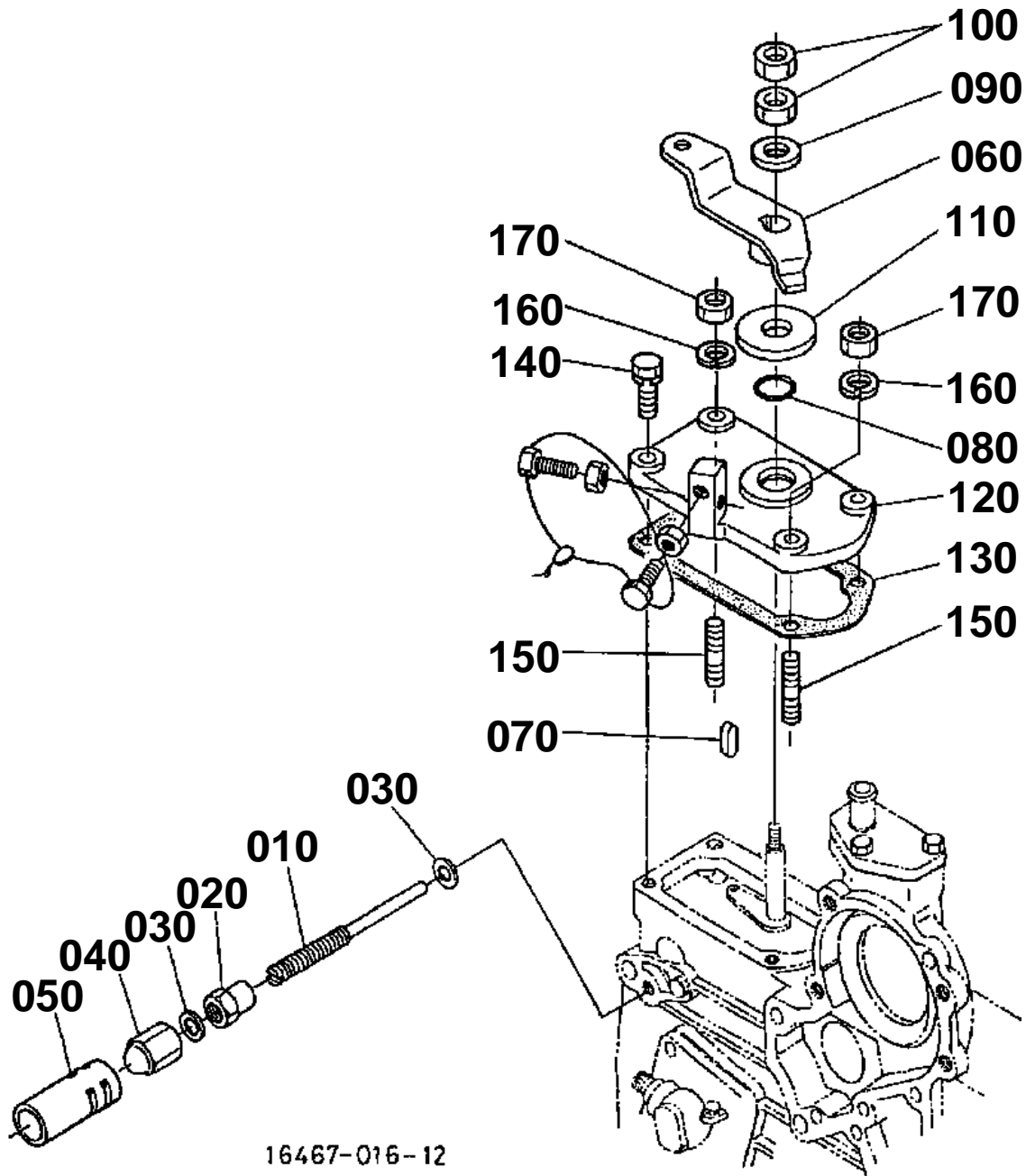


GOVERNOR

↔ Interchangeable; ≠ not interchangeable; ← new for old; → old for new

| REF.No | Part No.    | Description         | Q'ty | S.No.   | I/C | REMARKS | Weight (kgf) | Weight (lb) |
|--------|-------------|---------------------|------|---------|-----|---------|--------------|-------------|
| 010    | 15601-56020 | COMP.LEVER GOVERNOR | 1    |         |     |         | 0.055        | 0.121       |
| 020    | 1G835-56050 | ASSY LEVER FORK     | 1    |         |     |         | 0.4          | 0.88        |
| 030    | 16471-56040 | COMP.LEVER FORK     | 1    |         |     |         | 0.4          | 0.88        |
| 040    | 17331-56130 | LEVER FORK          | 1    |         |     |         | 0.065        | 0.143       |
| 050    | 15221-56150 | SHAFT FORK LEVER    | 1    | ≤1Y8640 |     |         | 0.1          | 0.22        |
| 050    | 1G911-56150 | SHAFT FORK LEVER    | 1    | ≥2A0402 | ?   |         | 0.05         | 0.11        |
| 060    | 15021-56240 | BOLT LEVER SHAFT    | 1    | ≤1Y8640 |     |         | 0.005        | 0.011       |
| 060    | 01754-50618 | BOLT FLANGE         | 1    | ≥2A0402 | ?   |         | 0.01         | 0.022       |
| 070    | 04512-60060 | WASHER SPRING       | 2    | ≤1Y8640 |     |         | 0.001        | 0.0022      |
| 070    | 04512-60060 | WASHER SPRING       | 1    | ≥2A0402 |     |         | 0.001        | 0.0022      |
| 080    | 15221-56230 | HOLDER FORK LEVER   | 1    |         |     |         | 0.1          | 0.22        |
| 090    | 15221-66410 | BOLT                | 1    |         |     |         | 0.005        | 0.011       |
| 100    | 01123-50832 | BOLT                | 2    |         |     |         | 0.016        | 0.0352      |
| 110    | 01023-50628 | BOLT                | 1    |         |     |         | 0.015        | 0.033       |
| 120    | 04012-50080 | WASHER PLAIN        | 2    |         |     |         | 0.001        | 0.0022      |
| 130    | 04012-50060 | WASHER PLAIN        | 1    |         |     |         | 0.001        | 0.0022      |
| 140    | 15611-56480 | SPRING START        | 1    |         |     |         | 0.001        | 0.0022      |
| 150    | 19077-56412 | SPRING              | 1    |         |     |         | 0.01         | 0.022       |
| 160    | 16415-56420 | SPRING GOVERNOR     | 1    |         |     |         | 0.002        | 0.0044      |

SPEED CONTROL PLATE



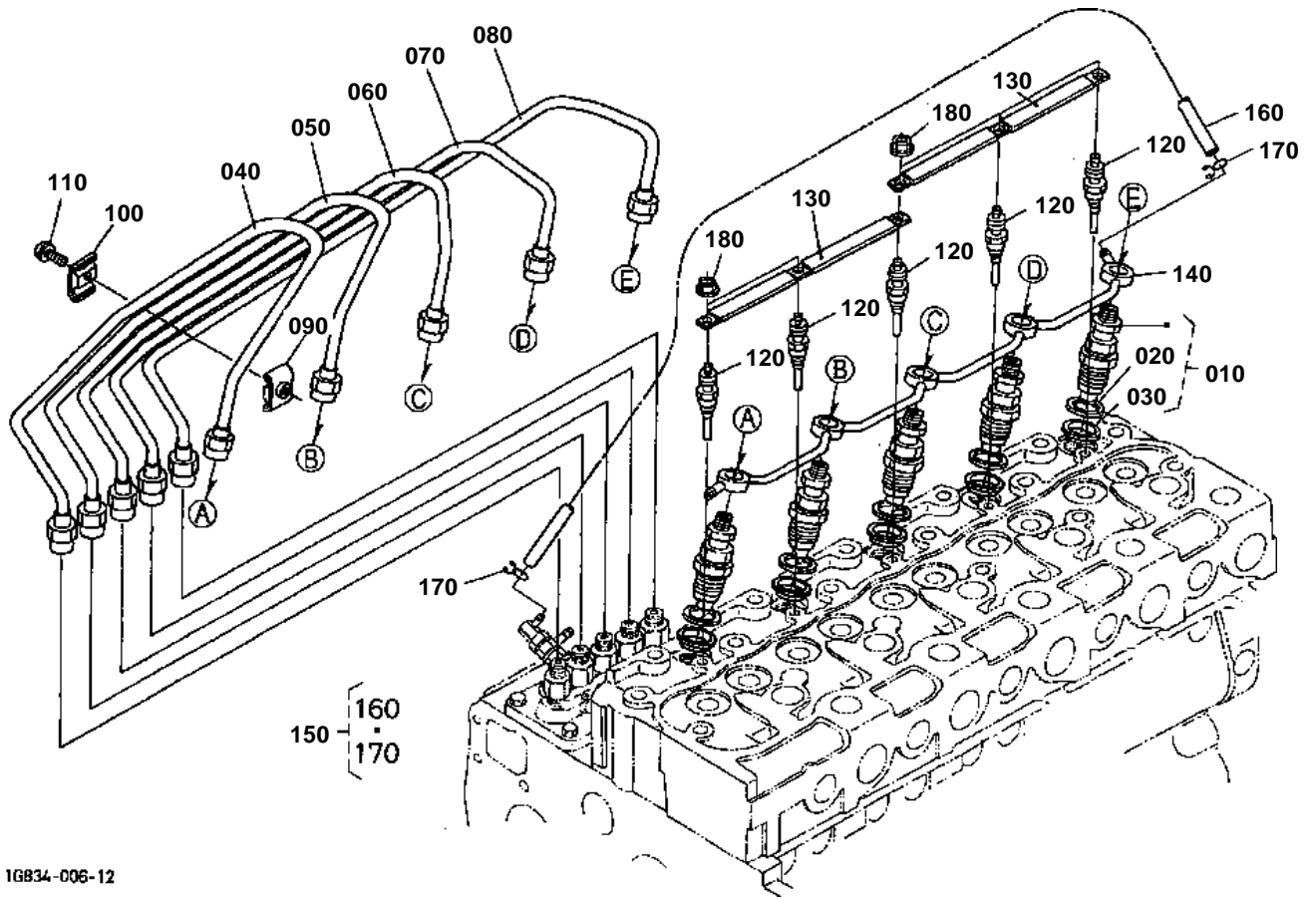


## SPEED CONTROL PLATE

↔ Interchangeable; ≠ not interchangeable; ← new for old; → old for new

| REF.No | Part No.    | Description         | Q'ty | S.No. | I/C | REMARKS | Weight (kgf) | Weight (lb) |
|--------|-------------|---------------------|------|-------|-----|---------|--------------|-------------|
| 010    | 15601-54120 | BOLT ADJUSTING      | 1    |       |     |         | 0.011        | 0.0242      |
| 020    | 15601-92012 | NUT                 | 1    |       |     |         | 0.006        | 0.0132      |
| 030    | 15601-96650 | GASKET              | 2    |       |     |         | 0.001        | 0.0022      |
| 040    | 15841-14620 | NUT                 | 1    |       |     |         | 0.01         | 0.022       |
| 050    | 1G833-54290 | PIPE LOCK           | 1    |       |     |         | 0.012        | 0.0264      |
| 060    | 1G835-57150 | LEVER SPEED CONTROL | 1    |       |     |         | 0.05         | 0.11        |
| 070    | 05712-00408 | KEY FEATHER         | 1    |       |     |         | 0.001        | 0.0022      |
| 080    | 04811-00120 | O RING              | 1    |       |     |         | 0            | 0           |
| 080    | 04817-00120 | O RING              | 1    |       | ?   |         | 0            | 0           |
| 090    | 04013-60080 | WASHER PLAIN        | 1    |       |     |         | 0.002        | 0.0044      |
| 100    | 02112-50080 | NUT                 | 2    |       |     |         | 0.003        | 0.0066      |
| 110    | 15521-57240 | COLLAR              | 1    |       |     |         | 0.002        | 0.0044      |
| 120    | 15521-57115 | PLATE SPEED CONTROL | 1    |       |     |         | 0.1          | 0.22        |
| 130    | 15439-57210 | GASKET              | 1    |       |     |         | 0.005        | 0.011       |
| 140    | 01023-50625 | BOLT                | 2    |       |     |         | 0.007        | 0.0154      |
| 150    | 15221-88210 | STUD                | 2    |       |     |         | 0.005        | 0.011       |
| 160    | 04512-60060 | WASHER SPRING       | 2    |       |     |         | 0.001        | 0.0022      |
| 170    | 02056-50060 | NUT                 | 2    |       |     |         | 0.002        | 0.0044      |

NOZZLE HOLDER AND GLOW PLUG



16834-006-12



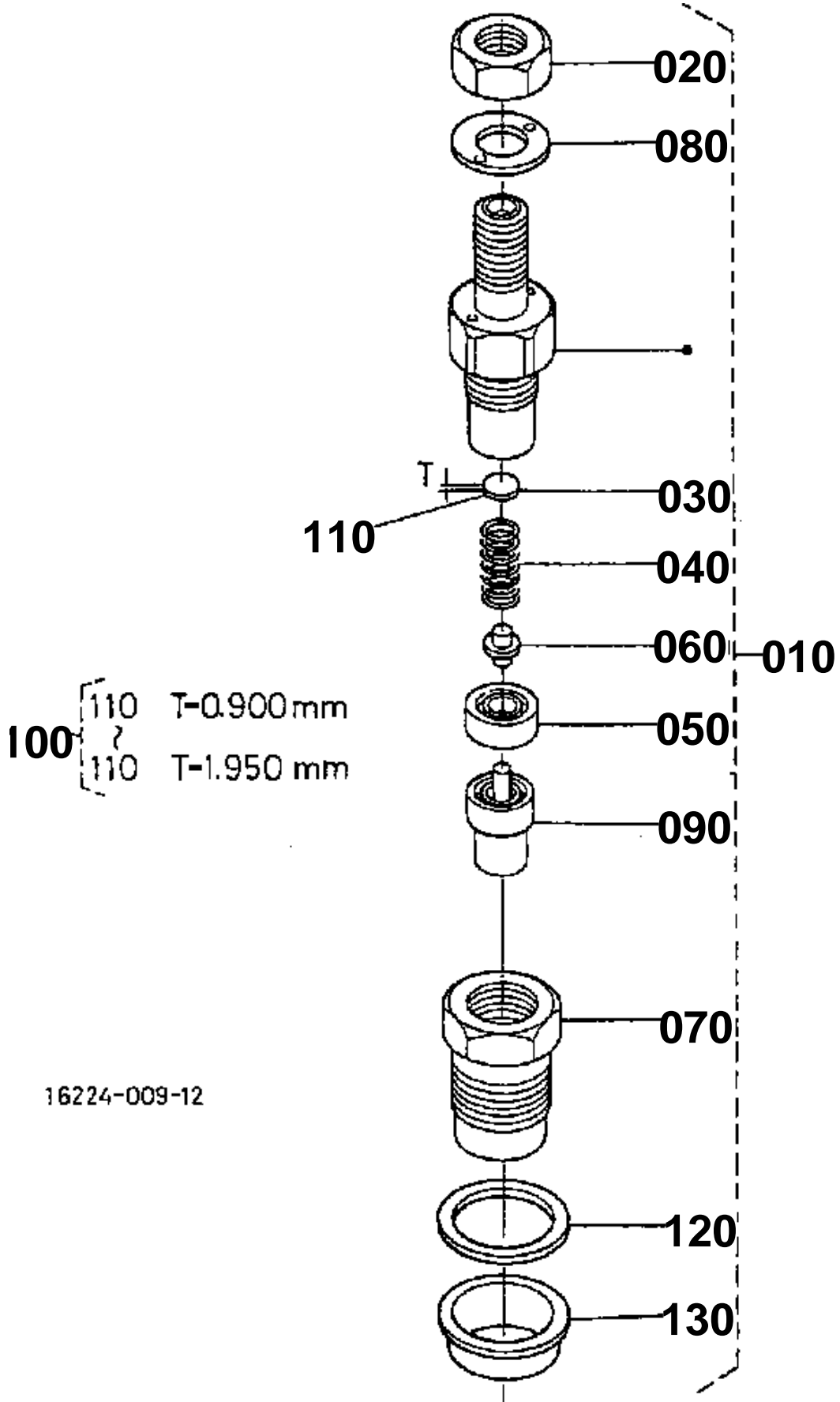
## NOZZLE HOLDER AND GLOW PLUG

↔ Interchangeable; ≠ not interchangeable; ← new for old; → old for new

| REF.No | Part No.    | Description         | Q'ty | S.No. | I/C | REMARKS | Weight (kgf) | Weight (lb) |
|--------|-------------|---------------------|------|-------|-----|---------|--------------|-------------|
| 010    | 16454-53900 | KIT HOLDER NOZZLE   | 5    |       |     |         | 0.14         | 0.308       |
| 020    | 15841-53622 | GASKET              | 5    |       |     |         | 0.002        | 0.0044      |
| 030    | 19077-53650 | SEAL HEAT           | 5    |       |     |         | 0.005        | 0.011       |
| 040    | 16484-53710 | PIPE INJECTION      | 1    |       |     |         | 0.143        | 0.3146      |
| 050    | 16484-53720 | PIPE INJECTION      | 1    |       |     |         | 0.143        | 0.3146      |
| 060    | 16484-53730 | PIPE INJECTION      | 1    |       |     |         | 0.143        | 0.3146      |
| 070    | 16484-53740 | PIPE INJECTION      | 1    |       |     |         | 0.146        | 0.3212      |
| 080    | 16484-53750 | PIPE INJECTION      | 1    |       |     |         | 0.146        | 0.3212      |
| 090    | 15841-53850 | CLAMP PIPE          | 6    |       |     |         | 0.01         | 0.022       |
| 100    | 15841-53860 | CLAMP PIPE          | 6    |       |     |         | 0.009        | 0.0198      |
| 110    | 03024-50520 | SCREW WITH WASHER   | 6    |       |     |         | 0.004        | 0.0088      |
| 120    | 19077-65510 | GLOW PLUG           | 5    |       |     |         | 0.03         | 0.066       |
| 130    | 16415-65560 | CORD GLOW PLUG      | 2    |       |     |         | 0.015        | 0.033       |
| 140    | 16484-42502 | ASSY PIPE OVER FLOW | 1    |       |     |         | 0.08         | 0.176       |
| 150    | 3A011-04490 | ASSY TUBE FUEL      | 1    |       |     |         | 0.045        | 0.099       |
| 160    | 09661-40575 | TUBE FUEL           | 1    |       |     |         | 0.031        | 0.0682      |
| 170    | 14971-42750 | CLIP PIPE           | 2    |       |     |         | 0.001        | 0.0022      |
| 180    | 02761-50040 | NUT FLANGE          | 5    |       |     |         | 0.002        | 0.0044      |



NOZZLE HOLDER [COMPONENT PARTS]



16224-009-12

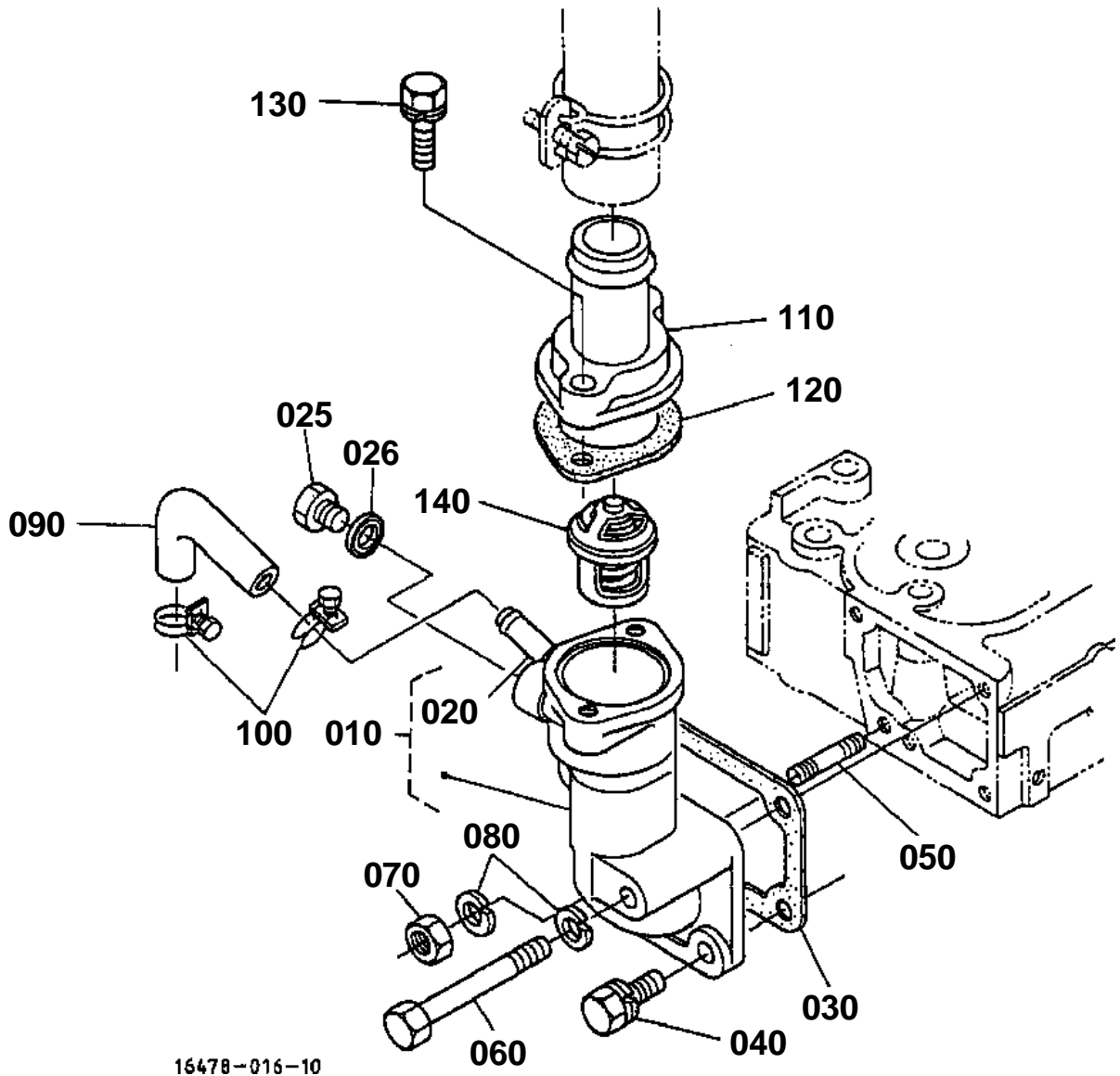


## NOZZLE HOLDER [COMPONENT PARTS]

↔ Interchangeable; ≠ not interchangeable; ← new for old; → old for new

| REF.No | Part No.    | Description        | Q'ty | S.No. | I/C | REMARKS | Weight (kgf) | Weight (lb) |
|--------|-------------|--------------------|------|-------|-----|---------|--------------|-------------|
| 010    | 16454-53900 | KIT HOLDER NOZZLE  | 5    |       |     |         | 0.14         | 0.308       |
| 020    | 15841-92030 | NUT                | 5    |       |     |         | 0.005        | 0.011       |
| 030    | 15841-53230 | WASHER ADJUSTING   | 5    |       |     |         | 0.001        | 0.0022      |
| 040    | 16475-53170 | SPRING NOZZLE      | 5    |       |     |         | 0.005        | 0.011       |
| 050    | 15841-53350 | PIECE DISTANCE     | 5    |       |     |         | 0.004        | 0.0088      |
| 060    | 15841-53160 | PUSH ROD           | 5    |       |     |         | 0.001        | 0.0022      |
| 070    | 16475-53280 | NUT NOZZLE         | 5    |       |     |         | 0.03         | 0.066       |
| 080    | 15841-94040 | WASHER             | 5    |       |     |         | 0.001        | 0.0022      |
| 090    | 16454-53610 | PIECE NOZZLE       | 5    |       |     |         | 0.024        | 0.0528      |
| 100    | 15841-98100 | ASSY WASHER ADJUST | 5    |       |     | OPTION  | 0.043        | 0.0946      |
| 110    | 15841-53230 | WASHER ADJUSTING   | 5    |       |     | 0.900mm | 0.001        | 0.0022      |
| 110    | 15841-98510 | WASHER ADJUSTING   | 5    |       |     | 0.925mm | 0.001        | 0.0022      |
| 110    | 15841-98520 | WASHER ADJUSTING   | 5    |       |     | 0.950mm | 0.001        | 0.0022      |
| 110    | 15841-98530 | WASHER ADJUSTING   | 5    |       |     | 0.975mm | 0.001        | 0.0022      |
| 110    | 15841-98540 | WASHER ADJUSTING   | 5    |       |     | 1.000mm | 0.001        | 0.0022      |
| 110    | 15841-98550 | WASHER ADJUSTING   | 5    |       |     | 1.025mm | 0.001        | 0.0022      |
| 110    | 15841-98560 | WASHER ADJUSTING   | 5    |       |     | 1.050mm | 0.001        | 0.0022      |
| 110    | 15841-98570 | WASHER ADJUSTING   | 5    |       |     | 1.075mm | 0.001        | 0.0022      |
| 110    | 15841-98580 | WASHER ADJUSTING   | 5    |       |     | 1.100mm | 0.001        | 0.0022      |
| 110    | 15841-98590 | WASHER ADJUSTING   | 5    |       |     | 1.125mm | 0.001        | 0.0022      |
| 110    | 15841-98600 | WASHER ADJUSTING   | 5    |       |     | 1.150mm | 0.001        | 0.0022      |
| 110    | 15841-98610 | WASHER ADJUSTING   | 5    |       |     | 1.175mm | 0.001        | 0.0022      |
| 110    | 15841-98620 | WASHER ADJUSTING   | 5    |       |     | 1.200mm | 0.001        | 0.0022      |
| 110    | 15841-98630 | WASHER ADJUSTING   | 5    |       |     | 1.225mm | 0.001        | 0.0022      |
| 110    | 15841-98640 | WASHER ADJUSTING   | 5    |       |     | 1.250mm | 0.001        | 0.0022      |
| 110    | 15841-98650 | WASHER ADJUSTING   | 5    |       |     | 1.275mm | 0.001        | 0.0022      |
| 110    | 15841-98660 | WASHER ADJUSTING   | 5    |       |     | 1.300mm | 0.001        | 0.0022      |
| 110    | 15841-98670 | WASHER ADJUSTING   | 5    |       |     | 1.325mm | 0.001        | 0.0022      |
| 110    | 15841-98680 | WASHER ADJUSTING   | 5    |       |     | 1.350mm | 0.001        | 0.0022      |
| 110    | 15841-98690 | WASHER ADJUSTING   | 5    |       |     | 1.375mm | 0.001        | 0.0022      |
| 110    | 15841-98700 | WASHER ADJUSTING   | 5    |       |     | 1.400mm | 0.001        | 0.0022      |
| 110    | 15841-98710 | WASHER ADJUSTING   | 5    |       |     | 1.425mm | 0.001        | 0.0022      |
| 110    | 15841-98720 | WASHER ADJUSTING   | 5    |       |     | 1.450mm | 0.001        | 0.0022      |
| 110    | 15841-98730 | WASHER ADJUSTING   | 5    |       |     | 1.475mm | 0.001        | 0.0022      |
| 110    | 15841-98740 | WASHER ADJUSTING   | 5    |       |     | 1.500mm | 0.001        | 0.0022      |
| 110    | 15841-98750 | WASHER ADJUSTING   | 5    |       |     | 1.525mm | 0.001        | 0.0022      |
| 110    | 15841-98760 | WASHER ADJUSTING   | 5    |       |     | 1.550mm | 0.001        | 0.0022      |
| 110    | 15841-98770 | WASHER ADJUSTING   | 5    |       |     | 1.575mm | 0.001        | 0.0022      |
| 110    | 15841-98780 | WASHER ADJUSTING   | 5    |       |     | 1.600mm | 0.002        | 0.0044      |
| 110    | 15841-98790 | WASHER ADJUSTING   | 5    |       |     | 1.625mm | 0.001        | 0.0022      |
| 110    | 15841-98800 | WASHER ADJUSTING   | 5    |       |     | 1.650mm | 0.001        | 0.0022      |
| 110    | 15841-98810 | WASHER ADJUSTING   | 5    |       |     | 1.675mm | 0.004        | 0.0088      |
| 110    | 15841-98820 | WASHER ADJUSTING   | 5    |       |     | 1.700mm | 0.001        | 0.0022      |
| 110    | 15841-98830 | WASHER ADJUSTING   | 5    |       |     | 1.725mm | 0.001        | 0.0022      |
| 110    | 15841-98840 | WASHER ADJUSTING   | 5    |       |     | 1.750mm | 0.001        | 0.0022      |
| 110    | 15841-98850 | WASHER ADJUSTING   | 5    |       |     | 1.775mm | 0.001        | 0.0022      |
| 110    | 15841-98860 | WASHER ADJUSTING   | 5    |       |     | 1.800mm | 0.001        | 0.0022      |
| 110    | 15841-98870 | WASHER ADJUSTING   | 5    |       |     | 1.825mm | 0.001        | 0.0022      |
| 110    | 15841-98880 | WASHER ADJUSTING   | 5    |       |     | 1.850mm | 0.001        | 0.0022      |
| 110    | 15841-98890 | WASHER ADJUSTING   | 5    |       |     | 1.875mm | 0.001        | 0.0022      |
| 110    | 15841-98900 | WASHER ADJUSTING   | 5    |       |     | 1.900mm | 0.001        | 0.0022      |
| 110    | 15841-98910 | WASHER ADJUSTING   | 5    |       |     | 1.925mm | 0.001        | 0.0022      |
| 110    | 15841-98920 | WASHER ADJUSTING   | 5    |       |     | 1.950mm | 0.001        | 0.0022      |
| 120    | 15841-53622 | GASKET             | 5    |       |     |         | 0.002        | 0.0044      |
| 130    | 19077-53650 | SEAL HEAT          | 5    |       |     |         | 0.005        | 0.011       |

WATER FLANGE AND THERMOSTAT



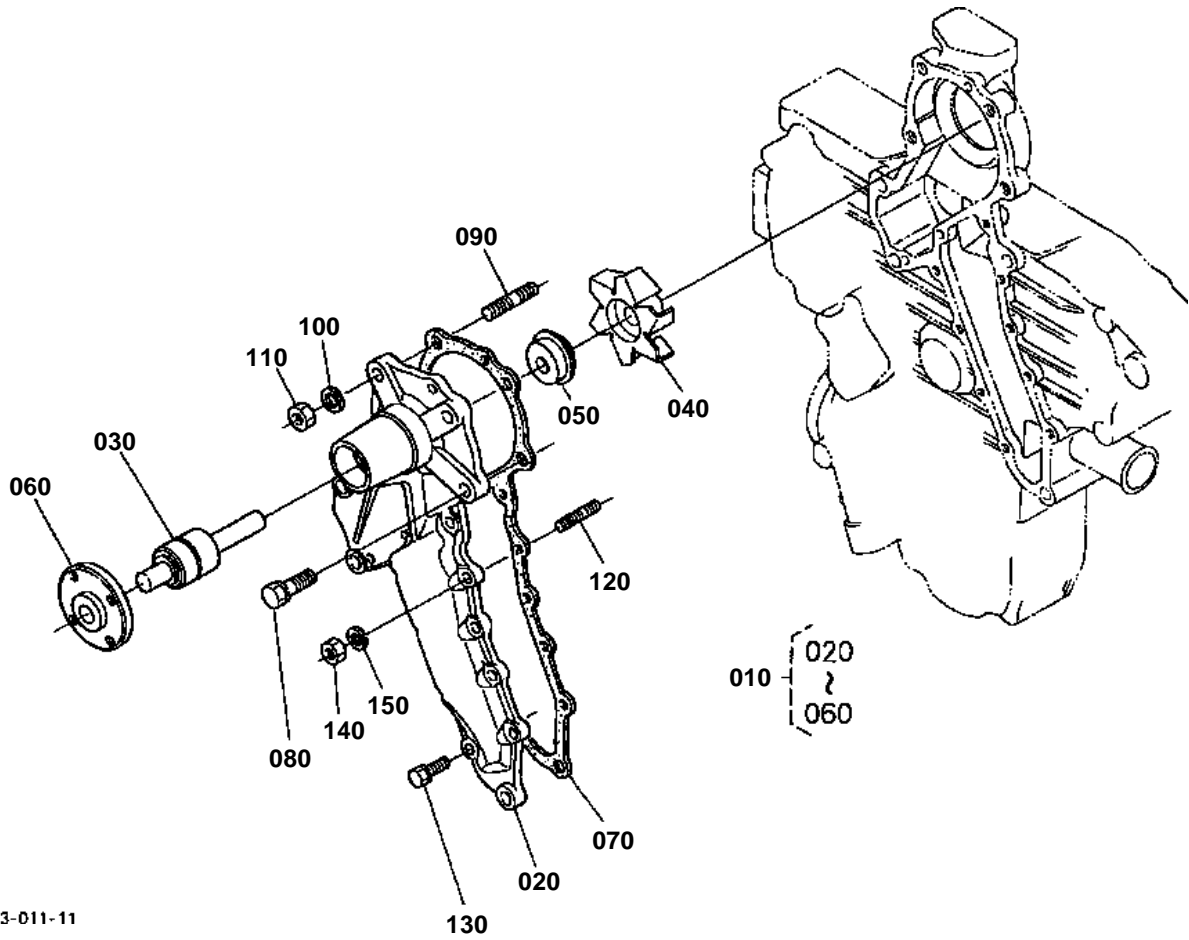


# WATER FLANGE AND THERMOSTAT

↔ Interchangeable; ≠ not interchangeable; ← new for old; → old for new

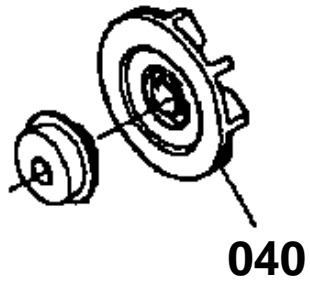
| REF.No | Part No.    | Description         | Q'ty | S.No.    | I/C | REMARKS | Weight (kgf) | Weight (lb) |
|--------|-------------|---------------------|------|----------|-----|---------|--------------|-------------|
| 010    | 16415-72702 | COMP.FLANGE WATER   | 1    |          |     |         | 0.35         | 0.77        |
| 020    | 17331-73342 | PIPE WATER RETURN   | 1    |          |     |         | 0.01         | 0.022       |
| 025    | 15109-33630 | PLUG DRAIN          | 1    |          |     |         | 0.025        | 0.055       |
| 026    | 15109-33660 | GASKET              | 1    |          |     |         | 0.001        | 0.0022      |
| 030    | 15766-72920 | GASKET WATER FLANGE | 1    |          |     |         | 0            | 0           |
| 030    | 1A021-72920 | GASKET WATER FLANGE | 1    |          | ?   |         | 0.002        | 0.0044      |
| 040    | 01123-50820 | BOLT                | 2    |          |     |         | 0.011        | 0.0242      |
| 050    | 01513-50822 | STUD                | 1    |          |     |         | 0.01         | 0.022       |
| 060    | 01153-50870 | BOLT                | 1    |          |     |         | 0.026        | 0.0572      |
| 070    | 02156-50080 | NUT                 | 1    |          |     |         | 0.004        | 0.0088      |
| 080    | 04512-60080 | WASHER SPRING       | 2    |          |     |         | 0.002        | 0.0044      |
| 090    | 15521-73340 | PIPE WATER RETURN   | 1    |          |     |         | 0.025        | 0.055       |
| 100    | 15109-73360 | BAND PIPE           | 2    |          |     |         | 0.01         | 0.022       |
| 110    | 15321-73260 | COVER THERMOSTAT    | 1    |          |     |         | 0.107        | 0.2354      |
| 120    | 16221-73270 | GASKET THERMOSTAT   | 1    |          |     |         | 0.003        | 0.0066      |
| 130    | 01123-50835 | BOLT                | 2    |          |     |         | 0.02         | 0.044       |
| 140    | 19434-73014 | ASSY THERMOSTAT     | 1    | <=1D1169 |     |         | 0            | 0           |
| 140    | 19434-73014 | ASSY THERMOSTAT     | 1    | >=1E0476 | ?   |         | 0            | 0           |

# WATER PUMP



17393-011-11

040 16661-7351-0



1A012-801-10

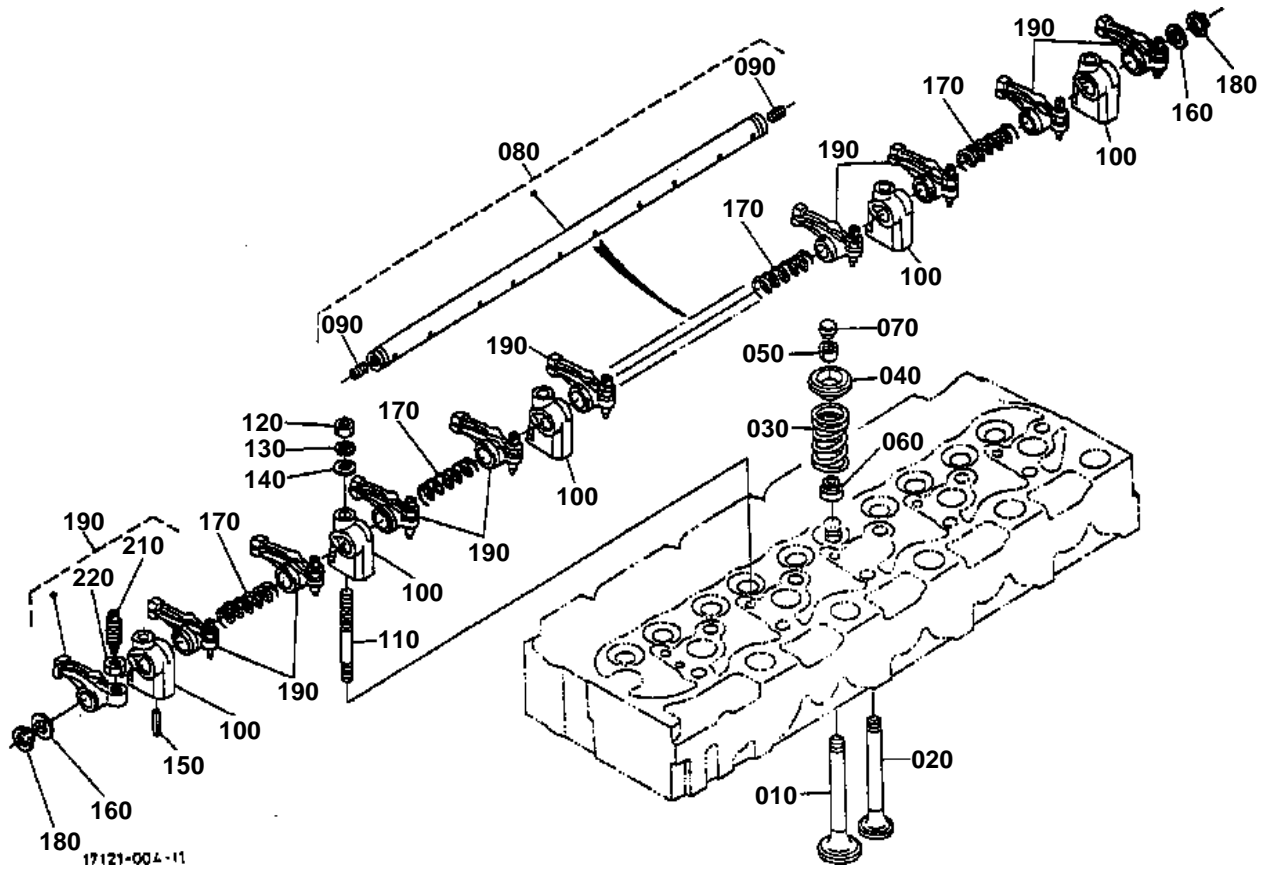


**WATER PUMP**

↔ Interchangeable; ≠ not interchangeable; ← new for old; → old for new

| REF.No | Part No.    | Description          | Q'ty | S.No.    | I/C | REMARKS | Weight (kgf) | Weight (lb) |
|--------|-------------|----------------------|------|----------|-----|---------|--------------|-------------|
| 010    | 16412-73033 | ASSY PUMP WATER      | 1    | <=1W7112 |     |         | 0            | 0           |
| 010    | 1A021-73030 | ASSY PUMP WATER      | 1    | >=1Y0328 | ?   |         | 0            | 0           |
| 020    | 17331-73410 | BODY WATER PUMP      | 1    |          |     |         | 0.51         | 1.122       |
| 030    | 15521-73550 | BEARING              | 1    |          |     |         | 0.235        | 0.517       |
| 040    | 16661-73510 | IMPELLER WATER PUMP  | 1    | <=1W7112 |     |         | 0.195        | 0.429       |
| 040    | 1A021-73510 | IMPELLER WATER PUMP  | 1    | >=1Y0328 | ?   |         | 0            | 0           |
| 050    | 16661-73050 | ASSY SEAL MECHANICAL | 1    |          |     |         | 0.025        | 0.055       |
| 060    | 15521-73520 | FLANGE WATER PUMP    | 1    |          |     |         | 0.25         | 0.55        |
| 070    | 17326-73430 | GASKET WATER PUMP    | 1    |          |     |         | 0            | 0           |
| 070    | 1A021-73430 | GASKET WATER PUMP    | 1    |          | ?   |         | 0.007        | 0.0154      |
| 080    | 01123-50828 | BOLT                 | 2    |          |     |         | 0.014        | 0.0308      |
| 090    | 01518-50822 | STUD                 | 2    |          |     |         | 0.012        | 0.0264      |
| 100    | 04512-60080 | WASHER SPRING        | 2    |          |     |         | 0.002        | 0.0044      |
| 110    | 02156-50080 | NUT                  | 2    |          |     |         | 0.004        | 0.0088      |
| 120    | 15221-88210 | STUD                 | 1    |          |     |         | 0.005        | 0.011       |
| 130    | 01023-50618 | BOLT                 | 8    |          |     |         | 0.006        | 0.0132      |
| 140    | 02056-50060 | NUT                  | 1    |          |     |         | 0.002        | 0.0044      |
| 150    | 04512-60060 | WASHER SPRING        | 1    |          |     |         | 0.001        | 0.0022      |

VALVE AND ROCKER ARM





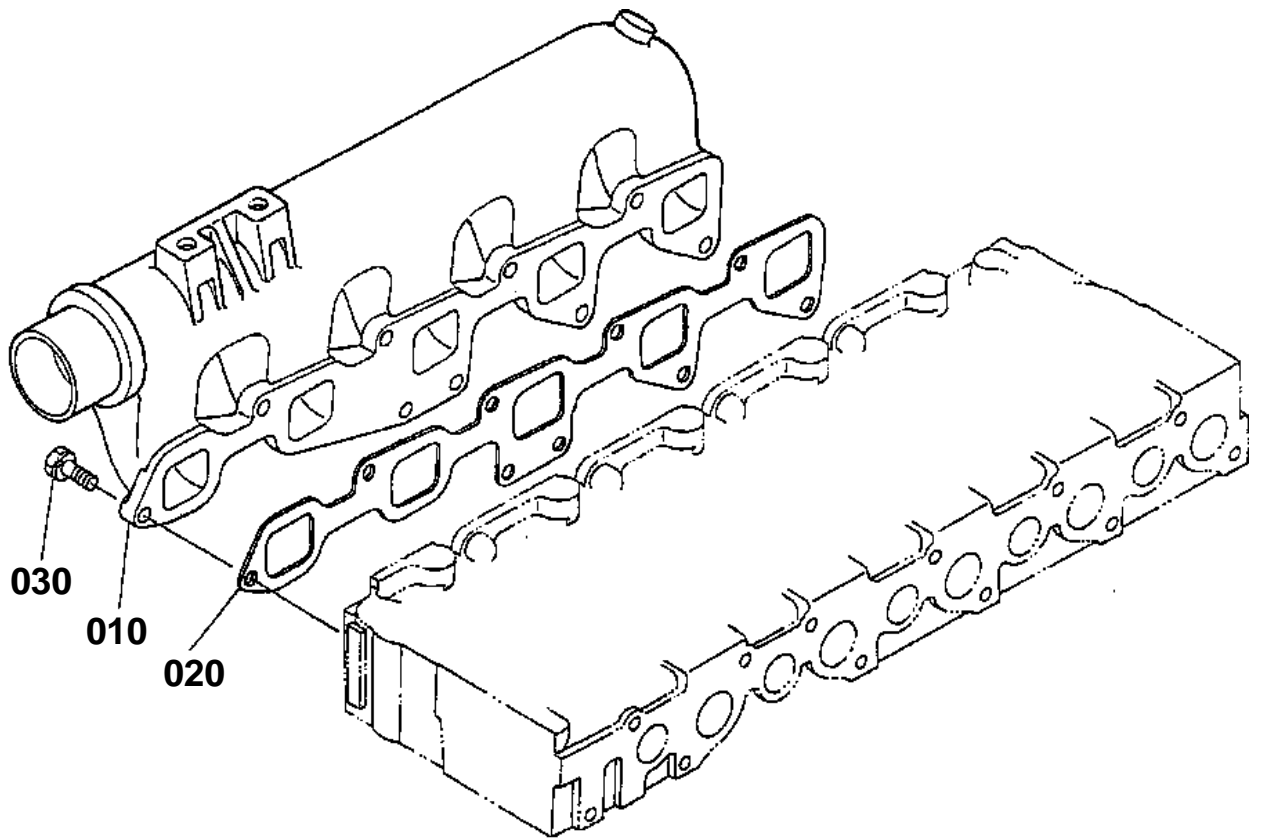


## VALVE AND ROCKER ARM

↔ Interchangeable; ≠ not interchangeable; ← new for old; → old for new

| REF.No | Part No.    | Description         | Q'ty | S.No. | I/C | REMARKS | Weight (kgf) | Weight (lb) |
|--------|-------------|---------------------|------|-------|-----|---------|--------------|-------------|
| 010    | 16484-13110 | VALVE INLET         | 5    |       |     |         | 0.05         | 0.11        |
| 020    | 16484-13120 | VALVE EXHAUST       | 5    |       |     |         | 0.1          | 0.22        |
| 030    | 15221-13240 | SPRING VALVE        | 10   |       |     |         | 0.036        | 0.0792      |
| 040    | 15221-13330 | RETAINER VALVE SP.  | 10   |       |     |         | 0.03         | 0.066       |
| 050    | 15221-13360 | COLLET VALVE SPRING | 10   |       |     | SET     | 0            | 0           |
| 050    | 15221-13980 | COLLET VALVE SPRING | 10   |       | ?   | SET     | 0.005        | 0.011       |
| 060    | 15221-13150 | SEAL VALVE STEM     | 10   |       |     |         | 0.001        | 0.0022      |
| 070    | 15221-13280 | CAP VALVE           | 10   |       |     |         | 0.006        | 0.0132      |
| 080    | 17381-14052 | ASSY SHAFT R-ARM    | 1    |       |     |         | 0.6          | 1.32        |
| 090    | 03410-50808 | SCREW SET           | 2    |       |     |         | 0.002        | 0.0044      |
| 100    | 15221-14350 | BRACKET ROCKER ARM  | 5    |       |     |         | 0.044        | 0.0968      |
| 110    | 15521-91500 | STUD                | 5    |       |     |         | 0.035        | 0.077       |
| 120    | 02156-50080 | NUT                 | 5    |       |     |         | 0.004        | 0.0088      |
| 130    | 04512-60080 | WASHER SPRING       | 5    |       |     |         | 0.002        | 0.0044      |
| 140    | 04012-50080 | WASHER PLAIN        | 5    |       |     |         | 0.001        | 0.0022      |
| 150    | 05411-00528 | PIN SPRING          | 1    |       |     |         | 0.003        | 0.0066      |
| 160    | 15221-14430 | WASHER R-ARM.SHAFT  | 2    |       |     |         | 0.002        | 0.0044      |
| 170    | 15221-14310 | SPRING ROCKER ARM   | 4    |       |     |         | 0.005        | 0.011       |
| 180    | 04612-00140 | CIR CLIP EXTERNAL   | 2    |       |     |         | 0.001        | 0.0022      |
| 190    | 15621-14030 | ASSY ROCKER ARM     | 10   |       |     |         | 0.1          | 0.22        |
| 200    | 99999-99999 | BLANK               | 0    |       |     |         | 0            | 0           |
| 210    | 15521-14230 | SCREW ADJUSTING     | 10   |       |     |         | 0.009        | 0.0198      |
| 220    | 15021-14240 | NUT                 | 10   |       |     |         | 0.003        | 0.0066      |

INLET MANIFOLD



16478-008-10

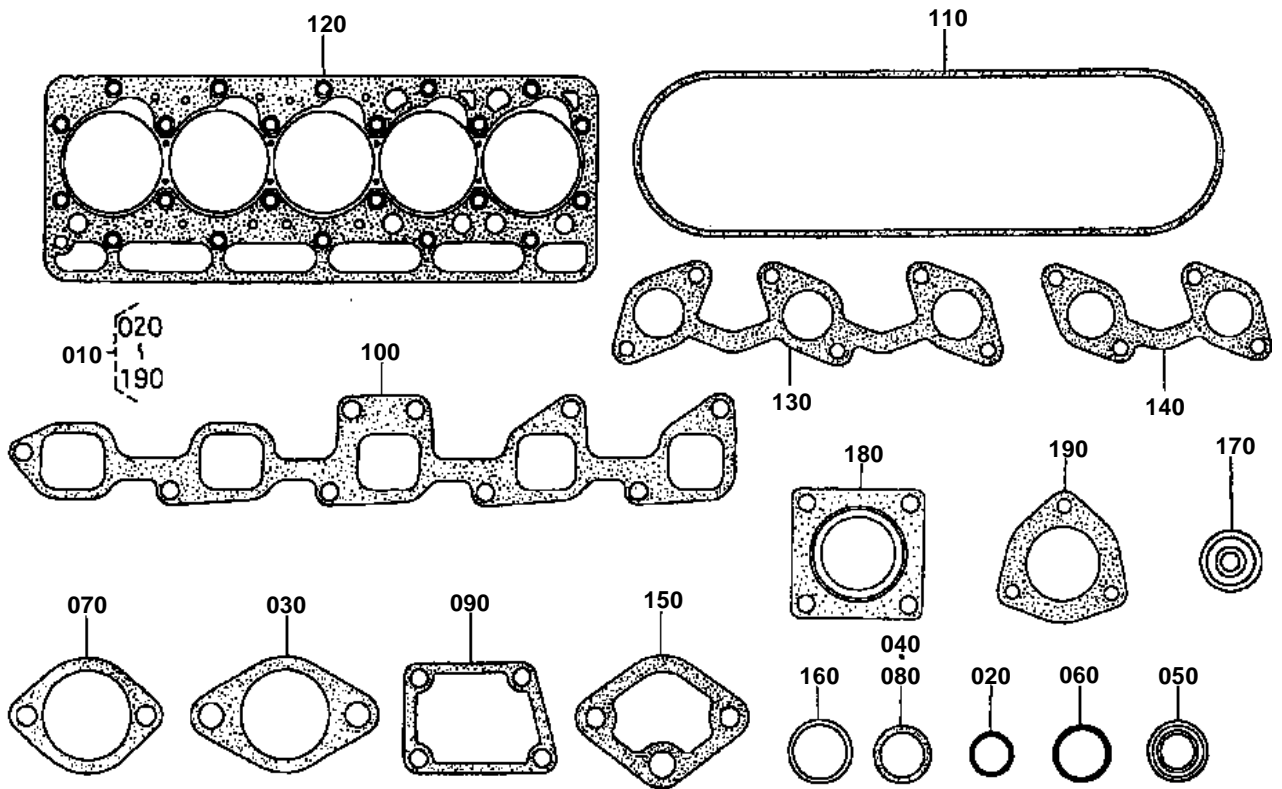


## INLET MANIFOLD

↔ Interchangeable; ≠ not interchangeable; ← new for old; → old for new

| REF.No | Part No.    | Description          | Q'ty | S.No. | I/C | REMARKS | Weight (kgf) | Weight (lb) |
|--------|-------------|----------------------|------|-------|-----|---------|--------------|-------------|
| 010    | 16459-11760 | MANIFOLD INLET       | 1    |       |     |         | 1.5          | 3.3         |
| 020    | 17394-11820 | GASKET IN-MANIFOLUDO | 1    |       |     |         | 0.021        | 0.0462      |
| 030    | 01123-50822 | BOLT                 | 9    |       |     |         | 0.012        | 0.0264      |

UPPER GASKET KIT



1647B-011-11

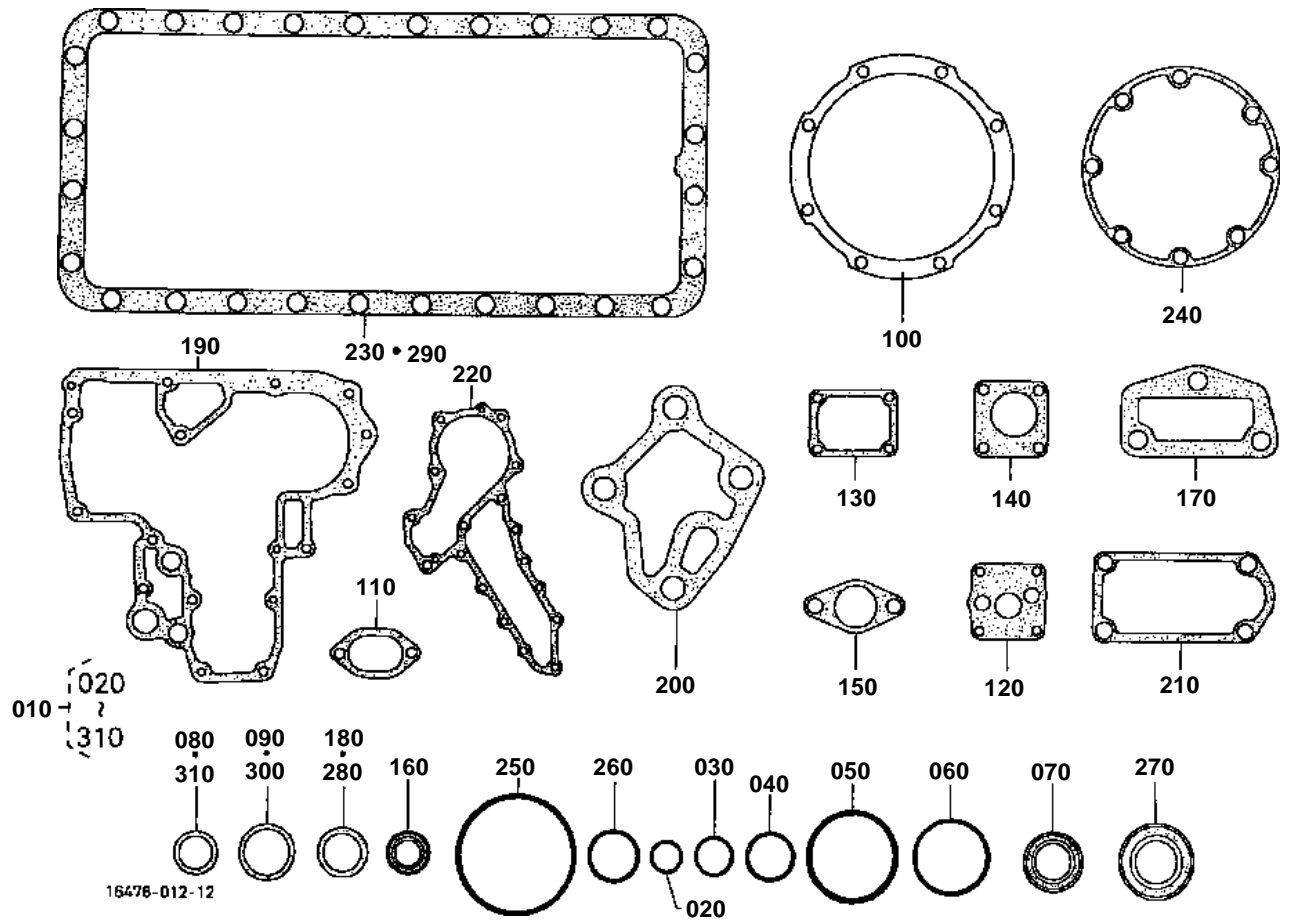


# UPPER GASKET KIT

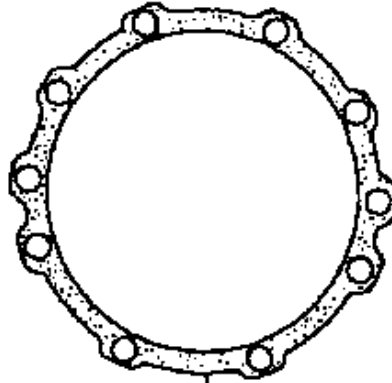
↔ Interchangeable; ≠ not interchangeable; ← new for old; → old for new

| REF.No | Part No.    | Description          | Q'ty | S.No. | I/C | REMARKS    | Weight (kgf) | Weight (lb) |
|--------|-------------|----------------------|------|-------|-----|------------|--------------|-------------|
| 010    | 07916-27806 | KIT GASKET UPPER     | 1    |       |     |            | 0            | 0           |
| 010    | 07916-27807 | KIT GASKET UPPER     | 1    |       | ?   |            | 0            | 0           |
| 020    | 04811-50300 | O RING               | 1    |       |     |            | 0            | 0           |
| 020    | 04817-50300 | O RING               | 1    |       | ?   |            | 0.001        | 0.0022      |
| 030    | 15625-12360 | GASKET MUFFLER FLANG | 1    |       |     |            | 0.01         | 0.022       |
| 040    | 15021-33660 | GASKET               | 5    |       |     |            | 0.001        | 0.0022      |
| 050    | 15221-13150 | SEAL VALVE STEM      | 10   |       |     |            | 0.001        | 0.0022      |
| 060    | 15221-33700 | O RING               | 1    |       |     |            | 0.001        | 0.0022      |
| 070    | 16221-73270 | GASKET THERMOSTAT    | 1    |       |     |            | 0.003        | 0.0066      |
| 080    | 15109-33660 | GASKET               | 1    |       |     |            | 0.001        | 0.0022      |
| 090    | 15766-72920 | GASKET WATER FLANGE  | 1    |       |     |            | 0            | 0           |
| 090    | 1A021-72920 | GASKET WATER FLANGE  | 1    |       | ?   |            | 0.002        | 0.0044      |
| 100    | 17394-11820 | GASKET IN-MANIFOLUDO | 1    |       |     |            | 0.021        | 0.0462      |
| 110    | 17381-14520 | GASKET HEAD COVER    | 1    |       |     |            | 0.05         | 0.11        |
| 120    | 16484-03310 | GASKET CYL.HEAD      | 1    |       |     |            | 0.14         | 0.308       |
| 130    | 15313-12350 | GASKET EX-MANIFOLD   | 1    |       |     |            | 0.04         | 0.088       |
| 140    | 15439-12350 | GASKET EX-MANIFOLD   | 1    |       |     |            | 0.02         | 0.044       |
| 140    | 1A091-12360 | GASKET EX-MANIFOLD   | 1    |       | ?   |            | 0.02         | 0.044       |
| 150    | 15625-32890 | GASKET               | 1    |       |     |            | 0.001        | 0.0022      |
| 160    | 15841-53622 | GASKET               | 5    |       |     |            | 0.002        | 0.0044      |
| 170    | 19077-53650 | SEAL HEAT            | 5    |       |     |            | 0.005        | 0.011       |
| 180    | 1C011-12230 | GASKET MUFFLER       | 1    |       |     | OUT OF USE | 0.014        | 0.0308      |
| 190    | 17383-12380 | GASKET MUFFLER FLAN. | 1    |       |     | OUT OF USE | 0.015        | 0.033       |

LOWER GASKET KIT



100 17118-0483-0



100

16478-800-10



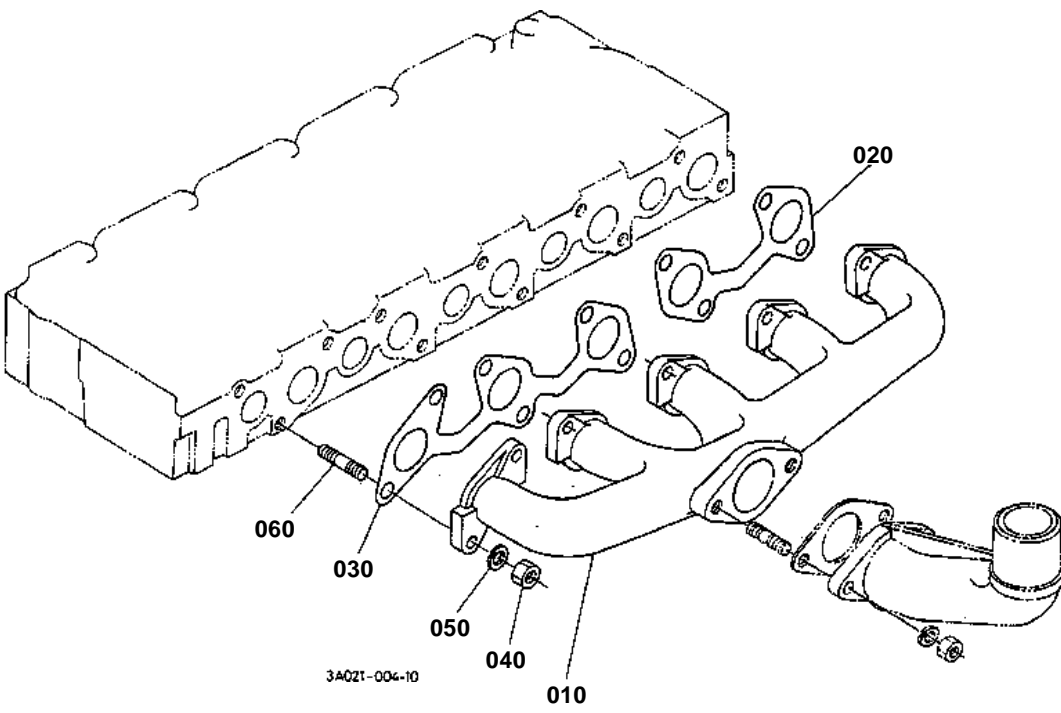
# LOWER GASKET KIT

↔ Interchangeable; ≠ not interchangeable; ← new for old; → old for new

| REF.No | Part No.    | Description          | Q'ty | S.No. | I/C | REMARKS    | Weight (kgf) | Weight (lb) |
|--------|-------------|----------------------|------|-------|-----|------------|--------------|-------------|
| 010    | 07916-27826 | KIT GASKET LOWER     | 1    |       |     |            | 0            | 0           |
| 010    | 07916-27827 | KIT GASKET LOWER     | 1    |       | ?   |            | 0            | 0           |
| 020    | 04811-00120 | O RING               | 1    |       |     |            | 0            | 0           |
| 020    | 04817-00120 | O RING               | 1    |       | ?   |            | 0            | 0           |
| 030    | 04811-00150 | O RING               | 3    |       |     |            | 0.001        | 0.0022      |
| 030    | 04817-00150 | O RING               | 3    |       | ?   |            | 0            | 0           |
| 040    | 04811-00180 | O RING               | 1    |       |     |            | 0            | 0           |
| 040    | 04817-00180 | O RING               | 1    |       | ?   |            | 0.003        | 0.0066      |
| 050    | 04811-00360 | O RING               | 1    |       |     |            | 0            | 0           |
| 050    | 04817-00360 | O RING               | 1    |       | ?   |            | 0            | 0           |
| 060    | 04811-10300 | O RING               | 1    |       |     |            | 0.001        | 0.0022      |
| 070    | 19202-04140 | SEAL OIL             | 1    |       |     |            | 0.015        | 0.033       |
| 080    | 15021-33660 | GASKET               | 3    |       |     |            | 0.001        | 0.0022      |
| 090    | 6C090-58960 | GASKET               | 2    |       |     |            | 0.002        | 0.0044      |
| 100    | 17118-04830 | GASKET BRG.CASE COV. | 1    |       |     |            | 0            | 0           |
| 100    | 1A091-04820 | GASKET CASE COVER    | 1    |       | ?   |            | 0.006        | 0.0132      |
| 110    | 15625-05430 | GASKET COVER NA      | 1    |       |     |            | 0.002        | 0.0044      |
| 120    | 15296-35150 | GASKET OIL PUMP      | 1    |       |     |            | 0            | 0           |
| 120    | 1A021-35150 | GASKET OIL PUMP      | 1    |       | ?   |            | 0.001        | 0.0022      |
| 130    | 15296-51660 | GASKET PUMP COVER    | 1    |       |     |            | 0            | 0           |
| 130    | 1A021-51660 | GASKET PUMP COVER    | 1    |       | ?   |            | 0.003        | 0.0066      |
| 140    | 15296-88130 | GASKET H/METER UNIT  | 1    |       |     |            | 0.002        | 0.0044      |
| 150    | 15263-52140 | GASKET FUEL PUMP     | 1    |       |     |            | 0            | 0           |
| 150    | 1A021-52140 | GASKET FUEL PUMP     | 1    |       | ?   |            | 0.001        | 0.0022      |
| 160    | 15471-57980 | SEAL OIL             | 1    |       |     |            | 0.001        | 0.0022      |
| 170    | 15766-73330 | GASKET WATER FLANGE  | 1    |       |     |            | 0            | 0           |
| 170    | 1A021-73330 | GASKET RETURN FLANGE | 1    |       | ?   |            | 0.001        | 0.0022      |
| 180    | 15601-96650 | GASKET               | 2    |       |     |            | 0.001        | 0.0022      |
| 190    | 17326-04132 | GASKET GEAR CASE     | 1    |       |     |            | 0.03         | 0.066       |
| 200    | 17326-32620 | GASKET               | 1    |       |     |            | 0.005        | 0.011       |
| 210    | 15439-57210 | GASKET               | 1    |       |     |            | 0.005        | 0.011       |
| 220    | 17326-73430 | GASKET WATER PUMP    | 1    |       |     |            | 0            | 0           |
| 220    | 1A021-73430 | GASKET WATER PUMP    | 1    |       | ?   |            | 0.007        | 0.0154      |
| 230    | 16478-01620 | GASKET OIL PAN       | 1    |       |     |            | 0.026        | 0.0572      |
| 240    | 19077-04360 | GASKET BEARING CASE  | 1    |       |     |            | 0.004        | 0.0088      |
| 250    | 19202-96830 | O RING               | 1    |       |     |            | 0.01         | 0.022       |
| 260    | 04811-00200 | O RING               | 1    |       |     |            | 0            | 0           |
| 260    | 04817-00200 | O RING               | 1    |       | ?   |            | 0            | 0           |
| 270    | 17381-04460 | SEAL OIL             | 1    |       |     |            | 0.05         | 0.11        |
| 280    | 15401-96650 | GASKET               | 2    |       |     |            | 0.001        | 0.0022      |
| 290    | 17121-01620 | GASKET OIL PAN       | 1    |       |     | OUT OF USE | 0.028        | 0.0616      |
| 300    | 15451-96670 | GASKET               | 1    |       |     | OUT OF USE | 0.003        | 0.0066      |
| 310    | 15109-33660 | GASKET               | 2    |       |     | OUT OF USE | 0.001        | 0.0022      |



EXHAUST MANIFOLD



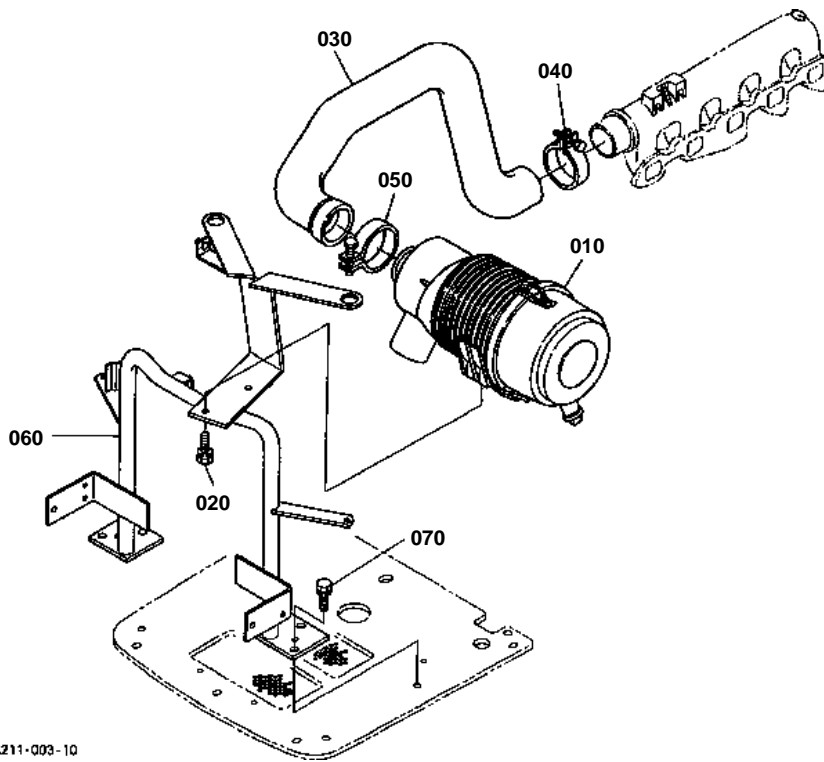


## EXHAUST MANIFOLD

↔ Interchangeable; ≠ not interchangeable; ← new for old; → old for new

| REF.No | Part No.    | Description        | Q'ty | S.No. | I/C | REMARKS | Weight (kgf) | Weight (lb) |
|--------|-------------|--------------------|------|-------|-----|---------|--------------|-------------|
| 010    | 17393-12310 | MANIFOLD EXHAUST   | 1    |       |     |         | 3.4          | 7.48        |
| 020    | 15439-12350 | GASKET EX-MANIFOLD | 1    |       |     |         | 0.02         | 0.044       |
| 020    | 1A091-12360 | GASKET EX-MANIFOLD | 1    |       | ?   |         | 0.02         | 0.044       |
| 030    | 15313-12350 | GASKET EX-MANIFOLD | 1    |       |     |         | 0.04         | 0.088       |
| 040    | 02156-50080 | NUT                | 10   |       |     |         | 0.004        | 0.0088      |
| 050    | 04512-60080 | WASHER SPRING      | 10   |       |     |         | 0.002        | 0.0044      |
| 060    | 15221-91530 | STUD               | 10   |       |     |         | 0.011        | 0.0242      |

AIR CLEANER

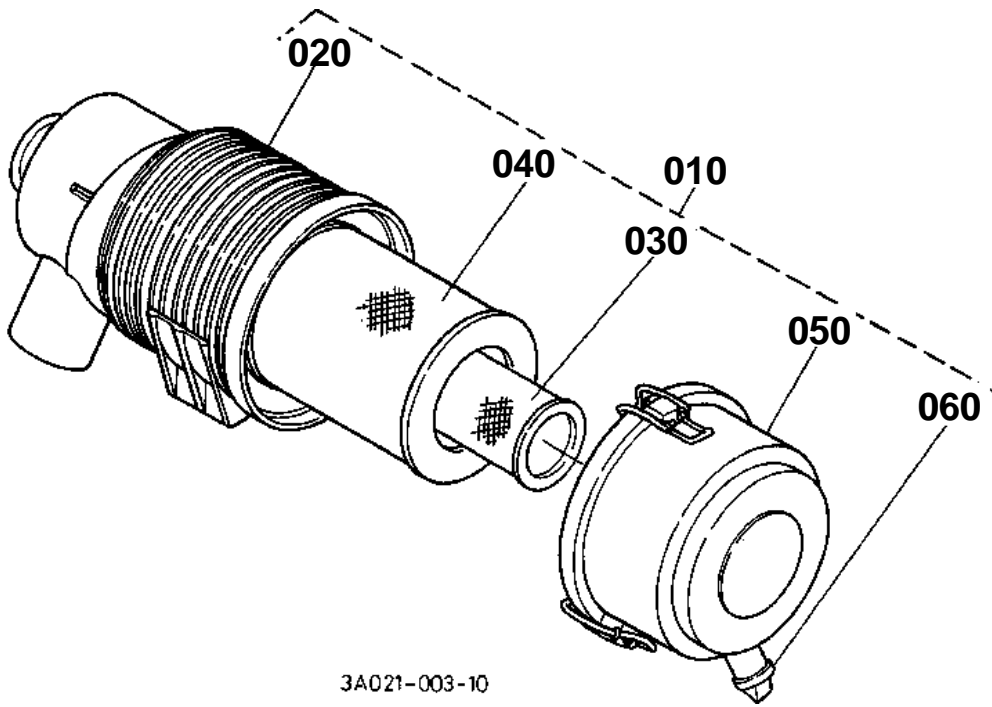


3A211-003-10

**AIR CLEANER**

↔ Interchangeable; ≠ not interchangeable; ← new for old; → old for new

| REF.No | Part No.    | Description         | Q'ty | S.No. | I/C | REMARKS | Weight (kgf) | Weight (lb) |
|--------|-------------|---------------------|------|-------|-----|---------|--------------|-------------|
| 010    | 3A011-19100 | ASSY CLEANER AIR    | 1    |       |     |         | 1.77         | 3.894       |
| 020    | 01123-50820 | BOLT                | 2    |       |     |         | 0.011        | 0.0242      |
| 030    | 3A011-17310 | HOSE INLET          | 1    |       |     |         | 0.965        | 2.123       |
| 040    | 31351-18110 | BAND PIPE           | 1    |       |     |         | 0.04         | 0.088       |
| 050    | 68811-42270 | BAND PIPE           | 1    |       |     |         | 0.04         | 0.088       |
| 050    | 35466-74460 | BAND PIPE           | 1    |       | ?   |         | 0.038        | 0.0836      |
| 060    | 3A211-19110 | SUPPORT AIR CLEANER | 1    |       |     |         | 4            | 8.8         |
| 070    | 01133-51025 | BOLT                | 4    |       |     |         | 0.023        | 0.0506      |



3A021-003-10

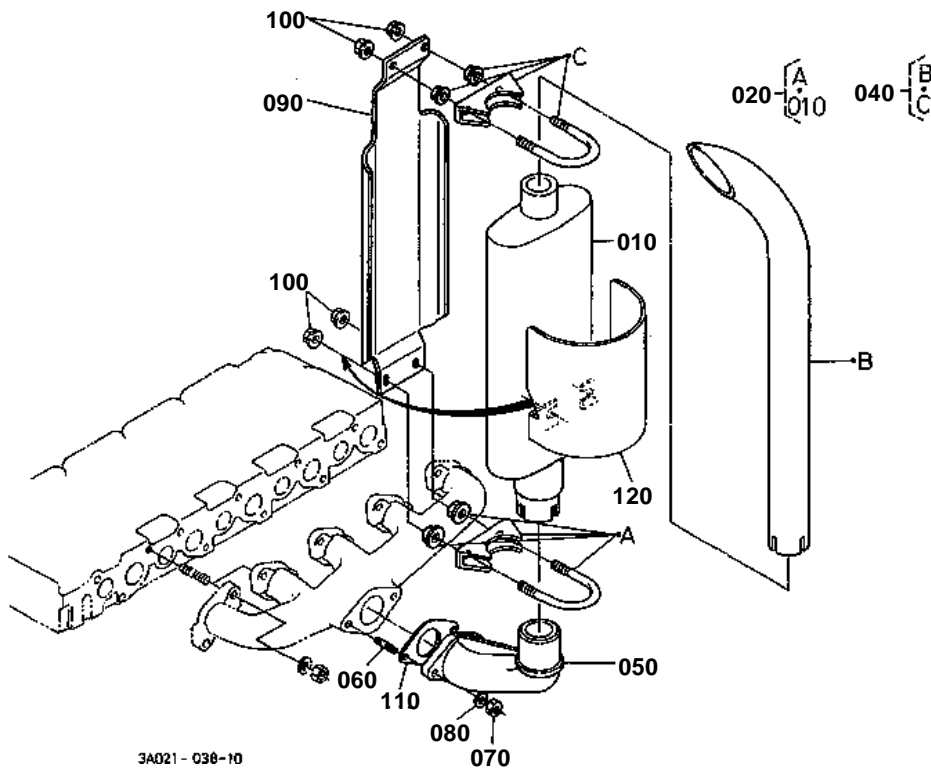


## AIR CLEANER [COMPONENT PARTS]

↔ Interchangeable; ≠ not interchangeable; ← new for old; → old for new

| REF.No | Part No.    | Description      | Q'ty | S.No. | I/C | REMARKS | Weight (kgf) | Weight (lb) |
|--------|-------------|------------------|------|-------|-----|---------|--------------|-------------|
| 010    | 3A011-19100 | ASSY CLEANER AIR | 1    |       |     |         | 1.77         | 3.894       |
| 020    | 3A011-19120 | BODY AIR CLEANER | 1    |       |     |         | 0.67         | 1.474       |
| 030    | R2401-42280 | ELEMENT INNER    | 1    |       |     |         | 0.3          | 0.66        |
| 040    | R1401-42270 | ELEMENT OUTER    | 1    |       |     |         | 0.5          | 1.1         |
| 050    | R1401-42260 | CUP DUST         | 1    |       |     |         | 0.3          | 0.66        |
| 060    | R1401-42290 | VALVE EVACUATOR  | 1    |       |     |         | 0.01         | 0.022       |

MUFFLER





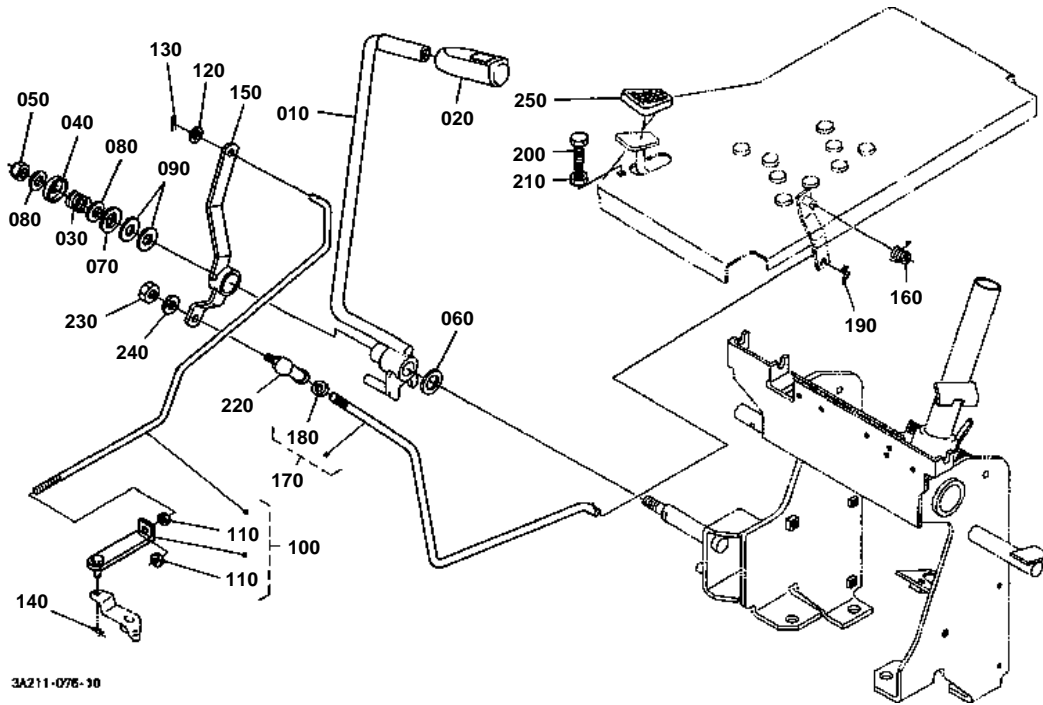
# MUFFLER

↔ Interchangeable; ≠ not interchangeable; ← new for old; → old for new

| REF.No | Part No.    | Description          | Q'ty | S.No. | I/C | REMARKS | Weight (kgf) | Weight (lb) |
|--------|-------------|----------------------|------|-------|-----|---------|--------------|-------------|
| 010    | 3A011-12110 | MUFFLER              | 1    |       |     |         | 0            | 0           |
| 020    | 3A011-12130 | ASSY BAND MUFFLER    | 1    |       |     |         | 4.5          | 9.9         |
| 030    | 99999-99999 | BLANK                | 0    |       |     |         | 0            | 0           |
| 040    | 3A011-12140 | ASSY BAND PIPE       | 1    |       |     |         | 0.99         | 2.178       |
| 050    | 15616-12320 | FLANGE MUFFLER       | 1    |       |     |         | 1.3          | 2.86        |
| 060    | 01517-61030 | STUD                 | 2    |       |     |         | 0.021        | 0.0462      |
| 070    | 3A011-12180 | NUT                  | 2    |       |     |         | 0.012        | 0.0264      |
| 080    | 04512-60100 | WASHER SPRING        | 2    |       |     |         | 0.002        | 0.0044      |
| 090    | 3A011-12150 | COVER MUFFLER        | 1    |       |     |         | 0.86         | 1.892       |
| 100    | 3A011-12160 | NUT FLANGE           | 4    |       |     |         | 0.009        | 0.0198      |
| 110    | 15625-12360 | GASKET MUFFLER FLANG | 1    |       |     |         | 0.01         | 0.022       |
| 120    | 3A011-12170 | COVER MUFFLER        | 1    |       |     |         | 0.27         | 0.594       |



# HAND ACCELERATOR LEVER



3A211-076-10

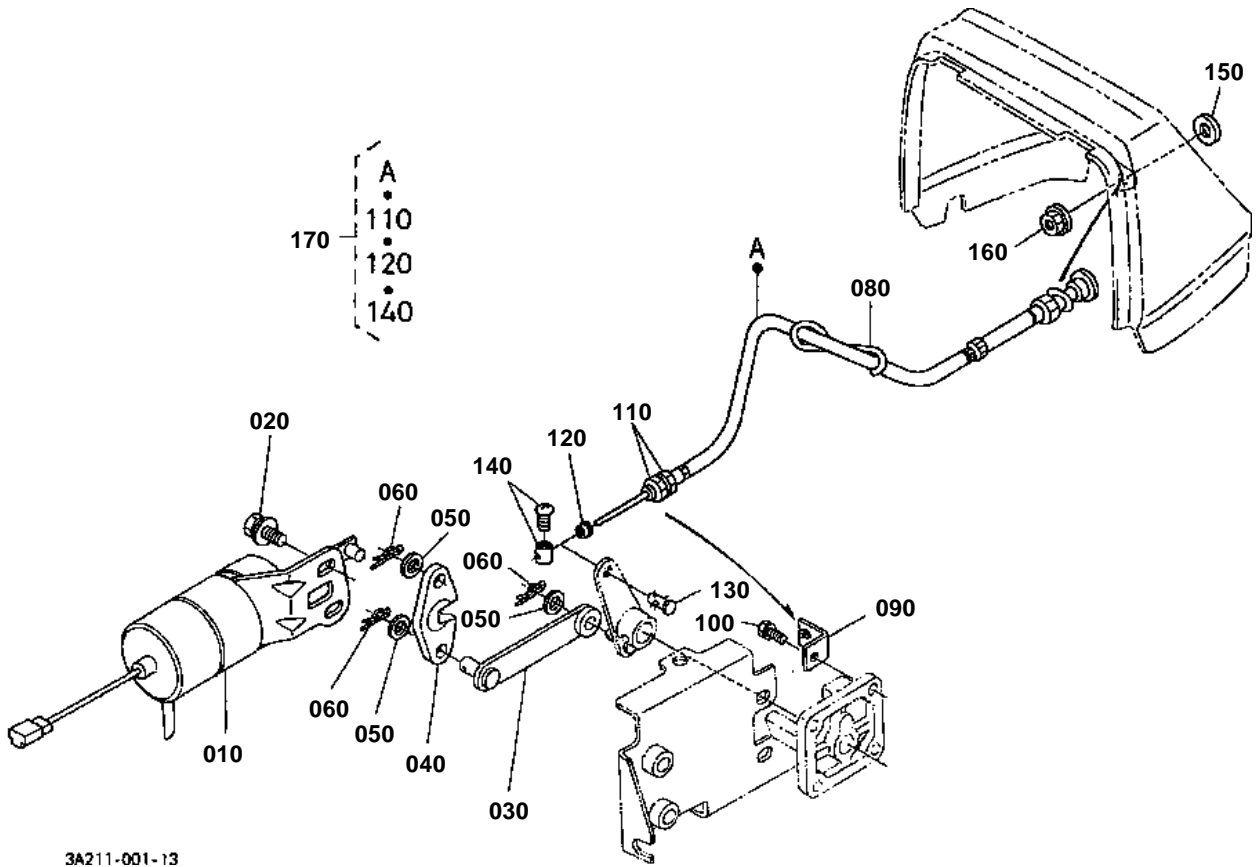


## HAND ACCELERATOR LEVER

↔ Interchangeable; ≠ not interchangeable; ← new for old; → old for new

| REF.No | Part No.    | Description          | Q'ty | S.No. | I/C | REMARKS | Weight (kgf) | Weight (lb) |
|--------|-------------|----------------------|------|-------|-----|---------|--------------|-------------|
| 010    | 3A111-10223 | LEVER HAND ACCEL.    | 1    |       |     |         | 0.039        | 0.0858      |
| 020    | 3A111-10230 | GRIP                 | 1    |       |     |         | 0.039        | 0.0858      |
| 030    | 33251-10320 | SPRING ACCEL.LEVER   | 1    |       |     |         | 0.012        | 0.0264      |
| 040    | 33251-10270 | CAP SPRING           | 1    |       |     |         | 0.01         | 0.022       |
| 050    | 02576-50120 | NUT LOCK             | 1    |       |     |         | 0.011        | 0.0242      |
| 060    | 3A111-10260 | PLATE                | 1    |       |     |         | 0.004        | 0.0088      |
| 070    | 3A111-10380 | PLATE ACCEL.LEVER    | 1    |       |     |         | 0.021        | 0.0462      |
| 080    | 04013-60120 | WASHER PLAIN         | 2    |       |     |         | 0.01         | 0.022       |
| 090    | 3A111-10390 | WASHER               | 2    |       |     |         | 0.005        | 0.011       |
| 100    | 3A211-10010 | ASSY ROD ACCEL.      | 1    |       |     |         | 0.31         | 0.682       |
| 110    | 02112-50080 | NUT                  | 2    |       |     |         | 0.003        | 0.0066      |
| 120    | 04012-50080 | WASHER PLAIN         | 1    |       |     |         | 0.001        | 0.0022      |
| 130    | 05511-50218 | PIN SPLIT            | 1    |       |     |         | 0.001        | 0.0022      |
| 140    | 3A011-32870 | PIN SNAP             | 1    |       |     |         | 0.001        | 0.0022      |
| 150    | 3A211-10470 | LINK ACCEL.          | 1    |       |     |         | 0.22         | 0.484       |
| 160    | T0070-44720 | SPRING               | 1    |       |     |         | 0.015        | 0.033       |
| 170    | 3A211-10170 | ASSY ROD ACCEL.PEDAL | 1    |       |     |         | 0            | 0           |
| 180    | 02112-50080 | NUT                  | 1    |       |     |         | 0.003        | 0.0066      |
| 190    | 52300-34120 | PIN SNAP             | 1    |       |     |         | 0.001        | 0.0022      |
| 200    | 3A011-10250 | BOLT                 | 1    |       |     |         | 0.025        | 0.055       |
| 210    | 02116-50100 | NUT                  | 1    |       |     |         | 0.004        | 0.0088      |
| 220    | 45404-95770 | END ROD              | 1    |       |     |         | 0.05         | 0.11        |
| 230    | 02156-50080 | NUT                  | 1    |       |     |         | 0.004        | 0.0088      |
| 240    | 04512-60080 | WASHER SPRING        | 1    |       |     |         | 0.002        | 0.0044      |
| 250    | 37410-42760 | COVER PEDAL          | 1    |       |     |         | 0.025        | 0.055       |

STOP SOLENOID/ENGINE STOP WIRE



3A211-001-13

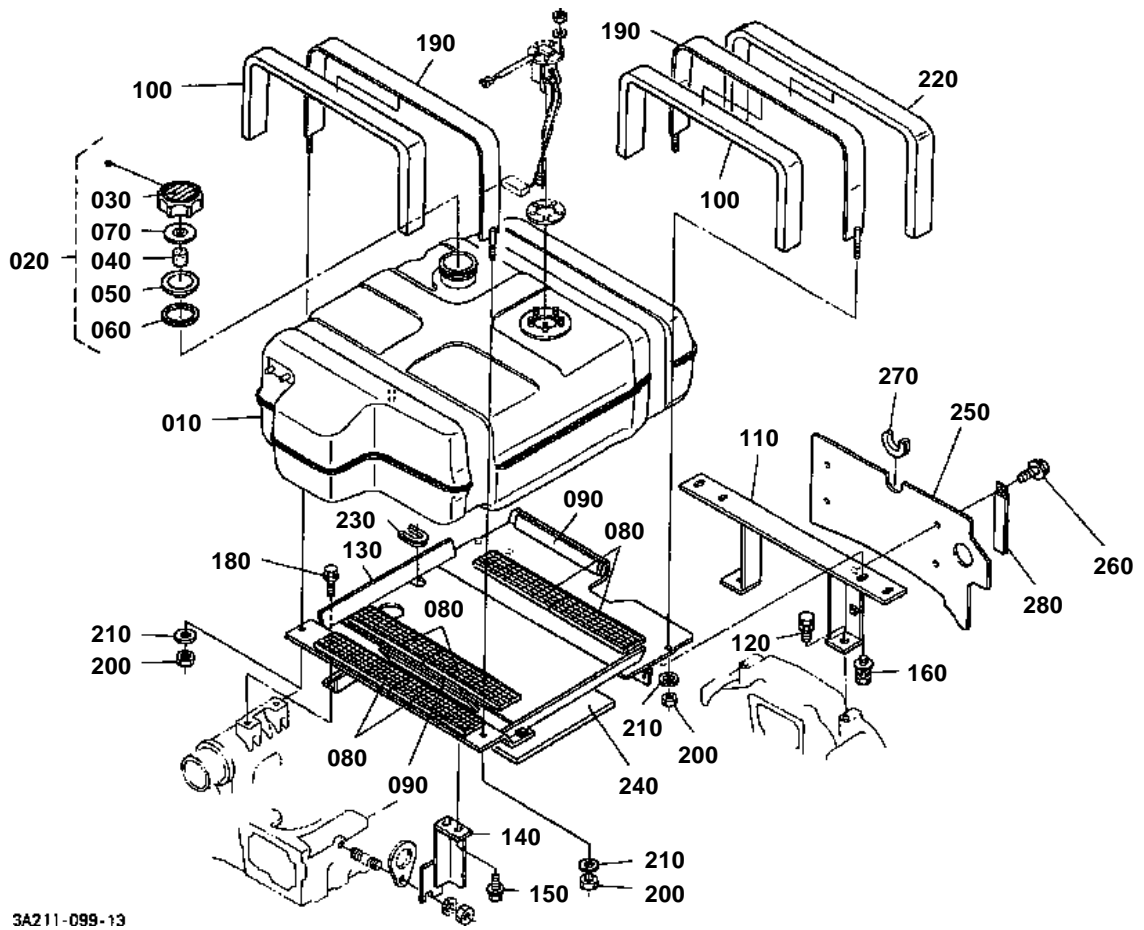


# STOP SOLENOID/ENGINE STOP WIRE

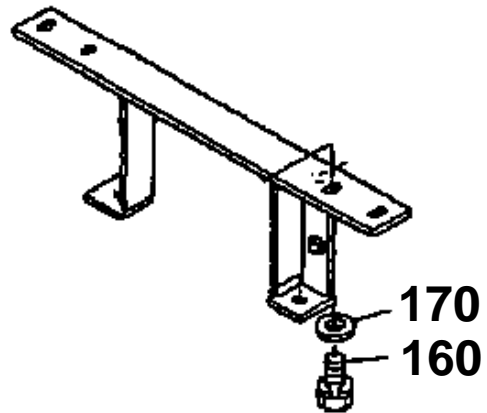
↔ Interchangeable; ≠ not interchangeable; ← new for old; → old for new

| REF.No | Part No.    | Description        | Q'ty | S.No. | I/C | REMARKS | Weight (kgf) | Weight (lb) |
|--------|-------------|--------------------|------|-------|-----|---------|--------------|-------------|
| 010    | 15471-60010 | SOLENOID STOP      | 1    |       |     |         | 0.415        | 0.913       |
| 020    | 01125-60816 | BOLT               | 2    |       |     |         | 0.01         | 0.022       |
| 030    | 17331-60150 | LEVER STOP         | 1    |       |     |         | 0.025        | 0.055       |
| 040    | 15471-60162 | LEVER STOP         | 1    |       |     |         | 0.007        | 0.0154      |
| 050    | 04012-50060 | WASHER PLAIN       | 3    |       |     |         | 0.001        | 0.0022      |
| 060    | 05525-60600 | PIN SNAP           | 3    |       |     |         | 0.001        | 0.0022      |
| 070    | 99999-99999 | BLANK              | 0    |       |     |         | 0            | 0           |
| 080    | 3F260-57270 | CLAMP              | 1    |       |     |         | 0.006        | 0.0132      |
| 090    | 34070-44220 | HOLDER WIRE        | 1    |       |     |         | 0.02         | 0.044       |
| 100    | 01023-50620 | BOLT               | 1    |       |     |         | 0.006        | 0.0132      |
| 110    | 02012-60060 | NUT                | 2    |       |     |         | 0.005        | 0.011       |
| 120    | 3A011-10360 | COVER ENGINE STOP  | 1    |       |     |         | 0.002        | 0.0044      |
| 130    | 34070-44240 | PIN JOINT          | 1    |       |     |         | 0.005        | 0.011       |
| 140    | T0070-44260 | SCREW              | 1    |       |     |         | 0.005        | 0.011       |
| 150    | 04011-50100 | WASHER PLAIN       | 1    |       |     |         | 0.002        | 0.0044      |
| 160    | 02771-60100 | NUT FLANGE         | 1    |       |     |         | 0.01         | 0.022       |
| 170    | 3A111-10330 | ASSY WIRE E/G STOP | 1    |       |     |         | 0.079        | 0.1738      |

# FUEL TANK



160 01133-51025  
170 04013-60100



3A211-804-10

**FUEL TANK**

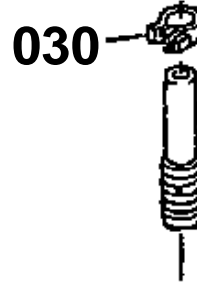
↔ Interchangeable; ≠ not interchangeable; ← new for old; → old for new

| REF.No | Part No.    | Description          | Q'ty | S.No.   | I/C | REMARKS | Weight (kgf) | Weight (lb) |
|--------|-------------|----------------------|------|---------|-----|---------|--------------|-------------|
| 010    | 3A011-04110 | TANK FUEL            | 1    |         |     |         | 5.1          | 11.22       |
| 020    | 3A011-97373 | KIT CAP FUEL TANK    | 1    |         |     |         | 0.05         | 0.11        |
| 030    | 6C040-47412 | LABEL FILLER CAUTION | 1    |         |     |         | 0.001        | 0.0022      |
| 040    | 34150-35240 | SPONGE               | 1    |         |     |         | 0.001        | 0.0022      |
| 050    | 3A011-04300 | GASKET               | 1    |         |     |         | 0.015        | 0.033       |
| 060    | 34150-35180 | GASKET               | 1    |         |     |         | 0.001        | 0.0022      |
| 070    | 13582-41680 | PLATE F.TANK.CAP     | 1    |         |     |         | 0.008        | 0.0176      |
| 080    | 3A011-04232 | CUSHION              | 6    |         |     |         | 0.01         | 0.022       |
| 090    | 3A011-04222 | CUSHION              | 2    |         |     |         | 0.04         | 0.088       |
| 100    | 3A011-04210 | CUSHION              | 2    |         |     |         | 0.105        | 0.231       |
| 110    | 3A011-04520 | BASE FUEL TANK       | 1    |         |     |         | 2.015        | 4.433       |
| 120    | 01133-51225 | BOLT                 | 2    |         |     |         | 0.038        | 0.0836      |
| 130    | 3A011-04515 | SUPPORT FUEL TANK    | 1    |         |     |         | 6.15         | 13.53       |
| 140    | 3A011-04530 | STAY FUEL TANK       | 1    |         |     |         | 0.42         | 0.924       |
| 150    | 01125-60820 | BOLT                 | 2    |         |     |         | 0.015        | 0.033       |
| 160    | 01133-51025 | BOLT                 | 2    | <=10643 |     |         | 0.023        | 0.0506      |
| 160    | 01135-61025 | BOLT                 | 2    | >=10644 | ?   |         | 0.04         | 0.088       |
| 170    | 04013-60100 | WASHER PLAIN         | 2    | <=10643 |     |         | 0.004        | 0.0088      |
| 180    | 01754-50816 | BOLT FLANGE          | 1    |         |     |         | 0.011        | 0.0242      |
| 190    | 3A011-04130 | CLAMP                | 2    |         |     |         | 0.54         | 1.188       |
| 200    | 02552-50080 | NUT LOCK             | 4    |         |     |         | 0.005        | 0.011       |
| 210    | 04013-60080 | WASHER PLAIN         | 4    |         |     |         | 0.002        | 0.0044      |
| 220    | 3A011-04570 | SPONGE TANK REAR     | 1    |         |     |         | 0.056        | 0.1232      |
| 230    | 38430-29670 | CUSHION              | 1    |         |     |         | 0.01         | 0.022       |
| 240    | 3A011-04320 | INSULATION HEAT      | 1    |         |     |         | 0.3          | 0.66        |
| 250    | 3A011-04610 | PLATE SHUTTER        | 1    |         |     |         | 0.62         | 1.364       |
| 260    | 01754-50616 | BOLT FLANGE          | 4    |         |     |         | 0.006        | 0.0132      |
| 270    | 35533-04750 | RING RUBBER          | 1    |         |     |         | 0.002        | 0.0044      |
| 280    | 12234-67580 | CLAMP CORD           | 1    |         |     |         | 0.015        | 0.033       |

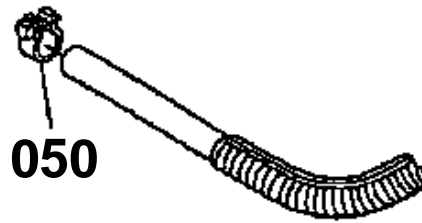




030 35080-3556-0



050 14301-4275-0



3A061-804-10

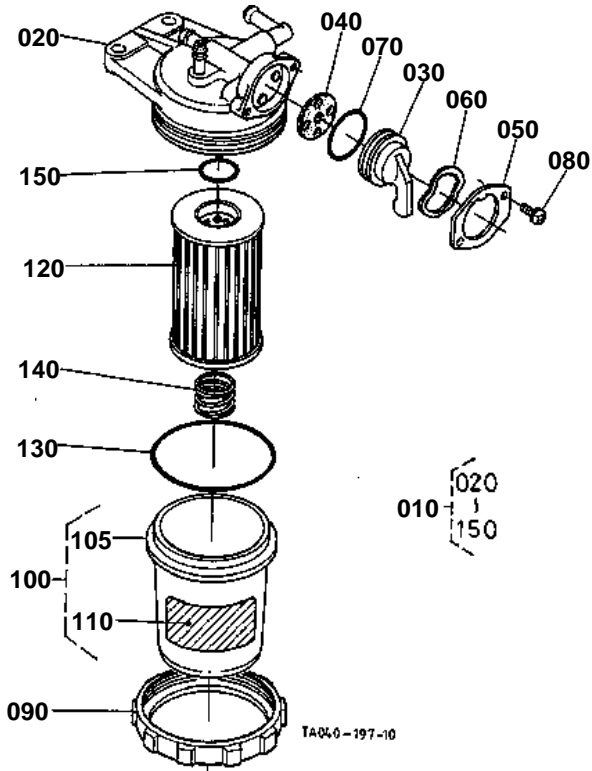


# FUEL FILTER

↔ Interchangeable; ≠ not interchangeable; ← new for old; → old for new

| REF.No | Part No.    | Description      | Q'ty | S.No.  | I/C | REMARKS | Weight (kgf) | Weight (lb) |
|--------|-------------|------------------|------|--------|-----|---------|--------------|-------------|
| 010    | 34550-42612 | ASSY TUBE FUEL   | 1    |        |     |         | 0.072        | 0.1584      |
| 010    | 34550-42650 | ASSY TUBE FUEL   | 1    |        | ?   |         | 0.06         | 0.132       |
| 020    | 09661-80400 | TUBE FUEL        | 1    |        |     |         | 0.05         | 0.11        |
| 030    | 35080-35560 | CLIP PIPE        | 1    | ≤10657 |     |         | 0.005        | 0.011       |
| 040    | 34550-42710 | TUBE             | 1    |        |     |         | 0.015        | 0.033       |
| 050    | 14301-42750 | CLIP PIPE        | 1    | ≤10657 |     |         | 0.005        | 0.011       |
| 050    | 14911-42750 | CLIP PIPE        | 2    | ≥10658 |     |         | 0.002        | 0.0044      |
| 060    | T0070-42610 | ASSY TUBE FUEL   | 1    |        |     |         | 0.084        | 0.1848      |
| 070    | 09661-80500 | TUBE FUEL        | 1    |        |     |         | 0.05         | 0.11        |
| 080    | 14301-42750 | CLIP PIPE        | 2    |        |     |         | 0.005        | 0.011       |
| 090    | T0070-99020 | TUBE             | 1    |        |     |         | 0.012        | 0.0264      |
| 100    | 34550-42633 | ASSY TUBE FUEL   | 1    |        |     |         | 0.065        | 0.143       |
| 110    | 09661-40900 | TUBE FUEL        | 1    |        |     |         | 0.045        | 0.099       |
| 120    | 14971-42750 | CLIP PIPE        | 2    |        |     |         | 0.001        | 0.0022      |
| 130    | 34070-42633 | ASSY TUBE FUEL   | 1    |        |     |         | 0.025        | 0.055       |
| 140    | 09661-40400 | TUBE FUEL        | 1    |        |     |         | 0.02         | 0.044       |
| 150    | 14971-42750 | CLIP PIPE        | 2    |        |     |         | 0.001        | 0.0022      |
| 160    | 3A011-04153 | TRAY FUEL        | 1    |        |     |         | 0.14         | 0.308       |
| 170    | 15521-43015 | ASSY FILTER FUEL | 1    |        |     |         | 0.59         | 1.298       |
| 180    | 01754-50825 | BOLT FLANGE      | 2    |        |     |         | 0.01         | 0.022       |
| 190    | 3A011-04250 | STAY FUEL FILTER | 1    |        |     |         | 0.4          | 0.88        |
| 200    | 01123-50818 | BOLT             | 2    |        |     |         | 0.012        | 0.0264      |

FUEL FILTER [COMPONENT PARTS]

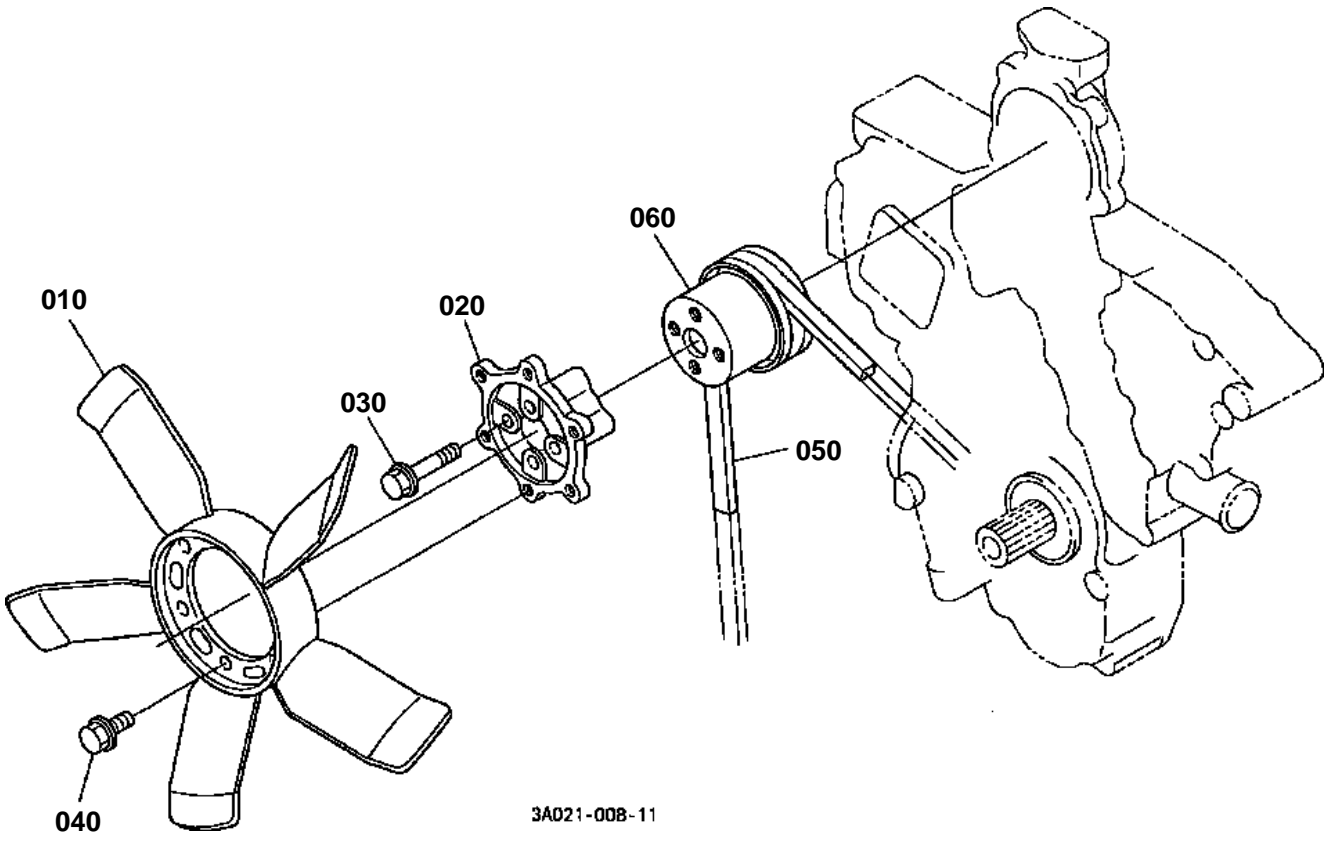




## FUEL FILTER [COMPONENT PARTS]

↔ Interchangeable; ≠ not interchangeable; ← new for old; → old for new

| REF.No | Part No.    | Description       | Q'ty | S.No. | I/C | REMARKS | Weight (kgf) | Weight (lb) |
|--------|-------------|-------------------|------|-------|-----|---------|--------------|-------------|
| 010    | 15521-43015 | ASSY FILTER FUEL  | 1    |       |     |         | 0.59         | 1.298       |
| 020    | 15521-43114 | ASSY BODY         | 1    |       |     |         | 0.235        | 0.517       |
| 030    | 15521-43522 | HANDLE FILTER     | 1    |       |     |         | 0.04         | 0.088       |
| 040    | 15521-43672 | GASKET            | 1    |       |     |         | 0.001        | 0.0022      |
| 050    | 15521-43552 | RETAINER HANDLE   | 1    |       |     |         | 0.01         | 0.022       |
| 060    | 15521-43542 | PLATE THRUST      | 1    |       |     |         | 0.001        | 0.0022      |
| 070    | 04811-10290 | O RING            | 1    |       |     |         | 0.001        | 0.0022      |
| 080    | 03054-50308 | SCREW PAN-HEAD    | 2    |       |     |         | 0.005        | 0.011       |
| 090    | 15521-43150 | RING RETAINER     | 1    |       |     |         | 0.14         | 0.308       |
| 100    | 15521-43100 | ASSY CUP FILTER   | 1    |       |     |         | 0.05         | 0.11        |
| 105    | 15521-43130 | CUP FILTER        | 1    |       |     |         | 0.1          | 0.22        |
| 110    | 16873-88430 | LABEL FUEL FILTER | 1    |       |     |         | 0.001        | 0.0022      |
| 120    | 15521-43160 | ELEMENT FILTER    | 1    |       |     |         | 0.07         | 0.154       |
| 130    | 04811-50650 | O RING            | 1    |       |     |         | 0.002        | 0.0044      |
| 140    | 15521-43930 | SPRING            | 1    |       |     |         | 0.004        | 0.0088      |
| 150    | 04811-00160 | O RING            | 1    |       |     |         | 0            | 0           |



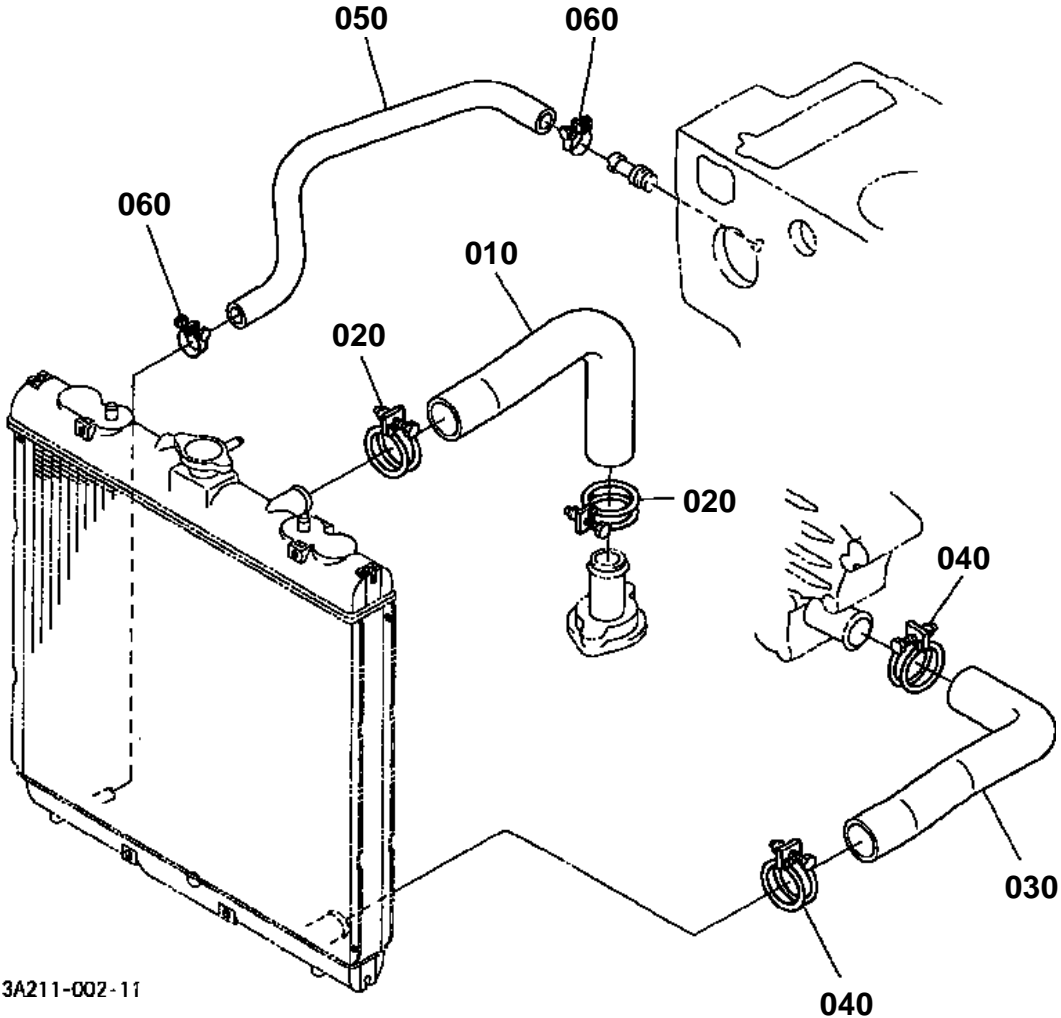
3A021-008-11

**FAN**

↔ Interchangeable; ≠ not interchangeable; ← new for old; → old for new

| REF.No | Part No.    | Description | Q'ty | S.No. | I/C | REMARKS | Weight (kgf) | Weight (lb) |
|--------|-------------|-------------|------|-------|-----|---------|--------------|-------------|
| 010    | 15601-74110 | FAN         | 1    |       |     |         | 0.43         | 0.946       |
| 020    | 3A011-17260 | FLANGE FAN  | 1    |       |     |         | 0.23         | 0.506       |
| 030    | 01754-50655 | BOLT FLANGE | 4    |       |     |         | 0.03         | 0.066       |
| 040    | 01754-50612 | BOLT FLANGE | 6    |       |     |         | 0.005        | 0.011       |
| 050    | 15196-97010 | V BELT A    | 1    |       |     |         | 0.124        | 0.2728      |
| 060    | 17351-74250 | PULLEY FAN  | 1    |       |     |         | 0.26         | 0.572       |

WATER PIPE



3A211-002-11



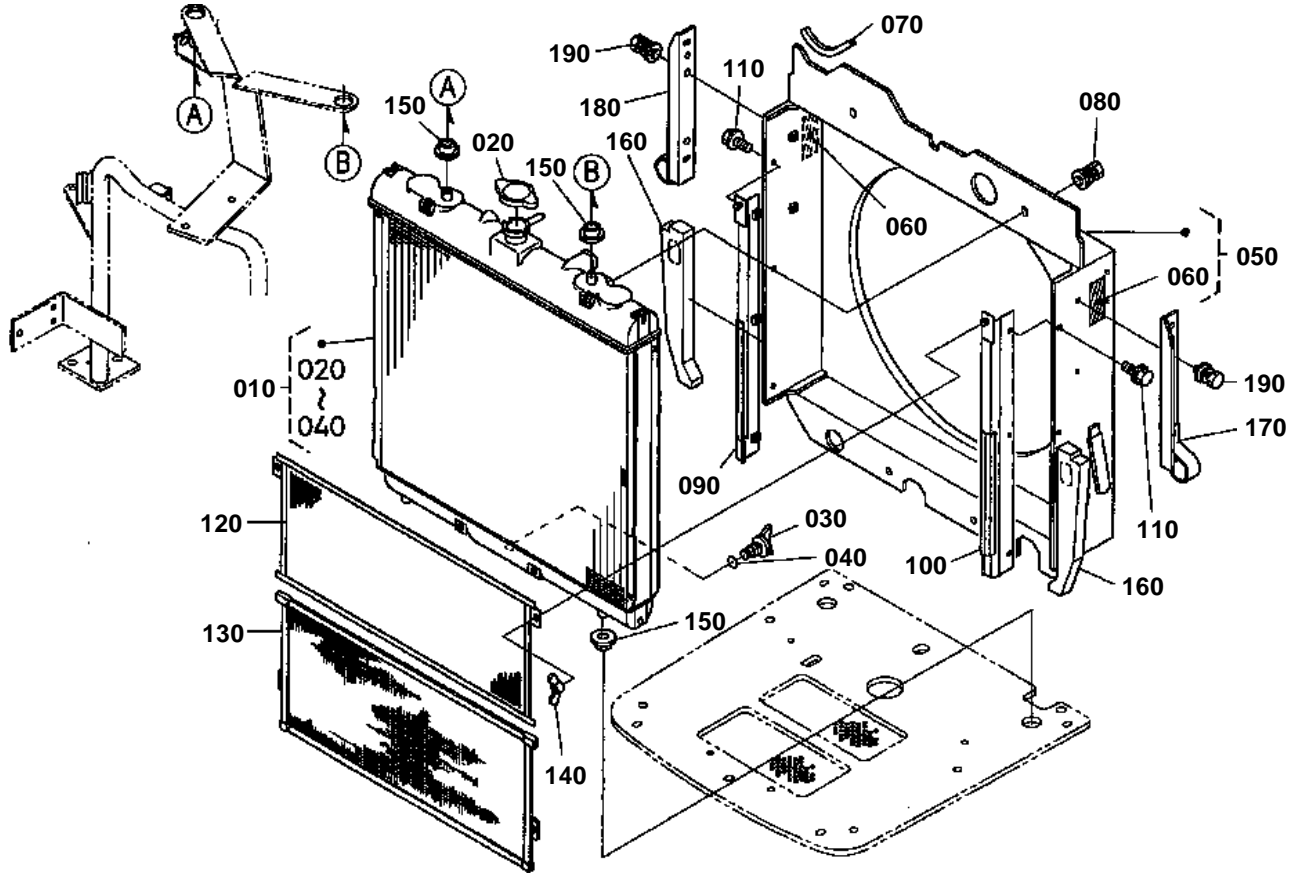
## WATER PIPE

↔ Interchangeable; ≠ not interchangeable; ← new for old; → old for new

| REF.No | Part No.    | Description       | Q'ty | S.No.   | I/C | REMARKS | Weight (kgf) | Weight (lb) |
|--------|-------------|-------------------|------|---------|-----|---------|--------------|-------------|
| 010    | 3A211-17460 | HOSE WATER UPPER  | 1    |         |     |         | 0.24         | 0.528       |
| 020    | 09318-89052 | CLAMP HOSE        | 2    | <=10509 |     |         | 0.03         | 0.066       |
| 020    | 15108-72870 | BAND              | 2    | >=10510 | ?   |         | 0.027        | 0.0594      |
| 030    | 3A211-17450 | HOSE WATER LOWER  | 1    |         |     |         | 0.225        | 0.495       |
| 040    | 15108-72870 | BAND              | 2    |         |     |         | 0.027        | 0.0594      |
| 050    | 3A611-17430 | HOSE WATER RETURN | 1    |         |     |         | 0.08         | 0.176       |
| 060    | 68171-63630 | BAND HOSE         | 2    |         |     |         | 0.013        | 0.0286      |

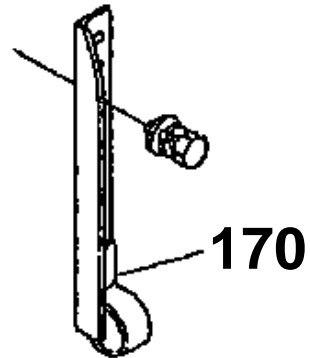


# RADIATOR

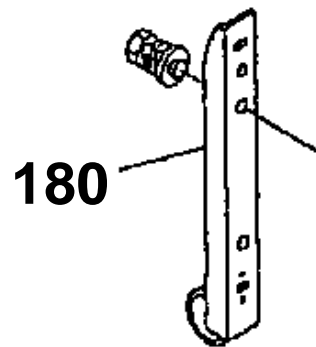


3A211-004-11

170 3A211-8305-0



180 3A211-8304-0



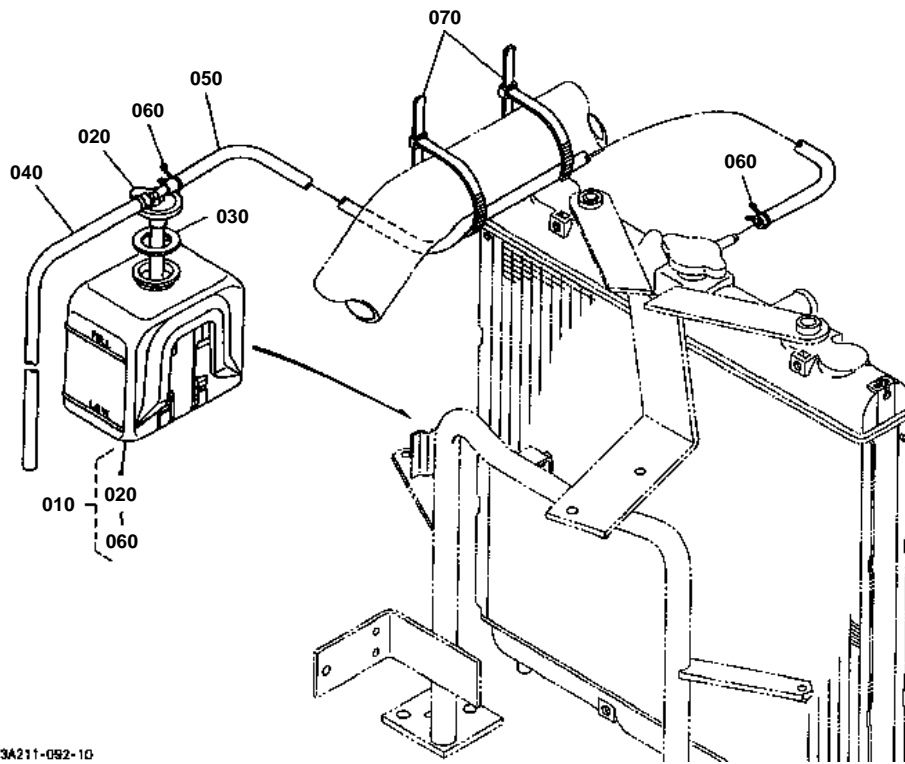
3A061-801-10

**RADIATOR**

↔ Interchangeable; ≠ not interchangeable; ← new for old; → old for new

| REF.No | Part No.    | Description        | Q'ty | S.No.   | I/C | REMARKS | Weight (kgf) | Weight (lb) |
|--------|-------------|--------------------|------|---------|-----|---------|--------------|-------------|
| 010    | 3A231-17100 | ASSY RADIATOR      | 1    |         |     |         | 5.3          | 11.66       |
| 020    | 17580-16060 | CAP RADIATOR       | 1    |         |     |         | 0.04         | 0.088       |
| 030    | 34070-16070 | PLUG DRAIN         | 1    |         |     |         | 0.005        | 0.011       |
| 040    | 34070-16090 | O RING             | 1    |         |     |         | 0.001        | 0.0022      |
| 050    | 3A211-97350 | KIT SHROUD FAN(A)  | 1    |         |     |         | 0            | 0           |
| 060    | 32751-49580 | LABEL FAN BELT     | 2    |         |     |         | 0.001        | 0.0022      |
| 070    | 3A111-17290 | TRIM SASH          | 1    |         |     |         | 0.006        | 0.0132      |
| 080    | 01025-50612 | BOLT               | 4    |         |     |         | 0.005        | 0.011       |
| 090    | 3A211-72360 | HOLDER NET RH      | 1    |         |     |         | 0.19         | 0.418       |
| 100    | 3A211-72370 | HOLDER NET LH      | 1    |         |     |         | 0.19         | 0.418       |
| 110    | 01754-50610 | BOLT FLANGE        | 6    |         |     |         | 0.006        | 0.0132      |
| 120    | 3A211-17410 | NET RADIATOR       | 1    |         |     |         | 0.225        | 0.495       |
| 130    | 3A111-17420 | NET RADIATOR LOWER | 1    |         |     |         | 0.22         | 0.484       |
| 140    | 02810-50060 | NUT WING           | 2    |         |     |         | 0.009        | 0.0198      |
| 150    | 34070-16030 | RUBBER             | 4    |         |     |         | 0.015        | 0.033       |
| 160    | 3A611-17190 | SPONGE SIDE        | 2    |         |     |         | 0.02         | 0.044       |
| 170    | 3A211-83050 | GUIDE LH           | 1    | <=10741 |     |         | 0.15         | 0.33        |
| 170    | 3A151-83050 | GUIDE LH           | 1    | >=10742 | ?   |         | 0.145        | 0.319       |
| 180    | 3A211-83040 | GUIDE RH           | 1    | <=10741 |     |         | 0.15         | 0.33        |
| 180    | 3A151-83040 | GUIDE RH           | 1    | >=10742 | ?   |         | 0.145        | 0.319       |
| 190    | 01025-50612 | BOLT               | 4    |         |     |         | 0.005        | 0.011       |

# RESERVE TANK



3A211-092-10

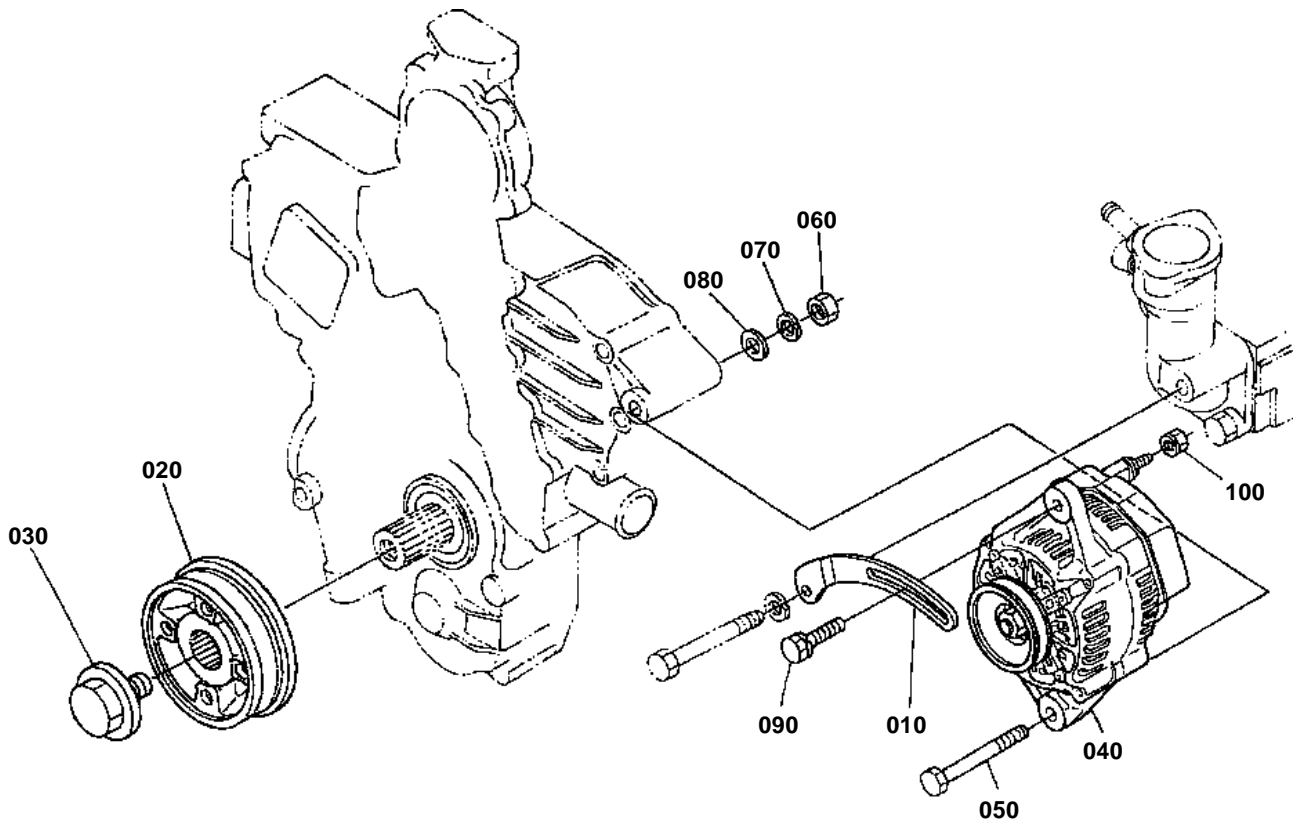


## RESERVE TANK

↔ Interchangeable; ≠ not interchangeable; ← new for old; → old for new

| REF.No | Part No.    | Description          | Q'ty | S.No. | I/C | REMARKS | Weight (kgf) | Weight (lb) |
|--------|-------------|----------------------|------|-------|-----|---------|--------------|-------------|
| 010    | 3A111-17300 | ASSY TANK RESERVE    | 1    |       |     |         | 0.38         | 0.836       |
| 020    | 15272-72420 | CAP                  | 1    |       |     |         | 0.03         | 0.066       |
| 030    | 15531-72432 | GASKET               | 1    |       |     |         | 0.002        | 0.0044      |
| 040    | 15471-72440 | PIPE WATER OVER FLOW | 1    |       |     |         | 0.05         | 0.11        |
| 050    | 3A111-17330 | TUBE WATER           | 1    |       |     |         | 0.08         | 0.176       |
| 060    | 15501-72470 | CLIP PIPE            | 2    |       |     |         | 0.005        | 0.011       |
| 070    | T0090-63580 | BAND CORD            | 2    |       |     |         | 0.006        | 0.0132      |

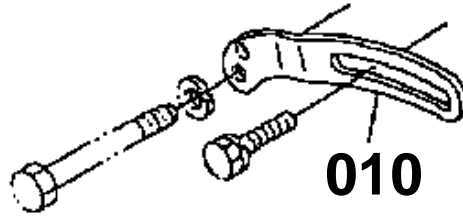
# ALTERNATOR



3A021-132-12

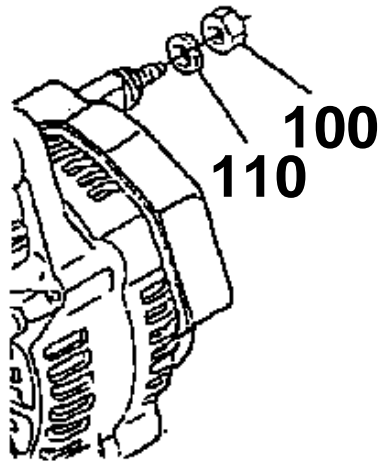
ALTERNATOR

010 TA040-7402-0



100 02056-50060

110 04512-60060



3A061-810-10



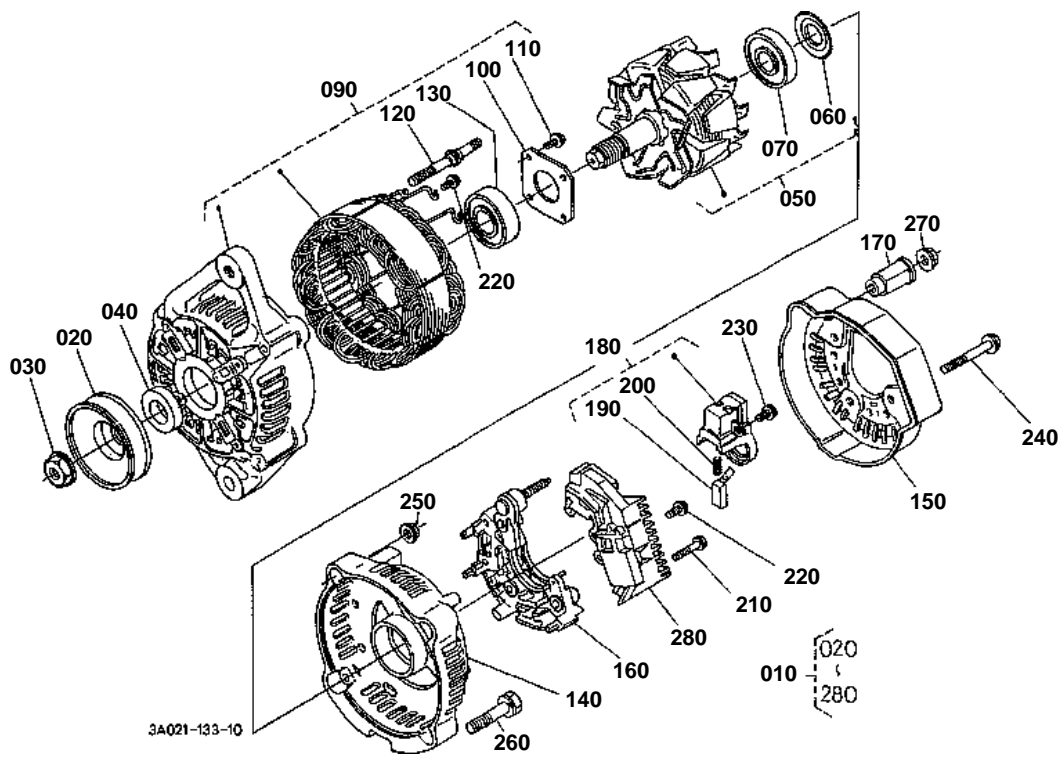
# ALTERNATOR

↔ Interchangeable; ≠ not interchangeable; ← new for old; → old for new

| REF.No | Part No.    | Description         | Q'ty | S.No.  | I/C | REMARKS | Weight (kgf) | Weight (lb) |
|--------|-------------|---------------------|------|--------|-----|---------|--------------|-------------|
| 010    | TA040-74020 | STAY ALTERNATOR     | 1    |        |     |         | 0.09         | 0.198       |
| 010    | 16427-64420 | STAY DYNAMO         | 1    |        | ?   |         | 0.001        | 0.0022      |
| 020    | 16484-74280 | PULLEY FAN DRIVE    | 1    |        |     |         | 2.4          | 5.28        |
| 030    | 17121-91010 | BOLT                | 1    |        |     |         | 0.26         | 0.572       |
| 040    | 3A011-74010 | ALTERNATOR          | 1    | ≤10647 |     |         | 2.8          | 6.16        |
| 040    | 3A011-74012 | ALTERNATOR          | 1    | ≥10648 | ?   |         | 0            | 0           |
| 050    | 01173-51003 | BOLT                | 1    |        |     |         | 0.077        | 0.1694      |
| 060    | 02076-50100 | NUT                 | 1    |        |     |         | 0.006        | 0.0132      |
| 070    | 04512-60100 | WASHER SPRING       | 1    |        |     |         | 0.002        | 0.0044      |
| 080    | 04013-60100 | WASHER PLAIN        | 1    |        |     |         | 0.004        | 0.0088      |
| 090    | 01123-50830 | BOLT                | 1    |        |     |         | 0.015        | 0.033       |
| 100    | 02056-50060 | NUT                 | 1    | ≤10741 |     |         | 0.002        | 0.0044      |
| 100    | 12264-92020 | NUT SPRING WASHER M | 1    | ≥10742 | ?   |         | 0.05         | 0.11        |
| 110    | 04512-60060 | WASHER SPRING       | 1    | ≤10741 |     |         | 0.001        | 0.0022      |



ALTERNATOR [COMPONENT PARTS]



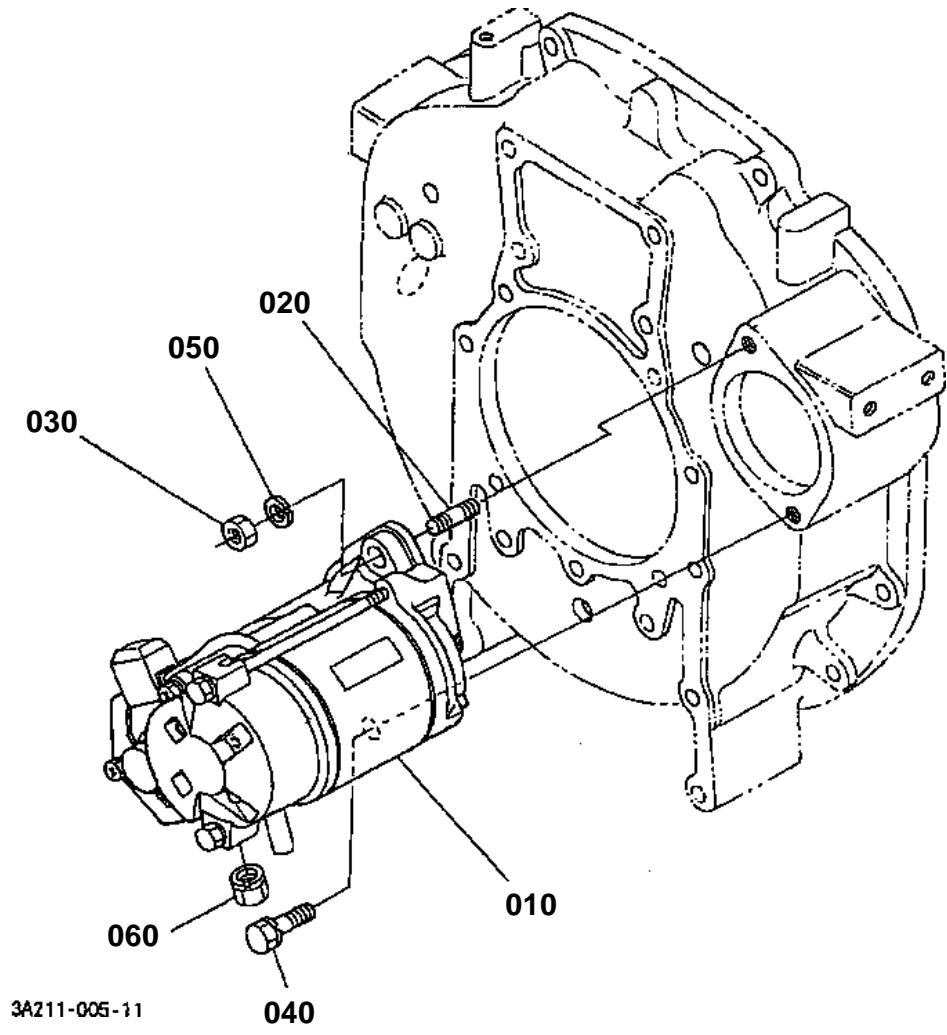


## ALTERNATOR [COMPONENT PARTS]

↔ Interchangeable; ≠ not interchangeable; ← new for old; → old for new

| REF.No | Part No.    | Description          | Q'ty | S.No.   | I/C | REMARKS | Weight (kgf) | Weight (lb) |
|--------|-------------|----------------------|------|---------|-----|---------|--------------|-------------|
| 010    | 3A011-74010 | ALTERNATOR           | 1    | <=10647 |     | 12V 40A | 2.8          | 6.16        |
| 010    | 3A011-74012 | ALTERNATOR           | 1    | >=10648 | ?   | 12V 40A | 0            | 0           |
| 020    | 16427-64110 | PULLEY ALTERNATOR    | 1    |         |     |         | 0.2          | 0.44        |
| 030    | 15881-92010 | NUT                  | 1    |         |     |         | 0.02         | 0.044       |
| 040    | 15881-64150 | COLLAR               | 1    |         |     |         | 0.004        | 0.0088      |
| 050    | 66436-64040 | ROTOR                | 1    |         |     |         | 1.2          | 2.64        |
| 060    | 15881-64800 | COVER BEARING        | 1    |         |     |         | 0.001        | 0.0022      |
| 070    | 16652-64770 | BEARING BALL         | 1    |         |     |         | 0.045        | 0.099       |
| 080    | 99999-99999 | BLANK                | 0    |         |     |         | 0            | 0           |
| 090    | 66436-64020 | ASSY FRAME DRIVE END | 1    |         |     |         | 1.11         | 2.442       |
| 100    | 15881-64710 | PLATE RETAINER       | 1    |         |     |         | 0.01         | 0.022       |
| 110    | 15881-93010 | SCREW ROUND HEAD     | 4    |         |     |         | 0.003        | 0.0066      |
| 120    | 15881-64260 | BOLT THROUGH         | 2    |         |     |         | 0.01         | 0.022       |
| 130    | 16652-64780 | BEARING BALL         | 1    |         |     |         | 0.05         | 0.11        |
| 140    | 16241-64060 | FRAME END            | 1    |         |     |         | 0.2          | 0.44        |
| 150    | 16241-64230 | COVER END            | 1    | <=10647 |     |         | 0.035        | 0.077       |
| 150    | 16231-64230 | COVER END            | 1    | >=10648 | ?   |         | 0.035        | 0.077       |
| 160    | 16241-64850 | ASSY RECTIFIER       | 1    |         |     |         | 0.16         | 0.352       |
| 170    | 16241-64900 | BUSH INSULATION      | 1    |         |     |         | 0.007        | 0.0154      |
| 180    | 16652-64310 | HOLDER BRUSH         | 1    |         |     |         | 0.025        | 0.055       |
| 190    | 15881-64090 | BRUSH                | 2    |         |     |         | 0.002        | 0.0044      |
| 200    | 15881-64330 | SPRING BRUSH         | 2    |         |     |         | 0.002        | 0.0044      |
| 210    | 15881-93020 | SCREW ROUND HEAD     | 2    |         |     |         | 0.005        | 0.011       |
| 220    | 15881-93030 | SCREW ROUND HEAD     | 6    |         |     |         | 0.003        | 0.0066      |
| 230    | 15881-93040 | SCREW ROUND HEAD     | 1    |         |     |         | 0.003        | 0.0066      |
| 240    | 15881-91040 | BOLT                 | 3    |         |     |         | 0.005        | 0.011       |
| 250    | 15881-92020 | NUT                  | 2    |         |     |         | 0.02         | 0.044       |
| 260    | 15881-91050 | BOLT                 | 2    |         |     |         | 0.01         | 0.022       |
| 270    | 14182-92030 | NUT                  | 1    |         |     |         | 0.003        | 0.0066      |
| 280    | 66436-64600 | ASSY REGULATOR       | 1    |         |     |         | 0.08         | 0.176       |

STARTER



3A211-005-11

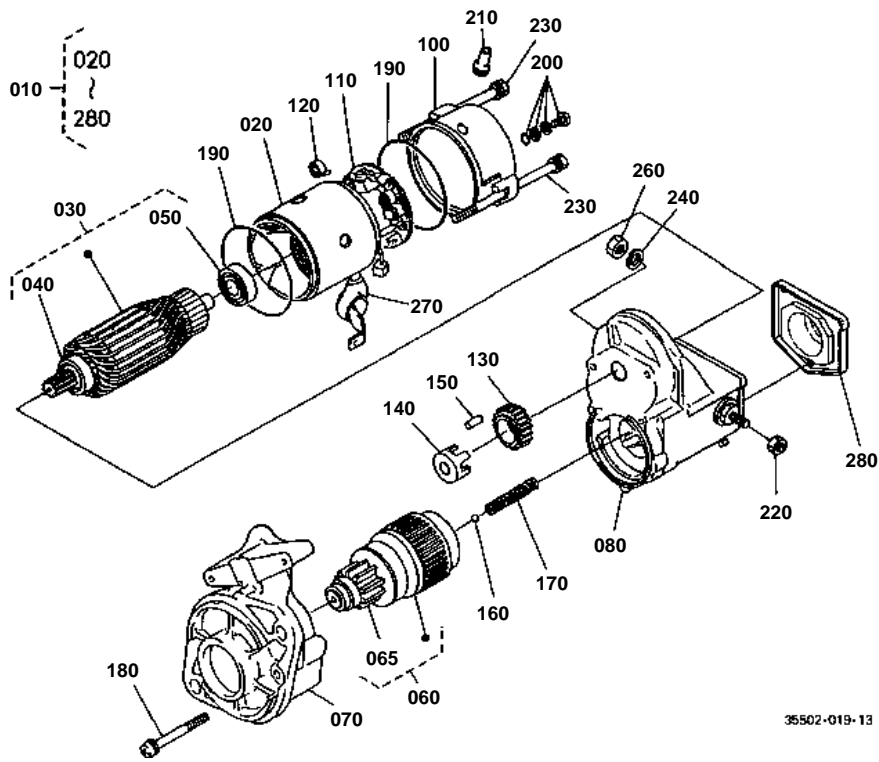


# STARTER

↔ Interchangeable; ≠ not interchangeable; ← new for old; → old for new

| REF.No | Part No.    | Description   | Q'ty | S.No. | I/C | REMARKS | Weight (kgf) | Weight (lb) |
|--------|-------------|---------------|------|-------|-----|---------|--------------|-------------|
| 010    | 15621-63012 | ASSY STARTER  | 1    |       |     |         | 3.87         | 8.514       |
| 020    | 01517-51028 | STUD          | 1    |       |     |         | 0.022        | 0.0484      |
| 030    | 02176-50100 | NUT           | 1    |       |     |         | 0.005        | 0.011       |
| 040    | 01133-51030 | BOLT          | 1    |       |     |         | 0.025        | 0.055       |
| 050    | 04512-60100 | WASHER SPRING | 1    |       |     |         | 0.002        | 0.0044      |
| 060    | 16429-92010 | NUT           | 1    |       |     |         | 0.007        | 0.0154      |

STARTER [COMPONENT PARTS]

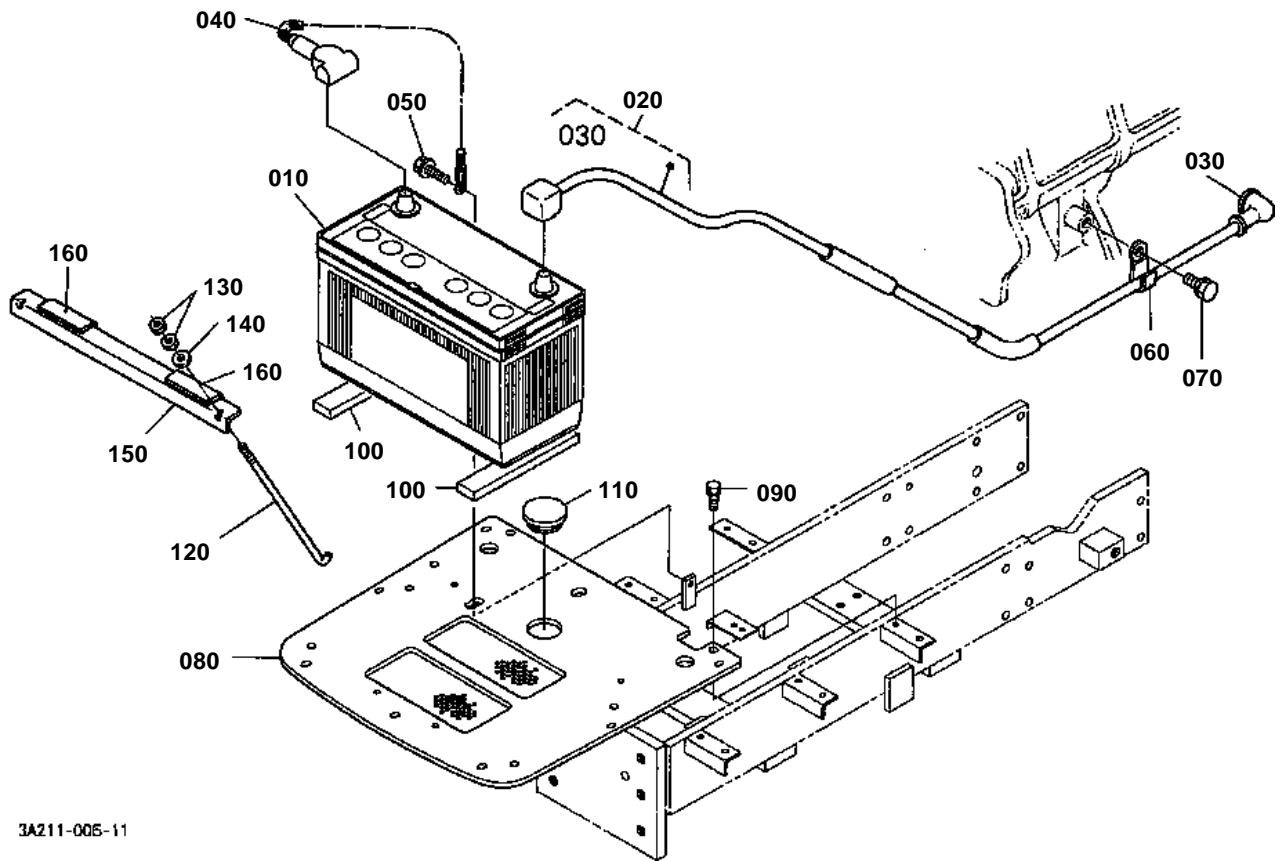


**STARTER [COMPONENT PARTS]**

↔ Interchangeable; ≠ not interchangeable; ← new for old; → old for new

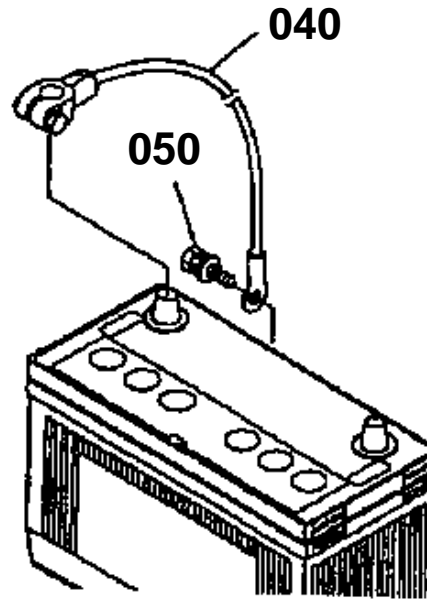
| REF.No | Part No.    | Description          | Q'ty | S.No. | I/C | REMARKS | Weight (kgf) | Weight (lb) |
|--------|-------------|----------------------|------|-------|-----|---------|--------------|-------------|
| 010    | 15621-63012 | ASSY STARTER         | 1    |       |     |         | 3.87         | 8.514       |
| 020    | 11197-63080 | ASSY YOKE            | 1    |       |     |         | 0.92         | 2.024       |
| 030    | 11197-63070 | ASSY ARMATURE        | 1    |       |     |         | 0.8          | 1.76        |
| 040    | 11460-63500 | BEARING              | 1    |       |     |         | 0.03         | 0.066       |
| 050    | 11460-63530 | BEARING              | 1    |       |     |         | 0.02         | 0.044       |
| 060    | 15621-63040 | CLUTCH OVER RUNNING  | 1    |       |     |         | 0.6          | 1.32        |
| 065    | 11233-63280 | GEAR PINION          | 1    |       |     |         | 0.1          | 0.22        |
| 070    | 16661-63030 | FRAME DRIVE END      | 1    |       |     |         | 0.41         | 0.902       |
| 080    | 15621-63020 | ASSY SWITCH MAGNETIC | 1    |       |     |         | 1.17         | 2.574       |
| 090    | 99999-99999 | BLANK                | 1    |       |     |         | 0            | 0           |
| 100    | 17341-63200 | FRAME END            | 1    |       |     |         | 0.13         | 0.286       |
| 110    | 11197-63380 | ASSY HOLDER BRUSH    | 1    |       |     |         | 0.05         | 0.11        |
| 120    | 15401-63390 | SPRING BRUSH         | 4    |       |     |         | 0.003        | 0.0066      |
| 130    | 11460-63270 | GEAR                 | 1    |       |     |         | 0.04         | 0.088       |
| 140    | 11460-63110 | RETAINER             | 1    |       |     |         | 0.01         | 0.022       |
| 150    | 19212-63100 | ROLLER               | 5    |       |     |         | 0.002        | 0.0044      |
| 160    | 19212-97130 | BALL                 | 1    |       |     |         | 0.003        | 0.0066      |
| 170    | 11460-63120 | SPRING               | 1    |       |     |         | 0.01         | 0.022       |
| 180    | 11460-93310 | BOLT                 | 2    |       |     |         | 0.01         | 0.022       |
| 190    | 15511-96660 | O RING               | 2    |       |     |         | 0.005        | 0.011       |
| 200    | 15511-63760 | ASSY BOLT            | 2    |       |     |         | 0.005        | 0.011       |
| 210    | 16285-63570 | PIPE DRAIN           | 1    |       |     |         | 0.005        | 0.011       |
| 220    | 13963-92010 | NUT HEXAGON          | 1    |       |     |         | 0.005        | 0.011       |
| 230    | 11197-63320 | BOLT                 | 2    |       |     |         | 0.02         | 0.044       |
| 240    | 04512-60080 | WASHER SPRING        | 1    |       |     |         | 0.002        | 0.0044      |
| 250    | 99999-99999 | BLANK                | 0    |       |     |         | 0            | 0           |
| 260    | 16285-92010 | NUT HEXAGON          | 1    |       |     |         | 0.005        | 0.011       |
| 270    | 11173-63130 | COVER TERMINAL       | 1    |       |     |         | 0.007        | 0.0154      |
| 280    | 16285-98050 | ASSY COVER           | 1    |       |     |         | 0.048        | 0.1056      |

# BATTERY



3A211-005-11

040 31351-3334-3  
050 01125-60816



3A211-805-10

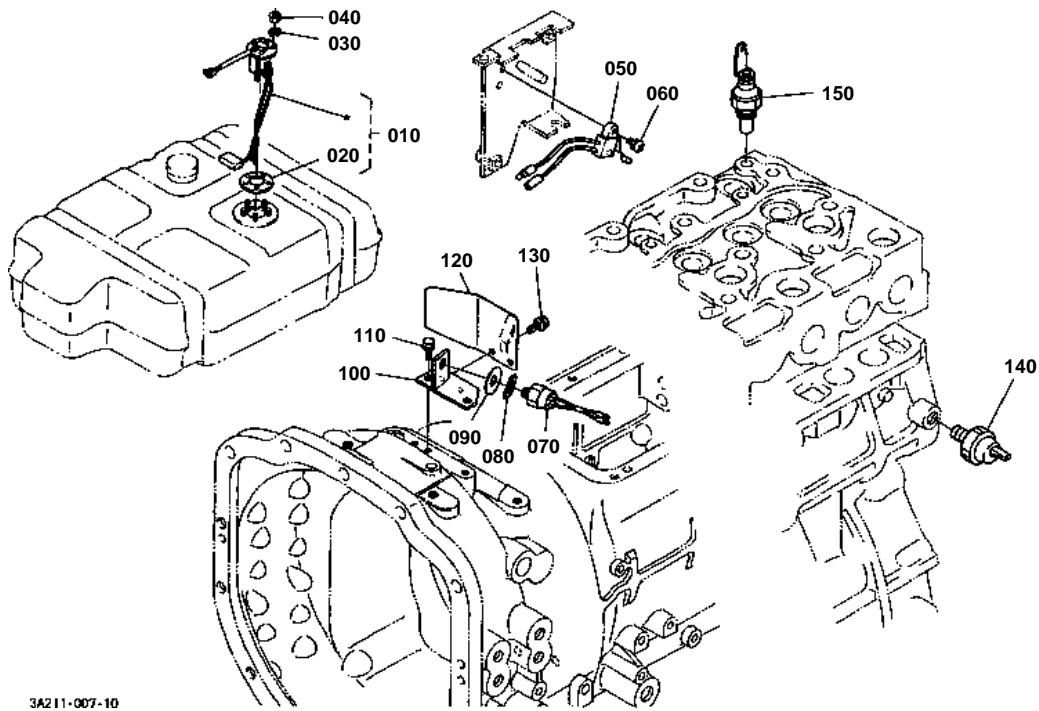


**BATTERY**

↔ Interchangeable; ≠ not interchangeable; ← new for old; → old for new

| REF.No | Part No.    | Description        | Q'ty | S.No.  | I/C | REMARKS     | Weight (kgf) | Weight (lb) |
|--------|-------------|--------------------|------|--------|-----|-------------|--------------|-------------|
| 010    | 99999-99999 | BATTERY            | 1    |        |     | 12V CCA700A | 0            | 0           |
| 020    | 3A011-77110 | CORD BATTERY       | 1    |        |     |             | 0.665        | 1.463       |
| 030    | 32530-91710 | CAP RUBBER         | 1    |        |     |             | 0.01         | 0.022       |
| 040    | 31351-33343 | CORD EARTH         | 1    |        |     |             | 0            | 0           |
| 040    | TA140-33340 | CORD EARTH         | 1    |        | ?   |             | 0.17         | 0.374       |
| 050    | 01125-60816 | BOLT               | 1    | ≤10517 |     |             | 0.01         | 0.022       |
| 050    | 01754-50814 | BOLT FLANGE        | 1    | ≥10518 | ?   |             | 0.005        | 0.011       |
| 060    | 15272-67590 | CLAMP CORD         | 2    |        |     |             | 0.004        | 0.0088      |
| 070    | 01023-50612 | BOLT               | 2    |        |     |             | 0.005        | 0.011       |
| 080    | 3A211-21730 | SUPPORT BATTERY    | 1    |        |     |             | 5.2          | 11.44       |
| 090    | 01133-51020 | BOLT               | 4    |        |     |             | 0.02         | 0.044       |
| 100    | 3A111-74340 | CUSHION BATTERY    | 2    |        |     |             | 0.12         | 0.264       |
| 110    | 36200-81672 | PLUG               | 1    |        |     |             | 0.03         | 0.066       |
| 120    | 3A111-74360 | BOLT HOOK(BATTERY) | 2    |        |     |             | 0.032        | 0.0704      |
| 130    | 02014-50060 | NUT                | 4    |        |     |             | 0.003        | 0.0066      |
| 140    | 04015-60060 | WASHER PLAIN       | 2    |        |     |             | 0.005        | 0.011       |
| 150    | 36230-74350 | RETAINER BATTERY   | 1    |        |     |             | 0.41         | 0.902       |
| 160    | 38430-29670 | CUSHION            | 2    |        |     |             | 0.01         | 0.022       |

# SWITCH/SENSOR



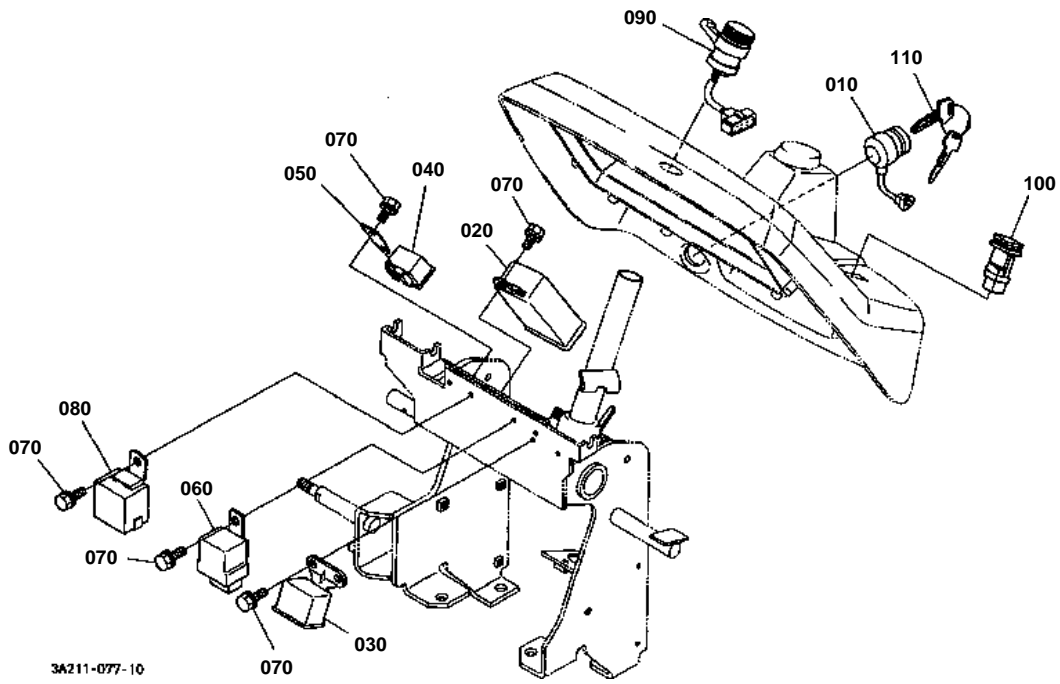
3A211-007-10

**SWITCH/SENSOR**

↔ Interchangeable; ≠ not interchangeable; ← new for old; → old for new

| REF.No | Part No.    | Description          | Q'ty | S.No. | I/C | REMARKS | Weight (kgf) | Weight (lb) |
|--------|-------------|----------------------|------|-------|-----|---------|--------------|-------------|
| 010    | 3A011-75302 | ASSY SENSOR FUEL     | 1    |       |     |         | 0.3          | 0.66        |
| 020    | 67980-54740 | GASKET               | 1    |       |     |         | 0.005        | 0.011       |
| 030    | 04512-60050 | WASHER SPRING        | 5    |       |     |         | 0.002        | 0.0044      |
| 040    | 02054-50050 | NUT                  | 5    |       |     |         | 0.002        | 0.0044      |
| 050    | TA040-43900 | SWITCH LEVER         | 1    |       |     |         | 0.008        | 0.0176      |
| 060    | 03024-50414 | SCREW WITH WASHER    | 1    |       |     |         | 0.002        | 0.0044      |
| 070    | 3A011-75100 | SWITCH               | 1    |       |     |         | 0.048        | 0.1056      |
| 080    | 04412-50140 | WASHER TOOTHED       | 1    |       |     |         | 0.002        | 0.0044      |
| 090    | 3A651-75130 | SHIM                 | 1    |       |     | 0.5mm   | 0.001        | 0.0022      |
| 100    | 3A211-34432 | STAY SWITCH SHUTTLE  | 1    |       |     |         | 0            | 0           |
| 110    | 01754-50816 | BOLT FLANGE          | 2    |       |     |         | 0.011        | 0.0242      |
| 120    | 3A211-34440 | COVER SWITCH SHUTTLE | 1    |       |     |         | 0.105        | 0.231       |
| 130    | 01754-50612 | BOLT FLANGE          | 2    |       |     |         | 0.005        | 0.011       |
| 140    | 15531-39010 | SWITCH OIL           | 1    |       |     |         | 0.032        | 0.0704      |
| 150    | 31351-32830 | SENSOR THERMO        | 1    |       |     |         | 0.02         | 0.044       |

SWITCH(PANEL BOARD)/RELAY



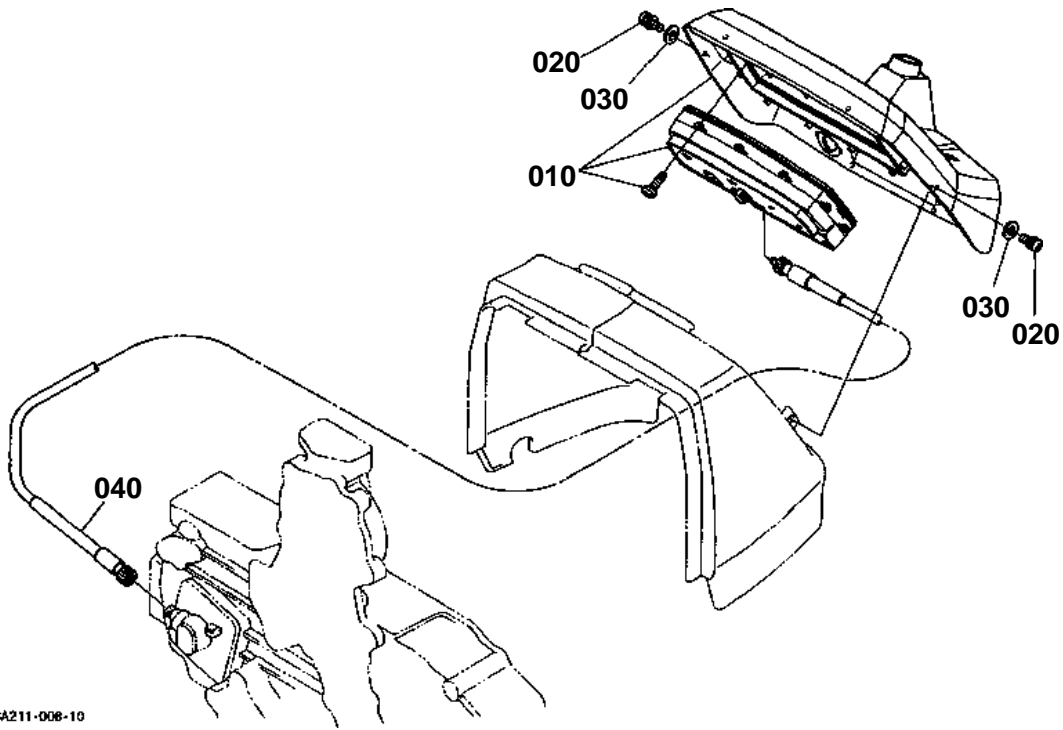


## SWITCH(PANEL BOARD)/RELAY

↔ Interchangeable; ≠ not interchangeable; ← new for old; → old for new

| REF.No | Part No.    | Description        | Q'ty | S.No. | I/C | REMARKS | Weight (kgf) | Weight (lb) |
|--------|-------------|--------------------|------|-------|-----|---------|--------------|-------------|
| 010    | 52200-41212 | SWITCH STARTER     | 1    |       |     |         | 0.28         | 0.616       |
| 020    | 3F240-75430 | UNIT FLASHER       | 1    |       |     |         | 0.06         | 0.132       |
| 030    | 35593-75210 | RELAY GLOW PLUG    | 1    |       |     |         | 0.088        | 0.1936      |
| 040    | 36919-75030 | RELAY              | 1    |       |     |         | 0.038        | 0.0836      |
| 050    | 36919-55830 | BRACKET RELAY      | 1    |       |     |         | 0.005        | 0.011       |
| 060    | 35800-75070 | RELAY STARTER      | 1    |       |     |         | 0.08         | 0.176       |
| 070    | 01754-50612 | BOLT FLANGE        | 6    |       |     |         | 0.005        | 0.011       |
| 080    | T0070-31410 | TIMER KEY STOP     | 1    |       |     |         | 0.065        | 0.143       |
| 090    | 36330-75010 | SWITCH COMBINATION | 1    |       |     |         | 0.09         | 0.198       |
| 100    | 37500-55212 | SWITCH HAZARD      | 1    |       |     |         | 0.02         | 0.044       |
| 110    | 18510-63720 | ASSY KEY STARTER   | 1    |       |     |         | 0.025        | 0.055       |

PANEL BOARD



3A211-006-10

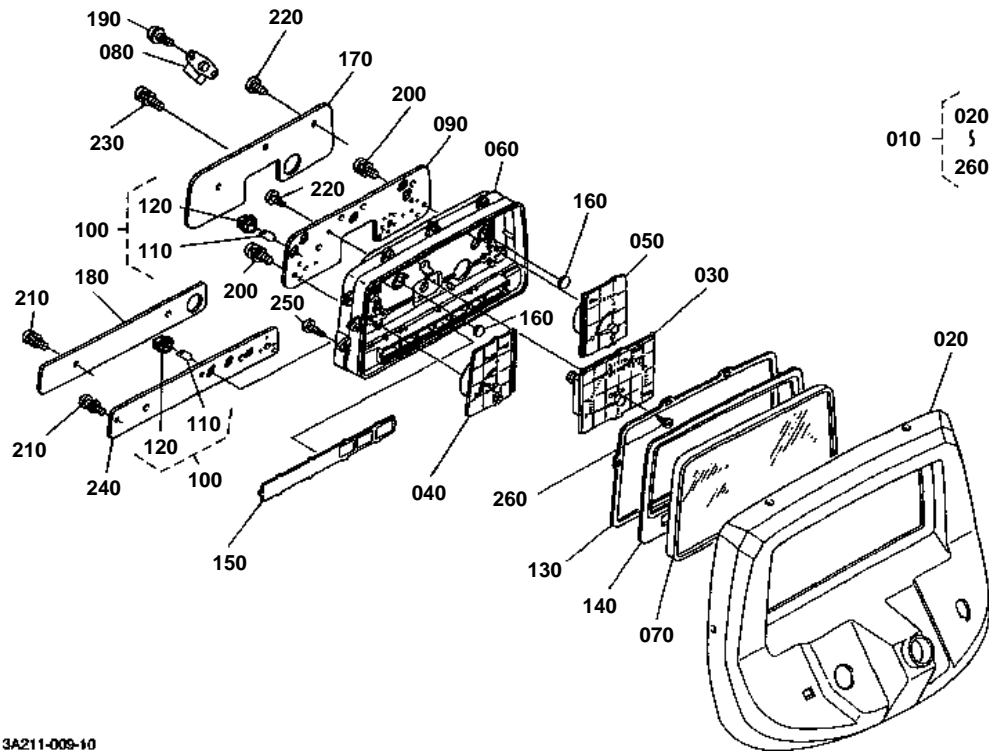


# PANEL BOARD

↔ Interchangeable; ≠ not interchangeable; ← new for old; → old for new

| REF.No | Part No.    | Description      | Q'ty | S.No. | I/C | REMARKS | Weight (kgf) | Weight (lb) |
|--------|-------------|------------------|------|-------|-----|---------|--------------|-------------|
| 010    | 3A211-75600 | ASSY PANEL       | 1    |       |     |         | 2.9          | 6.38        |
| 020    | 31391-31140 | SCREW            | 6    |       |     |         | 0.01         | 0.022       |
| 030    | 31351-18860 | WASHER           | 6    |       |     |         | 0.002        | 0.0044      |
| 040    | 35533-75610 | CABLE HOUR METER | 1    |       |     |         | 0.3          | 0.66        |

PANEL BOARD [COMPONENT PARTS]



3A211-009-10



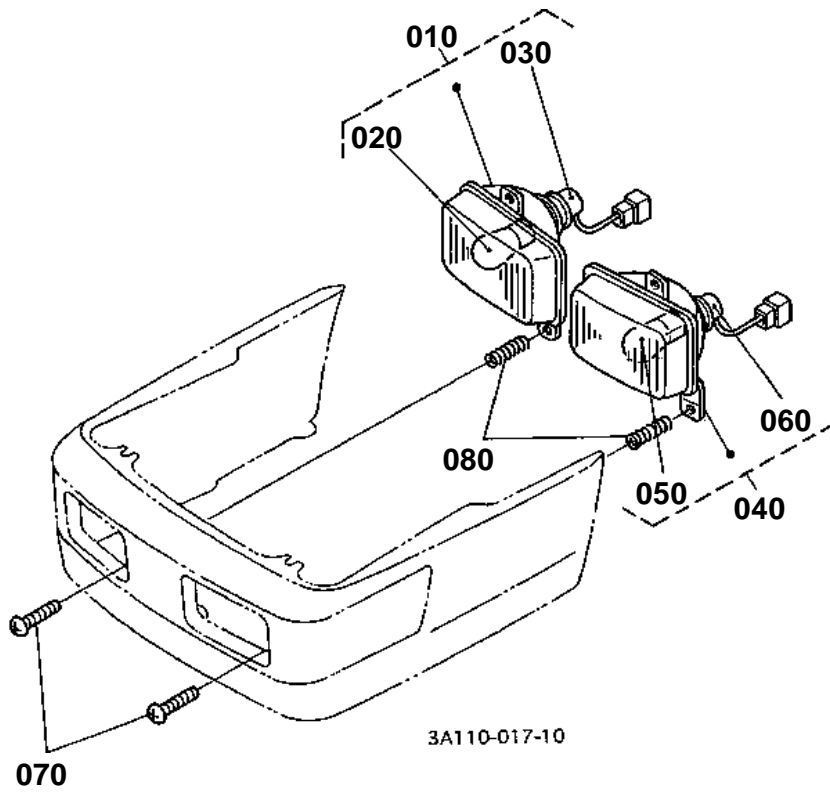


## PANEL BOARD [COMPONENT PARTS]

↔ Interchangeable; ≠ not interchangeable; ← new for old; → old for new

| REF.No | Part No.    | Description        | Q'ty | S.No. | I/C | REMARKS | Weight (kgf) | Weight (lb) |
|--------|-------------|--------------------|------|-------|-----|---------|--------------|-------------|
| 010    | 3A211-75600 | ASSY PANEL         | 1    |       |     |         | 2.9          | 6.38        |
| 020    | 3A153-83550 | BONNET REAR UPPER  | 1    |       |     |         | 1.805        | 3.971       |
| 030    | 3A011-75660 | ASSY TACHOMETER    | 1    |       |     |         | 0.235        | 0.517       |
| 040    | 31351-93720 | ASSY GAUGE FUEL    | 1    |       |     |         | 0.125        | 0.275       |
| 050    | 31351-93730 | ASSY GAUGE TEMP.   | 1    |       |     |         | 0.13         | 0.286       |
| 060    | 3A011-75670 | CASE               | 1    |       |     |         | 0.45         | 0.99        |
| 070    | 31351-93760 | GLASS WITH GASKET  | 1    |       |     |         | 0.475        | 1.045       |
| 080    | 34550-30180 | ADAPTER            | 1    |       |     |         | 0.05         | 0.11        |
| 090    | 34670-93780 | ASSY PLATE SUB     | 1    |       |     |         | 0.05         | 0.11        |
| 100    | 38240-31460 | ASSY LAMP ELECTRIC | 8    |       |     |         | 0.015        | 0.033       |
| 110    | 38240-31470 | BULB               | 8    |       |     | 3.4W    | 0.01         | 0.022       |
| 120    | 38240-31480 | SOCKET             | 8    |       |     |         | 0.001        | 0.0022      |
| 130    | 31351-93790 | GASKET RUBBER      | 1    |       |     |         | 0.055        | 0.121       |
| 140    | 31351-93800 | PLATE WIND         | 1    |       |     |         | 0.18         | 0.396       |
| 150    | 3A011-75680 | LENS               | 1    |       |     |         | 0.015        | 0.033       |
| 160    | 31351-93820 | LENS               | 2    |       |     |         | 0.005        | 0.011       |
| 170    | 34670-93830 | CASE               | 1    |       |     |         | 0.195        | 0.429       |
| 180    | 31351-93840 | CASE               | 1    |       |     |         | 0.13         | 0.286       |
| 190    | 35533-76160 | SCREW              | 2    |       |     |         | 0.001        | 0.0022      |
| 200    | 35533-76230 | SCREW WITH WASHER  | 6    |       |     |         | 0.002        | 0.0044      |
| 210    | 03514-50425 | SCREW TAPPING      | 6    |       |     |         | 0.001        | 0.0022      |
| 220    | 03514-50414 | SCREW TAPPING      | 5    |       |     |         | 0.001        | 0.0022      |
| 230    | 32530-94900 | SCREW WITH WASHER  | 2    |       |     |         | 0.002        | 0.0044      |
| 240    | 3A011-75700 | ASSY PLATE         | 1    |       |     |         | 0.105        | 0.231       |
| 250    | 03514-50420 | SCREW              | 11   |       |     |         | 0.002        | 0.0044      |
| 260    | 32530-94690 | SCREW TAPPING      | 2    |       |     |         | 0.001        | 0.0022      |

LIGHT



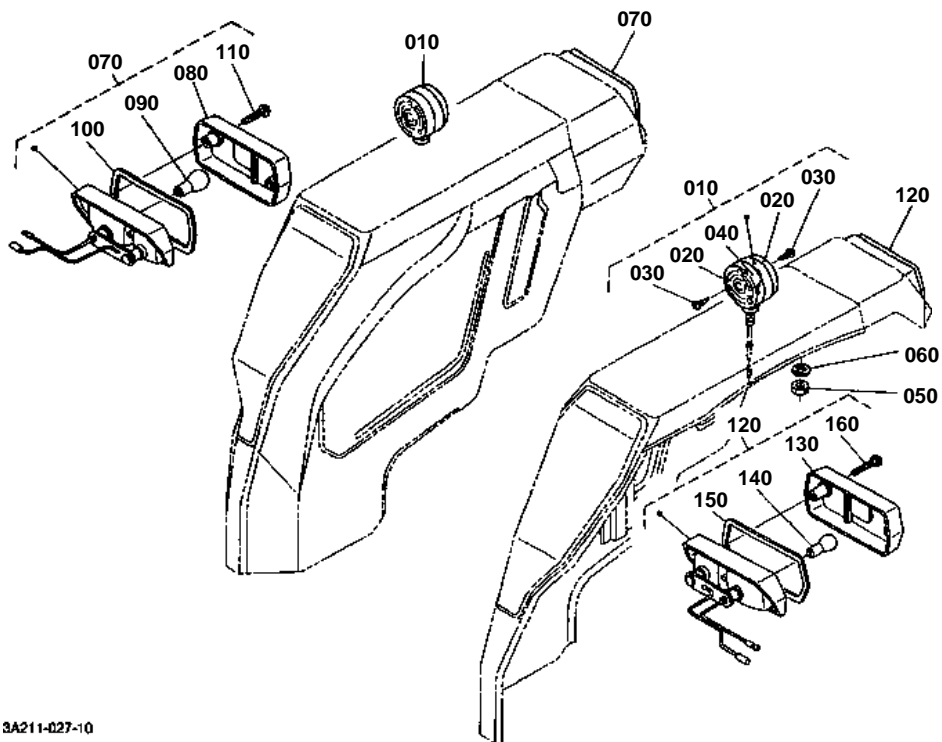


# LIGHT

↔ Interchangeable; ≠ not interchangeable; ← new for old; → old for new

| REF.No | Part No.    | Description   | Q'ty | S.No. | I/C | REMARKS | Weight (kgf) | Weight (lb) |
|--------|-------------|---------------|------|-------|-----|---------|--------------|-------------|
| 010    | 3A011-75720 | LIGHT HEAD RH | 1    |       |     |         | 0.49         | 1.078       |
| 020    | 38450-33870 | BULB          | 1    |       |     | 45W     | 0.025        | 0.055       |
| 030    | 3A011-75740 | COMP.SOCKET   | 1    |       |     |         | 0.063        | 0.1386      |
| 040    | 3A011-75710 | LIGHT HEAD LH | 1    |       |     |         | 0.45         | 0.99        |
| 050    | 38450-33870 | BULB          | 1    |       |     | 45W     | 0.025        | 0.055       |
| 060    | 3A011-75740 | COMP.SOCKET   | 1    |       |     |         | 0.063        | 0.1386      |
| 070    | 3A011-75860 | SCREW         | 6    |       |     |         | 0.006        | 0.0132      |
| 080    | 38240-33860 | SPRING LIGHT  | 6    |       |     |         | 0.001        | 0.0022      |

HAZARD LIGHT/TAIL LIGHT [OLD TYPE]



3A211-027-10

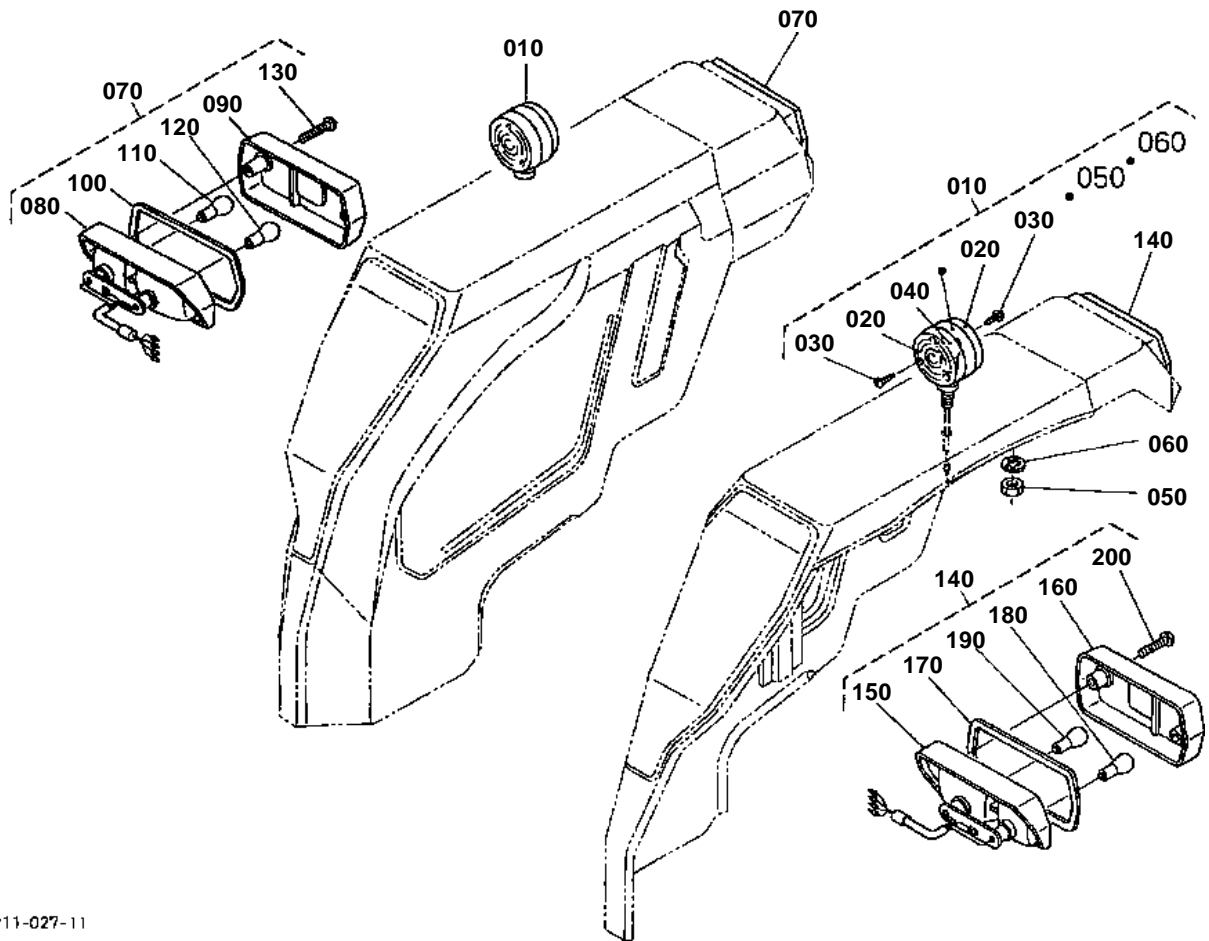
**HAZARD LIGHT/TAIL LIGHT [OLD TYPE]**

S.No.;&lt;=10741

↔ Interchangeable; ≠ not interchangeable; ← new for old; → old for new

| REF.No | Part No.    | Description        | Q'ty | S.No. | I/C | REMARKS | Weight (kgf) | Weight (lb) |
|--------|-------------|--------------------|------|-------|-----|---------|--------------|-------------|
| 010    | 32530-33610 | ASSY LIGHT HAZARD  | 2    |       |     |         | 0.5          | 1.1         |
| 020    | 32530-91510 | LENS HAZARD LIGHT  | 4    |       |     |         | 0.085        | 0.187       |
| 030    | 32530-91520 | SCREW TAPPING      | 12   |       |     |         | 0.001        | 0.0022      |
| 040    | 32530-91530 | BULB LIGHT         | 2    |       |     | 27W     | 0.02         | 0.044       |
| 050    | 02114-50100 | NUT                | 2    |       |     |         | 0.005        | 0.011       |
| 060    | 04411-50100 | WASHER TOOTHED     | 2    |       |     |         | 0.001        | 0.0022      |
| 070    | 3A011-75880 | ASSY LIGHT TAIL RH | 1    |       |     |         | 0.29         | 0.638       |
| 080    | 32530-91810 | LENS REAR COMBI.   | 1    |       |     |         | 0.1          | 0.22        |
| 090    | 32530-91820 | BULB LIGHT         | 1    |       |     | 8W      | 0.017        | 0.0374      |
| 100    | 32530-91860 | GASKET             | 1    |       |     |         | 0.001        | 0.0022      |
| 110    | 32530-91840 | SCREW              | 2    |       |     |         | 0.005        | 0.011       |
| 120    | 3A011-75890 | ASSY LIGHT TAIL LH | 1    |       |     |         | 0.29         | 0.638       |
| 130    | 32530-91810 | LENS REAR COMBI.   | 1    |       |     |         | 0.1          | 0.22        |
| 140    | 32530-91820 | BULB LIGHT         | 1    |       |     | 8W      | 0.017        | 0.0374      |
| 150    | 32530-91860 | GASKET             | 1    |       |     |         | 0.001        | 0.0022      |
| 160    | 32530-91840 | SCREW              | 2    |       |     |         | 0.005        | 0.011       |

HAZARD LIGHT/TAIL LIGHT [NEW TYPE]



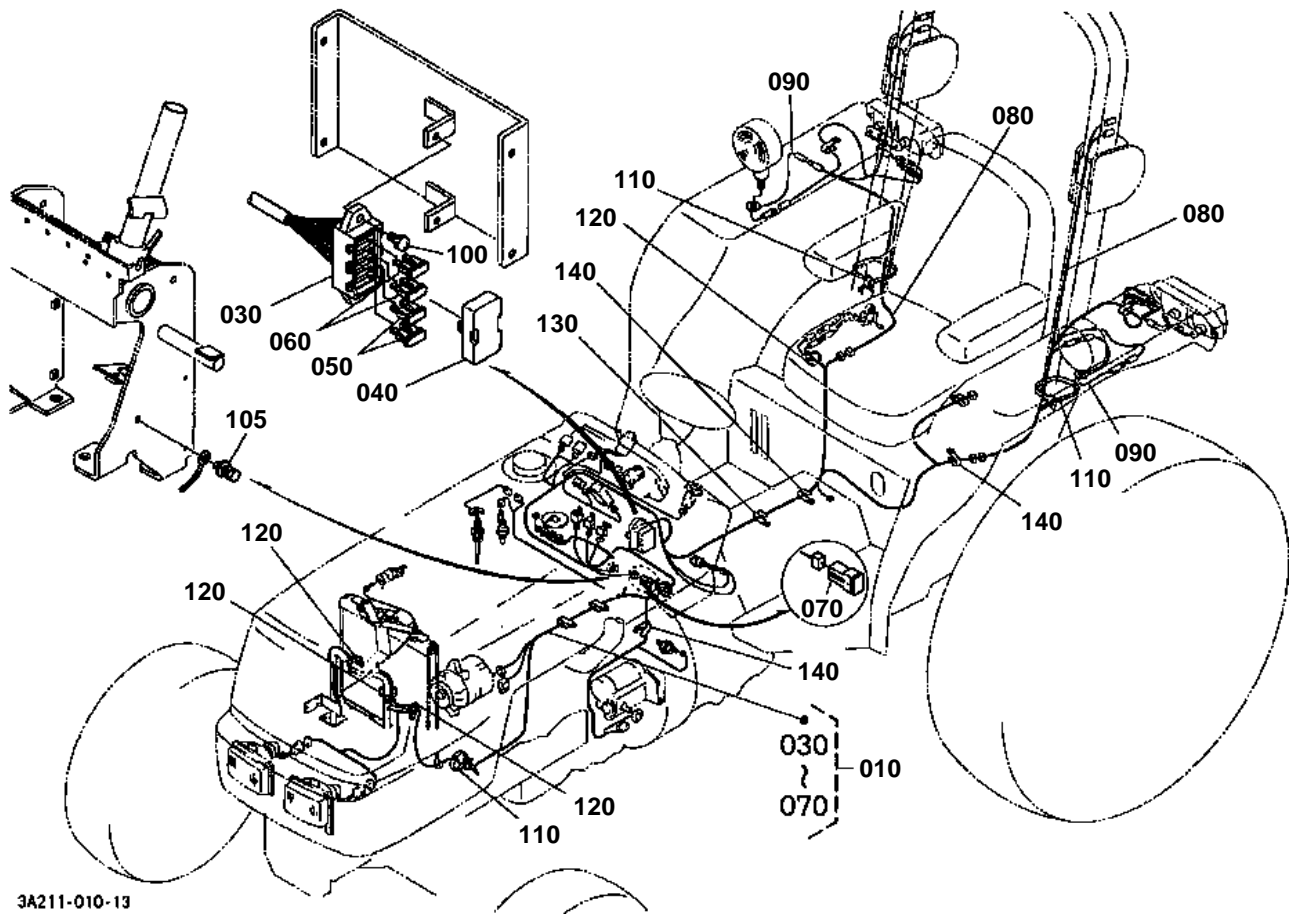
3A211-027-11

**HAZARD LIGHT/TAIL LIGHT [NEW TYPE]**

S.No.;&gt;=10742

↔ Interchangeable; ≠ not interchangeable; ← new for old; → old for new

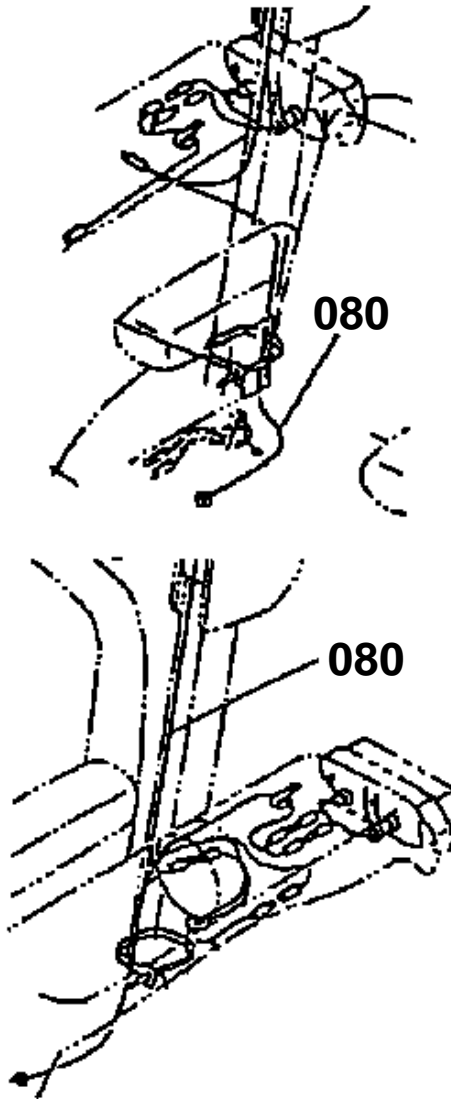
| REF.No | Part No.    | Description         | Q'ty | S.No. | I/C | REMARKS | Weight (kgf) | Weight (lb) |
|--------|-------------|---------------------|------|-------|-----|---------|--------------|-------------|
| 010    | 32530-33610 | ASSY LIGHT HAZARD   | 2    |       |     |         | 0.5          | 1.1         |
| 020    | 32530-91510 | LENS HAZARD LIGHT   | 4    |       |     |         | 0.085        | 0.187       |
| 030    | 32530-91520 | SCREW TAPPING       | 12   |       |     |         | 0.001        | 0.0022      |
| 040    | 32530-91530 | BULB LIGHT          | 2    |       |     | 27W     | 0.02         | 0.044       |
| 050    | 02114-50100 | NUT                 | 2    |       |     |         | 0.005        | 0.011       |
| 060    | 04411-50100 | WASHER TOOTHED      | 2    |       |     |         | 0.001        | 0.0022      |
| 070    | 31301-34303 | ASSY LIGHT COMBI.RH | 1    |       |     |         | 0.4          | 0.88        |
| 080    | 31301-34320 | BODY RH             | 1    |       |     |         | 0.18         | 0.396       |
| 090    | 31301-34340 | LENS                | 1    |       |     |         | 0.105        | 0.231       |
| 100    | 31391-34350 | GASKET              | 1    |       |     |         | 0.002        | 0.0044      |
| 110    | 31391-34360 | BULB                | 1    |       |     | 23W     | 0.018        | 0.0396      |
| 120    | 31301-34370 | BULB                | 1    |       |     | 23W/8W  | 0.02         | 0.044       |
| 130    | 31391-34380 | SCREW               | 2    |       |     |         | 0.007        | 0.0154      |
| 140    | 31301-34313 | ASSY LIGHT COMBI.LH | 1    |       |     |         | 0.54         | 1.188       |
| 150    | 31301-34330 | BODY LH             | 1    |       |     |         | 0.21         | 0.462       |
| 160    | 31301-34340 | LENS                | 1    |       |     |         | 0.105        | 0.231       |
| 170    | 31391-34350 | GASKET              | 1    |       |     |         | 0.002        | 0.0044      |
| 180    | 31391-34360 | BULB                | 1    |       |     | 23W     | 0.018        | 0.0396      |
| 190    | 31301-34370 | BULB                | 1    |       |     | 23W/8W  | 0.02         | 0.044       |
| 200    | 31391-34380 | SCREW               | 2    |       |     |         | 0.007        | 0.0154      |



3A211-010-13



080 3A011-7722-4



3A271-802-10

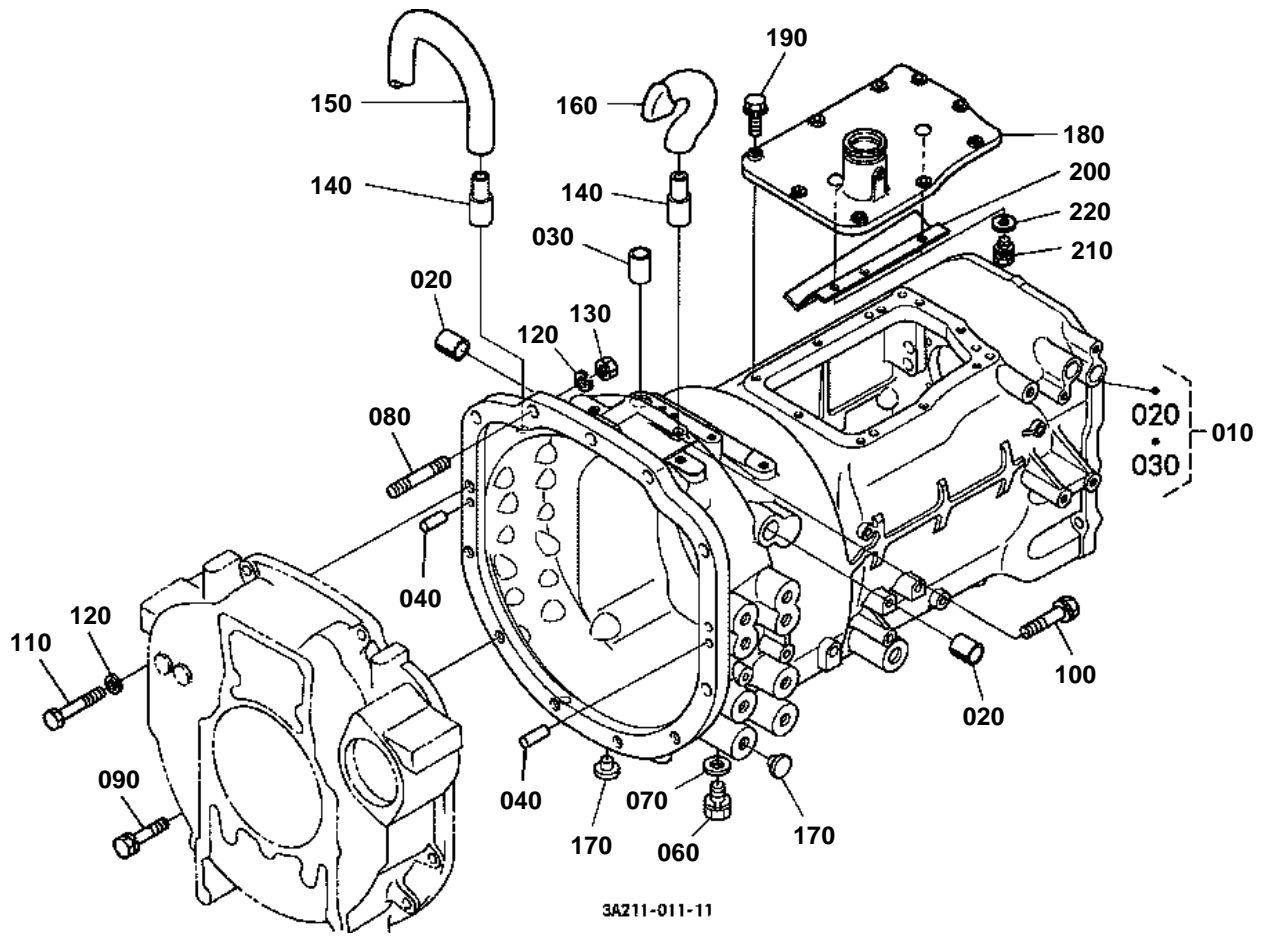


# ELECTRICAL WIRING

↔ Interchangeable; ≠ not interchangeable; ← new for old; → old for new

| REF.No | Part No.    | Description        | Q'ty | S.No.   | I/C | REMARKS | Weight (kgf) | Weight (lb) |
|--------|-------------|--------------------|------|---------|-----|---------|--------------|-------------|
| 010    | 3A211-77212 | WIRE HARNESS       | 1    |         |     |         | 1.385        | 3.047       |
| 020    | 99999-99999 | BLANK              | 0    |         |     |         | 0            | 0           |
| 030    | 3A211-77350 | CASE FUSE          | 1    |         |     |         | 0            | 0           |
| 040    | 3A211-77370 | COVER FUSE CASE    | 1    |         |     |         | 0            | 0           |
| 050    | 36730-75550 | FUSE AUTO          | 3    |         |     | 10A     | 0.001        | 0.0022      |
| 060    | 35820-75560 | FUSE AUTO          | 4    |         |     | 15A     | 0.002        | 0.0044      |
| 070    | 35080-34530 | FUSE               | 1    |         |     | 50A     | 0.015        | 0.033       |
| 080    | 3A011-77224 | WIRE HARNESS       | 2    | <=10741 |     |         | 0.15         | 0.33        |
| 080    | 3A211-77220 | WIRE HARNESS       | 2    | >=10742 | ?   |         | 0            | 0           |
| 090    | 3A011-77300 | WIRE HARNESS EARTH | 2    |         |     |         | 0.008        | 0.0176      |
| 100    | 03034-50616 | SCREW WITH WASHER  | 2    |         |     |         | 0.006        | 0.0132      |
| 105    | 01125-60820 | BOLT               | 1    |         |     |         | 0.015        | 0.033       |
| 110    | 55311-41260 | BAND CORD          | 3    |         |     |         | 0.007        | 0.0154      |
| 120    | 53581-64150 | BAND CORD          | 4    |         |     |         | 0.002        | 0.0044      |
| 130    | 13824-67590 | CLAMP CORD         | 1    |         |     |         | 0.002        | 0.0044      |
| 140    | 35340-29380 | CLAMP CORD         | 3    |         |     |         | 0.01         | 0.022       |

# CLUTCH HOUSING



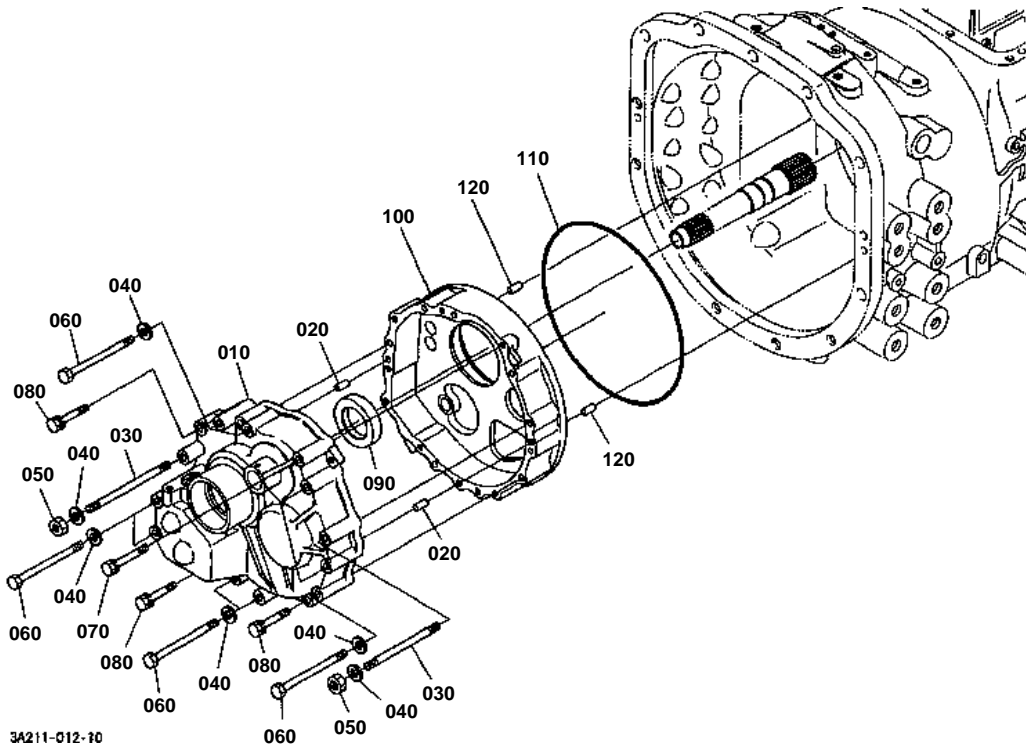


# CLUTCH HOUSING

↔ Interchangeable; ≠ not interchangeable; ← new for old; → old for new

| REF.No | Part No.    | Description         | Q'ty | S.No.   | I/C | REMARKS | Weight (kgf) | Weight (lb) |
|--------|-------------|---------------------|------|---------|-----|---------|--------------|-------------|
| 010    | 3A211-21100 | ASSY HOUSING CLUTCH | 1    | <=10637 |     |         | 78           | 171.6       |
| 010    | 3A211-21102 | ASSY HOUSING CLUTCH | 1    | >=10638 | ?   |         | 0            | 0           |
| 020    | 08511-02225 | BUSH                | 2    |         |     |         | 0.02         | 0.044       |
| 030    | 08511-02030 | BUSH                | 1    |         |     |         | 0.02         | 0.044       |
| 040    | 05012-01020 | PIN STRAIGHT        | 2    |         |     |         | 0.02         | 0.044       |
| 050    | 99999-99999 | BLANK               | 0    |         |     |         | 0            | 0           |
| 060    | 06331-35012 | PLUG                | 1    | <=10594 |     |         | 0.022        | 0.0484      |
| 060    | 01133-51225 | BOLT                | 1    | >=10595 | ?   |         | 0.038        | 0.0836      |
| 070    | 04717-01200 | WASHER WITH RUBBER  | 1    | <=10594 |     |         | 0.002        | 0.0044      |
| 070    | 04013-60120 | WASHER PLAIN        | 1    | >=10595 | ?   |         | 0.01         | 0.022       |
| 080    | 01574-61235 | STUD                | 2    |         |     |         | 0.04         | 0.088       |
| 090    | 01133-51240 | BOLT                | 8    |         |     |         | 0.05         | 0.11        |
| 100    | 01133-51245 | BOLT                | 1    |         |     |         | 0.055        | 0.121       |
| 110    | 01173-51280 | BOLT                | 1    |         |     |         | 0.1          | 0.22        |
| 120    | 04512-60120 | WASHER SPRING       | 3    |         |     |         | 0.005        | 0.011       |
| 130    | 02176-50120 | NUT                 | 2    |         |     |         | 0.01         | 0.022       |
| 140    | 3A751-21630 | PIPE BREATHER       | 2    | <=10827 |     |         | 0.01         | 0.022       |
| 140    | 3A751-21632 | PIPE BREATHER       | 2    | >=10828 | ?   |         | 0.01         | 0.022       |
| 150    | 36330-21200 | PIPE BREATHER       | 1    |         |     |         | 0.05         | 0.11        |
| 160    | 33740-21620 | BREATHER            | 1    |         |     |         | 0.005        | 0.011       |
| 170    | 33300-90910 | PLUG                | 18   |         |     |         | 0.002        | 0.0044      |
| 180    | 3A011-21254 | COVER HOUSING UPPER | 1    |         |     |         | 2.8          | 6.16        |
| 190    | 01123-50825 | BOLT                | 9    |         |     |         | 0.013        | 0.0286      |
| 200    | 3A111-21292 | PLATE OIL GUIDE     | 1    |         |     |         | 0            | 0           |
| 210    | 01023-50612 | BOLT                | 2    |         |     |         | 0.005        | 0.011       |
| 220    | 04013-60060 | WASHER PLAIN        | 2    |         |     |         | 0.001        | 0.0022      |

# SHUTTLE GEAR CASE



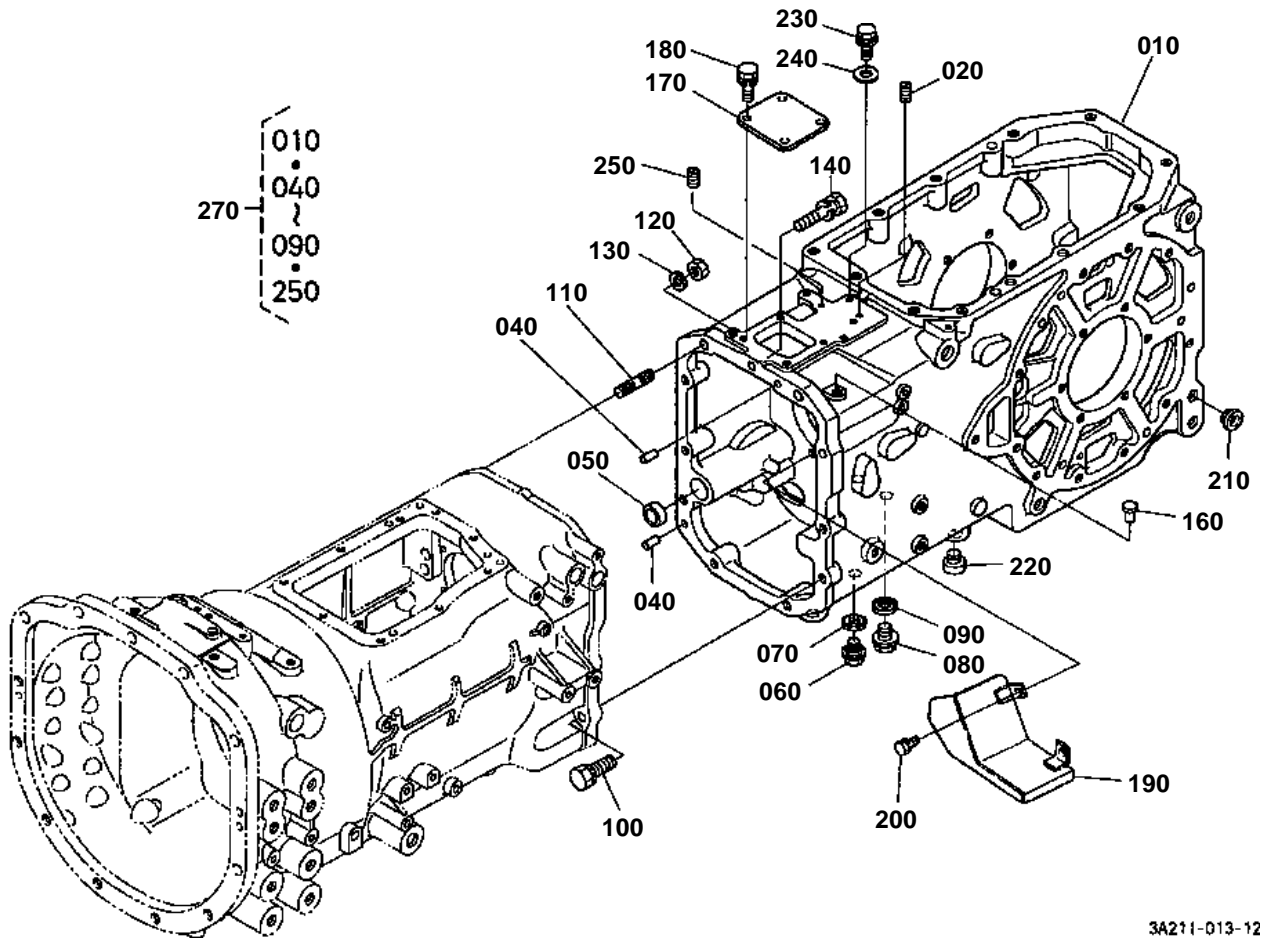


## SHUTTLE GEAR CASE

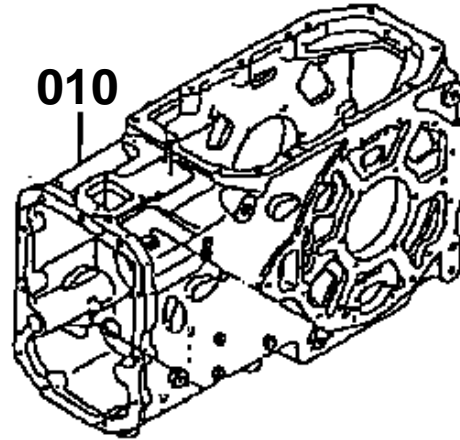
↔ Interchangeable; ≠ not interchangeable; ← new for old; → old for new

| REF.No | Part No.    | Description       | Q'ty | S.No.   | I/C | REMARKS | Weight (kgf) | Weight (lb) |
|--------|-------------|-------------------|------|---------|-----|---------|--------------|-------------|
| 010    | 3A211-24610 | CASE GEAR SHUTTLE | 1    | <=10803 |     |         | 8            | 17.6        |
| 010    | 3A211-24613 | CASE GEAR SHUTTLE | 1    | >=10804 | ?   |         | 8            | 17.6        |
| 020    | 05012-00818 | PIN STRAIGHT      | 2    |         |     |         | 0.008        | 0.0176      |
| 030    | 32400-99450 | STUD              | 2    |         |     |         | 0.05         | 0.11        |
| 040    | 04512-60080 | WASHER SPRING     | 9    |         |     |         | 0.002        | 0.0044      |
| 050    | 02156-50080 | NUT               | 2    |         |     |         | 0.004        | 0.0088      |
| 060    | 01156-50804 | BOLT              | 7    |         |     |         | 0.04         | 0.088       |
| 070    | 01128-50865 | BOLT              | 3    |         |     |         | 0.027        | 0.0594      |
| 080    | 01128-50850 | BOLT              | 3    |         |     |         | 0.115        | 0.253       |
| 090    | 3A211-24650 | SEAL OIL          | 1    |         |     |         | 0.03         | 0.066       |
| 100    | 3A211-24660 | CASE GEAR SHUTTLE | 1    |         |     |         | 8.2          | 18.04       |
| 110    | 3A011-24620 | O RING            | 1    |         |     |         | 0.007        | 0.0154      |
| 120    | 05012-00818 | PIN STRAIGHT      | 2    |         |     |         | 0.008        | 0.0176      |

TRANSMISSION CASE



010 3A211-2131-0



020 04717-00600

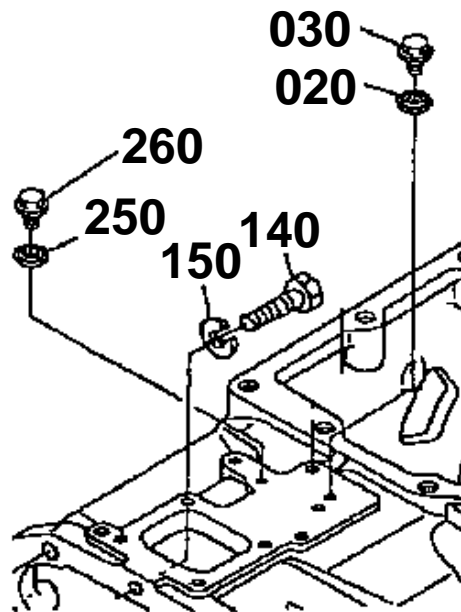
030 01754-50610

140 01176-51040

150 04512-60100

250 04717-00600

260 01754-50610



3A061-808-10



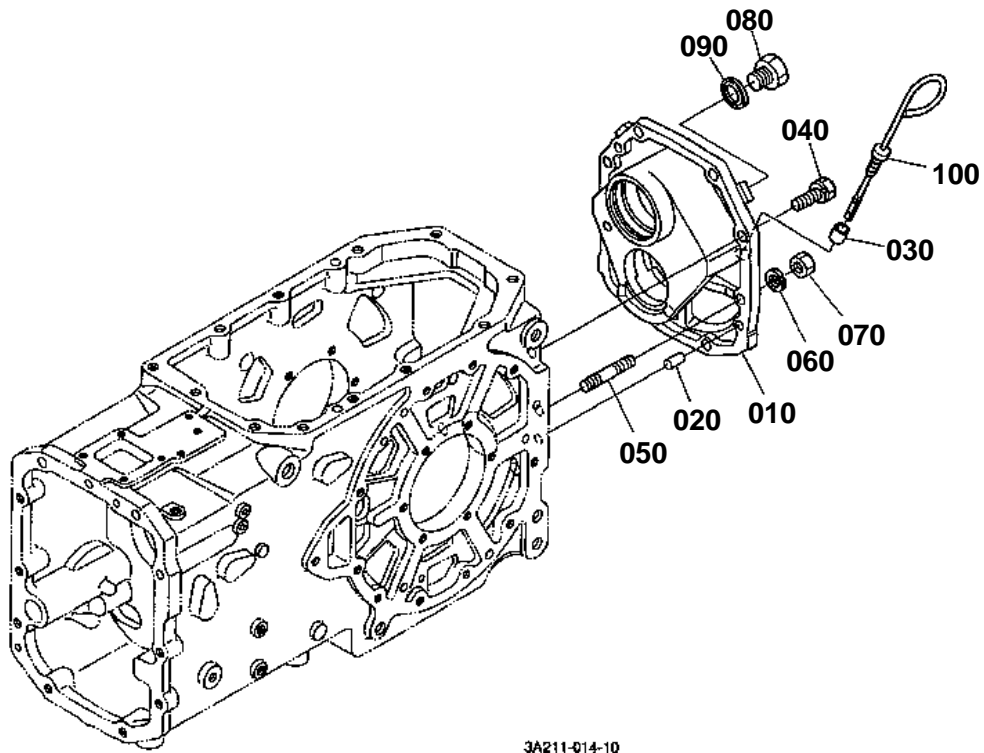


## TRANSMISSION CASE

↔ Interchangeable; ≠ not interchangeable; ← new for old; → old for new

| REF.No | Part No.    | Description           | Q'ty | S.No.  | I/C | REMARKS                         | Weight (kgf) | Weight (lb) |
|--------|-------------|-----------------------|------|--------|-----|---------------------------------|--------------|-------------|
| 010    | 3A211-21310 | CASE<br>TRANSMISSION  | 1    | ≤10657 |     | NOT SALE ORDER BY<br>REF.No.270 | 83           | 182.6       |
| 010    | 3A211-21312 | CASE<br>TRANSMISSION  | 1    | ≥10658 | ?   |                                 | 83           | 182.6       |
| 020    | 04717-00600 | WASHER WITH<br>RUBBER | 1    | ≤10741 |     |                                 | 0.001        | 0.0022      |
| 020    | 03651-50608 | SCREW SET             | 1    | ≥10742 | ?   |                                 | 0.001        | 0.0022      |
| 030    | 01754-50610 | BOLT FLANGE           | 1    | ≤10741 |     |                                 | 0.006        | 0.0132      |
| 040    | 05012-01018 | PIN STRAIGHT          | 2    |        |     |                                 | 0.012        | 0.0264      |
| 050    | 06311-85028 | CAP SEALING           | 1    |        |     |                                 | 0.012        | 0.0264      |
| 060    | 06331-35020 | PLUG                  | 1    |        |     |                                 | 0.068        | 0.1496      |
| 070    | 04717-02000 | WASHER WITH<br>RUBBER | 1    |        |     |                                 | 0.004        | 0.0088      |
| 080    | 06331-45016 | PLUG                  | 1    |        |     |                                 | 0.05         | 0.11        |
| 090    | 04717-01600 | WASHER WITH<br>RUBBER | 1    |        |     |                                 | 0.003        | 0.0066      |
| 100    | 01133-51240 | BOLT                  | 6    |        |     |                                 | 0.05         | 0.11        |
| 110    | 3A111-21330 | STUD                  | 4    |        |     |                                 | 0.045        | 0.099       |
| 110    | 35340-14182 | STUD                  | 4    |        | ?   |                                 | 0.05         | 0.11        |
| 120    | 35340-27360 | NUT                   | 4    |        |     |                                 | 0.015        | 0.033       |
| 130    | 04512-60120 | WASHER SPRING         | 4    |        |     |                                 | 0.005        | 0.011       |
| 140    | 01176-51040 | BOLT                  | 1    | ≤10633 |     |                                 | 0.03         | 0.066       |
| 140    | 01138-51040 | BOLT                  | 1    | ≥10634 | ?   |                                 | 0            | 0           |
| 150    | 04512-60100 | WASHER SPRING         | 1    | ≤10633 |     |                                 | 0.002        | 0.0044      |
| 160    | 35820-21520 | PLUG                  | 1    |        |     |                                 | 0.004        | 0.0088      |
| 170    | 3A011-21340 | COVER CASE UPPER      | 1    |        |     |                                 | 0.325        | 0.715       |
| 180    | 01123-50820 | BOLT                  | 4    |        |     |                                 | 0.011        | 0.0242      |
| 190    | 3A111-21380 | COVER SUCTION         | 1    |        |     |                                 | 0.225        | 0.495       |
| 200    | 01123-50816 | BOLT                  | 2    |        |     |                                 | 0            | 0           |
| 210    | 33300-90910 | PLUG                  | 4    |        |     |                                 | 0.002        | 0.0044      |
| 220    | 31220-14290 | PLUG                  | 4    |        |     |                                 | 0.002        | 0.0044      |
| 230    | 01754-50812 | BOLT FLANGE           | 1    |        |     |                                 | 0.01         | 0.022       |
| 240    | 04013-60080 | WASHER PLAIN          | 1    |        |     |                                 | 0.002        | 0.0044      |
| 250    | 04717-00600 | WASHER WITH<br>RUBBER | 1    | ≥10658 |     |                                 | 0.001        | 0.0022      |
| 250    | 03651-50608 | SCREW SET             | 1    | ≥10742 | ?   |                                 | 0.001        | 0.0022      |
| 260    | 01754-50610 | BOLT FLANGE           | 1    | ≥10658 |     |                                 | 0.006        | 0.0132      |
| 260    | 01754-50610 | BOLT FLANGE           | 1    | ≤10741 |     |                                 | 0.006        | 0.0132      |
| 270    | 3A211-97060 | KIT CASE T/M          | 1    | ≤10657 |     |                                 | 0            | 0           |

TRANSMISSION CASE REAR COVER



3A211-014-10

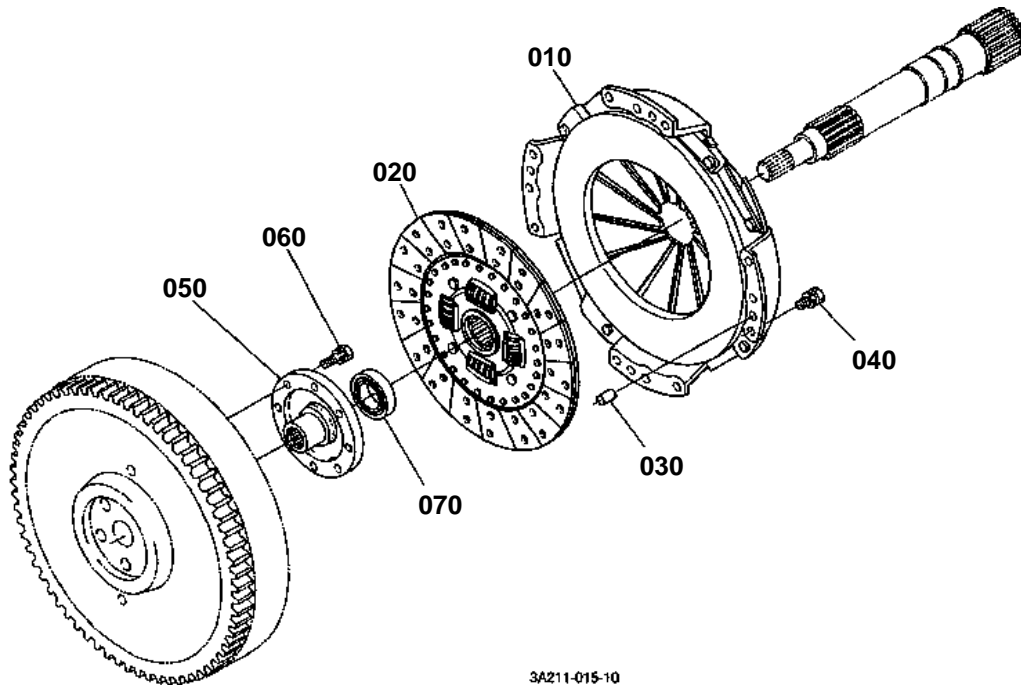


## TRANSMISSION CASE REAR COVER

↔ Interchangeable; ≠ not interchangeable; ← new for old; → old for new

| REF.No | Part No.    | Description        | Q'ty | S.No. | I/C | REMARKS | Weight (kgf) | Weight (lb) |
|--------|-------------|--------------------|------|-------|-----|---------|--------------|-------------|
| 010    | 3A211-21410 | CASE GEAR          | 1    |       |     |         | 10           | 22          |
| 020    | 05012-01018 | PIN STRAIGHT       | 2    |       |     |         | 0.012        | 0.0264      |
| 030    | 33960-21520 | GUIDE OIL GAUGE    | 1    |       |     |         | 0.01         | 0.022       |
| 040    | 01133-51240 | BOLT               | 6    |       |     |         | 0.05         | 0.11        |
| 050    | 01574-61235 | STUD               | 2    |       |     |         | 0.04         | 0.088       |
| 060    | 04512-60120 | WASHER SPRING      | 2    |       |     |         | 0.005        | 0.011       |
| 070    | 02174-50120 | NUT                | 2    |       |     |         | 0.01         | 0.022       |
| 080    | 15512-96010 | PLUG DRAIN         | 1    |       |     |         | 0.101        | 0.2222      |
| 090    | 04717-02150 | WASHER WITH RUBBER | 1    |       |     |         | 0.004        | 0.0088      |
| 100    | 3A211-21510 | GAUGE OIL          | 1    |       |     |         | 0.025        | 0.055       |

CLUTCH



3A211-015-10

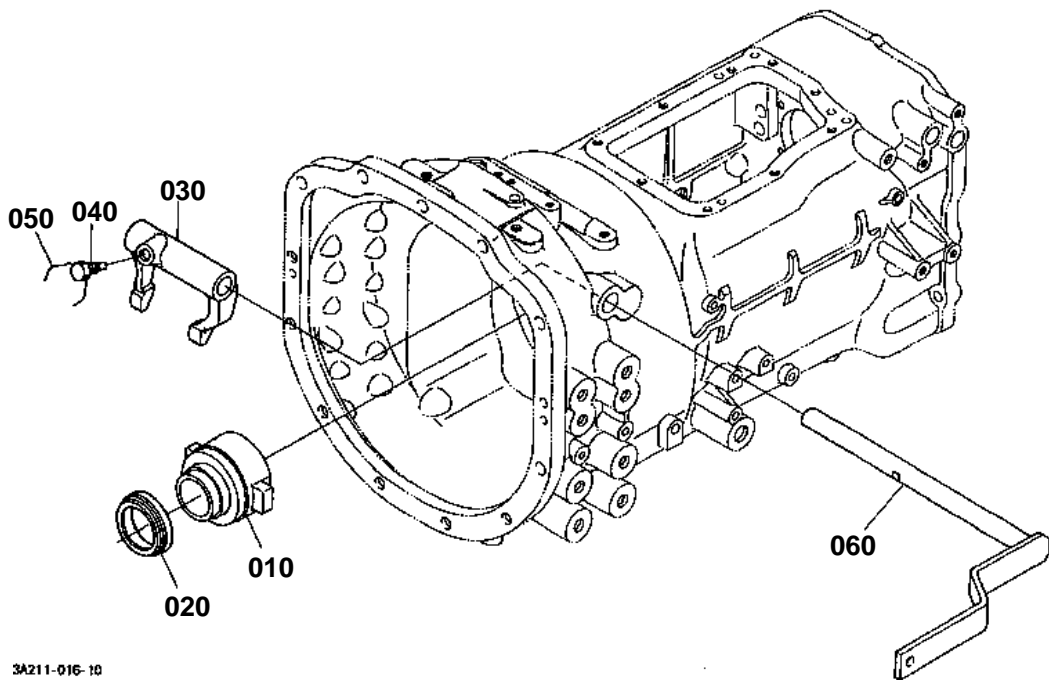


# CLUTCH

↔ Interchangeable; ≠ not interchangeable; ← new for old; → old for new

| REF.No | Part No.    | Description       | Q'ty | S.No.   | I/C | REMARKS | Weight (kgf) | Weight (lb) |
|--------|-------------|-------------------|------|---------|-----|---------|--------------|-------------|
| 010    | 3A011-25110 | ASSY COVER CLUTCH | 1    |         |     |         | 9.5          | 20.9        |
| 020    | 3G700-25130 | ASSY DISK CLUTCH  | 1    |         |     |         | 2.34         | 5.148       |
| 030    | 05012-01018 | PIN STRAIGHT      | 2    |         |     |         | 0.012        | 0.0264      |
| 040    | 01123-50820 | BOLT              | 12   |         |     |         | 0.011        | 0.0242      |
| 050    | 3A011-25510 | BOSS SPLINE       | 1    |         |     |         | 0.895        | 1.969       |
| 060    | 01123-50830 | BOLT              | 8    |         |     |         | 0.015        | 0.033       |
| 070    | 08141-06007 | BEARING BALL      | 1    | <=10681 |     |         | 0.183        | 0.4026      |
| 070    | 3F740-25250 | BEARING BALL      | 1    | >=10682 | ?   |         | 0.15         | 0.33        |

CLUTCH RELEASE FORK



3A211-016-10

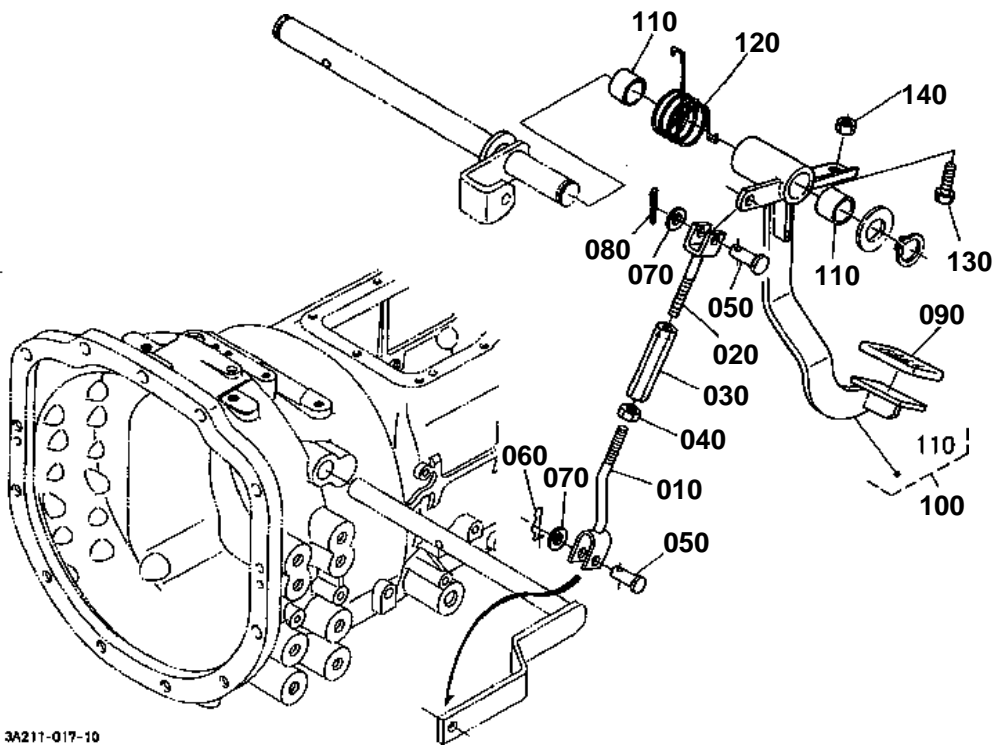


## CLUTCH RELEASE FORK

↔ Interchangeable; ≠ not interchangeable; ← new for old; → old for new

| REF.No | Part No.    | Description          | Q'ty | S.No. | I/C | REMARKS | Weight (kgf) | Weight (lb) |
|--------|-------------|----------------------|------|-------|-----|---------|--------------|-------------|
| 010    | 3A211-26310 | HUB CLUTCH RELEASE   | 1    |       |     |         | 1.07         | 2.354       |
| 020    | TA040-20700 | BEARING RELEASE      | 1    |       |     |         | 0.28         | 0.616       |
| 030    | 3A211-26190 | FORK CLUTCH RELEASE  | 1    |       |     |         | 0.975        | 2.145       |
| 040    | 3A111-26350 | BOLT SET             | 1    |       |     |         | 0.045        | 0.099       |
| 050    | 99999-99999 | WIRE                 | 1    |       |     |         | 0            | 0           |
| 060    | 3A211-26210 | LEVER CLUTCH RELEASE | 1    |       |     |         | 1.53         | 3.366       |

CLUTCH PEDAL



3A211-017-10



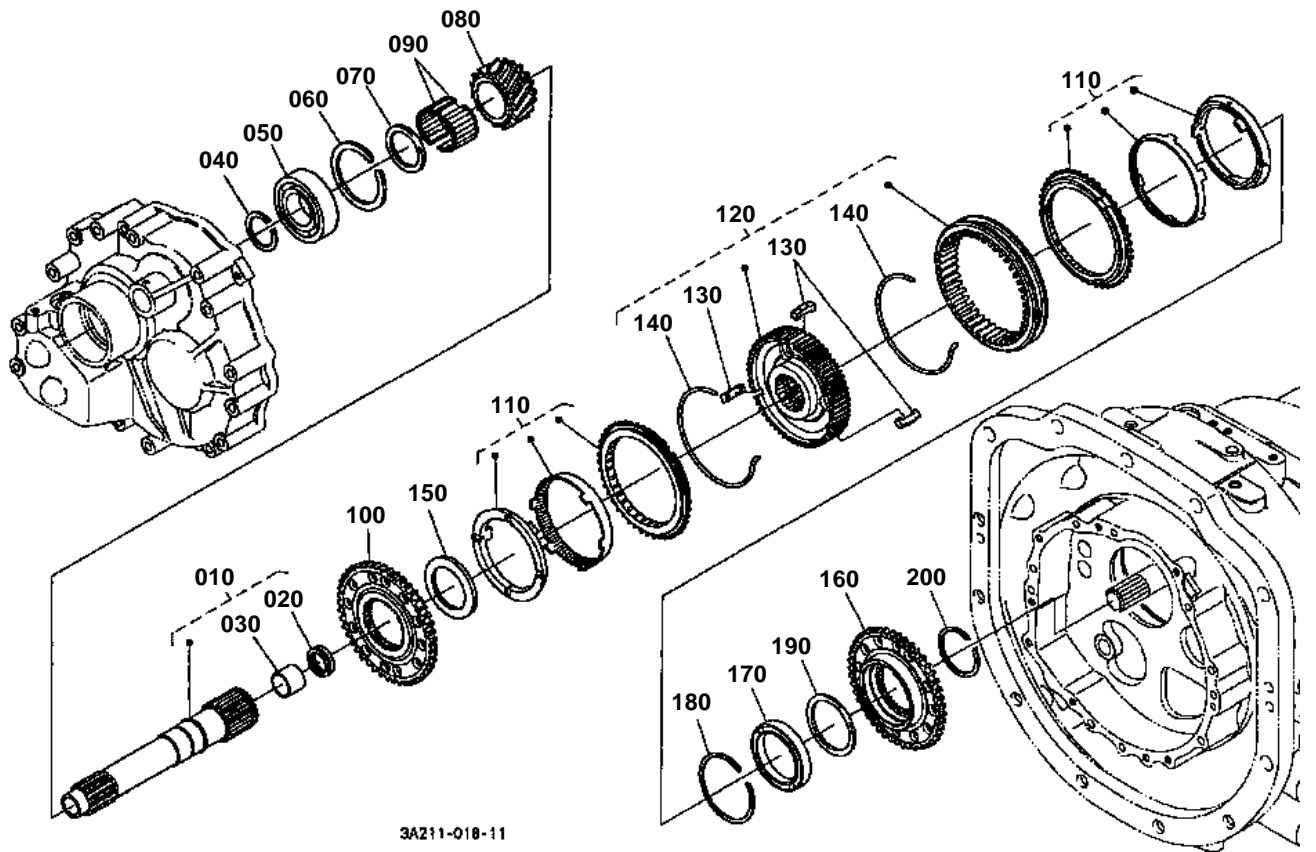


## CLUTCH PEDAL

↔ Interchangeable; ≠ not interchangeable; ← new for old; → old for new

| REF.No | Part No.    | Description       | Q'ty | S.No. | I/C | REMARKS | Weight (kgf) | Weight (lb) |
|--------|-------------|-------------------|------|-------|-----|---------|--------------|-------------|
| 010    | 3A211-26230 | ROD CLUTCH        | 1    |       |     |         | 0.14         | 0.308       |
| 020    | 3A011-26240 | ROD CLUTCH        | 1    |       |     |         | 0.11         | 0.242       |
| 030    | 32350-28980 | TURNBUCKLE        | 1    |       |     |         | 0.124        | 0.2728      |
| 040    | 02176-50100 | NUT               | 1    |       |     |         | 0.005        | 0.011       |
| 050    | 38430-15790 | PIN JOINT         | 2    |       |     |         | 0.02         | 0.044       |
| 060    | 52300-34130 | PIN SNAP          | 1    |       |     |         | 0.004        | 0.0088      |
| 070    | 04013-60100 | WASHER PLAIN      | 2    |       |     |         | 0.004        | 0.0088      |
| 080    | 05511-50318 | PIN SPLIT         | 1    |       |     |         | 0.001        | 0.0022      |
| 090    | 37410-44120 | COVER PEDAL       | 1    |       |     |         | 0.08         | 0.176       |
| 100    | 3A211-26100 | ASSY PEDAL CLUTCH | 1    |       |     |         | 1.67         | 3.674       |
| 110    | 08511-02825 | BUSH              | 2    |       |     |         | 0.04         | 0.088       |
| 120    | 3A011-26150 | SPRING            | 1    |       |     |         | 0.115        | 0.253       |
| 130    | 01153-50835 | BOLT              | 1    |       |     |         | 0.016        | 0.0352      |
| 140    | 02116-50080 | NUT               | 1    |       |     |         | 0.003        | 0.0066      |

# INPUT SHAFT



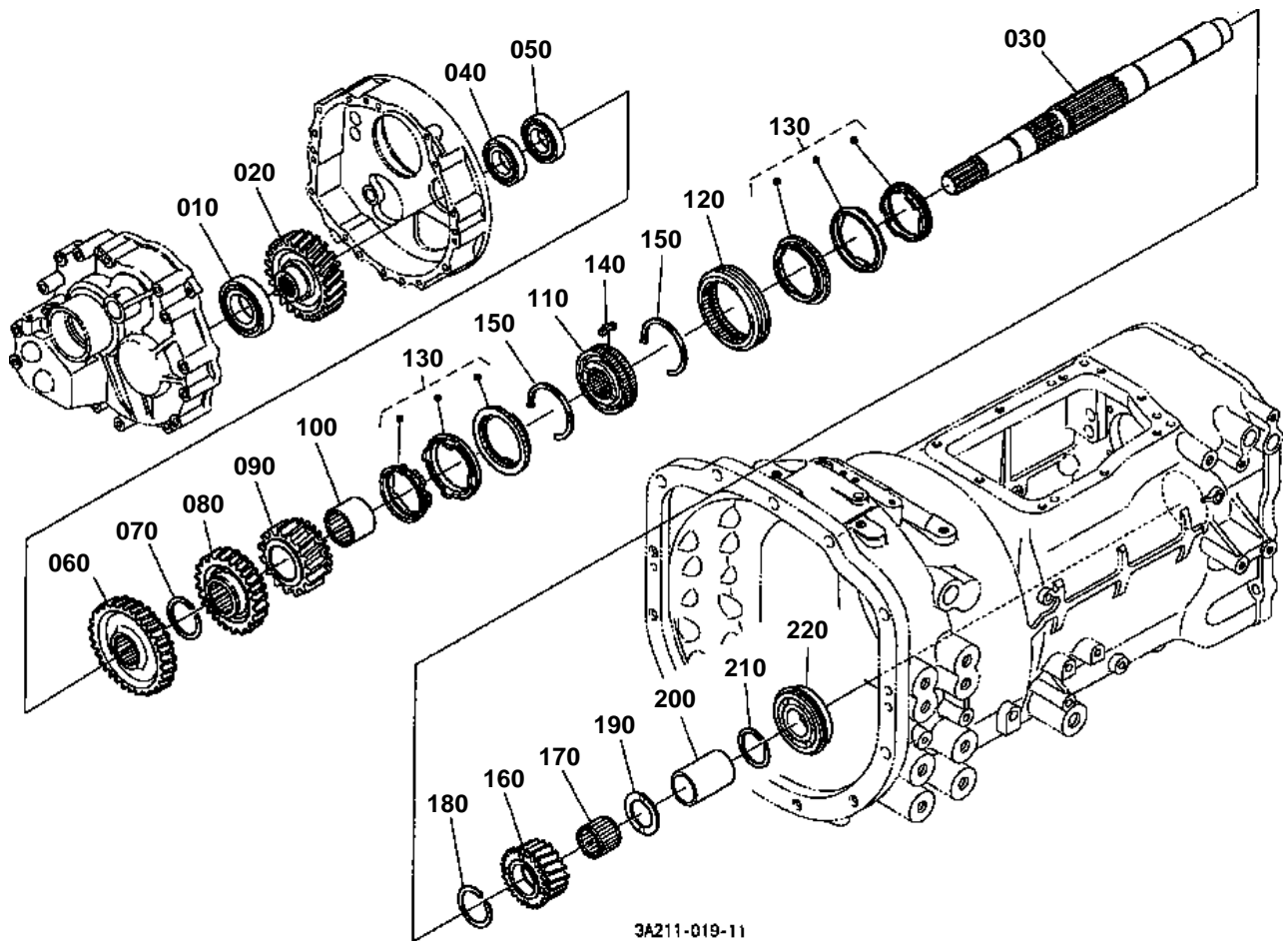


# INPUT SHAFT

↔ Interchangeable; ≠ not interchangeable; ← new for old; → old for new

| REF.No | Part No.    | Description         | Q'ty | S.No.   | I/C | REMARKS      | Weight (kgf) | Weight (lb) |
|--------|-------------|---------------------|------|---------|-----|--------------|--------------|-------------|
| 010    | 3A211-28200 | ASSY SHAFT INPUT    | 1    |         |     |              | 0            | 0           |
| 020    | 3A211-24330 | SEAL OIL            | 1    |         |     |              | 0.005        | 0.011       |
| 030    | 08511-02520 | BUSH                | 1    |         |     |              | 0.02         | 0.044       |
| 040    | 36730-28043 | CIR-CLIP EXTERNAL   | 1    |         |     |              | 0.009        | 0.0198      |
| 050    | 36602-23430 | BEARING BALL        | 1    |         |     |              | 0.3          | 0.66        |
| 060    | 04611-00800 | CIR CLIP INTERNAL   | 1    |         |     |              | 0.02         | 0.044       |
| 070    | 3A211-23420 | BEARING THRUST      | 1    |         |     |              | 0.013        | 0.0286      |
| 080    | 3A211-23330 | GEAR                | 1    | <=10464 |     | 20T NOT SALE | 0            | 0           |
| 080    | 3A211-23332 | GEAR                | 1    | >=10465 | ?   | 20T NOT SALE | 0            | 0           |
| 080    | 3A211-23333 | GEAR                | 1    | >=10754 | ?   | 20T          | 0.37         | 0.814       |
| 090    | 3A211-23230 | BEARING NEEDLE      | 1    |         |     |              | 0.055        | 0.121       |
| 100    | 3A211-23320 | HOLDER SYNCHRONIZER | 1    | <=10464 |     |              | 0            | 0           |
| 100    | 3A211-23322 | HOLDER SYNCHRONIZER | 1    | >=10465 | ?   |              | 0            | 0           |
| 110    | 3A211-23700 | ASSY SYNCHRO        | 2    |         |     |              | 0.46         | 1.012       |
| 120    | 3A211-23600 | ASSY COUPLING       | 1    |         |     |              | 1.15         | 2.53        |
| 130    | 3A211-23750 | KEY SYNCHRONIZER    | 3    |         |     |              | 0            | 0           |
| 140    | 33960-34840 | SPRING SYNCHRONIZER | 2    |         |     |              | 0.007        | 0.0154      |
| 150    | 3F740-30430 | NEEDOL THRUST       | 1    |         |     |              | 0.024        | 0.0528      |
| 160    | 3A211-23343 | HOLDER SYNCHRONIZER | 1    |         |     |              | 0            | 0           |
| 170    | 08101-06810 | BEARING BALL        | 1    |         |     |              | 0.05         | 0.11        |
| 180    | 3A211-23240 | CIR-CLIP INTERNAL   | 1    |         |     |              | 0.006        | 0.0132      |
| 190    | 3A211-23260 | COLLAR THRUST       | 1    |         |     | 2.0mm        | 0.01         | 0.022       |
| 200    | 3A211-23360 | CIR CLIP EXTERNAL   | 1    |         |     |              | 0.005        | 0.011       |

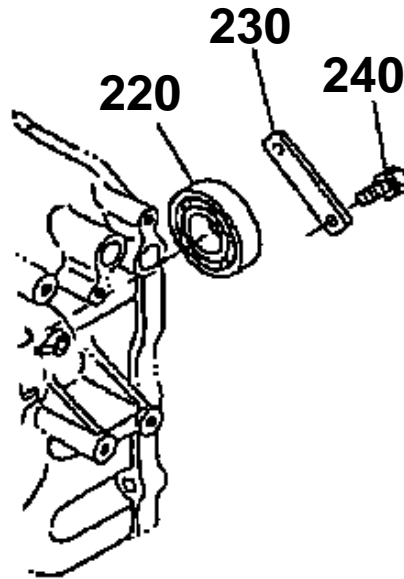
FIRST SHAFT



FIRST SHAFT

---

220 08101-06306  
230 3A011-2869-0  
240 01128-50825



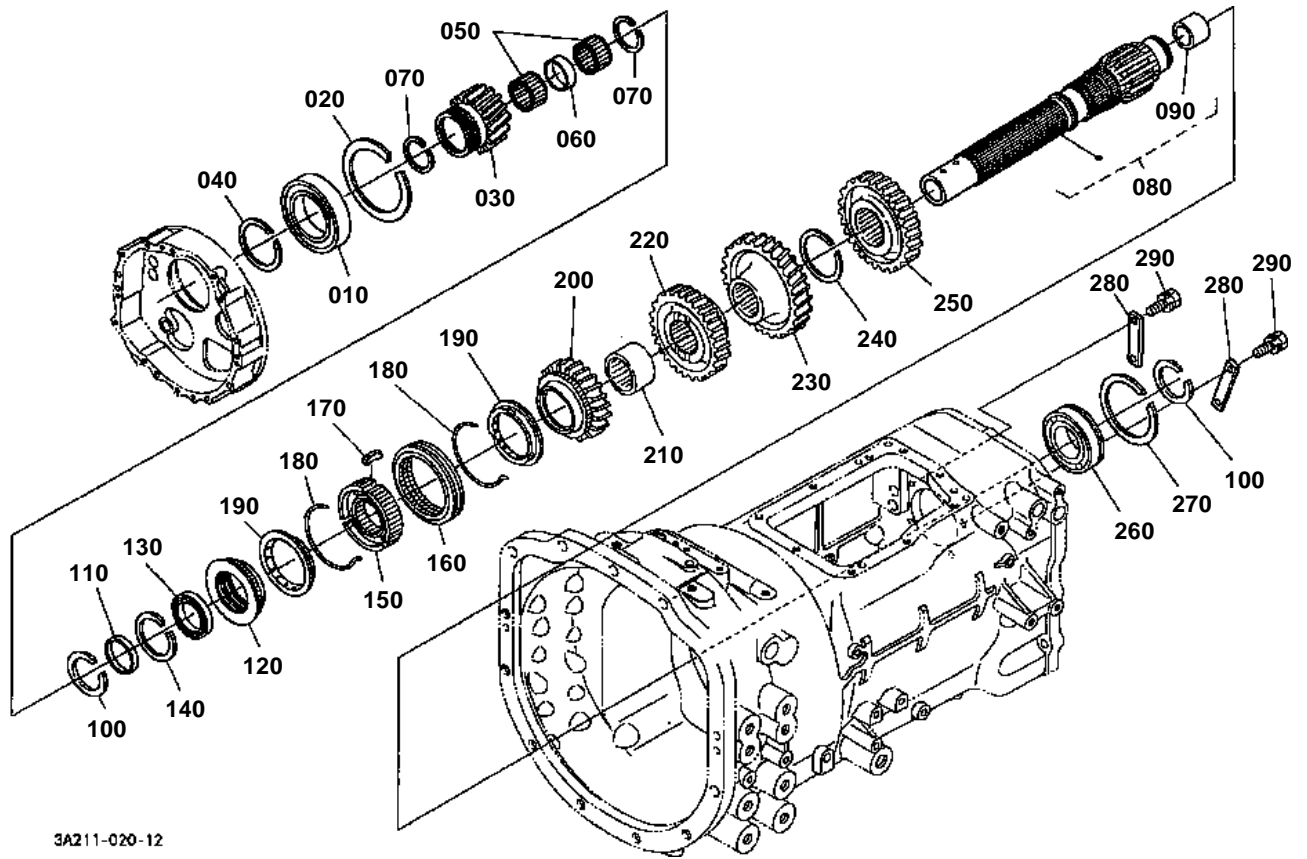
3A215-800-10

**FIRST SHAFT**

↔ Interchangeable; ≠ not interchangeable; ← new for old; → old for new

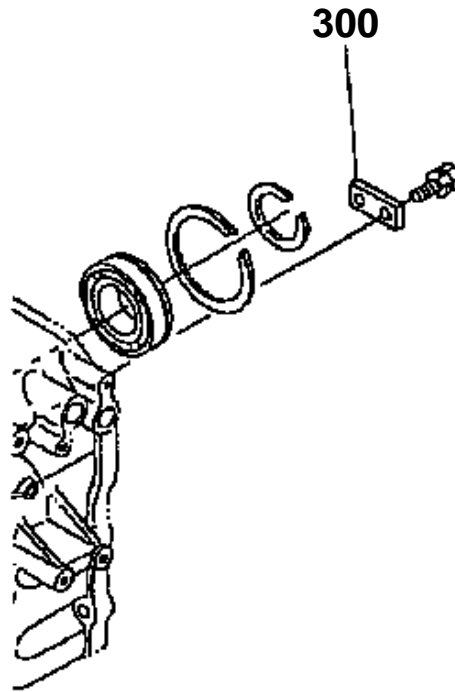
| REF.No | Part No.    | Description       | Q'ty | S.No.  | I/C | REMARKS  | Weight (kgf) | Weight (lb) |
|--------|-------------|-------------------|------|--------|-----|----------|--------------|-------------|
| 010    | 08101-06207 | BEARING BALL      | 1    |        |     |          | 0.282        | 0.6204      |
| 020    | 3A211-23390 | GEAR              | 1    |        |     | 31T      | 0.955        | 2.101       |
| 030    | 3A211-28060 | SHAFT             | 1    |        |     |          | 0            | 0           |
| 040    | 08131-06006 | BEARING BALL      | 1    |        |     |          | 0.116        | 0.2552      |
| 050    | 08101-06006 | BEARING BALL      | 1    |        |     |          | 0.13         | 0.286       |
| 060    | 3A211-30280 | GEAR              | 1    |        |     | 34T      | 0.815        | 1.793       |
| 070    | 36730-28043 | CIR-CLIP EXTERNAL | 1    |        |     |          | 0.009        | 0.0198      |
| 080    | 3A211-28230 | GEAR              | 1    |        |     | 25T      | 0.68         | 1.496       |
| 090    | 3A211-28220 | GEAR              | 1    |        |     | 17T      | 0.445        | 0.979       |
| 100    | 32530-21820 | RACE INNER        | 1    |        |     |          | 0.09         | 0.198       |
| 110    | 3A211-28450 | COUPLING          | 1    | ≤10633 |     | NOT SALE | 0            | 0           |
| 110    | 3A212-28450 | COUPLING          | 1    | ≥10634 | ?   |          | 0.29         | 0.638       |
| 120    | 34076-62253 | SHIFTER           | 1    |        |     |          | 0.235        | 0.517       |
| 130    | TA040-22460 | ASSY SYNCHRO      | 2    |        |     |          | 0.12         | 0.264       |
| 140    | 32430-21440 | KEY SYNCHRONIZER  | 3    |        |     |          | 0.004        | 0.0088      |
| 150    | 38360-21780 | SPRING            | 2    |        |     |          | 0.005        | 0.011       |
| 160    | 3A211-28210 | GEAR              | 1    |        |     | 19T      | 0.39         | 0.858       |
| 170    | 08823-74227 | BEARING NEEDLE    | 1    |        |     |          | 0.03         | 0.066       |
| 180    | 33740-23540 | CIR-CLIP NEEDLE   | 1    |        |     |          | 0.003        | 0.0066      |
| 190    | 36280-41150 | WASHER THRUST     | 1    |        |     | 3.0mm    | 0.04         | 0.088       |
| 200    | 3A011-28010 | COLLAR            | 1    |        |     | 73mm     | 0.35         | 0.77        |
| 210    | 33740-27292 | CIR CLIP EXTERNAL | 1    |        |     |          | 0.007        | 0.0154      |
| 220    | 08101-06306 | BEARING BALL      | 1    | ≤10637 |     |          | 0.335        | 0.737       |
| 220    | 08151-06306 | BEARING BALL      | 1    | ≥10638 | ?   |          | 0.36         | 0.792       |
| 230    | 3A011-28690 | RETAINER BEARING  | 1    | ≤10637 |     |          | 0.06         | 0.132       |
| 240    | 01123-50825 | BOLT              | 2    | ≤10594 |     |          | 0.013        | 0.0286      |
| 240    | 01128-50825 | BOLT              | 2    | ≥10595 | ?   |          | 0.15         | 0.33        |
| 240    | 01128-50825 | BOLT              | 2    | ≤10637 |     |          | 0.15         | 0.33        |

# SECOND SHAFT



3A211-020-12

300 3A211-2869-0



3A215-801-10

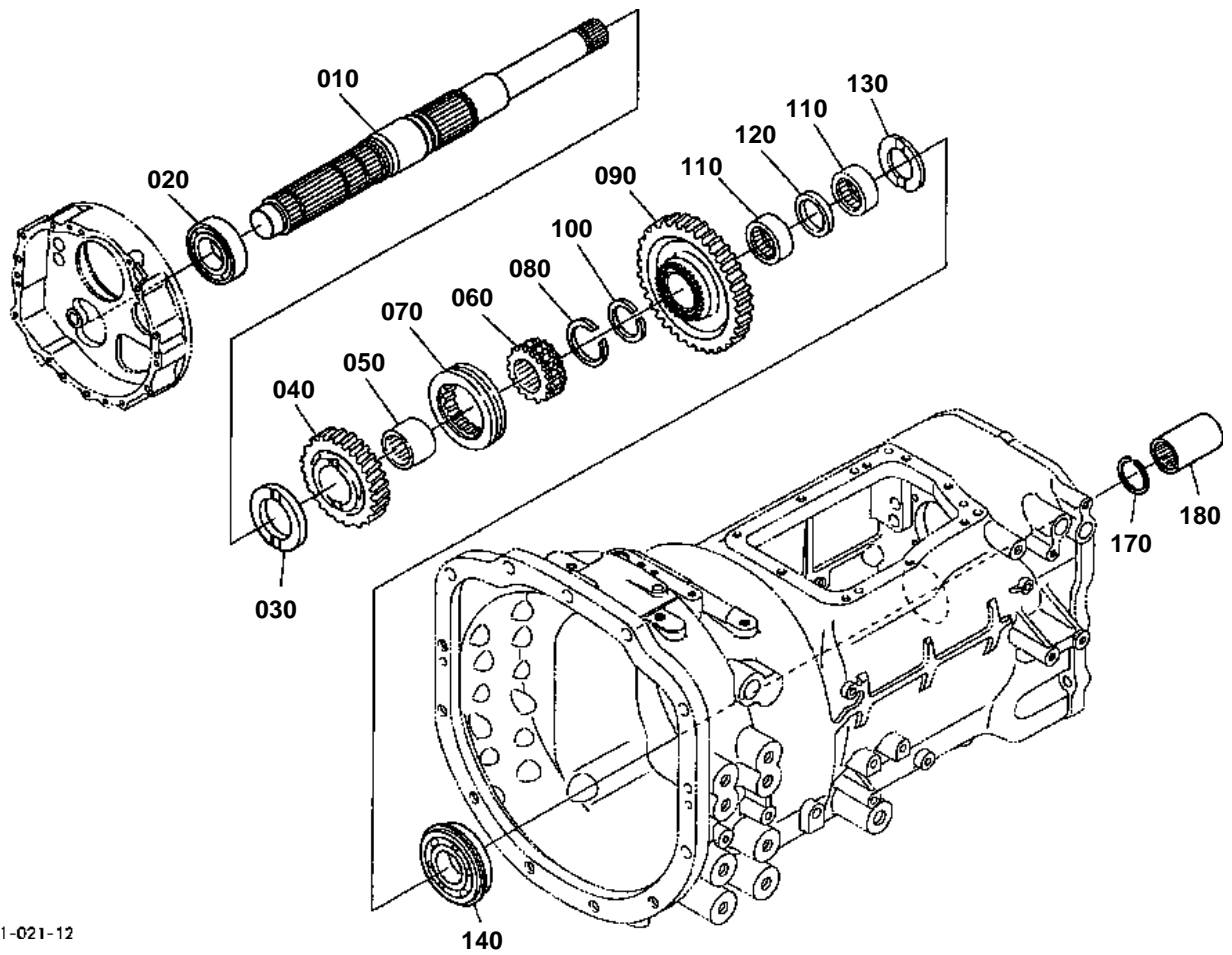


**SECOND SHAFT**

↔ Interchangeable; ≠ not interchangeable; ← new for old; → old for new

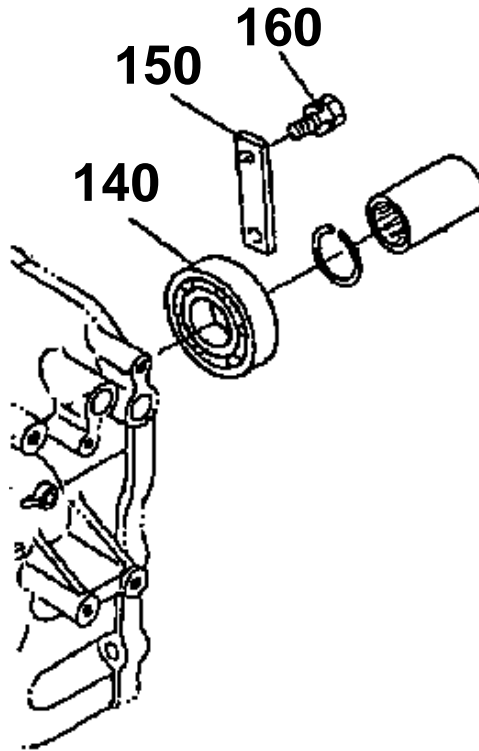
| REF.No | Part No.    | Description       | Q'ty | S.No.  | I/C | REMARKS        | Weight (kgf) | Weight (lb) |
|--------|-------------|-------------------|------|--------|-----|----------------|--------------|-------------|
| 010    | 08131-06211 | BEARING BALL      | 1    |        |     |                | 0            | 0           |
| 020    | 32751-28650 | CIR CLIP INTERNAL | 1    |        |     |                | 0.04         | 0.088       |
| 030    | 3A211-28240 | GEAR              | 1    |        |     | 21T            | 0.52         | 1.144       |
| 040    | 33740-24670 | CIR CLIP EXTERNAL | 1    |        |     |                | 0.015        | 0.033       |
| 050    | 3A151-28340 | BEARING NEEDLE    | 2    |        |     |                | 0.04         | 0.088       |
| 060    | 3A211-24770 | COLLAR            | 1    |        |     | 8.5mm          | 0.025        | 0.055       |
| 070    | 33860-17880 | CIR CLIP INTERNAL | 2    |        |     |                | 0.001        | 0.0022      |
| 080    | 3A251-28100 | ASSY GEAR-SHAFT   | 1    |        |     | 13T            | 0            | 0           |
| 090    | 08511-02520 | BUSH              | 1    |        |     |                | 0.02         | 0.044       |
| 100    | 36730-28043 | CIR-CLIP EXTERNAL | 2    |        |     |                | 0.009        | 0.0198      |
| 110    | 3A151-28420 | COLLAR            | 1    | ≤10803 |     | 5.8mm NOT SALE | 0            | 0           |
| 110    | 3A151-28422 | COLLAR            | 1    | ≥10804 | ?   | 5.8mm          | 0.014        | 0.0308      |
| 110    | 3A151-28430 | COLLAR            | 1    | ≤10633 |     | 5.9mm NOT SALE | 0            | 0           |
| 110    | 3A151-28440 | COLLAR            | 1    | ≥10634 | ?   | 6.2mm NOT SALE | 0.015        | 0.033       |
| 110    | 3A151-28442 | COLLAR            | 1    | ≥10804 | ?   | 6.2mm          | 0.015        | 0.033       |
| 110    | 3A151-28413 | COLLAR            | 1    | ≤10803 |     | 6.0mm NOT SALE | 0            | 0           |
| 110    | 3A151-28414 | COLLAR            | 1    | ≥10804 | ?   | 6.0mm          | 0.015        | 0.033       |
| 120    | 3A012-28410 | RING SYNCHRONIZER | 1    |        |     |                | 0.185        | 0.407       |
| 130    | 3A012-28550 | BEARING BALL      | 1    |        |     |                | 0.034        | 0.0748      |
| 140    | 36710-31410 | CIR CLIP INTERNAL | 1    |        |     |                | 0.08         | 0.176       |
| 150    | 3A012-28380 | COUPLING          | 1    |        |     |                | 0.24         | 0.528       |
| 160    | 3A012-28390 | SHIFTER           | 1    |        |     |                | 0.24         | 0.528       |
| 170    | 32430-21440 | KEY SYNCHRONIZER  | 3    |        |     |                | 0.004        | 0.0088      |
| 180    | 38360-21780 | SPRING            | 2    |        |     |                | 0.005        | 0.011       |
| 190    | 3F740-28450 | RING SYNCHRONIZER | 2    |        |     |                | 0.05         | 0.11        |
| 200    | 3A012-28280 | GEAR              | 1    |        |     | 23T            | 0.71         | 1.562       |
| 210    | 32530-21820 | RACE INNER        | 1    |        |     |                | 0.09         | 0.198       |
| 220    | 3A211-28270 | GEAR              | 1    |        |     | 24T            | 0.965        | 2.123       |
| 230    | 3A111-28260 | GEAR              | 1    |        |     | 36T            | 1.215        | 2.673       |
| 240    | 36730-28050 | CIR-CLIP EXTERNAL | 1    |        |     |                | 0.01         | 0.022       |
| 250    | 3A211-30290 | GEAR              | 1    |        |     | 24T            | 0.85         | 1.87        |
| 260    | 3A211-28810 | BEARING BALL      | 1    |        |     |                | 0            | 0           |
| 270    | 3A211-28820 | CIR CLIP EXTERNAL | 1    |        |     |                | 0            | 0           |
| 280    | 3A011-28690 | RETAINER BEARING  | 1    | ≤10637 |     |                | 0.06         | 0.132       |
| 280    | 3A011-28690 | RETAINER BEARING  | 2    | ≥10638 |     |                | 0.06         | 0.132       |
| 290    | 01123-50825 | BOLT              | 4    | ≤10594 |     |                | 0.013        | 0.0286      |
| 290    | 01128-50825 | BOLT              | 4    | ≥10595 | ?   |                | 0.15         | 0.33        |
| 300    | 3A211-28690 | RETAINER BEARING  | 1    | ≤10637 |     |                | 0            | 0           |

THIRD SHAFT [W/O CREEP]



3A211-021-12

140 36540-4113-0  
150 3A011-2869-0  
160 01128-50825



3A215-802-10

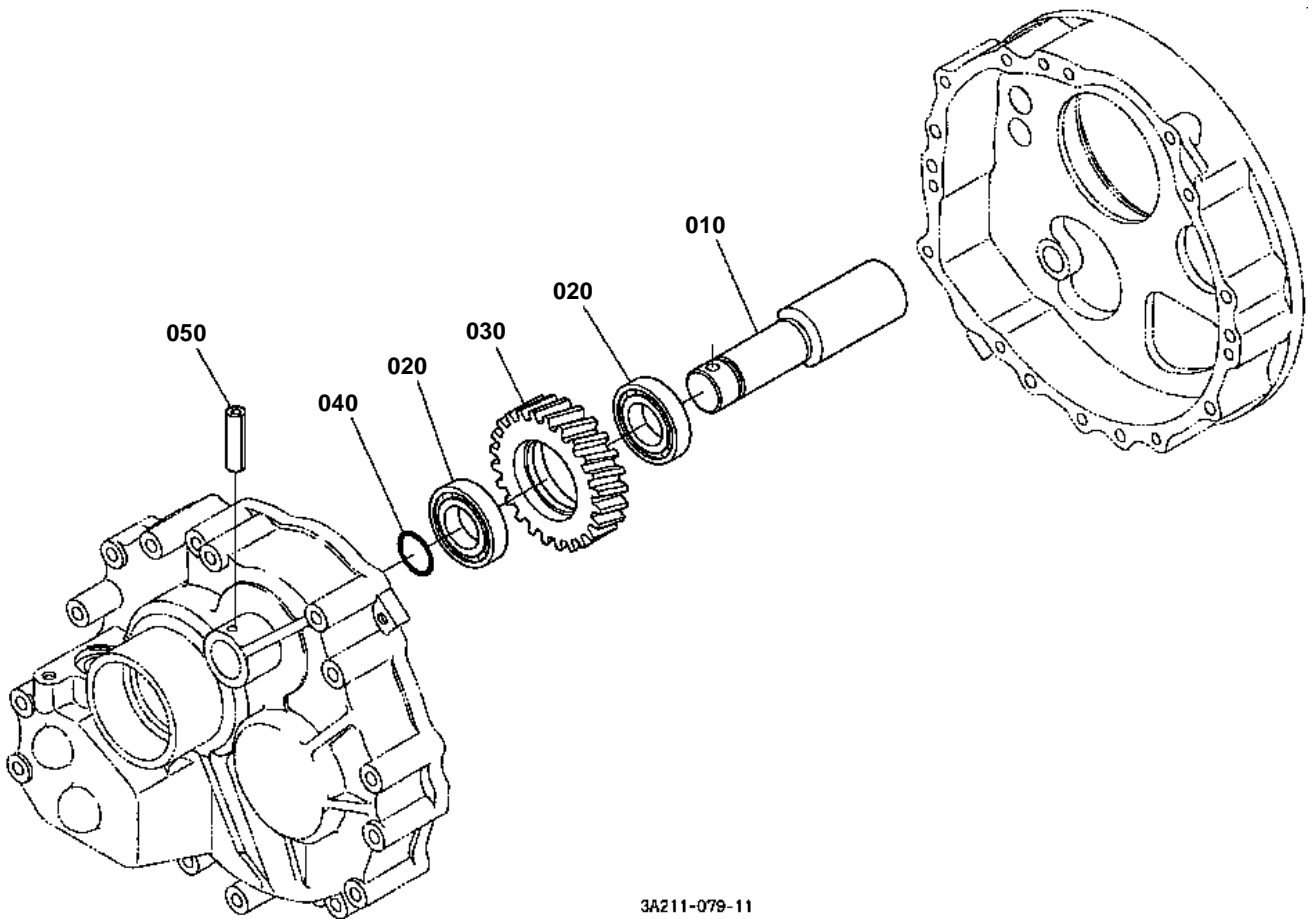


THIRD SHAFT [W/O CREEP]

↔ Interchangeable; ≠ not interchangeable; ← new for old; → old for new

| REF.No | Part No.    | Description       | Q'ty | S.No.   | I/C | REMARKS | Weight (kgf) | Weight (lb) |
|--------|-------------|-------------------|------|---------|-----|---------|--------------|-------------|
| 010    | 3A211-28160 | SHAFT             | 1    |         |     |         | 3.4          | 7.48        |
| 020    | 36540-41130 | BEARING BALL      | 1    |         |     |         | 0.34         | 0.748       |
| 030    | 3A211-28180 | SPACER            | 1    |         |     | 8.9mm   | 0.115        | 0.253       |
| 040    | 3A111-28290 | GEAR              | 1    |         |     | 21T     | 0.725        | 1.595       |
| 050    | 32530-21820 | RACE INNER        | 1    |         |     |         | 0.09         | 0.198       |
| 060    | 3A011-28460 | BOSS SPLINE       | 1    |         |     |         | 0.165        | 0.363       |
| 070    | 3A011-28470 | SHIFTER           | 1    |         |     |         | 0.275        | 0.605       |
| 080    | 36730-28043 | CIR-CLIP EXTERNAL | 1    |         |     |         | 0.009        | 0.0198      |
| 090    | 3A211-31230 | GEAR              | 1    |         |     | 41-19T  | 0            | 0           |
| 100    | 33740-23540 | CIR-CLIP NEEDLE   | 1    |         |     |         | 0.003        | 0.0066      |
| 110    | 3A011-28360 | BEARING NEEDLE    | 2    |         |     |         | 0.036        | 0.0792      |
| 120    | 3A211-28340 | COLLAR            | 1    |         |     | 8.0mm   | 0.014        | 0.0308      |
| 130    | 36330-28710 | COLLAR THRUST     | 1    |         |     | 3.0mm   | 0.03         | 0.066       |
| 140    | 36540-41130 | BEARING BALL      | 1    | <=10637 |     |         | 0.34         | 0.748       |
| 140    | 3A051-28300 | BEARING BALL      | 1    | >=10638 | ?   |         | 0            | 0           |
| 150    | 3A011-28690 | RETAINER BEARING  | 1    | <=10637 |     |         | 0.06         | 0.132       |
| 160    | 01123-50825 | BOLT              | 2    | <=10594 |     |         | 0.013        | 0.0286      |
| 160    | 01128-50825 | BOLT              | 2    | >=10595 | ?   |         | 0.15         | 0.33        |
| 160    | 01128-50825 | BOLT              | 2    | <=10637 |     |         | 0.15         | 0.33        |
| 170    | 38430-25540 | CIR CLIP EXTERNAL | 1    |         |     |         | 0.004        | 0.0088      |
| 180    | 32530-20690 | COUPLING          | 1    |         |     |         | 0.21         | 0.462       |

# BACK IDLE SHAFT



3A211-079-11

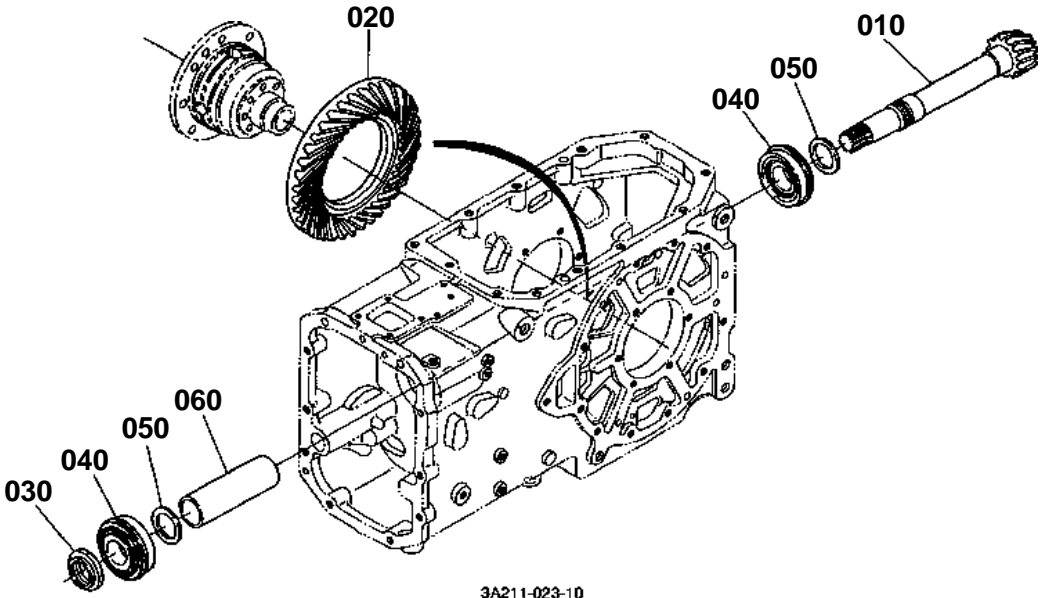


## BACK IDLE SHAFT

↔ Interchangeable; ≠ not interchangeable; ← new for old; → old for new

| REF.No | Part No.    | Description     | Q'ty | S.No. | I/C | REMARKS | Weight (kgf) | Weight (lb) |
|--------|-------------|-----------------|------|-------|-----|---------|--------------|-------------|
| 010    | 3A211-23450 | SHAFT BACK IDLE | 1    |       |     |         | 0.44         | 0.968       |
| 020    | 08101-06005 | BEARING BALL    | 2    |       |     |         | 0.08         | 0.176       |
| 030    | 3A211-23410 | GEAR            | 1    |       |     | 25T     | 0.505        | 1.111       |
| 040    | 04811-00210 | O RING          | 1    |       |     |         | 0.001        | 0.0022      |
| 040    | 04816-00210 | O RING          | 1    |       | ?   |         | 0.004        | 0.0088      |
| 050    | 05411-00640 | PIN SPRING      | 1    |       |     |         | 0.006        | 0.0132      |

BEVEL GEAR [OLD TYPE]



3A211-023-10

**BEVEL GEAR [OLD TYPE]**

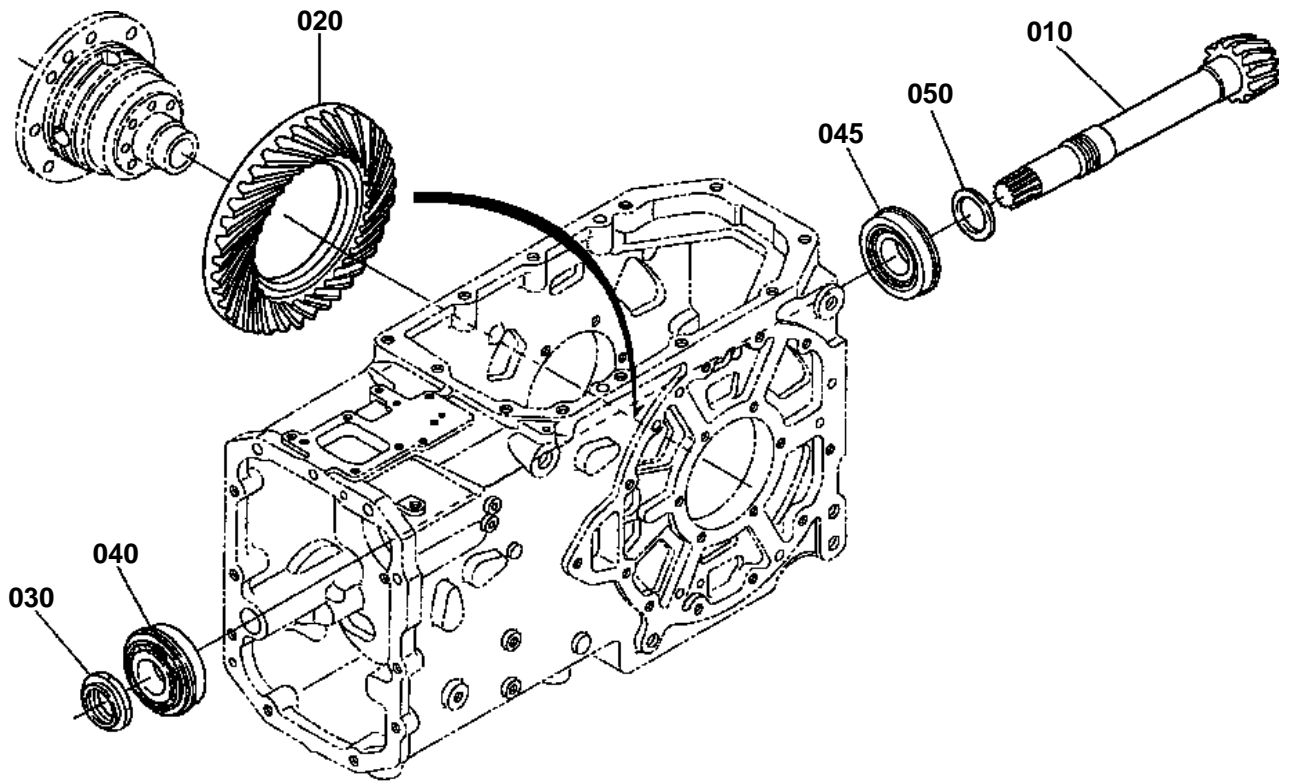
S.No.;&lt;=10741

↔ Interchangeable; ≠ not interchangeable; ← new for old; → old for new

| REF.No | Part No.    | Description          | Q'ty | S.No. | I/C | REMARKS | Weight (kgf) | Weight (lb) |
|--------|-------------|----------------------|------|-------|-----|---------|--------------|-------------|
| 010    | 3A111-32410 | SHAFT BEVEL GEAR     | 1    |       |     | 9T      | 3.3          | 7.26        |
| 020    | 3A211-32430 | GEAR BEVEL           | 1    |       |     | 39T     | 0            | 0           |
| 030    | 36330-32580 | NUT PINION SHAFT     | 1    |       |     |         | 0.08         | 0.176       |
| 040    | 36330-32570 | BEARING TAPER-ROLLER | 2    |       |     |         | 0.76         | 1.672       |
| 050    | 33251-32450 | COLLAR PINION ADJUST | 2    |       |     | 1.00mm  | 0.005        | 0.011       |
| 050    | 33251-32460 | COLLAR PINION ADJUST | 2    |       |     | 1.50mm  | 0.008        | 0.0176      |
| 050    | 33251-32470 | COLLAR PINION ADJUST | 2    |       |     | 1.70mm  | 0.009        | 0.0198      |
| 050    | 33251-32480 | COLLAR PINION ADJUST | 2    |       |     | 1.75mm  | 0.01         | 0.022       |
| 050    | 33251-32490 | COLLAR PINION ADJUST | 2    |       |     | 1.80mm  | 0.01         | 0.022       |
| 050    | 33251-32510 | COLLAR PINION ADJUST | 2    |       |     | 1.90mm  | 0.011        | 0.0242      |
| 050    | 33251-32520 | COLLAR PINION ADJUST | 2    |       |     | 2.00mm  | 0.011        | 0.0242      |
| 050    | 33251-32530 | COLLAR PINION ADJUST | 2    |       |     | 2.10mm  | 0.011        | 0.0242      |
| 050    | 33251-32540 | COLLAR PINION ADJUST | 2    |       |     | 2.20mm  | 0.011        | 0.0242      |
| 050    | 33251-32550 | COLLAR PINION ADJUST | 2    |       |     | 2.25mm  | 0.012        | 0.0264      |
| 050    | 33251-32560 | COLLAR PINION ADJUST | 2    |       |     | 2.30mm  | 0.012        | 0.0264      |
| 060    | 3A011-32440 | COLLAR               | 1    |       |     | 147mm   | 0.645        | 1.419       |



BEVEL GEAR [NEW TYPE]



3A211-023-11

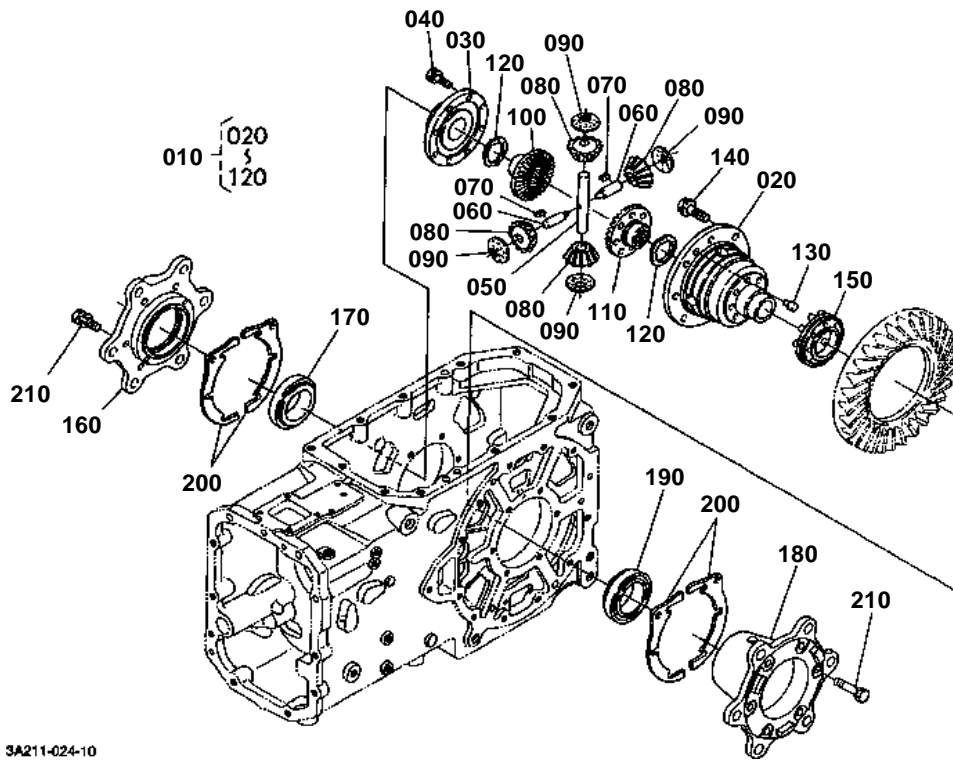


**BEVEL GEAR [NEW TYPE]**  
S.No.;>=10742

↔ Interchangeable; ≠ not interchangeable; ← new for old; → old for new

| REF.No | Part No.    | Description          | Q'ty | S.No. | I/C | REMARKS | Weight (kgf) | Weight (lb) |
|--------|-------------|----------------------|------|-------|-----|---------|--------------|-------------|
| 010    | 3A111-32410 | SHAFT BEVEL GEAR     | 1    |       |     | 9T      | 3.3          | 7.26        |
| 020    | 3A211-32430 | GEAR BEVEL           | 1    |       |     | 39T     | 0            | 0           |
| 030    | 36330-32580 | NUT PINION SHAFT     | 1    |       |     |         | 0.08         | 0.176       |
| 040    | 36330-32570 | BEARING TAPER-ROLLER | 1    |       |     |         | 0.76         | 1.672       |
| 045    | 3A211-32570 | BEARING TAPER-ROLLER | 1    |       |     |         | 0            | 0           |
| 050    | 33251-32450 | COLLAR PINION ADJUST | 1    |       |     | 1.00mm  | 0.005        | 0.011       |
| 050    | 33251-32460 | COLLAR PINION ADJUST | 1    |       |     | 1.50mm  | 0.008        | 0.0176      |
| 050    | 33251-32470 | COLLAR PINION ADJUST | 1    |       |     | 1.70mm  | 0.009        | 0.0198      |
| 050    | 33251-32480 | COLLAR PINION ADJUST | 1    |       |     | 1.75mm  | 0.01         | 0.022       |
| 050    | 33251-32490 | COLLAR PINION ADJUST | 1    |       |     | 1.80mm  | 0.01         | 0.022       |
| 050    | 33251-32510 | COLLAR PINION ADJUST | 1    |       |     | 1.90mm  | 0.011        | 0.0242      |
| 050    | 33251-32520 | COLLAR PINION ADJUST | 1    |       |     | 2.00mm  | 0.011        | 0.0242      |
| 050    | 33251-32530 | COLLAR PINION ADJUST | 1    |       |     | 2.10mm  | 0.011        | 0.0242      |
| 050    | 33251-32540 | COLLAR PINION ADJUST | 1    |       |     | 2.20mm  | 0.011        | 0.0242      |
| 050    | 33251-32550 | COLLAR PINION ADJUST | 1    |       |     | 2.25mm  | 0.012        | 0.0264      |
| 050    | 33251-32560 | COLLAR PINION ADJUST | 1    |       |     | 2.30mm  | 0.012        | 0.0264      |

DIFFERENTIAL REAR



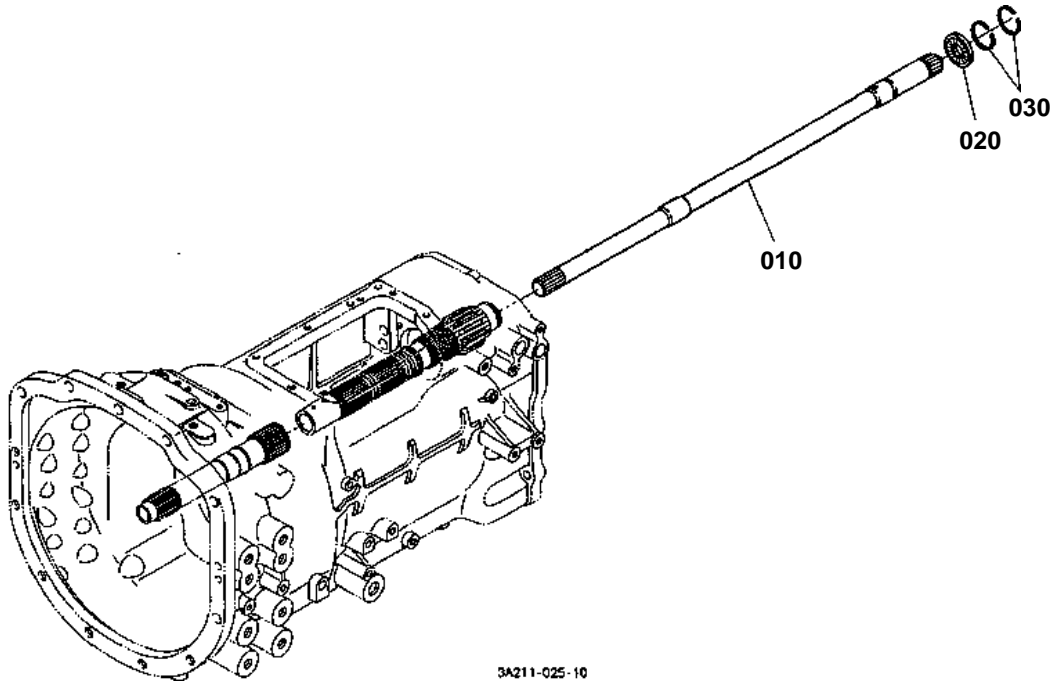
3A211-024-10

**DIFFERENTIAL REAR**

↔ Interchangeable; ≠ not interchangeable; ← new for old; → old for new

| REF.No | Part No.    | Description          | Q'ty | S.No. | I/C | REMARKS | Weight (kgf) | Weight (lb) |
|--------|-------------|----------------------|------|-------|-----|---------|--------------|-------------|
| 010    | 3A011-32204 | ASSY DIFFERENTIAL    | 1    |       |     |         | 6.2          | 13.64       |
| 020    | 3A011-32710 | CASE DIFFERENTIAL    | 1    |       |     |         | 3.35         | 7.37        |
| 030    | 3A011-32044 | COVER DIFF.CASE      | 1    |       |     |         | 0.795        | 1.749       |
| 040    | 01133-51025 | BOLT                 | 8    |       |     |         | 0.023        | 0.0506      |
| 050    | 35430-26340 | SHAFT DIFF.PINION    | 1    |       |     |         | 0.31         | 0.682       |
| 060    | 35430-26330 | SHAFT DIFF.PINION    | 2    |       |     |         | 0.136        | 0.2992      |
| 070    | 31220-26280 | KEY FEATHER          | 2    |       |     |         | 0.005        | 0.011       |
| 080    | 35430-26350 | PINION DIFF.         | 4    |       |     | 12T     | 0.16         | 0.352       |
| 090    | 31351-26390 | WASHER DIFF.PINION   | 4    |       |     |         | 0.012        | 0.0264      |
| 100    | 37300-26430 | GEAR DIFF.SIDE RH    | 1    |       |     | 20T     | 0.475        | 1.045       |
| 110    | 37300-26440 | GEAR DIFF.SIDE LH    | 1    |       |     | 20T     | 0.63         | 1.386       |
| 120    | 31351-26470 | WASHER SIDE GEAR     | 2    |       |     | 1.5mm   | 0.01         | 0.022       |
| 120    | 31351-26480 | WASHER SIDE GEAR     | 2    |       |     | 1.6mm   | 0.015        | 0.033       |
| 120    | 31351-26490 | WASHER SIDE GEAR     | 2    |       |     | 1.7mm   | 0.016        | 0.0352      |
| 120    | 3A011-32760 | COLLAR THRUST        | 2    |       |     | 1.8mm   | 0.01         | 0.022       |
| 120    | 3A011-32780 | COLLAR THRUST        | 2    |       |     | 2.0mm   | 0.01         | 0.022       |
| 130    | 37300-28170 | PIN STRAIGHT         | 2    |       |     |         | 0.025        | 0.055       |
| 140    | 37800-43870 | BOLT                 | 8    |       |     |         | 0.026        | 0.0572      |
| 150    | 37300-26610 | SHIFTER DIFF.LOCK    | 1    |       |     |         | 0.46         | 1.012       |
| 160    | 3A011-32113 | SUPPORT DIFF.RH      | 1    |       |     |         | 0            | 0           |
| 170    | 32590-26590 | BEARING TAPER-ROLLER | 1    |       |     |         | 0.67         | 1.474       |
| 180    | 3A011-32123 | SUPPORT DIFF.LH      | 1    |       |     |         | 0            | 0           |
| 190    | 08711-30209 | BEARING TAPER-ROLLER | 1    |       |     |         | 0.458        | 1.0076      |
| 200    | 3A011-32130 | SHIM                 | 8    |       |     | 0.10mm  | 0.004        | 0.0088      |
| 200    | 3A011-32140 | SHIM                 | 8    |       |     | 0.30mm  | 0.004        | 0.0088      |
| 200    | 3A011-32150 | SHIM                 | 4    |       |     | 0.50mm  | 0.004        | 0.0088      |
| 210    | 01133-51035 | BOLT                 | 12   |       |     |         | 0.03         | 0.066       |

PTO PROPELLER SHAFT



3A211-025-10

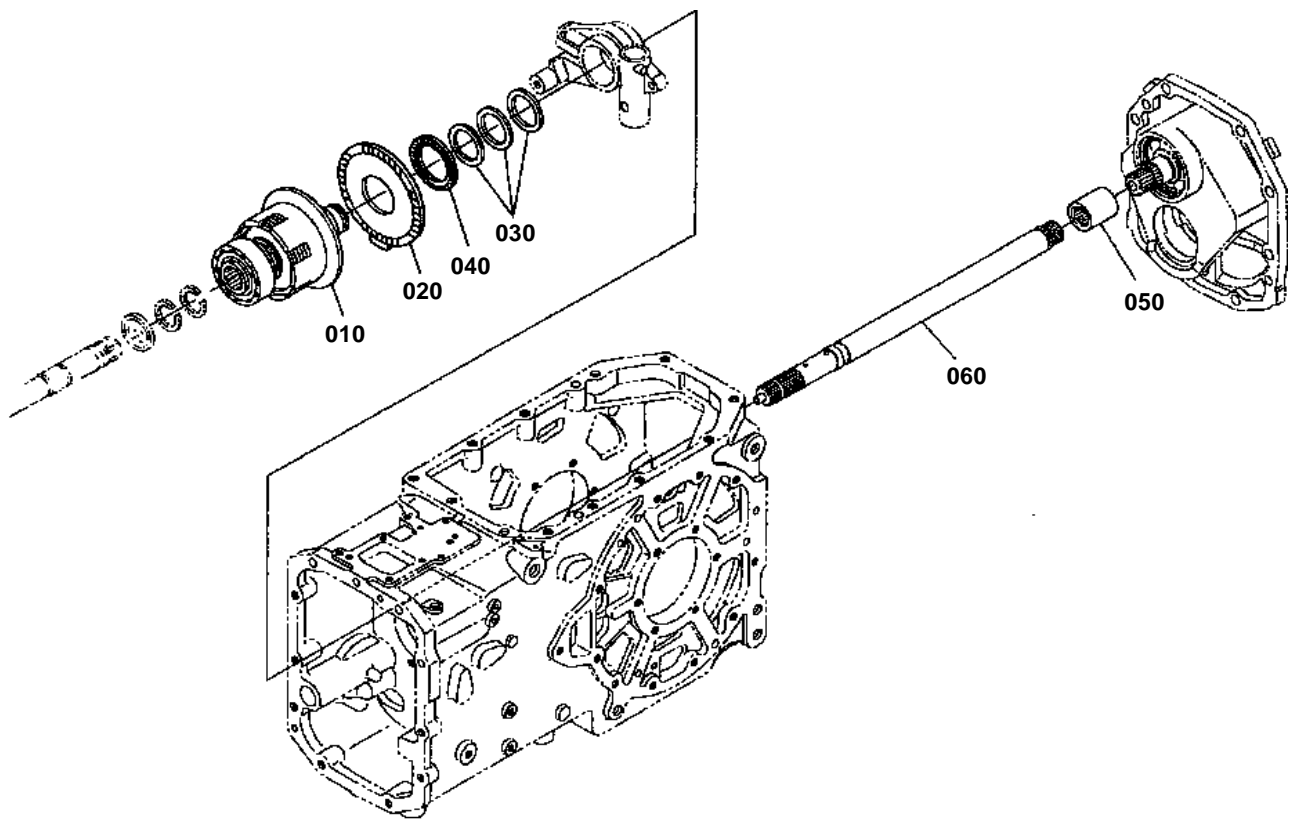


## PTO PROPELLER SHAFT

↔ Interchangeable; ≠ not interchangeable; ← new for old; → old for new

| REF.No | Part No.    | Description       | Q'ty | S.No. | I/C | REMARKS | Weight (kgf) | Weight (lb) |
|--------|-------------|-------------------|------|-------|-----|---------|--------------|-------------|
| 010    | 3A211-25610 | SHAFT PROPELLER   | 1    |       |     |         | 2.5          | 5.5         |
| 020    | 3A011-25640 | BEARING THRUST    | 1    |       |     |         | 0.018        | 0.0396      |
| 030    | 38430-21550 | CIR CLIP EXTERNAL | 2    |       |     |         | 0.005        | 0.011       |

# PTO CLUTCH



3A211-026-11



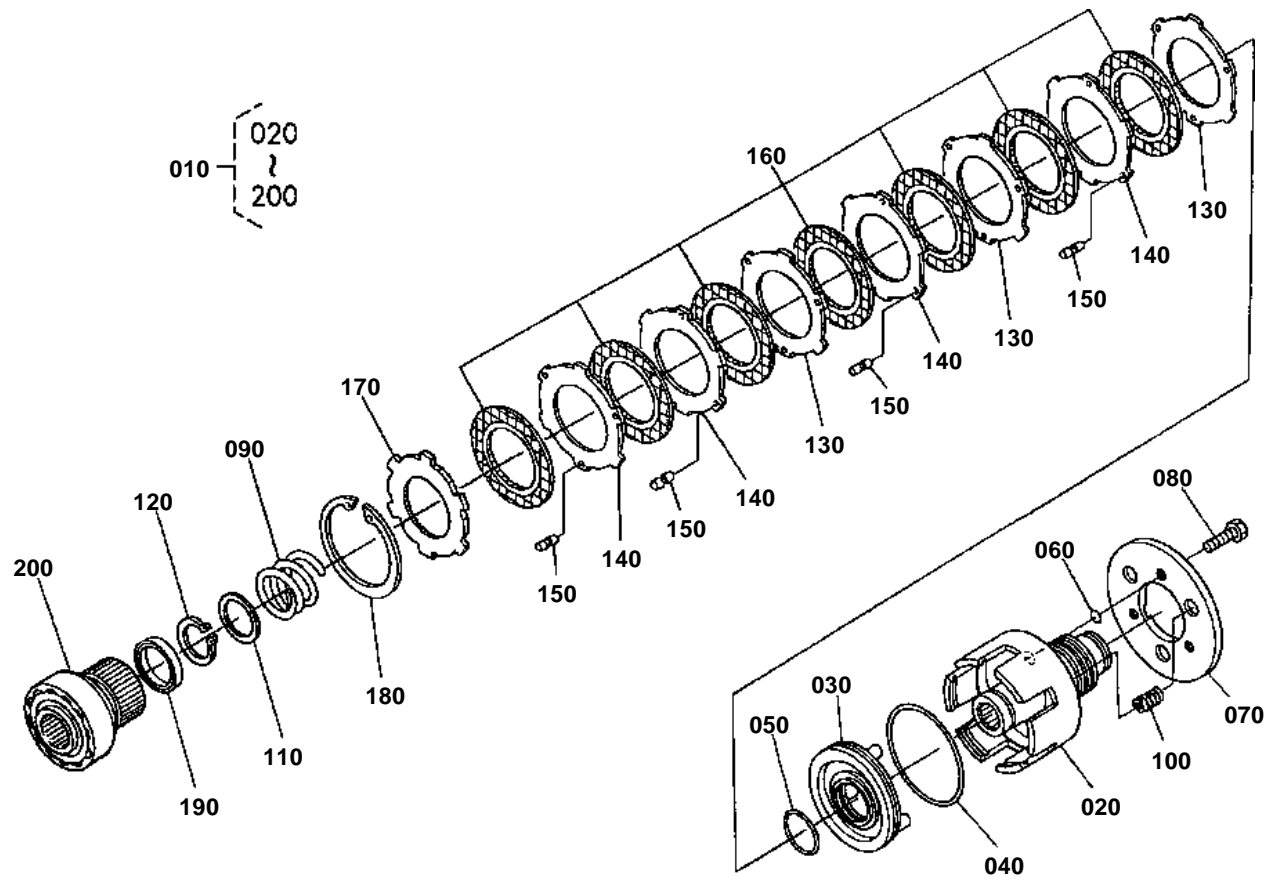
# PTO CLUTCH

↔ Interchangeable; ≠ not interchangeable; ← new for old; → old for new

| REF.No | Part No.    | Description     | Q'ty | S.No.  | I/C | REMARKS | Weight (kgf) | Weight (lb) |
|--------|-------------|-----------------|------|--------|-----|---------|--------------|-------------|
| 010    | 3A211-27000 | ASSY CLUTCH PTO | 1    |        |     |         | 0            | 0           |
| 020    | TA040-69150 | DISK BRAKE      | 1    |        |     |         | 0.41         | 0.902       |
| 030    | 3G700-27372 | RING SEAL       | 3    |        |     |         | 0.001        | 0.0022      |
| 040    | TA040-69160 | BEARING NEEDLE  | 1    |        |     |         | 0.029        | 0.0638      |
| 050    | 33860-24390 | COUPLING PTO    | 1    |        |     |         | 0.14         | 0.308       |
| 060    | 3A151-79120 | SHAFT PROPELLER | 1    | ≤10753 |     |         | 2.1          | 4.62        |
| 060    | 3A151-79122 | SHAFT PROPELLER | 1    | ≥10754 | ?   |         | 2.1          | 4.62        |

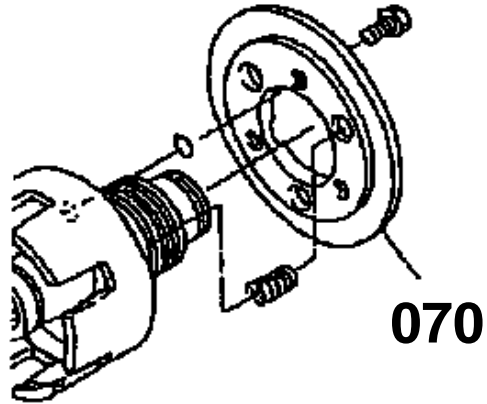


PTO CLUTCH [COMPONENT PARTS]

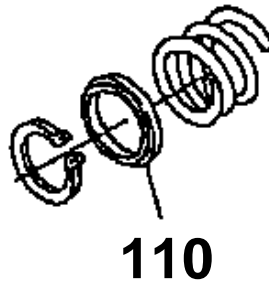


3A211-101-12

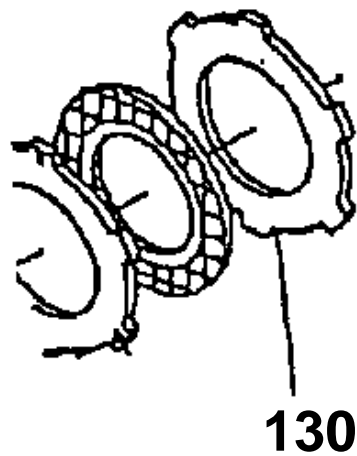
070 TA040-6903-0



110 31501-7237-0



130 TA040-6907-0



3A271-801-11

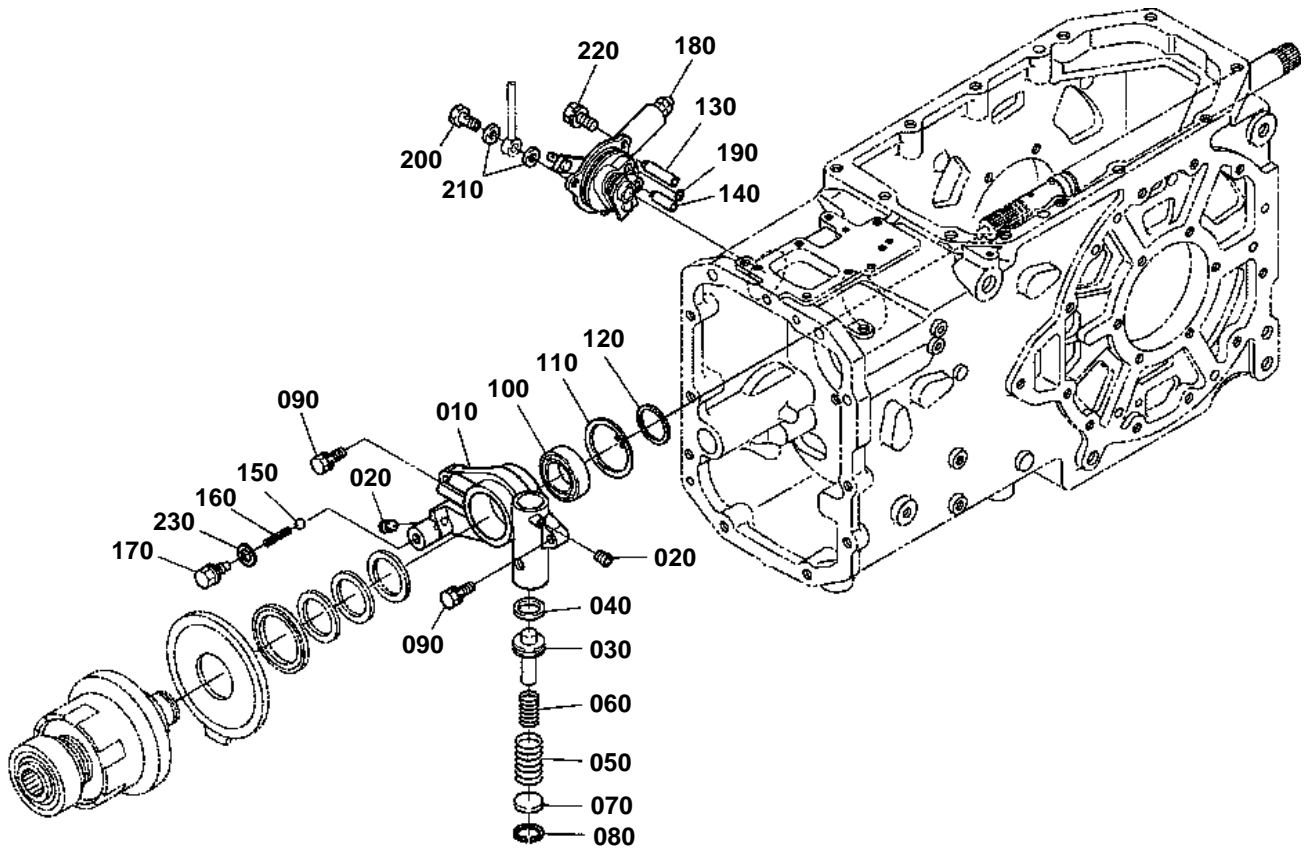


PTO CLUTCH [COMPONENT PARTS]

↔ Interchangeable; ≠ not interchangeable; ← new for old; → old for new

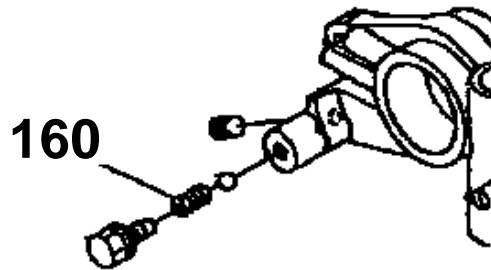
| REF.No | Part No.    | Description       | Q'ty | S.No.  | I/C | REMARKS | Weight (kgf) | Weight (lb) |
|--------|-------------|-------------------|------|--------|-----|---------|--------------|-------------|
| 010    | 3A211-27000 | ASSY CLUTCH PTO   | 1    |        |     |         | 0            | 0           |
| 020    | 3A211-27110 | BODY PTO CLUTCH   | 1    |        |     |         | 1.63         | 3.586       |
| 030    | TA040-69020 | PISTON            | 1    |        |     |         | 0.395        | 0.869       |
| 040    | 31501-72330 | D RING OUTER      | 1    |        |     |         | 0.005        | 0.011       |
| 050    | 31501-72470 | D RING INNER      | 1    |        |     |         | 0.001        | 0.0022      |
| 060    | 04811-00100 | O RING            | 3    |        |     |         | 0            | 0           |
| 060    | 04816-00100 | O RING            | 3    |        | ?   |         | 0.1          | 0.22        |
| 070    | TA040-69030 | PLATE BRAKE       | 1    | ≤10681 |     |         | 0.5          | 1.1         |
| 070    | 3A211-27220 | PLATE BRAKE       | 1    | ≥10682 | ?   |         | 0            | 0           |
| 080    | TA040-69040 | BOLT              | 3    |        |     |         | 0.004        | 0.0088      |
| 090    | TA040-69050 | SPRING RETURN     | 1    |        |     |         | 0.075        | 0.165       |
| 100    | TA040-69060 | SPRING RETURN     | 3    |        |     |         | 0.008        | 0.0176      |
| 110    | 31501-72370 | WASHER            | 1    | ≤10681 |     |         | 0.018        | 0.0396      |
| 110    | PF801-31260 | WASHER            | 1    | ≥10682 | ?   |         | 0.015        | 0.033       |
| 120    | 04612-00350 | CIR CLIP EXTERNAL | 1    |        |     |         | 0.01         | 0.022       |
| 130    | TA040-69070 | PLATE             | 3    | ≤10631 |     |         | 0.036        | 0.0792      |
| 130    | TA040-69080 | PLATE             | 3    | ≥10632 | ?   |         | 0.036        | 0.0792      |
| 140    | TA040-69080 | PLATE             | 4    |        |     |         | 0.036        | 0.0792      |
| 150    | TA040-69090 | RUBBER            | 12   |        |     |         | 0.001        | 0.0022      |
| 160    | 34070-15250 | DISK CLUTCH       | 7    |        |     |         | 0.04         | 0.088       |
| 170    | 3A111-27150 | PLATE             | 1    |        |     |         | 0.124        | 0.2728      |
| 180    | 04611-00920 | CIR CLIP INTERNAL | 1    |        |     |         | 0.04         | 0.088       |
| 190    | 08101-06807 | BEARING BALL      | 1    |        |     |         | 0.03         | 0.066       |
| 200    | 3A211-27200 | ASSY HUB DAMPER   | 1    |        |     |         | 0            | 0           |

# PTO CLUTCH VALVE



3A211-103-10

160 62231-1853-0



3A124-804-10

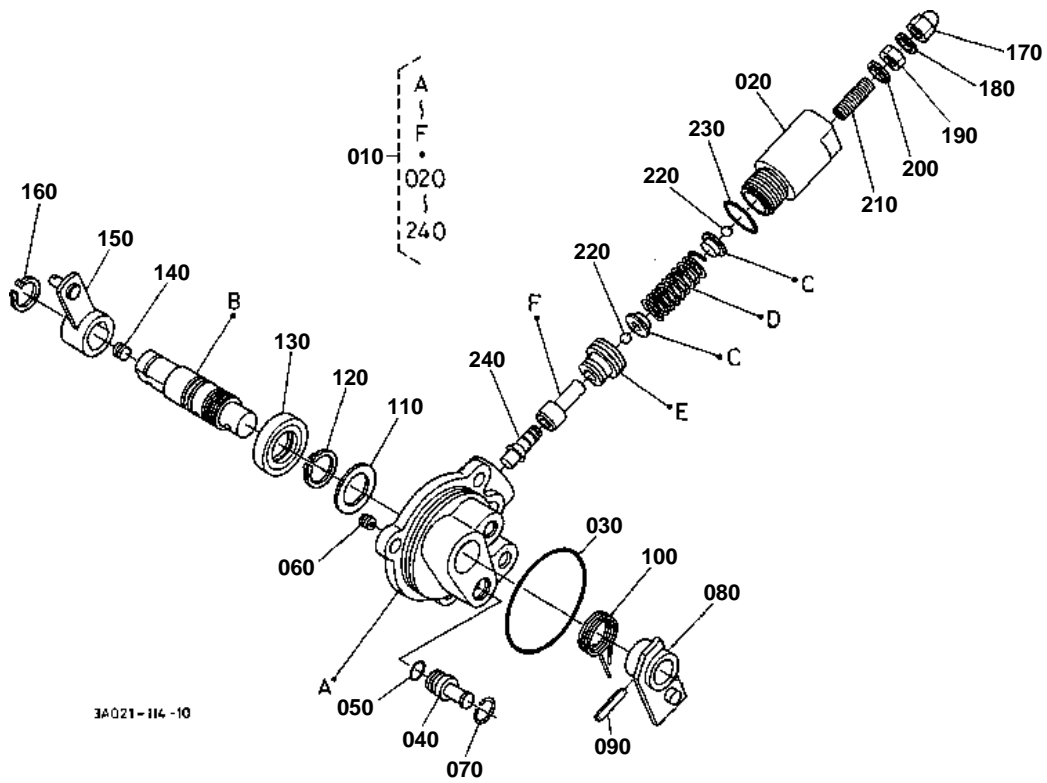


PTO CLUTCH VALVE

↔ Interchangeable; ≠ not interchangeable; ← new for old; → old for new

| REF.No | Part No.    | Description       | Q'ty | S.No.   | I/C | REMARKS | Weight (kgf) | Weight (lb) |
|--------|-------------|-------------------|------|---------|-----|---------|--------------|-------------|
| 010    | 3A211-27250 | HOLDER PTO CLUTCH | 1    |         |     |         | 1.71         | 3.762       |
| 020    | 32420-67380 | PLUG              | 2    |         |     |         | 0.005        | 0.011       |
| 030    | TA040-69210 | PISTON            | 1    |         |     |         | 0.09         | 0.198       |
| 040    | 34076-65170 | SEAL PISTON       | 1    |         |     |         | 0.005        | 0.011       |
| 050    | TA040-69230 | SPRING            | 1    |         |     |         | 0.039        | 0.0858      |
| 060    | TA040-69240 | SPRING            | 1    |         |     |         | 0.024        | 0.0528      |
| 070    | 3A011-27260 | COVER PTO         | 1    |         |     |         | 0.018        | 0.0396      |
| 080    | 04611-00280 | CIR CLIP INTERNAL | 1    |         |     |         | 0.002        | 0.0044      |
| 090    | 01123-50830 | BOLT              | 2    |         |     |         | 0.015        | 0.033       |
| 100    | 08101-06007 | BEARING BALL      | 1    |         |     |         | 0.16         | 0.352       |
| 110    | 04611-00620 | CIR CLIP INTERNAL | 1    |         |     |         | 0.011        | 0.0242      |
| 120    | 33740-27292 | CIR CLIP EXTERNAL | 1    |         |     |         | 0.007        | 0.0154      |
| 130    | 34555-69330 | PIPE HYDRAULIC    | 1    |         |     |         | 0.007        | 0.0154      |
| 140    | 36530-27273 | PIPE HYDRAULIC    | 1    |         |     |         | 0.005        | 0.011       |
| 150    | 07715-03211 | BALL              | 1    |         |     |         | 0.003        | 0.0066      |
| 160    | 62231-18530 | SPRING            | 1    | <=10594 |     |         | 0.01         | 0.022       |
| 160    | 32590-28220 | SPRING            | 1    | >=10595 | ?   |         | 0.01         | 0.022       |
| 170    | 3A011-29410 | BOLT              | 1    |         |     |         | 0.035        | 0.077       |
| 180    | 3A111-27400 | ASSY VALVE PTO    | 1    |         |     |         | 1.51         | 3.322       |
| 190    | 04811-00090 | O RING            | 1    |         |     |         | 0            | 0           |
| 190    | 04817-00090 | O RING            | 1    |         | ?   |         | 0.001        | 0.0022      |
| 200    | 34076-66590 | BOLT JOINT        | 1    |         |     |         | 0.05         | 0.11        |
| 210    | 04714-00200 | GASKET            | 2    |         |     |         | 0.002        | 0.0044      |
| 220    | 01123-50820 | BOLT              | 3    |         |     |         | 0.011        | 0.0242      |
| 230    | 04011-50120 | WASHER PLAIN      | 1    | >=10595 |     |         | 0.005        | 0.011       |

# PTO CLUTCH VALVE [COMPONENT PARTS]





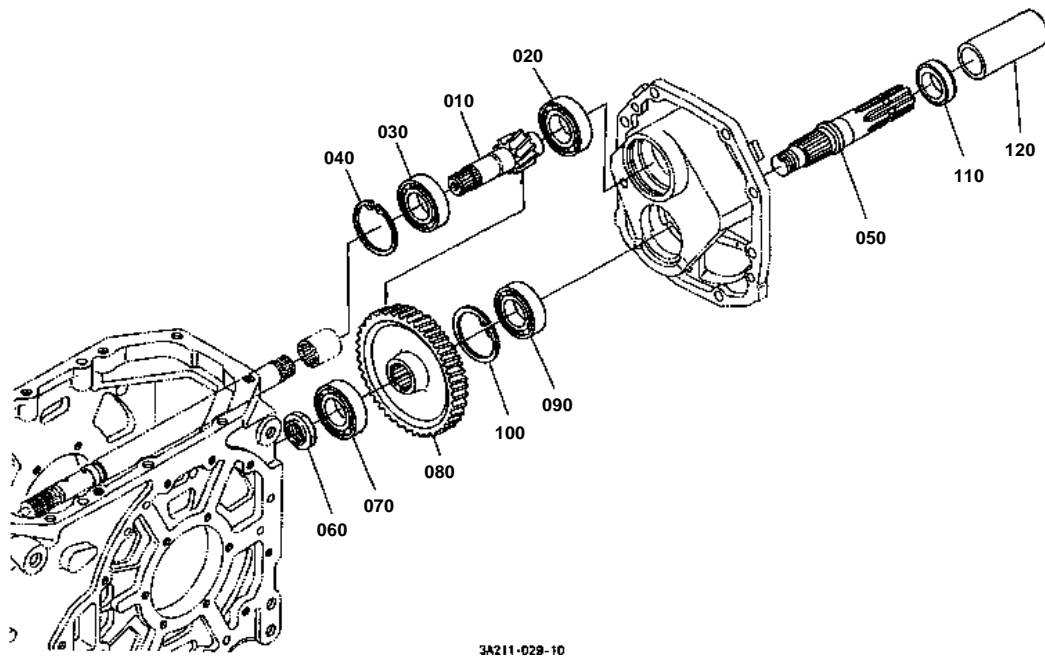
**PTO CLUTCH VALVE [COMPONENT PARTS]**

↔ Interchangeable; ≠ not interchangeable; ← new for old; → old for new

| REF.No | Part No.    | Description       | Q'ty | S.No. | I/C | REMARKS | Weight (kgf) | Weight (lb) |
|--------|-------------|-------------------|------|-------|-----|---------|--------------|-------------|
| 010    | 3A111-27400 | ASSY VALVE PTO    | 1    |       |     |         | 1.51         | 3.322       |
| 020    | 3A011-27420 | SUPPORT PTO VALVE | 1    |       |     |         | 0.29         | 0.638       |
| 030    | 04811-06630 | O RING            | 1    |       |     |         | 0.001        | 0.0022      |
| 040    | TA040-69320 | PLUG              | 1    |       |     |         | 0.006        | 0.0132      |
| 050    | 04811-00090 | O RING            | 1    |       |     |         | 0            | 0           |
| 050    | 04817-00090 | O RING            | 1    |       | ?   |         | 0.001        | 0.0022      |
| 060    | 3A011-23190 | ORIFICE           | 1    |       |     |         | 0.001        | 0.0022      |
| 070    | 67401-03690 | RING              | 1    |       |     |         | 0.001        | 0.0022      |
| 080    | TA040-69340 | LEVER VALVE ROTOR | 1    |       |     |         | 0.057        | 0.1254      |
| 090    | 05411-00522 | PIN SPRING        | 1    |       |     |         | 0.002        | 0.0044      |
| 100    | TA040-69360 | SPRING            | 1    |       |     |         | 0.014        | 0.0308      |
| 110    | 50770-12180 | COLLAR THRUST     | 1    |       |     |         | 0.003        | 0.0066      |
| 120    | 04612-00200 | CIR CLIP EXTERNAL | 1    |       |     |         | 0.001        | 0.0022      |
| 130    | 09500-20358 | SEAL OIL          | 1    |       |     |         | 0.01         | 0.022       |
| 140    | 67511-36640 | PLUG              | 1    |       |     |         | 0.003        | 0.0066      |
| 150    | 3A011-27430 | LEVER PTO VALVE   | 1    |       |     |         | 0.054        | 0.1188      |
| 160    | 04612-00180 | CIR CLIP EXTERNAL | 1    |       |     |         | 0.001        | 0.0022      |
| 170    | 32420-68590 | NUT               | 1    |       |     |         | 0.005        | 0.011       |
| 180    | 04714-00080 | GASKET            | 1    |       |     |         | 0.001        | 0.0022      |
| 190    | 02114-50080 | NUT               | 1    |       |     |         | 0.005        | 0.011       |
| 200    | 62571-13330 | WASHER SEAL       | 1    |       |     |         | 0.003        | 0.0066      |
| 210    | 03651-50825 | SCREW SET         | 1    |       |     |         | 0.01         | 0.022       |
| 220    | 07715-00401 | BALL              | 2    |       |     |         | 0.001        | 0.0022      |
| 230    | 04811-00220 | O RING            | 1    |       |     |         | 0            | 0           |
| 230    | 04817-00220 | O RING            | 1    |       | ?   |         | 0.005        | 0.011       |
| 240    | 48100-36310 | SEAT RELIEF VALVE | 1    |       |     |         | 0.01         | 0.022       |



# PTO SHAFT



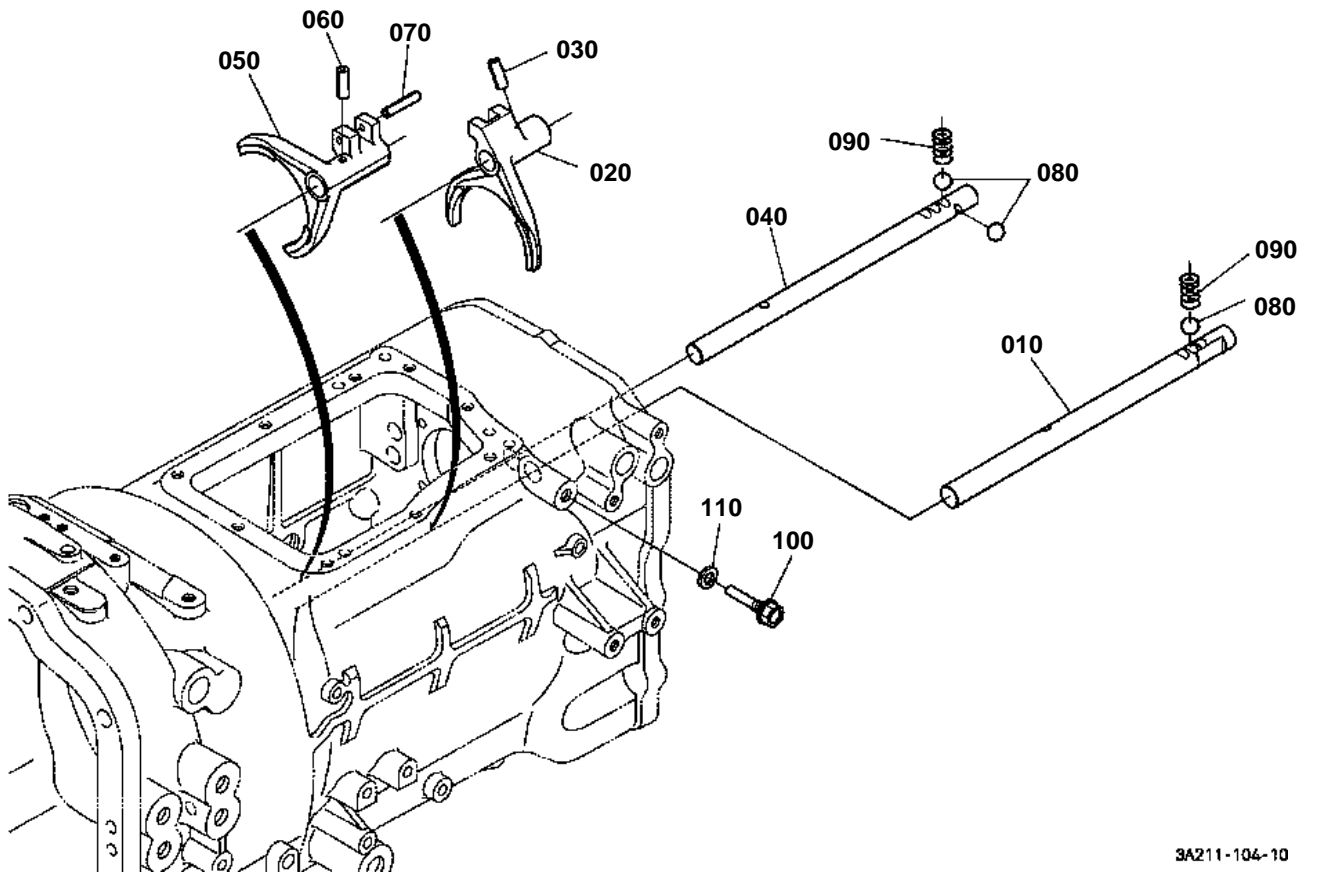


PTO SHAFT

↔ Interchangeable; ≠ not interchangeable; ← new for old; → old for new

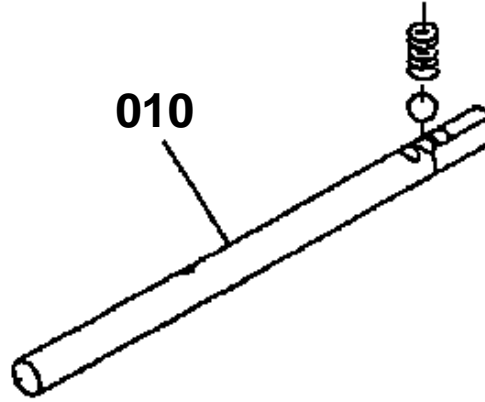
| REF.No | Part No.    | Description       | Q'ty | S.No.   | I/C | REMARKS | Weight (kgf) | Weight (lb) |
|--------|-------------|-------------------|------|---------|-----|---------|--------------|-------------|
| 010    | 3A211-79130 | GEAR-SHAFT PTO    | 1    |         |     | 12T     | 0.84         | 1.848       |
| 020    | 08101-06306 | BEARING BALL      | 1    |         |     |         | 0.335        | 0.737       |
| 030    | 36540-41130 | BEARING BALL      | 1    |         |     |         | 0.34         | 0.748       |
| 040    | 04611-00720 | CIR CLIP INTERNAL | 1    |         |     |         | 0.018        | 0.0396      |
| 050    | 3A011-80140 | SHAFT PTO         | 1    |         |     |         | 1.31         | 2.882       |
| 060    | 34150-25330 | NUT               | 1    |         |     |         | 0.04         | 0.088       |
| 070    | 08101-06306 | BEARING BALL      | 1    |         |     |         | 0.335        | 0.737       |
| 080    | 3A011-80310 | GEAR PTO          | 1    |         |     | 51T     | 2.3          | 5.06        |
| 090    | 35523-34430 | BEARING BALL      | 1    |         |     |         | 0.275        | 0.605       |
| 100    | 04611-00720 | CIR CLIP INTERNAL | 1    |         |     |         | 0.018        | 0.0396      |
| 110    | 37650-43530 | SEAL OIL          | 1    | <=10827 |     |         | 0.062        | 0.1364      |
| 110    | 3A111-80290 | SEAL OIL          | 1    | >=10828 | ?   |         | 0            | 0           |
| 120    | 31220-25820 | CAP               | 1    |         |     |         | 0.055        | 0.121       |

# MAIN GEAR SHIFT FORK



3A211-104-10

010 3A211-2921-0



3A211-808-10

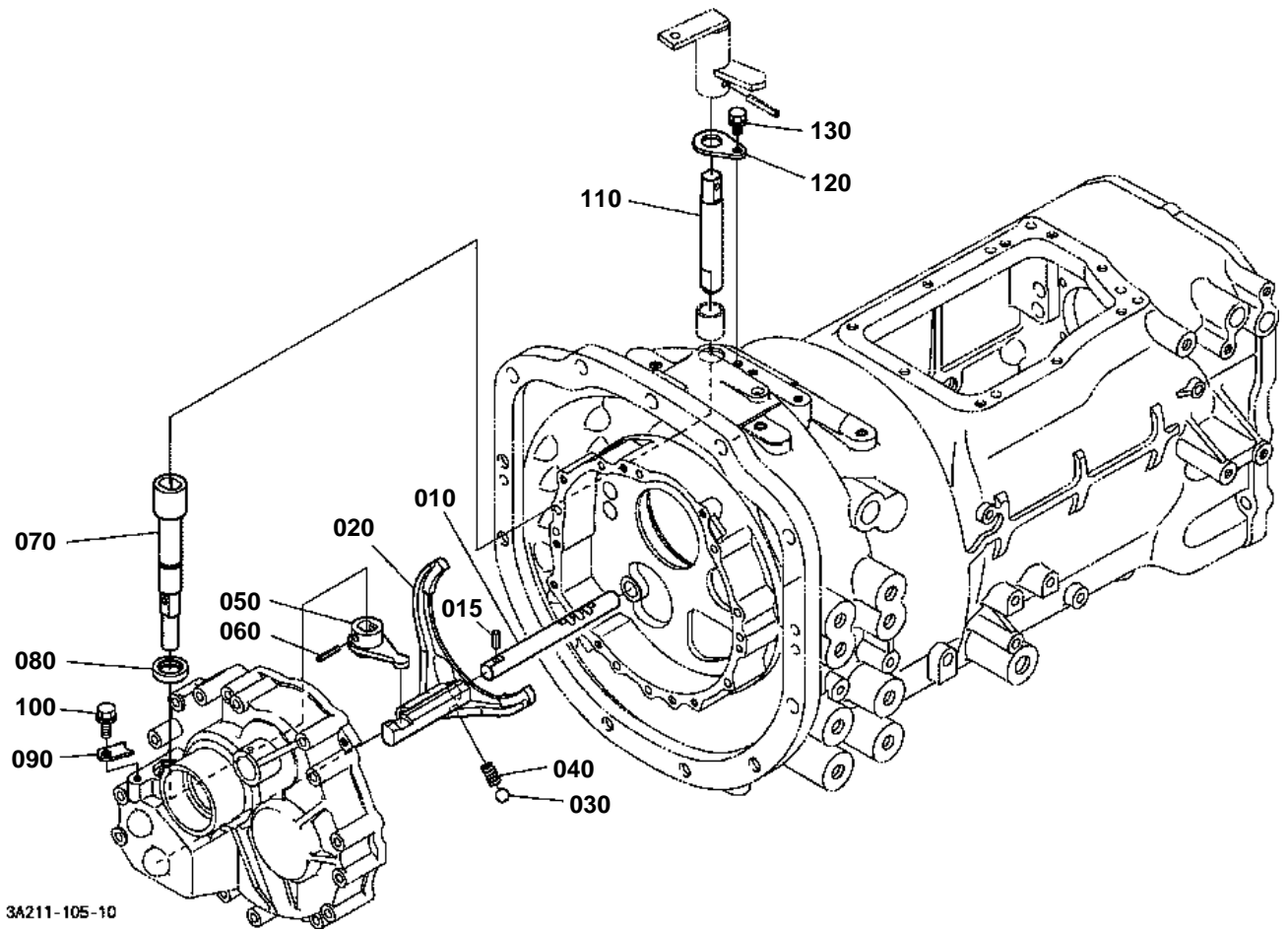


## MAIN GEAR SHIFT FORK

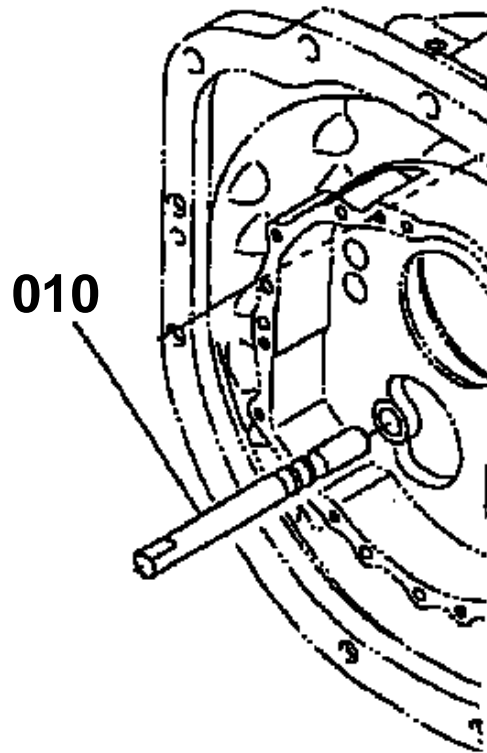
↔ Interchangeable; ≠ not interchangeable; ← new for old; → old for new

| REF.No | Part No.    | Description        | Q'ty | S.No.   | I/C | REMARKS | Weight (kgf) | Weight (lb) |
|--------|-------------|--------------------|------|---------|-----|---------|--------------|-------------|
| 010    | 3A211-29210 | ROD FORK           | 1    | <=10827 |     |         | 0.595        | 1.309       |
| 010    | 3A211-29212 | ROD FORK           | 1    | >=10828 | ?   |         | 0.595        | 1.309       |
| 020    | 3A211-29140 | FORK MAIN SHIFT    | 1    |         |     |         | 0.325        | 0.715       |
| 030    | 05411-00628 | PIN SPRING         | 1    |         |     |         | 0.004        | 0.0088      |
| 040    | 3A211-29220 | ROD FORK           | 1    |         |     |         | 0.605        | 1.331       |
| 050    | 3A211-29160 | FORK MAIN SHIFT    | 1    |         |     |         | 0.35         | 0.77        |
| 060    | 05411-00628 | PIN SPRING         | 1    |         |     |         | 0.004        | 0.0088      |
| 070    | 05411-00536 | PIN SPRING         | 1    |         |     |         | 0.003        | 0.0066      |
| 080    | 07715-03211 | BALL               | 3    |         |     |         | 0.003        | 0.0066      |
| 090    | 3A011-29420 | SPRING             | 2    |         |     |         | 0.004        | 0.0088      |
| 100    | 3A211-29430 | BOLT               | 1    |         |     |         | 0.05         | 0.11        |
| 110    | 04717-01200 | WASHER WITH RUBBER | 1    |         |     |         | 0.002        | 0.0044      |

# SHUTTLE GEAR SHIFT FORK



010 3A211-2352-0



3A211-809-10



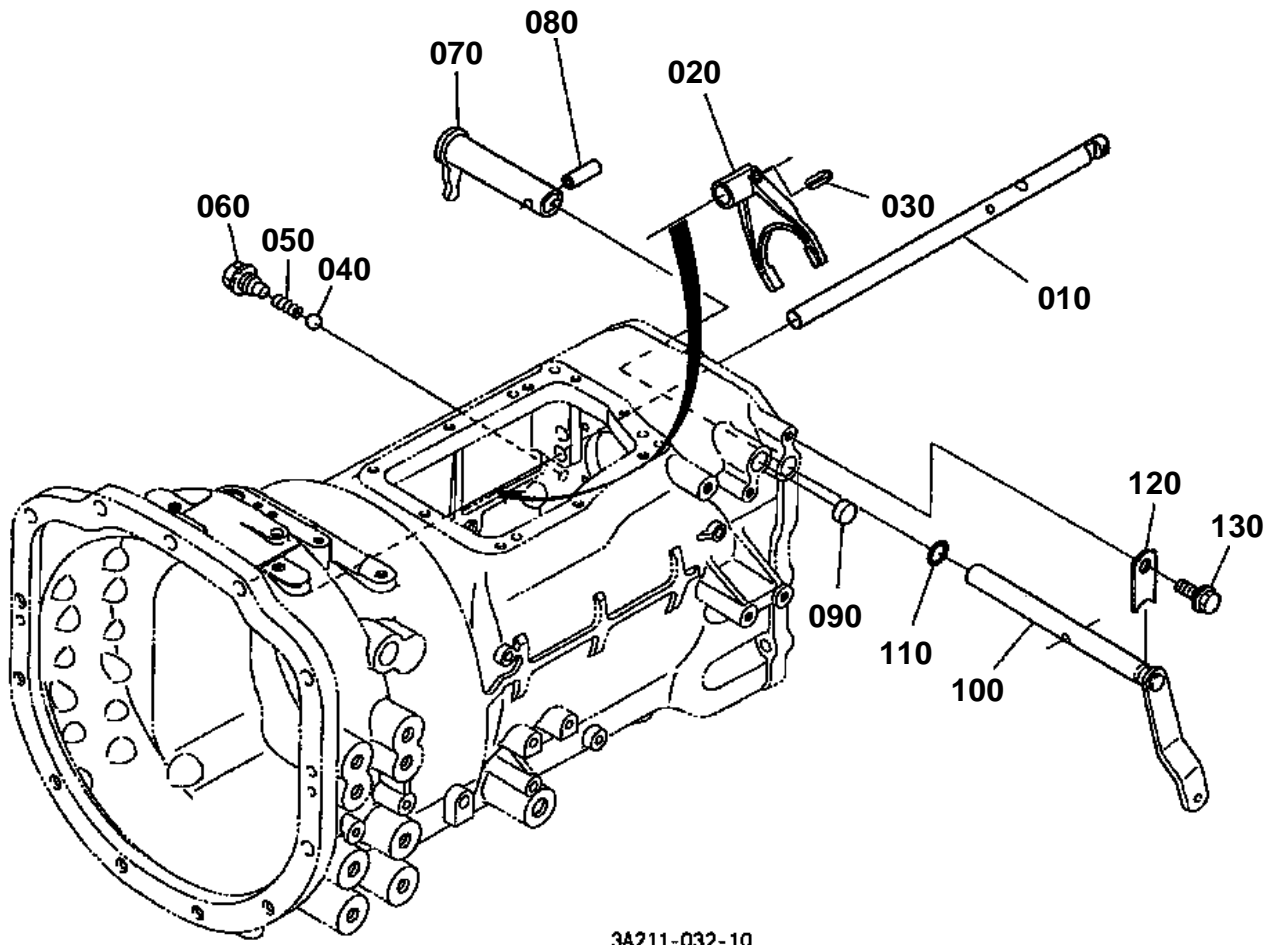
## SHUTTLE GEAR SHIFT FORK

↔ Interchangeable; ≠ not interchangeable; ← new for old; → old for new

| REF.No | Part No.    | Description        | Q'ty | S.No.  | I/C | REMARKS | Weight (kgf) | Weight (lb) |
|--------|-------------|--------------------|------|--------|-----|---------|--------------|-------------|
| 010    | 3A211-23520 | ROD FORK           | 1    | ≤10803 |     |         | 0.245        | 0.539       |
| 010    | 3A212-23520 | ROD FORK           | 1    | ≥10804 | ?   |         | 0            | 0           |
| 015    | 05411-00618 | PIN SPRING         | 1    | ≥10804 |     |         | 0.003        | 0.0066      |
| 020    | 3A211-23510 | FORK SHUTTLE SHIFT | 1    |        |     |         | 0.79         | 1.738       |
| 030    | 07715-03211 | BALL               | 1    |        |     |         | 0.003        | 0.0066      |
| 040    | 62231-18530 | SPRING             | 1    |        |     |         | 0.01         | 0.022       |
| 050    | 3A211-23560 | LEVER SHUTTLE      | 1    |        |     |         | 0.11         | 0.242       |
| 060    | 05411-00630 | PIN SPRING         | 1    |        |     |         | 0.004        | 0.0088      |
| 070    | 3A211-23570 | SHAFT SHUTTLE      | 1    |        |     |         | 0.43         | 0.946       |
| 080    | 52200-15670 | SEAL OIL           | 1    |        |     |         | 0.005        | 0.011       |
| 090    | 34150-24350 | STOPPER LEVER      | 1    |        |     |         | 0.015        | 0.033       |
| 100    | 01754-50812 | BOLT FLANGE        | 1    |        |     |         | 0.01         | 0.022       |
| 110    | 3A211-23580 | SHAFT SHUTTLE      | 1    |        |     |         | 0.28         | 0.616       |
| 120    | 34070-24350 | STOPPER            | 1    |        |     |         | 0.02         | 0.044       |
| 130    | 01754-50812 | BOLT FLANGE        | 1    |        |     |         | 0.01         | 0.022       |



RANGE GEAR SHIFT FORK



3A211-032-10

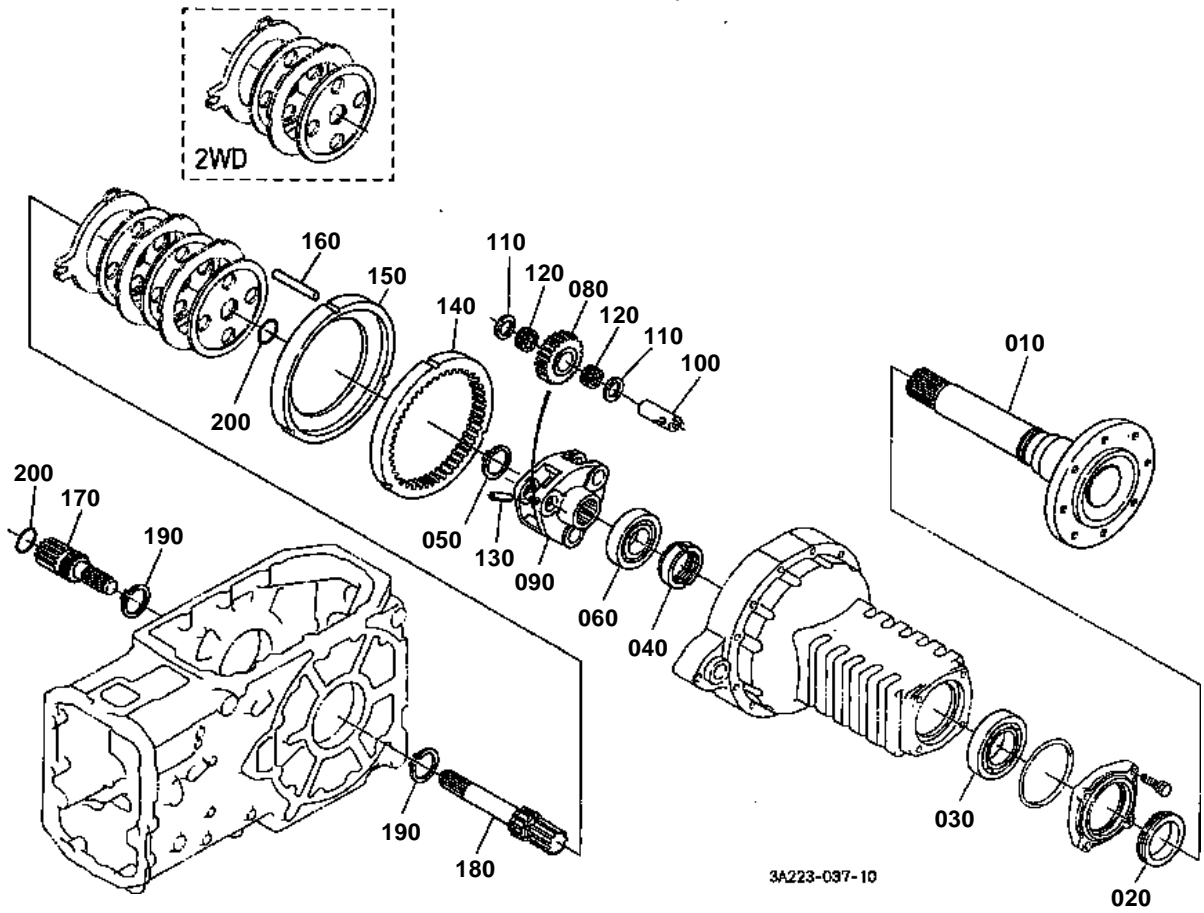


# RANGE GEAR SHIFT FORK

↔ Interchangeable; ≠ not interchangeable; ← new for old; → old for new

| REF.No | Part No.    | Description      | Q'ty | S.No. | I/C | REMARKS | Weight (kgf) | Weight (lb) |
|--------|-------------|------------------|------|-------|-----|---------|--------------|-------------|
| 010    | 3A211-29260 | ROD RANGE SHIFT  | 1    |       |     |         | 0.76         | 1.672       |
| 020    | 3A211-29870 | FORK RANGE SHIFT | 1    |       |     |         | 0.275        | 0.605       |
| 030    | 05411-00628 | PIN SPRING       | 1    |       |     |         | 0.004        | 0.0088      |
| 040    | 07715-03211 | BALL             | 1    |       |     |         | 0.003        | 0.0066      |
| 050    | 62231-18530 | SPRING           | 1    |       |     |         | 0.01         | 0.022       |
| 060    | 3A011-29410 | BOLT             | 2    |       |     |         | 0.035        | 0.077       |
| 070    | 3A011-29840 | LEVER SHIFT      | 1    |       |     |         | 0.325        | 0.715       |
| 080    | 05411-00836 | PIN SPRING       | 1    |       |     |         | 0.008        | 0.0176      |
| 090    | 31358-64250 | PLUG             | 1    |       |     |         | 0.005        | 0.011       |
| 100    | 3A011-29850 | LEVER SHIFT      | 1    |       |     |         | 0.69         | 1.518       |
| 110    | 04811-00160 | O RING           | 1    |       |     |         | 0            | 0           |
| 110    | 04816-00160 | O RING           | 1    |       | ?   |         | 0.003        | 0.0066      |
| 120    | 34150-24350 | STOPPER LEVER    | 1    |       |     |         | 0.015        | 0.033       |
| 130    | 01754-50812 | BOLT FLANGE      | 1    |       |     |         | 0.01         | 0.022       |

REAR AXLE



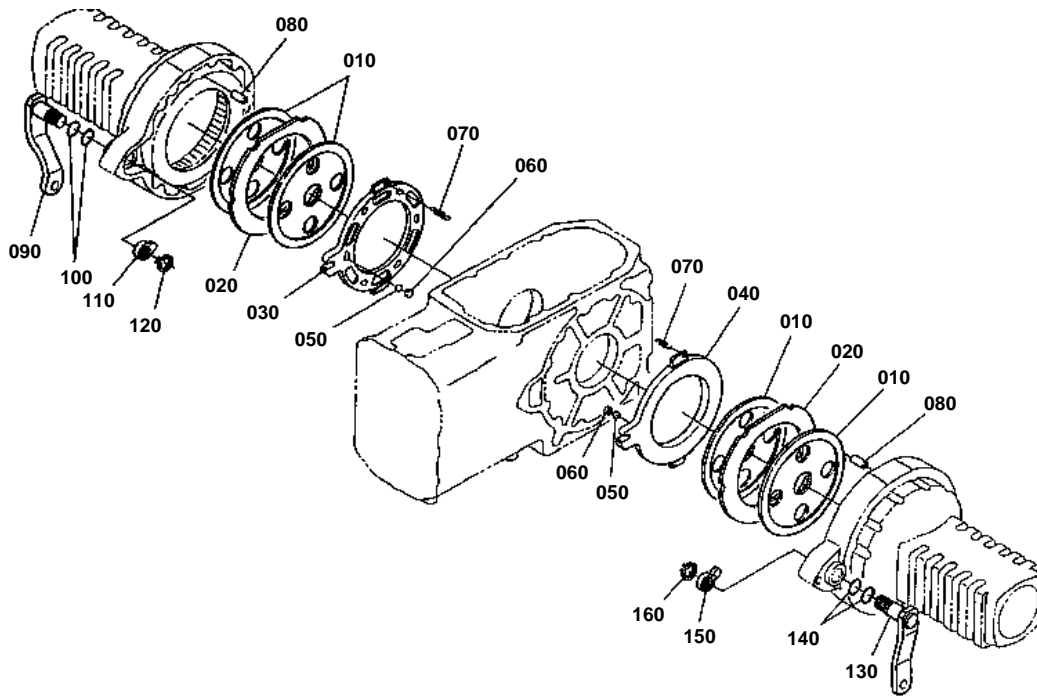


REAR AXLE

↔ Interchangeable; ≠ not interchangeable; ← new for old; → old for new

| REF.No | Part No.    | Description         | Q'ty | S.No. | I/C | REMARKS | Weight (kgf) | Weight (lb) |
|--------|-------------|---------------------|------|-------|-----|---------|--------------|-------------|
| 010    | 3A011-48210 | AXLE REAR           | 2    |       |     |         | 20           | 44          |
| 020    | 36830-48250 | SEAL WITH SHAFT     | 2    |       |     |         | 0.14         | 0.308       |
| 030    | 08101-06213 | BEARING BALL        | 2    |       |     |         | 0.97         | 2.134       |
| 040    | 36330-48270 | NUT                 | 2    |       |     |         | 0.26         | 0.572       |
| 050    | 04612-00550 | CIR CLIP EXTERNAL   | 2    |       |     |         | 0.01         | 0.022       |
| 060    | 08101-06211 | BEARING BALL        | 2    |       |     |         | 0.6          | 1.32        |
| 070    | 99999-99999 | BLANK               | 0    |       |     |         | 0            | 0           |
| 080    | 3A111-48320 | GEAR PLANETARY      | 6    |       |     | 26T     | 1.25         | 2.75        |
| 090    | 32530-26823 | SUPPORT PLANE.GEAR  | 2    |       |     |         | 4            | 8.8         |
| 100    | 3G700-48360 | PIN PLANETARY GEAR  | 6    |       |     |         | 0.43         | 0.946       |
| 110    | 32530-26840 | COLLAR THRUST       | 12   |       |     |         | 0.015        | 0.033       |
| 120    | 35080-22560 | BEARING NEEDLE      | 12   |       |     |         | 0.05         | 0.11        |
| 130    | 05411-00830 | PIN SPRING          | 6    |       |     |         | 0.007        | 0.0154      |
| 140    | 3A111-48310 | GEAR INTERNAL       | 2    |       |     | 65T     | 2.7          | 5.94        |
| 150    | 3A011-65120 | PLATE STOPPER       | 2    |       |     |         | 3.2          | 7.04        |
| 160    | 3A011-48410 | PIN BRAKE           | 6    |       |     |         | 0.075        | 0.165       |
| 170    | 3A111-48460 | GEAR-SHAFT BRAKE RH | 1    |       |     | 13T     | 1.655        | 3.641       |
| 180    | 3A111-48470 | GEAR-SHAFT BRAKE LH | 1    |       |     | 13T     | 2.3          | 5.06        |
| 190    | 04612-00550 | CIR CLIP EXTERNAL   | 2    |       |     |         | 0.01         | 0.022       |
| 200    | 04811-08480 | O RING              | 2    |       |     |         | 0            | 0           |

# BRAKE



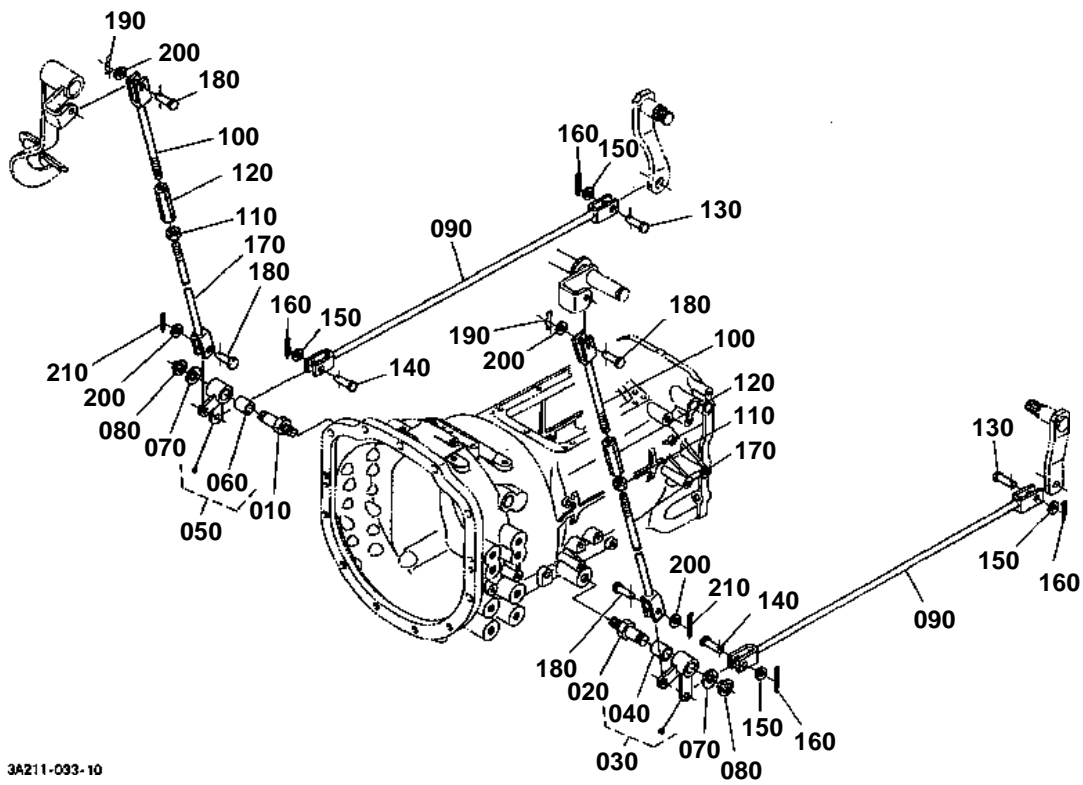
3A021-028-10

**BRAKE**

↔ Interchangeable; ≠ not interchangeable; ← new for old; → old for new

| REF.No | Part No.    | Description        | Q'ty | S.No. | I/C | REMARKS | Weight (kgf) | Weight (lb) |
|--------|-------------|--------------------|------|-------|-----|---------|--------------|-------------|
| 010    | 32530-28280 | PLATE FRICTION     | 4    |       |     |         | 0.92         | 2.024       |
| 020    | 36330-65130 | PLATE              | 2    |       |     |         | 0.56         | 1.232       |
| 030    | 3A011-65140 | PLATE BRAKE CAM RH | 1    |       |     |         | 2            | 4.4         |
| 040    | 3A011-65150 | PLATE BRAKE CAM LH | 1    |       |     |         | 2            | 4.4         |
| 050    | 07715-00805 | BALL               | 12   |       |     |         | 0.016        | 0.0352      |
| 060    | 37150-28250 | SEAT BALL          | 12   |       |     |         | 0.003        | 0.0066      |
| 070    | 3A011-65810 | SPRING             | 4    |       |     |         | 0.005        | 0.011       |
| 080    | 3A011-65160 | COLLAR             | 6    |       |     | 34.8mm  | 0.014        | 0.0308      |
| 090    | 3A011-65330 | SHAFT BRAKE CAM RH | 1    |       |     |         | 0.99         | 2.178       |
| 100    | 04811-50300 | O RING             | 2    |       |     |         | 0            | 0           |
| 100    | 04816-50300 | O RING             | 2    |       | ?   |         | 0.005        | 0.011       |
| 110    | 3A011-65310 | CAM BRAKE          | 1    |       |     |         | 0.1          | 0.22        |
| 120    | 04612-00280 | CIR CLIP EXTERNAL  | 1    |       |     |         | 0.003        | 0.0066      |
| 130    | 3A011-65340 | SHAFT BRAKE CAM LH | 1    |       |     |         | 1.045        | 2.299       |
| 140    | 04811-50300 | O RING             | 2    |       |     |         | 0            | 0           |
| 140    | 04816-50300 | O RING             | 2    |       | ?   |         | 0.005        | 0.011       |
| 150    | 3A011-65310 | CAM BRAKE          | 1    |       |     |         | 0.1          | 0.22        |
| 160    | 04612-00280 | CIR CLIP EXTERNAL  | 1    |       |     |         | 0.003        | 0.0066      |

# BRAKE ROD



3A211-033-10

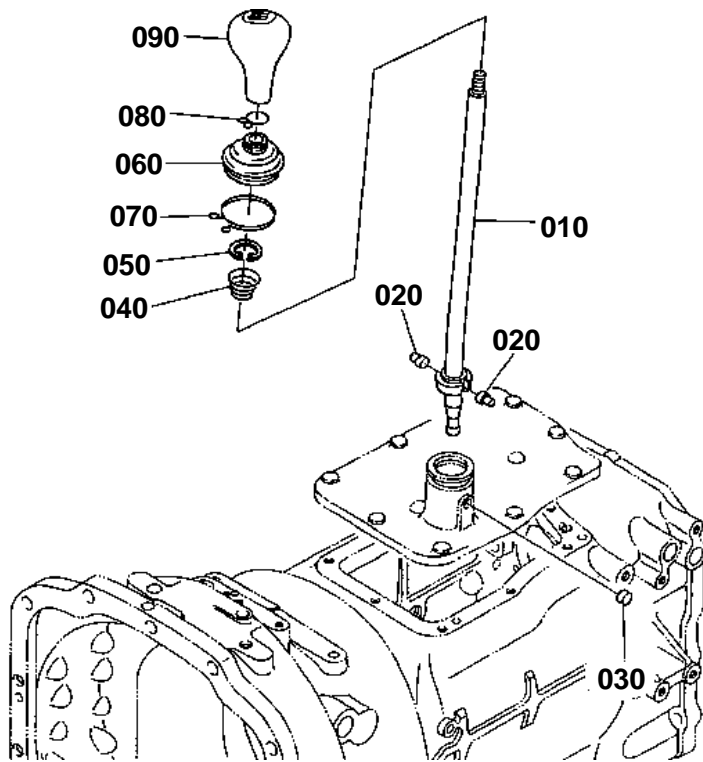
**BRAKE ROD**

↔ Interchangeable; ≠ not interchangeable; ← new for old; → old for new

| REF.No | Part No.    | Description         | Q'ty | S.No. | I/C | REMARKS | Weight (kgf) | Weight (lb) |
|--------|-------------|---------------------|------|-------|-----|---------|--------------|-------------|
| 010    | 34070-44870 | SHAFT BRAKE LH      | 1    |       |     |         | 0.225        | 0.495       |
| 020    | 34070-44880 | SHAFT BRAKE RH      | 1    |       |     |         | 0.22         | 0.484       |
| 030    | 3A011-65260 | ASSY LEVER BRAKE LH | 1    |       |     |         | 0            | 0           |
| 040    | 34070-44890 | BUSH                | 1    |       |     |         | 0.035        | 0.077       |
| 050    | 3A011-65250 | ASSY LEVER BRAKE RH | 1    |       |     |         | 0.285        | 0.627       |
| 060    | 34070-44890 | BUSH                | 1    |       |     |         | 0.035        | 0.077       |
| 070    | 04011-50200 | WASHER PLAIN        | 2    |       |     |         | 0.015        | 0.033       |
| 080    | 04612-00200 | CIR CLIP EXTERNAL   | 2    |       |     |         | 0.001        | 0.0022      |
| 090    | 3A111-67410 | ROD BRAKE           | 2    |       |     |         | 0.48         | 1.056       |
| 100    | 3A151-26240 | ROD CLUTCH BRAKE    | 2    |       |     |         | 0.143        | 0.3146      |
| 110    | 02116-50100 | NUT                 | 2    |       |     |         | 0.004        | 0.0088      |
| 120    | 32350-28980 | TURNBUCKLE          | 2    |       |     |         | 0.124        | 0.2728      |
| 130    | 66706-65380 | PIN SET             | 2    |       |     |         | 0.021        | 0.0462      |
| 140    | 38430-15790 | PIN JOINT           | 2    |       |     |         | 0.02         | 0.044       |
| 150    | 04013-60100 | WASHER PLAIN        | 4    |       |     |         | 0.004        | 0.0088      |
| 160    | 05511-50318 | PIN SPLIT           | 4    |       |     |         | 0.001        | 0.0022      |
| 170    | 3A111-67420 | ROD BRAKE           | 2    |       |     |         | 0.238        | 0.5236      |
| 180    | 38430-15790 | PIN JOINT           | 4    |       |     |         | 0.02         | 0.044       |
| 190    | 52300-34130 | PIN SNAP            | 2    |       |     |         | 0.004        | 0.0088      |
| 200    | 04013-60100 | WASHER PLAIN        | 4    |       |     |         | 0.004        | 0.0088      |
| 210    | 05511-50318 | PIN SPLIT           | 2    |       |     |         | 0.001        | 0.0022      |



MAIN GEAR SHIFT LEVER



3A211-034-10

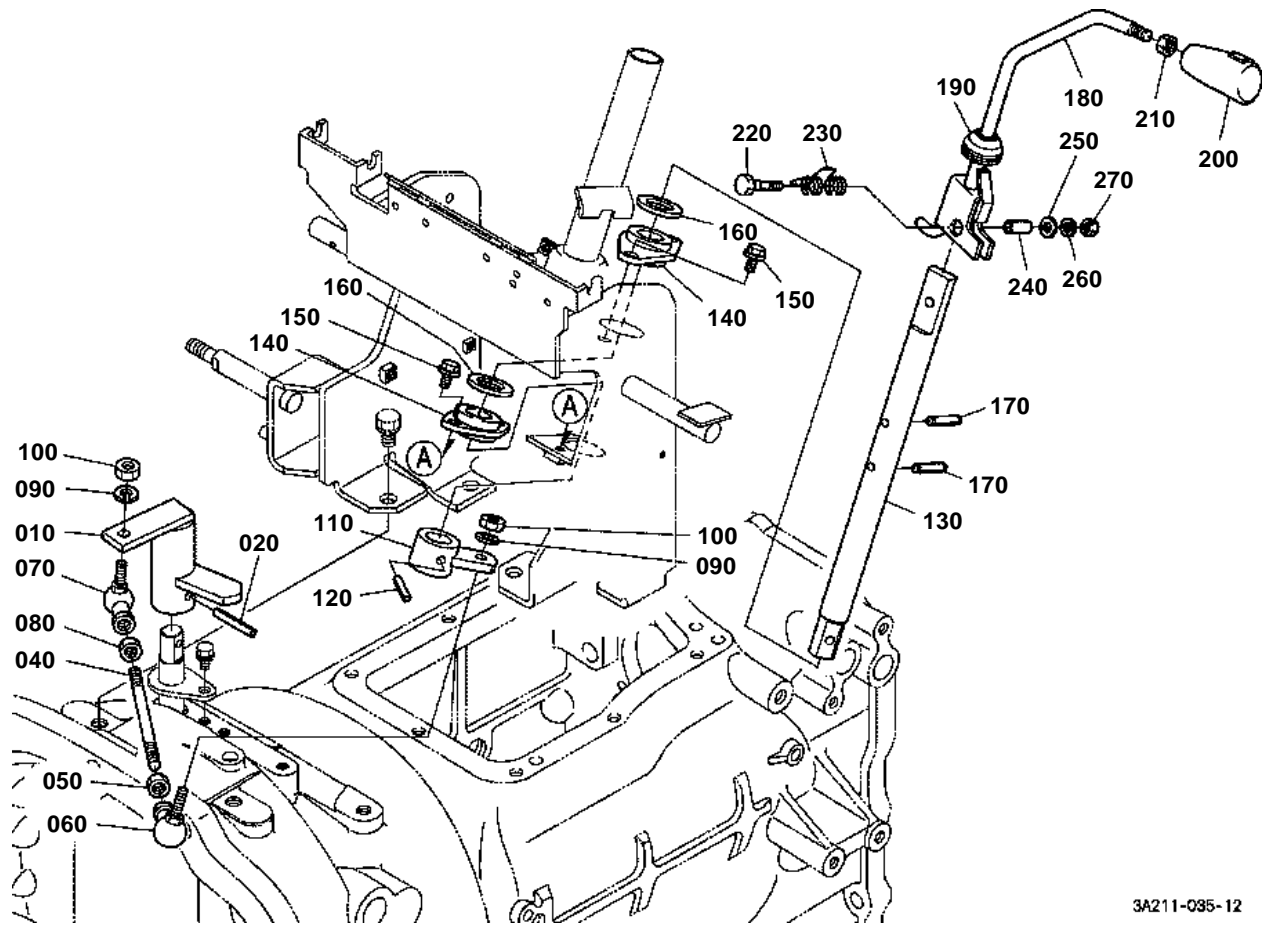


## MAIN GEAR SHIFT LEVER

↔ Interchangeable; ≠ not interchangeable; ← new for old; → old for new

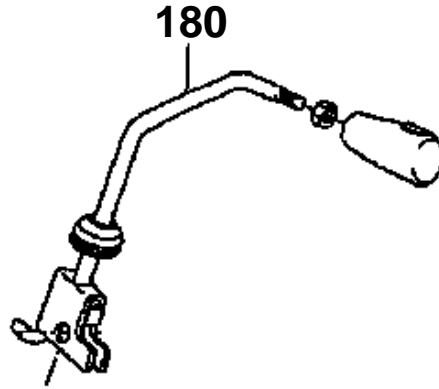
| REF.No | Part No.    | Description       | Q'ty | S.No. | I/C | REMARKS | Weight (kgf) | Weight (lb) |
|--------|-------------|-------------------|------|-------|-----|---------|--------------|-------------|
| 010    | 3A011-29360 | BAR MAIN SHIFT    | 1    |       |     |         | 0.65         | 1.43        |
| 020    | 34150-23740 | PIN SET           | 2    |       |     |         | 0.002        | 0.0044      |
| 030    | 31393-75420 | PLUG              | 1    |       |     |         | 0.001        | 0.0022      |
| 040    | 66591-18430 | SPRING            | 1    |       |     |         | 0.024        | 0.0528      |
| 050    | 04611-00380 | CIR CLIP INTERNAL | 1    |       |     |         | 0.004        | 0.0088      |
| 060    | 3A011-29690 | BOOT              | 1    |       |     |         | 0.021        | 0.0462      |
| 070    | 33740-29570 | CLIP              | 1    |       |     |         | 0.005        | 0.011       |
| 080    | 33740-29702 | BAND              | 1    |       |     |         | 0.005        | 0.011       |
| 090    | 3A151-29620 | GRIP LEVER        | 1    |       |     |         | 0.12         | 0.264       |

SHUTTLE SHIFT LEVER



3A211-035-12

180 3A151-3444-0



3A181-806-10

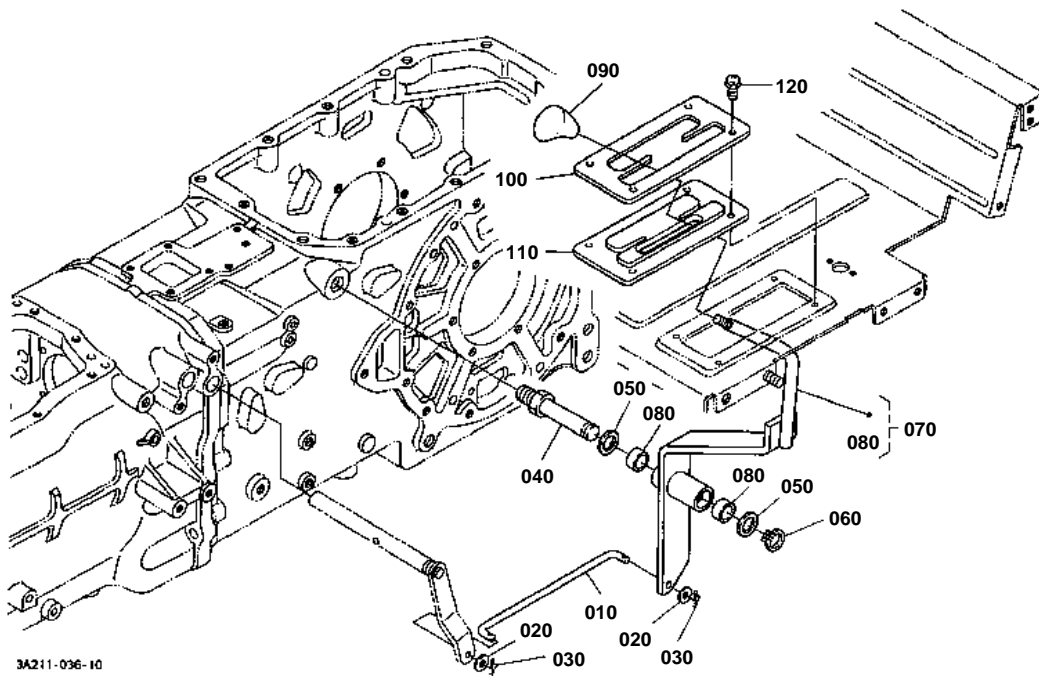


## SHUTTLE SHIFT LEVER

↔ Interchangeable; ≠ not interchangeable; ← new for old; → old for new

| REF.No | Part No.    | Description         | Q'ty | S.No.   | I/C | REMARKS  | Weight (kgf) | Weight (lb) |
|--------|-------------|---------------------|------|---------|-----|----------|--------------|-------------|
| 010    | 3A211-34410 | LEVER SHUTTLE       | 1    |         |     |          | 0.35         | 0.77        |
| 020    | 05411-00635 | PIN SPRING          | 1    |         |     |          | 0.005        | 0.011       |
| 030    | 99999-99999 | BLANK               | 0    |         |     |          | 0            | 0           |
| 040    | 3A211-34420 | ROD SHUTTLE         | 1    |         |     |          | 0            | 0           |
| 050    | 02112-50080 | NUT                 | 1    |         |     |          | 0.003        | 0.0066      |
| 060    | 45404-95770 | END ROD             | 1    |         |     |          | 0.05         | 0.11        |
| 070    | 54721-31850 | BALL LINK           | 1    |         |     |          | 0.065        | 0.143       |
| 080    | 31351-24260 | NUT                 | 1    |         |     |          | 0.005        | 0.011       |
| 090    | 04512-60080 | WASHER SPRING       | 2    |         |     |          | 0.002        | 0.0044      |
| 100    | 02114-50080 | NUT                 | 2    |         |     |          | 0.005        | 0.011       |
| 110    | 3A211-34490 | LEVER SHUTTLE       | 1    |         |     |          | 0.105        | 0.231       |
| 120    | 05411-00635 | PIN SPRING          | 1    |         |     |          | 0.005        | 0.011       |
| 130    | 3A211-34500 | SHAFT SHUTTLE       | 1    | <=10594 |     |          | 0.605        | 1.331       |
| 130    | 3A211-34502 | SHAFT SHUTTLE       | 1    | >=10595 | ?   |          | 0            | 0           |
| 140    | 3F740-34640 | BEARING FLANGE      | 2    |         |     |          | 0.032        | 0.0704      |
| 150    | 01754-50818 | BOLT FLANGE         | 4    |         |     |          | 0.011        | 0.0242      |
| 160    | 04011-50200 | WASHER PLAIN        | 2    |         |     |          | 0.015        | 0.033       |
| 170    | 05411-00635 | PIN SPRING          | 2    |         |     |          | 0.005        | 0.011       |
| 180    | 3A151-34442 | LEVER SHUTTLE SHIFT | 1    | <=10631 |     | NOT SALE | 0            | 0           |
| 180    | 3A151-34443 | LEVER SHUTTLE SHIFT | 1    | >=10632 | ?   |          | 0            | 0           |
| 190    | 3A151-34680 | BOOT RUBBER         | 1    |         |     |          | 0.01         | 0.022       |
| 200    | 3G710-34850 | GRIP LEVER          | 1    |         |     |          | 0.06         | 0.132       |
| 210    | 02116-50100 | NUT                 | 1    |         |     |          | 0.004        | 0.0088      |
| 220    | TA040-43970 | BOLT REAMER         | 1    |         |     |          | 0.042        | 0.0924      |
| 230    | 3A211-34562 | SPRING              | 1    |         |     |          | 0.01         | 0.022       |
| 240    | TA040-43920 | COLLAR SHUTTLE      | 1    |         |     |          | 0.005        | 0.011       |
| 250    | 04013-60080 | WASHER PLAIN        | 1    |         |     |          | 0.002        | 0.0044      |
| 260    | 04512-60080 | WASHER SPRING       | 1    |         |     |          | 0.002        | 0.0044      |
| 270    | 02114-50080 | NUT                 | 1    |         |     |          | 0.005        | 0.011       |

# RANGE GEAR SHIFT LEVER



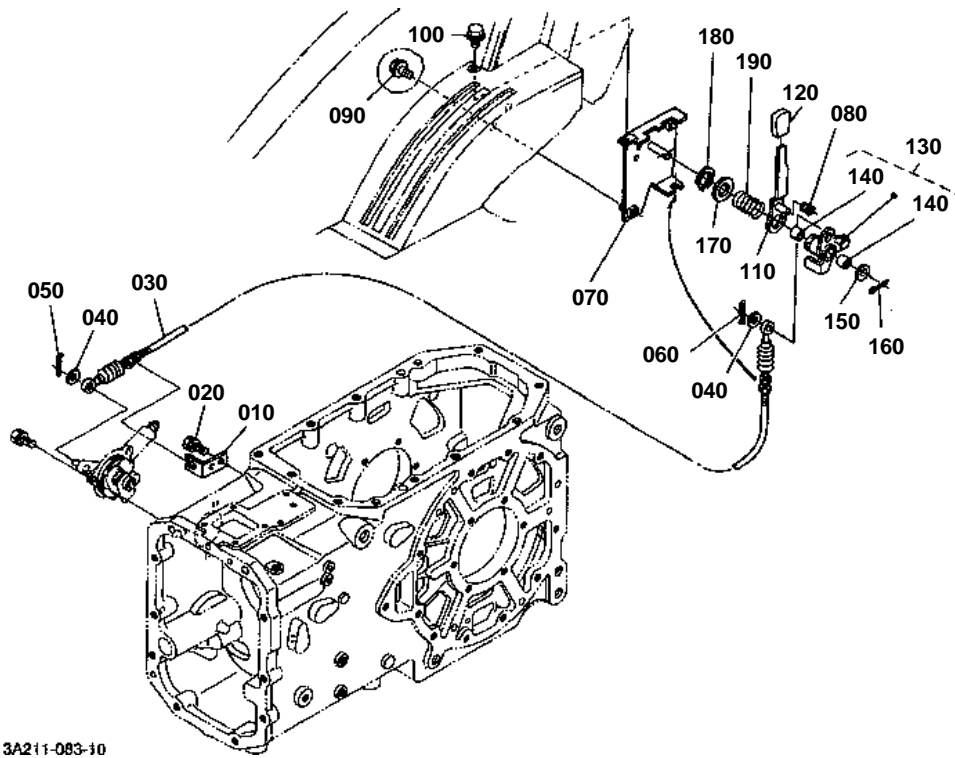


## RANGE GEAR SHIFT LEVER

↔ Interchangeable; ≠ not interchangeable; ← new for old; → old for new

| REF.No | Part No.    | Description       | Q'ty | S.No. | I/C | REMARKS | Weight (kgf) | Weight (lb) |
|--------|-------------|-------------------|------|-------|-----|---------|--------------|-------------|
| 010    | 3A211-29890 | ROD RANGE SHIFT   | 1    |       |     |         | 0.08         | 0.176       |
| 020    | 04012-50080 | WASHER PLAIN      | 2    |       |     |         | 0.001        | 0.0022      |
| 030    | 52300-34120 | PIN SNAP          | 2    |       |     |         | 0.001        | 0.0022      |
| 040    | 3A011-29790 | PIN               | 1    |       |     |         | 0.295        | 0.649       |
| 050    | 04011-50180 | WASHER PLAIN      | 2    |       |     |         | 0.012        | 0.0264      |
| 060    | 04612-00190 | CIR CLIP EXTERNAL | 1    |       |     |         | 0.001        | 0.0022      |
| 070    | 3A211-29900 | LEVER RANGE SHIFT | 1    |       |     |         | 1.9          | 4.18        |
| 080    | 08511-01910 | BUSH              | 2    |       |     |         | 0.008        | 0.0176      |
| 090    | TA040-69820 | GRIP LEVER        | 1    |       |     |         | 0.117        | 0.2574      |
| 100    | 3A011-29730 | GUIDE LEVER       | 1    |       |     |         | 0.47         | 1.034       |
| 110    | 3A151-29740 | CUSHION           | 1    |       |     |         | 0.067        | 0.1474      |
| 120    | 03004-50620 | SCREW WITH WASHER | 4    |       |     |         | 0.005        | 0.011       |

# PTO CLUTCH LEVER



3A211-083-10



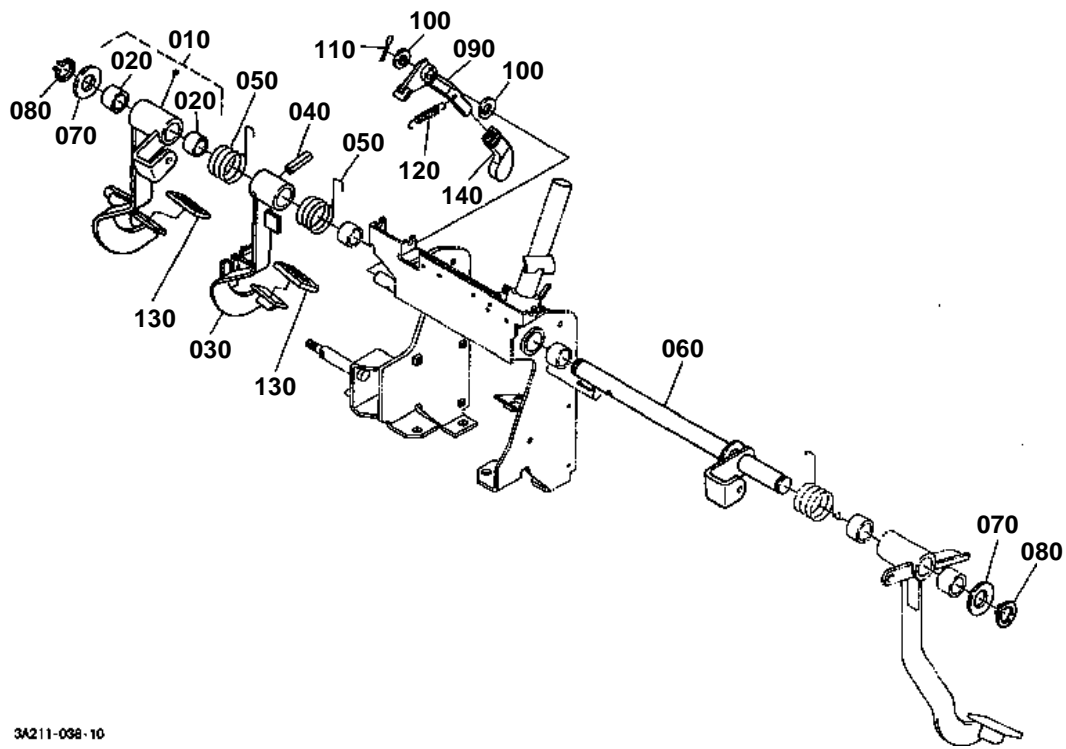


## PTO CLUTCH LEVER

↔ Interchangeable; ≠ not interchangeable; ← new for old; → old for new

| REF.No | Part No.    | Description         | Q'ty | S.No. | I/C | REMARKS | Weight (kgf) | Weight (lb) |
|--------|-------------|---------------------|------|-------|-----|---------|--------------|-------------|
| 010    | 3A011-27790 | STAY WIRE           | 1    |       |     |         | 0.04         | 0.088       |
| 020    | 01123-50816 | BOLT                | 2    |       |     |         | 0            | 0           |
| 030    | 3A111-27740 | WIRE PTO            | 1    |       |     |         | 0.115        | 0.253       |
| 040    | 04012-50060 | WASHER PLAIN        | 2    |       |     |         | 0.001        | 0.0022      |
| 050    | 05511-51612 | PIN SPLIT           | 1    |       |     |         | 0.001        | 0.0022      |
| 060    | 05525-60600 | PIN SNAP            | 1    |       |     |         | 0.001        | 0.0022      |
| 070    | 3A012-27800 | BRACKET PTO LEVER   | 1    |       |     |         | 0.415        | 0.913       |
| 080    | 3A111-27830 | SPRING PTO LEVER    | 1    |       |     |         | 0.001        | 0.0022      |
| 090    | 01754-50825 | BOLT FLANGE         | 2    |       |     |         | 0.01         | 0.022       |
| 100    | 01754-50612 | BOLT FLANGE         | 1    |       |     |         | 0.005        | 0.011       |
| 110    | 3A012-27810 | LEVER PTO CLUTCH    | 1    |       |     |         | 0            | 0           |
| 120    | 36919-27820 | GRIP PTO LEVER      | 1    |       |     |         | 0.015        | 0.033       |
| 130    | 3A012-27840 | ASSY LINK PTO LEVER | 1    |       |     |         | 0.077        | 0.1694      |
| 140    | 08511-00810 | BUSH                | 2    |       |     |         | 0.003        | 0.0066      |
| 150    | 04013-60080 | WASHER PLAIN        | 1    |       |     |         | 0.002        | 0.0044      |
| 160    | 05511-50215 | PIN SPLIT           | 1    |       |     |         | 0.001        | 0.0022      |
| 170    | 04011-50180 | WASHER PLAIN        | 1    |       |     |         | 0.012        | 0.0264      |
| 180    | 04612-00180 | CIR CLIP EXTERNAL   | 1    |       |     |         | 0.001        | 0.0022      |
| 190    | 3A012-27850 | SPRING              | 1    |       |     |         | 0.005        | 0.011       |

# BRAKE PEDAL



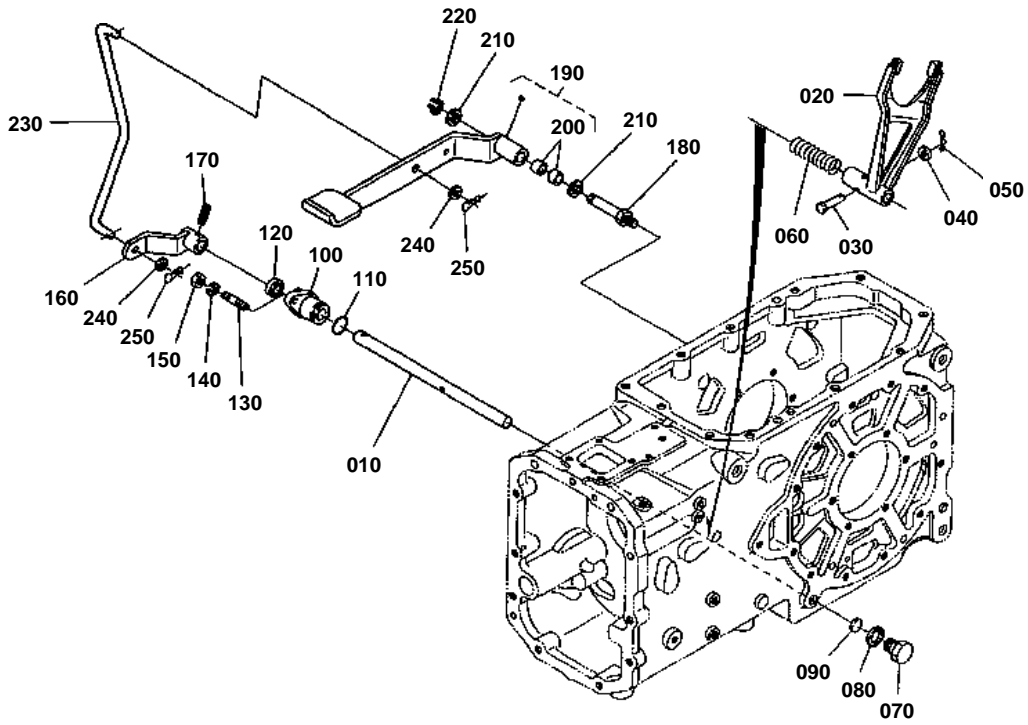
3A211-038-10

**BRAKE PEDAL**

↔ Interchangeable; ≠ not interchangeable; ← new for old; → old for new

| REF.No | Part No.    | Description         | Q'ty | S.No. | I/C | REMARKS | Weight (kgf) | Weight (lb) |
|--------|-------------|---------------------|------|-------|-----|---------|--------------|-------------|
| 010    | 3A011-67102 | ASSY PEDAL BRAKE RH | 1    |       |     |         | 1.675        | 3.685       |
| 020    | 08511-02825 | BUSH                | 2    |       |     |         | 0.04         | 0.088       |
| 030    | 3A111-67210 | PEDAL BRAKE LH      | 1    |       |     |         | 1.485        | 3.267       |
| 040    | 05411-00850 | PIN SPRING          | 1    |       |     |         | 0.012        | 0.0264      |
| 050    | 3A011-26160 | SPRING              | 2    |       |     |         | 0.084        | 0.1848      |
| 060    | 3A011-67310 | SHAFT PEDAL         | 1    |       |     |         | 2.75         | 6.05        |
| 070    | 32530-28660 | COLLAR              | 2    |       |     |         | 0.018        | 0.0396      |
| 080    | 04612-00280 | CIR CLIP EXTERNAL   | 2    |       |     |         | 0.003        | 0.0066      |
| 090    | 3A011-67600 | LOCK PARKING LEVER  | 1    |       |     |         | 0.16         | 0.352       |
| 100    | 04011-50180 | WASHER PLAIN        | 2    |       |     |         | 0.012        | 0.0264      |
| 110    | 05511-50425 | PIN SPLIT           | 1    |       |     |         | 0.003        | 0.0066      |
| 120    | 36330-83420 | SPRING LOCK         | 1    |       |     |         | 0.006        | 0.0132      |
| 130    | 37410-44120 | COVER PEDAL         | 2    |       |     |         | 0.08         | 0.176       |
| 140    | TA040-49842 | GRIP                | 1    |       |     |         | 0.025        | 0.055       |

# REAR DIFFERENTIAL LOCK PEDAL



3A021-024-11

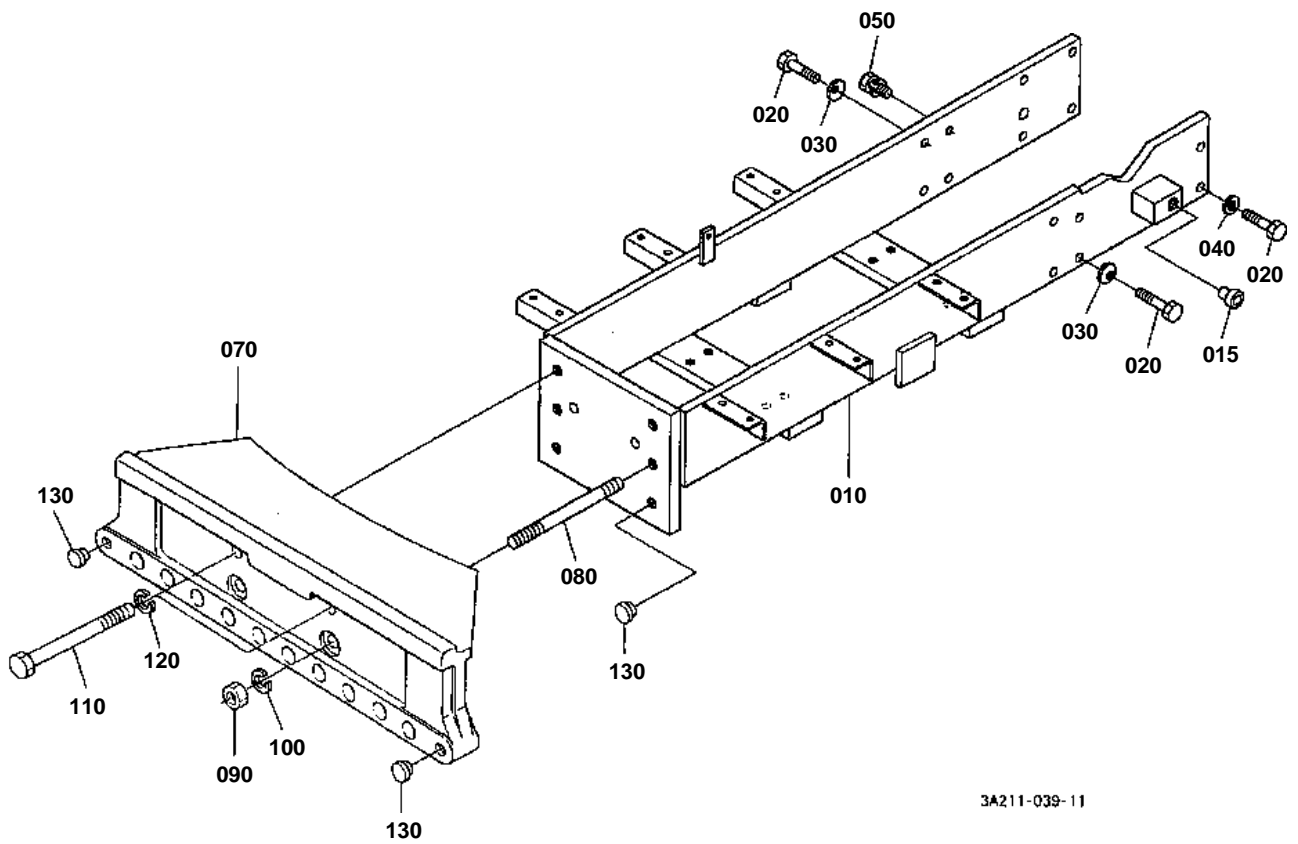


## REAR DIFFERENTIAL LOCK PEDAL

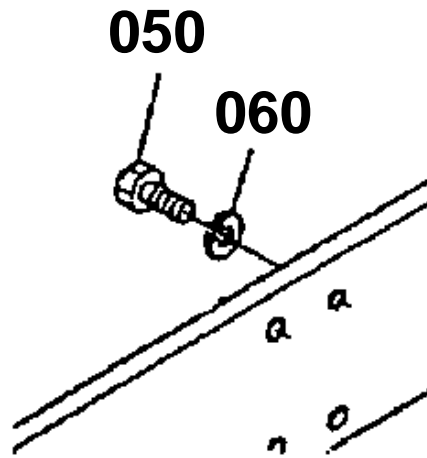
↔ Interchangeable; ≠ not interchangeable; ← new for old; → old for new

| REF.No | Part No.    | Description          | Q'ty | S.No. | I/C | REMARKS | Weight (kgf) | Weight (lb) |
|--------|-------------|----------------------|------|-------|-----|---------|--------------|-------------|
| 010    | 3A011-32940 | SHAFT DIFF.LOCK      | 1    |       |     |         | 0.445        | 0.979       |
| 020    | 3A011-32883 | FORK DIFF.LOCK       | 1    |       |     |         | 0.745        | 1.639       |
| 030    | 31351-26620 | PIN JOINT            | 1    |       |     |         | 0.008        | 0.0176      |
| 040    | 04013-60060 | WASHER PLAIN         | 1    |       |     |         | 0.001        | 0.0022      |
| 050    | 3A011-32870 | PIN SNAP             | 1    |       |     |         | 0.001        | 0.0022      |
| 060    | 3A011-32960 | SPRING               | 1    |       |     |         | 0.137        | 0.3014      |
| 070    | 06331-35020 | PLUG                 | 1    |       |     |         | 0.068        | 0.1496      |
| 080    | 04717-02000 | WASHER WITH RUBBER   | 1    |       |     |         | 0.004        | 0.0088      |
| 090    | 36330-32970 | SHIM ADJUSTING       | 1    |       |     | 0.5mm   | 0.001        | 0.0022      |
| 100    | 3A011-32910 | SUPPORT SHAFT        | 1    |       |     |         | 0.29         | 0.638       |
| 110    | 04811-10290 | O RING               | 1    |       |     |         | 0.001        | 0.0022      |
| 120    | 09500-16287 | SEAL OIL             | 1    |       |     |         | 0.01         | 0.022       |
| 130    | 01517-61030 | STUD                 | 2    |       |     |         | 0.021        | 0.0462      |
| 140    | 04512-60100 | WASHER SPRING        | 2    |       |     |         | 0.002        | 0.0044      |
| 150    | 02176-50100 | NUT                  | 2    |       |     |         | 0.005        | 0.011       |
| 160    | 3A011-32930 | LEVER DIFF.LOCK      | 1    |       |     |         | 0.15         | 0.33        |
| 170    | 05411-00625 | PIN SPRING           | 1    |       |     |         | 0.004        | 0.0088      |
| 180    | 3A011-33120 | PIN                  | 1    |       |     |         | 0.095        | 0.209       |
| 190    | 3A011-32990 | ASSY PEDAL DIFF.LOCK | 1    |       |     |         | 0.74         | 1.628       |
| 200    | 08511-01415 | BUSH                 | 2    |       |     |         | 0.006        | 0.0132      |
| 210    | 04011-50140 | WASHER PLAIN         | 2    |       |     |         | 0.007        | 0.0154      |
| 220    | 04612-00140 | CIR CLIP EXTERNAL    | 1    |       |     |         | 0.001        | 0.0022      |
| 230    | 3A011-33060 | ROD DIFF.LOCK        | 1    |       |     |         | 0.24         | 0.528       |
| 240    | 04013-60100 | WASHER PLAIN         | 2    |       |     |         | 0.004        | 0.0088      |
| 250    | 52300-34130 | PIN SNAP             | 2    |       |     |         | 0.004        | 0.0088      |

FRONT AXLE FRAME



050 01176-61030  
060 04512-50100



3A211-802-10



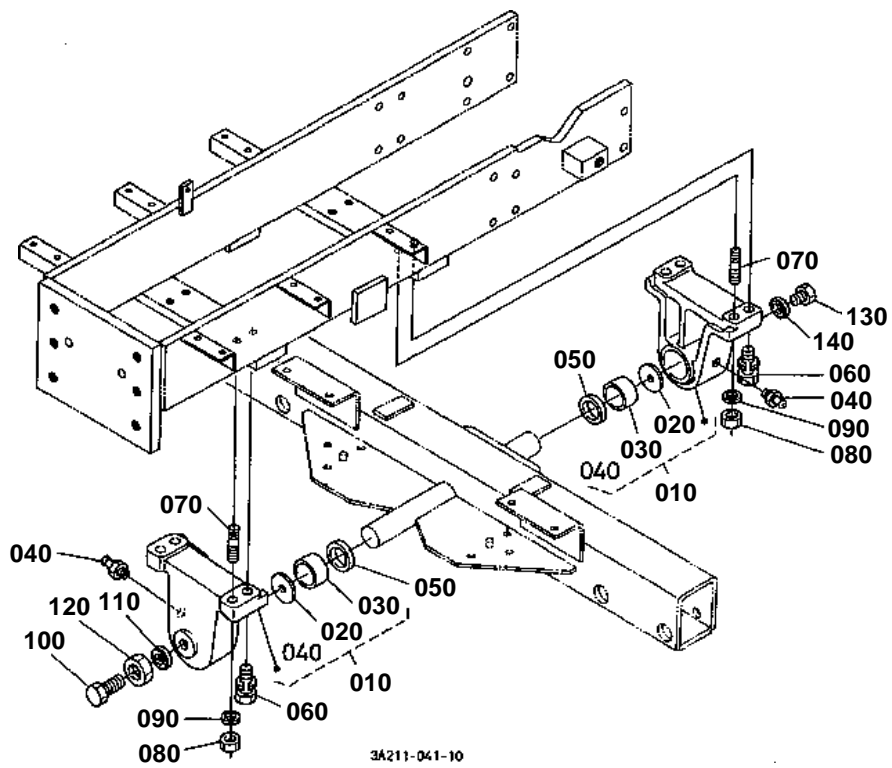
## FRONT AXLE FRAME

↔ Interchangeable; ≠ not interchangeable; ← new for old; → old for new

| REF.No | Part No.    | Description      | Q'ty | S.No.   | I/C | REMARKS | Weight (kgf) | Weight (lb) |
|--------|-------------|------------------|------|---------|-----|---------|--------------|-------------|
| 010    | 3A211-21710 | FRAME FRONT AXLE | 1    |         |     |         | 63           | 138.6       |
| 015    | 36330-21290 | PLUG             | 2    |         |     |         | 0.002        | 0.0044      |
| 020    | 37800-43400 | BOLT             | 14   |         |     |         | 0.043        | 0.0946      |
| 030    | 69191-65950 | SPRING PLATE     | 7    |         |     |         | 0.005        | 0.011       |
| 040    | 04512-60120 | WASHER SPRING    | 7    |         |     |         | 0.005        | 0.011       |
| 050    | 01176-61030 | BOLT             | 1    | <=10633 |     |         | 0.03         | 0.066       |
| 050    | 01138-51030 | BOLT             | 1    | >=10634 | ?   |         | 0            | 0           |
| 060    | 04512-60100 | WASHER SPRING    | 1    | <=10633 |     |         | 0.002        | 0.0044      |
| 070    | 3A111-21760 | BUMPER           | 1    |         |     |         | 82           | 180.4       |
| 080    | 3A111-21780 | STUD             | 2    |         |     |         | 0.31         | 0.682       |
| 090    | 02176-50160 | NUT              | 2    |         |     |         | 0.021        | 0.0462      |
| 100    | 04512-60160 | WASHER SPRING    | 2    |         |     |         | 0.01         | 0.022       |
| 110    | 36200-87080 | BOLT             | 2    |         |     |         | 0.466        | 1.0252      |
| 120    | 04512-60160 | WASHER SPRING    | 2    |         |     |         | 0.01         | 0.022       |
| 130    | 33300-90910 | PLUG             | 4    |         |     |         | 0.002        | 0.0044      |



FRONT AXLE BRACKET



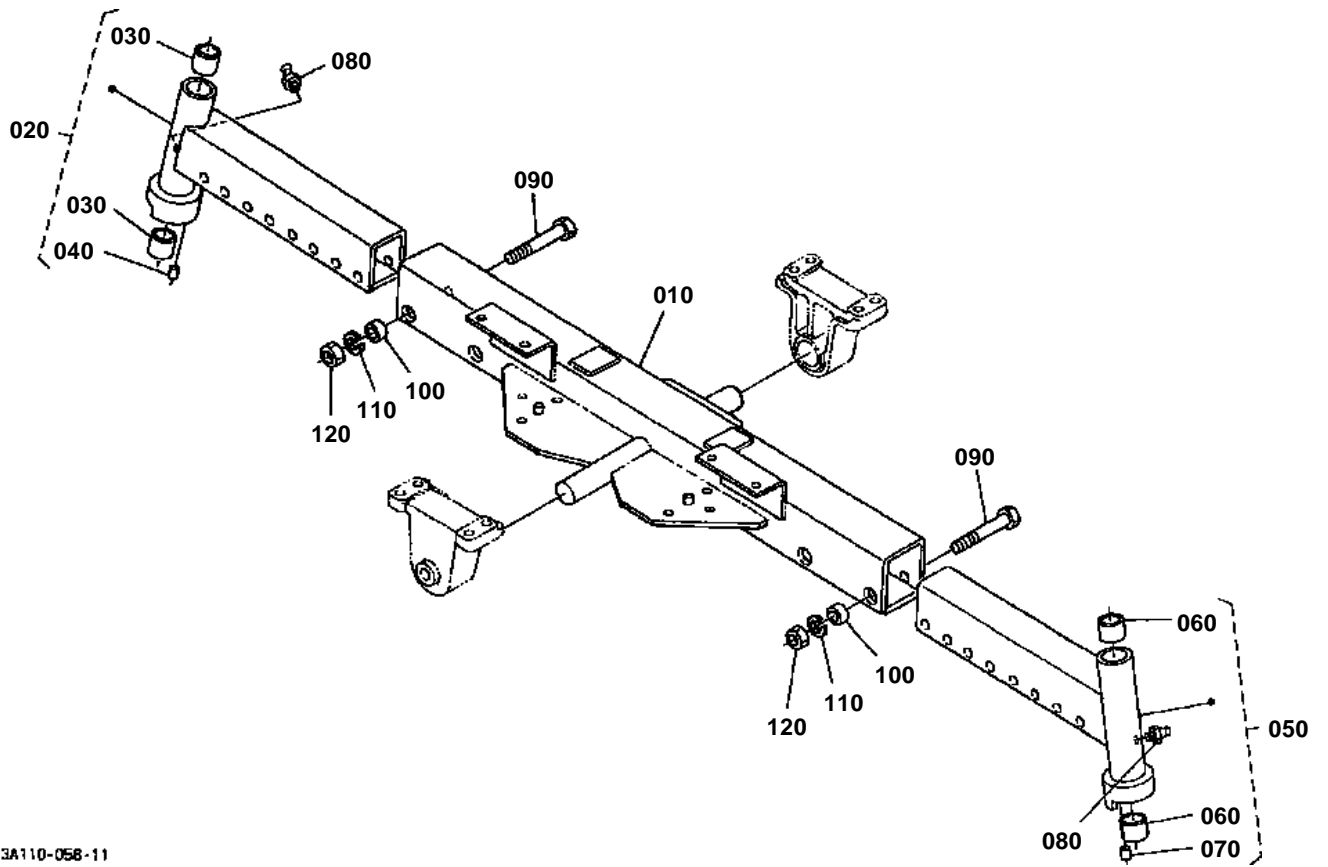


## FRONT AXLE BRACKET

↔ Interchangeable; ≠ not interchangeable; ← new for old; → old for new

| REF.No | Part No.    | Description         | Q'ty | S.No. | I/C | REMARKS | Weight (kgf) | Weight (lb) |
|--------|-------------|---------------------|------|-------|-----|---------|--------------|-------------|
| 010    | 3A011-41632 | ASSY BRACKET F.AXLE | 2    |       |     |         | 4.62         | 10.164      |
| 020    | 38240-13430 | WASHER THRUST       | 2    |       |     |         | 0.032        | 0.0704      |
| 030    | 52200-22430 | BUSH                | 2    |       |     |         | 0.05         | 0.11        |
| 040    | 06611-15010 | NIPPLE GREASE       | 2    |       |     |         | 0.01         | 0.022       |
| 050    | 38240-13160 | SEAL OIL            | 2    |       |     |         | 0.005        | 0.011       |
| 060    | 01138-51245 | BOLT                | 4    |       |     |         | 0.051        | 0.1122      |
| 070    | 01574-61240 | STUD                | 4    |       |     |         | 0.045        | 0.099       |
| 080    | 02176-50120 | NUT                 | 4    |       |     |         | 0.01         | 0.022       |
| 090    | 04512-60120 | WASHER SPRING       | 4    |       |     |         | 0.005        | 0.011       |
| 100    | 01175-51645 | BOLT                | 1    |       |     |         | 0.09         | 0.198       |
| 110    | 38440-44750 | WASHER SEAL         | 1    |       |     |         | 0.003        | 0.0066      |
| 120    | 32580-44580 | NUT                 | 1    |       |     |         | 0.1          | 0.22        |
| 130    | 06331-35016 | PLUG                | 1    |       |     |         | 0.04         | 0.088       |
| 140    | 04717-01600 | WASHER WITH RUBBER  | 1    |       |     |         | 0.003        | 0.0066      |

FRONT AXLE



3A110-058-11

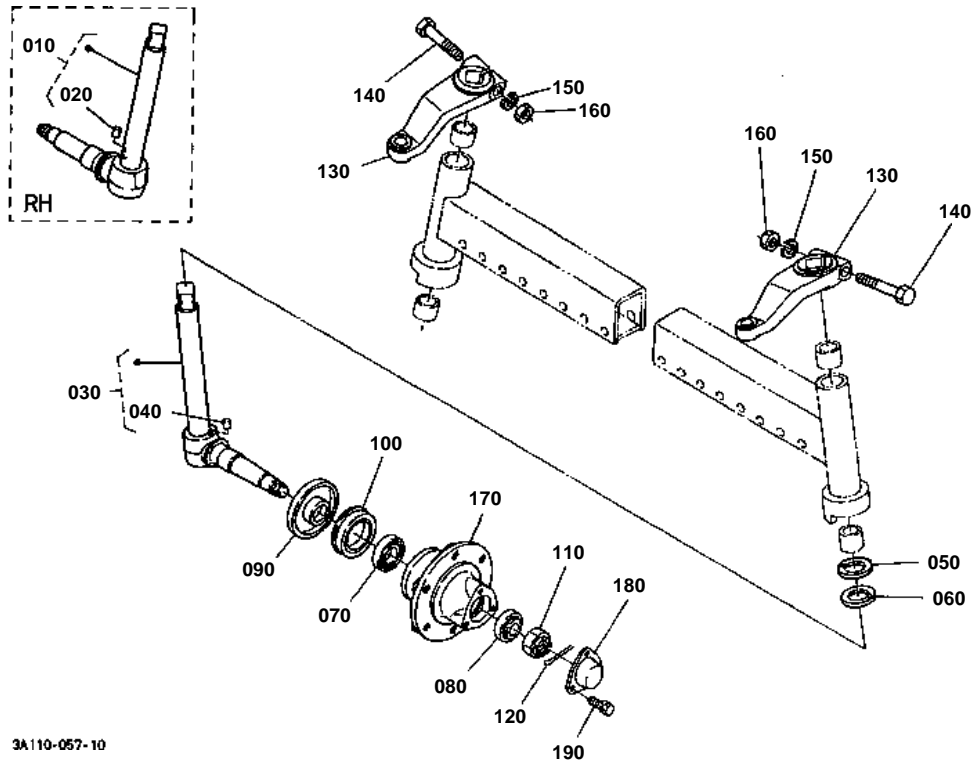


## FRONT AXLE

↔ Interchangeable; ≠ not interchangeable; ← new for old; → old for new

| REF.No | Part No.    | Description       | Q'ty | S.No. | I/C | REMARKS | Weight (kgf) | Weight (lb) |
|--------|-------------|-------------------|------|-------|-----|---------|--------------|-------------|
| 010    | 3A111-58312 | AXLE FRONT MIDDLE | 1    |       |     |         | 0            | 0           |
| 020    | 3A111-58100 | COMP.AXLE RH      | 1    |       |     |         | 8.7          | 19.14       |
| 030    | 33251-58250 | BUSH              | 2    |       |     |         | 0.08         | 0.176       |
| 040    | 33251-58260 | PIN KNOCK         | 1    |       |     |         | 0.001        | 0.0022      |
| 050    | 3A111-58200 | COMP.AXLE LH      | 1    |       |     |         | 8.7          | 19.14       |
| 060    | 33251-58250 | BUSH              | 2    |       |     |         | 0.08         | 0.176       |
| 070    | 33251-58260 | PIN KNOCK         | 1    |       |     |         | 0.001        | 0.0022      |
| 080    | 06613-10675 | NIPPLE GREASE     | 2    |       |     |         | 0.003        | 0.0066      |
| 090    | 3A011-58530 | BOLT              | 4    |       |     |         | 0.3          | 0.66        |
| 100    | 38240-13150 | COLLAR            | 4    |       |     |         | 0.04         | 0.088       |
| 110    | 04512-60140 | WASHER SPRING     | 4    |       |     |         | 0.006        | 0.0132      |
| 120    | 02176-50140 | NUT               | 4    |       |     |         | 0.014        | 0.0308      |

# FRONT WHEEL HUB



3A110-057-10

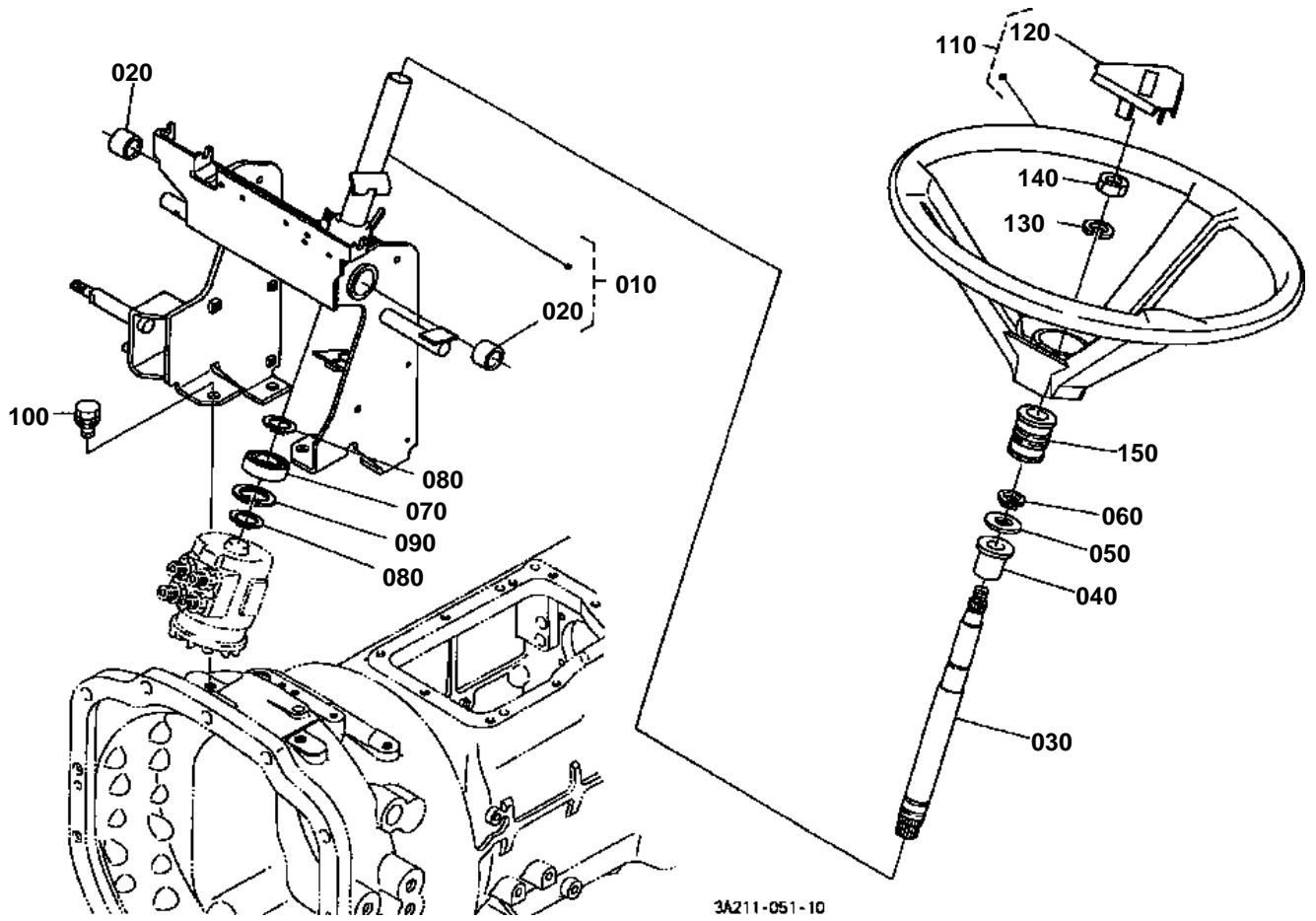


## FRONT WHEEL HUB

↔ Interchangeable; ≠ not interchangeable; ← new for old; → old for new

| REF.No | Part No.    | Description          | Q'ty | S.No. | I/C | REMARKS | Weight (kgf) | Weight (lb) |
|--------|-------------|----------------------|------|-------|-----|---------|--------------|-------------|
| 010    | 3A111-58500 | SHAFT KNUCKLE RH     | 1    |       |     |         | 4.5          | 9.9         |
| 020    | 33251-58260 | PIN KNOCK            | 1    |       |     |         | 0.001        | 0.0022      |
| 030    | 3A111-58600 | SHAFT KNUCKLE LH     | 1    |       |     |         | 4.5          | 9.9         |
| 040    | 33251-58260 | PIN KNOCK            | 1    |       |     |         | 0.001        | 0.0022      |
| 050    | 3A011-58710 | COLLAR THRUST        | 2    |       |     | 3.0mm   | 0.04         | 0.088       |
| 060    | 3A011-58720 | COLLAR THRUST        | 2    |       |     | 3.0mm   | 0.045        | 0.099       |
| 070    | 08711-30207 | BEARING TAPER-ROLLER | 2    |       |     |         | 0.365        | 0.803       |
| 080    | 08711-30205 | BEARING TAPER-ROLLER | 2    |       |     |         | 0.148        | 0.3256      |
| 090    | 33251-58770 | COVER KNUCKLE        | 2    |       |     |         | 0.34         | 0.748       |
| 100    | 33251-58760 | SEAL OIL             | 2    |       |     |         | 0.102        | 0.2244      |
| 110    | 02375-50220 | NUT                  | 2    |       |     |         | 0.04         | 0.088       |
| 120    | 05511-50435 | PIN SPLIT            | 2    |       |     |         | 0.004        | 0.0088      |
| 130    | 3A111-62730 | ARM KNUCKLE          | 2    |       |     |         | 1.73         | 3.806       |
| 140    | 36830-58430 | BOLT                 | 2    |       |     |         | 0.11         | 0.242       |
| 150    | 04512-60140 | WASHER SPRING        | 2    |       |     |         | 0.006        | 0.0132      |
| 160    | 02174-50140 | NUT                  | 2    |       |     |         | 0.014        | 0.0308      |
| 170    | 3A011-58812 | HUB FRONT WHEEL      | 2    |       |     |         | 4.8          | 10.56       |
| 180    | 32240-11350 | CAP FRONT WHEEL      | 2    |       |     |         | 0.065        | 0.143       |
| 190    | 01123-60814 | BOLT                 | 6    |       |     |         | 0.008        | 0.0176      |

STEERING HANDLE



3A211-051-10



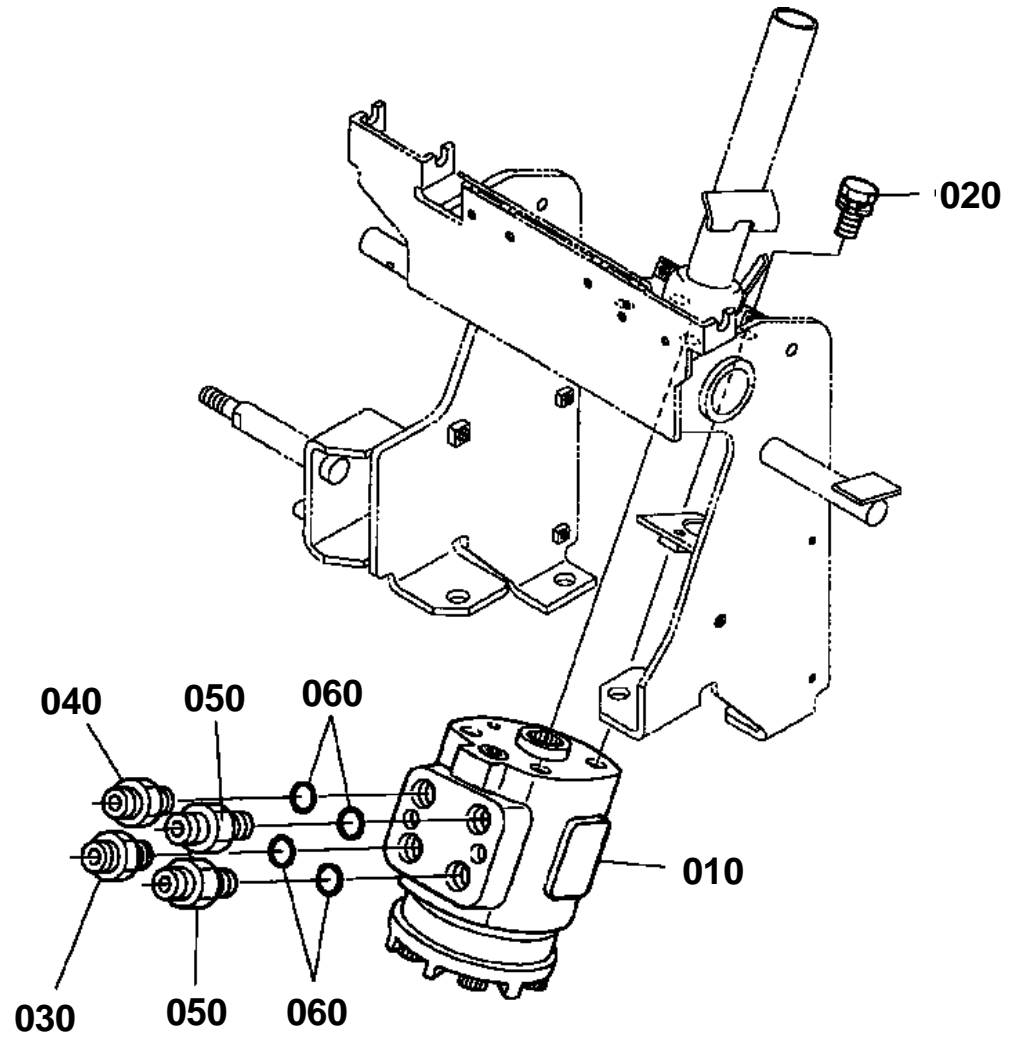
## STEERING HANDLE

↔ Interchangeable; ≠ not interchangeable; ← new for old; → old for new

| REF.No | Part No.    | Description         | Q'ty | S.No. | I/C | REMARKS | Weight (kgf) | Weight (lb) |
|--------|-------------|---------------------|------|-------|-----|---------|--------------|-------------|
| 010    | 3A211-63200 | ASSY SUPP. STEERING | 1    |       |     |         | 0            | 0           |
| 020    | 08511-02825 | BUSH                | 2    |       |     |         | 0.04         | 0.088       |
| 030    | 3A111-62150 | SHAFT STEERING      | 1    |       |     |         | 0.81         | 1.782       |
| 040    | 3A011-62170 | BUSH COLUMN         | 1    |       |     |         | 0.012        | 0.0264      |
| 050    | 04013-50180 | WASHER PLAIN        | 1    |       |     |         | 0.015        | 0.033       |
| 060    | 04612-00180 | CIR CLIP EXTERNAL   | 1    |       |     |         | 0.001        | 0.0022      |
| 070    | 35533-62360 | BEARING BALL        | 1    |       |     |         | 0.08         | 0.176       |
| 080    | 04612-00220 | CIR CLIP EXTERNAL   | 2    |       |     |         | 0.001        | 0.0022      |
| 090    | 04611-00450 | CIR CLIP INTERNAL   | 1    |       |     |         | 0.01         | 0.022       |
| 100    | 01133-51230 | BOLT                | 4    |       |     |         | 0.04         | 0.088       |
| 110    | 36919-62560 | ASSY WHEEL STEERING | 1    |       |     |         | 2.5          | 5.5         |
| 120    | 36919-62580 | PAD STEERING        | 1    |       |     |         | 0.045        | 0.099       |
| 130    | 04512-60120 | WASHER SPRING       | 1    |       |     |         | 0.005        | 0.011       |
| 140    | 02176-50120 | NUT                 | 1    |       |     |         | 0.01         | 0.022       |
| 150    | 3A111-62380 | COVER STEERING      | 1    |       |     |         | 0.036        | 0.0792      |



STEERING CONTROLLER



3A211-052-10

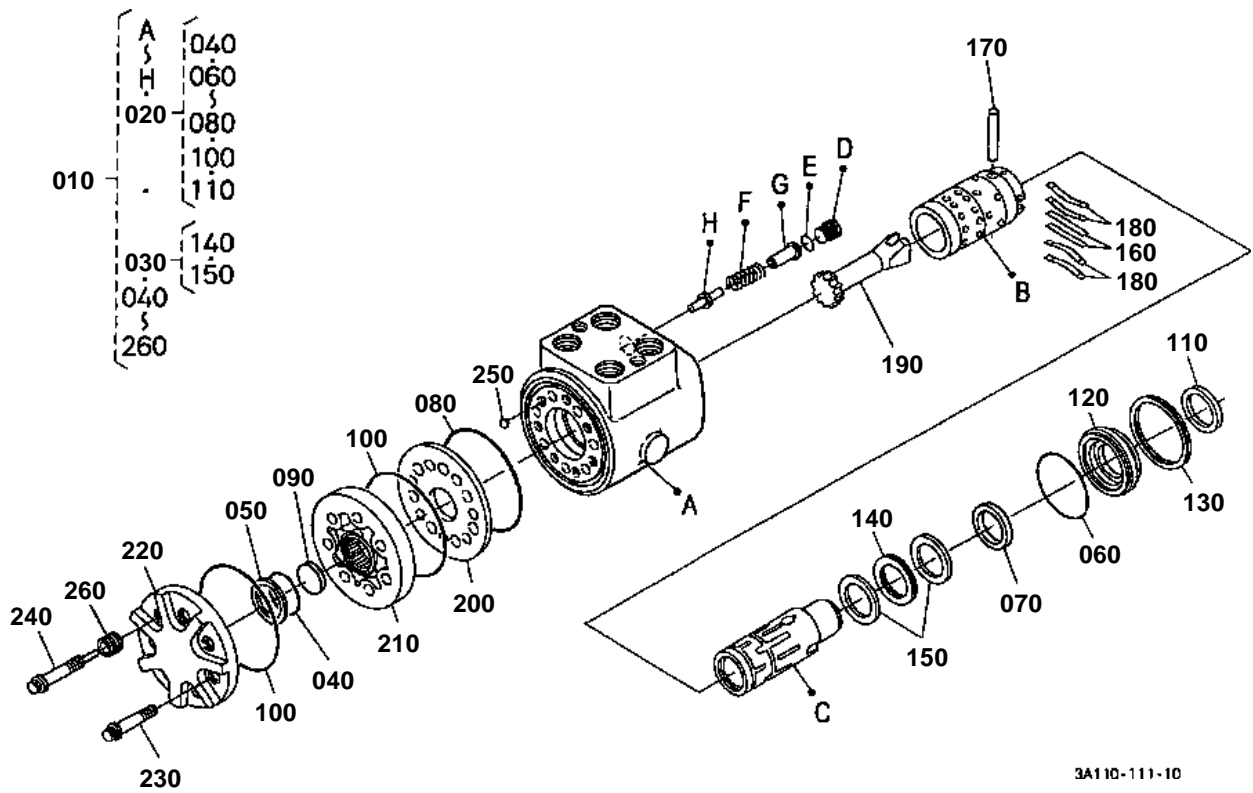


# STEERING CONTROLLER

↔ Interchangeable; ≠ not interchangeable; ← new for old; → old for new

| REF.No | Part No.    | Description         | Q'ty | S.No. | I/C | REMARKS | Weight (kgf) | Weight (lb) |
|--------|-------------|---------------------|------|-------|-----|---------|--------------|-------------|
| 010    | 3A111-63070 | CONTROLLER STEERING | 1    |       |     |         | 5.65         | 12.43       |
| 020    | 01133-51022 | BOLT                | 4    |       |     |         | 0.025        | 0.055       |
| 030    | 3A111-63090 | JOINT PIPE          | 1    |       |     |         | 0.088        | 0.1936      |
| 040    | 3A111-63150 | JOINT PIPE          | 1    |       |     |         | 0.093        | 0.2046      |
| 050    | 3A111-63120 | JOINT PIPE          | 2    |       |     |         | 0.084        | 0.1848      |
| 060    | 04811-00180 | O RING              | 4    |       |     |         | 0            | 0           |
| 060    | 04817-00180 | O RING              | 4    |       | ?   |         | 0.003        | 0.0066      |

STEERING CONTROLLER [COMPONENT PARTS]



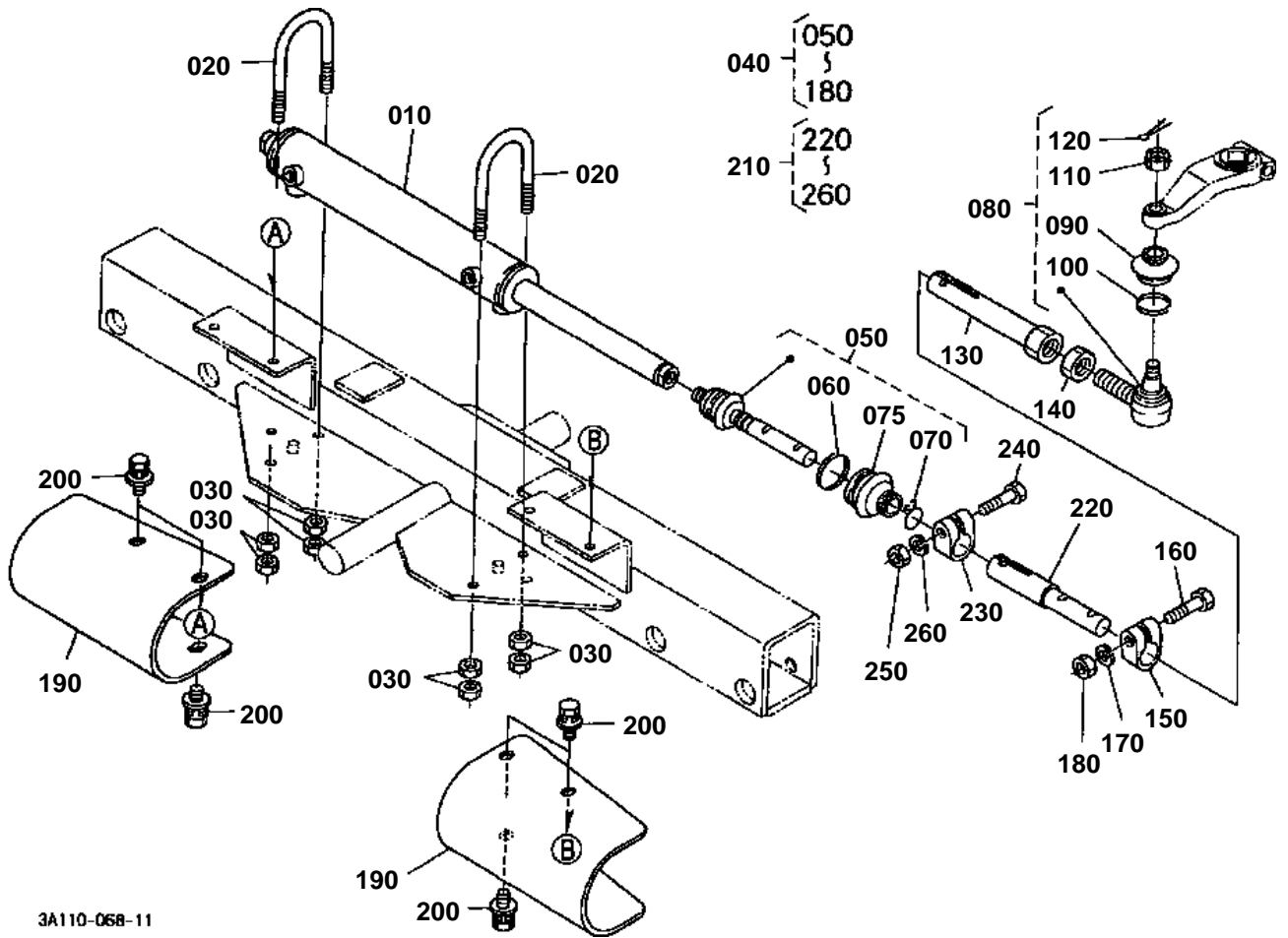


## STEERING CONTROLLER [COMPONENT PARTS]

↔ Interchangeable; ≠ not interchangeable; ← new for old; → old for new

| REF.No | Part No.    | Description         | Q'ty | S.No. | I/C | REMARKS | Weight (kgf) | Weight (lb) |
|--------|-------------|---------------------|------|-------|-----|---------|--------------|-------------|
| 010    | 3A111-63070 | CONTROLLER STEERING | 1    |       |     |         | 5.65         | 12.43       |
| 020    | 3A999-11980 | KIT SEAL            | 1    |       |     |         | 0.02         | 0.044       |
| 030    | R1401-94620 | KIT BEARING NEEDLE  | 1    |       |     |         | 0.04         | 0.088       |
| 040    | 33740-64450 | O RING              | 1    |       |     |         | 0.001        | 0.0022      |
| 050    | 35999-22030 | SEAL                | 1    |       |     |         | 0.001        | 0.0022      |
| 060    | 35999-22040 | RING                | 1    |       |     |         | 0.005        | 0.011       |
| 070    | R1401-94570 | SEAL OIL            | 1    |       |     |         | 0.001        | 0.0022      |
| 080    | R1401-94650 | O RING              | 1    |       |     |         | 0.001        | 0.0022      |
| 090    | 3A999-11960 | SPACER              | 1    |       |     |         | 0.002        | 0.0044      |
| 100    | 35999-22080 | O RING              | 2    |       |     |         | 0.001        | 0.0022      |
| 110    | 35999-22110 | SEAL DUST           | 1    |       |     |         | 0.002        | 0.0044      |
| 120    | 33740-64380 | BUSH                | 1    |       |     |         | 0.11         | 0.242       |
| 130    | 35999-22070 | RING RETAINING      | 1    |       |     |         | 0.005        | 0.011       |
| 140    | 35999-22090 | NEEDLE THRUST       | 1    |       |     |         | 0.01         | 0.022       |
| 150    | 35999-22100 | RACE BEARING        | 2    |       |     |         | 0.02         | 0.044       |
| 160    | 35999-22190 | SPRING FLAT         | 2    |       |     |         | 0.001        | 0.0022      |
| 170    | 35999-22180 | PIN                 | 1    |       |     |         | 0.01         | 0.022       |
| 180    | 35999-22200 | SPRING              | 4    |       |     |         | 0.002        | 0.0044      |
| 190    | 35999-22220 | DRIVE               | 1    |       |     |         | 0.1          | 0.22        |
| 200    | 35999-22230 | PLATE SPACER        | 1    |       |     |         | 0.1          | 0.22        |
| 210    | 3A111-22240 | SET ROTOR           | 1    |       |     |         | 0.315        | 0.693       |
| 220    | 35999-22250 | CAP END             | 1    |       |     |         | 0.4          | 0.88        |
| 230    | 3A999-11940 | SCREW               | 6    |       |     |         | 0.02         | 0.044       |
| 240    | 3A999-11950 | ASSY SCREW          | 1    |       |     |         | 0.018        | 0.0396      |
| 250    | R1401-94670 | BALL                | 1    |       |     |         | 0.001        | 0.0022      |
| 260    | R1401-94660 | SCREW ADAPTER       | 1    |       |     |         | 0.002        | 0.0044      |

STEERING LINKAGE



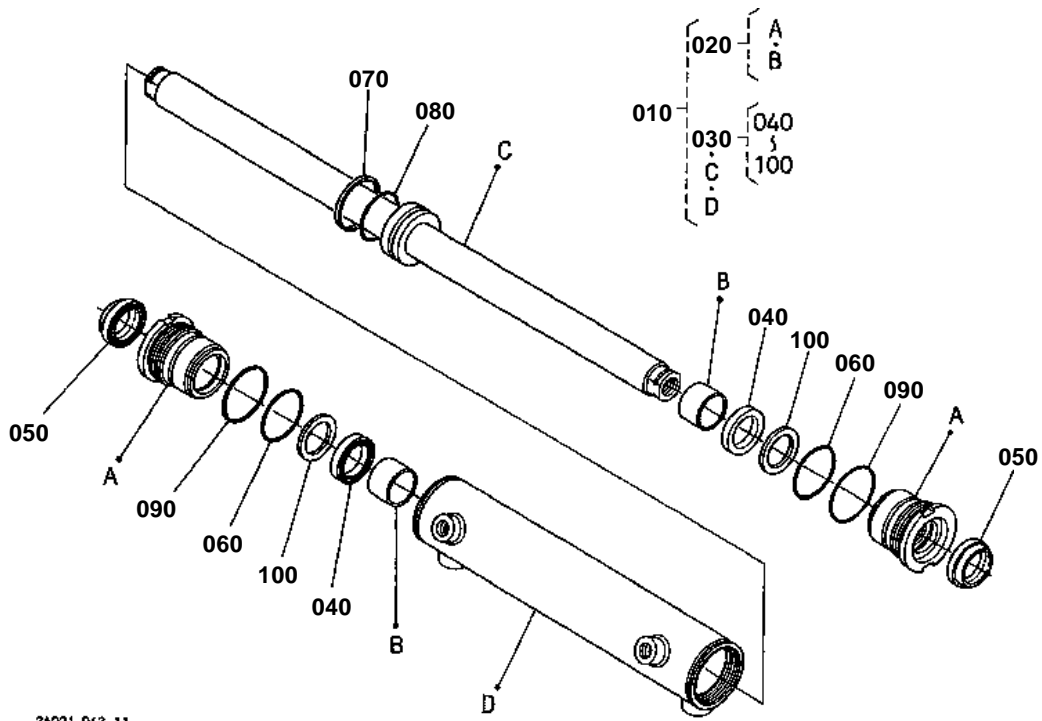


## STEERING LINKAGE

↔ Interchangeable; ≠ not interchangeable; ← new for old; → old for new

| REF.No | Part No.    | Description         | Q'ty | S.No. | I/C | REMARKS | Weight (kgf) | Weight (lb) |
|--------|-------------|---------------------|------|-------|-----|---------|--------------|-------------|
| 010    | 3A011-63882 | CYLINDER HYDRAULIC  | 1    |       |     |         | 7.7          | 16.94       |
| 020    | 3A111-62130 | CLAMP               | 2    |       |     |         | 0.125        | 0.275       |
| 030    | 02176-50100 | NUT                 | 8    |       |     |         | 0.005        | 0.011       |
| 040    | 3A111-62972 | ASSY ROD TIE        | 2    |       |     |         | 1.67         | 3.674       |
| 050    | 3A011-62980 | JOINT TIE ROD       | 2    |       |     |         | 0.71         | 1.562       |
| 060    | 35533-62860 | RING SET            | 2    |       |     |         | 0.005        | 0.011       |
| 070    | 35080-44690 | CLIP                | 2    |       |     |         | 0.002        | 0.0044      |
| 075    | 35080-44680 | COVER DUST          | 2    |       |     |         | 0.029        | 0.0638      |
| 080    | 3A011-62922 | END TIE ROD         | 2    |       |     |         | 0.5          | 1.1         |
| 090    | 32580-44780 | COVER DUST          | 2    |       |     |         | 0.01         | 0.022       |
| 100    | 35270-12660 | CLIP                | 2    |       |     |         | 0.005        | 0.011       |
| 110    | 36330-62750 | NUT                 | 2    |       |     |         | 0.022        | 0.0484      |
| 120    | 05511-50328 | PIN SPLIT           | 2    |       |     |         | 0.002        | 0.0044      |
| 130    | 3A111-62910 | ROD TIE OUTER       | 2    |       |     |         | 0.32         | 0.704       |
| 140    | 02172-50200 | NUT                 | 2    |       |     |         | 0.03         | 0.066       |
| 150    | 33251-62860 | CLAMP TIE ROD       | 2    |       |     |         | 0.078        | 0.1716      |
| 160    | 38430-12560 | BOLT                | 2    |       |     |         | 0.35         | 0.77        |
| 170    | 04512-60100 | WASHER SPRING       | 2    |       |     |         | 0.002        | 0.0044      |
| 180    | 02176-50100 | NUT                 | 2    |       |     |         | 0.005        | 0.011       |
| 190    | 35533-64013 | COVER POWER STRG.   | 2    |       |     |         | 1.5          | 3.3         |
| 200    | 01135-61020 | BOLT                | 6    |       |     |         | 0.015        | 0.033       |
| 210    | 35564-62820 | ASSY SPACER TIE ROD | 2    |       |     |         | 0.52         | 1.144       |
| 220    | 35523-62870 | SPACER TIE ROD      | 2    |       |     |         | 0.4          | 0.88        |
| 230    | 33251-62860 | CLAMP TIE ROD       | 2    |       |     |         | 0.078        | 0.1716      |
| 240    | 38430-12560 | BOLT                | 2    |       |     |         | 0.35         | 0.77        |
| 250    | 02176-50100 | NUT                 | 2    |       |     |         | 0.005        | 0.011       |
| 260    | 04512-60100 | WASHER SPRING       | 2    |       |     |         | 0.002        | 0.0044      |

STEERING CYLINDER [COMPONENT PARTS]



3A021-043-11



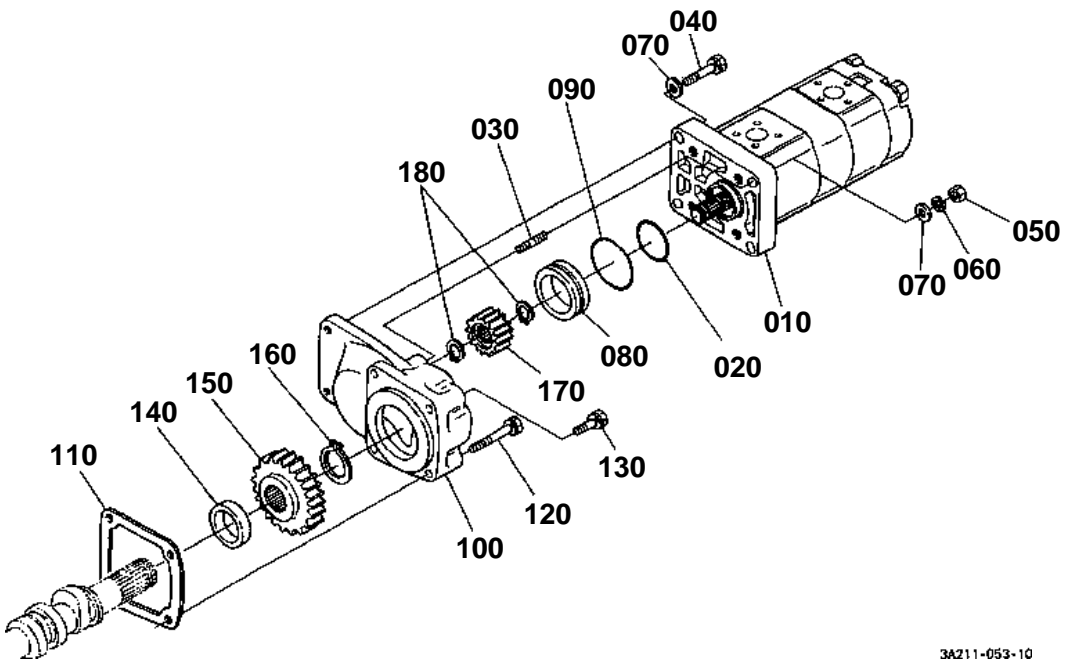
## STEERING CYLINDER [COMPONENT PARTS]

↔ Interchangeable; ≠ not interchangeable; ← new for old; → old for new

| REF.No | Part No.    | Description        | Q'ty | S.No. | I/C | REMARKS | Weight (kgf) | Weight (lb) |
|--------|-------------|--------------------|------|-------|-----|---------|--------------|-------------|
| 010    | 3A011-63882 | CYLINDER HYDRAULIC | 1    |       |     |         | 7.7          | 16.94       |
| 020    | 3A011-63812 | KIT HEAD HYD.CYL.  | 1    |       |     |         | 0.79         | 1.738       |
| 030    | 3A011-63822 | KIT SEAL           | 1    |       |     |         | 0.055        | 0.121       |
| 040    | 3A011-63890 | U-RING             | 2    |       |     |         | 0.004        | 0.0088      |
| 050    | 3A011-63860 | RING WIPER         | 2    |       |     |         | 0.135        | 0.297       |
| 060    | 68811-93350 | O RING             | 2    |       |     |         | 0.002        | 0.0044      |
| 070    | 3A011-63830 | SEAL               | 1    |       |     |         | 0.003        | 0.0066      |
| 080    | 3A011-63840 | O RING             | 1    |       |     |         | 0.003        | 0.0066      |
| 090    | 3A011-63850 | O RING             | 2    |       |     |         | 0.002        | 0.0044      |
| 100    | 3A011-63870 | RING BACK UP       | 2    |       |     |         | 0.003        | 0.0066      |



# HYDRAULIC PUMP



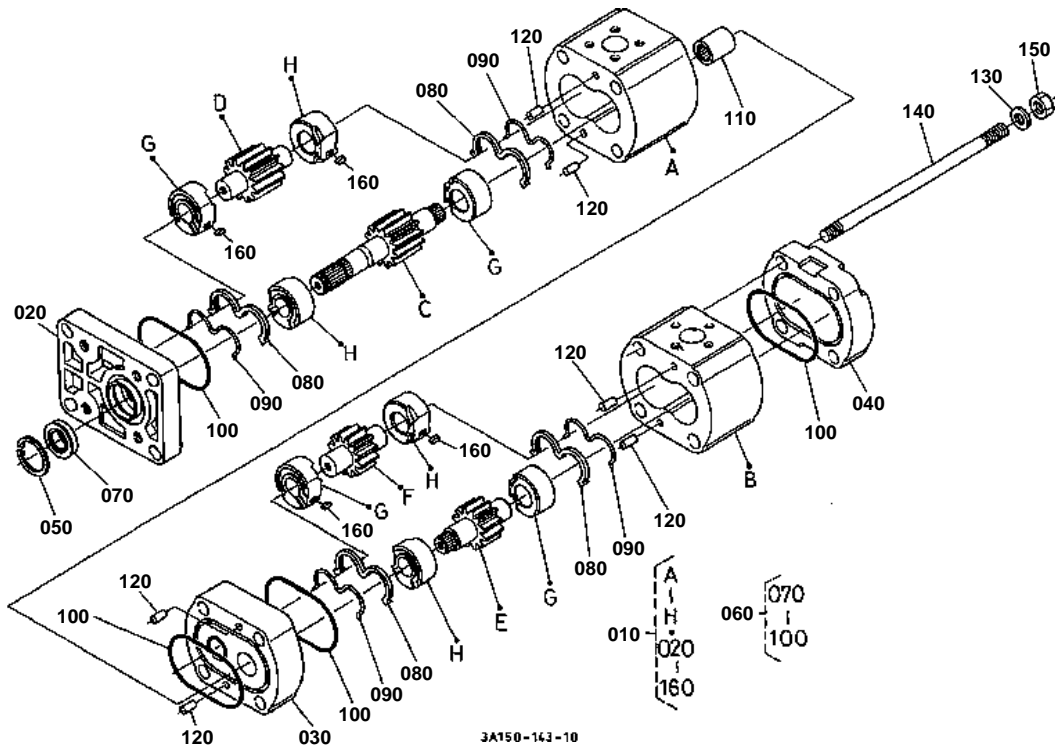


# HYDRAULIC PUMP

↔ Interchangeable; ≠ not interchangeable; ← new for old; → old for new

| REF.No | Part No.    | Description       | Q'ty | S.No.   | I/C | REMARKS | Weight (kgf) | Weight (lb) |
|--------|-------------|-------------------|------|---------|-----|---------|--------------|-------------|
| 010    | 3A231-82200 | PUMP HYDRAULIC    | 1    | <=10827 |     |         | 4.6          | 10.12       |
| 010    | 3A231-82203 | PUMP HYDRAULIC    | 1    | >=10828 | ?   |         | 4.6          | 10.12       |
| 020    | 04811-06400 | O RING            | 1    |         |     |         | 0            | 0           |
| 020    | 04817-06400 | O RING            | 1    |         | ?   |         | 0            | 0           |
| 030    | 01513-60830 | STUD              | 2    |         |     |         | 0.013        | 0.0286      |
| 040    | 01123-50835 | BOLT              | 2    |         |     |         | 0.02         | 0.044       |
| 050    | 02156-50080 | NUT               | 2    |         |     |         | 0.004        | 0.0088      |
| 060    | 04512-60080 | WASHER SPRING     | 2    |         |     |         | 0.002        | 0.0044      |
| 070    | 04013-60080 | WASHER PLAIN      | 4    |         |     |         | 0.002        | 0.0044      |
| 080    | 36200-82250 | RING              | 1    |         |     |         | 0.072        | 0.1584      |
| 090    | 04811-10500 | O RING            | 1    |         |     |         | 0.001        | 0.0022      |
| 100    | 3A031-82240 | BASE PUMP         | 1    |         |     |         | 1.55         | 3.41        |
| 110    | 35394-37860 | GASKET            | 1    |         |     |         | 0.005        | 0.011       |
| 120    | 01123-50855 | BOLT              | 2    |         |     |         | 0.02         | 0.044       |
| 130    | 01123-50825 | BOLT              | 2    |         |     |         | 0.013        | 0.0286      |
| 140    | 31301-36240 | COLLAR            | 1    |         |     |         | 0.038        | 0.0836      |
| 150    | 3A231-82270 | GEAR              | 1    |         |     | 27T     | 0.415        | 0.913       |
| 160    | 04612-00250 | CIR CLIP EXTERNAL | 1    |         |     |         | 0.002        | 0.0044      |
| 170    | 3A231-82280 | GEAR              | 1    |         |     | 15T     | 0.155        | 0.341       |
| 180    | 04612-00170 | CIR CLIP EXTERNAL | 2    |         |     |         | 0.001        | 0.0022      |

HYDRAULIC PUMP [COMPONENT PARTS]



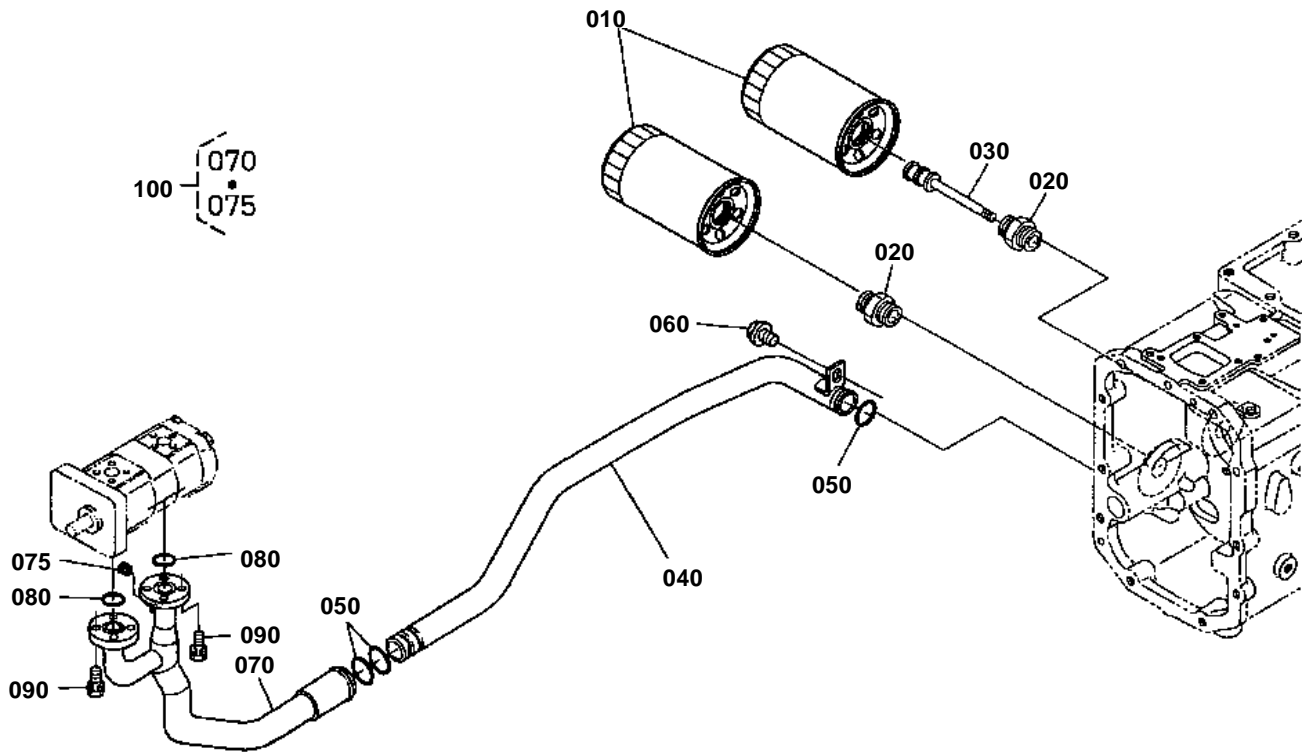


## HYDRAULIC PUMP [COMPONENT PARTS]

↔ Interchangeable; ≠ not interchangeable; ← new for old; → old for new

| REF.No | Part No.    | Description     | Q'ty | S.No.   | I/C | REMARKS | Weight (kgf) | Weight (lb) |
|--------|-------------|-----------------|------|---------|-----|---------|--------------|-------------|
| 010    | 3A231-82200 | PUMP HYDRAULIC  | 1    | <=10827 |     |         | 4.6          | 10.12       |
| 010    | 3A231-82203 | PUMP HYDRAULIC  | 1    | >=10828 | ?   |         | 4.6          | 10.12       |
| 020    | 68721-72210 | FLANGE          | 1    |         |     |         | 0.45         | 0.99        |
| 030    | 33960-12860 | FLANGE          | 1    |         |     |         | 0.5          | 1.1         |
| 040    | 68741-72230 | COVER           | 1    |         |     |         | 0.39         | 0.858       |
| 050    | 68051-91850 | RING SNAP       | 1    |         |     |         | 0.001        | 0.0022      |
| 060    | 35890-12970 | KIT SEAL        | 1    |         |     |         | 0.005        | 0.011       |
| 070    | 36330-82320 | SEAL OIL        | 1    |         |     |         | 0.01         | 0.022       |
| 080    | 35430-12870 | ELEMENT SEAL    | 4    |         |     |         | 0.003        | 0.0066      |
| 090    | 68051-91880 | ELEMENT BACK UP | 4    |         |     |         | 0.001        | 0.0022      |
| 100    | 68051-91910 | O RING          | 4    |         |     |         | 0.001        | 0.0022      |
| 110    | 33960-12870 | COUPLING        | 1    |         |     |         | 0.028        | 0.0616      |
| 120    | 68271-91240 | PIN             | 6    |         |     |         | 0.004        | 0.0088      |
| 130    | 68741-72250 | WASHER          | 4    |         |     |         | 0.002        | 0.0044      |
| 140    | 35592-12940 | STUD            | 4    | <=10827 |     |         | 0.12         | 0.264       |
| 140    | 3A111-12940 | STUD            | 4    | >=10828 | ?   |         | 0            | 0           |
| 150    | 68051-92090 | NUT             | 4    |         |     |         | 0.01         | 0.022       |
| 160    | 68051-91890 | KEY             | 4    |         |     |         | 0.001        | 0.0022      |

HYDRAULIC PIPE (SUCTION)



3A211-054-12

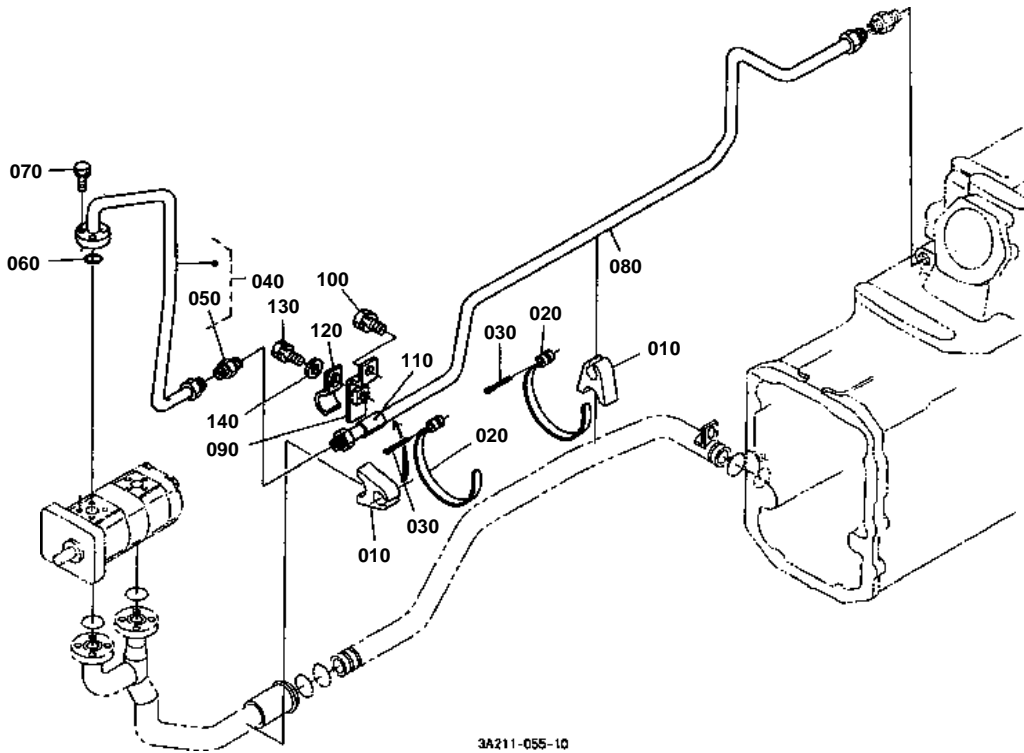


# HYDRAULIC PIPE (SUCTION)

↔ Interchangeable; ≠ not interchangeable; ← new for old; → old for new

| REF.No | Part No.    | Description       | Q'ty | S.No.   | I/C | REMARKS                      | Weight (kgf) | Weight (lb) |
|--------|-------------|-------------------|------|---------|-----|------------------------------|--------------|-------------|
| 010    | 33960-82630 | FILTER            | 2    |         |     |                              | 0.65         | 1.43        |
| 020    | 32590-38330 | JOINT SCREW       | 2    |         |     |                              | 0.05         | 0.11        |
| 030    | 33960-82640 | MAGNET FILTER     | 1    |         |     |                              | 0.08         | 0.176       |
| 040    | 3A011-82690 | PIPE SUCTION      | 1    |         |     |                              | 0.93         | 2.046       |
| 050    | 04815-00260 | O RING            | 3    |         |     |                              | 0            | 0           |
| 050    | 04816-00260 | O RING            | 3    |         | ?   |                              | 0.001        | 0.0022      |
| 060    | 01754-50816 | BOLT FLANGE       | 1    |         |     |                              | 0.011        | 0.0242      |
| 070    | 3A211-82710 | COMP.PIPE SUCTION | 1    | <=10753 |     |                              | 0.915        | 2.013       |
| 070    | 3A211-82712 | COMP.PIPE SUCTION | 1    | >=10754 | ?   | NOT SALE ORDER BY REF.No.100 | 0.915        | 2.013       |
| 075    | 31351-37160 | PLUG              | 1    | >=10754 |     |                              | 0.003        | 0.0066      |
| 080    | 3A011-94870 | O RING            | 2    |         |     |                              | 0.001        | 0.0022      |
| 090    | 01023-50622 | BOLT              | 8    |         |     |                              | 0.005        | 0.011       |
| 100    | 3A211-82670 | ASSY PIPE         | 1    | <=10753 |     |                              | 0            | 0           |

# HYDRAULIC PIPE (DELIVERY)



3A211-055-10



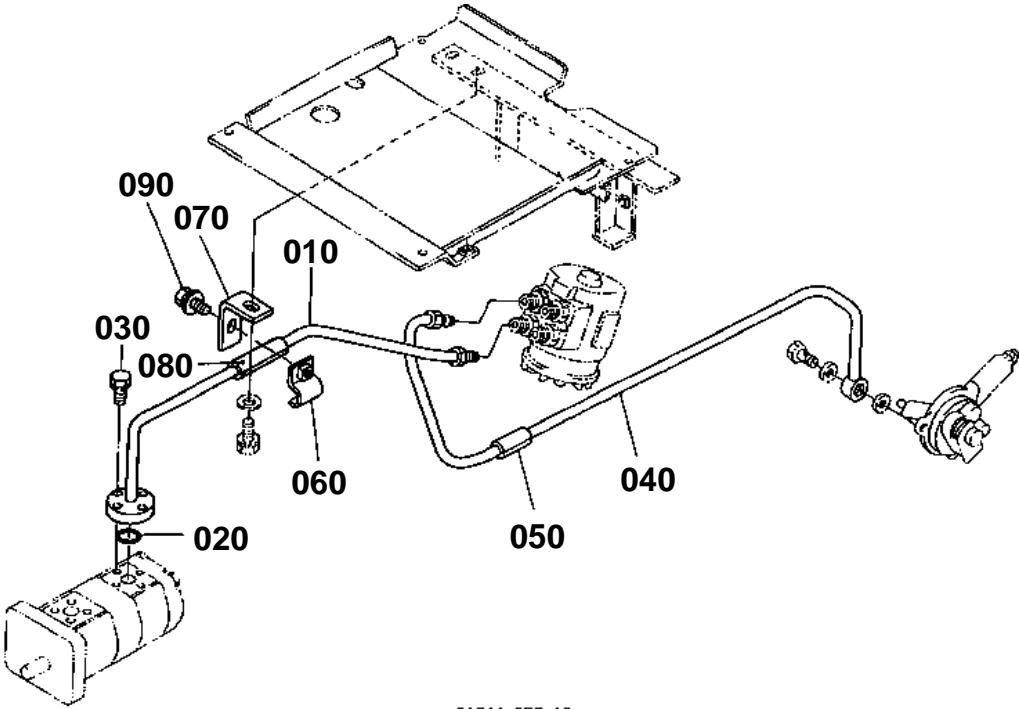
## HYDRAULIC PIPE (DELIVERY)

↔ Interchangeable; ≠ not interchangeable; ← new for old; → old for new

| REF.No | Part No.    | Description        | Q'ty | S.No.   | I/C | REMARKS | Weight (kgf) | Weight (lb) |
|--------|-------------|--------------------|------|---------|-----|---------|--------------|-------------|
| 010    | 35533-82720 | CUSHION            | 2    |         |     |         | 0.03         | 0.066       |
| 020    | 37150-38950 | BAND PIPE          | 2    | <=10775 |     |         | 0.02         | 0.044       |
| 020    | 3A211-82880 | BAND PIPE          | 2    | >=10776 | ?   |         | 0            | 0           |
| 030    | 33430-82760 | PIN BAND           | 2    |         |     |         | 0.004        | 0.0088      |
| 040    | 3A031-82702 | ASSY PIPE DELIVERY | 1    |         |     |         | 0.57         | 1.254       |
| 050    | 06013-51503 | JOINT PIPE         | 1    |         |     |         | 0.062        | 0.1364      |
| 060    | 35880-63650 | O RING             | 1    |         |     |         | 0.001        | 0.0022      |
| 070    | 01023-50622 | BOLT               | 4    |         |     |         | 0.005        | 0.011       |
| 080    | 3A011-82760 | COMP.PIPE DELIVERY | 1    |         |     |         | 0.83         | 1.826       |
| 090    | 3A011-82810 | STAY               | 1    |         |     |         | 0.06         | 0.132       |
| 100    | 01133-51220 | BOLT               | 1    |         |     |         | 0.04         | 0.088       |
| 110    | 34550-33290 | TUBE               | 1    |         |     |         | 0.01         | 0.022       |
| 120    | 34070-33260 | HOLDER             | 1    |         |     |         | 0.03         | 0.066       |
| 130    | 01133-51016 | BOLT               | 1    |         |     |         | 0.015        | 0.033       |
| 140    | 04013-60100 | WASHER PLAIN       | 1    |         |     |         | 0.004        | 0.0088      |



HYDRAULIC OIL LINE (STEERING/PTO)



3A211-056-10

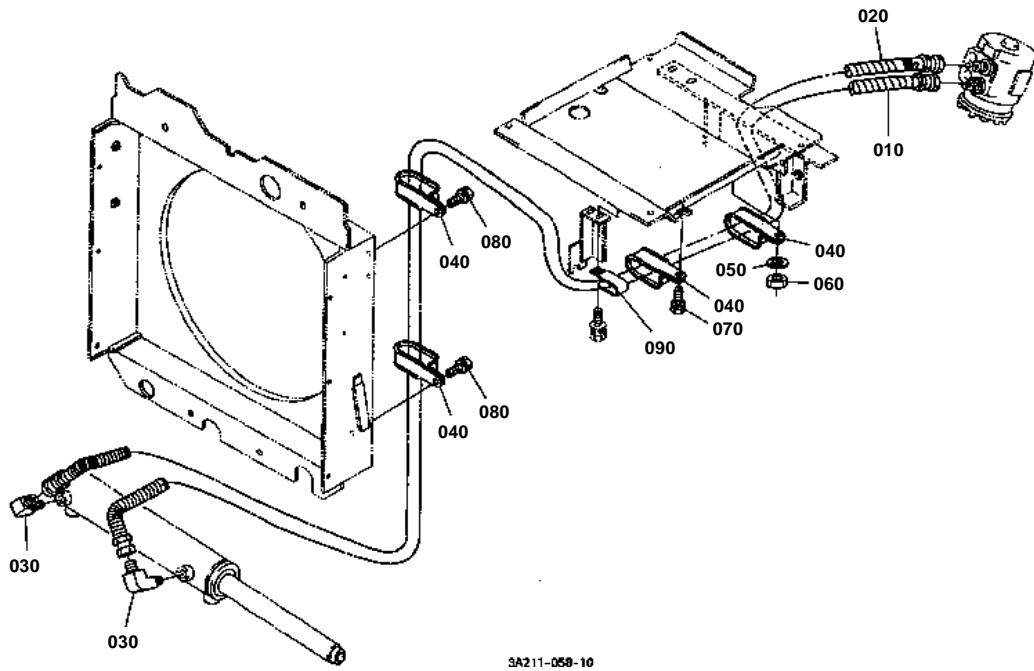


## HYDRAULIC OIL LINE (STEERING/PTO)

↔ Interchangeable; ≠ not interchangeable; ← new for old; → old for new

| REF.No | Part No.    | Description          | Q'ty | S.No.   | I/C | REMARKS | Weight (kgf) | Weight (lb) |
|--------|-------------|----------------------|------|---------|-----|---------|--------------|-------------|
| 010    | 3A012-63232 | COMP.PIPE POWER STRG | 1    |         |     |         | 0.4          | 0.88        |
| 020    | 35880-63650 | O RING               | 1    |         |     |         | 0.001        | 0.0022      |
| 030    | 01023-50622 | BOLT                 | 4    |         |     |         | 0.005        | 0.011       |
| 040    | 3A111-27600 | COMP.PIPE PTO        | 1    |         |     |         | 0.29         | 0.638       |
| 050    | 31351-45270 | PIPE RUBBER          | 1    |         |     |         | 0.005        | 0.011       |
| 060    | 3A031-63310 | CLAMP PIPE           | 1    |         |     |         | 0.045        | 0.099       |
| 070    | 3A031-63320 | STAY                 | 1    |         |     |         | 0.085        | 0.187       |
| 080    | 36330-63330 | RUBBER PROTECTOR     | 1    |         |     |         | 0.01         | 0.022       |
| 090    | 01127-50820 | BOLT                 | 1    | <=10633 |     |         | 0.02         | 0.044       |
| 090    | 01125-60820 | BOLT                 | 1    | >=10634 | ?   |         | 0.015        | 0.033       |

STEERING HOSE (DELIVERY)



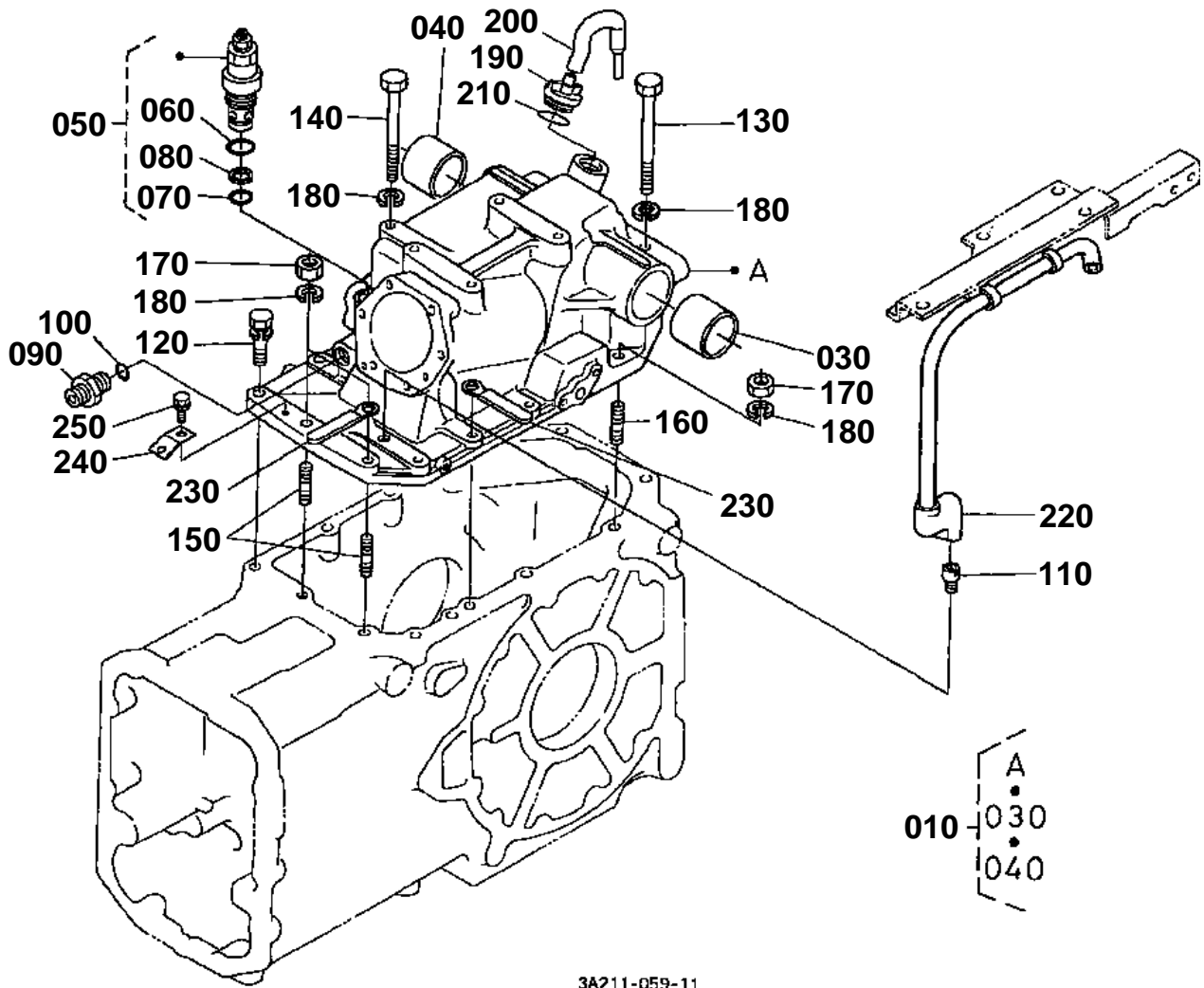


## STEERING HOSE (DELIVERY)

↔ Interchangeable; ≠ not interchangeable; ← new for old; → old for new

| REF.No | Part No.    | Description      | Q'ty | S.No. | I/C | REMARKS | Weight (kgf) | Weight (lb) |
|--------|-------------|------------------|------|-------|-----|---------|--------------|-------------|
| 010    | 3A011-63353 | HOSE DELIVERY    | 1    |       |     | 1800mm  | 0.78         | 1.716       |
| 020    | 3A011-63363 | HOSE DELIVERY    | 1    |       |     | 1800mm  | 0.78         | 1.716       |
| 030    | 56713-28130 | ADAPTER CYLINDER | 2    |       |     |         | 0.052        | 0.1144      |
| 040    | T0270-50230 | CLAMP HOSE       | 4    |       |     |         | 0.021        | 0.0462      |
| 050    | 04512-60080 | WASHER SPRING    | 1    |       |     |         | 0.002        | 0.0044      |
| 060    | 02156-50080 | NUT              | 1    |       |     |         | 0.004        | 0.0088      |
| 070    | 01123-60814 | BOLT             | 1    |       |     |         | 0.008        | 0.0176      |
| 080    | 01025-50612 | BOLT             | 2    |       |     |         | 0.005        | 0.011       |
| 090    | 12234-67580 | CLAMP CORD       | 1    |       |     |         | 0.015        | 0.033       |

HYDRAULIC CYLINDER



3A211-059-11

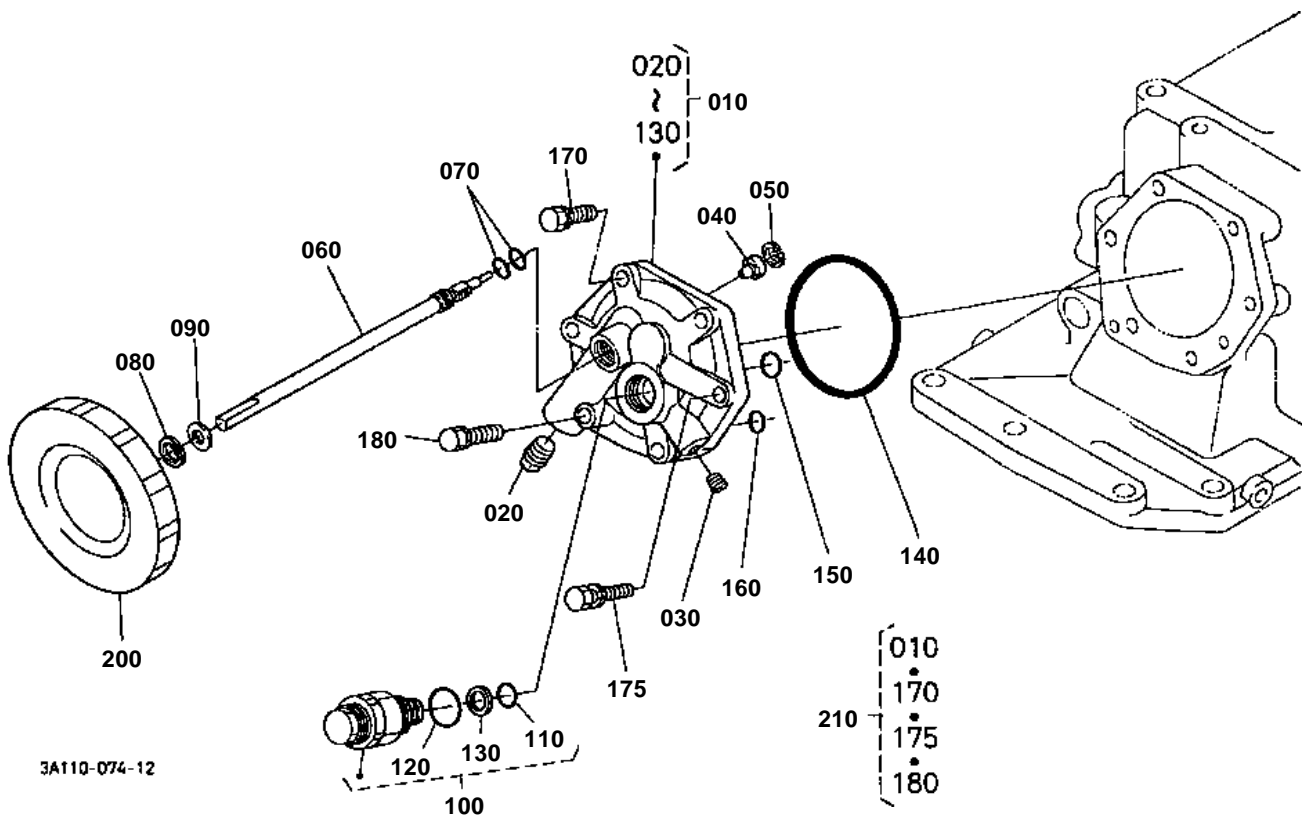


# HYDRAULIC CYLINDER

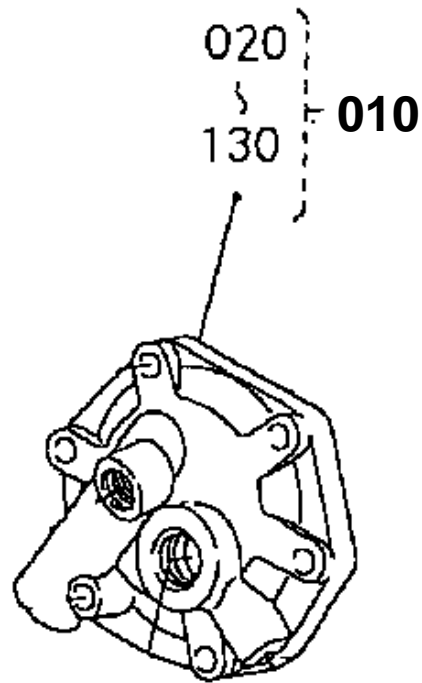
↔ Interchangeable; ≠ not interchangeable; ← new for old; → old for new

| REF.No | Part No.    | Description        | Q'ty | S.No. | I/C | REMARKS | Weight (kgf) | Weight (lb) |
|--------|-------------|--------------------|------|-------|-----|---------|--------------|-------------|
| 010    | 3A011-82120 | ASSY CASE CYLINDER | 1    |       |     |         | 27.3         | 60.06       |
| 020    | 99999-99999 | BLANK              | 0    |       |     |         | 0            | 0           |
| 030    | 32530-37450 | BUSH               | 1    |       |     |         | 0.175        | 0.385       |
| 040    | 32530-37460 | BUSH               | 1    |       |     |         | 0.175        | 0.385       |
| 050    | 3A121-82360 | ASSY VALVE RELIEF  | 1    |       |     |         | 0.17         | 0.374       |
| 060    | 04811-00220 | O RING             | 1    |       |     |         | 0            | 0           |
| 060    | 04817-00220 | O RING             | 1    |       | ?   |         | 0.005        | 0.011       |
| 070    | 04811-05150 | O RING             | 1    |       |     |         | 0            | 0           |
| 070    | 04817-05150 | O RING             | 1    |       | ?   |         | 0.001        | 0.0022      |
| 080    | 67810-38370 | RING BACK UP       | 1    |       |     |         | 0.001        | 0.0022      |
| 090    | 3A011-82930 | JOINT PIPE         | 1    |       |     |         | 0.09         | 0.198       |
| 100    | 04810-00180 | O RING             | 1    |       |     |         | 0            | 0           |
| 100    | 04817-00180 | O RING             | 1    |       | ?   |         | 0.003        | 0.0066      |
| 110    | 36200-21610 | BREATHER           | 1    |       |     |         | 0.008        | 0.0176      |
| 120    | 01133-51250 | BOLT               | 5    |       |     |         | 0.055        | 0.121       |
| 130    | 32530-37180 | BOLT               | 2    |       |     |         | 0.11         | 0.242       |
| 140    | 36330-82160 | BOLT               | 1    |       |     |         | 0.15         | 0.33        |
| 150    | 01574-51245 | STUD               | 2    |       |     |         | 0.051        | 0.1122      |
| 160    | 01574-61240 | STUD               | 2    |       |     |         | 0.045        | 0.099       |
| 170    | 02176-50120 | NUT                | 4    |       |     |         | 0.01         | 0.022       |
| 180    | 04512-60120 | WASHER SPRING      | 7    |       |     |         | 0.005        | 0.011       |
| 190    | 38180-21410 | PLUG               | 1    |       |     |         | 0.02         | 0.044       |
| 200    | 38180-37140 | BREATHER           | 1    |       |     |         | 0.01         | 0.022       |
| 210    | 04811-50300 | O RING             | 1    |       |     |         | 0            | 0           |
| 210    | 04816-50300 | O RING             | 1    |       | ?   |         | 0.005        | 0.011       |
| 220    | 3A011-21622 | BREATHER           | 1    |       |     |         | 0.034        | 0.0748      |
| 230    | 35340-29380 | CLAMP CORD         | 2    |       |     |         | 0.01         | 0.022       |
| 240    | 3A211-76510 | HOLDER             | 1    |       |     |         | 0.015        | 0.033       |
| 250    | 01754-50812 | BOLT FLANGE        | 1    |       |     |         | 0.01         | 0.022       |

HYDRAULIC CYLINDER COVER

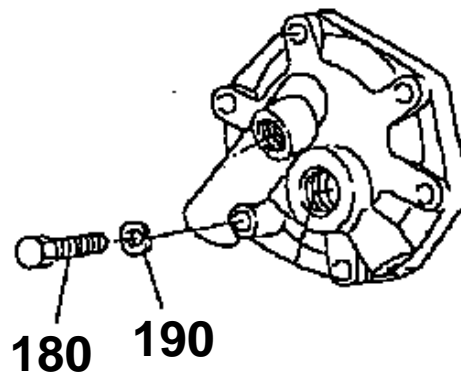


010 3A111-8250-2



180 01173-51260

190 04512-60120



3A071-817-10



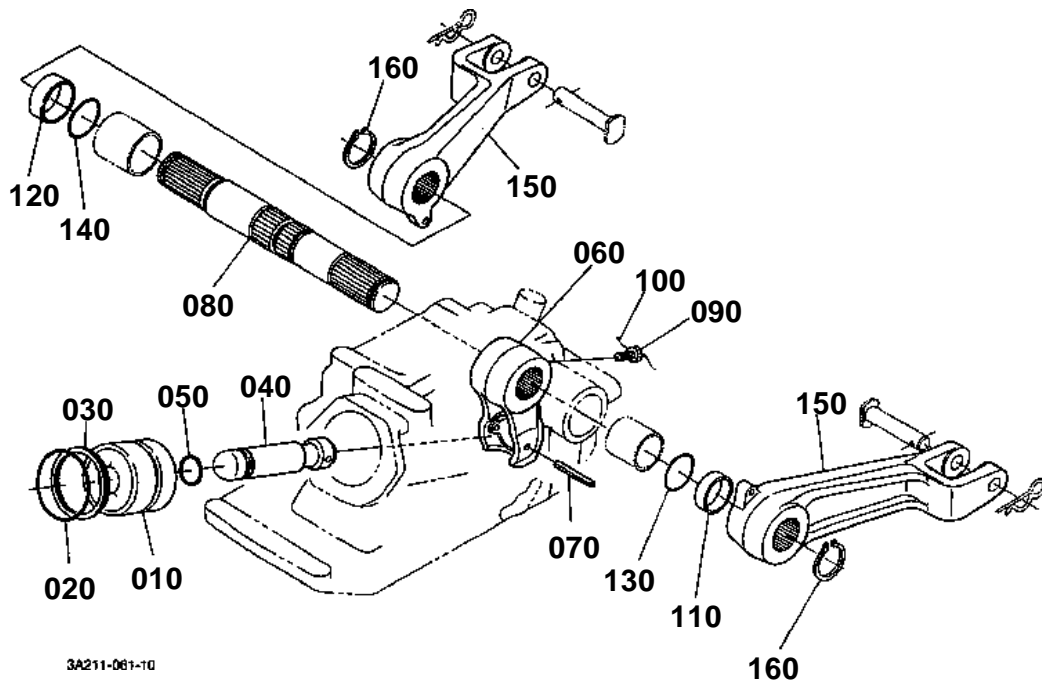


HYDRAULIC CYLINDER COVER

↔ Interchangeable; ≠ not interchangeable; ← new for old; → old for new

| REF.No | Part No.    | Description           | Q'ty | S.No.  | I/C | REMARKS                         | Weight (kgf) | Weight (lb) |
|--------|-------------|-----------------------|------|--------|-----|---------------------------------|--------------|-------------|
| 010    | 3A111-82502 | ASSY HEAD<br>HYD.CYL. | 1    | ≤10753 |     | NOT SALE ORDER BY<br>REF.No.210 | 3.5          | 7.7         |
| 010    | 3A111-82503 | ASSY HEAD<br>HYD.CYL. | 1    | ≥10754 | ?   |                                 | 3.5          | 7.7         |
| 020    | 06312-10020 | PLUG                  | 1    |        |     |                                 | 0.015        | 0.033       |
| 030    | 31351-37160 | PLUG                  | 1    |        |     |                                 | 0.003        | 0.0066      |
| 040    | 38240-37250 | COLLAR<br>ADJUSTING   | 1    |        |     |                                 | 0.01         | 0.022       |
| 050    | 04611-00160 | CIR CLIP INTERNAL     | 1    |        |     |                                 | 0.001        | 0.0022      |
| 060    | 3A011-81650 | SHAFT                 | 1    |        |     |                                 | 0.13         | 0.286       |
| 070    | 04810-00100 | O RING                | 2    |        |     |                                 | 0            | 0           |
| 070    | 04817-00100 | O RING                | 2    |        | ?   |                                 | 0            | 0           |
| 080    | 04611-00180 | CIR CLIP INTERNAL     | 1    |        |     |                                 | 0.001        | 0.0022      |
| 090    | 04011-50100 | WASHER PLAIN          | 1    |        |     |                                 | 0.002        | 0.0044      |
| 100    | 3G700-82402 | VALVE<br>CYL.SAFETY   | 1    |        |     |                                 | 0.4          | 0.88        |
| 110    | 04810-00160 | O RING                | 1    |        |     |                                 | 0            | 0           |
| 110    | 04817-00160 | O RING                | 1    |        | ?   |                                 | 0            | 0           |
| 120    | 04815-06280 | O RING                | 1    |        |     |                                 | 0            | 0           |
| 120    | 04817-06280 | O RING                | 1    |        | ?   |                                 | 0.002        | 0.0044      |
| 130    | 33770-94040 | RING BACK UP          | 1    |        |     |                                 | 0.002        | 0.0044      |
| 140    | 3A111-09840 | O RING                | 1    |        |     |                                 | 0.004        | 0.0088      |
| 150    | 3A111-09810 | O RING                | 1    |        |     |                                 | 0.001        | 0.0022      |
| 160    | 04815-00100 | O RING                | 1    |        |     |                                 | 0            | 0           |
| 160    | 04817-00100 | O RING                | 1    |        | ?   |                                 | 0            | 0           |
| 170    | 01133-51245 | BOLT                  | 5    | ≤10753 |     |                                 | 0.055        | 0.121       |
| 170    | 01133-51245 | BOLT                  | 4    | ≥10754 |     |                                 | 0.055        | 0.121       |
| 175    | 01133-51250 | BOLT                  | 1    | ≥10754 |     |                                 | 0.055        | 0.121       |
| 180    | 01173-51260 | BOLT                  | 1    | ≤10633 |     |                                 | 0.06         | 0.132       |
| 180    | 01133-51260 | BOLT                  | 1    | ≥10634 | ?   |                                 | 0.06         | 0.132       |
| 190    | 04512-60120 | WASHER SPRING         | 1    | ≤10633 |     |                                 | 0.005        | 0.011       |
| 200    | 37410-36643 | GRIP                  | 1    |        |     |                                 | 0.03         | 0.066       |
| 210    | 3A111-97010 | KIT HEAD HYD.CYL.     | 1    | ≤10753 |     |                                 | 0            | 0           |

# HYDRAULIC LIFT ARM



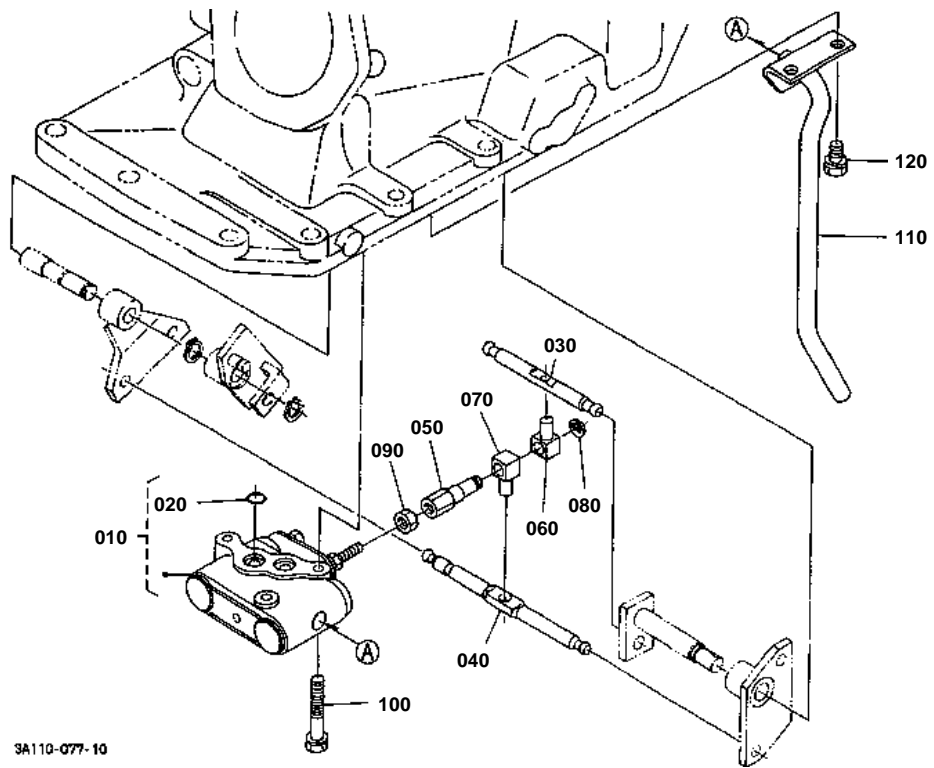


# HYDRAULIC LIFT ARM

↔ Interchangeable; ≠ not interchangeable; ← new for old; → old for new

| REF.No | Part No.    | Description       | Q'ty | S.No. | I/C | REMARKS | Weight (kgf) | Weight (lb) |
|--------|-------------|-------------------|------|-------|-----|---------|--------------|-------------|
| 010    | 3A011-82570 | PISTON HYD.       | 1    |       |     |         | 1.945        | 4.279       |
| 020    | 3A111-09830 | O RING            | 1    |       |     |         | 0.014        | 0.0308      |
| 030    | 31391-37330 | RING BACK UP      | 1    |       |     |         | 0.005        | 0.011       |
| 040    | 3A011-82863 | ROD HYD.PISTON    | 1    |       |     |         | 1.19         | 2.618       |
| 050    | 04811-00320 | O RING            | 1    |       |     |         | 0            | 0           |
| 050    | 04816-00320 | O RING            | 1    |       | ?   |         | 0.003        | 0.0066      |
| 060    | 32530-37443 | ARM HYDRAULIC     | 1    |       |     |         | 0            | 0           |
| 070    | 05411-00870 | PIN SPRING        | 1    |       |     |         | 0.015        | 0.033       |
| 080    | 32590-37430 | SHAFT HYD.ARM     | 1    |       |     |         | 5            | 11          |
| 090    | 32530-37510 | BOLT SET          | 1    |       |     |         | 0.015        | 0.033       |
| 100    | 99999-99999 | WIRE              | 1    |       |     |         | 0            | 0           |
| 110    | 32590-37480 | COLLAR            | 1    |       |     |         | 0.005        | 0.011       |
| 120    | 32530-37490 | COLLAR            | 1    |       |     |         | 0.01         | 0.022       |
| 130    | 04811-50450 | O RING            | 1    |       |     |         | 0.003        | 0.0066      |
| 130    | 04816-50450 | O RING            | 1    |       | ?   |         | 0            | 0           |
| 140    | 04811-50500 | O RING            | 1    |       |     |         | 0.001        | 0.0022      |
| 140    | 04816-50500 | O RING            | 1    |       | ?   |         | 0.005        | 0.011       |
| 150    | 32530-37613 | ARM LIFT          | 2    |       |     |         | 5.25         | 11.55       |
| 160    | 04612-00450 | CIR CLIP EXTERNAL | 2    |       |     |         | 0.007        | 0.0154      |

# CONTROL VALVE



3A110-077-10

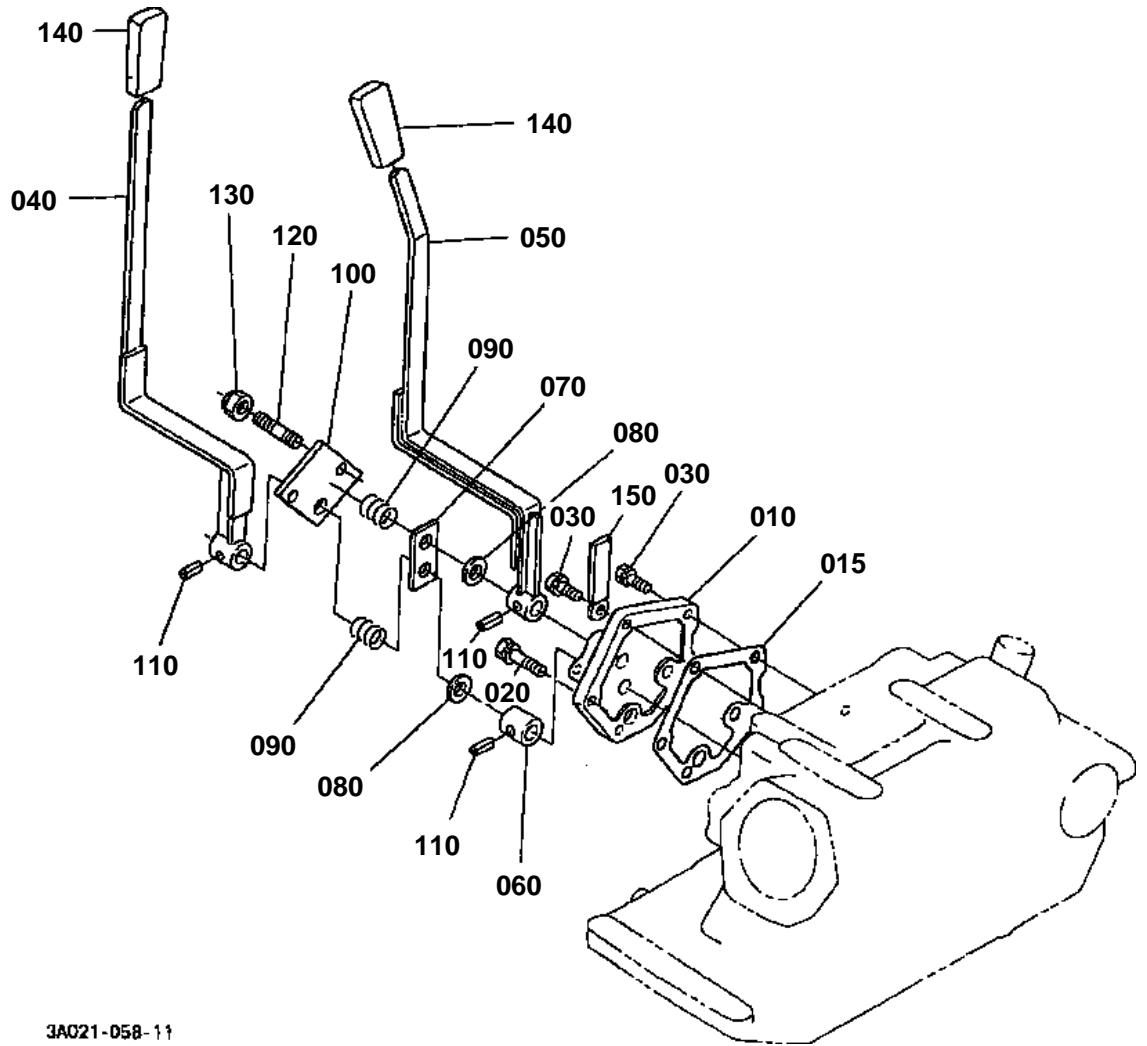


# CONTROL VALVE

↔ Interchangeable; ≠ not interchangeable; ← new for old; → old for new

| REF.No | Part No.    | Description       | Q'ty | S.No. | I/C | REMARKS | Weight (kgf) | Weight (lb) |
|--------|-------------|-------------------|------|-------|-----|---------|--------------|-------------|
| 010    | 38240-39143 | VALVE CONTROL     | 1    |       |     |         | 1.685        | 3.707       |
| 020    | 04811-00120 | O RING            | 2    |       |     |         | 0            | 0           |
| 020    | 04817-00120 | O RING            | 2    |       | ?   |         | 0            | 0           |
| 030    | 31351-37640 | LEVER SPOOL DRIVE | 1    |       |     |         | 0.05         | 0.11        |
| 040    | 32590-37520 | LEVER SPOOL DRIVE | 1    |       |     |         | 0.09         | 0.198       |
| 050    | 32590-37530 | JOINT SPOOL       | 1    |       |     |         | 0.04         | 0.088       |
| 060    | 37150-36420 | JOINT SPOOL       | 1    |       |     |         | 0.02         | 0.044       |
| 070    | 32590-37540 | JOINT SPOOL       | 1    |       |     |         | 0.015        | 0.033       |
| 080    | 04613-50060 | CIR CLIP EXTERNAL | 1    |       |     |         | 0.001        | 0.0022      |
| 090    | 02112-50080 | NUT               | 1    |       |     |         | 0.003        | 0.0066      |
| 100    | 01123-50850 | BOLT              | 3    |       |     |         | 0.02         | 0.044       |
| 110    | 3A111-82990 | COMP.PIPE VALVE   | 1    |       |     |         | 0.165        | 0.363       |
| 120    | 01123-50816 | BOLT              | 2    |       |     |         | 0            | 0           |

DRAFT AND POSITION CONTROL LEVER



3A021-058-11

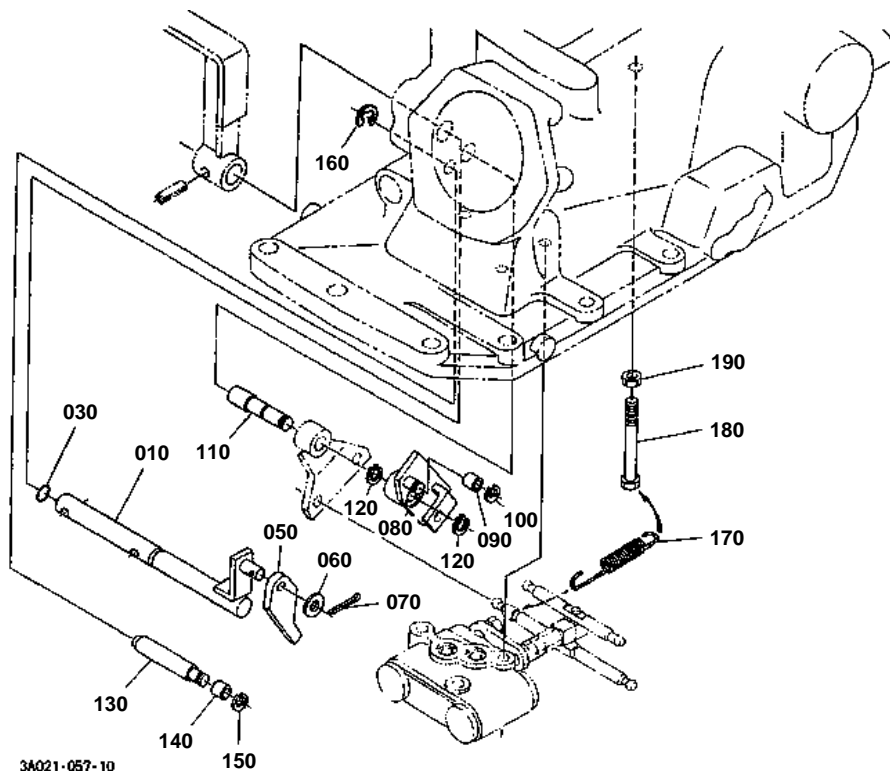


## DRAFT AND POSITION CONTROL LEVER

↔ Interchangeable; ≠ not interchangeable; ← new for old; → old for new

| REF.No | Part No.    | Description    | Q'ty | S.No. | I/C | REMARKS | Weight (kgf) | Weight (lb) |
|--------|-------------|----------------|------|-------|-----|---------|--------------|-------------|
| 010    | 3A011-81130 | BRACKET GUIDE  | 1    |       |     |         | 1.34         | 2.948       |
| 015    | 32590-37790 | GASKET         | 1    |       |     |         | 0.005        | 0.011       |
| 020    | 01123-50850 | BOLT           | 1    |       |     |         | 0.02         | 0.044       |
| 030    | 01123-50825 | BOLT           | 4    |       |     |         | 0.013        | 0.0286      |
| 040    | 3A011-94233 | LEVER POSITION | 1    |       |     |         | 0.56         | 1.232       |
| 050    | 3A011-94244 | LEVER DRAFT    | 1    |       |     |         | 0.43         | 0.946       |
| 060    | 3A011-81450 | COLLAR         | 1    |       |     |         | 0.062        | 0.1364      |
| 070    | 3A011-81480 | SPRING STOPPER | 1    |       |     |         | 0.02         | 0.044       |
| 080    | 3A011-81440 | PLATE FRICTION | 2    |       |     |         | 0.002        | 0.0044      |
| 090    | 3A011-81460 | SPRING         | 2    |       |     |         | 0.017        | 0.0374      |
| 100    | 3A011-81470 | PLATE SPRING   | 1    |       |     |         | 0.155        | 0.341       |
| 110    | 05411-00430 | PIN SPRING     | 3    |       |     |         | 0.002        | 0.0044      |
| 120    | 01517-51065 | STUD           | 2    |       |     |         | 0.043        | 0.0946      |
| 130    | 36919-30220 | NUT U          | 2    |       |     |         | 0.01         | 0.022       |
| 140    | 31351-36880 | GRIP LEVER     | 2    |       |     |         | 0.04         | 0.088       |
| 150    | 13824-67590 | CLAMP CORD     | 1    |       |     |         | 0.002        | 0.0044      |

POSITION CONTROL SHAFT





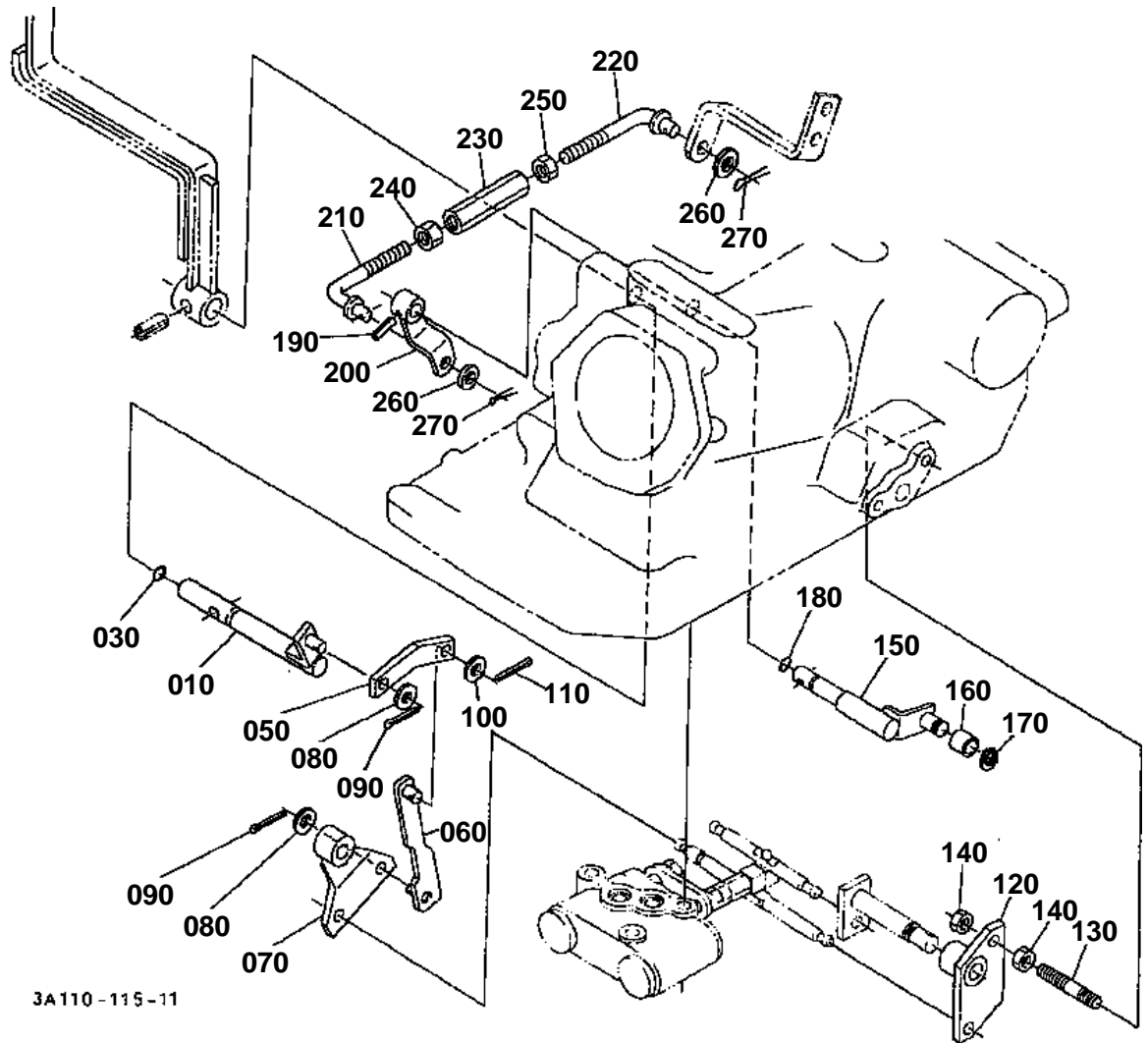


## POSITION CONTROL SHAFT

↔ Interchangeable; ≠ not interchangeable; ← new for old; → old for new

| REF.No | Part No.    | Description       | Q'ty | S.No. | I/C | REMARKS | Weight (kgf) | Weight (lb) |
|--------|-------------|-------------------|------|-------|-----|---------|--------------|-------------|
| 010    | 3A011-81110 | SHAFT POSITION    | 1    |       |     |         | 0.29         | 0.638       |
| 020    | 99999-99999 | BLANK             | 0    |       |     |         | 0            | 0           |
| 030    | 04811-06100 | O RING            | 1    |       |     |         | 0            | 0           |
| 030    | 04816-06100 | O RING            | 1    |       | ?   |         | 0.001        | 0.0022      |
| 040    | 99999-99999 | BLANK             | 0    |       |     |         | 0            | 0           |
| 050    | 3A011-81240 | CAM               | 1    |       |     |         | 0.07         | 0.154       |
| 060    | 04013-60080 | WASHER PLAIN      | 1    |       |     |         | 0.002        | 0.0044      |
| 070    | 05511-50215 | PIN SPLIT         | 1    |       |     |         | 0.001        | 0.0022      |
| 080    | 32590-37580 | LINK              | 1    |       |     |         | 0.18         | 0.396       |
| 090    | 32590-37590 | RING INNER        | 1    |       |     |         | 0.02         | 0.044       |
| 100    | 04613-50060 | CIR CLIP EXTERNAL | 1    |       |     |         | 0.001        | 0.0022      |
| 110    | 32590-37620 | SHAFT FULCRUM     | 1    |       |     |         | 0.063        | 0.1386      |
| 120    | 04612-00120 | CIR CLIP EXTERNAL | 2    |       |     |         | 0.001        | 0.0022      |
| 130    | 32590-37630 | SHAFT FULCRUM     | 1    |       |     |         | 0.07         | 0.154       |
| 140    | 32590-37590 | RING INNER        | 1    |       |     |         | 0.02         | 0.044       |
| 150    | 04613-50060 | CIR CLIP EXTERNAL | 1    |       |     |         | 0.001        | 0.0022      |
| 160    | 04613-50070 | CIR CLIP EXTERNAL | 1    |       |     |         | 0.001        | 0.0022      |
| 170    | 32590-37642 | SPRING RETURN     | 1    |       |     |         | 0.03         | 0.066       |
| 180    | 01153-50880 | BOLT              | 1    |       |     |         | 0.03         | 0.066       |
| 190    | 02156-50080 | NUT               | 1    |       |     |         | 0.004        | 0.0088      |

DRAFT CONTROL SHAFT



3A110-115-11

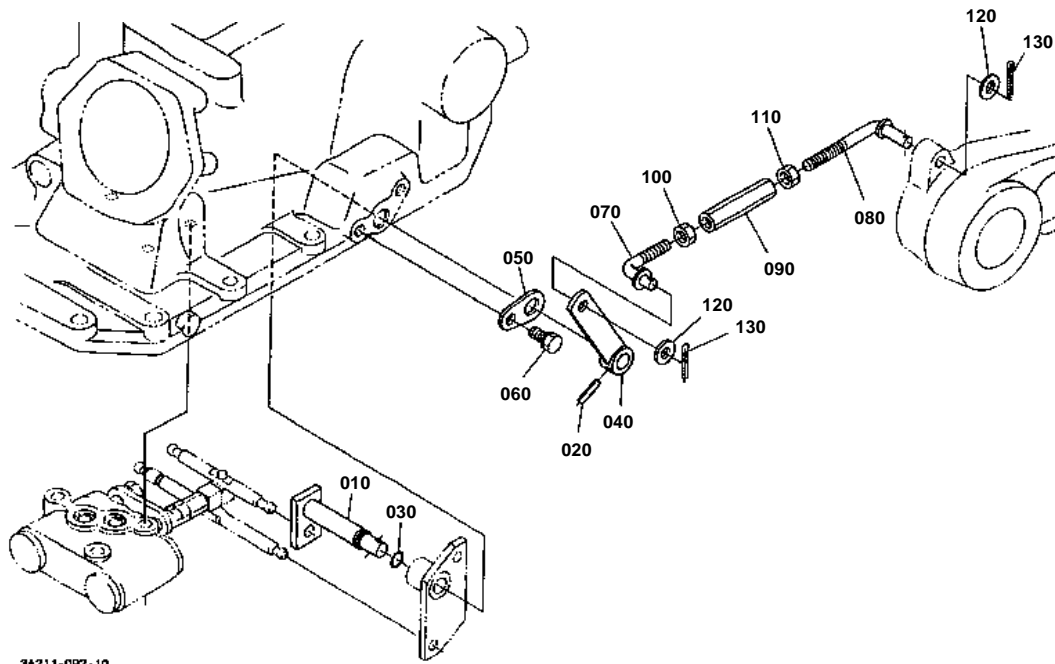


# DRAFT CONTROL SHAFT

↔ Interchangeable; ≠ not interchangeable; ← new for old; → old for new

| REF.No | Part No.    | Description       | Q'ty | S.No. | I/C | REMARKS | Weight (kgf) | Weight (lb) |
|--------|-------------|-------------------|------|-------|-----|---------|--------------|-------------|
| 010    | 3A011-81120 | SHAFT DRAFT       | 1    |       |     |         | 0.2          | 0.44        |
| 020    | 99999-99999 | BLANK             | 0    |       |     |         | 0            | 0           |
| 030    | 04811-06100 | O RING            | 1    |       |     |         | 0            | 0           |
| 030    | 04816-06100 | O RING            | 1    |       | ?   |         | 0.001        | 0.0022      |
| 040    | 99999-99999 | BLANK             | 0    |       |     |         | 0            | 0           |
| 050    | 32590-37692 | LINK              | 1    |       |     |         | 0.05         | 0.11        |
| 060    | 32590-37702 | LINK              | 1    |       |     |         | 0.08         | 0.176       |
| 070    | 32590-37710 | LINK              | 1    |       |     |         | 0.14         | 0.308       |
| 080    | 04013-60080 | WASHER PLAIN      | 2    |       |     |         | 0.002        | 0.0044      |
| 090    | 05511-50215 | PIN SPLIT         | 2    |       |     |         | 0.001        | 0.0022      |
| 100    | 04011-50100 | WASHER PLAIN      | 1    |       |     |         | 0.002        | 0.0044      |
| 110    | 05511-50320 | PIN SPLIT         | 1    |       |     |         | 0.002        | 0.0044      |
| 120    | 32590-37720 | ARM LOCK          | 1    |       |     |         | 0.2          | 0.44        |
| 130    | 37260-38170 | STUD              | 1    |       |     |         | 0.06         | 0.132       |
| 140    | 02156-50080 | NUT               | 2    |       |     |         | 0.004        | 0.0088      |
| 150    | 32590-37730 | SHAFT FEED BACK   | 1    |       |     |         | 0.167        | 0.3674      |
| 160    | 32590-37740 | RING INNER        | 1    |       |     |         | 0.01         | 0.022       |
| 170    | 04612-00120 | CIR CLIP EXTERNAL | 1    |       |     |         | 0.001        | 0.0022      |
| 180    | 04811-00090 | O RING            | 1    |       |     |         | 0            | 0           |
| 180    | 04816-00090 | O RING            | 1    |       | ?   |         | 0.001        | 0.0022      |
| 190    | 05411-00425 | PIN SPRING        | 1    |       |     |         | 0.001        | 0.0022      |
| 200    | 32590-37752 | LEVER FEED BACK   | 1    |       |     |         | 0.055        | 0.121       |
| 210    | 3A011-81393 | ROD DRAFT         | 1    |       |     |         | 0.08         | 0.176       |
| 220    | 3A011-81380 | ROD DRAFT         | 1    |       |     |         | 0.075        | 0.165       |
| 230    | 32350-28980 | TURNBUCKLE        | 1    |       |     |         | 0.124        | 0.2728      |
| 240    | 02116-50100 | NUT               | 1    |       |     |         | 0.004        | 0.0088      |
| 250    | 32350-28990 | NUT               | 1    |       |     |         | 0.009        | 0.0198      |
| 260    | 04011-50100 | WASHER PLAIN      | 2    |       |     |         | 0.002        | 0.0044      |
| 270    | 05511-50218 | PIN SPLIT         | 2    |       |     |         | 0.001        | 0.0022      |

# FEED BACK LEVER



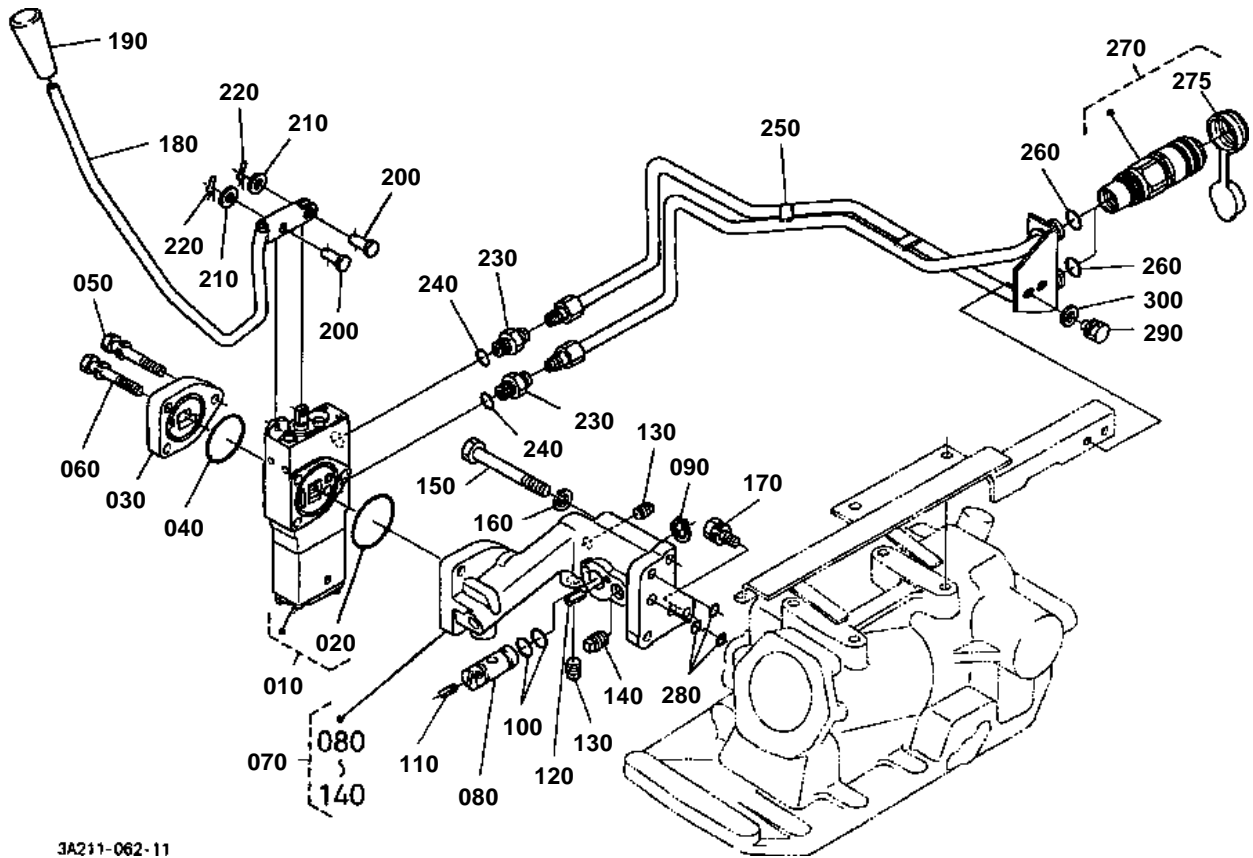


## FEED BACK LEVER

↔ Interchangeable; ≠ not interchangeable; ← new for old; → old for new

| REF.No | Part No.    | Description     | Q'ty | S.No. | I/C | REMARKS | Weight (kgf) | Weight (lb) |
|--------|-------------|-----------------|------|-------|-----|---------|--------------|-------------|
| 010    | 32590-37650 | SHAFT FEED BACK | 1    |       |     |         | 0.15         | 0.33        |
| 020    | 05411-00422 | PIN SPRING      | 1    |       |     |         | 0.001        | 0.0022      |
| 030    | 04811-06100 | O RING          | 1    |       |     |         | 0            | 0           |
| 030    | 04816-06100 | O RING          | 1    |       | ?   |         | 0.001        | 0.0022      |
| 040    | 3A211-81690 | LEVER FEED BACK | 1    |       |     |         | 0            | 0           |
| 050    | 38240-36890 | SET PLATE       | 1    |       |     |         | 0.013        | 0.0286      |
| 060    | 01123-50816 | BOLT            | 1    |       |     |         | 0            | 0           |
| 070    | 3A211-81700 | ROD CONTROL     | 1    |       |     |         | 0            | 0           |
| 080    | 32530-37760 | ROD CONTROL     | 1    |       |     |         | 0.035        | 0.077       |
| 090    | 66591-42410 | TURNBUCKLE      | 1    |       |     |         | 0.046        | 0.1012      |
| 100    | 02112-50080 | NUT             | 1    |       |     |         | 0.003        | 0.0066      |
| 110    | 37300-41330 | NUT             | 1    |       |     |         | 0.005        | 0.011       |
| 120    | 04013-60080 | WASHER PLAIN    | 2    |       |     |         | 0.002        | 0.0044      |
| 130    | 05511-50215 | PIN SPLIT       | 2    |       |     |         | 0.001        | 0.0022      |

AUXILIARY CONTROL VALVE (SCD)



3A211-062-11

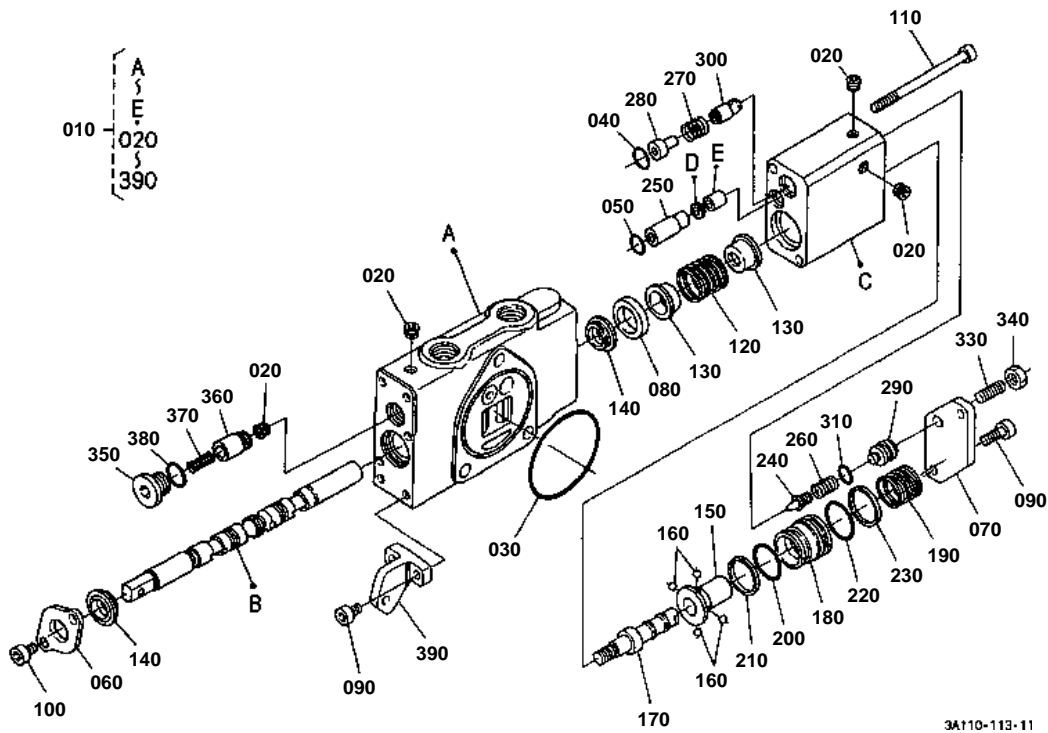


## AUXILIARY CONTROL VALVE (SCD)

↔ Interchangeable; ≠ not interchangeable; ← new for old; → old for new

| REF.No | Part No.    | Description          | Q'ty | S.No. | I/C | REMARKS | Weight (kgf) | Weight (lb) |
|--------|-------------|----------------------|------|-------|-----|---------|--------------|-------------|
| 010    | 3A111-82540 | VALVE AUX.CONTROL    | 1    |       |     |         | 3.6          | 7.92        |
| 020    | 04815-07560 | O RING               | 1    |       |     |         | 0.003        | 0.0066      |
| 030    | 3F740-82943 | COVER AUX.CONT.VALVE | 1    |       |     |         | 0.69         | 1.518       |
| 040    | 04815-07560 | O RING               | 1    |       |     |         | 0.003        | 0.0066      |
| 050    | 01133-51070 | BOLT                 | 1    |       |     |         | 0.047        | 0.1034      |
| 060    | 01123-50870 | BOLT                 | 2    |       |     |         | 0.029        | 0.0638      |
| 070    | 3A111-82040 | ASSY HOLDER          | 1    |       |     |         | 3.8          | 8.36        |
| 080    | 3A011-82060 | ROTOR AUX.CONT.VALVE | 1    |       |     |         | 0.185        | 0.407       |
| 090    | 04612-00200 | CIR CLIP EXTERNAL    | 1    |       |     |         | 0.001        | 0.0022      |
| 100    | 04815-00160 | O RING               | 2    |       |     |         | 0            | 0           |
| 100    | 04816-00160 | O RING               | 2    |       | ?   |         | 0.003        | 0.0066      |
| 110    | 05411-00536 | PIN SPRING           | 1    |       |     |         | 0.003        | 0.0066      |
| 120    | 05411-00414 | PIN SPRING           | 2    |       |     |         | 0.001        | 0.0022      |
| 130    | 06312-10030 | PLUG                 | 2    |       |     |         | 0.029        | 0.0638      |
| 140    | 31351-37150 | PLUG                 | 4    |       |     |         | 0.007        | 0.0154      |
| 150    | 01173-51000 | BOLT                 | 1    |       |     |         | 0.06         | 0.132       |
| 160    | 04512-60100 | WASHER SPRING        | 1    |       |     |         | 0.002        | 0.0044      |
| 170    | 01123-50830 | BOLT                 | 2    |       |     |         | 0.015        | 0.033       |
| 180    | 3A011-82452 | LEVER AUX.CON.VALVE  | 1    |       |     |         | 0.71         | 1.562       |
| 190    | 36330-82450 | GRIP                 | 1    |       |     |         | 0.025        | 0.055       |
| 200    | 05122-50518 | PIN JOINT            | 2    |       |     |         | 0.002        | 0.0044      |
| 210    | 04012-50050 | WASHER PLAIN         | 2    |       |     |         | 0.001        | 0.0022      |
| 220    | 05525-60500 | PIN SNAP             | 2    |       |     |         | 0.001        | 0.0022      |
| 230    | 3A011-63090 | JOINT PIPE           | 2    |       |     |         | 0.055        | 0.121       |
| 240    | 04811-00140 | O RING               | 2    |       |     |         | 0            | 0           |
| 240    | 04817-00140 | O RING               | 2    |       | ?   |         | 0            | 0           |
| 250    | 3A111-82370 | COMP.PIPE AUX.       | 1    |       |     |         | 0.96         | 2.112       |
| 260    | 04811-00200 | O RING               | 2    |       |     |         | 0            | 0           |
| 260    | 04817-00200 | O RING               | 2    |       | ?   |         | 0            | 0           |
| 270    | 3A111-82010 | ASSY COUPLER         | 2    |       |     |         | 0.48         | 1.056       |
| 275    | 3A111-94520 | ASSY CAP DUST        | 2    |       |     |         | 0.019        | 0.0418      |
| 280    | 3A111-09820 | O RING               | 3    |       |     |         | 0.001        | 0.0022      |
| 290    | 01123-50825 | BOLT                 | 2    |       |     |         | 0.013        | 0.0286      |
| 300    | 04013-60080 | WASHER PLAIN         | 2    |       |     |         | 0.002        | 0.0044      |

AUXILIARY CONTROL VALVE (SCD) [COMPONENT PARTS]



3A110-113-11



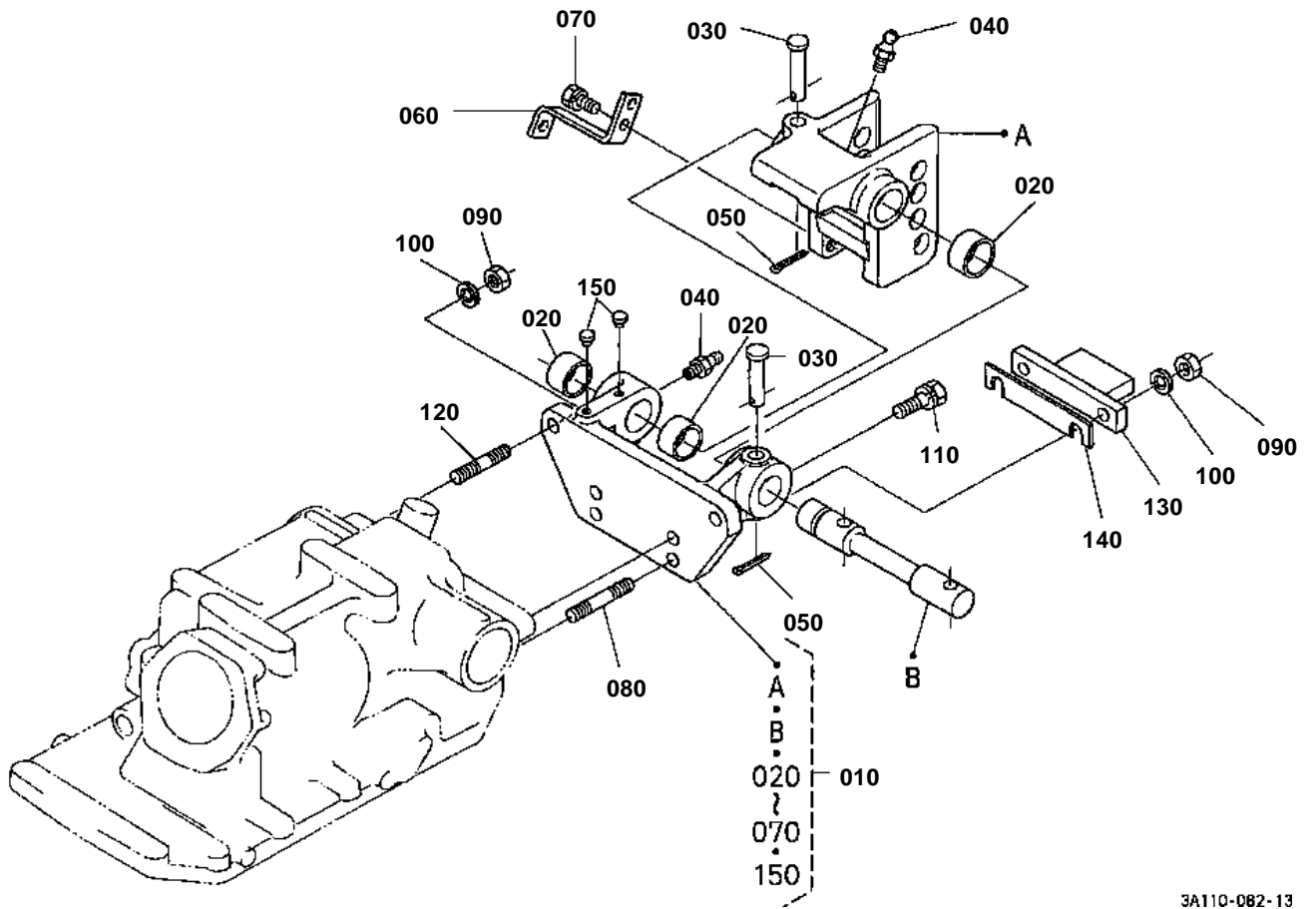


## AUXILIARY CONTROL VALVE (SCD) [COMPONENT PARTS]

↔ Interchangeable; ≠ not interchangeable; ← new for old; → old for new

| REF.No | Part No.    | Description       | Q'ty | S.No. | I/C | REMARKS | Weight (kgf) | Weight (lb) |
|--------|-------------|-------------------|------|-------|-----|---------|--------------|-------------|
| 010    | 3A111-82540 | VALVE AUX.CONTROL | 1    |       |     |         | 3.6          | 7.92        |
| 020    | 3F740-06020 | PLUG              | 4    |       |     |         | 0.001        | 0.0022      |
| 030    | 04815-07560 | O RING            | 1    |       |     |         | 0.003        | 0.0066      |
| 040    | 04810-00110 | O RING            | 1    |       |     |         | 0            | 0           |
| 050    | 04810-00090 | O RING            | 1    |       |     |         | 0            | 0           |
| 060    | 3F740-06040 | COVER             | 1    |       |     |         | 0.014        | 0.0308      |
| 070    | 3F740-06420 | COVER             | 1    |       |     |         | 0.06         | 0.132       |
| 080    | 3F740-06430 | WASHER            | 1    |       |     |         | 0.013        | 0.0286      |
| 090    | 01311-10616 | BOLT HEX-SOC-HD   | 4    |       |     |         | 0.005        | 0.011       |
| 100    | 01311-10612 | BOLT HEX-SOC-HD   | 2    |       |     |         | 0.01         | 0.022       |
| 110    | 12631-91030 | BOLT HEX-SOC-HD   | 2    |       |     |         | 0.02         | 0.044       |
| 120    | 3F740-06060 | SPRING            | 1    |       |     |         | 0.015        | 0.033       |
| 130    | 3F740-06070 | SEAT SPRING       | 2    |       |     |         | 0.005        | 0.011       |
| 140    | 3F740-06080 | GASKET            | 2    |       |     |         | 0.003        | 0.0066      |
| 150    | 3F740-06440 | BUSH              | 1    |       |     |         | 0.019        | 0.0418      |
| 160    | 07715-03205 | BALL              | 4    |       |     |         | 0.001        | 0.0022      |
| 170    | 3F740-06450 | BOLT SPACER       | 1    |       |     |         | 0.032        | 0.0704      |
| 180    | 3F740-06460 | PISTON            | 1    |       |     |         | 0.029        | 0.0638      |
| 190    | 3F740-06480 | SPRING            | 1    |       |     |         | 0.01         | 0.022       |
| 200    | 3F740-06500 | O RING            | 1    |       |     |         | 0.001        | 0.0022      |
| 210    | 3F740-06510 | RING BACK UP      | 1    |       |     |         | 0.001        | 0.0022      |
| 220    | 3F740-06520 | O RING            | 1    |       |     |         | 0.001        | 0.0022      |
| 230    | 3F740-06530 | RING BACK UP      | 1    |       |     |         | 0.001        | 0.0022      |
| 240    | 3A111-06540 | POPPET            | 1    |       |     |         | 0            | 0           |
| 250    | 3F740-06550 | BUSH              | 1    |       |     |         | 0.006        | 0.0132      |
| 260    | 3A111-06560 | SPRING            | 1    |       |     |         | 0            | 0           |
| 270    | 3A111-06570 | SPRING            | 1    |       |     |         | 0            | 0           |
| 280    | 3A111-06580 | SEAT SPRING       | 1    |       |     |         | 0.004        | 0.0088      |
| 290    | 3A111-06590 | SEAT SPRING       | 1    |       |     |         | 0.005        | 0.011       |
| 300    | 3A111-06600 | PLUNGER           | 1    |       |     |         | 0.005        | 0.011       |
| 310    | 04810-00070 | O RING            | 1    |       |     |         | 0            | 0           |
| 320    | 99999-99999 | BLANK             | 0    |       |     |         | 0            | 0           |
| 330    | 3F740-06620 | SCREW ADJUSTING   | 1    |       |     |         | 0.005        | 0.011       |
| 340    | 3F740-06630 | NUT               | 1    |       |     |         | 0.004        | 0.0088      |
| 350    | 3F740-06100 | PLUG              | 1    |       |     |         | 0.015        | 0.033       |
| 360    | 3F740-06110 | PLUNGER           | 1    |       |     |         | 0.011        | 0.0242      |
| 370    | 3F740-06120 | SPRING            | 1    |       |     |         | 0.001        | 0.0022      |
| 380    | 04810-00120 | O RING            | 1    |       |     |         | 0.001        | 0.0022      |
| 390    | 3A031-82410 | ARM               | 1    |       |     |         | 0.05         | 0.11        |

TOP LINK BRACKET



3A110-082-13

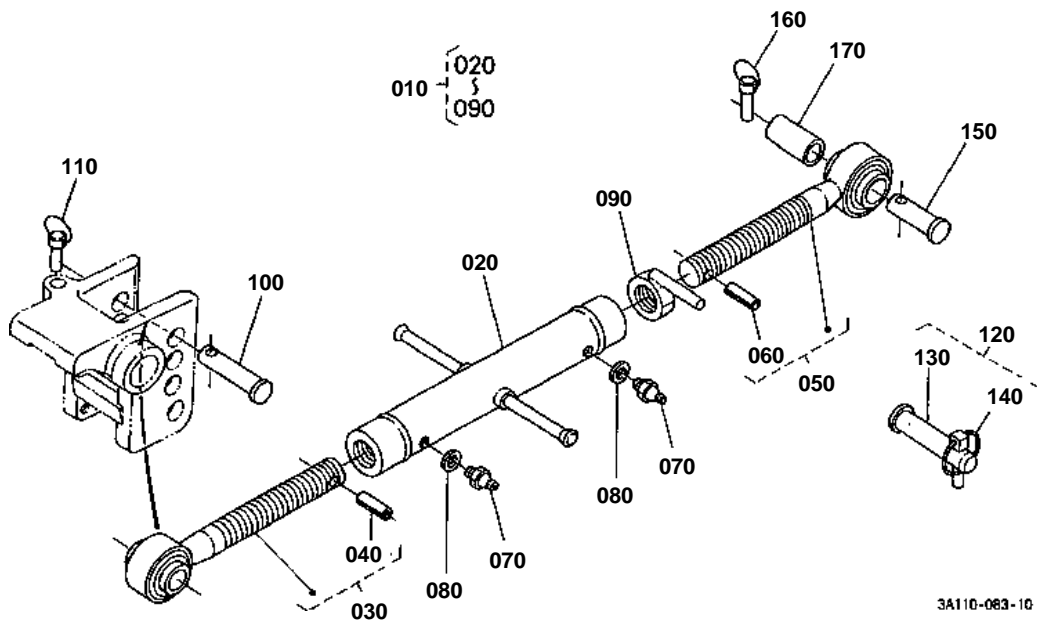


# TOP LINK BRACKET

↔ Interchangeable; ≠ not interchangeable; ← new for old; → old for new

| REF.No | Part No.    | Description    | Q'ty | S.No.   | I/C | REMARKS | Weight (kgf) | Weight (lb) |
|--------|-------------|----------------|------|---------|-----|---------|--------------|-------------|
| 010    | 3A111-81803 | ASSY BRACKET   | 1    |         |     |         | 0            | 0           |
| 020    | 37300-41450 | BUSH           | 3    |         |     |         | 0.03         | 0.066       |
| 030    | 36330-81843 | PIN            | 2    |         |     |         | 0.085        | 0.187       |
| 040    | 06613-10010 | NIPPLE GREASE  | 2    |         |     |         | 0.006        | 0.0132      |
| 050    | 05511-50425 | PIN SPLIT      | 2    |         |     |         | 0.003        | 0.0066      |
| 060    | 3A111-81360 | PLATE DRAFT    | 1    |         |     |         | 0.135        | 0.297       |
| 070    | 01123-50825 | BOLT           | 2    |         |     |         | 0.013        | 0.0286      |
| 080    | 35340-14182 | STUD           | 2    |         |     |         | 0.05         | 0.11        |
| 090    | 02176-50120 | NUT            | 4    |         |     |         | 0.01         | 0.022       |
| 100    | 04512-60120 | WASHER SPRING  | 4    |         |     |         | 0.005        | 0.011       |
| 110    | 01138-51240 | BOLT           | 2    |         |     |         | 0.05         | 0.11        |
| 120    | 37800-43500 | STUD           | 2    |         |     |         | 0.045        | 0.099       |
| 130    | 3A011-81850 | STOPPER        | 1    | <=10339 |     |         | 0            | 0           |
| 130    | 3A011-81853 | STOPPER        | 1    | >=10340 | ?   |         | 0            | 0           |
| 140    | 32530-41450 | SHIM ADJUSTING | 2    |         |     |         | 0.01         | 0.022       |
| 150    | 09980-10075 | CAP PROTECTOR  | 2    | >=10632 |     |         | 0.001        | 0.0022      |

TOP LINK

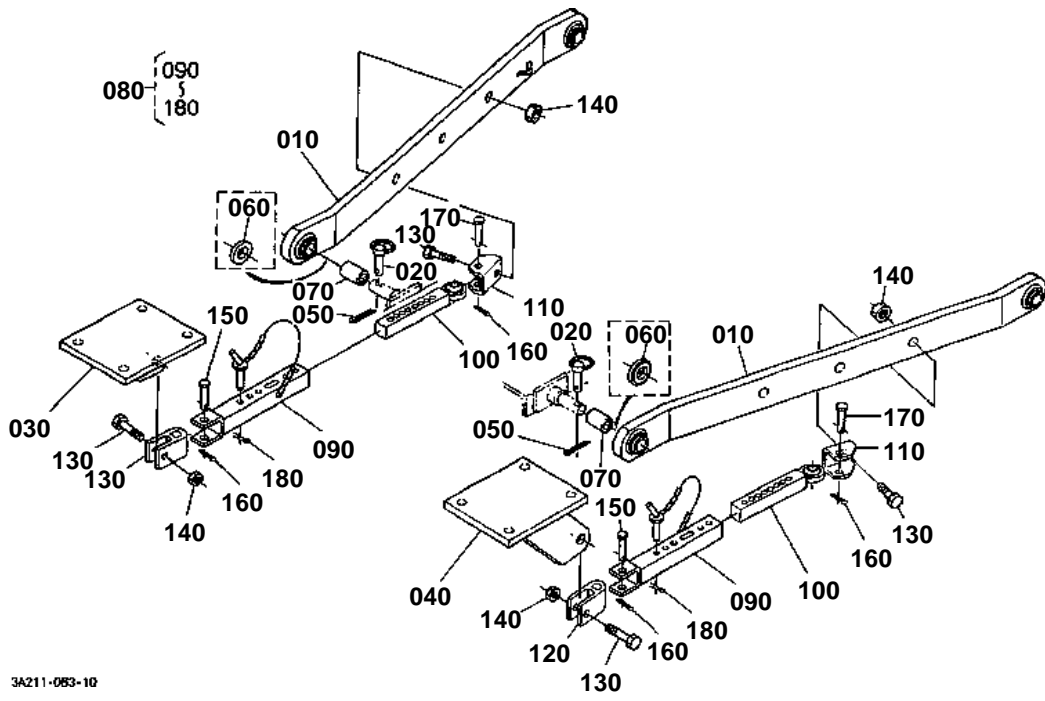


**TOP LINK**

↔ Interchangeable; ≠ not interchangeable; ← new for old; → old for new

| REF.No | Part No.    | Description         | Q'ty | S.No. | I/C | REMARKS    | Weight (kgf) | Weight (lb) |
|--------|-------------|---------------------|------|-------|-----|------------|--------------|-------------|
| 010    | 3A012-91700 | ASSY LINK TOP       | 1    |       |     |            | 4.7          | 10.34       |
| 020    | 3A012-91620 | SLEEVE TOP LINK     | 1    |       |     |            | 1.855        | 4.081       |
| 030    | 3A012-91550 | COMP.LINK TOP FRONT | 1    |       |     |            | 1.2          | 2.64        |
| 040    | 05411-00632 | PIN SPRING          | 1    |       |     |            | 0.004        | 0.0088      |
| 050    | 3A012-91610 | COMP.LINK TOP REAR  | 1    |       |     |            | 1.55         | 3.41        |
| 060    | 05411-00632 | PIN SPRING          | 1    |       |     |            | 0.004        | 0.0088      |
| 070    | 36530-91680 | NIPPLE GREASE       | 2    |       |     |            | 0.004        | 0.0088      |
| 080    | 04724-00100 | GASKET              | 2    |       |     |            | 0.001        | 0.0022      |
| 090    | 33400-91590 | NUT TOP LINK        | 1    |       |     |            | 0.11         | 0.242       |
| 100    | 36330-91752 | PIN TOP LINK REAR   | 1    |       |     |            | 0.25         | 0.55        |
| 110    | 34150-37640 | PIN SET             | 1    |       |     |            | 0.06         | 0.132       |
| 120    | 36330-91773 | ASSY PIN TOP LINK   | 1    |       |     | CATEGORY 2 | 0.55         | 1.21        |
| 130    | 36330-91762 | PIN TOP LINK REAR   | 1    |       |     | CATEGORY 2 | 0.49         | 1.078       |
| 140    | 36200-91840 | ASSY PIN SET        | 1    |       |     | CATEGORY 2 | 0.06         | 0.132       |
| 150    | 36330-91752 | PIN TOP LINK REAR   | 1    |       |     | CATEGORY 1 | 0.25         | 0.55        |
| 160    | 34150-37640 | PIN SET             | 1    |       |     | CATEGORY 1 | 0.06         | 0.132       |
| 170    | 36330-91720 | COLLAR ADJUSTING    | 1    |       |     | CATEGORY 1 | 0.065        | 0.143       |

LOWER LINK



3A211-083-10

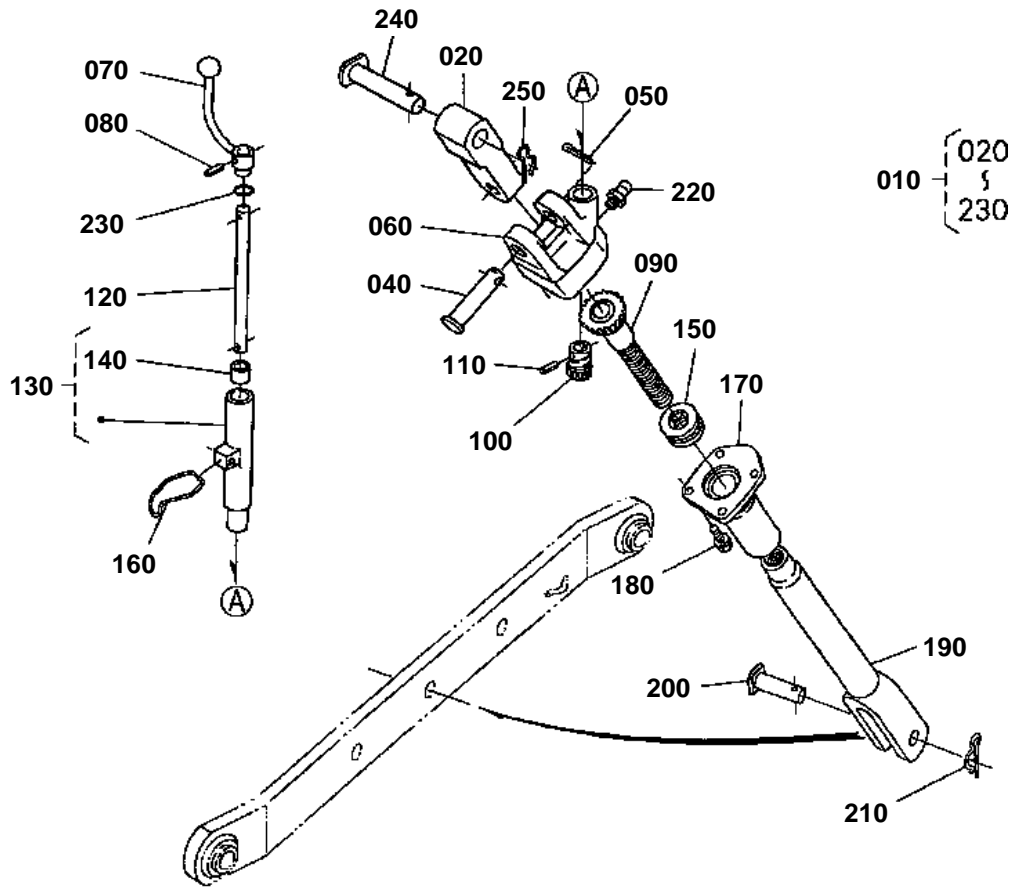


## LOWER LINK

↔ Interchangeable; ≠ not interchangeable; ← new for old; → old for new

| REF.No | Part No.    | Description        | Q'ty | S.No. | I/C | REMARKS    | Weight (kgf) | Weight (lb) |
|--------|-------------|--------------------|------|-------|-----|------------|--------------|-------------|
| 010    | 3A012-91010 | COMP.LINK LOWER    | 2    |       |     |            | 11.2         | 24.64       |
| 020    | 36330-91840 | ASSY PIN SET       | 2    |       |     |            | 0.055        | 0.121       |
| 030    | 3A011-91080 | BRACKET STAB.RH    | 1    |       |     |            | 4.25         | 9.35        |
| 040    | 3A011-91090 | BRACKET STAB.LH    | 1    |       |     |            | 4.25         | 9.35        |
| 050    | 05511-50420 | PIN SPLIT          | 2    |       |     |            | 0.002        | 0.0044      |
| 060    | 36330-91980 | COLLAR ADJUSTING   | 2    |       |     | CATEGORY 2 | 0.02         | 0.044       |
| 070    | 32590-71150 | COLLAR             | 2    |       |     | CATEGORY 1 | 0.06         | 0.132       |
| 080    | 3A111-92500 | ASSY STABILIZER    | 2    |       |     |            | 6.8          | 14.96       |
| 090    | 3A111-92510 | JOINT STABILIZER   | 2    |       |     |            | 2.6          | 5.72        |
| 100    | 3A111-92520 | JOINT STABILIZER   | 2    |       |     |            | 1.915        | 4.213       |
| 110    | 3A111-92530 | JOINT STABILIZER   | 2    |       |     |            | 0.96         | 2.112       |
| 120    | 3A111-92540 | BRACKET STABILIZER | 2    |       |     |            | 0.502        | 1.1044      |
| 130    | 3A111-92170 | BOLT STABILIZER    | 4    |       |     |            | 0.186        | 0.4092      |
| 140    | 02576-50180 | NUT SELF-LOCKING   | 4    |       |     |            | 0.049        | 0.1078      |
| 150    | 05122-51870 | PIN JOINT          | 2    |       |     |            | 0.14         | 0.308       |
| 160    | 05511-50430 | PIN SPLIT          | 4    |       |     |            | 0.004        | 0.0088      |
| 170    | 70388-58770 | PIN                | 2    |       |     |            | 0.22         | 0.484       |
| 180    | 05515-61200 | PIN SNAP           | 2    |       |     |            | 0.005        | 0.011       |

LIFT ROD RH



3A211-064-11



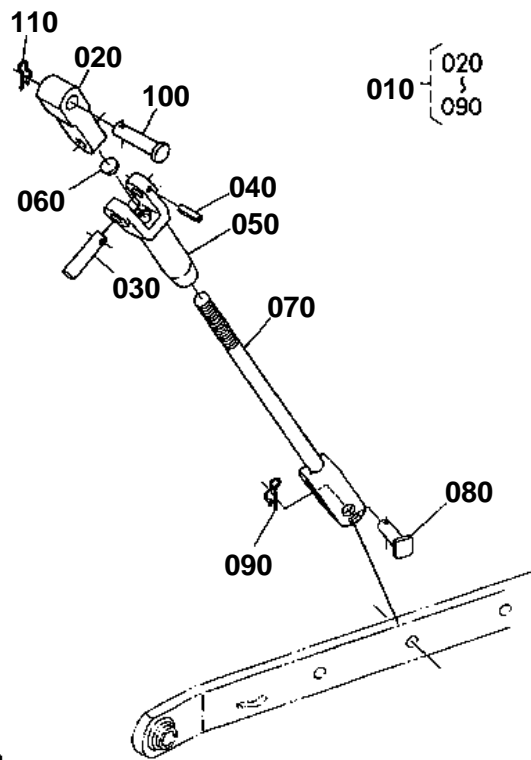


# LIFT ROD RH

↔ Interchangeable; ≠ not interchangeable; ← new for old; → old for new

| REF.No | Part No.    | Description          | Q'ty | S.No. | I/C | REMARKS | Weight (kgf) | Weight (lb) |
|--------|-------------|----------------------|------|-------|-----|---------|--------------|-------------|
| 010    | 3A012-91234 | ASSY ROD LIFT RH     | 1    |       |     |         | 6.55         | 14.41       |
| 020    | 3A111-91510 | JOINT LIFT ROD       | 1    |       |     |         | 0.77         | 1.694       |
| 030    | 99999-99999 | BLANK                | 0    |       |     |         | 0            | 0           |
| 040    | 32530-71520 | PIN LIFT ROD         | 1    |       |     |         | 0.15         | 0.33        |
| 050    | 05511-50430 | PIN SPLIT            | 1    |       |     |         | 0.004        | 0.0088      |
| 060    | 3A111-91240 | CASE LIFT ROD GEAR   | 1    |       |     |         | 1.5          | 3.3         |
| 070    | 36330-91323 | HANDLE LIFT ROD RH   | 1    |       |     |         | 0.2          | 0.44        |
| 080    | 05411-00525 | PIN SPRING           | 1    |       |     |         | 0.002        | 0.0044      |
| 090    | 32530-71540 | COMP.SHAFT ADJUSTING | 1    |       |     |         | 0.84         | 1.848       |
| 100    | 36330-91330 | PINION LIFT ROD RH   | 1    |       |     |         | 0.11         | 0.242       |
| 110    | 05411-00520 | PIN SPRING           | 1    |       |     |         | 0.002        | 0.0044      |
| 120    | 3A151-91390 | SHAFT HANDLE         | 1    |       |     |         | 0.125        | 0.275       |
| 130    | 3A151-91370 | SUPPORT HANDLE       | 1    |       |     |         | 0.265        | 0.583       |
| 140    | 08511-01815 | BUSH                 | 1    |       |     |         | 0.007        | 0.0154      |
| 150    | 08401-51105 | BEARING THRUST BALL  | 1    |       |     |         | 0.07         | 0.154       |
| 160    | 36330-91270 | SPRING HANDLE LOCK   | 1    |       |     |         | 0.025        | 0.055       |
| 170    | 3A111-91300 | COMP SLEEVE LIFT ROD | 1    |       |     |         | 1.015        | 2.233       |
| 180    | 01133-51030 | BOLT                 | 4    |       |     |         | 0.025        | 0.055       |
| 190    | 3A012-71590 | ROD LIFT LOWER RH    | 1    |       |     |         | 1.03         | 2.266       |
| 200    | 3A012-91540 | PIN LIFT ROD LOWER   | 1    |       |     |         | 0.115        | 0.253       |
| 210    | 33251-91860 | PIN SET              | 1    |       |     |         | 0.023        | 0.0506      |
| 220    | 06613-10675 | NIPPLE GREASE        | 1    |       |     |         | 0.003        | 0.0066      |
| 230    | 04811-10180 | O RING               | 1    |       |     |         | 0.001        | 0.0022      |
| 240    | 32530-37693 | PIN LIFT ARM         | 1    |       |     |         | 0.23         | 0.506       |
| 250    | 66592-35190 | PIN SET              | 1    |       |     |         | 0.014        | 0.0308      |

# LIFT ROD LH



3A211-065-10

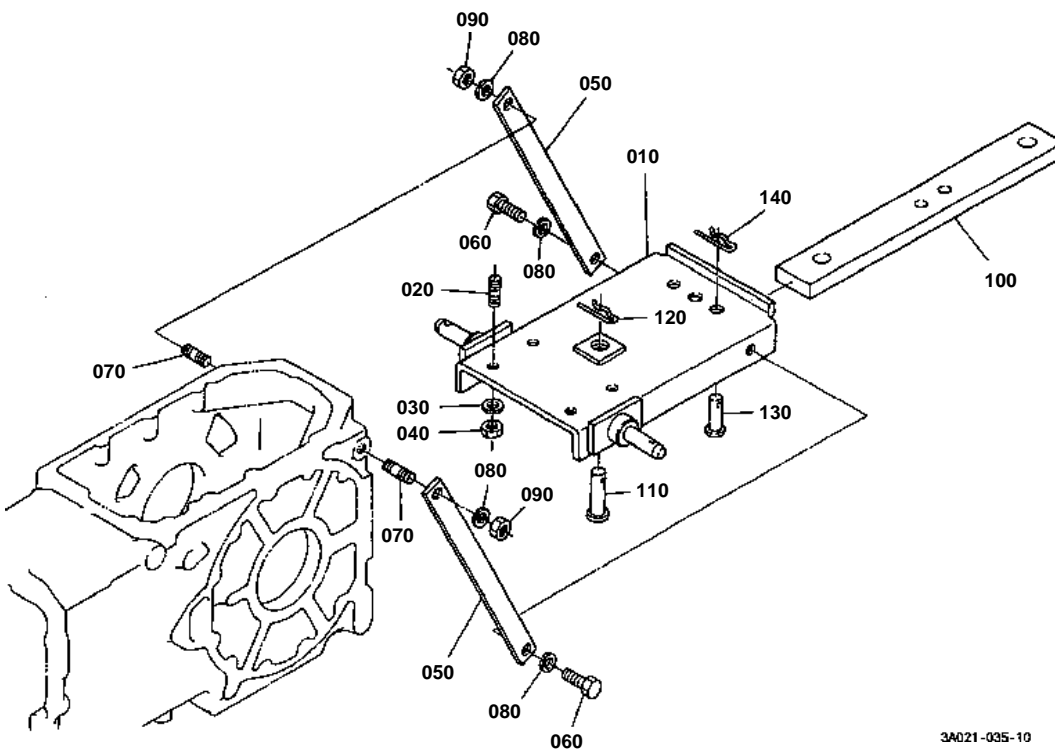


## LIFT ROD LH

↔ Interchangeable; ≠ not interchangeable; ← new for old; → old for new

| REF.No | Part No.    | Description         | Q'ty | S.No. | I/C | REMARKS | Weight (kgf) | Weight (lb) |
|--------|-------------|---------------------|------|-------|-----|---------|--------------|-------------|
| 010    | 3A012-91452 | ASSY ROD LIFT LH    | 1    |       |     |         | 3.35         | 7.37        |
| 020    | 3A111-91510 | JOINT LIFT ROD      | 1    |       |     |         | 0.77         | 1.694       |
| 030    | 32530-71630 | PIN LIFT ROD        | 1    |       |     |         | 0.175        | 0.385       |
| 040    | 05411-00540 | PIN SPRING          | 1    |       |     |         | 0.004        | 0.0088      |
| 050    | 32530-71610 | COMP.ROD LIFT UPPER | 1    |       |     |         | 0.9          | 1.98        |
| 060    | 36330-91360 | PLUG                | 1    |       |     |         | 0.001        | 0.0022      |
| 070    | 3A012-71622 | ROD LIFT LOWER LH   | 1    |       |     |         | 1.36         | 2.992       |
| 080    | 3A012-91540 | PIN LIFT ROD LOWER  | 1    |       |     |         | 0.115        | 0.253       |
| 090    | 33251-91860 | PIN SET             | 1    |       |     |         | 0.023        | 0.0506      |
| 100    | 32530-37693 | PIN LIFT ARM        | 1    |       |     |         | 0.23         | 0.506       |
| 110    | 66592-35190 | PIN SET             | 1    |       |     |         | 0.014        | 0.0308      |

SWINGING DRAWBAR



3A021-035-10

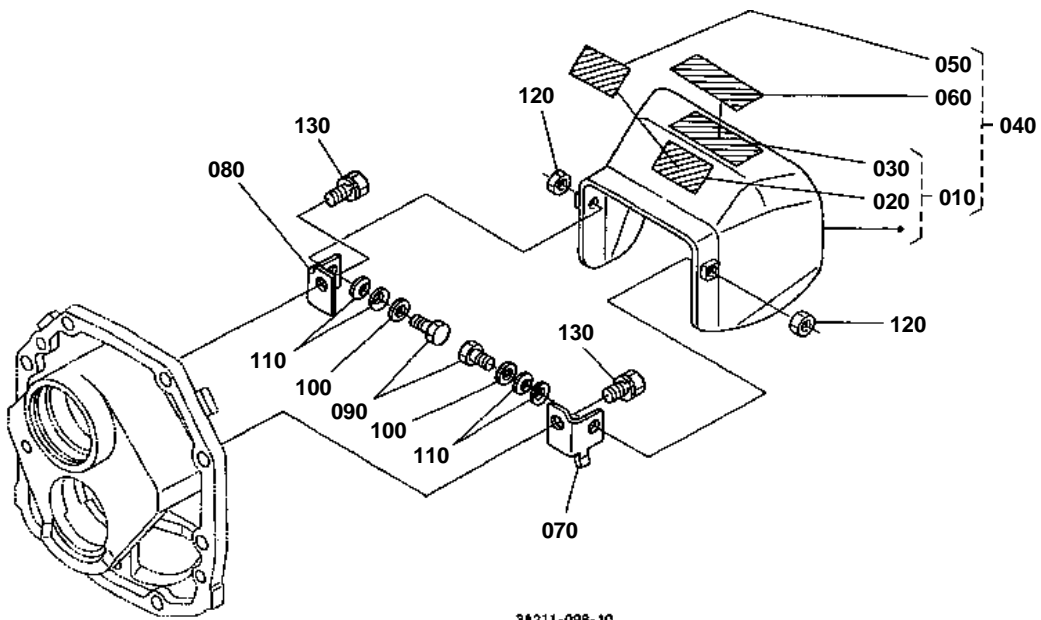


## SWINGING DRAWBAR

↔ Interchangeable; ≠ not interchangeable; ← new for old; → old for new

| REF.No | Part No.    | Description     | Q'ty | S.No. | I/C | REMARKS | Weight (kgf) | Weight (lb) |
|--------|-------------|-----------------|------|-------|-----|---------|--------------|-------------|
| 010    | 3A011-89324 | BRACKET DRAWBAR | 1    |       |     |         | 11.94        | 26.268      |
| 020    | 01517-51635 | STUD            | 4    |       |     |         | 0.08         | 0.176       |
| 030    | 04512-60160 | WASHER SPRING   | 4    |       |     |         | 0.01         | 0.022       |
| 040    | 02174-50160 | NUT             | 4    |       |     |         | 0.022        | 0.0484      |
| 050    | 3A011-89333 | PLATE           | 2    |       |     |         | 1.1          | 2.42        |
| 060    | 01173-51640 | BOLT            | 2    |       |     |         | 0.085        | 0.187       |
| 070    | 01517-51635 | STUD            | 2    |       |     |         | 0.08         | 0.176       |
| 080    | 04512-60160 | WASHER SPRING   | 4    |       |     |         | 0.01         | 0.022       |
| 090    | 02174-50160 | NUT             | 2    |       |     |         | 0.022        | 0.0484      |
| 100    | 3A011-89120 | DRAWBAR         | 1    |       |     |         | 7.05         | 15.51       |
| 110    | 32530-71760 | PIN DRAWBAR     | 1    |       |     |         | 0.32         | 0.704       |
| 120    | 70515-16330 | PIN SPRING      | 1    |       |     |         | 0.028        | 0.0616      |
| 130    | 05122-52070 | PIN JOINT       | 2    |       |     |         | 0.186        | 0.4092      |
| 140    | 05515-51600 | PIN SNAP        | 2    |       |     |         | 0.007        | 0.0154      |

PTO SHAFT PROTECTOR



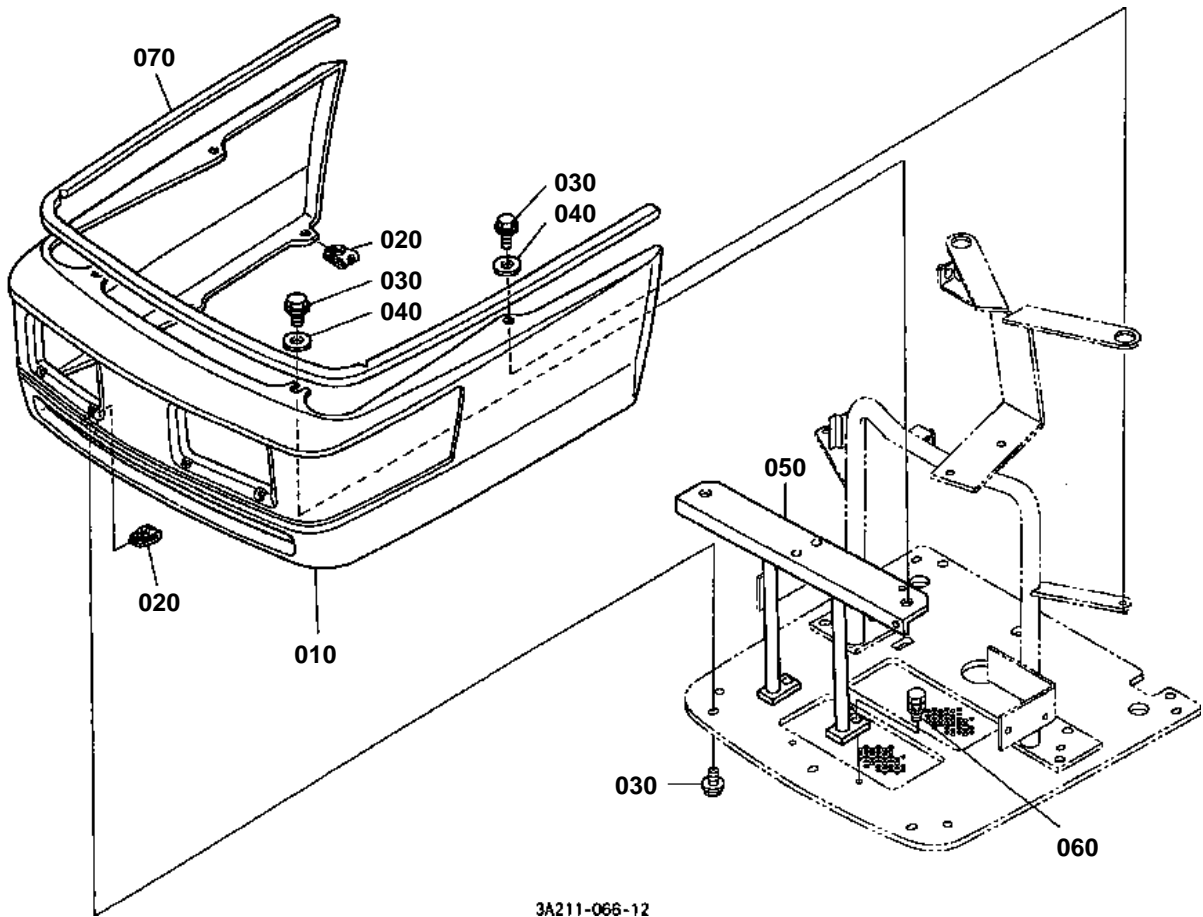


# PTO SHAFT PROTECTOR

↔ Interchangeable; ≠ not interchangeable; ← new for old; → old for new

| REF.No | Part No.    | Description       | Q'ty | S.No. | I/C | REMARKS | Weight (kgf) | Weight (lb) |
|--------|-------------|-------------------|------|-------|-----|---------|--------------|-------------|
| 010    | 3A011-97380 | KIT COVER PTO (A) | 1    |       |     | ENGLISH | 2.1          | 4.62        |
| 020    | TA040-49350 | LABEL DRAWBAR     | 1    |       |     | ENGLISH | 0.002        | 0.0044      |
| 030    | TA040-49590 | LABEL PTO WARNING | 1    |       |     | ENGLISH | 0.002        | 0.0044      |
| 040    | 3A011-97580 | KIT COVER PTO (B) | 1    |       |     | FRENCH  | 2.105        | 4.631       |
| 050    | TA041-49350 | LABEL DRAWBAR     | 1    |       |     | FRENCH  | 0.003        | 0.0066      |
| 060    | TA041-49590 | LABEL PTO WARNING | 1    |       |     | FRENCH  | 0.005        | 0.011       |
| 070    | TA020-23752 | STAY              | 1    |       |     |         | 0.12         | 0.264       |
| 080    | TA020-23762 | STAY              | 1    |       |     |         | 0.001        | 0.0022      |
| 090    | 01173-51025 | BOLT              | 2    |       |     |         | 0.021        | 0.0462      |
| 100    | 04013-60100 | WASHER PLAIN      | 2    |       |     |         | 0.004        | 0.0088      |
| 110    | 62151-42412 | SPRING PLATE      | 4    |       |     |         | 0.002        | 0.0044      |
| 120    | 02116-50100 | NUT               | 2    |       |     |         | 0.004        | 0.0088      |
| 130    | 01133-51225 | BOLT              | 2    |       |     |         | 0.038        | 0.0836      |

HOOD(BONNET) FRONT



3A211-066-12



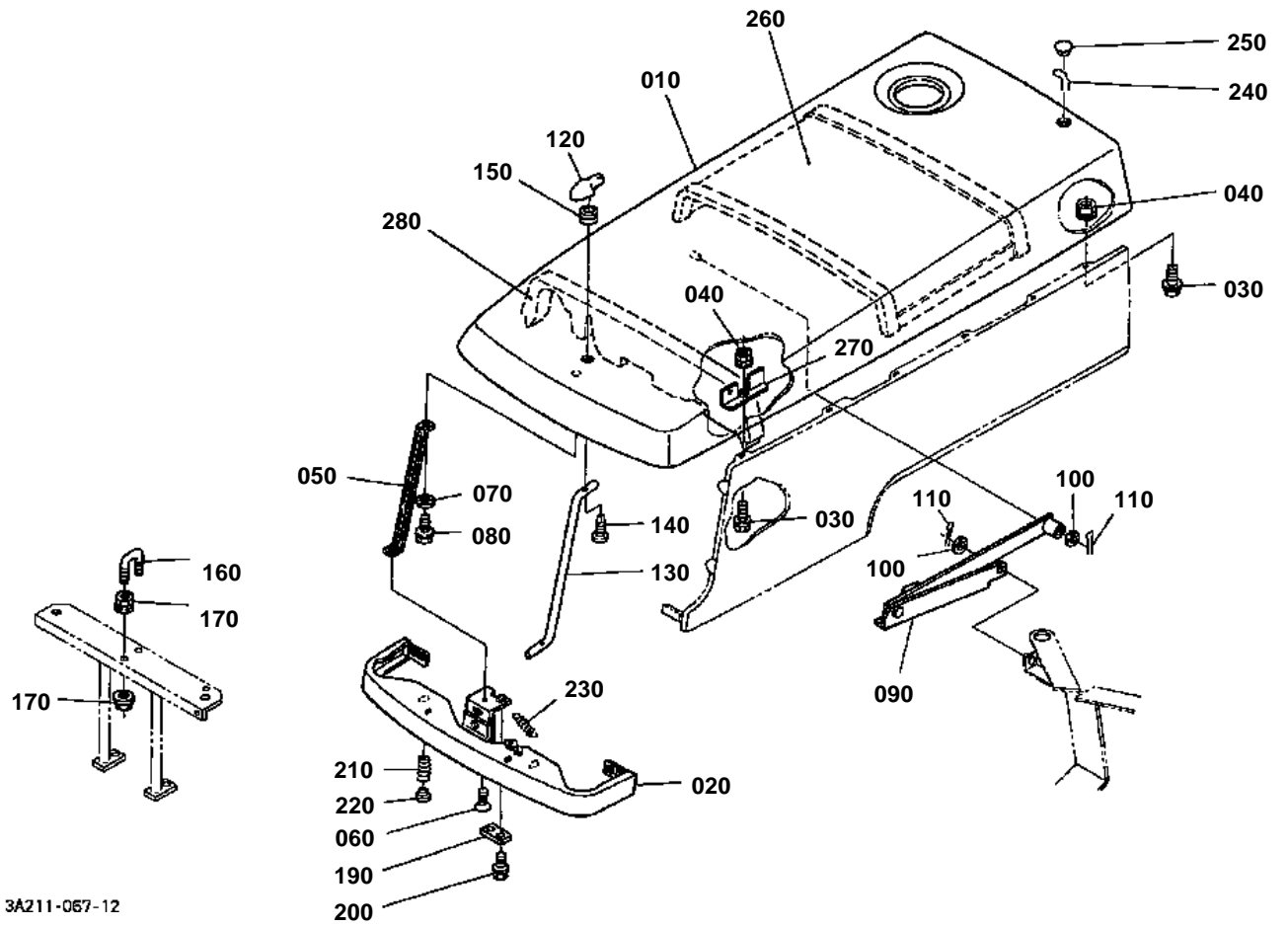


## HOOD(BONNET) FRONT

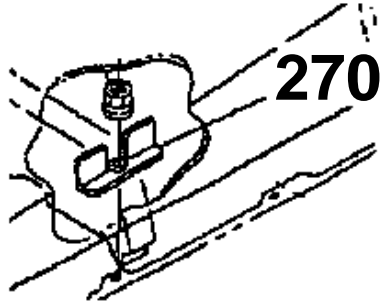
↔ Interchangeable; ≠ not interchangeable; ← new for old; → old for new

| REF.No | Part No.    | Description          | Q'ty | S.No. | I/C | REMARKS | Weight (kgf) | Weight (lb) |
|--------|-------------|----------------------|------|-------|-----|---------|--------------|-------------|
| 010    | 3A011-83280 | BONNET FRONT UNDER   | 1    |       |     |         | 1.66         | 3.652       |
| 020    | 3A011-83510 | NUT SPRING           | 7    |       |     |         | 0.012        | 0.0264      |
| 030    | 01754-50816 | BOLT FLANGE          | 11   |       |     |         | 0.011        | 0.0242      |
| 040    | 04015-60080 | WASHER PLAIN         | 4    |       |     |         | 0.01         | 0.022       |
| 050    | 3A011-83456 | SUPPORT BONNET FRONT | 1    |       |     |         | 0            | 0           |
| 050    | 3A011-83457 | SUPPORT BONNET FRONT | 1    |       | ?   |         | 0            | 0           |
| 060    | 01123-50820 | BOLT                 | 2    |       |     |         | 0.011        | 0.0242      |
| 070    | 3A011-83306 | SEAL RUBBER          | 1    |       |     |         | 0.09         | 0.198       |

# HOOD(BONNET) UPPER



270 3A011-8306-0



3A061-809-10

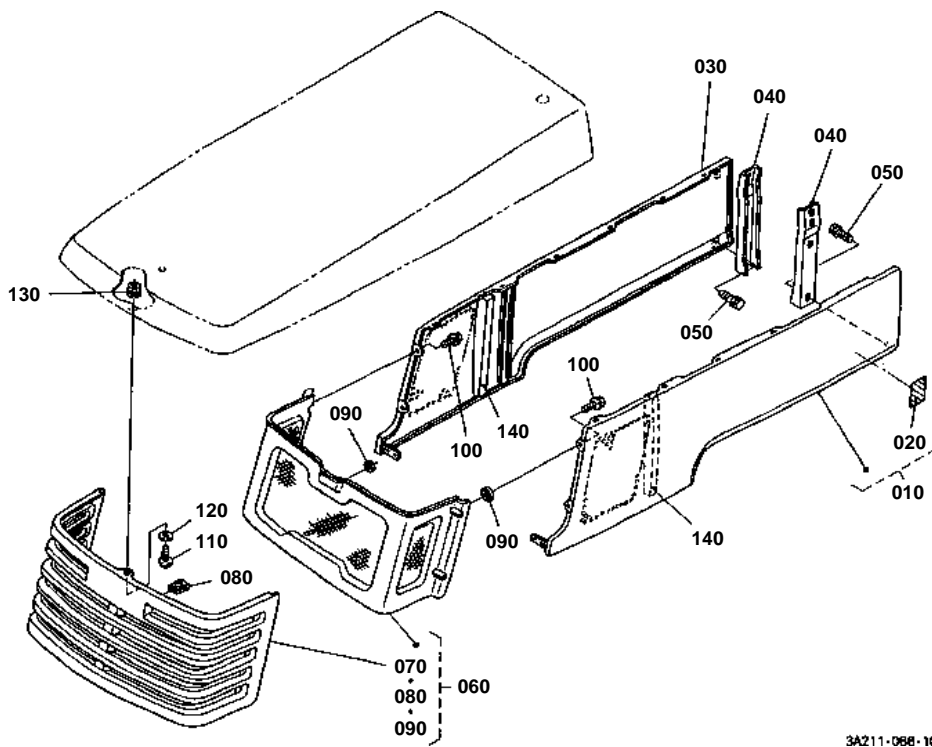


# HOOD(BONNET) UPPER

↔ Interchangeable; ≠ not interchangeable; ← new for old; → old for new

| REF.No | Part No.    | Description     | Q'ty | S.No.   | I/C | REMARKS | Weight (kgf) | Weight (lb) |
|--------|-------------|-----------------|------|---------|-----|---------|--------------|-------------|
| 010    | 3A011-83025 | COMP.BONNET     | 1    | <=10339 |     |         | 0            | 0           |
| 010    | 3A011-83026 | COMP.BONNET     | 1    | >=10340 | ?   |         | 0            | 0           |
| 020    | 3A011-83295 | BONNET FRONT    | 1    |         |     |         | 1.5          | 3.3         |
| 030    | 01754-50812 | BOLT FLANGE     | 16   |         |     |         | 0.01         | 0.022       |
| 040    | 02751-50080 | NUT FLANGE      | 8    |         |     |         | 0.006        | 0.0132      |
| 050    | 3A011-83463 | SUPPORT BONNET  | 1    |         |     |         | 0.105        | 0.231       |
| 060    | 03016-50614 | SCREW CSK-HD    | 1    |         |     |         | 0.003        | 0.0066      |
| 070    | 04412-50060 | WASHER TOOTHED  | 1    |         |     |         | 0.001        | 0.0022      |
| 080    | 01754-50610 | BOLT FLANGE     | 1    |         |     |         | 0.006        | 0.0132      |
| 090    | 3A111-83310 | LINK            | 1    |         |     |         | 0.525        | 1.155       |
| 100    | 04013-60080 | WASHER PLAIN    | 2    |         |     |         | 0.002        | 0.0044      |
| 110    | 05511-50215 | PIN SPLIT       | 2    |         |     |         | 0.001        | 0.0022      |
| 120    | 6C040-54260 | HANDLE MASCOT   | 1    |         |     |         | 0.028        | 0.0616      |
| 130    | 3A011-83473 | LEVER HANDLE    | 1    |         |     |         | 0.155        | 0.341       |
| 140    | 03614-50416 | SCREW TAPPING   | 1    |         |     |         | 0.002        | 0.0044      |
| 150    | 3A011-83630 | PLUG            | 1    |         |     |         | 0.001        | 0.0022      |
| 160    | 3A011-83423 | LOCK            | 1    |         |     |         | 0.05         | 0.11        |
| 170    | 02751-50080 | NUT FLANGE      | 4    |         |     |         | 0.006        | 0.0132      |
| 180    | 99999-99999 | BLANK           | 0    |         |     |         | 0            | 0           |
| 190    | 3A011-83530 | GUIDE           | 1    |         |     |         | 0.015        | 0.033       |
| 200    | 01754-50610 | BOLT FLANGE     | 1    |         |     |         | 0.006        | 0.0132      |
| 210    | 3A011-83500 | SPRING          | 2    |         |     |         | 0.03         | 0.066       |
| 220    | 41182-61150 | PLUG            | 2    |         |     |         | 0.003        | 0.0066      |
| 230    | 3A011-83660 | SPRING          | 1    |         |     |         | 0.01         | 0.022       |
| 240    | 3A011-83600 | PIN SNAP        | 1    |         |     |         | 0.002        | 0.0044      |
| 250    | 3A111-83750 | PLUG            | 1    |         |     |         | 0.002        | 0.0044      |
| 260    | 3A011-04330 | INSULATION HEAT | 1    |         |     |         | 0.285        | 0.627       |
| 270    | 3A011-83060 | HOLDER          | 2    | <=10681 |     |         | 0            | 0           |
| 270    | 3A011-83062 | HOLDER          | 2    | >=10682 | ?   |         | 0.04         | 0.088       |
| 280    | 3A211-17170 | SPONGE UPPER    | 1    |         |     |         | 0.145        | 0.319       |

HOOD(BONNET) SIDE



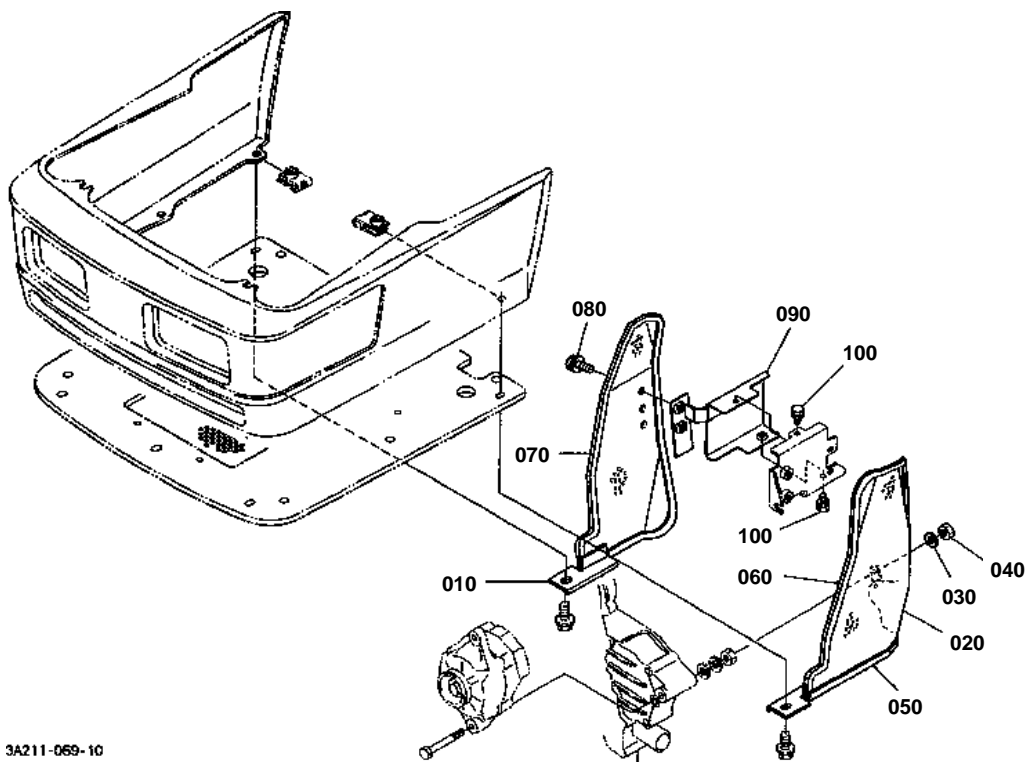


## HOOD(BONNET) SIDE

↔ Interchangeable; ≠ not interchangeable; ← new for old; → old for new

| REF.No | Part No.    | Description         | Q'ty | S.No.   | I/C | REMARKS | Weight (kgf) | Weight (lb) |
|--------|-------------|---------------------|------|---------|-----|---------|--------------|-------------|
| 010    | 3A111-97330 | KIT BONNET SIDE LH  | 1    |         |     |         | 2.2          | 4.84        |
| 020    | 32310-49580 | LABEL WARNING       | 1    |         |     |         | 0.002        | 0.0044      |
| 030    | 3A111-83160 | COMP.BONNET SIDE    | 1    | <=10339 |     |         | 2.2          | 4.84        |
| 030    | 3A111-83162 | COMP.BONNET SIDE    | 1    | >=10340 | ?   |         | 0            | 0           |
| 040    | 3A011-83240 | HOLDER              | 2    |         |     |         | 0.18         | 0.396       |
| 050    | 01754-50612 | BOLT FLANGE         | 8    |         |     |         | 0.005        | 0.011       |
| 060    | 3A751-83220 | ASSY GRILLE BONNET  | 1    |         |     |         | 1.43         | 3.146       |
| 070    | 3A011-83202 | GRILLE BONNET       | 1    |         |     |         | 0            | 0           |
| 080    | 3A011-83490 | NUT SPRING          | 2    |         |     |         | 0.01         | 0.022       |
| 090    | 3A011-83260 | NUT                 | 20   |         |     |         | 0.001        | 0.0022      |
| 100    | 01754-50610 | BOLT FLANGE         | 4    |         |     |         | 0.006        | 0.0132      |
| 110    | 01754-50616 | BOLT FLANGE         | 3    |         |     |         | 0.006        | 0.0132      |
| 120    | 04015-60060 | WASHER PLAIN        | 1    |         |     |         | 0.005        | 0.011       |
| 130    | 12264-92020 | NUT SPRING WASHER M | 1    |         |     |         | 0.05         | 0.11        |
| 140    | 3A011-17200 | SPONGE SIDE         | 2    |         |     |         | 0.026        | 0.0572      |

# HOOD(BONNET) SIDE COVER



3A211-069-10



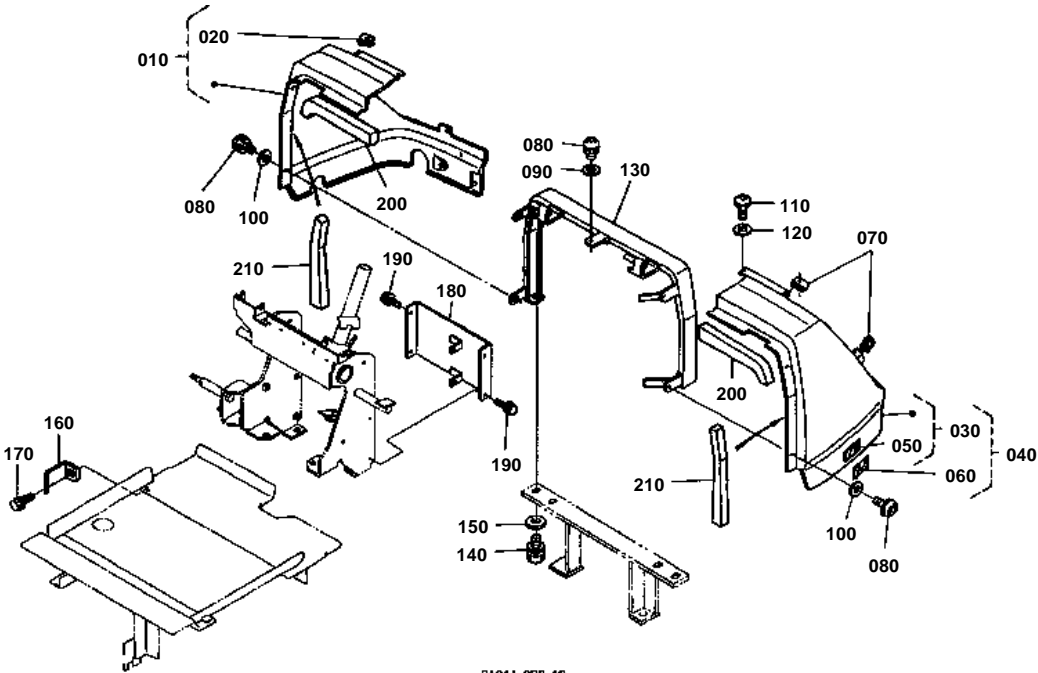
## HOOD(BONNET) SIDE COVER

↔ Interchangeable; ≠ not interchangeable; ← new for old; → old for new

| REF.No | Part No.    | Description    | Q'ty | S.No. | I/C | REMARKS | Weight (kgf) | Weight (lb) |
|--------|-------------|----------------|------|-------|-----|---------|--------------|-------------|
| 010    | 3A211-83370 | COVER          | 1    |       |     |         | 0.21         | 0.462       |
| 020    | 3A211-83380 | COVER          | 1    |       |     |         | 0.315        | 0.693       |
| 030    | 04512-60100 | WASHER SPRING  | 1    |       |     |         | 0.002        | 0.0044      |
| 040    | 02076-50100 | NUT            | 1    |       |     |         | 0.006        | 0.0132      |
| 050    | 3A013-90652 | TRIM           | 1    |       |     |         | 0.028        | 0.0616      |
| 060    | 3F740-83470 | CUSHION        | 1    |       |     |         | 0.042        | 0.0924      |
| 070    | 36919-56390 | CUSHION        | 1    |       |     |         | 0.07         | 0.154       |
| 080    | 30400-18870 | BOLT FLANGE    | 2    |       |     |         | 0.01         | 0.022       |
| 090    | 3A211-83360 | COVER SOLENOID | 1    |       |     |         | 0            | 0           |
| 100    | 30400-19060 | BOLT FLANGE    | 2    |       |     |         | 0.006        | 0.0132      |



HOOD(BONNET) REAR



3A211-070-10

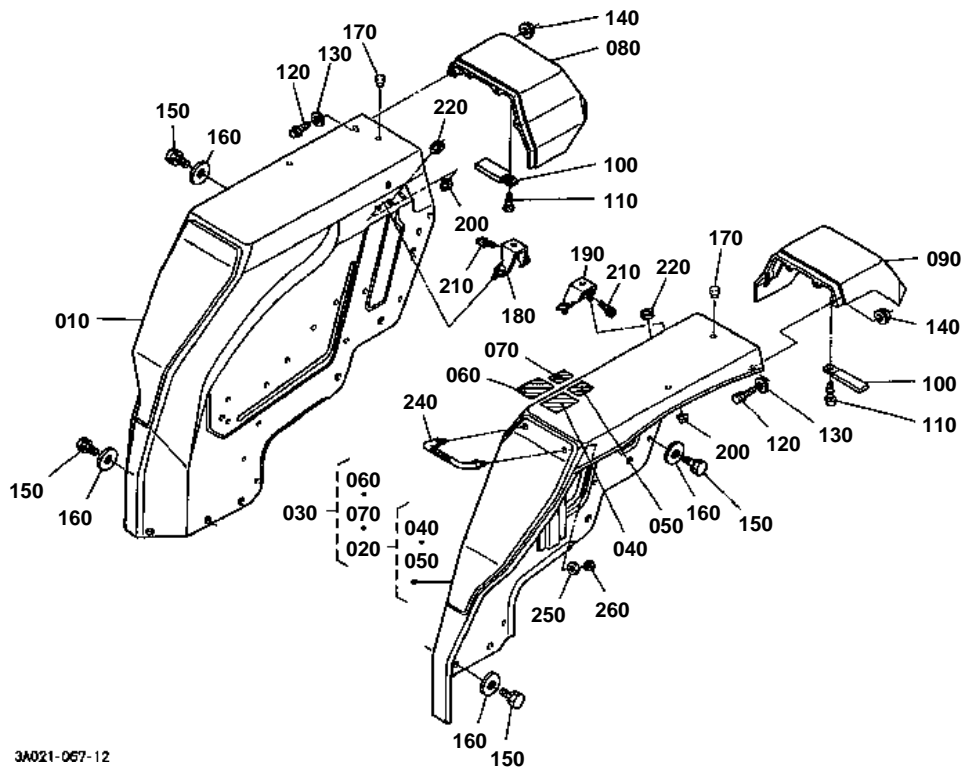


# HOOD(BONNET) REAR

↔ Interchangeable; ≠ not interchangeable; ← new for old; → old for new

| REF.No | Part No.    | Description         | Q'ty | S.No. | I/C | REMARKS | Weight (kgf) | Weight (lb) |
|--------|-------------|---------------------|------|-------|-----|---------|--------------|-------------|
| 010    | 3A011-83610 | ASSY BONNET REAR RH | 1    |       |     |         | 0.65         | 1.43        |
| 020    | 3A011-83490 | NUT SPRING          | 3    |       |     |         | 0.01         | 0.022       |
| 030    | 3A011-97360 | KIT BONNET REAR (A) | 1    |       |     | ENGLISH | 1            | 2.2         |
| 040    | 3A011-97560 | KIT BONNET REAR (B) | 1    |       |     | FRENCH  | 0.65         | 1.43        |
| 050    | TA040-49650 | LABEL START CAUTION | 1    |       |     | ENGLISH | 0.004        | 0.0088      |
| 060    | TA041-49650 | LABEL START CAUTION | 1    |       |     | FRENCH  | 0.004        | 0.0088      |
| 070    | 3A011-83490 | NUT SPRING          | 4    |       |     |         | 0.01         | 0.022       |
| 080    | 03004-50816 | SCREW WITH WASHER   | 5    |       |     |         | 0.01         | 0.022       |
| 090    | 04015-60080 | WASHER PLAIN        | 1    |       |     |         | 0.01         | 0.022       |
| 100    | 04013-60080 | WASHER PLAIN        | 4    |       |     |         | 0.002        | 0.0044      |
| 110    | 03004-50616 | SCREW WITH WASHER   | 3    |       |     |         | 0.006        | 0.0132      |
| 120    | 04015-60060 | WASHER PLAIN        | 3    |       |     |         | 0.005        | 0.011       |
| 130    | 3A011-83590 | SUPPORT BONNET REAR | 1    |       |     |         | 2            | 4.4         |
| 140    | 01133-51025 | BOLT                | 2    |       |     |         | 0.023        | 0.0506      |
| 150    | 04013-60100 | WASHER PLAIN        | 2    |       |     |         | 0.004        | 0.0088      |
| 160    | 3A011-83150 | SPRING PLATE        | 2    |       |     |         | 0.055        | 0.121       |
| 170    | 01123-50816 | BOLT                | 2    |       |     |         | 0            | 0           |
| 180    | 3A211-63220 | COVER PANEL         | 1    |       |     |         | 0.335        | 0.737       |
| 190    | 01754-50612 | BOLT FLANGE         | 4    |       |     |         | 0.005        | 0.011       |
| 200    | 3A011-04580 | SPONGE BONNET REAR  | 2    |       |     |         | 0.018        | 0.0396      |
| 210    | 3A011-04590 | SPONGE BONNET REAR  | 2    |       |     |         | 0.015        | 0.033       |

# FENDER



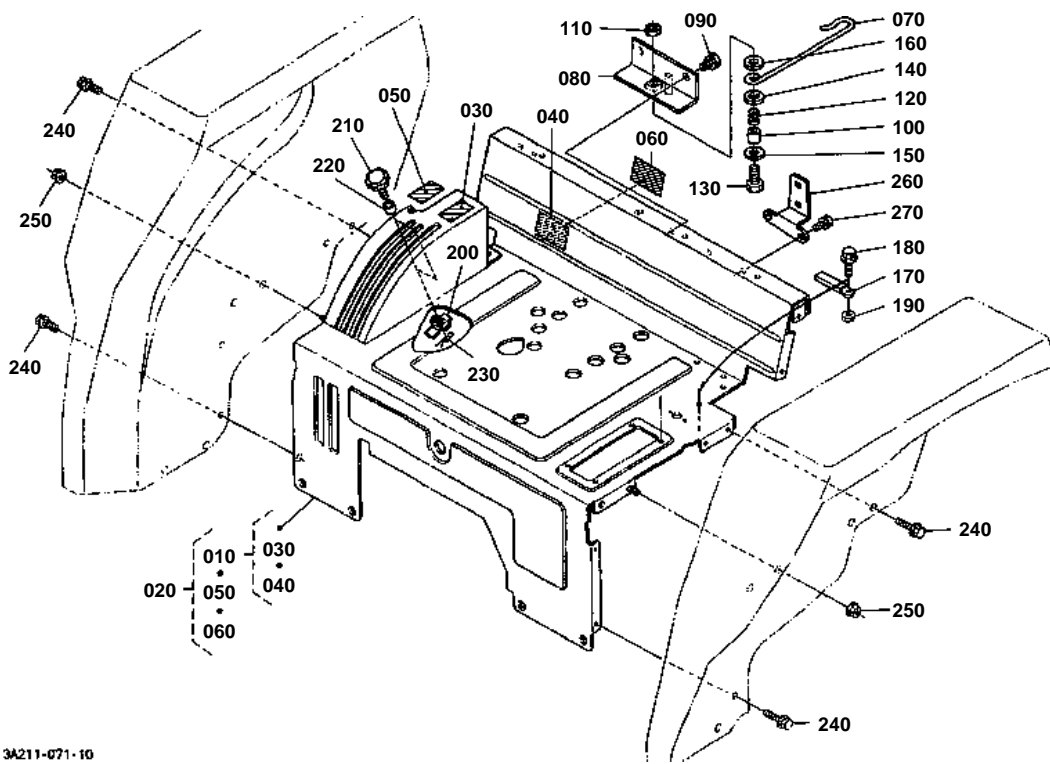
3A021-067-12

**FENDER**

↔ Interchangeable; ≠ not interchangeable; ← new for old; → old for new

| REF.No | Part No.    | Description        | Q'ty | S.No.  | I/C | REMARKS | Weight (kgf) | Weight (lb) |
|--------|-------------|--------------------|------|--------|-----|---------|--------------|-------------|
| 010    | 3A011-87014 | COMP.FENDER RH     | 1    |        |     |         | 10.7         | 23.54       |
| 020    | 3A012-97320 | KIT FENDER LH (A)  | 1    | ≤10845 |     | ENGLISH | 11.5         | 25.3        |
| 020    | 3A012-97322 | KIT FENDER LH (A)  | 1    | ≥10846 | ?   | ENGLISH | 11.5         | 25.3        |
| 030    | 3A012-97520 | KIT FENDER LH (B)  | 1    | ≤10845 |     | FRENCH  | 11.5         | 25.3        |
| 030    | 3A012-97522 | KIT FENDER LH (B)  | 1    | ≥10846 | ?   | FRENCH  | 11.5         | 25.3        |
| 040    | 35260-34913 | LABEL SAFETY       | 1    | ≤10845 |     | ENGLISH | 0.005        | 0.011       |
| 040    | 35260-34914 | LABEL SAFETY       | 1    | ≥10846 | ?   | ENGLISH | 0.005        | 0.011       |
| 050    | 3A111-98482 | LABEL ROPS WARNING | 1    |        |     | ENGLISH | 0.004        | 0.0088      |
| 060    | TA041-65700 | LABEL SAFETY       | 1    | ≤10845 |     | FRENCH  | 0            | 0           |
| 060    | TA041-65702 | LABEL SAFETY       | 1    | ≥10846 | ?   | FRENCH  | 0.01         | 0.022       |
| 070    | TA040-49150 | LABEL ROPS WARNING | 1    |        |     | FRENCH  | 0.003        | 0.0066      |
| 080    | 3A011-87460 | COVER FENDER RH    | 1    |        |     |         | 0.62         | 1.364       |
| 090    | 3A011-87470 | COVER FENDER LH    | 1    |        |     |         | 0.59         | 1.298       |
| 100    | 15272-67590 | CLAMP CORD         | 2    |        |     |         | 0.004        | 0.0088      |
| 110    | 03614-50610 | SCREW TAPPING      | 2    |        |     |         | 0.005        | 0.011       |
| 120    | 01754-50816 | BOLT FLANGE        | 10   |        |     |         | 0.011        | 0.0242      |
| 130    | 04015-60080 | WASHER PLAIN       | 2    |        |     |         | 0.01         | 0.022       |
| 140    | 02751-50080 | NUT FLANGE         | 2    |        |     |         | 0.006        | 0.0132      |
| 150    | 01123-50825 | BOLT               | 10   |        |     |         | 0.013        | 0.0286      |
| 160    | 36919-53502 | COLLAR             | 10   | ≤10517 |     |         | 0.01         | 0.022       |
| 160    | 3A211-53500 | WASHER PLAIN       | 10   | ≥10518 | ?   |         | 0.011        | 0.0242      |
| 170    | 30810-29170 | PLUG               | 2    |        |     |         | 0.003        | 0.0066      |
| 180    | 3A011-87270 | STAY FENDER RH     | 1    |        |     |         | 0.185        | 0.407       |
| 190    | 3A011-87280 | STAY FENDER LH     | 1    |        |     |         | 0.185        | 0.407       |
| 200    | 02751-50080 | NUT FLANGE         | 4    |        |     |         | 0.006        | 0.0132      |
| 210    | 01125-50830 | BOLT               | 2    |        |     |         | 0.01         | 0.022       |
| 220    | 32150-29180 | CAP RUBBER         | 2    |        |     |         | 0.002        | 0.0044      |
| 230    | 99999-99999 | BLANK              | 0    |        |     |         | 0            | 0           |
| 240    | 34670-29440 | HANDRAIL           | 1    |        |     |         | 0.1          | 0.22        |
| 250    | 04013-60140 | WASHER PLAIN       | 2    |        |     |         | 0.01         | 0.022       |
| 260    | 02174-50140 | NUT                | 2    |        |     |         | 0.014        | 0.0308      |

FLOOR SEAT



3A211-071-10

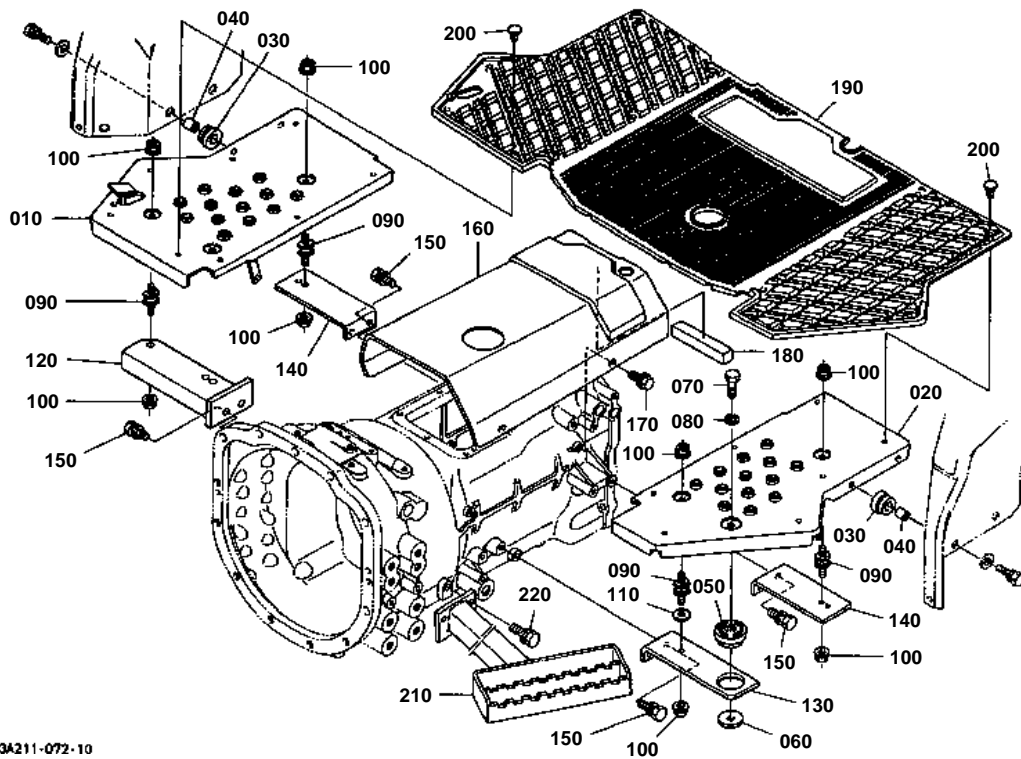


## FLOOR SEAT

↔ Interchangeable; ≠ not interchangeable; ← new for old; → old for new

| REF.No | Part No.    | Description          | Q'ty | S.No. | I/C | REMARKS | Weight (kgf) | Weight (lb) |
|--------|-------------|----------------------|------|-------|-----|---------|--------------|-------------|
| 010    | 3A012-97310 | KIT COVER FLOOR SEAT | 1    |       |     | ENGLISH | 9            | 19.8        |
| 020    | 3A012-97510 | KIT COVER FLOOR SEAT | 1    |       |     | FRENCH  | 9            | 19.8        |
| 030    | TA040-49302 | LABEL I-PTO CAUTION  | 1    |       |     | ENGLISH | 0.001        | 0.0022      |
| 040    | 3A111-98563 | LABEL LIFT ROD       | 1    |       |     | ENGLISH | 0.002        | 0.0044      |
| 050    | TA041-49300 | LABEL I-PTO CAUTION  | 1    |       |     | FRENCH  | 0.003        | 0.0066      |
| 060    | 3A112-98560 | LABEL LIFT ROD       | 1    |       |     | FRENCH  | 0.002        | 0.0044      |
| 070    | 3A111-91960 | SUPPORT TOP LINK     | 1    |       |     |         | 0.18         | 0.396       |
| 080    | 3A012-91970 | STAY TOP LINK        | 1    |       |     |         | 0            | 0           |
| 090    | 01123-50816 | BOLT                 | 2    |       |     |         | 0            | 0           |
| 100    | 31391-16840 | SPACER               | 1    |       |     |         | 0.017        | 0.0374      |
| 110    | 02114-50100 | NUT                  | 1    |       |     |         | 0.005        | 0.011       |
| 120    | 33251-10320 | SPRING ACCEL.LEVER   | 1    |       |     |         | 0.012        | 0.0264      |
| 130    | 01173-51040 | BOLT                 | 1    |       |     |         | 0.028        | 0.0616      |
| 140    | 04015-50100 | WASHER PLAIN         | 1    |       |     |         | 0.016        | 0.0352      |
| 150    | 04011-60160 | WASHER PLAIN         | 1    |       |     |         | 0.01         | 0.022       |
| 160    | 04015-50100 | WASHER PLAIN         | 1    |       |     |         | 0.016        | 0.0352      |
| 170    | 15272-67590 | CLAMP CORD           | 1    |       |     |         | 0.004        | 0.0088      |
| 180    | 01754-50610 | BOLT FLANGE          | 1    |       |     |         | 0.006        | 0.0132      |
| 190    | 02014-50060 | NUT                  | 1    |       |     |         | 0.003        | 0.0066      |
| 200    | 36919-81523 | STOPPER LEVER        | 2    |       |     |         | 0.01         | 0.022       |
| 210    | 36919-81530 | BOLT STOPPER         | 2    |       |     |         | 0.022        | 0.0484      |
| 220    | 36919-82620 | COLLAR               | 2    |       |     |         | 0.008        | 0.0176      |
| 230    | 52300-34120 | PIN SNAP             | 2    |       |     |         | 0.001        | 0.0022      |
| 240    | 01754-50812 | BOLT FLANGE          | 15   |       |     |         | 0.01         | 0.022       |
| 250    | 02751-50080 | NUT FLANGE           | 2    |       |     |         | 0.006        | 0.0132      |
| 260    | 3A431-87940 | STAY SMV             | 1    |       |     |         | 0.18         | 0.396       |
| 270    | 01123-50822 | BOLT                 | 2    |       |     |         | 0.012        | 0.0264      |

STEP



3A211-072-10

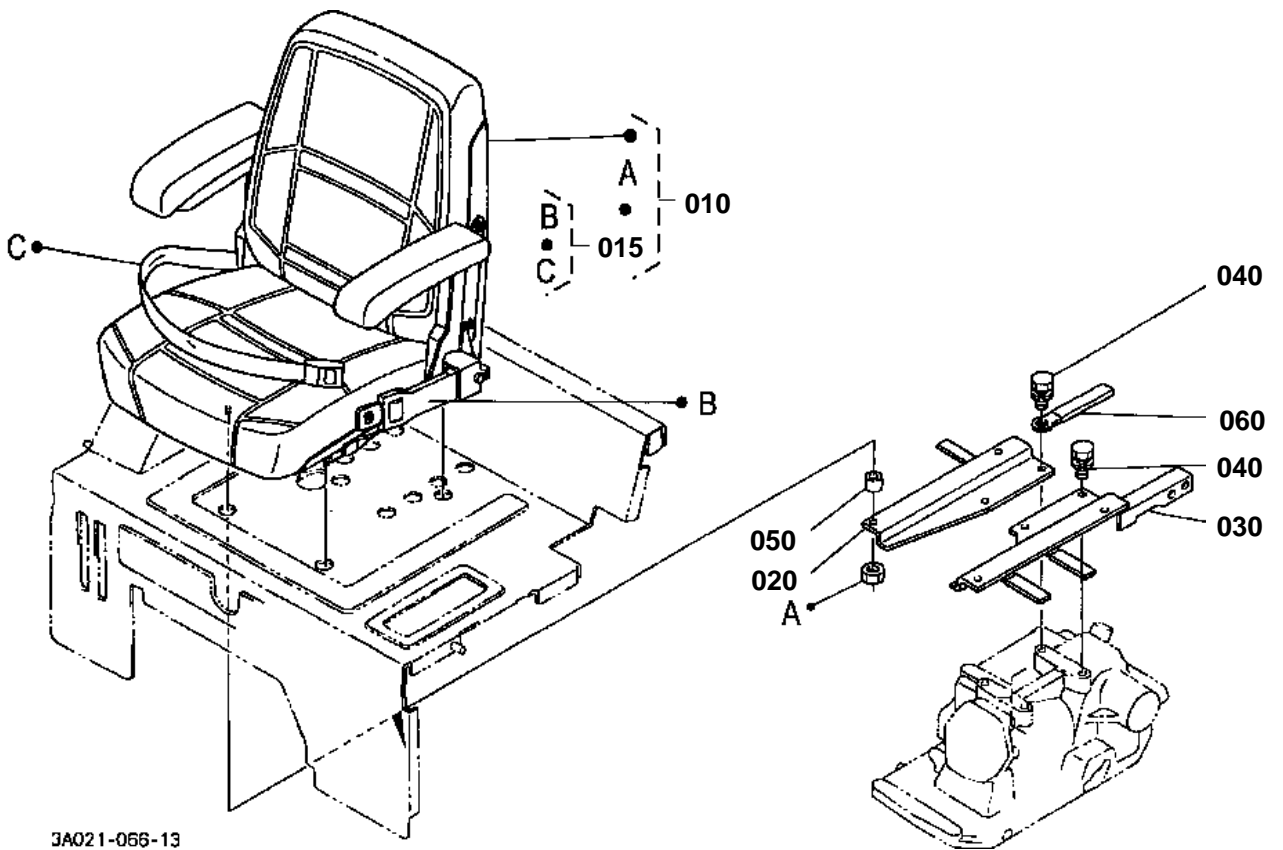
**STEP**

↔ Interchangeable; ≠ not interchangeable; ← new for old; → old for new

| REF.No | Part No.    | Description    | Q'ty | S.No. | I/C | REMARKS | Weight (kgf) | Weight (lb) |
|--------|-------------|----------------|------|-------|-----|---------|--------------|-------------|
| 010    | 3A111-87060 | COMP.STEP RH   | 1    |       |     |         | 3.8          | 8.36        |
| 020    | 3A111-87070 | COMP.STEP LH   | 1    |       |     |         | 3.2          | 7.04        |
| 030    | 3A111-87360 | CUSHION        | 10   |       |     |         | 0.005        | 0.011       |
| 040    | 67950-53390 | COLLAR         | 10   |       |     |         | 0.02         | 0.044       |
| 050    | 34070-47310 | CUSHION        | 1    |       |     |         | 0.165        | 0.363       |
| 060    | 3A111-87410 | WASHER         | 1    |       |     |         | 0.125        | 0.275       |
| 070    | 01173-51650 | BOLT           | 1    |       |     |         | 0.099        | 0.2178      |
| 080    | 04512-60160 | WASHER SPRING  | 1    |       |     |         | 0.01         | 0.022       |
| 090    | 3A011-87303 | CUSHION        | 5    |       |     |         | 0.053        | 0.1166      |
| 100    | 02751-50080 | NUT FLANGE     | 10   |       |     |         | 0.006        | 0.0132      |
| 110    | 70314-71920 | WASHER         | 1    |       |     |         | 0.015        | 0.033       |
| 120    | 3A211-87380 | STAY STEP RH   | 1    |       |     |         | 1.82         | 4.004       |
| 130    | 3A211-87390 | STAY STEP LH   | 1    |       |     |         | 1.24         | 2.728       |
| 140    | 3A011-87402 | STAY STEP REAR | 2    |       |     |         | 0.665        | 1.463       |
| 150    | 01133-51025 | BOLT           | 8    |       |     |         | 0.023        | 0.0506      |
| 160    | 3A111-87160 | COVER          | 1    |       |     |         | 2.4          | 5.28        |
| 170    | 01754-50812 | BOLT FLANGE    | 5    |       |     |         | 0.01         | 0.022       |
| 180    | 3A012-87180 | CUSHION        | 1    |       |     |         | 0.115        | 0.253       |
| 190    | 3A012-55060 | MAT STEP       | 1    |       |     |         | 4.89         | 10.758      |
| 200    | 67955-51340 | STOPPER        | 15   |       |     |         | 0.001        | 0.0022      |
| 210    | 3A111-87313 | STEP AUX.      | 1    |       |     |         | 4            | 8.8         |
| 220    | 01133-51030 | BOLT           | 2    |       |     |         | 0.025        | 0.055       |



SEAT



3A021-066-13

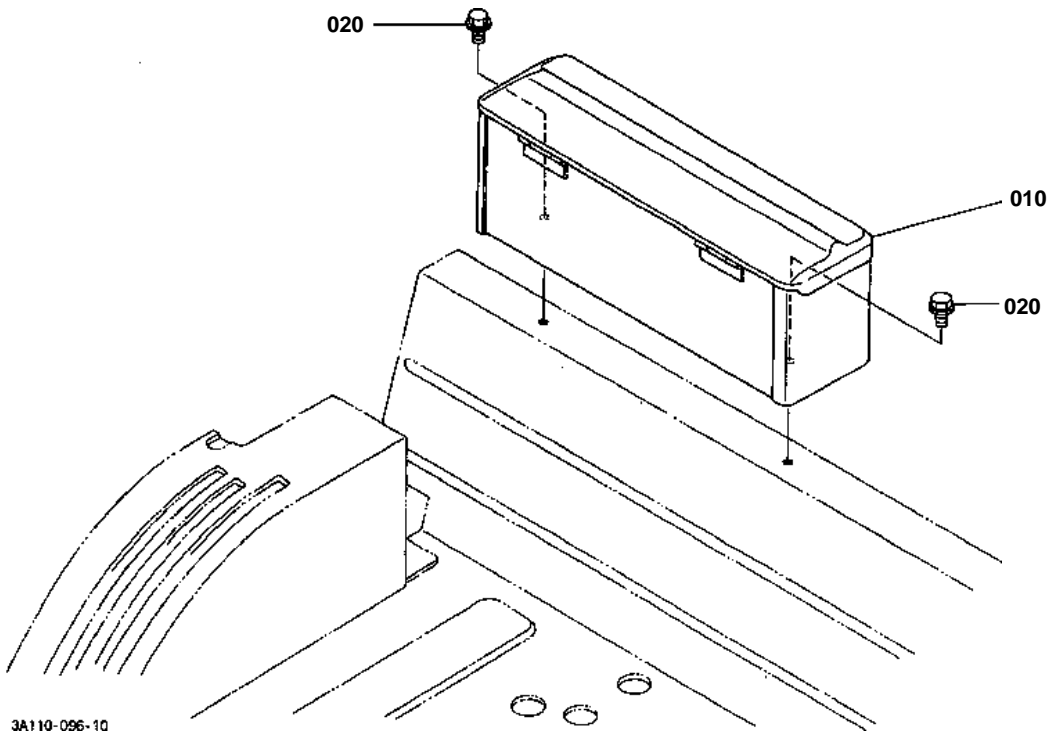


# SEAT

↔ Interchangeable; ≠ not interchangeable; ← new for old; → old for new

| REF.No | Part No.    | Description     | Q'ty | S.No. | I/C | REMARKS | Weight (kgf) | Weight (lb) |
|--------|-------------|-----------------|------|-------|-----|---------|--------------|-------------|
| 010    | 3A011-85010 | ASSY SEAT       | 1    |       |     |         | 0            | 0           |
| 015    | 3A011-85300 | ASSY BELT SEAT  | 1    |       |     |         | 0            | 0           |
| 020    | 3A011-85152 | BRACKET SEAT RH | 1    |       |     |         | 1.195        | 2.629       |
| 030    | 3A111-85162 | BRACKET SEAT LH | 1    |       |     |         | 1.25         | 2.75        |
| 040    | 01133-51020 | BOLT            | 4    |       |     |         | 0.02         | 0.044       |
| 050    | 63313-54330 | COLLAR          | 4    |       |     |         | 0.018        | 0.0396      |
| 060    | 35340-29380 | CLAMP CORD      | 1    |       |     |         | 0.01         | 0.022       |

# TOOL BOX



3A110-096-10

**TOOL BOX**

↔ Interchangeable; ≠ not interchangeable; ← new for old; → old for new

| REF.No | Part No.    | Description | Q'ty | S.No.   | I/C | REMARKS | Weight (kgf) | Weight (lb) |
|--------|-------------|-------------|------|---------|-----|---------|--------------|-------------|
| 010    | 3A131-90230 | CASE TOOLS  | 1    | <=10741 |     |         | 0            | 0           |
| 010    | 3A131-90232 | CASE TOOLS  | 1    | >=10742 | ?   |         | 2.6          | 5.72        |
| 020    | 01754-50816 | BOLT FLANGE | 2    |         |     |         | 0.011        | 0.0242      |



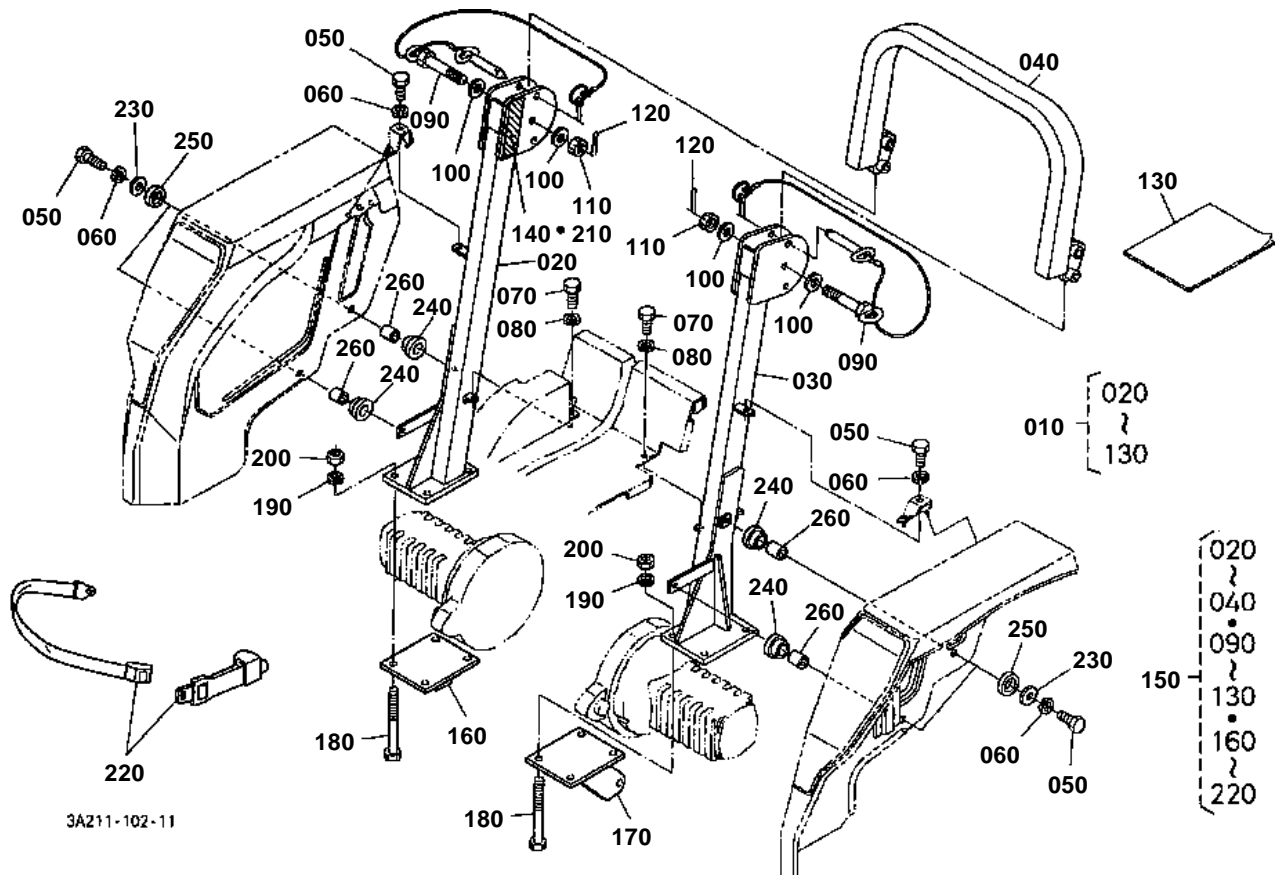
**ROPS [OLD TYPE]**

S.No.;&lt;=10594

↔ Interchangeable; ≠ not interchangeable; ← new for old; → old for new

| REF.No | Part No.    | Description        | Q'ty | S.No. | I/C | REMARKS | Weight (kgf) | Weight (lb) |
|--------|-------------|--------------------|------|-------|-----|---------|--------------|-------------|
| 010    | 3A211-87000 | ASSY ROPS          | 1    |       |     |         | 0            | 0           |
| 020    | 75599-03325 | HEX.BOLT           | 6    |       |     |         | 0            | 0           |
| 030    | 75599-33013 | WASHER SPRING      | 6    |       |     |         | 0.01         | 0.022       |
| 040    | 75599-01112 | HEX.BOLT           | 2    |       |     |         | 0            | 0           |
| 050    | 75599-33011 | WASHER SPRING      | 2    |       |     |         | 0            | 0           |
| 060    | 3A111-95200 | ASSY BOLT SET      | 2    |       |     |         | 0.67         | 1.474       |
| 070    | 3A111-95270 | WASHER PLAIN       | 4    |       |     |         | 0            | 0           |
| 080    | 3A111-95260 | NUT SLOTTED HEX.   | 2    |       |     |         | 0            | 0           |
| 090    | 75599-53194 | PIN COTTER         | 2    |       |     |         | 0            | 0           |
| 100    | 3A111-95540 | LABEL ROPS CAUTION | 1    |       |     | ENGLISH | 0            | 0           |
| 100    | 3A112-95540 | LABEL ROPS CAUTION | 1    |       |     | FRENCH  | 0.003        | 0.0066      |
| 110    | 99999-99999 | BLANK              | 0    |       |     |         | 0            | 0           |
| 120    | 99999-99999 | MANUAL INSTRUCTION | 1    |       |     |         | 0            | 0           |
| 130    | 32530-71980 | BOLT               | 8    |       |     |         | 0.35         | 0.77        |
| 140    | 04512-60160 | WASHER SPRING      | 8    |       |     |         | 0.01         | 0.022       |
| 150    | 02076-50160 | NUT                | 8    |       |     |         | 0.03         | 0.066       |
| 160    | 58056-51170 | WASHER             | 4    |       |     |         | 0.02         | 0.044       |
| 170    | 3A011-87290 | CUSHION            | 4    |       |     |         | 0.011        | 0.0242      |
| 180    | 3A011-87340 | CUSHION            | 4    |       |     |         | 0.008        | 0.0176      |
| 190    | 38240-29940 | SPACER             | 4    |       |     |         | 0.005        | 0.011       |
| 200    | 99999-99999 | BRACKET(FENDER RH) | 1    |       |     |         | 0            | 0           |
| 210    | 99999-99999 | BRACKET(FENDER LH) | 1    |       |     |         | 0            | 0           |
| 220    | 99999-99999 | COMP.FRAME U       | 1    |       |     |         | 0            | 0           |

ROPS [NEW TYPE]





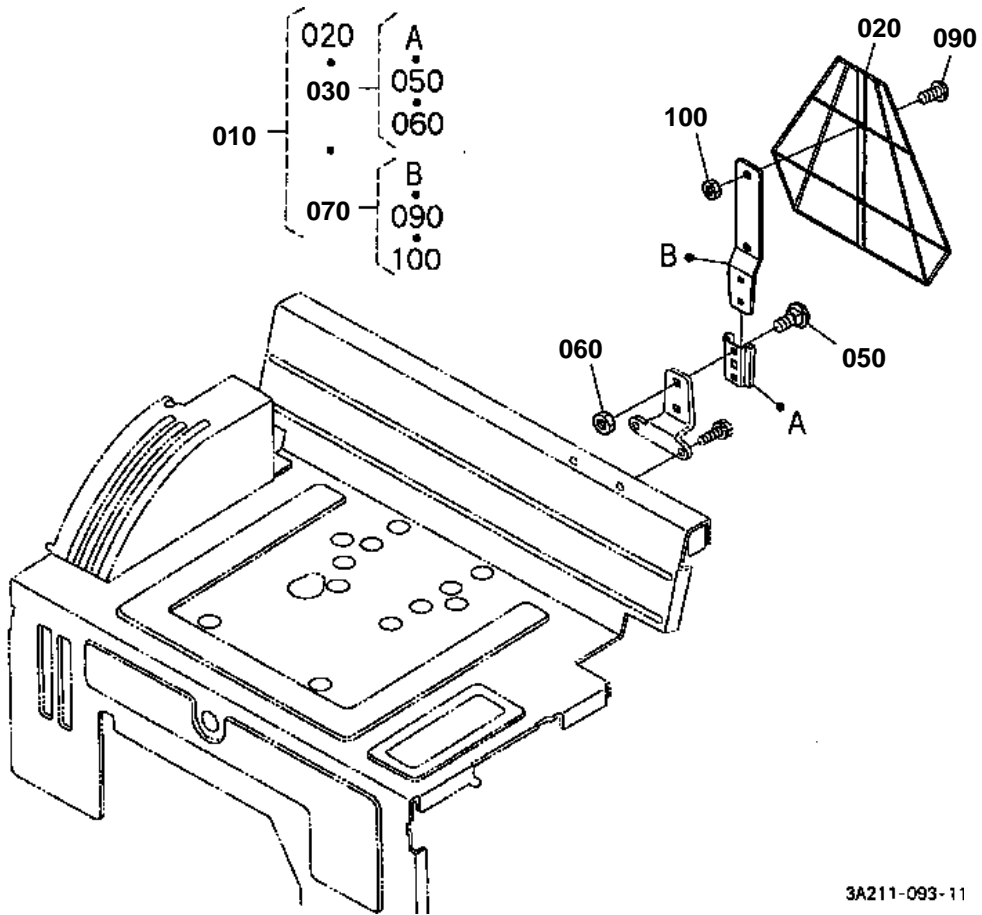
**ROPS [NEW TYPE]**  
S.No.;>=10595

↔ Interchangeable; ≠ not interchangeable; ← new for old; → old for new

| REF.No | Part No.    | Description          | Q'ty | S.No. | I/C | REMARKS    | Weight (kgf) | Weight (lb) |
|--------|-------------|----------------------|------|-------|-----|------------|--------------|-------------|
| 010    | 3A212-95000 | ASSY ROPS            | 1    |       |     |            | 0            | 0           |
| 020    | 99999-99999 | BRACKET(FENDER RH)   | 1    |       |     |            | 0            | 0           |
| 030    | 99999-99999 | BRACKET(FENDER LH)   | 1    |       |     |            | 0            | 0           |
| 040    | 99999-99999 | COMP.FRAME U         | 1    |       |     |            | 0            | 0           |
| 050    | 0Y103-50620 | BOLT                 | 6    |       |     |            | 0            | 0           |
| 060    | 0Y450-50060 | WASHER SPRING        | 6    |       |     |            | 0.031        | 0.0682      |
| 070    | 0Y101-50410 | BOLT                 | 2    |       |     |            | 0            | 0           |
| 080    | 0Y450-50040 | WASHER SPRING        | 2    |       |     |            | 0            | 0           |
| 090    | 3A112-95200 | SET BOLT             | 2    |       |     |            | 0            | 0           |
| 100    | 04013-50200 | WASHER PLAIN         | 4    |       |     |            | 0.02         | 0.044       |
| 110    | 02254-50200 | NUT                  | 2    |       |     |            | 0            | 0           |
| 120    | 05511-50430 | PIN SPLIT            | 2    |       |     |            | 0.004        | 0.0088      |
| 130    | 99999-99999 | MANUAL               | 1    |       |     |            | 0            | 0           |
| 140    | 3A111-95540 | LABEL ROPS CAUTION   | 1    |       |     | ENGLISH    | 0            | 0           |
| 150    | 3A212-97600 | KIT ROPS REPLACEMENT | 1    |       |     | EXCEPT[CS] | 0            | 0           |
| 160    | 3A011-91080 | BRACKET STAB.RH      | 1    |       |     | EXCEPT[CS] | 4.25         | 9.35        |
| 170    | 3A011-91090 | BRACKET STAB.LH      | 1    |       |     | EXCEPT[CS] | 4.25         | 9.35        |
| 180    | 32530-71980 | BOLT                 | 8    |       |     |            | 0.35         | 0.77        |
| 190    | 04512-60160 | WASHER SPRING        | 8    |       |     |            | 0.01         | 0.022       |
| 200    | 02076-50160 | NUT                  | 8    |       |     |            | 0.03         | 0.066       |
| 210    | 3A111-95540 | LABEL ROPS CAUTION   | 1    |       |     | ENGLISH    | 0            | 0           |
| 210    | 3A112-95540 | LABEL ROPS CAUTION   | 1    |       |     | FRENCH     | 0.003        | 0.0066      |
| 220    | 3A011-85300 | ASSY BELT SEAT       | 1    |       |     |            | 0            | 0           |
| 230    | 58056-51170 | WASHER               | 4    |       |     |            | 0.02         | 0.044       |
| 240    | 3A011-87290 | CUSHION              | 4    |       |     |            | 0.011        | 0.0242      |
| 250    | 3A011-87340 | CUSHION              | 4    |       |     |            | 0.008        | 0.0176      |
| 260    | 38240-29940 | SPACER               | 4    |       |     |            | 0.005        | 0.011       |



SMV EMBLEM

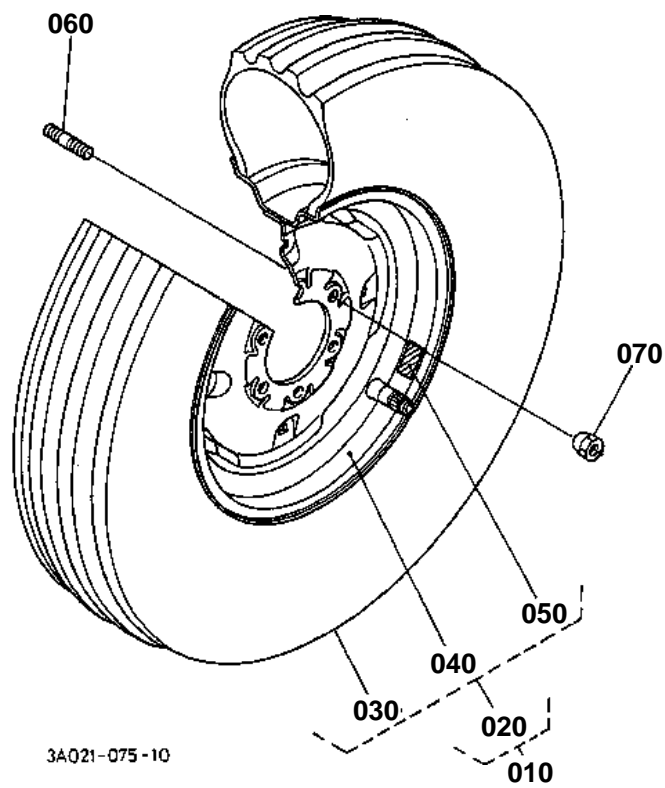


**SMV EMBLEM**

↔ Interchangeable; ≠ not interchangeable; ← new for old; → old for new

| REF.No | Part No.    | Description      | Q'ty | S.No. | I/C | REMARKS | Weight (kgf) | Weight (lb) |
|--------|-------------|------------------|------|-------|-----|---------|--------------|-------------|
| 010    | 7L500-89900 | SMV SIGN KIT     | 1    |       |     |         | 0            | 0           |
| 020    | 7L500-89910 | SIGN SMV         | 1    |       |     |         | 0            | 0           |
| 030    | 7L500-89920 | SOCKET SMV SIGN  | 1    |       |     |         | 0            | 0           |
| 040    | 99999-99999 | BLANK            | 0    |       |     |         | 0            | 0           |
| 050    | 7L500-89940 | BOLT SQUARE NECK | 2    |       |     |         | 0            | 0           |
| 060    | 7L500-89950 | NUT              | 2    |       |     |         | 0            | 0           |
| 070    | 7L500-89960 | SPADE SMV SIGN   | 1    |       |     |         | 0            | 0           |
| 080    | 99999-99999 | BLANK            | 0    |       |     |         | 0            | 0           |
| 090    | 7L500-89980 | VIS              | 2    |       |     |         | 0            | 0           |
| 100    | 7L500-89990 | NUT              | 2    |       |     |         | 0            | 0           |

FRONT WHEEL (7.5-16)



3A021-075-10

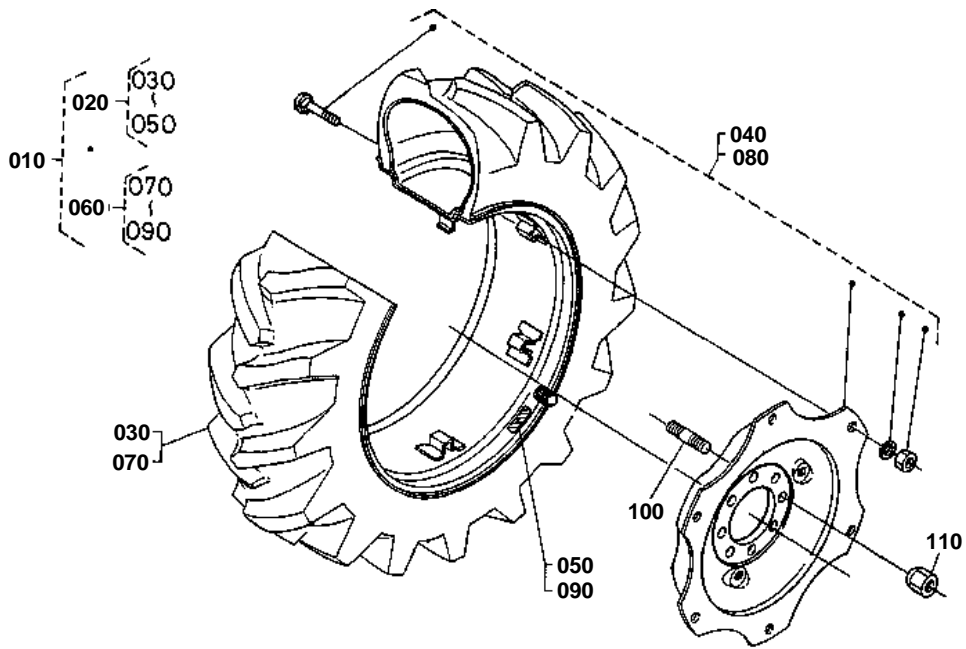


## FRONT WHEEL (7.5-16)

↔ Interchangeable; ≠ not interchangeable; ← new for old; → old for new

| REF.No | Part No.    | Description          | Q'ty | S.No. | I/C | REMARKS | Weight (kgf) | Weight (lb) |
|--------|-------------|----------------------|------|-------|-----|---------|--------------|-------------|
| 010    | 35999-13040 | ASSY FRONT WHEEL     | 1    |       |     |         | 0            | 0           |
| 020    | 35999-15210 | ASSY FRONT WHEEL R/L | 2    |       |     |         | 0            | 0           |
| 030    | 35999-13342 | TIRE                 | 2    |       |     |         | 0            | 0           |
| 040    | 35999-13630 | WHEEL                | 2    |       |     |         | 0            | 0           |
| 050    | 35999-14760 | LABEL TIRE           | 2    |       |     |         | 0            | 0           |
| 060    | 35450-49160 | STUD                 | 12   |       |     |         | 0.05         | 0.11        |
| 070    | 35340-11390 | NUT                  | 12   |       |     |         | 0.03         | 0.066       |

REAR WHEEL (16.9-28)



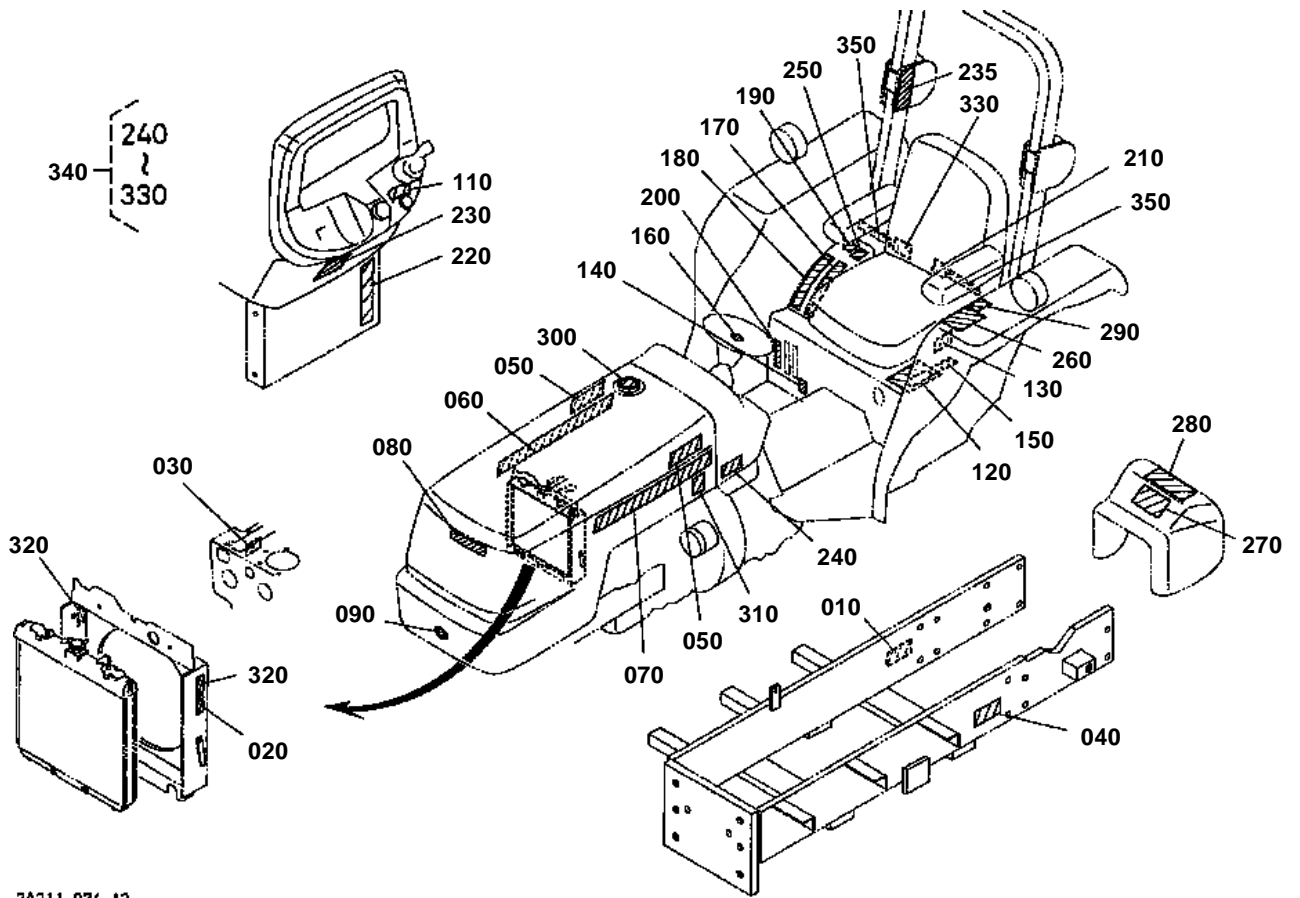
3A021-077-10



## REAR WHEEL (16.9-28)

↔ Interchangeable; ≠ not interchangeable; ← new for old; → old for new

| REF.No | Part No.    | Description        | Q'ty | S.No. | I/C | REMARKS | Weight (kgf) | Weight (lb) |
|--------|-------------|--------------------|------|-------|-----|---------|--------------|-------------|
| 010    | 32550-45100 | ASSY REAR WHEEL    | 1    |       |     |         | 0            | 0           |
| 020    | 32550-45140 | ASSY REAR WHEEL RH | 1    |       |     |         | 0            | 0           |
| 030    | 32590-45110 | ASSY TIRE          | 1    |       |     |         | 0            | 0           |
| 040    | 32550-45120 | ASSY WHEEL         | 1    |       |     |         | 0            | 0           |
| 050    | 32550-45130 | LABEL TIRE RH      | 1    |       |     |         | 0            | 0           |
| 060    | 32550-45150 | ASSY REAR WHEEL LH | 1    |       |     |         | 0            | 0           |
| 070    | 32590-45110 | ASSY TIRE          | 1    |       |     |         | 0            | 0           |
| 080    | 32550-45120 | ASSY WHEEL         | 1    |       |     |         | 0            | 0           |
| 090    | 32550-45160 | LABEL TIRE LH      | 1    |       |     |         | 0            | 0           |
| 100    | 35707-49153 | STUD               | 16   |       |     |         | 0.1          | 0.22        |
| 110    | 33251-49170 | NUT                | 16   |       |     | [A]     | 0.045        | 0.099       |



3A211-074-12



LABEL [A]

↔ Interchangeable; ≠ not interchangeable; ← new for old; → old for new

| REF.No | Part No.    | Description          | Q'ty | S.No.  | I/C | REMARKS   | Weight (kgf) | Weight (lb) |
|--------|-------------|----------------------|------|--------|-----|-----------|--------------|-------------|
| 010    | 16478-88220 | LABEL FILTER         | 1    |        |     |           | 0.002        | 0.0044      |
| 020    | 16478-88230 | LABEL RADIATOR       | 1    |        |     |           | 0.001        | 0.0022      |
| 030    | 16478-88210 | LABEL SET            | 1    |        |     |           | 0.001        | 0.0022      |
| 040    | 99999-99999 | NAME PLATE           | 1    |        |     | NOT SALE  | 0            | 0           |
| 050    | 35080-65350 | LABEL KUBOTA         | 2    |        |     |           | 0.001        | 0.0022      |
| 060    | 3A231-98200 | MARK MODEL RH        | 1    |        |     |           | 0.015        | 0.033       |
| 070    | 3A231-98220 | MARK MODEL LH        | 1    |        |     |           | 0.015        | 0.033       |
| 080    | 33740-83193 | NAMER KUBOTA         | 1    |        |     |           | 0.007        | 0.0154      |
| 090    | 3F240-83200 | MARK SYMBOL          | 1    |        |     |           | 0.015        | 0.033       |
| 100    | 99999-99999 | BLANK                | 0    |        |     |           | 0            | 0           |
| 110    | 3A111-98180 | LABEL MAIN SWITCH    | 1    |        |     |           | 0.001        | 0.0022      |
| 120    | 3A152-98960 | MARK H-L             | 1    |        |     | W/O CREEP | 0.034        | 0.0748      |
| 130    | 3A231-98450 | LABEL SPEED          | 1    |        |     | W/O CREEP | 0.003        | 0.0066      |
| 140    | TA040-49760 | MARK DIFF.LOCK       | 1    |        |     |           | 0.001        | 0.0022      |
| 160    | 36919-62802 | MARK HANDLE          | 1    |        |     |           | 0.01         | 0.022       |
| 170    | 3A011-98370 | LABEL DRAFT          | 1    |        |     |           | 0.002        | 0.0044      |
| 180    | 3A011-98230 | LABEL POSITION       | 1    |        |     |           | 0.002        | 0.0044      |
| 190    | 33740-98290 | LABEL PTO CLUTCH     | 1    |        |     |           | 0.001        | 0.0022      |
| 200    | 3A111-98392 | LABEL AUX.CON.VALVE  | 1    |        |     |           | 0.001        | 0.0022      |
| 210    | 3A111-98572 | LABEL AUX.CONT.VALVE | 1    |        |     |           | 0.001        | 0.0022      |
| 220    | TA040-49460 | LABEL PARKING        | 1    |        |     |           | 0.001        | 0.0022      |
| 230    | 35080-65280 | LABEL KEY STOP       | 1    |        |     |           | 0.001        | 0.0022      |
| 235    | 3A111-95540 | LABEL ROPS CAUTION   | 1    |        |     |           | 0            | 0           |
| 240    | TA040-49650 | LABEL START CAUTION  | 1    |        |     |           | 0.004        | 0.0088      |
| 250    | TA040-49302 | LABEL I-PTO CAUTION  | 1    |        |     |           | 0.001        | 0.0022      |
| 260    | 35260-34913 | LABEL SAFETY         | 1    | ≤10845 |     |           | 0.005        | 0.011       |
| 260    | 35260-34914 | LABEL SAFETY         | 1    | ≥10846 | ?   |           | 0.005        | 0.011       |
| 270    | TA040-49350 | LABEL DRAWBAR        | 1    |        |     |           | 0.002        | 0.0044      |
| 280    | TA040-49590 | LABEL PTO WARNING    | 1    |        |     |           | 0.002        | 0.0044      |
| 290    | 3A111-98482 | LABEL ROPS WARNING   | 1    |        |     |           | 0.004        | 0.0088      |
| 300    | 6C040-47412 | LABEL FILLER CAUTION | 1    |        |     |           | 0.001        | 0.0022      |
| 310    | 32310-49580 | LABEL WARNING        | 1    |        |     |           | 0.002        | 0.0044      |
| 320    | 32751-49580 | LABEL FAN BELT       | 2    |        |     |           | 0.001        | 0.0022      |
| 330    | 3A111-98563 | LABEL LIFT ROD       | 1    |        |     |           | 0.002        | 0.0044      |
| 340    | 3A211-97300 | KIT LABEL SAFETY (A) | 1    | ≤10845 |     |           | 0.031        | 0.0682      |
| 340    | 3A211-97302 | KIT LABEL SAFETY (A) | 1    | ≥10846 | ?   |           | 0.031        | 0.0682      |
| 350    | 3A211-75800 | REFLECTOR LABEL      | 2    | ≥10742 |     |           | 0            | 0           |



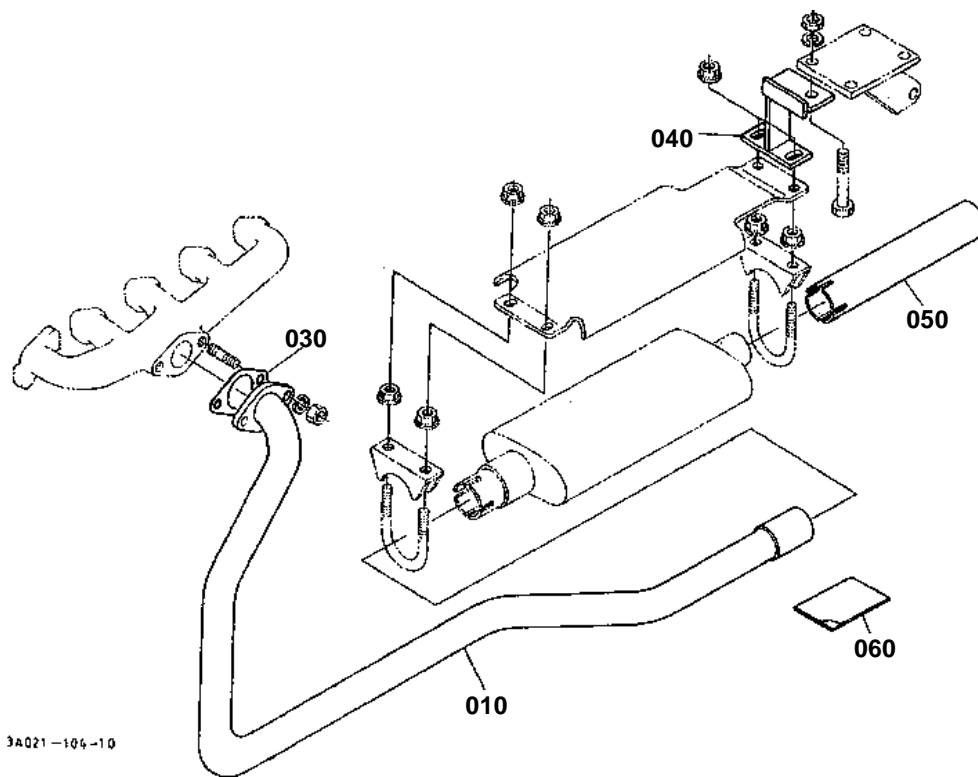


## ACCESSORIES AND SERVICE PARTS

↔ Interchangeable; ≠ not interchangeable; ← new for old; → old for new

| REF.No | Part No.    | Description        | Q'ty | S.No. | I/C | REMARKS            | Weight (kgf) | Weight (lb) |
|--------|-------------|--------------------|------|-------|-----|--------------------|--------------|-------------|
| 010    | 3A211-99710 | MANUAL INSTRUCTION | 1    |       |     | ENGLISH            | 0.21         | 0.462       |
| 010    | 3A212-99710 | MANUAL INSTRUCTION | 1    |       |     | FRENCH             | 0.215        | 0.473       |
| 020    | 35450-49160 | STUD               | 12   |       |     | FOR FRONT WHEEL    | 0.05         | 0.11        |
| 030    | 35340-11390 | NUT                | 12   |       |     | FOR FRONT WHEEL    | 0.03         | 0.066       |
| 070    | 35707-49153 | STUD               | 16   |       |     | FOR REAR WHEEL     | 0.1          | 0.22        |
| 080    | 33251-49170 | NUT                | 16   |       |     | [A] FOR REAR WHEEL | 0.045        | 0.099       |
| 090    | 35080-34530 | FUSE               | 1    |       |     | 50A                | 0.015        | 0.033       |
| 100    | 18510-63720 | ASSY KEY STARTER   | 1    |       |     |                    | 0.025        | 0.055       |

UNDER MUFFLER KIT [OPTION]



3A021-104-10

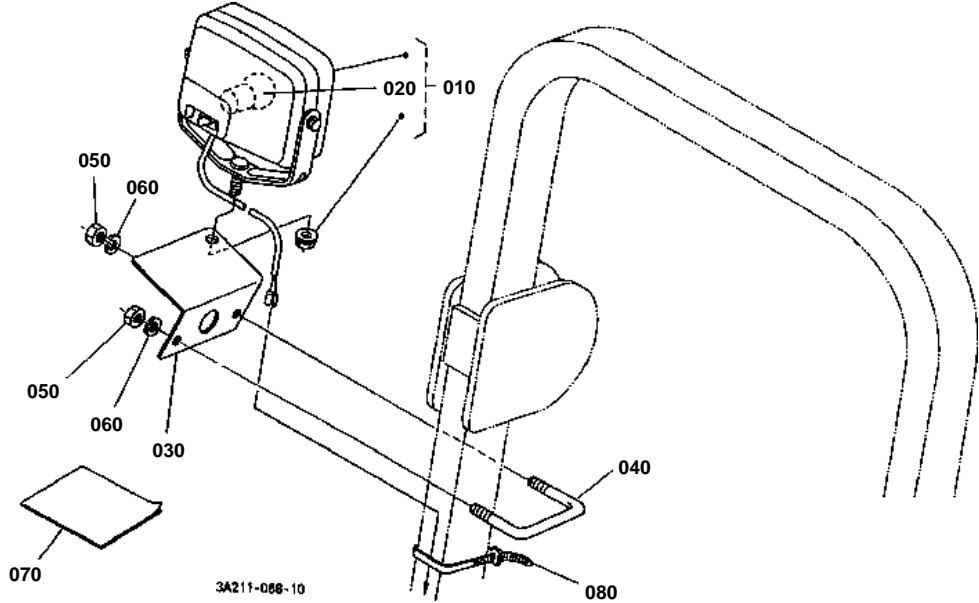


## UNDER MUFFLER KIT [OPTION]

↔ Interchangeable; ≠ not interchangeable; ← new for old; → old for new

| REF.No | Part No.    | Description          | Q'ty | S.No. | I/C | REMARKS | Weight (kgf) | Weight (lb) |
|--------|-------------|----------------------|------|-------|-----|---------|--------------|-------------|
| 010    | 3A011-12310 | PIPE UNDER MUFFLER   | 1    |       |     |         | 0            | 0           |
| 020    | 99999-99999 | BLANK                | 0    |       |     |         | 0            | 0           |
| 030    | 15625-12360 | GASKET MUFFLER FLANG | 1    |       |     |         | 0.01         | 0.022       |
| 040    | 3A011-12320 | STAY UNDER MUFFLER   | 1    |       |     |         | 0.39         | 0.858       |
| 050    | 3A011-12330 | PIPE UNDER MUFFLER   | 1    |       |     |         | 0            | 0           |
| 060    | 3A011-12340 | MANUAL ASSEMBLY      | 1    |       |     |         | 0            | 0           |

WORKING LIGHT KIT [OPTION]



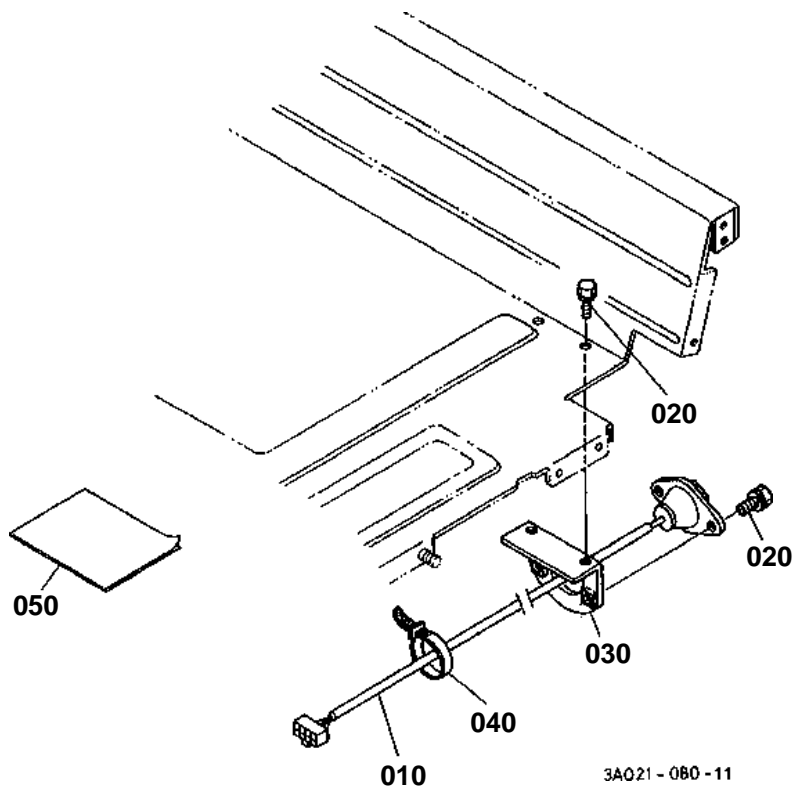


## WORKING LIGHT KIT [OPTION]

↔ Interchangeable; ≠ not interchangeable; ← new for old; → old for new

| REF.No | Part No.    | Description        | Q'ty | S.No.   | I/C | REMARKS | Weight (kgf) | Weight (lb) |
|--------|-------------|--------------------|------|---------|-----|---------|--------------|-------------|
| 010    | 3A011-75903 | ASSY LIGHT WORKING | 1    |         |     |         | 0.64         | 1.408       |
| 020    | 3A011-75930 | BULB               | 1    |         |     | 35W     | 0.008        | 0.0176      |
| 030    | 3A012-75910 | STAY WORKING LIGHT | 1    |         |     |         | 0.64         | 1.408       |
| 040    | 3A011-75920 | U-BOLT             | 1    | <=10775 |     |         | 0.117        | 0.2574      |
| 040    | 3A011-75922 | U-BOLT             | 1    | >=10776 | ?   |         | 0.117        | 0.2574      |
| 050    | 02176-50100 | NUT                | 2    |         |     |         | 0.005        | 0.011       |
| 060    | 04512-60100 | WASHER SPRING      | 2    |         |     |         | 0.002        | 0.0044      |
| 070    | 3A012-99820 | MANUAL INSTRUCTION | 1    |         |     |         | 0.005        | 0.011       |
| 080    | 32751-96300 | BAND WORK LIGHT    | 1    |         |     |         | 0.005        | 0.011       |

TRAILER HARNESS KIT [OPTION]



3A021-080-11

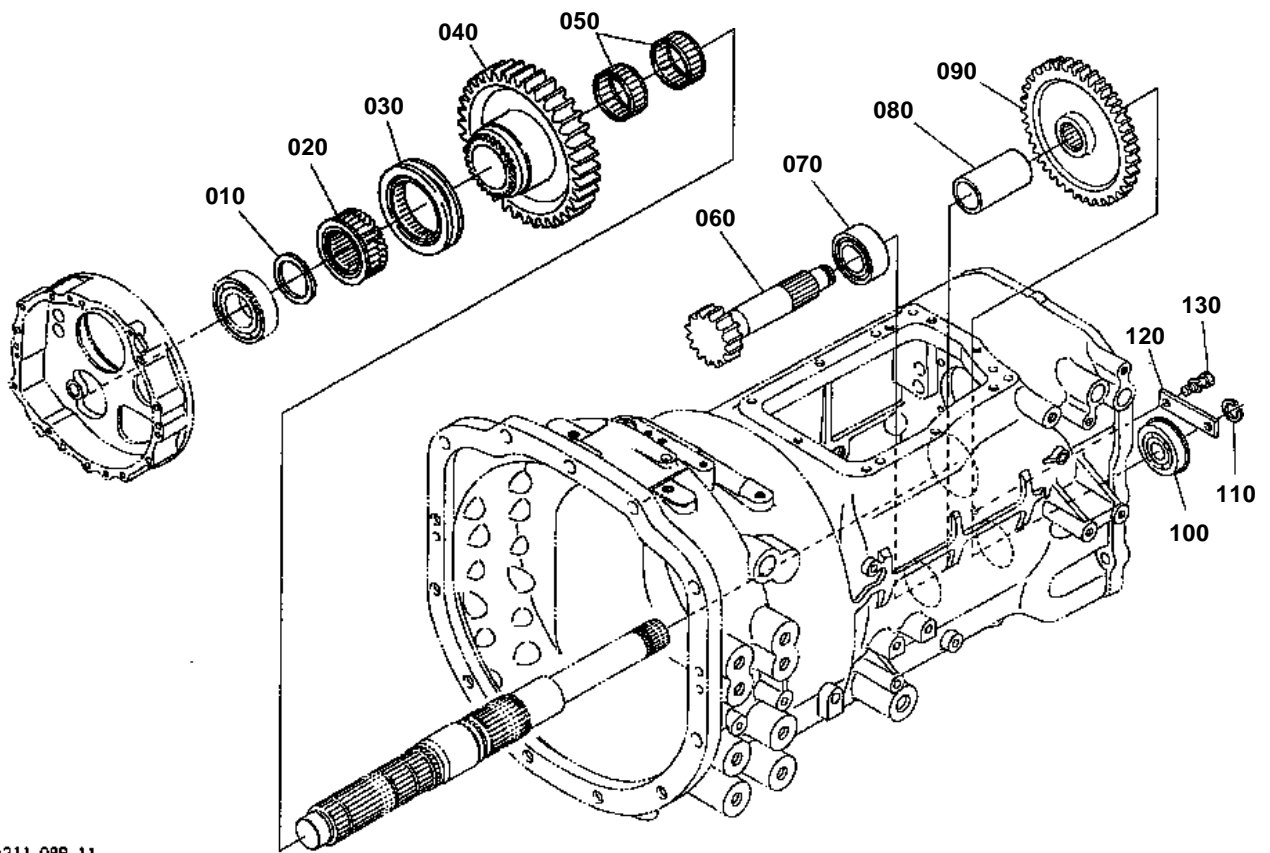


## TRAILER HARNESS KIT [OPTION]

↔ Interchangeable; ≠ not interchangeable; ← new for old; → old for new

| REF.No | Part No.    | Description         | Q'ty | S.No. | I/C | REMARKS | Weight (kgf) | Weight (lb) |
|--------|-------------|---------------------|------|-------|-----|---------|--------------|-------------|
| 010    | 99884-48110 | HARNESS TRAILER     | 1    |       |     |         | 0.5          | 1.1         |
| 020    | 01123-50820 | BOLT                | 4    |       |     |         | 0.011        | 0.0242      |
| 030    | 3A011-77770 | STAY TRAILER SOCKET | 1    |       |     |         | 0.205        | 0.451       |
| 040    | 55311-41260 | BAND CORD           | 1    |       |     |         | 0.007        | 0.0154      |
| 050    | 3A011-99830 | MANUAL INSTRUCTION  | 1    |       |     |         | 0.005        | 0.011       |

CREEP SPEED KIT 1 [OPTION]



3A211-089-11

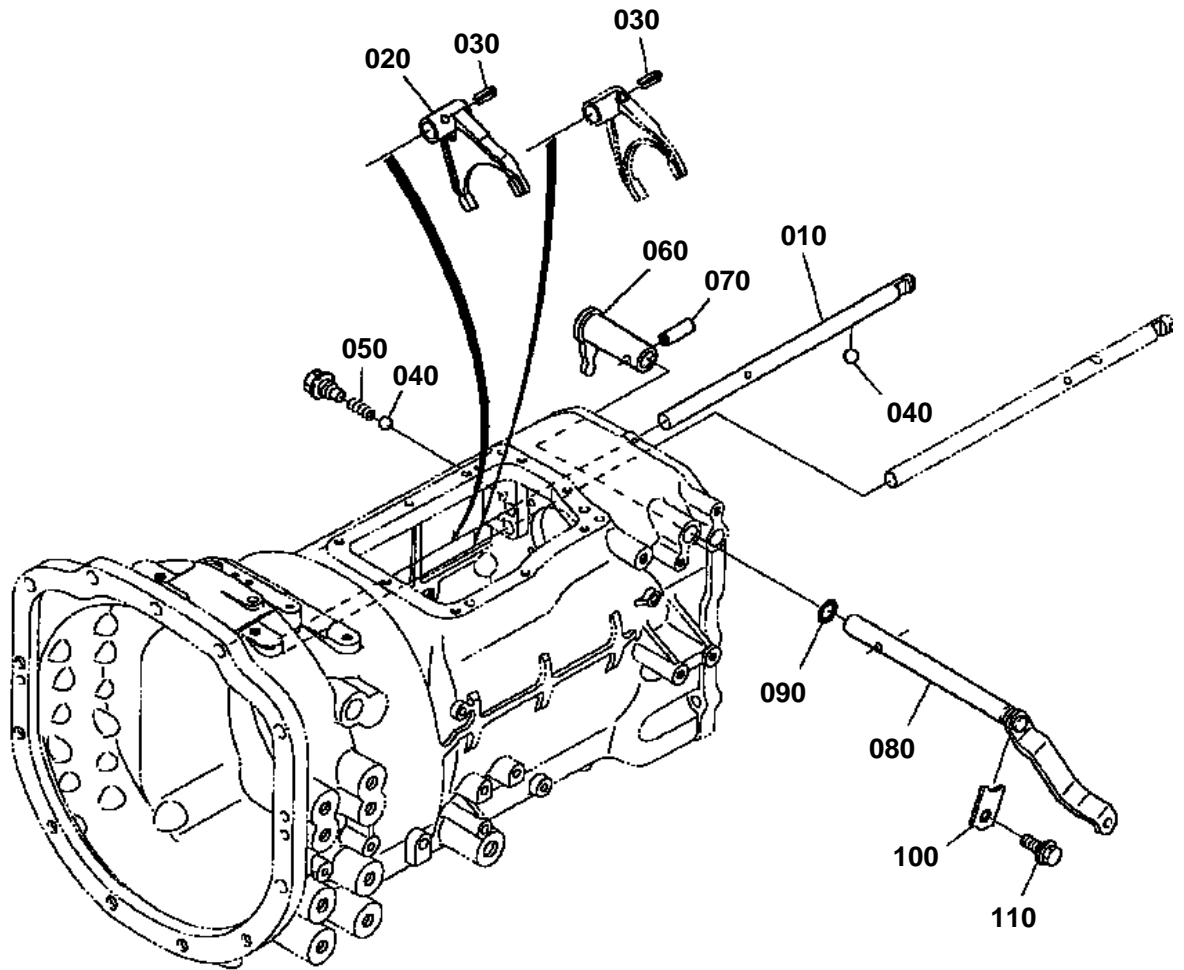


**CREEP SPEED KIT 1 [OPTION]**

↔ Interchangeable; ≠ not interchangeable; ← new for old; → old for new

| REF.No | Part No.    | Description       | Q'ty | S.No.   | I/C | REMARKS | Weight (kgf) | Weight (lb) |
|--------|-------------|-------------------|------|---------|-----|---------|--------------|-------------|
| 010    | 36730-28043 | CIR-CLIP EXTERNAL | 1    |         |     |         | 0.009        | 0.0198      |
| 020    | 3A211-28480 | BOSS SPLINE       | 1    |         |     |         | 0.21         | 0.462       |
| 030    | 3A011-28470 | SHIFTER           | 1    |         |     |         | 0.275        | 0.605       |
| 040    | 3A111-31240 | GEAR CREEP        | 1    |         |     | 47T     | 1.975        | 4.345       |
| 050    | 08824-34817 | BEARING NEEDLE    | 2    |         |     |         | 0.03         | 0.066       |
| 060    | 3A011-31280 | GEAR-SHAFT CREEP  | 1    |         |     | 15T     | 0.695        | 1.529       |
| 070    | 33740-31180 | BEARING ROLLER    | 1    |         |     |         | 0.22         | 0.484       |
| 080    | 32430-21600 | COLLAR(SC)        | 1    |         |     |         | 0.15         | 0.33        |
| 090    | 3A011-31250 | GEAR CREEP        | 1    |         |     | 43T     | 1.11         | 2.442       |
| 100    | 08151-06304 | BEARING BALL      | 1    |         |     |         | 0.148        | 0.3256      |
| 110    | 3A011-31290 | CIR CLIP EXTERNAL | 1    |         |     |         | 0.005        | 0.011       |
| 120    | 3A011-28690 | RETAINER BEARING  | 1    |         |     |         | 0.06         | 0.132       |
| 130    | 01123-50825 | BOLT              | 2    | <=10594 |     |         | 0.013        | 0.0286      |
| 130    | 01128-50825 | BOLT              | 2    | >=10595 | ?   |         | 0.15         | 0.33        |

CREEP SPEED KIT 2 [OPTION]



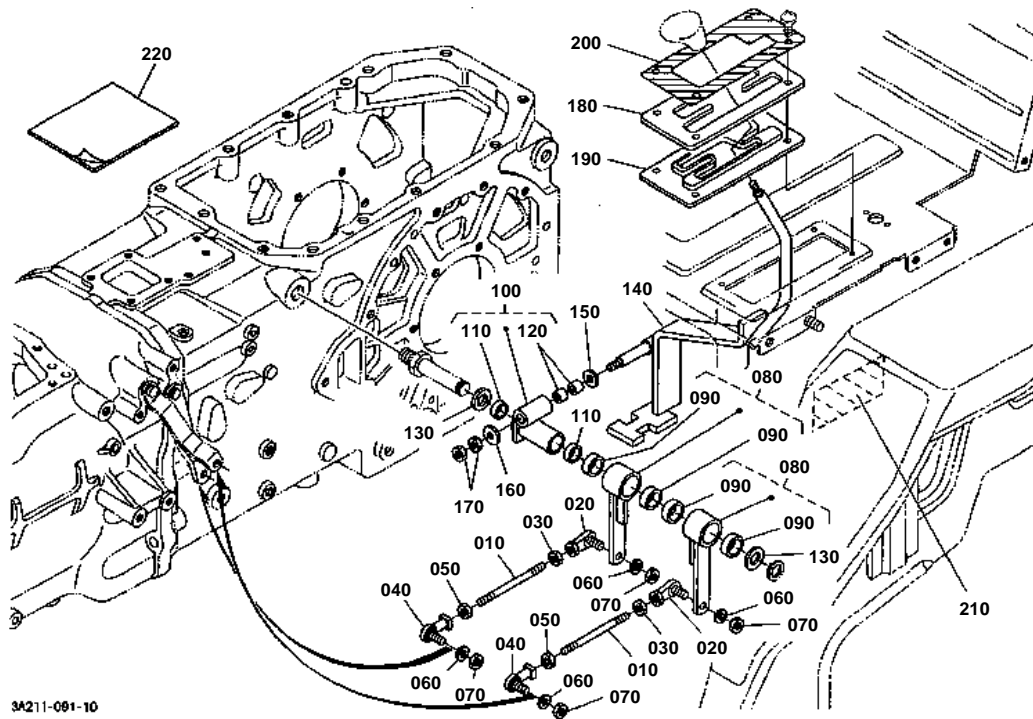
3A211-090-10

**CREEP SPEED KIT 2 [OPTION]**

↔ Interchangeable; ≠ not interchangeable; ← new for old; → old for new

| REF.No | Part No.    | Description   | Q'ty | S.No. | I/C | REMARKS | Weight (kgf) | Weight (lb) |
|--------|-------------|---------------|------|-------|-----|---------|--------------|-------------|
| 010    | 3A211-31320 | ROD FORK      | 1    |       |     |         | 0.69         | 1.518       |
| 020    | 3A011-31310 | FORK SHIFT    | 1    |       |     |         | 0.39         | 0.858       |
| 030    | 05411-00628 | PIN SPRING    | 2    |       |     |         | 0.004        | 0.0088      |
| 040    | 07715-03211 | BALL          | 2    |       |     |         | 0.003        | 0.0066      |
| 050    | 62231-18530 | SPRING        | 1    |       |     |         | 0.01         | 0.022       |
| 060    | 3A011-31420 | LEVER SHIFT   | 1    |       |     |         | 0.33         | 0.726       |
| 070    | 05411-00836 | PIN SPRING    | 2    |       |     |         | 0.008        | 0.0176      |
| 080    | 3A111-31430 | LEVER SHIFT   | 1    |       |     |         | 0.74         | 1.628       |
| 090    | 04811-00160 | O RING        | 1    |       |     |         | 0            | 0           |
| 090    | 04816-00160 | O RING        | 1    |       | ?   |         | 0.003        | 0.0066      |
| 100    | 34150-24350 | STOPPER LEVER | 1    |       |     |         | 0.015        | 0.033       |
| 110    | 01123-50816 | BOLT          | 1    |       |     |         | 0            | 0           |

CREEP SPEED KIT 3 [OPTION]



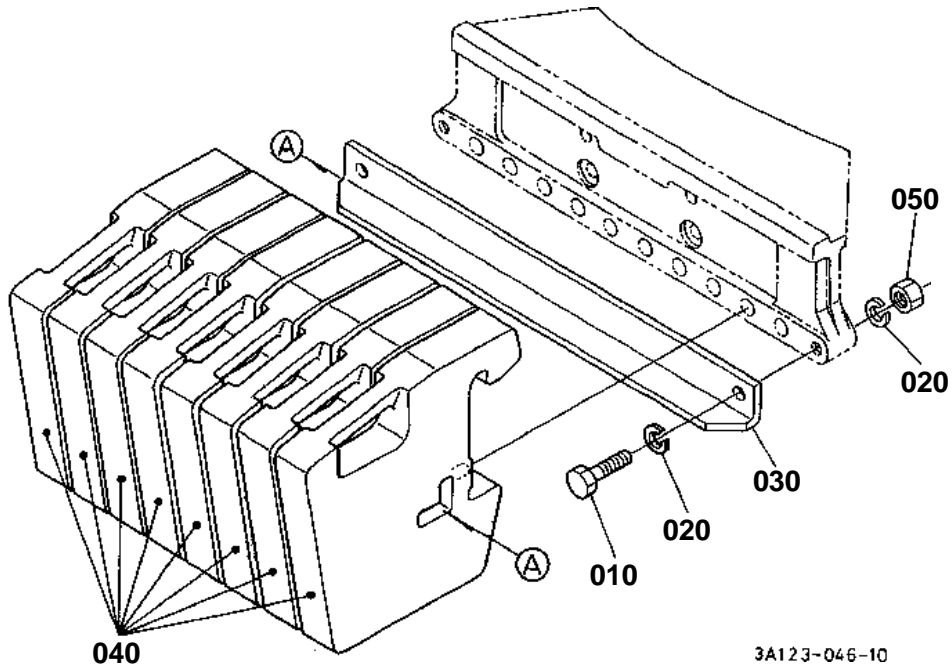
3A211-001-10

**CREEP SPEED KIT 3 [OPTION]**

↔ Interchangeable; ≠ not interchangeable; ← new for old; → old for new

| REF.No | Part No.    | Description        | Q'ty | S.No. | I/C | REMARKS | Weight (kgf) | Weight (lb) |
|--------|-------------|--------------------|------|-------|-----|---------|--------------|-------------|
| 010    | 3A011-31450 | ROD RANGE SHIFT    | 2    |       |     |         | 0.03         | 0.066       |
| 020    | 54721-31850 | BALL LINK          | 2    |       |     |         | 0.065        | 0.143       |
| 030    | 31351-24260 | NUT                | 2    |       |     |         | 0.005        | 0.011       |
| 040    | 45404-95770 | END ROD            | 2    |       |     |         | 0.05         | 0.11        |
| 050    | 02112-50080 | NUT                | 2    |       |     |         | 0.003        | 0.0066      |
| 060    | 04512-60080 | WASHER SPRING      | 4    |       |     |         | 0.002        | 0.0044      |
| 070    | 02114-50080 | NUT                | 4    |       |     |         | 0.005        | 0.011       |
| 080    | 3A212-29910 | LEVER RANGE SHIFT  | 2    |       |     |         | 0            | 0           |
| 090    | 08511-02812 | BUSH               | 4    |       |     |         | 0.02         | 0.044       |
| 100    | 3A152-29700 | ASSY SUPPORT LEVER | 1    |       |     |         | 0.305        | 0.671       |
| 110    | 08511-01910 | BUSH               | 2    |       |     |         | 0.008        | 0.0176      |
| 120    | 08511-01412 | BUSH               | 2    |       |     |         | 0.004        | 0.0088      |
| 130    | 04013-50180 | WASHER PLAIN       | 2    |       |     |         | 0.015        | 0.033       |
| 140    | 3A212-29960 | LEVER RANGE SHIFT  | 1    |       |     |         | 1.89         | 4.158       |
| 150    | 04011-50140 | WASHER PLAIN       | 1    |       |     |         | 0.007        | 0.0154      |
| 160    | 04015-50100 | WASHER PLAIN       | 1    |       |     |         | 0.016        | 0.0352      |
| 170    | 02118-50100 | NUT                | 2    |       |     |         | 0.005        | 0.011       |
| 180    | 3A011-29730 | GUIDE LEVER        | 1    |       |     |         | 0.47         | 1.034       |
| 190    | 3A152-29740 | CUSHION            | 1    |       |     |         | 0.065        | 0.143       |
| 200    | 3A131-98960 | MARK RANGE SHIFT   | 1    |       |     |         | 0.025        | 0.055       |
| 210    | 3A212-98450 | LABEL SPEED        | 1    |       |     |         | 0.002        | 0.0044      |
| 220    | 3A211-97430 | MANUAL INSTRUCTION | 1    |       |     |         | 0            | 0           |

FRONT WEIGHT BUMPER KIT [OPTION]



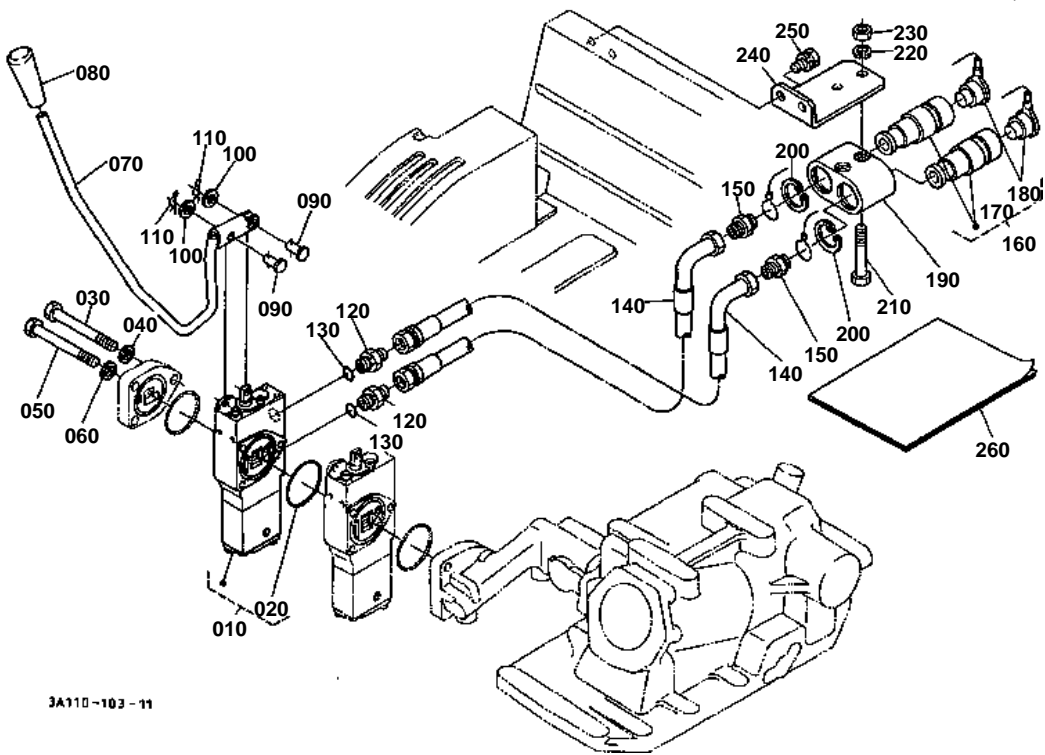


## FRONT WEIGHT BUMPER KIT [OPTION]

↔ Interchangeable; ≠ not interchangeable; ← new for old; → old for new

| REF.No | Part No.    | Description     | Q'ty | S.No. | I/C | REMARKS | Weight (kgf) | Weight (lb) |
|--------|-------------|-----------------|------|-------|-----|---------|--------------|-------------|
| 010    | 01173-51802 | BOLT            | 2    |       |     |         | 0.24         | 0.528       |
| 020    | 04512-60180 | WASHER SPRING   | 4    |       |     |         | 0.02         | 0.044       |
| 030    | 3A113-12070 | RETAINER WEIGHT | 1    |       |     |         | 4.2          | 9.24        |
| 040    | 3A013-12080 | WEIGHT FRONT    | 8    |       |     |         | 47           | 103.4       |
| 050    | 02174-50180 | NUT             | 2    |       |     |         | 0.029        | 0.0638      |

AUXILIARY CONTROL VALVE KIT (SCD) [OPTION]



3A110-103-11

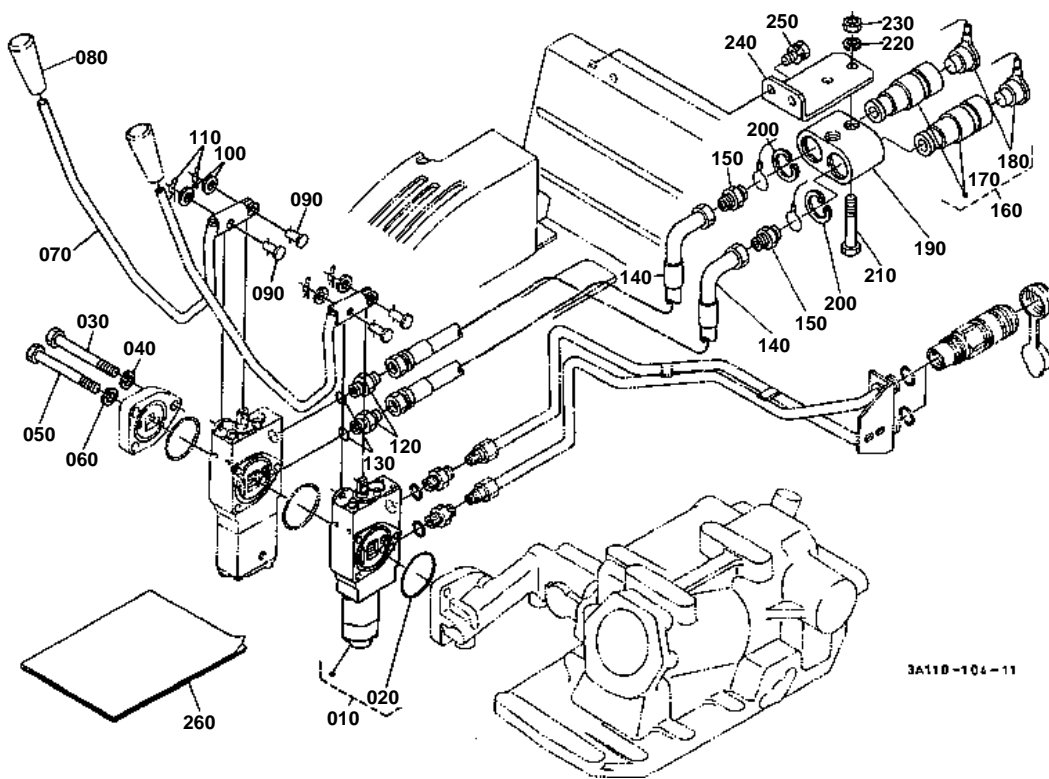


**AUXILIARY CONTROL VALVE KIT (SCD) [OPTION]**

↔ Interchangeable; ≠ not interchangeable; ← new for old; → old for new

| REF.No | Part No.    | Description         | Q'ty | S.No. | I/C | REMARKS           | Weight (kgf) | Weight (lb) |
|--------|-------------|---------------------|------|-------|-----|-------------------|--------------|-------------|
| 010    | 3A111-82540 | VALVE AUX.CONTROL   | 1    |       |     |                   | 3.6          | 7.92        |
| 020    | 04815-07560 | O RING              | 1    |       |     |                   | 0.003        | 0.0066      |
| 030    | 01173-51002 | BOLT                | 1    |       |     |                   | 0.064        | 0.1408      |
| 040    | 04512-60100 | WASHER SPRING       | 1    |       |     |                   | 0.002        | 0.0044      |
| 050    | 01153-50802 | BOLT                | 2    |       |     |                   | 0.045        | 0.099       |
| 060    | 04512-60080 | WASHER SPRING       | 2    |       |     |                   | 0.002        | 0.0044      |
| 070    | 3A011-82462 | LEVER AUX.CON.VALVE | 1    |       |     |                   | 0.765        | 1.683       |
| 080    | 36330-82450 | GRIP                | 1    |       |     |                   | 0.025        | 0.055       |
| 090    | 05122-50518 | PIN JOINT           | 2    |       |     |                   | 0.002        | 0.0044      |
| 100    | 04012-50050 | WASHER PLAIN        | 2    |       |     |                   | 0.001        | 0.0022      |
| 110    | 05525-60500 | PIN SNAP            | 2    |       |     |                   | 0.001        | 0.0022      |
| 120    | 35861-82370 | NIPPLE              | 2    |       |     |                   | 0.05         | 0.11        |
| 130    | 04811-00140 | O RING              | 2    |       |     |                   | 0            | 0           |
| 130    | 04817-00140 | O RING              | 2    |       | ?   |                   | 0            | 0           |
| 140    | 3A011-82370 | HOSE AUX.CONT.VALVE | 2    |       |     |                   | 0.3          | 0.66        |
| 150    | 99063-93410 | ADAPTER             | 2    |       |     |                   | 0.07         | 0.154       |
| 160    | 35861-82032 | ASSY COUPLER FEMALE | 2    |       |     |                   | 0.32         | 0.704       |
| 170    | 35861-94510 | O RING              | 2    |       |     | NOT SHOWN IN FIG. | 0.002        | 0.0044      |
| 180    | 35861-94520 | PLUG COUPLER        | 2    |       |     |                   | 0.005        | 0.011       |
| 190    | 35893-82610 | SUPPORT COUPLER     | 1    |       |     |                   | 0.715        | 1.573       |
| 200    | 04611-00380 | CIR CLIP INTERNAL   | 2    |       |     |                   | 0.004        | 0.0088      |
| 210    | 01153-50865 | BOLT                | 2    |       |     |                   | 0.025        | 0.055       |
| 220    | 04512-60080 | WASHER SPRING       | 2    |       |     |                   | 0.002        | 0.0044      |
| 230    | 02114-50080 | NUT                 | 2    |       |     |                   | 0.005        | 0.011       |
| 240    | 3A011-82430 | STAY COUPLER        | 1    |       |     |                   | 0.43         | 0.946       |
| 250    | 01133-51020 | BOLT                | 2    |       |     |                   | 0.02         | 0.044       |
| 260    | 3A111-99850 | MANUAL INSTRUCTION  | 1    |       |     |                   | 0.01         | 0.022       |

AUXILIARY CONTROL VALVE KIT (FD) [OPTION]



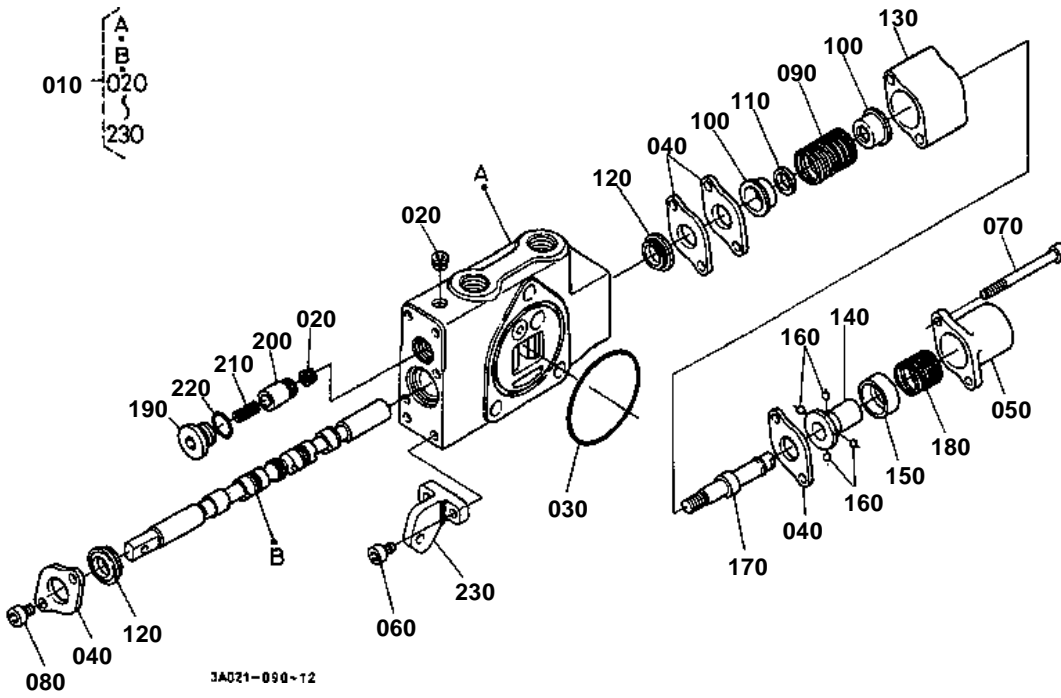


**AUXILIARY CONTROL VALVE KIT (FD) [OPTION]**

↔ Interchangeable; ≠ not interchangeable; ← new for old; → old for new

| REF.No | Part No.    | Description         | Q'ty | S.No. | I/C | REMARKS           | Weight (kgf) | Weight (lb) |
|--------|-------------|---------------------|------|-------|-----|-------------------|--------------|-------------|
| 010    | 3A031-82800 | VALVE AUX.CONTROL   | 1    |       |     |                   | 3            | 6.6         |
| 020    | 04815-07560 | O RING              | 1    |       |     |                   | 0.003        | 0.0066      |
| 030    | 01173-51002 | BOLT                | 1    |       |     |                   | 0.064        | 0.1408      |
| 040    | 04512-60100 | WASHER SPRING       | 1    |       |     |                   | 0.002        | 0.0044      |
| 050    | 01153-50802 | BOLT                | 2    |       |     |                   | 0.045        | 0.099       |
| 060    | 04512-60080 | WASHER SPRING       | 2    |       |     |                   | 0.002        | 0.0044      |
| 070    | 3A011-82462 | LEVER AUX.CON.VALVE | 1    |       |     |                   | 0.765        | 1.683       |
| 080    | 36330-82450 | GRIP                | 1    |       |     |                   | 0.025        | 0.055       |
| 090    | 05122-50518 | PIN JOINT           | 2    |       |     |                   | 0.002        | 0.0044      |
| 100    | 04012-50050 | WASHER PLAIN        | 2    |       |     |                   | 0.001        | 0.0022      |
| 110    | 05525-60500 | PIN SNAP            | 2    |       |     |                   | 0.001        | 0.0022      |
| 120    | 35861-82370 | NIPPLE              | 2    |       |     |                   | 0.05         | 0.11        |
| 130    | 04811-00140 | O RING              | 2    |       |     |                   | 0            | 0           |
| 130    | 04817-00140 | O RING              | 2    |       | ?   |                   | 0            | 0           |
| 140    | 3A011-82370 | HOSE AUX.CONT.VALVE | 2    |       |     |                   | 0.3          | 0.66        |
| 150    | 99063-93410 | ADAPTER             | 2    |       |     |                   | 0.07         | 0.154       |
| 160    | 35861-82032 | ASSY COUPLER FEMALE | 2    |       |     |                   | 0.32         | 0.704       |
| 170    | 35861-94510 | O RING              | 2    |       |     | NOT SHOWN IN FIG. | 0.002        | 0.0044      |
| 180    | 35861-94520 | PLUG COUPLER        | 2    |       |     |                   | 0.005        | 0.011       |
| 190    | 35893-82610 | SUPPORT COUPLER     | 1    |       |     |                   | 0.715        | 1.573       |
| 200    | 04611-00380 | CIR CLIP INTERNAL   | 2    |       |     |                   | 0.004        | 0.0088      |
| 210    | 01153-50865 | BOLT                | 2    |       |     |                   | 0.025        | 0.055       |
| 220    | 02114-50080 | NUT                 | 2    |       |     |                   | 0.005        | 0.011       |
| 230    | 04512-60080 | WASHER SPRING       | 2    |       |     |                   | 0.002        | 0.0044      |
| 240    | 3A011-82430 | STAY COUPLER        | 1    |       |     |                   | 0.43         | 0.946       |
| 250    | 01133-51020 | BOLT                | 2    |       |     |                   | 0.02         | 0.044       |
| 260    | 3A111-99860 | MANUAL INSTRUCTION  | 1    |       |     |                   | 0.01         | 0.022       |

AUXILIARY CONTROL VALVE [COMPONENT PARTS]

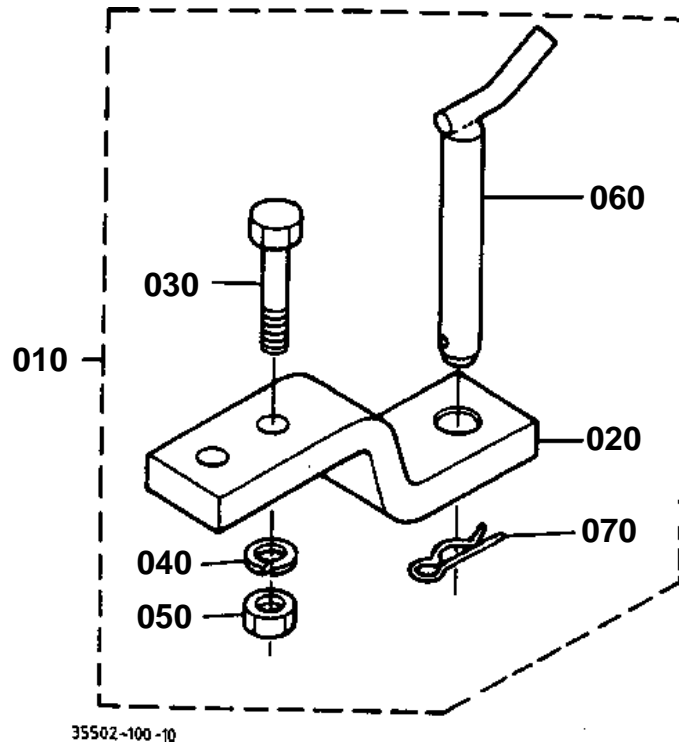




AUXILIARY CONTROL VALVE [COMPONENT PARTS]  
[OPTION]

↔ Interchangeable; ≠ not interchangeable; ← new for old; → old for new

| REF.No | Part No.    | Description       | Q'ty | S.No. | I/C | REMARKS | Weight (kgf) | Weight (lb) |
|--------|-------------|-------------------|------|-------|-----|---------|--------------|-------------|
| 010    | 3A031-82800 | VALVE AUX.CONTROL | 1    |       |     |         | 3            | 6.6         |
| 020    | 3F740-06020 | PLUG              | 2    |       |     |         | 0.001        | 0.0022      |
| 030    | 04815-07560 | O RING            | 1    |       |     |         | 0.003        | 0.0066      |
| 040    | 3F740-06040 | COVER             | 4    |       |     |         | 0.014        | 0.0308      |
| 050    | 3F740-06050 | COVER             | 1    |       |     |         | 0.077        | 0.1694      |
| 060    | 01311-10616 | BOLT HEX-SOC-HD   | 2    |       |     |         | 0.005        | 0.011       |
| 070    | 01311-10660 | BOLT HEX-SOC-HD   | 2    |       |     |         | 0.07         | 0.154       |
| 080    | 01311-10612 | BOLT HEX-SOC-HD   | 2    |       |     |         | 0.01         | 0.022       |
| 090    | 3F740-06650 | SPRING            | 1    |       |     |         | 0.018        | 0.0396      |
| 100    | 3F740-06070 | SEAT SPRING       | 2    |       |     |         | 0.005        | 0.011       |
| 110    | 3F740-06660 | SPACER            | 1    |       |     |         | 0.002        | 0.0044      |
| 120    | 3F740-06080 | GASKET            | 2    |       |     |         | 0.003        | 0.0066      |
| 130    | 3F740-06670 | COVER             | 1    |       |     |         | 0.12         | 0.264       |
| 140    | 3F740-06680 | BUSH              | 1    |       |     |         | 0.019        | 0.0418      |
| 150    | 3F740-06690 | RING              | 1    |       |     |         | 0.01         | 0.022       |
| 160    | 07715-03205 | BALL              | 4    |       |     |         | 0.001        | 0.0022      |
| 170    | 3F740-06710 | BOLT SPACER       | 1    |       |     |         | 0.04         | 0.088       |
| 180    | 3F740-06480 | SPRING            | 1    |       |     |         | 0.01         | 0.022       |
| 190    | 3F740-06700 | PLUG              | 1    |       |     |         | 0.02         | 0.044       |
| 200    | 3F740-06110 | PLUNGER           | 1    |       |     |         | 0.011        | 0.0242      |
| 210    | 3F740-06120 | SPRING            | 1    |       |     |         | 0.001        | 0.0022      |
| 220    | 04810-00120 | O RING            | 1    |       |     |         | 0.001        | 0.0022      |
| 230    | 3A031-82410 | ARM               | 1    |       |     |         | 0.05         | 0.11        |



35502-100-10



## DRAWBAR/HITCH [OPTION]

↔ Interchangeable; ≠ not interchangeable; ← new for old; → old for new

| REF.No | Part No.    | Description        | Q'ty | S.No. | I/C | REMARKS | Weight (kgf) | Weight (lb) |
|--------|-------------|--------------------|------|-------|-----|---------|--------------|-------------|
| 010    | 35820-97570 | ASSY HITCH DRAWBAR | 1    |       |     |         | 4.9          | 10.78       |
| 020    | 36330-89130 | HITCH DRAWBAR      | 1    |       |     |         | 3.58         | 7.876       |
| 030    | 01173-51880 | BOLT               | 2    |       |     |         | 0.187        | 0.4114      |
| 040    | 04512-60180 | WASHER SPRING      | 2    |       |     |         | 0.02         | 0.044       |
| 050    | 02174-50180 | NUT                | 2    |       |     |         | 0.029        | 0.0638      |
| 060    | 36330-89210 | PIN DRAWBAR        | 1    |       |     |         | 0.7          | 1.54        |
| 070    | 33251-89310 | PIN SET            | 1    |       |     |         | 0.032        | 0.0704      |