

Instructions for Parts Books

The heading at the top of the page will be the same for the picture of the parts at it is for the page with the part numbers.

Definition of column headings on part number pages:

REF.No → The number referring to the part on the picture page of the parts book.

Part No. → The number assigned to this part at the time of printing the parts book.

Description → Discription of part.

Q'ty → Quantity of part used on that page.

S.No. → Serial number range of the equipment that this part will fit.

>= Your serial number should be greater than or equal to the number shown.

<= Your serial number should be lesser than or equal to the serial number shown.

I/C → Interchangeability of part shown.

↔ The part shown will work for the older and later serial number.

The part shown is not interchangeable with the other serial number.

← new for old

→ old for new

Remarks → Notes about this particulart part. Sometimes this may say except [FR] or [CA]

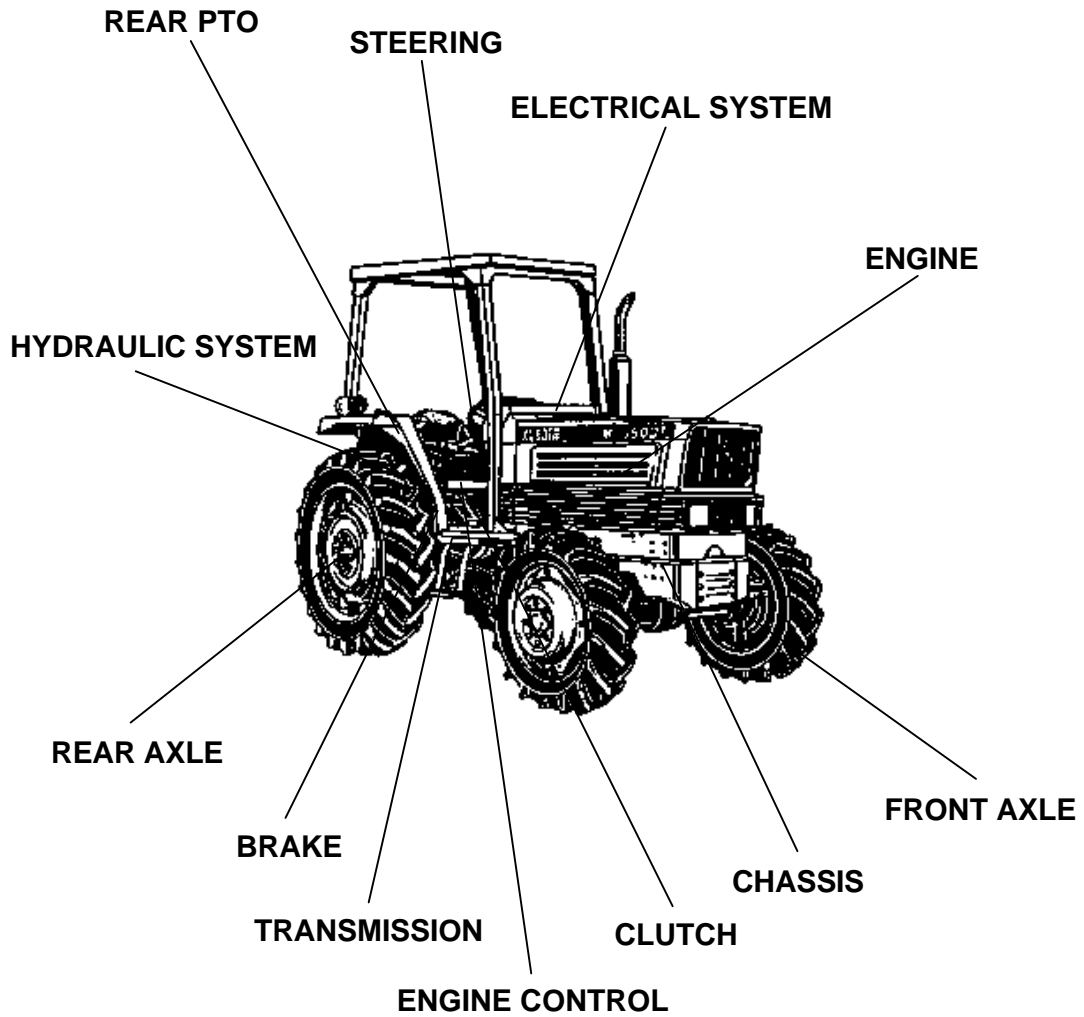
Note about Country Codes:

The parts books we use in the United States of America may also contain information about a part that would be different in another country. It is important that you are aware of the country codes in some instances.

Symbol	Country
A	United States of America
CA	Canada
FR	France
GR	Greece
PO	Portugal
AU	Australia

If the remarks column says for example EXCEPT [FR] this part works in all countries except France. That means it will work here in the USA.

ALL PRODUCT INDEX
M5950



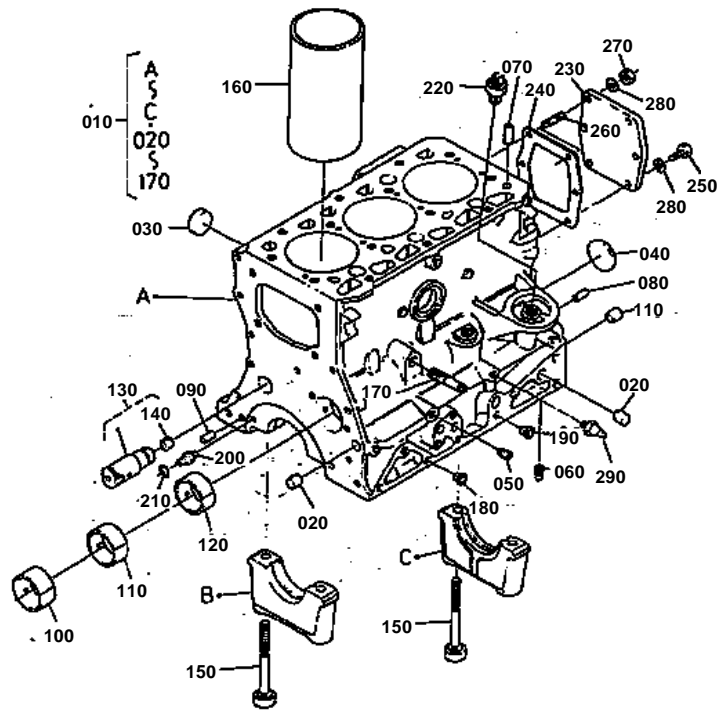
LABEL
MOUNTING CAB SPEC
OPTION
SECTION PARTS
ACCESSORIES AND SERVICE PARTS

Item	Part No.	Description	Book	
ENGINE	01E028	CRANKCASE	100K0013	
	01E029	OIL PAN	100K0013	
	01E030	CYLINDER HEAD	100K0013	
	01E031	GEAR CASE	100K0013	
	01E032	BREATHER	100K0013	
	01E033	DOUBLE AIR CLEANER	100K0013	
	01E034	MUFFLER	100K0013	
	01E035	VALVE AND ROCKER ARM	100K0013	
	01E036	CYLINDER HEAD COVER	100K0013	
	01E037	CAMSHAFT	100K0013	
	01E038	PISTON AND CRANKSHAFT	100K0013	
	01E039	FLYWHEEL	100K0013	
	01E040	OIL PUMP	100K0013	
	01E041	NOZZLE HOLDER AND FUEL PIPE	100K0013	
	01E042	INJECTION PUMP	100K0013	
	01E043	STARTER AND DYNAMO	100K0013	
	01E044	RADIATOR	100K0013	
	01E045	WATER PUMP	100K0013	
	01E046	HYDRAULIC PUMP BASE	100K0013	
	SECTION PARTS	01E047	STARTER [SECTION PARTS]	100K0013
		01E048	DYNAMO [SECTION PARTS]	100K0013
		01E049	FUEL PUMP [SECTION PARTS]	100K0013
		01E050	INJECTION PUMP [SECTION PARTS]	100K0013
		01E051	FUEL FILTER [SECTION PARTS]	100K0013
		01E052	SEDIMENTER [SECTION PARTS]	100K0013
		01E053	NOZZLE HOLDER [SECTION PARTS]	100K0013
01E054		DOUBLE AIR CLEANER [SECTION PARTS]	100K0013	
ENGINE CONTROL	01T001	FUEL TANK	100K0013	
	01T002	FUEL PIPING	100K0013	
	01T003	HAND ACCELERATOR	100K0013	
	01T00402	ACCELERATOR PEDAL	100K0013	
	01T005	ENGINE STOP ROD	100K0013	
CLUTCH	01T00602	AIR CLEANER BRACKET	100K0013	
	01T007	CLUTCH HOUSING	100K0013	
TRANSMISSION	01T008	TRANSMISSION CASE	100K0013	
FRONT AXLE	01T009	FRONT AXLE BRACKET	100K0013	
CLUTCH	01T01001	CLUTCH [OLD TYPE]	100K0013	
	01T01002	CLUTCH [NEW TYPE]	100K0013	
TRANSMISSION	01T011	CLUTCH PEDAL	100K0013	
	01T012	PTO CLUTCH LEVER	100K0013	
	01T013	PTO PROPELLER SHAFT	100K0013	
	01T014	COUNTER SHAFT	100K0013	
	01T015	BACK IDLE SHAFT	100K0013	
	01T016	HALF GEAR SHAFT	100K0013	
	01T017	HI-LO SHIFT GEAR SHAFT	100K0013	
	01T018	BEVEL GEAR	100K0013	
	REAR PTO	01T019	POWER TAKE-OFF SHAFT	100K0013
	TRANSMISSION	01T020	PTO SHAFT COVER	100K0013
01T021		MAIN SPEED CHANGE SHIFT LEVER	100K0013	
01T022		HI-LO SHIFT LEVER	100K0013	
01T023		HI-LO AND HALF SHIFT LEVER	100K0013	
01T024		HARF SHIFT LEVER	100K0013	
REAR PTO	01T025	GROUND PTO SHIFT LEVER	100K0013	
REAR AXLE	01T026	PTO BRAKE	100K0013	
	01T027	DIFFERENTIAL SYSTEM	100K0013	
	01T028	DIFF LOCK PEDAL	100K0013	

Item	Part No.	Description	Book
REAR AXLE	01T029	REAR AXLE CASE	100K0013
	01T030	REAR AXLE	100K0013
FRONT AXLE	01T031	FRONT AXLE	100K0013
	01T032	FRONT WHEEL HUB	100K0013
STEERING	01T033	STEERING LINKAGE	100K0013
	01T034	STEERING HANDLE	100K0013
	01T035	POWER STEERING CYLINDER	100K0013
	01T036	POWER STEERING OIL TANK	100K0013
	01T037	POWER STEERING OIL PUMP	100K0013
	01T03802	POWER STEERING PIPING	100K0013
BRAKE	01T039	BRAKE	100K0013
	01T040	BRAKE PEDAL	100K0013
	01T041	PARKING BRAKE	100K0013
ELECTRICAL SYSTEM	01T04202	BATTERY SUPPORT	100K0013
	01T043	PANEL BOARD	100K0013
	01T044	ELECTRICAL SYSTEM 1	100K0013
	01T045	ELECTRICAL SYSTEM 2	100K0013
	01T046	ELECTRICAL SYSTEM 3	100K0013
HYDRAULIC SYSTEM	01T047	HYDRAULIC CYLINDER BODY	100K0013
	01T048	HYDRAULIC CYLINDER LINER	100K0013
	01T049	DOWN SPEED ADJUSTING LEVER	100K0013
	01T050	LIFT LEVER	100K0013
	01T051	HYDRAULIC SYSTEM 1	100K0013
	01T052	HYDRAULIC SYSTEM 2	100K0013
	01T053	TOP LINK BRACKET	100K0013
	01T054	DRAFT AND POSITION CONTROL LEVER	100K0013
	01T05501	AUX.CONTROL VALVE [OLD TYPE] [A]	100K0013
	01T05502	AUX.CONTROL VALVE [NEW TYPE]	100K0013
	01T05602	HYDRAULIC PUMP	100K0013
	01T057	DELIVERY PIPE	100K0013
CHASSIS	01T058	HOOD 1	100K0013
	01T059	HOOD 2	100K0013
	01T060	HOOD 3	100K0013
	01T061	HOOD 4	100K0013
	01T062	HOOD 5	100K0013
	01T063	SEAT	100K0013
	01T064	FENDER	100K0013
	01T065	STEP	100K0013
	01T066	CENTER FRAME	100K0013
	01T067	HOUSING COVER	100K0013
	01T068	TOWING DRAWBAR	100K0013
HYDRAULIC SYSTEM	01T069	3-POINT LINKAGE 1	100K0013
	01T070	3-POINT LINKAGE 2	100K0013
	01T071	3-POINT LINKAGE 3	100K0013
LABEL	01T07201	LABEL [ENGLISH]	100K0013
CHASSIS	01T073	TOOL BOX	100K0013
MOUNTING CAB SPEC	01T086	MOUNTING CAB.SPEC. 1	100K0013
	01T087	MOUNTING CAB.SPEC. 2	100K0013
	01T088	MOUNTING CAB.SPEC. 3	100K0013
OPTION	01T089	AUX.CONTROL VALVE KIT 1 [OPTION]	100K0013
	01T090	AUX.CONTROL VALVE KIT 2 [OPTION]	100K0013
	01T091	AUX.CONTROL VALVE KIT 3 [OPTION]	100K0013
	01T092	AUX.CONTROL VALVE KIT 4 [OPTION]	100K0013
	01T093	DRAWBAR HITCH [OPTION]	100K0013
	01T094	REAR WORK LIGHT AND TRAILER HARNES [OPTION]	100K0013
	01T095	HANDRAIL [OPTION]	100K0013

Item	Part No.	Description	Book
OPTION	01T096	BIG TOOL BOX PARTS KIT	100K0013
	01T097	BOLT KIT OF FRONT WEIGHT [OPTION]	100K0013
	01T098	HYDRAULIC OUTLET KIT [OPTION]	100K0013
	01T102	PRECLEANER PARTS KIT 2 [OPTION]	100K0013
	01T103	AIR CON.SPECIAL KIT [OPTION]	100K0013
SECTION PARTS	01T104	PANEL BOARD [SECTION PARTS]	100K0013
ACCESSORIES AND SERVICE PARTS	01T105	ACCESSORIES AND SERVICE PARTS	100K0013

CRANKCASE

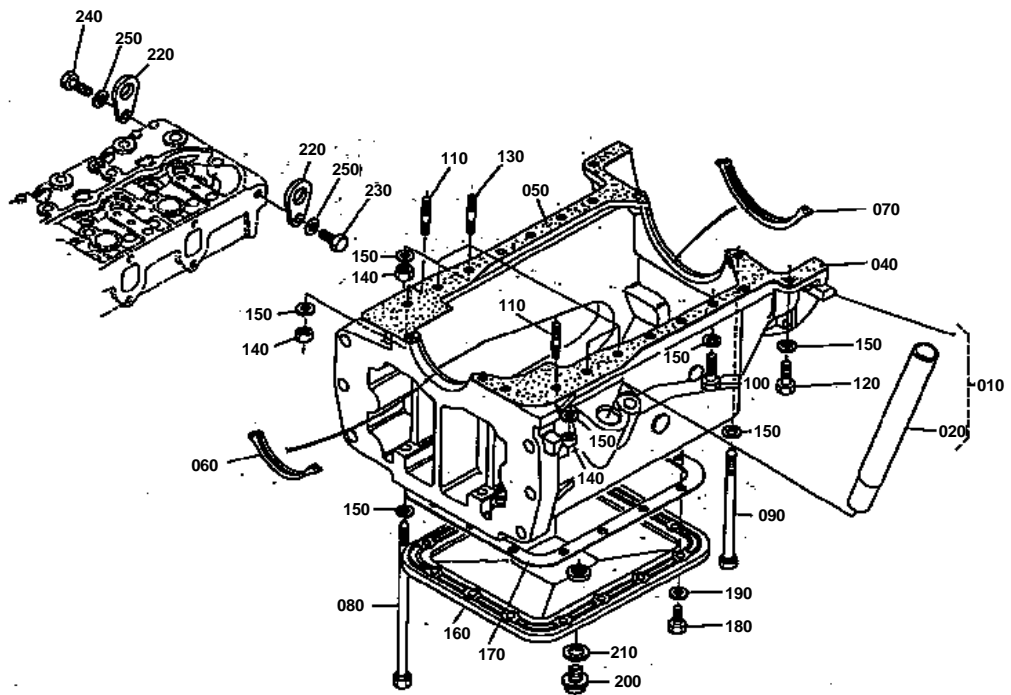


**CRANKCASE**

↔ Interchangeable; ≠ not interchangeable; ← new for old; → old for new

REF.No	Part No.	Description	Q'ty	S.No.	I/C	REMARKS	Weight (kgf)	Weight (lb)
010	15571-01010	COMP.CRANKCASE	1	<=29078			67	147.4
010	15571-01012	COMP.CRANKCASE	1	>=29079	≠		76	167.2
020	15451-96860	PLUG BLIND	5				0.005	0.011
030	15221-03490	CAP SEALING	3				0.02	0.044
040	06311-75060	PLUG	1				0.046	0.1012
050	15521-96020	PLUG	4				0.003	0.0066
060	15451-96030	PLUG	1				0.015	0.033
070	15451-94930	PIN PIPE	1				0.005	0.011
080	05012-00812	PIN STRAIGHT	2				0.006	0.0132
090	05012-01016	PIN STRAIGHT	2				0.01	0.022
100	15451-16410	METAL CAMSHAFT	1				0	0
110	15451-16420	METAL CAMSHAFT	1				0	0
120	15451-16430	METAL CAMSHAFT	1				0	0
130	15451-24050	COMP.SHAFT IDLE GEAR	1				0.42	0.924
140	03410-00808	SCREW	1				0.002	0.0044
150	15451-04560	BOLT BEARING CASE	8				0.185	0.407
160	15571-02310	LINER CYLINDER	3				0	0
170	15321-73340	PIPE WATER RETURN	1				0.016	0.0352
180	34150-27580	PLUG	6				0.001	0.0022
190	32210-27580	PLUG BLIND	6				0.001	0.0022
200	15451-04250	PIPE JOINT	1				0.01	0.022
210	15451-96760	O RING	1				0.001	0.0022
220	15451-32290	PIPE JOINT	1				0.061	0.1342
230	15451-73910	COVER WATER	1				0.6	1.32
240	15451-73920	GASKET WATER COVER	1				0	0
250	01053-50818	BOLT	4				0.011	0.0242
260	15471-91530	STUD	2				0.01	0.022
270	02056-50080	NUT	2				0.005	0.011
280	04512-50080	WASHER SPRING	6				0	0
290	15231-39010	SWITCH OIL	1	<=33349			0	0
290	15451-39010	SWITCH OIL	1	>=33350	←		0	0

OIL PAN



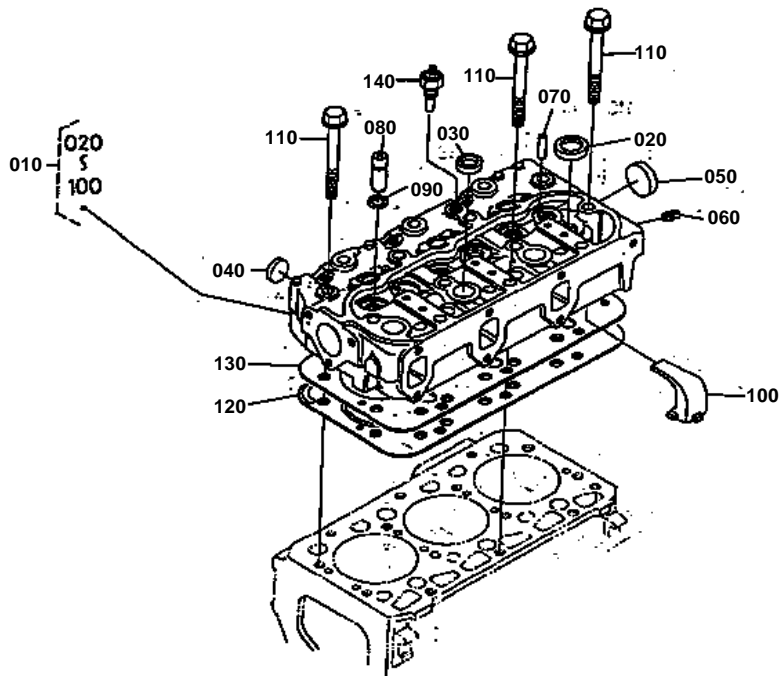


OIL PAN

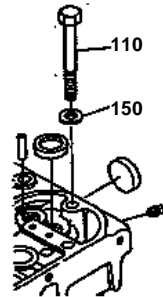
↔ Interchangeable; ≠ not interchangeable; ← new for old; → old for new

REF.No	Part No.	Description	Q'ty	S.No.	I/C	REMARKS	Weight (kgf)	Weight (lb)
010	15571-01500	COMP.OIL PAN	1				55	121
020	15571-33110	PIPE OIL FILLER	1				0.62	1.364
030	33300-90910	PLUG BLIND	2			NOT SHOWING IN FIG.	0.002	0.0044
040	15351-01620	GASKET	1				0	0
050	15351-01630	GASKET	1				0	0
060	15451-01640	GASKET	1				0.01	0.022
070	15451-01650	GASKET	1				0.015	0.033
080	15451-91010	BOLT	3				0.173	0.3806
090	15451-91020	BOLT	2				0.116	0.2552
100	15481-91010	BOLT	8				0.04	0.088
110	15481-91500	STUD	2				0.04	0.088
120	01076-51038	BOLT	2				0.035	0.077
130	15454-91500	STUD	4				0.115	0.253
140	02076-50100	NUT	6				0.006	0.0132
150	04512-50100	WASHER SPRING	21				0	0
160	15351-01670	COVER OIL PAN	1				2.3	5.06
170	15351-01680	GASKET	1				0	0
180	01053-50818	BOLT	14				0.011	0.0242
190	04512-50080	WASHER SPRING	14				0	0
200	15451-33750	PLUG DRAIN	1				0	0
210	15451-96670	GASKET	1				0.003	0.0066
220	15451-01750	HOOK ENGINE	2				0.085	0.187
230	01073-51022	BOLT	1				0.024	0.0528
240	01073-51030	BOLT	1				0.028	0.0616
250	04512-50100	WASHER SPRING	2				0	0

CYLINDER HEAD



REF. No. 110 15451-0345-0
REF. No. 150 15451-0354-0



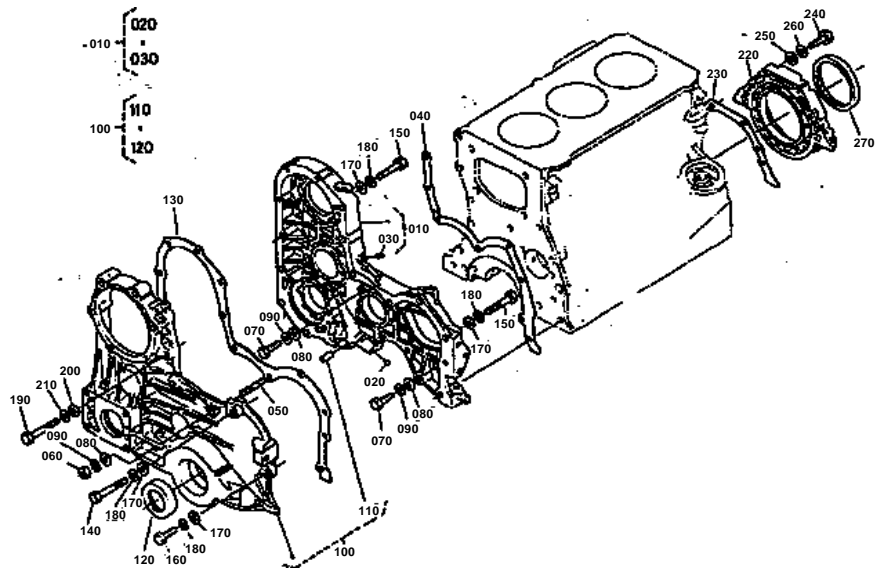


CYLINDER HEAD

↔ Interchangeable; ≠ not interchangeable; ← new for old; → old for new

REF.No	Part No.	Description	Q'ty	S.No.	I/C	REMARKS	Weight (kgf)	Weight (lb)
010	15351-03042	COMP.CYLINDER HEAD	1	<=29078			27	59.4
010	15351-03043	COMP.CYLINDER HEAD	1	>=29079	≠		30	66
020	15241-96260	CAP SEALING	1				0.01	0.022
030	15451-96270	CAP SEALING	3				0.012	0.0264
040	15221-03380	CAP SEALING	3				0.017	0.0374
050	15221-03390	CAP SEALING	1				0.03	0.066
060	15521-96020	PLUG	1				0.003	0.0066
070	15451-94520	PIN STRAIGHT	3				0.001	0.0022
080	15451-13580	GUIDE VALVE	6				0	0
090	15451-96910	CIR-CLIP	6				0.002	0.0044
100	15451-73940	GUIDE WATER	3				0.032	0.0704
110	15451-03450	BOLT CYLINDER HEAD	14	<=29078			0.119	0.2618
110	15451-03460	BOLT CYLINDER HEAD	14	>=29079	≠		0.148	0.3256
120	15571-03312	GASKET CYLINDER HEAD	1	<=29078			0.19	0.418
120	15571-03313	GASKET CYLINDER HEAD	1	>=29079	≠		0	0
130	15571-03320	SHIM HEAD GASKET	1	<=29078			0	0
130	15571-03322	SHIM HEAD GASKET	1	>=29079	←		0.08	0.176
140	38240-32830	SWITCH THERMOMETER	1	<=18423	←		0.03	0.066
140	35820-75250	SWITCH THERMOMETER	1	>=18424	←		0	0
150	15451-03540	WASHER CYL.HEAD	14	<=29078			0.003	0.0066

GEAR CASE



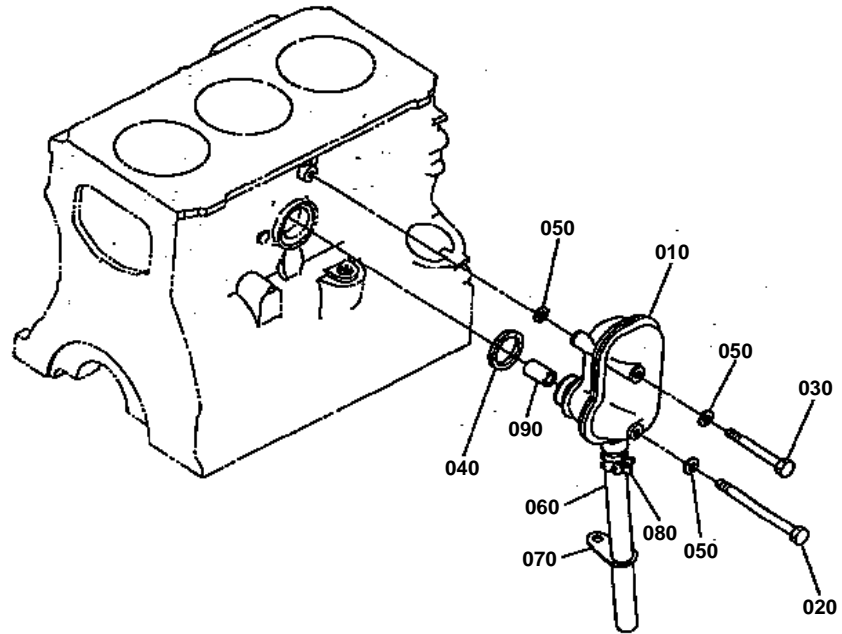


GEAR CASE

↔ Interchangeable; ≠ not interchangeable; ← new for old; → old for new

REF.No	Part No.	Description	Q'ty	S.No.	I/C	REMARKS	Weight (kgf)	Weight (lb)
010	15451-04020	COMP.CASE GEAR	1				0	0
020	15451-04190	NOZZLE PIECE	1				0.002	0.0044
030	15451-96870	PLUG BLIND	1				0.001	0.0022
040	15451-04130	GASKET GEAR CASE	1				0	0
050	01513-50855	STUD	1				0.022	0.0484
060	02056-50080	NUT	1				0.005	0.011
070	01053-50825	BOLT	3				0.014	0.0308
080	04012-50080	WASHER PLAIN	4				0.001	0.0022
090	04512-50080	WASHER SPRING	4				0	0
100	15451-04030	COMP COVER GEAR CASE	1				0	0
110	05012-01016	PIN STRAIGHT	2				0.01	0.022
120	15451-04460	SEAL OIL	1				0.033	0.0726
130	15451-04170	GASKET GEAR CASE	1				0	0
140	01053-50870	BOLT	6				0.027	0.0594
150	01053-50850	BOLT	4				0.021	0.0462
160	01053-50830	BOLT	1				0.015	0.033
170	04012-50080	WASHER PLAIN	11				0.001	0.0022
180	04512-50080	WASHER SPRING	11				0	0
190	01073-51070	BOLT	1				0.05	0.11
200	04013-50100	WASHER PLAIN	1				0	0
210	04512-50100	WASHER SPRING	1				0	0
220	15351-04810	COVER BEARING CASE	1				0	0
230	15451-04820	GASKET	1				0	0
240	01053-50832	BOLT	4				0.015	0.033
250	04012-50080	WASHER PLAIN	4				0.001	0.0022
260	04512-50080	WASHER SPRING	4				0	0
270	15351-04460	SEAL OIL	1				0.092	0.2024

BREATHER



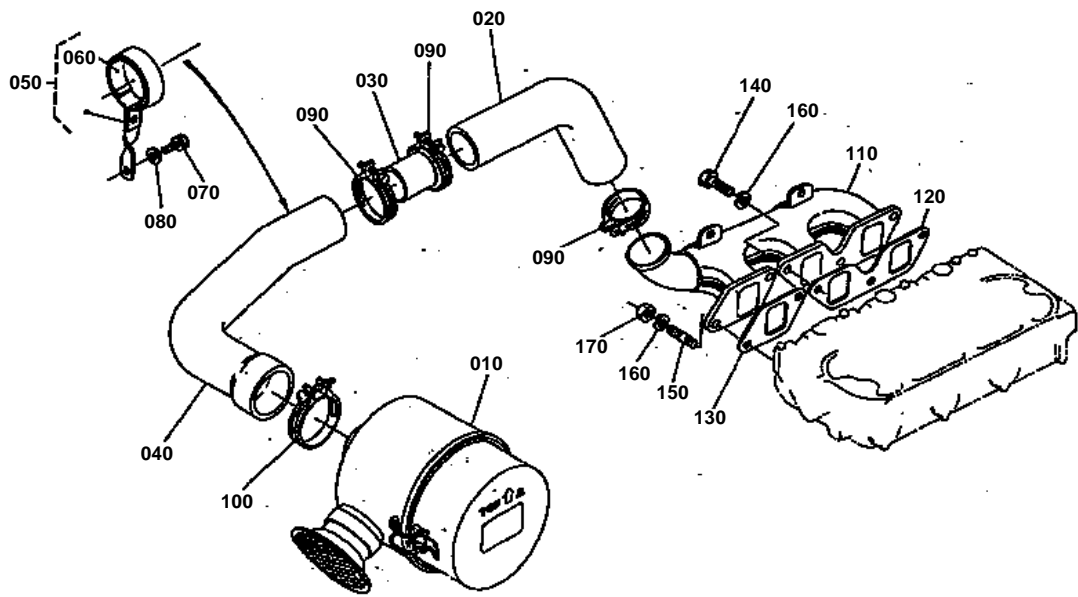


BREATHER

↔ Interchangeable; ≠ not interchangeable; ← new for old; → old for new

REF.No	Part No.	Description	Q'ty	S.No.	I/C	REMARKS	Weight (kgf)	Weight (lb)
010	15451-05020	COMP.BREATHER	1				0.87	1.914
020	15451-91040	BOLT	1				0.044	0.0968
030	01053-50885	BOLT	1				0.031	0.0682
040	15451-05770	GASKET	1				0.003	0.0066
050	04717-00800	WASHER WITH RUBBER	3				0.001	0.0022
060	15571-05510	PIPE BREATHER	1				0.14	0.308
070	15571-05580	CLAMP PIPE	1				0.02	0.044
080	13412-12130	BAND MUFFLER	1				0.02	0.044
090	15451-05540	COLLAR BREATHER	1				0.06	0.132

DOUBLE AIR CLEANER



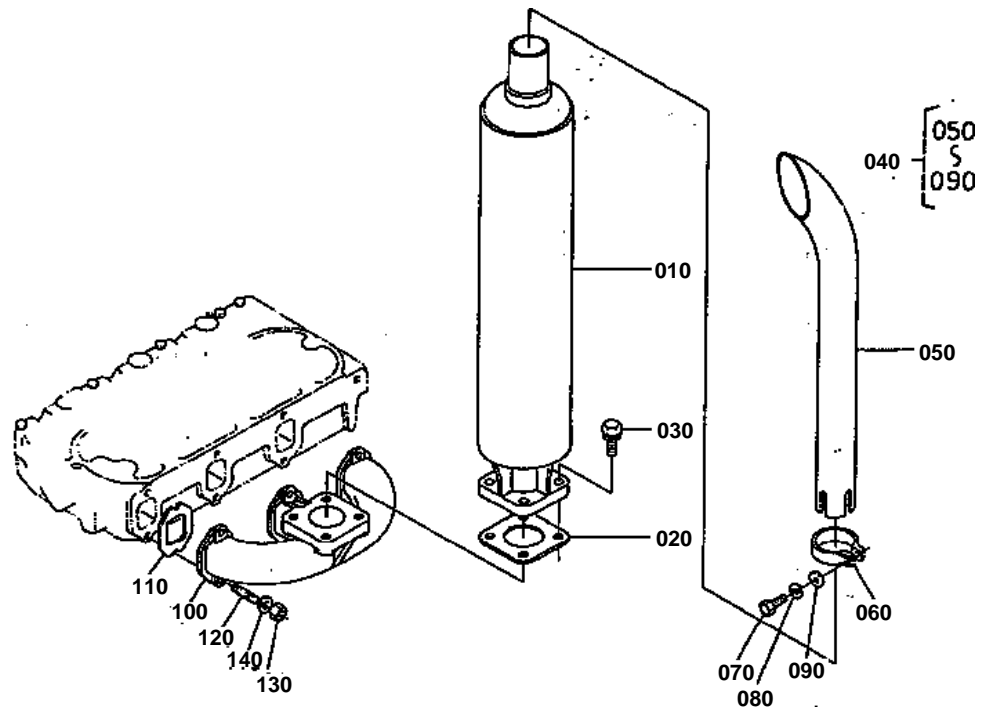


DOUBLE AIR CLEANER

↔ Interchangeable; ≠ not interchangeable; ← new for old; → old for new

REF.No	Part No.	Description	Q'ty	S.No.	I/C	REMARKS	Weight (kgf)	Weight (lb)
010	15571-11020	ASSY CLEANER AIR	1				4.5	9.9
020	15481-11620	PIPE INLET	1				0.96	2.112
030	15571-11630	PIPE INLET	1				0.17	0.374
040	15571-11642	PIPE INLET	1				0.9	1.98
050	15571-11700	ASSY HOLDER PIPE	1				0.1	0.22
060	15401-11690	PROTECTOR INLET PIPE	1				0.018	0.0396
070	01023-50612	BOLT	1				0.005	0.011
080	04012-50060	WASHER PLAIN	1				0.001	0.0022
090	15701-11722	BAND INLET MANIFOLD	3				0.04	0.088
100	15571-11720	BAND INLET MANIFOLD	1				0.045	0.099
110	15351-11760	MANIFOLD INLET	1				1.96	4.312
120	15451-11820	GASKET IN-MANIFOLD	1				0.006	0.0132
130	15351-11820	GASKET IN-MANIFOLD	1				0.001	0.0022
140	01053-50822	BOLT	2				0.013	0.0286
150	01513-50820	STUD	2				0	0
160	04512-50080	WASHER SPRING	4				0	0
170	02056-50080	NUT	2				0.005	0.011

MUFFLER



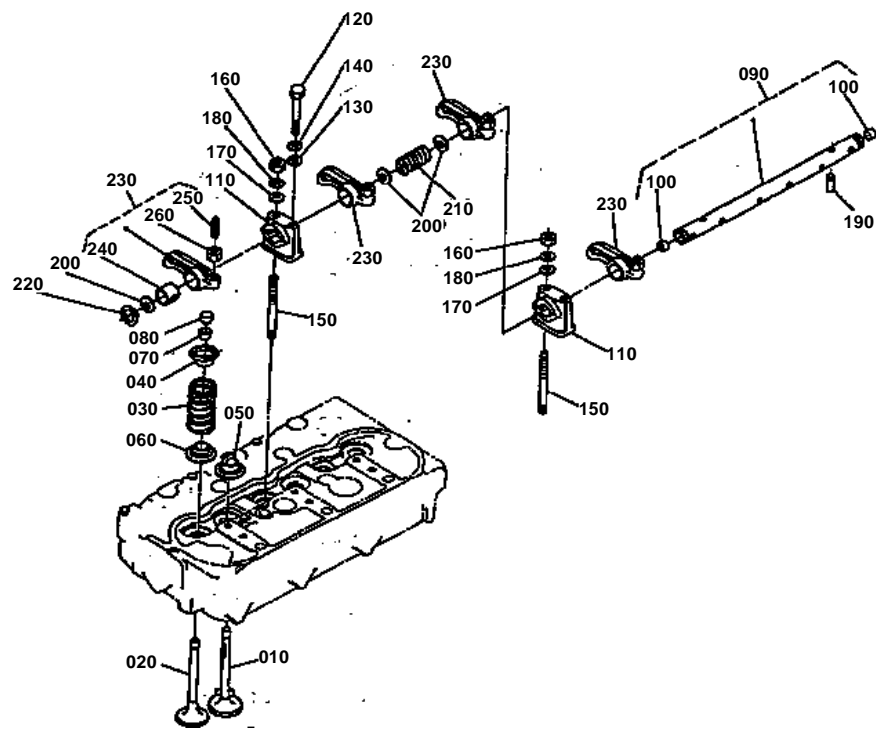


MUFFLER

↔ Interchangeable; ≠ not interchangeable; ← new for old; → old for new

REF.No	Part No.	Description	Q'ty	S.No.	I/C	REMARKS	Weight (kgf)	Weight (lb)
010	15621-12110	MUFFLER	1				7.5	16.5
020	15621-12230	GASKET MUFFLER	1				0	0
030	01133-51025	BOLT	4				0.023	0.0506
040	15621-99700	ASSY PIPE MUFFLER	1				1.13	2.486
040	15621-99710	ASSY PIPE MUFFLER	1			MOUNTING CAB SPEC.	1.6	3.52
050	15621-12410	PIPE MUFFLER	1				0.93	2.046
050	15621-99650	PIPE MUFFLER	1			MOUNTING CAB SPEC.	1.44	3.168
060	15521-12143	BAND MUFFLER	1				0.13	0.286
070	15521-91040	BOLT	1				0.017	0.0374
080	15521-94070	WASHER SPRING	1				0.003	0.0066
090	15521-94040	WASHER PLAIN	1				0.001	0.0022
100	15571-12310	MANIFOLD EXHAUST	1				3	6.6
110	15811-12360	GASKET EX-MANIFOLD	3				0	0
120	01513-50828	STUD	6				0.013	0.0286
130	02056-50080	NUT	6				0.005	0.011
140	04512-50080	WASHER SPRING	6				0	0

VALVE AND ROCKER ARM



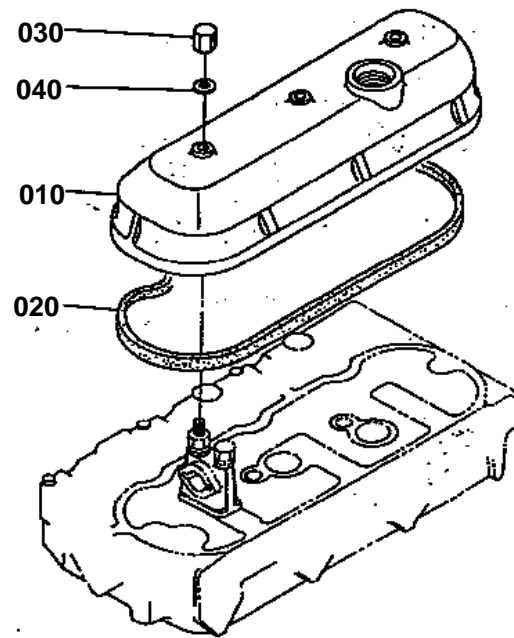


VALVE AND ROCKER ARM

↔ Interchangeable; ≠ not interchangeable; ← new for old; → old for new

REF.No	Part No.	Description	Q'ty	S.No.	I/C	REMARKS	Weight (kgf)	Weight (lb)
010	15451-13110	VALVE INLET	3				0.145	0.319
020	15451-13122	VALVE EXHAUST	3				0.12	0.264
030	15451-13240	SPRING VALVE	6				0.07	0.154
040	15451-13330	RETAINER VALVE SP.	6				0.035	0.077
050	15451-13410	WASHER INLET VALVE	3				0.035	0.077
060	15451-13420	WASHER EXHAUST VALVE	3				0.02	0.044
070	15451-13360	COLLET VALVE SPRING	6				0.002	0.0044
080	15451-13280	CAP VALVE	6				0.007	0.0154
090	15351-14050	ASSY SHAFT R-ARM	1				0	0
100	15451-96300	CAP SEALING	2				0.002	0.0044
110	15451-14350	BRACKET ROCKER ARM	3				0.104	0.2288
120	01053-50865	BOLT	3				0.025	0.055
130	04012-50080	WASHER PLAIN	3				0.001	0.0022
140	04512-50080	WASHER SPRING	3				0	0
150	15451-91510	STUD	3				0.033	0.0726
160	02056-50080	NUT	3				0.005	0.011
170	04012-50080	WASHER PLAIN	3				0.001	0.0022
180	04512-50080	WASHER SPRING	3				0	0
190	15451-14420	SCREW SET	1				0.005	0.011
200	15451-14430	WASHER	6				0.002	0.0044
210	15451-14310	SPRING ROCKER ARM	2				0.006	0.0132
220	04612-00180	CIR-CLIP EXTERNAL	2				0.001	0.0022
230	15451-14030	ASSY ROCKER ARM	6				0	0
240	15451-14980	BUSH ROCKER ARM	6				0.012	0.0264
250	15451-14230	SCREW ADJUSTING	6				0.008	0.0176
260	15451-92010	NUT	6				0.005	0.011

CYLINDER HEAD COVER



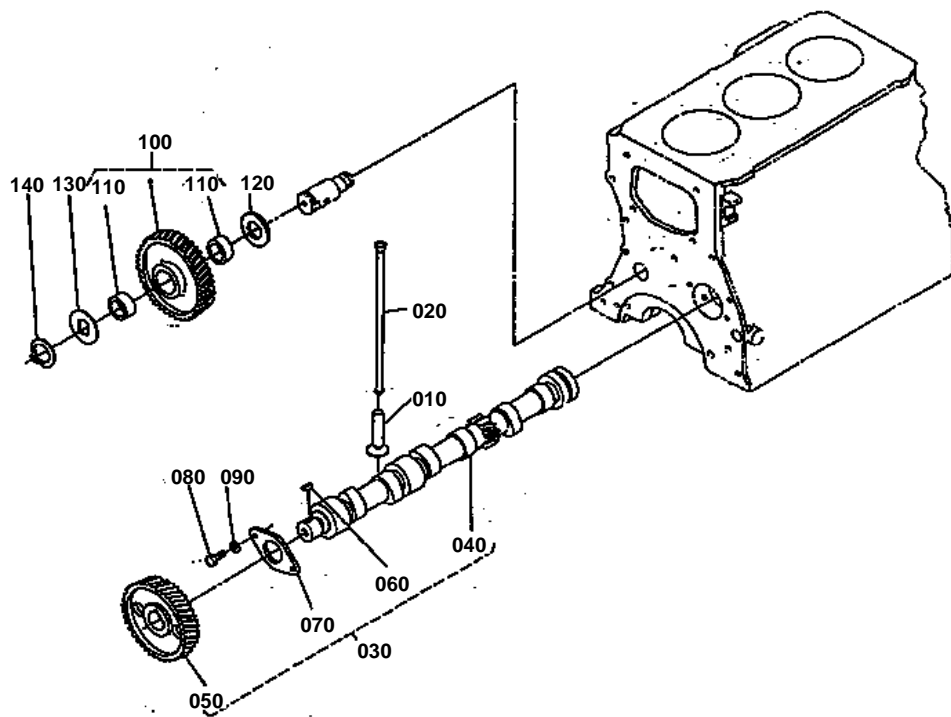


CYLINDER HEAD COVER

↔ Interchangeable; ≠ not interchangeable; ← new for old; → old for new

REF.No	Part No.	Description	Q'ty	S.No.	I/C	REMARKS	Weight (kgf)	Weight (lb)
010	15351-14510	COVER CYL.HEAD	1				1.35	2.97
020	15351-14520	GASKET HEAD COVER	1				0.07	0.154
030	15451-92330	NUT CAP	3				0.008	0.0176
040	15451-96660	GASKET	3				0.004	0.0088

CAMSHAFT



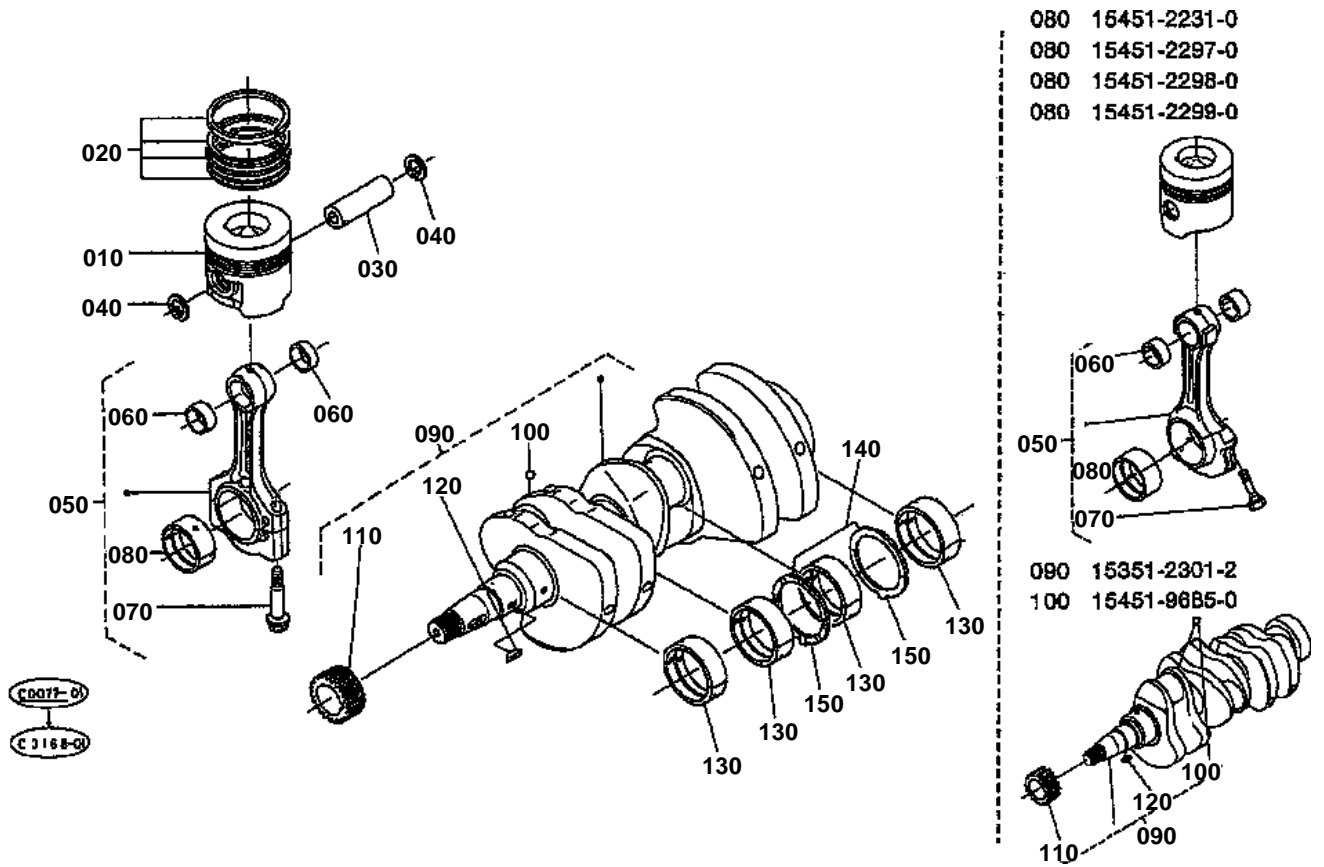


CAMSHAFT

↔ Interchangeable; ≠ not interchangeable; ← new for old; → old for new

REF.No	Part No.	Description	Q'ty	S.No.	I/C	REMARKS	Weight (kgf)	Weight (lb)
010	15451-15550	TAPPET	6				0.085	0.187
020	15451-15110	ROD PUSH	6				0.092	0.2024
030	15351-16010	ASSY CAMSHAFT	1				5	11
040	15351-16150	CAMSHAFT	1				3.7	8.14
050	15451-16510	GEAR CAMSHAFT	1				1.2	2.64
060	05811-00522	KEY	1				0.005	0.011
070	15451-16270	STOPPER CAMSHAFT	1				0.075	0.165
080	01053-50820	BOLT	2				0.012	0.0264
090	04512-50080	WASHER SPRING	2				0	0
100	15451-24010	COMP.GEAR IDLE	1				1.3	2.86
110	15451-24980	BUSH	2				0	0
120	15451-24360	COLLAR	1				0.015	0.033
130	15451-24370	COLLAR	1				0.03	0.066
140	15451-95390	CIR-CLIP EXTERNAL	1				0.007	0.0154

PISTON AND CRANKSHAFT



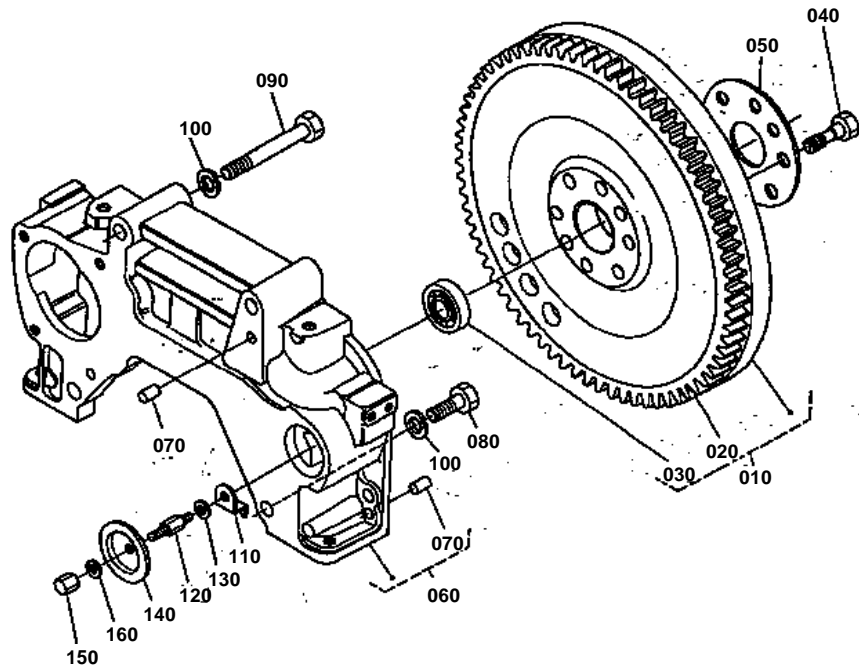


PISTON AND CRANKSHAFT

↔ Interchangeable; ≠ not interchangeable; ← new for old; → old for new

REF.No	Part No.	Description	Q'ty	S.No.	I/C	REMARKS	Weight (kgf)	Weight (lb)
010	15571-21110	PISTON	3	≤70529		STD	1.4	3.08
010	16132-21110	PISTON	3	≥70530	≠	STD	0.114	0.2508
010	15571-21900	PISTON	3	≤70529		+0.2	1.34	2.948
010	16132-21900	PISTON	3	≥70530	≠	+0.2	1.24	2.728
010	15571-21910	PISTON	3	≤70529		+0.4	1.35	2.97
010	16132-21910	PISTON	3	≥70530	≠	+0.4	1.26	2.772
010	15571-21920	PISTON	3	≤70529		+0.6	1.37	3.014
010	16132-21920	PISTON	3	≥70530	≠	+0.6	1.25	2.75
020	15571-21050	ASSY PISTON RING	3			STD	0.085	0.187
020	15571-21090	ASSY PISTON RING	3			+0.2	0.105	0.231
020	15571-21100	ASSY PISTON RING	3			+0.4	0.105	0.231
020	15571-21200	ASSY PISTON RING	3			+0.6	0.105	0.231
030	15451-21310	PIN PISTON	3	≤70529		STD	0.45	0.99
030	16541-21310	PIN PISTON	3	≥70530	≠	STD	0.51	1.122
030	15451-21320	PIN PISTON	3	≤70529		+0.2	0.462	1.0164
030	16541-21320	PIN PISTON	3	≥70530	≠	+0.2	0.53	1.166
040	04611-00340	CIR-CLIP INTERNAL	6	≤70529			0.003	0.0066
040	04611-00350	CIR-CLIP INTERNAL	6	≥70530	≠		0.003	0.0066
050	15451-22010	ASSY CONNECTING ROD	3	≤70529			2.1	4.62
050	16131-22010	ASSY CONNECTING ROD	3	≥70530	≠		0	0
060	15451-21980	BUSH PISTON PIN	6	≤70529			0.031	0.0682
060	16541-21980	BUSH PISTON PIN	6	≥70530	≠		0	0
070	15451-22140	BOLT CONNECTING ROD	6	≤70529			0.062	0.1364
070	16541-22140	BOLT CONNECTING ROD	6	≥70530	≠		0.07	0.154
080	15451-22310	METAL CRANKPIN	3	≤70529		STD	0.1	0.22
080	16541-22313	METAL CRANKPIN	3	≥70530	≠	STD	0.08	0.176
080	15451-22970	METAL CRANKPIN	3	≤70529		-0.25	0.1	0.22
080	16541-22970	METAL CRANKPIN	3	≥70530	≠	-0.25	0.03	0.066
080	15451-22980	METAL CRANKPIN	3	≤70529		-0.50	0.115	0.253
080	16541-22980	METAL CRANKPIN	3	≥70530	≠	-0.50	0.11	0.242
080	15451-22990	METAL CRANKPIN	3	≤70529		-0.75	0.12	0.264
080	16541-22990	METAL CRANKPIN	3	≥70530	≠	-0.75	0.03	0.066
090	15351-23012	COMP.CRANKSHAFT	1	≤70529			35	77
090	16134-23010	COMP.CRANKSHAFT	1	≥70530	≠		29.6	65.12
100	15451-96850	PLUG BLIND	3	≤70529			0.002	0.0044
100	07715-03209	BALL	3	≥70530	≠		0.002	0.0044
110	15451-24110	GEAR CRANKSHAFT	1				0.39	0.858
120	15451-95230	KEY	1				0.001	0.0022
130	15451-23470	METAL CRANKSHAFT	4			STD	0	0
130	15451-23910	METAL CRANKSHAFT	4			-0.25	0	0
130	15451-23920	METAL CRANKSHAFT	4			-0.50	0	0
130	15451-23930	METAL CRANKSHAFT	4			-0.75	0	0
140	15451-23530	METAL SIDE	2	≤70529		STD	0	0
140	16541-23530	METAL SIDE	2	≥70530	≠	STD	0.026	0.0572
140	15451-23950	METAL SIDE	2	≤70529		+0.125	0	0
140	16541-23950	METAL SIDE	2	≥70530	≠	+0.125	0.03	0.066
150	15451-23540	METAL SIDE	2	≤70529		STD	0	0
150	16541-23540	METAL SIDE	2	≥70530	≠	STD	0.029	0.0638
150	15451-23970	METAL SIDE	2	≤70529		+0.125	0	0
150	16541-23970	METAL SIDE	2	≥70530	≠	+0.125	0.03	0.066

FLYWHEEL

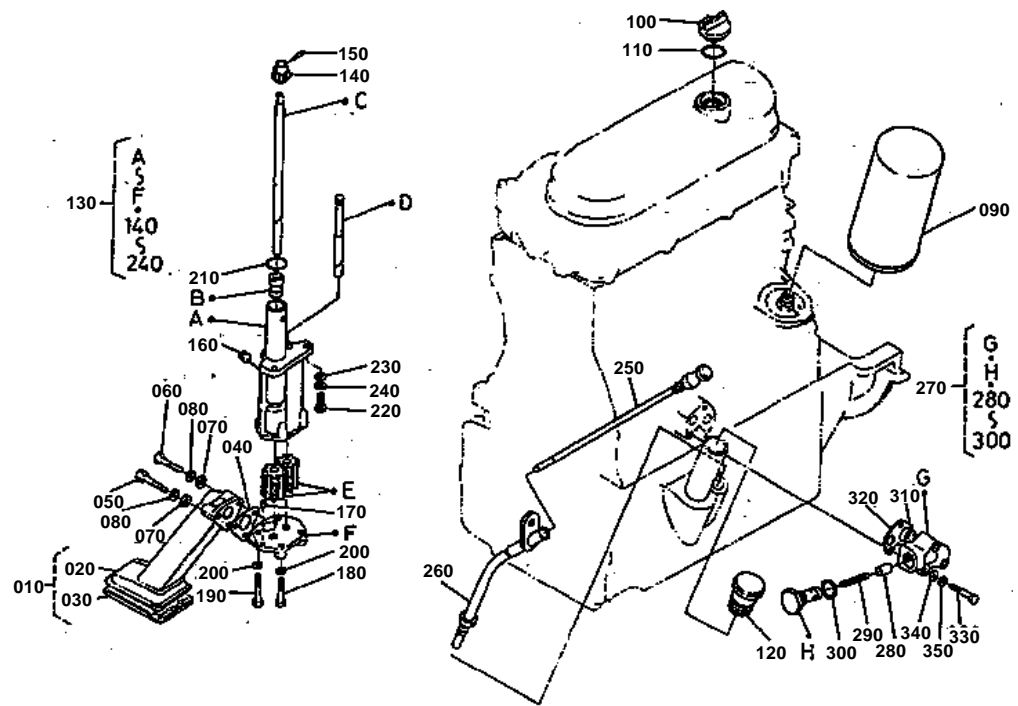


**FLYWHEEL**

↔ Interchangeable; ≠ not interchangeable; ← new for old; → old for new

REF.No	Part No.	Description	Q'ty	S.No.	I/C	REMARKS	Weight (kgf)	Weight (lb)
010	15571-25010	COMP.FLYWHEEL	1				0	0
020	15451-63820	GEAR RING	1				0	0
030	08141-06303	BEARING BALL	1				0.108	0.2376
040	15521-25160	BOLT FLYWHEEL	8				0.06	0.132
050	15571-25170	WASHER FLYWHEEL	1				0.125	0.275
060	15451-04600	COMP.HOUSING F-W.	1				15.4	33.88
070	05012-01016	PIN STRAIGHT	4				0.01	0.022
080	01073-51435	BOLT	2				0.063	0.1386
090	01073-51400	BOLT	2				0.13	0.286
100	04512-50140	WASHER SPRING	4				0	0
110	15451-04670	PLATE TIMING	1				0.015	0.033
120	15451-91500	STUD	1				0.024	0.0528
130	04512-50080	WASHER SPRING	1				0	0
140	15451-04680	COVER	1				0.076	0.1672
150	15451-92330	NUT CAP	1				0.008	0.0176
160	15451-96660	GASKET	1				0.004	0.0088

OIL PUMP

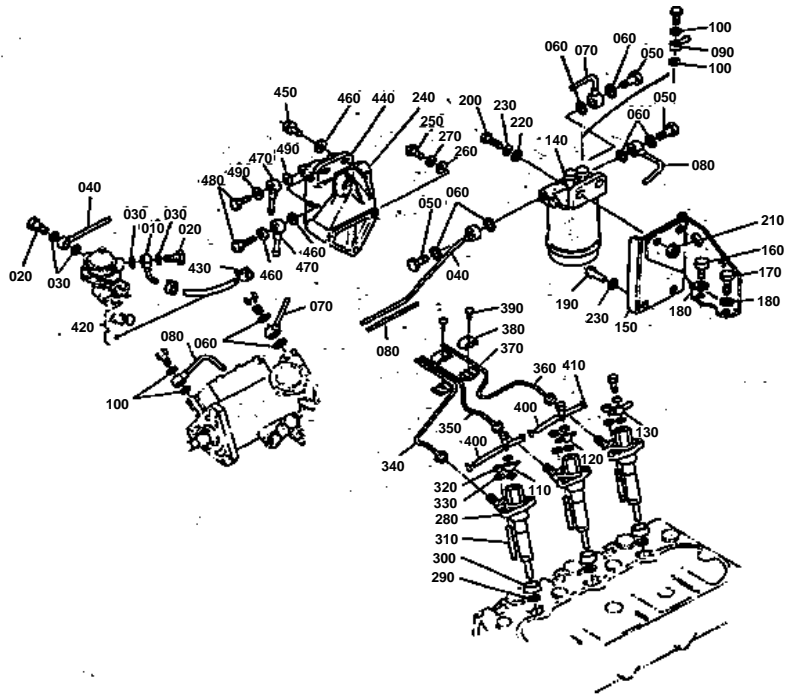


**OIL PUMP**

↔ Interchangeable; ≠ not interchangeable; ← new for old; → old for new

REF.No	Part No.	Description	Q'ty	S.No.	I/C	REMARKS	Weight (kgf)	Weight (lb)
010	15351-32010	ASSY FILTER OIL	1				0.3	0.66
020	15351-32250	CASE OIL FILTER	1				0.28	0.616
030	15351-32110	FILTER OIL	1				0.02	0.044
040	15451-32270	GASKET OIL FILTER	1				0	0
050	01053-50855	BOLT	1				0.022	0.0484
060	01053-50840	BOLT	2				0.018	0.0396
070	04012-50080	WASHER PLAIN	3				0.001	0.0022
080	04512-50080	WASHER SPRING	3				0	0
090	15451-32430	CARTRIDGE OIL FILTER	1				0	0
100	15221-33140	PLUG OIL FILLER	1				0.038	0.0836
110	04811-50300	RING	1				0	0
120	15571-33140	PLUG OIL FILLER	1				0.03	0.066
130	15451-35010	ASSY PUMP OIL	1				0	0
140	15451-35660	GEAR OIL PUMP DRIVE	1				0.07	0.154
150	15451-35640	PIN	1				0.002	0.0044
160	15451-96010	PLUG	1				0.01	0.022
170	05012-00610	PIN STRAIGHT	1				0.003	0.0066
180	01053-50840	BOLT	2				0.018	0.0396
190	01053-50850	BOLT	2				0.021	0.0462
200	04512-50080	WASHER SPRING	4				0	0
210	15451-96770	O RING	1				0.001	0.0022
220	01053-50825	BOLT	2				0.014	0.0308
230	04012-50080	WASHER PLAIN	2				0.001	0.0022
240	04512-50080	WASHER SPRING	2				0	0
250	15571-36410	GAUGE OIL	1				0.03	0.066
260	15571-36420	GUIDE OIL GAUGE	1				0.1	0.22
270	15451-36070	ASSY VALVE RELIEF	1				0.33	0.726
280	15451-36920	VALVE RELIEF	1				0.01	0.022
290	15451-36950	SPRING	1				0.006	0.0132
300	15451-96700	GASKET	1				0.004	0.0088
310	04811-00180	RING	1				0	0
320	15451-96690	GASKET	1				0	0
330	01053-50845	BOLT	3				0.019	0.0418
340	04012-50080	WASHER PLAIN	3				0.001	0.0022
350	04512-50080	WASHER SPRING	3				0	0

NOZZLE HOLDER AND FUEL PIPE



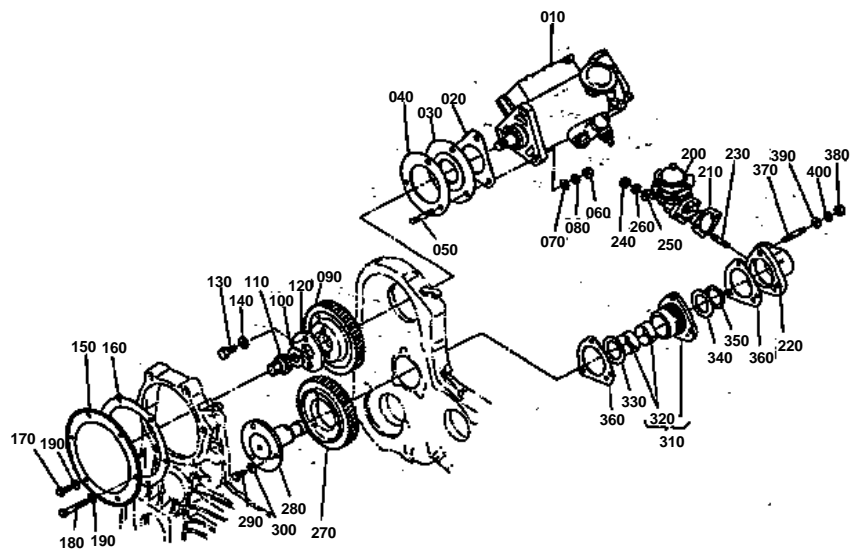


NOZZLE HOLDER AND FUEL PIPE

↔ Interchangeable; ≠ not interchangeable; ← new for old; → old for new

REF.No	Part No.	Description	Q'ty	S.No.	I/C	REMARKS	Weight (kgf)	Weight (lb)
010	15451-42180	PIPE	1				0.05	0.11
020	15109-05580	BOLT JOINT	2				0.024	0.0528
030	15109-33660	GASKET	4				0.001	0.0022
040	15351-42080	COMP.PIPE FUEL	1				0.11	0.242
050	15451-95790	BOLT EYE JOINT	3				0	0
060	17105-33680	GASKET	8				0.002	0.0044
070	15351-42092	COMP.PIPE FUEL	1				0.12	0.264
080	15351-42100	COMP.PIPE FUEL	1				0.08	0.176
090	15451-95680	JOINT	1				0.014	0.0308
100	15109-14630	GASKET	4				0	0
110	15451-95690	JOINT	1				0.006	0.0132
120	15451-95700	JOINT	1				0.008	0.0176
130	15451-95710	JOINT	1				0.015	0.033
140	15351-43010	ASSY FILTER FUEL	1				0.59	1.298
150	15451-43430	HOLDER FUEL FILTER	1	<=29078			0.745	1.639
150	15351-43434	HOLDER FUEL FILTER	1	>=29079	←		1.04	2.288
160	01053-50818	BOLT	1				0.011	0.0242
170	01053-50828	BOLT	1				0.014	0.0308
180	04512-50080	WASHER SPRING	2				0	0
190	01073-51020	BOLT	2				0.024	0.0528
200	01073-51035	BOLT	2				0.031	0.0682
210	02076-50100	NUT	2				0.006	0.0132
220	04013-50100	WASHER PLAIN	2				0	0
230	04512-50100	WASHER SPRING	4				0	0
240	15351-43360	SUPPORT SEDIMENT	1				0.58	1.276
250	01073-51070	BOLT	3				0.05	0.11
260	04013-50100	WASHER PLAIN	3				0	0
270	04512-50100	WASHER SPRING	3				0	0
280	15451-53000	ASSY HOLDER NOZZLE	3				0.47	1.034
290	15451-53620	GASKET	3				0.003	0.0066
300	15451-96650	GASKET	3				0.004	0.0088
310	15451-91540	STUD	6				0.02	0.044
320	02056-50080	NUT	6				0.005	0.011
330	04512-50080	WASHER SPRING	6				0	0
340	15351-53710	PIPE INJECTION	1				0.13	0.286
350	15351-53720	PIPE INJECTION	1				0.14	0.308
360	15351-53730	PIPE INJECTION	1				0.13	0.286
370	15121-53850	CLAMP PIPE	2				0	0
380	15121-53860	CLAMP PIPE	2				0	0
390	03024-50520	SCREW	2				0.004	0.0088
400	15722-42510	PIPE FUEL OVER FLOW	2				0.005	0.011
410	10244-42320	CLIP PIPE	4				0.001	0.0022
420	14681-42020	ASSY PIPE FUEL	1				0.048	0.1056
430	14301-42750	CLIP PIPE	2				0.005	0.011
440	15451-43352	SEDIMENTER	1				0.8	1.76
450	01133-51035	BOLT	2				0.03	0.066
460	04013-50100	WASHER PLAIN	2				0	0
470	15451-42170	PIPE	2				0.034	0.0748
480	15451-95790	BOLT EYE JOINT	2				0	0
490	17105-33680	GASKET	4				0.002	0.0044

INJECTION PUMP



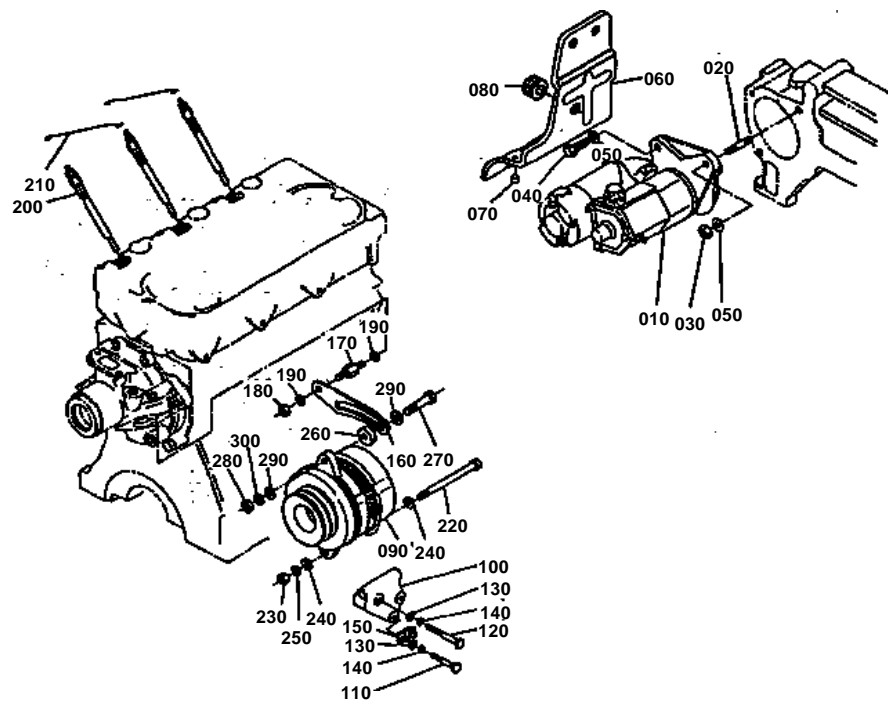


INJECTION PUMP

↔ Interchangeable; ≠ not interchangeable; ← new for old; → old for new

REF.No	Part No.	Description	Q'ty	S.No.	I/C	REMARKS	Weight (kgf)	Weight (lb)
010	15572-51010	ASSY PUMP INJECTION	1				5.6	12.32
020	15451-52130	GASKET INJECT.PUMP	1				0	0
030	15451-51170	BASE INJECTION PUMP	1				0.235	0.517
040	15451-51180	GASKET	1				0	0
050	15451-91520	STUD	3				0.015	0.033
060	02056-50080	NUT	3				0.005	0.011
070	04012-50080	WASHER PLAIN	3				0.001	0.0022
080	04512-50080	WASHER SPRING	3				0	0
090	15351-51150	GEAR INJECTION PUMP	1				2	4.4
100	15451-94070	WASHER SPRING	1				0.017	0.0374
110	15451-92320	NUT CAP	1				0.01	0.022
120	15451-51480	COLLAR	1				0.145	0.319
130	01073-51020	BOLT	2				0.024	0.0528
140	04013-50100	WASHER PLAIN	2				0	0
150	15451-51650	COVER INJECTION PUMP	1				0.32	0.704
160	15451-51660	GASKET PUMP COVER	1				0	0
170	01053-50818	BOLT	2				0.011	0.0242
180	01053-50850	BOLT	4				0.021	0.0462
190	04512-50080	WASHER SPRING	6				0	0
200	15451-52032	ASSY PUMP FUEL	1				0.345	0.759
210	15451-52140	GASKET FUEL PUMP	1				0	0
220	15451-52150	BASE FUEL PUMP	1				0	0
230	01513-50822	STUD	2				0.01	0.022
240	02056-50080	NUT	2				0.005	0.011
250	04012-50080	WASHER PLAIN	2				0.001	0.0022
260	04512-50080	WASHER SPRING	2				0	0
270	15451-52410	GEAR FUEL PUMP	1				1.25	2.75
280	15451-52420	SHAFT FUEL PUMP GEAR	1				0.8	1.76
290	01053-50820	BOLT	3				0.012	0.0264
300	04012-50080	WASHER PLAIN	3				0.001	0.0022
310	15451-52400	COMP SUPPORT BEARING	1				0	0
320	15451-24980	BUSH	2				0	0
330	15451-24360	COLLAR	1				0.015	0.033
340	15451-24370	COLLAR	1				0.03	0.066
350	15451-95390	CIR-CLIP EXTERNAL	1				0.007	0.0154
360	15451-52440	GASKET FUEL PUMP	2				0	0
370	15451-91530	STUD	3				0.016	0.0352
380	02056-50080	NUT	3				0.005	0.011
390	04012-50080	WASHER PLAIN	3				0.001	0.0022
400	04512-50080	WASHER SPRING	3				0	0

STARTER AND DYNAMO



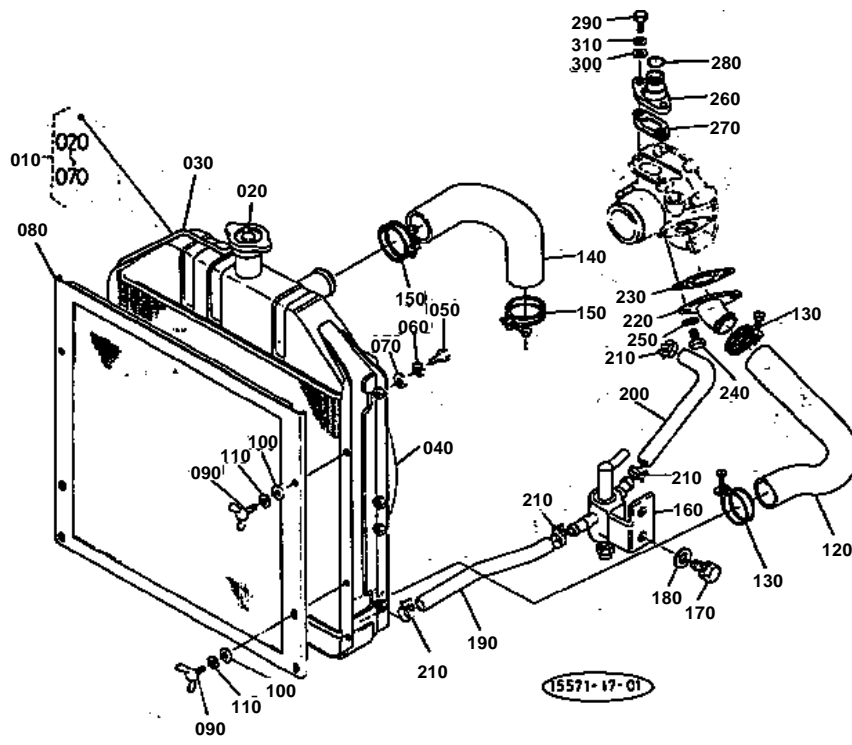


STARTER AND DYNAMO

↔ Interchangeable; ≠ not interchangeable; ← new for old; → old for new

REF.No	Part No.	Description	Q'ty	S.No.	I/C	REMARKS	Weight (kgf)	Weight (lb)
010	15451-63010	ASSY STARTER	1				0	0
020	01517-51030	STUD	1				0	0
030	02076-50100	NUT	1				0.006	0.0132
040	01073-51035	BOLT	2				0.031	0.0682
050	04512-50100	WASHER SPRING	3				0	0
060	15351-63540	COVER STARTER	1				0.36	0.792
070	15451-63850	CUSHION	3				0.001	0.0022
080	32150-29180	CAP RUBBER	1				0.002	0.0044
090	15451-64010	ASSY DYNAMO	1				5.5	12.1
100	15451-64350	SUPPORT DYNAMO	1				0.29	0.638
110	01053-50845	BOLT	2				0.019	0.0418
120	01053-50855	BOLT	1				0.022	0.0484
130	04012-50080	WASHER PLAIN	3				0.001	0.0022
140	04512-50080	WASHER SPRING	3				0	0
150	36200-77520	CLAMP CORD	1				0.007	0.0154
160	15451-64420	STAY DYNAMO	1				0.15	0.33
170	15451-91490	STUD	1				0.06	0.132
180	02076-50100	NUT	1				0.006	0.0132
190	04512-50100	WASHER SPRING	2				0	0
200	15571-65510	PLUG GLOW	3				0.07	0.154
210	15451-65560	CORD GLOW PLUG	2				0.005	0.011
220	15451-91030	BOLT	1				0.075	0.165
230	02076-50100	NUT	1				0.006	0.0132
240	04013-50100	WASHER PLAIN	2				0	0
250	04512-50100	WASHER SPRING	1				0	0
260	15451-64460	COLLAR	1				0.034	0.0748
270	01073-51048	BOLT	1				0.04	0.088
280	02076-50100	NUT	1				0.006	0.0132
290	04013-50100	WASHER PLAIN	2				0	0
300	04512-50100	WASHER SPRING	1				0	0

RADIATOR

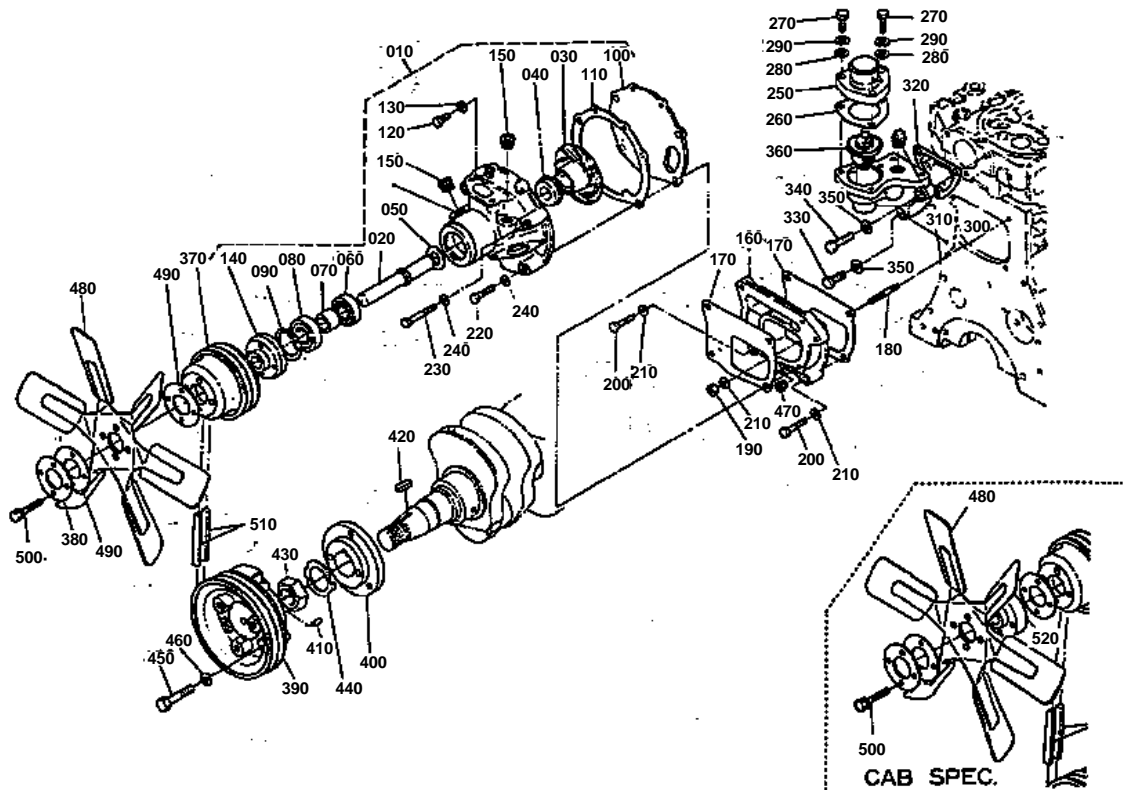


**RADIATOR**

↔ Interchangeable; ≠ not interchangeable; ← new for old; → old for new

REF.No	Part No.	Description	Q'ty	S.No.	I/C	REMARKS	Weight (kgf)	Weight (lb)
010	15571-72063	ASSY RADIATOR	1	<=19075			0	0
010	15571-72064	ASSY RADIATOR	1	>=19076	←		14	30.8
010	15482-72060	ASSY RADIATOR	1			MOUNTING CAB SPEC.	14.5	31.9
020	15701-72030	ASSY CAP RADIATOR	1				0	0
030	15571-72710	PIPE WATER OVER FLOW	1				0.035	0.077
040	15571-72330	SHROUD FAN	1				0.98	2.156
040	15482-72330	SHROUD FAN	1			MOUNTING CAB SPEC.	0.95	2.09
050	01053-50616	BOLT	8				0.005	0.011
060	04512-50060	WASHER SPRING	8				0	0
070	04012-50060	WASHER PLAIN	8				0.001	0.0022
080	15811-72254	NET RADIATOR	1				1.18	2.596
090	01811-50615	BOLT WING	4				0.015	0.033
100	04012-50060	WASHER PLAIN	4				0.001	0.0022
110	04512-50060	WASHER SPRING	4				0	0
120	15571-72853	PIPE WATER	1				0.28	0.616
130	15701-72870	BAND HOSE	2				0.027	0.0594
140	15451-72940	PIPE WATER	1	<=17833			0.26	0.572
140	15481-72940	PIPE WATER	1	>=17834	←		0.25	0.55
150	15701-72960	BAND HOSE	2				0.029	0.0638
160	15571-73110	ASSY COCK DRAIN	1				0.29	0.638
170	01123-50822	BOLT	2				0.012	0.0264
180	04012-50080	WASHER PLAIN	2				0.001	0.0022
190	15481-73343	PIPE WATER RETURN	1				0.06	0.132
200	15571-73350	PIPE WATER RETURN	1				0.06	0.132
210	68171-63630	BAND HOSE	4				0.013	0.0286
220	15451-72810	FLANGE WATER	1				0.145	0.319
230	15451-72820	GASKET WATER FLANGE	1				0	0
240	01053-50818	BOLT	2				0.011	0.0242
250	04512-50080	WASHER SPRING	2				0	0
260	15451-73320	FLANGE WATER RETURN	1				0.227	0.4994
270	15451-73330	GASKET	1				0	0
280	04811-40150	RING	1				0.001	0.0022
290	01053-50822	BOLT	2				0.013	0.0286
300	04012-50080	WASHER PLAIN	2				0.001	0.0022
310	04512-50080	WASHER SPRING	2				0	0

WATER PUMP



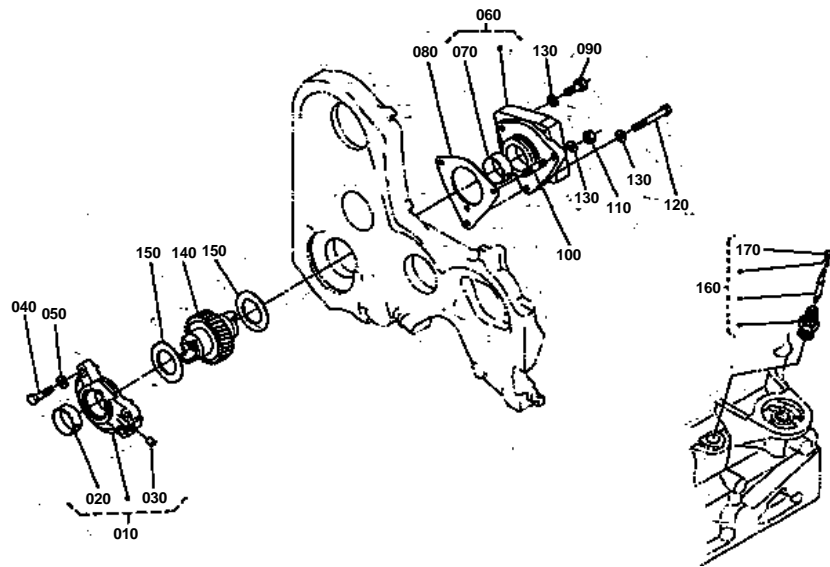


WATER PUMP

↔ Interchangeable; ≠ not interchangeable; ← new for old; → old for new

REF.No	Part No.	Description	Q'ty	S.No.	I/C	REMARKS	Weight (kgf)	Weight (lb)
010	15451-73030	ASSY PUMP WATER	1				0	0
020	15451-73480	SHAFT WATER PUMP	1				0.36	0.792
030	15451-73510	IMPELLER WATER PUMP	1				0.42	0.924
040	15451-73050	ASSY SEAL MECHANICAL	1				0.05	0.11
050	15451-73620	SLINGER WATER PUMP	1				0.006	0.0132
060	15451-73550	BEARING	1				0.108	0.2376
070	15451-73490	COLLAR PUMP SHAFT	1				0.05	0.11
080	15451-73560	BEARING	1				0.144	0.3168
090	04611-00520	CIR-CLIP INTERNAL	1				0.009	0.0198
100	15451-73770	COVER WATER PUMP	1				0.54	1.188
110	15451-73430	GASKET WATER PUMP	1				0	0
120	01053-50820	BOLT	2				0.012	0.0264
130	04512-50080	WASHER SPRING	2				0	0
140	15451-73520	FLANGE WATER PUMP	1				0.36	0.792
150	15451-96040	PLUG	2				0.024	0.0528
160	15482-73750	SUPPORT WATER PUMP	1				0	0
170	15451-73760	GASKET PUMP SUPPORT	2				0	0
180	01517-51040	STUD	1				0.03	0.066
190	02076-50100	NUT	1				0.006	0.0132
200	01073-51042	BOLT	3				0.035	0.077
210	04512-50100	WASHER SPRING	4				0	0
220	01073-51035	BOLT	1				0.031	0.0682
230	01073-51055	BOLT	3				0.043	0.0946
240	04512-50100	WASHER SPRING	4				0	0
250	15451-73260	COVER THERMOSTAT	1				0.132	0.2904
260	15451-73270	GASKET	1				0	0
270	01053-50825	BOLT	3				0.014	0.0308
280	04012-50080	WASHER PLAIN	3				0.001	0.0022
290	04512-50080	WASHER SPRING	3				0	0
300	15571-73060	ASSY SUPPORT THERMO.	1				1.88	4.136
310	06312-10030	PLUG	1				0.029	0.0638
320	15451-73280	GASKET	1				0	0
330	01073-51028	BOLT	1				0.03	0.066
340	01073-51045	BOLT	2				0.036	0.0792
350	04512-50100	WASHER SPRING	3				0	0
360	15451-73010	ASSY THERMOSTAT	1				0.1	0.22
370	15451-74250	PULLEY FAN	1				1.3	2.86
380	15451-74230	WASHER FAN	1				0.07	0.154
390	15352-74280	PULLEY FAN DRIVE	1				4	8.8
400	15451-74293	FLANGE PULLEY	1				1.44	3.168
410	05012-00510	PIN STRAIGHT	1				0.001	0.0022
420	05712-01030	KEY FEATHER	1				0.008	0.0176
430	15451-23362	NUT CRANKSHAFT	1				0.16	0.352
440	15451-23382	WASHER CRANKSHAFT	1				0.012	0.0264
450	01073-51055	BOLT	3				0.043	0.0946
460	04512-50100	WASHER SPRING	3				0	0
470	06312-10100	PLUG	1				0.147	0.3234
480	15451-74110	FAN	1				0	0
480	15482-74110	FAN	1			MOUNTING CAB SPEC.	1.94	4.268
490	15451-96680	GASKET	2				0.002	0.0044
500	01123-50830	BOLT	4				0.015	0.033
500	01123-50845	BOLT	4			MOUNTING CAB SPEC.	0.02	0.044
510	15451-97010	BELT V	2				0.095	0.209
520	15456-74150	COLLAR FAN	1			MOUNTING CAB SPEC.	0.165	0.363

HYDRAULIC PUMP BASE



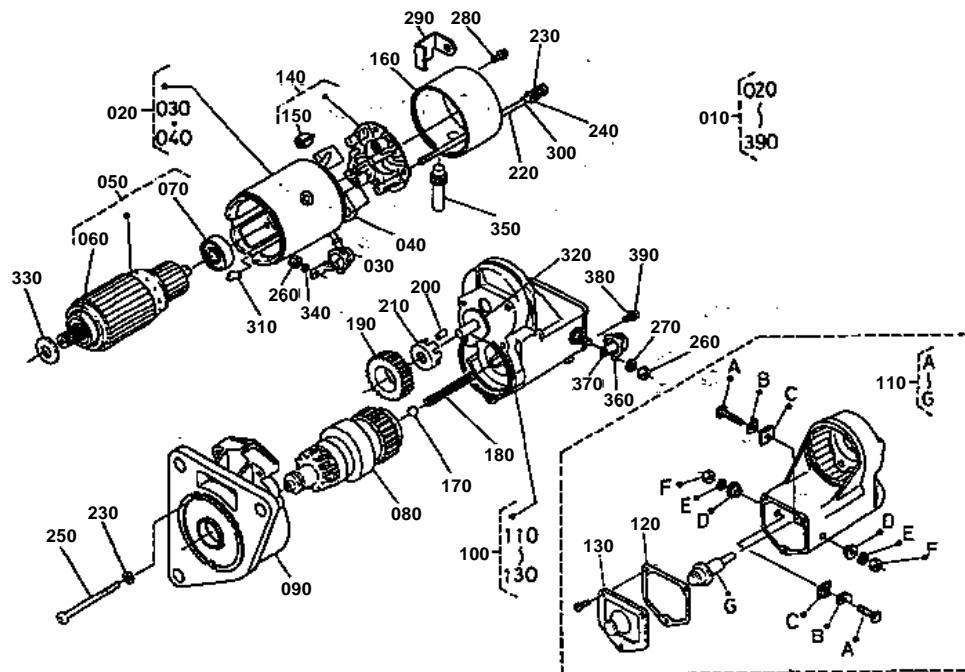


HYDRAULIC PUMP BASE

↔ Interchangeable; ≠ not interchangeable; ← new for old; → old for new

REF.No	Part No.	Description	Q'ty	S.No.	I/C	REMARKS	Weight (kgf)	Weight (lb)
010	15451-83060	COMP BASE PUMP	1				0	0
020	15451-83980	BUSH	1				0	0
030	15109-33640	PLUG PIN	1				0.001	0.0022
040	01053-50835	BOLT	3				0.016	0.0352
050	04512-50080	WASHER SPRING	3				0	0
060	15451-83070	COMP BASE PUMP	1				1.42	3.124
070	15451-83980	BUSH	1				0	0
080	15451-83140	PACKING PUMP BASE	1				0	0
090	01053-50830	BOLT	1				0.015	0.033
100	01518-50828	STUD	1				0.01	0.022
110	02056-50080	NUT	1				0.005	0.011
120	01053-50865	BOLT	1				0.025	0.055
130	04512-50080	WASHER SPRING	3				0	0
140	15451-83190	GEAR PUMP DRIVE	1				0.93	2.046
150	15451-83160	COLLAR	2				0.016	0.0352
160	15451-83400	ASSY JOINT HOURMETER	1				0	0
170	15451-83450	SEAL OIL	1				0.001	0.0022

STARTER [SECTION PARTS]

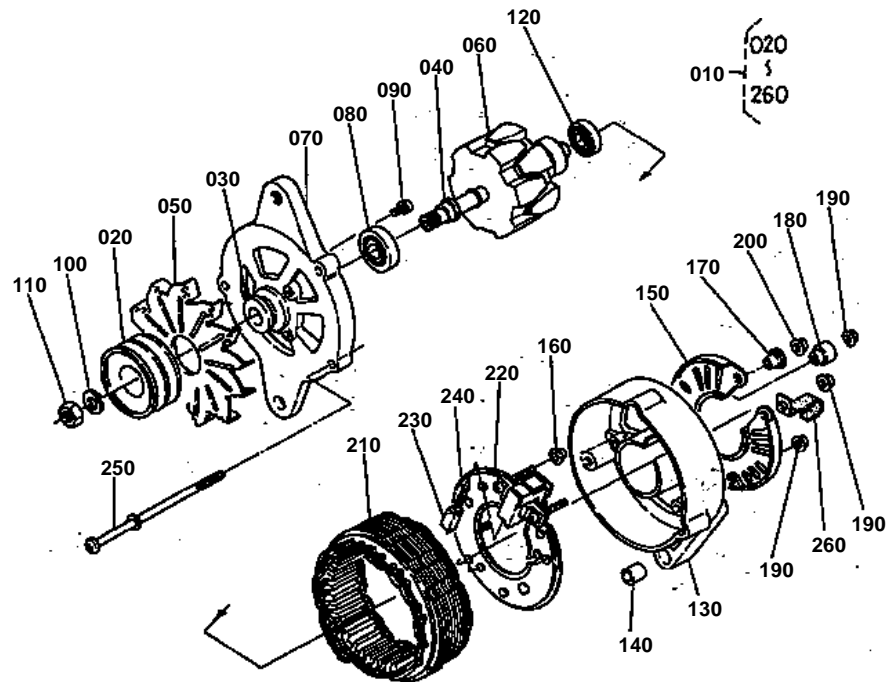


**STARTER [SECTION PARTS]**

↔ Interchangeable; ≠ not interchangeable; ← new for old; → old for new

REF.No	Part No.	Description	Q'ty	S.No.	I/C	REMARKS	Weight (kgf)	Weight (lb)
010	15451-63010	ASSY STARTER	1				0	0
020	15451-63080	YOKE	1				1.8	3.96
030	15451-63120	COVER CORD	1				0.008	0.0176
040	15451-63370	KIT BRUSH	2				0.02	0.044
050	15451-63070	ARMATURE	1				1.83	4.026
060	08111-06003	BEARING BALL	1				0.04	0.088
070	08111-06200	BEARING BALL	1				0.025	0.055
080	15451-63040	CLUTCH	1				0	0
090	15451-63030	HOUSING	1				0.98	2.156
100	15451-63020	SWITCH MAGNET	1				0	0
110	15451-63110	KIT STARTER	1				0	0
120	15451-63520	GASKET	1				0.01	0.022
130	15451-63510	COVER SOLENOID	1				0.09	0.198
140	15451-63380	HOLDER BRUSH	1				0.174	0.3828
150	15451-63390	SPRING BRUSH	4				0.009	0.0198
160	15451-63200	FRAME END	1				0.346	0.7612
170	19212-97130	BALL	1				0.003	0.0066
180	15451-63140	SPRING	1				0.004	0.0088
190	15451-63260	GEAR IDLE	1				0.128	0.2816
200	15451-63330	ROLLER	5				0.004	0.0088
210	15451-63340	RETAINER	1				0.006	0.0132
220	15481-63320	BOLT	2				0.04	0.088
230	04512-50060	WASHER SPRING	5				0	0
240	15611-94010	WASHER PLAIN	2				0.003	0.0066
250	15451-93310	SCREW	3				0.015	0.033
260	15451-92190	NUT	2				0.011	0.0242
270	15611-94070	WASHER SPRING	1				0.002	0.0044
280	03024-50508	SCREW	2				0.002	0.0044
290	15451-63310	STAY	1				0.02	0.044
300	15611-96750	O RING	2				0.001	0.0022
310	15451-63350	PLATE LOCK	1				0.002	0.0044
320	15481-63460	RETAINER	1				0.01	0.022
330	15451-96980	WASHER FELT	1				0.001	0.0022
340	15611-94370	WASHER WAVE	1				0.001	0.0022
350	15231-63292	COVER	1				0.003	0.0066
360	15451-63950	COVER	1				0.001	0.0022
370	14182-63630	STAY	1				0.045	0.099
380	13801-94090	WASHER SPRING	1				0.002	0.0044
390	15451-63760	SCREW TAPPING	1				0.003	0.0066

DYNAMO [SECTION PARTS]

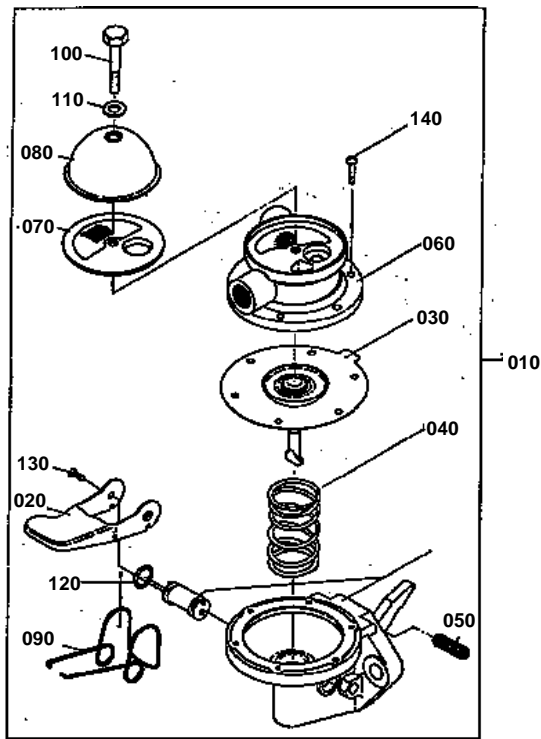


**DYNAMO [SECTION PARTS]**

↔ Interchangeable; ≠ not interchangeable; ← new for old; → old for new

REF.No	Part No.	Description	Q'ty	S.No.	I/C	REMARKS	Weight (kgf)	Weight (lb)
010	15451-64010	ASSY DYNAMO	1				5.5	12.1
020	15451-64110	PULLEY DYNAMO	1				0.94	2.068
030	15481-64150	COLLAR	1				0.022	0.0484
040	15451-64160	RING SPACE	1				0.012	0.0264
050	15451-64130	FAN DYNAMO	1				0.2	0.44
060	15451-64030	ARMATURE	1				2.07	4.554
070	15481-64020	FRAME DRIVE END	1				0.405	0.891
080	08141-06203	BEARING BALL	1				0.064	0.1408
090	15481-91180	BOLT	3				0.005	0.011
100	15221-94070	WASHER SPRING	1				0.008	0.0176
110	15221-92010	NUT	1				0.012	0.0264
120	08141-06201	BEARING BALL	1				0.04	0.088
130	15481-64060	FRAME END	1				0.37	0.814
140	15481-64210	BUSH	1				0.018	0.0396
150	15481-64230	COVER END	1				0.03	0.066
160	15481-64870	WASHER	2				0.001	0.0022
170	15481-64910	INSULATION TERMINAL	1				0.002	0.0044
180	15481-64920	INSULATION TERMINAL	1				0.002	0.0044
190	15451-94080	WASHER	3				0.001	0.0022
200	14182-92030	NUT	1				0.003	0.0066
210	15481-64050	YOKE	1				0.95	2.09
220	15481-64850	ASSY RECTIFIER	1				0.22	0.484
230	15221-64090	BRUSH	2				0.002	0.0044
240	15221-64330	SPRING BRUSH	2				0.001	0.0022
250	15481-64260	BOLT	3				0.011	0.0242
260	15321-67570	CLAMP CORD	1				0.04	0.088

FUEL PUMP [SECTION PARTS]



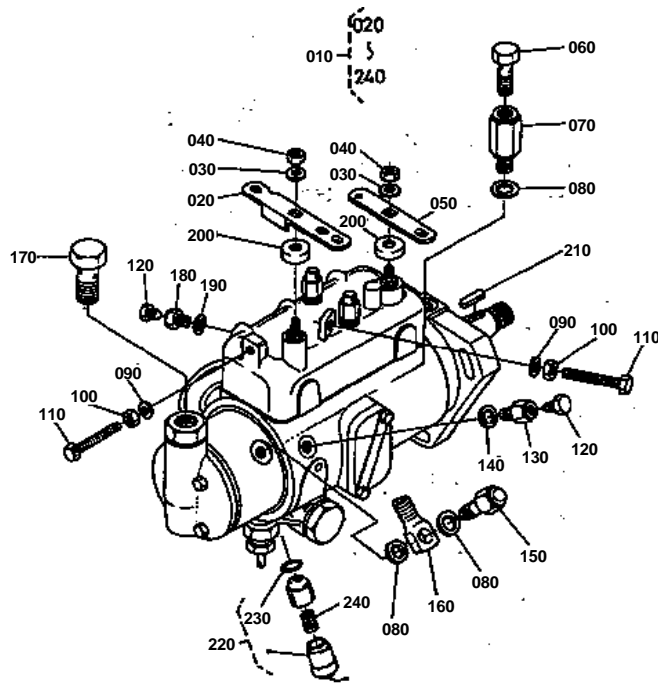


FUEL PUMP [SECTION PARTS]

↔ Interchangeable; ≠ not interchangeable; ← new for old; → old for new

REF.No	Part No.	Description	Q'ty	S.No.	I/C	REMARKS	Weight (kgf)	Weight (lb)
010	15451-52032	ASSY PUMP FUEL	1				0.345	0.759
020	15451-52330	LEVER	1				0	0
030	15451-52040	COMP.DIAPHRAGM	1				0.024	0.0528
040	15451-52350	SPRING	1				0.007	0.0154
050	15451-52380	SPRING	1				0.001	0.0022
060	15451-52050	COMP.BODY FUEL PUMP	1				0.07	0.154
070	15451-52310	FILTER	1				0.001	0.0022
080	15451-52210	CAP	1				0.03	0.066
090	15451-52340	SPRING	1				0.001	0.0022
100	15451-52220	BOLT	1				0.007	0.0154
110	15451-52230	PACKING HEAD	1				0.001	0.0022
120	04811-00070	RING	2				0	0
130	03056-50306	SCREW	2				0.001	0.0022
140	03024-50412	SCREW	6				0	0

INJECTION PUMP [SECTION PARTS]



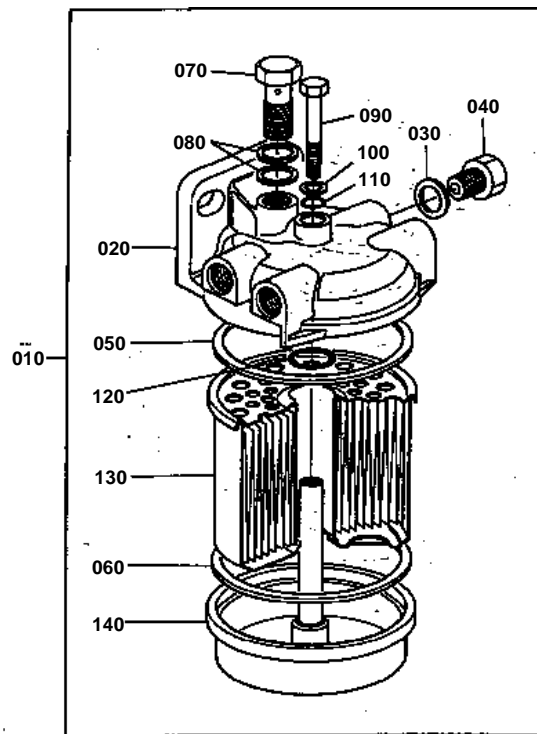


INJECTION PUMP [SECTION PARTS]

↔ Interchangeable; ≠ not interchangeable; ← new for old; → old for new

REF.No	Part No.	Description	Q'ty	S.No.	I/C	REMARKS	Weight (kgf)	Weight (lb)
010	15572-51010	ASSY PUMP INJECTION	1				5.6	12.32
020	15451-51130	LEVER THROTTLE	1				0.023	0.0506
030	15451-94370	WASHER	2				0.001	0.0022
040	15451-92210	NUT LOCK	2				0.014	0.0308
050	15451-51140	LEVER SHAFT OFF	1				0.01	0.022
060	15451-91120	BOLT PIPE JOINT	1				0.014	0.0308
070	15351-51520	CONNECTION DRAIN	1				0.06	0.132
080	15451-98120	WASHER TONGUED	7				0.001	0.0022
090	15451-98130	WASHER	2				0.001	0.0022
100	15451-92220	NUT LOCK	2				0.001	0.0022
110	15451-91130	SCREW THROTTLE	2				0.005	0.011
120	15451-91140	SCREW BEND	2				0.003	0.0066
130	15451-91170	BODY BEND	1				0.008	0.0176
140	15451-98140	WASHER BEND	1				0.001	0.0022
150	15451-91150	VALVE PRESSURE	3				0.03	0.066
160	15451-51510	CONNECTOR FUEL	3				0.064	0.1408
170	15451-91160	BOLT BANJO	1				0.035	0.077
180	15451-91180	BODY BEND	1				0.008	0.0176
190	15451-98150	WASHER TONGUED	1				0.001	0.0022
200	15451-51530	CUP	2				0.001	0.0022
210	15451-95010	KEY	1				0.002	0.0044
220	15481-51700	ASSY SWITCH	1				0.095	0.209
230	15481-51710	SEALING	1				0.001	0.0022
240	15481-51720	SPRING	1				0.001	0.0022

FUEL FILTER [SECTION PARTS]



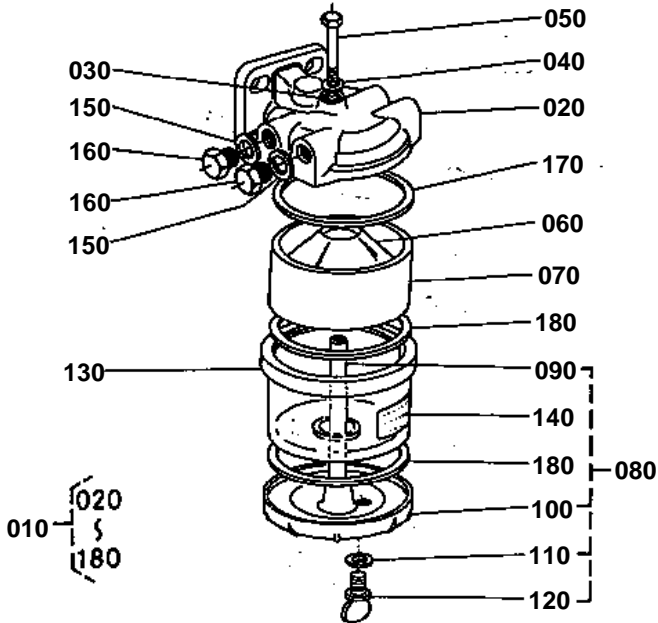


FUEL FILTER [SECTION PARTS]

↔ Interchangeable; ≠ not interchangeable; ← new for old; → old for new

REF.No	Part No.	Description	Q'ty	S.No.	I/C	REMARKS	Weight (kgf)	Weight (lb)
010	15351-43010	ASSY FILTER FUEL	1				0.59	1.298
020	15351-43210	COVER FILTER	1				0.2	0.44
030	15451-43630	WASHER	1				0.001	0.0022
040	15451-95860	BOLT EYE JOINT	1				0.028	0.0616
050	15351-43320	SEAL	1				0.002	0.0044
060	15351-43330	GASKET	1				0.004	0.0088
070	15451-95810	BOLT EYE JOINT	1				0.016	0.0352
080	15451-94050	WASHER PLAIN	2				0.001	0.0022
090	15451-43230	BOLT	1				0.016	0.0352
100	15451-94060	WASHER PLAIN	1				0.002	0.0044
110	15451-96840	O RING	1				0.002	0.0044
120	15451-96830	O RING	1				0.001	0.0022
130	15451-43560	ELEMENT FILTER	1				0.15	0.33
140	15451-43580	POT FILTER	1				0.145	0.319

SEDIMENTER [SECTION PARTS]

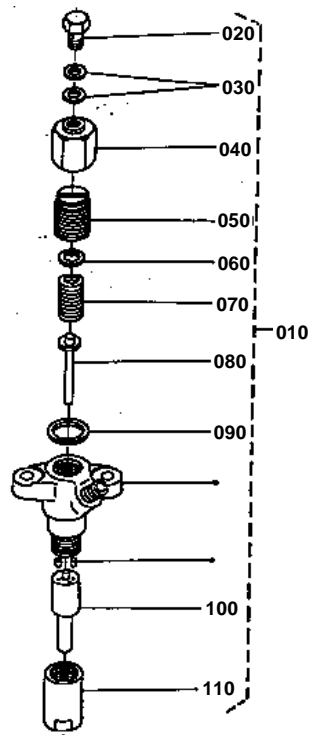


**SEDIMENTER [SECTION PARTS]**

↔ Interchangeable; ≠ not interchangeable; ← new for old; → old for new

REF.No	Part No.	Description	Q'ty	S.No.	I/C	REMARKS	Weight (kgf)	Weight (lb)
010	15451-43352	SEDIMENTER	1				0.8	1.76
020	15451-43370	COVER SEDIMENTER	1				0.2	0.44
030	15451-96840	O RING	1				0.002	0.0044
040	15451-94010	WASHER PLAIN	1				0.002	0.0044
050	15451-43420	BOLT	1				0.018	0.0396
060	15451-43380	ELEMENT	1				0	0
070	15451-43400	BODY SEDIMENTER	1				0.085	0.187
080	15451-43600	ASSY BASE FILTER	1				0.16	0.352
090	15451-43310	STUD	1				0.04	0.088
100	15451-43390	POT	1				0	0
110	15451-98110	WASHER PLAIN	1				0.001	0.0022
120	15451-43270	PLUG DRAIN	1				0.001	0.0022
130	15451-43110	BODY FILTER	1				0.26	0.572
140	15451-87470	LABEL SEDIMENTER	1				0.001	0.0022
150	15451-43630	WASHER	2				0.001	0.0022
160	15451-95790	BOLT EYE JOINT	2				0	0
170	15451-43320	GASKET	1				0.003	0.0066
180	15351-43330	GASKET	2				0.004	0.0088

NOZZLE HOLDER [SECTION PARTS]



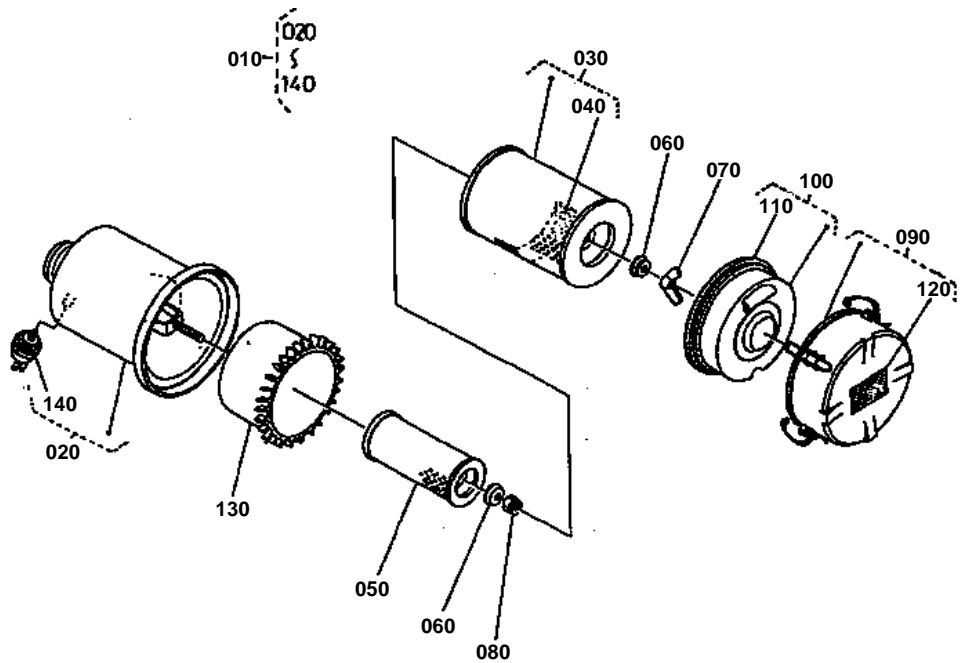


NOZZLE HOLDER [SECTION PARTS]

↔ Interchangeable; ≠ not interchangeable; ← new for old; → old for new

REF.No	Part No.	Description	Q'ty	S.No.	I/C	REMARKS	Weight (kgf)	Weight (lb)
010	15451-53000	ASSY HOLDER NOZZLE	3				0.47	1.034
020	15451-91110	BOLT	3				0.01	0.022
030	15451-96730	GASKET	6				0.001	0.0022
040	15451-92110	NUT	3				0.05	0.11
050	15451-53180	NUT CAP	3				0.025	0.055
060	15451-53230	WASHER ADJUSTING	3				0.001	0.0022
070	15451-53170	SPRING NOZZLE	3				0.02	0.044
080	15451-53350	PIECE DISTANCE	3				0.011	0.0242
090	15451-96740	GASKET	3				0.001	0.0022
100	15451-53610	PIECE NOZZLE	3				0.075	0.165
110	15451-53280	NUT NOZZLE	3				0.05	0.11

DOUBLE AIR CLEANER [SECTION PARTS]



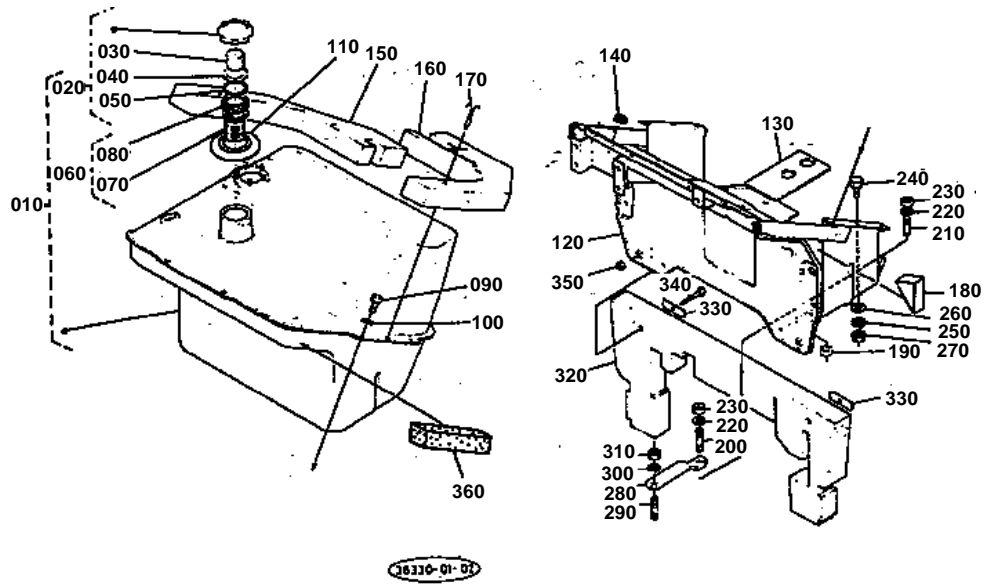


DOUBLE AIR CLEANER [SECTION PARTS]

↔ Interchangeable; ≠ not interchangeable; ← new for old; → old for new

REF.No	Part No.	Description	Q'ty	S.No.	I/C	REMARKS	Weight (kgf)	Weight (lb)
010	15571-11020	ASSY CLEANER AIR	1				4.5	9.9
020	99999-99999	ORDER BY REF No. 010	1				0	0
030	15571-11210	ELEMENT	1				0.97	2.134
040	15621-87480	LABEL ELEMENT A/C	1				0.01	0.022
050	15571-11180	ELEMENT A/C INNER	1				0.35	0.77
060	15621-94440	WASHER SEAL	2				0.008	0.0176
070	15621-92640	NUT WING	1				0.05	0.11
080	15621-92110	NUT	1				0.03	0.066
090	15571-11160	SUB ASSY DUST FAN	1				0.91	2.002
100	15571-11410	COVER BAFFLE	1				0.56	1.232
110	15621-11170	GASKET A/C COVER	1				0.07	0.154
120	15621-87450	LABEL AIR CLEANER	1				0.001	0.0022
130	15621-11600	GUIDE AIR	1				0.12	0.264
140	15621-11090	ASSY INDICATOR	1				0.045	0.099

FUEL TANK

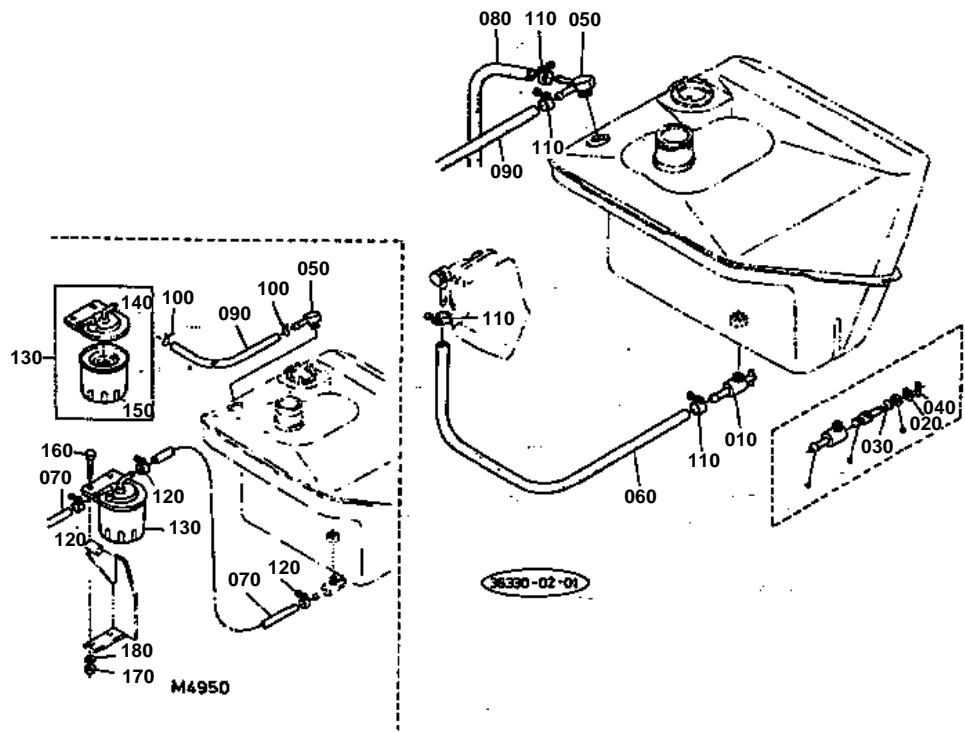


**FUEL TANK**

↔ Interchangeable; ≠ not interchangeable; ← new for old; → old for new

REF.No	Part No.	Description	Q'ty	S.No.	I/C	REMARKS	Weight (kgf)	Weight (lb)
010	36330-04100	COMP.TANK FUEL	1	<=11038			0	0
010	36330-04102	COMP.TANK FUEL	1	>=11039	←		0	0
020	38240-35200	ASSY CAP FUEL TANK	1				0.06	0.132
030	34150-35240	SPONGE	1				0.001	0.0022
040	34150-35230	GASKET	1				0.01	0.022
050	34150-35180	GASKET	1				0.001	0.0022
060	35450-41060	ASSY FILTER FUEL	1				0.01	0.022
070	35450-41350	FILTER FUEL	1				0	0
080	10211-41340	GASKET	1				0.003	0.0066
090	01123-50825	BOLT	6				0.013	0.0286
100	04015-50080	WASHER PLAIN	6				0	0
110	36330-04120	CAP	1				0.015	0.033
120	36330-04219	SUPPORT FUEL TANK	1	<=11038			0	0
120	35880-04210	SUPPORT FUEL TANK	1	>=11039	←		0	0
120	35880-04214	SUPPORT FUEL TANK	1	>=11077	←		0	0
130	36330-04220	CUSHION	2				0.155	0.341
140	32150-29180	CAP RUBBER	3				0.002	0.0044
150	36330-04230	ELEMENT FUEL RH	1				0.075	0.165
160	36330-04240	ELEMENT FUEL LH	1				0.08	0.176
170	36330-04270	RETAINER ELEMENT	4				0.001	0.0022
180	35820-04420	ELEMENT TANK SUPPORT	2	>=11011		MOUNTING CAB.SPEC.	0.001	0.0022
190	36330-04280	SPACER	4				0.02	0.044
200	01574-51240	STUD	2				0	0
210	01574-51230	STUD	2				0.037	0.0814
220	04512-50120	WASHER SPRING	4				0	0
230	02174-50120	NUT	4				0.01	0.022
240	01133-51020	BOLT	2	<=10070			0.02	0.044
240	01173-51020	BOLT	2	>=10071	↔		0.017	0.0374
250	04512-50100	WASHER SPRING	2	>=10071			0	0
260	04015-50100	WASHER PLAIN	2	>=10071			0.016	0.0352
270	02118-50100	NUT	2	>=10071			0.005	0.011
280	36330-04290	REINFORCING	2				0.19	0.418
290	01574-51230	STUD	2				0.037	0.0814
300	04512-50120	WASHER SPRING	2				0	0
310	02174-50120	NUT	2				0.01	0.022
320	36330-04310	ELEMENT HOUSING	1				0.15	0.33
320	36530-54740	ELEMENT HOUSING	1	>=10115		MOUNTING CAB.SPEC.	0.184	0.4048
330	36330-04320	RETAINER ELEMENT	2				0.013	0.0286
340	01053-50655	BOLT	2				0.013	0.0286
350	02014-50060	NUT	2				0.002	0.0044
360	36530-54920	CUSHION	1			MOUNTING CAB.SPEC.	0.007	0.0154

FUEL PIPING



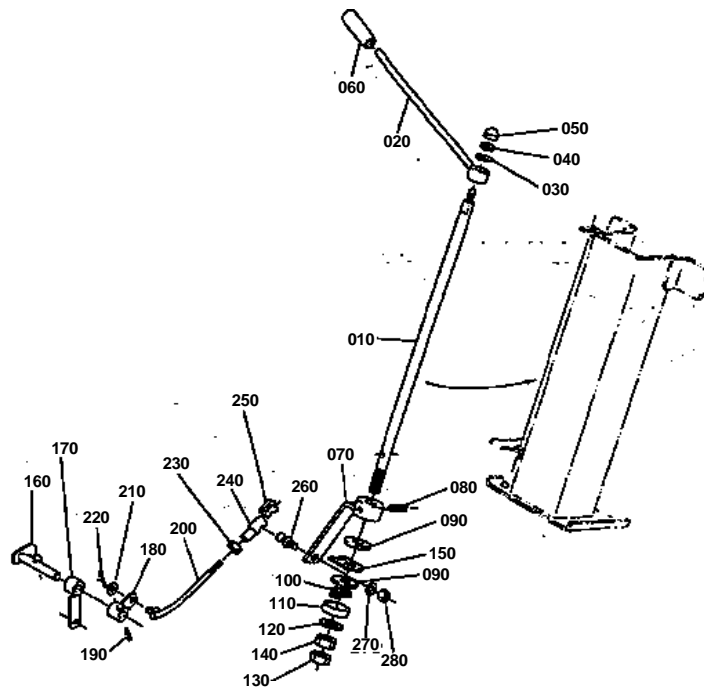


FUEL PIPING

↔ Interchangeable; ≠ not interchangeable; ← new for old; → old for new

REF.No	Part No.	Description	Q'ty	S.No.	I/C	REMARKS	Weight (kgf)	Weight (lb)
010	31220-35400	ASSY COCK FUEL	1				0.11	0.242
020	04611-00140	CIR-CLIP INTERNAL	1				0.001	0.0022
030	04811-00080	RING	1				0	0
040	05411-00330	PIN SPRING	1				0.001	0.0022
050	33251-04440	UNION	1				0.074	0.1628
060	36200-04420	PIPE FUEL	1				0.007	0.0154
080	36300-04420	PIPE FUEL	1				0.056	0.1232
090	36300-04430	PIPE FUEL	1				0.1	0.22
110	14301-42750	CLIP PIPE	6				0.005	0.011

HAND ACCELERATOR



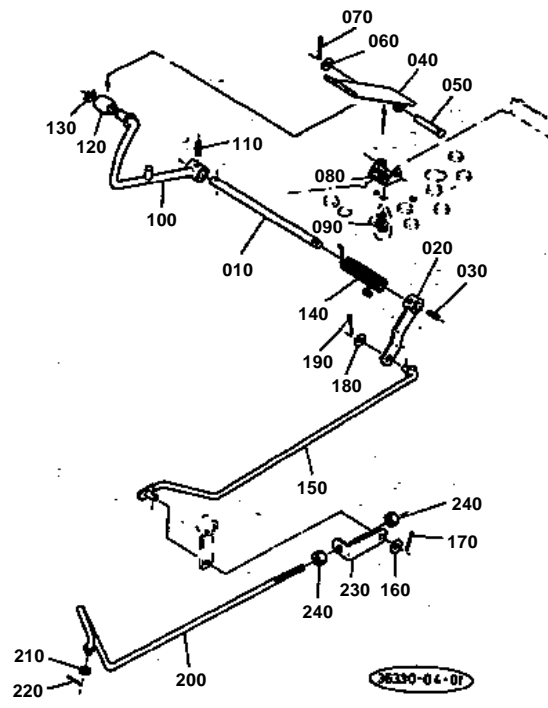


HAND ACCELERATOR

↔ Interchangeable; ≠ not interchangeable; ← new for old; → old for new

REF.No	Part No.	Description	Q'ty	S.No.	I/C	REMARKS	Weight (kgf)	Weight (lb)
010	36330-10110	LEVER HANDLE ACCEL	1				0.375	0.825
020	36330-10220	LEVER ACCEL.HAND	1				0.175	0.385
030	04013-50080	WASHER PLAIN	1				0	0
040	04512-50080	WASHER SPRING	1				0	0
050	62633-54280	NUT CAP	1				0.008	0.0176
060	06914-00100	GRIP LEVER	1				0.02	0.044
070	36330-10390	LEVER ARM	1				0.065	0.143
080	05411-00630	PIN SPRING	1				0.004	0.0088
090	33251-10260	DISK FRICTION	1	<=11038			0	0
090	33251-10260	DISK FRICTION	2	>=11039			0	0
100	33251-10320	SPRING ACCEL.LEVER	1				0.012	0.0264
110	33251-10270	CAP SPRING	1				0.01	0.022
120	04013-50120	WASHER PLAIN	1				0	0
130	02172-50120	NUT	1				0.01	0.022
140	02174-50120	NUT	1				0.01	0.022
150	36330-10380	PLATE ACCEL.LEVER	1	>=11039			0.033	0.0726
160	36330-10210	SHAFT ACCEL.	1				0.065	0.143
170	36330-10160	LEVER PEDAL CONTROL	1				0.05	0.11
180	36330-10170	LEVER CONTROL	1				0.04	0.088
190	05411-00320	PIN SPRING	1				0.001	0.0022
200	36330-10120	ROD ACCEL.	1				0.02	0.044
210	04013-50050	WASHER PLAIN	1				0	0
220	05511-50215	PIN SPLIT	1				0.001	0.0022
230	02054-50050	NUT	1				0.002	0.0044
240	33251-10360	JOINT ACCEL.LEVER	1				0.015	0.033
250	33251-10370	SPRING	1				0.002	0.0044
260	33251-10380	PIN JOINT	1				0.005	0.011
270	04512-50050	WASHER SPRING	1				0	0
280	02054-50050	NUT	1				0.002	0.0044

ACCELERATOR PEDAL

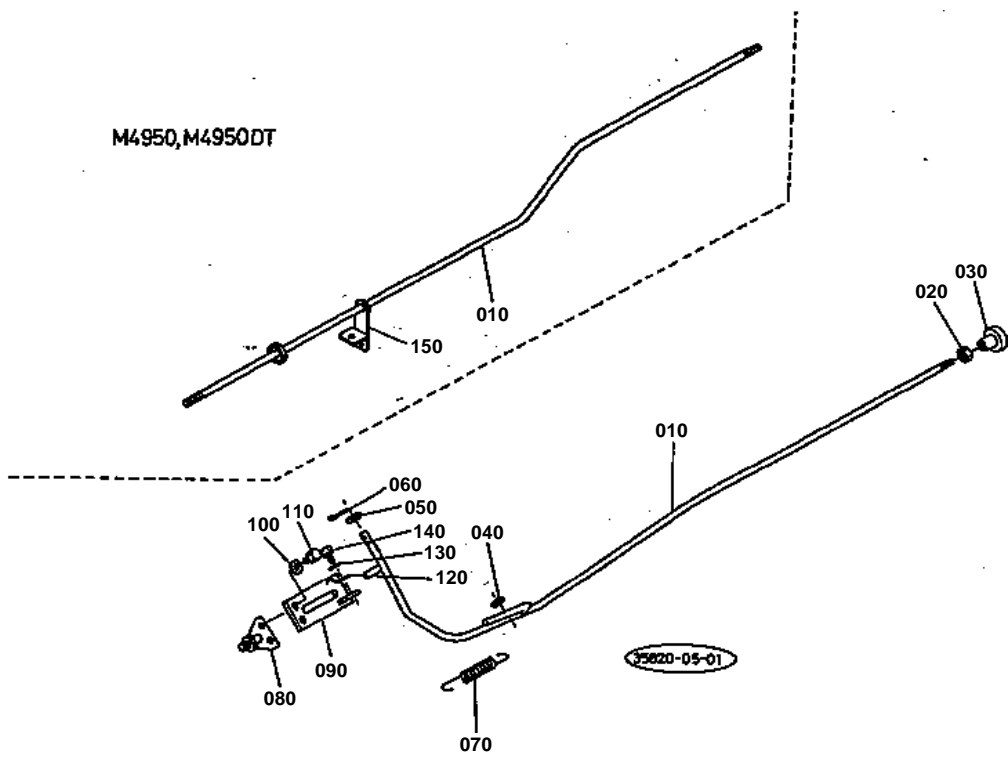


**ACCELERATOR PEDAL**

↔ Interchangeable; ≠ not interchangeable; ← new for old; → old for new

REF.No	Part No.	Description	Q'ty	S.No.	I/C	REMARKS	Weight (kgf)	Weight (lb)
010	36330-10130	SHAFT PEDAL	1				0.12	0.264
020	36330-10140	LEVER PEDAL SHAFT	1				0.07	0.154
030	05411-00520	PIN SPRING	1				0.002	0.0044
040	36330-10240	PEDAL ACCEL.	1				0.175	0.385
050	05122-50645	PIN JOINT	1				0.01	0.022
060	04013-50060	WASHER PLAIN	1				0	0
070	05511-51612	PIN SPLIT	1				0.001	0.0022
080	36330-10180	HOLDER ACCEL.PEDAL	1				0.025	0.055
090	01202-50612	BOLT	2				0.005	0.011
100	36330-10190	LEVER ACCEL.PEDAL	1				0.185	0.407
110	05411-00520	PIN SPRING	1				0.002	0.0044
120	36330-10230	COLLAR	1				0.001	0.0022
130	04613-50070	CIR-CLIP EXTERNAL	1				0.001	0.0022
140	36330-10280	SPRING	1	<=10114			0	0
140	36330-10282	SPRING	1	>=10115	←		0.06	0.132
150	36330-10150	ROD ACCEL.PEDAL	1				0	0
160	04013-50050	WASHER PLAIN	1				0	0
170	05511-51210	PIN SPLIT	1				0.001	0.0022
180	04013-50060	WASHER PLAIN	1				0	0
190	05511-51612	PIN SPLIT	1				0.001	0.0022
200	36330-10290	ROD ACCEL.CONTROL	1				0.11	0.242
210	04013-50060	WASHER PLAIN	1				0	0
220	05511-51612	PIN SPLIT	1				0.001	0.0022
230	33430-10250	END ACCEL.ROD	1				0.025	0.055
240	02014-50060	NUT	2				0.002	0.0044

ENGINE STOP ROD



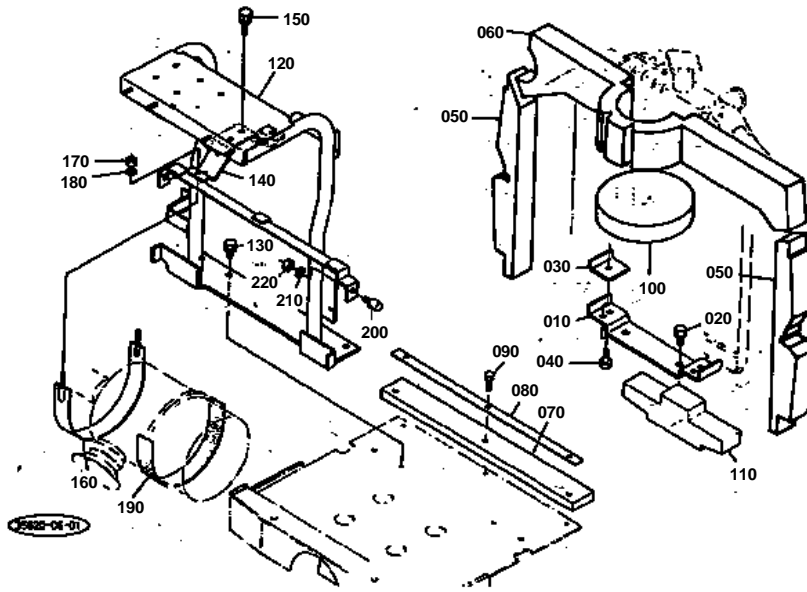


ENGINE STOP ROD

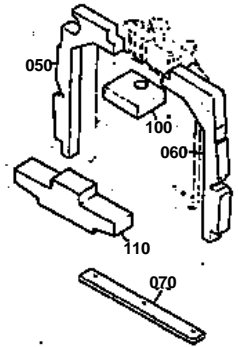
↔ Interchangeable; ≠ not interchangeable; ← new for old; → old for new

REF.No	Part No.	Description	Q'ty	S.No.	I/C	REMARKS	Weight (kgf)	Weight (lb)
010	36330-10340	ROD ENGINE STOP	1				0.23	0.506
020	02014-50060	NUT	1				0.002	0.0044
030	35260-17160	KNOB	1				0.015	0.033
040	04013-50050	WASHER PLAIN	1				0	0
050	04013-50060	WASHER PLAIN	1				0	0
060	05511-50215	PIN SPLIT	1				0.001	0.0022
070	33300-10410	SPRING LEVER RETURN	1				0.004	0.0088
080	36330-10420	GUIDE ROD	1				0.04	0.088
090	36330-10430	GUIDE ROD	1				0	0
100	04013-50060	WASHER PLAIN	2				0	0
110	01023-50616	BOLT	2				0.005	0.011
120	38430-17180	SPRING	1				0.1	0.22
130	04013-50060	WASHER PLAIN	1				0	0
140	01023-50616	BOLT	1				0.005	0.011

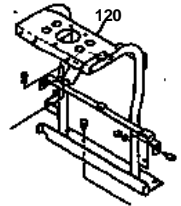
AIR CLEANER BRACKET



REF. No. 050 36330-1714-0
REF. No. 060 36330-1715-0
REF. No. 070 36330-1716-0
REF. No. 100 36330-1718-0
REF. No. 110 36330-1718-0



REF. No. 120 35820-1913-0



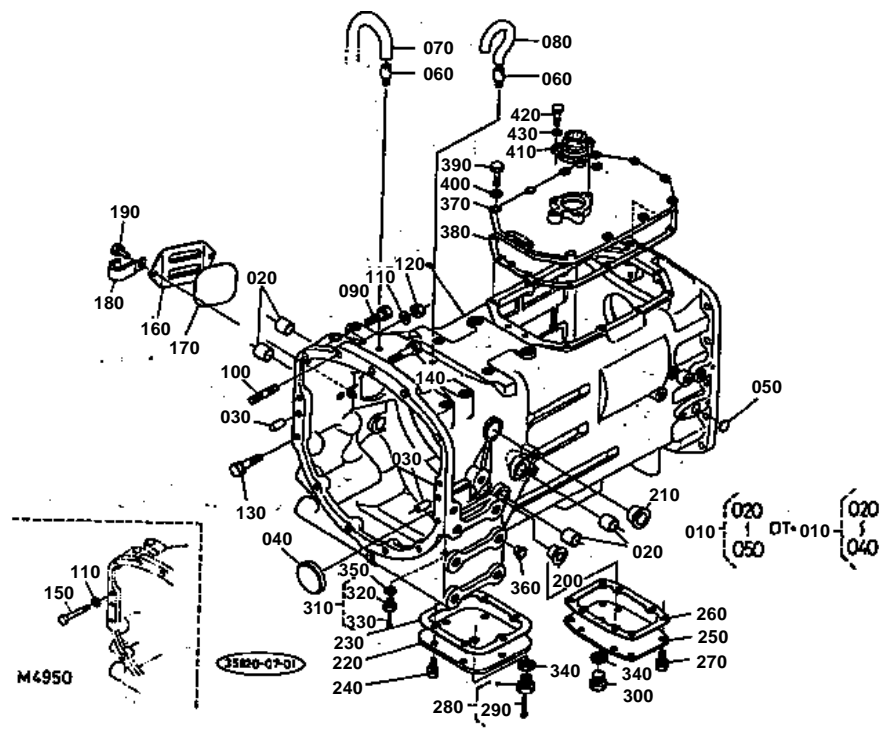


AIR CLEANER BRACKET

↔ Interchangeable; ≠ not interchangeable; ← new for old; → old for new

REF.No	Part No.	Description	Q'ty	S.No.	I/C	REMARKS	Weight (kgf)	Weight (lb)
010	36530-54700	SUPPORT RADIATOR	1				0.77	1.694
020	01133-51225	BOLT	2				0.035	0.077
030	33251-17120	CUSHION	2				0.005	0.011
040	01133-51025	BOLT	2				0.023	0.0506
050	36330-17140	ELEMENT RH	1	≤11069			0.1	0.22
050	35820-17140	ELEMENT SIDE	2	≥11070	≠		0.15	0.33
060	36330-17150	ELEMENT LH	1	≤11069			0.1	0.22
060	35820-17170	ELEMENT UPPER	1	≥11070	≠		0.27	0.594
070	36330-17160	ELEMENT FRONT	1	≤11069			0.02	0.044
070	35820-17160	ELEMENT FRONT	1	≥11070	≠		0.03	0.066
080	36330-17170	PLATE	1				0	0
090	01123-50830	BOLT	3				0.015	0.033
100	36330-17190	ELEMENT UPPER	1	≤11069			0.001	0.0022
100	35820-17190	ELEMENT UPPER	1	≥11070	≠		0.02	0.044
110	36330-17180	ELEMENT LOWER	1	≤11069			0.001	0.0022
110	35880-17180	ELEMENT LOWER	1	≥11070	≠		0.04	0.088
120	35820-19130	BRACKET AIR CLEANER	1	≤11074			9.2	20.24
120	35830-19130	BRACKET AIR CLEANER	1	≥11075	≠		8.6	18.92
130	01130-51020	BOLT	4				0	0
140	35870-19140	SUPPORT AIR CLEANER	1	≥11075			0.502	1.1044
150	01123-50816	BOLT	2	≥11075			0	0
160	36330-19150	SUPPORT AIR CLEANER	1				0.405	0.891
170	02114-50080	NUT	2				0.005	0.011
180	04512-50080	WASHER SPRING	2				0	0
190	36330-19160	CUSHION	1				0.04	0.088
200	33251-85180	RUBBER SEAT BLOCK	2				0.038	0.0836
210	04512-50100	WASHER SPRING	2				0	0
220	02118-50100	NUT	2				0.005	0.011

CLUTCH HOUSING



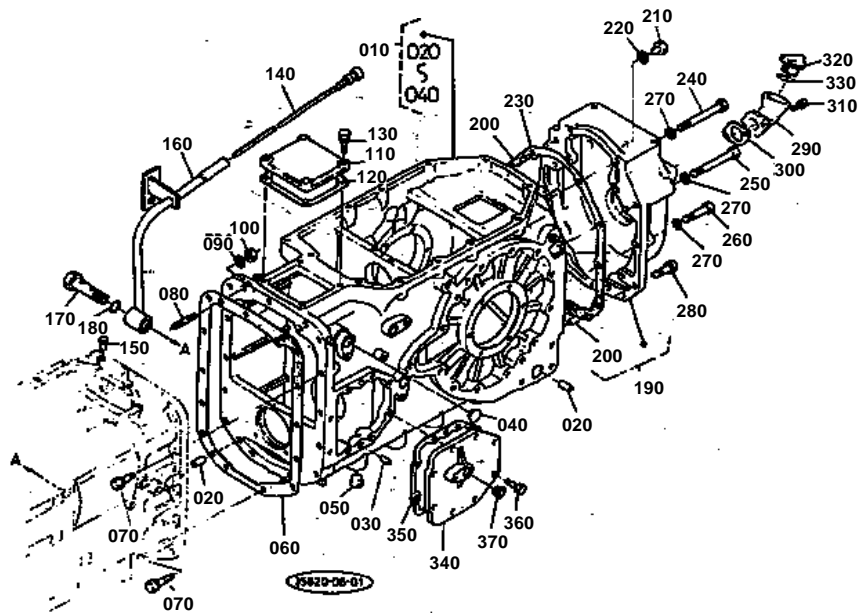


CLUTCH HOUSING

↔ Interchangeable; ≠ not interchangeable; ← new for old; → old for new

REF.No	Part No.	Description	Q'ty	S.No.	I/C	REMARKS	Weight (kgf)	Weight (lb)
010	35820-21100	ASSY HOUSING CLUTCH	1				0	0
020	36200-21130	BUSH	4				0.003	0.0066
030	05012-01020	PIN STRAIGHT	2				0.013	0.0286
040	36200-21230	PLUG	1				0.039	0.0858
050	36200-21240	PLUG	1				0	0
060	36200-21610	BREATHER	2	>=11057			0.008	0.0176
070	36330-21200	PIPE BREATHER	1	>=11057			0.05	0.11
080	36200-21620	BREATHER	1	>=11057			0.006	0.0132
090	01133-51240	BOLT	2				0.05	0.11
100	01574-51245	STUD	2				0.051	0.1122
110	04512-50120	WASHER SPRING	2				0	0
120	02176-50120	NUT	2				0.01	0.022
130	01133-51245	BOLT	8				0.055	0.121
140	01133-51250	BOLT	1				0.055	0.121
160	35801-21160	COVER INSPECTION	1				0.25	0.55
170	35820-21170	GASKET	1				0.045	0.099
180	34150-29390	CLAMP CORD	1	>=11057			0.004	0.0088
190	01123-50818	BOLT	4	<=10070			0.012	0.0264
190	01123-50816	BOLT	2	>=10071	←		0	0
200	36330-21180	PLUG	1				0.009	0.0198
210	36330-21190	PLUG	2				0.015	0.033
220	36200-21180	COVER HOUSING	1				1.12	2.464
230	36200-21190	GASKET	1				0	0
240	01133-51020	BOLT	6				0.02	0.044
250	36330-21210	COVER HOUSING	1				16.5	36.3
260	36200-21220	GASKET	1				0	0
270	01133-51020	BOLT	8				0.02	0.044
280	36200-97580	PLUG	1				0.05	0.11
290	05511-50530	PIN SPLIT	1				0.006	0.0132
300	06331-35020	PLUG	1				0.068	0.1496
310	35861-97500	KIT PLUG	1				0.04	0.088
320	35861-97510	PLUG	1				0.027	0.0594
330	05511-50425	PIN SPLIT	1				0.003	0.0066
340	04717-02000	WASHER WITH RUBBER	2				0.004	0.0088
350	04717-01400	WASHER WITH RUBBER	1				0.003	0.0066
360	36330-21290	PLUG BLIND	14				0.002	0.0044
370	36330-21254	COVER SPEED CHANGE	1				4.6	10.12
380	36530-21260	GASKET	1				0	0
390	01156-50830	BOLT	12				0.012	0.0264
400	04512-50080	WASHER SPRING	12				0	0
410	36330-21270	BASE SPEED CHANGE	1				0.26	0.572
420	01156-50820	BOLT	4				0.01	0.022
430	04512-50080	WASHER SPRING	4				0	0

TRANSMISSION CASE



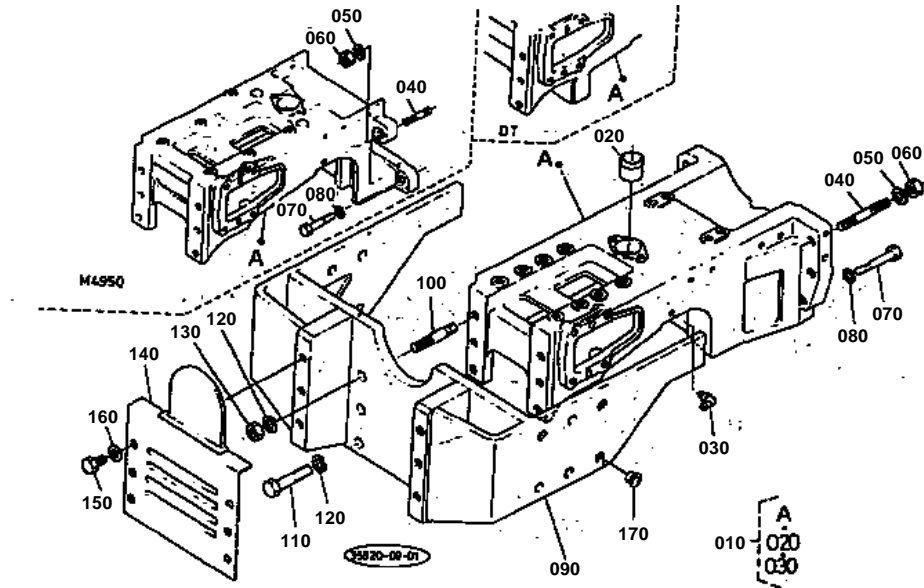


TRANSMISSION CASE

↔ Interchangeable; ≠ not interchangeable; ← new for old; → old for new

REF.No	Part No.	Description	Q'ty	S.No.	I/C	REMARKS	Weight (kgf)	Weight (lb)
010	36330-21300	ASSY CASE TR-MIS'ON	1				89	195.8
020	05012-01325	PIN STRAIGHT	6				0.028	0.0616
030	05012-01020	PIN STRAIGHT	2				0.013	0.0286
040	36200-21240	PLUG	1				0	0
050	33300-90910	PLUG BLIND	10				0.002	0.0044
060	36330-21320	GASKET	1	<=11074			0	0
060	35880-21320	GASKET	1	>=11075	←		0	0
070	01133-51240	BOLT	12				0.05	0.11
080	01574-51240	STUD	2				0	0
090	04512-50120	WASHER SPRING	2				0	0
100	02176-50120	NUT	2				0.01	0.022
110	36330-21340	COVER MISSION CASE	1				0.73	1.606
120	36330-21350	GASKET	1				0	0
130	01133-51030	BOLT	4				0.025	0.055
140	35820-21510	GAUGE OIL	1	<=11058			0	0
140	35868-21510	GAUGE OIL	1	>=11059	↔		0.045	0.099
150	35820-21520	PLUG	1				0.004	0.0088
160	35820-21550	GUIDE OIL GAUGE	1				0.4	0.88
170	35820-21560	BOLT JOINT	1				0.18	0.396
180	04811-00220	RING	1				0	0
190	36330-21400	ASSY COVER CASE	1	<=11069			0	0
190	36330-21402	ASSY COVER CASE	1	>=11070	←		0	0
200	05012-01020	PIN STRAIGHT	2				0.013	0.0286
210	06311-45040	PLUG	1	>=11070			0.115	0.253
220	04717-02150	WASHER WITH RUBBER	1	>=11070			0.004	0.0088
230	36200-21420	GASKET	1				0	0
240	01173-51204	BOLT	2				0	0
250	01173-51202	BOLT	2				0.1	0.22
260	01173-51255	BOLT	2				0.055	0.121
270	04512-50120	WASHER SPRING	6				0	0
280	01133-51235	BOLT	4				0.043	0.0946
290	36330-21470	FILLER OIL	1				0.42	0.924
300	36330-21480	GASKET	1				0	0
310	01123-50820	BOLT	2				0.011	0.0242
320	38430-21410	PLUG	1				0.045	0.099
330	04811-50300	RING	1				0	0
340	36330-21450	COVER SIDE	1				1.44	3.168
350	36330-21460	GASKET	1				0	0
360	01133-51028	BOLT	8				0.027	0.0594
370	36200-21240	PLUG	1				0	0

FRONT AXLE BRACKET



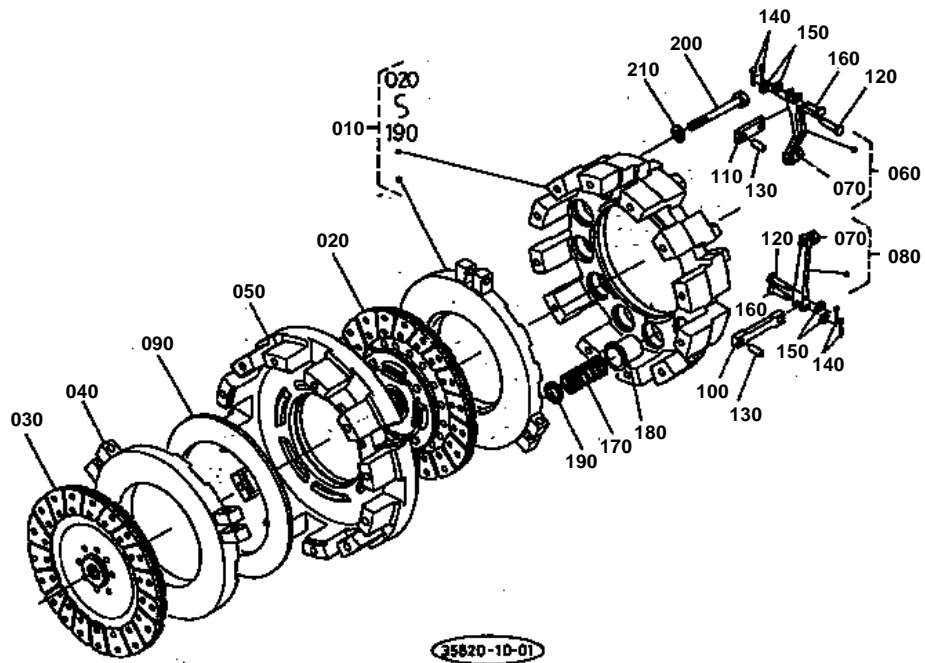


FRONT AXLE BRACKET

↔ Interchangeable; ≠ not interchangeable; ← new for old; → old for new

REF.No	Part No.	Description	Q'ty	S.No.	I/C	REMARKS	Weight (kgf)	Weight (lb)
010	36330-21700	ASSY BRACKET AXLE	1				62	136.4
020	36200-21720	BUSH	1				0.071	0.1562
030	06613-10010	NIPPLE GREASE	1				0.006	0.0132
040	35861-21800	STUD	2				0	0
050	36200-49130	SPRING PLATE	2				0.026	0.0572
060	02176-50180	NUT	2				0.028	0.0616
070	01173-51880	BOLT	4				0.187	0.4114
080	04512-50180	WASHER SPRING	4				0	0
090	36330-21760	BUMPER FRONT	1				0	0
100	36330-21680	STUD	2				0.2	0.44
110	01173-51850	BOLT	4				0.13	0.286
120	04512-50180	WASHER SPRING	6				0	0
130	02174-50180	NUT	2				0.029	0.0638
140	36330-21770	COVER FRONT BUMPER	1				0.84	1.848
150	01173-51635	BOLT	4	<=11082			0.008	0.0176
150	01173-51635	BOLT	6	>=11083			0.008	0.0176
160	04011-50160	WASHER PLAIN	4	<=11082			0	0
160	04011-50160	WASHER PLAIN	6	>=11083			0	0
170	36330-21290	PLUG BLIND	12				0.002	0.0044

CLUTCH [OLD TYPE]



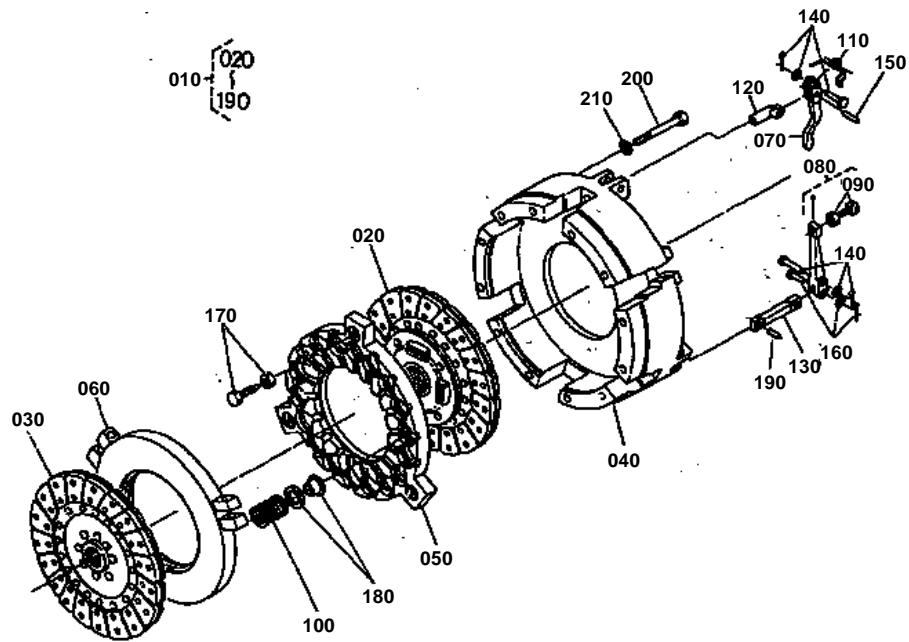
**CLUTCH [OLD TYPE]**

S.No.:M4950;>=10001 <=10050 M4950DT;>=50001 <=50122 M5950;>=10001 <=10060 M5950DT;>=50001 <=50032

↔ Interchangeable; ≠ not interchangeable; ← new for old; → old for new

REF.No	Part No.	Description	Q'ty	S.No.	I/C	REMARKS	Weight (kgf)	Weight (lb)
010	35820-25100	ASSY CLUTCH	1				0	0
020	36200-25134	DISK CLUTCH	1				0	0
030	36200-25142	DISK PTO CLUTCH	1				0	0
040	36200-25150	PLATE PRESSURE	1				4.15	9.13
050	36200-25163	COVER CLUTCH(PTO)	1				10	22
060	36200-25230	KIT LEVER	1				0.071	0.1562
070	36200-25250	KIT BOLT NUT	6				0.06	0.132
080	36200-25240	KIT LEVER	1				0.54	1.188
090	36200-25210	SPRING DIAPHRAGM	1				0.882	1.9404
100	36200-25260	ASSY ROD	3				0.16	0.352
110	36200-25270	ASSY ROD SUB	3				0.07	0.154
120	36200-25280	PIN JOINT	6				0.02	0.044
130	36200-25290	PIN STRAIGHT	6				0.015	0.033
140	05511-50315	PIN SPLIT	12				0.002	0.0044
150	04012-50080	WASHER PLAIN	12				0.001	0.0022
160	36200-25300	PIN JOINT	6				0.015	0.033
170	35999-02580	SPRING PRESSURE	12				0.08	0.176
180	35999-02590	CAP SPRING	12				0.026	0.0572
190	35999-02610	SEAT SPRING	12				0	0
200	01053-50800	BOLT	12				0.036	0.0792
210	04512-50080	WASHER SPRING	12				0	0

CLUTCH [NEW TYPE]



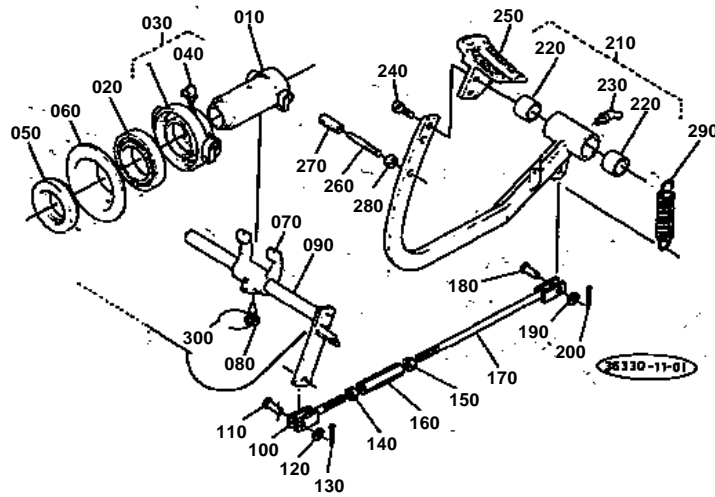
**CLUTCH [NEW TYPE]**

S.No.:M4950;>=10051 M4950DT;>=50123 M5950;>=10061 M5950DT;>=50033

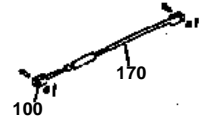
↔ Interchangeable; ≠ not interchangeable; ← new for old; → old for new

REF.No	Part No.	Description	Q'ty	S.No.	I/C	REMARKS	Weight (kgf)	Weight (lb)
010	35830-25102	ASSY CLUTCH	1				0	0
020	35820-25132	DISK CLUTCH	1				0	0
030	36200-25142	DISK PTO CLUTCH	1				0	0
040	35820-25160	COVER CLUTCH	1				0	0
050	35820-25150	PLATE PRESSURE	1				5.2	11.44
060	35820-25220	PLATE PRESSURE	1				0	0
070	35820-25230	KIT LEVER	1				0.55	1.21
080	35820-25240	KIT LEVER	1				0.55	1.21
090	35820-25250	KIT BOLT NUT	1				0.06	0.132
100	35820-25310	KIT PRESSURE SPRING	1				1	2.2
110	35820-25320	KIT SPRING RETURN	1				0.024	0.0528
120	35820-25260	KIT ROD	1				0.225	0.495
130	35820-25270	KIT ROD	1				0.5	1.1
140	35820-25330	KIT PIN JOINT	1				0	0
150	35820-25340	KIT PIN STRAIGHT	1				0	0
160	35820-25350	KIT PIN JOINT	1				0.05	0.11
170	35820-25360	KIT BOLT NUT	1				0.08	0.176
180	35820-25370	KIT SEAT SPRING	1				0.162	0.3564
190	35820-25380	KIT PIN STRAIGHT	1				0.05	0.11
200	01053-50800	BOLT	12				0.036	0.0792
210	04512-50080	WASHER SPRING	12				0	0

CLUTCH PEDAL



REF. No. 100 36330-2617-0
REF. No. 170 36330-2618-0



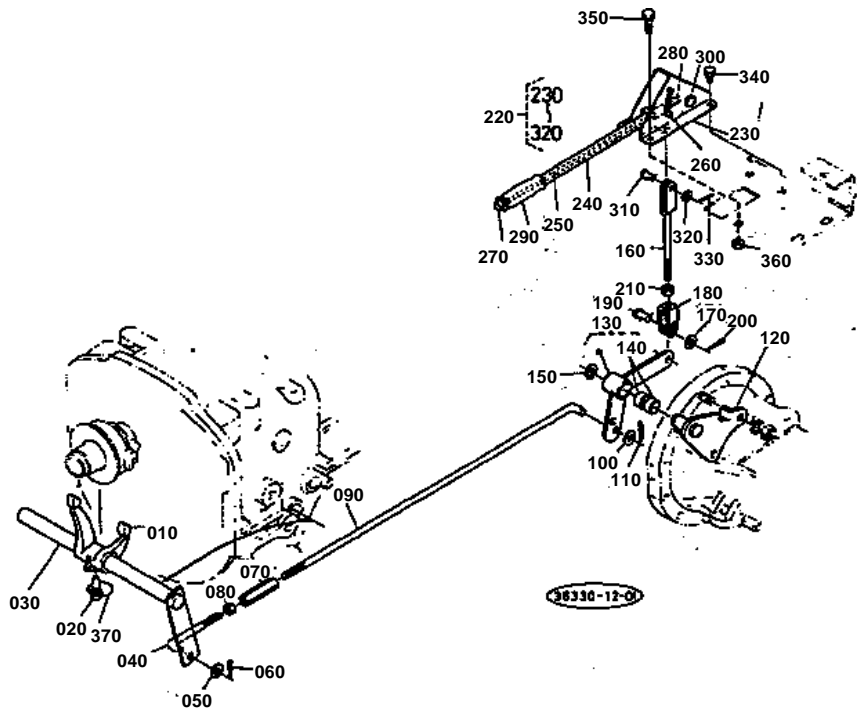


CLUTCH PEDAL

↔ Interchangeable; ≠ not interchangeable; ← new for old; → old for new

REF.No	Part No.	Description	Q'ty	S.No.	I/C	REMARKS	Weight (kgf)	Weight (lb)
010	36330-26300	ASSY HUB CLUTCH	1				0.84	1.848
020	36200-26410	BEARING RELEASE	1				0.504	1.1088
030	36330-26730	ASSY COUPLING	1				0.98	2.156
040	06613-30010	NIPPLE GREASE	1				0.01	0.022
050	08121-06013	BEARING BALL	1				0.45	0.99
060	33400-26770	HUB CLUTCH RELEASE	1				0.65	1.43
070	36330-26190	FORK CLUTCH RELEASE	1				0.55	1.21
080	33251-26350	BOLT	1				0.045	0.099
090	36330-26210	SHAFT CLUTCH CONTROL	1	≤10162			0	0
090	36330-26213	SHAFT CLUTCH CONTROL	1	≥10163	←		0	0
100	36330-26170	ROD CLUTCH	1	≤10162			0	0
100	36330-26173	ROD CLUTCH	1	≥10163	←		0.11	0.242
110	36330-26130	PIN CLUTCH LINK	1				0	0
120	04011-50100	WASHER PLAIN	1				0.002	0.0044
130	05511-50318	PIN SPLIT	1				0.001	0.0022
140	02116-50100	NUT	1				0.004	0.0088
150	55311-31550	NUT	1	≥10145			0.007	0.0154
160	32350-28980	TURNBUCKLE	1				0.124	0.2728
170	36330-26180	ROD CLUTCH	1	≤10162			0	0
170	36330-26182	ROD CLUTCH	1	≥10163	←		0.22	0.484
180	36330-26130	PIN CLUTCH LINK	1				0	0
190	04011-50100	WASHER PLAIN	1				0.002	0.0044
200	05511-50318	PIN SPLIT	1				0.001	0.0022
210	36330-26100	ASSY LEVER CLUTCH	1	≤10162			0	0
210	36330-26105	ASSY LEVER CLUTCH	1	≥10163	←		3	6.6
220	32150-28440	BUSH	2				0.043	0.0946
230	06613-30010	NIPPLE GREASE	1				0.01	0.022
240	01123-50825	BOLT	2				0.013	0.0286
250	35861-26150	HEEL PEDAL	1				0.9	1.98
260	36330-26140	STOPPER CLUTCH PEDAL	1				0.03	0.066
270	36330-26270	RUBBER PROTECTOR	1				0.005	0.011
280	02116-50100	NUT	2				0.004	0.0088
290	36330-26160	SPRING PEDAL RETURN	1				0.17	0.374
300	99999-99999	YOUR SUPPLY	1				0	0

PTO CLUTCH LEVER



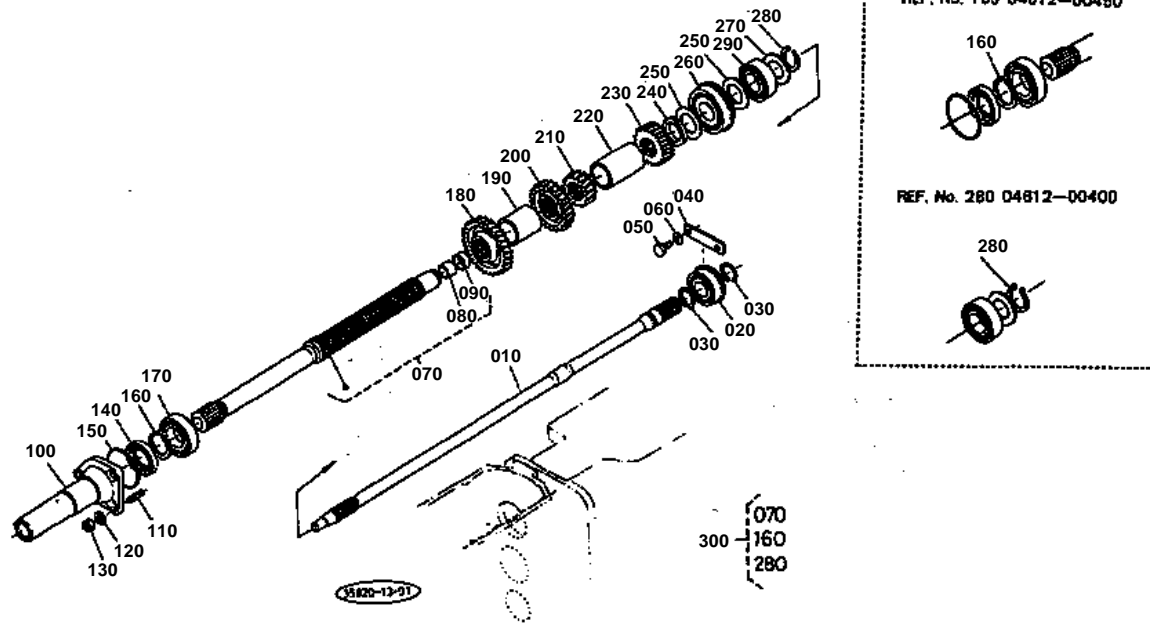


PTO CLUTCH LEVER

↔ Interchangeable; ≠ not interchangeable; ← new for old; → old for new

REF.No	Part No.	Description	Q'ty	S.No.	I/C	REMARKS	Weight (kgf)	Weight (lb)
010	36330-26710	FORK CLUTCH RELEASE	1				0.65	1.43
020	33251-26350	BOLT	1				0.045	0.099
030	36330-26660	SHAFT CONTROL LEVER	1				1.8	3.96
040	36330-26620	ROD PTO	1				0.07	0.154
050	04011-50100	WASHER PLAIN	1				0.002	0.0044
060	05511-50318	PIN SPLIT	1				0.001	0.0022
070	32350-28980	TURNBUCKLE	1				0.124	0.2728
080	02116-50100	NUT	1				0.004	0.0088
090	36330-26650	ROD PTO	1				0.36	0.792
100	04011-50100	WASHER PLAIN	1				0.002	0.0044
110	05511-50318	PIN SPLIT	1				0.001	0.0022
120	36330-26360	BRACKET FULCRUM	1				0.56	1.232
130	36330-26410	ASSY LINK CLUTCH	1				0.42	0.924
140	36330-26430	BUSH	2				0	0
150	04612-00220	CIR-CLIP EXTERNAL	1				0.001	0.0022
160	36330-26440	ROD PTO	1				0.12	0.264
170	04011-50100	WASHER PLAIN	1				0.002	0.0044
180	38240-24360	JOINT	1				0.08	0.176
190	05122-51022	PIN JOINT	1				0.014	0.0308
200	05511-50318	PIN SPLIT	1				0.001	0.0022
210	02116-50100	NUT	1				0.004	0.0088
220	36330-26002	ASSY LEVER CONTROL	1			←	1.27	2.794
230	36330-26013	GUIDE LEVER	1			←	0.7	1.54
240	36330-26020	LEVER CLUTCH CONTROL	1				0.56	1.232
250	36330-26030	ROD RELEASE	1				0.09	0.198
260	05411-00540	PIN SPRING	1				0.004	0.0088
270	36330-26040	BUTTON	1				0.01	0.022
280	36330-26050	SPRING	1				0.01	0.022
290	36330-26060	GRIP	1				0.04	0.088
300	36330-26070	PIN	1				0.04	0.088
310	05122-50816	PIN JOINT	1				0.007	0.0154
320	04012-50080	WASHER PLAIN	1				0.001	0.0022
330	05511-50215	PIN SPLIT	1				0.001	0.0022
340	01123-50816	BOLT	3	>=11075			0	0
350	01123-50825	BOLT	1	>=11075			0.013	0.0286
360	02114-50080	NUT	1	>=11075			0.005	0.011
370	99999-99999	YOUR SUPPLY	1				0	0

PTO PROPELLER SHAFT



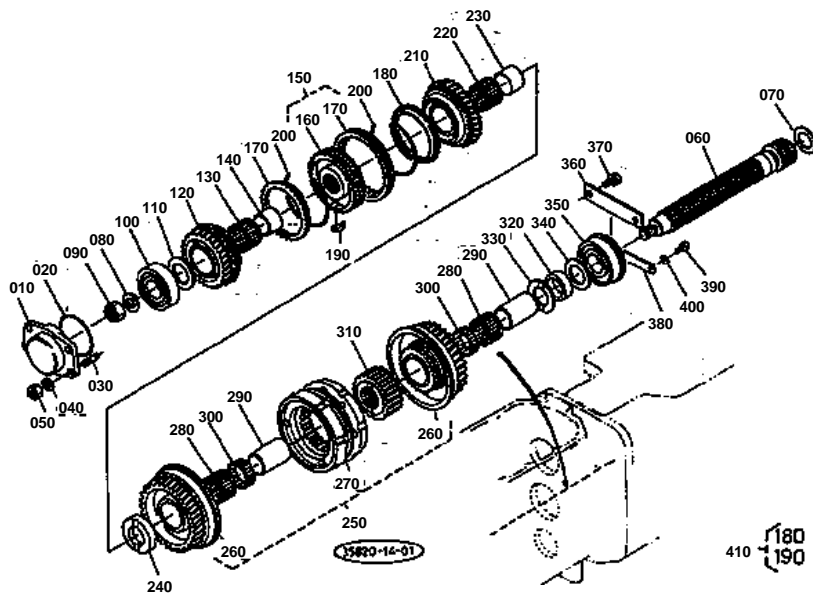


PTO PROPELLER SHAFT

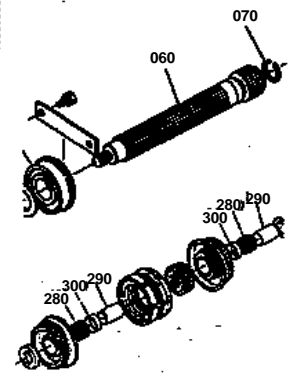
↔ Interchangeable; ≠ not interchangeable; ← new for old; → old for new

REF.No	Part No.	Description	Q'ty	S.No.	I/C	REMARKS	Weight (kgf)	Weight (lb)
010	36330-25614	SHAFT PTO PROPELLER	1				3.8	8.36
020	08151-06306	BEARING BALL	1				0.35	0.77
030	04612-00300	CIR-CLIP EXTERNAL	2				0.003	0.0066
040	36200-28680	RETAINER BEARING	1				0.058	0.1276
050	01153-50820	BOLT	2				0.012	0.0264
060	04411-50080	WASHER	2				0.001	0.0022
070	36330-28102	ASSY SHAFT FIRST	1	≤11085			0	0
070	36330-28103	ASSY SHAFT FIRST	1	≥11086	←		3.9	8.58
080	33251-28640	BUSH FIRST SHAFT	1				0.018	0.0396
090	36330-28650	SEAL FIRST SHAFT	1	≤11085			0.002	0.0044
090	36730-24330	SEAL FIRST SHAFT	1	≥11086	≠		0.005	0.011
100	36330-28510	COMP.CASE BEARING	1				1.96	4.312
110	01513-50828	STUD	3				0.013	0.0286
120	04512-50080	WASHER SPRING	3				0	0
130	02114-50080	NUT	3				0.005	0.011
140	36730-24650	SEAL OIL	1				0.03	0.066
150	04811-50900	RING	1				0.003	0.0066
160	04612-00450	CIR-CLIP EXTERNAL	1	≤11085			0.007	0.0154
160	36730-28050	CIR-CLIP EXTERNAL	1	≥11086	≠		0.01	0.022
170	08101-06209	BEARING BALL	1				0.42	0.924
180	36330-28480	GEAR	1			30T	0.82	1.804
190	36330-28432	COLLAR	1				0.28	0.616
200	36330-28230	GEAR	1	≤11076		25T	0.63	1.386
200	36330-28232	GEAR	1	≥11077	←	25T	0.7	1.54
210	36530-28250	GEAR	1			16T	0.37	0.814
220	35820-28450	COLLAR	1				0.43	0.946
230	35822-28220	GEAR	1			22T	0.8	1.76
240	35820-28440	COLLAR	1				0.08	0.176
250	36330-28180	COLLAR	2				0.025	0.055
260	35822-28330	BEARING BALL	1				0.65	1.43
270	36330-28410	SHIM	2			0.3MM	0.002	0.0044
270	36330-28420	SHIM	2			0.1MM	0.002	0.0044
280	04612-00400	CIR-CLIP EXTERNAL	1	≤11085			0.005	0.011
280	36730-28040	CIR-CLIP EXTERNAL	1	≥11086	≠		0	0
290	35822-32380	BEARING BALL	1				0.36	0.792
300	36330-97240	SHAFT 1ST	1				0	0

COUNTER SHAFT



- REF. No. 060 36330-2818-0
- REF. No. 070 36330-2818-0
- REF. No. 280 36200-2834-0
- REF. No. 290 35820-2833-0
- REF. No. 300 35820-2868-0



410 180
190



COUNTER SHAFT

↔ Interchangeable; ≠ not interchangeable; ← new for old; → old for new

REF.No	Part No.	Description	Q'ty	S.No.	I/C	REMARKS	Weight (kgf)	Weight (lb)
010	36330-28630	COVER COUNTERSHAFT	1				0.65	1.43
020	04811-50800	RING	1				0.003	0.0066
030	01513-50828	STUD	4				0.013	0.0286
040	04512-50080	WASHER SPRING	4				0	0
050	02114-50080	NUT	4				0.005	0.011
060	36330-28160	COUNTERSHAFT	1	<=10144			2.85	6.27
060	36330-28166	COUNTERSHAFT	1	>=10145	←		0	0
070	36330-28190	CIR-CLIP EXTERNAL	1	<=11074			0.001	0.0022
070	35820-28190	COLLAR	1	>=11075	←		0.003	0.0066
080	36330-80080	COLLAR	1				0.03	0.066
090	34150-25330	NUT	1				0.039	0.0858
100	08101-06307	BEARING BALL	1				0.455	1.001
110	36330-28610	COLLAR THRUST	1				0.04	0.088
120	36330-28290	GEAR	1	<=11000		29T	0	0
120	36330-28293	GEAR	1	>=11001	←	29T	1.62	3.564
130	36200-28340	BEARING NEEDLE	1				0	0
140	36200-28330	RING INNER	1				0.088	0.1936
150	36330-28400	ASSY SHIFTER	1	<=11020			1.95	4.29
150	36330-28402	ASSY SHIFTER	1	>=11021	←		0	0
180	36200-28410	RING SYNCHRONIZER	2	<=11010			0	0
180	36530-28412	RING SYNCHRONIZER	2	>=11011	←		0	0
180	36530-28413	RING SYNCHRONIZER	2	>=11092	←		0	0
190	36200-28420	KEY SYNCHRONIZER	3	<=10114			0	0
190	36330-28500	KEY SYNCHRONIZER	2	>=10115	←		0	0
190	36330-28502	KEY SYNCHRONIZER	3	>=11039	←		0.008	0.0176
200	36200-28430	SPRING	2	<=11000			0	0
200	36200-28432	SPRING	2	>=11001	←		0	0
210	36330-28280	GEAR	1	<=11096		33T	1.77	3.894
210	36330-28284	GEAR	1	>=11097	←	33T	0	0
220	36200-28340	BEARING NEEDLE	1				0	0
230	36200-28330	RING INNER	1				0.088	0.1936
240	35820-28620	COLLAR THRUST	1	<=11094			0.33	0.726
240	36330-28620	COLLAR THRUST	1	>=11095	≠		0.18	0.396
250	35820-28540	ASSY GEAR SYNCHRO.	1			37T	10.8	23.76
260	35820-28550	ASSY GEAR	2	<=11094		37T	3.5	7.7
260	35820-28553	ASSY GEAR	2	>=11095	≠		3.58	7.876
270	35820-28580	ASSY RING SYNCHORO.	1				3.08	6.776
280	36200-28340	BEARING NEEDLE	2	<=11085			0	0
280	08824-55027	BEARING NEEDLE	2	>=11086	≠		0.06	0.132
280	08825-05530	BEARING NEEDLE	2	>=11095	≠		0.06	0.132
290	35820-28330	RING INNER	2	<=11094			0.14	0.308
290	35820-28332	RING INNER	2	>=11095	≠		0.3	0.66
300	35820-28680	COLLAR	2	<=11085			0.03	0.066
300	08824-55017	BEARING NEEDLE	2	>=11086	≠		0.03	0.066
300	08825-05520	BEARING NEEDLE	2	>=11095	≠		0.04	0.088
310	35820-28460	COUPLING	1	<=11091			0	0
310	35820-28462	COUPLING	1	>=11092	←		1.45	3.19
320	35820-28700	COLLAR	1	<=10114			0	0
320	35820-28702	COLLAR	1	>=10115	←		0.144	0.3168
320	35820-28703	COLLAR	1	>=11092	≠		0.126	0.2772
320	35820-28704	COLLAR	1	>=11095	≠		0.08	0.176
330	36330-28660	COLLAR THRUST	1	<=11091			0	0
330	36730-28622	COLLAR THRUST	1	>=11092	≠		0.12	0.264
340	36330-28180	COLLAR	1				0.025	0.055
350	08151-06308	BEARING BALL	1				0.64	1.408

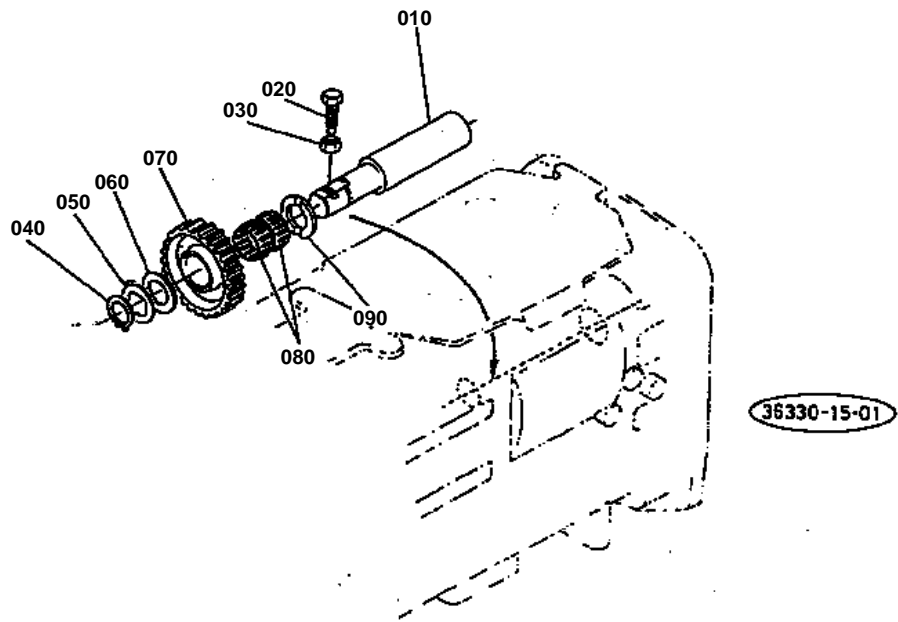


COUNTER SHAFT

↔ Interchangeable; ≠ not interchangeable; ← new for old; → old for new

REF.No	Part No.	Description	Q'ty	S.No.	I/C	REMARKS	Weight (kgf)	Weight (lb)
360	36530-28690	RETAINER BEARING	1				0.15	0.33
370	01123-50820	BOLT	2				0.011	0.0242
380	36200-28680	RETAINER BEARING	1	>=11077			0.058	0.1276
390	01153-50820	BOLT	2	>=11077			0.012	0.0264
400	04411-50080	WASHER	2	>=11077			0.001	0.0022
410	36530-97282	KIT RING SYNCHRO.	1				0	0

BACK IDLE SHAFT



36330-15-01

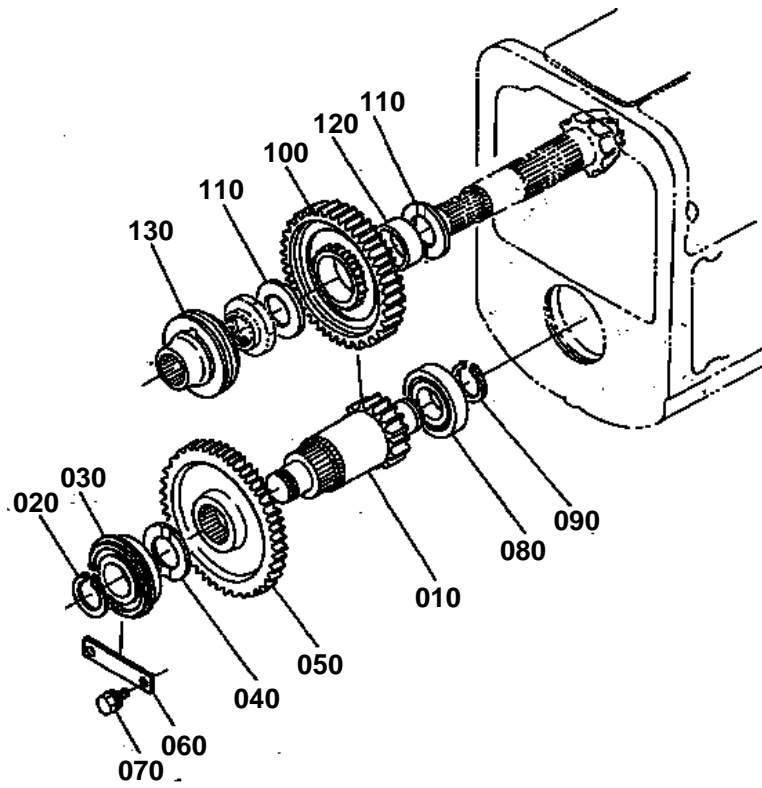


BACK IDLE SHAFT

↔ Interchangeable; ≠ not interchangeable; ← new for old; → old for new

REF.No	Part No.	Description	Q'ty	S.No.	I/C	REMARKS	Weight (kgf)	Weight (lb)
010	36330-28150	SHAFT BACK IDLE	1				1.58	3.476
020	36200-28730	BOLT	1				0.025	0.055
030	02116-50100	NUT	1				0.004	0.0088
040	04612-00300	CIR-CLIP EXTERNAL	1				0.003	0.0066
050	36200-28720	COLLAR	1				0.009	0.0198
060	36330-28710	COLLAR THRUST	1				0.03	0.066
070	36570-28350	GEAR	1				1.3	2.86
080	36200-28360	BEARING NEEDLE	2				0.053	0.1166
090	36330-28710	COLLAR THRUST	1				0.03	0.066

HALF GEAR SHAFT



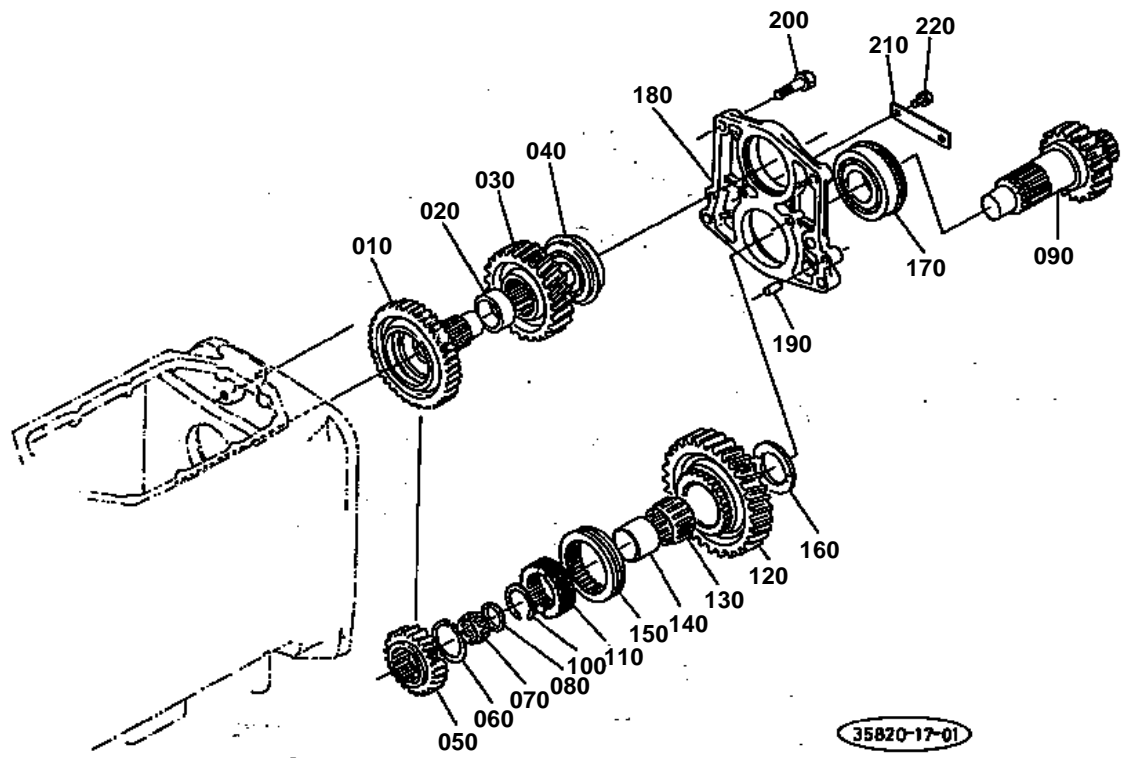


HALF GEAR SHAFT

↔ Interchangeable; ≠ not interchangeable; ← new for old; → old for new

REF.No	Part No.	Description	Q'ty	S.No.	I/C	REMARKS	Weight (kgf)	Weight (lb)
010	35820-41180	GEAR-SHAFT	1			18T	2.65	5.83
020	36740-41150	CIR-CLIP EXTERNAL	1				0.01	0.022
030	08151-06307	BEARING BALL	1				0.469	1.0318
040	36330-28610	COLLAR THRUST	1				0.04	0.088
050	35820-31250	GEAR	1			40T	1.3	2.86
060	36200-28680	RETAINER BEARING	1				0.058	0.1276
070	01123-50820	BOLT	2				0.011	0.0242
080	35822-31360	BEARING BALL	1				0.28	0.616
090	36740-41150	CIR-CLIP EXTERNAL	1				0.01	0.022
100	35820-31240	GEAR	1	<=11096		45T	2.24	4.928
100	35820-31242	GEAR	1	>=11097	←	45T	0	0
110	36330-28660	COLLAR THRUST	2				0	0
120	36530-31280	RING INNER	1				0.11	0.242
130	36530-31290	SHIFTER CREEP	1				0.69	1.518

HI-LO SHIFT GEAR SHAFT



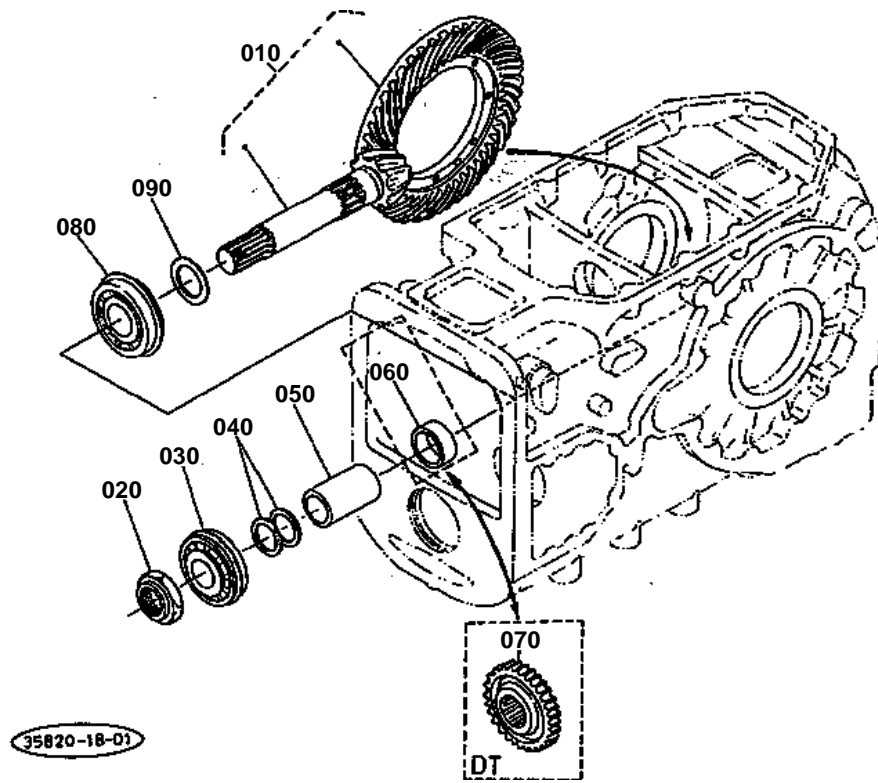


HI-LO SHIFT GEAR SHAFT

↔ Interchangeable; ≠ not interchangeable; ← new for old; → old for new

REF.No	Part No.	Description	Q'ty	S.No.	I/C	REMARKS	Weight (kgf)	Weight (lb)
010	36330-32320	GEAR	1	≤11076		39T	0	0
010	36330-32326	GEAR	1	≥11077	←	39T	1.4	3.08
020	36330-32350	COLLAR	1	≤11038			0	0
020	36330-32352	COLLAR	1	≥11039	←		0.1	0.22
030	35822-32360	GEAR	1			27T	1.05	2.31
040	36530-80150	BEARING BALL	1				0.47	1.034
050	36330-32260	GEAR	1			23T	0.69	1.518
060	04612-00450	CIR-CLIP EXTERNAL	1				0.007	0.0154
070	36330-31330	BEARING NEEDLE	1	≤10114			0	0
070	36330-31332	BEARING NEEDLE	1	≥10115	←		0.03	0.066
080	36330-32370	COLLAR	1				0.01	0.022
090	35820-32330	GEAR-SHAFT	1			23T	2	4.4
100	36730-28040	CIR-CLIP EXTERNAL	1				0	0
110	35820-32270	COUPLING	1				0.44	0.968
120	35822-32340	GEAR	1			35T	1.92	4.224
130	36200-28340	BEARING NEEDLE	1				0	0
140	36200-28330	RING INNER	1				0.088	0.1936
150	35820-28470	SHIFTER	1				0.41	0.902
160	36330-28660	COLLAR THRUST	1				0	0
170	35822-32290	BEARING BALL	1				0.55	1.21
180	35822-32310	SUPPORT BEARING	1				2.48	5.456
190	05012-01020	PIN STRAIGHT	2				0.013	0.0286
200	01133-51240	BOLT	4				0.05	0.11
210	36200-28680	RETAINER BEARING	1				0.058	0.1276
220	01123-50820	BOLT	2				0.011	0.0242

BEVEL GEAR



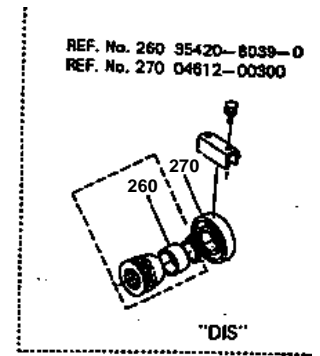
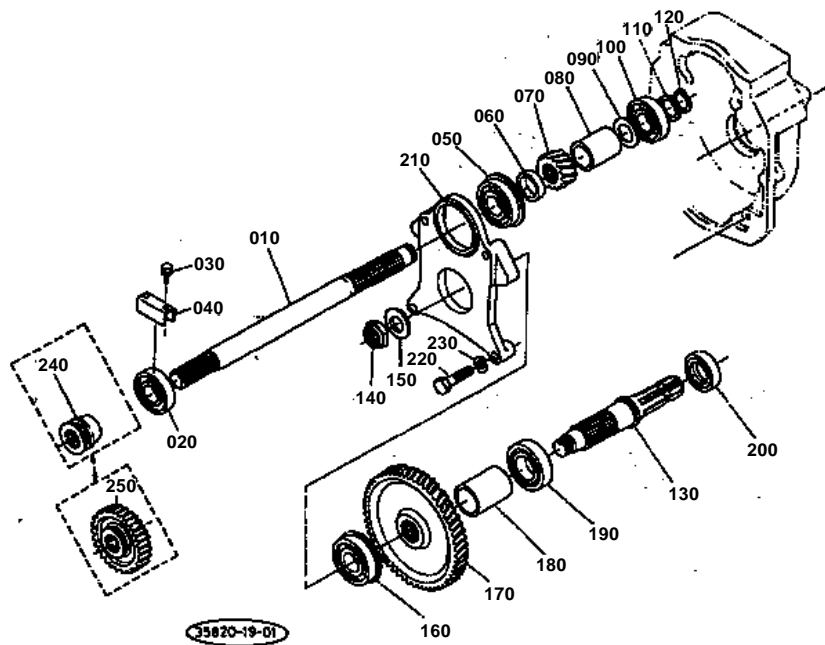


BEVEL GEAR

↔ Interchangeable; ≠ not interchangeable; ← new for old; → old for new

REF.No	Part No.	Description	Q'ty	S.No.	I/C	REMARKS	Weight (kgf)	Weight (lb)
010	35820-32400	ASSY GEAR STR BEVEL	1			8-35T	11	24.2
020	36330-32580	NUT PINION SHAFT	1				0.08	0.176
030	33400-32260	BEARING TAPER-ROLLER	1				1.13	2.486
040	33251-32450	COLLAR PINION ADJUST	1				0.005	0.011
040	33251-32460	COLLAR PINION ADJUST	1				0.008	0.0176
040	33251-32470	COLLAR PINION ADJUST	1				0.009	0.0198
040	33251-32480	COLLAR PINION ADJUST	1				0.01	0.022
040	33251-32490	COLLAR PINION ADJUST	1				0.01	0.022
040	33251-32510	COLLAR PINION ADJUST	1				0.011	0.0242
040	33251-32520	COLLAR PINION ADJUST	1				0.011	0.0242
040	33251-32530	COLLAR PINION ADJUST	1				0.011	0.0242
040	33251-32540	COLLAR PINION ADJUST	1				0.011	0.0242
040	33251-32550	COLLAR PINION ADJUST	1				0.012	0.0264
040	33251-32560	COLLAR PINION ADJUST	1				0.012	0.0264
050	36330-32440	COLLAR	1				0.5	1.1
060	35820-32440	COLLAR	1				0	0
080	14351-23450	BEARING MAIN	1				0.7	1.54
090	36200-32610	COLLAR PINION ADJUST	1				0.023	0.0506
090	36200-32630	COLLAR PINION ADJUST	1				0.025	0.055
090	36200-32650	COLLAR PINION ADJUST	1				0.027	0.0594
090	36200-32670	COLLAR PINION ADJUST	1				0.029	0.0638
090	36200-32690	COLLAR PINION ADJUST	1				0.031	0.0682

POWER TAKE-OFF SHAFT

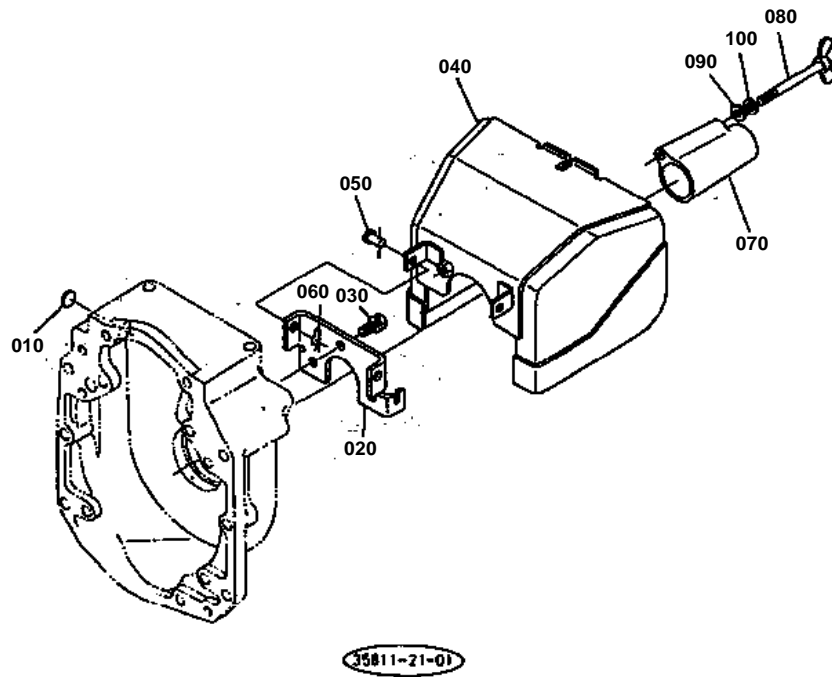


**POWER TAKE-OFF SHAFT**

↔ Interchangeable; ≠ not interchangeable; ← new for old; → old for new

REF.No	Part No.	Description	Q'ty	S.No.	I/C	REMARKS	Weight (kgf)	Weight (lb)
010	36530-80110	SHAFT PTO DRIVE	1				3.5	7.7
020	08101-06306	BEARING BALL	1				0.335	0.737
030	01123-50820	BOLT	2				0.011	0.0242
040	36530-80140	RETAINER BEARING	1				0.14	0.308
050	08151-06307	BEARING BALL	1				0.469	1.0318
070	36500-80120	GEAR	1			15T	0.494	1.0868
080	35801-80180	COLLAR	1				0.3	0.66
090	36330-80060	COLLAR	1				0.014	0.0308
100	08101-06306	BEARING BALL	1				0.335	0.737
110	36330-80070	COLLAR	1				0.015	0.033
120	04612-00300	CIR-CLIP EXTERNAL	1				0.003	0.0066
130	36200-97670	SHAFT PTO	1				0	0
140	34150-25330	NUT	1				0.039	0.0858
150	36330-80080	COLLAR	1				0.03	0.066
160	08151-06307	BEARING BALL	1				0.469	1.0318
170	35500-80150	GEAR	1			56T	3.7	8.14
180	35500-80190	COLLAR	1				0	0
190	08101-06208	BEARING BALL	1				0.355	0.781
200	36330-80380	SEAL OIL	1	≤11082			0.026	0.0572
200	35708-80290	SEAL	1	≥11083	≠		0	0
210	36330-80215	SUPPORT BEARING	1				3.24	7.128
220	01173-51255	BOLT	4				0.055	0.121
230	04512-50120	WASHER SPRING	4				0	0
240	35420-80400	COUPLING	1			[A]	0.31	0.682
260	35420-80390	COLLAR	1	≤10114		[A]	0.06	0.132
270	04612-00300	CIR-CLIP EXTERNAL	1	≤10071			0.003	0.0066

PTO SHAFT COVER



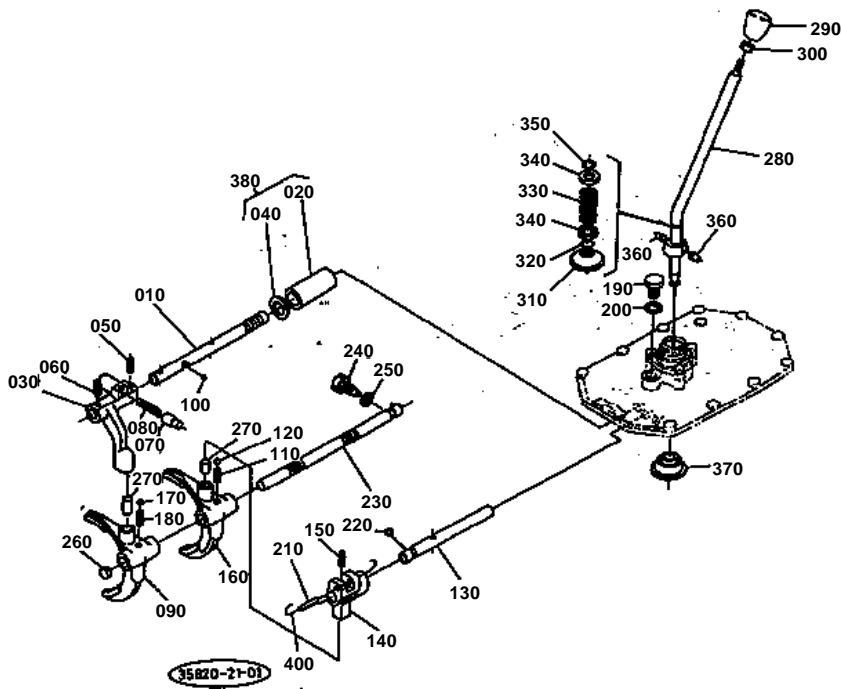


PTO SHAFT COVER

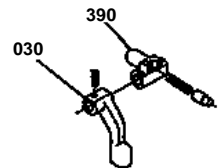
↔ Interchangeable; ≠ not interchangeable; ← new for old; → old for new

REF.No	Part No.	Description	Q'ty	S.No.	I/C	REMARKS	Weight (kgf)	Weight (lb)
010	36200-21240	PLUG	1				0	0
020	36330-80360	BRACKET PTO COVER	1	<=11082			0	0
020	36330-80363	BRACKET PTO COVER	1	>=11083	←		0.31	0.682
030	01123-50816	BOLT	3				0	0
040	35861-80340	COVER PTO	1				0	0
050	05122-50818	PIN JOINT	2				0.008	0.0176
060	05515-50800	PIN SNAP	2				0	0
070	34350-25440	COVER PTO SHAFT	1				0.062	0.1364
080	36330-90630	BOLT WING	1				0.055	0.121
090	04013-50080	WASHER PLAIN	1				0	0
100	04512-50080	WASHER SPRING	1				0	0

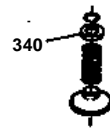
MAIN SPEED CHANGE SHIFT LEVER



REF. No. 030 35820-2924-0
REF. No. 390 36330-2901-3



REF. No. 340 33251-2865-0



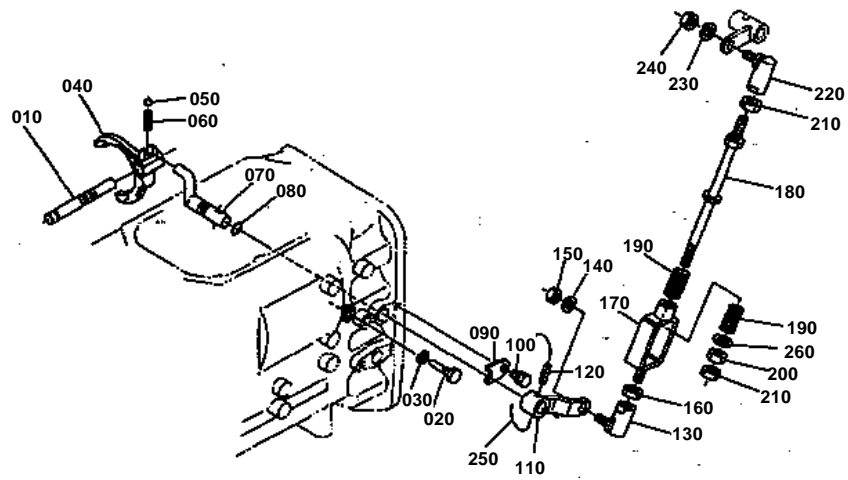


MAIN SPEED CHANGE SHIFT LEVER

↔ Interchangeable; ≠ not interchangeable; ← new for old; → old for new

REF.No	Part No.	Description	Q'ty	S.No.	I/C	REMARKS	Weight (kgf)	Weight (lb)
010	36330-29223	ROD SHIFT	1				0.37	0.814
020	36330-29290	COLLAR	1	≥11075			0.05	0.11
030	35820-29240	LEVER SHIFT	1	≤11056			0	0
030	35820-29242	LEVER SHIFT	1	≥11057	←		0.55	1.21
040	36330-29300	SHIM	3	≥11075		0.5MM	0.001	0.0022
050	05411-00628	PIN SPRING	1				0.004	0.0088
060	05411-00628	PIN SPRING	1				0.004	0.0088
070	36330-29020	PIECE NEUTRAL	1				0.02	0.044
080	36330-29030	SPRING	1				0.001	0.0022
090	35820-29154	FORK SHIFT	1				0.6	1.32
100	07715-03211	BALL	1				0.003	0.0066
110	33251-29410	SPRING	1				0.005	0.011
120	07715-03211	BALL	1				0.003	0.0066
130	35820-29260	ROD SHIFT	1				0.33	0.726
140	35820-29270	LEVER SHIFT	1				0	0
150	05411-00635	PIN SPRING	1				0.005	0.011
160	35820-29160	FORK SHIFT	1				0.85	1.87
170	07715-03211	BALL	1				0.003	0.0066
180	33251-29410	SPRING	1				0.005	0.011
190	06331-35014	PLUG	1				0.03	0.066
200	04717-01400	WASHER WITH RUBBER	1				0.003	0.0066
210	05411-00628	PIN SPRING	1				0.004	0.0088
220	07715-03211	BALL	1				0.003	0.0066
230	35820-29400	BAR SHIFT	1				0.7	1.54
240	35820-29410	BOLT	1				0.04	0.088
250	04717-01200	WASHER WITH RUBBER	1				0.002	0.0044
260	35820-29420	PLUG	1				0.005	0.011
270	35820-29430	PIN FORK SET	2				0	0
280	35820-29610	LEVER MAIN S-CHANGE	1				0.74	1.628
290	36330-29620	GRIP LEVER	1				0	0
300	02116-50100	NUT	1				0.004	0.0088
310	33251-29640	CAP CHANGE PIPE	1	≤10114			0.042	0.0924
310	36330-29700	CAP CHANGE LEVER	1	≥10115	≠		0.04	0.088
320	04815-00150	O RING	1	≥10115			0	0
330	33251-29630	SPRING	1				0.013	0.0286
340	33251-29650	CAP SPRING	1	≤10114			0.005	0.011
340	33251-29650	CAP SPRING	2	≥10115			0.005	0.011
350	33251-29660	STOPPER SPRING	1				0.001	0.0022
360	34150-23740	PIN	2				0.002	0.0044
370	36330-29690	SHIELD	1	≤10114			0	0
370	36330-29692	SHIELD	1	≥10115	←		0.015	0.033
380	36330-97060	KIT COLLAR	1				0	0
390	36330-29013	SUPPORT SHIFT	1	≤11056			0.2	0.44
400	99999-99999	YOUR SUPPLY	1				0	0

HI-LO SHIFT LEVER



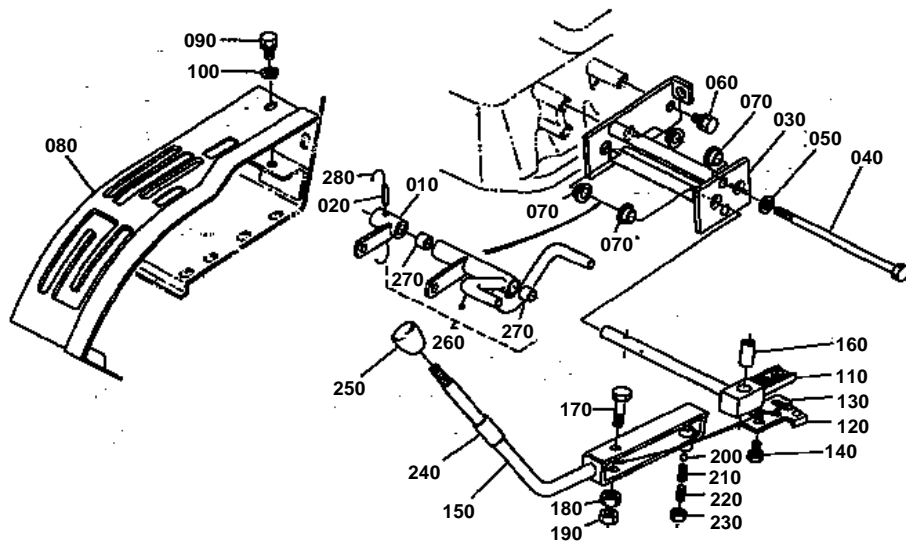


HI-LO SHIFT LEVER

↔ Interchangeable; ≠ not interchangeable; ← new for old; → old for new

REF.No	Part No.	Description	Q'ty	S.No.	I/C	REMARKS	Weight (kgf)	Weight (lb)
010	36330-29883	ROD SHIFT	1				0.19	0.418
020	36200-31333	PIN SHIFT BAR	1				0.015	0.033
030	04717-00800	WASHER WITH RUBBER	1				0.001	0.0022
040	36330-29870	FORK SHIFT	1				0.37	0.814
050	07715-03211	BALL	1				0.003	0.0066
060	62581-18230	SPRING STOPPER	1				0.01	0.022
070	35820-29630	SHAFT SHIFT LEVER	1				0.23	0.506
080	04811-00150	RING	1				0	0
090	34150-24350	STOPPER LEVER	1				0.01	0.022
100	01123-50816	BOLT	1				0	0
110	35820-29920	LEVER SHIFT	1				0.3	0.66
120	05411-00840	PIN SPRING	1				0.008	0.0176
130	35820-29500	END ROD	1				0.07	0.154
140	04512-50080	WASHER SPRING	1				0	0
150	02114-50080	NUT	1				0.005	0.011
160	02112-50080	NUT	1				0.003	0.0066
170	35820-29510	HOLDER SPRING	1				0.2	0.44
180	35820-29520	ROD SPEED CHANGE	1				0.152	0.3344
190	35820-29530	SPRING	2				0.03	0.066
200	02118-50100	NUT	1				0.005	0.011
210	02116-50100	NUT	2				0.004	0.0088
220	68221-34330	END ROD RH	1				0.1	0.22
230	04512-50100	WASHER SPRING	1				0	0
240	02118-50100	NUT	1				0.005	0.011
250	99999-99999	YOUR SUPPLY	1				0	0
260	04613-50100	WASHER PLAIN	1				0.002	0.0044

HI-LO AND HALF SHIFT LEVER



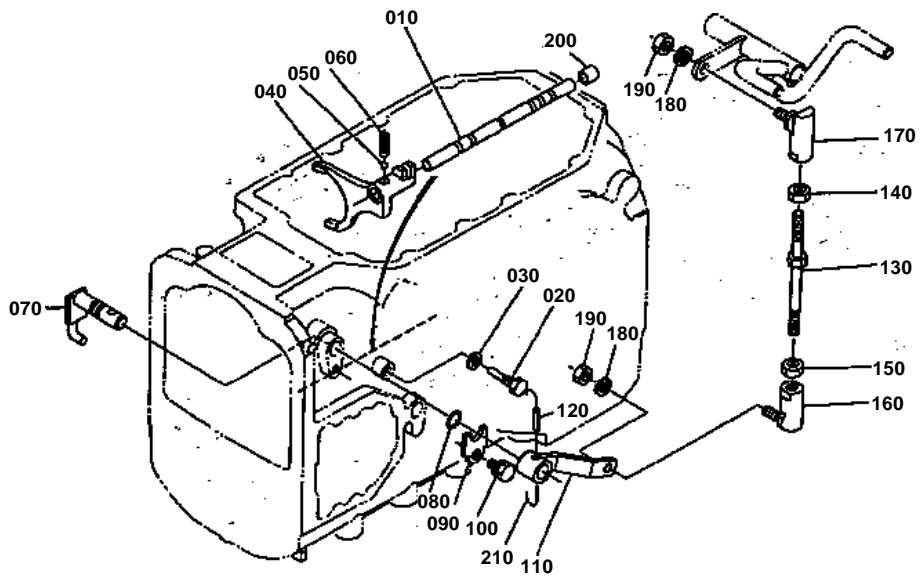


HI-LO AND HALF SHIFT LEVER

↔ Interchangeable; ≠ not interchangeable; ← new for old; → old for new

REF.No	Part No.	Description	Q'ty	S.No.	I/C	REMARKS	Weight (kgf)	Weight (lb)
010	36530-29650	SHAFT S-CHANGE LEVER	1				0.205	0.451
020	05411-00630	PIN SPRING	1				0.004	0.0088
030	35820-29680	HOLDER	1				1	2.2
040	36330-29710	BOLT	2				0.12	0.264
050	04512-50100	WASHER SPRING	2				0	0
060	01133-51020	BOLT	1				0.02	0.044
070	36330-29722	BUSH	4				0.005	0.011
080	35820-29730	GUIDE LEVER	1				1.54	3.388
090	01123-50816	BOLT	3				0	0
100	04013-50080	WASHER PLAIN	3				0	0
110	35820-29540	FULCRUM LEVER	1				0.53	1.166
120	35820-29550	PLATE GUIDE	1				0.04	0.088
130	35820-29590	SHIM	2			0.6MM	0.003	0.0066
140	01123-50816	BOLT	2				0	0
150	35820-29562	LEVER S-CHANGE	1				0.77	1.694
160	35820-29570	PIN	1				0.02	0.044
170	01153-50850	BOLT	1				0.02	0.044
180	02114-50080	NUT	1				0.005	0.011
190	02112-50080	NUT	1				0.003	0.0066
200	07715-00803	BALL	1				0.004	0.0088
210	35820-29580	SPRING	1	<=10096			0	0
210	35820-29582	SPRING	1	>=10097	←		0.003	0.0066
220	03470-51020	SCREW	1	>=10115			0.01	0.022
230	02116-50100	NUT	1				0.004	0.0088
240	36730-29820	PIPE LEVER	1				0.01	0.022
250	33251-29620	GRIP	1				0.057	0.1254
260	35820-31460	ASSY LEVER S-CHANGE	1				0.7	1.54
270	54821-51230	BUSH	2				0	0
280	99999-99999	YOUR SUPPLY	1				0	0

HARF SHIFT LEVER



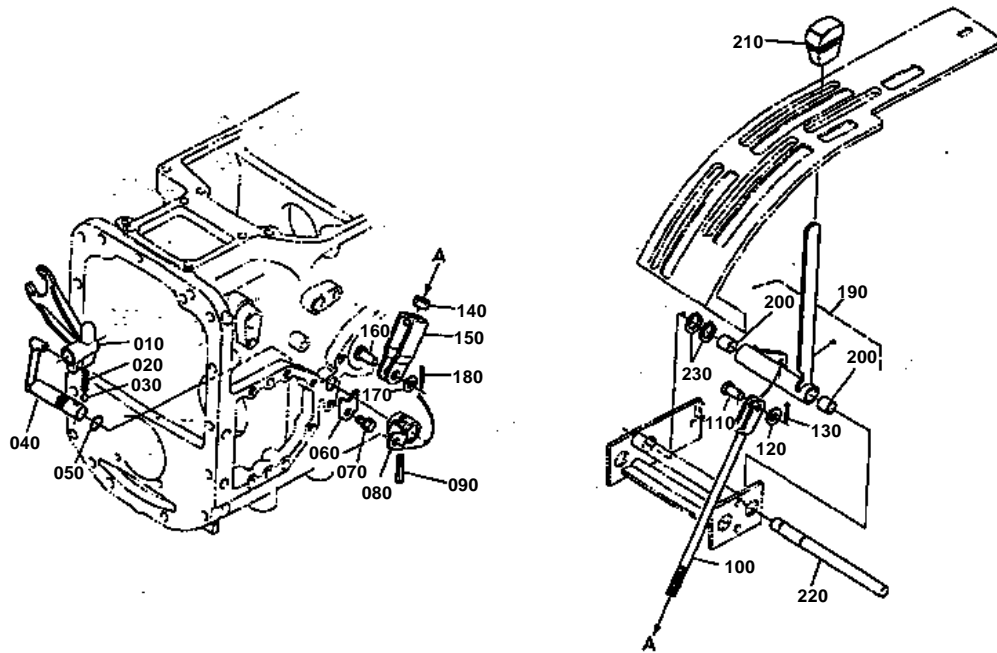


HARF SHIFT LEVER

↔ Interchangeable; ≠ not interchangeable; ← new for old; → old for new

REF.No	Part No.	Description	Q'ty	S.No.	I/C	REMARKS	Weight (kgf)	Weight (lb)
010	36530-31320	SHAFT FORK	1				0.38	0.836
020	36200-31333	PIN SHIFT BAR	1				0.015	0.033
030	04717-00800	WASHER WITH RUBBER	1				0.001	0.0022
040	36530-31310	FORK SHIFT	1	<=10114			0	0
040	36530-31313	FORK SHIFT	1	>=10115	←		0	0
050	07715-03211	BALL	1				0.003	0.0066
060	62581-18230	SPRING STOPPER	1				0.01	0.022
070	35860-31430	SHAFT SHIFT LEVER	1				0.28	0.616
080	04811-00150	RING	1				0	0
090	34150-24350	STOPPER LEVER	1				0.01	0.022
100	01123-50816	BOLT	1				0	0
110	35860-31440	LEVER SHIFT	1				0.35	0.77
120	05411-00840	PIN SPRING	1				0.008	0.0176
130	35820-31450	ROD SPEED CHANGE	1				0.09	0.198
140	02116-50100	NUT	1				0.004	0.0088
150	68011-32680	NUT LOCK	1	<=10060			0.006	0.0132
150	32350-28990	NUT	1	>=10061	↔		0.009	0.0198
160	68221-34330	END ROD RH	1				0.1	0.22
170	68221-34310	END ROD LH	1				0.096	0.2112
180	04512-50100	WASHER SPRING	2				0	0
190	02118-50100	NUT	2				0.005	0.011
200	35820-80460	COLLAR	1	>=10115		[A]	0.057	0.1254
210	99999-99999	YOUR SUPPLY	1				0	0

GROUND PTO SHIFT LEVER



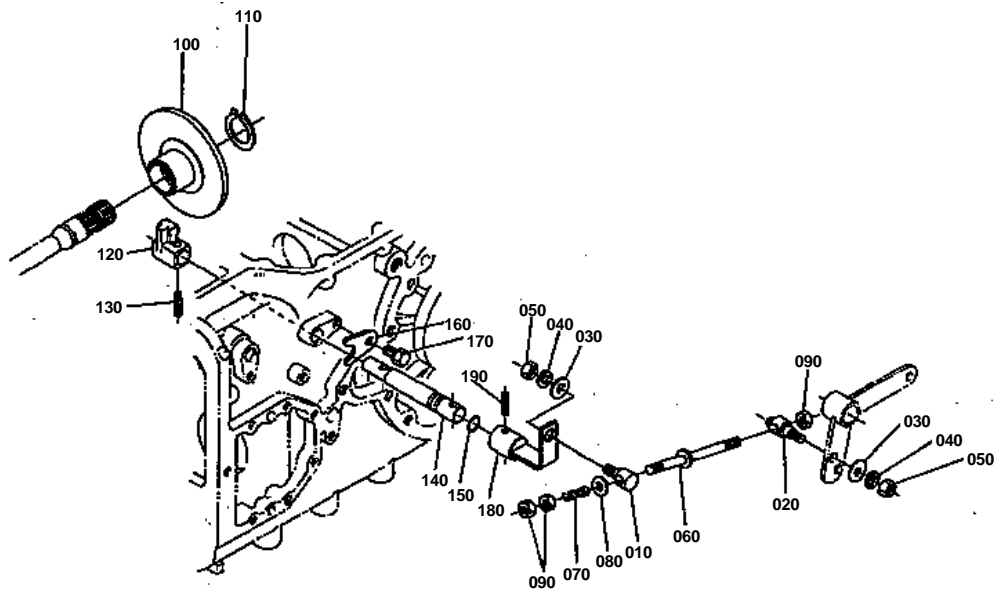


GROUND PTO SHIFT LEVER

↔ Interchangeable; ≠ not interchangeable; ← new for old; → old for new

REF.No	Part No.	Description	Q'ty	S.No.	I/C	REMARKS	Weight (kgf)	Weight (lb)
010	36330-80450	FORK SHIFT	1	<=10114			0	0
010	36330-80453	FORK SHIFT	1	>=10115	←		0.356	0.7832
020	62581-18230	SPRING STOPPER	1				0.01	0.022
030	07715-03211	BALL	1				0.003	0.0066
040	36330-80510	SHAFT SHIFT LEVER	1				0.25	0.55
050	04811-00150	RING	1				0	0
060	34150-24350	STOPPER LEVER	1				0.01	0.022
070	01123-50816	BOLT	1				0	0
080	36330-80520	LEVER SHIFT	1				0.18	0.396
090	05411-00636	PIN SPRING	1				0.005	0.011
100	36330-80530	ROD	1				0.18	0.396
110	05122-51022	PIN JOINT	1				0.014	0.0308
120	04011-50100	WASHER PLAIN	1				0.002	0.0044
130	05511-50318	PIN SPLIT	1				0.001	0.0022
140	02116-50100	NUT	1				0.004	0.0088
150	38240-24360	JOINT	1				0.08	0.176
160	05122-51025	PIN JOINT	1				0.017	0.0374
170	04011-50100	WASHER PLAIN	1				0.002	0.0044
180	05511-50318	PIN SPLIT	1				0.001	0.0022
190	35820-80540	ASSY LEVER S-CHANGE	1				0.6	1.32
200	54821-51230	BUSH	2				0	0
210	36330-29670	GRIP	1				0.06	0.132
220	36330-80560	SHAFT S-CHANGE LEVER	1				0.29	0.638
230	04612-00150	CIR-CLIP EXTERNAL	2				0.001	0.0022

PTO BRAKE



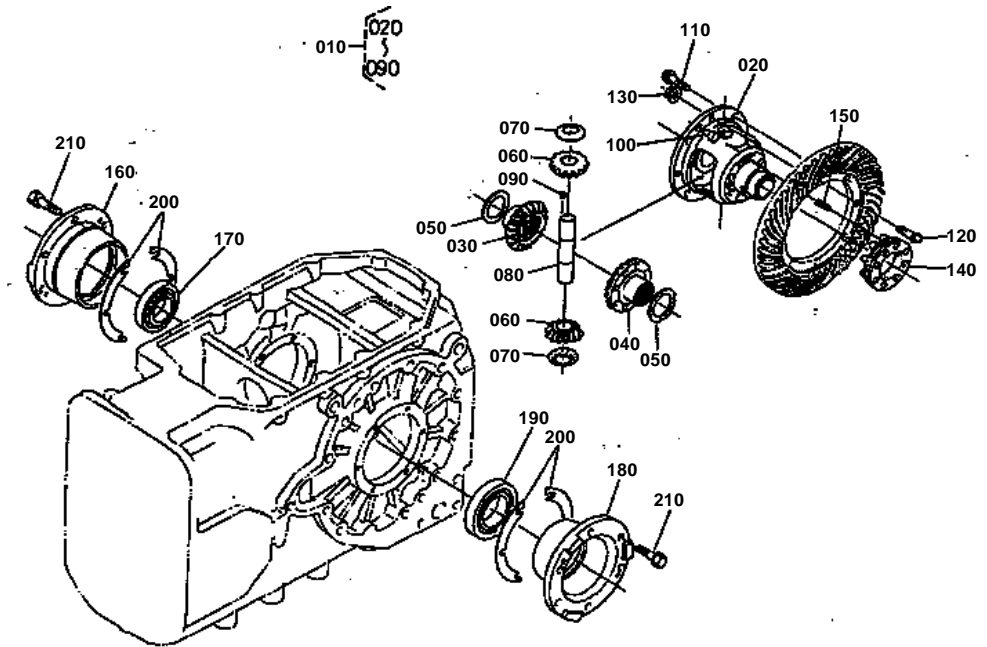


PTO BRAKE

↔ Interchangeable; ≠ not interchangeable; ← new for old; → old for new

REF.No	Part No.	Description	Q'ty	S.No.	I/C	REMARKS	Weight (kgf)	Weight (lb)
010	36330-26830	PIN	1				0.025	0.055
020	36330-26870	PIN	1				0.028	0.0616
030	04013-50080	WASHER PLAIN	2				0	0
040	04512-50080	WASHER SPRING	2				0	0
050	02114-50080	NUT	2				0.005	0.011
060	36330-26850	ROD PTO BRAKE	1				0.03	0.066
070	36330-26860	SPRING	1				0.006	0.0132
080	04013-50060	WASHER PLAIN	1				0	0
090	02014-50060	NUT	3				0.002	0.0044
100	36330-80612	DISK FRICTION	1				0	0
110	36330-80660	CIR-CLIP EXTERNAL	1				0.02	0.044
120	36330-80640	CAM PTO BRAKE	1				0.1	0.22
130	05411-00425	PIN SPRING	1				0.001	0.0022
140	36330-80620	SHAFT PTO BRAKE	1				0.19	0.418
150	04811-00120	RING	1				0	0
160	36330-80650	STOPPER	1				0.018	0.0396
170	01123-50816	BOLT	1				0	0
180	36330-80630	LEVER PTO BRAKE	1				0.14	0.308
190	05411-00525	PIN SPRING	1				0.002	0.0044

DIFFERENTIAL SYSTEM

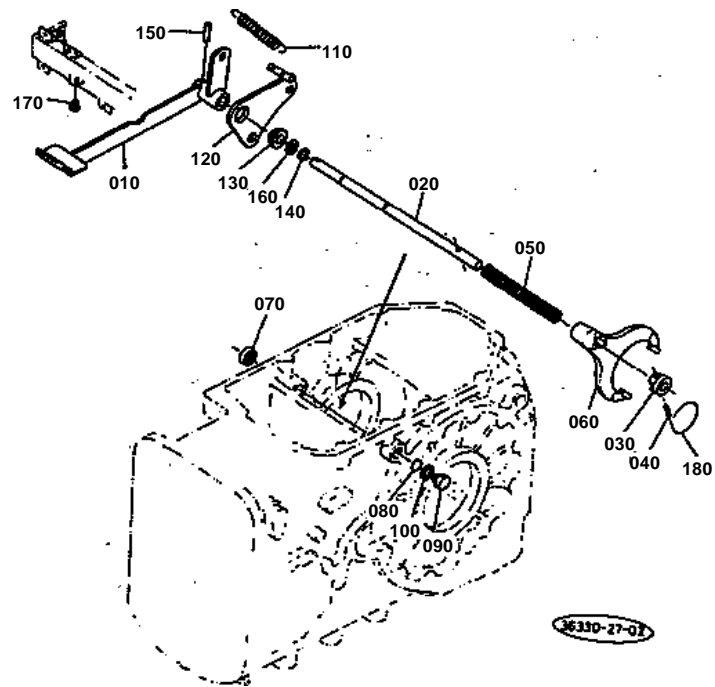


**DIFFERENTIAL SYSTEM**

↔ Interchangeable; ≠ not interchangeable; ← new for old; → old for new

REF.No	Part No.	Description	Q'ty	S.No.	I/C	REMARKS	Weight (kgf)	Weight (lb)
010	36330-32203	ASSY DIFFERENTIAL	1				0	0
020	36330-32714	CASE DIFFERENTIAL	1				4.6	10.12
030	36330-32723	GEAR DIFF.SIDE	1				0.765	1.683
040	36330-32732	GEAR DIFF.SIDE	1				1.05	2.31
050	36330-32780	WASHER SIDE GEAR	2				0	0
050	36330-32790	WASHER SIDE GEAR	2				0.02	0.044
050	36330-32760	WASHER SIDE GEAR	2				0.02	0.044
060	36330-32750	PINION DIFF.	2				0	0
070	36330-32810	WASHER DIFF.PINION	2				0.018	0.0396
080	36330-32770	SHAFT DIFF PINION	1				0	0
090	33251-32820	KEY	1				0.002	0.0044
100	36340-42330	PIN KNOCK	2				0.03	0.066
110	36280-42320	BOLT	6				0.042	0.0924
120	33251-32224	BOLT	2				0.055	0.121
130	36330-32030	NUT UBS	2				0.02	0.044
140	36330-32850	COMP SHIFTER	1				0	0
150	36330-32922	SPRING	4				0.01	0.022
160	36500-32110	SUPPORT DIFF.BEARING	1				0	0
170	08711-30212	BEARING TAPER-ROLLER	1				0.868	1.9096
180	36500-32120	SUPPORT DIFF.BEARING	1				0	0
190	08711-30210	BEARING TAPER-ROLLER	1				0.528	1.1616
200	36200-32130	SHIM	8			0.1MM	0.002	0.0044
200	36200-32140	SHIM	8			0.3MM	0.006	0.0132
200	36200-32150	SHIM	4			0.5MM	0.012	0.0264
210	01133-51035	BOLT	12				0.03	0.066

DIFF LOCK PEDAL



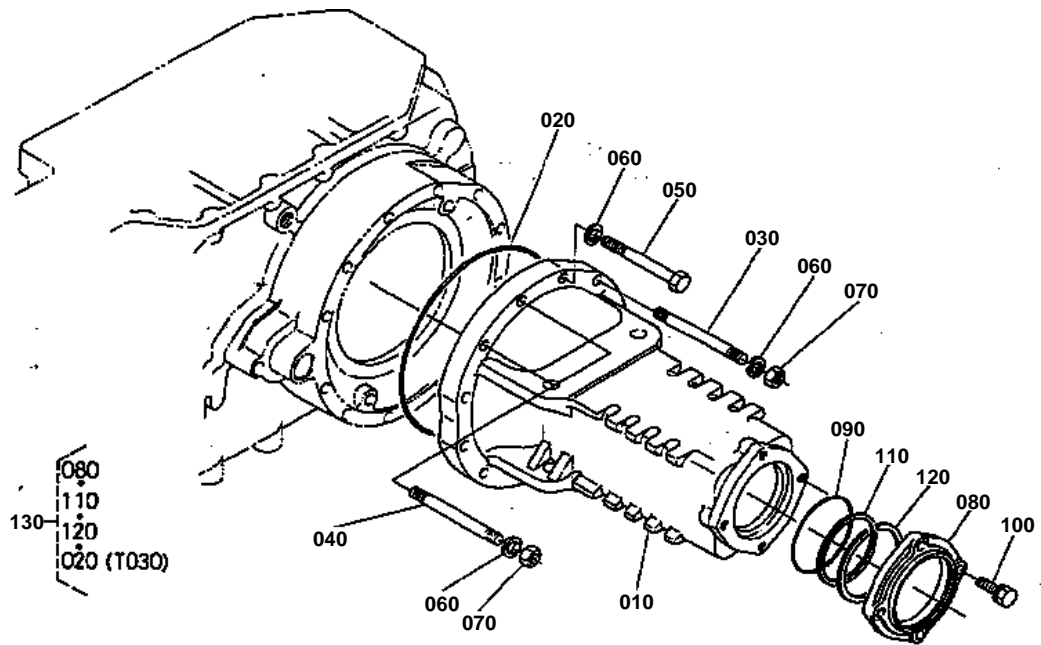


DIFF LOCK PEDAL

↔ Interchangeable; ≠ not interchangeable; ← new for old; → old for new

REF.No	Part No.	Description	Q'ty	S.No.	I/C	REMARKS	Weight (kgf)	Weight (lb)
010	36330-32946	PEDAL DIFF.LOCK	1				0.82	1.804
020	36330-33020	SHAFT DIFF.LOCK	1				0.9	1.98
030	36330-32890	CAM DIFF LOCK	1				0.095	0.209
040	05411-00640	PIN SPRING	1				0.006	0.0132
050	36730-32930	SPRING SHIFT FORK	1				0	0
060	36530-32880	FORK SHIFT	1				1.58	3.476
070	09500-18308	SEAL OIL	1				0.006	0.0132
080	36200-32950	SHIM	1				0.002	0.0044
080	36330-32970	SHIM	1				0.001	0.0022
090	06331-35020	PLUG	1				0.068	0.1496
100	04717-02000	WASHER WITH RUBBER	1				0.004	0.0088
110	36730-33070	SPRING	1				0.04	0.088
120	36330-33000	SUPPORT	1				0.3	0.66
130	36330-33040	BUSH	1				0.003	0.0066
140	04612-00180	CIR-CLIP EXTERNAL	1				0.001	0.0022
150	05411-00628	PIN SPRING	1				0.004	0.0088
160	04011-50180	WASHER PLAIN	1				0.012	0.0264
170	63611-52350	RUBBER	1				0.001	0.0022
180	99999-99999	YOUR SUPPLY	1				0	0

REAR AXLE CASE



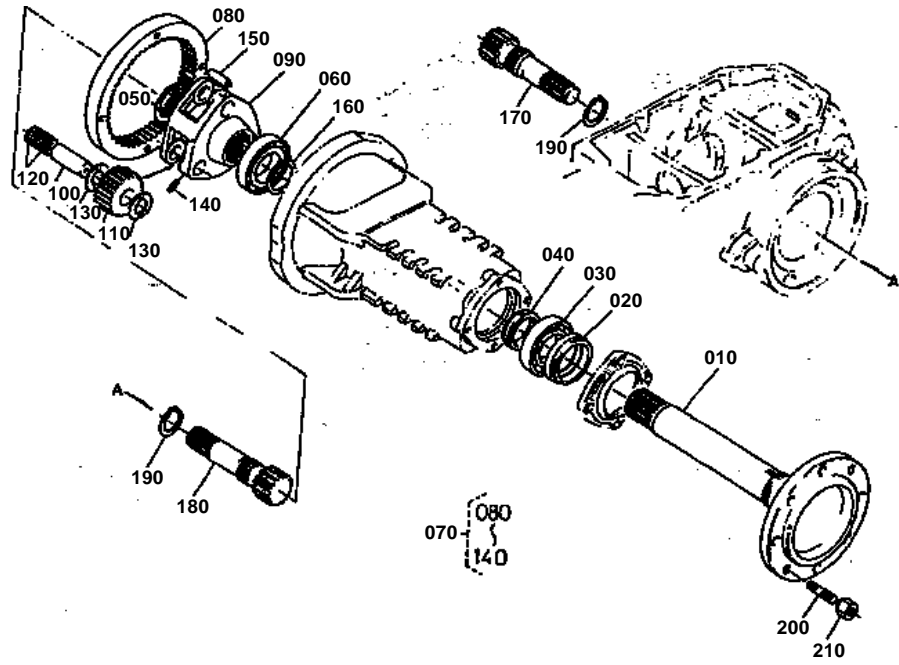


REAR AXLE CASE

↔ Interchangeable; ≠ not interchangeable; ← new for old; → old for new

REF.No	Part No.	Description	Q'ty	S.No.	I/C	REMARKS	Weight (kgf)	Weight (lb)
010	36330-48115	CASE REAR AXLE	2				41	90.2
020	36200-48160	O RING	2				0.006	0.0132
030	36500-48170	STUD	4				0.178	0.3916
040	36330-48180	STUD	5				0.19	0.418
050	36330-48190	BOLT	15				0.18	0.396
060	04512-50140	WASHER SPRING	24				0	0
070	02176-50140	NUT	9				0.014	0.0308
080	36330-48120	COVER REAR AXLE	2	<=11094			1.4	3.08
080	36330-48123	COVER REAR AXLE	2	>=11095	≠		0	0
090	04811-51200	RING	2				0.004	0.0088
100	01133-51245	BOLT	8				0.055	0.121
110	36830-48280	SPACER	2	>=11095			0.1	0.22
120	36830-48290	CIR-CLIP EXTERNAL	2	>=11095			0.02	0.044
130	36830-97360	KIT SEAL AXLE	1				3.8	8.36

REAR AXLE

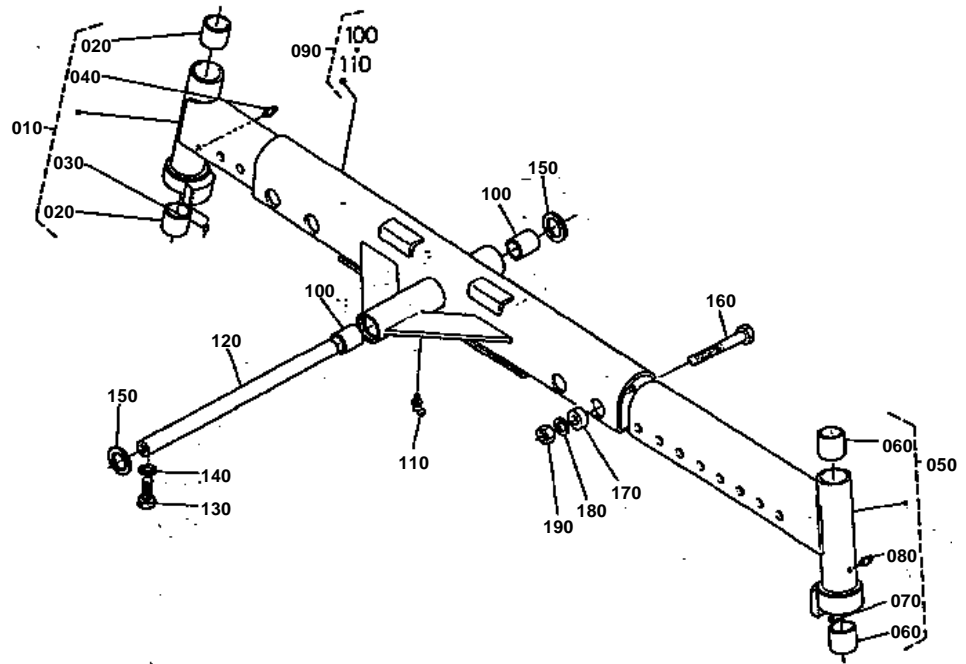


**REAR AXLE**

↔ Interchangeable; ≠ not interchangeable; ← new for old; → old for new

REF.No	Part No.	Description	Q'ty	S.No.	I/C	REMARKS	Weight (kgf)	Weight (lb)
010	35820-48210	AXLE REAR	2				25	55
020	36330-48250	SEAL	2	<=10114			0	0
020	36330-48252	SEAL	2	>=10115	←		0.15	0.33
020	36830-48250	SEAL	2	>=11095	≠		0.14	0.308
030	08101-06213	BEARING BALL	2				0.97	2.134
040	36330-48270	NUT	2				0.26	0.572
050	04612-00600	CIR-CLIP EXTERNAL	2				0.012	0.0264
060	08101-06212	BEARING BALL	2				0.78	1.716
070	35822-48300	ASSY GEAR PLANETARY	2				0	0
080	35822-48310	GEAR INTERNAL	2			56T	4.3	9.46
090	36330-48340	SUPPORT PLANE.GEAR	2				6.1	13.42
100	36500-48360	PIN PLANETARY GEAR	6	<=10162			0	0
100	36500-48363	PIN PLANETARY GEAR	6	>=10163	←		0.4	0.88
110	36500-48320	GEAR PLANETARY	6				1.3	2.86
120	36200-28360	BEARING NEEDLE	12				0.053	0.1166
130	36330-48370	COLLAR THRUST	12				0.02	0.044
140	05411-00825	PIN SPRING	6				0.006	0.0132
150	36200-48410	PIN STRAIGHT	4				0.005	0.011
160	04612-00600	CIR-CLIP EXTERNAL	2				0.012	0.0264
170	36330-48463	SHAFT BRAKE RH	1	<=11085			0	0
170	36330-48464	SHAFT BRAKE RH	1	>=11086	←		2.85	6.27
180	36330-48473	SHAFT BRAKE LH	1	<=11085			0	0
180	36330-48474	SHAFT BRAKE LH	1	>=11086	←		3.05	6.71
190	04612-00550	CIR-CLIP EXTERNAL	2				0.01	0.022
200	35707-49150	STUD	16				0	0
210	33251-49170	NUT	16				0.045	0.099

FRONT AXLE



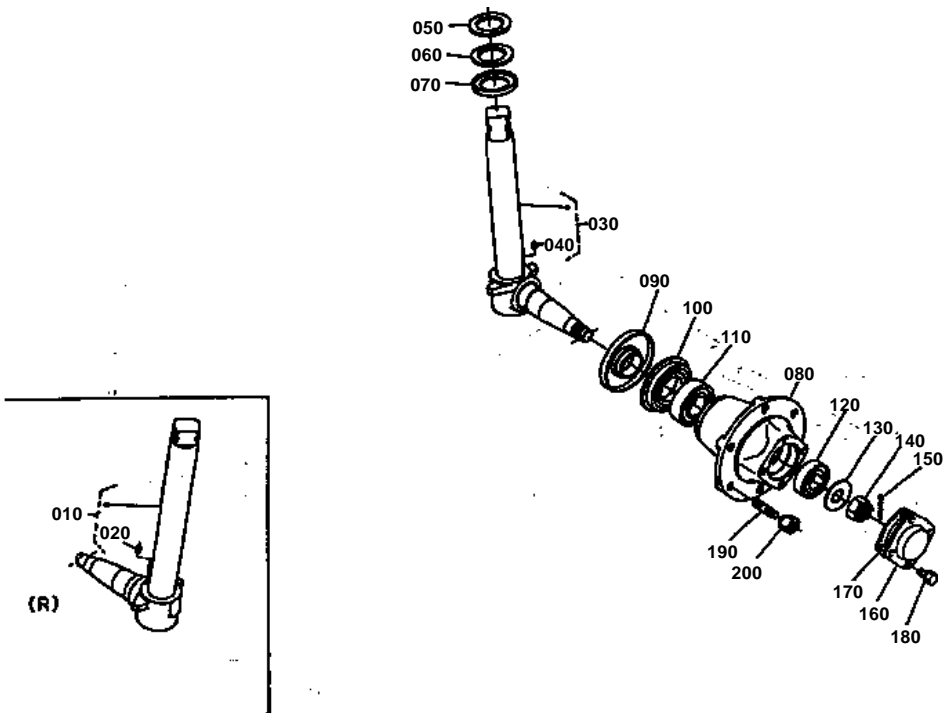


FRONT AXLE

↔ Interchangeable; ≠ not interchangeable; ← new for old; → old for new

REF.No	Part No.	Description	Q'ty	S.No.	I/C	REMARKS	Weight (kgf)	Weight (lb)
010	35820-58100	ASSY AXLE FRONT RH	1				12	26.4
020	33251-58250	BUSH	2				0.08	0.176
030	33251-58260	PIN KNOCK	1				0.001	0.0022
040	06613-10675	NIPPLE GREASE	1				0.003	0.0066
050	35820-58200	ASSY AXLE FRONT LH	1				12	26.4
060	33251-58250	BUSH	2				0.08	0.176
070	33251-58260	PIN KNOCK	1				0.001	0.0022
080	06613-10675	NIPPLE GREASE	1				0.003	0.0066
090	35820-58300	ASSY AXLE FRONT MID.	1	<=11069			0	0
090	35820-58302	ASSY AXLE FRONT MID.	1	>=11070	←		30	66
100	33251-58360	BUSH	2				0.085	0.187
110	06613-30010	NIPPLE GREASE	1				0.01	0.022
120	33251-58410	PIN CENTER	1				2.26	4.972
130	01173-51240	BOLT	1				0.045	0.099
140	04512-50120	WASHER SPRING	1				0	0
150	33251-58420	WASHER THRUST	2				0.038	0.0836
160	36830-58530	BOLT	4				0.21	0.462
170	36510-58780	COLLAR	4				0.072	0.1584
180	04512-50160	WASHER SPRING	4				0	0
190	02174-50160	NUT	4				0.022	0.0484

FRONT WHEEL HUB



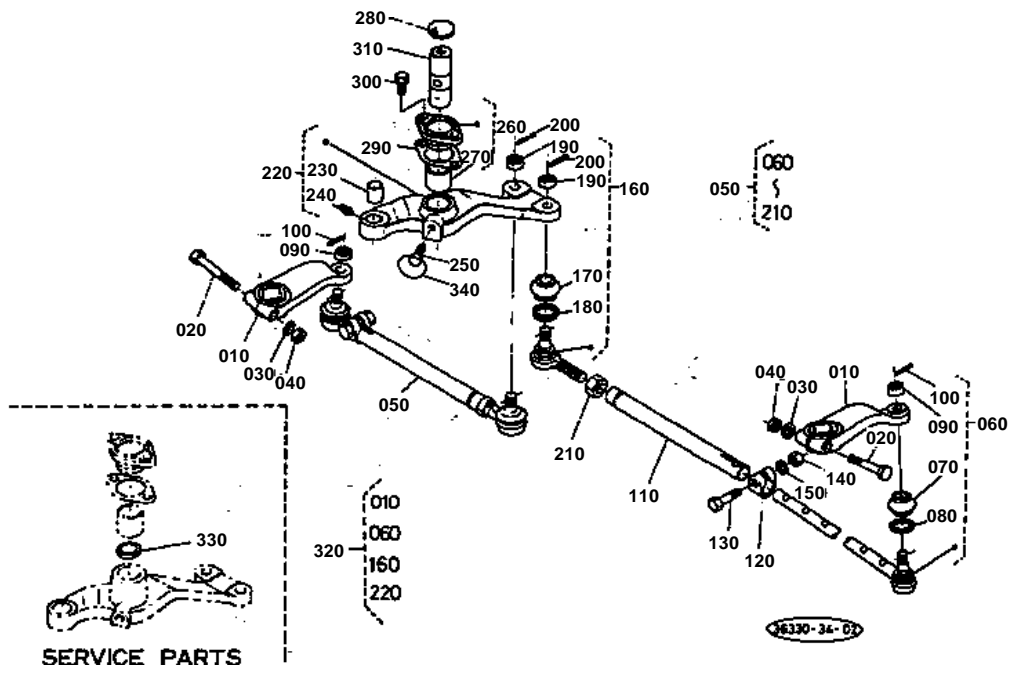


FRONT WHEEL HUB

↔ Interchangeable; ≠ not interchangeable; ← new for old; → old for new

REF.No	Part No.	Description	Q'ty	S.No.	I/C	REMARKS	Weight (kgf)	Weight (lb)
010	36530-58500	SHAFT KNUCKLE RH	1				5.2	11.44
020	33251-58260	PIN KNOCK	1				0.001	0.0022
030	36530-58600	SHAFT KNUCKLE LH	1				5	11
040	33251-58260	PIN KNOCK	1				0.001	0.0022
050	33251-58720	COLLAR THRUST	2				0.05	0.11
060	33251-58710	COLLAR THRUST	2				0.051	0.1122
070	33251-58740	CAP THRUST COLLAR	2				0.024	0.0528
080	35707-49020	HUB FRONT WHEEL	2				6.5	14.3
090	36530-58770	COVER DUST	2				0.31	0.682
100	33251-58760	GASKET	2				0.102	0.2244
110	08711-30208	BEARING TAPER-ROLLER	2				0.44	0.968
120	08711-30206	BEARING TAPER-ROLLER	2				0.22	0.484
130	35700-58550	WASHER	2				0.058	0.1276
140	02375-50220	NUT	2				0.04	0.088
150	05511-50540	PIN SPLIT	2				0.009	0.0198
160	36510-49010	COVER HUB	2				0.152	0.3344
170	36510-49060	GASKET	2				0	0
180	01123-50816	BOLT	8				0	0
190	35822-49150	STUD	12				0.048	0.1056
200	35340-11390	NUT	12				0.03	0.066

STEERING LINKAGE



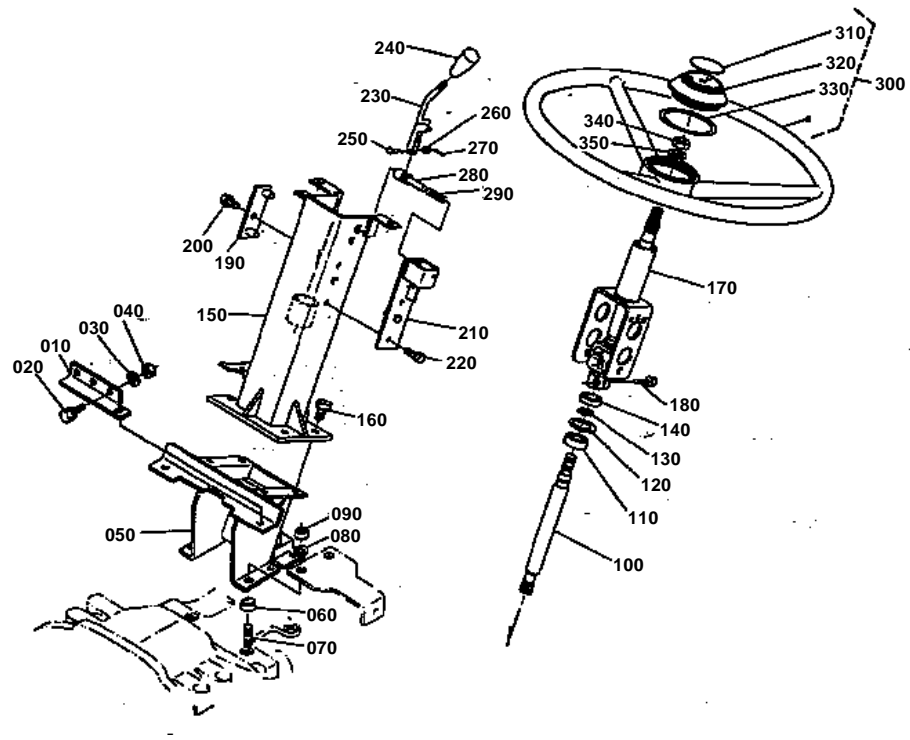


STEERING LINKAGE

↔ Interchangeable; ≠ not interchangeable; ← new for old; → old for new

REF.No	Part No.	Description	Q'ty	S.No.	I/C	REMARKS	Weight (kgf)	Weight (lb)
010	36330-62730	ARM KNUCKLE	2	<=10030			1.72	3.784
010	35820-62730	ARM KNUCKLE	2	>=10031	≠		1.87	4.114
020	36830-58430	BOLT	2				0.11	0.242
030	04512-50140	WASHER SPRING	2				0	0
040	02174-50140	NUT	2				0.014	0.0308
050	35860-62902	ASSY ROD TIE	2	<=10030			2.95	6.49
050	35860-62970	ASSY ROD TIE	2	>=10031	≠		2.99	6.578
060	35860-62872	ASSY ROD TIE	2	<=10030			1.4	3.08
060	35860-62873	ASSY ROD TIE	2	>=10031	≠		1.42	3.124
070	35860-62852	COVER DUST	2				0.014	0.0308
080	36280-62860	CLIP	2				0.002	0.0044
090	35820-62750	NUT	2	<=10030			0.05	0.11
090	35860-62750	NUT	2	>=10031	≠		0.04	0.088
100	05511-50335	PIN SPLIT	2				0.002	0.0044
110	36730-62910	ROD TIE OUTER	2				0.81	1.782
120	33251-62860	CLAMP TIE ROD	2				0.078	0.1716
130	38430-12560	BOLT	2				0.35	0.77
140	02176-50100	NUT	2				0.005	0.011
150	04512-50100	WASHER SPRING	2				0	0
160	35820-62930	ASSY END TIE ROD	2	<=10030			0.645	1.419
160	35860-62930	ASSY END TIE ROD	2	>=10031	≠		0.67	1.474
170	35860-62852	COVER DUST	2				0.014	0.0308
180	36280-62860	CLIP	2				0.002	0.0044
190	35820-62750	NUT	2	<=10030			0.05	0.11
190	35860-62750	NUT	2	>=10031	≠		0.04	0.088
200	05511-50335	PIN SPLIT	2				0.002	0.0044
210	02172-50200	NUT	2				0.03	0.066
220	36330-62603	ASSY LEVER STRG.	1	<=10030			4.8	10.56
220	36330-62604	ASSY LEVER STRG.	1	>=10031	≠		5.2	11.44
230	36330-62630	BUSH	1				0.02	0.044
240	06613-10675	NIPPLE GREASE	1				0.003	0.0066
250	36580-62680	BOLT LOCK	1				0	0
260	36330-62703	ASSY SUPPORT SHAFT	1				0.465	1.023
270	33251-62720	BUSH	1				0.074	0.1628
280	36330-62680	PLUG	1				0.03	0.066
290	36330-62540	SHIM	1				0.004	0.0088
290	36330-62550	SHIM	1				0.01	0.022
300	01133-51025	BOLT	2				0.023	0.0506
310	36330-62650	SHAFT STRG.LEVER	1				0.73	1.606
320	35820-97250	KIT PARTS F-W.CON.	1	>=10001			0	0
330	36330-97640	SHIM	4			0.2MM	0.001	0.0022
330	36330-97650	SHIM	3			0.5MM	0.005	0.011
340	99999-99999	YOUR SUPPLY	1				0	0

STEERING HANDLE



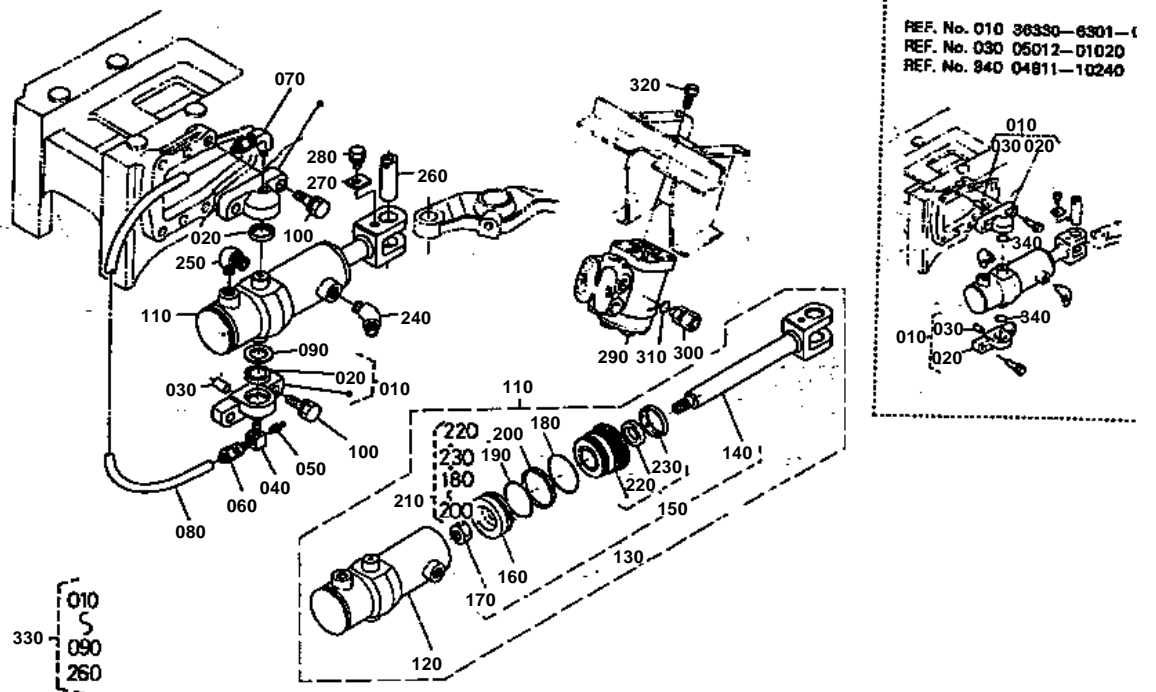


STEERING HANDLE

↔ Interchangeable; ≠ not interchangeable; ← new for old; → old for new

REF.No	Part No.	Description	Q'ty	S.No.	I/C	REMARKS	Weight (kgf)	Weight (lb)
050	36330-62130	SUPPORT STEERING	1				3.13	6.886
060	36330-04280	SPACER	4				0.02	0.044
070	01574-51230	STUD	4				0.037	0.0814
080	04512-50120	WASHER SPRING	4				0	0
090	02174-50120	NUT	4				0.01	0.022
100	36330-62110	JOINT STEERING	1				0.72	1.584
110	08141-06003	BEARING BALL	1				0.037	0.0814
120	36330-62220	CIR-CLIP	1				0.004	0.0088
130	04612-00170	CIR-CLIP EXTERNAL	1				0.001	0.0022
140	09230-17355	SEAL OIL	1				0.007	0.0154
150	36330-62140	HOLDER STRG.SHAFT	1				4.6	10.12
160	01133-51022	BOLT	4				0.025	0.055
170	36530-62150	SHAFT STEERING	1				1.84	4.048
180	01123-50830	BOLT	1				0.015	0.033
190	36330-62160	PIN FULCRUM	1				0.12	0.264
200	01123-50816	BOLT	1				0	0
210	36330-62170	HOLDER TILT	1				0.37	0.814
220	01123-50816	BOLT	2				0	0
230	36330-62180	LEVER TILT	1				0.06	0.132
240	33251-80170	GRIP	1				0.008	0.0176
250	05122-50518	PIN JOINT	1				0.002	0.0044
260	04012-50050	WASHER PLAIN	1				0.001	0.0022
270	05511-51210	PIN SPLIT	1				0.001	0.0022
280	36330-62190	PIN	1				0.03	0.066
290	36330-62210	SPRING	1				0.005	0.011
300	36330-62560	ASSY HANDLE STRG.	1				2	4.4
310	36330-62610	MARK HANDLE	1				0.004	0.0088
320	36330-62580	CAP HANDLE	1				0.04	0.088
330	36330-62620	GASKET	1				0.002	0.0044
340	02174-50140	NUT	1				0.014	0.0308
350	04512-50140	WASHER SPRING	1				0	0

POWER STEERING CYLINDER



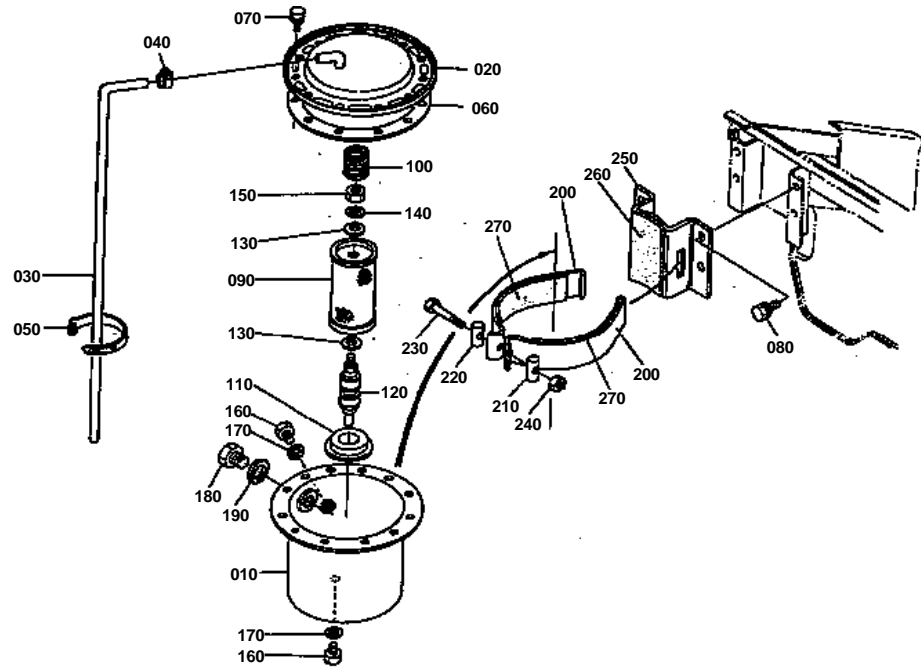


POWER STEERING CYLINDER

↔ Interchangeable; ≠ not interchangeable; ← new for old; → old for new

REF.No	Part No.	Description	Q'ty	S.No.	I/C	REMARKS	Weight (kgf)	Weight (lb)
010	36330-63010	SUPPORT STEERING	2	<=10162			0	0
010	36330-63013	ASSY BRACKET CYL.	2	>=10163	←		0.7	1.54
020	36330-63120	SEAL DUST	2	>=10163			0.002	0.0044
030	05012-01020	PIN STRAIGHT	2	<=10162			0.013	0.0286
030	05012-01020	PIN STRAIGHT	1	>=10163	←		0.013	0.0286
040	36330-63092	JOINT	1	>=11001			0.041	0.0902
050	06613-10010	NIPPLE GREASE	1	>=10163			0.006	0.0132
060	36330-63130	JOINT	1	>=10163			0.015	0.033
070	36330-63140	JOINT	1	>=10163			0.02	0.044
080	36330-63150	HOSE HYDRAULIC	1	>=10163			0.005	0.011
090	36330-63110	SPACER	1	>=10163			0.01	0.022
100	01133-51240	BOLT	4				0.05	0.11
110	36330-63710	CYLINDER STEERING	1				5.5	12.1
120	36330-63720	ASSY CYLINDER	1				3.4	7.48
130	36330-63730	ASSY ROD	1				2.6	5.72
140	36330-63740	ASSY ROD SUB	1				1.45	3.19
150	36330-63750	ASSY BOX	1				0.78	1.716
160	36330-63760	PISTON	1				0.32	0.704
170	36330-63770	NUT	1				0.045	0.099
180	36330-63780	O RING	1				0.001	0.0022
190	36330-63790	O RING	1				0.001	0.0022
200	36330-63810	SEAL	1				0.005	0.011
210	36330-63820	KIT SEAL	1				0.02	0.044
220	36330-63830	O RING	1				0.002	0.0044
230	36330-63840	RING WIPER	1				0.01	0.022
240	36330-63030	JOINT CYLINDER	1				0.07	0.154
250	36330-63040	JOINT CYLINDER	1				0	0
260	36330-63050	SHAFT CYLINDER	1	<=10162			0	0
260	36330-63052	SHAFT CYLINDER	1	>=10163	←		0.23	0.506
270	36330-63060	STOPPER	1				0.015	0.033
280	01123-50816	BOLT	1				0	0
290	35860-63070	CONTROLLER STEERING	1	<=10144			0	0
290	35860-63072	CONTROLLER STEERING	1	>=10145	←		6	13.2
300	36330-63080	NIPPLE	4				0.07	0.154
310	04811-00140	RING	4				0	0
320	01133-51020	BOLT	4				0.02	0.044
330	35820-97630	KIT BRACKET STRG.CYL	1				0	0
340	04811-10240	RING	2	<=10163			0.001	0.0022

POWER STEERING OIL TANK



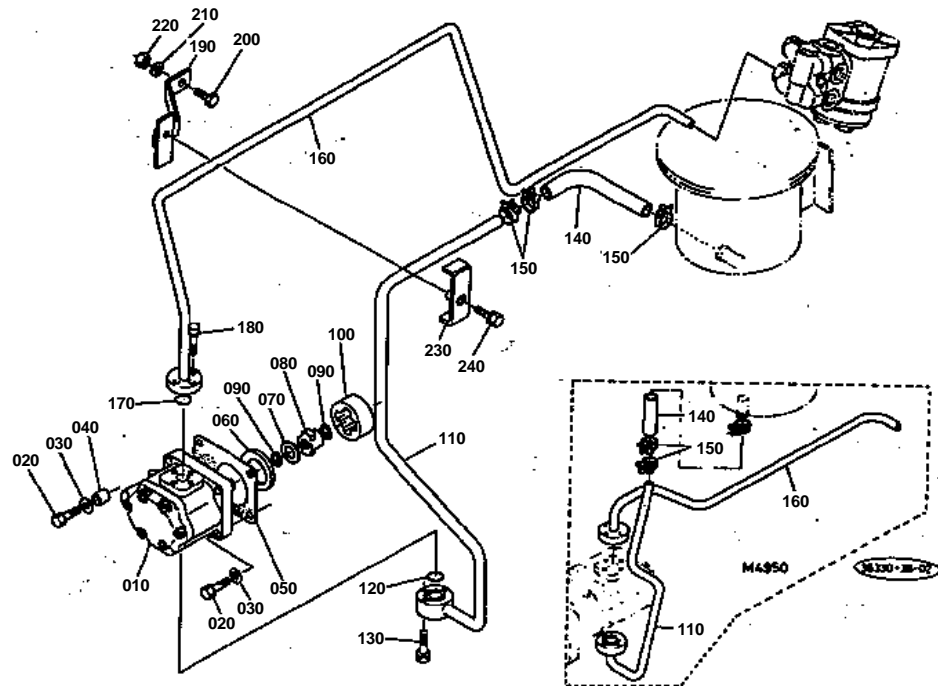


POWER STEERING OIL TANK

↔ Interchangeable; ≠ not interchangeable; ← new for old; → old for new

REF.No	Part No.	Description	Q'ty	S.No.	I/C	REMARKS	Weight (kgf)	Weight (lb)
010	36330-63414	TANK OIL	1				1	2.2
020	36330-63443	COVER OIL TANK	1				0.45	0.99
030	36300-04430	PIPE FUEL	1				0.1	0.22
040	14301-42750	CLIP PIPE	1				0.005	0.011
050	53581-64150	BAND CORD	1				0.002	0.0044
060	36330-63450	GASKET OIL TANK	1				0.03	0.066
070	01023-50616	BOLT	12				0.005	0.011
080	01123-50816	BOLT	4				0	0
090	36330-63460	FILTER OIL	1				0.22	0.484
100	36330-63480	SPRING	1				0.04	0.088
110	36330-63500	GASKET FILTER	1				0.01	0.022
120	36330-63490	MAGNET	1				0.09	0.198
130	04013-50060	WASHER PLAIN	2				0	0
140	04512-50060	WASHER SPRING	1				0	0
150	02014-50060	NUT	1				0.002	0.0044
160	06331-35010	PLUG	2				0.012	0.0264
170	04717-01000	WASHER WITH RUBBER	2				0.001	0.0022
180	06331-35020	PLUG	1				0.068	0.1496
190	04717-02000	WASHER WITH RUBBER	1				0.004	0.0088
200	36330-63610	BAND	2				0.2	0.44
210	33400-63440	CLAMP BAND	1				0.015	0.033
220	33400-63450	CLAMP BAND	1				0.015	0.033
230	01053-50645	BOLT	1				0.012	0.0264
240	02014-50060	NUT	1				0.002	0.0044
250	36330-63620	BRACKET POWER STRG.	1				0.48	1.056
260	36330-63630	CUSHION	1				0.03	0.066
270	36330-63640	CUSHION	2				0.04	0.088

POWER STEERING OIL PUMP



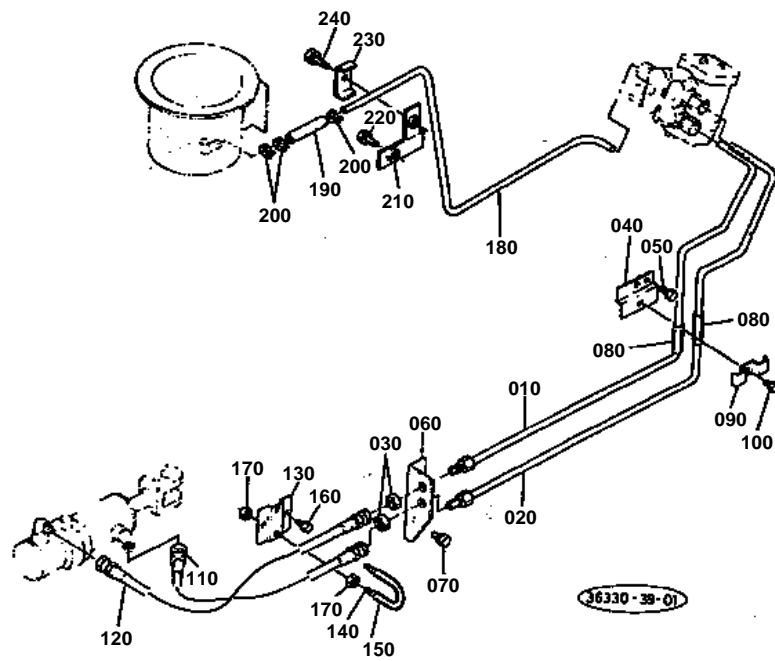


POWER STEERING OIL PUMP

↔ Interchangeable; ≠ not interchangeable; ← new for old; → old for new

REF.No	Part No.	Description	Q'ty	S.No.	I/C	REMARKS	Weight (kgf)	Weight (lb)
010	36330-63100	PUMP HYDRAULIC	1				0	0
020	01023-50632	BOLT	4				0.01	0.022
030	04013-50060	WASHER PLAIN	4				0	0
040	36500-82220	COLLAR	1				0.003	0.0066
050	36500-63220	GASKET	1				0	0
060	36330-82230	RING	1				0.03	0.066
070	36330-82210	WASHER THRUST	1				0.002	0.0044
080	36330-82180	HUB	1				0.06	0.132
090	04612-00170	CIR-CLIP EXTERNAL	2				0.001	0.0022
100	33251-82170	RING	1				0.11	0.242
110	36330-63230	PIPE SUCTION	1				0.62	1.364
120	35880-63650	O RING	1				0.001	0.0022
130	01023-50625	BOLT	3				0.007	0.0154
140	36330-63672	JOINT RUBBER	1				0.09	0.198
150	19269-16160	BAND	3				0.01	0.022
160	36330-63240	PIPE DELIVERY	1				0	0
170	35880-63650	O RING	1				0.001	0.0022
180	01023-50625	BOLT	3				0.007	0.0154
190	36330-63580	STAY PIPE	1				0.15	0.33
200	01153-50816	BOLT	1				0.01	0.022
210	04512-50080	WASHER SPRING	1				0	0
220	02114-50080	NUT	1				0.005	0.011
230	36330-63590	CLAMP PIPE	1				0.08	0.176
240	01123-50830	BOLT	1				0.015	0.033

POWER STEERING PIPING

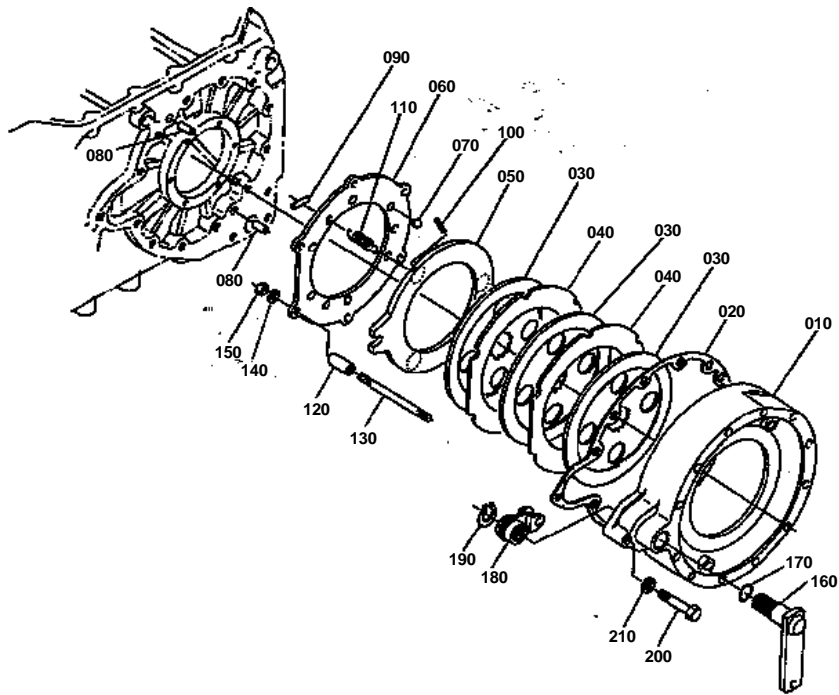


**POWER STEERING PIPING**

↔ Interchangeable; ≠ not interchangeable; ← new for old; → old for new

REF.No	Part No.	Description	Q'ty	S.No.	I/C	REMARKS	Weight (kgf)	Weight (lb)
010	36330-63270	PIPE DELIVERY	1				0.5	1.1
020	36330-63280	PIPE DELIVERY	1				0.53	1.166
030	36330-63290	NUT	2				0.02	0.044
040	36330-63310	STAY PIPE	1				0.12	0.264
050	01133-51020	BOLT	2				0.02	0.044
060	36330-63320	STAY PIPE	1	≤11069			0	0
060	36330-63323	STAY PIPE	1	≥11070	←		0.208	0.4576
070	01123-50816	BOLT	2				0	0
080	36330-63330	RUBBER PROTECTOR	2				0.01	0.022
090	36330-63340	CLAMP PIPE	1				0.055	0.121
100	01123-50816	BOLT	1				0	0
110	36330-63350	HOSE DELIVERY	1				0.38	0.836
120	36330-63360	HOSE DELIVERY	1				0.4	0.88
130	36330-63510	STAY SUPPORT HOSE	1				0.13	0.286
140	36330-63520	SUPPORT HOSE	1				0.06	0.132
150	36330-63530	COVER PROTECT.	1				0.015	0.033
160	01123-50816	BOLT	2				0	0
170	02114-50080	NUT	4				0.005	0.011
180	36330-63370	PIPE RETURN	1				0.32	0.704
190	36330-63663	JOINT RUBBER	1				0.03	0.066
200	36330-63690	BAND HOSE	3				0.01	0.022
210	36330-63560	STAY PIPE	1				0.11	0.242
220	01123-50816	BOLT	1				0	0
230	36530-63570	CLAMP PIPE	1				0.035	0.077
240	01123-50830	BOLT	1				0.015	0.033

BRAKE

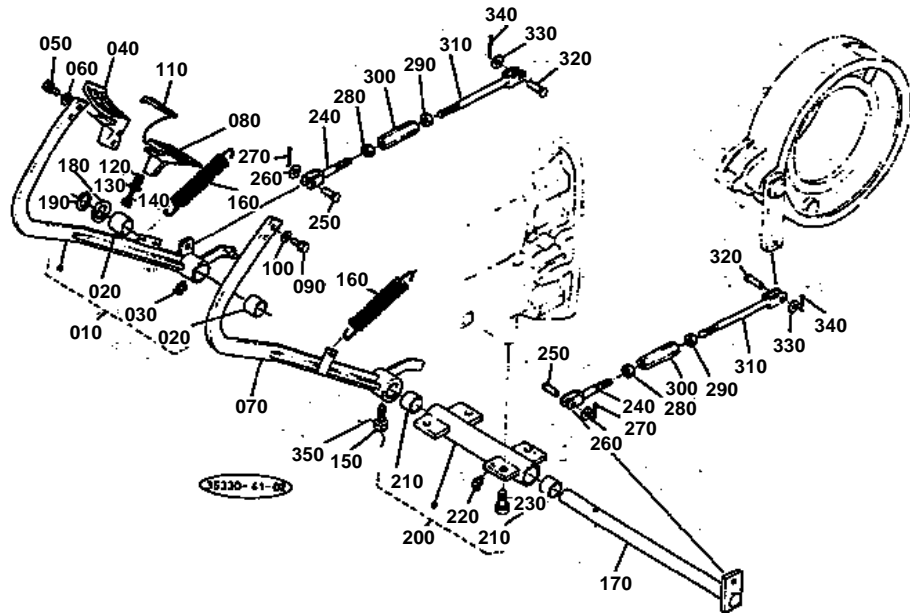


**BRAKE**

↔ Interchangeable; ≠ not interchangeable; ← new for old; → old for new

REF.No	Part No.	Description	Q'ty	S.No.	I/C	REMARKS	Weight (kgf)	Weight (lb)
010	36330-65110	CASE BRAKE	2				16.6	36.52
020	36330-65210	GASKET	2				0	0
030	36200-65120	PLATE FRICTION	6				0	0
040	36330-65130	PLATE	4				0.56	1.232
050	36200-65147	PLATE CAM	2				2.5	5.5
060	36200-65150	PLATE CAM	2				2.42	5.324
070	07715-00805	BALL	12				0.016	0.0352
080	05012-01325	PIN STRAIGHT	4				0.028	0.0616
090	36200-65180	RETAINER SPRING	6				0.025	0.055
100	05411-00435	PIN SPRING	6				0.002	0.0044
110	36200-65810	SPRING	6				0.003	0.0066
120	36500-65160	SPACER	12				0.02	0.044
130	36500-65170	STUD	12				0.042	0.0924
140	04512-50100	WASHER SPRING	12				0	0
150	02118-50100	NUT	12				0.005	0.011
160	36330-65330	SHAFT BRAKE CAM	2				0.93	2.046
170	04811-05260	RING	2				0	0
180	36200-65310	LEVER BRAKE CAM	2				0.35	0.77
190	04612-00280	CIR-CLIP EXTERNAL	2				0.003	0.0066
200	01173-51270	BOLT	2				0.067	0.1474
210	04512-50120	WASHER SPRING	2				0	0

BRAKE PEDAL

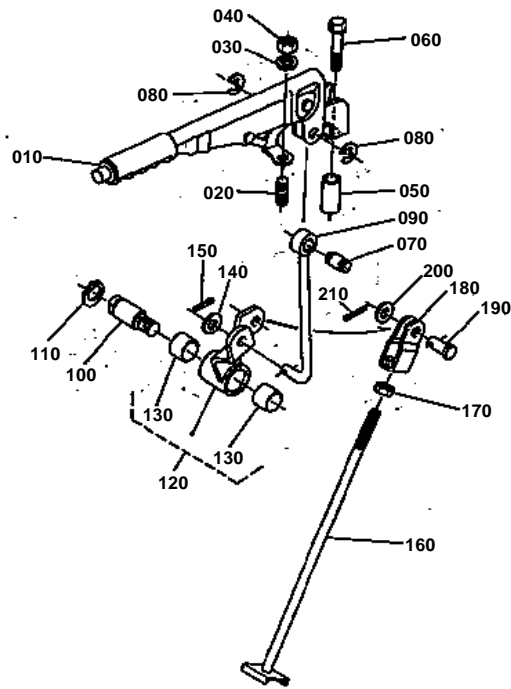


**BRAKE PEDAL**

↔ Interchangeable; ≠ not interchangeable; ← new for old; → old for new

REF.No	Part No.	Description	Q'ty	S.No.	I/C	REMARKS	Weight (kgf)	Weight (lb)
010	36330-67100	ASSY PEDAL BRAKE RH	1	≤10162			0	0
010	36330-67104	ASSY PEDAL BRAKE RH	1	≥10163	←		3.15	6.93
020	32150-28440	BUSH	2				0.043	0.0946
030	06613-30010	NIPPLE GREASE	1				0.01	0.022
040	36330-67120	HEEL PEDAL	1				0.85	1.87
050	01123-50825	BOLT	2				0.013	0.0286
060	04013-50080	WASHER PLAIN	2				0	0
070	36330-67210	PEDAL BRAKE LH	1	≤10114			0	0
070	36330-67216	PEDAL BRAKE LH	1	≥10115	←		3.4	7.48
080	36330-67220	HEEL PEDAL	1				0.86	1.892
090	01123-50825	BOLT	2				0.013	0.0286
100	04013-50080	WASHER PLAIN	2				0	0
110	36330-67230	STOPPER BRAKE PEDAL	1				0.06	0.132
120	36330-67240	SPRING	1				0.001	0.0022
130	04013-50060	WASHER PLAIN	1				0	0
140	01023-50625	BOLT	1				0.007	0.0154
150	33251-26350	BOLT	1				0.045	0.099
160	36330-26160	SPRING PEDAL RETURN	2				0.17	0.374
170	36330-67310	SHAFT BRAKE PEDAL	1	≤10162			0	0
170	36330-67314	SHAFT BRAKE PEDAL	1	≥10163	←		2.7	5.94
180	33251-67340	COLLAR PEDAL SHAFT	1				0.029	0.0638
190	04612-00280	CIR-CLIP EXTERNAL	1				0.003	0.0066
200	36330-67320	ASSY SUPPORT PEDAL	1				2.55	5.61
210	32150-28440	BUSH	2				0.043	0.0946
220	06613-30010	NIPPLE GREASE	1				0.01	0.022
230	01133-51230	BOLT	4				0.04	0.088
240	36200-67410	ROD BRAKE	2	≤10162			0.1	0.22
240	36200-67415	ROD BRAKE	2	≥10163	←		0.12	0.264
250	36330-26130	PIN CLUTCH LINK	2				0	0
260	04011-50100	WASHER PLAIN	2				0.002	0.0044
270	05511-50318	PIN SPLIT	2				0.001	0.0022
280	02172-50120	NUT	2				0.01	0.022
290	36330-67430	NUT LOCK	2	≥10145			0.009	0.0198
300	37720-28980	TURNBUCKLE	2				0.099	0.2178
310	36330-67420	ROD BRAKE	2				0.22	0.484
320	05122-51035	PIN JOINT	2				0.023	0.0506
330	04011-50100	WASHER PLAIN	2				0.002	0.0044
340	05511-50318	PIN SPLIT	2				0.001	0.0022
350	99999-99999	YOUR SUPPLY	1				0	0

PARKING BRAKE



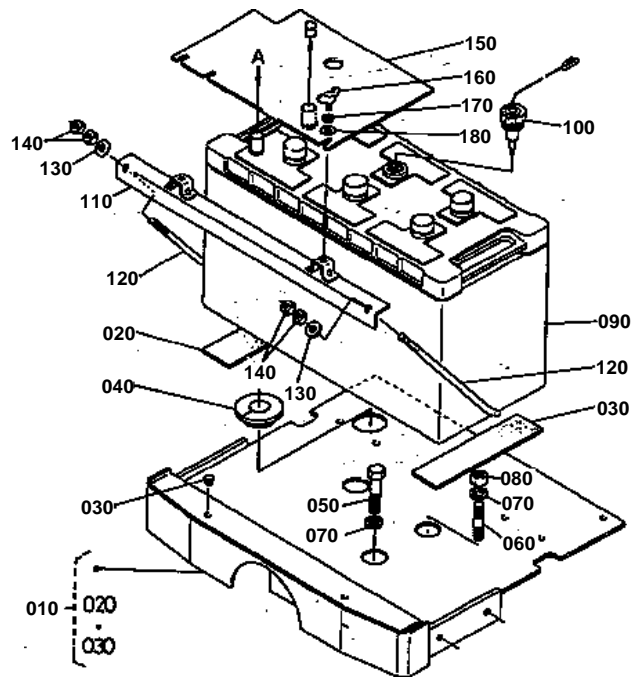


PARKING BRAKE

↔ Interchangeable; ≠ not interchangeable; ← new for old; → old for new

REF.No	Part No.	Description	Q'ty	S.No.	I/C	REMARKS	Weight (kgf)	Weight (lb)
010	68221-32330	LEVER BRAKE	1				0.53	1.166
020	01513-50814	STUD	1				0.008	0.0176
030	04512-50080	WASHER SPRING	1				0	0
040	02114-50080	NUT	1				0.005	0.011
050	36330-67760	COLLAR	1				0.025	0.055
060	01123-50855	BOLT	1				0.02	0.044
070	36330-67770	PIN	1				0.025	0.055
080	04613-00100	CIR-CLIP EXTERNAL	2				0.001	0.0022
090	36330-67780	ROD HAND BRAKE	1				0.15	0.33
100	36330-67790	FULCRUM	1				0.15	0.33
110	04612-00220	CIR-CLIP EXTERNAL	1				0.001	0.0022
120	36330-67800	ASSY LEVER BRAKE	1				0.43	0.946
130	36330-26430	BUSH	2				0	0
140	04011-50100	WASHER PLAIN	1				0.002	0.0044
150	05511-50318	PIN SPLIT	1				0.001	0.0022
160	36330-67820	ROD HAND BRAKE	1				0.18	0.396
170	02116-50100	NUT	1				0.004	0.0088
180	38240-24360	JOINT	1				0.08	0.176
190	05122-51025	PIN JOINT	1				0.017	0.0374
200	04011-50100	WASHER PLAIN	1				0.002	0.0044
210	05511-50318	PIN SPLIT	1				0.001	0.0022

BATTERY SUPPORT

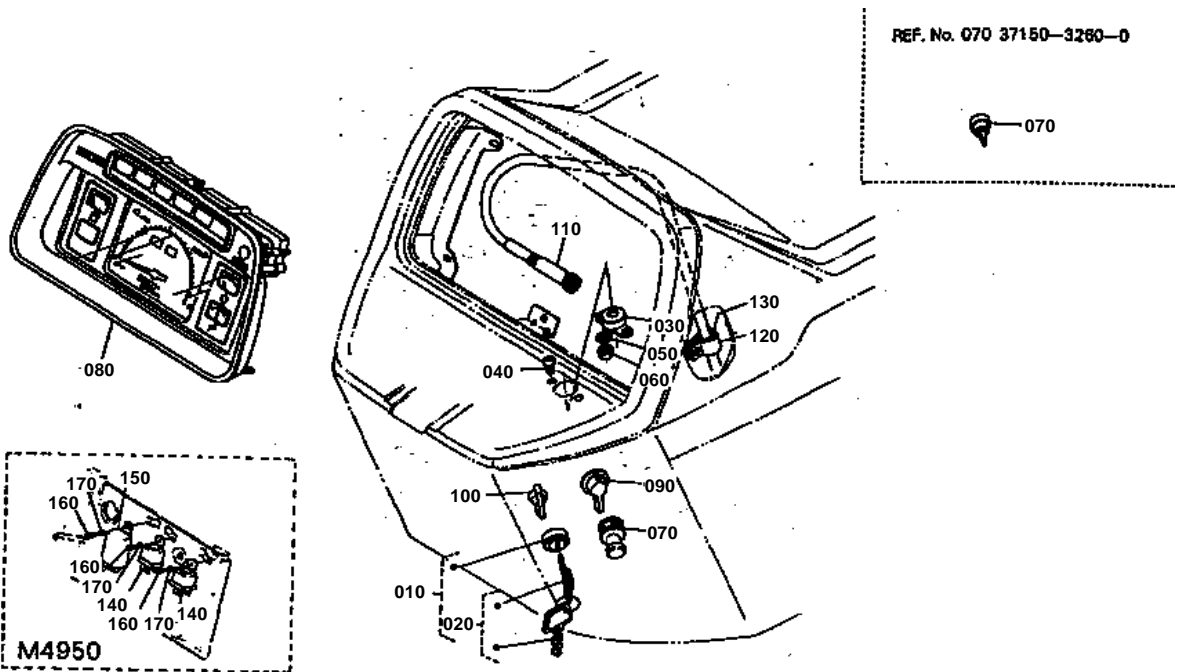


**BATTERY SUPPORT**

↔ Interchangeable; ≠ not interchangeable; ← new for old; → old for new

REF.No	Part No.	Description	Q'ty	S.No.	I/C	REMARKS	Weight (kgf)	Weight (lb)
010	36330-74100	ASSY SUPPORT BATTERY	1				15.7	34.54
020	36500-74180	CUSHION BATTERY	2				0	0
030	38430-17170	CUSHION	2				0.005	0.011
040	35880-74140	COVER RUBBER	1	>=11075			0	0
050	01173-51230	BOLT	2				0.037	0.0814
060	01574-51225	STUD	2				0.034	0.0748
070	04512-50120	WASHER SPRING	4				0	0
080	02174-50120	NUT	2				0.01	0.022
090	35709-74090	BATTERY	1				32	70.4
100	36330-74250	SENER BATTERY	1				0.03	0.066
110	36330-74350	RETAINER BATTERY	1	<=11074			0.09	0.198
110	36330-74353	RETAINER BATTERY	1	>=11075	≠		0.64	1.408
120	36330-74360	BOLT	2				0	0
130	04015-50100	WASHER PLAIN	2				0.016	0.0352
140	02118-50100	NUT	4				0.005	0.011
150	36330-74170	COVER BATTERY	1	<=11074			0	0
150	36330-74174	COVER BATTERY	1	>=11075	←		0.218	0.4796
160	01811-50615	BOLT WING	2				0.015	0.033
170	04512-50060	WASHER SPRING	2				0	0
180	04015-50060	WASHER PLAIN	2				0	0

PANEL BOARD



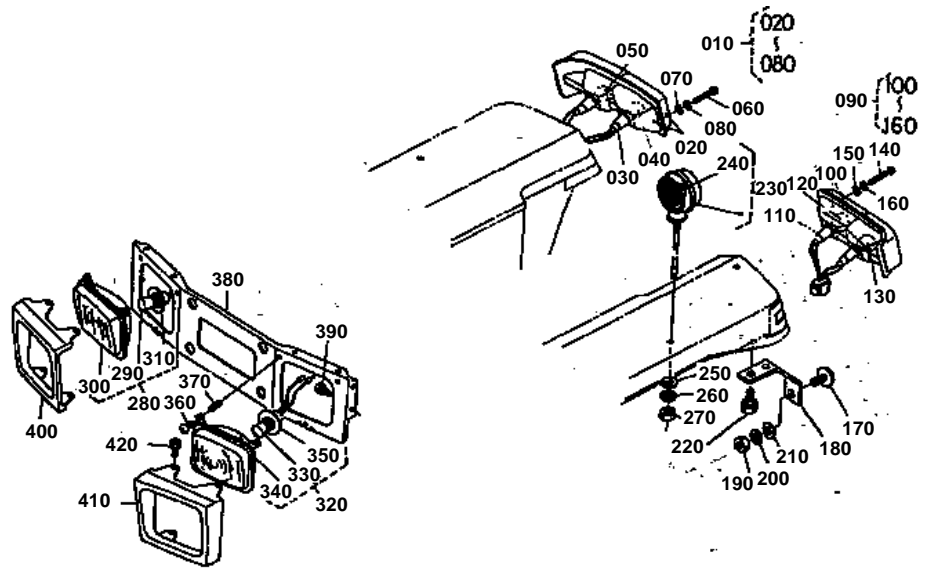


PANEL BOARD

↔ Interchangeable; ≠ not interchangeable; ← new for old; → old for new

REF.No	Part No.	Description	Q'ty	S.No.	I/C	REMARKS	Weight (kgf)	Weight (lb)
010	35822-75170	ASSY SWITCH MAIN	1				0.4	0.88
020	35822-75180	ASSY KEY MAIN SWITCH	1				0.02	0.044
030	15531-65950	INDICATOR GLOW	1				0.05	0.11
040	03054-50510	SCREW PAN HEAD	2				0.003	0.0066
050	04512-50050	WASHER SPRING	2				0	0
060	02054-50050	NUT	2				0.002	0.0044
070	37150-32600	SWITCH PARKING	1	≤11069			0.05	0.11
070	35820-75090	SWITCH PARKING	1	≥11070	≠		0.04	0.088
080	35820-75600	ASSY BOARD PANEL	1				2.2	4.84
090	35450-75040	SWITCH HAZARD	1				0.15	0.33
100	38240-32100	SWITCH LIGHT	1				0.063	0.1386
110	36330-75613	CABLE HOUR METER	1	≤11074			0.26	0.572
110	36730-75613	CABLE HOUR METER	1	≥11075	←		0.22	0.484
120	36500-30150	CLAMP CABLE	1				0	0
130	33251-30160	PROTECTOR CABLE	1				0.007	0.0154

ELECTRICAL SYSTEM 1



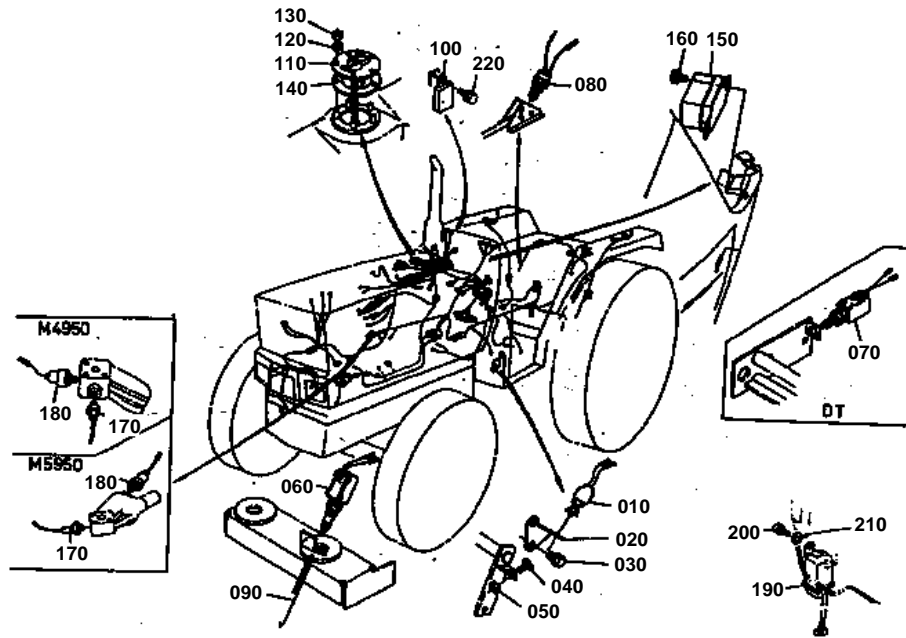


ELECTRICAL SYSTEM 1

↔ Interchangeable; ≠ not interchangeable; ← new for old; → old for new

REF.No	Part No.	Description	Q'ty	S.No.	I/C	REMARKS	Weight (kgf)	Weight (lb)
010	36330-75882	LIGHT REAR COMBI.RH	1				0.27	0.594
020	36330-76280	BODY LIGHT	1				0.38	0.836
030	36330-76290	COMP.CORD SOCKET RH	1				0.04	0.088
040	36330-76270	BULB FLASHER	1				0.01	0.022
050	36330-76260	BULB BRAKE	1				0.01	0.022
060	03054-50545	SCREW PAN HEAD	2				0.006	0.0132
070	36330-76320	WASHER NYRON	2				0.001	0.0022
080	04012-50050	WASHER PLAIN	2				0.001	0.0022
090	36330-75892	LIGHT REAR COMBI.LH	1				0.27	0.594
100	36330-76310	BODY LIGHT	1				0.19	0.418
110	36330-76300	COMP.CORD SOCKET LH	1				0.04	0.088
120	36330-76270	BULB FLASHER	1				0.01	0.022
130	36330-76260	BULB BRAKE	1				0.01	0.022
140	03054-50545	SCREW PAN HEAD	2				0.006	0.0132
150	36330-76320	WASHER NYRON	2				0.001	0.0022
160	04012-50050	WASHER PLAIN	2				0.001	0.0022
170	33251-34900	ASSY REFLECTOR	2				0.019	0.0418
180	36330-75780	BRACKET REFLECTOR	2				0.13	0.286
190	02054-50050	NUT	2				0.002	0.0044
200	04512-50050	WASHER SPRING	2				0	0
210	04012-50050	WASHER PLAIN	2				0.001	0.0022
220	01123-50820	BOLT	4				0.011	0.0242
230	35450-75010	ASSY LIGHT FLASHER	2				0.3	0.66
240	35450-75022	BULB	2				0.008	0.0176
250	04013-50100	WASHER PLAIN	2				0	0
260	04512-50100	WASHER SPRING	2				0	0
270	02114-50100	NUT	2				0.005	0.011
280	36330-75800	ASSY LIGHT HEAD RH	1				0.52	1.144
290	38450-33870	BULB LIGHT	1				0.025	0.055
300	36330-75810	COMP.LIGHT UNIT RH	1				0.41	0.902
310	36330-75840	COMP.CORD SOCKET	1				0.056	0.1232
320	36330-75920	ASSY LIGHT HEAD LH	1				0.53	1.166
330	38450-33870	BULB LIGHT	1				0.025	0.055
340	36330-75930	COMP.LIGHT UNIT LH	1				0.41	0.902
350	36330-75840	COMP.CORD SOCKET	1				0.056	0.1232
360	03054-50525	SCREW PAN HEAD	6				0.005	0.011
370	38240-33860	SPRING LIGHT	6				0.001	0.0022
380	36330-75730	PLATE HEAD LIGHT	1				0.945	2.079
390	01023-50616	BOLT	4				0.005	0.011
400	35861-75710	GRILLE LIGHT RH	1				0.1	0.22
410	35861-75720	GRILLE LIGHT LH	1				0.1	0.22
420	01202-50616	BOLT	8				0.006	0.0132

ELECTRICAL SYSTEM 2



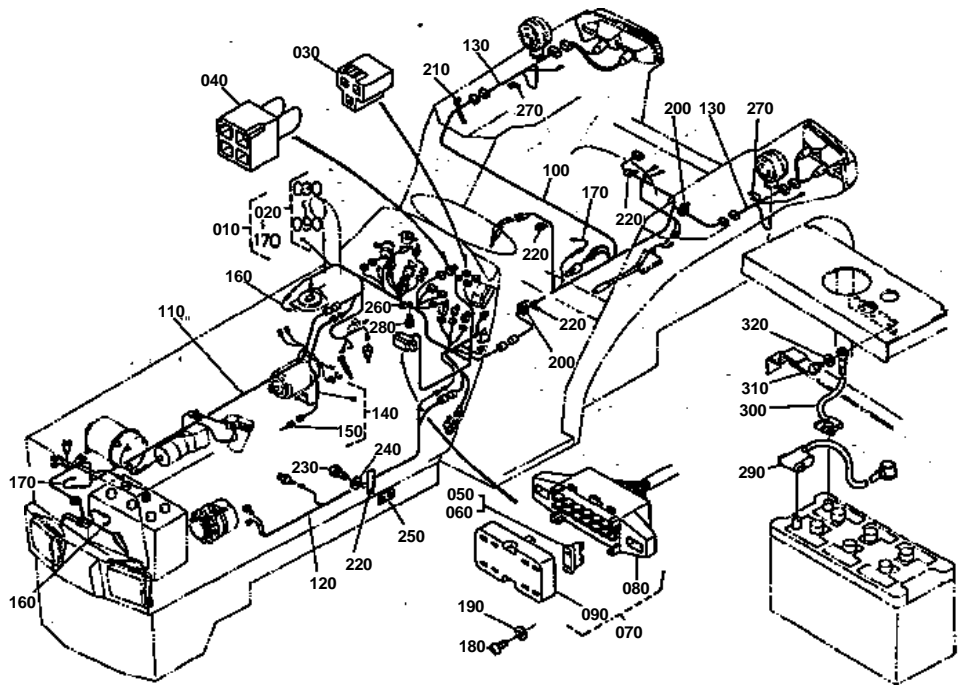


ELECTRICAL SYSTEM 2

↔ Interchangeable; ≠ not interchangeable; ← new for old; → old for new

REF.No	Part No.	Description	Q'ty	S.No.	I/C	REMARKS	Weight (kgf)	Weight (lb)
010	37150-32240	SWITCH SAFETY	1				0.12	0.264
020	36330-75280	BRACKET SWITCH	1				0.06	0.132
030	01123-50816	BOLT	2				0	0
040	01952-00830	BOLT WELD	1				0.005	0.011
050	02112-50080	NUT	1				0.003	0.0066
050	02112-50080	NUT	2	≥10001			0.003	0.0066
060	36330-75480	SWITCH STOP	1				0.08	0.176
080	67111-55810	ASSY SWITCH SAFETY	1				0.09	0.198
090	36330-75490	SPRING	1				0.015	0.033
100	35450-75590	UNIT FLASHER HAZARD	1				0	0
110	36330-75303	UNIT TANK	1				0	0
120	04013-50050	WASHER PLAIN	5				0	0
130	02054-50050	NUT	5				0.002	0.0044
140	36330-75310	GASKET	1				0.005	0.011
150	33251-74010	ASSY REGULATOR	1				0.35	0.77
160	01023-50612	BOLT	2				0.005	0.011
170	36330-75080	SWITCH THERMOMETER	1				0.02	0.044
180	38240-37930	SWITCH VACUUM	1				0.051	0.1122
190	36830-75070	RELAY STARTER	1	≥11077			0.2	0.44
200	01023-50614	BOLT	1	≥11077			0.005	0.011
210	04013-50060	WASHER PLAIN	1	≥11077			0	0
220	01023-50612	BOLT	1				0.005	0.011

ELECTRICAL SYSTEM 3

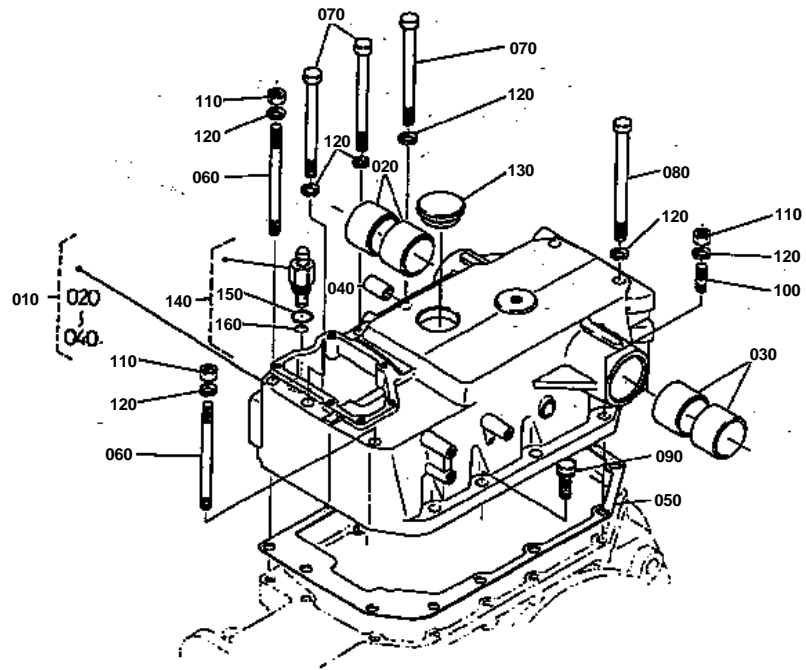


**ELECTRICAL SYSTEM 3**

↔ Interchangeable; ≠ not interchangeable; ← new for old; → old for new

REF.No	Part No.	Description	Q'ty	S.No.	I/C	REMARKS	Weight (kgf)	Weight (lb)
010	35820-77200	ASSY WIRE HARNESS	1	≤10144			0	0
010	35820-77202	ASSY WIRE HARNESS	1	≥10145	←		2.31	5.082
010	35820-77203	ASSY WIRE HARNESS	1	≥11077	≠		2.83	6.226
020	35820-77210	WIRE HARNESS	1	≤10144			0	0
020	35820-77213	WIRE HARNESS	1	≥10145	←		1.28	2.816
030	36330-75390	DIODE	2				0.01	0.022
040	36730-75380	LINK FUSIBLE	1				0.01	0.022
050	36730-75550	FUSE	12				0.001	0.0022
060	35820-75560	FUSE	2				0.002	0.0044
070	35820-75500	ASSY BOX FUSE	1	≤11069			0	0
070	35820-75503	ASSY BOX FUSE	1	≥11070	←		0.11	0.242
080	35820-75510	ASSY CASE FUSE	1	≤11069			0	0
080	35820-75512	ASSY CASE FUSE	1	≥11070	←		0.1	0.22
090	36730-75522	COVER FUSE CASE	1	≤10144			0.05	0.11
090	35820-75522	COVER FUSE CASE	1	≥10145	←		0.05	0.11
100	35801-77222	WIRE HARNESS	1				0.32	0.704
110	36340-77230	WIRE HARNESS	1				0.3	0.66
120	36730-77240	WIRE HARNESS	1				0.15	0.33
130	35861-77250	WIRE HARNESS	2				0.09	0.198
140	36330-77260	WIRE HARNESS	1	≤11076			0.1	0.22
140	36330-77263	WIRE HARNESS	1	≥11077	≠		0.15	0.33
150	36330-75380	LINK FUSIBLE	1				0.01	0.022
160	36330-77270	WIRE HARNESS	2				0.005	0.011
170	36330-77290	WIRE HARNESS	2				0	0
180	03027-50510	SCREW	2				0.003	0.0066
190	04013-50050	WASHER PLAIN	2				0	0
200	55311-41260	BAND CORD	5				0.007	0.0154
210	53581-64150	BAND CORD	14				0.002	0.0044
220	34150-29390	CLAMP CORD	11	≤10018			0.004	0.0088
220	34150-29390	CLAMP CORD	12	≥10019	←		0.004	0.0088
230	01053-50620	BOLT	6				0.006	0.0132
240	04013-50060	WASHER PLAIN	6				0	0
250	38240-29250	NUT	6				0.005	0.011
260	35340-29380	CLAMP CORD	1				0.01	0.022
270	54711-42630	CLAMP CORD	6				0.002	0.0044
280	01123-50816	BOLT	1				0	0
290	36300-77110	CORD BATTERY	1				0	0
300	36500-77140	CORD EARTH	1				0.41	0.902
310	01133-51020	BOLT	1				0.02	0.044
320	04013-50100	WASHER PLAIN	1				0	0

HYDRAULIC CYLINDER BODY



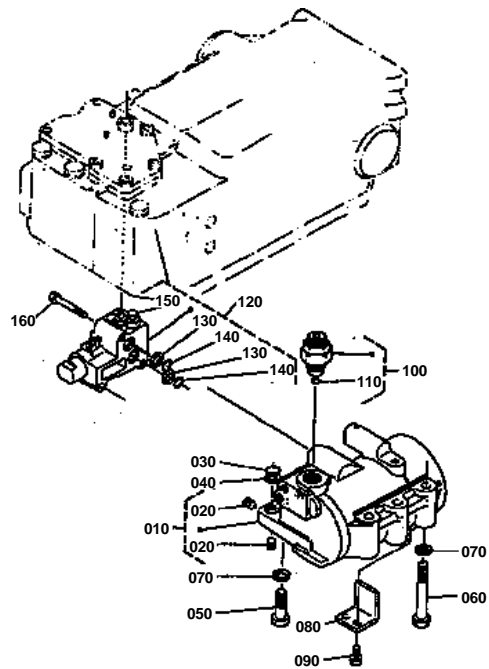


HYDRAULIC CYLINDER BODY

↔ Interchangeable; ≠ not interchangeable; ← new for old; → old for new

REF.No	Part No.	Description	Q'ty	S.No.	I/C	REMARKS	Weight (kgf)	Weight (lb)
010	36330-82100	ASSY BODY HYD.CYL.	1	<=10144			0	0
010	36330-82103	ASSY BODY HYD.CYL.	1	>=10145	←		0	0
020	36200-82130	BUSH	2				0	0
030	33251-82060	BUSH	2				0	0
040	36200-81330	BUSH	1				0.04	0.088
050	36330-82142	GASKET	1				0	0
060	36330-82150	STUD	2				0.14	0.308
070	36330-82160	BOLT	3				0.15	0.33
080	36330-82170	BOLT	2				0.17	0.374
090	01133-51245	BOLT	3				0.055	0.121
100	01574-51240	STUD	2				0	0
110	02176-50120	NUT	4				0.01	0.022
120	04512-50120	WASHER SPRING	9				0	0
130	36200-81670	PLUG	1				0	0
140	36330-82360	ASSY VALVE RELIEF	1				0.25	0.55
150	04810-00220	RING	1				0	0
160	04811-05150	RING	1				0	0

HYDRAULIC CYLINDER LINER



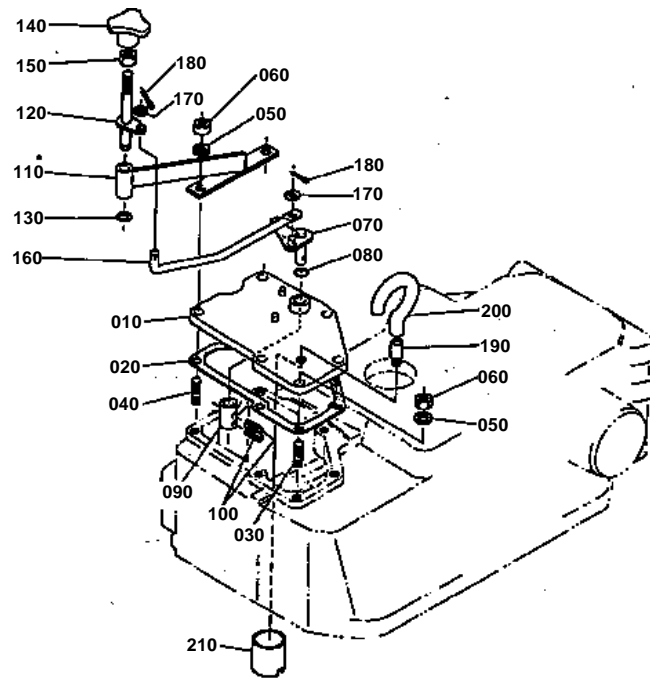


HYDRAULIC CYLINDER LINER

↔ Interchangeable; ≠ not interchangeable; ← new for old; → old for new

REF.No	Part No.	Description	Q'ty	S.No.	I/C	REMARKS	Weight (kgf)	Weight (lb)
010	36330-82500	ASSY LINER HYD.CYL.	1	<=10114			0	0
010	36330-82503	ASSY LINER HYD.CYL.	1	>=10115	←		11.8	25.96
020	36200-82520	PLUG	5	<=10114			0.007	0.0154
020	36741-94022	PLUG TAPER	5	>=10115	≠		0.01	0.022
030	04811-00140	RING	1				0	0
040	36200-82330	RING BACK UP	1				0.001	0.0022
050	36330-82290	BOLT	3				0.06	0.132
060	36330-82340	BOLT	3				0	0
070	04512-50140	WASHER SPRING	6				0	0
080	36330-82530	SUPPORT ROD	1				0.1	0.22
090	01123-50816	BOLT	2				0	0
100	36330-82400	ASSY VALVE SAFETY	1	<=10144			0	0
100	36330-82402	ASSY VALVE SAFETY	1	>=10145	←		0.25	0.55
110	04810-00110	RING	1				0	0
120	35861-82300	ASSY VALVE CONTROL	1				2.1	4.62
130	36200-82330	RING BACK UP	2				0.001	0.0022
140	04810-00140	RING	2				0	0
150	35861-82310	ASSY VALVE CHECK	1				0.08	0.176
160	01123-50855	BOLT	3				0.02	0.044

DOWN SPEED ADJUSTING LEVER



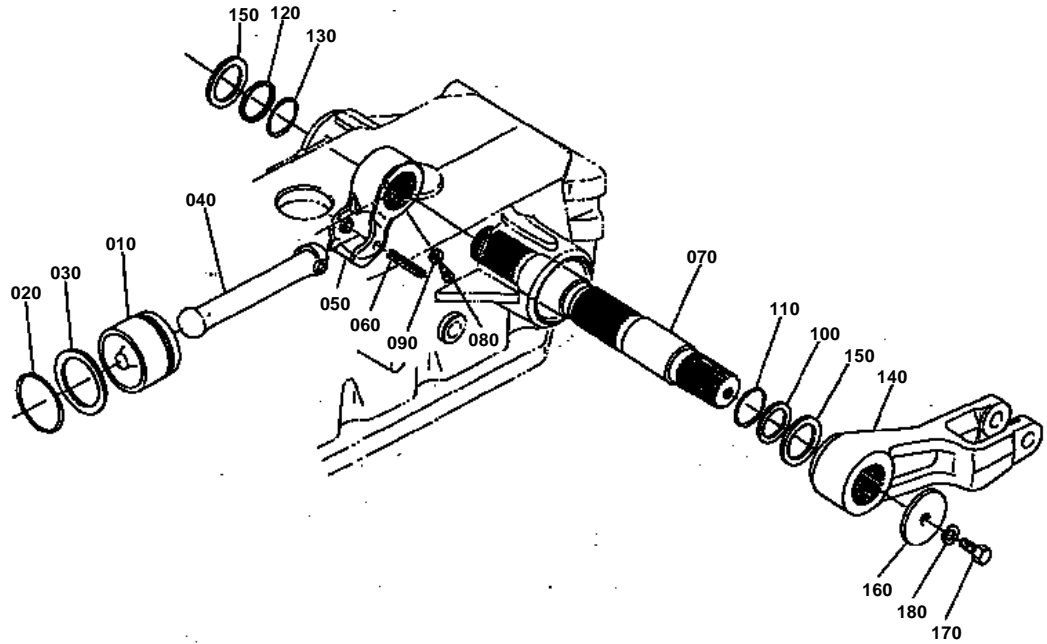


DOWN SPEED ADJUSTING LEVER

↔ Interchangeable; ≠ not interchangeable; ← new for old; → old for new

REF.No	Part No.	Description	Q'ty	S.No.	I/C	REMARKS	Weight (kgf)	Weight (lb)
010	36330-81613	COVER	1				1.12	2.464
020	36330-81620	GASKET	1				0	0
030	01513-50822	STUD	4				0.01	0.022
040	01513-50828	STUD	2				0.013	0.0286
050	04512-50080	WASHER SPRING	6				0	0
060	02114-50080	NUT	6				0.005	0.011
070	36330-81650	SHAFT LEVER	1				0.06	0.132
080	04811-00070	RING	1				0	0
090	36330-81640	JOINT	1				0	0
100	05411-00318	PIN SPRING	2				0.001	0.0022
110	36330-81020	HOLDER ADJUST.LEVER	1				0.185	0.407
120	36330-81042	LEVER ADJUST	1				0.06	0.132
130	04612-00100	CIR-CLIP EXTERNAL	1				0.001	0.0022
140	02820-00100	NUT KNOB	1				0.029	0.0638
150	02112-50100	NUT	1				0.004	0.0088
160	36330-81050	ROD ADJUST.LEVER	1				0.048	0.1056
170	04012-50060	WASHER PLAIN	4				0.001	0.0022
180	05511-51612	PIN SPLIT	2				0.001	0.0022
190	36200-21610	BREATHER	1				0.008	0.0176
200	36200-21620	BREATHER	1				0.006	0.0132
210	36330-21632	PIPE RUBBER	1				0.02	0.044

LIFT LEVER



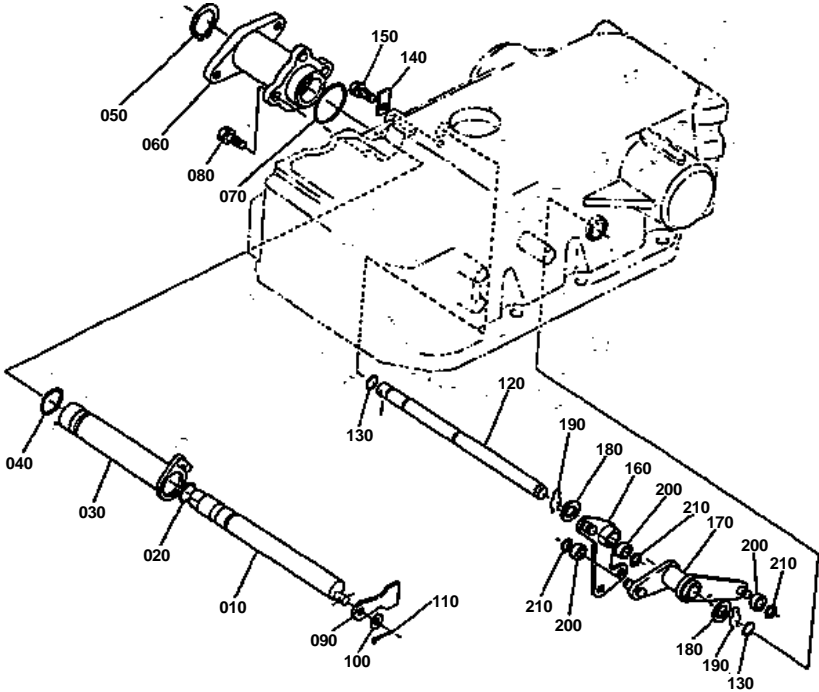


LIFT LEVER

↔ Interchangeable; ≠ not interchangeable; ← new for old; → old for new

REF.No	Part No.	Description	Q'ty	S.No.	I/C	REMARKS	Weight (kgf)	Weight (lb)
010	36330-82570	PISTON HYD.	1				2.23	4.906
020	04811-40430	O RING	1				0.007	0.0154
030	33400-82550	RING BACK UP	1	≤10114			0	0
030	36330-82550	RING BACK UP	1	≥10115	←		0.009	0.0198
040	36330-82860	ROD HYD.PISTON	1				1.53	3.366
050	36330-82840	ARM HYDRAULIC	1				0	0
060	05411-00870	PIN SPRING	1				0.015	0.033
070	36330-82830	SHAFT HYD.ARM	1				0	0
080	33251-82850	BOLT STOPPER	1				0.015	0.033
090	04512-50100	WASHER SPRING	1				0	0
100	36200-82890	COLLAR DISTANCE LH	1				0.019	0.0418
110	04811-40310	RING	1				0.005	0.011
120	33251-82880	COLLAR DISTANCE RH	1				0.03	0.066
130	04811-40320	RING	1				0.005	0.011
140	36330-82910	LEVER LIFT	2				5.8	12.76
150	36830-82900	COLLAR THRUST	2	≥11092			0.012	0.0264
160	36330-82920	RETAINER LEVER	2				0.22	0.484
170	01173-51435	BOLT	2				0.056	0.1232
180	04512-50140	WASHER SPRING	2				0	0

HYDRAULIC SYSTEM 1



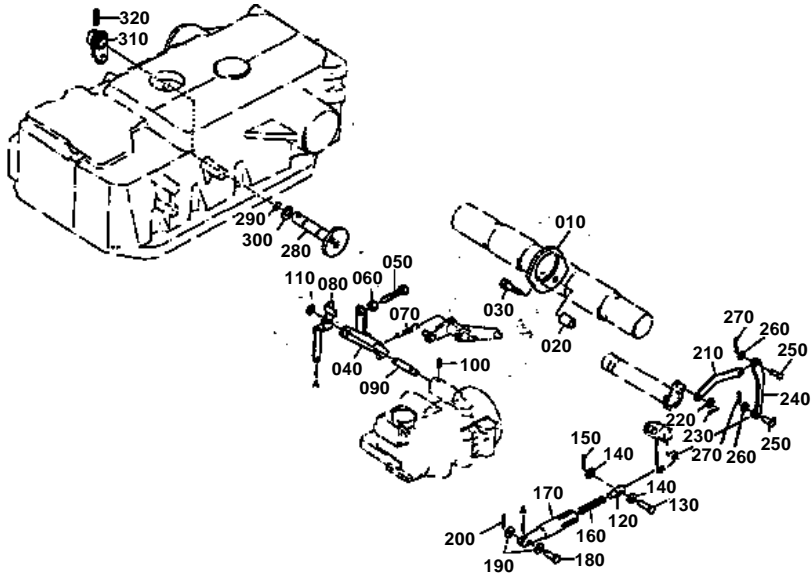


HYDRAULIC SYSTEM 1

↔ Interchangeable; ≠ not interchangeable; ← new for old; → old for new

REF.No	Part No.	Description	Q'ty	S.No.	I/C	REMARKS	Weight (kgf)	Weight (lb)
010	36330-81110	SHAFT CONTROL	1				0	0
020	04811-00180	RING	1				0	0
030	36330-81120	SHAFT DRAFT CONTROL	1	≤10114			0	0
030	36330-81124	SHAFT DRAFT CONTROL	1	≥10115	←		0.46	1.012
040	04811-06260	RING	1				0	0
050	04612-00300	CIR-CLIP EXTERNAL	1				0.003	0.0066
060	35861-81130	BRACKET GUIDE	1				0.94	2.068
070	04811-50450	RING	1				0	0
080	01123-50820	BOLT	3				0.011	0.0242
090	36200-81150	CONNECTOR POSITION	1				0	0
100	04012-50080	WASHER PLAIN	1				0.001	0.0022
110	05511-51612	PIN SPLIT	1				0.001	0.0022
120	36330-81180	BAR CONNECTOR	1				0.32	0.704
130	04811-10120	RING	2				0.001	0.0022
140	36200-81190	STOPPER	1				0.008	0.0176
150	01123-50816	BOLT	1				0	0
160	36200-81230	CONNECTOR	1				0.166	0.3652
170	36330-81240	BALANCER POSITION	1				0.232	0.5104
180	04011-50140	WASHER PLAIN	2				0.007	0.0154
190	36200-81210	CIR-CLIP	2				0.001	0.0022
200	36200-81220	ROLLER	3				0.008	0.0176
210	04612-00100	CIR-CLIP EXTERNAL	3				0.001	0.0022

HYDRAULIC SYSTEM 2



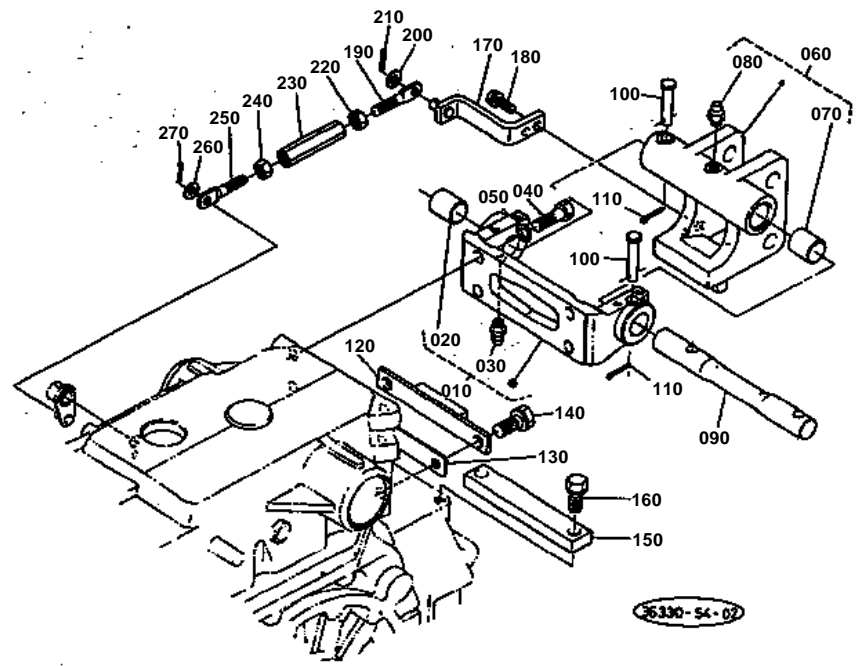


HYDRAULIC SYSTEM 2

↔ Interchangeable; ≠ not interchangeable; ← new for old; → old for new

REF.No	Part No.	Description	Q'ty	S.No.	I/C	REMARKS	Weight (kgf)	Weight (lb)
010	36330-81250	CAM POSITION	1				0.165	0.363
020	36330-81290	SPACER	1				0.02	0.044
030	01123-50835	BOLT	1				0.02	0.044
040	36330-81680	METAL FEED BACK	1				0	0
050	01172-51045	BOLT	1				0	0
060	02118-50100	NUT	1				0.005	0.011
070	36330-81670	SPRING	1				0.002	0.0044
080	36330-81160	RETAINER SPOOL	1				0.12	0.264
090	36330-81170	PIN	1				0.03	0.066
100	05411-00416	PIN SPRING	1				0.001	0.0022
110	04612-00100	CIR-CLIP EXTERNAL	1				0.001	0.0022
120	36200-81270	HOLDER PUSH	1				0.026	0.0572
130	05122-50628	PIN JOINT	1				0.006	0.0132
140	04012-50060	WASHER PLAIN	2				0.001	0.0022
150	05511-51612	PIN SPLIT	1				0.001	0.0022
160	36200-81280	SPRING	1				0.019	0.0418
170	36200-81260	HOLDER PUSH	1				0	0
180	05122-50628	PIN JOINT	1				0.006	0.0132
190	04012-50060	WASHER PLAIN	2				0.001	0.0022
200	05511-51612	PIN SPLIT	1				0.001	0.0022
210	36330-81310	LINK DRAFT	1				0	0
220	04012-50080	WASHER PLAIN	1				0.001	0.0022
230	05511-51612	PIN SPLIT	1				0.001	0.0022
240	36200-81324	LINK DRAFT	1				0.08	0.176
250	05122-50818	PIN JOINT	2				0.008	0.0176
260	04012-50080	WASHER PLAIN	2				0.001	0.0022
270	05511-50215	PIN SPLIT	2				0.001	0.0022
280	36330-81340	CAM DRAFT	1				0	0
290	04811-05120	RING	1				0	0
300	04612-00150	CIR-CLIP EXTERNAL	1				0.001	0.0022
310	36330-81350	LEVER DRAFT	1				0	0
320	05411-00525	PIN SPRING	1				0.002	0.0044

TOP LINK BRACKET



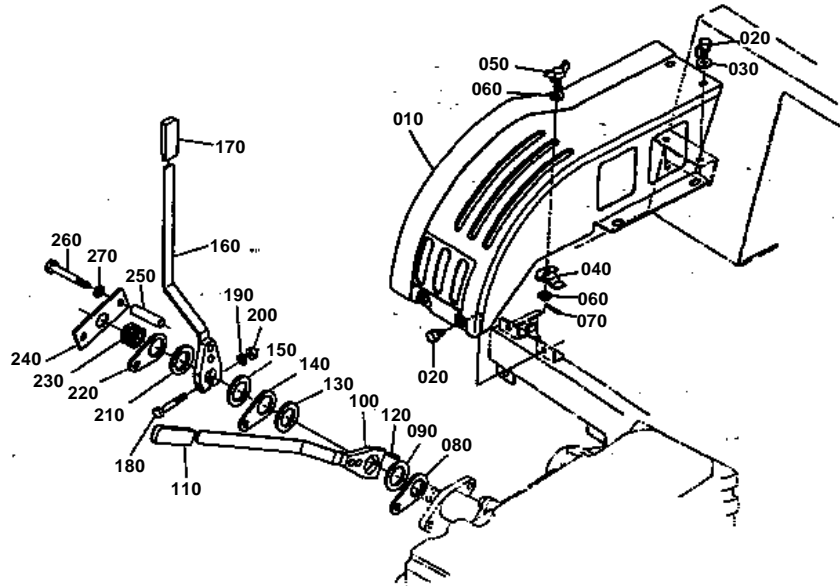


TOP LINK BRACKET

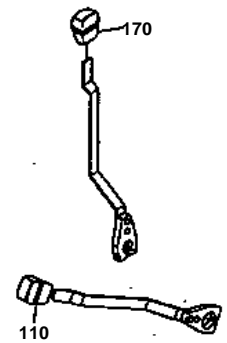
↔ Interchangeable; ≠ not interchangeable; ← new for old; → old for new

REF.No	Part No.	Description	Q'ty	S.No.	I/C	REMARKS	Weight (kgf)	Weight (lb)
010	36330-81780	ASSY BRACKET BAR	1				0	0
020	36330-81830	BUSH	1				0.035	0.077
030	06613-10010	NIPPLE GREASE	1				0.006	0.0132
040	01176-51240	BOLT	4				0.046	0.1012
050	04512-50120	WASHER SPRING	4				0	0
060	36330-81800	ASSY BRACKET TOP LIN	1				0	0
070	36330-81830	BUSH	1				0.035	0.077
080	06613-10010	NIPPLE GREASE	1				0.006	0.0132
090	36330-81750	BAR TORSION	1				1.035	2.277
100	36330-81840	PIN	2				0	0
120	36330-81850	STOPPER	1				0.42	0.924
130	36330-81860	SHIM	2				0.034	0.0748
130	36330-81870	SHIM	1				0.02	0.044
140	01133-51230	BOLT	2				0.04	0.088
150	36330-81880	STOPPER	1				0.69	1.518
160	01133-51235	BOLT	2				0.043	0.0946
170	36330-81360	PLATE DRAFT	1				0	0
180	01123-50825	BOLT	2				0.013	0.0286
190	36330-81390	ROD DRAFT CONTROL	1				0	0
200	04011-50100	WASHER PLAIN	1				0.002	0.0044
210	05511-50318	PIN SPLIT	1				0.001	0.0022
220	32350-28990	NUT	1				0.009	0.0198
230	32350-28980	TURNBUCKLE	1				0.124	0.2728
240	02116-50100	NUT	1				0.004	0.0088
250	36330-81380	ROD DRAFT CONTROL	1				0	0
260	04011-50100	WASHER PLAIN	1				0.002	0.0044
270	05511-50318	PIN SPLIT	1				0.001	0.0022

DRAFT AND POSITION CONTROL LEVER



REF. No. 110 36330-8156-0
REF. No. 170 36330-8156-0

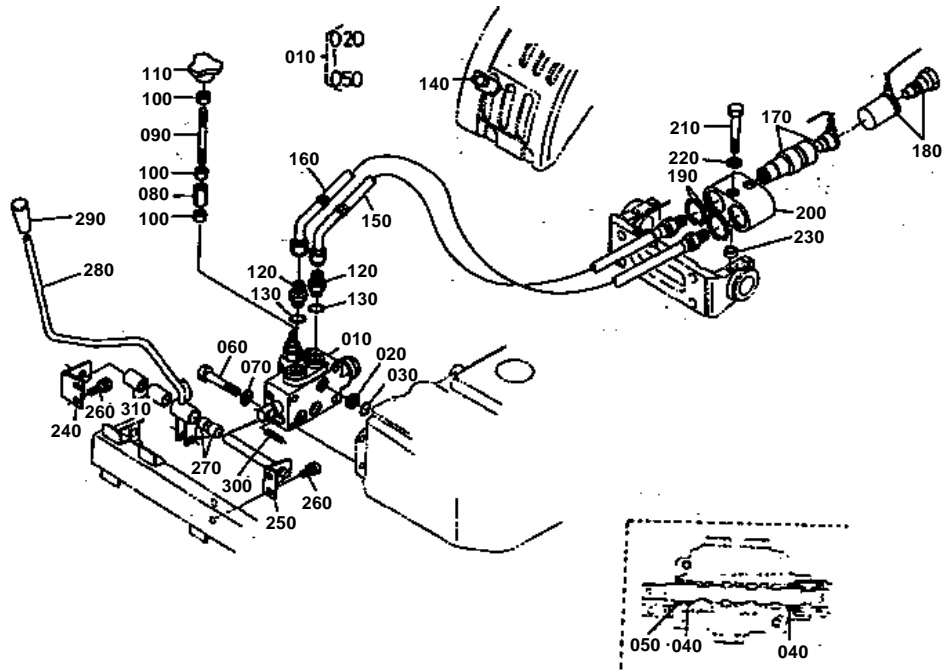


**DRAFT AND POSITION CONTROL LEVER**

↔ Interchangeable; ≠ not interchangeable; ← new for old; → old for new

REF.No	Part No.	Description	Q'ty	S.No.	I/C	REMARKS	Weight (kgf)	Weight (lb)
010	35822-81412	GUIDE LEVER	1				1.69	3.718
020	01123-50816	BOLT	6				0	0
030	04013-50080	WASHER PLAIN	4				0	0
040	36330-81520	STOPPER LEVER	2				0.02	0.044
050	36330-81530	SCREW	2				0.03	0.066
060	04013-50080	WASHER PLAIN	4				0	0
070	05511-50215	PIN SPLIT	2				0.001	0.0022
080	35861-81490	PLATE	1				0.04	0.088
090	36200-81440	WASHER FRICTION	1				0	0
100	35820-81430	LEVER DRAFT CONTROL	1				0.4	0.88
110	36330-81560	GRIP LEVER	1	≤10144			0	0
110	31351-36880	GRIP LEVER	1	≥10145	←		0.04	0.088
120	05712-00510	KEY FEATHER	1				0.002	0.0044
130	36200-81450	WASHER FRICTION	1				0	0
140	35861-81480	PLATE	1				0.04	0.088
150	36200-81450	WASHER FRICTION	1				0	0
160	35820-81420	LEVER CONTROL	1				0.43	0.946
170	36330-81560	GRIP LEVER	1	≤10144			0	0
170	31351-36880	GRIP LEVER	1	≥10145	←		0.04	0.088
180	36200-81530	BOLT	1				0.016	0.0352
190	04512-50060	WASHER SPRING	1				0	0
200	02056-50060	NUT	1				0.002	0.0044
210	36200-81450	WASHER FRICTION	1				0	0
220	35861-81480	PLATE	1				0.04	0.088
230	36200-81460	SPRING	1				0.03	0.066
240	35861-81470	STOPPER SPRING	1				0.11	0.242
250	36730-81500	PIPE	2				0.04	0.088
260	01153-50875	BOLT	2				0.028	0.0616
270	04512-50080	WASHER SPRING	2				0	0

AUX.CONTROL VALVE [OLD TYPE] [A]



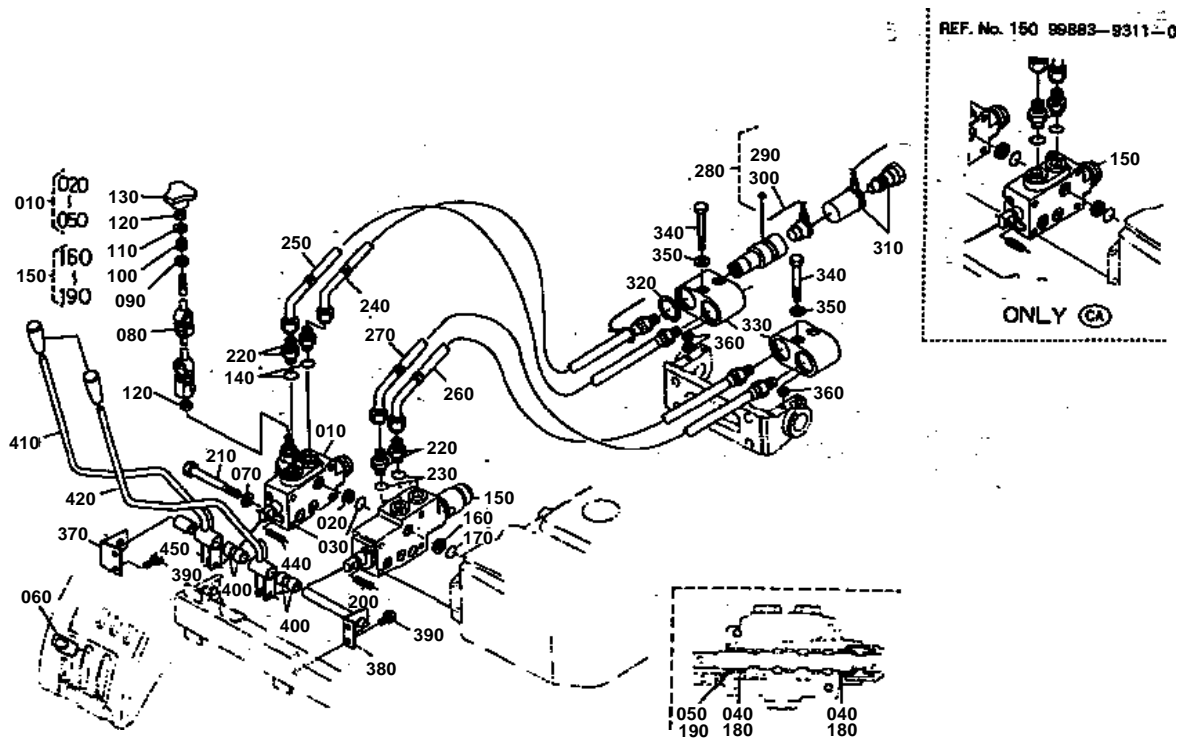
**AUX.CONTROL VALVE [OLD TYPE] [A]**

S.No.:M4950;>=10001 <=10176 M4950DT;>=50001 <=50226 M5950;>=10001 <=10114 M5950DT;>=50001 <=50071

↔ Interchangeable; ≠ not interchangeable; ← new for old; → old for new

REF.No	Part No.	Description	Q'ty	S.No.	I/C	REMARKS	Weight (kgf)	Weight (lb)
010	35820-82350	ASSY VALVE SUB CON.	1				0	0
020	36200-82330	RING BACK UP	3				0.001	0.0022
030	04810-00140	RING	3				0	0
040	36200-82810	SEAL SPOOL	2				0.001	0.0022
050	36200-82820	SEAL DUST	1				0.002	0.0044
060	01153-50865	BOLT	4				0.025	0.055
070	04512-50080	WASHER SPRING	4				0	0
080	36330-82010	JOINT 1	1				0.02	0.044
090	36330-82020	JOINT 2	1				0.05	0.11
100	02112-50080	NUT	3				0.003	0.0066
110	02820-00080	NUT KNOB	1				0.02	0.044
120	35861-82370	NIPPLE	2				0.05	0.11
130	04811-00140	RING	2				0	0
140	35820-82980	STOPPER	2				0.04	0.088
150	35861-82580	HOSE	1				0.31	0.682
160	35861-82590	HOSE	1				0.325	0.715
170	35861-82032	ASSY COUPLER FEMALE	2				0.32	0.704
180	35861-82190	ASSY COUPLER MALE	2				0.086	0.1892
190	04611-00380	CIR-CLIP INTERNAL	2				0.004	0.0088
200	35861-82610	SUPPORT COUPLER	1				0.75	1.65
210	01170-50865	BOLT	2				0	0
220	04512-50080	WASHER SPRING	2				0	0
230	35801-82620	SPACER	2				0.003	0.0066
240	35822-82410	HOLDER	1				0.1	0.22
250	35822-82420	HOLDER	1				0.27	0.594
260	01123-50816	BOLT	4				0	0
270	54821-51230	BUSH	2				0	0
280	35822-82463	LEVER CONTROL	1				0.6	1.32
290	36330-82450	GRIP	1				0.025	0.055
300	05411-00635	PIN SPRING	1				0.005	0.011
310	35822-82470	SPACER	2				0.065	0.143

AUX.CONTROL VALVE [NEW TYPE]



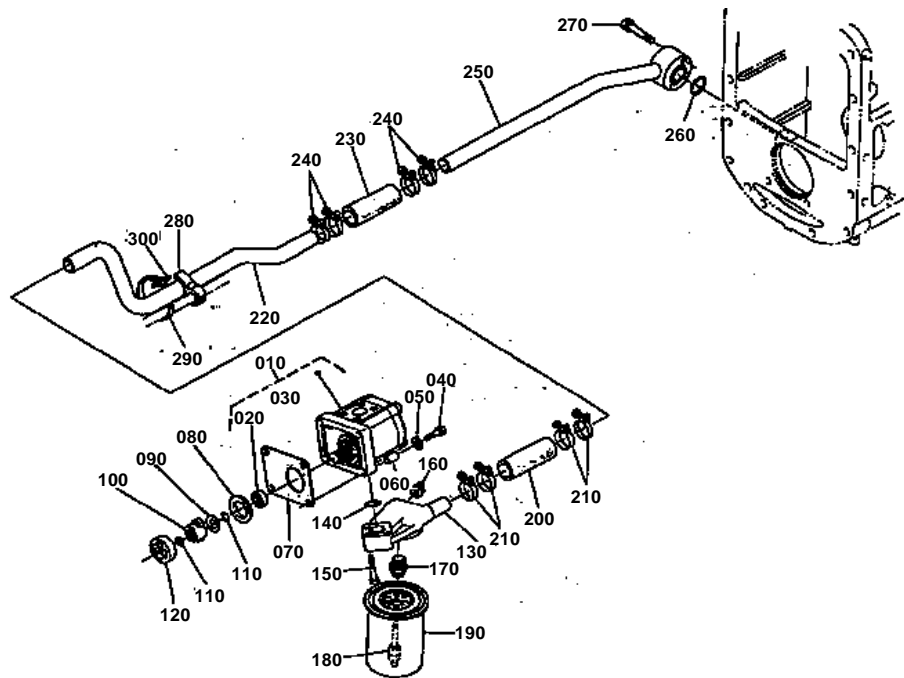
**AUX.CONTROL VALVE [NEW TYPE]**

S.No.:M4950;>=10177 M4950DT;>=50227[A] M4950DT;>=50001[CA] M5950;>=10115 M5950DT;>=50072

↔ Interchangeable; ≠ not interchangeable; ← new for old; → old for new

REF.No	Part No.	Description	Q'ty	S.No.	I/C	REMARKS	Weight (kgf)	Weight (lb)
010	35820-82350	ASSY VALVE SUB CON.	1				0	0
020	36200-82330	RING BACK UP	3				0.001	0.0022
030	04810-00140	RING	3				0	0
040	36200-82810	SEAL SPOOL	2				0.001	0.0022
050	36200-82820	SEAL DUST	1				0.002	0.0044
060	35820-82980	STOPPER	2				0.04	0.088
070	04512-50080	WASHER SPRING	4				0	0
080	35801-82010	JOINT	1				0.09	0.198
090	04013-50100	WASHER PLAIN	1				0	0
100	35861-82020	SPRING	1				0.003	0.0066
110	04013-50080	WASHER PLAIN	1				0	0
120	02112-50080	NUT	2				0.003	0.0066
130	02820-00080	NUT KNOB	1				0.02	0.044
140	04811-00140	RING	2				0	0
150	35820-82800	ASSY VALVE FLOATING	1		≠		3.35	7.37
160	36200-82330	RING BACK UP	4				0.001	0.0022
170	04810-00140	RING	4				0	0
180	36200-82810	SEAL SPOOL	2				0.001	0.0022
190	36200-82820	SEAL DUST	1				0.002	0.0044
200	05411-00635	PIN SPRING	1				0.005	0.011
210	01153-50801	BOLT	4				0.047	0.1034
220	35861-82370	NIPPLE	4				0.05	0.11
230	04811-00140	RING	2				0	0
240	35861-82380	HOSE	1				0.3	0.66
250	35861-82560	HOSE	1				0.31	0.682
260	35861-82580	HOSE	1				0.31	0.682
270	35861-82590	HOSE	1				0.325	0.715
280	35861-82032	ASSY COUPLER FEMALE	4				0.32	0.704
290	35861-94510	O RING	4			NOT SHOWING IN FIG.	0.002	0.0044
300	35861-94520	PLUG COUPLER	4				0.005	0.011
310	35861-82190	ASSY COUPLER MALE	4				0.086	0.1892
320	04611-00380	CIR-CLIP INTERNAL	4				0.004	0.0088
330	35861-82610	SUPPORT COUPLER	2				0.75	1.65
340	01153-50865	BOLT	4				0.025	0.055
350	04512-50080	WASHER SPRING	4				0	0
360	35801-82620	SPACER	6				0.003	0.0066
370	35822-82410	HOLDER	1				0.1	0.22
380	35822-82420	HOLDER	1				0.27	0.594
390	01123-50816	BOLT	4				0	0
400	54821-51230	BUSH	4				0	0
410	35822-82443	LEVER CONTROL VALVE	1				0.65	1.43
420	35820-82460	LEVER CONTROL VALVE	1		≠		0.7	1.54
430	36330-82450	GRIP	2				0.025	0.055
440	05411-00635	PIN SPRING	1				0.005	0.011
450	35822-82470	SPACER	1				0.065	0.143

HYDRAULIC PUMP



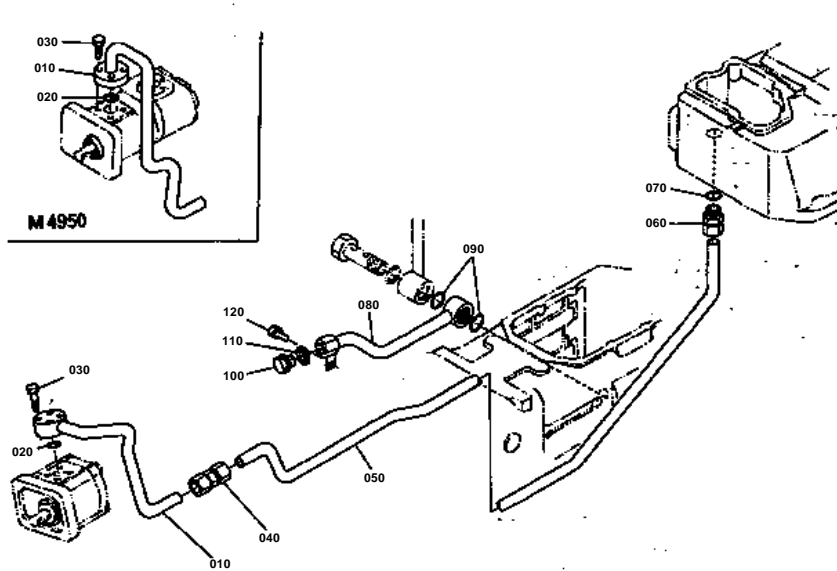


HYDRAULIC PUMP

↔ Interchangeable; ≠ not interchangeable; ← new for old; → old for new

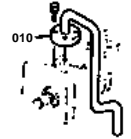
REF.No	Part No.	Description	Q'ty	S.No.	I/C	REMARKS	Weight (kgf)	Weight (lb)
010	36330-82202	PUMP HYDRAULIC	1	<=10144			0	0
010	36330-82204	PUMP HYDRAULIC	1	>=10145	←		4	8.8
020	36200-82320	SEAL OIL	1	<=10144			0.007	0.0154
020	36330-82320	SEAL OIL	1	>=10145	←		0.01	0.022
030	36200-82482	SET SEAL	2	<=10144		NOT SHOWING IN FIG.	0.01	0.022
030	36330-82480	SET SEAL	1	>=10145	←	NOT SHOWING IN FIG.	0.005	0.011
040	01023-50630	BOLT	4				0.008	0.0176
050	04013-50060	WASHER PLAIN	4				0	0
060	36500-82220	COLLAR	1				0.003	0.0066
070	36500-63220	GASKET	1				0	0
080	36330-82230	RING	1				0.03	0.066
090	36330-82210	WASHER THRUST	1				0.002	0.0044
100	36330-82180	HUB	1				0.06	0.132
110	04612-00170	CIR-CLIP EXTERNAL	2				0.001	0.0022
120	33251-82170	RING	1				0.11	0.242
130	36330-82650	BRACKET FILTER	1				0.525	1.155
140	35880-94870	O RING	1				0.001	0.0022
150	01053-50650	BOLT	3				0.011	0.0242
160	36330-82660	PLUG	1				0.03	0.066
170	36330-82670	JOINT	1				0.04	0.088
180	36530-82640	FILTER MAGNET	1				0	0
190	36330-82630	COMP.FILTER HYD.	1				0.6	1.32
200	36330-82730	PIPE RUBBER	1				0.08	0.176
210	36200-82720	CLAMP	4				0.025	0.055
220	36330-82680	PIPE SUCTION	1				0.67	1.474
230	36330-82730	PIPE RUBBER	1				0.08	0.176
240	36200-82720	CLAMP	4				0.025	0.055
250	36330-82690	PIPE SUCTION	1				1.2	2.64
260	04811-00280	RING	1				0	0
270	01123-50850	BOLT	3				0.02	0.044
280	36330-82720	CUSHION	1				0.02	0.044
290	33251-82760	BAND PIPE	1				0.016	0.0352
300	33430-82760	PIN BAND	1				0.004	0.0088

DELIVERY PIPE

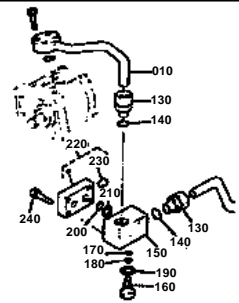


M4950

- REF. No. 010 36230-8274-0
- REF. No. 010 36330-8274-0
- REF. No. 130 36330-8275-0
- REF. No. 140 04611-00180
- REF. No. 150 36330-8293-0
- REF. No. 160 36330-8296-0
- REF. No. 170 04611-00090
- REF. No. 180 36330-8297-0
- REF. No. 190 04512-50120
- REF. No. 200 04611-00140
- REF. No. 210 36200-8233-0
- REF. No. 220 36330-8294-0
- REF. No. 230 06312-10030
- REF. No. 240 01123-50835



M4950



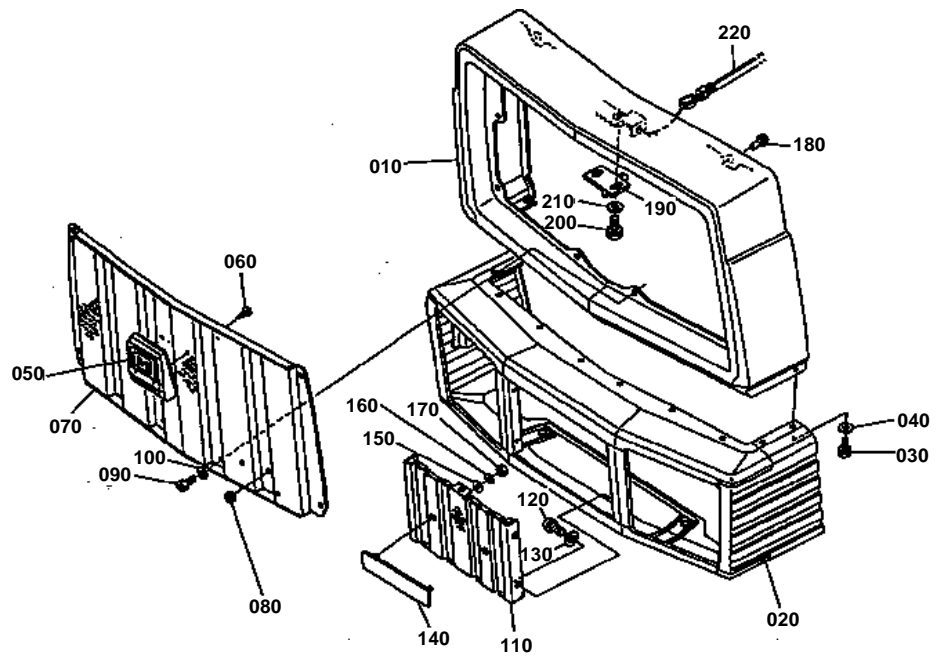


DELIVERY PIPE

↔ Interchangeable; ≠ not interchangeable; ← new for old; → old for new

REF.No	Part No.	Description	Q'ty	S.No.	I/C	REMARKS	Weight (kgf)	Weight (lb)
010	36330-82743	PIPE DELIVERY	1	≤10060			0	0
010	35820-82740	PIPE DELIVERY	1	≥10061	≠		0	0
020	35880-63650	O RING	1				0.001	0.0022
030	01023-50635	BOLT	4				0.01	0.022
040	35820-82760	UNION	1	≥10061			0.156	0.3432
050	36330-82770	PIPE DELIVERY	1				0.6	1.32
060	36330-82750	NIPPLE	1				0.12	0.264
070	04811-00180	RING	1				0	0
080	36330-82790	PIPE RETURN	1				0.36	0.792
090	04811-00220	RING	2				0	0
100	06311-55040	PLUG	1				0.093	0.2046
110	04717-02150	WASHER WITH RUBBER	1				0.004	0.0088
120	01123-50816	BOLT	1				0	0
130	36330-82750	NIPPLE	2	≤10060			0.12	0.264
140	04811-00180	RING	2	≤10060			0	0
150	36330-82930	PORT HYD.OUTLET	1	≤10060			0.87	1.914
160	36330-82960	BOLT BREATHER	1	≤10060			0.02	0.044
170	04811-00090	RING	1	≤10060			0	0
180	36330-82970	RING BACK UP	1	≤10060			0.001	0.0022
190	04512-50120	WASHER SPRING	1	≤10060			0	0
200	04811-00140	RING	2	≤10060			0	0
210	36200-82330	RING BACK UP	2	≤10060			0.001	0.0022
220	36330-82940	ASSY COVER	1	≤10060			0.45	0.99
230	06312-10030	PLUG	1	≤10060			0.029	0.0638
240	01123-50835	BOLT	4	≤10060			0.02	0.044

HOOD 1



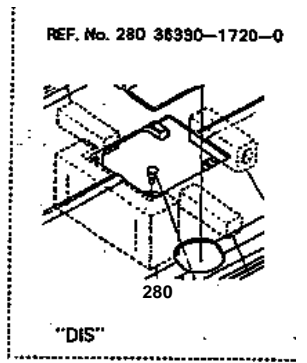
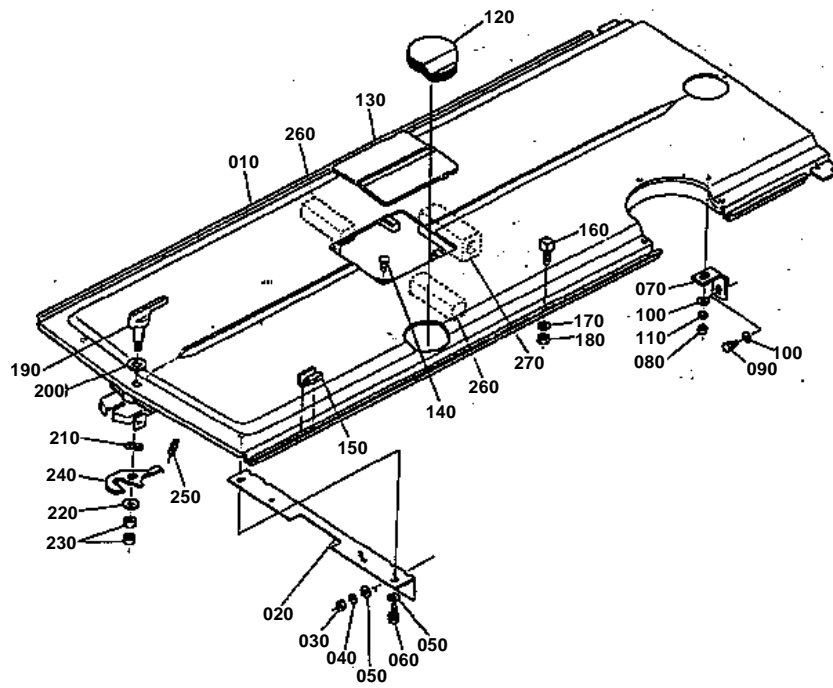


HOOD 1

↔ Interchangeable; ≠ not interchangeable; ← new for old; → old for new

REF.No	Part No.	Description	Q'ty	S.No.	I/C	REMARKS	Weight (kgf)	Weight (lb)
010	35861-83110	COMP.BONNET FRONT	1				3.06	6.732
020	35861-83160	COMP.BONNET FRONT	1				2.75	6.05
030	01023-50614	BOLT	10				0.005	0.011
040	04013-50060	WASHER PLAIN	10				0	0
050	36330-83210	MARK SYMBOL	1				0.04	0.088
060	38430-18270	SCREW	2				0.002	0.0044
070	35861-83220	GRILLE FRONT	1				1	2.2
080	36330-87450	RING RUBBER	1				0.001	0.0022
090	36330-83270	BOLT	8				0.006	0.0132
100	04013-50060	WASHER PLAIN	8				0	0
110	35820-83240	NET GRILLE	1				0.25	0.55
120	03004-50614	SCREW	6				0.006	0.0132
130	04013-50060	WASHER PLAIN	6				0	0
140	35861-83190	MARK FRONT	1				0	0
150	04013-50050	WASHER PLAIN	2				0	0
160	04512-50050	WASHER SPRING	2				0	0
170	02054-50050	NUT	2				0.002	0.0044
180	36330-83120	CUSHION	2				0.001	0.0022
190	36330-83260	STOPPER	1				0.06	0.132
200	01123-50820	BOLT	2				0.011	0.0242
210	04015-50080	WASHER PLAIN	2				0	0
220	36330-83293	SUSPENDER	1				0	0

HOOD 2



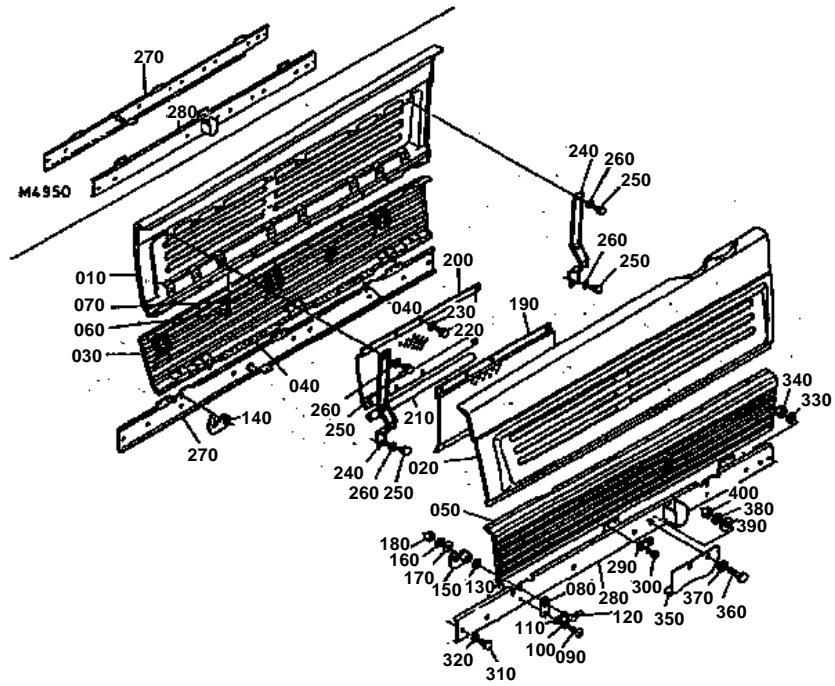


HOOD 2

↔ Interchangeable; ≠ not interchangeable; ← new for old; → old for new

REF.No	Part No.	Description	Q'ty	S.No.	I/C	REMARKS	Weight (kgf)	Weight (lb)
010	35822-83310	ASSY BONNET	1				10	22
020	36730-83350	SUPPORT BONNET	1				0	0
030	02114-50080	NUT	4				0.005	0.011
040	04512-50080	WASHER SPRING	4				0	0
050	04015-50080	WASHER PLAIN	6				0	0
060	01123-50816	BOLT	2				0	0
070	36330-83340	SUPPORT BONNET	1				0.05	0.11
080	02114-50080	NUT	1				0.005	0.011
090	01123-50816	BOLT	1				0	0
100	04013-50080	WASHER PLAIN	2				0	0
110	04512-50080	WASHER SPRING	1				0	0
120	35820-83910	COVER RUBBER	1				0.1	0.22
130	36330-83360	COVER BONNET	1				0.15	0.33
140	32280-18180	CUSHION	2				0.001	0.0022
150	36330-83370	CUSHION	8	<=10060			0	0
150	31351-18620	CUSHION	8	>=10061	↔		0.01	0.022
160	36330-83330	PIN	2				0	0
170	04512-50050	WASHER SPRING	2				0	0
180	02054-50050	NUT	2				0.002	0.0044
190	36330-83382	HANDLE BONNET	1				0.135	0.297
200	33251-83850	WASHER	1				0.001	0.0022
210	33251-83950	WASHER SPRING	1				0.001	0.0022
220	04013-50080	WASHER PLAIN	1				0	0
230	02114-50080	NUT	2				0.005	0.011
240	36330-83390	LOCK PLATE	1				0.055	0.121
250	36330-83420	SPRING LOCK	1				0.006	0.0132
260	36330-83490	ELEMENT	2	<=11069			0.001	0.0022
260	35880-83490	ELEMENT	2	>=11070	≠		0.01	0.022
270	36330-83480	CUSHION	1				0.1	0.22
280	36330-17200	ELEMENT UPPER	1	<=11069			0.02	0.044

HOOD 3



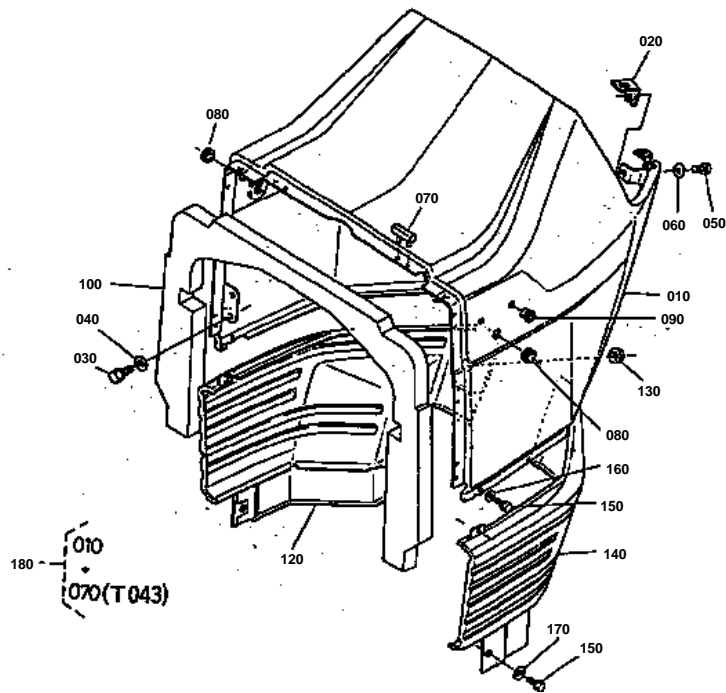


HOOD 3

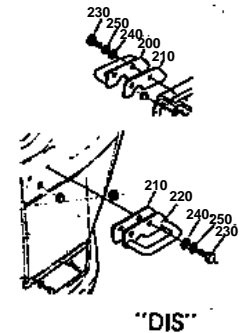
↔ Interchangeable; ≠ not interchangeable; ← new for old; → old for new

REF.No	Part No.	Description	Q'ty	S.No.	I/C	REMARKS	Weight (kgf)	Weight (lb)
010	36330-83430	PLATE SIDE RH	1				5.2	11.44
020	36330-83440	PLATE SIDE LH	1				5	11
030	35801-83462	COMP PLATE SIDE RH	1				3.2	7.04
040	36330-83470	CUSHION	4	<=10114			0	0
040	36330-83472	CUSHION	4	>=10115	←		0.03	0.066
050	35801-83512	COMP PLATE SIDE LH	1				3.2	7.04
060	01023-50614	BOLT	23				0.005	0.011
070	04013-50060	WASHER PLAIN	23				0	0
080	36330-83550	SUPPORT HANDLE	4				0.04	0.088
090	36330-83630	SCREW PAN HEAD	4				0.02	0.044
100	04512-50100	WASHER SPRING	4				0	0
110	04013-50100	WASHER PLAIN	4				0	0
120	36330-83840	HANDLE BONNET COVER	4				0.12	0.264
130	33251-83950	WASHER SPRING	4				0.001	0.0022
140	33251-83860	HOOK BONNET COVER	2				0.053	0.1166
150	36330-83850	HOOK BONNET COVER	2				0.05	0.11
160	04512-50080	WASHER SPRING	4				0	0
170	04012-50080	WASHER PLAIN	4				0.001	0.0022
180	02114-50080	NUT	4				0.005	0.011
190	35822-83570	COVER SAFETY LH	1				0.41	0.902
200	35822-83560	COVER SAFETY RH	1				0.41	0.902
210	35822-83580	CUSHION	2				0.06	0.132
220	01023-50614	BOLT	8				0.005	0.011
230	04013-50060	WASHER PLAIN	8				0	0
240	36330-83590	PLATE REINFORCING	6				0.21	0.462
250	01023-50614	BOLT	18				0.005	0.011
260	04015-50060	WASHER PLAIN	18				0	0
270	36330-83615	FRAME RH	1	<=11076			0	0
270	36330-83616	FRAME RH	1	>=11077	←		5.7	12.54
280	36330-83620	FRAME LH	1	<=11085			0	0
280	36330-83626	FRAME LH	1	>=11086	←		5.4	11.88
290	37150-18180	CUSHION	6				0.015	0.033
300	03024-50512	SCREW	12				0.003	0.0066
310	01173-51220	BOLT	8				0.03	0.066
320	04512-50120	WASHER SPRING	10				0	0
330	04013-50120	WASHER PLAIN	1				0	0
340	02172-50120	NUT	2				0.01	0.022
350	35820-90810	COVER PROTECT.	1				0.27	0.594
360	01053-50620	BOLT	1				0.006	0.0132
370	04013-50060	WASHER PLAIN	1				0	0
380	04512-50060	WASHER SPRING	1				0	0
390	04015-50060	WASHER PLAIN	1				0	0
400	02014-50060	NUT	1				0.002	0.0044

HOOD 4



REF. No. 200 35820-8392-0
REF. No. 210 35820-8393-0
REF. No. 220 35820-8394-0
REF. No. 230 35820-8398-0
REF. No. 240 04013-50100
REF. No. 260 04512-50100

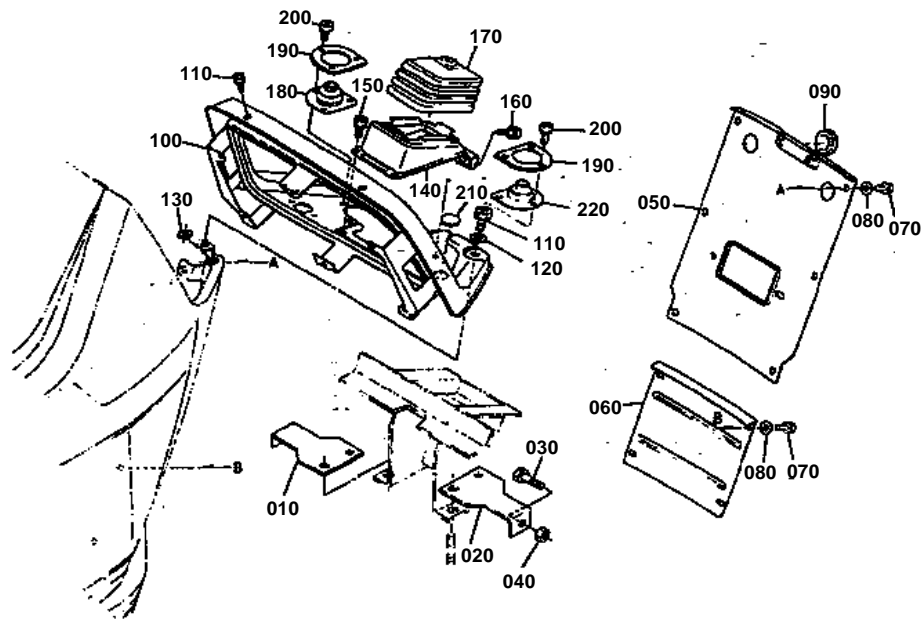


**HOOD 4**

↔ Interchangeable; ≠ not interchangeable; ← new for old; → old for new

REF.No	Part No.	Description	Q'ty	S.No.	I/C	REMARKS	Weight (kgf)	Weight (lb)
010	36330-83656	COMP.BONNET REAR	1	<=11069			7	15.4
010	36330-83657	COMP.BONNET REAR	1	>=11070	≠		11	24.2
020	36330-83660	PLATE BONNET REAR	2				0.04	0.088
030	01133-51025	BOLT	4				0.023	0.0506
040	04015-50100	WASHER PLAIN	2				0.016	0.0352
050	01123-50820	BOLT	2				0.011	0.0242
060	04013-50080	WASHER PLAIN	2				0	0
070	36330-83670	CUSHION	8				0.006	0.0132
080	34159-34290	PLUG	2	>=10031			0.004	0.0088
090	66591-54390	PLUG BLIND	4	>=10115			0.001	0.0022
100	36330-83710	ELEMENT BONNET REAR	1	<=10114			0	0
100	36530-54710	ELEMENT BONNET REAR	1	>=10115	←		0.2	0.44
110	99999-99999	BLANK	0				0	0
120	35801-83730	BONNET REAR LOWER RH	1				1.2	2.64
130	32150-29180	CAP RUBBER	1				0.002	0.0044
140	35801-83740	BONNET REAR LOWER LH	1				1.2	2.64
150	01023-50620	BOLT	8				0.006	0.0132
160	04013-50060	WASHER PLAIN	4				0	0
170	04015-50060	WASHER PLAIN	4				0	0
180	35820-97490	KIT BONNET REAR	1				0	0
190	99999-99999	BLANK	0				0	0
200	35820-83920	BALUSTRAD RH	1	<=10114			0.86	1.892
210	35820-83930	CUSHION	2	<=10114			0.02	0.044
220	35820-83940	BALUSTRAD LH	1	<=10114			0.85	1.87
230	35820-83960	BOLT	4	<=10114			0.02	0.044
240	04013-50100	WASHER PLAIN	4	<=10114			0	0
250	04512-50100	WASHER SPRING	4	<=10114			0	0

HOOD 5



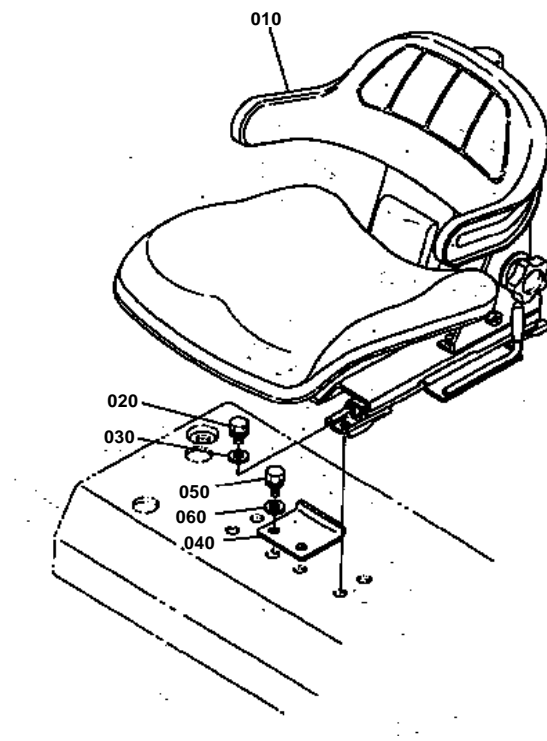


HOOD 5

↔ Interchangeable; ≠ not interchangeable; ← new for old; → old for new

REF.No	Part No.	Description	Q'ty	S.No.	I/C	REMARKS	Weight (kgf)	Weight (lb)
010	36330-83760	PLATE BONNET RH	1				0	0
020	36330-83770	PLATE BONNET LH	1				0	0
030	01173-51030	BOLT	2				0.023	0.0506
040	02118-50100	NUT	2				0.005	0.011
050	36330-83810	COVER REAR	1	<=10070			0.67	1.474
050	36330-83814	COVER REAR	1	>=10071	←		0.63	1.386
060	35861-83820	COVER REAR	1				0.26	0.572
070	01023-50616	BOLT	10				0.005	0.011
080	04013-50060	WASHER PLAIN	10				0	0
090	36330-83830	PLUG BLIND	2				0.01	0.022
100	36330-83700	COMP.PANEL	1				0	0
110	36330-83270	BOLT	4				0.006	0.0132
120	31351-18860	WASHER	2	>=11070			0.002	0.0044
130	38240-29250	NUT	2				0.005	0.011
140	36330-83790	HOLDER POST COVER	1				0.15	0.33
150	36330-83270	BOLT	2				0.006	0.0132
160	35820-83970	BOLT	2				0	0
170	36530-83780	COVER POST	1				0.09	0.198
180	36330-83860	COVER HANDLE	1				0.01	0.022
190	36330-83870	RETAINER COVER	2				0.03	0.066
200	36330-83270	BOLT	6				0.006	0.0132
210	36330-83890	PLUG BLIND	1				0.001	0.0022
220	36830-83880	COVER TILT LEVER	1				0.01	0.022

SEAT

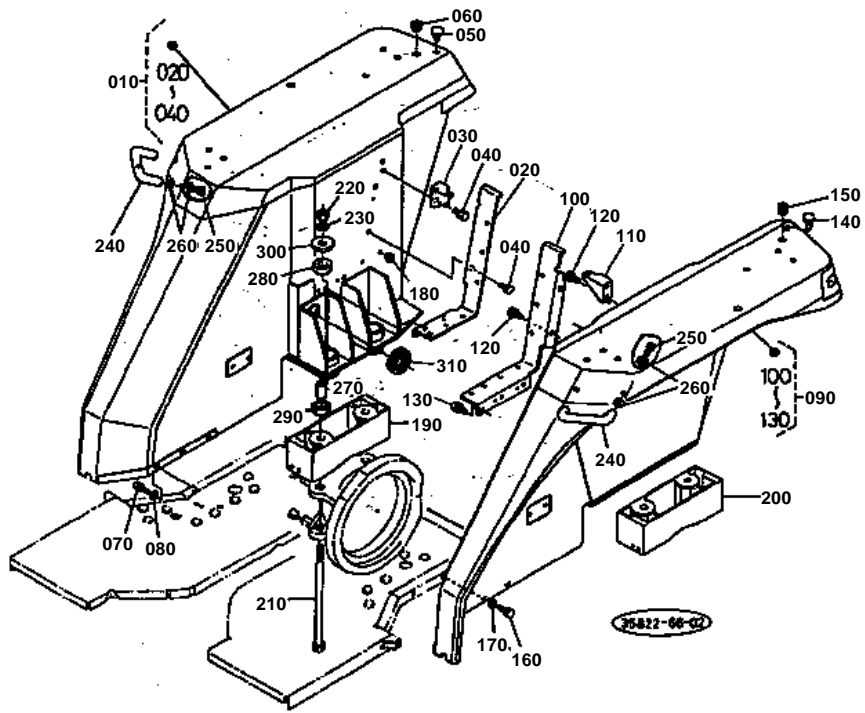




SEAT

↔ Interchangeable; ≠ not interchangeable; ← new for old; → old for new

REF.No	Part No.	Description	Q'ty	S.No.	I/C	REMARKS	Weight (kgf)	Weight (lb)
010	35820-85010	ASSY SEAT	1				23	50.6
020	01133-51025	BOLT	4				0.023	0.0506
030	04013-50100	WASHER PLAIN	4				0	0
040	35820-85110	STOPPER SEAT	1				0	0
050	01123-50820	BOLT	2				0.011	0.0242
060	04013-50080	WASHER PLAIN	2				0	0

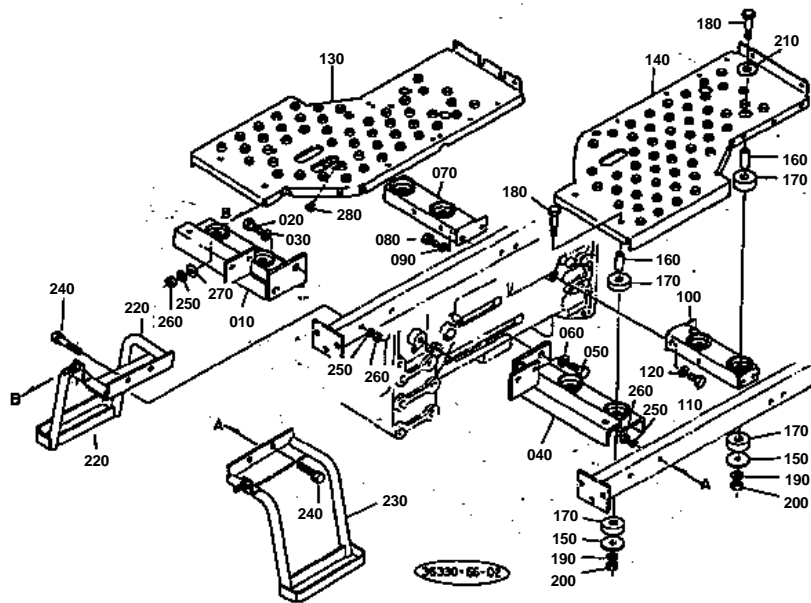


**FENDER**

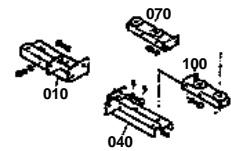
↔ Interchangeable; ≠ not interchangeable; ← new for old; → old for new

REF.No	Part No.	Description	Q'ty	S.No.	I/C	REMARKS	Weight (kgf)	Weight (lb)
010	35861-87100	ASSY FENDER RH	1				73	160.6
020	35822-87260	BRACKET RH	1				0.72	1.584
030	35822-87270	BRACKET RH	1				0.15	0.33
040	01133-51020	BOLT	6				0.02	0.044
050	38240-29290	PLUG	1				0.001	0.0022
060	13582-57820	CUSHION CHOKE ROD	1				0.002	0.0044
070	01133-51020	BOLT	4				0.02	0.044
080	04013-50100	WASHER PLAIN	4				0	0
090	35861-87200	ASSY FENDER LH	1				58	127.6
100	35822-87540	BRACKET LH	1				0.8	1.76
110	35822-87550	BRACKET LH	1				0.1	0.22
120	01130-51020	BOLT	6				0	0
130	01133-51016	BOLT	1				0.015	0.033
140	38240-29290	PLUG	1				0.001	0.0022
150	13582-57820	CUSHION CHOKE ROD	1				0.002	0.0044
160	01133-51020	BOLT	4				0.02	0.044
170	04013-50100	WASHER PLAIN	4				0	0
180	66591-51130	PLUG BLIND	4				0.001	0.0022
190	36330-87040	BRACKET FENDER RH	1				8	17.6
200	36330-87120	BRACKET FENDER LH	1				7.9	17.38
210	36330-87050	BOLT	4				0.79	1.738
220	02076-50180	NUT	4				0.044	0.0968
230	04512-50180	WASHER SPRING	4				0	0
240	36330-87183	BALUSTRADE	2				0.51	1.122
250	01173-51020	BOLT	4				0.017	0.0374
260	04013-50100	WASHER PLAIN	8				0	0
270	36330-87030	COLLAR	4				0.09	0.198
280	36330-87160	CUSHION	4				0.03	0.066
290	35820-87160	CUSHION	4				0.05	0.11
300	36330-87170	WASHER	4				0.17	0.374
310	36330-87370	COVER RUBBER	2				0.005	0.011

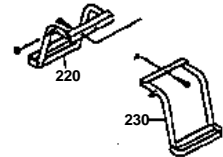
STEP



REF. No. 010 36330-8721-0
REF. No. 040 36330-8722-0
REF. No. 070 36330-8723-0
REF. No. 100 36330-8724-0



REF. No. 220 36330-8730-0
REF. No. 230 36330-8731-0

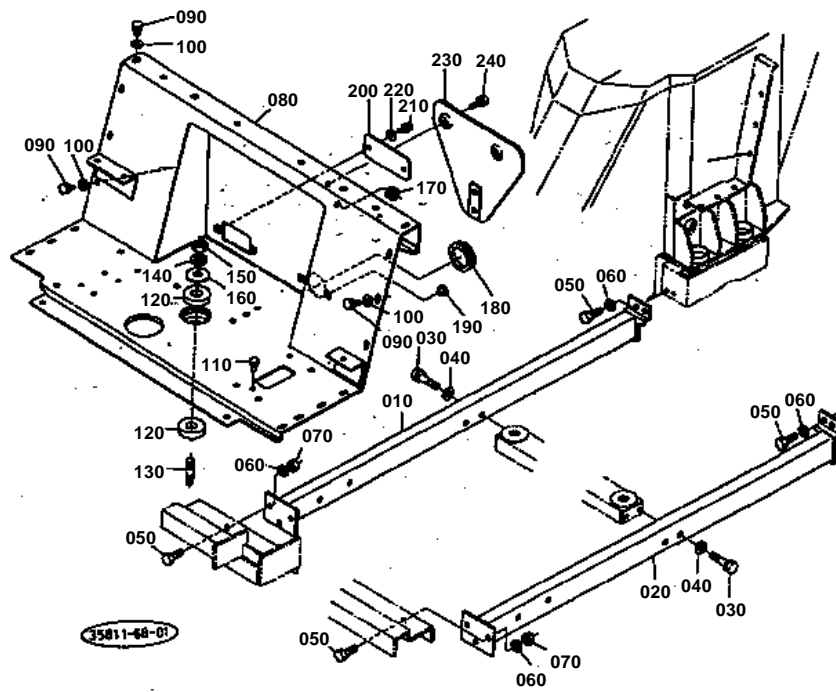


**STEP**

↔ Interchangeable; ≠ not interchangeable; ← new for old; → old for new

REF.No	Part No.	Description	Q'ty	S.No.	I/C	REMARKS	Weight (kgf)	Weight (lb)
010	36330-87210	BRACKET FRONT RH	1	<=10114			0	0
010	36330-87214	BRACKET FRONT RH	1	>=10115	←		4.45	9.79
020	01173-51635	BOLT	2				0.008	0.0176
030	04512-50160	WASHER SPRING	2				0	0
040	36330-87220	BRACKET FRONT LH	1	<=10114			0	0
040	36330-87224	BRACKET FRONT LH	1	>=10115	←		4.42	9.724
050	01173-51635	BOLT	2				0.008	0.0176
060	04512-50160	WASHER SPRING	2				0	0
070	36330-87230	BRACKET REAR RH	1	<=10114			0	0
070	36330-87235	BRACKET REAR RH	1	>=10115	←		1.2	2.64
080	01173-51225	BOLT	2				0.033	0.0726
090	04512-50120	WASHER SPRING	2				0	0
100	36330-87240	BRACKET REAR LH	1	<=10114			0	0
100	36330-87244	BRACKET REAR LH	1	>=10115	←		1.16	2.552
110	01173-51225	BOLT	2				0.033	0.0726
120	04512-50120	WASHER SPRING	2				0	0
130	35822-87060	STEP RH	1				6.06	13.332
140	35822-87070	STEP LH	1				5.55	12.21
150	36330-87080	WASHER	8				0.05	0.11
160	36330-87090	COLLAR	8	<=10070			0.04	0.088
160	35820-87090	COLLAR	8	>=10071	←		0.055	0.121
170	36330-87110	CUSHION	16				0.05	0.11
180	01173-51270	BOLT	8				0.067	0.1474
190	04512-50120	WASHER SPRING	8				0	0
200	02174-50120	NUT	8				0.01	0.022
210	04013-50120	WASHER PLAIN	4				0	0
220	36330-87300	STEP AID RH	1	<=11069			0	0
220	36330-87302	STEP AID RH	1	>=11070	←		2.75	6.05
230	36330-87310	STEP AID LH	1	<=11069			0	0
230	36330-87313	STEP AID LH	1	>=11070	←		3.2	7.04
240	01133-51050	BOLT	4				0.035	0.077
250	04512-50100	WASHER SPRING	6	<=11058			0	0
250	04512-50100	WASHER SPRING	2	>=11059			0	0
260	02118-50100	NUT	6	<=11058			0.005	0.011
260	02118-50100	NUT	2	>=11059			0.005	0.011
270	04013-50100	WASHER PLAIN	2				0	0
280	63611-52350	RUBBER	3				0.001	0.0022

CENTER FRAME

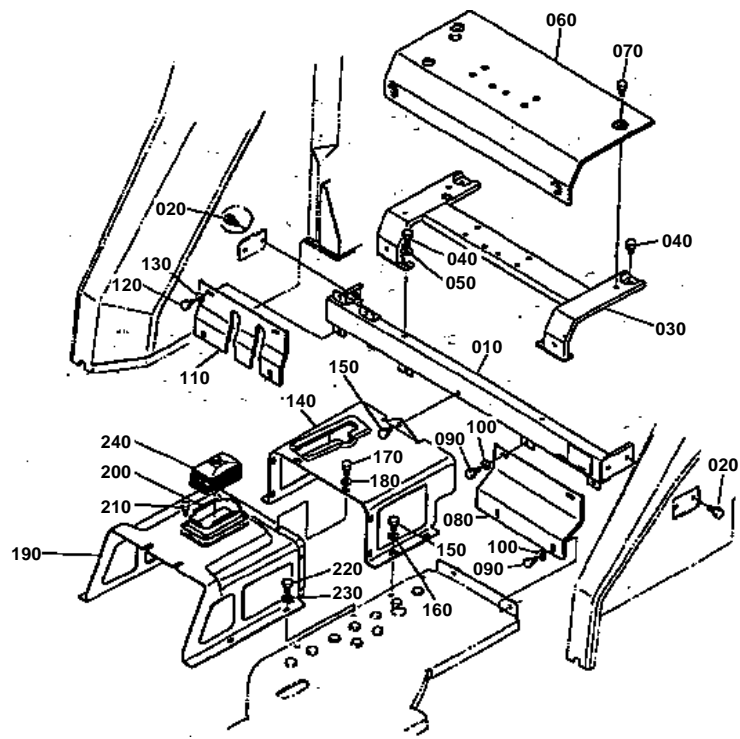


**CENTER FRAME**

↔ Interchangeable; ≠ not interchangeable; ← new for old; → old for new

REF.No	Part No.	Description	Q'ty	S.No.	I/C	REMARKS	Weight (kgf)	Weight (lb)
010	36330-87350	FRAME FENDER RH	1				3.8	8.36
020	36330-87360	FRAME FENDER LH	1				3.8	8.36
030	01133-51045	BOLT	4				0.034	0.0748
040	04013-50100	WASHER PLAIN	4	>=10115			0	0
050	01173-51025	BOLT	8				0.021	0.0462
060	04512-50100	WASHER SPRING	8				0	0
070	02118-50100	NUT	4				0.005	0.011
080	35801-87410	FRAME CENTER	1				10.5	23.1
090	01123-50816	BOLT	15				0	0
100	04013-50080	WASHER PLAIN	15				0	0
110	63611-52350	RUBBER	1				0.001	0.0022
120	36330-87430	CUSHION	2	<=10114			0.05	0.11
120	35820-87430	CUSHION	2	>=10115	≠		0.035	0.077
130	01517-51450	STUD	1				0.08	0.176
140	04512-50140	WASHER SPRING	1				0	0
150	02172-50140	NUT	1				0.01	0.022
160	36330-87440	WASHER	1				0.04	0.088
170	36330-87450	RING RUBBER	1				0.001	0.0022
180	36330-87470	COVER RUBBER	1				0.014	0.0308
190	66591-51130	PLUG BLIND	2				0.001	0.0022
200	35822-87400	COVER	1				0.08	0.176
210	03024-50414	SCREW	2				0.002	0.0044
220	04013-50040	WASHER PLAIN	2				0	0
230	35861-87500	BRACKET SMV	1				0.55	1.21
240	01123-50816	BOLT	2				0	0

HOUSING COVER



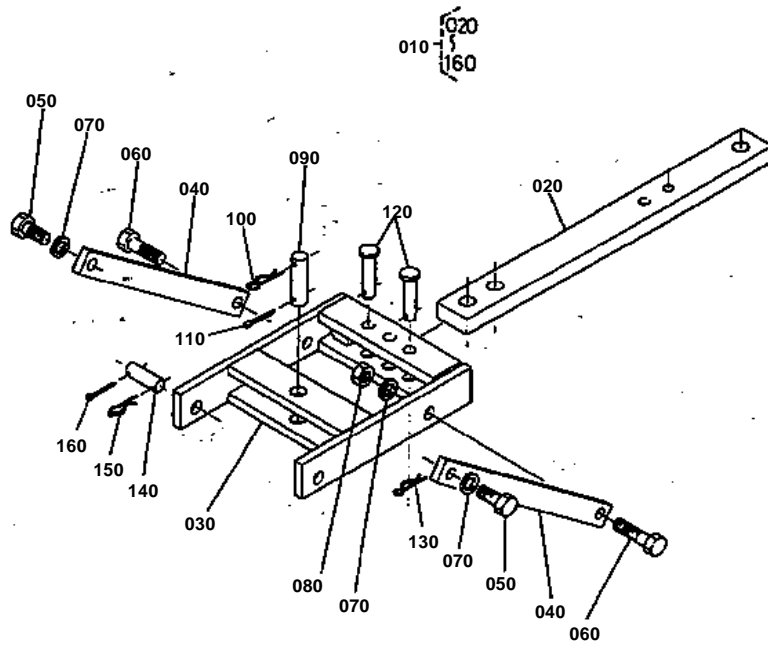


HOUSING COVER

↔ Interchangeable; ≠ not interchangeable; ← new for old; → old for new

REF.No	Part No.	Description	Q'ty	S.No.	I/C	REMARKS	Weight (kgf)	Weight (lb)
010	35822-87510	FRAME FRONT	1				0	0
020	01123-50816	BOLT	4				0	0
030	35861-87520	FRAME SEAT	1				1.6	3.52
040	01123-50816	BOLT	4				0	0
050	04013-50080	WASHER PLAIN	2				0	0
060	35861-87530	COVER	1				1.7	3.74
070	01123-50816	BOLT	4				0	0
080	35822-87560	COVER LOWER LH	1				0.49	1.078
090	01123-50816	BOLT	4				0	0
100	04013-50080	WASHER PLAIN	4				0	0
110	35822-87570	COVER LOWER RH	1				0.38	0.836
120	01123-50816	BOLT	4				0	0
130	04013-50080	WASHER PLAIN	4				0	0
140	36330-87612	COVER HOUSING	1				1.36	2.992
150	01123-50816	BOLT	5				0	0
160	04013-50080	WASHER PLAIN	4				0	0
170	01023-50612	BOLT	6				0.005	0.011
180	04013-50060	WASHER PLAIN	6				0	0
190	36330-87620	COVER HOUSING	1				2	4.4
200	36330-87630	RETAINER SEAL	1				0.07	0.154
210	01023-50616	BOLT	4				0.005	0.011
220	01123-50816	BOLT	4				0	0
230	04013-50080	WASHER PLAIN	4				0	0
240	36330-83780	COVER POST	1				0.1	0.22

TOWING DRAWBAR



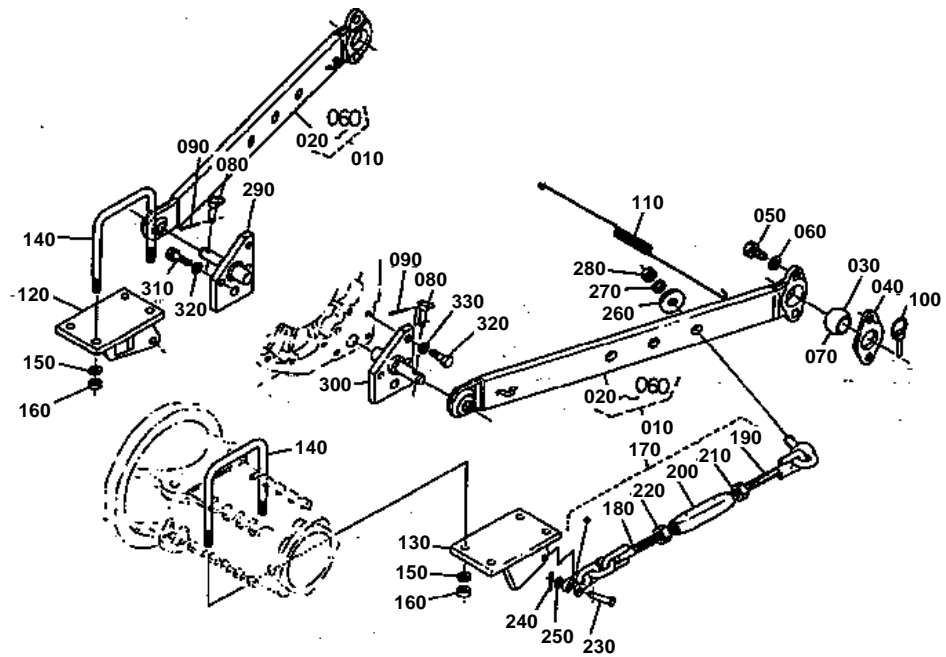


TOWING DRAWBAR

↔ Interchangeable; ≠ not interchangeable; ← new for old; → old for new

REF.No	Part No.	Description	Q'ty	S.No.	I/C	REMARKS	Weight (kgf)	Weight (lb)
010	35820-89100	ASSY DRAWBAR SWING.	1			[A]	33	72.6
020	36330-89120	DRAWBAR	1			[A]	10.2	22.44
030	35822-89320	MEMBER CROSS	1				15	33
040	36330-89330	PLATE SIDE	2				2.1	4.62
050	01173-52045	BOLT	2				0.162	0.3564
060	01173-52055	BOLT	2				0.183	0.4026
070	04512-50200	WASHER SPRING	4				0	0
080	02174-50200	NUT	2				0.04	0.088
090	33251-89340	PIN DRAWBAR	1				0	0
100	70515-16330	PIN	1				0.03	0.066
110	05511-50540	PIN SPLIT	1				0.009	0.0198
120	05122-51885	PIN JOINT	2				0.18	0.396
130	05515-51600	PIN SNAP	2				0.007	0.0154
140	36200-89360	PIN	2				0.146	0.3212
150	70515-16330	PIN	2				0.03	0.066
160	05511-50540	PIN SPLIT	2				0.009	0.0198

3-POINT LINKAGE 1



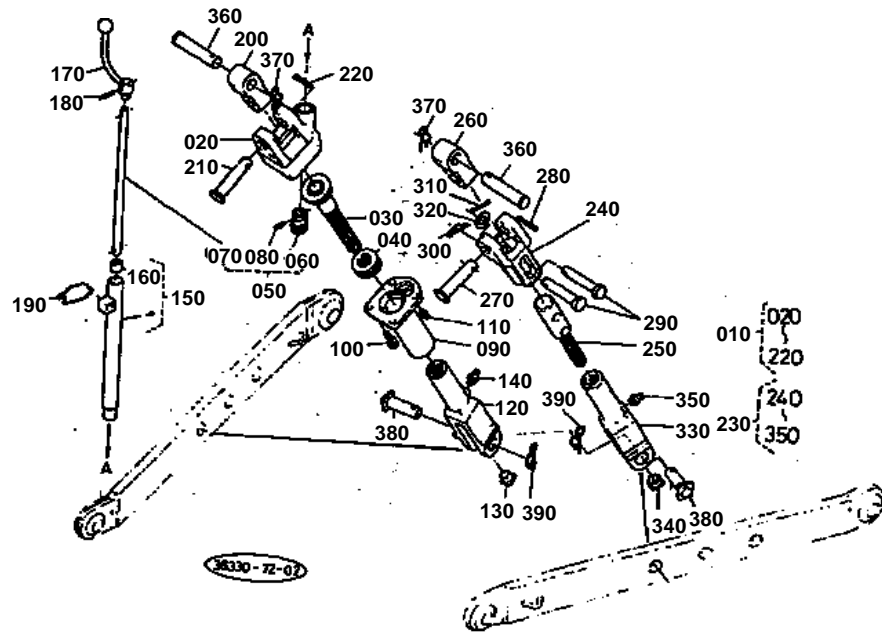


3-POINT LINKAGE 1

↔ Interchangeable; ≠ not interchangeable; ← new for old; → old for new

REF.No	Part No.	Description	Q'ty	S.No.	I/C	REMARKS	Weight (kgf)	Weight (lb)
010	35820-92000	ASSY LINK LOWER	2				10.7	23.54
030	33400-91920	JOINT LOWER LINK	2			CATEGORY 1	0.49	1.078
040	33400-91860	RETAINER	2				0.275	0.605
050	33400-91880	BOLT	4				0.02	0.044
060	04512-50100	WASHER SPRING	4				0	0
070	33400-91040	JOINT LOWER LINK	2			CATEGORY 2	0.42	0.924
080	36330-91840	ASSY PIN SET	2				0.055	0.121
090	05511-50420	PIN SPLIT	2				0.002	0.0044
100	36200-91840	ASSY PIN SET	2				0.06	0.132
110	36330-91830	SPRING SET	1				0.185	0.407
120	36530-91080	BRACKET CHAIN RH	1	≤10060			0	0
120	36530-91082	BRACKET CHAIN RH	1	≥10061	←		5	11
130	36530-91090	BRACKET CHAIN LH	1	≤10060			0	0
130	36530-91092	BRACKET CHAIN LH	1	≥10061	←		5	11
140	36330-91070	BOLT	4				0.72	1.584
150	04512-50160	WASHER SPRING	8				0	0
160	02176-50160	NUT	8				0.025	0.055
170	36330-91105	ASSY CHAIN CHECK	2				2.55	5.61
180	36330-91110	COMP CHAIN CHECK	2				0.915	2.013
190	36330-91160	COMP CHAIN CHECK	2				0.8	1.76
200	36330-91190	TURNBUCKLE	2				0.92	2.024
210	02054-50180	NUT	2				0.049	0.1078
220	35999-02530	NUT LOCK	2				0.035	0.077
230	36330-91180	PIN CHAIN SET	2				0.06	0.132
240	05511-50525	PIN SPLIT	2				0.005	0.011
250	04011-50140	WASHER PLAIN	2				0.007	0.0154
260	36330-91220	WASHER CHECK CHAIN	2				0.25	0.55
270	04512-50180	WASHER SPRING	2				0	0
280	02174-50180	NUT	2				0.029	0.0638
290	36570-91882	PIN LOWER LINK RH	1	≤10060			0	0
290	35820-91880	PIN LOWER LINK RH	1	≥10061	←		2.5	5.5
300	36570-91892	PIN LOWER LINK LH	1	≤10060			0	0
300	35820-91890	PIN LOWER LINK LH	1	≥10061	←		2.47	5.434
310	01173-51440	BOLT	6				0.062	0.1364
320	04512-50140	WASHER SPRING	6				0	0

3-POINT LINKAGE 2



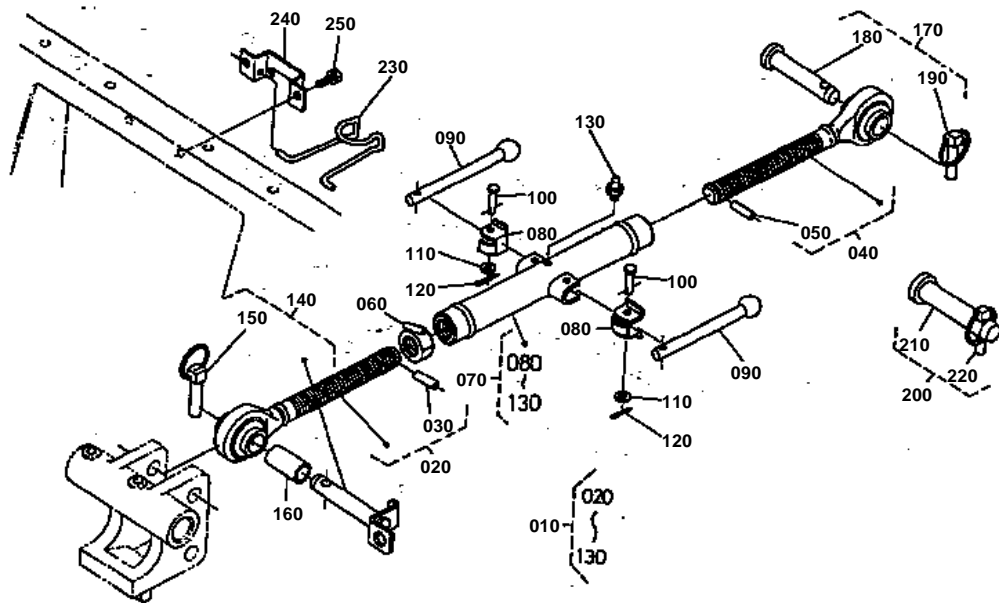


3-POINT LINKAGE 2

↔ Interchangeable; ≠ not interchangeable; ← new for old; → old for new

REF.No	Part No.	Description	Q'ty	S.No.	I/C	REMARKS	Weight (kgf)	Weight (lb)
010	36330-91230	ASSY ROD LIFT RH	1				9.5	20.9
020	36330-91240	CASE LIFT ROD GEAR	1				2.28	5.016
030	36330-91280	COMP.SHAFT ADJUSTING	1				0.97	2.134
040	08401-51106	BEARING THRUST BALL	1				0.064	0.1408
050	36330-91203	ASSY PINION LIFT ROD	1				0.48	1.056
060	36330-91330	PINION	1				0.11	0.242
070	36330-91392	SHAFT HANDLE	1				0.36	0.792
080	05411-00520	PIN SPRING	1				0.002	0.0044
090	36330-91300	COMP SLEEVE LIFT ROD	1				1.11	2.442
100	01133-51030	BOLT	4				0.025	0.055
110	06613-20010	NIPPLE GREASE	1				0.01	0.022
120	36330-91260	ROD LIFT LOWER	1				2.5	5.5
130	36330-91360	PLUG	1				0.001	0.0022
140	06613-10010	NIPPLE GREASE	1				0.006	0.0132
150	36330-91372	SUPPORT HANDLE	1				0.55	1.21
160	36330-91380	BUSH	1				0	0
170	36330-91320	HANDLE	1				0	0
180	05411-00525	PIN SPRING	1				0.002	0.0044
190	36330-91270	HOLDER HANDLE	1				0.025	0.055
200	36330-91510	JOINT	1				0.72	1.584
210	36330-91530	PIN LIFT ROD UPPER	1				0.27	0.594
220	05511-50535	PIN SPLIT	1				0.007	0.0154
230	36330-91450	ASSY ROD LIFT LH	1				7	15.4
240	36330-91460	ROD LIFT UPPER LH	1				2.08	4.576
250	36330-91430	ROD LIFT UPPER	1				0	0
260	36330-91510	JOINT	1				0.72	1.584
270	36330-91530	PIN LIFT ROD UPPER	1				0.27	0.594
280	05511-50535	PIN SPLIT	1				0.007	0.0154
290	36330-91470	PIN LIFT ROD LH	2				0.175	0.385
300	33251-91860	PIN	1				0.023	0.0506
310	05511-50535	PIN SPLIT	1				0.007	0.0154
320	04011-50180	WASHER PLAIN	1				0.012	0.0264
330	36330-91260	ROD LIFT LOWER	1				2.5	5.5
340	36330-91360	PLUG	1				0.001	0.0022
350	06613-10010	NIPPLE GREASE	1				0.006	0.0132
360	36330-91520	PIN LIFT ROD	2				0	0
370	33251-91860	PIN	2				0.023	0.0506
380	36330-91540	PIN LIFT ROD LOWER	2				0.26	0.572
390	33251-91860	PIN	2				0.023	0.0506

3-POINT LINKAGE 3

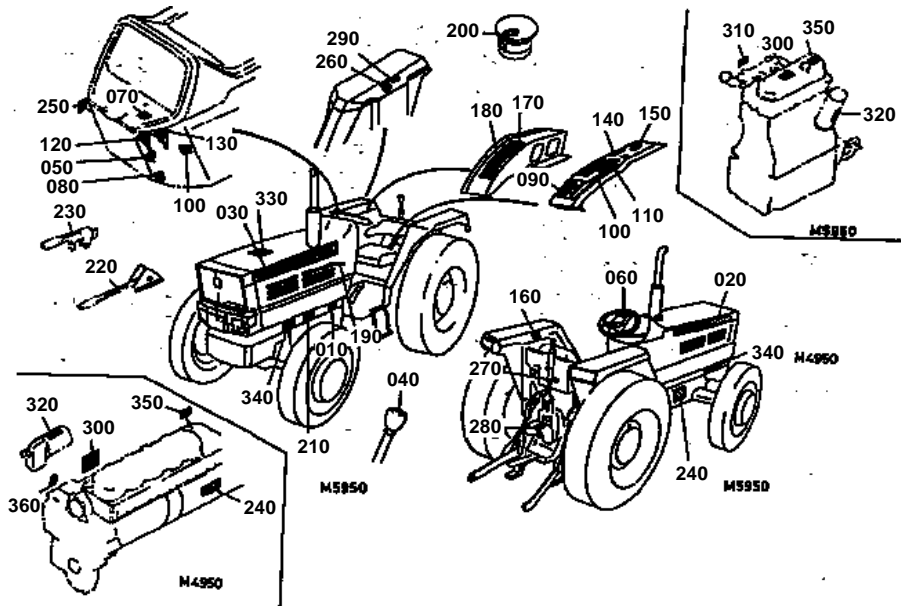




3-POINT LINKAGE 3

↔ Interchangeable; ≠ not interchangeable; ← new for old; → old for new

REF.No	Part No.	Description	Q'ty	S.No.	I/C	REMARKS	Weight (kgf)	Weight (lb)
010	36330-91700	ASSY LINK TOP	1	<=10114			0	0
010	36330-91702	ASSY LINK TOP	1	>=10115	←		5.3	11.66
020	36330-91550	ASSY LINK TOP FRONT	1	<=10114			0	0
020	36330-91552	ASSY LINK TOP FRONT	1	>=10115	←		1.63	3.586
030	05411-00632	PIN SPRING	1	<=10114			0.004	0.0088
030	36330-91790	PIN	1	>=10115	←		0.007	0.0154
040	36330-91610	ASSY LINK TOP REAR	1	<=10114			0	0
040	36330-91612	ASSY LINK TOP REAR	1	>=10115	←		1.55	3.41
050	05411-00632	PIN SPRING	1	<=10114			0.004	0.0088
050	36330-91790	PIN	1	>=10115	←		0.007	0.0154
060	33400-91590	NUT TOP LINK	1				0.11	0.242
070	36330-91620	ASSY SLEEVE TOP LINK	1				2.5	5.5
080	36330-91690	HOLDER HANDLE	2	<=10096			0	0
080	36330-91693	HOLDER HANDLE	2	>=10097	←		0.01	0.022
090	36330-91643	HANDLE TOP LINK	2				0.175	0.385
100	05122-50635	PIN JOINT	2				0.01	0.022
110	04012-50060	WASHER PLAIN	2				0.001	0.0022
120	05511-51610	PIN SPLIT	2				0.001	0.0022
130	06613-10010	NIPPLE GREASE	1				0.006	0.0132
140	36330-91650	ASSY PIN TOP LINK	1				0.375	0.825
150	36200-91840	ASSY PIN SET	1				0.06	0.132
160	36330-91720	COLLAR	1				0.065	0.143
170	36330-91743	ASSY PIN TOP LINK	1			CATEGORY 1	0.3	0.66
180	36330-91752	PIN TOP LINK REAR	1				0.25	0.55
190	36200-91840	ASSY PIN SET	1				0.06	0.132
200	36330-91773	ASSY PIN TOP LINK	1			CATEGORY 2	0.55	1.21
210	36330-91762	PIN TOP LINK REAR	1				0.49	1.078
220	36200-91840	ASSY PIN SET	1				0.06	0.132
230	36330-91960	HOLDER TOP LINK	1				0.06	0.132
240	36330-91970	PLATE	1				0.09	0.198
250	01123-50820	BOLT	2				0.011	0.0242



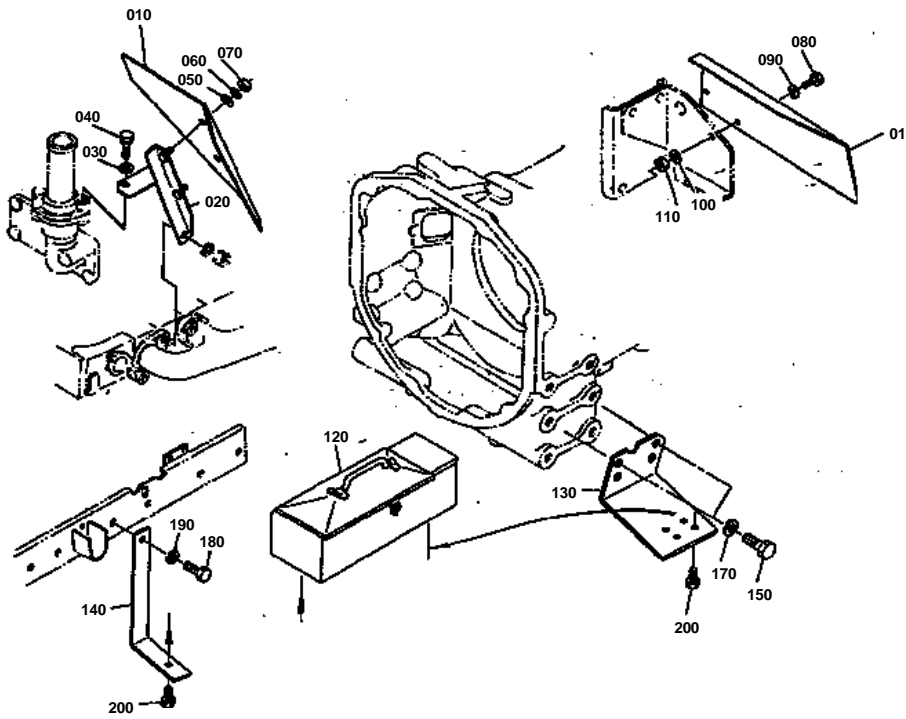


LABEL [ENGLISH]

↔ Interchangeable; ≠ not interchangeable; ← new for old; → old for new

REF.No	Part No.	Description	Q'ty	S.No.	I/C	REMARKS	Weight (kgf)	Weight (lb)
010	35822-98120	NAME PLATE	1				0	0
020	35820-98130	MARK SIDE RH	1				0.04	0.088
030	35820-98140	MARK SIDE LH	1				0.04	0.088
040	35820-98160	MARK MAIN S-CHANGE	1				0.003	0.0066
050	35822-98180	MARK MAIN SWITCH	1				0.001	0.0022
060	35822-98260	LABEL MONITOR	1				0.001	0.0022
070	36330-98420	LABEL HANDLE ACCEL.	1				0.001	0.0022
080	35822-98430	LABEL ENGINE STOP	1				0	0
090	35820-98310	LABEL AUX.S-CHANGE	1				0.002	0.0044
120	35861-98470	LABEL LIGHT SWITCH	1				0.001	0.0022
130	35420-98440	LABEL HAZARD FLASHER	1				0	0
140	35820-98320	LABEL PTO CHANGE	1				0.001	0.0022
150	35822-98240	LABEL PTO SHIFT LVR.	1	>=11086			0.001	0.0022
160	35820-98340	LABEL SPEED	1				0.006	0.0132
170	35822-98220	LABEL DRAFT CONTROL	1				0.002	0.0044
180	35822-98230	LABEL POSITION CON.	1				0.001	0.0022
190	35822-98380	LABEL DOWN SPEED	1				0.001	0.0022
200	35822-98560	LABEL STRG.HOSE	1				0.002	0.0044
210	35820-98940	LABEL STRG.GREASE	1				0.001	0.0022
220	35801-98810	LABEL CLUTCH LEVER	1				0.001	0.0022
230	35801-98820	LABEL HAND BRAKE	1				0.001	0.0022
240	35820-98630	LABEL START CAUTION	1				0	0
260	35260-34910	LABEL SAFETY	1				0	0
270	35260-29790	LABEL DRAWBAR	1				0.002	0.0044
280	35260-25340	LABEL PTO(DRAWBAR)	1				0.005	0.011
290	35260-29780	LABEL ROPS	1				0	0
300	15453-88310	LABEL OIL	1				0.001	0.0022
310	15453-88430	LABEL FUEL FILTER	1				0.001	0.0022
320	15453-88390	LABEL OIL FILTER	1				0.001	0.0022
330	15453-88610	LABEL RADIATOR	1				0.001	0.0022
340	15103-94590	LABEL DRAIN CAUTION	1				0.001	0.0022
350	15222-88210	LABEL CAUTION	1				0.003	0.0066

TOOL BOX



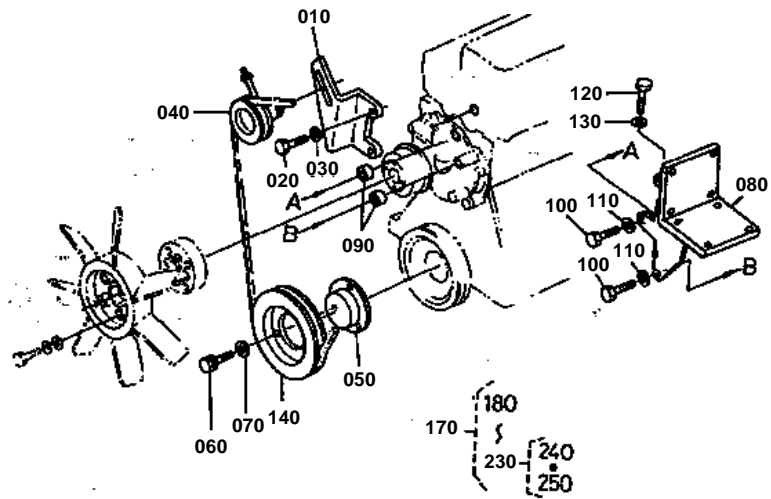
- REF. No. 120 35820-8020-0
- REF. No. 130 35820-8021-2
- REF. No. 140 35820-8022-2
- REF. No. 150 01153-50816
- REF. No. 160 04512-50080
- REF. No. 210 04512-50120
- REF. No. 220 02172-50120
- REF. No. 230 02014-50060
- REF. No. 240 04013-50060



TOOL BOX

↔ Interchangeable; ≠ not interchangeable; ← new for old; → old for new

REF.No	Part No.	Description	Q'ty	S.No.	I/C	REMARKS	Weight (kgf)	Weight (lb)
010	35820-04350	PLATE AIR CONTROL	1				0.38	0.836
080	01053-50820	BOLT	2				0.012	0.0264
090	04013-50080	WASHER PLAIN	2				0	0
100	04512-50080	WASHER SPRING	2				0	0
110	02114-50080	NUT	2				0.005	0.011
120	35820-90200	COMP.BOX TOOLS	1	←=11085			1.24	2.728
120	35830-90202	COMP.BOX TOOLS	1	>=11086	≠		0	0
130	35820-90212	STAY RH	1	←=11085			0.71	1.562
130	35830-90212	STAY	1	>=11086	≠		2.04	4.488
140	35820-90222	STAY LH	1	←=11085			0.5	1.1
140	35830-90222	STAY	1	>=11086	≠		1.28	2.816
150	01153-50816	BOLT	2	←=11085			0.01	0.022
150	01173-51840	BOLT	2	>=11086	≠		0.114	0.2508
160	04512-50080	WASHER SPRING	2	←=11085			0	0
170	04512-50180	WASHER SPRING	2	>=11086			0	0
180	01173-51432	BOLT	1	>=11086			0.053	0.1166
190	04512-50140	WASHER SPRING	1	>=11086			0	0
200	01133-51022	BOLT	2	>=11086			0.025	0.055
210	04512-50120	WASHER SPRING	1	←=11085			0	0
220	02172-50120	NUT	1	←=11085			0.01	0.022
230	02014-50060	NUT	1	←=11085			0.002	0.0044
240	04013-50060	WASHER PLAIN	1	←=11085			0	0

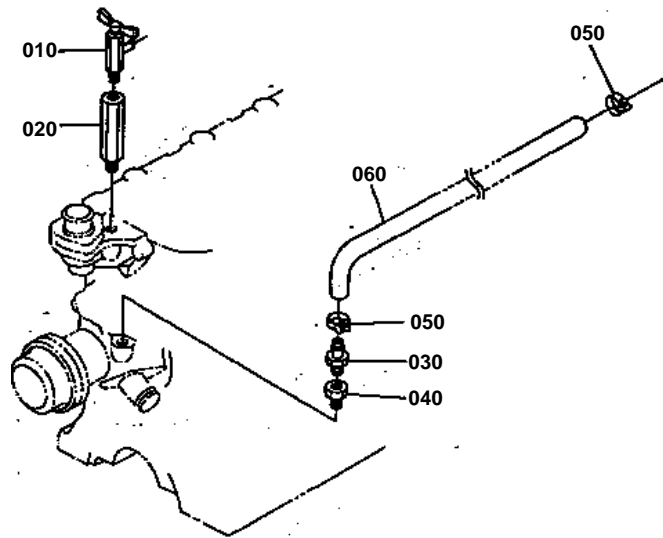




MOUNTING CAB.SPEC. 1

↔ Interchangeable; ≠ not interchangeable; ← new for old; → old for new

REF.No	Part No.	Description	Q'ty	S.No.	I/C	REMARKS	Weight (kgf)	Weight (lb)
010	15481-74410	SUPPORT PULLY	1				0	0
020	01073-51065	BOLT	2				0.05	0.11
030	04512-50100	WASHER SPRING	2				0	0
040	36530-50090	PULLEY TENSION	1				0	0
050	15481-76180	COLLAR PULLEY	1				0.92	2.024
060	01076-51240	BOLT	3				0.05	0.11
070	04512-50120	WASHER SPRING	3				0	0
080	15481-76153	BRACKET COMPRESSUOR	1				3.2	7.04
090	15481-76160	COLLAR	2				0.015	0.033
100	01076-51070	BOLT	2				0.05	0.11
110	04512-50100	WASHER SPRING	2				0	0
120	01156-50828	BOLT	1				0.015	0.033
130	04512-50080	WASHER SPRING	1				0	0
140	15481-76170	PULLEY COMPRESSUOR	1				1.77	3.894
150	36530-54650	HOLDER ACCEL.PEDAL	1			NOT SHOWING IN FIG.	0.05	0.11
160	36530-54660	LEVER ACCEL.PEDAL	1			NOT SHOWING IN FIG.	0.2	0.44
170	35820-97890	KIT PARTS CAB	1			NOT SHOWING IN FIG.	0	0
180	35260-34910	LABEL SAFETY	1			NOT SHOWING IN FIG.	0	0
190	35260-29780	LABEL ROPS	1			NOT SHOWING IN FIG.	0	0
200	35822-98380	LABEL DOWN SPEED	1			NOT SHOWING IN FIG.	0.001	0.0022
210	35820-98340	LABEL SPEED	1			NOT SHOWING IN FIG.	0.006	0.0132
220	31351-36880	GRIP LEVER	2			NOT SHOWING IN FIG.	0.04	0.088
230	35820-75500	ASSY BOX FUSE	1	<=11069		NOT SHOWING IN FIG.	0	0
230	35820-75503	ASSY BOX FUSE	1	>=11070	←	NOT SHOWING IN FIG.	0.11	0.242
240	35820-75510	ASSY CASE FUSE	1	<=11069		NOT SHOWING IN FIG.	0	0
240	35820-75512	ASSY CASE FUSE	1	<=11070	←	NOT SHOWING IN FIG.	0.1	0.22
250	35820-75520	COVER FUSE CASE	1	<=10144		NOT SHOWING IN FIG.	0	0
250	35820-75522	COVER FUSE CASE	1	>=10145	←	NOT SHOWING IN FIG.	0.05	0.11

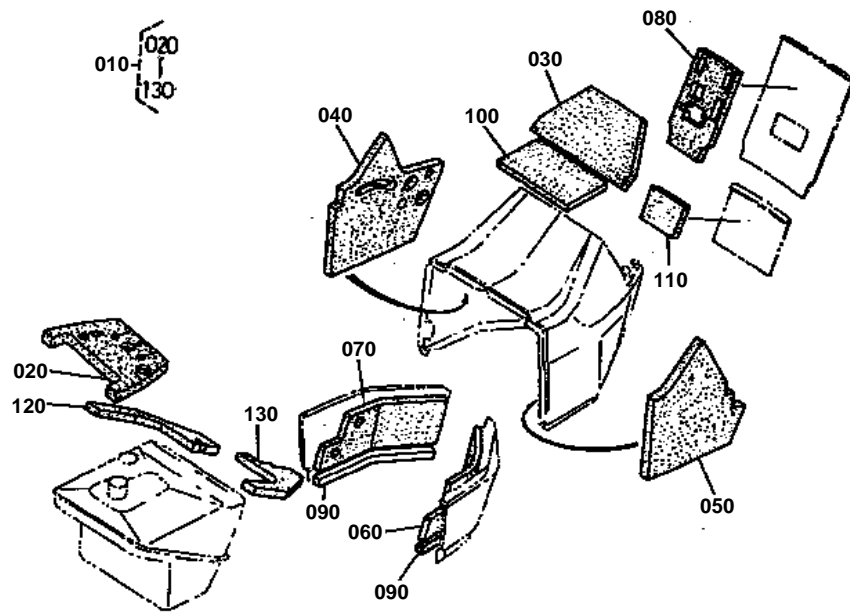




MOUNTING CAB.SPEC. 2

↔ Interchangeable; ≠ not interchangeable; ← new for old; → old for new

REF.No	Part No.	Description	Q'ty	S.No.	I/C	REMARKS	Weight (kgf)	Weight (lb)
010	36530-55220	ASSY VALVE WATER	1				0.11	0.242
020	36530-55300	JOINT PIPE	1				0.22	0.484
030	36530-55240	WATER JOINT	1				0.04	0.088
040	36530-55332	PIPE JOINT	1				0.08	0.176
050	90038-11150	BAND	2				0.02	0.044
060	35860-55910	HOSE	1				0.155	0.341



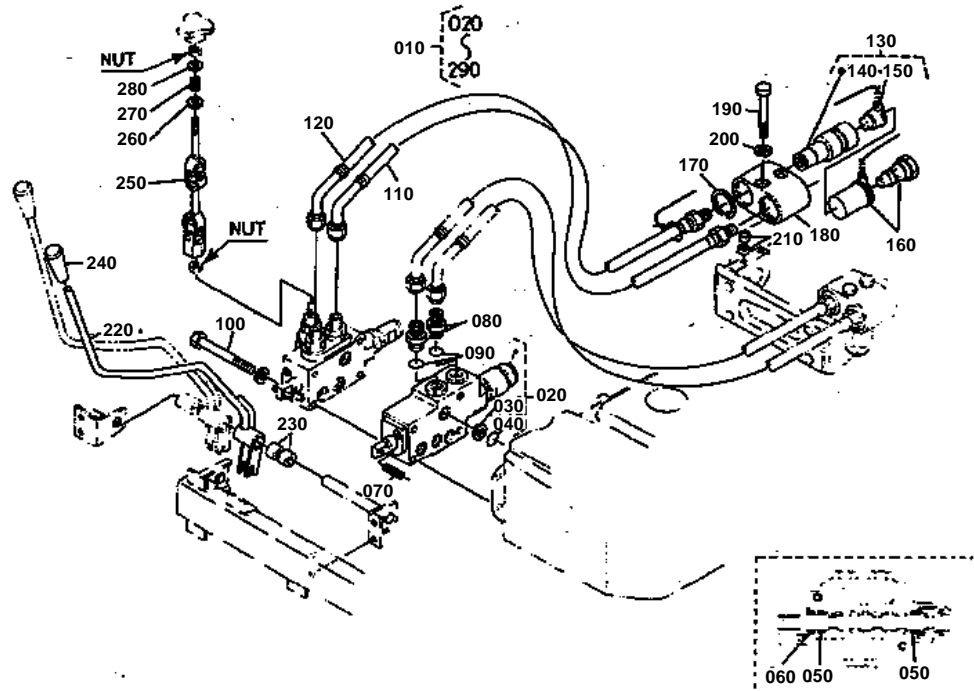


MOUNTING CAB.SPEC. 3

↔ Interchangeable; ≠ not interchangeable; ← new for old; → old for new

REF.No	Part No.	Description	Q'ty	S.No.	I/C	REMARKS	Weight (kgf)	Weight (lb)
010	35830-55920	ASSY ELEMENT	1				14	30.8
020	35870-50690	ELEMENT TANK UPPER	1				1.17	2.574
030	35870-50810	ELEMENT TANK UPPER	1				1.35	2.97
040	35870-50710	ELEMENT RH	1				1.97	4.334
050	35870-50720	ELEMENT LH	1				2.15	4.73
060	35870-50730	ELEMENT MID.	1				1	2.2
070	35870-50740	ELEMENT MID.	1				0.98	2.156
080	35870-50752	ELEMENT REAR	1				0.508	1.1176
090	35830-50770	ELEMENT LOWER	2				0.28	0.616
100	35870-50820	ELEMENT REAR UPPER	1				0.98	2.156
110	35870-50840	ELEMENT REAR LOWER	1				0.26	0.572
120	35870-04230	ELEMENT FUEL RH	1				0.254	0.5588
130	35870-04240	ELEMENT FUEL LH	1				0.302	0.6644

AUX.CONTROL VALVE KIT 1 [OPTION]



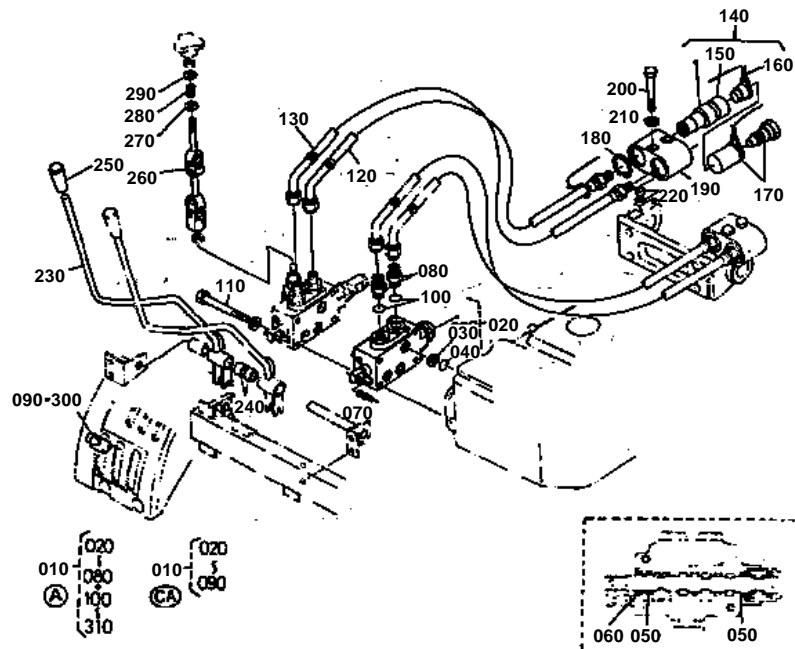


AUX.CONTROL VALVE KIT 1 [OPTION]
DETENTED FLOAT POSITION

↔ Interchangeable; ≠ not interchangeable; ← new for old; → old for new

REF.No	Part No.	Description	Q'ty	S.No.	I/C	REMARKS	Weight (kgf)	Weight (lb)
010	35820-97780	KIT VALVE AUX.CON.	1			[A]	0	0
020	35820-82800	ASSY VALVE FLOATING	1				3.35	7.37
030	36200-82330	RING BACK UP	4				0.001	0.0022
040	04810-00140	RING	4				0	0
050	36200-82810	SEAL SPOOL	2				0.001	0.0022
060	36200-82820	SEAL DUST	1				0.002	0.0044
070	05411-00635	PIN SPRING	1				0.005	0.011
080	35861-82370	NIPPLE	2				0.05	0.11
090	04811-00140	RING	2				0	0
100	01153-50801	BOLT	4				0.047	0.1034
110	35861-82380	HOSE	1				0.3	0.66
120	35861-82560	HOSE	1				0.31	0.682
130	35861-82032	ASSY COUPLER FEMALE	2				0.32	0.704
140	35861-94510	O RING	2				0.002	0.0044
150	35861-94520	PLUG COUPLER	2				0.005	0.011
160	35861-82190	ASSY COUPLER MALE	2				0.086	0.1892
170	04611-00380	CIR-CLIP INTERNAL	2				0.004	0.0088
180	35861-82610	SUPPORT COUPLER	1				0.75	1.65
190	01153-50865	BOLT	2				0.025	0.055
200	04512-50080	WASHER SPRING	2				0	0
210	35801-82620	SPACER	4				0.003	0.0066
220	35820-82460	LEVER CONTROL VALVE	1				0.7	1.54
230	54821-51230	BUSH	2				0	0
240	36330-82450	GRIP	1				0.025	0.055
250	35801-82010	JOINT	1				0.09	0.198
260	04013-50100	WASHER PLAIN	1				0	0
270	35861-82020	SPRING	1				0.003	0.0066
280	04013-50080	WASHER PLAIN	1				0	0
290	35820-97790	MANUAL CONSTRUCTION	1			NOT SHOWN IN FIG.	0	0

AUX.CONTROL VALVE KIT 2 [OPTION]



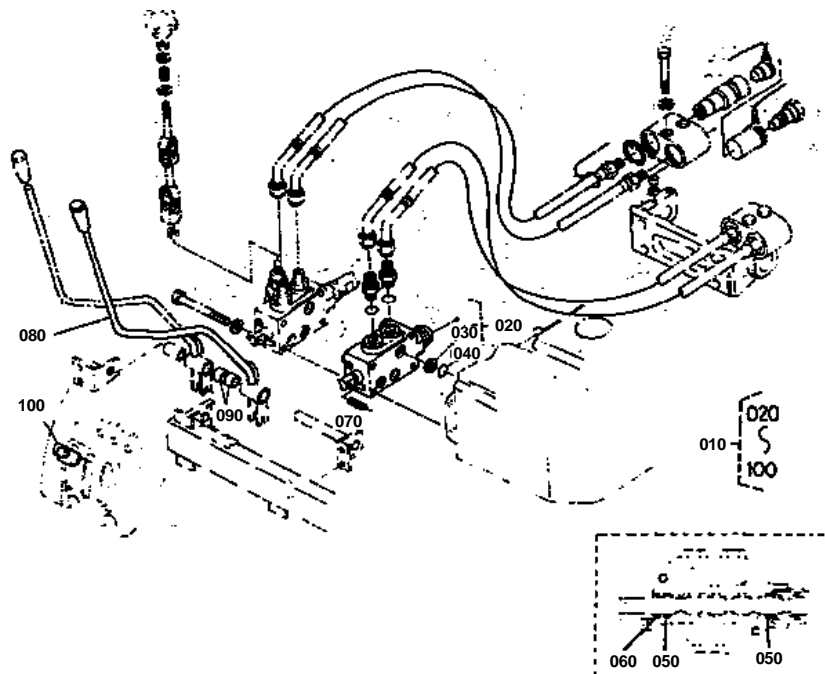
**AUX.CONTROL VALVE KIT 2 [OPTION]**

SELF-CANCELLING WITH DETENTS S.No.:M4950;<=10176 DT;<=50226[A] <=50286[CA] M5950;<=10114 DT;<=50071

↔ Interchangeable; ≠ not interchangeable; ← new for old; → old for new

REF.No	Part No.	Description	Q'ty	S.No.	I/C	REMARKS	Weight (kgf)	Weight (lb)
010	35820-97810	KIT VALVE AUX.CON.	1			[A]	0	0
020	35820-82540	ASSY VALVE AUX.CON.	1				2.85	6.27
030	36200-82330	RING BACK UP	3				0.001	0.0022
040	04810-00140	RING	3				0	0
050	36200-82810	SEAL SPOOL	2				0.001	0.0022
060	36200-82820	SEAL DUST	1				0.002	0.0044
070	05411-00635	PIN SPRING	1				0.005	0.011
080	35861-82370	NIPPLE	2				0.05	0.11
100	04811-00140	RING	2				0	0
110	01153-50801	BOLT	4				0.047	0.1034
120	35861-82380	HOSE	1				0.3	0.66
130	35861-82560	HOSE	1				0.31	0.682
140	35861-82032	ASSY COUPLER FEMALE	2				0.32	0.704
150	35861-94510	O RING	2				0.002	0.0044
160	35861-94520	PLUG COUPLER	2				0.005	0.011
170	35861-82190	ASSY COUPLER MALE	2				0.086	0.1892
180	04611-00380	CIR-CLIP INTERNAL	2				0.004	0.0088
190	35861-82610	SUPPORT COUPLER	1				0.75	1.65
200	01153-50865	BOLT	2				0.025	0.055
210	04512-50080	WASHER SPRING	2				0	0
220	35801-82620	SPACER	4				0.003	0.0066
230	35822-82443	LEVER CONTROL VALVE	1				0.65	1.43
240	54821-51230	BUSH	2				0	0
250	36330-82450	GRIP	1				0.025	0.055
260	35801-82010	JOINT	1				0.09	0.198
270	04013-50100	WASHER PLAIN	1				0	0
280	35861-82020	SPRING	1				0.003	0.0066
290	04013-50080	WASHER PLAIN	1				0	0
300	35820-82980	STOPPER	2				0.04	0.088
310	35820-97820	MANUAL CONSTRUCTION	1				0.005	0.011

AUX.CONTROL VALVE KIT 3 [OPTION]



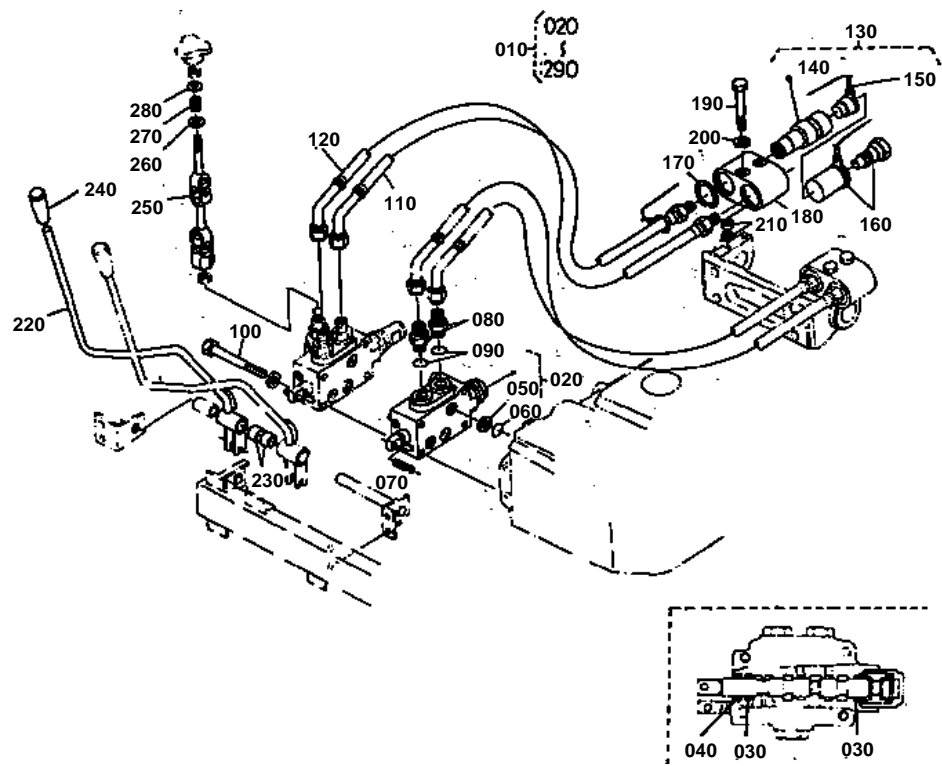
**AUX.CONTROL VALVE KIT 3 [OPTION]**

SELF-CANCELLING WITH DETENTS S.No.:M4950;>=10117 DT;>=50227[A] >=50287[CA] M5950;>=10115 DT;>=50072

↔ Interchangeable; ≠ not interchangeable; ← new for old; → old for new

REF.No	Part No.	Description	Q'ty	S.No.	I/C	REMARKS	Weight (kgf)	Weight (lb)
010	35800-97810	KIT VALVE AUX.CON.	1				0	0
020	35820-82540	ASSY VALVE AUX.CON.	1				2.85	6.27
030	36200-82330	RING BACK UP	3				0.001	0.0022
040	04810-00140	RING	3				0	0
050	36200-82810	SEAL SPOOL	2				0.001	0.0022
060	36200-82820	SEAL DUST	1				0.002	0.0044
070	05411-00635	PIN SPRING	1				0.005	0.011
080	35822-82463	LEVER CONTROL VALVE	1				0.6	1.32
090	54821-51230	BUSH	2				0	0
100	35820-82980	STOPPER	2				0.04	0.088

AUX.CONTROL VALVE KIT 4 [OPTION]



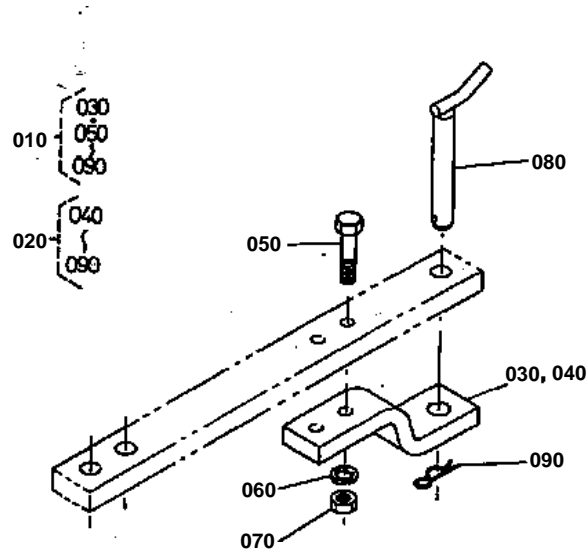


AUX.CONTROL VALVE KIT 4 [OPTION]
NO DETENTS OR SELF-CANCELLING

↔ Interchangeable; ≠ not interchangeable; ← new for old; → old for new

REF.No	Part No.	Description	Q'ty	S.No.	I/C	REMARKS	Weight (kgf)	Weight (lb)
010	35820-97840	KIT VALVE AUX.CON.	1				0	0
020	99883-93110	ASSY VALVE AUX.CON.	1				2	4.4
030	36200-82810	SEAL SPOOL	2				0.001	0.0022
040	36200-82820	SEAL DUST	1				0.002	0.0044
050	36200-82330	RING BACK UP	3				0.001	0.0022
060	04810-00140	RING	3				0	0
070	05411-00635	PIN SPRING	1				0.005	0.011
080	35861-82370	NIPPLE	2				0.05	0.11
090	04811-00140	RING	2				0	0
100	01153-50801	BOLT	4				0.047	0.1034
110	35861-82380	HOSE	1				0.3	0.66
120	35861-82560	HOSE	1				0.31	0.682
130	35861-82032	ASSY COUPLER FEMALE	2				0.32	0.704
140	35861-94510	O RING	2				0.002	0.0044
150	35861-94520	PLUG COUPLER	2				0.005	0.011
160	35861-82190	ASSY COUPLER MALE	2				0.086	0.1892
170	04611-00380	CIR-CLIP INTERNAL	2				0.004	0.0088
180	35861-82610	SUPPORT COUPLER	1				0.75	1.65
190	01153-50865	BOLT	2				0.025	0.055
200	04512-50080	WASHER SPRING	2				0	0
210	35801-82620	SPACER	4				0.003	0.0066
220	35822-82443	LEVER CONTROL VALVE	1				0.65	1.43
230	54821-51230	BUSH	2				0	0
240	36330-82450	GRIP	1				0.025	0.055
250	35801-82010	JOINT	1				0.09	0.198
260	04013-50100	WASHER PLAIN	1				0	0
270	35861-82020	SPRING	1				0.003	0.0066
280	04013-50080	WASHER PLAIN	1				0	0
290	35820-97820	MANUAL CONSTRUCTION	1			NOT SHOWN IN FIG.	0.005	0.011

DRAWBAR HITCH [OPTION]



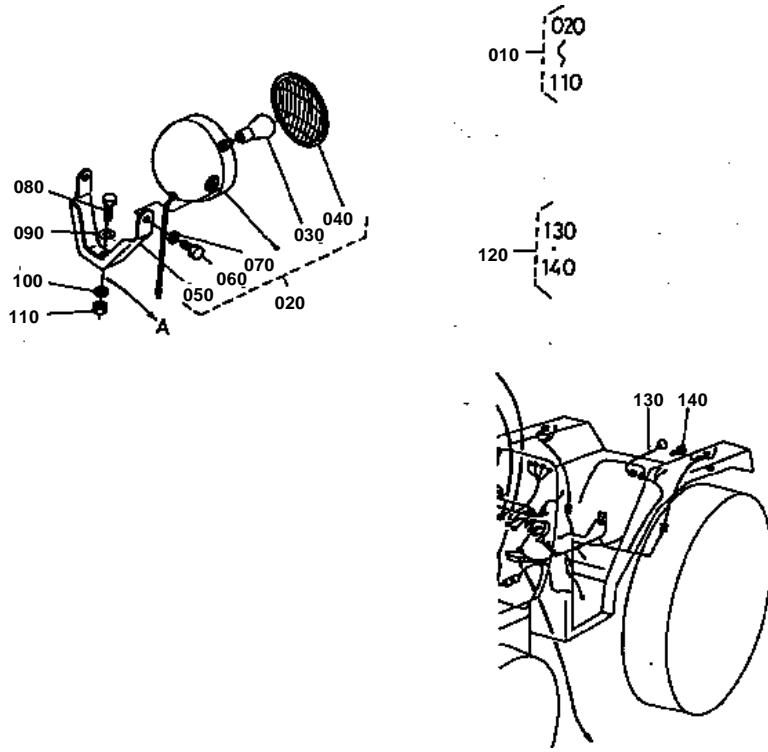


DRAWBAR HITCH [OPTION]

↔ Interchangeable; ≠ not interchangeable; ← new for old; → old for new

REF.No	Part No.	Description	Q'ty	S.No.	I/C	REMARKS	Weight (kgf)	Weight (lb)
010	35820-97570	ASSY HITCH DRAWBAR	1			[A]	4.9	10.78
030	36330-89130	HITCH DRAWBAR	1			[A]	3.58	7.876
050	01173-51880	BOLT	2				0.187	0.4114
060	04512-50180	WASHER SPRING	2				0	0
070	02174-50180	NUT	2				0.029	0.0638
080	36330-89210	PIN DRAWBAR	1				0.7	1.54
090	70515-16330	PIN	1				0.03	0.066

REAR WORK LIGHT AND TRAILER HARNESS [OPTION]

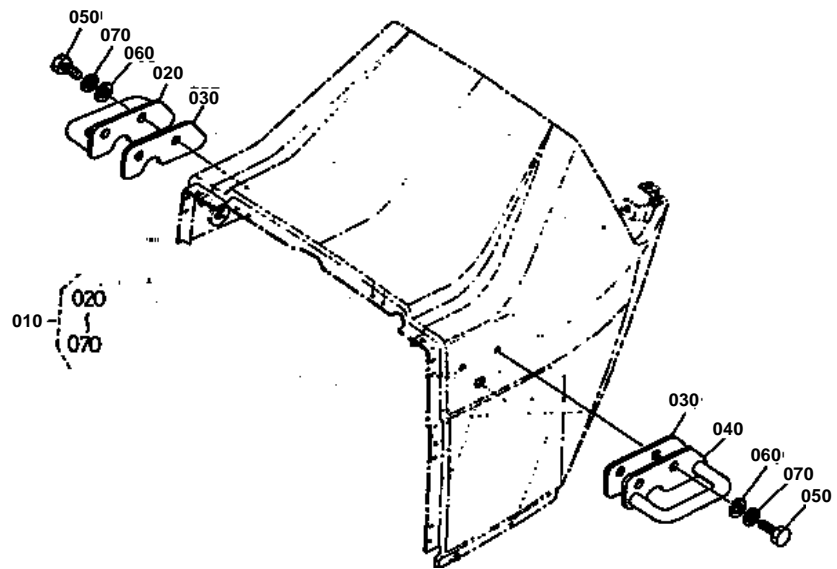


**REAR WORK LIGHT AND TRAILER HARNESS [OPTION]**

↔ Interchangeable; ≠ not interchangeable; ← new for old; → old for new

REF.No	Part No.	Description	Q'ty	S.No.	I/C	REMARKS	Weight (kgf)	Weight (lb)
010	35820-97600	ASSY LIGHT WORKING	1				0.9	1.98
020	35861-75900	ASSY LIGHT WORKING	1				0.9	1.98
030	68331-53360	BULB LAMP	1				0.015	0.033
040	68331-53310	LENS LIGHT	1				0.15	0.33
050	35861-75910	STAY WORKING LIGHT	1				0.25	0.55
060	01153-50820	BOLT	2				0.012	0.0264
070	04512-50080	WASHER SPRING	2				0	0
080	01173-51020	BOLT	1				0.017	0.0374
090	04013-50100	WASHER PLAIN	1				0	0
100	04512-50100	WASHER SPRING	1				0	0
110	02118-50100	NUT	1				0.005	0.011
120	99884-48000	ASSY HARNESS TRAILER	1				0.5	1.1
130	99884-48110	HARNESS TRAILER	1				0.52	1.144
140	01123-50820	BOLT	2				0.011	0.0242

HANDRAIL [OPTION]

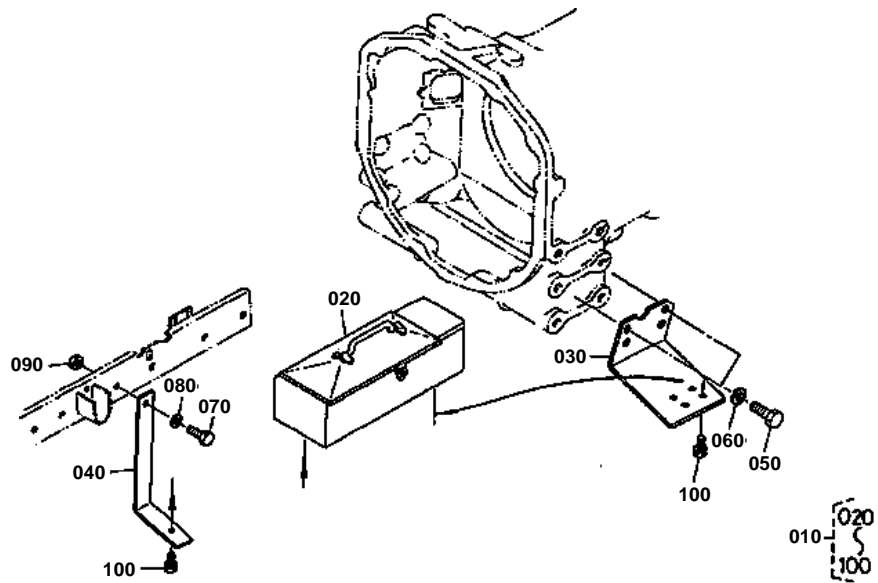


**HANDRAIL [OPTION]**

↔ Interchangeable; ≠ not interchangeable; ← new for old; → old for new

REF.No	Part No.	Description	Q'ty	S.No.	I/C	REMARKS	Weight (kgf)	Weight (lb)
010	35820-97650	ASSY BALUSTRAGE	1				1.845	4.059
020	35820-83920	BALUSTRAGE RH	1				0.86	1.892
030	35820-83930	CUSHION	2				0.02	0.044
040	35820-83940	BALUSTRAGE LH	1				0.85	1.87
050	35820-83960	BOLT	4				0.02	0.044
060	04013-50100	WASHER PLAIN	4				0	0
070	04512-50100	WASHER SPRING	4				0	0

BIG TOOL BOX PARTS KIT





BIG TOOL BOX PARTS KIT

↔ Interchangeable; ≠ not interchangeable; ← new for old; → old for new

REF.No	Part No.	Description	Q'ty	S.No.	I/C	REMARKS	Weight (kgf)	Weight (lb)
010	35820-97532	KIT BOX BIG TOOLS	1				0	0
020	35830-90202	COMP.BOX TOOLS	1				0	0
030	35830-90212	STAY	1				2.04	4.488
040	35830-90222	STAY	1				1.28	2.816
060	04512-50180	WASHER SPRING	2				0	0
080	04512-50140	WASHER SPRING	1				0	0
090	02174-50140	NUT	1				0.014	0.0308
110	35820-97540	MANUAL CONSTRUCTION	1			NOT SHOWN IN FIG.	0.012	0.0264

IMAGE NOT AVAILABLE

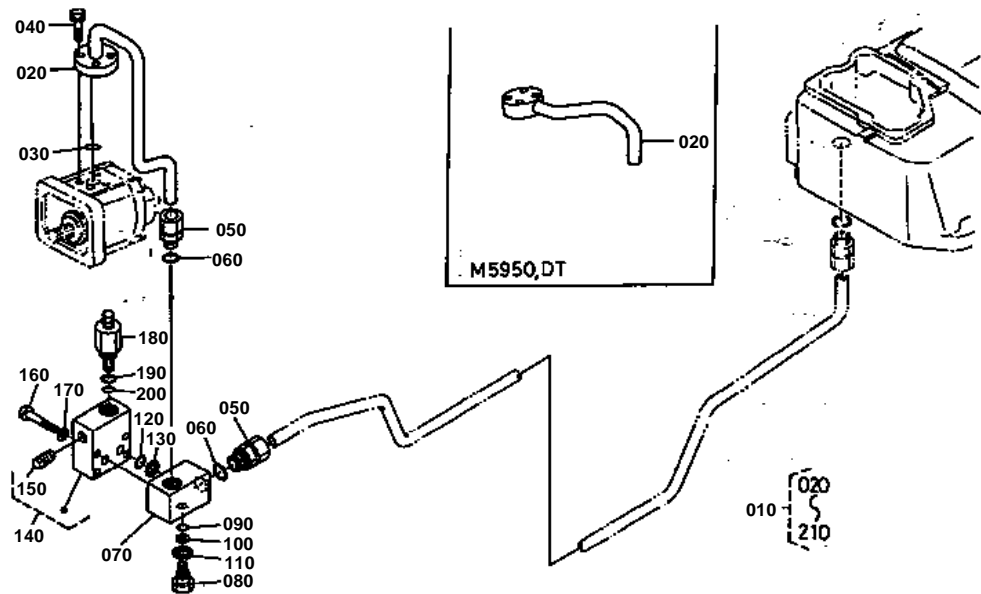


BOLT KIT OF FRONT WEIGHT [OPTION]

↔ Interchangeable; ≠ not interchangeable; ← new for old; → old for new

REF.No	Part No.	Description	Q'ty	S.No.	I/C	REMARKS	Weight (kgf)	Weight (lb)
010	35820-97730	KIT BOLT F-WEIGHT	1			NOT SHOWING IN FIG.	0	0
020	01173-51830	BOLT	4			NOT SHOWING IN FIG.	0.096	0.2112
030	04512-50180	WASHER SPRING	4			NOT SHOWING IN FIG.	0	0
040	01173-51635	BOLT	4			NOT SHOWING IN FIG.	0.008	0.0176
050	04512-50160	WASHER SPRING	4			NOT SHOWING IN FIG.	0	0
060	04015-50160	WASHER PLAIN	2			NOT SHOWING IN FIG.	0	0

HYDRAULIC OUTLET KIT [OPTION]



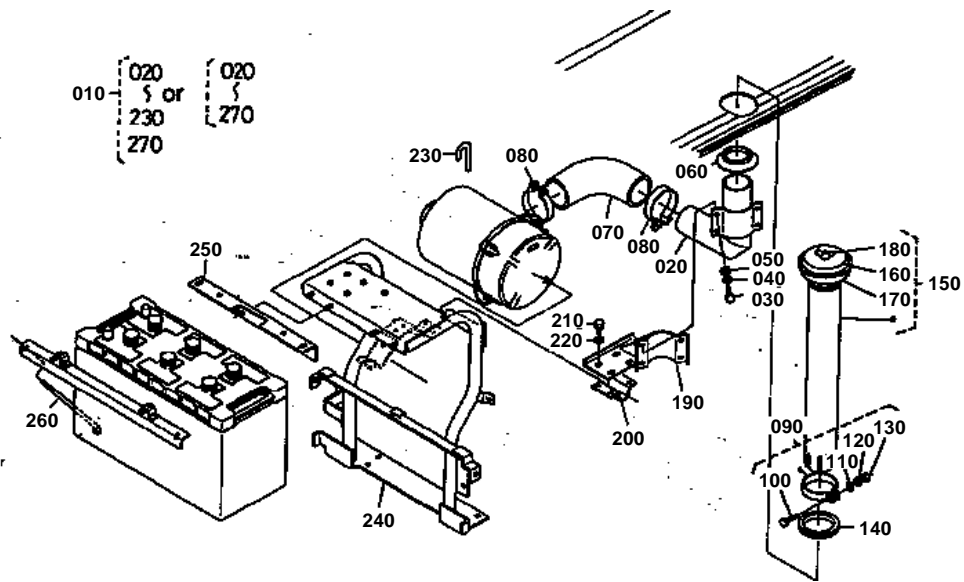


HYDRAULIC OUTLET KIT [OPTION]

↔ Interchangeable; ≠ not interchangeable; ← new for old; → old for new

REF.No	Part No.	Description	Q'ty	S.No.	I/C	REMARKS	Weight (kgf)	Weight (lb)
010	35820-97860	KIT OUTLET HYDRAULIC	1				0	0
020	36330-82740	PIPE DELIVERY	1				0	0
020	36330-82743	PIPE DELIVERY	1				0	0
030	35880-63650	O RING	1		←		0.001	0.0022
040	01023-50635	BOLT	4				0.01	0.022
050	36330-82750	NIPPLE	2				0.12	0.264
060	04811-00180	RING	2				0	0
070	36330-82930	PORT HYD.OUTLET	1				0.87	1.914
080	36330-82960	BOLT BREATHER	1				0.02	0.044
090	04811-00090	RING	1				0	0
100	36330-82970	RING BACK UP	1				0.001	0.0022
110	04512-50120	WASHER SPRING	1				0	0
120	04811-00140	RING	2				0	0
130	36200-82330	RING BACK UP	2				0.001	0.0022
140	39713-81701	ASSY BLOCK HYD.	1				1.39	3.058
150	06312-10030	PLUG	1				0.029	0.0638
160	01153-50850	BOLT	4				0.02	0.044
170	04512-50080	WASHER SPRING	4				0	0
180	36330-82360	ASSY VALVE RELIEF	1				0.25	0.55
190	04810-00220	RING	1				0	0
200	04811-05150	RING	1				0	0
210	35820-97830	MANUAL CONSTRUCTION	1			NOT SHOWN IN FIG.	0.01	0.022

PRECLEANER PARTS KIT 2 [OPTION]

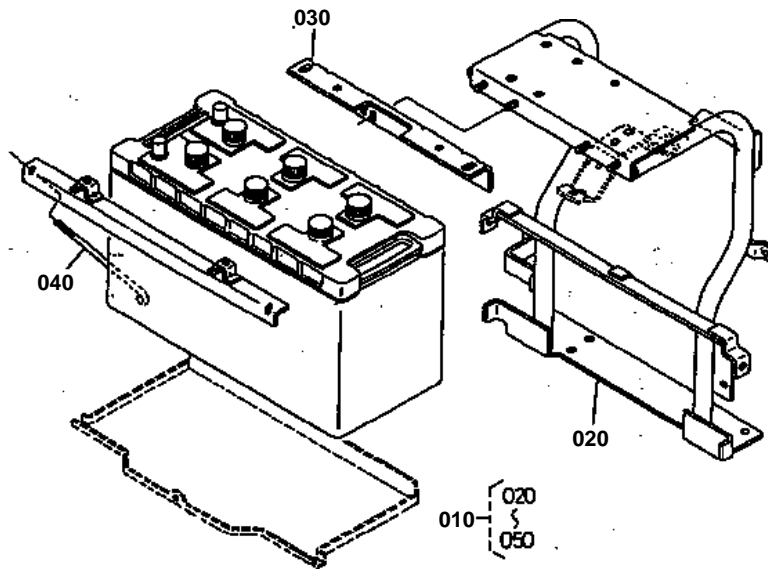




PRECLEANER PARTS KIT 2 [OPTION]

↔ Interchangeable; ≠ not interchangeable; ← new for old; → old for new

REF.No	Part No.	Description	Q'ty	S.No.	I/C	REMARKS	Weight (kgf)	Weight (lb)
010	35820-97750	KIT PARTS PRECLEANER	1	>=10031			9.7	21.34
010	35820-97760	KIT PARTS PRECLEANER	1	<=10030			0	0
020	35836-19120	COMP COVER DUCT	1				1.03	2.266
030	01152-50835	BOLT	4				0.015	0.033
040	04512-50080	WASHER SPRING	4				0	0
050	04013-50080	WASHER PLAIN	4				0	0
060	36330-04120	CAP	1				0.015	0.033
070	15572-11670	PIPE INLET	1				0.46	1.012
080	35466-74470	BAND PIPE	2				0.05	0.11
090	35466-74530	BAND PIPE	1				0.135	0.297
100	01173-51035	BOLT	1				0.025	0.055
110	04512-50100	WASHER SPRING	1				0	0
120	04013-50100	WASHER PLAIN	1				0	0
130	02118-50100	NUT	1				0.005	0.011
140	35822-19150	COVER RUBBER	1				0.024	0.0528
150	15572-11990	COMP PRE-CLEANER	1				2.7	5.94
160	15453-10250	ASSY COVER	1				0.3	0.66
170	15453-10260	BOWL	1				0.2	0.44
180	15453-11530	NUT WING	1				0.005	0.011
190	35836-19180	BRACKET DUCT COVER	1				0.91	2.002
200	35836-19190	RETAINER BRACKET	1				0.25	0.55
210	01123-50830	BOLT	4				0.015	0.033
220	04013-50080	WASHER PLAIN	4				0	0
230	15621-11810	PIPE BREATHER	1				0.007	0.0154
240	35830-19130	SUPPORT AIR CLEANER	1	<=10030			8.6	18.92
250	36730-83350	SUPPORT BONNET	1	<=10030			0	0
260	36530-50650	BOLT	2	<=10030			0.18	0.396
270	35820-97770	MANUAL CONSTRUCTION	1			NOT SHOWN IN FIG.	0.001	0.0022

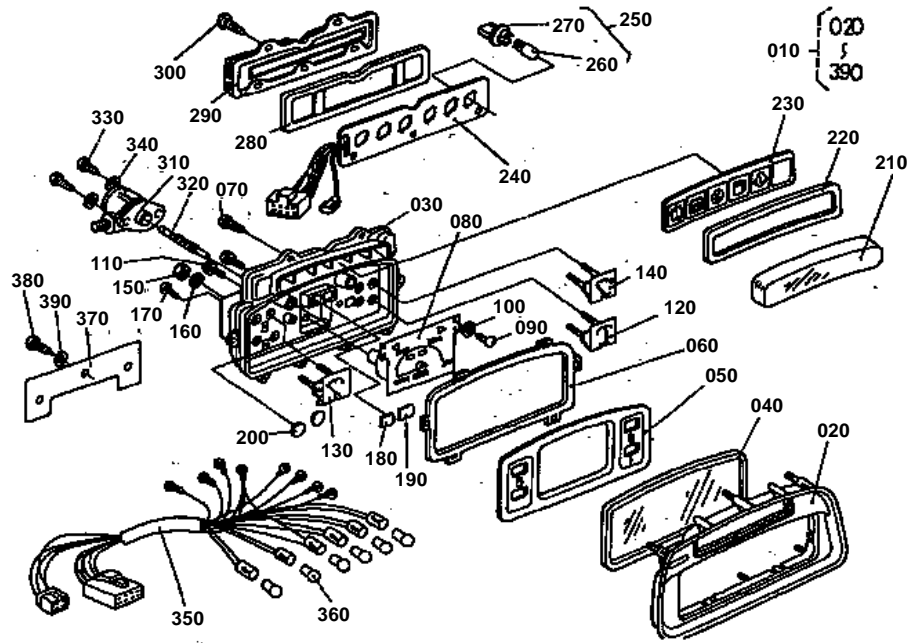


**AIR CON.SPECIAL KIT [OPTION]**

↔ Interchangeable; ≠ not interchangeable; ← new for old; → old for new

REF.No	Part No.	Description	Q'ty	S.No.	I/C	REMARKS	Weight (kgf)	Weight (lb)
010	35820-97710	KIT PARTS AIR.CON.	1	<=10030			0	0
020	35830-19130	SUPPORT AIR CLEANER	1	<=10030			8.6	18.92
030	36730-83350	SUPPORT BONNET	1	<=10030			0	0
040	36530-50650	BOLT	2	<=10030			0.18	0.396
050	35820-97720	MANUAL CONSTRUCTION	1	<=10030		NOT SHOWN IN FIG.	0.001	0.0022

PANEL BOARD [SECTION PARTS]





PANEL BOARD [SECTION PARTS]

↔ Interchangeable; ≠ not interchangeable; ← new for old; → old for new

REF.No	Part No.	Description	Q'ty	S.No.	I/C	REMARKS	Weight (kgf)	Weight (lb)
010	35820-75600	ASSY BOARD PANEL	1				2.2	4.84
020	36330-76110	HOOD	1				0.34	0.748
030	36330-76120	CASE	1				0.45	0.99
040	36330-76130	GASKET	1				0.28	0.616
050	36330-76140	PLATE WIND	1				0.08	0.176
060	36330-76220	GASKET	1				0.01	0.022
070	03514-50425	SCREW	6				0.001	0.0022
080	35820-11350	ASSY TACHOMETER	1				0.23	0.506
090	03514-50414	SCREW	2				0.001	0.0022
100	04512-50040	WASHER SPRING	2				0	0
110	03024-50308	SCREW	2				0.001	0.0022
120	36330-11360	ASSY AMMETER	1				0.05	0.11
130	36330-11370	ASSY METER FUEL	1				0.03	0.066
140	35862-11380	ASSY THERMOMETER	1				0.05	0.11
150	02054-50040	NUT	7				0.001	0.0022
160	04512-50040	WASHER SPRING	7				0	0
170	03024-50308	SCREW	1				0.001	0.0022
180	36330-11330	LENS LIGHT	1				0.001	0.0022
190	36530-11330	LENS LIGHT	1				0.002	0.0044
200	36330-11340	LENS LIGHT	2				0.001	0.0022
210	36330-76150	GLASS FRONT	1				0.04	0.088
220	36330-76210	GASKET	1				0.003	0.0066
230	36330-76160	LENS LIGHT	1				0.03	0.066
240	36330-11290	ASSY PLATE	1				0.06	0.132
250	38240-31460	ASSY LIGHT	5				0.015	0.033
260	38240-31470	BULB	5				0.01	0.022
270	38240-31480	SOCKET	5				0.001	0.0022
280	36330-11310	GASKET	1				0.05	0.11
290	36330-11320	CASE	1				0.09	0.198
300	03514-50425	SCREW	5				0.001	0.0022
310	36330-76190	ADAPTER	1				0.1	0.22
320	36330-76180	KEY	1				0.001	0.0022
330	03514-50414	SCREW	2				0.001	0.0022
340	04512-50040	WASHER SPRING	2				0	0
350	35862-11390	ASSY SOCKET	1				0.14	0.308
360	38240-31380	BULB	6				0.01	0.022
370	36330-76170	COVER	1				0.06	0.132
380	03514-50414	SCREW	3				0.001	0.0022
390	04512-50040	WASHER SPRING	3				0	0

IMAGE NOT AVAILABLE



ACCESSORIES AND SERVICE PARTS

↔ Interchangeable; ≠ not interchangeable; ← new for old; → old for new

REF.No	Part No.	Description	Q'ty	S.No.	I/C	REMARKS	Weight (kgf)	Weight (lb)
010	35820-99713	MANUAL INSTRUCTION	1				0	0
020	07211-10150	PLIERS	1				0.16	0.352
030	35861-99150	ASSY WRENCH SOCKET	1				0	0
040	31830-19140	WRENCH MONKEY	1				0.54	1.188
060	36330-75380	LINK FUSIBLE	1				0.01	0.022
070	36730-75380	LINK FUSIBLE	1				0.01	0.022
080	36330-91773	ASSY PIN TOP LINK	1				0.55	1.21
090	36330-91762	PIN TOP LINK REAR	1				0.49	1.078
100	36200-91840	ASSY PIN SET	1				0.06	0.132
110	33400-91040	JOINT LOWER LINK	2				0.42	0.924
120	35822-75180	ASSY KEY MAIN SWITCH	1				0.02	0.044
130	35822-49150	STUD	12				0.048	0.1056
140	35340-11390	NUT	12				0.03	0.066
170	35707-49150	STUD	16				0	0
180	33251-49170	NUT	16				0.045	0.099
190	35861-82190	ASSY COUPLER MALE	4				0.086	0.1892
200	35820-26910	PIECE DISTANCE	1				0.11	0.242
210	36330-97520	KIT RELAY STARTER	1			REF.No.220 TO 300	0.46	1.012
220	36830-75070	RELAY STARTER	1				0.2	0.44
230	04512-50080	WASHER SPRING	1				0	0
240	02156-50080	NUT	1				0.004	0.0088
250	36330-97530	STAY RELAY	1				0.054	0.1188
260	01123-50835	BOLT	1				0.02	0.044
270	36330-77263	WIRE HARNESS	1				0.15	0.33
280	01053-50640	BOLT	1				0.011	0.0242
290	04512-50060	WASHER SPRING	1				0	0
300	04013-50060	WASHER PLAIN	1				0	0
310	36330-75380	LINK FUSIBLE	1				0.01	0.022