

Instructions for Parts Books

The heading at the top of the page will be the same for the picture of the parts at it is for the page with the part numbers.

Definition of column headings on part number pages:

REF.No → The number referring to the part on the picture page of the parts book.

Part No. → The number assigned to this part at the time of printing the parts book.

Description → Discription of part.

Q'ty → Quantity of part used on that page.

S.No. → Serial number range of the equipment that this part will fit.

>= Your serial number should be greater than or equal to the number shown.

<= Your serial number should be lesser than or equal to the serial number shown.

I/C → Interchangeability of part shown.

↔ The part shown will work for the older and later serial number.

The part shown is not interchangeable with the other serial number.

← new for old

→ old for new

Remarks → Notes about this particulart part. Sometimes this may say except [FR] or [CA]

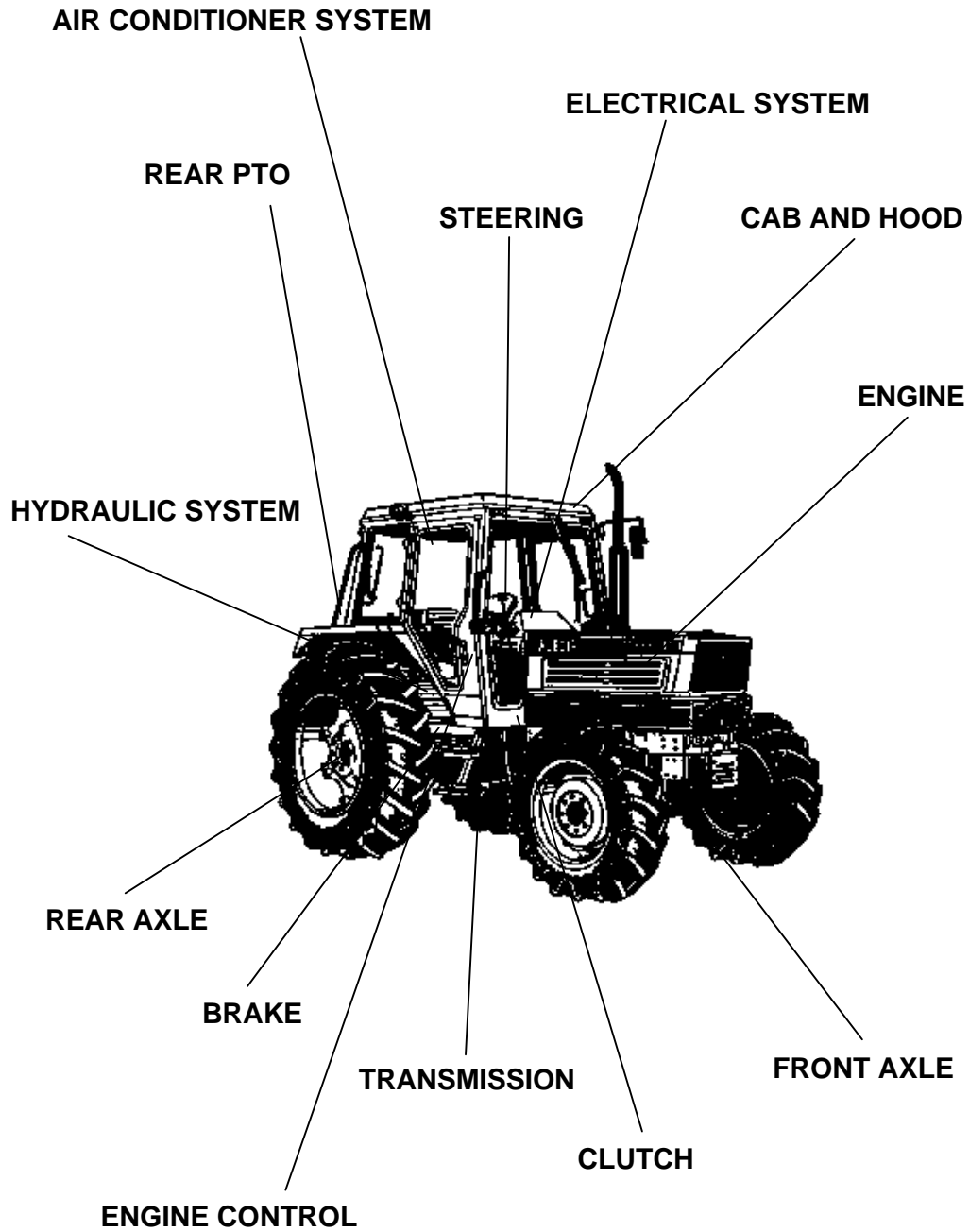
Note about Country Codes:

The parts books we use in the United States of America may also contain information about a part that would be different in another country. It is important that you are aware of the country codes in some instances.

Symbol	Country
A	United States of America
CA	Canada
FR	France
GR	Greece
PO	Portugal
AU	Australia

If the remarks column says for example EXCEPT [FR] this part works in all countries except France. That means it will work here in the USA.

ALL PRODUCT INDEX
M5950-CAB



LABEL
OPTION
SECTION PARTS
ACCESSORIES

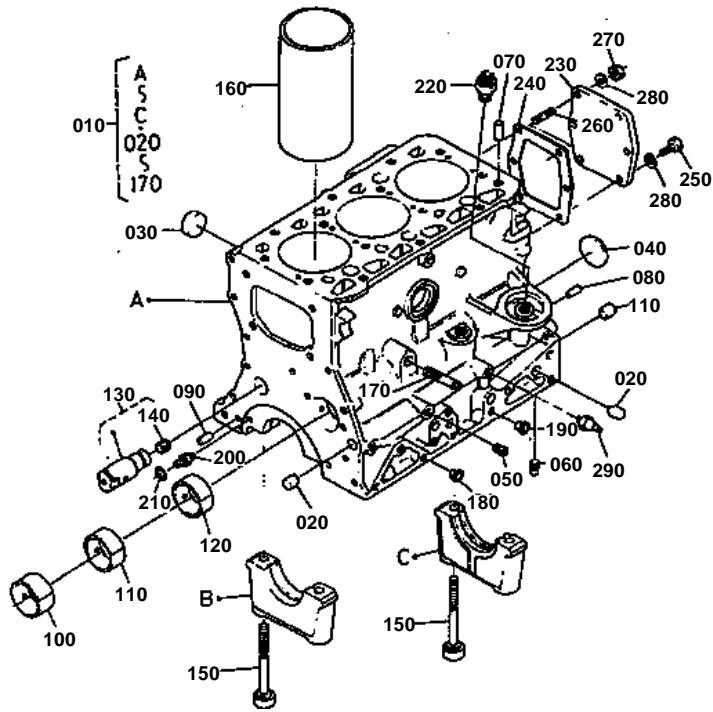
Item	Part No.	Description	Book
ENGINE	01E001	CRANKCASE	100K0009
	01E002	OIL PAN	100K0009
	01E003	CYLINDER HEAD	100K0009
	01E004	GEAR CASE	100K0009
	01E005	BREATHER	100K0009
	01E006	INLET MANIFOLD	100K0009
	01E007	VALVE AND ROCKER ARM	100K0009
	01E008	CYLINDER HEAD COVER	100K0009
	01E009	CAMSHAFT	100K0009
	01E010	PISTON AND CRANKSHAFT	100K0009
	01E011	FLYWHEEL	100K0009
	01E012	OIL PUMP	100K0009
	01E013	NOZZLE HOLDER AND FUEL PIPE	100K0009
	01E014	INJECTION PUMP	100K0009
	01E015	STARTER AND DYNAMO	100K0009
	01E016	WATER FLANGE	100K0009
	01E017	WATER PUMP	100K0009
	SECTION PARTS	01E018	HYDRAULIC PUMP BASE
01E019		STARTER [SECTION PARTS]	100K0009
01E020		DYNAMO [SECTION PARTS]	100K0009
01E021		FUEL PUMP [SECTION PARTS]	100K0009
01E022		INJECTION PUMP [SECTION PARTS]	100K0009
01E023		FUEL FILTER [SECTION PARTS]	100K0009
01E024		SEDIMENTER [SECTION PARTS]	100K0009
ENGINE CONTROL	01E025	NOZZLE HOLDER [SECTION PARTS]	100K0009
	01T001	FUEL TANK RH	100K0009
	01T002	FUEL TANK LH	100K0009
	01T003	FUEL PIPING	100K0009
	01T004	ACCEL.CONTROL ROD	100K0009
	01T005	DOUBLE AIR CLEANER	100K0009
	01T006	MUFFLER	100K0009
	01T007	RADIATOR	100K0009
CAB AND HOOD	01T008	WATER PIPE	100K0009
	01T009	WASHER TANK	100K0009
CLUTCH	01T010	CLUTCH HOUSING 1	100K0009
	01T011	CLUTCH HOUSING 2	100K0009
TRANSMISSION	01T012	TRANSMISSION CASE	100K0009
	01T013	TRANSMISSION CASE COVER	100K0009
FRONT AXLE	01T014	FRONT AXLE BRACKET	100K0009
	01T015	CLUTCH	100K0009
CLUTCH	01T016	CLUTCH FORK	100K0009
	01T017	PTO CLUTCH LEVER	100K0009
	01T018	PTO PROPELLER SHAFT	100K0009
	01T019	FIRST SHAFT	100K0009
	01T020	COUNTER SHAFT	100K0009
	01T021	HI-LO SHIFT GEAR SHAFT	100K0009
	01T022	BACK IDLE SHAFT	100K0009
	01T023	HALF SPEED SHAFT	100K0009
	01T024	BEVEL GEAR	100K0009
	REAR PTO	01T025	PTO SHAFT 1
01T026		PTO SHAFT 2	100K0009
TRANSMISSION	01T027	PTO SHAFT COVER	100K0009
	01T028	MAIN SPEED CHANGE COVER	100K0009
	01T029	MAIN SPEED CHANGE LEVER	100K0009
	01T030	MAIN SPEED CHANGE SHIFT FORK	100K0009
	01T031	HI-LO SHIFT FORK	100K0009
	01T032	HI-LO SHIFT LEVER	100K0009

Item	Part No.	Description	Book
TRANSMISSION	01T033	HALF SPEED SHIFT LEVER	100K0009
REAR PTO	01T034	PTO SHIFT LEVER	100K0009
	01T035	PTO BRAKE	100K0009
REAR AXLE	01T036	DIFFERENTIAL (REAR)	100K0009
	01T037	DIFF.LOCK PEDAL 1	100K0009
	01T038	DIFF.LOCK PEDAL 2 (2WD)	100K0009
	01T054	REAR AXLE CASE	100K0009
	01T055	REAR AXLE	100K0009
AIR CONDITIONER SYSTEM	01T056	AIR CONDITIONER 1	100K0009
	01T057	AIR CONDITIONER 2	100K0009
	01T058	AIR CONDITIONER 3	100K0009
	01T059	AIR CONDITIONER 4	100K0009
CAB AND HOOD	01T060	CAB FRAME	100K0009
	01T061	FRONT GLASS	100K0009
	01T062	DOOR RH	100K0009
	01T063	DOOR LH	100K0009
	01T064	DOOR LOCK RH 1	100K0009
	01T065	DOOR LOCK RH 2	100K0009
	01T066	DOOR LOCK LH 1	100K0009
	01T067	DOOR LOCK LH 2	100K0009
	01T068	DOOR HINGE	100K0009
	01T069	SIDE WINDOW	100K0009
	01T070	OUTER ROOF	100K0009
	01T071	REAR WINDOW 1	100K0009
	01T072	REAR WINDOW 2	100K0009
	01T073	WIPER	100K0009
	01T074	MIRROR	100K0009
	01T075	SEAT (STANDARD)	100K0009
	01T076	INSPECTION PLATE	100K0009
	01T077	FENDER COVER	100K0009
	01T078	FLOOR MAT	100K0009
	01T079	INNER ROOF	100K0009
	01T080	HOOD REAR	100K0009
ENGINE CONTROL	01T081	HAND ACCELERATOR	100K0009
	01T082	ACCELERATOR PEDAL	100K0009
CLUTCH	01T083	CLUTCH PEDAL	100K0009
TRANSMISSION	01T084	PTO CONTROL LEVER	100K0009
	01T085	SPEED CHANGE LEVER GUIDE	100K0009
STEERING	01T086	STEERING HANDLE	100K0009
	01T087	TILT PEDAL	100K0009
	01T088	STEERING JOINT	100K0009
BRAKE	01T089	BRAKE PEDAL	100K0009
	01T090	BRAKE OIL TANK	100K0009
	01T091	PARKING BRAKE LEVER	100K0009
HYDRAULIC SYSTEM	01T092	DRAFT AND POSITION CONTROL LEVER	100K0009
	01T093	AUX.CONTROL LEVER	100K0009
	01T094	HYD.CONTROL LEVER GUIDE	100K0009
CAB AND HOOD	01T095	FENDER RH	100K0009
	01T096	FENDER LH	100K0009
	01T097	HANDRAIL AND SMV HOLDER	100K0009
FRONT AXLE	01T098	FRONT AXLE	100K0009
	01T099	FRONT WHEEL HUB	100K0009
STEERING	01T100	STEERING LINKAGE	100K0009
	01T101	STEERING LEVER	100K0009
	01T102	POWER STEERING CYLINDER	100K0009
	01T103	POWER STEERING OIL TANK	100K0009
	01T104	POWER STEERING HYD.PUMP	100K0009

Item	Part No.	Description	Book
STEERING BRAKE	01T105	POWER STEERING PIPING	100K0009
	01T106	BRAKE	100K0009
ELECTRICAL SYSTEM	01T107	BRAKE OIL PIPING	100K0009
	01T108	BRAKE CYLINDER RH	100K0009
	01T109	BRAKE CYLINDER LH	100K0009
	01T110	HAND BRAKE	100K0009
	01T111	PANEL BOARD	100K0009
	01T112	SPEAKER AND ROOM LAMP	100K0009
	01T113	SWITCH	100K0009
	01T114	BATTERY	100K0009
	01T115	LIGHT 1	100K0009
	01T116	LIGHT 2	100K0009
HYDRAULIC SYSTEM	01T117	LIGHT 3	100K0009
	01T118	RELAY	100K0009
	01T119	SWITCH	100K0009
	01T120	ELECTRICAL WIRING	100K0009
	01T121	HYD.CYLINDER BODY	100K0009
	01T122	HYD.CYLINDER LINER	100K0009
	01T123	DOWN SPEED ADJUSTING ROD	100K0009
	01T124	LIFT LEVER	100K0009
	01T125	HYDRAULIC SYSTEM 1	100K0009
	01T126	HYDRAULIC SYSTEM 2	100K0009
	01T127	HYDRAULIC SYSTEM 3	100K0009
	01T128	TOP LINK BRACKET	100K0009
	01T129	DRAFT AND POSITION CONTROL LEVER	100K0009
	01T130	AUX.CONTROL VALVE	100K0009
CAB AND HOOD	01T131	AUX.CONTROL VALVE HOSE	100K0009
	01T132	HYDRAULIC PUMP	100K0009
	01T133	DELIVERY PIPE	100K0009
	01T134	HOOD 1	100K0009
	01T135	HOOD 2	100K0009
	01T136	HOOD 3	100K0009
	01T137	HOOD 4	100K0009
	01T138	HOOD SUPPORT	100K0009
	01T139	CAB BRACKET (REAR)	100K0009
	01T140	CAB BRACKET (FRONT)	100K0009
HYDRAULIC SYSTEM	01T141	SWING DRAWBAR	100K0009
	01T142	TOOL BOX	100K0009
	01T143	LOWER LINK	100K0009
	01T144	CHECK CHAIN	100K0009
	01T145	LIFT ROD HANDLE	100K0009
	01T146	LIFT ROD RH	100K0009
	01T147	LIFT ROD LH	100K0009
	01T148	TOP LINK	100K0009
LABEL	01T149	LABEL 1	100K0009
	01T150	LABEL 2	100K0009
OPTION	01T151	LABEL 3	100K0009
	01T152	AUX.CONTROL VALVE KIT 1 [OPTION]	100K0009
	01T153	AUX.CONTROL VALVE KIT 2 [OPTION]	100K0009
	01T154	HYDRAULIC OUTLET KIT [OPTION]	100K0009
	01T155	DRAWBAR HITCH	100K0009
	01T156	PRE-CLEANER KIT [OPTION]	100K0009
	01T159	TELESCOPE HANDLE KIT [OPTION]	100K0009
SECTION PARTS	01T160	BOLT KIT FOR FRONT WEIGHT [OPTION]	100K0009
	01T161	DOUBLE AIR CLEANER [SECTION PARTS]	100K0009
	01T162	STEERING CYLINDER [SECTION PARTS]	100K0009
	01T163	HYDRAULIC PUMP [SECTION PARTS]	100K0009

Item	Part No.	Description	Book
SECTION PARTS	01T164	CYLINDER [SECTION PARTS]	100K0009
	01T165	HYDRAULIC PUMP [SECTION PARTS]	100K0009
ACCESSORIES	01T166	ACCESSORIES AND SERVICE PARTS	100K0009

CRANKCASE

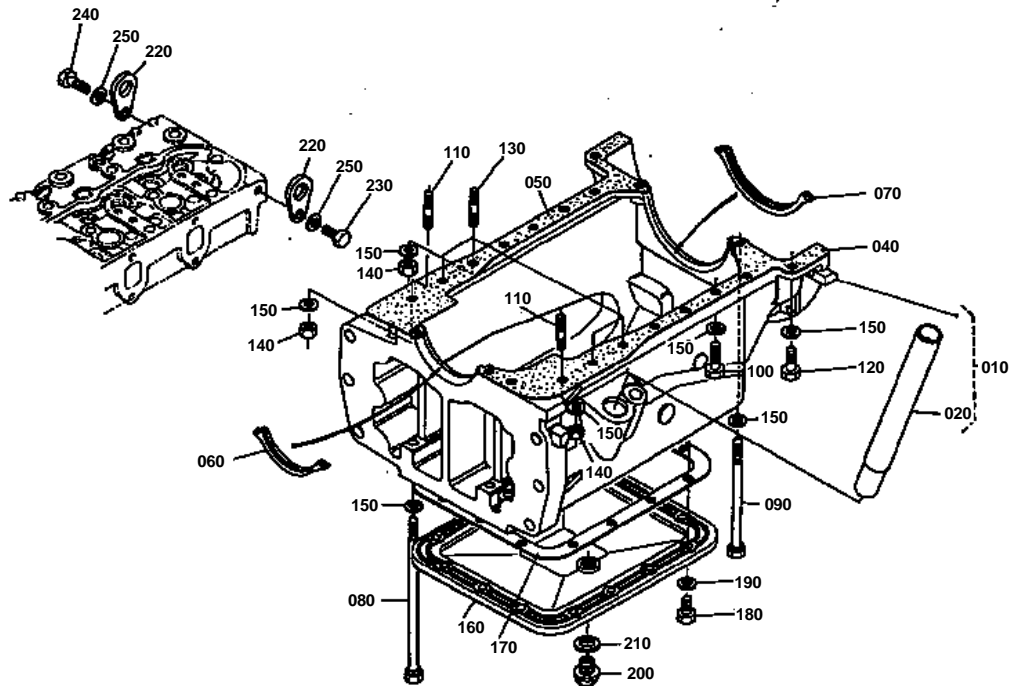


**CRANKCASE**

↔ Interchangeable; ≠ not interchangeable; ← new for old; → old for new

REF.No	Part No.	Description	Q'ty	S.No.	I/C	REMARKS	Weight (kgf)	Weight (lb)
010	15571-01012	COMP.CRANKCASE	1				76	167.2
020	15451-96860	PLUG BLIND	5				0.005	0.011
030	15221-03490	CAP SEALING	3				0.02	0.044
040	06311-75060	PLUG	1				0.046	0.1012
050	15521-96020	PLUG	4				0.003	0.0066
060	15451-96030	PLUG	1				0.015	0.033
070	15451-94930	PIN PIPE	1				0.005	0.011
080	05012-00812	PIN STRAIGHT	2				0.006	0.0132
090	05012-01016	PIN STRAIGHT	2				0.01	0.022
100	15451-16410	METAL CAMSHAFT	1				0	0
110	15451-16420	METAL CAMSHAFT	1				0	0
120	15451-16430	METAL CAMSHAFT	1				0	0
130	15451-24050	COMP.SHAFT IDLE GEAR	1				0.42	0.924
140	03410-00808	SCREW	1				0.002	0.0044
150	15451-04560	BOLT BEARING CASE	8				0.185	0.407
160	15571-02310	LINER CYLINDER	3				0	0
170	15321-73340	PIPE WATER RETURN	1				0.016	0.0352
180	34150-27580	PLUG	6				0.001	0.0022
190	32210-27580	PLUG BLIND	6				0.001	0.0022
200	15451-04250	JOINT PIPE	1				0.01	0.022
210	15451-96760	O RING	1				0.001	0.0022
220	15451-32290	JOINT PIPE	1				0.061	0.1342
230	15451-73910	COVER WATER	1				0.6	1.32
240	15451-73920	GASKET WATER COVER	1				0	0
250	01053-50818	BOLT	4				0.011	0.0242
260	15471-91530	STUD	2				0.01	0.022
270	02056-50080	NUT	2				0.005	0.011
280	04512-50080	WASHER SPRING	6				0	0
290	15451-39010	SWITCH OIL	1				0	0

OIL PAN



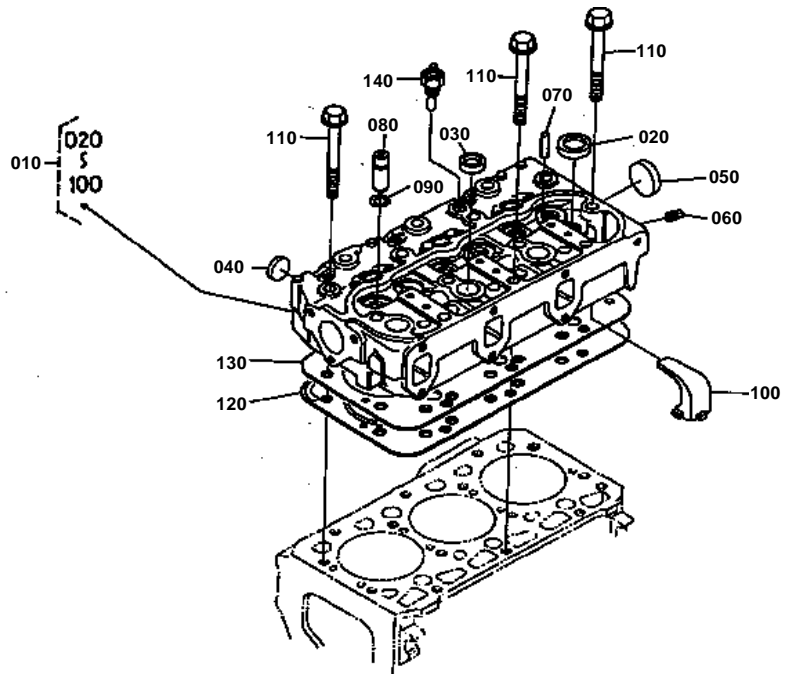


OIL PAN

↔ Interchangeable; ≠ not interchangeable; ← new for old; → old for new

REF.No	Part No.	Description	Q'ty	S.No.	I/C	REMARKS	Weight (kgf)	Weight (lb)
010	15571-01500	COMP.OIL PAN	1				55	121
020	15571-33110	PIPE OIL FILLER	1				0.62	1.364
030	33300-90910	PLUG BLIND	2			NOT SHOWING IN FIG.	0.002	0.0044
040	15351-01620	GASKET	1				0	0
050	15351-01630	GASKET	1				0	0
060	15451-01640	GASKET	1				0.01	0.022
070	15451-01650	GASKET	1				0.015	0.033
080	15451-91010	BOLT	3				0.173	0.3806
090	15451-91020	BOLT	2				0.116	0.2552
100	15481-91010	BOLT	8				0.04	0.088
110	15481-91500	STUD	2				0.04	0.088
120	01076-51038	BOLT	2				0.035	0.077
130	15454-91500	STUD	4				0.115	0.253
140	02076-50100	NUT	6				0.006	0.0132
150	04512-50100	WASHER SPRING	21				0	0
160	15351-01670	COVER OIL PAN	1				2.3	5.06
170	15351-01680	GASKET	1				0	0
180	01053-50818	BOLT	14				0.011	0.0242
190	04512-50080	WASHER SPRING	14				0	0
200	15451-33750	PLUG DRAIN	1				0	0
210	15451-96670	GASKET	1				0.003	0.0066
220	15451-01750	HOOK ENGINE	2				0.085	0.187
230	01073-51022	BOLT	1				0.024	0.0528
240	01073-51030	BOLT	1				0.028	0.0616
250	04512-50100	WASHER SPRING	2				0	0

CYLINDER HEAD



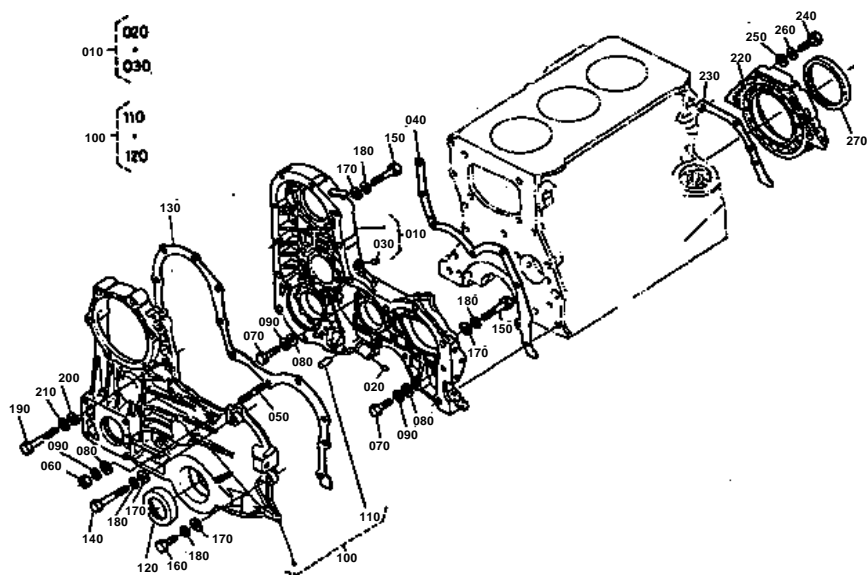


CYLINDER HEAD

↔ Interchangeable; ≠ not interchangeable; ← new for old; → old for new

REF.No	Part No.	Description	Q'ty	S.No.	I/C	REMARKS	Weight (kgf)	Weight (lb)
010	15351-03043	COMP.CYLINDER HEAD	1				30	66
020	15241-96260	CAP SEALING	1				0.01	0.022
030	15451-96270	CAP SEALING	3				0.012	0.0264
040	15221-03380	CAP SEALING	3				0.017	0.0374
050	15221-03390	CAP SEALING	1				0.03	0.066
060	15521-96020	PLUG	1				0.003	0.0066
070	15451-94520	PIN STRAIGHT	3				0.001	0.0022
080	15451-13580	GUIDE VALVE	6				0	0
090	15451-96910	CIR-CLIP	6				0.002	0.0044
100	15451-73940	GUIDE WATER	3				0.032	0.0704
110	15451-03460	BOLT CYLINDER HEAD	14				0.148	0.3256
120	15571-03313	GASKET CYLINDER HEAD	1				0	0
130	15571-03322	SHIM HEAD GASKET	1				0.08	0.176
140	35820-75250	SWITCH THERMOMETER	1				0	0

GEAR CASE



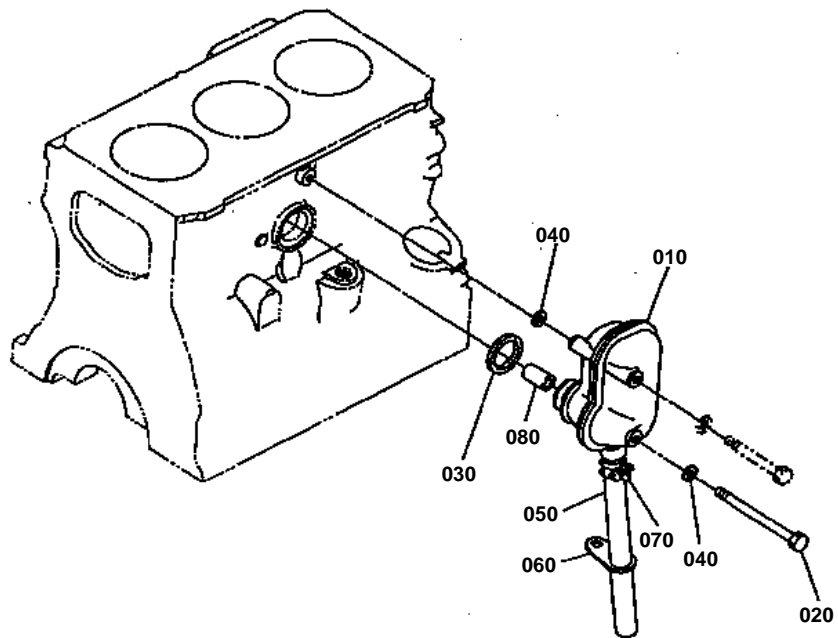


GEAR CASE

↔ Interchangeable; ≠ not interchangeable; ← new for old; → old for new

REF.No	Part No.	Description	Q'ty	S.No.	I/C	REMARKS	Weight (kgf)	Weight (lb)
010	15451-04020	COMP.CASE GEAR	1				0	0
020	15451-04190	NOZZLE PIECE	1				0.002	0.0044
030	15451-96870	PLUG BLIND	1				0.001	0.0022
040	15451-04130	GASKET GEAR CASE	1				0	0
050	01513-50855	STUD	1				0.022	0.0484
060	02056-50080	NUT	1				0.005	0.011
070	01053-50825	BOLT	3				0.014	0.0308
080	04012-50080	WASHER PLAIN	4				0.001	0.0022
090	04512-50080	WASHER SPRING	4				0	0
100	15451-04030	COMP COVER GEAR CASE	1				0	0
110	05012-01016	PIN STRAIGHT	2				0.01	0.022
120	15451-04460	SEAL OIL	1				0.033	0.0726
130	15451-04170	GASKET GEAR CASE	1				0	0
140	01053-50870	BOLT	6				0.027	0.0594
150	01053-50850	BOLT	4				0.021	0.0462
160	01053-50830	BOLT	1				0.015	0.033
170	04012-50080	WASHER PLAIN	11				0.001	0.0022
180	04512-50080	WASHER SPRING	11				0	0
190	01073-51070	BOLT	1				0.05	0.11
200	04013-50100	WASHER PLAIN	1				0	0
210	04512-50100	WASHER SPRING	1				0	0
220	15351-04810	COVER BEARING CASE	1				0	0
230	15451-04820	GASKET	1				0	0
240	01053-50832	BOLT	4				0.015	0.033
250	04012-50080	WASHER PLAIN	4				0.001	0.0022
260	04512-50080	WASHER SPRING	4				0	0
270	15351-04460	SEAL OIL	1				0.092	0.2024

BREATHER



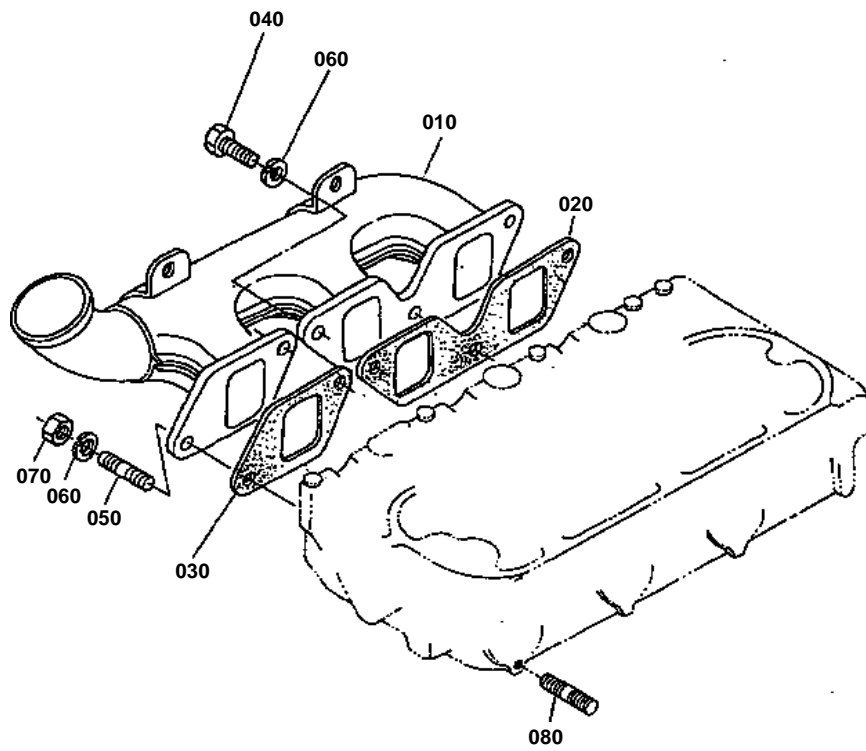


BREATHER

↔ Interchangeable; ≠ not interchangeable; ← new for old; → old for new

REF.No	Part No.	Description	Q'ty	S.No.	I/C	REMARKS	Weight (kgf)	Weight (lb)
010	15451-05020	COMP.BREATHER	1				0.87	1.914
020	15451-91040	BOLT	1				0.044	0.0968
030	15451-05770	GASKET	1				0.003	0.0066
040	04717-00800	WASHER WITH RUBBER	3				0.001	0.0022
050	15571-05510	PIPE BREATHER	1				0.14	0.308
060	15571-05580	CLAMP PIPE	1				0.02	0.044
070	13412-12130	BAND MUFFLER	1				0.02	0.044
080	15451-05540	COLLAR BREATHER	1				0.06	0.132

INLET MANIFOLD



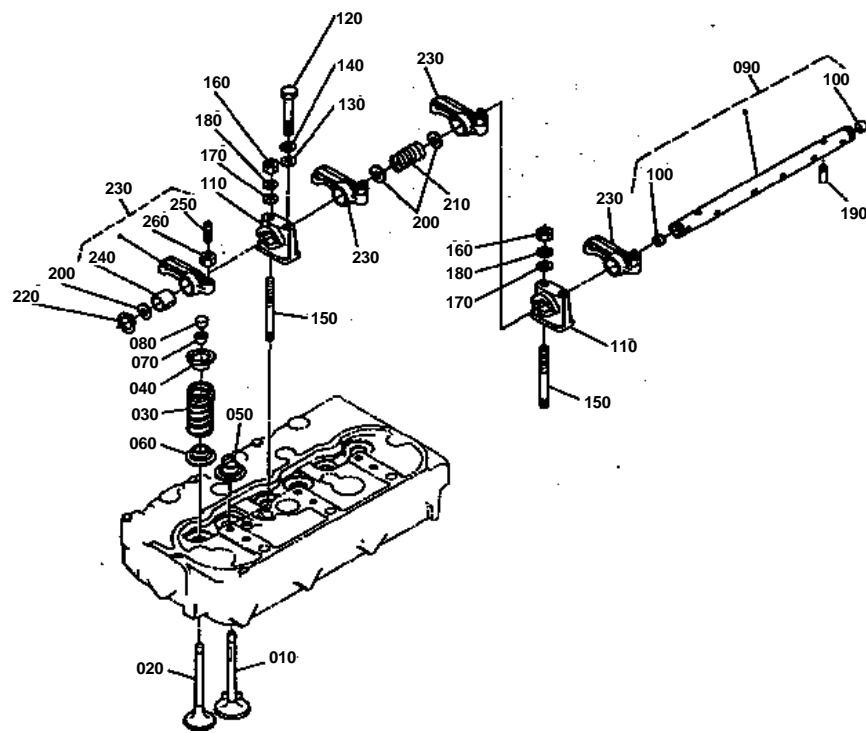


INLET MANIFOLD

↔ Interchangeable; ≠ not interchangeable; ← new for old; → old for new

REF.No	Part No.	Description	Q'ty	S.No.	I/C	REMARKS	Weight (kgf)	Weight (lb)
010	15351-11760	MANIFOLD INLET	1				1.96	4.312
020	15451-11820	GASKET IN-MANIFOLD	1				0.006	0.0132
030	15351-11820	GASKET IN-MANIFOLD	1				0.001	0.0022
040	01053-50822	BOLT	2				0.013	0.0286
050	01513-50820	STUD	2				0	0
060	04512-50080	WASHER SPRING	4				0	0
070	02056-50080	NUT	2				0.005	0.011
080	01513-50828	STUD	6				0.013	0.0286

VALVE AND ROCKER ARM



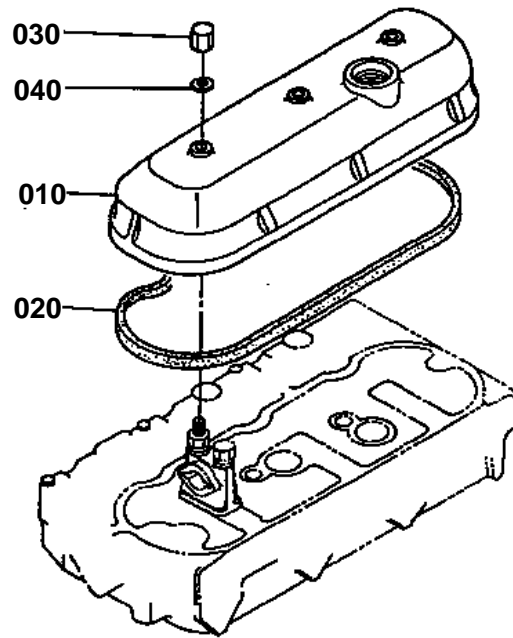


VALVE AND ROCKER ARM

↔ Interchangeable; ≠ not interchangeable; ← new for old; → old for new

REF.No	Part No.	Description	Q'ty	S.No.	I/C	REMARKS	Weight (kgf)	Weight (lb)
010	15451-13110	VALVE INLET	3				0.145	0.319
020	15451-13120	VALVE EXHAUST	3				0	0
030	15451-13240	SPRING VALVE	6				0.07	0.154
040	15451-13330	RETAINER VALVE SP.	6				0.035	0.077
050	15451-13410	WASHER INLET VALVE	3				0.035	0.077
060	15451-13420	WASHER EXHAUST VALVE	3				0.02	0.044
070	15451-13360	COLLET VALVE SPRING	6				0.002	0.0044
080	15451-13280	CAP VALVE	6				0.007	0.0154
090	15351-14050	ASSY SHAFT R-ARM	1				0	0
100	15451-96300	CAP SEALING	2				0.002	0.0044
110	15451-14350	BRACKET ROCKER ARM	3				0.104	0.2288
120	01053-50865	BOLT	3				0.025	0.055
130	04012-50080	WASHER PLAIN	3				0.001	0.0022
140	04512-50080	WASHER SPRING	3				0	0
150	15451-91510	STUD	3				0.033	0.0726
160	02056-50080	NUT	3				0.005	0.011
170	04012-50080	WASHER PLAIN	3				0.001	0.0022
180	04512-50080	WASHER SPRING	3				0	0
190	15451-14420	SCREW SET	1				0.005	0.011
200	15451-14430	WASHER	6				0.002	0.0044
210	15451-14310	SPRING ROCKER ARM	2				0.006	0.0132
220	04612-00180	CIR-CLIP EXTERNAL	2				0.001	0.0022
230	15451-14030	ASSY ROCKER ARM	6				0	0
240	15451-14980	BUSH ROCKER ARM	6				0.012	0.0264
250	15451-14230	SCREW ADJUSTING	6				0.008	0.0176
260	15451-92010	NUT	6				0.005	0.011

CYLINDER HEAD COVER



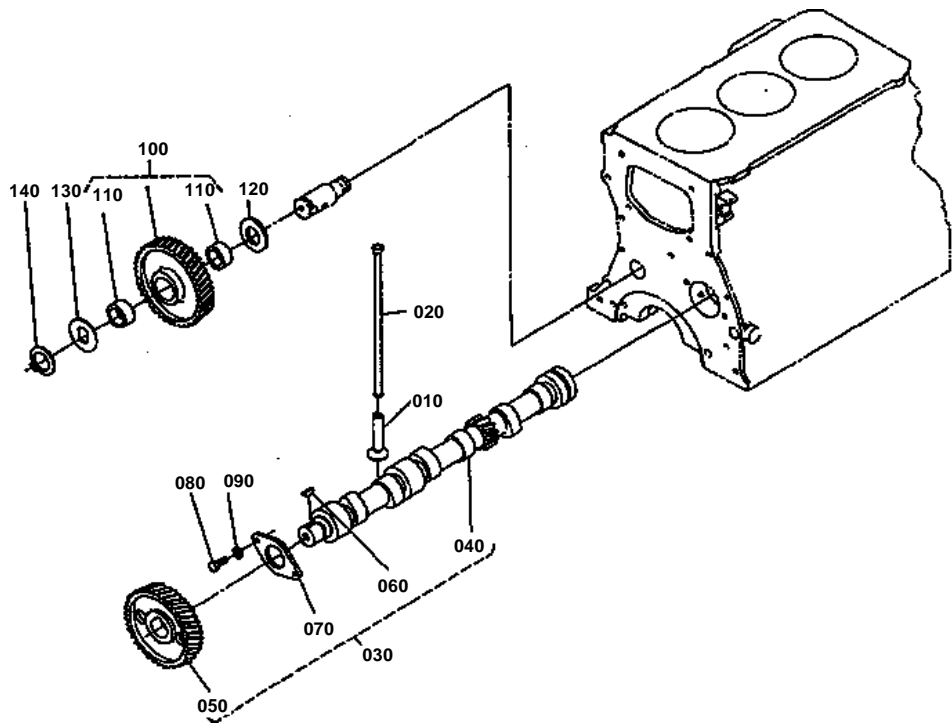


CYLINDER HEAD COVER

↔ Interchangeable; ≠ not interchangeable; ← new for old; → old for new

REF.No	Part No.	Description	Q'ty	S.No.	I/C	REMARKS	Weight (kgf)	Weight (lb)
010	15351-14510	COVER CYL.HEAD	1				1.35	2.97
020	15351-14520	GASKET HEAD COVER	1				0.07	0.154
030	15451-92330	NUT CAP	3				0.008	0.0176
040	15451-96660	GASKET	3				0.004	0.0088

CAMSHAFT



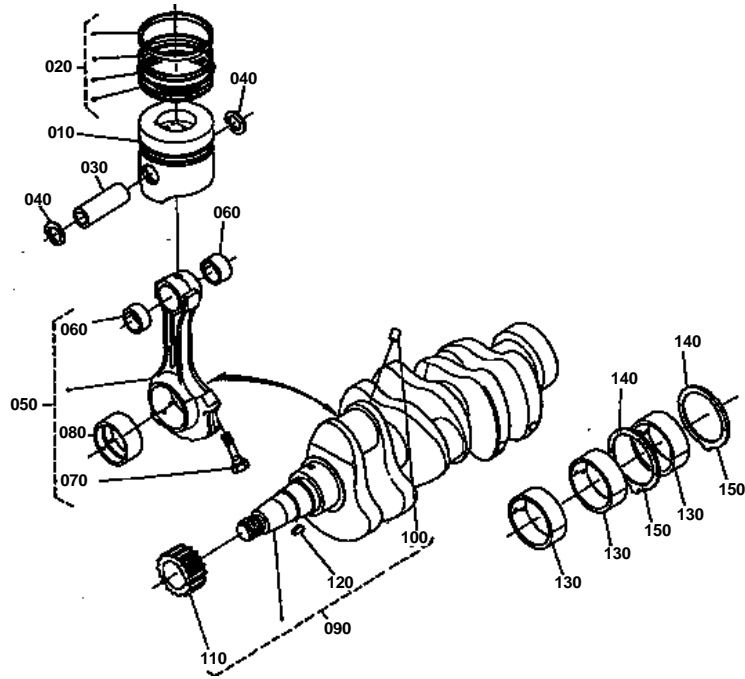


CAMSHAFT

↔ Interchangeable; ≠ not interchangeable; ← new for old; → old for new

REF.No	Part No.	Description	Q'ty	S.No.	I/C	REMARKS	Weight (kgf)	Weight (lb)
010	15451-15550	TAPPET	6				0.085	0.187
020	15451-15110	ROD PUSH	6				0.092	0.2024
030	15351-16010	ASSY CAMSHAFT	1				5	11
040	15351-16150	CAMSHAFT	1				3.7	8.14
050	15451-16510	GEAR CAMSHAFT	1				1.2	2.64
060	05811-00522	KEY	1				0.005	0.011
070	15451-16270	STOPPER CAMSHAFT	1				0.075	0.165
080	01053-50820	BOLT	2				0.012	0.0264
090	04512-50080	WASHER SPRING	2				0	0
100	15451-24010	COMP.GEAR IDLE	1				1.3	2.86
110	15451-24980	BUSH	2				0	0
120	15451-24360	COLLAR	1				0.015	0.033
130	15451-24370	COLLAR	1				0.03	0.066
140	15451-95390	CIR-CLIP EXTERNAL	1				0.007	0.0154

PISTON AND CRANKSHAFT



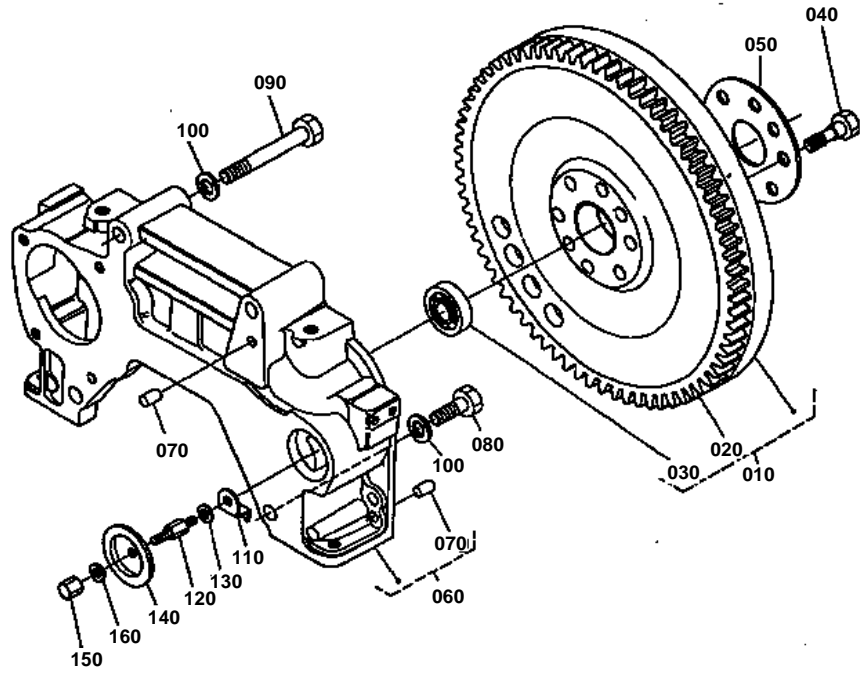


PISTON AND CRANKSHAFT

↔ Interchangeable; ≠ not interchangeable; ← new for old; → old for new

REF.No	Part No.	Description	Q'ty	S.No.	I/C	REMARKS	Weight (kgf)	Weight (lb)
010	15571-21110	PISTON	3			STD	1.4	3.08
010	15571-21900	PISTON	3			+0.2	1.34	2.948
010	15571-21910	PISTON	3			+0.4	1.35	2.97
010	15571-21920	PISTON	3			+0.6	1.37	3.014
020	15571-21050	ASSY PISTON RING	3			STD	0.085	0.187
020	15571-21090	ASSY PISTON RING	3			+0.2	0.105	0.231
020	15571-21100	ASSY PISTON RING	3			+0.4	0.105	0.231
020	15571-21200	ASSY PISTON RING	3			+0.6	0.105	0.231
030	15451-21310	PIN PISTON	3				0.45	0.99
040	04611-00340	CIR-CLIP INTERNAL	6				0.003	0.0066
050	15451-22010	ASSY CONNECTING ROD	3				2.1	4.62
060	15451-21980	BUSH PISTON PIN	6				0.031	0.0682
070	15451-22140	BOLT CONNECTING ROD	6				0.062	0.1364
080	15451-22310	METAL CRANKPIN	3			STD	0.1	0.22
080	15451-22970	METAL CRANKPIN	3			-0.25	0.1	0.22
080	15451-22980	METAL CRANKPIN	3			-0.50	0.115	0.253
080	15451-22990	METAL CRANKPIN	3			-0.75	0.12	0.264
090	15351-23012	COMP.CRANKSHAFT	1				35	77
100	15451-96850	PLUG BLIND	3				0.002	0.0044
110	15451-24110	GEAR CRANKSHAFT	1				0.39	0.858
120	15451-95230	KEY	1				0.001	0.0022
130	15451-23470	METAL CRANKSHAFT	4			STD	0	0
130	15451-23910	METAL CRANKSHAFT	4			-0.25	0	0
130	15451-23920	METAL CRANKSHAFT	4			-0.50	0	0
130	15451-23930	METAL CRANKSHAFT	4			-0.75	0	0
140	15451-23530	METAL SIDE	2			STD	0	0
140	15451-23950	METAL SIDE	2			+0.125	0	0
150	15451-23540	METAL SIDE	2			STD	0	0
150	15451-23970	METAL SIDE	2			+0.125	0	0

FLYWHEEL

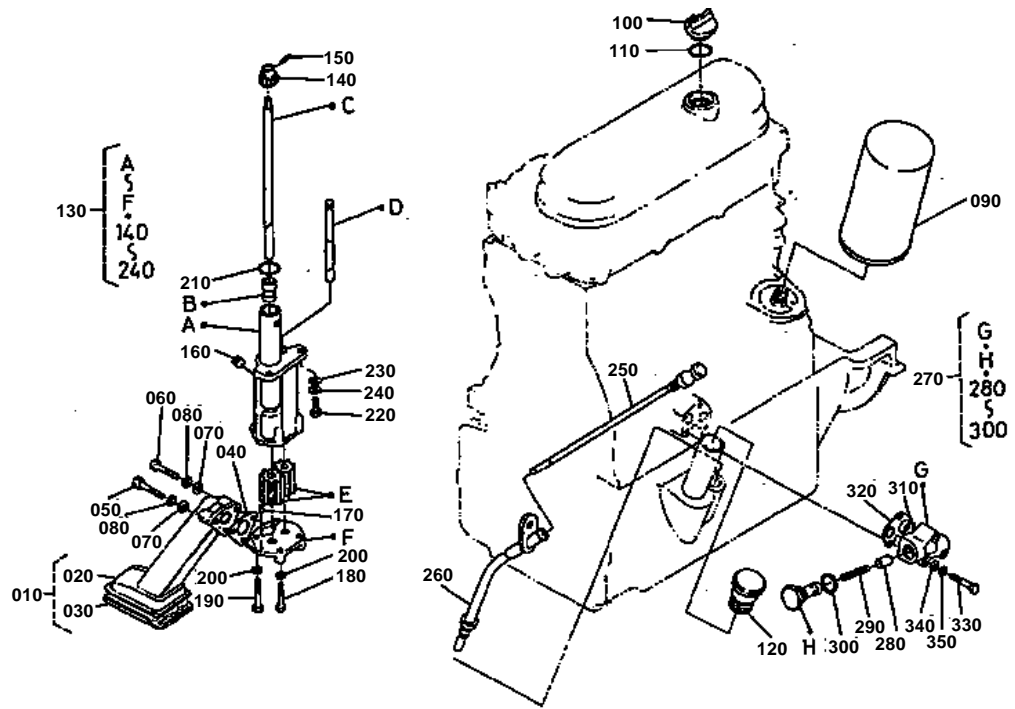


**FLYWHEEL**

↔ Interchangeable; ≠ not interchangeable; ← new for old; → old for new

REF.No	Part No.	Description	Q'ty	S.No.	I/C	REMARKS	Weight (kgf)	Weight (lb)
010	15571-25010	COMP.FLYWHEEL	1				0	0
020	15451-63820	GEAR RING	1				0	0
030	08141-06303	BEARING BALL	1				0.108	0.2376
040	15521-25160	BOLT FLYWHEEL	8				0.06	0.132
050	15571-25170	WASHER FLYWHEEL	1				0.125	0.275
060	15451-04600	COMP.HOUSING F-W.	1				15.4	33.88
070	05012-01016	PIN STRAIGHT	4				0.01	0.022
080	01073-51435	BOLT	2				0.063	0.1386
090	01073-51400	BOLT	2				0.13	0.286
100	04512-50140	WASHER SPRING	4				0	0
110	15451-04670	PLATE TIMING	1				0.015	0.033
120	15451-91500	STUD	1				0.024	0.0528
130	04512-50080	WASHER SPRING	1				0	0
140	15451-04680	COVER	1				0.076	0.1672
150	15451-92330	NUT CAP	1				0.008	0.0176
160	15451-96660	GASKET	1				0.004	0.0088

OIL PUMP



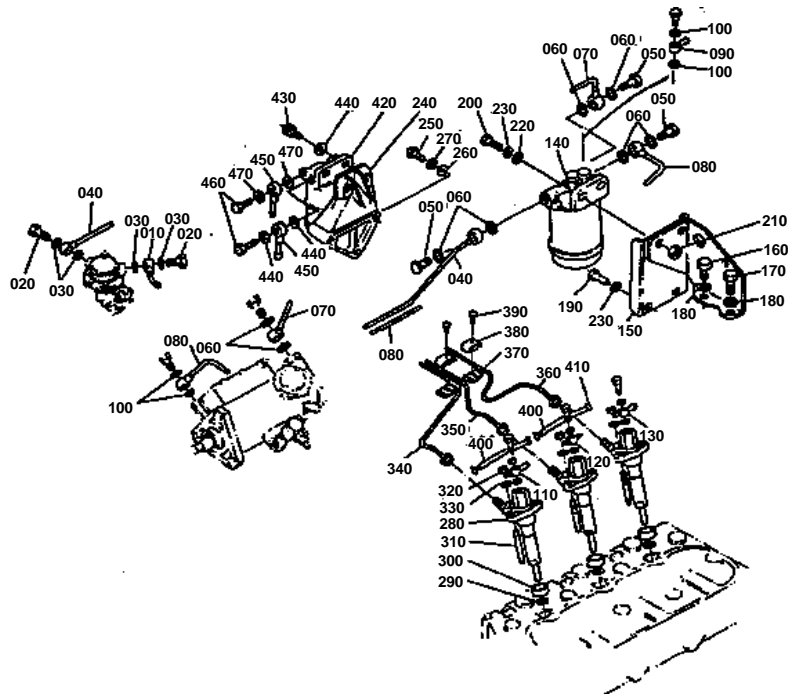


OIL PUMP

↔ Interchangeable; ≠ not interchangeable; ← new for old; → old for new

REF.No	Part No.	Description	Q'ty	S.No.	I/C	REMARKS	Weight (kgf)	Weight (lb)
010	15351-32010	ASSY FILTER OIL	1				0.3	0.66
020	15351-32250	CASE OIL FILTER	1				0.28	0.616
030	15351-32110	FILTER OIL	1				0.02	0.044
040	15451-32270	GASKET OIL FILTER	1				0	0
050	01053-50855	BOLT	1				0.022	0.0484
060	01053-50840	BOLT	2				0.018	0.0396
070	04012-50080	WASHER PLAIN	3				0.001	0.0022
080	04512-50080	WASHER SPRING	3				0	0
090	15451-32430	CARTRIDGE OIL FILTER	1				0	0
100	15221-33140	PLUG OIL FILLER	1				0.038	0.0836
110	04811-50300	RING	1				0	0
120	15571-33140	PLUG OIL FILLER	1				0.03	0.066
130	15451-35010	ASSY PUMP OIL	1				0	0
140	15451-35660	GEAR OIL PUMP DRIVE	1				0.07	0.154
150	15451-35640	PIN	1				0.002	0.0044
160	15451-96010	PLUG	1				0.01	0.022
170	05012-00610	PIN STRAIGHT	1				0.003	0.0066
180	01053-50840	BOLT	2				0.018	0.0396
190	01053-50850	BOLT	2				0.021	0.0462
200	04512-50080	WASHER SPRING	4				0	0
210	15451-96770	O RING	1				0.001	0.0022
220	01053-50825	BOLT	2				0.014	0.0308
230	04012-50080	WASHER PLAIN	2				0.001	0.0022
240	04512-50080	WASHER SPRING	2				0	0
250	15571-36410	GAUGE OIL	1				0.03	0.066
260	15571-36420	GUIDE OIL GAUGE	1				0.1	0.22
270	15451-36070	ASSY VALVE RELIEF	1				0.33	0.726
280	15451-36920	VALVE RELIEF	1				0.01	0.022
290	15451-36950	SPRING	1				0.006	0.0132
300	15451-96700	GASKET	1				0.004	0.0088
310	04811-00180	RING	1				0	0
320	15451-96690	GASKET	1				0	0
330	01053-50845	BOLT	3				0.019	0.0418
340	04012-50080	WASHER PLAIN	3				0.001	0.0022
350	04512-50080	WASHER SPRING	3				0	0

NOZZLE HOLDER AND FUEL PIPE

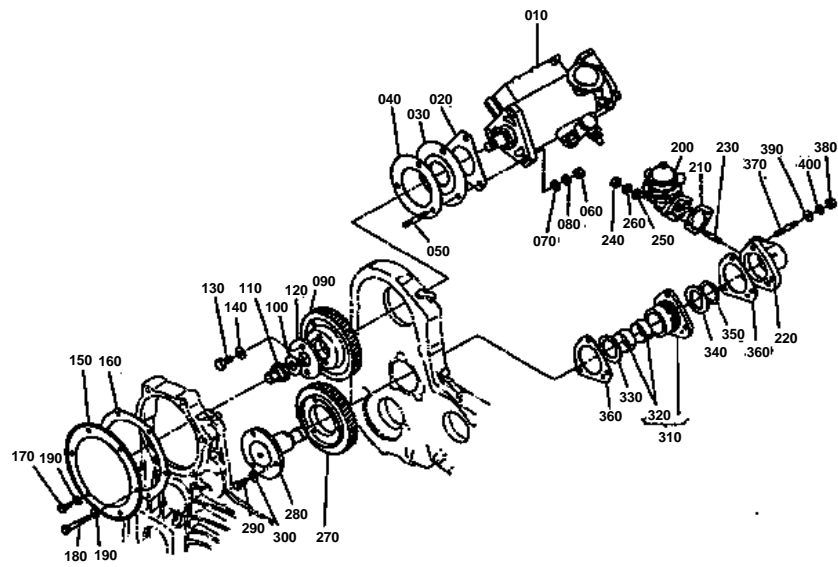


**NOZZLE HOLDER AND FUEL PIPE**

↔ Interchangeable; ≠ not interchangeable; ← new for old; → old for new

REF.No	Part No.	Description	Q'ty	S.No.	I/C	REMARKS	Weight (kgf)	Weight (lb)
010	15451-42180	PIPE	1				0.05	0.11
020	15109-05580	BOLT JOINT	2				0.024	0.0528
030	15109-33660	GASKET	4				0.001	0.0022
040	15351-42080	COMP.PIPE FUEL	1				0.11	0.242
050	15451-95790	BOLT EYE JOINT	3				0	0
060	17105-33680	GASKET	8				0.002	0.0044
070	15351-42092	COMP.PIPE FUEL	1				0.12	0.264
080	15351-42100	COMP.PIPE FUEL	1				0.08	0.176
090	15451-95680	JOINT	1				0.014	0.0308
100	15109-14630	GASKET	4				0	0
110	15451-95710	JOINT	1				0.015	0.033
120	15451-95700	JOINT	1				0.008	0.0176
130	15451-95710	JOINT	1				0.015	0.033
140	15351-43010	ASSY FILTER FUEL	1				0.59	1.298
150	15351-43434	HOLDER FUEL FILTER	1				1.04	2.288
160	01053-50818	BOLT	1				0.011	0.0242
170	01053-50828	BOLT	1				0.014	0.0308
180	04512-50080	WASHER SPRING	2				0	0
190	01073-51020	BOLT	2				0.024	0.0528
200	01073-51035	BOLT	2				0.031	0.0682
210	02076-50100	NUT	2				0.006	0.0132
220	04013-50100	WASHER PLAIN	2				0	0
230	04512-50100	WASHER SPRING	4				0	0
240	15351-43360	SUPPORT SEDIMENT	1				0.58	1.276
250	01073-51070	BOLT	3				0.05	0.11
260	04013-50100	WASHER PLAIN	3				0	0
270	04512-50100	WASHER SPRING	3				0	0
280	15451-53000	ASSY HOLDER NOZZLE	3				0.47	1.034
290	15451-53620	GASKET	3				0.003	0.0066
300	15451-96650	GASKET	3				0.004	0.0088
310	15451-91540	STUD	6				0.02	0.044
320	02056-50080	NUT	6				0.005	0.011
330	04512-50080	WASHER SPRING	6				0	0
340	15351-53710	PIPE INJECTION	1				0.13	0.286
350	15351-53720	PIPE INJECTION	1				0.14	0.308
360	15351-53730	PIPE INJECTION	1				0.13	0.286
370	15121-53850	CLAMP PIPE	2				0	0
380	15121-53860	CLAMP PIPE	2				0	0
390	03024-50520	SCREW	2				0.004	0.0088
400	15722-42510	PIPE FUEL OVER FLOW	2				0.005	0.011
410	10244-42320	CLIP PIPE	4				0.001	0.0022
420	15451-43352	SEDIMENTER	1				0.8	1.76
430	01133-51035	BOLT	2				0.03	0.066
440	04013-50100	WASHER PLAIN	2				0	0
450	15451-42170	PIPE	2				0.034	0.0748
460	15451-95790	BOLT EYE JOINT	2				0	0
470	17105-33680	GASKET	4				0.002	0.0044

INJECTION PUMP



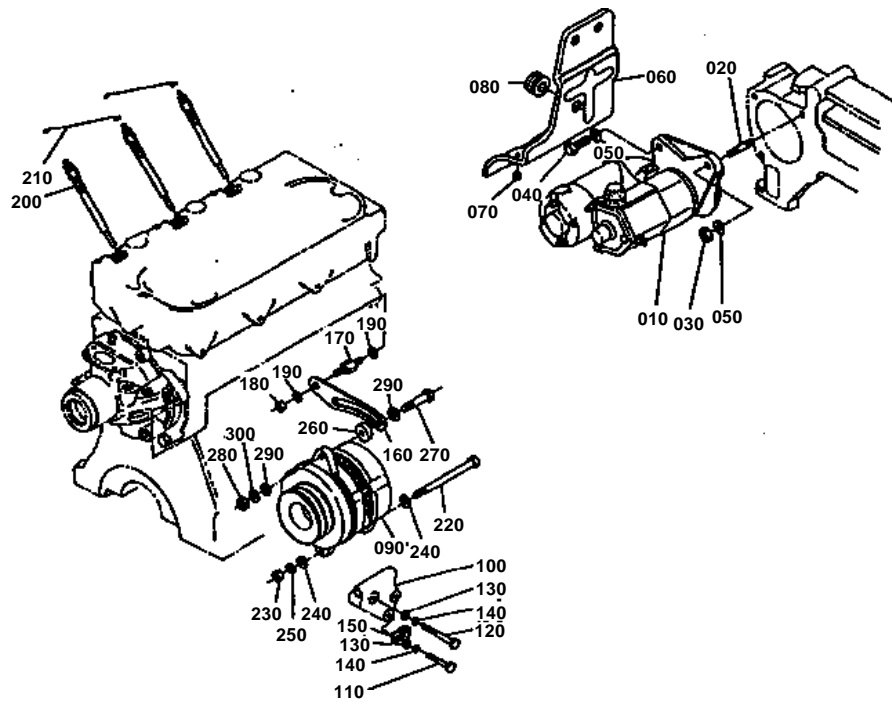


INJECTION PUMP

↔ Interchangeable; ≠ not interchangeable; ← new for old; → old for new

REF.No	Part No.	Description	Q'ty	S.No.	I/C	REMARKS	Weight (kgf)	Weight (lb)
010	15572-51010	ASSY PUMP INJECTION	1				5.6	12.32
020	15451-52130	GASKET INJECT.PUMP	1				0	0
030	15451-51170	BASE INJECTION PUMP	1				0.235	0.517
040	15451-51180	GASKET	1				0	0
050	15451-91520	STUD	3				0.015	0.033
060	02056-50080	NUT	3				0.005	0.011
070	04012-50080	WASHER PLAIN	3				0.001	0.0022
080	04512-50080	WASHER SPRING	3				0	0
090	15351-51150	GEAR INJECTION PUMP	1				2	4.4
100	15451-94070	WASHER SPRING	1				0.017	0.0374
110	15451-92320	NUT CAP	1				0.01	0.022
120	15451-51480	COLLAR	1				0.145	0.319
130	01073-51020	BOLT	2				0.024	0.0528
140	04013-50100	WASHER PLAIN	2				0	0
150	15451-51650	COVER INJECTION PUMP	1				0.32	0.704
160	15451-51660	GASKET PUMP COVER	1				0	0
170	01053-50818	BOLT	2				0.011	0.0242
180	01053-50850	BOLT	4				0.021	0.0462
190	04512-50080	WASHER SPRING	6				0	0
200	15451-52032	ASSY PUMP FUEL	1				0.345	0.759
210	15451-52140	GASKET FUEL PUMP	1				0	0
220	15451-52150	BASE FUEL PUMP	1				0	0
230	01513-50822	STUD	2				0.01	0.022
240	02056-50080	NUT	2				0.005	0.011
250	04012-50080	WASHER PLAIN	2				0.001	0.0022
260	04512-50080	WASHER SPRING	2				0	0
270	15451-52410	GEAR FUEL PUMP	1				1.25	2.75
280	15451-52420	SHAFT FUEL PUMP GEAR	1				0.8	1.76
290	01053-50820	BOLT	3				0.012	0.0264
300	04012-50080	WASHER PLAIN	3				0.001	0.0022
310	15451-52400	COMP SUPPORT BEARING	1				0	0
320	15451-24980	BUSH	2				0	0
330	15451-24360	COLLAR	1				0.015	0.033
340	15451-24370	COLLAR	1				0.03	0.066
350	15451-95390	CIR-CLIP EXTERNAL	1				0.007	0.0154
360	15451-52440	GASKET FUEL PUMP	2				0	0
370	15451-91530	STUD	3				0.016	0.0352
380	02056-50080	NUT	3				0.005	0.011
390	04012-50080	WASHER PLAIN	3				0.001	0.0022
400	04512-50080	WASHER SPRING	3				0	0

STARTER AND DYNAMO



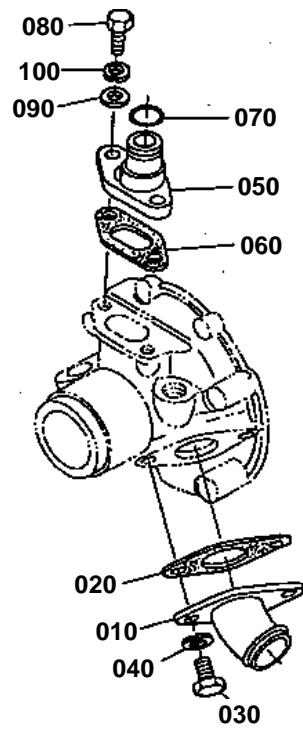


STARTER AND DYNAMO

↔ Interchangeable; ≠ not interchangeable; ← new for old; → old for new

REF.No	Part No.	Description	Q'ty	S.No.	I/C	REMARKS	Weight (kgf)	Weight (lb)
010	15451-63010	ASSY STARTER	1				0	0
020	01517-51030	STUD	1				0	0
030	02076-50100	NUT	1				0.006	0.0132
040	01073-51035	BOLT	2				0.031	0.0682
050	04512-50100	WASHER SPRING	3				0	0
060	15351-63540	COVER STARTER	1				0.36	0.792
070	15451-63850	CUSHION	3				0.001	0.0022
080	32150-29180	CAP RUBBER	1				0.002	0.0044
090	15451-99370	ASSY DYNAMO	1				0	0
100	15451-64350	SUPPORT DYNAMO	1				0.29	0.638
110	01053-50845	BOLT	2				0.019	0.0418
120	01053-50855	BOLT	1				0.022	0.0484
130	04012-50080	WASHER PLAIN	3				0.001	0.0022
140	04512-50080	WASHER SPRING	3				0	0
150	36200-77520	CLAMP CORD	1				0.007	0.0154
160	15451-64420	STAY DYNAMO	1				0.15	0.33
170	15451-91490	STUD	1				0.06	0.132
180	02076-50100	NUT	1				0.006	0.0132
190	04512-50100	WASHER SPRING	2				0	0
200	15571-65510	PLUG GLOW	3				0.07	0.154
210	15451-65560	CORD GLOW PLUG	2				0.005	0.011
220	15451-91030	BOLT	1				0.075	0.165
230	02076-50100	NUT	1				0.006	0.0132
240	04013-50100	WASHER PLAIN	2				0	0
250	04512-50100	WASHER SPRING	1				0	0
260	15451-64460	COLLAR	1				0.034	0.0748
270	01073-51048	BOLT	1				0.04	0.088
280	02076-50100	NUT	1				0.006	0.0132
290	04013-50100	WASHER PLAIN	2				0	0
300	04512-50100	WASHER SPRING	1				0	0

WATER FLANGE



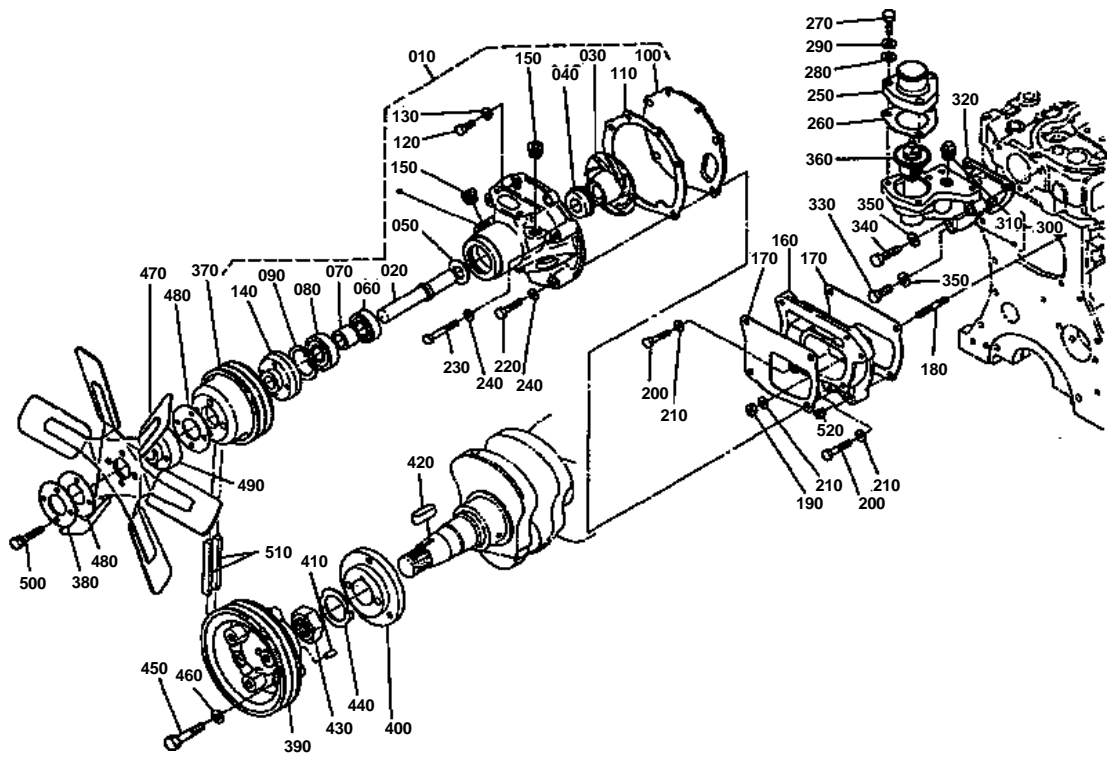


WATER FLANGE

↔ Interchangeable; ≠ not interchangeable; ← new for old; → old for new

REF.No	Part No.	Description	Q'ty	S.No.	I/C	REMARKS	Weight (kgf)	Weight (lb)
010	15451-72810	FLANGE WATER	1				0.145	0.319
020	15451-72820	GASKET WATER FLANGE	1				0	0
030	01053-50818	BOLT	2				0.011	0.0242
040	04512-50080	WASHER SPRING	2				0	0
050	15451-73320	FLANGE WATER RETURN	1				0.227	0.4994
060	15451-73330	GASKET	1				0	0
070	04811-40150	RING	1				0.001	0.0022
080	01053-50822	BOLT	2				0.013	0.0286
090	04012-50080	WASHER PLAIN	2				0.001	0.0022
100	04512-50080	WASHER SPRING	2				0	0

WATER PUMP



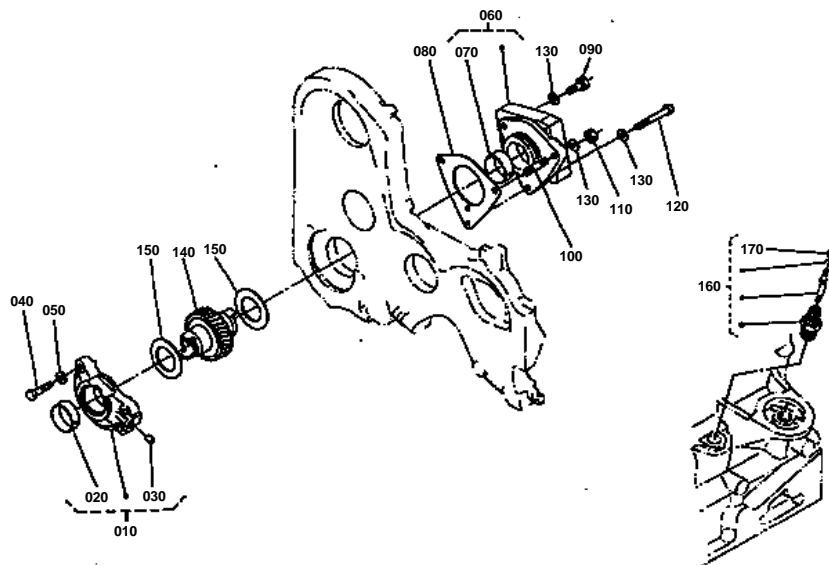


WATER PUMP

↔ Interchangeable; ≠ not interchangeable; ← new for old; → old for new

REF.No	Part No.	Description	Q'ty	S.No.	I/C	REMARKS	Weight (kgf)	Weight (lb)
010	15451-73030	ASSY PUMP WATER	1				0	0
020	15451-73480	SHAFT WATER PUMP	1				0.36	0.792
030	15451-73510	IMPELLER WATER PUMP	1				0.42	0.924
040	15451-73050	ASSY SEAL MECHANICAL	1				0.05	0.11
050	15451-73620	SLINGER WATER PUMP	1				0.006	0.0132
060	15451-73550	BEARING	1				0.108	0.2376
070	15451-73490	COLLAR PUMP SHAFT	1				0.05	0.11
080	15451-73560	BEARING	1				0.144	0.3168
090	04611-00520	CIR-CLIP INTERNAL	1				0.009	0.0198
100	15451-73770	COVER WATER PUMP	1				0.54	1.188
110	15451-73430	GASKET WATER PUMP	1				0	0
120	01053-50820	BOLT	2				0.012	0.0264
130	04512-50080	WASHER SPRING	2				0	0
140	15451-73520	FLANGE WATER PUMP	1				0.36	0.792
150	15451-96040	PLUG	2				0.024	0.0528
160	15482-73750	SUPPORT WATER PUMP	1				0	0
170	15451-73760	GASKET PUMP SUPPORT	2				0	0
180	01517-51040	STUD	1				0.03	0.066
190	02076-50100	NUT	1				0.006	0.0132
200	01073-51042	BOLT	3				0.035	0.077
210	04512-50100	WASHER SPRING	4				0	0
220	01073-51035	BOLT	1				0.031	0.0682
230	01073-51055	BOLT	3				0.043	0.0946
240	04512-50100	WASHER SPRING	4				0	0
250	15451-73260	COVER THERMOSTAT	1				0.132	0.2904
260	15451-73270	GASKET	1				0	0
270	01053-50825	BOLT	3				0.014	0.0308
280	04012-50080	WASHER PLAIN	3				0.001	0.0022
290	04512-50080	WASHER SPRING	3				0	0
300	15571-73060	ASSY SUPPORT THERMO.	1				1.88	4.136
310	06312-10030	PLUG	1				0.029	0.0638
320	15451-73280	GASKET	1				0	0
330	01073-51028	BOLT	1				0.03	0.066
340	01073-51045	BOLT	2				0.036	0.0792
350	04512-50100	WASHER SPRING	3				0	0
360	15451-73010	ASSY THERMOSTAT	1				0.1	0.22
370	15451-74250	PULLEY FAN	1				1.3	2.86
380	15451-74230	WASHER FAN	1				0.07	0.154
390	15352-74280	PULLEY FAN DRIVE	1				4	8.8
400	15451-74293	FLANGE PULLEY	1				1.44	3.168
410	05012-00510	PIN STRAIGHT	1				0.001	0.0022
420	05712-01030	KEY FEATHER	1				0.008	0.0176
430	15451-23362	NUT CRANKSHAFT	1				0.16	0.352
440	15451-23382	WASHER CRANKSHAFT	1				0.012	0.0264
450	01073-51055	BOLT	3				0.043	0.0946
460	04512-50100	WASHER SPRING	3				0	0
470	15482-74110	FAN	1				1.94	4.268
480	15451-96680	GASKET	2				0.002	0.0044
490	15621-74150	COLLAR FAN	1				0.185	0.407
500	01123-50850	BOLT	4				0.02	0.044
510	15451-99380	BELT V	2				0.08	0.176
520	06312-10100	PLUG	1				0.147	0.3234

HYDRAULIC PUMP BASE



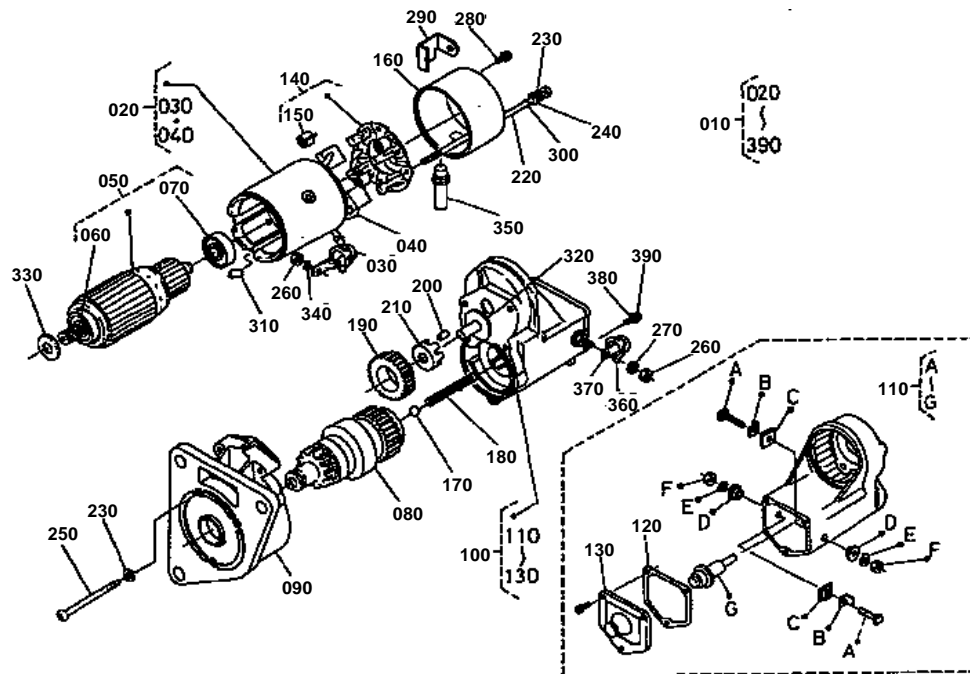


HYDRAULIC PUMP BASE

↔ Interchangeable; ≠ not interchangeable; ← new for old; → old for new

REF.No	Part No.	Description	Q'ty	S.No.	I/C	REMARKS	Weight (kgf)	Weight (lb)
010	15451-83060	COMP BASE PUMP	1				0	0
020	15451-83980	BUSH	1				0	0
030	15109-33640	PLUG PIN	1				0.001	0.0022
040	01053-50835	BOLT	3				0.016	0.0352
050	04512-50080	WASHER SPRING	3				0	0
060	15451-83070	COMP BASE PUMP	1				1.42	3.124
070	15451-83980	BUSH	1				0	0
080	15451-83140	PACKING PUMP BASE	1				0	0
090	01053-50830	BOLT	1				0.015	0.033
100	01518-50828	STUD	1				0.01	0.022
110	02056-50080	NUT	1				0.005	0.011
120	01053-50865	BOLT	1				0.025	0.055
130	04512-50080	WASHER SPRING	3				0	0
140	15451-83190	GEAR PUMP DRIVE	1				0.93	2.046
150	15451-83160	COLLAR	2				0.016	0.0352
160	15451-83400	ASSY JOINT HOURMETER	1				0	0
170	15451-83450	SEAL OIL	1				0.001	0.0022

STARTER [SECTION PARTS]

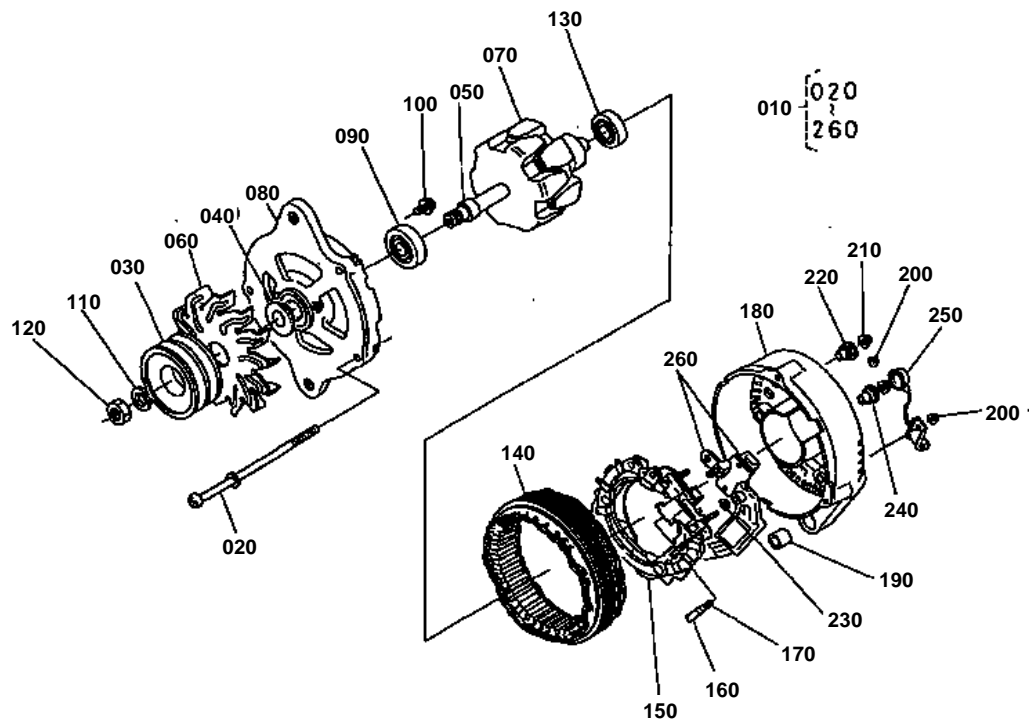


**STARTER [SECTION PARTS]**

↔ Interchangeable; ≠ not interchangeable; ← new for old; → old for new

REF.No	Part No.	Description	Q'ty	S.No.	I/C	REMARKS	Weight (kgf)	Weight (lb)
010	15451-63010	ASSY STARTER	1				0	0
020	15451-63080	YOKE	1				1.8	3.96
030	15451-63120	COVER CORD	1				0.008	0.0176
040	15451-63370	KIT BRUSH	2				0.02	0.044
050	15451-63070	ARMATURE	1				1.83	4.026
060	08111-06003	BEARING BALL	1				0.04	0.088
070	08111-06200	BEARING BALL	1				0.025	0.055
080	15451-63040	CLUTCH	1				0	0
090	15451-63030	HOUSING	1				0.98	2.156
100	15451-63020	SWITCH MAGNET	1				0	0
110	15451-63110	KIT STARTER	1				0	0
120	15451-63520	GASKET	1				0.01	0.022
130	15451-63510	COVER SOLENOID	1				0.09	0.198
140	15451-63380	HOLDER BRUSH	1				0.174	0.3828
150	15451-63390	SPRING BRUSH	4				0.009	0.0198
160	15451-63200	FRAME END	1				0.346	0.7612
170	19212-97130	BALL	1				0.003	0.0066
180	15451-63140	SPRING	1				0.004	0.0088
190	15451-63260	GEAR IDLE	1				0.128	0.2816
200	15451-63330	ROLLER	5				0.004	0.0088
210	15451-63340	RETAINER	1				0.006	0.0132
220	15481-63320	BOLT	2				0.04	0.088
230	04512-50060	WASHER SPRING	5				0	0
240	15611-94010	WASHER PLAIN	2				0.003	0.0066
250	15451-93310	SCREW	3				0.015	0.033
260	15451-92190	NUT	2				0.011	0.0242
270	15611-94070	WASHER SPRING	1				0.002	0.0044
280	03024-50508	SCREW	2				0.002	0.0044
290	15451-63310	STAY	1				0.02	0.044
300	15611-96750	O RING	2				0.001	0.0022
310	15451-63350	PLATE LOCK	1				0.002	0.0044
320	15481-63460	RETAINER	1				0.01	0.022
330	15451-96980	WASHER FELT	1				0.001	0.0022
340	15611-94370	WASHER WAVE	1				0.001	0.0022
350	15231-63292	COVER	1				0.003	0.0066
360	15451-63950	COVER	1				0.001	0.0022
370	14182-63630	STAY	1				0.045	0.099
380	13801-94090	WASHER SPRING	1				0.002	0.0044
390	15451-63760	SCREW	1				0.003	0.0066

DYNAMO [SECTION PARTS]

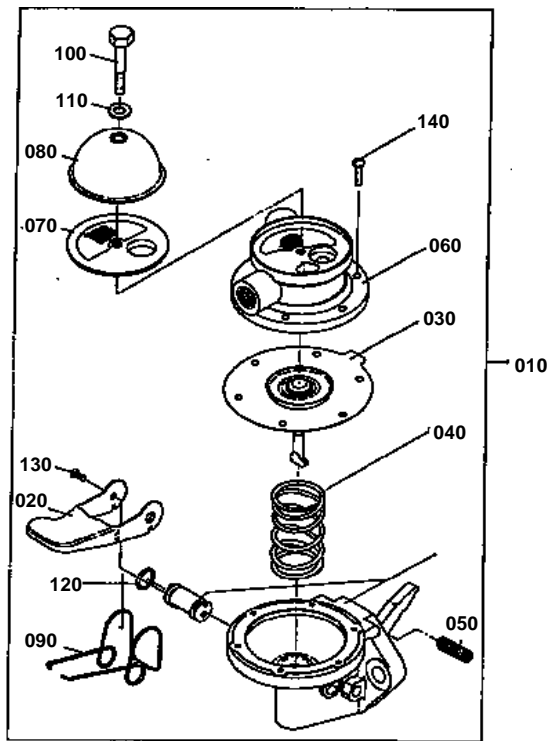


**DYNAMO [SECTION PARTS]**

↔ Interchangeable; ≠ not interchangeable; ← new for old; → old for new

REF.No	Part No.	Description	Q'ty	S.No.	I/C	REMARKS	Weight (kgf)	Weight (lb)
010	15451-99370	ASSY DYNAMO	1				0	0
020	15481-64260	BOLT	3				0.011	0.0242
030	15452-64110	PULLEY	1				0.51	1.122
040	15481-64150	COLLAR	1				0.022	0.0484
050	15452-23500	COLLAR	1				0.01	0.022
060	15452-64130	FAN	1				0.22	0.484
070	15452-64030	ARMATURE	1				2.23	4.906
080	15452-64020	FRAME DRIVE END	1				0.43	0.946
090	15452-64760	BEARING BALL	1				0.08	0.176
100	15481-91180	BOLT	3				0.005	0.011
110	15221-94070	WASHER SPRING	1				0.008	0.0176
120	15221-92010	NUT	1				0.012	0.0264
130	15452-64780	BEARING BALL	1				0.04	0.088
140	15452-64050	STATOR	1				1.22	2.684
150	15452-64850	ASSY LECTIFIRE	1				0.23	0.506
160	15221-64090	BRUSH	2				0.002	0.0044
170	15221-64330	SPRING BRUSH	2				0.001	0.0022
180	15452-64060	FRAME END	1				0.36	0.792
190	15481-64210	BUSH	1				0.018	0.0396
200	15451-94080	NUT	3				0.001	0.0022
210	14182-92030	NUT	1				0.003	0.0066
220	15481-64910	INSULATION TERMINAL	1				0.002	0.0044
230	15452-64900	INSULATION TERMINAL	1				0.001	0.0022
240	15452-64920	INSULATION TERMINAL	1				0.002	0.0044
250	15452-64270	CONDENSER	1				0.02	0.044
260	15452-64600	SWITCH	1				0.07	0.154

FUEL PUMP [SECTION PARTS]



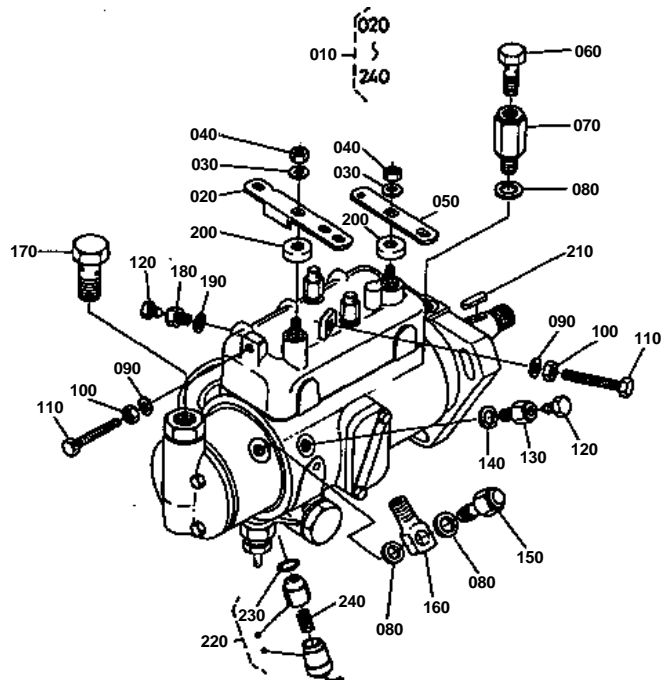


FUEL PUMP [SECTION PARTS]

↔ Interchangeable; ≠ not interchangeable; ← new for old; → old for new

REF.No	Part No.	Description	Q'ty	S.No.	I/C	REMARKS	Weight (kgf)	Weight (lb)
010	15451-52032	ASSY PUMP FUEL	1				0.345	0.759
020	15451-52330	LEVER	1				0	0
030	15451-52040	COMP.DIAPHRAGM	1				0.024	0.0528
040	15451-52350	SPRING	1				0.007	0.0154
050	15451-52380	SPRING	1				0.001	0.0022
060	15451-52050	COMP.BODY FUEL PUMP	1				0.07	0.154
070	15451-52310	FILTER	1				0.001	0.0022
080	15451-52210	CAP	1				0.03	0.066
090	15451-52340	SPRING	1				0.001	0.0022
100	15451-52220	BOLT	1				0.007	0.0154
110	15451-52230	PACKING HEAD	1				0.001	0.0022
120	04811-00070	RING	2				0	0
130	03056-50306	SCREW	2				0.001	0.0022
140	03024-50412	SCREW	6				0	0

INJECTION PUMP [SECTION PARTS]



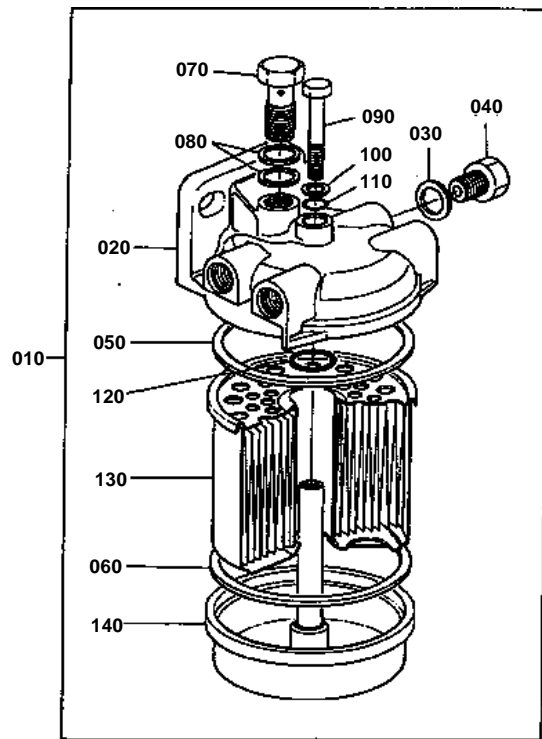


INJECTION PUMP [SECTION PARTS]

↔ Interchangeable; ≠ not interchangeable; ← new for old; → old for new

REF.No	Part No.	Description	Q'ty	S.No.	I/C	REMARKS	Weight (kgf)	Weight (lb)
010	15572-51010	ASSY PUMP INJECTION	1				5.6	12.32
020	15451-51130	LEVER THROTTLE	1				0.023	0.0506
030	15451-94370	WASHER	2				0.001	0.0022
040	15451-92210	NUT LOCK	2				0.014	0.0308
050	15451-51140	LEVER SHAFT OFF	1				0.01	0.022
060	15451-91120	BOLT PIPE JOINT	1				0.014	0.0308
070	15351-51520	CONNECTION DRAIN	1				0.06	0.132
080	15451-98120	WASHER TONGUED	7				0.001	0.0022
090	15451-98130	WASHER	2				0.001	0.0022
100	15451-92220	NUT LOCK	2				0.001	0.0022
110	15451-91130	SCREW THROTTLE	2				0.005	0.011
120	15451-91140	SCREW BEND	2				0.003	0.0066
130	15451-91170	BODY BEND	1				0.008	0.0176
140	15451-98140	WASHER BEND	1				0.001	0.0022
150	15451-91150	VALVE PRESSURE	3				0.03	0.066
160	15451-51510	CONNECTOR FUEL	3				0.064	0.1408
170	15451-91160	BOLT BANJO	1				0.035	0.077
180	15451-91180	BODY BEND	1				0.008	0.0176
190	15451-98150	WASHER TONGUED	1				0.001	0.0022
200	15451-51530	CUP	2				0.001	0.0022
210	15451-95010	KEY	1				0.002	0.0044
220	15481-51700	SOLENOID	1				0.095	0.209
230	15481-51710	SEALING	1				0.001	0.0022
240	15481-51720	SPRING RETURN	1				0.001	0.0022

FUEL FILTER [SECTION PARTS]



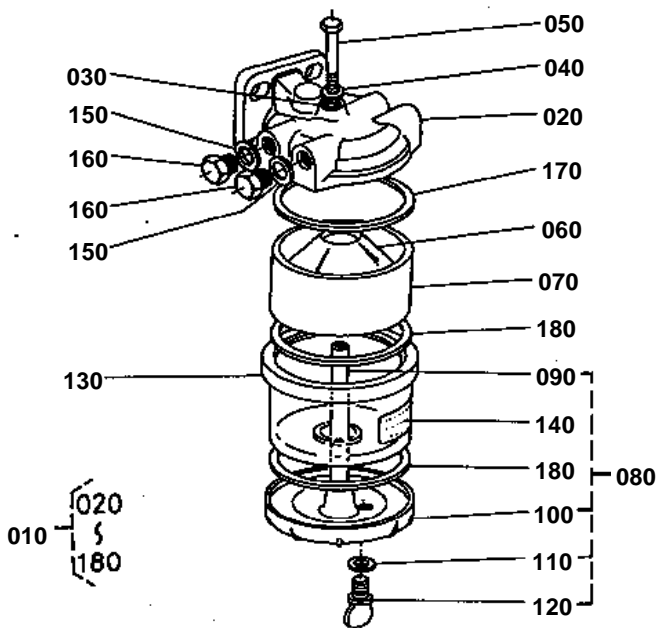


FUEL FILTER [SECTION PARTS]

↔ Interchangeable; ≠ not interchangeable; ← new for old; → old for new

REF.No	Part No.	Description	Q'ty	S.No.	I/C	REMARKS	Weight (kgf)	Weight (lb)
010	15351-43010	ASSY FILTER FUEL	1				0.59	1.298
020	15351-43210	COVER FILTER	1				0.2	0.44
030	15451-43630	WASHER	1				0.001	0.0022
040	15451-95860	BOLT EYE JOINT	1				0.028	0.0616
050	15351-43320	SEAL	1				0.002	0.0044
060	15351-43330	GASKET	1				0.004	0.0088
070	15451-95810	BOLT EYE JOINT	1				0.016	0.0352
080	15451-94050	WASHER PLAIN	2				0.001	0.0022
090	15451-43230	BOLT	1				0.016	0.0352
100	15451-94060	WASHER PLAIN	1				0.002	0.0044
110	15451-96840	O RING	1				0.002	0.0044
120	15451-96830	O RING	1				0.001	0.0022
130	15451-43560	ELEMENT FILTER	1				0.15	0.33
140	15451-43580	POT FILTER	1				0.145	0.319

SEDIMENTER [SECTION PARTS]

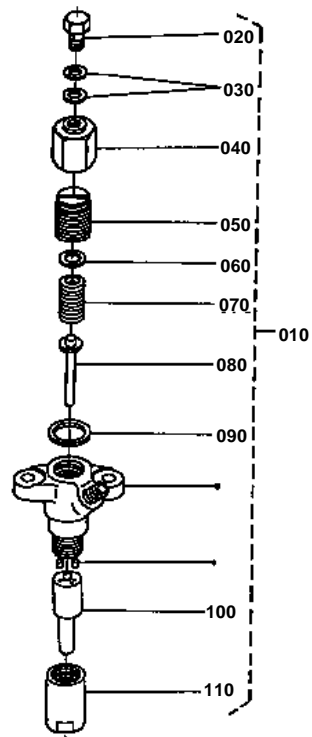


**SEDIMENTER [SECTION PARTS]**

↔ Interchangeable; ≠ not interchangeable; ← new for old; → old for new

REF.No	Part No.	Description	Q'ty	S.No.	I/C	REMARKS	Weight (kgf)	Weight (lb)
010	15451-43352	SEDIMENTER	1				0.8	1.76
020	15451-43370	COVER SEDIMENTER	1				0.2	0.44
030	15451-96840	O RING	1				0.002	0.0044
040	15451-94060	WASHER PLAIN	1				0.002	0.0044
050	15451-43420	BOLT	1				0.018	0.0396
060	15451-43380	ELEMENT	1				0	0
070	15451-43400	BODY SEDIMENTER	1				0.085	0.187
080	15451-43600	ASSY BASE FILTER	1				0.16	0.352
090	15451-43310	STUD	1				0.04	0.088
100	15451-43390	POT	1				0	0
110	15451-98110	WASHER PLAIN	1				0.001	0.0022
120	15451-43270	PLUG DRAIN	1				0.001	0.0022
130	15451-43110	BODY FILTER	1				0.26	0.572
140	15451-87470	LABEL SEDIMENTER	1				0.001	0.0022
150	15451-43630	WASHER	2				0.001	0.0022
160	15451-95790	BOLT EYE JOINT	2				0	0
170	15451-43320	GASKET	1				0.003	0.0066
180	15351-43330	GASKET	2				0.004	0.0088

NOZZLE HOLDER [SECTION PARTS]



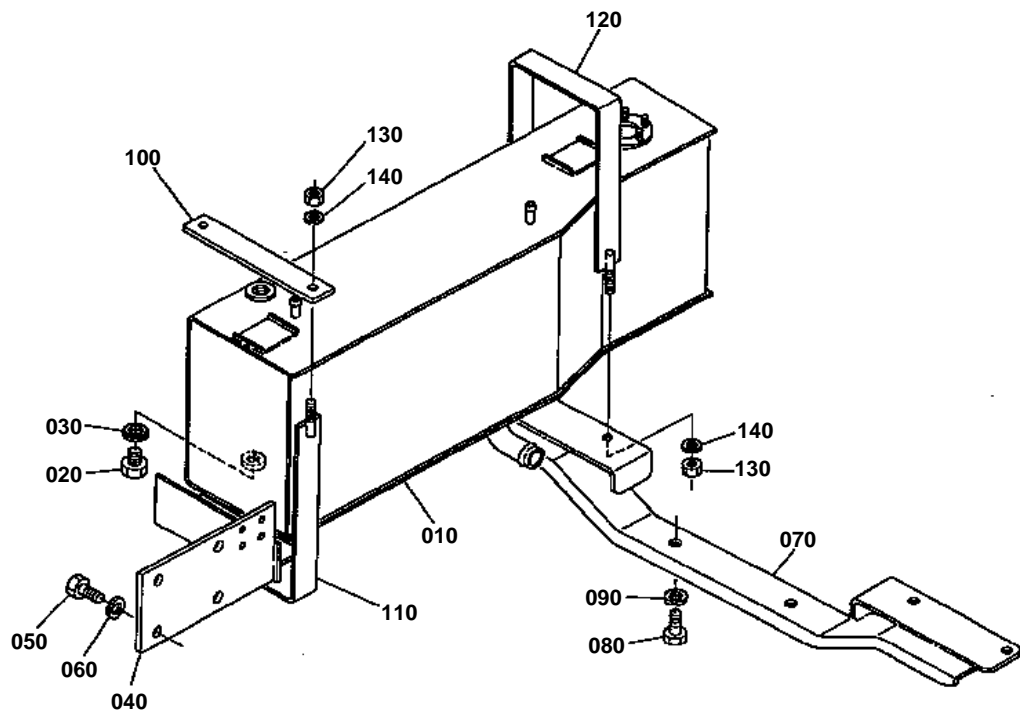


NOZZLE HOLDER [SECTION PARTS]

↔ Interchangeable; ≠ not interchangeable; ← new for old; → old for new

REF.No	Part No.	Description	Q'ty	S.No.	I/C	REMARKS	Weight (kgf)	Weight (lb)
010	15451-53000	ASSY HOLDER NOZZLE	3				0.47	1.034
020	15451-91110	BOLT	3				0.01	0.022
030	15451-96730	GASKET	6				0.001	0.0022
040	15451-92110	NUT	3				0.05	0.11
050	15451-53180	NUT CAP	3				0.025	0.055
060	15451-53230	WASHER ADJUSTING	3				0.001	0.0022
070	15451-53170	SPRING NOZZLE	3				0.02	0.044
080	15451-53350	PIECE DISTANCE	3				0.011	0.0242
090	15451-96740	GASKET	3				0.001	0.0022
100	15451-53610	PIECE NOZZLE	3				0.075	0.165
110	15451-53280	NUT NOZZLE	3				0.05	0.11

FUEL TANK RH

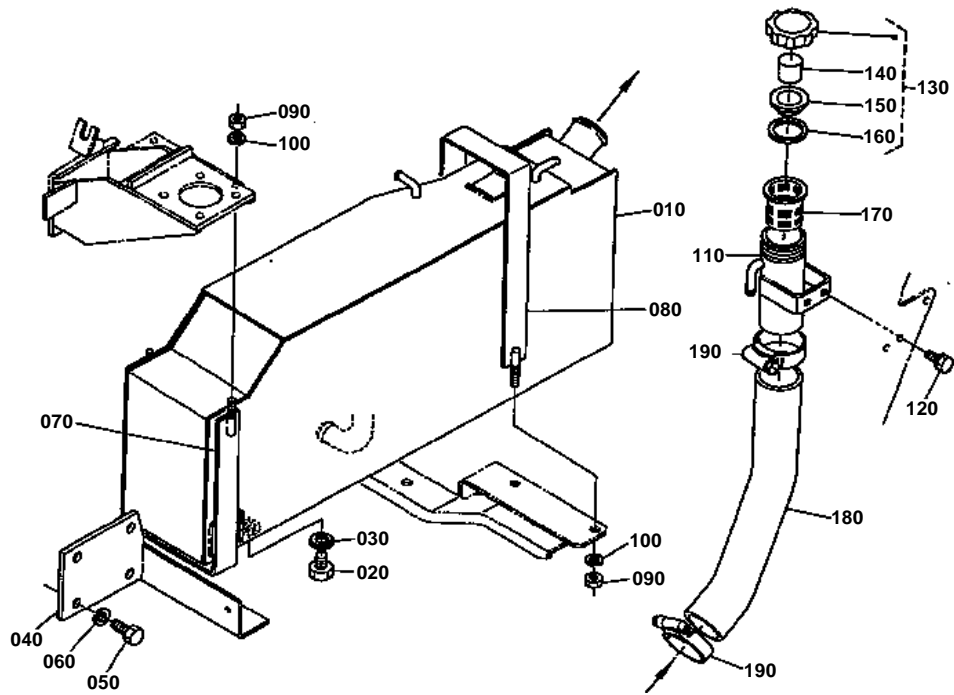


**FUEL TANK RH**

↔ Interchangeable; ≠ not interchangeable; ← new for old; → old for new

REF.No	Part No.	Description	Q'ty	S.No.	I/C	REMARKS	Weight (kgf)	Weight (lb)
010	36839-04130	TANK FUEL RH	1				0	0
020	06331-35016	PLUG	1				0.04	0.088
030	04717-01600	WASHER WITH RUBBER	1				0.003	0.0066
040	36839-04150	GUARD FUEL TANK RH	1	<=11098			3.25	7.15
040	36839-04152	GUARD FUEL TANK RH	1	>=11099	≠		4.5	9.9
050	01173-51830	BOLT	4				0.096	0.2112
060	04512-50180	WASHER SPRING	4				0	0
070	36839-04180	STAY FUEL TANK	1				5.04	11.088
080	01173-51635	BOLT	2				0.008	0.0176
090	04512-50160	WASHER SPRING	2				0	0
100	36839-04190	PLATE	1				0.44	0.968
110	36839-04360	BAND FUEL TANK	1				0.76	1.672
120	36839-04370	BAND FUEL TANK	1				0.74	1.628
130	02176-50100	NUT	4				0.005	0.011
140	04512-50100	WASHER SPRING	4				0	0

FUEL TANK LH

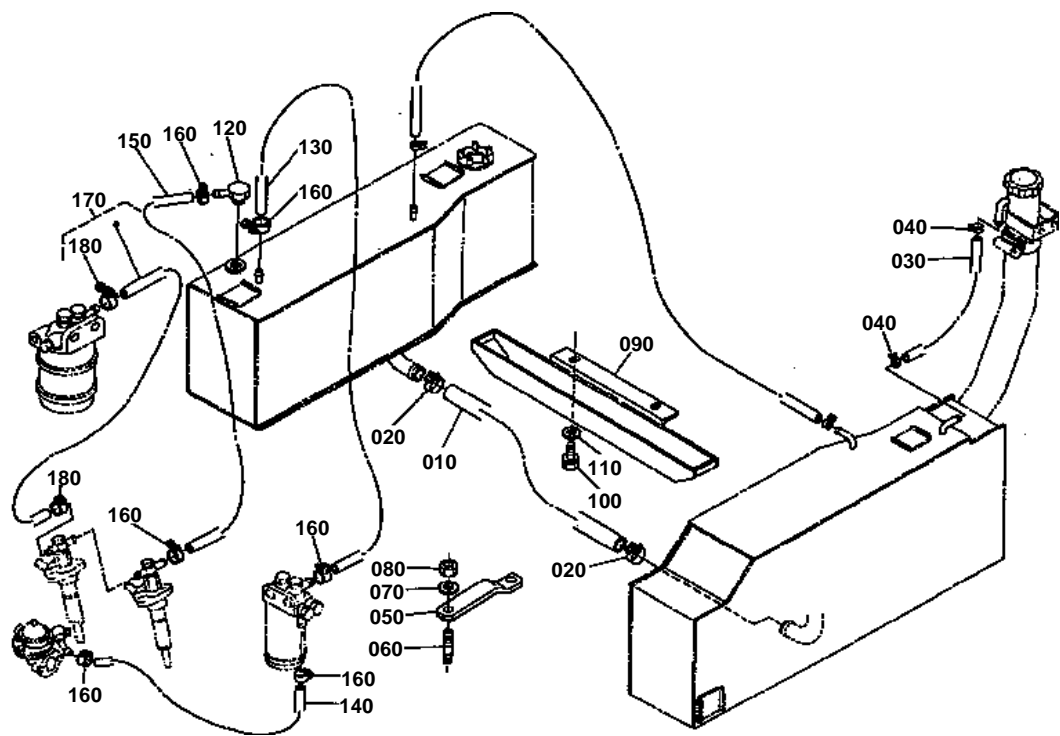


**FUEL TANK LH**

↔ Interchangeable; ≠ not interchangeable; ← new for old; → old for new

REF.No	Part No.	Description	Q'ty	S.No.	I/C	REMARKS	Weight (kgf)	Weight (lb)
010	36839-04140	TANK FUEL LH	1				0	0
020	06331-35016	PLUG	1				0.04	0.088
030	04717-01600	WASHER WITH RUBBER	1				0.003	0.0066
040	36839-04160	GUARD FUEL TANK LH	1				0	0
050	01173-51830	BOLT	4				0.096	0.2112
060	04512-50180	WASHER SPRING	4				0	0
070	36839-04390	BAND FUEL TANK	1				0.77	1.694
080	36839-04400	BAND FUEL TANK	1				0.82	1.804
090	02176-50100	NUT	4				0.005	0.011
100	04512-50100	WASHER SPRING	4				0	0
110	36919-04560	INLET FUEL	1				0.5	1.1
120	01123-50816	BOLT	2				0	0
130	38240-35200	ASSY CAP FUEL TANK	1				0.06	0.132
140	34150-35240	SPONGE	1				0.001	0.0022
150	34150-35230	GASKET	1				0.01	0.022
160	34150-35180	GASKET	1				0.001	0.0022
170	35450-41060	ASSY FILTER FUEL	1				0.01	0.022
180	36839-04570	HOSE FUEL	1				0.6	1.32
190	36919-04590	CLIP HOSE	2				0.05	0.11

FUEL PIPING



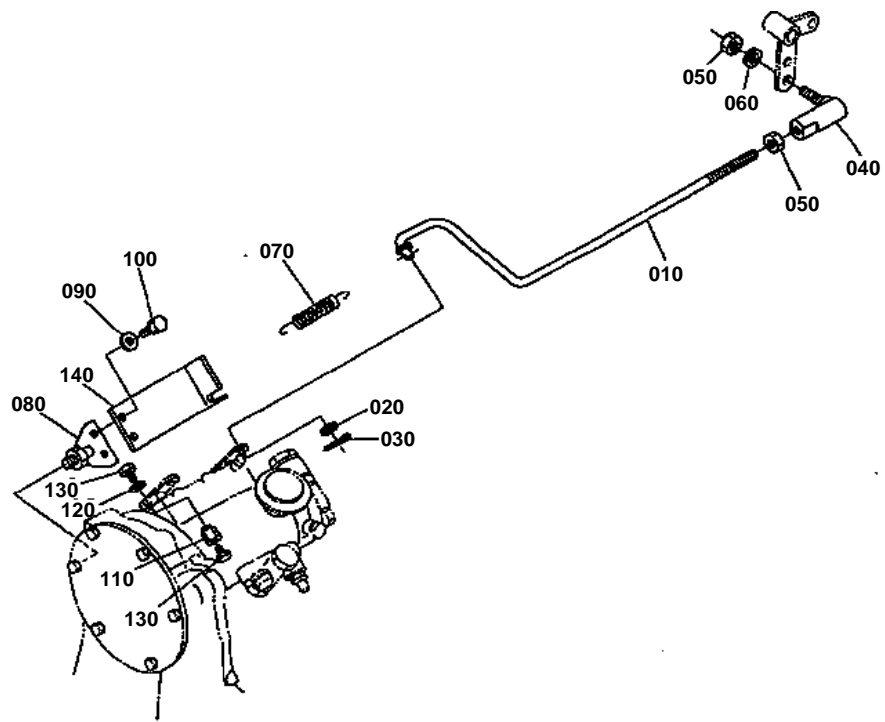


FUEL PIPING

↔ Interchangeable; ≠ not interchangeable; ← new for old; → old for new

REF.No	Part No.	Description	Q'ty	S.No.	I/C	REMARKS	Weight (kgf)	Weight (lb)
010	35828-04510	HOSE FUEL TANK	1				0.278	0.6116
020	36200-82720	CLAMP	2				0.025	0.055
030	35828-04520	HOSE BREATHER	2				0.15	0.33
040	68171-63630	BAND HOSE	4				0.013	0.0286
050	36330-04290	REINFORCING	2				0.19	0.418
060	01574-51230	STUD	4				0.037	0.0814
070	04512-50120	WASHER SPRING	4				0	0
080	02174-50120	NUT	4				0.01	0.022
090	36919-04580	COVER RUBBER	1				0	0
100	01123-51225	BOLT	2				0.04	0.088
110	04013-50120	WASHER PLAIN	2				0	0
120	36919-04440	UNION	1				0.075	0.165
130	66621-35610	ASSY PIPE FUEL	1				0.058	0.1276
140	36200-04420	PIPE FUEL	1				0.007	0.0154
150	36200-04410	PIPE FUEL	1				0.009	0.0198
160	14301-42750	CLIP PIPE	6				0.005	0.011
170	14681-42020	ASSY PIPE FUEL	1				0.048	0.1056
180	14301-42750	CLIP PIPE	2				0.005	0.011

ACCEL.CONTROL ROD

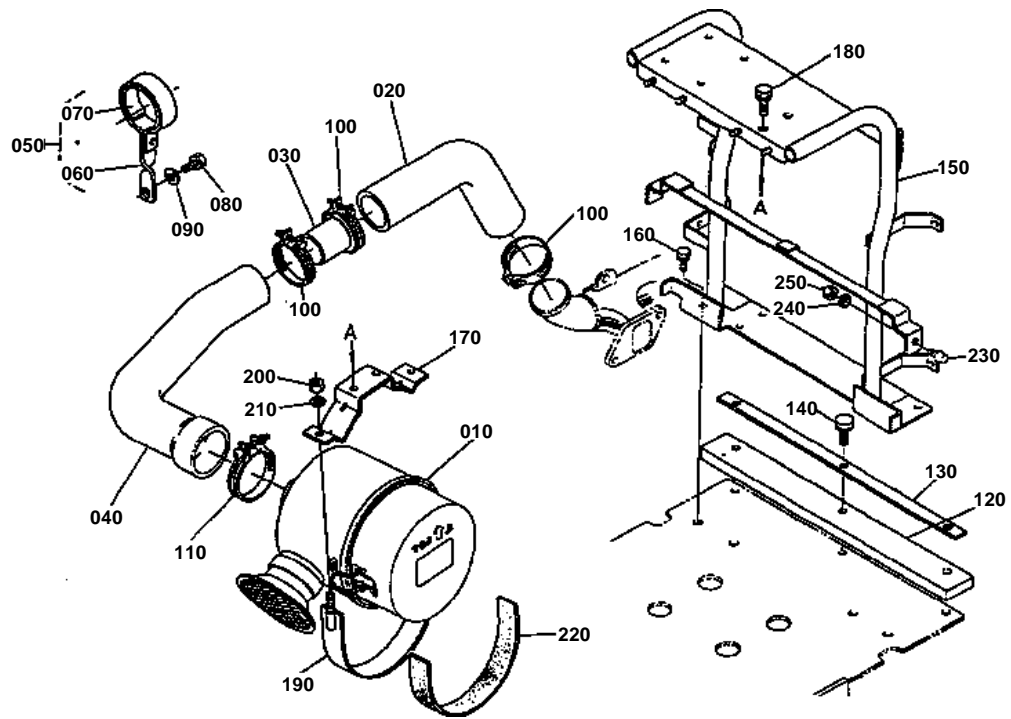


**ACCEL.CONTROL ROD**

↔ Interchangeable; ≠ not interchangeable; ← new for old; → old for new

REF.No	Part No.	Description	Q'ty	S.No.	I/C	REMARKS	Weight (kgf)	Weight (lb)
010	36839-10290	ROD ACCEL.CONTROL	1				0.1	0.22
020	04013-50060	WASHER PLAIN	1				0	0
030	05511-51612	PIN SPLIT	1				0.001	0.0022
040	36530-27750	END ROD RH	1				0.04	0.088
050	02014-50060	NUT	2				0.002	0.0044
060	04512-50060	WASHER SPRING	1				0	0
070	33300-10410	SPRING LEVER RETURN	1				0.004	0.0088
080	36330-10420	GUIDE ROD	1				0.04	0.088
090	04013-50060	WASHER PLAIN	2				0	0
100	01023-50616	BOLT	2				0.005	0.011
110	35828-10510	CLAMP STOP WIRE	1				0	0
120	04512-50050	WASHER SPRING	1				0	0
130	01053-50510	BOLT	1				0.002	0.0044
140	36839-10450	HOLDER STOP WIRE	1				0.17	0.374

DOUBLE AIR CLEANER



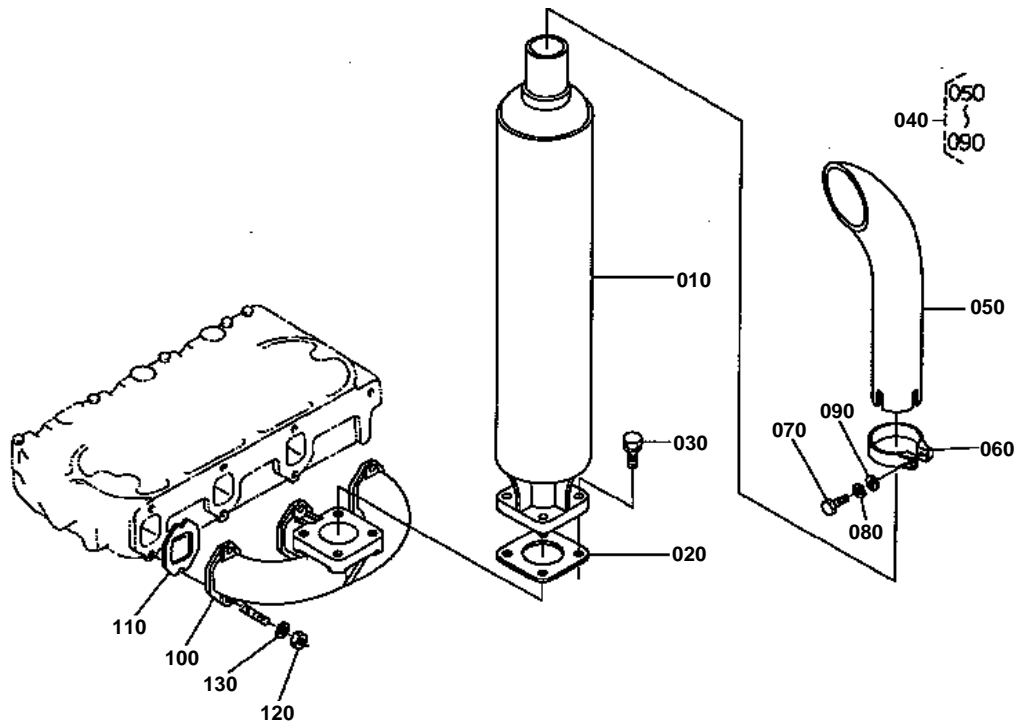


DOUBLE AIR CLEANER

↔ Interchangeable; ≠ not interchangeable; ← new for old; → old for new

REF.No	Part No.	Description	Q'ty	S.No.	I/C	REMARKS	Weight (kgf)	Weight (lb)
010	15571-11020	ASSY CLEANER AIR	1				4.5	9.9
020	15481-11620	PIPE INLET	1				0.96	2.112
030	15571-11630	PIPE INLET	1				0.17	0.374
040	15571-11642	PIPE INLET	1				0.9	1.98
050	15571-11700	ASSY HOLDER PIPE	1				0.1	0.22
060	15571-11710	HOLDER INLET PIPE	1				0.075	0.165
070	15401-11690	PROTECTOR INLET PIPE	1				0.018	0.0396
080	01023-50612	BOLT	1				0.005	0.011
090	04012-50060	WASHER PLAIN	1				0.001	0.0022
100	15701-11722	BAND INLET MANIFOLD	3				0.04	0.088
110	15571-11720	BAND INLET MANIFOLD	1				0.045	0.099
120	35820-17160	ELEMENT FRONT	1				0.03	0.066
130	36330-17170	PLATE	1				0	0
140	01123-50830	BOLT	3				0.015	0.033
150	36849-19130	SUPPORT AIR CLEANER	1				0	0
160	01133-51020	BOLT	4				0.02	0.044
170	35870-19140	SUPPORT AIR CLEANER	1				0.502	1.1044
180	01123-50816	BOLT	2				0	0
190	36330-19150	SUPPORT AIR CLEANER	1				0.405	0.891
200	02114-50080	NUT	2				0.005	0.011
210	04512-50080	WASHER SPRING	4				0	0
220	36330-19160	CUSHION	1				0.04	0.088
230	33251-85180	RUBBER SEAT BLOCK	2				0.038	0.0836
240	04512-50100	WASHER SPRING	2				0	0
250	02118-50100	NUT	2				0.005	0.011

MUFFLER



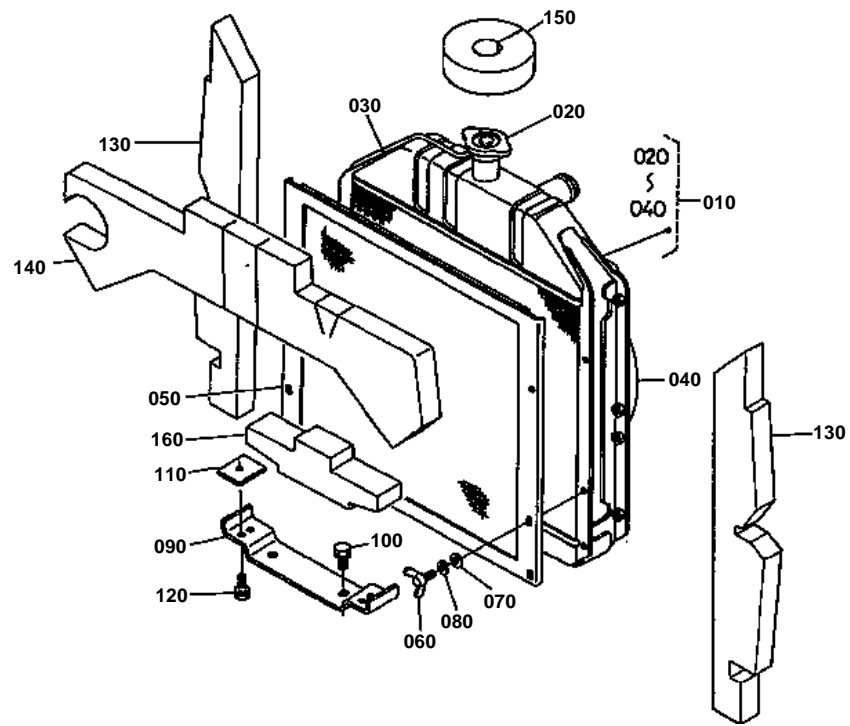


MUFFLER

↔ Interchangeable; ≠ not interchangeable; ← new for old; → old for new

REF.No	Part No.	Description	Q'ty	S.No.	I/C	REMARKS	Weight (kgf)	Weight (lb)
010	15621-12110	MUFFLER	1				7.5	16.5
020	15621-12230	GASKET MUFFLER	1				0	0
030	01133-51025	BOLT	4				0.023	0.0506
040	15621-99710	ASSY PIPE MUFFLER	1				1.6	3.52
050	15621-99650	PIPE MUFFLER	1				1.44	3.168
060	15521-12143	BAND MUFFLER	1				0.13	0.286
070	15521-91040	BOLT	1				0.017	0.0374
080	15521-94070	WASHER SPRING	1				0.003	0.0066
090	15521-94040	WASHER PLAIN	1				0.001	0.0022
100	15571-12310	MANIFOLD EXHAUST	1				3	6.6
110	15811-12360	GASKET EX-MANIFOLD	3				0	0
120	02056-50080	NUT	6				0.005	0.011
130	04512-50080	WASHER SPRING	6				0	0

RADIATOR



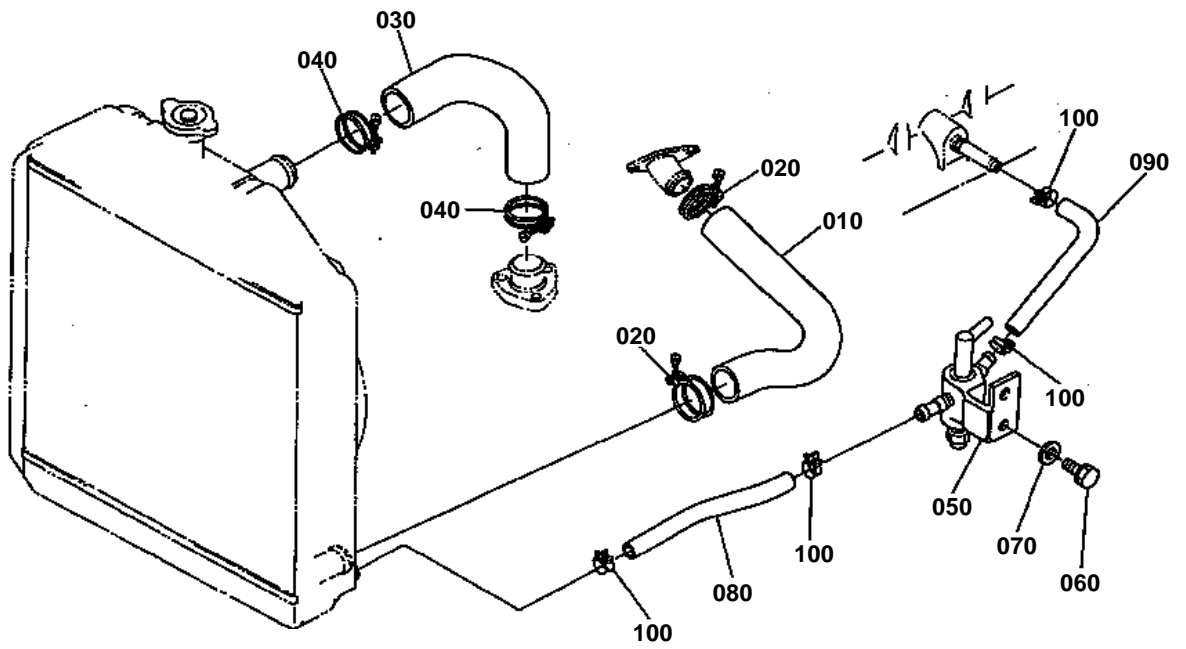


RADIATOR

↔ Interchangeable; ≠ not interchangeable; ← new for old; → old for new

REF.No	Part No.	Description	Q'ty	S.No.	I/C	REMARKS	Weight (kgf)	Weight (lb)
010	15572-72060	ASSY RADIATOR	1				13	28.6
020	15701-72030	ASSY CAP RADIATOR	1				0	0
030	15571-72710	PIPE WATER OVER FLOW	1				0.035	0.077
040	15482-72330	SHROUD FAN	1				0.95	2.09
050	15811-72254	NET RADIATOR	1				1.18	2.596
060	01811-50615	BOLT WING	4				0.015	0.033
070	04012-50060	WASHER PLAIN	4				0.001	0.0022
080	04512-50060	WASHER SPRING	4				0	0
090	36530-54700	SUPPORT RADIATOR	1				0.77	1.694
100	01133-51225	BOLT	2				0.035	0.077
110	33251-17120	CUSHION	2				0.005	0.011
120	01133-51025	BOLT	2				0.023	0.0506
130	35820-17140	ELEMENT SIDE	2				0.15	0.33
140	35820-17170	ELEMENT UPPER	1				0.27	0.594
150	35820-17190	ELEMENT UPPER	1				0.02	0.044
160	35880-17180	ELEMENT LOWER	1				0.04	0.088

WATER PIPE



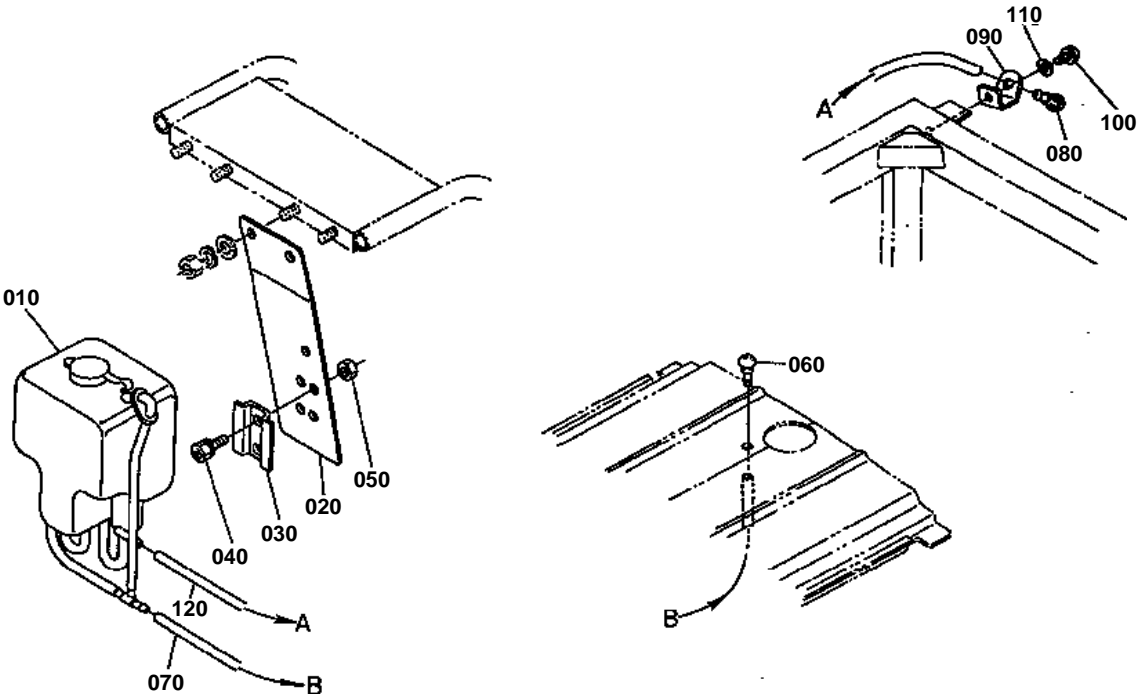


WATER PIPE

↔ Interchangeable; ≠ not interchangeable; ← new for old; → old for new

REF.No	Part No.	Description	Q'ty	S.No.	I/C	REMARKS	Weight (kgf)	Weight (lb)
010	15571-72853	PIPE WATER	1				0.28	0.616
020	15701-72870	BAND HOSE	2				0.027	0.0594
030	15481-72940	PIPE WATER	1				0.25	0.55
040	15701-72960	BAND HOSE	2				0.029	0.0638
050	15571-73110	ASSY COCK DRAIN	1				0.29	0.638
060	01123-50822	BOLT	2				0.012	0.0264
070	04012-50080	WASHER PLAIN	2				0.001	0.0022
080	15481-73343	PIPE WATER RETURN	1				0.06	0.132
090	15571-73350	PIPE WATER RETURN	1				0.06	0.132
100	68171-63630	BAND HOSE	4				0.013	0.0286

WASHER TANK



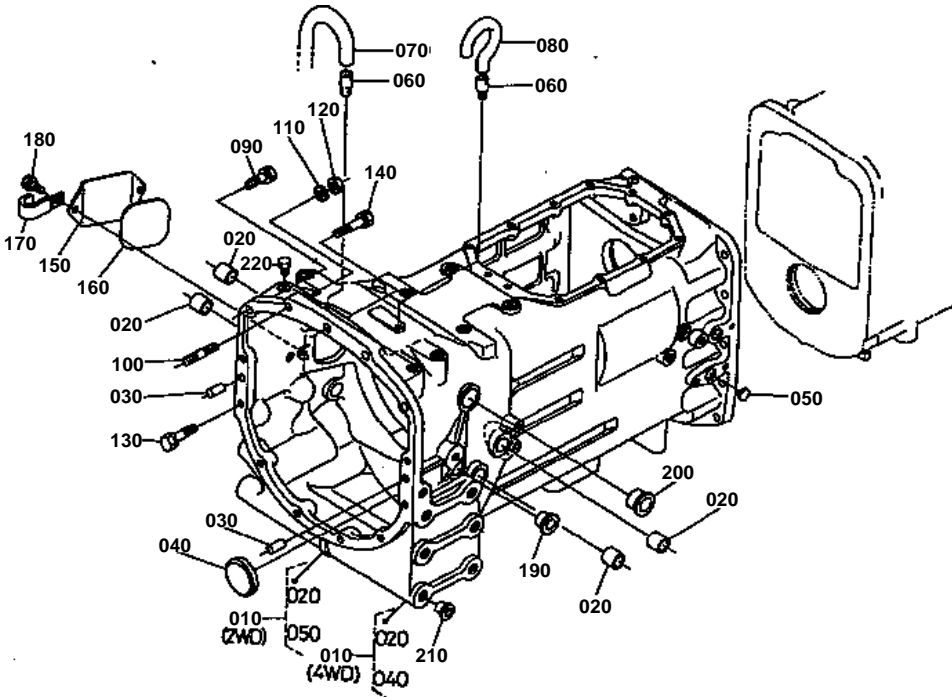


WASHER TANK

↔ Interchangeable; ≠ not interchangeable; ← new for old; → old for new

REF.No	Part No.	Description	Q'ty	S.No.	I/C	REMARKS	Weight (kgf)	Weight (lb)
010	36530-55760	TANK DOUBLE WASHER	1				0.5	1.1
020	36919-54032	BRACKET TANK	1				0.72	1.584
030	36530-54060	BRACKET TANK	1				0.12	0.264
040	01202-50616	BOLT	2				0.006	0.0132
050	02014-50060	NUT	2				0.002	0.0044
060	36919-54180	NOZZLE WASHER	1				0.002	0.0044
070	36919-54020	TUBE WASHER(FRONT)	1				0	0
080	36919-54180	NOZZLE WASHER	1				0.002	0.0044
090	36919-54190	STAY WASHER NOZZLE	1				0	0
100	31391-31140	SCREW	1				0.01	0.022
110	32530-18390	WASHER PLAIN	1				0.001	0.0022
120	36919-55790	TUBE WASHER(REAR)	1				0	0

CLUTCH HOUSING 1



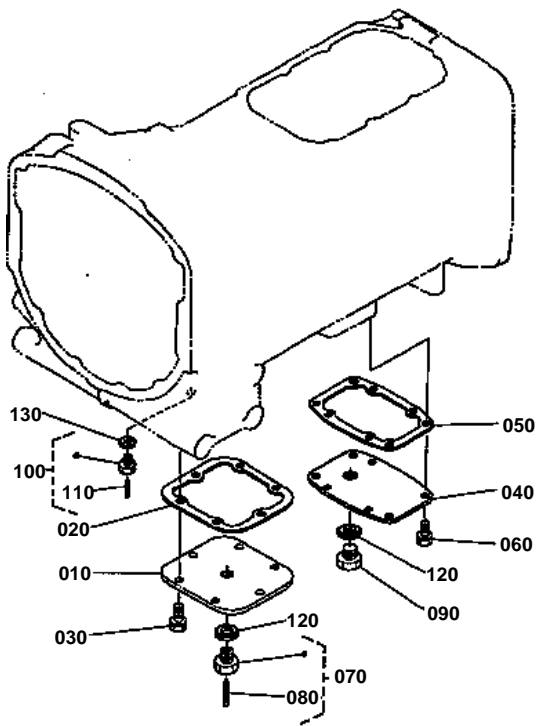


CLUTCH HOUSING 1

↔ Interchangeable; ≠ not interchangeable; ← new for old; → old for new

REF.No	Part No.	Description	Q'ty	S.No.	I/C	REMARKS	Weight (kgf)	Weight (lb)
010	35820-21100	ASSY HOUSING CLUTCH	1				0	0
020	36200-21130	BUSH	4				0.003	0.0066
030	05012-01020	PIN STRAIGHT	2				0.013	0.0286
040	36200-21230	PLUG	1				0.039	0.0858
050	36200-21240	PLUG	1				0	0
060	36200-21610	BREATHER	2				0.008	0.0176
070	36330-21200	PIPE BREATHER	1				0.05	0.11
080	36200-21620	BREATHER	1				0.006	0.0132
090	01133-51240	BOLT	2				0.05	0.11
100	01574-51245	STUD	2				0.051	0.1122
110	04512-50120	WASHER SPRING	2				0	0
120	02176-50120	NUT	2				0.01	0.022
130	01133-51245	BOLT	6				0.055	0.121
140	01133-51250	BOLT	3				0.055	0.121
150	35801-21160	COVER INSPECTION	1				0.25	0.55
160	35820-21170	GASKET	1				0.045	0.099
170	34150-29390	CLAMP CORD	1				0.004	0.0088
180	01123-50816	BOLT	2				0	0
190	36330-21180	PLUG	1				0.009	0.0198
200	36330-21190	PLUG	2				0.015	0.033
210	36330-21290	PLUG BLIND	14				0.002	0.0044
220	06331-35012	PLUG	2				0.022	0.0484

CLUTCH HOUSING 2



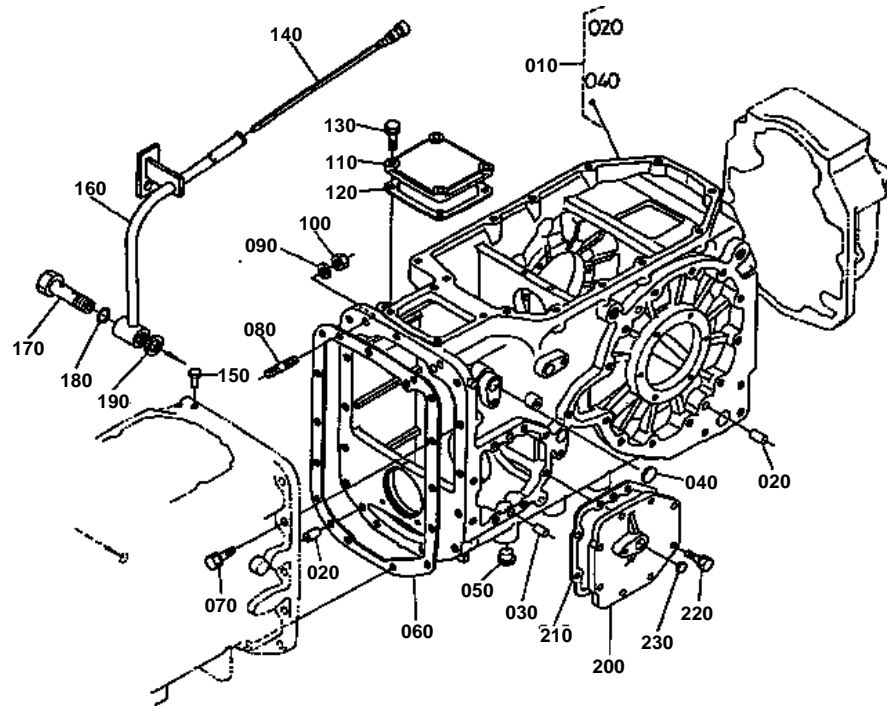


CLUTCH HOUSING 2

↔ Interchangeable; ≠ not interchangeable; ← new for old; → old for new

REF.No	Part No.	Description	Q'ty	S.No.	I/C	REMARKS	Weight (kgf)	Weight (lb)
010	36200-21180	COVER HOUSING	1				1.12	2.464
020	36200-21190	GASKET	1				0	0
030	01133-51020	BOLT	6				0.02	0.044
040	36330-21210	COVER HOUSING	1				16.5	36.3
050	36200-21220	GASKET	1				0	0
060	01133-51020	BOLT	8				0.02	0.044
070	36200-97580	PLUG	1				0.05	0.11
080	05511-50530	PIN SPLIT	1				0.006	0.0132
090	06331-35020	PLUG	1				0.068	0.1496
100	35861-97500	KIT PLUG	1				0.04	0.088
110	05511-50425	PIN SPLIT	1				0.003	0.0066
120	04717-02000	WASHER WITH RUBBER	2				0.004	0.0088
130	04717-01400	WASHER WITH RUBBER	1				0.003	0.0066

TRANSMISSION CASE



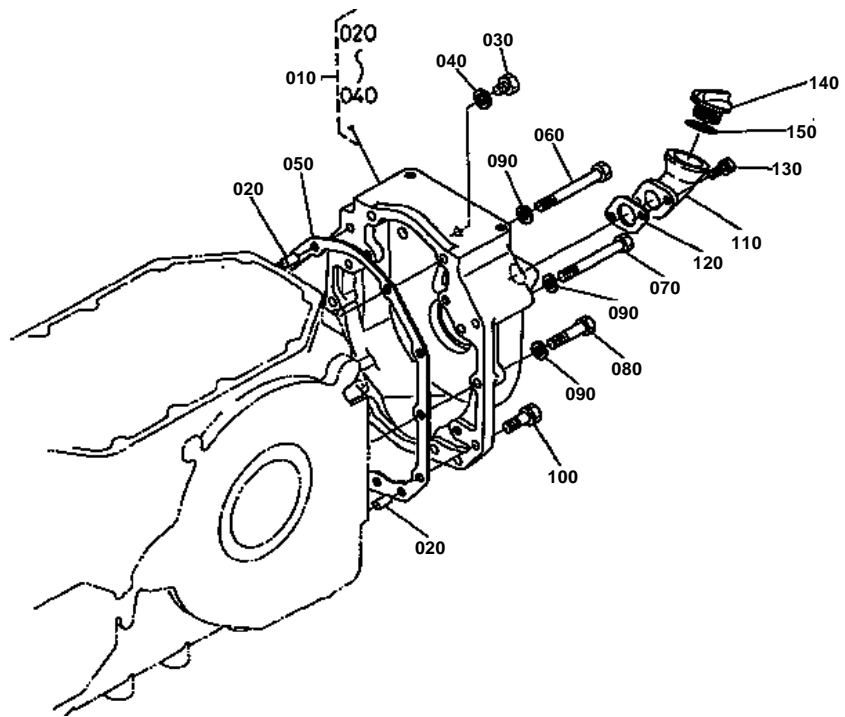


TRANSMISSION CASE

↔ Interchangeable; ≠ not interchangeable; ← new for old; → old for new

REF.No	Part No.	Description	Q'ty	S.No.	I/C	REMARKS	Weight (kgf)	Weight (lb)
010	36330-21300	ASSY CASE TR-MIS'ON	1				89	195.8
020	05012-01325	PIN STRAIGHT	6				0.028	0.0616
030	05012-01020	PIN STRAIGHT	2				0.013	0.0286
040	36200-21240	PLUG	1				0	0
050	33300-90910	PLUG BLIND	10				0.002	0.0044
060	35880-21323	GASKET	1				0	0
070	01133-51240	BOLT	12				0.05	0.11
080	01574-51240	STUD	2				0	0
090	04512-50120	WASHER SPRING	2				0	0
100	02176-50120	NUT	2				0.01	0.022
110	36330-21340	COVER MISSION CASE	1				0.73	1.606
120	36330-21350	GASKET	1				0	0
130	01133-51030	BOLT	4				0.025	0.055
140	35868-21510	GAUGE OIL	1				0.045	0.099
150	35820-21520	PLUG	1				0.004	0.0088
160	35820-21550	GUIDE OIL GAUGE	1				0.4	0.88
170	35868-21560	BOLT JOINT	1				3.2	7.04
180	04811-00220	RING	1				0	0
190	04724-00210	GASKET	1				0.006	0.0132
200	36330-21450	COVER SIDE	1				1.44	3.168
210	36330-21460	GASKET	1				0	0
220	01133-51028	BOLT	8				0.027	0.0594
230	36200-21240	PLUG	1				0	0

TRANSMISSION CASE COVER



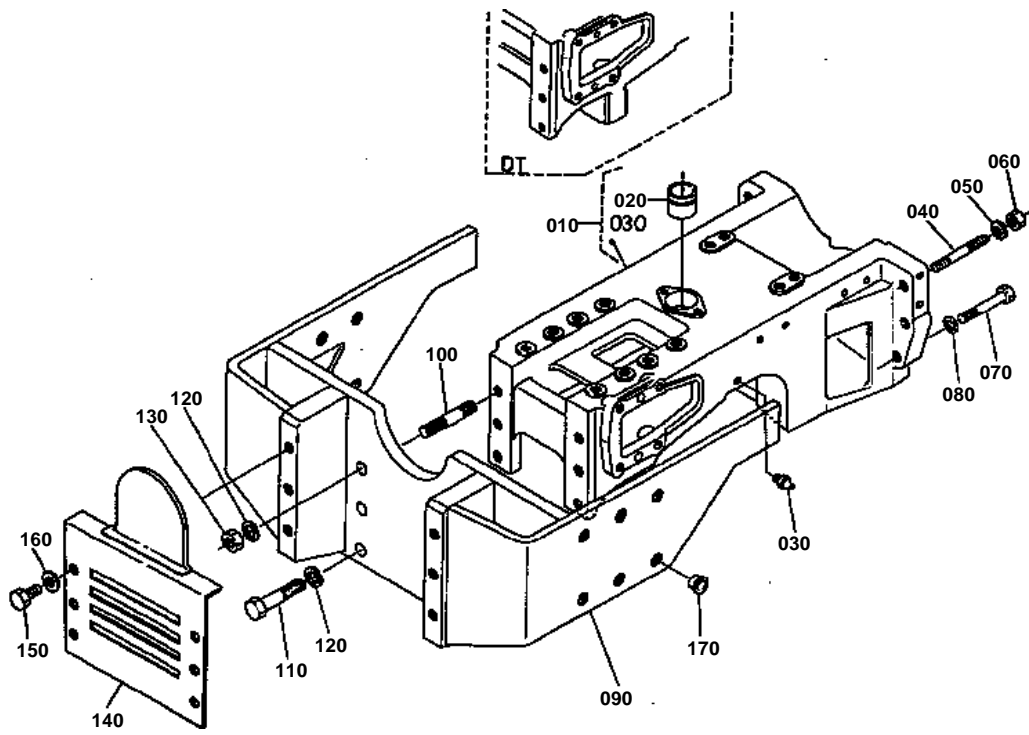


TRANSMISSION CASE COVER

↔ Interchangeable; ≠ not interchangeable; ← new for old; → old for new

REF.No	Part No.	Description	Q'ty	S.No.	I/C	REMARKS	Weight (kgf)	Weight (lb)
010	36330-21402	ASSY COVER CASE	1				0	0
020	05012-01020	PIN STRAIGHT	2				0.013	0.0286
030	06311-45040	PLUG	1				0.115	0.253
040	04717-02150	WASHER WITH RUBBER	1				0.004	0.0088
050	36200-21420	GASKET	1				0	0
060	01173-51204	BOLT	2				0	0
070	01173-51202	BOLT	2				0.1	0.22
080	01173-51255	BOLT	2				0.055	0.121
090	04512-50120	WASHER SPRING	6				0	0
100	01133-51235	BOLT	4				0.043	0.0946
110	36330-21470	FILLER OIL	1				0.42	0.924
120	36330-21480	GASKET	1				0	0
130	01123-50820	BOLT	2				0.011	0.0242
140	38240-21410	PLUG	1				0.015	0.033
150	04811-50300	RING	1				0	0

FRONT AXLE BRACKET



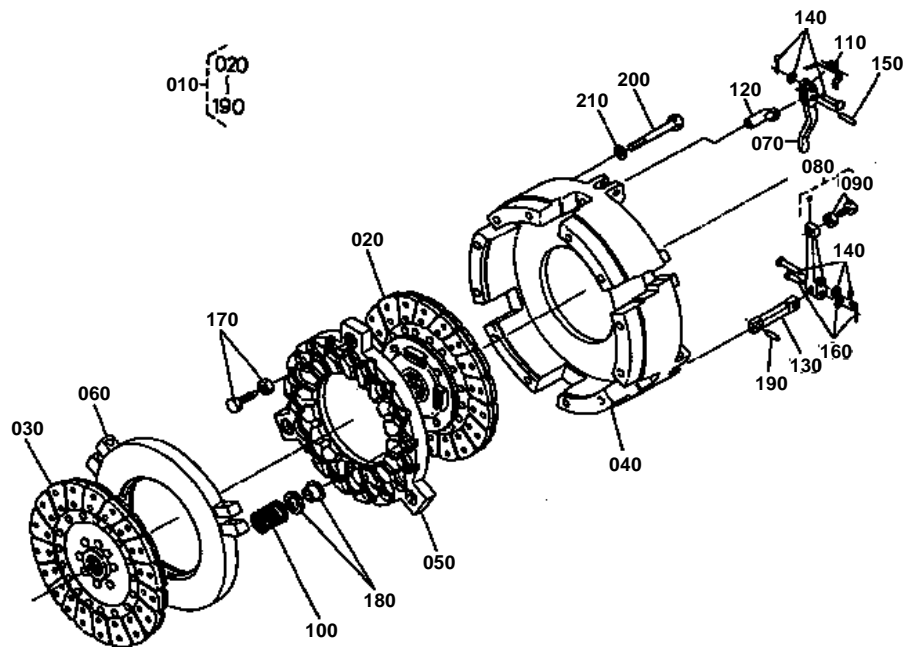


FRONT AXLE BRACKET

↔ Interchangeable; ≠ not interchangeable; ← new for old; → old for new

REF.No	Part No.	Description	Q'ty	S.No.	I/C	REMARKS	Weight (kgf)	Weight (lb)
010	36330-21700	ASSY BRACKET AXLE	1				62	136.4
020	36200-21720	BUSH	1				0.071	0.1562
030	06613-10010	NIPPLE GREASE	1				0.006	0.0132
040	35861-21800	STUD	2				0	0
050	36200-49130	SPRING PLATE	2				0.026	0.0572
060	02176-50180	NUT	2				0.028	0.0616
070	01173-51880	BOLT	4				0.187	0.4114
080	04512-50180	WASHER SPRING	4				0	0
090	36330-21760	BUMPER FRONT	1				0	0
100	36330-21680	STUD	2				0.2	0.44
110	01173-51850	BOLT	4				0.13	0.286
120	04512-50180	WASHER SPRING	6				0	0
130	02174-50180	NUT	2				0.029	0.0638
140	36330-21770	COVER FRONT BUMPER	1				0.84	1.848
150	01173-51635	BOLT	6				0.008	0.0176
160	04011-50160	WASHER PLAIN	6				0	0
170	36330-21290	PLUG BLIND	12				0.002	0.0044

CLUTCH



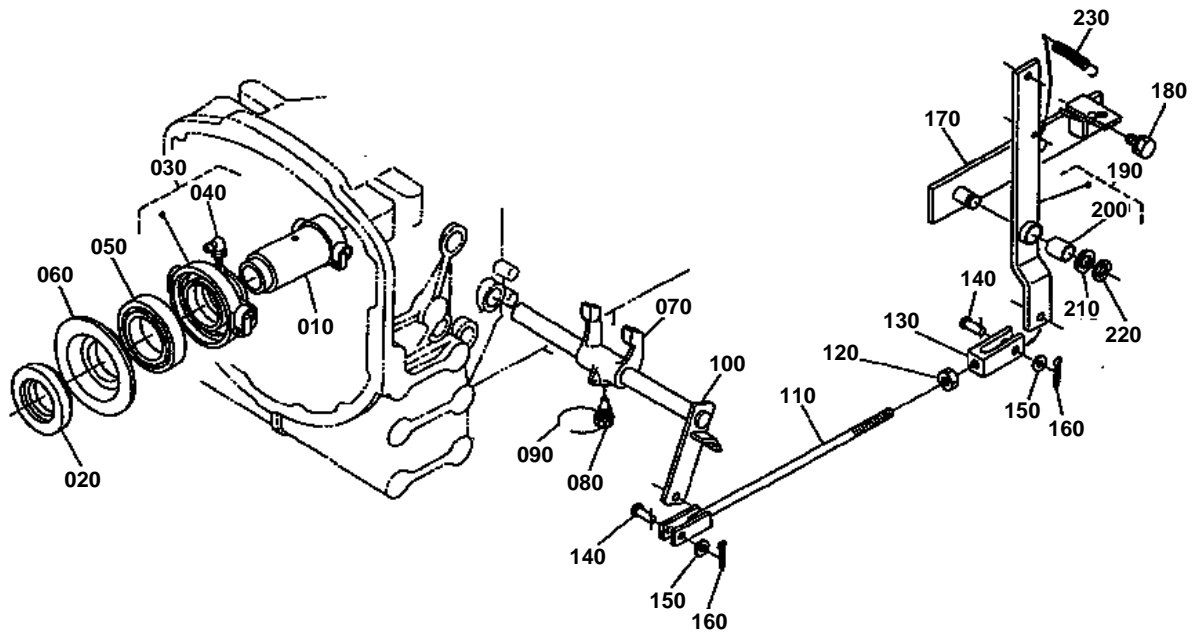


CLUTCH

↔ Interchangeable; ≠ not interchangeable; ← new for old; → old for new

REF.No	Part No.	Description	Q'ty	S.No.	I/C	REMARKS	Weight (kgf)	Weight (lb)
010	35830-25102	ASSY CLUTCH	1				0	0
020	35820-25132	DISK CLUTCH	1				0	0
030	36200-25142	DISK PTO CLUTCH	1				0	0
040	35820-25160	COVER CLUTCH	1				0	0
050	35820-25150	PLATE PRESSURE	1				5.2	11.44
060	35820-25220	PLATE PRESSURE	1				0	0
070	35820-25230	KIT LEVER	1				0.55	1.21
080	35820-25240	KIT LEVER	1				0.55	1.21
090	35820-25250	KIT BOLT NUT	1				0.06	0.132
100	35820-25310	KIT SPRING PRESSURE	1				1	2.2
110	35820-25320	KIT SPRING RETURN	1				0.024	0.0528
120	35820-25260	KIT ROD	1				0.225	0.495
130	35820-25270	KIT ROD	1				0.5	1.1
140	35820-25330	KIT PIN JOINT	1				0	0
150	35820-25340	KIT PIN STRAIGHT	1				0	0
160	35820-25350	KIT PIN JOINT	1				0.05	0.11
170	35820-25360	KIT BOLT NUT	1				0.08	0.176
180	35820-25370	KIT SEAT SPRING	1				0.162	0.3564
190	35820-25380	KIT PIN STRAIGHT	1				0.05	0.11
200	01053-50800	BOLT	12				0.036	0.0792
210	04512-50080	WASHER SPRING	12				0	0

CLUTCH FORK



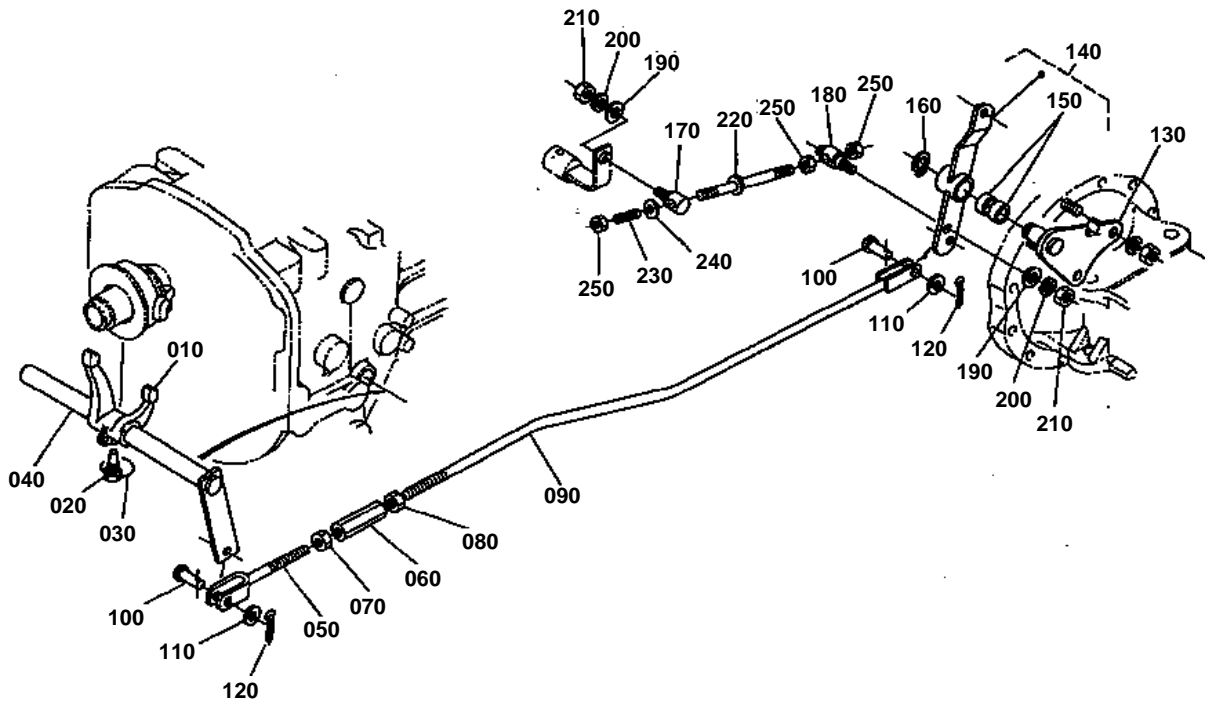


CLUTCH FORK

↔ Interchangeable; ≠ not interchangeable; ← new for old; → old for new

REF.No	Part No.	Description	Q'ty	S.No.	I/C	REMARKS	Weight (kgf)	Weight (lb)
010	36330-26300	ASSY HUB CLUTCH	1				0.84	1.848
020	36200-26410	BEARING RELEASE	1				0.504	1.1088
030	36330-26730	ASSY COUPLING	1				0.98	2.156
040	06613-30010	NIPPLE GREASE	1				0.01	0.022
050	08121-06013	BEARING BALL	1				0.45	0.99
060	33400-26770	HUB CLUTCH RELEASE	1				0.65	1.43
070	36330-26190	FORK CLUTCH RELEASE	1				0.55	1.21
080	33251-26350	BOLT SET	1				0.045	0.099
090	99999-99999	YOUR SUPPLY	1				0	0
100	36330-26213	SHAFT CLUTCH CONTROL	1				0	0
110	35828-26180	ROD CLUTCH	1				0.2	0.44
120	02116-50100	NUT	1				0.004	0.0088
130	35828-26460	HOLDER	1				0.086	0.1892
140	36330-26132	PIN CLUTCH LINK	2				0.02	0.044
150	04011-50100	WASHER PLAIN	2				0.002	0.0044
160	05511-50318	PIN SPLIT	2				0.001	0.0022
170	36839-26950	FULCRUM CLUTCH LINK	1				0.72	1.584
180	01133-51230	BOLT	2				0.04	0.088
190	36839-26960	ASSY LINK CLUTCH	1				0.74	1.628
200	36280-44230	BUSH	1				0	0
210	04011-50160	WASHER PLAIN	1				0	0
220	04612-00160	CIR-CLIP EXTERNAL	1				0.001	0.0022
230	35828-26160	SPRING	1				0.056	0.1232

PTO CLUTCH LEVER



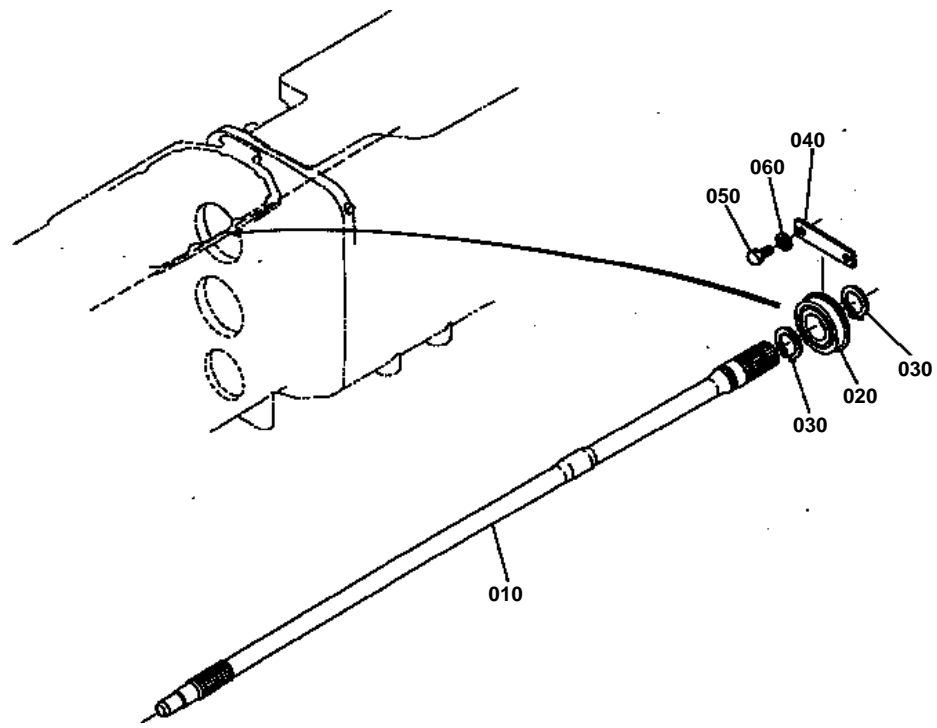


PTO CLUTCH LEVER

↔ Interchangeable; ≠ not interchangeable; ← new for old; → old for new

REF.No	Part No.	Description	Q'ty	S.No.	I/C	REMARKS	Weight (kgf)	Weight (lb)
010	36330-26710	FORK CLUTCH RELEASE	1				0.65	1.43
020	33251-26350	BOLT SET	1				0.045	0.099
030	99999-99999	YOUR SUPPLY	1				0	0
040	36330-26660	SHAFT CONTROL LEVER	1				1.8	3.96
050	36330-26173	ROD CLUTCH	1				0.11	0.242
060	32350-28980	TURNBUCKLE	1				0.124	0.2728
070	02116-50100	NUT	1				0.004	0.0088
080	55311-31550	NUT	1				0.007	0.0154
090	36839-26650	ROD PTO	1				0.4	0.88
100	05122-51028	PIN JOINT	2				0	0
110	04011-50100	WASHER PLAIN	2				0.002	0.0044
120	05511-50318	PIN SPLIT	2				0.001	0.0022
130	36330-26360	BRACKET FULCRUM	1				0.56	1.232
140	36839-26410	ASSY LINK CLUTCH	1				0.4	0.88
150	36330-26430	BUSH	1				0	0
160	04612-00220	CIR-CLIP EXTERNAL	1				0.001	0.0022
170	36330-26830	PIN	1				0.025	0.055
180	36330-26870	PIN	1				0.028	0.0616
190	04013-50080	WASHER PLAIN	2				0	0
200	04512-50080	WASHER SPRING	2				0	0
210	02114-50080	NUT	2				0.005	0.011
220	36330-26850	ROD PTO BRAKE	1				0.03	0.066
230	36330-26860	SPRING	1				0.006	0.0132
240	04013-50060	WASHER PLAIN	1				0	0
250	02014-50060	NUT	3				0.002	0.0044

PTO PROPELLER SHAFT



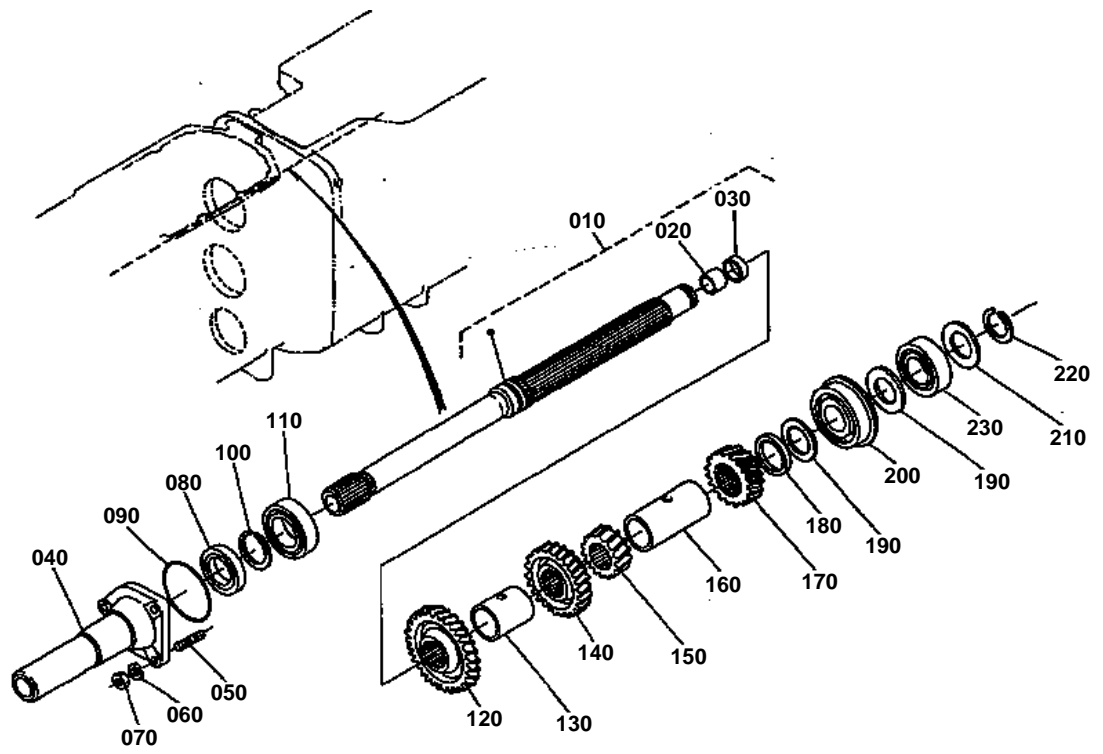


PTO PROPELLER SHAFT

↔ Interchangeable; ≠ not interchangeable; ← new for old; → old for new

REF.No	Part No.	Description	Q'ty	S.No.	I/C	REMARKS	Weight (kgf)	Weight (lb)
010	36330-25614	SHAFT PTO PROPELLER	1				3.8	8.36
020	08151-06306	BEARING BALL	1				0.35	0.77
030	04612-00300	CIR-CLIP EXTERNAL	2				0.003	0.0066
040	36200-28680	RETAINER BEARING	1				0.058	0.1276
050	01153-50820	BOLT	2				0.012	0.0264
060	04411-50080	WASHER	2				0.001	0.0022

FIRST SHAFT



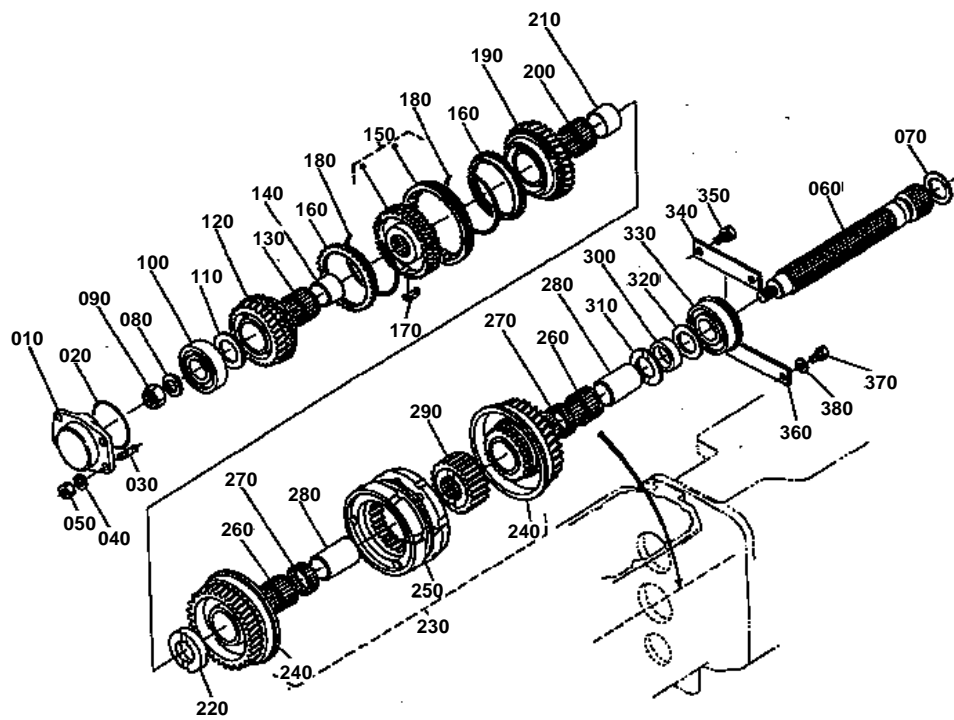


FIRST SHAFT

↔ Interchangeable; ≠ not interchangeable; ← new for old; → old for new

REF.No	Part No.	Description	Q'ty	S.No.	I/C	REMARKS	Weight (kgf)	Weight (lb)
010	36330-28103	ASSY SHAFT FIRST	1				3.9	8.58
020	33251-28640	BUSH FIRST SHAFT	1				0.018	0.0396
030	36730-24330	SEAL FIRST SHAFT	1				0.005	0.011
040	36330-28510	COMP.CASE BEARING	1				1.96	4.312
050	01513-50828	STUD	3				0.013	0.0286
060	04512-50080	WASHER SPRING	3				0	0
070	02114-50080	NUT	3				0.005	0.011
080	36730-24650	SEAL OIL	1				0.03	0.066
090	04811-50900	RING	1				0.003	0.0066
100	36730-28050	CIR-CLIP EXTERNAL	1				0.01	0.022
110	08101-06209	BEARING BALL	1				0.42	0.924
120	36330-28480	GEAR	1			30T	0.82	1.804
130	36330-28432	COLLAR FIRST SHAFT	1				0.28	0.616
140	36330-28232	GEAR	1			25T	0.7	1.54
150	36530-28250	GEAR	1			16T	0.37	0.814
160	35820-28450	COLLAR	1				0.43	0.946
170	35822-28220	GEAR	1			22T	0.8	1.76
180	35820-28440	COLLAR	1				0.08	0.176
190	36330-28180	COLLAR FIRST SHAFT	2				0.025	0.055
200	35822-28330	BEARING BALL	1				0.65	1.43
210	36330-28410	SHIM	2			0.3MM	0.002	0.0044
210	36330-28420	SHIM	2			0.2MM	0.002	0.0044
220	36730-28040	CIR-CLIP EXTERNAL	1				0	0
230	35822-32380	BEARING BALL	1				0.36	0.792

COUNTER SHAFT



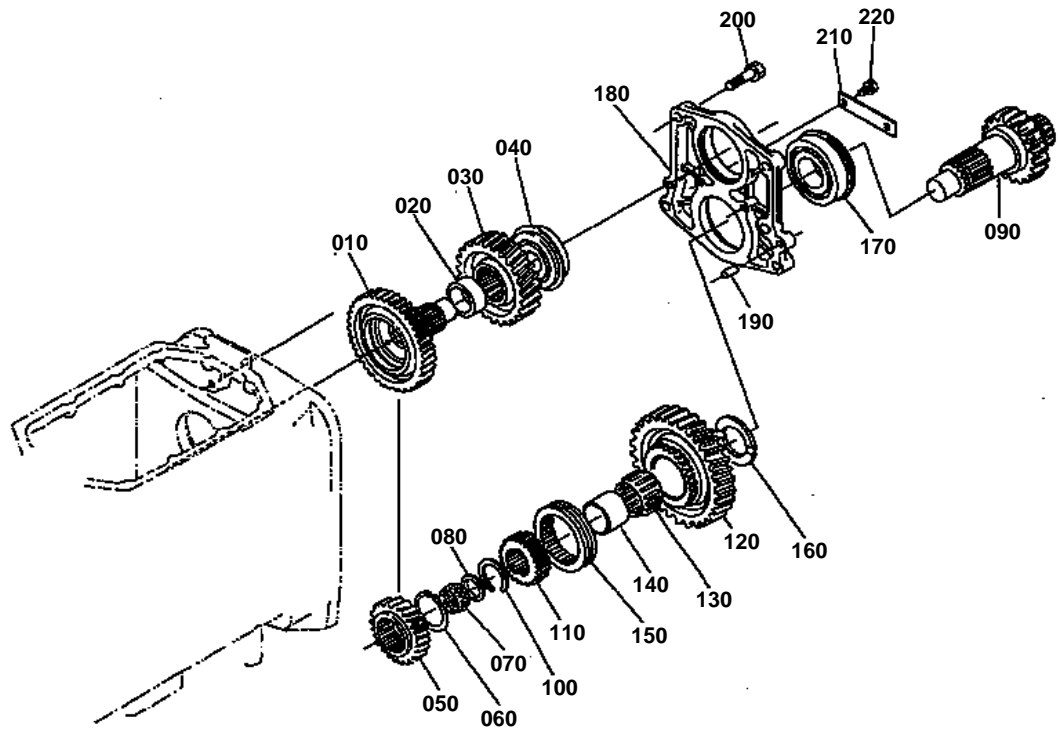


COUNTER SHAFT

↔ Interchangeable; ≠ not interchangeable; ← new for old; → old for new

REF.No	Part No.	Description	Q'ty	S.No.	I/C	REMARKS	Weight (kgf)	Weight (lb)
010	36330-28630	COVER COUNTERSHAFT	1				0.65	1.43
020	04811-50800	RING	1				0.003	0.0066
030	01513-50828	STUD	4				0.013	0.0286
040	04512-50080	WASHER SPRING	4				0	0
050	02114-50080	NUT	4				0.005	0.011
060	36330-28168	COUNTERSHAFT	1				2.93	6.446
070	35820-28190	COLLAR	1				0.003	0.0066
080	36330-80080	COLLAR	1				0.03	0.066
090	34150-25330	NUT	1				0.039	0.0858
100	08101-06307	BEARING BALL	1				0.455	1.001
110	36330-28610	COLLAR THRUST	1				0.04	0.088
120	36330-28293	GEAR	1			29T	1.62	3.564
130	36200-28340	BEARING NEEDLE	1				0	0
140	36200-28330	RING INNER	1				0.088	0.1936
150	36330-28402	ASSY SHIFTER	1				0	0
160	36530-28413	RING SYNCHRONIZER	2				0	0
170	36330-28502	KEY SYNCHRONIZER	3				0.008	0.0176
180	36200-28432	SPRING	2				0	0
190	36330-28280	GEAR	1			33T	1.77	3.894
200	36200-28340	BEARING NEEDLE	1				0	0
210	36200-28330	RING INNER	1				0.088	0.1936
220	36330-28620	COLLAR THRUST	1				0.18	0.396
230	35820-28543	ASSY GEAR SYNCHRO.	1				11.5	25.3
240	35820-28553	ASSY GEAR	2			37T	3.58	7.876
250	35820-28580	ASSY RING SYNCHORO.	1				3.08	6.776
260	08825-05530	BEARING NEEDLE	2				0.06	0.132
270	08825-05520	BEARING NEEDLE	2				0.04	0.088
280	35820-28332	RING INNER	2				0.3	0.66
290	35820-28462	COUPLING	1				1.45	3.19
300	35820-28704	COLLAR	1				0.08	0.176
310	36730-28622	COLLAR THRUST	1				0.12	0.264
320	36330-28180	COLLAR FIRST SHAFT	1				0.025	0.055
330	08151-06308	BEARING BALL	1				0.64	1.408
340	36530-28690	RETAINER BEARING	1				0.15	0.33
350	01123-50820	BOLT	2				0.011	0.0242
360	36200-28680	RETAINER BEARING	1				0.058	0.1276
370	01153-50820	BOLT	2				0.012	0.0264
380	04411-50080	WASHER	2				0.001	0.0022

HI-LO SHIFT GEAR SHAFT



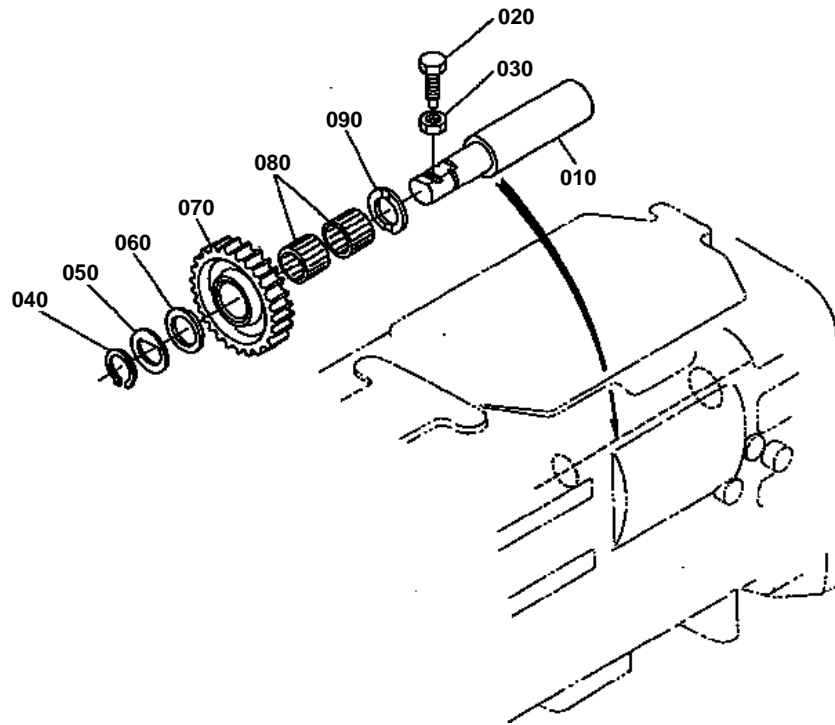


HI-LO SHIFT GEAR SHAFT

↔ Interchangeable; ≠ not interchangeable; ← new for old; → old for new

REF.No	Part No.	Description	Q'ty	S.No.	I/C	REMARKS	Weight (kgf)	Weight (lb)
010	36330-32326	GEAR	1			39T	1.4	3.08
020	36330-32352	COLLAR	1				0.1	0.22
030	35822-32360	GEAR	1			27T	1.05	2.31
040	36530-80150	BEARING BALL	1				0.47	1.034
050	36330-32260	GEAR	1			23T	0.69	1.518
060	04612-00450	CIR-CLIP EXTERNAL	1				0.007	0.0154
070	36330-31332	BEARING NEEDLE	1				0.03	0.066
080	36330-32370	COLLAR	1				0.01	0.022
090	35820-32330	GEAR-SHAFT	1			23T	2	4.4
100	36730-28040	CIR-CLIP EXTERNAL	1				0	0
110	35820-32270	COUPLING	1				0.44	0.968
120	35822-32340	GEAR	1			35T	1.92	4.224
130	36200-28340	BEARING NEEDLE	1				0	0
140	36200-28330	RING INNER	1				0.088	0.1936
150	35820-28470	SHIFTER	1				0.41	0.902
160	36330-28660	COLLAR THRUST	1				0	0
170	35822-32290	BEARING BALL	1				0.55	1.21
180	35822-32310	SUPPORT BEARING	1				2.48	5.456
190	05012-01020	PIN STRAIGHT	2				0.013	0.0286
200	01133-51240	BOLT	4				0.05	0.11
210	36200-28680	RETAINER BEARING	1				0.058	0.1276
220	01123-50820	BOLT	2				0.011	0.0242

BACK IDLE SHAFT



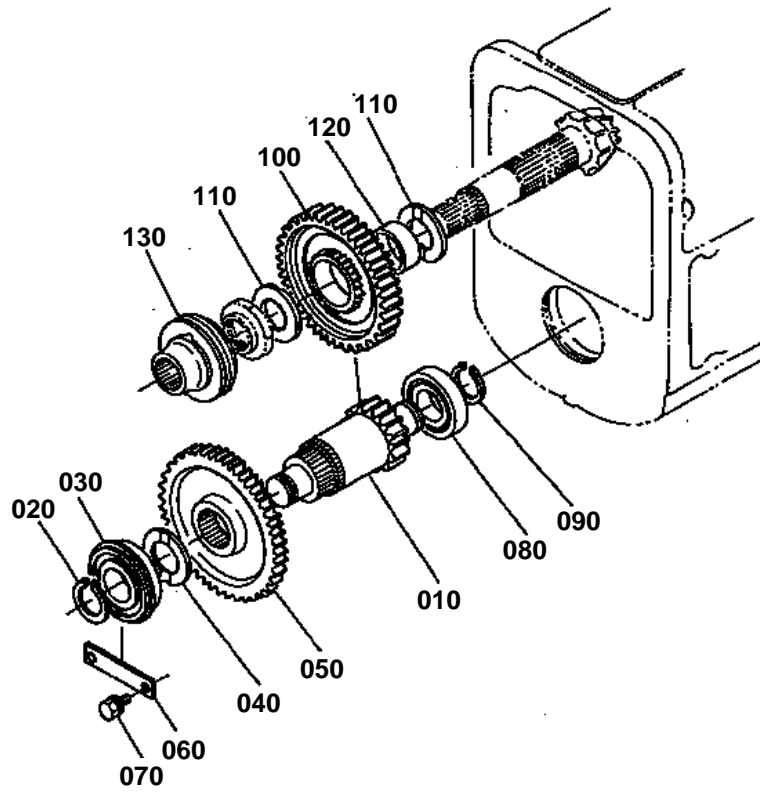


BACK IDLE SHAFT

↔ Interchangeable; ≠ not interchangeable; ← new for old; → old for new

REF.No	Part No.	Description	Q'ty	S.No.	I/C	REMARKS	Weight (kgf)	Weight (lb)
010	36330-28150	SHAFT BACK IDLE	1				1.58	3.476
020	36200-28730	BOLT	1				0.025	0.055
030	02116-50100	NUT	1				0.004	0.0088
040	04612-00300	CIR-CLIP EXTERNAL	1				0.003	0.0066
050	36200-28720	COLLAR	1				0.009	0.0198
060	36330-28710	COLLAR THRUST	1				0.03	0.066
070	36570-28350	GEAR	1			26T	1.3	2.86
080	36200-28360	BEARING NEEDLE	2				0.053	0.1166
090	36330-28710	COLLAR THRUST	1				0.03	0.066

HALF SPEED SHAFT



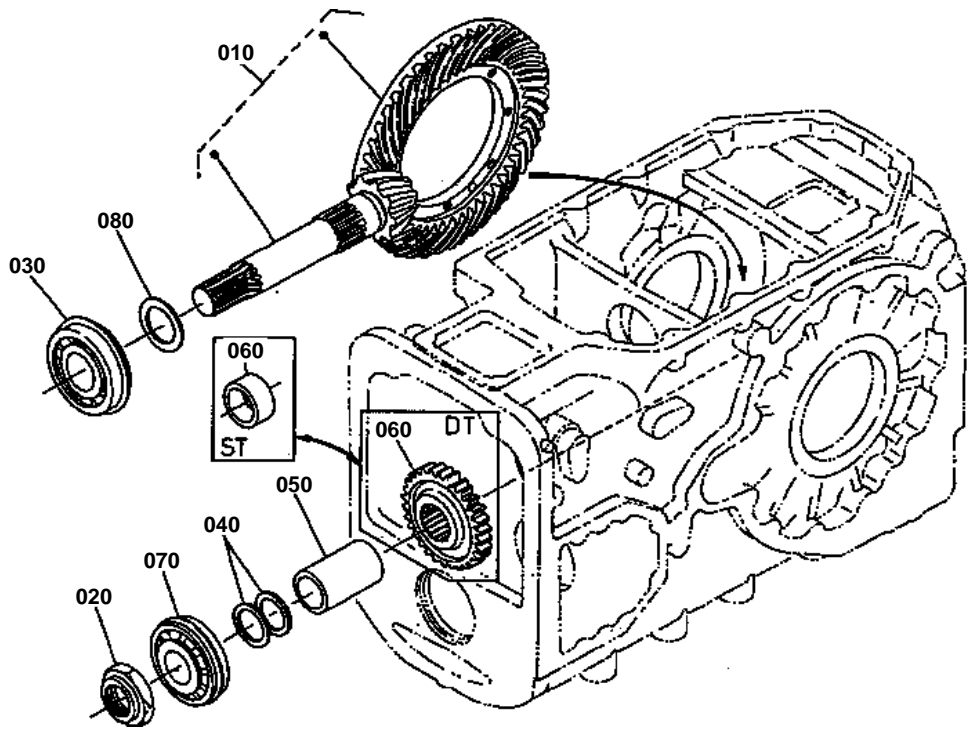


HALF SPEED SHAFT

↔ Interchangeable; ≠ not interchangeable; ← new for old; → old for new

REF.No	Part No.	Description	Q'ty	S.No.	I/C	REMARKS	Weight (kgf)	Weight (lb)
010	35820-41180	GEAR-SHAFT	1			18T	2.65	5.83
020	36740-41150	CIR-CLIP EXTERNAL	1		≠		0.01	0.022
030	08151-06307	BEARING BALL	1				0.469	1.0318
040	36330-28610	COLLAR THRUST	1				0.04	0.088
050	35820-31250	GEAR	1			40T	1.3	2.86
060	36200-28680	RETAINER BEARING	1				0.058	0.1276
070	01123-50820	BOLT	2				0.011	0.0242
080	35822-31360	BEARING BALL	1				0.28	0.616
090	36740-41150	CIR-CLIP EXTERNAL	1				0.01	0.022
100	35820-31240	GEAR	1			45T	2.24	4.928
110	36330-28660	COLLAR THRUST	2				0	0
120	36530-31280	RING INNER	1				0.11	0.242
130	36530-31290	SHIFTER CREEP	1				0.69	1.518

BEVEL GEAR



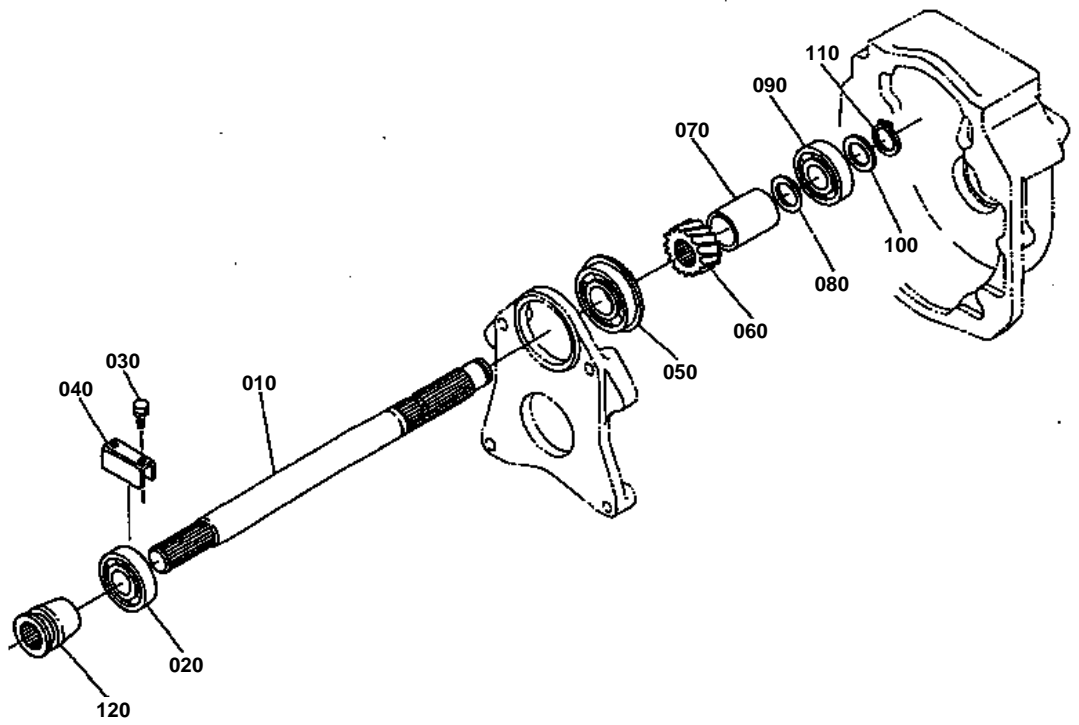


BEVEL GEAR

↔ Interchangeable; ≠ not interchangeable; ← new for old; → old for new

REF.No	Part No.	Description	Q'ty	S.No.	I/C	REMARKS	Weight (kgf)	Weight (lb)
010	35820-32400	ASSY GEAR STR BEVEL	1				11	24.2
020	36330-32580	NUT PINION SHAFT	1				0.08	0.176
030	33400-32260	BEARING TAPER-ROLLER	1				1.13	2.486
040	33251-32450	COLLAR PINION ADJUST	1				0.005	0.011
040	33251-32460	COLLAR PINION ADJUST	1				0.008	0.0176
040	33251-32470	COLLAR PINION ADJUST	1				0.009	0.0198
040	33251-32480	COLLAR PINION ADJUST	1				0.01	0.022
040	33251-32490	COLLAR PINION ADJUST	1				0.01	0.022
040	33251-32510	COLLAR PINION ADJUST	1				0.011	0.0242
040	33251-32520	COLLAR PINION ADJUST	1				0.011	0.0242
040	33251-32530	COLLAR PINION ADJUST	1				0.011	0.0242
040	33251-32540	COLLAR PINION ADJUST	1				0.011	0.0242
040	33251-32550	COLLAR PINION ADJUST	1				0.012	0.0264
040	33251-32560	COLLAR PINION ADJUST	1				0.012	0.0264
050	36330-32440	COLLAR PINION SHAFT	1				0.5	1.1
060	35820-32440	COLLAR	1				0	0
070	14351-23450	BEARING MAIN	1				0.7	1.54
080	36200-32610	COLLAR PINION ADJUST	1				0.023	0.0506
080	36200-32630	COLLAR PINION ADJUST	1				0.025	0.055
080	36200-32650	COLLAR PINION ADJUST	1				0.027	0.0594
080	36200-32670	COLLAR PINION ADJUST	1				0.029	0.0638
080	36200-32690	COLLAR PINION ADJUST	1				0.031	0.0682

PTO SHAFT 1



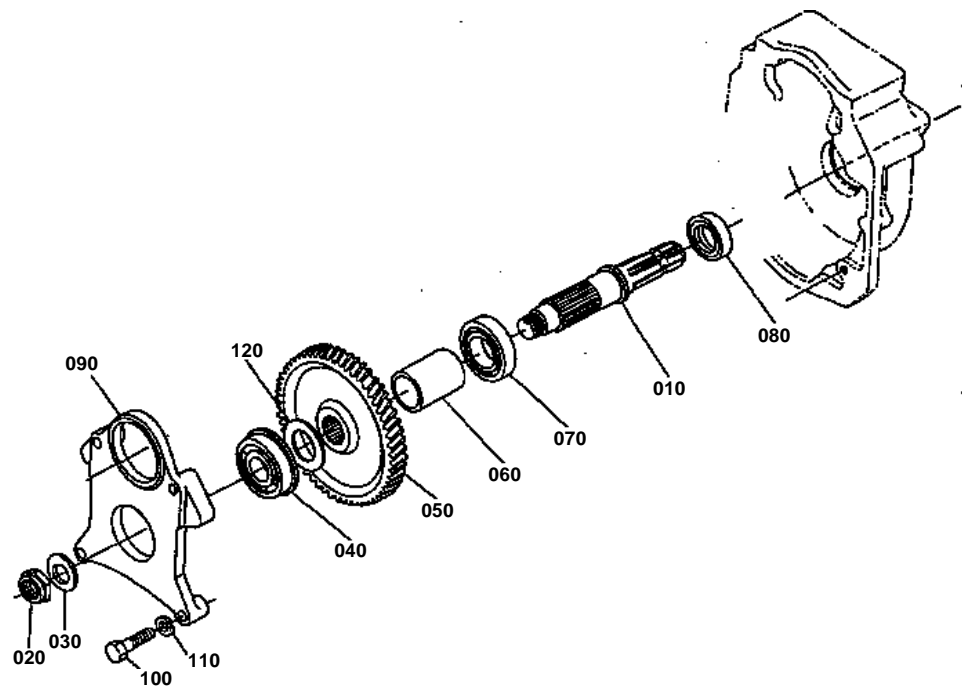


PTO SHAFT 1

↔ Interchangeable; ≠ not interchangeable; ← new for old; → old for new

REF.No	Part No.	Description	Q'ty	S.No.	I/C	REMARKS	Weight (kgf)	Weight (lb)
010	36530-80110	SHAFT PTO DRIVE	1				3.5	7.7
020	08101-06306	BEARING BALL	1				0.335	0.737
030	01123-50820	BOLT	2				0.011	0.0242
040	36530-80140	RETAINER BEARING	1				0.14	0.308
050	08151-06307	BEARING BALL	1				0.469	1.0318
060	36500-80120	GEAR	1			15T	0.494	1.0868
070	35801-80180	COLLAR	1				0.3	0.66
080	36330-80060	COLLAR	1				0.014	0.0308
090	08101-06306	BEARING BALL	1				0.335	0.737
100	36330-80070	COLLAR	1				0.015	0.033
110	04612-00300	CIR-CLIP EXTERNAL	1				0.003	0.0066
120	35420-80400	COUPLING	1				0.31	0.682

PTO SHAFT 2



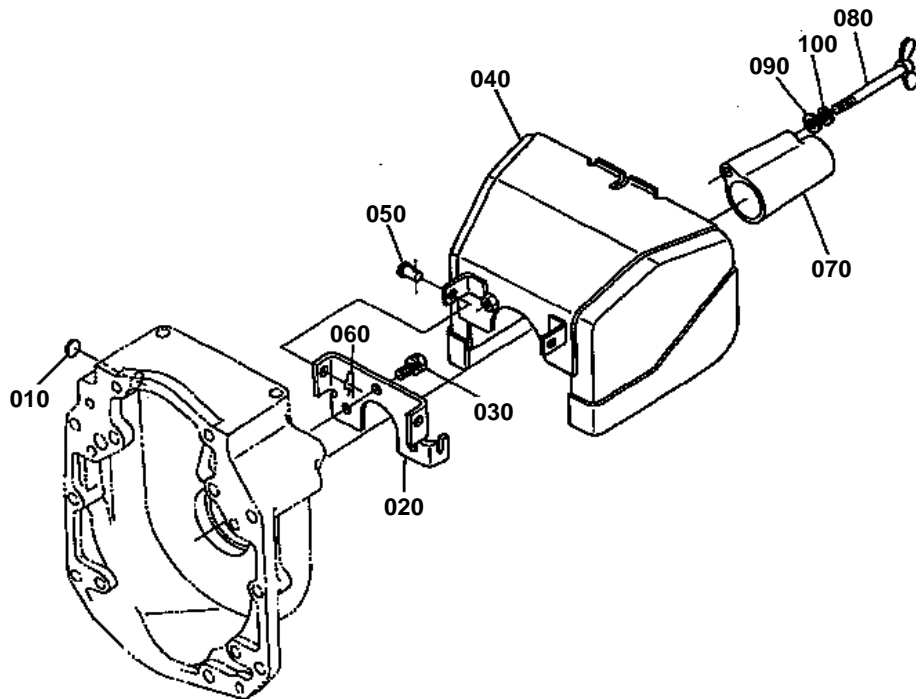


PTO SHAFT 2

↔ Interchangeable; ≠ not interchangeable; ← new for old; → old for new

REF.No	Part No.	Description	Q'ty	S.No.	I/C	REMARKS	Weight (kgf)	Weight (lb)
010	36200-97670	SHAFT PTO	1				0	0
020	34150-25330	NUT	1				0.039	0.0858
030	36330-80080	COLLAR	1				0.03	0.066
040	08151-06307	BEARING BALL	1				0.469	1.0318
050	35500-80150	GEAR	1			56T	3.7	8.14
060	35500-80190	COLLAR PTO SHAFT	1				0	0
070	08101-06208	BEARING BALL	1				0.355	0.781
080	35708-80290	SEAL	1				0	0
090	36330-80215	SUPPORT BEARING	1				3.24	7.128
100	01173-51255	BOLT	4				0.055	0.121
110	04512-50120	WASHER SPRING	4				0	0
120	36910-80390	SHIM	2			0.3MM	0.002	0.0044

PTO SHAFT COVER



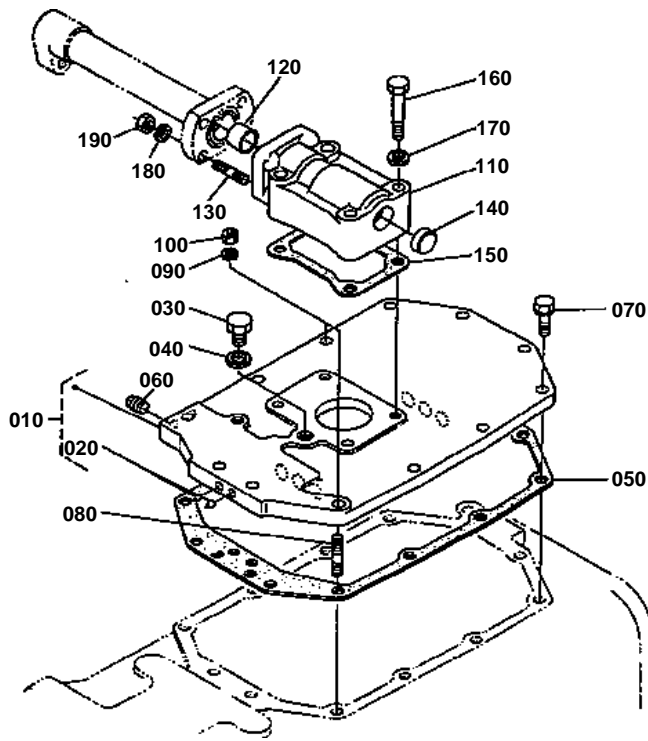


PTO SHAFT COVER

↔ Interchangeable; ≠ not interchangeable; ← new for old; → old for new

REF.No	Part No.	Description	Q'ty	S.No.	I/C	REMARKS	Weight (kgf)	Weight (lb)
010	36200-21240	PLUG	1				0	0
020	36330-80363	BRACKET PTO COVER	1				0.31	0.682
030	01123-50816	BOLT	3				0	0
040	35861-80340	COVER PTO	1				0	0
050	05122-50818	PIN JOINT	2				0.008	0.0176
060	05515-50800	PIN SNAP	2				0	0
070	34350-25440	COVER PTO SHAFT	1				0.062	0.1364
080	36330-90630	BOLT WING	1				0.055	0.121
090	04013-50080	WASHER PLAIN	1				0	0
100	04512-50080	WASHER SPRING	1				0	0

MAIN SPEED CHANGE COVER



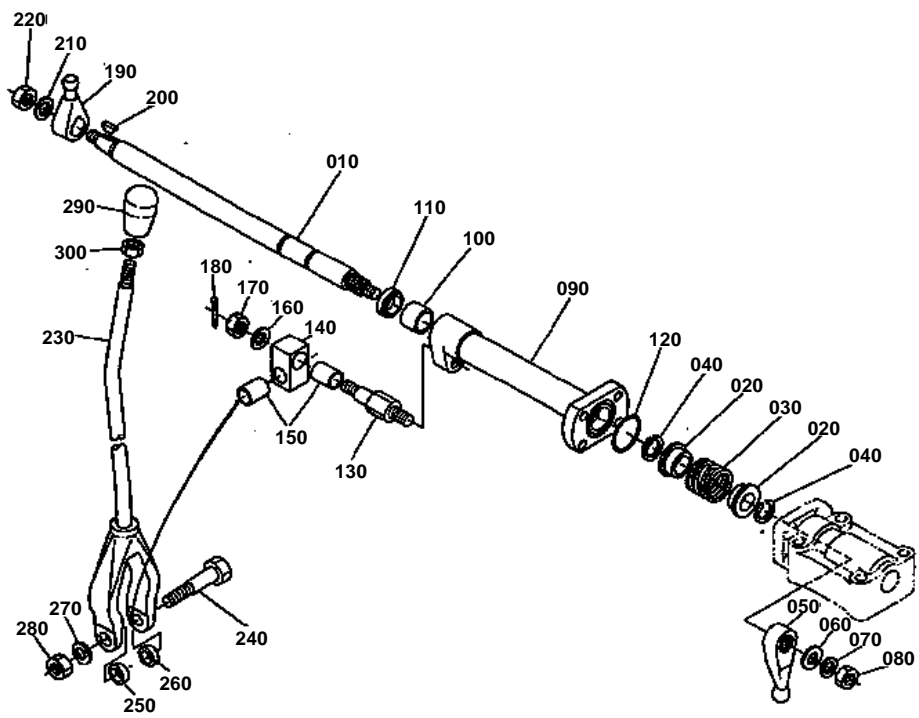


MAIN SPEED CHANGE COVER

↔ Interchangeable; ≠ not interchangeable; ← new for old; → old for new

REF.No	Part No.	Description	Q'ty	S.No.	I/C	REMARKS	Weight (kgf)	Weight (lb)
010	36919-21240	ASSY COVER S-CHANGE	1				5	11
020	07715-03209	BALL	2				0.002	0.0044
030	06331-35014	PLUG	1				0.03	0.066
040	04717-01400	WASHER WITH RUBBER	1				0.003	0.0066
050	36530-21260	GASKET	1				0	0
060	06312-10010	PLUG	3				0.007	0.0154
070	01123-50828	BOLT	10				0.014	0.0308
080	01513-50828	STUD	2				0.013	0.0286
090	04512-50080	WASHER SPRING	2				0	0
100	02114-50080	NUT	2				0.005	0.011
110	36919-21270	BASE SPEED CHANGE	1				0	0
120	68021-62220	BUSH	1				0.007	0.0154
130	01513-50822	STUD	4				0.01	0.022
140	36919-21330	PLUG	1				0.01	0.022
150	36919-21280	GASKET	1				0	0
160	01173-51060	BOLT	4				0.038	0.0836
170	04512-50100	WASHER SPRING	4				0	0
180	04512-50080	WASHER SPRING	4				0	0
190	02114-50080	NUT	4				0.005	0.011

MAIN SPEED CHANGE LEVER



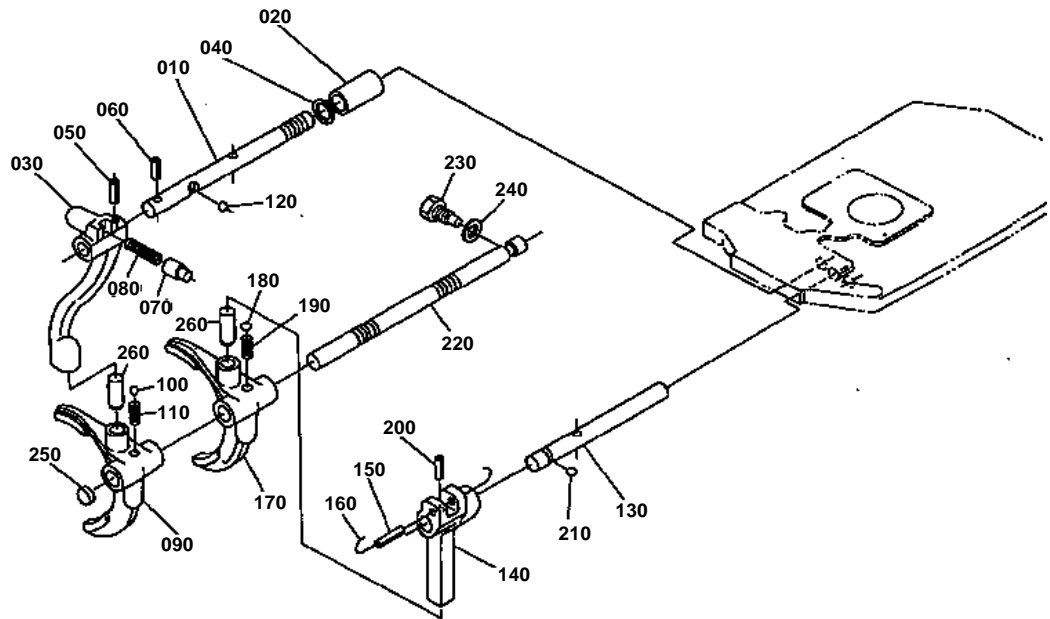


MAIN SPEED CHANGE LEVER

↔ Interchangeable; ≠ not interchangeable; ← new for old; → old for new

REF.No	Part No.	Description	Q'ty	S.No.	I/C	REMARKS	Weight (kgf)	Weight (lb)
010	36919-30010	ROD MAIN S-CHANGE 1	1				0.9	1.98
020	36919-30020	HOLDER SPRING	2				0.03	0.066
030	36919-30030	SPRING NEUTRAL	1				0.02	0.044
040	36919-30040	CIR-CLIP	2				0.001	0.0022
050	36919-30050	CAM SPEED CHANGE	1				0.115	0.253
060	04013-50100	WASHER PLAIN	1				0	0
070	04512-50100	WASHER SPRING	1				0	0
080	02118-50100	NUT	1				0.005	0.011
090	36919-30060	BRACKET MAIN S-CHANG	1				0	0
100	68021-62220	BUSH	1				0.007	0.0154
110	36919-30070	SEAL DUST	1				0.003	0.0066
120	04811-10400	RING	1				0.001	0.0022
130	36919-30080	BOLT FULCRUM	1				0.085	0.187
140	36919-30090	JOINT	1				0.09	0.198
150	36919-30140	BUSH	2				0.005	0.011
160	04013-50100	WASHER PLAIN	1				0	0
170	02374-50100	NUT	1				0.007	0.0154
180	05511-52520	PIN SPLIT	1				0.001	0.0022
190	36919-30160	CAM SPEED CHANGE	1				0.13	0.286
200	05811-00416	KEY	1				0.002	0.0044
210	04512-50120	WASHER SPRING	1				0	0
220	02174-50120	NUT	1				0.01	0.022
230	36919-29610	LEVER MAIN S-CHANGE	1				1.19	2.618
240	36919-30180	BOLT FULCRUM	1				0.07	0.154
250	36919-30190	COLLAR	1				0.004	0.0088
260	36919-30210	COLLAR	1				0.004	0.0088
270	04013-50100	WASHER PLAIN	1				0	0
280	36919-30220	NUT U	1				0.01	0.022
290	35828-29620	GRIP LEVER	1				0.055	0.121
300	02116-50100	NUT	1				0.004	0.0088

MAIN SPEED CHANGE SHIFT FORK



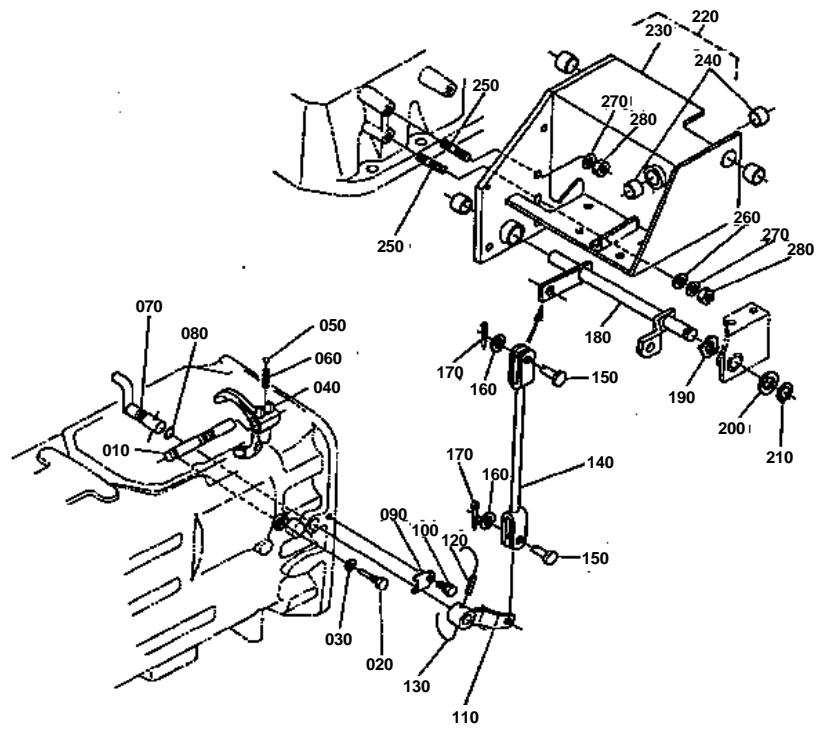


MAIN SPEED CHANGE SHIFT FORK

↔ Interchangeable; ≠ not interchangeable; ← new for old; → old for new

REF.No	Part No.	Description	Q'ty	S.No.	I/C	REMARKS	Weight (kgf)	Weight (lb)
010	36330-29223	ROD SHIFT	1				0.37	0.814
020	36330-29290	COLLAR	1				0.05	0.11
030	35820-29242	LEVER SHIFT	1				0.55	1.21
040	36330-29300	SHIM	3			0.5MM	0.001	0.0022
050	05411-00628	PIN SPRING	1				0.004	0.0088
060	05411-00628	PIN SPRING	1				0.004	0.0088
070	36330-29020	PIECE NEUTRAL	1				0.02	0.044
080	36330-29030	SPRING	1				0.001	0.0022
090	35820-29154	FORK SHIFT	1				0.6	1.32
100	07715-03211	BALL	1				0.003	0.0066
110	33251-29410	SPRING	1				0.005	0.011
120	07715-03211	BALL	1				0.003	0.0066
130	35820-29260	ROD SHIFT	1				0.33	0.726
140	35820-29270	LEVER SHIFT	1				0	0
150	05411-00635	PIN SPRING	1				0.005	0.011
160	99999-99999	YOUR SUPPLY	1				0	0
170	35820-29160	FORK SHIFT	1				0.85	1.87
180	07715-03211	BALL	1				0.003	0.0066
190	33251-29410	SPRING	1				0.005	0.011
200	05411-00628	PIN SPRING	1				0.004	0.0088
210	07715-03211	BALL	1				0.003	0.0066
220	35820-29400	BAR SHIFT	1				0.7	1.54
230	35820-29410	BOLT	1				0.04	0.088
240	04717-01200	WASHER WITH RUBBER	1				0.002	0.0044
250	35820-29420	PLUG	1				0.005	0.011
260	35820-29430	PIN FORK SET	2				0	0

HI-LO SHIFT FORK



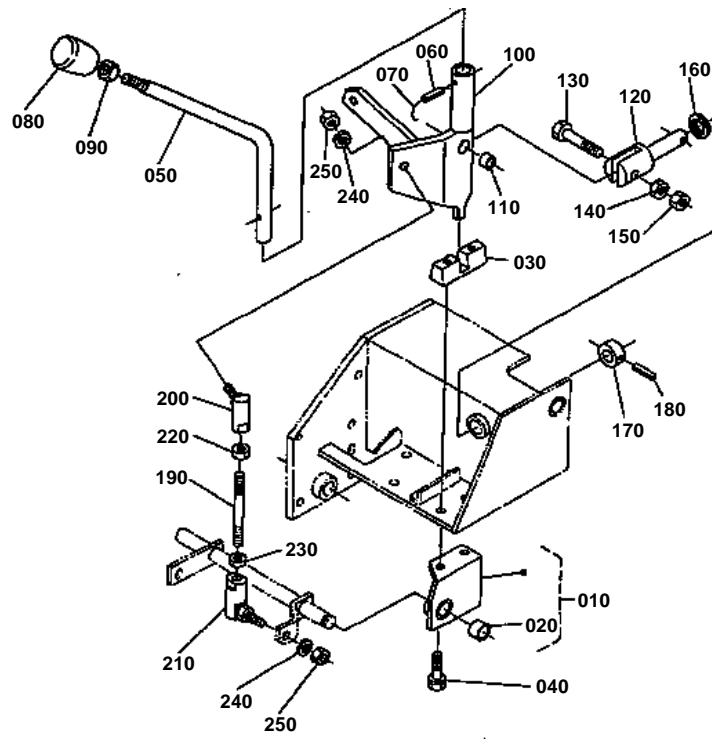


HI-LO SHIFT FORK

↔ Interchangeable; ≠ not interchangeable; ← new for old; → old for new

REF.No	Part No.	Description	Q'ty	S.No.	I/C	REMARKS	Weight (kgf)	Weight (lb)
010	36330-29883	ROD AUX.S-C SHIFT	1				0.19	0.418
020	36200-31333	PIN SHIFT BAR	1				0.015	0.033
030	04717-00800	WASHER WITH RUBBER	1				0.001	0.0022
040	36330-29870	FORK AUX.S-C SHIFT	1				0.37	0.814
050	07715-03211	BALL	1				0.003	0.0066
060	62581-18230	SPRING STOPPER	1				0.01	0.022
070	35820-29630	SHAFT SHIFT LEVER	1				0.23	0.506
080	04811-00150	RING	1				0	0
090	34150-24350	STOPPER LEVER	1				0.01	0.022
100	01123-50816	BOLT	1				0	0
110	35828-29920	LEVER SHIFT	1				0.31	0.682
120	05411-00840	PIN SPRING	1				0.008	0.0176
130	99999-99999	YOUR SUPPLY	1				0	0
140	36919-29520	ROD	1				0.19	0.418
150	05122-51025	PIN JOINT	2				0.017	0.0374
160	04011-50100	WASHER PLAIN	2				0.002	0.0044
170	05511-50318	PIN SPLIT	2				0.001	0.0022
180	36919-29650	SHAFT S-CHANGE LEVER	1				0.59	1.298
190	35828-29890	WASHER WAVE	1				0.001	0.0022
200	04011-50160	WASHER PLAIN	1				0	0
210	04612-00160	CIR-CLIP EXTERNAL	1				0.001	0.0022
220	36919-29912	ASSY HOLDER S-CHANGE	1				6	13.2
230	36919-29680	HOLDER SPEED CHANGE	1				7.5	16.5
240	53931-32520	BUSH TENSION	5				0.005	0.011
250	01517-51025	STUD	3				0	0
260	04013-50100	WASHER PLAIN	1				0	0
270	04512-50100	WASHER SPRING	3				0	0
280	02176-50100	NUT	3				0.005	0.011

HI-LO SHIFT LEVER



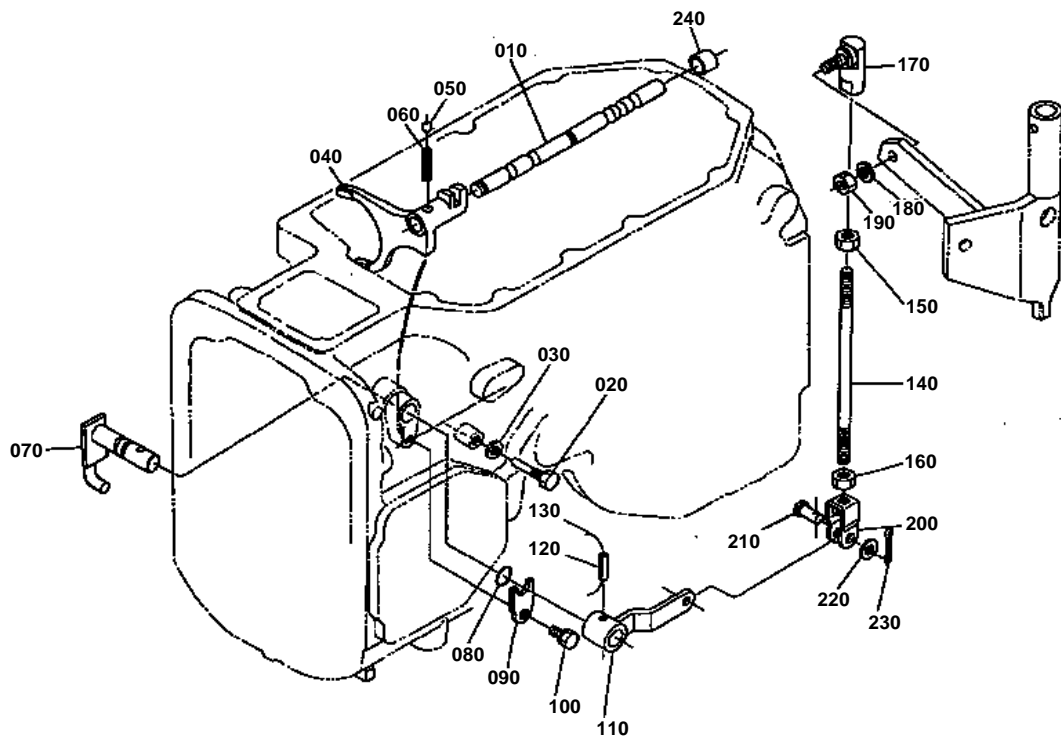


HI-LO SHIFT LEVER

↔ Interchangeable; ≠ not interchangeable; ← new for old; → old for new

REF.No	Part No.	Description	Q'ty	S.No.	I/C	REMARKS	Weight (kgf)	Weight (lb)
010	35828-29932	ASSY BRACKET SHAFT	1				0.26	0.572
020	53931-32520	BUSH TENSION	1				0.005	0.011
030	35828-29950	GUIDE SPEED CHANGE	1				0.16	0.352
040	01123-50830	BOLT	2				0.015	0.033
050	36919-29560	LEVER CONTROL	1				0	0
060	05411-00628	PIN SPRING	1				0.004	0.0088
070	99999-99999	YOUR SUPPLY	1				0	0
080	33251-29620	GRIP	1				0.057	0.1254
090	02172-50140	NUT	1				0.01	0.022
100	35828-29960	LEVER FULCRUM	1				0	0
110	35828-29970	RING FULCRUM	1				0.008	0.0176
120	35828-29980	SHAFT FULCRUM	1				0.34	0.748
130	35828-29990	BOLT FULCRUM	1				0.06	0.132
140	02156-50120	NUT	1				0.01	0.022
150	02112-50120	NUT	1				0.007	0.0154
160	35828-30110	COLLAR THRUST	1				0.011	0.0242
170	35828-30120	COLLAR	1				0.052	0.1144
180	05411-00636	PIN SPRING	1				0.005	0.011
190	36919-30130	ROD	1				0.045	0.099
200	68221-34330	END ROD RH	1				0.1	0.22
210	68221-34310	END ROD LH	1				0.096	0.2112
220	02116-50100	NUT	1				0.004	0.0088
230	32350-28990	NUT	1				0.009	0.0198
240	04512-50100	WASHER SPRING	2				0	0
250	02176-50100	NUT	2				0.005	0.011

HALF SPEED SHIFT LEVER



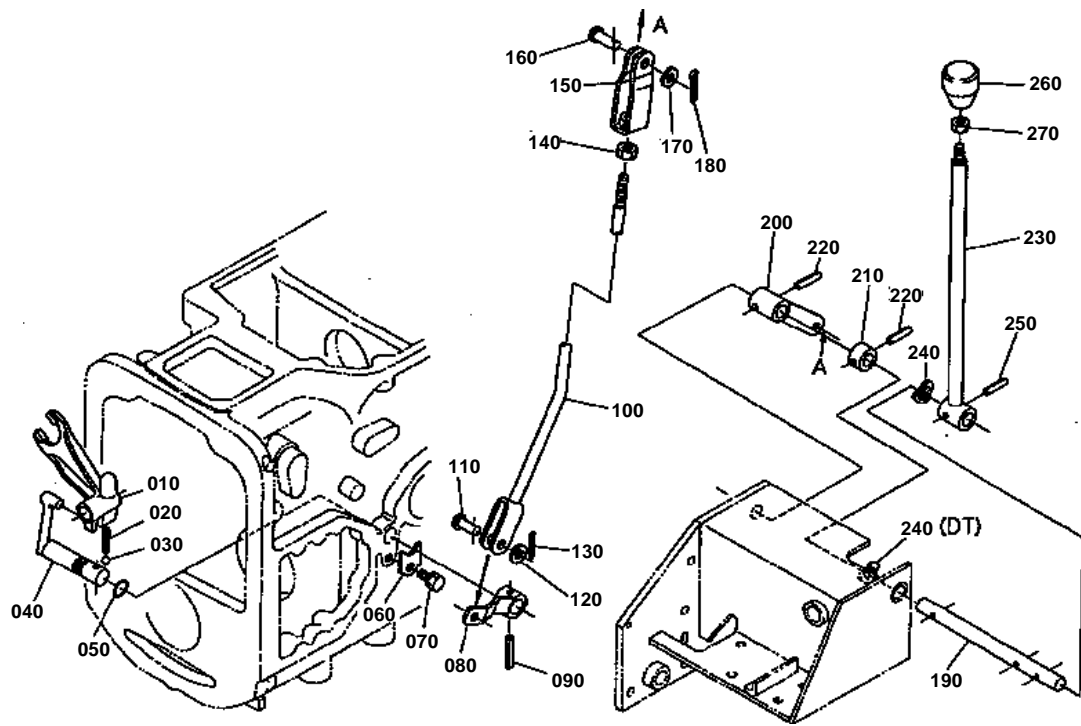


HALF SPEED SHIFT LEVER

↔ Interchangeable; ≠ not interchangeable; ← new for old; → old for new

REF.No	Part No.	Description	Q'ty	S.No.	I/C	REMARKS	Weight (kgf)	Weight (lb)
010	36530-31320	SHAFT FORK	1				0.38	0.836
020	36200-31333	PIN SHIFT BAR	1				0.015	0.033
030	04717-00800	WASHER WITH RUBBER	1				0.001	0.0022
040	36530-31313	FORK SHIFT	1				0	0
050	07715-03211	BALL	1				0.003	0.0066
060	62581-18230	SPRING STOPPER	1				0.01	0.022
070	35860-31430	SHAFT SHIFT LEVER	1				0.28	0.616
080	04811-00150	RING	1				0	0
090	34150-24350	STOPPER LEVER	1				0.01	0.022
100	01123-50816	BOLT	1				0	0
110	36919-31440	LEVER SHIFT	1				0.41	0.902
120	05411-00840	PIN SPRING	1				0.008	0.0176
130	99999-99999	YOUR SUPPLY	1				0	0
140	36919-31450	ROD CREEP HALF	1				0.101	0.2222
150	02116-50100	NUT	1				0.004	0.0088
160	32350-28990	NUT	1				0.009	0.0198
170	68221-34330	END ROD RH	1				0.1	0.22
180	04512-50100	WASHER SPRING	1				0	0
190	02176-50100	NUT	1				0.005	0.011
200	35828-29480	JOINT	1				0.08	0.176
210	05122-51025	PIN JOINT	1				0.017	0.0374
220	04011-50100	WASHER PLAIN	1				0.002	0.0044
230	05511-50318	PIN SPLIT	1				0.001	0.0022
240	35820-80460	COLLAR	1				0.057	0.1254

PTO SHIFT LEVER



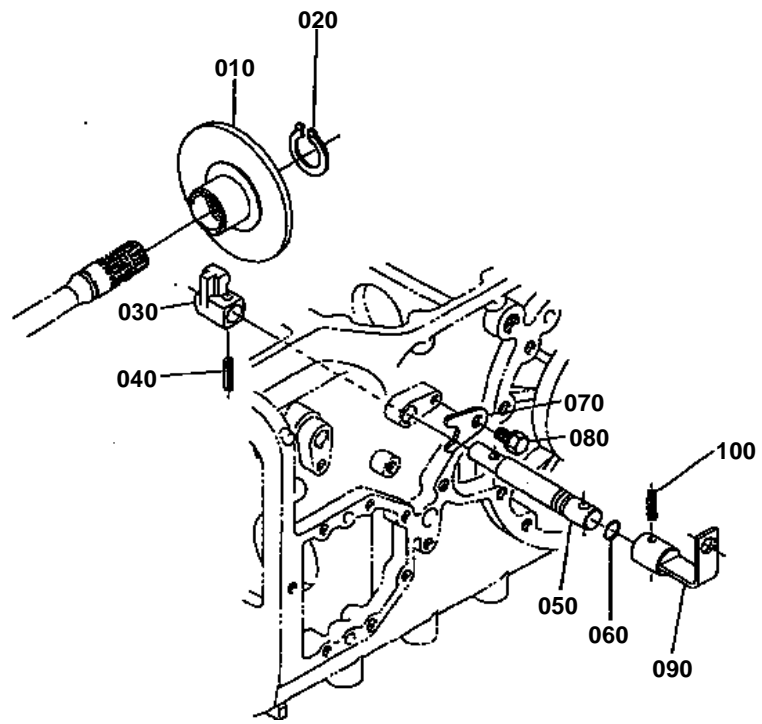


PTO SHIFT LEVER

↔ Interchangeable; ≠ not interchangeable; ← new for old; → old for new

REF.No	Part No.	Description	Q'ty	S.No.	I/C	REMARKS	Weight (kgf)	Weight (lb)
010	36330-80453	FORK SHIFT	1				0.356	0.7832
020	62581-18230	SPRING STOPPER	1				0.01	0.022
030	07715-03211	BALL	1				0.003	0.0066
040	36330-80510	SHAFT SHIFT LEVER	1				0.25	0.55
050	04811-00150	RING	1				0	0
060	34150-24350	STOPPER LEVER	1				0.01	0.022
070	01123-50816	BOLT	1				0	0
080	35828-80520	LEVER SHIFT	1				0.17	0.374
090	05411-00636	PIN SPRING	1				0.005	0.011
100	36919-80530	ROD	1				0.326	0.7172
110	05122-51025	PIN JOINT	1				0.017	0.0374
120	04011-50100	WASHER PLAIN	1				0.002	0.0044
130	05511-50318	PIN SPLIT	1				0.001	0.0022
140	02116-50100	NUT	1				0.004	0.0088
150	38240-24360	JOINT	1				0.08	0.176
160	05122-51025	PIN JOINT	1				0.017	0.0374
170	04011-50100	WASHER PLAIN	1				0.002	0.0044
180	05511-50318	PIN SPLIT	1				0.001	0.0022
190	36919-80580	SHAFT S-CHANGE LEVER	1				0.4	0.88
200	35828-80590	LEVER SPEED CHANGE	1				0.22	0.484
210	35828-30120	COLLAR	1				0.052	0.1144
220	05411-00636	PIN SPRING	2				0.005	0.011
230	36919-80550	LEVER CONTROL	1				0.42	0.924
240	35828-29890	WASHER WAVE	1				0.001	0.0022
250	05411-00636	PIN SPRING	1				0.005	0.011
260	36919-29620	GRIP LEVER	1				0.04	0.088
270	02112-50100	NUT	1				0.004	0.0088

PTO BRAKE



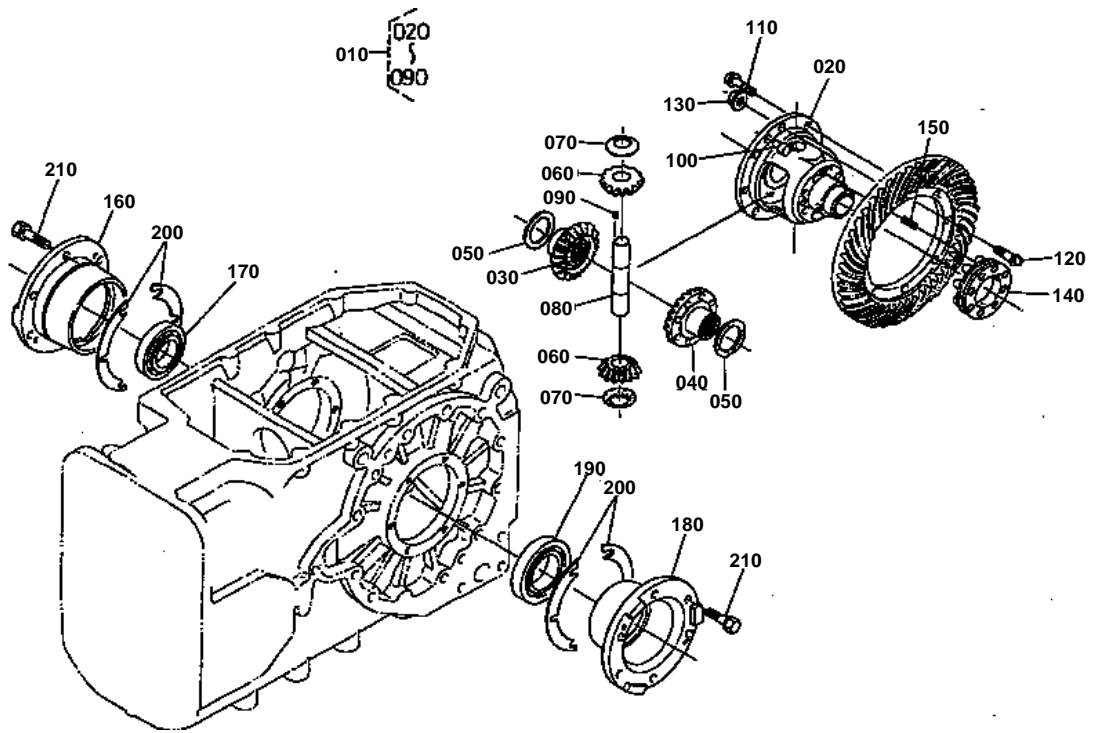


PTO BRAKE

↔ Interchangeable; ≠ not interchangeable; ← new for old; → old for new

REF.No	Part No.	Description	Q'ty	S.No.	I/C	REMARKS	Weight (kgf)	Weight (lb)
010	36330-80612	DISK FRICTION	1				0	0
020	36330-80660	CIR-CLIP EXTERNAL	1				0.02	0.044
030	36330-80640	CAM PTO BRAKE	1				0.1	0.22
040	05411-00425	PIN SPRING	1				0.001	0.0022
050	36330-80620	SHAFT PTO BRAKE	1				0.19	0.418
060	04811-00120	RING	1				0	0
070	36330-80650	STOPPER	1				0.018	0.0396
080	01123-50816	BOLT	1				0	0
090	36330-80630	LEVER PTO BRAKE	1				0.14	0.308
100	05411-00525	PIN SPRING	1				0.002	0.0044

DIFFERENTIAL (REAR)



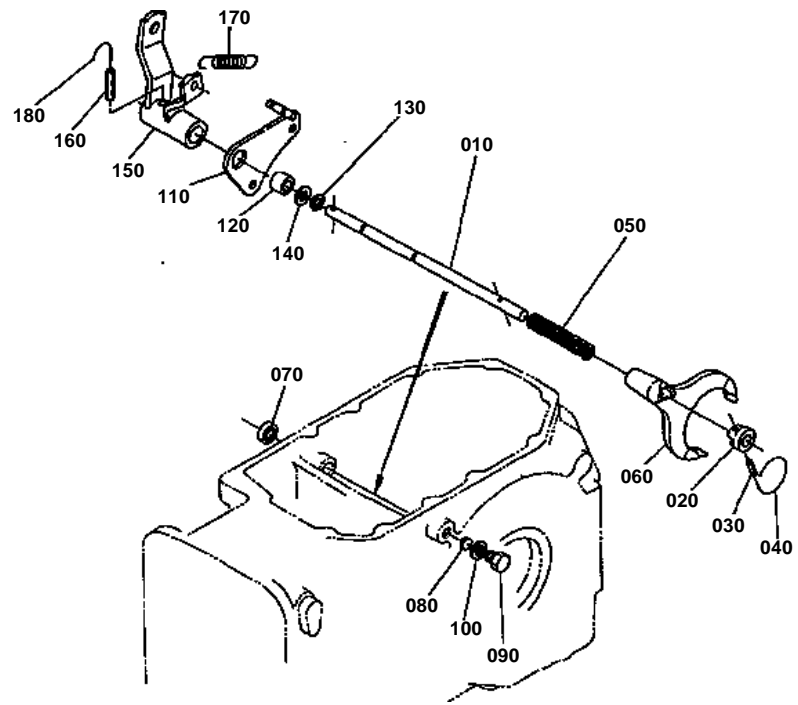


DIFFERENTIAL (REAR)

↔ Interchangeable; ≠ not interchangeable; ← new for old; → old for new

REF.No	Part No.	Description	Q'ty	S.No.	I/C	REMARKS	Weight (kgf)	Weight (lb)
010	36330-32203	ASSY DIFFERENTIAL	1				0	0
020	36330-32714	CASE DIFFERENTIAL	1				4.6	10.12
030	36330-32723	GEAR DIFF.SIDE	1				0.765	1.683
040	36330-32732	GEAR DIFF.SIDE	1				1.05	2.31
050	36330-32780	WASHER SIDE GEAR	2				0	0
050	36330-32790	WASHER SIDE GEAR	2				0.02	0.044
050	36330-32760	WASHER SIDE GEAR	2				0.02	0.044
060	36330-32750	PINION DIFF.	2				0	0
070	36330-32810	WASHER DIFF.PINION	2				0.018	0.0396
080	36330-32770	SHAFT DIFF PINION	1				0	0
090	33251-32820	KEY	1				0.002	0.0044
100	36340-42330	PIN KNOCK	2				0.03	0.066
110	36280-42320	BOLT	6				0.042	0.0924
120	33251-32224	BOLT	2				0.055	0.121
130	36330-32030	NUT UBS	2				0.02	0.044
140	36330-32850	COMP SHIFTER	1				0	0
150	36330-32922	SPRING	4				0.01	0.022
160	36500-32110	SUPPORT DIFF.BEARING	1				0	0
170	08711-30212	BEARING TAPER-ROLLER	1				0.868	1.9096
180	36500-32120	SUPPORT DIFF.BEARING	1				0	0
190	08711-30210	BEARING TAPER-ROLLER	1				0.528	1.1616
200	36200-32130	SHIM	8			0.1MM	0.002	0.0044
200	36200-32140	SHIM	8			0.3MM	0.006	0.0132
200	36200-32150	SHIM	4			0.5MM	0.012	0.0264
210	01133-51035	BOLT	12				0.03	0.066

DIFF.LOCK PEDAL 1

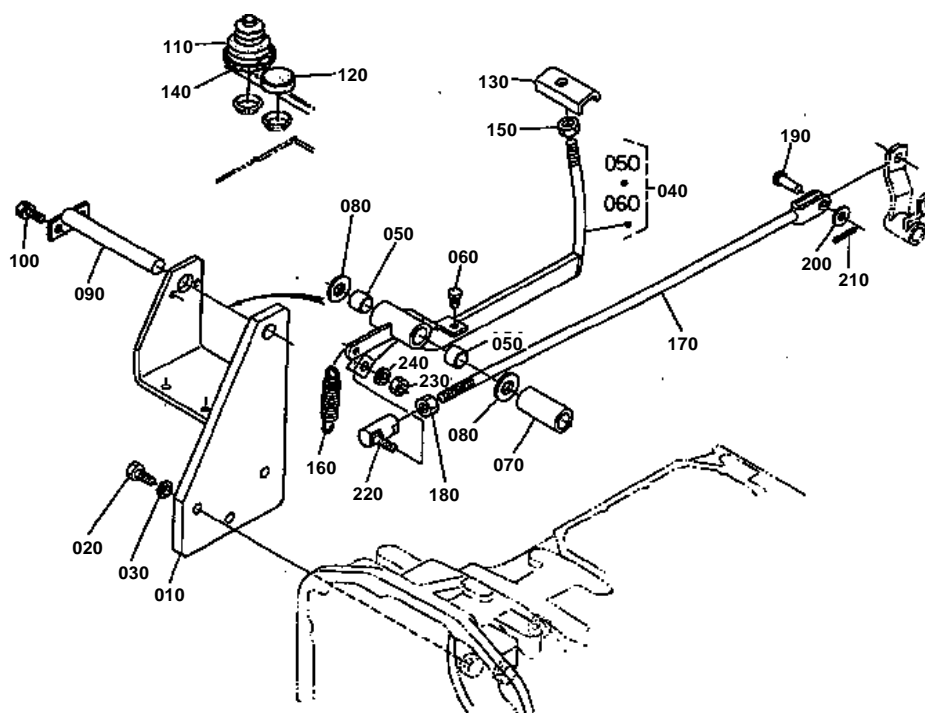


**DIFF.LOCK PEDAL 1**

↔ Interchangeable; ≠ not interchangeable; ← new for old; → old for new

REF.No	Part No.	Description	Q'ty	S.No.	I/C	REMARKS	Weight (kgf)	Weight (lb)
010	36330-33020	SHAFT DIFF.LOCK	1				0.9	1.98
020	36330-32890	CAM DIFF LOCK	1				0.095	0.209
030	05411-00640	PIN SPRING	1				0.006	0.0132
040	99999-99999	YOUR SUPPLY	1				0	0
050	36730-32930	SPRING SHIFT FORK	1				0	0
060	36530-32880	FORK SHIFT	1				1.58	3.476
070	09500-18308	SEAL OIL	1				0.006	0.0132
080	36200-32950	SHIM ADJUSTING	1				0.002	0.0044
080	36330-32970	SHIM ADJUSTING	1				0.001	0.0022
090	06331-35020	PLUG	1				0.068	0.1496
100	04717-02000	WASHER WITH RUBBER	1				0.004	0.0088
110	36330-33000	SUPPORT	1				0.3	0.66
120	36330-33040	BUSH	1				0.003	0.0066
130	04612-00180	CIR-CLIP EXTERNAL	1				0.001	0.0022
140	04011-50180	WASHER PLAIN	1				0.012	0.0264
150	36839-33030	LEVER DIFF.LOCK REAR	1				0.32	0.704
160	05411-00628	PIN SPRING	1				0.004	0.0088
170	36730-33070	SPRING	1				0.04	0.088
180	99999-99999	YOUR SUPPLY	1				0	0

DIFF.LOCK PEDAL 2 (2WD)

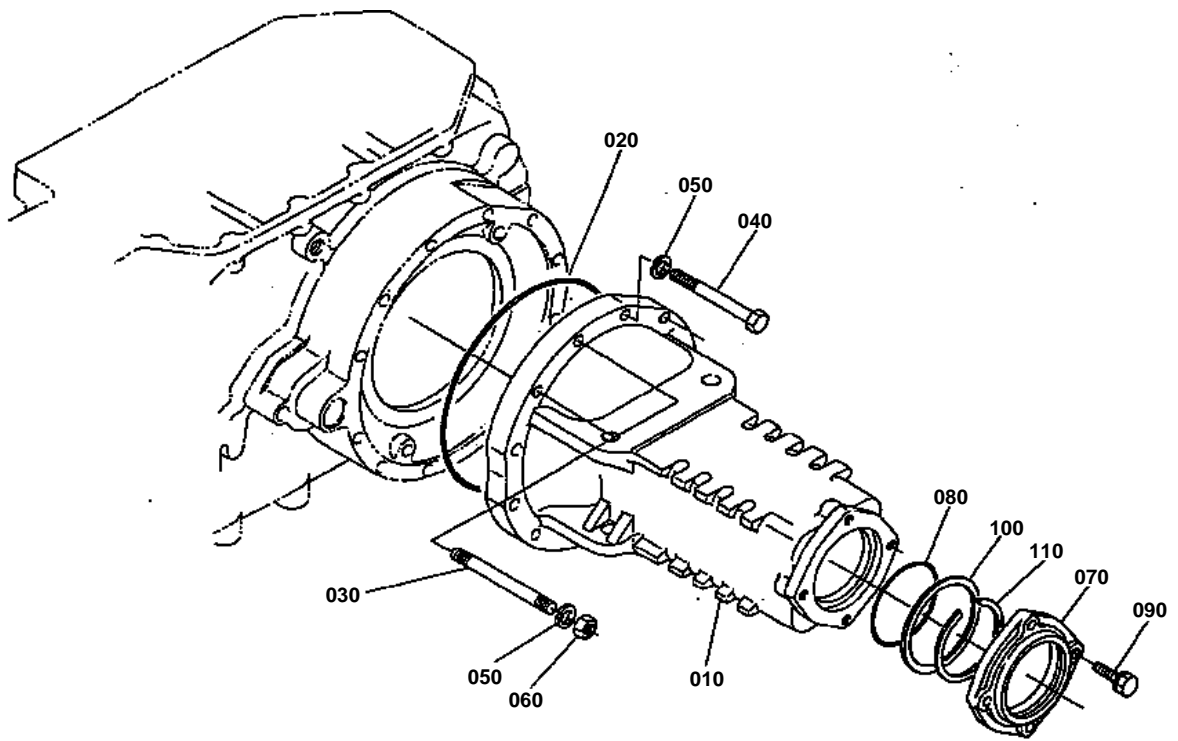


**DIFF.LOCK PEDAL 2 (2WD)**

↔ Interchangeable; ≠ not interchangeable; ← new for old; → old for new

REF.No	Part No.	Description	Q'ty	S.No.	I/C	REMARKS	Weight (kgf)	Weight (lb)
010	36919-32910	SUPPORT DIFF.PEDAL	1				3.36	7.392
020	01173-51230	BOLT	3				0.037	0.0814
030	04512-50120	WASHER SPRING	3				0	0
040	36919-32990	ASSY PEDAL DIFF.LOCK	1				1.08	2.376
050	36330-91380	BUSH	2				0	0
060	63611-52350	RUBBER	1				0.001	0.0022
070	36919-32840	COLLAR	1				0.095	0.209
080	04011-50180	WASHER PLAIN	2				0.012	0.0264
090	36919-33010	SHAFT PEDAL	1				0.31	0.682
100	01123-50814	BOLT	2				0	0
110	55314-15270	COVER SPEED CHANGE	1				0.04	0.088
120	36919-32830	COVER	1				0.02	0.044
130	36919-32960	PLATE PEDAL	1				0.1	0.22
140	36919-56410	BAND HOSE	1				0.005	0.011
150	02172-50120	NUT	1				0.01	0.022
160	36919-33070	SPRING	1				0.04	0.088
170	36919-33060	ROD REAR	1				0.35	0.77
180	02176-50100	NUT	1				0.005	0.011
190	05122-51022	PIN JOINT	1				0.014	0.0308
200	04013-50100	WASHER PLAIN	1				0	0
210	05511-50320	PIN SPLIT	1				0.002	0.0044
220	68221-34330	END ROD RH	1				0.1	0.22
230	02176-50100	NUT	1				0.005	0.011
240	04512-50100	WASHER SPRING	1				0	0

REAR AXLE CASE



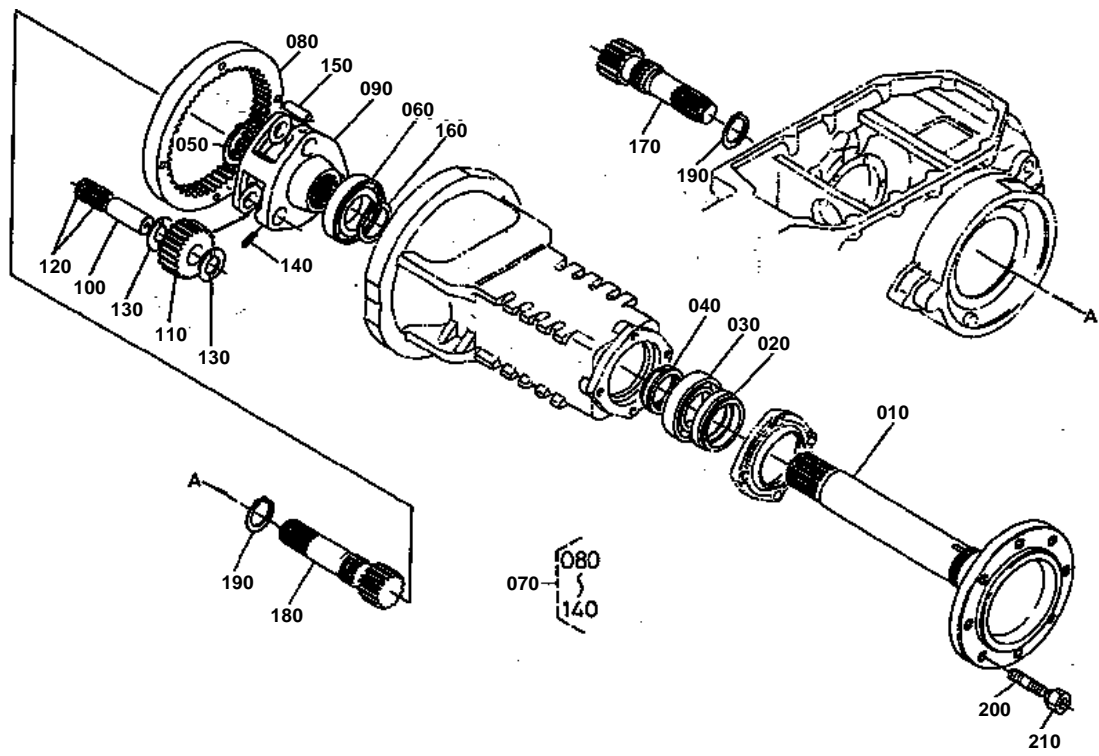


REAR AXLE CASE

↔ Interchangeable; ≠ not interchangeable; ← new for old; → old for new

REF.No	Part No.	Description	Q'ty	S.No.	I/C	REMARKS	Weight (kgf)	Weight (lb)
010	36330-48115	CASE REAR AXLE	2				41	90.2
020	36200-48160	O RING	2				0.006	0.0132
030	36330-48180	STUD	11				0.19	0.418
040	36330-48190	BOLT	13				0.18	0.396
050	04512-50140	WASHER SPRING	24				0	0
060	02176-50140	NUT	11				0.014	0.0308
070	36330-48123	COVER REAR AXLE	2				0	0
080	04811-51200	RING	2				0.004	0.0088
090	01133-51245	BOLT	8				0.055	0.121
100	36830-48280	SPACER	2				0.1	0.22
110	36830-48290	CIR-CLIP EXTERNAL	2				0.02	0.044

REAR AXLE

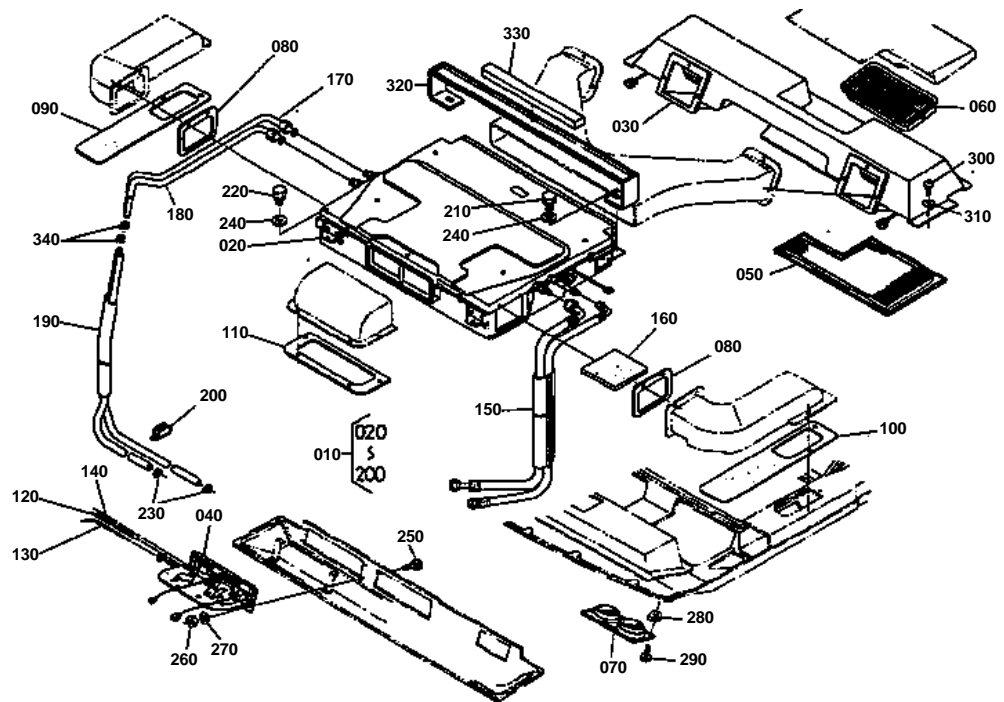


**REAR AXLE**

↔ Interchangeable; ≠ not interchangeable; ← new for old; → old for new

REF.No	Part No.	Description	Q'ty	S.No.	I/C	REMARKS	Weight (kgf)	Weight (lb)
010	35820-48210	AXLE REAR	2				25	55
020	36830-48250	SEAL	2				0.14	0.308
030	08101-06213	BEARING BALL	2				0.97	2.134
040	36330-48270	NUT	2				0.26	0.572
050	04612-00600	CIR-CLIP EXTERNAL	2				0.012	0.0264
060	08101-06212	BEARING BALL	2				0.78	1.716
070	35822-48300	ASSY GEAR PLANETARY	2				0	0
080	35822-48310	GEAR INTERNAL	2			56T	4.3	9.46
090	36330-48340	SUPPORT PLANE.GEAR	2				6.1	13.42
100	36500-48363	PIN PLANETARY GEAR	6				0.4	0.88
110	36500-48320	GEAR PLANETARY	6				1.3	2.86
120	36200-28360	BEARING NEEDLE	12				0.053	0.1166
130	36330-48370	COLLAR THRUST	12				0.02	0.044
140	05411-00825	PIN SPRING	6				0.006	0.0132
150	36200-48410	PIN STRAIGHT	4				0.005	0.011
160	04612-00600	CIR-CLIP EXTERNAL	2				0.012	0.0264
170	36330-48464	SHAFT BRAKE RH	1				2.85	6.27
180	36330-48474	SHAFT BRAKE LH	1				3.05	6.71
190	04612-00550	CIR-CLIP EXTERNAL	2				0.01	0.022
200	35707-49150	STUD	16				0	0
210	33251-49170	NUT	16				0.045	0.099

AIR CONDITIONER 1



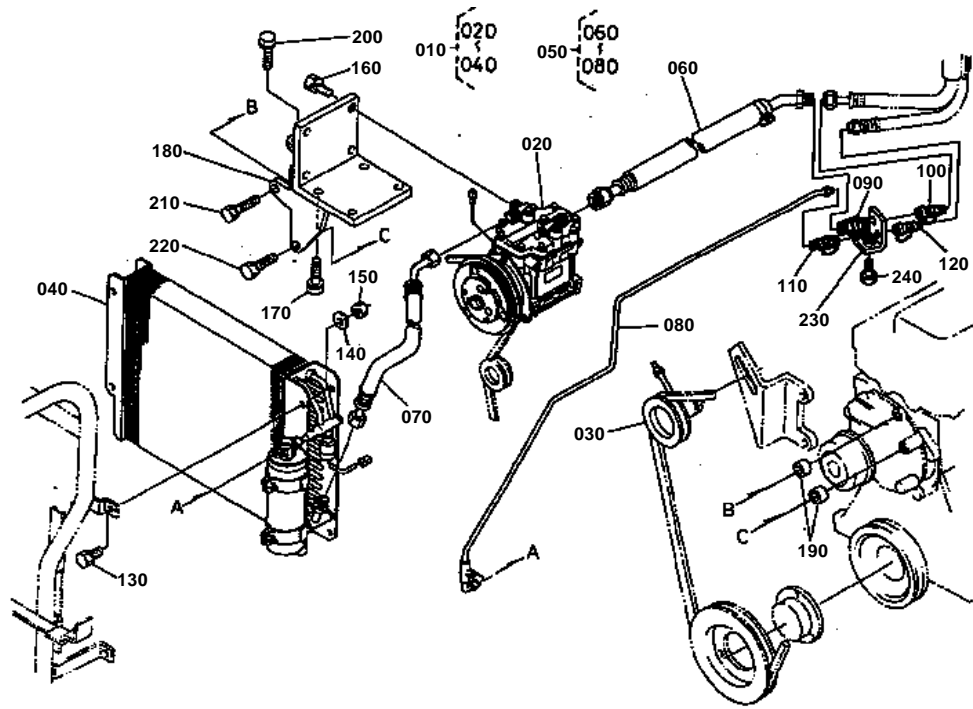


AIR CONDITIONER 1

↔ Interchangeable; ≠ not interchangeable; ← new for old; → old for new

REF.No	Part No.	Description	Q'ty	S.No.	I/C	REMARKS	Weight (kgf)	Weight (lb)
010	35860-50020	UNIT AIR-CONDITION	1				0	0
020	36919-50030	UNIT COOLER	1				0	0
030	36919-50300	UNIT BLOWER	1				7	15.4
040	36919-50080	CONTROLLER	1				1	2.2
050	36919-50320	FILTER AIR	1				0	0
060	36919-50310	FILTER AIR	2				0.4	0.88
070	36919-50290	GRILLE FRONT	2				0.33	0.726
080	36919-50740	GASKET AIR-CON.DUCT	2				0.005	0.011
090	36919-50710	GASKET AIR-CON.DUCT	1				0.02	0.044
100	36919-50720	GASKET AIR-CON.DUCT	1				0.02	0.044
110	36919-50730	GASKET AIR-CON.DUCT	1				0.01	0.022
120	36919-50750	CABLE CONTROL	1				0.05	0.11
130	36919-50760	CABLE CONTROL	1				0.05	0.11
140	36919-50770	CABLE CONTROL	1				0.09	0.198
150	36919-50130	HOSE	1				2.4	5.28
160	36530-50260	INSULATOR	3				0.01	0.022
170	36919-50170	PIPE HEATER IN	1				0.33	0.726
180	36919-50180	PIPE HEATER OUT	1				0.31	0.682
190	36919-50160	HOSE HEATER	1				1.62	3.564
200	36919-50210	CLAMP HOSE	2				0.02	0.044
210	01123-50822	BOLT	2				0.012	0.0264
220	01123-50816	BOLT	2				0	0
230	90038-11150	BAND	2				0.02	0.044
240	04013-50080	WASHER PLAIN	4				0	0
250	03004-50612	SCREW	4				0.005	0.011
260	02056-50060	NUT	4				0.002	0.0044
270	04013-50060	WASHER PLAIN	4				0	0
280	36919-50680	NUT	8				0.006	0.0132
290	36919-50670	SCREW	8				0.002	0.0044
300	03024-50516	SCREW	4				0.004	0.0088
310	04013-50050	WASHER PLAIN	4				0	0
320	36919-56610	SUPPORT OUTER ROOF	1				1.23	2.706
330	36919-56620	CUSHION	1				0.025	0.055
340	36919-50330	BAND HOSE	2				0.005	0.011

AIR CONDITIONER 2

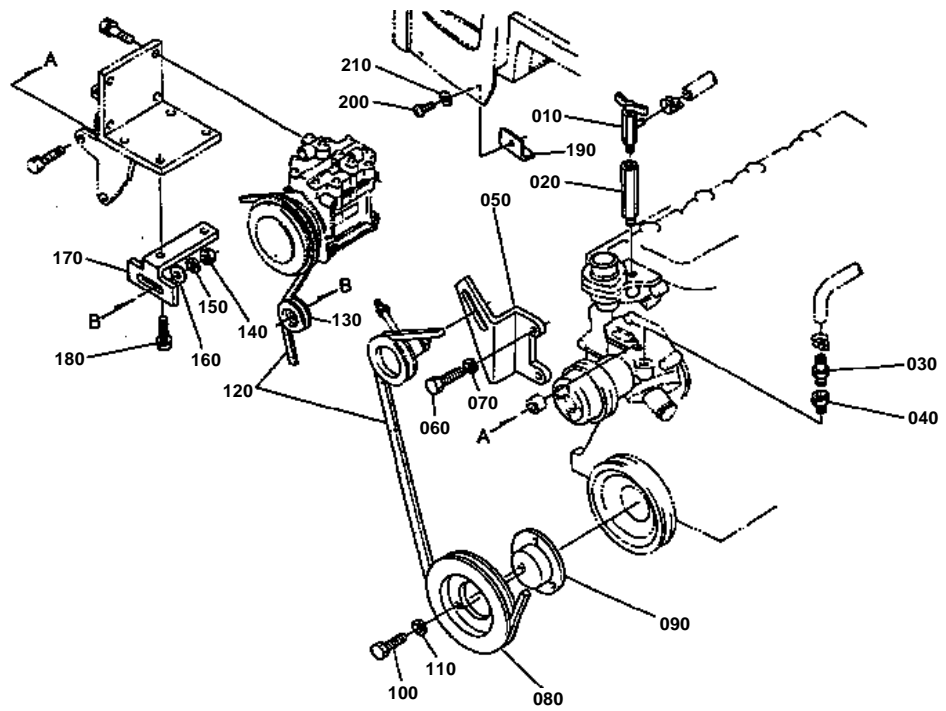


**AIR CONDITIONER 2**

↔ Interchangeable; ≠ not interchangeable; ← new for old; → old for new

REF.No	Part No.	Description	Q'ty	S.No.	I/C	REMARKS	Weight (kgf)	Weight (lb)
010	35860-50060	UNIT AIR-CONDITION	1				0	0
020	36919-50050	COMPRESSOR	1				8	17.6
030	36530-50090	PULLEY TENSION	1				0	0
040	36919-50040	CONDENSER	1				0	0
050	35820-50070	UNIT AIR-CONDITION	1				0	0
060	35820-50150	PIPE LOW PRESSURE	1				0.45	0.99
070	36919-50110	PIPE HIGH PRESSURE	1				0.45	0.99
080	35820-50120	PIPE HIGH PRESSURE	1				0.25	0.55
090	35860-50340	COUPLER HIGH PRESS.	1				0.15	0.33
100	35860-50350	COUPLER HIGH PRESS.	1				0.18	0.396
110	35860-50360	COUPLER LOW PRESSURE	1				0.15	0.33
120	35860-50370	COUPLER LOW PRESSURE	1				0.19	0.418
130	01123-50822	BOLT	4				0.012	0.0264
140	04013-50080	WASHER PLAIN	4				0	0
150	02156-50080	NUT	4				0.004	0.0088
160	01123-50820	BOLT	4				0.011	0.0242
170	01123-50830	BOLT	2				0.015	0.033
180	15481-76153	BRACKET COMPRESSUOR	1				3.2	7.04
190	15481-76160	COLLAR	2				0.015	0.033
200	01056-50828	BOLT	1				0.014	0.0308
210	01076-51060	BOLT	1				0.043	0.0946
220	01076-51070	BOLT	1				0.05	0.11
230	35820-50240	CLAMP HOSE	1				0.405	0.891
240	01123-50820	BOLT	2				0.011	0.0242

AIR CONDITIONER 3

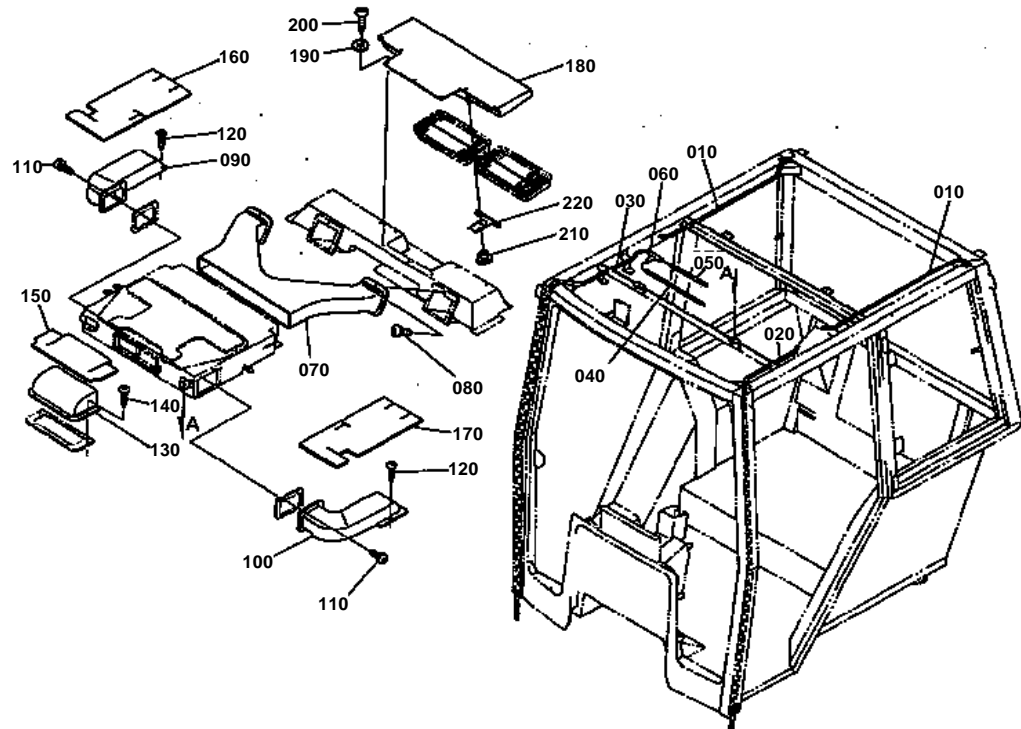


**AIR CONDITIONER 3**

↔ Interchangeable; ≠ not interchangeable; ← new for old; → old for new

REF.No	Part No.	Description	Q'ty	S.No.	I/C	REMARKS	Weight (kgf)	Weight (lb)
010	36530-55220	ASSY VALVE WATER	1				0.11	0.242
020	36530-55300	JOINT PIPE	1				0.22	0.484
030	36530-55240	WATER JOINT	1				0.04	0.088
040	36530-55332	PIPE JOINT	1				0.08	0.176
050	15481-74410	SUPPORT PULLY	1				0	0
060	01073-51060	BOLT	2				0.05	0.11
070	04512-50100	WASHER SPRING	2				0	0
080	15481-76170	PULLEY COMPRESSOR	1				1.77	3.894
090	15481-76180	COLLAR PULLEY	1				0.92	2.024
100	01076-51240	BOLT	3				0.05	0.11
110	04512-50120	WASHER SPRING	3				0	0
120	15481-97010	BELT V	1				0.218	0.4796
130	15481-76210	PULLEY TENSION	1				0.12	0.264
140	02114-50100	NUT	1				0.005	0.011
150	04512-50100	WASHER SPRING	1				0	0
160	04013-50100	WASHER PLAIN	1				0	0
170	15481-76220	SUPPORT PULLY	1				0.5	1.1
180	01123-50840	BOLT	2				0.018	0.0396
190	36919-50383	SUPPORT HOSE	2				0.07	0.154
200	31391-31140	SCREW	4				0.01	0.022
210	32530-18390	WASHER PLAIN	4				0.001	0.0022

AIR CONDITIONER 4



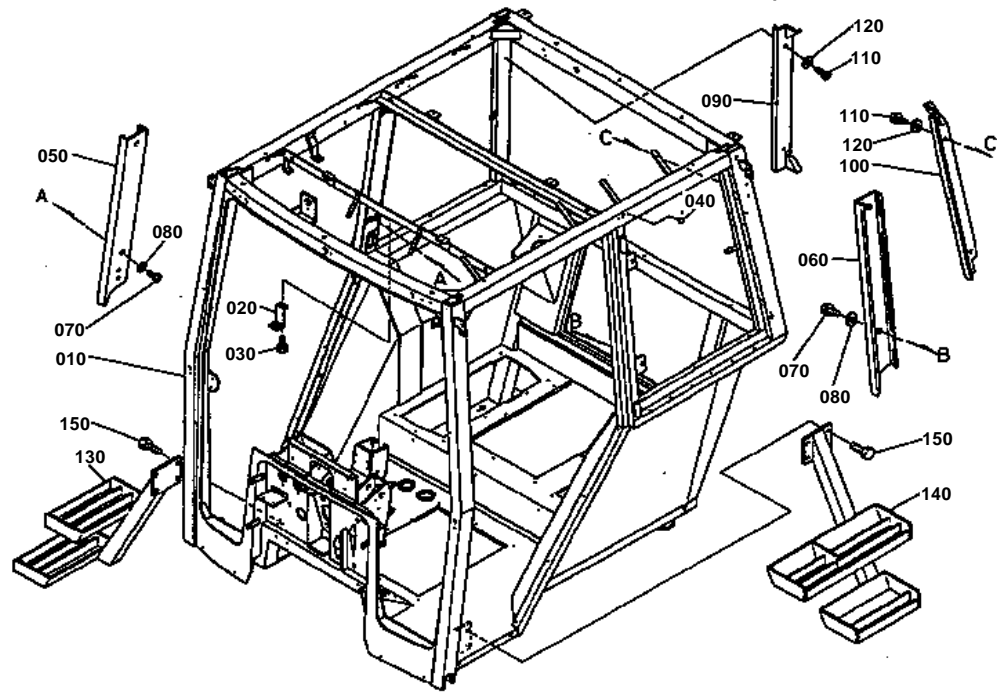


AIR CONDITIONER 4

↔ Interchangeable; ≠ not interchangeable; ← new for old; → old for new

REF.No	Part No.	Description	Q'ty	S.No.	I/C	REMARKS	Weight (kgf)	Weight (lb)
010	36919-50410	HOSE DRAIN	2				0.28	0.616
020	36919-50420	HOSE DRAIN	1				0.25	0.55
030	36919-50430	HOSE DRAIN	1				0.21	0.462
040	36919-50443	HOSE DRAIN	1				0.01	0.022
050	36919-50450	HOSE DRAIN	1				0.02	0.044
060	36919-11130	THREE WAY	1				0.005	0.011
070	36919-50550	DUCT AIR-CON.	1				2.8	6.16
080	03024-50512	SCREW	6				0.003	0.0066
090	36919-50560	DUCT AIR-CON.RH	1				0	0
100	36919-50570	DUCT AIR-CON.LH	1				0	0
110	03024-50512	SCREW	4				0.003	0.0066
120	36919-55950	SCREW	4				0.005	0.011
130	36919-50580	DUCT AIR-CON.	1				0.23	0.506
140	36919-55950	SCREW	4				0.005	0.011
150	36919-50480	PLATE ADIABATIC	1				0.03	0.066
160	36919-50490	PLATE ADIABATIC	1				0.06	0.132
170	36919-50500	PLATE ADIABATIC	1				0.05	0.11
180	36919-56502	BRACKET AIR FILTER	1				0	0
190	04013-50060	WASHER PLAIN	9				0	0
200	03514-50610	SCREW	9				0.003	0.0066
210	02820-00060	NUT KNOB	1				0.012	0.0264
220	36919-50630	PLATE AIR FILTER	1				0.06	0.132

CAB FRAME

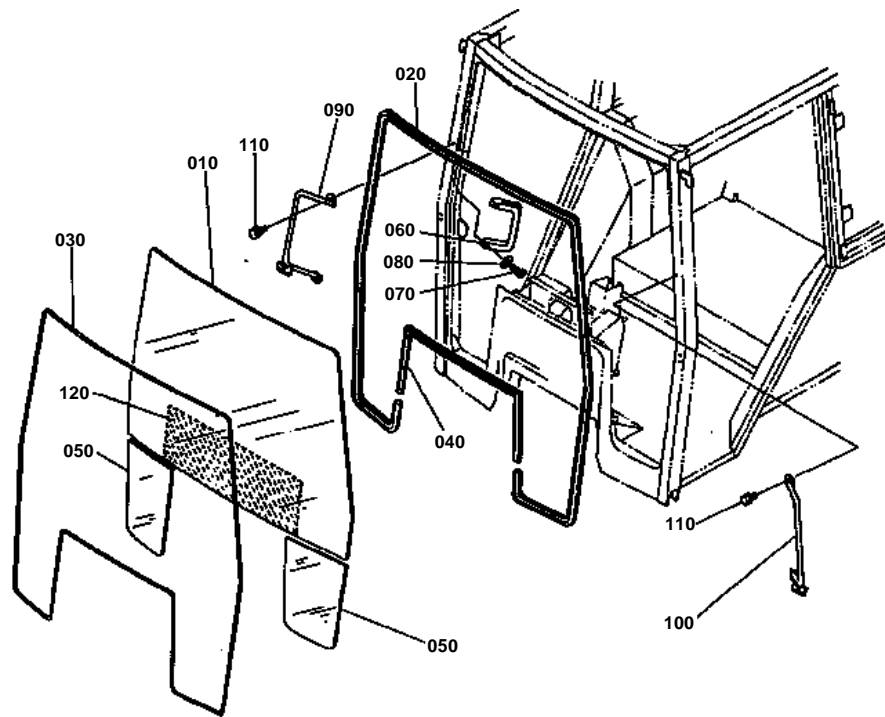


**CAB FRAME**

↔ Interchangeable; ≠ not interchangeable; ← new for old; → old for new

REF.No	Part No.	Description	Q'ty	S.No.	I/C	REMARKS	Weight (kgf)	Weight (lb)
010	36919-52000	ASSY BODY CAB	1				343	754.6
020	36919-52740	STAY INNER ROOF	1				0.03	0.066
030	01202-50616	BOLT	1				0.006	0.0132
040	38240-23300	CLIP BUTTON	12				0.002	0.0044
050	36919-54880	PILLAR CENTER RH	1				0.55	1.21
060	36919-54890	PILLAR CENTER LH	1				0.55	1.21
070	03004-50614	SCREW	4				0.006	0.0132
080	04013-50060	WASHER PLAIN	4				0	0
090	36919-54900	PILLAR REAR RH	1				0	0
100	36919-54910	PILLAR REAR LH	1				0.3	0.66
110	03004-50614	SCREW	4				0.006	0.0132
120	04013-50060	WASHER PLAIN	4				0	0
130	36919-87314	STEP AID RH	1				0	0
140	36919-87323	STEP AID LH	1				0	0
150	01173-51030	BOLT	8				0.023	0.0506

FRONT GLASS



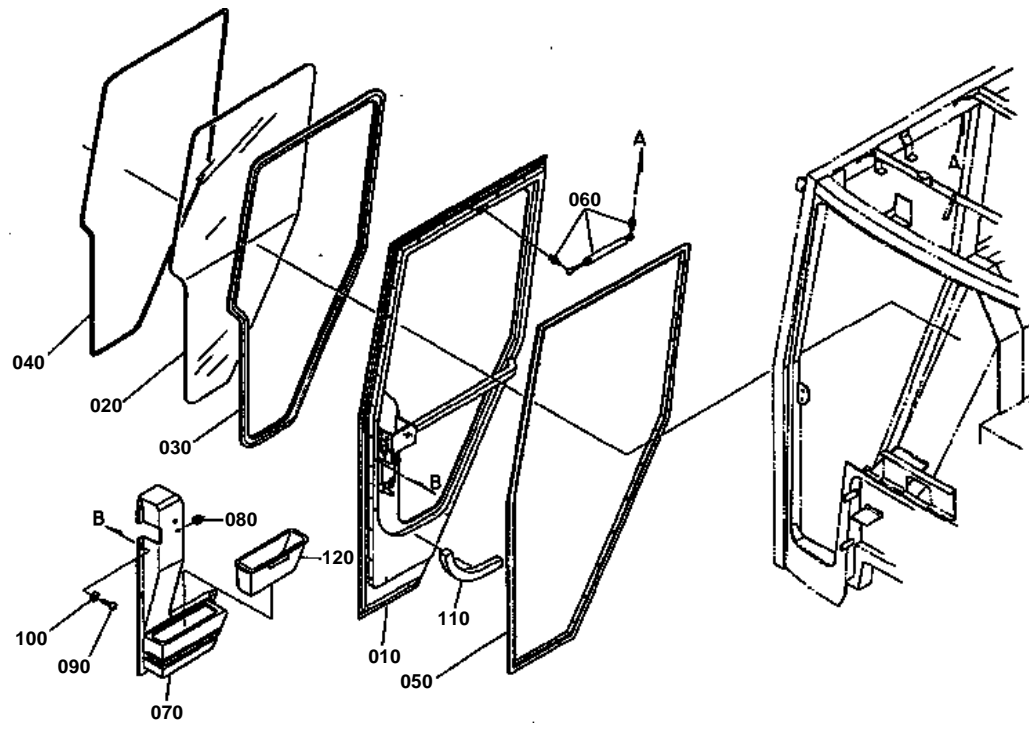


FRONT GLASS

↔ Interchangeable; ≠ not interchangeable; ← new for old; → old for new

REF.No	Part No.	Description	Q'ty	S.No.	I/C	REMARKS	Weight (kgf)	Weight (lb)
010	36919-52900	GLASS FRONT	1				12	26.4
020	36919-52910	RUBBER	1				2.3	5.06
030	36919-52920	RUBBER	1				0.25	0.55
040	36919-52880	RUBBER	1				0.59	1.298
050	36919-52890	GLASS FRONT LOWER	2				1.5	3.3
060	36919-54280	HANDLE INSIDE	2				0.15	0.33
070	03004-50625	SCREW	4				0.006	0.0132
080	04013-50060	WASHER PLAIN	4				0	0
090	36919-54290	HANDLE RH	1				0.64	1.408
100	36919-54300	HANDLE LH	1				0.63	1.386
110	31351-18790	BOLT FLANGE	4				0.007	0.0154
120	36919-56100	LABEL BONNET REAR	1				0.025	0.055

DOOR RH



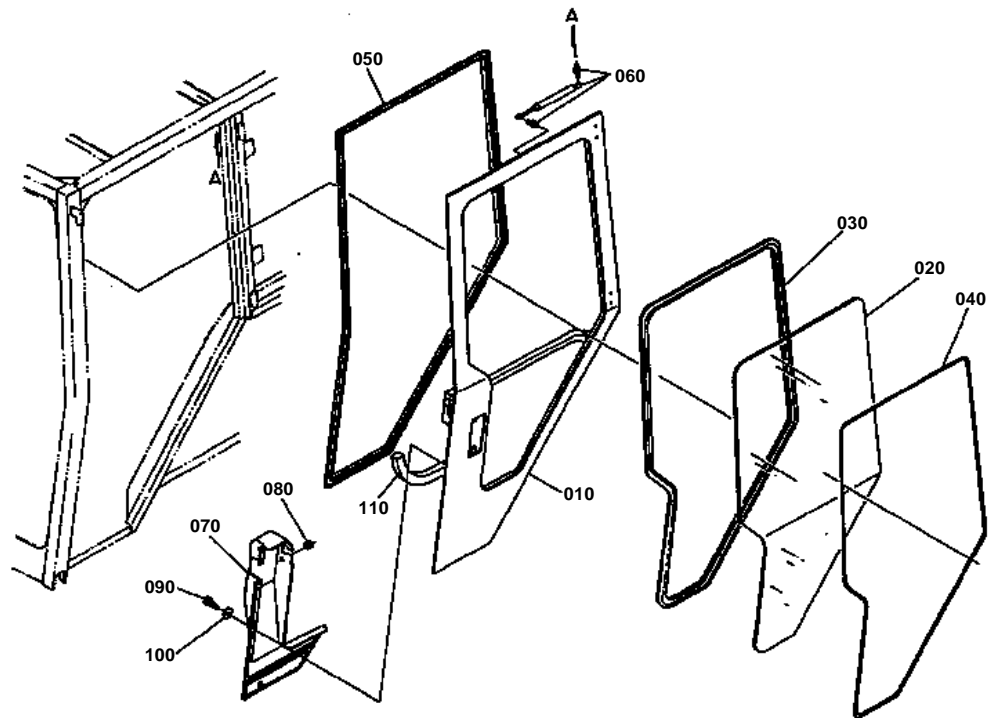


DOOR RH

↔ Interchangeable; ≠ not interchangeable; ← new for old; → old for new

REF.No	Part No.	Description	Q'ty	S.No.	I/C	REMARKS	Weight (kgf)	Weight (lb)
010	36919-53033	COMP BODY DOOR RH	1				0	0
020	36919-53050	GLASS DOOR RH	1				8	17.6
030	36919-53060	RUBBER DOOR	1				1.2	2.64
040	36919-53070	RUBBER DOOR	1				0.17	0.374
050	36919-53092	STRIP WEATHER RH	1				0.5	1.1
060	36919-52872	DUMPER DOOR	1				0	0
070	36919-56183	COVER DOOR REAR RH	1				0.6	1.32
080	36330-87450	RING RUBBER	1				0.001	0.0022
090	03714-50512	SCREW	6				0.002	0.0044
100	04013-50050	WASHER PLAIN	6				0	0
110	36919-56510	SEAL DOOR RH	1				0.03	0.066
120	36919-56203	POCKET DOOR	1				0.18	0.396

DOOR LH



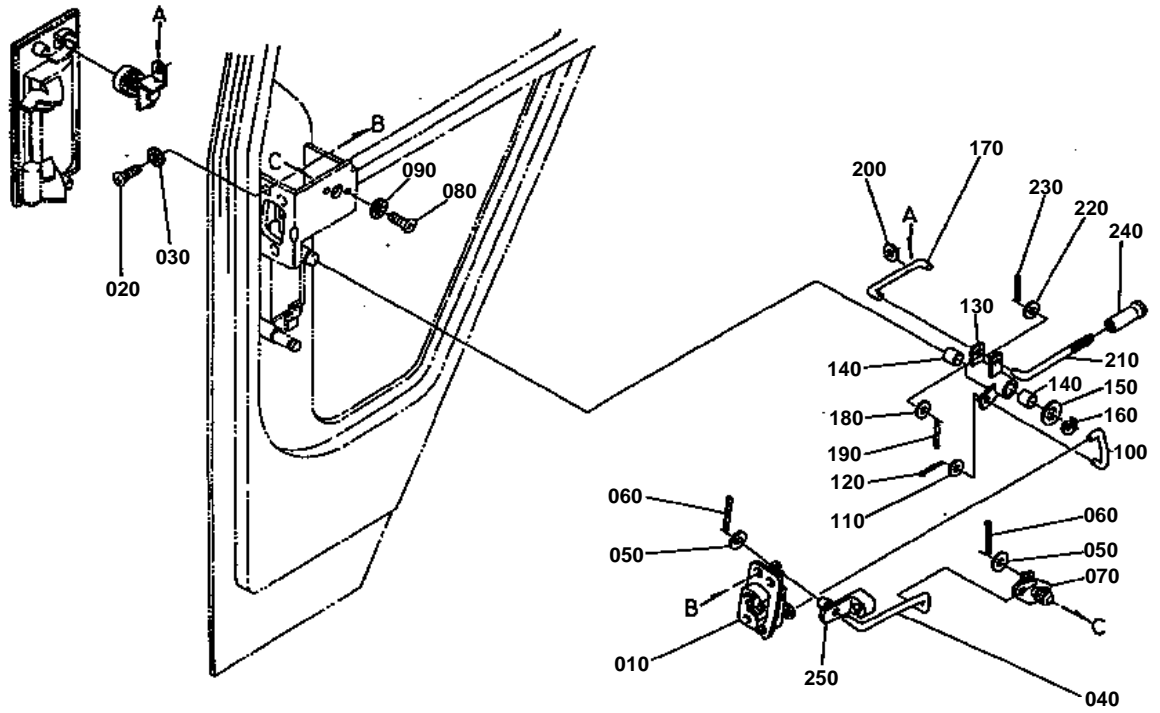


DOOR LH

↔ Interchangeable; ≠ not interchangeable; ← new for old; → old for new

REF.No	Part No.	Description	Q'ty	S.No.	I/C	REMARKS	Weight (kgf)	Weight (lb)
010	36919-53043	COMP BODY DOOR LH	1				0	0
020	36919-53080	GLASS DOOR LH	1				10	22
030	36919-53060	RUBBER DOOR	1				1.2	2.64
040	36919-53070	RUBBER DOOR	1				0.17	0.374
050	36919-53102	STRIP WEATHER LH	1				0.5	1.1
060	36919-52872	DUMPER DOOR	1				0	0
070	36919-56193	COVER DOOR REAR LH	1				0.51	1.122
080	36330-87450	RING RUBBER	1				0.001	0.0022
090	03714-50512	SCREW	6				0.002	0.0044
100	04013-50050	WASHER PLAIN	6				0	0
110	36919-56510	SEAL DOOR RH	1				0.03	0.066

DOOR LOCK RH 1

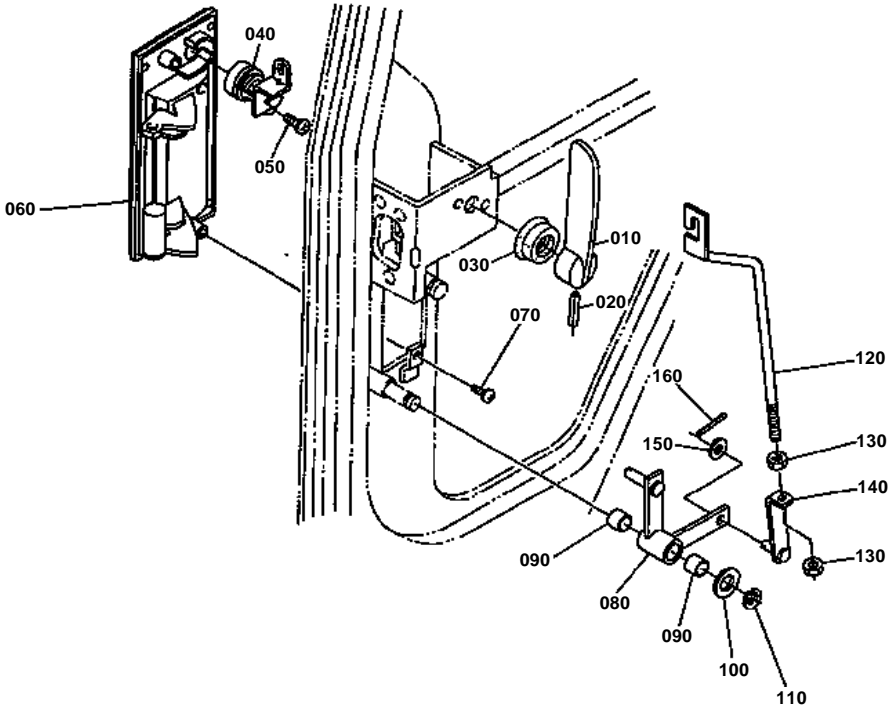


**DOOR LOCK RH 1**

↔ Interchangeable; ≠ not interchangeable; ← new for old; → old for new

REF.No	Part No.	Description	Q'ty	S.No.	I/C	REMARKS	Weight (kgf)	Weight (lb)
010	36530-53130	ASSY LOCK DOOR RH	1				0.35	0.77
020	03016-50616	SCREW	3				0.003	0.0066
030	04412-50060	WASHER	3				0.001	0.0022
040	36919-53140	ROD INSIDE RH	1				0	0
050	04012-50040	WASHER PLAIN	2				0.001	0.0022
060	05511-51210	PIN SPLIT	2				0.001	0.0022
070	36530-53150	ASSY REMOTE INSIDE	1				0.06	0.132
080	03056-50516	SCREW	2				0.024	0.0528
090	04412-50050	WASHER	2				0.001	0.0022
100	36919-53210	ROD KEY RH	1				0	0
110	04012-50040	WASHER PLAIN	1				0.001	0.0022
120	05511-51210	PIN SPLIT	1				0.001	0.0022
130	36919-56210	LEVER KEY RH	1				0.05	0.11
140	68221-35180	BUSH	2				0.003	0.0066
150	04011-50100	WASHER PLAIN	1				0.002	0.0044
160	04613-00080	CIR-CLIP EXTERNAL	1				0.001	0.0022
170	36919-56230	ROD KEY	1				0	0
180	04012-50040	WASHER PLAIN	1				0.001	0.0022
190	05511-51210	PIN SPLIT	1				0.001	0.0022
200	04012-50040	WASHER PLAIN	1				0.001	0.0022
200	04012-50040	WASHER PLAIN	2				0.001	0.0022
210	36919-56242	ROD KEY	1				0	0
220	04012-50040	WASHER PLAIN	1				0.001	0.0022
230	05511-51210	PIN SPLIT	1				0.001	0.0022
240	36919-56252	KNOB KEY LOCK	1				0.004	0.0088
250	36530-53480	END ROD	1				0.002	0.0044

DOOR LOCK RH 2



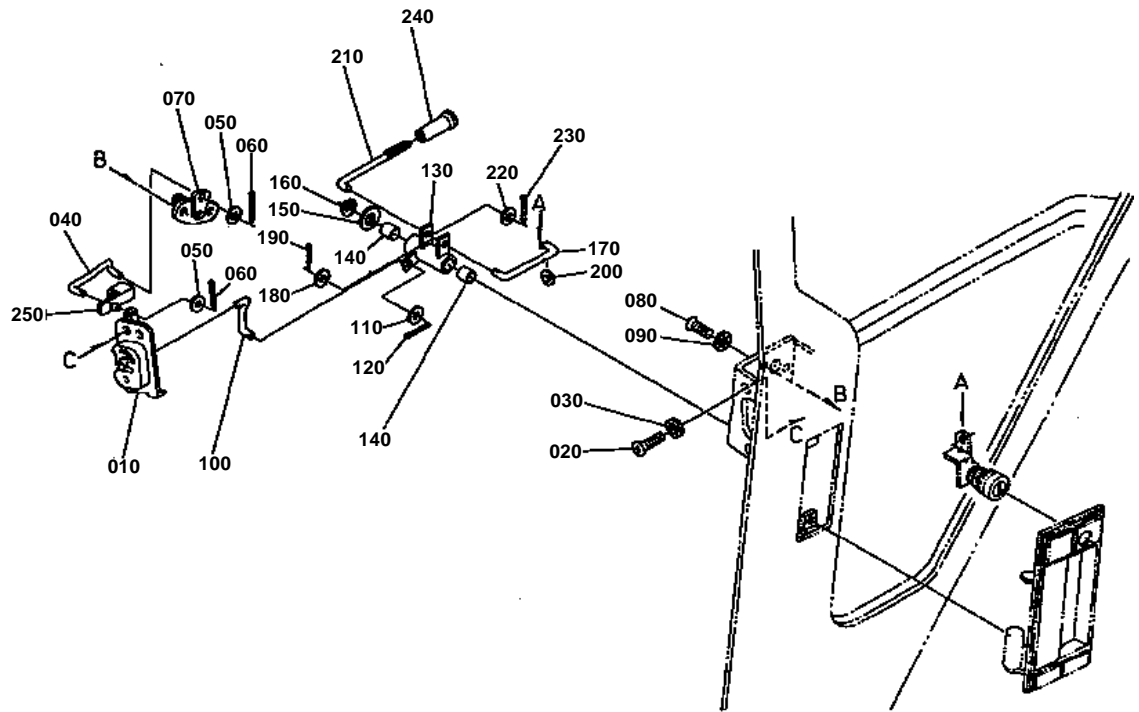


DOOR LOCK RH 2

↔ Interchangeable; ≠ not interchangeable; ← new for old; → old for new

REF.No	Part No.	Description	Q'ty	S.No.	I/C	REMARKS	Weight (kgf)	Weight (lb)
010	36530-53160	HANDLE INSIDE	1				0.08	0.176
020	05411-00316	PIN SPRING	1				0.001	0.0022
030	36919-53180	BOOT INSIDE HANDLE	1				0.002	0.0044
040	36919-53190	ASSY CYLINDER LOCK	1				0.06	0.132
050	03004-50610	SCREW	1				0.004	0.0088
060	36919-53260	ASSY HANDLE OUTER RH	1				0.35	0.77
070	03004-50610	SCREW	2				0.004	0.0088
080	36919-53270	LEVER OUTER RH	1				0.06	0.132
090	68221-35180	BUSH	2				0.003	0.0066
100	04011-50100	WASHER PLAIN	1				0.002	0.0044
110	04613-00080	CIR-CLIP EXTERNAL	1				0.001	0.0022
120	36919-53230	ROD OUTER RH	1				0.05	0.11
130	02012-50060	NUT	2				0	0
140	34150-17390	JOINT ROD	1				0.025	0.055
150	04013-50060	WASHER PLAIN	1				0	0
160	05511-51210	PIN SPLIT	1				0.001	0.0022

DOOR LOCK LH 1



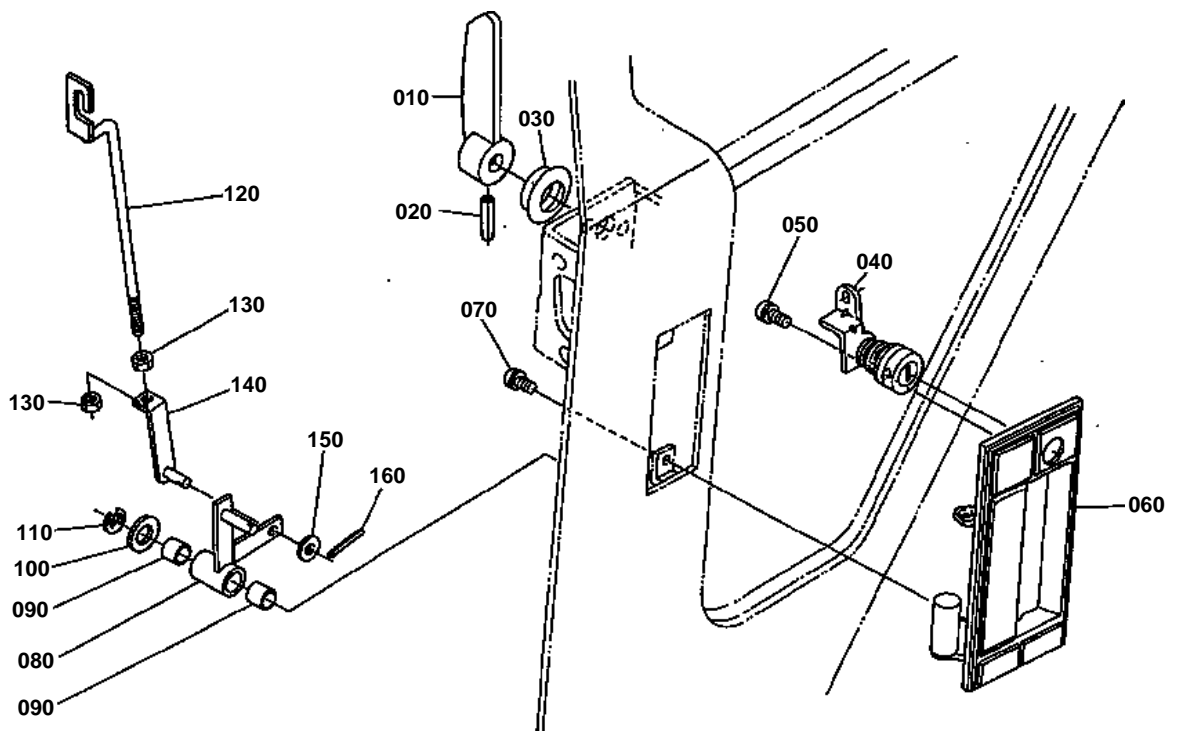


DOOR LOCK LH 1

↔ Interchangeable; ≠ not interchangeable; ← new for old; → old for new

REF.No	Part No.	Description	Q'ty	S.No.	I/C	REMARKS	Weight (kgf)	Weight (lb)
010	36530-53280	ASSY LOCK DOOR LH	1				0.35	0.77
020	03016-50616	SCREW	3				0.003	0.0066
030	04412-50060	WASHER	3				0.001	0.0022
040	36919-53170	ROD INSIDE LH	1				0	0
050	04012-50040	WASHER PLAIN	2				0.001	0.0022
060	05511-51210	PIN SPLIT	2				0.001	0.0022
070	36530-53290	ASSY REMOTE INSIDE	1				0.07	0.154
080	03056-50516	SCREW	2				0.024	0.0528
090	04412-50050	WASHER	2				0.001	0.0022
100	36919-53310	ROD KEY LH	1				0	0
110	04012-50040	WASHER PLAIN	1				0.001	0.0022
120	05511-51210	PIN SPLIT	1				0.001	0.0022
130	36919-56220	LEVER KEY LH	1				0.05	0.11
140	68221-35180	BUSH	2				0.003	0.0066
150	04011-50100	WASHER PLAIN	1				0.002	0.0044
160	04613-00080	CIR-CLIP EXTERNAL	1				0.001	0.0022
170	36919-56230	ROD KEY	1				0	0
180	04012-50040	WASHER PLAIN	1				0.001	0.0022
190	05511-51210	PIN SPLIT	1				0.001	0.0022
200	04012-50040	WASHER PLAIN	1				0.001	0.0022
200	04012-50040	WASHER PLAIN	2				0.001	0.0022
210	36919-56242	ROD KEY	1				0	0
220	04012-50040	WASHER PLAIN	1				0.001	0.0022
230	05511-51210	PIN SPLIT	1				0.001	0.0022
240	36919-56252	KNOB KEY LOCK	1				0.004	0.0088
250	36530-53480	END ROD	1				0.002	0.0044

DOOR LOCK LH 2



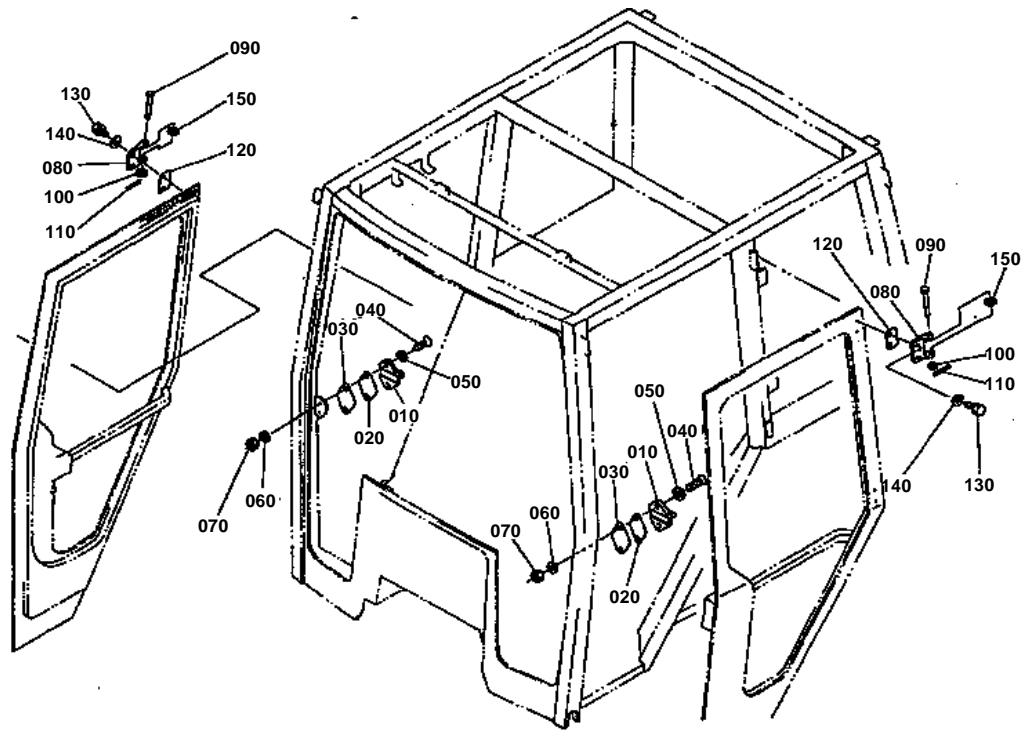


DOOR LOCK LH 2

↔ Interchangeable; ≠ not interchangeable; ← new for old; → old for new

REF.No	Part No.	Description	Q'ty	S.No.	I/C	REMARKS	Weight (kgf)	Weight (lb)
010	36530-53160	HANDLE INSIDE	1				0.08	0.176
020	05411-00316	PIN SPRING	1				0.001	0.0022
030	36919-53180	BOOT INSIDE HANDLE	1				0.002	0.0044
040	36919-53300	ASSY CYLINDER LOCK	1				0.01	0.022
050	03004-50610	SCREW	1				0.004	0.0088
060	36919-53320	ASSY HANDLE OUTER LH	1				0.35	0.77
070	03004-50610	SCREW	2				0.004	0.0088
080	36919-53250	LEVER OUTER LH	1				0.06	0.132
090	68221-35180	BUSH	2				0.003	0.0066
100	04011-50100	WASHER PLAIN	1				0.002	0.0044
110	04613-00080	CIR-CLIP EXTERNAL	1				0.001	0.0022
120	36919-53330	ROD OUTER LH	1				0.05	0.11
130	02012-50060	NUT	2				0	0
140	34150-17390	JOINT ROD	1				0.025	0.055
150	04013-50060	WASHER PLAIN	1				0	0
160	05511-51210	PIN SPLIT	1				0.001	0.0022

DOOR HINGE



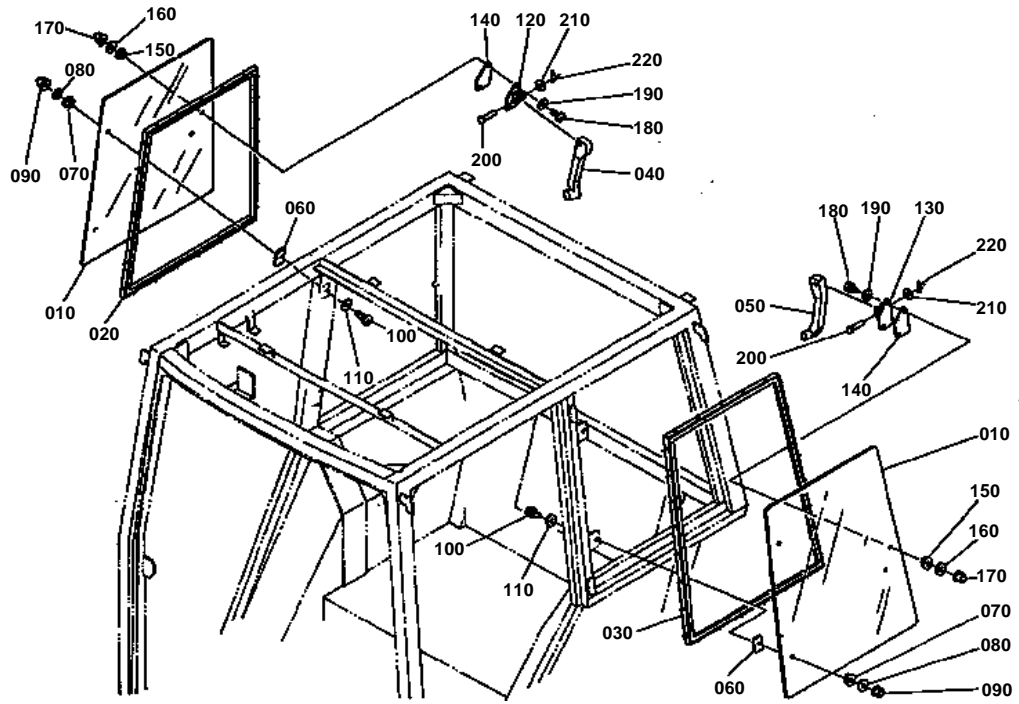


DOOR HINGE

↔ Interchangeable; ≠ not interchangeable; ← new for old; → old for new

REF.No	Part No.	Description	Q'ty	S.No.	I/C	REMARKS	Weight (kgf)	Weight (lb)
010	36530-53400	STRIKER DOOR LOCK	2				0.08	0.176
020	36530-53420	SHIM DOOR LOCK	4				0.02	0.044
030	36919-53420	SHIM DOOR LOCK	2				0.008	0.0176
040	03016-50825	SCREW	4				0.01	0.022
050	04412-50080	WASHER	4				0.001	0.0022
060	04512-50080	WASHER SPRING	4				0	0
070	02114-50080	NUT	4				0.005	0.011
080	36919-53444	HINGE DOOR	4				0.3	0.66
090	05122-51085	PIN JOINT	4				0.052	0.1144
100	04013-50100	WASHER PLAIN	4				0	0
110	05511-50318	PIN SPLIT	4				0.001	0.0022
120	36919-56280	SHIM DOOR HINGE	6				0.018	0.0396
130	36919-56270	BOLT	8				0.016	0.0352
140	36919-54090	WASHER PLAIN	8				0.002	0.0044
150	36919-53460	COLLAR NYLON	4				0.001	0.0022

SIDE WINDOW



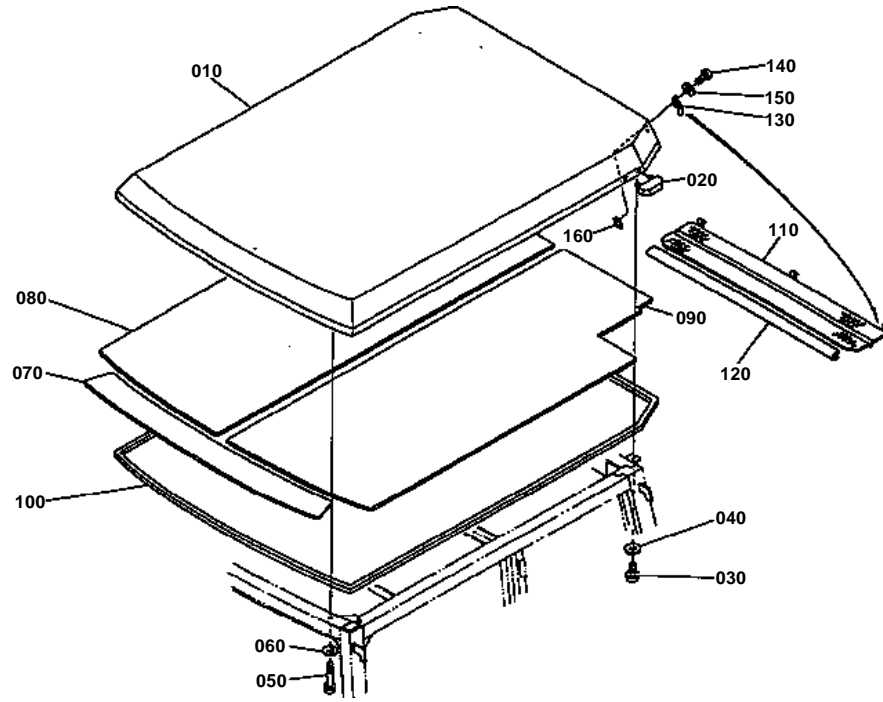


SIDE WINDOW

↔ Interchangeable; ≠ not interchangeable; ← new for old; → old for new

REF.No	Part No.	Description	Q'ty	S.No.	I/C	REMARKS	Weight (kgf)	Weight (lb)
010	36919-53510	GLASS SIDE WINDOW	2				5	11
020	36919-53562	STRIP WEATHER RH	1				0.9	1.98
030	36919-53572	STRIP WEATHER LH	1				0.9	1.98
040	36919-53580	HANDLE SIDE RH	1				0.065	0.143
050	36919-53590	HANDLE SIDE LH	1				0.06	0.132
060	36919-53600	GASKET HINGE	4				0.008	0.0176
070	36919-53552	GASKET	4				0.002	0.0044
080	36919-53502	COLLAR	4				0.01	0.022
090	36919-53380	NUT CAP	4				0.01	0.022
100	36919-54080	SCREW	4				0.005	0.011
110	36919-54090	WASHER PLAIN	4				0.002	0.0044
120	36919-53470	BRACKET SIDE HANDLE	1				0.16	0.352
130	36919-53480	BRACKET SIDE HANDLE	1				0.16	0.352
140	36919-53490	GASKET	2				0.018	0.0396
150	36919-53552	GASKET	4				0.002	0.0044
160	36919-53502	COLLAR	4				0.01	0.022
170	36919-53380	NUT CAP	4				0.01	0.022
180	36919-54080	SCREW	4				0.005	0.011
190	36919-54090	WASHER PLAIN	4				0.002	0.0044
200	05122-50830	PIN JOINT	2				0.014	0.0308
210	04013-50080	WASHER PLAIN	2				0	0
220	05515-50800	PIN SNAP	2				0	0

OUTER ROOF



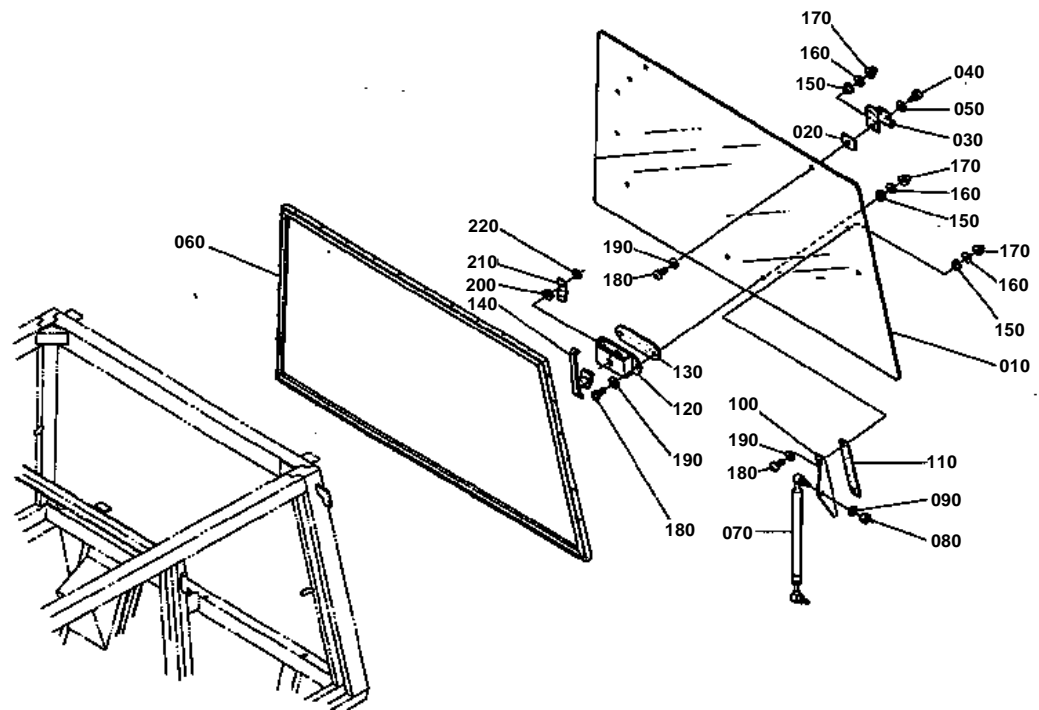


OUTER ROOF

↔ Interchangeable; ≠ not interchangeable; ← new for old; → old for new

REF.No	Part No.	Description	Q'ty	S.No.	I/C	REMARKS	Weight (kgf)	Weight (lb)
010	35860-53610	COMP ROOF OUTER	1				25	55
020	36330-83670	CUSHION	1				0.006	0.0132
030	01023-50620	BOLT	2				0.006	0.0132
040	04013-50060	WASHER PLAIN	2				0	0
050	36919-56350	SCREW	3				0.018	0.0396
060	32530-18390	WASHER PLAIN	3				0.001	0.0022
070	36919-56310	INSULATION HEAT	1				0.058	0.1276
080	36919-50460	INSULATION HEAT	1				0.42	0.924
090	36919-50470	INSULATION HEAT	1				0.44	0.968
100	36919-53680	GASKET	1				0	0
110	35860-56320	COVER OUTER ROOF	1				0.75	1.65
120	36919-56390	CUSHION	1				0.07	0.154
130	36919-56330	HOOK	3				0.03	0.066
140	03054-50310	SCREW PAN HEAD	6				0.005	0.011
150	04512-50030	WASHER SPRING	6				0.001	0.0022
160	36919-56340	NUT	3				0.007	0.0154

REAR WINDOW 1



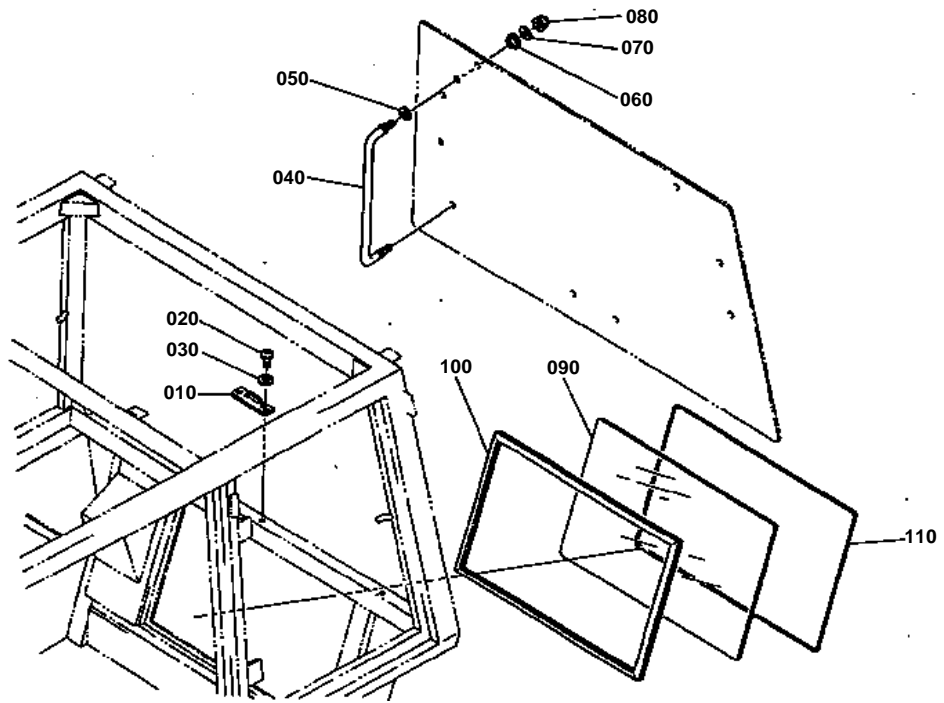


REAR WINDOW 1

↔ Interchangeable; ≠ not interchangeable; ← new for old; → old for new

REF.No	Part No.	Description	Q'ty	S.No.	I/C	REMARKS	Weight (kgf)	Weight (lb)
010	36919-53740	GLASS REAR WINDOW	1				14	30.8
020	36919-53722	GASKET	2				0.015	0.033
030	36919-53710	HOLDER	2				0.4	0.88
040	36919-56270	BOLT	4				0.016	0.0352
050	36919-54090	WASHER PLAIN	4				0.002	0.0044
060	36919-53902	STRIP REAR WEATHER	1				0.48	1.056
070	36919-53770	DUMPER REAR	2				0.4	0.88
080	02156-50080	NUT	2				0.004	0.0088
090	04512-50080	WASHER SPRING	2				0	0
100	36919-53920	BRACKET DUMPER	2				0.26	0.572
110	36919-53940	GASKET BRACKET	2				0.022	0.0484
120	36919-53822	BRACKET HANDLE	1				0.62	1.364
130	36919-53690	GASKET BRACKET	1				0.031	0.0682
140	36919-53830	HANDLE REAR WINDOW	1				0.4	0.88
150	36919-53702	GASKET	8				0.003	0.0066
160	36919-53502	COLLAR	8				0.01	0.022
170	36919-53380	NUT CAP	8				0.01	0.022
180	36919-53670	SCREW	8				0.017	0.0374
190	36919-54090	WASHER PLAIN	8				0.002	0.0044
200	36919-56380	WASHER WAVE	1				0.002	0.0044
210	36919-53842	STOPPER REAR WINDOW	1				0.06	0.132
220	04013-50060	WASHER PLAIN	1				0	0

REAR WINDOW 2



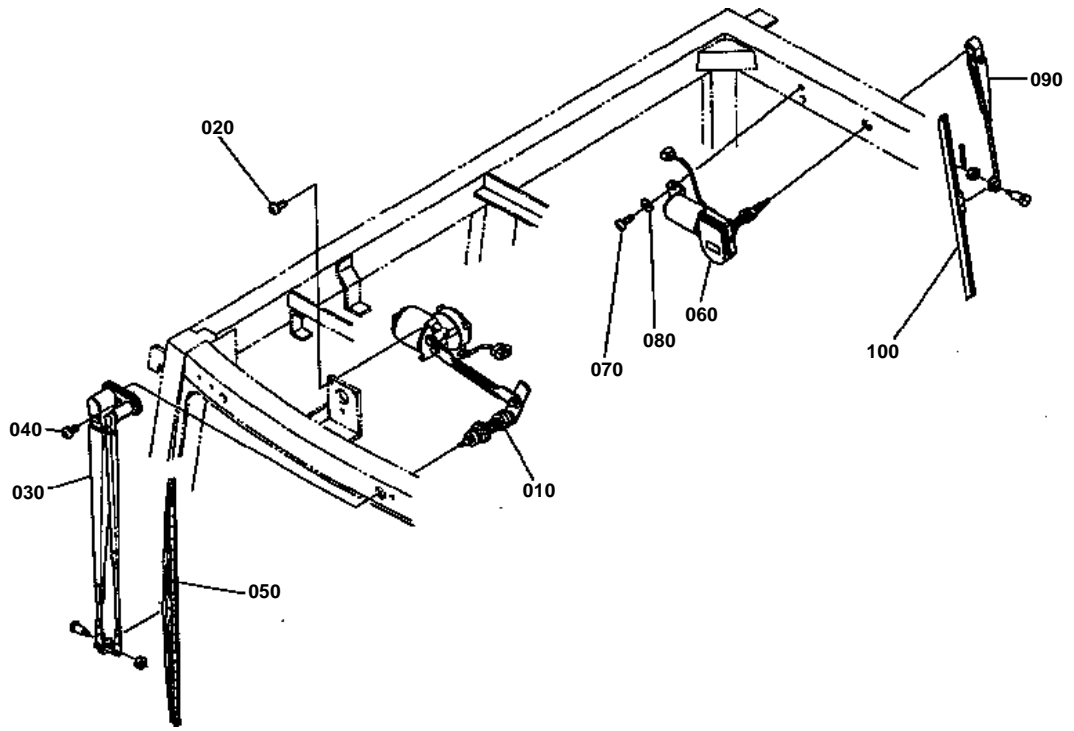


REAR WINDOW 2

↔ Interchangeable; ≠ not interchangeable; ← new for old; → old for new

REF.No	Part No.	Description	Q'ty	S.No.	I/C	REMARKS	Weight (kgf)	Weight (lb)
010	36919-53850	RETAINER REAR WINDOW	1				0.11	0.242
020	31391-31140	SCREW	2				0.01	0.022
030	32530-18390	WASHER PLAIN	2				0.001	0.0022
040	36919-53370	HANDLE REAR WINDOW	1				0.5	1.1
050	36919-53630	GASKET	2				0.001	0.0022
060	36919-53702	GASKET	2				0.003	0.0066
070	36919-53502	COLLAR	2				0.01	0.022
080	36919-53380	NUT CAP	2				0.01	0.022
090	35860-53790	GLASS REAR WINDOW	1				5	11
100	35860-53800	RUBBER	1				0.65	1.43
110	35860-53810	RUBBER	1				0.1	0.22

WIPER



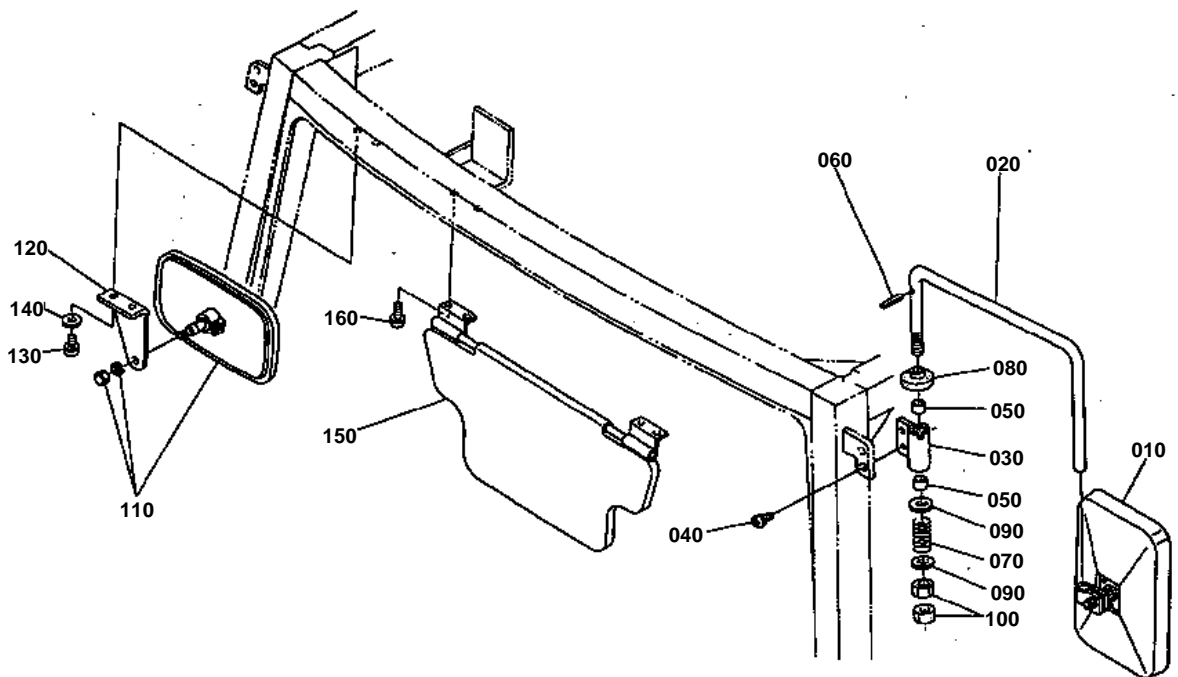


WIPER

↔ Interchangeable; ≠ not interchangeable; ← new for old; → old for new

REF.No	Part No.	Description	Q'ty	S.No.	I/C	REMARKS	Weight (kgf)	Weight (lb)
010	36919-53980	MOTOR FRONT WIPER	1				0	0
020	03024-50516	SCREW	3				0.004	0.0088
030	36919-54000	ARM FRONT WIPER	1				0.7	1.54
040	31391-31140	SCREW	1				0.01	0.022
050	36919-54010	BLADE FRONT WIPER	1				0.1	0.22
060	36919-55780	MOTOR REAR WIPER	1				1.3	2.86
070	03024-50516	SCREW	2				0.004	0.0088
080	04013-50050	WASHER PLAIN	2				0	0
090	36919-54160	ARM REAR WIPER	1				0	0
100	36919-54170	BLADE REAR WIPER	1				0.08	0.176

MIRROR



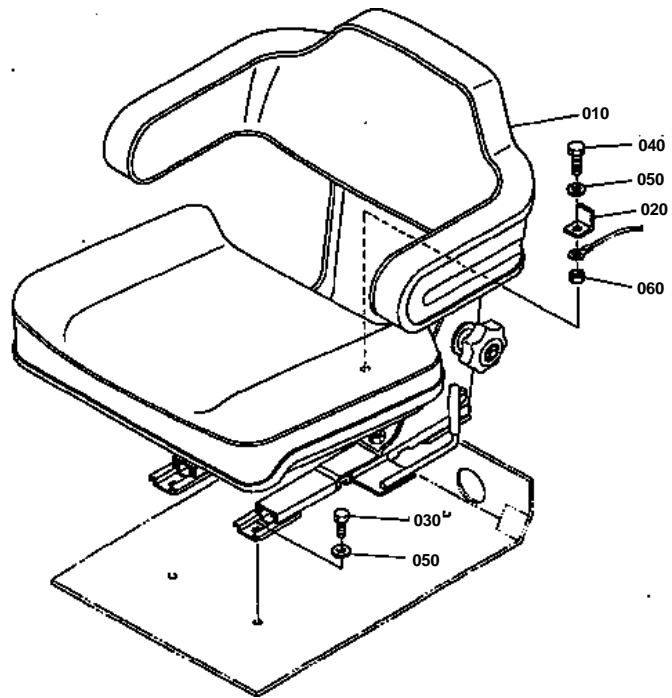


MIRROR

↔ Interchangeable; ≠ not interchangeable; ← new for old; → old for new

REF.No	Part No.	Description	Q'ty	S.No.	I/C	REMARKS	Weight (kgf)	Weight (lb)
010	36919-53340	ASSY MIRROR REARVIEW	1				0.36	0.792
020	36919-53360	STAY REARVIEW MIRROR	1				0.75	1.65
030	36919-53870	HOLDER MIRROR	1				0	0
040	36919-56560	SCREW	2				0.012	0.0264
050	68021-62210	BUSH	2				0.004	0.0088
060	05411-00625	PIN SPRING	1				0.004	0.0088
070	36919-53880	SPRING	1				0.022	0.0484
080	36919-53890	CAP RUBBER	1				0.005	0.011
090	36919-56550	WASHER PLAIN	2				0.01	0.022
100	36919-56540	NUT	2				0.014	0.0308
110	36919-54200	MIRROR ROOM	1				0.24	0.528
120	36919-54070	STAY ROOM MIRROR	1				0.21	0.462
130	31391-31140	SCREW	2				0.01	0.022
140	32530-18390	WASHER PLAIN	2				0.001	0.0022
150	36919-54230	VISOR SUN	1				0	0
160	36919-56590	SCREW	4				0.003	0.0066

SEAT (STANDARD)



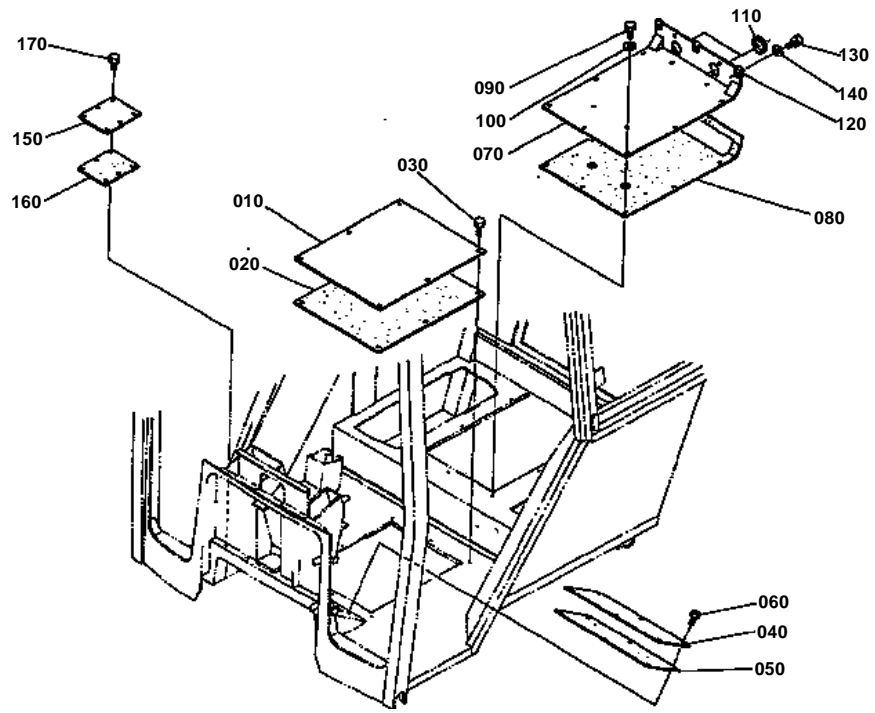


SEAT (STANDARD)

↔ Interchangeable; ≠ not interchangeable; ← new for old; → old for new

REF.No	Part No.	Description	Q'ty	S.No.	I/C	REMARKS	Weight (kgf)	Weight (lb)
010	36839-85010	ASSY SEAT DX.	1				0	0
020	36919-52770	STOPPER SEAT	1				0.04	0.088
030	01173-51025	BOLT	3				0.021	0.0462
040	01173-51035	BOLT	1				0.025	0.055
050	04013-50100	WASHER PLAIN	4				0	0
060	02176-50100	NUT	1				0.005	0.011

INSPECTION PLATE



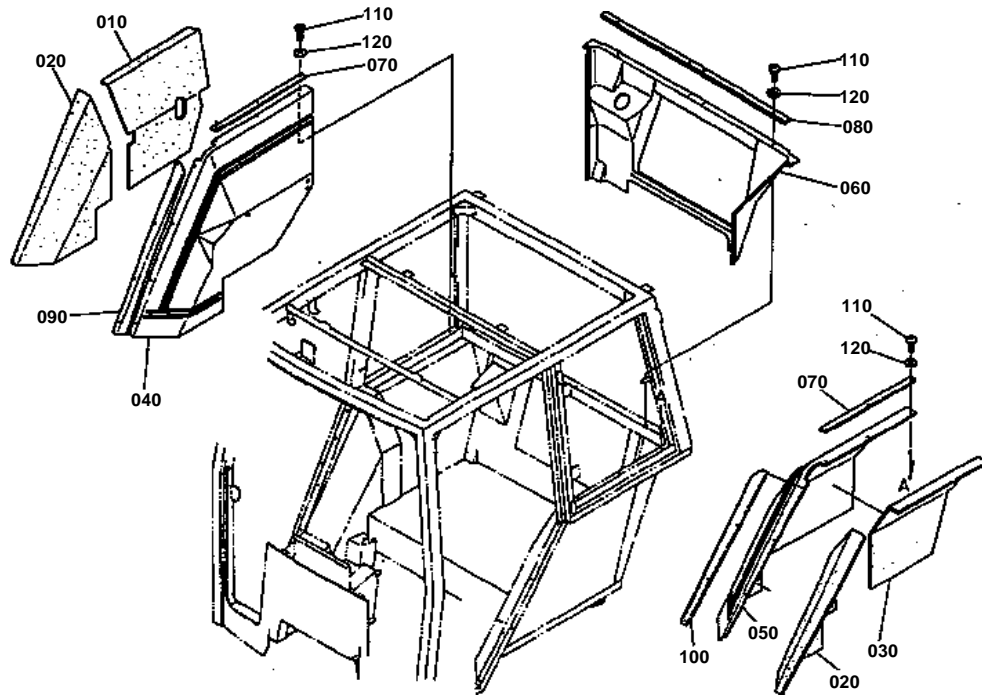


INSPECTION PLATE

↔ Interchangeable; ≠ not interchangeable; ← new for old; → old for new

REF.No	Part No.	Description	Q'ty	S.No.	I/C	REMARKS	Weight (kgf)	Weight (lb)
010	36919-54360	PLATE	1				4.5	9.9
020	36919-54370	GASKET	1				0.6	1.32
030	01153-50818	BOLT	8				0.01	0.022
040	36919-54400	PLATE INSPECTION	1				1.05	2.31
050	36919-54430	GASKET	1				0.17	0.374
060	01053-50618	BOLT	6				0.006	0.0132
070	36919-54443	PLATE CENTER	1				0	0
080	36919-54523	GASKET CENTER PLATE	1				0.62	1.364
090	01153-50818	BOLT	7				0.01	0.022
100	04013-50080	WASHER PLAIN	7				0	0
110	36330-87470	COVER RUBBER	2				0.014	0.0308
120	38240-29250	NUT	3				0.005	0.011
130	01023-50616	BOLT	3				0.005	0.011
140	04013-50060	WASHER PLAIN	3				0	0
150	36919-52990	PLATE	1				0.46	1.012
160	36919-53000	GASKET	1				0.09	0.198
170	01123-50818	BOLT	6				0.012	0.0264

FENDER COVER



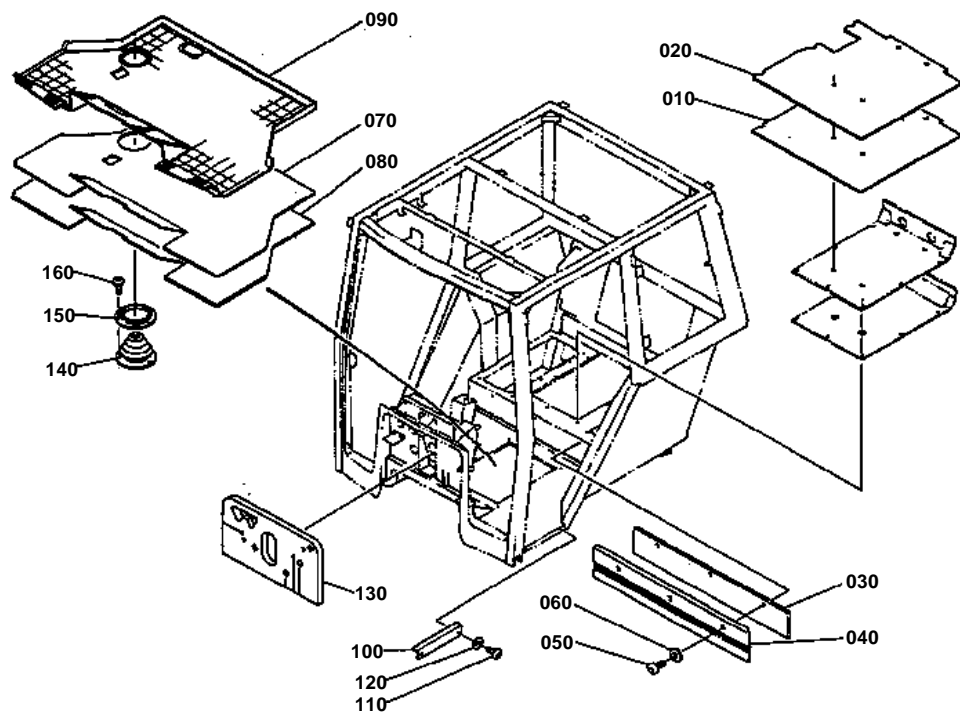


FENDER COVER

↔ Interchangeable; ≠ not interchangeable; ← new for old; → old for new

REF.No	Part No.	Description	Q'ty	S.No.	I/C	REMARKS	Weight (kgf)	Weight (lb)
010	36919-54990	FELT FENDER RH	1				0.2	0.44
020	36919-56290	FELT FENDER RH	2				0.2	0.44
030	36919-55000	FELT FENDER LH	1				0.2	0.44
040	36919-54960	COVER FENDER RH	1				3	6.6
050	36919-54970	COVER FENDER LH	1				0	0
060	36919-54940	COVER FENDER REAR	1				1	2.2
070	36919-55010	RETAINER FENDER SIDE	2				0.12	0.264
080	36919-55020	RETAINER FENDER LH	1				0.46	1.012
090	36919-55080	RETAINER FENDER RH	1				0.75	1.65
100	36919-55100	RETAINER FENDER LH	1				0.7	1.54
110	31391-31140	SCREW	18				0.01	0.022
120	32530-18390	WASHER PLAIN	18				0.001	0.0022

FLOOR MAT

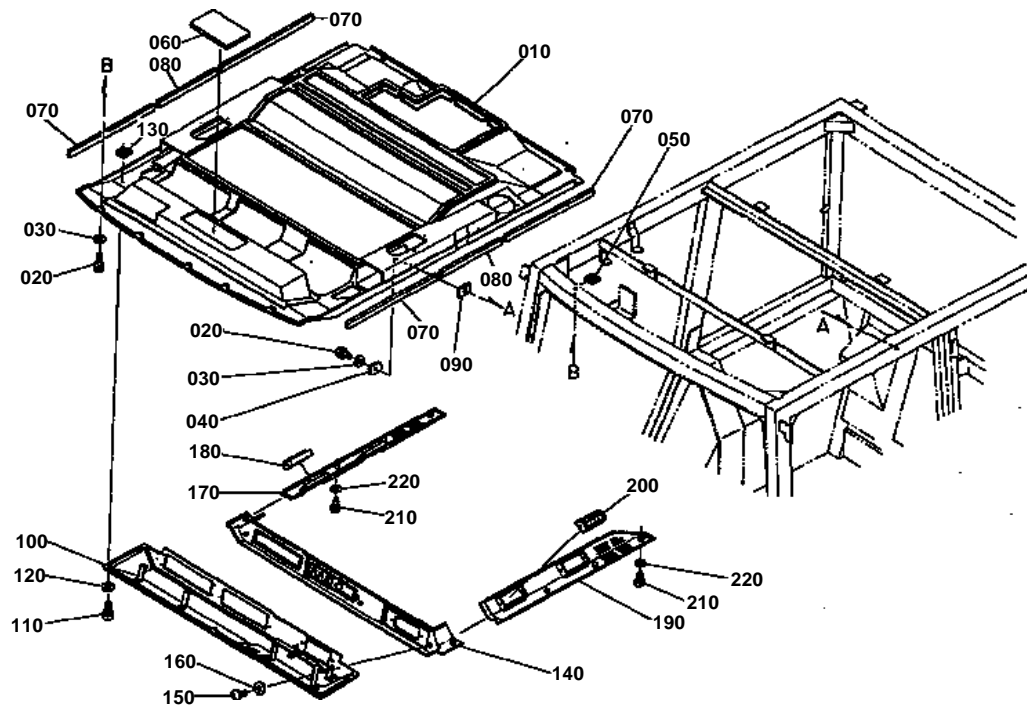


**FLOOR MAT**

↔ Interchangeable; ≠ not interchangeable; ← new for old; → old for new

REF.No	Part No.	Description	Q'ty	S.No.	I/C	REMARKS	Weight (kgf)	Weight (lb)
010	36839-54950	MAT CENTER LOWER	1				0	0
020	36839-54980	MAT CENTER LOWER	1				0	0
030	36919-56360	MAT CENTER FRONT	1				0.1	0.22
040	36919-54930	RETAINER	1				1.43	3.146
050	03004-50614	SCREW	3				0.006	0.0132
060	04013-50060	WASHER PLAIN	3				0	0
070	36919-55030	MAT FLOOR	1				0	0
080	36919-55040	MAT FLOOR	1				1.5	3.3
090	36919-55060	MAT FLOOR	1				6.4	14.08
100	36919-55232	PLATE FLOOR	2				0	0
110	36919-54250	SCREW	4				0.012	0.0264
120	36919-54090	WASHER PLAIN	4				0.002	0.0044
130	36919-54710	ELEMENT BONNET REAR	1				0	0
140	36919-83780	BOOT	1				0.126	0.2772
150	36919-87630	HOLDER	1				0.06	0.132
160	03004-50612	SCREW	3				0.005	0.011

INNER ROOF

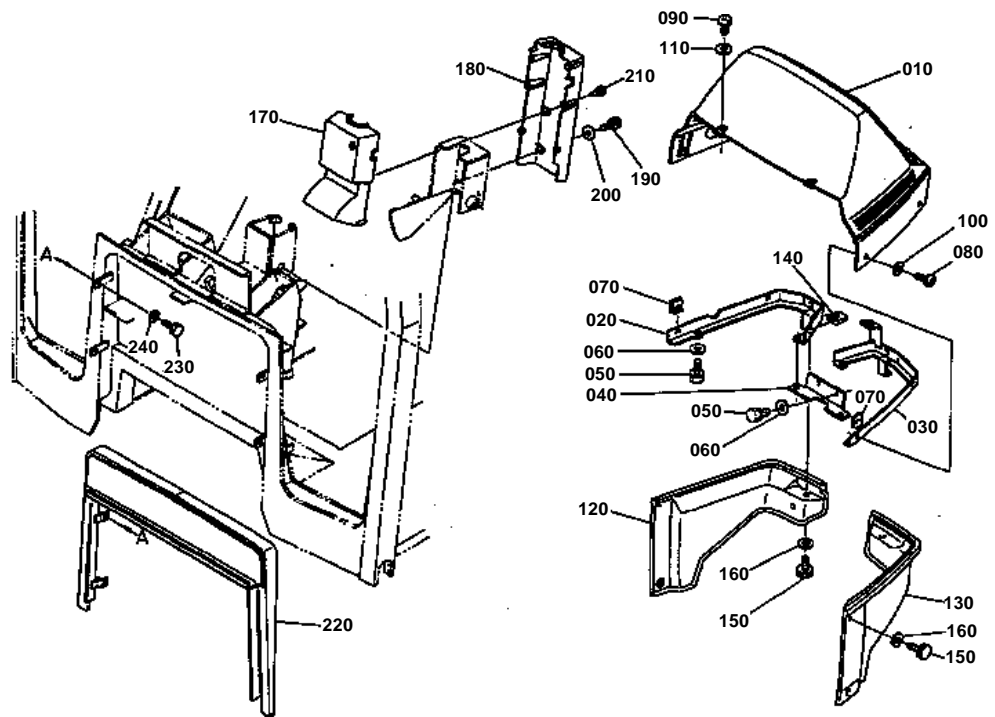


**INNER ROOF**

↔ Interchangeable; ≠ not interchangeable; ← new for old; → old for new

REF.No	Part No.	Description	Q'ty	S.No.	I/C	REMARKS	Weight (kgf)	Weight (lb)
010	36919-56000	ROOF INNER	1				5.6	12.32
020	36919-55650	SCREW	13				0.008	0.0176
030	36919-55660	WASHER PLAIN	13				0.001	0.0022
040	36919-55980	WASHER	4				0.016	0.0352
050	38240-29250	NUT	5				0.005	0.011
060	36919-50850	INSULATOR	1				0.02	0.044
070	36919-56010	GASKET	4				0.006	0.0132
080	36919-55990	GASKET	2				0.005	0.011
090	36919-56020	COLLAR	4				0.01	0.022
100	36919-56034	ROOF INNER	1				4	8.8
110	36919-55650	SCREW	5				0.008	0.0176
120	36919-55660	WASHER PLAIN	5				0.001	0.0022
130	38240-29250	NUT	5				0.005	0.011
140	36919-56043	PANEL INNER	1				0.35	0.77
150	03004-50610	SCREW	4				0.004	0.0088
160	04013-50060	WASHER PLAIN	4				0	0
170	36919-56050	PANEL INNER RH	1				0	0
180	36919-56070	GRILLE AIR-CON.	2				0.04	0.088
190	36919-56060	PANEL INNER LH	1				0.29	0.638
200	36919-56070	GRILLE AIR-CON.	2				0.04	0.088
210	36919-55950	SCREW	6				0.005	0.011
220	04013-50050	WASHER PLAIN	6				0	0

HOOD REAR





HOOD REAR

↔ Interchangeable; ≠ not interchangeable; ← new for old; → old for new

REF.No	Part No.	Description	Q'ty	S.No.	I/C	REMARKS	Weight (kgf)	Weight (lb)
010	36919-55800	BONNET REAR UPPER	1				4	8.8
020	36919-56080	SUPPORT BONNET RH	1				0	0
030	36919-56090	SUPPORT BONNET LH	1				0	0
040	36919-56143	STAY BONNET	1				0.14	0.308
050	01123-50816	BOLT	6				0	0
060	04013-50080	WASHER PLAIN	6				0	0
070	38240-29250	NUT	8				0.005	0.011
080	31391-31140	SCREW	6				0.01	0.022
090	03004-50616	SCREW	2				0.006	0.0132
100	32530-18390	WASHER PLAIN	6				0.001	0.0022
110	04013-50060	WASHER PLAIN	2				0	0
120	36919-56152	BONNET REAR RH	1				0	0
130	36919-56162	BONNET REAR LH	1				0.85	1.87
140	38240-29250	NUT	6				0.005	0.011
150	36919-56530	SCREW	6				0.011	0.0242
160	32530-18390	WASHER PLAIN	6				0.001	0.0022
170	36919-56112	COVER STRG.SHAFT	1				0.24	0.528
180	36919-56122	COVER STRG.SHAFT	1				0.29	0.638
190	31391-31140	SCREW	4				0.01	0.022
200	32530-18390	WASHER PLAIN	4				0.001	0.0022
210	36919-55950	SCREW	6				0.005	0.011
220	36839-56130	PIECE BONNET REAR	1				1.88	4.136
230	01123-50816	BOLT	4				0	0
240	04013-50080	WASHER PLAIN	4				0	0

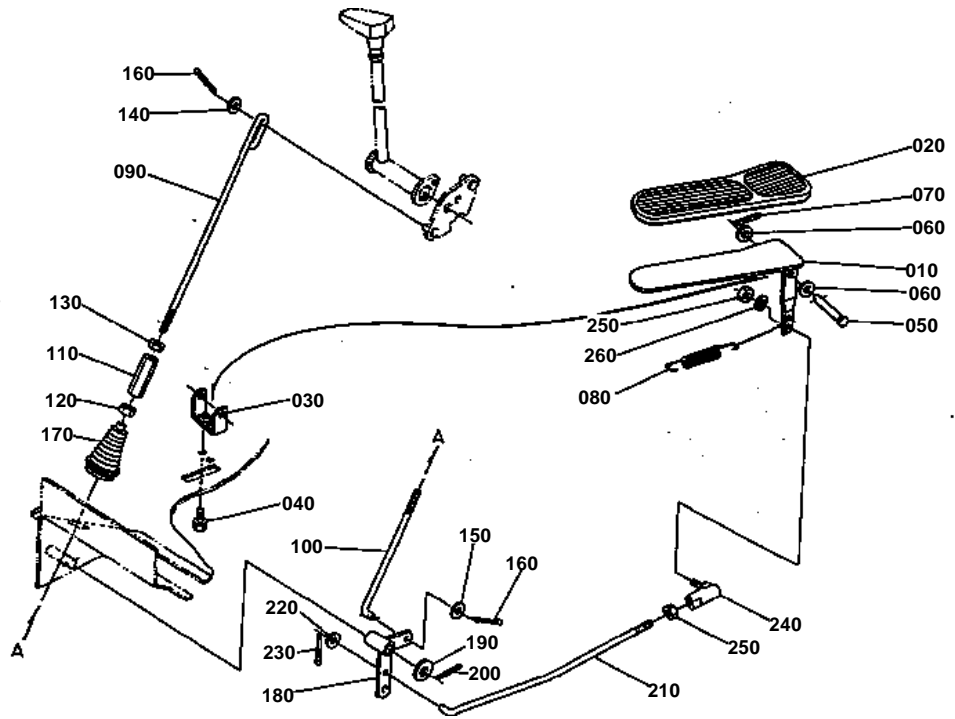


HAND ACCELERATOR

↔ Interchangeable; ≠ not interchangeable; ← new for old; → old for new

REF.No	Part No.	Description	Q'ty	S.No.	I/C	REMARKS	Weight (kgf)	Weight (lb)
010	36919-10220	LEVER HAND ACCEL.	1				0	0
020	35320-17170	GRIP ACCEL.	1				0.018	0.0396
030	36919-10110	SHAFT ACCELERATOR	1				0.08	0.176
040	36919-10250	BOLT LEVER SHAFT	1				0.03	0.066
050	04512-50060	WASHER SPRING	1				0	0
060	36919-10300	DISK FRICTION	1				0	0
070	36919-10260	PLATE JOINT	1				0	0
080	36919-10270	STOPPER	1				0.007	0.0154
090	02014-50060	NUT	1				0.002	0.0044
100	33251-10270	CAP SPRING	2				0.01	0.022
110	04011-50120	WASHER PLAIN	2				0.005	0.011
120	33251-10320	SPRING ACCEL.LEVER	1				0.012	0.0264
130	02172-50120	NUT	2				0.01	0.022
140	36919-10320	CAP LEVER	1				0.022	0.0484

ACCELERATOR PEDAL



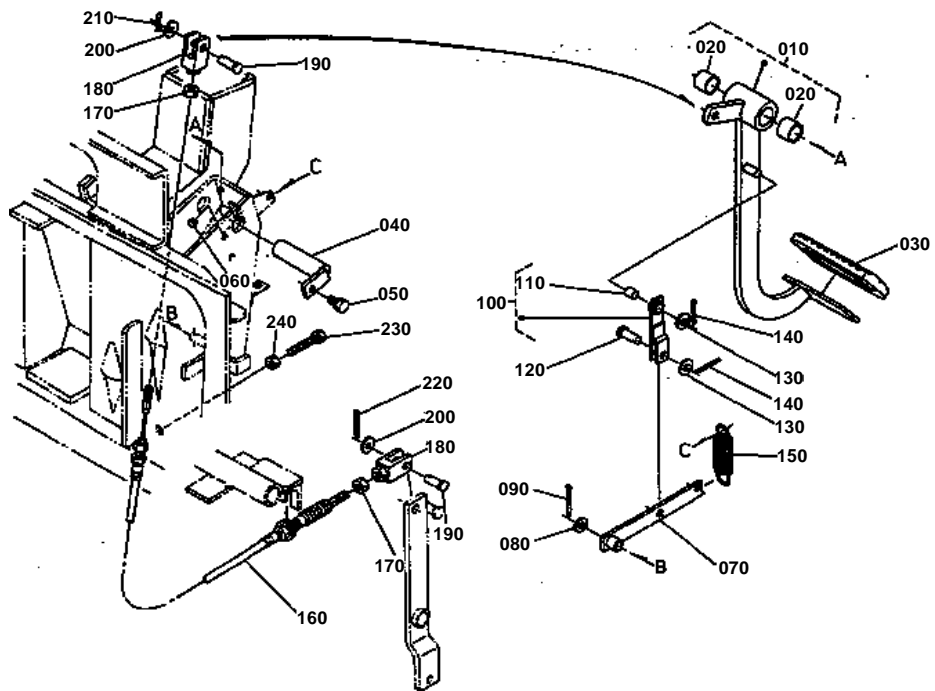


ACCELERATOR PEDAL

↔ Interchangeable; ≠ not interchangeable; ← new for old; → old for new

REF.No	Part No.	Description	Q'ty	S.No.	I/C	REMARKS	Weight (kgf)	Weight (lb)
010	36919-10240	PEDAL ACCEL.	1				0	0
020	36919-10310	RUBBER ACCEL.PEDAL	1				0.1	0.22
030	36919-10180	HOLDER ACCEL.PEDAL	1				0.03	0.066
040	01202-50616	BOLT	2				0.006	0.0132
050	05122-50650	PIN JOINT	1				0.011	0.0242
060	04013-50060	WASHER PLAIN	2				0	0
070	05511-51615	PIN SPLIT	1				0.001	0.0022
080	36919-62330	SPRING	1				0.03	0.066
090	36919-10610	ROD ACCEL.	1				0.06	0.132
100	36919-10620	ROD ACCEL.	1				0.021	0.0462
110	36919-10630	TURNBUCKLE	1				0.017	0.0374
120	02056-50060	NUT	1				0.002	0.0044
130	36919-10650	NUT	1				0.001	0.0022
140	04015-50060	WASHER PLAIN	1				0	0
150	04013-50060	WASHER PLAIN	1				0	0
160	05511-51612	PIN SPLIT	2				0.001	0.0022
170	36919-10640	COVER ROD	1				0.02	0.044
180	36919-10160	LEVER	1				0.055	0.121
190	04013-50100	WASHER PLAIN	1				0	0
200	05511-50320	PIN SPLIT	1				0.002	0.0044
210	36919-10153	ROD ACCEL.	1				0	0
220	04013-50050	WASHER PLAIN	1				0	0
230	05511-51612	PIN SPLIT	1				0.001	0.0022
240	35370-31280	END ROD	1				0.025	0.055
250	02054-50050	NUT	2				0.002	0.0044
260	04512-50050	WASHER SPRING	1				0	0

CLUTCH PEDAL



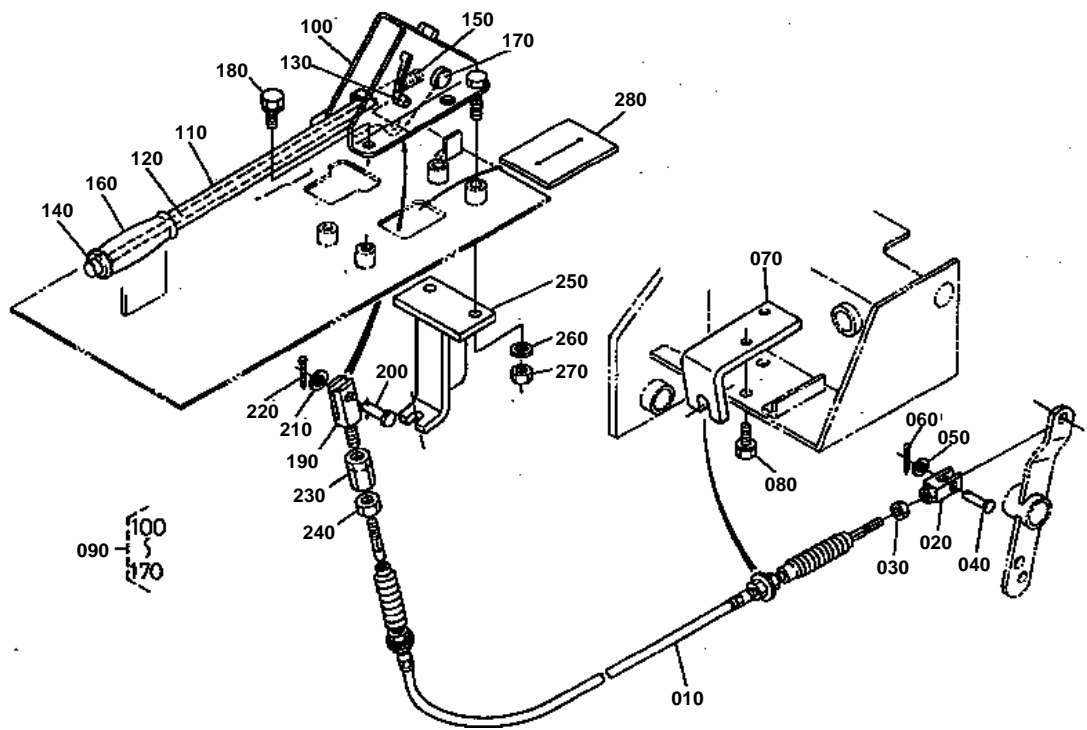


CLUTCH PEDAL

↔ Interchangeable; ≠ not interchangeable; ← new for old; → old for new

REF.No	Part No.	Description	Q'ty	S.No.	I/C	REMARKS	Weight (kgf)	Weight (lb)
010	36919-26100	ASSY PEDAL CLUTCH	1				1.58	3.476
020	69201-32330	BUSH	2				0.015	0.033
030	36919-26280	COVER PEDAL	1				0.06	0.132
040	36919-26950	SHAFT CLUTCH PEDAL	1				0	0
050	01123-50814	BOLT	1				0	0
060	63611-52350	RUBBER	1				0.001	0.0022
070	36919-26490	LINK	1				0	0
080	04013-50100	WASHER PLAIN	1				0	0
090	05511-50320	PIN SPLIT	1				0.002	0.0044
100	36919-26500	ASSY LINK	1				0.08	0.176
110	68221-35180	BUSH	1				0.003	0.0066
120	05122-51018	PIN JOINT	1				0.011	0.0242
130	04013-50100	WASHER PLAIN	2				0	0
140	05511-50320	PIN SPLIT	2				0.002	0.0044
150	36919-26160	SPRING	1				0.06	0.132
160	36839-26520	WIRE CLUTCH	1				0	0
170	02112-50080	NUT	2				0.003	0.0066
180	35828-68540	HOLDER	2				0.08	0.176
190	36919-26540	PIN LINK	2				0.02	0.044
200	04011-50100	WASHER PLAIN	2				0.002	0.0044
210	05515-51000	PIN SNAP	1				0	0
220	05511-50320	PIN SPLIT	1				0.002	0.0044
230	01173-51050	BOLT	1				0.035	0.077
240	02112-50100	NUT	1				0.004	0.0088

PTO CONTROL LEVER



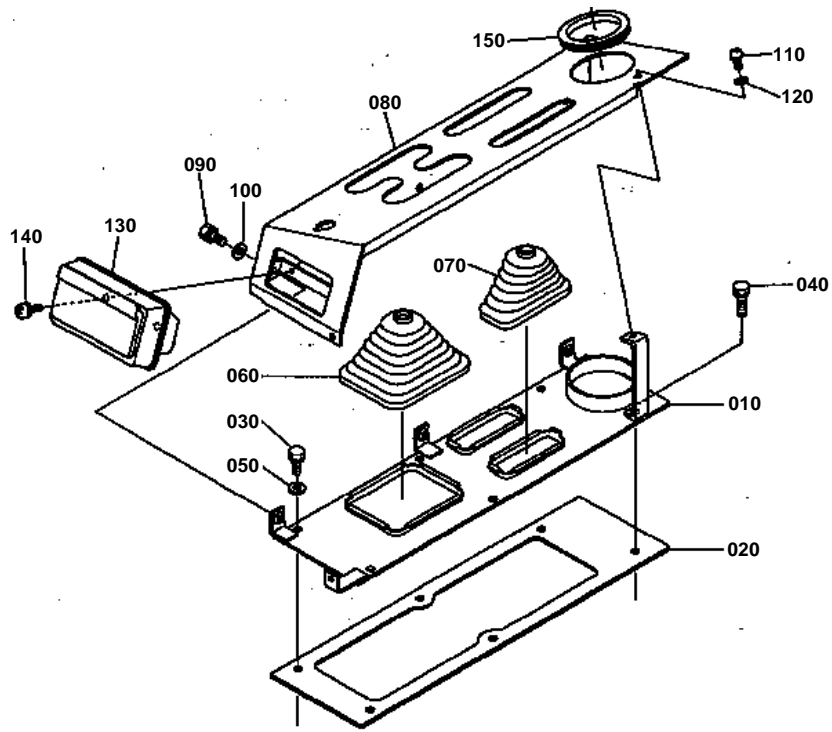


PTO CONTROL LEVER

↔ Interchangeable; ≠ not interchangeable; ← new for old; → old for new

REF.No	Part No.	Description	Q'ty	S.No.	I/C	REMARKS	Weight (kgf)	Weight (lb)
010	36839-26440	WIRE CLUTCH(PTO)	1				0.4	0.88
020	35828-68540	HOLDER	1				0.08	0.176
030	02112-50080	NUT	1				0.003	0.0066
040	05122-51028	PIN JOINT	1				0	0
050	04011-50100	WASHER PLAIN	1				0.002	0.0044
060	05511-50318	PIN SPLIT	1				0.001	0.0022
070	36839-26450	BRACKET PTO WIRE	1				0.33	0.726
080	01123-50816	BOLT	2				0	0
090	36839-26000	ASSY LEVER CONTROL	1				1.3	2.86
100	36839-26010	GUIDE LEVER	1				0.57	1.254
110	36330-26020	LEVER CLUTCH CONTROL	1				0.56	1.232
120	36330-26030	ROD RELEASE	1				0.09	0.198
130	05411-00540	PIN SPRING	1				0.004	0.0088
140	36330-26040	BUTTON	1				0.01	0.022
150	36330-26050	SPRING	1				0.01	0.022
160	36330-26060	GRIP	1				0.04	0.088
170	36330-26070	PIN	1				0.04	0.088
180	01123-50818	BOLT	2				0.012	0.0264
190	36839-26480	JOINT	1				0.03	0.066
200	05122-50816	PIN JOINT	1				0.007	0.0154
210	04012-50080	WASHER PLAIN	1				0.001	0.0022
220	05511-50215	PIN SPLIT	1				0.001	0.0022
230	36839-26550	TURNBUCKLE	1				0.02	0.044
240	02112-50080	NUT	1				0.003	0.0066
250	36839-26470	BRACKET PTO WIRE	1				0.4	0.88
260	04512-50080	WASHER SPRING	2				0	0
270	02114-50080	NUT	2				0.005	0.011
280	36839-27910	ELEMENT	1				0.001	0.0022

SPEED CHANGE LEVER GUIDE



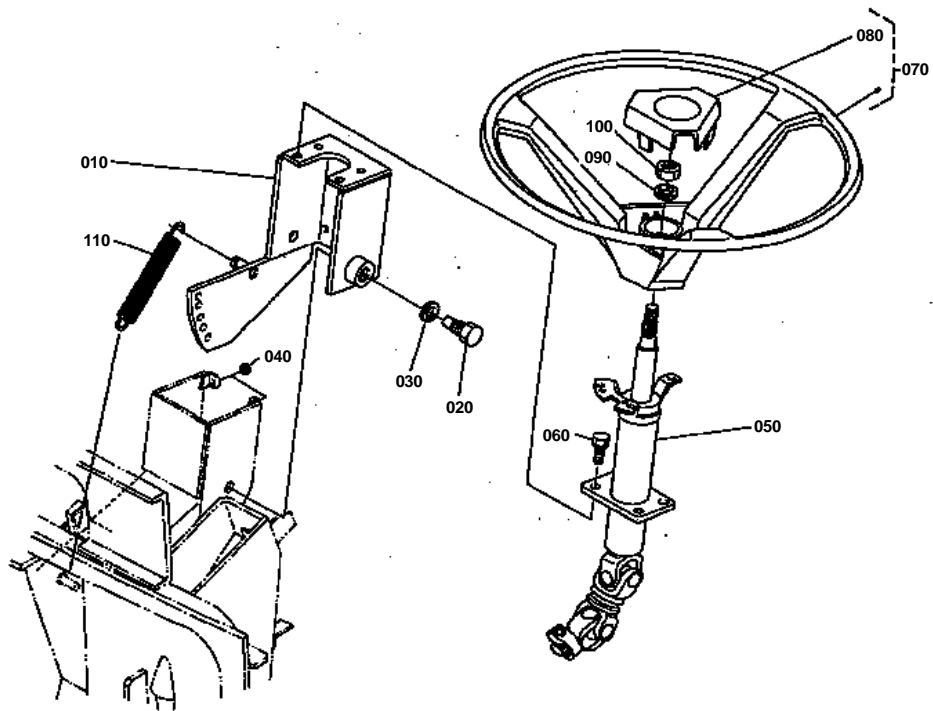


SPEED CHANGE LEVER GUIDE

↔ Interchangeable; ≠ not interchangeable; ← new for old; → old for new

REF.No	Part No.	Description	Q'ty	S.No.	I/C	REMARKS	Weight (kgf)	Weight (lb)
010	36919-29740	PLATE LOCK	1				1.09	2.398
020	36919-30100	GASKET	1				0.12	0.264
030	01123-50816	BOLT	5				0	0
040	01123-50820	BOLT	1				0.011	0.0242
050	04013-50080	WASHER PLAIN	5				0	0
060	36919-29860	BOOT RUBBER	1				0.1	0.22
070	36919-29900	BOOT RUBBER	1				0.05	0.11
080	36919-29730	GUIDE LEVER	1				1.52	3.344
090	01123-50816	BOLT	4				0	0
100	04013-50080	WASHER PLAIN	4				0	0
110	32530-18380	SCREW	1				0.005	0.011
120	32530-18390	WASHER PLAIN	1				0.001	0.0022
130	36530-53430	ASHTRAY	1				0.2	0.44
140	03024-50412	SCREW	2				0	0
150	36919-56370	COVER RUBBER	1				0.001	0.0022

STEERING HANDLE



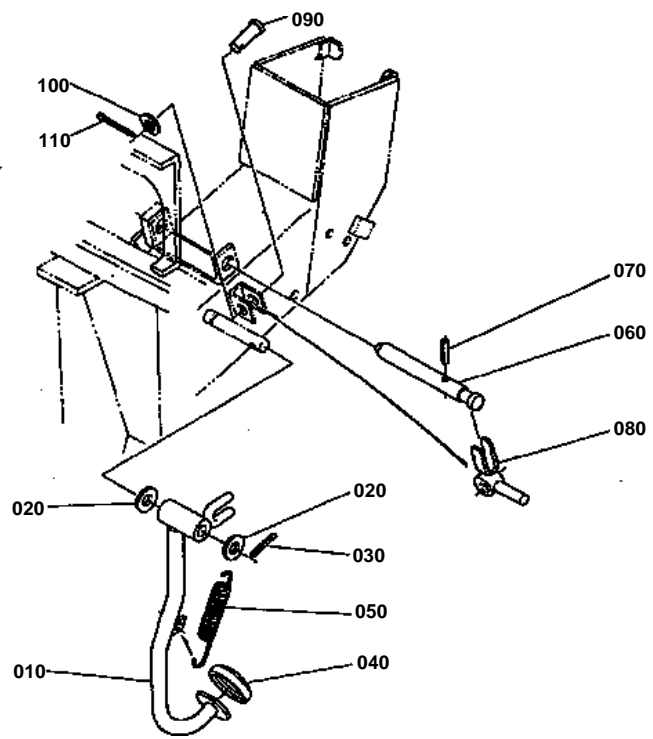


STEERING HANDLE

↔ Interchangeable; ≠ not interchangeable; ← new for old; → old for new

REF.No	Part No.	Description	Q'ty	S.No.	I/C	REMARKS	Weight (kgf)	Weight (lb)
010	36919-62142	SUPPORT STRG.SHAFT	1				0	0
020	36919-62590	BOLT FULCRUM	2				0.07	0.154
030	04512-50160	WASHER SPRING	2				0	0
040	63611-52350	RUBBER	2				0.001	0.0022
050	36919-62153	SHAFT STEERING	1				1.85	4.07
060	01123-50822	BOLT	4				0.012	0.0264
070	36919-62560	ASSY HANDLE STRG.	1				2.5	5.5
080	31351-16080	PAD STEERING	1				0	0
090	04512-50120	WASHER SPRING	1				0	0
100	02176-50120	NUT	1				0.01	0.022
110	36919-62770	SPRING	1				0.095	0.209

TILT PEDAL



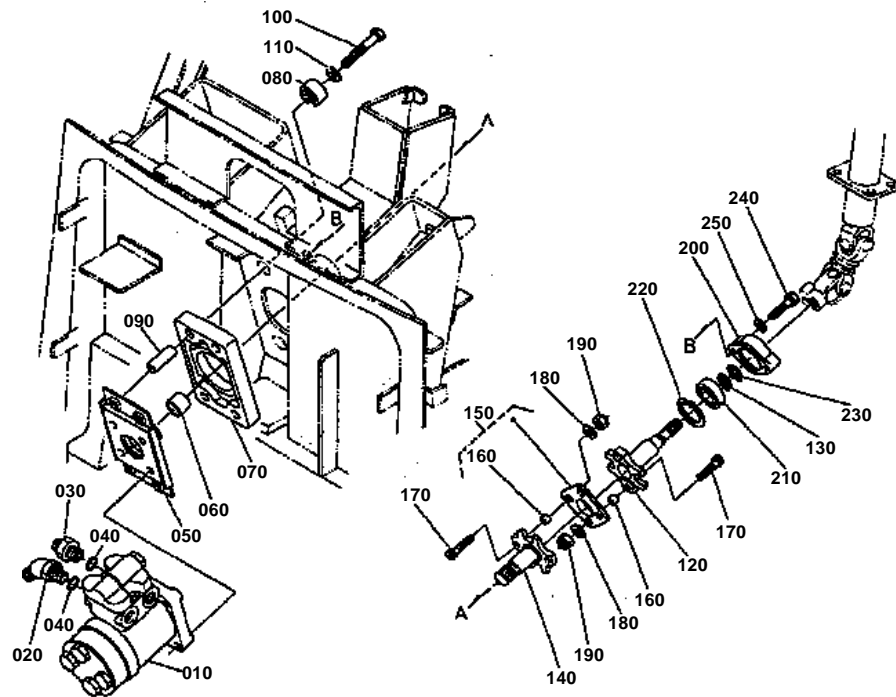


TILT PEDAL

↔ Interchangeable; ≠ not interchangeable; ← new for old; → old for new

REF.No	Part No.	Description	Q'ty	S.No.	I/C	REMARKS	Weight (kgf)	Weight (lb)
010	36919-62310	PEDAL TILT	1				0.37	0.814
020	04013-50100	WASHER PLAIN	2				0	0
030	05511-50320	PIN SPLIT	1				0.002	0.0044
040	36919-62320	RUBBER PEDAL	1				0.008	0.0176
050	36919-62330	SPRING	1				0.03	0.066
060	36919-62350	PIN	1				0.195	0.429
070	05411-00318	PIN SPRING	1				0.001	0.0022
080	36919-62340	LEVER TILT	1				0.052	0.1144
090	05122-51028	PIN JOINT	1				0	0
100	04013-50100	WASHER PLAIN	1				0	0
110	05511-50320	PIN SPLIT	1				0.002	0.0044

STEERING JOINT



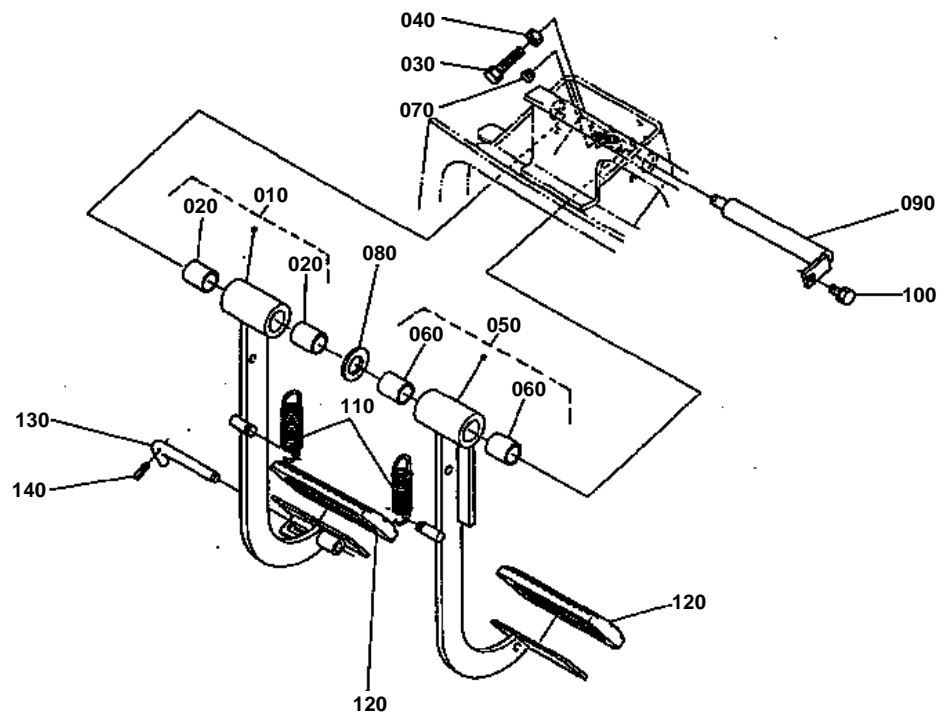


STEERING JOINT

↔ Interchangeable; ≠ not interchangeable; ← new for old; → old for new

REF.No	Part No.	Description	Q'ty	S.No.	I/C	REMARKS	Weight (kgf)	Weight (lb)
010	35860-63072	CONTROLLER STEERING	1				6	13.2
020	36919-63380	ELBOW	3				0.09	0.198
030	36330-63080	NIPPLE	1				0.07	0.154
040	04811-00140	RING	4				0	0
050	36919-63160	BRACKET CONTROLLER	1				0.8	1.76
060	69201-32330	BUSH	1				0.015	0.033
070	36919-63540	CUSHION CONTROLLER	1				0.22	0.484
080	36919-63550	CUSHION CONTROLLER	4				0.02	0.044
090	36919-63470	COLLAR	4				0.035	0.077
100	01173-51060	BOLT	4				0.038	0.0836
110	04015-50100	WASHER PLAIN	4				0.016	0.0352
120	36919-62232	SHAFT STRG.JOINT	1				0.34	0.748
130	04612-00160	CIR-CLIP EXTERNAL	1				0.001	0.0022
140	36919-62240	SHAFT STRG.JOINT	1				0.27	0.594
150	36919-62250	RUBBER STRG.JOINT	1				0.07	0.154
170	36919-62260	BOLT	4				0.02	0.044
180	04012-50080	WASHER PLAIN	4				0.001	0.0022
190	02554-50080	NUT	4				0.004	0.0088
200	36919-62130	SUPPORT BEARING	1				0.17	0.374
210	08301-01203	BEARING BALL	1				0.05	0.11
220	04611-00400	CIR-CLIP INTERNAL	1				0.005	0.011
230	04612-00170	CIR-CLIP EXTERNAL	1				0.001	0.0022
240	01123-50835	BOLT	2				0.02	0.044
250	04013-50080	WASHER PLAIN	2				0	0

BRAKE PEDAL



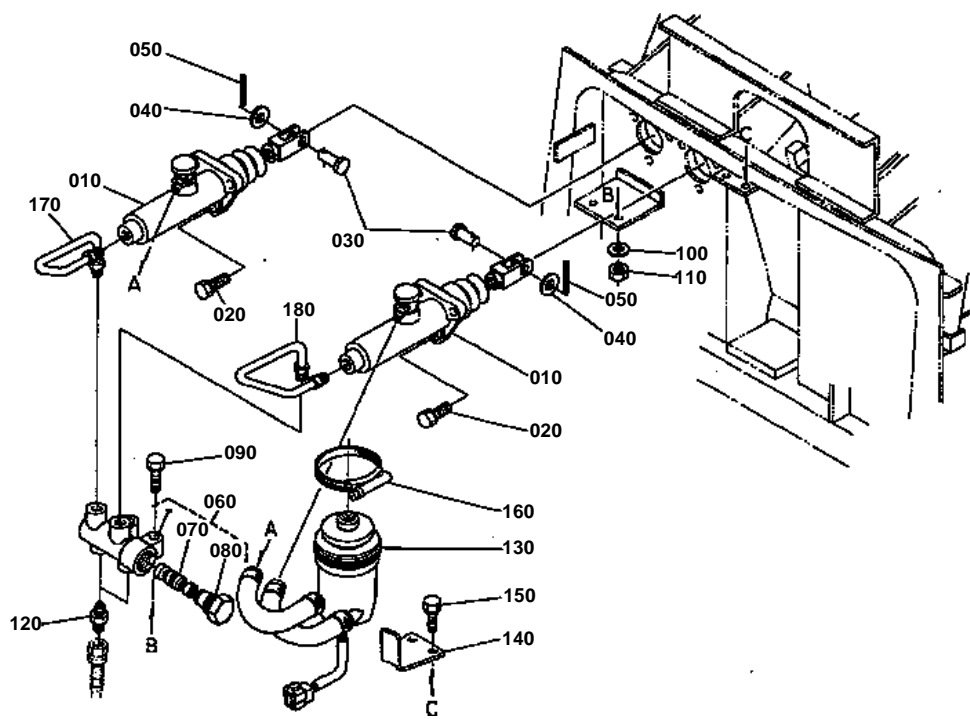


BRAKE PEDAL

↔ Interchangeable; ≠ not interchangeable; ← new for old; → old for new

REF.No	Part No.	Description	Q'ty	S.No.	I/C	REMARKS	Weight (kgf)	Weight (lb)
010	36919-67100	ASSY PEDAL BRAKE RH	1				1.66	3.652
020	69201-32330	BUSH	2				0.015	0.033
030	01173-50840	BOLT	1				0.018	0.0396
040	02118-50080	NUT	1				0.006	0.0132
050	36919-67200	ASSY PEDAL BRAKE LH	1				1.69	3.718
060	69201-32330	BUSH	2				0.015	0.033
070	63611-52350	RUBBER	1				0.001	0.0022
080	04011-50220	WASHER PLAIN	1				0.02	0.044
090	36919-67310	SHAFT BRAKE PEDAL	1				0	0
100	01123-50816	BOLT	1				0	0
110	36919-26160	SPRING	2				0.06	0.132
120	36919-26280	COVER PEDAL	2				0.06	0.132
130	36919-67190	JOINT	1				0	0
140	05411-00322	PIN SPRING	1				0.001	0.0022

BRAKE OIL TANK

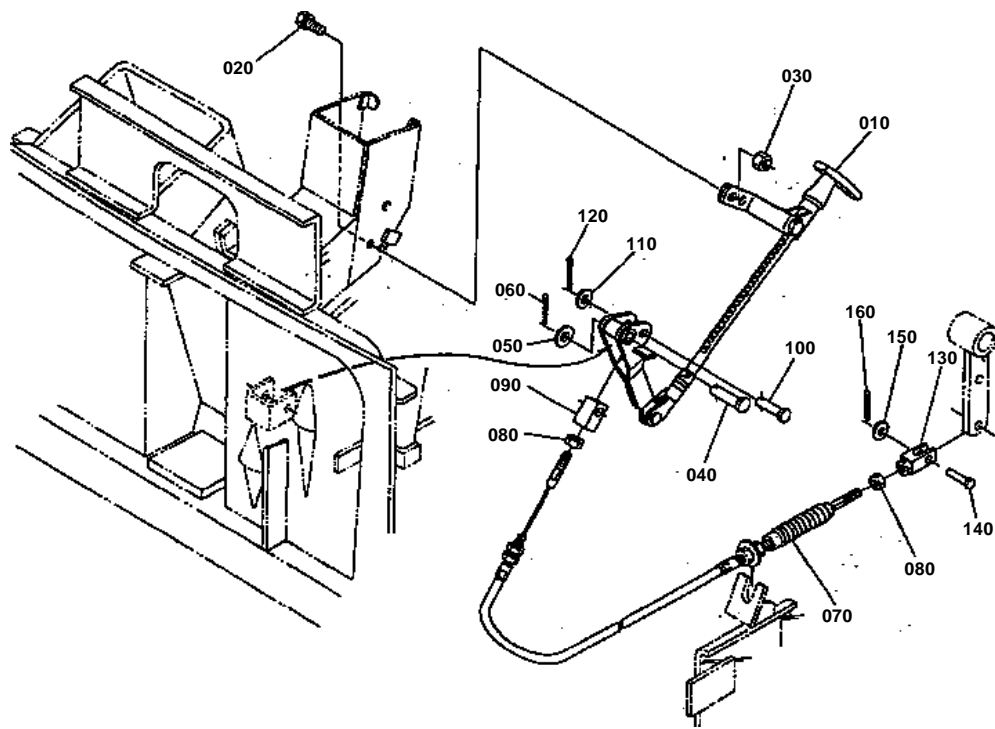


**BRAKE OIL TANK**

↔ Interchangeable; ≠ not interchangeable; ← new for old; → old for new

REF.No	Part No.	Description	Q'ty	S.No.	I/C	REMARKS	Weight (kgf)	Weight (lb)
010	36919-67400	ASSY CYLINDER	2				1	2.2
020	01123-50825	BOLT	6				0.013	0.0286
030	05122-51025	PIN JOINT	2				0.017	0.0374
040	04011-50100	WASHER PLAIN	2				0.002	0.0044
050	05511-50320	PIN SPLIT	2				0.002	0.0044
060	36530-67503	ASSY EQUALIZER	1				0.7	1.54
070	36530-11172	KIT EQUALIZER	1				0.06	0.132
080	36530-11182	KIT PLUG	1				0.13	0.286
090	01123-50835	BOLT	2				0.02	0.044
100	04012-50080	WASHER PLAIN	2				0.001	0.0022
110	02156-50080	NUT	2				0.004	0.0088
120	36919-67450	ADAPTER	2				0.028	0.0616
130	36919-67540	ASSY TANK OIL	1				0.2	0.44
140	36919-67630	BRACKET	1				0	0
150	01023-50630	BOLT	2				0.008	0.0176
160	36919-67620	BAND HOSE	1				0.05	0.11
170	36919-67640	PIPE BRAKE RH	1				0.05	0.11
180	36919-67650	PIPE BRAKE LH	1				0.05	0.11

PARKING BRAKE LEVER



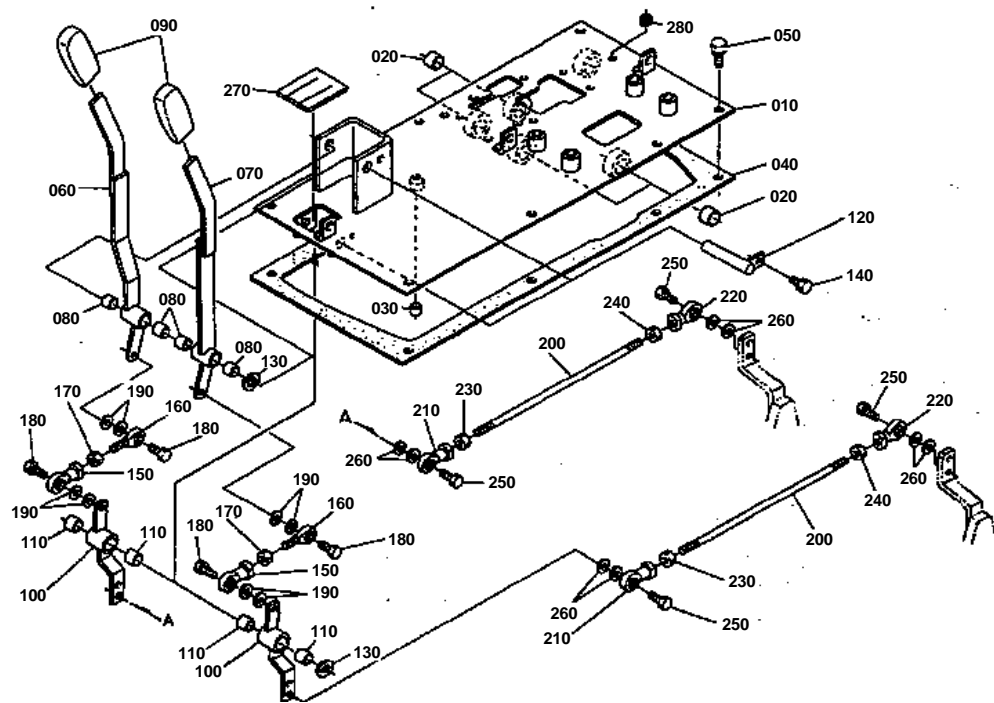


PARKING BRAKE LEVER

↔ Interchangeable; ≠ not interchangeable; ← new for old; → old for new

REF.No	Part No.	Description	Q'ty	S.No.	I/C	REMARKS	Weight (kgf)	Weight (lb)
010	36919-67600	COMP LEVER BRAKE	1				0	0
020	01123-50822	BOLT	2				0.012	0.0264
030	02156-50080	NUT	2				0.004	0.0088
040	05122-51040	PIN JOINT	1				0.025	0.055
050	04013-50100	WASHER PLAIN	1				0	0
060	05511-50320	PIN SPLIT	1				0.002	0.0044
070	36839-67900	WIRE PARKING	1				0.22	0.484
080	02112-50080	NUT	2				0.003	0.0066
090	36919-67910	HOLDER WIRE	1				0.05	0.11
100	05122-51035	PIN JOINT	1				0.023	0.0506
110	04013-50100	WASHER PLAIN	1				0	0
120	05511-50320	PIN SPLIT	1				0.002	0.0044
130	35828-68540	HOLDER	1				0.08	0.176
140	05122-51030	PIN JOINT	1				0.02	0.044
150	04013-50100	WASHER PLAIN	1				0	0
160	05511-50320	PIN SPLIT	1				0.002	0.0044

DRAFT AND POSITION CONTROL LEVER



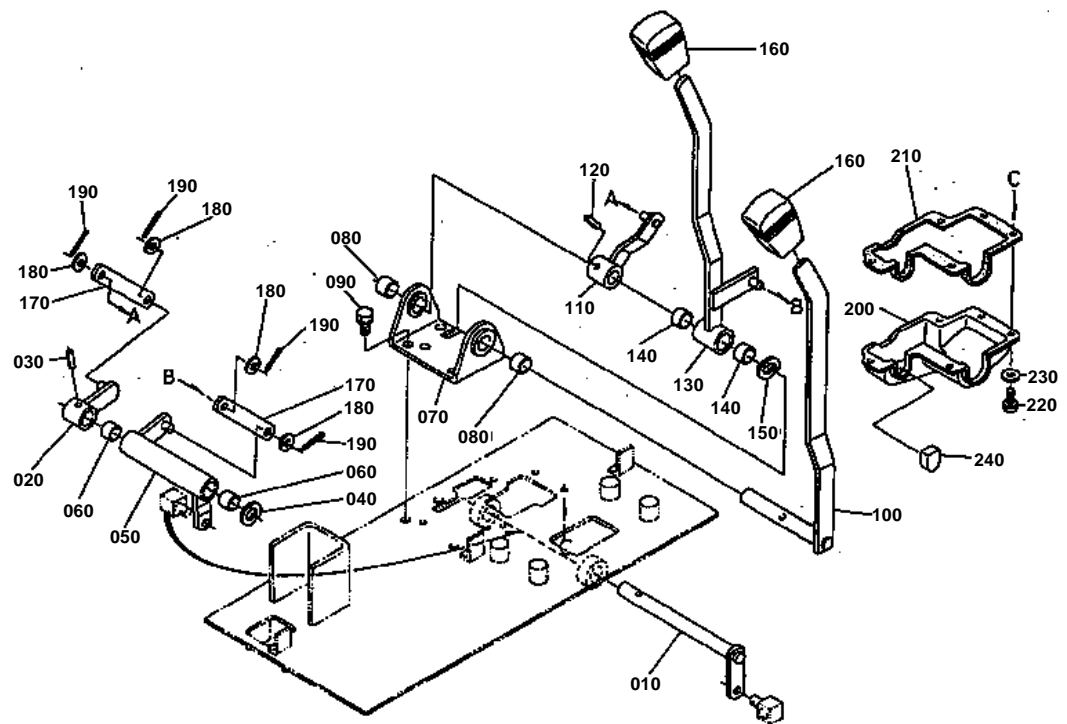


DRAFT AND POSITION CONTROL LEVER

↔ Interchangeable; ≠ not interchangeable; ← new for old; → old for new

REF.No	Part No.	Description	Q'ty	S.No.	I/C	REMARKS	Weight (kgf)	Weight (lb)
010	36839-94210	COVER INSPECTION	1				3.86	8.492
020	54841-51320	BUSH	4				0	0
030	36530-27840	BUSH	1				0	0
040	36919-94220	GASKET	1				0.1	0.22
050	01123-50818	BOLT	7				0.012	0.0264
060	36919-94230	LEVER POSITON CON.	1				0.288	0.6336
070	36919-94240	LEVER DRAFT CONTROL	1				0.268	0.5896
080	41081-12120	BUSH	4				0	0
090	31351-36880	GRIP LEVER	2				0.04	0.088
100	36919-94253	LEVER HYD.CONTROL	2				0.11	0.242
110	41081-12120	BUSH	4				0	0
120	36919-94460	SHAFT LEVER	2				0.075	0.165
130	36919-92360	WASHER WAVE	2				0.001	0.0022
140	01023-50612	BOLT	2				0.005	0.011
150	36730-81960	END ROD	2				0.025	0.055
160	36919-94470	END ROD	2				0.02	0.044
170	02012-50060	NUT	2				0	0
180	36730-81980	BOLT FULCRUM	4				0.01	0.022
190	04012-50060	WASHER PLAIN	8				0.001	0.0022
200	36919-81950	ROD HYD.CONTROL	2				0	0
210	36730-81960	END ROD	2				0.025	0.055
220	36730-81970	END ROD	2				0.03	0.066
230	02012-50060	NUT	2				0	0
240	36530-27770	NUT	2				0.002	0.0044
250	36730-81980	BOLT FULCRUM	4				0.01	0.022
260	04012-50060	WASHER PLAIN	8				0.001	0.0022
270	36919-94750	ELEMENT	1				0.005	0.011
280	36839-75290	GROMMET	1				0.002	0.0044

AUX.CONTROL LEVER



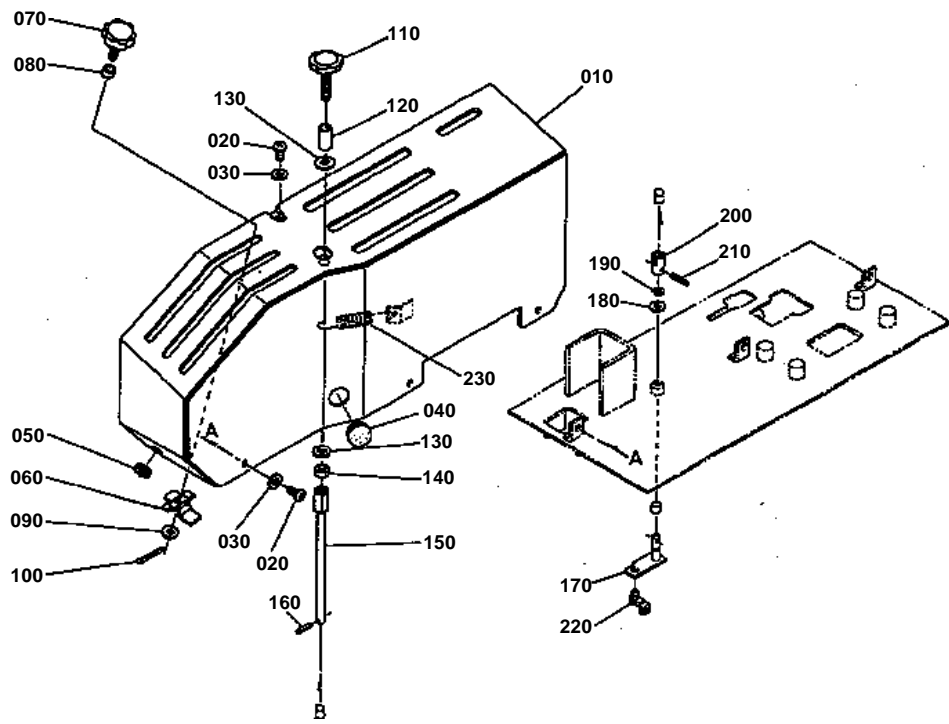


AUX.CONTROL LEVER

↔ Interchangeable; ≠ not interchangeable; ← new for old; → old for new

REF.No	Part No.	Description	Q'ty	S.No.	I/C	REMARKS	Weight (kgf)	Weight (lb)
010	36919-94530	SHAFT CONTROL	1				0.29	0.638
020	36919-94560	LEVER SUB CONTROL	1				0.1	0.22
030	05411-00525	PIN SPRING	1				0.002	0.0044
040	35828-29890	WASHER WAVE	1				0.001	0.0022
050	36919-94540	SHAFT CONTROL	1				0	0
060	54841-51320	BUSH	2				0	0
070	36919-94590	BRACKET LEVER	1				0.3	0.66
080	54841-51320	BUSH	2				0	0
090	01123-50816	BOLT	4				0	0
100	36919-82440	LEVER CONTROL VALVE	1				0	0
110	36919-94570	LEVER SUB CONTROL	1				0.13	0.286
120	05411-00525	PIN SPRING	1				0.002	0.0044
130	36919-82460	LEVER CONTROL VALVE	1				0	0
140	54841-51320	BUSH	2				0	0
150	35828-29890	WASHER WAVE	1				0.001	0.0022
160	36330-29670	GRIP	2				0.06	0.132
170	36919-94710	LINK	2				0.054	0.1188
180	04012-50080	WASHER PLAIN	4				0.001	0.0022
190	05511-50212	PIN SPLIT	4				0.001	0.0022
200	36919-94730	COVER LINK	1				0.04	0.088
210	36919-94740	GASKET	1				0.007	0.0154
220	03024-50510	SCREW	5				0.002	0.0044
230	04013-50050	WASHER PLAIN	5				0	0
240	36919-94760	ELEMENT	1				0.001	0.0022

HYD.CONTROL LEVER GUIDE



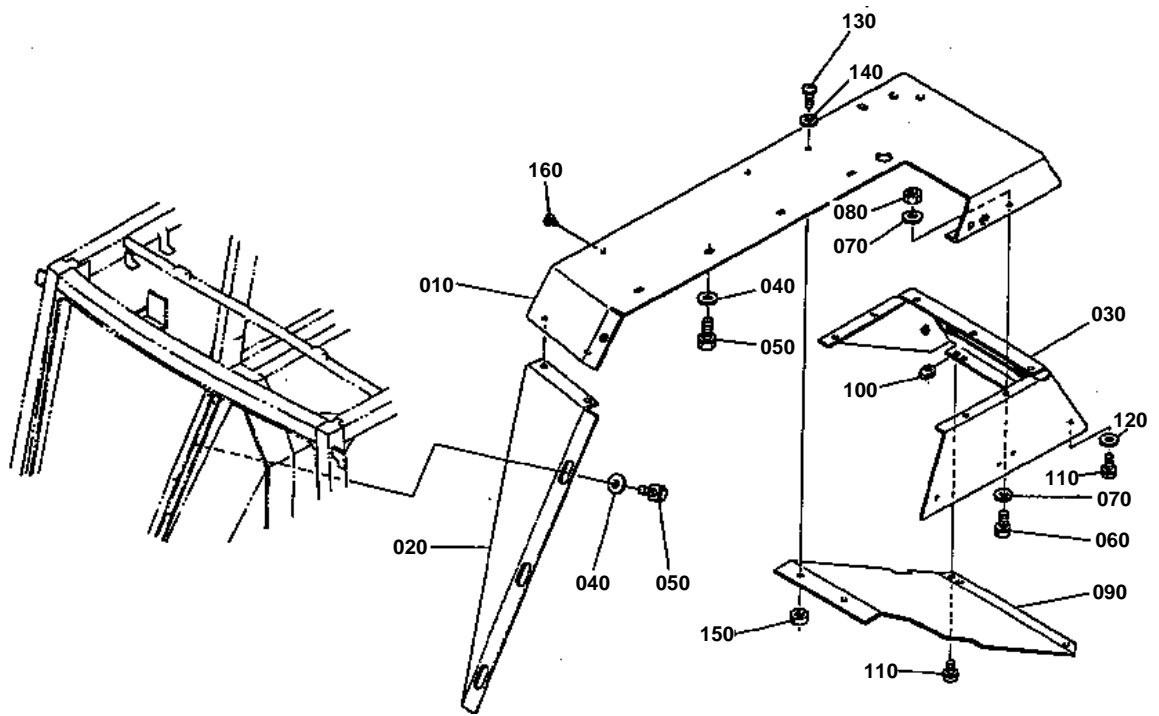


HYD.CONTROL LEVER GUIDE

↔ Interchangeable; ≠ not interchangeable; ← new for old; → old for new

REF.No	Part No.	Description	Q'ty	S.No.	I/C	REMARKS	Weight (kgf)	Weight (lb)
010	36839-81410	GUIDE LEVER	1				2.5	5.5
020	03004-50616	SCREW	4				0.006	0.0132
030	04013-50060	WASHER PLAIN	4				0	0
040	36330-83830	PLUG BLIND	1				0.01	0.022
050	32150-29180	CAP RUBBER	1				0.002	0.0044
060	36919-81520	STOPPER LEVER	2				0	0
070	36919-81530	BOLT STOPPER	2				0.022	0.0484
080	36919-82620	COLLAR	2				0.008	0.0176
090	04013-50080	WASHER PLAIN	2				0	0
100	05511-50212	PIN SPLIT	2				0.001	0.0022
110	36919-81140	KNOB	1				0.03	0.066
120	36919-81150	COLLAR	1				0.01	0.022
130	04013-50080	WASHER PLAIN	2				0	0
140	02114-50080	NUT	1				0.005	0.011
150	36919-81080	SHAFT LEVER	1				0.1	0.22
160	05411-00316	PIN SPRING	1				0.001	0.0022
170	36919-81040	LEVER ADJUSTING	1				0.036	0.0792
180	04013-50080	WASHER PLAIN	1				0	0
190	04613-00060	CIR-CLIP EXTERNAL	1				0	0
200	36919-81030	JOINT	1				0.02	0.044
210	05411-00316	PIN SPRING	1				0.001	0.0022
220	36919-81070	CONNECTER ROD	1				0.001	0.0022
230	36919-94550	SPRING	1				0.01	0.022

FENDER RH

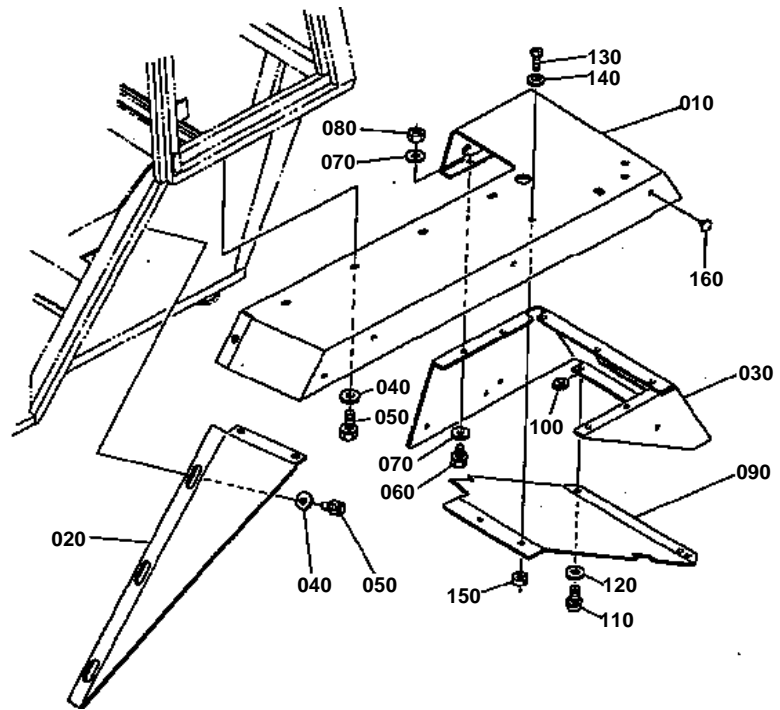


**FENDER RH**

↔ Interchangeable; ≠ not interchangeable; ← new for old; → old for new

REF.No	Part No.	Description	Q'ty	S.No.	I/C	REMARKS	Weight (kgf)	Weight (lb)
010	36839-87710	FENDER RH OUTER	1				6.1	13.42
020	36919-87730	FENDER FRONT RH	1				0.87	1.914
030	36919-87750	FENDER REAR RH	1				1.92	4.224
040	04015-50080	WASHER PLAIN	8				0	0
050	01123-50818	BOLT	8				0.012	0.0264
060	01023-50614	BOLT	11				0.005	0.011
070	04013-50060	WASHER PLAIN	22				0	0
080	02014-50060	NUT	11				0.002	0.0044
090	36919-87770	COVER FENDER RH	1				1.79	3.938
100	38240-29250	NUT	2				0.005	0.011
110	36919-50390	SCREW	2				0.004	0.0088
120	32530-18390	WASHER PLAIN	2				0.001	0.0022
130	03004-50612	SCREW	1				0.005	0.011
140	04013-50060	WASHER PLAIN	1				0	0
150	02014-50060	NUT	1				0.002	0.0044
160	38240-23300	CLIP BUTTON	5				0.002	0.0044

FENDER LH

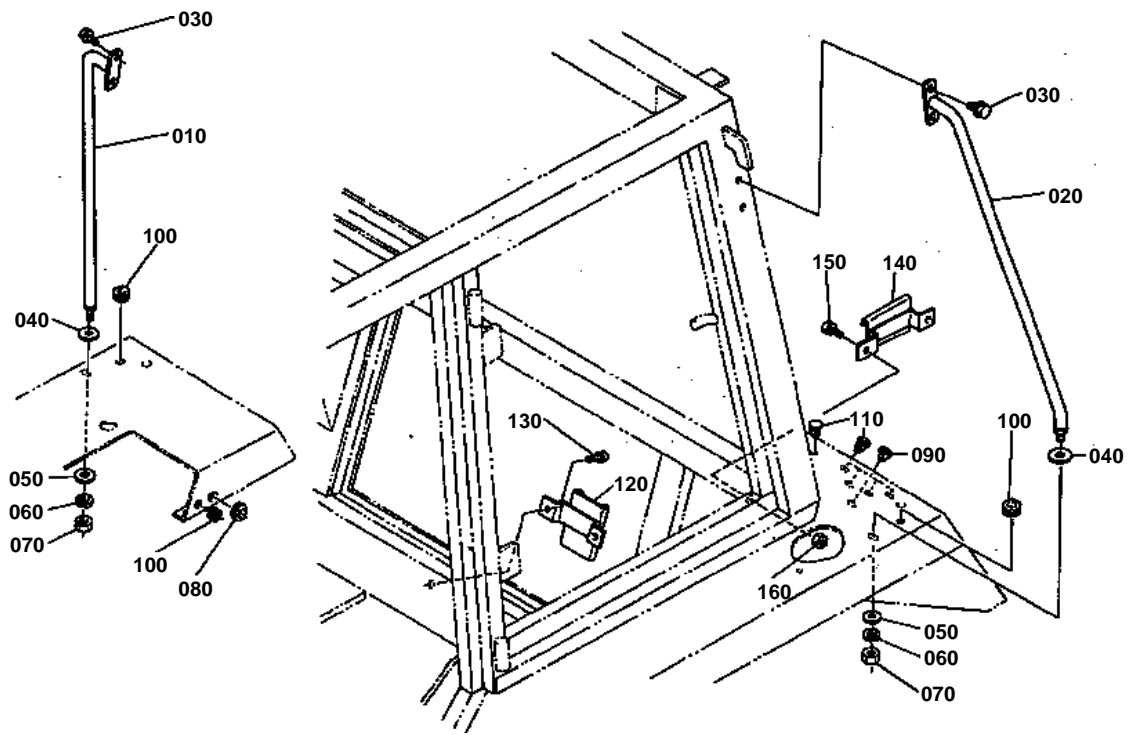


**FENDER LH**

↔ Interchangeable; ≠ not interchangeable; ← new for old; → old for new

REF.No	Part No.	Description	Q'ty	S.No.	I/C	REMARKS	Weight (kgf)	Weight (lb)
010	36839-87720	FENDER LH OUTER	1				4.2	9.24
020	36919-87740	FENDER FRONT LH	1				0.88	1.936
030	36919-87760	FENDER REAR LH	1				1.82	4.004
040	04015-50080	WASHER PLAIN	8				0	0
050	01123-50818	BOLT	8				0.012	0.0264
060	01023-50614	BOLT	11				0.005	0.011
070	04013-50060	WASHER PLAIN	22				0	0
080	02014-50060	NUT	11				0.002	0.0044
090	36919-87780	COVER FENDER LH	1				1.94	4.268
100	38240-29250	NUT	2				0.005	0.011
110	36919-50390	SCREW	2				0.004	0.0088
120	32530-18390	WASHER PLAIN	2				0.001	0.0022
130	03004-50612	SCREW	1				0.005	0.011
140	04013-50060	WASHER PLAIN	1				0	0
150	02014-50060	NUT	1				0.002	0.0044
160	38240-23300	CLIP BUTTON	5				0.002	0.0044

HANDRAIL AND SMV HOLDER



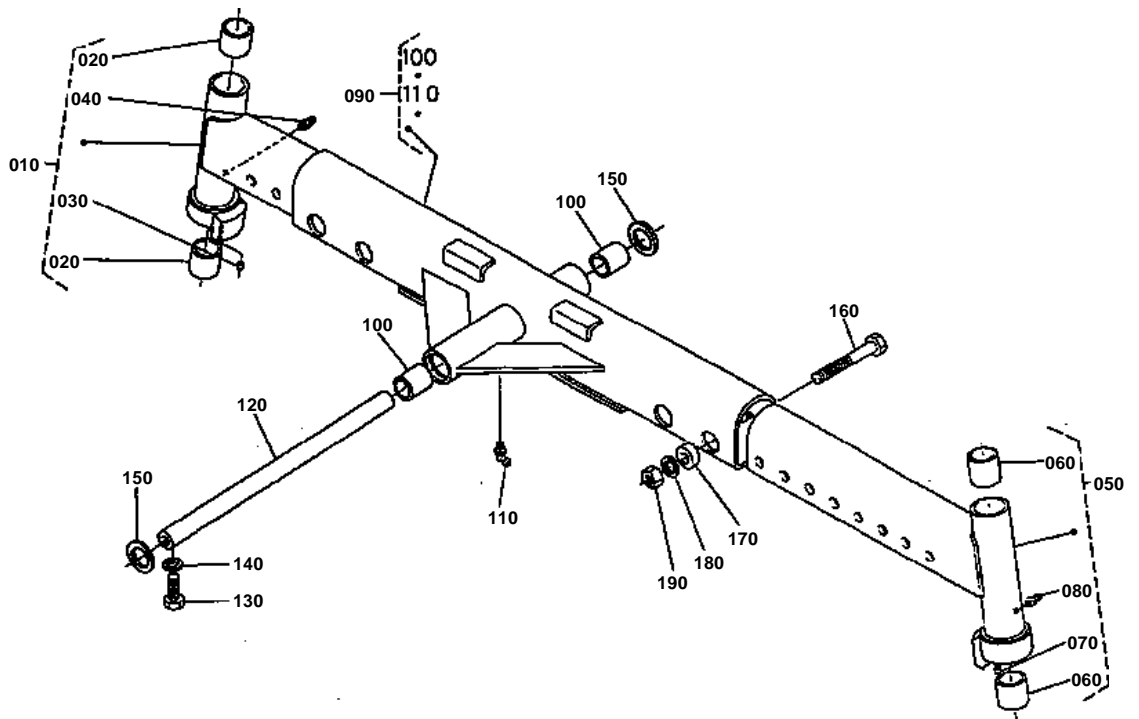


HANDRAIL AND SMV HOLDER

↔ Interchangeable; ≠ not interchangeable; ← new for old; → old for new

REF.No	Part No.	Description	Q'ty	S.No.	I/C	REMARKS	Weight (kgf)	Weight (lb)
010	36919-87910	BALUSTRIDE RH	1				0.65	1.43
020	36919-87920	BALUSTRIDE LH	1				0.65	1.43
030	31351-18790	BOLT FLANGE	4				0.007	0.0154
040	36919-87930	WASHER	2				0.02	0.044
050	04013-50100	WASHER PLAIN	2				0	0
060	04512-50100	WASHER SPRING	2				0	0
070	02118-50100	NUT	2				0.005	0.011
080	32150-29180	CAP RUBBER	2				0.002	0.0044
090	38240-29290	PLUG	1				0.001	0.0022
100	13582-57820	CUSHION CHOKE ROD	3				0.002	0.0044
110	35860-87960	CLIP PANEL	5				0.001	0.0022
120	35860-87940	HOLDER SMV MARK	1				0.1	0.22
130	36919-50390	SCREW	2				0.004	0.0088
140	35860-87950	HOLDER SMV MARK	1				0.1	0.22
150	01023-50614	BOLT	2				0.005	0.011
160	02014-50060	NUT	2				0.002	0.0044

FRONT AXLE



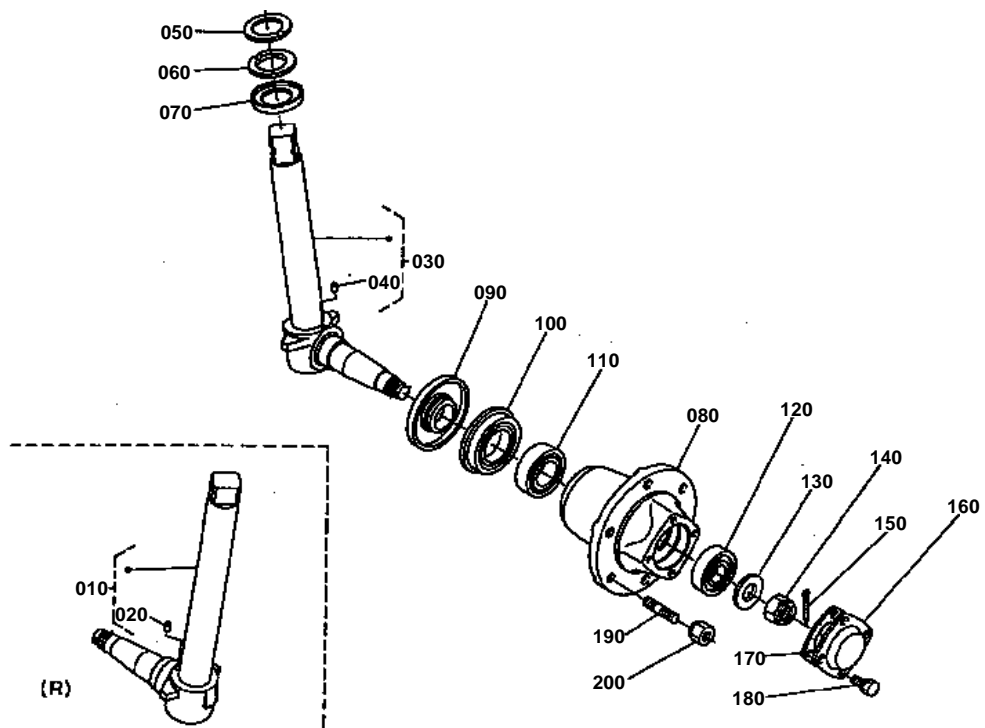


FRONT AXLE

↔ Interchangeable; ≠ not interchangeable; ← new for old; → old for new

REF.No	Part No.	Description	Q'ty	S.No.	I/C	REMARKS	Weight (kgf)	Weight (lb)
010	35820-58100	ASSY AXLE FRONT RH	1				12	26.4
020	33251-58250	BUSH	2				0.08	0.176
030	33251-58260	PIN KNOCK	1				0.001	0.0022
040	06613-10675	NIPPLE GREASE	1				0.003	0.0066
050	35820-58200	ASSY AXLE FRONT LH	1				12	26.4
060	33251-58250	BUSH	2				0.08	0.176
070	33251-58260	PIN KNOCK	1				0.001	0.0022
080	06613-10675	NIPPLE GREASE	1				0.003	0.0066
090	35820-58302	ASSY AXLE FRONT MID.	1				30	66
100	33251-58360	BUSH	2				0.085	0.187
110	06613-20010	NIPPLE GREASE	1				0.01	0.022
120	33251-58410	PIN CENTER	1				2.26	4.972
130	01173-51240	BOLT	1				0.045	0.099
140	04512-50120	WASHER SPRING	1				0	0
150	33251-58420	WASHER THRUST	2				0.038	0.0836
160	36830-58530	BOLT	4				0.21	0.462
170	36510-58780	COLLAR	4				0.072	0.1584
180	04512-50160	WASHER SPRING	4				0	0
190	02174-50160	NUT	4				0.022	0.0484

FRONT WHEEL HUB



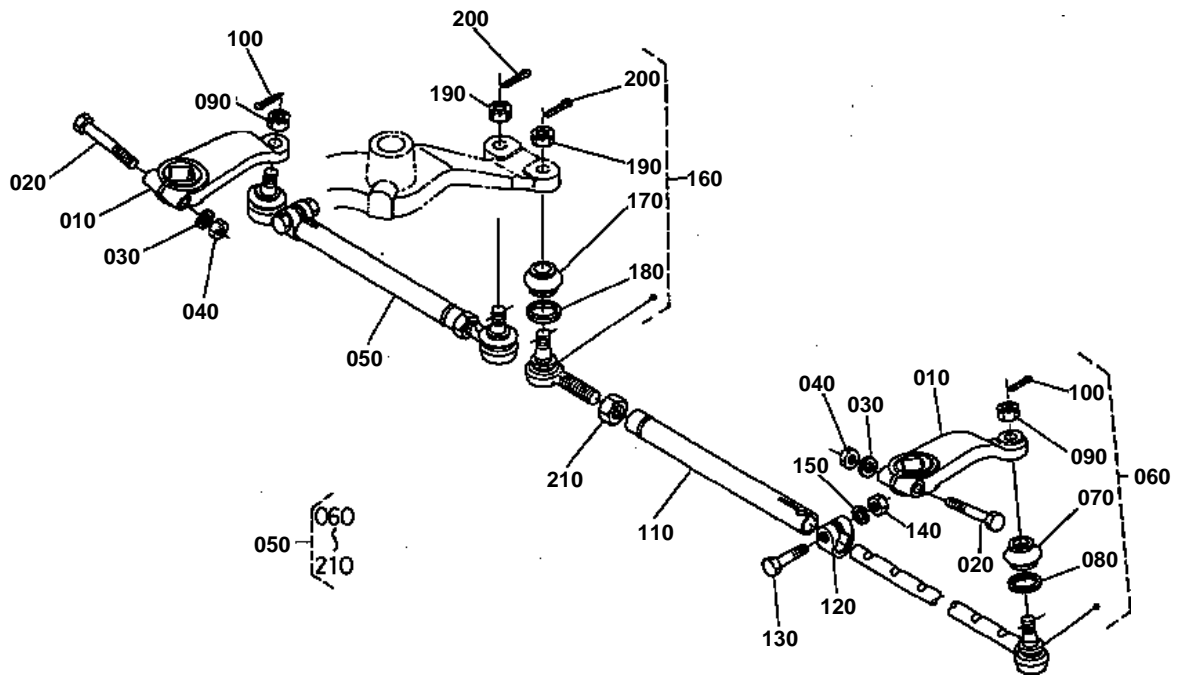


FRONT WHEEL HUB

↔ Interchangeable; ≠ not interchangeable; ← new for old; → old for new

REF.No	Part No.	Description	Q'ty	S.No.	I/C	REMARKS	Weight (kgf)	Weight (lb)
010	36530-58500	SHAFT KNUCKLE RH	1				5.2	11.44
020	33251-58260	PIN KNOCK	1				0.001	0.0022
030	36530-58600	SHAFT KNUCKLE LH	1				5	11
040	33251-58260	PIN KNOCK	1				0.001	0.0022
050	33251-58720	COLLAR THRUST	2				0.05	0.11
060	33251-58710	COLLAR THRUST	2				0.051	0.1122
070	33251-58740	CAP THRUST COLLAR	2				0.024	0.0528
080	35707-49020	HUB FRONT WHEEL	2				6.5	14.3
090	36530-58770	COVER DUST	2				0.31	0.682
100	33251-58760	GASKET	2				0.102	0.2244
110	08711-30208	BEARING TAPER-ROLLER	2				0.44	0.968
120	08711-30206	BEARING TAPER-ROLLER	2				0.22	0.484
130	35700-58550	WASHER	2				0.058	0.1276
140	02375-50220	NUT	2				0.04	0.088
150	05511-50540	PIN SPLIT	2				0.009	0.0198
160	36510-49010	COVER HUB	2				0.152	0.3344
170	36510-49060	GASKET	2				0	0
180	01123-50816	BOLT	8				0	0
190	35822-49150	STUD	12				0.048	0.1056
200	35340-11390	NUT	12				0.03	0.066

STEERING LINKAGE



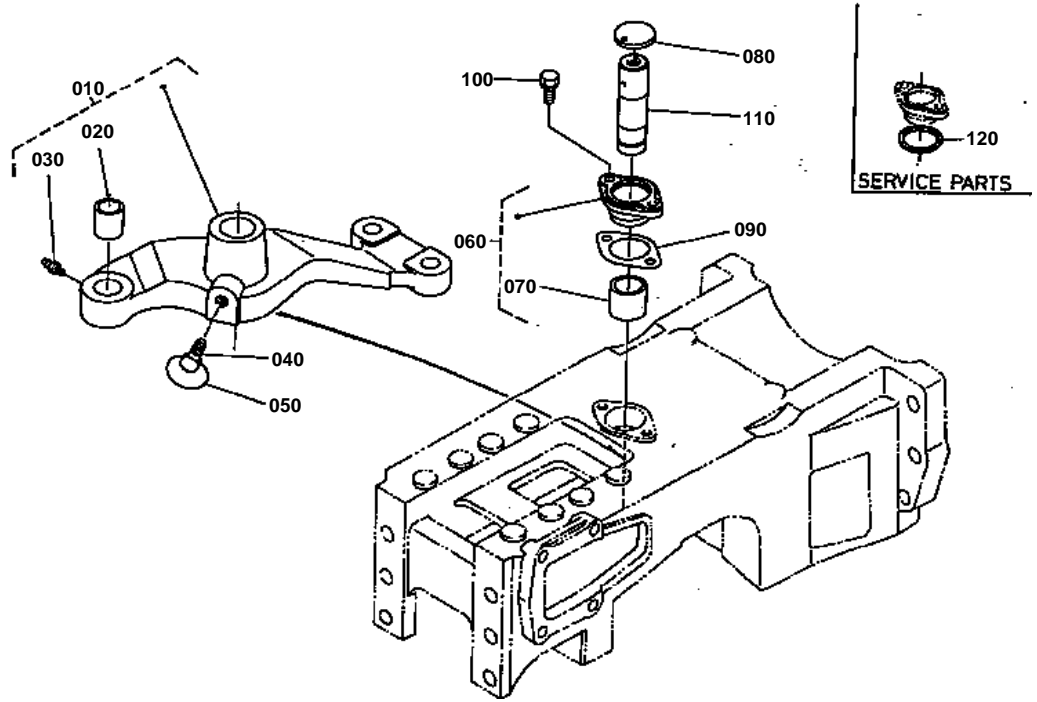


STEERING LINKAGE

↔ Interchangeable; ≠ not interchangeable; ← new for old; → old for new

REF.No	Part No.	Description	Q'ty	S.No.	I/C	REMARKS	Weight (kgf)	Weight (lb)
010	35820-62730	ARM KNUCKLE	2				1.87	4.114
020	36830-58430	BOLT	2				0.11	0.242
030	04512-50140	WASHER SPRING	2				0	0
040	02174-50140	NUT	2				0.014	0.0308
050	35860-62970	ASSY ROD TIE	2				2.99	6.578
060	35860-62873	ASSY ROD TIE	2				1.42	3.124
070	35860-62852	COVER DUST	2				0.014	0.0308
080	36280-62860	CLIP	2				0.002	0.0044
090	35860-62750	NUT	2				0.04	0.088
100	05511-50335	PIN SPLIT	2				0.002	0.0044
110	36730-62910	ROD TIE OUTER	2				0.81	1.782
120	33251-62860	CLAMP TIE ROD	2				0.078	0.1716
130	38430-12560	BOLT	2				0.35	0.77
140	02176-50100	NUT	2				0.005	0.011
150	04512-50100	WASHER SPRING	2				0	0
160	35860-62930	ASSY END TIE ROD	2				0.67	1.474
170	35860-62852	COVER DUST	2				0.014	0.0308
180	36280-62860	CLIP	2				0.002	0.0044
190	35860-62750	NUT	2				0.04	0.088
200	05511-50335	PIN SPLIT	2				0.002	0.0044
210	02172-50200	NUT	2				0.03	0.066

STEERING LEVER



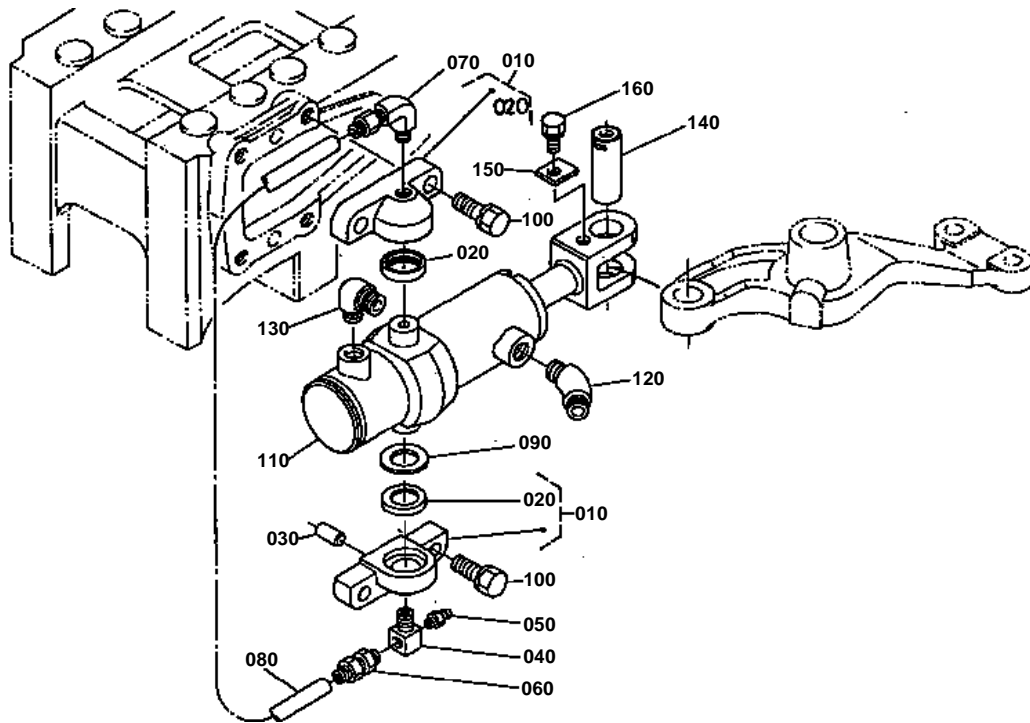


STEERING LEVER

↔ Interchangeable; ≠ not interchangeable; ← new for old; → old for new

REF.No	Part No.	Description	Q'ty	S.No.	I/C	REMARKS	Weight (kgf)	Weight (lb)
010	36330-62604	ASSY LEVER STRG.	1				5.2	11.44
020	36330-62630	BUSH	1				0.02	0.044
030	06613-10675	NIPPLE GREASE	1				0.003	0.0066
040	36580-62680	BOLT LOCK	1				0	0
050	99999-99999	YOUR SUPPLY	1				0	0
060	36330-62703	ASSY SUPPORT SHAFT	1				0.465	1.023
070	33251-62720	BUSH	1				0.074	0.1628
080	36330-62680	PLUG	1				0.03	0.066
090	36330-62540	SHIM	1				0.004	0.0088
090	36330-62550	SHIM	1				0.01	0.022
100	01133-51025	BOLT	2				0.023	0.0506
110	36330-62650	SHAFT STRG.LEVER	1				0.73	1.606
120	36330-97640	SHIM	4			0.2MM	0.001	0.0022
120	36330-97650	SHIM	3			0.5MM	0.005	0.011

POWER STEERING CYLINDER



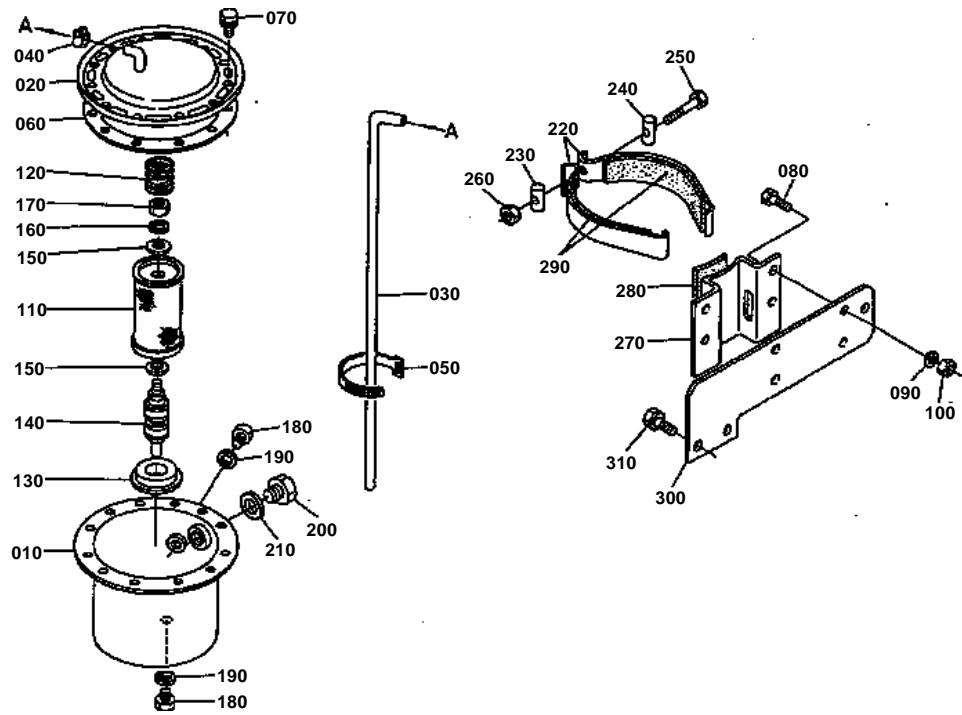


POWER STEERING CYLINDER

↔ Interchangeable; ≠ not interchangeable; ← new for old; → old for new

REF.No	Part No.	Description	Q'ty	S.No.	I/C	REMARKS	Weight (kgf)	Weight (lb)
010	36330-63013	ASSY BRACKET CYL.	2				0.7	1.54
020	36330-63120	SEAL DUST	2				0.002	0.0044
030	05012-01020	PIN STRAIGHT	1				0.013	0.0286
040	36330-63092	JOINT	1				0.041	0.0902
050	06613-10010	NIPPLE GREASE	1				0.006	0.0132
060	36330-63130	JOINT	1				0.015	0.033
070	36330-63140	JOINT	1				0.02	0.044
080	36330-63150	HOSE HYDRAULIC	1				0.005	0.011
090	36330-63110	SPACER	1				0.01	0.022
100	01133-51240	BOLT	4				0.05	0.11
110	36330-63710	CYLINDER STEERING	1				5.5	12.1
120	36330-63030	JOINT CYLINDER	1				0.07	0.154
130	36330-63040	JOINT CYLINDER	1				0	0
140	36330-63052	SHAFT CYLINDER	1				0.23	0.506
150	36330-63060	STOPPER	1				0.015	0.033
160	01123-50816	BOLT	1				0	0

POWER STEERING OIL TANK



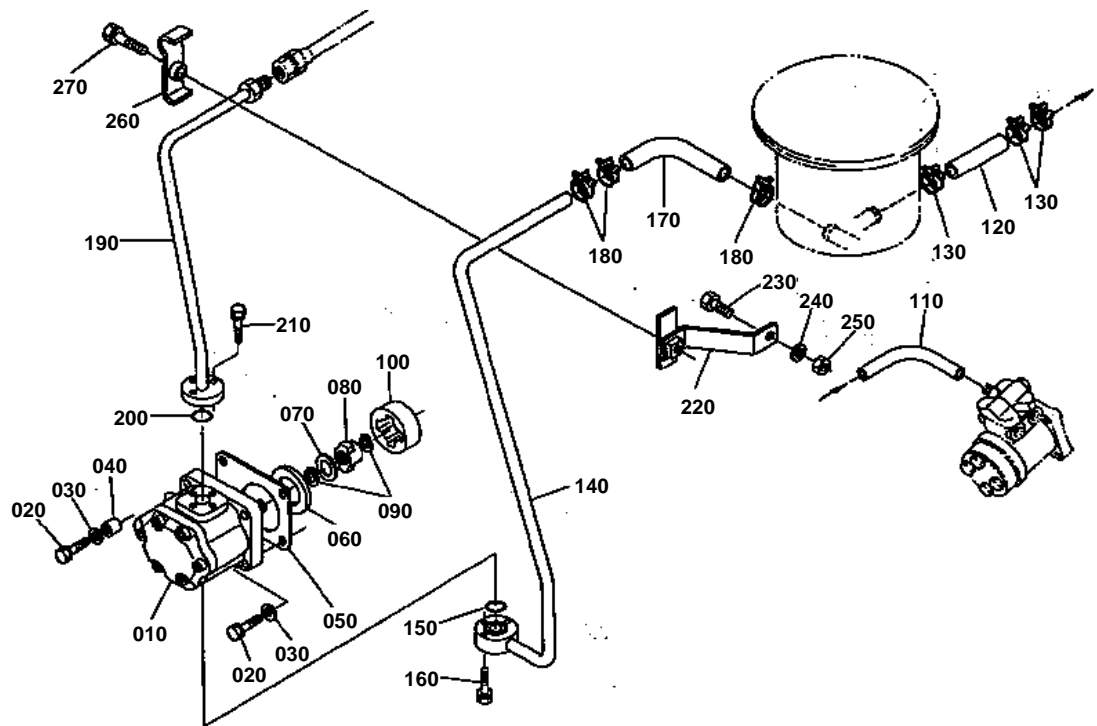


POWER STEERING OIL TANK

↔ Interchangeable; ≠ not interchangeable; ← new for old; → old for new

REF.No	Part No.	Description	Q'ty	S.No.	I/C	REMARKS	Weight (kgf)	Weight (lb)
010	36330-63414	TANK OIL	1				1	2.2
020	36330-63443	COVER OIL TANK	1				0.45	0.99
030	36300-04430	PIPE FUEL	1				0.1	0.22
040	14301-42750	CLIP PIPE	1				0.005	0.011
050	53581-64150	BAND CORD	1				0.002	0.0044
060	36330-63450	GASKET OIL TANK	1				0.03	0.066
070	01023-50616	BOLT	12				0.005	0.011
080	01123-50816	BOLT	4				0	0
090	04512-50080	WASHER SPRING	4				0	0
100	02156-50080	NUT	4				0.004	0.0088
110	36330-63460	FILTER OIL	1				0.22	0.484
120	36330-63480	SPRING	1				0.04	0.088
130	36330-63500	GASKET FILTER	1				0.01	0.022
140	36330-63490	MAGNET	1				0.09	0.198
150	04013-50060	WASHER PLAIN	2				0	0
160	04512-50060	WASHER SPRING	1				0	0
170	02014-50060	NUT	1				0.002	0.0044
180	06331-35010	PLUG	2				0.012	0.0264
190	04717-01000	WASHER WITH RUBBER	2				0.001	0.0022
200	06331-35020	PLUG	1				0.068	0.1496
210	04717-02000	WASHER WITH RUBBER	1				0.004	0.0088
220	36330-63610	BAND	2				0.2	0.44
230	33400-63440	CLAMP BAND	1				0.015	0.033
240	33400-63450	CLAMP BAND	1				0.015	0.033
250	01053-50645	BOLT	1				0.012	0.0264
260	02014-50060	NUT	1				0.002	0.0044
270	36330-63620	BRACKET POWER STRG.	1				0.48	1.056
280	36330-63630	CUSHION	1				0.03	0.066
290	36330-63640	CUSHION	2				0.04	0.088
300	36839-63870	STAY	1				1.26	2.772
310	01133-51045	BOLT	2				0.034	0.0748

POWER STEERING HYD.PUMP

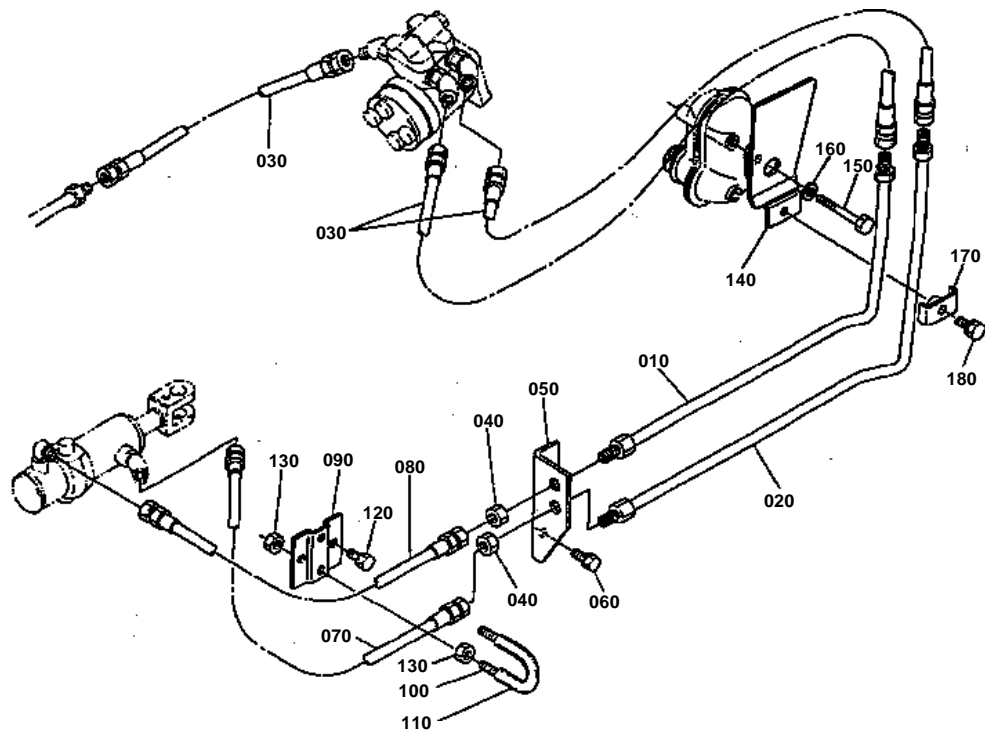


**POWER STEERING HYD.PUMP**

↔ Interchangeable; ≠ not interchangeable; ← new for old; → old for new

REF.No	Part No.	Description	Q'ty	S.No.	I/C	REMARKS	Weight (kgf)	Weight (lb)
010	36330-63100	PUMP HYDRAULIC	1				0	0
020	01023-50632	BOLT	4				0.01	0.022
030	04013-50060	WASHER PLAIN	4				0	0
040	36500-82220	COLLAR	1				0.003	0.0066
050	36500-63220	GASKET	1				0	0
060	36330-82230	RING	1				0.03	0.066
070	36330-82210	WASHER THRUST	1				0.002	0.0044
080	36330-82180	HUB	1				0.06	0.132
090	04612-00170	CIR-CLIP EXTERNAL	2				0.001	0.0022
100	33251-82170	RING	1				0.11	0.242
110	36919-63370	PIPE RETURN	1				0.02	0.044
120	36839-63660	JOINT RUBBER	1				0.138	0.3036
130	36330-63690	BAND HOSE	3				0.01	0.022
140	36839-63230	PIPE SUCTION	1				0.64	1.408
150	35880-63650	O RING	1				0.001	0.0022
160	01023-50635	BOLT	3				0.01	0.022
170	35828-63670	JOINT RUBBER	1				0.07	0.154
180	19269-16160	BAND	3				0.01	0.022
190	36839-63240	PIPE DELIVERY	1				0	0
200	35880-63650	O RING	1				0.001	0.0022
210	01023-50625	BOLT	3				0.007	0.0154
220	36839-63580	STAY PIPE	1				0.14	0.308
230	01153-50816	BOLT	1				0.01	0.022
240	04512-50080	WASHER SPRING	1				0	0
250	02114-50080	NUT	1				0.005	0.011
260	36839-63590	CLAMP PIPE	1				0.06	0.132
270	01123-50835	BOLT	1				0.02	0.044

POWER STEERING PIPING



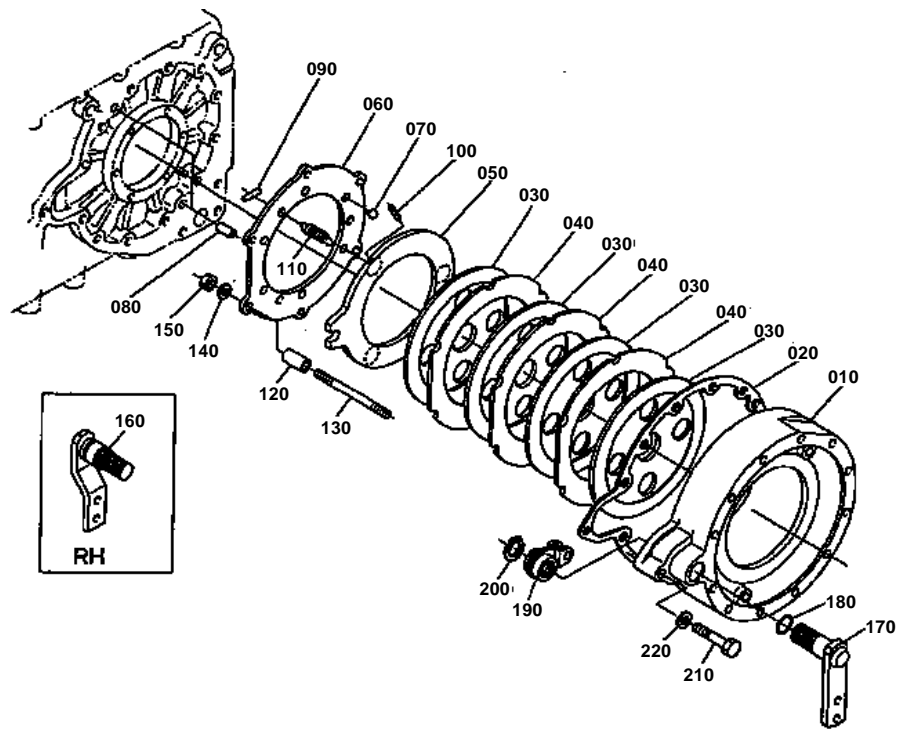


POWER STEERING PIPING

↔ Interchangeable; ≠ not interchangeable; ← new for old; → old for new

REF.No	Part No.	Description	Q'ty	S.No.	I/C	REMARKS	Weight (kgf)	Weight (lb)
010	35820-63270	PIPE DELIVERY	1				0	0
020	35820-63280	PIPE DELIVERY	1				0	0
030	36330-63350	HOSE DELIVERY	3				0.38	0.836
040	36330-63290	NUT	2				0.02	0.044
050	36330-63323	STAY PIPE	1				0.208	0.4576
060	01123-50816	BOLT	2				0	0
070	36330-63350	HOSE DELIVERY	1				0.38	0.836
080	36330-63360	HOSE DELIVERY	1				0.4	0.88
090	36330-63510	STAY SUPPORT HOSE	1				0.13	0.286
100	36330-63520	SUPPORT HOSE	1				0.06	0.132
110	36330-63530	COVER PROTECT.	1				0.015	0.033
120	01123-50816	BOLT	2				0	0
130	02114-50080	NUT	4				0.005	0.011
140	36839-63310	STAY PIPE	1				0.34	0.748
150	01053-50890	BOLT	1				0.03	0.066
160	04512-50080	WASHER SPRING	1				0	0
170	36919-63570	CLAMP PIPE	1				0.051	0.1122
180	01123-50830	BOLT	1				0.015	0.033

BRAKE

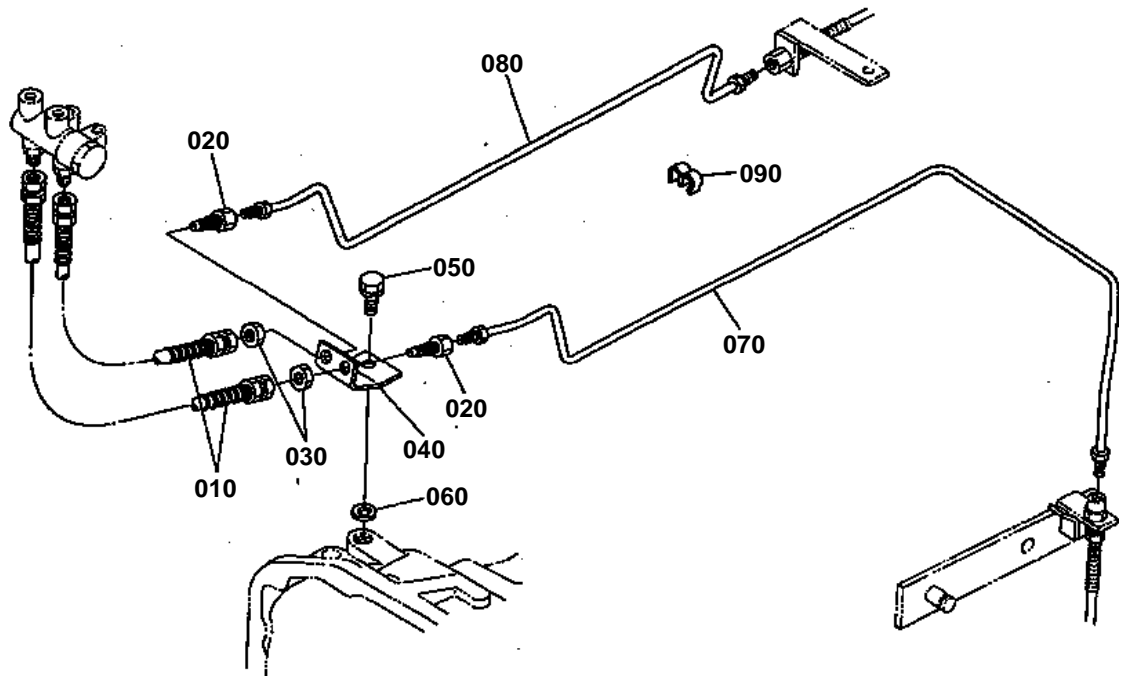


**BRAKE**

↔ Interchangeable; ≠ not interchangeable; ← new for old; → old for new

REF.No	Part No.	Description	Q'ty	S.No.	I/C	REMARKS	Weight (kgf)	Weight (lb)
010	35828-65110	CASE BRAKE	2				16.5	36.3
020	36330-65210	GASKET	2				0	0
030	36200-65120	PLATE FRICTION	8				0	0
040	36330-65130	PLATE	6				0.56	1.232
050	36200-65147	PLATE CAM	2				2.5	5.5
060	36200-65150	PLATE CAM	2				2.42	5.324
070	07715-00805	BALL	12				0.016	0.0352
080	05012-01325	PIN STRAIGHT	4				0.028	0.0616
090	36200-65180	RETAINER SPRING	6				0.025	0.055
100	05411-00435	PIN SPRING	6				0.002	0.0044
110	36200-65810	SPRING	6				0.003	0.0066
120	36510-65160	SPACER	12				0.025	0.055
130	36510-65170	STUD	12				0.06	0.132
140	04512-50100	WASHER SPRING	12				0	0
150	02118-50100	NUT	12				0.005	0.011
160	35828-65330	CAMSHAFT BRAKE RH	1				0.96	2.112
170	35828-65340	CAMSHAFT BRAKE LH	1				0.96	2.112
180	04811-05260	RING	2				0	0
190	36200-65310	LEVER BRAKE CAM	2				0.35	0.77
200	04612-00280	CIR-CLIP EXTERNAL	2				0.003	0.0066
210	01173-51270	BOLT	2				0.067	0.1474
220	04512-50120	WASHER SPRING	2				0	0

BRAKE OIL PIPING

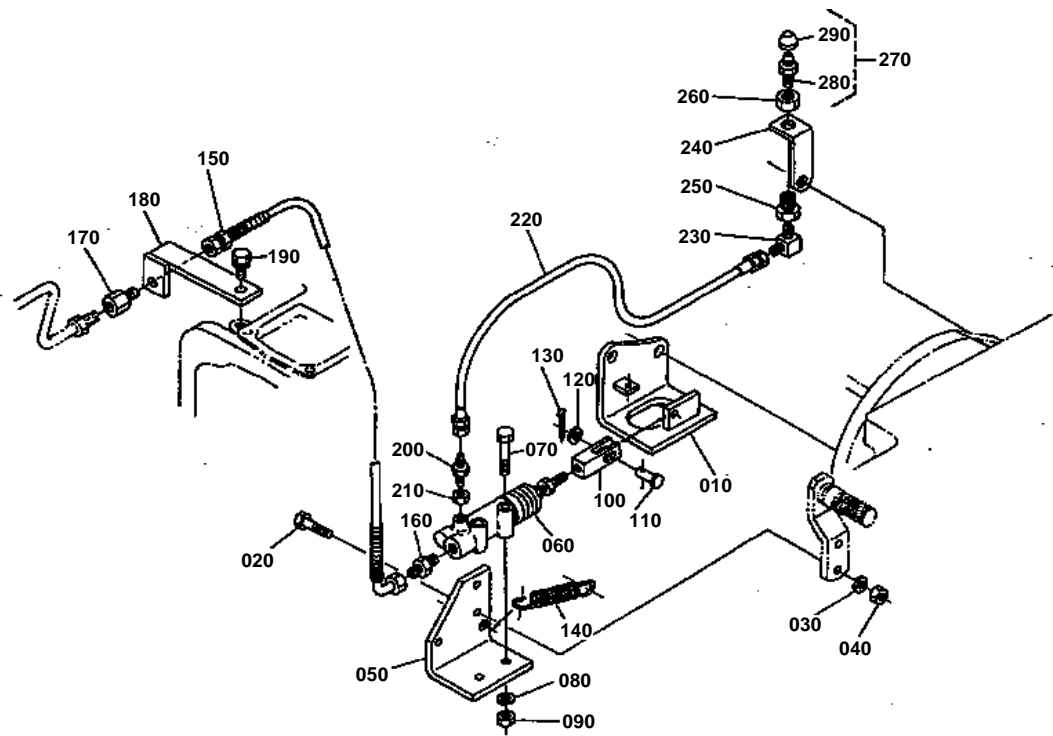


**BRAKE OIL PIPING**

↔ Interchangeable; ≠ not interchangeable; ← new for old; → old for new

REF.No	Part No.	Description	Q'ty	S.No.	I/C	REMARKS	Weight (kgf)	Weight (lb)
010	36919-67440	HOSE BRAKE	2				0.1	0.22
020	36919-67460	ADAPTER	2				0.03	0.066
030	02172-50120	NUT	2				0.01	0.022
040	36919-67470	STAY BRAKE PIPE	1				0.12	0.264
050	01123-51220	BOLT	1				0	0
060	36330-04280	SPACER	1				0.02	0.044
070	36839-67570	PIPE BRAKE RH	1				0.11	0.242
080	36839-67580	PIPE BRAKE LH	1				0.15	0.33
090	36839-67670	CLAMP PIPE	3				0.002	0.0044

BRAKE CYLINDER RH

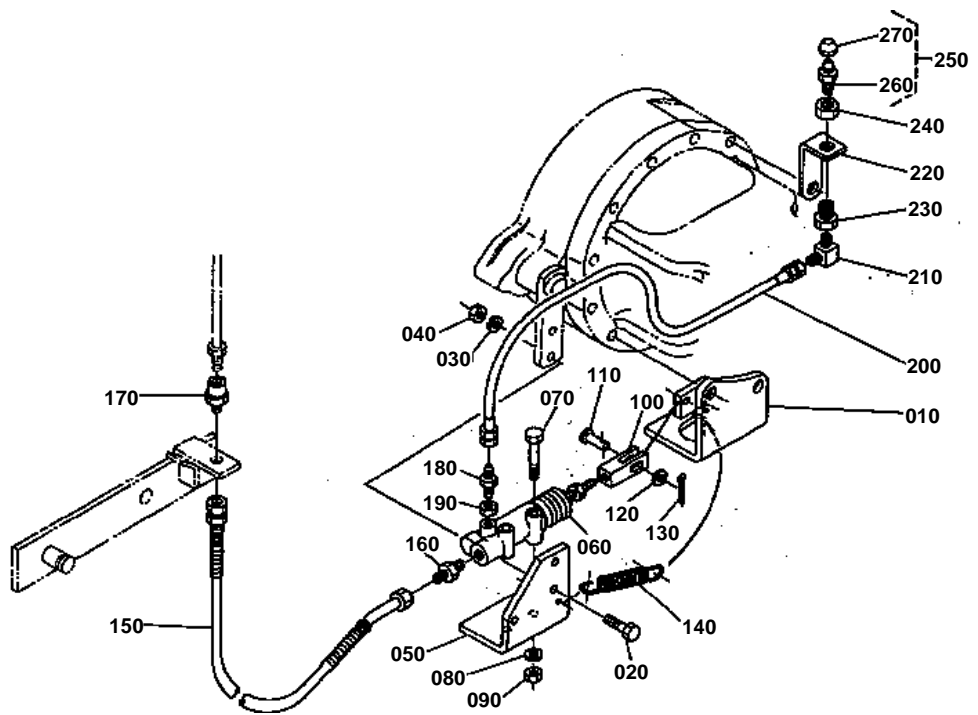


**BRAKE CYLINDER RH**

↔ Interchangeable; ≠ not interchangeable; ← new for old; → old for new

REF.No	Part No.	Description	Q'ty	S.No.	I/C	REMARKS	Weight (kgf)	Weight (lb)
010	35828-68430	PLATE CYLINDER RH	1				1.05	2.31
020	01173-51035	BOLT	2				0.025	0.055
030	04512-50100	WASHER SPRING	2				0	0
040	02176-50100	NUT	2				0.005	0.011
050	35828-68450	BRACKET CYLINDER RH	1				1.67	3.674
060	35828-68470	CYLINDER	1				0.6	1.32
070	01173-51065	BOLT	2				0.04	0.088
080	04512-50100	WASHER SPRING	2				0	0
090	02176-50100	NUT	2				0.005	0.011
100	35828-68580	JOINT	1				0.095	0.209
110	05122-51028	PIN JOINT	1				0	0
120	04011-50100	WASHER PLAIN	1				0.002	0.0044
130	05511-50318	PIN SPLIT	1				0.001	0.0022
140	36730-33070	SPRING	1				0.04	0.088
150	35828-68490	HOSE BRAKE RH	1				0.22	0.484
160	35828-68670	ADAPTER	1				0.03	0.066
170	36839-68690	ADAPTER	1				0.03	0.066
180	36839-68510	HOLDER PIPE	1				0.13	0.286
190	01123-50816	BOLT	1				0	0
200	35828-68730	ADAPTER BREATHER	1				0.023	0.0506
210	35828-68600	NUT	1				0.01	0.022
220	35828-68740	HOSE BREATHER RH	1				0.17	0.374
230	35828-68770	ADAPTER	1				0.027	0.0594
240	35828-68750	BRACKET	1				0.12	0.264
250	35828-68760	ADAPTER BREATHER	1				0.038	0.0836
260	02172-50160	NUT	1				0.017	0.0374
270	35828-68800	KIT BREATHER	1				0.012	0.0264
280	35828-68810	PLUG	1				0.015	0.033
290	35828-68820	CAP BREATHER	1				0.001	0.0022

BRAKE CYLINDER LH

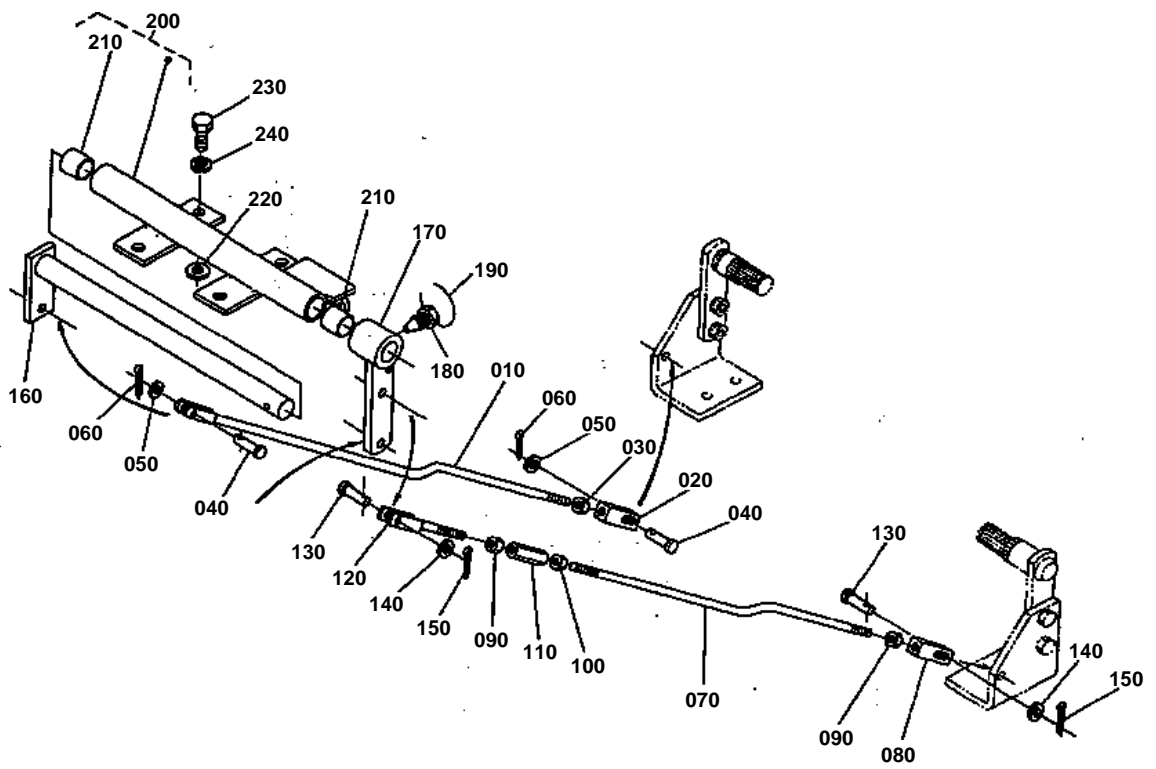


**BRAKE CYLINDER LH**

↔ Interchangeable; ≠ not interchangeable; ← new for old; → old for new

REF.No	Part No.	Description	Q'ty	S.No.	I/C	REMARKS	Weight (kgf)	Weight (lb)
010	35828-68440	PLATE CYLINDER LH	1				1.05	2.31
020	01173-51035	BOLT	2				0.025	0.055
030	04512-50100	WASHER SPRING	2				0	0
040	02176-50100	NUT	2				0.005	0.011
050	35828-68460	BRACKET CYLINDER LH	1				1.68	3.696
060	35828-68470	CYLINDER	1				0.6	1.32
070	01173-51065	BOLT	2				0.04	0.088
080	04512-50100	WASHER SPRING	2				0	0
090	02176-50100	NUT	2				0.005	0.011
100	35828-68580	JOINT	1				0.095	0.209
110	05122-51028	PIN JOINT	1				0	0
120	04011-50100	WASHER PLAIN	1				0.002	0.0044
130	05511-50318	PIN SPLIT	1				0.001	0.0022
140	36730-33070	SPRING	1				0.04	0.088
150	36839-68500	HOSE BRAKE LH	1				0.24	0.528
160	35828-68670	ADAPTER	1				0.03	0.066
170	36839-68690	ADAPTER	1				0.03	0.066
180	35828-68730	ADAPTER BREATHER	1				0.023	0.0506
190	35828-68600	NUT	1				0.01	0.022
200	35828-68780	HOSE BREATHER LH	1				0.19	0.418
210	35828-68770	ADAPTER	1				0.027	0.0594
220	35828-68750	BRACKET	1				0.12	0.264
230	35828-68760	ADAPTER BREATHER	1				0.038	0.0836
240	02172-50160	NUT	1				0.017	0.0374
250	35828-68800	KIT BREATHER	1				0.012	0.0264
260	35828-68810	PLUG	1				0.015	0.033
270	35828-68820	CAP BREATHER	1				0.001	0.0022

HAND BRAKE



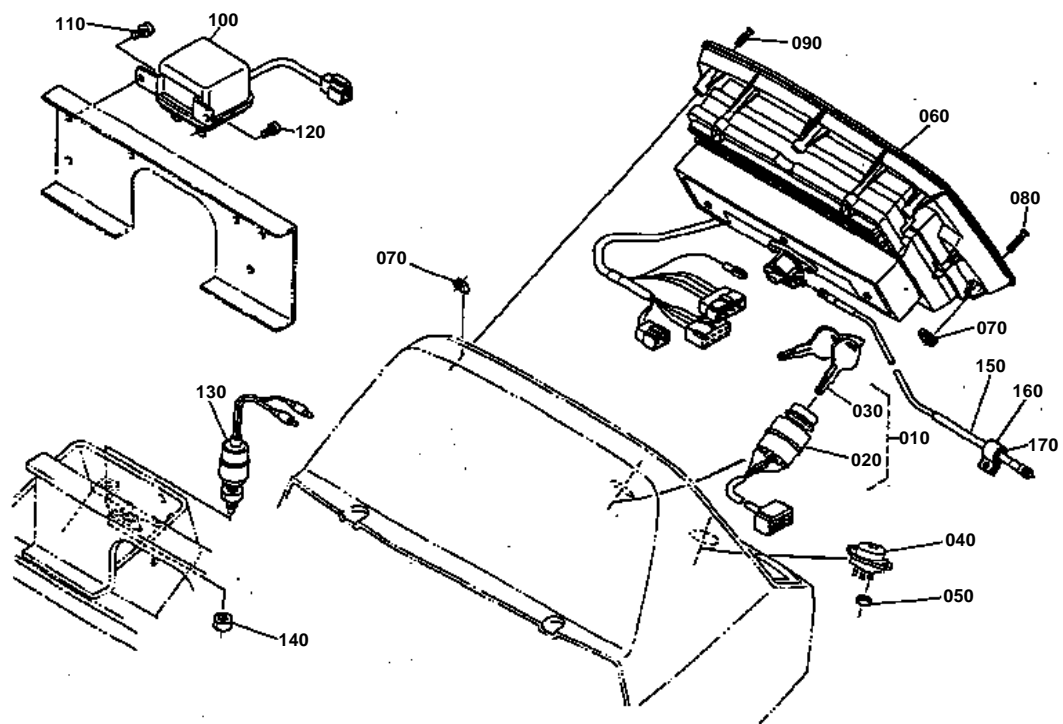


HAND BRAKE

↔ Interchangeable; ≠ not interchangeable; ← new for old; → old for new

REF.No	Part No.	Description	Q'ty	S.No.	I/C	REMARKS	Weight (kgf)	Weight (lb)
010	36839-68550	ROD PARKING RH	1				0.93	2.046
020	36839-68420	JOINT	1				0.093	0.2046
030	02116-50100	NUT	1				0.004	0.0088
040	05122-51028	PIN JOINT	2				0	0
050	04013-50100	WASHER PLAIN	2				0	0
060	05511-50318	PIN SPLIT	2				0.001	0.0022
070	36839-68560	ROD PARKING LH	1				0.32	0.704
080	36839-68420	JOINT	1				0.093	0.2046
090	02116-50100	NUT	1				0.004	0.0088
100	55311-31550	NUT	1				0.007	0.0154
110	32350-28980	TURNBUCKLE	1				0.124	0.2728
120	36330-26173	ROD CLUTCH	1				0.11	0.242
130	05122-51028	PIN JOINT	2				0	0
140	04011-50100	WASHER PLAIN	2				0.002	0.0044
150	05511-50318	PIN SPLIT	2				0.001	0.0022
160	36839-68590	SHAFT PARKING LEVER	1				1.66	3.652
170	36839-68620	LEVER BRAKE	1				0.62	1.364
180	33251-26350	BOLT SET	1				0.045	0.099
190	99999-99999	YOUR SUPPLY	1				0	0
200	36839-68480	COMP HOLDER SHAFT	1				2	4.4
210	36200-21130	BUSH	2				0.003	0.0066
220	36330-04280	SPACER	4				0.02	0.044
230	01173-51235	BOLT	4				0.04	0.088
240	04512-50120	WASHER SPRING	4				0	0

PANEL BOARD



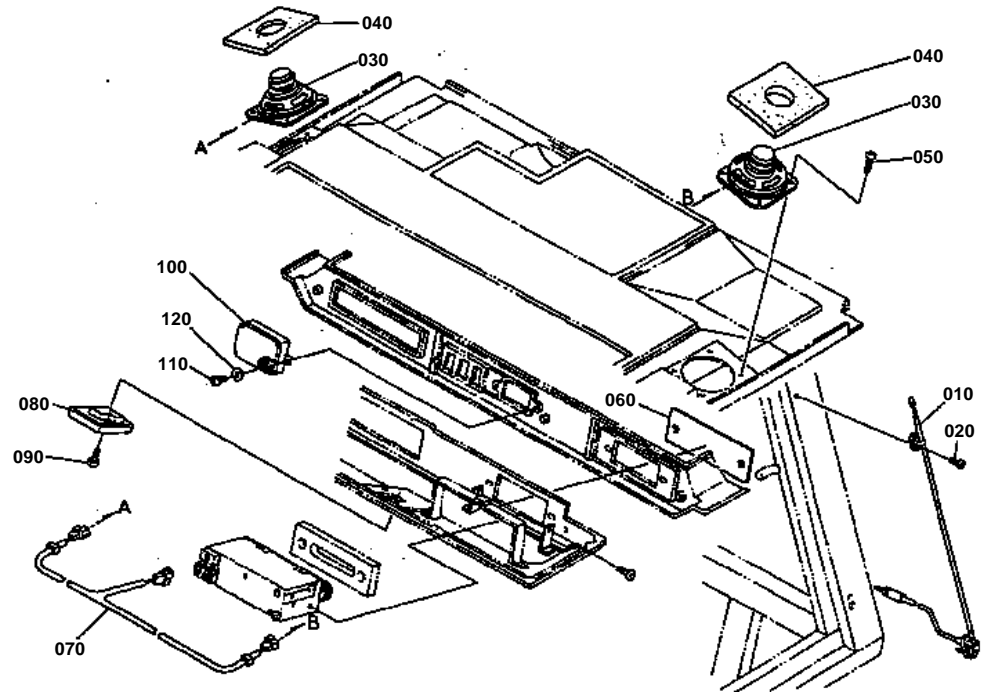


PANEL BOARD

↔ Interchangeable; ≠ not interchangeable; ← new for old; → old for new

REF.No	Part No.	Description	Q'ty	S.No.	I/C	REMARKS	Weight (kgf)	Weight (lb)
010	36919-75170	ASSY SWITCH MAIN	1				0	0
020	36919-75160	SWITCH MAIN	1				0	0
030	36919-75190	KEY MAIN SWITCH	2				0.005	0.011
040	15521-65950	INDICATOR GLOW PLUG	1				0.065	0.143
050	02054-50050	NUT	2				0.002	0.0044
060	35830-75580	ASSY BOARD PANEL	1				0	0
070	38240-29250	NUT	4				0.005	0.011
080	36919-55680	SCREW	2				0.01	0.022
090	36919-55690	SCREW	2				0.01	0.022
100	36919-75210	RELAY GLOW PLUG	1				0	0
110	03004-50612	SCREW	2				0.005	0.011
120	03024-50512	SCREW	2				0.003	0.0066
130	36919-75480	SWITCH STOP	2				0.04	0.088
140	02176-50100	NUT	2				0.005	0.011
150	36919-75610	CABLE HOUR METER	1				0	0
160	36500-30150	CLAMP CABLE	1				0	0
170	33251-30160	PROTECTOR CABLE	1				0.007	0.0154

SPEAKER AND ROOM LAMP



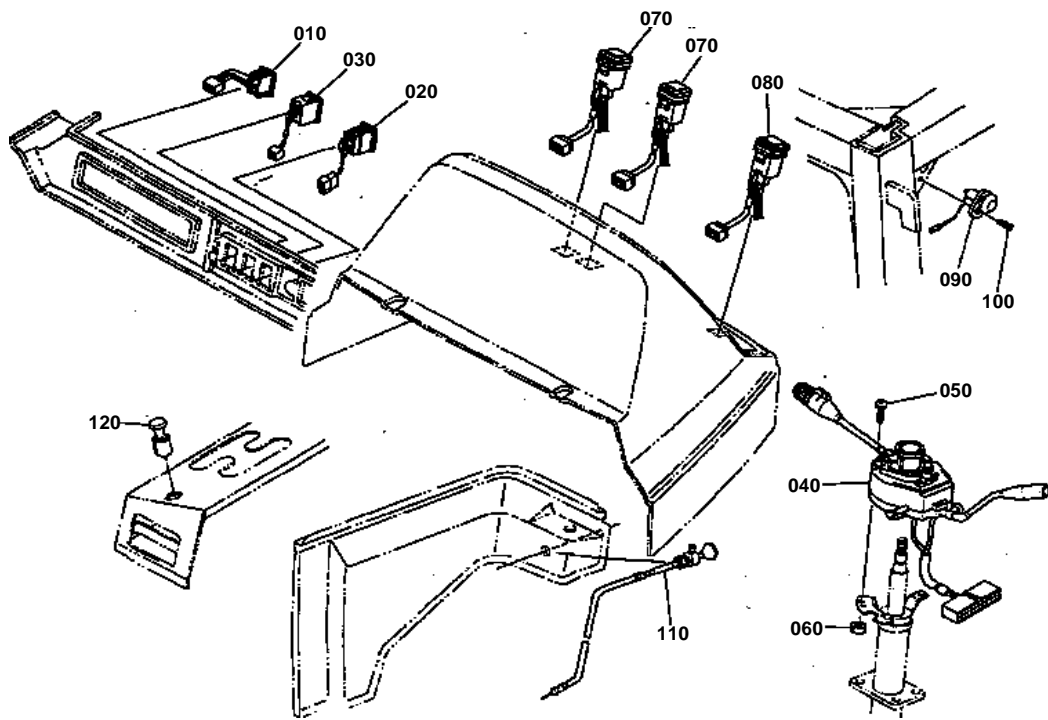


SPEAKER AND ROOM LAMP

↔ Interchangeable; ≠ not interchangeable; ← new for old; → old for new

REF.No	Part No.	Description	Q'ty	S.No.	I/C	REMARKS	Weight (kgf)	Weight (lb)
010	36919-54140	ANTENNA	1				0.15	0.33
020	03024-50414	SCREW	2				0.002	0.0044
030	36919-54130	SPEAKER	2				0	0
040	36919-55500	CUSHION SPEAKER	2				0.004	0.0088
050	03514-50512	SCREW	8				0.003	0.0066
060	36919-54760	PLATE RADIO	1				0.021	0.0462
070	36919-54572	HARNES SPEAKER	1				0.1	0.22
080	36530-54210	ASSY LAMP ROOM	1				0.04	0.088
090	03024-50516	SCREW	2				0.004	0.0088
100	36919-55770	CLOCK	1				0.092	0.2024
110	03024-50510	SCREW	2				0.002	0.0044
120	04013-50050	WASHER PLAIN	2				0	0

SWITCH



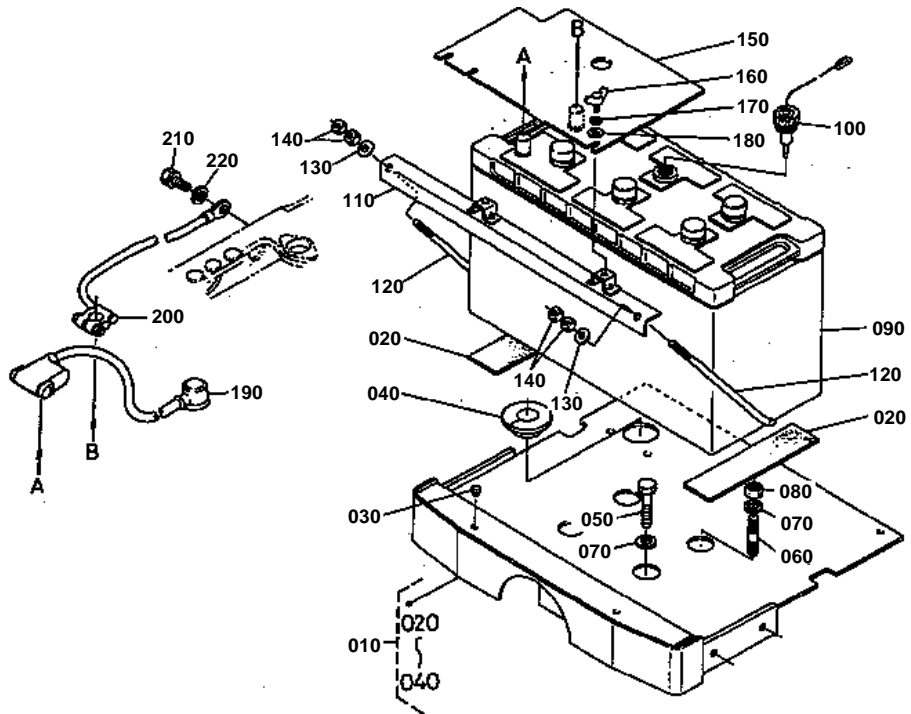


SWITCH

↔ Interchangeable; ≠ not interchangeable; ← new for old; → old for new

REF.No	Part No.	Description	Q'ty	S.No.	I/C	REMARKS	Weight (kgf)	Weight (lb)
010	36919-75330	SWITCH FRONT WIPER	1				0.04	0.088
020	36919-75340	SWITCH REAR WIPER	1				0.03	0.066
030	36919-75350	SWITCH WASHER	1				0.03	0.066
040	35860-75362	SWITCH LEVER CONTROL	1				0.4	0.88
050	03004-50616	SCREW	3				0.006	0.0132
060	02014-50060	NUT	3				0.002	0.0044
070	36919-54220	SWITCH WORKING LIGHT	2				0	0
080	36919-75090	SWITCH PARKING	1				0	0
090	36919-75230	SWITCH DOOR	2				0	0
100	03056-50516	SCREW	2				0.024	0.0528
110	36839-10340	WIRE ENGINE STOP	1				0	0
120	36530-54220	CIGARETTER	1				0	0

BATTERY

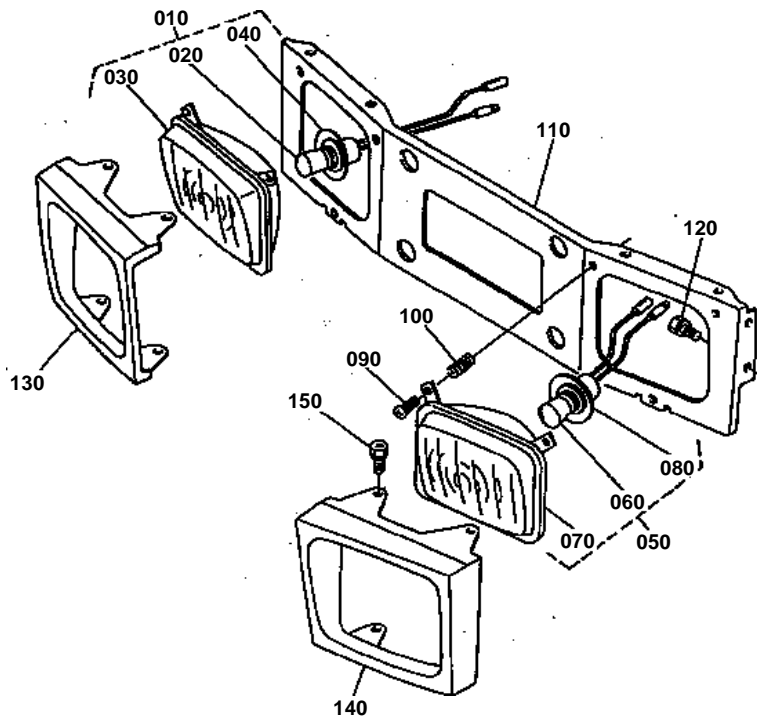


**BATTERY**

↔ Interchangeable; ≠ not interchangeable; ← new for old; → old for new

REF.No	Part No.	Description	Q'ty	S.No.	I/C	REMARKS	Weight (kgf)	Weight (lb)
010	36330-74100	ASSY SUPPORT BATTERY	1				15.7	34.54
020	36500-74180	CUSHION BATTERY	2				0	0
030	38430-17170	CUSHION	2				0.005	0.011
040	35880-74140	COVER RUBBER	1				0	0
050	01173-51230	BOLT	2				0.037	0.0814
060	01574-51225	STUD	2				0.034	0.0748
070	04512-50120	WASHER SPRING	4				0	0
080	02174-50120	NUT	2				0.01	0.022
090	35709-74090	BATTERY	1				32	70.4
100	36330-74250	SENER BATTERY	1				0.03	0.066
110	36330-74353	RETAINER BATTERY	1				0.64	1.408
120	36330-74360	BOLT	2				0	0
130	04015-50100	WASHER PLAIN	2				0.016	0.0352
140	02118-50100	NUT	4				0.005	0.011
150	36330-74174	COVER BATTERY	1				0.218	0.4796
160	01811-50615	BOLT WING	2				0.015	0.033
170	04512-50060	WASHER SPRING	2				0	0
180	04015-50060	WASHER PLAIN	2				0	0
190	36300-77110	CORD BATTERY	1				0	0
200	36500-77140	CORD EARTH	1				0.41	0.902
210	01133-51020	BOLT	1				0.02	0.044
220	04013-50100	WASHER PLAIN	1				0	0

LIGHT 1



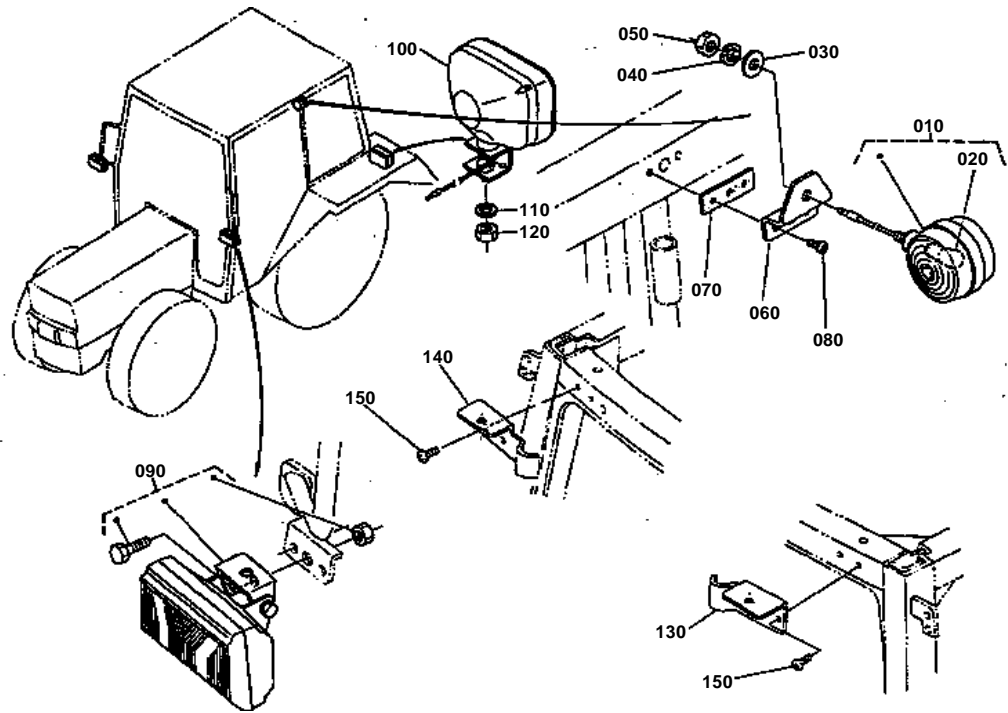


LIGHT 1

↔ Interchangeable; ≠ not interchangeable; ← new for old; → old for new

REF.No	Part No.	Description	Q'ty	S.No.	I/C	REMARKS	Weight (kgf)	Weight (lb)
010	36330-75800	ASSY LIGHT HEAD RH	1				0.52	1.144
020	38450-33870	BULB LIGHT	1				0.025	0.055
030	36330-75810	COMP.LIGHT UNIT RH	1				0.41	0.902
040	36330-75840	COMP.CORD SOCKET	1				0.056	0.1232
050	36330-75920	ASSY LIGHT HEAD LH	1				0.53	1.166
060	38450-33870	BULB LIGHT	1				0.025	0.055
070	36330-75930	COMP.LIGHT UNIT LH	1				0.41	0.902
080	36330-75840	COMP.CORD SOCKET	1				0.056	0.1232
090	03054-50525	SCREW PAN HEAD	6				0.005	0.011
100	38240-33860	SPRING LIGHT	6				0.001	0.0022
110	36330-75730	PLATE HEAD LIGHT	1				0.945	2.079
120	01023-50616	BOLT	4				0.005	0.011
130	35861-75710	GRILLE LIGHT RH	1				0.1	0.22
140	35861-75720	GRILLE LIGHT LH	1				0.1	0.22
150	01202-50616	BOLT	8				0.006	0.0132

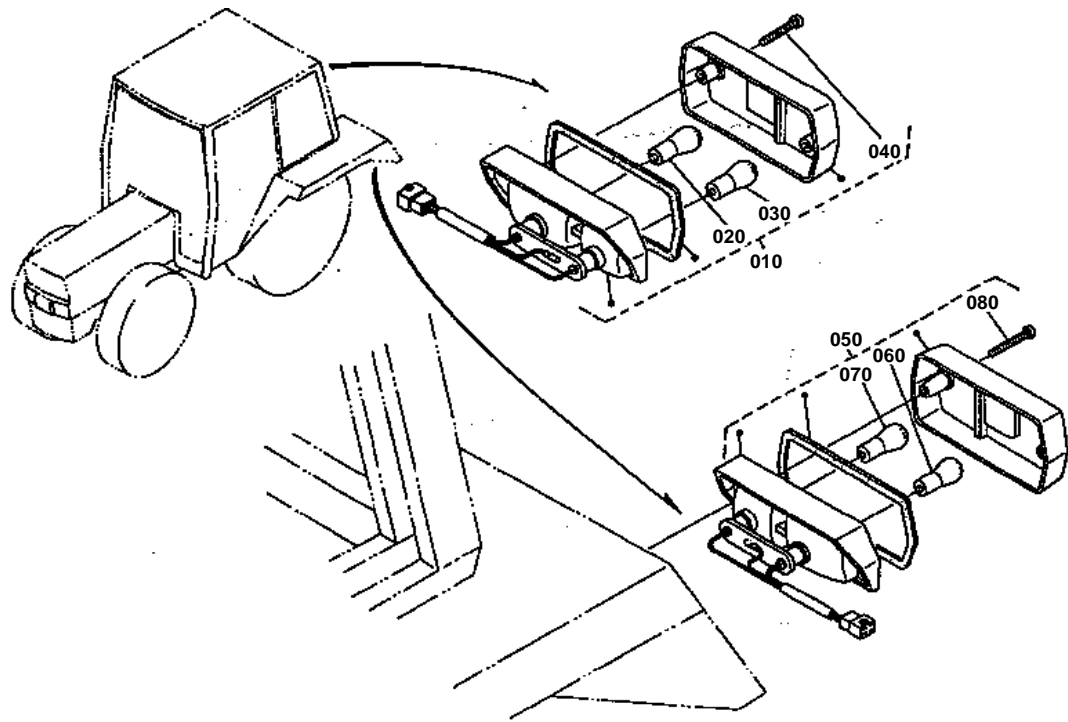
LIGHT 2



**LIGHT 2**

↔ Interchangeable; ≠ not interchangeable; ← new for old; → old for new

REF.No	Part No.	Description	Q'ty	S.No.	I/C	REMARKS	Weight (kgf)	Weight (lb)
010	35450-75010	ASSY LIGHT FLASHER	2				0.3	0.66
020	35450-75022	BULB HAZARD FLASHER	2				0.008	0.0176
030	04013-50100	WASHER PLAIN	2				0	0
040	04512-50100	WASHER SPRING	2				0	0
050	02114-50100	NUT	2				0.005	0.011
060	35860-75452	BRACKET HAZARD	2				0.11	0.242
070	35860-75460	GASKET	2				0	0
080	31391-31140	SCREW	4				0.01	0.022
090	36919-75913	ASSY LIGHT WORKING	2				0.5	1.1
100	36919-75900	ASSY LIGHT WORKING	2				0.6	1.32
110	04512-50120	WASHER SPRING	2				0	0
120	02174-50120	NUT	2				0.01	0.022
130	36919-56430	HOLDER LAMP LH	1				0.12	0.264
140	36919-56440	HOLDER LAMP RH	1				0.116	0.2552
150	36919-50390	SCREW	4				0.004	0.0088



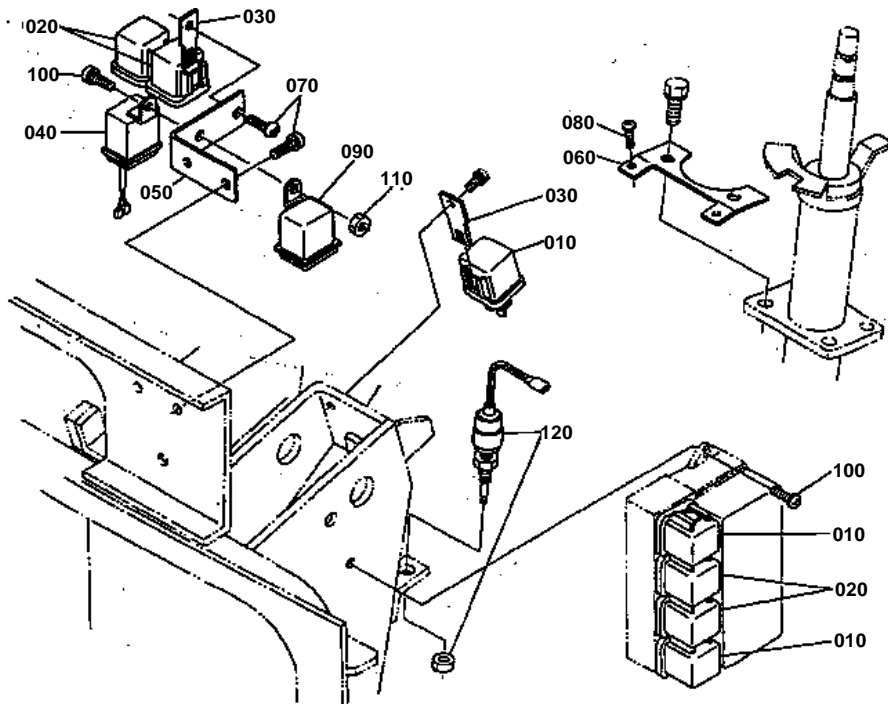


LIGHT 3

↔ Interchangeable; ≠ not interchangeable; ← new for old; → old for new

REF.No	Part No.	Description	Q'ty	S.No.	I/C	REMARKS	Weight (kgf)	Weight (lb)
010	35860-75880	LIGHT REAR COMBI.RH	1				0.3	0.66
020	32530-91820	BULB LIGHT (23W 8W)	1				0.017	0.0374
030	32530-91830	BULB LIGHT (23W)	1				0.02	0.044
040	32530-91840	SCREW	2				0.005	0.011
050	35860-75890	LIGHT REAR COMBI.LH	1				0.3	0.66
060	32530-91820	BULB LIGHT (23W 8W)	1				0.017	0.0374
070	32530-91830	BULB LIGHT (23W)	1				0.02	0.044
080	32530-91840	SCREW	2				0.005	0.011

RELAY



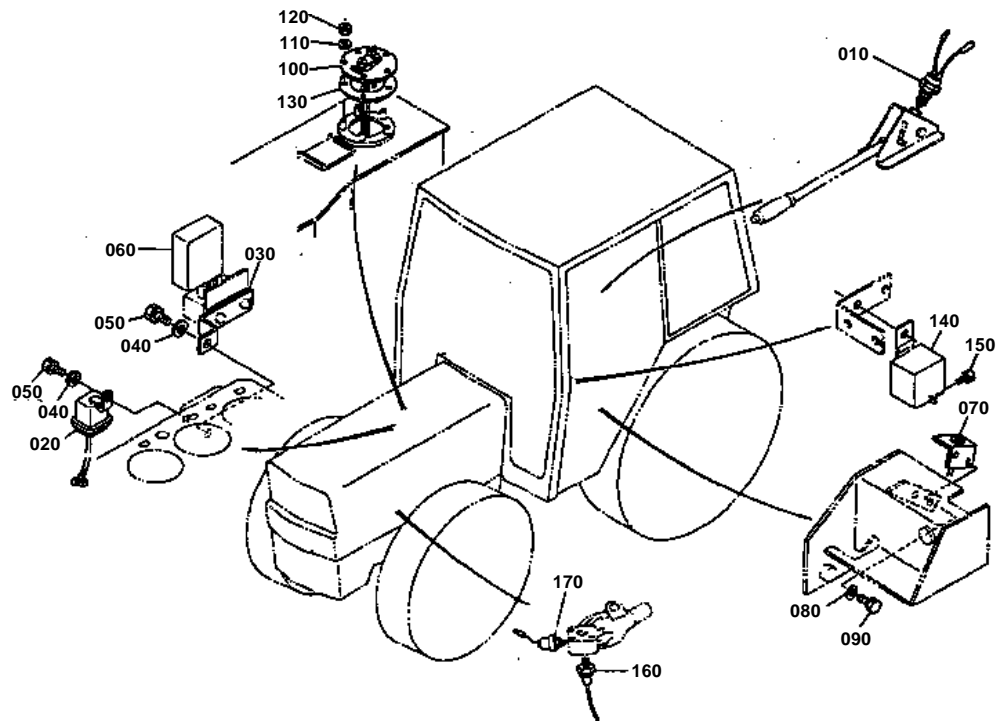


RELAY

↔ Interchangeable; ≠ not interchangeable; ← new for old; → old for new

REF.No	Part No.	Description	Q'ty	S.No.	I/C	REMARKS	Weight (kgf)	Weight (lb)
010	36919-75020	RELAY	3				0.03	0.066
020	36919-75030	RELAY	4				0.038	0.0836
030	36919-55830	BRACKET RELAY	3				0.005	0.011
040	36830-75070	RELAY STARTER	1				0.2	0.44
050	36919-55640	STAY RELAY	1				0.05	0.11
060	36919-55880	SUPPORT COUPLER	1				0	0
070	03004-50616	SCREW	2				0.006	0.0132
080	03024-50414	SCREW	2				0.002	0.0044
090	36919-75430	UNIT FLASHER	1				0.04	0.088
100	03004-50616	SCREW	4				0.006	0.0132
110	02056-50060	NUT	2				0.002	0.0044
120	36919-55840	SWITCH CLUTCH SAFETY	1				0.068	0.1496

SWITCH



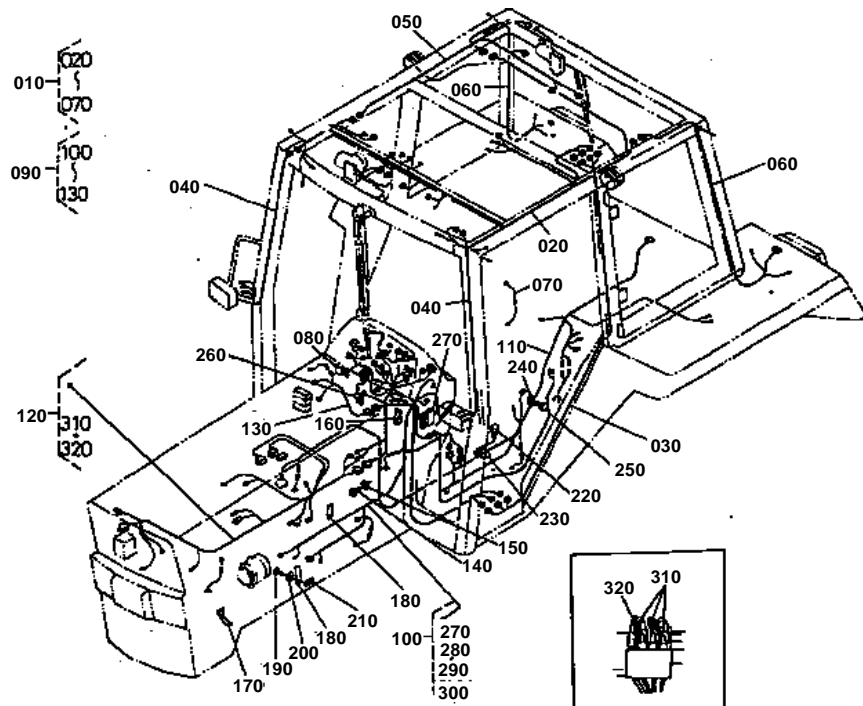


SWITCH

↔ Interchangeable; ≠ not interchangeable; ← new for old; → old for new

REF.No	Part No.	Description	Q'ty	S.No.	I/C	REMARKS	Weight (kgf)	Weight (lb)
010	67111-55810	ASSY SWITCH SAFETY	1				0.09	0.198
020	36830-75070	RELAY STARTER	1				0.2	0.44
030	36919-75050	STAY FUSIBLE	1				0.032	0.0704
040	04013-50060	WASHER PLAIN	2				0	0
050	01023-50614	BOLT	2				0.005	0.011
060	36919-75530	COVER FUSIBLE	1				0.02	0.044
100	35828-75300	UNIT TANK	1				0	0
110	04013-50050	WASHER PLAIN	5				0	0
120	02054-50050	NUT	5				0.002	0.0044
130	36330-75310	GASKET	1				0.005	0.011
140	35820-74030	RELAY LAMP	1				0.04	0.088
150	01023-50612	BOLT	2				0.005	0.011
160	36330-75080	SWITCH THERMOMETER	1				0.02	0.044
170	38240-37930	SWITCH VACUUM	1				0.051	0.1122

ELECTRICAL WIRING

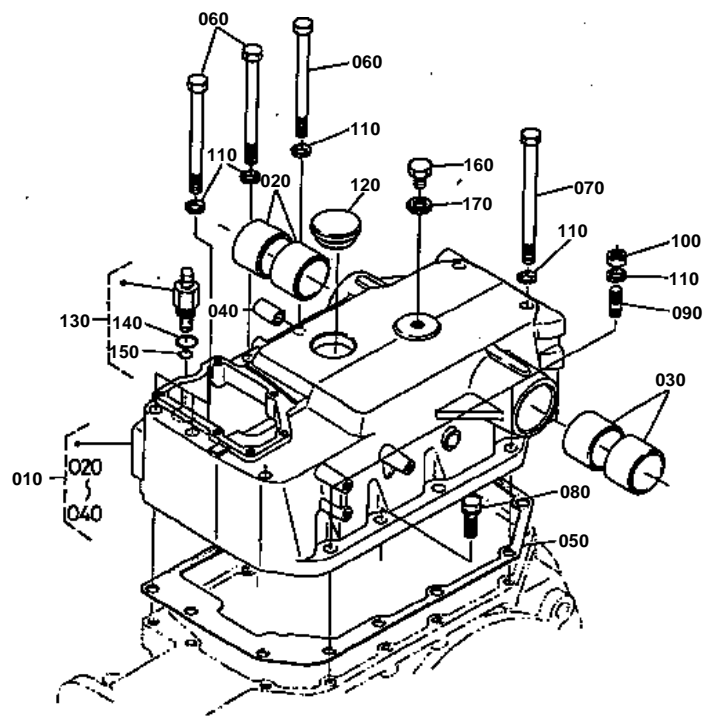


**ELECTRICAL WIRING**

↔ Interchangeable; ≠ not interchangeable; ← new for old; → old for new

REF.No	Part No.	Description	Q'ty	S.No.	I/C	REMARKS	Weight (kgf)	Weight (lb)
010	35860-55490	ASSY WIRE HARNESS	1				0	0
020	36919-55510	WIRE HARNESS CAB	1				0	0
030	36919-55550	WIRE HARNESS CAB	1				0	0
040	35860-55570	WIRE HARNESS CAB	2				0	0
050	36919-55590	WIRE HARNESS CAB	1				0	0
060	36919-55600	WIRE HARNESS CAB	2				0	0
070	36919-55620	WIRE HARNESS CAB	1				0	0
080	36919-55610	CLAMP HARNESS	4				0.011	0.0242
090	36839-77310	ASSY WIRE HARNESS	1				0	0
100	36919-77302	WIRE HARNESS	1				2.7	5.94
110	36919-77220	WIRE HARNESS	1				0	0
120	36839-77230	WIRE HARNESS	1				0	0
130	36919-77240	WIRE HARNESS	1				0.07	0.154
140	03027-50510	SCREW	2				0.003	0.0066
150	04013-50050	WASHER PLAIN	2				0	0
160	55311-41260	BAND CORD	11				0.007	0.0154
170	53581-64150	BAND CORD	14				0.002	0.0044
180	34150-29390	CLAMP CORD	12				0.004	0.0088
190	01053-50620	BOLT	6				0.006	0.0132
200	04013-50060	WASHER PLAIN	6				0	0
210	38240-29250	NUT	6				0.005	0.011
220	01123-50816	BOLT	1				0	0
230	35340-29380	CLAMP CORD	1				0.01	0.022
240	54711-42630	CLAMP CORD	6				0.002	0.0044
250	01123-50816	BOLT	1				0	0
260	36919-55670	CLAMP HARNESS(25)	2				0.02	0.044
270	36919-75500	BOX FUSE	1				0	0
280	36730-75550	FUSE	15			10A	0.001	0.0022
290	35820-75560	FUSE	3			15A	0.002	0.0044
300	36919-56650	FUSE	1			20A	0.002	0.0044
310	36919-75690	LINK FUSIBLE	3			0.5SQ.MM	0.005	0.011
320	36919-75700	LINK FUSIBLE	1			1.25SQ.MM	0	0

HYD.CYLINDER BODY



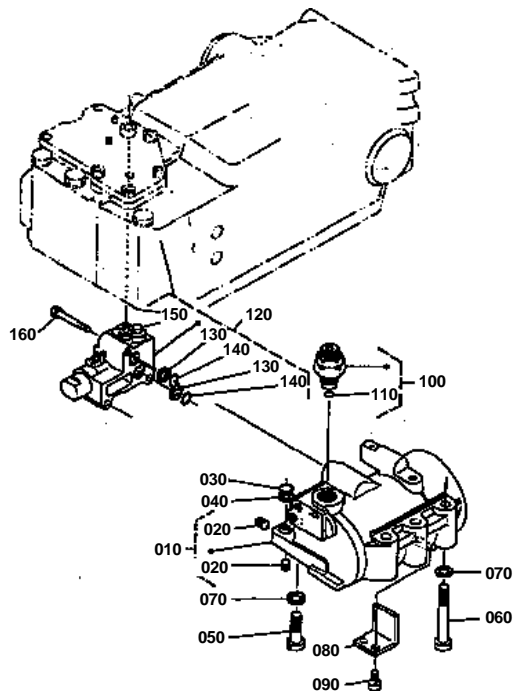


HYD.CYLINDER BODY

↔ Interchangeable; ≠ not interchangeable; ← new for old; → old for new

REF.No	Part No.	Description	Q'ty	S.No.	I/C	REMARKS	Weight (kgf)	Weight (lb)
010	36330-82103	ASSY BODY HYD.CYL.	1				0	0
020	36200-82130	BUSH	2				0	0
030	33251-82060	BUSH	2				0	0
040	36200-81330	BUSH	1				0.04	0.088
050	36330-82142	GASKET	1				0	0
060	36330-82160	BOLT	5				0.15	0.33
070	35450-82170	BOLT	2				0.16	0.352
080	01133-51245	BOLT	2				0.055	0.121
090	01574-51240	STUD	3				0	0
100	02176-50120	NUT	3				0.01	0.022
110	04512-50120	WASHER SPRING	10				0	0
120	36200-81670	PLUG	1				0	0
130	36330-82360	ASSY VALVE RELIEF	1				0.25	0.55
140	04810-00220	RING	1				0	0
150	04811-05150	RING	1				0	0
160	06331-35014	PLUG	1				0.03	0.066
170	04717-01400	WASHER WITH RUBBER	1				0.003	0.0066

HYD.CYLINDER LINER



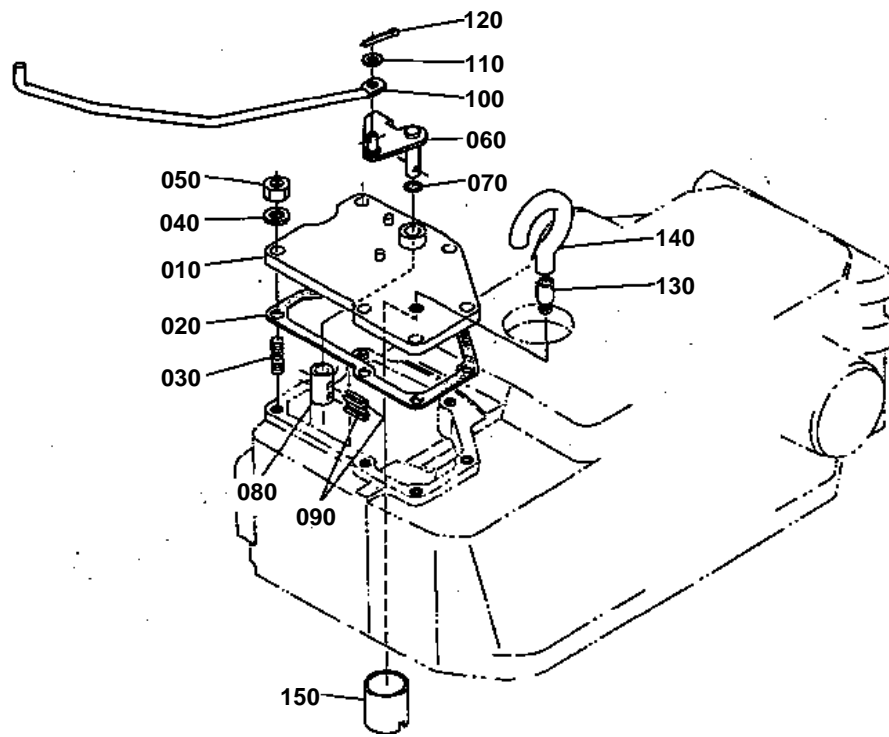


HYD.CYLINDER LINER

↔ Interchangeable; ≠ not interchangeable; ← new for old; → old for new

REF.No	Part No.	Description	Q'ty	S.No.	I/C	REMARKS	Weight (kgf)	Weight (lb)
010	36330-82503	ASSY LINER HYD.CYL.	1				11.8	25.96
020	36741-94022	PLUG TAPER	5				0.01	0.022
030	04811-00140	RING	1				0	0
040	36200-82330	RING BACK UP	1				0.001	0.0022
050	36330-82290	BOLT	3				0.06	0.132
060	36330-82340	BOLT	3				0	0
070	04512-50140	WASHER SPRING	6				0	0
080	36330-82530	SUPPORT ROD	1				0.1	0.22
090	01123-50816	BOLT	2				0	0
100	36330-82402	ASSY VALVE SAFETY	1				0.25	0.55
110	04810-00110	RING	1				0	0
120	35861-82300	ASSY VALVE CONTROL	1				2.1	4.62
130	36200-82330	RING BACK UP	2				0.001	0.0022
140	04810-00140	RING	2				0	0
150	35861-82310	ASSY VALVE CHECK	1				0.08	0.176
160	01123-50855	BOLT	3				0.02	0.044

DOWN SPEED ADJUSTING ROD



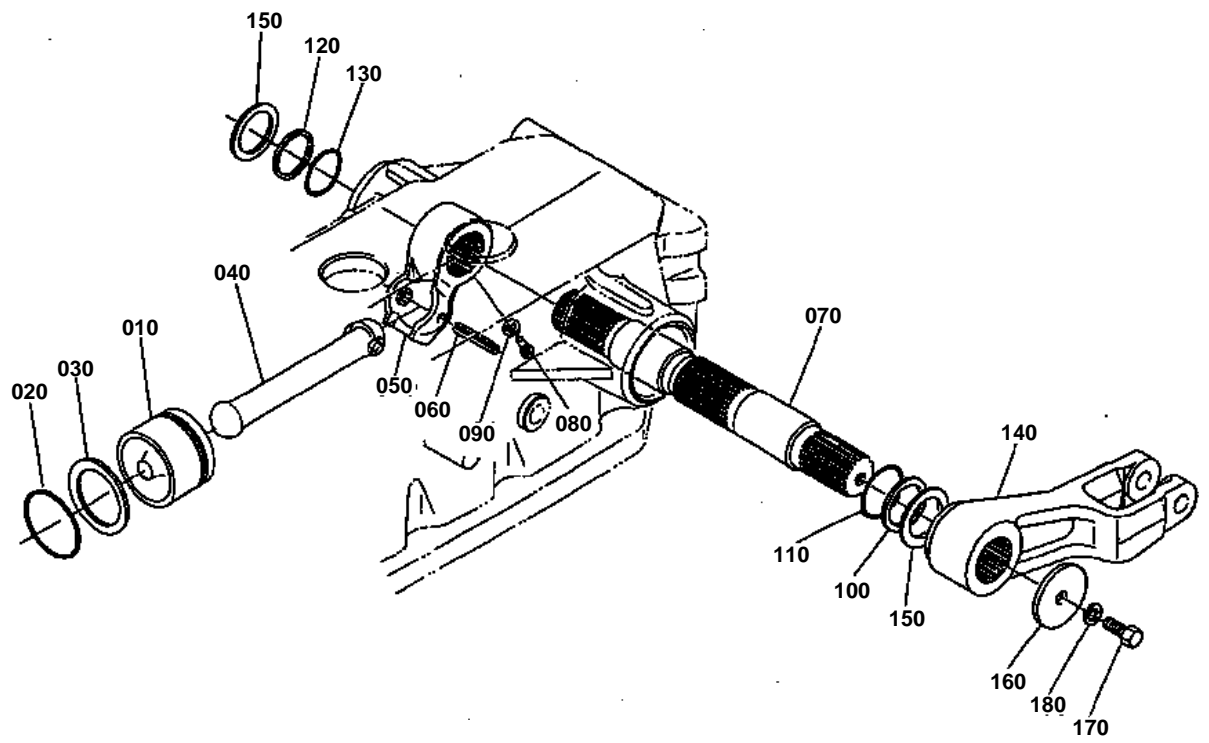


DOWN SPEED ADJUSTING ROD

↔ Interchangeable; ≠ not interchangeable; ← new for old; → old for new

REF.No	Part No.	Description	Q'ty	S.No.	I/C	REMARKS	Weight (kgf)	Weight (lb)
010	36330-81613	COVER ADJUSTING	1				1.12	2.464
020	36330-81620	GASKET	1				0	0
030	01513-50825	STUD	6				0	0
040	04512-50080	WASHER SPRING	6				0	0
050	02114-50080	NUT	6				0.005	0.011
060	36919-81650	SHAFT LEVER	1				0.07	0.154
070	04811-00070	RING	1				0	0
080	36330-81640	JOINT	1				0	0
090	05411-00318	PIN SPRING	2				0.001	0.0022
100	36919-81050	ROD ADJUST.LEVER	1				0	0
110	04012-50050	WASHER PLAIN	1				0.001	0.0022
120	05511-51210	PIN SPLIT	1				0.001	0.0022
130	36200-21610	BREATHER	1				0.008	0.0176
140	36200-21620	BREATHER	1				0.006	0.0132
150	36330-21632	PIPE RUBBER	1				0.02	0.044

LIFT LEVER



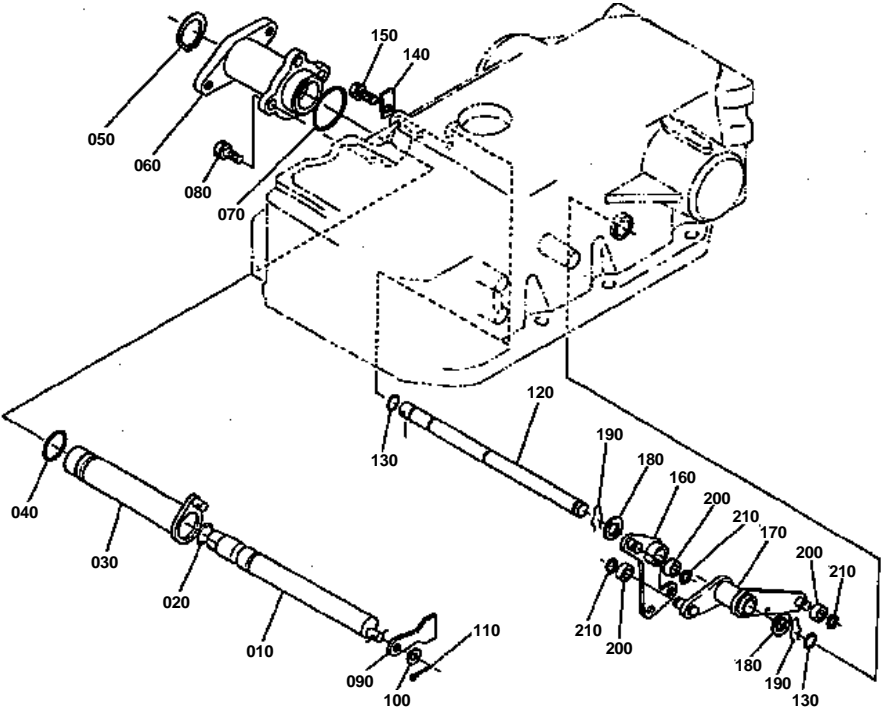


LIFT LEVER

↔ Interchangeable; ≠ not interchangeable; ← new for old; → old for new

REF.No	Part No.	Description	Q'ty	S.No.	I/C	REMARKS	Weight (kgf)	Weight (lb)
010	36330-82570	PISTON HYD.	1				2.23	4.906
020	04811-40430	O RING	1				0.007	0.0154
030	36330-82550	RING BACK UP	1				0.009	0.0198
040	36330-82860	ROD HYD.PISTON	1				1.53	3.366
050	36330-82840	ARM HYDRAULIC	1				0	0
060	05411-00870	PIN SPRING	1				0.015	0.033
070	36330-82830	SHAFT HYD.ARM	1				0	0
080	33251-82850	BOLT STOPPER	1				0.015	0.033
090	04512-50100	WASHER SPRING	1				0	0
100	36200-82890	COLLAR DISTANCE LH	1				0.019	0.0418
110	04811-40310	RING	1				0.005	0.011
120	33251-82880	COLLAR DISTANCE RH	1				0.03	0.066
130	04811-40320	RING	1				0.005	0.011
140	36330-82910	LEVER LIFT	2				5.8	12.76
150	36830-82900	COLLAR THRUST	2				0.012	0.0264
160	36330-82920	RETAINER LEVER	2				0.22	0.484
170	01173-51435	BOLT	2				0.056	0.1232
180	04512-50140	WASHER SPRING	2				0	0

HYDRAULIC SYSTEM 1



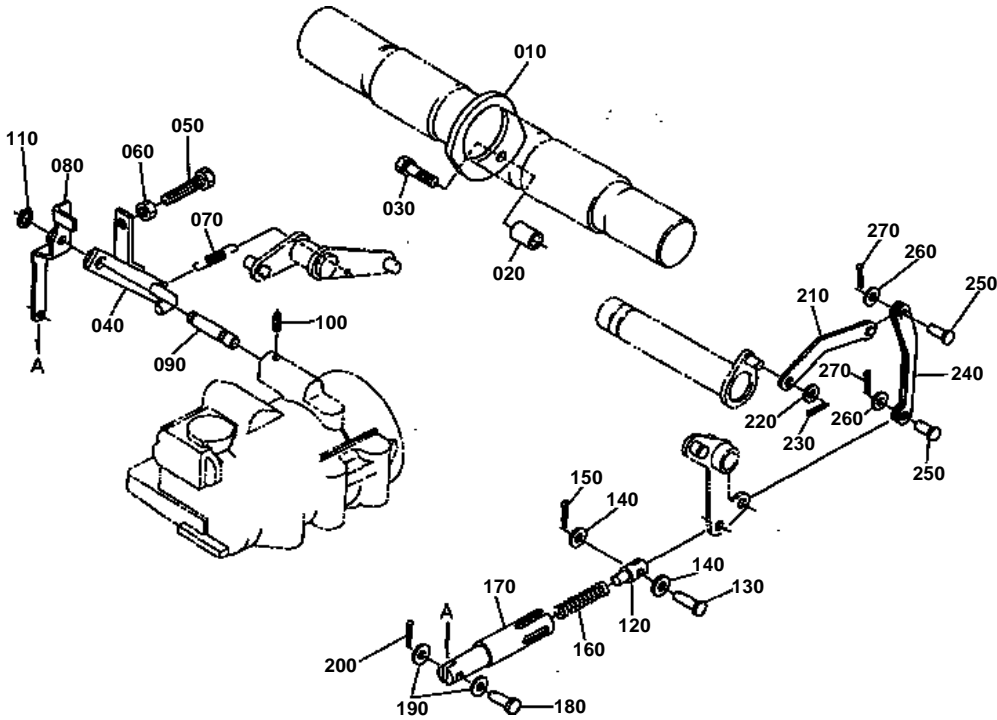


HYDRAULIC SYSTEM 1

↔ Interchangeable; ≠ not interchangeable; ← new for old; → old for new

REF.No	Part No.	Description	Q'ty	S.No.	I/C	REMARKS	Weight (kgf)	Weight (lb)
010	36330-81110	SHAFT CONTROL	1				0	0
020	04811-00180	RING	1				0	0
030	36330-81124	SHAFT DRAFT CONTROL	1				0.46	1.012
040	04811-06260	RING	1				0	0
050	04612-00300	CIR-CLIP EXTERNAL	1				0.003	0.0066
060	35861-81130	BRACKET GUIDE	1				0.94	2.068
070	04811-50450	RING	1				0	0
080	01123-50820	BOLT	3				0.011	0.0242
090	36200-81150	CONNECTOR POSITION	1				0	0
100	04012-50080	WASHER PLAIN	1				0.001	0.0022
110	05511-51612	PIN SPLIT	1				0.001	0.0022
120	36330-81180	BAR CONNECTOR	1				0.32	0.704
130	04811-10120	RING	2				0.001	0.0022
140	36200-81190	STOPPER	1				0.008	0.0176
150	01123-50816	BOLT	1				0	0
160	36200-81230	CONNECTOR	1				0.166	0.3652
170	36330-81240	BALANCER POSITION	1				0.232	0.5104
180	04011-50140	WASHER PLAIN	2				0.007	0.0154
190	36200-81210	CIR-CLIP	2				0.001	0.0022
200	36200-81220	ROLLER	3				0.008	0.0176
210	04612-00100	CIR-CLIP EXTERNAL	3				0.001	0.0022

HYDRAULIC SYSTEM 2



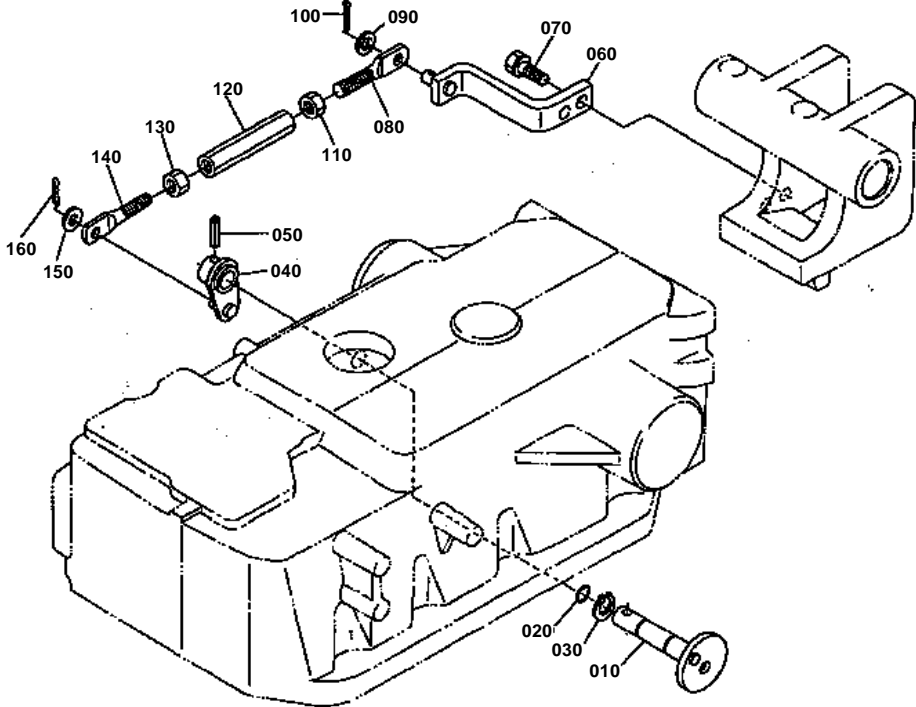


HYDRAULIC SYSTEM 2

↔ Interchangeable; ≠ not interchangeable; ← new for old; → old for new

REF.No	Part No.	Description	Q'ty	S.No.	I/C	REMARKS	Weight (kgf)	Weight (lb)
010	36330-81250	CAM POSITION	1				0.165	0.363
020	36330-81290	SPACER	1				0.02	0.044
030	01123-50835	BOLT	1				0.02	0.044
040	36330-81680	METAL FEED BACK	1				0	0
050	01172-51045	BOLT	1				0	0
060	02118-50100	NUT	1				0.005	0.011
070	36330-81670	SPRING	1				0.002	0.0044
080	36330-81160	RETAINER SPOOL	1				0.12	0.264
090	36330-81170	PIN	1				0.03	0.066
100	05411-00416	PIN SPRING	1				0.001	0.0022
110	04612-00100	CIR-CLIP EXTERNAL	1				0.001	0.0022
120	36200-81270	HOLDER PUSH	1				0.026	0.0572
130	05122-50628	PIN JOINT	1				0.006	0.0132
140	04012-50060	WASHER PLAIN	2				0.001	0.0022
150	05511-51612	PIN SPLIT	1				0.001	0.0022
160	36200-81280	SPRING	1				0.019	0.0418
170	36200-81260	HOLDER PUSH	1				0	0
180	05122-50628	PIN JOINT	1				0.006	0.0132
190	04012-50060	WASHER PLAIN	2				0.001	0.0022
200	05511-51612	PIN SPLIT	1				0.001	0.0022
210	36330-81310	LINK DRAFT	1				0	0
220	04012-50080	WASHER PLAIN	1				0.001	0.0022
230	05511-51612	PIN SPLIT	1				0.001	0.0022
240	36200-81324	LINK DRAFT	1				0.08	0.176
250	05122-50818	PIN JOINT	2				0.008	0.0176
260	04012-50080	WASHER PLAIN	2				0.001	0.0022
270	05511-50215	PIN SPLIT	2				0.001	0.0022

HYDRAULIC SYSTEM 3



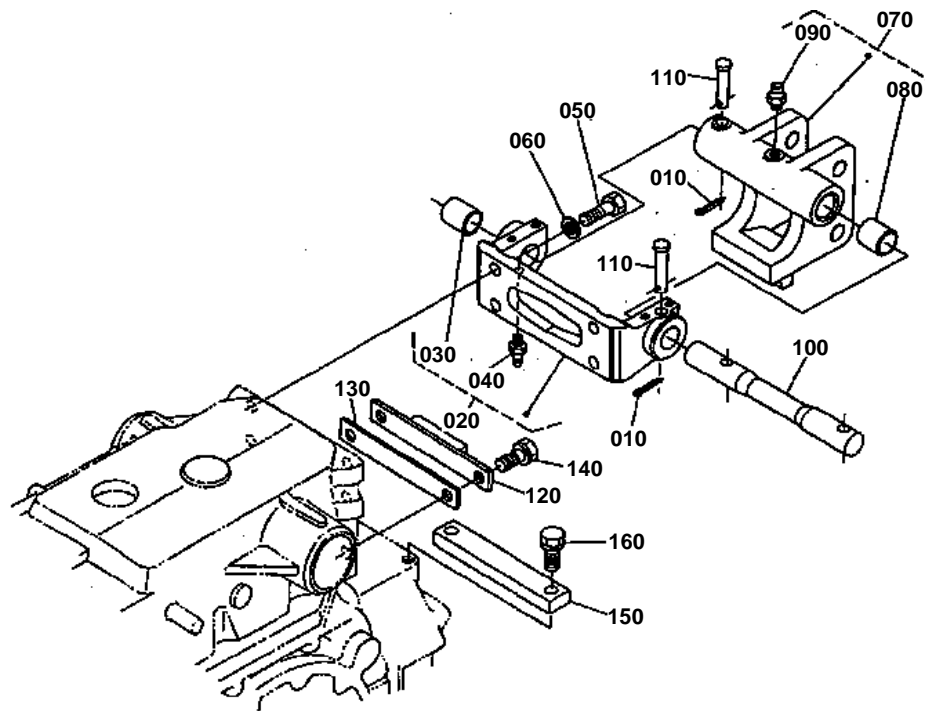


HYDRAULIC SYSTEM 3

↔ Interchangeable; ≠ not interchangeable; ← new for old; → old for new

REF.No	Part No.	Description	Q'ty	S.No.	I/C	REMARKS	Weight (kgf)	Weight (lb)
010	36330-81340	CAM DRAFT	1				0	0
020	04811-05120	RING	1				0	0
030	04612-00150	CIR-CLIP EXTERNAL	1				0.001	0.0022
040	36330-81350	LEVER DRAFT	1				0	0
050	05411-00525	PIN SPRING	1				0.002	0.0044
060	36330-81360	PLATE DRAFT	1				0	0
070	01123-50825	BOLT	2				0.013	0.0286
080	36330-81390	ROD DRAFT CONTROL	1				0	0
090	04011-50100	WASHER PLAIN	1				0.002	0.0044
100	05511-50318	PIN SPLIT	1				0.001	0.0022
110	32350-28990	NUT	1				0.009	0.0198
120	32350-28980	TURNBUCKLE	1				0.124	0.2728
130	02116-50100	NUT	1				0.004	0.0088
140	36330-81380	ROD DRAFT CONTROL	1				0	0
150	04011-50100	WASHER PLAIN	1				0.002	0.0044
160	05511-50318	PIN SPLIT	1				0.001	0.0022

TOP LINK BRACKET



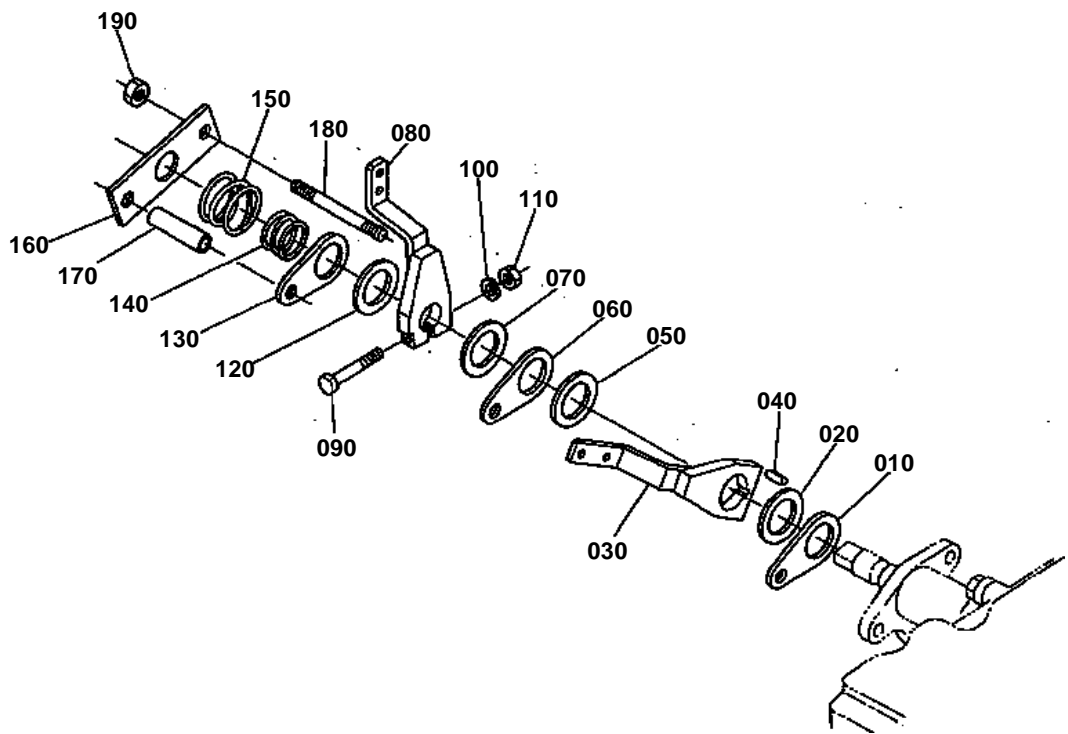


TOP LINK BRACKET

↔ Interchangeable; ≠ not interchangeable; ← new for old; → old for new

REF.No	Part No.	Description	Q'ty	S.No.	I/C	REMARKS	Weight (kgf)	Weight (lb)
010	05511-50425	PIN SPLIT	2				0.003	0.0066
020	36330-81780	ASSY BRACKET BAR	1				0	0
030	36330-81830	BUSH	1				0.035	0.077
040	06613-10010	NIPPLE GREASE	1				0.006	0.0132
050	01176-51240	BOLT	4				0.046	0.1012
060	04512-50120	WASHER SPRING	4				0	0
070	36330-81800	ASSY BRACKET TOP LIN	1				0	0
080	36330-81830	BUSH	1				0.035	0.077
090	06613-10010	NIPPLE GREASE	1				0.006	0.0132
100	36330-81750	BAR TORSION	1				1.035	2.277
110	36330-81840	PIN	2				0	0
120	36330-81850	STOPPER	1				0.42	0.924
130	36330-81860	SHIM	2				0.034	0.0748
130	36330-81870	SHIM	1				0.02	0.044
140	01133-51230	BOLT	2				0.04	0.088
150	36330-81880	STOPPER	1				0.69	1.518
160	01133-51235	BOLT	2				0.043	0.0946

DRAFT AND POSITION CONTROL LEVER



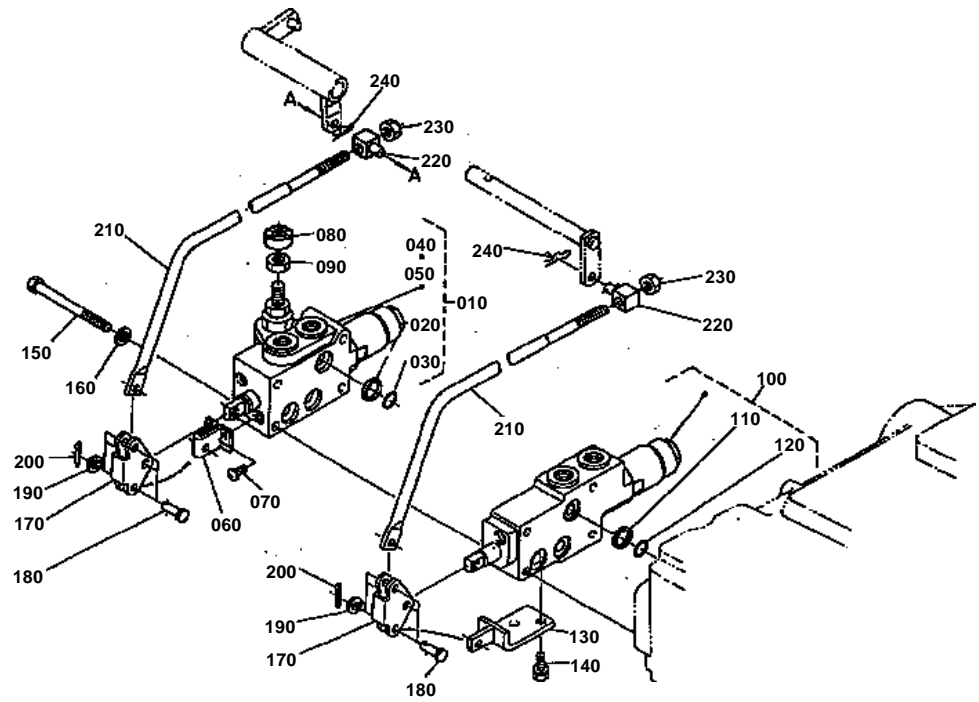


DRAFT AND POSITION CONTROL LEVER

↔ Interchangeable; ≠ not interchangeable; ← new for old; → old for new

REF.No	Part No.	Description	Q'ty	S.No.	I/C	REMARKS	Weight (kgf)	Weight (lb)
010	35861-81490	PLATE	1				0.04	0.088
020	36200-81440	WASHER FRICTION	1				0	0
030	36839-81430	HOLDER DRAFT CON.	1				0.285	0.627
040	05712-00510	KEY FEATHER	1				0.002	0.0044
050	36200-81450	WASHER FRICTION	1				0	0
060	35861-81480	PLATE	1				0.04	0.088
070	36200-81450	WASHER FRICTION	1				0	0
080	36839-81420	HOLDER	1				0.29	0.638
090	36200-81530	BOLT	1				0.016	0.0352
100	04512-50060	WASHER SPRING	1				0	0
110	02056-50060	NUT	1				0.002	0.0044
120	36200-81450	WASHER FRICTION	1				0	0
130	35861-81480	PLATE	1				0.04	0.088
140	36200-81460	SPRING	1				0.03	0.066
150	36919-81452	SPRING	1				0.06	0.132
160	36919-81472	STOPPER SPRING	1				0	0
170	36730-81500	PIPE	1				0.04	0.088
180	01513-50880	STUD	2				0.04	0.088
190	36919-81510	NUT U	2				0.005	0.011

AUX.CONTROL VALVE



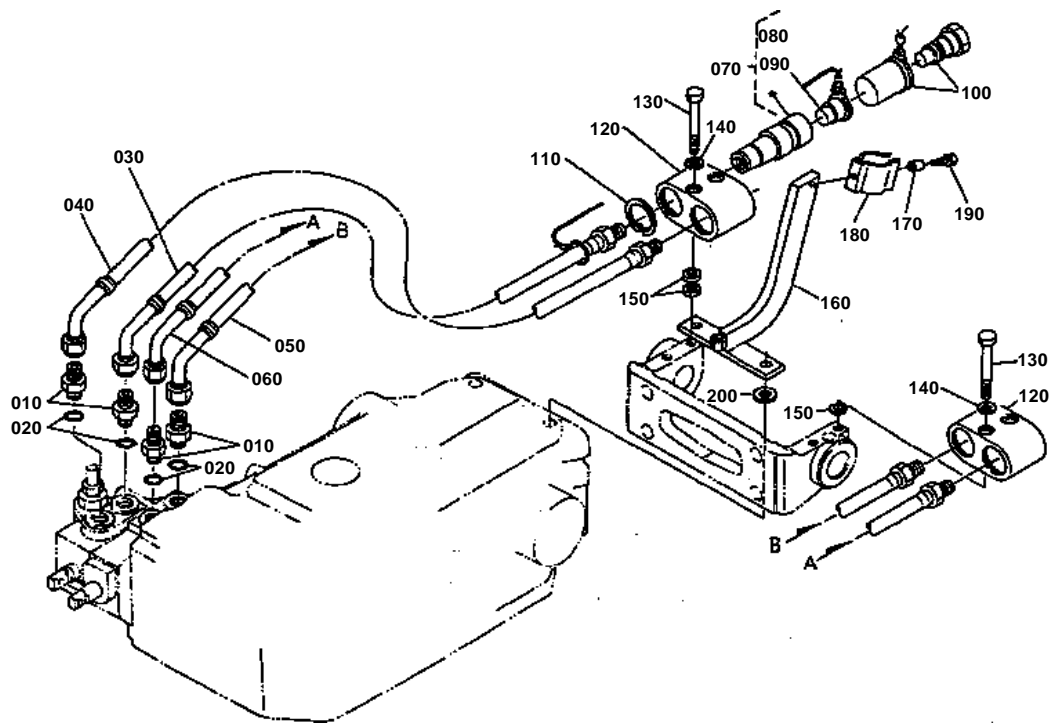


AUX.CONTROL VALVE

↔ Interchangeable; ≠ not interchangeable; ← new for old; → old for new

REF.No	Part No.	Description	Q'ty	S.No.	I/C	REMARKS	Weight (kgf)	Weight (lb)
010	35820-82350	ASSY VALVE SUB CON.	1				0	0
020	36200-82330	RING BACK UP	3				0.001	0.0022
030	04810-00140	RING	3				0	0
040	36200-82810	SEAL SPOOL	2				0.001	0.0022
050	36200-82820	SEAL DUST	1				0.002	0.0044
060	36919-82330	SUPPORT FULCRUM	1				0.036	0.0792
070	03004-50612	SCREW	2				0.005	0.011
080	36730-82010	KNOB	1				0.021	0.0462
090	02114-50080	NUT	1				0.005	0.011
100	35860-82800	ASSY VALVE FLOATING	1				0	0
110	36200-82330	RING BACK UP	4				0.001	0.0022
120	04810-00140	RING	4				0	0
130	35860-82330	SUPPORT FULCRUM	1				0.12	0.264
140	01123-50816	BOLT	2				0	0
150	01153-50801	BOLT	4				0.047	0.1034
160	04512-50080	WASHER SPRING	4				0	0
170	36919-82390	CAM	2				0.082	0.1804
180	05122-50620	PIN JOINT	6				0.005	0.011
190	04012-50060	WASHER PLAIN	6				0.001	0.0022
200	05511-51612	PIN SPLIT	6				0.001	0.0022
210	36919-82410	ROD CONTROL	2				0.2	0.44
220	36919-81990	END ROD	2				0	0
230	02112-50080	NUT	2				0.003	0.0066
240	05516-50800	PIN SNAP	2				0.002	0.0044

AUX.CONTROL VALVE HOSE



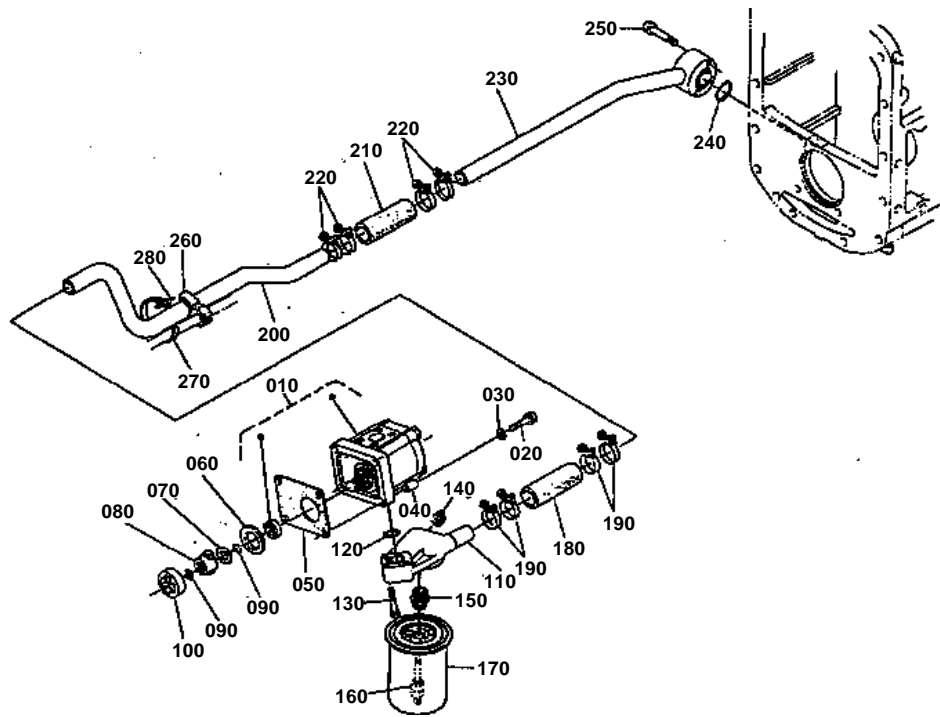


AUX.CONTROL VALVE HOSE

↔ Interchangeable; ≠ not interchangeable; ← new for old; → old for new

REF.No	Part No.	Description	Q'ty	S.No.	I/C	REMARKS	Weight (kgf)	Weight (lb)
010	35861-82370	NIPPLE	4				0.05	0.11
020	04811-00140	RING	4				0	0
030	35861-82380	HOSE	1				0.3	0.66
040	35861-82560	HOSE	1				0.31	0.682
050	35861-82580	HOSE	1				0.31	0.682
060	35861-82590	HOSE	1				0.325	0.715
070	35861-82032	ASSY COUPLER FEMALE	4				0.32	0.704
080	35861-94510	O RING	4			NOT SHOWING IN FIG.	0.002	0.0044
090	35861-94520	PLUG COUPLER	4				0.005	0.011
100	35861-82190	ASSY COUPLER MALE	4				0.086	0.1892
110	04611-00380	CIR-CLIP INTERNAL	4				0.004	0.0088
120	35861-82610	SUPPORT COUPLER	2				0.75	1.65
130	01153-50865	BOLT	4				0.025	0.055
140	04512-50080	WASHER SPRING	4				0	0
150	35801-82620	SPACER	6				0.003	0.0066
160	36919-82492	HOLDER TOP LINK	1				0	0
170	36200-91980	COLLAR	1				0.012	0.0264
180	33400-91970	SPRING TOP LINK LOCK	1				0.078	0.1716
190	01123-50830	BOLT	1				0.015	0.033
200	04011-50120	WASHER PLAIN	2				0.005	0.011

HYDRAULIC PUMP



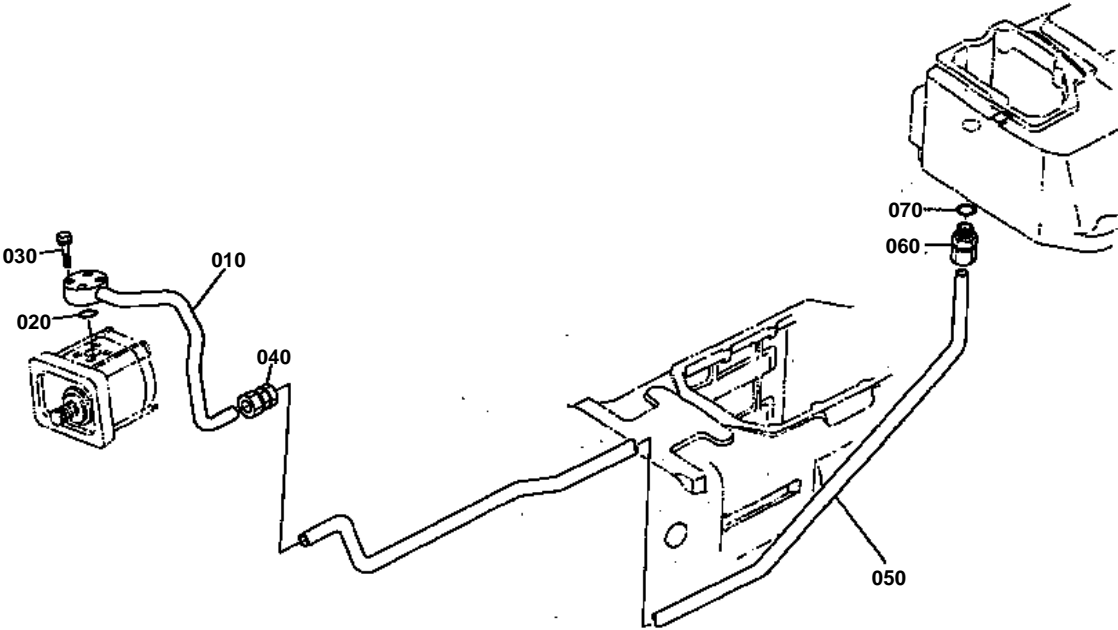


HYDRAULIC PUMP

↔ Interchangeable; ≠ not interchangeable; ← new for old; → old for new

REF.No	Part No.	Description	Q'ty	S.No.	I/C	REMARKS	Weight (kgf)	Weight (lb)
010	36330-82204	PUMP HYDRAULIC	1				4	8.8
020	01023-50630	BOLT	4				0.008	0.0176
030	04013-50060	WASHER PLAIN	4				0	0
040	36500-82220	COLLAR	1				0.003	0.0066
050	36500-63220	GASKET	1				0	0
060	36330-82230	RING	1				0.03	0.066
070	36330-82210	WASHER THRUST	1				0.002	0.0044
080	36330-82180	HUB	1				0.06	0.132
090	04612-00170	CIR-CLIP EXTERNAL	2				0.001	0.0022
100	33251-82170	RING	1				0.11	0.242
110	36330-82650	BRACKET FILTER	1				0.525	1.155
120	35880-94870	O RING	1				0.001	0.0022
130	01053-50650	BOLT	3				0.011	0.0242
140	36330-82660	PLUG	1				0.03	0.066
150	36330-82670	JOINT	1				0.04	0.088
160	36530-82640	FILTER MAGNET	1				0	0
170	36330-82630	COMP.FILTER HYD.	1				0.6	1.32
180	36330-82730	PIPE RUBBER	1				0.08	0.176
190	36200-82720	CLAMP	4				0.025	0.055
200	36330-82680	PIPE SUCTION	1				0.67	1.474
210	36330-82730	PIPE RUBBER	1				0.08	0.176
220	36200-82720	CLAMP	4				0.025	0.055
230	36330-82690	PIPE SUCTION	1				1.2	2.64
240	04811-00280	RING	1				0	0
250	01123-50850	BOLT	3				0.02	0.044
260	36330-82720	CUSHION	1				0.02	0.044
270	33251-82760	BAND PIPE	1				0.016	0.0352
280	33430-82760	PIN BAND	1				0.004	0.0088

DELIVERY PIPE



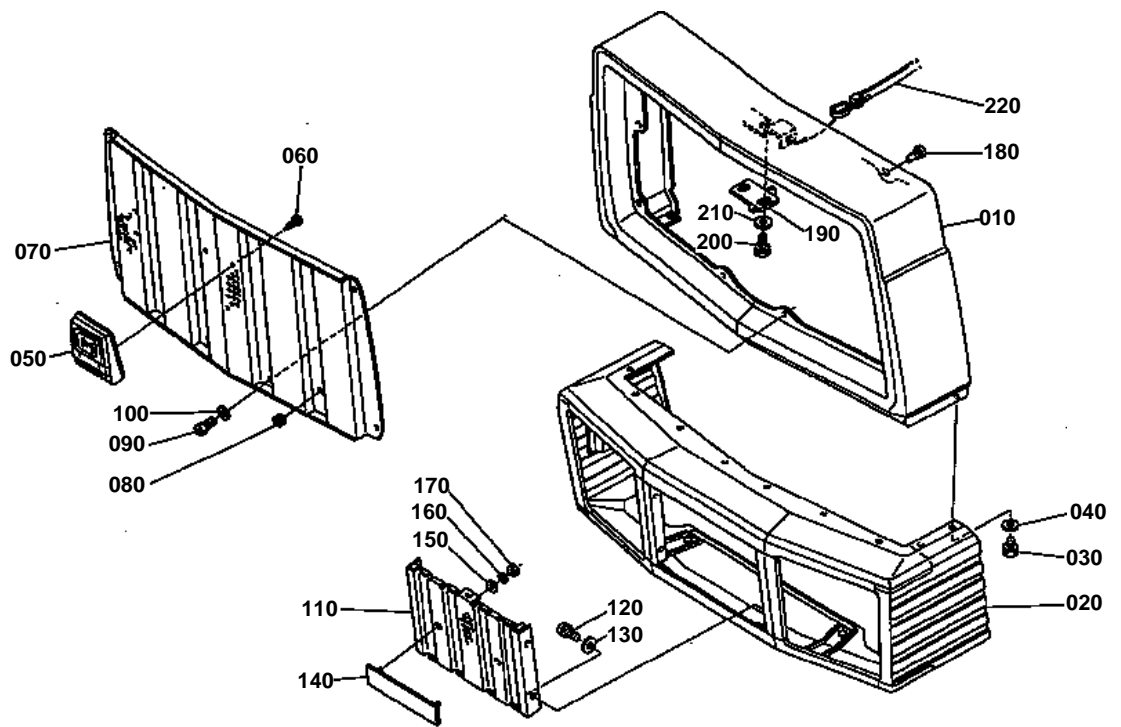


DELIVERY PIPE

↔ Interchangeable; ≠ not interchangeable; ← new for old; → old for new

REF.No	Part No.	Description	Q'ty	S.No.	I/C	REMARKS	Weight (kgf)	Weight (lb)
010	35820-82740	PIPE DELIVERY	1				0	0
020	35880-63650	O RING	1				0.001	0.0022
030	01023-50635	BOLT	4				0.01	0.022
040	35820-82760	UNION	1				0.156	0.3432
050	36330-82770	PIPE DELIVERY	1				0.6	1.32
060	36330-82750	NIPPLE	1				0.12	0.264
070	04811-00180	RING	1				0	0

HOOD 1



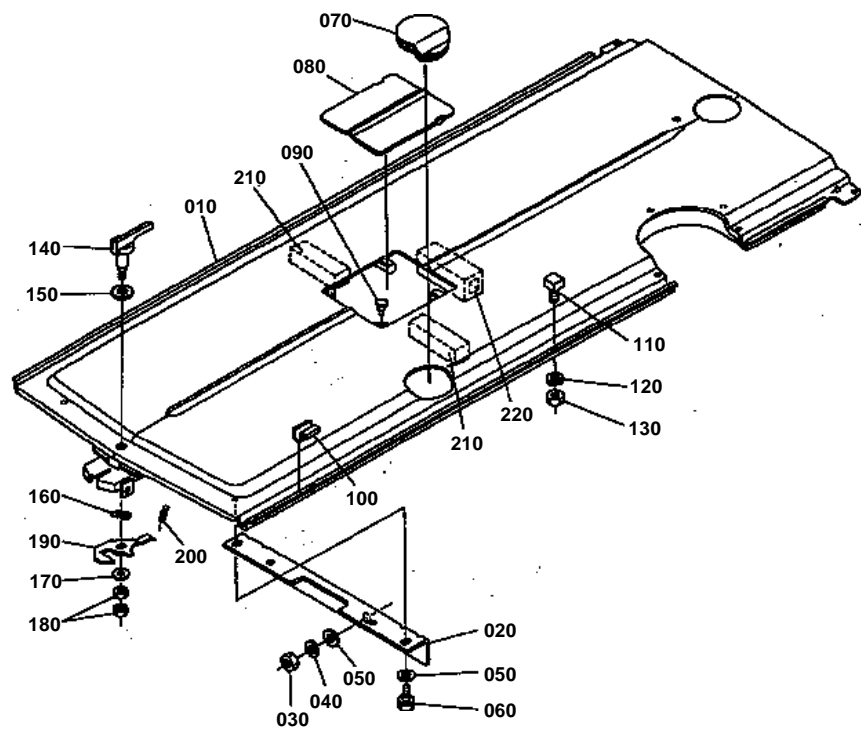


HOOD 1

↔ Interchangeable; ≠ not interchangeable; ← new for old; → old for new

REF.No	Part No.	Description	Q'ty	S.No.	I/C	REMARKS	Weight (kgf)	Weight (lb)
010	35861-83110	COMP.BONNET FRONT	1				3.06	6.732
020	35861-83160	COMP.BONNET FRONT	1				2.75	6.05
030	01023-50614	BOLT	10				0.005	0.011
040	04013-50060	WASHER PLAIN	10				0	0
050	36330-83210	MARK SYMBOL	1				0.04	0.088
060	38430-18270	SCREW	2				0.002	0.0044
070	35861-83220	GRILLE FRONT	1				1	2.2
080	36330-87450	RING RUBBER	1				0.001	0.0022
090	36330-83270	BOLT	8				0.006	0.0132
100	04013-50060	WASHER PLAIN	8				0	0
110	35820-83240	NET GRILLE	1				0.25	0.55
120	03004-50614	SCREW	6				0.006	0.0132
130	04013-50060	WASHER PLAIN	6				0	0
140	35861-83190	MARK FRONT	1				0	0
150	04013-50050	WASHER PLAIN	2				0	0
160	04512-50050	WASHER SPRING	2				0	0
170	02054-50050	NUT	2				0.002	0.0044
180	36330-83120	CUSHION	2				0.001	0.0022
190	36330-83260	STOPPER	1				0.06	0.132
200	01123-50820	BOLT	2				0.011	0.0242
210	04015-50080	WASHER PLAIN	2				0	0
220	36330-83293	SUSPENDER	1				0	0

HOOD 2

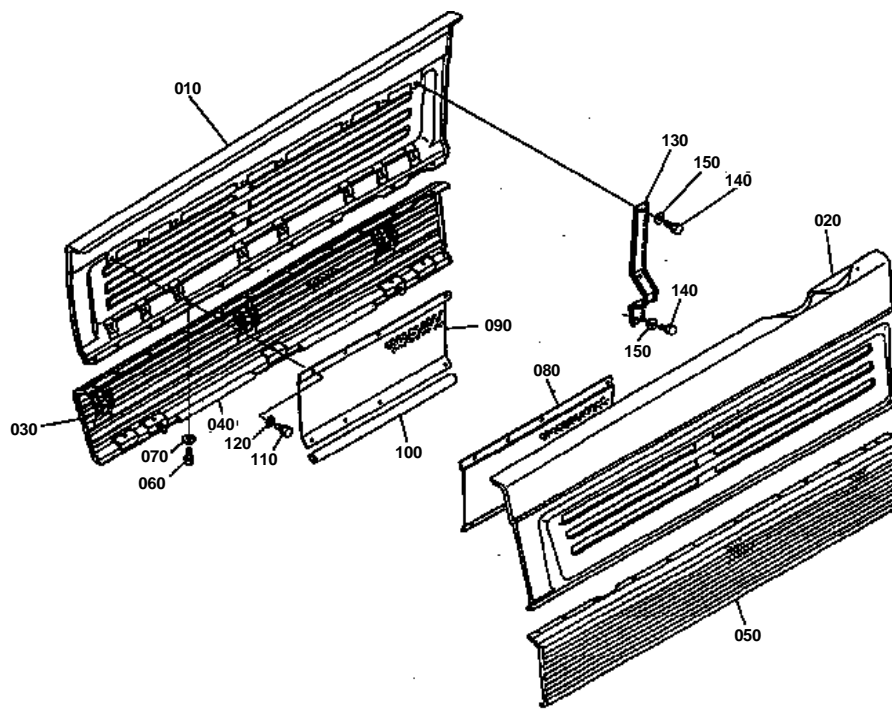


**HOOD 2**

↔ Interchangeable; ≠ not interchangeable; ← new for old; → old for new

REF.No	Part No.	Description	Q'ty	S.No.	I/C	REMARKS	Weight (kgf)	Weight (lb)
010	36839-83310	ASSY BONNET	1				9.6	21.12
020	36730-83350	SUPPORT BONNET	1				0	0
030	02114-50080	NUT	4				0.005	0.011
040	04512-50080	WASHER SPRING	4				0	0
050	04015-50080	WASHER PLAIN	6				0	0
060	01123-50816	BOLT	2				0	0
070	35820-83910	COVER RUBBER	1				0.1	0.22
080	36330-83360	COVER BONNET	1				0.15	0.33
090	32280-18180	CUSHION	2				0.001	0.0022
100	31351-18620	CUSHION	8				0.01	0.022
110	36330-83330	PIN	2				0	0
120	04512-50050	WASHER SPRING	2				0	0
130	02054-50050	NUT	2				0.002	0.0044
140	36330-83382	HANDLE BONNET	1				0.135	0.297
150	33251-83850	WASHER HANDLE	1				0.001	0.0022
160	33251-83950	WASHER SPRING	1				0.001	0.0022
170	04013-50080	WASHER PLAIN	1				0	0
180	02114-50080	NUT	2				0.005	0.011
190	36330-83390	LOCK PLATE	1				0.055	0.121
200	36330-83420	SPRING LOCK	1				0.006	0.0132
210	35880-83490	ELEMENT	2				0.01	0.022
220	36330-83480	CUSHION	1				0.1	0.22

HOOD 3



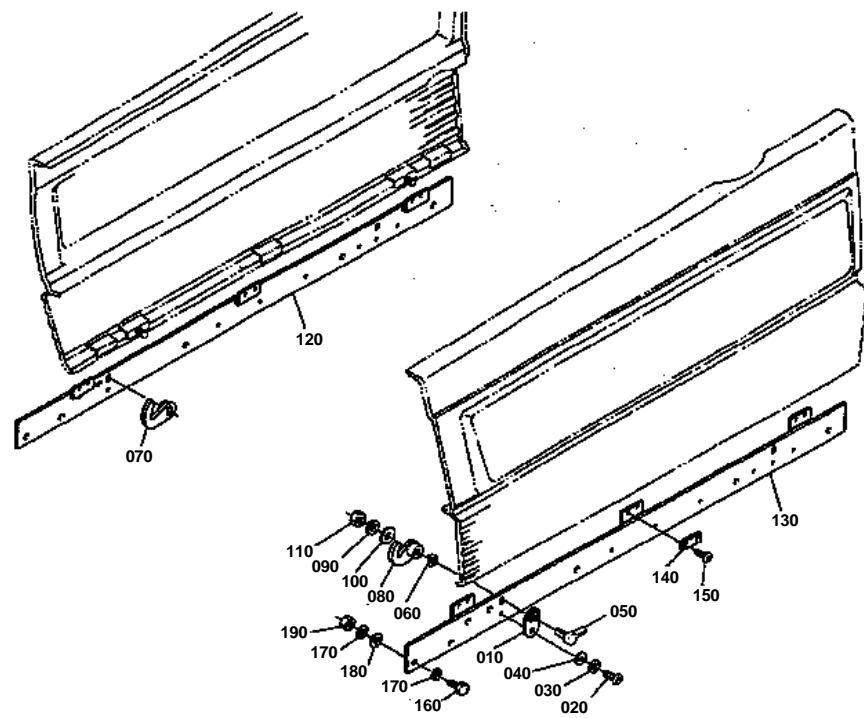


HOOD 3

↔ Interchangeable; ≠ not interchangeable; ← new for old; → old for new

REF.No	Part No.	Description	Q'ty	S.No.	I/C	REMARKS	Weight (kgf)	Weight (lb)
010	36330-83430	PLATE SIDE RH	1				5.2	11.44
020	36330-83440	PLATE SIDE LH	1				5	11
030	35801-83462	COMP PLATE SIDE RH	1				3.2	7.04
040	36330-83472	CUSHION	4				0.03	0.066
050	35801-83512	COMP PLATE SIDE LH	1				3.2	7.04
060	01023-50614	BOLT	23				0.005	0.011
070	04013-50060	WASHER PLAIN	23				0	0
080	35822-83570	COVER SAFETY LH	1				0.41	0.902
090	35822-83560	COVER SAFETY RH	1				0.41	0.902
100	35822-83580	CUSHION	2				0.06	0.132
110	01023-50614	BOLT	8				0.005	0.011
120	04013-50060	WASHER PLAIN	8				0	0
130	36330-83590	PLATE REINFORCING	6				0.21	0.462
140	01023-50614	BOLT	18				0.005	0.011
150	04015-50060	WASHER PLAIN	18				0	0

HOOD 4

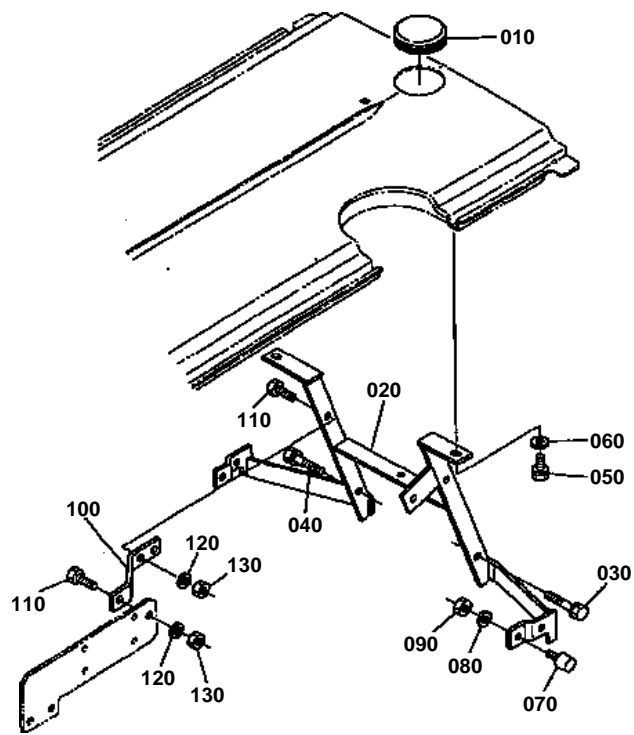


**HOOD 4**

↔ Interchangeable; ≠ not interchangeable; ← new for old; → old for new

REF.No	Part No.	Description	Q'ty	S.No.	I/C	REMARKS	Weight (kgf)	Weight (lb)
010	36330-83550	SUPPORT HANDLE	4				0.04	0.088
020	36330-83630	SCREW PAN HEAD	4				0.02	0.044
030	04512-50100	WASHER SPRING	4				0	0
040	04013-50100	WASHER PLAIN	4				0	0
050	36330-83840	HANDLE BONNET COVER	4				0.12	0.264
060	33251-83950	WASHER SPRING	4				0.001	0.0022
070	33251-83860	HOOK BONNET COVER	2				0.053	0.1166
080	36330-83850	HOOK BONNET COVER	2				0.05	0.11
090	04512-50080	WASHER SPRING	4				0	0
100	04012-50080	WASHER PLAIN	4				0.001	0.0022
110	02114-50080	NUT	4				0.005	0.011
120	35820-83610	FRAME RH	1				5.1	11.22
130	35820-83620	FRAME LH	1				5.25	11.55
140	37150-18180	CUSHION	6				0.015	0.033
150	03024-50512	SCREW	12				0.003	0.0066
160	01173-51220	BOLT	8				0.03	0.066
170	04512-50120	WASHER SPRING	10				0	0
180	04013-50120	WASHER PLAIN	1				0	0
190	02172-50120	NUT	2				0.01	0.022

HOOD SUPPORT



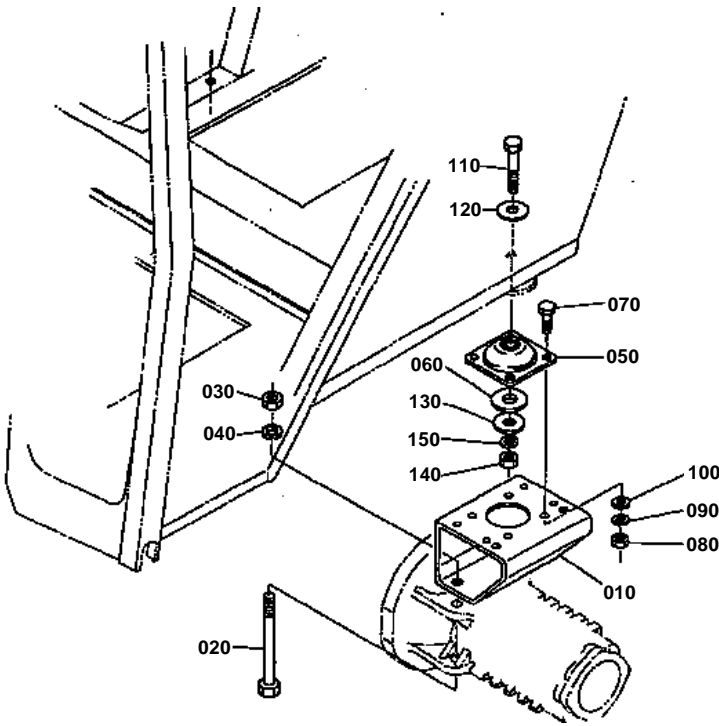


HOOD SUPPORT

↔ Interchangeable; ≠ not interchangeable; ← new for old; → old for new

REF.No	Part No.	Description	Q'ty	S.No.	I/C	REMARKS	Weight (kgf)	Weight (lb)
010	35828-83530	CAP RUBBER	1				0.086	0.1892
020	36839-83540	SUPPORT BONNET	1				3.1	6.82
030	01133-51030	BOLT	1				0.025	0.055
040	01133-51040	BOLT	1				0.03	0.066
050	01123-50820	BOLT	2				0.011	0.0242
060	04013-50080	WASHER PLAIN	2				0	0
070	33251-85180	RUBBER SEAT BLOCK	2				0.038	0.0836
080	04512-50100	WASHER SPRING	2				0	0
090	02118-50100	NUT	2				0.005	0.011
100	36839-83640	STAY REINFORCING	1				0.22	0.484
110	01173-51025	BOLT	2				0.021	0.0462
120	04512-50100	WASHER SPRING	2				0	0
130	02176-50100	NUT	2				0.005	0.011

CAB BRACKET (REAR)



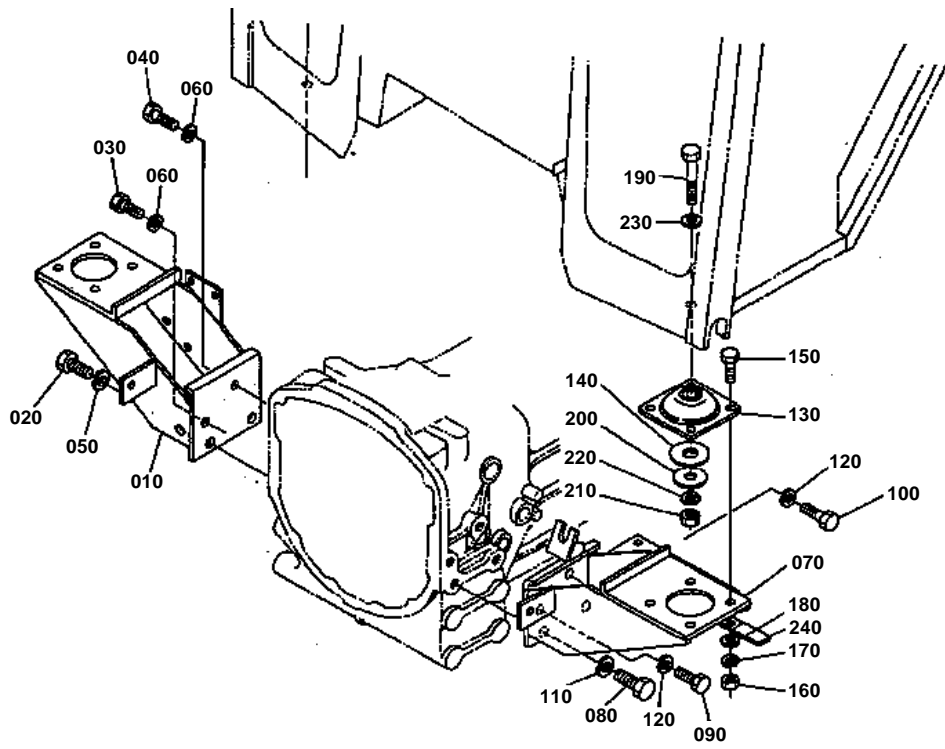


CAB BRACKET (REAR)

↔ Interchangeable; ≠ not interchangeable; ← new for old; → old for new

REF.No	Part No.	Description	Q'ty	S.No.	I/C	REMARKS	Weight (kgf)	Weight (lb)
010	36839-87800	BRACKET REAR	2				7.2	15.84
020	36919-87810	BOLT	4				0.47	1.034
030	36340-49190	NUT	4				0.05	0.11
040	04512-50180	WASHER SPRING	4				0	0
050	36919-87830	RUBBER CAB MOUNT.	2				0.7	1.54
060	36919-87840	COLLAR	2				0.015	0.033
070	01173-51235	BOLT	8				0.04	0.088
080	02176-50120	NUT	8				0.01	0.022
090	04512-50120	WASHER SPRING	8				0	0
100	04013-50120	WASHER PLAIN	8				0	0
110	36919-87860	BOLT	2				0.26	0.572
120	04015-50160	WASHER PLAIN	2				0	0
130	36330-87170	WASHER	2				0.17	0.374
140	36500-49390	NUT	2				0.043	0.0946
150	04512-50160	WASHER SPRING	2				0	0

CAB BRACKET (FRONT)



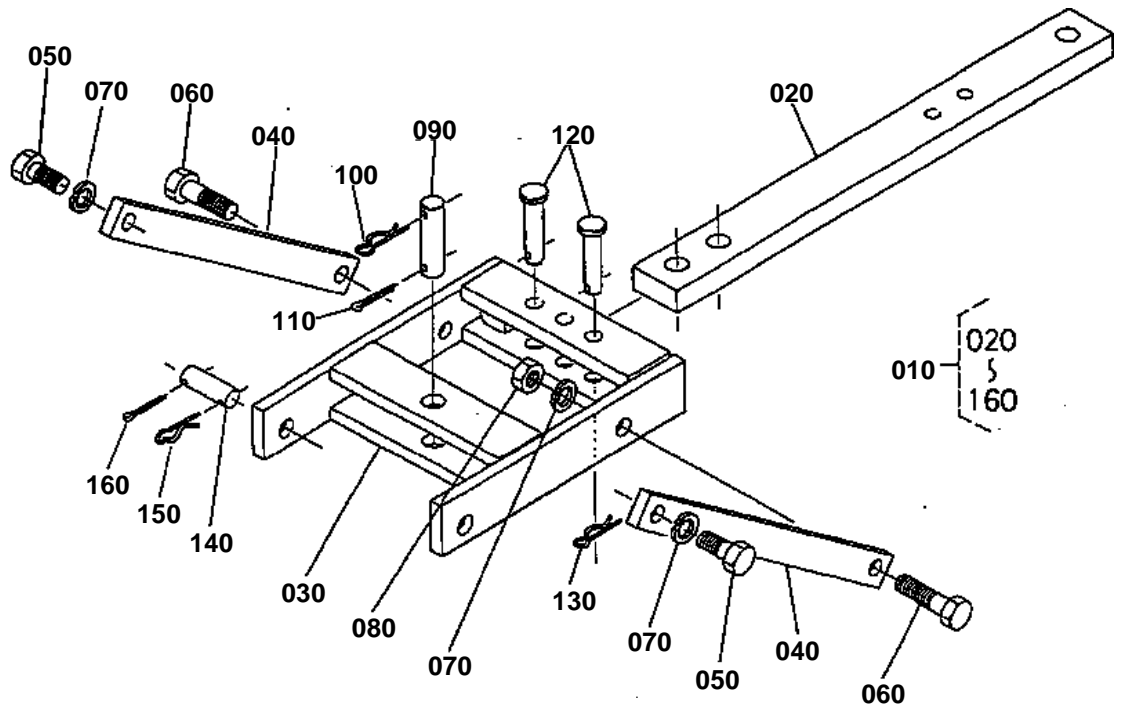


CAB BRACKET (FRONT)

↔ Interchangeable; ≠ not interchangeable; ← new for old; → old for new

REF.No	Part No.	Description	Q'ty	S.No.	I/C	REMARKS	Weight (kgf)	Weight (lb)
010	36839-87210	BRACKET FRONT RH	1				0	0
020	01173-51840	BOLT	2				0.114	0.2508
030	01173-51640	BOLT	1				0.085	0.187
040	01173-51645	BOLT	1				0.092	0.2024
050	04512-50180	WASHER SPRING	2				0	0
060	04512-50160	WASHER SPRING	2				0	0
070	36839-87220	BRACKET FRONT LH	1				0	0
080	01173-51840	BOLT	2				0.114	0.2508
090	01173-51640	BOLT	1				0.085	0.187
100	01173-51645	BOLT	1				0.092	0.2024
110	04512-50180	WASHER SPRING	2				0	0
120	04512-50160	WASHER SPRING	2				0	0
130	36919-87830	RUBBER CAB MOUNT.	2				0.7	1.54
140	36919-87840	COLLAR	2				0.015	0.033
150	01173-51235	BOLT	8				0.04	0.088
160	02176-50120	NUT	8				0.01	0.022
170	04512-50120	WASHER SPRING	8				0	0
180	04013-50120	WASHER PLAIN	8				0	0
190	36919-87900	BOLT	2				0.18	0.396
200	36330-87170	WASHER	2				0.17	0.374
210	36500-49390	NUT	2				0.043	0.0946
220	04512-50160	WASHER SPRING	2				0	0
230	04013-50160	WASHER PLAIN	2				0	0
240	32240-34460	CLAMP CORD	1				0.011	0.0242

SWING DRAWBAR



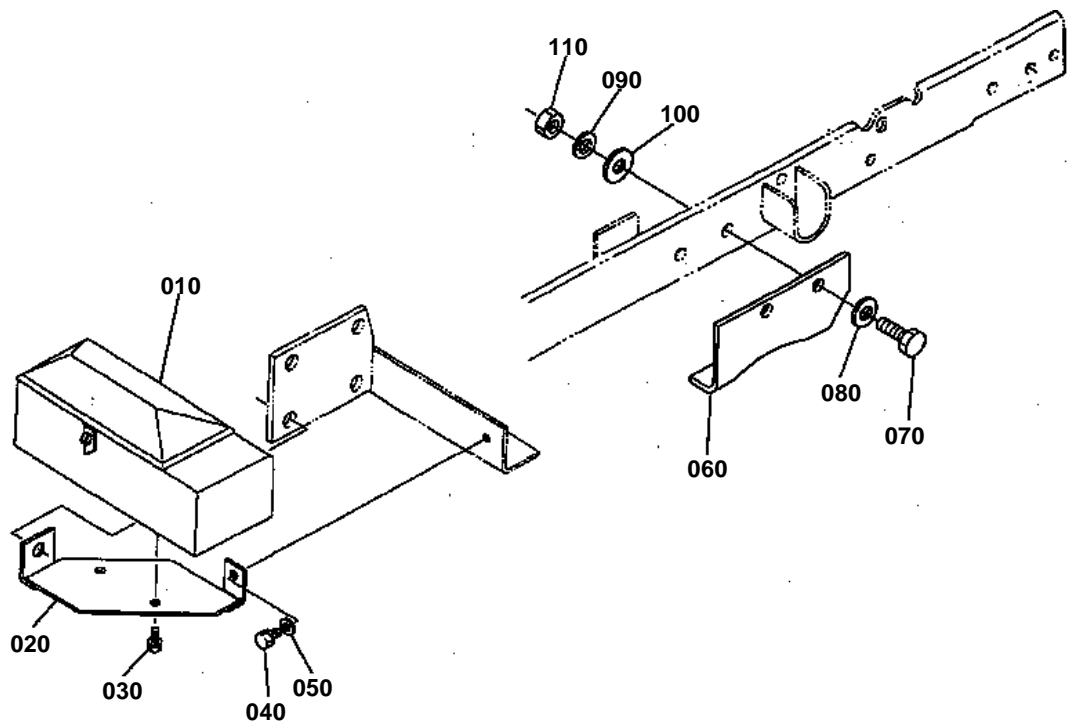


SWING DRAWBAR

↔ Interchangeable; ≠ not interchangeable; ← new for old; → old for new

REF.No	Part No.	Description	Q'ty	S.No.	I/C	REMARKS	Weight (kgf)	Weight (lb)
010	35820-89100	ASSY DRAWBAR SWING.	1				33	72.6
020	36330-89120	DRAWBAR	1				10.2	22.44
030	35822-89320	MEMBER CROSS	1				15	33
040	36330-89330	PLATE SIDE	2				2.1	4.62
050	01173-52045	BOLT	2				0.162	0.3564
060	01173-52055	BOLT	2				0.183	0.4026
070	04512-50200	WASHER SPRING	4				0	0
080	02174-50200	NUT	2				0.04	0.088
090	33251-89340	PIN DRAWBAR	1				0	0
100	70515-16330	PIN	1				0.03	0.066
110	05511-50540	PIN SPLIT	1				0.009	0.0198
120	05122-51885	PIN JOINT	2				0.18	0.396
130	05515-51600	PIN SNAP	2				0.007	0.0154
140	36200-89360	PIN	2				0.146	0.3212
150	70515-16330	PIN	2				0.03	0.066
160	05511-50540	PIN SPLIT	2				0.009	0.0198

TOOL BOX

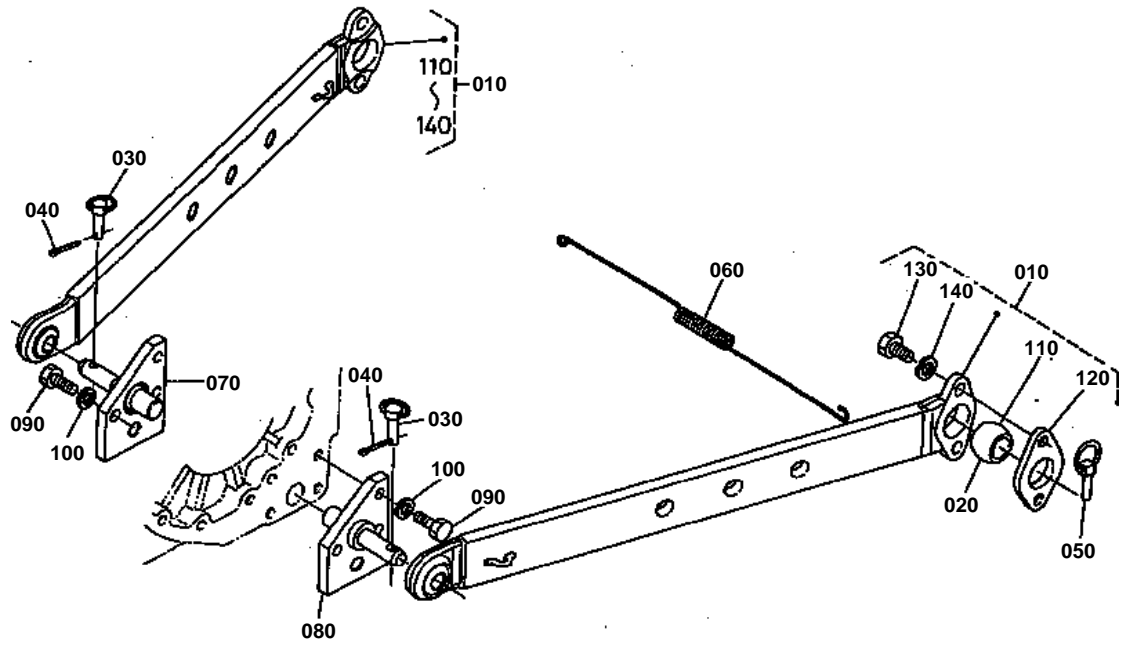


**TOOL BOX**

↔ Interchangeable; ≠ not interchangeable; ← new for old; → old for new

REF.No	Part No.	Description	Q'ty	S.No.	I/C	REMARKS	Weight (kgf)	Weight (lb)
010	35860-90200	COMP.BOX TOOLS	1				2.58	5.676
020	36839-90210	STAY TOOL BOX	1				0.88	1.936
030	01133-51020	BOLT	2				0.02	0.044
040	01123-50814	BOLT	1				0	0
050	04013-50080	WASHER PLAIN	1				0	0
060	35820-90810	COVER PROTECT.	1				0.27	0.594
070	01053-50620	BOLT	1				0.006	0.0132
080	04013-50060	WASHER PLAIN	1				0	0
090	04512-50060	WASHER SPRING	1				0	0
100	04015-50060	WASHER PLAIN	1				0	0
110	02014-50060	NUT	1				0.002	0.0044

LOWER LINK



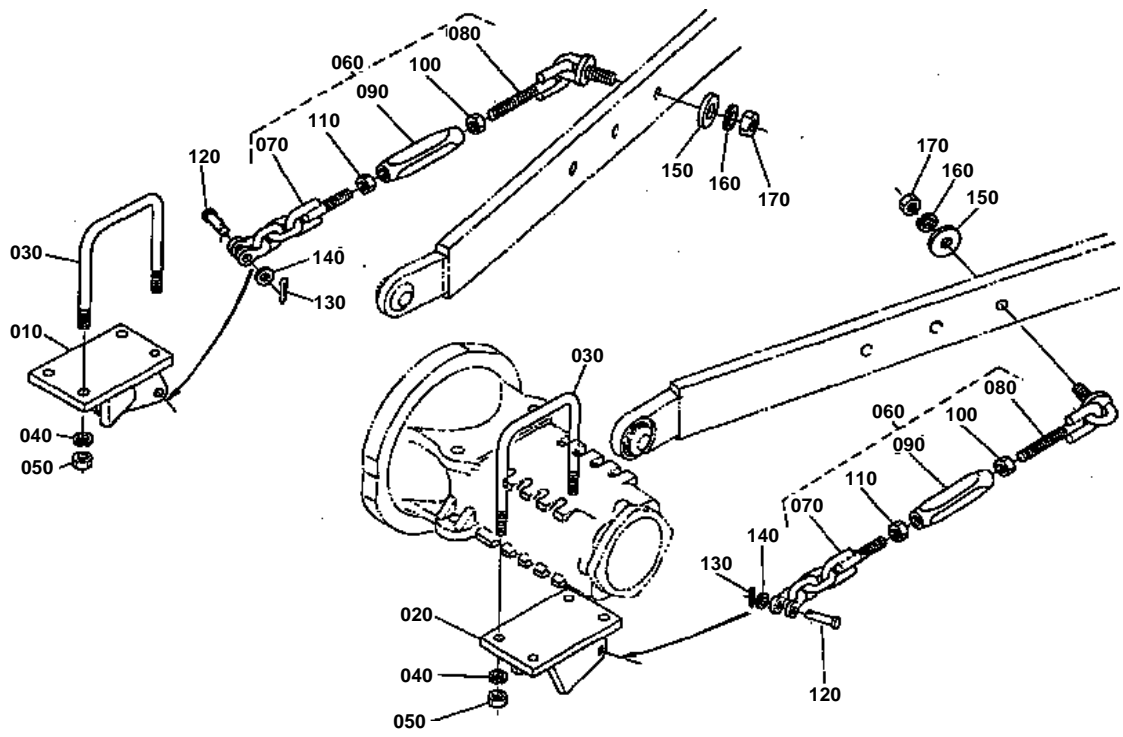


LOWER LINK

↔ Interchangeable; ≠ not interchangeable; ← new for old; → old for new

REF.No	Part No.	Description	Q'ty	S.No.	I/C	REMARKS	Weight (kgf)	Weight (lb)
010	35820-92000	ASSY LINK LOWER	2				10.7	23.54
020	33400-91040	JOINT LOWER LINK	2			CATEGORY 2	0.42	0.924
030	36330-91840	ASSY PIN SET	2				0.055	0.121
040	05511-50420	PIN SPLIT	2				0.002	0.0044
050	36200-91840	ASSY PIN SET	2				0.06	0.132
060	36330-91830	SPRING SET	1				0.185	0.407
070	35820-91880	PIN LOWER LINK RH	1				2.5	5.5
080	35820-91890	PIN LOWER LINK LH	1				2.47	5.434
090	01173-51440	BOLT	6				0.062	0.1364
100	04512-50140	WASHER SPRING	6				0	0
110	33400-91920	JOINT LOWER LINK	2			CATEGORY 1	0.49	1.078
120	33400-91860	RETAINER	2				0.275	0.605
130	33400-91880	BOLT	4				0.02	0.044
140	04512-50100	WASHER SPRING	4				0	0

CHECK CHAIN



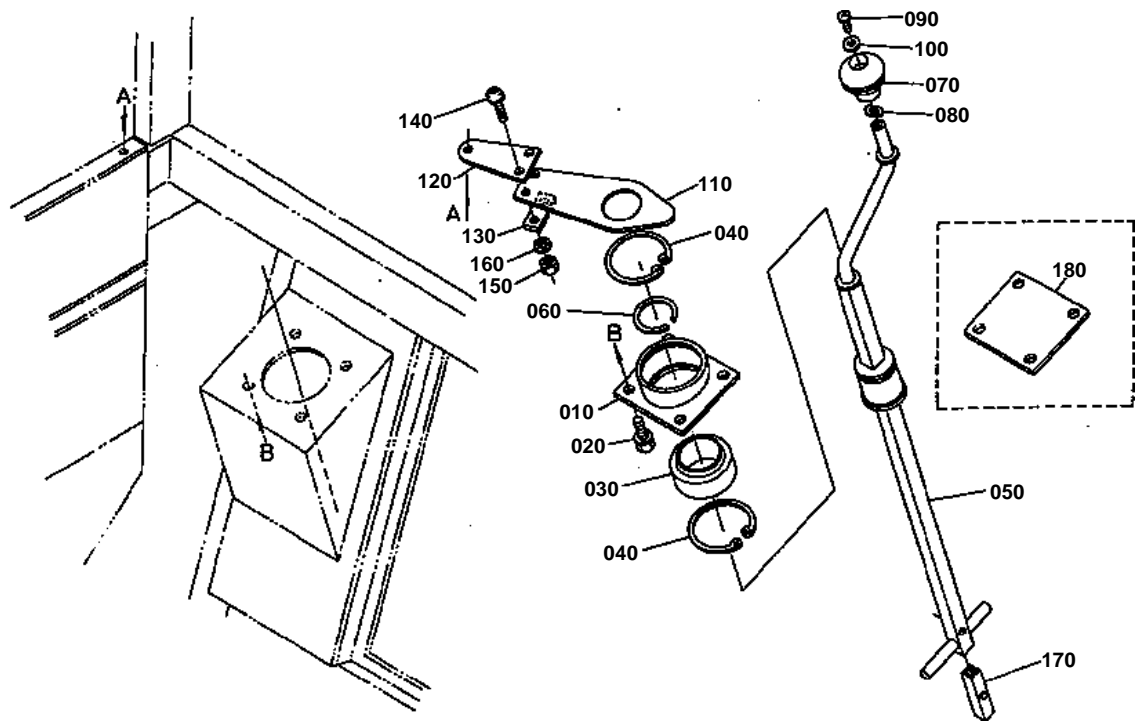


CHECK CHAIN

↔ Interchangeable; ≠ not interchangeable; ← new for old; → old for new

REF.No	Part No.	Description	Q'ty	S.No.	I/C	REMARKS	Weight (kgf)	Weight (lb)
010	36530-91082	BRACKET CHAIN RH	1				5	11
020	36530-91092	BRACKET CHAIN LH	1				5	11
030	36330-91070	BOLT	4				0.72	1.584
040	04512-50160	WASHER SPRING	8				0	0
050	02176-50160	NUT	8				0.025	0.055
060	36330-91105	ASSY CHAIN CHECK	2				2.55	5.61
070	36330-91110	COMP CHAIN CHECK	2				0.915	2.013
080	36330-91160	COMP CHAIN CHECK	2				0.8	1.76
090	36330-91190	TURNBUCKLE	2				0.92	2.024
100	02054-50180	NUT	2				0.049	0.1078
110	35999-02530	NUT LOCK	2				0.035	0.077
120	36330-91180	PIN CHAIN SET	2				0.06	0.132
130	05511-50525	PIN SPLIT	2				0.005	0.011
140	04011-50140	WASHER PLAIN	2				0.007	0.0154
150	36330-91220	WASHER CHECK CHAIN	2				0.25	0.55
160	04512-50180	WASHER SPRING	2				0	0
170	02174-50180	NUT	2				0.029	0.0638

LIFT ROD HANDLE



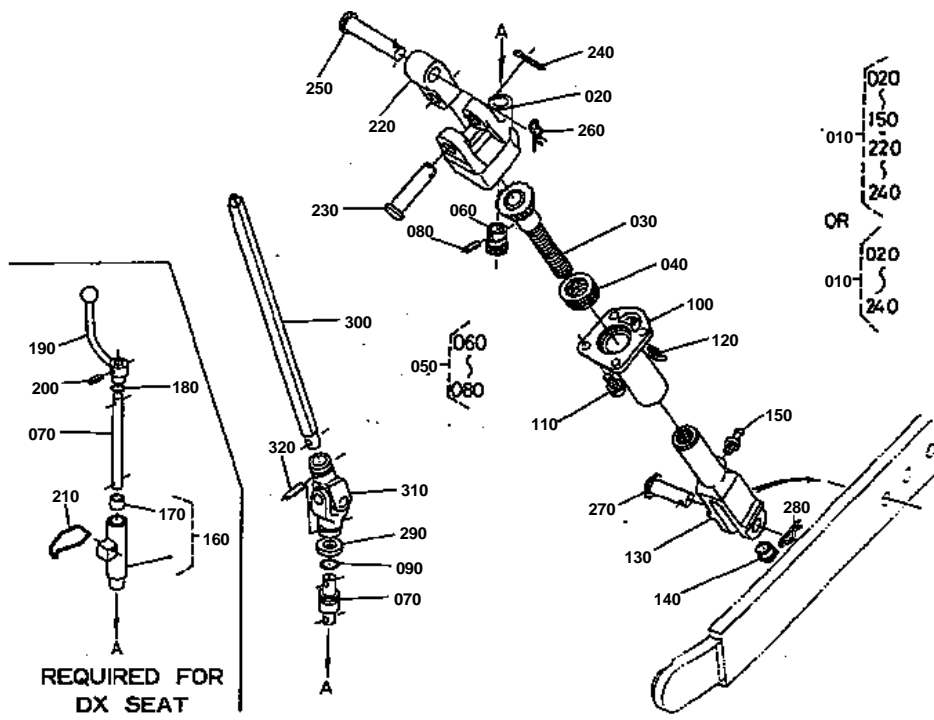


LIFT ROD HANDLE

↔ Interchangeable; ≠ not interchangeable; ← new for old; → old for new

REF.No	Part No.	Description	Q'ty	S.No.	I/C	REMARKS	Weight (kgf)	Weight (lb)
010	36919-92300	HOLDER LIFT ROD	1			REQUIRED FOR STD SEAT	0.316	0.6952
020	01202-50612	BOLT	4				0.005	0.011
030	36919-92310	BEARING	1			REQUIRED FOR STD SEAT	0.216	0.4752
040	04611-00550	CIR-CLIP INTERNAL	2			REQUIRED FOR STD SEAT	0.01	0.022
050	36919-92332	CASE LIFT HANDLE	1			REQUIRED FOR STD SEAT	0	0
060	36919-92340	CIR-CLIP EXTERNAL	1			REQUIRED FOR STD SEAT	0.002	0.0044
070	66616-34580	GRIP LEVER	1			REQUIRED FOR STD SEAT	0.029	0.0638
080	36919-92360	WASHER WAVE	1			REQUIRED FOR STD SEAT	0.001	0.0022
090	03004-50816	SCREW	1			REQUIRED FOR STD SEAT	0.01	0.022
100	04013-50080	WASHER PLAIN	1			REQUIRED FOR STD SEAT	0	0
110	36919-92372	BAND HANDLE	1			REQUIRED FOR STD SEAT	0.03	0.066
120	36919-56600	PLATE BAND	1			REQUIRED FOR STD SEAT	0.03	0.066
130	36919-56260	WASHER	1			REQUIRED FOR STD SEAT	0.01	0.022
140	36919-50390	SCREW	2			REQUIRED FOR STD SEAT	0.004	0.0088
150	02014-50060	NUT	2			REQUIRED FOR STD SEAT	0.002	0.0044
160	32530-18390	WASHER PLAIN	2			REQUIRED FOR STD SEAT	0.001	0.0022
170	36919-92382	SLEEVE CASE	1			REQUIRED FOR STD SEAT	0.014	0.0308
180	35860-92300	COVER LIFT ROD	1			REQUIRED FOR DX SEAT	0.247	0.5434

LIFT ROD RH



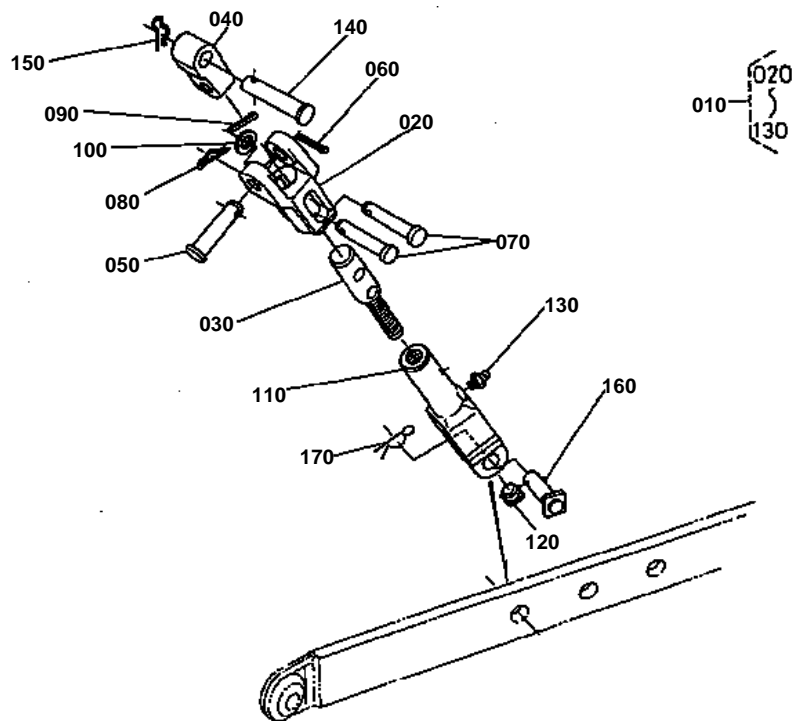


LIFT ROD RH

↔ Interchangeable; ≠ not interchangeable; ← new for old; → old for new

REF.No	Part No.	Description	Q'ty	S.No.	I/C	REMARKS	Weight (kgf)	Weight (lb)
010	36839-91230	ASSY ROD LIFT RH	1			REQUIRED FOR STD SEAT	8.05	17.71
010	35533-91230	ASSY ROD LIFT RH	1			REQUIRED FOR DX SEAT	9	19.8
020	36330-91240	CASE LIFT ROD GEAR	1				2.28	5.016
030	36330-91280	COMP.SHAFT ADJUSTING	1				0.97	2.134
040	08401-51106	BEARING THRUST BALL	1				0.064	0.1408
050	36919-91200	ASSY PINION LIFT ROD	1			REQUIRED FOR STD SEAT	0.236	0.5192
050	36530-91200	ASSY PINION LIFT ROD	1			REQUIRED FOR DX SEAT	0.315	0.693
060	36330-91330	PINION LIFT ROD RH	1				0.11	0.242
070	36919-91390	SHAFT HANDLE	1			REQUIRED FOR STD SEAT	0.124	0.2728
070	36530-91390	SHAFT HANDLE	1			REQUIRED FOR DX SEAT	0.2	0.44
080	05411-00520	PIN SPRING	1				0.002	0.0044
090	04811-00180	RING	1			REQUIRED FOR STD SEAT	0	0
100	36330-91300	COMP SLEEVE LIFT ROD	1				1.11	2.442
110	01133-51030	BOLT	4				0.025	0.055
120	06613-20010	NIPPLE GREASE	1				0.01	0.022
130	36330-91260	ROD LIFT LOWER	1				2.5	5.5
140	36330-91360	PLUG	1				0.001	0.0022
150	06613-10010	NIPPLE GREASE	1				0.006	0.0132
160	36530-91370	SUPPORT HANDLE	1			REQUIRED FOR DX SEAT	0.31	0.682
170	36330-91380	BUSH	1			REQUIRED FOR DX SEAT	0	0
180	04811-10180	RING	1			REQUIRED FOR DX SEAT	0.001	0.0022
190	36330-91323	HANDLE LIFT ROD RH	1			REQUIRED FOR DX SEAT	0.2	0.44
200	05411-00525	PIN SPRING	1			REQUIRED FOR DX SEAT	0.002	0.0044
210	36330-91270	SPRING HANDLE LOCK	1			REQUIRED FOR DX SEAT	0.025	0.055
220	36330-91510	JOINT	1				0.72	1.584
230	36330-91530	PIN LIFT ROD UPPER	1				0.27	0.594
240	05511-50535	PIN SPLIT	1				0.007	0.0154
250	36330-91520	PIN LIFT ROD	1				0	0
260	33251-91860	PIN	1				0.023	0.0506
270	36330-91540	PIN LIFT ROD LOWER	1				0.26	0.572
280	33251-91860	PIN	1				0.023	0.0506
290	36919-92410	COLLAR	1			REQUIRED FOR STD SEAT	0.024	0.0528
300	36839-92400	SHAFT LIFT HANDLE	1			REQUIRED FOR STD SEAT	0	0
310	32530-16510	JOINT UNIVERSAL	1			REQUIRED FOR STD SEAT	0.27	0.594
320	05411-00625	PIN SPRING	2			REQUIRED FOR STD SEAT	0.004	0.0088

LIFT ROD LH



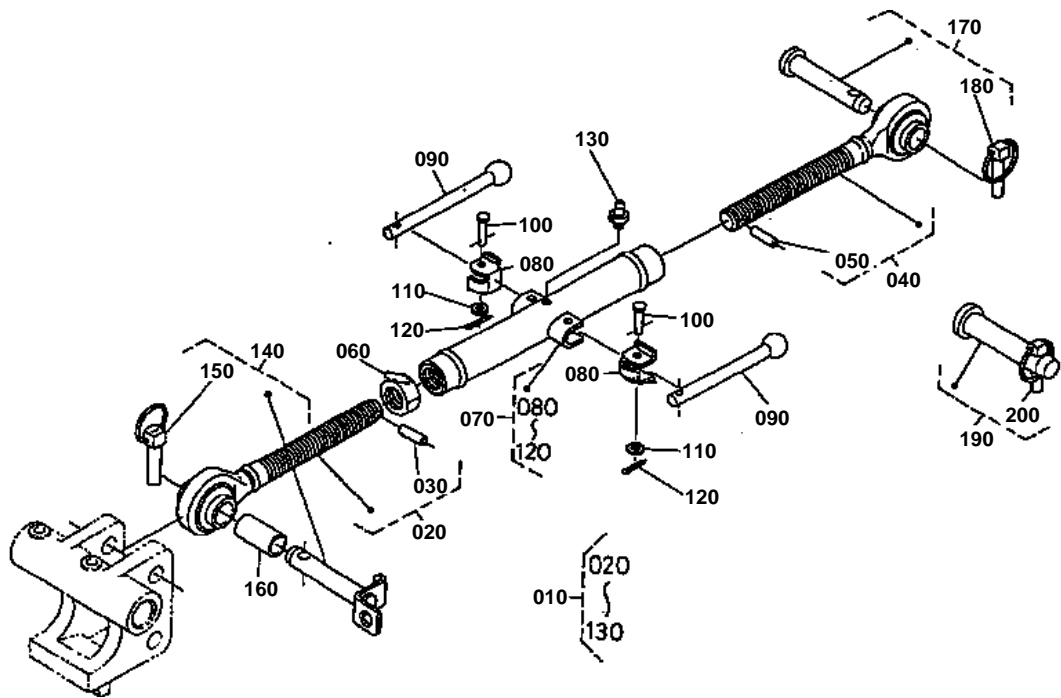


LIFT ROD LH

↔ Interchangeable; ≠ not interchangeable; ← new for old; → old for new

REF.No	Part No.	Description	Q'ty	S.No.	I/C	REMARKS	Weight (kgf)	Weight (lb)
010	36330-91450	ASSY ROD LIFT LH	1				7	15.4
020	36330-91460	ROD LIFT UPPER LH	1				2.08	4.576
030	36330-91430	ROD LIFT UPPER	1				0	0
040	36330-91510	JOINT	1				0.72	1.584
050	36330-91530	PIN LIFT ROD UPPER	1				0.27	0.594
060	05511-50535	PIN SPLIT	1				0.007	0.0154
070	36330-91470	PIN LIFT ROD LH	2				0.175	0.385
080	33251-91860	PIN	1				0.023	0.0506
090	05511-50535	PIN SPLIT	1				0.007	0.0154
100	04011-50180	WASHER PLAIN	1				0.012	0.0264
110	36330-91260	ROD LIFT LOWER	1				2.5	5.5
120	36330-91360	PLUG	1				0.001	0.0022
130	06613-10010	NIPPLE GREASE	1				0.006	0.0132
140	36330-91520	PIN LIFT ROD	1				0	0
150	33251-91860	PIN	1				0.023	0.0506
160	36330-91540	PIN LIFT ROD LOWER	1				0.26	0.572
170	33251-91860	PIN	1				0.023	0.0506

TOP LINK

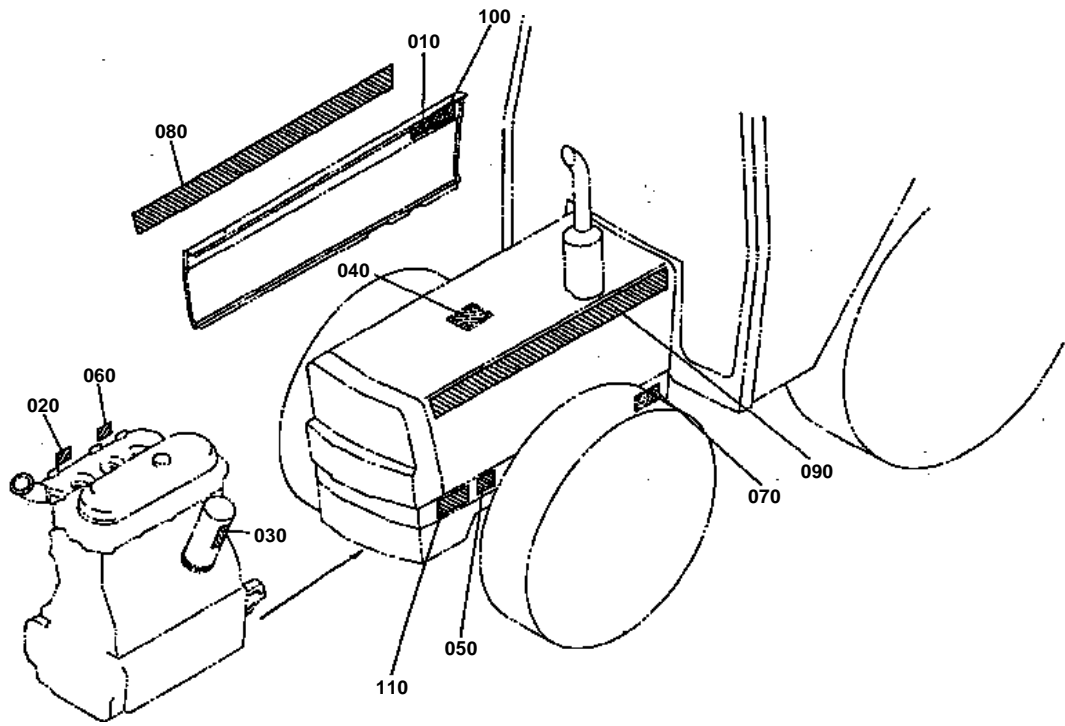




TOP LINK

↔ Interchangeable; ≠ not interchangeable; ← new for old; → old for new

REF.No	Part No.	Description	Q'ty	S.No.	I/C	REMARKS	Weight (kgf)	Weight (lb)
010	36330-91702	ASSY LINK TOP	1				5.3	11.66
020	36330-91552	ASSY LINK TOP FRONT	1				1.63	3.586
030	36330-91790	PIN	1				0.007	0.0154
040	36330-91612	ASSY LINK TOP REAR	1				1.55	3.41
050	36330-91790	PIN	1				0.007	0.0154
060	33400-91590	NUT TOP LINK	1				0.11	0.242
070	36330-91620	ASSY SLEEVE TOP LINK	1				2.5	5.5
080	36330-91693	SPRING HANDLE LOCK	2				0.01	0.022
090	36330-91643	HANDLE TOP LINK	2				0.175	0.385
100	05122-50635	PIN JOINT	2				0.01	0.022
110	04012-50060	WASHER PLAIN	2				0.001	0.0022
120	05511-51610	PIN SPLIT	2				0.001	0.0022
130	06613-10010	NIPPLE GREASE	1				0.006	0.0132
140	36330-91650	ASSY PIN TOP LINK	1				0.375	0.825
150	36200-91840	ASSY PIN SET	1				0.06	0.132
160	36330-91720	COLLAR ADJUSTING	1				0.065	0.143
170	36330-91743	ASSY PIN TOP LINK	1			CATEGORY 1	0.3	0.66
180	36200-91840	ASSY PIN SET	1				0.06	0.132
190	36330-91773	ASSY PIN TOP LINK	1			CATEGORY 2	0.55	1.21
200	36200-91840	ASSY PIN SET	1				0.06	0.132

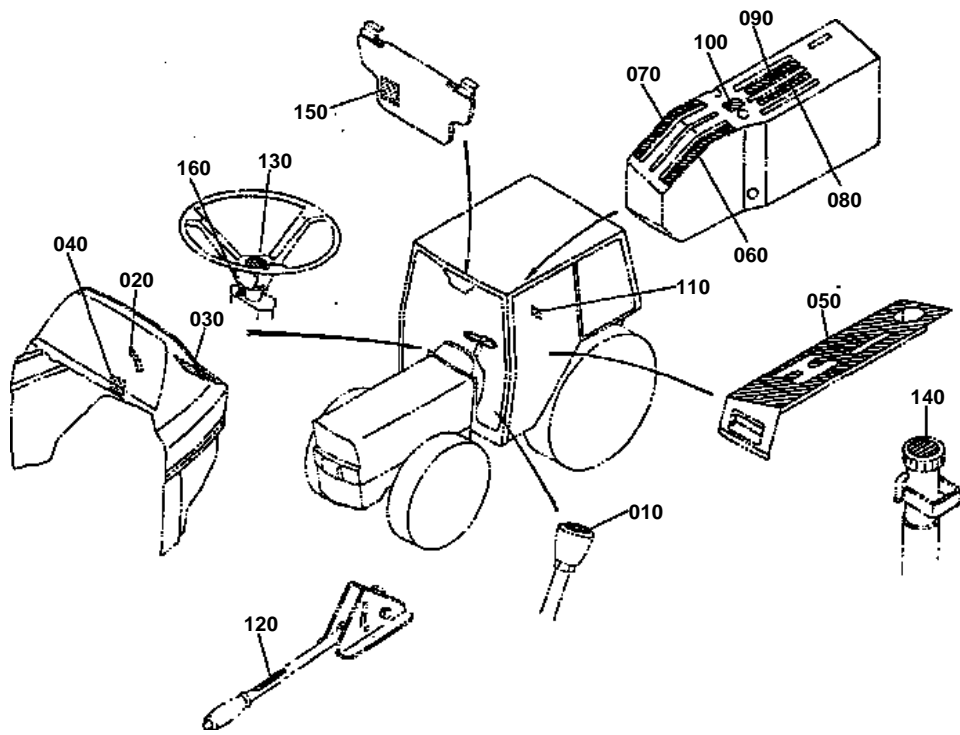


**LABEL 1**

↔ Interchangeable; ≠ not interchangeable; ← new for old; → old for new

REF.No	Part No.	Description	Q'ty	S.No.	I/C	REMARKS	Weight (kgf)	Weight (lb)
010	15453-88310	LABEL OIL	1				0.001	0.0022
020	15453-88430	LABEL FUEL FILTER	1				0.001	0.0022
030	15453-88390	LABEL OIL FILTER	1				0.001	0.0022
040	15453-88610	LABEL RADIATOR	1				0.001	0.0022
050	15103-94590	LABEL DRAIN CAUTION	1				0.001	0.0022
060	15222-88210	LABEL CAUTION	1				0.003	0.0066
070	35822-98120	NAME PLATE	1				0	0
080	35820-98130	MARK SIDE RH	1				0.04	0.088
090	35820-98140	MARK SIDE LH	1				0.04	0.088
100	35822-98560	LABEL STRG.HOSE	1				0.002	0.0044
110	35820-98940	LABEL STRG.GREASE	1				0.001	0.0022

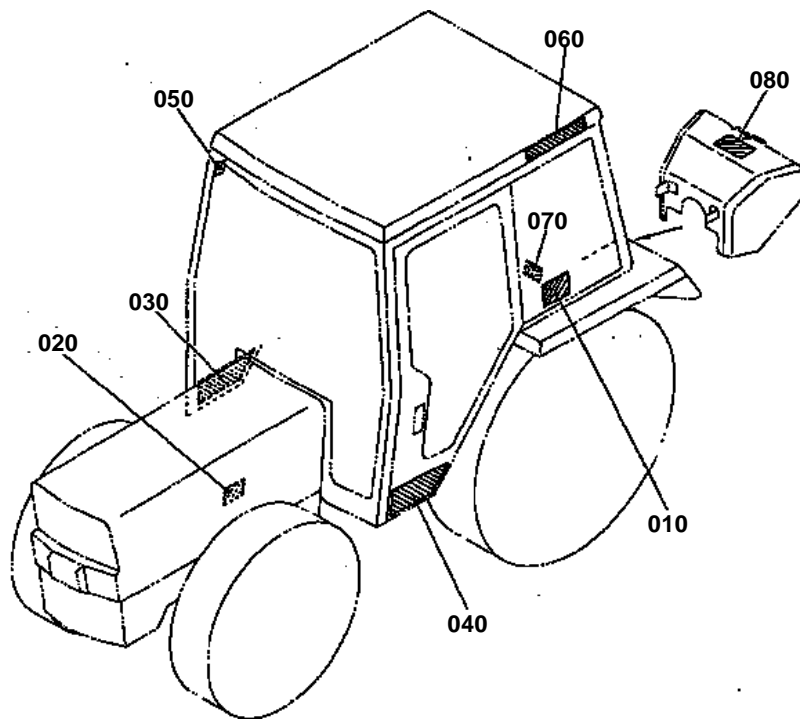
LABEL 2



**LABEL 2**

↔ Interchangeable; ≠ not interchangeable; ← new for old; → old for new

REF.No	Part No.	Description	Q'ty	S.No.	I/C	REMARKS	Weight (kgf)	Weight (lb)
010	35860-98160	MARK MAIN S-CHANGE	1				0.001	0.0022
020	36919-31830	MARK MAIN SWITCH	1				0	0
030	35862-98260	LABEL MONITOR	1				0	0
040	35822-98430	LABEL ENGINE STOP	1				0	0
050	35860-98300	LABEL SHIFT PATTERN	1				0	0
060	35860-98222	LABEL DRAFT CONTROL	1				0.001	0.0022
070	35860-98232	LABEL POSITION CON.	1				0.001	0.0022
080	35860-98390	LABEL CONTROL	1				0.001	0.0022
090	35860-98670	LABEL CONTROL	1				0.001	0.0022
100	35860-98380	LABEL DOWN SPEED	1				0.001	0.0022
110	35882-98740	LABEL	1				0.001	0.0022
120	35820-98810	LABEL CLUTCH LEVER	1				0.001	0.0022
130	36919-62800	MARK HANDLE	1				0	0
140	36919-56400	MARK RED(FUEL CAP)	1				0.001	0.0022
150	35260-34910	LABEL SAFETY	1				0	0
160	36330-98450	MARK WINKER SWITCH	1				0.001	0.0022

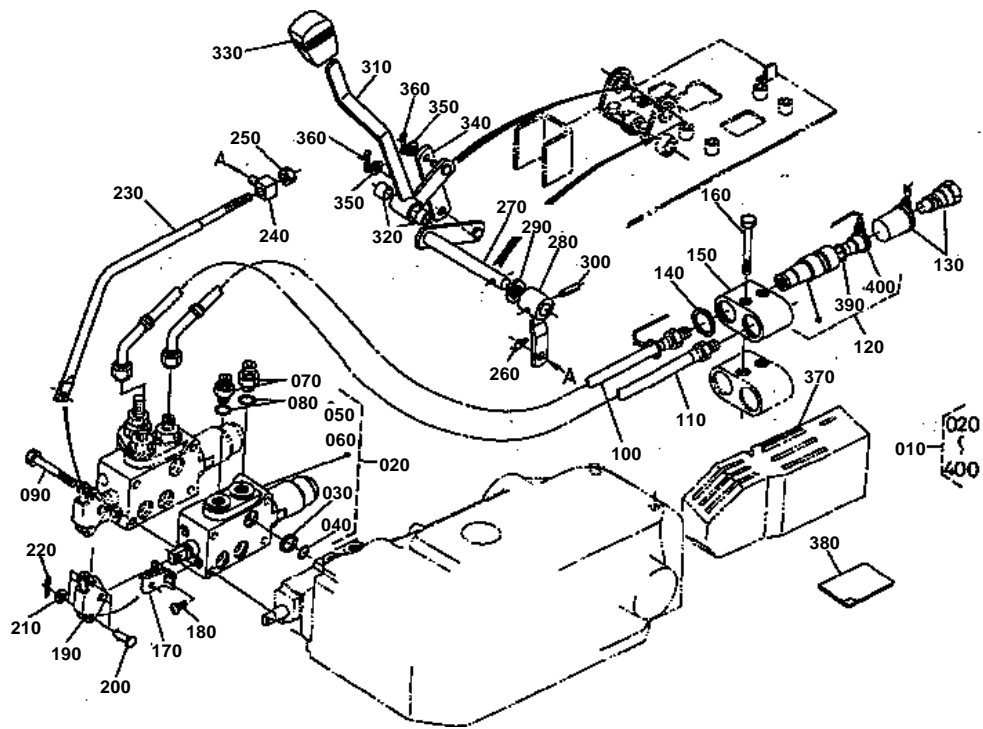


**LABEL 3**

↔ Interchangeable; ≠ not interchangeable; ← new for old; → old for new

REF.No	Part No.	Description	Q'ty	S.No.	I/C	REMARKS	Weight (kgf)	Weight (lb)
010	35820-98500	LABEL SPEED	1				0.001	0.0022
020	35820-98630	LABEL START CAUTION	1				0	0
030	36919-98070	LABEL DOOR RH	1				0.018	0.0396
040	36919-98080	LABEL DOOR LH	1				0.018	0.0396
050	35820-55700	NAME PLATE CAB	1				0	0
060	68051-57130	LABEL KUBOTA MARK	2				0.001	0.0022
070	35260-29790	LABEL DRAWBAR	1				0.002	0.0044
080	35260-25340	LABEL PTO(DRAWBAR)	1				0.005	0.011

AUX.CONTROL VALVE KIT 1 [OPTION]

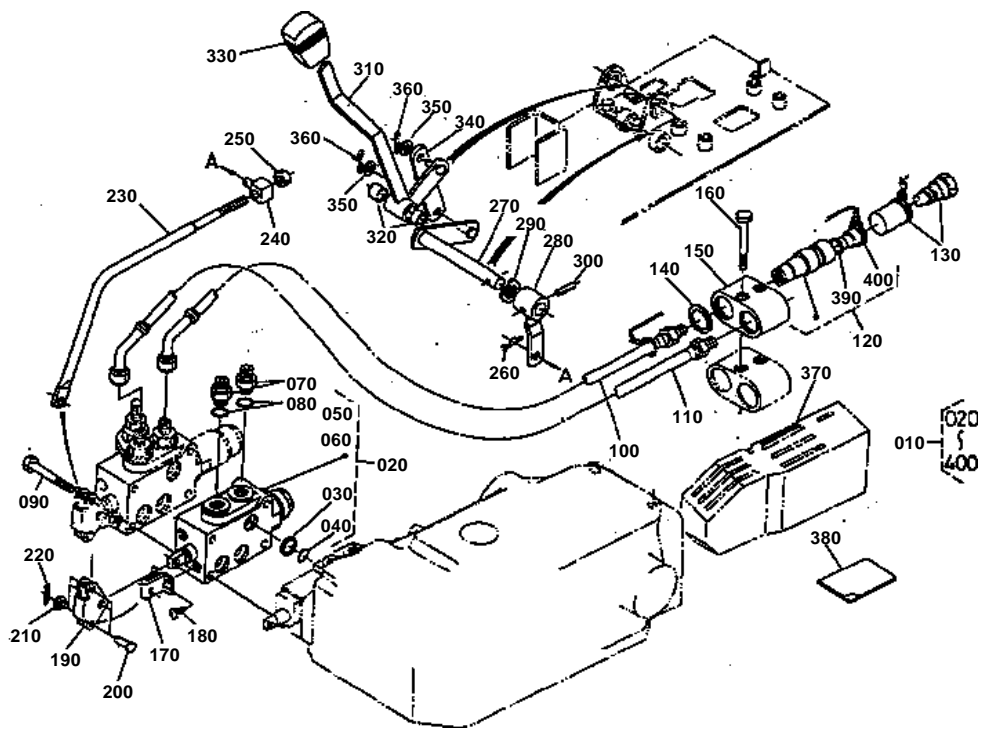


**AUX.CONTROL VALVE KIT 1 [OPTION]**

↔ Interchangeable; ≠ not interchangeable; ← new for old; → old for new

REF.No	Part No.	Description	Q'ty	S.No.	I/C	REMARKS	Weight (kgf)	Weight (lb)
010	35870-97810	KIT VALVE AUX.CON.	1				6.9	15.18
020	35820-82540	ASSY VALVE AUX.CON.	1				2.85	6.27
030	36200-82330	RING BACK UP	3				0.001	0.0022
040	04810-00140	RING	3				0	0
050	36200-82810	SEAL SPOOL	2				0.001	0.0022
060	36200-82820	SEAL DUST	1				0.002	0.0044
070	35861-82370	NIPPLE	2				0.05	0.11
080	04811-00140	RING	2				0	0
090	35860-82990	BOLT	4				0.05	0.11
100	35860-82870	HOSE	1				0.032	0.0704
110	35860-82880	HOSE	1				0.325	0.715
120	35861-82032	ASSY COUPLER FEMALE	2				0.32	0.704
130	35861-82190	ASSY COUPLER MALE	2				0.086	0.1892
140	04611-00380	CIR-CLIP INTERNAL	2				0.004	0.0088
150	35861-82610	SUPPORT COUPLER	1				0.75	1.65
160	01153-50803	BOLT	2				0.04	0.088
170	36919-82330	SUPPORT FULCRUM	1				0.036	0.0792
180	03004-50612	SCREW	2				0.005	0.011
190	36919-82390	CAM	1				0.082	0.1804
200	05122-50620	PIN JOINT	3				0.005	0.011
210	04012-50060	WASHER PLAIN	3				0.001	0.0022
220	05511-51612	PIN SPLIT	3				0.001	0.0022
230	36919-82420	ROD CONTROL	1				0.21	0.462
240	36919-81990	END ROD	1				0	0
250	02112-50080	NUT	1				0.003	0.0066
260	05516-50800	PIN SNAP	1				0.002	0.0044
270	36919-94610	SHAFT CONTROL	1				0.222	0.4884
280	36919-94580	LEVER SUB CONTROL	1				0.106	0.2332
290	35828-29890	WASHER WAVE	1				0.001	0.0022
300	05411-00525	PIN SPRING	1				0.002	0.0044
310	35880-82820	LEVER CONTROL VALVE	1				0.57	1.254
320	54841-51320	BUSH	2				0	0
330	36330-29670	GRIP	1				0.06	0.132
340	36919-94720	LINK	1				0.038	0.0836
350	04012-50080	WASHER PLAIN	2				0.001	0.0022
360	05511-50212	PIN SPLIT	2				0.001	0.0022
370	35860-98390	LABEL CONTROL	1				0.001	0.0022
380	35870-97820	MANUAL CONSTRUCTION	1				0.015	0.033
390	35861-94510	O RING	2				0.002	0.0044
400	35861-94520	PLUG COUPLER	2				0.005	0.011

AUX.CONTROL VALVE KIT 2 [OPTION]

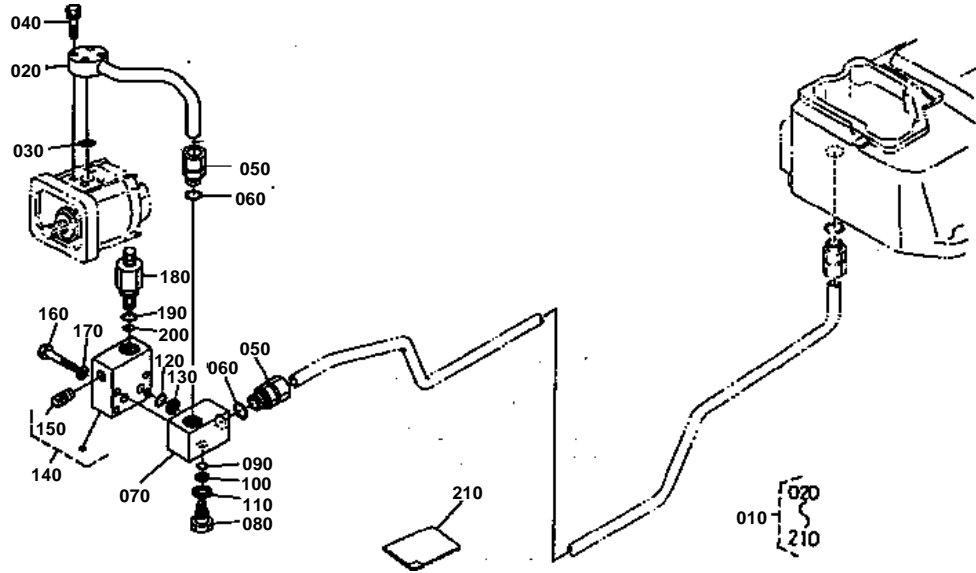


**AUX.CONTROL VALVE KIT 2 [OPTION]**

↔ Interchangeable; ≠ not interchangeable; ← new for old; → old for new

REF.No	Part No.	Description	Q'ty	S.No.	I/C	REMARKS	Weight (kgf)	Weight (lb)
010	35870-97840	KIT VALVE AUX.CON.	1				7	15.4
020	99883-93110	ASSY VALVE AUX.CON.	1				2	4.4
030	36200-82810	SEAL SPOOL	2				0.001	0.0022
040	36200-82820	SEAL DUST	1				0.002	0.0044
050	36200-82330	RING BACK UP	3				0.001	0.0022
060	04810-00140	RING	3				0	0
070	35861-82370	NIPPLE	2				0.05	0.11
080	04811-00140	RING	2				0	0
090	35860-82990	BOLT	4				0.05	0.11
100	35860-82870	HOSE	1				0.032	0.0704
110	35860-82880	HOSE	1				0.325	0.715
120	35861-82032	ASSY COUPLER FEMALE	2				0.32	0.704
130	35861-82190	ASSY COUPLER MALE	2				0.086	0.1892
140	04611-00380	CIR-CLIP INTERNAL	2				0.004	0.0088
150	35861-82610	SUPPORT COUPLER	1				0.75	1.65
160	01153-50803	BOLT	2				0.04	0.088
170	36919-82330	SUPPORT FULCRUM	1				0.036	0.0792
180	03004-50612	SCREW	2				0.005	0.011
190	36919-82390	CAM	1				0.082	0.1804
200	05122-50620	PIN JOINT	3				0.005	0.011
210	04012-50060	WASHER PLAIN	3				0.001	0.0022
220	05511-51612	PIN SPLIT	3				0.001	0.0022
230	36919-82420	ROD CONTROL	1				0.21	0.462
240	36919-81990	END ROD	1				0	0
250	02112-50080	NUT	1				0.003	0.0066
260	05516-50800	PIN SNAP	1				0.002	0.0044
270	36919-94610	SHAFT CONTROL	1				0.222	0.4884
280	36919-94580	LEVER SUB CONTROL	1				0.106	0.2332
290	35828-29890	WASHER WAVE	1				0.001	0.0022
300	05411-00525	PIN SPRING	1				0.002	0.0044
310	35880-82820	LEVER CONTROL VALVE	1				0.57	1.254
320	54841-51320	BUSH	2				0	0
330	36330-29670	GRIP	1				0.06	0.132
340	36919-94720	LINK	1				0.038	0.0836
350	04012-50080	WASHER PLAIN	2				0.001	0.0022
360	05511-50212	PIN SPLIT	2				0.001	0.0022
370	35860-98390	LABEL CONTROL	1				0.001	0.0022
380	35870-97820	MANUAL CONSTRUCTION	1				0.015	0.033
390	35861-94510	O RING	2				0.002	0.0044
400	35861-94520	PLUG COUPLER	2				0.005	0.011

HYDRAULIC OUTLET KIT [OPTION]



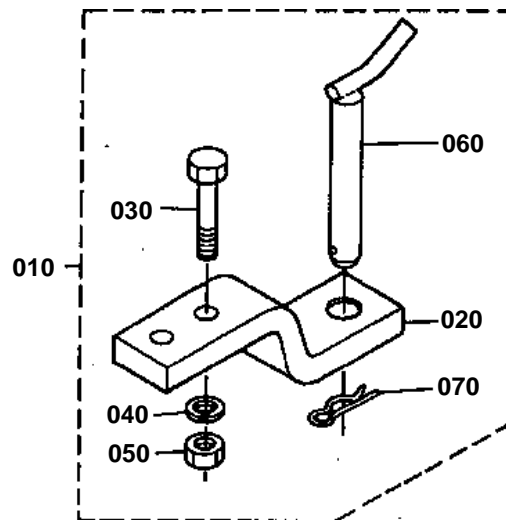


HYDRAULIC OUTLET KIT [OPTION]

↔ Interchangeable; ≠ not interchangeable; ← new for old; → old for new

REF.No	Part No.	Description	Q'ty	S.No.	I/C	REMARKS	Weight (kgf)	Weight (lb)
010	35820-97860	KIT OUTLET HYDRAULIC	1				0	0
020	36330-82743	PIPE DELIVERY	1				0	0
030	35880-63650	O RING	1				0.001	0.0022
040	01023-50635	BOLT	4				0.01	0.022
050	36330-82750	NIPPLE	2				0.12	0.264
060	04811-00180	RING	2				0	0
070	36330-82930	PORT HYD.OUTLET	1				0.87	1.914
080	36330-82960	BOLT BREATHER	1				0.02	0.044
090	04811-00090	RING	1				0	0
100	36330-82970	RING BACK UP	1				0.001	0.0022
110	04512-50120	WASHER SPRING	1				0	0
120	04811-00140	RING	2				0	0
130	36200-82330	RING BACK UP	2				0.001	0.0022
140	39713-81701	ASSY BLOCK HYD.	1				1.39	3.058
150	06312-10030	PLUG	1				0.029	0.0638
160	01153-50850	BOLT	4				0.02	0.044
170	04512-50080	WASHER SPRING	4				0	0
180	36330-82360	ASSY VALVE RELIEF	1				0.25	0.55
190	04810-00220	RING	1				0	0
200	04811-05150	RING	1				0	0
210	35820-97830	MANUAL CONSTRUCTION	1				0.01	0.022

DRAWBAR HITCH



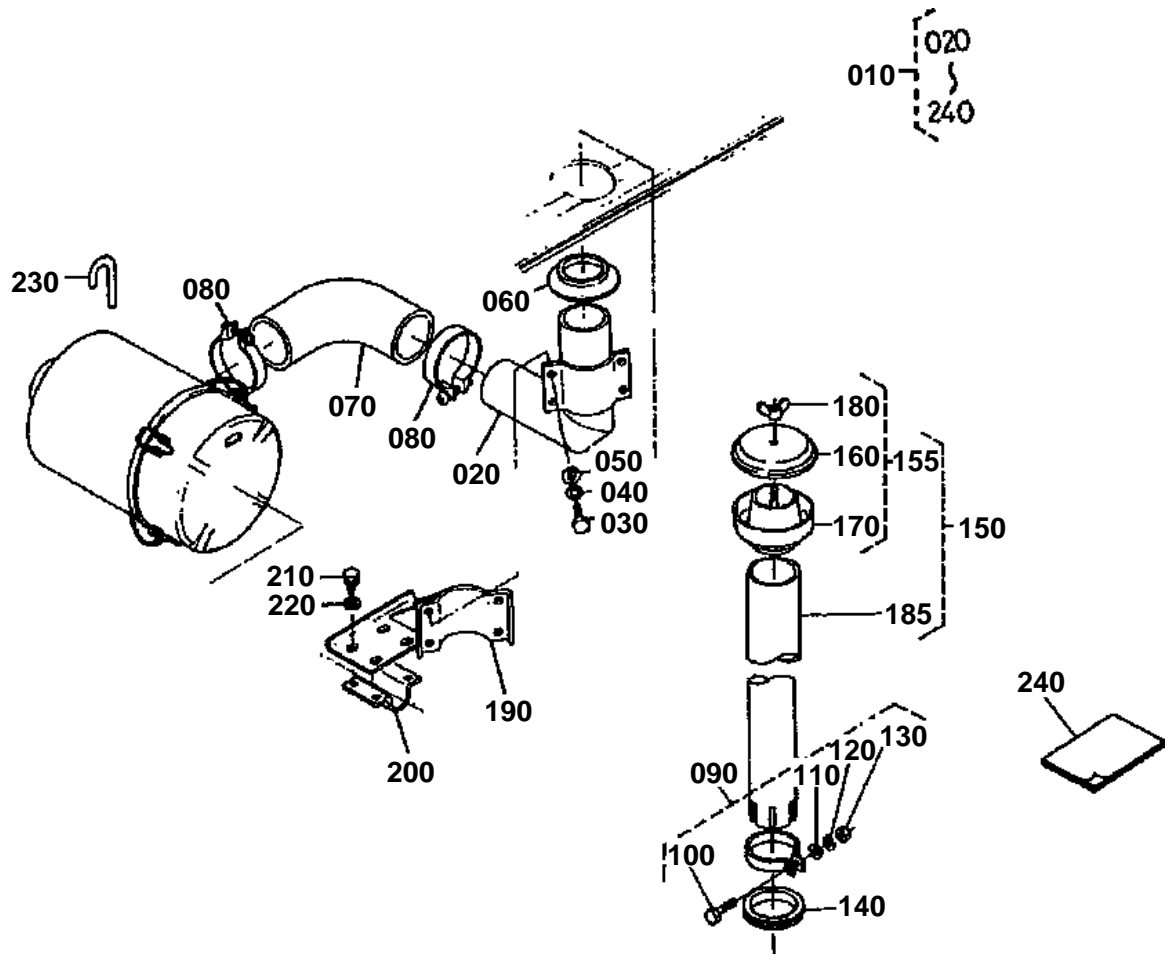


DRAWBAR HITCH

↔ Interchangeable; ≠ not interchangeable; ← new for old; → old for new

REF.No	Part No.	Description	Q'ty	S.No.	I/C	REMARKS	Weight (kgf)	Weight (lb)
010	35820-97570	ASSY HITCH DRAWBAR	1				4.9	10.78
020	36330-89130	HITCH DRAWBAR	1				3.58	7.876
030	01173-51880	BOLT	2				0.187	0.4114
040	04512-50180	WASHER SPRING	2				0	0
050	02174-50180	NUT	2				0.029	0.0638
060	36330-89210	PIN DRAWBAR	1				0.7	1.54
070	70515-16330	PIN	1				0.03	0.066

PRE-CLEANER KIT [OPTION]

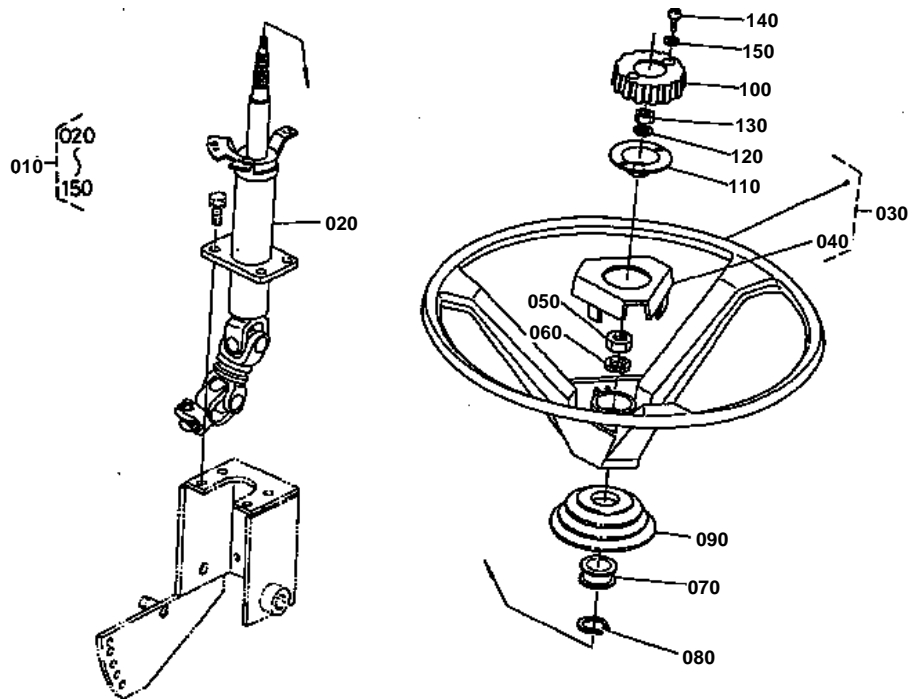


**PRE-CLEANER KIT [OPTION]**

↔ Interchangeable; ≠ not interchangeable; ← new for old; → old for new

REF.No	Part No.	Description	Q'ty	S.No.	I/C	REMARKS	Weight (kgf)	Weight (lb)
010	35820-97750	KIT PARTS PRECLEANER	1				9.7	21.34
020	35836-19120	COMP COVER DUCT	1				1.03	2.266
030	01152-50835	BOLT	4				0.015	0.033
040	04512-50080	WASHER SPRING	4				0	0
050	04013-50080	WASHER PLAIN	4				0	0
060	36330-04120	CAP	1				0.015	0.033
070	15572-11670	PIPE INLET	1				0.46	1.012
080	35466-74470	BAND PIPE	2				0.05	0.11
090	35466-74530	BAND PIPE	1				0.135	0.297
100	01173-51035	BOLT	1				0.025	0.055
110	04512-50100	WASHER SPRING	1				0	0
120	04013-50100	WASHER PLAIN	1				0	0
130	02118-50100	NUT	1				0.005	0.011
140	35822-19150	COVER RUBBER	1				0.024	0.0528
150	15571-11990	ASSY PRE CLEANER	1				2.6	5.72
155	15453-11040	ASSY PRE-CLEANER	1				1.3	2.86
160	15453-10250	ASSY COVER	1				0.3	0.66
170	15453-10260	BOWL PRE-CLEANER	1				0.2	0.44
180	15453-11530	NUT WING	1				0.005	0.011
185	35836-74510	PIPE PRE-CLEANER	1				1.36	2.992
190	35836-19180	BRACKET DUCT COVER	1				0.91	2.002
200	35836-19190	RETAINER BRACKET	1				0.25	0.55
210	01123-50830	BOLT	4				0.015	0.033
220	04013-50080	WASHER PLAIN	4				0	0
230	15621-11810	PIPE BREATHER	1				0.007	0.0154
240	35820-97770	MANUAL CONSTRUCTION	1				0.001	0.0022

TELESCOPE HANDLE KIT [OPTION]



**TELESCOPE HANDLE KIT [OPTION]**

↔ Interchangeable; ≠ not interchangeable; ← new for old; → old for new

REF.No	Part No.	Description	Q'ty	S.No.	I/C	REMARKS	Weight (kgf)	Weight (lb)
010	35860-97900	KIT STRG. TELESCOPE	1				5.3	11.66
020	36969-62150	SHAFT TELESCOPE	1				2.14	4.708
030	36969-62560	ASSY HANDLE STRG.	1				2.32	5.104
040	36969-62580	PAD STEERING	1				0.035	0.077
050	04512-50160	WASHER SPRING	1				0	0
060	02176-50160	NUT	1				0.025	0.055
070	36919-62360	COLLAR	1				0.005	0.011
080	04612-00190	CIR-CLIP EXTERNAL	1				0.001	0.0022
090	36919-62380	BOOT RUBBER	1				0.05	0.11
100	36919-62390	HANDLE TELESCOPE	1				0.023	0.0506
110	36919-62400	BOSS HANDLE	1				0	0
120	04512-50060	WASHER SPRING	1				0	0
130	02056-50060	NUT	1				0.002	0.0044
140	36919-50390	SCREW	2				0.004	0.0088
150	32530-18390	WASHER PLAIN	2				0.001	0.0022

IMAGE NOT AVAILABLE

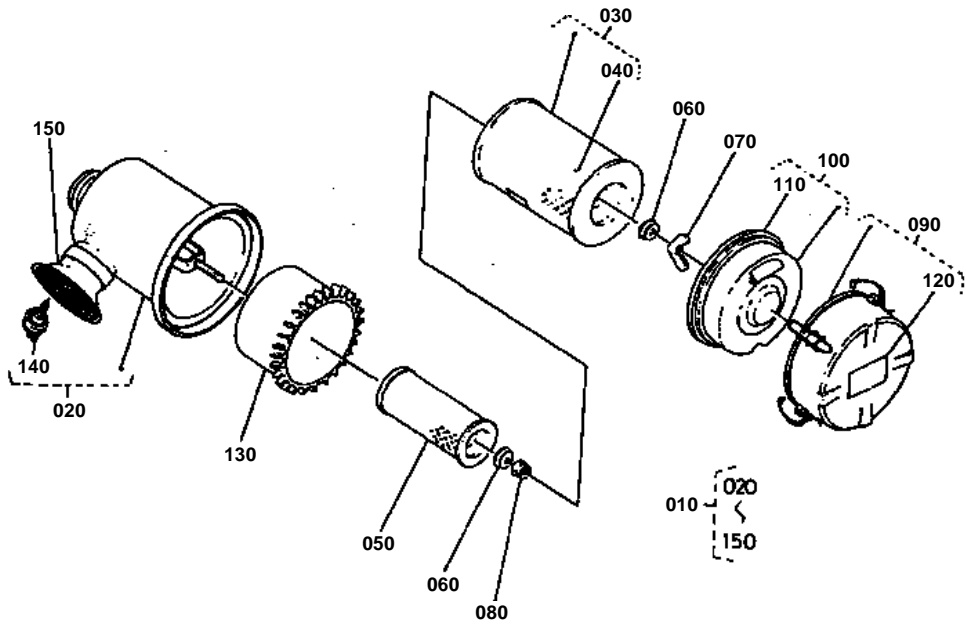


BOLT KIT FOR FRONT WEIGHT [OPTION]

↔ Interchangeable; ≠ not interchangeable; ← new for old; → old for new

REF.No	Part No.	Description	Q'ty	S.No.	I/C	REMARKS	Weight (kgf)	Weight (lb)
010	35820-97730	KIT BOLT F-WEIGHT	1				0	0
020	01173-51830	BOLT	4				0.096	0.2112
030	04512-50180	WASHER SPRING	4			NOT SHOWING IN FIG.	0	0
040	01173-51635	BOLT	4				0.008	0.0176
050	04512-50160	WASHER SPRING	4				0	0
060	04015-50160	WASHER PLAIN	2				0	0

DOUBLE AIR CLEANER [SECTION PARTS]



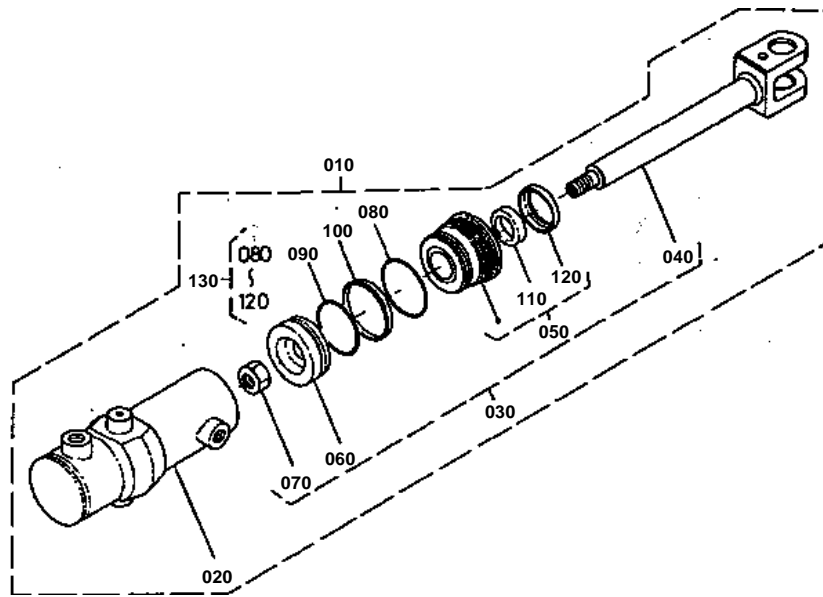


DOUBLE AIR CLEANER [SECTION PARTS]

↔ Interchangeable; ≠ not interchangeable; ← new for old; → old for new

REF.No	Part No.	Description	Q'ty	S.No.	I/C	REMARKS	Weight (kgf)	Weight (lb)
010	15571-11020	ASSY CLEANER AIR	1				4.5	9.9
020	15571-11910	BODY AIR CLEANER	1				3	6.6
030	15571-11210	ELEMENT OUTER	1				0.97	2.134
040	15621-87480	LABEL ELEMET	1				0.01	0.022
050	15571-11180	ELEMENT INNER	1				0.35	0.77
060	15621-94440	ASSY GASKET	2				0.008	0.0176
070	15621-92640	NUT WING	1				0.05	0.11
080	15621-92110	NUT	1				0.03	0.066
090	15571-11160	ASSY DUST PAN	1				0.91	2.002
100	15571-11410	COVER BAFFLE	1				0.56	1.232
110	15621-11170	GASKET A/C COVER	1				0.07	0.154
120	15621-87450	PAPER	1				0.001	0.0022
130	15621-11600	GUIDE AIR	1				0.12	0.264
140	15621-11090	ASSY INDICATOR	1				0.045	0.099
150	15621-11350	CAP AIR CLEANER	1				0.33	0.726

STEERING CYLINDER [SECTION PARTS]



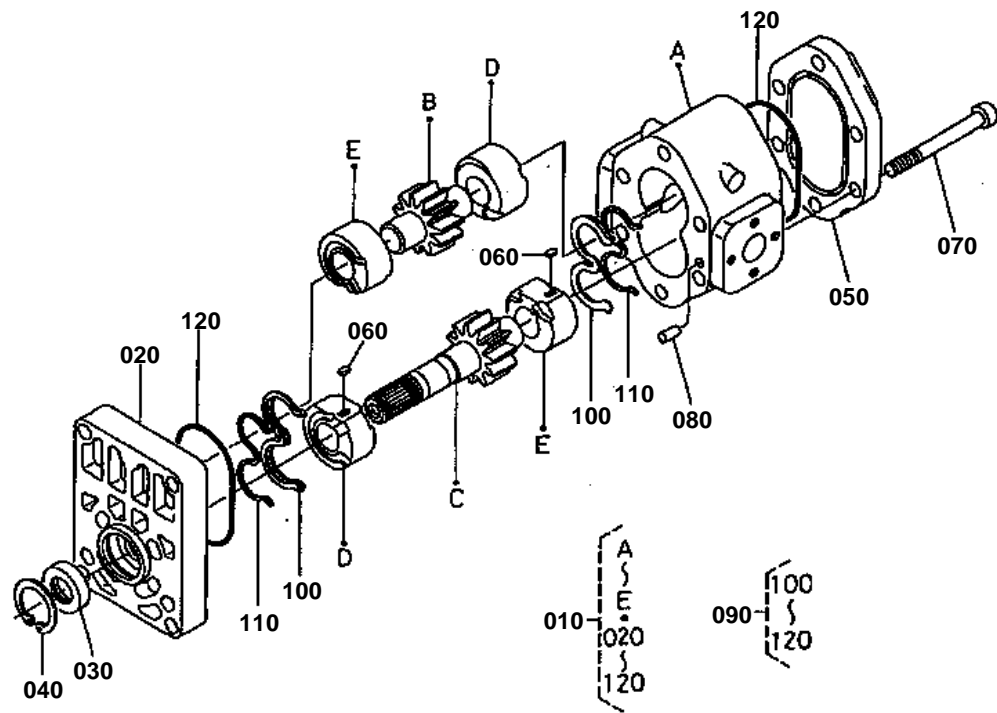


STEERING CYLINDER [SECTION PARTS]

↔ Interchangeable; ≠ not interchangeable; ← new for old; → old for new

REF.No	Part No.	Description	Q'ty	S.No.	I/C	REMARKS	Weight (kgf)	Weight (lb)
010	36330-63710	CYLINDER STEERING	1				5.5	12.1
020	36330-63720	ASSY CYLINDER	1				3.4	7.48
030	36330-63730	ASSY ROD	1				2.6	5.72
040	36330-63740	ASSY ROD SUB	1				1.45	3.19
050	36330-63750	ASSY BOX	1				0.78	1.716
060	36330-63760	PISTON	1				0.32	0.704
070	36330-63770	NUT	1				0.045	0.099
080	36330-63780	O RING	1				0.001	0.0022
090	36330-63790	O RING	1				0.001	0.0022
100	36330-63810	SEAL	1				0.005	0.011
110	36330-63830	O RING	1				0.002	0.0044
120	36330-63840	RING WIPER	1				0.01	0.022
130	36330-63820	KIT SEAL	1				0.02	0.044

HYDRAULIC PUMP [SECTION PARTS]



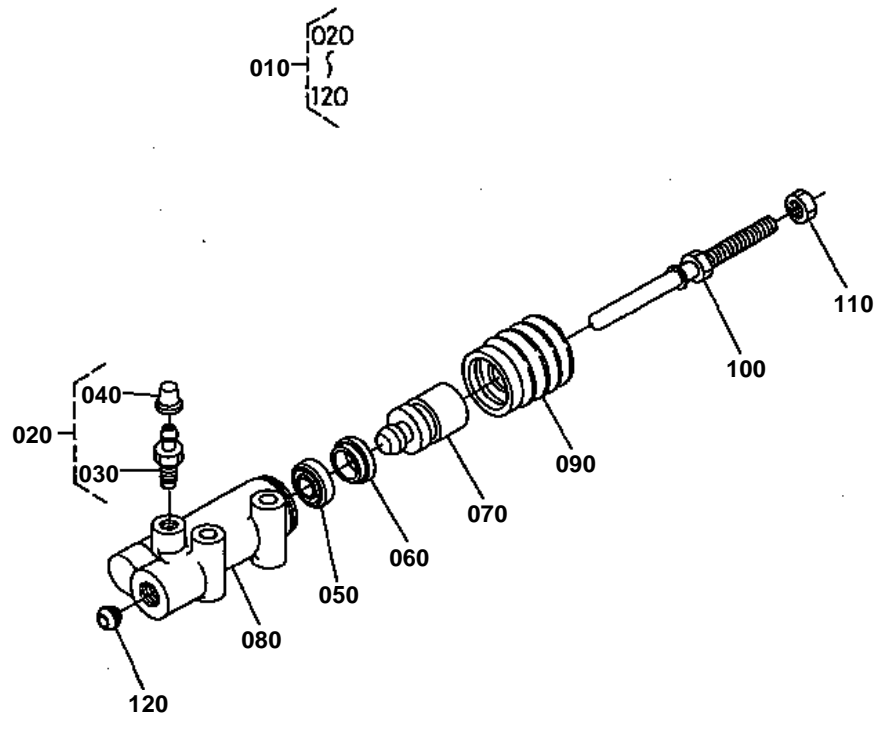


HYDRAULIC PUMP [SECTION PARTS]

↔ Interchangeable; ≠ not interchangeable; ← new for old; → old for new

REF.No	Part No.	Description	Q'ty	S.No.	I/C	REMARKS	Weight (kgf)	Weight (lb)
010	36330-63100	PUMP HYDRAULIC	1				0	0
020	36330-12860	FLANGE	1				0.4	0.88
030	36330-82320	SEAL OIL	1				0.01	0.022
040	68051-91850	RING SNAP	1				0.001	0.0022
050	69351-61170	COVER	1				0.26	0.572
060	68051-91890	KEY	2				0.001	0.0022
070	36330-12940	BOLT	6				0.03	0.066
080	68271-91240	PIN	2				0.004	0.0088
090	36200-82482	SET SEAL	1				0.01	0.022
100	68051-91860	ELEMENT SEAL	2				0.002	0.0044
110	68051-91880	ELEMENT BACK UP	2				0.001	0.0022
120	68051-91910	O RING	2				0.001	0.0022

CYLINDER [SECTION PARTS]



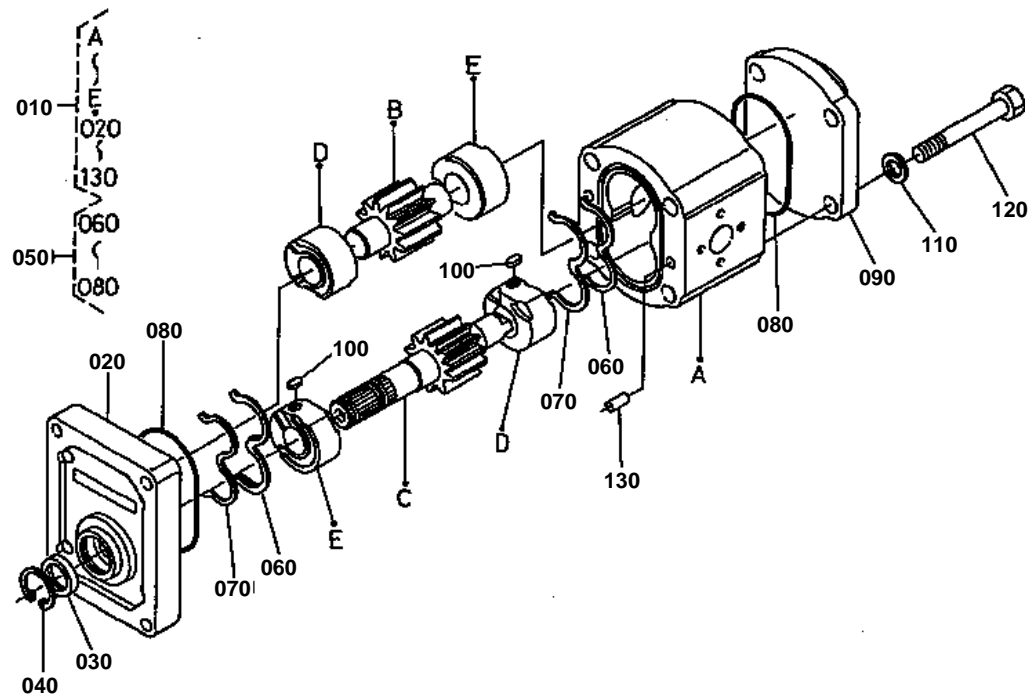


CYLINDER [SECTION PARTS]

↔ Interchangeable; ≠ not interchangeable; ← new for old; → old for new

REF.No	Part No.	Description	Q'ty	S.No.	I/C	REMARKS	Weight (kgf)	Weight (lb)
010	35828-68470	CYLINDER	2				0.6	1.32
020	35828-68800	KIT BREATHER	2				0.012	0.0264
030	35828-68810	PLUG	2				0.015	0.033
040	35828-68820	CAP BREATHER	2				0.001	0.0022
050	35828-68830	CUP CYLINDER	2				0.001	0.0022
060	35828-68840	CUP CYLINDER	2				0.001	0.0022
070	35828-68850	PISTON CYLINDER	2				0.035	0.077
080	35828-68860	BODY CYLINDER	2				0.45	0.99
090	35828-68870	BOOT CYLINDER	2				0.02	0.044
100	35828-68880	ROD CYLINDER	2				0.08	0.176
110	02116-50100	NUT	2				0.004	0.0088
120	35828-68890	SEAT UNION	2				0.001	0.0022

HYDRAULIC PUMP [SECTION PARTS]





HYDRAULIC PUMP [SECTION PARTS]

↔ Interchangeable; ≠ not interchangeable; ← new for old; → old for new

REF.No	Part No.	Description	Q'ty	S.No.	I/C	REMARKS	Weight (kgf)	Weight (lb)
010	36330-82204	PUMP HYDRAULIC	1				4	8.8
020	35580-06530	FLANGE	1				1.1	2.42
030	36330-82320	SEAL OIL	1				0.01	0.022
040	68051-91850	RING SNAP	1				0.001	0.0022
050	36330-82480	SET SEAL	1				0.005	0.011
060	35430-12870	ELEMENT SEAL	2				0.003	0.0066
070	68051-91880	ELEMENT BACK UP	2				0.001	0.0022
080	68051-91910	O RING	2				0.001	0.0022
090	68271-91180	COVER	1				0.8	1.76
100	68051-91890	KEY	2				0.001	0.0022
110	35500-06550	WASHER SPRING	4				0.003	0.0066
120	36330-12890	BOLT	4				0.05	0.11
130	68271-91240	PIN	2				0.004	0.0088

IMAGE NOT AVAILABLE



ACCESSORIES AND SERVICE PARTS

↔ Interchangeable; ≠ not interchangeable; ← new for old; → old for new

REF.No	Part No.	Description	Q'ty	S.No.	I/C	REMARKS	Weight (kgf)	Weight (lb)
010	35820-99713	MANUAL INSTRUCTION	1				0	0
020	35870-99710	MANUAL INSTRUCTION	1				0	0
030	36919-75690	LINK FUSIBLE	1				0.005	0.011
040	36919-75700	LINK FUSIBLE	1				0	0
050	36330-91773	ASSY PIN TOP LINK	1				0.55	1.21
060	36330-91762	PIN TOP LINK REAR	1				0.49	1.078
070	36200-91840	ASSY PIN SET	1				0.06	0.132
080	33400-91040	JOINT LOWER LINK	2				0.42	0.924
090	36919-75190	KEY MAIN SWITCH	2				0.005	0.011
100	35861-82190	ASSY COUPLER MALE	4				0.086	0.1892
110	35861-99150	ASSY WRENCH SOCKET	1				0	0
120	07211-10150	PLIERS	1				0.16	0.352
130	31830-19140	WRENCH MONKEY	1				0.54	1.188