

Instructions for Parts Books

The heading at the top of the page will be the same for the picture of the parts as it is for the page with the part numbers.

Definition of column headings on part number pages:

REF.No → The number referring to the part on the picture page of the parts book.

Part No. → The number assigned to this part at the time of printing the parts book.

Description → Description of part.

Q'ty → Quantity of part used on that page.

S.No. → Serial number range of the equipment that this part will fit.

>= Your serial number should be greater than or equal to the number shown.

<= Your serial number should be lesser than or equal to the serial number shown.

I/C → Interchangeability of part shown.

↔ The part shown will work for the older and later serial number.

The part shown is not interchangeable with the other serial number.

← new for old

→ old for new

Remarks → Notes about this particular part. Sometimes this may say except [FR] or [CA]

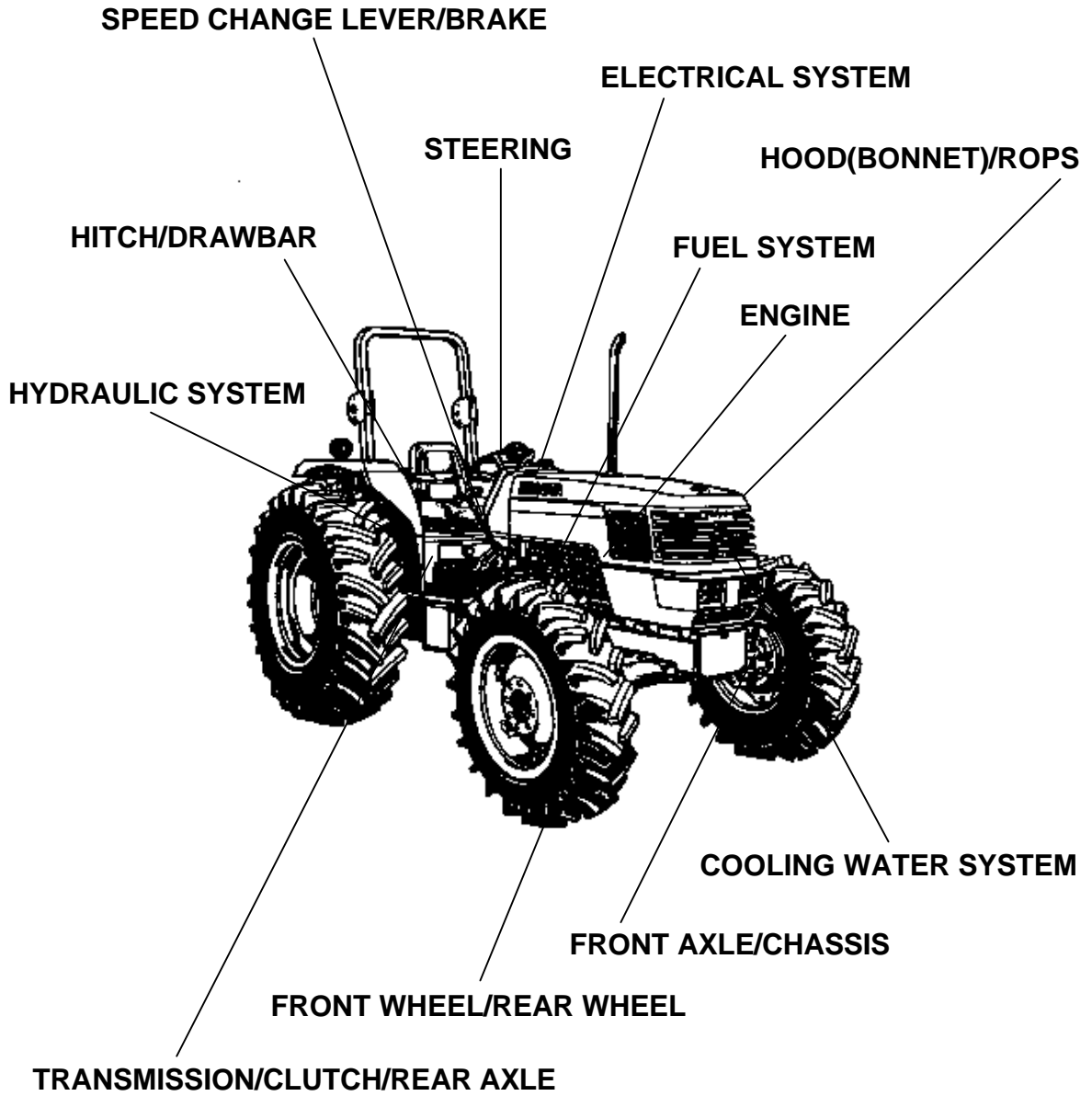
Note about Country Codes:

The parts books we use in the United States of America may also contain information about a part that would be different in another country. It is important that you are aware of the country codes in some instances.

Symbol	Country
A	United States of America
CA	Canada
FR	France
GR	Greece
PO	Portugal
AU	Australia

If the remarks column says for example EXCEPT [FR] this part works in all countries except France. That means it will work here in the USA.

ALL PRODUCT INDEX
M9000DTL



LABELS

OPTION

ACCESSORIES

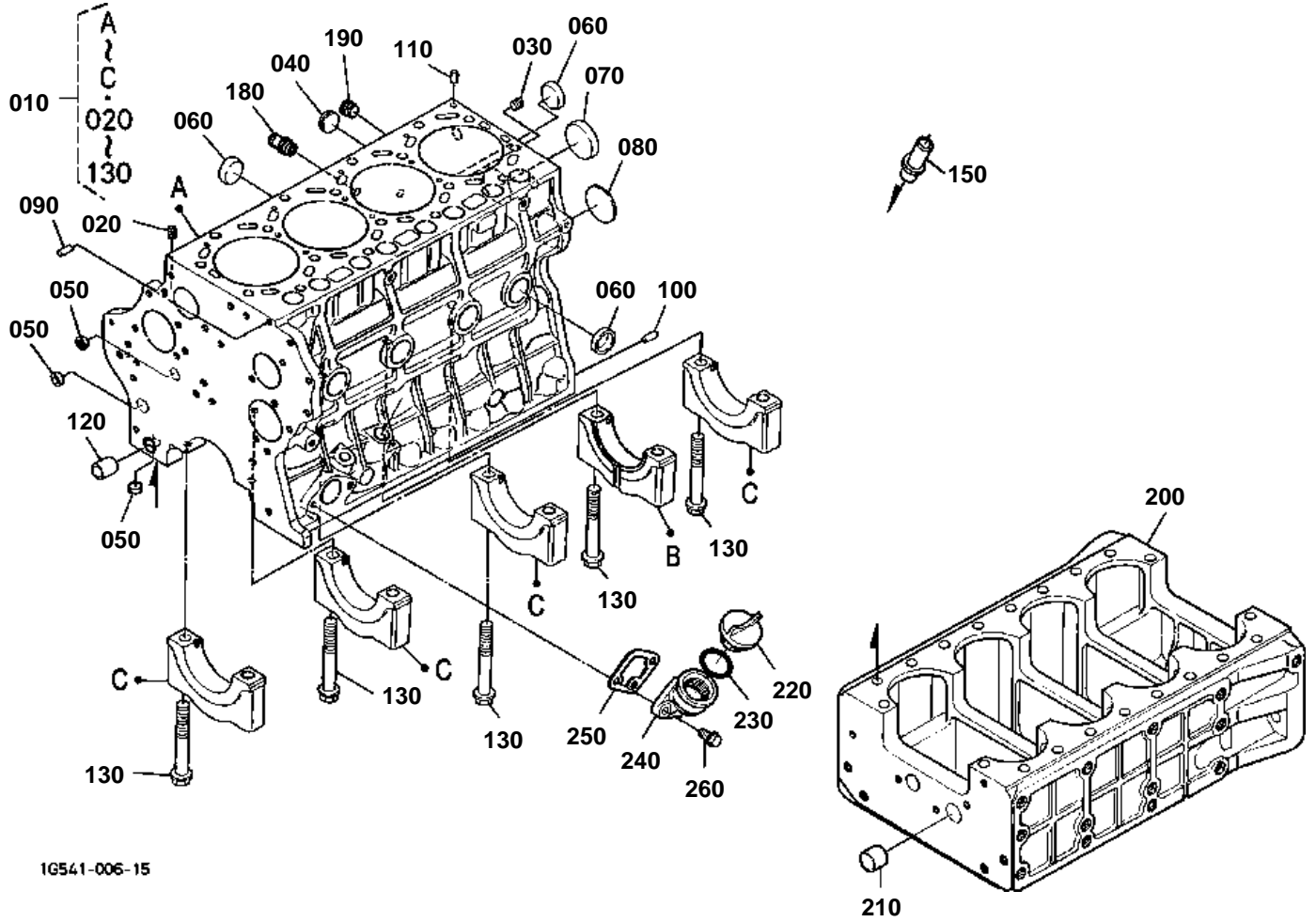
Item	Part No.	Description	Book	
ENGINE	010001	CRANKCASE	100K0485	
	010002	OIL PAN	100K0485	
	010003	CYLINDER HEAD	100K0485	
	010004	GEAR CASE	100K0485	
	010005	HEAD COVER [OLD TYPE]	100K0485	
	01000501	HEAD COVER [NEW TYPE]	100K0485	
	010101	CAMSHAFT AND IDLE GEAR SHAFT	100K0485	
	010102	PISTON AND CRANKSHAFT	100K0485	
	010103	FLYWHEEL	100K0485	
	010106	BALANCER	100K0485	
	010202	INJECTION PUMP	100K0485	
	010204	GOVERNOR	100K0485	
	010206	NOZZLE HOLDER AND GLOW PLUG	100K0485	
	010207	NOZZLE HOLDER [COMPONENT PARTS]	100K0485	
	010209	PUMP HOUSING	100K0485	
	010212	FORK LEVER (GOVERNOR)	100K0485	
	010215	GOVERNOR ADJUSTING BOLT	100K0485	
	010300	FUEL FILTER	100K0485	
	010500	WATER FLANGE AND THERMOSTAT	100K0485	
	010501	WATER PUMP	100K0485	
	010600	VALVE AND ROCKER ARM	100K0485	
	010601	INLET MANIFOLD	100K0485	
	010602	EXHAUST MANIFOLD	100K0485	
	010603	AIR CLEANER	100K0485	
	010604	AIR CLEANER [COMPONENT PARTS]	100K0485	
	01060702	UNDER MUFFLER	100K0485	
	01060802	TURBO CHARGER	100K0485	
	010610	ACTUATOR	100K0485	
	010611	OIL PIPE(TURBO CHARGER)	100K0485	
	010612	INTERCOOLER	100K0485	
	01070202	HYDRAULIC PUMP BASE [A]	100K0485	
	010705	OIL COOLER	100K0485	
	010906	UPPER GASKET KIT [OLD TYPE]	100K0485	
	01090601	UPPER GASKET KIT [NEW TYPE]	100K0485	
	010907	LOWER GASKET KIT	100K0485	
	01A01002	HAND ACCELERATOR LEVER	100K0485	
	01A060	ENGINE STOP WIRE	100K0485	
	FUEL SYSTEM	01A120	FUEL TANK RH	100K0485
		01A130	FUEL TANK LH	100K0485
		01A140	FUEL PIPE	100K0485
		01A151	SEPARATOR	100K0485
01A161	SEPARATOR [COMPONENT PARTS]	100K0485		
COOLING WATER SYSTEM	01A410	FAN	100K0485	
	01A420	WATER PIPE	100K0485	
	01A43002	RADIATOR	100K0485	
01A450	RESERVE TANK	100K0485		
ELECTRICAL SYSTEM	01A540	ALTERNATOR	100K0485	
	01A550	ALTERNATOR [COMPONENT PARTS]	100K0485	
	01A560	STARTER	100K0485	
	01A570	STARTER [COMPONENT PARTS]	100K0485	
	01A580	BATTERY	100K0485	
	01B110	SWITCH	100K0485	
	01B140	PANEL BOARD	100K0485	
	01B150	PANEL BOARD [COMPONENT PARTS]	100K0485	
	01B320	LIGHT	100K0485	
	01B33503	HAZARD LIGHT/TAIL LIGHT	100K0485	
01B51002	ELECTRICAL WIRING	100K0485		
TRANSMISSION/CLUTCH/REAR AXLE	01C11002	CLUTCH HOUSING	100K0485	
	01C115	BEARING HOLDER	100K0485	

Item	Part No.	Description	Book		
TRANSMISSION/CLUTCH/REAR AXLE	01C14002	TRANSMISSION CASE	100K0485		
	01C150	TRANSMISSION CASE REAR COVER	100K0485		
	01C170	REAR AXLE CASE	100K0485		
	01C210	CLUTCH [A]	100K0485		
	01C230	CLUTCH RELEASE FORK	100K0485		
	01C240	CLUTCH PEDAL [OLD TYPE]	100K0485		
	01C24001	CLUTCH PEDAL [NEW TYPE]	100K0485		
	01D215	INPUT SHAFT	100K0485		
	01D225	FIRST SHAFT	100K0485		
	01D240	COUNTERSHAFT [OLD TYPE]	100K0485		
	01D24001	COUNTERSHAFT [NEW TYPE]	100K0485		
	01D241	BACK IDLE SHAFT	100K0485		
	01D25004	RANGE GEAR SHAFT/CREEP GEAR SHAFT [A]	100K0485		
	01D260	BEVEL GEAR	100K0485		
	01D262	DIFFERENTIAL REAR	100K0485		
	01D265	PTO PROPELLER SHAFT	100K0485		
	01D266	PTO CLUTCH	100K0485		
	01D26702	PTO CLUTCH [COMPONENT PARTS] [NEW TYPE]	100K0485		
	01D268	PTO CLUTCH VALVE	100K0485		
	01D269	PTO CLUTCH VALVE [COMPONENT PARTS]	100K0485		
	01D275	PTO SHAFT	100K0485		
	01D410	MAIN GEAR SHIFT FORK	100K0485		
	01D420	SHUTTLE GEAR SHIFT FORK	100K0485		
	01D43003	RANGE GEAR SHIFT FORK/CREEP SHIFT FORK [A]	100K0485		
	01D46702	REAR DIFFERENTIAL LOCK PEDAL	100K0485		
	01D495	REAR AXLE	100K0485		
	SPEED CHANGE LEVER/BRAKE	01E110	BRAKE	100K0485	
		01E120	BRAKE ROD	100K0485	
		01F110	MAIN GEAR SHIFT LEVER	100K0485	
		01F12502	SHUTTLE SHIFT LEVER	100K0485	
		01F13503	RANGE GEAR SHIFT LEVER [A]	100K0485	
		01F145	PTO CLUTCH LEVER	100K0485	
		01F153	FRONT WHEEL DRIVE LEVER	100K0485	
		01F210	BRAKE PEDAL	100K0485	
		FRONT AXLE/CHASSIS	01G10502	FRONT AXLE FRAME	100K0485
			01G11002	FRONT AXLE BRACKET	100K0485
	01G14001		FRONT PROPELLER SHAFT	100K0485	
	01G150		FRONT DIFFERENTIAL CASE	100K0485	
	01G160		BEVEL GEAR (FRONT)	100K0485	
	01G170		DIFFERENTIAL FRONT	100K0485	
	01G215		FRONT DIFFERENTIAL LOCK CLUTCH	100K0485	
	01G220		BEVEL GEAR CASE	100K0485	
	01G225		FRONT AXLE CASE	100K0485	
01G23001	DIFFERENTIAL GEAR SHAFT		100K0485		
01G240	FRONT AXLE		100K0485		
STEERING	01H11002		STEERING HANDLE	100K0485	
	01H140		STEERING CONTROLLER	100K0485	
	01H150		STEERING CONTROLLER [COMPONENT PARTS]	100K0485	
	01J12002	STEERING LINKAGE	100K0485		
	01J12502	STEERING CYLINDER [COMPONENT PARTS]	100K0485		
HYDRAULIC SYSTEM	01J13002	HYDRAULIC PUMP [A]	100K0485		
	01J13501	HYDRAULIC PUMP [COMPONENT PARTS]	100K0485		
	01J13502	HYDRAULIC PUMP [COMPONENT PARTS] [A]	100K0485		
	01J21002	HYDRAULIC PIPE (SUCTION) [A]	100K0485		
	01J22002	HYDRAULIC PIPE (DELIVERY) [A]	100K0485		
	01J27502	HYDRAULIC OIL LINE (STEERING/PTO) [A]	100K0485		

Item	Part No.	Description	Book	
HYDRAULIC SYSTEM	01J28002	STEERING HOSE (DELIVERY)	100K0485	
	01J310	HYDRAULIC CYLINDER	100K0485	
	01J320	HYDRAULIC CYLINDER COVER	100K0485	
	01J330	HYDRAULIC LIFT ARM	100K0485	
	01J355	CONTROL VALVE	100K0485	
	01J356	CONTROL VALVE [COMPONENT PARTS]	100K0485	
	01J380	DRAFT AND POSITION CONTROL LEVER	100K0485	
	01J382	POSITION AND DRAFT SHAFT	100K0485	
	01J384	POSITION CAM	100K0485	
	01J386	DRAFT CAM	100K0485	
	01J44501	AUXILIARY CONTROL VALVE (SCD) [A]	100K0485	
	01J44701	AUXILIARY CONTROL VALVE [COMPONENT PARTS]	100K0485	
	01J45503	AUXILIARY CONTROL VALVE LEVER [A]	100K0485	
	01K105	TOP LINK BRACKET	100K0485	
	01K110	TOP LINK	100K0485	
	01K12502	LOWER LINK [NEW TYPE]	100K0485	
	01K12503	LOWER LINK [NEW TYPE]	100K0485	
	01K140	LIFT ROD RH	100K0485	
	01K143	LIFT ROD LH	100K0485	
	HITCH/DRAWBAR	01L110	SWINGING DRAWBAR	100K0485
01L170		PTO SHAFT PROTECTOR	100K0485	
HOOD(BONNET)/ROPS	01M115	HOOD (BONNET) FRONT	100K0485	
	01M12003	HOOD (BONNET) UPPER	100K0485	
	01M125	HOOD (BONNET) SIDE	100K0485	
	01M127	HOOD (BONNET) SIDE COVER	100K0485	
	01M155	HOOD (BONNET) REAR	100K0485	
	01M22002	FENDER	100K0485	
	01M22302	FLOOR SEAT	100K0485	
	01M23302	STEP	100K0485	
	01M23502	SEAT	100K0485	
	01M270	TOOL BOX	100K0485	
	01M31003	ROPS [OLD TYPE]	100K0485	
	01M31004	ROPS [NEW TYPE]	100K0485	
	FRONT WHEEL/REAR WHEEL	01R11005	FRONT WHEEL (9.5-20)	100K0485
		01R11006	FRONT WHEEL (9.5-24)	100K0485
		01R12007	REAR WHEEL (16.9-24)	100K0485
01R12008		REAR WHEEL (18.4-26)	100K0485	
LABELS	01S11003	LABEL [A]	100K0485	
ACCESSORIES	01T110	ACCESSORIES AND SERVICE PARTS	100K0485	
OPTION	01U11302	WORKING LIGHT KIT [OPTION]	100K0485	
	01U116	TRAILER SOCKET KIT [OPTION]	100K0485	
	01U12301	PTO(540/1000) CONVERSION KIT 1 [OPTION]	100K0485	
	01U12302	PTO(540/1000) CONVERSION KIT 2 [OPTION]	100K0485	
	01U13701	AUXILIARY CONTROL VALVE KIT (SCD) [OPTION]	100K0485	
	01U13702	AUXILIARY CONTROL VALVE KIT (FD) [OPTION]	100K0485	
	01U13703	AUXILIARY CONTROL VALVE KIT (SCD/FC) [OPTION]	100K0485	
	01U13704	AUXILIARY CONTROL VALVE KIT (FC) [OPTION]	100K0485	
	01U13801	AUXILIARY CONTROL VALVE (SCD/FC) [COMPONENT PARTS]	100K0485	
	01U13802	AUXILIARY CONTROL VALVE (FC) [COMPONENT PARTS]	100K0485	
	01U14002	AUXILIARY CONTROL VALVE LEVER KIT (2ND) [OPTION]	100K0485	

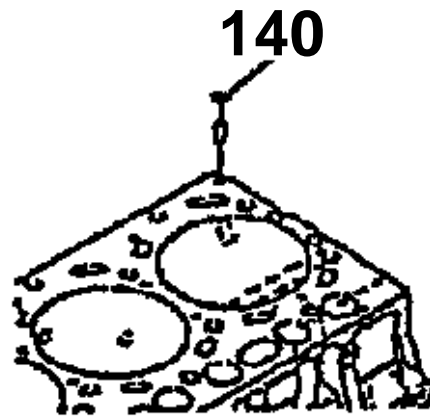
Item	Part No.	Description	Book
OPTION	01U14004	AUXILIARY CONTROL VALVE LEVER KIT (3RD) [OPTION]	100K0485
	01U360	BRAKE KIT [OPTION]	100K0485

CRANKCASE

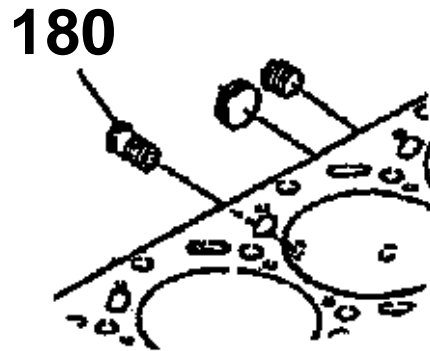


1G541-006-15

140 15221-3370-0



180 1C010-3711-0



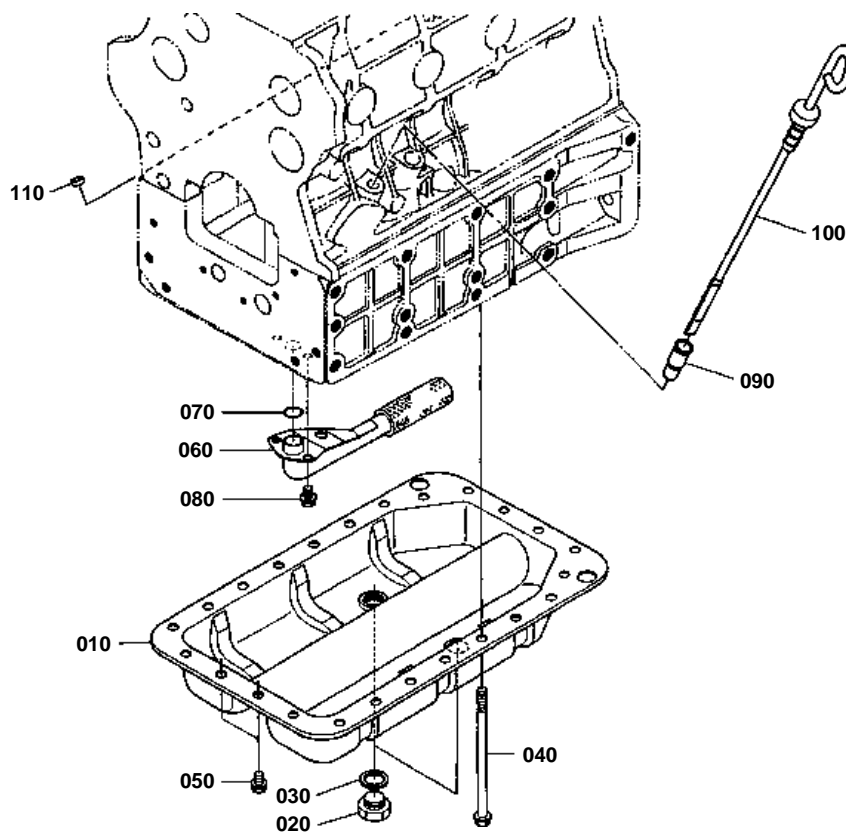
1G511-842-14

**CRANKCASE**

↔ Interchangeable; ≠ not interchangeable; ← new for old; → old for new

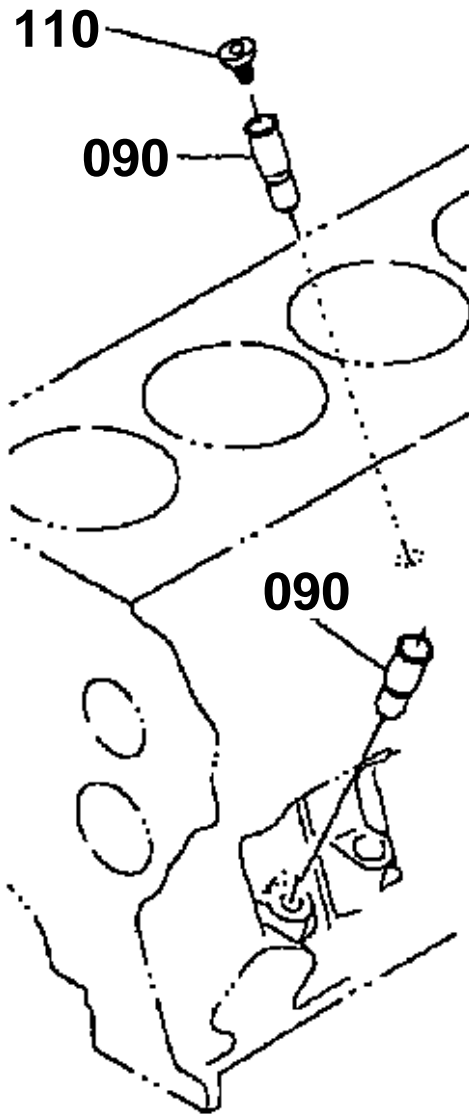
REF.No	Part No.	Description	Q'ty	S.No.	I/C	REMARKS	Weight (kgf)	Weight (lb)
010	1C011-01010	COMP.CRANKCASE	1	<=2Z1646			66	145.2
010	1C011-01019	COMP.CRANKCASE	1	>=3A0458	←		0	0
010	1C011-01040	COMP.CRANKCASE	1	>=3I0462	≠		88	193.6
020	15521-96020	PLUG	2				0.003	0.0066
030	1C010-96010	PLUG	1				0.012	0.0264
040	16683-96020	PLUG	1				0.07	0.154
050	15261-03370	CAP SEALING	4				0.005	0.011
060	15221-03380	CAP SEALING	9				0.017	0.0374
070	15221-03390	CAP SEALING	1				0.03	0.066
080	06311-75055	PLUG EXPANSION	1	<=YD1856			0.022	0.0484
080	1C010-96160	PLUG EXPANSION	1	>=YE1403	←		0.05	0.11
090	05012-00822	PIN STRAIGHT	1				0.01	0.022
090	05012-00820	PIN STRAIGHT	1		↔		0.008	0.0176
100	05012-01020	PIN STRAIGHT	2				0.013	0.0286
100	05012-01016	PIN STRAIGHT	2		↔		0.01	0.022
110	15221-33650	PIN PIPE	2				0.004	0.0088
120	1C010-33640	PIN GEAR CASE	1				0.019	0.0418
130	1C010-04560	BOLT BEARING CASE	10				0.13	0.286
140	15221-33700	O RING	1	<=YX0940			0.001	0.0022
150	1C040-33210	PIPE OIL	1				0.025	0.055
160	99999-99999	BLANK	0				0	0
170	99999-99999	BLANK	0				0	0
180	1C010-37114	JOINT WATER PIPE	1	<=2X0970			0.02	0.044
180	1C010-37114	JOINT WATER PIPE	1	>=2Y0445	←		0.02	0.044
190	16241-96020	PLUG	1				0.015	0.033
200	1C011-01120	CRANKCASE	1				44	96.8
210	1C010-33650	PIN GEAR CASE	1				0.037	0.0814
220	15852-33140	PLUG OIL FILLER	1				0.038	0.0836
220	E9151-33140	PLUG OIL FILLER	2				0.017	0.0374
230	04811-50300	O RING	1				0	0
230	04816-50300	O RING	1		←		0.001	0.0022
240	15602-33110	FLANGE OIL FILLER	1				0.1	0.22
250	15625-32890	GASKET	1				0.001	0.0022
260	01754-50820	BOLT FLANGE	2				0.015	0.033

OIL PAN



1C041-011-11

090 1C010-3642-2
110 19640-3364-0



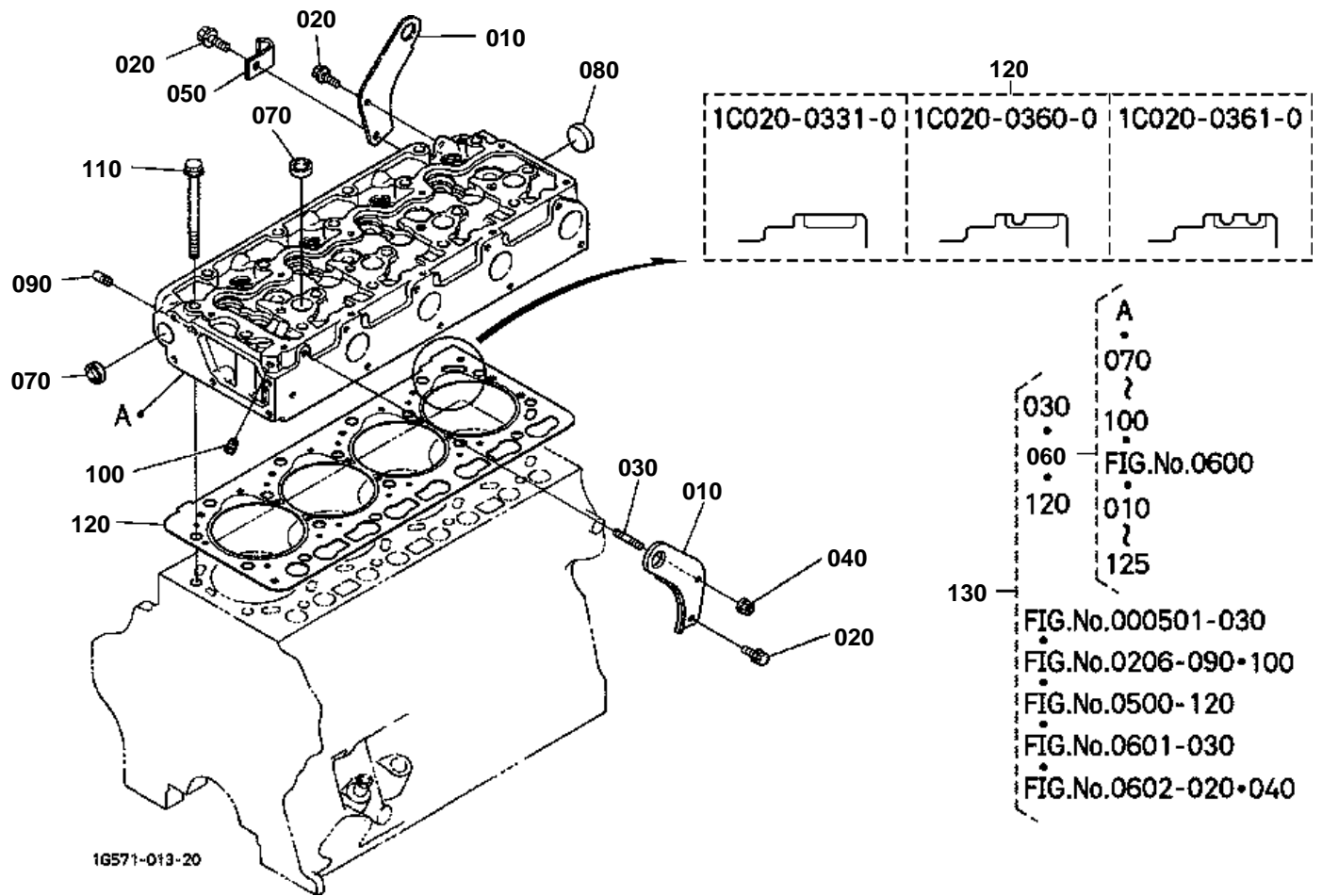
1C041-801-10

**OIL PAN**

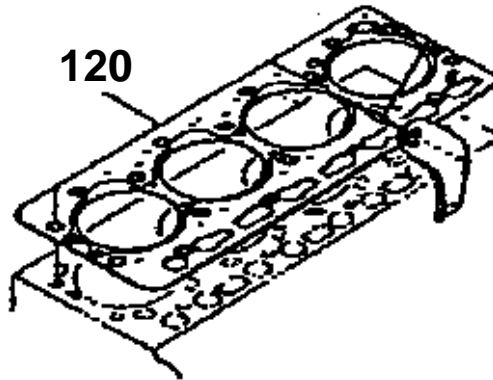
↔ Interchangeable; ≠ not interchangeable; ← new for old; → old for new

REF.No	Part No.	Description	Q'ty	S.No.	I/C	REMARKS	Weight (kgf)	Weight (lb)
010	1G511-01500	COMP.OIL PAN	1				2.28	5.016
020	16541-33750	PLUG DRAIN	2				0	0
020	15707-33750	PLUG DRAIN	2		↔		0.05	0.11
030	15451-96670	GASKET	2				0.003	0.0066
040	1C011-91010	BOLT FLANGE	20				0.1	0.22
050	01774-51014	BOLT FLANGE	6	≤=3F1574			0.1	0.22
050	1C010-91100	BOLT OIL PAN	6	≥=3G0442	≠		0.02	0.044
060	1C011-32110	FILTER OIL	1				0.28	0.616
070	04814-00220	O RING	1				0.001	0.0022
080	01754-50814	BOLT FLANGE	2				0.005	0.011
090	1C010-36422	GUIDE OIL GAUGE	1				0.014	0.0308
100	1C010-36412	GAUGE OIL	1				0.04	0.088
110	15451-96300	CAP SEALING	1				0.002	0.0044

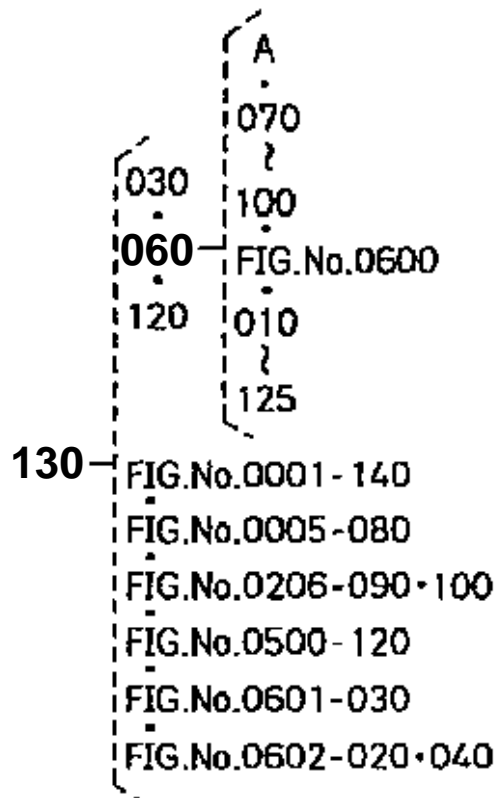
CYLINDER HEAD



120 1C010-0331-0



130 1C010-0300-0



1G511-843-11

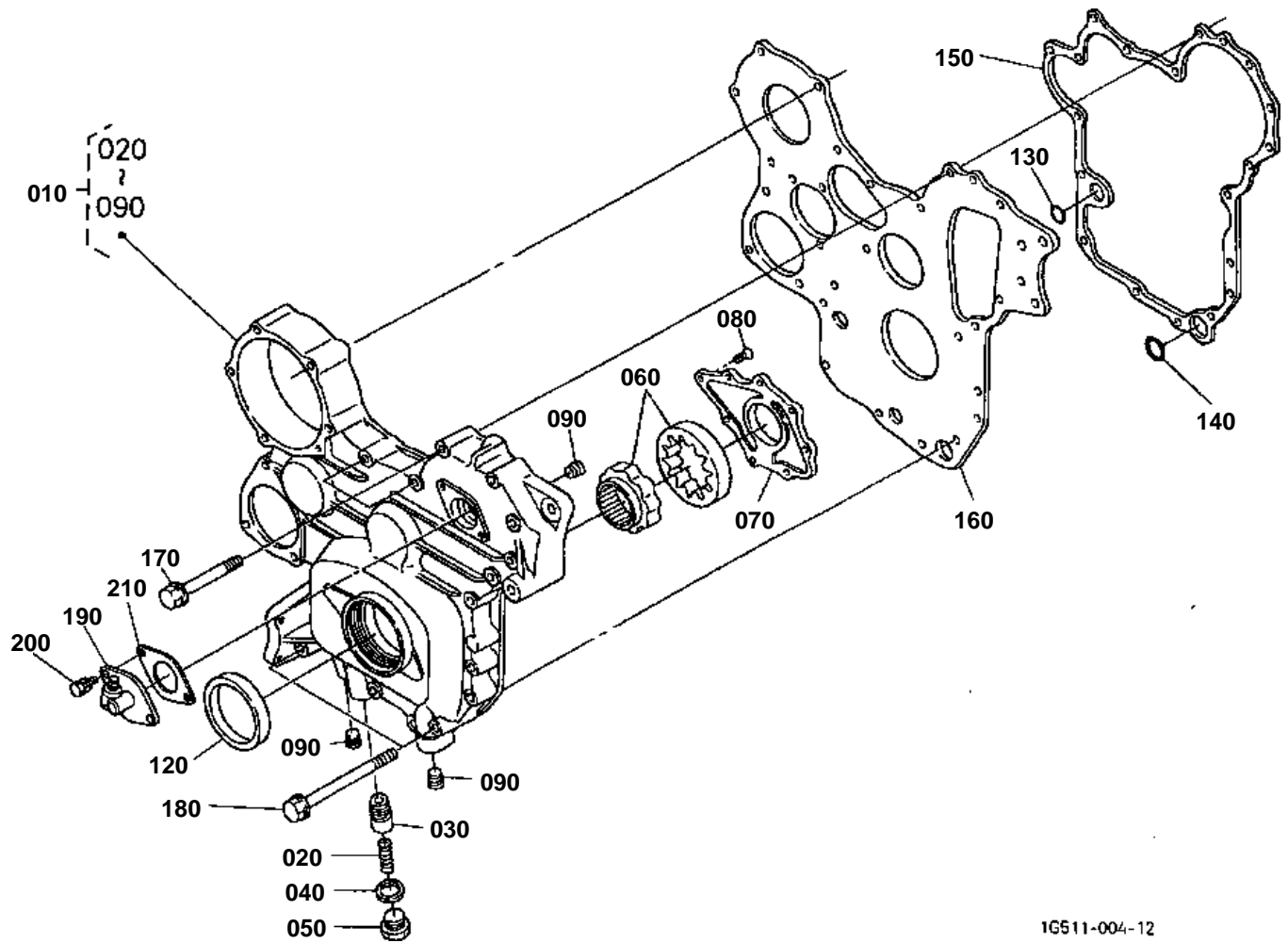


CYLINDER HEAD

↔ Interchangeable; ≠ not interchangeable; ← new for old; → old for new

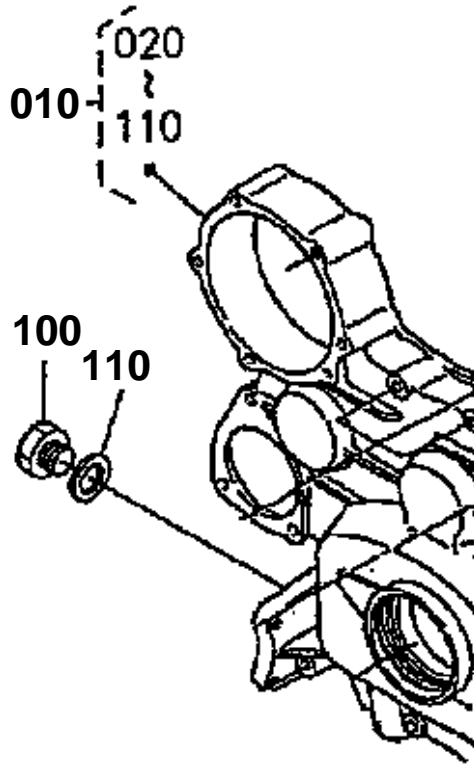
REF.No	Part No.	Description	Q'ty	S.No.	I/C	REMARKS	Weight (kgf)	Weight (lb)
010	15471-01740	HOOK ENGINE	2				0.18	0.396
020	01754-50814	BOLT FLANGE	3				0.005	0.011
030	15221-91530	STUD	1				0.011	0.0242
040	02751-50080	NUT FLANGE	1				0.006	0.0132
050	12234-67580	CLAMP CORD	1				0.012	0.0264
060	1C010-03020	ASSY CYLINDER HEAD	1	<=XJ8312			0	0
060	1C010-03023	ASSY CYLINDER HEAD	1	>=XL1150	←		0	0
060	1C010-03026	ASSY CYLINDER HEAD	1	>=3N0430	←		25	55
060	1G545-03020	ASSY CYLINDER HEAD	1	>=3W0001	≠		26.5	58.3
070	15221-03370	CAP SEALING	5				0.01	0.022
080	15221-03490	CAP SEALING	1				0.02	0.044
090	15261-96010	PLUG	4				0.002	0.0044
100	15521-96020	PLUG	1				0.003	0.0066
110	1C010-03450	BOLT CYLINDER HEAD	18				0.1	0.22
120	1C010-03310	GASKET CYL.HEAD	1	<=YX0940			0.16	0.352
120	1C020-03310	GASKET CYL.HEAD	1	>=YY0471	≠		0.24	0.528
120	1C020-03600	GASKET CYL.HEAD	1	>=YY0471		SUITABILITY	0.27	0.594
120	1C020-03610	GASKET CYL.HEAD	1	>=YY0471		SUITABILITY	0.29	0.638
130	1C010-03002	KIT CYLINDER HEAD	1	<=YX0940		OPTION	0	0
130	1C010-03004	KIT CYLINDER HEAD	1	>=YY0471	≠	OPTION	0	0
130	1C010-03008	KIT CYLINDER HEAD	1	>=3N0430	←	OPTION	0	0
130	1G545-03002	KIT CYLINDER HEAD	1	>=3W0001		OPTION	0	0

GEAR CASE



1G511-004-12

010 1G511-0401-0
100 06331-35020
110 04724-00200



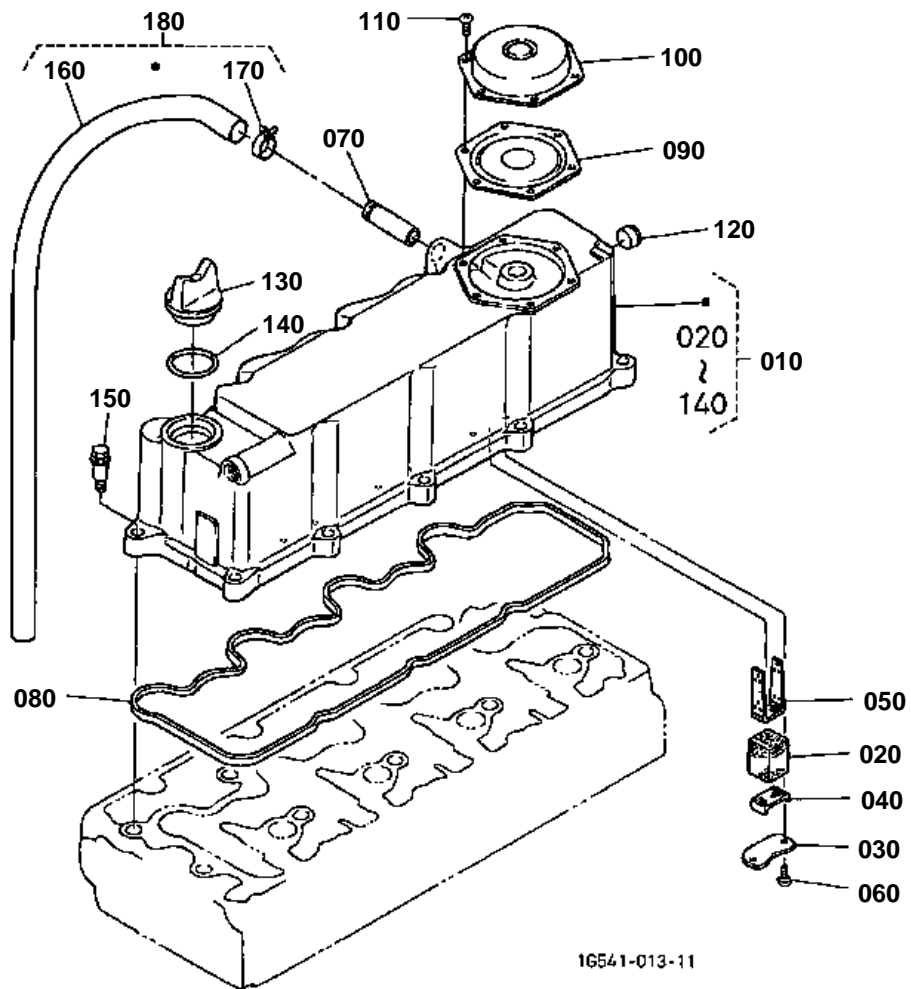
1G511-862-10

**GEAR CASE**

↔ Interchangeable; ≠ not interchangeable; ← new for old; → old for new

REF.No	Part No.	Description	Q'ty	S.No.	I/C	REMARKS	Weight (kgf)	Weight (lb)
010	1G511-04010	ASSY CASE GEAR	1	<=2P2016			0	0
010	1G511-04014	ASSY CASE GEAR	1	>=2Q0247	≠		5.15	11.33
020	1C010-36950	SPRING	1				0.014	0.0308
030	1C010-36920	VALVE RELIEF	1	<=2P2016			0	0
030	1C010-36922	VALVE RELIEF	1	>=2Q0247	≠		0.031	0.0682
040	15451-96670	GASKET	1				0.003	0.0066
050	1C010-36960	PLUG	1				0.05	0.11
060	1C010-35070	ASSY ROTOR OIL PUMP	1				0.3	0.66
070	1C010-35130	COVER OIL PUMP	1				0.13	0.286
080	03016-50616	SCREW CSK-HD	8				0.003	0.0066
090	1C010-96020	PLUG	3				0.022	0.0484
100	06331-35020	PLUG	1	<=1U7962			0.068	0.1496
110	04724-00200	GASKET	1	<=1U7962			0.003	0.0066
120	1C010-04140	SEAL OIL	1				0	0
120	1C020-04140	SEAL OIL	1		↔		0.044	0.0968
130	04814-00200	O RING	1				0.01	0.022
140	04814-00240	O RING	1				0.001	0.0022
150	1C010-04130	GASKET CRANKCASE	1				0.02	0.044
160	1C010-04162	PLATE GEAR CASE	1				4.1	9.02
170	01754-50855	BOLT FLANGE	13				0.02	0.044
180	01754-50875	BOLT FLANGE	2				0.03	0.066
190	58417-25950	ASSY GEAR CASE H/M	1				0.29	0.638
200	01754-50616	BOLT FLANGE	2	<=XZ0718			0.006	0.0132
200	1C011-91020	BOLT	2	>=XA1317	←		0.008	0.0176
210	16264-88130	GASKET H/METER UNIT	1				0.002	0.0044

HEAD COVER [OLD TYPE]



16541-013-11

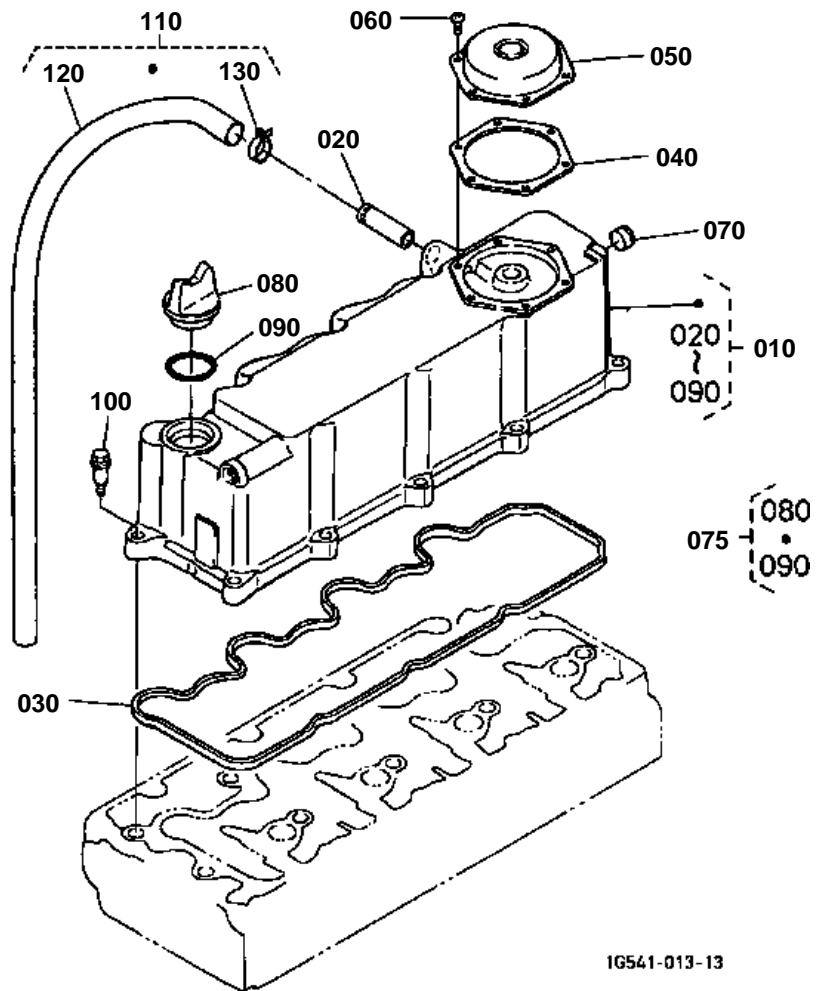


HEAD COVER [OLD TYPE]
S.No.;<=1S7692

↔ Interchangeable; ≠ not interchangeable; ← new for old; → old for new

REF.No	Part No.	Description	Q'ty	S.No.	I/C	REMARKS	Weight (kgf)	Weight (lb)
010	1C010-14505	ASSY COVER CYL.HEAD	1				1.98	4.356
020	1C010-05670	ELEMENT BREATHER	3				0.007	0.0154
030	1C010-05370	SHIELD BREATHER	3				0.003	0.0066
040	1C010-05140	PLATE B/THER ELEMENT	3				0.001	0.0022
050	1C010-05150	PLATE B/THER ELEMENT	3				0.004	0.0088
060	03054-50408	SCREW PAN-HEAD	6				0.001	0.0022
070	16241-05550	JOINT BREATHER PIPE	1				0.02	0.044
080	1C010-14520	GASKET HEAD COVER	1				0.05	0.11
090	1C010-05200	COMP.VALVE BREATHER	1				0.013	0.0286
100	1C010-05120	COVER BREATHER	1				0.045	0.099
110	03054-50508	SCREW PAN-HEAD	6				0.002	0.0044
120	06311-85016	CAP SEALING	2				0.003	0.0066
130	15852-33140	PLUG OIL FILLER	1				0.038	0.0836
140	04816-50300	O RING	1				0.001	0.0022
150	1C010-91020	BOLT	10				0.017	0.0374
160	15667-05510	PIPE BREATHER	1				0.1	0.22
170	16241-33510	BAND PIPE	1				0.005	0.011
180	15667-05050	ASSY PIPE BREATHER	1				0.12	0.264

HEAD COVER [NEW TYPE]



IG541-013-13

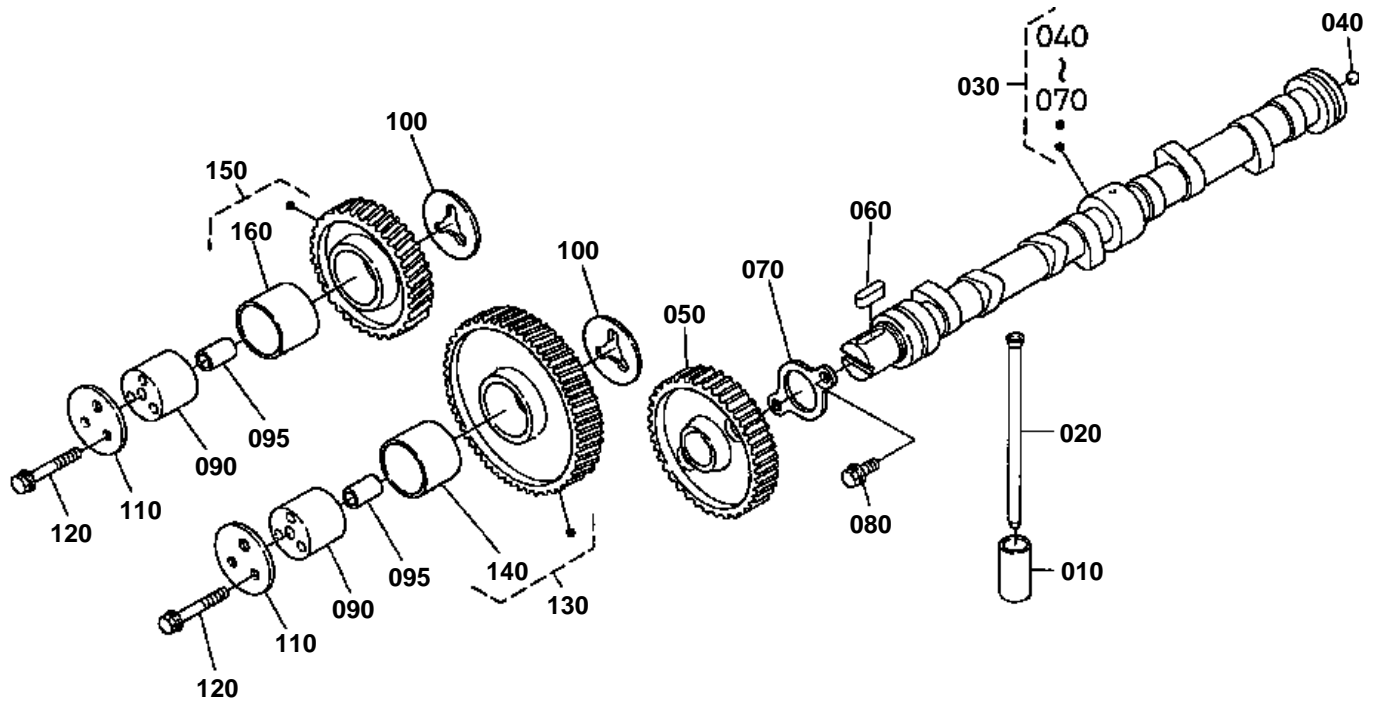


HEAD COVER [NEW TYPE]
S.No.;>=1U0331

↔ Interchangeable; ≠ not interchangeable; ← new for old; → old for new

REF.No	Part No.	Description	Q'ty	S.No.	I/C	REMARKS	Weight (kgf)	Weight (lb)
010	1C040-14500	ASSY COVER CYL.HEAD	1	<=3U2804			0	0
010	1C040-14503	ASSY COVER CYL.HEAD	1	>=3W0001	≠		1.98	4.356
020	16241-05550	JOINT BREATHER PIPE	1				0.02	0.044
030	1C010-14520	GASKET HEAD COVER	1				0.05	0.11
040	1C040-05130	GASKET BREATHER COV.	1				0.004	0.0088
050	1C040-05120	COVER BREATHER	1				0.04	0.088
060	03054-50508	SCREW PAN-HEAD	6				0.002	0.0044
070	06311-85016	CAP SEALING	2				0.003	0.0066
075	1C010-33080	ASSY PLUG O/FILLER	1				0.018	0.0396
080	15852-33140	PLUG OIL FILLER	1				0.038	0.0836
080	E9151-33140	PLUG OIL FILLER	1		↔		0.017	0.0374
090	04811-50300	O RING	1				0	0
090	04816-50300	O RING	1		←		0.001	0.0022
100	1C010-91020	BOLT	10				0.017	0.0374
110	15667-05050	ASSY PIPE BREATHER	1				0.12	0.264
120	15667-05510	PIPE BREATHER	1				0.1	0.22
130	16241-33510	BAND PIPE	1				0.005	0.011

CAMSHAFT AND IDLE GEAR SHAFT



1G511-026-13

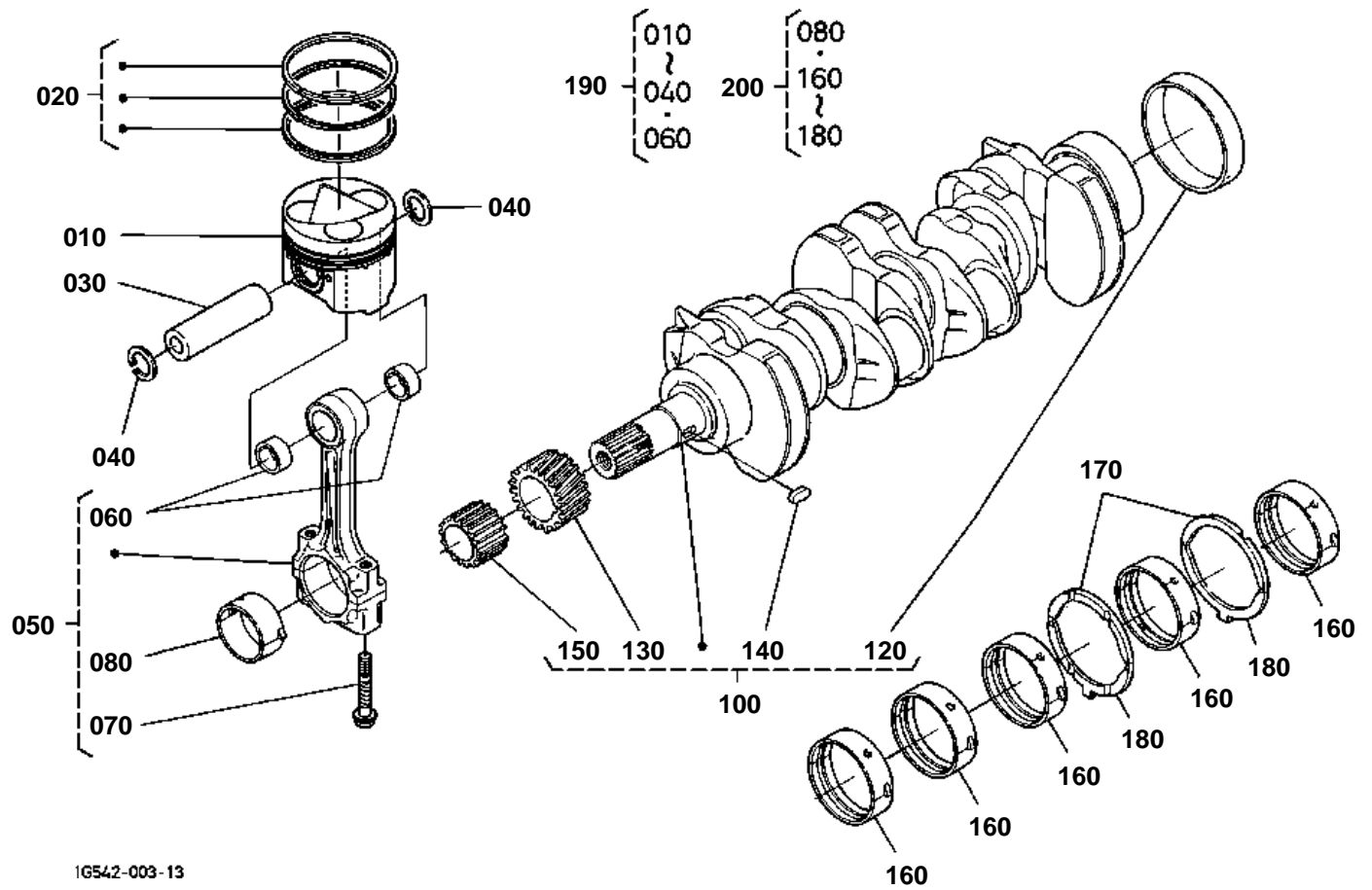


CAMSHAFT AND IDLE GEAR SHAFT

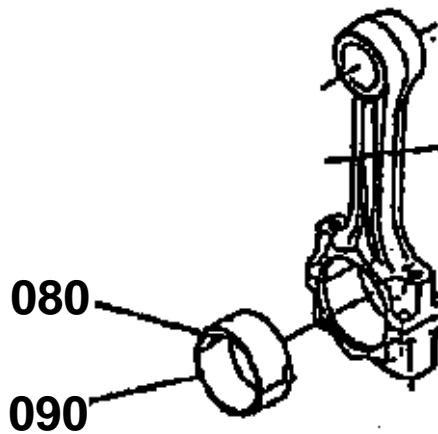
↔ Interchangeable; ≠ not interchangeable; ← new for old; → old for new

REF.No	Part No.	Description	Q'ty	S.No.	I/C	REMARKS	Weight (kgf)	Weight (lb)
010	15601-15550	TAPPET	8				0.08	0.176
020	1C010-15110	PUSH ROD	8				0.054	0.1188
030	1C010-16012	ASSY CAMSHAFT	1				4.1	9.02
040	07715-01605	BALL	1				0.003	0.0066
050	1C010-16512	GEAR CAM	1				1	2.2
060	05712-00520	KEY FEATHER	1				0.004	0.0088
070	1C010-16270	STOPPER CAMSHAFT	1				0.08	0.176
080	01754-50816	BOLT FLANGE	2				0.011	0.0242
080	01754-50814	BOLT FLANGE	2		↔		0.005	0.011
090	1C010-24250	SHAFT IDLE GEAR	2				0.43	0.946
095	1C010-24520	PIN GEAR IDLE	2	≥1J0406			0.032	0.0704
100	1C010-24360	COLLAR IDLE GEAR	2				0.034	0.0748
110	1C010-24370	COLLAR IDLE GEAR	2				0.089	0.1958
120	01754-50855	BOLT FLANGE	6				0.02	0.044
130	1C010-24012	COMP.GEAR IDLE	1				1.59	3.498
140	1C010-24982	BUSH IDLE GEAR	1				0.06	0.132
150	1C010-24022	COMP.GEAR IDLE	1				0.93	2.046
160	1C010-24982	BUSH IDLE GEAR	1				0.06	0.132

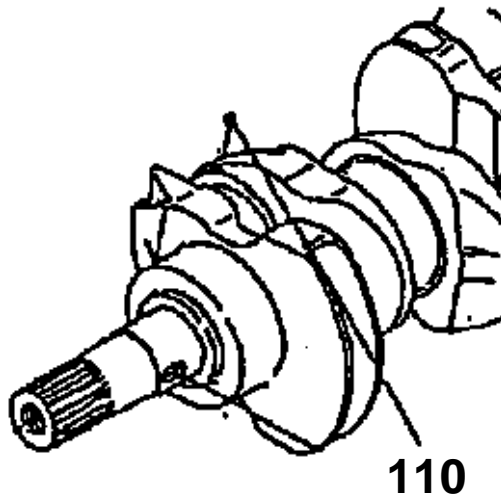
PISTON AND CRANKSHAFT



080 1C010-2231-0
080 1C010-2233-0
080 1C010-2296-0
080 1C010-2297-0
090 1C010-2232-0
090 1C010-2234-0
090 1C010-2298-0
090 1C010-2299-0



110 07715-00401



1G542-800-20

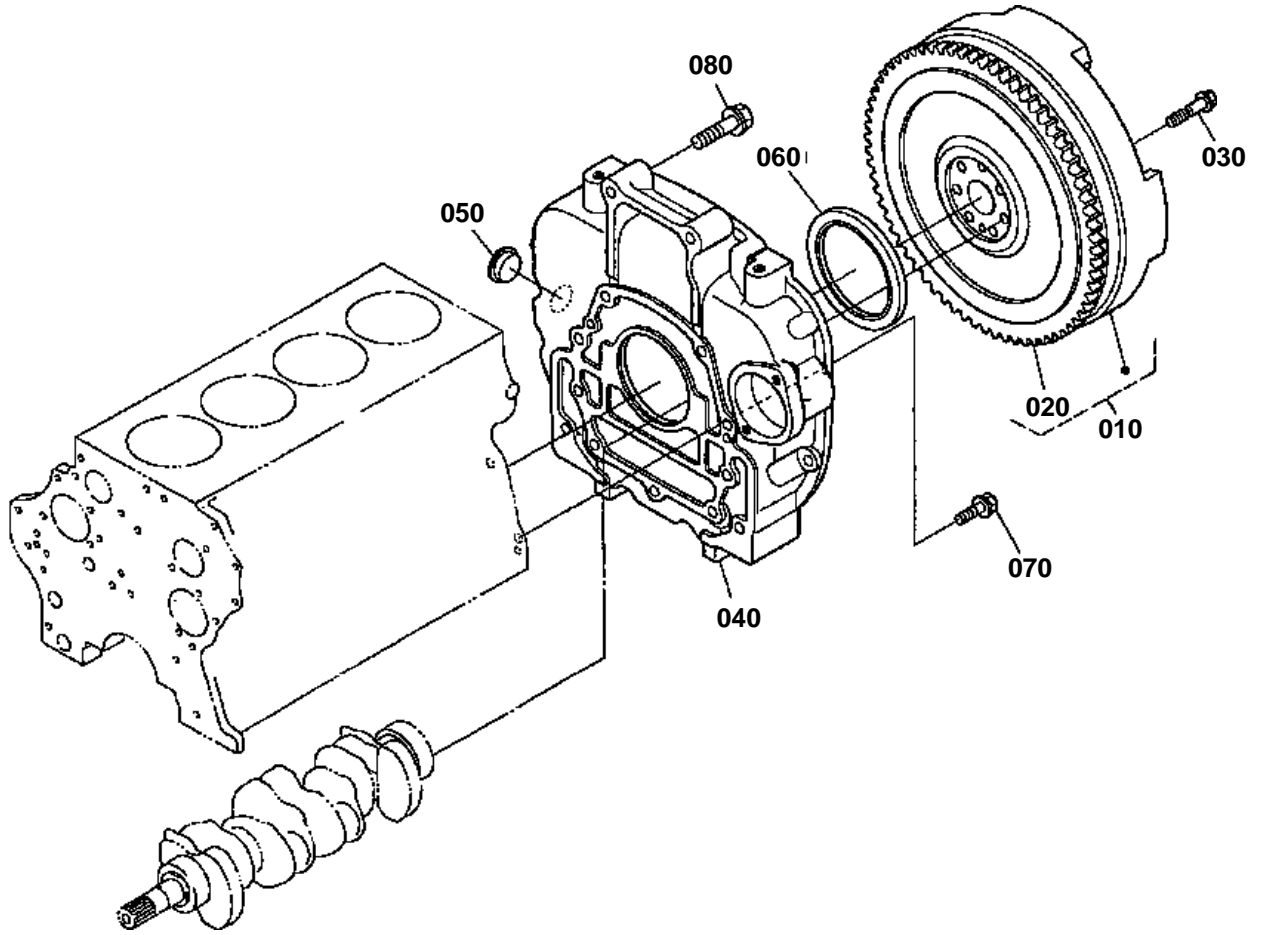


PISTON AND CRANKSHAFT

↔ Interchangeable; ≠ not interchangeable; ← new for old; → old for new

REF.No	Part No.	Description	Q'ty	S.No.	I/C	REMARKS	Weight (kgf)	Weight (lb)
010	1C040-21110	PISTON	4	≤=YX0940		STD	0.78	1.716
010	1C041-21110	PISTON	4	>=YY0471	≠	STD	0.79	1.738
010	1C040-21910	PISTON	4	≤=YX0940		+0.5mm	0.8	1.76
010	1C041-21910	PISTON	4	>=YY0471	≠	+0.5mm	0.4	0.88
020	1C010-21050	ASSY PISTON RING	4	≤=YX0940		STD	0.06	0.132
020	1C011-21050	ASSY PISTON RING	4	>=YY0471	≠	STD	0.05	0.11
020	1C010-21090	ASSY PISTON RING	4	≤=YX0940		+0.5mm	0.1	0.22
020	1C011-21090	ASSY PISTON RING	4	>=YY0471	≠	+0.5mm	0.005	0.011
030	1C010-21310	PIN PISTON	4				0.31	0.682
040	04611-00300	CIR CLIP INTERNAL	8				0.004	0.0088
050	1C010-22010	ASSY ROD CONNECTING	4	≤=YK0069			0	0
050	1C020-22010	ASSY ROD CONNECTING	4	>=YL0486	←		1.23	2.706
050	1C020-22014	ASSY ROD CONNECTING	4	>=1S0344			1.23	2.706
060	1C010-21980	BUSH PISTON PIN	8				0.016	0.0352
070	1C010-22140	BOLT CONNECTING ROD	8				0.046	0.1012
080	1C010-22310	METAL CRANKPIN	4			STD/BLUE/SET	0	0
080	1C020-22310	METAL CRANKPIN	4	≤=1Q7998	↔	STD/BLUE/SET	0	0
080	1C020-22312	METAL CRANKPIN	4	>=1S0344	←	STD/BLUE/SET	0.05	0.11
080	1C010-22330	METAL CRANKPIN	4			STD/YELLOW/SET	0	0
080	1C020-22330	METAL CRANKPIN	4	≤=1Q7998	↔	STD/YELLOW/SET	0	0
080	1C020-22332	METAL CRANKPIN	4	>=1S0344	←	STD/YELLOW/SET	0.05	0.11
080	1C010-22960	METAL CRANKPIN	4			-0.2mm/GREEN/SET	0.05	0.11
080	1C020-22960	METAL CRANKPIN	4	≤=1Q7998	↔	-0.2mm/GREEN/SET	0	0
080	1C020-22962	METAL CRANKPIN	4	>=1S0344	←	-0.2mm/GREEN/SET	0.04	0.088
080	1C010-22970	METAL CRANKPIN	4			-0.4mm/RED/SET	0	0
080	1C020-22970	METAL CRANKPIN	4	≤=1Q7998	↔	-0.4mm/RED/SET	0	0
080	1C020-22972	METAL CRANKPIN	4	>=1S0344	←	-0.4mm/RED/SET	0.04	0.088
090	1C010-22320	METAL CRANKPIN	4	≤=YK0069		STD/BLUE	0	0
090	1C010-22340	METAL CRANKPIN	4	≤=YK0069		STD/YELLOW	0	0
090	1C010-22980	METAL CRANKPIN	4	≤=YK0069		-0.2mm	0.05	0.11
090	1C010-22990	METAL CRANKPIN	4	≤=YK0069		-0.4mm	0.05	0.11
100	1C010-23012	COMP.CRANKSHAFT	1			NOT SALE	0	0
100	1C020-23010	COMP.CRANKSHAFT	1	≤=YP0470	↔	NOT SALE	28	61.6
100	1C020-23012	COMP.CRANKSHAFT	1	>=YQ0501	←		26.1	57.42
100	1C025-23010	COMP.CRANKSHAFT	1	>=1W0331	≠		27.5	60.5
110	07715-00401	BALL	4	≤=1U7962			0.001	0.0022
120	1C010-23300	SLEEVE CRANKSHAFT	1				0.12	0.264
130	1C010-24112	GEAR CRANKSHAFT	1				0.39	0.858
140	05712-00515	KEY FEATHER	1				0.003	0.0066
150	1C010-35630	GEAR OIL PUMP DRIVE	1				0.16	0.352
160	1C010-23470	METAL CRANKSHAFT	5			STD SET	0	0
160	1C020-23470	METAL CRANKSHAFT	5		↔	STD SET	0.05	0.11
160	1C010-23910	METAL CRANKSHAFT	5			-0.2mm SET	0	0
160	1C020-23910	METAL CRANKSHAFT	5		↔	-0.2mm SET	0.12	0.264
160	1C020-23920	METAL CRANKSHAFT	5			-0.4mm SET	0.12	0.264
160	1C020-23920	METAL CRANKSHAFT	5		↔	-0.4mm SET	0.12	0.264
170	1C010-23530	METAL SIDE	2			STD	0.018	0.0396
170	1C010-23950	METAL SIDE	2			+0.2mm	0.017	0.0374
170	1C010-23960	METAL SIDE	2			+0.4mm	0.019	0.0418
180	1C010-23540	METAL SIDE	2			STD	0.019	0.0418
180	1C010-23970	METAL SIDE	2			+0.2mm	0.02	0.044
180	1C010-23980	METAL SIDE	2			+0.4mm	0.02	0.044
190	07916-28990	KIT RING PISTON	4	≤=YX0940		STD	0.425	0.935
190	07916-28992	KIT RING PISTON	4	>=YY0471	≠	STD	1.21	2.662
190	07916-24810	KIT RING PISTON	4	≤=YX0940		+0.5mm	1.03	2.266
190	07916-24812	KIT RING PISTON	4	>=YY0471	≠	+0.5mm	1.23	2.706
200	07916-28940	KIT METAL ENGINE	1			STD	0.85	1.87
200	07916-28950	KIT METAL ENGINE	1			-0.2mm/+0.2mm	0.8	1.76
200	07916-28960	KIT METAL ENGINE	1			-0.4mm/+0.4mm	0.82	1.804

FLYWHEEL



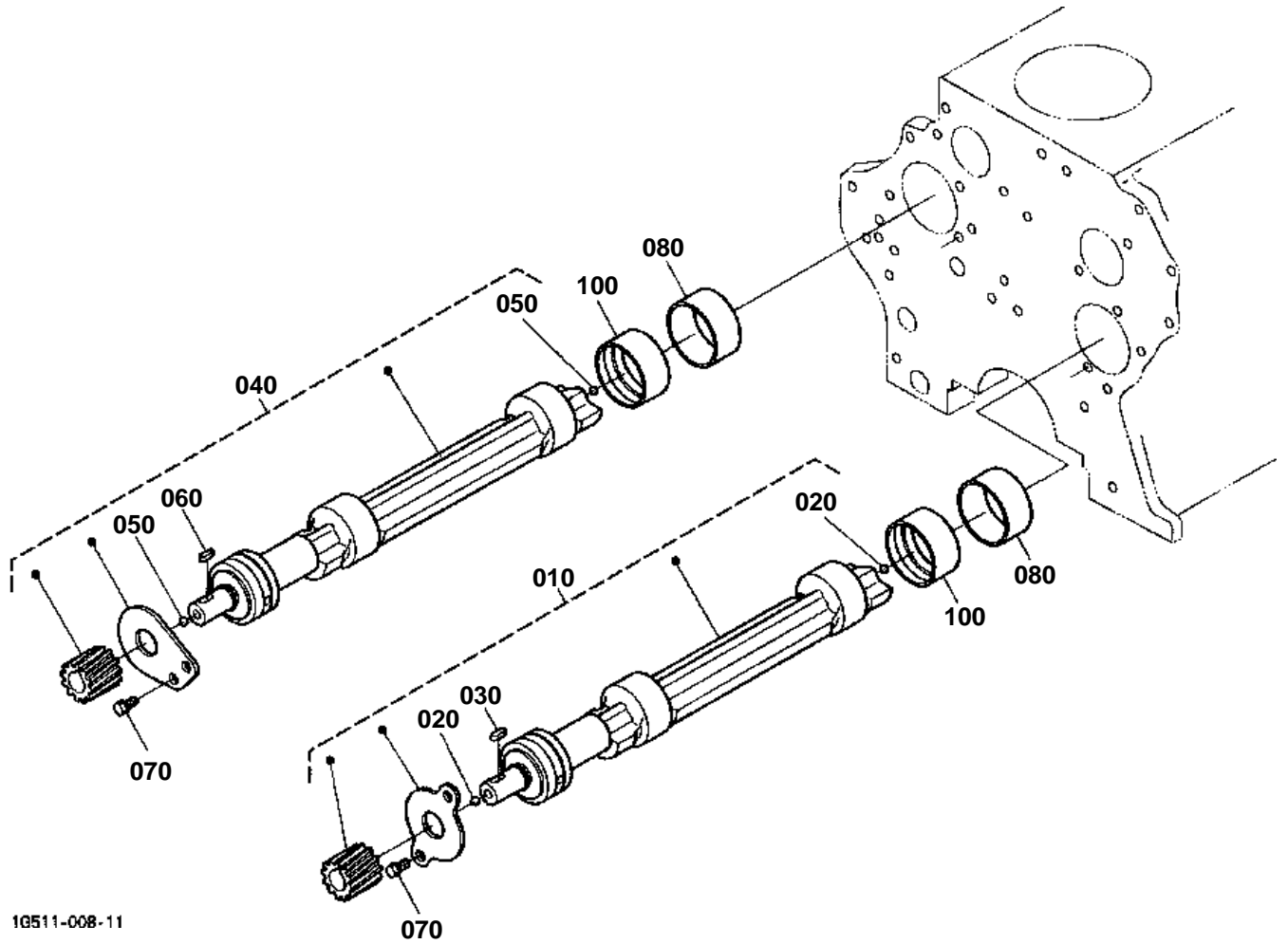
1G541-007-10

**FLYWHEEL**

↔ Interchangeable; ≠ not interchangeable; ← new for old; → old for new

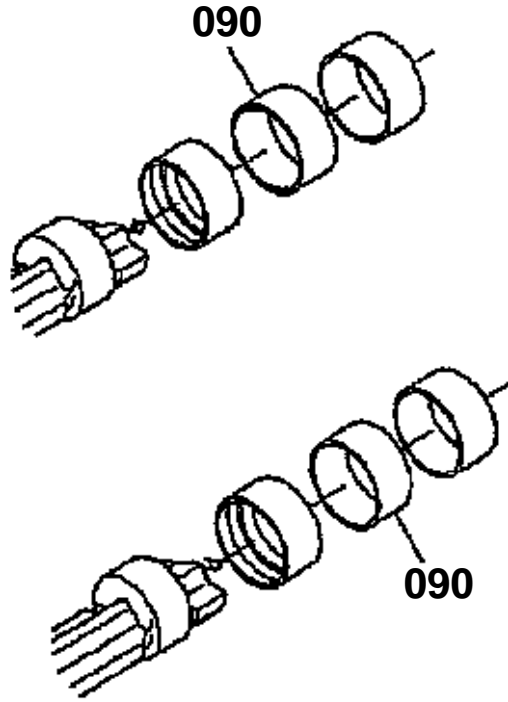
REF.No	Part No.	Description	Q'ty	S.No.	I/C	REMARKS	Weight (kgf)	Weight (lb)
010	1G541-25010	COMP.FLYWHEEL	1				48.5	106.7
020	15602-63820	GEAR RING	1				2	4.4
030	16457-25160	BOLT FLYWHEEL	7				0.063	0.1386
040	1C011-04610	HOUSING FLYWHEEL	1				23.36	51.392
050	1C010-04680	COVER	1				0.013	0.0286
060	1C010-04460	SEAL OIL	1				0.07	0.154
070	01774-51230	BOLT FLANGE	9				0.043	0.0946
080	01774-51475	BOLT FLANGE	2				0.11	0.242

BALANCER



10511-008-11

090 1C011-2698-0



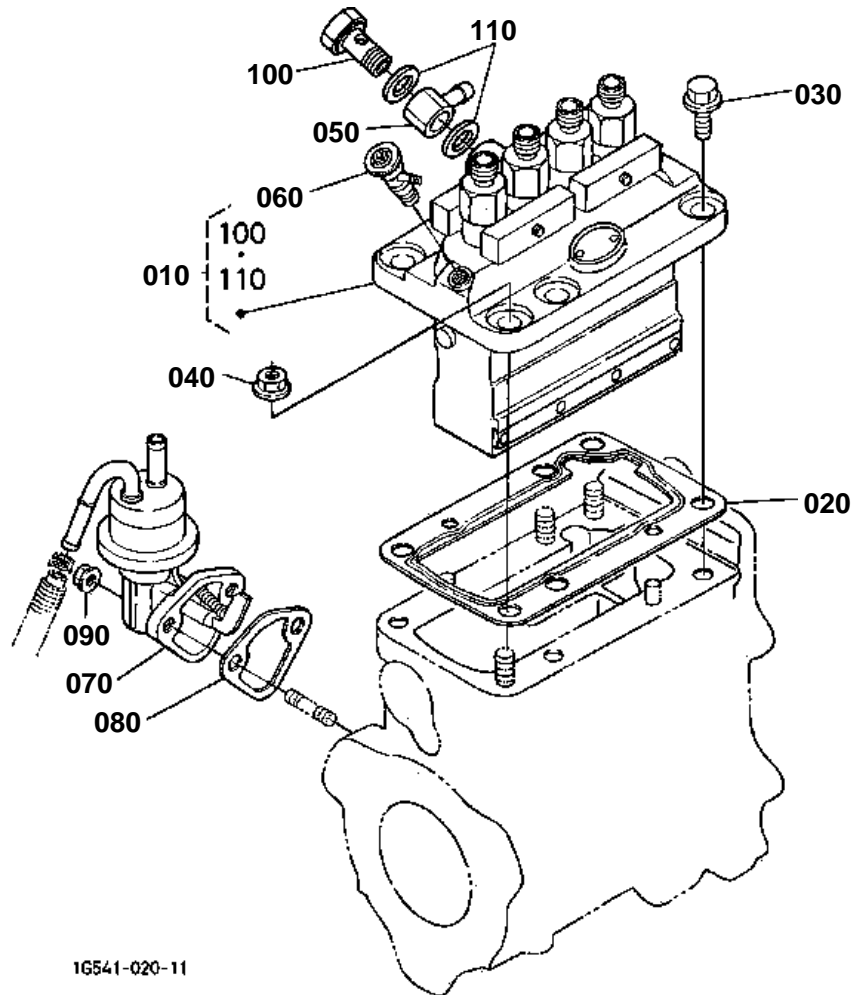
1G511-856-10

**BALANCER**

↔ Interchangeable; ≠ not interchangeable; ← new for old; → old for new

REF.No	Part No.	Description	Q'ty	S.No.	I/C	REMARKS	Weight (kgf)	Weight (lb)
010	1C011-26300	ASSY SHAFT BALANCER	1	<=2X0970			0	0
010	1C011-26302	ASSY SHAFT BALANCER	1	>=2Y0445	←		3.67	8.074
020	07715-00401	BALL	2				0.001	0.0022
030	05712-00415	KEY FEATHER	1				0.002	0.0044
040	1C011-26402	ASSY SHAFT BALANCER	1	<=2X0970			3.6	7.92
040	1C011-26402	ASSY SHAFT BALANCER	1	>=2Y0445	←		3.6	7.92
050	07715-00401	BALL	2				0.001	0.0022
060	05712-00415	KEY FEATHER	1				0.002	0.0044
070	01754-50816	BOLT FLANGE	4				0.011	0.0242
070	01754-50814	BOLT FLANGE	4		↔		0.005	0.011
080	1C011-26970	METAL BALANCER	2				0.1	0.22
090	1C011-26980	METAL BALANCER	2	<=2X0970			0.1	0.22
100	1C011-26990	METAL BALANCER	2				0.1	0.22

INJECTION PUMP



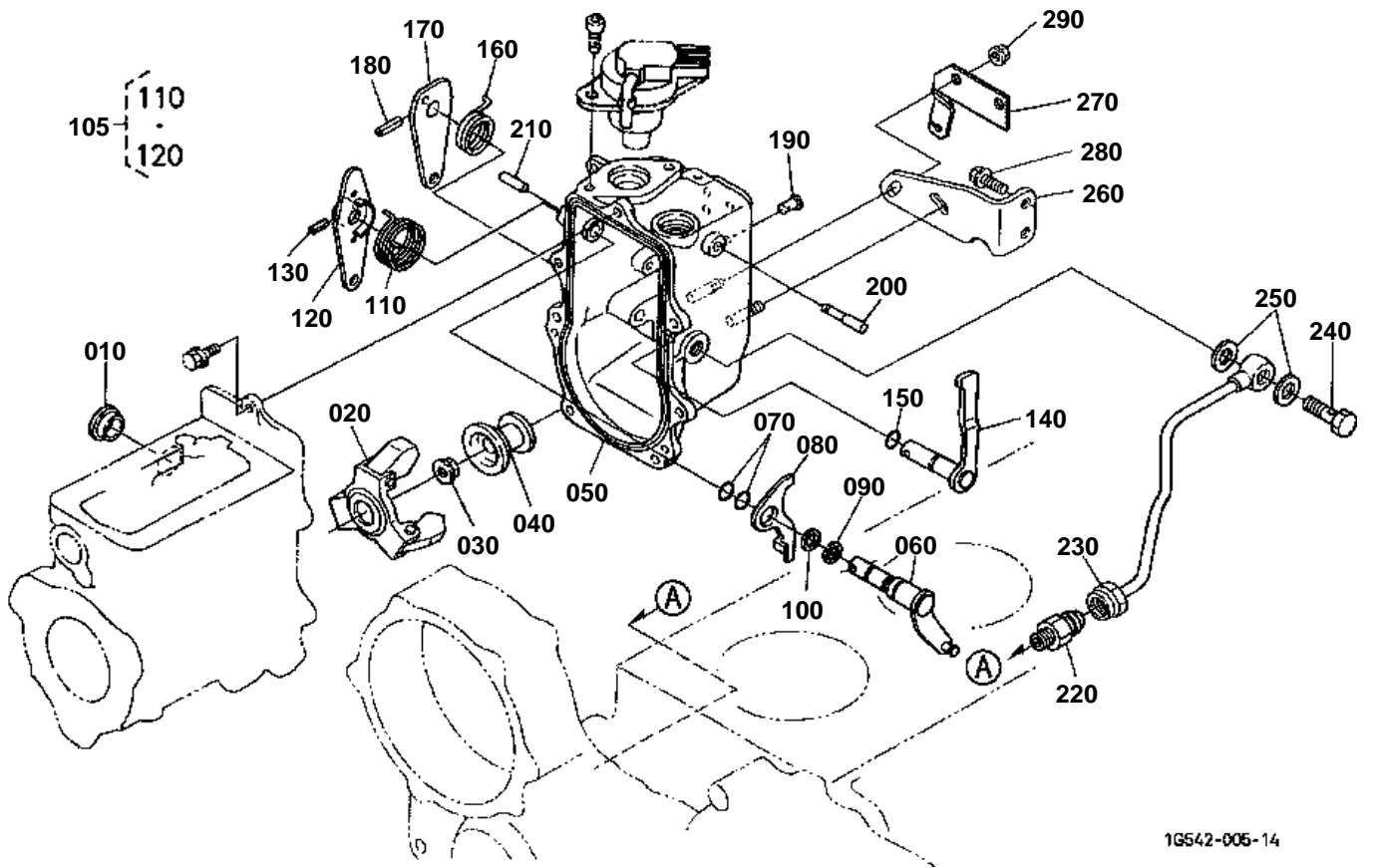


INJECTION PUMP

↔ Interchangeable; ≠ not interchangeable; ← new for old; → old for new

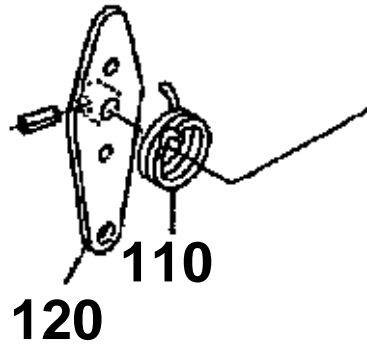
REF.No	Part No.	Description	Q'ty	S.No.	I/C	REMARKS	Weight (kgf)	Weight (lb)
010	1C010-51010	ASSY PUMP INJECTION	1	≤3U2804			2.88	6.336
010	1K012-51012	ASSY PUMP INJECTION	1	≥3W0001	≠		2.82	6.204
020	1C010-52110	SHIM INJECTION PUMP	1				0.009	0.0198
030	01754-50825	BOLT FLANGE	3				0.01	0.022
040	02751-50080	NUT FLANGE	3				0.006	0.0132
050	15401-95690	JOINT EYE	1				0.04	0.088
060	14311-60504	ASSY COCK JET START	1				0.034	0.0748
070	1C010-52032	ASSY PUMP FUEL	1				0.13	0.286
080	16264-52140	GASKET FUEL PUMP	1				0.001	0.0022
090	02751-50060	NUT FLANGE	2				0.005	0.011
100	1C010-51320	SCREW HOLLOW	1				0.04	0.088
110	15401-96650	GASKET	2				0.001	0.0022

GOVERNOR



1G542-005-14

110 1C010-5751-0
120 1C010-5715-0



1G541-854-10

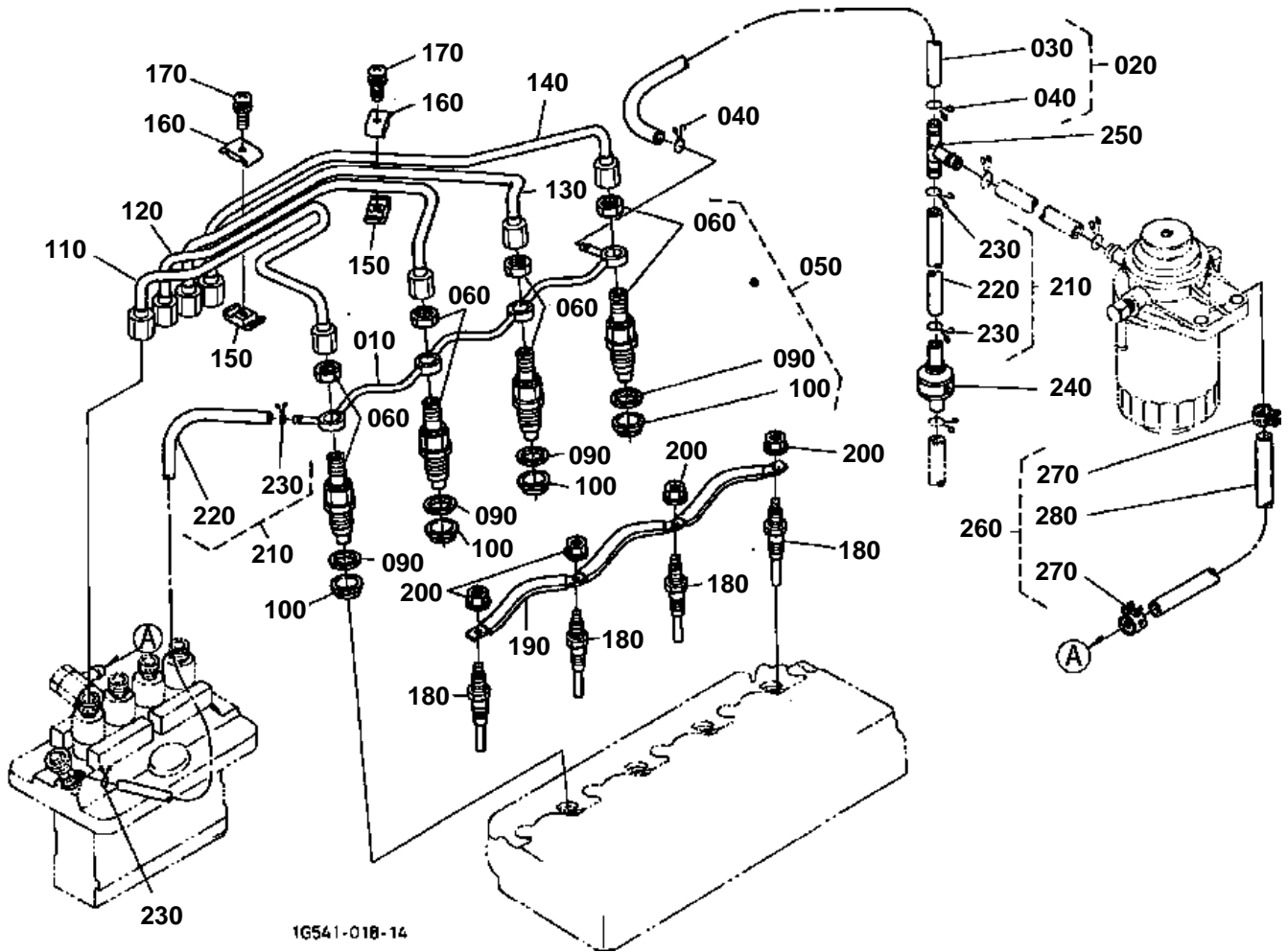


GOVERNOR

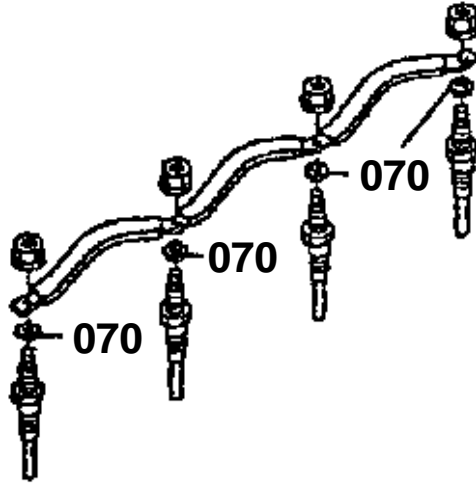
↔ Interchangeable; ≠ not interchangeable; ← new for old; → old for new

REF.No	Part No.	Description	Q'ty	S.No.	I/C	REMARKS	Weight (kgf)	Weight (lb)
010	1C010-56750	COVER GOVERNOR ROD	1				0.007	0.0154
020	1C010-55050	ASSY WEIGHT GOVERNOR	1				0	0
030	02771-50120	NUT FLANGE	1				0.018	0.0396
040	1C010-55450	SLEEVE GOVERNOR	1			NOT SALE	0.05	0.11
040	1C020-55450	SLEEVE GOVERNOR	1	≤YZ0503	↔		0.06	0.132
040	1C020-55452	SLEEVE GOVERNOR	1	≥1A0444	≠		0.06	0.132
050	1C010-55100	HOUSING GOVERNOR	1	≤2Q9814			0	0
050	1C010-55104	HOUSING GOVERNOR	1	≥2S0413	←		0.65	1.43
060	1C010-56023	ASSY LEVER(GOVERNOR)	1				0.08	0.176
070	04811-10070	O RING	1	≤1G8637			0.001	0.0022
070	04811-10070	O RING	2	≥1J0406			0.001	0.0022
070	04814-10070	O RING	2	≥2G0462	←		0.001	0.0022
080	1C010-60150	LEVER STOP	1				0.016	0.0352
090	04613-50120	CIR CLIP EXTERNAL	1				0.001	0.0022
100	15221-14430	WASHER R-ARM.SHAFT	1				0.002	0.0044
105	1K012-57100	LEVER KIT	1	≤2Q9814			0.06	0.132
110	1C010-57510	SPRING	1	≤2Q9814		NOT SALE ORDER BY REF.No.105	0.009	0.0198
110	1K012-57510	SPRING	1	≤2Q9814	←	OPTION	0.009	0.0198
110	1C010-57512	SPRING	1	≥2S0413	≠		0.009	0.0198
120	1C010-57150	LEVER SPEED CONTROL	1	≤2Q9814		NOT SALE ORDER BY REF.No.105	0	0
120	1K012-57150	LEVER SPEED CONTROL	1	≥2S0413	≠		0.054	0.1188
130	05411-00416	PIN SPRING	1				0.001	0.0022
140	1C010-57700	ASSY LEVER ENG.STOP	1				0.053	0.1166
150	04811-10070	O RING	1	≤2F0224			0.001	0.0022
150	04814-10070	O RING	1	≥2G0462	←		0.001	0.0022
160	15471-57920	SPRING RETURN	1				0.005	0.011
170	1C010-57620	LEVER ENGINE STOP	1				0.044	0.0968
180	05411-00416	PIN SPRING	1				0.001	0.0022
190	16221-56280	PIN START SPRING	1				0.005	0.011
190	15221-56280	PIN START SPRING	1		↔		0.006	0.0132
200	1C040-54610	SHAFT BOOST	1				0.005	0.011
210	05012-00520	PIN STRAIGHT	1	≤1Q7998			0.001	0.0022
210	1C010-94510	PIN STRAIGHT	1	≥1S0344	←		0.01	0.022
220	15707-33360	JOINT UNION	1				0.022	0.0484
230	1C010-33320	ASSY PIPE I.P OIL	1				0.06	0.132
240	17371-95800	BOLT EYE JOINT	1				0.025	0.055
250	15471-96650	GASKET	2				0.002	0.0044
260	1C010-51620	BRACKET PUMP	1				0.232	0.5104
270	3A111-10350	HOLDER WIRE	1				0.083	0.1826
280	01754-50816	BOLT FLANGE	2				0.011	0.0242
280	01754-50814	BOLT FLANGE	2		↔		0.005	0.011
290	02751-50080	NUT FLANGE	2				0.006	0.0132

NOZZLE HOLDER AND GLOW PLUG



070 04013-60040



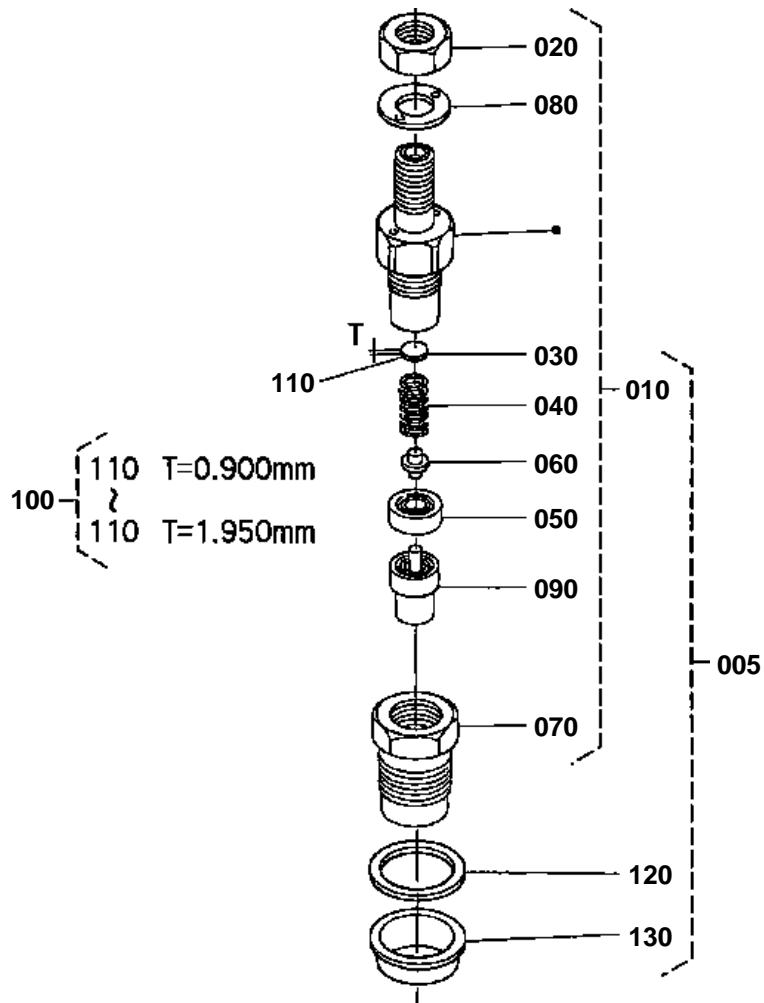
1G511-839-11

**NOZZLE HOLDER AND GLOW PLUG**

↔ Interchangeable; ≠ not interchangeable; ← new for old; → old for new

REF.No	Part No.	Description	Q'ty	S.No.	I/C	REMARKS	Weight (kgf)	Weight (lb)
010	1C010-42500	ASSY PIPE OVER FLOW	1				0.06	0.132
020	1C010-42400	ASSY PIPE OVER FLOW	1				0.01	0.022
030	09661-40170	TUBE FUEL	1				0.009	0.0198
040	14971-42750	CLIP PIPE	2				0.001	0.0022
050	1C010-53900	KIT HOLDER NOZZLE	4				0.16	0.352
060	1C010-53000	ASSY HOLDER NOZZLE	4				0.15	0.33
070	04013-60040	WASHER PLAIN	4	<=XN9836			0.002	0.0044
080	99999-99999	BLANK	0				0	0
090	15841-53622	GASKET	4				0.002	0.0044
100	19077-53650	SEAL HEAT	4				0.005	0.011
110	1C010-53710	PIPE INJECTION	1				0.13	0.286
120	1C010-53720	PIPE INJECTION	1				0.13	0.286
130	1C010-53730	PIPE INJECTION	1				0.13	0.286
140	1C010-53740	PIPE INJECTION	1				0.13	0.286
150	15841-53850	CLAMP PIPE	3				0.01	0.022
160	15841-53860	CLAMP PIPE	3				0.009	0.0198
170	03024-50520	SCREW WITH WASHER	3				0.004	0.0088
180	16415-65510	GLOW PLUG	4				0.03	0.066
190	1C010-65560	CORD GLOW PLUG	1				0.02	0.044
200	02761-50040	NUT FLANGE	4				0.002	0.0044
210	1C010-42040	ASSY PIPE OVER FLOW	2				0.005	0.011
220	09661-40070	TUBE FUEL	2				0.003	0.0066
230	14971-42750	CLIP PIPE	4				0.001	0.0022
240	1C010-42460	VALVE FUEL CHACK	1				0.006	0.0132
250	15101-42570	JOINT PIPE	1				0.006	0.0132
260	1C011-42012	ASSY TUBE FUEL	1				0.066	0.1452
270	14911-42750	CLIP PIPE	2				0.002	0.0044
280	09661-70525	TUBE FUEL	1				0.07	0.154

NOZZLE HOLDER [COMPONENT PARTS]



1G541-021-11

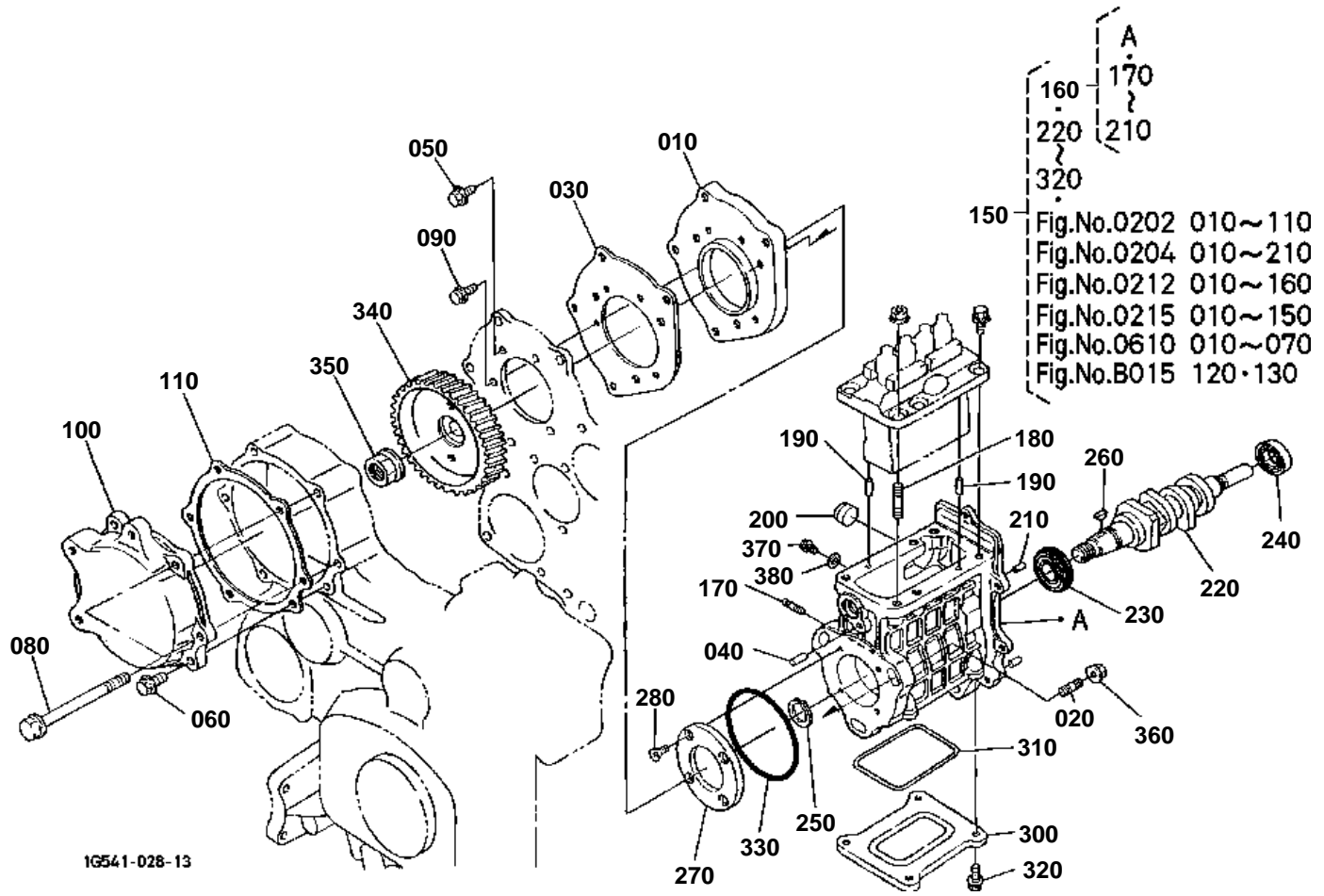


NOZZLE HOLDER [COMPONENT PARTS]

↔ Interchangeable; ≠ not interchangeable; ← new for old; → old for new

REF.No	Part No.	Description	Q'ty	S.No.	I/C	REMARKS	Weight (kgf)	Weight (lb)
005	1C010-53900	KIT HOLDER NOZZLE	4				0.16	0.352
010	1C010-53000	ASSY HOLDER NOZZLE	4				0.15	0.33
020	15841-92030	NUT	4				0.005	0.011
030	15841-53230	WASHER ADJUSTING	4			0.900mm	0.001	0.0022
040	1C010-53170	SPRING NOZZLE	4				0.003	0.0066
050	15841-53350	PIECE DISTANCE	4				0.004	0.0088
060	15841-53160	PUSH ROD	4				0.001	0.0022
070	16475-53280	NUT NOZZLE	4				0.03	0.066
080	15841-94040	WASHER	4				0.001	0.0022
090	1C010-53610	PIECE NOZZLE	4				0.27	0.594
100	15841-98100	ASSY WASHER ADJUST	4			OPTION	0.043	0.0946
110	15841-53230	WASHER ADJUSTING	4			0.900mm	0.001	0.0022
110	15841-98510	WASHER ADJUSTING	4			0.925mm	0.001	0.0022
110	15841-98520	WASHER ADJUSTING	4			0.950mm	0.001	0.0022
110	15841-98530	WASHER ADJUSTING	4			0.975mm	0.001	0.0022
110	15841-98540	WASHER ADJUSTING	4			1.000mm	0.001	0.0022
110	15841-98550	WASHER ADJUSTING	4			1.025mm	0.001	0.0022
110	15841-98560	WASHER ADJUSTING	4			1.050mm	0.001	0.0022
110	15841-98570	WASHER ADJUSTING	4			1.075mm	0.001	0.0022
110	15841-98580	WASHER ADJUSTING	4			1.100mm	0.001	0.0022
110	15841-98590	WASHER ADJUSTING	4			1.125mm	0.001	0.0022
110	15841-98600	WASHER ADJUSTING	4			1.150mm	0.001	0.0022
110	15841-98610	WASHER ADJUSTING	4			1.175mm	0.001	0.0022
110	15841-98620	WASHER ADJUSTING	4			1.200mm	0.001	0.0022
110	15841-98630	WASHER ADJUSTING	4			1.225mm	0.001	0.0022
110	15841-98640	WASHER ADJUSTING	4			1.250mm	0.001	0.0022
110	15841-98650	WASHER ADJUSTING	4			1.275mm	0.001	0.0022
110	15841-98660	WASHER ADJUSTING	4			1.300mm	0.001	0.0022
110	15841-98670	WASHER ADJUSTING	4			1.325mm	0.001	0.0022
110	15841-98680	WASHER ADJUSTING	4			1.350mm	0.001	0.0022
110	15841-98690	WASHER ADJUSTING	4			1.375mm	0.001	0.0022
110	15841-98700	WASHER ADJUSTING	4			1.400mm	0.001	0.0022
110	15841-98710	WASHER ADJUSTING	4			1.425mm	0.001	0.0022
110	15841-98720	WASHER ADJUSTING	4			1.450mm	0.001	0.0022
110	15841-98730	WASHER ADJUSTING	4			1.475mm	0.001	0.0022
110	15841-98740	WASHER ADJUSTING	4			1.500mm	0.001	0.0022
110	15841-98750	WASHER ADJUSTING	4			1.525mm	0.001	0.0022
110	15841-98760	WASHER ADJUSTING	4			1.550mm	0.001	0.0022
110	15841-98770	WASHER ADJUSTING	4			1.575mm	0.001	0.0022
110	15841-98780	WASHER ADJUSTING	4			1.600mm	0.002	0.0044
110	15841-98790	WASHER ADJUSTING	4			1.625mm	0.001	0.0022
110	15841-98800	WASHER ADJUSTING	4			1.650mm	0.001	0.0022
110	15841-98810	WASHER ADJUSTING	4			1.675mm	0.004	0.0088
110	15841-98820	WASHER ADJUSTING	4			1.700mm	0.001	0.0022
110	15841-98830	WASHER ADJUSTING	4			1.725mm	0.001	0.0022
110	15841-98840	WASHER ADJUSTING	4			1.750mm	0.001	0.0022
110	15841-98850	WASHER ADJUSTING	4			1.775mm	0.001	0.0022
110	15841-98860	WASHER ADJUSTING	4			1.800mm	0.001	0.0022
110	15841-98870	WASHER ADJUSTING	4			1.825mm	0.001	0.0022
110	15841-98880	WASHER ADJUSTING	4			1.850mm	0.001	0.0022
110	15841-98890	WASHER ADJUSTING	4			1.875mm	0.001	0.0022
110	15841-98900	WASHER ADJUSTING	4			1.900mm	0.001	0.0022
110	15841-98910	WASHER ADJUSTING	4			1.925mm	0.001	0.0022
110	15841-98920	WASHER ADJUSTING	4			1.950mm	0.001	0.0022
120	15841-53622	GASKET	4				0.002	0.0044
130	19077-53650	SEAL HEAT	4				0.005	0.011

PUMP HOUSING



1G541-028-13

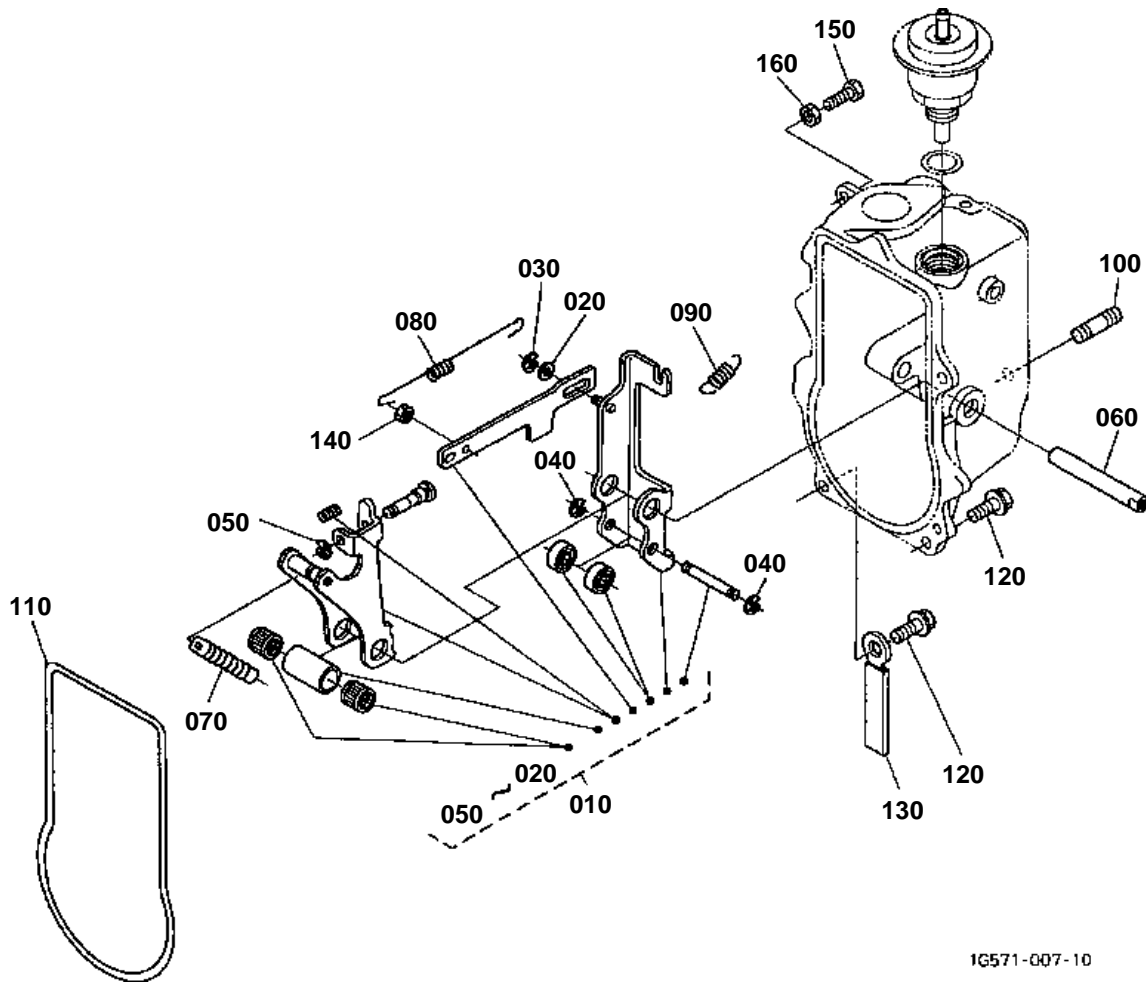


PUMP HOUSING

↔ Interchangeable; ≠ not interchangeable; ← new for old; → old for new

REF.No	Part No.	Description	Q'ty	S.No.	I/C	REMARKS	Weight (kgf)	Weight (lb)
010	1C010-51170	BASE INJECTION PUMP	1				1.16	2.552
010	1C010-51174	BASE INJECTION PUMP	1		↔		1.16	2.552
020	01513-60825	STUD	3				0.012	0.0264
030	1C010-51180	GASKET I/P BASE	1				0.006	0.0132
040	05012-00614	PIN STRAIGHT	1				0.004	0.0088
050	01754-50816	BOLT FLANGE	3				0.011	0.0242
050	01754-50814	BOLT FLANGE	3		↔		0.005	0.011
060	01754-50825	BOLT FLANGE	1				0.01	0.022
070	99999-99999	BLANK	0				0	0
080	01754-50875	BOLT FLANGE	5				0.03	0.066
090	01754-50614	BOLT FLANGE	3				0.005	0.011
100	1C010-51650	COVER INJ.PUMP	1				0.36	0.792
110	1C010-51660	GASKET I/P COVER	1				0.003	0.0066
120	99999-99999	BLANK	0				0	0
130	99999-99999	BLANK	0				0	0
140	99999-99999	BLANK	0				0	0
150	1G571-50050	PUMP INJECTION UNIT	1	←=3U2804			8.25	18.15
150	1G573-50050	PUMP INJECTION UNIT	1	≥=3W0001	≠		0	0
160	1C010-50800	ASSY HOUSING I/P	1				1.18	2.596
170	01513-50616	STUD	2				0.004	0.0088
180	01513-50818	STUD	3				0.009	0.0198
190	05012-00609	PIN STRAIGHT	2				0.003	0.0066
200	1C010-55140	PLUG I/P HOUSING	1				0.05	0.11
210	05012-00512	PIN STRAIGHT	2				0.002	0.0044
220	1C010-16170	CAMSHAFT FUEL	1	←=2M0854			0	0
220	1C010-16172	CAMSHAFT FUEL	1	≥=2N0462	←		0	0
220	1C010-16174	CAMSHAFT FUEL	1	≥=3N0430	←		0.97	2.134
230	08153-06304	BEARING BALL	1	←=3S1968			0.15	0.33
230	1G527-16570	BEARING BALL	1	≥=3U0001	≠		0.14	0.308
240	08101-06203	BEARING BALL	1				0.063	0.1386
250	04612-00200	CIR CLIP EXTERNAL	1				0.001	0.0022
260	05811-00416	KEY WOODRUFF	1				0.002	0.0044
260	12331-95230	KEY WOODRUFF	1		↔		0.01	0.022
270	1C010-16320	STOPPER FUEL C/SHAFT	1				0	0
270	1C020-16320	STOPPER FUEL C/SHAFT	1		↔		0.15	0.33
280	03016-50616	SCREW CSK-HD	4				0.003	0.0066
290	99999-99999	BLANK	0				0	0
300	1C010-16210	COVER FUEL CAMSHAFT	1				0.09	0.198
310	1C010-16220	GASKET SHAFT COVER	1				0.001	0.0022
320	13901-91020	BOLT	4				0.005	0.011
330	1C010-52130	GASKET INJ.PUMP	1				0.001	0.0022
340	1C010-51152	GEAR INJECTION PUMP	1				1.07	2.354
350	02776-50140	NUT UBS	1				0.03	0.066
360	02751-50080	NUT FLANGE	3				0.006	0.0132
370	01754-50812	BOLT FLANGE	2	←=1W7112			0.01	0.022
370	01754-50814	BOLT FLANGE	2	≥=1Y0328	←		0.005	0.011
380	15021-33660	GASKET	2				0.001	0.0022

FORK LEVER (GOVERNOR)



1G571-007-10

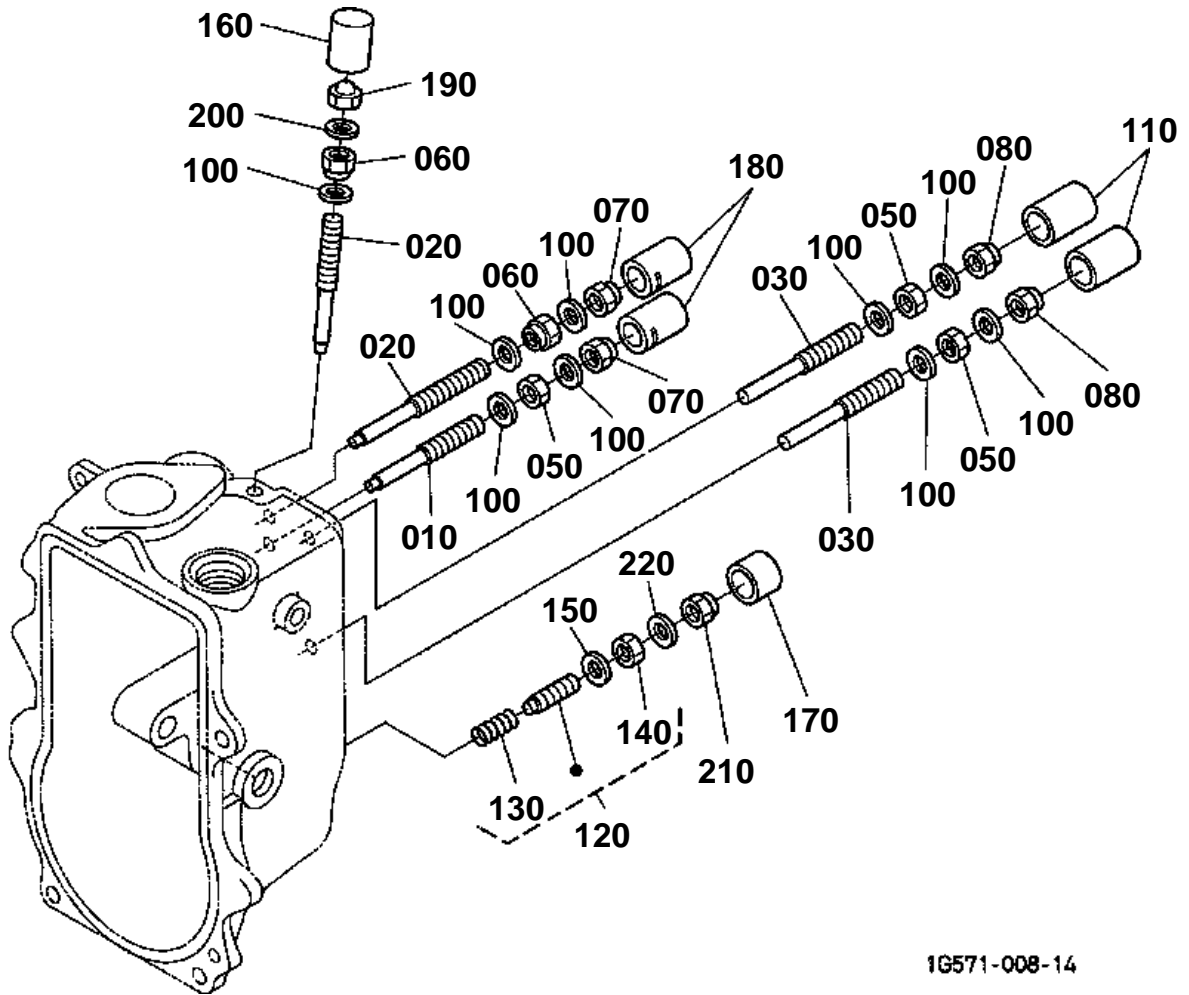


FORK LEVER (GOVERNOR)

↔ Interchangeable; ≠ not interchangeable; ← new for old; → old for new

REF.No	Part No.	Description	Q'ty	S.No.	I/C	REMARKS	Weight (kgf)	Weight (lb)
010	1C010-56030	ASSY LEVER FORK	1				0.21	0.462
020	04013-60050	WASHER PLAIN	1				0.001	0.0022
030	04613-50040	CIR CLIP EXTERNAL	1				0.001	0.0022
040	04613-50050	CIR CLIP EXTERNAL	2				0.001	0.0022
050	04613-50030	CIR CLIP EXTERNAL	1				0.001	0.0022
060	1C010-56150	SHAFT FORK LEVER	1				0.023	0.0506
070	1C010-56412	SPRING GOVERNOR	1				0.005	0.011
080	1C010-56480	SPRING START	1				0.001	0.0022
090	1C010-57920	SPRING STOP LEVER	1				0.001	0.0022
100	01518-50820	STUD	2				0.012	0.0264
110	1C010-55770	GASKET GOV.HOUSING	1				0.001	0.0022
120	01754-50618	BOLT FLANGE	7				0.01	0.022
130	15272-67580	CLAMP CORD	1				0.021	0.0462
140	02556-50050	NUT LOCK	1	≤2Q9814			0.002	0.0044
140	1C010-92020	NUT LOCK	1	≥2S0413	←		0.001	0.0022
150	15108-57280	STOPPER	1				0.008	0.0176
160	02056-50060	NUT	1				0.002	0.0044

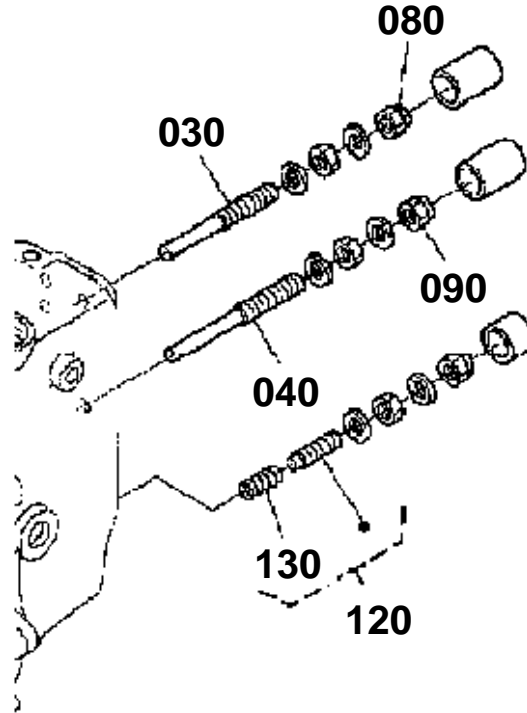
GOVERNOR ADJUSTING BOLT



1G571-008-14

GOVERNOR ADJUSTING BOLT

- 030 15841-5412-2
- 040 15531-5412-0
- 080 15841-9233-0
- 090 15841-9233-0
- 120 15841-5410-0



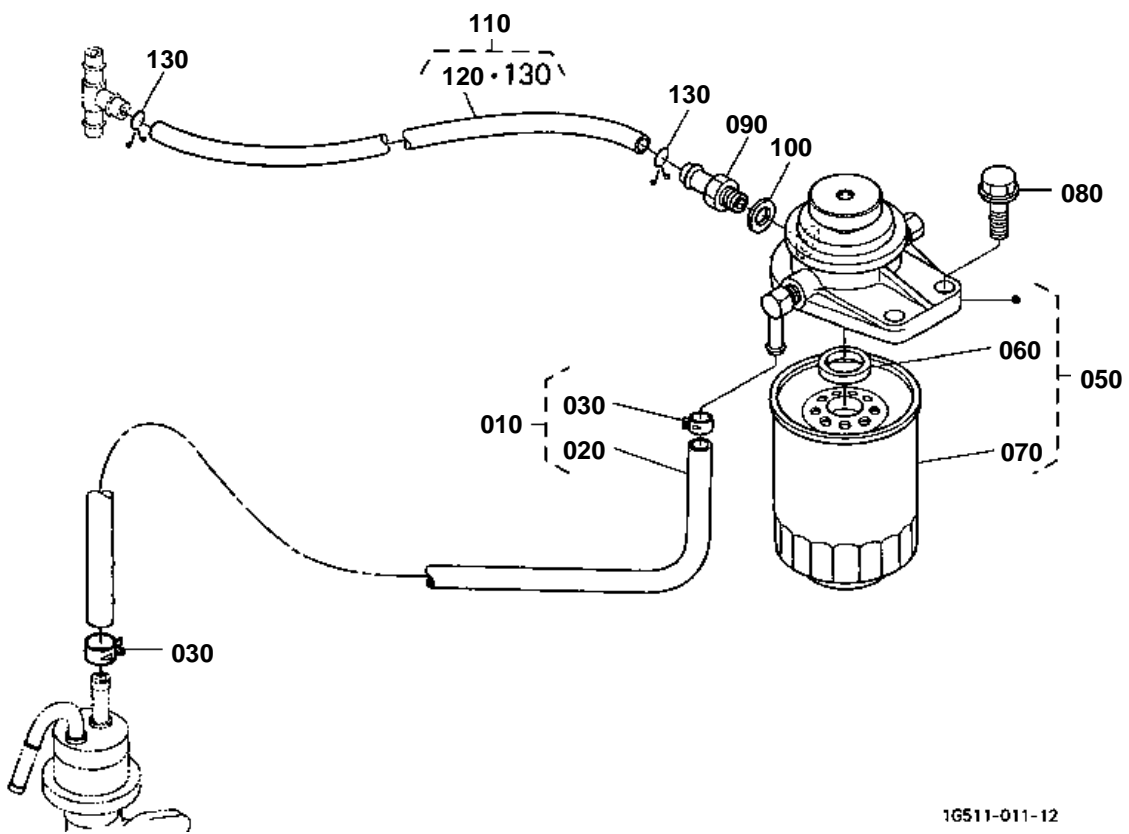
1G571-804-20

**GOVERNOR ADJUSTING BOLT**

↔ Interchangeable; ≠ not interchangeable; ← new for old; → old for new

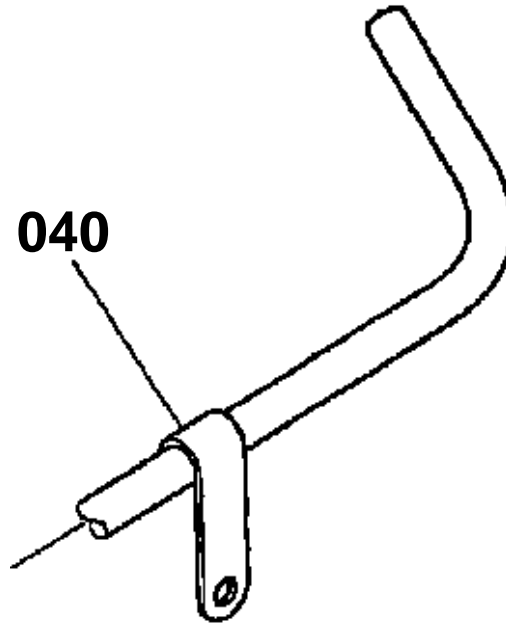
REF.No	Part No.	Description	Q'ty	S.No.	I/C	REMARKS	Weight (kgf)	Weight (lb)
010	1C010-54150	BOLT ADJUSTING	1				0.005	0.011
010	1C010-54150	BOLT ADJUSTING	1				0.005	0.011
020	1C010-54120	BOLT ADJUSTING	2				0.008	0.0176
020	1C010-54120	BOLT ADJUSTING	2				0.008	0.0176
030	15841-54122	BOLT ADJUSTING	1	<=3U2804			0.008	0.0176
030	15841-54122	BOLT ADJUSTING	2	>=3W0001			0.008	0.0176
040	15531-54120	BOLT ADJUSTING	1	<=3U2804			0.009	0.0198
050	15841-92020	NUT	3				0.004	0.0088
060	1G031-54210	NUT LOCK	2				0.003	0.0066
070	15852-92330	NUT	2				0.005	0.011
080	15841-92330	NUT	1	<=3U2804			0.006	0.0132
080	15841-92330	NUT	2	>=3W0001			0.006	0.0132
090	15841-92330	NUT	1	<=3U2804			0.006	0.0132
100	15601-96650	GASKET	9				0.001	0.0022
110	16221-54420	CAP	2				0.001	0.0022
120	15841-54100	ASSY BOLT ADJUSTING	1	<=3U2804			0.009	0.0198
120	1C010-54102	ASSY BOLT ADJUSTMENT	1	>=3W0001	≠		0.01	0.022
130	15841-54260	SPRING	1				0.001	0.0022
140	15261-92020	NUT	1				0.004	0.0088
150	15021-33660	GASKET	1				0.001	0.0022
160	16221-54420	CAP	1				0.001	0.0022
170	15841-54270	CAP	1				0.001	0.0022
180	99999-99999	BLANK	0				0	0
190	15852-92330	NUT	1				0.005	0.011
200	15601-96650	GASKET	1				0.001	0.0022
210	15841-54220	NUT	1				0.006	0.0132
220	15021-33660	GASKET	1				0.001	0.0022

FUEL FILTER



1G511-011-12

040 13824-6758-0



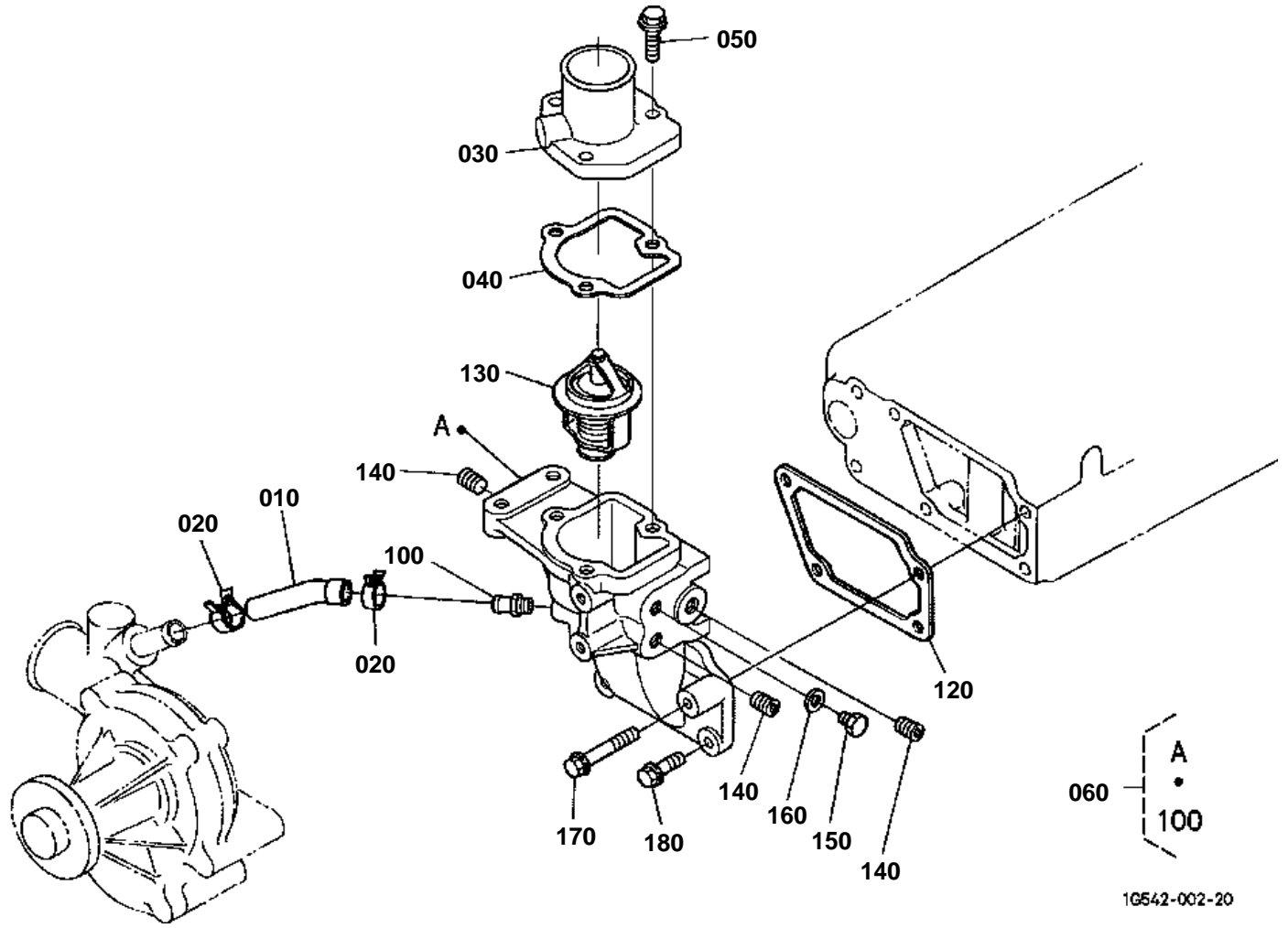
1G511-800-10

**FUEL FILTER**

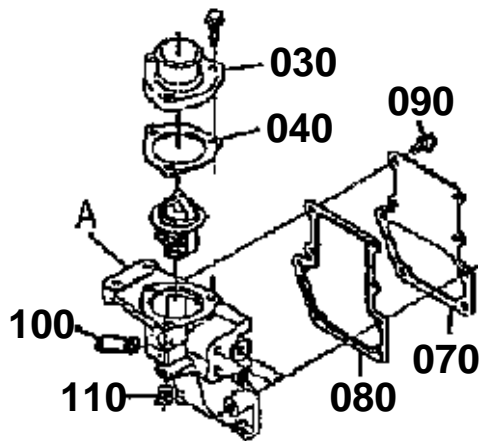
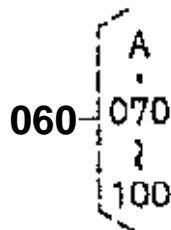
↔ Interchangeable; ≠ not interchangeable; ← new for old; → old for new

REF.No	Part No.	Description	Q'ty	S.No.	I/C	REMARKS	Weight (kgf)	Weight (lb)
010	3G700-04700	ASSY TUBE FUEL	1		←		0.06	0.132
020	09661-70460	TUBE FUEL	1				0.06	0.132
030	14911-42750	CLIP PIPE	2				0.002	0.0044
050	1C011-43013	ASSY FILTER FUEL	1				0.78	1.716
060	1C011-43330	GASKET	1				0.002	0.0044
070	16631-43560	ELEMENT FUEL FILTER	1				0.42	0.924
080	01774-51030	BOLT FLANGE	2				0.02	0.044
090	15841-51360	SCREW AIR BREEDER	1				0.008	0.0176
100	15601-96650	GASKET	1				0.001	0.0022
110	1C011-42400	ASSY PIPE OVER FLOW	1				0.009	0.0198
120	09661-40150	TUBE FUEL	1				0.008	0.0176
130	14971-42750	CLIP PIPE	2				0.001	0.0022

WATER FLANGE AND THERMOSTAT



030 15451-7326-0
040 1C010-7327-0
060 1C011-7270-5
070 1C010-7281-0
080 1C010-7292-2
090 01754-50816
100 1C010-3711-0
110 16241-9602-0



1G511-801-23

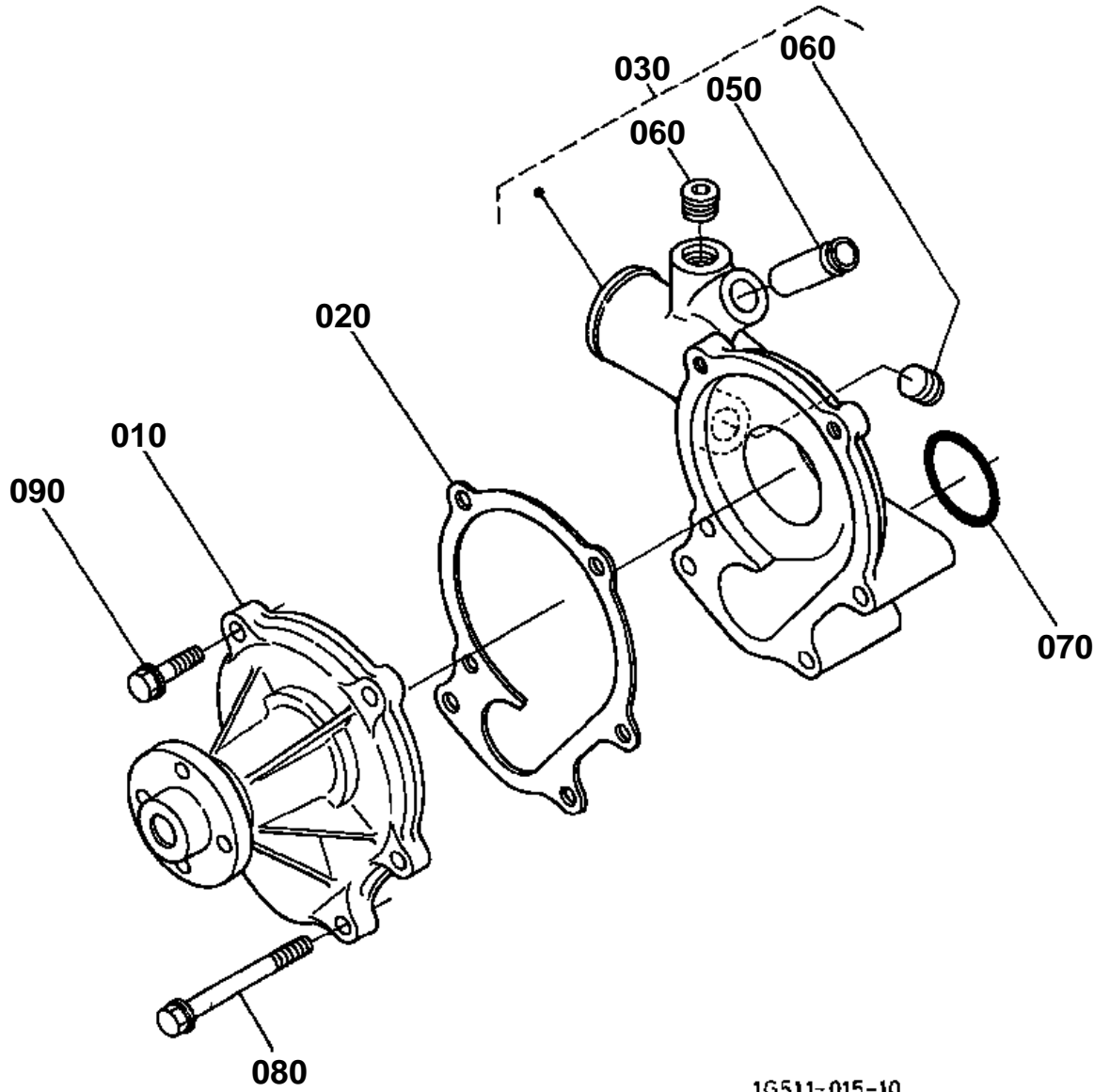


WATER FLANGE AND THERMOSTAT

↔ Interchangeable; ≠ not interchangeable; ← new for old; → old for new

REF.No	Part No.	Description	Q'ty	S.No.	I/C	REMARKS	Weight (kgf)	Weight (lb)
010	1C010-73350	PIPE WATER RETURN	1	<=3U2804			0.02	0.044
010	1C010-73352	PIPE WATER RETURN	1	>=3W0001	←		0.02	0.044
020	09318-88200	CLAMP HOSE	2				0.004	0.0088
030	15451-73260	COVER THERMOSTAT	1	<=3K1944		ORDER BY REF.No.030 040and060 NEW PART	0.132	0.2904
030	1C020-73260	COVER THERMOSTAT	1	>=3L0462	≠		0.18	0.396
040	1C010-73270	GASKET	1	<=3K1944		ORDER BY REF.No.030 040and060 NEW PART	0.004	0.0088
040	1C020-73270	GASKET	1	>=3L0462	≠		0.001	0.0022
050	01754-50825	BOLT FLANGE	3				0.01	0.022
060	1C010-72702	COMP FLANGE WATER	1			ORDER BY REF.No.030 040and060 NEW PART	1.09	2.398
060	1C011-72700	COMP FLANGE WATER	1	>=2S9683	↔	ORDER BY REF.No.030 040and060 NEW PART	0	0
060	1C011-72705	COMP FLANGE WATER	1	>=2U0362	←	ORDER BY REF.No.030 040and060 NEW PART	1.09	2.398
060	1C011-72706	COMP FLANGE WATER	1	>=3N0430	≠		1.09	2.398
070	1C010-72810	COVER WATER FLANGE	1	<=3K1944			0.24	0.528
080	1C010-72922	GASKET WATER FLANGE	1	<=3K1944			0.01	0.022
090	01754-50816	BOLT FLANGE	4	<=3K1944			0.011	0.0242
100	1C010-37114	JOINT WATER PIPE	1	<=2X0970			0.02	0.044
100	1C010-37114	JOINT WATER PIPE	1	>=2Y0445	←		0.02	0.044
110	16241-96020	PLUG	1	<=XF0057			0.015	0.033
120	1C010-72820	GASKET WATER FLANGE	1				0.001	0.0022
130	1C010-73010	ASSY THERMOSTAT	1				0.09	0.198
140	16241-96020	PLUG	3				0.015	0.033
150	15109-33630	PLUG DRAIN	1				0.025	0.055
160	15109-33660	GASKET	1				0.001	0.0022
170	01754-50850	BOLT FLANGE	1				0.02	0.044
180	01754-50825	BOLT FLANGE	3				0.01	0.022

WATER PUMP



1G511-015-10

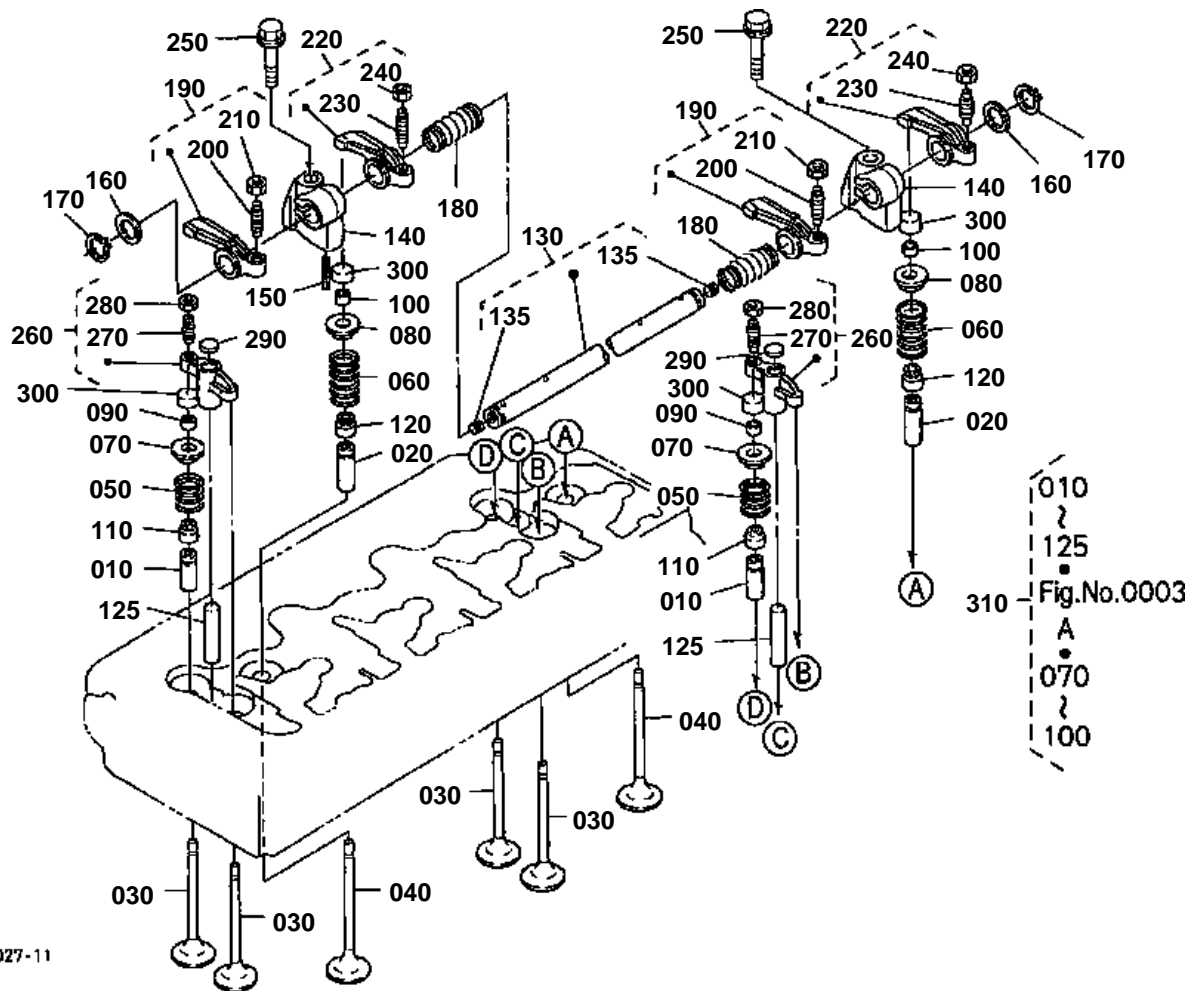


WATER PUMP

↔ Interchangeable; ≠ not interchangeable; ← new for old; → old for new

REF.No	Part No.	Description	Q'ty	S.No.	I/C	REMARKS	Weight (kgf)	Weight (lb)
010	1C010-73030	ASSY PUMP WATER	1				0	0
020	1C010-73430	GASKET WATER PUMP	1				0.003	0.0066
030	1G511-73060	ASSY SUPPORT W/P	1				0.92	2.024
040	99999-99999	BLANK	0				0	0
050	16241-05550	JOINT BREATHER PIPE	1				0.02	0.044
060	16241-96020	PLUG	2				0.015	0.033
070	04814-00420	O RING	1				0.002	0.0044
080	01754-50880	BOLT FLANGE	4				0.03	0.066
090	01754-50830	BOLT FLANGE	2				0.05	0.11

VALVE AND ROCKER ARM



1G511-027-11

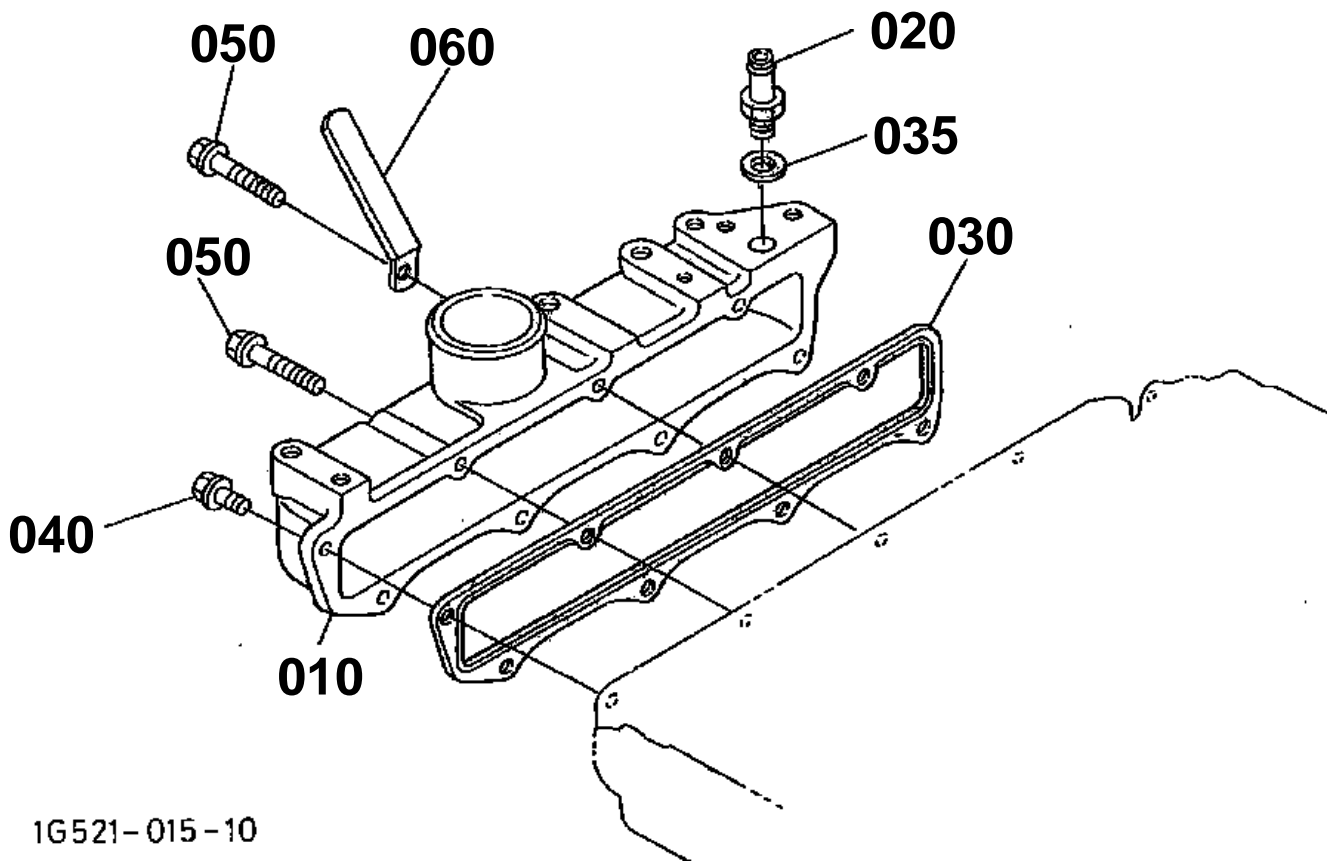


VALVE AND ROCKER ARM

↔ Interchangeable; ≠ not interchangeable; ← new for old; → old for new

REF.No	Part No.	Description	Q'ty	S.No.	I/C	REMARKS	Weight (kgf)	Weight (lb)
010	16241-13540	GUIDE INLET VALVE	8	←=3Q9760			0.02	0.044
010	16261-13540	GUIDE INLET VALVE	8	≧=3S0001	≠		0.02	0.044
020	17321-13560	GUIDE EXHAUST VALVE	4	←=3Y2170			0.02	0.044
020	1C010-13560	GUIDE VALVE EXHAUST	4	≧=4A0001	≠		0.025	0.055
030	1C010-13110	VALVE INLET	8				0.05	0.11
040	1C010-13120	VALVE EXHAUST	4				0.08	0.176
050	1C010-13240	SPRING VALVE	8				0.02	0.044
060	15221-13240	SPRING VALVE	4				0.036	0.0792
070	16241-13330	RETAINER VALVE SP.	8	←=3Q9760			0.015	0.033
070	16261-13330	RETAINER VALVE SP.	8	≧=3S0001	←		0.016	0.0352
080	15221-13330	RETAINER VALVE SP.	4				0.03	0.066
090	15261-13360	COLLET VALVE SPRING	8			SET	0.001	0.0022
100	15221-13980	COLLET VALVE SPRING	4			SET	0.002	0.0044
110	1C010-13150	SEAL VALVE STEM	8				0.002	0.0044
120	1C010-13160	SEAL VALVE STEM	4				0.002	0.0044
125	1C010-13480	SHAFT VALVE	4	←=XJ8312			0	0
125	1C010-13482	SHAFT VALVE	4	≧=XL1150	←		0.001	0.0022
130	1C010-14050	ASSY SHAFT R-ARM	1				0.51	1.122
135	03410-50808	SCREW SET	2				0.002	0.0044
140	1C010-14350	BRACKET ROCKER ARM	4				0.063	0.1386
150	05411-00532	PIN SPRING	1	←=YX0940			0.003	0.0066
150	05411-00528	PIN SPRING	1	≧=YY0471	←		0.003	0.0066
160	1C010-14430	WASHER	2				0.002	0.0044
170	04612-00160	CIR CLIP EXTERNAL	2				0.001	0.0022
180	1C010-14310	SPRING	3	←=YP0470			0	0
180	1C020-14310	SPRING	3	≧=YQ0501	←		0.01	0.022
190	1C010-14020	ASSY ROCKER ARM IN.	4				0.12	0.264
200	15521-14230	SCREW ADJUSTING	4				0.009	0.0198
210	15021-14240	NUT	4				0.003	0.0066
220	1C010-14150	ASSY ROCKER ARM EXH.	4				0.11	0.242
230	15521-14230	SCREW ADJUSTING	4				0.009	0.0198
240	15021-14240	NUT	4				0.003	0.0066
250	01774-51060	BOLT FLANGE	4				0.04	0.088
260	1C010-13462	ASSY ARM VALVE	4				0	0
270	1C010-14280	SCREW ADJUSTMENT	4				0.005	0.011
280	16241-14240	NUT	4				0.004	0.0088
290	1C010-13490	PAD	4				0.003	0.0066
300	15221-13280	CAP VALVE	4				0.006	0.0132
310	1C010-03020	ASSY CYLINDER HEAD	1	←=XJ8312			0	0
310	1C010-03023	ASSY CYLINDER HEAD	1	≧=XL1150	←		0	0
310	1C010-03026	ASSY CYLINDER HEAD	1	≧=3N0430			25	55
310	1G545-03020	ASSY CYLINDER HEAD	1	≧=3W0001	≠		26.5	58.3

INLET MANIFOLD



1G521-015-10

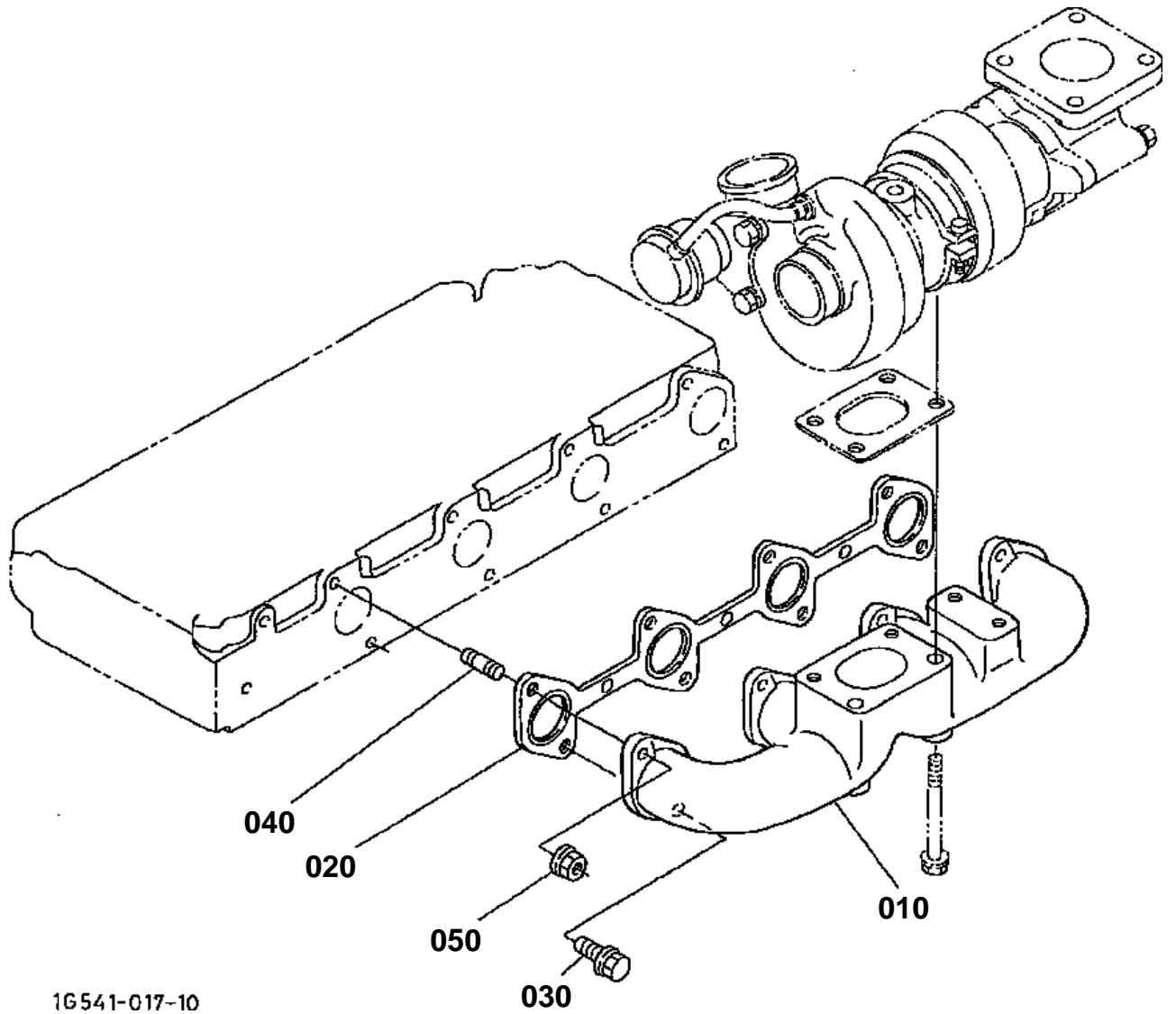


INLET MANIFOLD

↔ Interchangeable; ≠ not interchangeable; ← new for old; → old for new

REF.No	Part No.	Description	Q'ty	S.No.	I/C	REMARKS	Weight (kgf)	Weight (lb)
010	1C040-11760	MANIFOLD INLET	1				1.07	2.354
020	15841-51360	SCREW AIR BREEDER	1				0.008	0.0176
030	1C010-11820	GASKET IN-MANIFOLD	1				0.01	0.022
035	15601-96650	GASKET	1				0.001	0.0022
040	01754-50820	BOLT FLANGE	5				0.015	0.033
050	01754-50865	BOLT FLANGE	3				0.027	0.0594
060	12234-67580	CLAMP CORD	1				0.012	0.0264

EXHAUST MANIFOLD



16541-017-10

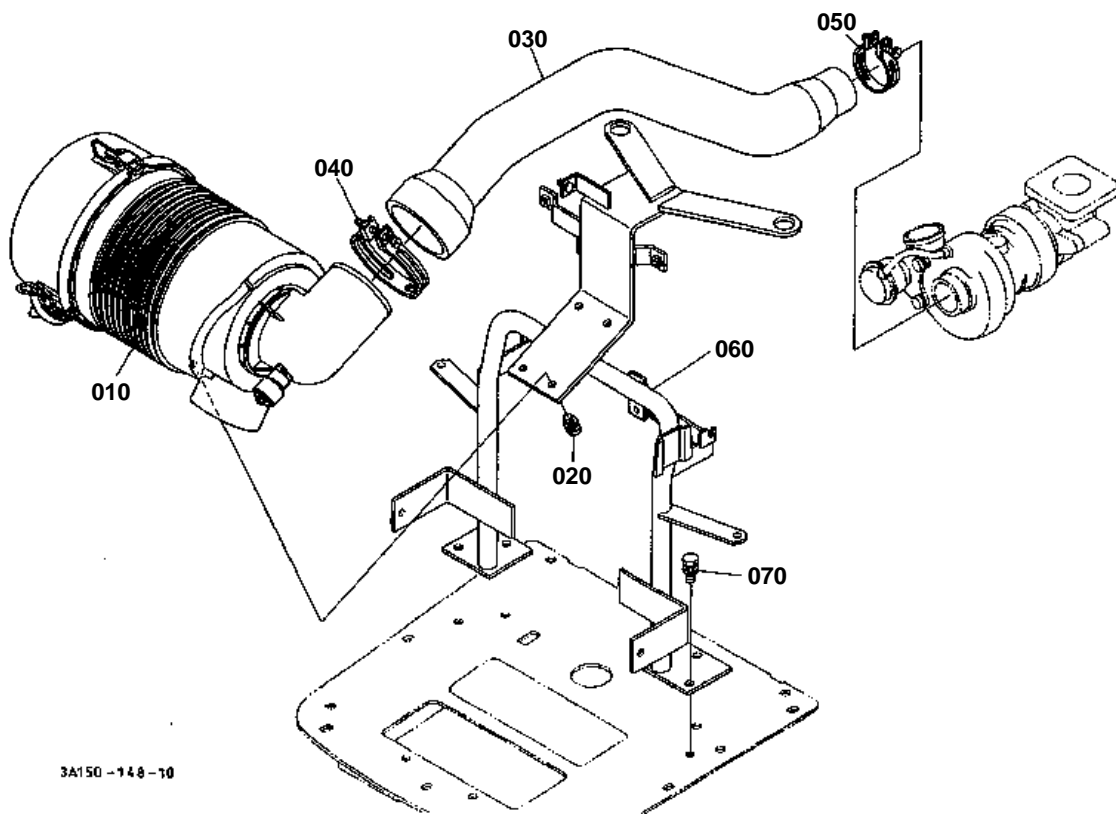


EXHAUST MANIFOLD

↔ Interchangeable; ≠ not interchangeable; ← new for old; → old for new

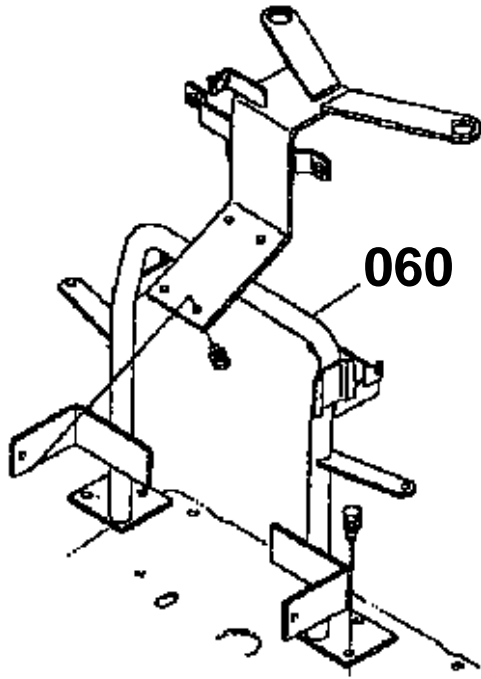
REF.No	Part No.	Description	Q'ty	S.No.	I/C	REMARKS	Weight (kgf)	Weight (lb)
010	1C041-12310	MANIFOLD EXHAUST	1				3.41	7.502
020	1C010-12350	GASKET EX-MANIFOLD	1	<=XU9802			0	0
020	1C010-12352	GASKET EX-MANIFOLD	1	>=XW1357	←		0.001	0.0022
030	01754-50820	BOLT FLANGE	4				0.015	0.033
040	15221-91530	STUD	4				0.011	0.0242
050	02751-50080	NUT FLANGE	4				0.006	0.0132

AIR CLEANER



3A150-148-10

060 3A151-1911-0



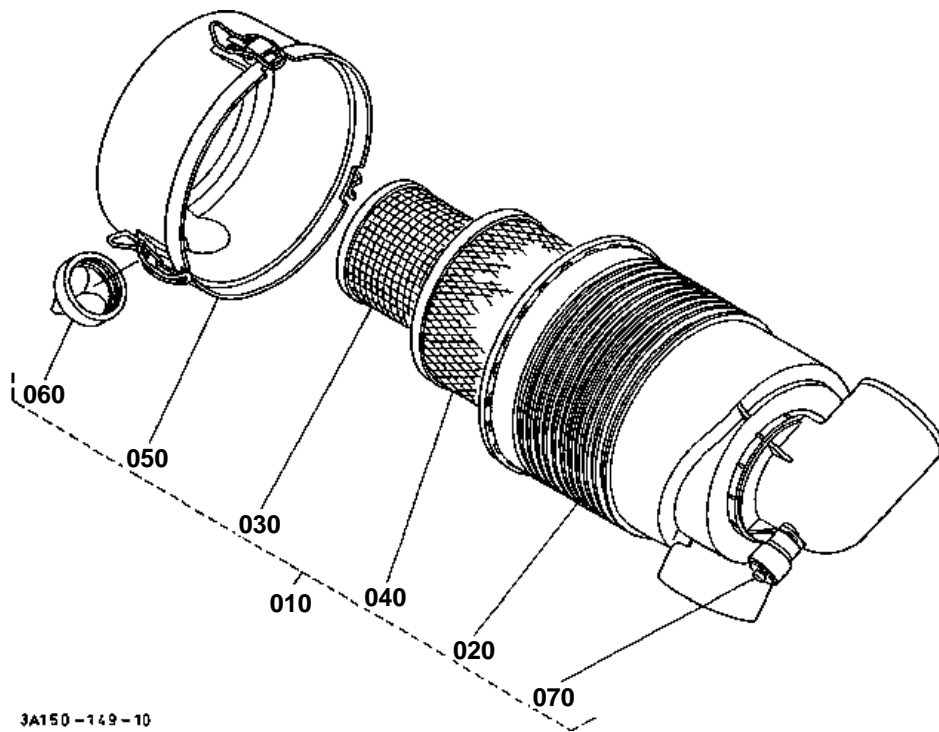
3A150-800-10



AIR CLEANER

↔ Interchangeable; ≠ not interchangeable; ← new for old; → old for new

REF.No	Part No.	Description	Q'ty	S.No.	I/C	REMARKS	Weight (kgf)	Weight (lb)
010	3A151-19100	ASSY CLEANER AIR	1				2.8	6.16
020	01123-50820	BOLT	4				0.011	0.0242
030	3A151-19350	HOSE INLET	1				1.135	2.497
040	3A151-74470	CLAMP HOSE	1				0.04	0.088
050	15401-11720	BAND PIPE	1				0.03	0.066
060	3A151-19112	SUPPORT AIR CLEANER	1				4.8	10.56
070	01133-51025	BOLT	4				0.023	0.0506



3A150-149-10

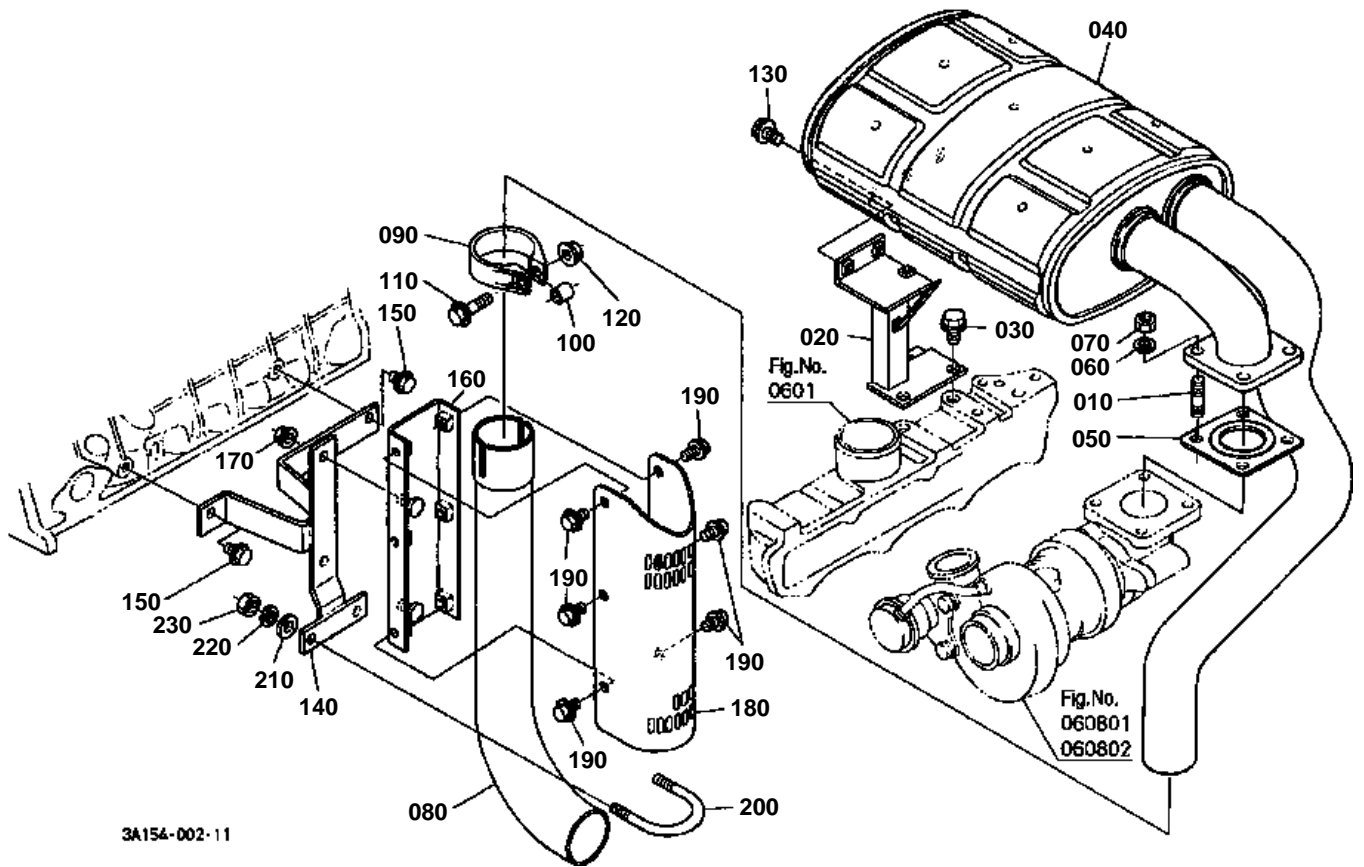


AIR CLEANER [COMPONENT PARTS]

↔ Interchangeable; ≠ not interchangeable; ← new for old; → old for new

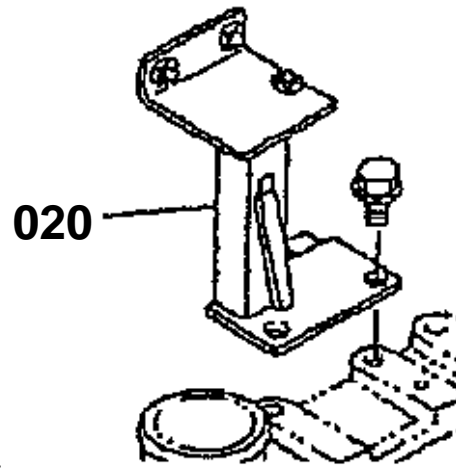
REF.No	Part No.	Description	Q'ty	S.No.	I/C	REMARKS	Weight (kgf)	Weight (lb)
010	3A151-19100	ASSY CLEANER AIR	1				2.8	6.16
020	3A151-19120	ASSY BODY A/C	1				1.09	2.398
030	55231-26150	ELEMENT INNER	1				0.37	0.814
040	59700-26112	ASSY ELEMENT A/C	1				1.21	2.662
050	59700-26130	ASSY COVER	1				0.38	0.836
060	59700-26140	VALVE	1				0.027	0.0594
070	15126-11090	ASSY INDICATOR	1				0.025	0.055

UNDER MUFFLER



3A154-002-11

020 3A111-1220-2



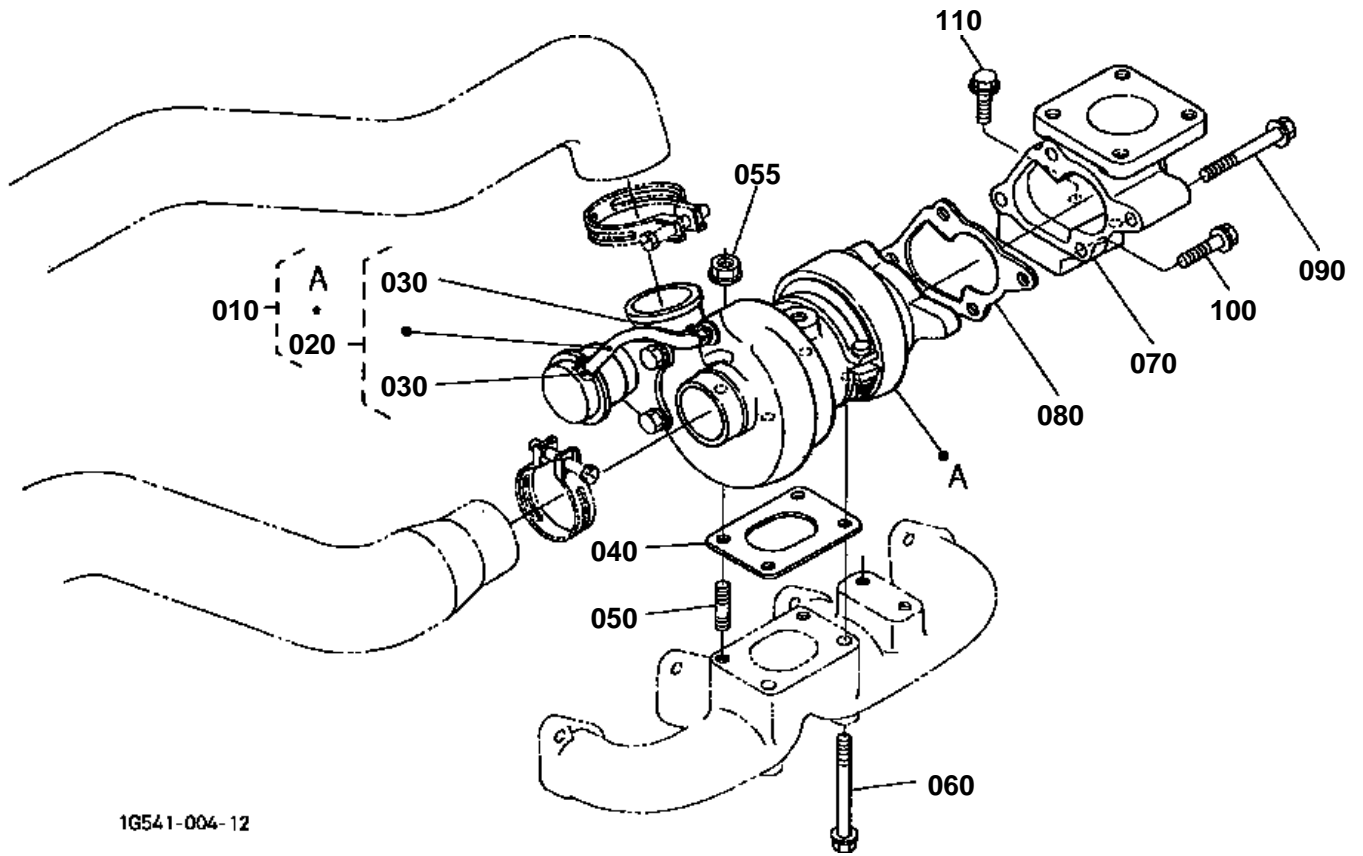
3A154-816-10

**UNDER MUFFLER**

↔ Interchangeable; ≠ not interchangeable; ← new for old; → old for new

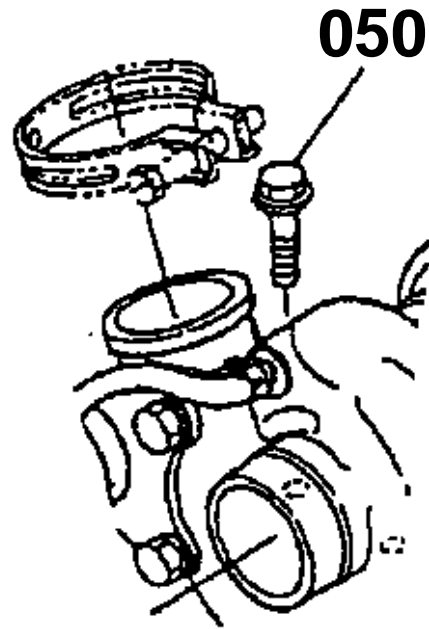
REF.No	Part No.	Description	Q'ty	S.No.	I/C	REMARKS	Weight (kgf)	Weight (lb)
010	01517-61025	STUD	4				0.02	0.044
020	3A111-12200	STAY MUFFLER	1	<=50724			0	0
020	3A111-12202	STAY MUFFLER	1	>=50725	←		0	0
020	3A111-12203	STAY MUFFLER	1	>=55589	←		0.5	1.1
030	01774-61020	BOLT FLANGE	2				0.022	0.0484
040	3A151-12310	MUFFLER UNDER	1				7.6	16.72
050	1C011-12230	GASKET MUFFLER	1				0.014	0.0308
060	04512-60100	WASHER SPRING	4				0.002	0.0044
070	02176-50100	NUT	4				0.005	0.011
080	3A111-12330	PIPE UNDER MUFFLER	1				0.835	1.837
090	15416-12130	BAND MUFFLER PIPE	1				0.1	0.22
100	35999-02550	COLLAR	1				0.01	0.022
110	01754-50835	BOLT FLANGE	1				0.019	0.0418
120	02751-50080	NUT FLANGE	1				0.006	0.0132
130	01754-50816	BOLT FLANGE	2				0.011	0.0242
140	3A111-12320	STAY UNDER MUFFLER	1				0.91	2.002
150	01774-61020	BOLT FLANGE	2				0.022	0.0484
160	3A111-12360	STAY UNDER MUFFLER	1				0.485	1.067
170	02751-50060	NUT FLANGE	2				0.005	0.011
180	3A111-12370	COVER PIPE MUFFLER	1				0.21	0.462
190	01754-50610	BOLT FLANGE	6				0.006	0.0132
200	3A111-12350	U-BOLT	1				0.1	0.22
210	04013-60080	WASHER PLAIN	2				0.002	0.0044
220	04512-60080	WASHER SPRING	2				0.002	0.0044
230	02156-50080	NUT	2				0.004	0.0088

TURBO CHARGER



1G541-004-12

050 01754-50820

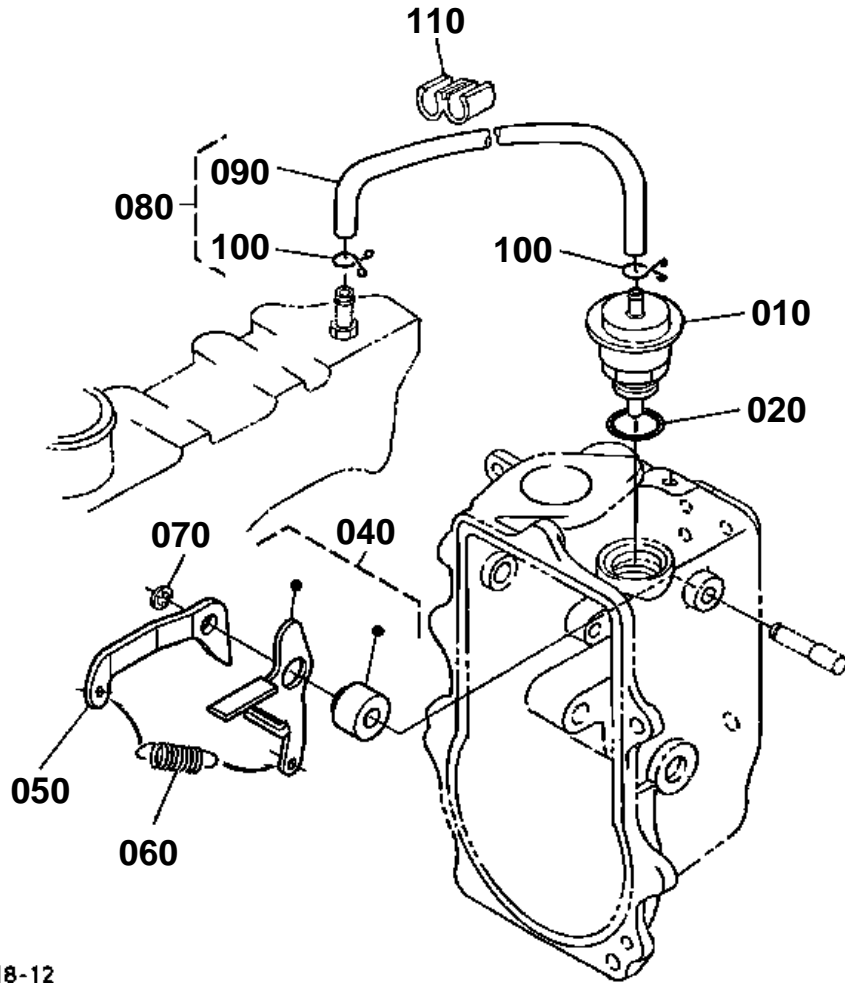


1G541-800-10

**TURBO CHARGER**

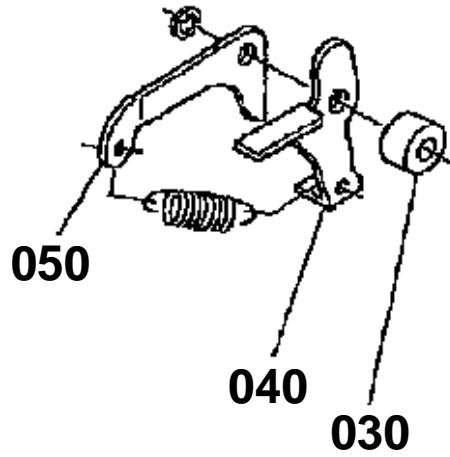
↔ Interchangeable; ≠ not interchangeable; ← new for old; → old for new

REF.No	Part No.	Description	Q'ty	S.No.	I/C	REMARKS	Weight (kgf)	Weight (lb)
010	1C041-17010	ASSY TURBO CHARGER	1				4.2	9.24
020	1C041-17200	ASSY HOSE	1				0.01	0.022
030	17371-17220	CLAMP HOSE	2				0.001	0.0022
040	1C040-17100	GASKET	1				0.012	0.0264
050	01754-50820	BOLT FLANGE	2	≤1G8637			0.015	0.033
050	01513-60820	STUD	2	≥1J0406	≠		0.015	0.033
055	02751-50080	NUT FLANGE	2	≥1J0406			0.006	0.0132
060	01754-50875	BOLT FLANGE	2				0.03	0.066
070	1C041-12320	FLANGE MUFFLER	1				1.8	3.96
080	1C040-17110	GASKET	1				0.008	0.0176
090	01754-50870	BOLT FLANGE	2				0.028	0.0616
100	01754-50835	BOLT FLANGE	2				0.019	0.0418
110	01754-50825	BOLT FLANGE	2				0.01	0.022



1G521-018-12

030 1C040-5462-0
040 1C040-5458-0
050 1C040-5459-0



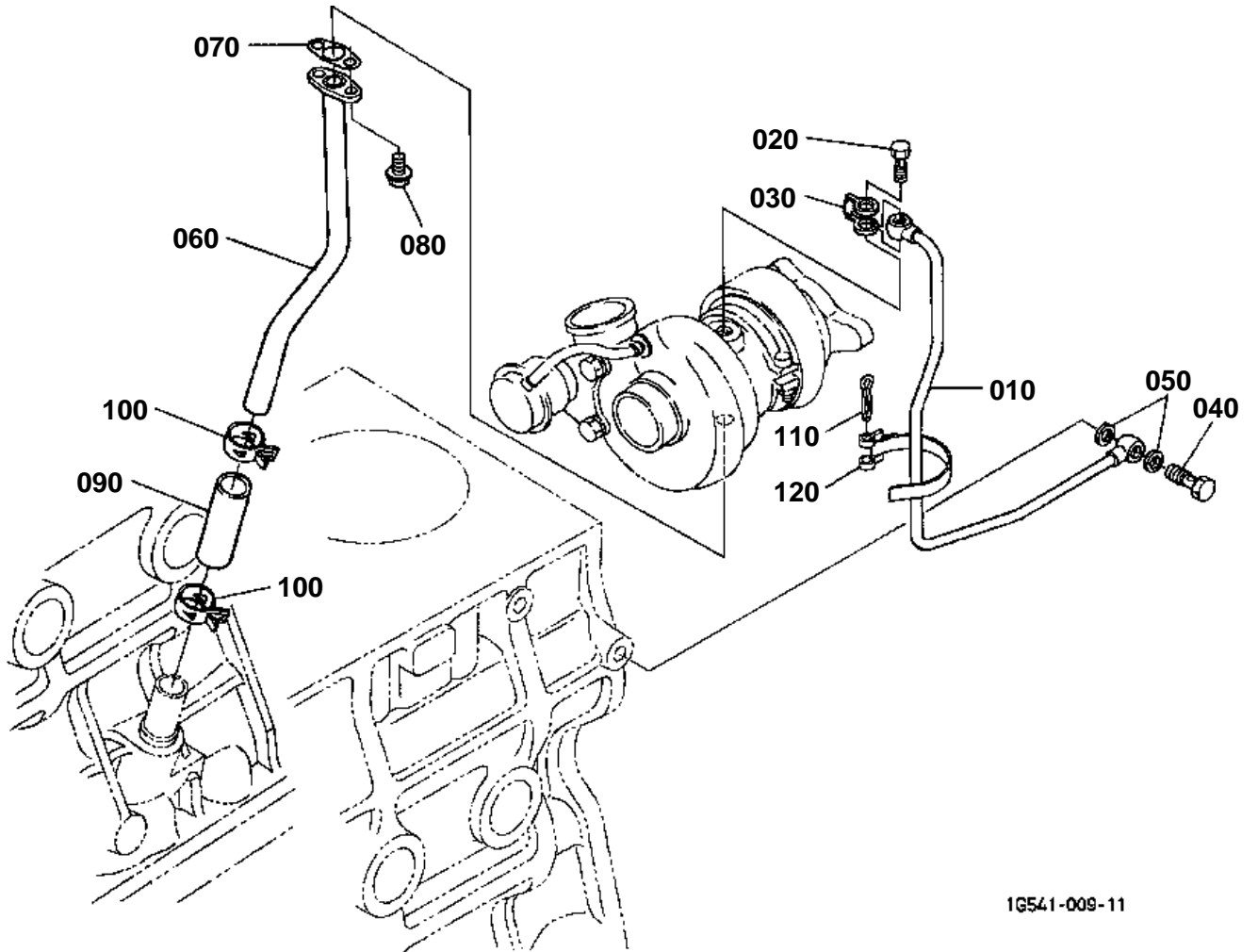
1G521-808-20

**ACTUATOR**

↔ Interchangeable; ≠ not interchangeable; ← new for old; → old for new

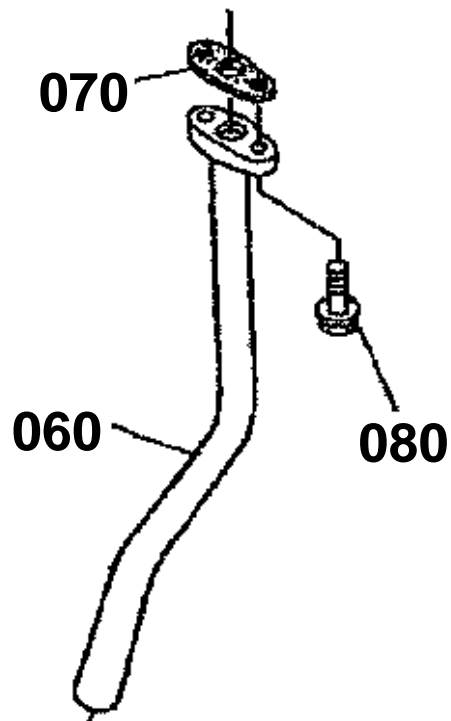
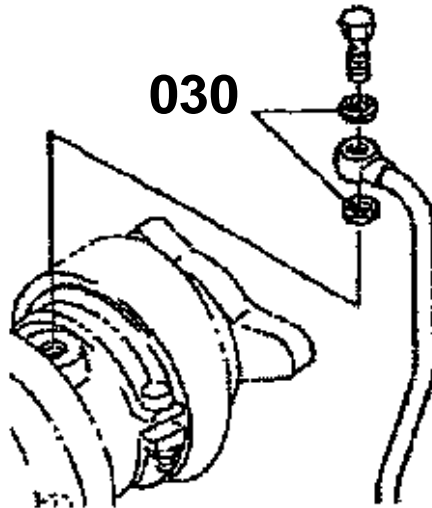
REF.No	Part No.	Description	Q'ty	S.No.	I/C	REMARKS	Weight (kgf)	Weight (lb)
010	1C040-54070	ASSY ACTUATOR BOOST	1				0.098	0.2156
020	04811-00160	O RING	1				0	0
020	04817-00160	O RING	1		←		0.001	0.0022
030	1C040-54620	SPACER BOOST ARM	1	≤3U2804			0.005	0.011
040	1C040-54580	ARM BOOST	1	≤3U2804			0.01	0.022
040	1G572-54600	ASSY ARM BOOST	1	≥3W0001	←		0.012	0.0264
050	1C040-54590	ARM BOOST	1	≤3U2804			0.009	0.0198
050	1G572-54590	ARM BOOST	1	≥3W0001	←		0.009	0.0198
060	1C040-54750	SPRING BOOST	1	≤3U2804			0.002	0.0044
060	1G572-54750	SPRING BOOST	1	≥3W0001	←		0.002	0.0044
070	04613-50040	CIR CLIP EXTERNAL	1				0.001	0.0022
080	1C040-54050	ASSY PIPE BOOST	1				0.012	0.0264
090	09661-40210	TUBE FUEL	1				0.01	0.022
100	14971-42750	CLIP PIPE	2				0.001	0.0022
110	1C040-53870	CLAMP PIPE	1				0.001	0.0022

OIL PIPE(TURBO CHARGER)



1G541-009-11

030 15471-9665-0
060 1C040-3306-0
070 16299-3367-0
080 01754-50618



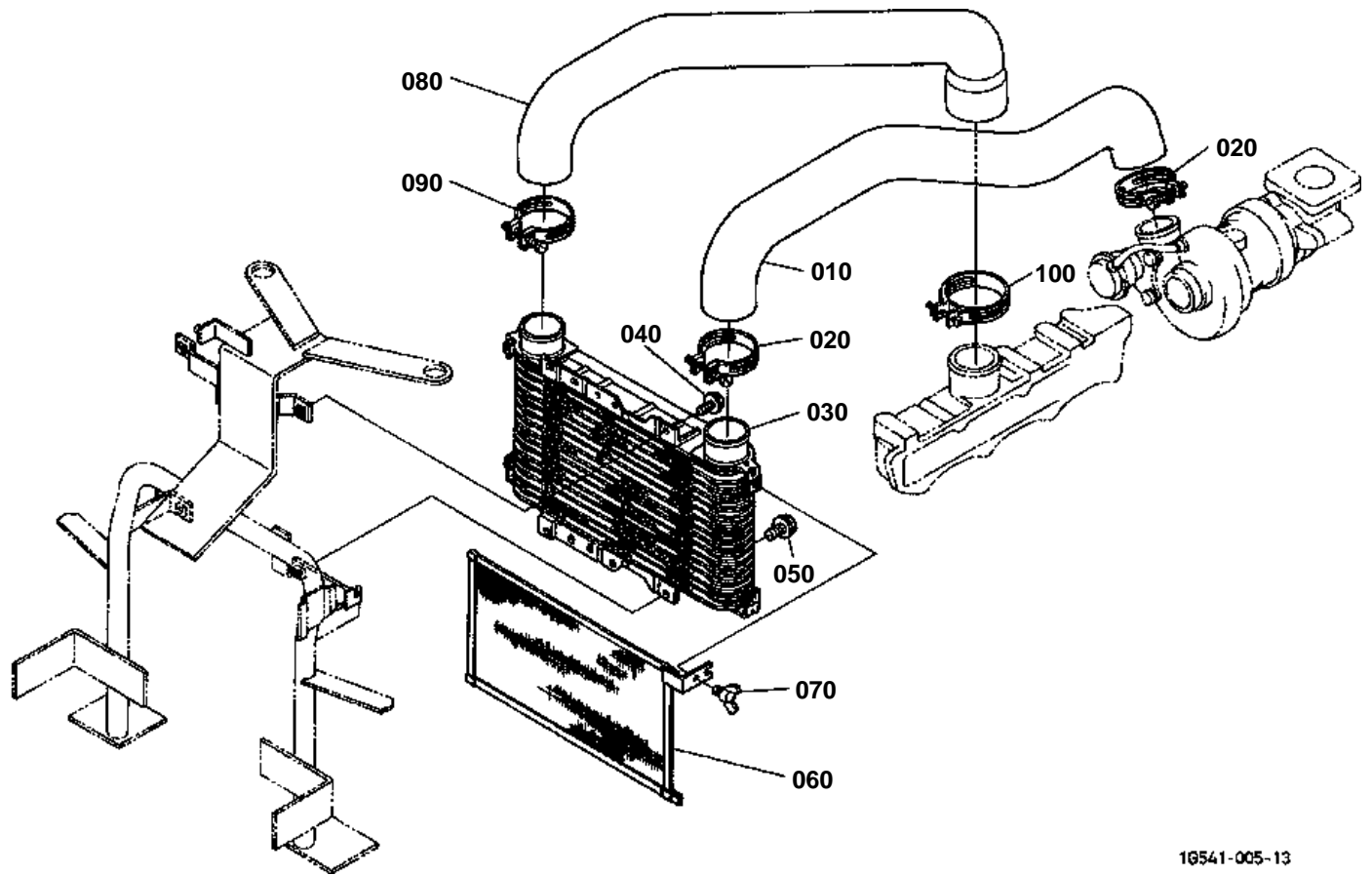
1G541-860-20

**OIL PIPE(TURBO CHARGER)**

↔ Interchangeable; ≠ not interchangeable; ← new for old; → old for new

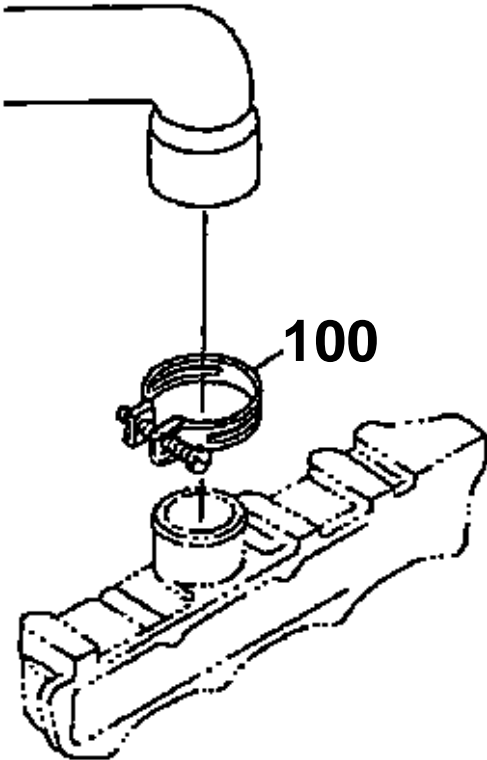
REF.No	Part No.	Description	Q'ty	S.No.	I/C	REMARKS	Weight (kgf)	Weight (lb)
010	1C040-33040	COMP.PIPE OIL	1				0.001	0.0022
020	17371-95800	BOLT EYE JOINT	1				0.025	0.055
030	15471-96650	GASKET	2				0.002	0.0044
030	1C020-96650	GASKET	2		↔		0.001	0.0022
040	15471-95790	BOLT EYE JOINT	1				0.02	0.044
050	15021-33660	GASKET	2				0.001	0.0022
060	1C040-33060	COMP.PIPE OIL	1	≤3W2613			0.2	0.44
060	1C040-33063	COMP.PIPE OIL	1	≥3Y0001	≠		0.2	0.44
070	16299-33672	GASKET	1	≤3W2613			0	0
070	1C040-33670	GASKET	1	≥3Y0001	←		0.001	0.0022
080	01754-50618	BOLT FLANGE	2	≤3W2613			0.01	0.022
080	01754-50612	BOLT FLANGE	2	≥3Y0001	≠		0.005	0.011
090	15471-33240	PIPE OIL	1				0.04	0.088
100	09318-88230	CLAMP HOSE	2				0.008	0.0176
110	33430-82760	PIN BAND	1				0.004	0.0088
120	67111-53770	BAND PIPE	1				0.01	0.022

INTERCOOLER



16541-005-13

100 68811-4227-0



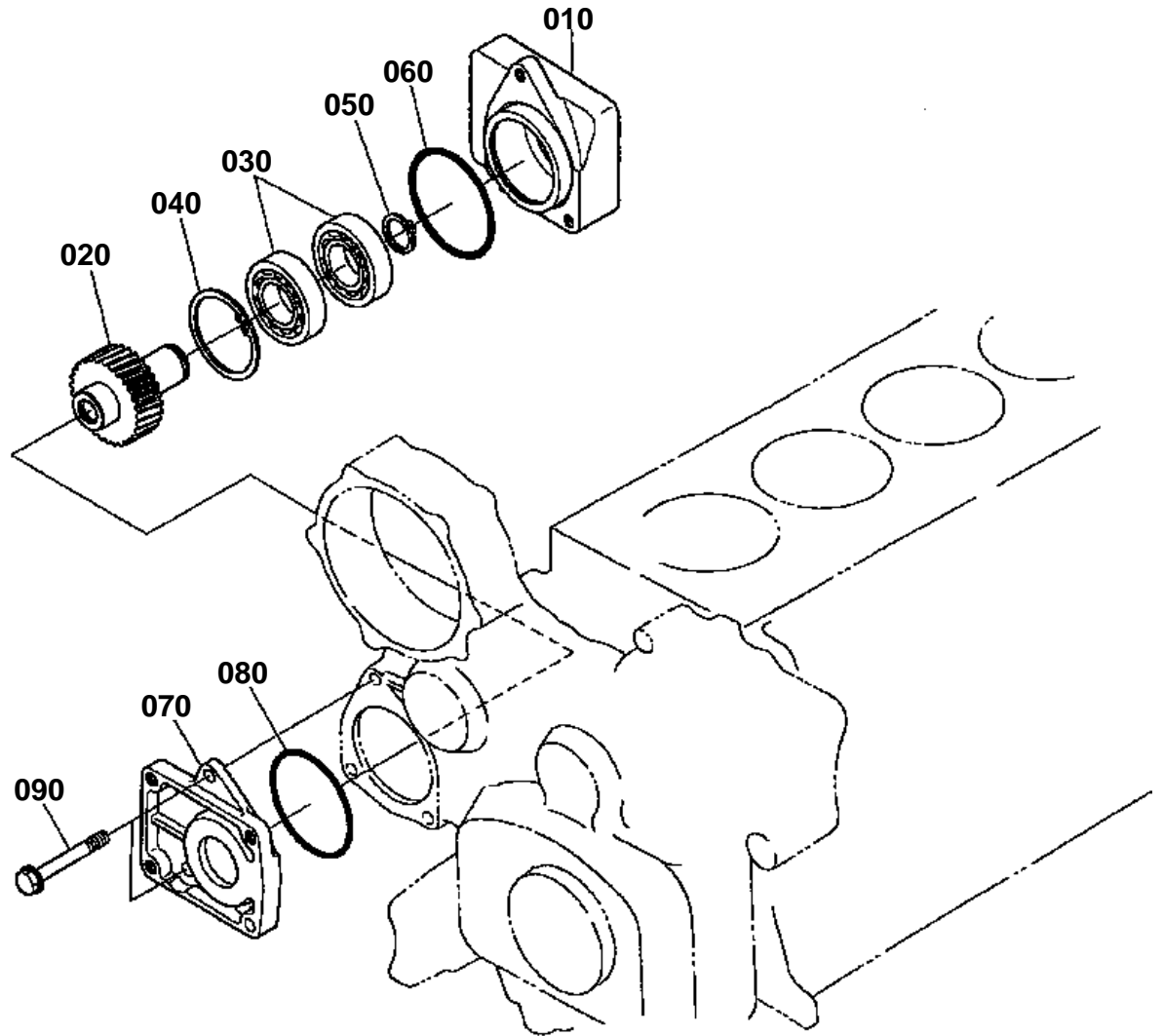
3A091-800-10



INTERCOOLER

↔ Interchangeable; ≠ not interchangeable; ← new for old; → old for new

REF.No	Part No.	Description	Q'ty	S.No.	I/C	REMARKS	Weight (kgf)	Weight (lb)
010	3A151-19360	HOSE	1				0.98	2.156
020	15401-11720	BAND PIPE	2				0.03	0.066
030	1G571-17500	ASSY INTERCOOLER	1				2.2	4.84
040	01754-50614	BOLT FLANGE	2				0.005	0.011
050	01754-50816	BOLT FLANGE	2				0.011	0.0242
060	3A151-15100	NET INTERCOOLER	1				0.15	0.33
070	01811-50610	BOLT WING	1				0.014	0.0308
080	3A151-19370	HOSE	1				1.15	2.53
090	15401-11720	BAND PIPE	1				0.03	0.066
100	68811-42270	BAND PIPE	1				0.04	0.088
100	35466-74460	BAND PIPE	1		←		0.038	0.0836



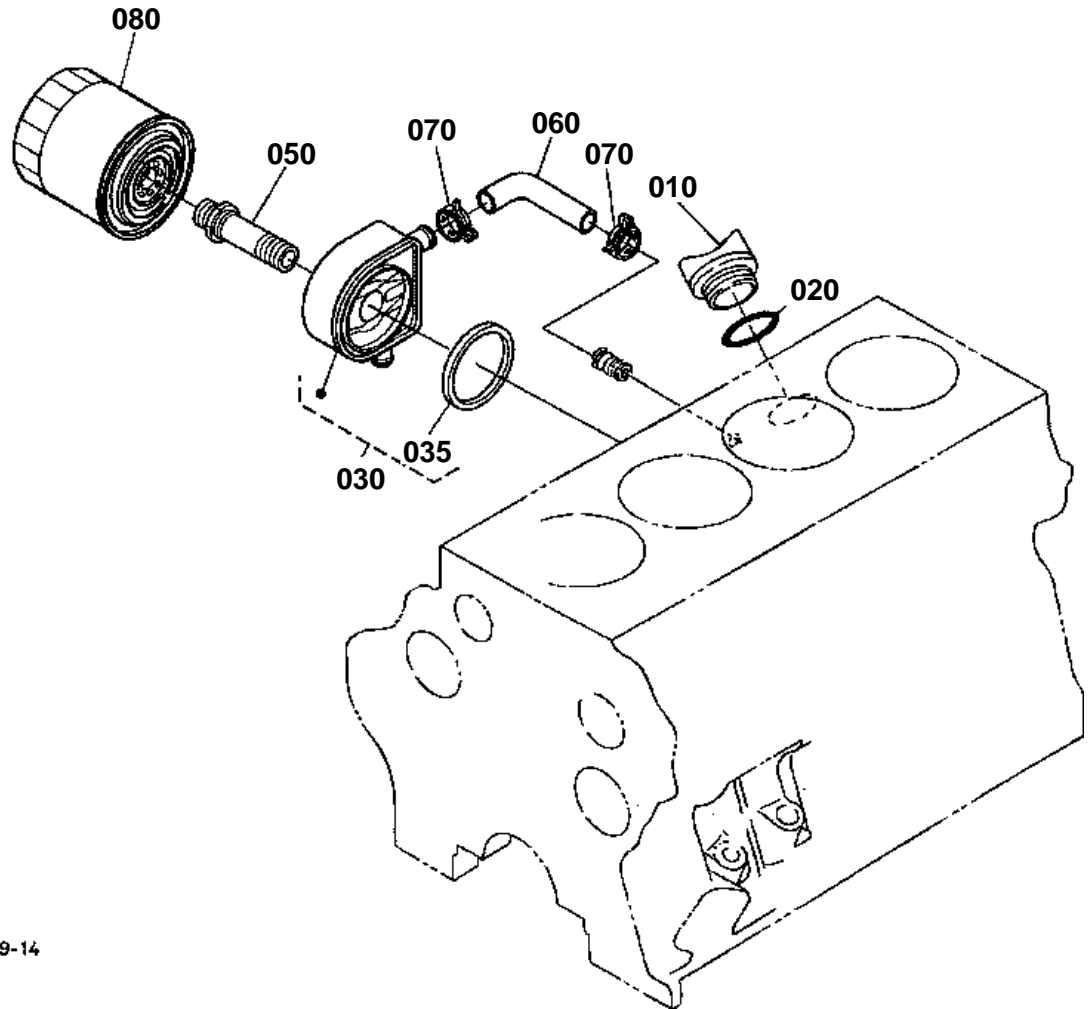
1G541-011-11



HYDRAULIC PUMP BASE [A]

↔ Interchangeable; ≠ not interchangeable; ← new for old; → old for new

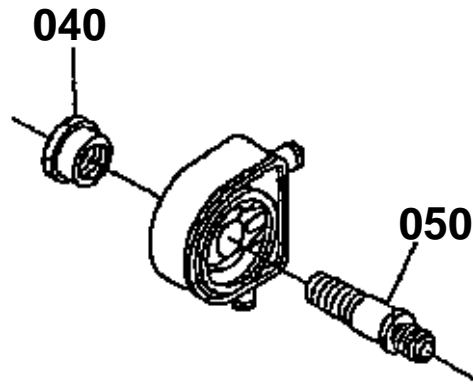
REF.No	Part No.	Description	Q'ty	S.No.	I/C	REMARKS	Weight (kgf)	Weight (lb)
010	1G511-83120	BASE HYD.PUMP	1				1.66	3.652
020	1G511-83190	GEAR HYD.PUMP DRIVE	1				0.71	1.562
030	12545-23450	BEARING BALL	2				0.1	0.22
040	04611-00620	CIR CLIP INTERNAL	1				0.011	0.0242
050	04612-00250	CIR CLIP EXTERNAL	1				0.002	0.0044
060	04815-06710	O RING	1	<=1F1360			0.01	0.022
060	1C010-96960	O RING	1	>=1G0422	←		0.001	0.0022
070	1G571-83130	BASE HYD.PUMP	1				0.88	1.936
080	04815-06710	O RING	1	<=YV0561			0.01	0.022
080	1C010-96960	O RING	1	>=YW0491	←		0.001	0.0022
090	01754-50870	BOLT FLANGE	2				0.028	0.0616



10541-019-14

040 1C010-3228-0

050 1C010-3229-0



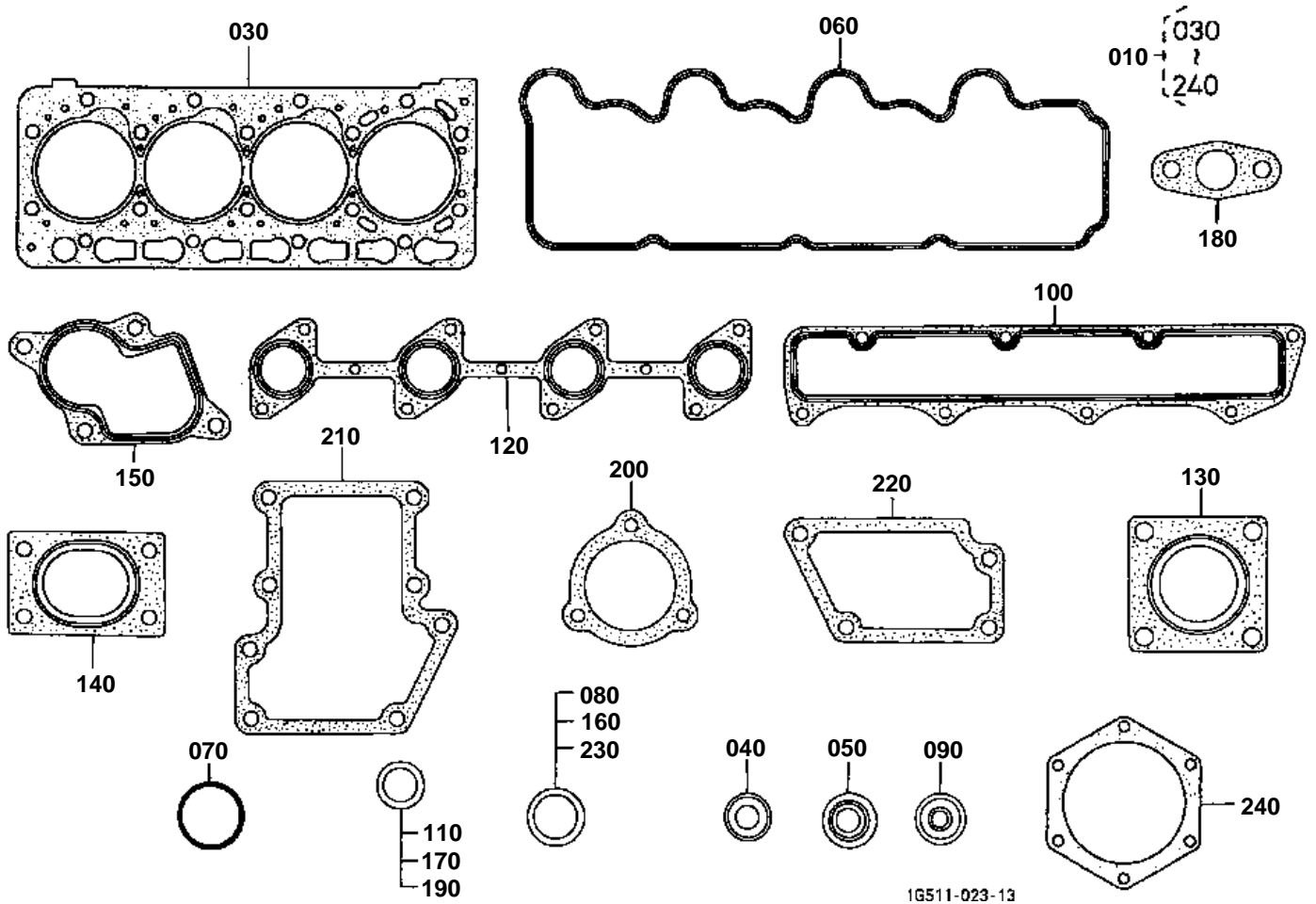
1G531-802-10

**OIL COOLER**

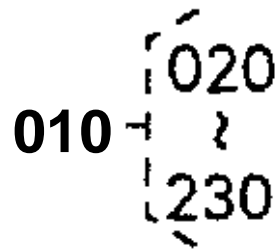
↔ Interchangeable; ≠ not interchangeable; ← new for old; → old for new

REF.No	Part No.	Description	Q'ty	S.No.	I/C	REMARKS	Weight (kgf)	Weight (lb)
010	15852-33140	PLUG OIL FILLER	1				0.038	0.0836
010	E9151-33140	PLUG OIL FILLER	1				0.017	0.0374
020	04811-50300	O RING	1				0	0
020	04816-50300	O RING	1		←		0.001	0.0022
030	1C010-37010	ASSY COOLER OIL	1				0.83	1.826
035	15484-37070	GASKET OIL COOLER	1				0.009	0.0198
040	1C010-32280	NUT	1				0.025	0.055
040	1C010-32280	NUT	1		↔		0.025	0.055
040	1C010-32280	NUT	1	≤2P2016			0.025	0.055
050	15484-32290	JOINT	1				0.14	0.308
050	1C010-32290	JOINT	1	≤2P2016	↔		0	0
050	1C010-32292	JOINT	1	≥2Q0247	←		0.13	0.286
060	1C011-37150	PIPE OIL COLLER	1				0.025	0.055
070	09318-88200	CLAMP HOSE	2				0.004	0.0088
080	1C010-32430	CARTRIDGE OIL FILTER	1				0	0

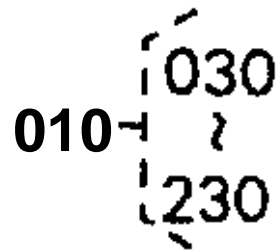
UPPER GASKET KIT [OLD TYPE]



010 07916-27325



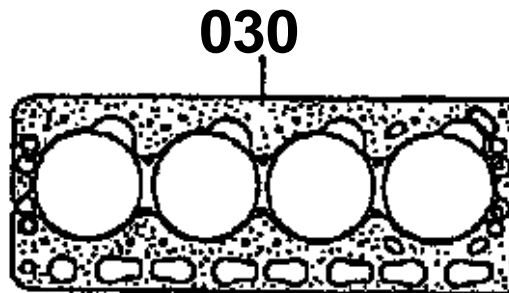
010 07916-27326



020 15221-3370-0



030 1C010-0331-0



1G511-844-20

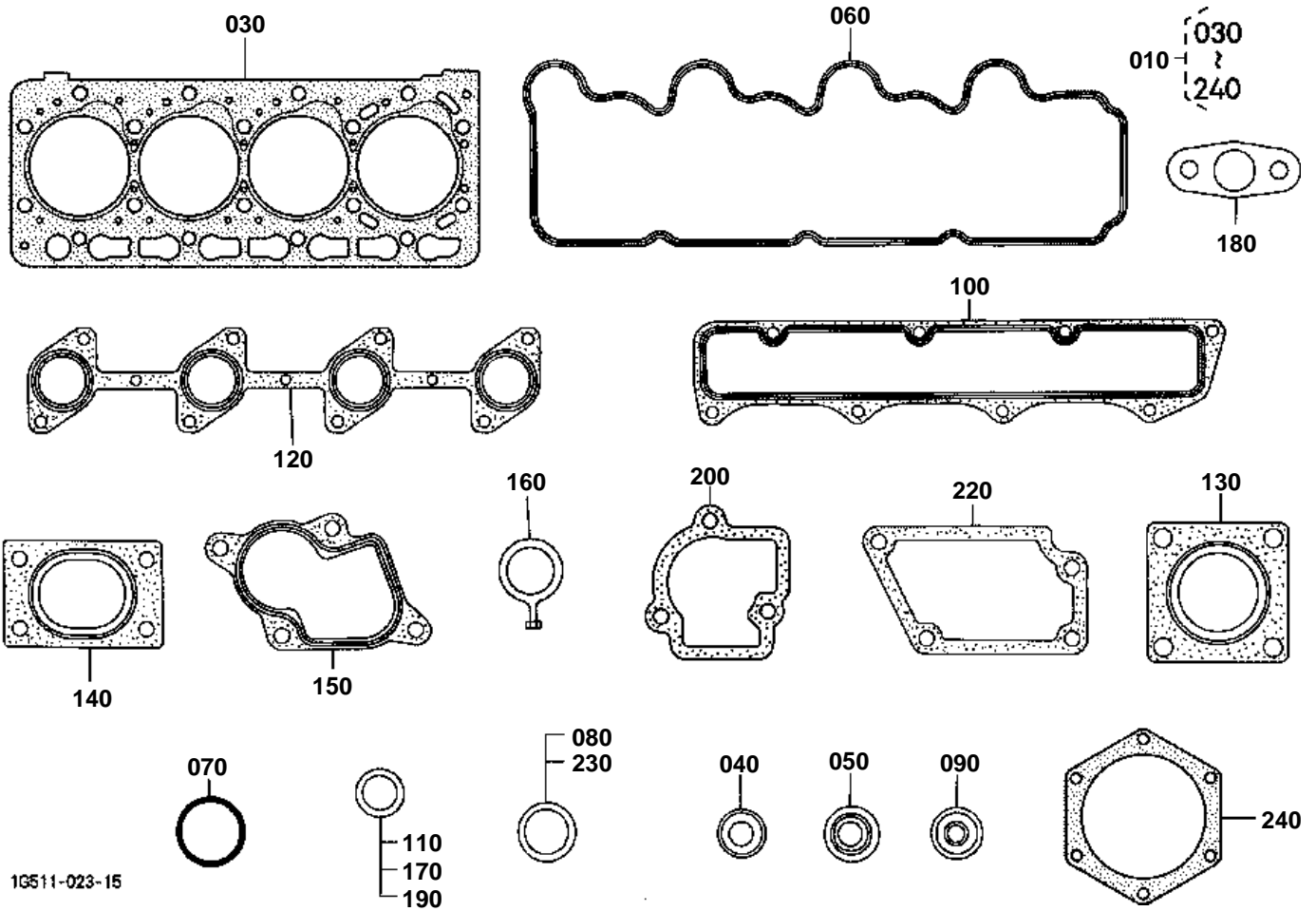


UPPER GASKET KIT [OLD TYPE]
S.No.;<=3K1944

↔ Interchangeable; ≠ not interchangeable; ← new for old; → old for new

REF.No	Part No.	Description	Q'ty	S.No.	I/C	REMARKS	Weight (kgf)	Weight (lb)
010	07916-27325	KIT GASKET UPPER	1	<=YX0940			0	0
010	07916-27326	KIT GASKET UPPER	1	>=YY0471	≠		0	0
010	07916-27327	KIT GASKET UPPER	1	>=1U0331	←		0.58	1.276
020	15221-33700	O RING	1	<=YX0940			0.001	0.0022
030	1C010-03310	GASKET CYL.HEAD	1	<=YX0940			0.16	0.352
030	1C020-03310	GASKET CYL.HEAD	1	>=YY0471	≠		0.24	0.528
040	1C010-13150	SEAL VALVE STEM	8				0.002	0.0044
050	1C010-13160	SEAL VALVE STEM	4				0.002	0.0044
060	1C010-14520	GASKET HEAD COVER	1				0.05	0.11
070	04811-50300	O RING	1				0	0
070	04816-50300	O RING	1		←		0.001	0.0022
080	15841-53622	GASKET	4				0.002	0.0044
090	19077-53650	SEAL HEAT	4				0.005	0.011
100	1C010-11820	GASKET IN-MANIFOLD	1				0.01	0.022
110	15601-96650	GASKET	1				0.001	0.0022
120	1C010-12350	GASKET EX-MANIFOLD	1	<=XU9802			0	0
120	1C010-12352	GASKET EX-MANIFOLD	1	>=XW1357	←		0.001	0.0022
130	1C011-12230	GASKET MUFFLER	1				0.014	0.0308
140	1C040-17100	GASKET	1				0.012	0.0264
150	1C040-17110	GASKET	1				0.008	0.0176
160	15471-96650	GASKET	2				0.002	0.0044
170	15021-33660	GASKET	2				0.001	0.0022
180	16299-33672	GASKET	1				0	0
190	15601-96650	GASKET	1				0.001	0.0022
200	1C010-73270	GASKET	1				0.004	0.0088
210	1C010-72920	GASKET WATER FLANGE	1	<=WT2740			0	0
210	1C010-72922	GASKET WATER FLANGE	1	>=WU0399	←		0.01	0.022
220	1C010-72820	GASKET WATER FLANGE	1				0.001	0.0022
230	15109-33660	GASKET	1				0.001	0.0022
240	1C040-05130	GASKET BREATHER COV.	1	>=1U0331			0.004	0.0088

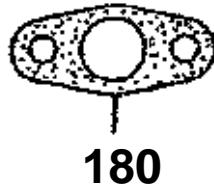
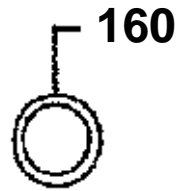
UPPER GASKET KIT [NEW TYPE]



1G511-023-15

160 15471-9665-0

180 16299-3367-0



1G511-865-30

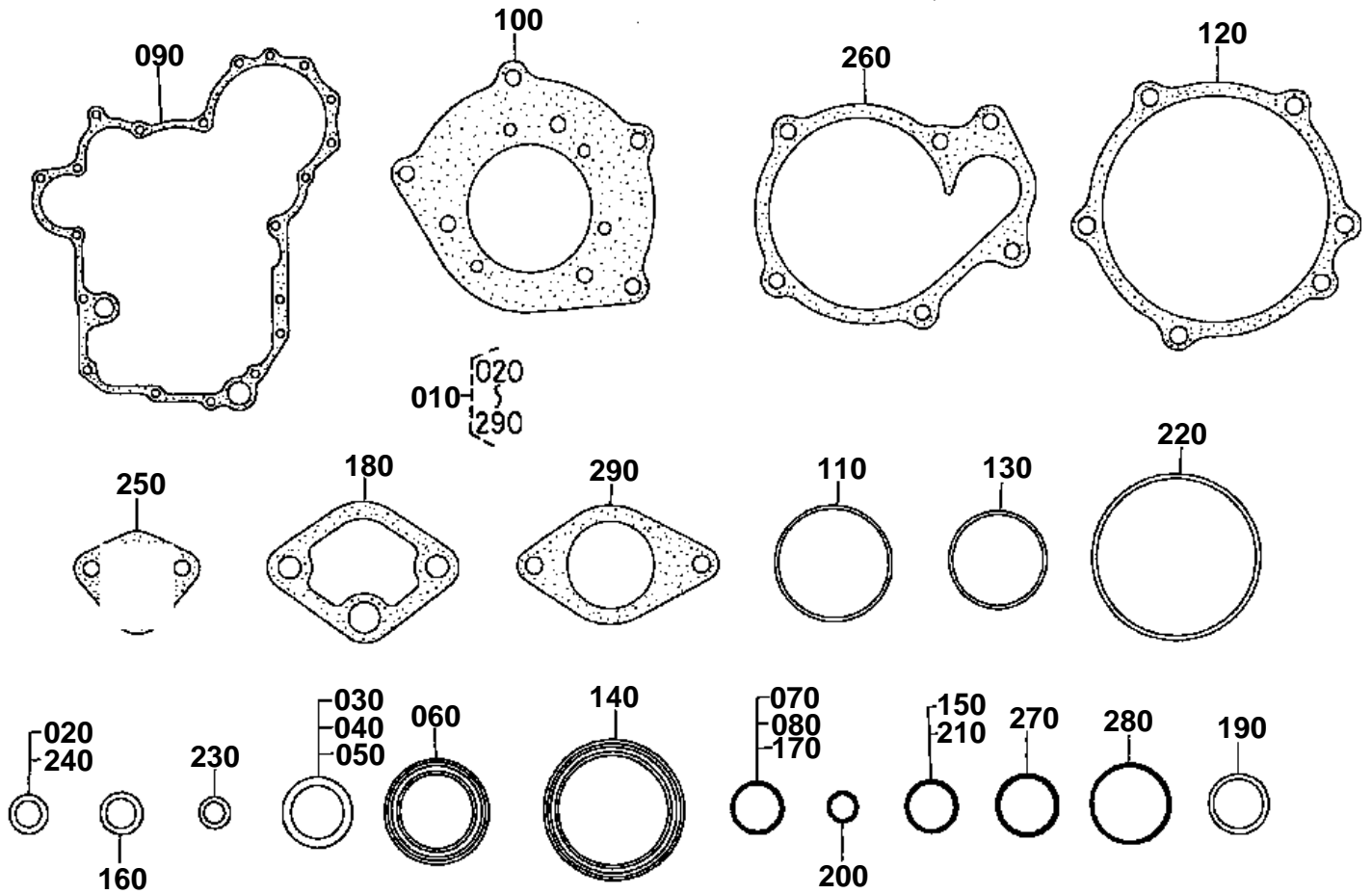


UPPER GASKET KIT [NEW TYPE]
S.No.;>=3L0462

↔ Interchangeable; ≠ not interchangeable; ← new for old; → old for new

REF.No	Part No.	Description	Q'ty	S.No.	I/C	REMARKS	Weight (kgf)	Weight (lb)
010	07916-27328	KIT GASKET UPPER	8				0.541	1.1902
020	99999-99999	BLANK	0				0	0
030	1C020-03310	GASKET CYL.HEAD	1				0.24	0.528
040	1C010-13150	SEAL VALVE STEM	8				0.002	0.0044
050	1C010-13160	SEAL VALVE STEM	4				0.002	0.0044
060	1C010-14520	GASKET HEAD COVER	1				0.05	0.11
070	04816-50300	O RING	1				0.001	0.0022
080	15841-53622	GASKET	4				0.002	0.0044
090	19077-53650	SEAL HEAT	4				0.005	0.011
100	1C010-11820	GASKET IN-MANIFOLD	1				0.01	0.022
110	15601-96650	GASKET	1				0.001	0.0022
120	1C010-12352	GASKET EX-MANIFOLD	1				0.001	0.0022
130	1C011-12230	GASKET MUFFLER	1				0.014	0.0308
140	1C040-17100	GASKET	1				0.012	0.0264
150	1C040-17110	GASKET	1				0.008	0.0176
160	15471-96650	GASKET	2				0.002	0.0044
160	1C020-96650	GASKET	2			↔	0.001	0.0022
170	15021-33660	GASKET	2				0.001	0.0022
180	16299-33672	GASKET	1				0	0
180	1C040-33670	GASKET	1	<=3W2613			0.001	0.0022
190	15601-96650	GASKET	1	>=3Y0001	←		0.001	0.0022
200	1C020-73270	GASKET	1				0.001	0.0022
210	99999-99999	BLANK	0				0	0
220	1C010-72820	GASKET WATER FLANGE	1				0.001	0.0022
230	15109-33660	GASKET	1				0.001	0.0022
240	1C040-05130	GASKET BREATHER COV.	1				0.004	0.0088

LOWER GASKET KIT



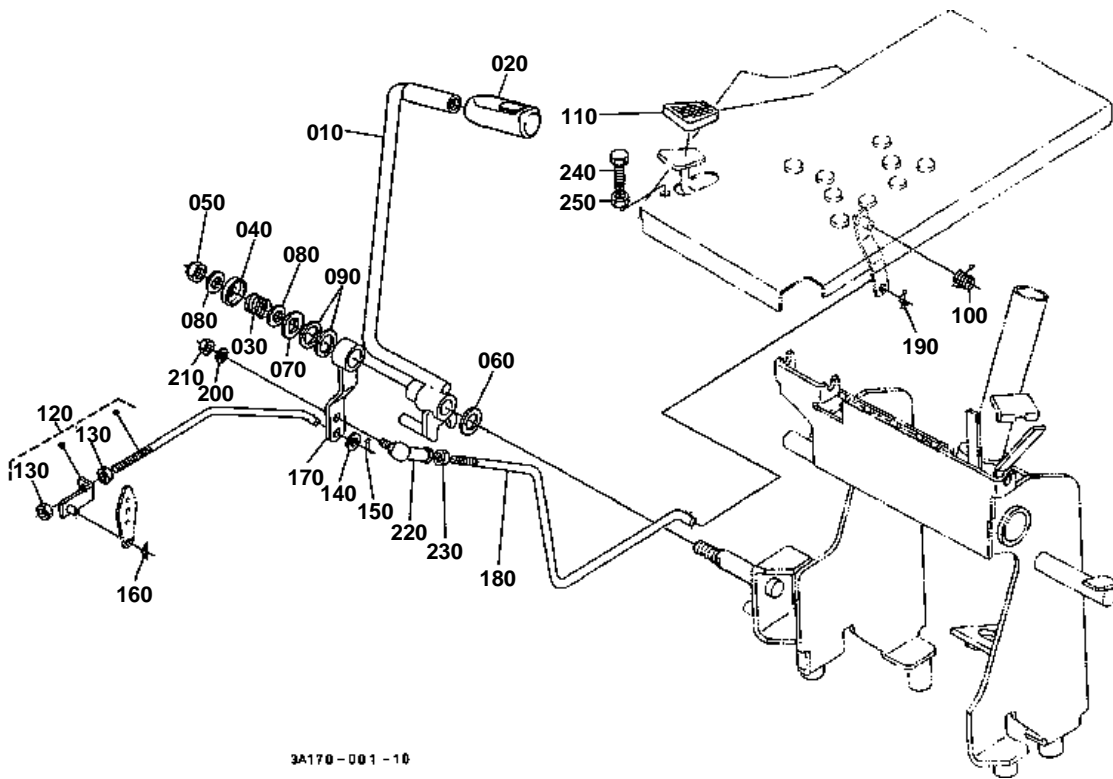
1G511-024-10

**LOWER GASKET KIT**

↔ Interchangeable; ≠ not interchangeable; ← new for old; → old for new

REF.No	Part No.	Description	Q'ty	S.No.	I/C	REMARKS	Weight (kgf)	Weight (lb)
010	07916-27335	KIT GASKET LOWER	1	<=YV0561			0	0
010	07916-27336	KIT GASKET LOWER	1	>=YW0491	≠		0.34	0.748
020	15021-33660	GASKET	1				0.001	0.0022
030	15451-96670	GASKET	2				0.003	0.0066
040	15451-96670	GASKET	1				0.003	0.0066
050	04724-00200	GASKET	1				0.003	0.0066
060	1C010-04140	SEAL OIL	1				0	0
060	1C020-04140	SEAL OIL	1		↔		0.044	0.0968
070	04814-00200	O RING	1				0.01	0.022
080	04814-00240	O RING	1				0.001	0.0022
090	1C010-04130	GASKET CRANKCASE	1				0.02	0.044
100	1C010-51180	GASKET I/P BASE	1				0.006	0.0132
110	1C010-16220	GASKET SHAFT COVER	1				0.001	0.0022
120	1C010-51660	GASKET I/P COVER	1				0.003	0.0066
130	1C010-52130	GASKET INJ.PUMP	1				0.001	0.0022
140	1C010-04460	SEAL OIL	1				0.07	0.154
150	04814-00220	O RING	1				0.001	0.0022
160	15471-96650	GASKET	2				0.002	0.0044
160	1C020-96650	GASKET	2		↔		0.001	0.0022
170	04811-50300	O RING	2				0	0
170	04816-50300	O RING	2		←		0.001	0.0022
180	15625-32890	GASKET	1				0.001	0.0022
190	1C011-43330	GASKET	1				0.002	0.0044
200	04811-10070	O RING	2	<=2F0224			0.001	0.0022
200	04814-10070	O RING	2	>=2G0462	←		0.001	0.0022
210	04811-00160	O RING	1				0	0
210	04817-00160	O RING	1		←		0.001	0.0022
220	1C010-55770	GASKET GOV.HOUSING	1				0.001	0.0022
230	15601-96650	GASKET	18				0.001	0.0022
240	15021-33660	GASKET	4				0.001	0.0022
250	16264-52140	GASKET FUEL PUMP	1				0.001	0.0022
260	1C010-73430	GASKET WATER PUMP	1				0.003	0.0066
270	04814-00420	O RING	1				0.002	0.0044
280	04815-06710	O RING	2	<=YV0561			0.01	0.022
280	1C010-96960	O RING	2	>=YW0491	←		0.001	0.0022
290	16264-88130	GASKET H/METER UNIT	1				0.002	0.0044

HAND ACCELERATOR LEVER



3A170-001-10

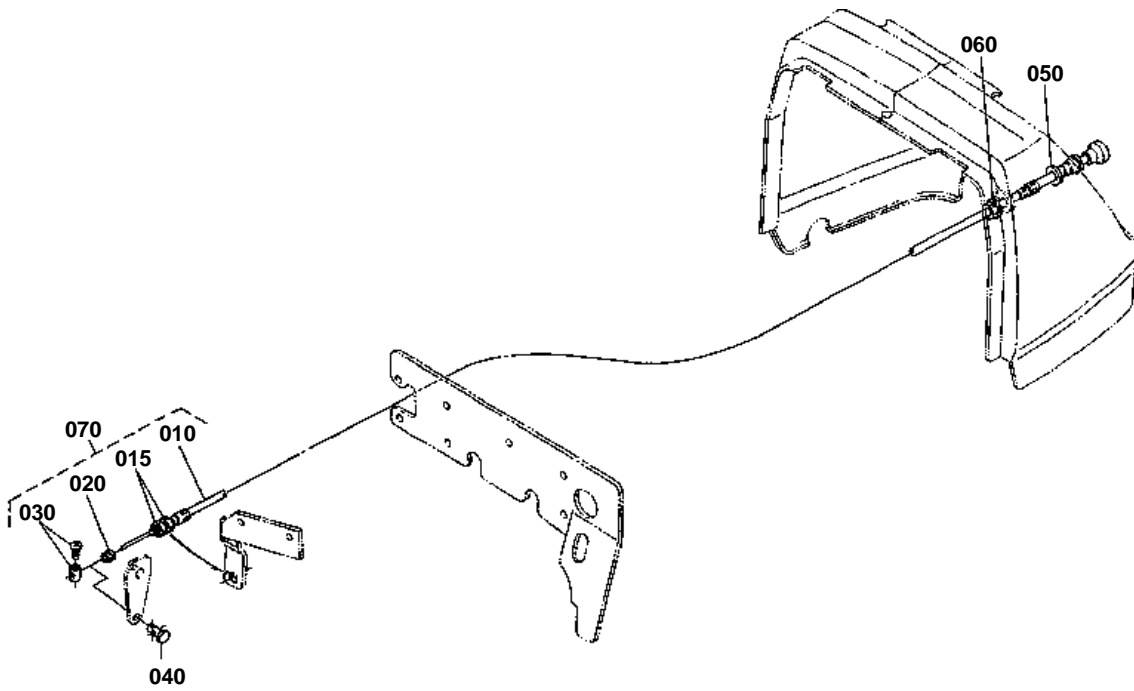


HAND ACCELERATOR LEVER

↔ Interchangeable; ≠ not interchangeable; ← new for old; → old for new

REF.No	Part No.	Description	Q'ty	S.No.	I/C	REMARKS	Weight (kgf)	Weight (lb)
010	3A481-10220	LEVER HAND ACCEL.	1	<=50220			0	0
010	3A481-10222	LEVER HAND ACCEL.	1	>=50221	←		1.075	2.365
020	3A111-10230	GRIP	1				0.039	0.0858
030	33251-10320	SPRING ACCEL.LEVER	1				0.012	0.0264
040	33251-10270	CAP SPRING	1				0.01	0.022
050	02576-50120	NUT LOCK	1				0.011	0.0242
060	3A111-10260	PLATE	1				0.004	0.0088
070	3A111-10380	PLATE ACCEL.LEVER	1				0.021	0.0462
080	04013-60120	WASHER PLAIN	2				0.01	0.022
090	3A111-10390	WASHER	2				0.005	0.011
100	T0070-44720	SPRING	1				0.015	0.033
110	37410-42760	COVER PEDAL	1				0.025	0.055
120	3A111-10010	ASSY ROD ACCEL.	1				0.135	0.297
130	02112-50080	NUT	2				0.003	0.0066
140	04012-50080	WASHER PLAIN	1				0.001	0.0022
150	05511-50218	PIN SPLIT	1				0.001	0.0022
160	3A011-32870	PIN SNAP	1				0.001	0.0022
170	3A111-10470	LINK ACCEL.	1				0.135	0.297
180	3A151-10150	ROD ACCEL.PEDAL	1				0.165	0.363
190	52300-34120	PIN SNAP	1				0.001	0.0022
200	04512-60080	WASHER SPRING	1				0.002	0.0044
210	02156-50080	NUT	1				0.004	0.0088
220	45404-95770	END ROD	1				0.05	0.11
230	02112-50080	NUT	1				0.003	0.0066
240	3A011-10250	BOLT	1				0.025	0.055
250	02116-50100	NUT	1				0.004	0.0088

ENGINE STOP WIRE



3A110-009-12

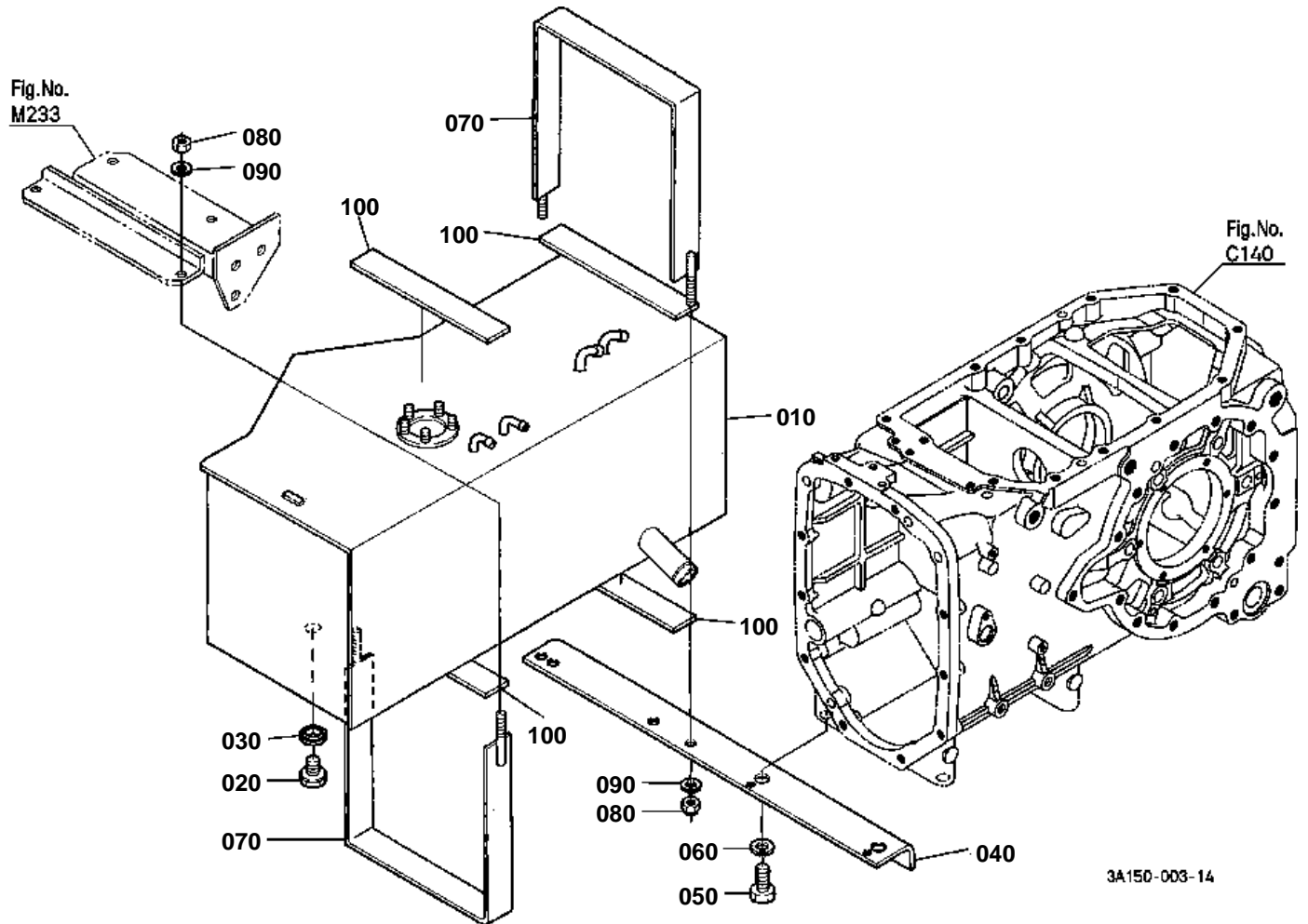


ENGINE STOP WIRE

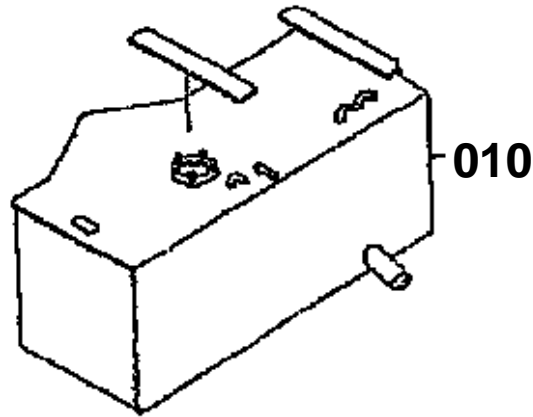
↔ Interchangeable; ≠ not interchangeable; ← new for old; → old for new

REF.No	Part No.	Description	Q'ty	S.No.	I/C	REMARKS	Weight (kgf)	Weight (lb)
010	3A111-10342	WIRE ENGINE STOP	1	<=50142		NOT SALE	0	0
010	3A111-10344	WIRE ENGINE STOP	1	>=50143	→	NOT SALE	0.07	0.154
015	02012-60060	NUT	2				0.005	0.011
020	3A011-10360	COVER ENGINE STOP	1				0.002	0.0044
030	T0070-44260	SCREW	1				0.005	0.011
040	34070-44240	PIN JOINT	1				0.005	0.011
050	04011-50100	WASHER PLAIN	1				0.002	0.0044
060	02771-60100	NUT FLANGE	1				0.01	0.022
070	3A111-10330	ASSY WIRE E/G STOP	1			OPTION	0.079	0.1738

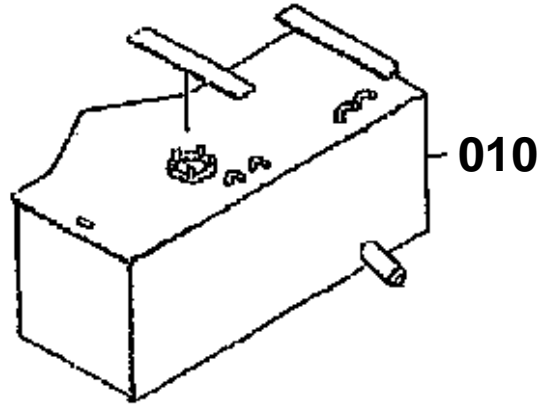
FUEL TANK RH



010 3A151-0413-0



010 3A151-0413-4



040 3A151-0418-0



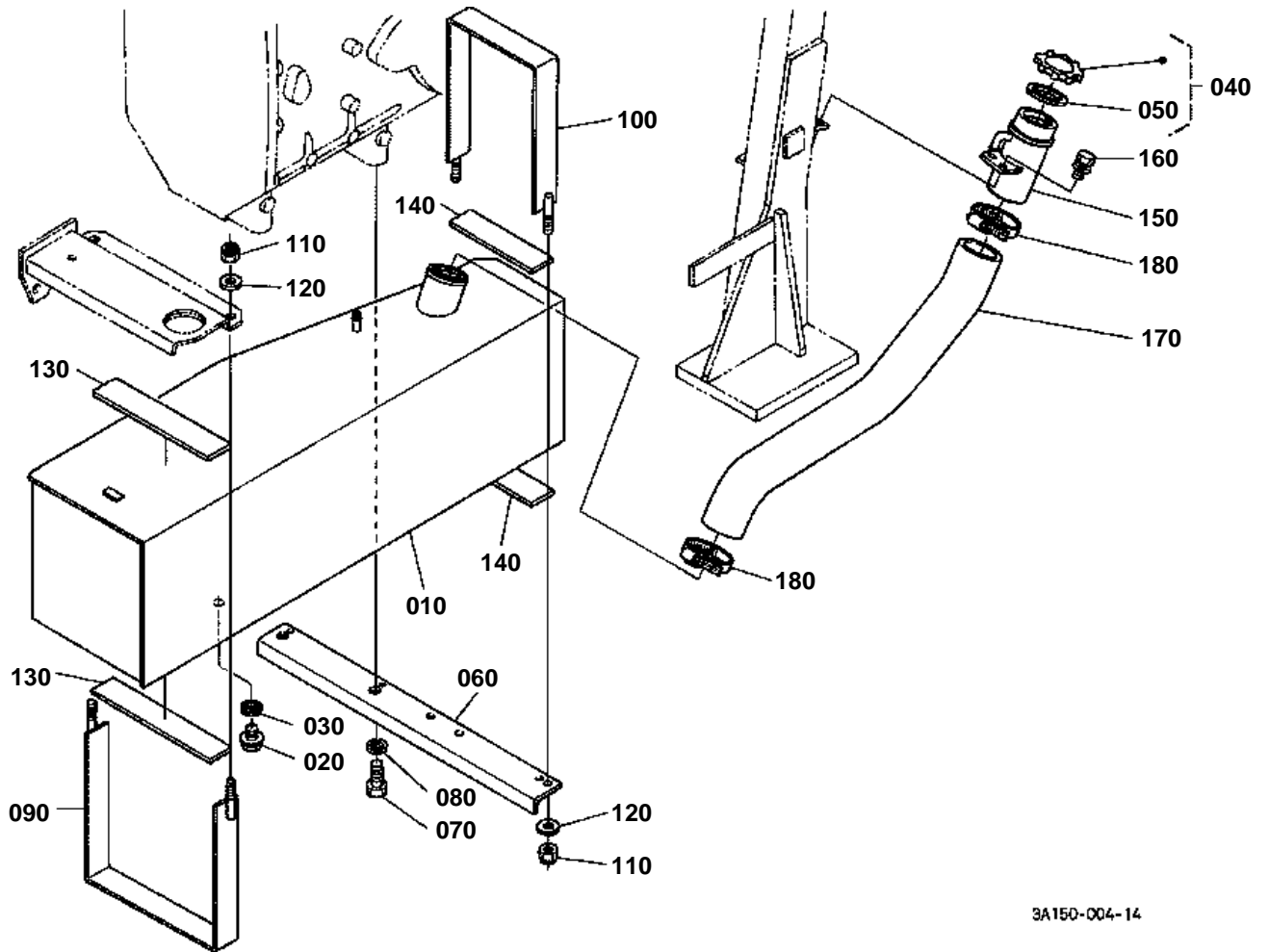
3A150-801-11

**FUEL TANK RH**

↔ Interchangeable; ≠ not interchangeable; ← new for old; → old for new

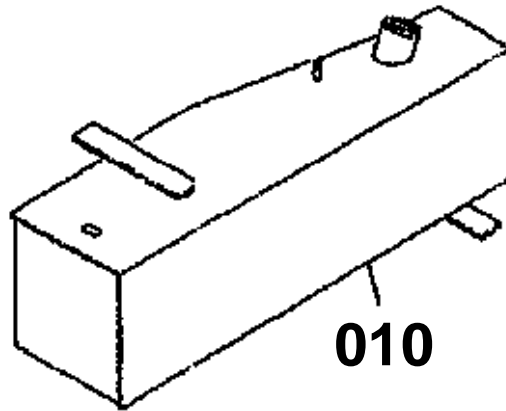
REF.No	Part No.	Description	Q'ty	S.No.	I/C	REMARKS	Weight (kgf)	Weight (lb)
010	3A151-04134	TANK FUEL RH	1	<=58772			0	0
010	3A151-04135	TANK FUEL RH	1	>=58773	←		10.2	22.44
020	01774-51616	BOLT FLANGE	1				0.07	0.154
030	04717-01600	WASHER WITH RUBBER	1				0.003	0.0066
040	3A151-04183	STAY FUEL TANK	1	<=59635			0	0
040	3A151-04184	STAY FUEL TANK	2	>=59636	←		2.1	4.62
050	01173-51635	BOLT	2				0.008	0.0176
060	04512-60160	WASHER SPRING	2				0.01	0.022
070	3A151-04360	BAND FUEL TANK	2				0.72	1.584
080	02574-50100	NUT LOCK	4				0.007	0.0154
090	04013-60100	WASHER PLAIN	4				0.003	0.0066
100	3A111-04660	CUSHION TANK	4	<=52435			0.087	0.1914
100	3A111-04663	CUSHION TANK	4	>=52436	←		0.087	0.1914
100	3A111-04664	CUSHION TANK	4	>=54039	←		0.087	0.1914

FUEL TANK LH

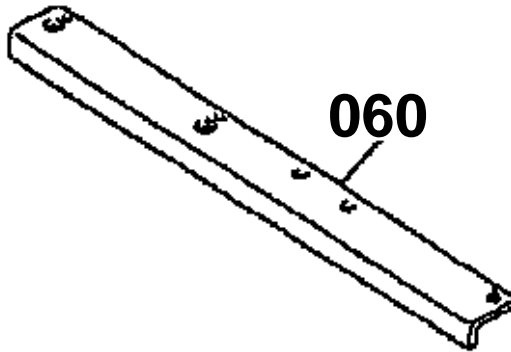


3A150-004-14

010 3A151-0414-0



060 3A151-0418-0



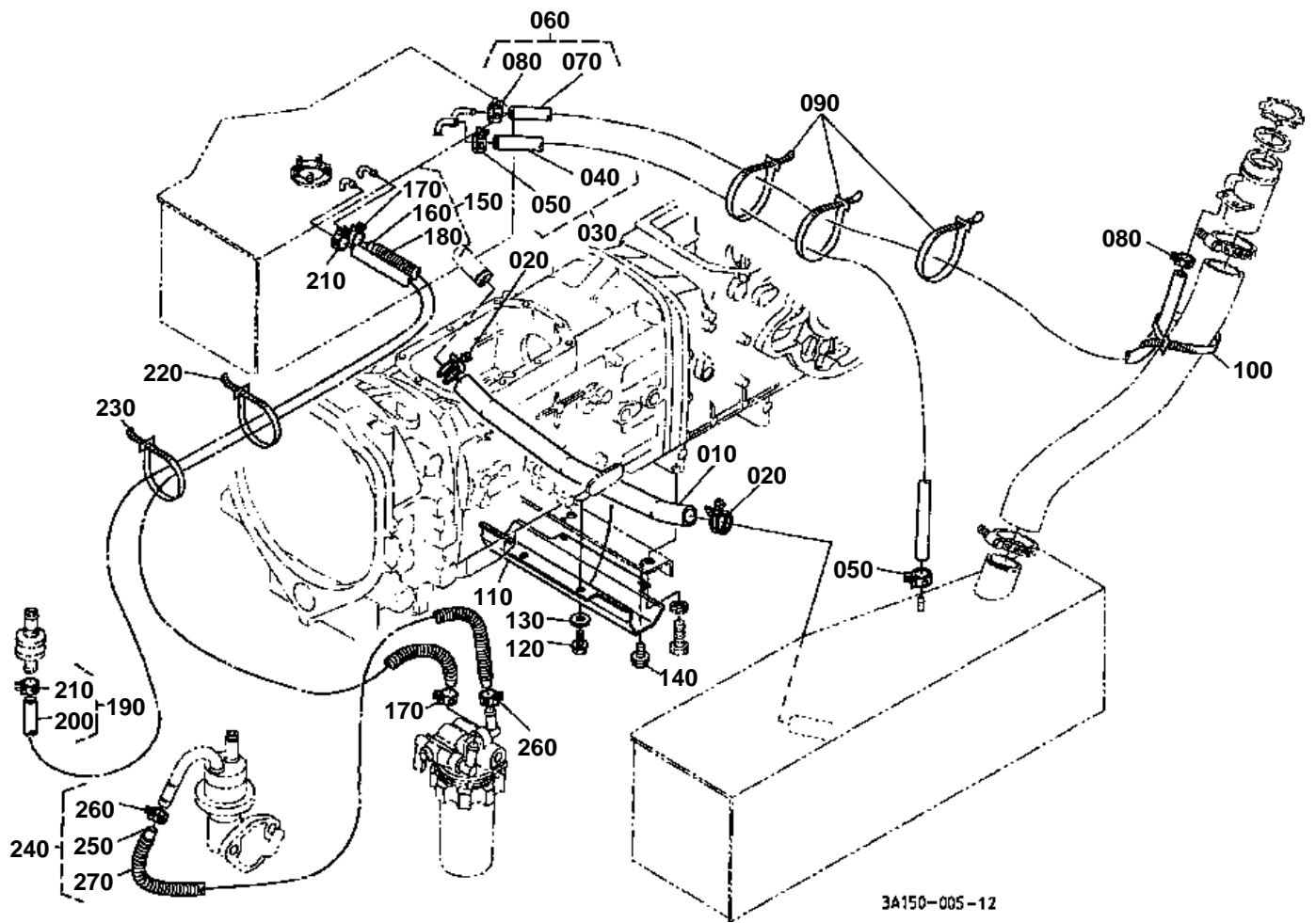
3A153-800-12

**FUEL TANK LH**

↔ Interchangeable; ≠ not interchangeable; ← new for old; → old for new

REF.No	Part No.	Description	Q'ty	S.No.	I/C	REMARKS	Weight (kgf)	Weight (lb)
010	3A151-04140	TANK FUEL LH	1	<=58772			0	0
010	3A151-04144	TANK FUEL LH	1	>=58773	←		13.2	29.04
020	01774-51616	BOLT FLANGE	1				0.07	0.154
030	04717-01600	WASHER WITH RUBBER	1				0.003	0.0066
040	3A111-04290	ASSY CAP FUEL TANK	1				0.09	0.198
050	61191-54740	GASKET TANK CAP	1				0.01	0.022
060	3A151-04183	STAY FUEL TANK	1	<=59635			0	0
060	3A151-04184	STAY FUEL TANK	2	>=59636	←		2.1	4.62
070	01173-51635	BOLT	2				0.008	0.0176
080	04512-60160	WASHER SPRING	2				0.01	0.022
090	3A151-04370	BAND FUEL TANK	1				0.72	1.584
100	3A151-04390	BAND FUEL TANK	1				0.66	1.452
110	02574-50100	NUT LOCK	4				0.007	0.0154
120	04013-60100	WASHER PLAIN	4				0.003	0.0066
130	3A151-04660	CUSHION TANK	2	<=54025			0	0
130	3A151-04663	CUSHION TANK	2	>=54026	←		0.08	0.176
140	3A111-04670	CUSHION TANK	2	<=54025			0	0
140	3A111-04674	CUSHION TANK	2	>=54026	←		0.07	0.154
150	3A111-04560	FILLER FUEL	1	<=56255			0	0
150	3A111-04564	FILLER FUEL	1	>=56256	←		0.4	0.88
160	01123-50820	BOLT	2				0.011	0.0242
170	3A151-04570	HOSE FUEL	1	<=56643			0	0
170	3A151-04572	HOSE FUEL	1	>=56644	←		0.805	1.771
180	36919-04590	CLIP HOSE	2				0.05	0.11

FUEL PIPE

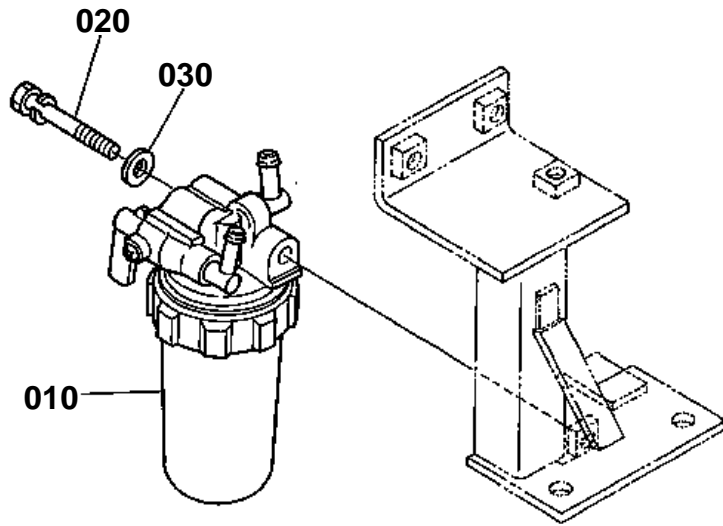


**FUEL PIPE**

↔ Interchangeable; ≠ not interchangeable; ← new for old; → old for new

REF.No	Part No.	Description	Q'ty	S.No.	I/C	REMARKS	Weight (kgf)	Weight (lb)
010	3A111-04510	HOSE FUEL TANK	1				0.21	0.462
020	36200-82720	CLAMP	2				0.025	0.055
030	3A151-04480	ASSY TUBE FUEL	1				0.113	0.2486
040	3A151-04410	TUBE BREATHER	1				0.105	0.231
050	09318-88130	CLAMP HOSE	2				0.002	0.0044
060	3A111-04492	ASSY TUBE FUEL	1				0.125	0.275
070	3A111-04420	TUBE BREATHER	1				0.18	0.396
080	09318-88130	CLAMP HOSE	2				0.002	0.0044
090	53581-64150	BAND CORD	6				0.002	0.0044
100	55311-41260	BAND CORD	2				0.007	0.0154
110	3A151-04580	COVER FUEL PIPE	1				1.205	2.651
120	01133-51225	BOLT	2				0.035	0.077
130	04013-60120	WASHER PLAIN	2				0.01	0.022
140	01754-50812	BOLT FLANGE	2				0.01	0.022
150	3A151-04460	ASSY TUBE FUEL	1				0.19	0.418
160	09661-81250	TUBE FUEL	1				0.147	0.3234
170	14911-42750	CLIP PIPE	2				0.002	0.0044
180	3A151-04550	TUBE PIPE	1				0.037	0.0814
190	3A111-04472	ASSY TUBE FUEL	1				0.04	0.088
200	09661-40775	TUBE FUEL	1				0.035	0.077
210	14971-42750	CLIP PIPE	2				0.001	0.0022
220	53581-64150	BAND CORD	3				0.002	0.0044
230	55311-41260	BAND CORD	3				0.007	0.0154
240	3A111-04430	ASSY TUBE FUEL	1	≤50220			0	0
240	3A151-04440	ASSY TUBE FUEL	1	≥50221	←		0.11	0.242
250	09661-80750	TUBE FUEL	1	≤50220			0.085	0.187
250	09661-70750	TUBE FUEL	1	≥50221	←		0.08	0.176
260	14911-42750	CLIP PIPE	2				0.002	0.0044
270	3A111-04540	TUBE PIPE	1				0.02	0.044

SEPARATOR



3A110-005-10

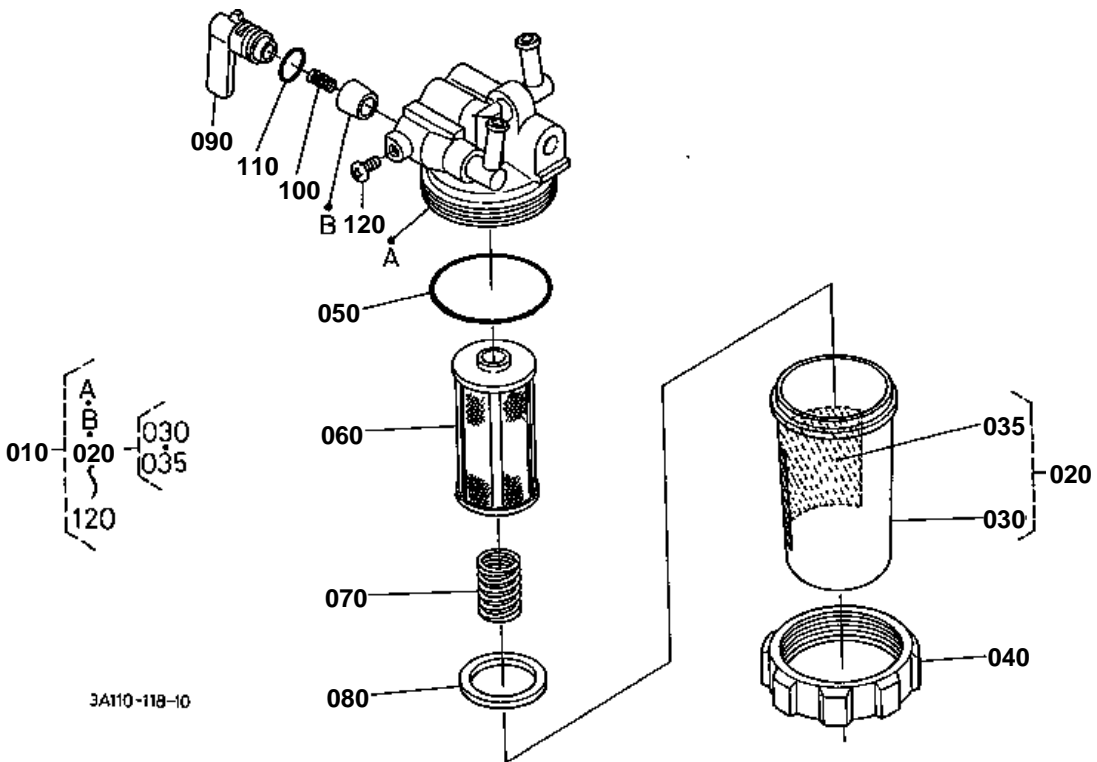


SEPARATOR

↔ Interchangeable; ≠ not interchangeable; ← new for old; → old for new

REF.No	Part No.	Description	Q'ty	S.No.	I/C	REMARKS	Weight (kgf)	Weight (lb)
010	16541-43350	SEPARATOR	1				0.285	0.627
020	01123-50865	BOLT	1				0.028	0.0616
030	04013-60080	WASHER PLAIN	1				0.002	0.0044

SEPARATOR [COMPONENT PARTS]

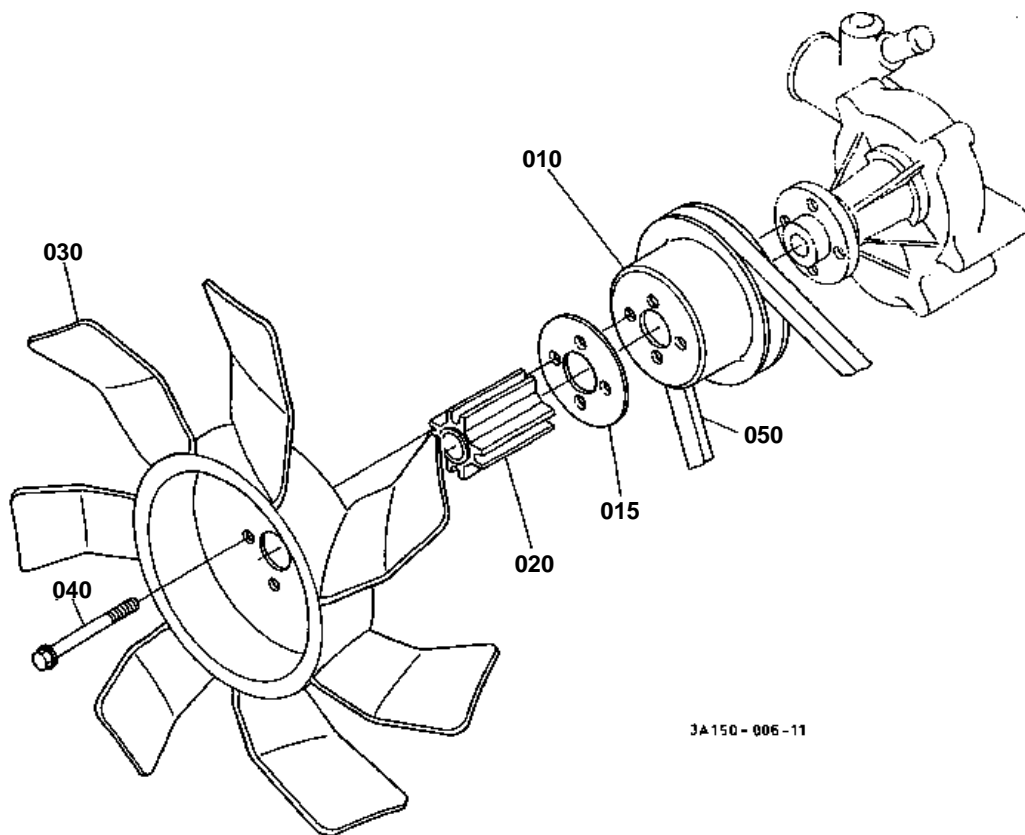




SEPARATOR [COMPONENT PARTS]

↔ Interchangeable; ≠ not interchangeable; ← new for old; → old for new

REF.No	Part No.	Description	Q'ty	S.No.	I/C	REMARKS	Weight (kgf)	Weight (lb)
010	16541-43350	SEPARATOR	1				0.285	0.627
020	15831-43100	ASSY CUP FILTER	1				0.028	0.0616
030	16271-43580	CUP FILTER	1				0.045	0.099
035	15831-87462	LABEL	1				0.001	0.0022
040	16271-43590	RING RETAINING	1				0.075	0.165
050	16271-43570	O RING FILTER CUP	1				0.001	0.0022
060	15831-43380	ELEMENT	1				0.04	0.088
070	15831-43930	SPRING	1				0.005	0.011
080	15831-43250	FLOAT	1				0.001	0.0022
090	14301-43522	LEVER COCK	1				0.024	0.0528
100	16541-43820	SPRING VALVE	1				0.001	0.0022
110	14301-43840	O RING LEVER	1				0.001	0.0022
120	14301-43830	SCREW SET	1				0.001	0.0022



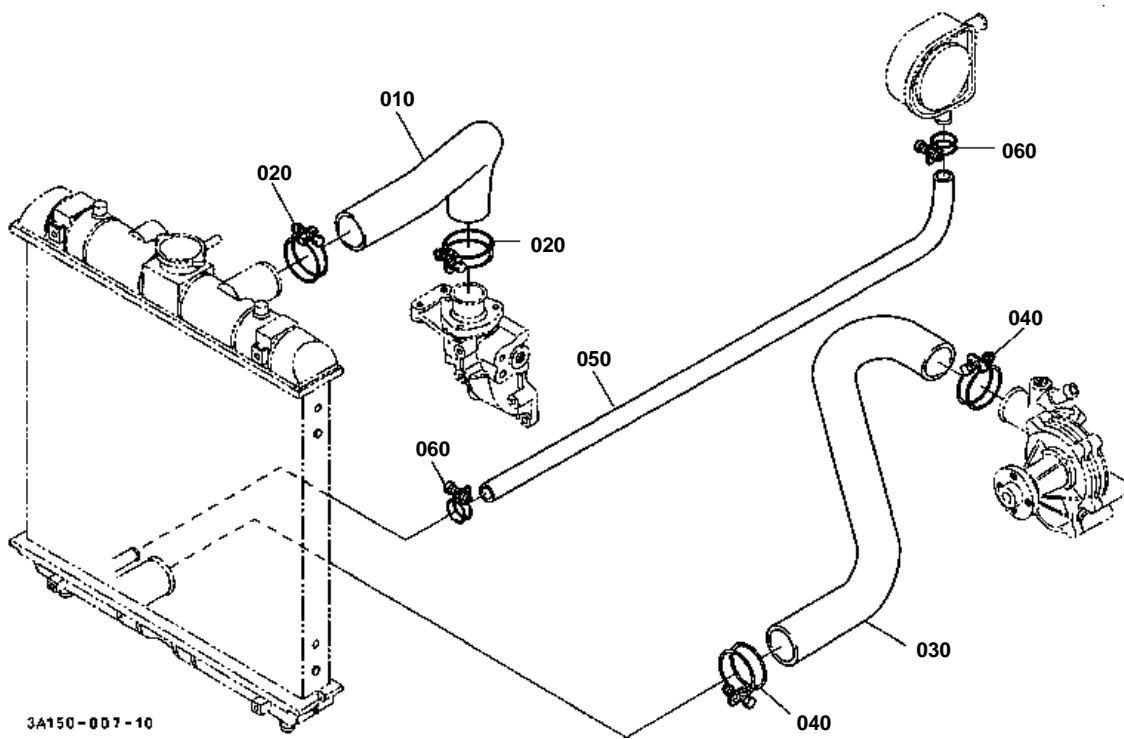
3A150-006-11

**FAN**

↔ Interchangeable; ≠ not interchangeable; ← new for old; → old for new

REF.No	Part No.	Description	Q'ty	S.No.	I/C	REMARKS	Weight (kgf)	Weight (lb)
010	1C010-74250	PULLEY FAN	1				0.69	1.518
015	3A111-16230	WASHER FAN	1				0.085	0.187
020	3A151-17260	FLANGE FAN	1				0.245	0.539
030	1C010-74110	FAN	1				1.1	2.42
040	01754-50800	BOLT FLANGE	4				0.04	0.088
050	1C010-97010	BELT V	1				0.13	0.286

WATER PIPE



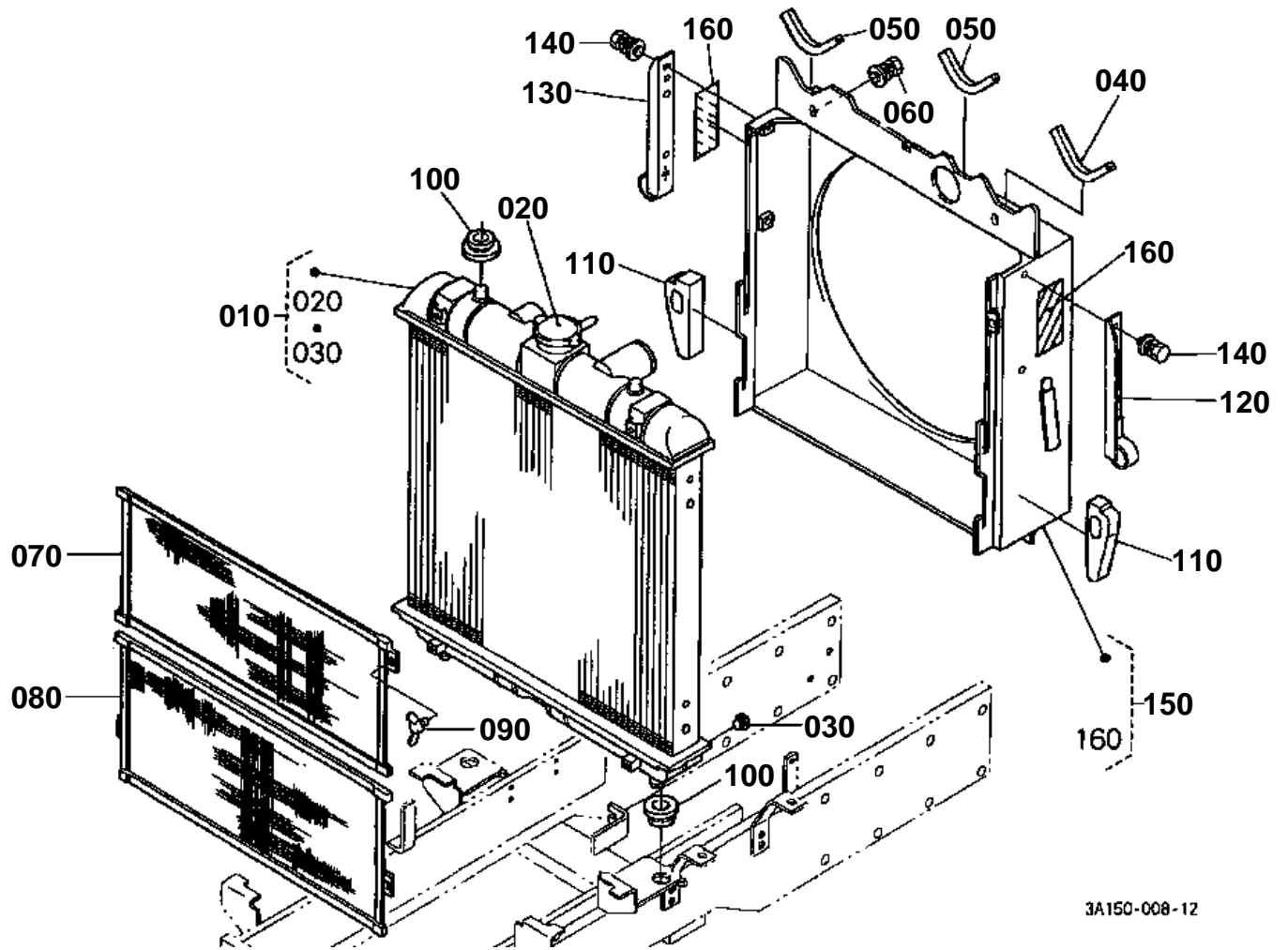


WATER PIPE

↔ Interchangeable; ≠ not interchangeable; ← new for old; → old for new

REF.No	Part No.	Description	Q'ty	S.No.	I/C	REMARKS	Weight (kgf)	Weight (lb)
010	3A151-17460	HOSE WATER UPPER	1				0.4	0.88
020	09318-89061	CLAMP HOSE	2	≤51913			0.035	0.077
020	09318-89058	CLAMP HOSE	2	≥51914	←		0.028	0.0616
030	3A151-17452	HOSE WATER LOWER	1				0.71	1.562
040	09318-89061	CLAMP HOSE	2	≤51913			0.035	0.077
040	09318-89058	CLAMP HOSE	2	≥51914	←		0.028	0.0616
050	3A151-17430	HOSE WATER RETURN	1				0.183	0.4026
060	09318-89024	CLAMP HOSE	2				0.02	0.044

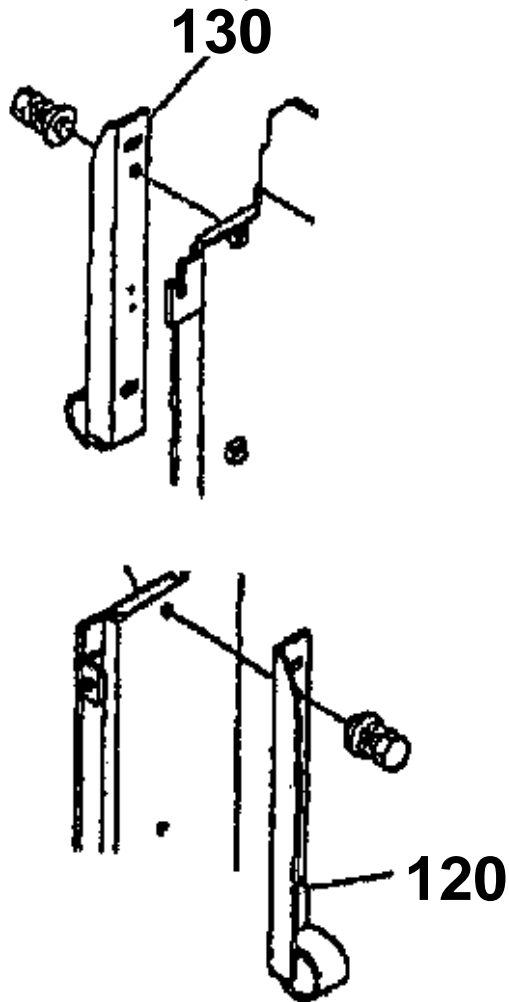
RADIATOR



3A150-008-12

120 3A111-8305-0

130 3A011-8304-4



3A481-838-10

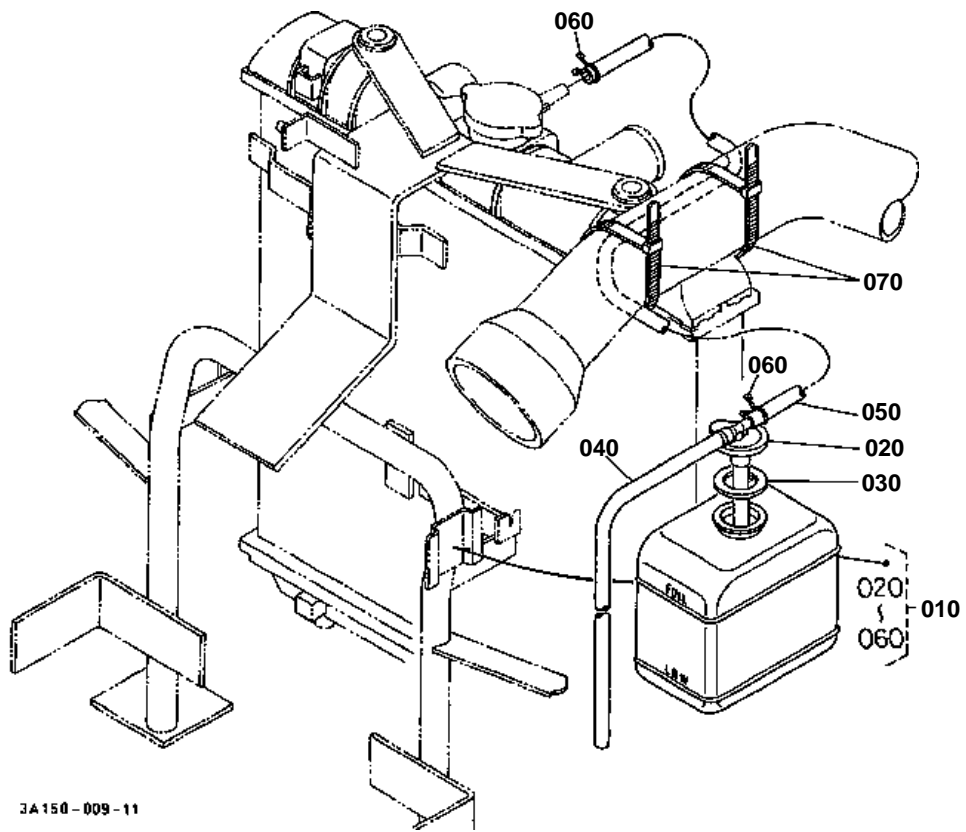


RADIATOR

↔ Interchangeable; ≠ not interchangeable; ← new for old; → old for new

REF.No	Part No.	Description	Q'ty	S.No.	I/C	REMARKS	Weight (kgf)	Weight (lb)
010	3A151-17100	ASSY RADIATOR	1				5.6	12.32
020	3A111-17110	ASSY CAP RADIATOR	1				0.07	0.154
030	3A111-17130	ASSY PLUG RADIATOR	1				0.001	0.0022
040	3A111-17290	TRIM SASH	1				0.006	0.0132
050	3A151-17290	TRIM SASH	2				0.004	0.0088
060	01025-50612	BOLT	4				0.005	0.011
070	3A111-17410	NET RADIATOR	1				0.22	0.484
080	3A111-17420	NET RADIATOR LOWER	1				0.22	0.484
090	01811-50610	BOLT WING	1				0.014	0.0308
100	34070-16030	RUBBER	4				0.015	0.033
110	3A151-17190	SPONGE SIDE	2				0.011	0.0242
120	3A111-83050	GUIDE LH	1	<=55588			0	0
120	3A151-83050	GUIDE LH	1	>=55589	←		0.145	0.319
130	3A011-83044	GUIDE RH	1	<=55588			0.145	0.319
130	3A151-83040	GUIDE RH	1	>=55589	←		0.145	0.319
140	01025-50612	BOLT	4				0.005	0.011
150	3A151-97350	KIT SHROUD FAN(A)	1				2.6	5.72
160	32751-49580	LABEL FAN BELT	2				0.001	0.0022

RESERVE TANK



3A150-009-11

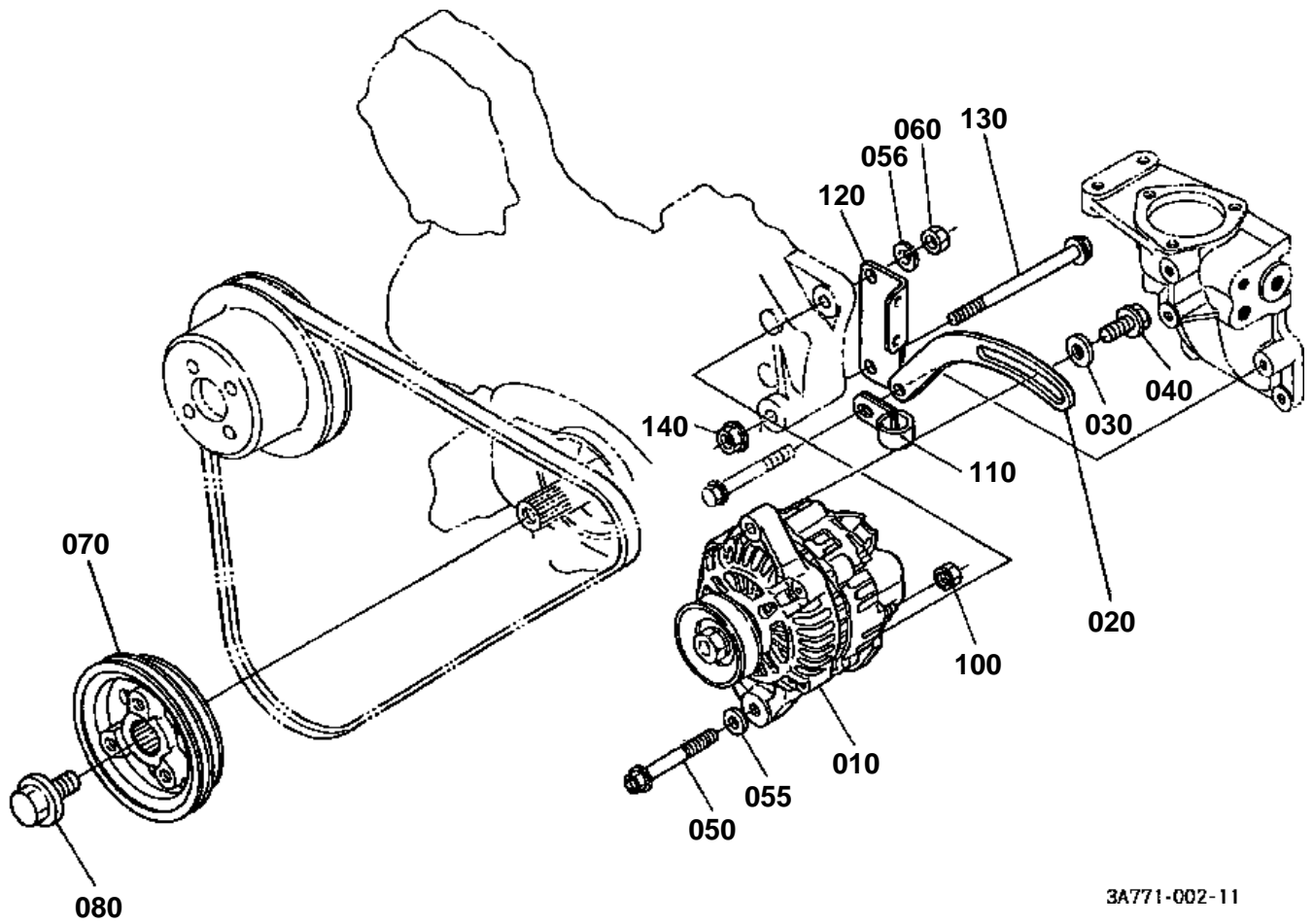


RESERVE TANK

↔ Interchangeable; ≠ not interchangeable; ← new for old; → old for new

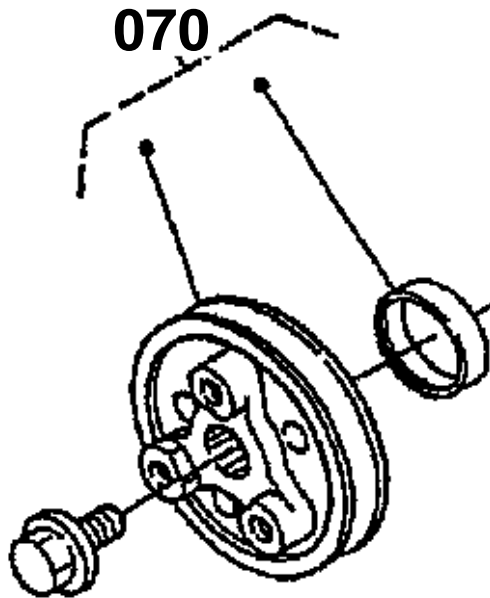
REF.No	Part No.	Description	Q'ty	S.No.	I/C	REMARKS	Weight (kgf)	Weight (lb)
010	3A111-17300	ASSY TANK RESERVE	1				0.38	0.836
020	15272-72420	CAP	1				0.03	0.066
030	15531-72432	GASKET	1				0.002	0.0044
040	15471-72440	PIPE WATER OVER FLOW	1				0.05	0.11
050	3A111-17330	TUBE WATER	1				0.08	0.176
060	15501-72470	CLIP PIPE	2				0.005	0.011
070	T0090-63580	BAND CORD	2				0.005	0.011

ALTERNATOR



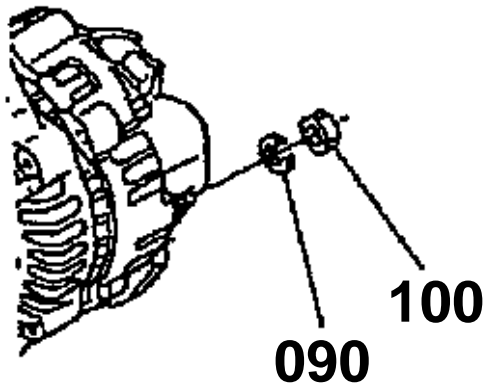
3A771-002-11

070 1C010-7402-0



090 04512-60060

100 02056-50060



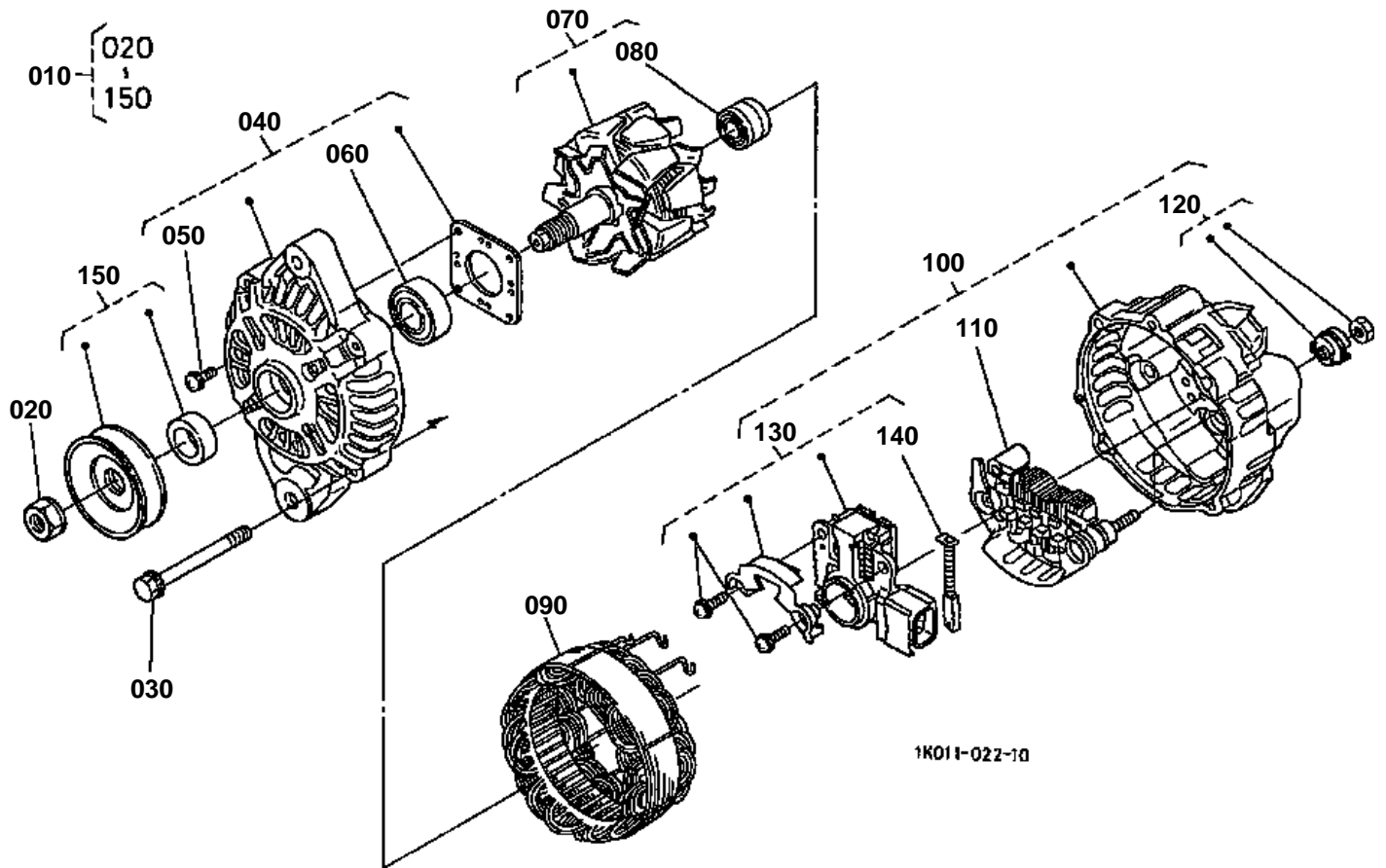
3A124-805-12

**ALTERNATOR**

↔ Interchangeable; ≠ not interchangeable; ← new for old; → old for new

REF.No	Part No.	Description	Q'ty	S.No.	I/C	REMARKS	Weight (kgf)	Weight (lb)
010	1C010-64010	ASSY DYNAMO	1	<=55588			3.63	7.986
010	3A251-74010	ASSY ALTERNATOR	1	>=55589	←		3.6	7.92
020	1C010-64420	STAY DYNAMO	1				0.156	0.3432
030	04015-60080	WASHER PLAIN	1				0.01	0.022
040	01754-50825	BOLT FLANGE	1				0.01	0.022
050	3A111-17390	BOLT FLANGE	1				0.055	0.121
055	04013-60100	WASHER PLAIN	1				0.003	0.0066
056	04512-60100	WASHER SPRING	1				0.002	0.0044
060	02076-50100	NUT	1		←		0.006	0.0132
070	1C010-74020	ASSY PULLEY FAN DRI.	1	<=53558			1.58	3.476
070	1C010-74282	PULLEY FAN DRIVE	1	>=53559	←		1.6	3.52
080	17121-91010	BOLT	1	<=53047			0.26	0.572
080	1C010-91010	BOLT	1	>=53048	←		0.19	0.418
090	04512-60060	WASHER SPRING	1	<=55588			0.001	0.0022
100	02056-50060	NUT	1	<=55588			0.002	0.0044
100	12264-92020	NUT SPRING WASHER M	1	>=55589	←		0.05	0.11
110	52200-41160	CLAMP CORD	1				0.01	0.022
120	3A111-77320	CLAMP CORD	1				0.046	0.1012
130	01754-50880	BOLT FLANGE	1				0.03	0.066
140	02751-50080	NUT FLANGE	1				0.006	0.0132

ALTERNATOR [COMPONENT PARTS]

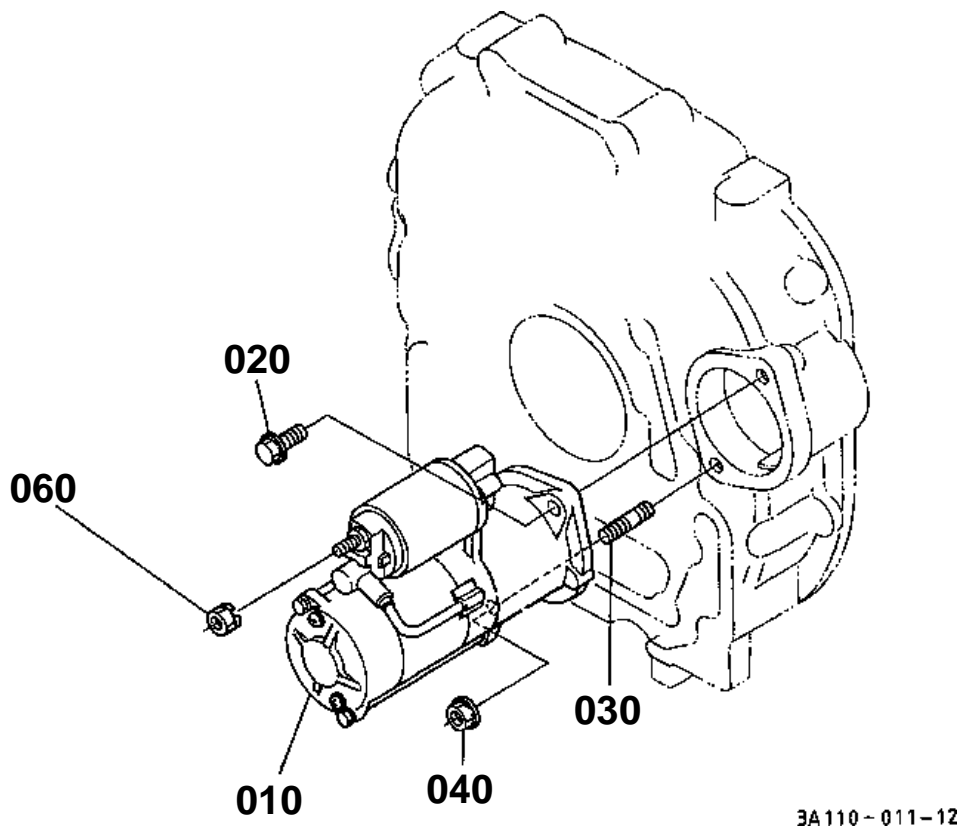


**ALTERNATOR [COMPONENT PARTS]**

↔ Interchangeable; ≠ not interchangeable; ← new for old; → old for new

REF.No	Part No.	Description	Q'ty	S.No.	I/C	REMARKS	Weight (kgf)	Weight (lb)
010	1C010-64010	ASSY DYNAMO	1	≤55588			3.63	7.986
010	3A251-74010	ASSY ALTERNATOR	1	≥55589	←		3.6	7.92
020	1C010-92010	NUT	1				0.02	0.044
030	1C010-91050	SET BOLT	1				0.04	0.088
040	1C010-64020	ASSY BRACKET FRONT	1				0.42	0.924
050	1C010-93010	SET BOLT	1				0.013	0.0286
060	1C010-64780	BEARING	1				0.061	0.1342
070	1C010-64120	ASSY ROTOR	1				1.71	3.762
080	1C010-64770	BEARING	1				0.024	0.0528
090	1C010-64080	ASSY STATOR	1				0.74	1.628
100	1C010-64060	ASSY BRACKET REAR	1	≤55588			0.47	1.034
100	3A251-74040	ASSY BRACKET REAR	1	≥55589	≠		0.47	1.034
110	1C010-64850	ASSY RECTIFIER	1	≤55588			0.096	0.2112
110	3A251-74030	ASSY RECTIFIER	1	≥55589	≠		0.095	0.209
120	1C010-92080	SET NUT	1				0.006	0.0132
130	1C010-64600	SET REGULATOR	1	≤55588			0.11	0.242
130	3A251-74020	SET REGULATOR	1	≥55589	≠		0.12	0.264
140	1C010-64310	SET BRUSH	1				0.003	0.0066
150	1C010-64110	ASSY PULLEY	1				0.23	0.506

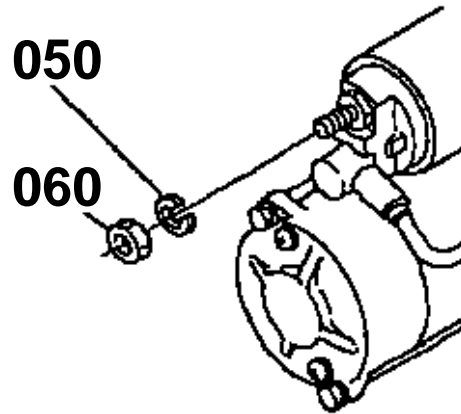
STARTER



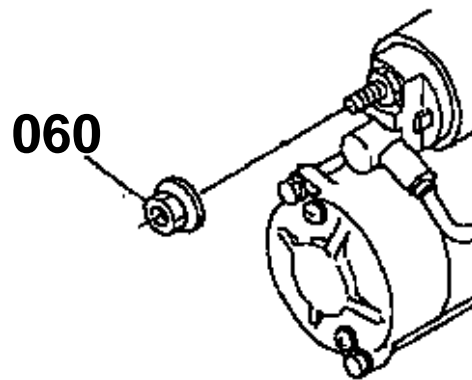
3A110-011-12

050 04512-60080

060 02156-50080



060 02121-50080



3A150-802-11

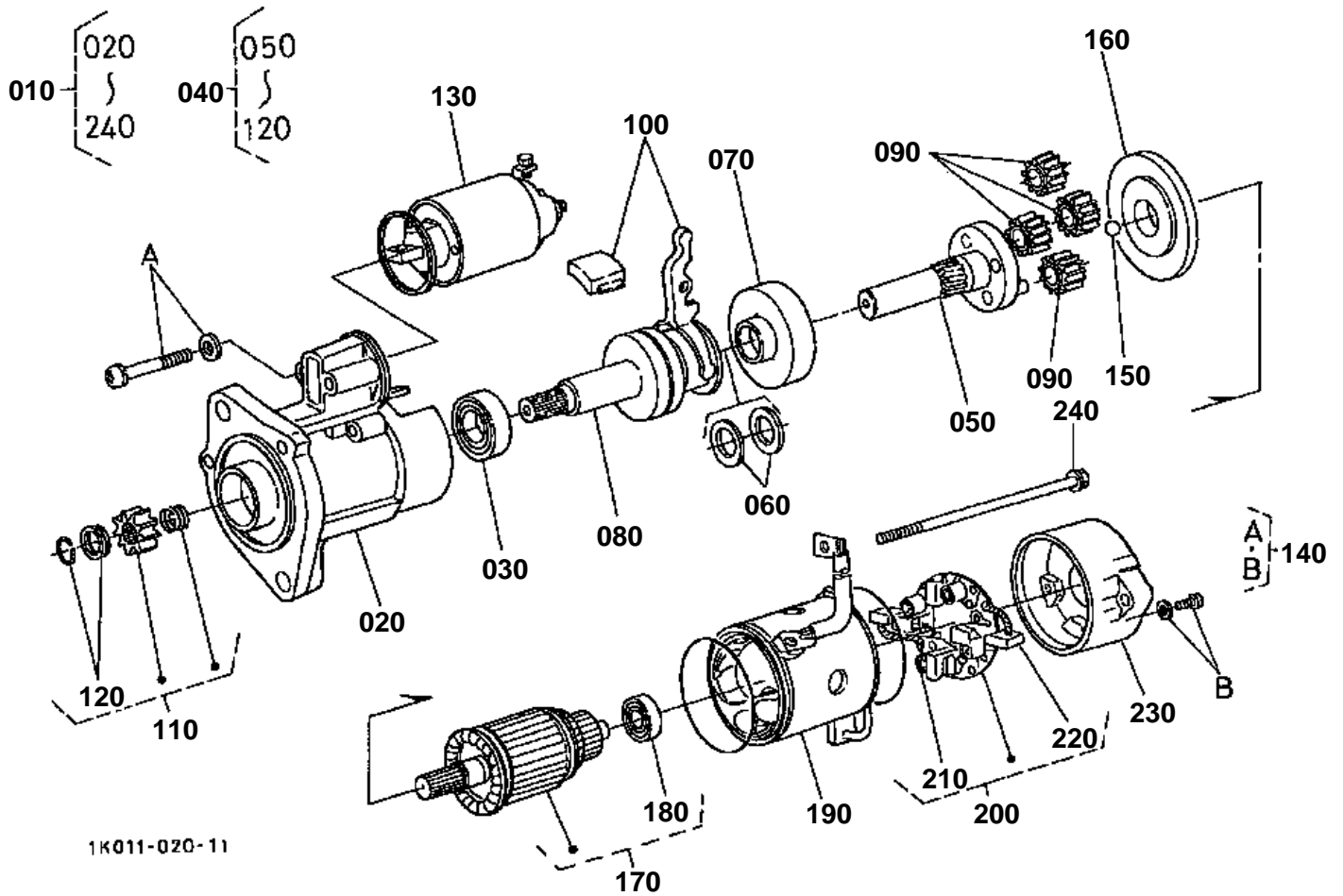


STARTER

↔ Interchangeable; ≠ not interchangeable; ← new for old; → old for new

REF.No	Part No.	Description	Q'ty	S.No.	I/C	REMARKS	Weight (kgf)	Weight (lb)
010	1C010-63010	ASSY STARTER	1				6	13.2
020	01774-51035	BOLT FLANGE	1				0.03	0.066
030	01517-61030	STUD	1				0.021	0.0462
040	02771-60100	NUT FLANGE	1				0.01	0.022
050	04512-60080	WASHER SPRING	1	<=50142			0.002	0.0044
060	02156-50080	NUT	1	<=50142			0.004	0.0088
060	02121-50080	NUT	1	>=50143	←		0.01	0.022
060	16429-92010	NUT	1	>=50153	←		0.007	0.0154

STARTER [COMPONENT PARTS]

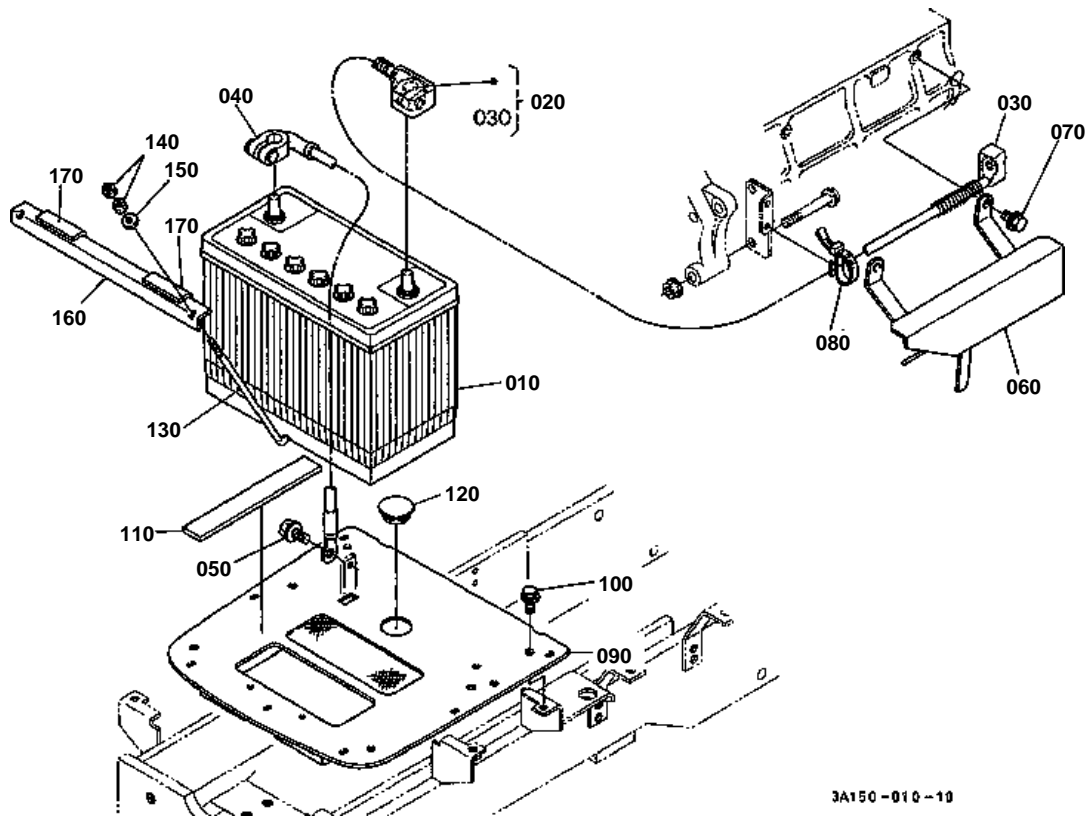


**STARTER [COMPONENT PARTS]**

↔ Interchangeable; ≠ not interchangeable; ← new for old; → old for new

REF.No	Part No.	Description	Q'ty	S.No.	I/C	REMARKS	Weight (kgf)	Weight (lb)
010	1C010-63010	ASSY STARTER	1				6	13.2
020	1C010-63030	ASSY BRACKET FRONT	1				0.81	1.782
030	1C010-63240	SET BEARING	1				0.07	0.154
040	1C010-63040	ASSY SHAFT CLUTCH	1				1.02	2.244
050	1C010-63210	ASSY SHAFT GEAR	1				0.24	0.528
060	1C010-63410	SET WASHER	1				0.012	0.0264
070	1C010-63260	SET INTERNAL GEAR	1				0.11	0.242
080	1C010-63330	CLUTCH OVER RUNNING	1				0.6	1.32
090	1C010-63270	ASSY GEAR	4				0.015	0.033
100	1C010-63050	ASSY LEVER SET	1				0.08	0.176
110	1C010-63280	SET PINION	1				0.07	0.154
120	1C010-63170	SET STOPPER	1				0.006	0.0132
130	1C010-63020	ASSY SWITCH MAGNETIC	1				1.04	2.288
140	1C010-63760	SET SCREW	1				0.027	0.0594
150	6C040-82690	BALL	1				0.001	0.0022
160	1C010-63520	SET PACKING	1				0.06	0.132
170	1C010-63070	ASSY ARMATURE	1				0.96	2.112
180	1C010-63250	BEARING	1				0.02	0.044
190	1C010-63080	ASSY YOKE	1				1.17	2.574
200	1C010-63380	ASSY HOLDER BRUSH	1				0.09	0.198
210	1C010-63390	BRUSH SPRING	4				0.004	0.0088
220	1C010-63370	BRUSH	2				0.043	0.0946
230	1C010-63200	ASSY BRACKET REAR	1				0.13	0.286
240	1C010-63320	SET BOLT	1				0.05	0.11

BATTERY



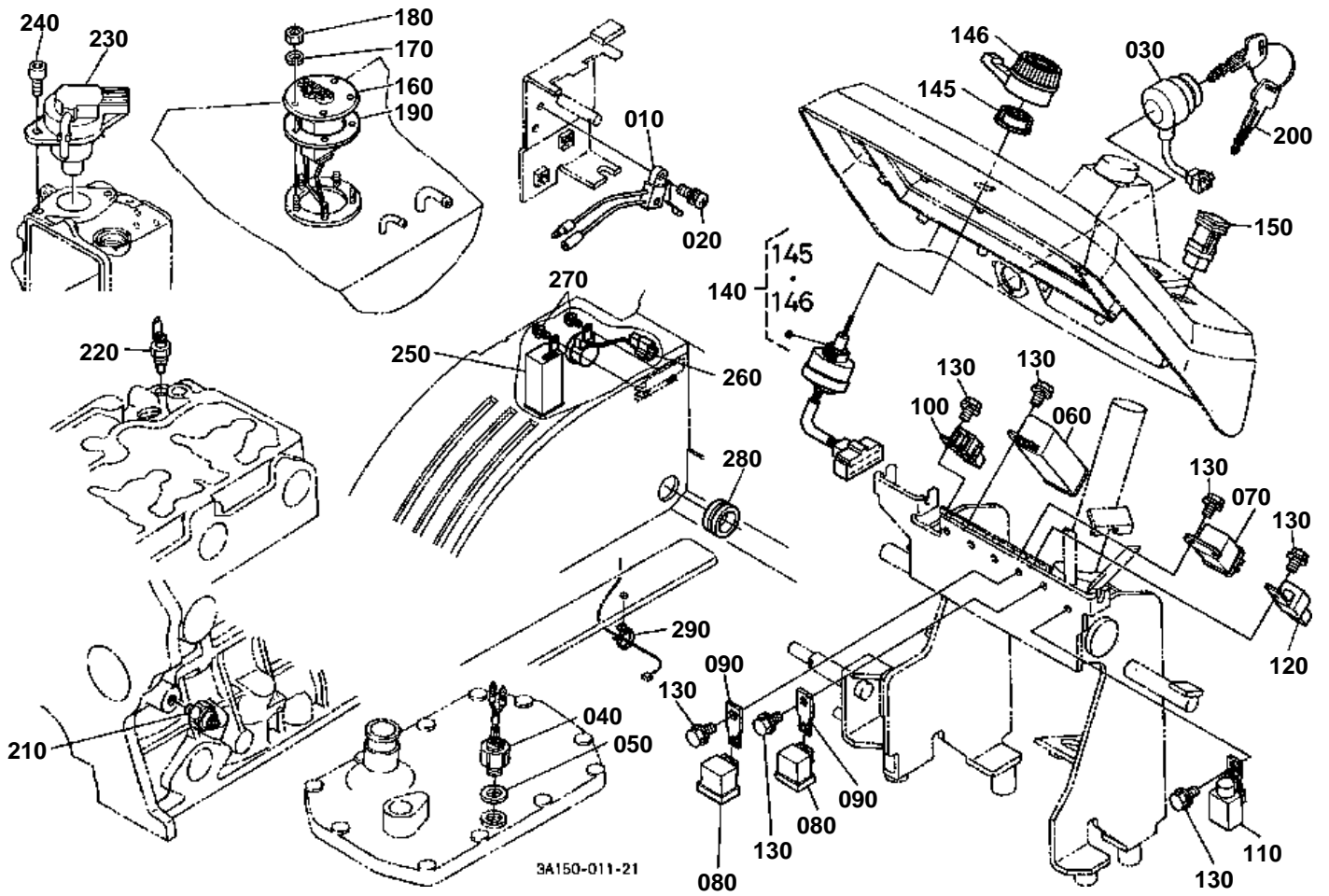
3A150-010-10

**BATTERY**

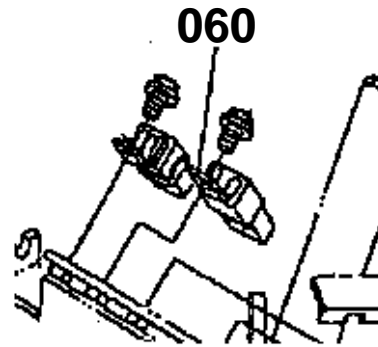
↔ Interchangeable; ≠ not interchangeable; ← new for old; → old for new

REF.No	Part No.	Description	Q'ty	S.No.	I/C	REMARKS	Weight (kgf)	Weight (lb)
010	99999-99999	BATTERY	1			12V CCA1000A	0	0
020	3A111-77110	CORD BATTERY	1				0.935	2.057
030	3A111-97150	CAP BATTERY CORD	1				0.015	0.033
040	3A111-77120	CORD BATTERY	1	≤59318			0.27	0.594
040	3A111-77122	CORD BATTERY	1	≥59319	←		0.27	0.594
050	01754-50814	BOLT FLANGE	1				0.005	0.011
060	3A111-77310	COVER HARNESS	1				0.61	1.342
070	01754-50816	BOLT FLANGE	2				0.011	0.0242
080	3A111-77330	CLAMP CORD	1				0.001	0.0022
090	3A151-21730	SUPPORT BATTERY	1				5.7	12.54
100	01133-51020	BOLT	4				0.02	0.044
110	3A111-74340	CUSHION BATTERY	2				0.12	0.264
120	36200-81672	PLUG	1				0.03	0.066
130	3A111-74360	BOLT HOOK(BATTERY)	2	≤58772			0.032	0.0704
130	3A111-74362	BOLT HOOK(BATTERY)	2	≥58773	←		0.032	0.0704
140	02014-50060	NUT	4				0.002	0.0044
150	04015-60060	WASHER PLAIN	2				0.005	0.011
160	36230-74350	RETAINER BATTERY	1				0.41	0.902
160	3A211-74350	RETAINER BATTERY	1		↔		0.355	0.781
170	38430-29670	CUSHION	2				0.01	0.022

SWITCH

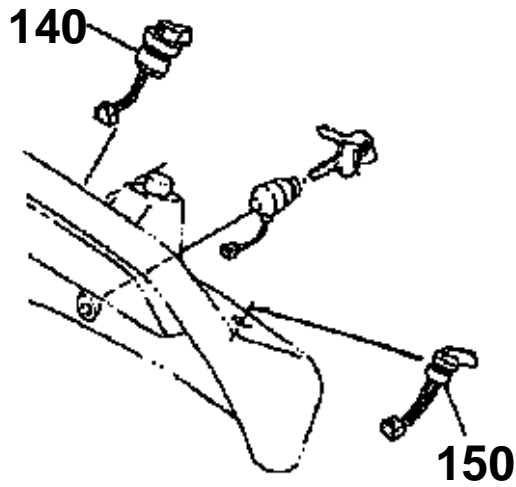


060 32400-3370-0

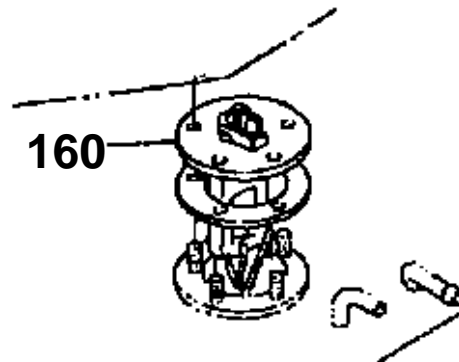


140 35450-7504-0

150 38240-3210-0



160 35880-7540-3

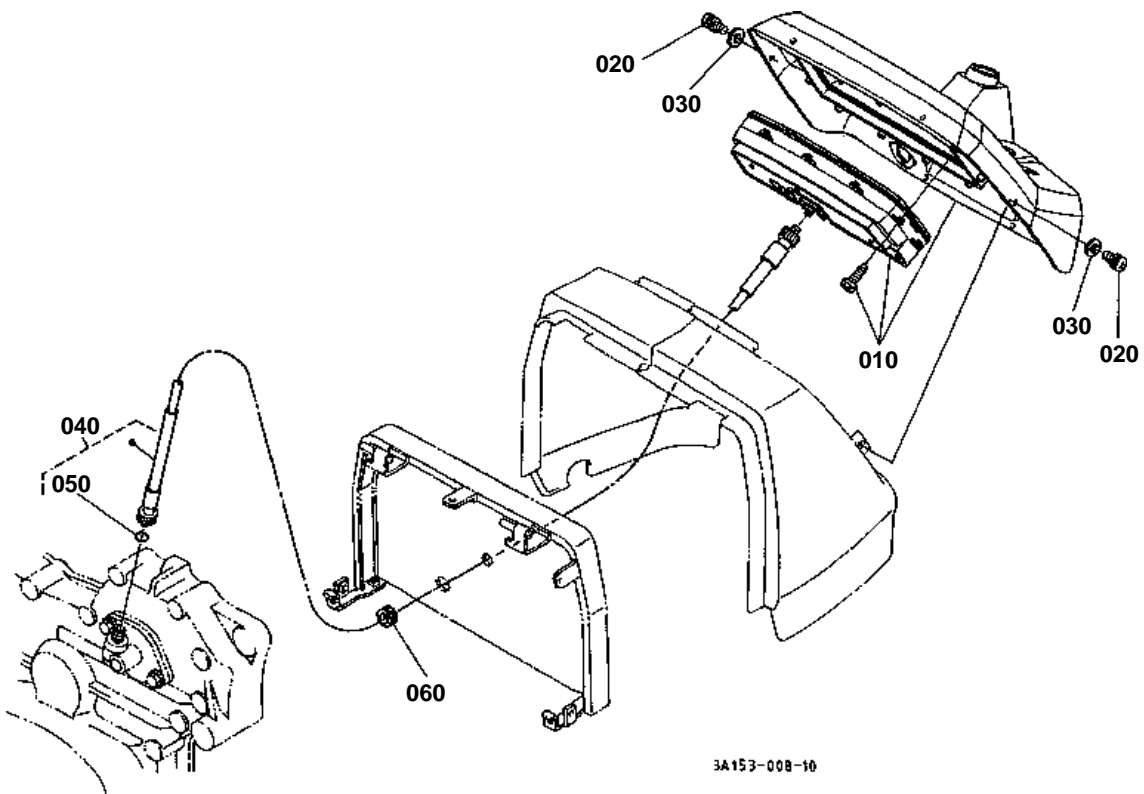


3A150-803-10

**SWITCH**

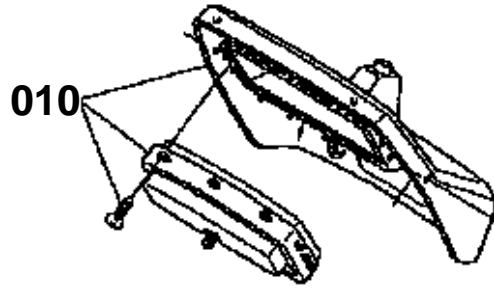
↔ Interchangeable; ≠ not interchangeable; ← new for old; → old for new

REF.No	Part No.	Description	Q'ty	S.No.	I/C	REMARKS	Weight (kgf)	Weight (lb)
010	TA040-43900	SWITCH LEVER	1				0.008	0.0176
020	03024-50414	SCREW WITH WASHER	1				0.002	0.0044
030	52200-41212	SWITCH STARTER	1				0.28	0.616
040	3A151-75100	SWITCH	1				0.035	0.077
050	04717-01400	WASHER WITH RUBBER	1				0.002	0.0044
060	3F240-75430	UNIT FLASHER	1				0.06	0.132
070	35593-75210	RELAY GLOW PLUG	1				0.088	0.1936
080	36919-75030	RELAY	2				0.038	0.0836
090	36919-55830	BRACKET RELAY	2				0.005	0.011
100	3G700-75080	RELAY STARTER	1				0.09	0.198
110	3A111-75080	RELAY KEY STOP	1				0.07	0.154
120	T0070-31410	TIMER KEY STOP	1				0.065	0.143
130	01754-50612	BOLT FLANGE	8				0.005	0.011
140	36330-75010	SWITCH COMBINATION	1				0.09	0.198
145	35999-12660	NUT RING	1				0.015	0.033
146	35999-12670	LEVER SWITCH	1				0.005	0.011
150	37500-55212	SWITCH HAZARD	1				0.02	0.044
160	3A151-75300	SENSOR FUEL GAUGE	1				0.145	0.319
170	04512-60050	WASHER SPRING	5				0.002	0.0044
180	02054-50050	NUT	5				0.002	0.0044
190	36330-75310	GASKET	1				0.005	0.011
200	18510-63720	ASSY KEY STARTER	1				0.025	0.055
210	15841-39010	SWITCH OIL	1				0.03	0.066
220	31351-32830	SENSOR THERMO	1				0.02	0.044
230	1C010-60010	SOLENOID STOP	1	≤=50220			0	0
230	1C010-60013	SOLENOID STOP	1	≥=50221	←		0	0
230	1C010-60014	SOLENOID STOP	1	≥=53058	←		0.27	0.594
240	01311-10616	BOLT HEX-SOC-HD	2				0.005	0.011
250	3A272-75250	TIMER BUZZER	1	≥=60821			0.05	0.11
260	53660-53810	BUZZER BACK	1	≥=60821			0.035	0.077
270	01754-50612	BOLT FLANGE	2	≥=60821			0.005	0.011
280	55579-98980	RING RUBBER	1	≥=60821			0.003	0.0066
290	T1060-30540	CLIP	1	≥=60821			0.01	0.022



3A153-008-10

010 3A151-7560-0



3A150-804-10

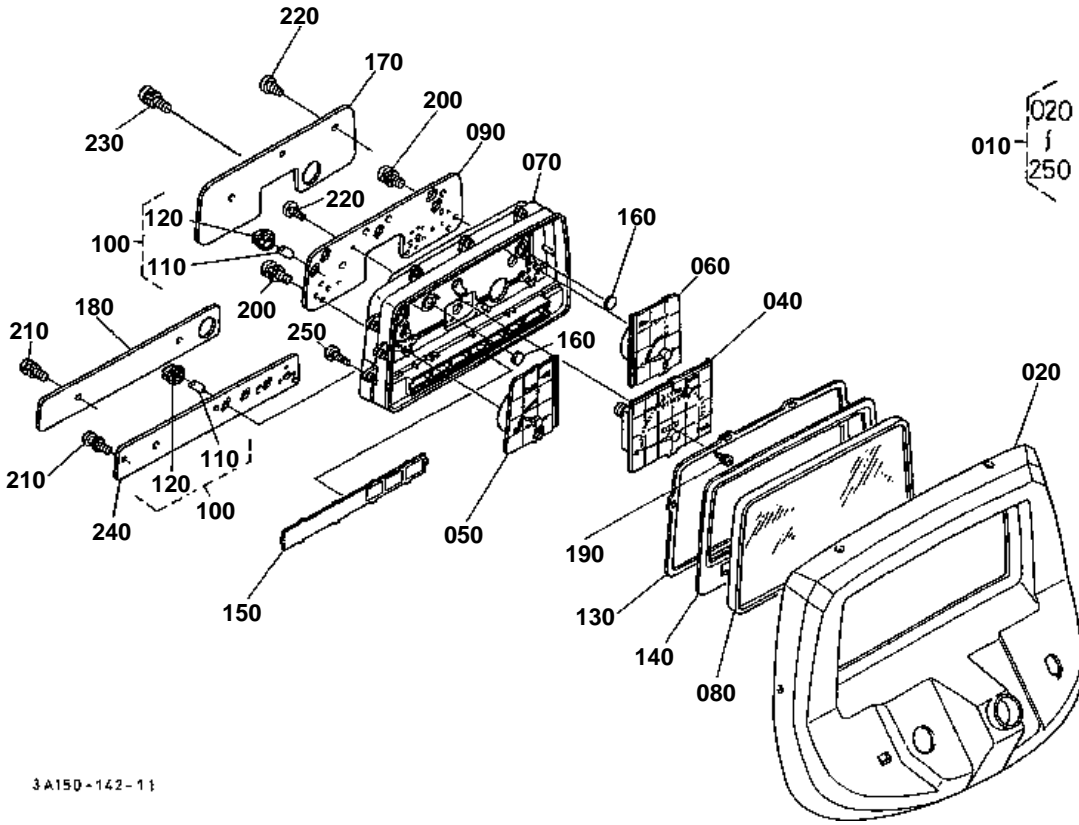


PANEL BOARD

↔ Interchangeable; ≠ not interchangeable; ← new for old; → old for new

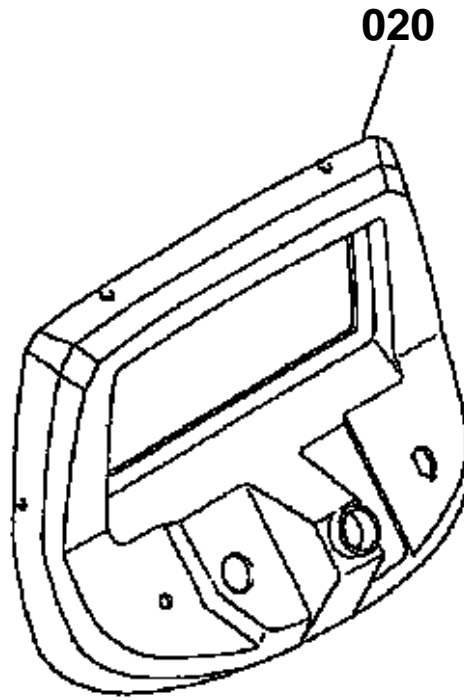
REF.No	Part No.	Description	Q'ty	S.No.	I/C	REMARKS	Weight (kgf)	Weight (lb)
010	3A152-75600	ASSY PANEL	1				2.1	4.62
020	31391-31140	SCREW	6				0.01	0.022
030	31351-18860	WASHER	6				0.002	0.0044
040	38240-34655	CABLE FLEXIBLE	1				0.22	0.484
050	04811-10080	O RING	1				0.001	0.0022
060	32150-29180	CAP RUBBER	1				0.002	0.0044

PANEL BOARD [COMPONENT PARTS]



3A150-142-11

020 3A151-8355-0



3A150-805-10

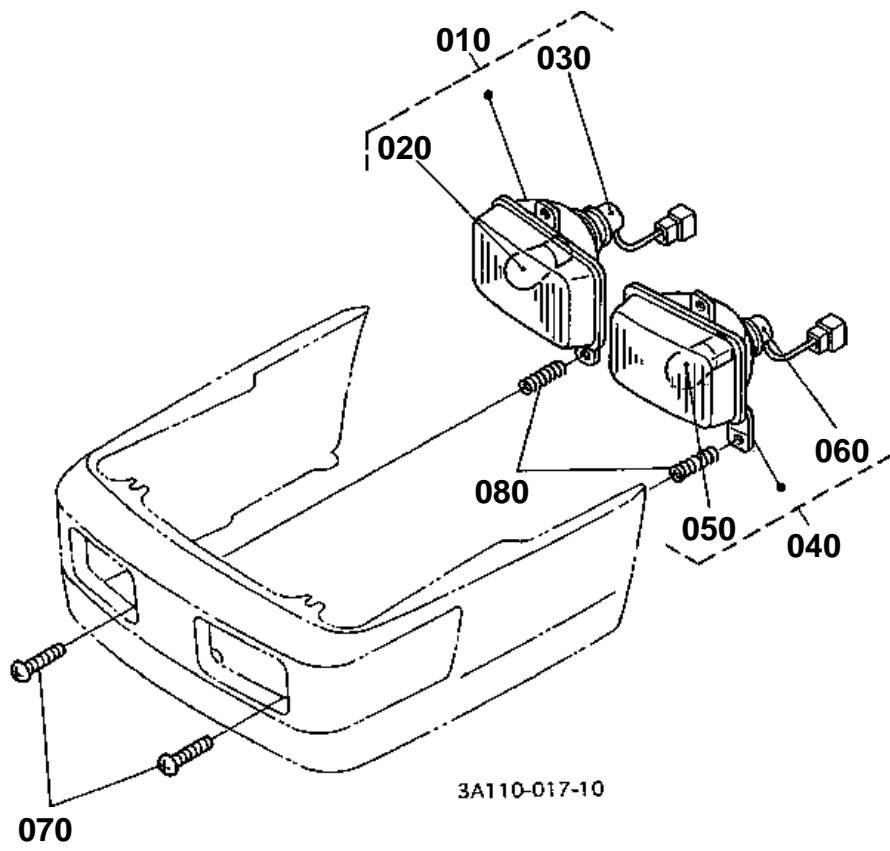


PANEL BOARD [COMPONENT PARTS]

↔ Interchangeable; ≠ not interchangeable; ← new for old; → old for new

REF.No	Part No.	Description	Q'ty	S.No.	I/C	REMARKS	Weight (kgf)	Weight (lb)
010	3A152-75600	ASSY PANEL	1				2.1	4.62
020	3A153-83550	BONNET REAR UPPER	1				1.805	3.971
030	99999-99999	BLANK	0				0	0
040	3A111-75660	ASSY TACHOMETER	1				0.2	0.44
050	31351-93720	ASSY GAUGE FUEL	1				0.125	0.275
060	31351-93730	ASSY GAUGE TEMP.	1				0.13	0.286
070	34670-93750	CASE	1				0.47	1.034
080	31351-93760	GLASS WITH GASKET	1				0.475	1.045
090	34670-93780	ASSY PLATE SUB	1				0.05	0.11
100	38240-31460	ASSY LAMP ELECTRIC	8				0.015	0.033
110	38240-31470	BULB	8			3.4W	0.01	0.022
120	38240-31480	SOCKET	8				0.001	0.0022
130	31351-93790	GASKET RUBBER	1				0.055	0.121
140	31351-93800	PLATE WIND	1				0.18	0.396
150	3A011-75680	LENS	1				0.015	0.033
160	31351-93820	LENS	2				0.005	0.011
170	34670-93830	CASE	1				0.195	0.429
180	31351-93840	CASE	1				0.13	0.286
190	35533-76160	SCREW	2				0.001	0.0022
200	35533-76230	SCREW WITH WASHER	6				0.002	0.0044
210	03514-50425	SCREW TAPPING	6				0.001	0.0022
220	03514-50414	SCREW TAPPING	5				0.001	0.0022
230	35533-76170	SCREW WITH WASHER	2				0	0
240	3A011-75700	ASSY PLATE	1				0.105	0.231
250	03514-50420	SCREW	11				0.002	0.0044

LIGHT



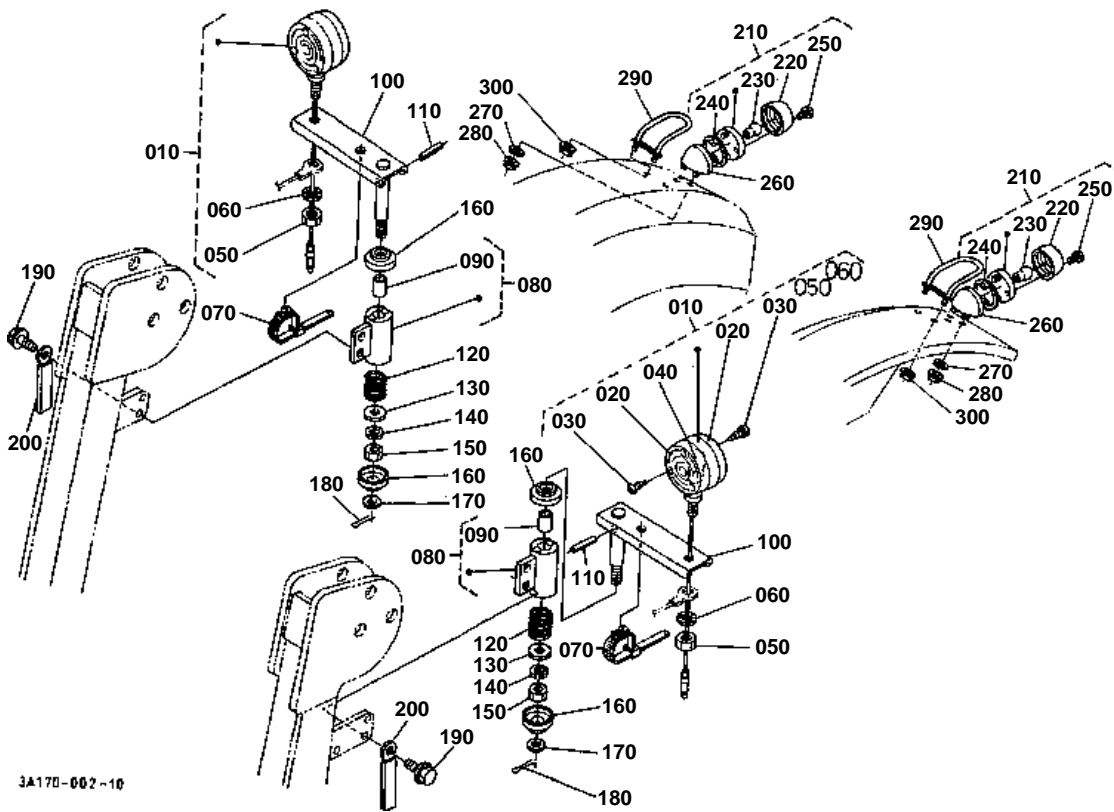


LIGHT

↔ Interchangeable; ≠ not interchangeable; ← new for old; → old for new

REF.No	Part No.	Description	Q'ty	S.No.	I/C	REMARKS	Weight (kgf)	Weight (lb)
010	3A011-75720	LIGHT HEAD RH	1				0.49	1.078
020	38450-33870	BULB	1			45W	0.025	0.055
030	3A011-75740	COMP.SOCKET	1				0.063	0.1386
040	3A011-75710	LIGHT HEAD LH	1				0.39	0.858
050	38450-33870	BULB	1			45W	0.025	0.055
060	3A011-75740	COMP.SOCKET	1				0.063	0.1386
070	3A011-75860	SCREW	6				0.006	0.0132
080	38240-33860	SPRING LIGHT	6				0.001	0.0022

HAZARD LIGHT/TAIL LIGHT

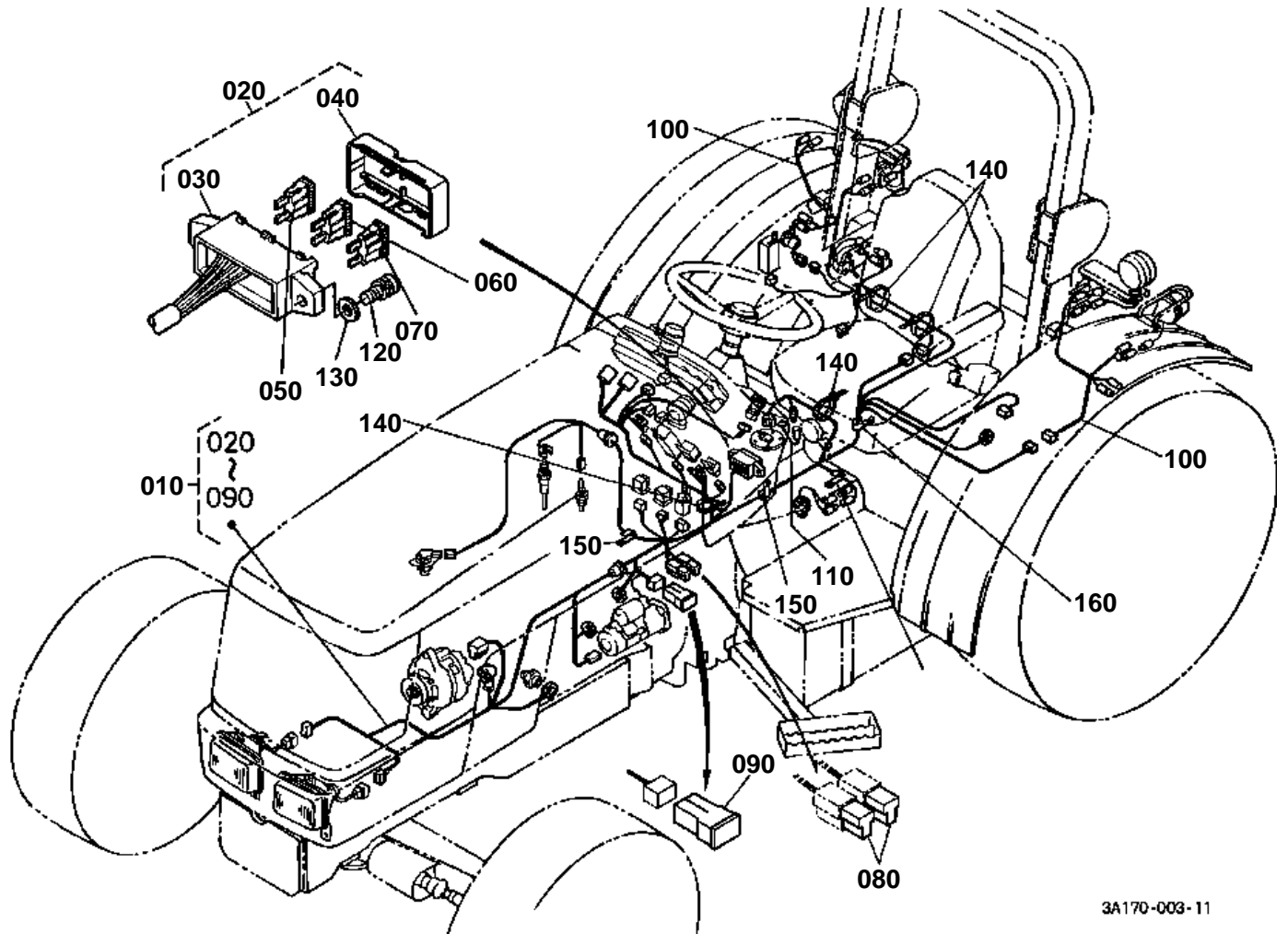




HAZARD LIGHT/TAIL LIGHT

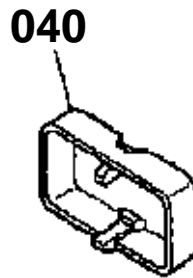
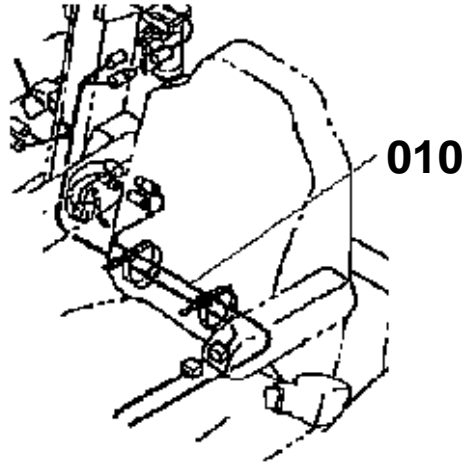
↔ Interchangeable; ≠ not interchangeable; ← new for old; → old for new

REF.No	Part No.	Description	Q'ty	S.No.	I/C	REMARKS	Weight (kgf)	Weight (lb)
010	32530-33610	ASSY LIGHT HAZARD	2				0.38	0.836
020	32530-91510	LENS HAZARD LIGHT	4				0.085	0.187
030	32530-91520	SCREW TAPPING	12				0.001	0.0022
040	32530-91530	BULB LIGHT	2			27W	0.02	0.044
050	02114-50100	NUT	2				0.005	0.011
060	04411-50100	WASHER TOOTHED	2				0.001	0.0022
070	3F760-04540	CLAMP	2				0.002	0.0044
080	3A431-90060	ASSY HOLDER	2				0.25	0.55
090	08511-01420	BUSH	2				0.007	0.0154
100	3A431-90080	STAY HAZARD	2				0.3	0.66
110	05411-00635	PIN SPRING	2				0.005	0.011
120	36919-53880	SPRING	2				0.022	0.0484
130	04013-60100	WASHER PLAIN	2				0.003	0.0066
140	04512-60100	WASHER SPRING	2				0.002	0.0044
150	02118-50100	NUT	2				0.005	0.011
160	36919-53890	CAP RUBBER	4				0.005	0.011
170	04011-50100	WASHER PLAIN	2				0.002	0.0044
180	05511-50215	PIN SPLIT	2				0.001	0.0022
190	01754-50816	BOLT FLANGE	4				0.011	0.0242
200	13824-67590	CLAMP CORD	2				0.002	0.0044
210	34350-34103	ASSY LIGHT TAIL	2				0	0
220	34350-34120	LENS TAIL LIGHT	2				0.05	0.11
230	34350-34140	BULB TAIL LIGHT	2			23W/8W	0.008	0.0176
240	34350-99220	GASKET LENS	2	≤58772			0.01	0.022
240	34350-99222	GASKET LENS	2	≥58773	←		0.01	0.022
250	03056-50335	SCREW	4				0.001	0.0022
260	32400-34190	HOLDER TAIL LIGHT	2				0.11	0.242
270	31352-48660	CUSHION	4				0.001	0.0022
280	02751-50060	NUT FLANGE	4				0.005	0.011
290	3A171-87460	GUARD TAIL LIGHT	2				0.25	0.55
300	02771-60100	NUT FLANGE	4				0.01	0.022



3A170-003-11

010 3A152-7721-0
040 3A111-7737-0



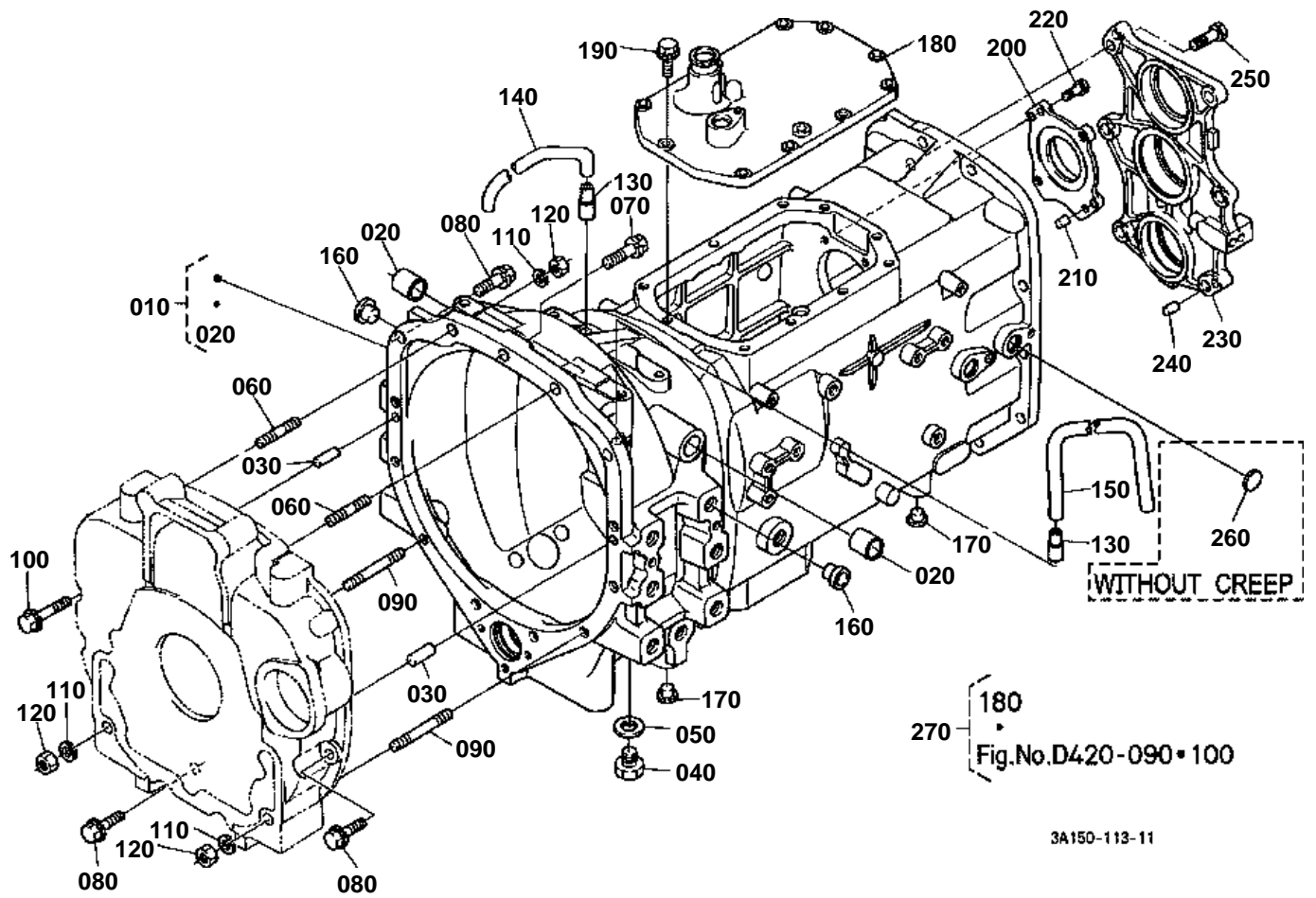
3A161-809-10

**ELECTRICAL WIRING**

↔ Interchangeable; ≠ not interchangeable; ← new for old; → old for new

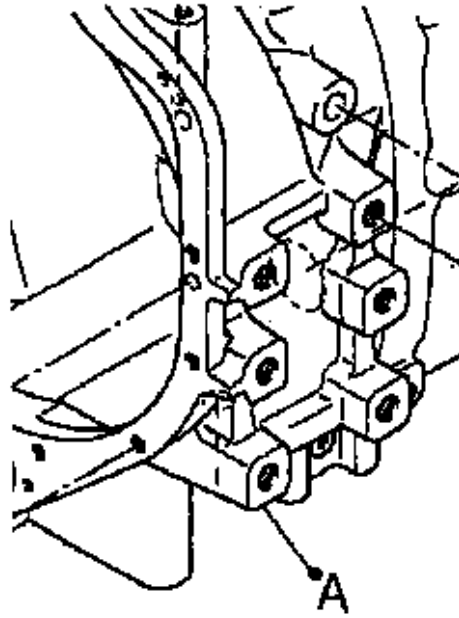
REF.No	Part No.	Description	Q'ty	S.No.	I/C	REMARKS	Weight (kgf)	Weight (lb)
010	3A152-77210	WIRE HARNESS	1	≤60820			1.7	3.74
010	3A152-77213	WIRE HARNESS	1	≥60821	←		1.7	3.74
020	3A111-77340	ASSY BOX FUSE	1	≤60820			0.08	0.176
020	3A161-77340	ASSY BOX FUSE	1	≥60821	←		0	0
030	35533-77350	ASSY CASE FUSE	1				0.04	0.088
040	3A111-77370	COVER FUSE CASE	1	≤60820			0.025	0.055
040	3A161-77370	COVER FUSE CASE	1	≥60821	←		0	0
050	36730-75550	FUSE AUTO	2			10A	0.001	0.0022
060	35820-75560	FUSE AUTO	1			15A	0.002	0.0044
070	36919-56650	FUSE AUTO	1			20A	0.002	0.0044
080	36330-75390	DIODE	2				0.01	0.022
090	35080-34530	FUSE	1			50A	0.015	0.033
100	3A171-77220	WIRE HARNESS	2				0.085	0.187
110	3A111-77230	WIRE HARNESS EARTH	1				0.004	0.0088
120	03024-50512	SCREW WITH WASHER	2				0.003	0.0066
130	04013-60050	WASHER PLAIN	2				0.001	0.0022
140	53581-64150	BAND CORD	4				0.002	0.0044
150	13824-67590	CLAMP CORD	3				0.002	0.0044
160	35340-29380	CLAMP CORD	1				0.01	0.022

CLUTCH HOUSING



3A150-113-11

010 3A151-2110-0



010 - { A
·
020

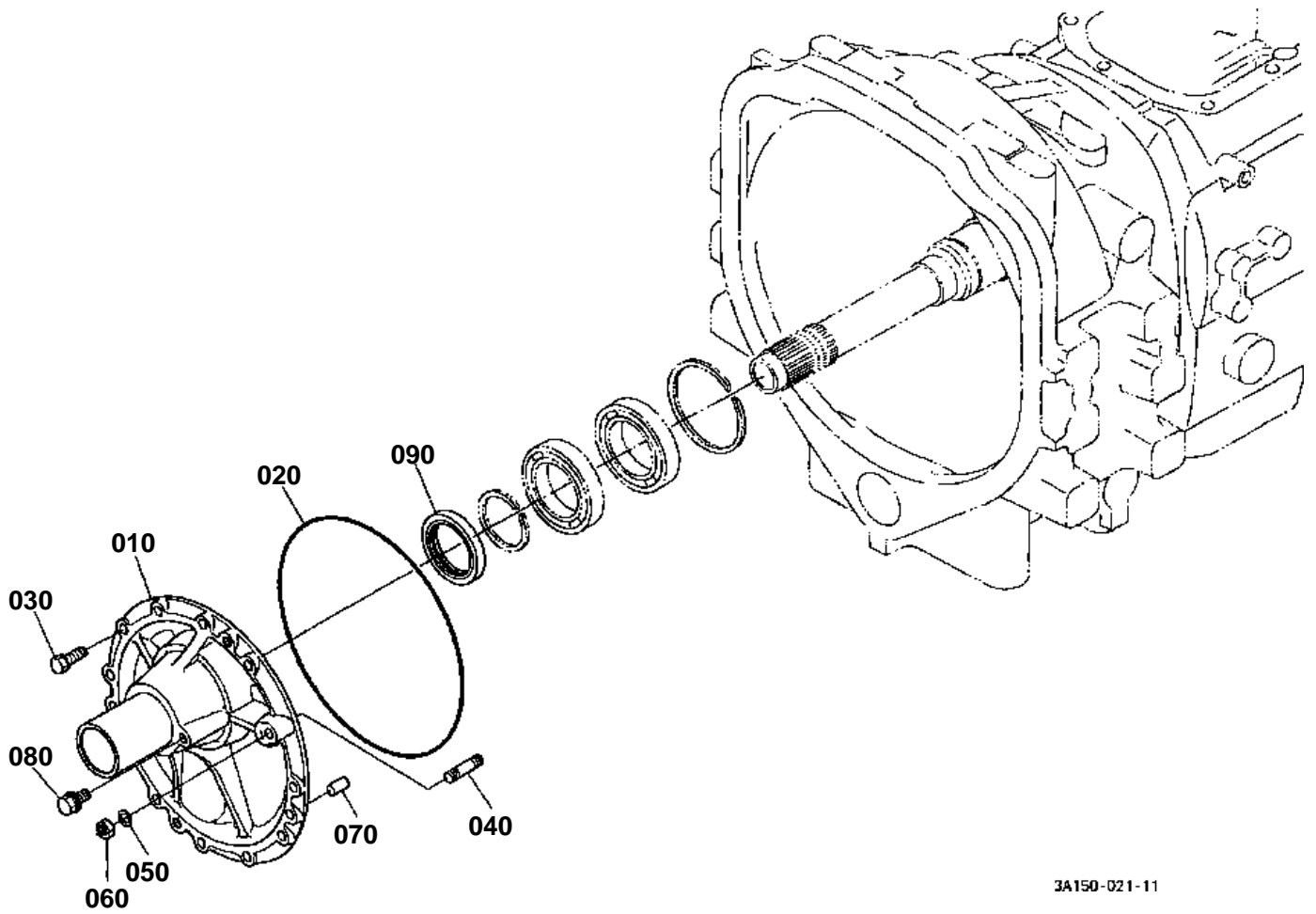
3A150-807-10

**CLUTCH HOUSING**

↔ Interchangeable; ≠ not interchangeable; ← new for old; → old for new

REF.No	Part No.	Description	Q'ty	S.No.	I/C	REMARKS	Weight (kgf)	Weight (lb)
010	3A151-21103	ASSY HOUSING CLUTCH	1				139	305.8
020	08511-02225	BUSH	2				0.02	0.044
030	05012-01020	PIN STRAIGHT	2				0.013	0.0286
040	06331-35020	PLUG	1				0.068	0.1496
050	04717-02000	WASHER WITH RUBBER	1				0.004	0.0088
060	01574-61235	STUD	2				0.04	0.088
070	01133-51255	BOLT	1				0.06	0.132
080	01133-51245	BOLT	6				0.055	0.121
090	32430-27360	STUD	2				0.12	0.264
100	01133-51275	BOLT	1				0.02	0.044
110	04512-60120	WASHER SPRING	4				0.005	0.011
120	02176-50120	NUT	4				0.01	0.022
130	3A751-21630	PIPE BREATHER	2	<=57058			0.01	0.022
130	3A751-21632	PIPE BREATHER	2	>=57059	←		0.01	0.022
140	36330-21200	PIPE BREATHER	1				0.05	0.11
150	11486-05510	TUBE BREATHER	1				0.05	0.11
160	36330-21290	PLUG	12				0.002	0.0044
170	32210-27580	PLUG	4				0.001	0.0022
180	3A151-21253	COVER GEAR SHIFT	1	<=55503		NOT SALE ORDER BY REF.No.270	0	0
180	3A151-21254	COVER GEAR SHIFT	1	>=55504	≠		4.15	9.13
190	01123-50825	BOLT	10				0.013	0.0286
200	3A151-28760	HOLDER BEARING	1				0.71	1.562
210	05012-00818	PIN STRAIGHT	2				0.013	0.0286
220	01123-50825	BOLT	4				0.013	0.0286
230	3A151-32310	HOLDER BEARING	1	<=53136			0	0
230	3A151-32312	HOLDER BEARING	1	>=53137	←		4.1	9.02
240	05012-01018	PIN STRAIGHT	2				0.012	0.0264
250	01133-51240	BOLT	6				0.05	0.11
270	3A152-97030	KIT COVER	1	<=55503			4.35	9.57

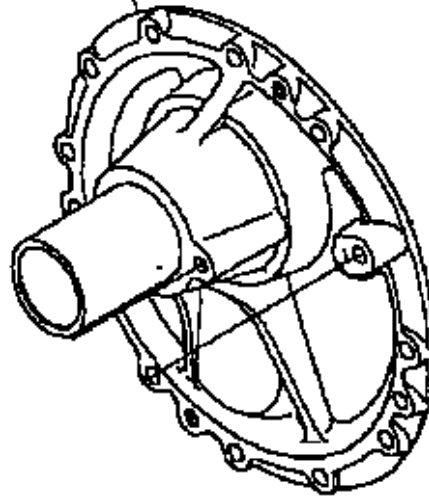
BEARING HOLDER



3A150-021-11

010 3A151-2461-0

010



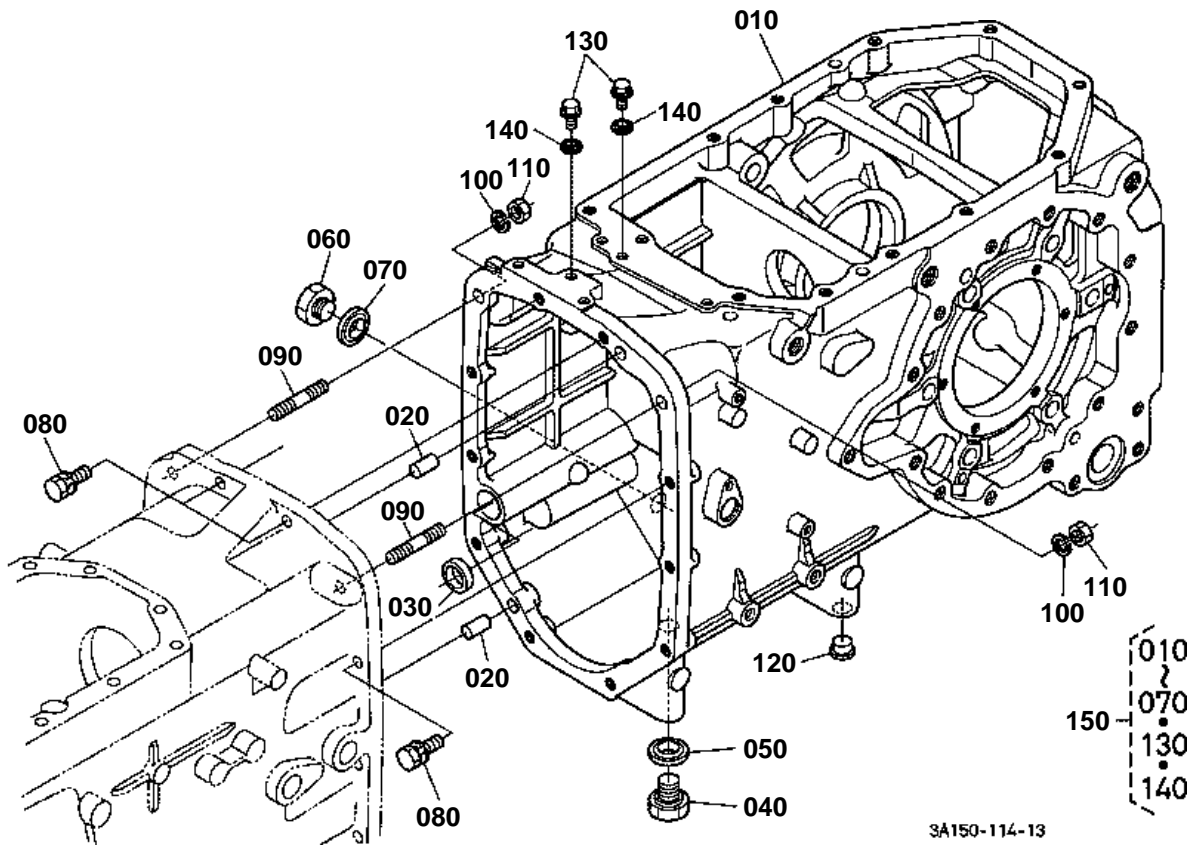
3A150-835-10

**BEARING HOLDER**

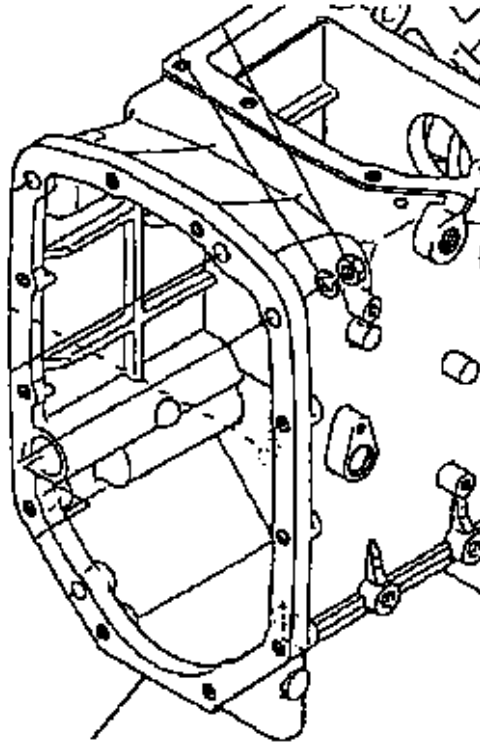
↔ Interchangeable; ≠ not interchangeable; ← new for old; → old for new

REF.No	Part No.	Description	Q'ty	S.No.	I/C	REMARKS	Weight (kgf)	Weight (lb)
010	3A151-24610	HOLDER BEARING	1	<=55350		NOT SALE	0	0
010	3A151-24613	HOLDER BEARING	1	>=55351	←		6.2	13.64
020	3A011-24620	O RING	1				0.007	0.0154
030	01123-50825	BOLT	11				0.013	0.0286
040	01513-50840	STUD	1				0.02	0.044
050	04512-60080	WASHER SPRING	1				0.002	0.0044
060	02156-50080	NUT	1				0.004	0.0088
070	05012-00818	PIN STRAIGHT	2				0.013	0.0286
080	01125-60816	BOLT	1				0.01	0.022
090	3A011-24650	SEAL OIL	1				0.029	0.0638

TRANSMISSION CASE



010 3A151-2131-4



010

3A150-836-10

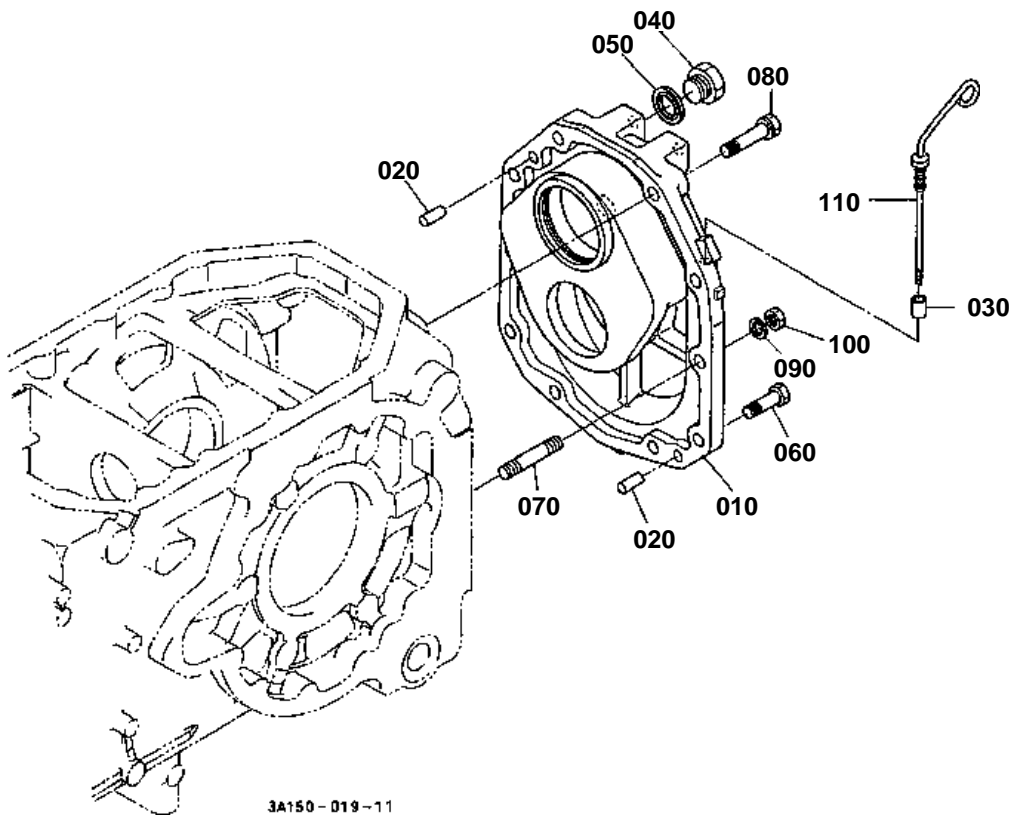


TRANSMISSION CASE

↔ Interchangeable; ≠ not interchangeable; ← new for old; → old for new

REF.No	Part No.	Description	Q'ty	S.No.	I/C	REMARKS	Weight (kgf)	Weight (lb)
010	3A151-21310	CASE TRANSMISSION	1	<=53057		NOT SALE ORDER BY REF.No.150	0	0
010	3A151-21314	CASE TRANSMISSION	1	>=53058	←	NOT SALE ORDER BY REF.No.150	100	220
010	3A151-21315	CASE TRANSMISSION	1	>=55504	≠		100	220
020	05012-01325	PIN STRAIGHT	2				0.028	0.0616
030	06311-85028	CAP SEALING	1				0.012	0.0264
040	06331-35020	PLUG	1				0.068	0.1496
050	04717-02000	WASHER WITH RUBBER	1				0.004	0.0088
060	36340-43563	PLUG	1				0.095	0.209
070	04717-02400	WASHER WITH RUBBER	1				0.005	0.011
080	01133-51245	BOLT	10				0.055	0.121
090	3A111-21330	STUD	2				0	0
090	35340-14182	STUD	2		↔		0.05	0.11
100	04512-60120	WASHER SPRING	2				0.005	0.011
110	35340-27360	NUT	2				0.015	0.033
120	33300-90910	PLUG	4				0.002	0.0044
130	04717-00600	WASHER WITH RUBBER	2	>=55504			0.001	0.0022
140	01754-50610	BOLT FLANGE	2	>=55504			0.006	0.0132
150	3A151-97060	KIT CASE T/M	1				100	220

TRANSMISSION CASE REAR COVER



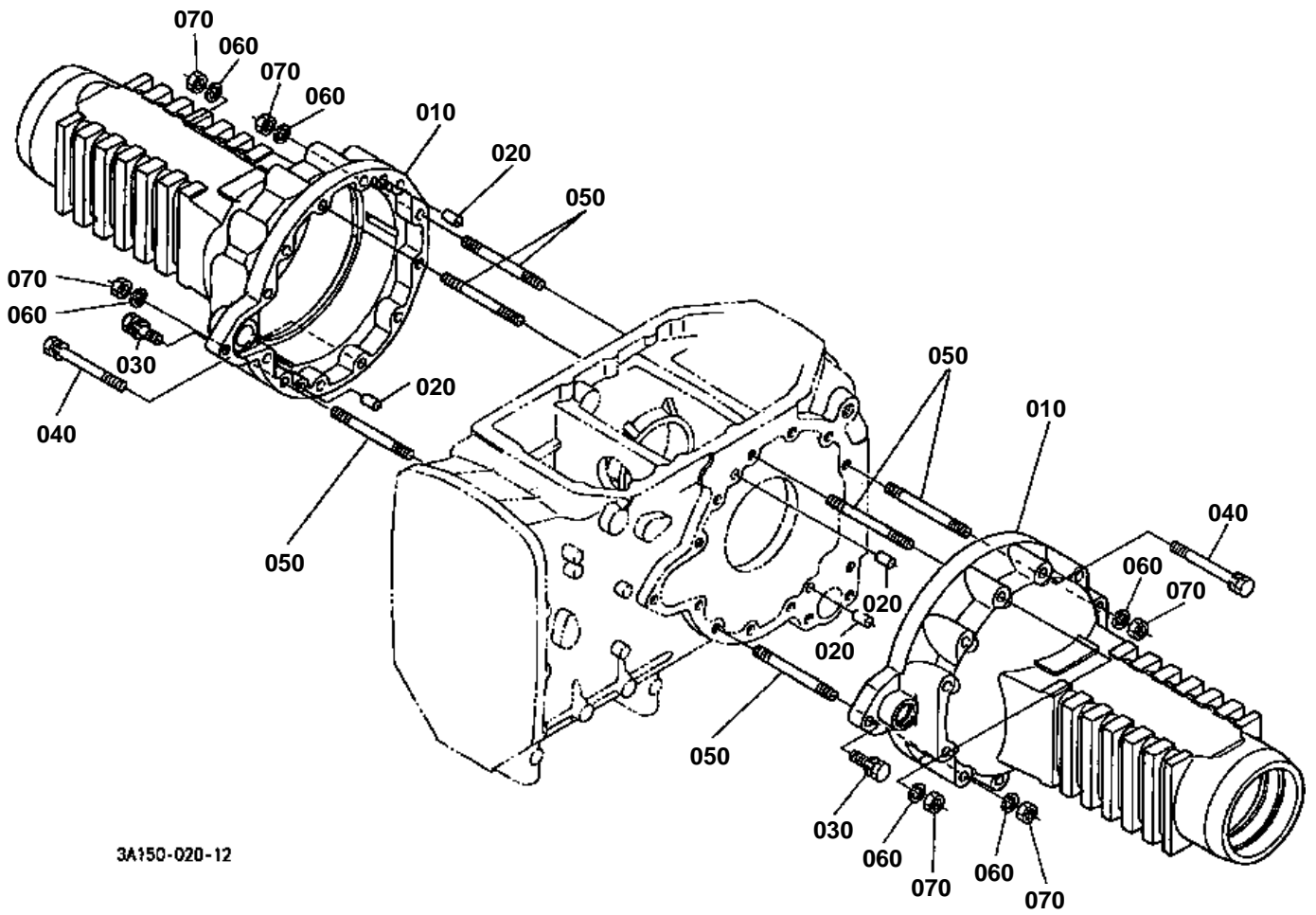


TRANSMISSION CASE REAR COVER

↔ Interchangeable; ≠ not interchangeable; ← new for old; → old for new

REF.No	Part No.	Description	Q'ty	S.No.	I/C	REMARKS	Weight (kgf)	Weight (lb)
010	3A151-21410	CASE GEAR	1				15.1	33.22
020	05012-01018	PIN STRAIGHT	2				0.012	0.0264
030	33960-21520	GUIDE OIL GAUGE	1				0.01	0.022
040	15512-96010	PLUG DRAIN	1				0.101	0.2222
050	04717-02150	WASHER WITH RUBBER	1				0.004	0.0088
060	01133-51240	BOLT	6				0.05	0.11
070	01574-61235	STUD	2				0.04	0.088
080	01133-51255	BOLT	2				0.06	0.132
090	04512-60120	WASHER SPRING	2				0.005	0.011
100	02174-50120	NUT	2				0.01	0.022
110	3A151-21510	GAUGE OIL	1				0.029	0.0638

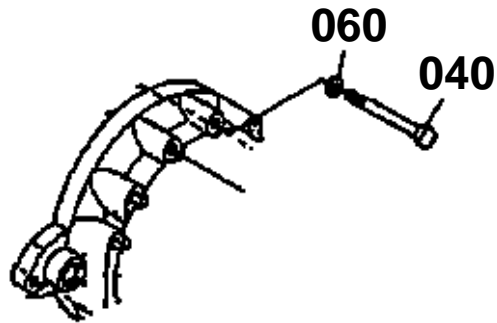
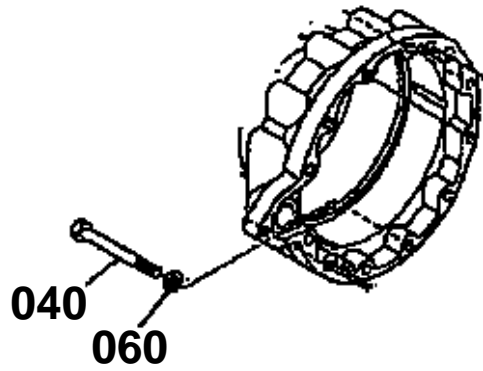
REAR AXLE CASE



3A150-020-12

040 01173-61405

060 04512-60140

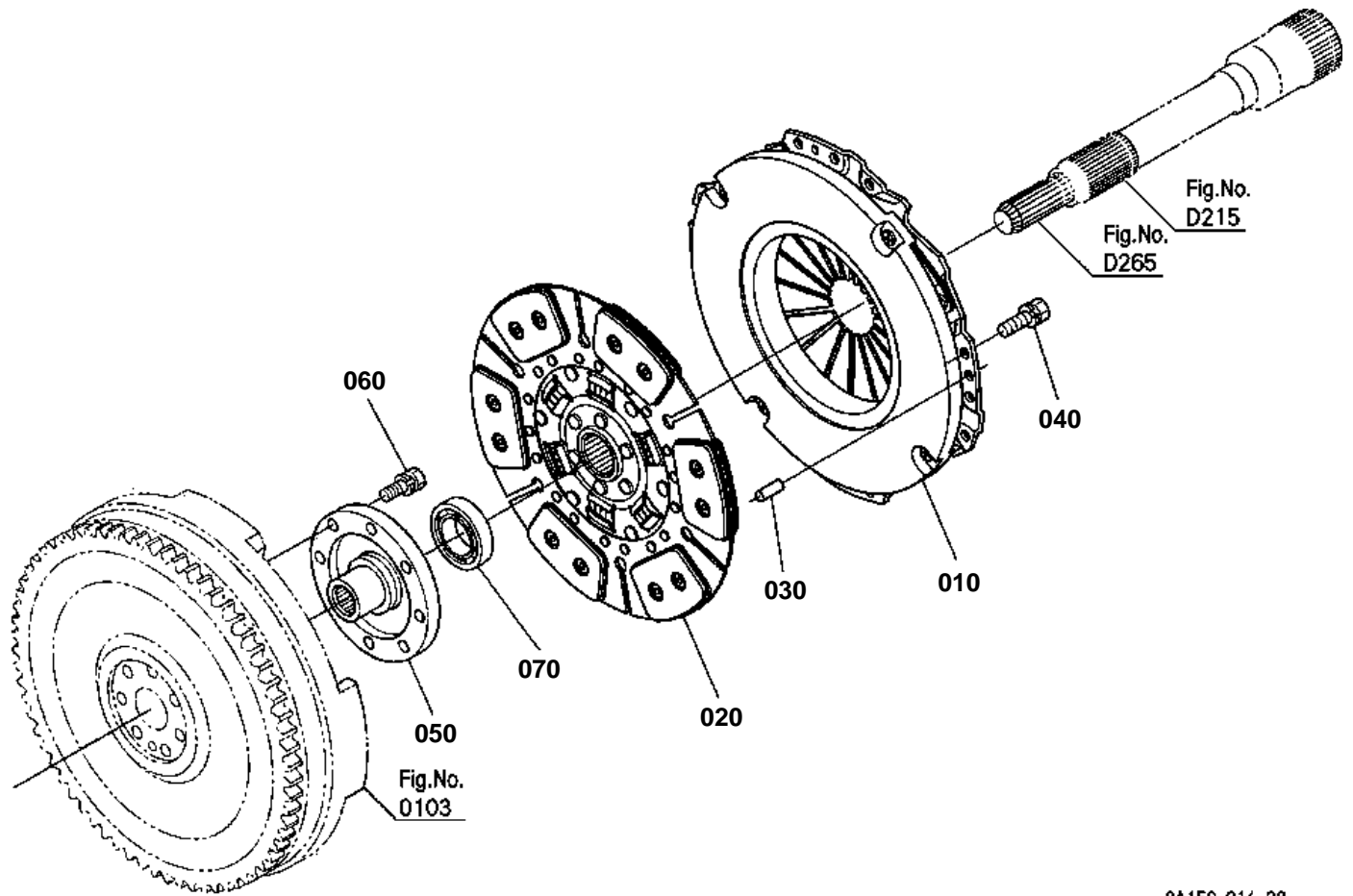


3A150-824-10

**REAR AXLE CASE**

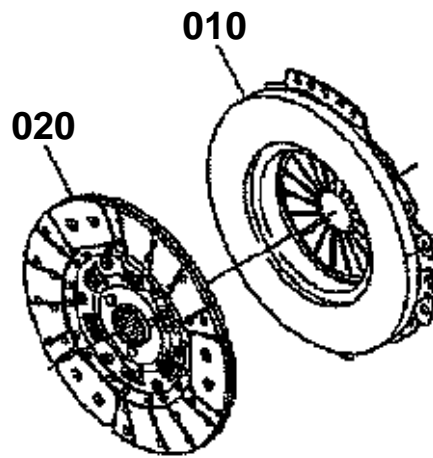
↔ Interchangeable; ≠ not interchangeable; ← new for old; → old for new

REF.No	Part No.	Description	Q'ty	S.No.	I/C	REMARKS	Weight (kgf)	Weight (lb)
010	3A151-48112	CASE REAR AXLE	2	<=58281			46.5	102.3
010	3A151-48112	CASE REAR AXLE	2	>=58282	←		46.5	102.3
020	05012-01325	PIN STRAIGHT	4				0.028	0.0616
030	01138-51245	BOLT	2				0.051	0.1122
040	01173-51405	BOLT	18	<=54170			0	0
040	01133-51405	BOLT	18	>=54171	←		0.78	1.716
050	36200-48170	STUD	6				0.15	0.33
060	04512-60140	WASHER SPRING	24	<=54170			0.008	0.0176
060	04512-60140	WASHER SPRING	6	>=54171			0.008	0.0176
070	02176-50140	NUT	6				0.014	0.0308



3A150-014-23

010 3A151-2511-0
020 3A152-2513-0



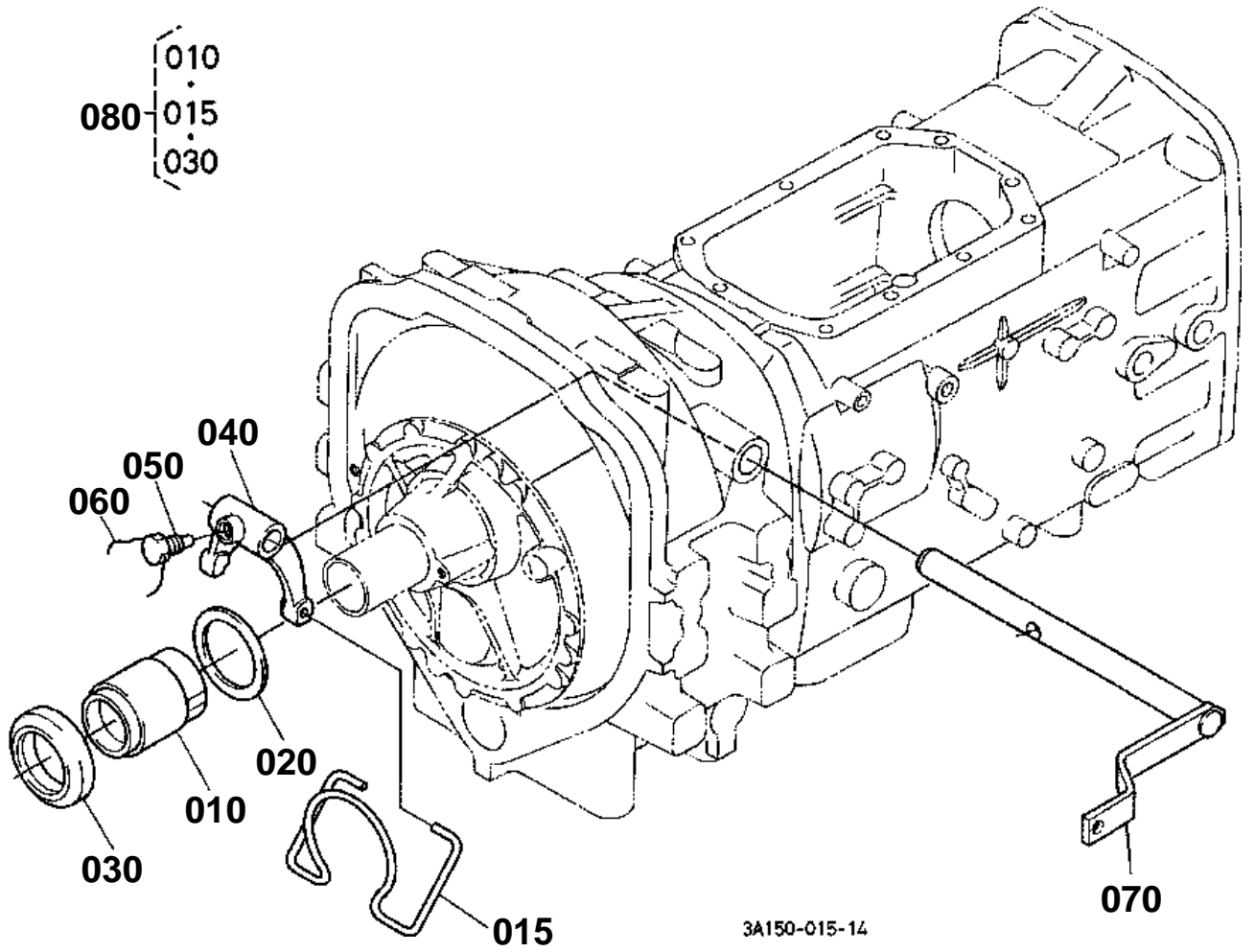
3A851-807-20

**CLUTCH [A]**

↔ Interchangeable; ≠ not interchangeable; ← new for old; → old for new

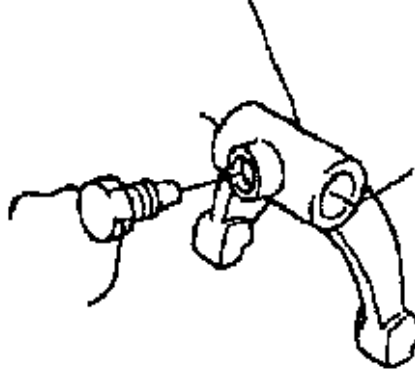
REF.No	Part No.	Description	Q'ty	S.No.	I/C	REMARKS	Weight (kgf)	Weight (lb)
010	3A151-25110	ASSY COVER CLUTCH	1	<=60686		NOT SALE	12.6	27.72
010	3A161-25110	ASSY COVER CLUTCH	1	>=60687	←		12.5	27.5
020	3A152-25130	ASSY DISK CLUTCH	1	<=60686		NOT SALE	3.4	7.48
020	3A161-25130	ASSY DISK CLUTCH	1	>=60687	←		3.5	7.7
030	05012-00820	PIN STRAIGHT	2				0.008	0.0176
040	01123-50820	BOLT	12				0.011	0.0242
050	3A151-25510	BOSS SPLINE	1				1.545	3.399
060	01133-51030	BOLT	8				0.025	0.055
070	08141-06007	BEARING BALL	1	<=55350		NOT SALE	0.147	0.3234
070	3F740-25250	BEARING BALL	1	>=55351	←		0.15	0.33

CLUTCH RELEASE FORK



040 32590-1472-0

040



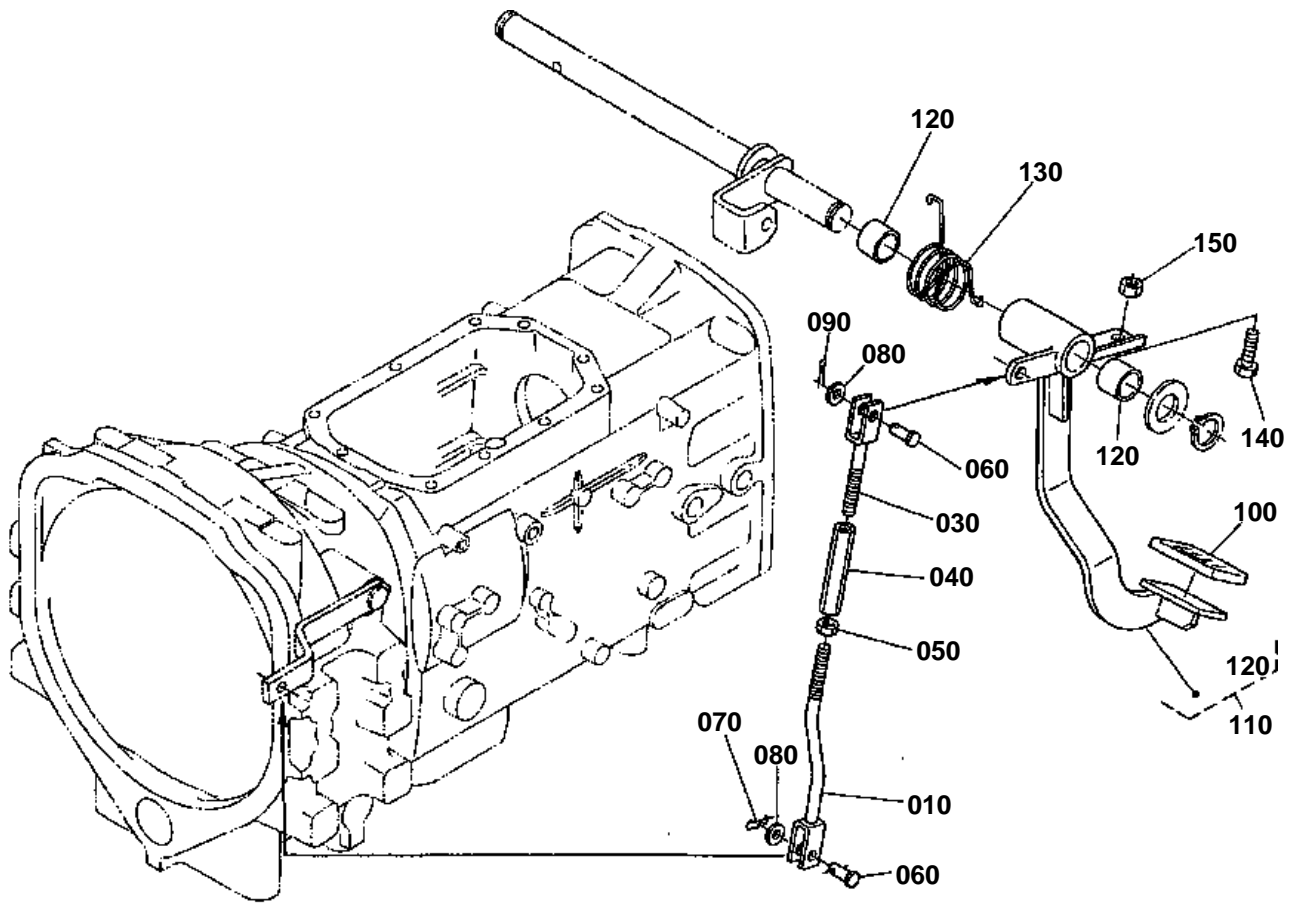
3A150-852-10

**CLUTCH RELEASE FORK**

↔ Interchangeable; ≠ not interchangeable; ← new for old; → old for new

REF.No	Part No.	Description	Q'ty	S.No.	I/C	REMARKS	Weight (kgf)	Weight (lb)
010	3A151-26310	HUB CLUTCH RELEASE	1	<=58179		NOT SALE ORDER BY REF.No.080	0.58	1.276
010	3A155-26310	HUB CLUTCH RELEASE	1	>=58180	≠		0.96	2.112
015	3A155-26330	SPRING	1	>=58180			0.025	0.055
020	3A111-26320	COLLAR THRUST	1				0.05	0.11
030	TA040-20700	BEARING RELEASE	1				0.29	0.638
040	32590-14720	FORK CLUTCH RELEASE	1	<=58179			0.515	1.133
040	3A155-26190	FORK CLUTCH RELEASE	1	>=58180	←		0.52	1.144
050	3A111-26350	BOLT SET	1				0.045	0.099
060	99999-99999	WIRE	1			NOT SALE	0	0
070	3A151-26210	LEVER CLUTCH RELEASE	1				1.41	3.102
080	3A155-97080	KIT RELEASE HUB	1	<=58179			1.27	2.794

CLUTCH PEDAL [OLD TYPE]



3A150-016-10

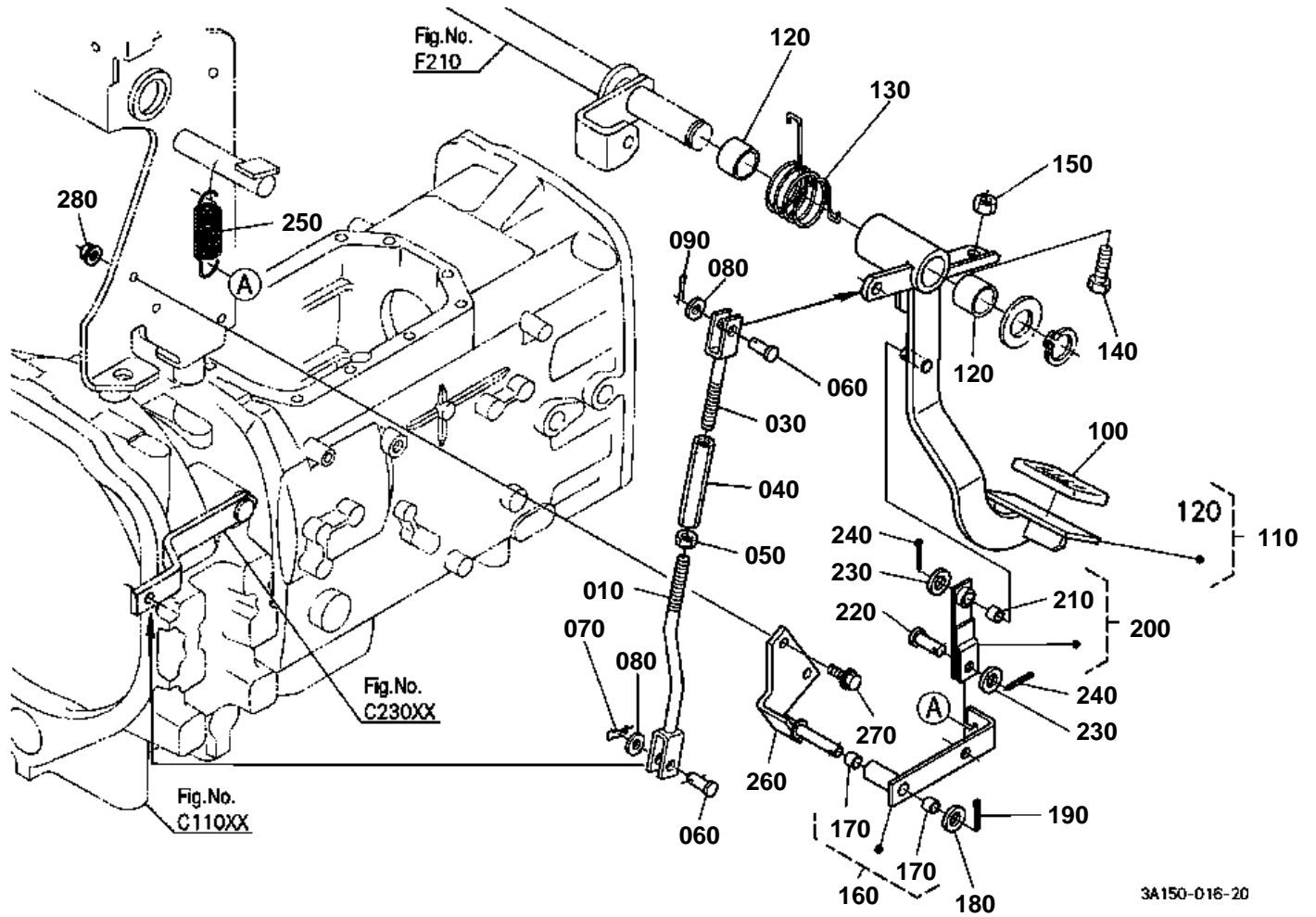


CLUTCH PEDAL [OLD TYPE]
S.No.;<=60686

↔ Interchangeable; ≠ not interchangeable; ← new for old; → old for new

REF.No	Part No.	Description	Q'ty	S.No.	I/C	REMARKS	Weight (kgf)	Weight (lb)
010	3A151-26230	ROD CLUTCH	1				0.15	0.33
020	99999-99999	BLANK	0				0	0
030	3A011-26240	ROD CLUTCH	1				0.11	0.242
040	32350-28980	TURNBUCKLE	1				0.124	0.2728
050	02116-50100	NUT	1				0.004	0.0088
060	38430-15790	PIN JOINT	2				0.02	0.044
070	52300-34130	PIN SNAP	1				0.004	0.0088
080	04013-60100	WASHER PLAIN	2				0.003	0.0066
090	05511-50318	PIN SPLIT	1				0.001	0.0022
100	37410-44120	COVER PEDAL	1				0.08	0.176
110	3A111-26100	ASSY PEDAL CLUTCH	1				1.69	3.718
120	08511-02825	BUSH	2				0.04	0.088
130	3A011-26150	SPRING	1				0.115	0.253
140	01153-50835	BOLT	1	<=55797			0.016	0.0352
140	01153-50825	BOLT	1	>=55798	←		0.012	0.0264
150	02116-50080	NUT	1				0.003	0.0066

CLUTCH PEDAL [NEW TYPE]



3A150-016-20

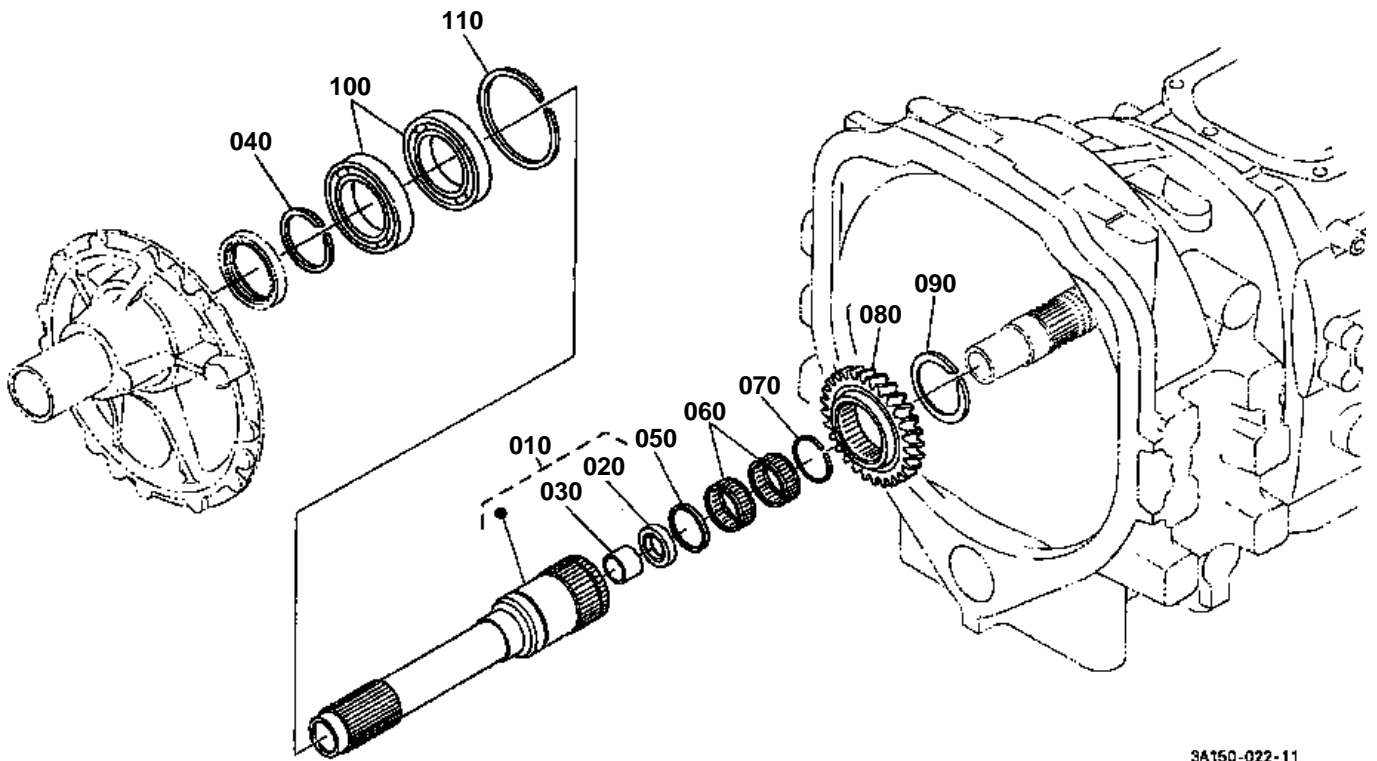


CLUTCH PEDAL [NEW TYPE]
S.No.;>=60687

↔ Interchangeable; ≠ not interchangeable; ← new for old; → old for new

REF.No	Part No.	Description	Q'ty	S.No.	I/C	REMARKS	Weight (kgf)	Weight (lb)
010	3A151-26230	ROD CLUTCH	1				0.15	0.33
020	99999-99999	BLANK	0				0	0
030	3A011-26240	ROD CLUTCH	1				0.11	0.242
040	32350-28980	TURNBUCKLE	1				0.124	0.2728
050	02116-50100	NUT	1				0.004	0.0088
060	38430-15790	PIN JOINT	2				0.02	0.044
070	52300-34130	PIN SNAP	1				0.004	0.0088
080	04013-60100	WASHER PLAIN	2				0.003	0.0066
090	05511-50318	PIN SPLIT	1				0.001	0.0022
100	37410-44120	COVER PEDAL	1				0.08	0.176
110	3A161-26103	ASSY PEDAL CLUTCH	1				1.8	3.96
120	08511-02825	BUSH	2				0.04	0.088
130	3A011-26150	SPRING	1				0.115	0.253
140	01153-50825	BOLT	1				0.012	0.0264
150	02116-50080	NUT	1				0.003	0.0066
160	3A152-26490	ASSY LINK	1				0.17	0.374
170	08511-01010	BUSH	2				0.003	0.0066
180	04013-60100	WASHER PLAIN	1				0.003	0.0066
190	05511-50318	PIN SPLIT	1				0.001	0.0022
200	3A152-26510	ASSY LINK	1				0.09	0.198
210	08511-01010	BUSH	1				0.003	0.0066
220	33740-26130	PIN JOINT	1				0.014	0.0308
230	04013-60100	WASHER PLAIN	2				0.003	0.0066
240	05511-50318	PIN SPLIT	2				0.001	0.0022
250	3A152-26160	SPRING	1				0.05	0.11
260	3A152-26480	BRACKET LINK	1				0.245	0.539
270	01754-50820	BOLT FLANGE	2				0.015	0.033
280	02751-50080	NUT FLANGE	2				0.006	0.0132

INPUT SHAFT



3A150-022-11

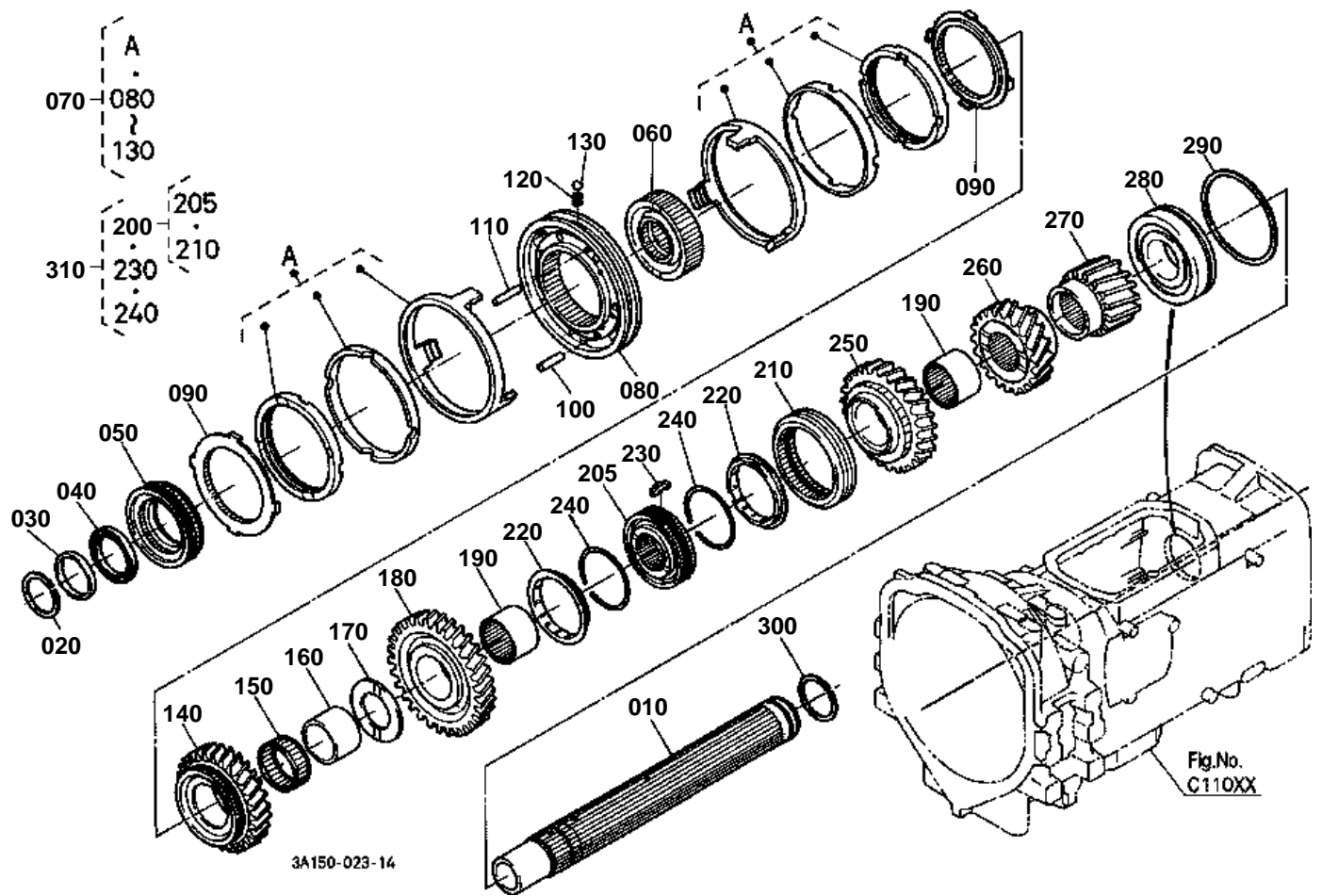


INPUT SHAFT

↔ Interchangeable; ≠ not interchangeable; ← new for old; → old for new

REF.No	Part No.	Description	Q'ty	S.No.	I/C	REMARKS	Weight (kgf)	Weight (lb)
010	3A151-28200	ASSY SHAFT INPUT	1				1.76	3.872
020	E3131-23550	SEAL OIL	1				0.009	0.0198
030	08511-02520	BUSH	1				0.02	0.044
040	68811-13660	CIR CLIP EXTERNAL	1				0.002	0.0044
050	3A151-24780	COLLAR	1			4.0mm	0.012	0.0264
060	08823-74418	BEARING NEEDLE	2	<=50142			0.034	0.0748
060	3A151-28340	BEARING NEEDLE	2	>=50143	←		0.04	0.088
070	33860-17880	CIR CLIP INTERNAL	1				0.001	0.0022
080	3A151-23330	GEAR	1			28T	0.815	1.793
090	33750-44280	CIR CLIP EXTERNAL	1	<=57257			0	0
090	33750-44282	CIR CLIP EXTERNAL	1	>=57258	←		0.025	0.055
100	08101-06011	BEARING BALL	2				0.376	0.8272
110	3A012-24630	CIR-CLIP INTERNAL	1				0.023	0.0506

FIRST SHAFT



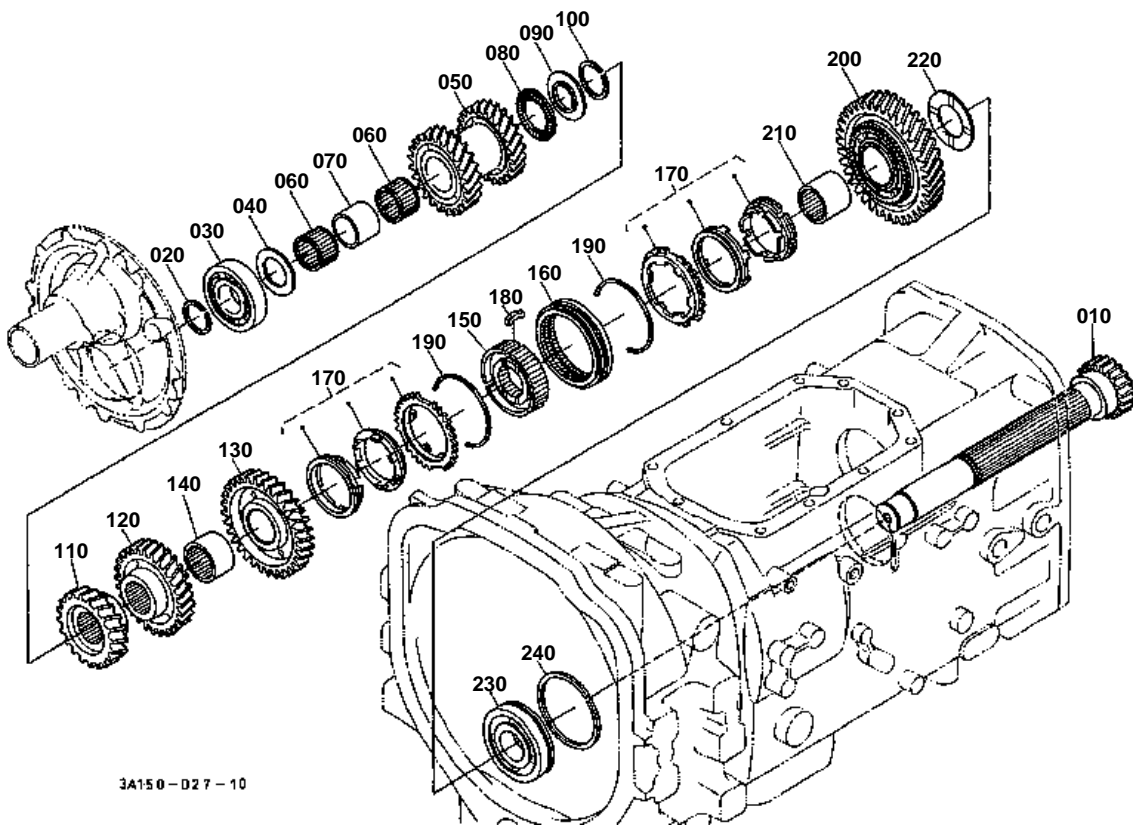


FIRST SHAFT

↔ Interchangeable; ≠ not interchangeable; ← new for old; → old for new

REF.No	Part No.	Description	Q'ty	S.No.	I/C	REMARKS	Weight (kgf)	Weight (lb)
010	3A151-28110	SHAFT	1				1.755	3.861
020	36730-28043	CIR-CLIP EXTERNAL	1				0.01	0.022
030	3A151-28430	COLLAR	1	<=54170		5.9mm	0	0
030	3A151-28440	COLLAR	1	>=54171	≠	6.2mm	0	0
030	3A151-28442	COLLAR	1	>=56644	←	6.2mm	0.015	0.033
030	3A151-28420	COLLAR	1	<=56643		5.8mm	0	0
030	3A151-28422	COLLAR	1	>=56644	←	5.8mm	0.014	0.0308
030	3A151-28413	COLLAR	1	<=56643		6.0mm	0	0
030	3A151-28414	COLLAR	1	>=56644	←	6.0mm	0.015	0.033
040	3A012-28550	BEARING BALL	1				0.034	0.0748
050	3A161-23340	HOLDER	1				0.305	0.671
		SYNCHRONIZER						
060	3A161-23650	COUPLING	1				0.475	1.045
070	3A161-34700	ASSY SYNCHRONIZER	1				1.96	4.312
080	3A161-34730	ASSY SLEEVE	1				0.72	1.584
090	36602-34810	RETAINER	2				0.1	0.22
100	36602-34820	PIN SYNCHRONIZER	6				0.01	0.022
110	36602-34830	PIN SYNCHRONIZER	4				0.015	0.033
120	36602-34840	SPRING	6				0.002	0.0044
130	07715-00401	BALL	6				0.001	0.0022
140	3A161-23390	GEAR	1			26T	1.095	2.409
150	3A031-34260	BEARING NEEDLE	1				0.05	0.11
160	33550-30380	RING INNER	1				0.1	0.22
170	32590-21860	COLLAR THRUST	1				0.04	0.088
180	3A151-28240	GEAR	1			30T	1.29	2.838
190	32530-21820	RACE INNER	2				0.09	0.198
200	3A151-28400	COUPLING-SHIFTER	1	<=50058		NOT SALE ORDER BY REF.No.310	0	0
200	3A151-28402	COUPLING-SHIFTER	1	>=50059	←	NOT SALE ORDER BY REF.No.310	0	0
200	3A152-28400	COUPLING-SHIFTER	1	>=54171	←	NOT SALE ORDER BY REF.No.310	0.55	1.21
200	3A152-28403	COUPLING-SHIFTER	1	>=58180	←	NOT SALE ORDER BY REF.No.310	0.55	1.21
205	3A151-28454	COUPLING	1	<=54170			0	0
205	3A152-28450	COUPLING	1	>=54171	←		0	0
205	3A152-28452	COUPLING	1	>=58180	←		0.316	0.6952
210	34076-62253	SHIFTER	1	<=57748			0.235	0.517
210	3A152-28390	SHIFTER	1	>=57749	≠		0.235	0.517
220	3F740-28450	RING SYNCHRONIZER	2				0.05	0.11
230	32430-21440	KEY SYNCHRONIZER	3				0.004	0.0088
240	38360-21780	SPRING	2				0.001	0.0022
250	3A151-28230	GEAR	1			26T	1.075	2.365
260	3A151-28220	GEAR	1			20T	0.805	1.771
270	3A151-28210	GEAR	1			15T	0.55	1.21
280	3A151-28810	BEARING BALL	1				0.61	1.342
290	3A151-28820	CIR CLIP EXTERNAL	1				0.024	0.0528
300	36730-28043	CIR-CLIP EXTERNAL	1				0.01	0.022
310	3A152-97020	KIT COUPLING SHIFTER	1	<=57482		OPTION	0	0
310	3A152-97022	KIT COUPLING SHIFTER	1	>=57483	←	OPTION	0	0
310	3A152-97023	KIT COUPLING SHIFTER	1	>=58180	←	OPTION	0.56	1.232

COUNTERSHAFT [OLD TYPE]



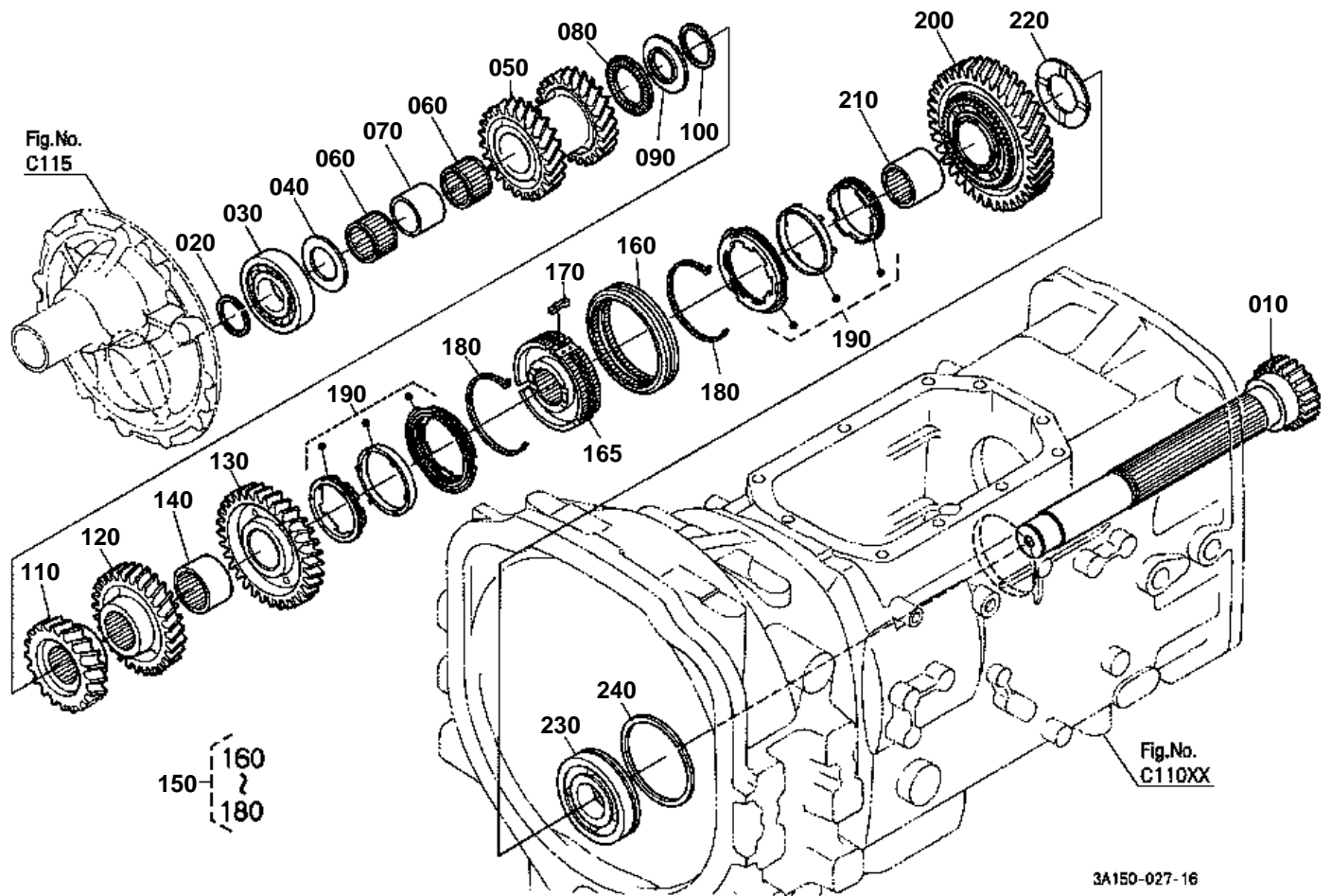


COUNTERSHAFT [OLD TYPE]
S.No.;<=50220

↔ Interchangeable; ≠ not interchangeable; ← new for old; → old for new

REF.No	Part No.	Description	Q'ty	S.No.	I/C	REMARKS	Weight (kgf)	Weight (lb)
010	3A151-28162	GEAR-SHAFT COUNTER	1			18T	3.65	8.03
020	33740-27292	CIR CLIP EXTERNAL	1				0.007	0.0154
030	7F712-51620	BEARING BALL	1				0.45	0.99
040	36280-41150	WASHER THRUST	1				0.04	0.088
050	3A151-23370	GEAR	1			25-23T	1.84	4.048
060	3A151-23230	BEARING NEEDLE	2				0.035	0.077
070	3A151-23380	COLLAR	1			35.2mm	0.08	0.176
080	3A151-23420	BEARING THRUST	1				0.035	0.077
090	3A151-23430	COLLAR THRUST	1				0.04	0.088
100	36730-28043	CIR-CLIP EXTERNAL	1				0.01	0.022
110	3A151-28290	GEAR	1			23T	0.915	2.013
120	3A151-28280	GEAR	1			27T	1.23	2.706
130	3A151-28270	GEAR	1			32T	1.5	3.3
140	32530-21870	RACE INNER	1				0.11	0.242
150	3A151-28460	COUPLING	1				0.505	1.111
160	3A011-34750	SHIFTER	1				0.34	0.748
170	3A011-34860	ASSY SYNCHRO	2				0.24	0.528
180	3A011-34820	KEY SYNCHRONIZER	3				0.005	0.011
190	34550-62350	SPRING SYNCHRONIZER	2				0.01	0.022
200	3A151-28260	GEAR	1			37T	2.2	4.84
210	3A151-28310	RACE INNER	1			40.5mm	0.255	0.561
220	36602-28550	COLLAR THRUST	1				0.09	0.198
230	3A151-28830	BEARING BALL	1				0.622	1.3684
240	3A151-28820	CIR CLIP EXTERNAL	1				0.024	0.0528

COUNTERSHAFT [NEW TYPE]



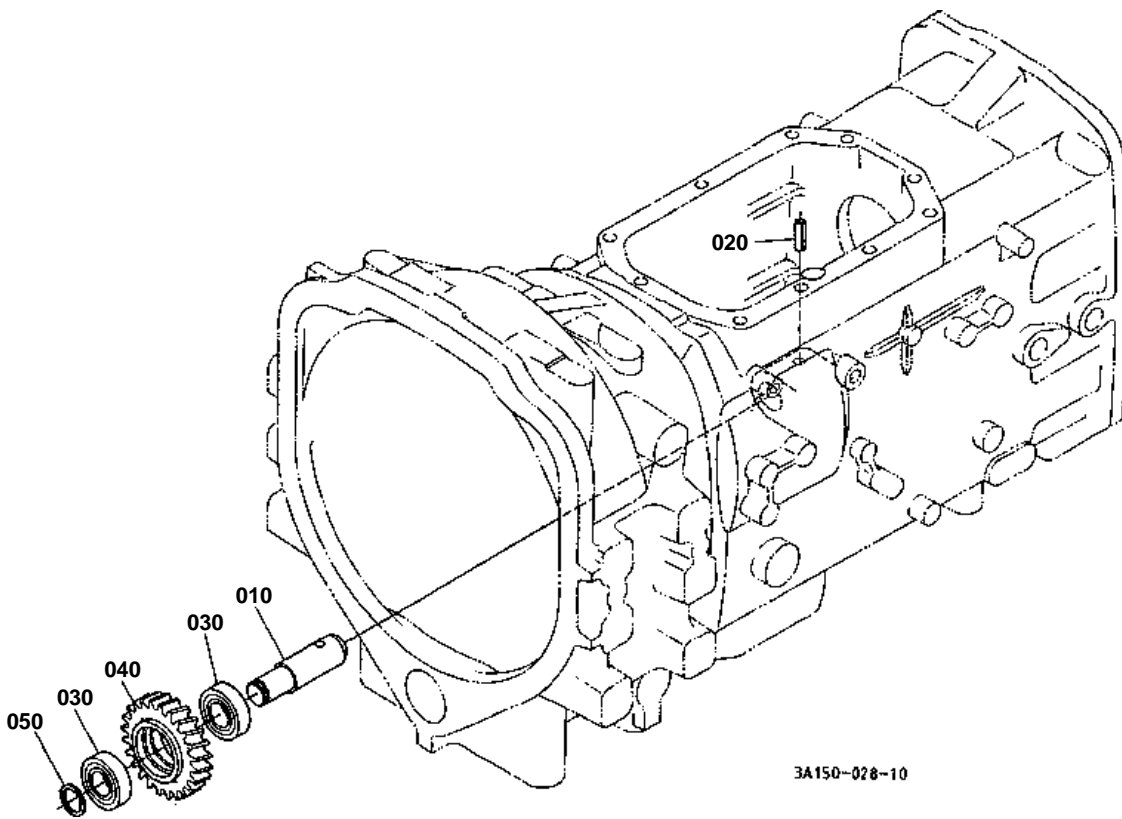


COUNTERSHAFT [NEW TYPE]
S.No.;>=50221

↔ Interchangeable; ≠ not interchangeable; ← new for old; → old for new

REF.No	Part No.	Description	Q'ty	S.No.	I/C	REMARKS	Weight (kgf)	Weight (lb)
010	3A151-28162	GEAR-SHAFT COUNTER	1			18T	3.65	8.03
020	33740-27292	CIR CLIP EXTERNAL	1				0.007	0.0154
030	7F712-51620	BEARING BALL	1				0.45	0.99
040	36280-41150	WASHER THRUST	1				0.04	0.088
050	3A151-23370	GEAR	1			25-23T	1.84	4.048
060	3A151-23230	BEARING NEEDLE	2				0.035	0.077
070	3A151-23380	COLLAR	1			35.2mm	0.08	0.176
080	3A151-23420	BEARING THRUST	1				0.035	0.077
090	3A151-23430	COLLAR THRUST	1				0.04	0.088
100	36730-28043	CIR-CLIP EXTERNAL	1				0.01	0.022
110	3A151-28290	GEAR	1			23T	0.915	2.013
120	3A151-28280	GEAR	1			27T	1.23	2.706
130	3A151-28270	GEAR	1			32T	1.5	3.3
140	32530-21870	RACE INNER	1				0.11	0.242
150	3A161-28500	ASSY COUPLING	1	<=54489			0	0
150	3A162-28500	ASSY COUPLING	1	>=54490	←		0.93	2.046
160	3F870-28394	SHIFTER	1				0.35	0.77
165	3A161-28460	COUPLING	1	<=54489		NOT SALE	0	0
165	3A162-28460	COUPLING	1	>=54490	←		0.562	1.2364
170	3F870-34820	KEY SYNCHRONIZER	3				0.005	0.011
180	34550-62350	SPRING SYNCHRONIZER	2				0.01	0.022
190	3F870-34862	ASSY SYNCHRONIZER	2				0.215	0.473
200	3A151-28260	GEAR	1			37T	2.2	4.84
210	3A151-28310	RACE INNER	1			40.5mm	0.255	0.561
220	36602-28550	COLLAR THRUST	1				0.09	0.198
230	3A151-28830	BEARING BALL	1				0.622	1.3684
240	3A151-28820	CIR CLIP EXTERNAL	1				0.024	0.0528

BACK IDLE SHAFT



3A150-028-10

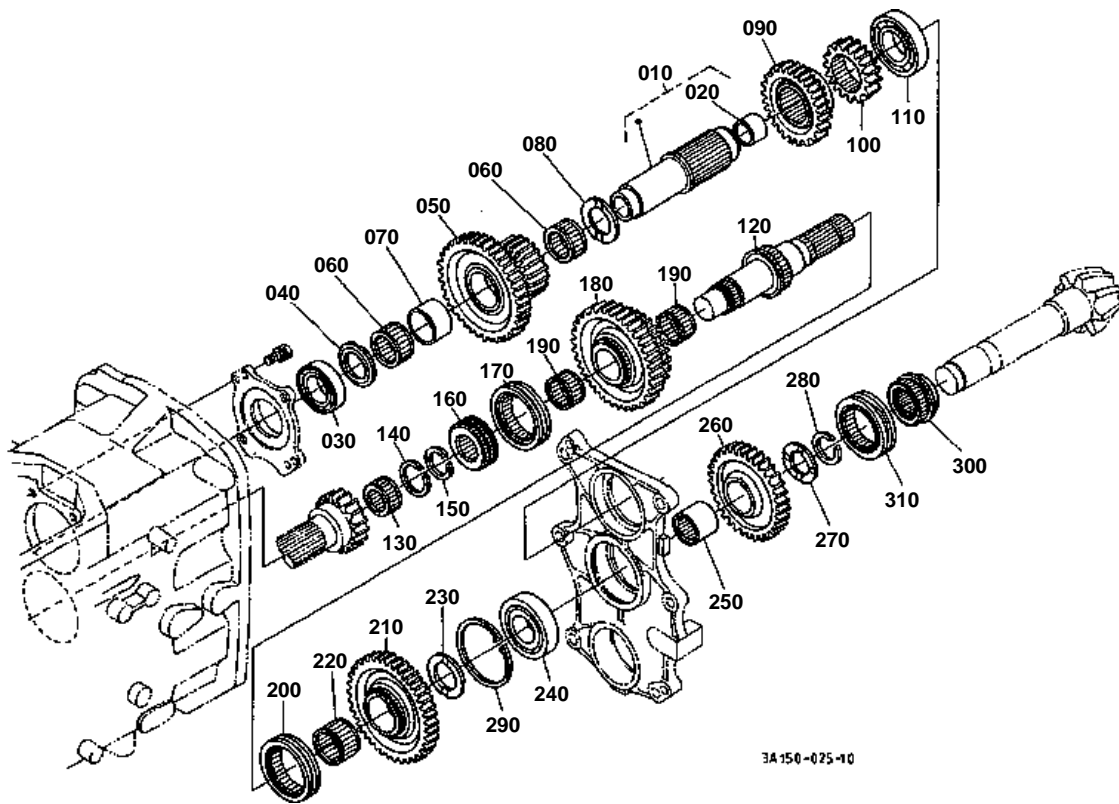


BACK IDLE SHAFT

↔ Interchangeable; ≠ not interchangeable; ← new for old; → old for new

REF.No	Part No.	Description	Q'ty	S.No.	I/C	REMARKS	Weight (kgf)	Weight (lb)
010	3A151-23450	SHAFT BACK IDLE	1				0.5	1.1
020	05411-00828	PIN SPRING	1				0.003	0.0066
030	67311-14520	BEARING BALL	2				0.125	0.275
040	3A151-23410	GEAR	1			25T	0.855	1.881
050	38430-21550	CIR CLIP EXTERNAL	1				0.005	0.011

RANGE GEAR SHAFT/CREEP GEAR SHAFT [A]



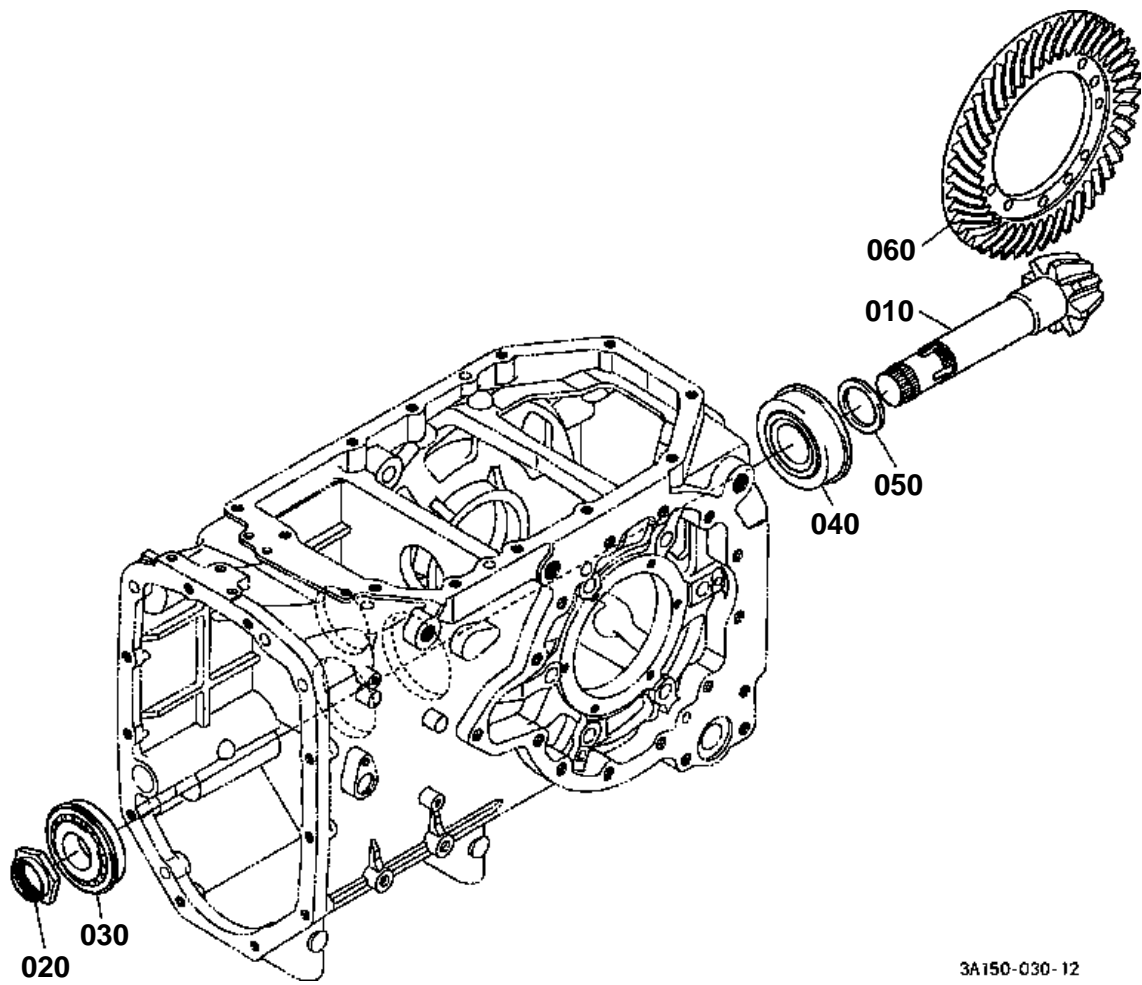


RANGE GEAR SHAFT/CREEP GEAR SHAFT [A]

↔ Interchangeable; ≠ not interchangeable; ← new for old; → old for new

REF.No	Part No.	Description	Q'ty	S.No.	I/C	REMARKS	Weight (kgf)	Weight (lb)
010	3A152-31200	ASSY SHAFT CREEP	1				1.06	2.332
020	08511-02520	BUSH	1				0.02	0.044
030	08141-06007	BEARING BALL	1				0.147	0.3234
040	3A152-32380	COLLAR THRUST	1				0.035	0.077
050	3A152-32390	GEAR	1			38-19T	2.27	4.994
060	3F740-30410	BEARING NEEDLE	2				0.07	0.154
070	3A152-31270	COLLAR	1				0.095	0.209
080	3A152-32350	COLLAR THRUST	1				0.035	0.077
090	3A152-31250	GEAR CREEP	1			27T	0.83	1.826
100	3A152-31290	GEAR CREEP	1			19T	0.32	0.704
110	08101-06208	BEARING BALL	1				0.355	0.781
120	3A152-32330	SHAFT RANGE SHIFT	1				2.065	4.543
130	35593-48350	BEARING NEEDLE	1				0.08	0.176
140	33740-23540	CIR-CLIP NEEDLE	1				0.003	0.0066
150	33740-27292	CIR CLIP EXTERNAL	1				0.007	0.0154
160	3A011-28450	BOSS SPLINE	1				0.205	0.451
170	3A011-28470	SHIFTER	1				0.275	0.605
180	3A152-31230	GEAR	1			37-29T	2.55	5.61
190	3A152-31220	BEARING NEEDLE	2				0.037	0.0814
200	3A011-28470	SHIFTER	1				0.275	0.605
210	3A152-31240	GEAR CREEP	1			37T	1.605	3.531
220	3A152-31190	BEARING NEEDLE	1				0.037	0.0814
230	36280-41150	WASHER THRUST	1				0.04	0.088
240	08101-06307	BEARING BALL	1				0.455	1.001
250	32530-25150	RACE INNER	1				0.135	0.297
260	3A161-41130	GEAR 4WD	1			33T	1.13	2.486
270	34550-15100	COLLAR THRUST	1				0.025	0.055
280	33740-27292	CIR CLIP EXTERNAL	1				0.007	0.0154
290	04611-00800	CIR CLIP INTERNAL	1				0.02	0.044
300	3A161-32010	COUPLING	1				0.43	0.946
310	33740-31290	SHIFTER	1				0.4	0.88

BEVEL GEAR



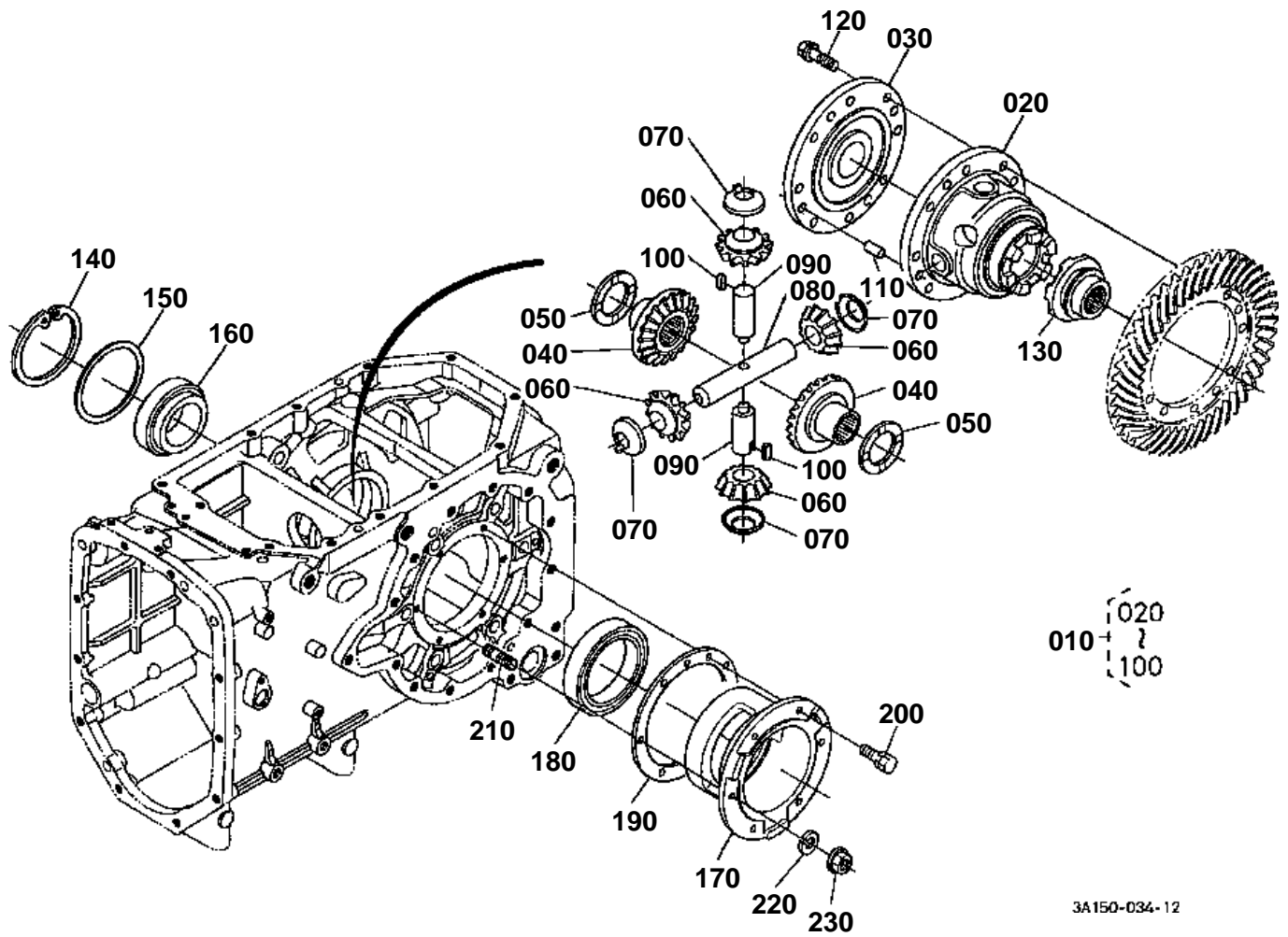
3A150-030-12

**BEVEL GEAR**

↔ Interchangeable; ≠ not interchangeable; ← new for old; → old for new

REF.No	Part No.	Description	Q'ty	S.No.	I/C	REMARKS	Weight (kgf)	Weight (lb)
010	3A151-32410	SHAFT BEVEL GEAR	1			8T	3.15	6.93
020	3A151-32580	NUT	1				0.085	0.187
030	36330-32570	BEARING TAPER-ROLLER	1				0.76	1.672
030	3A211-32590	BEARING TAPER-ROLLER	1		↔		0.76	1.672
040	36530-32592	BEARING TAPER-ROLLER	1				1.47	3.234
050	36200-32610	COLLAR PINION ADJUST	1			2.8mm	0.023	0.0506
050	36200-32630	COLLAR PINION ADJUST	1			3.0mm	0.025	0.055
050	36200-32650	COLLAR PINION ADJUST	1			3.2mm	0.027	0.0594
050	36200-32670	COLLAR PINION ADJUST	1			3.4mm	0.029	0.0638
050	36200-32690	COLLAR PINION ADJUST	1			3.6mm	0.031	0.0682
060	3E021-32420	GEAR BEVEL	1			35T	6.25	13.75

DIFFERENTIAL REAR



3A150-034-12

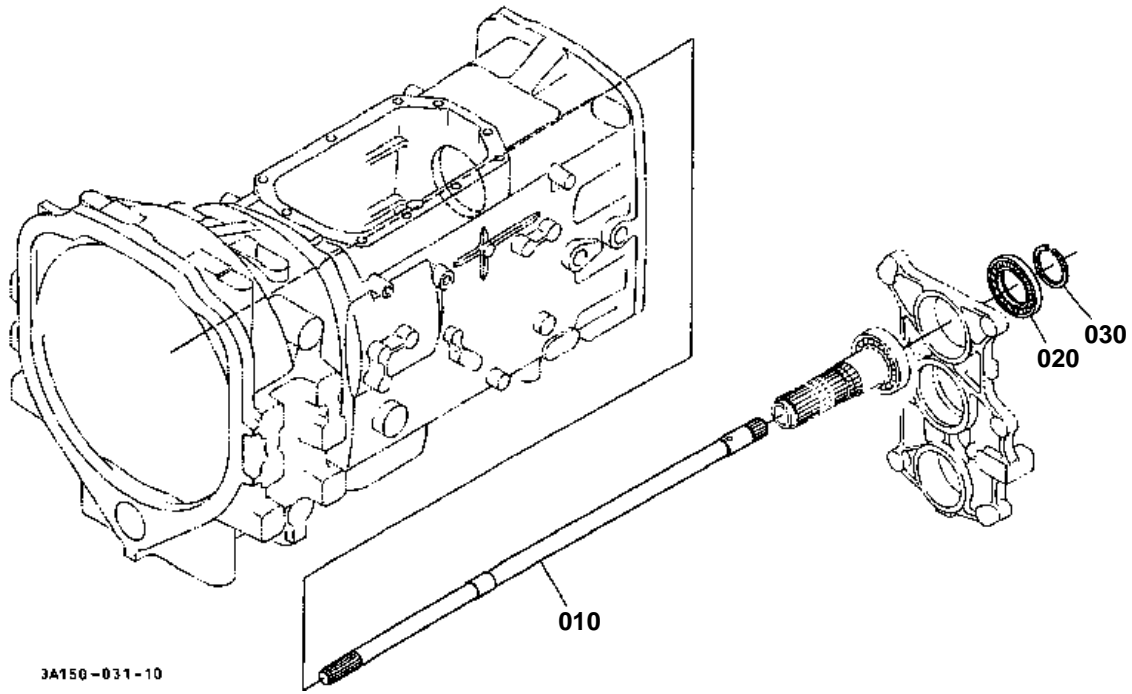


DIFFERENTIAL REAR

↔ Interchangeable; ≠ not interchangeable; ← new for old; → old for new

REF.No	Part No.	Description	Q'ty	S.No.	I/C	REMARKS	Weight (kgf)	Weight (lb)
010	33740-32203	ASSY DIFFERENTIAL	1				12.8	28.16
020	33740-32712	CASE DIFFERENTIAL	1				6	13.2
030	33740-32042	COVER DIFF.CASE	1				2.5	5.5
040	33740-32720	GEAR DIFF.SIDE	2			22T	0.86	1.892
050	33740-32760	WASHER SIDE GEAR	2			1.5mm	0.025	0.055
050	33740-32780	WASHER SIDE GEAR	2			1.6mm	0.03	0.066
050	33740-32790	WASHER SIDE GEAR	2			1.7mm	0.03	0.066
060	33740-32750	PINION DIFF.	4			13T	0.3	0.66
070	33980-32810	COLLAR THRUST	4				0.02	0.044
080	33740-32770	SHAFT DIFF.PINION	1				0.62	1.364
090	33740-32820	SHAFT DIFF.PINION	2				0.045	0.099
100	05712-00512	KEY FEATHER	2				0.002	0.0044
110	36730-32092	PIN STRAIGHT	2				0.045	0.099
120	36340-43180	BOLT UBS	10				0.05	0.11
130	3A151-32850	SHIFTER DIFF.LOCK	1				0.85	1.87
140	6C040-22450	CIR CLIP INTERNAL	1				0.08	0.176
150	3A151-32180	SHIM	1			0.7mm	0.015	0.033
150	3A151-32130	SHIM	1			0.8mm	0.016	0.0352
150	3A151-32140	SHIM	1			1.0mm	0.02	0.044
150	3A151-32150	SHIM	1			1.2mm	0.024	0.0528
150	3A151-32160	SHIM	1			1.4mm	0.028	0.0616
160	08711-30213	BEARING TAPER-ROLLER	1				1.16	2.552
170	3A151-32120	SUPPORT DIFF.LH	1	<=55503			0	0
170	3A151-32122	SUPPORT DIFF.LH	1	>=55504	←		3.1	6.82
180	08711-32918	BEARING TAPER-ROLLER	1				0.83	1.826
190	33740-32130	SHIM	2			0.1mm	0.01	0.022
190	33740-32140	SHIM	2			0.3mm	0.02	0.044
190	33740-32150	SHIM	2			0.5mm	0.04	0.088
200	01133-51035	BOLT	4				0.03	0.066
210	01517-61022	STUD	2				0.019	0.0418
220	04512-60100	WASHER SPRING	2				0.002	0.0044
230	02118-50100	NUT	2				0.005	0.011

PTO PROPELLER SHAFT



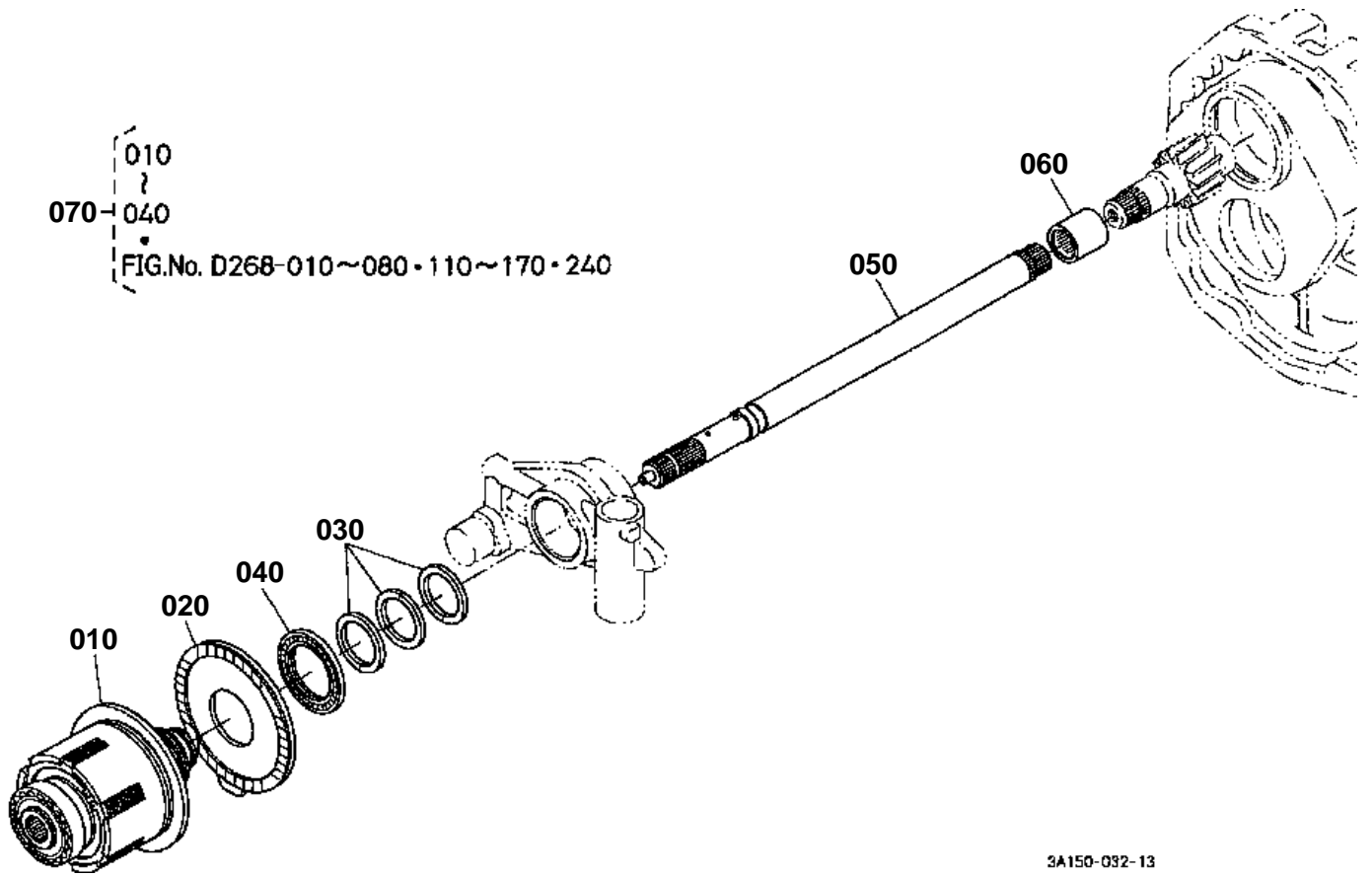
3A150-031-10



PTO PROPELLER SHAFT

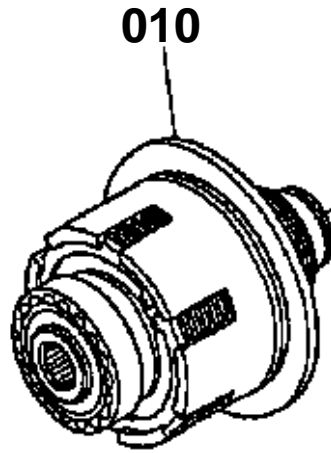
↔ Interchangeable; ≠ not interchangeable; ← new for old; → old for new

REF.No	Part No.	Description	Q'ty	S.No.	I/C	REMARKS	Weight (kgf)	Weight (lb)
010	3A151-25610	SHAFT PROPELLER	1				3	6.6
020	3A011-25640	BEARING THRUST	1				0.018	0.0396
030	38430-21550	CIR CLIP EXTERNAL	1				0.005	0.011



3A150-032-13

010 3A151-2700-0



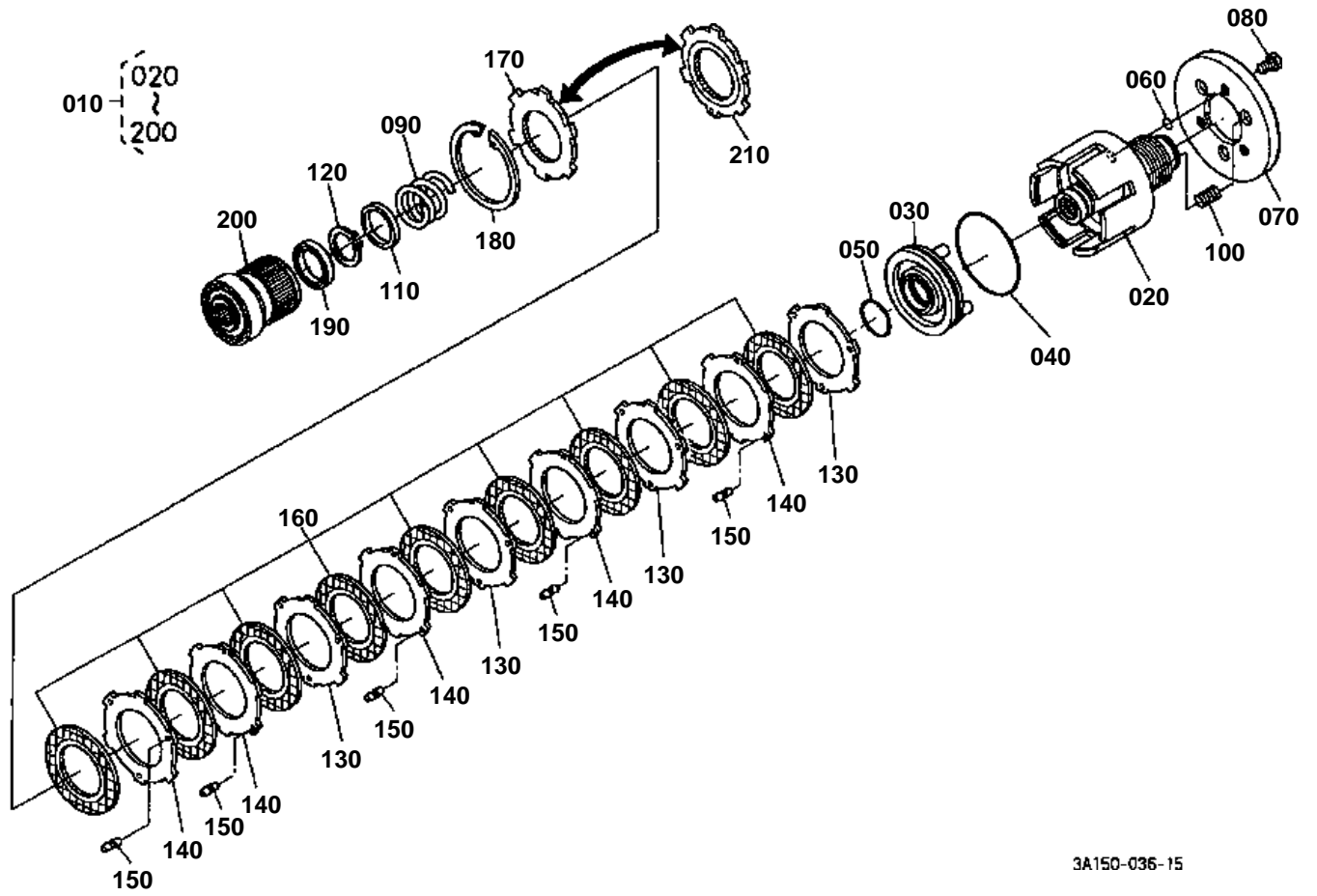
3A150-808-10

**PTO CLUTCH**

↔ Interchangeable; ≠ not interchangeable; ← new for old; → old for new

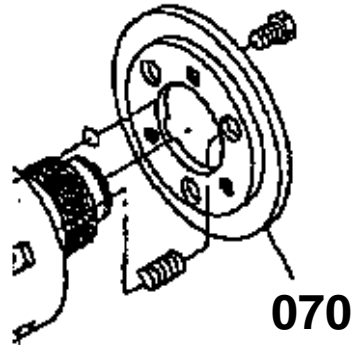
REF.No	Part No.	Description	Q'ty	S.No.	I/C	REMARKS	Weight (kgf)	Weight (lb)
010	3A152-27000	ASSY CLUTCH PTO	1				3.7	8.14
020	TA040-69150	DISK BRAKE	1				0.41	0.902
030	31501-72403	RING SEAL	3	≤50142			0.005	0.011
030	3G700-27372	RING SEAL	3	≥50143	←		0.001	0.0022
040	TA040-69160	BEARING NEEDLE	1				0.029	0.0638
050	3A151-79120	SHAFT PROPELLER	1	≤55797			2.1	4.62
050	3A151-79122	SHAFT PROPELLER	1	≥55798	←		2.1	4.62
060	33860-24390	COUPLING PTO	1				0.14	0.308

PTO CLUTCH [COMPONENT PARTS] [NEW TYPE]

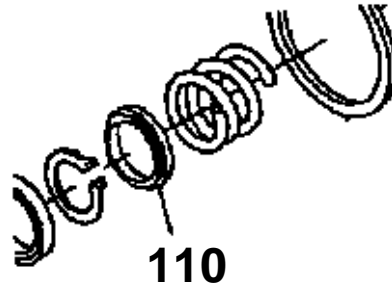


3A150-036-15

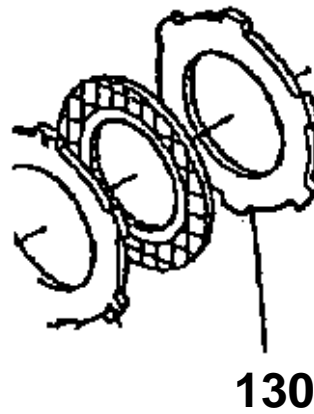
070 TA040-6903-0



110 31501-7237-0



130 3A152-2724-0



3A150-837-10

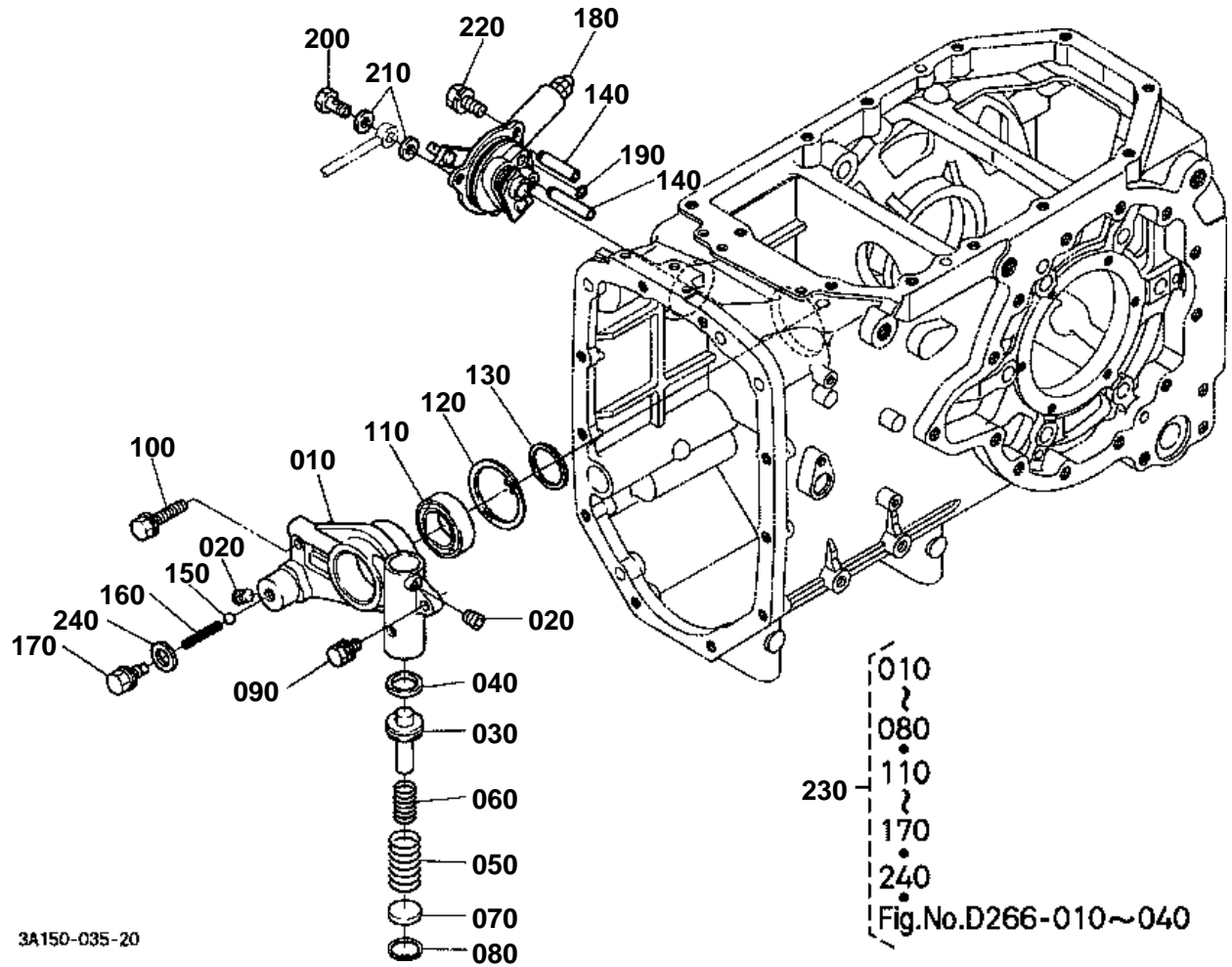


PTO CLUTCH [COMPONENT PARTS] [NEW TYPE]

↔ Interchangeable; ≠ not interchangeable; ← new for old; → old for new

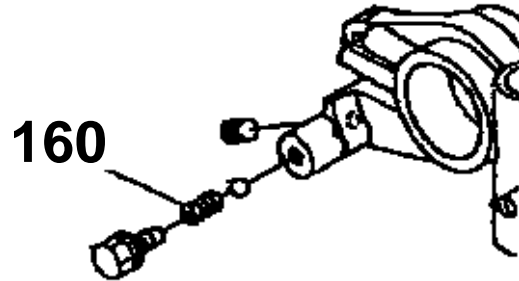
REF.No	Part No.	Description	Q'ty	S.No.	I/C	REMARKS	Weight (kgf)	Weight (lb)
010	3A152-27000	ASSY CLUTCH PTO	1				3.7	8.14
020	3A152-27110	BODY PTO CLUTCH	1				1.7	3.74
030	3A152-27120	PISTON PTO	1				0.395	0.869
040	31501-72330	D RING OUTER	1				0.005	0.011
050	31501-72470	D RING INNER	1				0.001	0.0022
060	04811-00100	O RING	3				0	0
060	04816-00100	O RING	3		←		0.001	0.0022
070	TA040-69030	PLATE BRAKE	1	≤55350			0.5	1.1
070	3A211-27220	PLATE BRAKE	1	≥55351	≠		0.64	1.408
080	TA040-69040	BOLT	3				0.004	0.0088
090	TA040-69050	SPRING RETURN	1				0.075	0.165
100	TA040-69060	SPRING RETURN	3				0.008	0.0176
110	31501-72370	WASHER	1	≤55350			0.018	0.0396
110	PF801-31260	WASHER	1	≥55351	≠		0.015	0.033
120	04612-00350	CIR CLIP EXTERNAL	1				0.01	0.022
130	3A152-27240	PLATE	4	≤54025			0.035	0.077
130	3A152-27140	PLATE	4	≥54026	≠		0.035	0.077
140	3A152-27140	PLATE	5				0.035	0.077
150	TA040-69090	RUBBER	15				0.001	0.0022
160	3A152-27130	DISK CLUTCH	9				0.035	0.077
170	3A152-27150	PLATE	1			4.0mm	0.115	0.253
180	04611-00920	CIR CLIP INTERNAL	1				0.04	0.088
190	08101-06807	BEARING BALL	1				0.03	0.066
200	3A152-27200	ASSY HUB DAMPER	1				0.74	1.628
210	3A152-27190	PLATE	1			3.5mm SUITABILITY	0.11	0.242

PTO CLUTCH VALVE



3A150-035-20

160 62231-1853-0



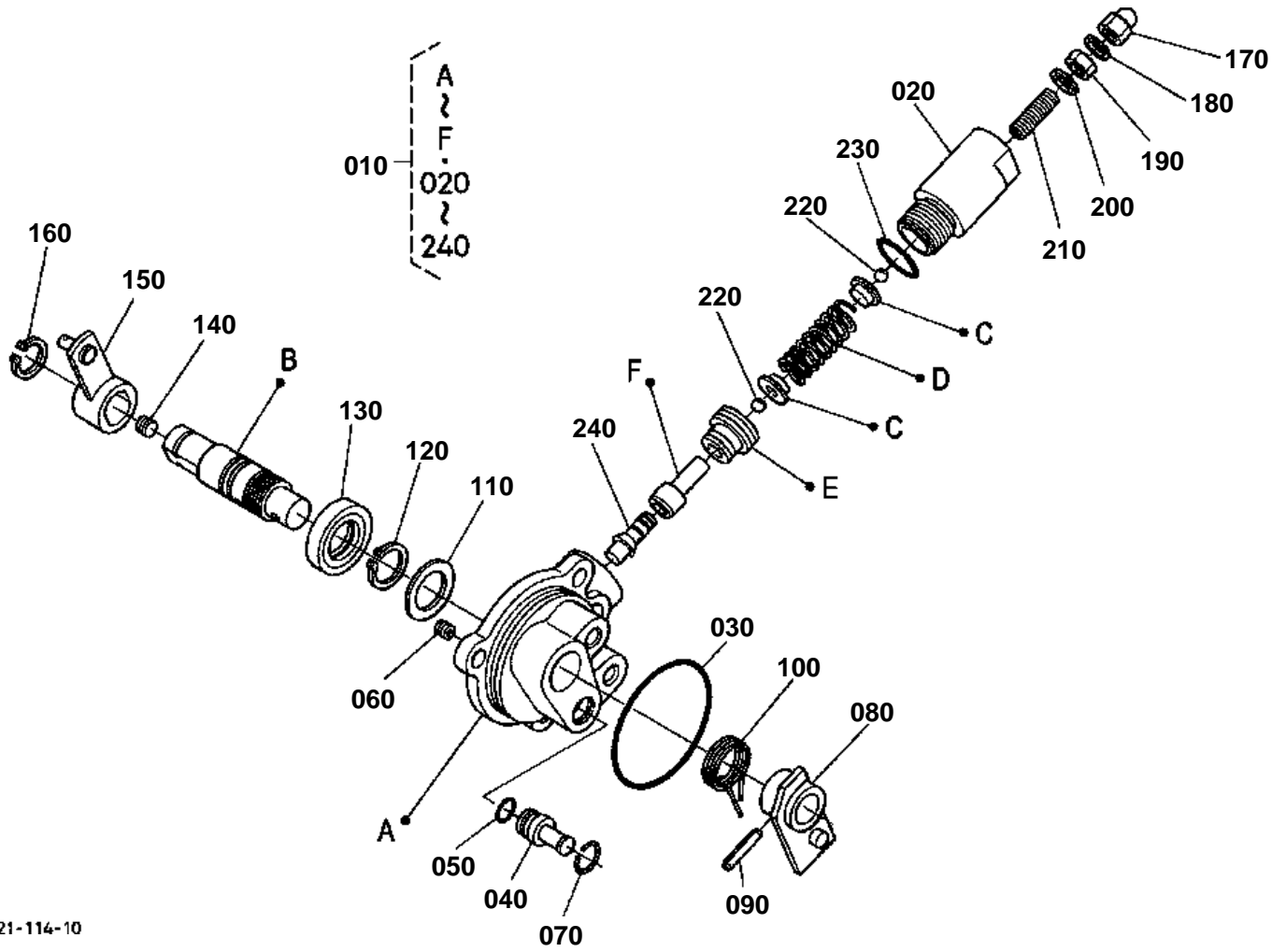
3A124-804-10

**PTO CLUTCH VALVE**

↔ Interchangeable; ≠ not interchangeable; ← new for old; → old for new

REF.No	Part No.	Description	Q'ty	S.No.	I/C	REMARKS	Weight (kgf)	Weight (lb)
010	3A152-27250	HOLDER PTO CLUTCH	1	<=50220			0	0
010	3A152-27252	HOLDER PTO CLUTCH	1	>=50221	←		2.1	4.62
020	32420-67380	PLUG	2				0.005	0.011
030	TA040-69210	PISTON	1				0.09	0.198
040	34076-65170	SEAL PISTON	1				0.005	0.011
050	TA040-69230	SPRING	1				0.039	0.0858
060	TA040-69240	SPRING	1				0.024	0.0528
070	3A011-27260	COVER PTO	1				0.018	0.0396
080	04611-00280	CIR CLIP INTERNAL	1				0.002	0.0044
090	01123-50830	BOLT	1				0.015	0.033
100	01123-50845	BOLT	1				0.02	0.044
110	08101-06007	BEARING BALL	1				0.16	0.352
120	04611-00620	CIR CLIP INTERNAL	1				0.011	0.0242
130	33740-27292	CIR CLIP EXTERNAL	1				0.007	0.0154
140	34555-69330	PIPE HYDRAULIC	2				0.007	0.0154
150	07715-03211	BALL	1				0.003	0.0066
160	62231-18530	SPRING	1	<=53716			0.01	0.022
160	32590-28220	SPRING	1	>=53717	←		0.002	0.0044
170	3A011-29410	BOLT	1				0.035	0.077
180	3A111-27400	ASSY VALVE PTO	1				1.51	3.322
190	04811-00090	O RING	1				0	0
190	04817-00090	O RING	1		←		0.001	0.0022
200	34076-66590	BOLT JOINT	1				0.05	0.11
210	04714-00200	GASKET	2				0.002	0.0044
220	01123-50820	BOLT	3				0.011	0.0242
240	04011-50120	WASHER PLAIN	1	>=53717			0.005	0.011

PTO CLUTCH VALVE [COMPONENT PARTS]



3A021-114-10

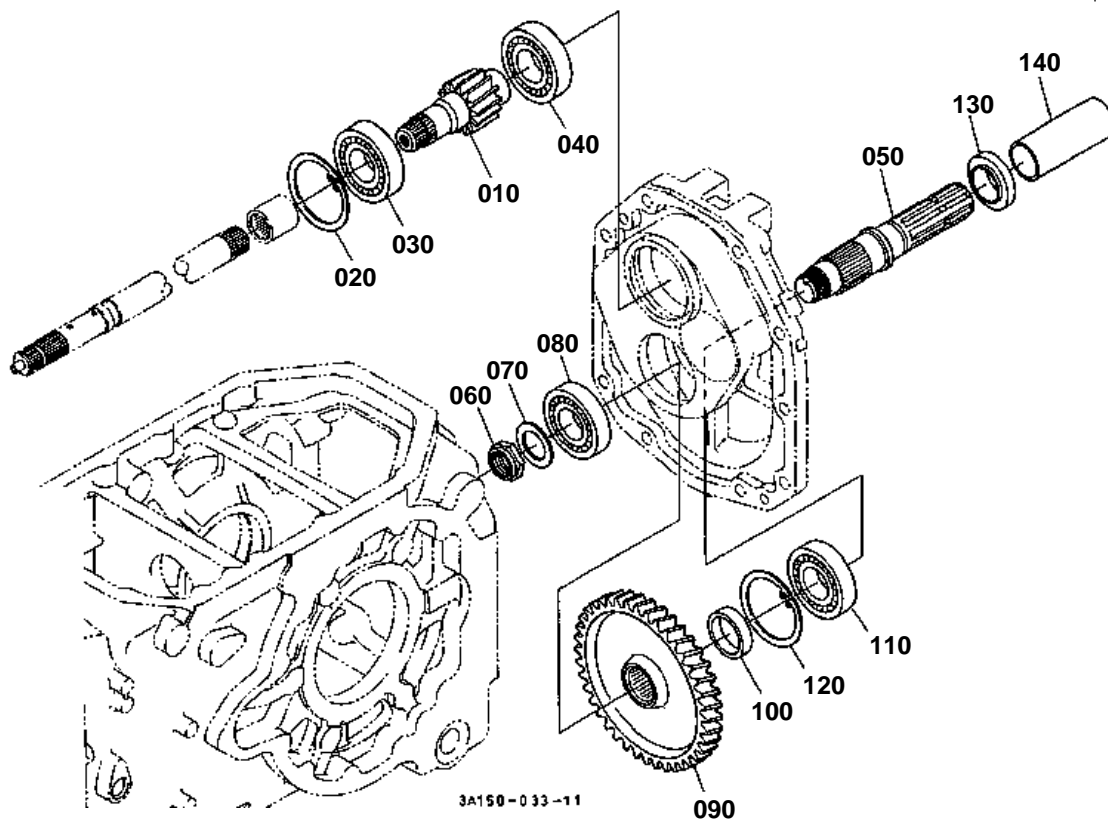


PTO CLUTCH VALVE [COMPONENT PARTS]

↔ Interchangeable; ≠ not interchangeable; ← new for old; → old for new

REF.No	Part No.	Description	Q'ty	S.No.	I/C	REMARKS	Weight (kgf)	Weight (lb)
010	3A111-27400	ASSY VALVE PTO	1				1.51	3.322
020	3A011-27420	SUPPORT PTO VALVE	1				0.29	0.638
030	04811-06630	O RING	1				0.001	0.0022
040	TA040-69320	PLUG	1				0.006	0.0132
050	04811-00090	O RING	1				0	0
050	04817-00090	O RING	1		←		0.001	0.0022
060	3A011-23190	ORIFICE	1				0.001	0.0022
070	67401-03690	RING	1				0.001	0.0022
080	TA040-69340	LEVER VALVE ROTOR	1				0.057	0.1254
090	05411-00522	PIN SPRING	1				0.002	0.0044
100	TA040-69360	SPRING	1				0.014	0.0308
110	50770-12180	COLLAR THRUST	1				0.003	0.0066
120	04612-00200	CIR CLIP EXTERNAL	1				0.001	0.0022
130	09500-20358	SEAL OIL	1				0.01	0.022
140	67511-36640	PLUG	1				0.003	0.0066
150	3A011-27430	LEVER PTO VALVE	1				0.054	0.1188
160	04612-00180	CIR CLIP EXTERNAL	1				0.001	0.0022
170	32420-68590	NUT	1				0.005	0.011
180	04714-00080	GASKET	1				0.001	0.0022
190	02114-50080	NUT	1				0.005	0.011
200	62571-13330	WASHER SEAL	1				0.003	0.0066
210	03651-50825	SCREW SET	1				0.01	0.022
220	07715-00401	BALL	2				0.001	0.0022
230	04811-00220	O RING	1				0	0
230	04817-00220	O RING	1		←		0.001	0.0022
240	48100-36310	SEAT RELIEF VALVE	1				0.01	0.022

PTO SHAFT



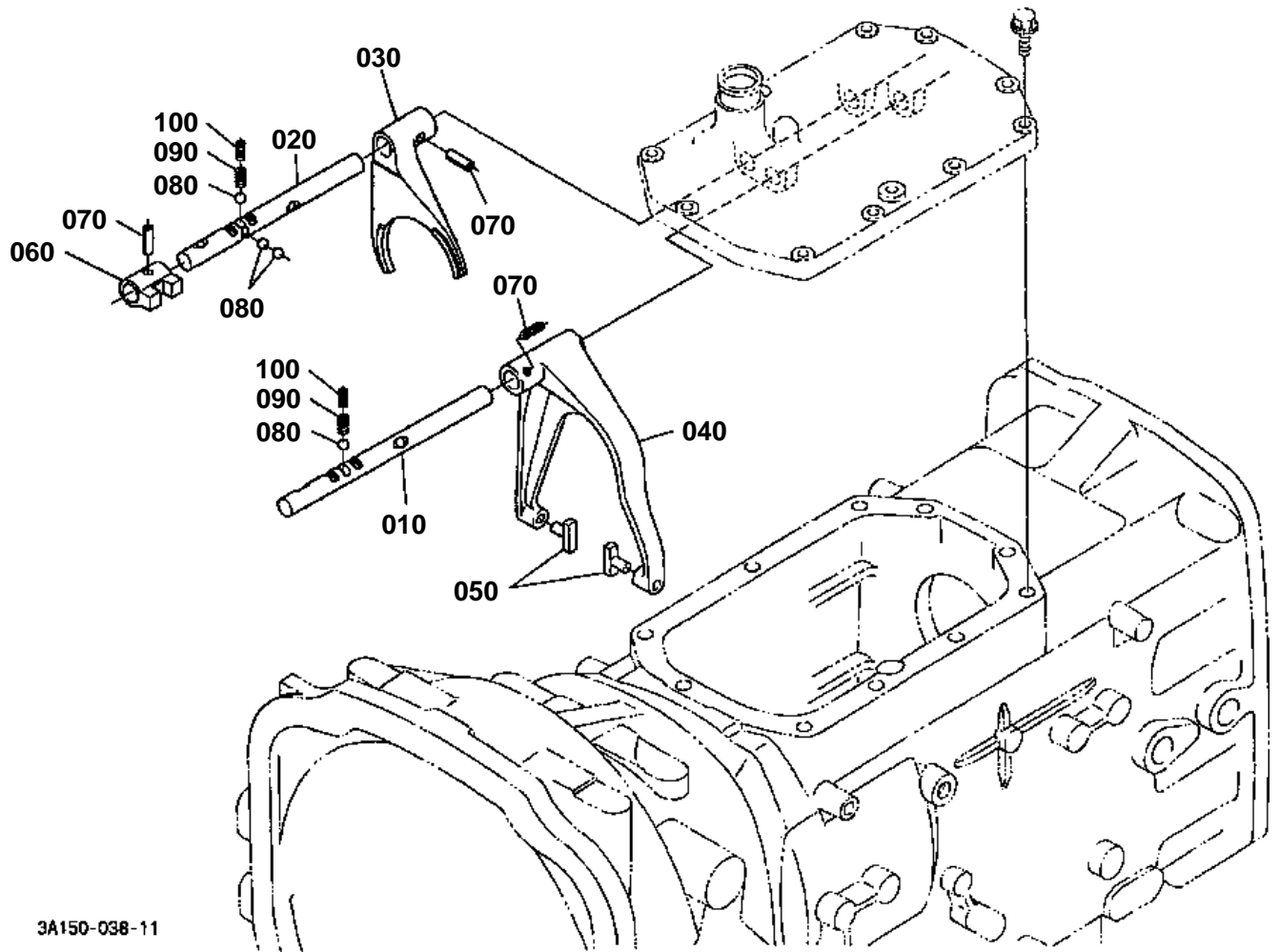


PTO SHAFT

↔ Interchangeable; ≠ not interchangeable; ← new for old; → old for new

REF.No	Part No.	Description	Q'ty	S.No.	I/C	REMARKS	Weight (kgf)	Weight (lb)
010	3A151-79130	GEAR-SHAFT PTO	1			12T	1.025	2.255
020	04611-00800	CIR CLIP INTERNAL	1				0.02	0.044
030	35860-79150	BEARING BALL	1				0.45	0.99
040	36530-80160	BEARING BALL	1				0.46	1.012
050	3A151-80140	SHAFT PTO	1	<=50220			0	0
050	3A151-80142	SHAFT PTO	1	>=50221	←		1.655	3.641
060	34150-25330	NUT	1				0.039	0.0858
070	36330-80080	COLLAR	1				0.03	0.066
080	08101-06307	BEARING BALL	1				0.455	1.001
090	3A151-80310	GEAR PTO	1			49T	3.15	6.93
100	3A151-80190	COLLAR	1			13mm	0.075	0.165
110	36602-23430	BEARING BALL	1				0.3	0.66
120	04611-00800	CIR CLIP INTERNAL	1				0.02	0.044
130	37650-43530	SEAL OIL	1	<=57058			0.062	0.1364
130	3A111-80290	SEAL OIL	1	>=57059	←		0.065	0.143
140	31220-25820	CAP	1				0.055	0.121

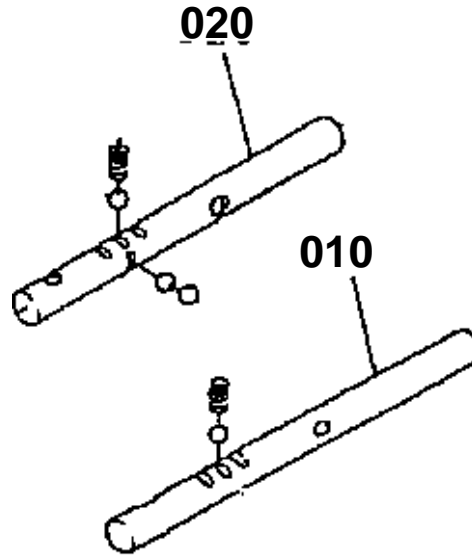
MAIN GEAR SHIFT FORK



3A150-038-11

010 3A151-2921-0

020 3A151-2922-3



3A150-818-10

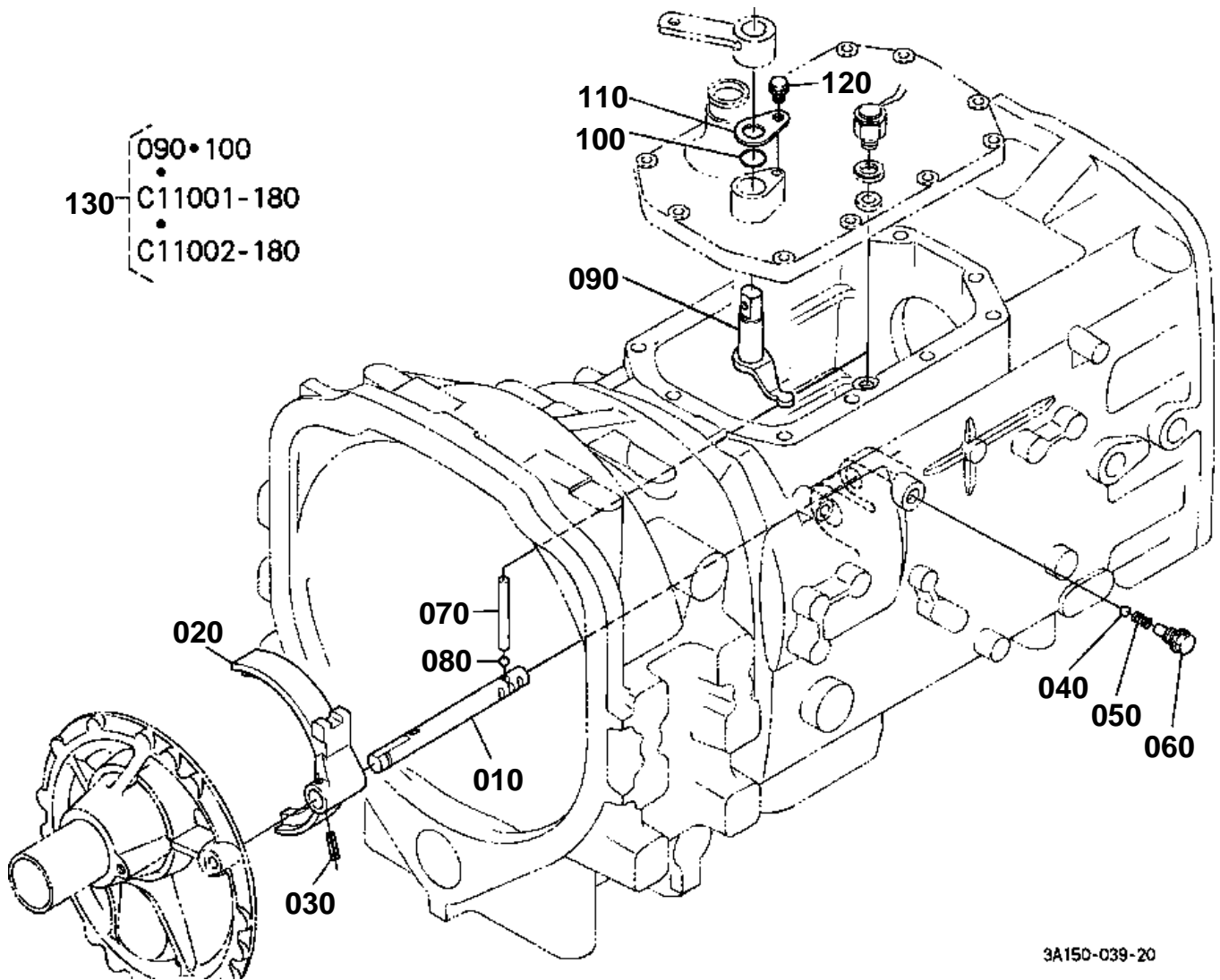


MAIN GEAR SHIFT FORK

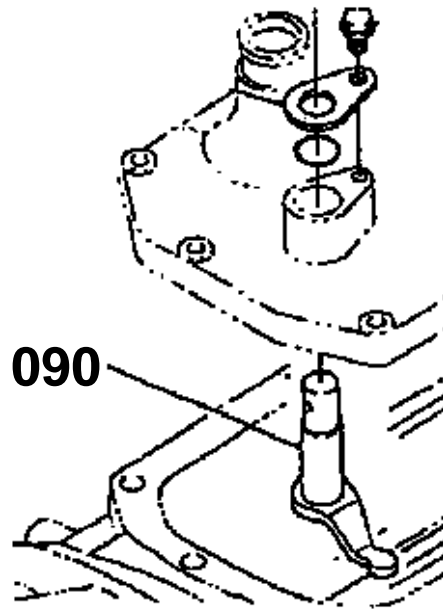
↔ Interchangeable; ≠ not interchangeable; ← new for old; → old for new

REF.No	Part No.	Description	Q'ty	S.No.	I/C	REMARKS	Weight (kgf)	Weight (lb)
010	3A151-29210	ROD SHIFT	1	<=50220			0	0
010	3A152-29210	ROD FORK	1	>=50221	←		0.325	0.715
020	3A151-29223	ROD SHIFT	1	<=50220			0	0
020	3A152-29220	ROD FORK	1	>=50221	←		0.29	0.638
030	3A151-29140	FORK MAIN SHIFT	1				0.355	0.781
040	3A151-29160	FORK MAIN SHIFT	1				1.17	2.574
050	3A151-29180	COTTER	2				0.015	0.033
060	3A151-29110	HOLDER	1				0.085	0.187
070	05411-00628	PIN SPRING	3				0.004	0.0088
080	07715-03211	BALL	4				0.003	0.0066
090	62231-18530	SPRING	2	<=50220			0.01	0.022
090	3A152-29420	SPRING	2	>=50221	≠		0.004	0.0088
100	3F740-29230	SPRING RANGE SHIFT	2	>=50221			0.001	0.0022

SHUTTLE GEAR SHIFT FORK



090 3A151-2356-0



3A150-821-10

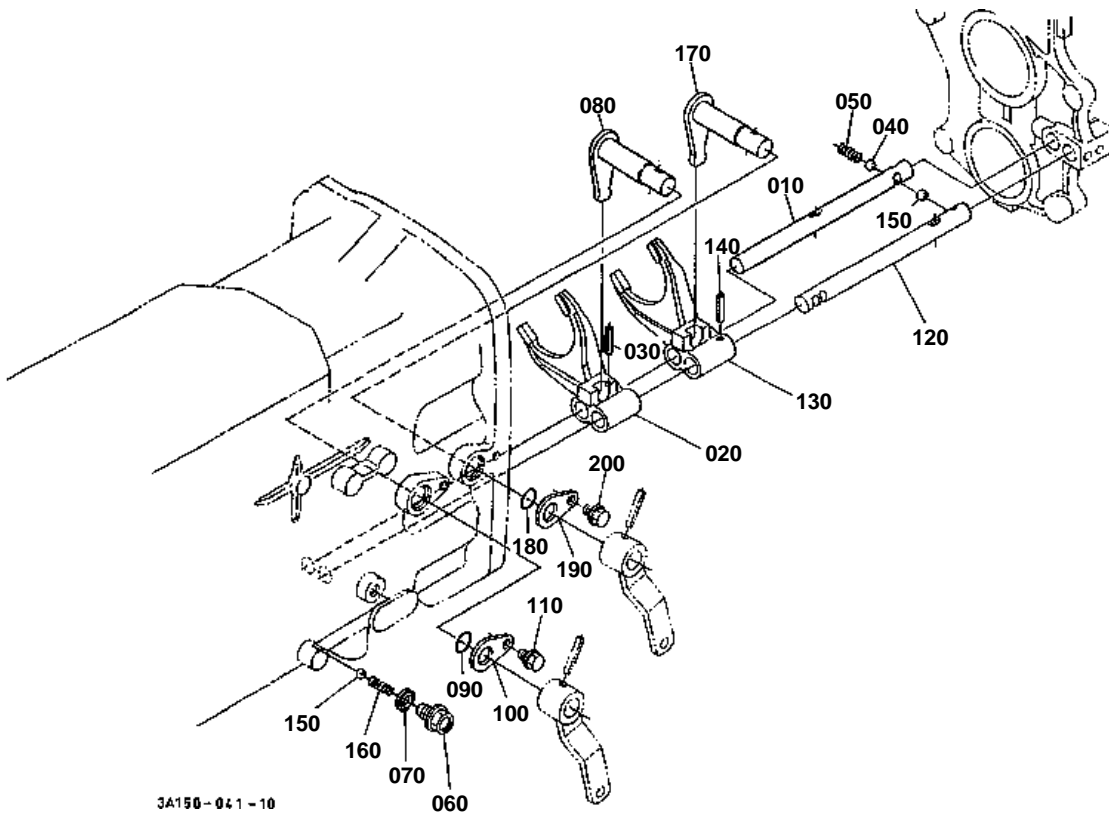


SHUTTLE GEAR SHIFT FORK

↔ Interchangeable; ≠ not interchangeable; ← new for old; → old for new

REF.No	Part No.	Description	Q'ty	S.No.	I/C	REMARKS	Weight (kgf)	Weight (lb)
010	3A161-23520	ROD SHUTTLE	1				0.27	0.594
020	3A151-23510	FORK SHUTTLE SHIFT	1				0.72	1.584
030	05411-00628	PIN SPRING	1				0.004	0.0088
040	07715-03211	BALL	1				0.003	0.0066
050	62231-18530	SPRING	1				0.01	0.022
060	3A011-29410	BOLT	1				0.035	0.077
070	3A151-23530	PIN STRAIGHT	1				0.025	0.055
080	07715-03211	BALL	1				0.003	0.0066
090	3A151-23560	LEVER SHUTTLE	1	≤50206			0.23	0.506
090	3A152-23560	LEVER SHUTTLE	1	≥50207	≠		0	0
090	3A152-23562	LEVER SHUTTLE	1	≥55504	←		0.22	0.484
100	04811-00200	O RING	1	≤55503			0	0
100	3A152-23590	O RING	1	≥55504	←		0.001	0.0022
110	34070-24350	STOPPER	1				0.02	0.044
120	01754-50812	BOLT FLANGE	1				0.01	0.022
130	3A152-97030	KIT COVER	1	≤55503			4.35	9.57

RANGE GEAR SHIFT FORK/CREEP SHIFT FORK [A]

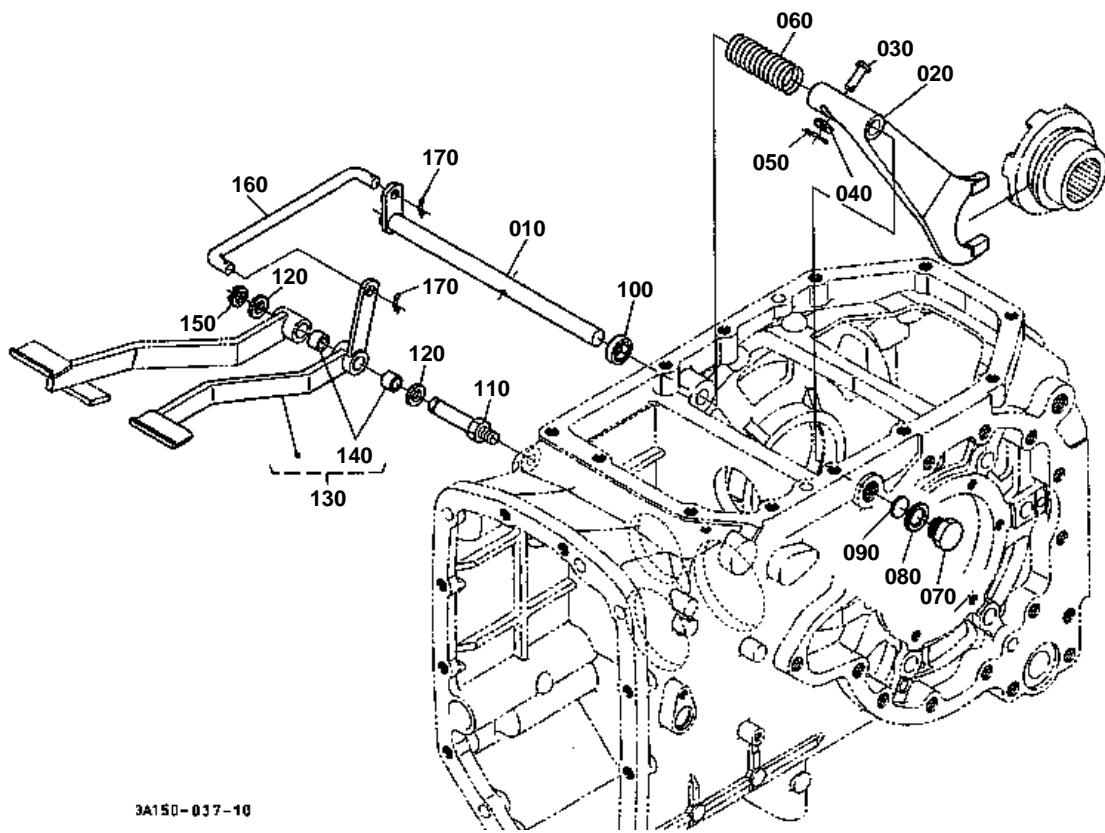


**RANGE GEAR SHIFT FORK/CREEP SHIFT FORK [A]**

↔ Interchangeable; ≠ not interchangeable; ← new for old; → old for new

REF.No	Part No.	Description	Q'ty	S.No.	I/C	REMARKS	Weight (kgf)	Weight (lb)
010	3A151-29862	ROD RANGE SHIFT	1				0.335	0.737
020	3A152-29870	FORK RANGE SHIFT	1				0.54	1.188
030	05411-00628	PIN SPRING	1				0.004	0.0088
040	07715-03211	BALL	1				0.003	0.0066
050	62231-18530	SPRING	1				0.01	0.022
060	3A011-29410	BOLT	1				0.035	0.077
070	04717-01200	WASHER WITH RUBBER	1				0.002	0.0044
080	3A151-29842	LEVER RANGE SHIFT	1				0.256	0.5632
090	04811-00200	O RING	1	<=55503			0	0
090	3A152-23590	O RING	1	>=55504	←		0.001	0.0022
100	34070-24350	STOPPER	1				0.02	0.044
110	01754-50812	BOLT FLANGE	1				0.01	0.022
120	3A152-31320	ROD CREEP SHIFT	1				0.32	0.704
130	3A152-31310	FORK CREEP SHIFT	1				0.55	1.21
140	05411-00628	PIN SPRING	1				0.004	0.0088
150	07715-03211	BALL	2				0.003	0.0066
160	62231-18530	SPRING	1				0.01	0.022
170	3A151-29842	LEVER RANGE SHIFT	1				0.256	0.5632
180	04811-00200	O RING	1	<=55503			0	0
180	3A152-23590	O RING	1	>=55504	←		0.001	0.0022
190	34070-24350	STOPPER	1				0.02	0.044
200	01754-50812	BOLT FLANGE	1				0.01	0.022

REAR DIFFERENTIAL LOCK PEDAL



3A150-037-10

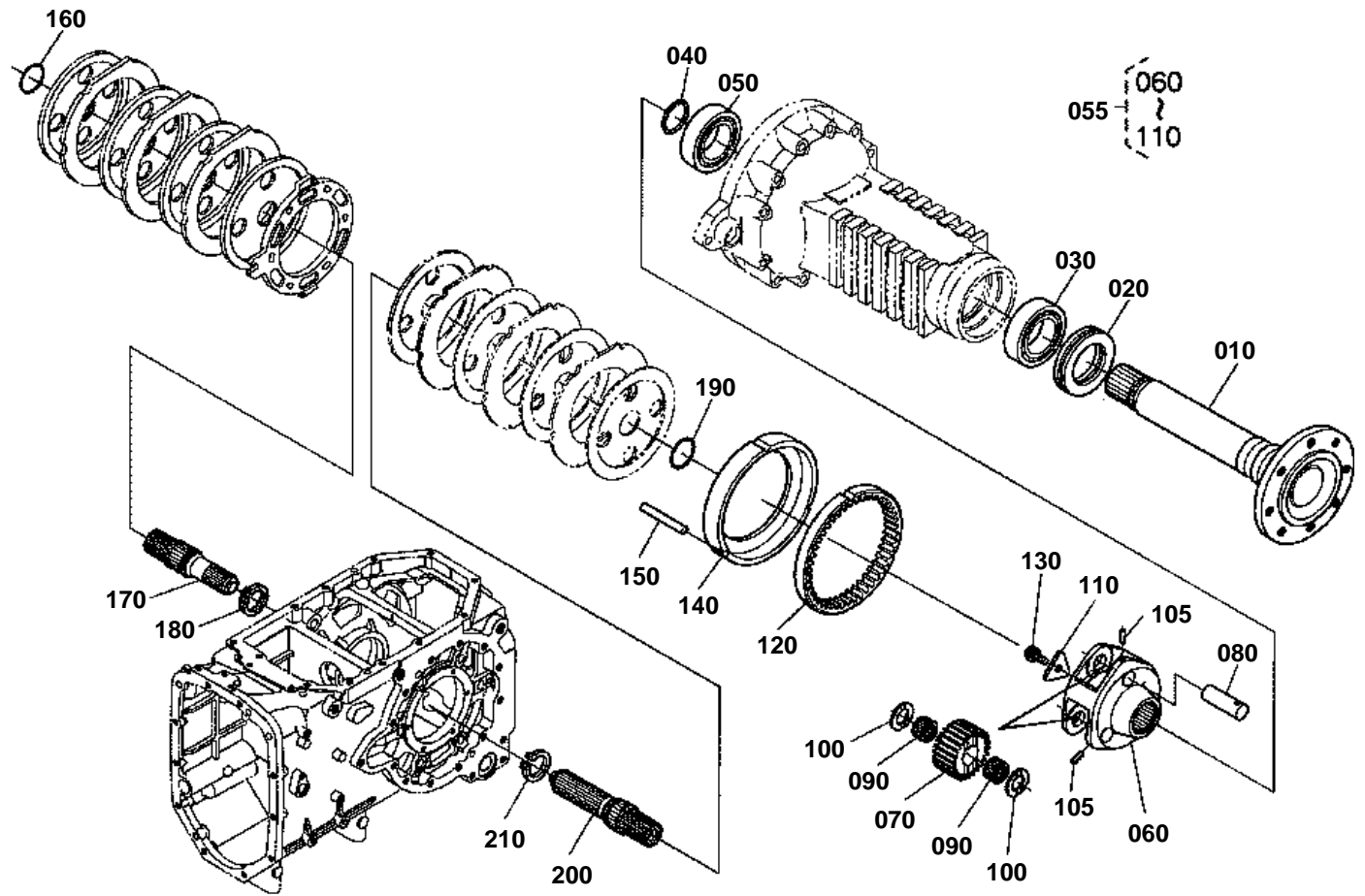


REAR DIFFERENTIAL LOCK PEDAL

↔ Interchangeable; ≠ not interchangeable; ← new for old; → old for new

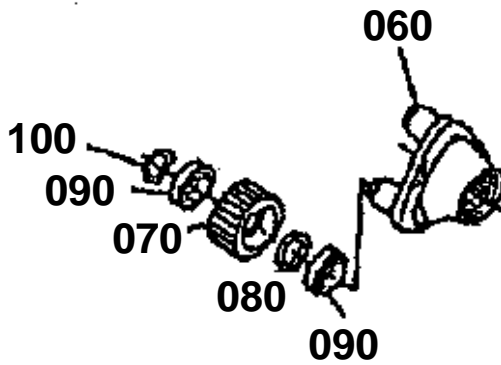
REF.No	Part No.	Description	Q'ty	S.No.	I/C	REMARKS	Weight (kgf)	Weight (lb)
010	3A151-32940	SHAFT LEVER	1				0.5	1.1
020	3A151-32880	FORK DIFF.LOCK	1				0.965	2.123
030	31351-26620	PIN JOINT	1				0.008	0.0176
040	04013-60060	WASHER PLAIN	1				0.001	0.0022
050	3A011-32870	PIN SNAP	1				0.001	0.0022
060	32530-26640	SPRING	1				0.09	0.198
070	06331-35020	PLUG	1				0.068	0.1496
080	04717-02000	WASHER WITH RUBBER	1				0.004	0.0088
090	36200-32950	SHIM ADJUSTING	1			1.0mm	0.002	0.0044
090	36330-32970	SHIM ADJUSTING	1			0.5mm	0.001	0.0022
100	09500-16287	SEAL OIL	1				0.01	0.022
110	3A011-33120	PIN	1				0.095	0.209
120	04011-50140	WASHER PLAIN	2				0.007	0.0154
130	3A151-32990	ASSY PEDAL DIFF.LOCK	1				0.59	1.298
140	08511-01410	BUSH	2				0.005	0.011
150	04612-00140	CIR CLIP EXTERNAL	1				0.001	0.0022
160	3A151-33060	ROD DIFF.LOCK	1				0.155	0.341
170	52300-34130	PIN SNAP	2				0.004	0.0088

REAR AXLE



3A150-042-14

060 3A151-4834-0
060 3A151-4834-3
070 3A151-4832-0
080 3A151-4839-0
090 3A151-4835-0
100 36730-2804-3



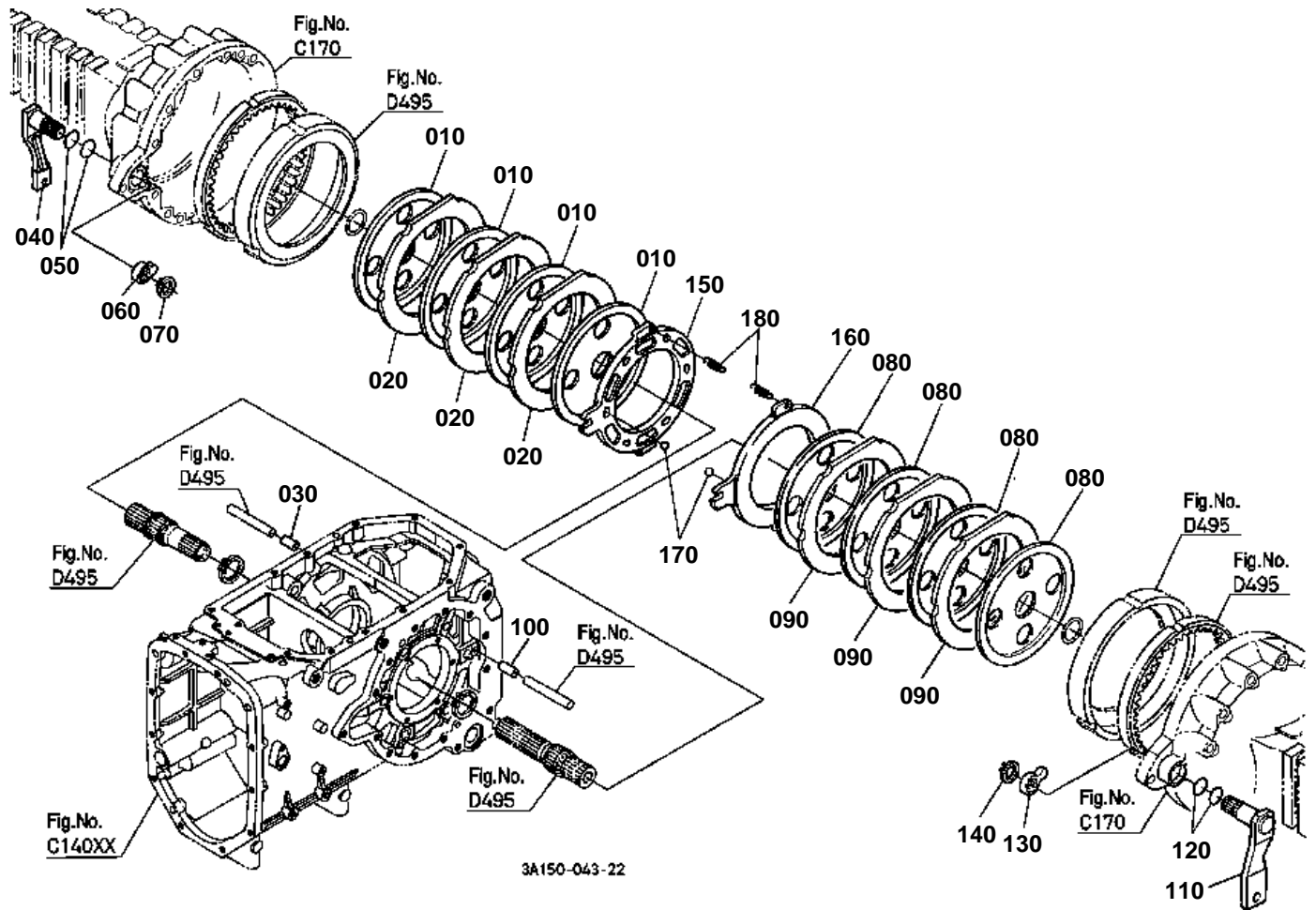
3A184-800-20



REAR AXLE

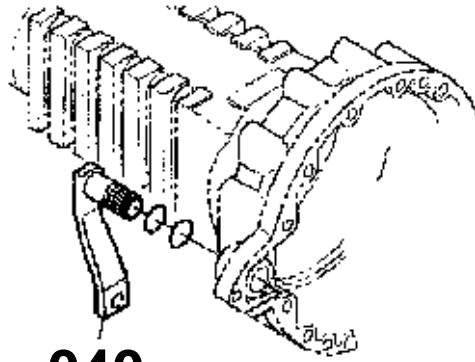
↔ Interchangeable; ≠ not interchangeable; ← new for old; → old for new

REF.No	Part No.	Description	Q'ty	S.No.	I/C	REMARKS	Weight (kgf)	Weight (lb)
010	3A151-48210	AXLE REAR	2				25	55
020	3A151-48250	SEAL OIL	2				0.345	0.759
030	08101-06215	BEARING BALL	2				1.18	2.596
040	3A151-48270	CIR CLIP EXTERNAL	2				0.02	0.044
050	3A151-48440	BEARING BALL	2				0.97	2.134
055	3A155-48300	ASSY GEAR PLANETARY	1	←=55797		NOT SALE	0	0
055	3A155-48302	ASSY GEAR PLANETARY	1	>=55798	←	NOT SALE	16	35.2
060	3A151-48340	SUPPORT PLANE.GEAR	2	←=50191			0	0
060	3A151-48343	SUPPORT PLANE.GEAR	2	>=50192	←		6.4	14.08
060	3A155-48340	SUPPORT PLANE.GEAR	2	>=55798	≠		7.4	16.28
070	3A151-48320	GEAR PLANETARY	2	←=55797		26T	1.295	2.849
070	3A155-48320	GEAR PLANETARY	6	>=55798	≠	26T	2.1	4.62
080	3A151-48390	COLLAR	6	←=55797		6.3mm	0.03	0.066
080	3F240-48360	SHAFT PLANETARY	6	>=55798	≠		0.48	1.056
090	3A151-48350	BEARING ROLLER	12	←=55797			0.21	0.462
090	35593-48350	BEARING NEEDLE	12	>=55798	≠		0.08	0.176
100	36730-28043	CIR-CLIP EXTERNAL	6	←=55797			0.01	0.022
100	36330-48370	COLLAR	6	>=55798	≠		0.02	0.044
105	05411-00828	PIN SPRING	6	>=55798			0.003	0.0066
110	36500-48280	RETAINER SUPPORT	2				0.084	0.1848
120	3A151-48310	GEAR INTERNAL	2	←=52909		66T NOT SALE	0	0
120	3A155-48310	GEAR INTERNAL	2	>=52910	←	66T	3	6.6
130	01779-01225	BOLT UBS	2				0.04	0.088
140	3A151-65122	PLATE STOPPER	2				4	8.8
150	3A151-48410	PIN BRAKE	6				0.085	0.187
160	04811-08480	O RING	1				0	0
160	04816-08480	O RING	1		←		0.005	0.011
170	3A151-48460	GEAR-SHAFT BRAKE RH	1				2.3	5.06
180	04612-00550	CIR CLIP EXTERNAL	1				0.01	0.022
190	04811-08480	O RING	1				0	0
190	04816-08480	O RING	1		←		0.005	0.011
200	3A151-48470	GEAR-SHAFT BRAKE LH	1				2.65	5.83
210	04612-00550	CIR CLIP EXTERNAL	1				0.01	0.022



3A150-043-22

040 3A151-6533-0



040

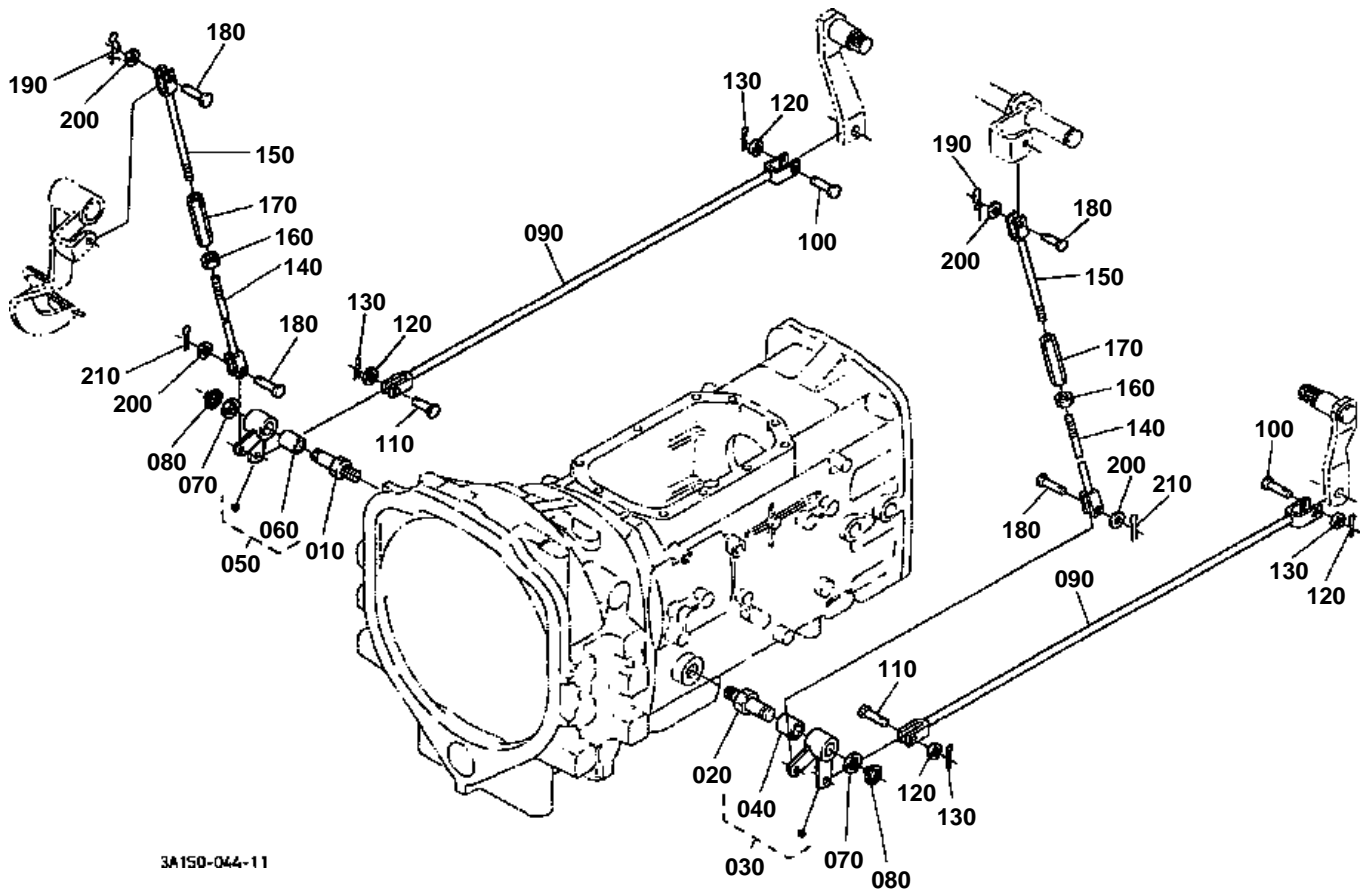
3A161-810-10

**BRAKE**

↔ Interchangeable; ≠ not interchangeable; ← new for old; → old for new

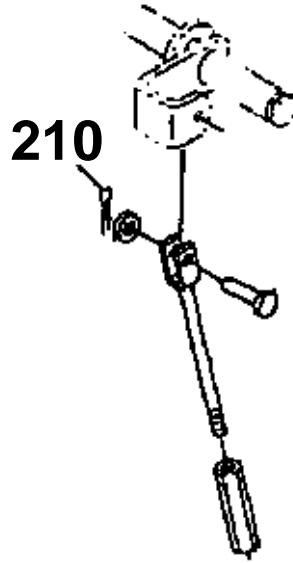
REF.No	Part No.	Description	Q'ty	S.No.	I/C	REMARKS	Weight (kgf)	Weight (lb)
010	32530-28280	PLATE FRICTION	4				0.92	2.024
020	36330-65130	PLATE	3				0.56	1.232
030	3A021-65160	COLLAR	3				0.018	0.0396
040	3A151-65330	SHAFT BRAKE CAM RH	1				0	0
040	3A155-65330	SHAFT BRAKE CAM RH	1		↔		0.96	2.112
050	04811-50300	O RING	2				0	0
050	04816-50300	O RING	2		←		0.001	0.0022
060	3A011-65310	CAM BRAKE	1				0.1	0.22
070	04612-00280	CIR CLIP EXTERNAL	1				0.003	0.0066
080	32530-28280	PLATE FRICTION	4				0.92	2.024
090	36330-65130	PLATE	3				0.56	1.232
100	3A021-65160	COLLAR	3				0.018	0.0396
110	3A151-65340	SHAFT BRAKE CAM LH	1				0.88	1.936
120	04811-50300	O RING	2				0	0
120	04816-50300	O RING	2		←		0.001	0.0022
130	3A011-65310	CAM BRAKE	1				0.1	0.22
140	04612-00280	CIR CLIP EXTERNAL	1				0.003	0.0066
150	3A151-65140	PLATE BRAKE CAM RH	1				1.955	4.301
160	3A151-65150	PLATE BRAKE CAM LH	1				1.955	4.301
170	07715-00805	BALL	12				0.016	0.0352
180	3A011-65810	SPRING	4				0.005	0.011

BRAKE ROD



3A150-044-11

210 05511-50318



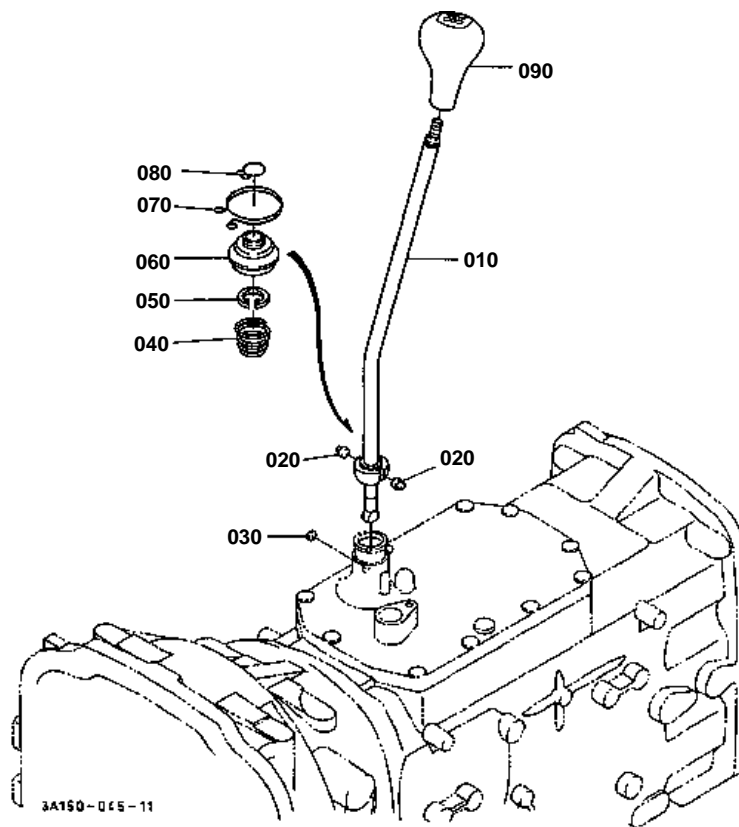
3A154-802-10

**BRAKE ROD**

↔ Interchangeable; ≠ not interchangeable; ← new for old; → old for new

REF.No	Part No.	Description	Q'ty	S.No.	I/C	REMARKS	Weight (kgf)	Weight (lb)
010	34070-44870	SHAFT BRAKE LH	1				0.225	0.495
020	34070-44880	SHAFT BRAKE RH	1				0.22	0.484
030	3A151-65262	ASSY LEVER BRAKE LH	1				0.265	0.583
040	34070-44890	BUSH	1				0.035	0.077
050	3A151-65252	ASSY LEVER BRAKE RH	1				0.285	0.627
060	34070-44890	BUSH	1				0.035	0.077
070	04011-50200	WASHER PLAIN	2				0.015	0.033
080	04612-00200	CIR CLIP EXTERNAL	2				0.001	0.0022
090	3A151-67410	ROD BRAKE	2				0.535	1.177
100	66706-65380	PIN SET	2				0.021	0.0462
110	38430-15790	PIN JOINT	2				0.02	0.044
120	04013-60100	WASHER PLAIN	4				0.003	0.0066
130	05511-50318	PIN SPLIT	4				0.001	0.0022
140	3A151-67420	ROD BRAKE	2				0.21	0.462
150	3A151-26240	ROD CLUTCH BRAKE	2				0.143	0.3146
160	02116-50100	NUT	2				0.004	0.0088
170	32350-28980	TURNBUCKLE	2				0.124	0.2728
180	38430-15790	PIN JOINT	4				0.02	0.044
190	52300-34130	PIN SNAP	1	<=52119			0.004	0.0088
190	52300-34130	PIN SNAP	2	>=52120			0.004	0.0088
200	04013-60100	WASHER PLAIN	4				0.003	0.0066
210	05511-50318	PIN SPLIT	3	<=52119			0.001	0.0022
210	05511-50318	PIN SPLIT	2	>=52120			0.001	0.0022

MAIN GEAR SHIFT LEVER



3A150-045-11

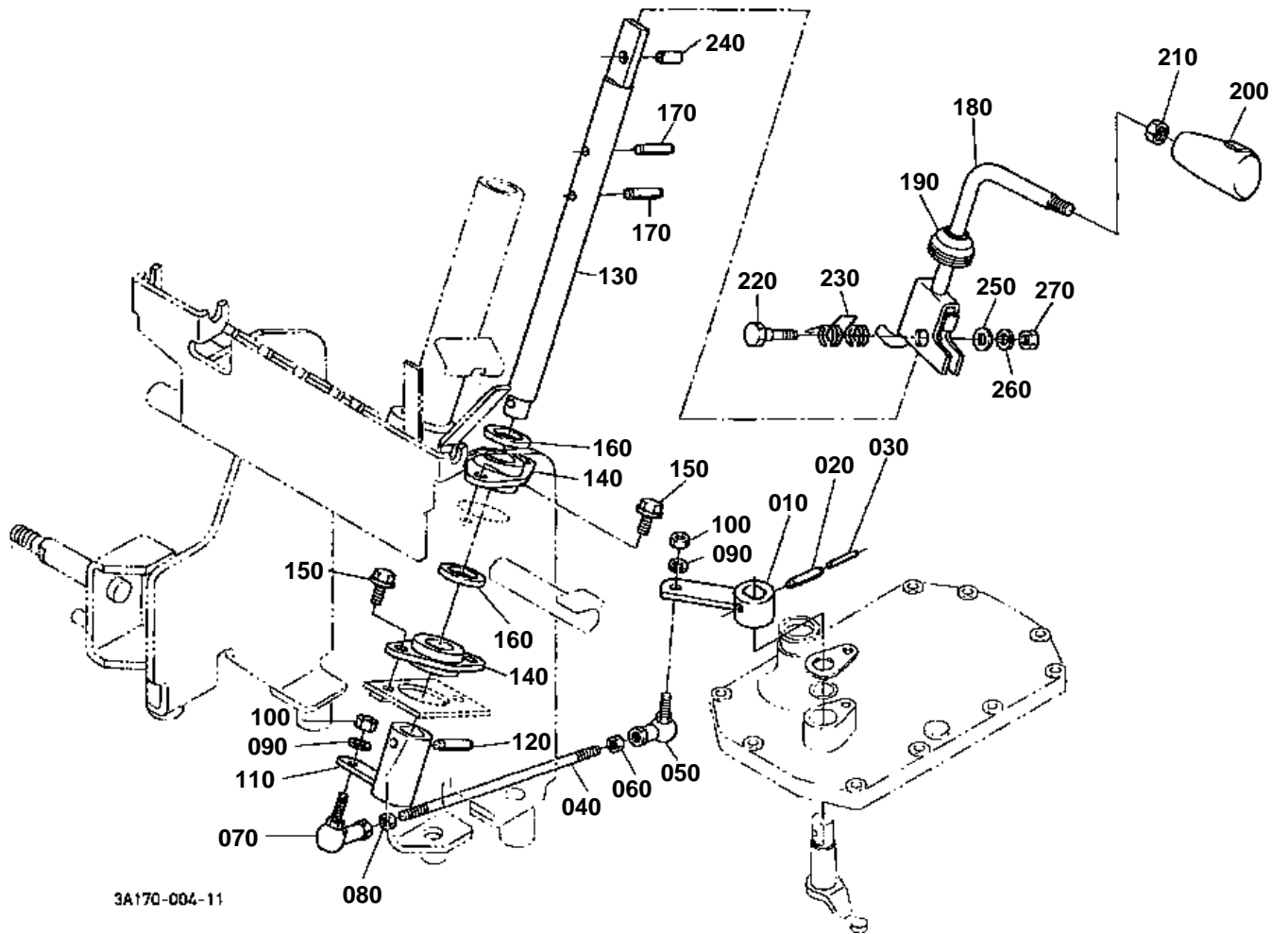


MAIN GEAR SHIFT LEVER

↔ Interchangeable; ≠ not interchangeable; ← new for old; → old for new

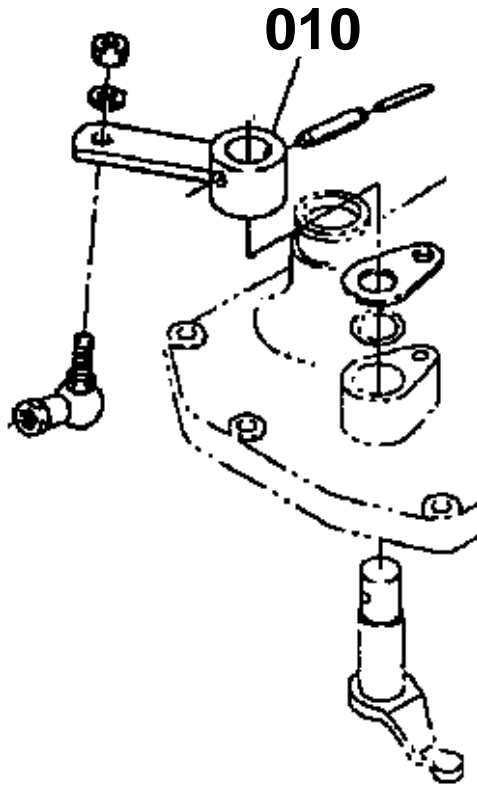
REF.No	Part No.	Description	Q'ty	S.No.	I/C	REMARKS	Weight (kgf)	Weight (lb)
010	3A151-29360	BAR MAIN SHIFT	1				0.71	1.562
020	34150-23740	PIN SET	2				0.002	0.0044
030	31393-75420	PLUG	1				0.001	0.0022
040	66591-18430	SPRING	1				0.024	0.0528
050	04611-00380	CIR CLIP INTERNAL	1				0.004	0.0088
060	3A011-29690	BOOT	1				0.021	0.0462
070	33740-29570	CLIP	1				0.005	0.011
080	33740-29702	BAND	1				0.005	0.011
090	3A151-29620	GRIP LEVER	1				0.12	0.264

SHUTTLE SHIFT LEVER



3A170-004-11

010 3A151-3441-0



3A148-803-10

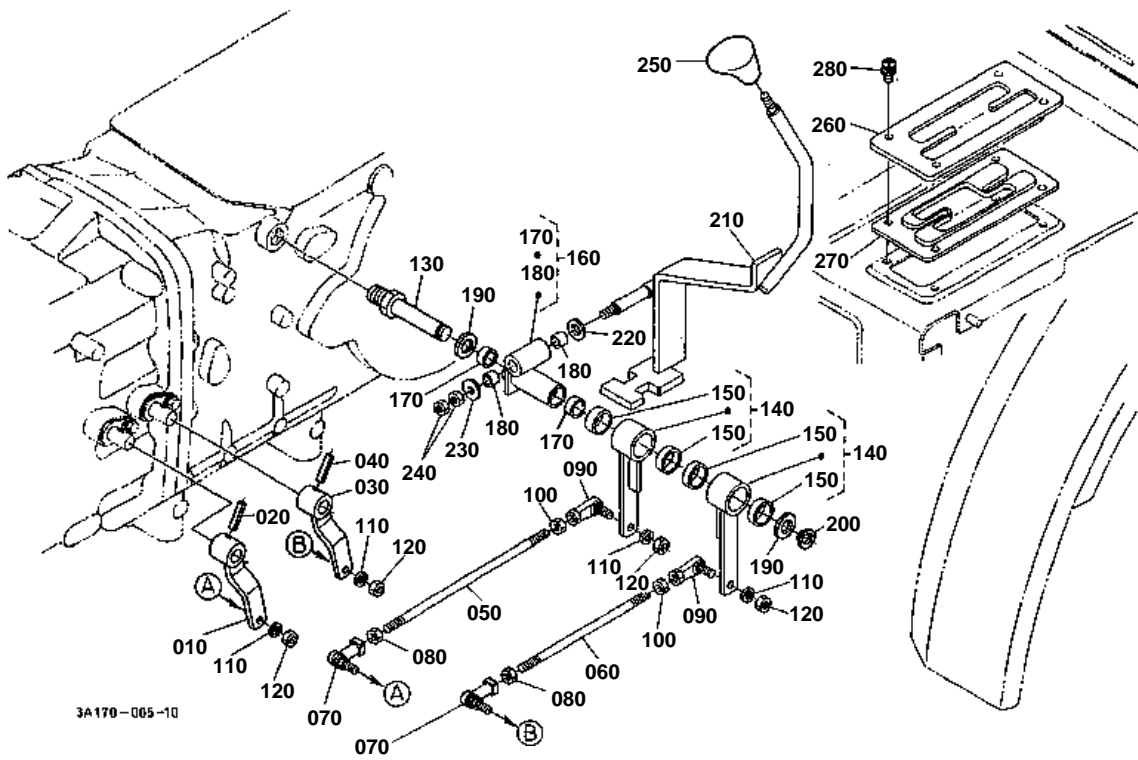


SHUTTLE SHIFT LEVER

↔ Interchangeable; ≠ not interchangeable; ← new for old; → old for new

REF.No	Part No.	Description	Q'ty	S.No.	I/C	REMARKS	Weight (kgf)	Weight (lb)
010	3A151-34410	LEVER SHUTTLE	1	<=50206			0.122	0.2684
010	3A152-34410	LEVER SHUTTLE	1	>=50207	≠		0.135	0.297
020	05411-00635	PIN SPRING	1				0.005	0.011
030	30442-15310	PIN SPRING	1				0.005	0.011
040	3A151-34420	ROD SHUTTLE	1				0.066	0.1452
050	45404-95770	END ROD	1				0.05	0.11
060	02112-50080	NUT	1				0.003	0.0066
070	54721-31850	BALL LINK	1				0.065	0.143
080	31351-24260	NUT	1				0.005	0.011
090	04512-60080	WASHER SPRING	2				0.002	0.0044
100	02114-50080	NUT	2				0.005	0.011
110	3A151-34492	LEVER SHUTTLE	1				0.215	0.473
120	05411-00636	PIN SPRING	1	<=52119			0.005	0.011
120	05411-00635	PIN SPRING	1	>=52120	←		0.005	0.011
130	3A151-34502	SHAFT SHUTTLE	1				0.695	1.529
140	3F740-34640	BEARING FLANGE	2				0.032	0.0704
150	01754-50820	BOLT FLANGE	4	<=52119			0.015	0.033
150	01754-50818	BOLT FLANGE	4	>=52120	←		0.011	0.0242
160	04011-50200	WASHER PLAIN	2				0.015	0.033
170	05411-00632	PIN SPRING	2	<=52119			0.004	0.0088
170	05411-00635	PIN SPRING	2	>=52120	←		0.005	0.011
180	3A171-34440	LEVER SHUTTLE SHIFT	1				0.37	0.814
190	3A151-34680	BOOT RUBBER	1				0.01	0.022
200	3G710-34850	GRIP LEVER	1				0.6	1.32
210	02116-50100	NUT	1				0.004	0.0088
220	TA040-43970	BOLT REAMER	1				0.042	0.0924
230	T0180-43942	SPRING	1	<=51913			0.012	0.0264
230	3A211-34562	SPRING	1	>=51914	←		0.01	0.022
240	TA040-43920	COLLAR SHUTTLE	1				0.005	0.011
250	04013-60080	WASHER PLAIN	1				0.002	0.0044
260	04512-60080	WASHER SPRING	1				0.002	0.0044
270	02114-50080	NUT	1				0.005	0.011

RANGE GEAR SHIFT LEVER [A]



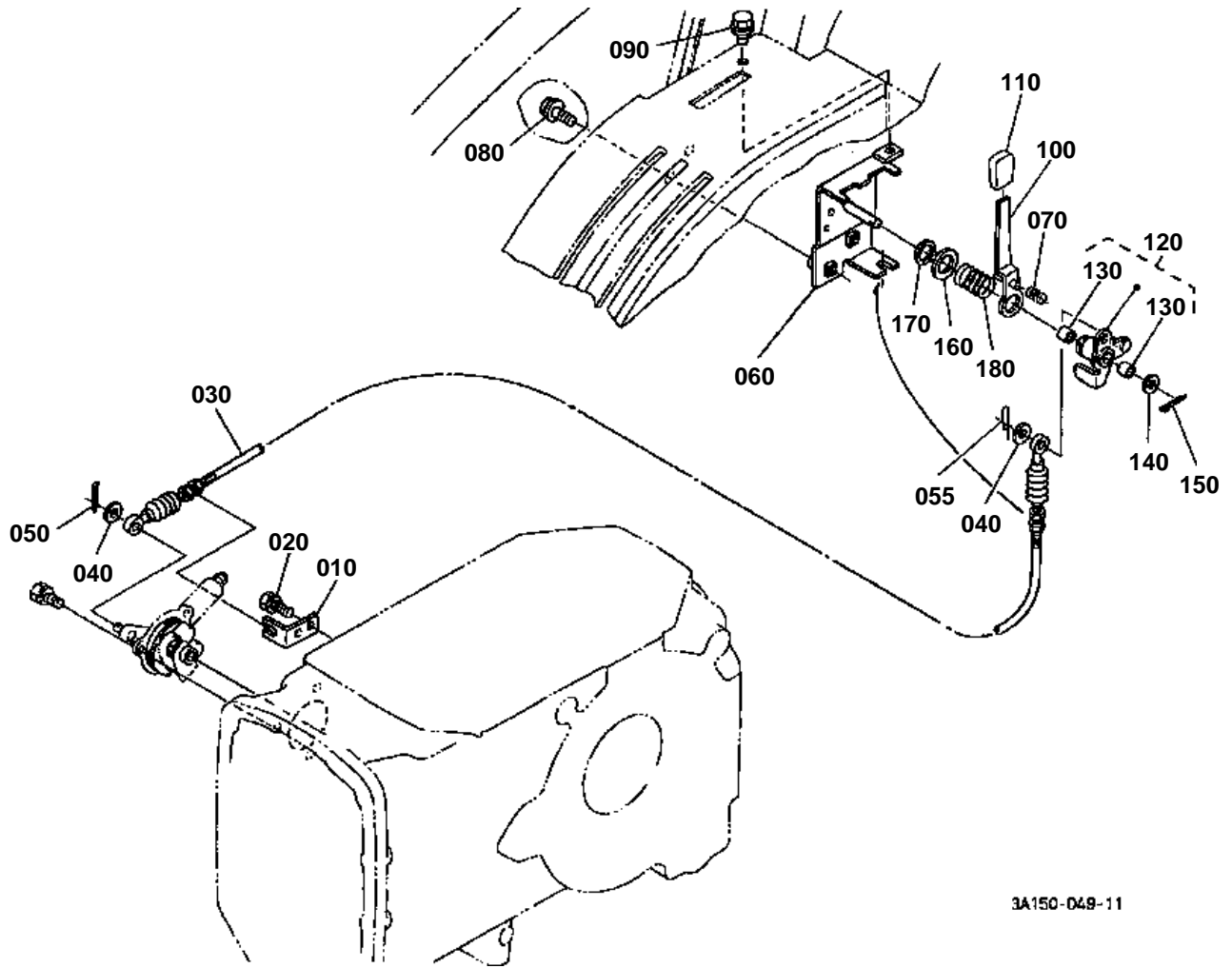


RANGE GEAR SHIFT LEVER [A]

↔ Interchangeable; ≠ not interchangeable; ← new for old; → old for new

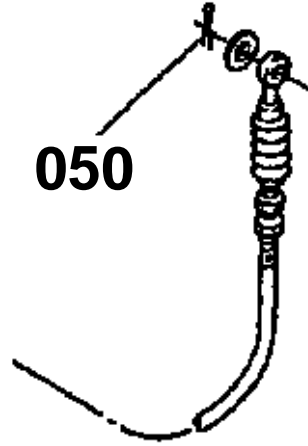
REF.No	Part No.	Description	Q'ty	S.No.	I/C	REMARKS	Weight (kgf)	Weight (lb)
010	3A151-29850	LEVER RANGE SHIFT	1				0.19	0.418
020	05411-00630	PIN SPRING	1				0.004	0.0088
030	3A151-29850	LEVER RANGE SHIFT	1				0.19	0.418
040	05411-00630	PIN SPRING	1				0.004	0.0088
050	3A152-29890	ROD RANGE	1				0.1	0.22
060	3A152-31450	ROD CREEP	1				0.08	0.176
070	54721-31850	BALL LINK	2				0.065	0.143
080	31351-24260	NUT	2				0.005	0.011
090	45404-95770	END ROD	2				0.05	0.11
100	02112-50080	NUT	2				0.003	0.0066
110	04512-60080	WASHER SPRING	4				0.002	0.0044
120	02114-50080	NUT	4				0.005	0.011
130	3A011-29790	PIN	1				0.295	0.649
140	3A152-29910	LEVER RANGE SHIFT	2				0.33	0.726
150	08511-02812	BUSH	4				0.02	0.044
160	3A152-29700	ASSY SUPPORT LEVER	1				0.305	0.671
170	08511-01910	BUSH	2				0.008	0.0176
180	08511-01412	BUSH	2				0.004	0.0088
190	04013-50180	WASHER PLAIN	2				0.015	0.033
200	04612-00190	CIR CLIP EXTERNAL	1				0.001	0.0022
210	3A152-29960	LEVER RANGE SHIFT	1				1.87	4.114
220	04011-50140	WASHER PLAIN	1				0.007	0.0154
230	04015-50100	WASHER PLAIN	1				0.016	0.0352
240	02118-50100	NUT	2				0.005	0.011
250	TA040-69820	GRIP LEVER	1				0.117	0.2574
260	3A011-29730	GUIDE LEVER	1				0.47	1.034
270	3A152-29740	CUSHION	1				0.065	0.143
280	03004-50620	SCREW WITH WASHER	4				0.005	0.011

PTO CLUTCH LEVER



3A150-049-11

050 05511-51612



3A110-839-10

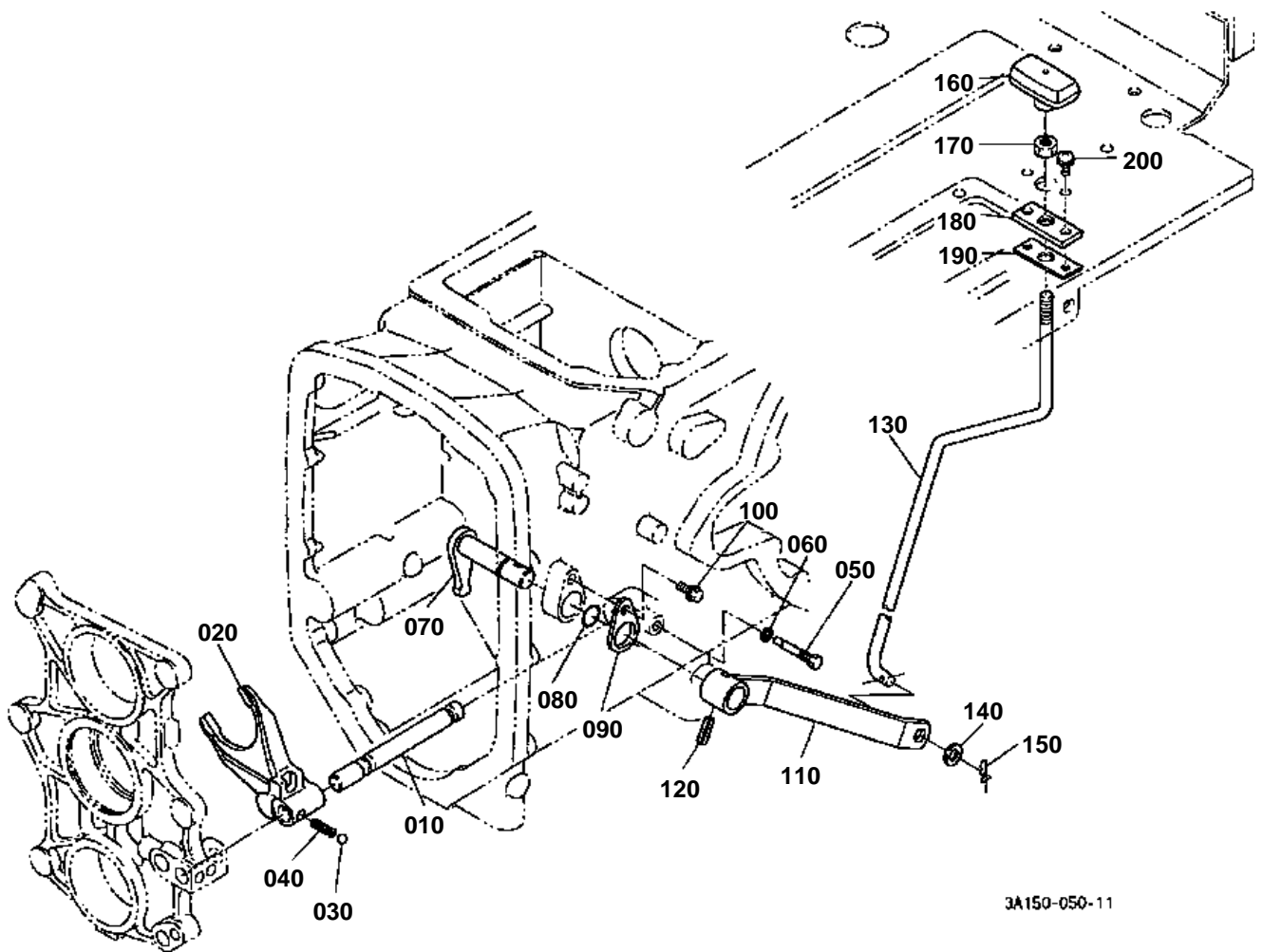


PTO CLUTCH LEVER

↔ Interchangeable; ≠ not interchangeable; ← new for old; → old for new

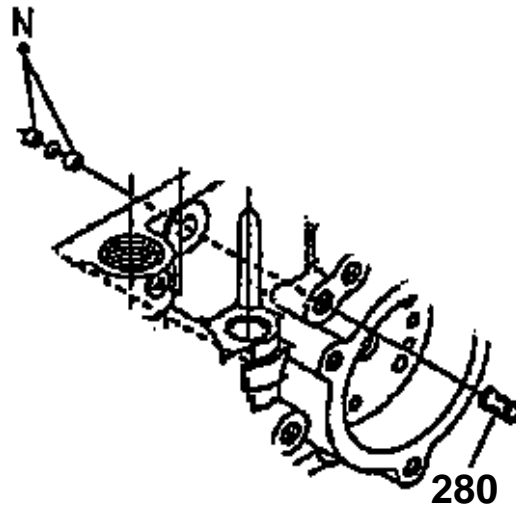
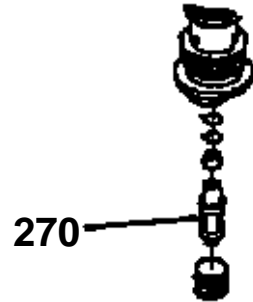
REF.No	Part No.	Description	Q'ty	S.No.	I/C	REMARKS	Weight (kgf)	Weight (lb)
010	3A011-27790	STAY WIRE	1				0.04	0.088
020	01123-60816	BOLT	2				0.01	0.022
030	3A111-27740	WIRE PTO	1				0.115	0.253
040	04012-50060	WASHER PLAIN	2				0.001	0.0022
050	05511-51612	PIN SPLIT	2	<=50220			0.001	0.0022
050	05511-51612	PIN SPLIT	1	>=50221			0.001	0.0022
055	05525-60600	PIN SNAP	1	>=50221			0.001	0.0022
060	3A151-27800	BRACKET PTO LEVER	1				0	0
070	3A111-27830	SPRING PTO LEVER	1				0.001	0.0022
080	01754-50835	BOLT FLANGE	2				0.019	0.0418
090	01754-50612	BOLT FLANGE	1				0.005	0.011
100	3A111-27810	LEVER PTO CLUTCH	1				0.051	0.1122
110	36919-27820	GRIP PTO LEVER	1				0.015	0.033
120	3A111-27840	ASSY LINK PTO LEVER	1				0.085	0.187
130	08511-00812	BUSH	2				0.002	0.0044
140	04013-60080	WASHER PLAIN	1				0.002	0.0044
150	05511-50215	PIN SPLIT	1				0.001	0.0022
160	04011-50180	WASHER PLAIN	1				0.012	0.0264
170	04612-00180	CIR CLIP EXTERNAL	1				0.001	0.0022
180	53961-46130	SPRING	1				0.015	0.033

FRONT WHEEL DRIVE LEVER



270 34076-6583-0

280 34076-6584-0



TA150-820-10

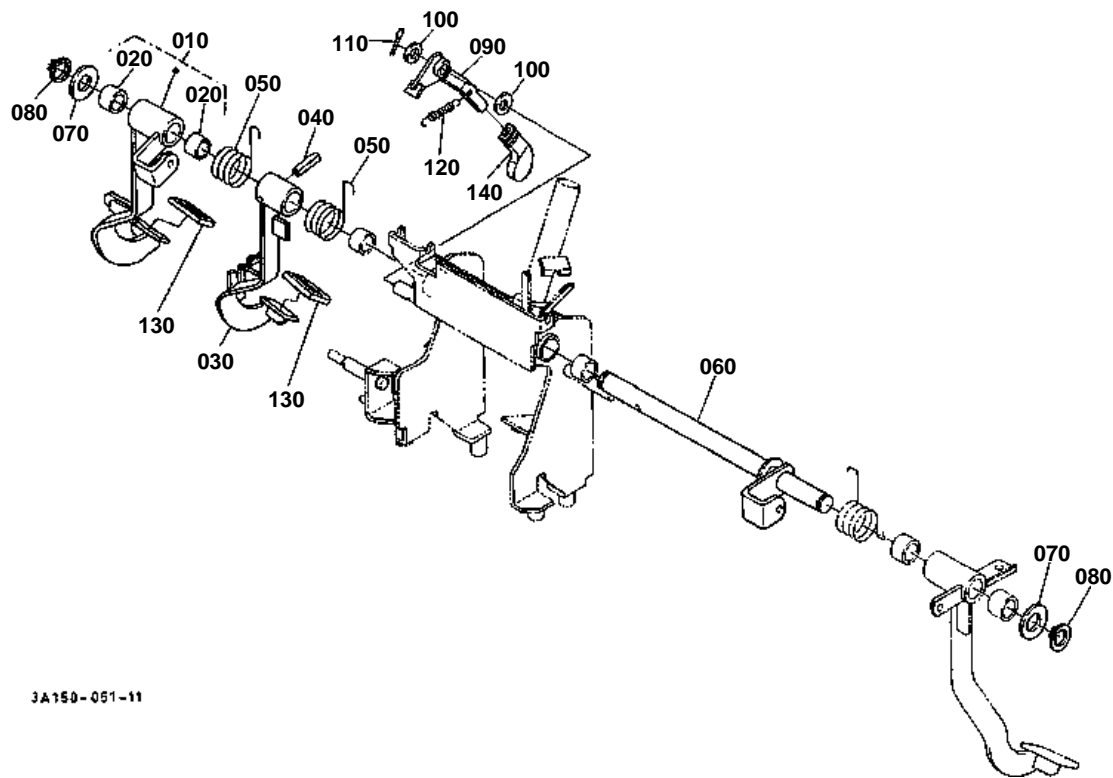


FRONT WHEEL DRIVE LEVER

↔ Interchangeable; ≠ not interchangeable; ← new for old; → old for new

REF.No	Part No.	Description	Q'ty	S.No.	I/C	REMARKS	Weight (kgf)	Weight (lb)
010	3A161-41520	ROD 4WD SHIFT	1				0.226	0.4972
020	3A161-41510	FORK SHIFT	1				0.59	1.298
030	07715-03211	BALL	1				0.003	0.0066
040	62231-18530	SPRING	1				0.01	0.022
050	3A161-41543	PIN JOINT	1				0.016	0.0352
060	04717-00800	WASHER WITH RUBBER	1				0.001	0.0022
070	3A151-29842	LEVER RANGE SHIFT	1				0.256	0.5632
080	04811-00200	O RING	1				0	0
080	04816-00200	O RING	1		←		0.003	0.0066
090	34070-24350	STOPPER	1				0.02	0.044
100	01754-50812	BOLT FLANGE	1				0.01	0.022
110	3A161-41530	LEVER SHIFT	1				0.24	0.528
120	05411-00635	PIN SPRING	1				0.005	0.011
130	3A161-41570	ROD	1	≤58772			0	0
130	3A161-41573	ROD	1	≥58773	←		0.388	0.8536
140	04013-60100	WASHER PLAIN	1				0.003	0.0066
150	05511-50318	PIN SPLIT	1	≤50220			0.001	0.0022
150	52300-34130	PIN SNAP	1	≥50221	←		0.004	0.0088
160	3A121-41450	GRIP LEVER	1				0.035	0.077
170	02116-50100	NUT	1				0.004	0.0088
180	33960-94540	CUSHION	1				0.075	0.165
190	33960-94550	HOLDER	1				0.015	0.033
200	33960-94560	SCREW WITH WASHER	2				0.001	0.0022

BRAKE PEDAL



3A150-051-11

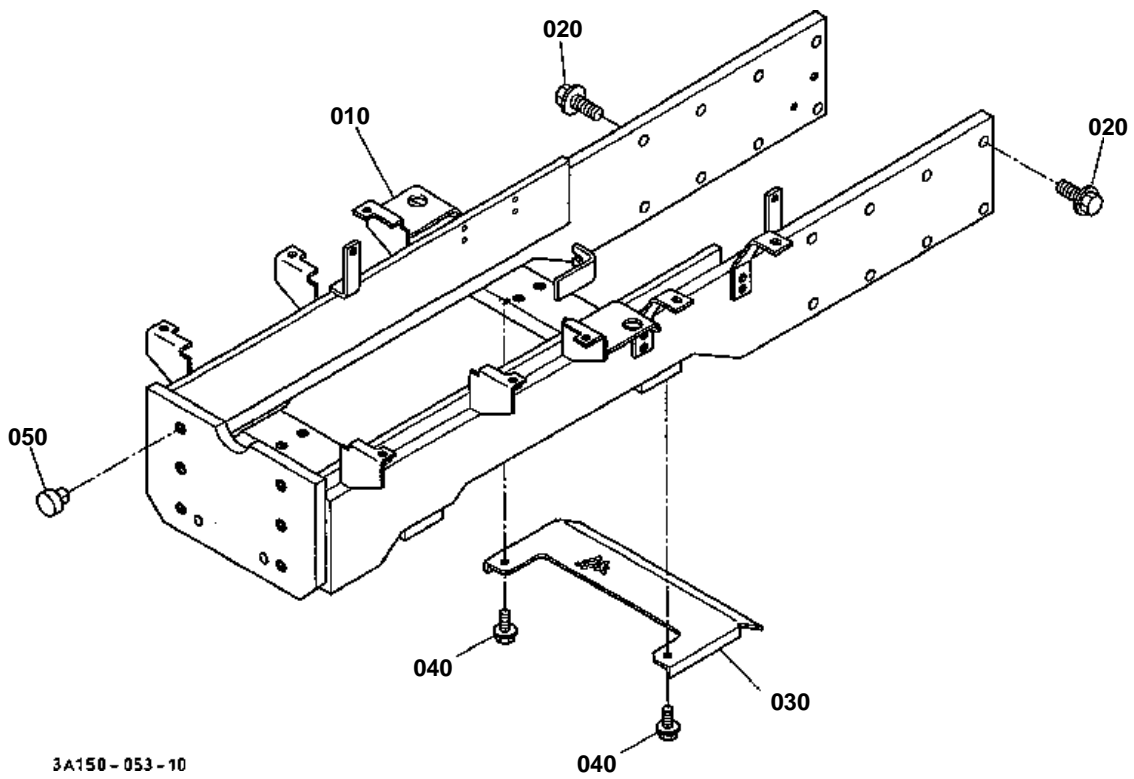


BRAKE PEDAL

↔ Interchangeable; ≠ not interchangeable; ← new for old; → old for new

REF.No	Part No.	Description	Q'ty	S.No.	I/C	REMARKS	Weight (kgf)	Weight (lb)
010	3A011-67102	ASSY PEDAL BRAKE RH	1				1.675	3.685
020	08511-02825	PEDAL CLUTCH	2				0.04	0.088
030	3A111-67210	PEDAL BRAKE LH	1				1.485	3.267
040	05411-00850	PIN SPRING	1				0.012	0.0264
050	3A011-26160	SPRING	2				0.084	0.1848
060	3A011-67310	SHAFT PEDAL	1				2.75	6.05
070	32530-28660	COLLAR	2				0.018	0.0396
080	04612-00280	CIR CLIP EXTERNAL	2				0.003	0.0066
090	3A011-67600	LOCK PARKING LEVER	1				0.16	0.352
100	04011-50180	WASHER PLAIN	2				0.012	0.0264
110	05511-50425	PIN SPLIT	1				0.003	0.0066
120	36330-83420	SPRING LOCK	1				0.006	0.0132
130	37410-44120	COVER PEDAL	2				0.08	0.176
140	TA040-49842	GRIP	1				0.025	0.055

FRONT AXLE FRAME



3A150-053-10

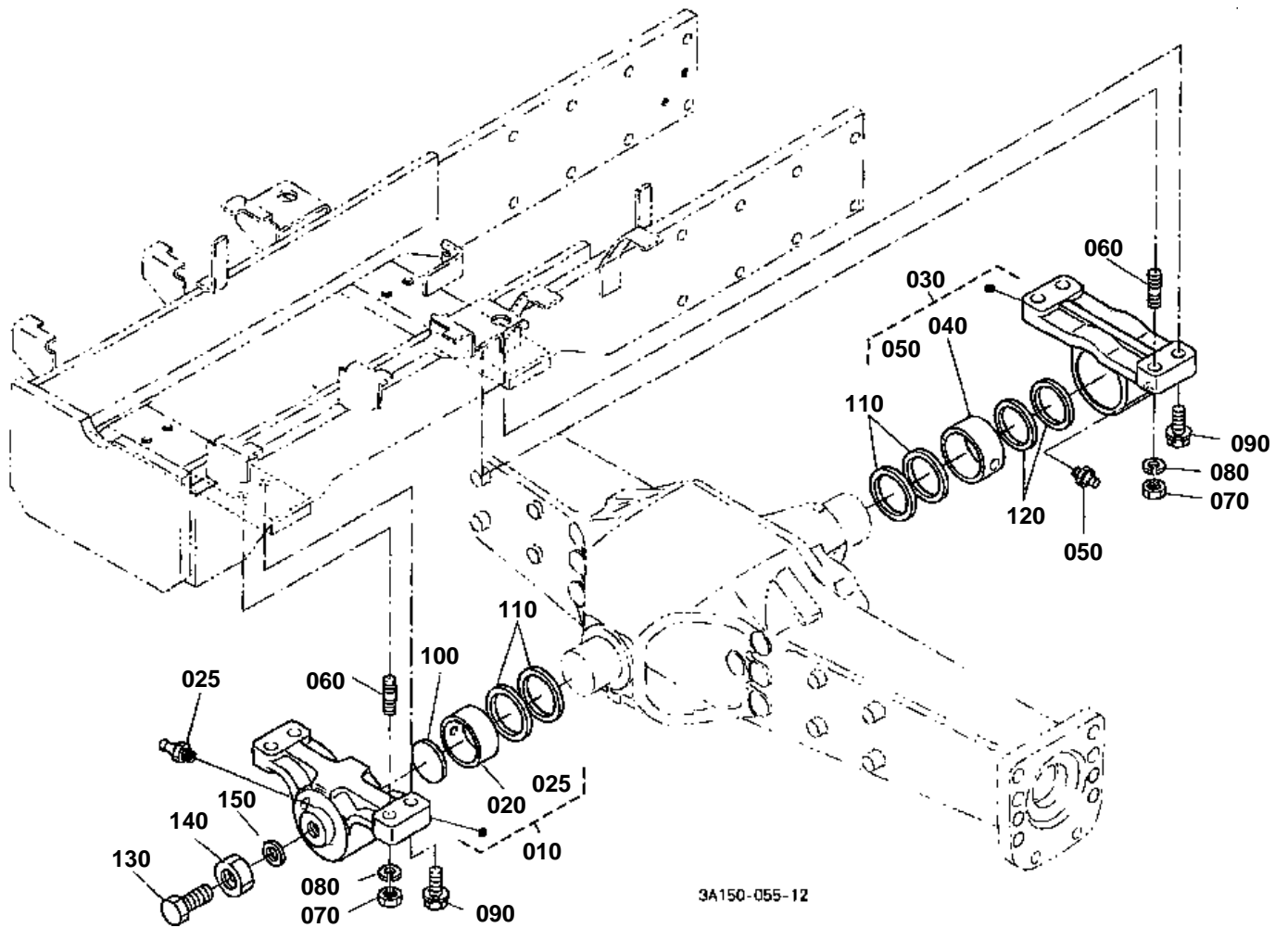


FRONT AXLE FRAME

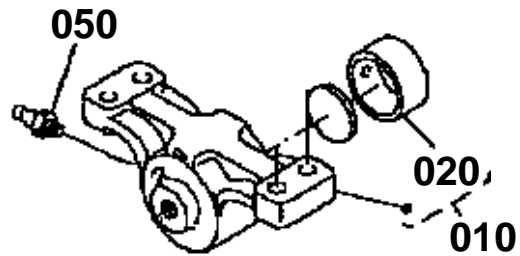
↔ Interchangeable; ≠ not interchangeable; ← new for old; → old for new

REF.No	Part No.	Description	Q'ty	S.No.	I/C	REMARKS	Weight (kgf)	Weight (lb)
010	3A161-21713	FRAME FRONT AXLE	1				107	235.4
020	01779-01440	BOLT UBS	16	≤54170			0.08	0.176
020	01779-51440	BOLT UBS	16	≥54171	←		0.076	0.1672
030	3A151-21962	COVER FRAME	1				0.17	0.374
040	01754-50812	BOLT FLANGE	2				0.01	0.022
050	33300-90910	PLUG	6				0.002	0.0044

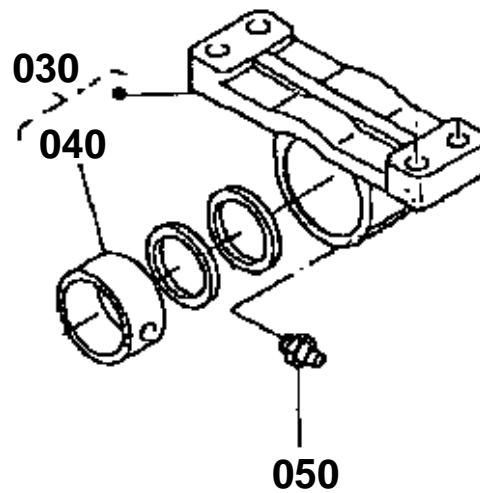
FRONT AXLE BRACKET



010 3A121-4163-0
050 06611-15010



030 3A121-4164-2
050 06611-15010



3A154-812-10

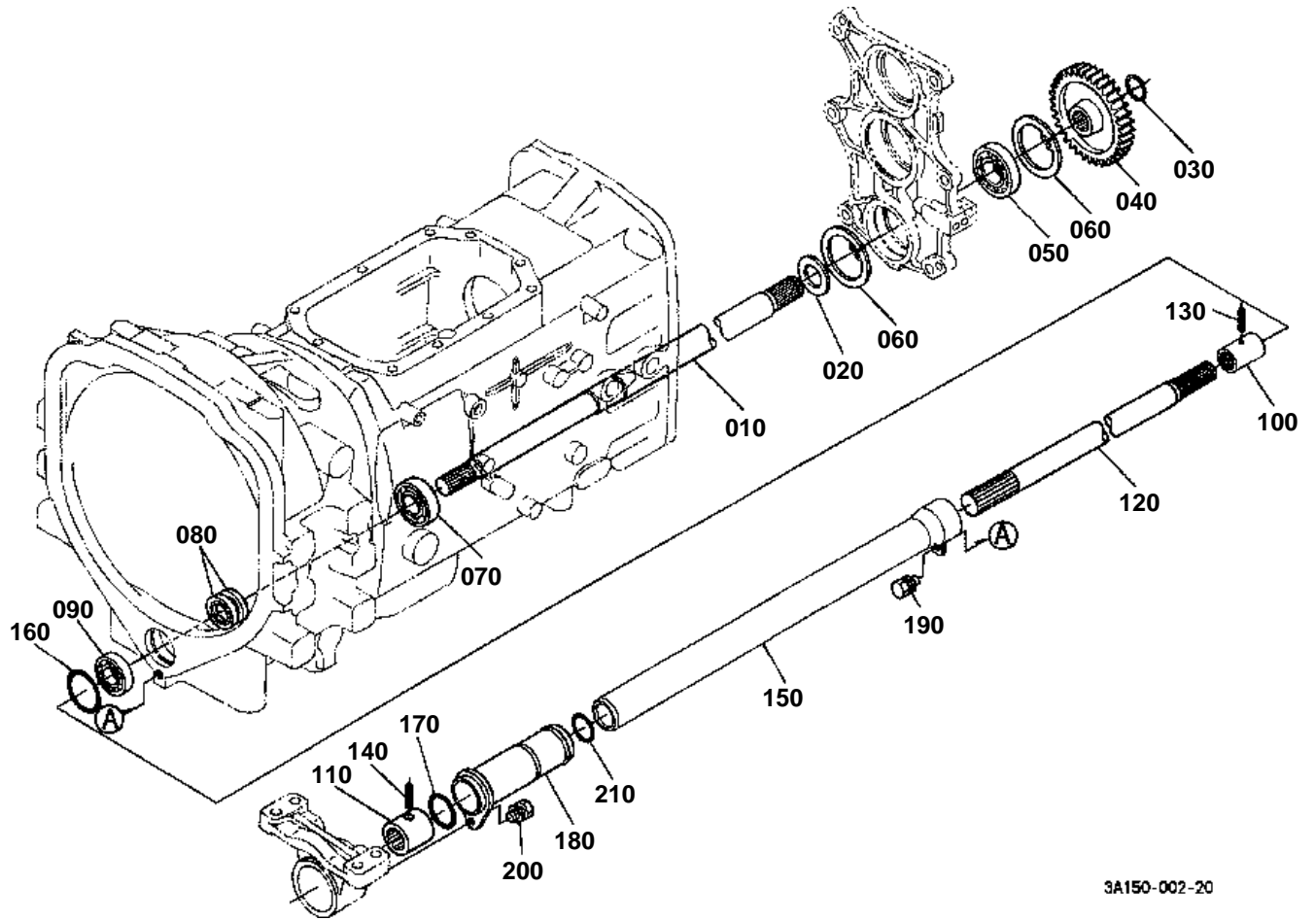


FRONT AXLE BRACKET

↔ Interchangeable; ≠ not interchangeable; ← new for old; → old for new

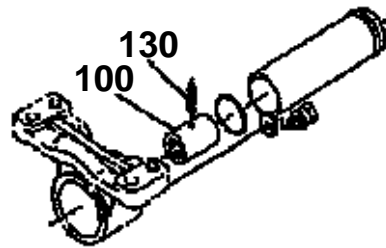
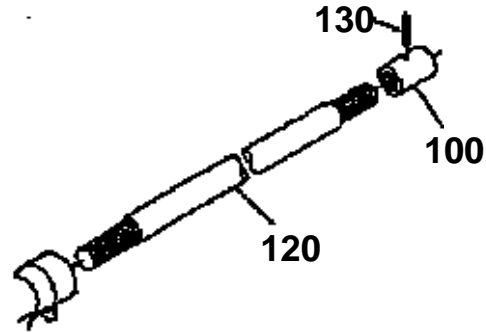
REF.No	Part No.	Description	Q'ty	S.No.	I/C	REMARKS	Weight (kgf)	Weight (lb)
010	3A121-41630	ASSY BRACKET FRONT	1	≤54489			0	0
010	3A121-41633	ASSY BRACKET FRONT	1	≥54490	←		2.8	6.16
020	33750-41680	BUSH	1				0.14	0.308
025	06611-15010	NIPPLE GREASE	1	≥54490			0.01	0.022
030	3A121-41642	ASSY BRACKET REAR	1	≤54489			0	0
030	3A121-41644	ASSY BRACKET REAR	1	≥54490	←		3.3	7.26
040	33750-41680	BUSH	1				0.14	0.308
050	06611-15010	NIPPLE GREASE	2	≤54489			0.01	0.022
050	06611-15010	NIPPLE GREASE	1	≤54489			0.01	0.022
060	01517-51440	STUD	4				0.064	0.1408
070	02176-50140	NUT	4				0.014	0.0308
080	04512-60140	WASHER SPRING	4				0.008	0.0176
090	01138-51450	BOLT	4				0.001	0.0022
100	36280-41630	WASHER	1				0.06	0.132
110	38440-44820	SEAL OIL	4				0.01	0.022
120	35533-41670	COLLAR THRUST	2				0.03	0.066
130	01175-51645	BOLT	1				0.09	0.198
140	32580-44580	NUT	1				0.1	0.22
150	38440-44750	WASHER SEAL	1				0.003	0.0066

FRONT PROPELLER SHAFT



3A150-002-20

100 33710-4131-0
120 3A141-4132-0
130 05411-00635



3A743-805-10

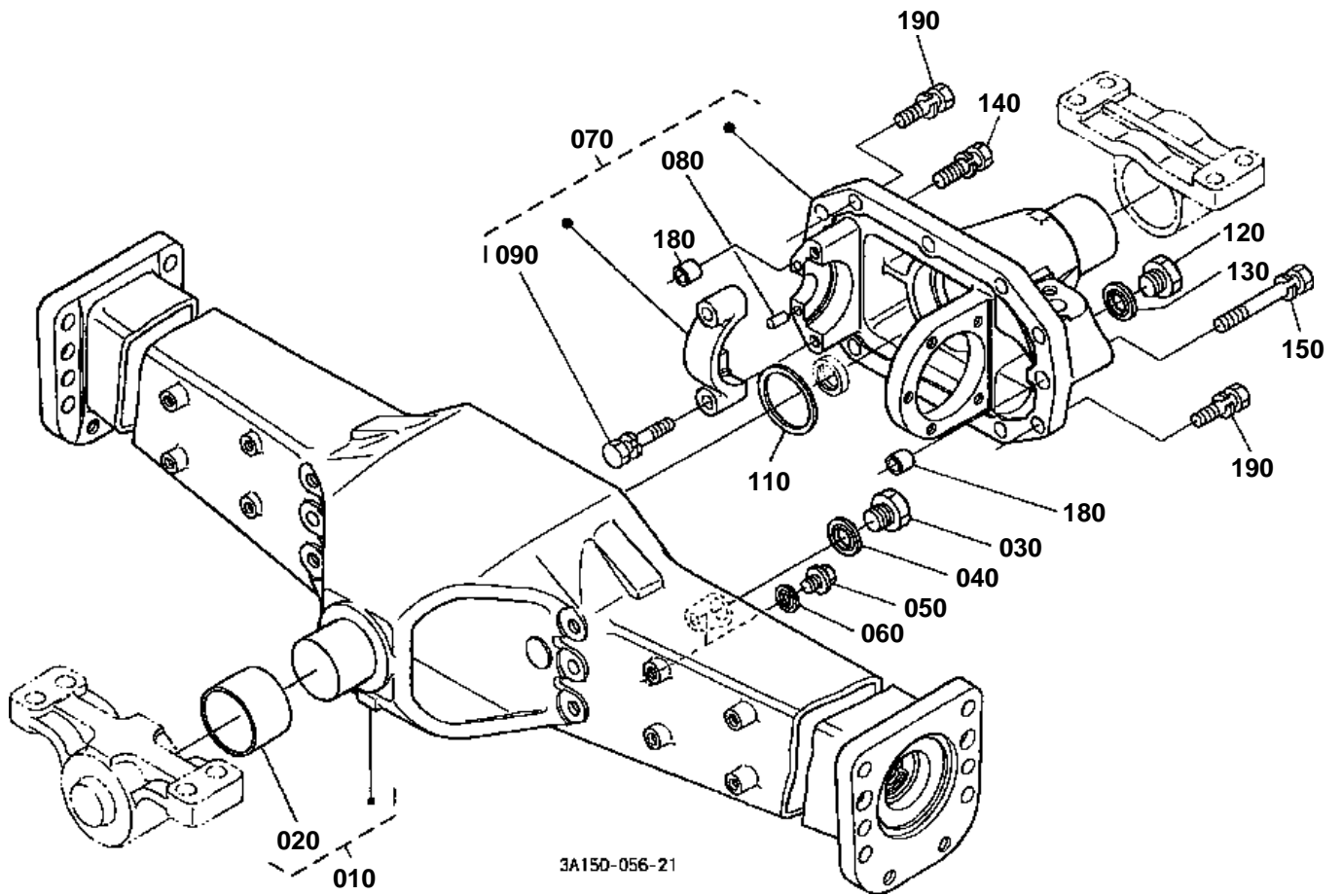


FRONT PROPELLER SHAFT

↔ Interchangeable; ≠ not interchangeable; ← new for old; → old for new

REF.No	Part No.	Description	Q'ty	S.No.	I/C	REMARKS	Weight (kgf)	Weight (lb)
010	3A161-41210	SHAFT PROPELLER	1	<=55797			4.8	10.56
010	3A161-41212	SHAFT PROPELLER	1	>=55798	←		4.8	10.56
020	36330-28710	COLLAR THRUST	1				0.03	0.066
030	38430-25540	CIR CLIP EXTERNAL	1				0.004	0.0088
040	3A161-41230	GEAR 4WD	1			36T	1.315	2.893
050	08101-06306	BEARING BALL	1				0.335	0.737
060	04611-00720	CIR CLIP INTERNAL	2				0.018	0.0396
070	08101-06206	BEARING BALL	1				0.196	0.4312
080	3A161-41260	SEAL OIL	2				0.01	0.022
090	08141-06205	BEARING BALL	1				0.118	0.2596
100	33710-41310	COUPLING	2	<=55797			0.2	0.44
100	33710-41310	COUPLING	1	>=55798			0.2	0.44
110	33750-41310	COUPLING	1	>=55798			0.29	0.638
120	3A141-41320	SHAFT PROPELLER	1	<=55797			2.8	6.16
120	3A161-41322	SHAFT PROPELLER	1	>=55798	≠		3.7	8.14
130	05411-00635	PIN SPRING	2	<=55797			0.005	0.011
130	05411-00635	PIN SPRING	1	>=55798			0.005	0.011
140	05411-00640	PIN SPRING	1	>=55798			0.006	0.0132
150	3A121-41340	COVER SHAFT REAR	1	<=50258			0	0
150	3A161-41342	COVER SHAFT REAR	1	>=50259	←		1	2.2
160	04811-10530	O RING	1				0.005	0.011
170	04811-00480	RING	1				0	0
170	04816-00480	O RING	1		←		0.003	0.0066
180	3A161-41352	COVER SHAFT FRONT	1				0.375	0.825
190	01123-60816	BOLT	1				0.01	0.022
200	01123-50820	BOLT	1				0.011	0.0242
210	04811-00420	O RING	1				0	0
210	04816-00420	O RING	1		←		0.005	0.011

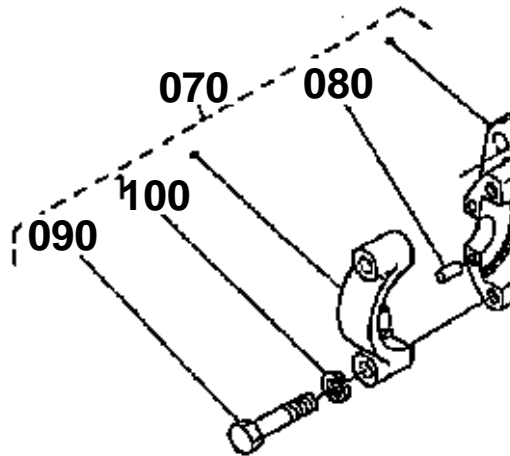
FRONT DIFFERENTIAL CASE



070 3A161-4220-2

090 01173-51260

100 04512-60120

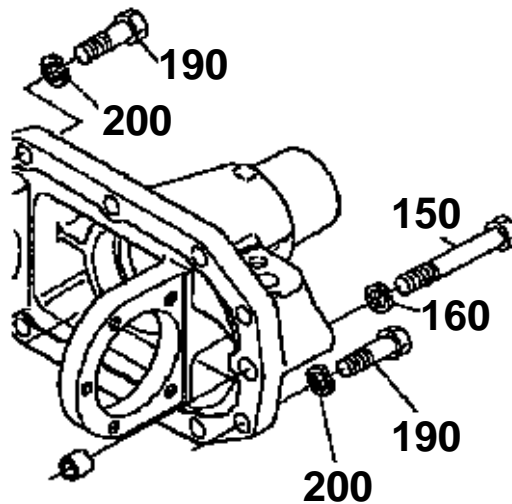


150 01176-51295

160 04512-60120

190 01173-51445

200 04512-60140



3A154-811-10

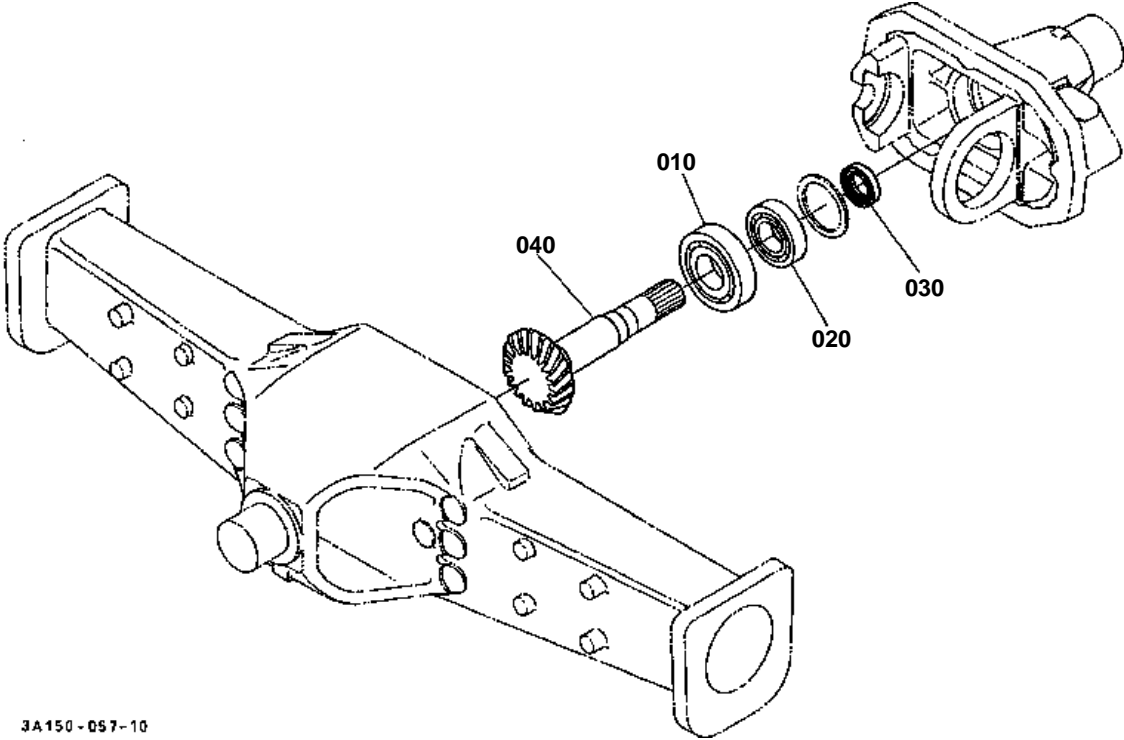


FRONT DIFFERENTIAL CASE

↔ Interchangeable; ≠ not interchangeable; ← new for old; → old for new

REF.No	Part No.	Description	Q'ty	S.No.	I/C	REMARKS	Weight (kgf)	Weight (lb)
010	35533-42140	ASSY CASE FRONT DIFF	1	<=53136			0	0
010	35533-42142	ASSY CASE FRONT DIFF	1	>=53137	←		43.6	95.92
020	36840-42160	RING INNER	1				0.185	0.407
030	06331-35020	PLUG	1				0.068	0.1496
040	04717-02000	WASHER WITH RUBBER	1				0.004	0.0088
050	06331-45010	PLUG	2				0.02	0.044
060	04717-01000	WASHER WITH RUBBER	2				0.001	0.0022
070	3A161-42202	ASSY CASE BRG.PINION	1	<=50220			0	0
070	3A161-42204	ASSY CASE BRG.PINION	1	>=50221	←		14.4	31.68
080	05012-00816	PIN STRAIGHT	2				0.007	0.0154
090	01173-51260	BOLT	2	<=50220			0.06	0.132
090	01133-51260	BOLT	2	>=50221	←		0.06	0.132
100	04512-60120	WASHER SPRING	2	<=50220			0.005	0.011
110	35533-42350	SHIM	1			0.1mm	0.002	0.0044
110	35533-42360	SHIM	1			0.2mm	0.003	0.0066
110	35533-42370	SHIM	1			0.4mm	0.005	0.011
120	06331-35020	PLUG	1				0.068	0.1496
130	04717-02000	WASHER WITH RUBBER	1				0.004	0.0088
140	01138-51240	BOLT	1				0.046	0.1012
150	01176-51295	BOLT	1	<=54170			0.09	0.198
150	01138-51295	BOLT	1	>=54171	←		0.1	0.22
160	04512-60120	WASHER SPRING	1	<=54170			0.005	0.011
170	99999-99999	BLANK	0				0	0
180	35533-43170	PIPE KNOCK	2				0.02	0.044
190	01173-51445	BOLT	11	<=50220			0.065	0.143
190	01133-51445	BOLT	11	>=50221	←		0.073	0.1606
200	04512-60140	WASHER SPRING	11	<=50220			0.008	0.0176

BEVEL GEAR (FRONT)



3A150-057-10

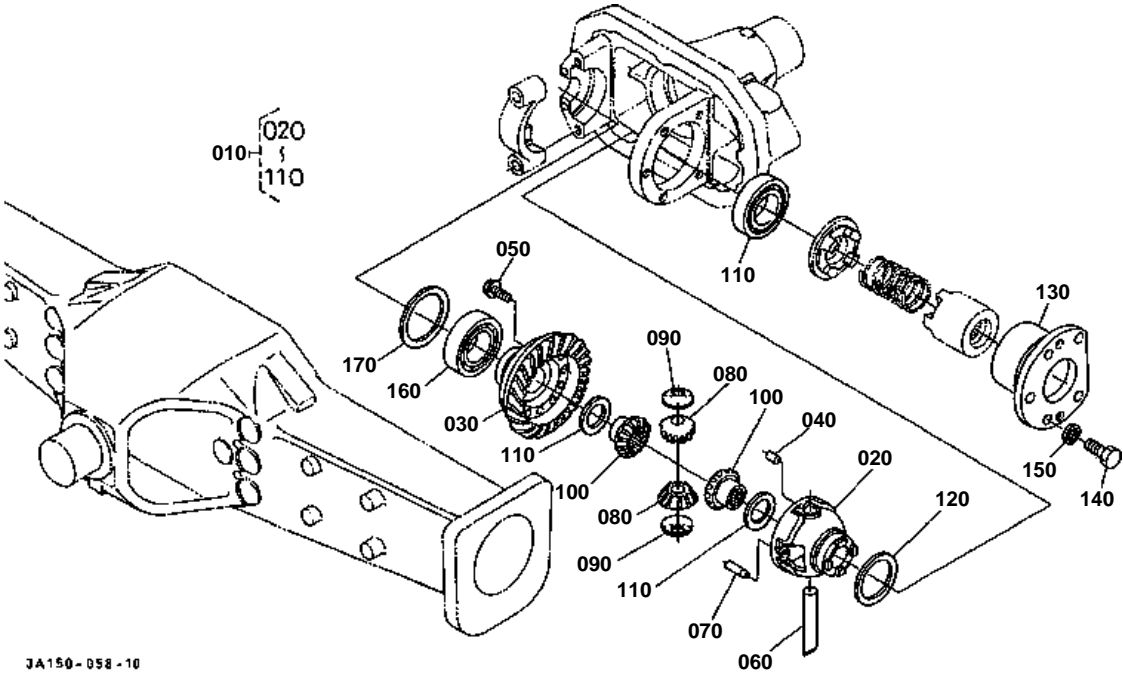


BEVEL GEAR (FRONT)

↔ Interchangeable; ≠ not interchangeable; ← new for old; → old for new

REF.No	Part No.	Description	Q'ty	S.No.	I/C	REMARKS	Weight (kgf)	Weight (lb)
010	35831-43380	BEARING BALL	1				0.6	1.32
020	35523-34430	BEARING BALL	1				0.275	0.605
030	09500-25458	SEAL OIL	1	≤55797			0.013	0.0286
030	09500-30458	SEAL OIL	1	≥55798	≠		0.009	0.0198
040	3A141-42260	SHAFT BEVEL GEAR	1	≤55797		18T	2.25	4.95
040	3F740-42260	SHAFT BEVEL GEAR	1	≥55798	≠	18T	2.46	5.412

DIFFERENTIAL FRONT



JA150-058-10

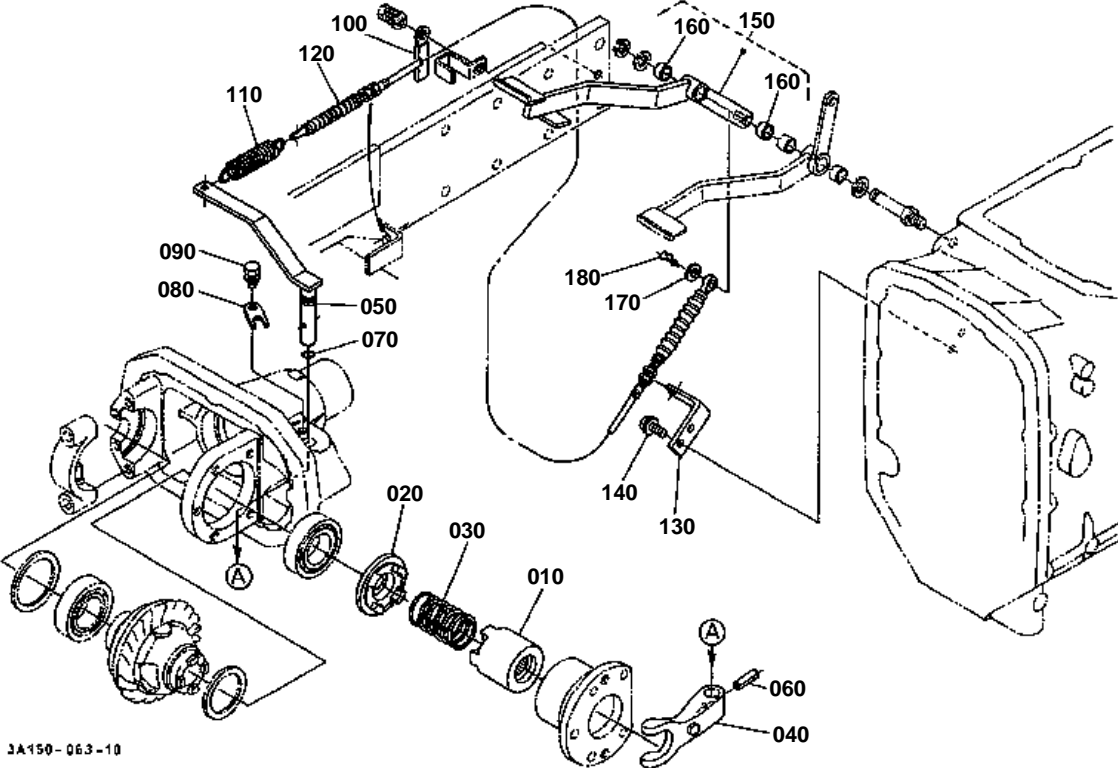


DIFFERENTIAL FRONT

↔ Interchangeable; ≠ not interchangeable; ← new for old; → old for new

REF.No	Part No.	Description	Q'ty	S.No.	I/C	REMARKS	Weight (kgf)	Weight (lb)
010	3A161-43100	ASSY DIFFERENTIAL	1				3.55	7.81
020	3A161-43120	CASE DIFFERENTIAL	1				0.7	1.54
030	3A161-42310	GEAR BEVEL	1			27T	2	4.4
040	36790-43180	PIN STRAIGHT	1				0.01	0.022
050	01759-50830	BOLT UBS	10				0.016	0.0352
060	36790-43110	SHAFT DIFF.PINION	1				0.13	0.286
070	36790-43170	PIN STRAIGHT	1				0.015	0.033
080	67711-14920	PINION DIFF.	2			12T	0.11	0.242
090	67311-14980	COLLAR PINION THRUST	2				0.002	0.0044
100	3A121-43140	GEAR DIFF.SIDE	2			14T	0.11	0.242
110	67211-15160	SHIM	2			1.0mm	0.01	0.022
110	67211-15170	SHIM	2			0.8mm	0.008	0.0176
110	67211-15180	SHIM	2			1.2mm	0.01	0.022
120	33670-43070	COLLAR THRUST	1				0.02	0.044
130	33670-42410	SUPPORT DIFF.BEARING	1				1.94	4.268
140	01173-51028	BOLT	5				0.022	0.0484
150	04512-60100	WASHER SPRING	5				0.002	0.0044
160	36780-43330	BEARING BALL	2				0.25	0.55
170	35533-43010	SHIM	1			0.1mm	0.002	0.0044
170	35533-43020	SHIM	1			0.2mm	0.003	0.0066
170	35533-43030	SHIM	1			0.4mm	0.004	0.0088
170	35533-43040	SHIM	1			0.8mm	0.009	0.0198
170	35533-43050	SHIM	1			1.0mm	0.01	0.022
170	35533-43060	SHIM	1			1.2mm	0.012	0.0264

FRONT DIFFERENTIAL LOCK CLUTCH



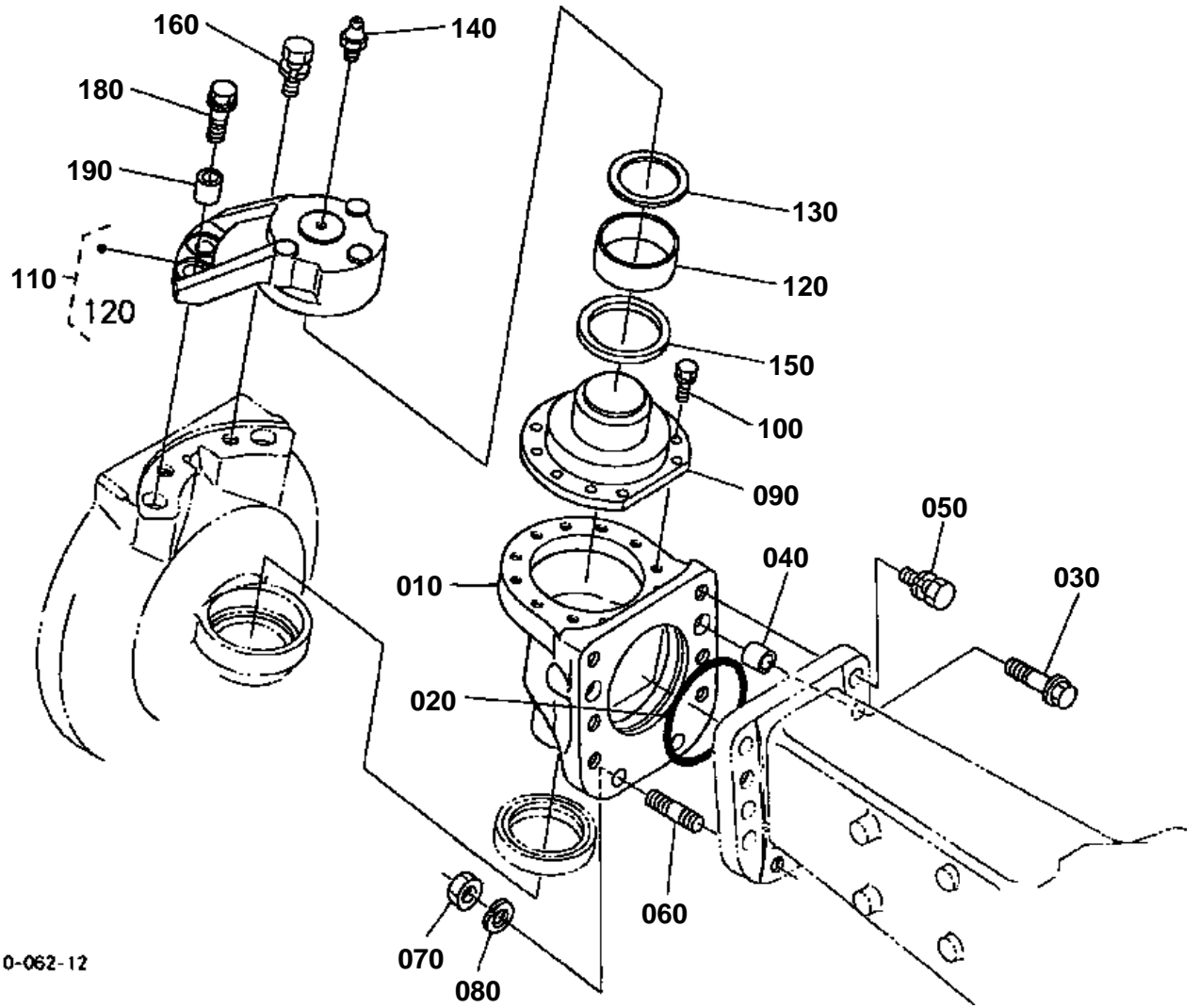


FRONT DIFFERENTIAL LOCK CLUTCH

↔ Interchangeable; ≠ not interchangeable; ← new for old; → old for new

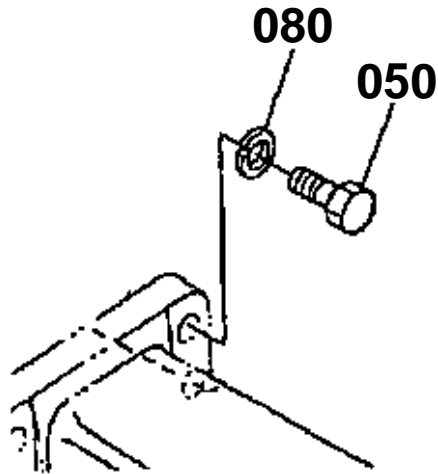
REF.No	Part No.	Description	Q'ty	S.No.	I/C	REMARKS	Weight (kgf)	Weight (lb)
010	33670-42640	CLUTCH DIFF.LOCK	1				0.9	1.98
020	33670-42700	CLUTCH DIFF.LOCK	1				0.3	0.66
030	33670-42540	SPRING	1				0.04	0.088
040	36780-42522	LEVER DIFF.LOCK	1				0.37	0.814
050	3A161-42510	LEVER DIFF.LOCK	1				0.33	0.726
060	05411-00625	PIN SPRING	1				0.004	0.0088
070	04811-00120	O RING	1				0	0
070	04816-00120	O RING	1		←		0.001	0.0022
080	36780-42560	PLATE	1				0.022	0.0484
090	01133-51016	BOLT	1				0.015	0.033
100	37150-34460	CLAMP CORD	1				0.004	0.0088
110	55311-46230	SPRING	1				0.08	0.176
120	3A161-44362	WIRE DIFF.LOCK	1				0.25	0.55
130	3A161-44370	STAY WIRE	1				0.11	0.242
140	01754-50820	BOLT FLANGE	2				0.015	0.033
150	3A161-44300	ASSY PEDAL DIFF.LOCK	1				0.66	1.452
160	08511-01410	BUSH	2				0.005	0.011
170	04013-60080	WASHER PLAIN	1				0.002	0.0044
180	52300-34120	PIN SNAP	1				0.001	0.0022

BEVEL GEAR CASE

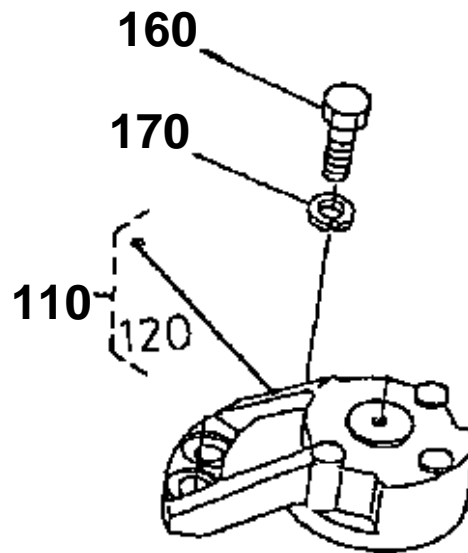


3A110-062-12

050 01173-51440
080 04512-60140



110 3A121-4330-0
160 01176-51430
170 04512-60140



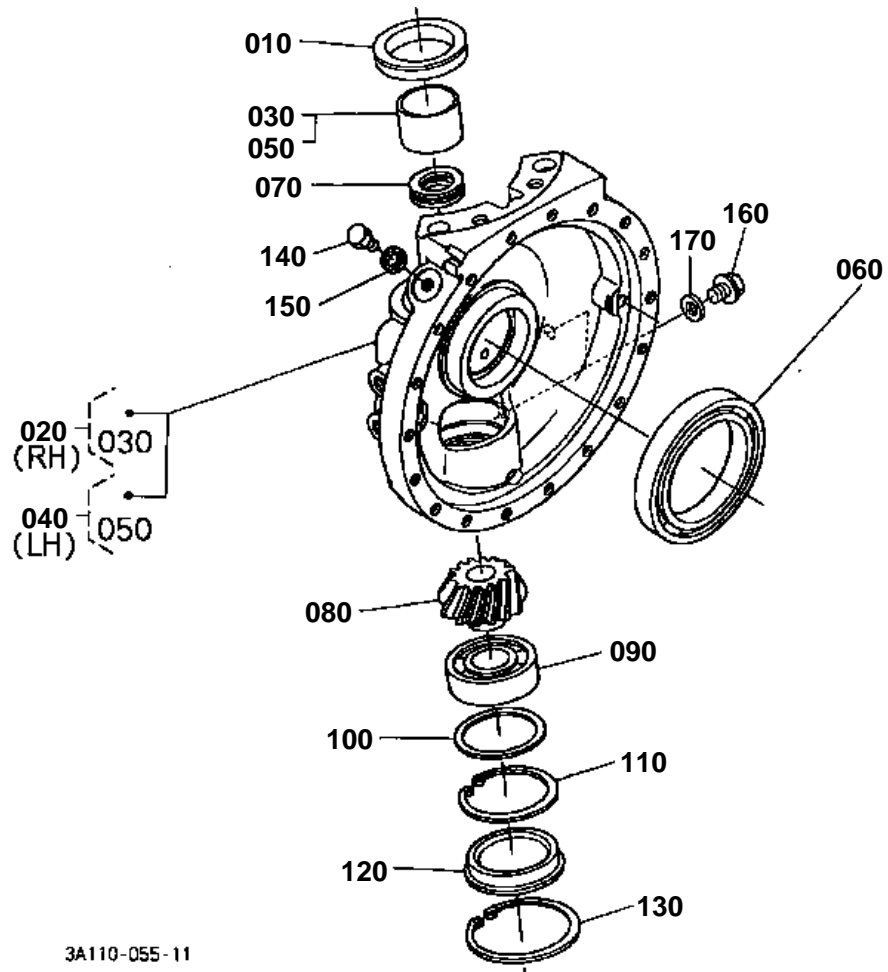
3A150-811-11

**BEVEL GEAR CASE**

↔ Interchangeable; ≠ not interchangeable; ← new for old; → old for new

REF.No	Part No.	Description	Q'ty	S.No.	I/C	REMARKS	Weight (kgf)	Weight (lb)
010	35533-43314	CASE BEVEL GEAR	2				7.03	15.466
020	04811-51000	O RING	2				0.003	0.0066
030	36340-43180	BOLT UBS	4				0.05	0.11
040	35533-43170	PIPE KNOCK	4				0.02	0.044
050	01173-51440	BOLT	12	<=50220			0.062	0.1364
050	01133-51440	BOLT	12	>=50221	←		0.07	0.154
060	01517-61435	STUD	4				0.06	0.132
070	02176-50140	NUT	4				0.014	0.0308
080	04512-60140	WASHER SPRING	16	<=50220			0.008	0.0176
080	04512-60140	WASHER SPRING	4	>=50221			0.008	0.0176
090	3A121-43320	RETAINER BEARING	2				1.835	4.037
100	01123-50825	BOLT	22				0.013	0.0286
110	3A121-43303	ASSY SUPPORT CASE	2				3.48	7.656
120	35533-43350	BUSH	2				0.1	0.22
130	35533-43330	WASHER THRUST	2				0.028	0.0616
140	06611-15010	NIPPLE GREASE	2				0.01	0.022
150	33750-43350	SEAL OIL	2				0.018	0.0396
160	01176-51430	BOLT	4	<=50220			0.052	0.1144
160	01138-51430	BOLT	4	>=50221	←		0.07	0.154
170	04512-60140	WASHER SPRING	4	<=50220			0.008	0.0176
180	36280-43180	BOLT UBS	4				0.052	0.1144
190	35533-43170	PIPE KNOCK	4				0.02	0.044

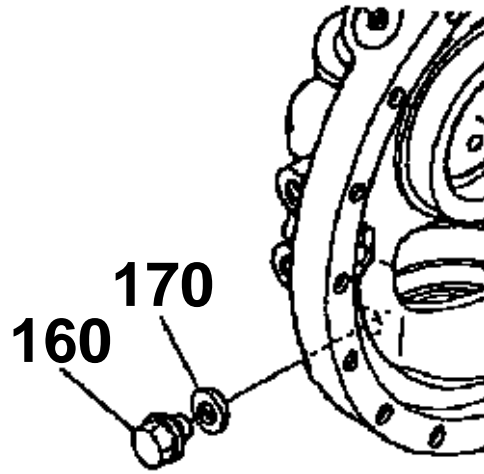
FRONT AXLE CASE



3A110-055-11

160 06331-45010

170 04717-01000



3A071-821-10

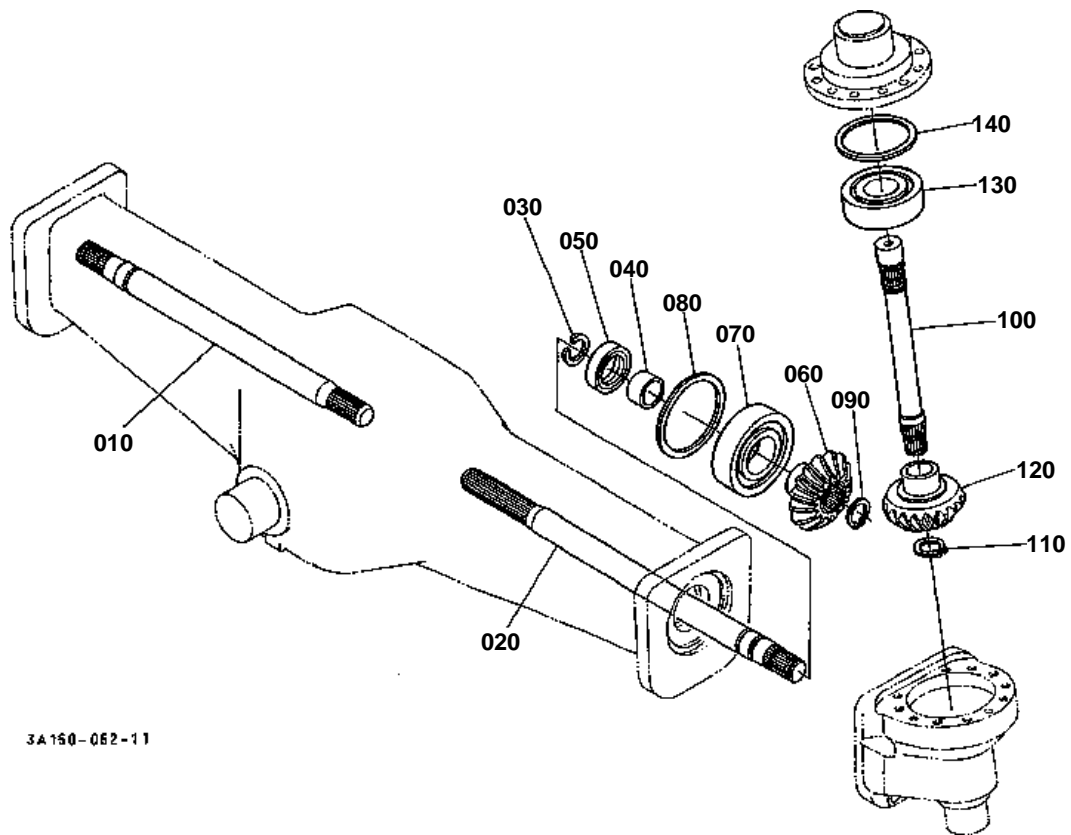


FRONT AXLE CASE

↔ Interchangeable; ≠ not interchangeable; ← new for old; → old for new

REF.No	Part No.	Description	Q'ty	S.No.	I/C	REMARKS	Weight (kgf)	Weight (lb)
010	33670-43360	SEAL OIL	2				0.01	0.022
020	3A121-43642	ASSY CASE F.WHEEL RH	1	<=55350			0	0
020	3A121-43643	ASSY CASE F.WHEEL RH	1	>=55351	←		12.4	27.28
030	35533-43600	BUSH	1				0.1	0.22
040	3A121-43632	ASSY CASE F.WHEEL LH	1	<=55350			0	0
040	3A121-43633	ASSY CASE F.WHEEL LH	1	>=55351	←		12.4	27.28
050	35533-43600	BUSH	1				0.1	0.22
060	35533-43290	BEARING BALL	2				0.65	1.43
070	35533-43380	BEARING BALL	2				0.1	0.22
080	35533-43520	GEAR BEVEL	2	<=53268		13T	0	0
080	35533-43522	GEAR BEVEL	2	>=53269	←	13T	0.74	1.628
090	35860-79150	BEARING BALL	2				0.45	0.99
100	35533-43010	SHIM	2			0.1mm	0.002	0.0044
100	35533-43020	SHIM	2			0.2mm	0.003	0.0066
100	35533-43030	SHIM	2			0.4mm	0.004	0.0088
100	35533-43040	SHIM	2			0.8mm	0.009	0.0198
100	35533-44140	SHIM	2			1.0mm	0.012	0.0264
100	35533-44150	SHIM	2			1.2mm	0.015	0.033
100	35533-44160	SHIM	2			1.8mm	0.02	0.044
100	35533-44170	SHIM	2			2.0mm	0.025	0.055
100	35533-44180	SHIM	2			2.3mm	0.03	0.066
110	04611-00800	CIR CLIP INTERNAL	2				0.02	0.044
120	35533-43540	PLUG	2				0.18	0.396
130	04611-00900	CIR CLIP INTERNAL	2				0.037	0.0814
140	06331-35016	PLUG	2				0.04	0.088
150	04717-01600	WASHER WITH RUBBER	2				0.003	0.0066
160	06331-45010	PLUG	6	<=55350			0.02	0.044
160	06331-45010	PLUG	4	>=55351			0.02	0.044
170	04717-01000	WASHER WITH RUBBER	6	<=55350			0.001	0.0022
170	04717-01000	WASHER WITH RUBBER	4	>=55351			0.001	0.0022

DIFFERENTIAL GEAR SHAFT



3A150-052-11

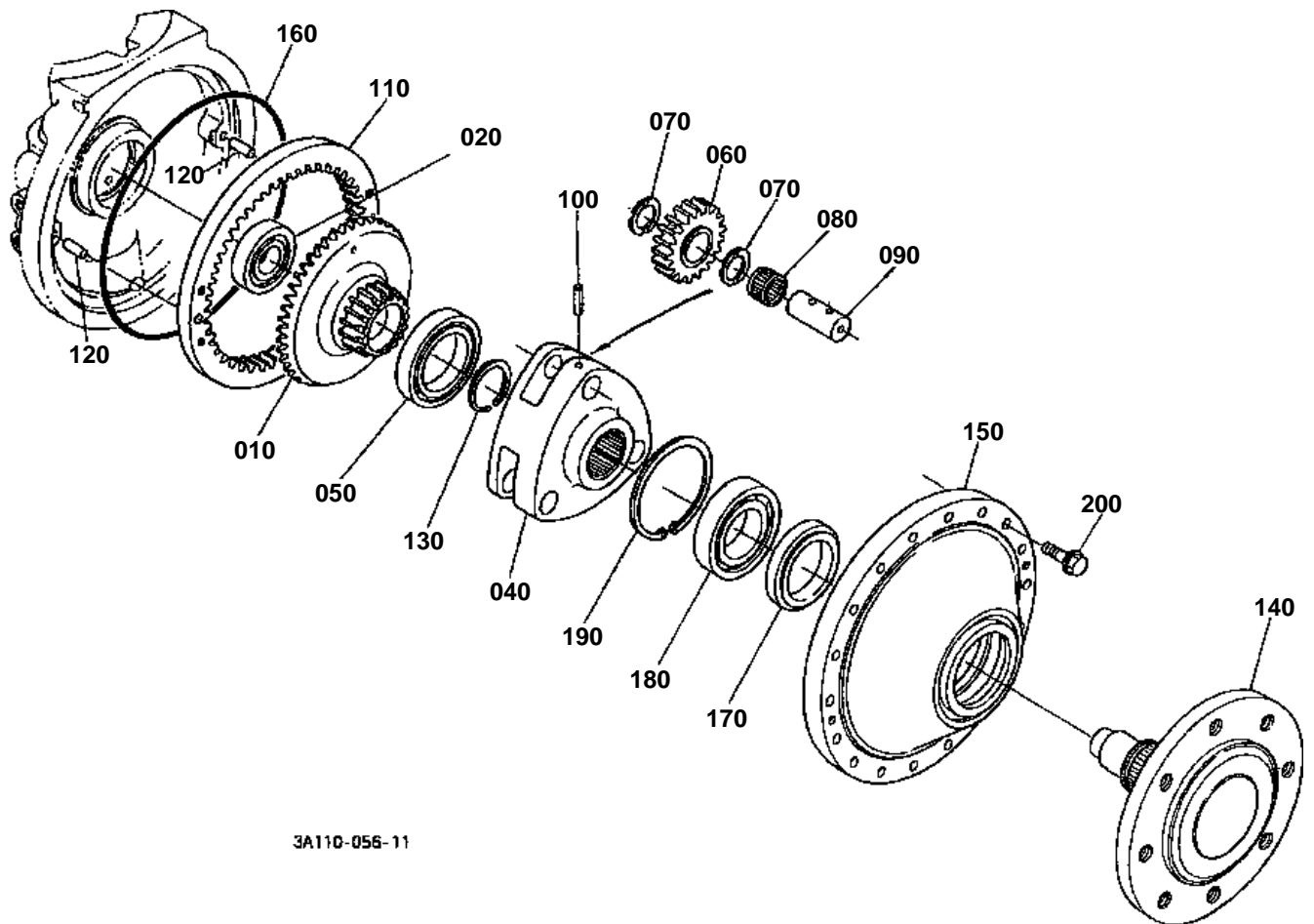


DIFFERENTIAL GEAR SHAFT

↔ Interchangeable; ≠ not interchangeable; ← new for old; → old for new

REF.No	Part No.	Description	Q'ty	S.No.	I/C	REMARKS	Weight (kgf)	Weight (lb)
010	33710-43210	SHAFT DIFF.GEAR RH	1				2.66	5.852
020	33710-43220	SHAFT DIFF.GEAR LH	1				2.9	6.38
030	31391-15360	CIR-CLIP	2				0.005	0.011
040	54617-22830	SLEEVE	2				0.02	0.044
050	09403-55511	SEAL OIL	2				0.023	0.0506
060	3F750-43240	GEAR BEVEL	2	<=50220		18T	0.97	2.134
060	3A161-43240	GEAR BEVEL	2	>=50221	≠	18T	0.93	2.046
070	35533-43470	BEARING BALL	2				0.88	1.936
080	35533-44020	SHIM	2			0.1mm	0.002	0.0044
080	35533-44030	SHIM	2			0.2mm	0.003	0.0066
080	35533-44040	SHIM	2			0.4mm	0.005	0.011
080	35533-44050	SHIM	2			0.8mm	0.011	0.0242
080	35533-44060	SHIM	2			1.0mm	0.012	0.0264
080	35533-44070	SHIM	2			1.2mm	0.02	0.044
090	04612-00280	CIR CLIP EXTERNAL	2				0.003	0.0066
100	35533-43410	SHAFT	2				0.9	1.98
110	04612-00280	CIR CLIP EXTERNAL	2				0.003	0.0066
120	3F750-43440	GEAR BEVEL	2	<=50220		19T	1.06	2.332
120	3A161-43440	GEAR BEVEL	2	>=50221	≠	19T	1.05	2.31
130	08101-06308	BEARING BALL	2				0.63	1.386
140	35533-44080	SHIM	2			0.1mm	0.001	0.0022
140	35533-44090	SHIM	2			0.2mm	0.002	0.0044
140	35533-44100	SHIM	2			0.4mm	0.005	0.011
140	35533-44110	SHIM	2			0.8mm	0.01	0.022
140	35533-44120	SHIM	2			1.0mm	0.012	0.0264
140	35533-44130	SHIM	2			1.2mm	0.015	0.033

FRONT AXLE



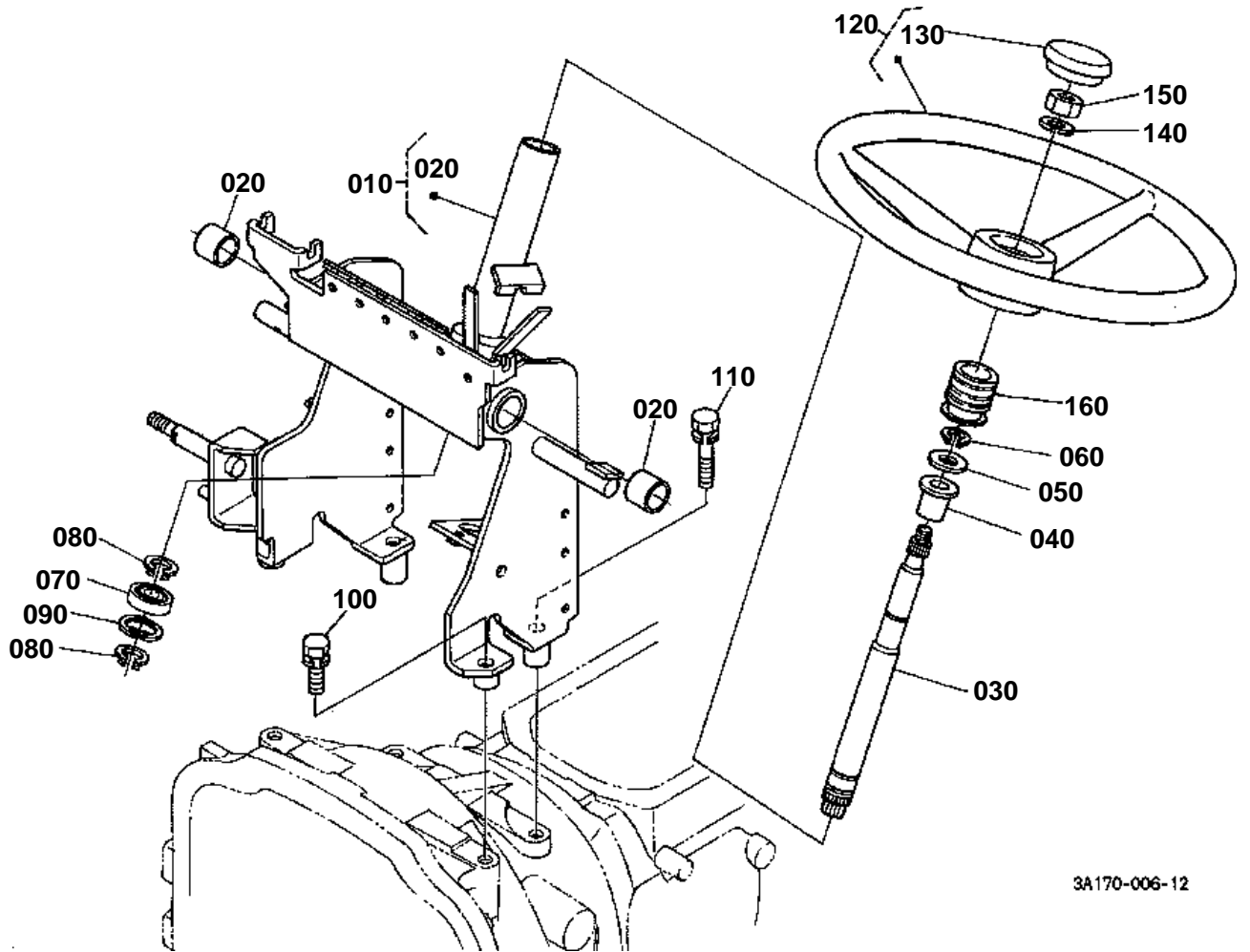
3A110-056-11

**FRONT AXLE**

↔ Interchangeable; ≠ not interchangeable; ← new for old; → old for new

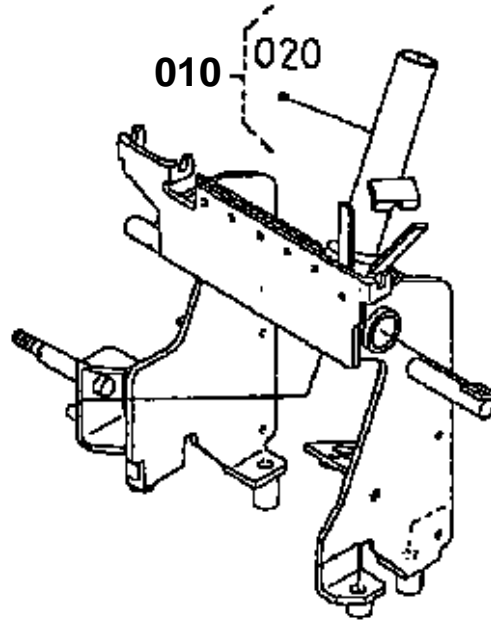
REF.No	Part No.	Description	Q'ty	S.No.	I/C	REMARKS	Weight (kgf)	Weight (lb)
010	36790-43720	GEAR BEVEL	2	<=53268		34T-18T	0	0
010	36790-43722	GEAR BEVEL	2	>=53269	←	34T-18T	2.8	6.16
020	38450-25350	BEARING BALL	2				0.345	0.759
030	99999-99999	BLANK	0				0	0
040	35533-44210	SUPPORT PLANE.GEAR	2				4.4	9.68
050	08101-16013	BEARING BALL	2				0.29	0.638
060	36790-44220	GEAR PLANETARY	6			22T	0.62	1.364
070	35533-44230	COLLAR THRUST	12				0.01	0.022
080	3F740-44240	BEARING NEEDLE	6				0.045	0.099
090	35533-44250	PIN PLANETARY GEAR	6				0.2	0.44
100	05411-00522	PIN SPRING	6				0.002	0.0044
110	36790-44190	GEAR INTERNAL	2			63T	2.2	4.84
120	35533-44260	PIN STRAIGHT	4				0.02	0.044
130	35533-44280	CIR CLIP EXTERNAL	2				0.012	0.0264
140	3A121-43710	AXLE FRONT	2				9.3	20.46
150	35533-43620	COVER FRONT WHEEL	2				9.3	20.46
150	3A121-43620	COVER FRONT WHEEL	2		↔		9.8	21.56
160	35533-44292	O RING	2				0.005	0.011
170	3A161-48250	SEAL WITH SHAFT	2			NOT SALE	0.12	0.264
170	3A161-48250	SEAL OIL	2		←		0.12	0.264
180	08101-06211	BEARING BALL	2				0.6	1.32
190	04611-01000	CIR CLIP INTERNAL	2				0.042	0.0924
200	01774-51040	BOLT FLANGE	36				0.025	0.055

STEERING HANDLE



3A170-006-12

010 3A151-6320-4

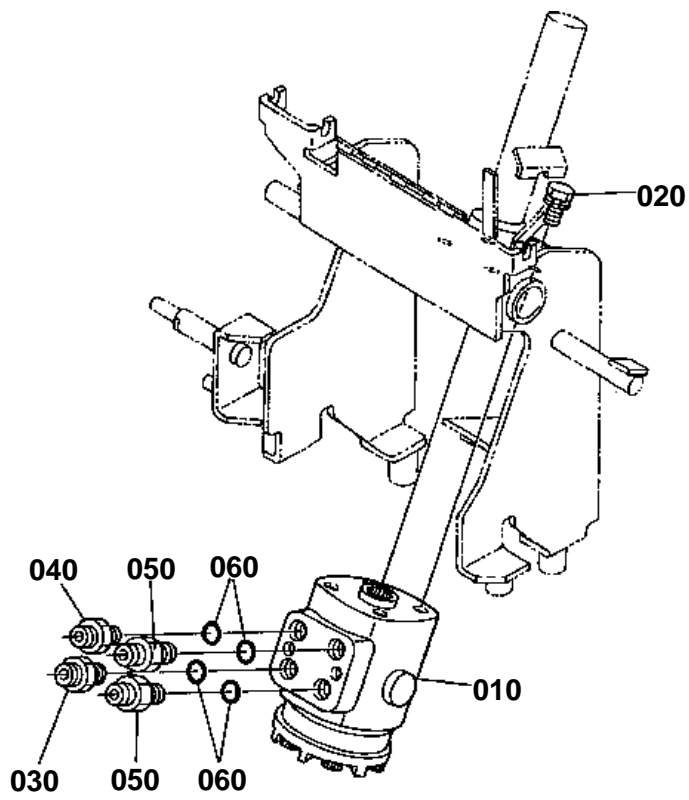


3A154-804-10

**STEERING HANDLE**

↔ Interchangeable; ≠ not interchangeable; ← new for old; → old for new

REF.No	Part No.	Description	Q'ty	S.No.	I/C	REMARKS	Weight (kgf)	Weight (lb)
010	3A151-63204	ASSY SUPPORT STEERI.	1	<=54306			0	0
010	3A151-63206	ASSY SUPPORT STEERI.	1	>=54307	←		0	0
010	3A151-63207	ASSY SUPPORT STEERI.	1	>=58773	←		9.1	20.02
020	08511-02825	BUSH	2				0.04	0.088
030	3A111-62150	SHAFT STEERING	1				0.81	1.782
040	3A011-62170	BUSH COLUMN	1				0.012	0.0264
050	04011-50180	WASHER PLAIN	1				0.012	0.0264
060	04612-00180	CIR CLIP EXTERNAL	1				0.001	0.0022
070	35533-62360	BEARING BALL	1				0.08	0.176
080	04612-00220	CIR CLIP EXTERNAL	2				0.001	0.0022
090	04611-00450	CIR CLIP INTERNAL	1				0.01	0.022
100	01133-51245	BOLT	2				0.055	0.121
110	01133-51265	BOLT	2				0.065	0.143
120	68843-34600	ASSY WHEEL STEERING	1				1.6	3.52
130	68843-34620	CAP	1				0.04	0.088
140	04512-60120	WASHER SPRING	1				0.005	0.011
150	02176-50120	NUT	1				0.01	0.022
160	3A111-62380	COVER STEERING	1				0.036	0.0792



3A150-065-10

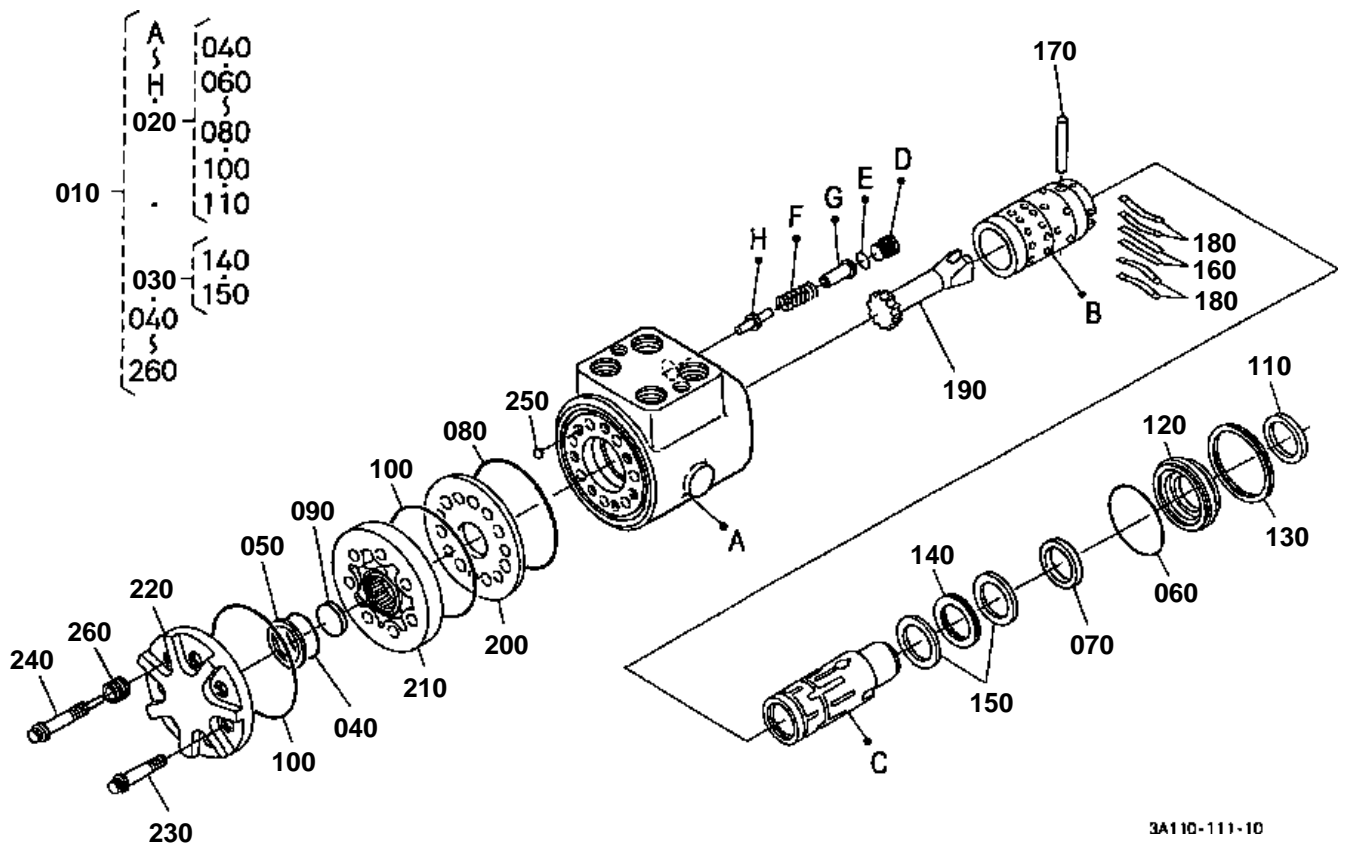


STEERING CONTROLLER

↔ Interchangeable; ≠ not interchangeable; ← new for old; → old for new

REF.No	Part No.	Description	Q'ty	S.No.	I/C	REMARKS	Weight (kgf)	Weight (lb)
010	3A111-63070	CONTROLLER STEERING	1				5.65	12.43
020	01133-51022	BOLT	4				0.025	0.055
030	3A111-63090	JOINT PIPE	1				0.088	0.1936
040	3A111-63150	JOINT PIPE	1				0.093	0.2046
050	3A111-63120	JOINT PIPE	2				0.084	0.1848
060	04811-00180	O RING	4				0	0
060	04816-00180	O RING	4		←		0.002	0.0044

STEERING CONTROLLER [COMPONENT PARTS]



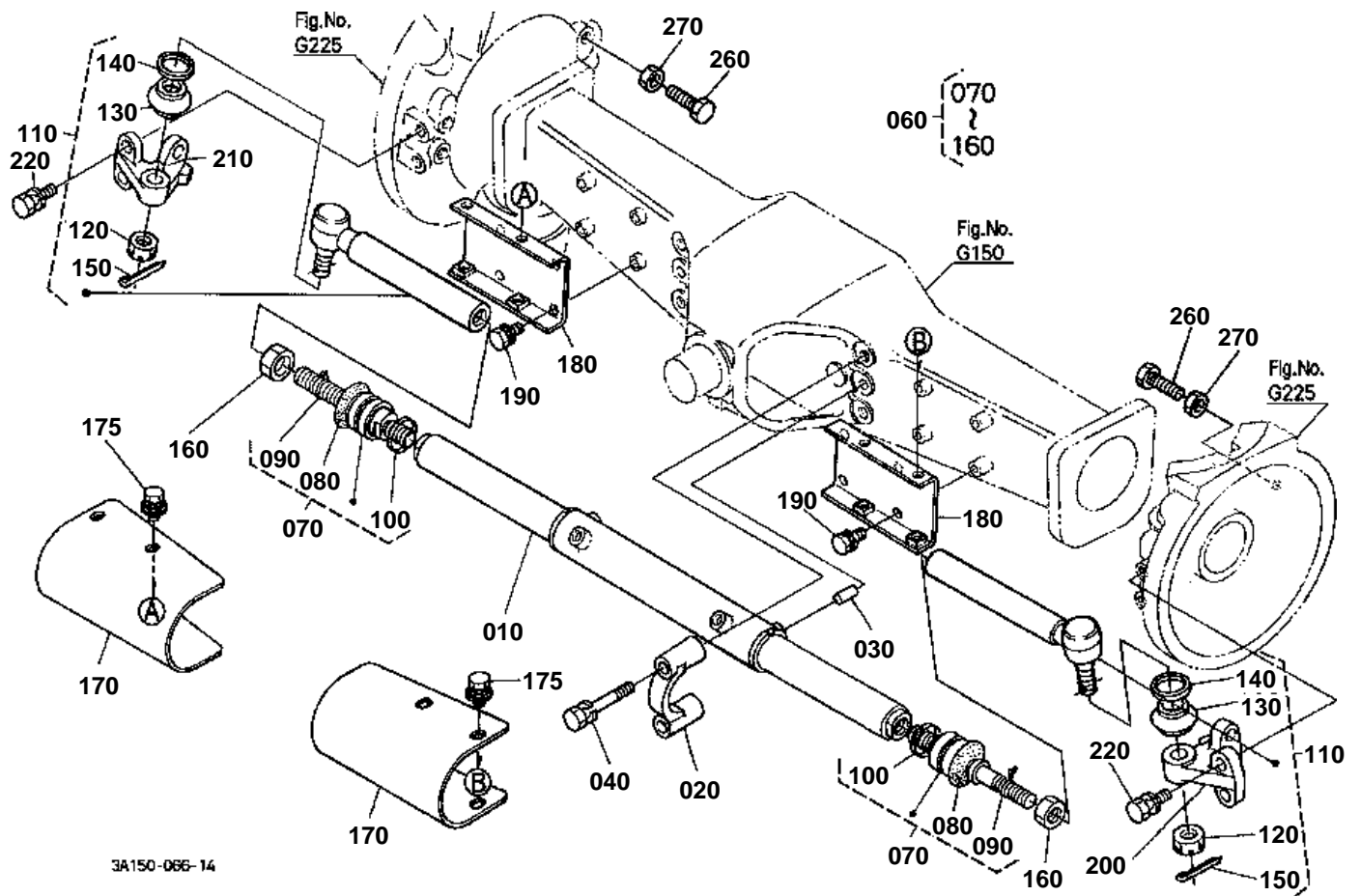
3A110-111-10

**STEERING CONTROLLER [COMPONENT PARTS]**

↔ Interchangeable; ≠ not interchangeable; ← new for old; → old for new

REF.No	Part No.	Description	Q'ty	S.No.	I/C	REMARKS	Weight (kgf)	Weight (lb)
010	3A111-63070	CONTROLLER STEERING	1				5.65	12.43
020	3A999-11980	KIT SEAL	1				0.02	0.044
030	R1401-94620	KIT BEARING NEEDLE	1				0.04	0.088
040	33740-64450	O RING	1				0.001	0.0022
050	35999-22030	SEAL	1				0.001	0.0022
060	35999-22040	RING	1				0.005	0.011
070	R1401-94570	SEAL OIL	1				0.001	0.0022
080	R1401-94650	O RING	1				0.001	0.0022
090	3A999-11960	SPACER	1				0.002	0.0044
100	35999-22080	O RING	2				0.001	0.0022
110	35999-22110	SEAL DUST	1				0.002	0.0044
120	33740-64380	BUSH	1				0.11	0.242
130	35999-22070	RING RETAINING	1				0.005	0.011
140	35999-22090	NEEDLE THRUST	1				0.01	0.022
150	35999-22100	RACE BEARING	2				0.02	0.044
160	35999-22190	SPRING FLAT	2				0.001	0.0022
170	35999-22180	PIN	1				0.01	0.022
180	35999-22200	SPRING	4				0.002	0.0044
190	35999-22220	DRIVE	1				0.1	0.22
200	35999-22230	PLATE SPACER	1				0.1	0.22
210	3A111-22240	SET ROTOR	1				0.315	0.693
220	35999-22250	CAP END	1				0.4	0.88
230	3A999-11940	SCREW	6				0.02	0.044
240	3A999-11950	ASSY SCREW	1				0.018	0.0396
250	R1401-94670	BALL	1				0.001	0.0022
260	R1401-94660	SCREW ADAPTER	1				0.002	0.0044

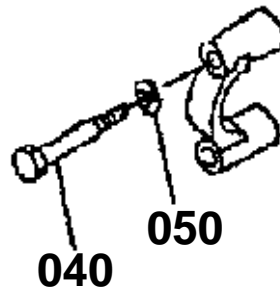
STEERING LINKAGE



3A150-066-14

040 01173-51400

050 04512-60140

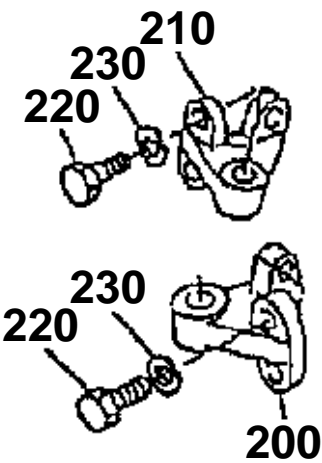


200 35533-4381-4

210 35533-4382-4

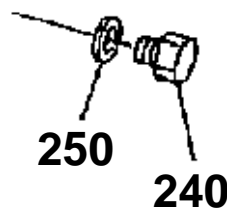
220 01173-51400

230 04512-60140



240 3A121-4366-0

250 04011-50120



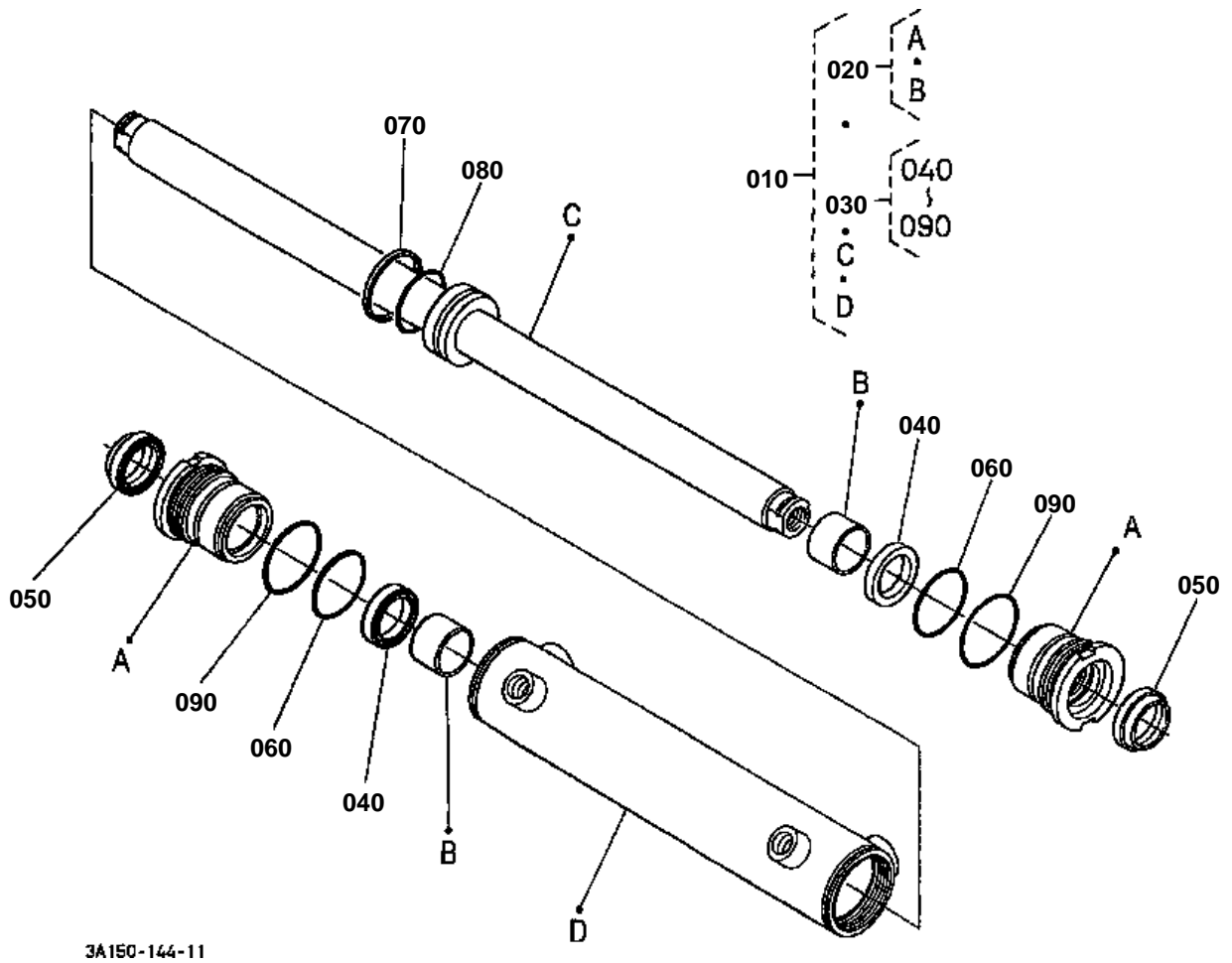
3A110-844-20

**STEERING LINKAGE**

↔ Interchangeable; ≠ not interchangeable; ← new for old; → old for new

REF.No	Part No.	Description	Q'ty	S.No.	I/C	REMARKS	Weight (kgf)	Weight (lb)
010	3A161-63880	CYLINDER HYDRAULIC	1				7.5	16.5
020	33671-62132	BRACKET POWER STRG.	2				0.53	1.166
030	3A121-63970	PIN STRAIGHT	2				0.016	0.0352
040	01173-51400	BOLT	4	<=50220			0.12	0.264
040	01133-51400	BOLT	4	>=50221	←		0.13	0.286
050	04512-60140	WASHER SPRING	4	<=50220			0.008	0.0176
060	3A121-62970	ASSY ROD TIE	2				2	4.4
070	3A121-62980	END ROD	2				1.04	2.288
080	35533-62850	COVER DUST	2				0.02	0.044
090	35533-62820	CLIP	2				0.003	0.0066
100	35533-62860	RING SET	2				0.005	0.011
110	35533-62920	ROD TIE	2				0.93	2.046
120	35860-62750	NUT	2				0.04	0.088
130	35860-62852	COVER DUST	2				0.014	0.0308
140	36280-62860	CLIP	2				0.002	0.0044
150	05511-50335	PIN SPLIT	2				0.002	0.0044
160	02172-50200	NUT	2				0.03	0.066
170	35533-64013	COVER POWER STRG.	2				1.5	3.3
175	01135-61020	BOLT	8				0.015	0.033
180	35533-64020	BRACKET STRG.COVER	2	<=54306			0	0
180	3A121-64020	BRACKET POWER STRG.	2	>=54307	←		0.65	1.43
190	01133-51020	BOLT	8				0.02	0.044
200	35533-43810	ARM KNUCKLE LH	1	<=54170			0	0
200	35533-43814	ARM KNUCKLE LH	1	>=54171	←		0.66	1.452
200	3A121-43810	ARM KNUCKLE LH	1	>=59938	≠		0.92	2.024
210	35533-43820	ARM KNUCKLE RH	1	<=54170			0	0
210	35533-43824	ARM KNUCKLE RH	1	>=54171	←		0.88	1.936
210	3A121-43820	ARM KNUCKLE RH	1	>=59938	≠		0.92	2.024
220	01173-51440	BOLT	8	<=50220			0.062	0.1364
220	01133-51440	BOLT	8	>=50221	←		0.07	0.154
230	04512-60140	WASHER SPRING	8	<=50220			0.008	0.0176
240	3A121-43660	BOLT	2	<=59937			0.04	0.088
250	04011-50120	WASHER PLAIN	2	<=59937			0.005	0.011
260	3F740-43940	BOLT	2				0.06	0.132
270	02076-50140	NUT	2				0.022	0.0484

STEERING CYLINDER [COMPONENT PARTS]



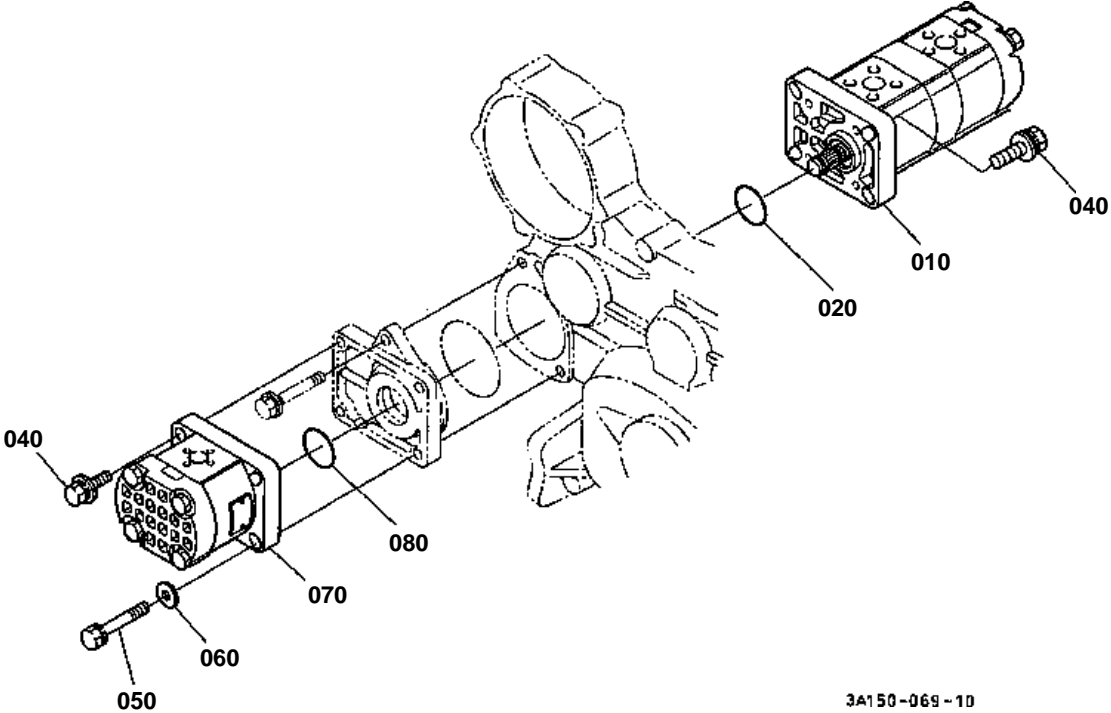
3A150-144-11



STEERING CYLINDER [COMPONENT PARTS]

↔ Interchangeable; ≠ not interchangeable; ← new for old; → old for new

REF.No	Part No.	Description	Q'ty	S.No.	I/C	REMARKS	Weight (kgf)	Weight (lb)
010	3A161-63880	CYLINDER HYDRAULIC	1				7.5	16.5
020	3A161-63810	KIT HEAD HYD.CYL.	1				1.15	2.53
030	3A161-63820	KIT SEAL	1				0.043	0.0946
040	3A011-63890	U-RING	2				0.004	0.0088
050	3A011-63860	RING WIPER	2				0.135	0.297
060	68811-93370	O RING	2				0.002	0.0044
070	3A121-63830	SEAL	1				0.004	0.0088
080	3A121-63840	O RING	1				0.002	0.0044
090	3A121-63850	O RING	2				0.002	0.0044



3A150-069-10

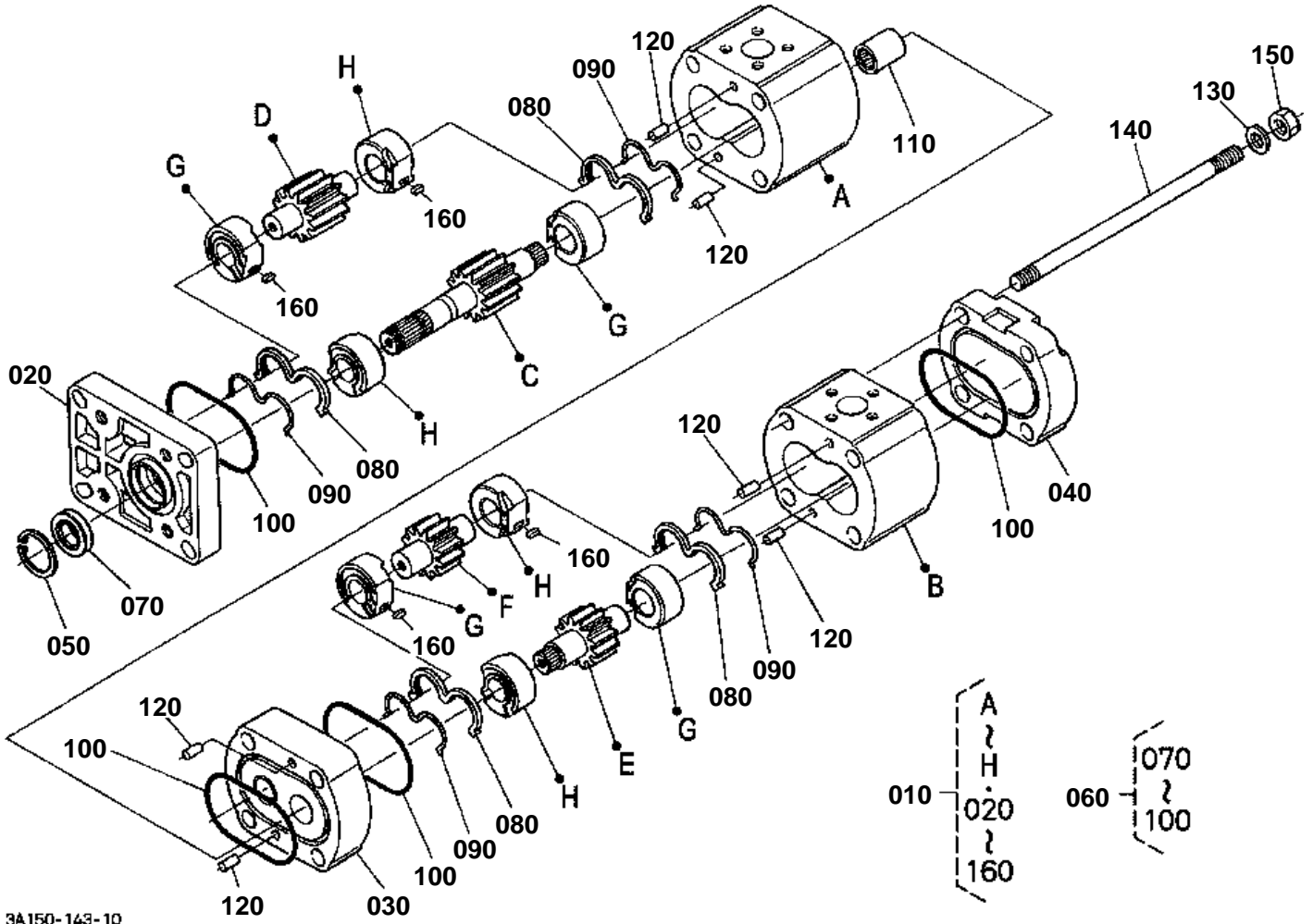


HYDRAULIC PUMP [A]

↔ Interchangeable; ≠ not interchangeable; ← new for old; → old for new

REF.No	Part No.	Description	Q'ty	S.No.	I/C	REMARKS	Weight (kgf)	Weight (lb)
010	3A111-82202	PUMP HYDRAULIC	1	<=57058			0	0
010	3A111-82204	PUMP HYDRAULIC	1	>=57059	←		4.6	10.12
020	04811-06400	O RING	1				0	0
020	04816-06400	O RING	1		←		0.001	0.0022
030	99999-99999	BLANK	0				0	0
040	01125-50835	BOLT	7				0.017	0.0374
050	01123-50800	BOLT	1				0.04	0.088
060	04013-60080	WASHER PLAIN	1				0.002	0.0044
070	3A151-63100	PUMP HYDRAULIC	1				2.3	5.06
080	04811-06400	O RING	1				0	0
080	04816-06400	O RING	1		←		0.001	0.0022

HYDRAULIC PUMP [COMPONENT PARTS]



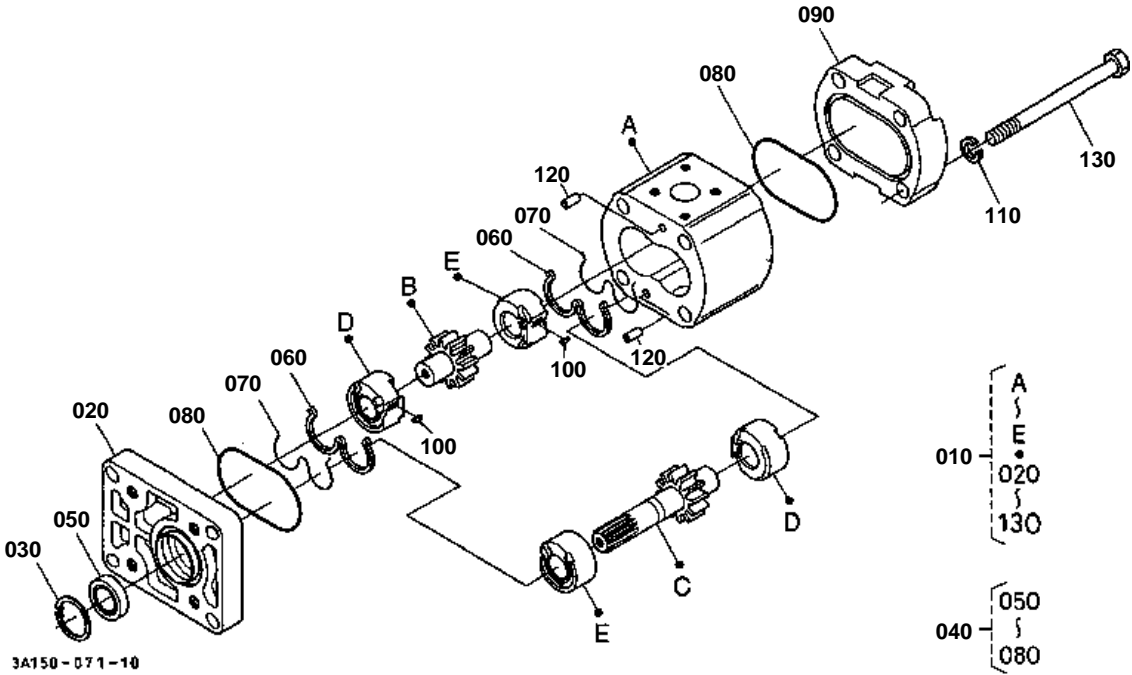
3A150-143-10

**HYDRAULIC PUMP [COMPONENT PARTS]**

↔ Interchangeable; ≠ not interchangeable; ← new for old; → old for new

REF.No	Part No.	Description	Q'ty	S.No.	I/C	REMARKS	Weight (kgf)	Weight (lb)
010	3A111-82202	PUMP HYDRAULIC	1	<=57058			0	0
010	3A111-82204	PUMP HYDRAULIC	1	>=57059	←		4.6	10.12
020	68721-72210	FLANGE	1				0.45	0.99
030	33960-12860	FLANGE	1				0.5	1.1
040	68741-72230	COVER	1				0.39	0.858
050	68051-91850	RING SNAP	1				0.001	0.0022
060	35890-12970	KIT SEAL	1				0.005	0.011
070	36330-82320	SEAL OIL	1				0.01	0.022
080	35430-12870	ELEMENT SEAL	4				0.003	0.0066
090	68051-91880	ELEMENT BACK UP	4				0.001	0.0022
100	68051-91910	O RING	4				0.001	0.0022
110	33960-12870	COUPLING	1				0.028	0.0616
120	68271-91240	PIN	6				0.004	0.0088
130	68741-72250	WASHER	4				0.002	0.0044
140	35592-12940	STUD	4	<=57058			0.12	0.264
140	3A111-12940	STUD	4	>=57059	←		0.115	0.253
150	68051-92090	NUT	4				0.01	0.022
160	68051-91890	KEY	4				0.001	0.0022

HYDRAULIC PUMP [COMPONENT PARTS] [A]



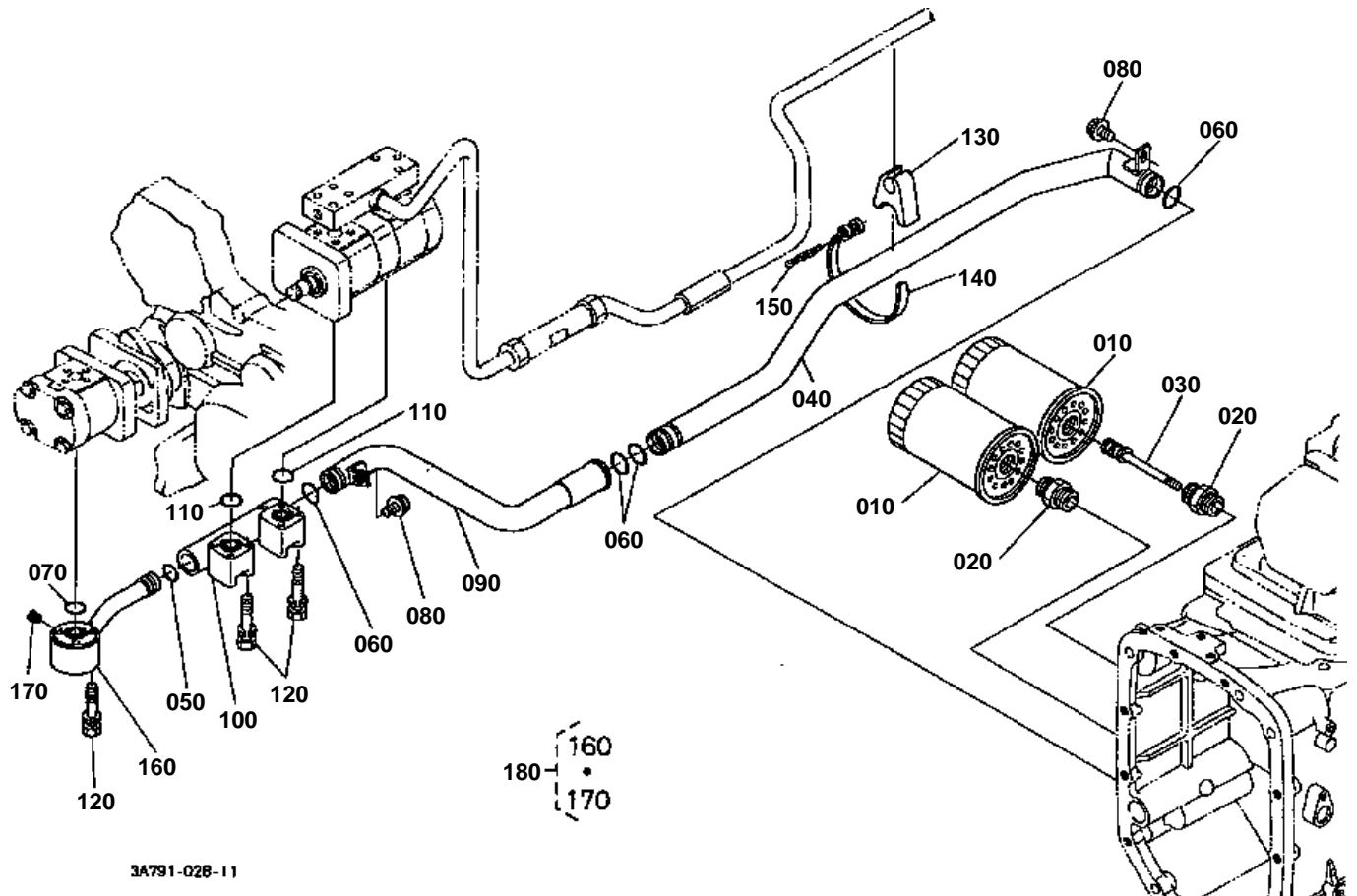


HYDRAULIC PUMP [COMPONENT PARTS] [A]

↔ Interchangeable; ≠ not interchangeable; ← new for old; → old for new

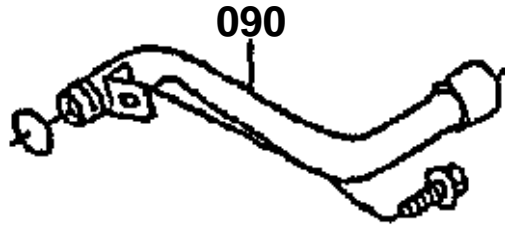
REF.No	Part No.	Description	Q'ty	S.No.	I/C	REMARKS	Weight (kgf)	Weight (lb)
010	3A151-63100	PUMP HYDRAULIC	1				2.3	5.06
020	68721-72210	FLANGE	1				0.45	0.99
030	68051-91850	RING SNAP	1				0.001	0.0022
040	68588-85210	KIT SEAL	1				0.013	0.0286
050	36330-82320	SEAL OIL	1				0.01	0.022
060	35430-12870	ELEMENT SEAL	2				0.003	0.0066
070	68051-91880	ELEMENT BACK UP	2				0.001	0.0022
080	68051-91910	O RING	2				0.001	0.0022
090	68741-72230	COVER	1				0.39	0.858
100	68051-91890	KEY	2				0.001	0.0022
110	68741-72250	WASHER	4				0.002	0.0044
120	68271-91240	PIN	2				0.004	0.0088
130	3A999-12020	BOLT	4				0.055	0.121

HYDRAULIC PIPE (SUCTION) [A]



3A791-028-11

090 3A151-8271-0



3A150-838-20

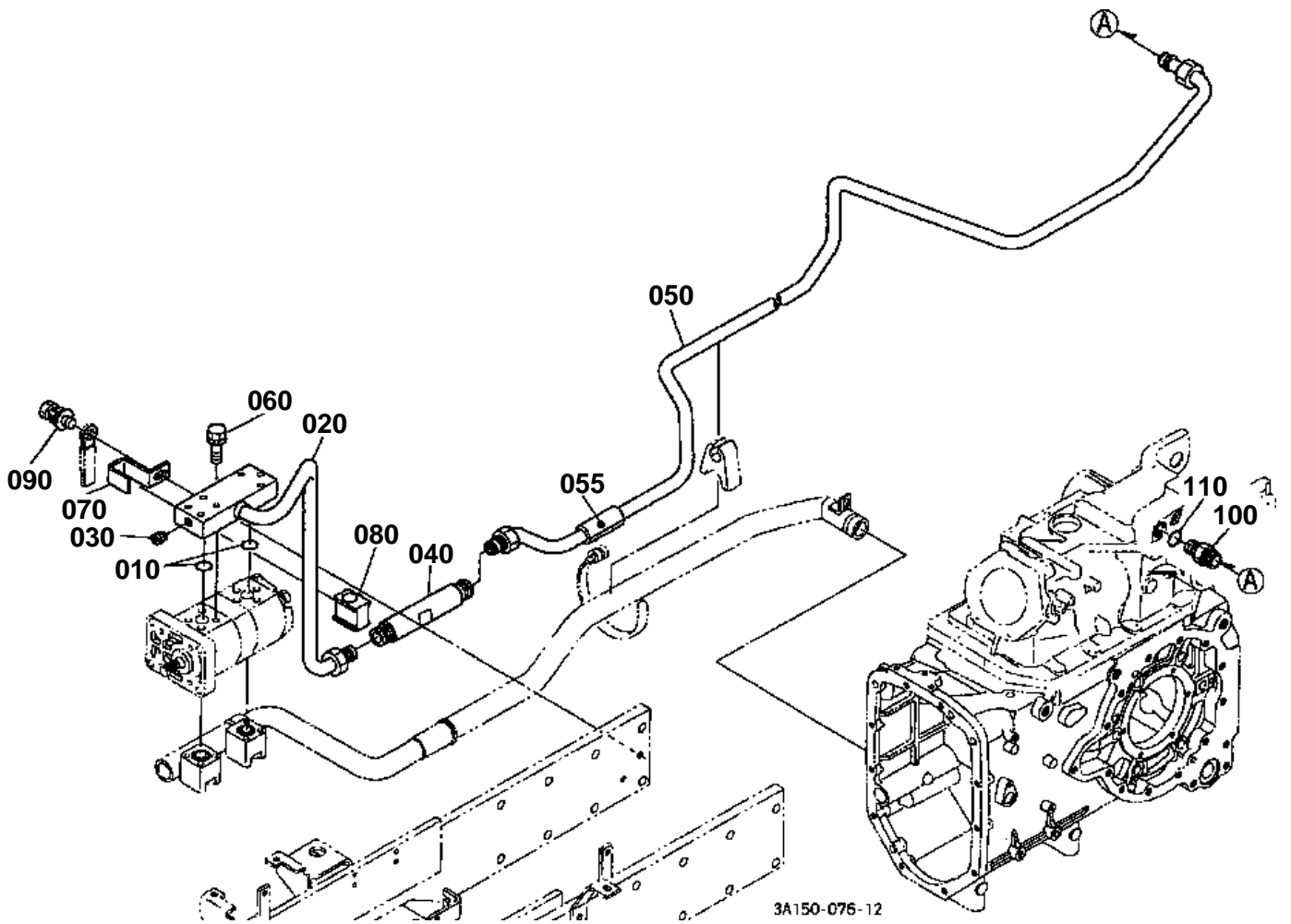


HYDRAULIC PIPE (SUCTION) [A]

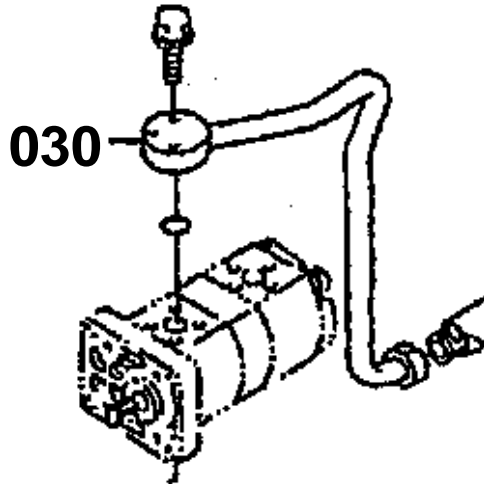
↔ Interchangeable; ≠ not interchangeable; ← new for old; → old for new

REF.No	Part No.	Description	Q'ty	S.No.	I/C	REMARKS	Weight (kgf)	Weight (lb)
010	33960-82630	FILTER	2				0.65	1.43
020	32590-38330	JOINT SCREW	2				0.05	0.11
030	33960-82640	MAGNET FILTER	1				0.08	0.176
040	3A151-82690	COMP.PIPE SUCTION	1	<=55350			1.015	2.233
040	3A751-82692	COMP.PIPE SUCTION	1	>=55351	←		1.04	2.288
050	3A151-09860	O RING	1				0.001	0.0022
060	04815-00260	O RING	4				0	0
060	04817-00260	O RING	4		←		0.004	0.0088
070	04815-00220	O RING	1				0	0
070	04817-00220	O RING	1		←		0.001	0.0022
080	01754-50816	BOLT FLANGE	2				0.011	0.0242
090	3A151-82710	COMP.PIPE SUCTION	1	<=55350			0.535	1.177
090	3A751-82710	COMP.PIPE SUCTION	1	>=55351	≠		0.54	1.188
100	3A151-82650	FLANGE SUCTION	1				1.465	3.223
110	04815-00220	O RING	2				0	0
110	04817-00220	O RING	2		←		0.001	0.0022
120	01023-50655	BOLT	9				0.012	0.0264
130	35533-82720	CUSHION	1				0.03	0.066
140	37150-38950	BAND PIPE	1	<=56255			0.02	0.044
140	3A211-82880	BAND PIPE	1	>=56256	←		0.02	0.044
150	33430-82760	PIN BAND	1				0.004	0.0088
160	3A151-82663	COMP.PIPE POWER STRG	1	<=55797		NOT SALE ORDER BY REF.No.180	0.755	1.661
160	3A151-82664	COMP.PIPE POWER STRG	1	>=55798	≠	NOT SALE ORDER BY REF.No.180	0.755	1.661
170	31351-37160	PLUG	1	>=55798			0.003	0.0066
180	3A151-82670	ASSY PIPE SUCTION	1	<=55797		OPTION	0.755	1.661

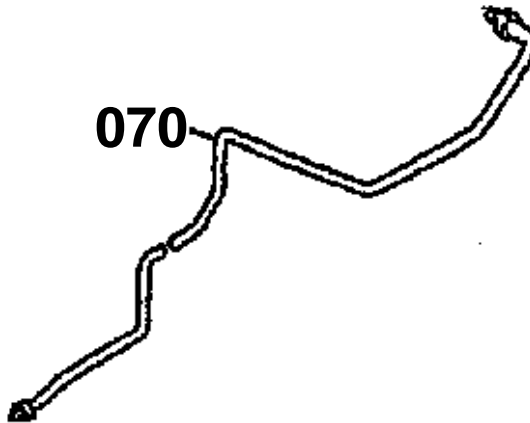
HYDRAULIC PIPE (DELIVERY) [A]



030 3A131-8273-2



070 3A151-8276-3



3A161-803-10

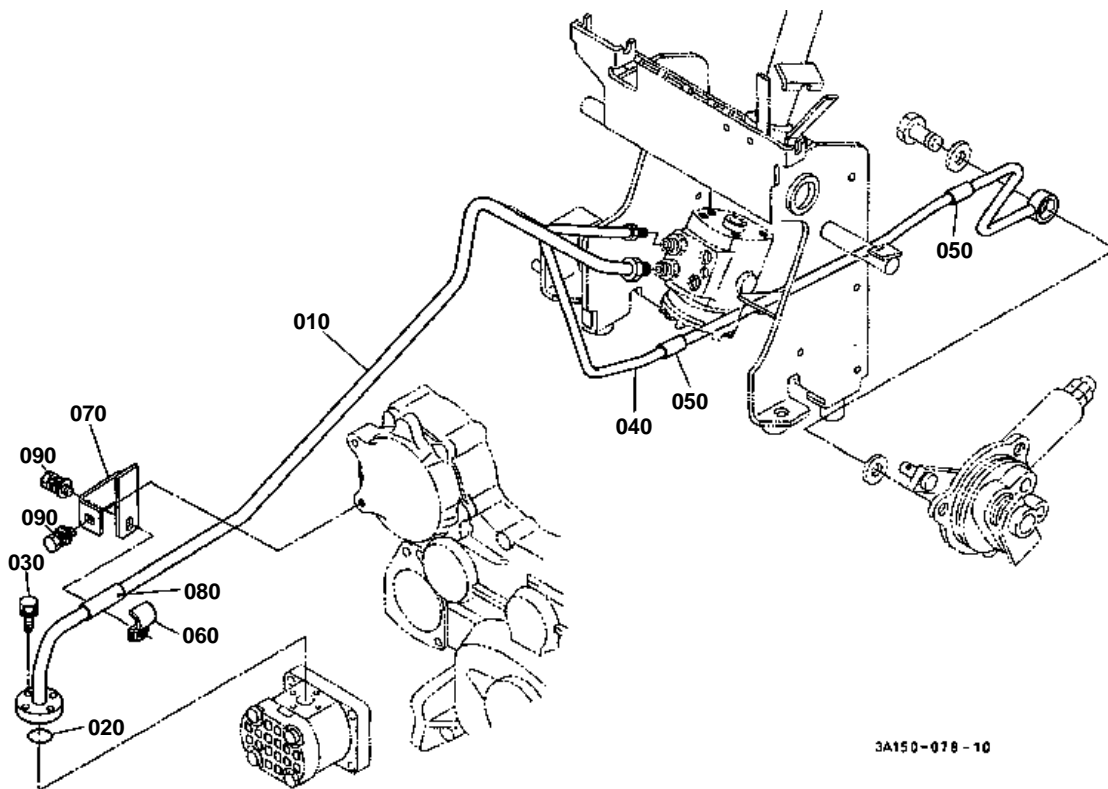


HYDRAULIC PIPE (DELIVERY) [A]

↔ Interchangeable; ≠ not interchangeable; ← new for old; → old for new

REF.No	Part No.	Description	Q'ty	S.No.	I/C	REMARKS	Weight (kgf)	Weight (lb)
010	35880-63650	O RING	2				0.001	0.0022
020	3A151-82732	COMP.PIPE DELIVERY	1	<=55350			1.8	3.96
020	3A751-82730	COMP.PIPE DELIVERY	1	>=55351	≠		1.815	3.993
030	06312-10020	PLUG	1				0.016	0.0352
040	3F740-82760	SPACER PIPE	1				0.4	0.88
050	3A151-82763	ASSY PIPE DELIVERY	1	<=55350			1.38	3.036
050	3A751-82762	ASSY PIPE DELIVERY	1	>=55351	≠		1.43	3.146
055	3F740-82720	RUBBER	1	>=55589			0.013	0.0286
060	01023-50645	BOLT	7				0.01	0.022
070	3A151-82810	STAY	1				0.075	0.165
080	3A151-82820	CUSHION	1				0.035	0.077
090	01135-61025	BOLT	1				0.04	0.088
100	3A151-82930	JOINT PIPE	1	<=54643			0	0
100	3A151-82932	JOINT PIPE	1	>=54644	←		0.13	0.286
110	04811-00180	O RING	1				0	0
110	04816-00180	O RING	1		←		0.002	0.0044

HYDRAULIC OIL LINE (STEERING/PTO) [A]



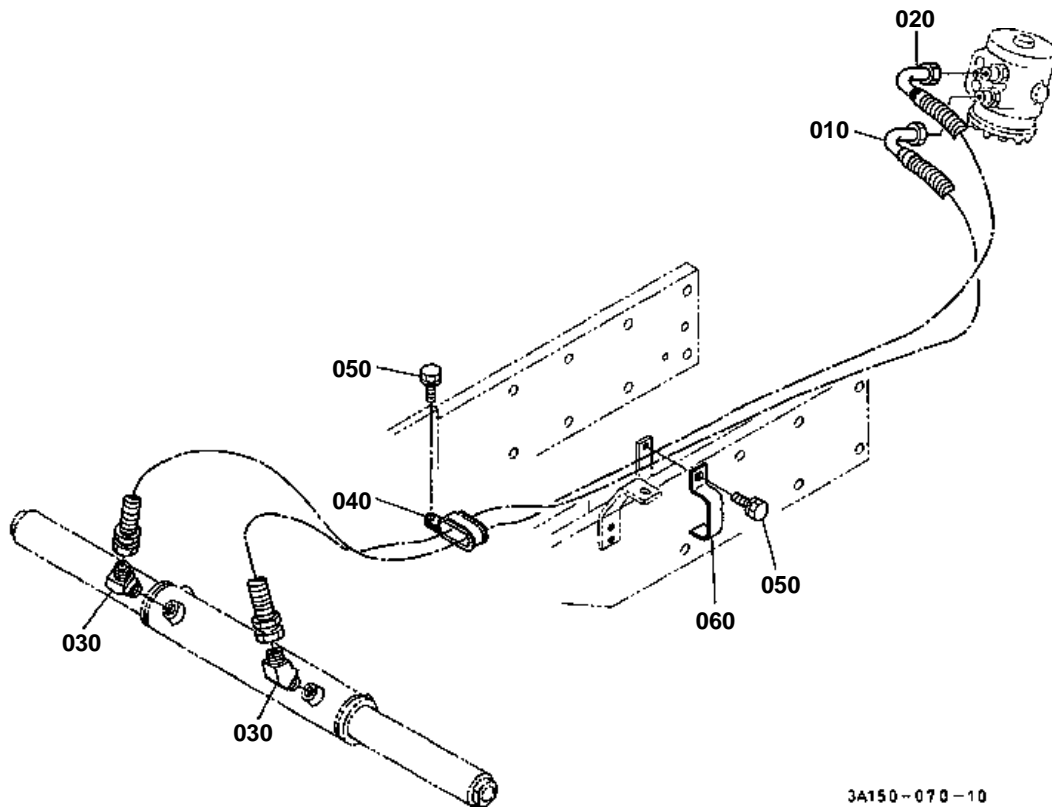


HYDRAULIC OIL LINE (STEERING/PTO) [A]

↔ Interchangeable; ≠ not interchangeable; ← new for old; → old for new

REF.No	Part No.	Description	Q'ty	S.No.	I/C	REMARKS	Weight (kgf)	Weight (lb)
010	3A151-63233	COMP.PIPE POWER STRG	1				0.59	1.298
020	35880-63650	O RING	1				0.001	0.0022
030	01023-50622	BOLT	4				0.005	0.011
040	3A151-27600	COMP.PIPE PTO	1				0.33	0.726
050	31351-45270	PIPE RUBBER	2				0.005	0.011
060	3A031-63310	CLAMP PIPE	1				0.045	0.099
070	3A151-63320	STAY	1				0.19	0.418
080	36330-63330	RUBBER PROTECTOR	1				0.01	0.022
090	01125-60820	BOLT	2				0.015	0.033

STEERING HOSE (DELIVERY)



3A150-070-10

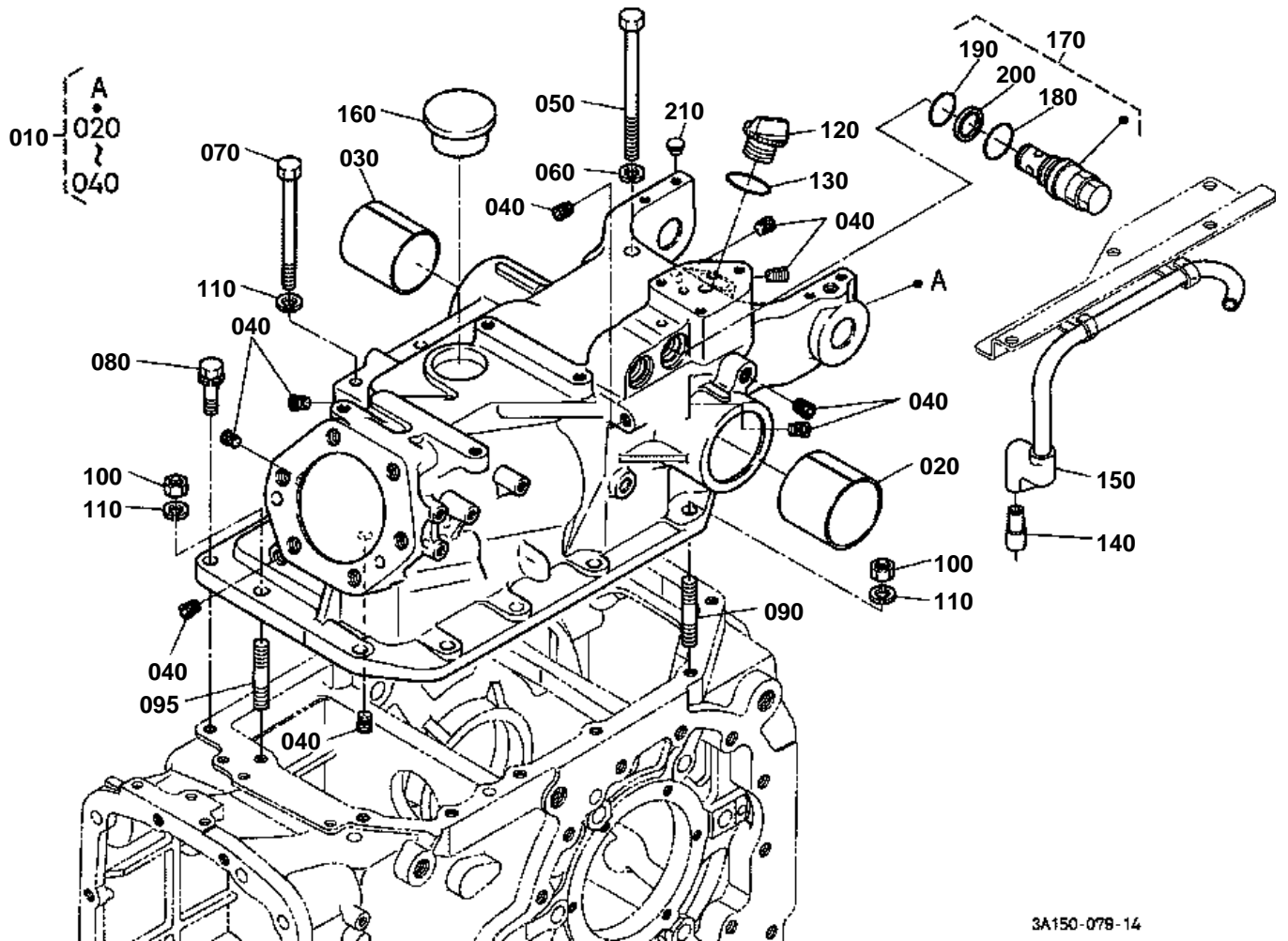


STEERING HOSE (DELIVERY)

↔ Interchangeable; ≠ not interchangeable; ← new for old; → old for new

REF.No	Part No.	Description	Q'ty	S.No.	I/C	REMARKS	Weight (kgf)	Weight (lb)
010	3A161-63350	HOSE DELIVERY	1			1750mm	0.73	1.606
020	3A161-63360	HOSE DELIVERY	1			1750mm	0.73	1.606
030	56811-27380	ADAPTER	2				0.04	0.088
040	T0270-50230	CLAMP HOSE	1				0.021	0.0462
050	01123-60814	BOLT	2				0.01	0.022
060	3A011-63370	HOLDER HOSE	1				0.032	0.0704

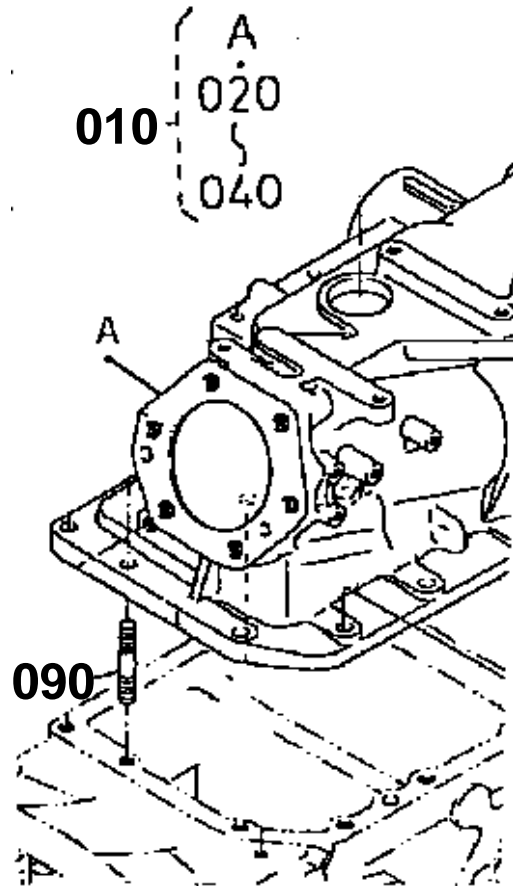
HYDRAULIC CYLINDER



3A150-079-14

010 3A151-8212-0

090 01574-61240



3A154-813-10

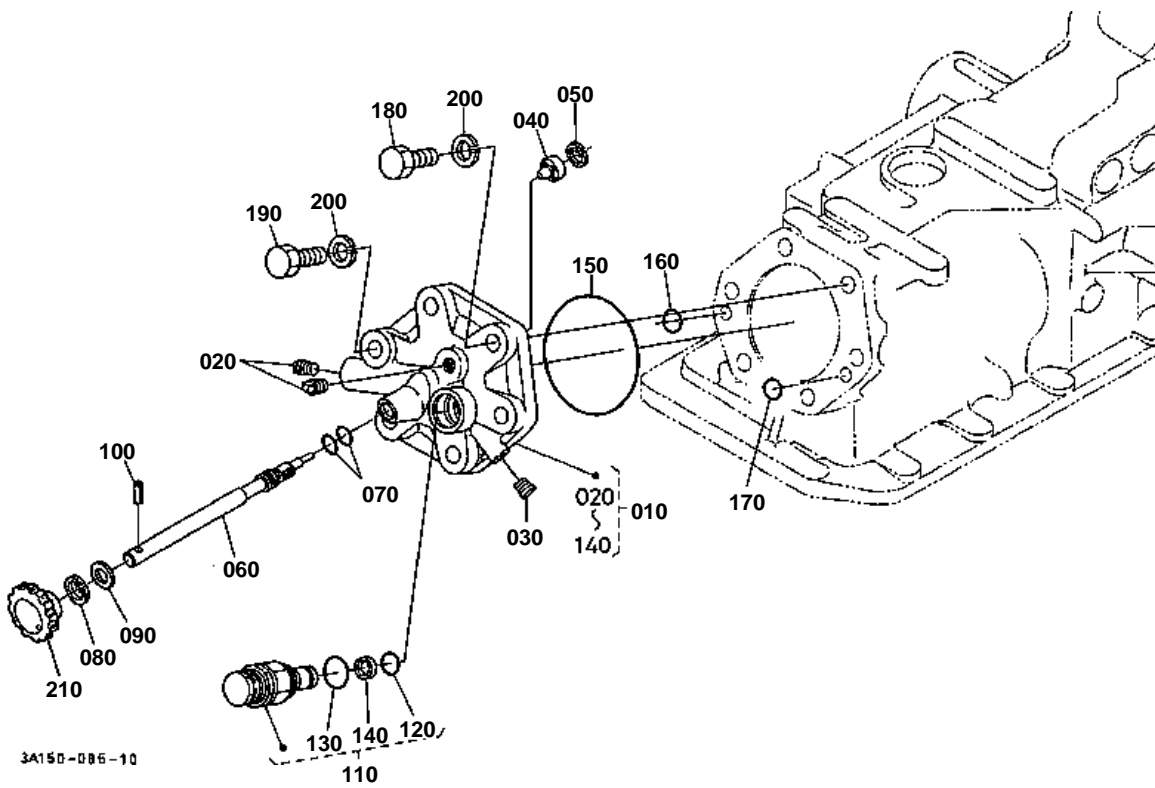


HYDRAULIC CYLINDER

↔ Interchangeable; ≠ not interchangeable; ← new for old; → old for new

REF.No	Part No.	Description	Q'ty	S.No.	I/C	REMARKS	Weight (kgf)	Weight (lb)
010	3A151-82120	ASSY CASE HYD.CYL.	1	<=54819		NOT SALE	0	0
010	3A151-82122	ASSY CASE HYD.CYL.	1	>=54820	←	NOT SALE	0	0
010	3A151-82123	ASSY CASE HYD.CYL.	1	>=55589	←		49.5	108.9
020	3A151-82130	BUSH	1				0.205	0.451
030	36840-43350	BUSH	1				0.19	0.418
040	36741-94022	PLUG TAPER	9				0.01	0.022
050	36330-82170	BOLT	2				0.17	0.374
060	04512-60120	WASHER SPRING	2				0.005	0.011
070	36330-82160	BOLT	2				0.15	0.33
080	01133-51245	BOLT	5				0.055	0.121
090	01574-61240	STUD	3	<=50220			0.045	0.099
090	01574-51238	STUD	2	>=50221	←		0.043	0.0946
090	01574-61240	STUD	2	>=54171	←		0.045	0.099
095	01574-61240	STUD	1	>=50221			0.045	0.099
100	02176-50120	NUT	3				0.01	0.022
110	04512-60120	WASHER SPRING	5				0.005	0.011
120	38240-21410	PLUG	1				0.015	0.033
130	04811-50300	O RING	1				0	0
130	04816-50300	O RING	1		←		0.001	0.0022
140	3A751-21630	PIPE BREATHER	1	<=57058			0.01	0.022
140	3A751-21632	PIPE BREATHER	1	>=57059	←		0.01	0.022
150	3A011-21622	BREATHER	1				0.034	0.0748
160	3A151-81670	PLUG	1				0.033	0.0726
170	3F740-82360	ASSY VALVE RELIEF	1				0.17	0.374
180	04811-00220	O RING	1				0	0
180	04817-00220	O RING	1		←		0.001	0.0022
190	04811-05150	O RING	1				0	0
190	04817-05150	O RING	1		←		0.001	0.0022
200	67810-38370	RING BACK UP	1				0.001	0.0022
210	09980-10075	CAP PROTECTOR	4	>=54026			0.001	0.0022

HYDRAULIC CYLINDER COVER



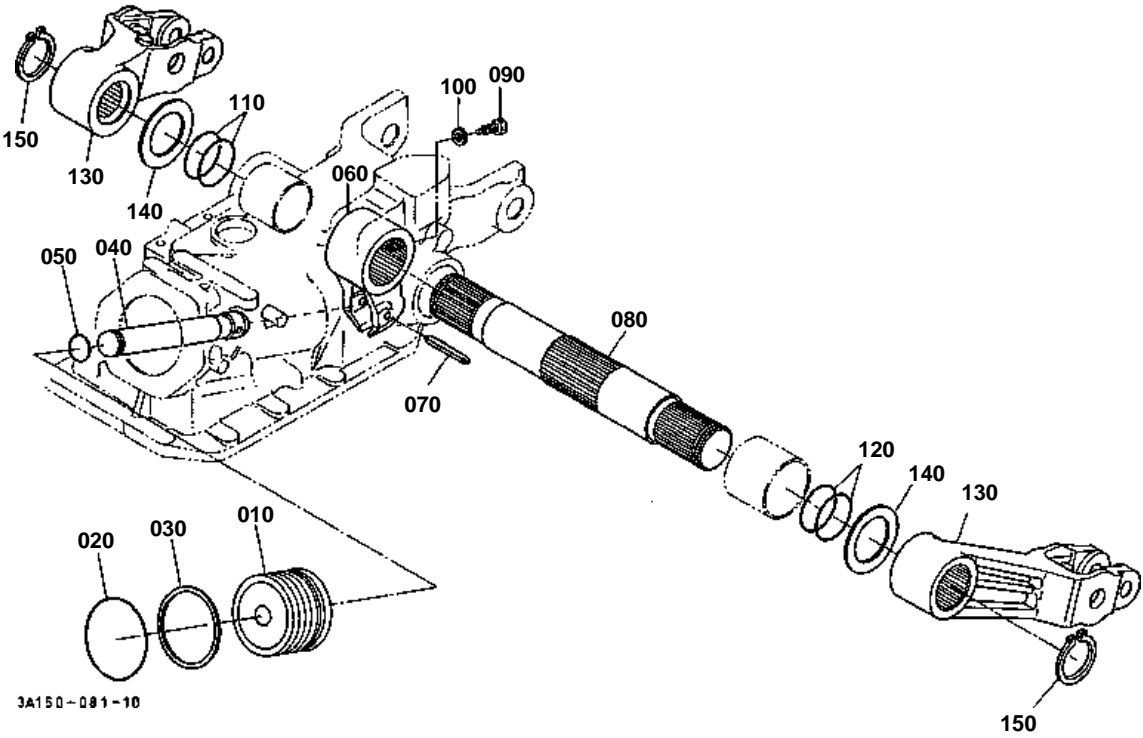


HYDRAULIC CYLINDER COVER

↔ Interchangeable; ≠ not interchangeable; ← new for old; → old for new

REF.No	Part No.	Description	Q'ty	S.No.	I/C	REMARKS	Weight (kgf)	Weight (lb)
010	3A151-82500	ASSY HEAD HYD.CYL.	1				4.5	9.9
020	06312-10020	PLUG	2				0.016	0.0352
030	31351-37160	PLUG	1				0.003	0.0066
040	38240-37250	COLLAR ADJUSTING	1				0.01	0.022
050	04611-00160	CIR CLIP INTERNAL	1				0.001	0.0022
060	3A151-81650	SHAFT	1				0.105	0.231
070	04810-00100	O RING	2				0	0
070	04817-00100	O RING	2			←	0.001	0.0022
080	04611-00180	CIR CLIP INTERNAL	1				0.001	0.0022
090	04011-50100	WASHER PLAIN	1				0.002	0.0044
100	05411-00414	PIN SPRING	1				0.001	0.0022
110	3F740-82400	ASSY VALVE SAFETY	1				0.4	0.88
120	04810-00160	O RING	1				0	0
120	04817-00160	O RING	1			←	0.001	0.0022
130	04815-06280	O RING	1				0	0
130	04817-06280	O RING	1			←	0.002	0.0044
130	04816-06280	O RING	1			←	0.002	0.0044
140	33770-94040	RING BACK UP	1	≤58013			0.002	0.0044
140	YT133-00160	RING BACK UP	1	≥58014		←	0.001	0.0022
150	3A151-09850	O RING	1				0.015	0.033
160	3A111-09810	O RING	1				0.001	0.0022
170	04815-00100	O RING	1				0	0
170	04817-00100	O RING	1			←	0.001	0.0022
180	01173-51650	BOLT	5				0.099	0.2178
190	01173-51660	BOLT	1				0.114	0.2508
200	04512-60160	WASHER SPRING	6				0.01	0.022
210	T0070-34560	GRIP	1				0.011	0.0242

HYDRAULIC LIFT ARM



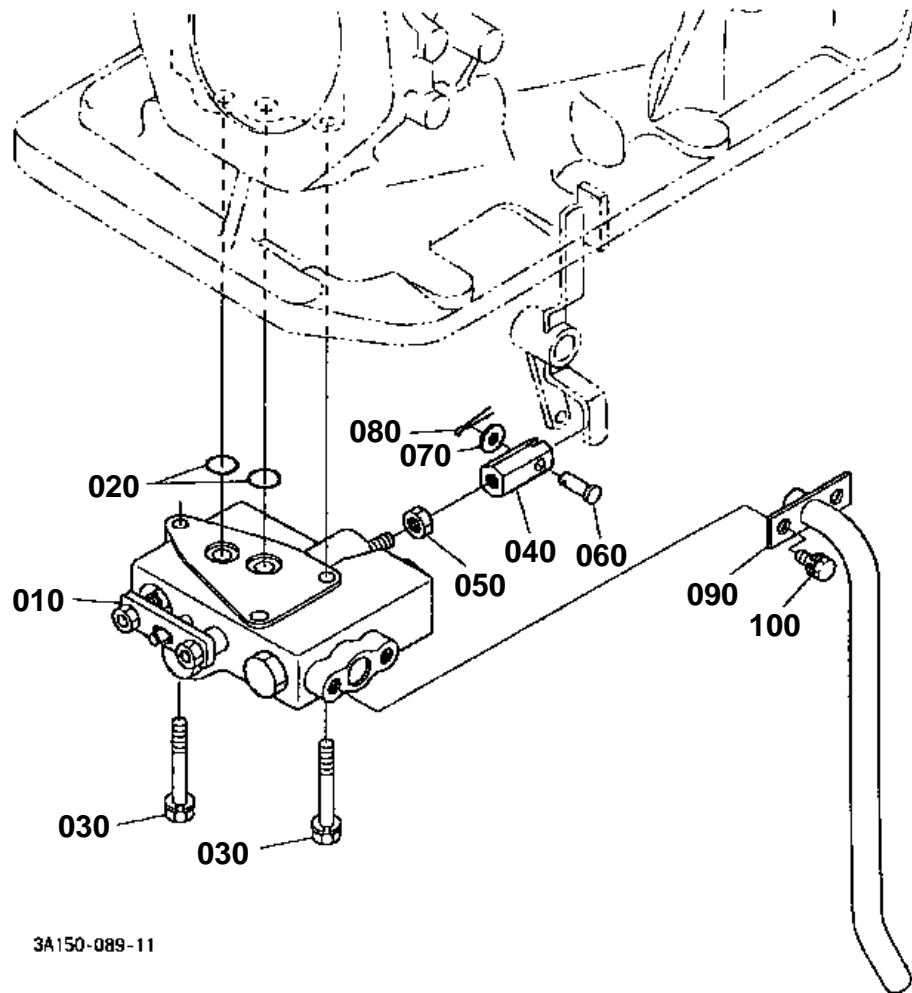


HYDRAULIC LIFT ARM

↔ Interchangeable; ≠ not interchangeable; ← new for old; → old for new

REF.No	Part No.	Description	Q'ty	S.No.	I/C	REMARKS	Weight (kgf)	Weight (lb)
010	3A151-82570	PISTON HYD.	1	<=54489		NOT SALE	0	0
010	3A151-82572	PISTON HYD.	1	>=54490	←		2.55	5.61
020	3A151-09850	O RING	1				0.015	0.033
030	3F740-82550	RING BACK UP	1				0.006	0.0132
040	3A151-82862	ROD HYD.PISTON	1				1.63	3.586
050	04810-00310	O RING	1				0	0
050	04817-00310	O RING	1		←		0.003	0.0066
060	3A151-82840	ARM HYDRAULIC	1				3.2	7.04
070	05411-00870	PIN SPRING	1				0.015	0.033
080	3A151-82830	SHAFT HYD.ARM	1				11	24.2
090	33251-82850	BOLT STOPPER	1				0.015	0.033
100	04512-60100	WASHER SPRING	1				0.002	0.0044
110	04811-00550	O RING	2				0.006	0.0132
120	04811-00600	O RING	2				0.006	0.0132
130	3A151-82910	LEVER LIFT	2				6.5	14.3
140	36530-82900	COLLAR THRUST	2				0.03	0.066
150	04612-00600	CIR CLIP EXTERNAL	2				0.012	0.0264

CONTROL VALVE



3A150-089-11

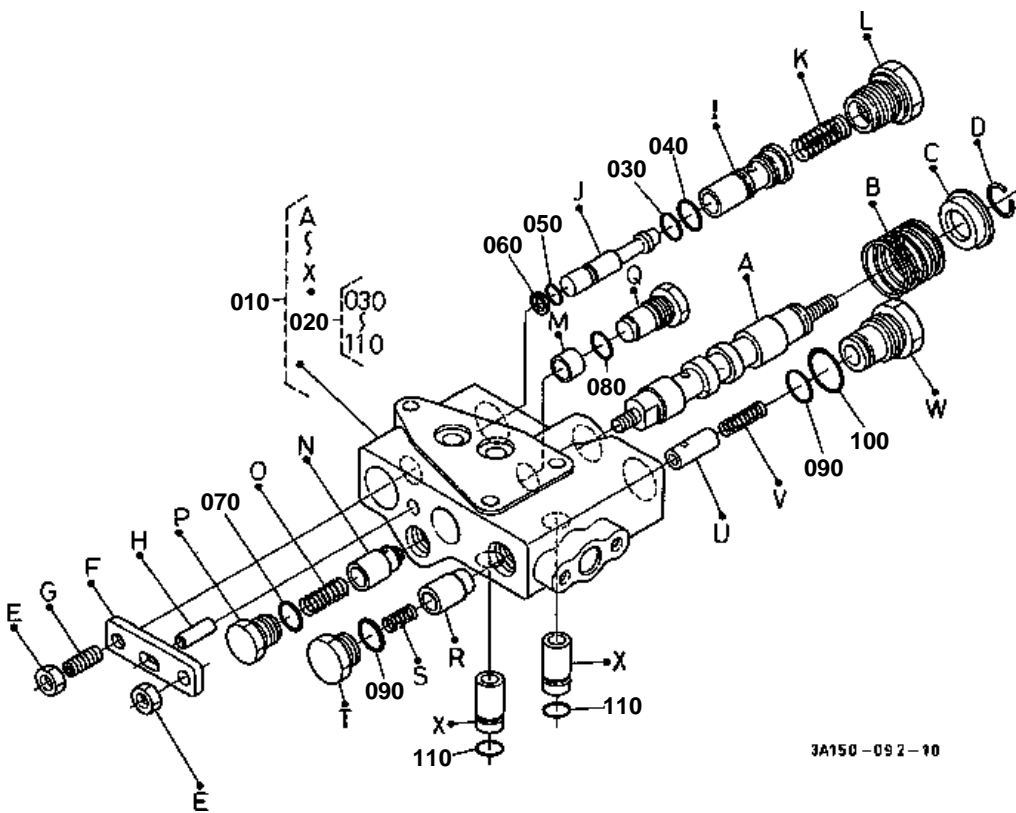


CONTROL VALVE

↔ Interchangeable; ≠ not interchangeable; ← new for old; → old for new

REF.No	Part No.	Description	Q'ty	S.No.	I/C	REMARKS	Weight (kgf)	Weight (lb)
010	3A151-82300	VALVE CONTROL	1				3.3	7.26
020	3A111-09810	O RING	2				0.001	0.0022
030	01123-50850	BOLT	3				0.02	0.044
040	3A151-81290	JOINT	1				0.025	0.055
050	02112-50080	NUT	1				0.003	0.0066
060	05122-60618	PIN JOINT	1				0.01	0.022
070	04012-50060	WASHER PLAIN	1				0.001	0.0022
080	05511-51612	PIN SPLIT	1				0.001	0.0022
090	3A151-82990	COMP.PIPE VALVE	1				0.16	0.352
100	01123-60816	BOLT	2				0.01	0.022

CONTROL VALVE [COMPONENT PARTS]



3A150-092-10

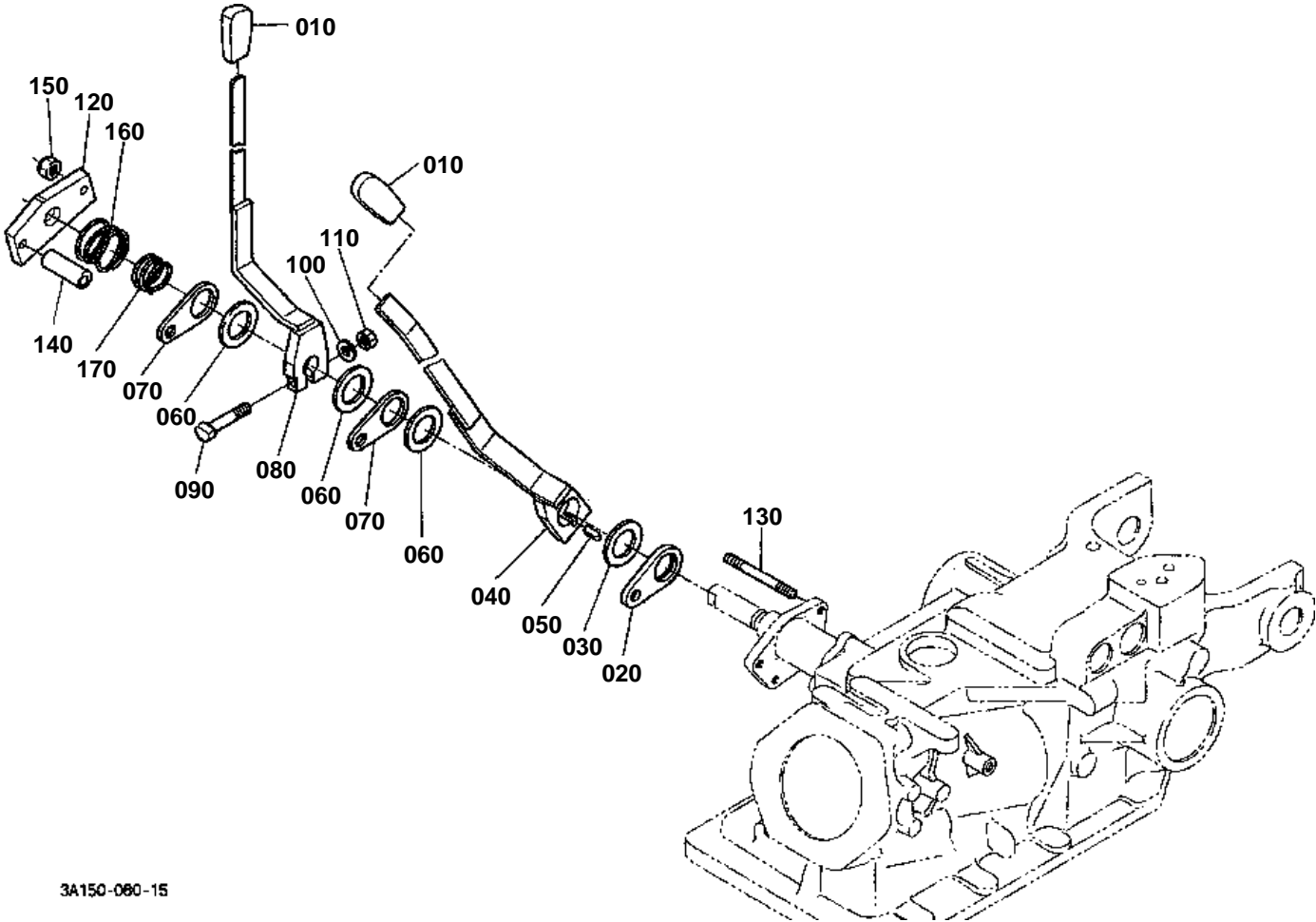


CONTROL VALVE [COMPONENT PARTS]

↔ Interchangeable; ≠ not interchangeable; ← new for old; → old for new

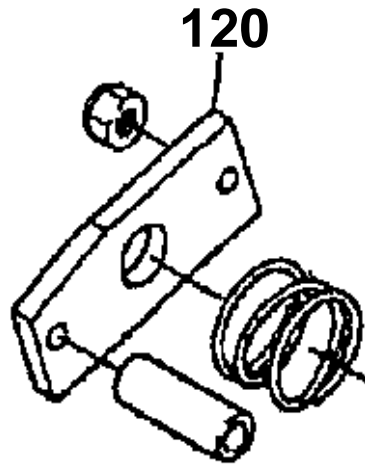
REF.No	Part No.	Description	Q'ty	S.No.	I/C	REMARKS	Weight (kgf)	Weight (lb)
010	3A151-82300	VALVE CONTROL	1				3.3	7.26
020	3A151-82310	KIT SEAL	1				0.008	0.0176
030	04811-05140	O RING	1				0	0
030	04817-05140	O RING	1		←		0.001	0.0022
040	04811-05150	O RING	1				0	0
040	04817-05150	O RING	1		←		0.001	0.0022
050	04811-00070	O RING	1				0	0
050	04816-00070	O RING	1		←		0.001	0.0022
060	3A151-09870	RING BACK UP	1				0.001	0.0022
070	04811-00140	O RING	1				0	0
070	04817-00140	O RING	1		←		0.001	0.0022
080	04811-00120	O RING	1				0	0
080	04817-00120	O RING	1		←		0.001	0.0022
090	04811-00160	O RING	2				0	0
090	04817-00160	O RING	2		←		0.001	0.0022
100	04811-00220	O RING	1				0	0
100	04816-00220	O RING	1		←		0.003	0.0066
110	04811-05120	O RING	2				0	0
110	04817-05120	O RING	2		←		0.001	0.0022

DRAFT AND POSITION CONTROL LEVER



3A150-060-15

120 33740-8147-0



3A150-855-10

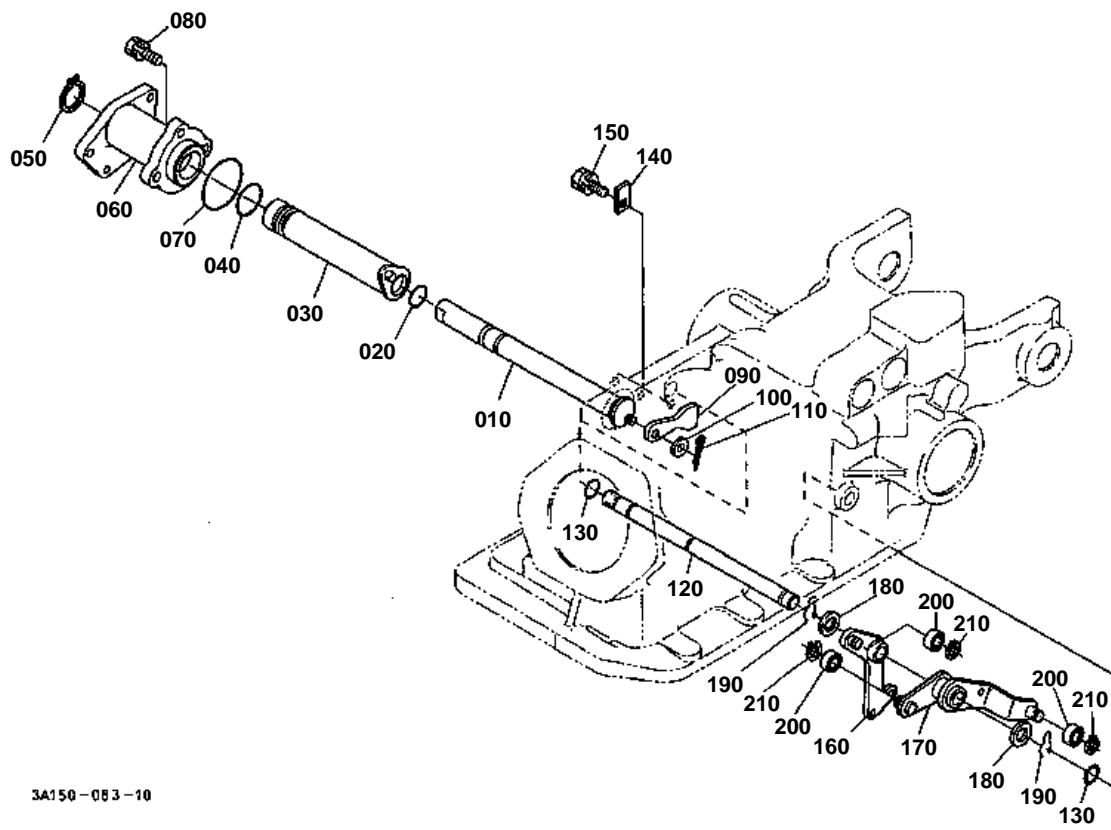


DRAFT AND POSITION CONTROL LEVER

↔ Interchangeable; ≠ not interchangeable; ← new for old; → old for new

REF.No	Part No.	Description	Q'ty	S.No.	I/C	REMARKS	Weight (kgf)	Weight (lb)
010	31351-36880	GRIP LEVER	2				0.04	0.088
020	35861-81490	PLATE	1				0.04	0.088
030	36200-81440	WASHER FRICTION	1	<=55797			0	0
030	3A151-81440	PLATE FRICTION	1	>=55798	←		0.005	0.011
040	3A151-94240	LEVER DRAFT	1				0.51	1.122
050	05712-00510	KEY FEATHER	1				0.002	0.0044
060	36200-81450	WASHER FRICTION	2	<=55797			0	0
060	3A151-81450	PLATE FRICTION	3	>=55798	←		0.005	0.011
070	35861-81480	PLATE	2				0.04	0.088
080	3A151-94230	LEVER POSITION	1				0.5	1.1
090	36200-81530	BOLT	1				0.016	0.0352
100	04512-60060	WASHER SPRING	1				0.001	0.0022
110	02056-50060	NUT	1				0.002	0.0044
120	33740-81470	RETAINER SPRING	1	<=58281			0	0
120	33740-81472	RETAINER SPRING	1	>=58282	←		0.3	0.66
130	01513-50880	STUD	2				0.04	0.088
140	36730-81500	PIPE	1				0.04	0.088
150	36919-81510	NUT U	2				0.005	0.011
160	36919-81452	SPRING	1				0.06	0.132
170	36200-81460	SPRING	1				0.03	0.066

POSITION AND DRAFT SHAFT



3A150-083-10



POSITION AND DRAFT SHAFT

↔ Interchangeable; ≠ not interchangeable; ← new for old; → old for new

REF.No	Part No.	Description	Q'ty	S.No.	I/C	REMARKS	Weight (kgf)	Weight (lb)
010	3A151-81110	SHAFT POSITION	1				0.765	1.683
020	04811-00180	O RING	1				0	0
020	04816-00180	O RING	1		←		0.002	0.0044
030	36330-81124	SHAFT DRAFT	1				0.46	1.012
040	04811-06260	O RING	1				0	0
040	04816-06260	O RING	1		←		0.002	0.0044
050	04612-00300	CIR CLIP EXTERNAL	1				0.003	0.0066
060	3A151-81130	BRACKET	1				1.14	2.508
070	04811-50450	O RING	1				0	0
070	04816-50450	O RING	1		←		0.001	0.0022
080	01123-50820	BOLT	3				0.011	0.0242
090	36200-81155	CONNECTOR POSITION	1	≤55195			0.03	0.066
090	3A152-81150	CONNECTOR POSITION	1	≥55196	←		0.055	0.121
100	04012-50080	WASHER PLAIN	1				0.001	0.0022
110	05511-50215	PIN SPLIT	1				0.001	0.0022
120	3A151-81180	ROD	1				0.31	0.682
130	04811-10120	O RING	2				0.001	0.0022
140	36200-81190	STOPPER	1				0.008	0.0176
150	01123-60816	BOLT	1				0.01	0.022
160	36200-81230	CONNECTOR	1				0.166	0.3652
170	3A151-81240	LEVER POSITION	1				0.21	0.462
180	04011-50140	WASHER PLAIN	2				0.007	0.0154
190	36200-81210	CIR-CLIP	2				0.001	0.0022
200	36200-81220	ROLLER	3				0.008	0.0176
210	04612-00100	CIR CLIP EXTERNAL	3				0.001	0.0022

POSITION CAM

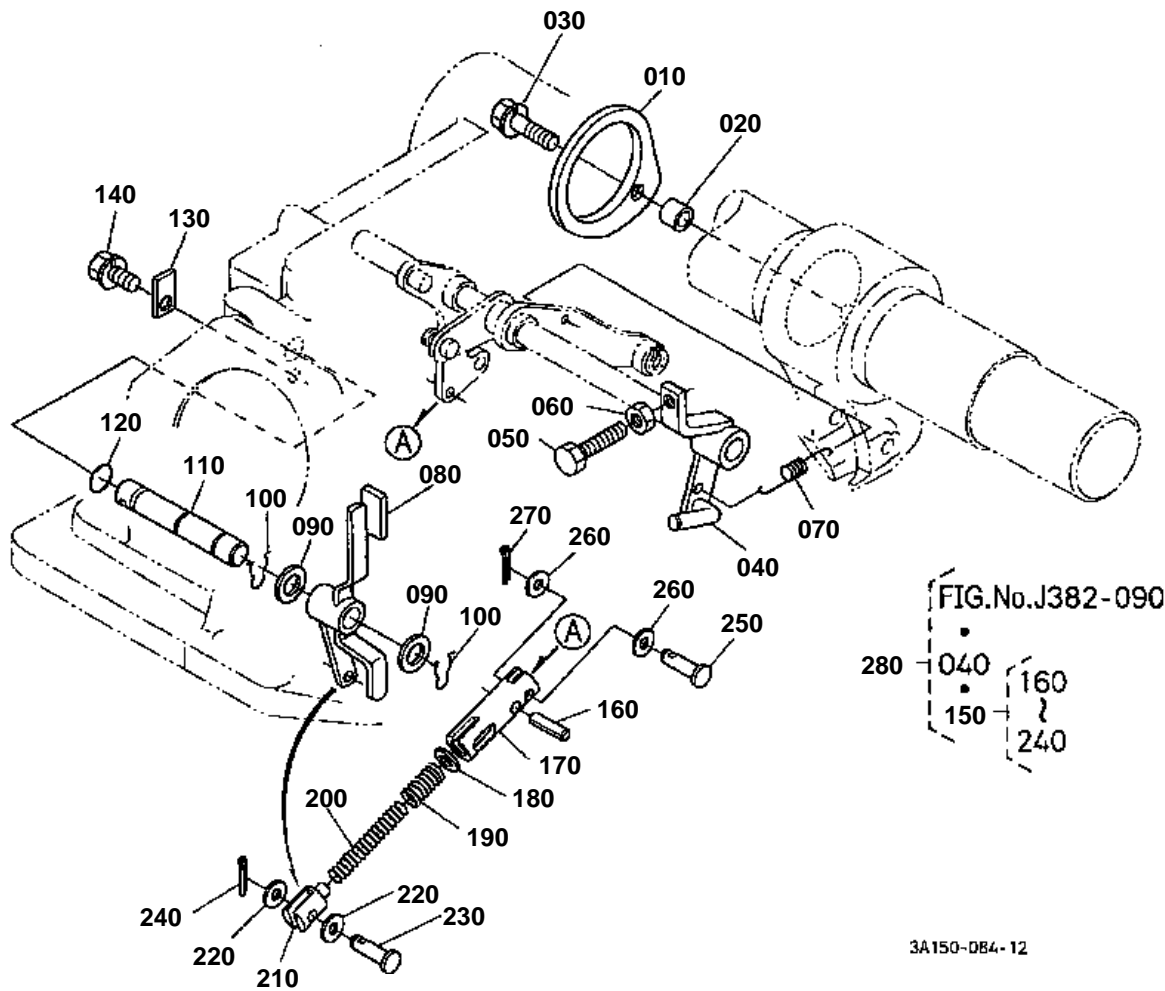
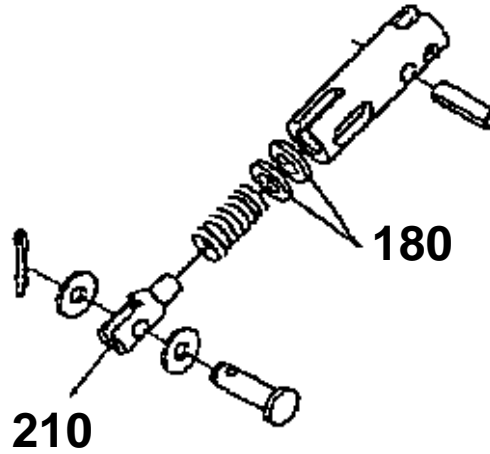


FIG.No.J382-090

3A150-084-12

180 04012-50080
210 36200-8127-0



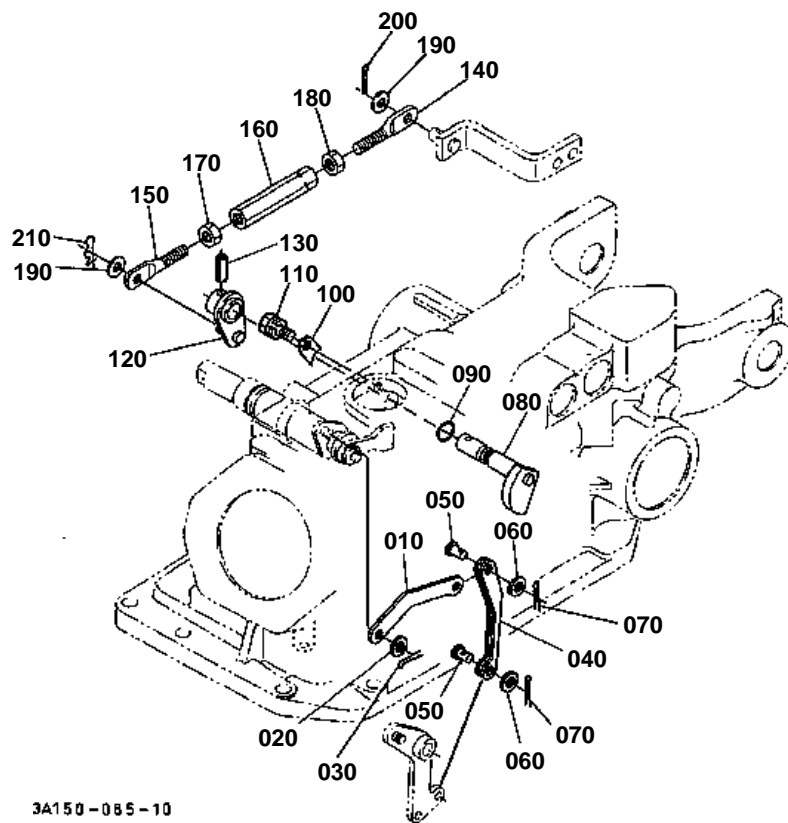
3A150-840-10



POSITION CAM

↔ Interchangeable; ≠ not interchangeable; ← new for old; → old for new

REF.No	Part No.	Description	Q'ty	S.No.	I/C	REMARKS	Weight (kgf)	Weight (lb)
010	3A151-81250	CAM POSITION	1				0.094	0.2068
020	36530-81290	SPACER	1				0.01	0.022
030	01123-50828	BOLT	1				0.014	0.0308
040	3A151-81683	LINK FEED BACK	1	≤54489		NOT SALE ORDER BY REF.No.280	0	0
040	3A151-81684	LINK FEED BACK	1	≥54490	←	NOT SALE ORDER BY REF.No.280	0.125	0.275
040	3A152-81680	LINK FEED BACK	1	≥55196	←		0.19	0.418
050	01073-51045	BOLT	1				0.036	0.0792
060	02118-50100	NUT	1				0.005	0.011
070	36330-81670	SPRING	1				0.002	0.0044
080	3A151-81160	RETAINER SPOOL	1				0.178	0.3916
090	04011-50140	WASHER PLAIN	2				0.007	0.0154
100	36200-81210	CIR-CLIP	2				0.001	0.0022
110	3A151-81190	SHAFT	1				0.12	0.264
120	04811-10120	O RING	1				0.001	0.0022
130	36200-81190	STOPPER	1				0.008	0.0176
140	01123-60816	BOLT	1				0.01	0.022
150	3A152-81300	ASSY HOLDER SPRING	1				0.15	0.33
160	05411-00425	PIN SPRING	1				0.001	0.0022
170	3A151-81260	HOLDER SPRING	1	≤55195		NOT SALE ORDER BY REF.No.280	0.088	0.1936
170	3A152-81260	HOLDER SPRING	1	≥55196	←		0.093	0.2046
180	04012-50080	WASHER PLAIN	2	≤54819			0.001	0.0022
180	04012-50080	WASHER PLAIN	1	≥54820			0.001	0.0022
180	3A152-81370	WASHER	1	≥55196	←		0.002	0.0044
190	3A151-81280	SPRING	1	≤55195		NOT SALE ORDER BY REF.No.280	0.018	0.0396
190	3A152-81280	SPRING	1	≥55196	←		0.015	0.033
200	3A152-81380	SPRING	1	≥55196			0.006	0.0132
210	36200-81270	HOLDER	1	≤55195		NOT SALE ORDER BY REF.No.280	0.026	0.0572
210	3A152-81270	HOLDER	1	≥55196	←		0.016	0.0352
220	04012-50060	WASHER PLAIN	2				0.001	0.0022
230	05122-50628	PIN JOINT	1				0.006	0.0132
240	05511-51612	PIN SPLIT	1				0.001	0.0022
250	05122-50628	PIN JOINT	1				0.006	0.0132
260	04012-50060	WASHER PLAIN	2				0.001	0.0022
270	05511-51612	PIN SPLIT	1				0.001	0.0022
280	3A152-97440	KIT LINK HYDRAULIC	1	≤55195			0.4	0.88



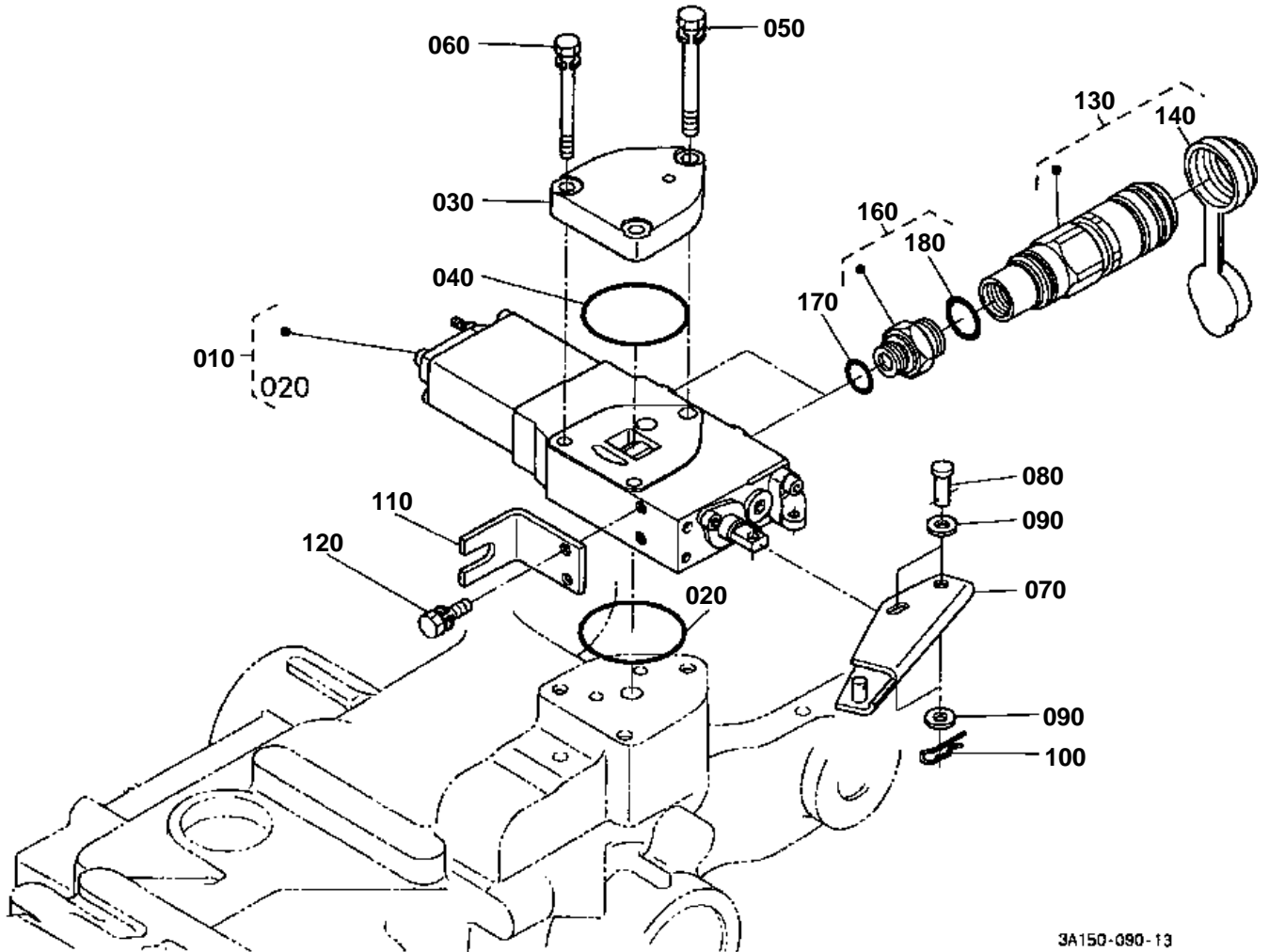
3A150-085-10

**DRAFT CAM**

↔ Interchangeable; ≠ not interchangeable; ← new for old; → old for new

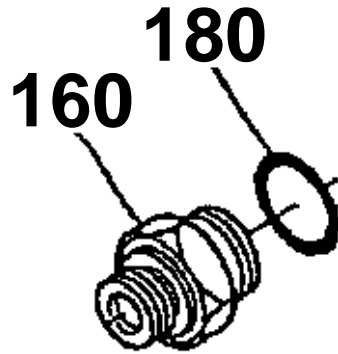
REF.No	Part No.	Description	Q'ty	S.No.	I/C	REMARKS	Weight (kgf)	Weight (lb)
010	36330-81312	LINK DRAFT	1				0.06	0.132
020	04012-50080	WASHER PLAIN	1				0.001	0.0022
030	05511-50215	PIN SPLIT	1				0.001	0.0022
040	36200-81324	LINK DRAFT	1				0.08	0.176
050	05122-50818	PIN JOINT	2				0.008	0.0176
060	04012-50080	WASHER PLAIN	2				0.001	0.0022
070	05511-50215	PIN SPLIT	2				0.001	0.0022
080	3A151-81340	CAM DRAFT	1				0.195	0.429
090	04811-05120	O RING	1				0	0
090	04816-05120	O RING	1		←		0.002	0.0044
100	34150-24350	STOPPER LEVER	1				0.01	0.022
110	01123-60816	BOLT	1				0.01	0.022
120	36330-81352	LEVER DRAFT CONTROL	1				0.1	0.22
130	05411-00525	PIN SPRING	1				0.002	0.0044
140	36330-81392	ROD DRAFT CONTROL	1				0.1	0.22
150	36330-81382	ROD DRAFT CONTROL	1				0.033	0.0726
160	32350-28980	TURNBUCKLE	1				0.124	0.2728
170	02116-50100	NUT	1				0.004	0.0088
180	32350-28990	NUT	1				0.009	0.0198
190	04011-50100	WASHER PLAIN	2				0.002	0.0044
200	05511-50318	PIN SPLIT	1				0.001	0.0022
210	52300-34130	PIN SNAP	1				0.004	0.0088

AUXILIARY CONTROL VALVE (SCD) [A]



3A150-090-13

160 3A151-8202-0
180 04811-00200



3A150-828-10

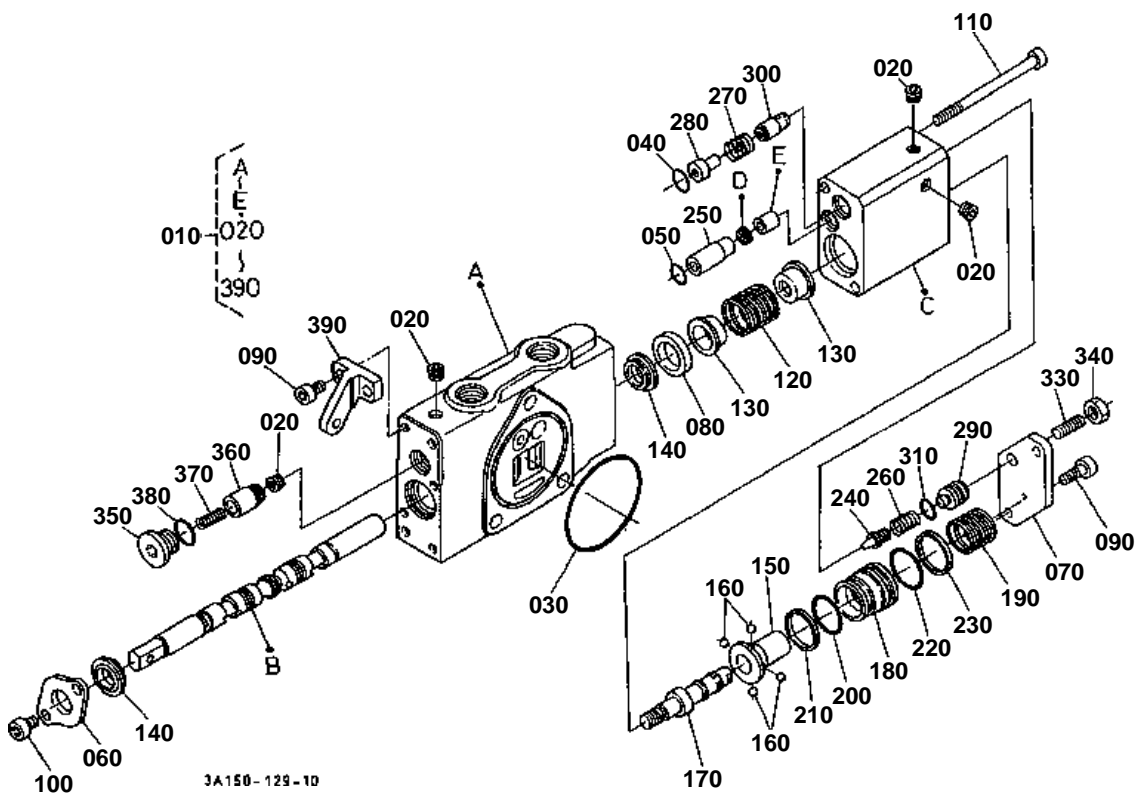


AUXILIARY CONTROL VALVE (SCD) [A]

↔ Interchangeable; ≠ not interchangeable; ← new for old; → old for new

REF.No	Part No.	Description	Q'ty	S.No.	I/C	REMARKS	Weight (kgf)	Weight (lb)
010	3A151-82540	VALVE AUX.CONTROL	1				3.6	7.92
020	04815-07560	O RING	1				0.002	0.0044
030	3F740-82943	COVER AUX.CONT.VALVE	1	≤58083			0.69	1.518
030	3F740-82944	COVER AUX.CONT.VALVE	1	≥58084	←		0.69	1.518
040	04815-07560	O RING	1				0.002	0.0044
050	01133-51070	BOLT	1				0.047	0.1034
060	01123-50870	BOLT	2				0.029	0.0638
070	3F740-82390	SUPPORT AUX.CON.VALV	1				0.125	0.275
080	05122-50518	PIN JOINT	2				0.002	0.0044
090	04012-50050	WASHER PLAIN	4				0.001	0.0022
100	05525-60500	PIN SNAP	2				0.001	0.0022
110	3F740-82380	HOLDER	1				0.09	0.198
120	01023-50612	BOLT	2				0.005	0.011
130	3A111-82010	ASSY COUPLER	2				0.48	1.056
140	3A111-94520	ASSY CAP DUST	2				0.019	0.0418
150	99999-99999	BLANK	0				0	0
160	3A151-82020	JOINT PIPE	2	≤54643			0	0
160	3A151-82010	ASSY JOINT COUPLER	2	≥54644	←		0.078	0.1716
160	3A151-82012	ASSY JOINT COUPLER	2	≥55504	←		0.085	0.187
170	04811-00140	O RING	2				0	0
170	04816-00140	O RING	2		←		0.002	0.0044
180	04811-00200	O RING	2	≤54643			0	0
180	68011-62140	O RING	1	≥54644	≠		0.001	0.0022

AUXILIARY CONTROL VALVE [COMPONENT PARTS]



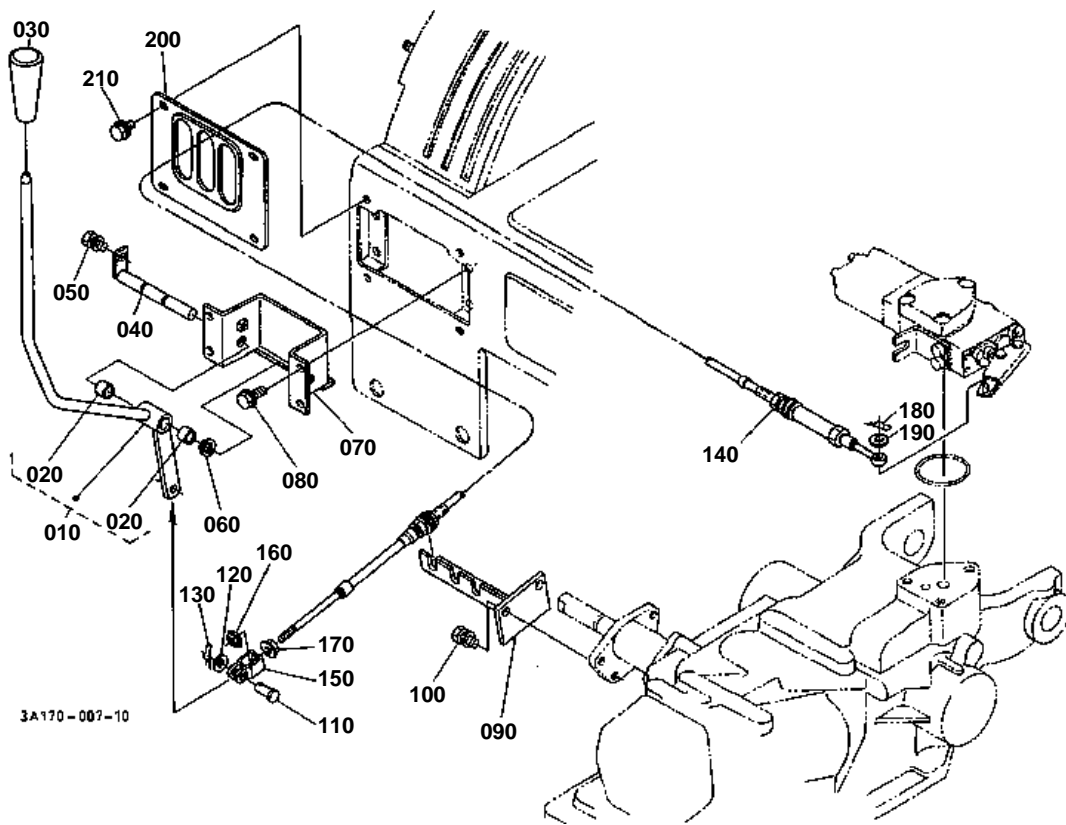


AUXILIARY CONTROL VALVE [COMPONENT PARTS]

↔ Interchangeable; ≠ not interchangeable; ← new for old; → old for new

REF.No	Part No.	Description	Q'ty	S.No.	I/C	REMARKS	Weight (kgf)	Weight (lb)
010	3A151-82540	VALVE AUX.CONTROL	1				3.6	7.92
020	3F740-06020	PLUG	4				0.001	0.0022
030	04815-07560	O RING	1				0.002	0.0044
040	04810-00110	O RING	1				0	0
040	04817-00110	O RING	1		←		0.001	0.0022
050	04810-00090	O RING	1				0	0
050	04817-00090	O RING	1		←		0.001	0.0022
060	3F740-06040	COVER	1				0.014	0.0308
070	3F740-06420	COVER	1				0.06	0.132
080	3F740-06430	WASHER	1				0.013	0.0286
090	01311-10616	BOLT HEX-SOC-HD	4				0.005	0.011
100	01311-10612	BOLT HEX-SOC-HD	2				0.01	0.022
110	01311-10680	BOLT HEX-SOC-HD	2			NOT SALE	0	0
110	12631-91030	BOLT HEX-SOC-HD	2		←		0.02	0.044
120	3F740-06060	SPRING	1				0.015	0.033
130	3F740-06070	SEAT SPRING	2				0.005	0.011
140	3F740-06080	GASKET	2				0.003	0.0066
150	3F740-06440	BUSH	1				0.019	0.0418
160	07715-03205	BALL	4				0.001	0.0022
170	3F740-06450	BOLT SPACER	1				0.032	0.0704
180	3F740-06460	PISTON	1				0.029	0.0638
190	3F740-06490	SPRING	1				0.011	0.0242
200	3F740-06500	O RING	1				0.001	0.0022
210	3F740-06510	RING BACK UP	1				0.001	0.0022
220	3F740-06520	O RING	1				0.001	0.0022
230	3F740-06530	RING BACK UP	1				0.001	0.0022
240	3A111-06540	POPPET	1				0.003	0.0066
250	3F740-06550	BUSH	1				0.006	0.0132
260	3A111-06560	SPRING	1				0.002	0.0044
270	3A111-06570	SPRING	1				0.002	0.0044
280	3A111-06580	SEAT SPRING	1				0.004	0.0088
290	3A111-06590	SEAT SPRING	1				0.005	0.011
300	3A111-06600	PLUNGER	1				0.005	0.011
310	04810-00070	O RING	1				0	0
310	04817-00070	O RING	1		←		0.001	0.0022
320	99999-99999	BLANK	0				0	0
330	3F740-06620	SCREW ADJUSTING	1				0.005	0.011
340	3F740-06630	NUT	1				0.004	0.0088
350	3F740-06100	PLUG	1				0.015	0.033
360	3F740-06110	PLUNGER	1				0.011	0.0242
370	3F740-06120	SPRING	1				0.001	0.0022
380	04810-00120	O RING	1				0	0
380	04817-00120	O RING	1		←		0.001	0.0022
390	3F740-06030	ARM	1				0.034	0.0748

AUXILIARY CONTROL VALVE LEVER [A]



3A170-007-10

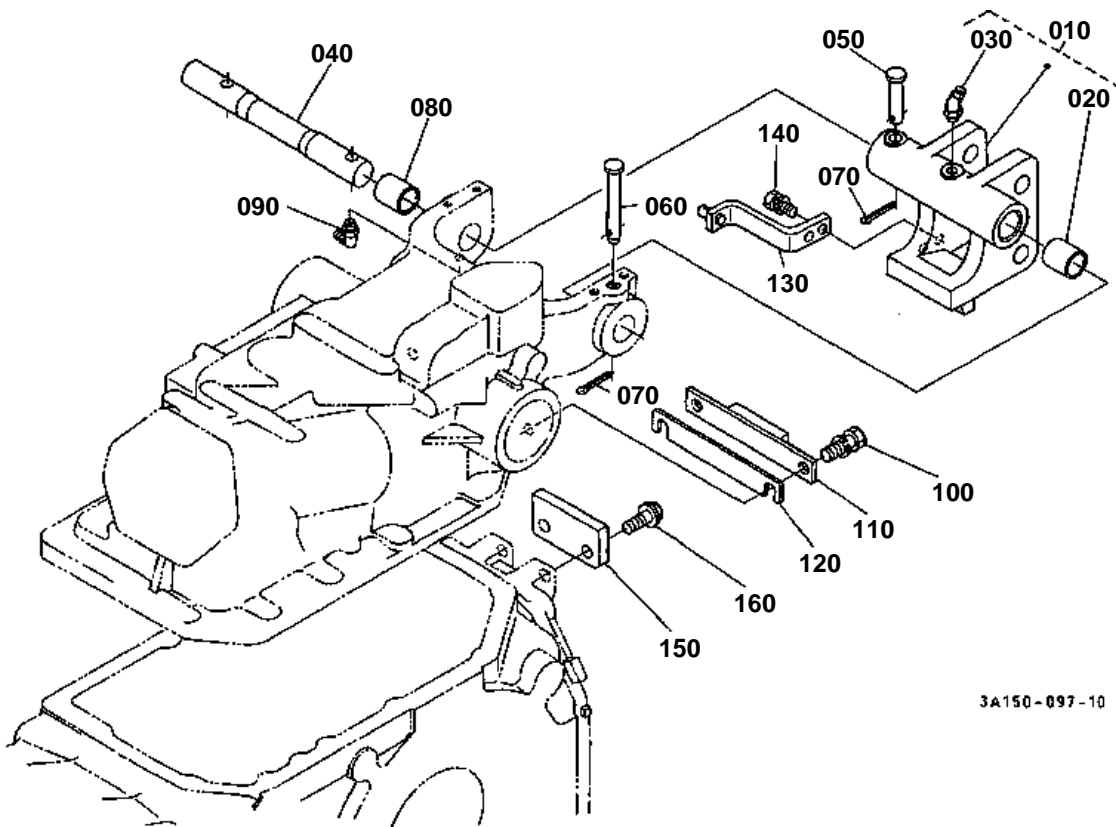


AUXILIARY CONTROL VALVE LEVER [A]

↔ Interchangeable; ≠ not interchangeable; ← new for old; → old for new

REF.No	Part No.	Description	Q'ty	S.No.	I/C	REMARKS	Weight (kgf)	Weight (lb)
010	3A151-97090	ASSY LEVER AUX.CON.	1				0.59	1.298
020	08511-01210	BUSH	2				0.005	0.011
030	36330-82450	GRIP	1				0.025	0.055
040	3A151-82490	SHAFT CON.LEVER	1				0.13	0.286
050	01023-50612	BOLT	1				0.005	0.011
060	04612-00120	CIR CLIP EXTERNAL	1				0.001	0.0022
070	3A151-82480	BRACKET CON.LEVER	1				0.515	1.133
080	01754-50820	BOLT FLANGE	4				0.015	0.033
090	3A151-82440	STAY WIRE	1	<=54965			0	0
090	3A151-82442	STAY WIRE	1	>=54966	←		0.48	1.056
100	01123-50820	BOLT	2				0.011	0.0242
110	05122-60618	PIN JOINT	1				0.01	0.022
120	04012-50060	WASHER PLAIN	1				0.001	0.0022
130	05525-60600	PIN SNAP	1				0.001	0.0022
140	3A151-82410	WIRE AUX.CONT.VALVE	1	<=54965		NOT SALE	0	0
140	3A151-82412	WIRE AUX.CONT.VALVE	1	>=54966	←		0.33	0.726
150	3F740-82420	CLEVIS	1				0.018	0.0396
160	3F740-82430	NUT LOCK	1				0.004	0.0088
170	02761-50050	NUT FLANGE	1				0.002	0.0044
180	05515-60800	PIN SNAP	1				0.002	0.0044
190	04012-50080	WASHER PLAIN	1				0.001	0.0022
200	3A151-82400	COVER CON.LEVER	1				0.2	0.44
210	01754-50612	BOLT FLANGE	4				0.005	0.011

TOP LINK BRACKET



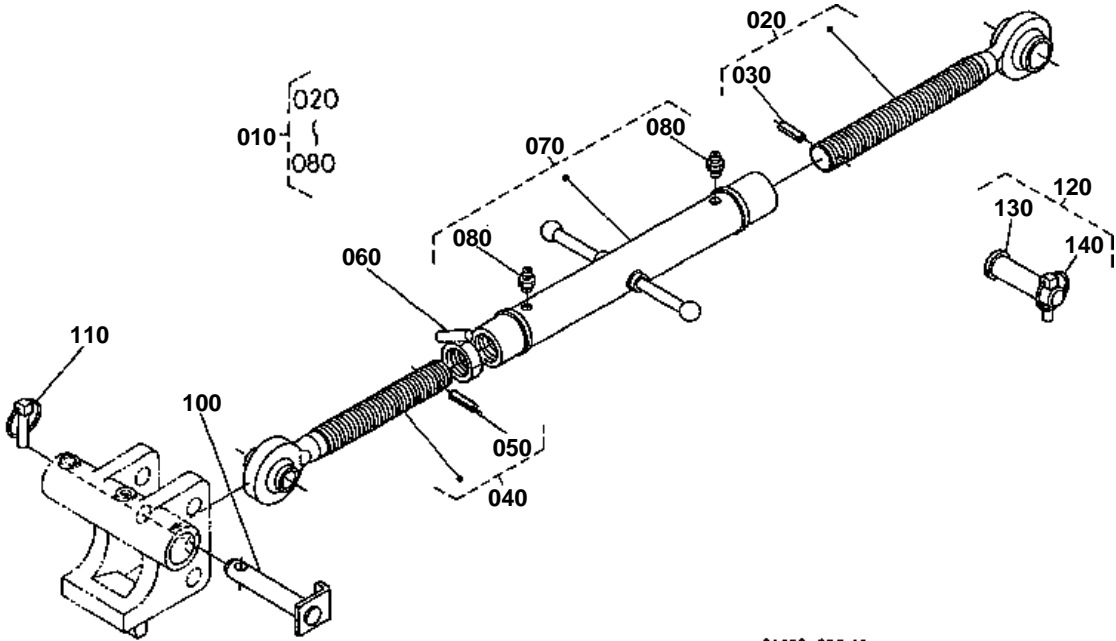
3A150-097-10

**TOP LINK BRACKET**

↔ Interchangeable; ≠ not interchangeable; ← new for old; → old for new

REF.No	Part No.	Description	Q'ty	S.No.	I/C	REMARKS	Weight (kgf)	Weight (lb)
010	35593-81800	ASSY BRACKET	1				5	11
020	36330-81830	BUSH	1				0.035	0.077
030	06613-20010	NIPPLE GREASE	1				0.01	0.022
040	35593-81753	BAR TORSION	1				1	2.2
050	36330-81843	PIN	1				0.085	0.187
060	3A151-81840	PIN	1				0.105	0.231
070	05511-50425	PIN SPLIT	2				0.003	0.0066
080	36330-81830	BUSH	1				0.035	0.077
090	06613-30010	NIPPLE GREASE	1				0.01	0.022
100	01133-51235	BOLT	2				0.043	0.0946
110	36330-81850	STOPPER	1				0.42	0.924
120	3A151-81890	SHIM	1			2.0mm	0.063	0.1386
120	3A151-81860	SHIM	1			1.0mm	0.032	0.0704
120	3A151-81870	SHIM	1			0.5mm	0.017	0.0374
130	36330-81363	PLATE DRAFT	1				0.25	0.55
140	01123-50825	BOLT	2				0.013	0.0286
150	3A151-81880	STOPPER	1				0.42	0.924
160	01779-51230	BOLT UBS	2				0.045	0.099

TOP LINK



3A150-096-11

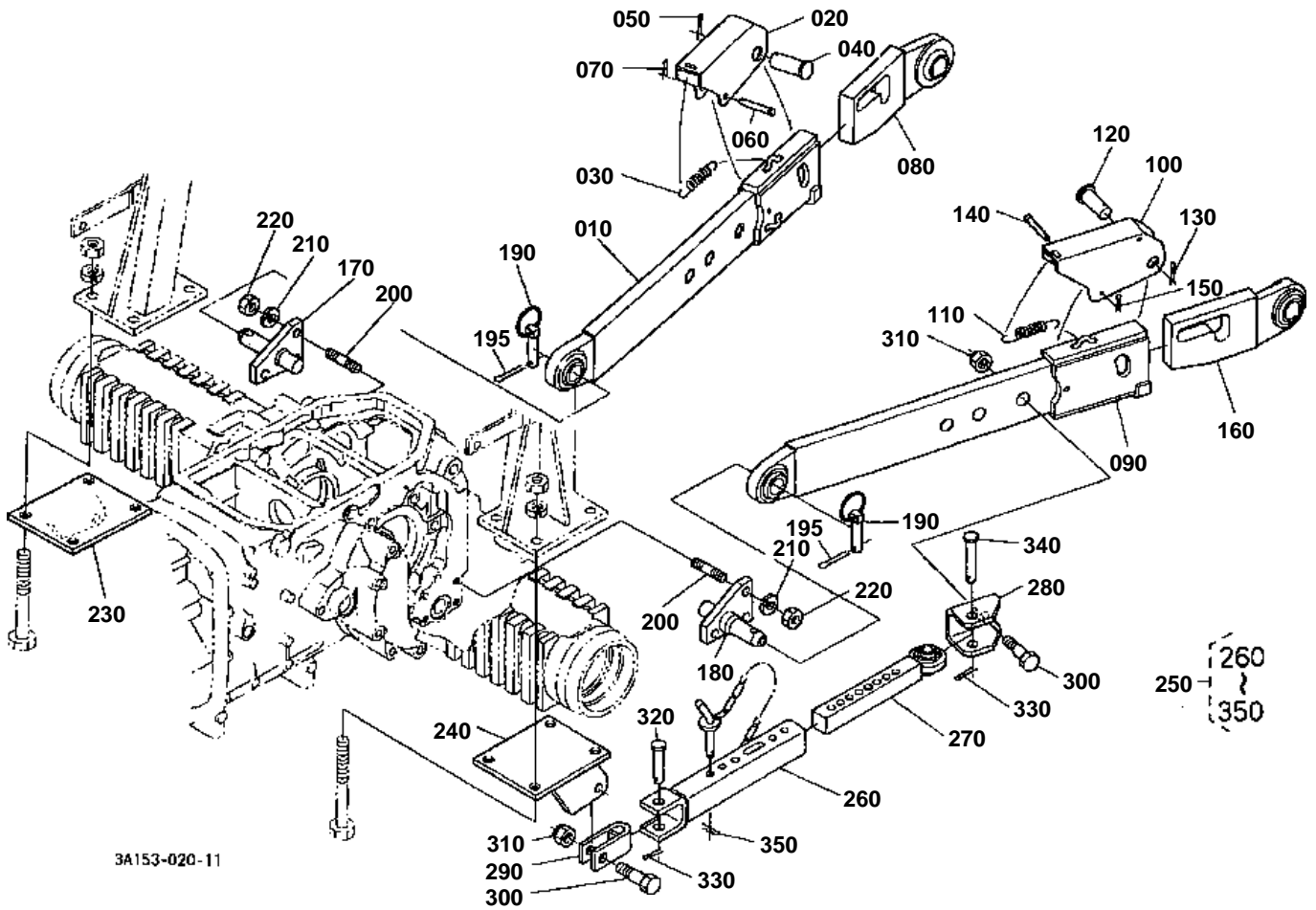


TOP LINK

↔ Interchangeable; ≠ not interchangeable; ← new for old; → old for new

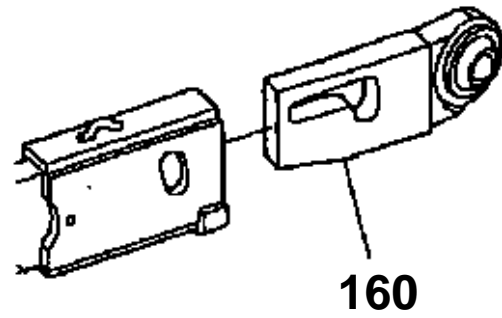
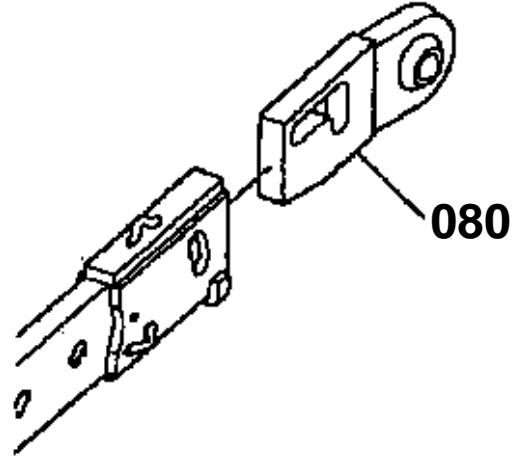
REF.No	Part No.	Description	Q'ty	S.No.	I/C	REMARKS	Weight (kgf)	Weight (lb)
010	3A151-91700	ASSY LINK TOP	1				6.1	13.42
020	3A151-91550	ASSY LINK TOP FRONT	1				1.85	4.07
030	33690-91790	PIN	1				0.007	0.0154
040	3A151-91610	ASSY LINK TOP REAR	1				1.85	4.07
050	33690-91790	PIN	1				0.007	0.0154
060	36530-91590	NUT TOP LINK	1				0.135	0.297
070	3A151-91620	ASSY SLEEVE TOP LINK	1				2.2	4.84
080	36530-91680	NIPPLE GREASE	2				0.004	0.0088
090	99999-99999	BLANK	0				0	0
100	3A151-91660	PIN TOP LINK	1				0.33	0.726
110	36200-91840	ASSY PIN SET	1				0.06	0.132
120	36330-91773	ASSY PIN TOP LINK	1				0.55	1.21
130	36330-91762	PIN TOP LINK REAR	1				0.49	1.078
140	36200-91840	ASSY PIN SET	1				0.06	0.132

LOWER LINK [NEW TYPE]



080 3F760-9203-0

160 3F760-9213-0



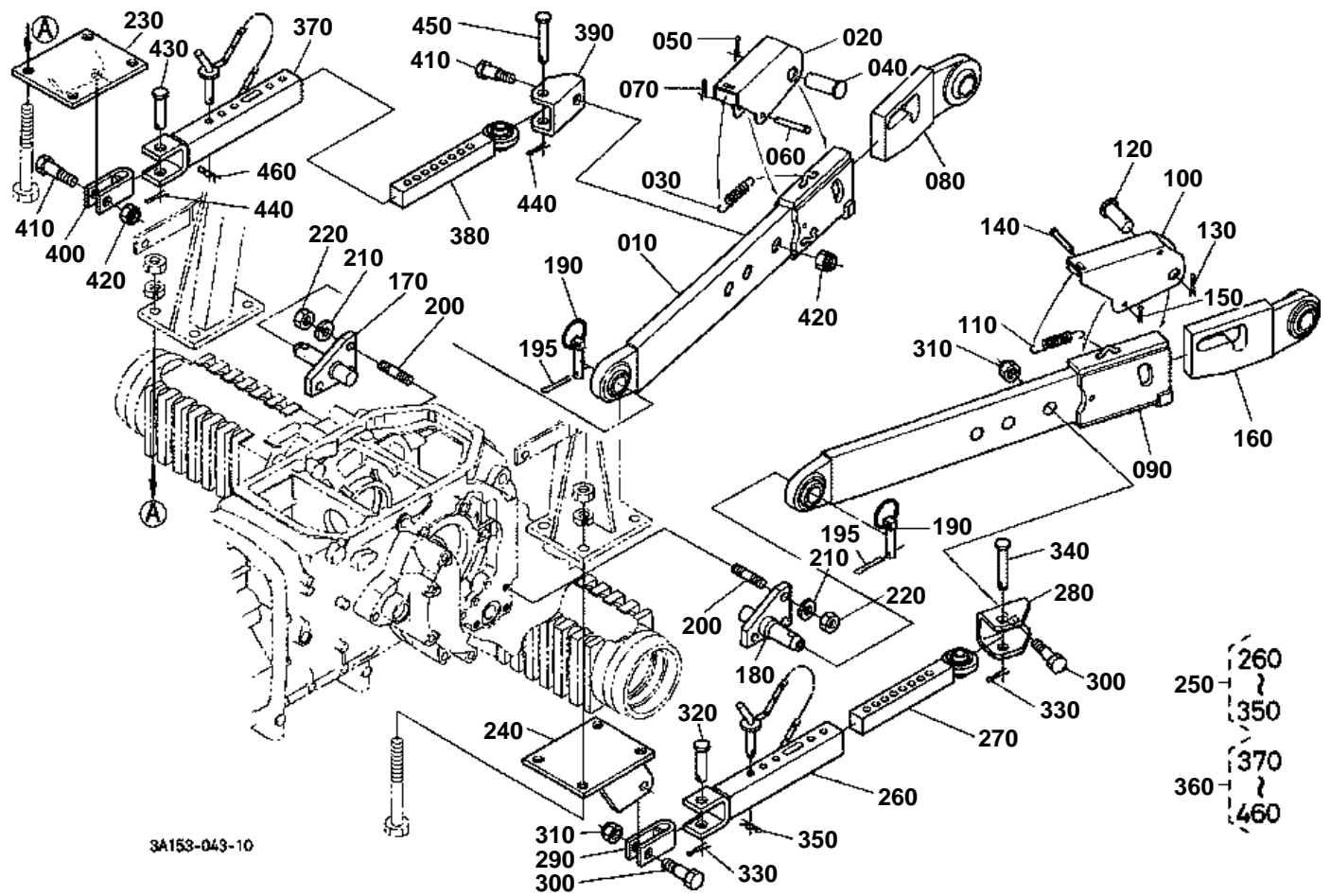
3A154-807-10

**LOWER LINK [NEW TYPE]**

↔ Interchangeable; ≠ not interchangeable; ← new for old; → old for new

REF.No	Part No.	Description	Q'ty	S.No.	I/C	REMARKS	Weight (kgf)	Weight (lb)
010	3A151-92010	COMP.LINK LOWER RH	1				16.6	36.52
020	3F760-92190	LEVER	1				0.72	1.584
030	33660-92170	SPRING	1				0.02	0.044
040	3F760-92160	PIN	1				0.25	0.55
050	05511-50435	PIN SPLIT	1				0.004	0.0088
060	05122-51060	PIN JOINT	1				0.038	0.0836
070	05511-50320	PIN SPLIT	1				0.002	0.0044
080	3F760-92030	COMP.LINK LOWER RH	1				3.7	8.14
080	3M740-92030	COMP.LINK LOWER RH	1		↔		3.58	7.876
090	3A151-92110	COMP.LINK LOWER LH	1				16.9	37.18
100	3F760-92190	LEVER	1				0.72	1.584
110	33660-92170	SPRING	1				0.02	0.044
120	3F760-92160	PIN	1				0.25	0.55
130	05511-50435	PIN SPLIT	1				0.004	0.0088
140	05122-51060	PIN JOINT	1				0.038	0.0836
150	05511-50320	PIN SPLIT	1				0.002	0.0044
160	3F760-92130	COMP.LINK LOWER LH	1				3.7	8.14
160	3M740-92130	COMP.LINK LOWER LH	1		↔		3.58	7.876
170	3A151-91880	PIN LIFT ROD RH	1				1.57	3.454
180	3A151-91890	PIN LIFT ROD LH	1				1.57	3.454
190	36330-91840	ASSY PIN SET	2				0.055	0.121
195	05511-50420	PIN SPLIT	2				0.002	0.0044
200	36530-93040	STUD	6				0.065	0.143
210	04512-60140	WASHER SPRING	6				0.008	0.0176
220	02176-50140	NUT	6				0.014	0.0308
230	3A151-91080	BRACKET STAB.RH	1				4.9	10.78
240	3A151-91090	BRACKET STAB.LH	1				4.9	10.78
250	3A111-92500	ASSY STABILIZER	2				6.8	14.96
260	3A111-92510	JOINT STABILIZER	2				2.6	5.72
270	3A111-92520	JOINT STABILIZER	2				1.915	4.213
280	3A111-92530	JOINT STABILIZER	2				0.96	2.112
290	3A111-92540	BRACKET STABILIZER	2				0.502	1.1044
300	3A111-92170	BOLT STABILIZER	4				0.186	0.4092
310	02576-50180	NUT LOCK	4				0.049	0.1078
320	05122-51870	PIN JOINT	2				0.14	0.308
330	05511-50430	PIN SPLIT	4				0.004	0.0088
340	70388-58770	PIN	2				0.22	0.484
350	05515-61200	PIN SNAP	2				0.005	0.011

LOWER LINK [NEW TYPE]



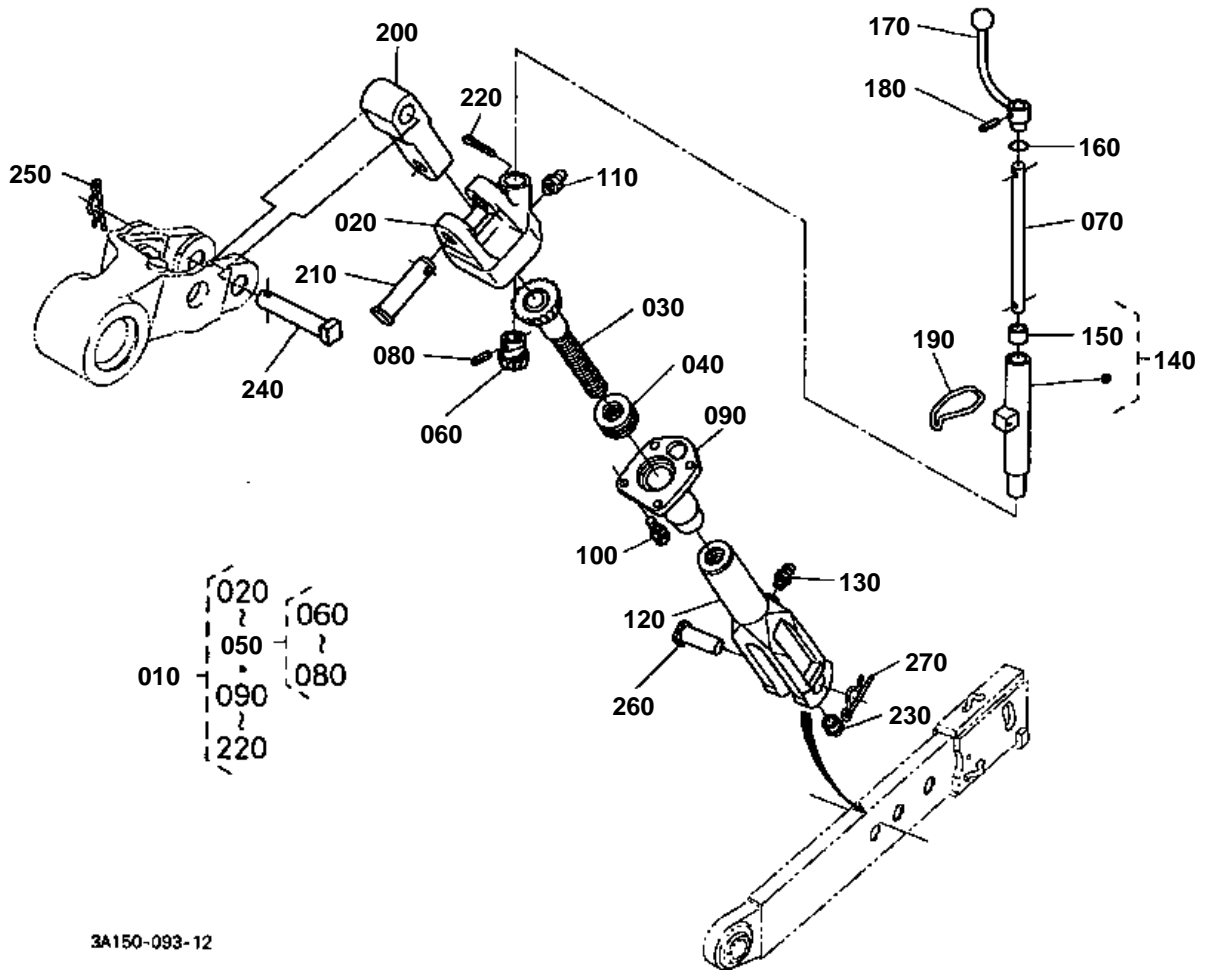


LOWER LINK [NEW TYPE]
S.No.;>=57483

↔ Interchangeable; ≠ not interchangeable; ← new for old; → old for new

REF.No	Part No.	Description	Q'ty	S.No.	I/C	REMARKS	Weight (kgf)	Weight (lb)
010	3A151-92010	COMP.LINK LOWER RH	1				16.6	36.52
020	3F760-92190	LEVER	1				0.72	1.584
030	33660-92170	SPRING	1				0.02	0.044
040	3F760-92160	PIN	1				0.25	0.55
050	05511-50435	PIN SPLIT	1				0.004	0.0088
060	05122-51060	PIN JOINT	1				0.038	0.0836
070	05511-50320	PIN SPLIT	1				0.002	0.0044
080	3M740-92030	COMP.LINK LOWER RH	1				3.58	7.876
090	3A151-92110	COMP.LINK LOWER LH	1				16.9	37.18
100	3F760-92190	LEVER	1				0.72	1.584
110	33660-92170	SPRING	1				0.02	0.044
120	3F760-92160	PIN	1				0.25	0.55
130	05511-50435	PIN SPLIT	1				0.004	0.0088
140	05122-51060	PIN JOINT	1				0.038	0.0836
150	05511-50320	PIN SPLIT	1				0.002	0.0044
160	3M740-92130	COMP.LINK LOWER LH	1				3.58	7.876
170	3A151-91880	PIN LIFT ROD RH	1				1.57	3.454
180	3A151-91890	PIN LIFT ROD LH	1				1.57	3.454
190	36330-91840	ASSY PIN SET	2				0.055	0.121
195	05511-50420	PIN SPLIT	2				0.002	0.0044
200	36530-93040	STUD	6				0.065	0.143
210	04512-60140	WASHER SPRING	6				0.008	0.0176
220	02176-50140	NUT	6				0.014	0.0308
230	3A151-91080	BRACKET STAB.RH	1				4.9	10.78
240	3A151-91090	BRACKET STAB.LH	1				4.9	10.78
250	3A111-92500	ASSY STABILIZER	1				6.8	14.96
260	3A111-92510	JOINT STABILIZER	1				2.6	5.72
270	3A111-92520	JOINT STABILIZER	1				1.915	4.213
280	3A111-92530	JOINT STABILIZER	1				0.96	2.112
290	3A111-92540	BRACKET STABILIZER	1				0.502	1.1044
300	3A111-92170	BOLT STABILIZER	2				0.186	0.4092
310	02576-50180	NUT LOCK	2				0.049	0.1078
320	05122-51870	PIN JOINT	1				0.14	0.308
330	05511-50430	PIN SPLIT	2				0.004	0.0088
340	70388-58770	PIN	1				0.22	0.484
350	05515-61200	PIN SNAP	1				0.005	0.011
360	3A111-92600	ASSY STABILIZER RH	1				6.7	14.74
370	3A111-92510	JOINT STABILIZER	1				2.6	5.72
380	3A111-92520	JOINT STABILIZER	1				1.915	4.213
390	3A111-92530	JOINT STABILIZER	1				0.96	2.112
400	3A111-92540	BRACKET STABILIZER	1				0.502	1.1044
410	3A111-92170	BOLT STABILIZER	2				0.186	0.4092
420	02576-50180	NUT LOCK	2				0.049	0.1078
430	05122-51870	PIN JOINT	1				0.14	0.308
440	05511-50430	PIN SPLIT	1				0.004	0.0088
450	70388-58770	PIN	1				0.22	0.484
460	05515-61200	PIN SNAP	1				0.005	0.011

LIFT ROD RH



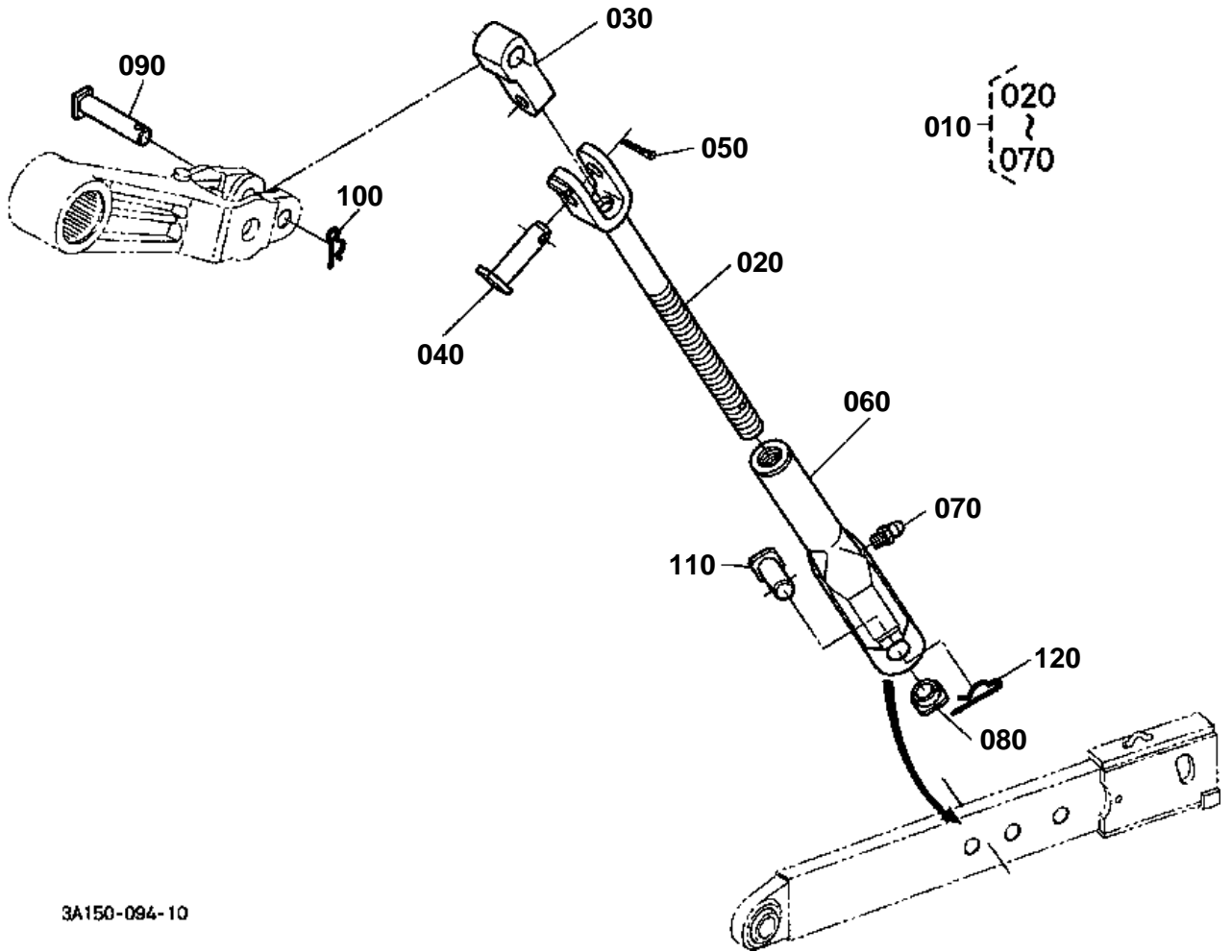


LIFT ROD RH

↔ Interchangeable; ≠ not interchangeable; ← new for old; → old for new

REF.No	Part No.	Description	Q'ty	S.No.	I/C	REMARKS	Weight (kgf)	Weight (lb)
010	3A151-91230	ASSY ROD LIFT RH	1				9.8	21.56
020	3A151-91240	CASE LIFT ROD GEAR	1				2.4	5.28
030	36530-91280	COMP.SHAFT ADJUSTING	1				0.5	1.1
040	08401-51106	BEARING THRUST BALL	1				0.064	0.1408
050	3A151-91200	ASSY PINION LIFT ROD	1				0.305	0.671
060	36330-91330	PINION LIFT ROD RH	1				0.11	0.242
070	3A151-91390	SHAFT HANDLE	1				0.125	0.275
080	05411-00520	PIN SPRING	1				0.002	0.0044
090	3A151-91300	COMP SLEEVE LIFT ROD	1				1.23	2.706
100	01133-51030	BOLT	4				0.025	0.055
110	06613-10675	NIPPLE GREASE	1				0.003	0.0066
120	36530-91260	ROD LIFT LOWER	1				3.1	6.82
130	06613-10010	NIPPLE GREASE	1				0.006	0.0132
140	3A151-91370	SUPPORT HANDLE	1				0.265	0.583
150	08511-01815	BUSH	1				0.007	0.0154
160	04811-10180	O RING	1				0.001	0.0022
170	36330-91323	HANDLE LIFT ROD RH	1				0.2	0.44
180	05411-00525	PIN SPRING	1				0.002	0.0044
190	36330-91270	SPRING HANDLE LOCK	1				0.025	0.055
200	3A151-91510	JOINT LIFT ROD	1				0.7	1.54
210	36330-91530	PIN LIFT ROD UPPER	1				0.27	0.594
220	05511-50535	PIN SPLIT	1				0.007	0.0154
230	36330-91360	PLUG	1				0.001	0.0022
240	3A151-91540	PIN LIFT ROD	1				0.305	0.671
250	33251-91860	PIN SET	1				0.023	0.0506
260	36530-91540	PIN LIFT ROD LOWER	1	<=53879			0	0
260	36530-91543	PIN LIFT ROD LOWER	1	>=53880	←		0.23	0.506
270	33251-91860	PIN SET	1				0.023	0.0506

LIFT ROD LH



3A150-094-10

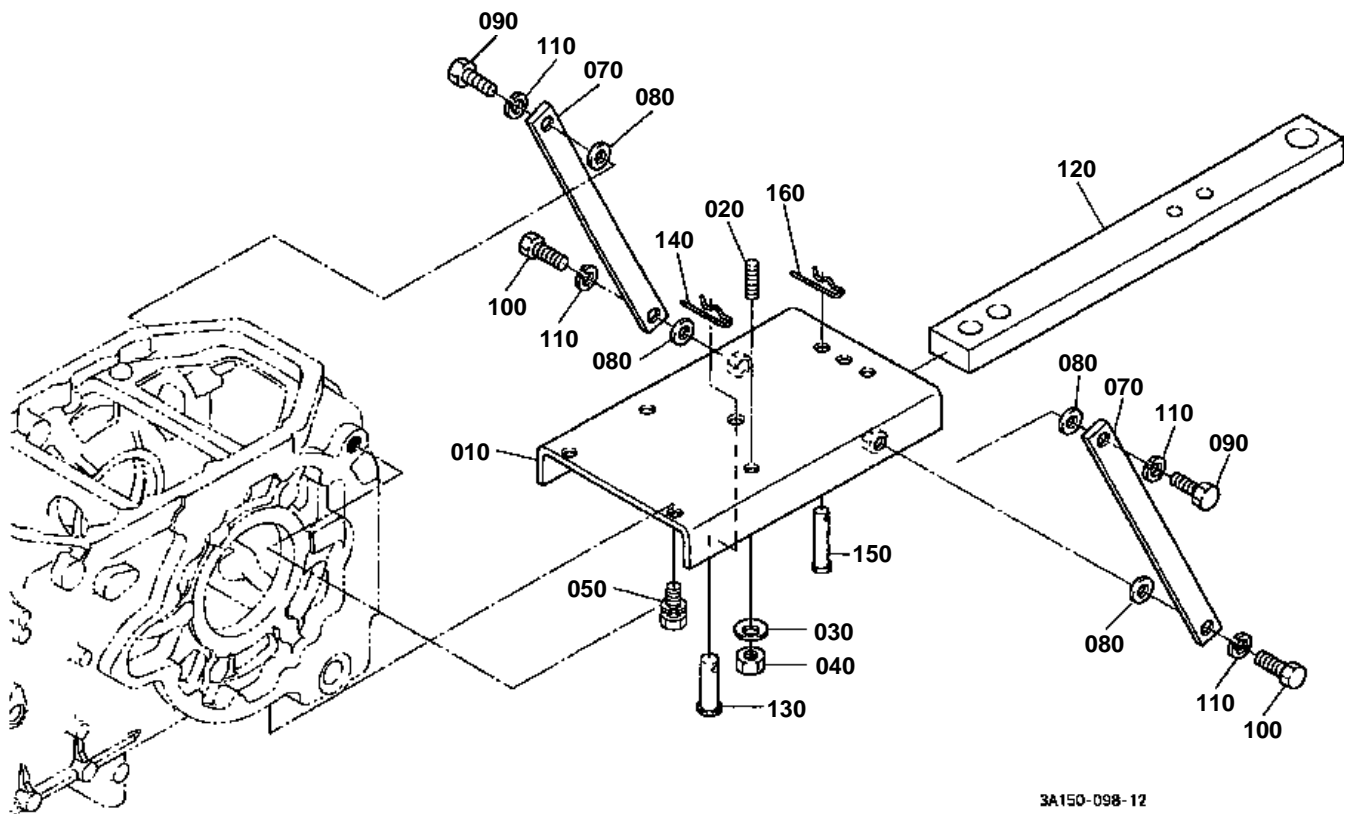


LIFT ROD LH

↔ Interchangeable; ≠ not interchangeable; ← new for old; → old for new

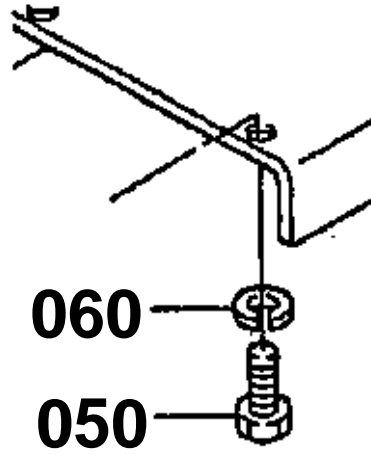
REF.No	Part No.	Description	Q'ty	S.No.	I/C	REMARKS	Weight (kgf)	Weight (lb)
010	3A151-91450	ASSY ROD LIFT LH	1	<=53879			0	0
010	3A151-91452	ASSY ROD LIFT LH	1	>=53880	←		6.4	14.08
020	3A151-91460	ROD LIFT UPPER LH	1				1.96	4.312
030	3A151-91510	JOINT LIFT ROD	1				0.7	1.54
040	36530-91540	PIN LIFT ROD LOWER	1	<=53879			0	0
040	36530-91543	PIN LIFT ROD LOWER	1	>=53880	←		0.23	0.506
050	05511-50535	PIN SPLIT	1				0.007	0.0154
060	33740-91260	ROD LIFT LOWER	1				3.62	7.964
070	06613-10010	NIPPLE GREASE	1				0.006	0.0132
080	36330-91360	PLUG	1				0.001	0.0022
090	3A151-91540	PIN LIFT ROD	1				0.305	0.671
100	33251-91860	PIN SET	1				0.023	0.0506
110	36530-91540	PIN LIFT ROD LOWER	1	<=53879			0	0
110	36530-91543	PIN LIFT ROD LOWER	1	>=53880	←		0.23	0.506
120	33251-91860	PIN SET	1				0.023	0.0506

SWINGING DRAWBAR



3A150-098-12

050 01176-51640
060 04512-50160



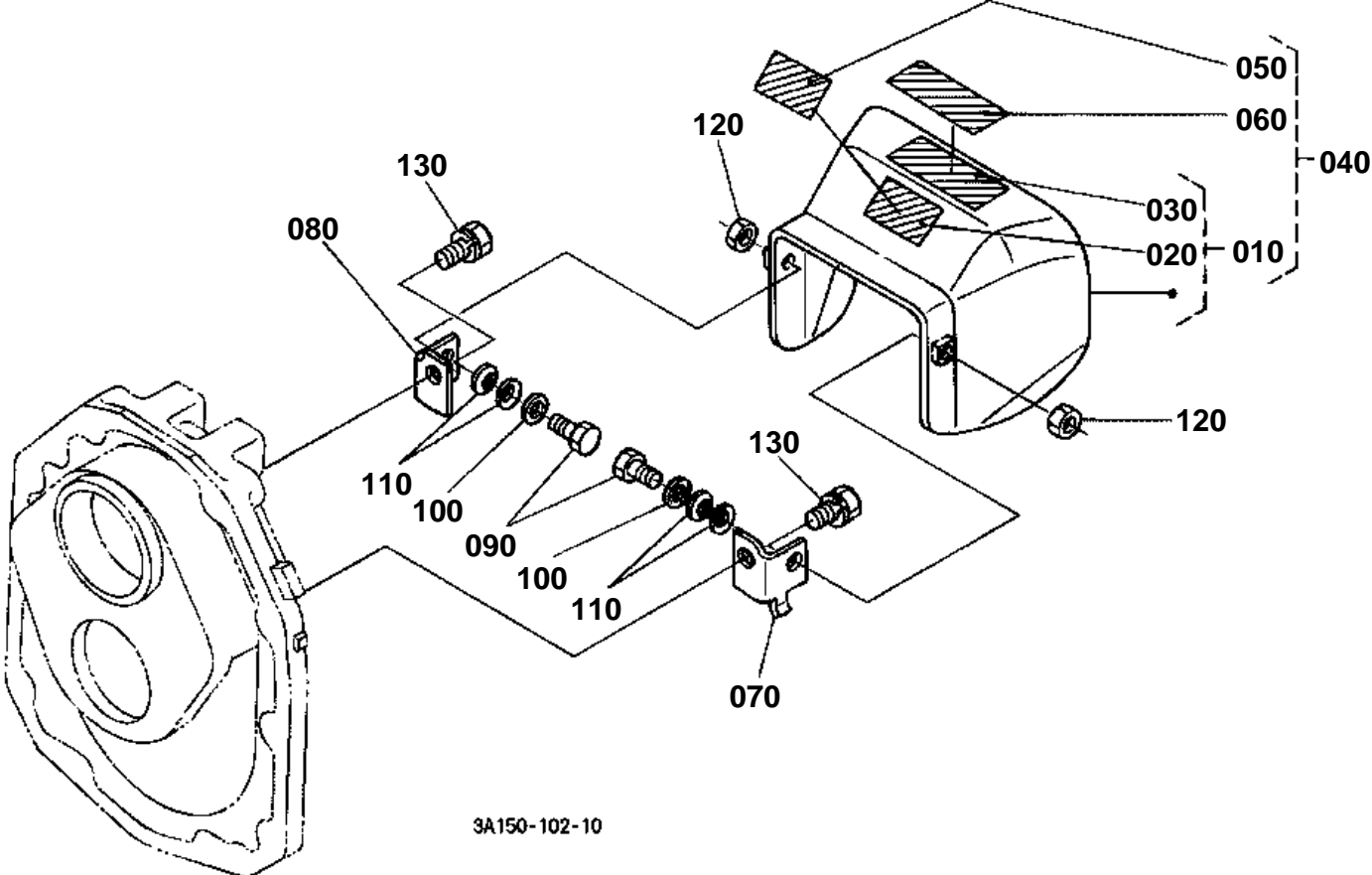
3A153-802-10



SWINGING DRAWBAR

↔ Interchangeable; ≠ not interchangeable; ← new for old; → old for new

REF.No	Part No.	Description	Q'ty	S.No.	I/C	REMARKS	Weight (kgf)	Weight (lb)
010	3A151-89322	BRACKET DRAWBAR	1				18.3	40.26
020	35700-49150	STUD	2				0.09	0.198
030	36500-49410	SPRING PLATE	2				0.022	0.0484
040	36500-49390	NUT	2				0.043	0.0946
050	01176-51640	BOLT	2	<=54170			0.085	0.187
050	01138-51640	BOLT	2	>=54171	←		0.05	0.11
060	04512-60160	WASHER SPRING	2	<=54170			0.01	0.022
070	33740-89330	PLATE SIDE	2	<=53047			0	0
070	33740-89332	PLATE SIDE	2	>=53048	←		2.08	4.576
080	04011-50200	WASHER PLAIN	4				0.015	0.033
090	01173-52045	BOLT	2				0.162	0.3564
100	01173-52055	BOLT	2				0.183	0.4026
110	04512-60200	WASHER SPRING	4				0.02	0.044
120	3A111-89120	DRAWBAR	1				9.4	20.68
130	32530-71760	PIN DRAWBAR	1				0.32	0.704
140	70515-16330	PIN SPRING	1				0.03	0.066
150	05122-51885	PIN JOINT	2				0.18	0.396
160	05515-51600	PIN SNAP	2				0.007	0.0154



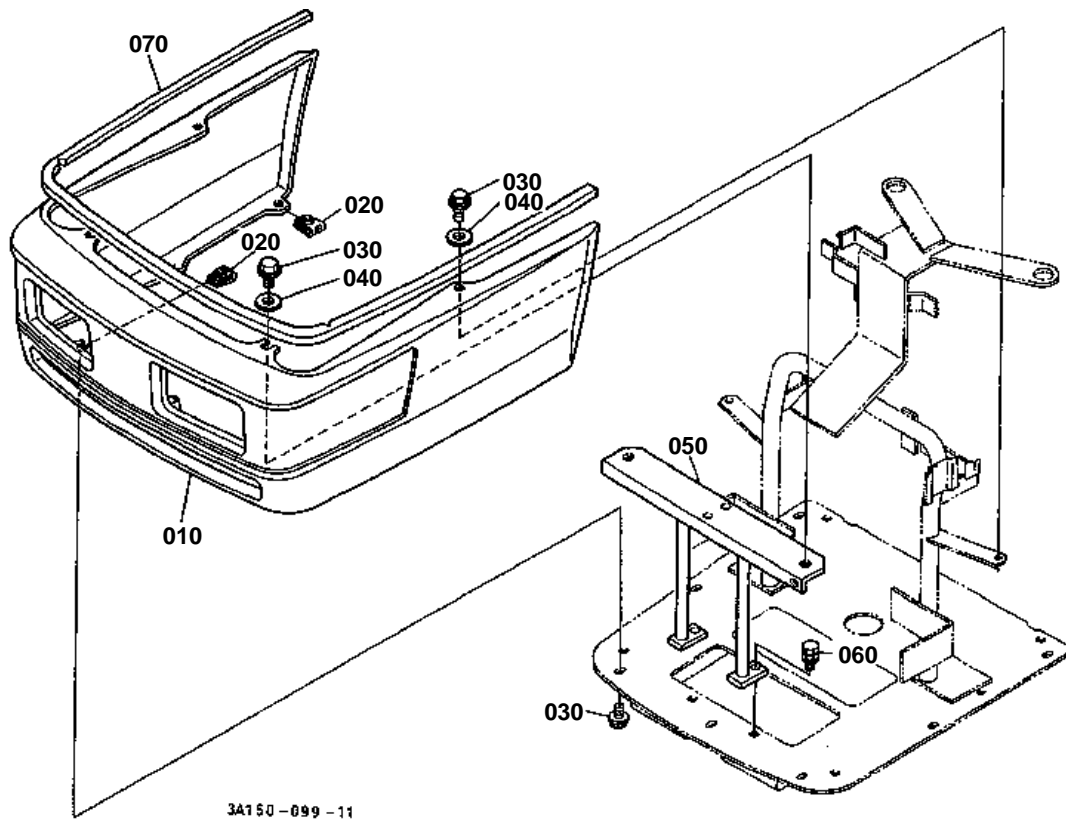


PTO SHAFT PROTECTOR

↔ Interchangeable; ≠ not interchangeable; ← new for old; → old for new

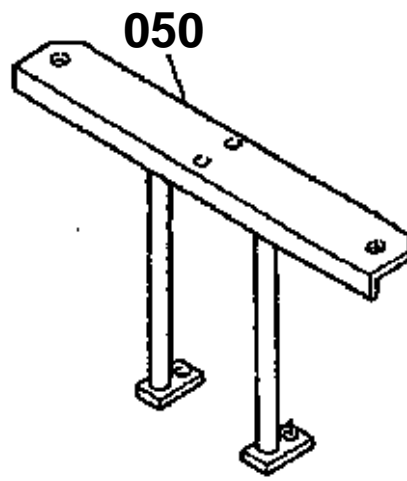
REF.No	Part No.	Description	Q'ty	S.No.	I/C	REMARKS	Weight (kgf)	Weight (lb)
010	3A011-97380	KIT COVER PTO (A)	1			ENGLISH	2.1	4.62
020	TA040-49350	LABEL DRAWBAR	1			ENGLISH	0.002	0.0044
030	TA040-49590	LABEL PTO WARNING	1			ENGLISH	0.002	0.0044
040	3A011-97580	KIT COVER PTO (B)	1			FRENCH	2.105	4.631
050	TA041-49350	LABEL DRAWBAR	1			FRENCH	0.003	0.0066
060	TA041-49590	LABEL PTO WARNING	1			FRENCH	0.001	0.0022
070	TA020-23752	STAY	1				0.12	0.264
080	TA020-23762	STAY	1				0.001	0.0022
090	01173-51025	BOLT	2				0.021	0.0462
100	04013-60100	WASHER PLAIN	2				0.003	0.0066
110	62151-42412	SPRING PLATE	4				0.002	0.0044
120	02116-50100	NUT	2				0.004	0.0088
130	01133-51225	BOLT	2				0.035	0.077

HOOD (BONNET) FRONT



3A150-099-11

050 3A011-8345-5



3A153-801-10

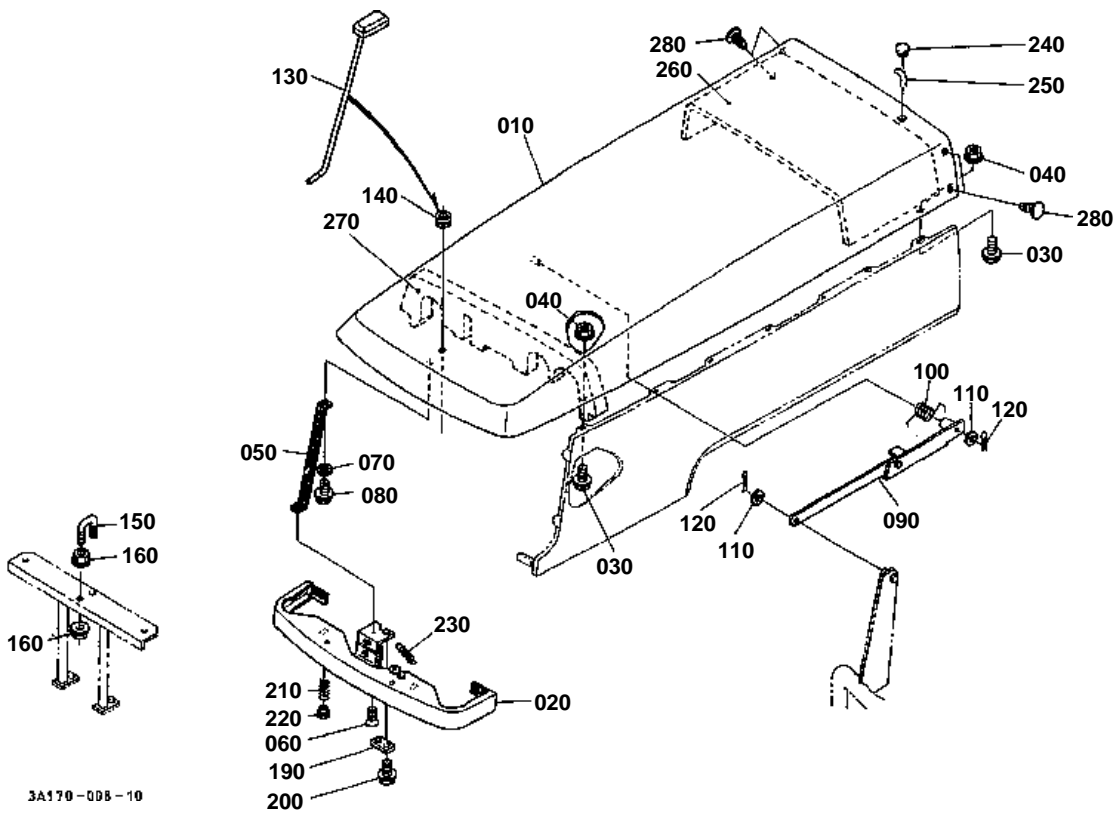


HOOD (BONNET) FRONT

↔ Interchangeable; ≠ not interchangeable; ← new for old; → old for new

REF.No	Part No.	Description	Q'ty	S.No.	I/C	REMARKS	Weight (kgf)	Weight (lb)
010	3A011-83280	BONNET FRONT UNDER	1				1.66	3.652
020	3A011-83510	NUT SPRING	7				0.012	0.0264
030	01754-50816	BOLT FLANGE	11				0.011	0.0242
040	04015-60080	WASHER PLAIN	4				0.01	0.022
050	3A011-83456	SUPPORT BONNET FRONT	1	<=53525			0	0
050	3A011-83457	SUPPORT BONNET FRONT	1	>=53559	←		1.1	2.42
060	01123-50820	BOLT	2				0.011	0.0242
070	3A011-83306	SEAL RUBBER	1				0.09	0.198

HOOD (BONNET) UPPER

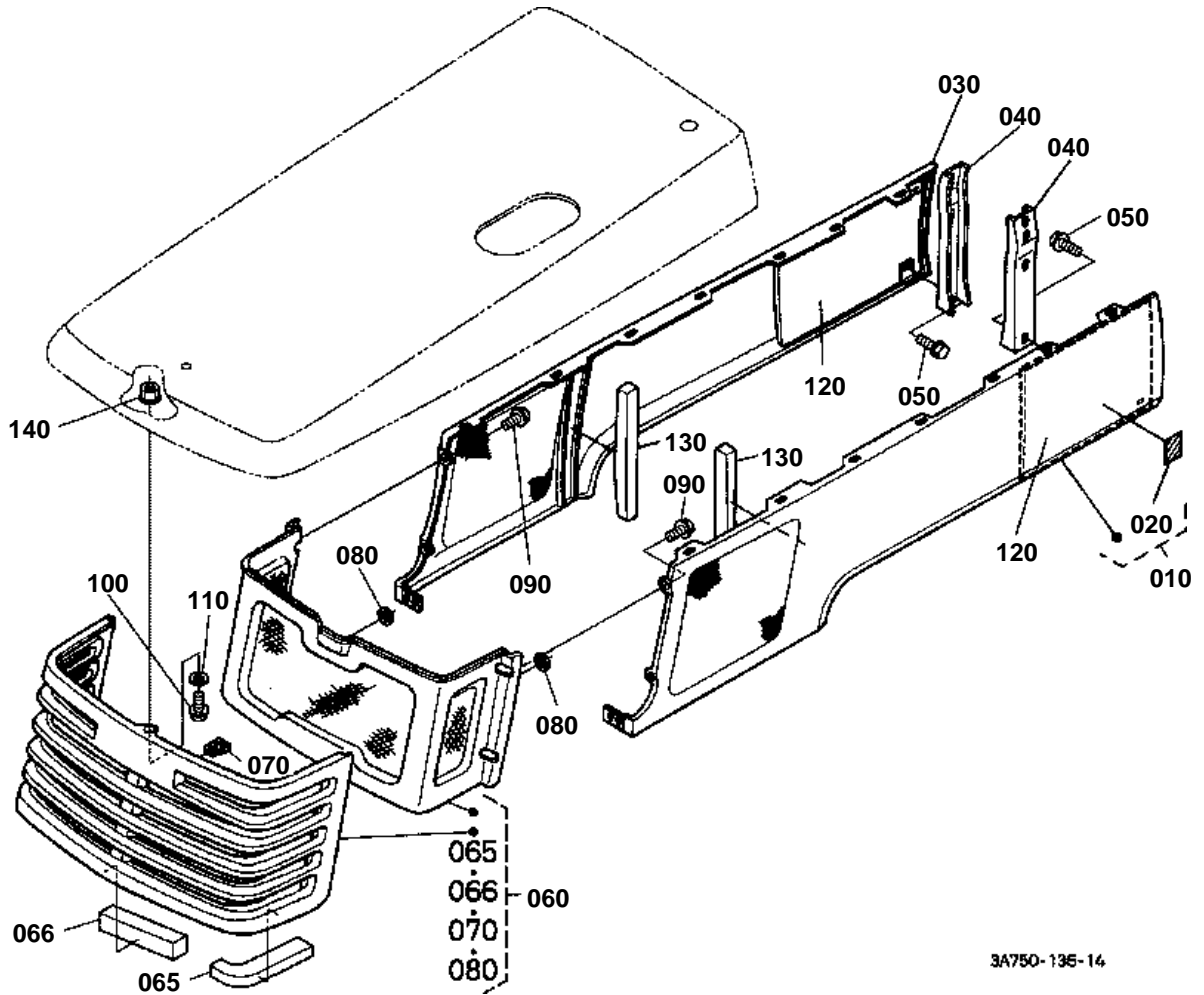


**HOOD (BONNET) UPPER**

↔ Interchangeable; ≠ not interchangeable; ← new for old; → old for new

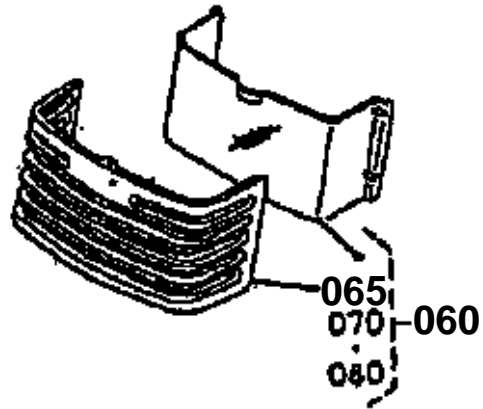
REF.No	Part No.	Description	Q'ty	S.No.	I/C	REMARKS	Weight (kgf)	Weight (lb)
010	3A154-83020	COMP.BONNET	1				8.7	19.14
020	3A011-83295	BONNET FRONT	1				1.42	3.124
030	01754-50812	BOLT FLANGE	18				0.01	0.022
040	02751-50080	NUT FLANGE	10				0.006	0.0132
050	3A011-83463	SUPPORT BONNET	1				0.105	0.231
060	03016-50614	SCREW CSK-HD	1				0.003	0.0066
070	04412-50060	WASHER TOOTHED	1				0.001	0.0022
080	01754-50610	BOLT FLANGE	1				0.006	0.0132
090	3A151-83310	LINK	1				0.505	1.111
100	3A151-83330	SPRING	1				0.021	0.0462
110	04013-60080	WASHER PLAIN	2				0.002	0.0044
120	05511-50215	PIN SPLIT	2				0.001	0.0022
130	3A431-83473	LEVER HANDLE	1				0.23	0.506
140	3A011-83630	PLUG	1				0.001	0.0022
150	3A011-83423	LOCK	1				0.05	0.11
160	02751-50080	NUT FLANGE	4				0.006	0.0132
170	99999-99999	BLANK	0				0	0
180	99999-99999	BLANK	0				0	0
190	3A011-83530	GUIDE	1				0.015	0.033
200	01754-50610	BOLT FLANGE	1				0.006	0.0132
210	3A011-83500	SPRING	2				0.03	0.066
220	41182-61150	PLUG	2				0.003	0.0066
230	3A011-83660	SPRING	1				0.01	0.022
240	3A111-83750	PLUG	1				0.002	0.0044
250	3A011-83600	PIN SNAP	1				0.002	0.0044
260	3A111-83790	INSULATION HEAT	1				0.11	0.242
270	3A151-17170	SPONGE UPPER	1				0.12	0.264
280	36760-90390	PLUG	4				0.005	0.011

HOOD (BONNET) SIDE

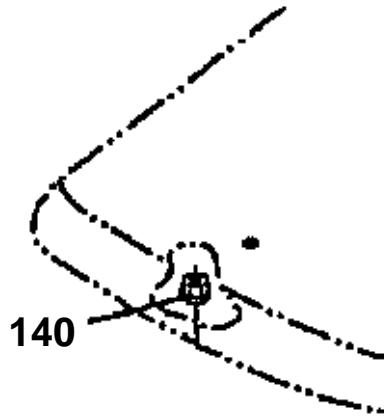


3A750-135-14

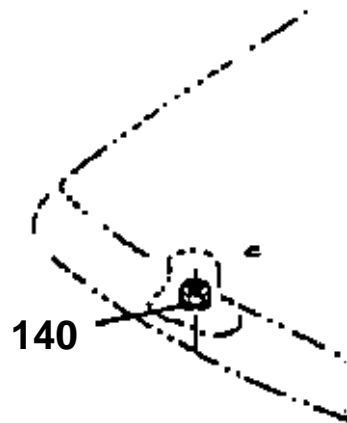
060 3A011-8322-0



140 02751-50060



140 12264-9202-0



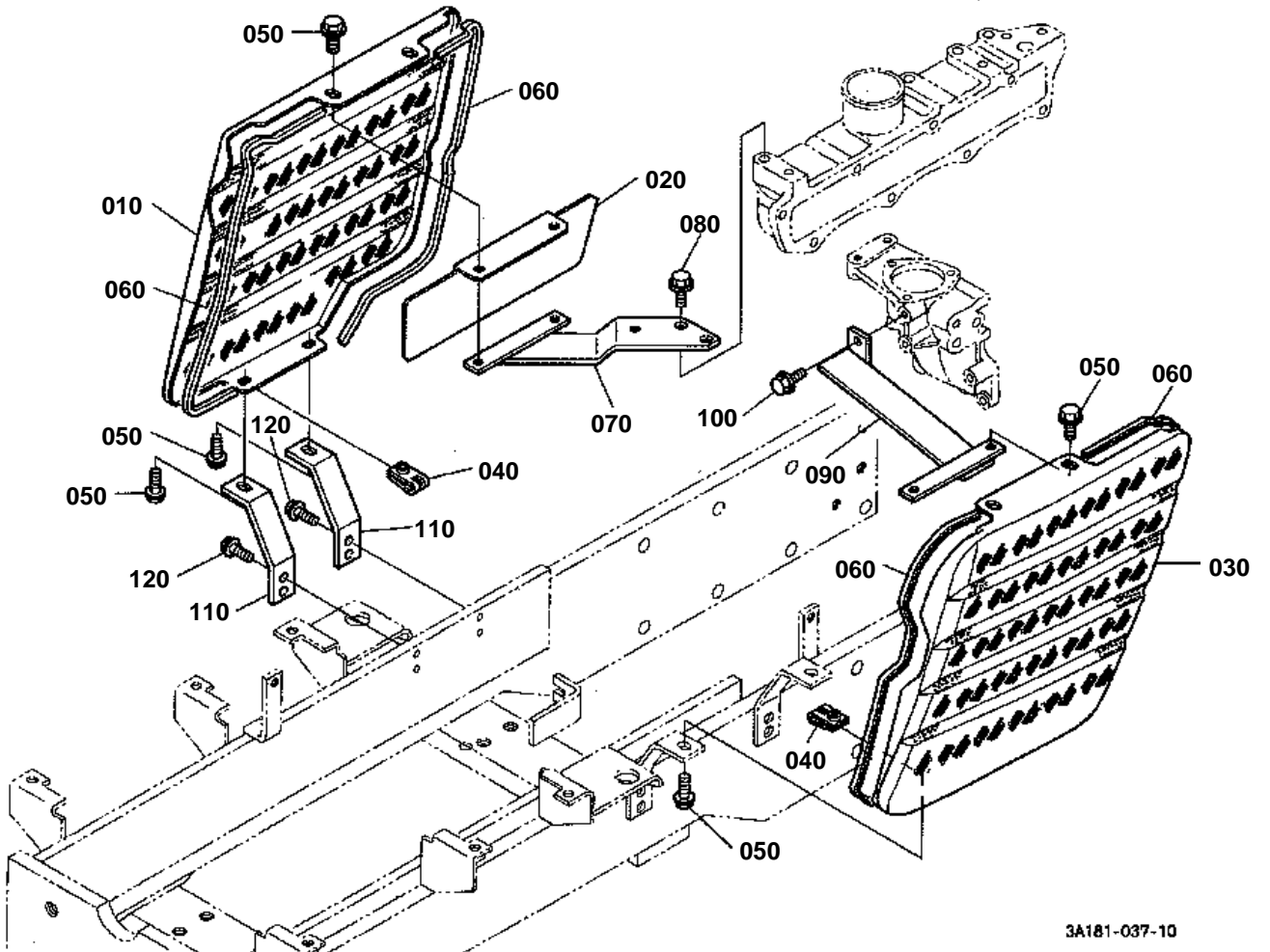
3A150-820-11

**HOOD (BONNET) SIDE**

↔ Interchangeable; ≠ not interchangeable; ← new for old; → old for new

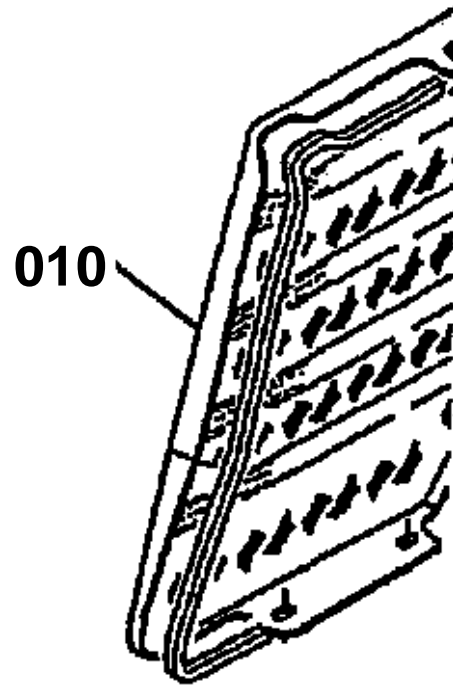
REF.No	Part No.	Description	Q'ty	S.No.	I/C	REMARKS	Weight (kgf)	Weight (lb)
010	3A151-97330	KIT BONNET SIDE LH	1				2.5	5.5
020	32310-49580	LABEL WARNING	1				0.002	0.0044
030	3A151-83160	COMP.BONNET SIDE	1	≤50220			0	0
030	3A151-83162	COMP.BONNET SIDE	1	≥50221	←		2.5	5.5
040	3A011-83240	HOLDER	2				0.18	0.396
050	01754-50610	BOLT FLANGE	8				0.006	0.0132
060	3A011-83220	ASSY GRILLE BONNET	1	≤50220			1.4	3.08
060	3A751-83220	ASSY GRILLE BONNET	1	≥50221	←		0	0
060	3A751-83222	ASSY GRILLE BONNET	1	≥57896	←		1.43	3.146
065	3A751-17270	SPONGE SIDE	2	≥57896			0.015	0.033
066	3A751-17280	SPONGE CENTER	1	≥57896			0.006	0.0132
070	3A011-83490	NUT SPRING	2				0.01	0.022
080	3A011-83260	NUT	20				0.001	0.0022
090	01754-50610	BOLT FLANGE	4				0.006	0.0132
100	01754-50616	BOLT FLANGE	3				0.006	0.0132
110	04015-60060	WASHER PLAIN	1				0.005	0.011
120	3A111-83810	INSULATION HEAT	2				0.02	0.044
130	3A011-17200	SPONGE SIDE	2				0.026	0.0572
140	02751-50060	NUT FLANGE	1	≤50220			0.005	0.011
140	12264-92020	NUT SPRING WASHER M	1	≥50221	←		0.05	0.11
140	02751-50060	NUT FLANGE	1	≥54026	←		0.005	0.011

HOOD (BONNET) SIDE COVER



3A181-037-10

010 3A151-8337-0



3A181-814-10

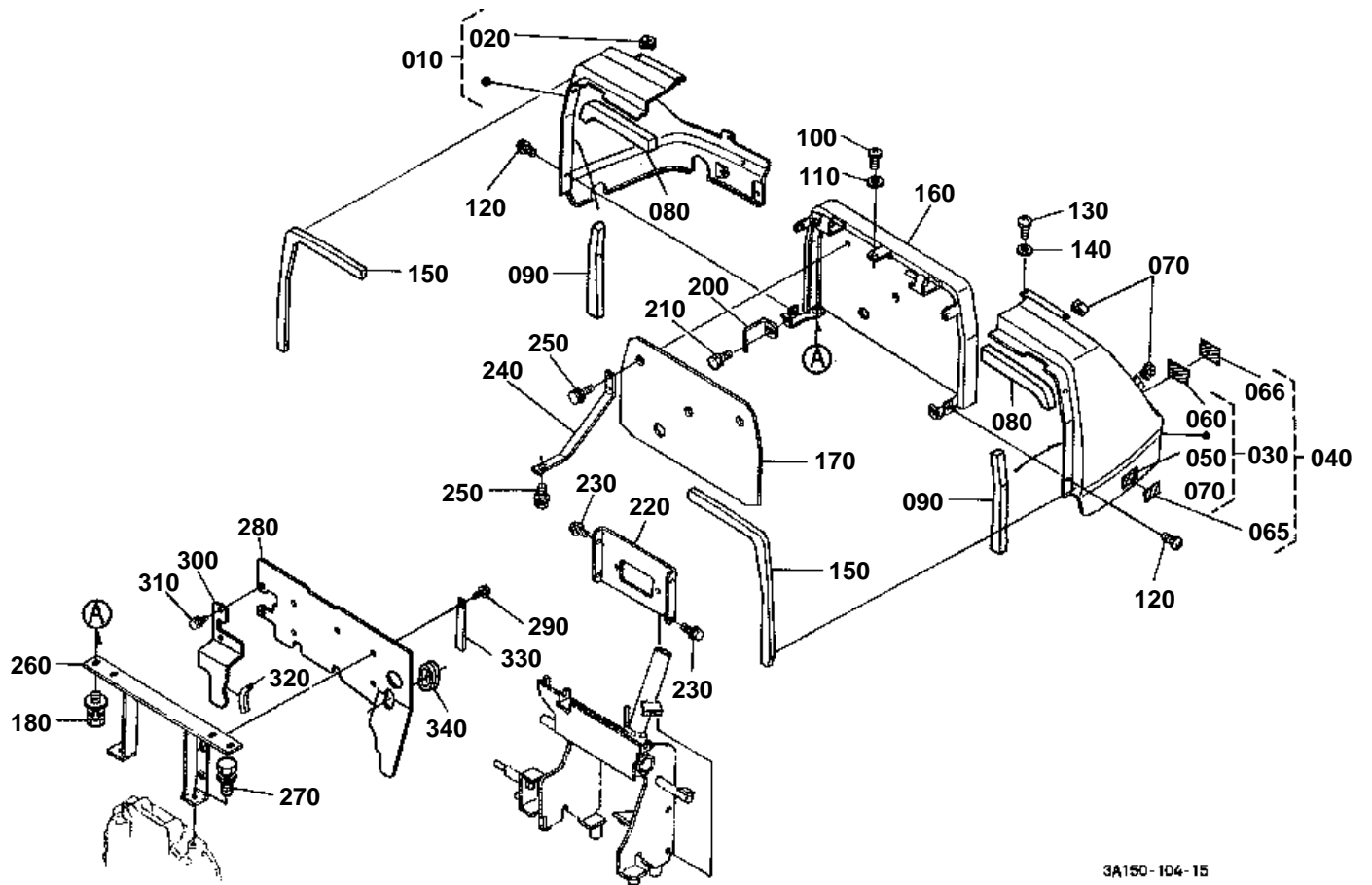


HOOD (BONNET) SIDE COVER

↔ Interchangeable; ≠ not interchangeable; ← new for old; → old for new

REF.No	Part No.	Description	Q'ty	S.No.	I/C	REMARKS	Weight (kgf)	Weight (lb)
010	3A151-83370	COVER	1	<=56255			0	0
010	3A151-83372	COVER	1	>=56256	←		0.055	0.121
020	3A151-83420	COVER	1				0.255	0.561
030	3A151-83380	COVER	1				0.59	1.298
040	3A111-83510	NUT SPRING	4				0.012	0.0264
050	01754-50816	BOLT FLANGE	8				0.011	0.0242
060	3A151-83350	TRIM SASH	4				0.035	0.077
070	3A151-83390	STAY COVER RH	1	<=55503			0	0
070	3A151-83393	STAY COVER RH	1	>=55504	←		0.47	1.034
080	01774-61020	BOLT FLANGE	2				0.022	0.0484
090	3A151-83400	STAY COVER LH	1				0.505	1.111
100	01754-50816	BOLT FLANGE	2				0.011	0.0242
110	3A151-83410	STAY COVER	2				0.22	0.484
120	01754-50816	BOLT FLANGE	4				0.011	0.0242

HOOD (BONNET) REAR

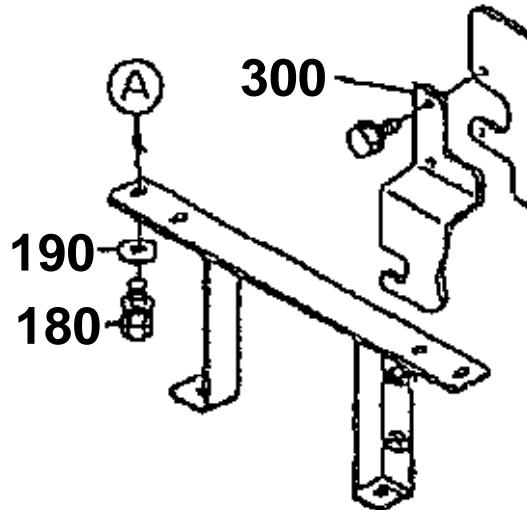


3A150-104-15

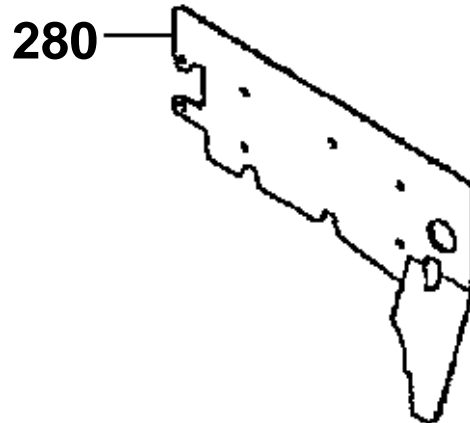
180 01133-51025

190 04013-60100

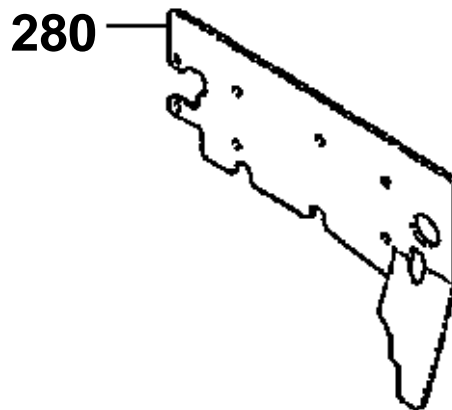
300 3A111-0464-3



280 3A111-0461-0



280 3A111-0461-3

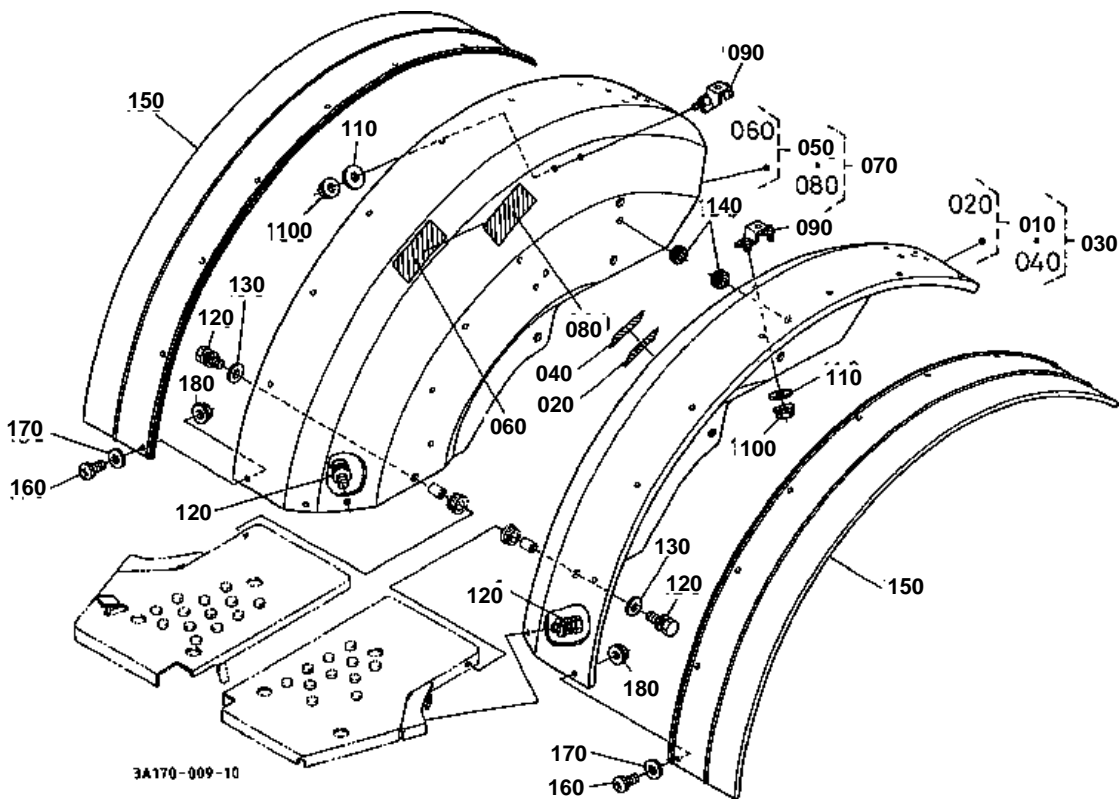


3A154-808-13

**HOOD (BONNET) REAR**

↔ Interchangeable; ≠ not interchangeable; ← new for old; → old for new

REF.No	Part No.	Description	Q'ty	S.No.	I/C	REMARKS	Weight (kgf)	Weight (lb)
010	3A011-83610	ASSY BONNET REAR RH	1				0.62	1.364
020	3A011-83490	NUT SPRING	3				0.01	0.022
030	3A111-97360	KIT BONNET REAR (A)	1			ENGLISH	0.65	1.43
040	3A111-97560	KIT BONNET REAR (B)	1			FRENCH	0.65	1.43
050	TA040-49650	LABEL START CAUTION	1			ENGLISH	0.004	0.0088
060	35080-65280	LABEL KEY STOP	1			ENGLISH	0.001	0.0022
065	TA041-49650	LABEL START CAUTION	1			FRENCH	0.004	0.0088
066	35081-65280	LABEL KEY STOP	1			FRENCH	0.02	0.044
070	3A011-83490	NUT SPRING	4				0.01	0.022
080	3A011-04580	SPONGE BONNET REAR	2				0.018	0.0396
090	3A011-04590	SPONGE BONNET REAR	2				0.015	0.033
100	03004-50816	SCREW WITH WASHER	1				0.01	0.022
110	04015-60080	WASHER PLAIN	1				0.01	0.022
120	03034-50816	SCREW WITH WASHER	4				0.01	0.022
130	03004-50616	SCREW WITH WASHER	3				0.006	0.0132
140	04015-60060	WASHER PLAIN	3				0.005	0.011
150	3A111-83680	SPONGE BONNET	2				0.025	0.055
160	3A111-83590	SUPPORT BONNET REAR	1				3.3	7.26
170	3A111-83850	INSULATION HEAT	1				0.057	0.1254
180	01133-51025	BOLT	2	≤54643			0.023	0.0506
180	01135-61025	BOLT	2	≥54644	←		0.04	0.088
190	04013-60100	WASHER PLAIN	2	≤54643			0.003	0.0066
200	3A011-83150	SPRING PLATE	2				0.055	0.121
210	01123-60816	BOLT	2				0.01	0.022
220	3A011-63224	COVER PANEL	1				0.25	0.55
230	01754-50612	BOLT FLANGE	4				0.005	0.011
240	3A481-83720	STAY BONNET	1				0.27	0.594
250	01125-60820	BOLT	2				0.015	0.033
260	3A151-04520	BASE BONNET REAR	1				2.2	4.84
270	01133-51225	BOLT	2				0.035	0.077
280	3A111-04610	PLATE SHUTTER	1	≤55588			0	0
280	3A111-04613	PLATE SHUTTER	1	≥55589	←		0.905	1.991
280	3A111-04614	PLATE SHUTTER	1	≥59126	←		0.905	1.991
290	01754-50612	BOLT FLANGE	4				0.005	0.011
300	3A111-04643	PLATE SHUTTER	1	≤53879			0	0
300	3A111-04644	PLATE SHUTTER	1	≥53880	←		0.137	0.3014
310	01754-50612	BOLT FLANGE	2				0.005	0.011
320	45623-82850	RUBBER	1				0.005	0.011
330	12234-67580	CLAMP CORD	1				0.012	0.0264
340	56713-31120	GROMMET	1				0.005	0.011

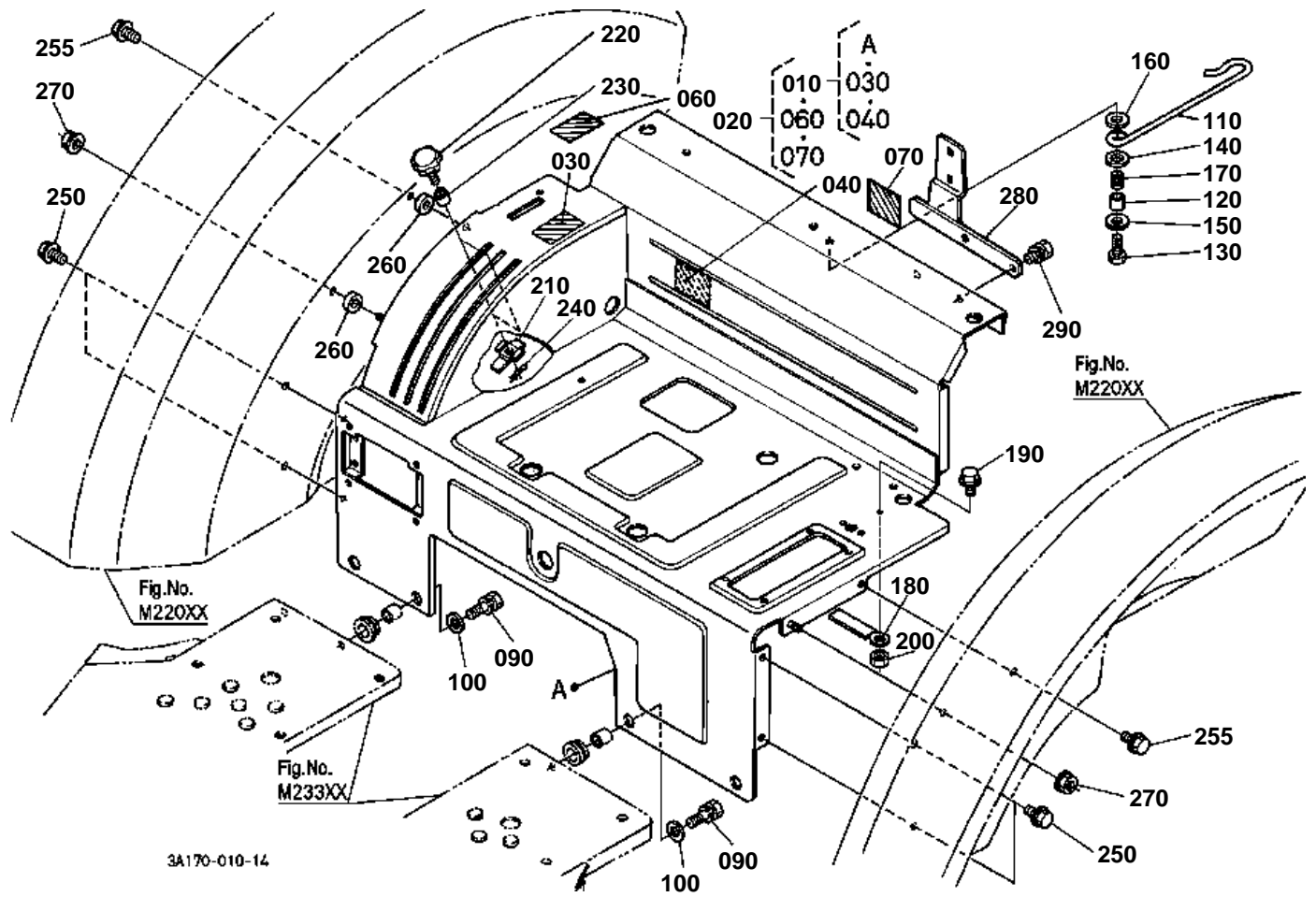


**FENDER**

↔ Interchangeable; ≠ not interchangeable; ← new for old; → old for new

REF.No	Part No.	Description	Q'ty	S.No.	I/C	REMARKS	Weight (kgf)	Weight (lb)
010	3A171-97320	KIT FENDER LH (A)	1			ENGLISH	10.6	23.32
020	3A111-98482	LABEL ROPS WARNING	1			ENGLISH	0.004	0.0088
030	3A171-97520	KIT FENDER LH (B)	1			FRENCH	10.6	23.32
040	3A112-98480	LABEL ROPS WARNING	1			FRENCH	0.004	0.0088
050	3A171-97390	KIT FENDER RH (A)	1	<=57257		ENGLISH	10.6	23.32
050	3A171-97392	KIT FENDER RH (A)	1	>=57258	←	ENGLISH	10.6	23.32
060	35260-34913	LABEL SAFETY	1	<=57257		ENGLISH	0	0
060	35260-34914	LABEL SAFETY	1	>=57258	←	ENGLISH	0.005	0.011
070	3A171-97550	KIT FENDER RH (B)	1	<=57257		FRENCH	0	0
070	3A171-97552	KIT FENDER RH (B)	1	>=57258	←	FRENCH	10.6	23.32
080	TA041-65700	LABEL SAFETY	1	<=57257		FRENCH	0	0
080	TA041-65702	LABEL SAFETY	1	>=57258	←	FRENCH	0.01	0.022
090	3A171-87280	SUPPORT FENDER	2				0.135	0.297
100	02751-50080	NUT FLANGE	4				0.006	0.0132
110	04015-60080	WASHER PLAIN	4				0.01	0.022
120	01123-50825	BOLT	6				0.013	0.0286
130	36919-53500	COLLAR	2				0	0
130	3A211-53500	COLLAR	2		↔		0.011	0.0242
140	01125-50830	BOLT	2				0.01	0.022
150	32150-29180	CAP RUBBER	2				0.002	0.0044
160	3A171-87170	FENDER EXTENSION	2				3.8	8.36
170	03017-50812	SCREW CR-REC-BD-HD	16				0.009	0.0198
180	04013-60080	WASHER PLAIN	16				0.002	0.0044
190	02751-50080	NUT FLANGE	16				0.006	0.0132

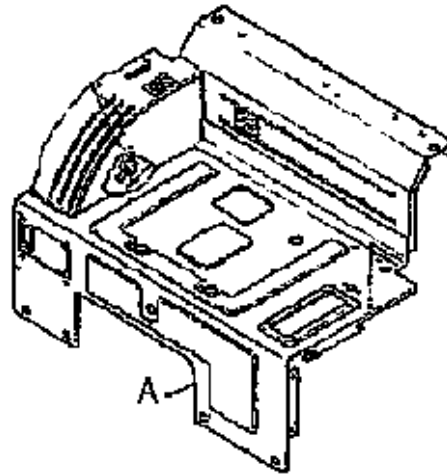
FLOOR SEAT



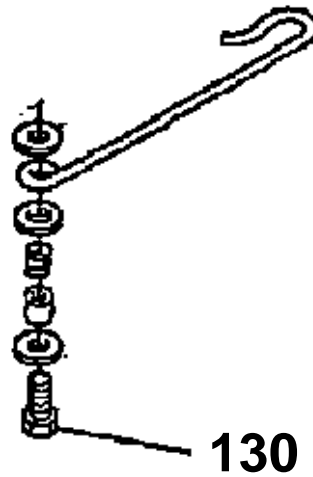
010 3A151-9731-0

010 3A151-9731-2

010 030
020 060 040
070



130 01173-51040



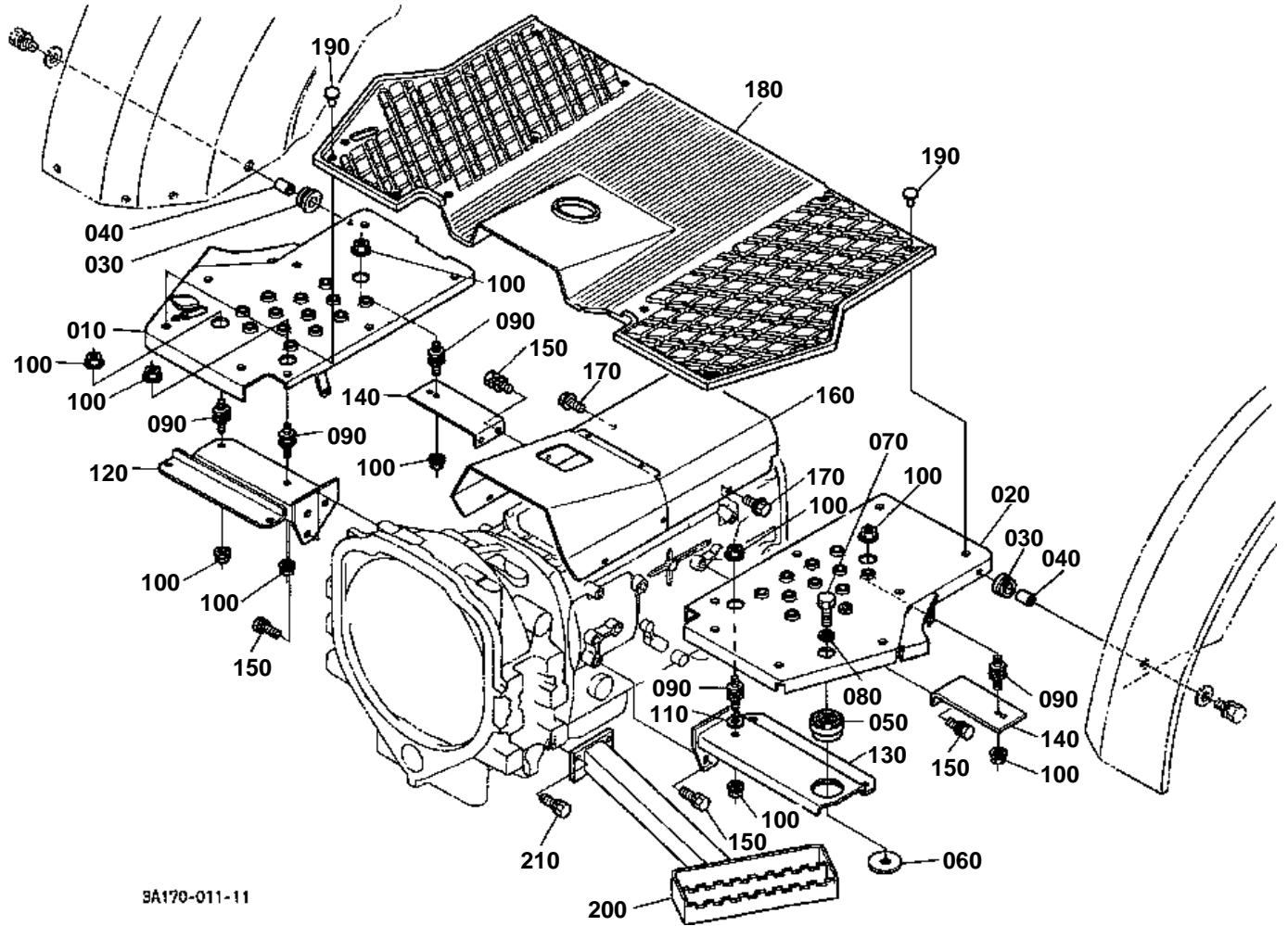
3A150-830-20



FLOOR SEAT

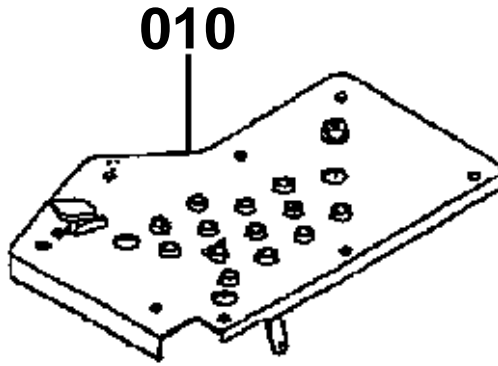
↔ Interchangeable; ≠ not interchangeable; ← new for old; → old for new

REF.No	Part No.	Description	Q'ty	S.No.	I/C	REMARKS	Weight (kgf)	Weight (lb)
010	3A151-97312	KIT COVER FLOOR SEAT	1	<=60820		ENGLISH	10.5	23.1
010	3A151-97313	KIT COVER FLOOR SEAT	1	>=60821	←	ENGLISH	10.5	23.1
020	3A151-97510	KIT COVER FLOOR SEAT	1			FRENCH	10.5	23.1
030	TA040-49302	LABEL I-PTO CAUTION	1			ENGLISH	0.001	0.0022
040	3A111-98563	LABEL LIFT ROD	1			ENGLISH	0.002	0.0044
050	99999-99999	BLANK	0				0	0
060	TA041-49300	LABEL I-PTO CAUTION	1			FRENCH	0.003	0.0066
070	3A112-98560	LABEL LIFT ROD	1			FRENCH	0.002	0.0044
080	99999-99999	BLANK	0				0	0
090	01123-50825	BOLT	4				0.013	0.0286
100	36919-53502	COLLAR	4				0.01	0.022
100	3A211-53500	COLLAR	4		↔		0.011	0.0242
110	3A151-91960	SUPPORT TOP LINK	1				0.195	0.429
120	31391-16840	SPACER	1				0.017	0.0374
130	01173-51040	BOLT	1	<=54025			0.028	0.0616
130	01133-51040	BOLT	1	>=54026	←		0.03	0.066
140	04011-60160	WASHER PLAIN	1				0.01	0.022
150	04015-50100	WASHER PLAIN	1				0.016	0.0352
160	04015-50100	WASHER PLAIN	1				0.016	0.0352
170	33251-10320	SPRING ACCEL.LEVER	1				0.012	0.0264
180	15272-67590	CLAMP CORD	1				0.004	0.0088
190	01754-50610	BOLT FLANGE	1				0.006	0.0132
200	02014-50060	NUT	1				0.002	0.0044
210	36919-81523	STOPPER LEVER	2				0.01	0.022
220	36919-81530	BOLT STOPPER	2				0.022	0.0484
230	36919-82620	COLLAR	2				0.008	0.0176
240	52300-34120	PIN SNAP	2				0.001	0.0022
250	01754-50812	BOLT FLANGE	4				0.01	0.022
255	01754-50816	BOLT FLANGE	2				0.011	0.0242
260	31301-47980	SPACER	2				0.009	0.0198
270	02751-50080	NUT FLANGE	2				0.006	0.0132
280	3A171-87940	STAY SMV	1				0.41	0.902
290	01123-50822	BOLT	2				0.012	0.0264



3A170-011-11

010 3A151-8706-0

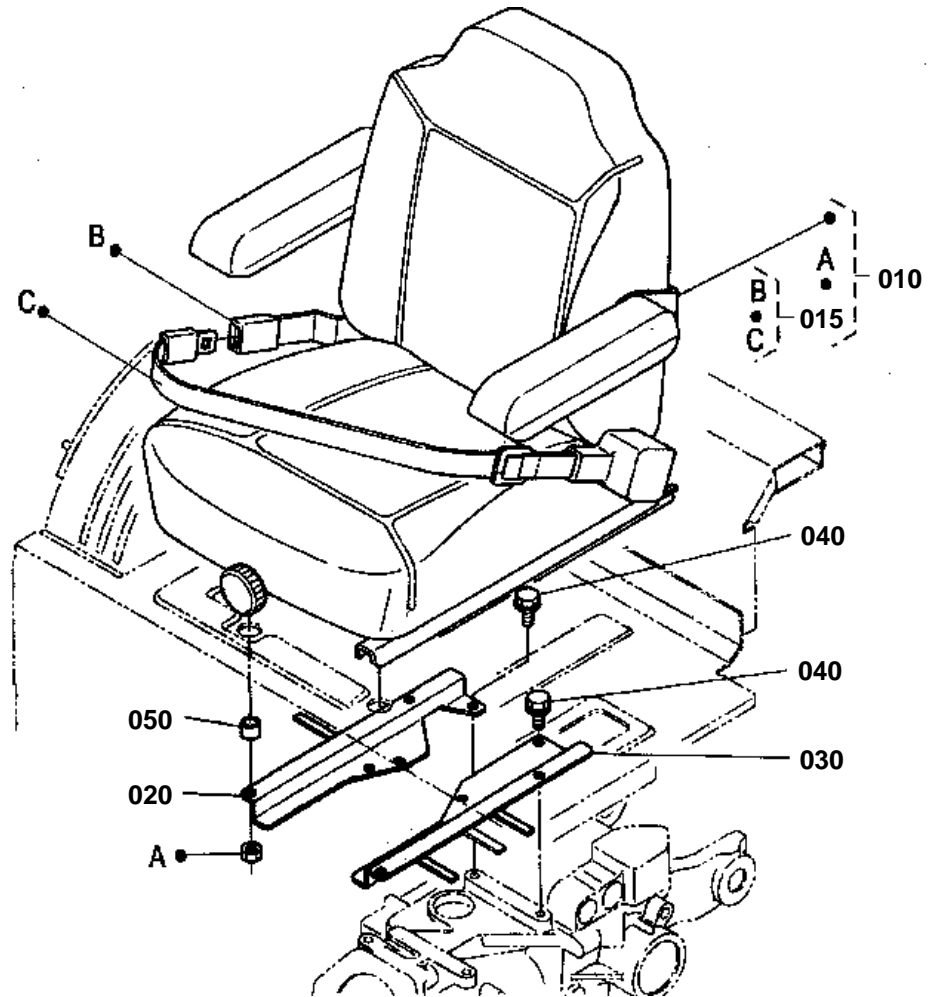


3A150-B53-10

**STEP**

↔ Interchangeable; ≠ not interchangeable; ← new for old; → old for new

REF.No	Part No.	Description	Q'ty	S.No.	I/C	REMARKS	Weight (kgf)	Weight (lb)
010	3A171-87062	COMP.STEP RH	1	<=58179			4.5	9.9
010	3A171-87062	COMP.STEP RH	1	>=58180	←		4.5	9.9
020	3A171-87070	COMP.STEP LH	1				4.5	9.9
030	3A111-87360	CUSHION	6				0.005	0.011
040	67950-53390	COLLAR	6				0.02	0.044
050	34070-47310	CUSHION	1				0.165	0.363
060	3A111-87410	WASHER	1				0.125	0.275
070	01173-51650	BOLT	1				0.099	0.2178
080	04512-60160	WASHER SPRING	1				0.01	0.022
090	3A011-87303	CUSHION	5				0.035	0.077
100	02751-50080	NUT FLANGE	10				0.006	0.0132
110	70314-71920	WASHER	1				0.015	0.033
120	3A151-87380	BRACKET STEP RH	1				0.29	0.638
130	3A151-87390	BRACKET STEP LH	1				2.8	6.16
140	3A011-87402	STAY STEP REAR	2				0.665	1.463
150	01133-51025	BOLT	10				0.023	0.0506
160	3A151-87160	COVER	1				3.1	6.82
170	01754-50812	BOLT FLANGE	4				0.01	0.022
180	3A151-55060	MAT STEP	1				4.9	10.78
190	67955-51340	STOPPER	16				0.001	0.0022
200	3A111-87310	STEP AUX.	1	<=50220			0	0
200	3A111-87313	STEP AUX.	1	>=50221	←		4	8.8
210	01133-51030	BOLT	2				0.025	0.055

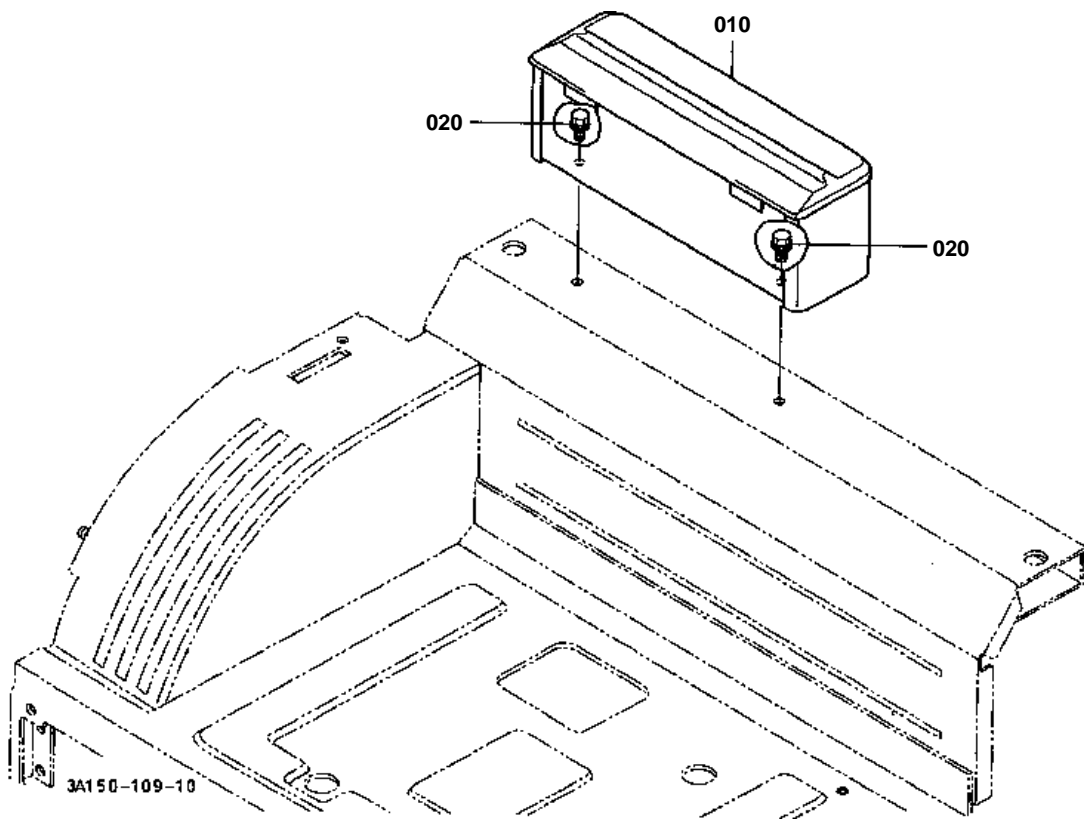


3A170-012-11

**SEAT**

↔ Interchangeable; ≠ not interchangeable; ← new for old; → old for new

REF.No	Part No.	Description	Q'ty	S.No.	I/C	REMARKS	Weight (kgf)	Weight (lb)
010	3A171-85010	ASSY SEAT	1	<=60820			0	0
010	3A172-85010	ASSY SEAT	1	>=60821	←		0	0
015	3A171-85300	ASSY BELT SEAT	1				0.75	1.65
020	3A151-85150	BRACKET SEAT RH	1				0.915	2.013
030	3A151-85162	BRACKET SEAT LH	1	<=52490			0	0
030	3A151-85163	BRACKET SEAT LH	1	>=52431	←		1.14	2.508
040	01133-51020	BOLT	4				0.02	0.044
050	63313-54330	COLLAR	4				0.018	0.0396

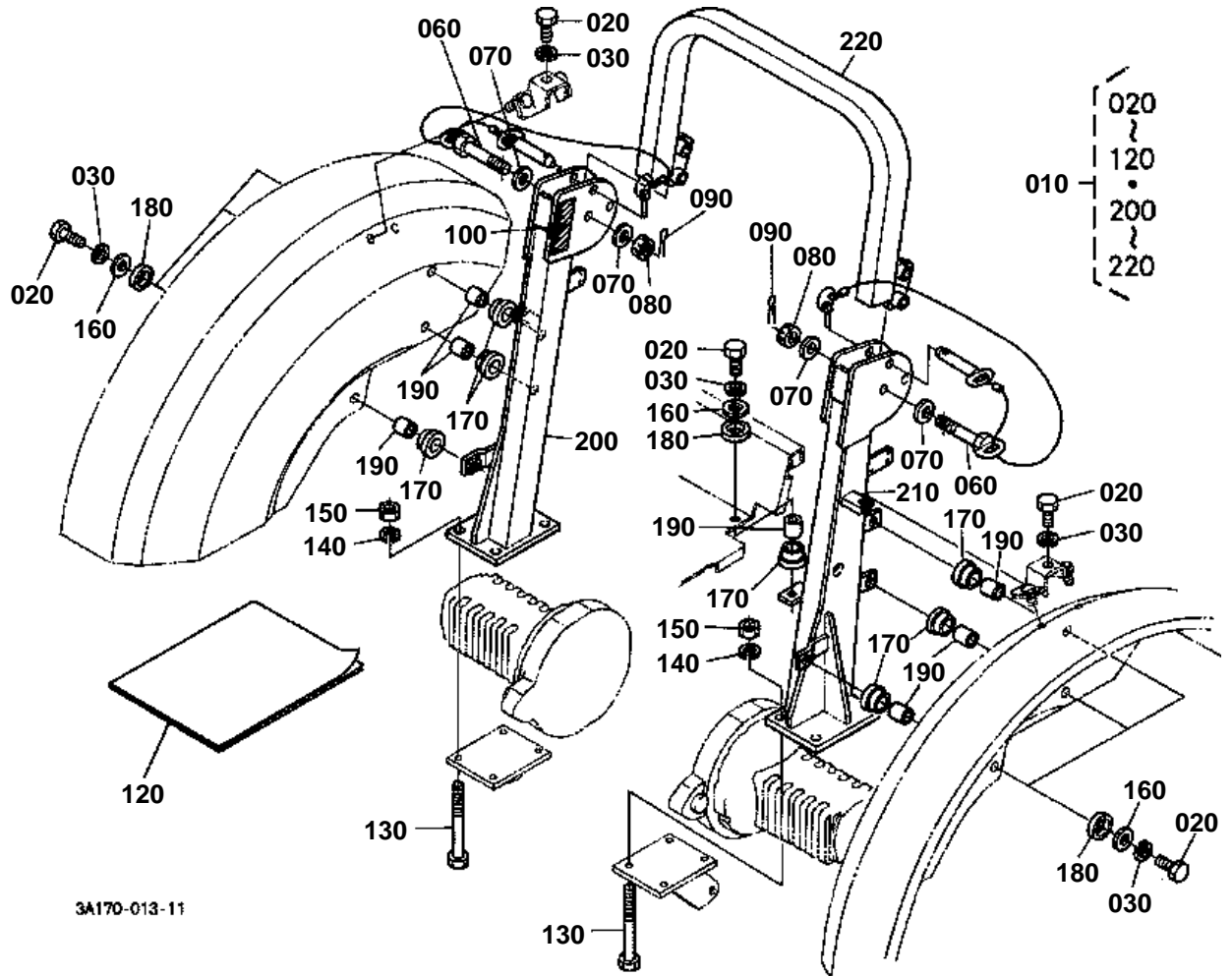




TOOL BOX

↔ Interchangeable; ≠ not interchangeable; ← new for old; → old for new

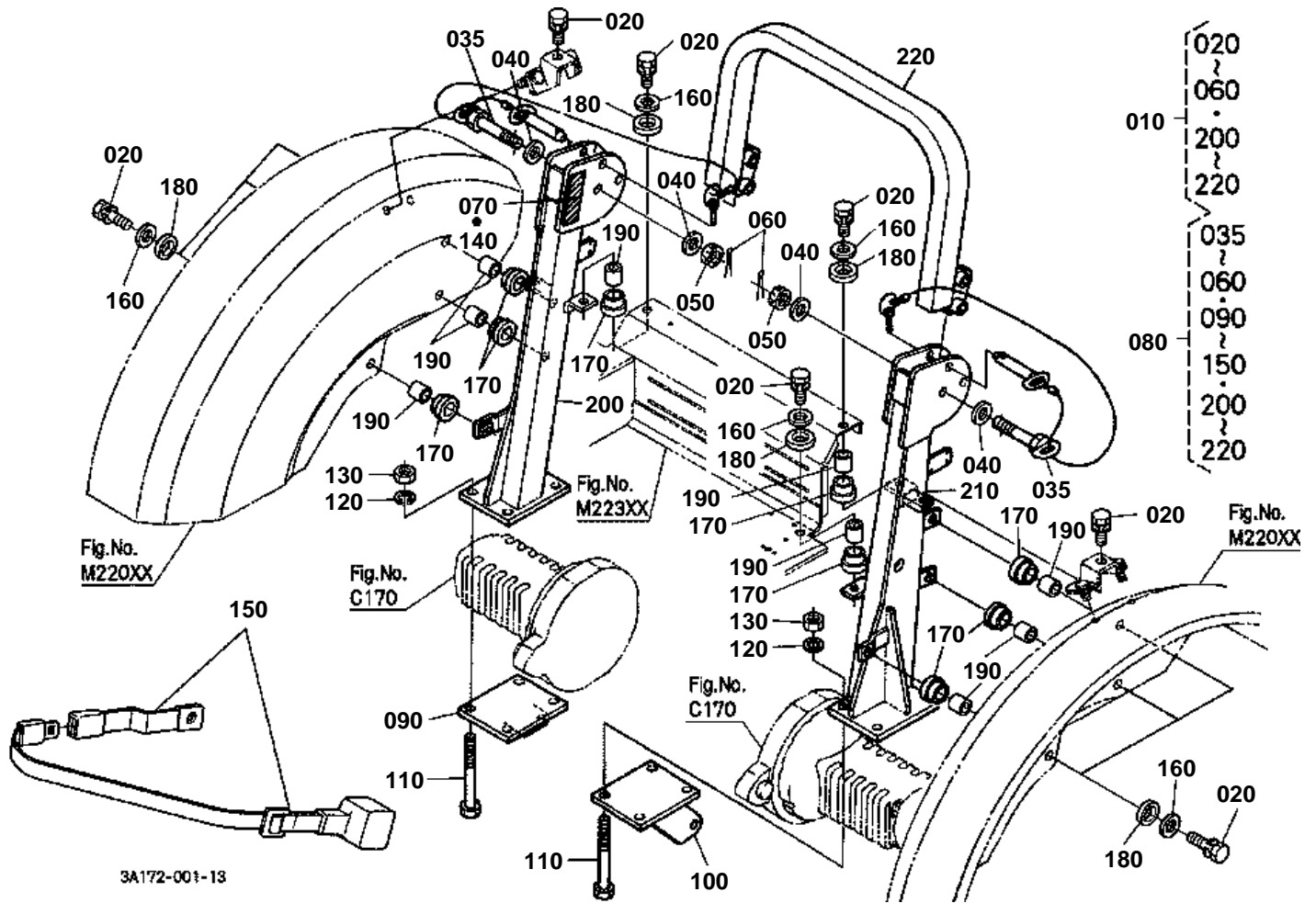
REF.No	Part No.	Description	Q'ty	S.No.	I/C	REMARKS	Weight (kgf)	Weight (lb)
010	3A131-90230	CASE TOOLS	1	<=55503			0	0
010	3A131-90232	CASE TOOLS	1	>=55504	←		2.6	5.72
020	01754-50816	BOLT FLANGE	2				0.011	0.0242



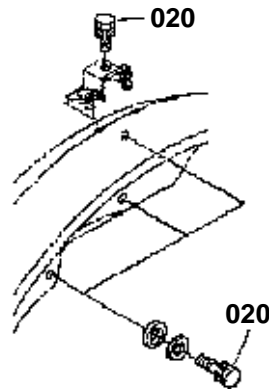
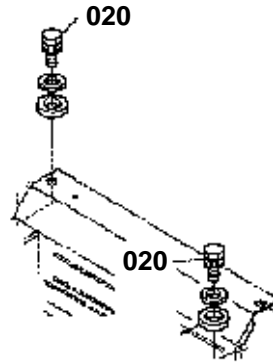
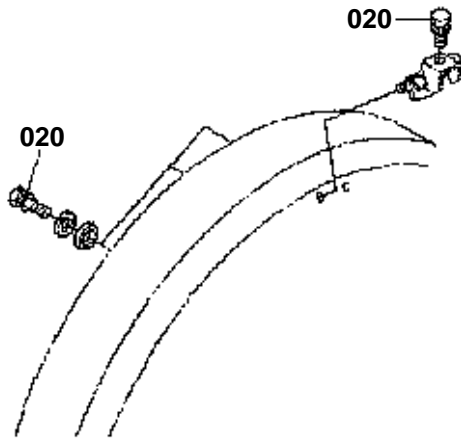
**ROPS [OLD TYPE]**

↔ Interchangeable; ≠ not interchangeable; ← new for old; → old for new

REF.No	Part No.	Description	Q'ty	S.No.	I/C	REMARKS	Weight (kgf)	Weight (lb)
010	3A171-87000	ASSY ROPS	1				0	0
020	75599-03325	HEX.BOLT	11				0.021	0.0462
030	75599-33013	WASHER SPRING	11				0.006	0.0132
040	99999-99999	BLANK	0				0	0
050	99999-99999	BLANK	0				0	0
060	3A111-95200	ASSY BOLT SET	2				0.67	1.474
070	3A111-95270	WASHER PLAIN	4				0.02	0.044
080	3A111-95260	NUT SLOTTED HEX.	2				0.06	0.132
090	75599-53194	PIN COTTER	2				0.001	0.0022
100	3A111-95540	LABEL ROPS CAUTION	1				0.003	0.0066
110	99999-99999	BLANK	0				0	0
120	3A171-95170	MANUAL INSTRUCTION	1				0	0
130	3A171-71980	HEX.BOLT	8				0.35	0.77
140	04512-60160	WASHER SPRING	8				0.01	0.022
150	36500-49390	NUT	8				0.043	0.0946
160	52450-63660	WASHER	9				0.029	0.0638
170	3A011-87290	CUSHION	9				0.011	0.0242
180	3A011-87340	CUSHION	9				0.008	0.0176
190	38240-29940	SPACER	9				0.005	0.011
200	99999-99999	BRACKET(FENDER RH)	1				0	0
210	99999-99999	BRACKET(FENDER LH)	1				0	0
220	99999-99999	COMP.FRAME(U)	1				0	0



020 0Y103-50620
030 0Y450-50060



3A161-811-10

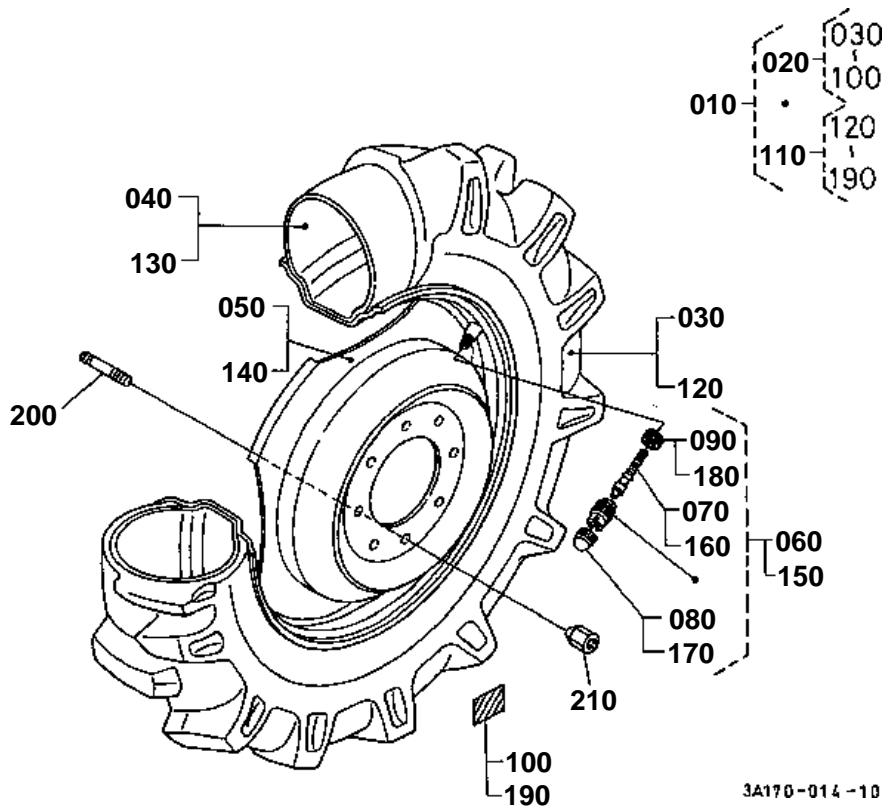


ROPS [NEW TYPE]

↔ Interchangeable; ≠ not interchangeable; ← new for old; → old for new

REF.No	Part No.	Description	Q'ty	S.No.	I/C	REMARKS	Weight (kgf)	Weight (lb)
010	3A172-95000	ASSY ROPS	1				0	0
020	0Y103-50620	BOLT	11	<=59937			0.2	0.44
020	01133-51032	BOLT	11	>=59938	←		0.025	0.055
030	0Y450-50060	WASHER SPRING	11	<=59937			0.003	0.0066
035	3A112-95200	SET BOLT	2				0.665	1.463
040	04013-50200	WASHER PLAIN	4				0.02	0.044
050	02254-50200	NUT	2				0.35	0.77
060	05511-50430	PIN SPLIT	2				0.004	0.0088
070	3A111-95540	LABEL ROPS CAUTION	1			ENGLISH	0.003	0.0066
080	3A172-97600	KIT ROPS REPLACEMENT	1				0	0
090	3A151-91080	BRACKET STAB.RH	1				4.9	10.78
100	3A151-91090	BRACKET STAB.LH	1				4.9	10.78
110	3A171-71980	BOLT	8				0.35	0.77
120	04512-60160	WASHER SPRING	8				0.01	0.022
130	36500-49390	NUT	8				0.043	0.0946
140	3A111-95540	LABEL ROPS CAUTION	1			ENGLISH	0.003	0.0066
140	3A112-95540	LABEL ROPS CAUTION	1			FRENCH	0.003	0.0066
150	3A171-85300	ASSY BELT SEAT	1				0.75	1.65
160	52450-63660	COLLAR	9	<=59937			0.029	0.0638
160	58056-51170	WASHER	9	>=59938	←		0.02	0.044
170	3A011-87290	CUSHION	9				0.011	0.0242
180	3A011-87340	CUSHION	9				0.008	0.0176
190	38240-29940	SPACER	9				0.005	0.011
200	99999-99999	BRACKET(FENDER RH)	1				0	0
210	99999-99999	BRACKET(FENDER LH)	1				0	0
220	99999-99999	COMP.FRAME(U)	1				0	0

FRONT WHEEL (9.5-20)

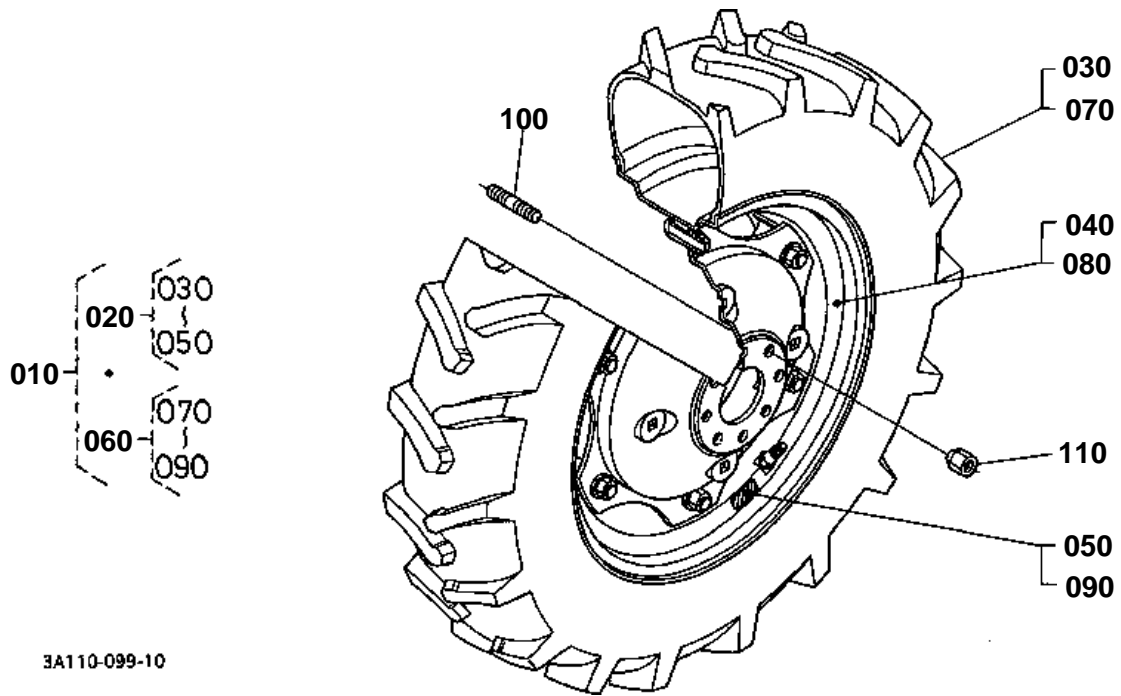


3A170-014-10

**FRONT WHEEL (9.5-20)**

↔ Interchangeable; ≠ not interchangeable; ← new for old; → old for new

REF.No	Part No.	Description	Q'ty	S.No.	I/C	REMARKS	Weight (kgf)	Weight (lb)
010	35515-49230	ASSY FRONT WHEEL	1				115	253
020	35515-49420	ASSY TIRE F.WHEEL RH	1				0	0
030	32580-44930	TIRE	1				23	50.6
040	35787-49220	TUBE TIRE	1				1.95	4.29
050	35515-24130	DISK FRONT WHEEL	1				19	41.8
060	32150-27700	ASSY VALVE	1				0.001	0.0022
070	32150-27740	CORE VALVE	1				0.003	0.0066
080	38240-11690	CAP VALVE	1				0.001	0.0022
090	32270-27710	NUT RIM	1				0.006	0.0132
100	35999-06260	LABEL TIRE RH	1				0.001	0.0022
110	35515-49430	ASSY TIRE F.WHEEL LH	1				0	0
120	32580-44930	TIRE	1				23	50.6
130	35787-49220	TUBE TIRE	1				1.95	4.29
140	35515-24130	DISK FRONT WHEEL	1				19	41.8
150	32150-27700	ASSY VALVE	1				0.001	0.0022
160	32150-27740	CORE VALVE	1				0.003	0.0066
170	38240-11690	CAP VALVE	1				0.001	0.0022
180	32270-27710	NUT RIM	1				0.006	0.0132
190	35999-06270	LABEL TIRE LH	1				0.001	0.0022
200	32530-27410	STUD	16				0.08	0.176
210	33251-49170	NUT	16				0.045	0.099

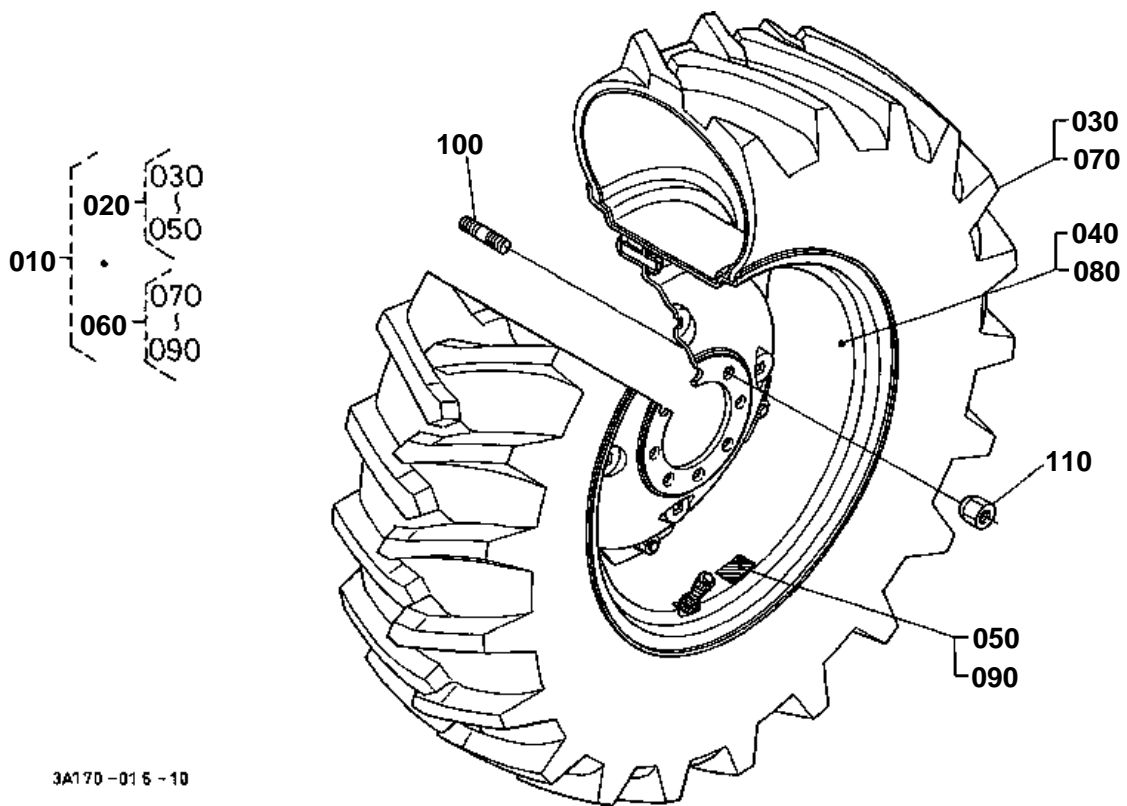




FRONT WHEEL (9.5-24)

↔ Interchangeable; ≠ not interchangeable; ← new for old; → old for new

REF.No	Part No.	Description	Q'ty	S.No.	I/C	REMARKS	Weight (kgf)	Weight (lb)
010	35999-13113	ASSY FRONT WHEEL	1				0	0
020	35999-14253	ASSY FRONT WHEEL RH	1				0	0
030	35999-13412	ASSY TIRE	1				0	0
040	35999-13672	ASSY WHEEL	1				0	0
050	35999-14872	LABEL TIRE RH	1				0	0
060	35999-14263	ASSY FRONT WHEEL LH	1				0	0
070	35999-13412	ASSY TIRE	1				0	0
080	35999-13672	ASSY WHEEL	1				0	0
090	35999-14882	LABEL TIRE LH	1				0	0
100	32530-27410	STUD	16				0.08	0.176
110	33251-49170	NUT	16				0.045	0.099

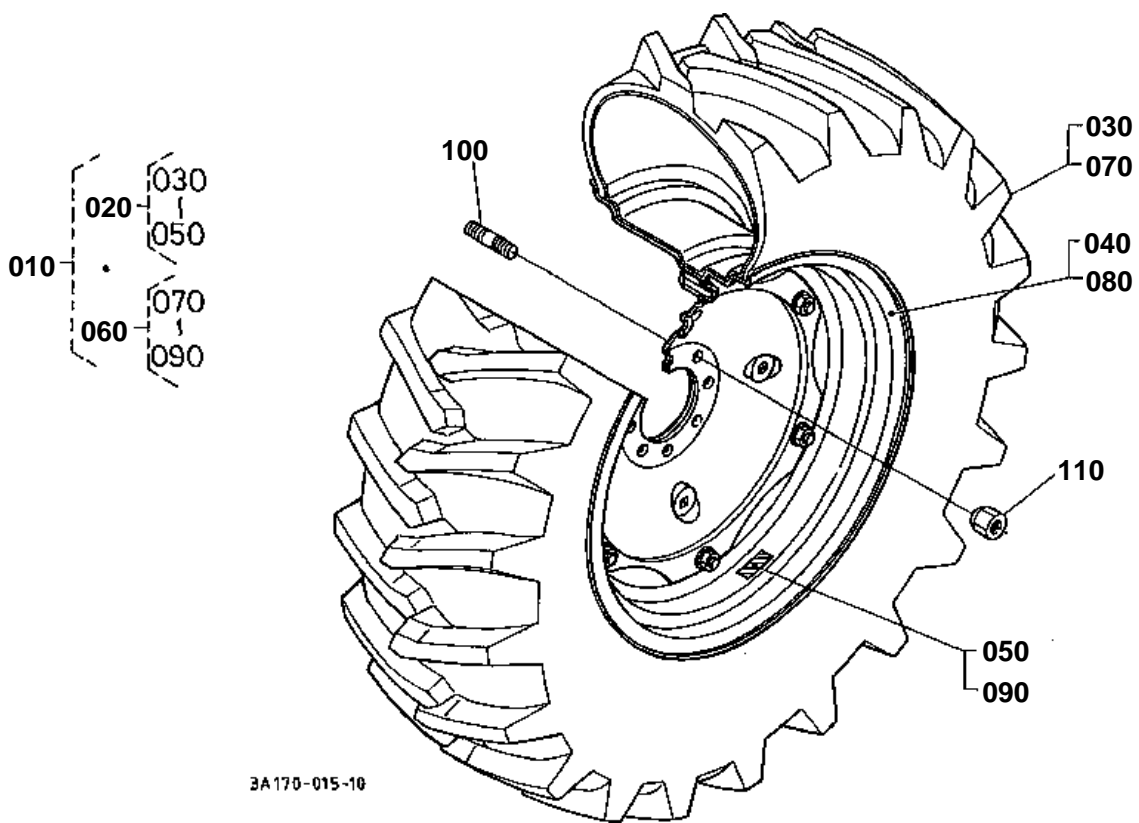




REAR WHEEL (16.9-24)

↔ Interchangeable; ≠ not interchangeable; ← new for old; → old for new

REF.No	Part No.	Description	Q'ty	S.No.	I/C	REMARKS	Weight (kgf)	Weight (lb)
010	32550-40903	ASSY REAR WHEEL	1				0	0
020	32550-40943	ASSY TIRE RH	1				0	0
030	32550-40913	ASSY TIRE	1				0	0
040	32550-40920	ASSY WHEEL	1				0	0
050	32550-40933	LABEL TIRE RH	1				0	0
060	32550-40953	ASSY TIRE LH	1				0	0
070	32550-40913	ASSY TIRE	1				0	0
080	32550-40920	ASSY WHEEL	1				0	0
090	32550-40963	LABEL TIRE LH	1				0	0
100	35707-49153	STUD	16				0.1	0.22
110	35707-49170	NUT	16				0.136	0.2992

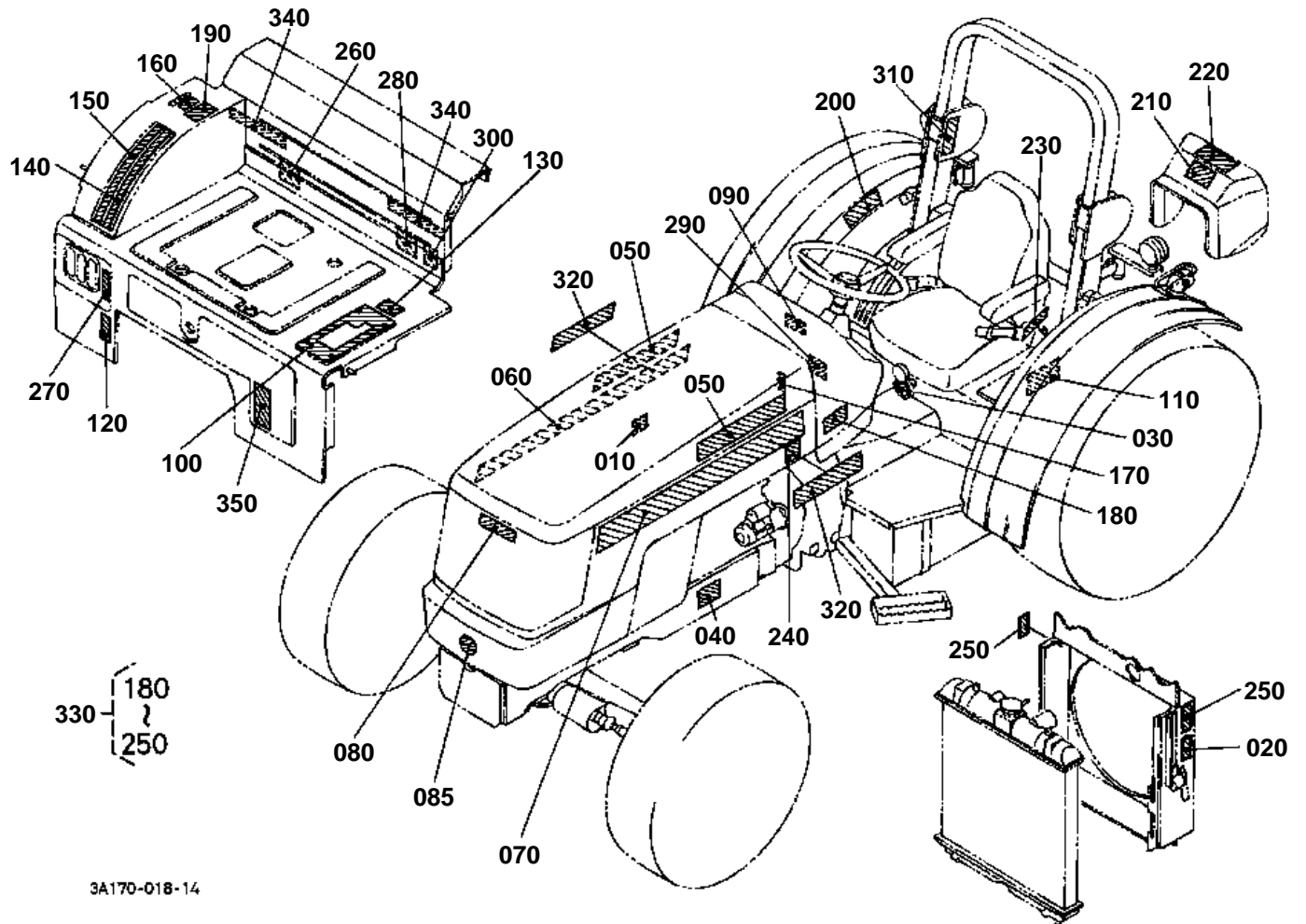




REAR WHEEL (18.4-26)

↔ Interchangeable; ≠ not interchangeable; ← new for old; → old for new

REF.No	Part No.	Description	Q'ty	S.No.	I/C	REMARKS	Weight (kgf)	Weight (lb)
010	35999-12940	ASSY REAR WHEEL	1				0	0
020	35999-14030	ASSY REAR WHEEL RH	1				0	0
030	35999-13250	ASSY TIRE	1				0	0
040	35999-13560	ASSY WHEEL	1				0	0
050	35999-14610	LABEL TIRE RH	1				0	0
060	35999-14040	ASSY REAR WHEEL LH	1				0	0
070	35999-13250	ASSY TIRE	1				0	0
080	35999-13560	ASSY WHEEL	1				0	0
090	35999-14620	LABEL TIRE LH	1				0	0
100	35707-49153	STUD	16				0.1	0.22
110	35707-49170	NUT	16				0.136	0.2992



3A170-018-14



LABEL [A]

↔ Interchangeable; ≠ not interchangeable; ← new for old; → old for new

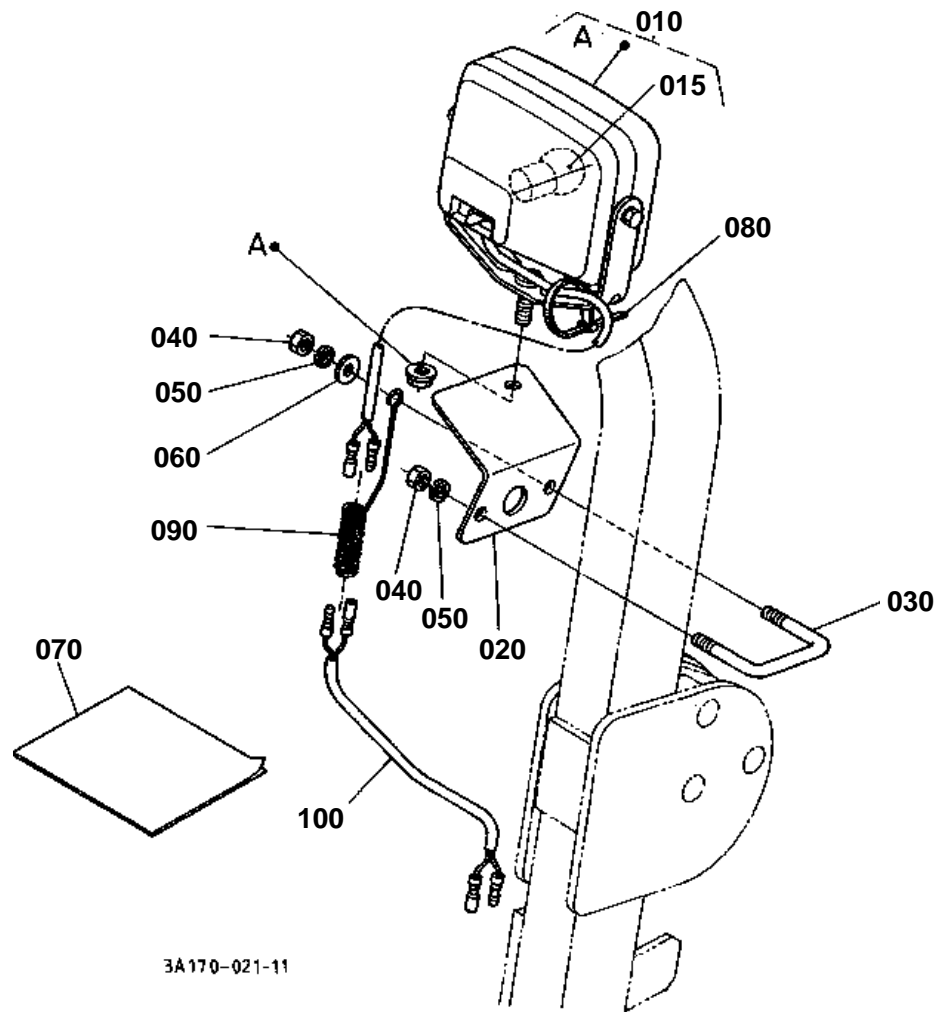
REF.No	Part No.	Description	Q'ty	S.No.	I/C	REMARKS	Weight (kgf)	Weight (lb)
010	16478-88220	LABEL FILTER	1				0.002	0.0044
020	16478-88230	LABEL RADIATOR	1				0.001	0.0022
030	TA040-49510	MARK HYD.ADJUST.	1				0.001	0.0022
040	99999-99999	NAME PLATE	1			NOT SALE	0	0
050	35080-65350	LABEL KUBOTA	2				0.001	0.0022
060	3A151-98200	MARK MODEL RH	1				0.016	0.0352
070	3A151-98220	MARK MODEL LH	1				0.016	0.0352
080	33740-83193	NAMER KUBOTA	1				0.007	0.0154
085	3F240-83200	MARK SYMBOL	1	>=50221			0.015	0.033
090	3A111-98180	LABEL MAIN SWITCH	1				0.001	0.0022
100	3A131-98960	MARK RANGE SHIFT	1				0.025	0.055
110	3A171-98450	LABEL SPEED	1				0.001	0.0022
120	TA040-49760	MARK DIFF.LOCK	1				0.001	0.0022
130	3A161-98650	LABEL 4WD	1				0.001	0.0022
140	3A011-98370	LABEL DRAFT	1				0.002	0.0044
150	3A011-98230	LABEL POSITION	1				0.002	0.0044
160	33740-98290	LABEL PTO CLUTCH	1				0.001	0.0022
170	TA040-49460	LABEL PARKING	1				0.001	0.0022
180	TA040-49650	LABEL START CAUTION	1				0.004	0.0088
190	TA040-49302	LABEL I-PTO CAUTION	1				0.001	0.0022
200	35260-34913	LABEL SAFETY	1	<=57257			0	0
200	35260-34914	LABEL SAFETY	1	>=57258	←		0.005	0.011
210	TA040-49350	LABEL DRAWBAR	1				0.002	0.0044
220	TA040-49590	LABEL PTO WARNING	1				0.002	0.0044
230	3A111-98482	LABEL ROPS WARNING	1				0.004	0.0088
240	32310-49580	LABEL WARNING	1				0.002	0.0044
250	32751-49580	LABEL FAN BELT	2				0.001	0.0022
260	3A111-98563	LABEL LIFT ROD	1				0.002	0.0044
270	3A111-98392	LABEL AUX.CON.VALVE	1				0.001	0.0022
280	3A111-98572	LABEL AUX.CONT.VALVE	1				0.001	0.0022
290	35080-65280	LABEL KEY STOP	1				0.001	0.0022
300	TA040-49562	LABEL FUEL	1				0.002	0.0044
310	3A111-95540	LABEL ROPS CAUTION	1				0.003	0.0066
320	35537-98152	MARK LOW PROFILE	2				0.002	0.0044
330	3A111-97300	KIT LABEL SAFETY (A)	1	<=53257			0.02	0.044
330	3A111-97303	KIT LABEL SAFETY (A)	1	>=57258	←		0.02	0.044
340	3A211-75800	REFLECTOR LABEL	2	>=55504			0.004	0.0088
350	3A152-98440	LABEL CLUTCH PEDAL	1	>=60313			0.003	0.0066

**ACCESSORIES AND SERVICE PARTS
ACCESSOIRES ET PIECES DE SERVICE
SONTIGES ZUBEHOER UND SERVICE-TEILE**

TITLE-001-10

↔ Interchangeable; ≠ not interchangeable; ← new for old; → old for new

REF.No	Part No.	Description	Q'ty	S.No.	I/C	REMARKS	Weight (kgf)	Weight (lb)
010	3A111-99710	OPERATOR'S MANUAL	1	<=54025		ENGLISH	0.22	0.484
010	3A211-99710	OPERATOR'S MANUAL	1	>=54026	≠	ENGLISH	0.21	0.462
010	3A211-99712	OPERATOR'S MANUAL	1	>=60821	←	ENGLISH	0.21	0.462
010	3A171-99710	OPERATOR'S MANUAL	1	<=60820			0.008	0.0176
010	3A171-99712	OPERATOR'S MANUAL	1	>=60821	←		0.008	0.0176
040	32530-27410	STUD	16			FOR FRONT WHEEL	0.08	0.176
050	33251-49170	NUT	16			FOR FRONT WHEEL	0.045	0.099
060	35707-49153	STUD	16			FOR REAR WHEEL	0.1	0.22
070	35707-49170	NUT	16			FOR REAR WHEEL	0.136	0.2992
075	3A151-97820	STUD	16			FOR REAR WHEEL	0.125	0.275
076	3A111-97810	NUT TAPER	16			FOR REAR WHEEL	0.13	0.286
080	35080-34530	FUSE	1			50A	0.015	0.033
090	18510-63720	ASSY KEY STARTER	1				0.025	0.055
100	3A111-74360	BOLT HOOK(BATTERY)	2				0.032	0.0704
110	02014-50060	NUT	4				0.002	0.0044
120	04015-60060	WASHER PLAIN	2				0.005	0.011
130	3A171-87940	STAY SMV	1				0.41	0.902
140	3F760-04540	CLAMP	2				0.002	0.0044
150	01754-50816	BOLT FLANGE	2				0.011	0.0242
160	13824-67590	CLAMP CORD	2				0.002	0.0044
170	01123-50822	BOLT	2				0.012	0.0264
180	36230-74350	RETAINER BATTERY	1				0.41	0.902
190	38430-29670	CUSHION	2				0.01	0.022
200	36330-91773	ASSY PIN TOP LINK	1				0.55	1.21
210	36330-91762	PIN TOP LINK REAR	1				0.49	1.078
220	36200-91840	ASSY PIN SET	1				0.06	0.132
230	32530-71980	BOLT	8				0.35	0.77
240	04512-60160	WASHER SPRING	8				0.01	0.022
250	02076-50160	NUT	8				0.03	0.066
260	58056-51170	WASHER	9				0.02	0.044
270	3A011-87290	CUSHION	9				0.011	0.0242
280	3A011-87340	CUSHION	9				0.008	0.0176
290	38240-29940	SPACER	9				0.005	0.011
300	63313-54330	COLLAR	4				0.018	0.0396
380	55311-41260	BAND CORD	2				0.007	0.0154
390	36330-91720	COLLAR ADJUSTING	1				0.065	0.143

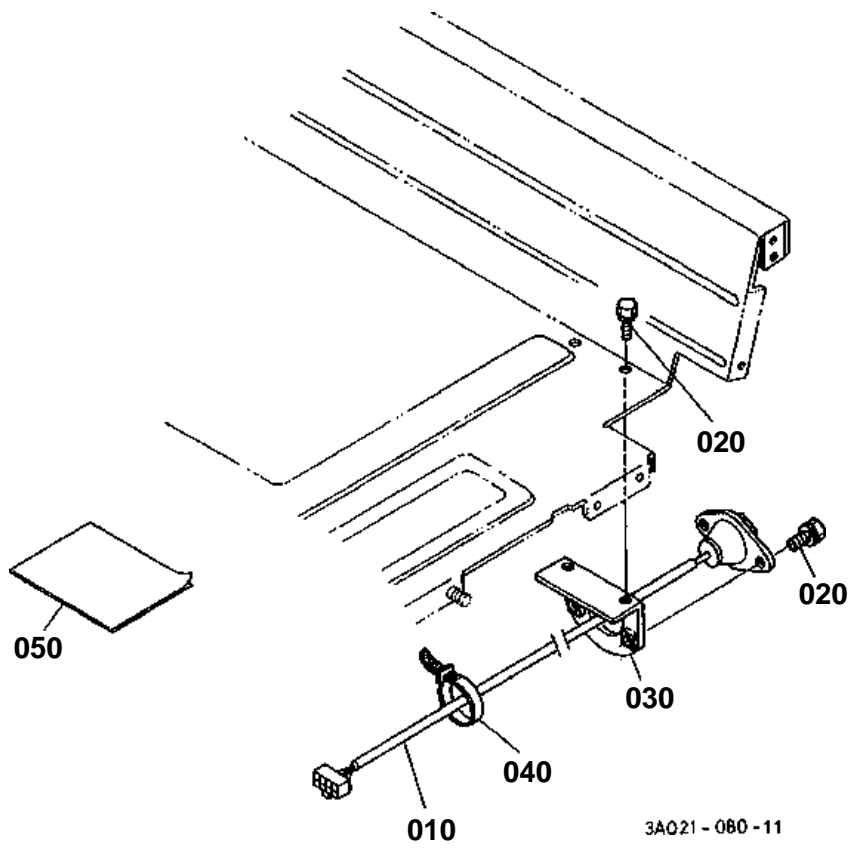


**WORKING LIGHT KIT [OPTION]**

↔ Interchangeable; ≠ not interchangeable; ← new for old; → old for new

REF.No	Part No.	Description	Q'ty	S.No.	I/C	REMARKS	Weight (kgf)	Weight (lb)
010	3A011-75903	ASSY LIGHT WORKING	1				0.64	1.408
015	3A011-75930	BULB	1			35W	0.008	0.0176
020	3A012-75910	STAY WORKING LIGHT	1				0.64	1.408
030	3A011-75920	U-BOLT	1	≤56255			0.117	0.2574
030	3A011-75922	U-BOLT	1	≥56256	←		0.117	0.2574
040	02176-50100	NUT	2				0.005	0.011
050	04512-60100	WASHER SPRING	2				0.002	0.0044
060	04013-60100	WASHER PLAIN	1				0.003	0.0066
070	99999-99999	MANUAL INSTRUCTION	1				0	0
080	53581-64150	BAND CORD	1				0.002	0.0044
090	3A171-75840	SPRING HARNESS	1				0.015	0.033
100	3A171-75850	WIRE HARNESS	1				0.02	0.044

TRAILER SOCKET KIT [OPTION]

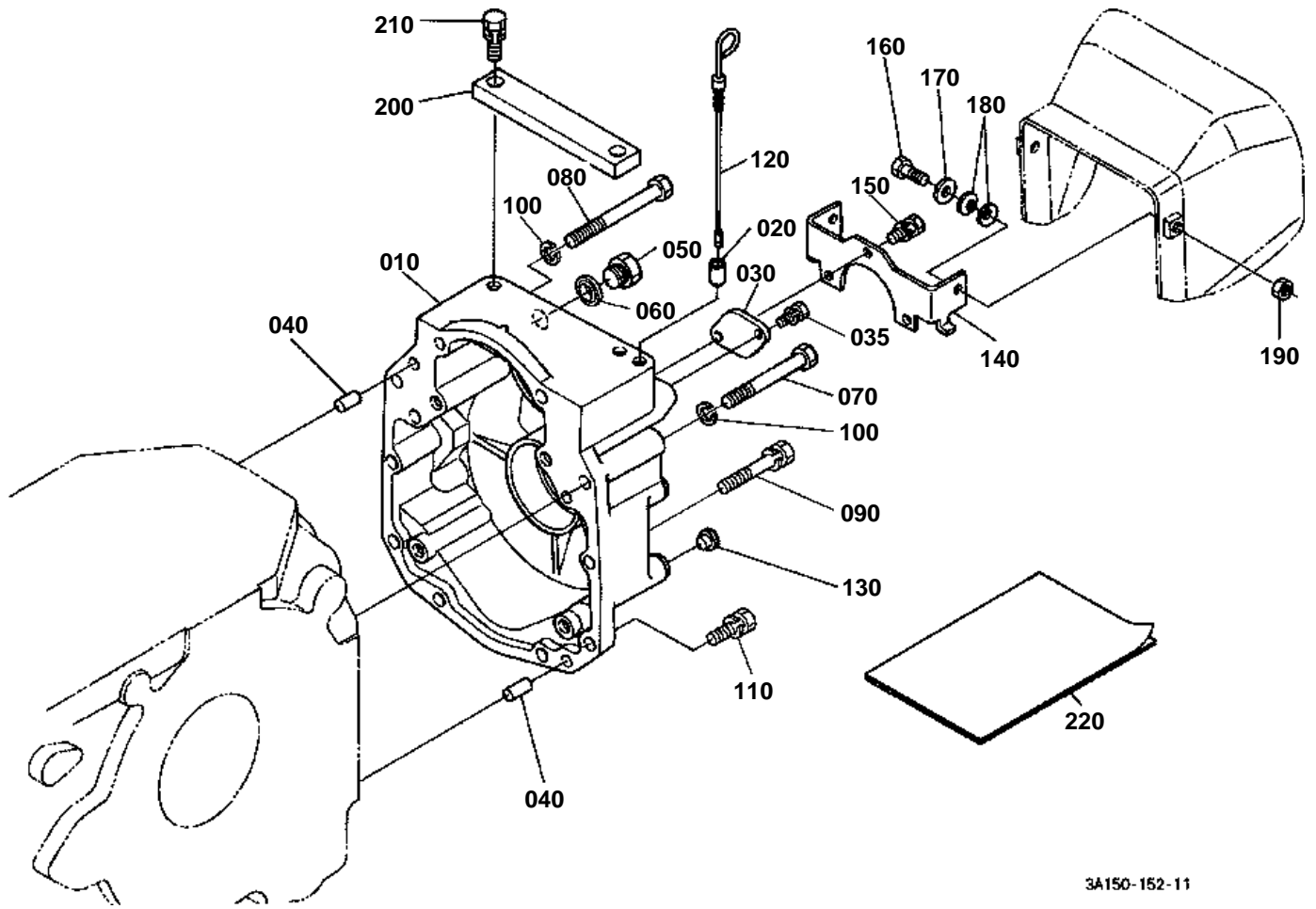




TRAILER SOCKET KIT [OPTION]

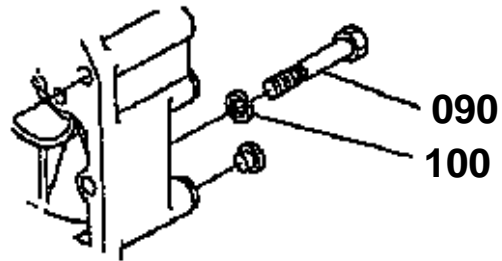
↔ Interchangeable; ≠ not interchangeable; ← new for old; → old for new

REF.No	Part No.	Description	Q'ty	S.No.	I/C	REMARKS	Weight (kgf)	Weight (lb)
010	99884-48110	HARNESS TRAILER	1				0.52	1.144
020	01123-50820	BOLT	4				0.011	0.0242
030	3A011-77770	STAY TRAILER SOCKET	1				0.205	0.451
040	55311-41260	BAND CORD	1				0.007	0.0154
050	3A011-99830	MANUAL INSTRUCTION	1	<=59493			0.005	0.011
050	3A011-99832	MANUAL INSTRUCTION	1	>=59494	←		0.005	0.011



3A150-152-11

090 01173-51275
100 04512-60120



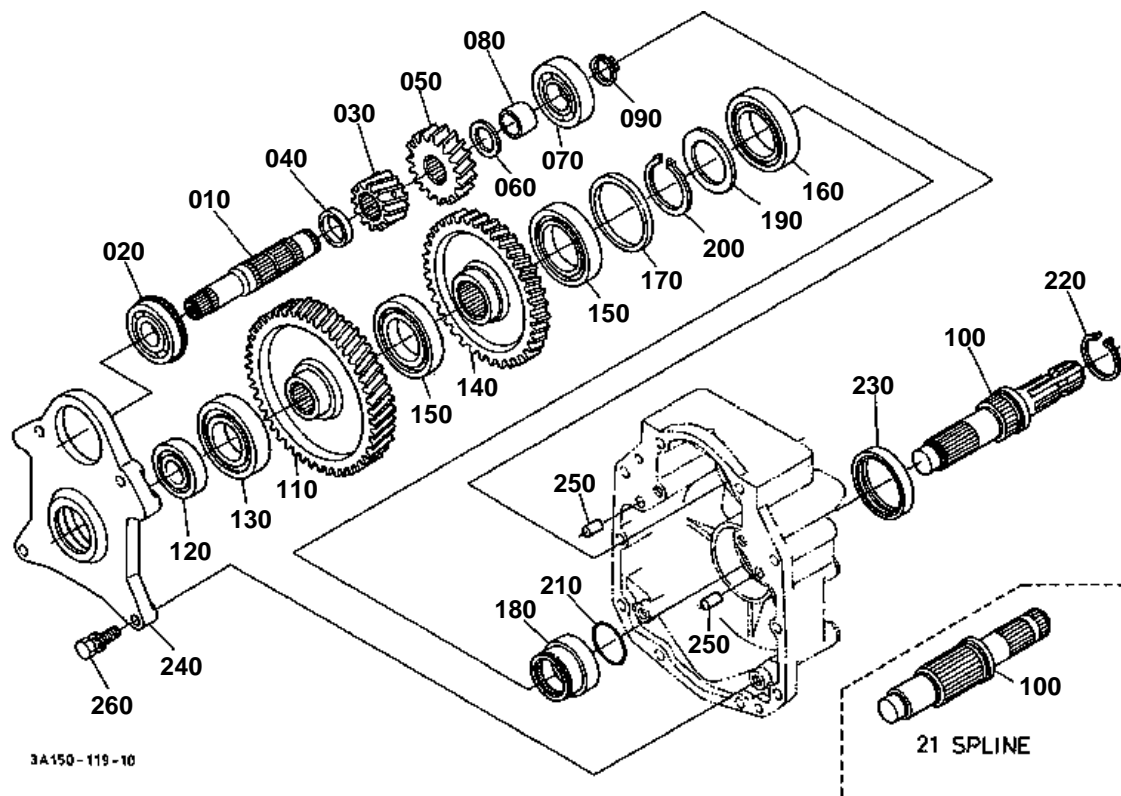
3A150-826-10



PTO(540/1000) CONVERSION KIT 1 [OPTION]

↔ Interchangeable; ≠ not interchangeable; ← new for old; → old for new

REF.No	Part No.	Description	Q'ty	S.No.	I/C	REMARKS	Weight (kgf)	Weight (lb)
010	33960-21413	CASE GEAR	1				16.2	35.64
020	33960-21520	GUIDE OIL GAUGE	1				0.01	0.022
030	3A151-21470	COVER	1				0.09	0.198
035	01754-50814	BOLT FLANGE	2				0.005	0.011
040	05012-01020	PIN STRAIGHT	2				0.013	0.0286
050	06311-55040	PLUG	1				0.093	0.2046
060	04717-02150	WASHER WITH RUBBER	1				0.004	0.0088
070	01173-51202	BOLT	2				0.1	0.22
080	01173-61204	BOLT	2				0.105	0.231
090	01173-51275	BOLT	2	≤54170			0.071	0.1562
090	01133-51275	BOLT	2	≥54171	←		0.02	0.044
100	04512-60120	WASHER SPRING	6	≤54170			0.005	0.011
100	04512-60120	WASHER SPRING	4	≥54171			0.005	0.011
110	01133-51235	BOLT	4				0.043	0.0946
120	3A152-21510	GAUGE OIL	1				0.031	0.0682
130	66591-11290	PLUG	4				0.001	0.0022
140	3A152-79320	BRACKET PTO PROTECTO	1				0.39	0.858
150	01123-60816	BOLT	3				0.01	0.022
160	01173-51025	BOLT	2				0.021	0.0462
170	04013-60100	WASHER PLAIN	2				0.003	0.0066
180	62151-42412	SPRING PLATE	4				0.002	0.0044
190	02116-50100	NUT	2				0.004	0.0088
200	36330-81880	STOPPER	1	≤50142			0.69	1.518
200	3A153-81880	STOPPER	1	≥50143	←		0.69	1.518
210	01133-51235	BOLT	2				0.043	0.0946
220	3A151-97420	MANUAL INSTRUCTION	1				0.01	0.022



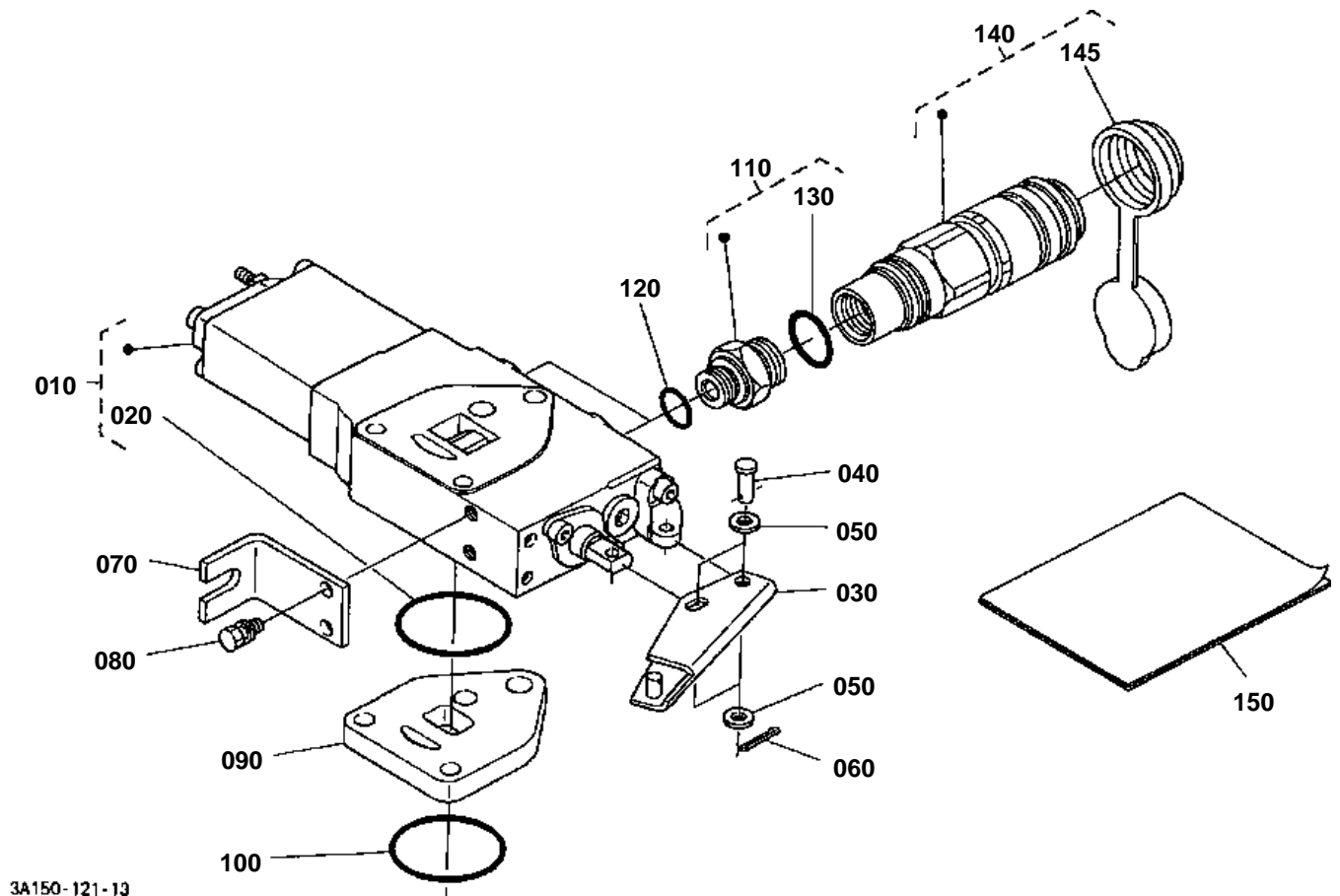


PTO(540/1000) CONVERSION KIT 2 [OPTION]

↔ Interchangeable; ≠ not interchangeable; ← new for old; → old for new

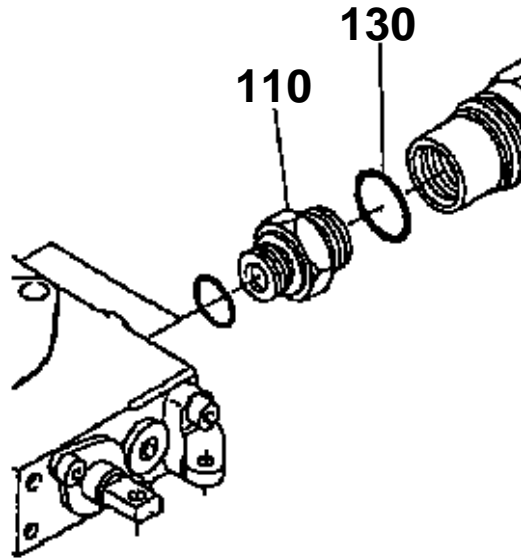
REF.No	Part No.	Description	Q'ty	S.No.	I/C	REMARKS	Weight (kgf)	Weight (lb)
010	3A152-79130	SHAFT PTO DRIVE	1				1.125	2.475
020	36730-80150	BEARING BALL	1				0.45	0.99
030	36730-80120	GEAR PTO	1			13T	0.5	1.1
040	35880-79130	COLLAR	1				0.045	0.099
050	33980-79140	GEAR PTO	1			18T	0.78	1.716
060	36330-80060	COLLAR	1				0.014	0.0308
070	35860-79150	BEARING BALL	1				0.45	0.99
080	36530-80090	RACE INNER	1				0.04	0.088
090	04612-00300	CIR CLIP EXTERNAL	1				0.003	0.0066
100	35822-79210	SHAFT PTO	1			6 SPLINE	2.35	5.17
100	35822-79220	SHAFT PTO	1			21 SPLINE	2.51	5.522
110	35880-79230	GEAR PTO	1			49T	5	11
120	38450-25350	BEARING BALL	1				0.345	0.759
130	35880-79170	BEARING BALL	1				0.6	1.32
140	35822-79240	GEAR PTO	1			43T	2.91	6.402
150	35860-79160	BEARING BALL	2				0.42	0.924
160	08131-06012	BEARING BALL	1				0.4	0.88
170	35822-79250	SPACER	1				0.08	0.176
180	33960-79262	HOLDER PTO SHAFT	1				0.42	0.924
190	35822-79270	WASHER THRUST	1				0.03	0.066
200	04612-00600	CIR CLIP EXTERNAL	1				0.012	0.0264
210	04815-50550	O RING	1				0.002	0.0044
220	33960-79280	CIR-CLIP INTERNAL	1				0.01	0.022
230	35822-80380	SEAL OIL	1				0.047	0.1034
240	35822-79310	SUPPORT PTO BEARING	1				4.5	9.9
250	05012-01020	PIN STRAIGHT	2				0.013	0.0286
260	01133-51240	BOLT	4				0.05	0.11

AUXILIARY CONTROL VALVE KIT (SCD) [OPTION]



3A150-121-13

110 3A151-8202-0
130 04811-00200



3A150-831-10

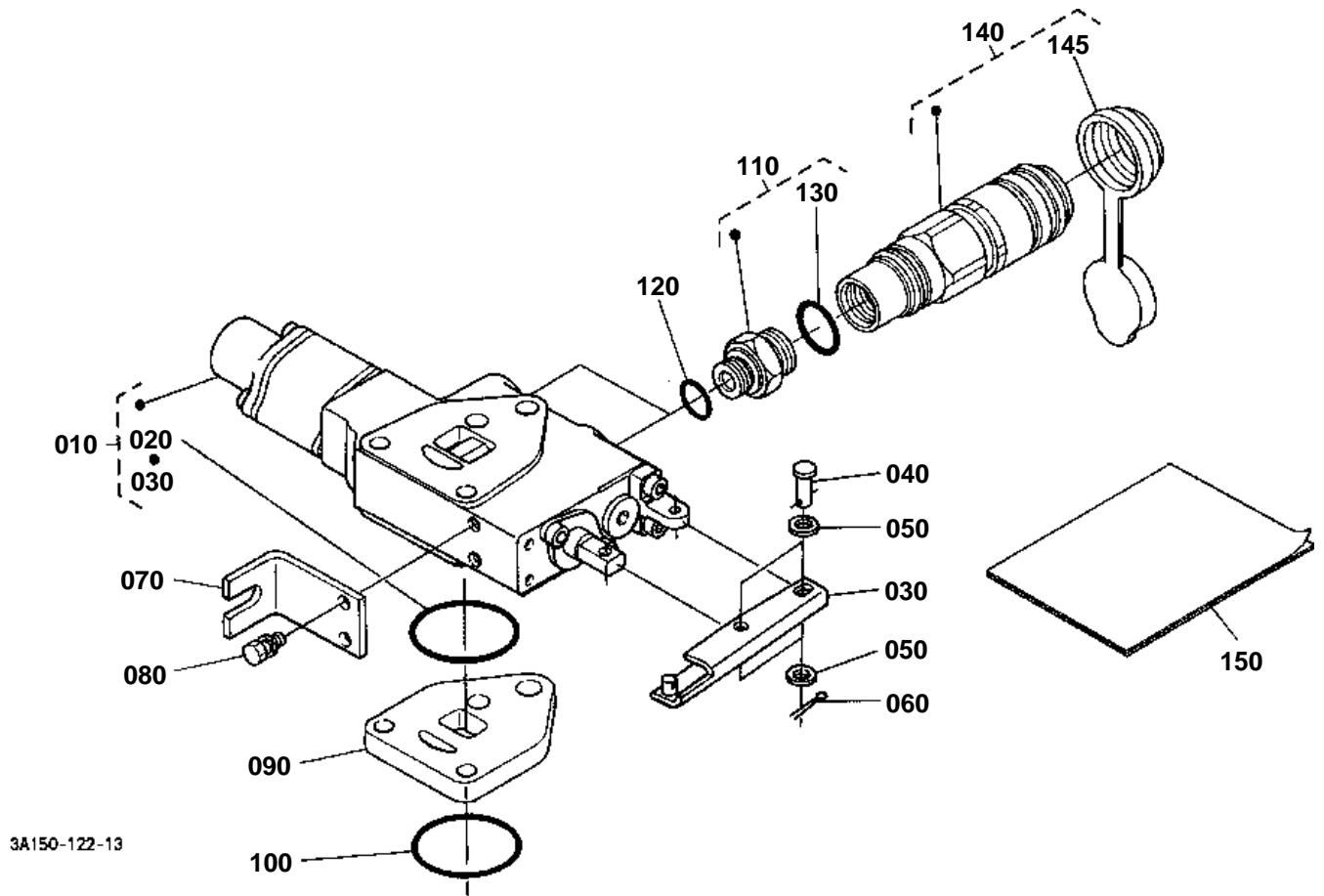


AUXILIARY CONTROL VALVE KIT (SCD) [OPTION]

↔ Interchangeable; ≠ not interchangeable; ← new for old; → old for new

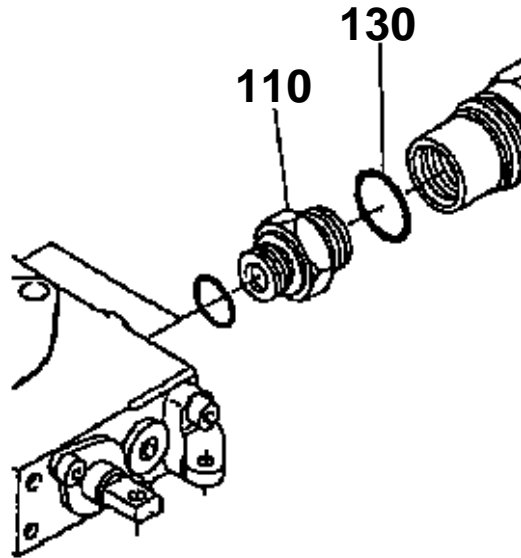
REF.No	Part No.	Description	Q'ty	S.No.	I/C	REMARKS	Weight (kgf)	Weight (lb)
010	3A151-82540	VALVE AUX.CONTROL	1				3.6	7.92
020	04815-07560	O RING	1				0.002	0.0044
030	3F740-82390	SUPPORT AUX.CON.VALV	1				0.125	0.275
040	05122-50518	PIN JOINT	2				0.002	0.0044
050	04012-50050	WASHER PLAIN	4				0.001	0.0022
060	05511-51212	PIN SPLIT	2				0.001	0.0022
070	3F740-82380	HOLDER	1				0.09	0.198
080	01023-50612	BOLT	2				0.005	0.011
090	3G700-82070	SPACER AUX.CONTROL	1				0.15	0.33
100	04815-07560	O RING	1				0.002	0.0044
110	3A151-82020	JOINT PIPE	2	≤=54643			0	0
110	3A151-82010	JOINT PIPE	2	≥=54644	←		0.078	0.1716
110	3A151-82012	JOINT PIPE	2	≥=55196	←		0.085	0.187
120	04811-00140	O RING	2				0	0
120	04817-00140	O RING	2		←		0.001	0.0022
130	04811-00200	O RING	2	≤=54643			0	0
130	68011-62140	O RING	2	≥=54644	≠		0.001	0.0022
140	3A111-82010	ASSY COUPLER	2				0.48	1.056
145	3A111-94520	ASSY CAP DUST	2				0.019	0.0418
150	3A151-99850	MANUAL INSTRUCTION	1	≤=54965			0.01	0.022
150	3A151-99854	MANUAL INSTRUCTION	1	≥=54966	←		0.01	0.022

AUXILIARY CONTROL VALVE KIT (FD) [OPTION]



3A150-122-13

110 3A151-8202-0
130 04811-00200



3A150-831-10

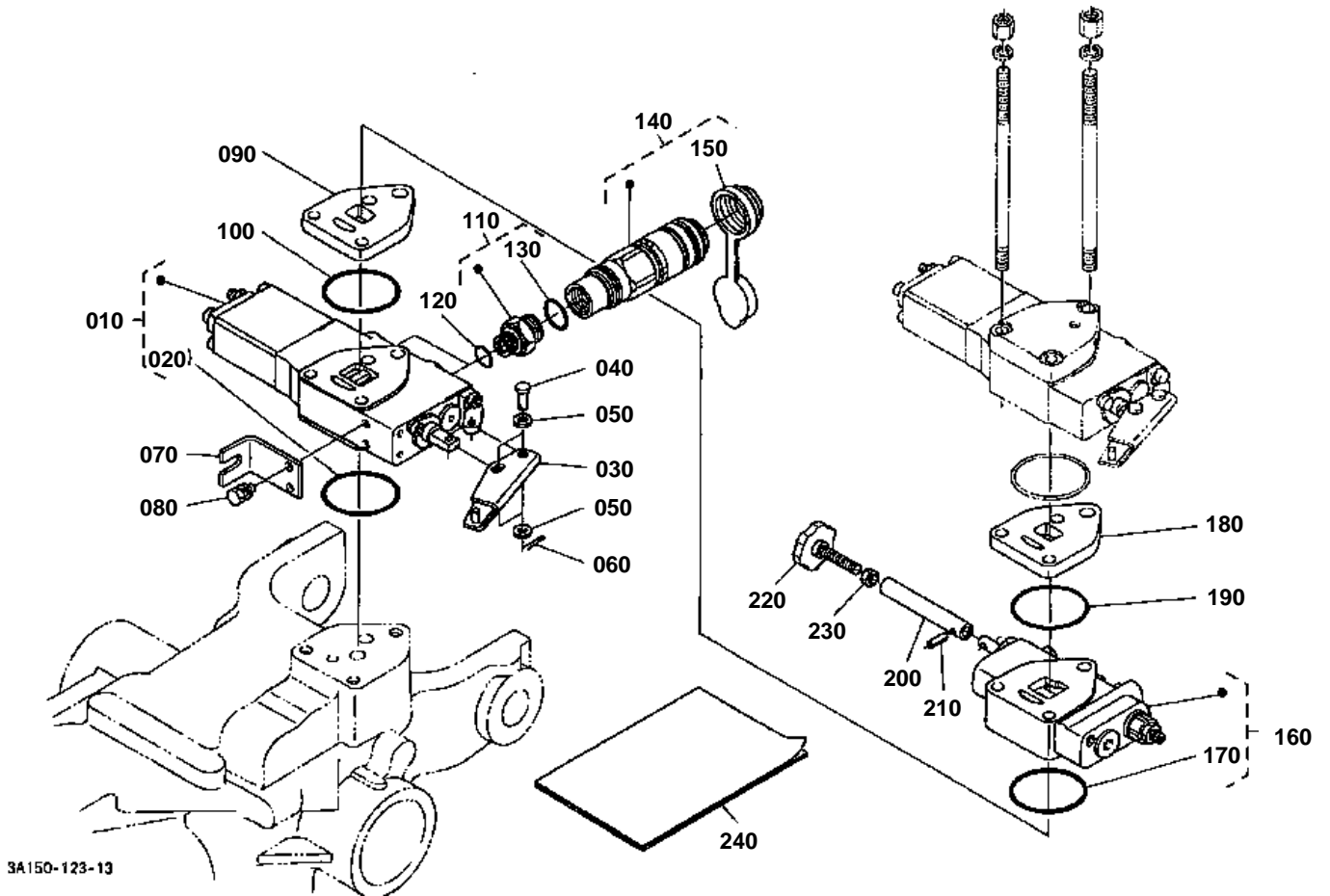


AUXILIARY CONTROL VALVE KIT (FD) [OPTION]

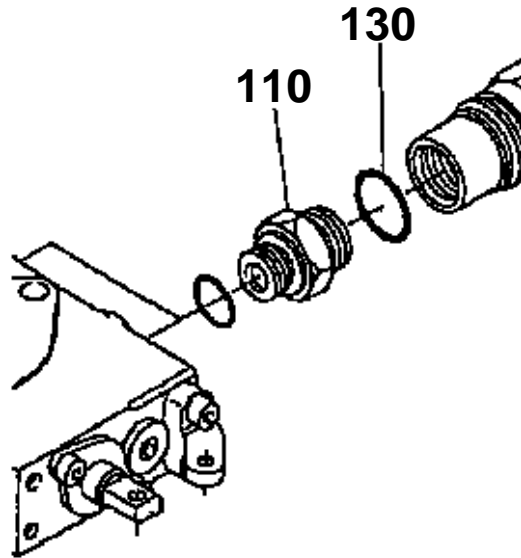
↔ Interchangeable; ≠ not interchangeable; ← new for old; → old for new

REF.No	Part No.	Description	Q'ty	S.No.	I/C	REMARKS	Weight (kgf)	Weight (lb)
010	3F740-82810	KIT VALVE AUX.CONTR.	1	≤50152			0	0
010	3F740-82813	KIT VALVE AUX.CONTR.	1	≥50153	←		2.8	6.16
020	04811-07560	O RING	1	≤50206			0.002	0.0044
020	04815-07560	O RING	1	≥50207	←		0.002	0.0044
030	3F750-82390	BRACKET	1				0.126	0.2772
040	05122-50518	PIN JOINT	2				0.002	0.0044
050	04012-50050	WASHER PLAIN	4				0.001	0.0022
060	05511-51212	PIN SPLIT	2				0.001	0.0022
070	3F740-82380	HOLDER	1				0.09	0.198
080	01023-50612	BOLT	2				0.005	0.011
090	3G700-82070	SPACER AUX.CONTROL	1				0.15	0.33
100	04815-07560	O RING	1				0.002	0.0044
110	3A151-82020	JOINT PIPE	2	≤54643			0	0
110	3A151-82010	JOINT PIPE	2	≥54644	←		0.078	0.1716
110	3A151-82012	JOINT PIPE	2	≥55196	←		0.085	0.187
120	04811-00140	O RING	2				0	0
120	04817-00140	O RING	2		←		0.001	0.0022
130	04811-00200	O RING	2	≤54643			0	0
130	68011-62140	O RING	2	≥54644	≠		0.001	0.0022
140	3A111-82010	ASSY COUPLER	2				0.48	1.056
145	3A111-94520	ASSY CAP DUST	2				0.019	0.0418
150	3A151-99860	MANUAL INSTRUCTION	1	≤54965			0.01	0.022
150	3A151-99864	MANUAL INSTRUCTION	1	≥54966	←		0.01	0.022

AUXILIARY CONTROL VALVE KIT (SCD/FC) [OPTION]



110 3A151-8202-0
130 04811-00200



3A150-831-10

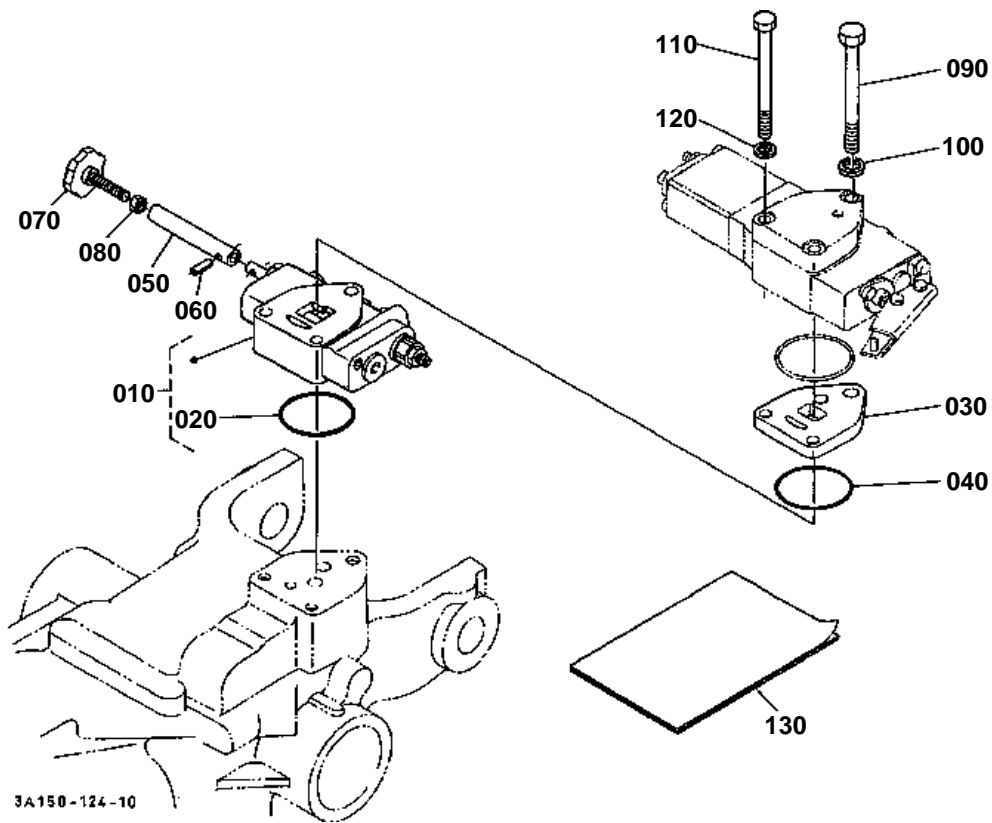


AUXILIARY CONTROL VALVE KIT (SCD/FC) [OPTION]

↔ Interchangeable; ≠ not interchangeable; ← new for old; → old for new

REF.No	Part No.	Description	Q'ty	S.No.	I/C	REMARKS	Weight (kgf)	Weight (lb)
010	3A151-82560	VALVE AUX.CONTROL	1				3.6	7.92
020	04815-07560	O RING	1				0.002	0.0044
030	3F740-82390	SUPPORT AUX.CON.VALV	1				0.125	0.275
040	05122-50518	PIN JOINT	2				0.002	0.0044
050	04012-50050	WASHER PLAIN	4				0.001	0.0022
060	05511-51212	PIN SPLIT	2				0.001	0.0022
070	3F740-82380	HOLDER	1				0.09	0.198
080	01023-50612	BOLT	2				0.005	0.011
090	3G700-82070	SPACER AUX.CONTROL	1				0.15	0.33
100	04815-07560	O RING	1				0.002	0.0044
110	3A151-82020	JOINT PIPE	2	≤54643			0	0
110	3A151-82010	JOINT PIPE	2	≥54644	←		0.078	0.1716
110	3A151-82012	JOINT PIPE	2	≥55196	←		0.085	0.187
120	04811-00140	O RING	2				0	0
120	04817-00140	O RING	2		←		0.001	0.0022
130	04811-00200	O RING	2	≤54643			0	0
130	68011-62140	O RING	2	≥54644	≠		0.001	0.0022
140	3A111-82010	ASSY COUPLER	2				0.48	1.056
150	3A111-94520	ASSY CAP DUST	2				0.019	0.0418
160	3A151-82610	VALVE AUX.CONTROL	1				2.2	4.84
170	04815-07560	O RING	1				0.002	0.0044
180	3G700-82070	SPACER AUX.CONTROL	1				0.15	0.33
190	04815-07560	O RING	1				0.002	0.0044
200	3A151-82220	SHAFT	1				0.09	0.198
210	05411-00414	PIN SPRING	1				0.001	0.0022
220	36919-81530	BOLT STOPPER	1				0.022	0.0484
230	02114-50080	NUT	1				0.005	0.011
240	3A151-99880	MANUAL INSTRUCTION	1	≤54965			0.01	0.022
240	3A151-99884	MANUAL INSTRUCTION	1	≥54966	←		0.01	0.022

AUXILIARY CONTROL VALVE KIT (FC) [OPTION]

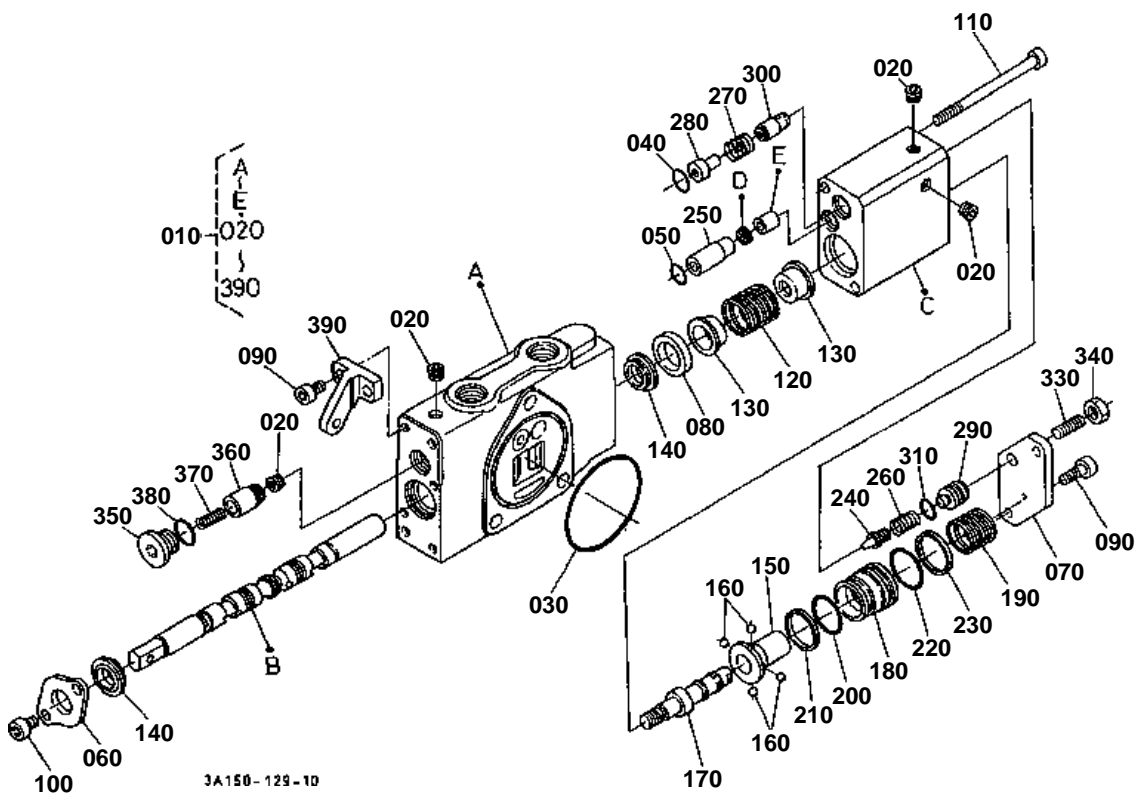


**AUXILIARY CONTROL VALVE KIT (FC) [OPTION]**

↔ Interchangeable; ≠ not interchangeable; ← new for old; → old for new

REF.No	Part No.	Description	Q'ty	S.No.	I/C	REMARKS	Weight (kgf)	Weight (lb)
010	3A151-82610	VALVE AUX.CONTROL	1				2.2	4.84
020	04815-07560	O RING	1				0.002	0.0044
030	3G700-82070	SPACER AUX.CONTROL	1				0.15	0.33
040	04815-07560	O RING	1				0.002	0.0044
050	3A151-82220	SHAFT	1				0.09	0.198
060	05411-00414	PIN SPRING	1				0.001	0.0022
070	36919-81530	BOLT STOPPER	1				0.022	0.0484
080	02114-50080	NUT	1				0.005	0.011
090	01176-51004	BOLT	1				0.07	0.154
100	04512-60100	WASHER SPRING	1				0.002	0.0044
110	01156-50804	BOLT	2				0.041	0.0902
120	04512-60080	WASHER SPRING	2				0.002	0.0044
130	3A151-99890	MANUAL INSTRUCTION	1	≤59493			0.01	0.022
130	3A151-99892	MANUAL INSTRUCTION	1	≥59494	←		0.01	0.022

AUXILIARY CONTROL VALVE (SCD/FC) [COMPONENT PARTS]



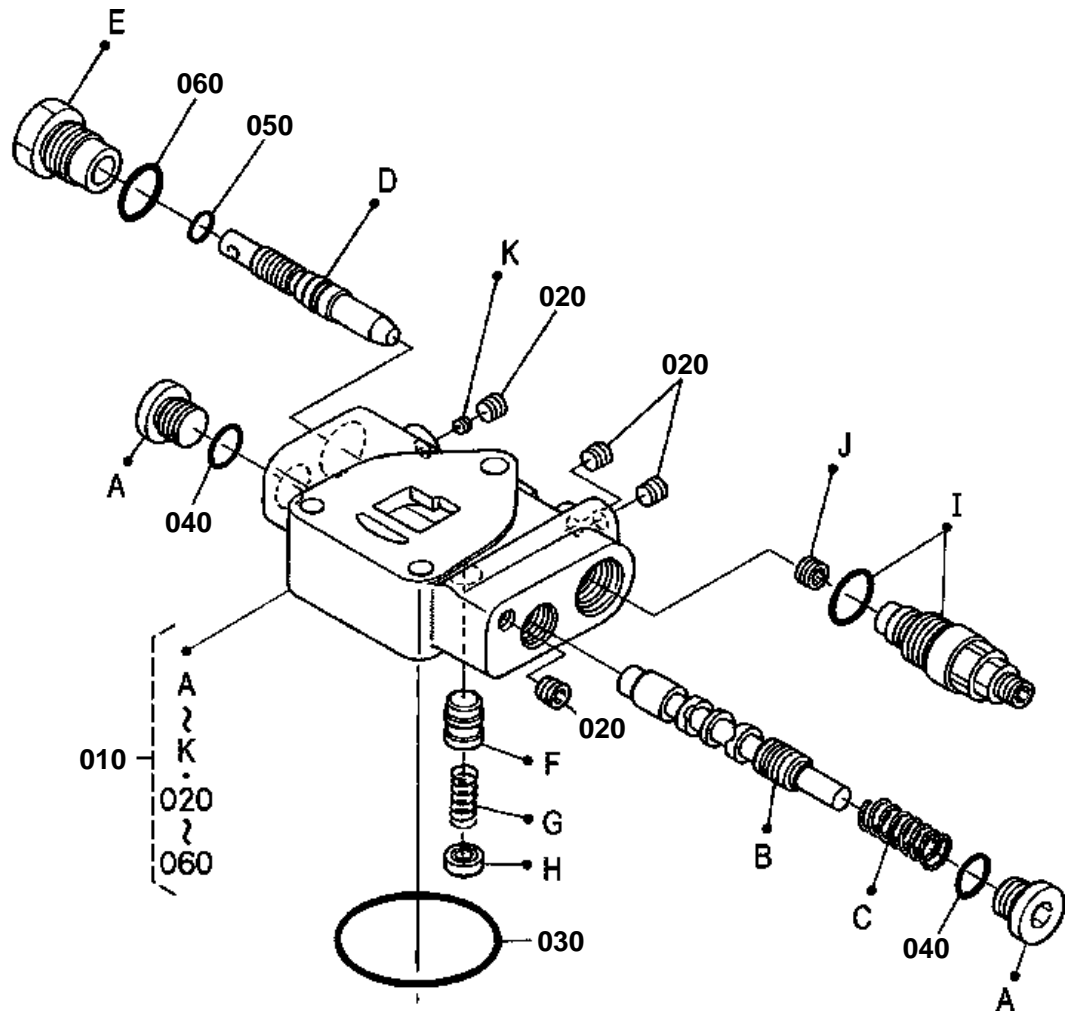


AUXILIARY CONTROL VALVE (SCD/FC) [COMPONENT PARTS]
[OPTION]

↔ Interchangeable; ≠ not interchangeable; ← new for old; → old for new

REF.No	Part No.	Description	Q'ty	S.No.	I/C	REMARKS	Weight (kgf)	Weight (lb)
010	3A151-82560	VALVE AUX.CONTROL	1				3.6	7.92
020	3F740-06020	PLUG	4				0.001	0.0022
030	04815-07560	O RING	1				0.002	0.0044
040	04810-00110	O RING	1				0	0
040	04817-00110	O RING	1		←		0.001	0.0022
050	04810-00090	O RING	1				0	0
050	04817-00090	O RING	1		←		0.001	0.0022
060	3F740-06040	COVER	1				0.014	0.0308
070	3A151-06420	COVER	1				0.072	0.1584
080	3A151-06430	WASHER	1				0.013	0.0286
090	01311-10616	BOLT HEX-SOC-HD	4				0.005	0.011
100	01311-10612	BOLT HEX-SOC-HD	2				0.01	0.022
110	01311-10680	BOLT HEX-SOC-HD	2				0	0
110	12631-91030	BOLT HEX-SOC-HD	2		←	NOT SALE	0.02	0.044
120	3F740-06060	SPRING	1				0.015	0.033
130	3A151-06070	SEAT SPRING	2				0.006	0.0132
140	3F740-06080	GASKET	2				0.003	0.0066
150	3A151-06440	BUSH	1				0.019	0.0418
160	07715-03205	BALL	4				0.001	0.0022
170	3A151-06450	BOLT SPACER	1				0.032	0.0704
180	3F740-06460	PISTON	1				0.029	0.0638
190	3F740-06480	SPRING	1				0.01	0.022
200	3F740-06500	O RING	1				0.001	0.0022
210	3F740-06510	RING BACK UP	1				0.001	0.0022
220	3F740-06520	O RING	1				0.001	0.0022
230	3F740-06530	RING BACK UP	1				0.001	0.0022
240	3A111-06540	POPPET	1				0.003	0.0066
250	3F740-06550	BUSH	1				0.006	0.0132
260	3A111-06560	SPRING	1				0.002	0.0044
270	3A111-06570	SPRING	1				0.002	0.0044
280	3A111-06580	SEAT SPRING	1				0.004	0.0088
290	3A111-06590	SEAT SPRING	1				0.005	0.011
300	3A111-06600	PLUNGER	1				0.005	0.011
310	04810-00070	O RING	1				0	0
310	04817-00070	O RING	1		←		0.001	0.0022
320	99999-99999	BLANK	0				0	0
330	3F740-06620	SCREW ADJUSTING	1				0.005	0.011
340	3F740-06630	NUT	1				0.004	0.0088
350	3F740-06100	PLUG	1				0.015	0.033
360	3F740-06110	PLUNGER	1				0.011	0.0242
370	3F740-06120	SPRING	1				0.001	0.0022
380	04810-00120	O RING	1				0	0
380	04817-00120	O RING	1		←		0.001	0.0022
390	3F740-06030	ARM	1				0.034	0.0748

AUXILIARY CONTROL VALVE (FC) [COMPONENT PARTS]



3A150-130-10

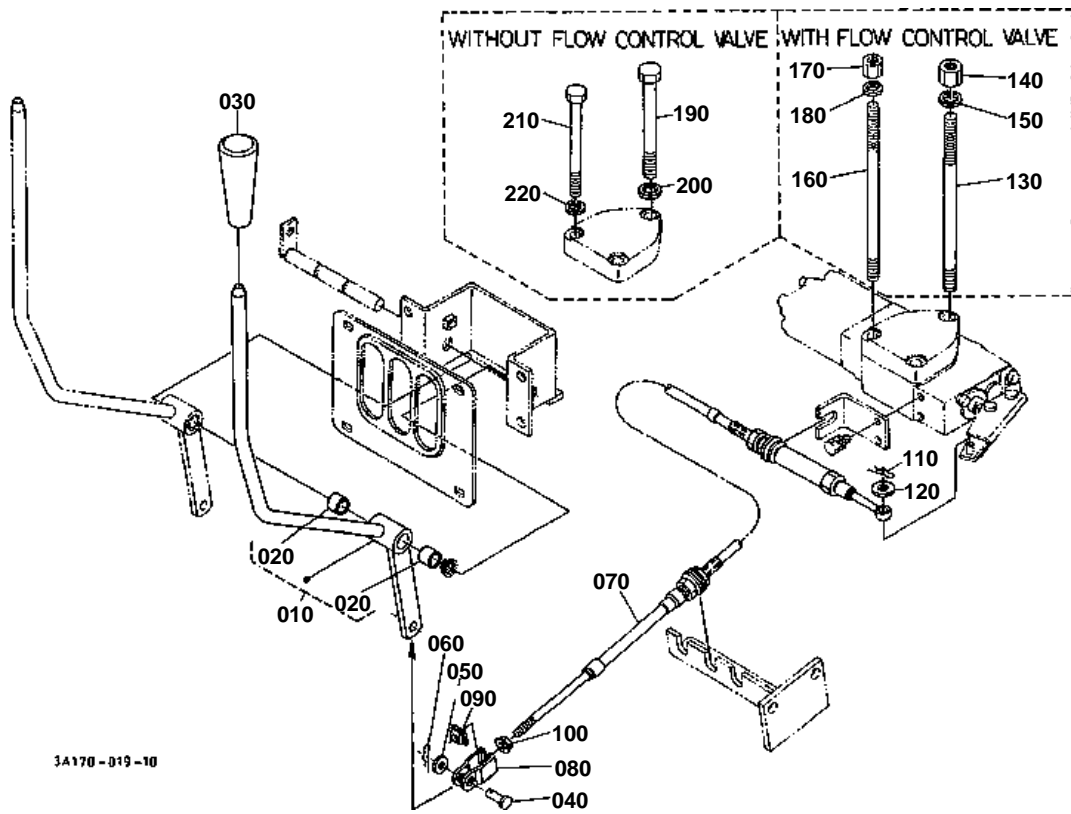


AUXILIARY CONTROL VALVE (FC) [COMPONENT PARTS]
[OPTION]

↔ Interchangeable; ≠ not interchangeable; ← new for old; → old for new

REF.No	Part No.	Description	Q'ty	S.No.	I/C	REMARKS	Weight (kgf)	Weight (lb)
010	3A151-82610	VALVE AUX.CONTROL	1				2.2	4.84
020	3F740-06020	PLUG	4				0.001	0.0022
030	04811-07560	O RING	1				0.002	0.0044
040	04810-00140	O RING	2				0	0
040	04817-00140	O RING	2		←		0.001	0.0022
050	04810-00090	O RING	1				0	0
050	04817-00090	O RING	1		←		0.001	0.0022
060	04810-00180	O RING	1				0	0
060	04817-00180	O RING	1		←		0.003	0.0066

AUXILIARY CONTROL VALVE LEVER KIT (2ND) [OPTION]



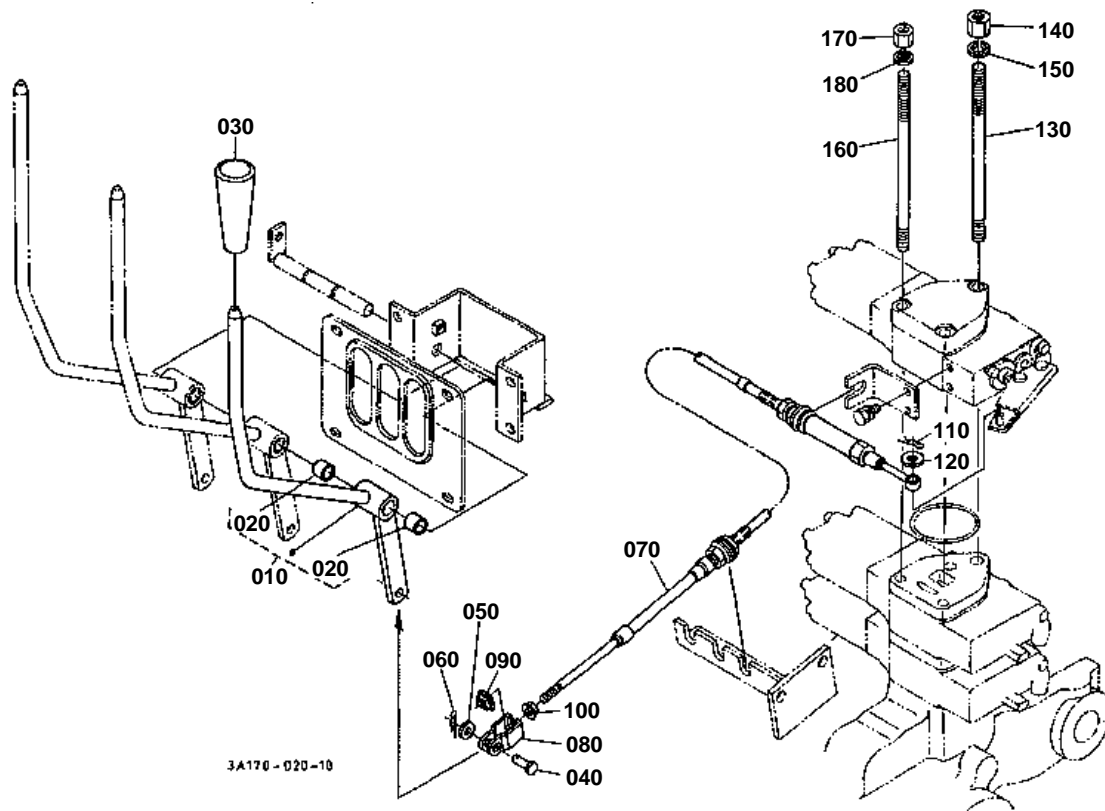


AUXILIARY CONTROL VALVE LEVER KIT (2ND) [OPTION]

↔ Interchangeable; ≠ not interchangeable; ← new for old; → old for new

REF.No	Part No.	Description	Q'ty	S.No.	I/C	REMARKS	Weight (kgf)	Weight (lb)
010	3A151-97110	ASSY LEVER AUX.CON.	1				0.535	1.177
020	08511-01210	BUSH	2				0.005	0.011
030	36330-82450	GRIP	1				0.025	0.055
040	05122-60618	PIN JOINT	1				0.01	0.022
050	04012-50060	WASHER PLAIN	1				0.001	0.0022
060	05525-60600	PIN SNAP	1				0.001	0.0022
070	3A151-82410	WIRE AUX.CONT.VALVE	1	≤54965			0	0
070	3A151-82412	WIRE AUX.CONT.VALVE	1	≥54966	←		0.33	0.726
080	3F740-82420	CLEVIS	1				0.018	0.0396
090	3F740-82430	NUT LOCK	1				0.004	0.0088
100	02761-50050	NUT FLANGE	1				0.002	0.0044
110	05515-60800	PIN SNAP	1				0.002	0.0044
120	04012-50080	WASHER PLAIN	1				0.001	0.0022
130	3A151-93960	STUD	1	≤54819		NOT SALE WITH FLOW CONTROL VALVE	0	0
130	3A151-93962	STUD	1	≥54820	←	WITH FLOW CONTROL VALVE	0.106	0.2332
140	37300-14190	NUT	1			WITH FLOW CONTROL VALVE	0.009	0.0198
150	04512-60100	WASHER SPRING	1			WITH FLOW CONTROL VALVE	0.002	0.0044
160	3A151-93970	STUD	2	≤54819		NOT SALE WITH FLOW CONTROL VALVE	0	0
160	3A151-93972	STUD	2	≥54820	←	WITH FLOW CONTROL VALVE	0.07	0.154
170	35320-25470	NUT	2			WITH FLOW CONTROL VALVE	0.006	0.0132
180	04512-60080	WASHER SPRING	2			WITH FLOW CONTROL VALVE	0.002	0.0044
190	01176-51004	BOLT	1			WITHOUT FLOW CONTROL VALVE	0.07	0.154
200	04512-60100	WASHER SPRING	1			WITHOUT FLOW CONTROL VALVE	0.002	0.0044
210	01156-50804	BOLT	2			WITHOUT FLOW CONTROL VALVE	0.041	0.0902
220	04512-60080	WASHER SPRING	2			WITHOUT FLOW CONTROL VALVE	0.002	0.0044

AUXILIARY CONTROL VALVE LEVER KIT (3RD) [OPTION]



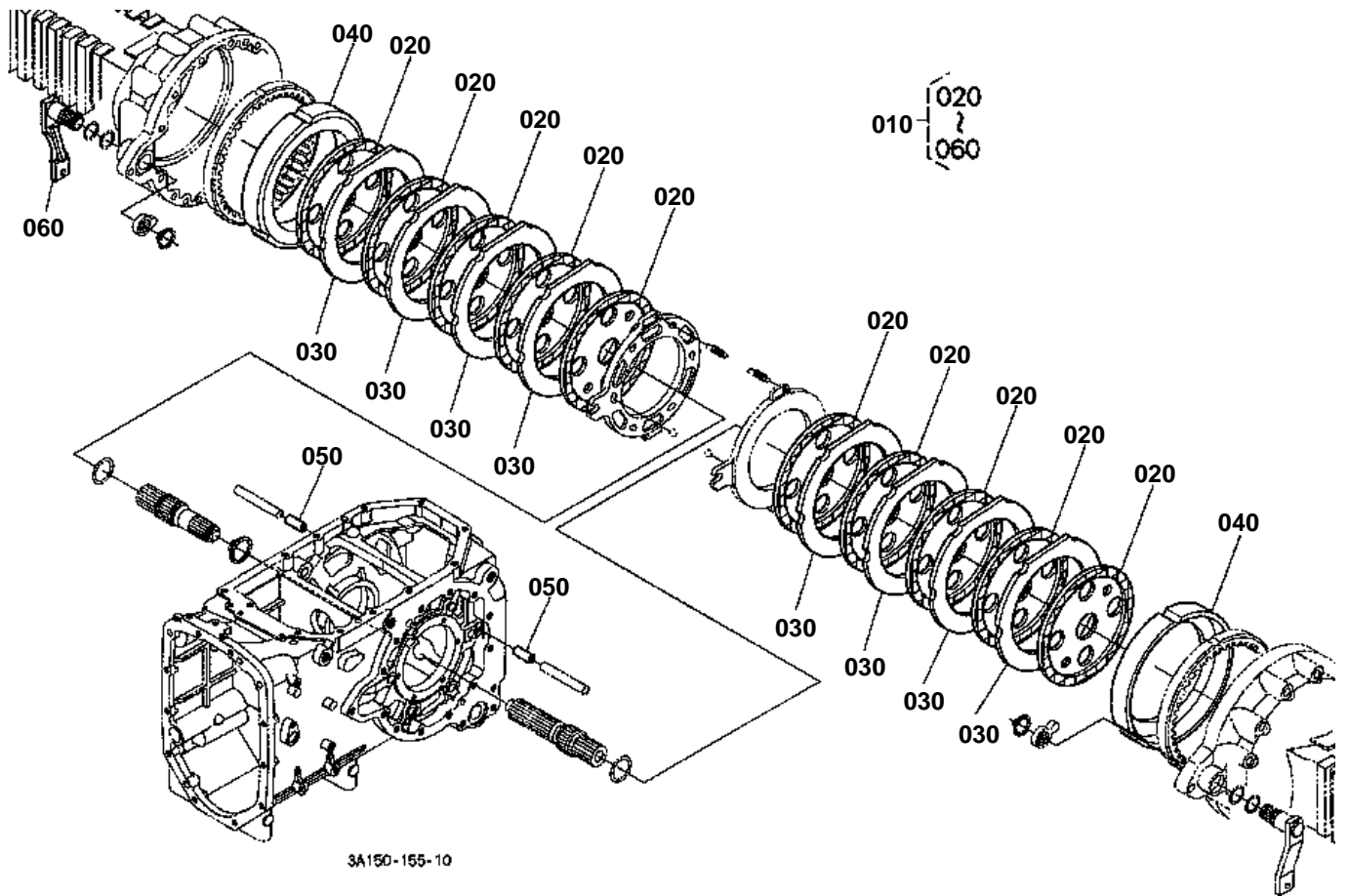


AUXILIARY CONTROL VALVE LEVER KIT (3RD) [OPTION]

↔ Interchangeable; ≠ not interchangeable; ← new for old; → old for new

REF.No	Part No.	Description	Q'ty	S.No.	I/C	REMARKS	Weight (kgf)	Weight (lb)
010	3A171-97110	ASSY LEVER AUX.CON.	1				0.48	1.056
020	08511-01210	BUSH	2				0.005	0.011
030	36330-82450	GRIP	1				0.025	0.055
040	05122-60618	PIN JOINT	1				0.01	0.022
050	04012-50060	WASHER PLAIN	1				0.001	0.0022
060	05525-60600	PIN SNAP	1				0.001	0.0022
070	3A151-82410	WIRE AUX.CONT.VALVE	1	≤54965			0	0
070	3A151-82412	WIRE AUX.CONT.VALVE	1	≥54966	←		0.33	0.726
080	3F740-82420	CLEVIS	1				0.018	0.0396
090	3F740-82430	NUT LOCK	1				0.004	0.0088
100	02761-50050	WASHER PLAIN	1				0.002	0.0044
110	05515-60800	PIN SNAP	1				0.002	0.0044
120	04012-50080	WASHER PLAIN	1				0.001	0.0022
130	3A151-93960	STUD	1	≤54819		NOT SALE	0	0
130	3A151-93962	STUD	1	≥54820	←		0.106	0.2332
140	37300-14190	NUT	1				0.009	0.0198
150	04512-60100	WASHER SPRING	1				0.002	0.0044
160	3A151-93970	STUD	2	≤54819		NOT SALE	0	0
160	3A151-93972	STUD	2	≥54820	←		0.07	0.154
170	35320-25470	NUT	2				0.006	0.0132
180	04512-60080	WASHER SPRING	2				0.002	0.0044

BRAKE KIT [OPTION]



3A150-155-10



BRAKE KIT [OPTION]

↔ Interchangeable; ≠ not interchangeable; ← new for old; → old for new

REF.No	Part No.	Description	Q'ty	S.No.	I/C	REMARKS	Weight (kgf)	Weight (lb)
010	3A155-97040	KIT BRAKE	1				22.5	49.5
020	3A154-65180	DISK BRAKE	10				0.7	1.54
030	36330-65130	PLATE	8				0.56	1.232
040	3A154-65120	PLATE STOPPER	2				3.9	8.58
050	3A154-65160	COLLAR	6				0.015	0.033
060	3A155-65330	SHAFT BRAKE CAM RH	1				0.96	2.112