

Instructions for Parts Books

The heading at the top of the page will be the same for the picture of the parts as it is for the page with the part numbers.

Definition of column headings on part number pages:

REF.No → The number referring to the part on the picture page of the parts book.

Part No. → The number assigned to this part at the time of printing the parts book.

Description → Description of part.

Q'ty → Quantity of part used on that page.

S.No. → Serial number range of the equipment that this part will fit.

>= Your serial number should be greater than or equal to the number shown.

<= Your serial number should be lesser than or equal to the serial number shown.

I/C → Interchangeability of part shown.

↔ The part shown will work for the older and later serial number.

The part shown is not interchangeable with the other serial number.

← new for old

→ old for new

Remarks → Notes about this particular part. Sometimes this may say except [FR] or [CA]

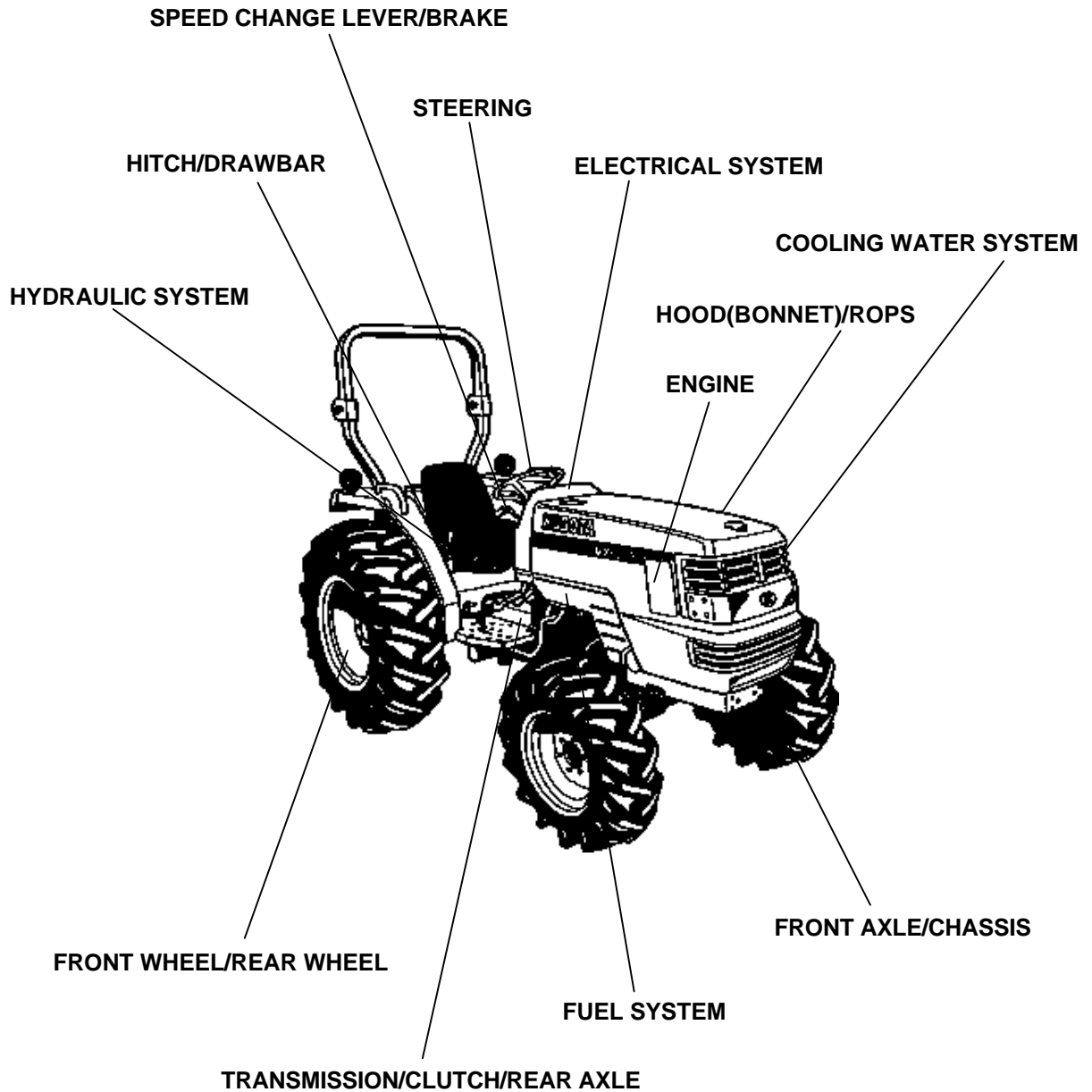
Note about Country Codes:

The parts books we use in the United States of America may also contain information about a part that would be different in another country. It is important that you are aware of the country codes in some instances.

Symbol	Country
A	United States of America
CA	Canada
FR	France
GR	Greece
PO	Portugal
AU	Australia

If the remarks column says for example EXCEPT [FR] this part works in all countries except France. That means it will work here in the USA.

ALL PRODUCT INDEX
MX5000F



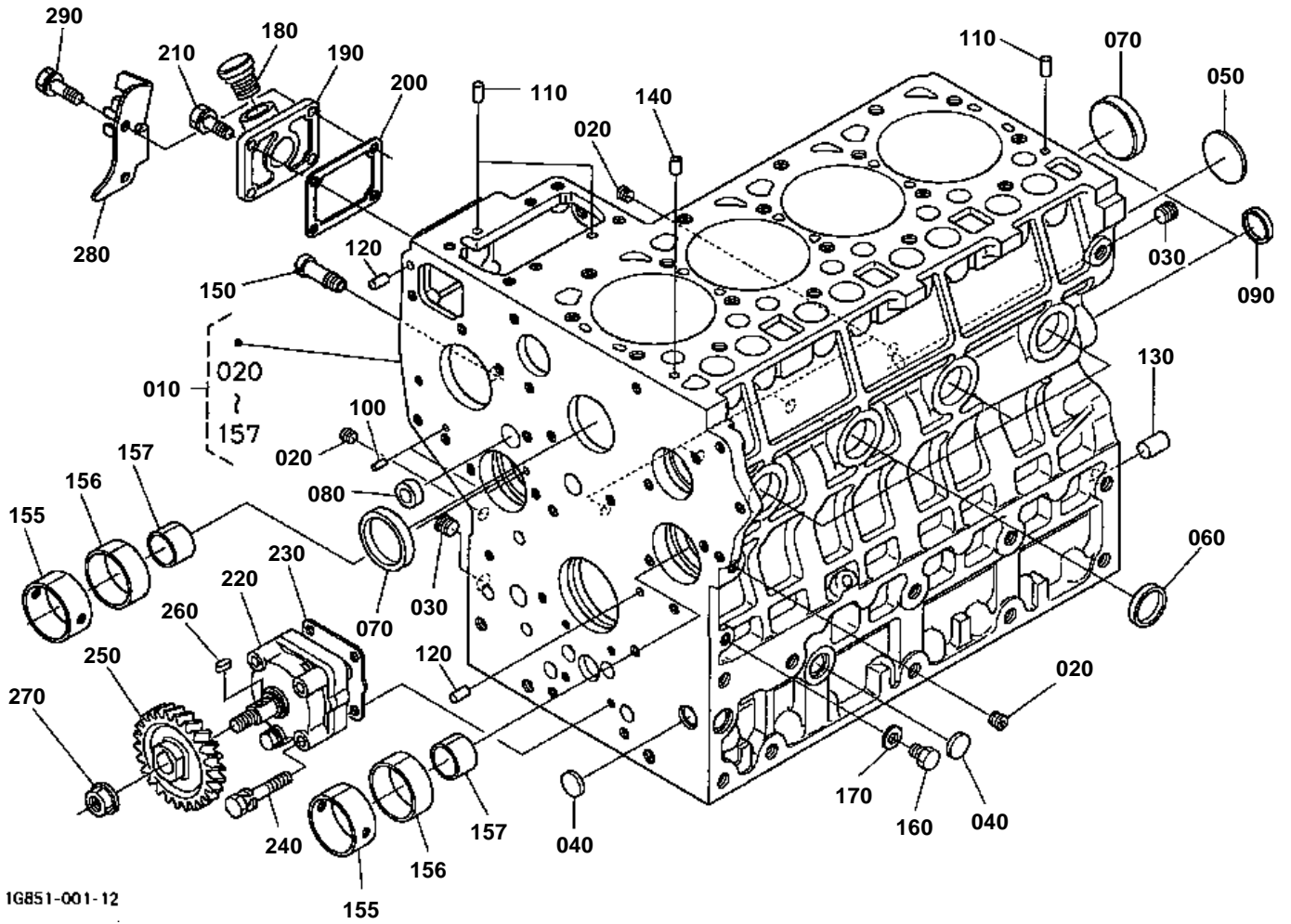
LABELS
ACCESSORIES
OPTION

Item	Part No.	Description	Book	
ENGINE	010001	CRANKCASE	100K0681	
	010002	OIL PAN	100K0681	
	010003	CYLINDER HEAD	100K0681	
	010004	GEAR CASE	100K0681	
	010005	HEAD COVER	100K0681	
	010100	MAIN BEARING CASE	100K0681	
	010101	CAMSHAFT AND IDLE GEAR SHAFT	100K0681	
	010102	PISTON AND CRANKSHAFT	100K0681	
	01010302	FLYWHEEL	100K0681	
	010105	FUEL CAMSHAFT	100K0681	
	010106	BALANCER	100K0681	
	010200	ENGINE STOP LEVER	100K0681	
	010202	INJECTION PUMP	100K0681	
	010203	INJECTION PUMP [COMPONENT PARTS]	100K0681	
	010204	GOVERNOR	100K0681	
	010205	SPEED CONTROL PLATE	100K0681	
	010206	NOZZLE HOLDER AND GLOW PLUG	100K0681	
	010207	NOZZLE HOLDER [COMPONENT PARTS]	100K0681	
	010500	WATER FLANGE AND THERMOSTAT	100K0681	
	010501	WATER PUMP	100K0681	
	010600	VALVE AND ROCKER ARM	100K0681	
	010601	INLET MANIFOLD	100K0681	
	010901	UPPER GASKET KIT	100K0681	
	010902	LOWER GASKET KIT	100K0681	
	010603	EXHAUST MANIFOLD/MUFFLER	100K0681	
	010604	AIR CLEANER	100K0681	
	01A004	ENGINE STOP WIRE	100K0681	
	01A010	ACCELERATOR LEVER	100K0681	
	01A025	ACCELERATOR LINKAGE	100K0681	
	FUEL SYSTEM	01A101	FUEL TANK	100K0681
		01A110	FUEL PIPE AND FUEL FILTER	100K0681
		01A130	FUEL FILTER [COMPONENT PARTS]	100K0681
	COOLING WATER SYSTEM	01A401	FAN	100K0681
		01A410	WATER PIPE	100K0681
		01A420	RADIATOR	100K0681
		01A430	RESERVE TANK	100K0681
	ELECTRICAL SYSTEM	01A515	ALTERNATOR	100K0681
		01A520	ALTERNATOR [COMPONENT PARTS]	100K0681
		01A525	STARTER	100K0681
		01A530	STARTER [COMPONENT PARTS]	100K0681
		01A535	BATTERY	100K0681
		01B102	SWITCH 1	100K0681
		01B103	SWITCH 2	100K0681
		01B115	PANEL BOARD	100K0681
		01B120	PANEL BOARD [COMPONENT PARTS]	100K0681
		01B304	LIGHT 1	100K0681
		01B30501	LIGHT 2 [OLD TYPE]	100K0681
01B30502		LIGHT 2 [NEW TYPE]	100K0681	
01B50101		ELECTRICAL WIRING [OLD TYPE]	100K0681	
01B50102		ELECTRICAL WIRING [NEW TYPE]	100K0681	
TRANSMISSION/CLUTCH/REAR AXLE	01C101	CLUTCH	100K0681	
	01C201	CLUTCH LEVER	100K0681	
	01C301	CLUTCH PEDAL	100K0681	
	01C40101	CLUTCH HOUSING	100K0681	
	01C410	MID CASE	100K0681	
	01C42001	TRANSMISSION CASE	100K0681	
	01D101	MAIN SHAFT	100K0681	
	01D105	COUNTERSHAFT	100K0681	
	01D117	RANGE GEAR SHAFT	100K0681	
	01D12501	SPIRAL BEVEL PINION	100K0681	

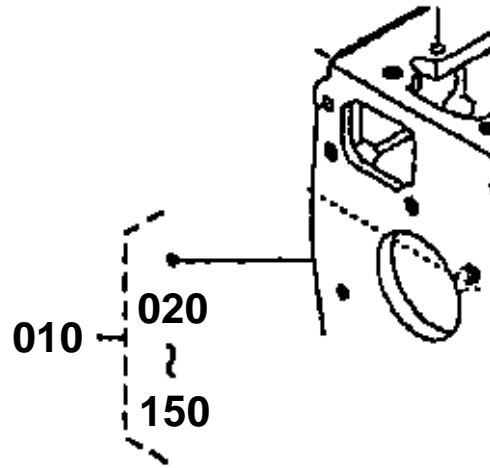
Item	Part No.	Description	Book	
TRANSMISSION/CLUTCH/REAR AXLE	01D127	REAR DIFFERENTIAL	100K0681	
	01D130	PTO COUNTERSHAFT	100K0681	
	01D132	PTO CLUTCH	100K0681	
	01D13501	PTO SHAFT	100K0681	
	01D201	MAIN GEAR SHIFT FORK	100K0681	
	01D217	RANGE GEAR SHIFT FORK	100K0681	
	01D225	DIFFERENTIAL LOCK SHIFT FORK	100K0681	
	01D301	REAR AXLE	100K0681	
	SPEED CHANGE LEVER/BRAKE	01D401	BRAKE	100K0681
		01D405	BRAKE ROD 1	100K0681
		01D410	BRAKE ROD 2	100K0681
		01E101	MAIN GEAR SHIFT LEVER	100K0681
		01E110	RANGE GEAR SHIFT LEVER	100K0681
01E112		RANGE GEAR SHIFT ROD	100K0681	
01E122		PTO CLUTCH CONTROL LEVER	100K0681	
01E127		PTO CLUTCH VALVE [COMPONENT PARTS]	100K0681	
01E201		BRAKE PEDAL	100K0681	
FRONT AXLE/CHASSIS		01F10501	FRONT AXLE FRAME	100K0681
	01F110	FRONT AXLE	100K0681	
	01F11501	KNUCKLE SHAFT [OLD TYPE]	100K0681	
	01F11502	KNUCKLE SHAFT [NEW TYPE]	100K0681	
STEERING	01G101	STEERING HANDLE	100K0681	
	01G110	STEERING CONTROLLER	100K0681	
	01G120	STEERING LINKAGE (TIE ROD)	100K0681	
	01H11001	STEERING CYLINDER	100K0681	
	01H11501	STEERING CYLINDER [COMPONENT PARTS]	100K0681	
	HYDRAULIC SYSTEM	01H120	HYDRAULIC PUMP	100K0681
01H125		HYDRAULIC PUMP [COMPONENT PARTS]	100K0681	
01H145		REGULATOR VALVE	100K0681	
01H205		HYDRAULIC OIL LINE(INLET)	100K0681	
01H210		HYDRAULIC OIL LINE(DELIVERY)	100K0681	
01H21501		HYDRAULIC OIL LINE (PS)	100K0681	
01H230		PTO HYDRAULIC OIL LINE	100K0681	
01H235		HYDRAULIC OUTLET BLOCK	100K0681	
01H301		HYDRAULIC CYLINDER	100K0681	
01H320		LIFT ARM	100K0681	
01H330		FEED BACK LEVER	100K0681	
01H405		CONTROL VALVE	100K0681	
01H410		CONTROL VALVE [COMPONENT PARTS]	100K0681	
01H440		POSITION CONTROL LEVER	100K0681	
01J105		TOP LINK	100K0681	
01J110		3-POINT LINKAGE 1 (LOWER LINK)	100K0681	
01J115		3-POINT LINKAGE 2 (LIFT ROD)	100K0681	
HITCH/DRAWBAR	01K105	DRAWBAR	100K0681	
	01K125	PTO PROTECTOR	100K0681	
HOOD(BONNET)/ROPS	01L101	FRONT GRILLE	100K0681	
	01L105	HOOD(BONNET)	100K0681	
	01L110	HOOD(BONNET) SIDE	100K0681	
	01L120	HOOD(BONNET) SIDE COVER	100K0681	
	01L135	HOOD(BONNET)) REAR	100K0681	
	01L210	FENDER	100K0681	
	01L213	FENDER SUPPORT	100K0681	
	01L220	SEAT	100K0681	
	01L225	STEP	100K0681	
	01L240	TOOL BOX	100K0681	
	01L301	ROPS	100K0681	
FRONT WHEEL/REAR WHEEL	01L501	SMV EMBLEM	100K0681	
	01P10101	FRONT WHEEL(7.5L-15)	100K0681	
	01P10103	FRONT WHEEL(29*12.5-15)	100K0681	
	01P11001	REAR WHEEL(14.9-26)	100K0681	

Item	Part No.	Description	Book
FRONT WHEEL/REAR WHEEL	01P11002	REAR WHEEL(13.6-28)	100K0681
	01P11003	REAR WHEEL(44*18-20)	100K0681
LABELS	01R105	LABEL 1 (FRONT)	100K0681
	01R110	LABEL 2 (REAR)	100K0681
ACCESSORIES OPTION	01S105	ACCESSORIES AND SERVICE PARTS	100K0681
	01T130	POSITION CONTROL LEVER (WITH DRAFT)	100K0681
		[OPTION]	
	01T135	DRAFT CONTROL LEVER (WITH DRAFT)	100K0681
		[OPTION]	
	01T140	TOP LINK HOLDER (WITH DRAFT) [OPTION]	100K0681
	01T145	SWINGING DRAWBAR/CLEVIS DRAWBAR	100K0681
		[OPTION]	
	01T15001	AUXILIARY CONTROL VALVE LEVER 1 [OPTION]	100K0681
	01T15002	AUXILIARY CONTROL VALVE LEVER 2 [OPTION]	100K0681
	01T15003	AUXILIARY CONTROL VALVE LEVER 2 [OPTION]	100K0681
	01T15004	AUXILIARY CONTROL VALVE LEVER 3 [OPTION]	100K0681
	01T15501	AUXILIARY CONTROL VALVE COUPLER 1	100K0681
		[OPTION]	
	01T15502	AUXILIARY CONTROL VALVE COUPLER 2	100K0681
[OPTION]			
01T15503	AUXILIARY CONTROL VALVE COUPLER 2	100K0681	
	[OPTION]		
01T15504	AUXILIARY CONTROL VALVE COUPLER 3 [OPTION]	100K0681	

CRANKCASE



010 1G851-0101-0



1G851-800-10

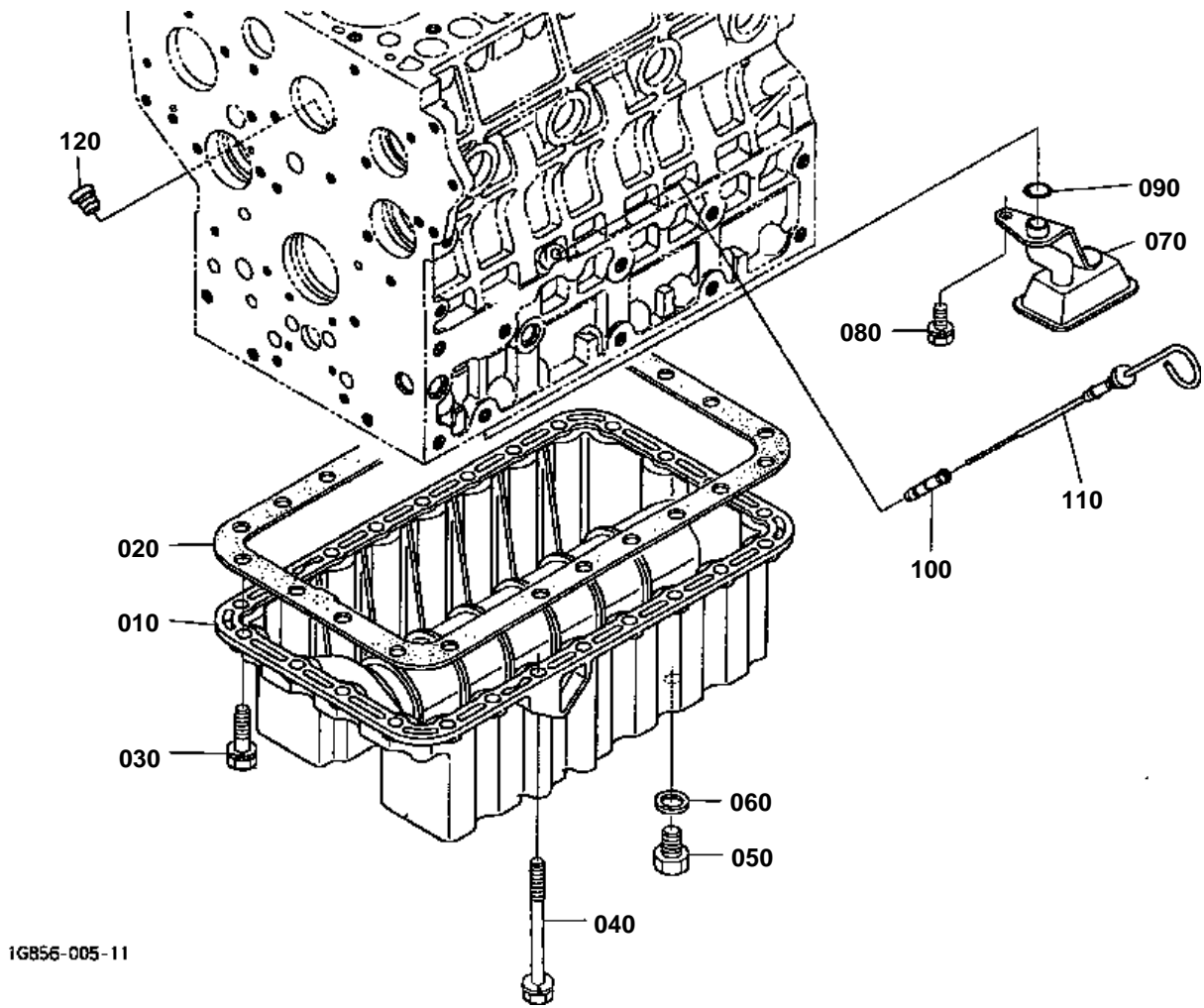


CRANKCASE

↔ Interchangeable; ≠ not interchangeable; ← new for old; → old for new

REF.No	Part No.	Description	Q'ty	S.No.	I/C	REMARKS	Weight (kgf)	Weight (lb)
010	1G851-01010	COMP.CRANKCASE	1	<=2E0375			54.5	119.9
010	1A091-01013	COMP.CRANKCASE	1	>=2G0001	≠		54.5	119.9
020	15521-96020	PLUG	6				0.003	0.0066
030	15521-96030	PLUG	2				0.007	0.0154
040	17391-96160	PLUG EXPANSION	3				0.003	0.0066
050	06311-75045	PLUG EXPANSION	1				0.026	0.0572
060	15221-03380	CAP SEALING	6				0.017	0.0374
070	15221-03390	CAP SEALING	2				0.03	0.066
080	15261-03370	CAP SEALING	1				0.005	0.011
090	1A091-03380	PLUG WEIGHT SHAFT	2				0.005	0.011
100	05012-00408	PIN STRAIGHT	2				0.001	0.0022
110	05012-00609	PIN STRAIGHT	3				0.003	0.0066
120	05012-00612	PIN STRAIGHT	2				0.003	0.0066
130	05012-01018	PIN STRAIGHT	1				0.012	0.0264
140	15221-33650	PIN PIPE	1				0.004	0.0088
150	15321-73340	PIPE WATER RETURN	1				0.016	0.0352
155	1A091-26990	METAL WEIGHT SHAFT	2				0.026	0.0572
156	1A091-26980	METAL WEIGHT SHAFT	2				0.022	0.0484
157	1A091-26970	METAL WEIGHT SHAFT	2				0.012	0.0264
160	15221-33610	PLUG	1				0.009	0.0198
170	15021-33660	GASKET	1				0.001	0.0022
180	16427-33140	PLUG OIL FILLER	1				0.025	0.055
190	1A021-33110	FLANGE OIL FILLER	1				0.07	0.154
200	1A021-51660	GASKET PUMP COVER	1				0.003	0.0066
210	01023-50618	BOLT	2				0.006	0.0132
220	1E013-35010	ASSY PUMP OIL	1				0.57	1.254
230	1A021-35150	GASKET OIL PUMP	1				0.001	0.0022
240	01023-60650	BOLT	4				0.015	0.033
250	19202-35660	GEAR OIL PUMP DRIVE	1				0.23	0.506
260	05712-00410	KEY FEATHER	1				0.001	0.0022
270	15221-35682	NUT FLANGE	1				0.014	0.0308
280	1A053-57482	BRACKET ACCEL.CABLE	1				0.077	0.1694
290	01023-50622	BOLT	2				0.005	0.011

OIL PAN



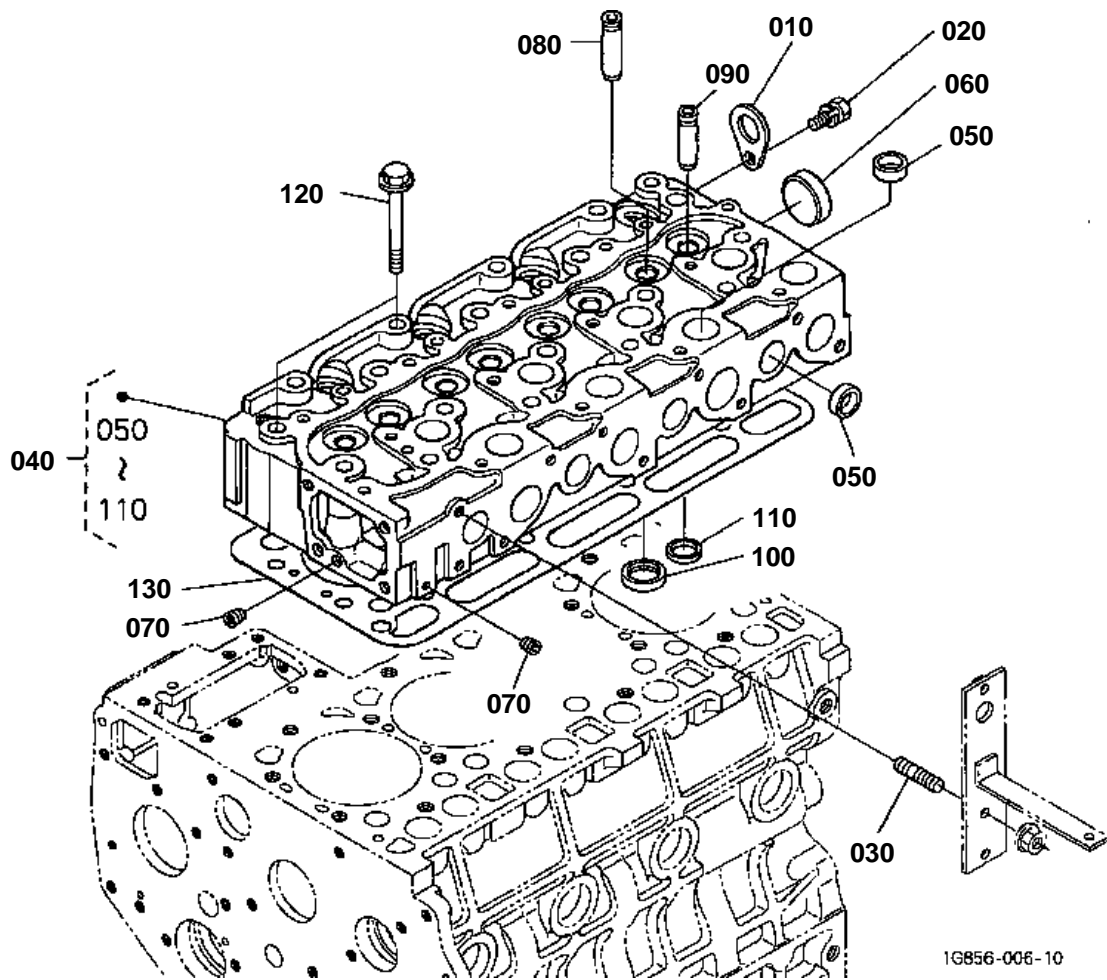


OIL PAN

↔ Interchangeable; ≠ not interchangeable; ← new for old; → old for new

REF.No	Part No.	Description	Q'ty	S.No.	I/C	REMARKS	Weight (kgf)	Weight (lb)
010	17341-01610	OIL PAN	1				4.1	9.02
020	1A091-01620	GASKET OIL PAN	1				0.018	0.0396
030	01133-51028	BOLT	22				0.027	0.0594
040	17377-91010	BOLT	2				0.08	0.176
050	16427-33750	PLUG DRAIN	2				0	0
060	6C090-58960	GASKET	2				0.002	0.0044
070	15411-32110	FILTER OIL	1				0.24	0.528
080	01123-60814	BOLT	1				0.008	0.0176
090	04811-00160	O RING	1				0.001	0.0022
090	04817-00160	O RING	1		←		0	0
100	17456-36420	GUIDE OIL GAUGE	1				0.033	0.0726
110	1G851-36410	GAUGE OIL	1				0.04	0.088
120	16414-33640	PLUG OIL GAUGE	1				0.003	0.0066

CYLINDER HEAD



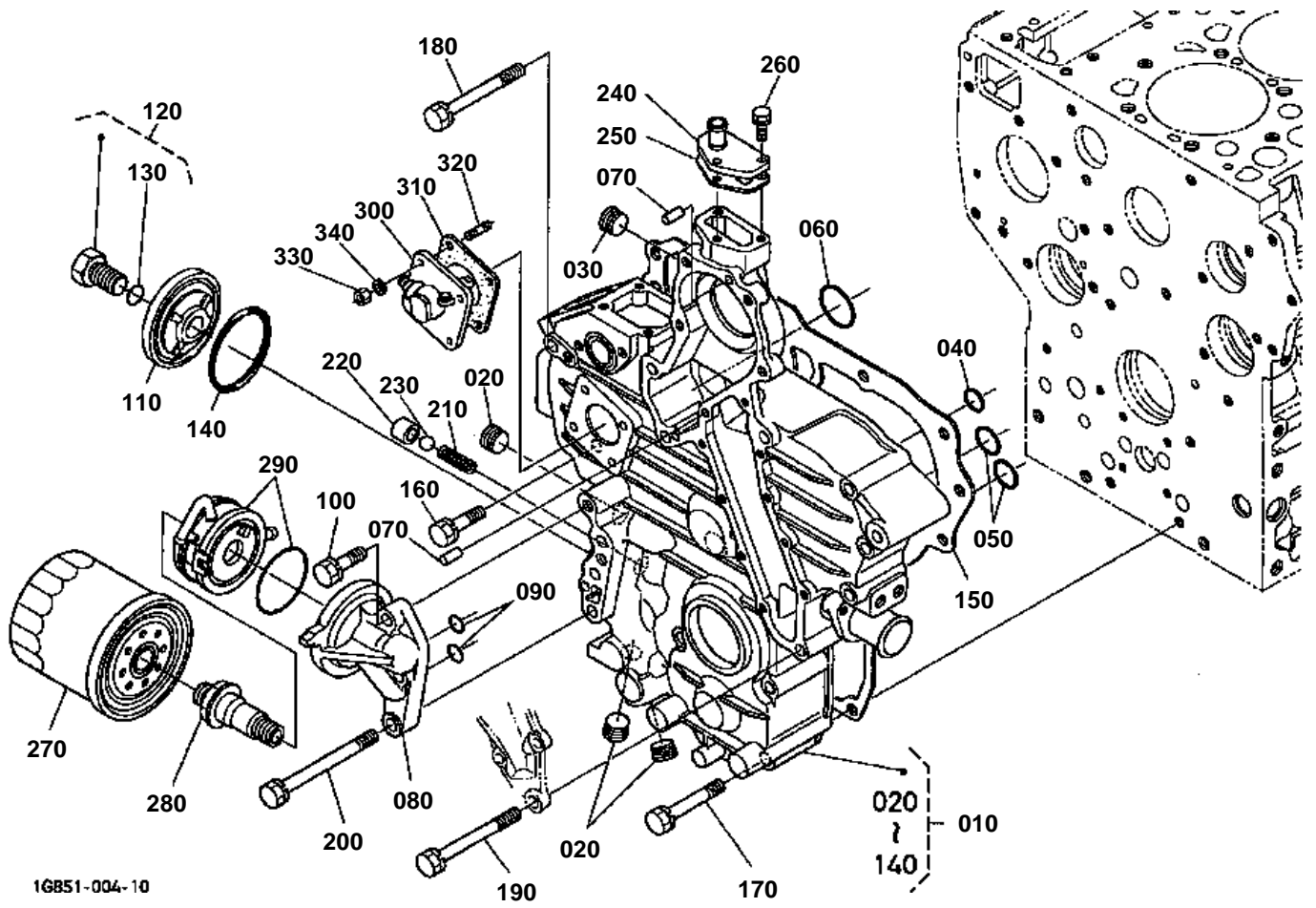


CYLINDER HEAD

↔ Interchangeable; ≠ not interchangeable; ← new for old; → old for new

REF.No	Part No.	Description	Q'ty	S.No.	I/C	REMARKS	Weight (kgf)	Weight (lb)
010	15221-01750	HOOK ENGINE	1				0.04	0.088
020	01123-50816	BOLT	1				0.011	0.0242
030	15471-91530	STUD	1				0.01	0.022
040	1G851-03042	COMP.CYLINDER HEAD	1				20	44
050	15221-03370	CAP SEALING	12				0.01	0.022
060	15221-03490	CAP SEALING	1				0.02	0.044
070	15261-96010	PLUG	2				0.002	0.0044
080	17321-13580	GUIDE INLET VALVE	4				0.015	0.033
090	17321-13560	GUIDE EXHAUST VALVE	4				0.02	0.044
100	16415-13620	SEAT INLET VALVE	4				0.01	0.022
110	16415-13612	SEAT EXHAUST VALVE	4				0.01	0.022
120	19013-03450	BOLT CYLINDER HEAD	18				0.077	0.1694
130	1G790-03310	GASKET CYL.HEAD	1				0.29	0.638

GEAR CASE



1GB51-004-10

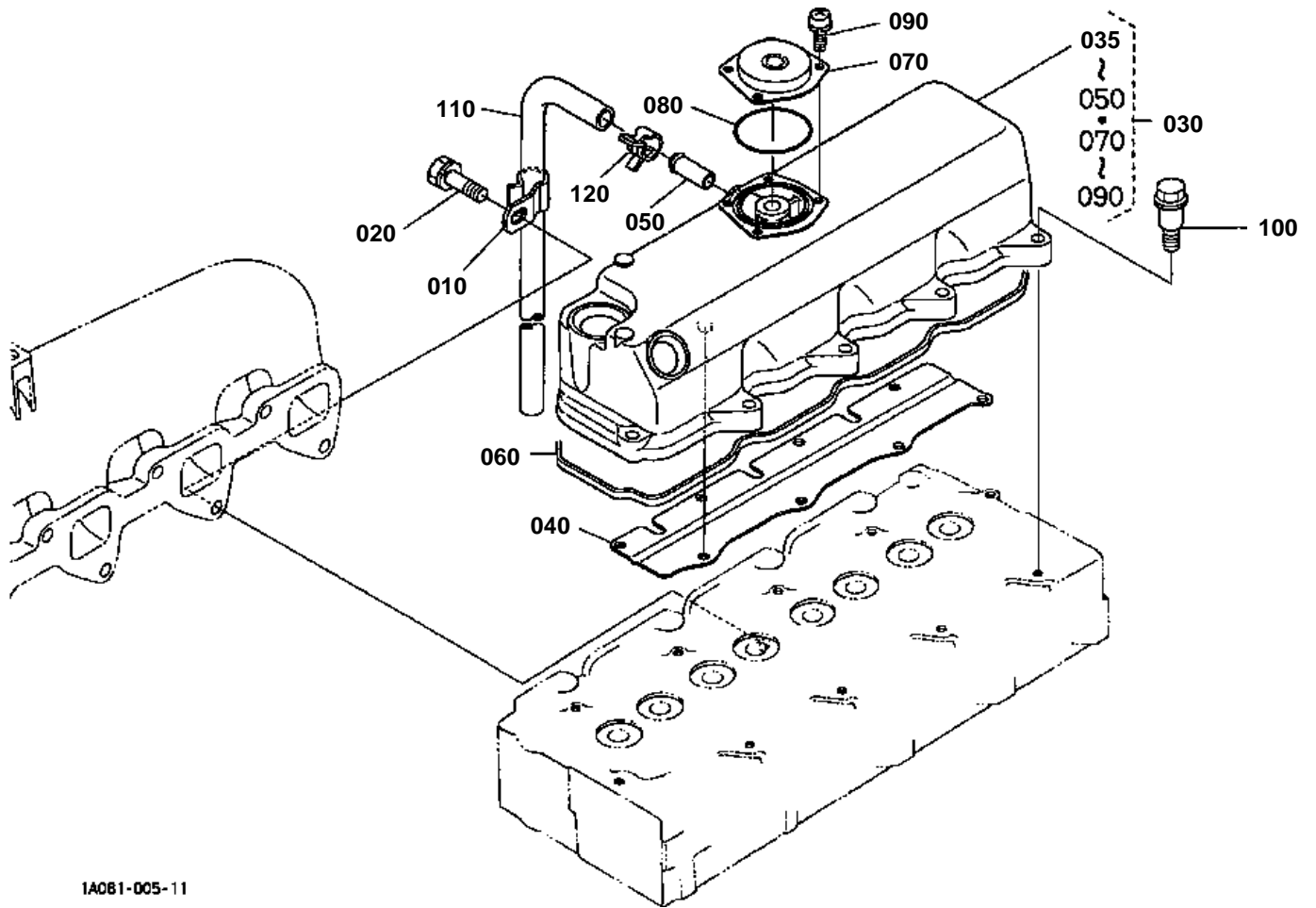


GEAR CASE

↔ Interchangeable; ≠ not interchangeable; ← new for old; → old for new

REF.No	Part No.	Description	Q'ty	S.No.	I/C	REMARKS	Weight (kgf)	Weight (lb)
010	1G851-04013	ASSY CASE GEAR	1				4.54	9.988
020	16241-96020	PLUG	3				0.015	0.033
030	1A021-96020	PLUG	1				0.015	0.033
040	04811-00150	O RING	1				0.001	0.0022
040	04817-00150	O RING	1		←		0	0
050	04811-00220	O RING	2				0.001	0.0022
050	04817-00220	O RING	2		←		0.005	0.011
060	04811-00360	O RING	1				0.002	0.0044
060	04817-00360	O RING	1		←		0	0
070	05012-00612	PIN STRAIGHT	2				0.003	0.0066
080	1A021-32610	BASE OIL FILTER	1				0.25	0.55
090	04811-00150	O RING	2				0.001	0.0022
090	04817-00150	O RING	2		←		0	0
100	01123-50835	BOLT	2				0.02	0.044
110	17331-32880	COVER	1				0.075	0.165
120	17331-32910	COMP BOLT	1				0.07	0.154
130	04811-00150	O RING	1				0.001	0.0022
130	04817-00150	O RING	1		←		0	0
140	19202-96830	O RING	1				0.01	0.022
150	1A091-04130	GASKET GEAR CASE	1				0.018	0.0396
160	01123-50835	BOLT	1				0.02	0.044
170	01123-50870	BOLT	7				0.029	0.0638
180	17367-91010	BOLT	2				0.005	0.011
190	17367-91020	BOLT	3				0.035	0.077
200	1A021-91010	BOLT	1				0.045	0.099
210	15241-36950	SPRING	1				0.004	0.0088
220	15521-36930	SEAT VALVE	1				0.015	0.033
230	07715-03213	BALL	1				0.004	0.0088
240	15521-73320	FLANGE WATER RETURN	1				0.04	0.088
250	1A021-73330	GASKET RETURN FLANGE	1				0.001	0.0022
260	01023-50620	BOLT	3				0.006	0.0132
270	16414-32430	CARTRIDGE OIL FILTER	1				0	0
280	1G622-37080	CONNECTOR	1				0.145	0.319
290	1A024-37010	ASSY COOLER OIL	1				0.66	1.452
300	38240-34660	ASSY GEAR CASE H/M	1				0.335	0.737
310	15296-88130	GASKET H/METER UNIT	1				0.002	0.0044
320	15221-88210	STUD	4				0.005	0.011
330	02056-50060	NUT	4				0.002	0.0044
340	04512-60060	WASHER SPRING	4				0.001	0.0022

HEAD COVER



1A081-005-11

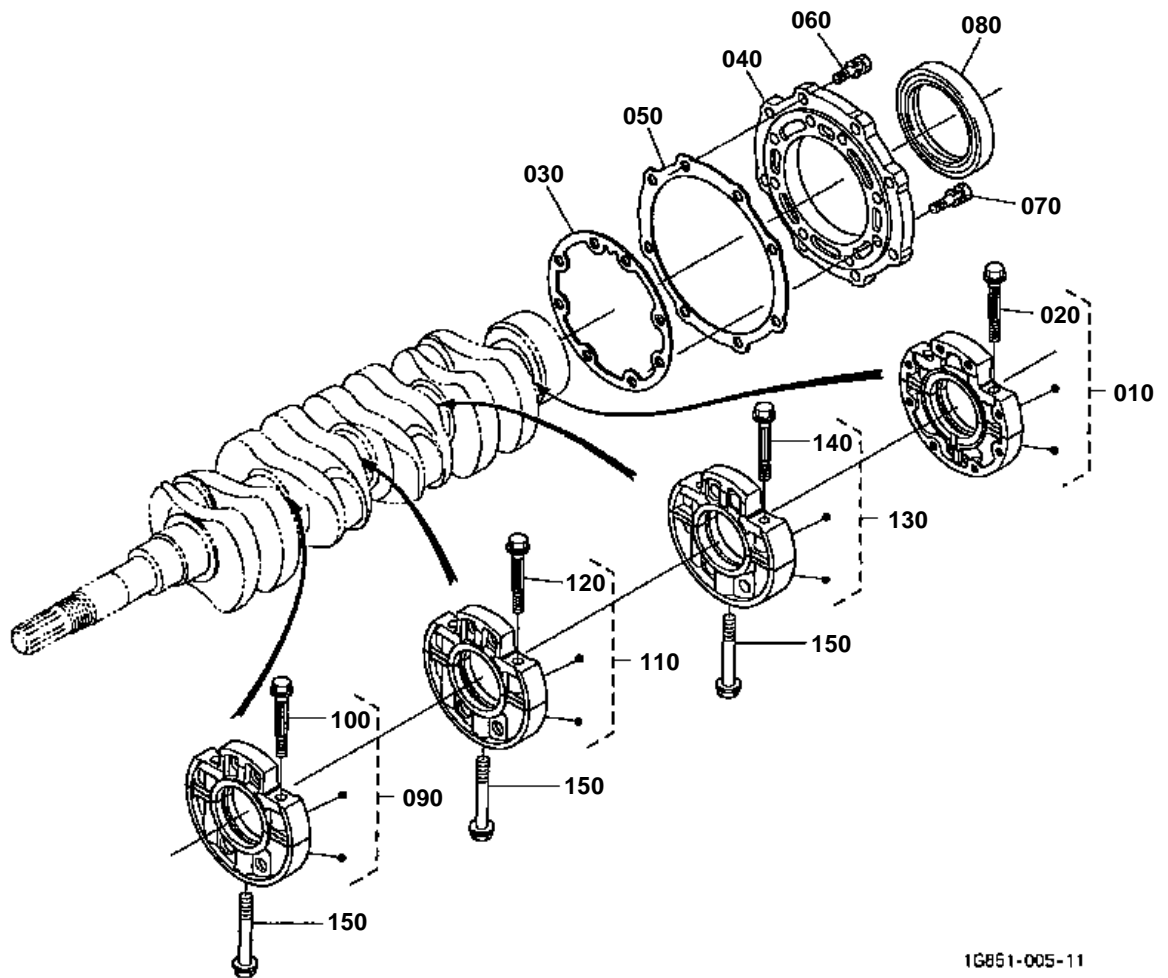


HEAD COVER

↔ Interchangeable; ≠ not interchangeable; ← new for old; → old for new

REF.No	Part No.	Description	Q'ty	S.No.	I/C	REMARKS	Weight (kgf)	Weight (lb)
010	1A091-05580	CLAMP BREATHER TUBE	1				0.006	0.0132
020	01123-50822	BOLT	1				0.012	0.0264
030	1A091-14502	ASSY COVER CYL.HEAD	1				1.525	3.355
035	1G911-14510	COVER CYL.HEAD	1				1.34	2.948
040	1G911-05370	SHIELD BREATHER	1				0.14	0.308
050	17331-73342	PIPE WATER RETURN	1				0.01	0.022
060	1G911-14520	GASKET HEAD COVER	1				0.025	0.055
070	1A021-05120	COVER BREATHER	1				0.039	0.0858
080	1A021-05430	O RING BREATHER	1				0.001	0.0022
090	03024-50510	SCREW WITH WASHER	4				0.002	0.0044
100	1G911-91022	BOLT	10				0.015	0.033
110	1A053-05510	TUBE BREATHER	1				0.085	0.187
120	09318-88150	CLAMP HOSE	1				0.004	0.0088

MAIN BEARING CASE



1G851-005-11

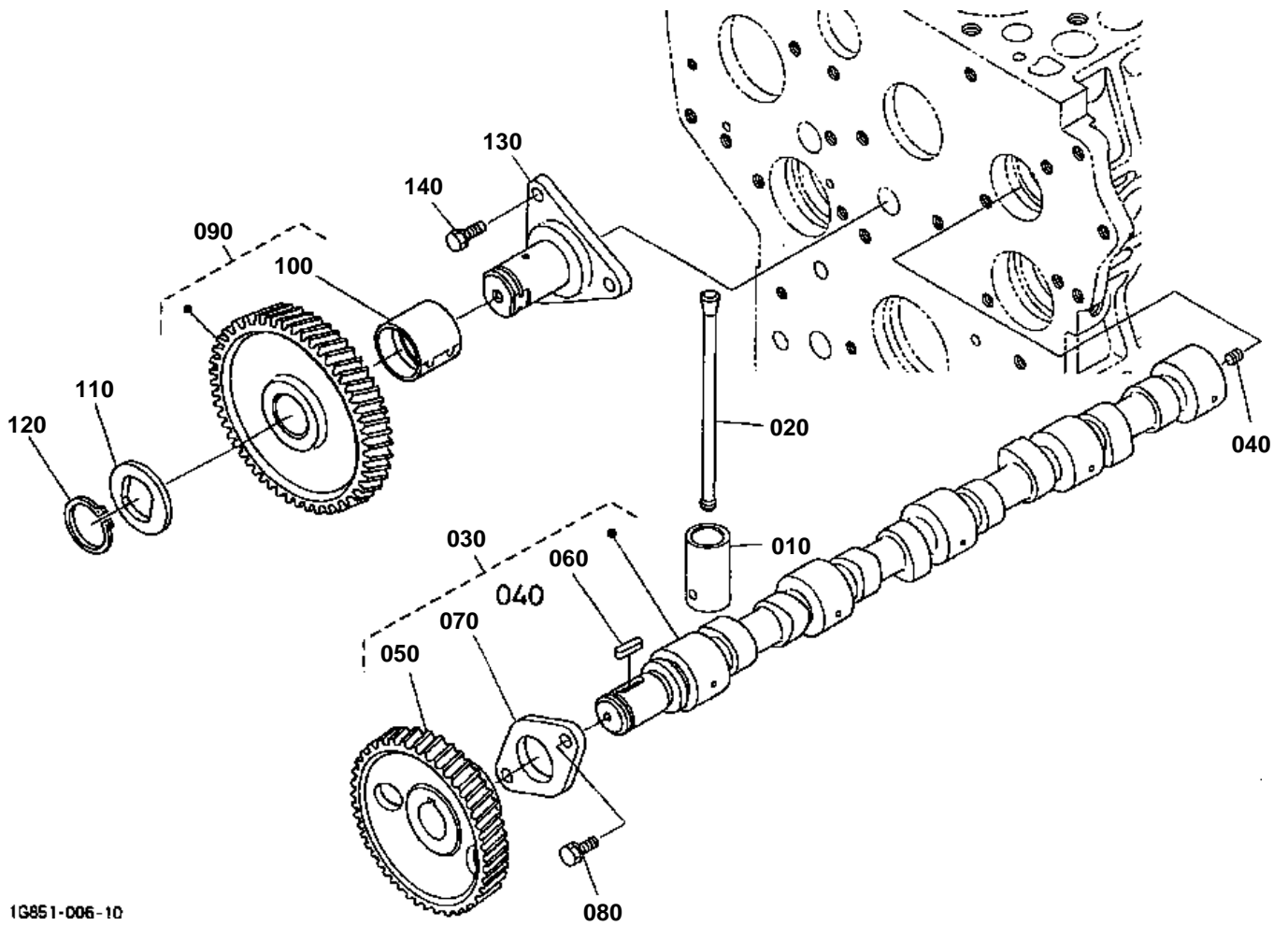


MAIN BEARING CASE

↔ Interchangeable; ≠ not interchangeable; ← new for old; → old for new

REF.No	Part No.	Description	Q'ty	S.No.	I/C	REMARKS	Weight (kgf)	Weight (lb)
010	1A091-07092	ASSY BRG.CASE WHEEL	1				0	0
020	1A091-04540	BOLT BEARING CASE	2				0.035	0.077
030	1A091-04360	GASKET BEARING CASE	1				0.005	0.011
040	1G851-04810	COVER BEARING CASE	1				0.495	1.089
050	1A091-04820	GASKET CASE COVER	1				0.006	0.0132
060	01123-50825	BOLT	8				0.013	0.0286
070	01123-50828	BOLT	8				0.014	0.0308
080	19202-04460	SEAL OIL	1				0.055	0.121
090	1A091-07042	ASSY BRG.CASE MAIN	1				0	0
100	1A091-04540	BOLT BEARING CASE	2				0.035	0.077
110	1A091-07052	ASSY BRG.CASE MAIN	1				0	0
120	1A091-04540	BOLT BEARING CASE	2				0.035	0.077
130	1A091-07062	ASSY BRG.CASE MAIN	1				0	0
140	1A091-04540	BOLT BEARING CASE	2				0.035	0.077
150	15601-04560	BOLT BEARING CASE	3				0.06	0.132

CAMSHAFT AND IDLE GEAR SHAFT



1G851-006-10

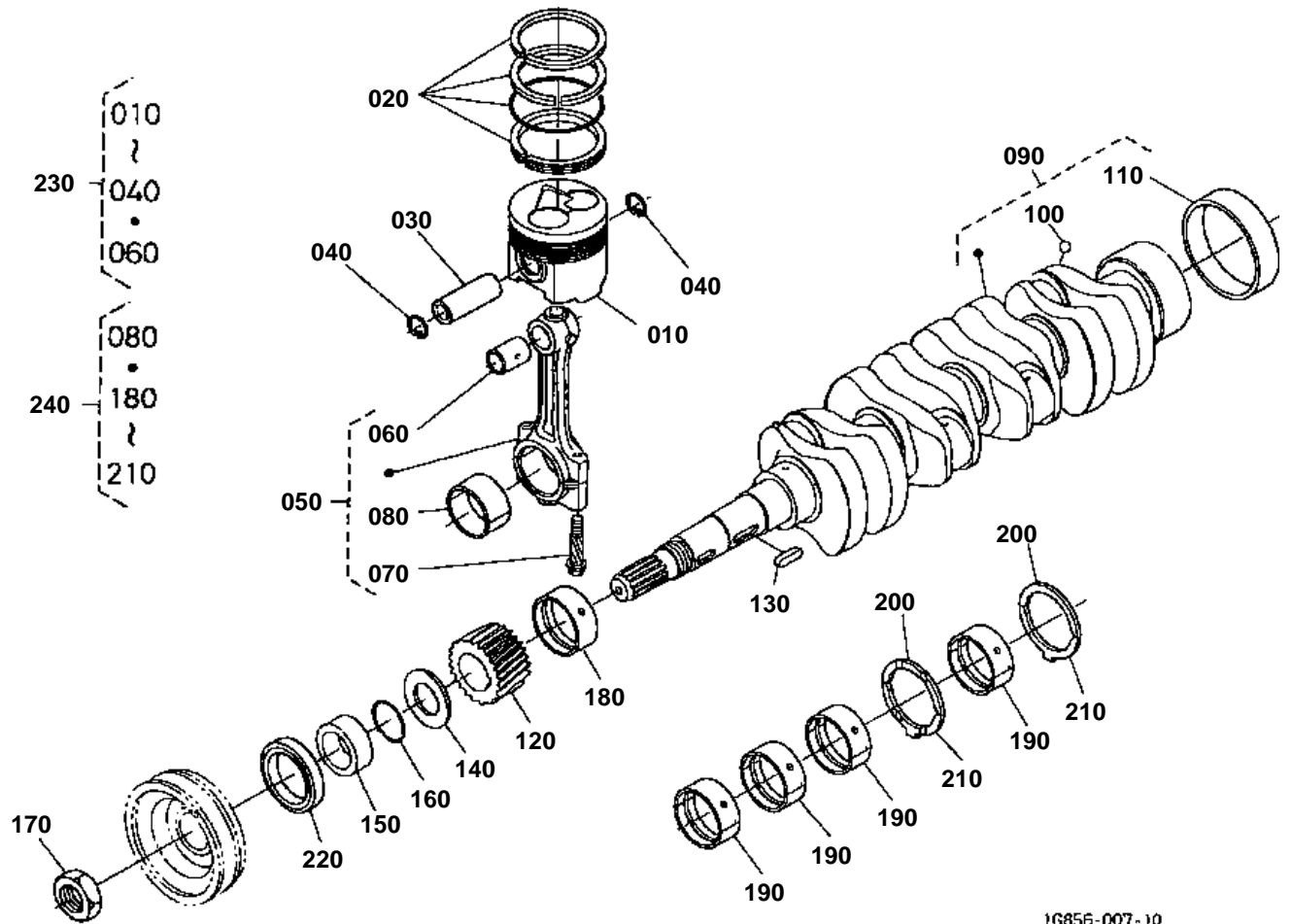


CAMSHAFT AND IDLE GEAR SHAFT

↔ Interchangeable; ≠ not interchangeable; ← new for old; → old for new

REF.No	Part No.	Description	Q'ty	S.No.	I/C	REMARKS	Weight (kgf)	Weight (lb)
010	15601-15550	TAPPET	8				0.08	0.176
020	1A091-15110	PUSH ROD	8				0.042	0.0924
030	1A091-16010	ASSY CAMSHAFT	1				2.73	6.006
040	15521-93610	SCREW SET	1				0.002	0.0044
050	1A091-16510	GEAR CAM	1				0.8	1.76
060	05712-00720	KEY FEATHER	1				0.008	0.0176
070	15221-16270	STOPPER CAMSHAFT	1				0.073	0.1606
080	01123-50818	BOLT	2				0.012	0.0264
090	1A091-24010	COMP.GEAR IDLE	1				1.21	2.662
100	1A021-24980	BUSH IDLE GEAR	1				0.072	0.1584
110	1A021-24370	COLLAR	1				0.022	0.0484
120	15451-95400	CIR CLIP EXTERNAL	1				0.01	0.022
130	1A021-24250	SHAFT IDLE GEAR	1				0.685	1.507
140	01123-50818	BOLT	3				0.012	0.0264

PISTON AND CRANKSHAFT



1G856-007-10

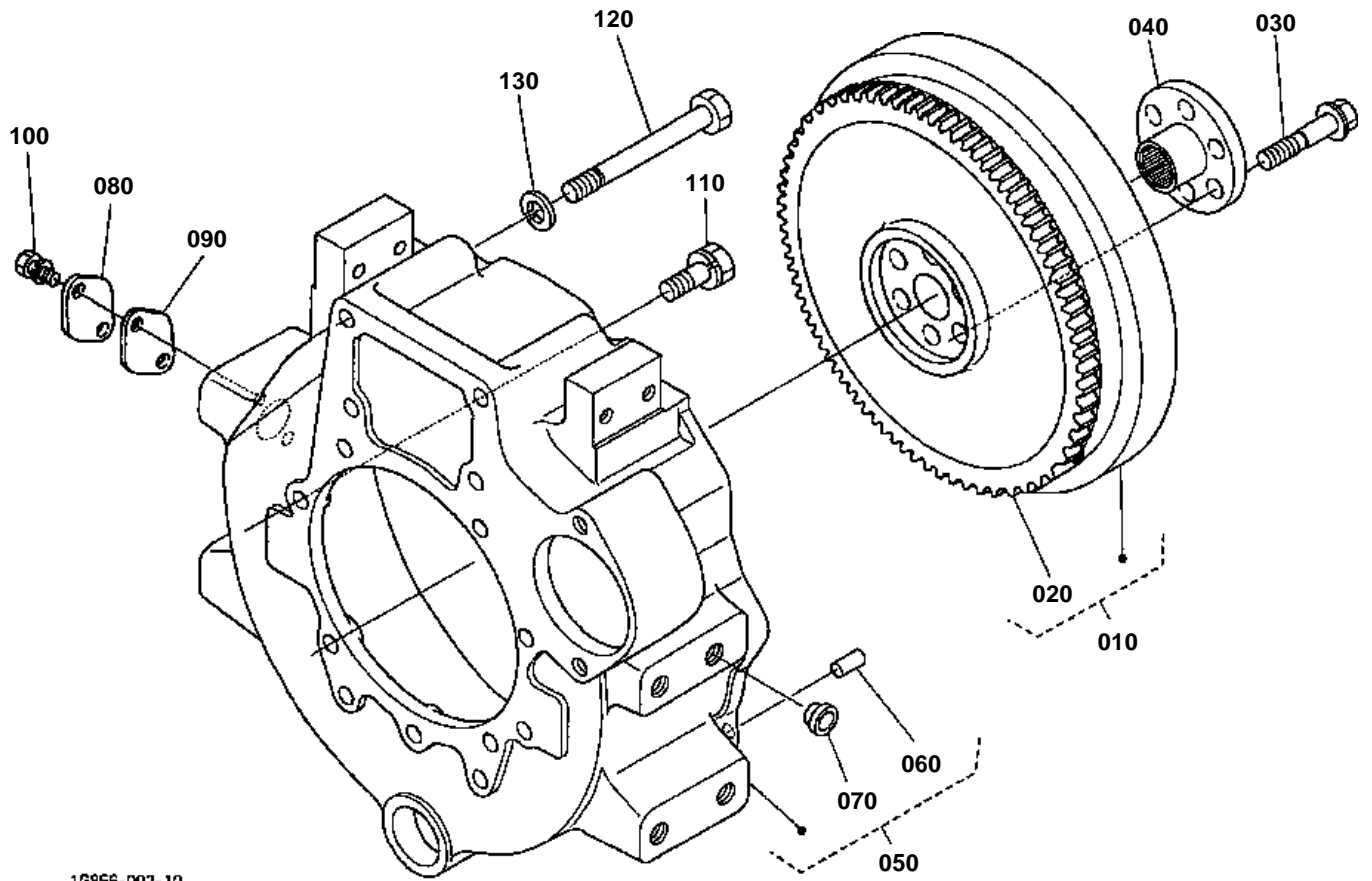


PISTON AND CRANKSHAFT

↔ Interchangeable; ≠ not interchangeable; ← new for old; → old for new

REF.No	Part No.	Description	Q'ty	S.No.	I/C	REMARKS	Weight (kgf)	Weight (lb)
010	1A091-21112	PISTON	4			STD	0	0
010	1A091-21902	PISTON	4			+0.25mm	0	0
020	1A091-21050	ASSY PISTON RING	4			STD	0.055	0.121
020	1A091-21090	ASSY PISTON RING	4			+0.25mm	0	0
030	14901-21310	PIN PISTON	4				0.17	0.374
040	14109-21330	CIR CLIP INTERNAL	8				0.015	0.033
050	17311-22010	ASSY CONNECTING ROD	4				0.885	1.947
060	17331-21980	BUSH PISTON PIN	4				0.025	0.055
070	15521-22142	BOLT CONNECTING ROD	8				0.026	0.0572
080	17311-22310	METAL CRANKPIN	4			STD SET	0.045	0.099
080	17331-22970	METAL CRANKPIN	4			-0.20mm SET	0.05	0.11
080	17331-22980	METAL CRANKPIN	4			-0.40mm SET	0.045	0.099
090	1G851-23010	COMP.CRANKSHAFT	1				18.1	39.82
100	07715-00401	BALL	4				0.001	0.0022
110	19202-23280	BUSH CRANKSHAFT	1				0.09	0.198
120	1A021-24110	GEAR CRANKSHAFT	1				0.445	0.979
130	05712-00730	KEY FEATHER	1				0.011	0.0242
140	15471-23312	SLINGER OIL	1				0.008	0.0176
150	19202-23250	COLLAR CRANKSHAFT	1				0.065	0.143
160	04811-10300	O RING	1				0.001	0.0022
170	15221-23360	NUT CRANKSHAFT	1				0.11	0.242
180	1A091-23470	METAL CRANKSHAFT	1			STD	0.062	0.1364
180	1A091-23910	METAL CRANKSHAFT	1			-0.20mm	0.065	0.143
180	1A091-23920	METAL CRANKSHAFT	1			-0.40mm	0.065	0.143
190	1A091-23480	METAL CRANKSHAFT	4			STD SET	0.023	0.0506
190	1A091-23930	METAL CRANKSHAFT	4			-0.20mm SET	0.06	0.132
190	1A091-23940	METAL CRANKSHAFT	4			-0.40mm SET	0.065	0.143
200	1A091-23530	METAL SIDE	2			STD	0.009	0.0198
200	1A091-23950	METAL SIDE	2			+0.20mm	0.005	0.011
200	1A091-23960	METAL SIDE	2			+0.40mm	0.005	0.011
210	1A091-23540	METAL SIDE	2			STD	0.009	0.0198
210	1A091-23970	METAL SIDE	2			+0.20mm	0.005	0.011
210	1A091-23980	METAL SIDE	2			+0.40mm	0.005	0.011
220	19202-04140	SEAL OIL	1				0.015	0.033
230	1G856-21770	KIT PISTON	4			STD	0.89	1.958
230	1G856-21780	KIT PISTON	4			+0.25mm	1.09	2.398
240	1G856-23750	KIT METAL ENGINE	1			STD	0.71	1.562
240	1G856-23760	KIT METAL ENGINE	1			-0.20mm	0	0
240	1G856-23770	KIT METAL ENGINE	1			-0.40mm	0.8	1.76

FLYWHEEL



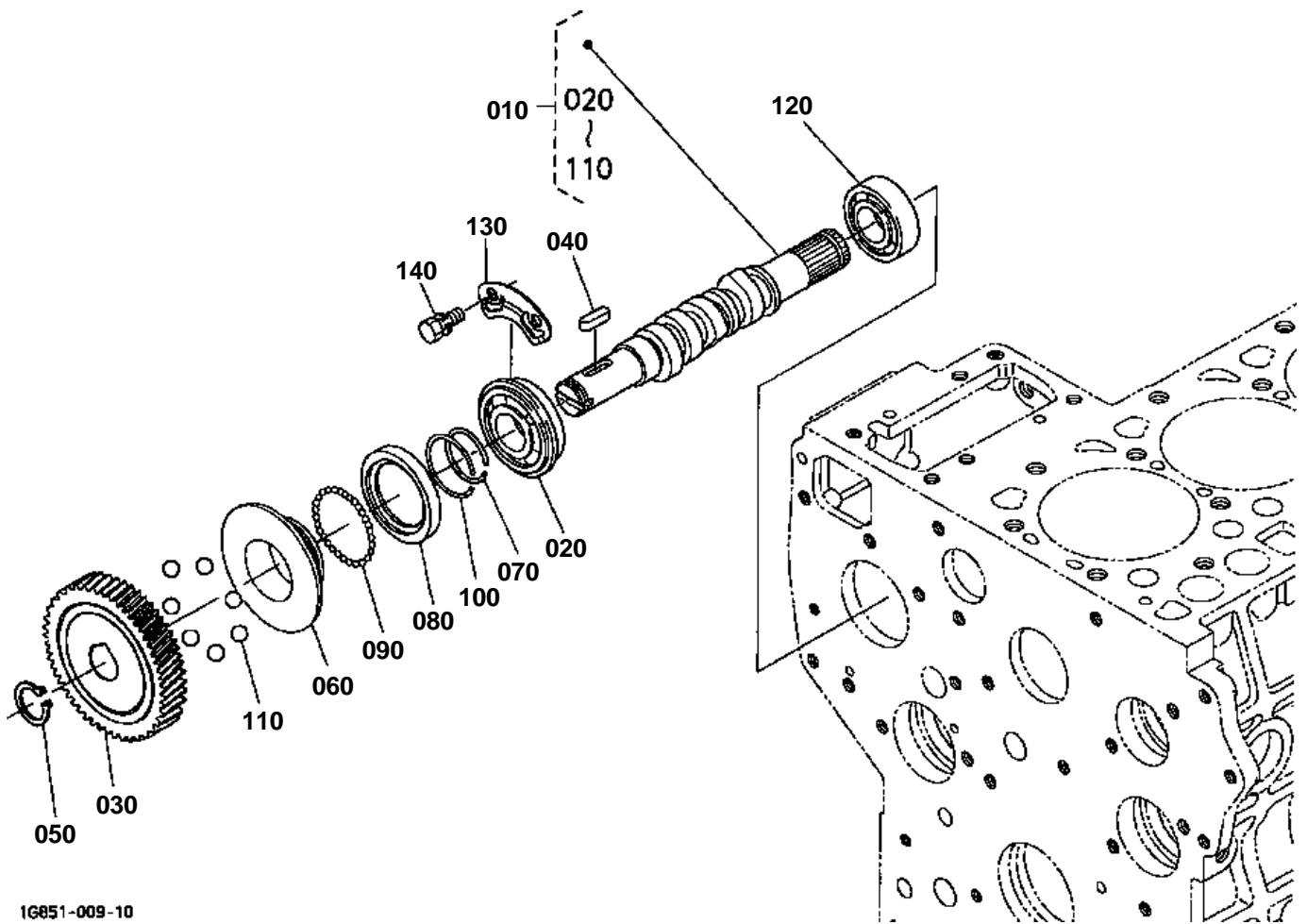
16856-002-10



FLYWHEEL

↔ Interchangeable; ≠ not interchangeable; ← new for old; → old for new

REF.No	Part No.	Description	Q'ty	S.No.	I/C	REMARKS	Weight (kgf)	Weight (lb)
010	1G856-25010	COMP.FLYWHEEL	1				31	68.2
020	1A021-63820	GEAR RING	1				1.5	3.3
030	17394-25160	BOLT FLYWHEEL	6				0.07	0.154
040	35080-14010	HUB SPLINE	1				0.44	0.968
050	T1040-20100	COMP.HOUSING F-W.	1				0	0
060	05012-01018	PIN STRAIGHT	2				0.012	0.0264
070	31220-14290	PLUG	8				0.002	0.0044
080	15521-04680	COVER	1				0.035	0.077
090	15521-04790	PACKING COVER	1				0.005	0.011
100	01123-50816	BOLT	2				0.011	0.0242
110	16427-91010	BOLT	11				0.004	0.0088
120	01073-51202	BOLT	2				0.11	0.242
130	04512-60120	WASHER SPRING	2				0.005	0.011



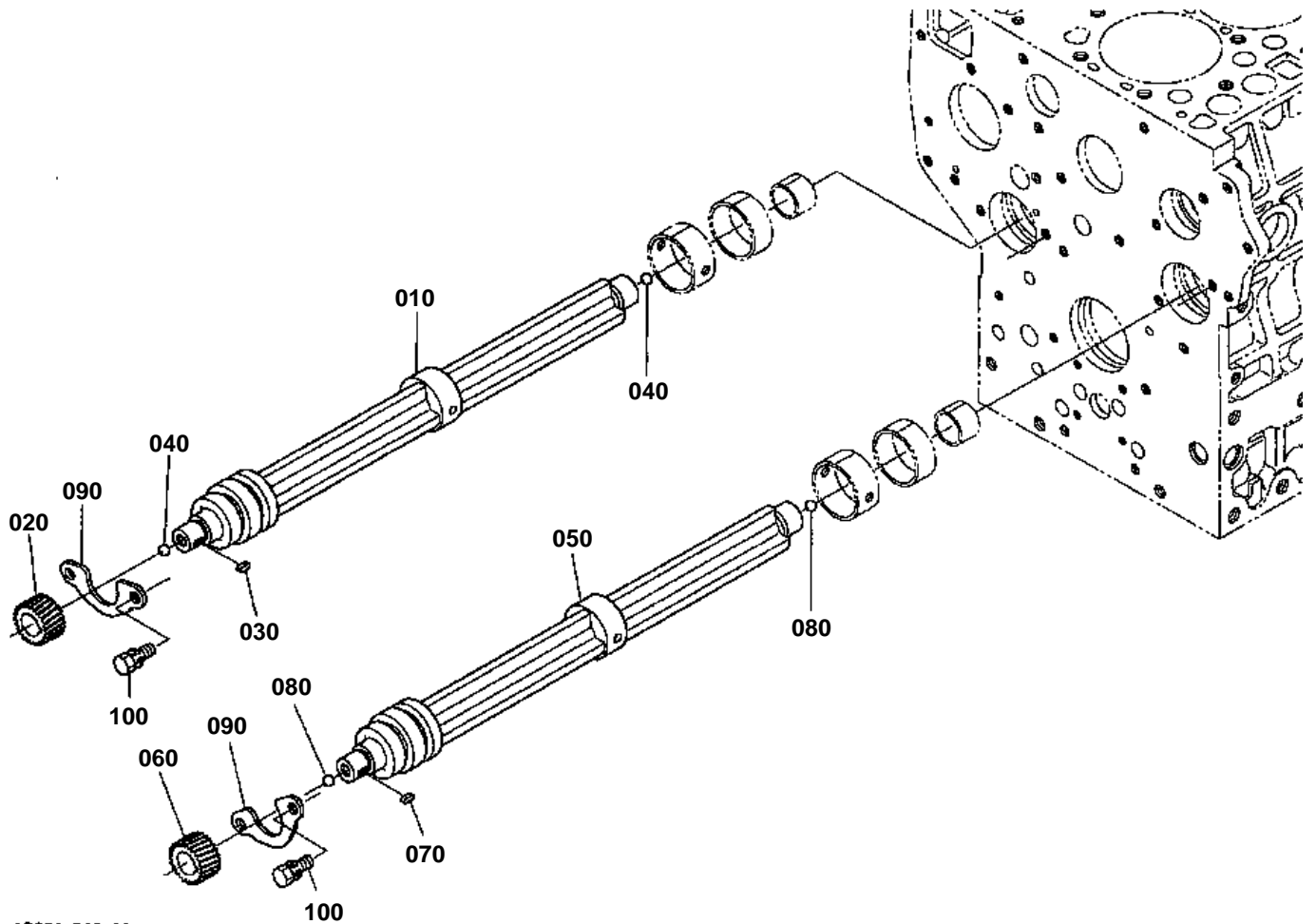
1G851-009-10

**FUEL CAMSHAFT**

↔ Interchangeable; ≠ not interchangeable; ← new for old; → old for new

REF.No	Part No.	Description	Q'ty	S.No.	I/C	REMARKS	Weight (kgf)	Weight (lb)
010	1A091-16020	ASSY CAMSHAFT FUEL	1				3.13	6.886
020	1A091-51750	BEARING BALL	1	≤2J0298			0.24	0.528
020	1A091-51752	BEARING BALL	1	≥2L0001	←		0.24	0.528
030	16415-51150	GEAR INJECTION PUMP	1				1.075	2.365
040	05712-00525	KEY FEATHER	1				0.005	0.011
050	04612-00240	CIR CLIP EXTERNAL	1				0.002	0.0044
060	15611-55450	SLEEVE GOVERNOR	1				0.117	0.2574
070	15221-55470	CIR-CLIP GOV. SLEEVE	1				0.003	0.0066
080	15611-55690	CASE GOVERNOR BALL	1				0.03	0.066
090	07715-03205	BALL	39				0.001	0.0022
100	15221-55740	CIR-CLIP	1				0.002	0.0044
110	07715-00403	BALL	7				0.03	0.066
120	08240-00001	BEARING BALL	1				0.19	0.418
130	1A091-16320	STOPPER FUEL C/SHAFT	1				0.014	0.0308
140	01123-60814	BOLT	2				0.008	0.0176

BALANCER



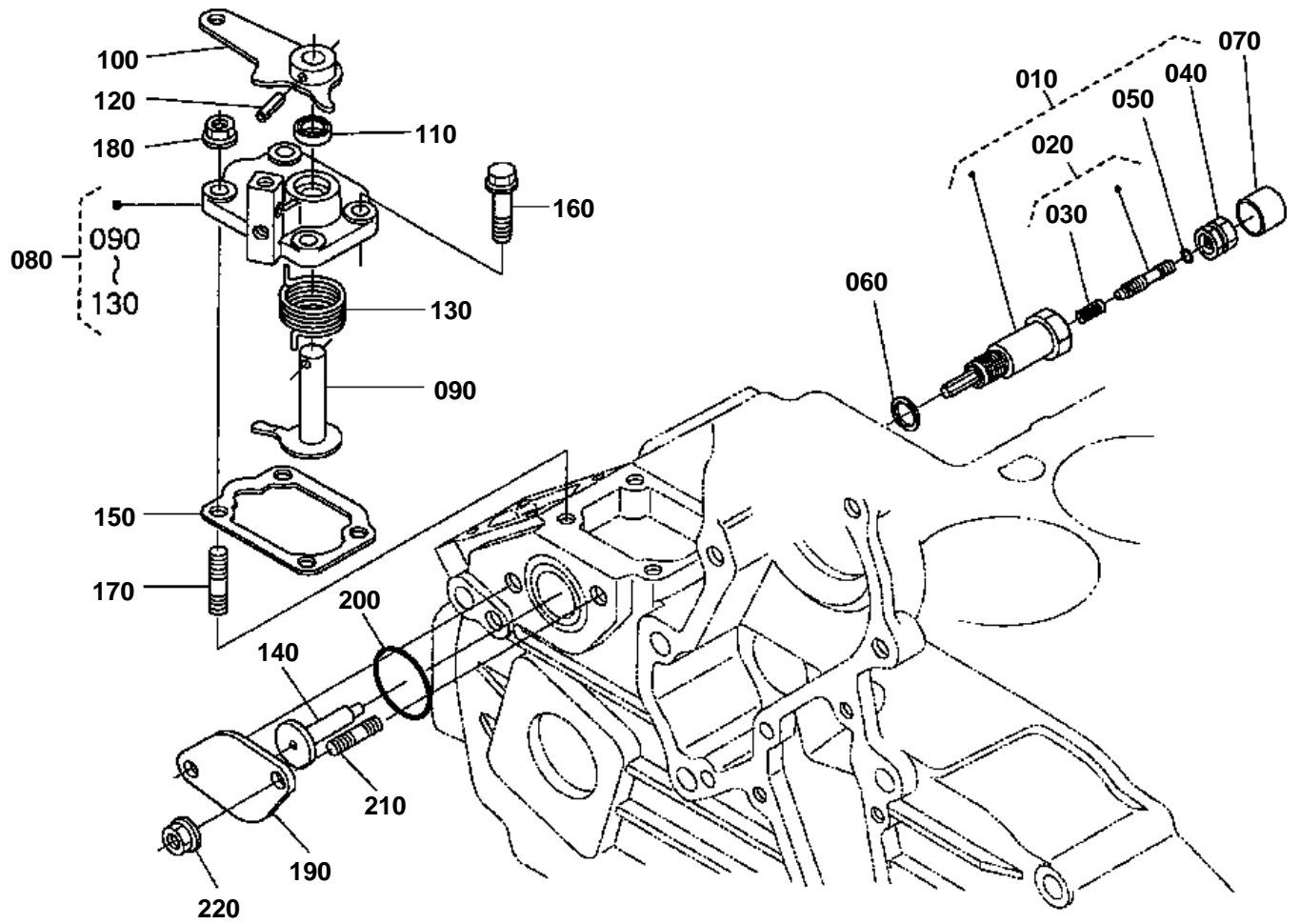
1G851-010-11

**BALANCER**

↔ Interchangeable; ≠ not interchangeable; ← new for old; → old for new

REF.No	Part No.	Description	Q'ty	S.No.	I/C	REMARKS	Weight (kgf)	Weight (lb)
010	1A091-26330	SHAFT SUCTION	1				2.49	5.478
020	1A091-26450	GEAR BALANCER	1	<=2C0797			0.055	0.121
020	1A091-26452	GEAR BALANCER	1	>=2E0001	←		0.055	0.121
030	05712-00410	KEY FEATHER	1				0.001	0.0022
040	07715-00401	BALL	2				0.001	0.0022
050	1A091-26310	SHAFT EXHAUST	1				2.58	5.676
060	1A091-26440	GEAR BALANCER	1				0.055	0.121
070	05712-00410	KEY FEATHER	1				0.001	0.0022
080	07715-00401	BALL	2				0.001	0.0022
090	1A091-26592	STOPPER WEIGHT SHAFT	2				0	0
100	01123-50818	BOLT	4				0.012	0.0264

ENGINE STOP LEVER



1G856-003-10

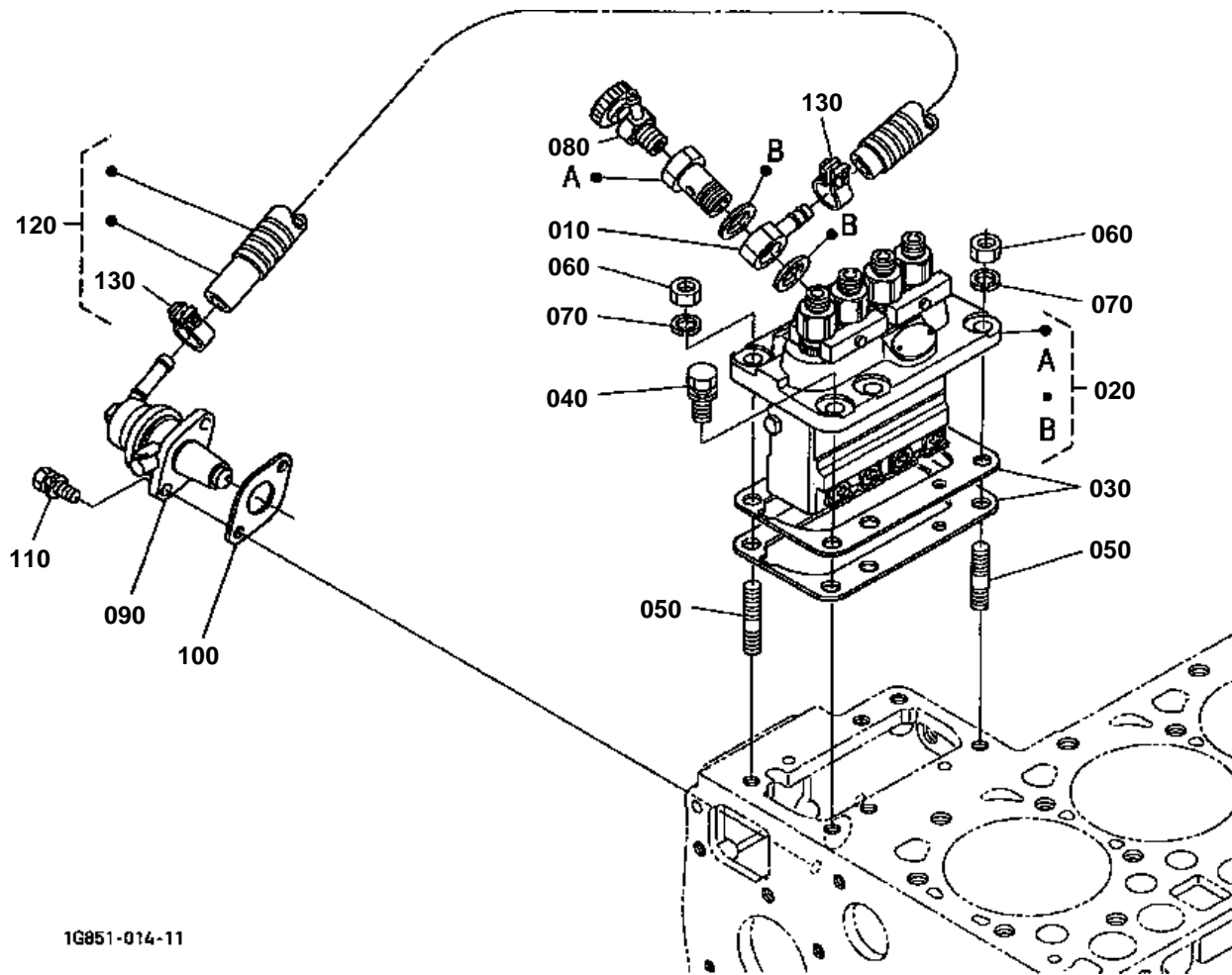


ENGINE STOP LEVER

↔ Interchangeable; ≠ not interchangeable; ← new for old; → old for new

REF.No	Part No.	Description	Q'ty	S.No.	I/C	REMARKS	Weight (kgf)	Weight (lb)
010	1A021-54160	APPARATUS IDLING	1				0.103	0.2266
020	1G911-54100	ASSY BOLT ADJUSTMENT	1				0.008	0.0176
030	15521-54260	SPRING	1				0.001	0.0022
040	1G911-92010	NUT SPRING	1				0.015	0.033
050	04814-00060	O RING	1				0.001	0.0022
060	04724-00140	GASKET	1				0.002	0.0044
070	1G911-54270	CAP	1				0.002	0.0044
080	1A021-57700	ASSY LEVER ENG.STOP	1				0.184	0.4048
090	1A021-57710	COMP.LEVER STOP	1				0.038	0.0836
100	1A021-57720	LEVER ENGINE STOP	1				0.055	0.121
110	15471-57980	SEAL OIL	1				0.001	0.0022
120	05411-00420	PIN SPRING	1				0.001	0.0022
130	1A021-57920	SPRING RETURN	1				0.01	0.022
140	1G856-56730	GUIDE SOLENOID	1				0	0
150	1A021-57210	GASKET PLATE	1				0.001	0.0022
160	01023-50620	BOLT	2				0.006	0.0132
170	15221-88210	STUD	2				0.005	0.011
180	02751-50060	NUT FLANGE	2				0.005	0.011
190	1G856-60120	COVER SOLENOID	1				0	0
200	04814-06310	O RING	1				0.002	0.0044
210	15221-88210	STUD	2				0.005	0.011
220	02761-50060	NUT FLANGE	2				0.003	0.0066

INJECTION PUMP



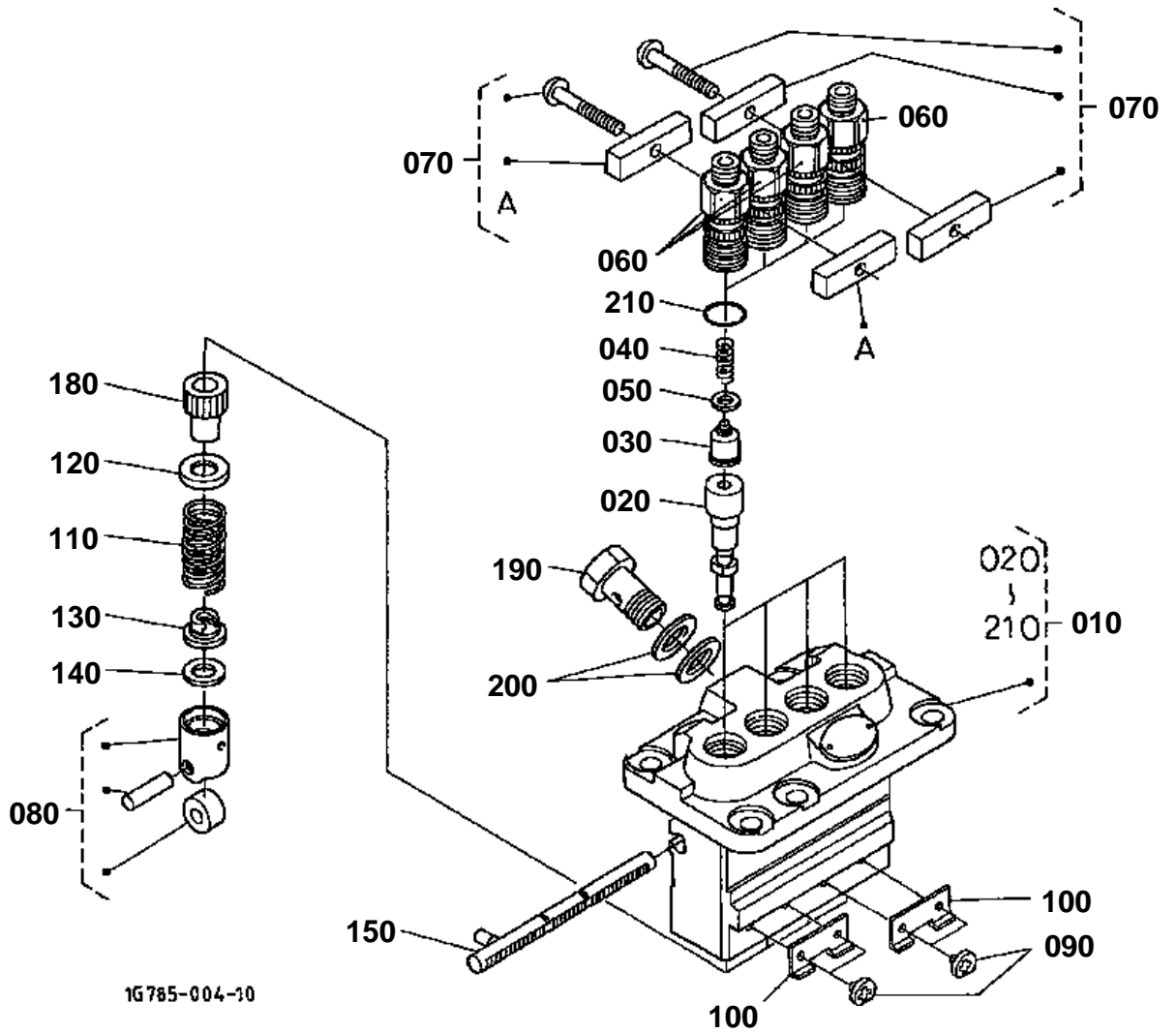
1G951-014-11



INJECTION PUMP

↔ Interchangeable; ≠ not interchangeable; ← new for old; → old for new

REF.No	Part No.	Description	Q'ty	S.No.	I/C	REMARKS	Weight (kgf)	Weight (lb)
010	15401-95690	JOINT EYE	1				0.04	0.088
020	1G762-51010	ASSY PUMP INJECTION	1				2.5	5.5
030	19077-52090	SHIM INJECTION PUMP	1	≤2G0462		0.20mm	0.006	0.0132
030	19077-52092	SHIM INJECTION PUMP	1	≥2J0001	←	0.20mm	0.006	0.0132
030	19077-52110	SHIM INJECTION PUMP	1	≤2G0462		0.25mm	0.002	0.0044
030	19077-52113	SHIM INJECTION PUMP	1	≥2J0001	←	0.25mm	0.002	0.0044
030	19077-52120	SHIM INJECTION PUMP	1	≤2G0462		0.30mm	0.01	0.022
030	19077-52123	SHIM INJECTION PUMP	1	≥2J0001	←	0.30mm	0.01	0.022
040	01123-50822	BOLT	4				0.012	0.0264
050	15221-91530	STUD	2				0.011	0.0242
060	02156-50080	NUT	2				0.004	0.0088
070	04512-60080	WASHER SPRING	2				0.002	0.0044
080	14311-60504	ASSY COCK JET START	1				0.034	0.0748
090	17121-52030	ASSY PUMP FUEL	1				0.13	0.286
100	1A021-52140	GASKET FUEL PUMP	1				0.001	0.0022
110	01023-50616	BOLT	2				0.005	0.011
120	T1060-42600	ASSY TUBE FUEL	1				0	0
130	14301-42750	CLIP PIPE	2				0.005	0.011

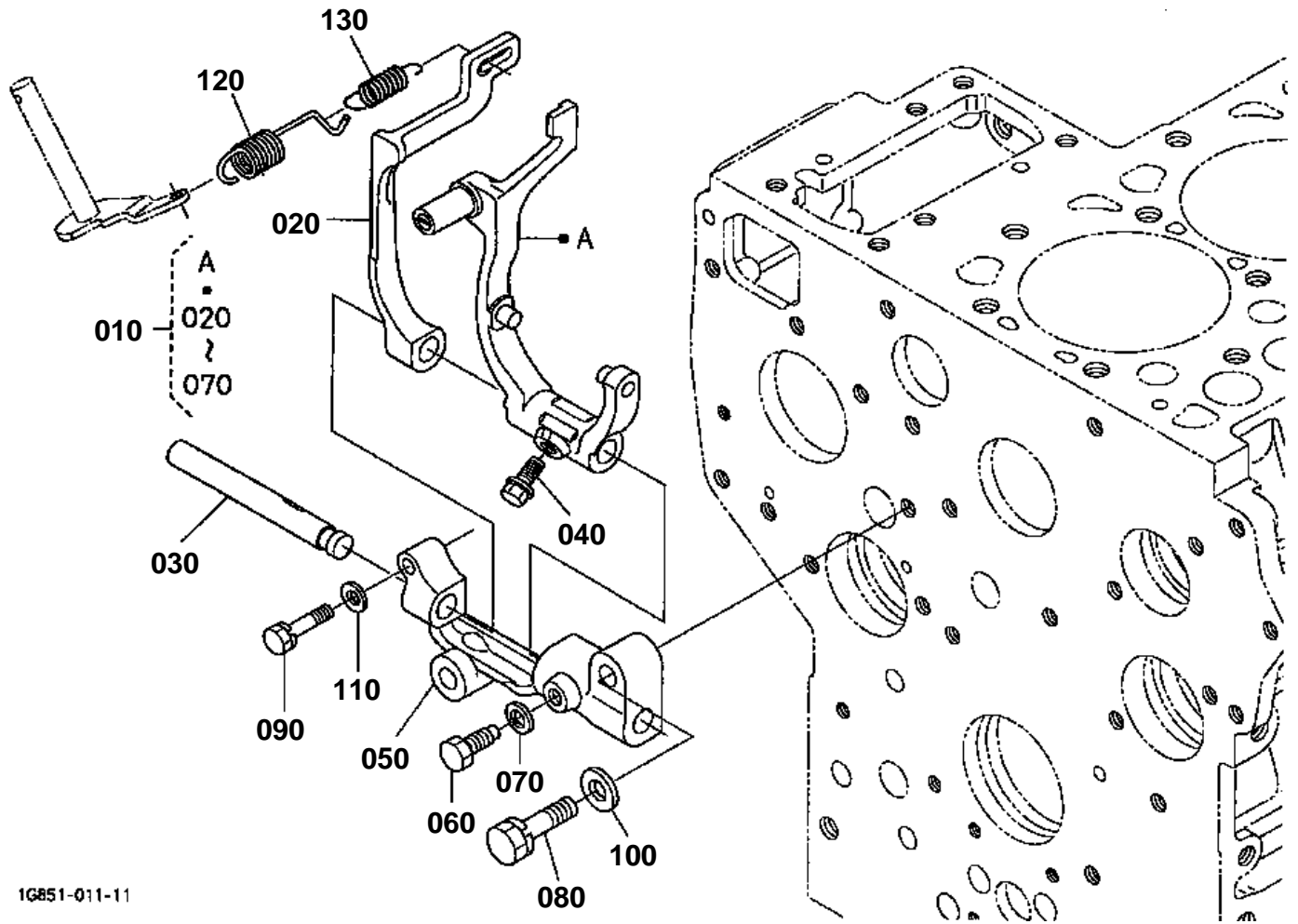




INJECTION PUMP [COMPONENT PARTS]

↔ Interchangeable; ≠ not interchangeable; ← new for old; → old for new

REF.No	Part No.	Description	Q'ty	S.No.	I/C	REMARKS	Weight (kgf)	Weight (lb)
010	1G762-51010	ASSY PUMP INJECTION	1				2.5	5.5
020	16454-51050	PLUNGER PUMP	4				0.05	0.11
030	16454-51030	VALVE DELIVERY.	4				0.015	0.033
040	16454-51230	SPRING DELIV.VALVE	4				0.005	0.011
050	15221-51240	GASKET DELIV.VALVE	4				0.001	0.0022
060	16415-51220	HOLDER DELIV.VALVE	4				0.07	0.154
070	16475-51610	ASSY PLATE LOCK	2				0.06	0.132
080	15221-51070	ASSY TAPPET	4				0.039	0.0858
090	14611-51250	PIN TAPPET GUIDE	4				0.003	0.0066
100	14611-51440	PLATE	2				0.005	0.011
110	15221-51280	SPRING PLUNGER	4				0.015	0.033
120	15221-51270	SEAT SPRING UPPER	4				0.004	0.0088
130	15221-51290	SEAT SPRING LOWER	4				0.01	0.022
140	19077-51490	SHIM	4				0.001	0.0022
150	15401-51060	RACK CONTROL	1				0.05	0.11
160	99999-99999	BLANK	0				0	0
170	99999-99999	BLANK	0				0	0
180	15221-51382	SLEEVE CONTROL	4				0.011	0.0242
190	15471-51320	SCREW FOLLOW	1				0.032	0.0704
200	15401-96650	GASKET	2				0.001	0.0022
210	14611-51200	O RING	4				0.001	0.0022



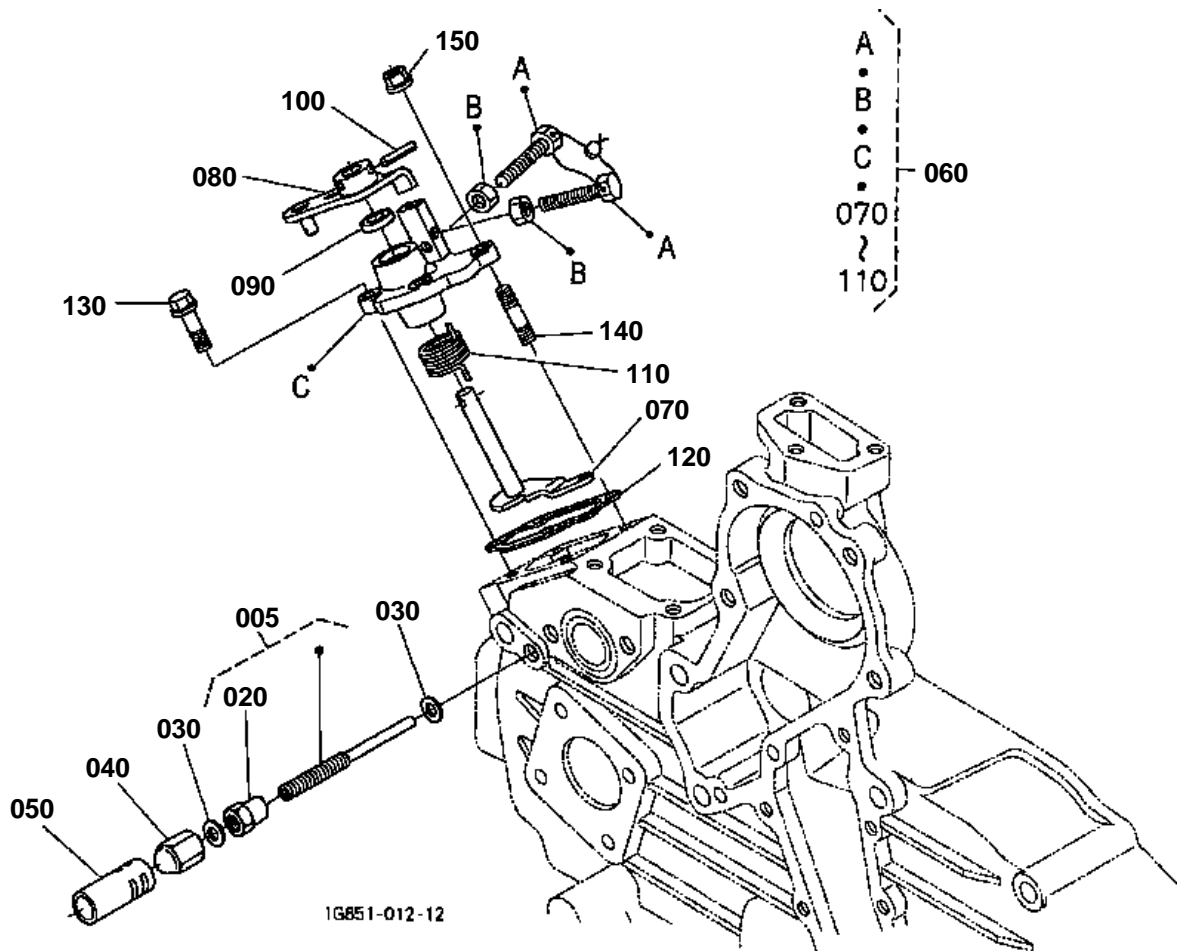
1G851-011-11

**GOVERNOR**

↔ Interchangeable; ≠ not interchangeable; ← new for old; → old for new

REF.No	Part No.	Description	Q'ty	S.No.	I/C	REMARKS	Weight (kgf)	Weight (lb)
010	1A092-56052	ASSY LEVER FORK	1				0.35	0.77
020	1A021-56132	LEVER FORK	1				0.035	0.077
030	1G911-56150	SHAFT FORK LEVER	1				0.05	0.11
040	01754-50618	BOLT FLANGE	1				0.01	0.022
050	1A091-56230	HOLDER FORK LEVER	1				0.085	0.187
060	15221-66410	BOLT	1				0.005	0.011
070	04512-60060	WASHER SPRING	1				0.001	0.0022
080	01123-50832	BOLT	2				0.016	0.0352
090	01023-50628	BOLT	1				0.015	0.033
100	04012-50080	WASHER PLAIN	2				0.001	0.0022
110	04012-50060	WASHER PLAIN	1				0.001	0.0022
120	1A023-56410	SPRING GOVERNOR	1				0.005	0.011
130	1A021-56420	SPRING GOVERNOR	1				0.002	0.0044

SPEED CONTROL PLATE



010 15601-5412-0

010



1G783-801-10

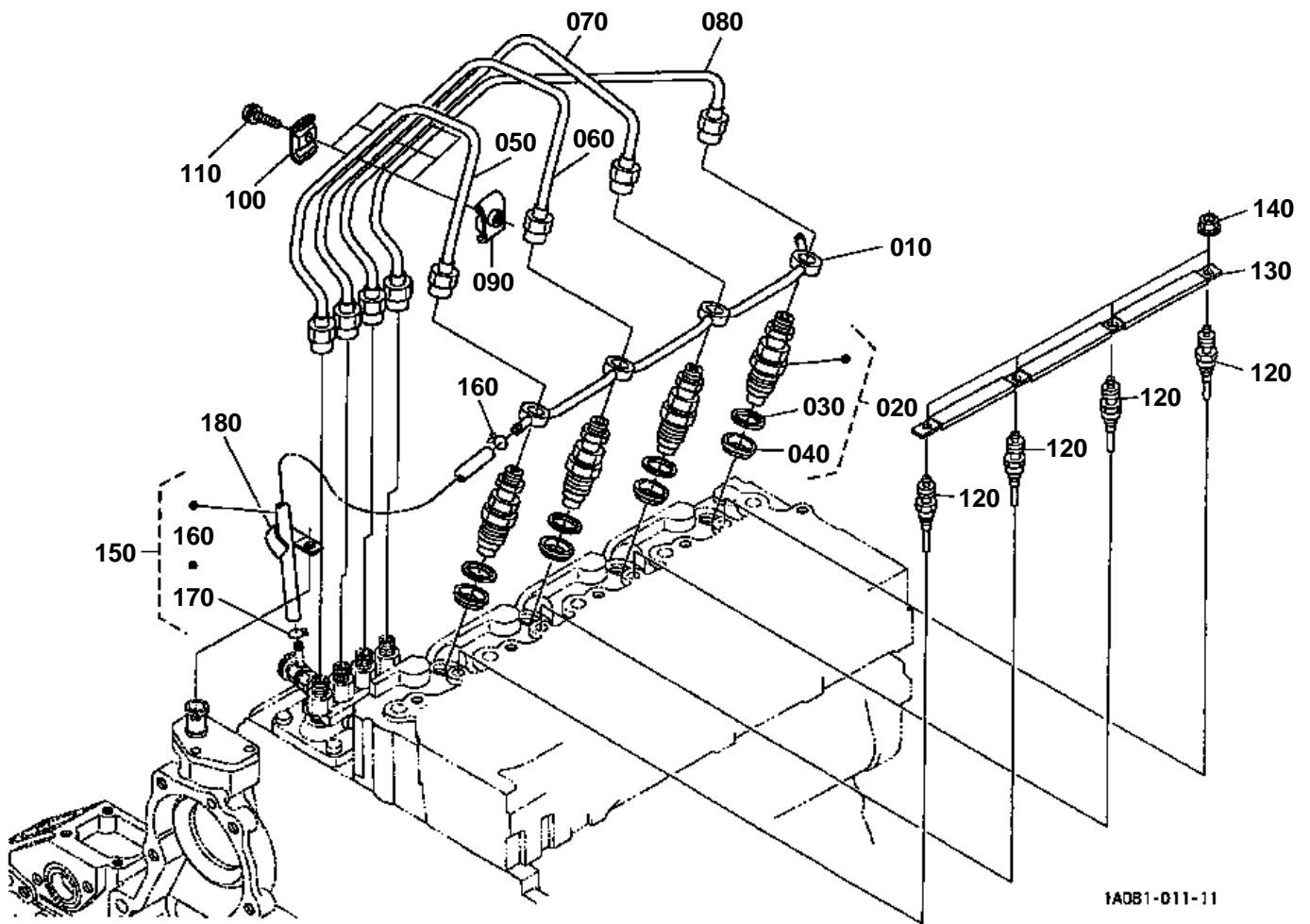


SPEED CONTROL PLATE

↔ Interchangeable; ≠ not interchangeable; ← new for old; → old for new

REF.No	Part No.	Description	Q'ty	S.No.	I/C	REMARKS	Weight (kgf)	Weight (lb)
005	1A021-54350	ASSY BOLT ADJUSTMENT	1	>=2C0001			0.015	0.033
010	15601-54120	BOLT ADJUSTING	1	<=2A0939			0.011	0.0242
020	15601-92012	NUT	1				0.006	0.0132
030	15601-96650	GASKET	2				0.001	0.0022
040	15841-14620	NUT	1				0.01	0.022
050	99999-99999	PIPE LOCK	1				0	0
060	1A053-57000	ASSY PLATE CONTROL	1				0.21	0.462
070	1A021-56020	COMP.LEVER GOVERNOR	1				0.046	0.1012
080	1A053-57150	LEVER SPEED CONTROL	1				0	0
090	15471-57980	SEAL OIL	1				0.001	0.0022
100	05411-00420	PIN SPRING	1				0.001	0.0022
110	1A021-57920	SPRING RETURN	1				0.01	0.022
120	1A021-57210	GASKET PLATE	1				0.001	0.0022
130	01023-50620	BOLT	2				0.006	0.0132
140	15221-88210	STUD	2				0.005	0.011
150	02751-50060	NUT FLANGE	2				0.005	0.011

NOZZLE HOLDER AND GLOW PLUG



1A081-011-11

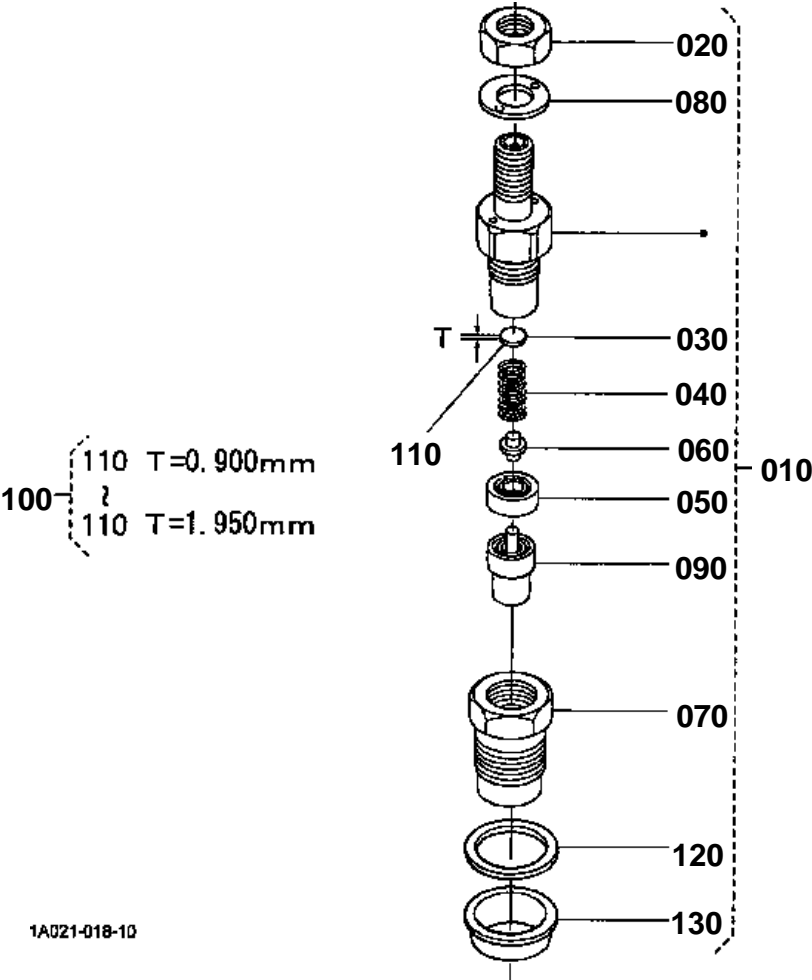


NOZZLE HOLDER AND GLOW PLUG

↔ Interchangeable; ≠ not interchangeable; ← new for old; → old for new

REF.No	Part No.	Description	Q'ty	S.No.	I/C	REMARKS	Weight (kgf)	Weight (lb)
010	16454-42502	ASSY PIPE OVER FLOW	1				0.06	0.132
020	16454-53900	KIT HOLDER NOZZLE	4				0.14	0.308
030	15841-53622	GASKET	4				0.002	0.0044
040	19077-53650	SEAL HEAT	4				0.005	0.011
050	19077-53714	PIPE INJECTION	1				0.14	0.308
060	19077-53723	PIPE INJECTION	1				0.14	0.308
070	19077-53733	PIPE INJECTION	1				0.12	0.264
080	19077-53743	PIPE INJECTION	1				0.13	0.286
090	15841-53850	CLAMP PIPE	3				0.01	0.022
100	15841-53860	CLAMP PIPE	3				0.009	0.0198
110	03024-50520	SCREW WITH WASHER	3				0.004	0.0088
120	19077-65510	GLOW PLUG	4				0.03	0.066
130	16475-65560	CORD GLOW PLUG	1				0.02	0.044
140	02761-50040	NUT FLANGE	4				0.002	0.0044
150	17331-42500	ASSY PIPE OVER FLOW	1				0.02	0.044
160	14971-42750	CLIP PIPE	1				0.001	0.0022
170	10244-42320	CLIP PIPE	1				0.001	0.0022
180	15241-67580	CLAMP CORD	1				0.004	0.0088

NOZZLE HOLDER [COMPONENT PARTS]



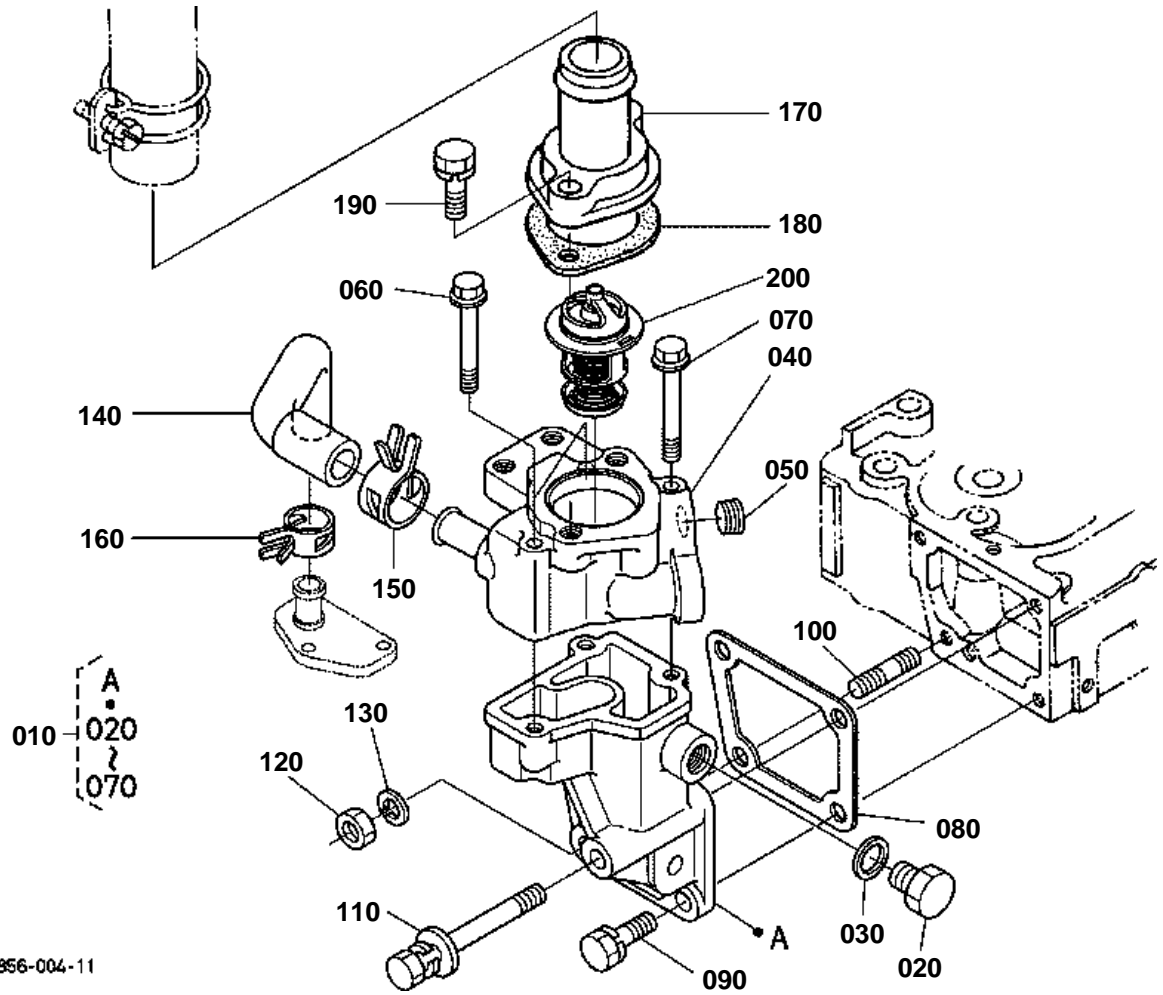


NOZZLE HOLDER [COMPONENT PARTS]

↔ Interchangeable; ≠ not interchangeable; ← new for old; → old for new

REF.No	Part No.	Description	Q'ty	S.No.	I/C	REMARKS	Weight (kgf)	Weight (lb)
010	16454-53900	KIT HOLDER NOZZLE	4				0.14	0.308
020	15841-92030	NUT	4				0.005	0.011
030	15841-53230	WASHER ADJUSTING	4				0.001	0.0022
040	16475-53170	SPRING NOZZLE	4				0.005	0.011
050	15841-53350	PIECE DISTANCE	4				0.004	0.0088
060	15841-53160	PUSH ROD	4				0.001	0.0022
070	16475-53280	NUT NOZZLE	4				0.03	0.066
080	15841-94040	WASHER	4				0.001	0.0022
090	16454-53610	PIECE NOZZLE	4				0.024	0.0528
100	15841-98100	ASSY WASHER ADJUST	4			OPTION	0.043	0.0946
110	15841-53230	WASHER ADJUSTING	4			0.900mm	0.001	0.0022
110	15841-98510	WASHER ADJUSTING	4			0.925mm	0.001	0.0022
110	15841-98520	WASHER ADJUSTING	4			0.950mm	0.001	0.0022
110	15841-98530	WASHER ADJUSTING	4			0.975mm	0.001	0.0022
110	15841-98540	WASHER ADJUSTING	4			1.000mm	0.001	0.0022
110	15841-98550	WASHER ADJUSTING	4			1.025mm	0.001	0.0022
110	15841-98560	WASHER ADJUSTING	4			1.050mm	0.001	0.0022
110	15841-98570	WASHER ADJUSTING	4			1.075mm	0.001	0.0022
110	15841-98580	WASHER ADJUSTING	4			1.100mm	0.001	0.0022
110	15841-98590	WASHER ADJUSTING	4			1.125mm	0.001	0.0022
110	15841-98600	WASHER ADJUSTING	4			1.150mm	0.001	0.0022
110	15841-98610	WASHER ADJUSTING	4			1.175mm	0.001	0.0022
110	15841-98620	WASHER ADJUSTING	4			1.200mm	0.001	0.0022
110	15841-98630	WASHER ADJUSTING	4			1.225mm	0.001	0.0022
110	15841-98640	WASHER ADJUSTING	4			1.250mm	0.001	0.0022
110	15841-98650	WASHER ADJUSTING	4			1.275mm	0.001	0.0022
110	15841-98660	WASHER ADJUSTING	4			1.300mm	0.001	0.0022
110	15841-98670	WASHER ADJUSTING	4			1.325mm	0.001	0.0022
110	15841-98680	WASHER ADJUSTING	4			1.350mm	0.001	0.0022
110	15841-98690	WASHER ADJUSTING	4			1.375mm	0.001	0.0022
110	15841-98700	WASHER ADJUSTING	4			1.400mm	0.001	0.0022
110	15841-98710	WASHER ADJUSTING	4			1.425mm	0.001	0.0022
110	15841-98720	WASHER ADJUSTING	4			1.450mm	0.001	0.0022
110	15841-98730	WASHER ADJUSTING	4			1.475mm	0.001	0.0022
110	15841-98740	WASHER ADJUSTING	4			1.500mm	0.001	0.0022
110	15841-98750	WASHER ADJUSTING	4			1.525mm	0.001	0.0022
110	15841-98760	WASHER ADJUSTING	4			1.550mm	0.001	0.0022
110	15841-98770	WASHER ADJUSTING	4			1.575mm	0.001	0.0022
110	15841-98780	WASHER ADJUSTING	4			1.600mm	0.002	0.0044
110	15841-98790	WASHER ADJUSTING	4			1.625mm	0.001	0.0022
110	15841-98800	WASHER ADJUSTING	4			1.650mm	0.001	0.0022
110	15841-98810	WASHER ADJUSTING	4			1.675mm	0.004	0.0088
110	15841-98820	WASHER ADJUSTING	4			1.700mm	0.001	0.0022
110	15841-98830	WASHER ADJUSTING	4			1.725mm	0.001	0.0022
110	15841-98840	WASHER ADJUSTING	4			1.750mm	0.001	0.0022
110	15841-98850	WASHER ADJUSTING	4			1.775mm	0.001	0.0022
110	15841-98860	WASHER ADJUSTING	4			1.800mm	0.001	0.0022
110	15841-98870	WASHER ADJUSTING	4			1.825mm	0.001	0.0022
110	15841-98880	WASHER ADJUSTING	4			1.850mm	0.001	0.0022
110	15841-98890	WASHER ADJUSTING	4			1.875mm	0.001	0.0022
110	15841-98900	WASHER ADJUSTING	4			1.900mm	0.001	0.0022
110	15841-98910	WASHER ADJUSTING	4			1.925mm	0.001	0.0022
110	15841-98920	WASHER ADJUSTING	4			1.950mm	0.001	0.0022
120	15841-53622	GASKET	4				0.002	0.0044
130	19077-53650	SEAL HEAT	4				0.005	0.011

WATER FLANGE AND THERMOSTAT



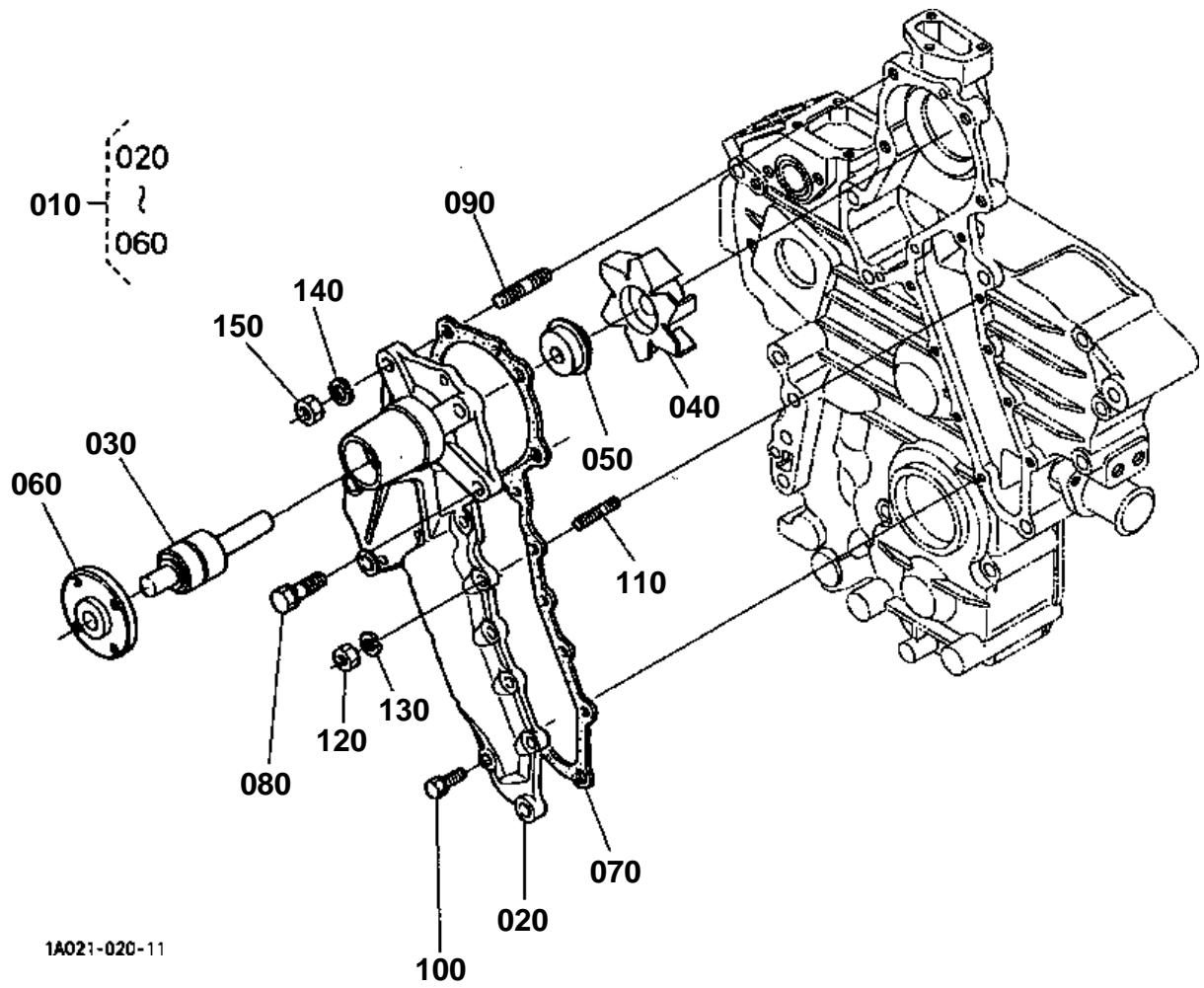


WATER FLANGE AND THERMOSTAT

↔ Interchangeable; ≠ not interchangeable; ← new for old; → old for new

REF.No	Part No.	Description	Q'ty	S.No.	I/C	REMARKS	Weight (kgf)	Weight (lb)
010	1A033-72704	COMP FLANGE WATER	1				0.755	1.661
020	15109-33630	PLUG DRAIN	1				0.025	0.055
030	15109-33660	GASKET	1				0.001	0.0022
040	1A021-72914	FLANGE WATER	1				0	0
050	1A021-96020	PLUG	1				0.015	0.033
060	01754-50660	BOLT FLANGE	2				0.02	0.044
070	01754-50665	BOLT FLANGE	1				0.01	0.022
080	1A021-72920	GASKET WATER FLANGE	1				0.002	0.0044
090	01123-50822	BOLT	2				0.012	0.0264
100	15221-91530	STUD	1				0.011	0.0242
110	1A021-91020	BOLT	1				0.032	0.0704
120	02156-50080	NUT	1				0.004	0.0088
130	04512-60080	WASHER SPRING	1				0.002	0.0044
140	1A021-73340	PIPE WATER RETURN	1				0.032	0.0704
150	09318-88200	CLAMP HOSE	1				0.004	0.0088
160	09318-88180	CLAMP HOSE	1				0.01	0.022
170	15321-73260	COVER THERMOSTAT	1				0.107	0.2354
180	1A021-73270	GASKET THERMO.COVER	1				0.001	0.0022
190	01123-50835	BOLT	2				0.02	0.044
200	1A021-73012	ASSY THERMOSTAT	1				0	0

WATER PUMP



1A021-020-11

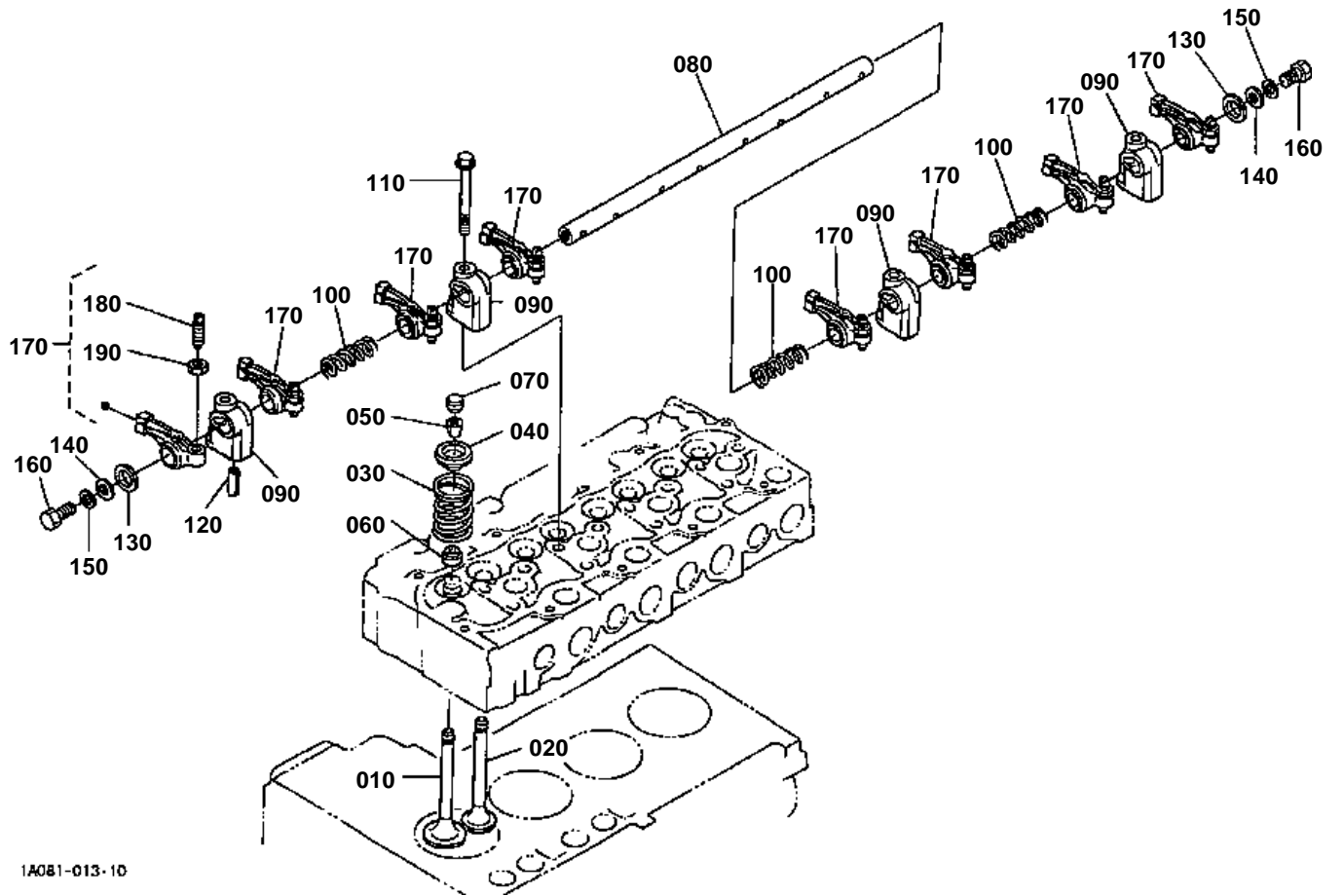


WATER PUMP

↔ Interchangeable; ≠ not interchangeable; ← new for old; → old for new

REF.No	Part No.	Description	Q'ty	S.No.	I/C	REMARKS	Weight (kgf)	Weight (lb)
010	1A021-73030	ASSY PUMP WATER	1				0	0
020	17331-73410	BODY WATER PUMP	1				0.51	1.122
030	15521-73550	BEARING	1				0.235	0.517
040	1A021-73510	IMPELLER WATER PUMP	1				0	0
050	16661-73050	ASSY SEAL MECHANICAL	1				0.025	0.055
060	15521-73520	FLANGE WATER PUMP	1				0.25	0.55
070	1A021-73430	GASKET WATER PUMP	1				0.007	0.0154
080	01123-50828	BOLT	3				0.014	0.0308
090	15521-91510	STUD	1				0.012	0.0264
100	01023-50618	BOLT	7				0.006	0.0132
110	15221-88210	STUD	2				0.005	0.011
120	02056-50060	NUT	2				0.002	0.0044
130	04512-60060	WASHER SPRING	2				0.001	0.0022
140	04512-60080	WASHER SPRING	1				0.002	0.0044
150	02156-50080	NUT	1				0.004	0.0088

VALVE AND ROCKER ARM



1A081-013-10

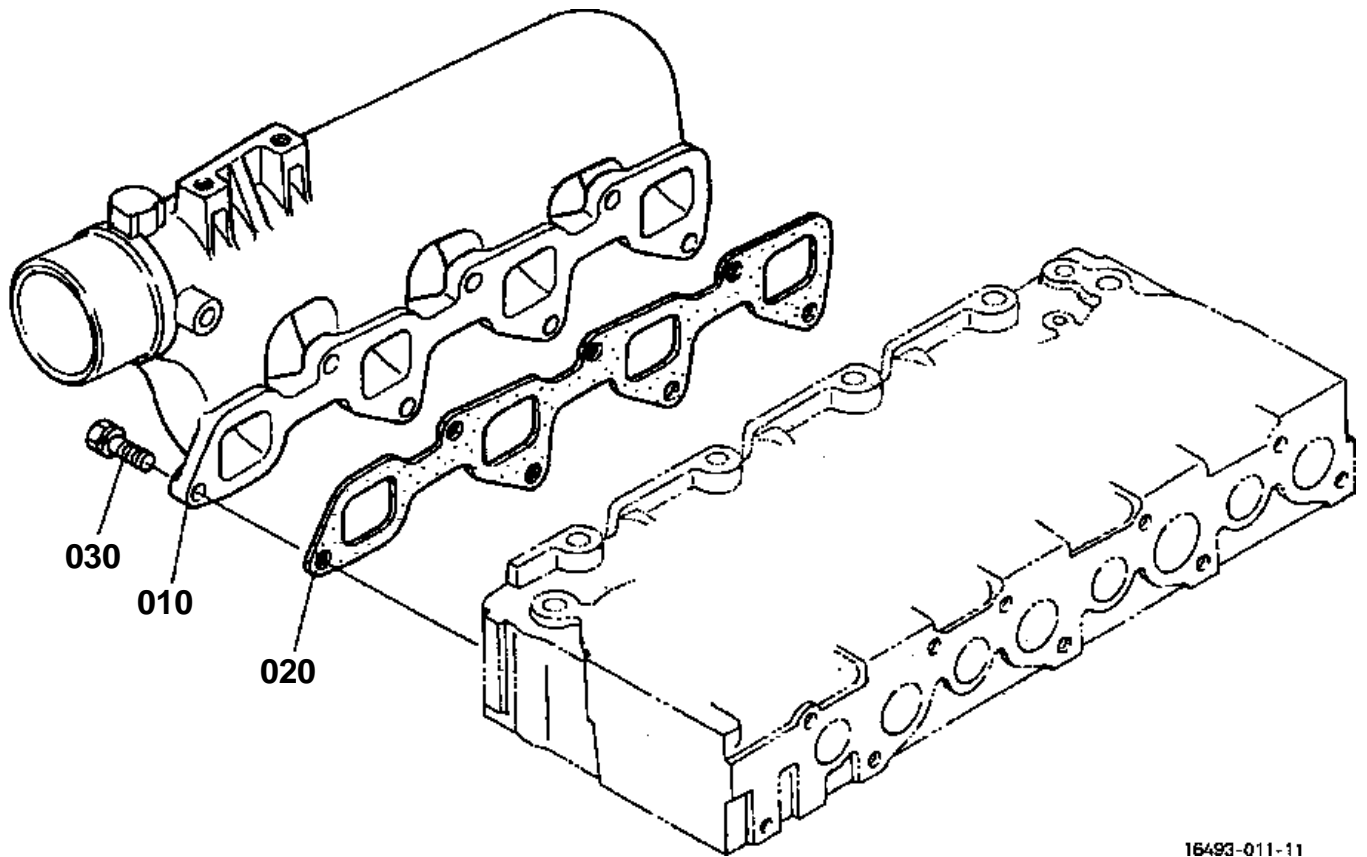


VALVE AND ROCKER ARM

↔ Interchangeable; ≠ not interchangeable; ← new for old; → old for new

REF.No	Part No.	Description	Q'ty	S.No.	I/C	REMARKS	Weight (kgf)	Weight (lb)
010	16484-13110	VALVE INLET	4				0.05	0.11
020	16484-13120	VALVE EXHAUST	4				0.1	0.22
030	15221-13240	SPRING VALVE	8				0.036	0.0792
040	15221-13330	RETAINER VALVE SP.	8				0.03	0.066
050	15221-13980	COLLET VALVE SPRING	8			SET	0.005	0.011
060	15221-13150	SEAL VALVE STEM	8				0.001	0.0022
070	15221-13280	CAP VALVE	8				0.006	0.0132
080	1A091-14260	SHAFT ROCKER ARM	1				0.313	0.6886
090	15221-14350	BRACKET ROCKER ARM	4				0.044	0.0968
100	15221-14310	SPRING ROCKER ARM	3				0.005	0.011
110	01754-50855	BOLT FLANGE	4				0.02	0.044
120	05411-00528	PIN SPRING	1				0.003	0.0066
130	15221-14430	WASHER R-ARM.SHAFT	2				0.002	0.0044
140	04013-60080	WASHER PLAIN	2				0.002	0.0044
150	04512-60080	WASHER SPRING	2				0.002	0.0044
160	01153-50812	BOLT	2				0.008	0.0176
170	15621-14030	ASSY ROCKER ARM	8				0.1	0.22
180	15521-14230	SCREW ADJUSTING	8				0.009	0.0198
190	15021-14240	NUT	8				0.003	0.0066

INLET MANIFOLD



16493-011-11

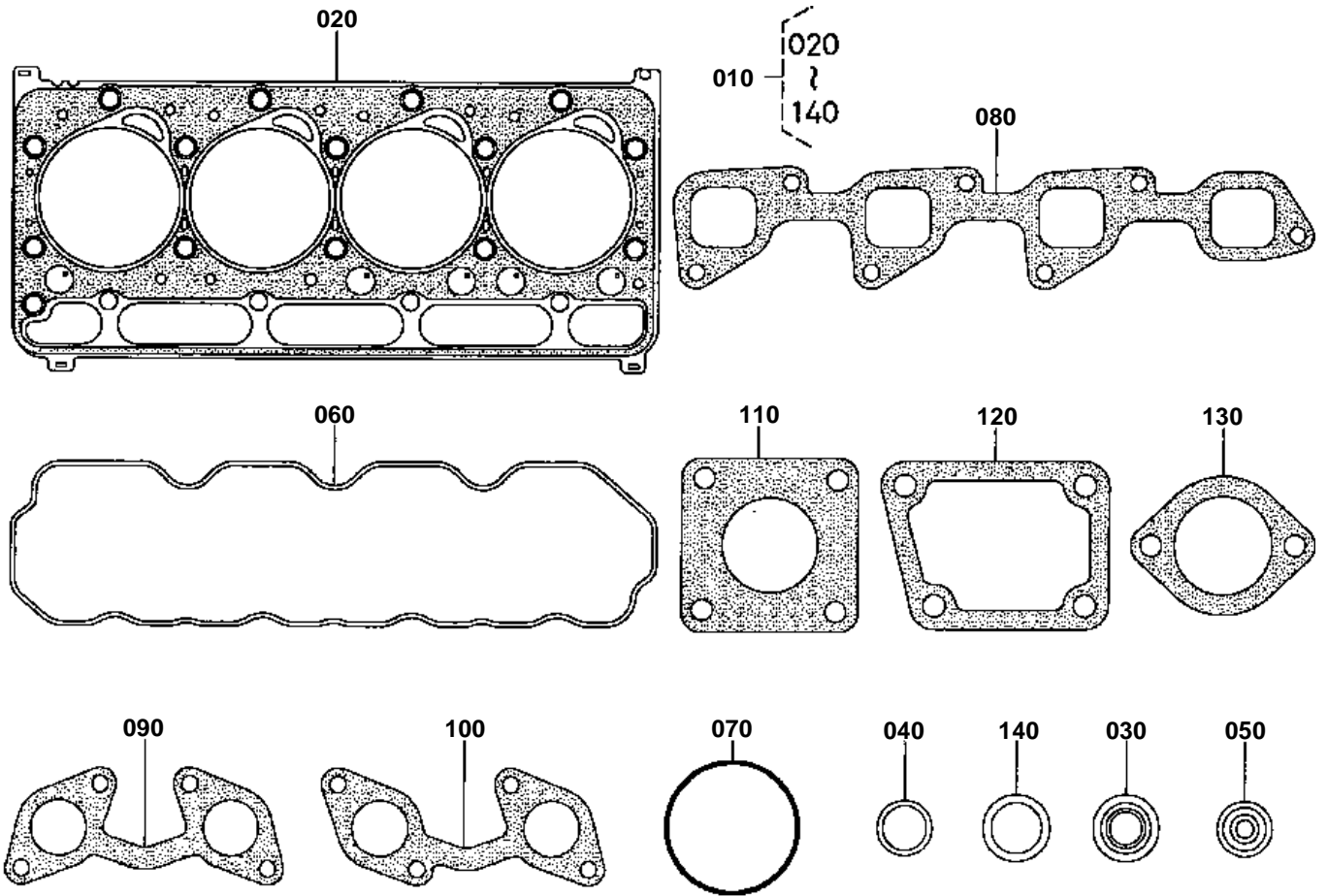


INLET MANIFOLD

↔ Interchangeable; ≠ not interchangeable; ← new for old; → old for new

REF.No	Part No.	Description	Q'ty	S.No.	I/C	REMARKS	Weight (kgf)	Weight (lb)
010	16429-11760	MANIFOLD INLET	1				1.19	2.618
020	1A091-11820	GASKET IN-MANIFOLD	1				0.007	0.0154
030	01123-50822	BOLT	6				0.012	0.0264

UPPER GASKET KIT



1G856-008-10

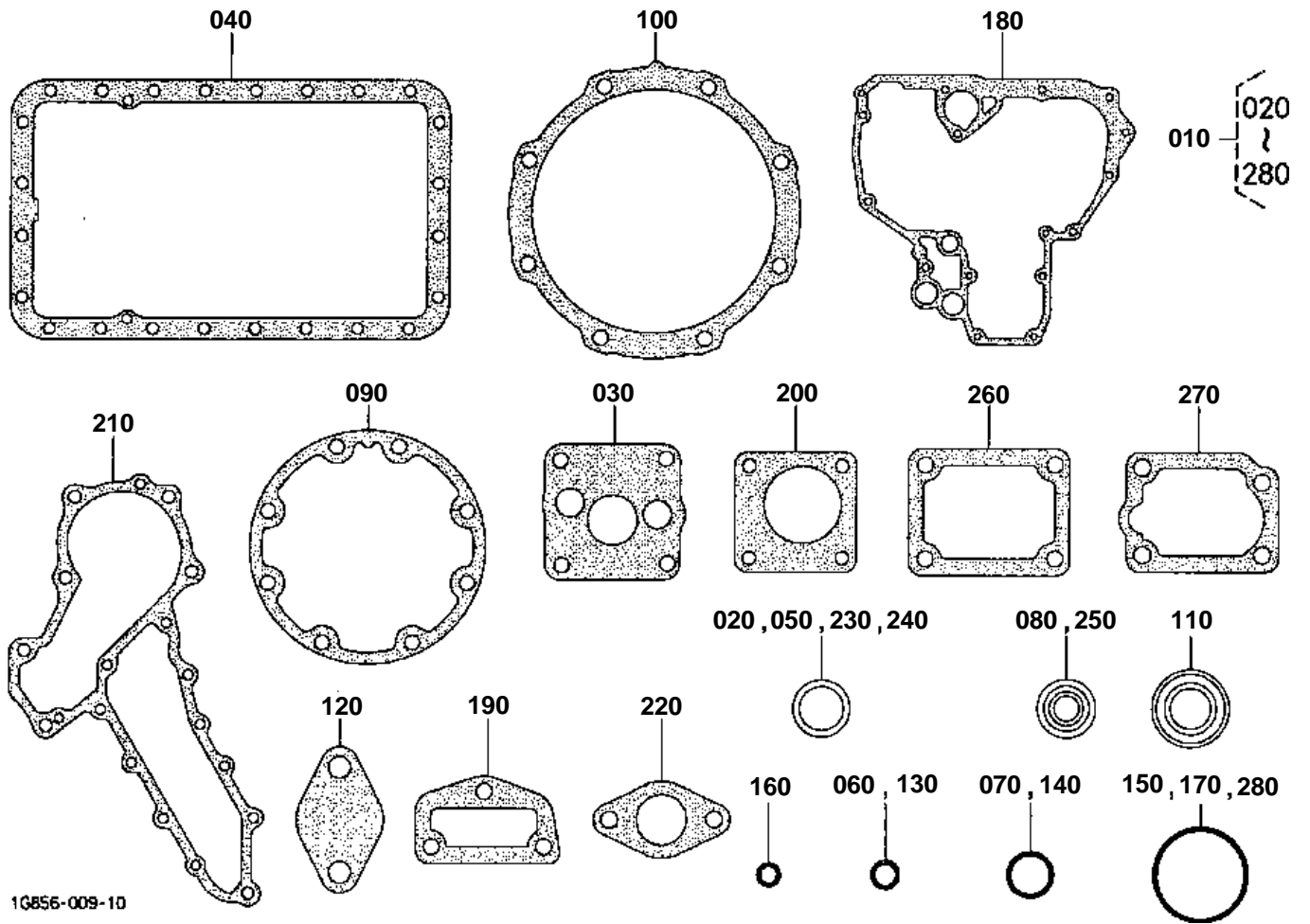


UPPER GASKET KIT

↔ Interchangeable; ≠ not interchangeable; ← new for old; → old for new

REF.No	Part No.	Description	Q'ty	S.No.	I/C	REMARKS	Weight (kgf)	Weight (lb)
010	1G856-99350	KIT GASKET UPPER	1				0.4	0.88
020	1G790-03310	GASKET CYL.HEAD	1				0.29	0.638
030	15221-13150	SEAL VALVE STEM	8				0.001	0.0022
040	15841-53622	GASKET	4				0.002	0.0044
050	19077-53650	SEAL HEAT	4				0.005	0.011
060	1G911-14520	GASKET HEAD COVER	1				0.025	0.055
070	1A021-05430	O RING BREATHER	1				0.001	0.0022
080	1A091-11820	GASKET IN-MANIFOLD	1				0.007	0.0154
090	1A091-12350	GASKET EX-MANIFOLD	1				0.02	0.044
100	1A091-12360	GASKET EX-MANIFOLD	1				0.02	0.044
110	T0070-16420	GASKET MUFFLER	1				0.016	0.0352
120	1A021-72920	GASKET WATER FLANGE	1				0.002	0.0044
130	1A021-73270	GASKET THERMO.COVER	1				0.001	0.0022
140	15109-33660	GASKET	1				0.001	0.0022

LOWER GASKET KIT

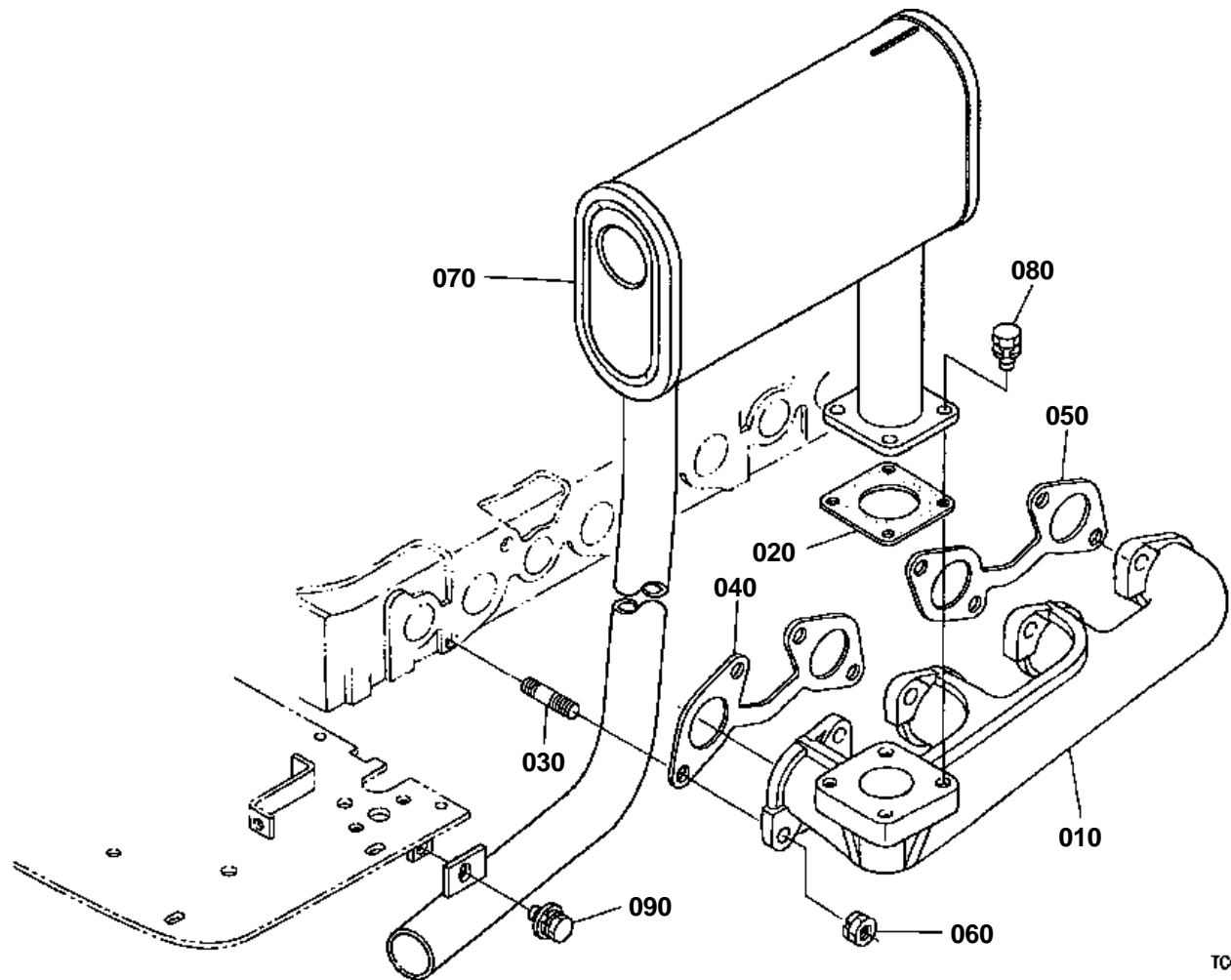


**LOWER GASKET KIT**

↔ Interchangeable; ≠ not interchangeable; ← new for old; → old for new

REF.No	Part No.	Description	Q'ty	S.No.	I/C	REMARKS	Weight (kgf)	Weight (lb)
010	1G856-99360	KIT GASKET LOWER	1				0.42	0.924
020	15021-33660	GASKET	1				0.001	0.0022
030	1A021-35150	GASKET OIL PUMP	1				0.001	0.0022
040	1A091-01620	GASKET OIL PAN	1				0.018	0.0396
050	6C090-58960	GASKET	2				0.002	0.0044
060	04811-00160	O RING	1				0.001	0.0022
060	04817-00160	O RING	1		←		0	0
070	04811-10300	O RING	1				0.001	0.0022
080	19202-04140	SEAL OIL	1				0.015	0.033
090	1A091-04360	GASKET BEARING CASE	1				0.005	0.011
100	1A091-04820	GASKET CASE COVER	1				0.006	0.0132
110	19202-04460	SEAL OIL	1				0.055	0.121
120	15521-04790	PACKING COVER	1				0.005	0.011
130	04811-00150	O RING	4				0.001	0.0022
130	04817-00150	O RING	4		←		0	0
140	04811-00220	O RING	2				0.001	0.0022
140	04817-00220	O RING	2		←		0.005	0.011
150	04811-00360	O RING	1				0.002	0.0044
150	04817-00360	O RING	1		←		0	0
160	04814-00060	O RING	1				0.001	0.0022
170	19202-96830	O RING	1				0.01	0.022
180	1A091-04130	GASKET GEAR CASE	1				0.018	0.0396
190	1A021-73330	GASKET RETURN FLANGE	1				0.001	0.0022
200	15296-88130	GASKET H/METER UNIT	1				0.002	0.0044
210	1A021-73430	GASKET WATER PUMP	1				0.007	0.0154
220	1A021-52140	GASKET FUEL PUMP	1				0.001	0.0022
230	15401-96650	GASKET	2				0.001	0.0022
240	04724-00140	GASKET	1				0.002	0.0044
250	15471-57980	SEAL OIL	1				0.001	0.0022
260	1A021-51660	GASKET PUMP COVER	1				0.003	0.0066
270	1A021-57210	GASKET PLATE	1				0.001	0.0022
280	04814-06310	O RING	1				0.002	0.0044

EXHAUST MANIFOLD/MUFFLER



TC050-001-10

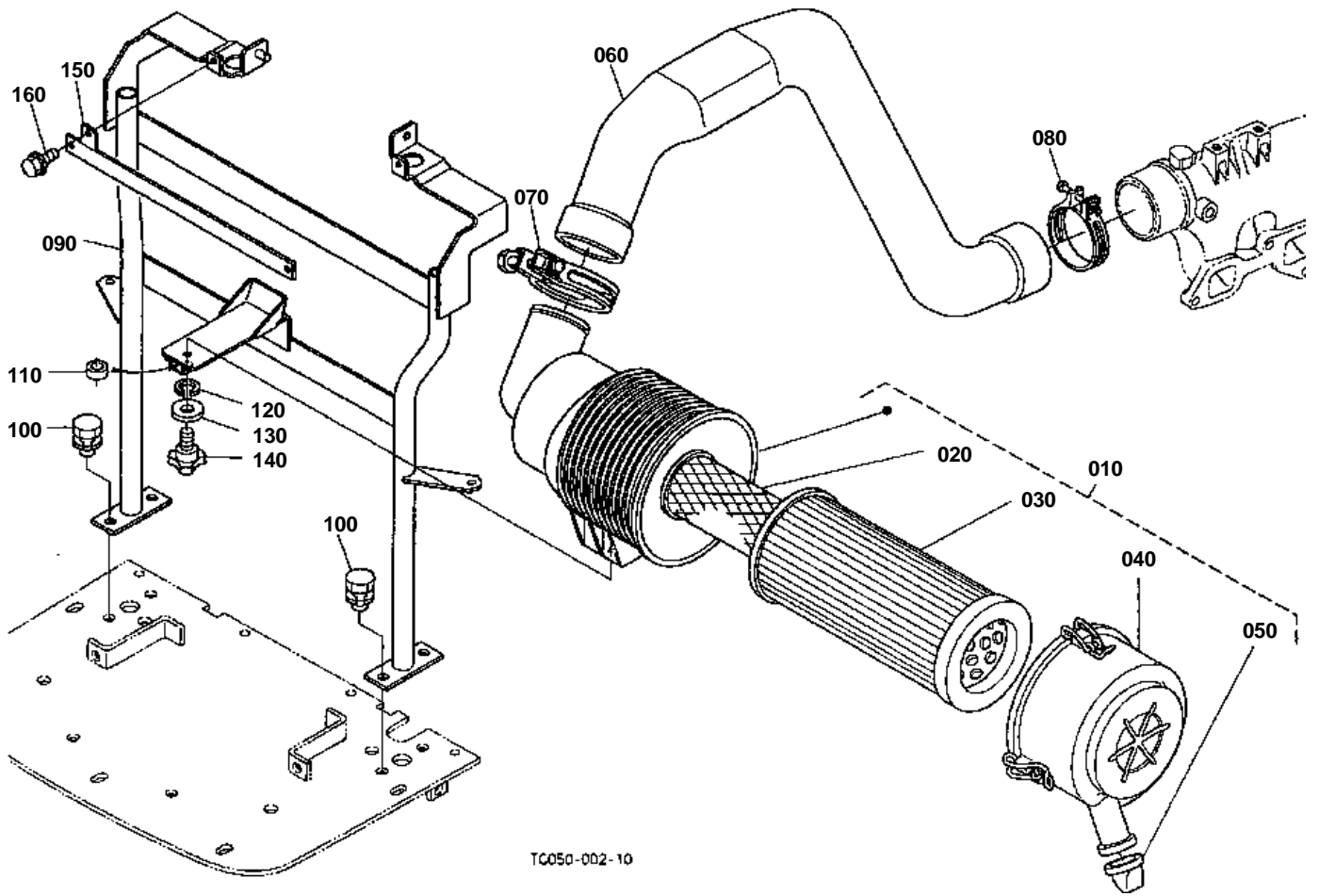


EXHAUST MANIFOLD/MUFFLER

↔ Interchangeable; ≠ not interchangeable; ← new for old; → old for new

REF.No	Part No.	Description	Q'ty	S.No.	I/C	REMARKS	Weight (kgf)	Weight (lb)
010	17377-12312	MANIFOLD EXHAUST	1				2.95	6.49
020	T0070-16420	GASKET MUFFLER	1				0.016	0.0352
030	15221-91530	STUD	8				0.011	0.0242
040	1A091-12350	GASKET EX-MANIFOLD	1				0.02	0.044
050	1A091-12360	GASKET EX-MANIFOLD	1				0.02	0.044
060	16429-92010	NUT	8				0.007	0.0154
070	TC050-16410	MUFFLER	1				0	0
080	01128-50825	BOLT	4				0	0
090	01127-50816	BOLT	1				0.02	0.044

AIR CLEANER



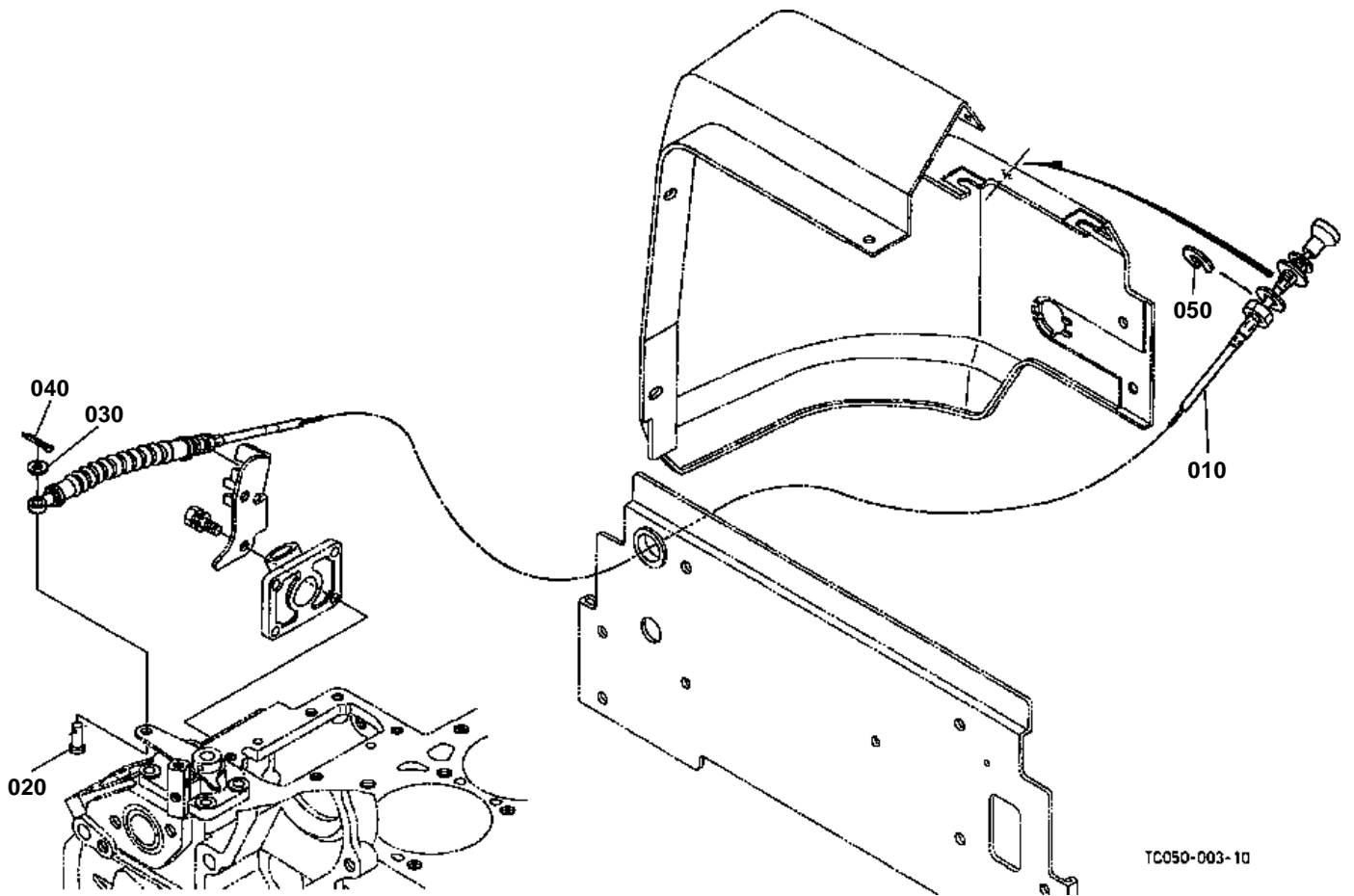
TC050-002-10

**AIR CLEANER**

↔ Interchangeable; ≠ not interchangeable; ← new for old; → old for new

REF.No	Part No.	Description	Q'ty	S.No.	I/C	REMARKS	Weight (kgf)	Weight (lb)
010	TC050-16310	ASSY CLEANER AIR	1				0	0
020	R2401-42280	ELEMENT INNER	1				0.3	0.66
030	R1401-42270	ELEMENT OUTER	1				0.5	1.1
040	R1401-42260	CUP DUST	1				0.3	0.66
050	R1401-42290	VALVE EVACUATOR	1				0.01	0.022
060	TC050-16330	HOSE	1				0	0
070	T1170-35560	CLAMP HOSE	1				0	0
080	31351-18110	BAND PIPE	1				0.04	0.088
090	TC050-18310	SUPPORT FRONT	1	≤10831			3.5	7.7
090	TC050-18312	SUPPORT FRONT	1	≥10832	←		3.5	7.7
100	01133-51020	BOLT	4				0.02	0.044
110	32400-18220	RUBBER KNOB BOLT	1				0.001	0.0022
120	04512-60080	WASHER SPRING	1				0.002	0.0044
130	04015-60080	WASHER PLAIN	1				0.01	0.022
140	01820-50825	BOLT KNOB	1				0.028	0.0616
150	TC050-18320	BRACKET REINFORCING	1				0	0
160	01754-50612	BOLT FLANGE	1				0.005	0.011

ENGINE STOP WIRE



TC050-003-10

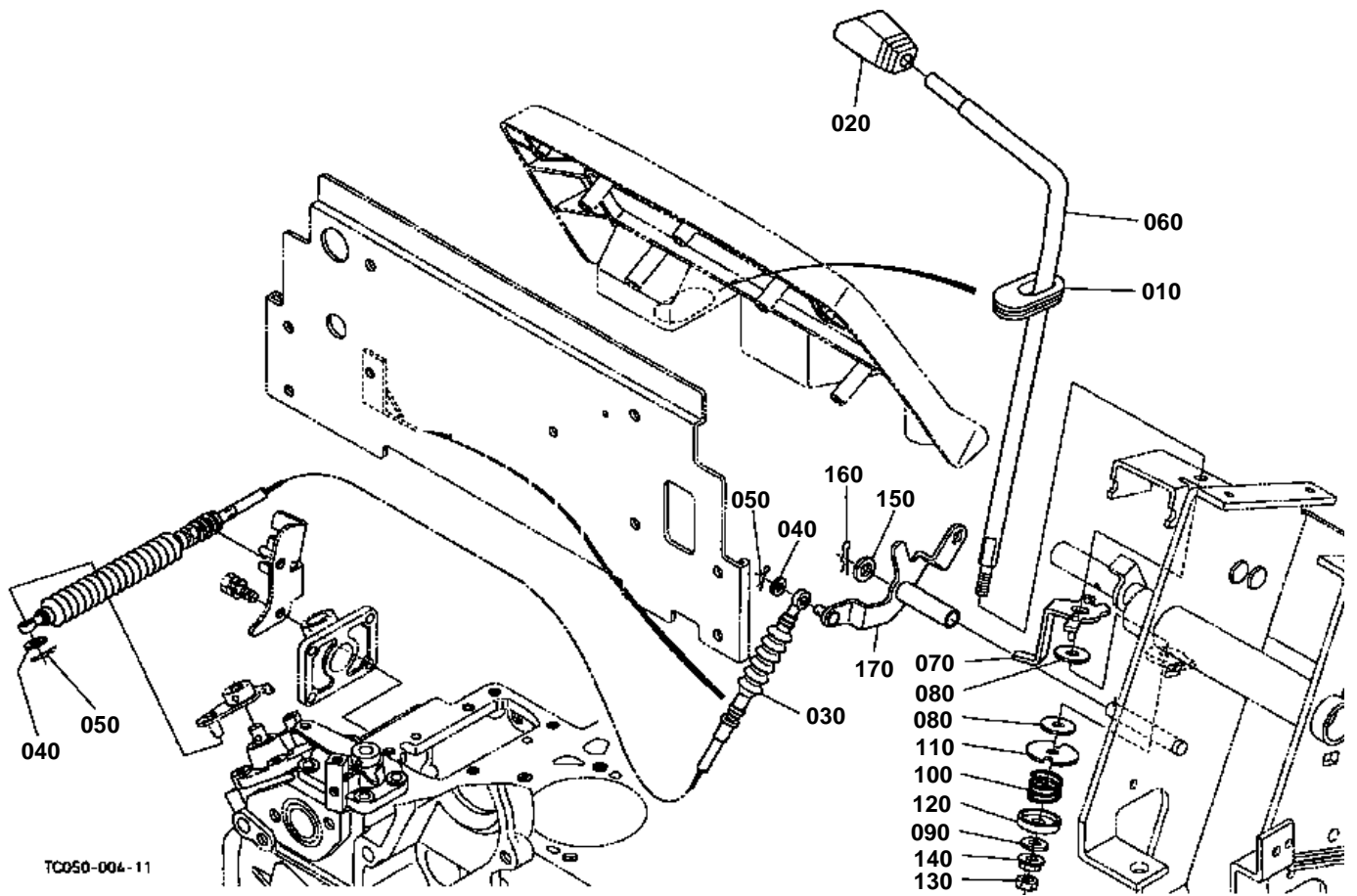


ENGINE STOP WIRE

↔ Interchangeable; ≠ not interchangeable; ← new for old; → old for new

REF.No	Part No.	Description	Q'ty	S.No.	I/C	REMARKS	Weight (kgf)	Weight (lb)
010	TC050-44210	WIRE ENGINE STOP	1				0	0
020	05122-50616	PIN JOINT	1				0.004	0.0088
030	04013-60060	WASHER PLAIN	1				0.001	0.0022
040	05511-51615	PIN SPLIT	1				0.001	0.0022
050	TC050-44230	WASHER STOP WIRE	1				0	0

ACCELERATOR LEVER



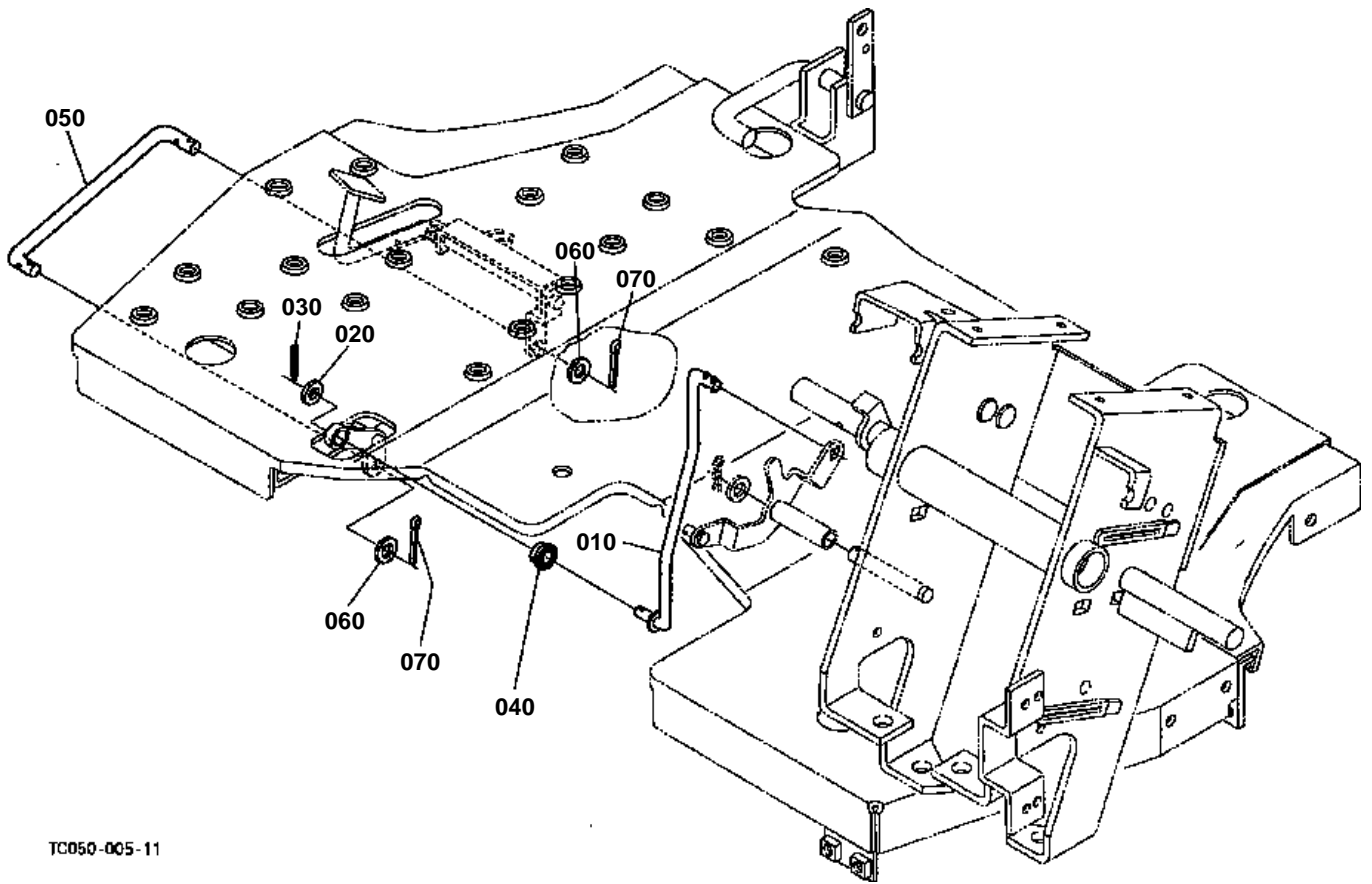


ACCELERATOR LEVER

↔ Interchangeable; ≠ not interchangeable; ← new for old; → old for new

REF.No	Part No.	Description	Q'ty	S.No.	I/C	REMARKS	Weight (kgf)	Weight (lb)
010	TC020-43154	GROMMET HAND ACCEL.	1				0	0
020	TA040-49873	GRIP	1				0.024	0.0528
030	TC050-42900	ASSY CABLE.ACCEL	1				0.11	0.242
040	04012-50060	WASHER PLAIN	2	≤10656			0.001	0.0022
040	04013-60060	WASHER PLAIN	2	≥10657	←		0.001	0.0022
050	05525-60600	PIN SNAP	2				0.001	0.0022
060	TC050-17122	ROD HAND ACCELERATOR	1				0	0
070	TC050-44720	LEVER ACCEL.ARM	1				0	0
080	TC050-42860	PLATE FRICTION	2				0	0
090	04015-60080	WASHER PLAIN	1				0.01	0.022
100	33251-10320	SPRING ACCEL.LEVER	1				0.012	0.0264
110	T1060-42840	WASHER	1				0.017	0.0374
120	TC050-10270	CAP SPRING	1				0	0
130	02114-50080	NUT	1				0.005	0.011
140	02751-50080	NUT FLANGE	1				0.006	0.0132
150	04013-60100	WASHER PLAIN	1				0.004	0.0088
160	05515-61000	PIN SNAP	1				0.003	0.0066
170	TC050-17320	LINK ACCEL.	1				0	0

ACCELERATOR LINKAGE



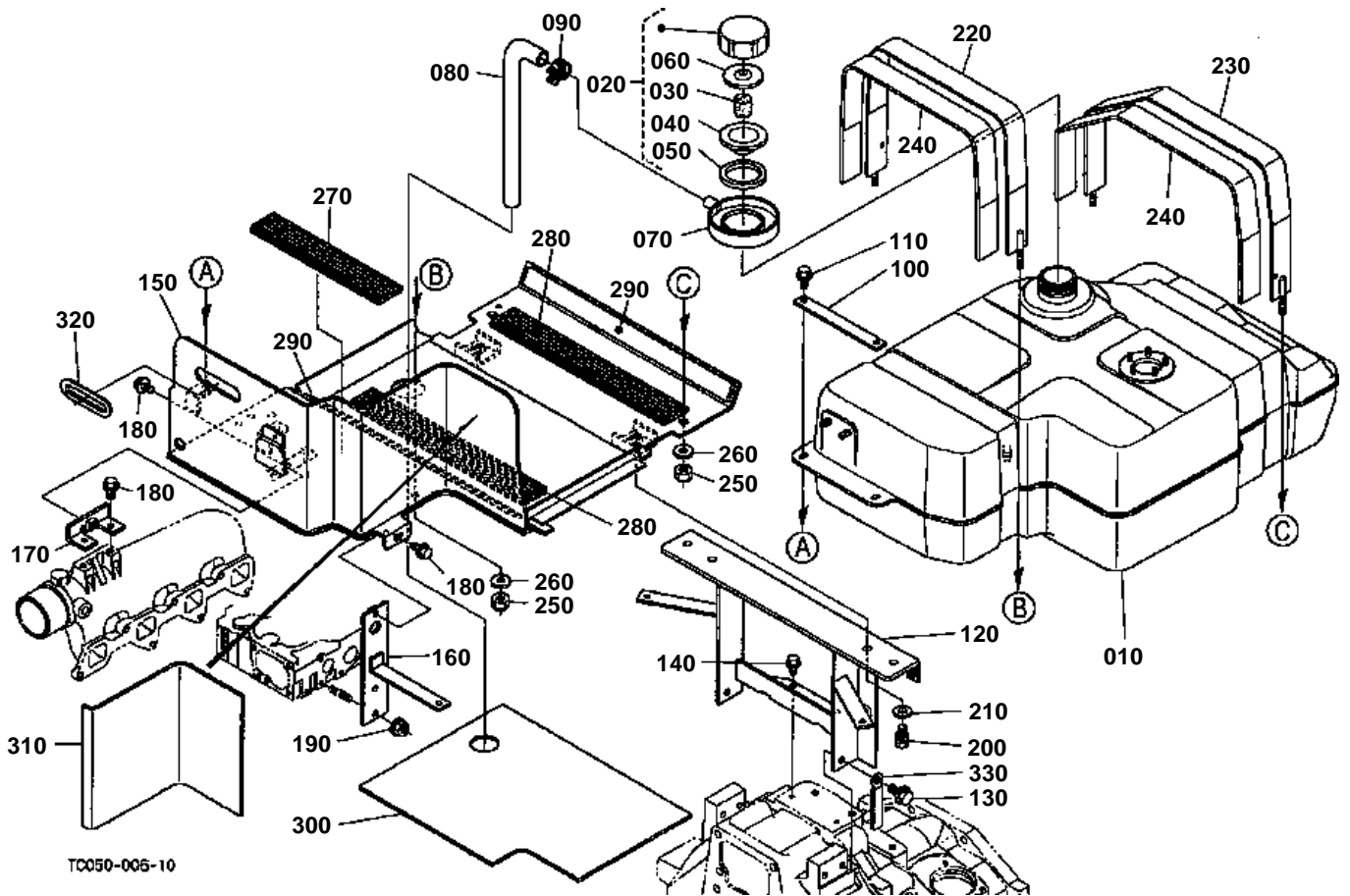


ACCELERATOR LINKAGE

↔ Interchangeable; ≠ not interchangeable; ← new for old; → old for new

REF.No	Part No.	Description	Q'ty	S.No.	I/C	REMARKS	Weight (kgf)	Weight (lb)
010	TC050-17570	ROD ACCEL.	1				0	0
020	04012-50080	WASHER PLAIN	1				0.001	0.0022
030	05511-50218	PIN SPLIT	1				0.001	0.0022
040	T0070-76460	CUSHION	1				0.006	0.0132
050	TC030-17580	ROD ACCEL.	1				0	0
060	04012-50080	WASHER PLAIN	2				0.001	0.0022
070	05511-50218	PIN SPLIT	2				0.001	0.0022

FUEL TANK

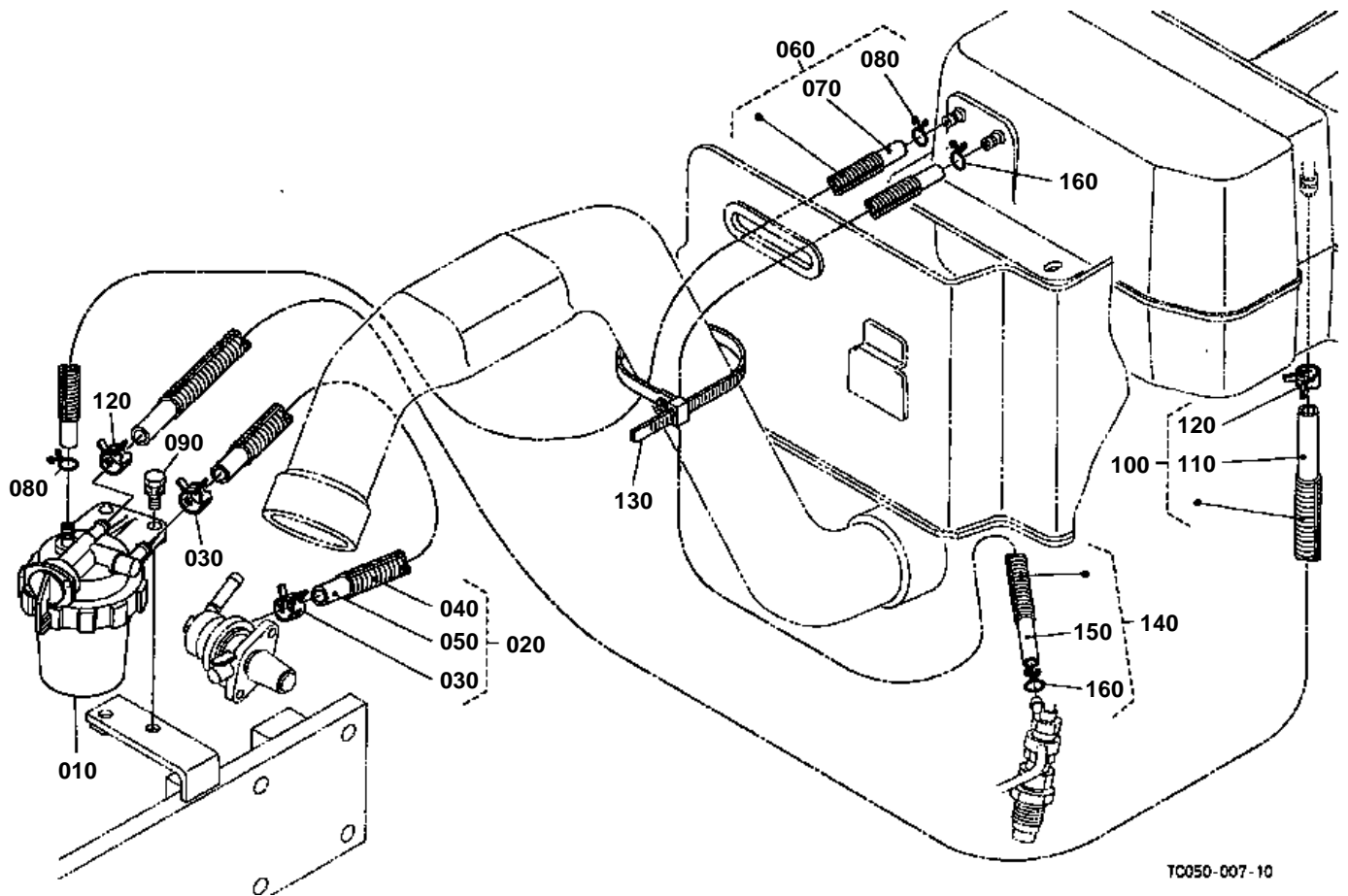


**FUEL TANK**

↔ Interchangeable; ≠ not interchangeable; ← new for old; → old for new

REF.No	Part No.	Description	Q'ty	S.No.	I/C	REMARKS	Weight (kgf)	Weight (lb)
010	TC050-42010	TANK FUEL	1				5	11
020	3A011-04290	ASSY CAP FUEL TANK	1				0.06	0.132
030	34150-35240	SPONGE	1				0.001	0.0022
040	3A011-04300	GASKET	1				0.015	0.033
050	34150-35180	GASKET	1				0.001	0.0022
060	13582-41680	PLATE F.TANK.CAP	1				0.008	0.0176
070	T0430-42020	TRAY FUEL	1				0.025	0.055
080	TC050-42072	PIPE	1				0	0
090	6C040-54780	CLAMP	1				0.005	0.011
100	TC050-42140	PLATE FUEL TANK	1				0	0
110	01754-50820	BOLT FLANGE	2				0.015	0.033
120	TC050-42160	BASE FUEL TANK	1				0	0
130	01774-61020	BOLT FLANGE	2				0.022	0.0484
140	01754-50812	BOLT FLANGE	2				0.01	0.022
150	TC050-42113	SUPPORT FUEL TANK	1				0	0
160	TC050-42122	STAY FUEL TANK LH	1				0	0
170	TC050-42150	STAY FUEL TANK RH	1				0	0
180	01754-50816	BOLT FLANGE	4				0.011	0.0242
190	02751-50080	NUT FLANGE	2				0.006	0.0132
200	01133-51025	BOLT	2				0.023	0.0506
210	04013-60100	WASHER PLAIN	2				0.004	0.0088
220	TC050-42022	CLAMP FUEL TANK FR.	1				0	0
230	TC050-42032	CLAMP FUEL TANK REAR	1				0	0
240	TC050-42040	CUSHION	2				0	0
250	02552-50080	NUT LOCK	4				0.005	0.011
260	04013-60080	WASHER PLAIN	4				0.002	0.0044
270	TC050-42050	CUSHION RUBBER	1				0	0
280	TC050-42060	CUSHION RUBBER	2				0	0
290	3A011-04222	CUSHION	2				0.04	0.088
300	TC050-42080	INSULATION HEAT	1				0	0
310	TC050-42090	INSULATION HEAT	1				0	0
320	TC050-42260	GROMMET SHUTTER	1				0	0
330	37150-34460	CLAMP CORD	1				0.03	0.066

FUEL PIPE AND FUEL FILTER



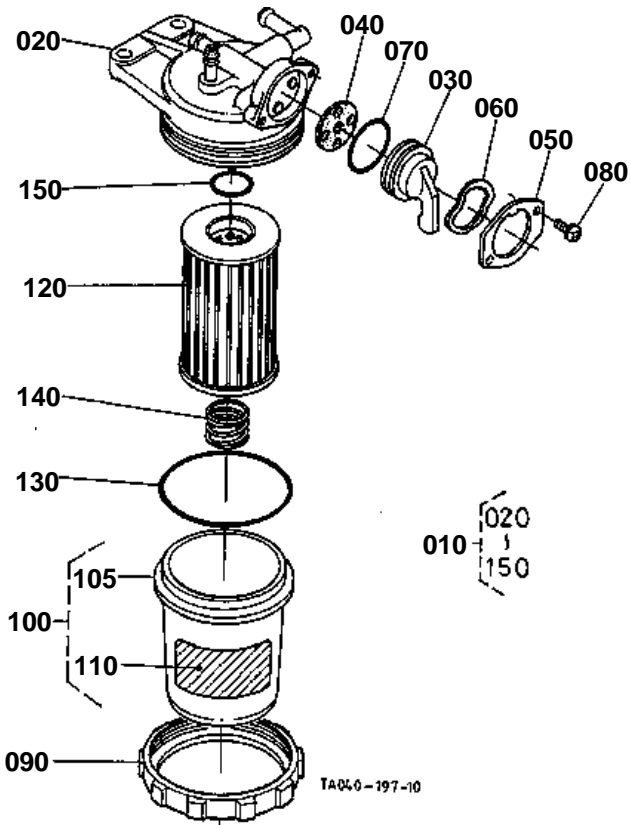


FUEL PIPE AND FUEL FILTER

↔ Interchangeable; ≠ not interchangeable; ← new for old; → old for new

REF.No	Part No.	Description	Q'ty	S.No.	I/C	REMARKS	Weight (kgf)	Weight (lb)
010	15521-43015	ASSY FILTER FUEL	1				0.59	1.298
020	34530-42620	ASSY TUBE FUEL	1				0.055	0.121
030	09318-88125	CLAMP HOSE	2				0.001	0.0022
040	34530-42670	TUBE	1				0.01	0.022
050	09661-80300	TUBE FUEL	1				0.04	0.088
060	T1060-42640	ASSY TUBE FUEL	1				0.054	0.1188
070	09661-40750	TUBE FUEL	1				0.04	0.088
080	14971-42750	CLIP PIPE	2				0.001	0.0022
090	01123-50825	BOLT	2				0.013	0.0286
100	TC030-42610	ASSY TUBE FUEL	1				0	0
110	09661-80625	TUBE FUEL	1				0.08	0.176
120	09318-88125	CLAMP HOSE	2				0.001	0.0022
130	T0090-63580	BAND CORD	1				0.006	0.0132
140	TC050-42630	ASSY TUBE FUEL	1				0	0
150	09661-40900	TUBE FUEL	1				0.045	0.099
160	14971-42750	CLIP PIPE	2				0.001	0.0022

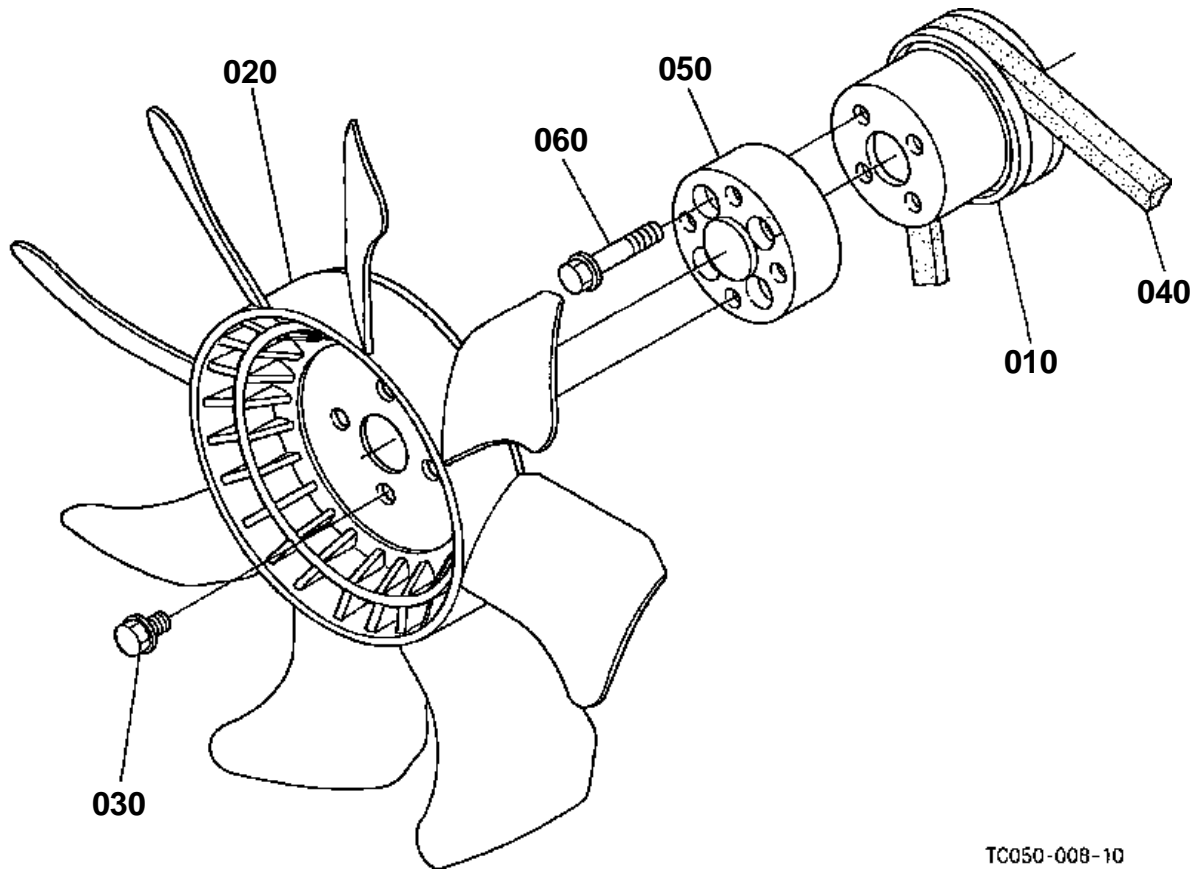
FUEL FILTER [COMPONENT PARTS]



**FUEL FILTER [COMPONENT PARTS]**

↔ Interchangeable; ≠ not interchangeable; ← new for old; → old for new

REF.No	Part No.	Description	Q'ty	S.No.	I/C	REMARKS	Weight (kgf)	Weight (lb)
010	15521-43015	ASSY FILTER FUEL	1				0.59	1.298
020	15521-43114	ASSY BODY	1				0.235	0.517
030	15521-43522	HANDLE FILTER	1				0.04	0.088
040	15521-43672	GASKET	1				0.001	0.0022
050	15521-43552	RETAINER HANDLE	1				0.01	0.022
060	15521-43542	PLATE THRUST	1				0.001	0.0022
070	04811-10290	O RING	1				0.001	0.0022
080	03054-50308	SCREW PAN-HEAD	2				0.005	0.011
090	15521-43150	RING RETAINER	1				0.14	0.308
100	15521-43100	ASSY CUP FILTER	1				0.05	0.11
105	15521-43130	CUP FILTER	1				0.1	0.22
110	16873-88430	LABEL FUEL FILTER	1				0.001	0.0022
120	15521-43160	ELEMENT FILTER	1				0.07	0.154
130	04811-50650	O RING	1				0.002	0.0044
140	15521-43930	SPRING	1				0.004	0.0088
150	04811-00160	O RING	1				0.001	0.0022



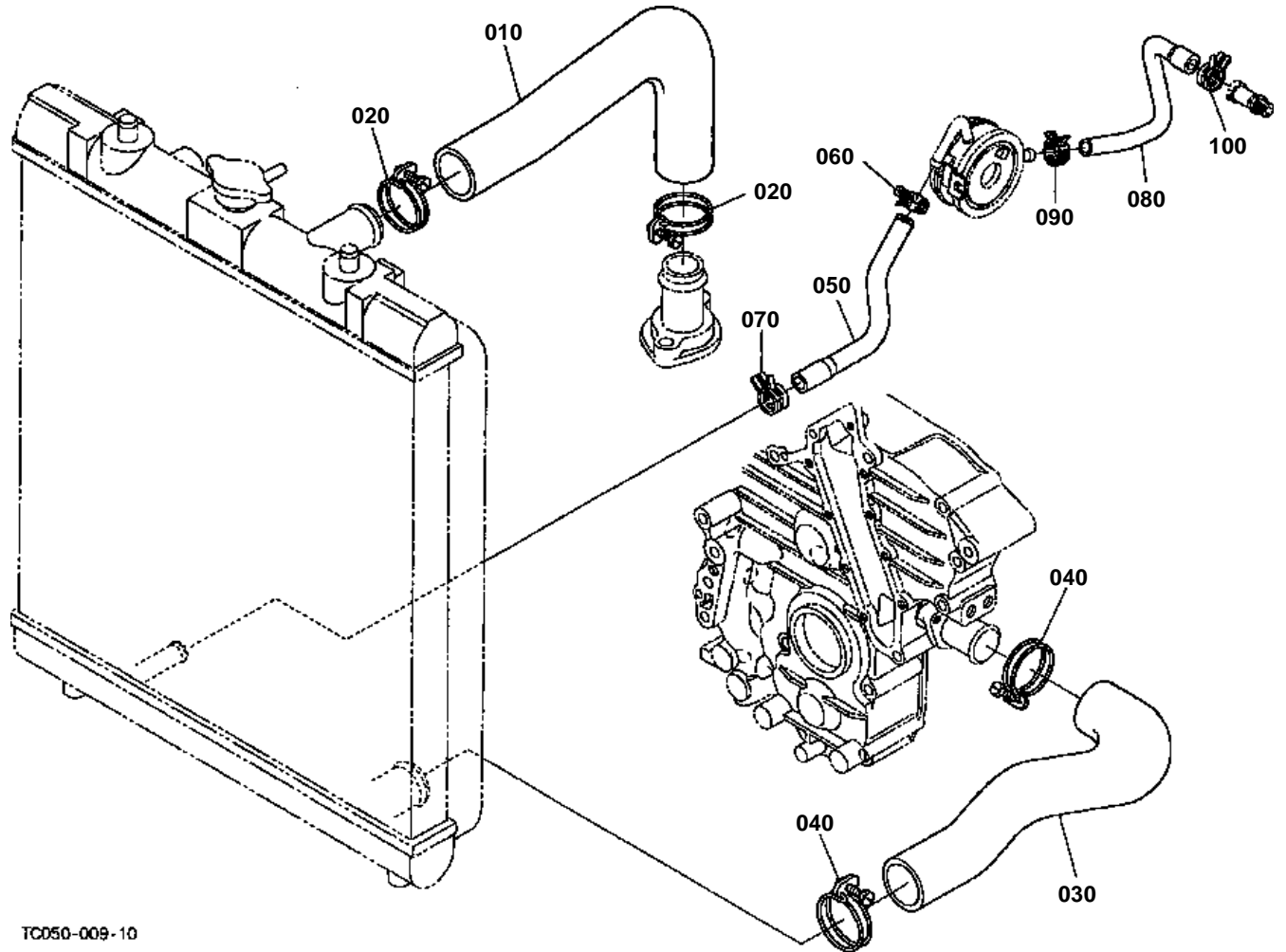
TC050-008-10

**FAN**

↔ Interchangeable; ≠ not interchangeable; ← new for old; → old for new

REF.No	Part No.	Description	Q'ty	S.No.	I/C	REMARKS	Weight (kgf)	Weight (lb)
010	17351-74250	PULLEY FAN	1				0.26	0.572
020	34550-16210	FAN	1				1.19	2.618
030	01754-50816	BOLT FLANGE	4				0.011	0.0242
040	15471-97010	V BELT	1				0.12	0.264
050	TC050-16220	FLANGE FAN	1				0	0
060	01754-50640	BOLT FLANGE	4				0.009	0.0198

WATER PIPE



TC050-009-10

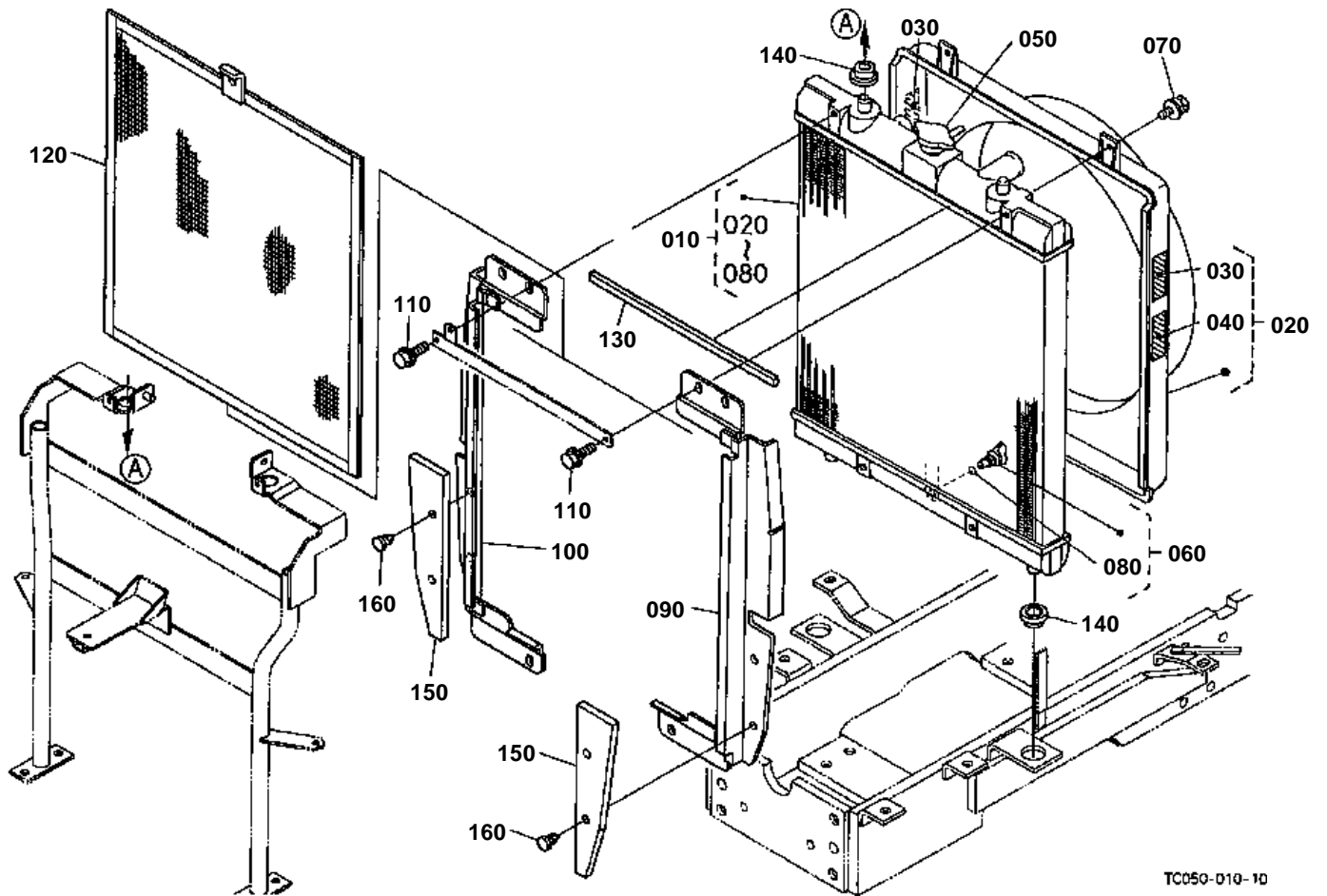


WATER PIPE

↔ Interchangeable; ≠ not interchangeable; ← new for old; → old for new

REF.No	Part No.	Description	Q'ty	S.No.	I/C	REMARKS	Weight (kgf)	Weight (lb)
010	TC050-16120	HOSE RADIATOR UPPER	1				0	0
020	15108-72870	BAND	2				0.027	0.0594
030	TC050-16140	HOSE RADIATOR LOWER	1				0	0
040	15108-72870	BAND	2				0.027	0.0594
050	TC050-16160	HOSE DRAIN	1				0	0
060	16241-73360	BAND PIPE	1				0.003	0.0066
070	09318-88185	CLAMP HOSE	1				0.003	0.0066
080	1A024-37152	HOSE OIL COOLER	1				0	0
090	16241-73360	BAND PIPE	1				0.003	0.0066
100	09318-88180	CLAMP HOSE	1				0.01	0.022

RADIATOR



TC050-D10-10

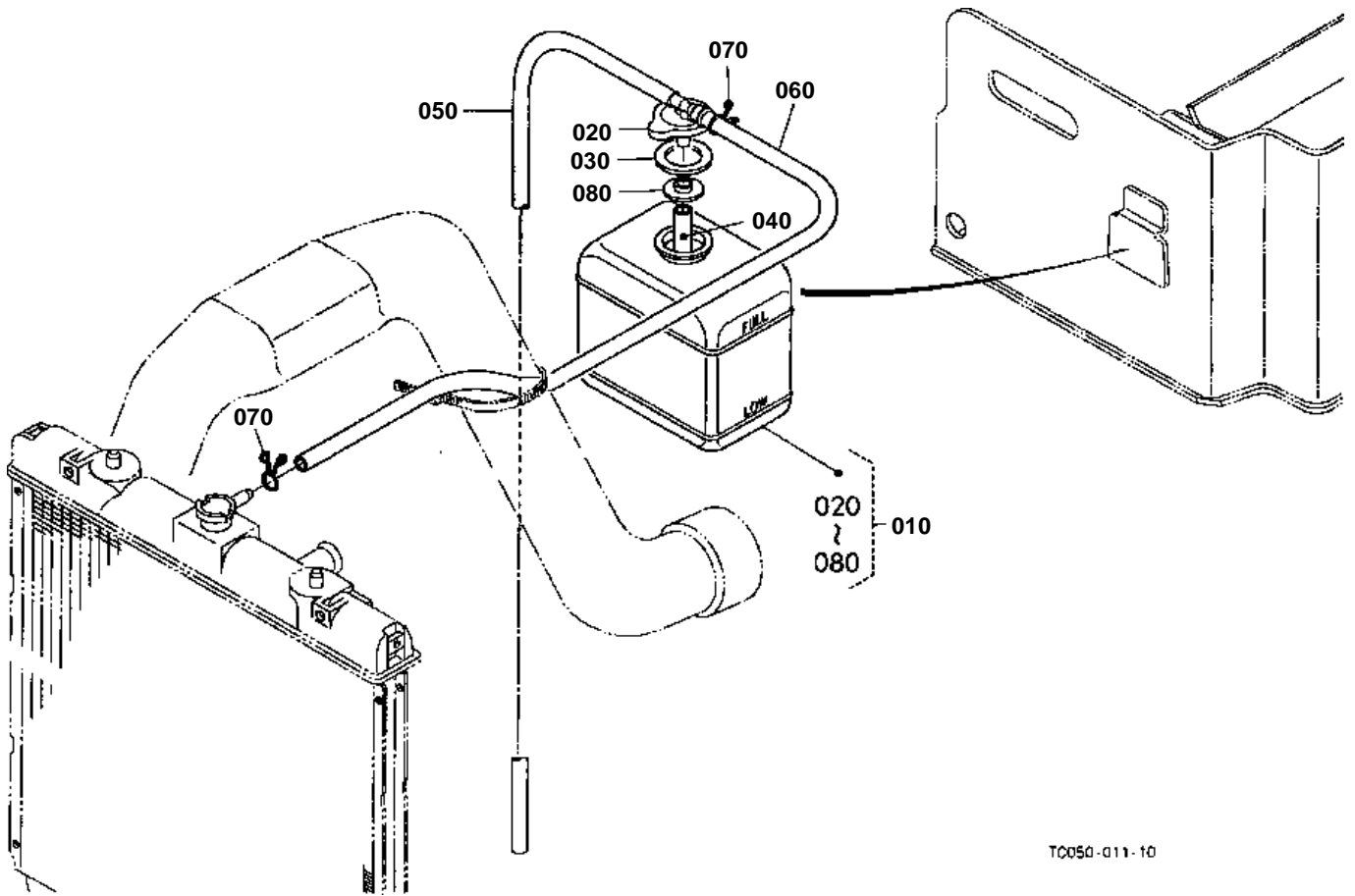


RADIATOR

↔ Interchangeable; ≠ not interchangeable; ← new for old; → old for new

REF.No	Part No.	Description	Q'ty	S.No.	I/C	REMARKS	Weight (kgf)	Weight (lb)
010	TC050-99600	ASSY RADIATOR	1				0	0
020	TC050-99620	KIT SHUROUD FAN	1				0	0
030	32751-49580	LABEL FAN BELT	2				0.001	0.0022
040	TC030-49580	LABEL MUFFLER	1				0	0
050	17580-16060	CAP RADIATOR	1				0.04	0.088
060	34070-16070	PLUG DRAIN	1				0.005	0.011
070	01029-50616	BOLT	4				0.01	0.022
080	34070-16090	O RING	1				0.001	0.0022
090	TC050-16042	GUIDE RADIATOR LH	1				0.46	1.012
100	TC050-16052	GUIDE RADIATOR RH	1				0.46	1.012
110	01754-50612	BOLT FLANGE	4				0.005	0.011
120	TC050-16242	NET RADIATOR	1				0	0
130	T1060-40660	SPONGE	1				0.005	0.011
140	34070-16030	RUBBER	4				0.015	0.033
150	TC050-42340	SPONGE BONNET LOWER	2				0	0
160	38430-29372	CLIP BUTTON	4				0.001	0.0022
170	17580-16060	CAP RADIATOR	1		↔		0.04	0.088

RESERVE TANK



TC050-011-10

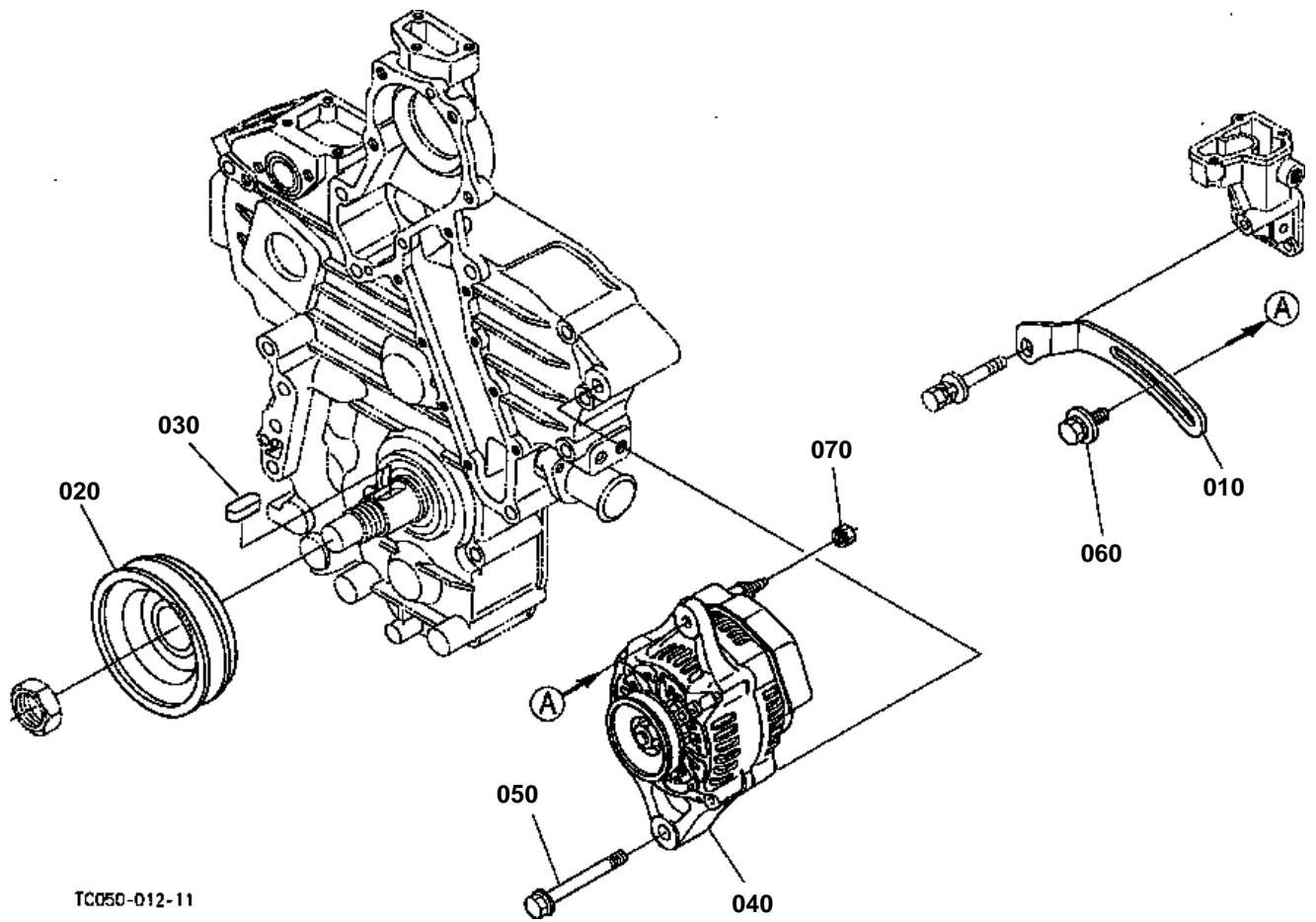


RESERVE TANK

↔ Interchangeable; ≠ not interchangeable; ← new for old; → old for new

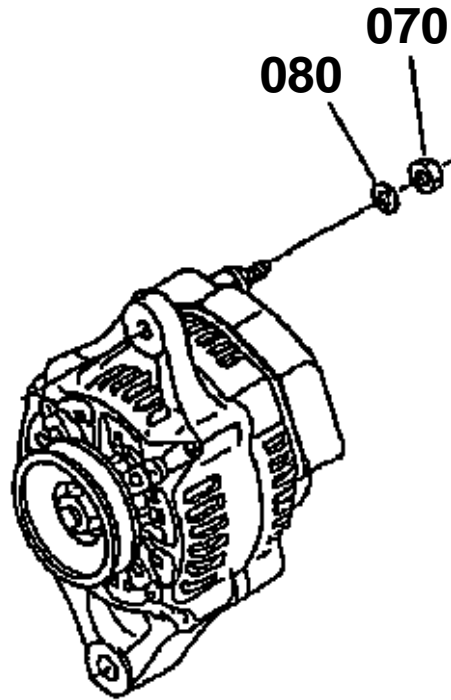
REF.No	Part No.	Description	Q'ty	S.No.	I/C	REMARKS	Weight (kgf)	Weight (lb)
010	TC050-42360	ASSY TANK RESERVE	1				0	0
020	15531-72422	CAP	1				0.001	0.0022
030	15531-72432	GASKET	1				0.002	0.0044
040	RC411-42900	HOSE	1				0.012	0.0264
050	3G700-17320	HOSE	1				0.08	0.176
060	56363-41510	HOSE RESERVE TANK	1				0.034	0.0748
070	15501-72470	CLIP PIPE	2				0.005	0.011
080	3G704-17390	PLATE	1				0.001	0.0022

ALTERNATOR



TC050-012-11

070 02056-50060
080 04512-60060



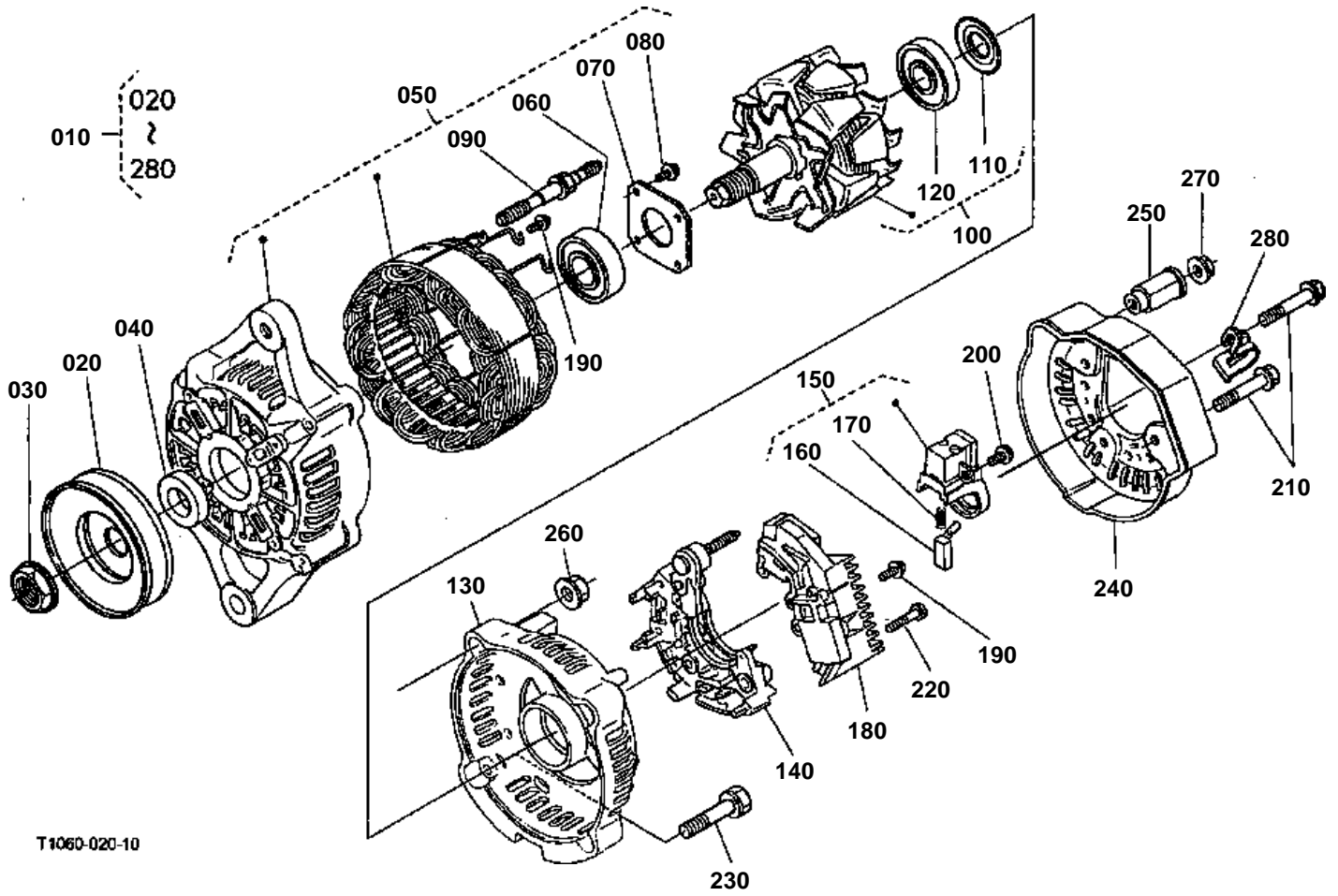
TC050-803-10

**ALTERNATOR**

↔ Interchangeable; ≠ not interchangeable; ← new for old; → old for new

REF.No	Part No.	Description	Q'ty	S.No.	I/C	REMARKS	Weight (kgf)	Weight (lb)
010	1A033-64420	STAY DYNAMO	1				0.135	0.297
020	1G790-74280	PULLEY FAN DRIVE	1				0.95	2.09
030	05712-00720	KEY FEATHER	1				0.008	0.0176
040	T1060-15680	ASSY ALTERNATOR	1				3.05	6.71
050	01754-51070	BOLT FLANGE	1				0.01	0.022
060	01127-50830	BOLT	1				0.023	0.0506
070	02056-50060	NUT	1	≤10355			0.002	0.0044
070	12264-92020	NUT SPRING WASHER M	1	≥10356	←		0.05	0.11
080	04512-60060	WASHER SPRING	1	≤10355			0.001	0.0022

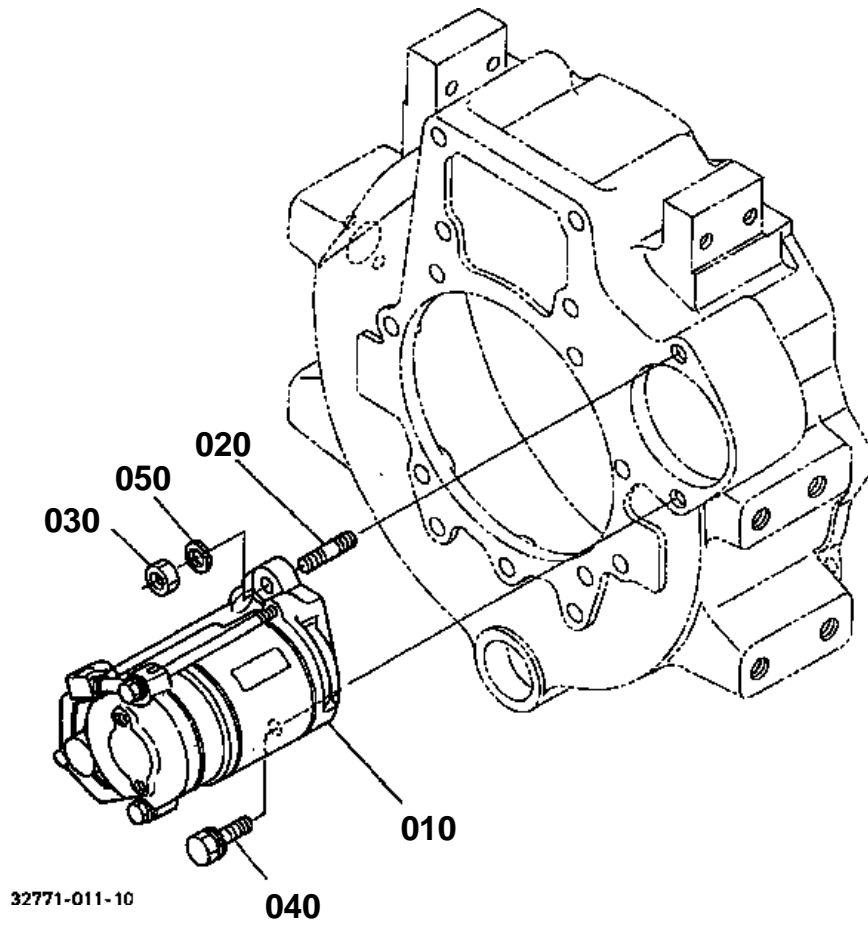
ALTERNATOR [COMPONENT PARTS]



**ALTERNATOR [COMPONENT PARTS]**

↔ Interchangeable; ≠ not interchangeable; ← new for old; → old for new

REF.No	Part No.	Description	Q'ty	S.No.	I/C	REMARKS	Weight (kgf)	Weight (lb)
010	T1060-15680	ASSY ALTERNATOR	1				3.05	6.71
020	16427-64110	PULLEY ALTERNATOR	1				0.2	0.44
030	15881-92010	NUT	1				0.02	0.044
040	15881-64150	COLLAR	1				0.004	0.0088
050	66436-64020	ASSY FRAME DRIVE END	1				1.11	2.442
060	16652-64780	BEARING BALL	1				0.05	0.11
070	15881-64710	PLATE RETAINER	1				0.01	0.022
080	15881-93010	SCREW ROUND HEAD	4				0.003	0.0066
090	15881-64260	BOLT THROUGH	2				0.01	0.022
100	66436-64040	ROTOR	1				1.2	2.64
110	15881-64800	COVER BEARING	1				0.001	0.0022
120	16652-64770	BEARING BALL	1				0.045	0.099
130	16241-64060	FRAME END	1				0.2	0.44
140	16241-64850	ASSY RECTIFIER	1				0.16	0.352
150	16652-64310	HOLDER BRUSH	1				0.025	0.055
160	15881-64090	BRUSH	2				0.002	0.0044
170	15881-64330	SPRING BRUSH	2				0.002	0.0044
180	66436-64600	ASSY REGULATOR	1				0.08	0.176
190	15881-93030	SCREW ROUND HEAD	6				0.003	0.0066
200	15881-93040	SCREW ROUND HEAD	1				0.003	0.0066
210	15881-91040	BOLT	3				0.005	0.011
220	15881-93020	SCREW ROUND HEAD	2				0.005	0.011
230	15881-91050	BOLT	2				0.01	0.022
240	16231-64230	COVER END	1				0.035	0.077
250	16241-64900	BUSH INSULATION	1				0.007	0.0154
260	15881-92020	NUT	2				0.02	0.044
270	14182-92030	NUT	1				0.003	0.0066
280	17369-67570	CLAMP CORD	1				0.001	0.0022

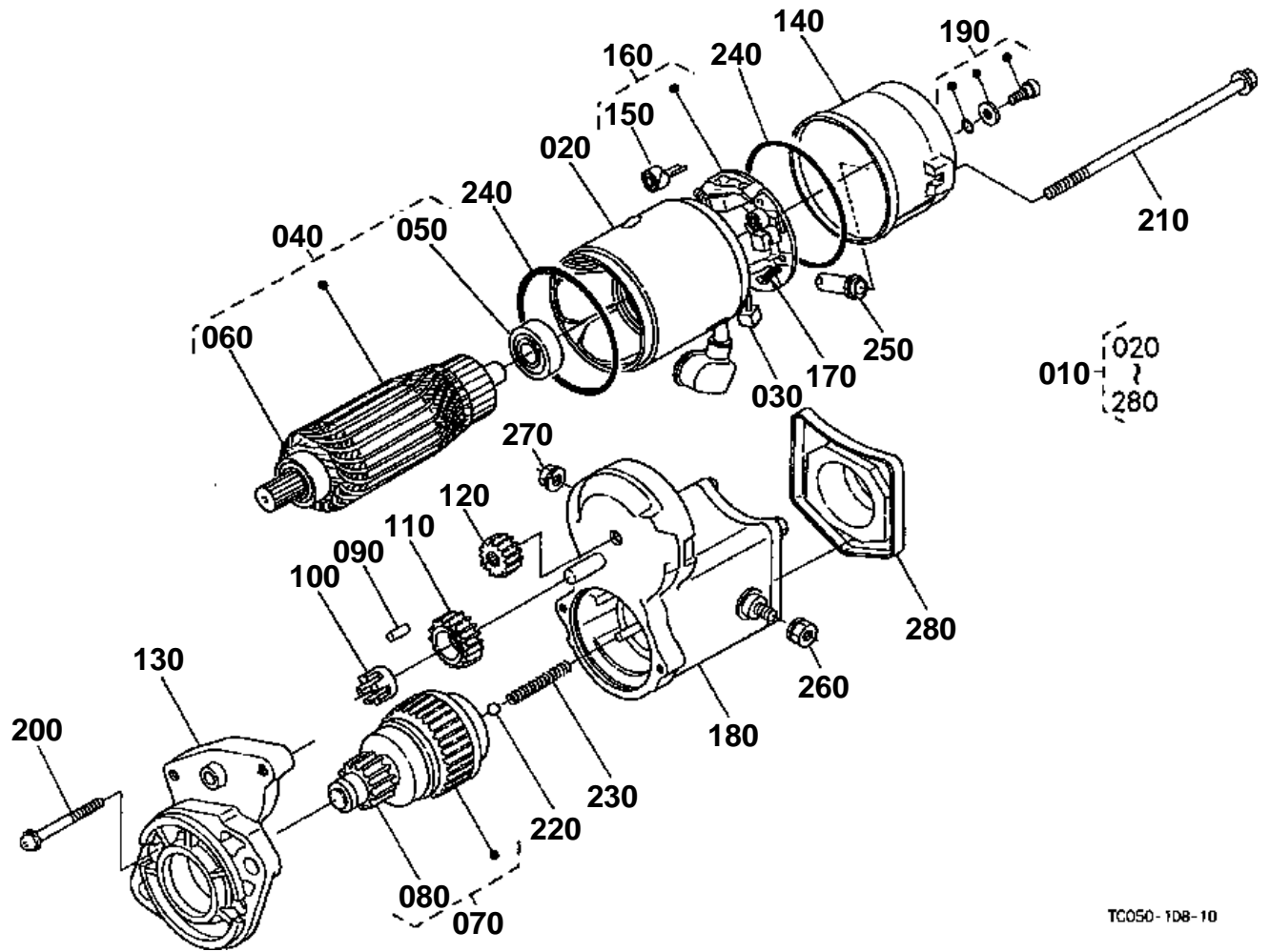


**STARTER**

↔ Interchangeable; ≠ not interchangeable; ← new for old; → old for new

REF.No	Part No.	Description	Q'ty	S.No.	I/C	REMARKS	Weight (kgf)	Weight (lb)
010	17123-63016	ASSY STARTER	1				5.1	11.22
020	01517-61030	STUD	1				0.021	0.0462
030	02176-50100	NUT	1				0.005	0.011
040	01133-51030	BOLT	1				0.025	0.055
050	04512-60100	WASHER SPRING	1				0.002	0.0044

STARTER [COMPONENT PARTS]



TC050-108-10

**STARTER [COMPONENT PARTS]**

↔ Interchangeable; ≠ not interchangeable; ← new for old; → old for new

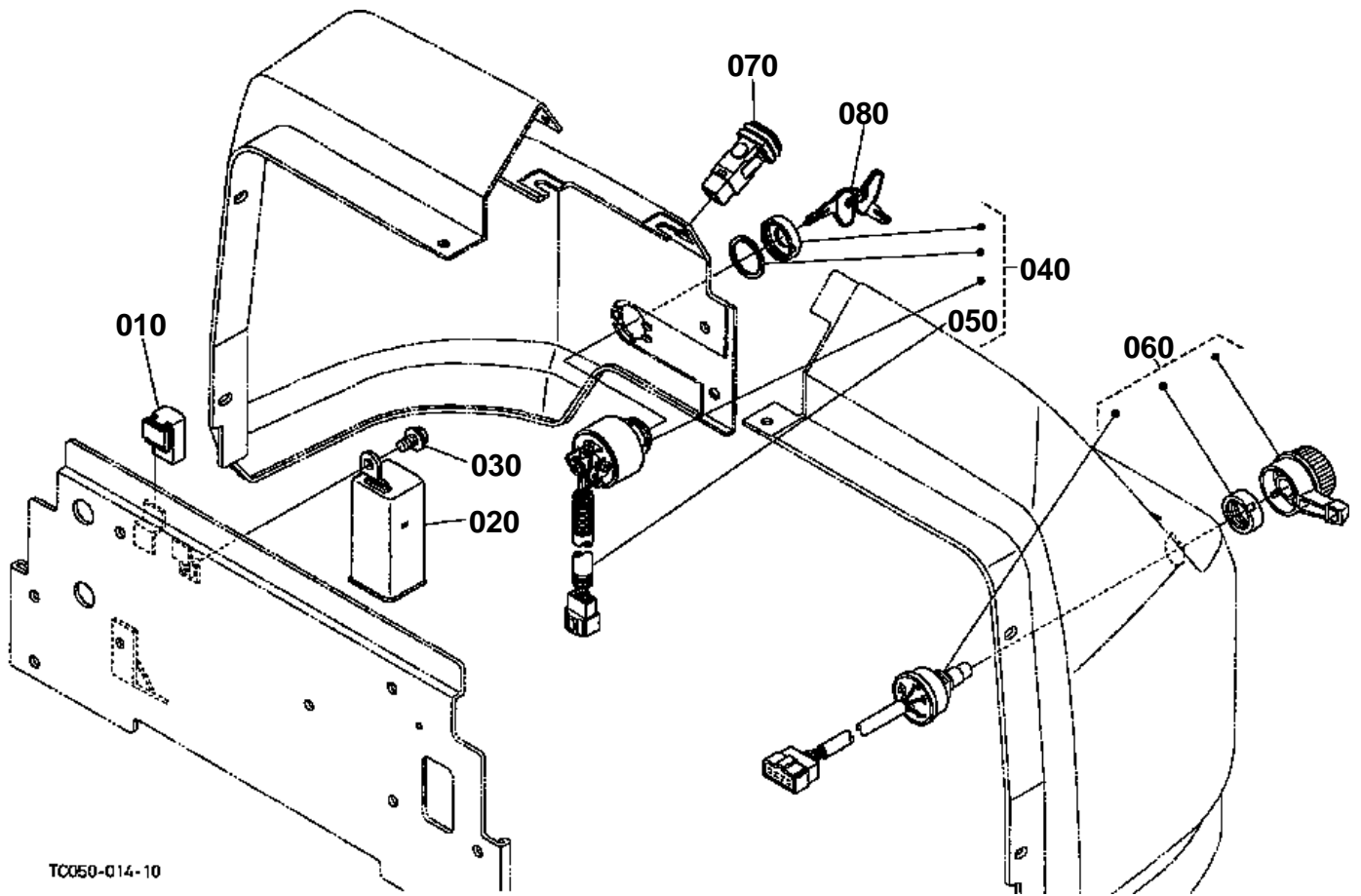
REF.No	Part No.	Description	Q'ty	S.No.	I/C	REMARKS	Weight (kgf)	Weight (lb)
010	17123-63016	ASSY STARTER	1				5.1	11.22
020	17123-63080	YOKE	1				1.46	3.212
030	15425-63400	KIT BRUSH	2				0.02	0.044
040	17123-63070	ARMATURE	1				1.16	2.552
050	17123-63500	BEARING	1				0.03	0.066
060	11460-63500	BEARING	1				0.03	0.066
070	17123-63040	CLUTCH OVER RUNNING	1				0.56	1.232
080	17311-63280	GEAR PINION	1				0.08	0.176
090	19212-63100	ROLLER	5				0.002	0.0044
100	11460-63110	RETAINER	1				0.01	0.022
110	11460-63270	GEAR	1				0.04	0.088
120	17123-63260	GEAR	1				0.02	0.044
130	17123-63030	FRAME DRIVE END	1				0.45	0.99
140	17123-63200	FRAME END	1				0.15	0.33
150	15425-63390	SPRING BRUSH	4				0.04	0.088
160	17123-63380	HOLDER BRUSH	1				0.12	0.264
170	17123-63140	SPRING	4				0.005	0.011
180	17123-63024	ASSY SWITCH MAGNETIC	1				0.96	2.112
190	17123-93310	SCREW	2				0.003	0.0066
200	17123-93320	SCREW	2				0.01	0.022
210	17123-63320	BOLT THROUGH	2				0.03	0.066
220	19212-97130	BALL	1				0.003	0.0066
230	11460-63120	SPRING	1				0.01	0.022
240	15511-96660	O RING	2				0.005	0.011
250	16285-63570	PIPE DRAIN	1				0.005	0.011
260	13963-92010	NUT HEXAGON	1				0.005	0.011
270	16285-92010	NUT HEXAGON	1				0.005	0.011
280	16285-98050	ASSY COVER	1				0.048	0.1056

**BATTERY**

↔ Interchangeable; ≠ not interchangeable; ← new for old; → old for new

REF.No	Part No.	Description	Q'ty	S.No.	I/C	REMARKS	Weight (kgf)	Weight (lb)
010	99999-99999	BATTERY	1			80D26L	0	0
020	TC030-30120	LABEL BATTERY	1				0	0
030	TC050-30124	CORD BATTERY	1				0	0
040	02114-50080	NUT	1				0.005	0.011
050	04512-60080	WASHER SPRING	1				0.002	0.0044
060	44366-68380	BAND CORD	1				0.01	0.022
070	55311-41260	BAND CORD	1				0.007	0.0154
080	T1170-30130	CORD EARTH	1				0.135	0.297
090	01754-50816	BOLT FLANGE	1				0.011	0.0242
100	TC050-45712	SUPPORT BATTERY	1				0	0
110	36200-81672	PLUG	1				0.03	0.066
120	30430-82770	CUSHION	1				0.005	0.011
130	01133-51020	BOLT	4				0.02	0.044
140	TC050-45722	SPONGE	1				0	0
150	38430-29372	CLIP BUTTON	4				0.001	0.0022
160	TC020-33110	HOLDER BATTERY	1				0.22	0.484
170	T0430-40120	BOLT HOOK	2				0.042	0.0924
180	02552-50060	NUT LOCK	2				0.002	0.0044
190	04015-60060	WASHER PLAIN	2				0.005	0.011

SWITCH 1



TC050-014-10

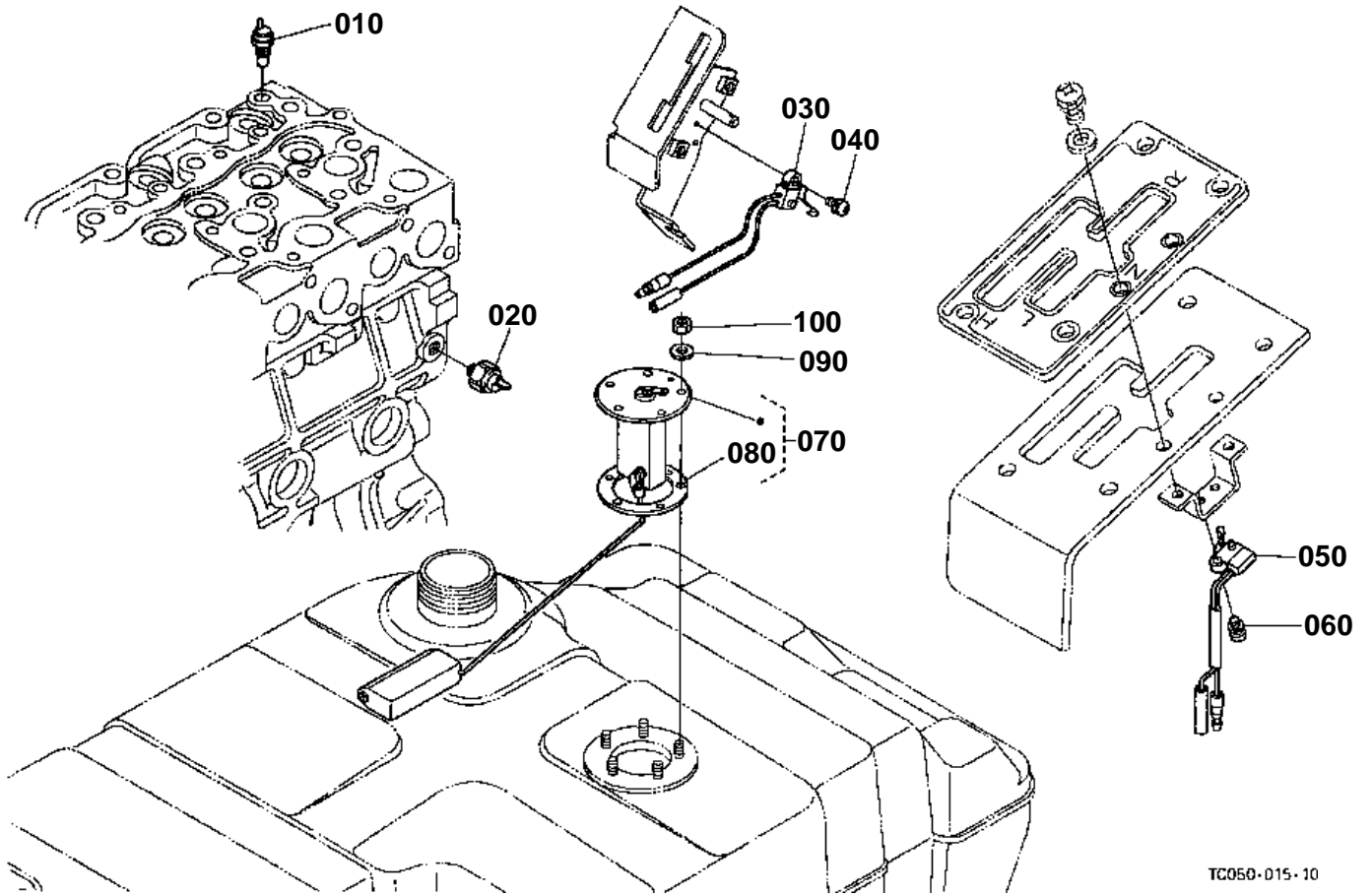


SWITCH 1

↔ Interchangeable; ≠ not interchangeable; ← new for old; → old for new

REF.No	Part No.	Description	Q'ty	S.No.	I/C	REMARKS	Weight (kgf)	Weight (lb)
010	T1060-33720	RELAY STARTER	1				0.02	0.044
020	3F240-75430	UNIT FLASHER	1				0.06	0.132
030	01754-50612	BOLT FLANGE	1				0.005	0.011
040	TC020-31820	SWITCH MAIN	1				0.242	0.5324
050	35080-31830	HARNESS MAIN SWITCH	1				0.02	0.044
060	67156-55210	SWITCH COMBINATION	1				0.095	0.209
070	TA140-30910	SWITCH HAZARD	1				0.115	0.253
080	35260-31852	ASSY KEY MAIN SWITCH	1				0.02	0.044

SWITCH 2



TC050-015-10

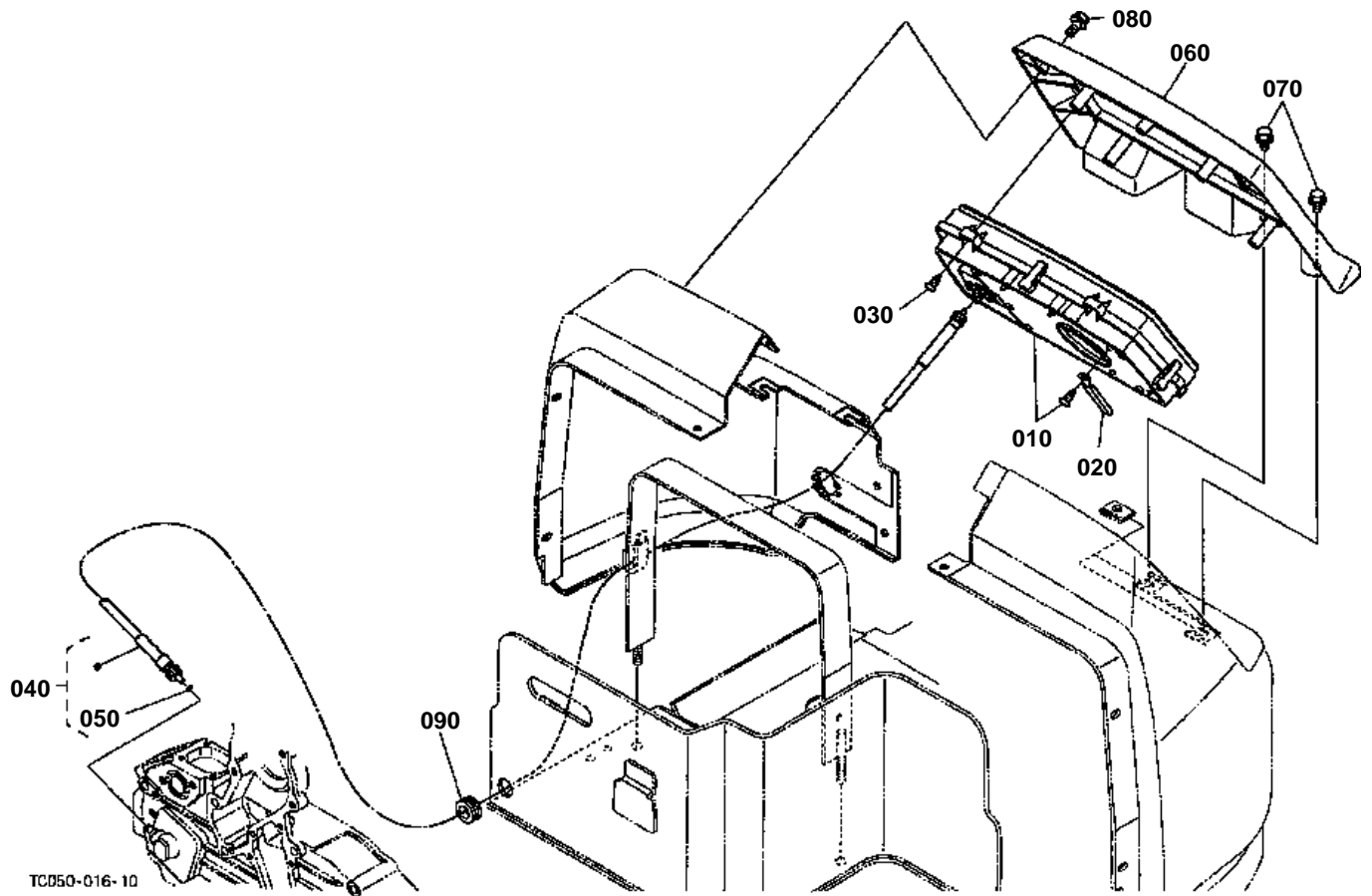


SWITCH 2

↔ Interchangeable; ≠ not interchangeable; ← new for old; → old for new

REF.No	Part No.	Description	Q'ty	S.No.	I/C	REMARKS	Weight (kgf)	Weight (lb)
010	32330-32830	SENSOR WATER TEMP.	1				0.01	0.022
020	15531-39010	SWITCH OIL	1				0.032	0.0704
030	TA040-43900	SWITCH LEVER	1				0.008	0.0176
040	03024-50414	SCREW WITH WASHER	1				0.002	0.0044
050	TC050-43900	SWITCH LEVER	1				0	0
060	03034-50312	SCREW WITH WASHER	1				0	0
070	TC050-31200	UNIT FUEL	1				0.125	0.275
080	6A320-85812	GASKET GAUGE	1				0	0
090	04013-60050	WASHER PLAIN	5				0.001	0.0022
100	02054-50050	NUT	5				0.002	0.0044

PANEL BOARD



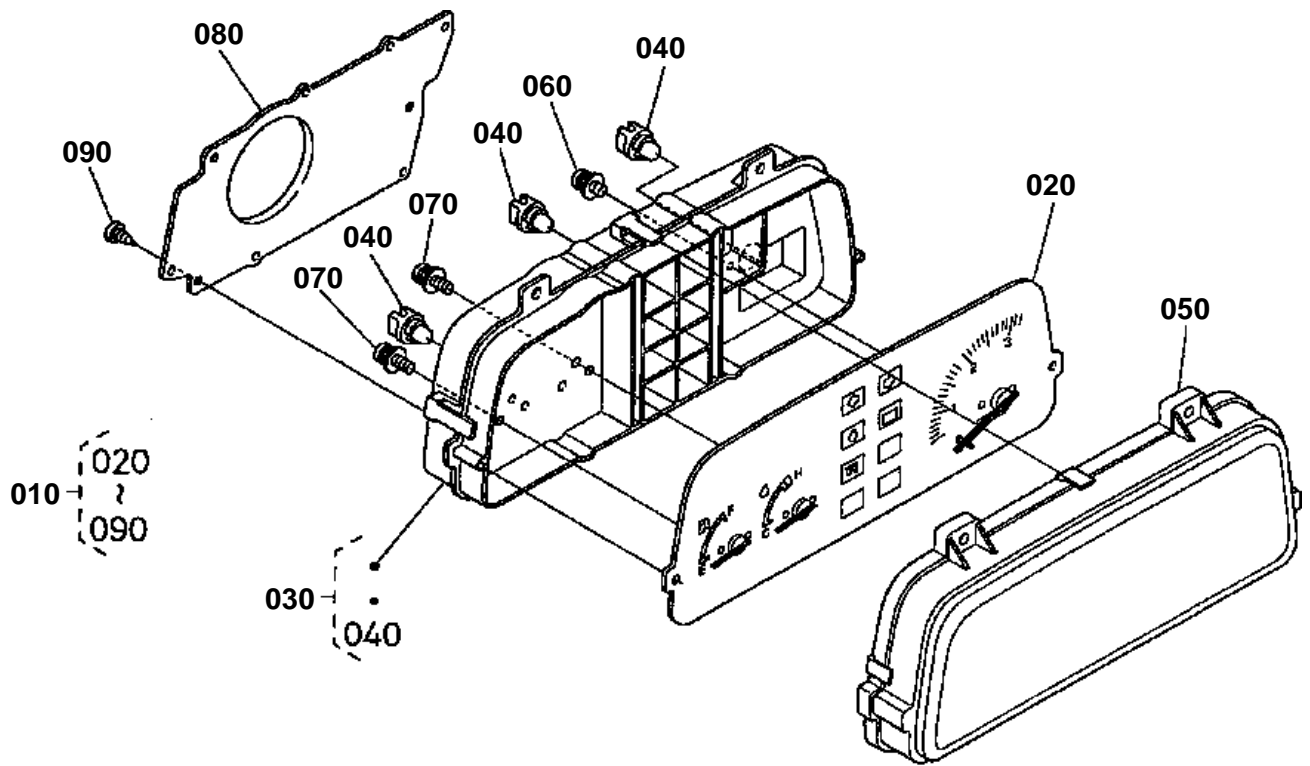
TC050-016-10



PANEL BOARD

↔ Interchangeable; ≠ not interchangeable; ← new for old; → old for new

REF.No	Part No.	Description	Q'ty	S.No.	I/C	REMARKS	Weight (kgf)	Weight (lb)
010	TC050-30210	ASSY PANEL	1				0	0
020	15241-67580	CLAMP CORD	1				0.004	0.0088
030	03614-50620	SCREW TAPPING	4				0.003	0.0066
040	TA040-30610	ASSY CABLE FLEXIBLE	1				0.25	0.55
050	04811-10080	O RING	1				0.001	0.0022
060	TC020-43020	COVER METER PANEL	1				0.4	0.88
070	31351-18790	BOLT FLANGE	4				0.007	0.0154
080	5H100-32900	BOLT FLANGE	2				0.01	0.022
090	37410-51760	GROMMET	1				0.003	0.0066



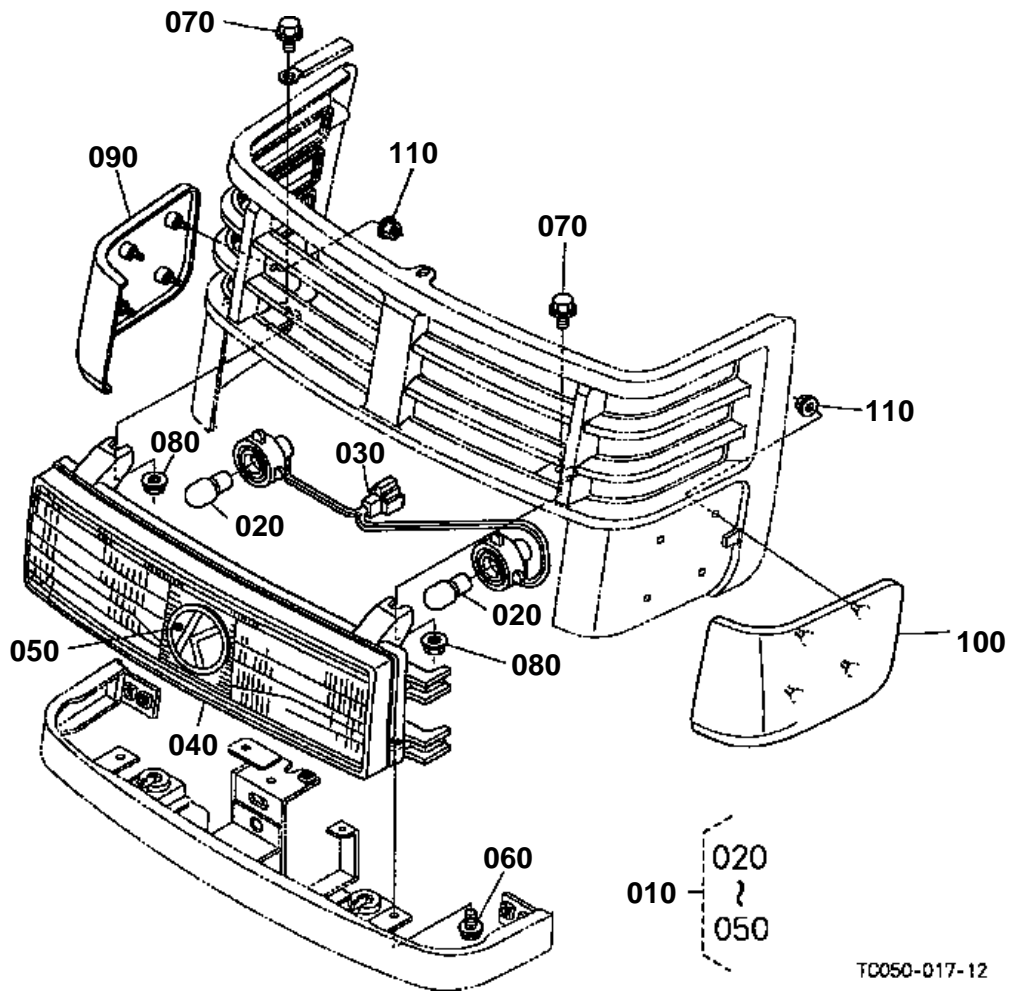
TC020-021-10



PANEL BOARD [COMPONENT PARTS]

↔ Interchangeable; ≠ not interchangeable; ← new for old; → old for new

REF.No	Part No.	Description	Q'ty	S.No.	I/C	REMARKS	Weight (kgf)	Weight (lb)
010	TC050-30210	ASSY PANEL	1				0	0
020	TC050-30220	COMP.METER	1				0	0
030	TC020-30250	ASSY CASE	1				0	0
040	6C040-55140	ASSY BULB	7			1.7W	0.003	0.0066
050	TC020-30260	GLASS	1				0	0
060	6C040-55150	SCREW	2				0.002	0.0044
070	6C040-55160	SCREW	6				0.002	0.0044
080	TC020-30270	COVER	1				0	0
090	6C040-55180	SCREW	3				0.003	0.0066

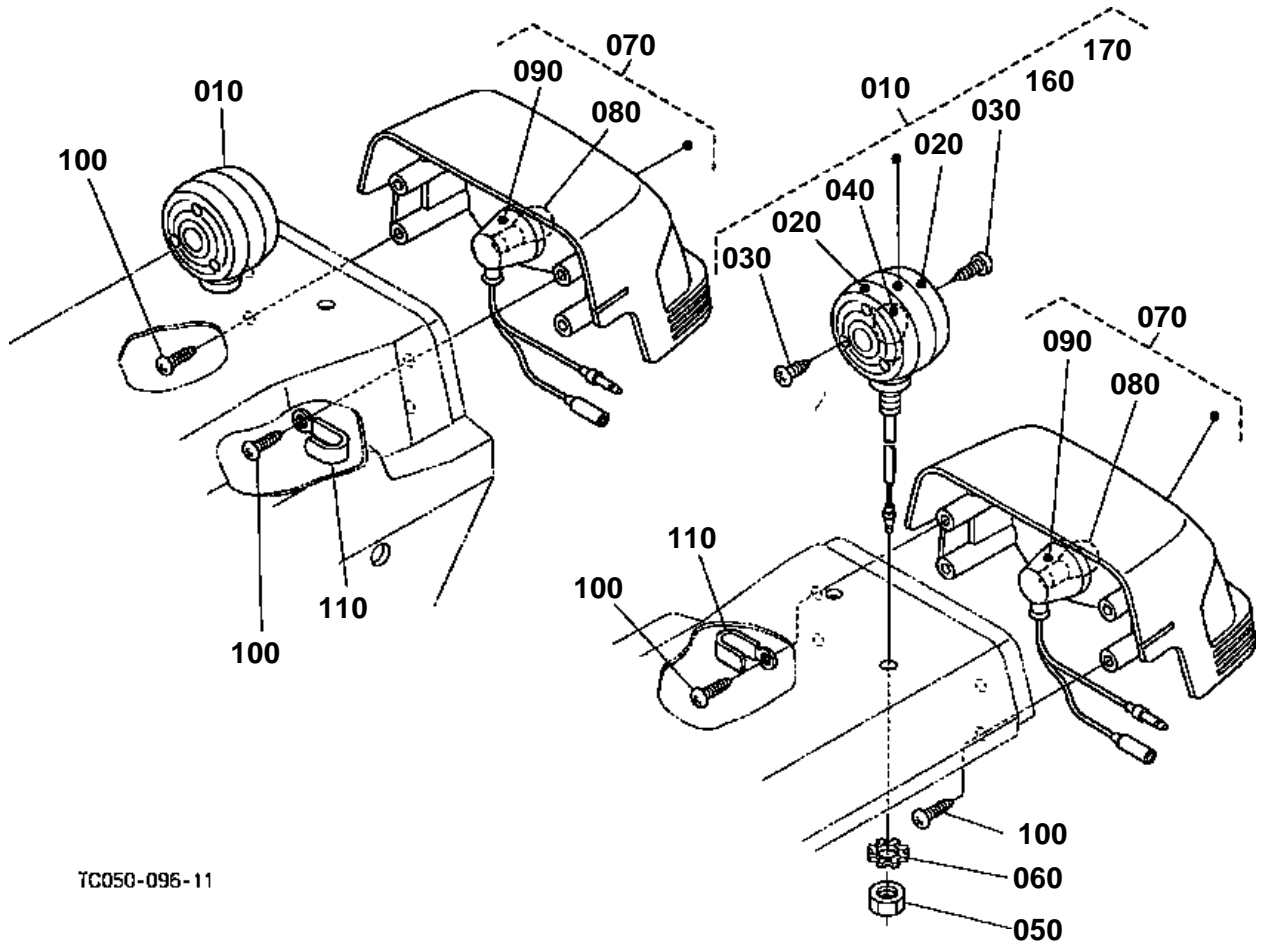


TC050-017-12

**LIGHT 1**

↔ Interchangeable; ≠ not interchangeable; ← new for old; → old for new

REF.No	Part No.	Description	Q'ty	S.No.	I/C	REMARKS	Weight (kgf)	Weight (lb)
010	T0421-30010	ASSY LIGHT HEAD	1				0.69	1.518
020	34070-99010	BULB	2			25W	0.02	0.044
030	T0430-99090	ASSY WIRE HARNESS	1				0.05	0.11
040	TA140-99100	UNIT LAMP	1				0.6	1.32
050	TA140-49500	MARK SYMBOL	1				0.013	0.0286
060	01754-50612	BOLT FLANGE	2				0.005	0.011
070	01754-50616	BOLT FLANGE	2				0.006	0.0132
080	02751-50060	NUT FLANGE	2				0.005	0.011
090	TC050-99070	GRILLE LIGHT RH	1				0	0
100	TC050-99080	GRILLE LIGHT LH	1				0	0
110	02761-50050	NUT FLANGE	8				0.005	0.011



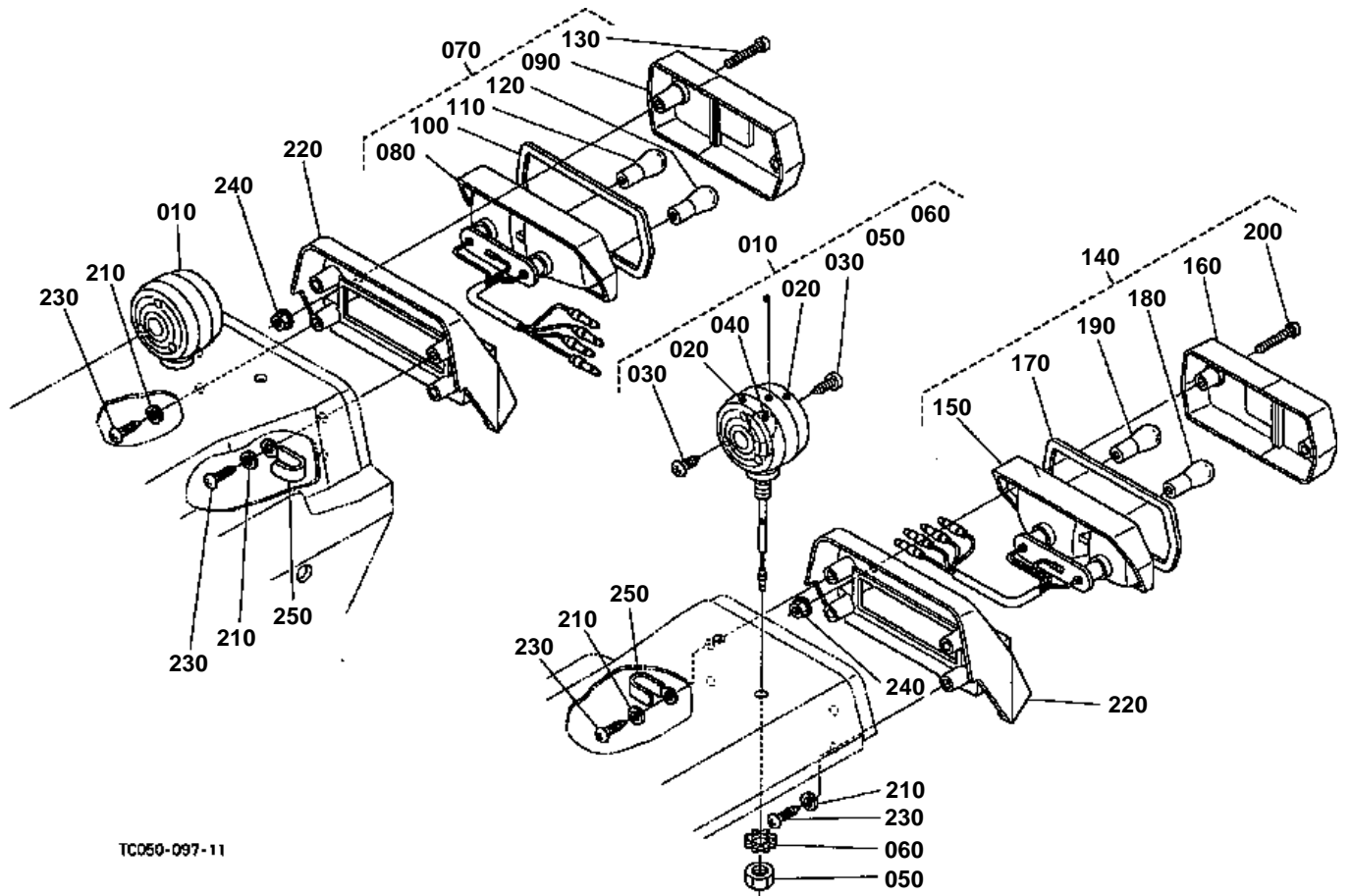
TC050-096-11



LIGHT 2 [OLD TYPE]
S.No.;<=10082

↔ Interchangeable; ≠ not interchangeable; ← new for old; → old for new

REF.No	Part No.	Description	Q'ty	S.No.	I/C	REMARKS	Weight (kgf)	Weight (lb)
010	32530-33610	ASSY LIGHT HAZARD	2				0.5	1.1
020	32530-91510	LENS HAZARD LIGHT	4				0.085	0.187
030	32530-91520	SCREW TAPPING	12				0.001	0.0022
040	32530-91530	BULB LIGHT	2			27W	0.02	0.044
050	02114-50100	NUT	2				0.005	0.011
060	04411-50100	WASHER TOOTHED	2				0.001	0.0022
070	TA040-30020	LIGHT TAIL	2				0.5	1.1
080	TA040-99110	BULB LIGHT	2			8W	0.01	0.022
090	TA040-99120	CORD	2				0.03	0.066
100	03614-50614	SCREW TAPPING	8				0.005	0.011
110	15241-67580	CLAMP CORD	2				0.004	0.0088



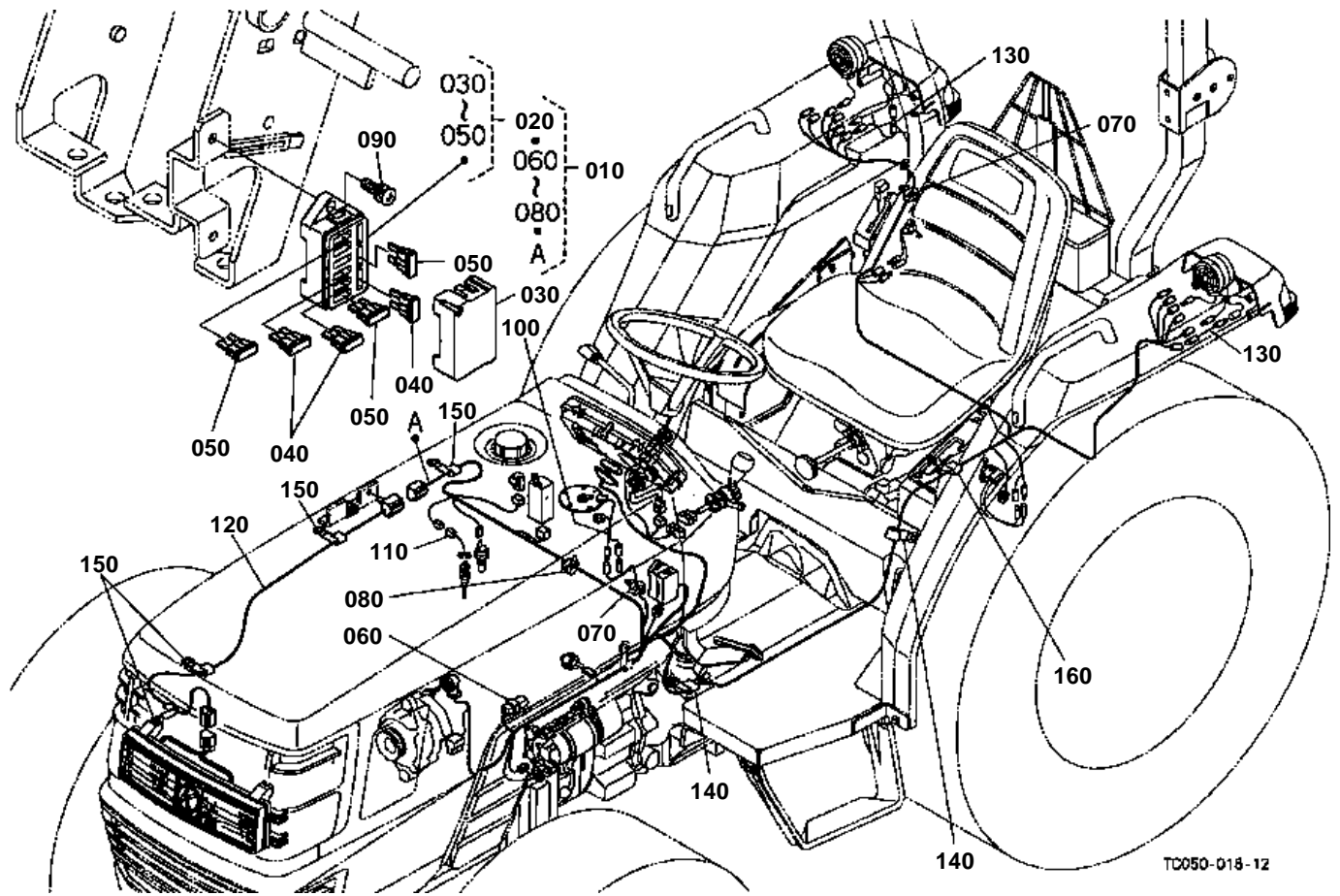
TC050-097-11



LIGHT 2 [NEW TYPE]
S.No.;>=10083

↔ Interchangeable; ≠ not interchangeable; ← new for old; → old for new

REF.No	Part No.	Description	Q'ty	S.No.	I/C	REMARKS	Weight (kgf)	Weight (lb)
010	32530-33610	ASSY LIGHT HAZARD	2				0.5	1.1
020	32530-91510	LENS HAZARD LIGHT	4				0.085	0.187
030	32530-91520	SCREW TAPPING	12				0.001	0.0022
040	32530-91530	BULB LIGHT	2			27W	0.02	0.044
050	02114-50100	NUT	2				0.005	0.011
060	04411-50100	WASHER TOOTHED	2				0.001	0.0022
070	31301-34303	ASSY LIGHT COMBI.RH	1				0.4	0.88
080	31301-34320	BODY RH	1				0.18	0.396
090	31301-34340	LENS	1				0.105	0.231
100	31391-34350	GASKET	1				0.002	0.0044
110	31391-34360	BULB	1			23W	0.018	0.0396
120	31301-34370	BULB	1			23/8W	0.02	0.044
130	31391-34380	SCREW	1				0.007	0.0154
140	31301-34313	ASSY LIGHT COMBI.LH	1				0.54	1.188
150	31301-34330	BODY LH	1				0.21	0.462
160	31301-34340	LENS	1				0.105	0.231
170	31391-34350	GASKET	1				0.002	0.0044
180	31391-34360	BULB	1			23W	0.018	0.0396
190	31301-34370	BULB	1			23/8W	0.02	0.044
200	31391-34380	SCREW	1				0.007	0.0154
210	04512-60060	WASHER SPRING	8				0.001	0.0022
220	34040-68960	HOLDER	2				0.23	0.506
230	03614-50614	SCREW TAPPING	8				0.005	0.011
240	02761-50050	NUT FLANGE	4				0.005	0.011
250	15241-67580	CLAMP CORD	2				0.004	0.0088



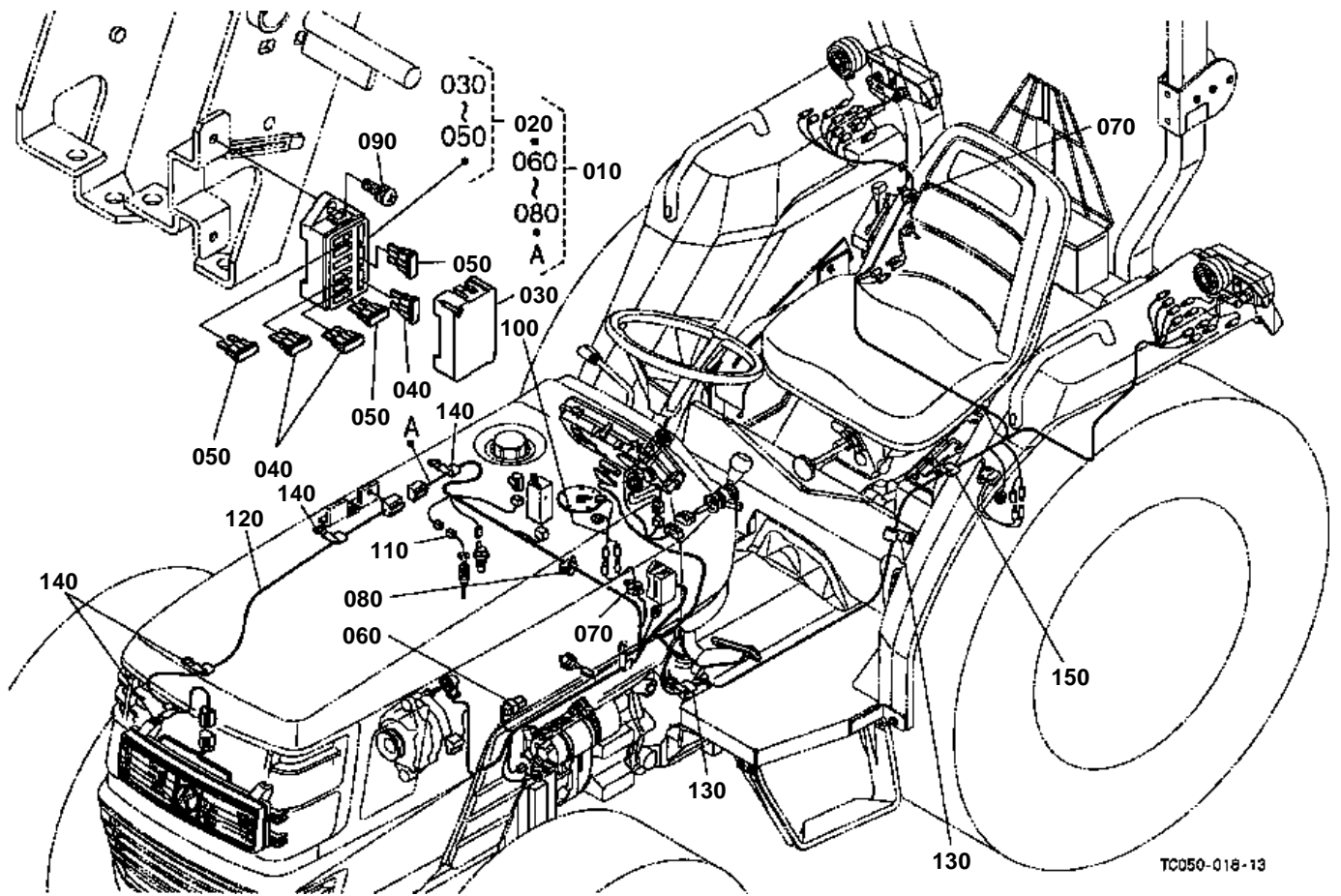
TC050-018-12



ELECTRICAL WIRING [OLD TYPE]
S.No.;<=10082

↔ Interchangeable; ≠ not interchangeable; ← new for old; → old for new

REF.No	Part No.	Description	Q'ty	S.No.	I/C	REMARKS	Weight (kgf)	Weight (lb)
010	TC050-30312	WIRE HARNESS MAIN	1				0	0
020	TC050-30410	ASSY BOX FUSE	1				0	0
030	TC050-30420	CASE FUSE BOX	1				0	0
040	36730-75550	FUSE	3			10A	0.001	0.0022
050	35820-75560	FUSE	3			15A	0.002	0.0044
060	34670-34530	FUSE	1			40A	0.003	0.0066
070	TC022-34450	CLIP	4				0	0
080	TC050-34450	CLIP	1				0	0
090	31391-31140	SCREW	2				0.01	0.022
100	32330-34390	WIRE HARNESS F.TANK	1				0.014	0.0308
110	TC050-30340	WIRE HARNESS GLOW	1				0	0
120	TC050-30350	WIRE HARNESS H.LIGHT	1				0	0
130	TC050-30390	WIRE HARNESS TAIL	2				0	0
140	34150-29390	CLAMP CORD	2				0.004	0.0088
150	13816-67580	CLAMP CORD	4				0.004	0.0088
160	35340-29380	CLAMP CORD	1				0.01	0.022

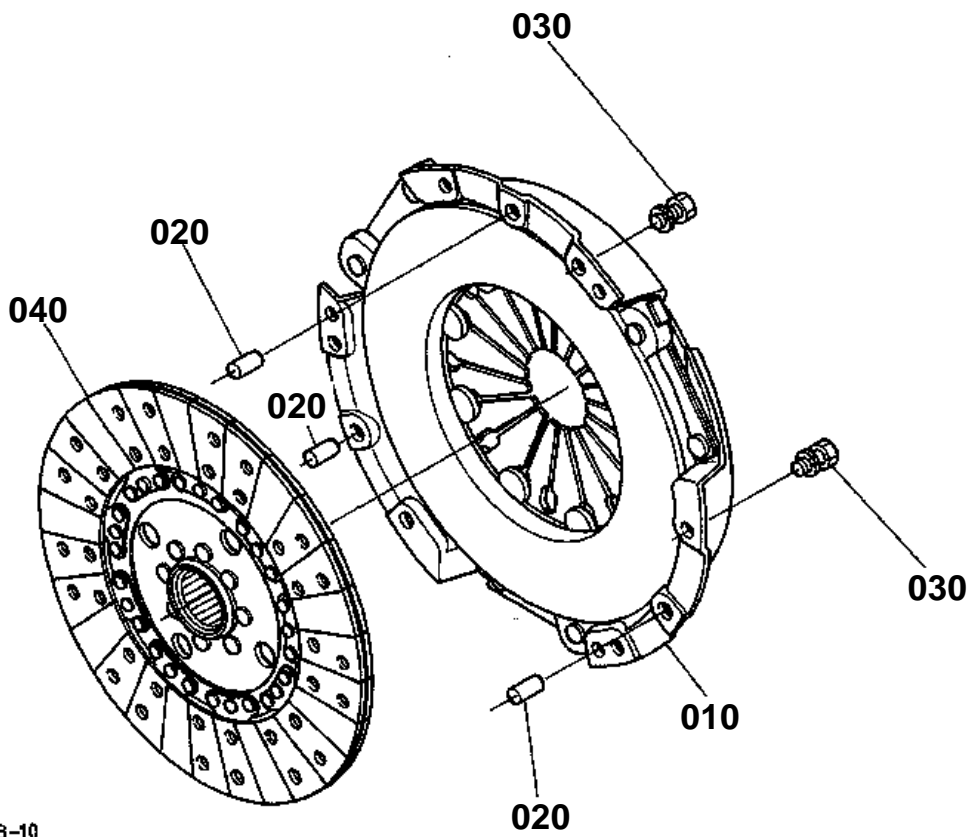




ELECTRICAL WIRING [NEW TYPE]
S.No.;>=10083

↔ Interchangeable; ≠ not interchangeable; ← new for old; → old for new

REF.No	Part No.	Description	Q'ty	S.No.	I/C	REMARKS	Weight (kgf)	Weight (lb)
010	TC050-30312	WIRE HARNESS MAIN	1				0	0
020	TC050-30410	ASSY BOX FUSE	1				0	0
030	TC050-30420	CASE FUSE BOX	1				0	0
040	36730-75550	FUSE	3			10A	0.001	0.0022
050	35820-75560	FUSE	3			15A	0.002	0.0044
060	34670-34530	FUSE	1			40A	0.003	0.0066
070	TC022-34450	CLIP	4				0	0
080	TC050-34450	CLIP	1				0	0
090	31391-31140	SCREW	2				0.01	0.022
100	32330-34390	WIRE HARNESS F.TANK	1				0.014	0.0308
110	TC050-30340	WIRE HARNESS GLOW	1				0	0
120	TC050-30350	WIRE HARNESS H.LIGHT	1				0	0
130	34150-29390	CLAMP CORD	2				0.004	0.0088
140	13816-67580	CLAMP CORD	4				0.004	0.0088
150	35340-29380	CLAMP CORD	1				0.01	0.022



TA040-023-10

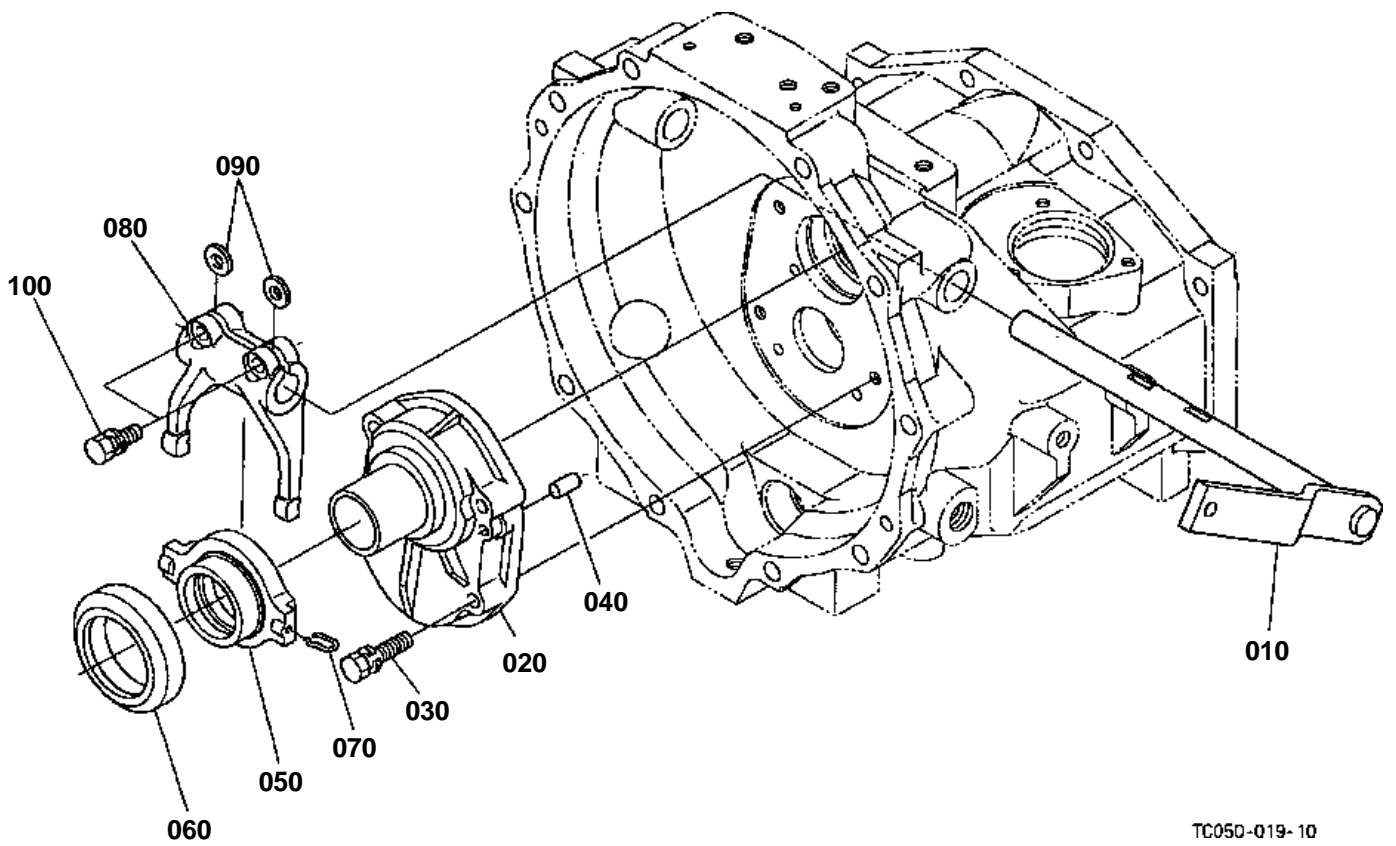


CLUTCH

↔ Interchangeable; ≠ not interchangeable; ← new for old; → old for new

REF.No	Part No.	Description	Q'ty	S.No.	I/C	REMARKS	Weight (kgf)	Weight (lb)
010	TA040-20600	ASSY PLATE PRESSURE	1				7.5	16.5
020	05012-01018	PIN STRAIGHT	3				0.012	0.0264
030	01123-50816	BOLT	6				0.011	0.0242
040	TC050-20500	COMP.DISK CLUTCH	1				0	0

CLUTCH LEVER



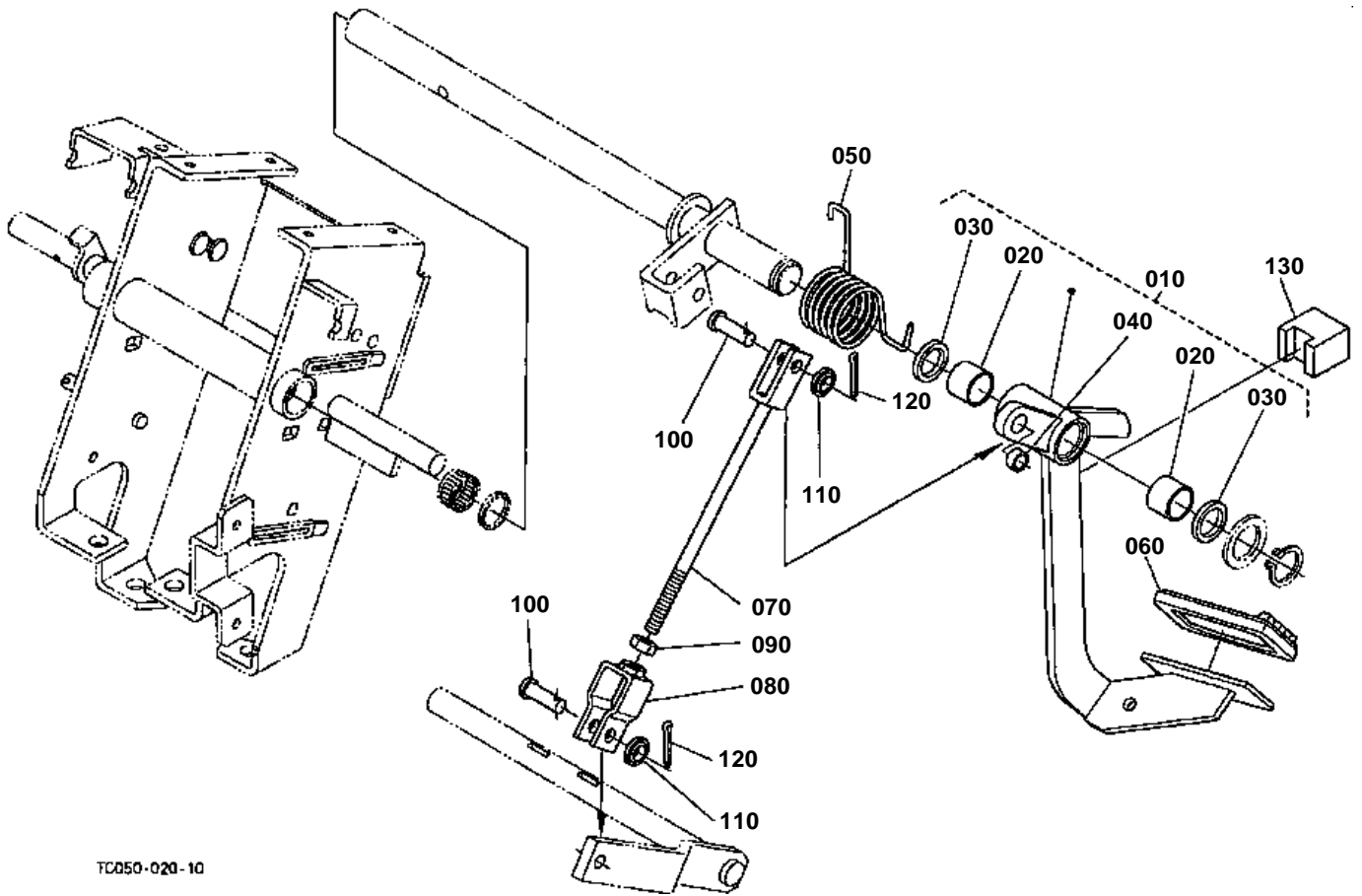


CLUTCH LEVER

↔ Interchangeable; ≠ not interchangeable; ← new for old; → old for new

REF.No	Part No.	Description	Q'ty	S.No.	I/C	REMARKS	Weight (kgf)	Weight (lb)
010	TC050-21172	LEVER CLUTCH	1				0	0
020	TA040-21100	CASE PROPELLER SHAFT	1				0.66	1.452
030	01123-50845	BOLT	4				0.02	0.044
040	05012-00818	PIN STRAIGHT	2				0.008	0.0176
050	TA040-21150	HOLDER CLUTCH	1				0.4	0.88
060	TA040-20700	BEARING RELEASE	1				0.28	0.616
070	TA040-21210	PIN SNAP	2				0.002	0.0044
080	TA040-21200	FORK CLUTCH RELEASE	1				0.54	1.188
090	31150-14780	KEY FORK	2				0.003	0.0066
100	01123-50825	BOLT	2				0.013	0.0286

CLUTCH PEDAL



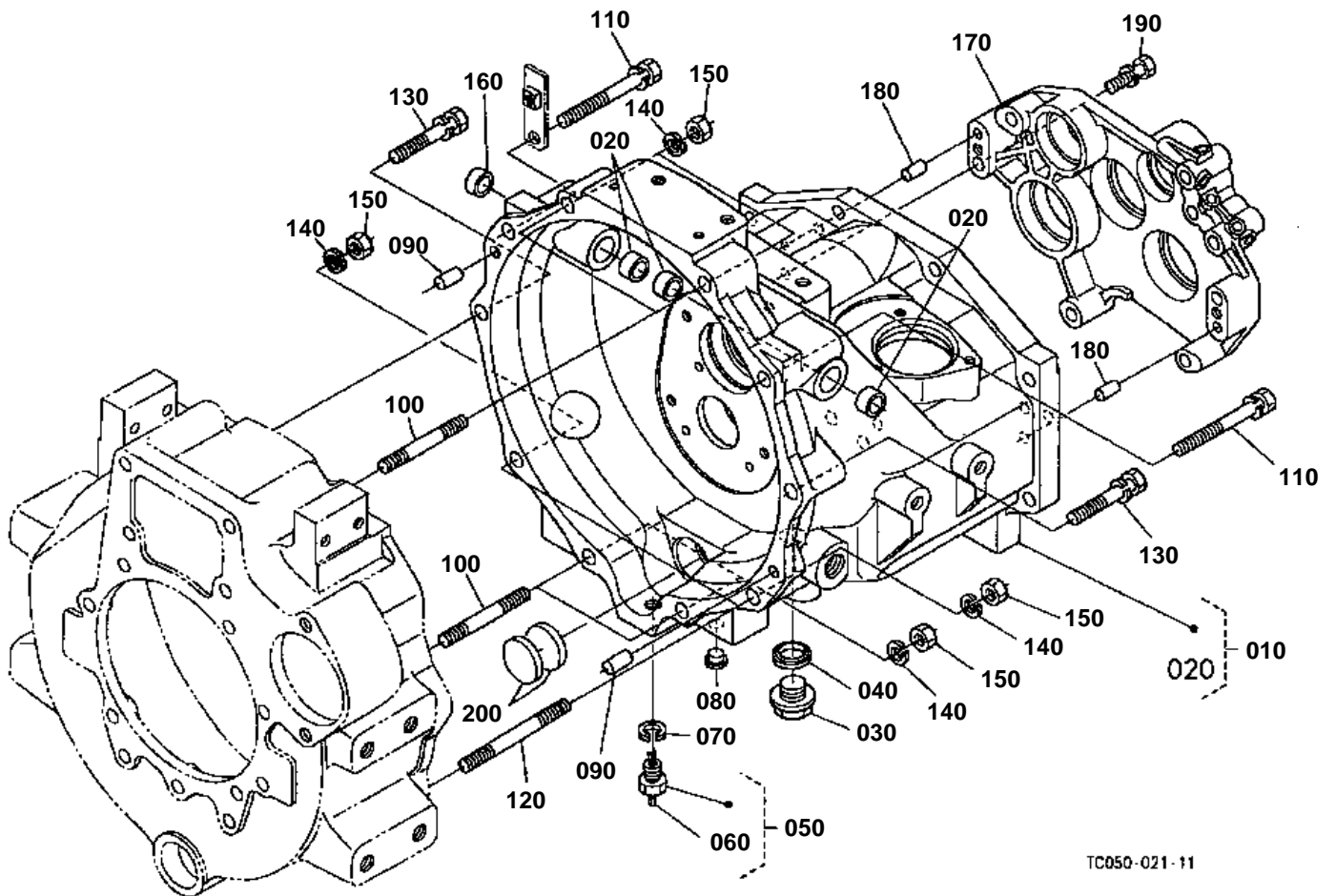


CLUTCH PEDAL

↔ Interchangeable; ≠ not interchangeable; ← new for old; → old for new

REF.No	Part No.	Description	Q'ty	S.No.	I/C	REMARKS	Weight (kgf)	Weight (lb)
010	TC050-44050	COMP.PEDAL CLUTCH	1				0	0
020	08511-02520	BUSH	2				0.02	0.044
030	34070-44140	SEAL OIL	2				0.005	0.011
040	TC030-44030	BUSH	1				0	0
050	TC030-44160	SPRING	1				0	0
060	37410-44120	COVER PEDAL	1				0.08	0.176
070	TC030-44462	ROD CLUTCH	1				0	0
080	34070-44470	U JOINT	1				0.08	0.176
090	02176-50100	NUT	1				0.005	0.011
100	05122-61028	PIN JOINT	2				0.02	0.044
110	04717-01000	WASHER WITH RUBBER	2				0.001	0.0022
120	05511-50318	PIN SPLIT	2				0.001	0.0022
130	TC030-15950	SPACER CLUTCH	1				0	0

CLUTCH HOUSING

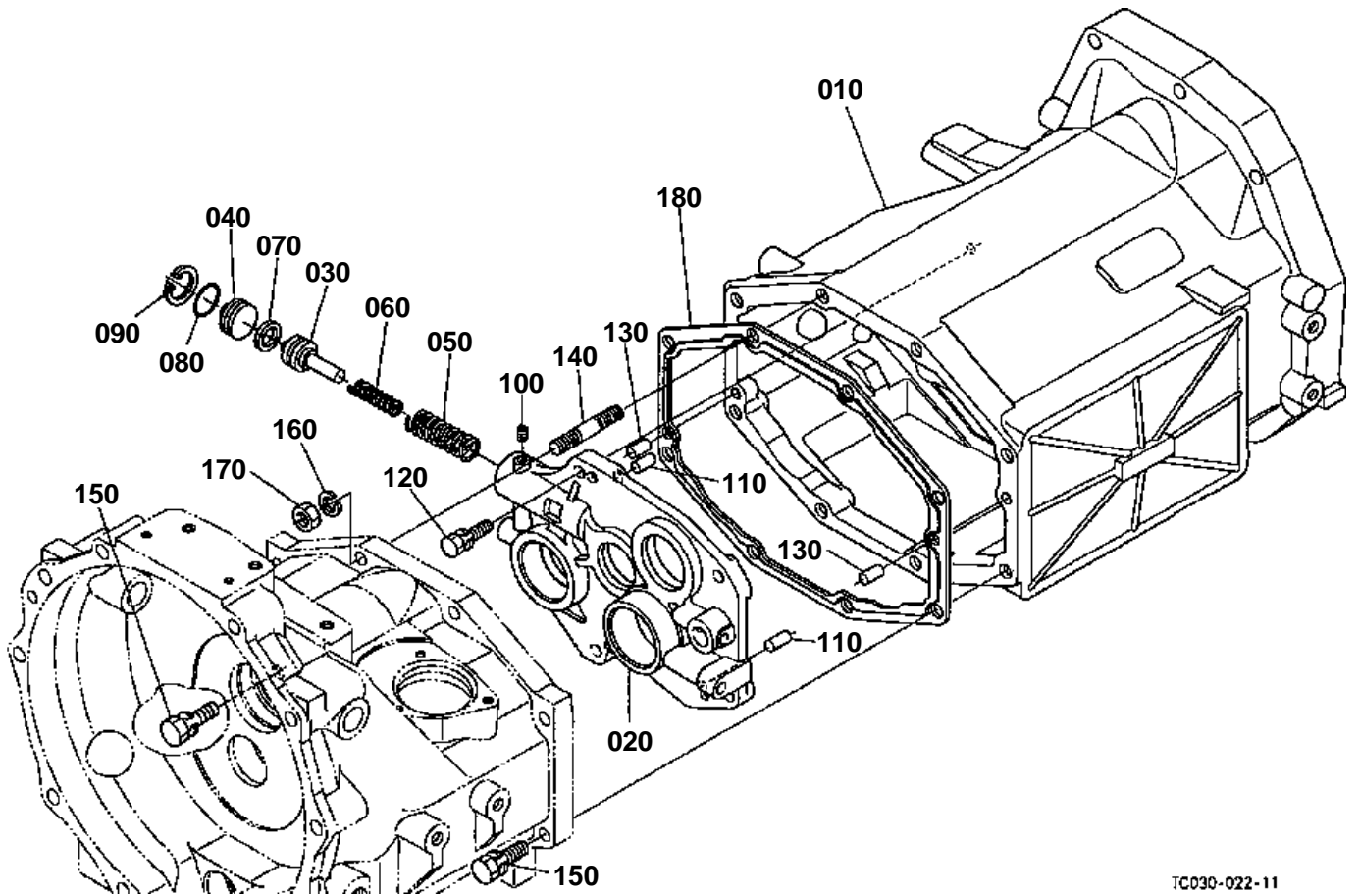




CLUTCH HOUSING

↔ Interchangeable; ≠ not interchangeable; ← new for old; → old for new

REF.No	Part No.	Description	Q'ty	S.No.	I/C	REMARKS	Weight (kgf)	Weight (lb)
010	TC050-99200	ASSY HOUSING CLUTCH	1				0	0
020	08511-01915	BUSH	3				0.01	0.022
030	15512-96010	PLUG DRAIN	1				0.101	0.2222
040	04717-02150	WASHER WITH RUBBER	1				0.004	0.0088
050	32430-14270	KIT PLUG	1				0.04	0.088
060	05511-50430	PIN SPLIT	1				0.004	0.0088
070	04512-60140	WASHER SPRING	1				0.006	0.0132
080	32210-27580	PLUG	10				0.001	0.0022
090	05012-01018	PIN STRAIGHT	2				0.012	0.0264
100	01574-51265	STUD	4				0.067	0.1474
110	01133-51295	BOLT	2				0.05	0.11
120	01574-51285	STUD	2				0.085	0.187
130	01133-51265	BOLT	2				0.065	0.143
140	04512-60120	WASHER SPRING	6				0.005	0.011
150	02176-50120	NUT	6				0.01	0.022
160	31351-38720	PLUG	1				0.005	0.011
170	TC030-20250	HOLDER BEARING	1				0	0
180	05012-00818	PIN STRAIGHT	2				0.008	0.0176
190	01133-51055	BOLT	5				0.04	0.088
200	34070-12230	PLUG	2				0.02	0.044



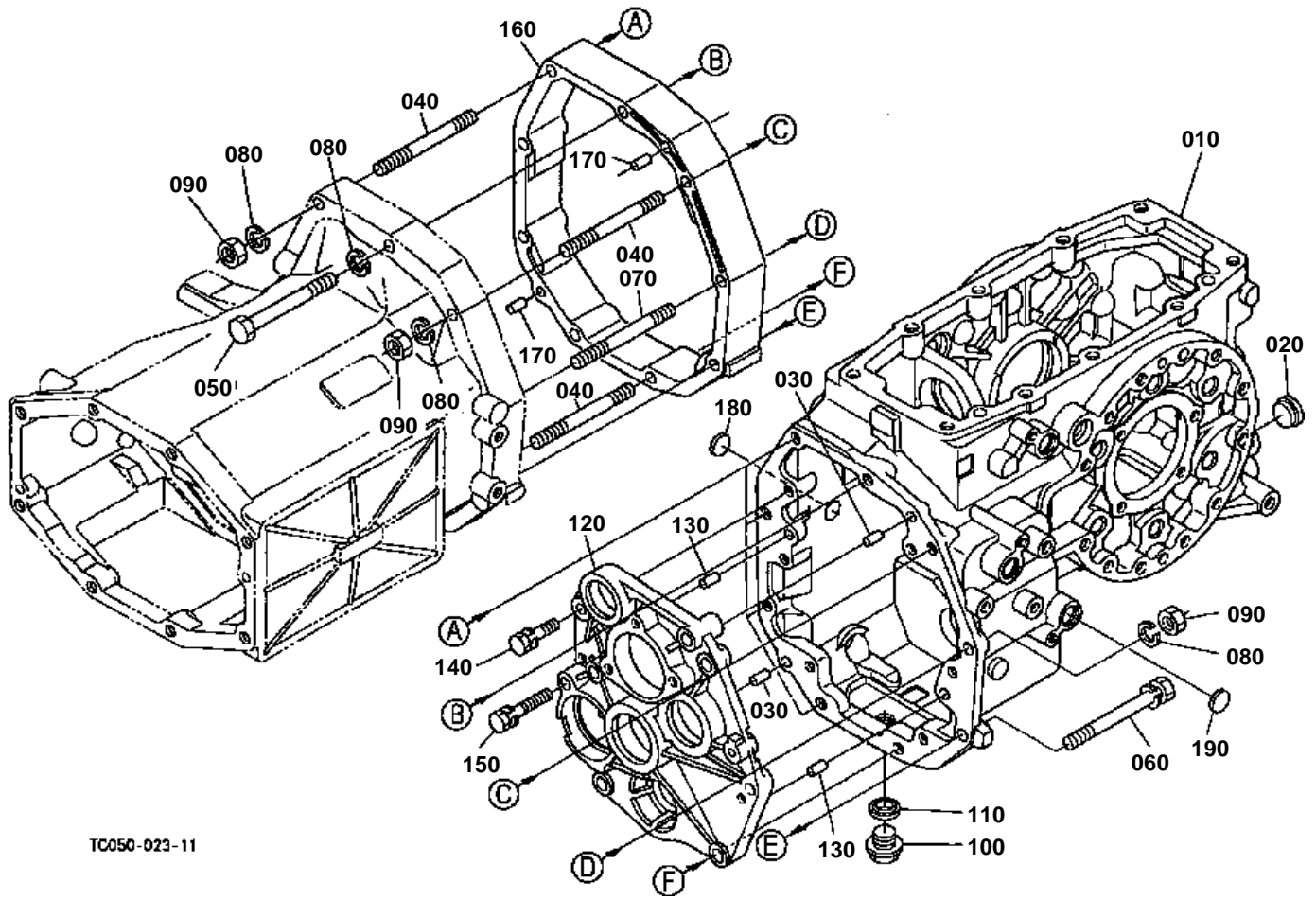
TC030-022-11

**MID CASE**

↔ Interchangeable; ≠ not interchangeable; ← new for old; → old for new

REF.No	Part No.	Description	Q'ty	S.No.	I/C	REMARKS	Weight (kgf)	Weight (lb)
010	TC030-20303	CASE MID I-PTO	1				39	85.8
020	TA040-69200	HOLDER	1				3.7	8.14
030	TA040-69210	PISTON	1				0.09	0.198
040	TA040-69220	COVER	1				0.06	0.132
050	TA040-69230	SPRING	1				0.039	0.0858
060	TA040-69240	SPRING	1				0.024	0.0528
070	34076-65170	SEAL PISTON	1				0.005	0.011
080	04811-06230	O RING	1				0.001	0.0022
080	04817-06230	O RING	1		←		0	0
090	04611-00280	CIR CLIP INTERNAL	1				0.002	0.0044
100	32420-67380	PLUG	1				0.005	0.011
110	05012-00818	PIN STRAIGHT	2				0.008	0.0176
120	01133-51035	BOLT	4				0.03	0.066
130	05012-01018	PIN STRAIGHT	2				0.012	0.0264
140	35340-14182	STUD	6				0.05	0.11
150	01133-51240	BOLT	2				0.05	0.11
160	04512-60120	WASHER SPRING	6				0.005	0.011
170	35340-27360	NUT	6				0.015	0.033
180	TC030-90380	GASKET MID CASE	1				0.021	0.0462

TRANSMISSION CASE



TC050-023-11

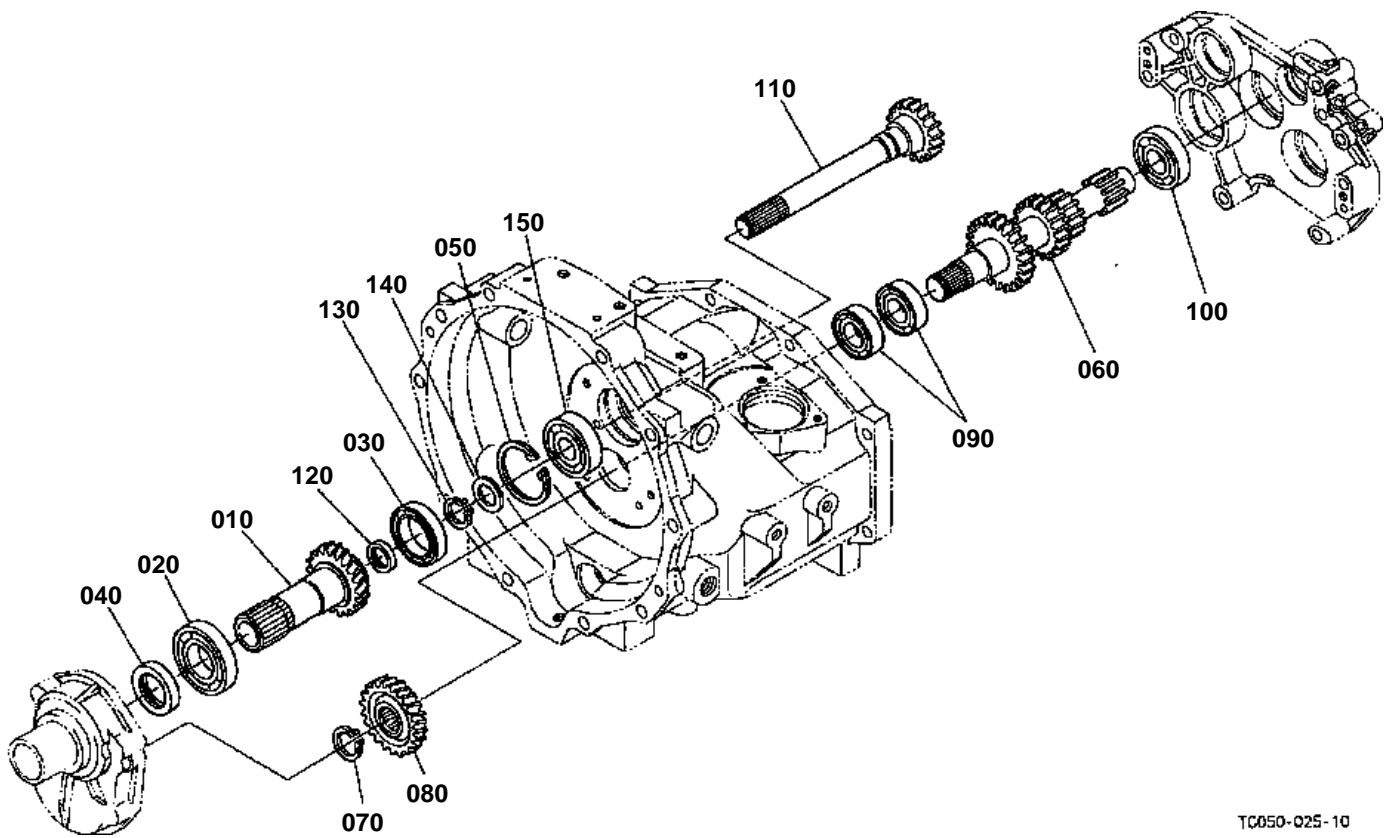


TRANSMISSION CASE

↔ Interchangeable; ≠ not interchangeable; ← new for old; → old for new

REF.No	Part No.	Description	Q'ty	S.No.	I/C	REMARKS	Weight (kgf)	Weight (lb)
010	TC050-20402	CASE TRANSMISSION	1				0	0
020	31301-14230	GAUGE OIL	1				0.005	0.011
030	05012-01018	PIN STRAIGHT	2				0.012	0.0264
040	35378-15060	STUD	6				0.1	0.22
050	01176-51202	BOLT	1				0.04	0.088
060	01138-51295	BOLT	1				0	0
070	31351-14150	STUD	1				0.09	0.198
080	04512-60120	WASHER SPRING	8				0.005	0.011
090	35340-27360	NUT	7				0.015	0.033
100	15512-96010	PLUG DRAIN	1				0.101	0.2222
110	04717-02150	WASHER WITH RUBBER	1				0.004	0.0088
120	TC050-20450	HOLDER BEARING	1				0	0
130	05012-01018	PIN STRAIGHT	2				0.012	0.0264
140	01133-51040	BOLT	5				0.03	0.066
150	01133-51060	BOLT	1				0.042	0.0924
160	TC050-20372	SPACER T/M	1				0	0
170	05012-01018	PIN STRAIGHT	2				0.012	0.0264
180	34076-60470	PLUG	1				0.005	0.011
190	34076-60470	PLUG	1				0.005	0.011

MAIN SHAFT



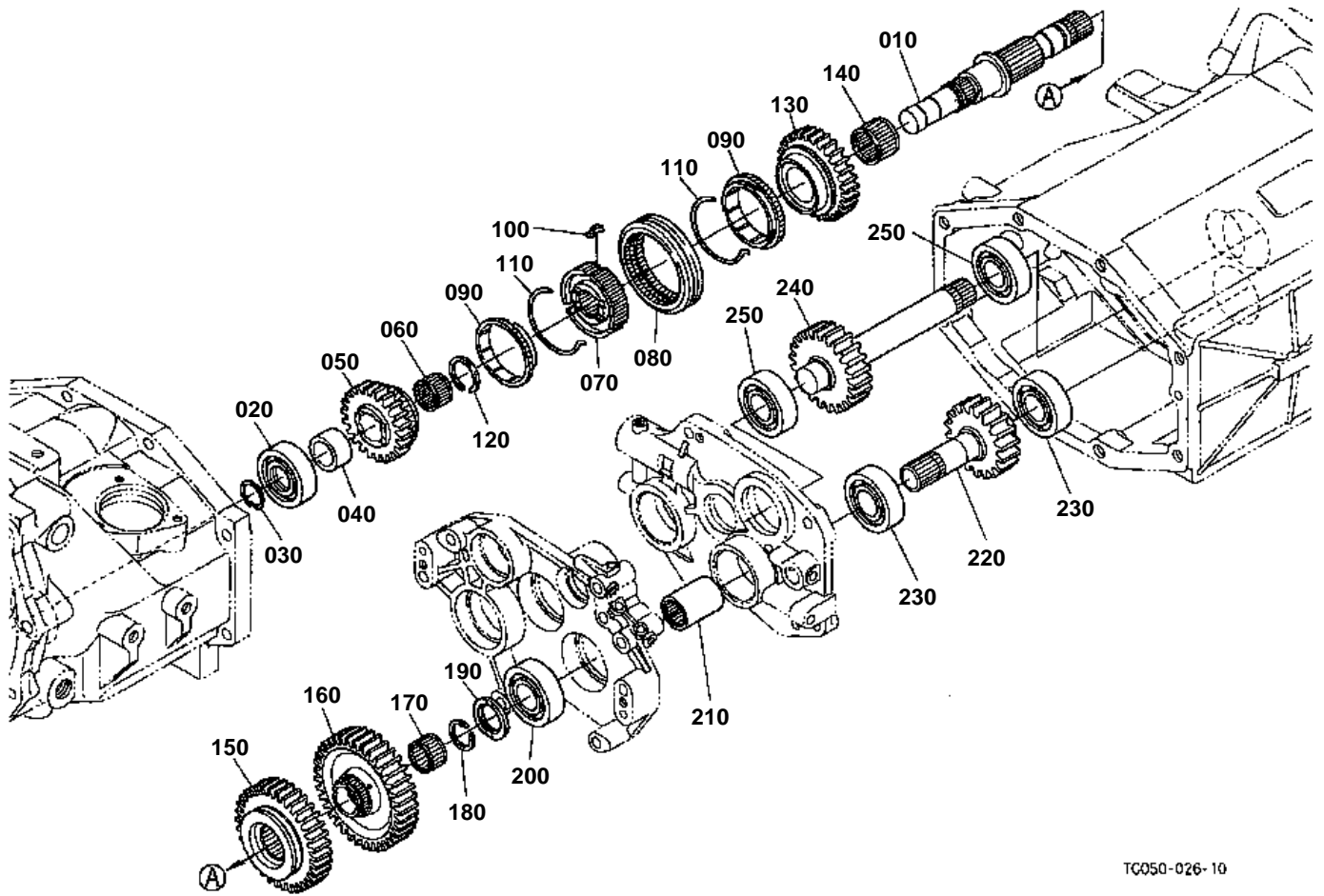
TC050-025-10

**MAIN SHAFT**

↔ Interchangeable; ≠ not interchangeable; ← new for old; → old for new

REF.No	Part No.	Description	Q'ty	S.No.	I/C	REMARKS	Weight (kgf)	Weight (lb)
010	TA040-21300	GEAR-SHAFT	1			24T	0.75	1.65
020	08101-06207	BEARING BALL	1				0.282	0.6204
030	08101-06908	BEARING BALL	1				0.11	0.242
040	09500-35529	SEAL OIL	1				0.017	0.0374
050	04611-00620	CIR CLIP INTERNAL	1				0.011	0.0242
060	TC050-22100	GEAR-SHAFT MAIN	1			22-18-13-10T	0	0
070	37150-21551	CIR CLIP EXTERNAL	1				0.005	0.011
080	TA040-22110	GEAR	1			27T	0.425	0.935
090	37410-57190	BEARING BALL	2				0.14	0.308
100	35890-41290	BEARING BALL	1				0.233	0.5126
110	TC050-23100	GEAR-SHAFT PTO	1			18T	0	0
120	36730-24330	SEAL FIRST SHAFT	1				0.005	0.011
130	37150-21551	CIR CLIP EXTERNAL	1				0.005	0.011
140	34150-21560	WASHER	1				0.01	0.022
150	35890-41290	BEARING BALL	1				0.233	0.5126

COUNTERSHAFT



TC050-026-10

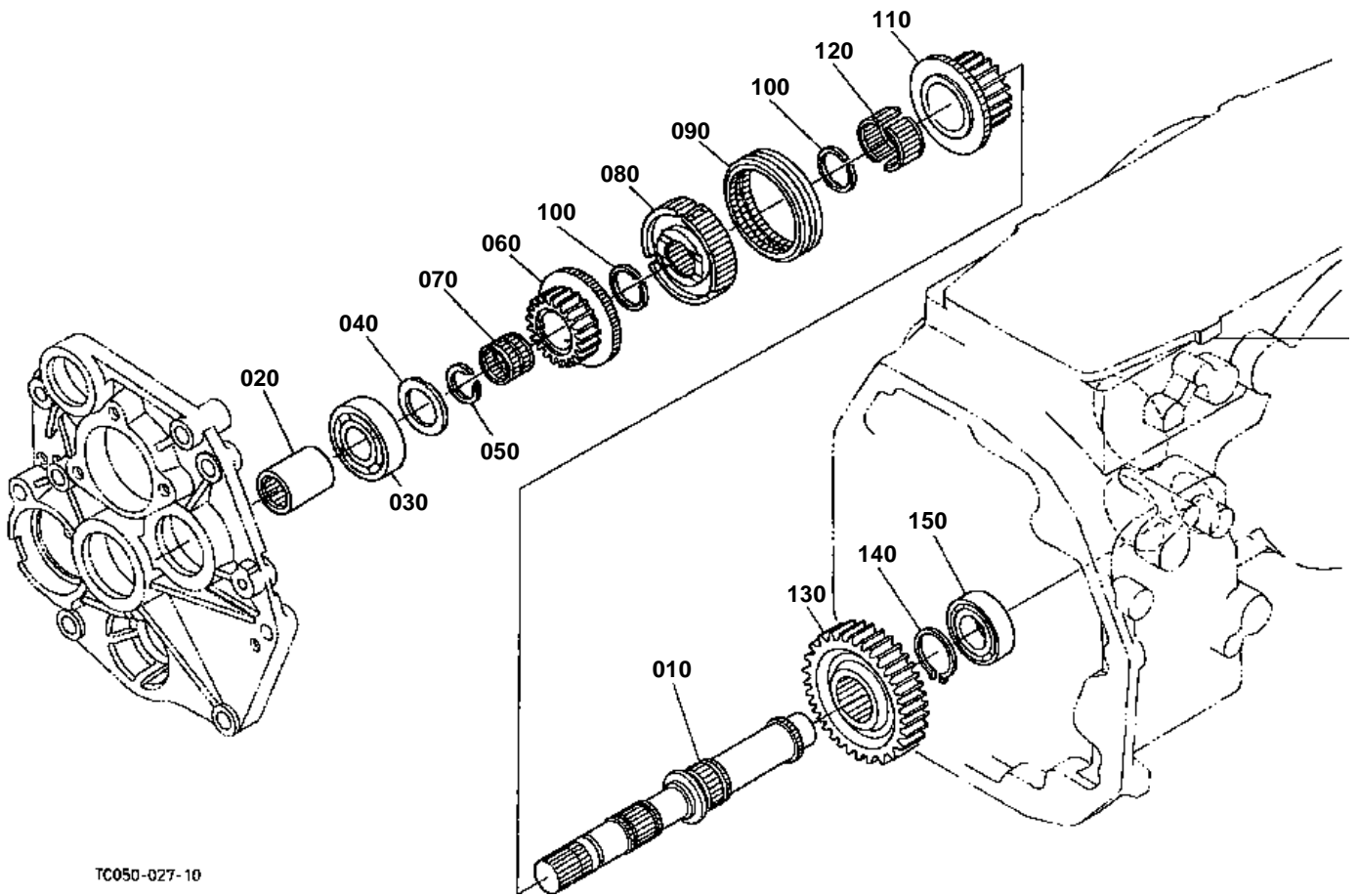


COUNTERSHAFT

↔ Interchangeable; ≠ not interchangeable; ← new for old; → old for new

REF.No	Part No.	Description	Q'ty	S.No.	I/C	REMARKS	Weight (kgf)	Weight (lb)
010	TC050-22200	SHAFT COUNTER	1				0	0
020	34070-22260	BEARING BALL	1				0.235	0.517
030	04611-00250	CIR CLIP INTERNAL	1				0.001	0.0022
040	TC050-21770	COLLAR GEAR	1				0	0
050	TA040-22210	GEAR	1			24T	0.84	1.848
060	T0073-62320	BEARING NEEDLE	1				0.025	0.055
070	TA040-22250	COUPLING	1				0.33	0.726
080	34076-62253	SHIFTER	1				0.235	0.517
090	34076-62260	RING SYNCHRONIZER	2				0.05	0.11
100	32430-21440	KEY SYNCHRONIZER	3				0.004	0.0088
110	38360-21780	SPRING	2				0.005	0.011
120	37410-14540	CIR-CLIP	1				0.03	0.066
130	TC050-22220	GEAR	1			29T	0	0
140	TC050-23720	BEARING NEEDLE	1				0	0
150	TC030-22230	GEAR	1			34T	0	0
160	TC030-22240	GEAR	1			37T	0	0
170	08822-53020	BEARING NEEDLE	1				0.023	0.0506
180	37150-21790	CIR-CLIP	1				0.001	0.0022
190	34070-22250	COLLAR THRUST	1				0.015	0.033
200	08101-06305	BEARING BALL	1				0.23	0.506
210	37150-21682	COUPLING	1				0.24	0.528
220	TC050-22400	GEAR-SHAFT	1			19T	0	0
230	08101-06305	BEARING BALL	2				0.23	0.506
240	TC050-22500	GEAR-SHAFT	1			21T	0	0
250	08101-06305	BEARING BALL	2				0.23	0.506

RANGE GEAR SHAFT



TC050-027-10

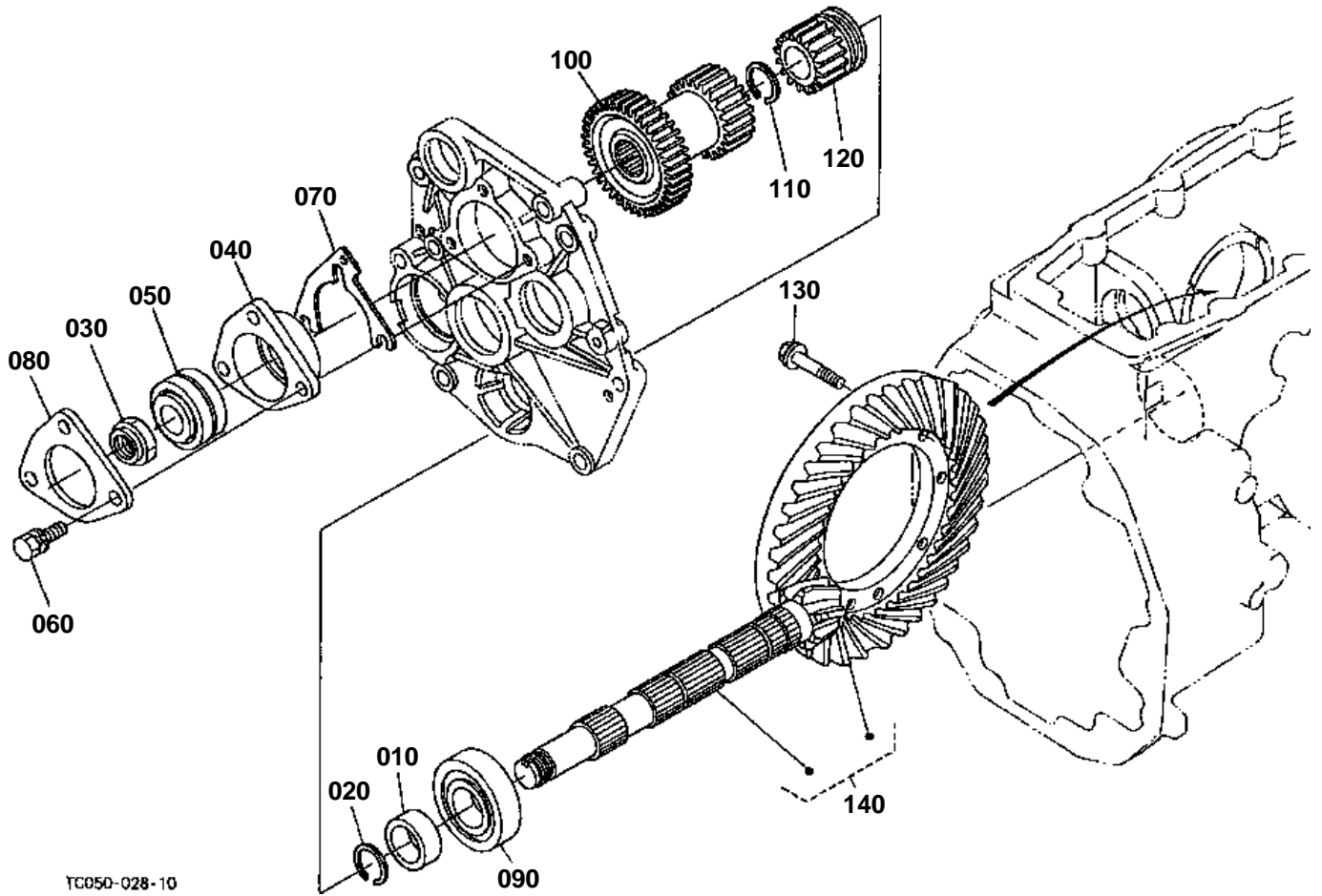


RANGE GEAR SHAFT

↔ Interchangeable; ≠ not interchangeable; ← new for old; → old for new

REF.No	Part No.	Description	Q'ty	S.No.	I/C	REMARKS	Weight (kgf)	Weight (lb)
010	TC050-22600	SHAFT RANGE GEAR	1				1.125	2.475
020	37150-21682	COUPLING	1				0.24	0.528
030	08101-06305	BEARING BALL	1				0.23	0.506
040	34076-62650	COLLAR THRUST	1				0.01	0.022
050	37150-21790	CIR-CLIP	1				0.001	0.0022
060	TC050-22610	GEAR	1			21T	0	0
070	TA040-22630	BEARING NEEDLE	1				0.02	0.044
080	TA040-22250	COUPLING	1				0.33	0.726
090	34076-62253	SHIFTER	1				0.235	0.517
100	37410-14540	CIR-CLIP	2				0.03	0.066
110	TC050-22620	GEAR	1			16T	0.455	1.001
120	T1030-22330	BEARING NEEDLE	1			SET	0.03	0.066
130	TC050-22660	GEAR	1			33T	0	0
140	04612-00320	CIR CLIP EXTERNAL	1				0.004	0.0088
150	37410-57190	BEARING BALL	1				0.14	0.308

SPIRAL BEVEL PINION



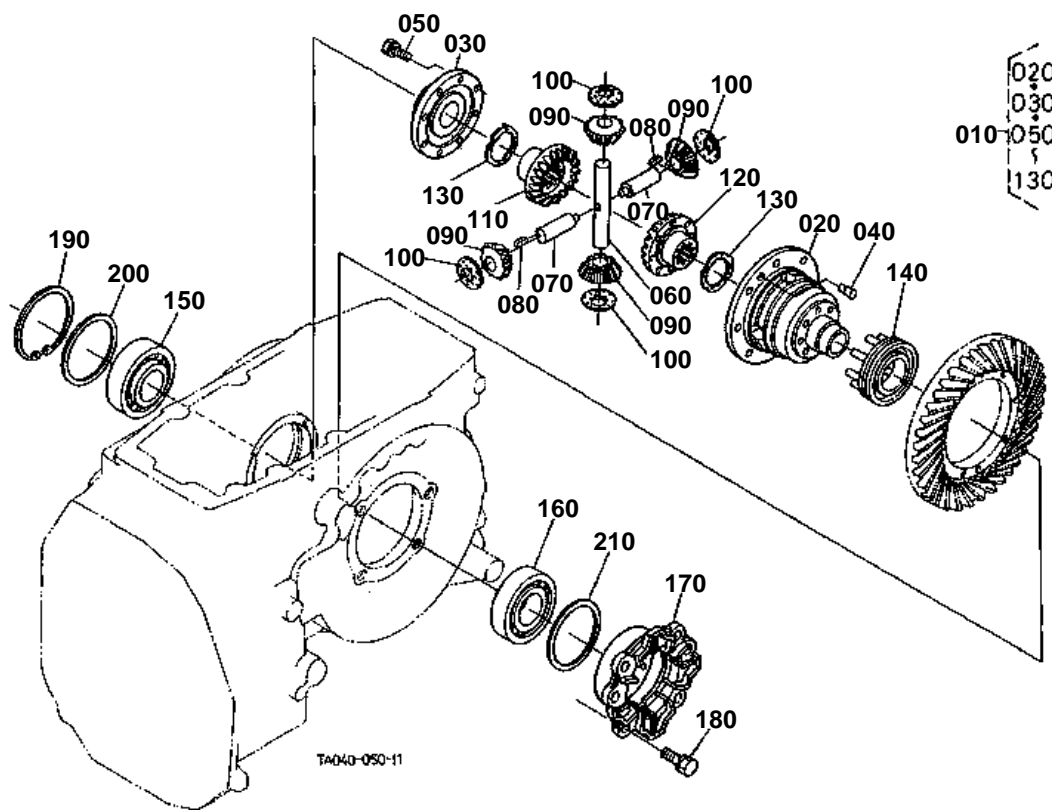
TC050-028-10

**SPIRAL BEVEL PINION**

↔ Interchangeable; ≠ not interchangeable; ← new for old; → old for new

REF.No	Part No.	Description	Q'ty	S.No.	I/C	REMARKS	Weight (kgf)	Weight (lb)
010	TC050-22790	COLLAR	1	≤10833			0.08	0.176
010	TC050-22792	COLLAR	1	≥10834	←		0.08	0.176
020	T1060-22880	CIR CLIP EXTERNAL	1				0.005	0.011
030	35260-23252	NUT	1				0.04	0.088
040	34070-22772	CASE	1				0	0
050	T0330-22200	BEARING TAPER-ROLLER	1				0.575	1.265
060	01133-51040	BOLT	3				0.03	0.066
070	34070-22860	SHIM	2			0.5mm	0.015	0.033
070	34070-22870	SHIM	4			0.2mm	0.004	0.0088
070	34070-22880	SHIM	2			0.1mm	0.005	0.011
080	34070-22780	COVER BEARING	1				0.21	0.462
090	34070-22740	BEARING ROLLER	1				0.51	1.122
100	TC050-21710	GEAR	1			39-22T	0	0
110	T1060-22880	CIR CLIP EXTERNAL	1				0.005	0.011
120	TC050-22650	GEAR	1			16T	0	0
130	37800-43870	BOLT	8				0.026	0.0572
140	TC050-99340	ASSY GEAR BEVEL	1	≤10833		6-37T	0	0
140	TC050-99342	ASSY GEAR BEVEL	1	≥10834	≠	6-37T	0	0

REAR DIFFERENTIAL

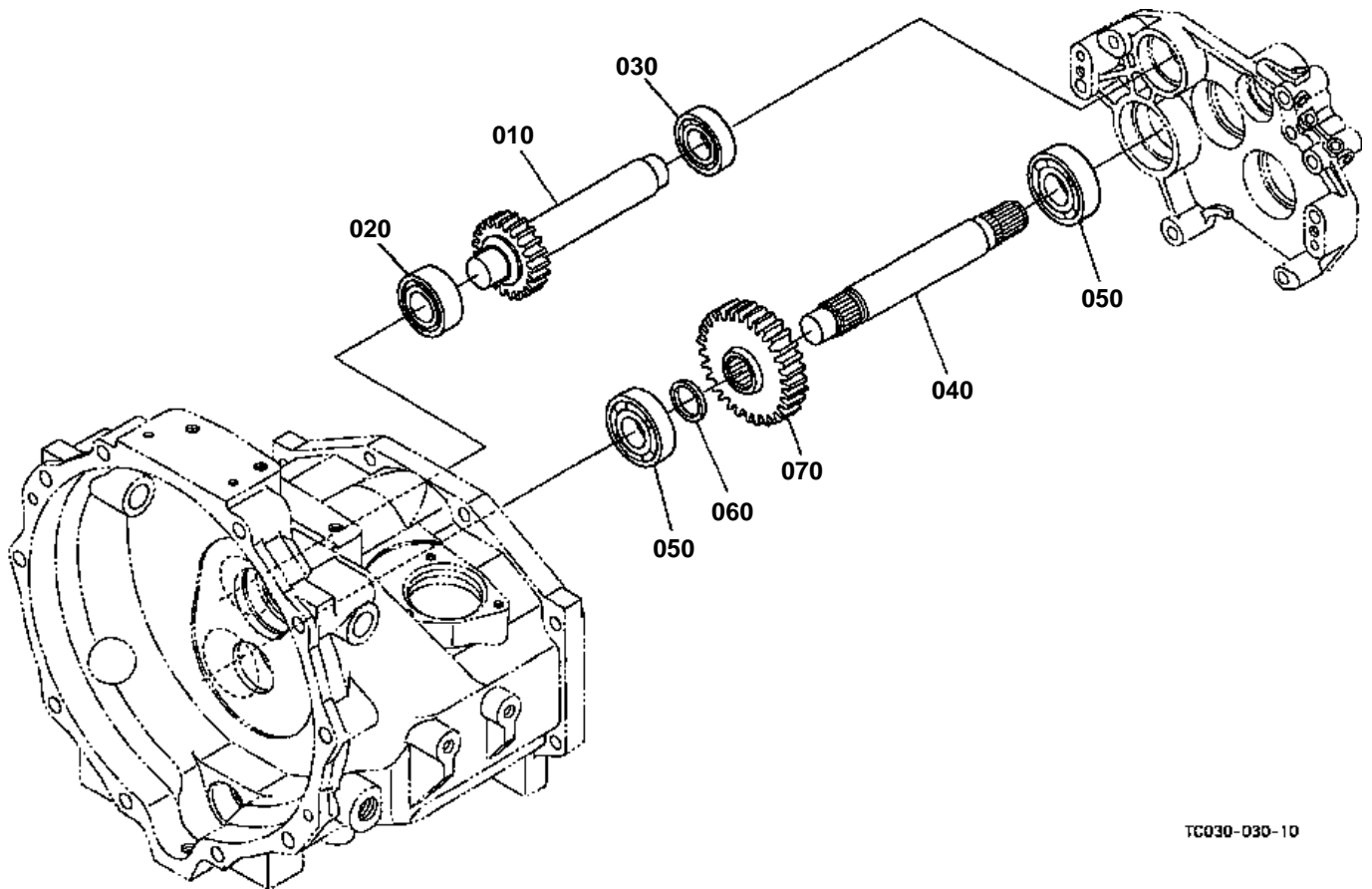


**REAR DIFFERENTIAL**

↔ Interchangeable; ≠ not interchangeable; ← new for old; → old for new

REF.No	Part No.	Description	Q'ty	S.No.	I/C	REMARKS	Weight (kgf)	Weight (lb)
010	3A011-32204	ASSY DIFFERENTIAL	1				6.2	13.64
020	3A011-32710	CASE DIFFERENTIAL	1				3.35	7.37
030	3A011-32044	COVER DIFF.CASE	1				0.795	1.749
040	37300-28170	PIN STRAIGHT	2				0.025	0.055
050	01133-51025	BOLT	8				0.023	0.0506
060	35430-26340	SHAFT DIFF.PINION	1				0.31	0.682
070	35430-26330	SHAFT DIFF.PINION	2				0.136	0.2992
080	31220-26280	KEY FEATHER	2				0.005	0.011
090	35430-26350	PINION DIFF.	4				0.16	0.352
100	31351-26390	WASHER DIFF.PINION	4				0.012	0.0264
110	37300-26430	GEAR DIFF.SIDE RH	1				0.475	1.045
120	37300-26440	GEAR DIFF.SIDE LH	1				0.63	1.386
130	31351-26470	WASHER SIDE GEAR	2			1.5mm	0.01	0.022
130	31351-26480	WASHER SIDE GEAR	2			1.6mm	0.015	0.033
130	31351-26490	WASHER SIDE GEAR	2			1.7mm	0.016	0.0352
130	3A011-32760	COLLAR THRUST	2			1.8mm	0.01	0.022
130	3A011-32780	COLLAR THRUST	2			2.0mm	0.01	0.022
140	31351-26610	SHIFTER DIFF.LOCK	1				0.43	0.946
150	08711-32011	BEARING TAPER-ROLLER	1				0.538	1.1836
160	08711-30209	BEARING TAPER-ROLLER	1				0.458	1.0076
170	34070-28360	SUPPORT DIFF.	1				0.405	0.891
180	01133-51025	BOLT	4				0.023	0.0506
190	04611-00900	CIR CLIP INTERNAL	1				0.031	0.0682
200	37410-16810	SHIM DIFFERENTIAL	1			0.4mm	0.01	0.022
200	37410-16820	SHIM DIFFERENTIAL	1			0.5mm	0.01	0.022
200	37410-16830	SHIM DIFFERENTIAL	1			0.6mm	0.01	0.022
200	37410-16840	SHIM DIFFERENTIAL	1			0.7mm	0.01	0.022
200	37410-16850	SHIM DIFFERENTIAL	1			0.8mm	0.008	0.0176
200	37410-16860	SHIM DIFFERENTIAL	1			0.9mm	0.009	0.0198
200	37410-16870	SHIM DIFFERENTIAL	1			1.0mm	0.01	0.022
200	37410-16880	SHIM DIFFERENTIAL	1			1.2mm	0.011	0.0242
200	37410-16890	SHIM DIFFERENTIAL	1			1.4mm	0.015	0.033
210	34070-28210	SHIM	1			0.4mm	0.01	0.022
210	34070-28230	SHIM	1			0.6mm	0.015	0.033
210	34070-28250	SHIM	1			0.8mm	0.015	0.033
210	34070-28270	SHIM	1			1.0mm	0.015	0.033
210	34070-28290	SHIM	1			1.2mm	0.02	0.044
210	34070-28310	SHIM	1			1.6mm	0.025	0.055

PTO COUNTERSHAFT



TC030-030-10

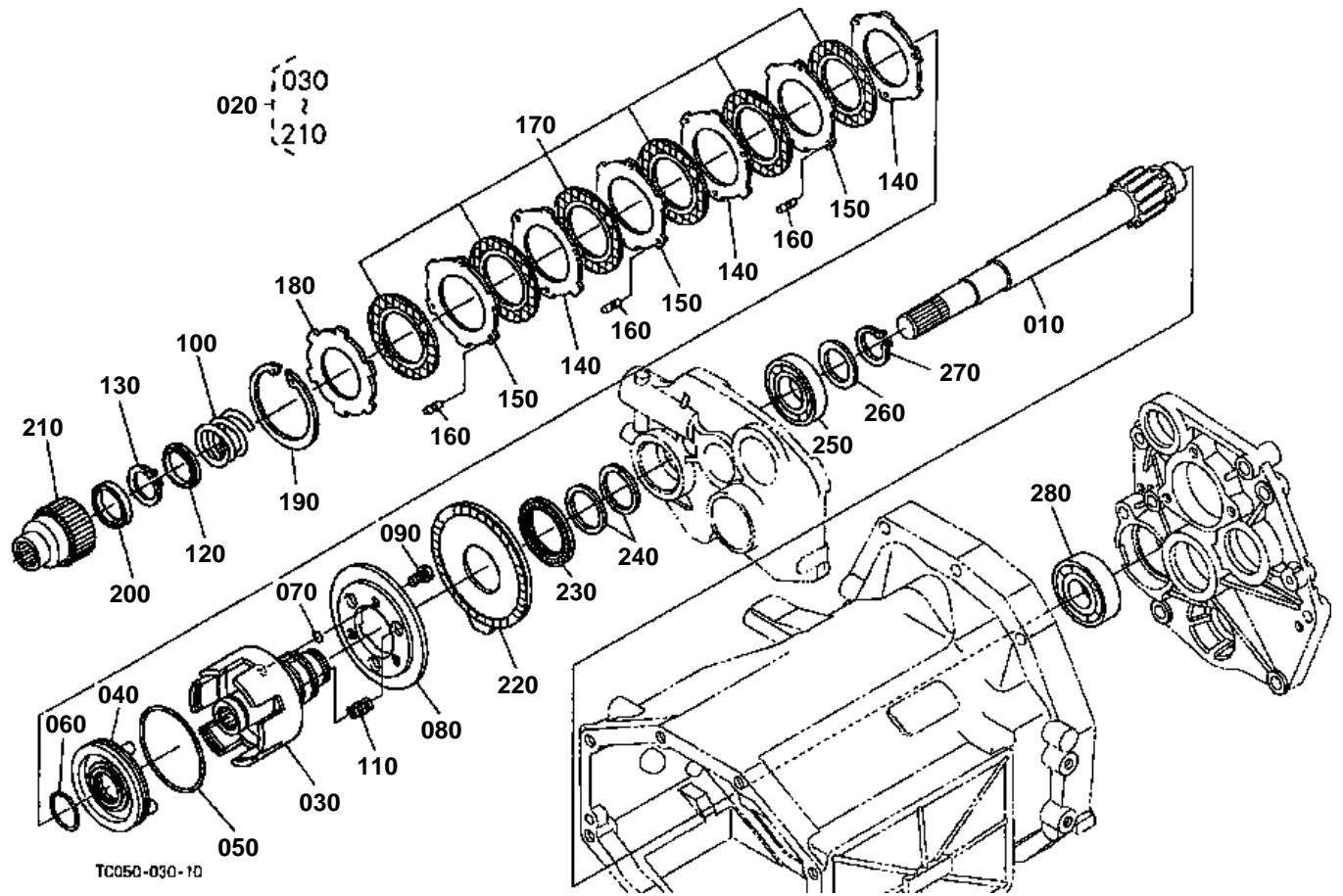


PTO COUNTERSHAFT

↔ Interchangeable; ≠ not interchangeable; ← new for old; → old for new

REF.No	Part No.	Description	Q'ty	S.No.	I/C	REMARKS	Weight (kgf)	Weight (lb)
010	TC030-23200	GEAR-SHAFT I-PTO	1			21T	0	0
020	33740-31180	BEARING ROLLER	1				0.22	0.484
030	08101-06205	BEARING BALL	1				0.14	0.308
040	TC030-23150	COUNTERSHAFT I-PTO	1				0	0
050	08101-06305	BEARING BALL	2				0.23	0.506
060	TC030-23230	COLLAR	1				0	0
070	TA040-23160	GEAR I-PTO	1			33T	0.915	2.013

PTO CLUTCH



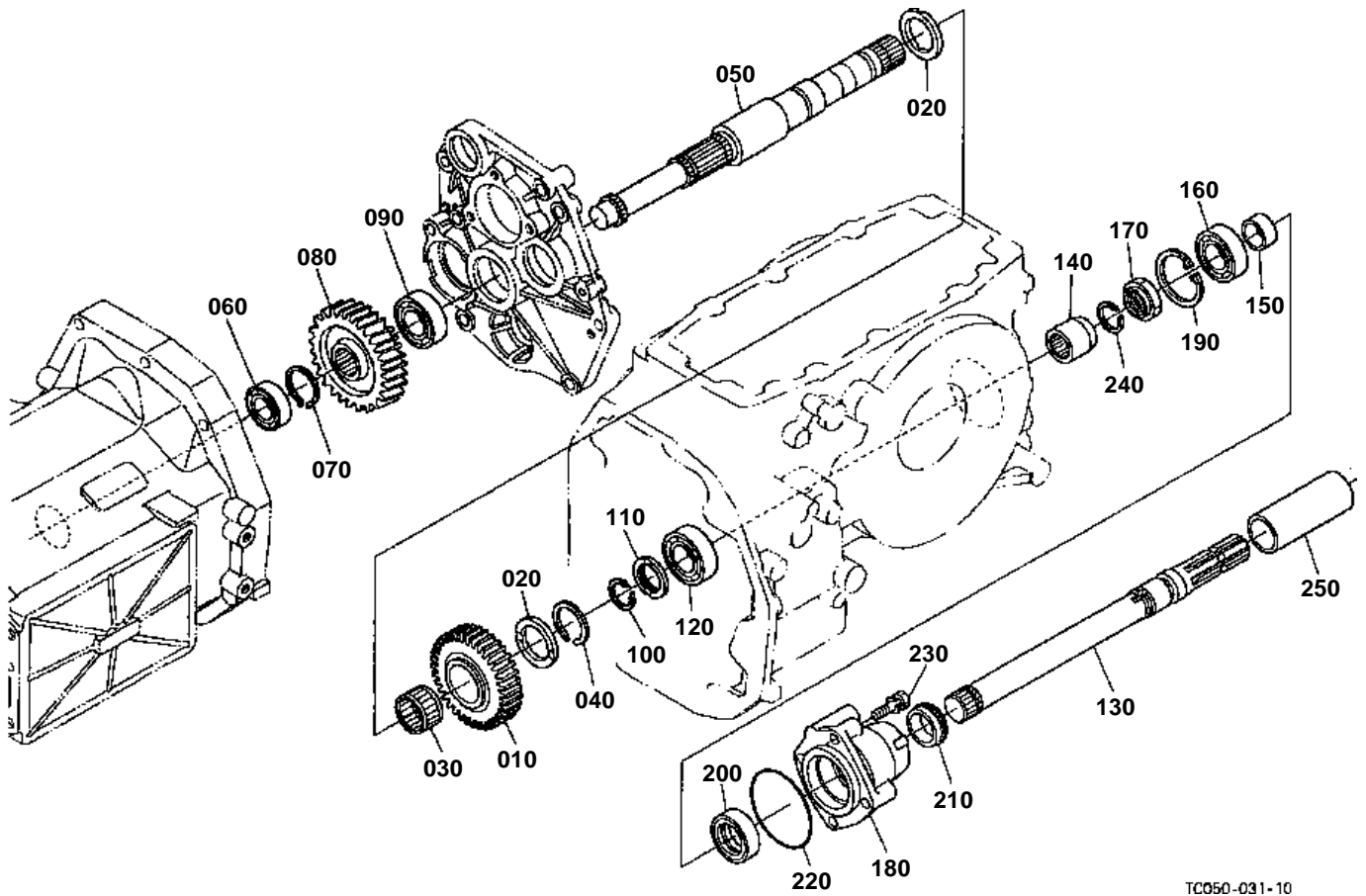


PTO CLUTCH

↔ Interchangeable; ≠ not interchangeable; ← new for old; → old for new

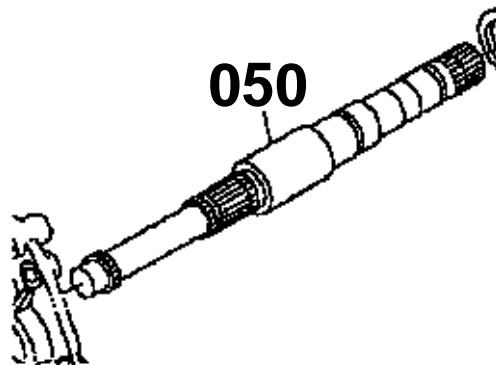
REF.No	Part No.	Description	Q'ty	S.No.	I/C	REMARKS	Weight (kgf)	Weight (lb)
010	TC050-23502	GEAR-SHAFT PTO	1			11T	0	0
020	TA040-69000	ASSY CLUTCH I-PTO	1				3.6	7.92
030	TA040-69012	CASE PTO CLUTCH	1				1.555	3.421
040	TA040-69020	PISTON	1				0.395	0.869
050	31501-72330	D RING OUTER	1				0.005	0.011
060	31501-72470	D RING INNER	1				0.001	0.0022
070	04811-00100	O RING	3				0.001	0.0022
070	04817-00100	O RING	3		←		0	0
080	TA040-69030	PLATE BRAKE	1				0.5	1.1
090	TA040-69040	BOLT	3				0.004	0.0088
100	TA040-69050	SPRING RETURN	1				0.075	0.165
110	TA040-69060	SPRING RETURN	3				0.008	0.0176
120	31501-72370	WASHER	1				0.018	0.0396
130	04612-00350	CIR CLIP EXTERNAL	1				0.01	0.022
140	TA040-69080	PLATE	3				0.036	0.0792
150	TA040-69080	PLATE	3				0.036	0.0792
160	TA040-69090	RUBBER	9				0.001	0.0022
170	34070-15250	DISK CLUTCH	6				0.04	0.088
180	TA040-69100	PLATE BACK	1				0.127	0.2794
190	04611-00920	CIR CLIP INTERNAL	1				0.04	0.088
200	08101-06807	BEARING BALL	1				0.03	0.066
210	TA040-69113	HUB CLUTCH	1				0.365	0.803
220	TA040-69150	DISK BRAKE	1				0.41	0.902
230	TA040-69160	BEARING NEEDLE	1				0.029	0.0638
240	31501-72403	RING SEAL	2				0.005	0.011
250	08101-06207	BEARING BALL	1				0.282	0.6204
260	69331-24330	COLLAR DISTANCE	1				0.012	0.0264
270	36740-41150	CIR CLIP EXTERNAL	1				0.01	0.022
280	36540-41130	BEARING BALL	1				0.34	0.748

PTO SHAFT

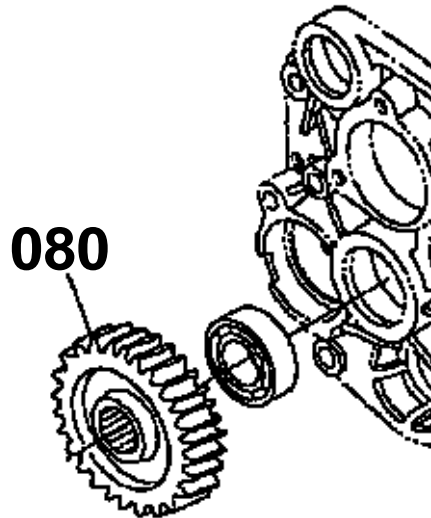


TC050-031-10

050 TC050-2360-0



080 TA020-2361-0



TC050-800-10

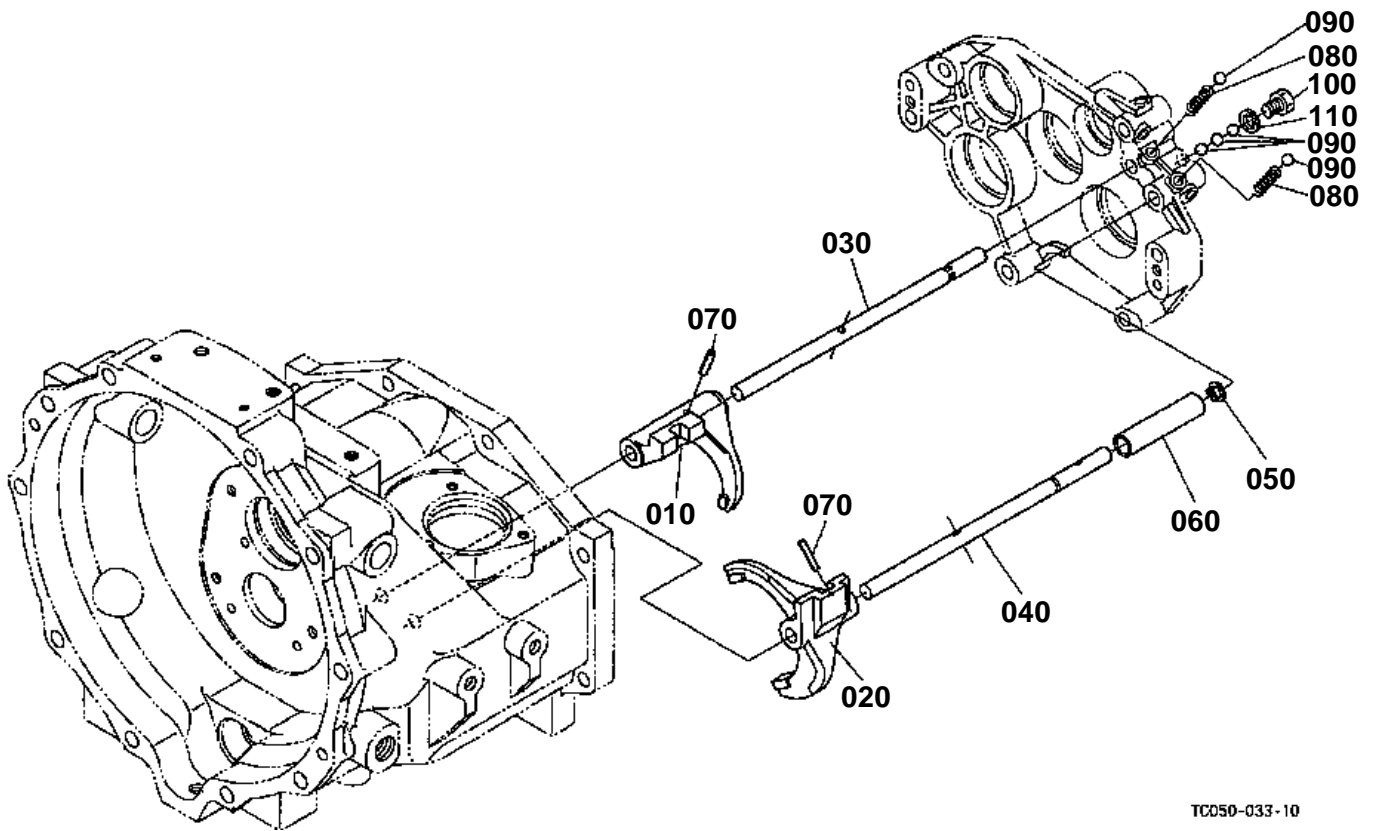


PTO SHAFT

↔ Interchangeable; ≠ not interchangeable; ← new for old; → old for new

REF.No	Part No.	Description	Q'ty	S.No.	I/C	REMARKS	Weight (kgf)	Weight (lb)
010	TC050-23130	GEAR	1			35T	0	0
020	31391-25280	COLLAR THRUST	2				0.02	0.044
030	TC050-23140	BEARING NEEDLE	1				0	0
040	36919-92340	CIR CLIP EXTERNAL	1				0.002	0.0044
050	TC050-23600	SHAFT PTO DRIVE	1	≤10006			0	0
050	TC050-23602	SHAFT PTO DRIVE	1	≥10007	≠		0	0
060	37410-57190	BEARING BALL	1				0.14	0.308
070	31351-21930	CIR-CLIP EXTERNAL	1				0.004	0.0088
080	TA020-23610	GEAR PTO	1	≤10006		30T	1.5	3.3
080	TC050-23610	GEAR PTO	1	≥10007	≠	30T	0	0
090	76550-34140	BEARING BALL	1				0.21	0.462
100	37410-15280	CIR-CLIP	1				0.005	0.011
110	34550-23360	COLLAR THRUST	1				0.025	0.055
120	37410-57330	BEARING BALL	1				0.2	0.44
130	T1080-23700	SHAFT PTO	1				2.2	4.84
140	TA040-23660	COUPLING PTO	1				0.165	0.363
150	35340-25350	COLLAR OIL SEAL	1				0.03	0.066
160	38430-25330	BEARING BALL	1				0.23	0.506
170	35340-25320	NUT	1				0.05	0.11
180	T1080-23722	CASE BEARING	1				1.5	3.3
190	04611-00650	CIR CLIP INTERNAL	1				0.011	0.0242
200	35340-25360	SEAL OIL	1				0.024	0.0528
210	38240-25370	SLINGER	1				0.004	0.0088
220	04811-50800	O RING	1				0.003	0.0066
230	01123-50840	BOLT	4				0.018	0.0396
240	38430-25540	CIR CLIP EXTERNAL	1				0.004	0.0088
250	31220-25820	CAP	1				0.055	0.121

MAIN GEAR SHIFT FORK



TC050-033-10

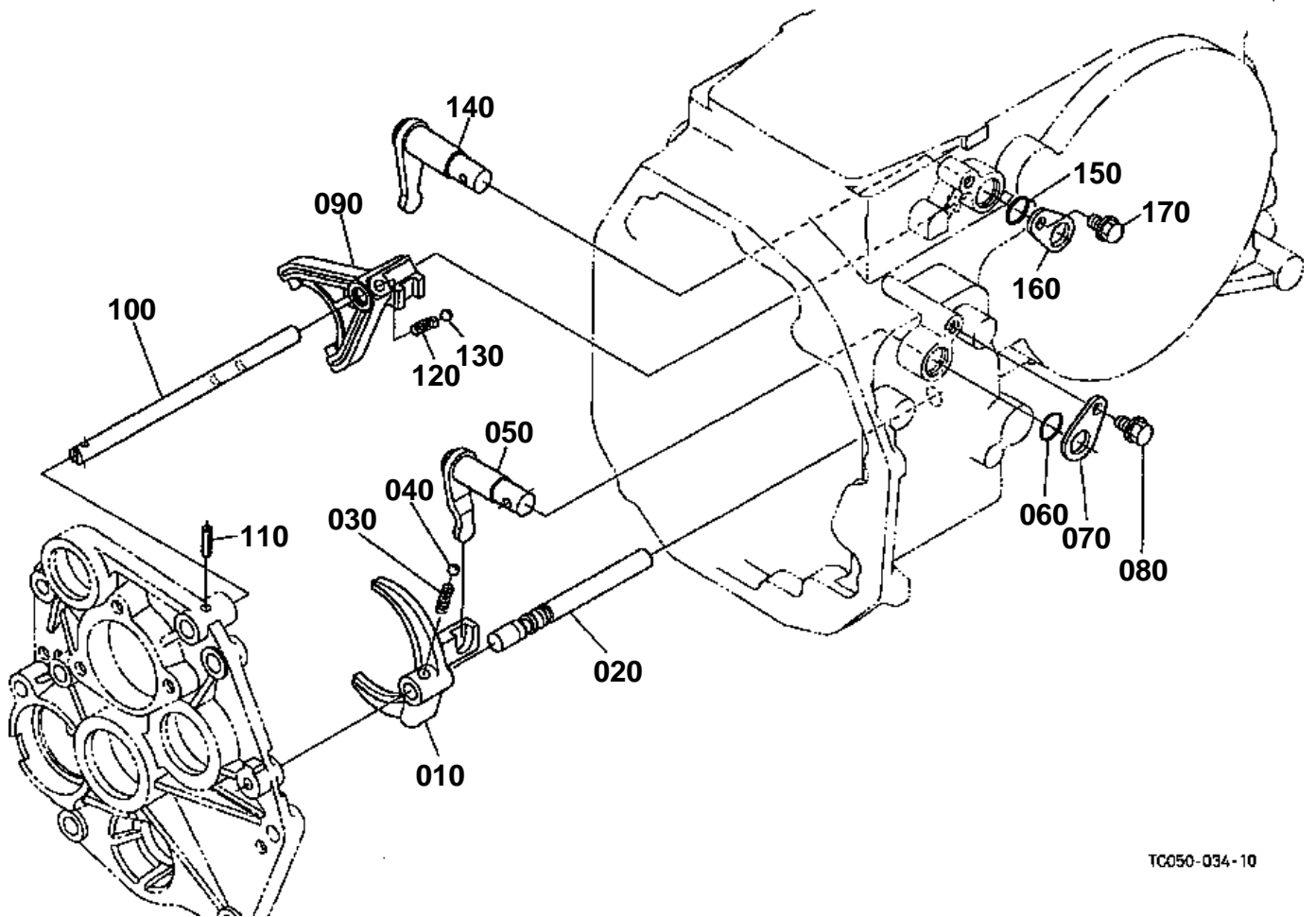


MAIN GEAR SHIFT FORK

↔ Interchangeable; ≠ not interchangeable; ← new for old; → old for new

REF.No	Part No.	Description	Q'ty	S.No.	I/C	REMARKS	Weight (kgf)	Weight (lb)
010	TC050-23512	FORK MAIN SHIFT	1				0	0
020	TC050-23520	FORK MAIN SHIFT	1	<=10656			0	0
020	TC050-23523	FORK MAIN SHIFT	1	>=10657	←		0	0
030	TC030-23540	ROD FORK	1				0	0
040	TC050-23550	ROD FORK	1	<=10720		NOT SALE	0	0
040	TC050-23552	ROD FORK	1	>=10721	←		0	0
050	04612-00120	CIR CLIP EXTERNAL	1				0.001	0.0022
060	TC050-23560	COLLAR	1				0	0
070	05411-00525	PIN SPRING	2				0.002	0.0044
080	62231-18530	SPRING	2				0.01	0.022
090	07715-01605	BALL	5				0.003	0.0066
100	34070-24190	BOLT	1				0.015	0.033
110	04512-60100	WASHER SPRING	1				0.002	0.0044

RANGE GEAR SHIFT FORK



TC050-034-10

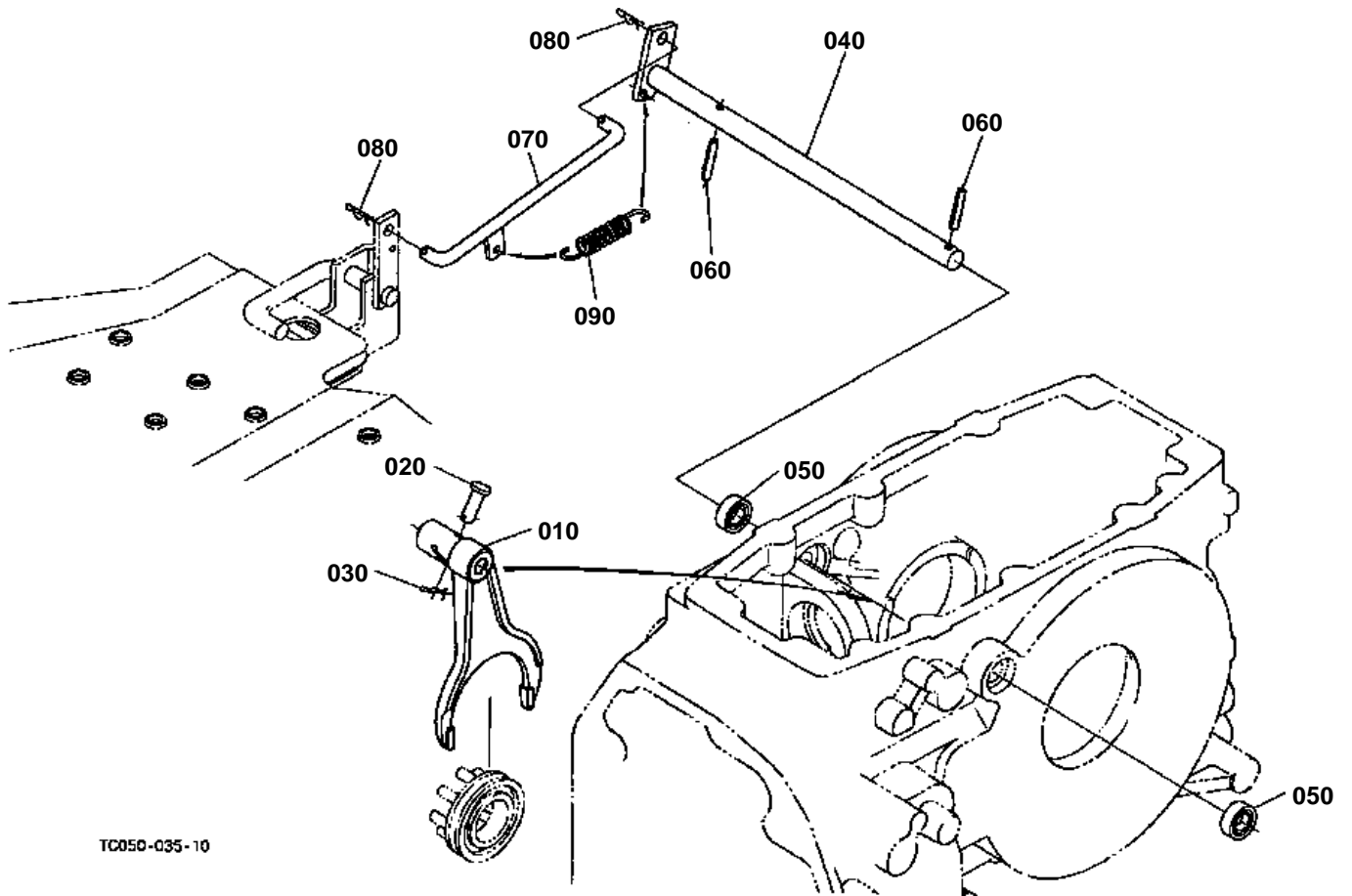


RANGE GEAR SHIFT FORK

↔ Interchangeable; ≠ not interchangeable; ← new for old; → old for new

REF.No	Part No.	Description	Q'ty	S.No.	I/C	REMARKS	Weight (kgf)	Weight (lb)
010	TC050-24400	FORK SHIFT	1				0	0
020	TC050-24410	ROD FORK	1				0	0
030	62231-18530	SPRING	1				0.01	0.022
040	07715-01605	BALL	1				0.003	0.0066
050	TC050-24420	ARM SHIFT	1				0	0
060	04811-00200	O RING	1				0.001	0.0022
060	04816-00200	O RING	1		←		0.003	0.0066
070	34070-24350	STOPPER	1				0.02	0.044
080	01754-50812	BOLT FLANGE	1				0.01	0.022
090	34070-24500	FORK CREEP SHIFT	1				0.145	0.319
100	TC050-24512	ROD FORK	1				0	0
110	05411-00522	PIN SPRING	1				0.002	0.0044
120	T1060-24180	SPRING	1				0.003	0.0066
130	07715-01605	BALL	1				0.003	0.0066
140	34070-24422	ARM SHIFT	1				0.21	0.462
150	04811-00200	O RING	1				0.001	0.0022
150	04816-00200	O RING	1		←		0.003	0.0066
160	34070-24350	STOPPER	1				0.02	0.044
170	01754-50812	BOLT FLANGE	1				0.01	0.022

DIFFERENTIAL LOCK SHIFT FORK



TC050-035-10

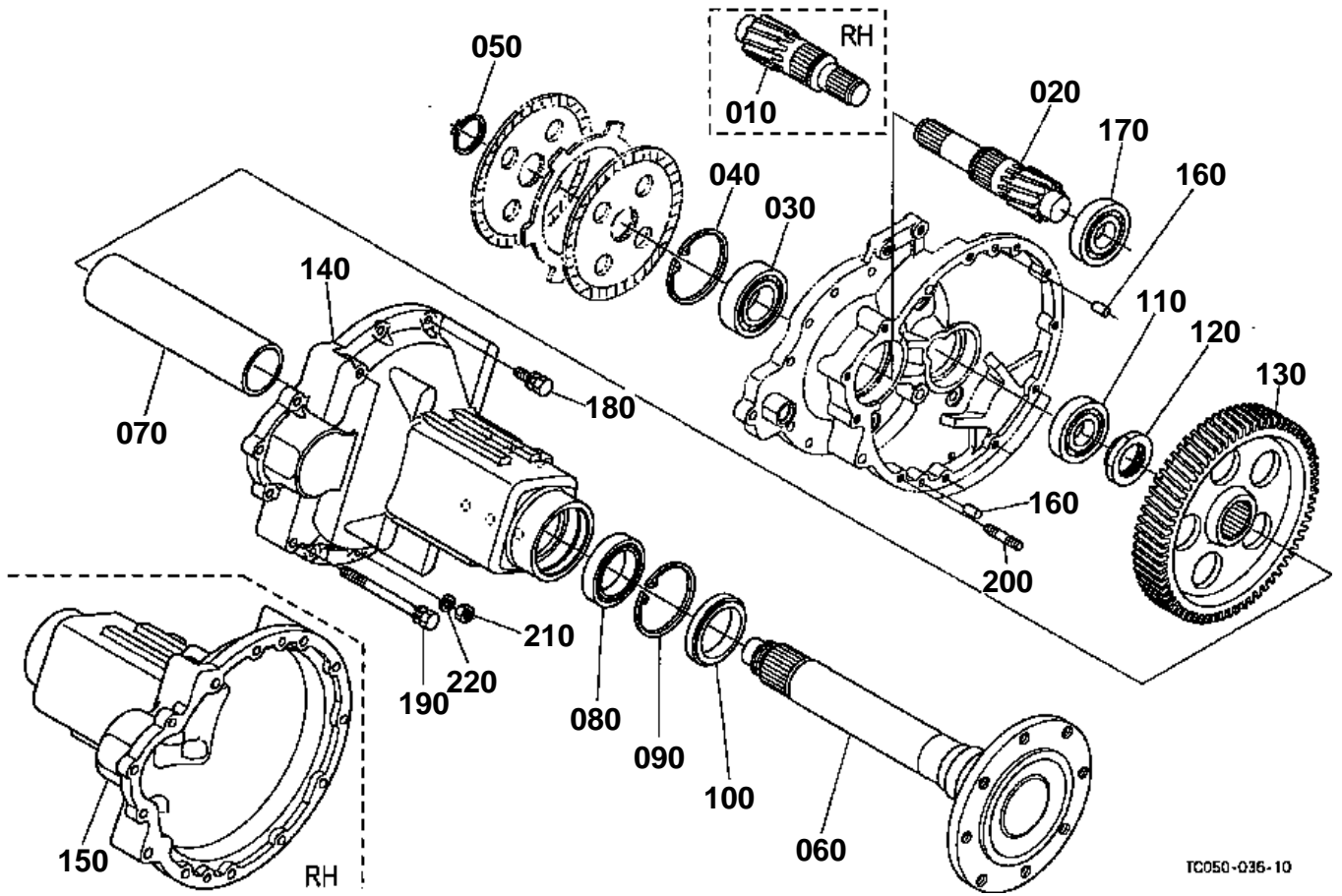


DIFFERENTIAL LOCK SHIFT FORK

↔ Interchangeable; ≠ not interchangeable; ← new for old; → old for new

REF.No	Part No.	Description	Q'ty	S.No.	I/C	REMARKS	Weight (kgf)	Weight (lb)
010	31351-26632	FORK DIFF.LOCK SHIFT	1				0.465	1.023
020	31351-26620	PIN JOINT	1				0.008	0.0176
030	50080-34110	PIN SNAP	1				0.001	0.0022
040	34070-28402	SHAFT FORK	1				0.545	1.199
050	09500-16287	SEAL OIL	2				0.01	0.022
060	05411-00635	PIN SPRING	2				0.005	0.011
070	TC050-28412	ROD DIFF.LOCK	1				0	0
080	05515-60800	PIN SNAP	2				0.002	0.0044
090	37150-15840	SPRING	1				0.06	0.132

REAR AXLE



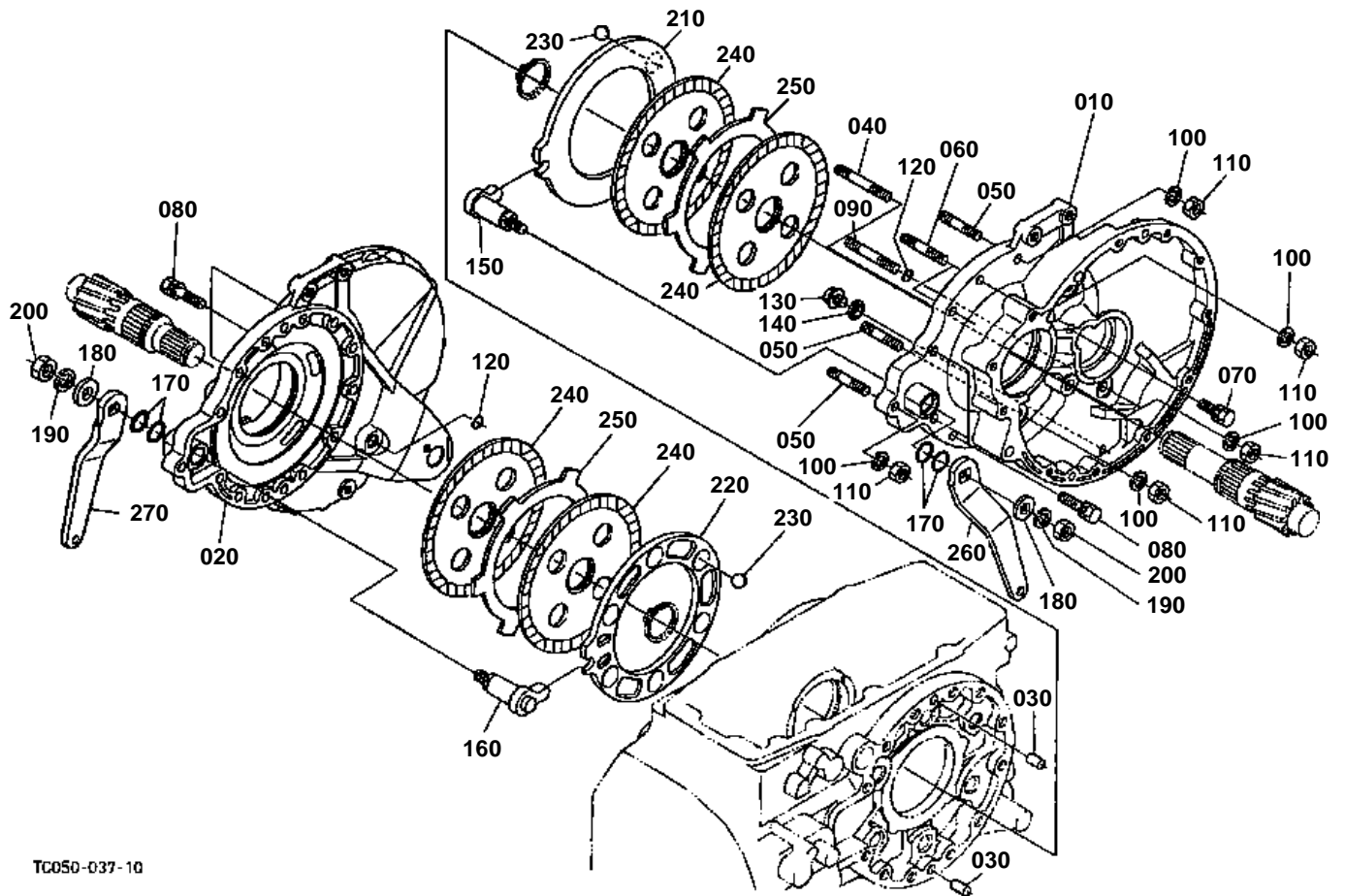


REAR AXLE

↔ Interchangeable; ≠ not interchangeable; ← new for old; → old for new

REF.No	Part No.	Description	Q'ty	S.No.	I/C	REMARKS	Weight (kgf)	Weight (lb)
010	TC050-26710	SHAFT DIFF.GEAR RH	1			11T	0	0
020	TC050-26720	SHAFT DIFF.GEAR LH	1			11T	0	0
030	08101-06309	BEARING BALL	2				0.82	1.804
040	04611-01000	CIR CLIP INTERNAL	2				0.042	0.0924
050	04612-00450	CIR CLIP EXTERNAL	2				0.007	0.0154
060	TC050-27110	AXLE REAR	2				0	0
070	TC050-27140	SPACER	2				0	0
080	08101-06012	BEARING BALL	2				0.41	0.902
090	04611-00950	CIR CLIP INTERNAL	2				0.05	0.11
100	36540-48250	SEAL WITH SHAFT	2				0.13	0.286
110	T1150-27150	BEARING BALL	2				0.46	1.012
120	70631-15730	NUT	2				0.15	0.33
130	T1170-26830	GEAR	2			67T	8.02	17.644
140	TC050-27332	CASE REAR AXLE LH	1				0	0
150	TC050-27342	CASE REAR AXLE RH	1				0	0
160	37150-27370	PIN STRAIGHT	4				0.009	0.0198
170	35860-79150	BEARING BALL	2				0.45	0.99
180	01133-51035	BOLT	14				0.03	0.066
190	T1170-27380	BOLT REAR AXLE	4				0.12	0.264
200	34070-20313	STUD	8				0.045	0.099
210	37300-14190	NUT	8				0.009	0.0198
220	04512-60100	WASHER SPRING	8				0.002	0.0044

BRAKE



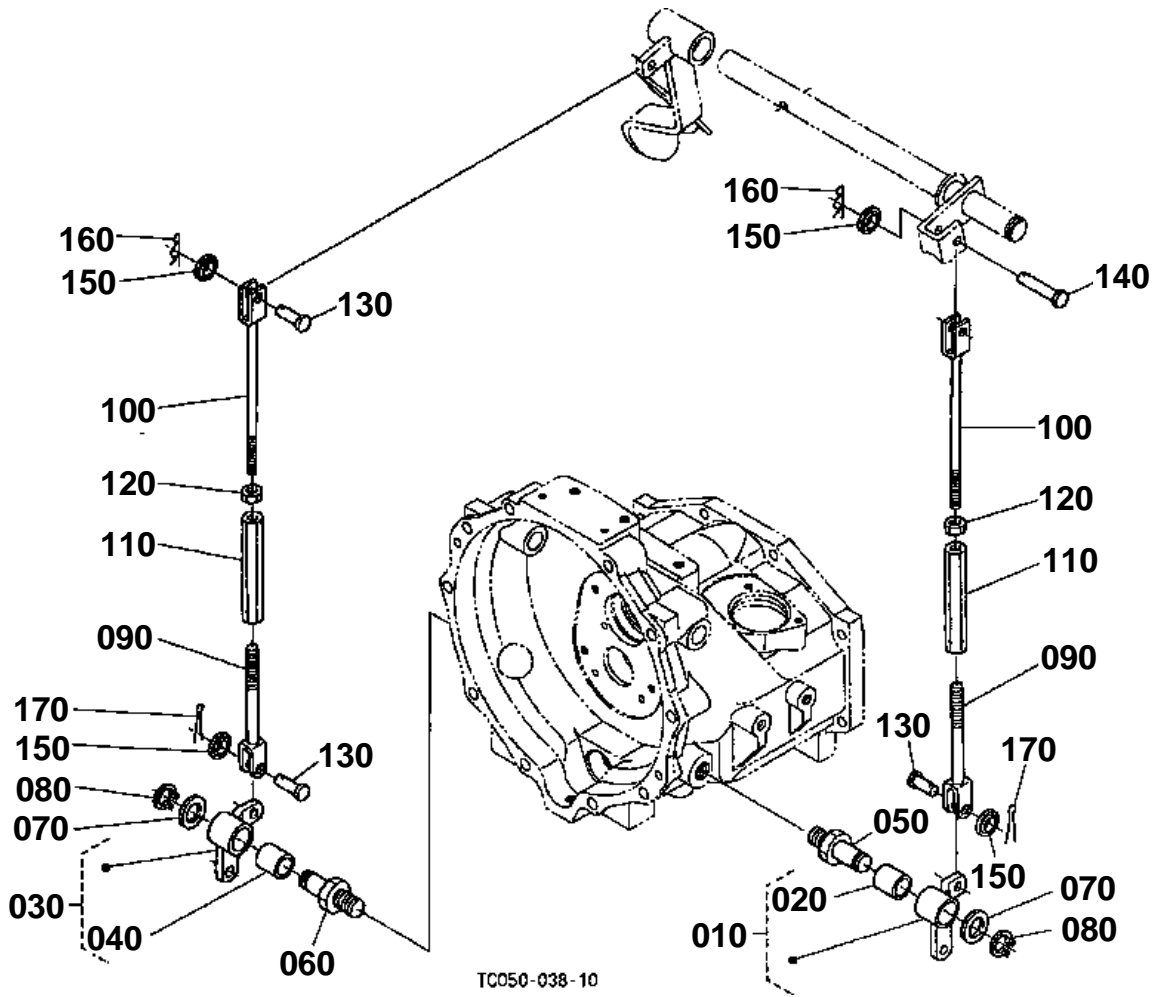
TC050-037-10

**BRAKE**

↔ Interchangeable; ≠ not interchangeable; ← new for old; → old for new

REF.No	Part No.	Description	Q'ty	S.No.	I/C	REMARKS	Weight (kgf)	Weight (lb)
010	TC050-28613	CASE BRAKE LH	1	≤10720			0	0
010	TC050-28614	CASE BRAKE LH	1	≥10721	←		0	0
020	TC050-28623	CASE BRAKE RH	1	≤10720			0	0
020	TC050-28624	CASE BRAKE RH	1	≥10721	←		0	0
030	05012-01018	PIN STRAIGHT	4				0.012	0.0264
040	01574-51265	STUD	2				0.067	0.1474
050	01574-61240	STUD	8				0.045	0.099
060	01574-51250	STUD	2				0.054	0.1188
070	01133-51235	BOLT	2				0.05	0.11
080	01133-51245	BOLT	8				0.055	0.121
090	01574-61260	STUD	2				0.05	0.11
100	04512-60120	WASHER SPRING	16				0.005	0.011
110	02176-50120	NUT	16				0.01	0.022
120	04811-10120	O RING	2				0.001	0.0022
130	06331-45010	PLUG	2				0.02	0.044
140	04717-01000	WASHER WITH RUBBER	2				0.001	0.0022
150	34070-28715	CAM BRAKE LH	1				0.285	0.627
160	34070-28725	CAM BRAKE RH	1				0.285	0.627
170	04811-00220	O RING	4				0.001	0.0022
170	04817-00220	O RING	4		←		0.005	0.011
180	04015-60120	WASHER PLAIN	2				0.022	0.0484
190	04512-60120	WASHER SPRING	2				0.005	0.011
200	02174-50120	NUT	2				0.01	0.022
210	34070-28770	PLATE BRAKE CAM LH	1				1.11	2.442
220	34070-28780	PLATE BRAKE CAM RH	1				1.09	2.398
230	07715-00805	BALL	12				0.016	0.0352
240	T1060-28200	DISK BRAKE MAIN	4				0.75	1.65
250	37720-28170	PLATE	2				0.422	0.9284
260	34070-44615	LEVER BRAKE CAM LH	1				0.41	0.902
270	34070-44623	LEVER BRAKE CAM RH	1				0.41	0.902

BRAKE ROD 1

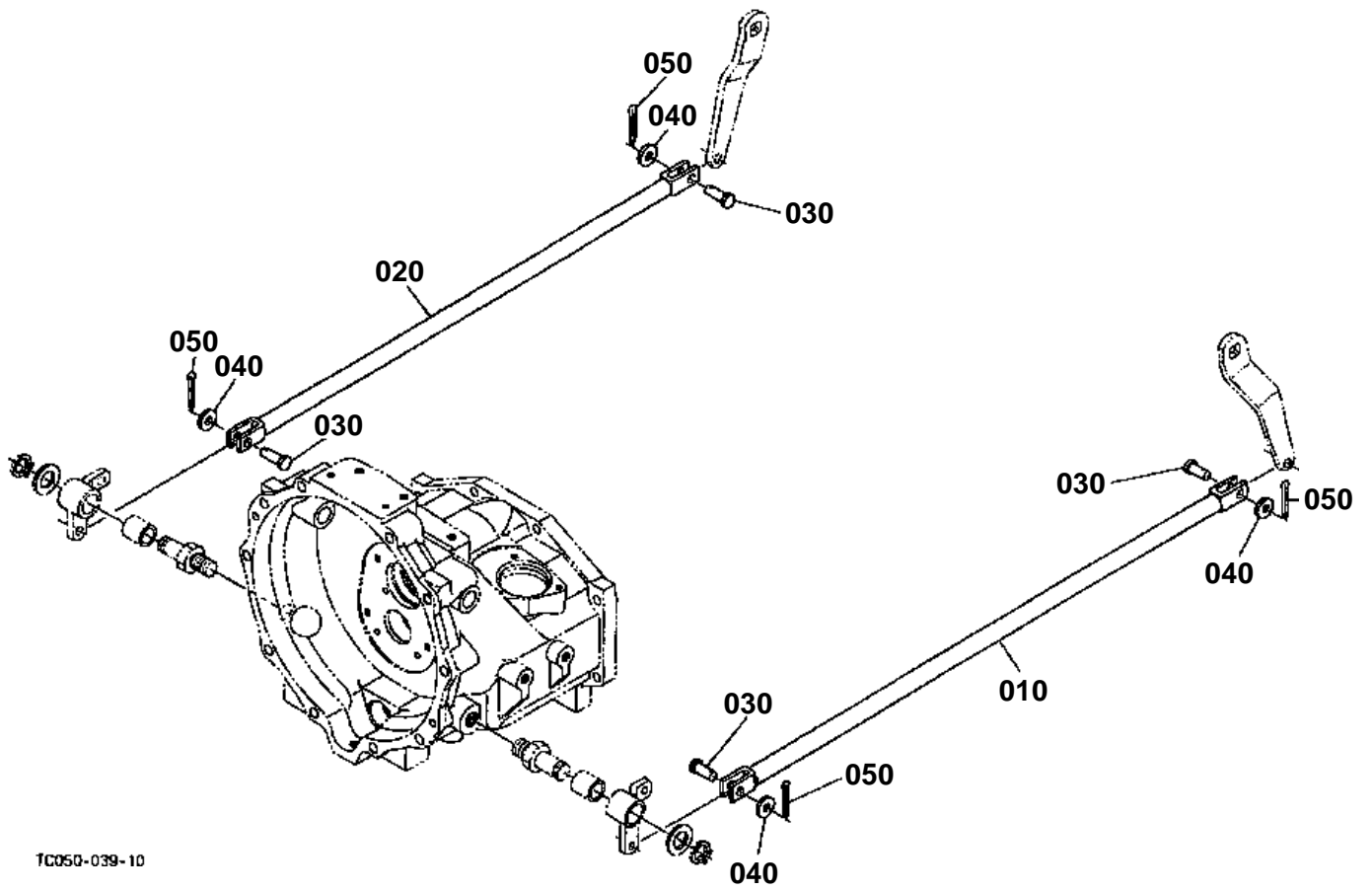


**BRAKE ROD 1**

↔ Interchangeable; ≠ not interchangeable; ← new for old; → old for new

REF.No	Part No.	Description	Q'ty	S.No.	I/C	REMARKS	Weight (kgf)	Weight (lb)
010	TC030-44810	ASSY LEVER BRAKE LH	1				0	0
020	34070-44890	BUSH	1				0.035	0.077
030	34070-44910	ASSY LEVER BRAKE RH	1				0	0
040	34070-44890	BUSH	1				0.035	0.077
050	34070-44870	SHAFT BRAKE LH	1				0.225	0.495
060	34070-44880	SHAFT BRAKE RH	1				0.22	0.484
070	04011-50200	WASHER PLAIN	2				0.015	0.033
080	04612-00200	CIR CLIP EXTERNAL	2				0.001	0.0022
090	34070-44840	ROD BRAKE LOWER	2				0.13	0.286
100	TC030-76200	ROD BRAKE UPPER	2				0	0
110	32350-28980	TURNBUCKLE	2				0.124	0.2728
120	02116-50100	NUT	2				0.004	0.0088
130	05122-61028	PIN JOINT	3				0.02	0.044
140	05122-61045	PIN JOINT	1				0.005	0.011
150	04717-01000	WASHER WITH RUBBER	4				0.001	0.0022
160	05525-61000	PIN SNAP	2				0.002	0.0044
170	05511-50318	PIN SPLIT	2				0.001	0.0022

BRAKE ROD 2



TC050-039-10

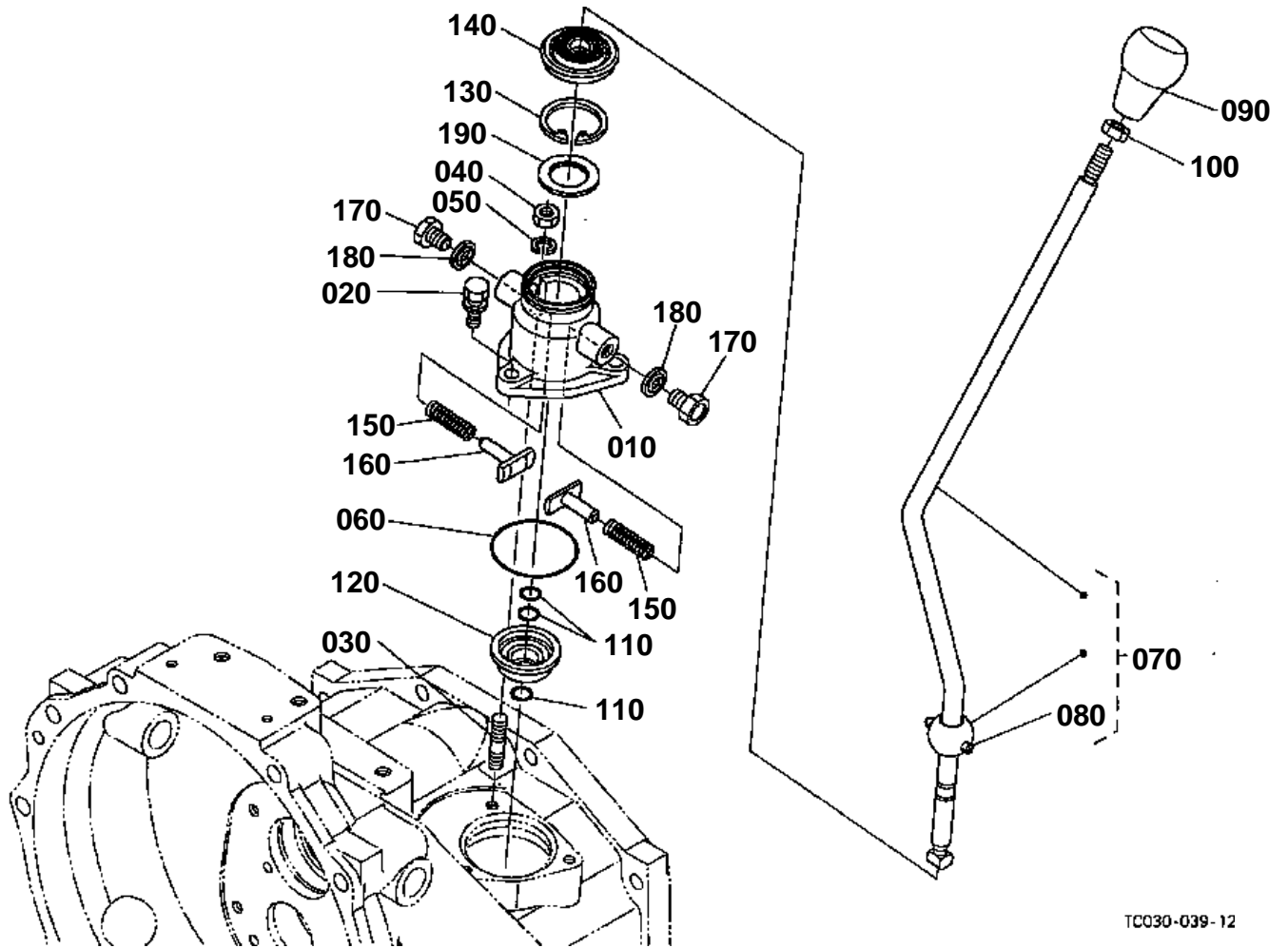


BRAKE ROD 2

↔ Interchangeable; ≠ not interchangeable; ← new for old; → old for new

REF.No	Part No.	Description	Q'ty	S.No.	I/C	REMARKS	Weight (kgf)	Weight (lb)
010	TC050-44630	ROD BRAKE LH	1				0	0
020	TC050-44640	ROD BRAKE RH	1				0	0
030	05122-61028	PIN JOINT	4				0.02	0.044
040	04013-60100	WASHER PLAIN	4				0.004	0.0088
050	05511-50318	PIN SPLIT	4				0.001	0.0022

MAIN GEAR SHIFT LEVER



TC030-039-12

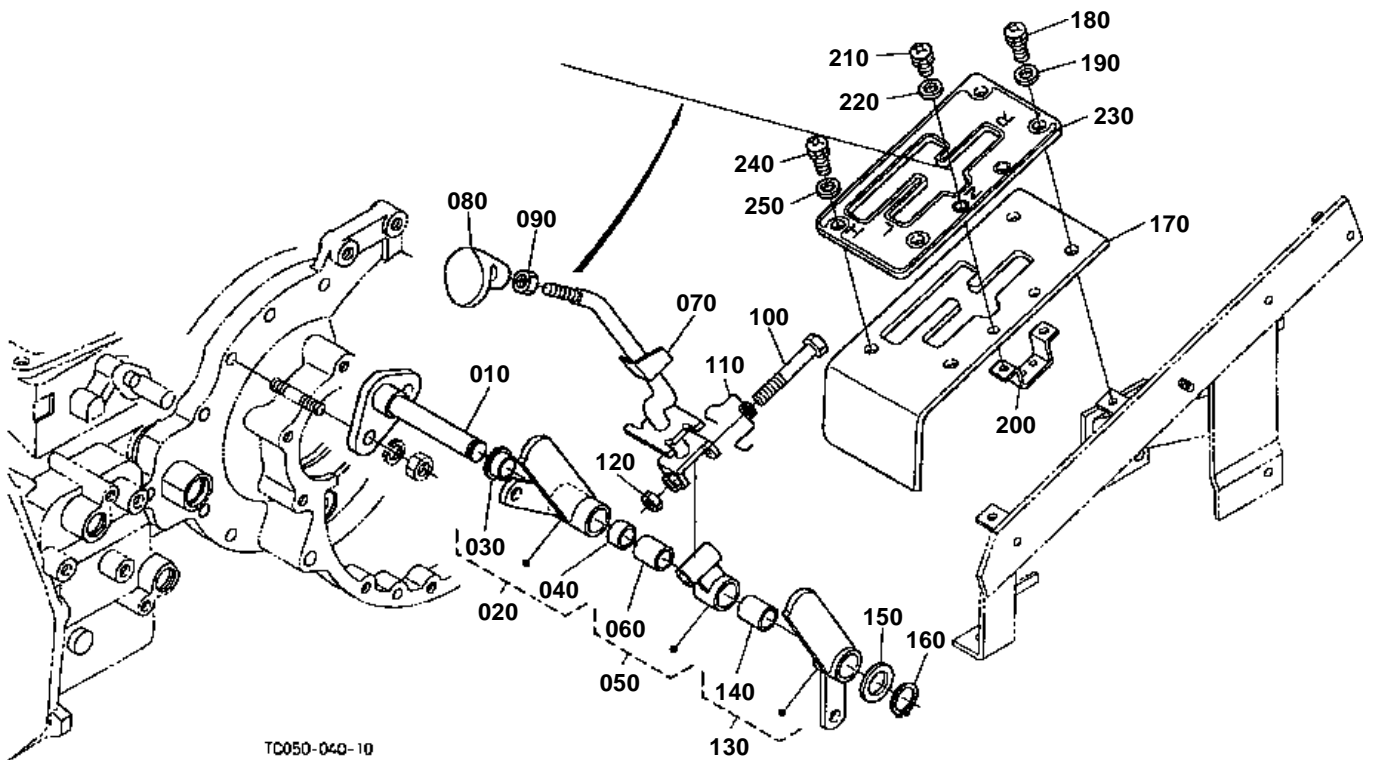


MAIN GEAR SHIFT LEVER

↔ Interchangeable; ≠ not interchangeable; ← new for old; → old for new

REF.No	Part No.	Description	Q'ty	S.No.	I/C	REMARKS	Weight (kgf)	Weight (lb)
010	TC030-23712	BASE MAIN SHIFT	1				0	0
020	01123-50820	BOLT	2				0.011	0.0242
030	01513-60825	STUD	1				0.012	0.0264
040	02114-50080	NUT	1				0.005	0.011
050	04512-60100	WASHER SPRING	1				0.002	0.0044
060	04811-50600	O RING	1				0.002	0.0044
070	TC030-23812	LEVER MAIN SHIFT	1				0.71	1.562
080	05411-00640	PIN SPRING	1				0.006	0.0132
090	TC050-49850	GRIP MAIN SHIFT	1				0	0
100	02116-50100	NUT	1				0.004	0.0088
110	04810-00120	O RING	3				0.001	0.0022
110	04817-00120	O RING	3		←		0	0
120	T0270-23870	SHIELD	1				0.018	0.0396
130	04611-00420	CIR CLIP INTERNAL	1				0.006	0.0132
140	T0270-24970	SHIELD	1				0.015	0.033
150	T0070-24760	SPRING PTO SHIFT	2				0.005	0.011
160	T0070-24810	POPPET PTO SHIFT	2				0.02	0.044
170	T0070-24820	PLUG PTO SHIFT	2				0.015	0.033
180	04717-01200	WASHER WITH RUBBER	2				0.002	0.0044
190	TC030-24780	COLLAR MAIN SHIFT	1				0	0

RANGE GEAR SHIFT LEVER



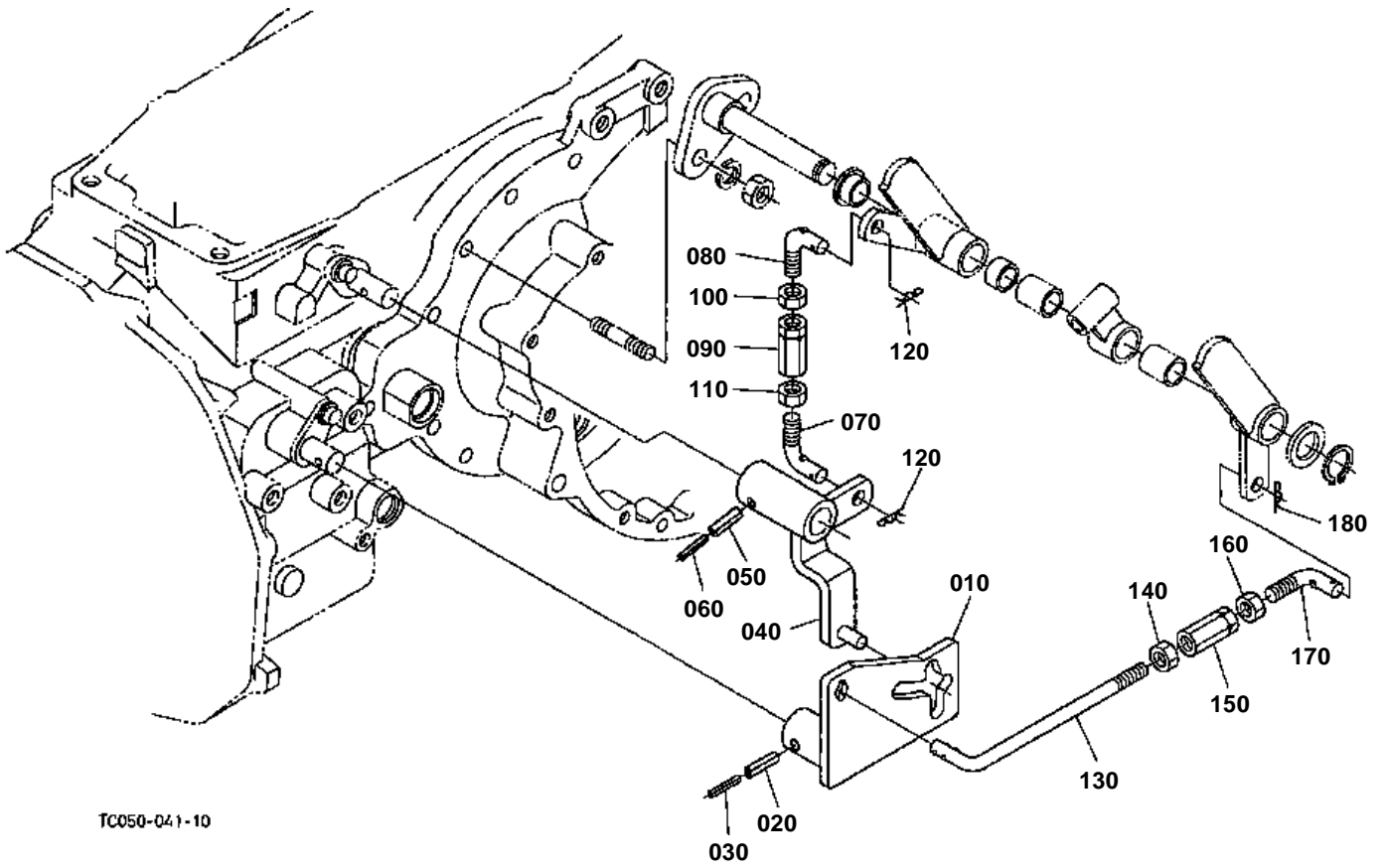


RANGE GEAR SHIFT LEVER

↔ Interchangeable; ≠ not interchangeable; ← new for old; → old for new

REF.No	Part No.	Description	Q'ty	S.No.	I/C	REMARKS	Weight (kgf)	Weight (lb)
010	TC050-24480	SHAFT FULCRUM	1				0	0
020	TC050-24710	ASSY ARM SHIFT	1				0	0
030	T1060-24570	BUSH	1				0.005	0.011
040	T1060-24460	BUSH	1				0.005	0.011
050	TA240-54752	ASSY HOLDER RANGE	1				0.15	0.33
060	08511-01825	BUSH	1				0.01	0.022
070	TC050-24473	LEVER RANGE SHIFT	1				0	0
080	T1060-24240	GRIP LEVER	1				0.078	0.1716
090	02116-50100	NUT	1				0.004	0.0088
100	TA240-54660	BOLT	1				0.045	0.099
110	TC050-24780	SPRING	1				0	0
120	02156-50080	NUT	1				0.004	0.0088
130	TC050-24730	ASSY ARM SHIFT	1				0	0
140	08511-01825	BUSH	1				0.01	0.022
150	04011-50180	WASHER PLAIN	1				0.012	0.0264
160	04612-00180	CIR CLIP EXTERNAL	1				0.001	0.0022
170	TC050-47200	GUIDE SHIFT	1				0	0
180	03004-60825	SCREW WITH WASHER	2				0	0
190	04013-60080	WASHER PLAIN	2				0.002	0.0044
200	TC050-43980	STAY SWITCH	1				0	0
210	03004-60620	SCREW WITH WASHER	2				0.005	0.011
220	04013-60060	WASHER PLAIN	2				0.001	0.0022
230	TC050-47150	GUIDE RANGE SHIFT	1				0	0
240	03004-60825	SCREW WITH WASHER	2				0	0
250	04013-60080	WASHER PLAIN	2				0.002	0.0044

RANGE GEAR SHIFT ROD



TC050-041-10

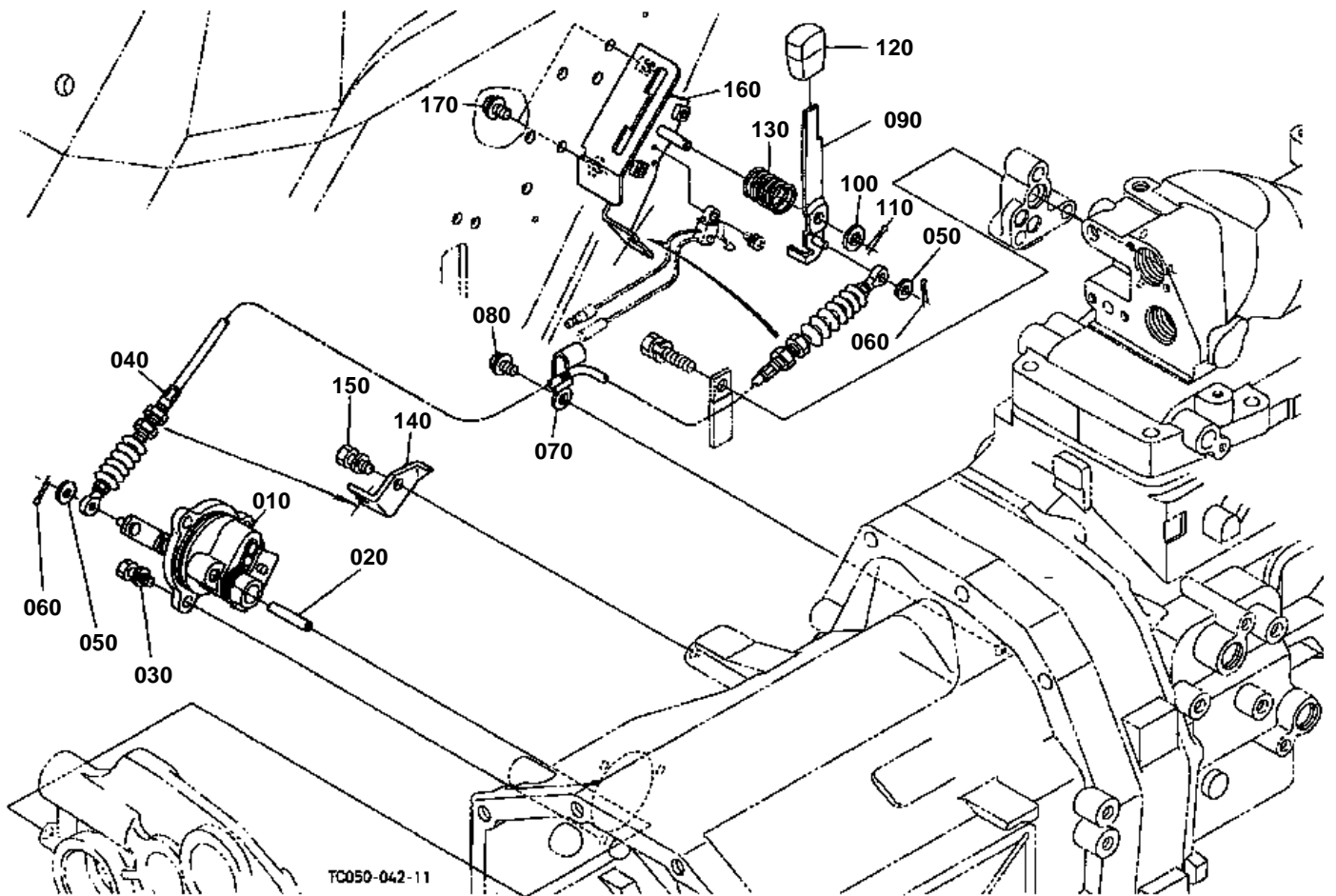


RANGE GEAR SHIFT ROD

↔ Interchangeable; ≠ not interchangeable; ← new for old; → old for new

REF.No	Part No.	Description	Q'ty	S.No.	I/C	REMARKS	Weight (kgf)	Weight (lb)
010	TC050-24460	LEVER SHIFT	1				0	0
020	05411-00630	PIN SPRING	1				0.004	0.0088
030	T0270-15310	PIN SPRING	1				0.002	0.0044
040	TC050-24700	LEVER SHIFT	1				0	0
050	05411-00630	PIN SPRING	1				0.004	0.0088
060	T0270-15310	PIN SPRING	1				0.002	0.0044
070	TA240-54582	ROD RANGE R	1				0.03	0.066
080	TA240-54592	ROD RANGE L	1				0.03	0.066
090	TA240-54480	TURNBUCKLE	1				0.031	0.0682
100	32350-28990	NUT	1				0.009	0.0198
110	02116-50100	NUT	1				0.004	0.0088
120	05515-61000	PIN SNAP	2				0.003	0.0066
130	TC050-24762	ROD RANGE SHIFT	1				0	0
140	02116-50100	NUT	1				0.004	0.0088
150	TA240-54480	TURNBUCKLE	1				0.031	0.0682
160	32350-28990	NUT	1				0.009	0.0198
170	TA240-54592	ROD RANGE L	1				0.03	0.066
180	05515-61000	PIN SNAP	1				0.003	0.0066

PTO CLUTCH CONTROL LEVER



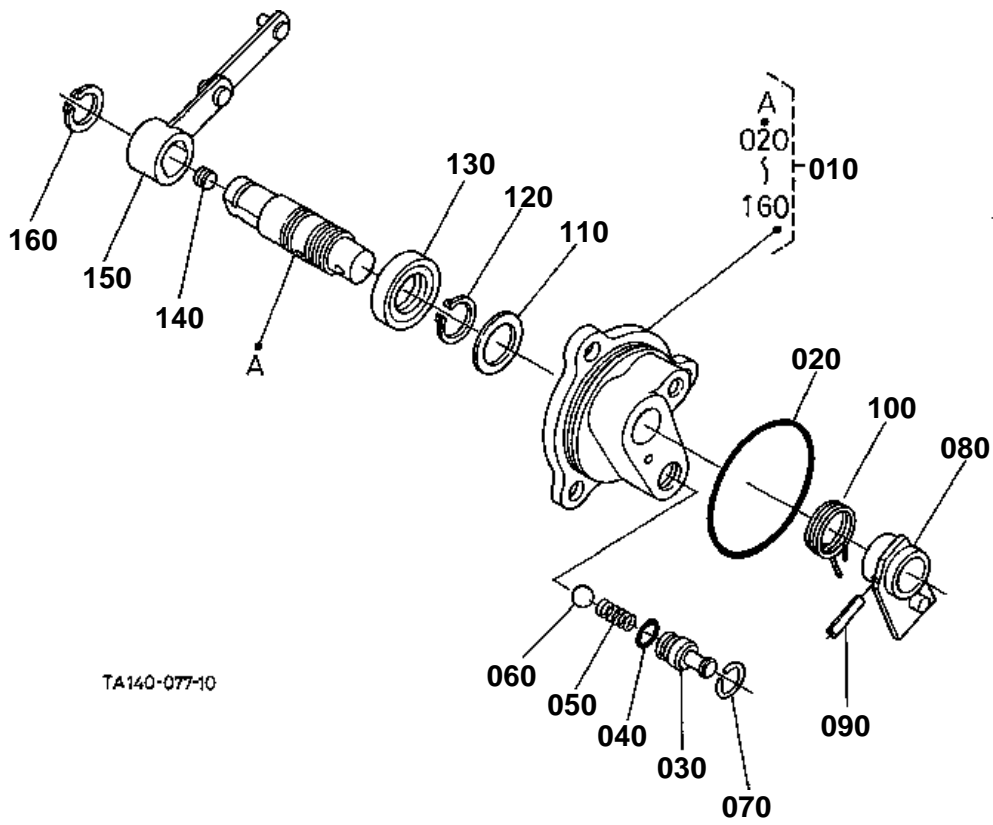


PTO CLUTCH CONTROL LEVER

↔ Interchangeable; ≠ not interchangeable; ← new for old; → old for new

REF.No	Part No.	Description	Q'ty	S.No.	I/C	REMARKS	Weight (kgf)	Weight (lb)
010	TA040-69300	ASSY VALVE I-PTO	1				0.955	2.101
020	36530-27273	PIPE HYDRAULIC	1				0.005	0.011
030	01123-50820	BOLT	3				0.011	0.0242
040	TC030-24653	WIRE PTO	1				0	0
050	04012-50060	WASHER PLAIN	2				0.001	0.0022
060	05511-51612	PIN SPLIT	2				0.001	0.0022
070	13816-67580	CLAMP CORD	1				0.004	0.0088
080	01754-50812	BOLT FLANGE	1				0.01	0.022
090	TA040-69710	LEVER I-PTO	1				0.053	0.1166
100	04013-60080	WASHER PLAIN	1				0.002	0.0044
110	05511-50215	PIN SPLIT	1				0.001	0.0022
120	36919-27820	GRIP PTO LEVER	1				0.015	0.033
130	33251-29630	SPRING	1				0.013	0.0286
140	TA040-69600	STAY WIRE	1				0.046	0.1012
150	01123-50816	BOLT	1				0.011	0.0242
160	TC030-47612	GUIDE PTO LEVER	1				0	0
170	01754-50816	BOLT FLANGE	2				0.011	0.0242

PTO CLUTCH VALVE [COMPONENT PARTS]



TA140-077-10

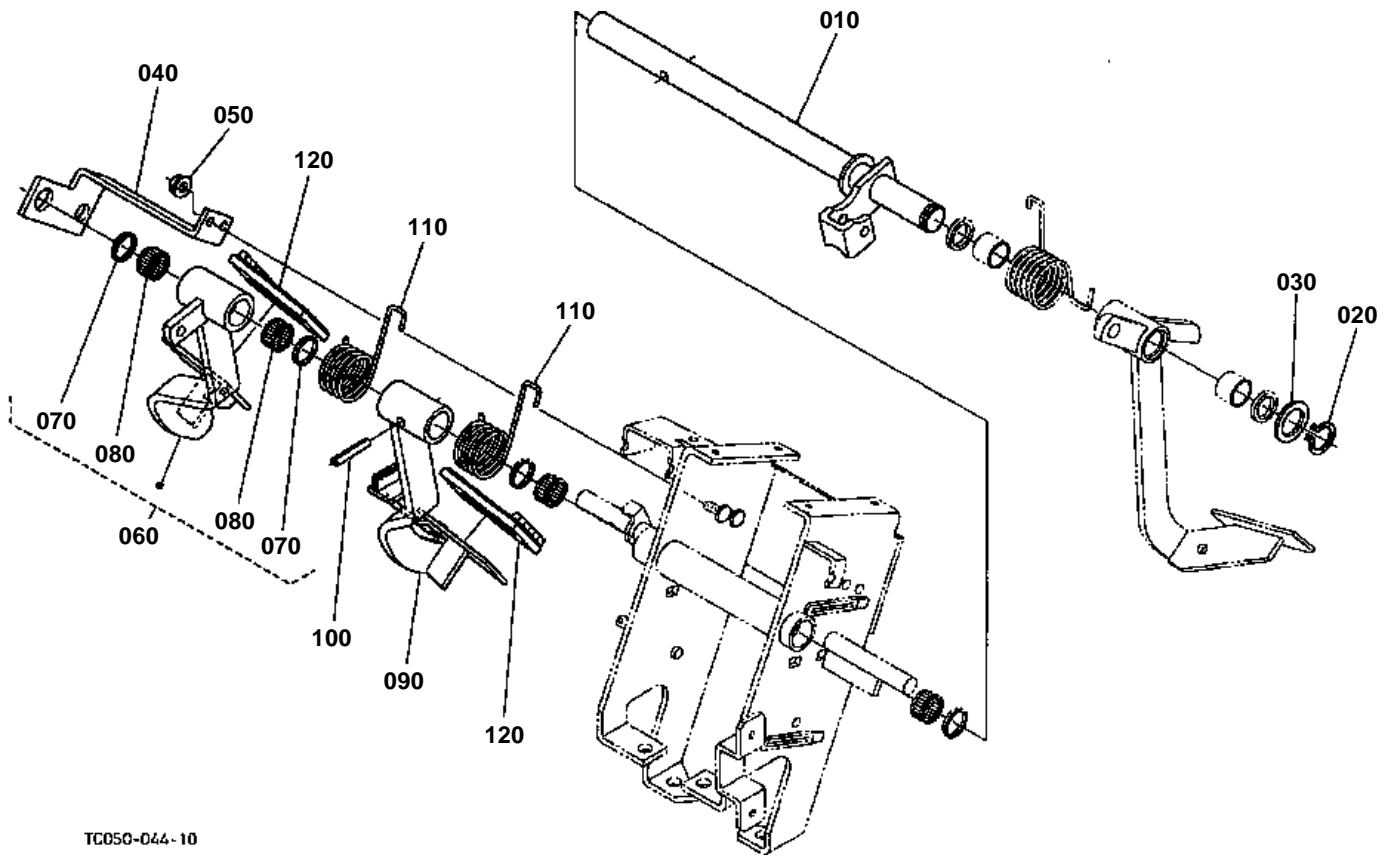


PTO CLUTCH VALVE [COMPONENT PARTS]

↔ Interchangeable; ≠ not interchangeable; ← new for old; → old for new

REF.No	Part No.	Description	Q'ty	S.No.	I/C	REMARKS	Weight (kgf)	Weight (lb)
010	TA040-69300	ASSY VALVE I-PTO	1				0.955	2.101
020	04811-06630	O RING	1				0.001	0.0022
030	TA040-69320	PLUG	1				0.006	0.0132
040	04811-00090	O RING	1				0.001	0.0022
040	04817-00090	O RING	1		←		0.001	0.0022
050	TA040-69330	SPRING	1				0.001	0.0022
060	07715-03209	BALL	1				0.002	0.0044
070	67401-03690	RING	1				0.001	0.0022
080	TA040-69340	LEVER VALVE ROTOR	1				0.057	0.1254
090	05411-00522	PIN SPRING	1				0.002	0.0044
100	TA040-69360	SPRING	1				0.014	0.0308
110	50770-12180	COLLAR THRUST	1				0.003	0.0066
120	04612-00200	CIR CLIP EXTERNAL	1				0.001	0.0022
130	09500-20358	SEAL OIL	1				0.01	0.022
140	67511-36640	PLUG	1				0.003	0.0066
150	TA040-69370	LEVER VALVE	1				0.075	0.165
160	04612-00180	CIR CLIP EXTERNAL	1				0.001	0.0022

BRAKE PEDAL



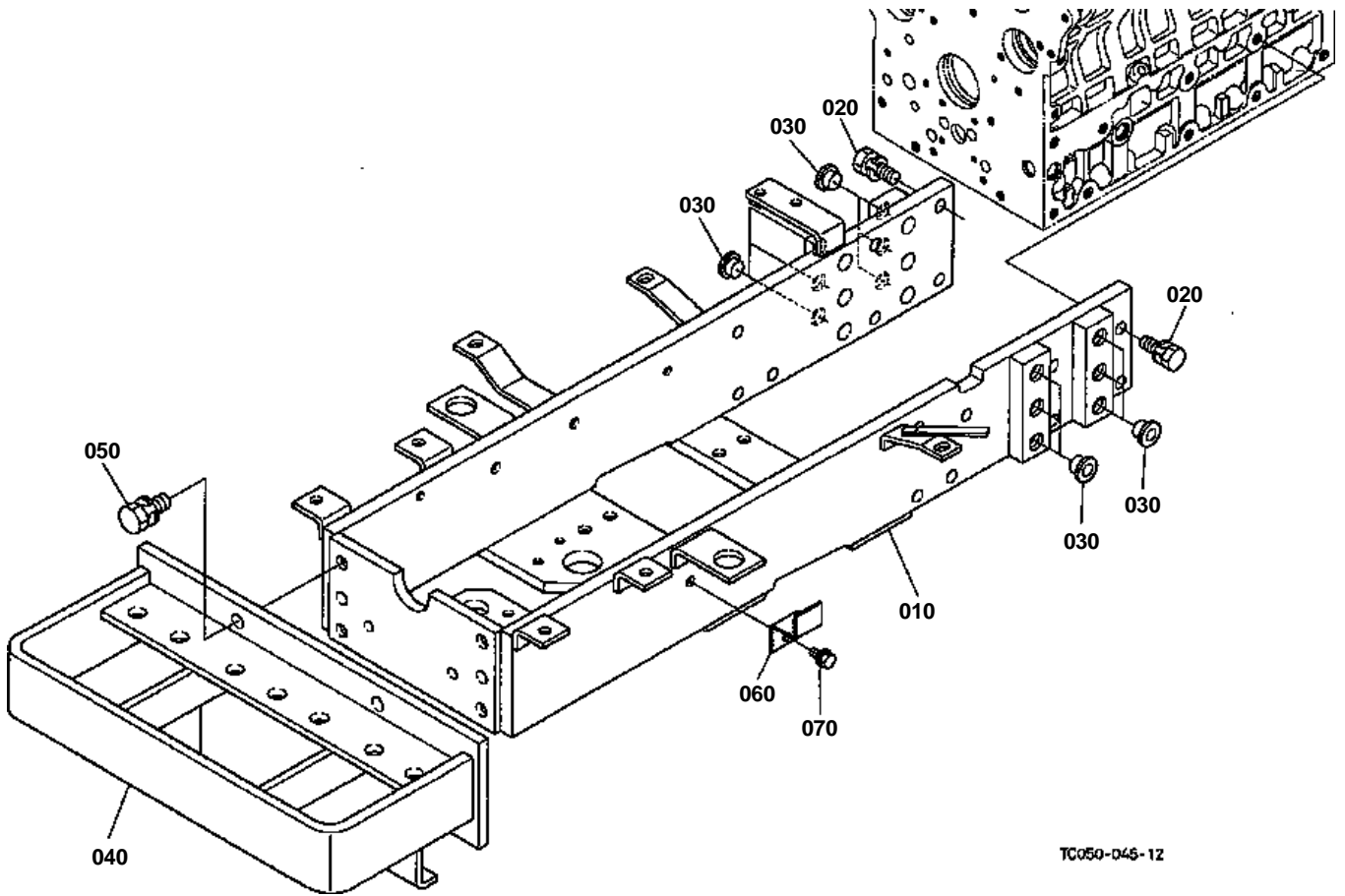


BRAKE PEDAL

↔ Interchangeable; ≠ not interchangeable; ← new for old; → old for new

REF.No	Part No.	Description	Q'ty	S.No.	I/C	REMARKS	Weight (kgf)	Weight (lb)
010	TC030-44010	SHAFT PEDAL	1				0	0
020	04612-00250	CIR CLIP EXTERNAL	1				0.002	0.0044
030	04011-50250	WASHER PLAIN	1				0.027	0.0594
040	TC030-44070	SUPPORT SHAFT PEDAL	1				0	0
050	02751-50080	NUT FLANGE	2				0.006	0.0132
060	TC030-44100	ASSY PEDAL BRAKE RH	1				0	0
070	34070-44140	SEAL OIL	2				0.005	0.011
080	34070-44360	BEARING NEEDLE	2				0.012	0.0264
090	TC030-44110	PEDAL BRAKE LH	1				0	0
100	05411-00840	PIN SPRING	1				0.008	0.0176
110	TC030-44170	SPRING	2				0	0
120	37410-44120	COVER PEDAL	2				0.08	0.176

FRONT AXLE FRAME



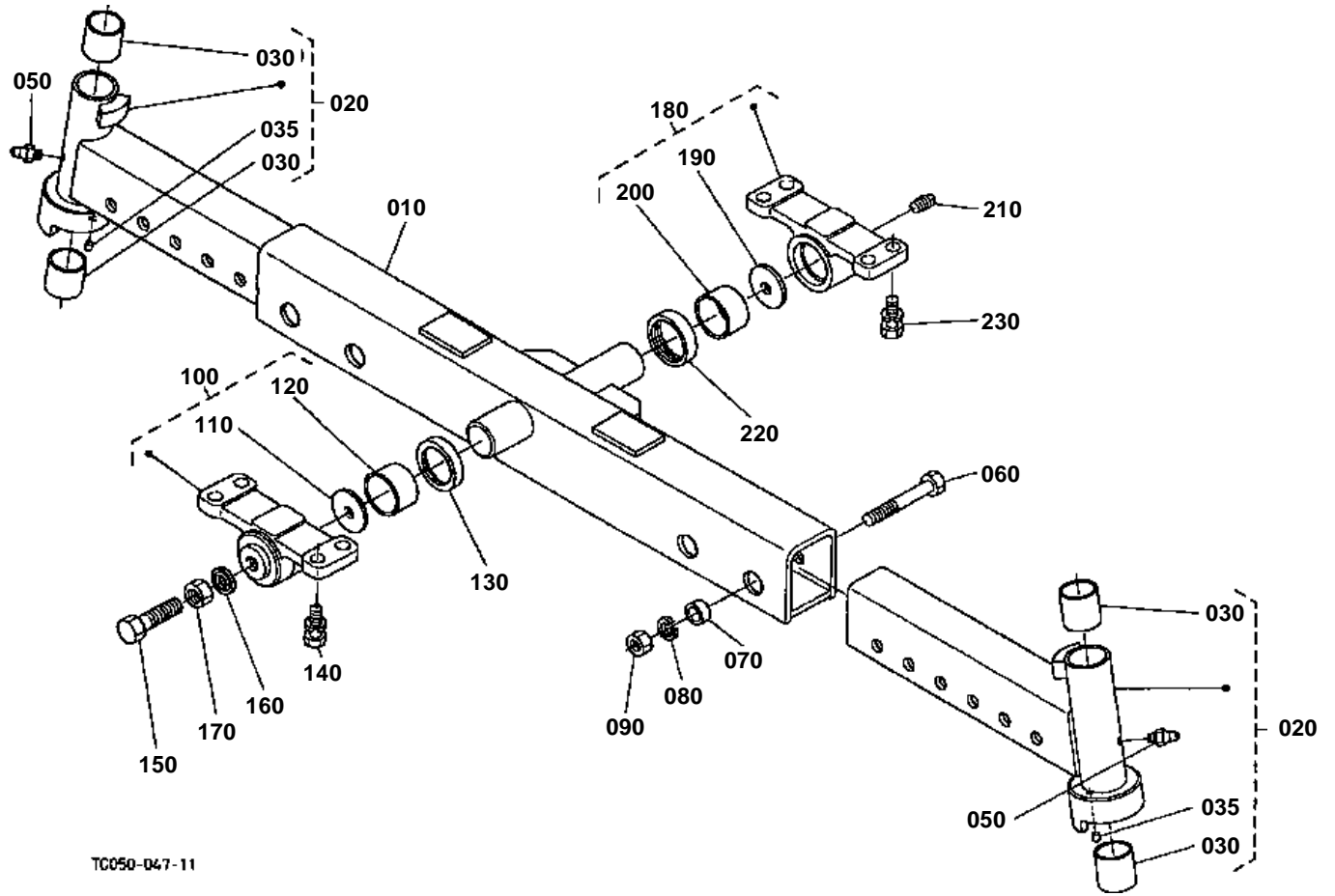


FRONT AXLE FRAME

↔ Interchangeable; ≠ not interchangeable; ← new for old; → old for new

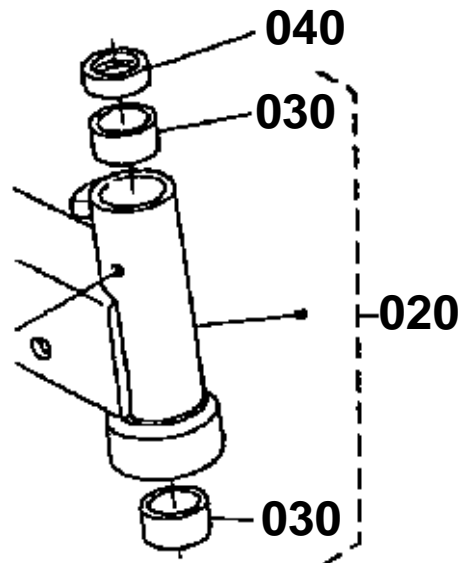
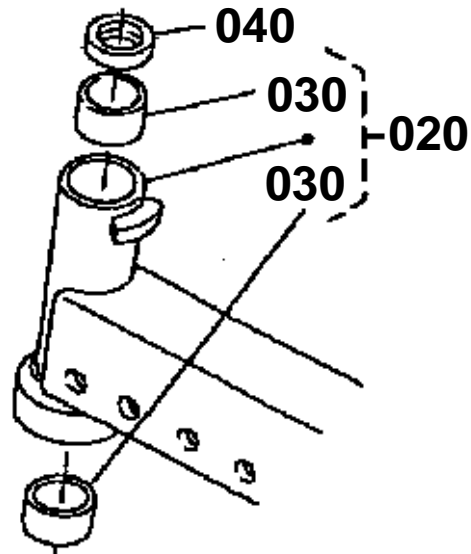
REF.No	Part No.	Description	Q'ty	S.No.	I/C	REMARKS	Weight (kgf)	Weight (lb)
010	TC050-11003	COMP.FRAME F-AXLE	1				0	0
020	01138-51235	BOLT	15				0.21	0.462
030	33300-90910	PLUG	12				0.002	0.0044
040	32430-44880	BUMPER	1				12.05	26.51
050	01133-51435	BOLT	4				0.001	0.0022
060	TC050-30160	GUIDE BATTERY CORD	1	>=10356			0	0
070	01754-50812	BOLT FLANGE	1	>=10356			0.01	0.022

FRONT AXLE



TC050-D47-11

020 TC050-1312-0
030 TC050-1313-0
040 38240-1314-0



TC050 802-11

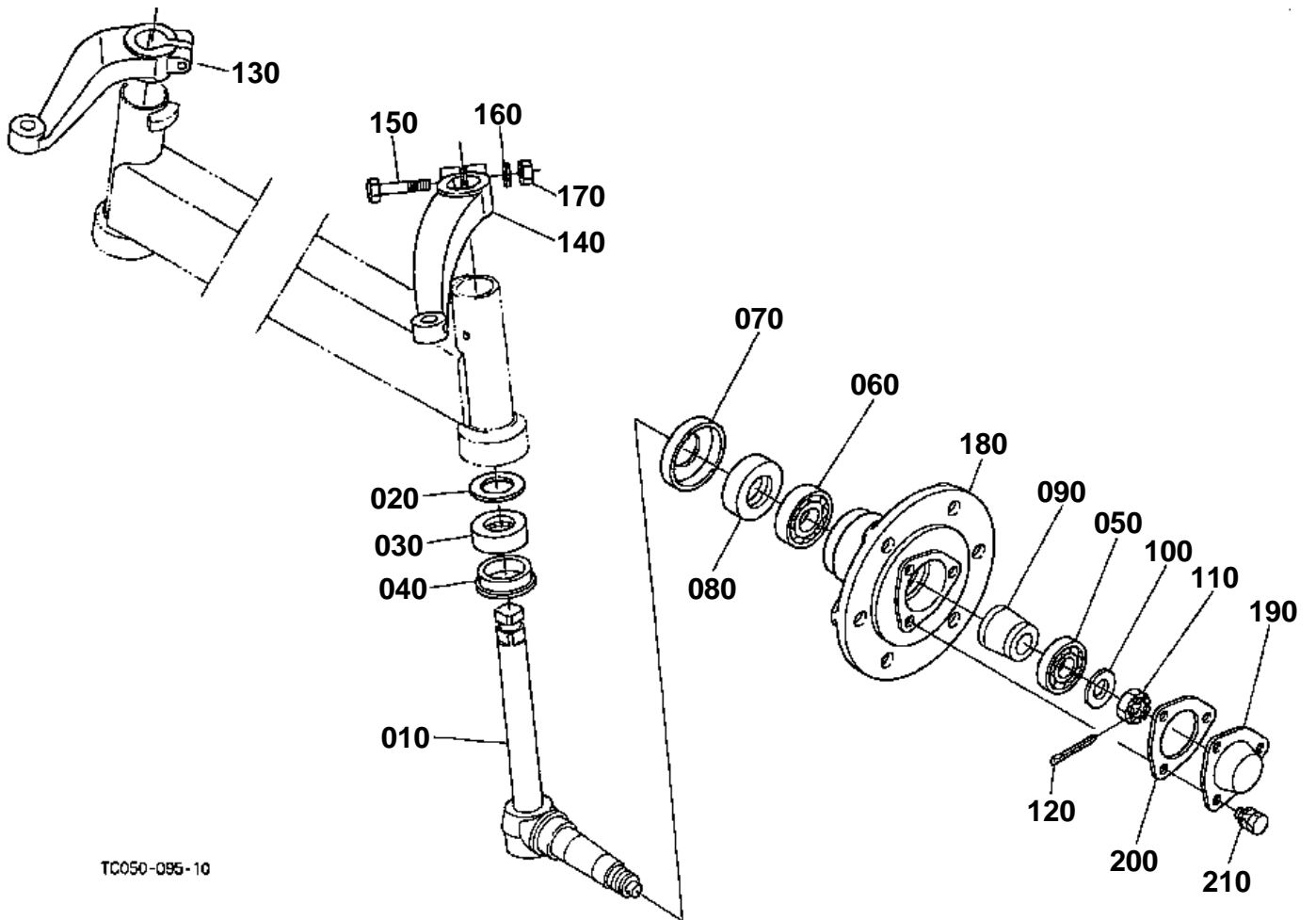


FRONT AXLE

↔ Interchangeable; ≠ not interchangeable; ← new for old; → old for new

REF.No	Part No.	Description	Q'ty	S.No.	I/C	REMARKS	Weight (kgf)	Weight (lb)
010	TC050-13110	AXLE FRONT INNER	1				0	0
020	TC050-13120	ASSY AXLE FRONT OUT.	2	≤10006			0	0
020	TC050-13122	ASSY AXLE FRONT OUT.	2	≥10007	≠		0	0
030	TC050-13130	BUSH	4	≤10006			0	0
030	33251-58250	BUSH	4	≥10007	≠		0.08	0.176
035	33251-58260	PIN KNOCK	1	≥10007			0.001	0.0022
040	38240-13140	SEAL OIL	2	≤10006			0.004	0.0088
050	06613-10675	NIPPLE GREASE	2				0.003	0.0066
060	01173-51495	BOLT	4				0.13	0.286
070	38240-13150	COLLAR	4				0.04	0.088
080	04512-60140	WASHER SPRING	4				0.006	0.0132
090	02176-50140	NUT	4				0.014	0.0308
100	TA040-11500	ASSY HOLDER FRONT	1				1.58	3.476
110	38240-13430	WASHER THRUST	1				0.032	0.0704
120	08511-04025	BUSH	1				0.05	0.11
130	38240-13160	SEAL OIL	1				0.005	0.011
140	01133-51228	BOLT	4				0.04	0.088
150	38630-44760	BOLT	1				0.08	0.176
160	38440-44750	WASHER SEAL	1				0.003	0.0066
170	02176-50160	NUT	1				0.021	0.0462
180	38240-13690	ASSY BRACKET	1				1.6	3.52
190	38240-13430	WASHER THRUST	1				0.032	0.0704
200	08511-04025	BUSH	1				0.05	0.11
210	06312-10010	PLUG	1				0.007	0.0154
220	38240-13160	SEAL OIL	1				0.005	0.011
230	01133-51228	BOLT	4				0.04	0.088

KNUCKLE SHAFT [OLD TYPE]



TC050-095-10

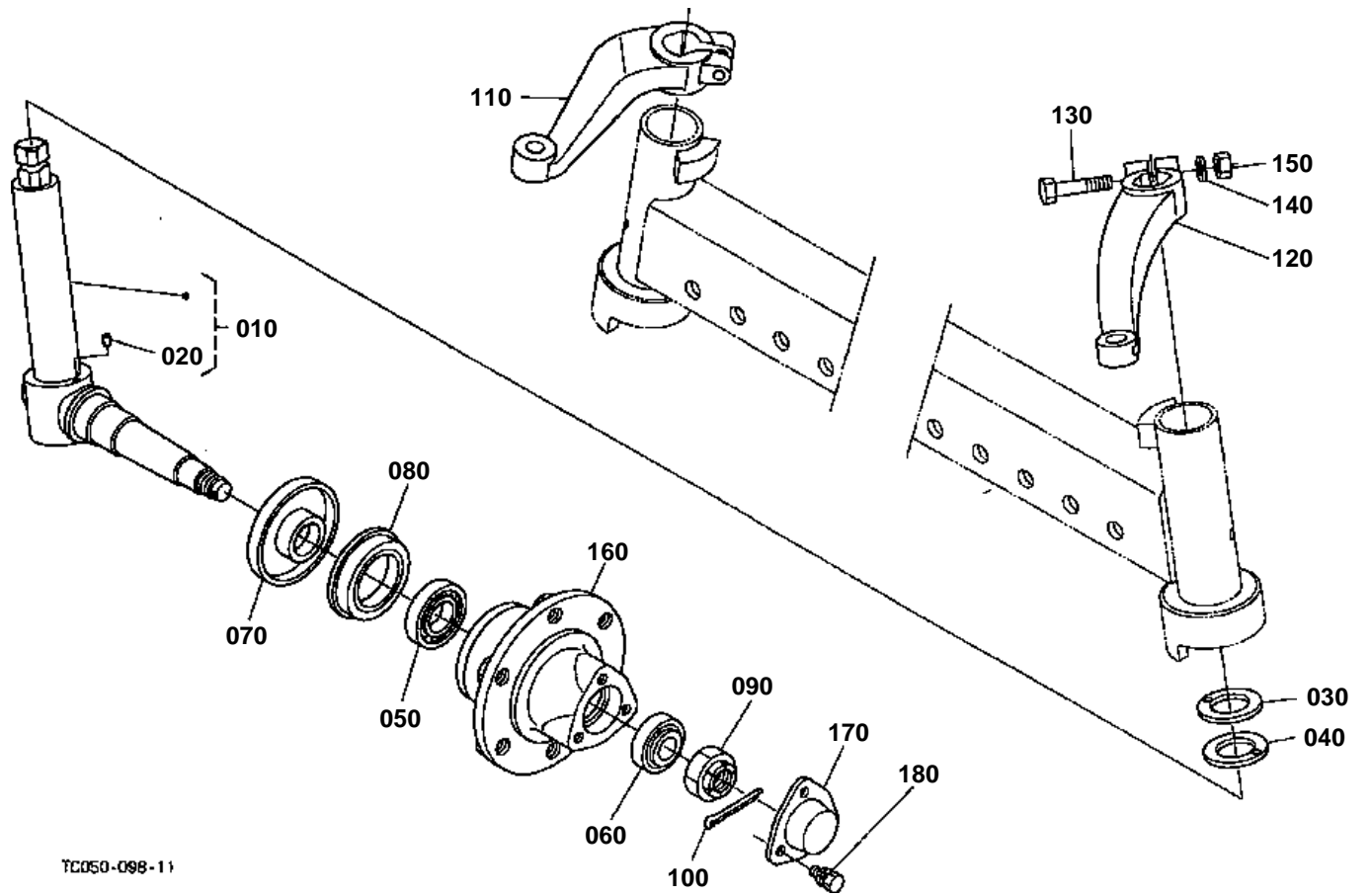


KNUCKLE SHAFT [OLD TYPE]
S.No.;<=10006

↔ Interchangeable; ≠ not interchangeable; ← new for old; → old for new

REF.No	Part No.	Description	Q'ty	S.No.	I/C	REMARKS	Weight (kgf)	Weight (lb)
010	TC050-11110	COMP.SHAFT KNUCKLE	2				0	0
020	31351-21760	COLLAR THRUST	2				0.03	0.066
030	32150-11510	BEARING THRUST BALL	2				0.14	0.308
040	37300-11430	SEAL OIL	2				0.05	0.11
050	08101-06205	BEARING BALL	2				0.14	0.308
060	08101-06206	BEARING BALL	2				0.196	0.4312
070	32240-11480	COVER DUST	2				0.08	0.176
080	37300-11160	SEAL OIL	2				0.08	0.176
090	38240-11420	SPACER	2				0.205	0.451
100	04011-50200	WASHER PLAIN	2				0.015	0.033
110	02372-50200	NUT	2				0.024	0.0528
120	05511-50430	PIN SPLIT	2				0.004	0.0088
130	31351-11213	ARM KNUCKLE RH	1				1.3	2.86
140	31351-11223	ARM KNUCKLE LH	1				1.28	2.816
150	32240-11270	BOLT	2				0.066	0.1452
160	04512-60120	WASHER SPRING	2				0.005	0.011
170	02176-50120	NUT	2				0.01	0.022
180	35340-11310	HUB FRONT WHEEL	2				3.74	8.228
190	32240-11350	CAP FRONT WHEEL	2				0.065	0.143
200	32330-11360	GASKET	2				0.005	0.011
210	01123-60814	BOLT	6				0.008	0.0176

KNUCKLE SHAFT [NEW TYPE]



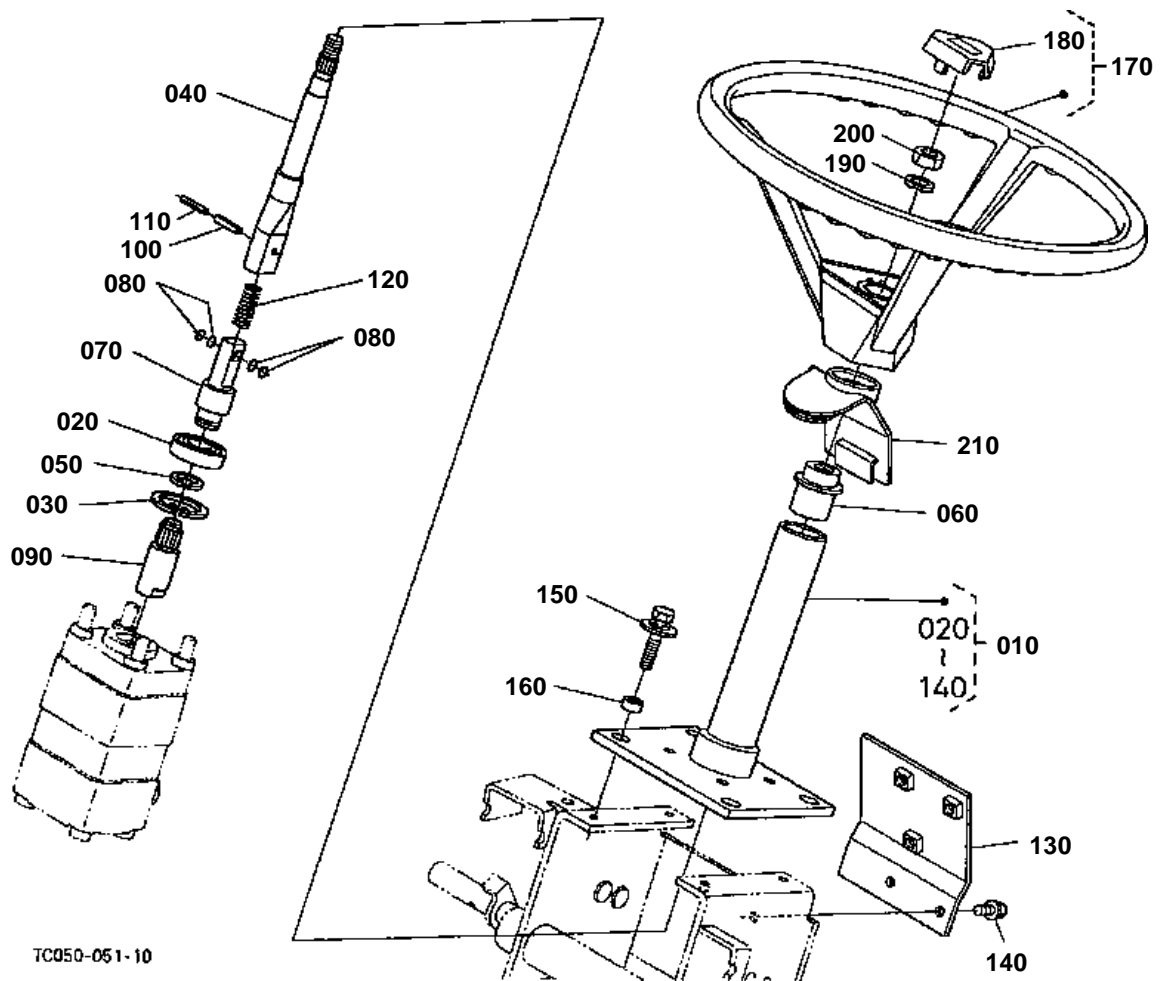


KNUCKLE SHAFT [NEW TYPE]
S.No.;>=10007

↔ Interchangeable; ≠ not interchangeable; ← new for old; → old for new

REF.No	Part No.	Description	Q'ty	S.No.	I/C	REMARKS	Weight (kgf)	Weight (lb)
010	TC050-11100	COMP.SHAFT KNUCKLE	2				3.9	8.58
020	33251-58260	PIN KNOCK	2				0.001	0.0022
030	3A011-58710	COLLAR THRUST	2			3.0mm	0.04	0.088
040	3A011-58720	COLLAR THRUST	2			3.0mm	0.045	0.099
050	08711-30207	BEARING TAPER-ROLLER	2				0.365	0.803
060	08711-30205	BEARING TAPER-ROLLER	2				0.148	0.3256
070	33251-58770	COVER KNUCKLE	2				0.34	0.748
080	33251-58760	SEAL OIL	2				0.102	0.2244
090	02375-50220	NUT	2				0.04	0.088
100	05511-50435	PIN SPLIT	2				0.004	0.0088
110	31351-11213	ARM KNUCKLE RH	1				1.3	2.86
120	31351-11223	ARM KNUCKLE LH	1				1.28	2.816
130	32240-11270	BOLT	2				0.066	0.1452
140	04512-60120	WASHER SPRING	2				0.005	0.011
150	02176-50120	NUT	2				0.01	0.022
160	3A011-58812	HUB FRONT WHEEL	2				4.8	10.56
170	32240-11350	CAP FRONT WHEEL	2				0.065	0.143
180	01123-60814	BOLT	6				0.008	0.0176

STEERING HANDLE

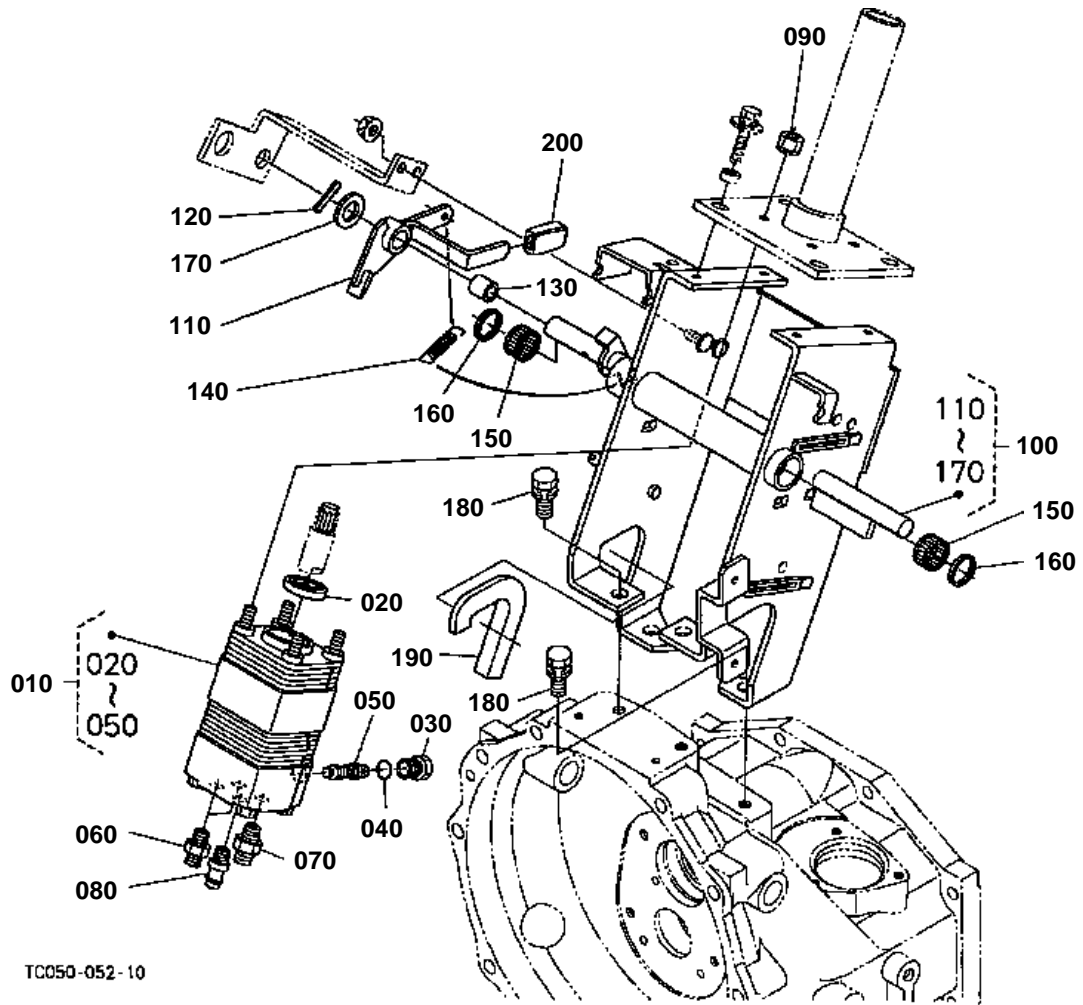


**STEERING HANDLE**

↔ Interchangeable; ≠ not interchangeable; ← new for old; → old for new

REF.No	Part No.	Description	Q'ty	S.No.	I/C	REMARKS	Weight (kgf)	Weight (lb)
010	TC050-43600	ASSY POST STEERING	1				0	0
020	08121-06004	BEARING BALL	1				0.075	0.165
030	04611-00420	CIR CLIP INTERNAL	1				0.006	0.0132
040	TC030-43680	SHAFT STEERING	1				0	0
050	36919-30040	CIR-CLIP	1				0.001	0.0022
060	TC050-41510	BUSH	1				0	0
070	TC030-43690	SHAFT STEERING	1				0	0
080	04811-00060	O RING	4				0.001	0.0022
080	04817-00060	O RING	4		←		0	0
090	35080-40170	SHAFT JOINT	1				0.11	0.242
100	05411-00522	PIN SPRING	1				0.002	0.0044
110	05411-00322	PIN SPRING	1				0.001	0.0022
120	31391-16940	SPRING	1				0.005	0.011
130	TC050-43620	STAY SUPPORT P-STRG.	1				0	0
140	01754-50816	BOLT FLANGE	2				0.011	0.0242
150	01027-50635	BOLT	4				0.013	0.0286
160	TC050-43630	COLLAR STEERING POST	4				0	0
170	31351-16063	ASSY WHEEL STEERING	1				2.4	5.28
180	31351-16082	PAD STEERING	1				0.07	0.154
190	04512-60120	WASHER SPRING	1				0.005	0.011
200	02176-50120	NUT	1				0.01	0.022
210	TC050-16860	COVER POST P-STRG.	1				0	0

STEERING CONTROLLER



TC050-052-10

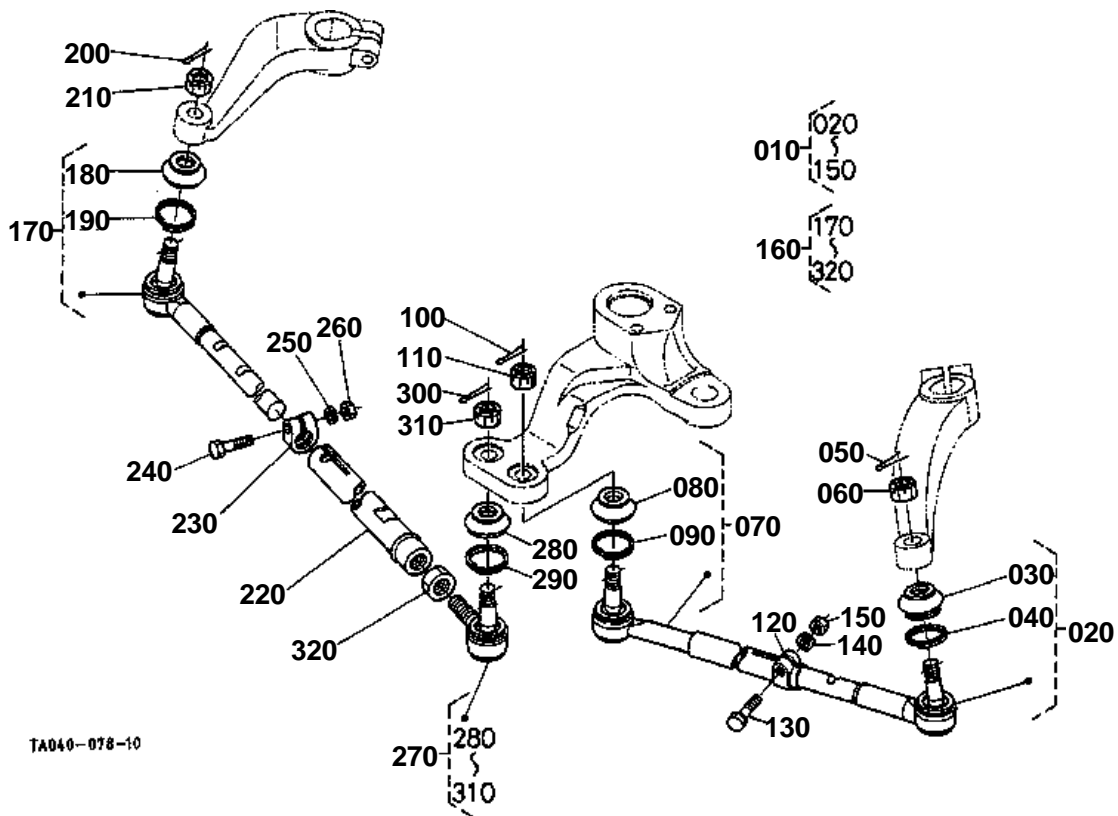


STEERING CONTROLLER

↔ Interchangeable; ≠ not interchangeable; ← new for old; → old for new

REF.No	Part No.	Description	Q'ty	S.No.	I/C	REMARKS	Weight (kgf)	Weight (lb)
010	TC050-37100	CONTROLLER STEERING	1				0	0
020	09500-19387	SEAL OIL	1				0.012	0.0264
030	35070-40840	PLUG	1				0.042	0.0924
040	04810-00150	O RING	1				0.001	0.0022
040	04817-00150	O RING	1		←		0	0
050	TC050-40870	COMP.VALVE RELIEF	1				0	0
060	56713-28140	ADAPTER CYLINDER	2				0.03	0.066
070	T0180-37300	JOINT	1				0.06	0.132
080	31391-66810	JOINT PIPE	1				0.04	0.088
090	16429-92010	NUT	4				0.007	0.0154
100	TC030-45686	COMP.SUPPORT P-STRG.	1				0	0
110	TC030-44413	LOCK PARKING LEVER	1				0	0
120	05411-00532	PIN SPRING	1				0.003	0.0066
130	08511-01820	BUSH	1				0.001	0.0022
140	36330-83420	SPRING LOCK	1				0.006	0.0132
150	34070-44360	BEARING NEEDLE	2				0.012	0.0264
160	34070-44140	SEAL OIL	2				0.005	0.011
170	04011-50180	WASHER PLAIN	1				0.012	0.0264
180	01133-51225	BOLT	4				0.038	0.0836
190	TC030-43330	GROMMET	1				0	0
200	TA140-43560	GRIP	1				0.022	0.0484

STEERING LINKAGE (TIE ROD)

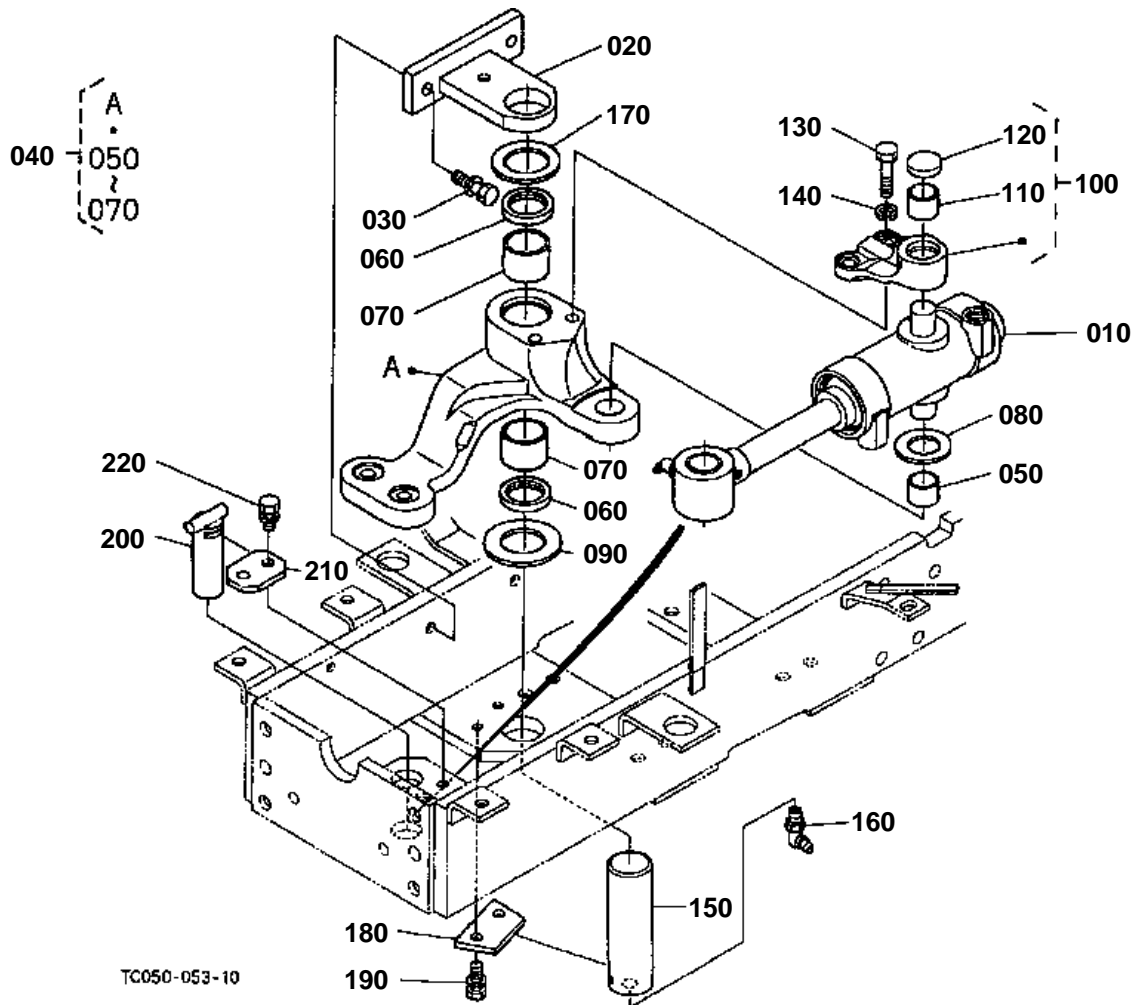


**STEERING LINKAGE (TIE ROD)**

↔ Interchangeable; ≠ not interchangeable; ← new for old; → old for new

REF.No	Part No.	Description	Q'ty	S.No.	I/C	REMARKS	Weight (kgf)	Weight (lb)
010	32430-12400	ASSY ROD TIE LH	1				2.15	4.73
020	32430-12410	COMP.ROD TIE	1	≤10006			0.855	1.881
020	32430-12412	COMP.ROD TIE	1	≥10007	←		0.855	1.881
030	38240-12650	COVER DUST	1				0.01	0.022
040	38240-12660	CLIP	1				0.005	0.011
050	05511-50325	PIN SPLIT	1				0.002	0.0044
060	38240-12830	NUT	1				0.008	0.0176
070	32430-12450	ROD TIE LH	1				1.17	2.574
080	38240-12650	COVER DUST	1				0.01	0.022
090	38240-12660	CLIP	1				0.005	0.011
100	05511-50325	PIN SPLIT	1				0.002	0.0044
110	38240-12830	NUT	1				0.008	0.0176
120	33251-62860	CLAMP TIE ROD	1				0.078	0.1716
130	38430-12560	BOLT	1				0.35	0.77
140	04512-60100	WASHER SPRING	1				0.002	0.0044
150	02176-50100	NUT	1				0.005	0.011
160	TC050-12502	ASSY ROD TIE RH	1				0	0
170	32430-12410	COMP.ROD TIE	1	≤10006			0.855	1.881
170	32430-12412	COMP.ROD TIE	1	≥10007	←		0.855	1.881
180	38240-12650	COVER DUST	1				0.01	0.022
190	38240-12660	CLIP	1				0.005	0.011
200	05511-50325	PIN SPLIT	1				0.002	0.0044
210	38240-12830	NUT	1				0.008	0.0176
220	TC050-12520	ROD TIE	1				0	0
230	33251-62860	CLAMP TIE ROD	1				0.078	0.1716
240	38430-12560	BOLT	1				0.35	0.77
250	04512-60100	WASHER SPRING	1				0.002	0.0044
260	02176-50100	NUT	1				0.005	0.011
270	38440-44780	ASSY END TIE ROD RH	1				0.322	0.7084
280	38240-12650	COVER DUST	1				0.01	0.022
290	38240-12660	CLIP	1				0.005	0.011
300	05511-50325	PIN SPLIT	1				0.002	0.0044
310	38240-12830	NUT	1				0.008	0.0176
320	02172-50160	NUT	1				0.017	0.0374

STEERING CYLINDER



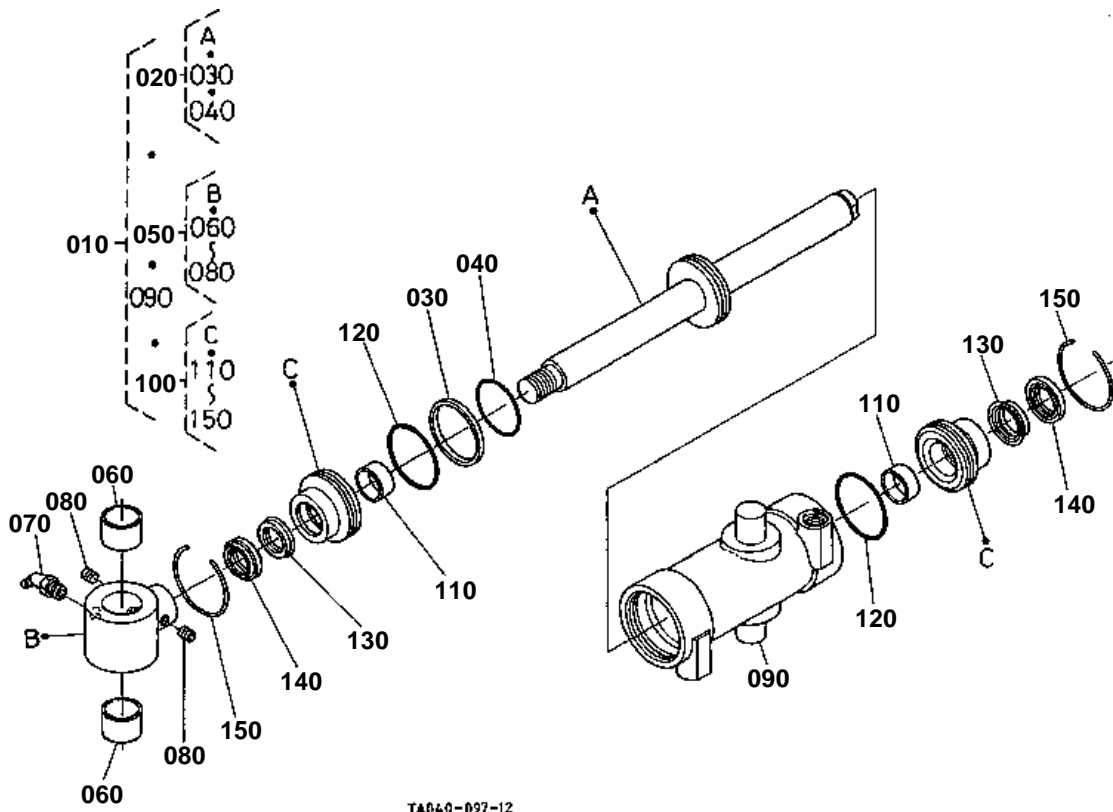


STEERING CYLINDER

↔ Interchangeable; ≠ not interchangeable; ← new for old; → old for new

REF.No	Part No.	Description	Q'ty	S.No.	I/C	REMARKS	Weight (kgf)	Weight (lb)
010	TA040-37806	ASSY CYLINDER STRG.	1				4.85	10.67
020	TA040-14310	SUPPORT SHAFT	1				1.15	2.53
030	01133-51230	BOLT	2				0.04	0.088
040	TA040-11132	ASSY ARM PITMAN	1				4.9	10.78
050	08511-02420	BUSH	1				0.018	0.0396
060	38240-13160	SEAL OIL	2				0.005	0.011
070	52200-22430	BUSH	2				0.05	0.11
080	TA040-17200	WASHER	1				0.01	0.022
090	TA040-17210	WASHER	1				0.03	0.066
100	TA140-17100	ASSY ARM PITMAN	1	<=10720			0.6	1.32
100	TC059-17100	ASSY ARM PITMAN	1	>=10721	←		0	0
110	08511-02420	BUSH	1				0.018	0.0396
120	69331-11160	PLUG	1				0.008	0.0176
130	TA040-17190	BOLT REAMER	2				0.035	0.077
140	04512-60100	WASHER SPRING	2				0.002	0.0044
150	TA040-17162	SHAFT PITMAN ARM	1				1.33	2.926
160	06616-25010	NIPPLE GREASE	1				0.008	0.0176
170	TA040-17250	WASHER	1				0.016	0.0352
180	TA040-17262	PLATE SHAFT	1				0.08	0.176
190	01133-51025	BOLT	2				0.023	0.0506
200	TA040-17173	SHAFT ROD END	1				0.4	0.88
210	TA040-17150	PLATE ROD END	1				0.055	0.121
220	01133-51016	BOLT	2				0.015	0.033

STEERING CYLINDER [COMPONENT PARTS]



TA040-097-12

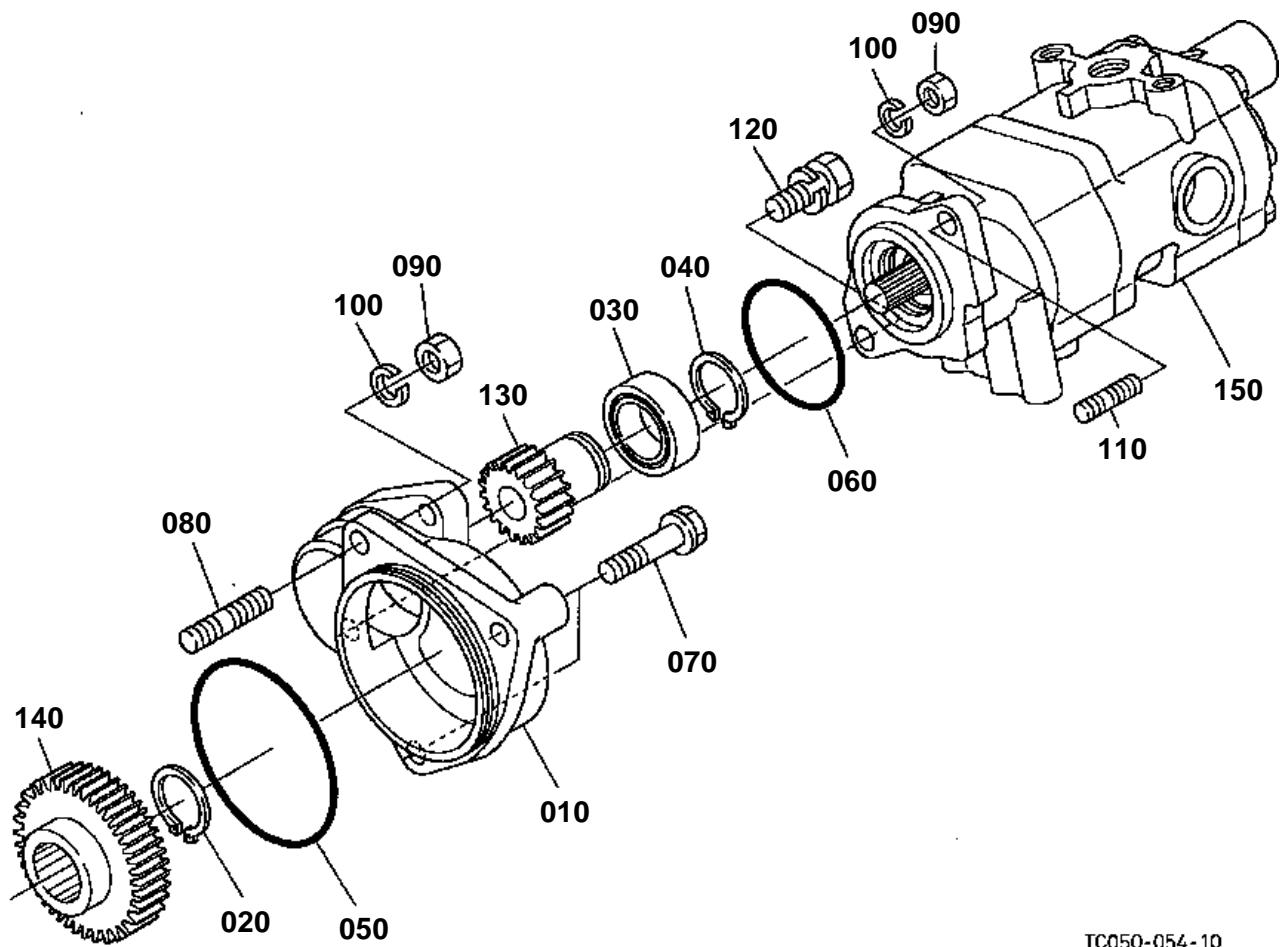


STEERING CYLINDER [COMPONENT PARTS]

↔ Interchangeable; ≠ not interchangeable; ← new for old; → old for new

REF.No	Part No.	Description	Q'ty	S.No.	I/C	REMARKS	Weight (kgf)	Weight (lb)
010	TA040-37806	ASSY CYLINDER STRG.	1				4.85	10.67
020	TA040-37814	ASSY ROD	1				1.55	3.41
030	TA040-37570	GASKET PISTON	1				0.002	0.0044
040	04811-00450	O RING	1				0.002	0.0044
040	04816-00450	O RING	1		←		0.002	0.0044
050	TA040-37860	ASSY END ROD	1				0.7	1.54
060	08511-02820	BUSH	2				0.029	0.0638
070	06613-20010	NIPPLE GREASE	1				0.01	0.022
080	03653-50610	SCREW SET	2				0.001	0.0022
090	TA040-37875	TUBE CYLINDER	1				1.91	4.202
100	TA040-37840	ASSY COVER CYLINDER	2				0.365	0.803
110	08511-02512	BUSH	2				0.03	0.066
120	04810-50500	O RING	2				0.005	0.011
120	04817-50500	O RING	2		←		0	0
130	TA040-37560	GASKET ROD	2				0.002	0.0044
140	TA040-37580	SEAL DUST	2				0.002	0.0044
150	TA040-37880	CIR-CLIP	2				0.005	0.011

HYDRAULIC PUMP



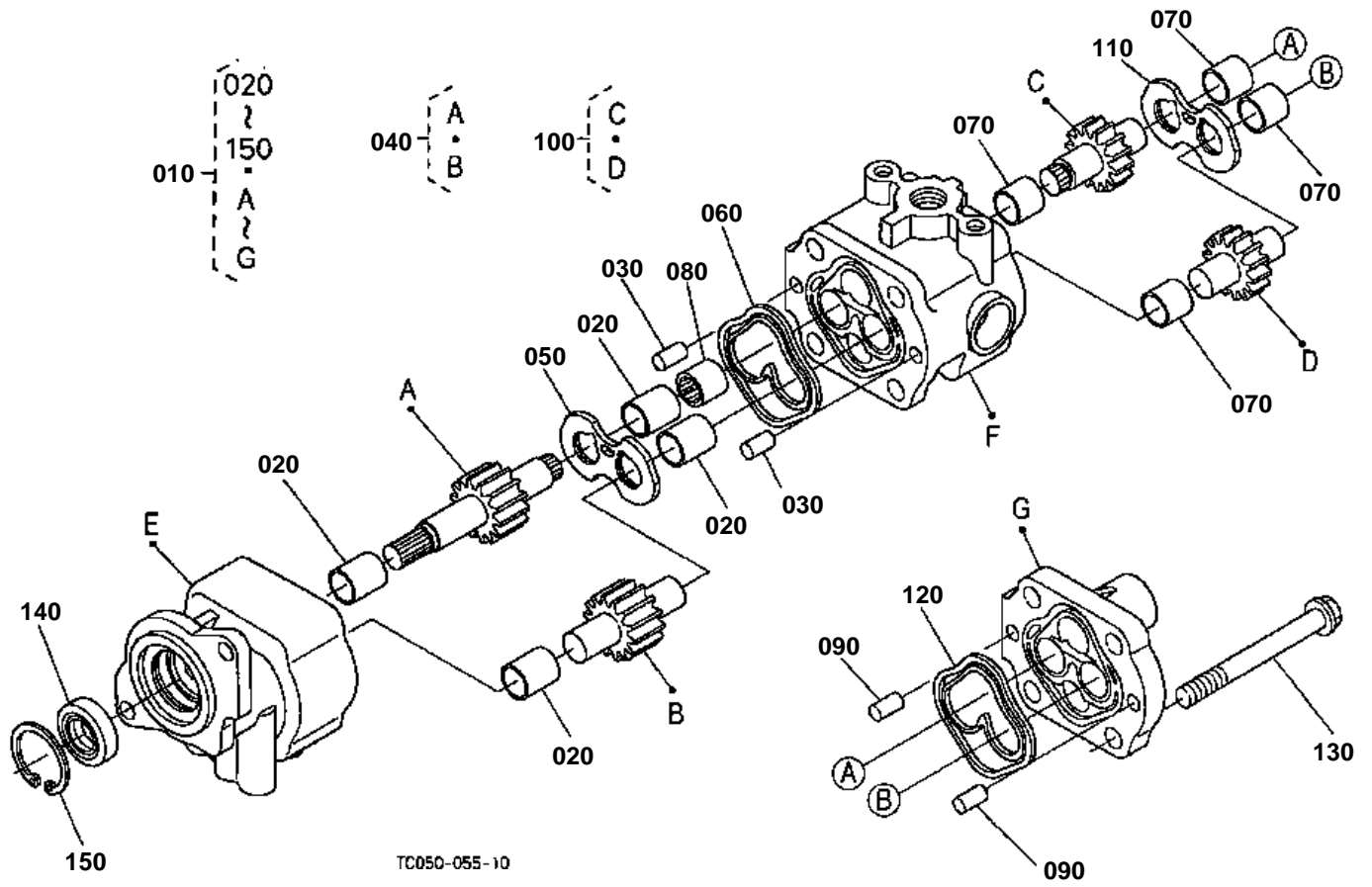
TC050-054-10

**HYDRAULIC PUMP**

↔ Interchangeable; ≠ not interchangeable; ← new for old; → old for new

REF.No	Part No.	Description	Q'ty	S.No.	I/C	REMARKS	Weight (kgf)	Weight (lb)
010	T1150-36610	HOLDER PUMP	1				0.35	0.77
020	04612-00250	CIR CLIP EXTERNAL	1				0.002	0.0044
020	15471-95360	CIR CLIP EXTERNAL	1		←		0.004	0.0088
030	08241-05205	BEARING BALL	1				0.177	0.3894
040	04612-00250	CIR CLIP EXTERNAL	1				0.002	0.0044
050	19013-96840	O RING	1				0.01	0.022
060	T1060-36620	O RING	1				0.001	0.0022
070	01754-50840	BOLT FLANGE	2				0.02	0.044
080	38240-36330	STUD	1				0.008	0.0176
090	02156-50080	NUT	2				0.004	0.0088
100	04512-60080	WASHER SPRING	2				0.002	0.0044
110	01513-60820	STUD	1				0.015	0.033
120	01123-50835	BOLT	1				0.02	0.044
130	TC050-36820	GEAR PUMP DRIVE	1			18T	0	0
140	T1062-36810	GEAR PUMP DRIVE	1			41T	0.51	1.122
150	TC050-36400	ASSY PUMP HYDRAULIC	1	≤10833			2.5	5.5
150	TC050-36403	ASSY PUMP HYDRAULIC	1	≥10834	←		2.5	5.5

HYDRAULIC PUMP [COMPONENT PARTS]



TC050-055-10

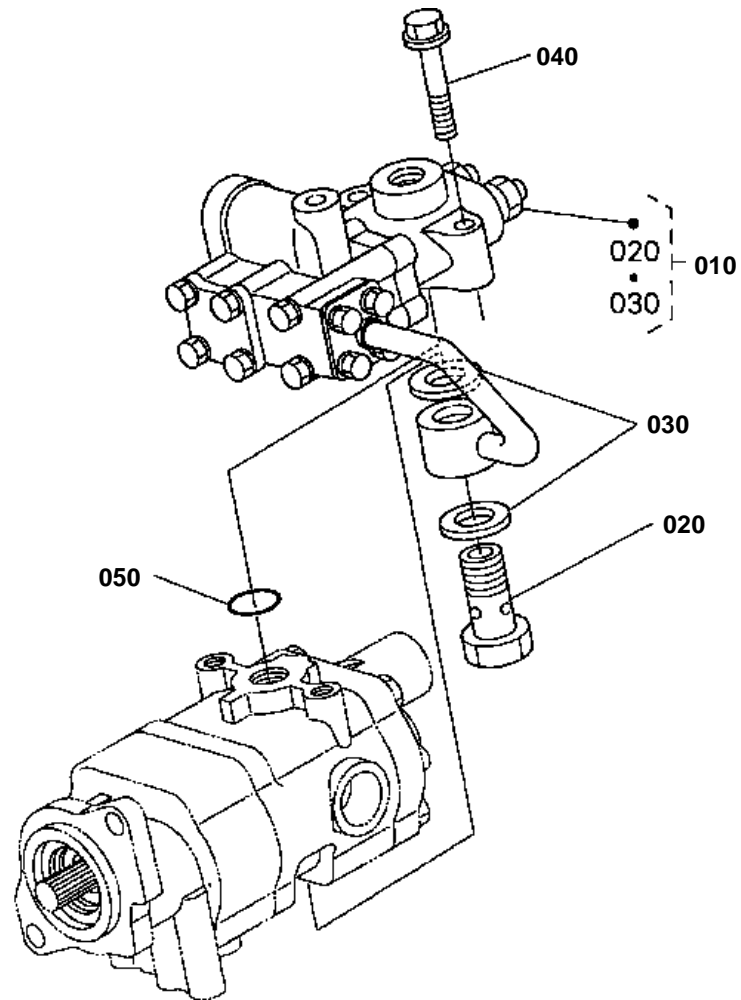


HYDRAULIC PUMP [COMPONENT PARTS]

↔ Interchangeable; ≠ not interchangeable; ← new for old; → old for new

REF.No	Part No.	Description	Q'ty	S.No.	I/C	REMARKS	Weight (kgf)	Weight (lb)
010	TC050-36400	ASSY PUMP HYDRAULIC	1	≤10833			2.5	5.5
010	TC050-36403	ASSY PUMP HYDRAULIC	1	≥10834	←		2.5	5.5
020	K3511-36760	BUSH	4	≤10833			0.01	0.022
020	K3511-36762	BUSH	4	≥10834	←		0.01	0.022
030	05012-00814	PIN STRAIGHT	2				0.006	0.0132
040	TC050-36450	COMP.GEAR HYD.PUMP	1				0	0
050	6C140-36350	PLATE SIDE	1				0.05	0.11
060	6C040-36342	RING DOUBLE	1	≤10833			0.003	0.0066
060	6C040-36344	RING DOUBLE	1	≥10834	←		0.003	0.0066
070	6A100-37230	BUSH	4	≤10833			0.005	0.011
070	6A100-37232	BUSH	4	≥10834	←		0.005	0.011
080	6A100-37430	COUPLING	1				0.01	0.022
090	05012-00814	PIN STRAIGHT	2				0.006	0.0132
100	T1060-36550	COMP.GEAR HYD.PUMP	1				0.2	0.44
110	6C140-36350	PLATE SIDE	1				0.05	0.11
120	6C040-36342	RING DOUBLE	1	≤10833			0.003	0.0066
120	6C040-36344	RING DOUBLE	1	≥10834	←		0.003	0.0066
130	01754-51090	BOLT FLANGE	4				0.05	0.11
140	31381-76390	SEAL OIL	1				0.01	0.022
150	04611-00300	CIR CLIP INTERNAL	1				0.004	0.0088

REGULATOR VALVE



TC050-056-10

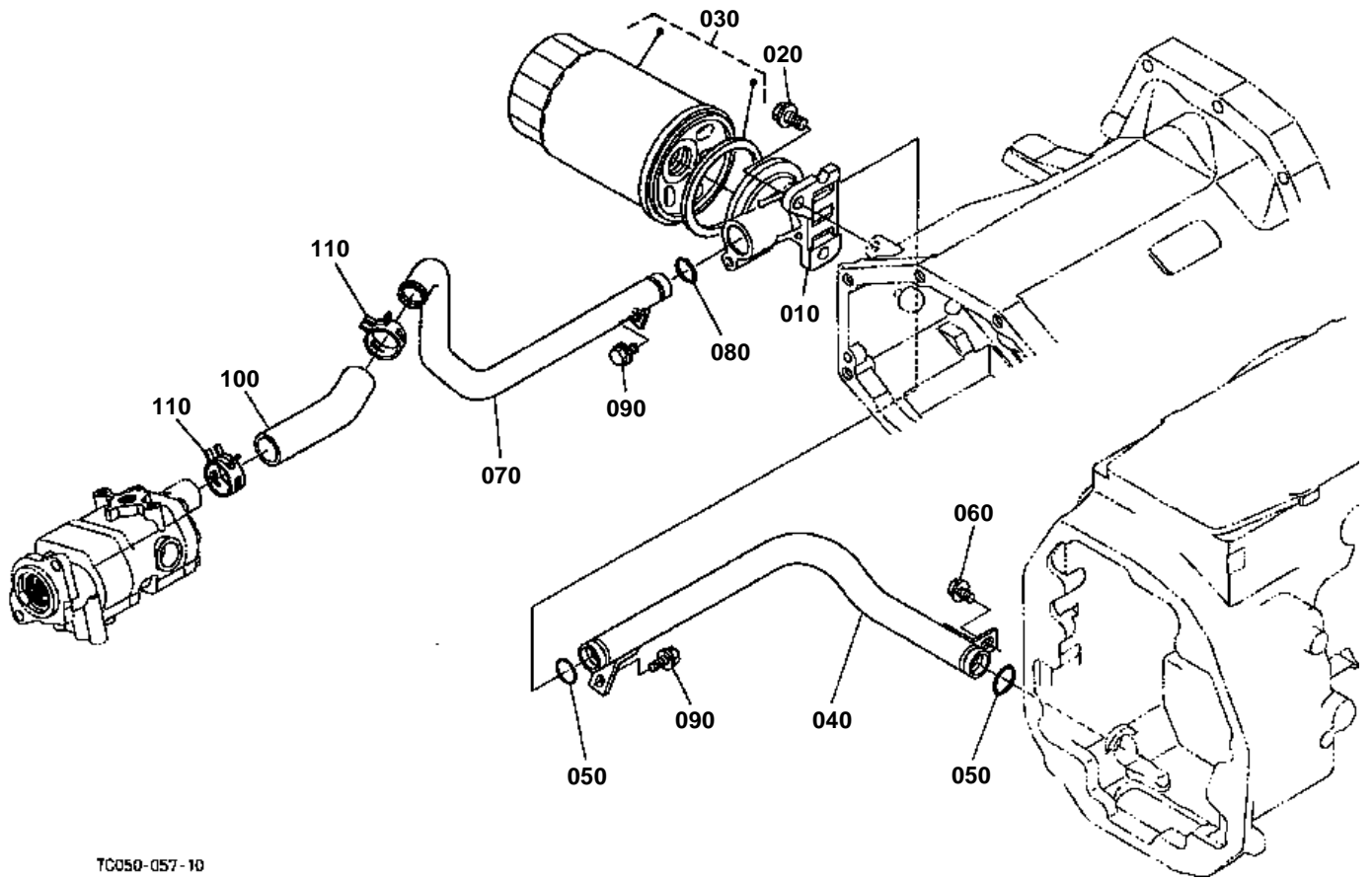


REGULATOR VALVE

↔ Interchangeable; ≠ not interchangeable; ← new for old; → old for new

REF.No	Part No.	Description	Q'ty	S.No.	I/C	REMARKS	Weight (kgf)	Weight (lb)
010	T1060-19000	ASSY VALVE REGULATOR	1				1.68	3.696
020	66591-36250	JOINT	1				0.08	0.176
030	67111-37180	GASKET	2				0.003	0.0066
040	01754-50840	BOLT FLANGE	2				0.02	0.044
050	04811-00200	O RING	1				0.001	0.0022
050	04817-00200	O RING	1		←		0	0

HYDRAULIC OIL LINE(INLET)



TC050-057-10

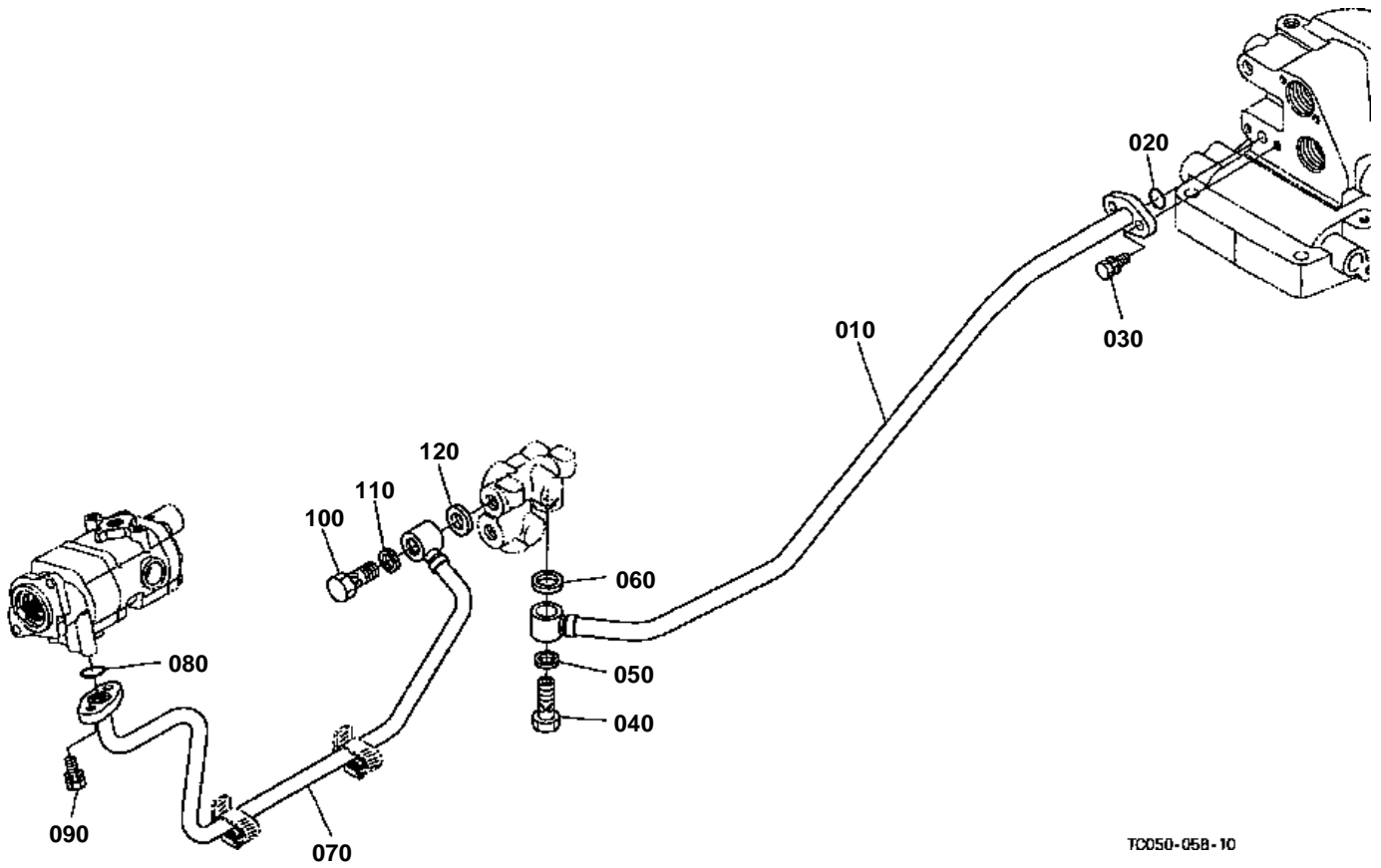


HYDRAULIC OIL LINE(INLET)

↔ Interchangeable; ≠ not interchangeable; ← new for old; → old for new

REF.No	Part No.	Description	Q'ty	S.No.	I/C	REMARKS	Weight (kgf)	Weight (lb)
010	TA040-33212	BRACKET FILTER	1				0.525	1.155
020	01774-61020	BOLT FLANGE	2				0.022	0.0484
030	T0070-37710	CARTRIDGE OIL FILTER	1				0.725	1.595
040	TC050-33360	PIPE INLET	1				0	0
050	04811-07230	O RING	2				0.001	0.0022
050	04817-07230	O RING	2		←		0	0
060	01754-50812	BOLT FLANGE	1				0.01	0.022
070	TC030-33320	PIPE INLET	1				0	0
080	04810-07230	O RING	1				0.001	0.0022
080	04817-07230	O RING	1		←		0	0
090	01754-50816	BOLT FLANGE	2				0.011	0.0242
100	TA040-33340	HOSE INLET	1				0.103	0.2266
110	31351-38180	BAND PIPE	2				0.02	0.044

HYDRAULIC OIL LINE(DELIVERY)



TC050-058-10

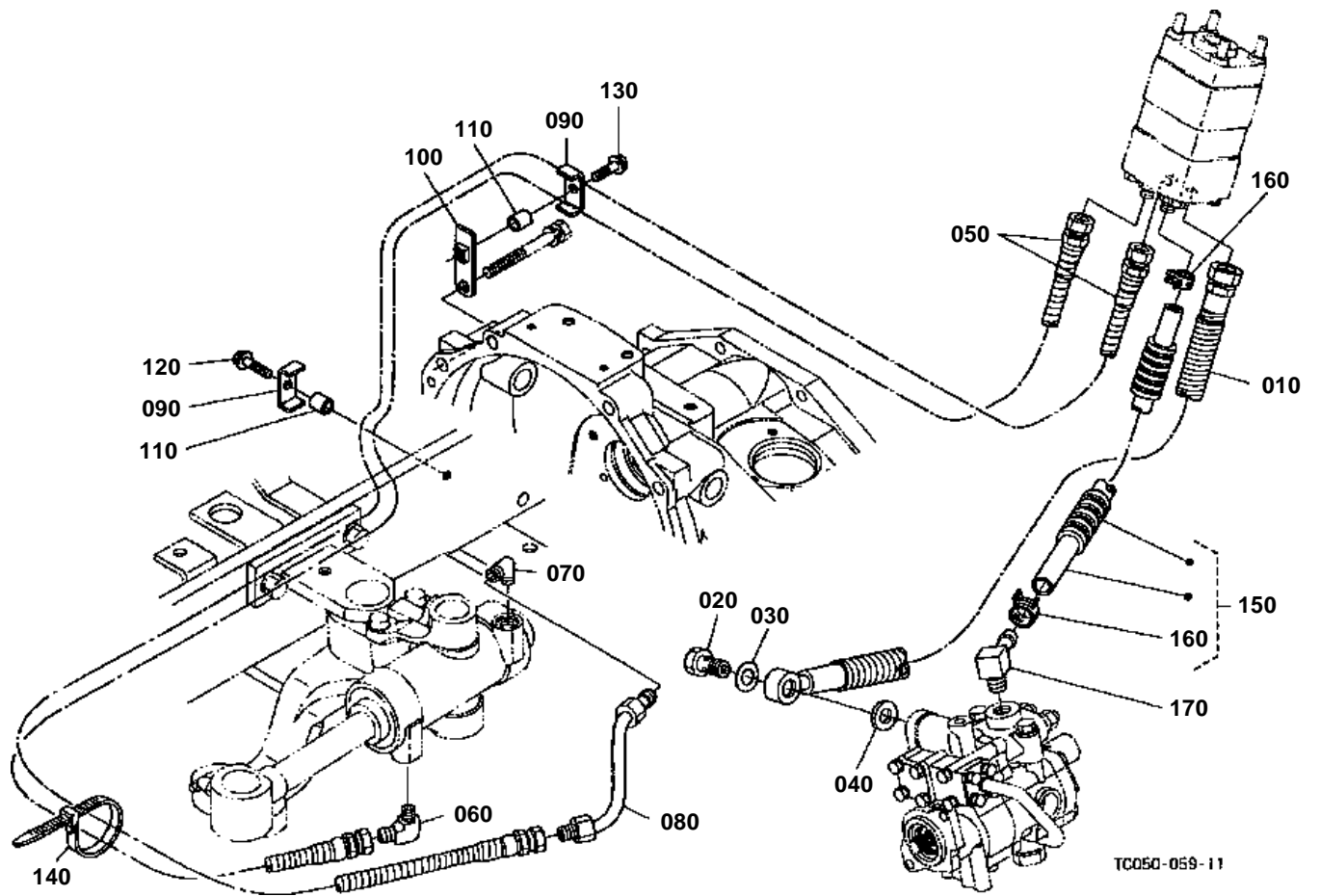


HYDRAULIC OIL LINE(DELIVERY)

↔ Interchangeable; ≠ not interchangeable; ← new for old; → old for new

REF.No	Part No.	Description	Q'ty	S.No.	I/C	REMARKS	Weight (kgf)	Weight (lb)
010	TC050-33412	COMP.PIPE DELIVERY	1				0	0
020	04810-00180	O RING	1				0.001	0.0022
020	04817-00180	O RING	1		←		0.003	0.0066
030	01123-50820	BOLT	2				0.011	0.0242
040	66591-36250	JOINT	1				0.08	0.176
050	67111-37180	GASKET	1				0.003	0.0066
060	67401-36720	GASKET	1				0.005	0.011
070	TC050-33422	COMP.PIPE DELIVERY	1				0	0
080	04810-00180	O RING	1				0.001	0.0022
080	04817-00180	O RING	1		←		0.003	0.0066
090	01123-50820	BOLT	2				0.011	0.0242
100	66591-36250	JOINT	1				0.08	0.176
110	67111-37180	GASKET	1				0.003	0.0066
120	67401-36720	GASKET	1				0.005	0.011

HYDRAULIC OIL LINE (PS)



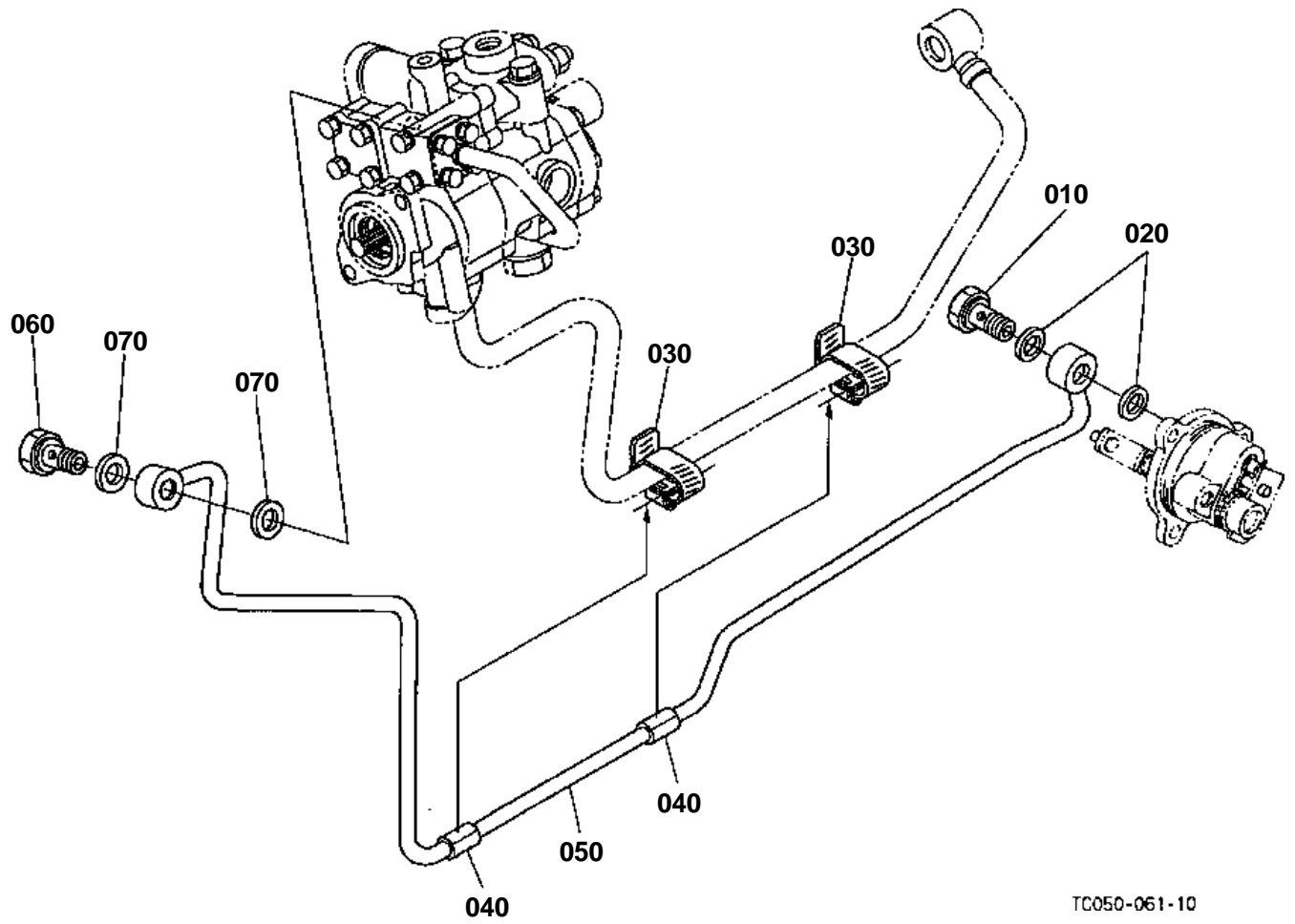


HYDRAULIC OIL LINE (PS)

↔ Interchangeable; ≠ not interchangeable; ← new for old; → old for new

REF.No	Part No.	Description	Q'ty	S.No.	I/C	REMARKS	Weight (kgf)	Weight (lb)
010	TC050-33510	HOSE DELIVERY	1				0	0
020	66591-36250	JOINT	1				0.08	0.176
030	67111-37180	GASKET	1				0.003	0.0066
040	TA040-37180	GASKET	1				0.004	0.0088
050	TC050-33540	HOSE DELIVERY	2				0	0
060	56713-28130	ADAPTER CYLINDER	1				0.052	0.1144
070	06014-51023	JOINT	1				0.06	0.132
080	TA040-33564	COMP.PIPE POWER STRG	1				0	0
090	TA040-33280	HOLDER HOSE	2				0.019	0.0418
100	TC050-33280	STAY DELIVERY HOSE	1				0	0
110	TA040-33290	COLLAR	2				0.005	0.011
120	01754-50825	BOLT FLANGE	1				0.01	0.022
130	01754-50825	BOLT FLANGE	1				0.01	0.022
140	55311-41260	BAND CORD	1				0.007	0.0154
150	TC030-33530	ASSY HOSE RETURN	1				0	0
160	T1060-33630	BAND PIPE	2				0.006	0.0132
170	34070-36910	JOINT	1				0.07	0.154

PTO HYDRAULIC OIL LINE



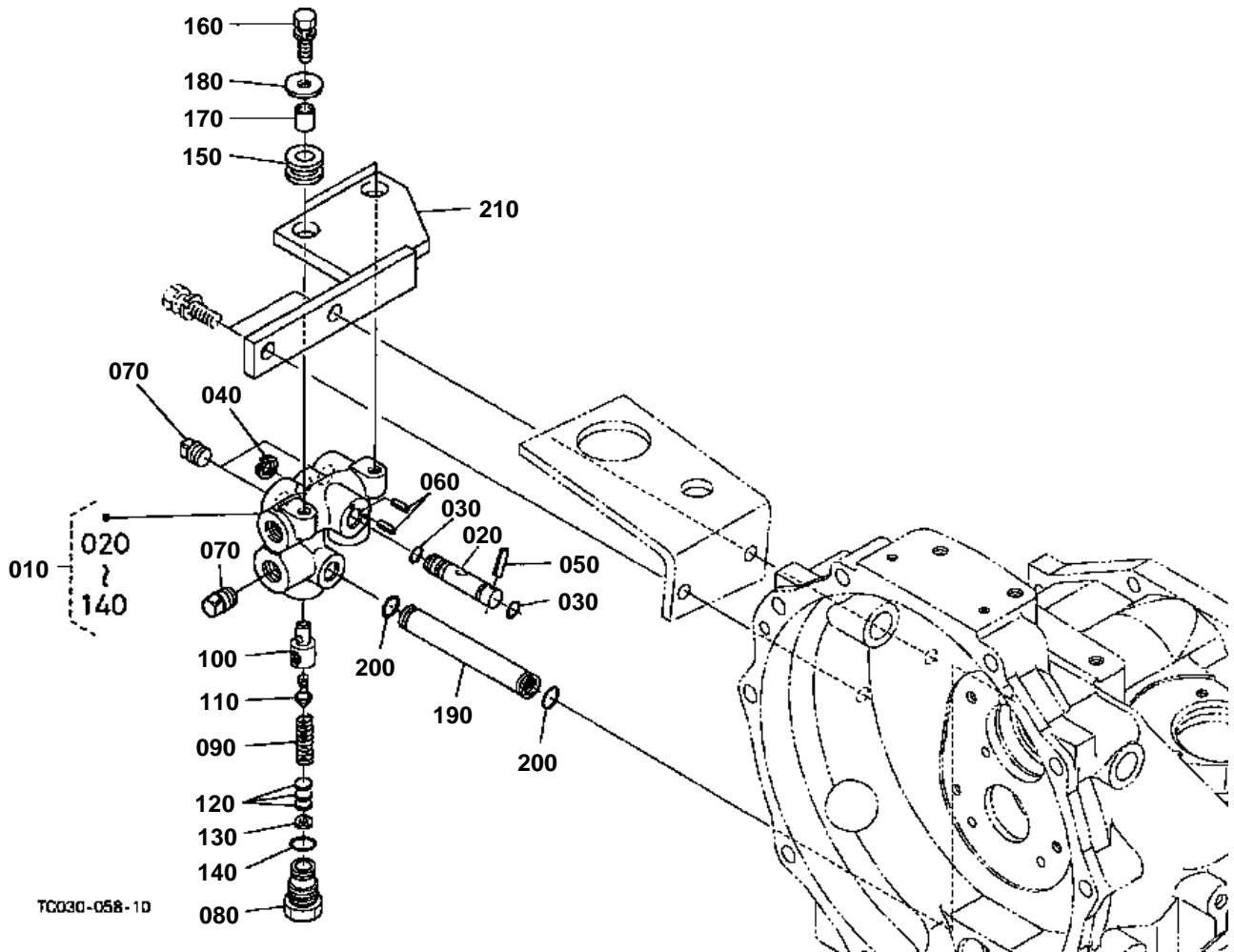


PTO HYDRAULIC OIL LINE

↔ Interchangeable; ≠ not interchangeable; ← new for old; → old for new

REF.No	Part No.	Description	Q'ty	S.No.	I/C	REMARKS	Weight (kgf)	Weight (lb)
010	TA040-69402	ASSY BOLT	1				0.045	0.099
020	04714-00200	GASKET	2				0.002	0.0044
030	67955-36230	CLAMP	2				0.023	0.0506
040	31351-45270	PIPE RUBBER	2				0.005	0.011
050	TC050-69930	COMP.PIPE I-PTO	1				0	0
060	34076-66590	BOLT JOINT	1				0.05	0.11
070	04714-00200	GASKET	2				0.002	0.0044

HYDRAULIC OUTLET BLOCK



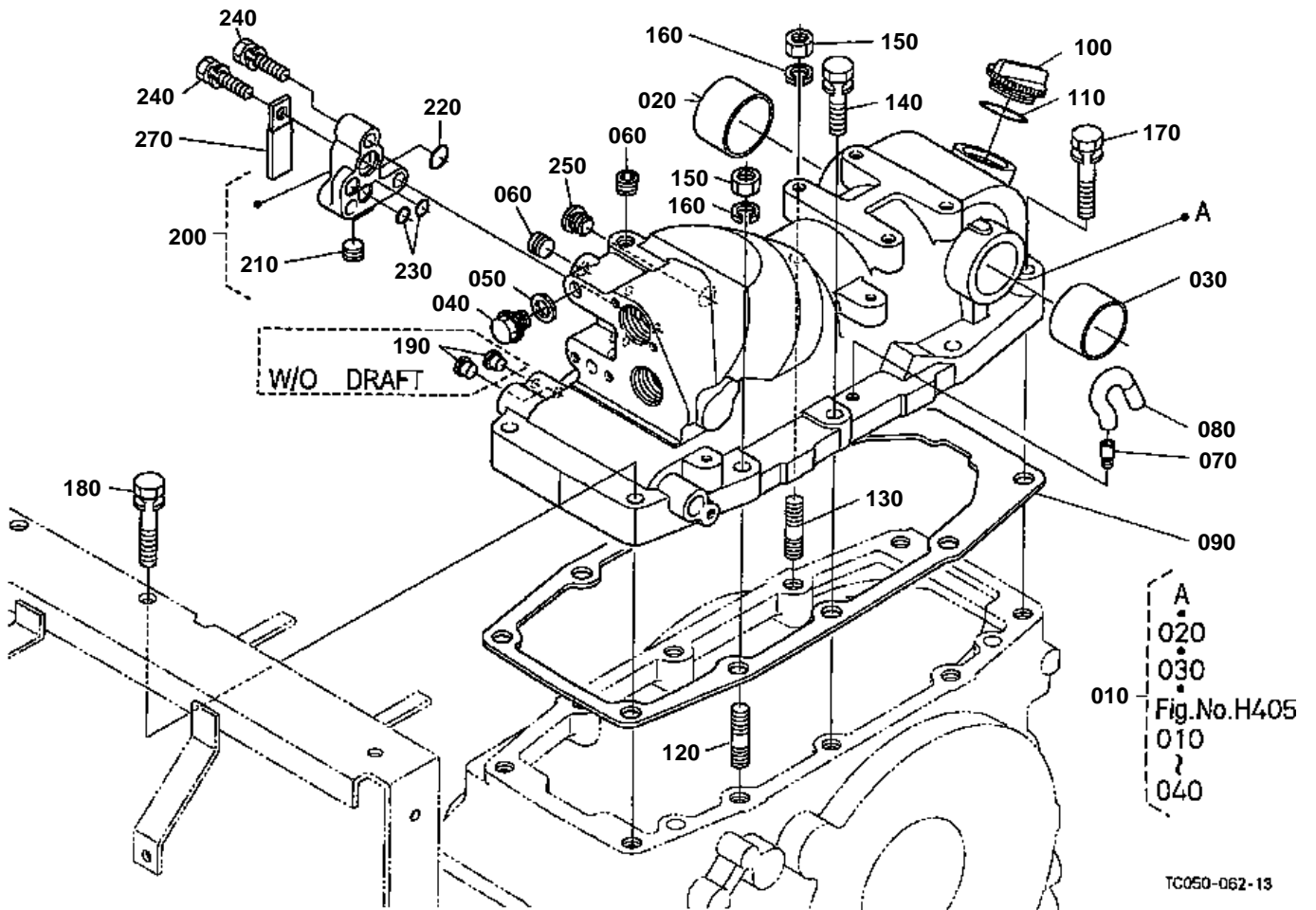


HYDRAULIC OUTLET BLOCK

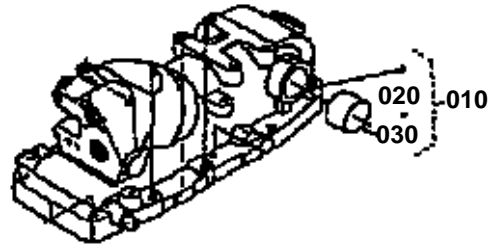
↔ Interchangeable; ≠ not interchangeable; ← new for old; → old for new

REF.No	Part No.	Description	Q'ty	S.No.	I/C	REMARKS	Weight (kgf)	Weight (lb)
010	TA040-37500	ASSY BLOCK FRONT HYD	1				1.545	3.399
020	TA040-37520	SPOOL	1				0.067	0.1474
030	04810-06100	O RING	2				0.001	0.0022
030	04817-06100	O RING	2		←		0	0
040	04612-00140	CIR CLIP EXTERNAL	1				0.001	0.0022
050	05411-00320	PIN SPRING	1				0.001	0.0022
060	05411-00310	PIN SPRING	2				0.001	0.0022
070	06312-10030	PLUG	3				0.029	0.0638
080	31351-37910	PLUG	1				0.06	0.132
090	31351-37920	SPRING RELIEF	1				0.02	0.044
100	31351-37930	SEAT RELIEF VALVE	1				0.02	0.044
110	31351-37940	POPPET	1				0.005	0.011
120	31351-37950	SHIM	5			0.4mm	0.001	0.0022
120	31351-37960	SHIM	2			0.2mm	0.001	0.0022
120	31351-37970	SHIM	2			0.1mm	0.001	0.0022
130	04013-60050	WASHER PLAIN	2				0.001	0.0022
140	04811-10160	O RING	1				0.001	0.0022
150	TA040-37590	CUSHION	2				0.006	0.0132
160	01123-50828	BOLT	2				0.014	0.0308
170	TA040-37600	COLLAR	2				0.009	0.0198
180	04015-60080	WASHER PLAIN	2				0.01	0.022
190	TA040-37550	PIPE RETURN	1				0.052	0.1144
200	04811-00110	O RING	2				0.001	0.0022
200	04817-00110	O RING	2		←		0.001	0.0022
210	TC030-37540	BRACKET HYD.BLOCK	1				0	0

HYDRAULIC CYLINDER



010 TC050-9935-0



TC050-809-10

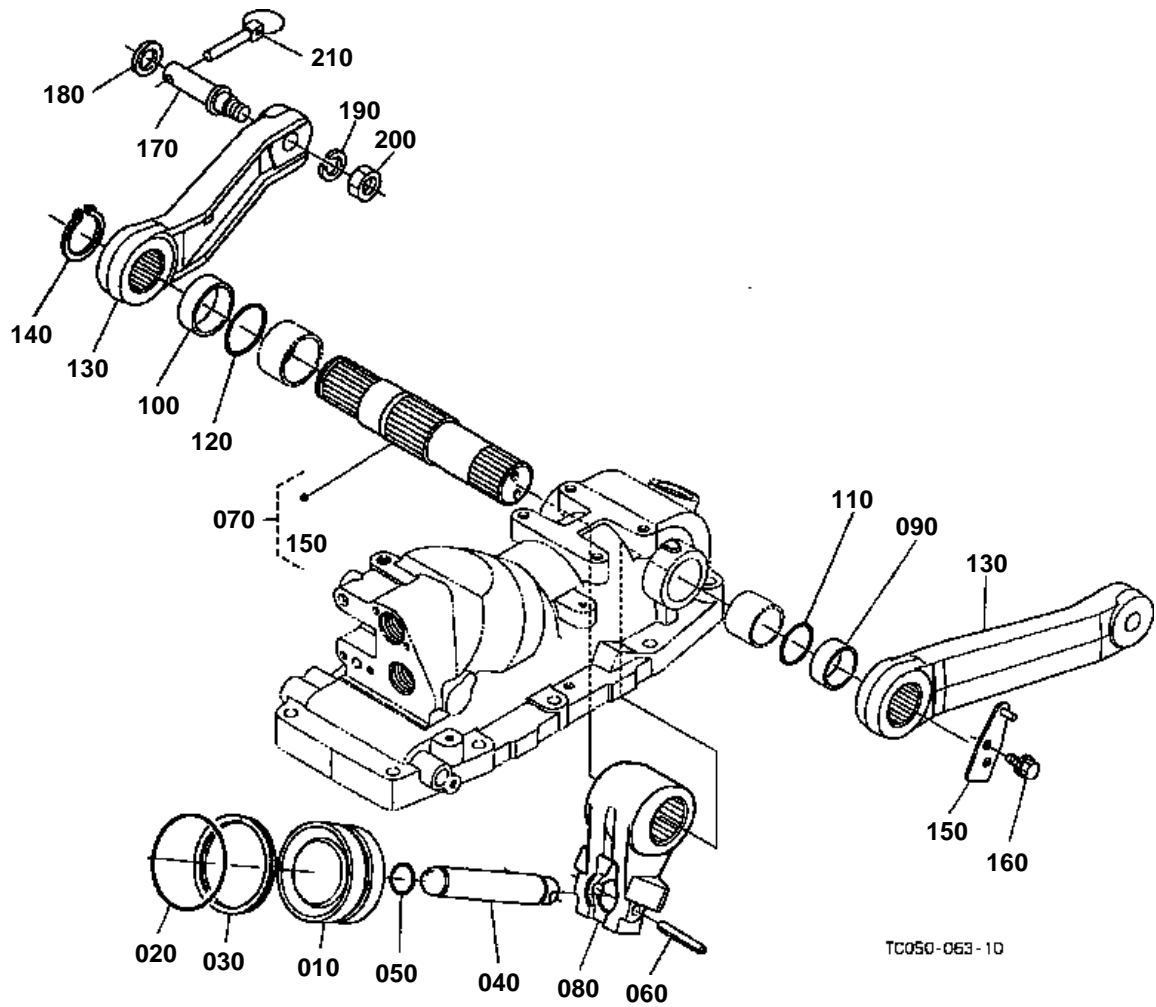


HYDRAULIC CYLINDER

↔ Interchangeable; ≠ not interchangeable; ← new for old; → old for new

REF.No	Part No.	Description	Q'ty	S.No.	I/C	REMARKS	Weight (kgf)	Weight (lb)
010	TC050-99350	ASSY CASE CYLINDER	1	<=10720			0	0
010	TC050-99360	ASSY CASE CYLINDER	1	>=10721	←		0	0
020	30400-37450	BUSH	1				0.09	0.198
030	30400-37460	BUSH	1				0.065	0.143
040	37150-36730	PLUG	1				0.03	0.066
050	37150-36720	GASKET	1				0.01	0.022
060	31351-37150	PLUG	2				0.007	0.0154
070	36200-21610	BREATHER	1				0.008	0.0176
080	31351-37140	BREATHER	1				0.01	0.022
090	TA150-37120	GASKET	1				0.1	0.22
100	38240-21410	PLUG	1				0.015	0.033
110	04811-50300	O RING	1				0.001	0.0022
110	04817-50300	O RING	1		←		0.001	0.0022
120	01574-51245	STUD	1				0.051	0.1122
130	01574-51245	STUD	1				0.051	0.1122
140	01133-51245	BOLT	4				0.055	0.121
150	02176-50120	NUT	2				0.01	0.022
160	04512-60120	WASHER SPRING	2				0.005	0.011
170	01133-51260	BOLT	2				0.06	0.132
180	01133-51265	BOLT	2				0.065	0.143
190	66591-51130	PLUG	2			W/O DRAFT	0.001	0.0022
200	TA040-36620	ASSY COVER CYLINDER	1			W/O REMOTE CONTROL VALVE	0.3	0.66
210	31351-37150	PLUG	1			W/O REMOTE CONTROL VALVE	0.007	0.0154
220	04810-00140	O RING	1			W/O REMOTE CONTROL VALVE	0.001	0.0022
220	04817-00140	O RING	1		←	W/O REMOTE CONTROL VALVE	0	0
230	04810-00100	O RING	2			W/O REMOTE CONTROL VALVE	0.001	0.0022
230	04817-00100	O RING	2		←	W/O REMOTE CONTROL VALVE	0	0
240	01123-50835	BOLT	3			W/O REMOTE CONTROL VALVE	0.02	0.044
250	TA040-36650	PLUG	1			W/O REMOTE CONTROL VALVE	0.005	0.011
260	99999-99999	BLANK	0				0	0
270	13824-67580	CLAMP CORD	1				0.006	0.0132

LIFT ARM

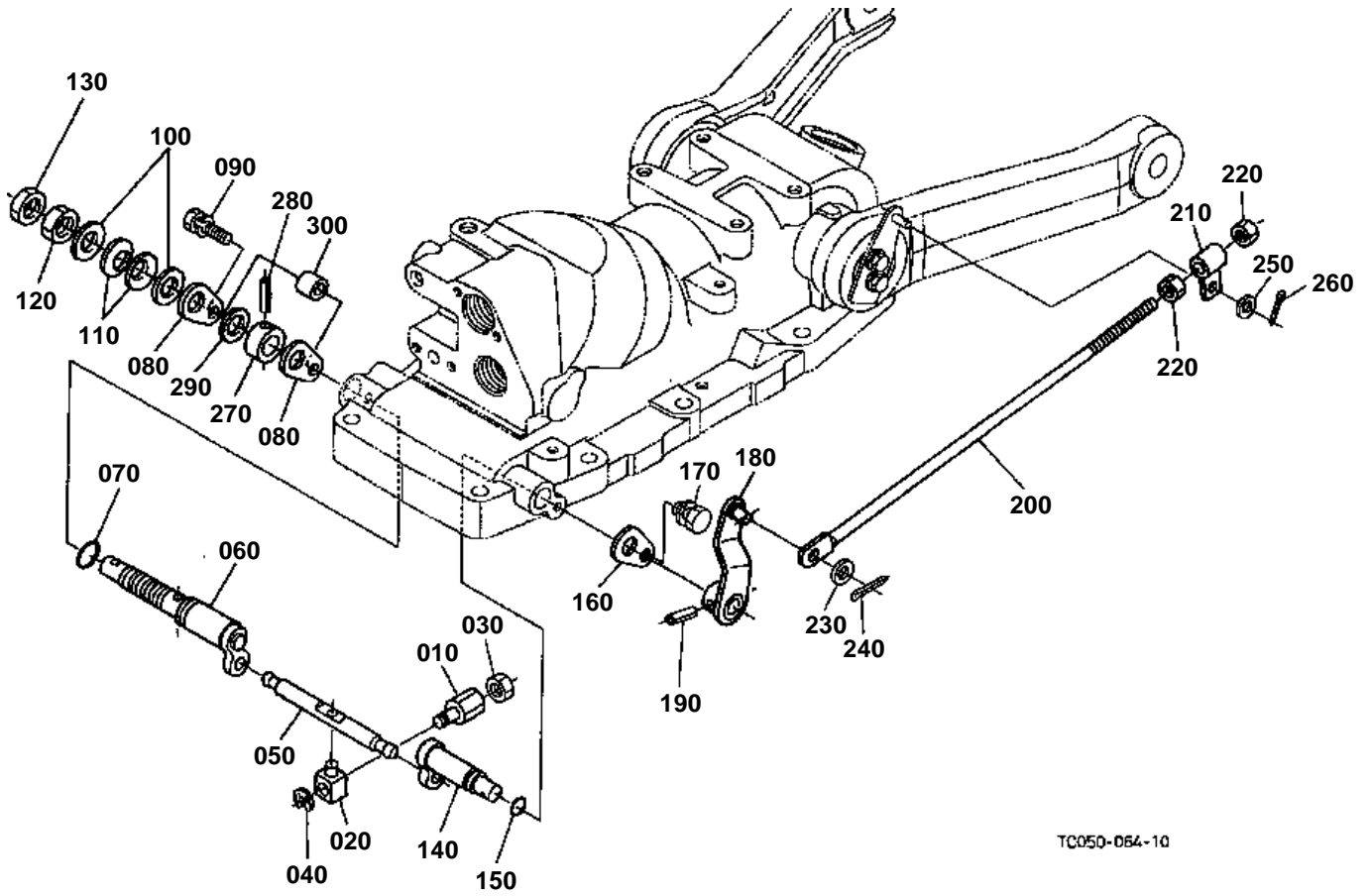


**LIFT ARM**

↔ Interchangeable; ≠ not interchangeable; ← new for old; → old for new

REF.No	Part No.	Description	Q'ty	S.No.	I/C	REMARKS	Weight (kgf)	Weight (lb)
010	34070-34214	PISTON HYD.	1				0	0
020	04810-00800	O RING	1				0.009	0.0198
030	31391-37330	RING BACK UP	1				0.005	0.011
040	31351-37320	ROD HYD.	1				0.605	1.331
050	04810-00240	O RING	1				0.001	0.0022
050	04817-00240	O RING	1		←		0	0
060	05411-00656	PIN SPRING	1				0.006	0.0132
070	TA150-37420	ASSY SHAFT HYD.ARM	1				2.3	5.06
080	TA040-34234	ARM HYDRAULIC	1				0	0
090	34150-37490	COLLAR	1				0.002	0.0044
100	34150-37480	COLLAR	1				0.005	0.011
110	04811-06400	O RING	1				0.001	0.0022
110	04817-06400	O RING	1		←		0	0
120	04811-50450	O RING	1				0.002	0.0044
120	04817-50450	O RING	1		←		0	0
130	TC050-34613	ARM LIFT	2				0	0
140	04612-00400	CIR CLIP EXTERNAL	1				0.005	0.011
150	TA150-37720	LINK CONTROL	1				0.035	0.077
160	01754-50812	BOLT FLANGE	2				0.01	0.022
170	30442-37690	PIN LIFT ROD	2				0.205	0.451
180	04011-50180	WASHER PLAIN	2				0.012	0.0264
190	04512-60160	WASHER SPRING	2				0.01	0.022
200	02174-50160	NUT	2				0.022	0.0484
210	34150-37640	PIN SET	2				0.06	0.132

FEED BACK LEVER



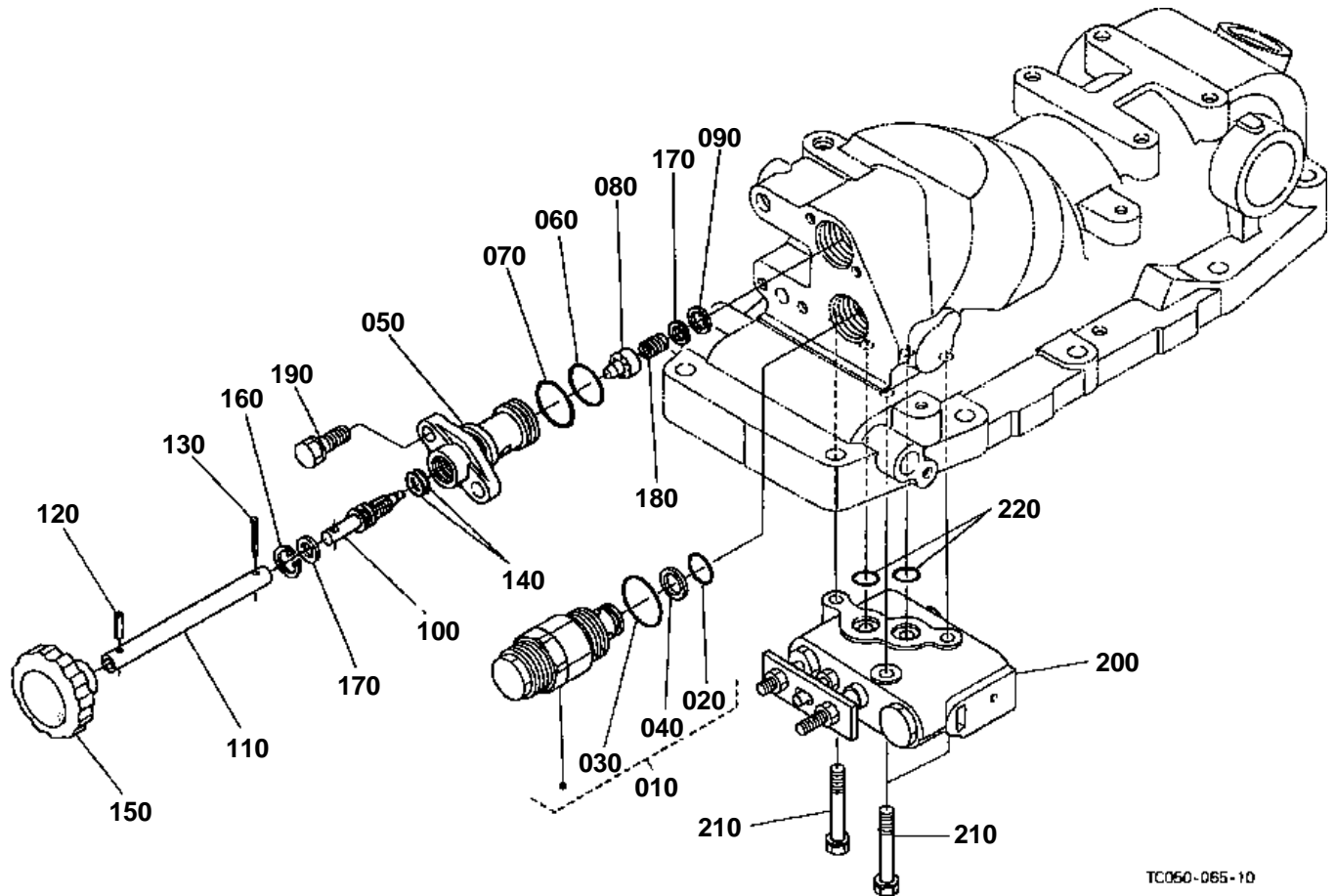
TC050-064-10

**FEED BACK LEVER**

↔ Interchangeable; ≠ not interchangeable; ← new for old; → old for new

REF.No	Part No.	Description	Q'ty	S.No.	I/C	REMARKS	Weight (kgf)	Weight (lb)
010	67531-38280	JOINT SPOOL	1				0.17	0.374
020	TA040-36420	JOINT SPOOL	1				0.022	0.0484
030	02112-50080	NUT	1				0.003	0.0066
040	04613-50060	CIR CLIP EXTERNAL	1				0.001	0.0022
050	31351-37640	LEVER SPOOL DRIVE	1				0.05	0.11
060	TA140-37650	ARM CONTROL	1				0	0
070	04811-00140	O RING	1				0.001	0.0022
070	04817-00140	O RING	1		←		0	0
080	31351-37660	SET PLATE	2				0.01	0.022
090	01123-50830	BOLT	1				0.015	0.033
100	04013-60140	WASHER PLAIN	2				0.01	0.022
110	34260-36880	SPRING PLATE	2				0.006	0.0132
120	02174-50140	NUT	1				0.014	0.0308
130	02172-50140	NUT	1				0.01	0.022
140	31351-37750	SHAFT BACK LEVER	1				0.1	0.22
150	04811-00120	O RING	1				0.001	0.0022
150	04816-00120	O RING	1		←		0.001	0.0022
160	38240-36890	SET PLATE	1				0.013	0.0286
170	01123-50816	BOLT	1				0.011	0.0242
180	31351-37760	LEVER FEED BACK	1				0.08	0.176
190	05411-00525	PIN SPRING	1				0.002	0.0044
200	31321-37770	ROD FEED BACK	1				0.12	0.264
210	31351-37780	ROD CONTROL	1				0.03	0.066
220	02114-50080	NUT	2				0.005	0.011
230	04013-60080	WASHER PLAIN	1				0.002	0.0044
240	05511-50218	PIN SPLIT	1				0.001	0.0022
250	04013-60080	WASHER PLAIN	1				0.002	0.0044
260	05511-50215	PIN SPLIT	1				0.001	0.0022
270	TA140-36900	SPACER	1				0	0
280	05411-00528	PIN SPRING	1				0.003	0.0066
290	TA140-36920	PLATE FRICTION	1				0	0
300	TA140-36930	SPACER	1				0	0

CONTROL VALVE



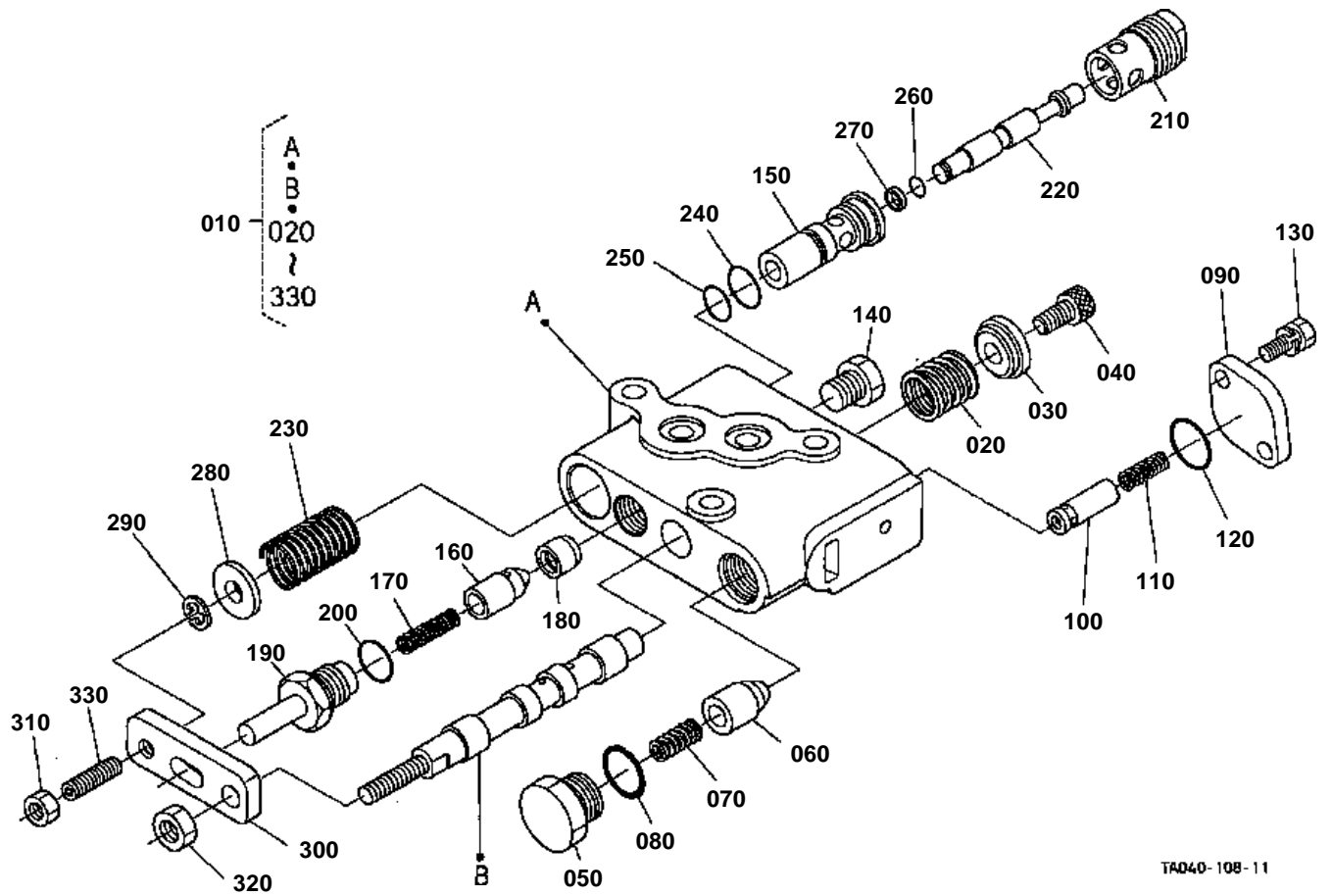
TC060-065-10

**CONTROL VALVE**

↔ Interchangeable; ≠ not interchangeable; ← new for old; → old for new

REF.No	Part No.	Description	Q'ty	S.No.	I/C	REMARKS	Weight (kgf)	Weight (lb)
010	TC050-39000	ASSY VALVE SAFETY	1				0	0
020	04810-00160	O RING	1				0.001	0.0022
020	04817-00160	O RING	1		←		0	0
030	04815-06280	O RING	1				0.001	0.0022
030	04817-06280	O RING	1		←		0.002	0.0044
040	33770-94040	RING BACK UP	1				0.002	0.0044
050	31351-37210	COVER CYL.FRONT	1				0.315	0.693
060	04810-00220	O RING	1				0.001	0.0022
060	04817-00220	O RING	1		←		0.005	0.011
070	04810-06250	O RING	1				0.001	0.0022
070	04817-06250	O RING	1		←		0	0
080	38240-37250	COLLAR ADJUSTING	1				0.01	0.022
090	04611-00160	CIR CLIP INTERNAL	1				0.001	0.0022
100	T0070-34510	SHAFT	1				0.04	0.088
110	TC030-34570	PIPE	1				0	0
120	05411-00414	PIN SPRING	1				0.001	0.0022
130	05511-50425	PIN SPLIT	1				0.003	0.0066
140	04810-00100	O RING	2				0.001	0.0022
140	04817-00100	O RING	2		←		0	0
150	T0070-34560	GRIP	1				0.011	0.0242
160	34150-37260	CIR CLIP INTERNAL	1				0.001	0.0022
170	04012-50080	WASHER PLAIN	2				0.001	0.0022
180	30812-37360	SPRING	1				0.005	0.011
190	01123-50825	BOLT	2				0.013	0.0286
200	31351-39604	ASSY VALVE CONTROL	1				0	0
210	TA040-36400	BOLT	3				0.02	0.044
220	04810-00120	O RING	2				0.001	0.0022
220	04817-00120	O RING	2		←		0	0

CONTROL VALVE [COMPONENT PARTS]



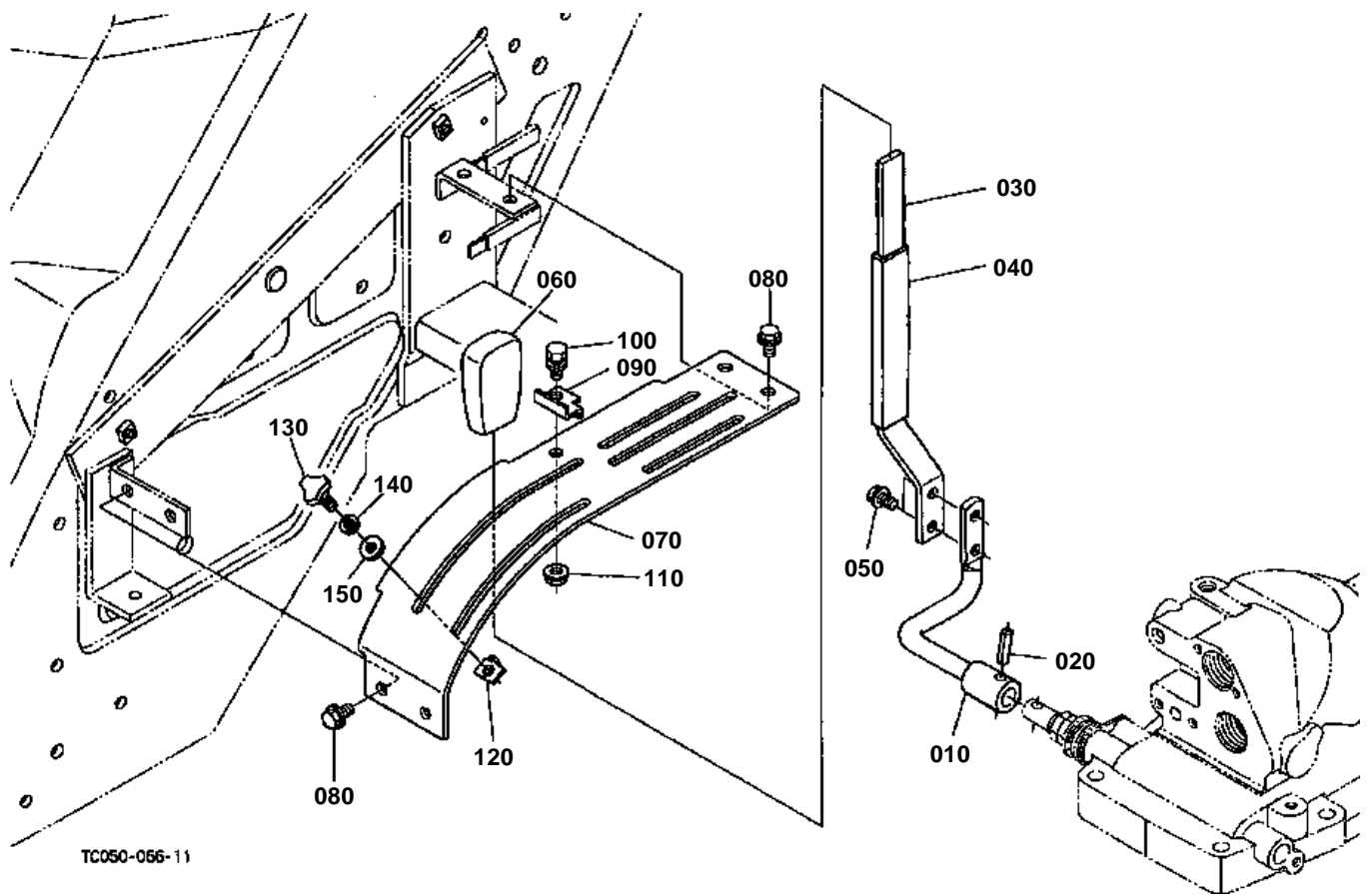
TA040-108-11

**CONTROL VALVE [COMPONENT PARTS]**

↔ Interchangeable; ≠ not interchangeable; ← new for old; → old for new

REF.No	Part No.	Description	Q'ty	S.No.	I/C	REMARKS	Weight (kgf)	Weight (lb)
010	31351-39604	ASSY VALVE CONTROL	1				0	0
020	31351-39630	SPRING SPOOL	1				0.02	0.044
030	31351-39640	HOLDER SPRING	1				0.02	0.044
040	01311-10814	BOLT HEX-SOC-HD	1				0.012	0.0264
050	31351-39650	PLUG	1				0.04	0.088
060	31351-39150	POPPET	1				0.02	0.044
070	67531-38470	SPRING	1				0.001	0.0022
080	04811-00140	O RING	1				0.001	0.0022
080	04817-00140	O RING	1		←		0	0
090	31351-39660	PLATE	1				0.05	0.11
100	31351-39670	POPPET	1				0.01	0.022
110	31351-39680	SPRING	1				0.01	0.022
120	04810-00160	O RING	1				0.001	0.0022
120	04817-00160	O RING	1		←		0	0
130	01023-50616	BOLT	2				0.005	0.011
140	06331-35010	PLUG	1				0.012	0.0264
150	T0430-37600	SLEEVE	1				0	0
160	T0430-37580	POPPET	1				0	0
170	31391-39190	SPRING	1				0.001	0.0022
180	T0430-37530	SEAT CHECK VALVE	1				0	0
190	31351-37670	PLUG	1				0	0
200	04811-00120	O RING	1				0.001	0.0022
200	04817-00120	O RING	1		←		0	0
210	31351-37620	PLUG	1				0	0
220	T0430-37610	POPPET	1				0	0
230	T0430-37620	SPRING	1				0	0
240	04811-05120	O RING	1				0.001	0.0022
240	04817-05120	O RING	1		←		0	0
250	04811-05110	O RING	1				0.001	0.0022
250	04817-05110	O RING	1		←		0.005	0.011
260	04811-00050	O RING	1				0.001	0.0022
260	04816-00050	O RING	1		←		0.001	0.0022
270	31351-39290	RING BACK UP	1				0.001	0.0022
280	T0430-37640	WASHER PLAIN	1				0	0
290	04613-50060	CIR CLIP EXTERNAL	1				0.001	0.0022
300	31351-39752	PLATE	1				0	0
310	02014-50060	NUT	1				0.003	0.0066
320	02114-50080	NUT	1				0.005	0.011
330	03650-50622	SCREW SET	1				0.004	0.0088

POSITION CONTROL LEVER



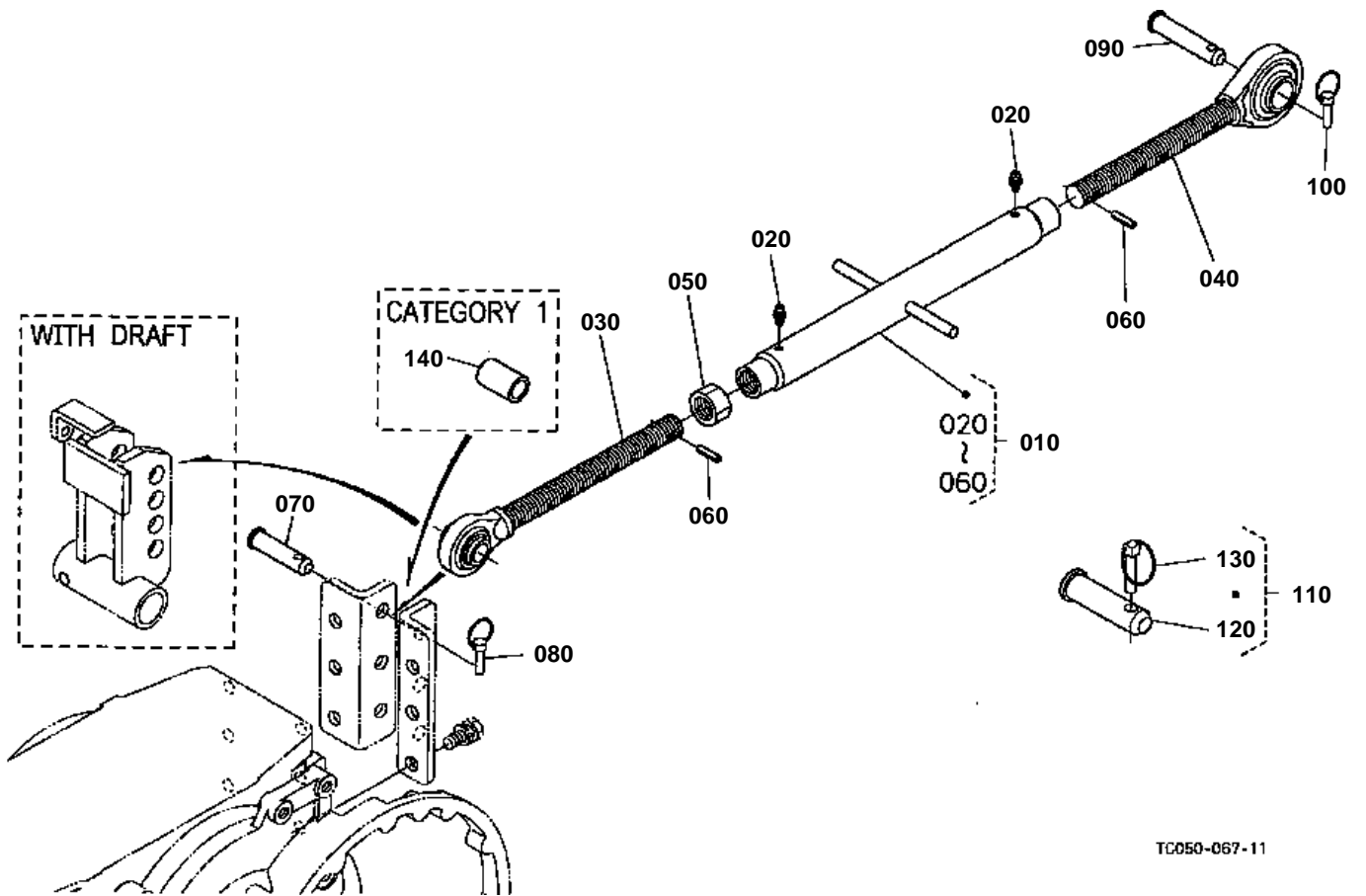


POSITION CONTROL LEVER

↔ Interchangeable; ≠ not interchangeable; ← new for old; → old for new

REF.No	Part No.	Description	Q'ty	S.No.	I/C	REMARKS	Weight (kgf)	Weight (lb)
010	TA140-36110	LEVER POSITION	1			W/O DRAFT	0	0
020	05411-00525	PIN SPRING	1			W/O DRAFT	0.002	0.0044
030	TA040-36120	LEVER POSITION	1			W/O DRAFT	0.21	0.462
040	TA040-36132	TUBE LEVER	1			W/O DRAFT	0.01	0.022
050	01754-50616	BOLT FLANGE	2			W/O DRAFT	0.006	0.0132
060	52300-32640	GRIP LEVER	1				0.04	0.088
070	TC050-47602	GUIDE HYD.LEVER	1	<=10720			0.8	1.76
070	TC050-47603	GUIDE HYD.LEVER	1	>=10721	≠		0	0
080	01754-50816	BOLT FLANGE	4				0.011	0.0242
090	34070-36130	STOPPER	1				0.015	0.033
100	01123-50816	BOLT	1				0.011	0.0242
110	02751-50080	NUT FLANGE	1				0.006	0.0132
120	T1060-36170	STOPPER	1				0.005	0.011
130	37410-52610	SCREW KNOB	1				0.015	0.033
140	04512-60060	WASHER SPRING	1				0.001	0.0022
150	31351-18860	WASHER	1				0.002	0.0044

TOP LINK



TC050-067-11

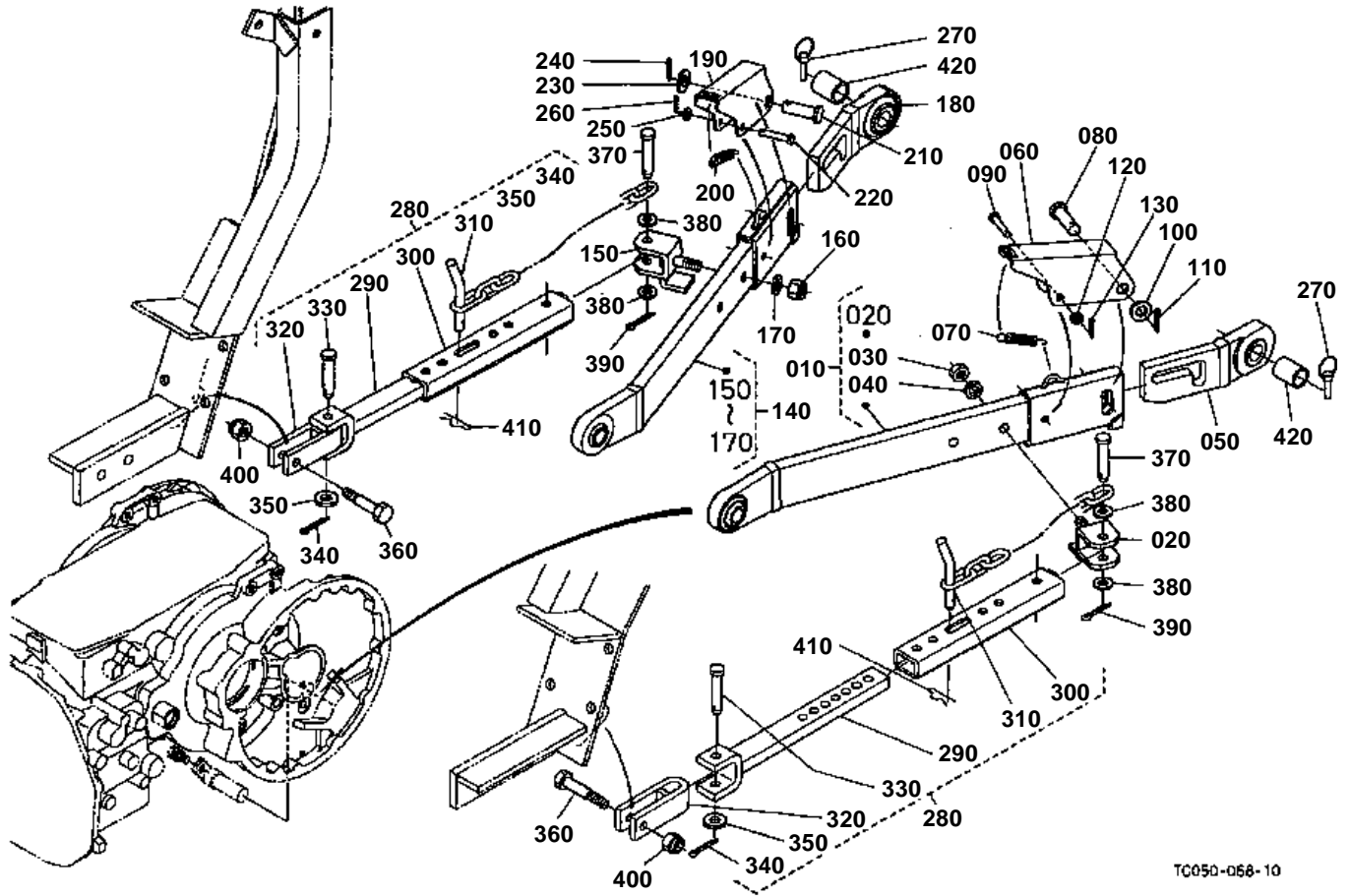


TOP LINK

↔ Interchangeable; ≠ not interchangeable; ← new for old; → old for new

REF.No	Part No.	Description	Q'ty	S.No.	I/C	REMARKS	Weight (kgf)	Weight (lb)
010	TC050-71100	ASSY LINK TOP	1				0	0
020	TC050-71240	NIPPLE GREASE	2				0	0
030	TC050-71210	JOINT TOP LINK RH	1				0	0
040	TC050-71220	JOINT TOP LINK LH	1				0	0
050	32244-71180	NUT TOP LINK	1				0.057	0.1254
060	05411-00425	PIN SPRING	2				0.001	0.0022
070	31150-71360	PIN JOINT	1				0.166	0.3652
080	34150-37640	PIN SET	1				0.06	0.132
090	36330-91752	PIN TOP LINK REAR	1			CATEGORY 1	0.25	0.55
100	34150-37640	PIN SET	1			CATEGORY 1	0.06	0.132
110	36330-91773	ASSY PIN TOP LINK	1			CATEGORY 2	0.55	1.21
120	36330-91762	PIN TOP LINK REAR	1			CATEGORY 2	0.49	1.078
130	36200-91840	ASSY PIN SET	1			CATEGORY 2	0.06	0.132
140	TC050-71230	COLLAR	1			CATEGORY 1	0	0

3-POINT LINKAGE 1 (LOWER LINK)



TC050-068-10

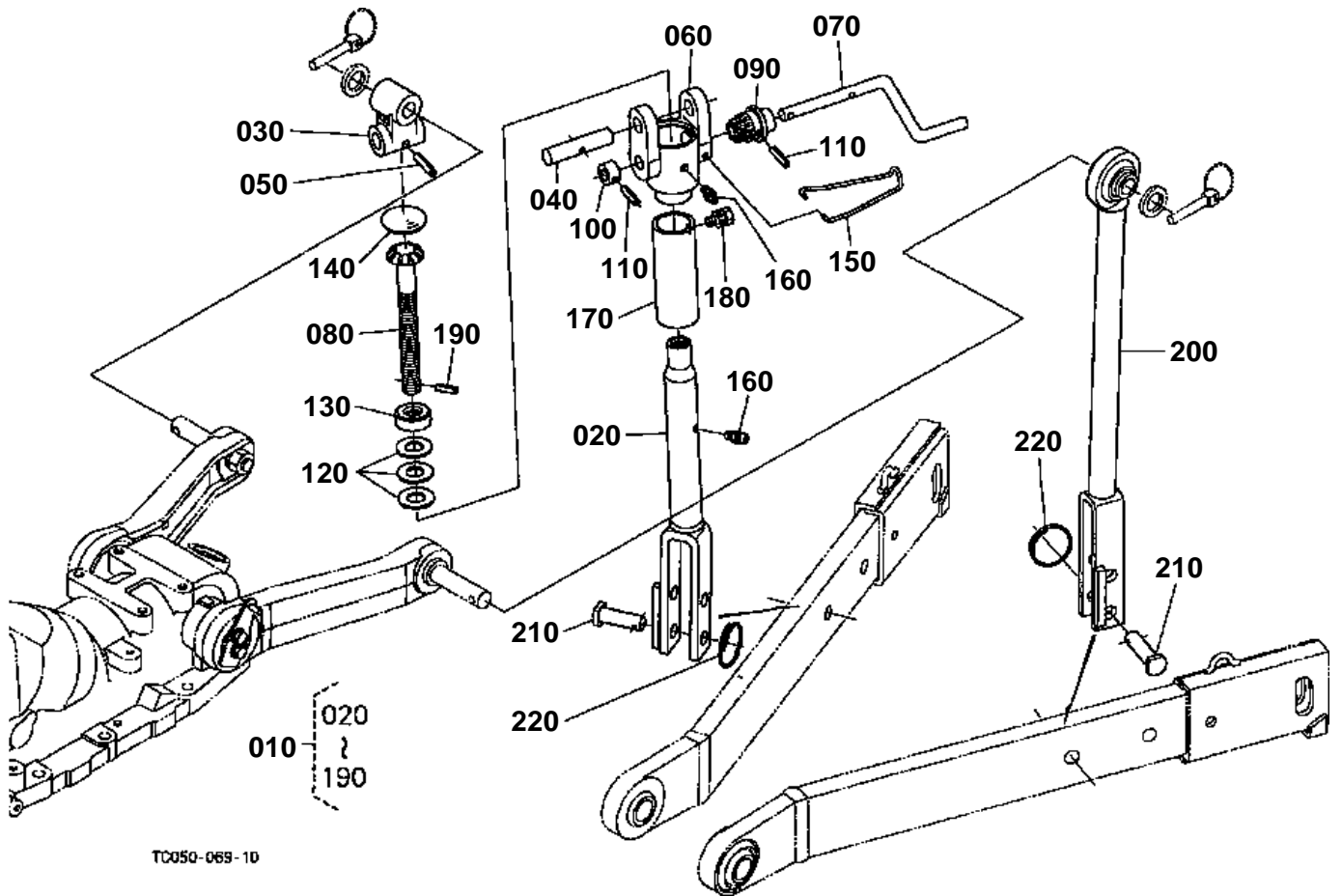


3-POINT LINKAGE 1 (LOWER LINK)

↔ Interchangeable; ≠ not interchangeable; ← new for old; → old for new

REF.No	Part No.	Description	Q'ty	S.No.	I/C	REMARKS	Weight (kgf)	Weight (lb)
010	TC050-71362	COMP.LINK LOWER LH	1				0	0
020	TC050-71350	BRACKET STABILIZER	1				0	0
030	TC050-71430	NUT	1				0	0
040	04512-60160	WASHER SPRING	1				0.01	0.022
050	TC050-71380	LINK LOWER REAR LH	1				0	0
060	TC050-71410	LEVER	1				0	0
070	TC050-71420	SPRING	1				0	0
080	33660-92160	PIN	1				0.04	0.088
090	05122-51255	PIN JOINT	1				0.051	0.1122
100	04011-50200	WASHER PLAIN	1				0.015	0.033
110	05511-50430	PIN SPLIT	1				0.004	0.0088
120	04011-50120	WASHER PLAIN	1				0.005	0.011
130	05511-50425	PIN SPLIT	1				0.003	0.0066
140	TC050-71372	COMP.LINK LOWER RH	1				0	0
150	TC050-71350	BRACKET STABILIZER	1				0	0
160	TC050-71430	NUT	1				0	0
170	04512-60160	WASHER SPRING	1				0.01	0.022
180	TC050-71390	LINK LOWER REAR RH	1				0	0
190	TC050-71410	LEVER	1				0	0
200	TC050-71420	SPRING	1				0	0
210	33660-92160	PIN	1				0.04	0.088
220	05122-51255	PIN JOINT	1				0.051	0.1122
230	04011-50200	WASHER PLAIN	1				0.015	0.033
240	05511-50430	PIN SPLIT	1				0.004	0.0088
250	04011-50120	WASHER PLAIN	1				0.005	0.011
260	05511-50425	PIN SPLIT	1				0.003	0.0066
270	34150-37640	PIN SET	2				0.06	0.132
280	TA140-39604	ASSY STABILIZER	2				2.85	6.27
290	TA140-39610	COMP.STAB.FRONT	2				1.17	2.574
300	TA140-39620	COMP.STAB.BEAR	2				0.895	1.969
310	TA140-39630	COMP.JOINT	2				0.23	0.506
320	TA140-39643	COMP.JOINT	2				0.48	1.056
330	TA140-39820	PIN STABILIZER REAR	2				0.064	0.1408
340	05511-50428	PIN SPLIT	2				0.004	0.0088
350	04011-50120	WASHER PLAIN	2				0.005	0.011
360	TA140-39850	BOLT STABILIZER	2				0.06	0.132
370	TA140-39820	PIN STABILIZER REAR	2				0.064	0.1408
380	04011-50120	WASHER PLAIN	4				0.005	0.011
390	05511-50425	PIN SPLIT	2				0.003	0.0066
400	02572-50120	NUT LOCK	2				0.014	0.0308
410	TC050-51200	PIN SNAP	2				0	0
420	32590-71150	COLLAR	2			CATEGORY 1	0.06	0.132

3-POINT LINKAGE 2 (LIFT ROD)



TC050-069-10

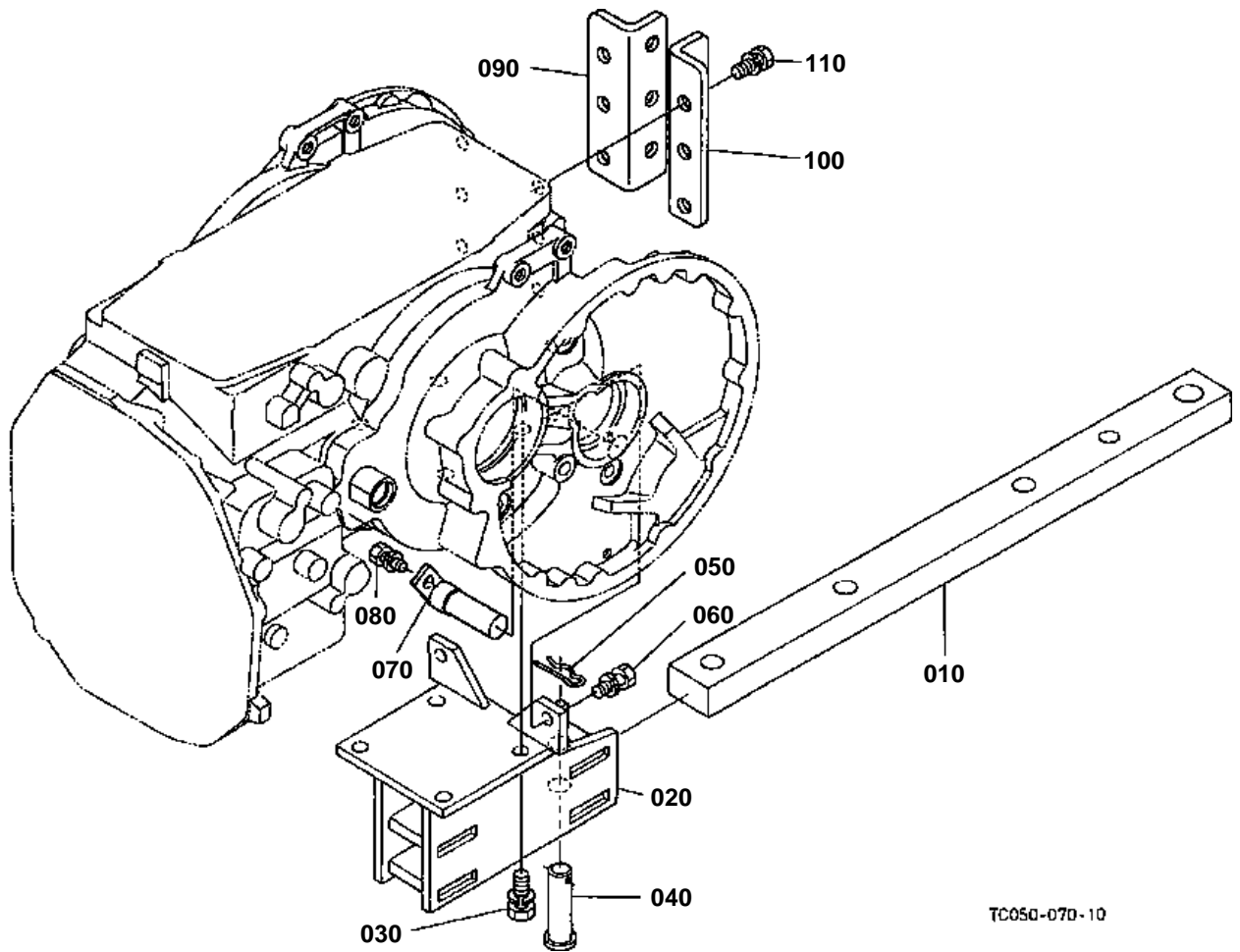


3-POINT LINKAGE 2 (LIFT ROD)

↔ Interchangeable; ≠ not interchangeable; ← new for old; → old for new

REF.No	Part No.	Description	Q'ty	S.No.	I/C	REMARKS	Weight (kgf)	Weight (lb)
010	TC050-39500	ASSY ROD	1				0	0
020	TC050-39512	ROD LIFT LOWER RH	1				0	0
030	TC050-39520	JOINT	1				0	0
040	TC050-39530	PIN CROSS JOINT	1				0	0
050	05411-00532	PIN SPRING	1				0.003	0.0066
060	TC050-39540	CASE GEAR	1				0	0
070	TC050-39550	HANDLE	1				0	0
080	TC050-39560	SHAFT ADJUSTING	1				0	0
090	TC050-39570	GEAR PINION	1				0	0
100	TC050-39580	COLLAR	1				0	0
110	05411-00622	PIN SPRING	2				0.003	0.0066
120	TC050-39590	SHIM	3				0	0
130	TC050-39600	BEARING THRUST BALL	1				0	0
140	TC050-39610	PLUG EXPANSION	1				0	0
150	TC050-39620	SPRING HAND ROCK	1				0	0
160	TC050-71240	NIPPLE GREASE	2				0	0
170	TC050-39630	PIPE SLEEVE	1				0	0
180	01020-50612	BOLT	1				0.005	0.011
190	05411-00320	PIN SPRING	1				0.001	0.0022
200	TC050-71540	ROD LIFT LH	1				0	0
210	38747-71582	PIN LIFT ROD	2				0.1	0.22
220	67156-34340	RING SNAP	2				0.01	0.022

DRAWBAR



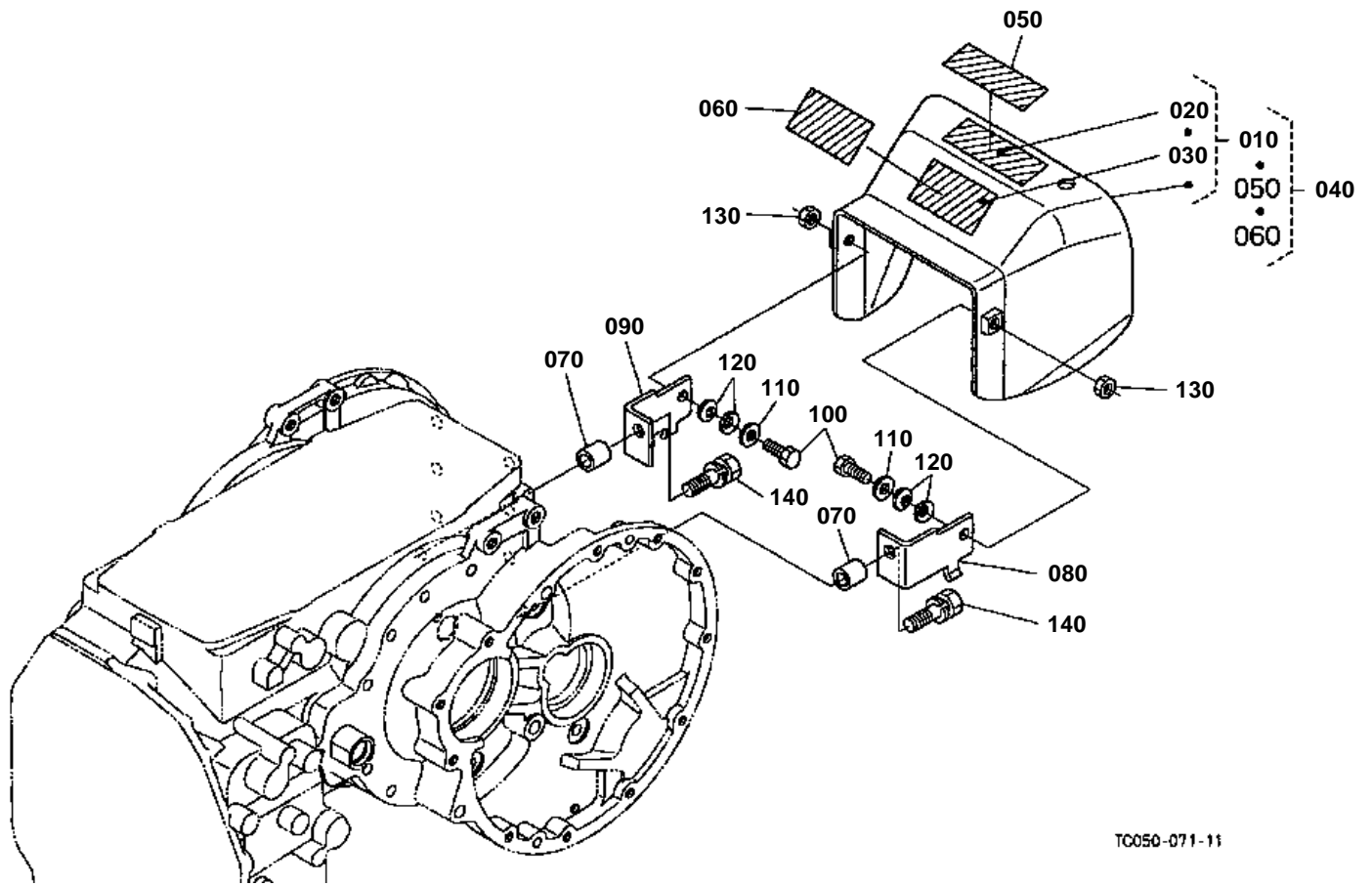
TC050-070-10



DRAWBAR

↔ Interchangeable; ≠ not interchangeable; ← new for old; → old for new

REF.No	Part No.	Description	Q'ty	S.No.	I/C	REMARKS	Weight (kgf)	Weight (lb)
010	TC050-29710	DRAWBAR	1				0	0
020	TA040-29730	FRAME DRAWBAR	1				6.2	13.64
030	01138-51430	BOLT	4				0	0
040	05122-52070	PIN JOINT	1				0.186	0.4092
050	05515-51600	PIN SNAP	1				0.007	0.0154
060	01133-51230	BOLT	2				0.04	0.088
070	TA040-39412	PIN LOWER LINK	2				0	0
080	01133-51020	BOLT	2				0.02	0.044
090	99571-22140	HOLDER TOP LINK RH	1			W/O DRAFT	0.99	2.178
100	99571-22150	HOLDER TOP LINK LH	1			W/O DRAFT	0.99	2.178
110	01133-51230	BOLT	6			W/O DRAFT	0.04	0.088



TC050-071-11

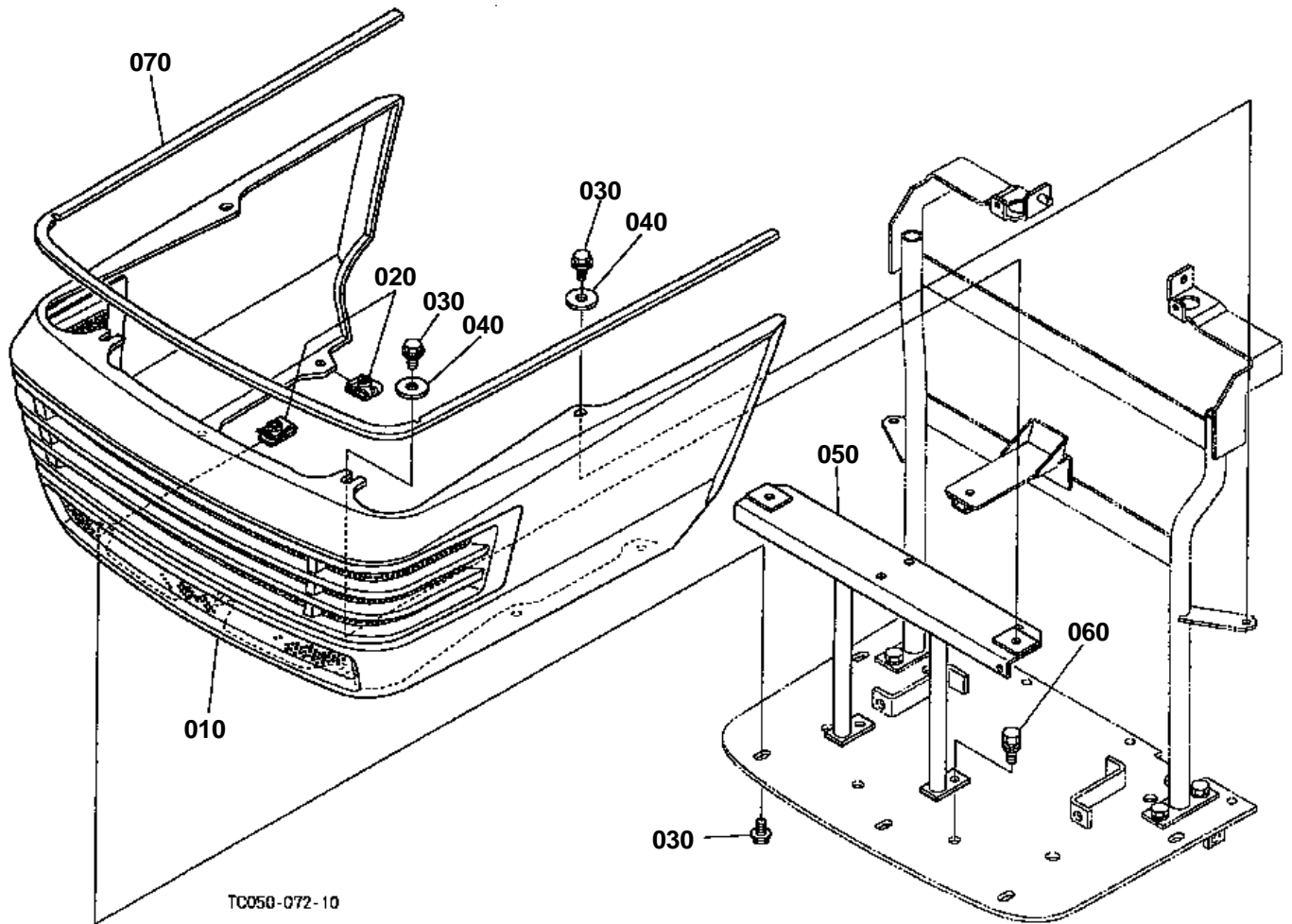


PTO PROTECTOR

↔ Interchangeable; ≠ not interchangeable; ← new for old; → old for new

REF.No	Part No.	Description	Q'ty	S.No.	I/C	REMARKS	Weight (kgf)	Weight (lb)
010	TA140-99630	KIT COVER PTO(A)	1			ENGLISH	2.1	4.62
020	TA040-49590	LABEL PTO WARNING	1			ENGLISH	0.002	0.0044
030	TA040-49350	LABEL DRAWBAR	1			ENGLISH	0.002	0.0044
040	TA141-99630	KIT COVER PTO(B)	1			FRENCH	2.1	4.62
050	TA041-49590	LABEL PTO WARNING	1			FRENCH	0.005	0.011
060	TA041-49350	LABEL DRAWBAR	1			FRENCH	0.003	0.0066
070	T0310-60540	COLLAR	2				0.051	0.1122
080	TA040-23752	STAY	1				0.19	0.418
090	TA040-23762	STAY	1				0.19	0.418
100	01173-51025	BOLT	2				0.021	0.0462
110	04013-60100	WASHER PLAIN	2				0.004	0.0088
120	62151-42412	SPRING PLATE	4				0.002	0.0044
130	02116-50100	NUT	2				0.004	0.0088
140	01133-51255	BOLT	2				0.08	0.176

FRONT GRILLE



TC050-072-10

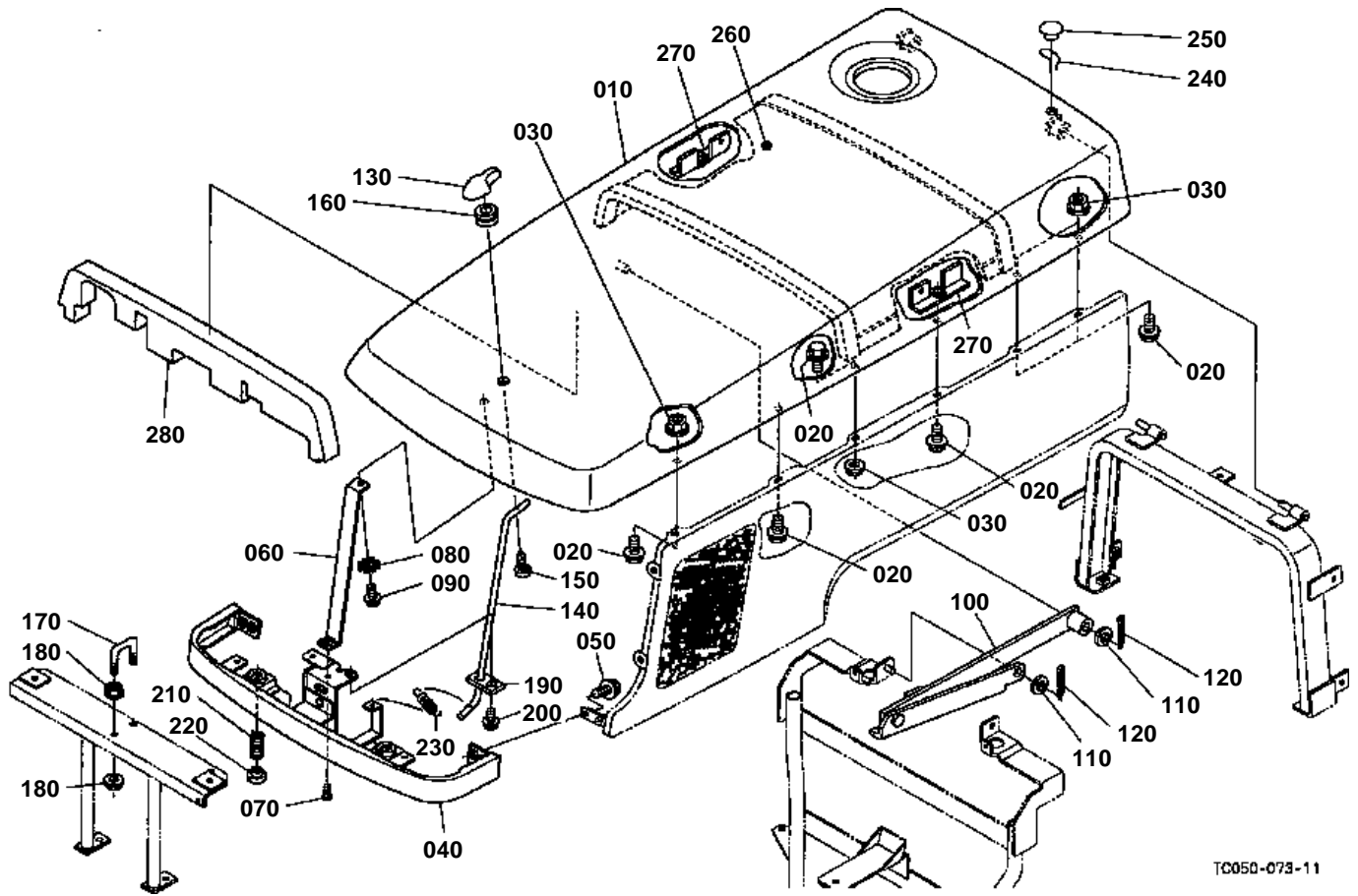


FRONT GRILLE

↔ Interchangeable; ≠ not interchangeable; ← new for old; → old for new

REF.No	Part No.	Description	Q'ty	S.No.	I/C	REMARKS	Weight (kgf)	Weight (lb)
010	TC050-41062	BONNET FRONT UNDER	1				0	0
020	3A011-83510	NUT SPRING	6				0.012	0.0264
030	01754-50816	BOLT FLANGE	10				0.011	0.0242
040	04015-60080	WASHER PLAIN	4				0.01	0.022
050	TC050-40010	SUPPORT BONNET FRONT	1				0	0
060	01123-50820	BOLT	2				0.011	0.0242
070	3A011-83306	SEAL RUBBER	1				0.09	0.198

HOOD(BONNET)



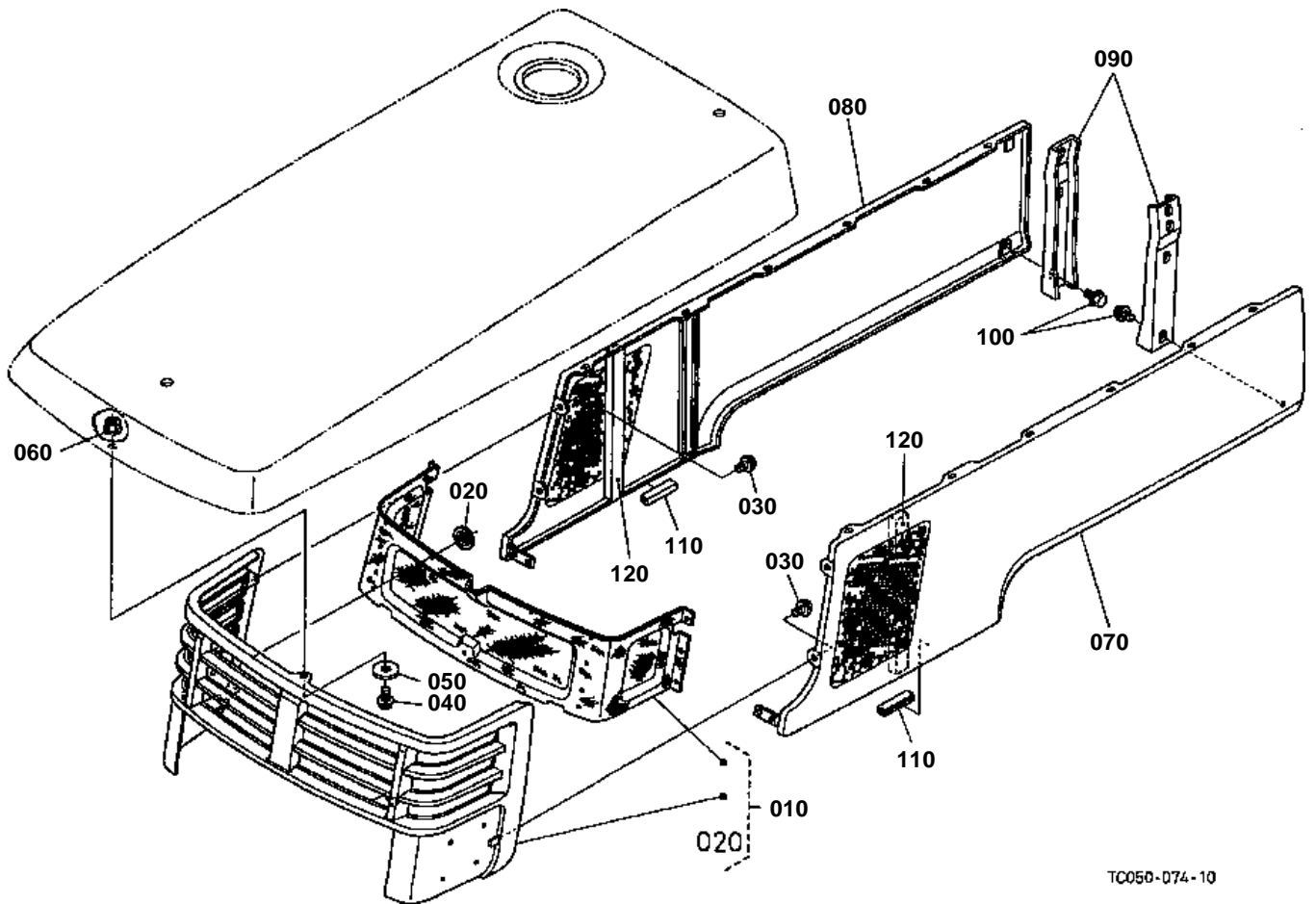
TC050-073-11

**HOOD(BONNET)**

↔ Interchangeable; ≠ not interchangeable; ← new for old; → old for new

REF.No	Part No.	Description	Q'ty	S.No.	I/C	REMARKS	Weight (kgf)	Weight (lb)
010	3A011-83026	COMP.BONNET	1				0	0
020	01754-50812	BOLT FLANGE	12				0.01	0.022
030	02751-50080	NUT FLANGE	8				0.006	0.0132
040	TC050-41842	BONNET FRONT	1				0	0
050	01754-50812	BOLT FLANGE	4				0.01	0.022
060	TC050-41850	SUPPORT BONNET	1				0	0
070	03016-50614	SCREW CSK-HD	1				0.003	0.0066
080	04412-50060	WASHER TOOTHED	1				0.001	0.0022
090	01754-50610	BOLT FLANGE	1				0.006	0.0132
100	3A111-83310	LINK	1				0.525	1.155
110	04013-60080	WASHER PLAIN	2				0.002	0.0044
120	05511-50215	PIN SPLIT	2				0.001	0.0022
130	6C040-54260	HANDLE MASCOT	1				0.028	0.0616
140	TC050-41860	LEVER HANDLE	1				0	0
150	03614-50416	SCREW TAPPING	1				0.002	0.0044
160	3A011-83630	PLUG	1				0.001	0.0022
170	3A011-83423	LOCK	1				0.05	0.11
180	02751-50080	NUT FLANGE	4				0.006	0.0132
190	3A011-83530	GUIDE	1				0.015	0.033
200	01754-50612	BOLT FLANGE	1				0.005	0.011
210	3A011-83500	SPRING	2				0.03	0.066
220	41182-61150	PLUG	2				0.003	0.0066
230	3A011-83660	SPRING	1				0.01	0.022
240	3A011-83600	PIN SNAP	1				0.002	0.0044
250	3A111-83750	PLUG	1				0.002	0.0044
260	3A011-04330	INSULATION HEAT	1				0.285	0.627
270	3A011-83062	HOLDER	2				0.04	0.088
280	TC050-42312	SPONGE BONNET UPPER	1				0	0

HOOD(BONNET) SIDE



TC050-074-10

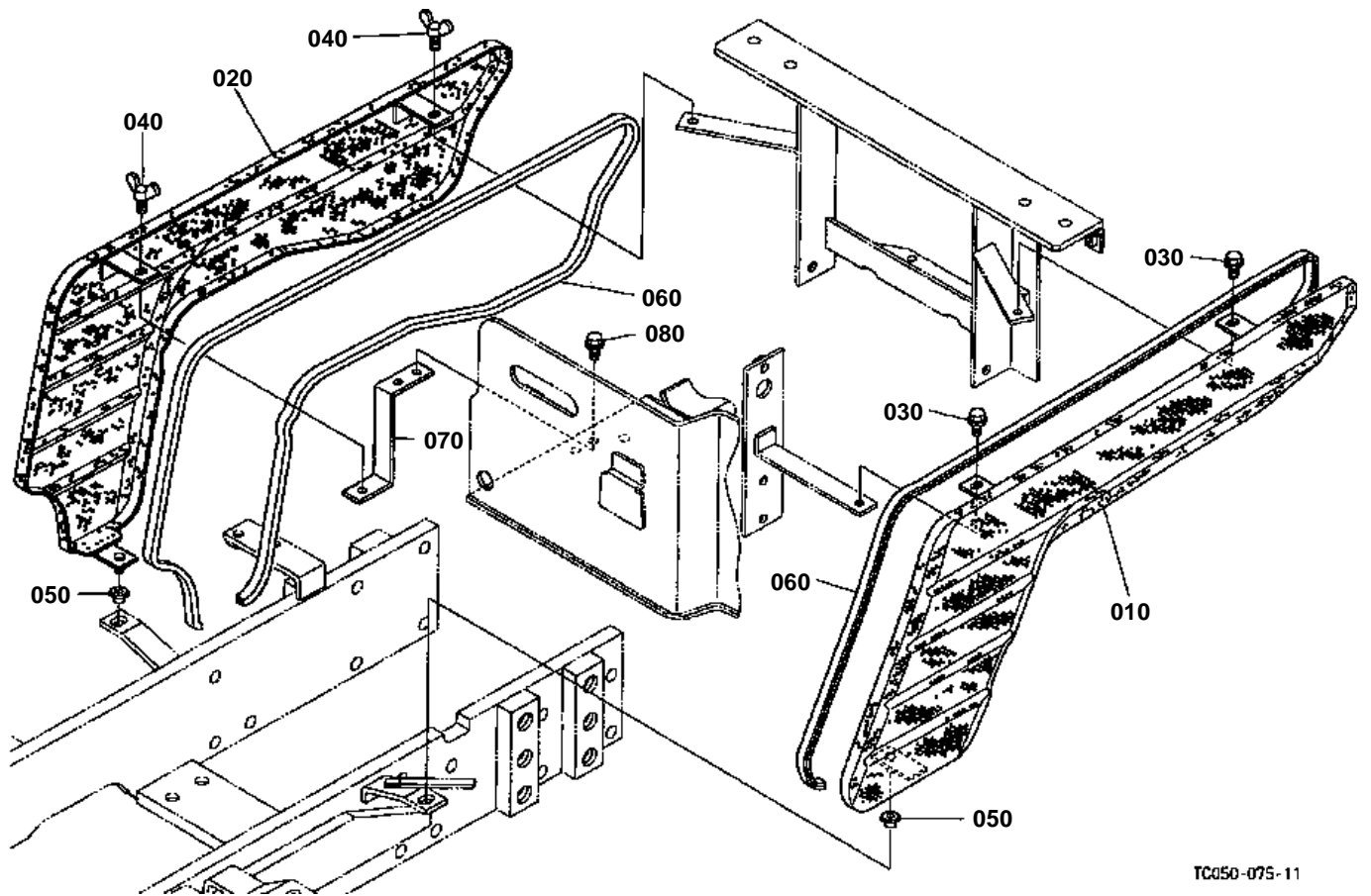


HOOD(BONNET) SIDE

↔ Interchangeable; ≠ not interchangeable; ← new for old; → old for new

REF.No	Part No.	Description	Q'ty	S.No.	I/C	REMARKS	Weight (kgf)	Weight (lb)
010	TC050-41820	ASSY GRILLE BONNET	1				0	0
020	RA111-43690	NUT	17				0.001	0.0022
030	01754-50612	BOLT FLANGE	4				0.005	0.011
040	01754-50616	BOLT FLANGE	1				0.006	0.0132
050	04015-60060	WASHER PLAIN	1				0.005	0.011
060	12264-92020	NUT SPRING WASHER M	1				0.05	0.11
070	3A111-83210	COMP.BONNET SIDE	1				2.2	4.84
080	3A111-83162	COMP.BONNET SIDE	1				0	0
090	3A011-83240	HOLDER	2				0.18	0.396
100	01754-50612	BOLT FLANGE	8				0.005	0.011
110	37150-13920	RUBBER PROTECTOR	2				0.005	0.011
120	TC050-42330	SPONGE BONNET SIDE	2				0	0

HOOD(BONNET) SIDE COVER



TC050-075-11

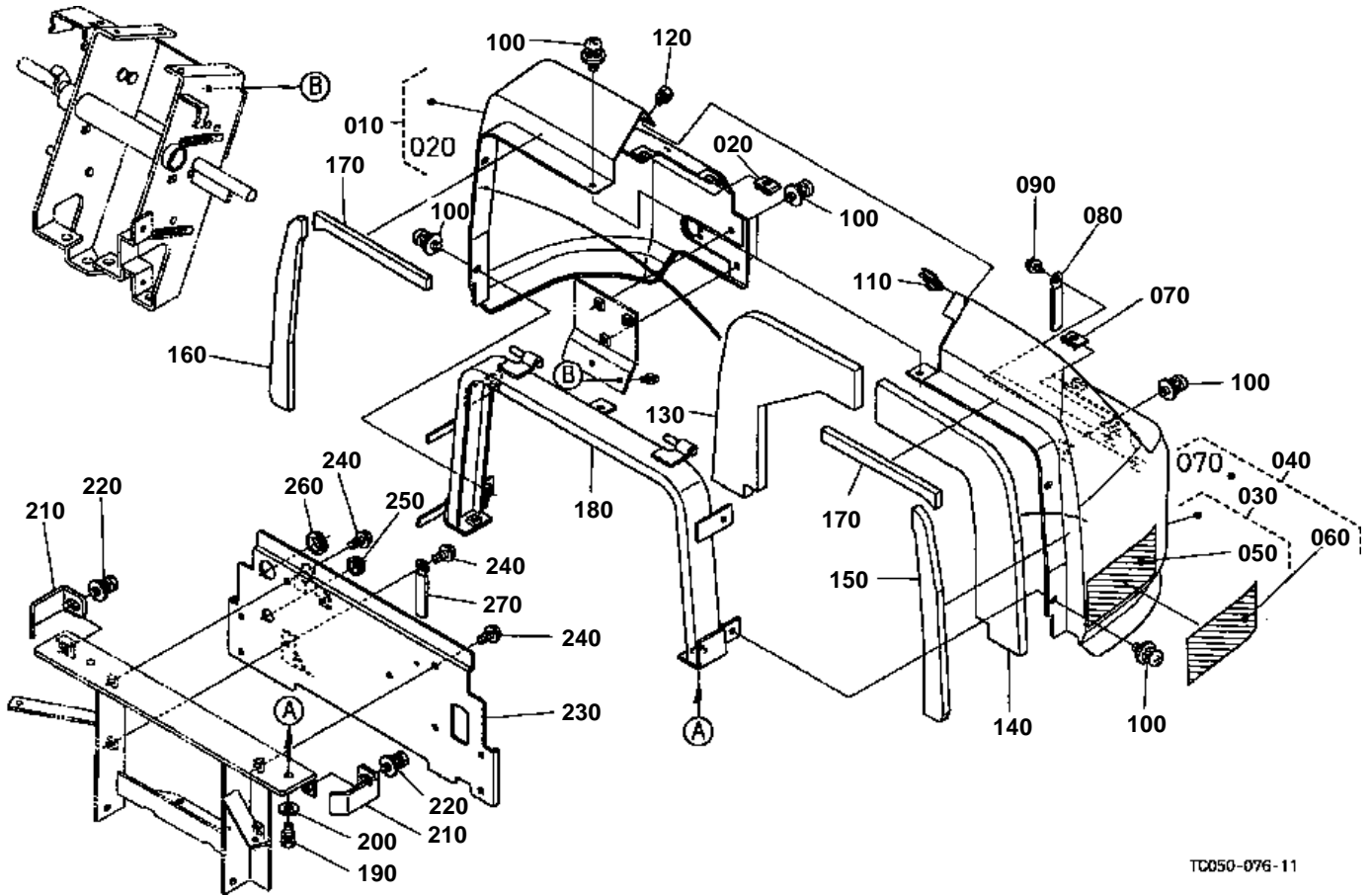


HOOD(BONNET) SIDE COVER

↔ Interchangeable; ≠ not interchangeable; ← new for old; → old for new

REF.No	Part No.	Description	Q'ty	S.No.	I/C	REMARKS	Weight (kgf)	Weight (lb)
010	TC050-41350	COVER	1				0	0
020	TC050-41360	COVER	1				0	0
030	01754-50816	BOLT FLANGE	2				0.011	0.0242
040	T1150-41380	BOLT WING	2				0.023	0.0506
050	TC050-41430	CUSHION BONNET	2				0	0
060	TC050-41420	TRIM BONNET	2				0	0
070	TC050-41400	STAY	1				0	0
080	01754-50820	BOLT FLANGE	2				0.015	0.033

HOOD(BONNET) REAR



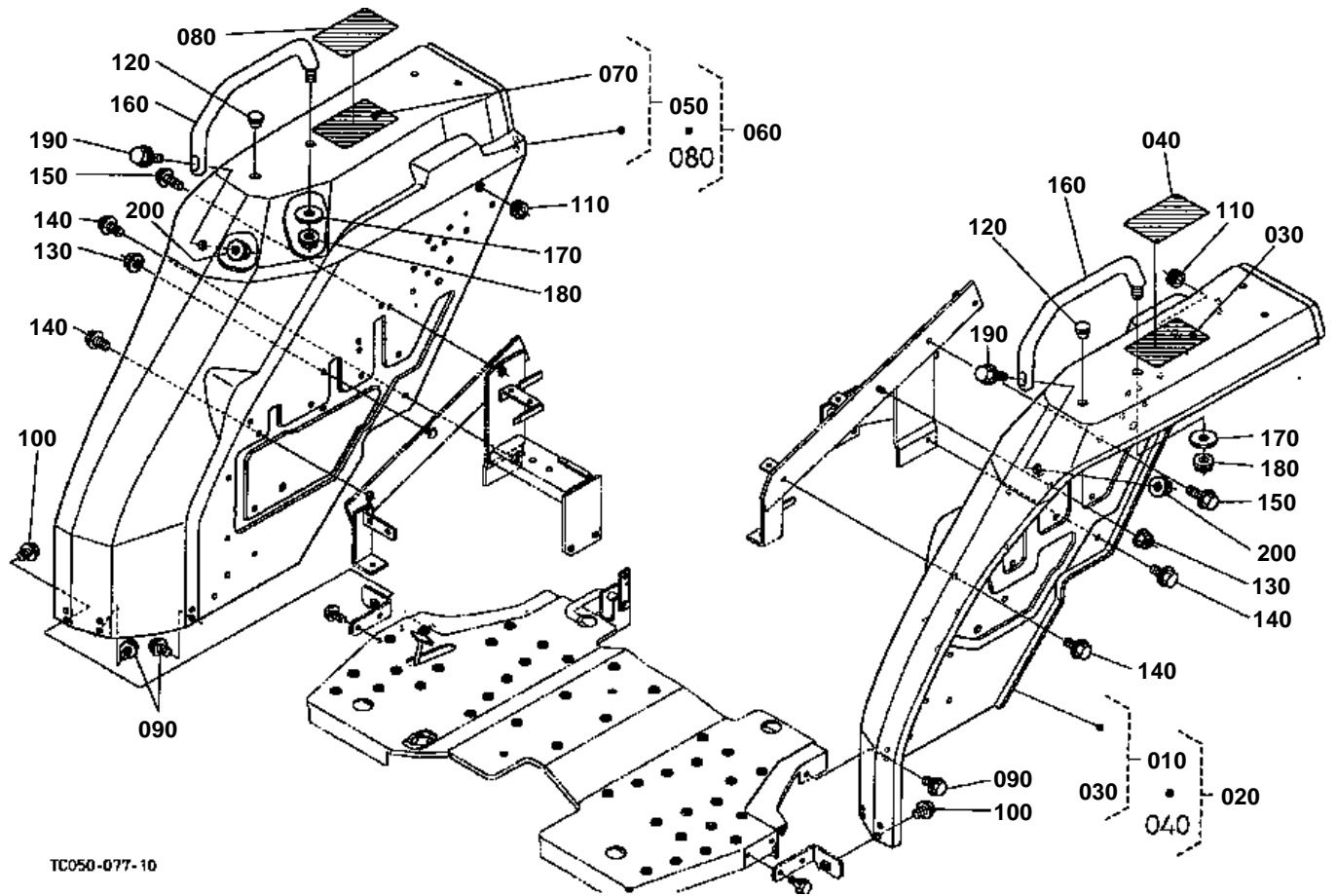
TC050-076-11



HOOD(BONNET) REAR

↔ Interchangeable; ≠ not interchangeable; ← new for old; → old for new

REF.No	Part No.	Description	Q'ty	S.No.	I/C	REMARKS	Weight (kgf)	Weight (lb)
010	TC050-18790	ASSY BONNET REAR RH	1				0	0
020	3A011-83490	NUT SPRING	3				0.01	0.022
030	TC050-18920	KIT BONNET REAR LH A	1			ENGLISH	0	0
040	TC050-18930	KIT BONNET REAR LH B	1			FRENCH	0	0
050	TA040-49650	LABEL START CAUTION	1			ENGLISH	0.004	0.0088
060	TA041-49650	LABEL START CAUTION	1			FRENCH	0.004	0.0088
070	3A011-83490	NUT SPRING	3				0.01	0.022
080	15272-67590	CLAMP CORD	2				0.004	0.0088
090	03614-50610	SCREW TAPPING	2				0.005	0.011
100	03034-50816	SCREW WITH WASHER	8				0.01	0.022
110	34070-99160	NUT SPRING	1				0.005	0.011
120	01023-50612	BOLT	1				0.005	0.011
130	TC050-18832	SPONGE SHUTTER RH	1				0	0
140	TC050-18840	SPONGE SHUTTER LH	1				0	0
150	TC050-18850	SPONGE BONNET REAR L	1				0	0
160	TC050-18860	SPONGE BONNET REAR R	1				0	0
170	TC050-18870	SPONGE BONNET REAR	2				0	0
180	TC050-42132	SUPPORT BONNET REAR	1				0	0
190	01133-51025	BOLT	2				0.023	0.0506
200	04013-60100	WASHER PLAIN	2				0.004	0.0088
210	3A011-83150	SPRING PLATE	2				0.055	0.121
220	01127-50816	BOLT	2				0.02	0.044
230	TC050-42172	PLATE SHUTTER	1				0	0
240	01754-50816	BOLT FLANGE	4				0.011	0.0242
250	37410-51760	GROMMET	1				0.003	0.0066
260	37560-61690	GROMMET HARNESS	1				0.006	0.0132
270	34150-29390	CLAMP CORD	1				0.004	0.0088



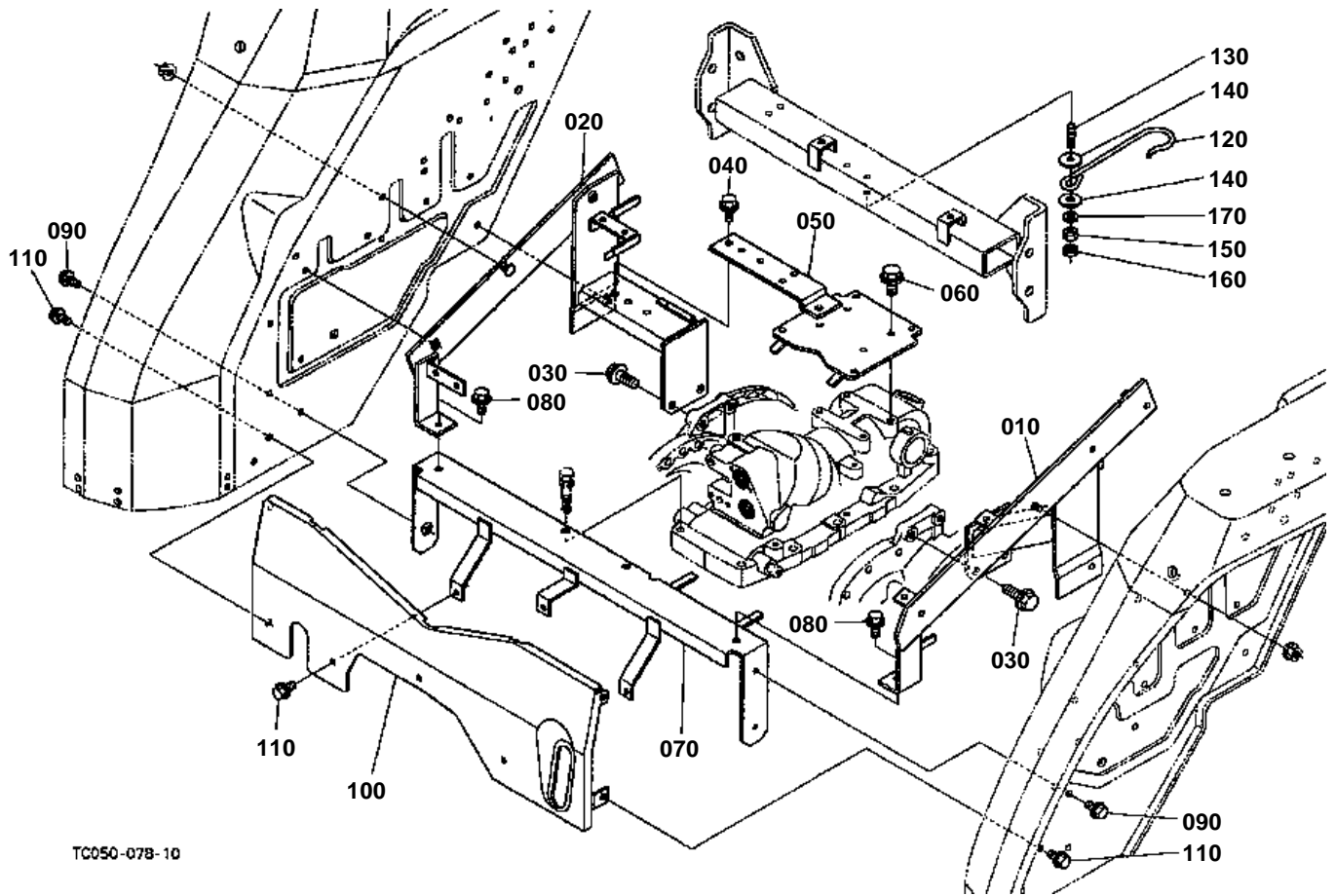
TC050-077-10

**FENDER**

↔ Interchangeable; ≠ not interchangeable; ← new for old; → old for new

REF.No	Part No.	Description	Q'ty	S.No.	I/C	REMARKS	Weight (kgf)	Weight (lb)
010	TC050-99530	KIT FENDER LH (A)	1			ENGLISH	9.3	20.46
020	TC051-99530	KIT FENDER LH (B)	1			FRENCH	9.3	20.46
030	35260-34913	LABEL SAFETY	1			ENGLISH	0.005	0.011
040	TA041-65700	LABEL SAFETY	1			FRENCH	0.01	0.022
050	TC050-47100	KIT FENDER RH (A)	1	≤10720		ENGLISH	9.3	20.46
050	TC050-47103	KIT FENDER RH (A)	1	≥10721	←	ENGLISH	9.3	20.46
060	TC050-47110	KIT FENDER RH (B)	1	≤10720		FRENCH	9.3	20.46
060	TC050-47113	KIT FENDER RH (B)	1	≥10721	←	FRENCH	9.3	20.46
070	TA240-98480	LABEL ROPS WARNING	1			ENGLISH	0.005	0.011
080	3A112-98480	LABEL ROPS WARNING	1			FRENCH	0.004	0.0088
090	T1060-47370	BOLT	4				0.011	0.0242
100	01754-50812	BOLT FLANGE	2				0.01	0.022
110	32150-29180	CAP RUBBER	2				0.002	0.0044
120	30810-29170	PLUG	3				0.003	0.0066
130	02751-50080	NUT FLANGE	2				0.006	0.0132
140	01754-50816	BOLT FLANGE	5				0.011	0.0242
150	01754-50825	BOLT FLANGE	2				0.01	0.022
160	T0270-29442	GRIP	2				0.3	0.66
170	04013-60100	WASHER PLAIN	2				0.004	0.0088
180	02771-60100	NUT FLANGE	2				0.01	0.022
190	T0180-83590	BOLT FLANGE	2				0.022	0.0484
200	02771-60100	NUT FLANGE	2				0.01	0.022

FENDER SUPPORT



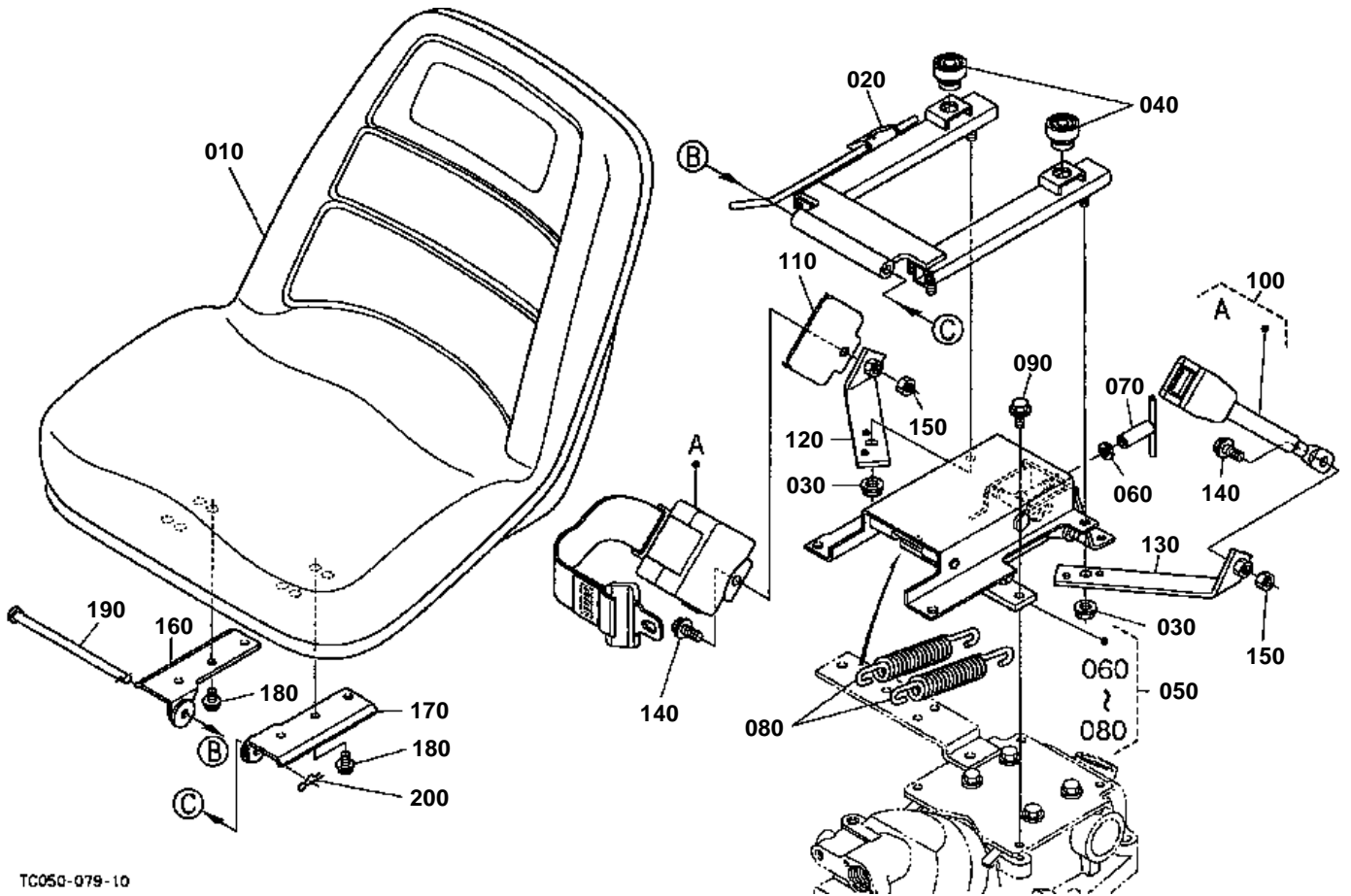
TC050-078-10



FENDER SUPPORT

↔ Interchangeable; ≠ not interchangeable; ← new for old; → old for new

REF.No	Part No.	Description	Q'ty	S.No.	I/C	REMARKS	Weight (kgf)	Weight (lb)
010	TC050-29213	SUPPORT FENDER LH	1				0	0
020	TC050-29220	SUPPORT FENDER RH	1	≤10720			0	0
020	TC050-29223	SUPPORT FENDER RH	1	≥10721	≠		4	8.8
030	01774-51230	BOLT FLANGE	4				0.043	0.0946
040	01754-50820	BOLT FLANGE	1				0.015	0.033
050	TC030-29232	SUPPORT SEAT	1				1.81	3.982
060	01774-61020	BOLT FLANGE	4				0.022	0.0484
070	TC050-29244	STAY FENDER	1				0	0
080	01754-50820	BOLT FLANGE	2				0.015	0.033
090	01754-50816	BOLT FLANGE	4				0.011	0.0242
100	TC050-47212	COVER FLOOR SEAT	1				0	0
110	01754-50816	BOLT FLANGE	7				0.011	0.0242
120	TA040-29420	HOLDER	1				0.043	0.0946
130	01513-60825	STUD	1				0.012	0.0264
140	04015-60080	WASHER PLAIN	2				0.01	0.022
150	02114-50080	NUT	1				0.005	0.011
160	02112-50080	NUT	1				0.003	0.0066
170	04512-60080	WASHER SPRING	1				0.002	0.0044



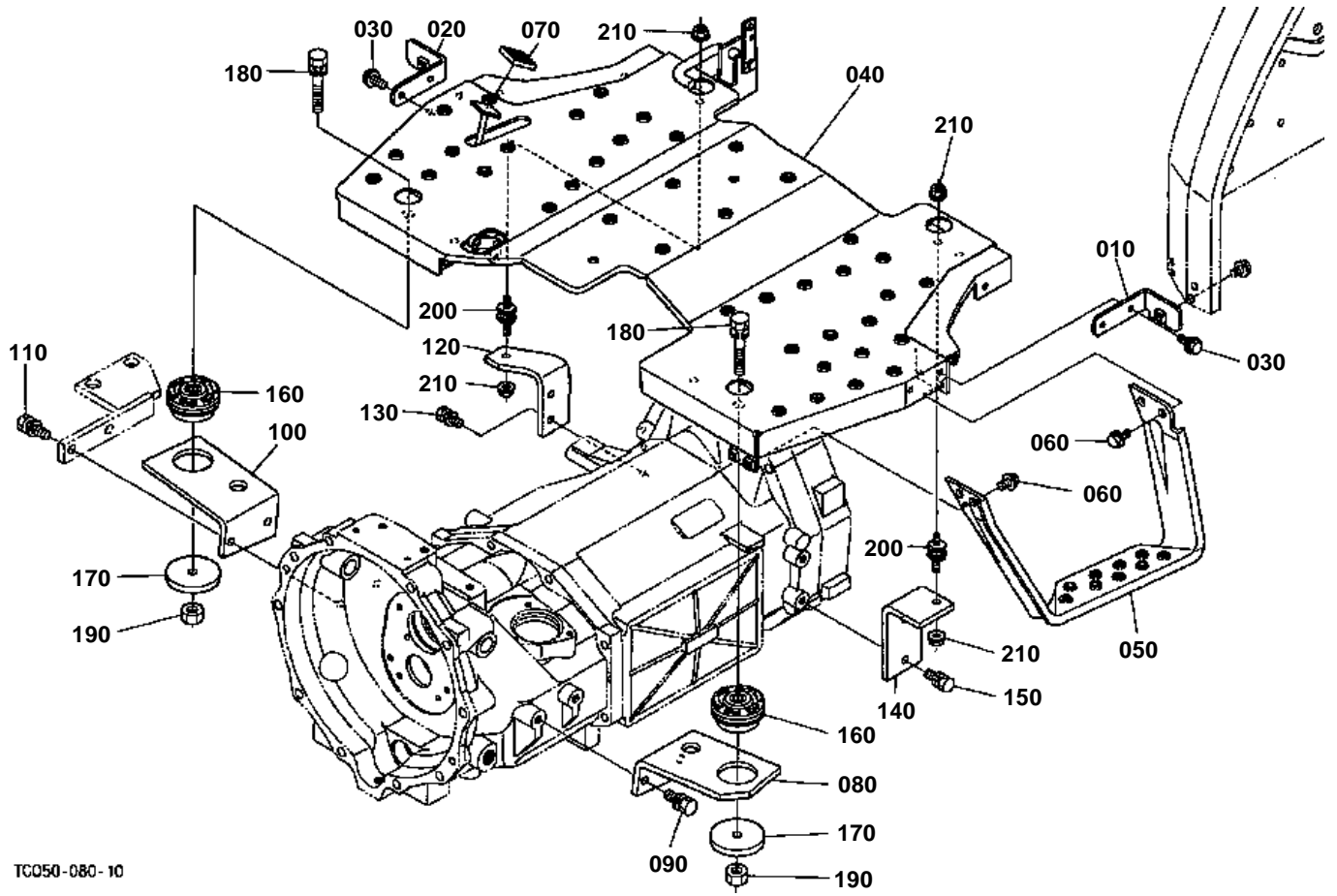
TC050-079-10



SEAT

↔ Interchangeable; ≠ not interchangeable; ← new for old; → old for new

REF.No	Part No.	Description	Q'ty	S.No.	I/C	REMARKS	Weight (kgf)	Weight (lb)
010	6C070-88720	SEAT	1				0	0
020	TC050-18430	ASSY ADJUSTER SEAT	1				0	0
030	02783-50100	NUT FLANGE	4				0.01	0.022
040	32160-18440	CUSHION	2				0.013	0.0286
050	TC030-11800	ASSY SUSPENSION SEAT	1				0	0
060	04011-50100	WASHER PLAIN	1				0.002	0.0044
070	TA040-11860	NUT ADJUSTING	1				0.605	1.331
080	TA040-11870	SPRING SEAT	2				0.26	0.572
090	01754-50820	BOLT FLANGE	4				0.015	0.033
100	K2561-56850	ASSY BELT SEAT	1				0.81	1.782
110	TC050-18472	COVER BELT SEAT	1				0	0
120	TA040-18482	BRACKET SEAT BELT RH	1				0.27	0.594
130	TC030-18490	BRACKET SEAT BELT LH	1				0	0
140	01774-51025	BOLT FLANGE	2				0.02	0.044
150	02116-50100	NUT	2				0.004	0.0088
160	TC050-18450	BRACKET SEAT RH	1				0	0
170	TC050-18460	BRACKET SEAT LH	1				0	0
180	01754-50816	BOLT FLANGE	4				0.011	0.0242
190	TC050-11850	PIN	1				0	0
200	05516-61000	PIN SNAP	1				0.003	0.0066



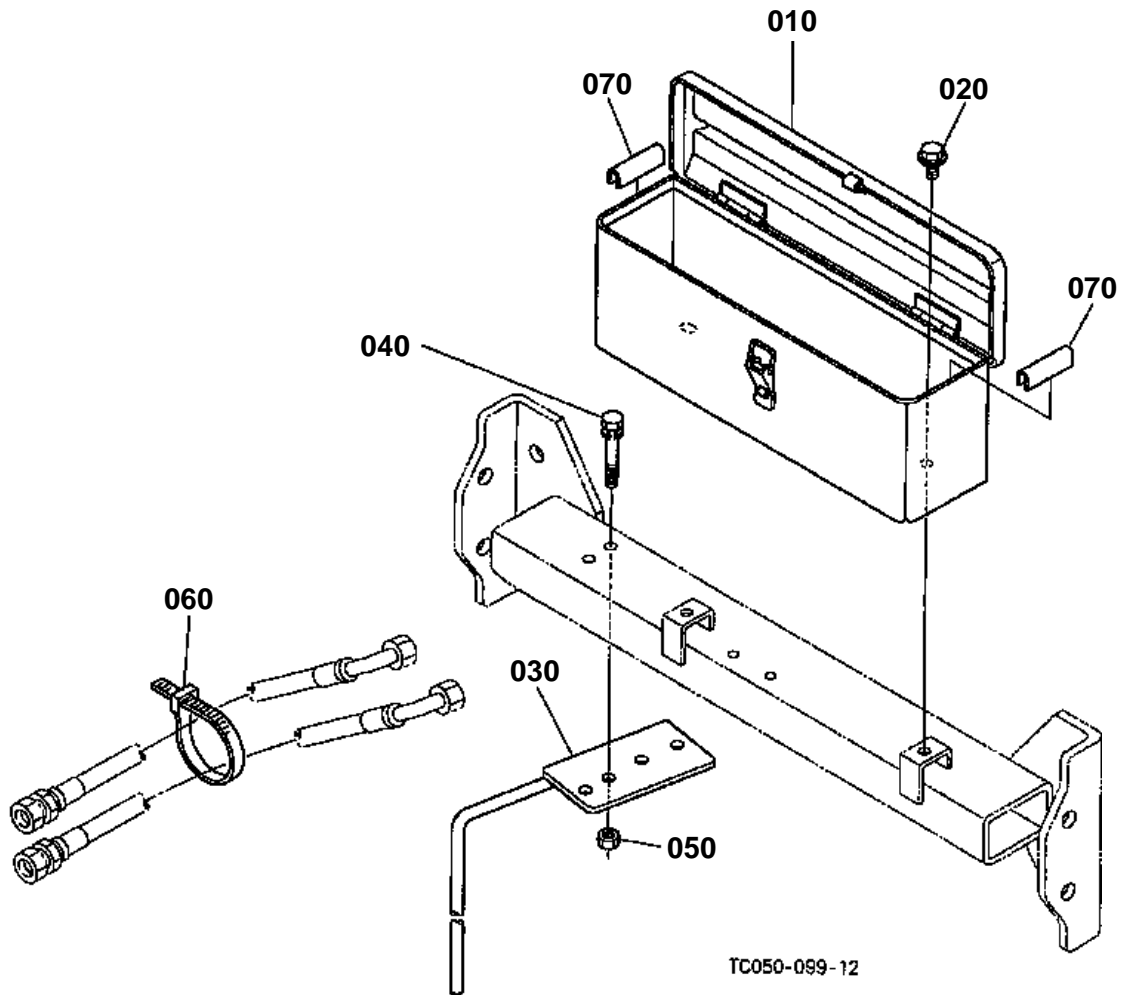
TCQ50-080-10

**STEP**

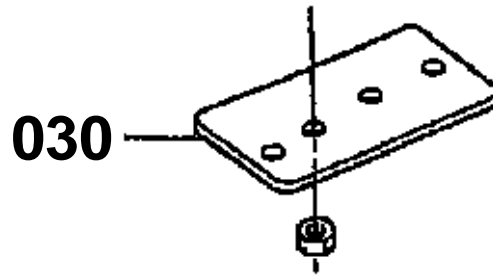
↔ Interchangeable; ≠ not interchangeable; ← new for old; → old for new

REF.No	Part No.	Description	Q'ty	S.No.	I/C	REMARKS	Weight (kgf)	Weight (lb)
010	TC050-29160	SUPPORT STEP LH	1				0	0
020	TC050-29170	SUPPORT STEP RH	1				0	0
030	01754-50816	BOLT FLANGE	4				0.011	0.0242
040	TC050-29920	COMP.STEP	1				0	0
050	TA140-47470	STEP AID LH	1				0.985	2.167
060	01754-50812	BOLT FLANGE	4				0.01	0.022
070	37410-44850	COVER ACCEL.PEDAL	1				0.01	0.022
080	TC030-29140	BRACKET STEP FRON.LH	1				0	0
090	01133-51230	BOLT	2				0.04	0.088
100	TC030-29150	BRACKET STEP FRON.RH	1				0	0
110	01133-51240	BOLT	2				0.05	0.11
120	TC030-47410	BRACKET STEP REAR RH	1				0	0
130	01133-51025	BOLT	2				0.023	0.0506
140	TC030-47420	BRACKET STEP REAR LH	1				0	0
150	01133-51025	BOLT	2				0.023	0.0506
160	T1060-47310	CUSHION	2				0.155	0.341
170	T1060-47320	WASHER	2				0.104	0.2288
180	01133-51465	BOLT	2	≤10720			0	0
180	01133-51475	BOLT	2	≥10721	←		0	0
190	02174-50140	NUT	2				0.014	0.0308
200	TC030-47350	CUSHION	2				0	0
210	02751-50080	NUT FLANGE	4				0.006	0.0132

TOOL BOX



030 TC050-9648-3

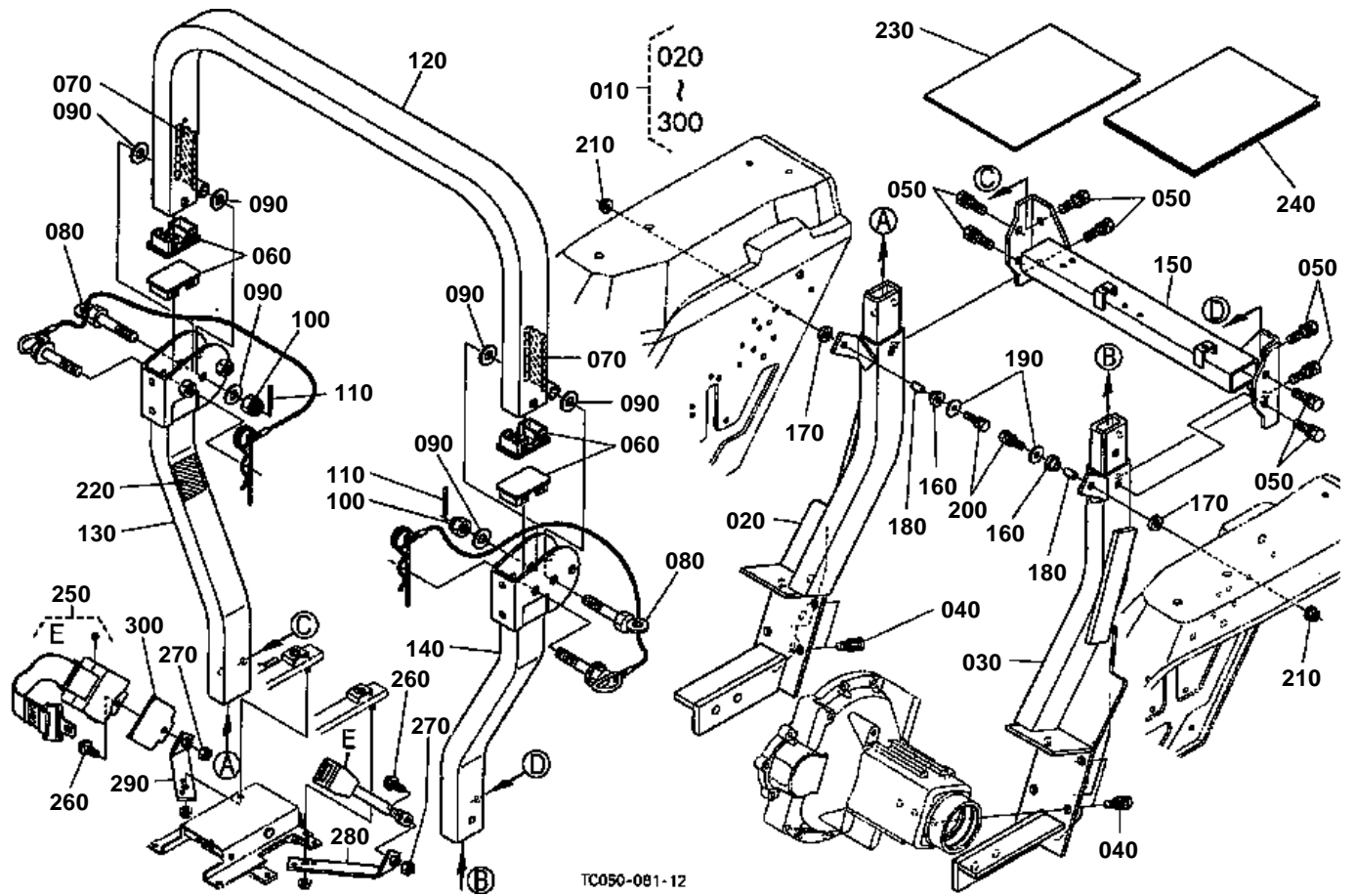


TC050-806-10

**TOOL BOX**

↔ Interchangeable; ≠ not interchangeable; ← new for old; → old for new

REF.No	Part No.	Description	Q'ty	S.No.	I/C	REMARKS	Weight (kgf)	Weight (lb)
010	3A751-90232	CASE TOOLS	1				2.7	5.94
020	01754-50812	BOLT FLANGE	2				0.01	0.022
030	TC050-96483	STAY COUPLER	1	≤10656			0	0
030	TC050-96484	STAY COUPLER	1	≥10657	←		0	0
040	01123-50870	BOLT	2				0.029	0.0638
050	02114-50080	NUT	2				0.005	0.011
060	55311-41260	BAND CORD	1				0.007	0.0154
070	31351-34320	RUBBER PROTECTOR	2	≥10657			0.003	0.0066



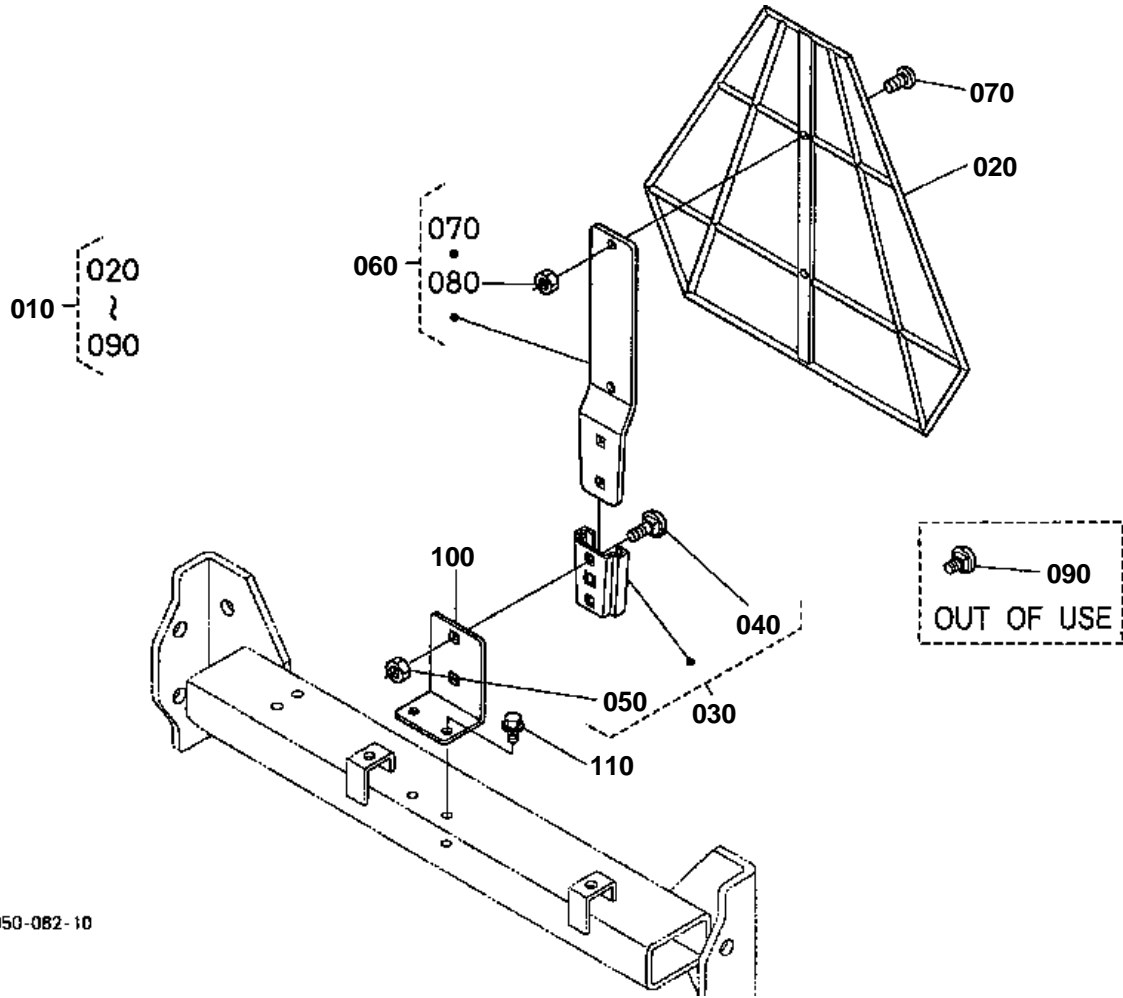


ROPS

↔ Interchangeable; ≠ not interchangeable; ← new for old; → old for new

REF.No	Part No.	Description	Q'ty	S.No.	I/C	REMARKS	Weight (kgf)	Weight (lb)
010	TC050-48530	ASSY ROPS	1				0	0
020	99999-99999	COMP.FRAME UNDER RH	1				0	0
030	99999-99999	COMP.FRAME UNDER LH	1				0	0
040	01138-51430	BOLT	8				0	0
050	01138-51440	BOLT	8				0.35	0.77
060	TC050-48772	COVER ROPS	4				0.03	0.066
070	6C140-54990	REFLECTOR LABEL	2				0.003	0.0066
080	TA240-48752	SET BOLT	2				0	0
090	04013-60160	WASHER PLAIN	6				0.01	0.022
100	02254-50160	NUT	2				0.04	0.088
110	05511-50430	PIN SPLIT	2				0.004	0.0088
120	99999-99999	COMP.FRAME UPPER	1				0	0
130	99999-99999	COMP.FRAME MIDDLE RH	1				0	0
140	99999-99999	COMP.FRAME MIDDLE LH	1				0	0
150	99999-99999	COMP.FRAME ACROSS	1				0	0
160	TC050-29950	CUSHION	2				0	0
170	TC030-46132	CUSHION	2				0	0
180	TC050-48310	COLLAR	2				0	0
190	04015-60080	WASHER PLAIN	2				0.01	0.022
200	01123-50835	BOLT	2				0.02	0.044
210	02751-50080	NUT FLANGE	2				0.006	0.0132
220	3A111-95540	LABEL ROPS CAUTION	1			ENGLISH	0	0
220	3A112-95540	LABEL ROPS CAUTION	1			FRENCH	0.003	0.0066
230	99999-99999	MANUAL INSTRUCTION	1				0	0
240	TA240-48680	MANUAL INSTRUCTION	1				0.025	0.055
250	K2561-56850	ASSY BELT SEAT	1				0.81	1.782
260	01774-51025	BOLT FLANGE	2				0.02	0.044
270	02116-50100	NUT	2				0.004	0.0088
280	TC030-18490	BRACKET SEAT BELT LH	1				0	0
290	TA040-18482	BRACKET SEAT BELT RH	1				0.27	0.594
300	TC050-18472	COVER BELT SEAT	1				0	0

SMV EMBLEM

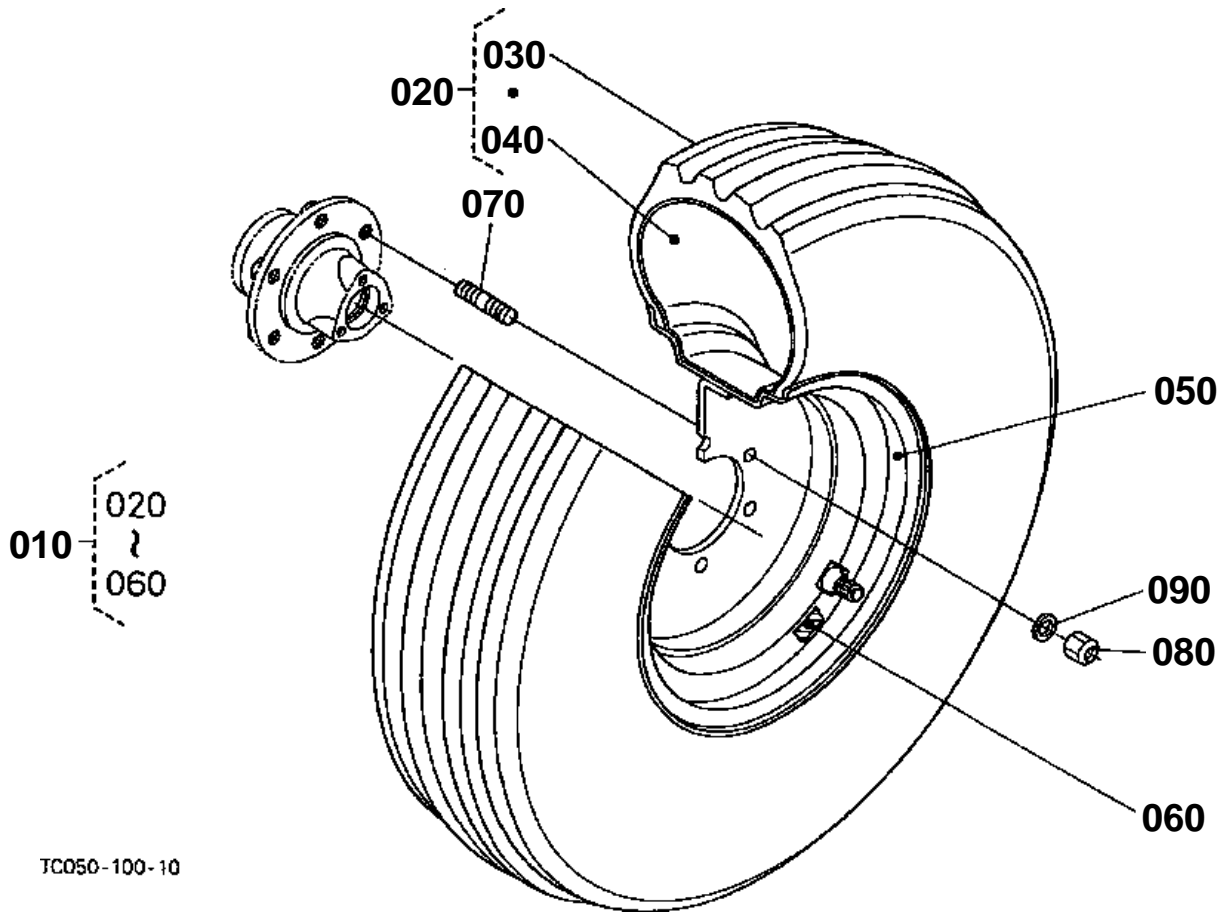


TC050-082-10

**SMV EMBLEM**

↔ Interchangeable; ≠ not interchangeable; ← new for old; → old for new

REF.No	Part No.	Description	Q'ty	S.No.	I/C	REMARKS	Weight (kgf)	Weight (lb)
010	7L500-89900	SMV SIGN KIT	1				0	0
020	7L500-89910	SIGN SMV	1				0	0
030	7L500-89920	SOCKET SMV SIGN	1				0	0
040	7L500-89940	BOLT SQUARE NECK	2				0	0
050	7L500-89950	NUT	2				0	0
060	7L500-89960	SPADE SMV SIGN	1				0	0
070	7L500-89980	VIS	2				0	0
080	7L500-89990	NUT	2				0	0
090	7L500-89810	BOLT SQUARE NECK	2			OUT OF USE	0	0
100	TC050-29430	BRACKET SMV	1				0	0
110	01754-50812	BOLT FLANGE	2				0.01	0.022

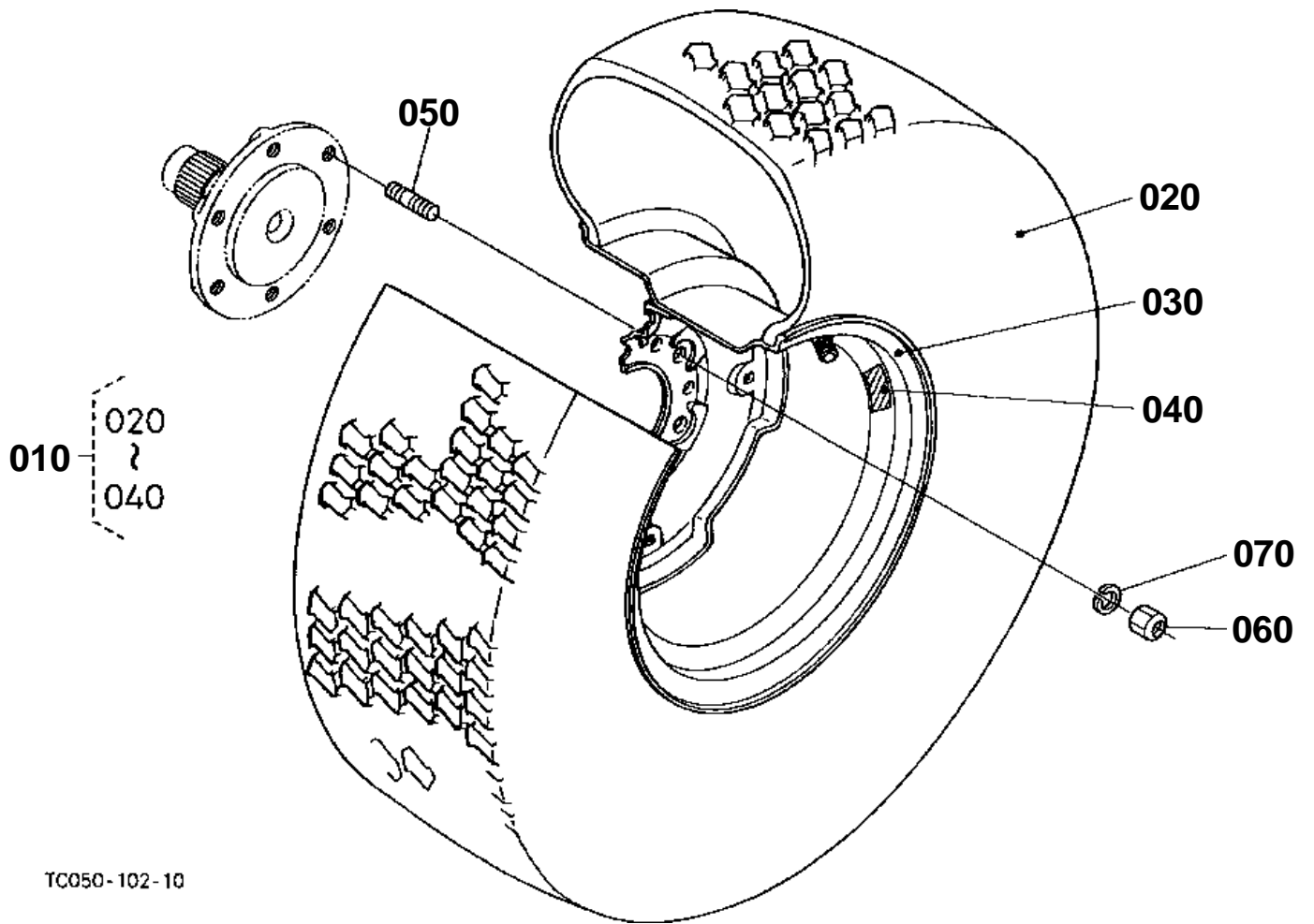




FRONT WHEEL(7.5L-15)

↔ Interchangeable; ≠ not interchangeable; ← new for old; → old for new

REF.No	Part No.	Description	Q'ty	S.No.	I/C	REMARKS	Weight (kgf)	Weight (lb)
010	TC030-11600	ASSY FRONT WHEEL	2				0	0
020	TC030-11610	ASSY TIRE	2				0	0
030	TC030-11620	TIRE	2				0	0
040	TC030-11630	TUBE	2				0	0
050	TC030-11650	WHEEL	2				0	0
060	TC030-11660	LABEL TIRE LH	2				0	0
070	32580-44960	STUD	12				0.05	0.11
080	35340-11390	NUT	12				0.03	0.066
090	04512-60140	WASHER SPRING	12				0.006	0.0132



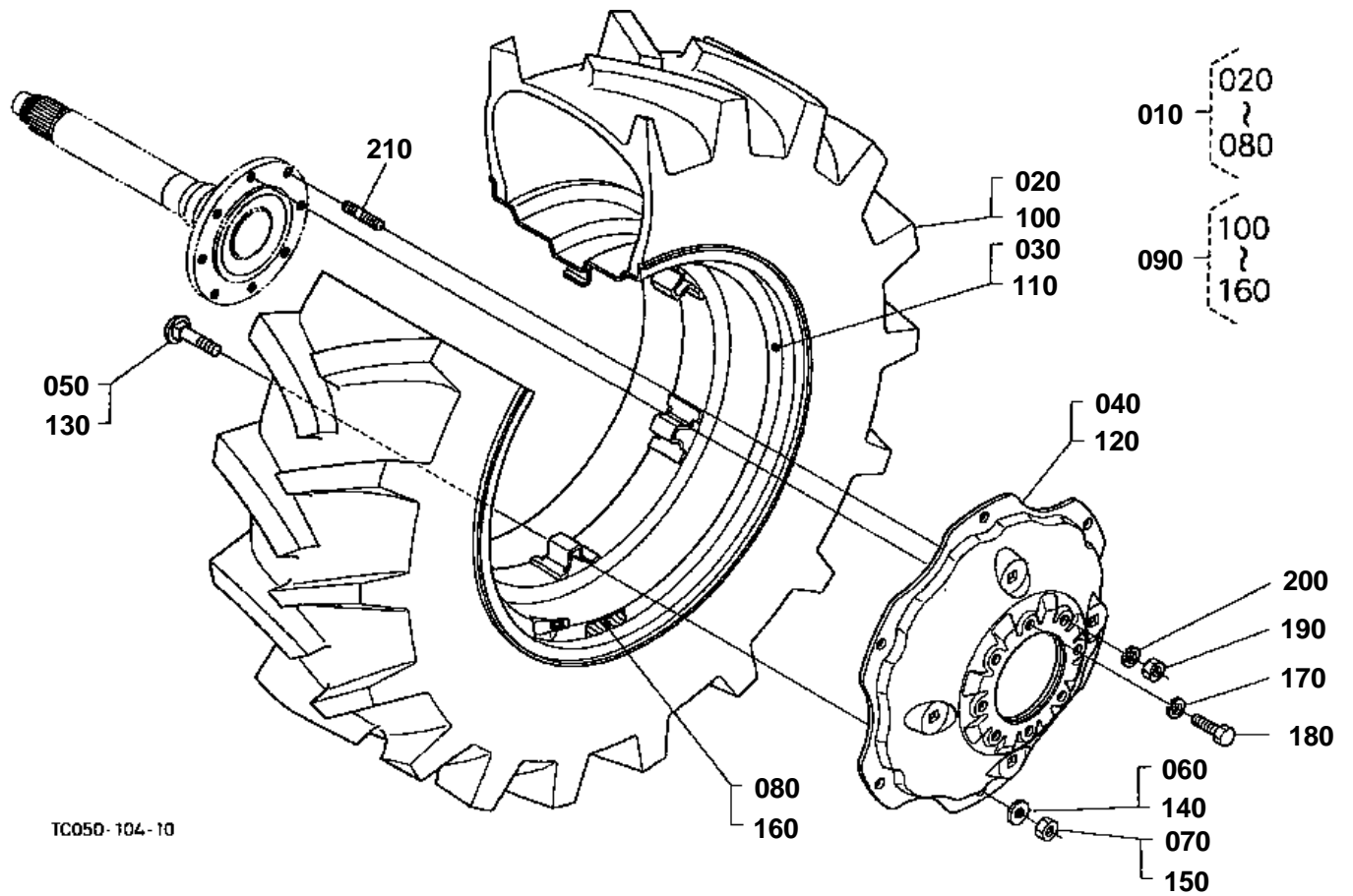
TC050-102-10



FRONT WHEEL(29*12.5-15)

↔ Interchangeable; ≠ not interchangeable; ← new for old; → old for new

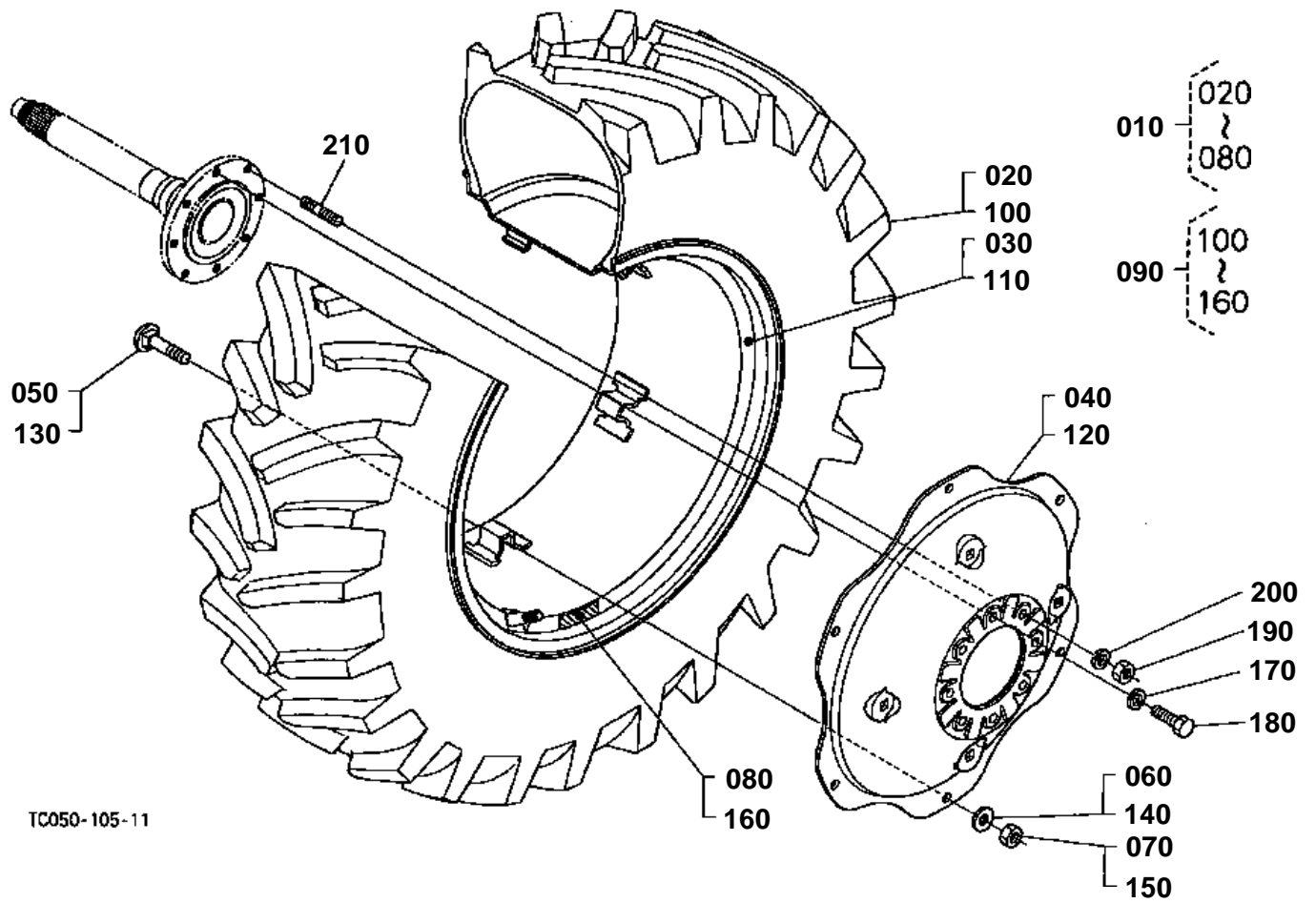
REF.No	Part No.	Description	Q'ty	S.No.	I/C	REMARKS	Weight (kgf)	Weight (lb)
010	TC050-00660	ASSY TIRE	2				0	0
020	TC050-00670	TIRE	2				0	0
030	TC050-00680	WHEEL	2				0	0
040	TC050-00690	LABEL TIRE	2				0	0
050	32580-44960	STUD	12				0.05	0.11
060	35340-11390	NUT	12				0.03	0.066
070	04512-60140	WASHER SPRING	12				0.006	0.0132



**REAR WHEEL(14.9-26)**

↔ Interchangeable; ≠ not interchangeable; ← new for old; → old for new

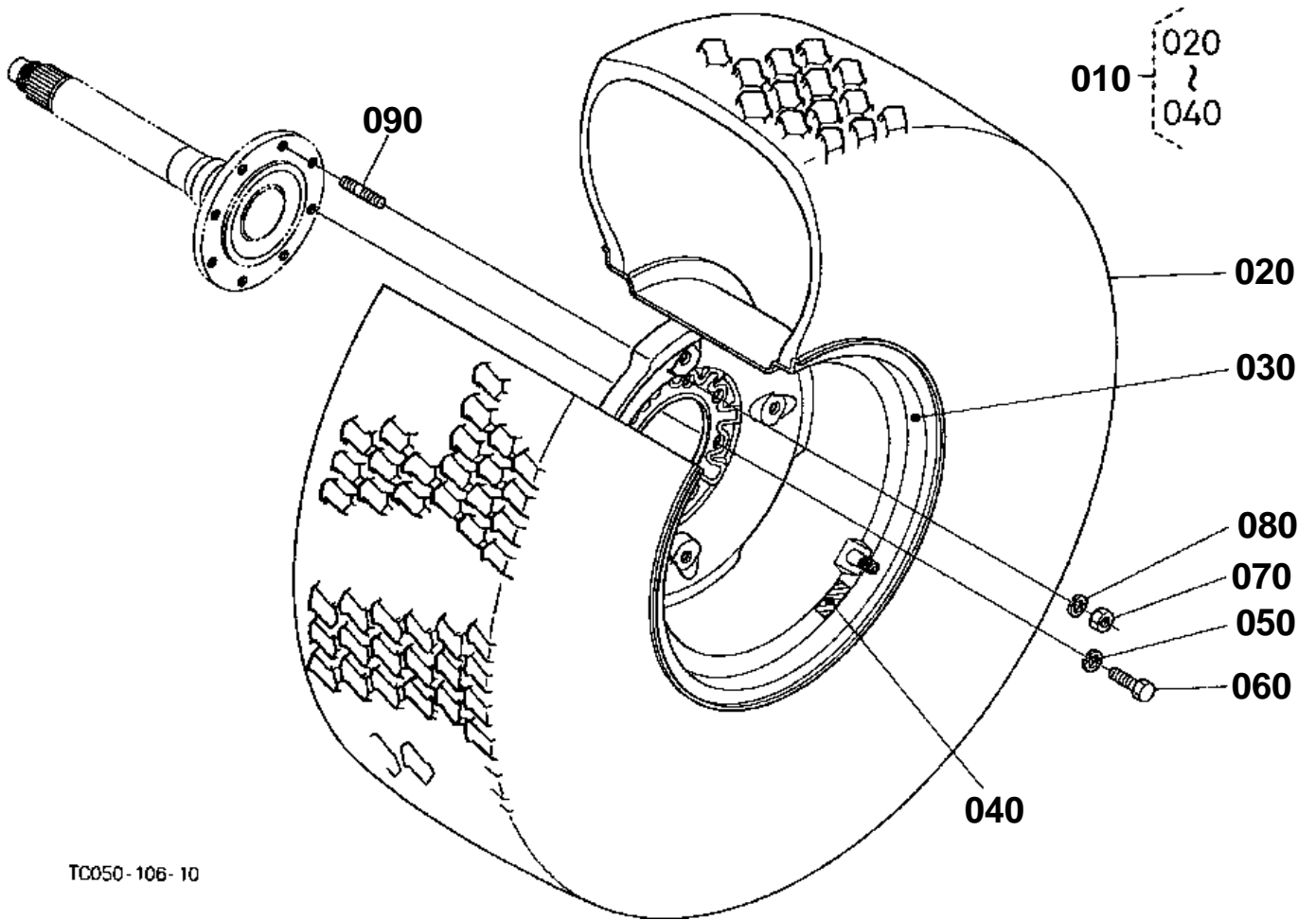
REF.No	Part No.	Description	Q'ty	S.No.	I/C	REMARKS	Weight (kgf)	Weight (lb)
010	TC050-00810	ASSY TIRE RH	1				0	0
020	TC050-00830	TIRE	1				0	0
030	TC050-00840	RIM	1				0	0
040	TC050-00960	DISK	1				0	0
050	TC050-00970	BOLT	6				0	0
060	TC050-00980	WASHER PLAIN	6				0	0
070	TC050-00990	NUT	6				0	0
080	TC050-00940	LABEL TIRE RH	1				0	0
090	TC050-00820	ASSY TIRE LH	1				0	0
100	TC050-00830	TIRE	1				0	0
110	TC050-00840	RIM	1				0	0
120	TC050-00960	DISK	1				0	0
130	TC050-00970	BOLT	6				0	0
140	TC050-00980	WASHER PLAIN	6				0	0
150	TC050-00990	NUT	6				0	0
160	TC050-00950	LABEL TIRE LH	1				0	0
170	04512-60160	WASHER SPRING	12				0.01	0.022
180	01073-51640	BOLT	12				0.092	0.2024
190	02076-50160	NUT	4				0.03	0.066
200	04512-60160	WASHER SPRING	4				0.01	0.022
210	32530-27410	STUD	4				0.08	0.176



**REAR WHEEL(13.6-28)**

↔ Interchangeable; ≠ not interchangeable; ← new for old; → old for new

REF.No	Part No.	Description	Q'ty	S.No.	I/C	REMARKS	Weight (kgf)	Weight (lb)
010	TC050-40360	ASSY TIRE RH	1				0	0
020	TC050-40380	TIRE	1				0	0
030	TC050-40390	RIM	1				0	0
040	TC050-40420	DISK	1				0	0
050	TC050-00970	BOLT	6				0	0
060	TC050-00980	WASHER PLAIN	6				0	0
070	TC050-00990	NUT	6				0	0
080	TC050-40400	LABEL TIRE RH	1				0	0
090	TC050-40370	ASSY TIRE LH	1				0	0
100	TC050-40380	TIRE	1				0	0
110	TC050-40390	RIM	1				0	0
120	TC050-40420	DISK	1				0	0
130	TC050-00970	BOLT	6				0	0
140	TC050-00980	WASHER PLAIN	6				0	0
150	TC050-00990	NUT	6				0	0
160	TC050-40410	LABEL TIRE LH	1				0	0
170	04512-60160	WASHER SPRING	12				0.01	0.022
180	01073-51640	BOLT	12				0.092	0.2024
190	02076-50160	NUT	4				0.03	0.066
200	04512-60160	WASHER SPRING	4				0.01	0.022
210	32530-27410	STUD	4				0.08	0.176



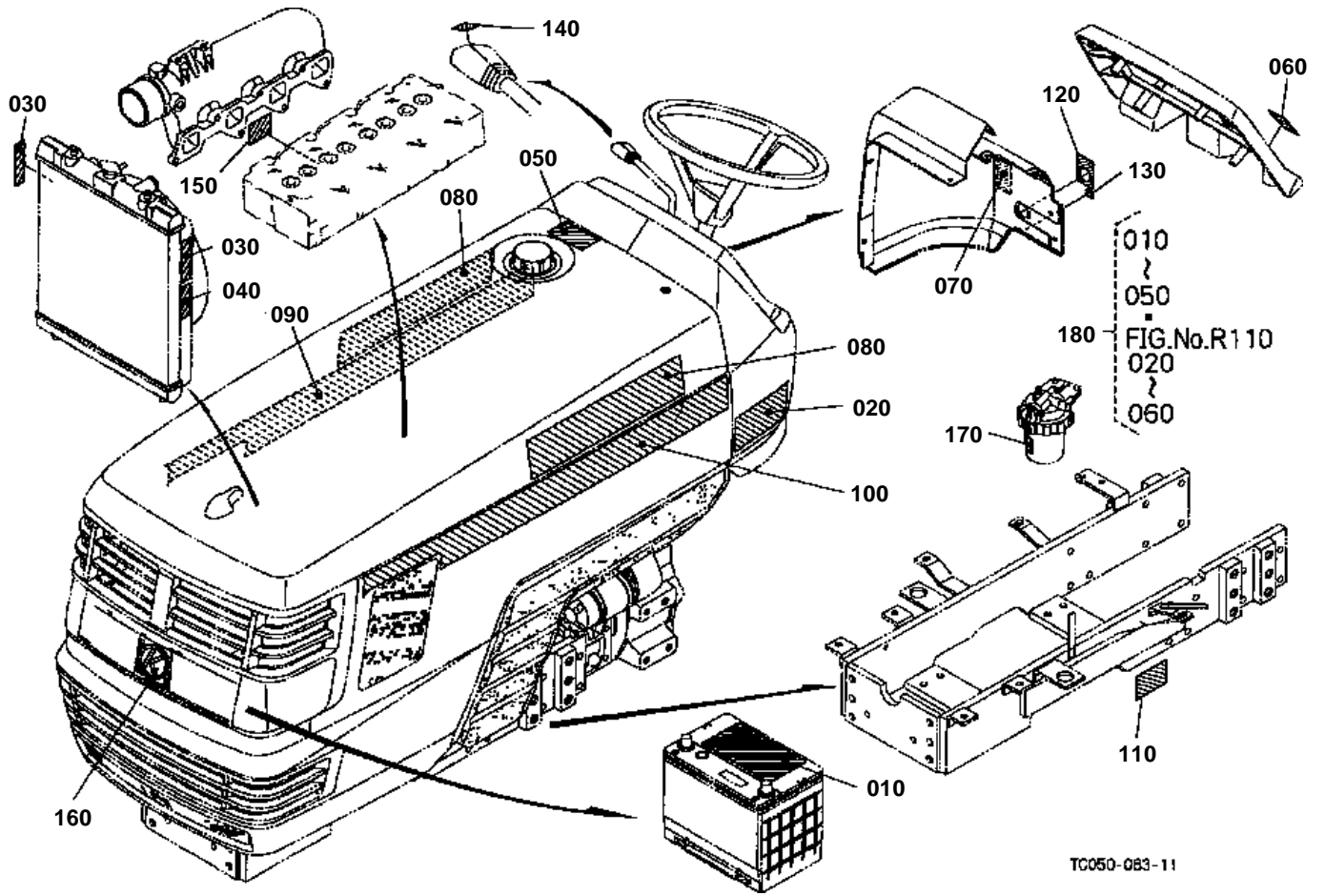
TC050-106-10

**REAR WHEEL(44*18-20)**

↔ Interchangeable; ≠ not interchangeable; ← new for old; → old for new

REF.No	Part No.	Description	Q'ty	S.No.	I/C	REMARKS	Weight (kgf)	Weight (lb)
010	TC050-51310	ASSY TIRE	2				0	0
020	TC050-51330	TIRE	2				0	0
030	TC050-51340	WHEEL	2				0	0
040	TC050-51350	LABEL TIRE	2				0	0
050	04512-60160	WASHER SPRING	12				0.01	0.022
060	01073-51640	BOLT	12				0.092	0.2024
070	02076-50160	NUT	4				0.03	0.066
080	04512-60160	WASHER SPRING	4				0.01	0.022
090	32530-27410	STUD	4				0.08	0.176

LABEL 1 (FRONT)



010
050
020
060
FIG. No. R110

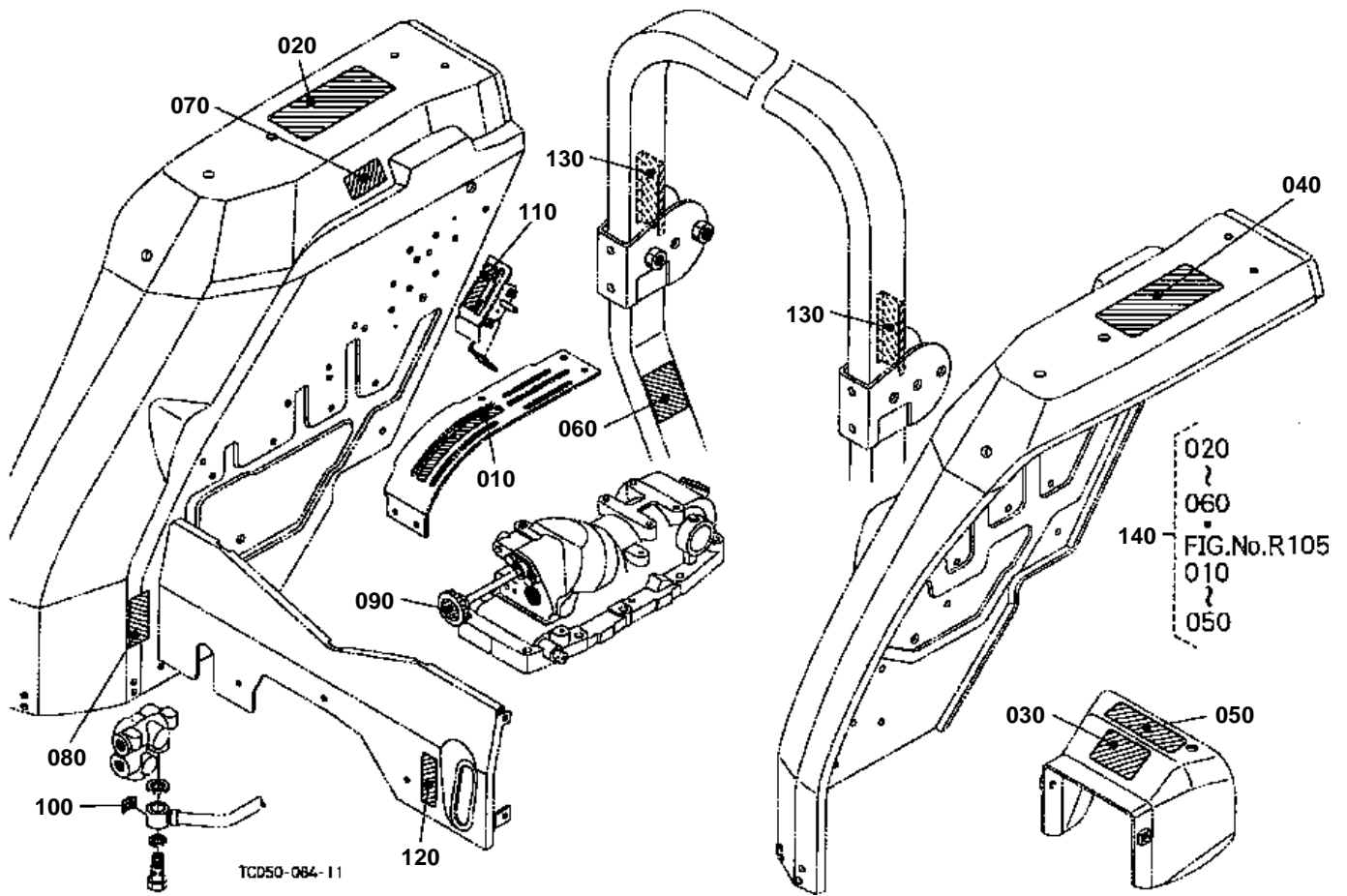
TC050-083-11



LABEL 1 (FRONT)

↔ Interchangeable; ≠ not interchangeable; ← new for old; → old for new

REF.No	Part No.	Description	Q'ty	S.No.	I/C	REMARKS	Weight (kgf)	Weight (lb)
010	TC030-30120	LABEL BATTERY	1			ENGLISH	0	0
010	TC031-30150	LABEL BATTERY	1			FRENCH	0	0
020	TA040-49650	LABEL START CAUTION	1			ENGLISH	0.004	0.0088
020	TA041-49650	LABEL START CAUTION	1			FRENCH	0.004	0.0088
030	32751-49580	LABEL FAN BELT	2				0.001	0.0022
040	TC030-49580	LABEL MUFFLER	1				0	0
050	TA040-49562	LABEL FUEL	1				0.002	0.0044
060	TC050-25050	LABEL SHUTTLE	1			ENGLISH	0	0
060	TC051-25050	LABEL SHUTTLE	1			FRENCH	0	0
070	32330-17610	LABEL ENGINE STOP	1				0.001	0.0022
080	35080-65350	LABEL KUBOTA	2				0.001	0.0022
090	TC050-65103	MARK MODEL RH	1				0	0
100	TC050-65112	MARK MODEL LH	1				0	0
110	99999-99999	NAME PLATE	1				0	0
120	TC020-65510	LABEL MAIN SWITCH	1				0.001	0.0022
130	34670-65050	LABEL PARKING	1				0.001	0.0022
140	TA040-49370	MARK ACCEL.GRIP	1				0.001	0.0022
150	1G790-87210	LABEL PUMP	1			ENGLISH	0	0
150	1G851-87210	LABEL PUMP	1			FRENCH	0.001	0.0022
160	TA140-49500	MARK SYMBOL	1				0.013	0.0286
170	16873-88430	LABEL FUEL FILTER	1				0.001	0.0022
180	TC050-99500	KIT LABEL SAFETY (A)	1			ENGLISH	0.037	0.0814
180	TC051-99500	KIT LABEL SAFETY (B)	1			FRENCH	0.032	0.0704





LABEL 2 (REAR)

↔ Interchangeable; ≠ not interchangeable; ← new for old; → old for new

REF.No	Part No.	Description	Q'ty	S.No.	I/C	REMARKS	Weight (kgf)	Weight (lb)
010	TA040-49500	MARK POSITION	1				0.002	0.0044
020	TA240-98480	LABEL ROPS WARNING	1			ENGLISH	0.005	0.011
020	3A112-98480	LABEL ROPS WARNING	1			FRENCH	0.004	0.0088
030	TA040-49350	LABEL DRAWBAR	1			ENGLISH	0.002	0.0044
030	TA041-49350	LABEL DRAWBAR	1			FRENCH	0.003	0.0066
040	35260-34913	LABEL SAFETY	1			ENGLISH	0.005	0.011
040	TA041-65700	LABEL SAFETY	1			FRENCH	0.01	0.022
050	TA040-49590	LABEL PTO WARNING	1			ENGLISH	0.002	0.0044
050	TA041-49590	LABEL PTO WARNING	1			FRENCH	0.005	0.011
060	3A111-95540	LABEL ROPS CAUTION	1			ENGLISH	0	0
060	3A112-95540	LABEL ROPS CAUTION	1			FRENCH	0.003	0.0066
070	TA040-49302	LABEL I-PTO CAUTION	1			ENGLISH	0.001	0.0022
070	TA041-49300	LABEL I-PTO CAUTION	1			FRENCH	0.003	0.0066
080	TA040-49760	MARK DIFF.LOCK	1				0.001	0.0022
090	TA470-49330	MARK HYD.ADJUST.	1				0	0
100	32430-65790	LABEL HYD.BLOCK	1				0.01	0.022
110	TA040-49160	MARK REAR PTO	1				0.001	0.0022
130	6C140-54990	REFLECTOR LABEL	2	>=10083			0.003	0.0066
140	TC050-99500	KIT LABEL SAFETY (A)	1			ENGLISH	0.037	0.0814
140	TC051-99500	KIT LABEL SAFETY (B)	1			FRENCH	0.032	0.0704

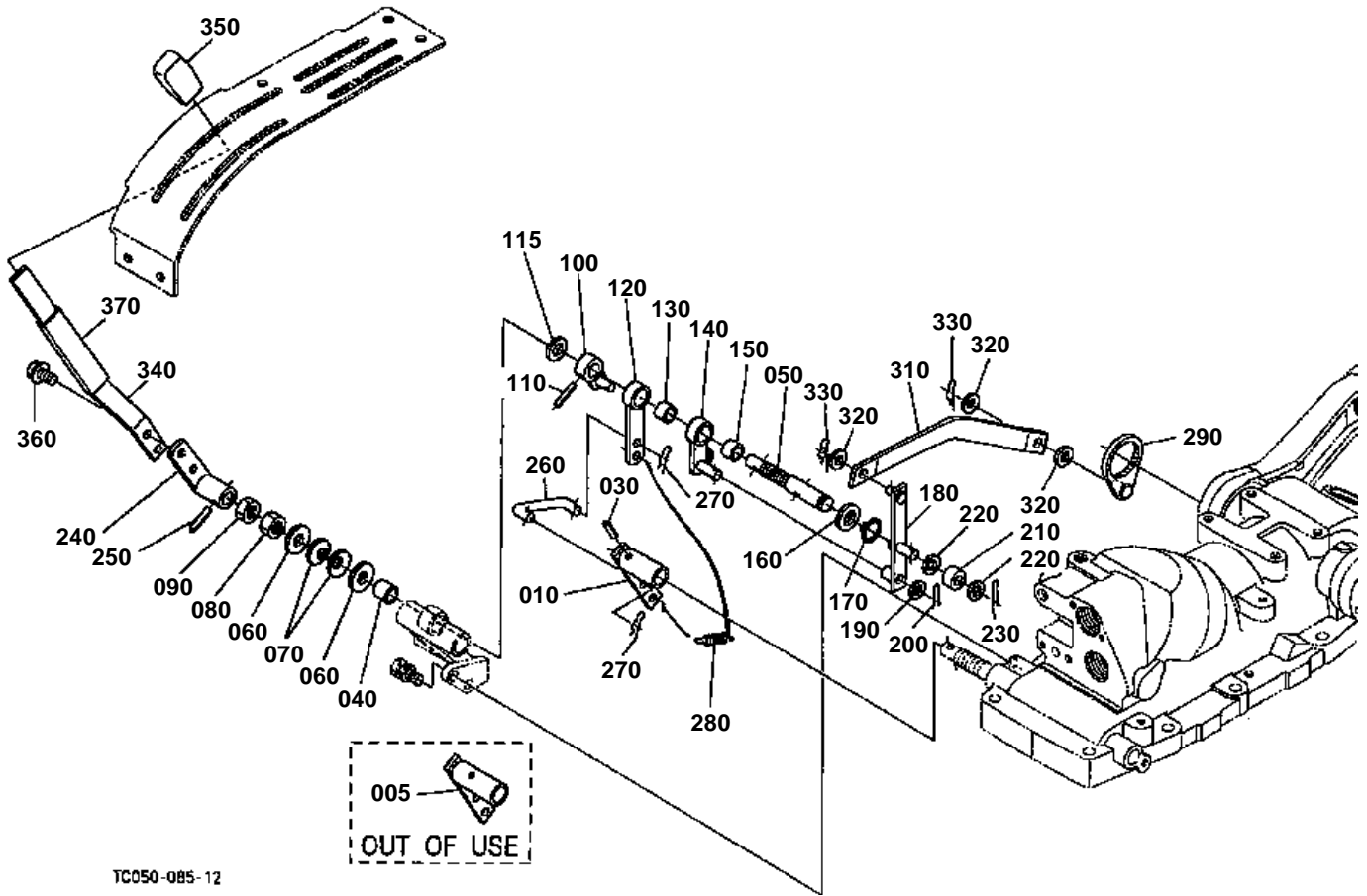


ACCESSORIES AND SERVICE PARTS

↔ Interchangeable; ≠ not interchangeable; ← new for old; → old for new

REF.No	Part No.	Description	Q'ty	S.No.	I/C	REMARKS	Weight (kgf)	Weight (lb)
010	TC050-19710	MANUAL INSTRUCTION	1			ENGLISH	0.17	0.374
010	TC051-19710	MANUAL INSTRUCTION	1			FRENCH	0	0
020	1G511-89810	STATEMENT WARRANTY	1				0.01	0.022
030	32580-44960	STUD	12			FOR FRONT WHEEL	0.05	0.11
040	35340-11390	NUT	12			FOR FRONT WHEEL	0.03	0.066
050	04512-60140	WASHER SPRING	12			FOR FRONT WHEEL	0.006	0.0132
060	04512-60160	WASHER SPRING	12			FOR REAR WHEEL	0.01	0.022
070	01073-51640	BOLT	12			FOR REAR WHEEL	0.092	0.2024
080	02076-50160	NUT	4			FOR REAR WHEEL	0.03	0.066
090	04512-60160	WASHER SPRING	4			FOR REAR WHEEL	0.01	0.022
100	32530-27410	STUD	4			FOR REAR WHEEL	0.08	0.176
110	35260-31852	ASSY KEY MAIN SWITCH	1				0.02	0.044
120	36330-91752	PIN TOP LINK REAR	1			CATEGORY 1	0.25	0.55
130	34150-37640	PIN SET	1			CATEGORY 1	0.06	0.132
140	36330-91773	ASSY PIN TOP LINK	1			CATEGORY 2 REF.No.150 160	0.55	1.21
150	36330-91762	PIN TOP LINK REAR	1			CATEGORY 2	0.49	1.078
160	36200-91840	ASSY PIN SET	1			CATEGORY 2	0.06	0.132
170	34150-37640	PIN SET	2				0.06	0.132
180	TC050-71230	COLLAR	1			CATEGORY 1	0	0
190	32590-71150	COLLAR	2			CATEGORY 1	0.06	0.132

POSITION CONTROL LEVER (WITH DRAFT) [OPTION]



TC050-085-12

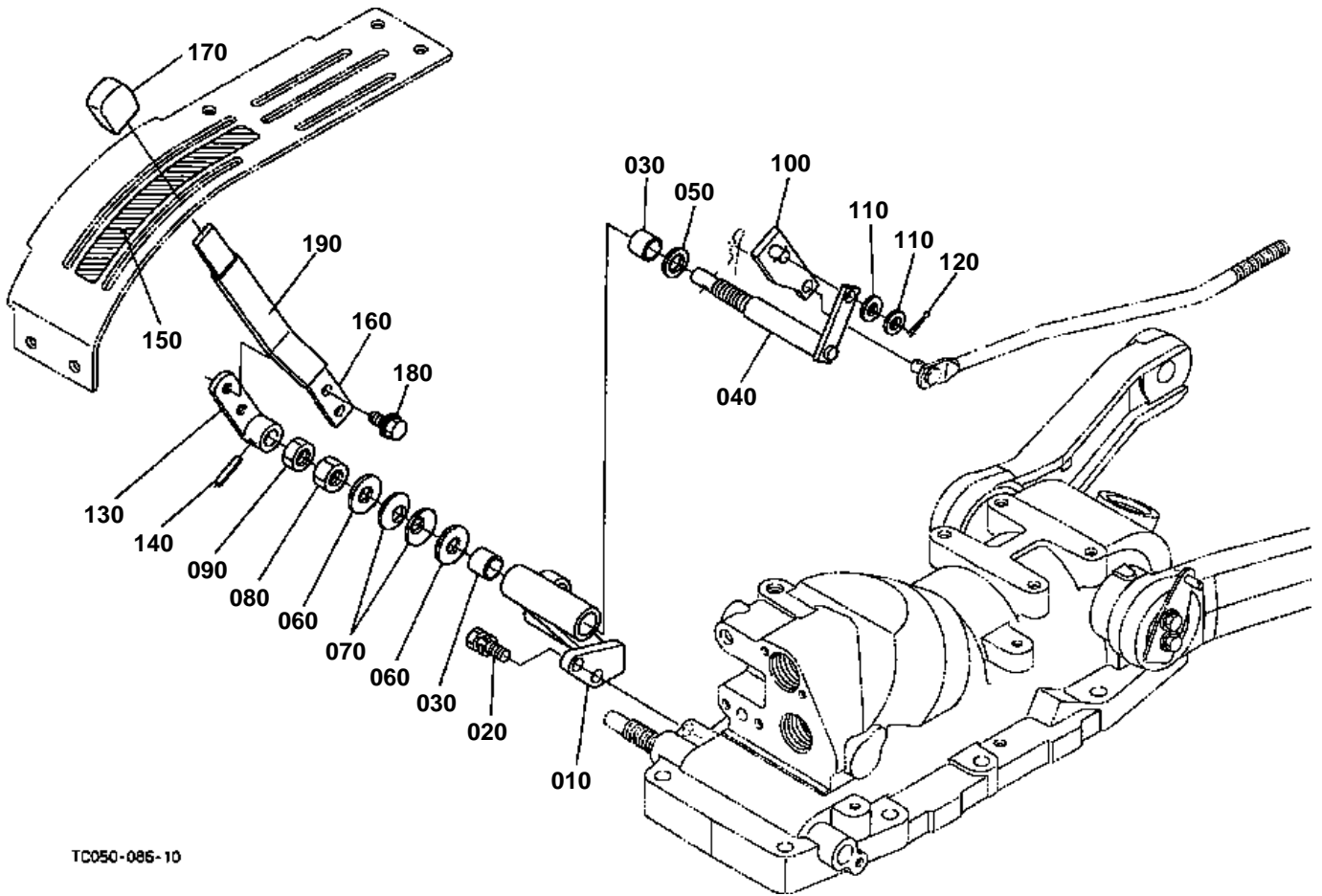


POSITION CONTROL LEVER (WITH DRAFT) [OPTION]
(AVEC TYPE D'EFFORT)

↔ Interchangeable; ≠ not interchangeable; ← new for old; → old for new

REF.No	Part No.	Description	Q'ty	S.No.	I/C	REMARKS	Weight (kgf)	Weight (lb)
005	TA040-38312	LINK CONTROL	1			OUT OF USE	0.15	0.33
010	TA140-38310	LINK CONTROL	1				0	0
020	99999-99999	BLANK	0				0	0
030	05411-00525	PIN SPRING	1				0.002	0.0044
040	08511-01615	BUSH	1				0.01	0.022
050	TA040-38122	SHAFT DRAFT	1				0.14	0.308
060	04013-60140	WASHER PLAIN	2				0.01	0.022
070	34260-36880	SPRING PLATE	2				0.006	0.0132
080	02174-50140	NUT	1				0.014	0.0308
090	02172-50140	NUT	1				0.01	0.022
100	TA040-38142	LINK DRAFT	1				0.065	0.143
110	05411-00525	PIN SPRING	1				0.002	0.0044
115	04714-00300	GASKET	1				0.002	0.0044
120	TA040-38150	LINK DRAFT	1				0.065	0.143
130	08511-01612	BUSH	1				0.005	0.011
140	TA040-38160	LINK DRAFT	1				0.07	0.154
150	08511-01612	BUSH	1				0.005	0.011
160	04011-60160	WASHER PLAIN	1				0.01	0.022
170	04612-00160	CIR CLIP EXTERNAL	1				0.001	0.0022
180	TA040-38170	LINK DRAFT	1				0.095	0.209
190	04012-50080	WASHER PLAIN	1				0.001	0.0022
200	05511-50215	PIN SPLIT	1				0.001	0.0022
210	TA040-38190	COLLAR	1				0.02	0.044
220	04011-50100	WASHER PLAIN	2				0.002	0.0044
230	05511-50320	PIN SPLIT	1				0.002	0.0044
240	TA040-38212	LEVER POSITION	1				0.13	0.286
250	05411-00525	PIN SPRING	1				0.002	0.0044
260	TA040-38322	ROD CONTROL	1				0.045	0.099
270	05525-50800	PIN SNAP	2				0.001	0.0022
280	36919-27830	SPRING	1				0.01	0.022
290	TA040-38262	HOLDER	1				0.06	0.132
300	99999-99999	BLANK	0				0	0
310	TA040-38282	ROD DRAFT	1				0.145	0.319
320	04012-50080	WASHER PLAIN	3				0.001	0.0022
330	05525-50800	PIN SNAP	2				0.001	0.0022
340	TA040-38230	LEVER POSITION	1				0.18	0.396
350	52300-32640	GRIP LEVER	1				0.04	0.088
360	01754-50612	BOLT FLANGE	2				0.005	0.011
370	TA040-36132	TUBE LEVER	1				0.01	0.022

DRAFT CONTROL LEVER (WITH DRAFT) [OPTION]



TC050-086-10

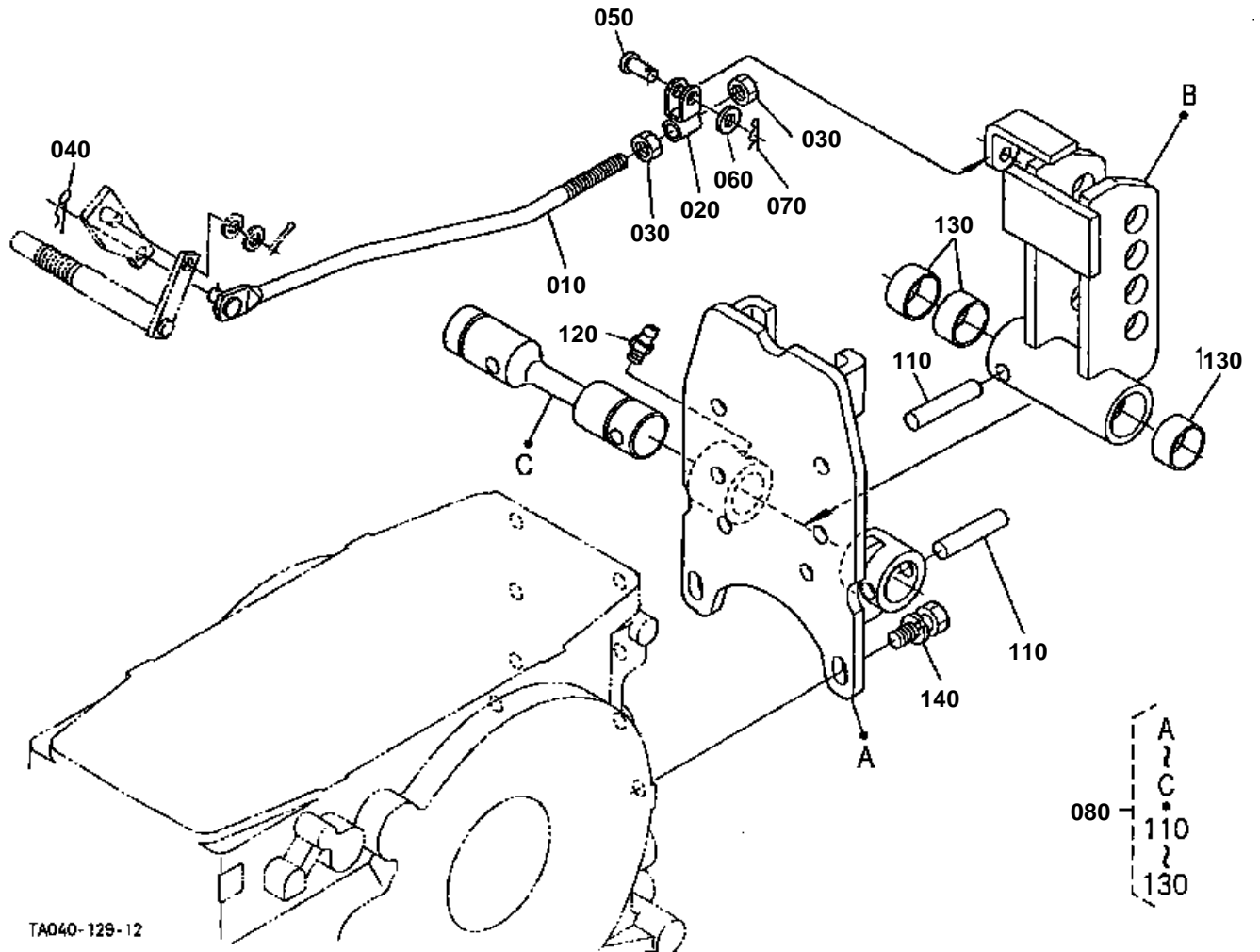


DRAFT CONTROL LEVER (WITH DRAFT) [OPTION]
(AVEC TYPE D'EFFORT)

↔ Interchangeable; ≠ not interchangeable; ← new for old; → old for new

REF.No	Part No.	Description	Q'ty	S.No.	I/C	REMARKS	Weight (kgf)	Weight (lb)
010	TA040-38114	STAY	1				0.255	0.561
020	01123-50822	BOLT	2				0.012	0.0264
030	08511-01615	BUSH	2				0.01	0.022
040	TA040-38132	SHAFT DRAFT	1				0.22	0.484
050	04714-00300	GASKET	1				0.002	0.0044
060	04013-60140	WASHER PLAIN	2				0.01	0.022
070	34260-36880	SPRING PLATE	2				0.006	0.0132
080	02174-50140	NUT	1				0.014	0.0308
090	02172-50140	NUT	1				0.01	0.022
100	TA040-38182	LEVER CAM	1				0.085	0.187
110	04012-50080	WASHER PLAIN	2				0.001	0.0022
120	05511-50215	PIN SPLIT	1				0.001	0.0022
130	TA040-38222	LEVER DRAFT	1				0.095	0.209
140	05411-00525	PIN SPRING	1				0.002	0.0044
150	TA040-49520	MARK DRAFT	1				0.003	0.0066
160	TA040-38240	LEVER DRAFT	1				0.16	0.352
170	37410-43560	GRIP LEVER	1				0.025	0.055
180	01754-50612	BOLT FLANGE	2				0.005	0.011
190	TA040-36132	TUBE LEVER	1				0.01	0.022

TOP LINK HOLDER (WITH DRAFT) [OPTION]



TA040-129-12

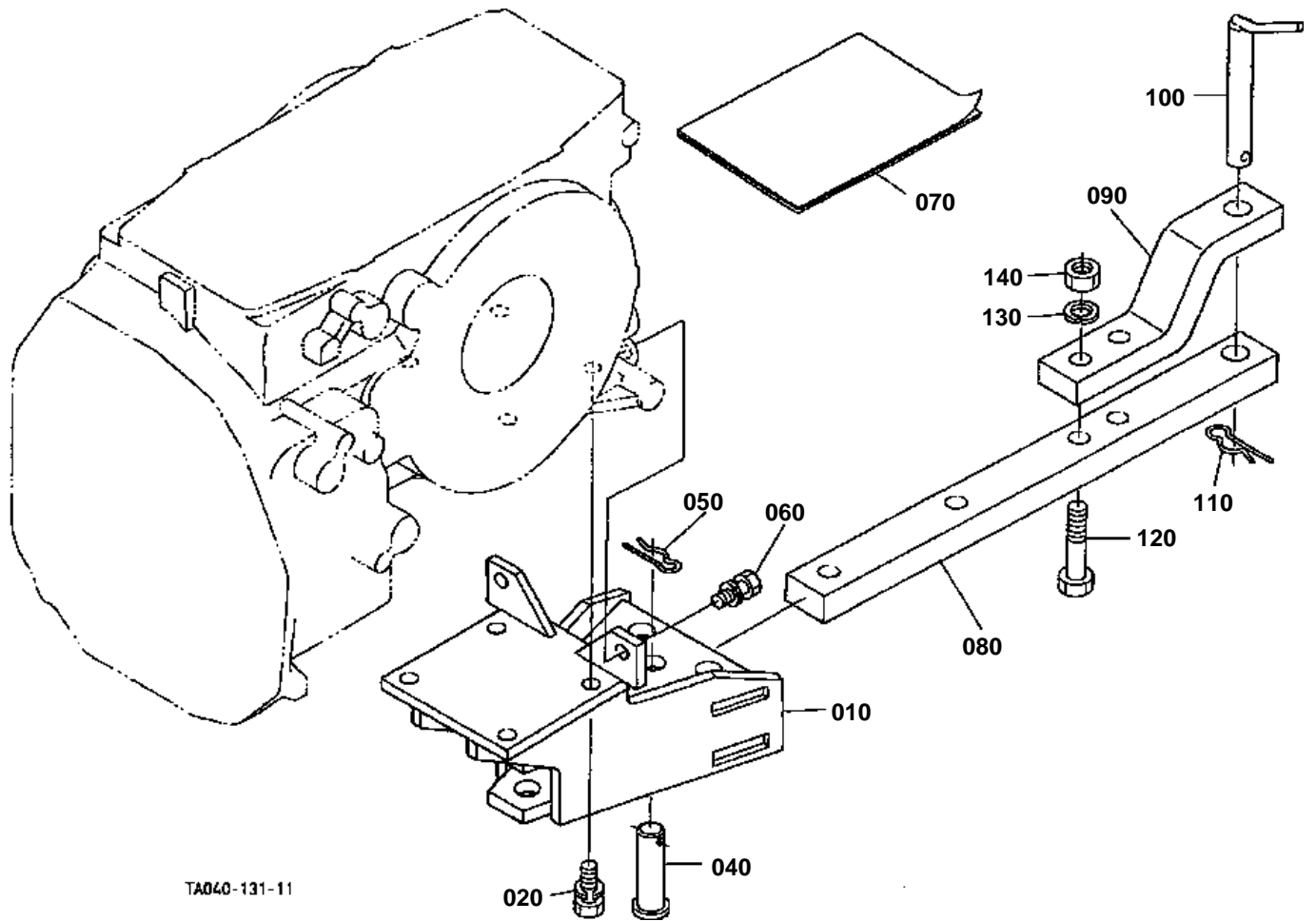


TOP LINK HOLDER (WITH DRAFT) [OPTION]
(AVEC TYPE D'EFFORT)

↔ Interchangeable; ≠ not interchangeable; ← new for old; → old for new

REF.No	Part No.	Description	Q'ty	S.No.	I/C	REMARKS	Weight (kgf)	Weight (lb)
010	TA040-38360	ROD DRAFT	1				0.192	0.4224
020	TA040-38350	HOLDER	1				0.033	0.0726
030	02116-50100	NUT	2				0.004	0.0088
040	05525-50800	PIN SNAP	1				0.001	0.0022
050	05122-50818	PIN JOINT	1				0.008	0.0176
060	04012-50080	WASHER PLAIN	1				0.001	0.0022
070	05525-50800	PIN SNAP	1				0.001	0.0022
080	35080-41400	COMP HOLDER TOP LINK	1				6.85	15.07
090	99999-99999	BLANK	0				0	0
100	99999-99999	BLANK	0				0	0
110	37300-41440	PIN STRAIGHT	2				0.055	0.121
120	06613-10010	NIPPLE GREASE	2				0.006	0.0132
130	37300-41450	BUSH	3				0.03	0.066
140	01133-51230	BOLT	6				0.04	0.088

SWINGING DRAWBAR/CLEVIS DRAWBAR [OPTION]



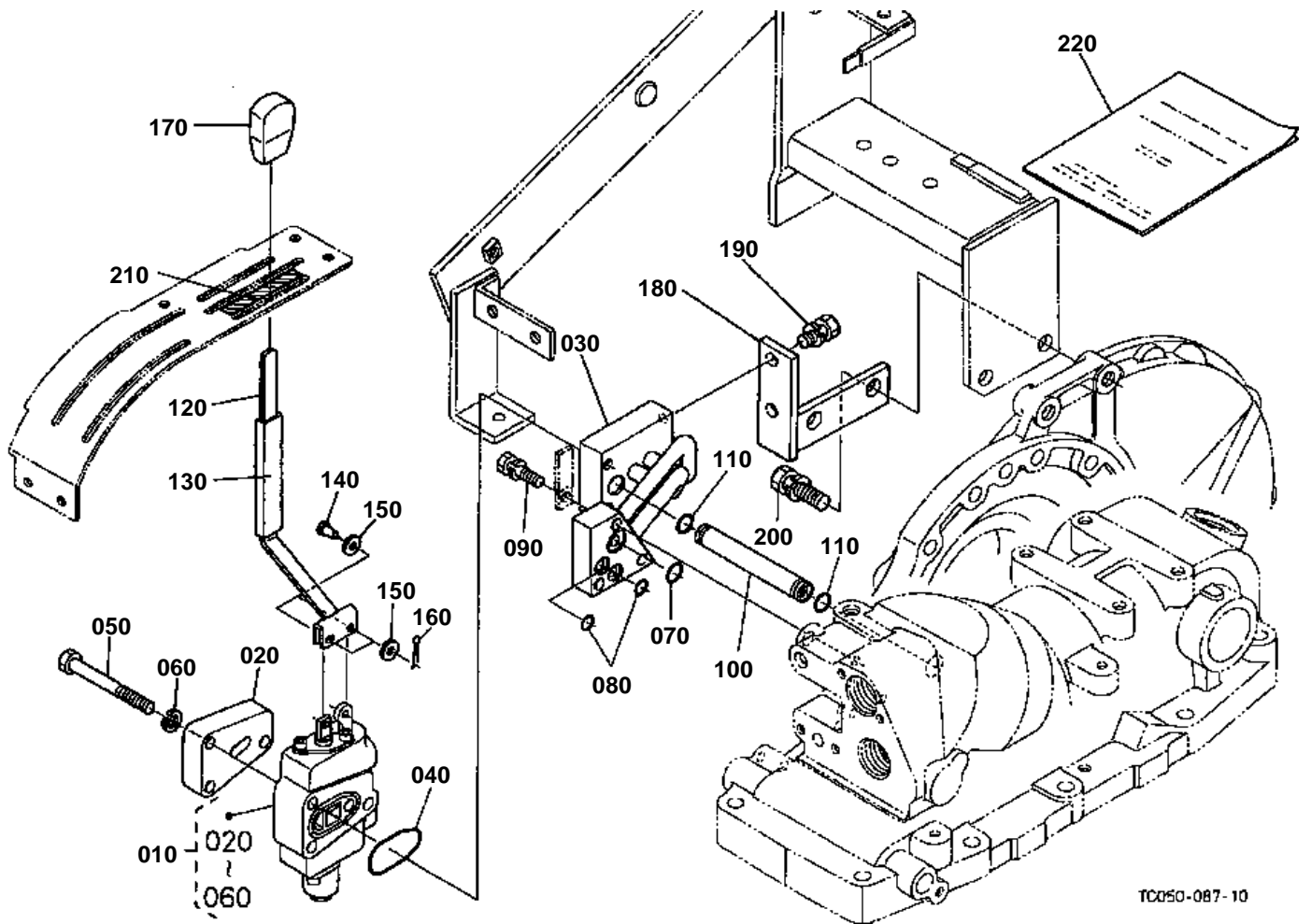
TA040-131-11



SWINGING DRAWBAR/CLEVIS DRAWBAR [OPTION]
[OPTION]

↔ Interchangeable; ≠ not interchangeable; ← new for old; → old for new

REF.No	Part No.	Description	Q'ty	S.No.	I/C	REMARKS	Weight (kgf)	Weight (lb)
010	TA040-29832	FRAME SWING DRAWBAR	1				7.9	17.38
020	01138-51430	BOLT	4				0	0
030	99999-99999	BLANK	0				0	0
040	05122-52070	PIN JOINT	3				0.186	0.4092
050	05515-51600	PIN SNAP	3				0.007	0.0154
060	01133-51230	BOLT	2				0.04	0.088
070	TA040-98520	MANUAL ASSEMBLY	1				0.005	0.011
080	35080-29710	DRAWBAR	1				7	15.4
090	35080-29720	HITCH DRAWBAR	1				2.8	6.16
100	99533-78250	PIN	1				0.61	1.342
110	70515-16330	PIN SPRING	1				0.028	0.0616
120	01170-51680	BOLT	2				0.14	0.308
130	04512-60160	WASHER SPRING	2				0.01	0.022
140	02174-50160	NUT	2				0.022	0.0484



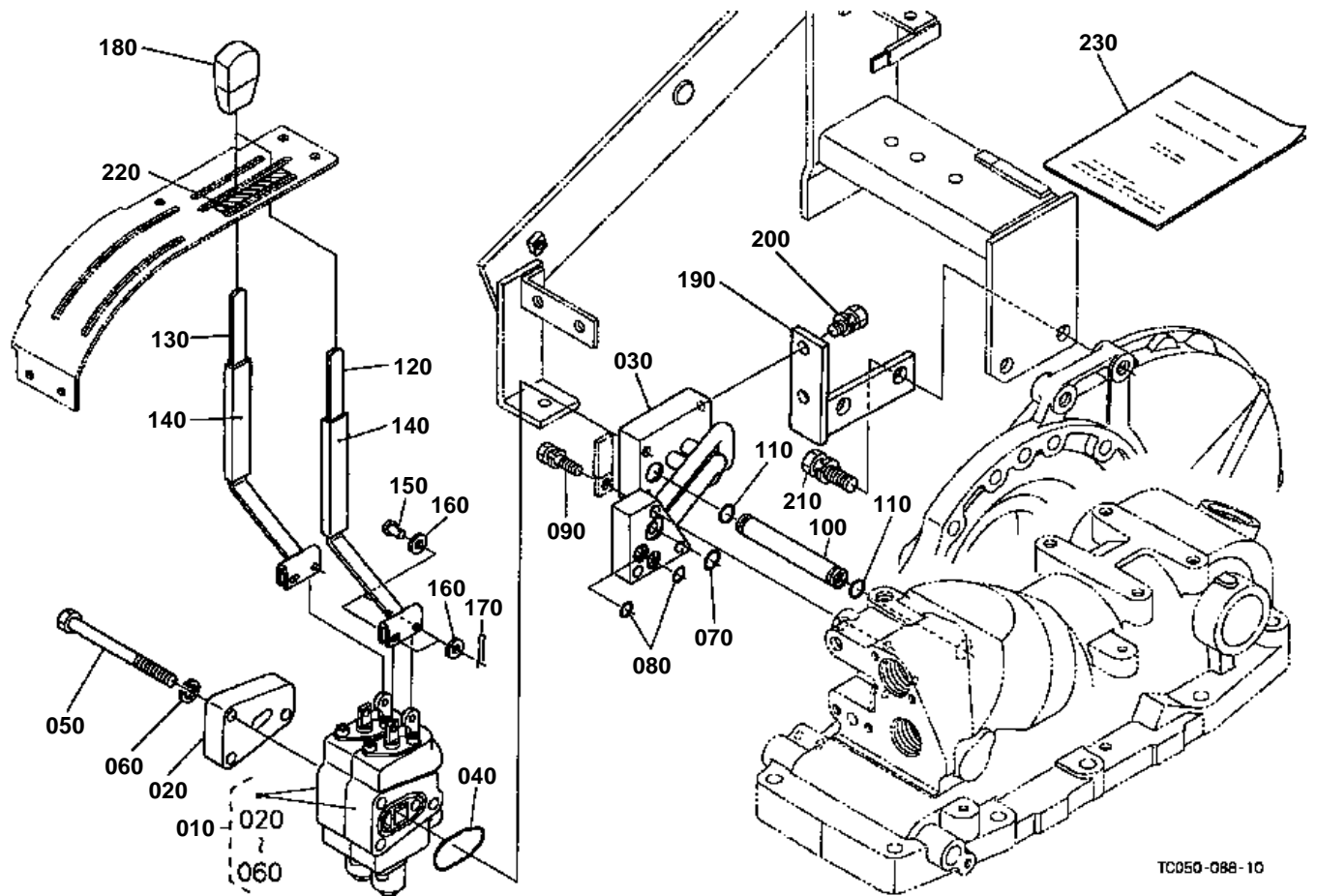


AUXILIARY CONTROL VALVE LEVER 1 [OPTION]

↔ Interchangeable; ≠ not interchangeable; ← new for old; → old for new

REF.No	Part No.	Description	Q'ty	S.No.	I/C	REMARKS	Weight (kgf)	Weight (lb)
010	TA040-96500	ASSY VALVE AUX.CON.	1				3.3	7.26
020	TA040-96123	COVER AUX.CON.VALVE	1				0.475	1.045
030	TA040-96142	ASSY PIPE CONT.VALVE	1				1.4	3.08
040	04811-50400	O RING	1				0.002	0.0044
040	04817-50400	O RING	1		←		0.003	0.0066
050	01153-50870	BOLT	3				0.026	0.0572
060	04512-60080	WASHER SPRING	3				0.002	0.0044
070	04810-00140	O RING	1				0.001	0.0022
070	04817-00140	O RING	1		←		0	0
080	04810-00100	O RING	2				0.001	0.0022
080	04817-00100	O RING	2		←		0	0
090	01123-50835	BOLT	3				0.02	0.044
100	TA040-96150	PIPE RETURN	1				0.045	0.099
110	04811-00110	O RING	2				0.001	0.0022
110	04817-00110	O RING	2		←		0.001	0.0022
120	TA040-96220	LEVER AUX.CON.VALVE	1				0.11	0.242
130	TA040-96250	TUBE LEVER	1				0.007	0.0154
140	68021-32790	PIN	2				0.004	0.0088
150	04012-50050	WASHER PLAIN	4				0.001	0.0022
160	05511-51210	PIN SPLIT	2				0.001	0.0022
170	31355-82290	GRIP LEVER	1				0.015	0.033
180	TA040-96160	STAY AUX.CONT.VALVE	1				0.25	0.55
190	01123-50820	BOLT	2				0.011	0.0242
200	01133-51235	BOLT	2				0.05	0.11
210	TA040-49610	MARK AUX.CONT.VALVE	1				0.001	0.0022
220	TA040-98140	MANUAL ASSEMBLY	1	≤10355			0.015	0.033
220	TA040-98142	MANUAL ASSEMBLY	1	≥10356	←		0.015	0.033

AUXILIARY CONTROL VALVE LEVER 2 [OPTION]



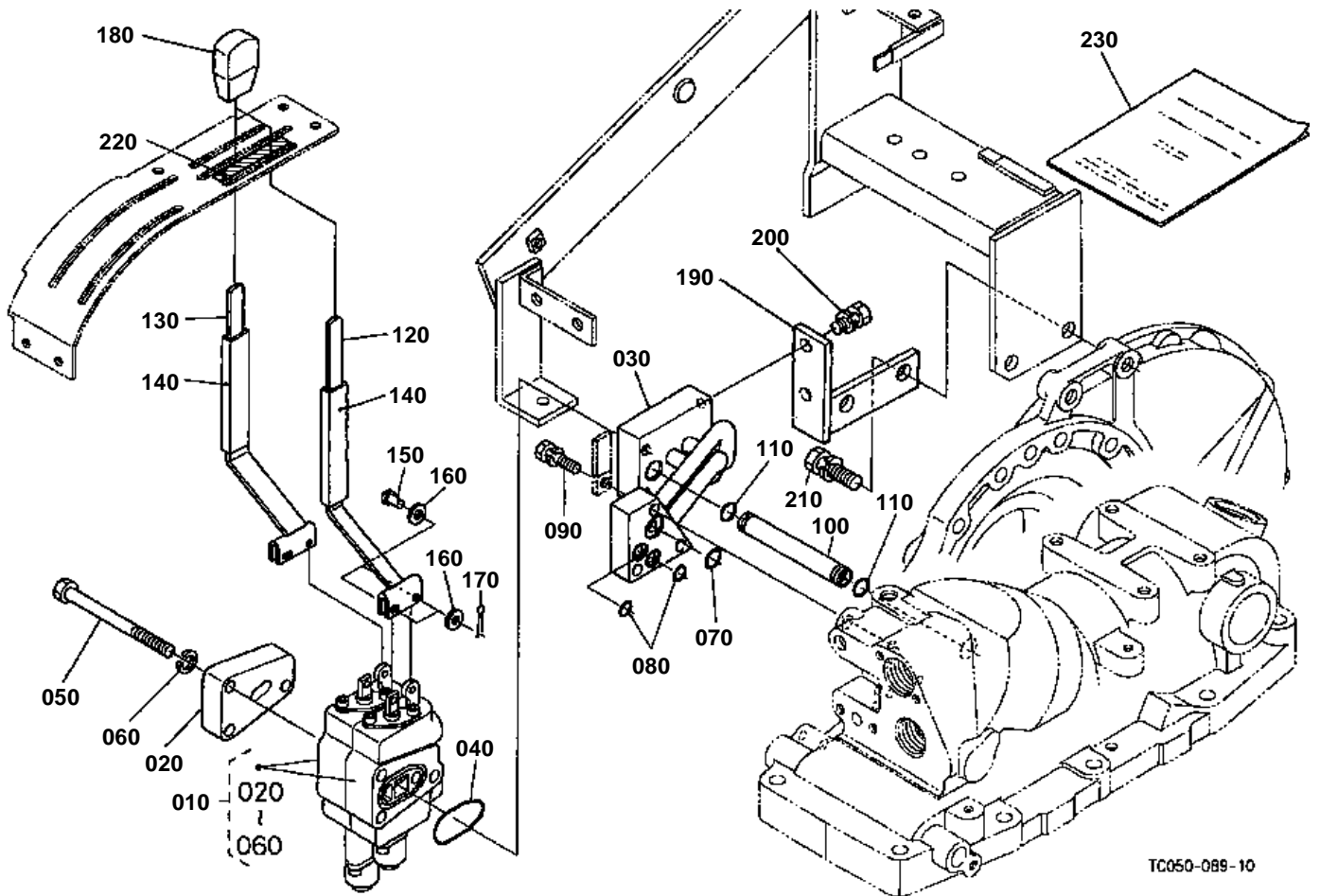


AUXILIARY CONTROL VALVE LEVER 2 [OPTION]

↔ Interchangeable; ≠ not interchangeable; ← new for old; → old for new

REF.No	Part No.	Description	Q'ty	S.No.	I/C	REMARKS	Weight (kgf)	Weight (lb)
010	TA040-96102	ASSY VALVE AUX.CON.	1				4.7	10.34
020	TA040-96123	COVER AUX.CON.VALVE	1				0.475	1.045
030	TA040-96142	ASSY PIPE CONT.VALVE	1				1.4	3.08
040	04811-50400	O RING	1				0.002	0.0044
040	04817-50400	O RING	1		←		0.003	0.0066
050	01153-50800	BOLT	3				0.036	0.0792
060	04512-60080	WASHER SPRING	3				0.002	0.0044
070	04810-00140	O RING	1				0.001	0.0022
070	04817-00140	O RING	1		←		0	0
080	04810-00100	O RING	2				0.001	0.0022
080	04817-00100	O RING	2		←		0	0
090	01123-50835	BOLT	3				0.02	0.044
100	TA040-96150	PIPE RETURN	1				0.045	0.099
110	04811-00110	O RING	2				0.001	0.0022
110	04817-00110	O RING	2		←		0.001	0.0022
120	TA040-96220	LEVER AUX.CON.VALVE	1				0.11	0.242
130	TA040-96234	LEVER AUX.CON.VALVE	1				0.1	0.22
140	TA040-96250	TUBE LEVER	2				0.007	0.0154
150	68021-32790	PIN	4				0.004	0.0088
160	04012-50050	WASHER PLAIN	8				0.001	0.0022
170	05511-51210	PIN SPLIT	4				0.001	0.0022
180	31355-82290	GRIP LEVER	2				0.015	0.033
190	TA040-96160	STAY AUX.CONT.VALVE	1				0.25	0.55
200	01123-50820	BOLT	2				0.011	0.0242
210	01133-51235	BOLT	2				0.05	0.11
220	TA040-49610	MARK AUX.CONT.VALVE	1				0.001	0.0022
230	TA040-98140	MANUAL ASSEMBLY	1	≤10355			0.015	0.033
230	TA040-98142	MANUAL ASSEMBLY	1	≥10356	←		0.015	0.033

AUXILIARY CONTROL VALVE LEVER 2 [OPTION]



TC050-089-10

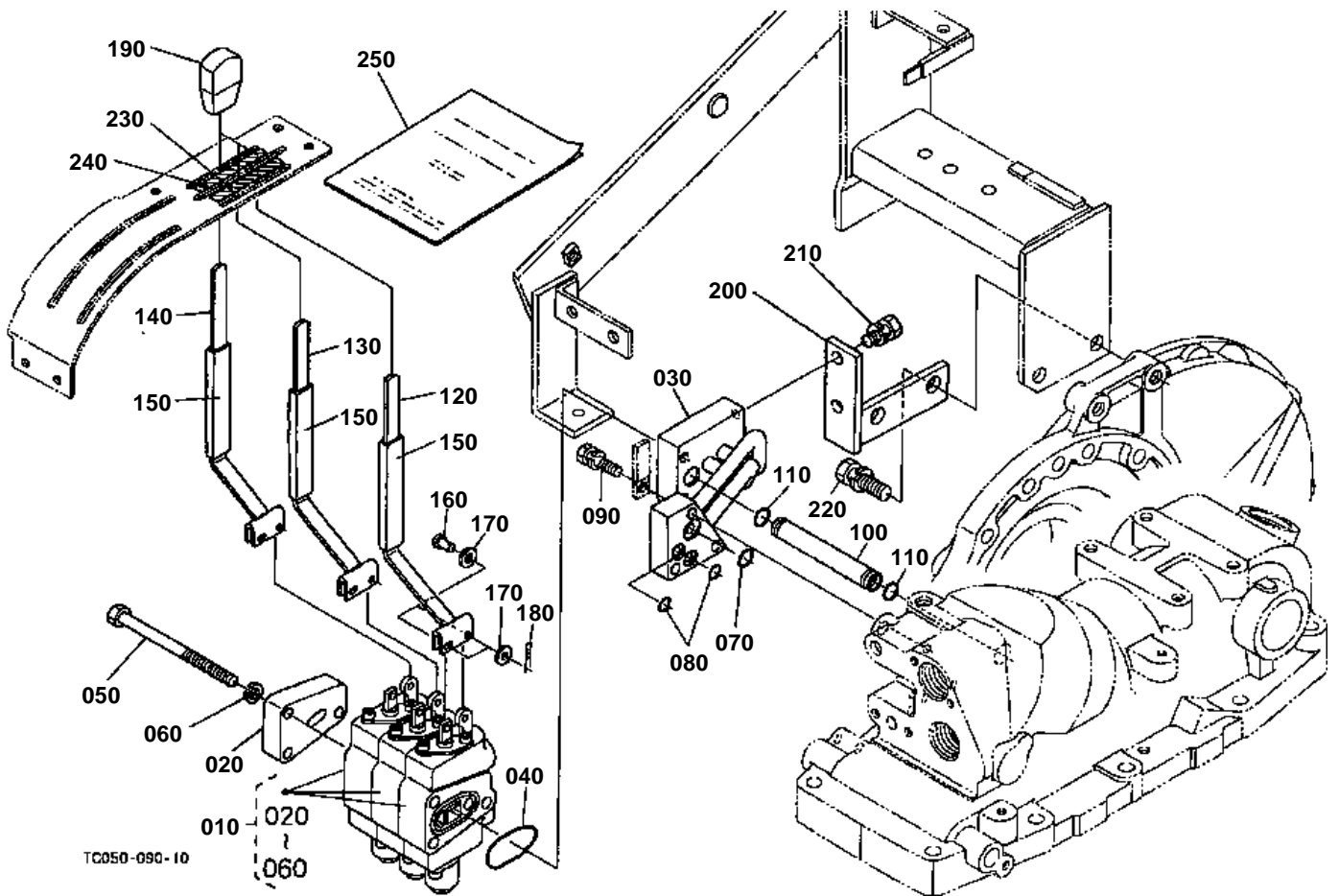


AUXILIARY CONTROL VALVE LEVER 2 [OPTION]
[FLOWING TYPE]

↔ Interchangeable; ≠ not interchangeable; ← new for old; → old for new

REF.No	Part No.	Description	Q'ty	S.No.	I/C	REMARKS	Weight (kgf)	Weight (lb)
010	TC050-96100	ASSY VALVE AUX.CON.	1				0	0
020	TA040-96123	COVER AUX.CON.VALVE	1				0.475	1.045
030	TA040-96142	ASSY PIPE CONT.VALVE	1				1.4	3.08
040	04811-50400	O RING	1				0.002	0.0044
040	04817-50400	O RING	1		←		0.003	0.0066
050	01153-50800	BOLT	3				0.036	0.0792
060	04512-60080	WASHER SPRING	3				0.002	0.0044
070	04810-00140	O RING	1				0.001	0.0022
070	04817-00140	O RING	1		←		0	0
080	04810-00100	O RING	2				0.001	0.0022
080	04817-00100	O RING	2		←		0	0
090	01123-50835	BOLT	3				0.02	0.044
100	TA040-96150	PIPE RETURN	1				0.045	0.099
110	04811-00110	O RING	2				0.001	0.0022
110	04817-00110	O RING	2		←		0.001	0.0022
120	TA040-96220	LEVER AUX.CON.VALVE	1				0.11	0.242
130	TC050-96230	LEVER AUX.CON.VALVE	1				0	0
140	TA040-96250	TUBE LEVER	2				0.007	0.0154
150	68021-32790	PIN	4				0.004	0.0088
160	04012-50050	WASHER PLAIN	8				0.001	0.0022
170	05511-51210	PIN SPLIT	4				0.001	0.0022
180	31355-82290	GRIP LEVER	2				0.015	0.033
190	TA040-96160	STAY AUX.CONT.VALVE	1				0.25	0.55
200	01123-50820	BOLT	2				0.011	0.0242
210	01133-51235	BOLT	2				0.05	0.11
220	TA040-49610	MARK AUX.CONT.VALVE	1				0.001	0.0022
230	TC050-98140	MANUAL ASSEMBLY	1	≤10355		NOT SALE	0	0
230	TA040-98142	MANUAL ASSEMBLY	1	≥10356	≠		0.015	0.033

AUXILIARY CONTROL VALVE LEVER 3 [OPTION]





AUXILIARY CONTROL VALVE LEVER 3 [OPTION]

↔ Interchangeable; ≠ not interchangeable; ← new for old; → old for new

REF.No	Part No.	Description	Q'ty	S.No.	I/C	REMARKS	Weight (kgf)	Weight (lb)
010	TA040-96300	ASSY VALVE AUX.CON.	1				6.1	13.42
020	TA040-96123	COVER AUX.CON.VALVE	1				0.475	1.045
030	TA040-96142	ASSY PIPE CONT.VALVE	1				1.4	3.08
040	04811-50400	O RING	1				0.002	0.0044
040	04817-50400	O RING	1		←		0.003	0.0066
050	45404-95180	BOLT	3				0.05	0.11
060	04512-60080	WASHER SPRING	3				0.002	0.0044
070	04810-00140	O RING	1				0.001	0.0022
070	04817-00140	O RING	1		←		0	0
080	04810-00100	O RING	2				0.001	0.0022
080	04817-00100	O RING	2		←		0	0
090	01123-50835	BOLT	3				0.02	0.044
100	TA040-96150	PIPE RETURN	1				0.045	0.099
110	04811-00110	O RING	2				0.001	0.0022
110	04817-00110	O RING	2		←		0.001	0.0022
120	TA040-96220	LEVER AUX.CON.VALVE	1				0.11	0.242
130	TA040-96234	LEVER AUX.CON.VALVE	1				0.1	0.22
140	TA040-96240	LEVER AUX.CON.VALVE	1				0.105	0.231
150	TA040-96250	TUBE LEVER	3				0.007	0.0154
160	68021-32790	PIN	6				0.004	0.0088
170	04012-50050	WASHER PLAIN	12				0.001	0.0022
180	05511-51210	PIN SPLIT	6				0.001	0.0022
190	31355-82290	GRIP LEVER	3				0.015	0.033
200	TA040-96160	STAY AUX.CON.VALVE	1				0.25	0.55
210	01123-50820	BOLT	2				0.011	0.0242
220	01133-51235	BOLT	2				0.05	0.11
230	TA040-49610	MARK AUX.CON.VALVE	1				0.001	0.0022
240	TA040-49630	MARK AUX.CON.VALVE	1				0.001	0.0022
250	TA040-98140	MANUAL ASSEMBLY	1	≤10355			0.015	0.033
250	TA040-98142	MANUAL ASSEMBLY	1	≥10356	←		0.015	0.033

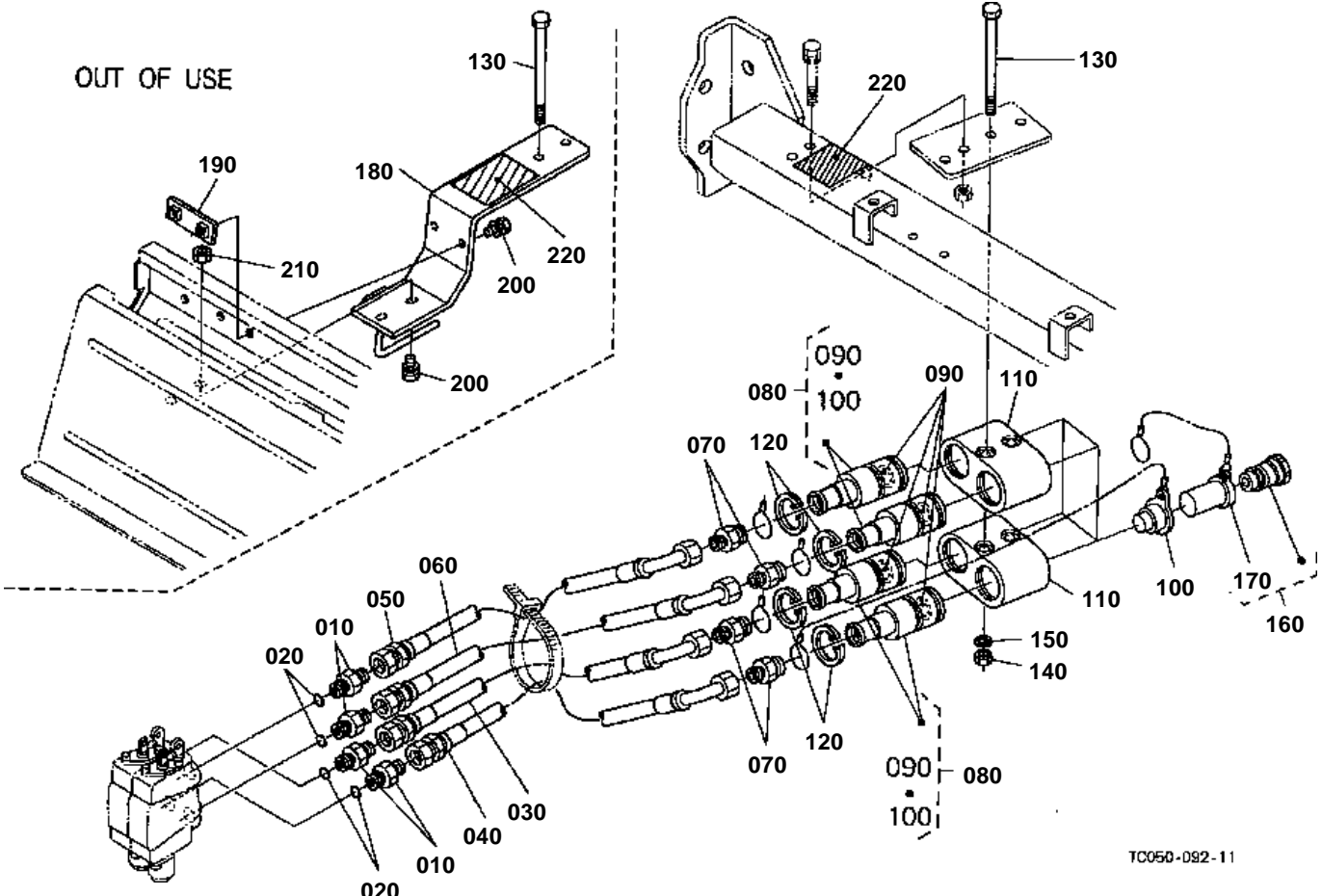


AUXILIARY CONTROL VALVE COUPLER 1 [OPTION]

↔ Interchangeable; ≠ not interchangeable; ← new for old; → old for new

REF.No	Part No.	Description	Q'ty	S.No.	I/C	REMARKS	Weight (kgf)	Weight (lb)
010	70726-61130	ADAPTER	2				0.055	0.121
020	04811-00140	O RING	2				0.001	0.0022
020	04817-00140	O RING	2		←		0	0
030	TA040-96410	HOSE AUX.CONT.VALVE	1				0.308	0.6776
040	TA040-96420	HOSE AUX.CONT.VALVE	1				0.314	0.6908
050	99063-93410	ADAPTER	2				0.07	0.154
060	35861-82032	ASSY COUPLER FEMALE	2				0.32	0.704
070	35861-94510	O RING	2				0.002	0.0044
080	35861-94520	PLUG COUPLER	2				0.005	0.011
090	35893-82610	SUPPORT COUPLER	1				0.715	1.573
100	04611-00380	CIR CLIP INTERNAL	2				0.004	0.0088
110	01153-50865	BOLT	2				0.025	0.055
120	02156-50080	NUT	2				0.004	0.0088
130	04512-60080	WASHER SPRING	2				0.002	0.0044
140	35861-82190	ASSY COUPLER MALE	2				0.086	0.1892
150	35861-94530	CAP	2				0.007	0.0154
160	TA040-96480	STAY COUPLER	1			OUT OF USE	1.12	2.464
170	TA040-96490	STAY COUPLER	1			OUT OF USE	0.073	0.1606
180	01123-50820	BOLT	4			OUT OF USE	0.011	0.0242
190	02114-50080	NUT	2			OUT OF USE	0.005	0.011
200	TA040-49670	MARK COUPLER	1				0.001	0.0022

AUXILIARY CONTROL VALVE COUPLER 2 [OPTION]



TC050-092-11

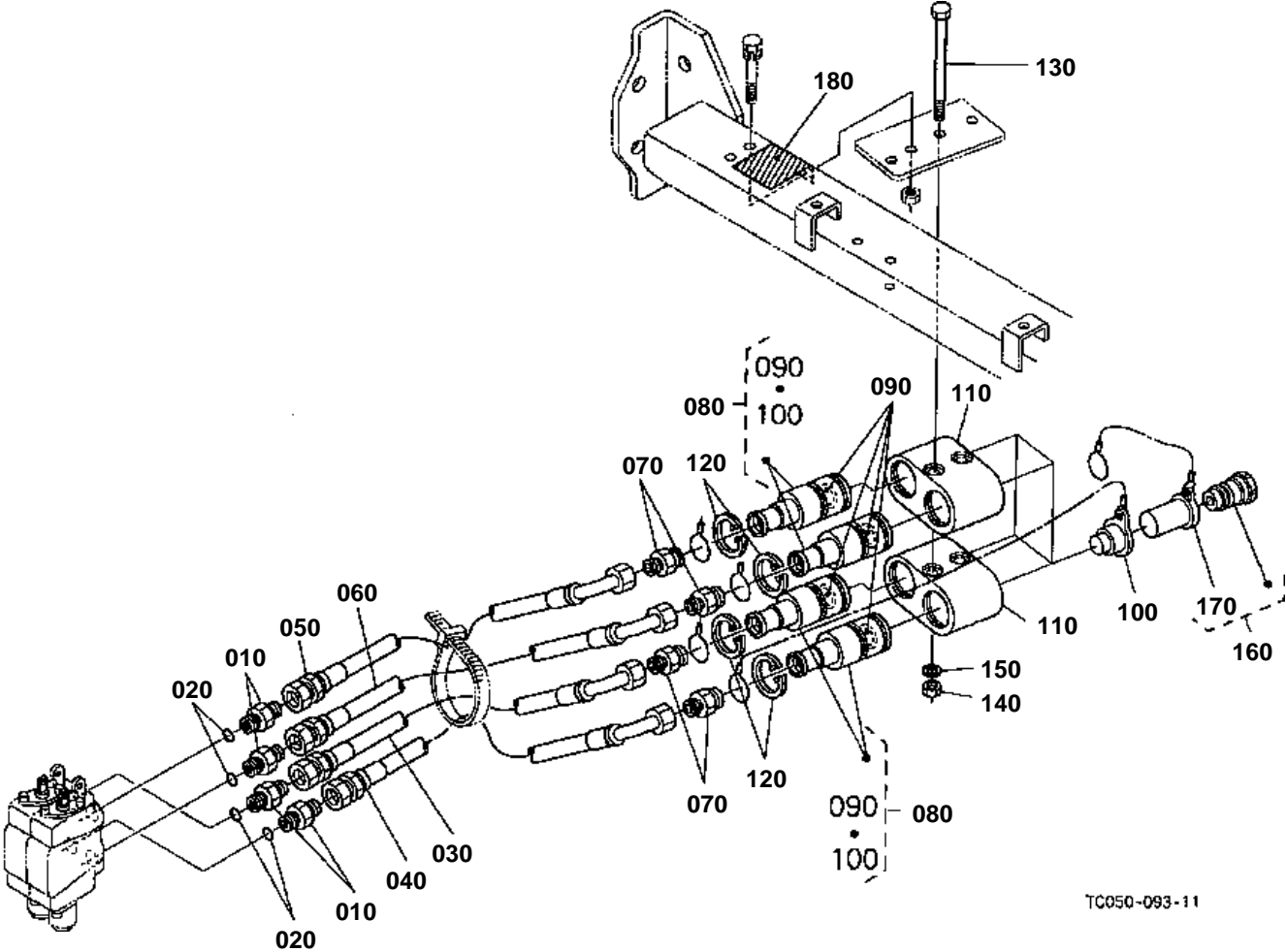


AUXILIARY CONTROL VALVE COUPLER 2 [OPTION]

↔ Interchangeable; ≠ not interchangeable; ← new for old; → old for new

REF.No	Part No.	Description	Q'ty	S.No.	I/C	REMARKS	Weight (kgf)	Weight (lb)
010	70726-61130	ADAPTER	4				0.055	0.121
020	04811-00140	O RING	4				0.001	0.0022
020	04817-00140	O RING	4		←		0	0
030	TA040-96410	HOSE AUX.CONT.VALVE	1				0.308	0.6776
040	TA040-96420	HOSE AUX.CONT.VALVE	1				0.314	0.6908
050	TA040-96430	HOSE AUX.CONT.VALVE	1				0.295	0.649
060	TA040-96440	HOSE AUX.CONT.VALVE	1				0.302	0.6644
070	99063-93410	ADAPTER	4				0.07	0.154
080	35861-82032	ASSY COUPLER FEMALE	4				0.32	0.704
090	35861-94510	O RING	4				0.002	0.0044
100	35861-94520	PLUG COUPLER	4				0.005	0.011
110	35893-82610	SUPPORT COUPLER	2				0.715	1.573
120	04611-00380	CIR CLIP INTERNAL	4				0.004	0.0088
130	01153-50802	BOLT	2				0.045	0.099
140	02156-50080	NUT	2				0.004	0.0088
150	04512-60080	WASHER SPRING	2				0.002	0.0044
160	35861-82190	ASSY COUPLER MALE	4				0.086	0.1892
170	35861-94530	CAP	4				0.007	0.0154
180	TA040-96480	STAY COUPLER	1			OUT OF USE	1.12	2.464
190	TA040-96490	STAY COUPLER	1			OUT OF USE	0.073	0.1606
200	01123-50820	BOLT	4			OUT OF USE	0.011	0.0242
210	02114-50080	NUT	2			OUT OF USE	0.005	0.011
220	TA040-49620	MARK COUPLER	1				0.001	0.0022

AUXILIARY CONTROL VALVE COUPLER 2 [OPTION]



TC050-093-11

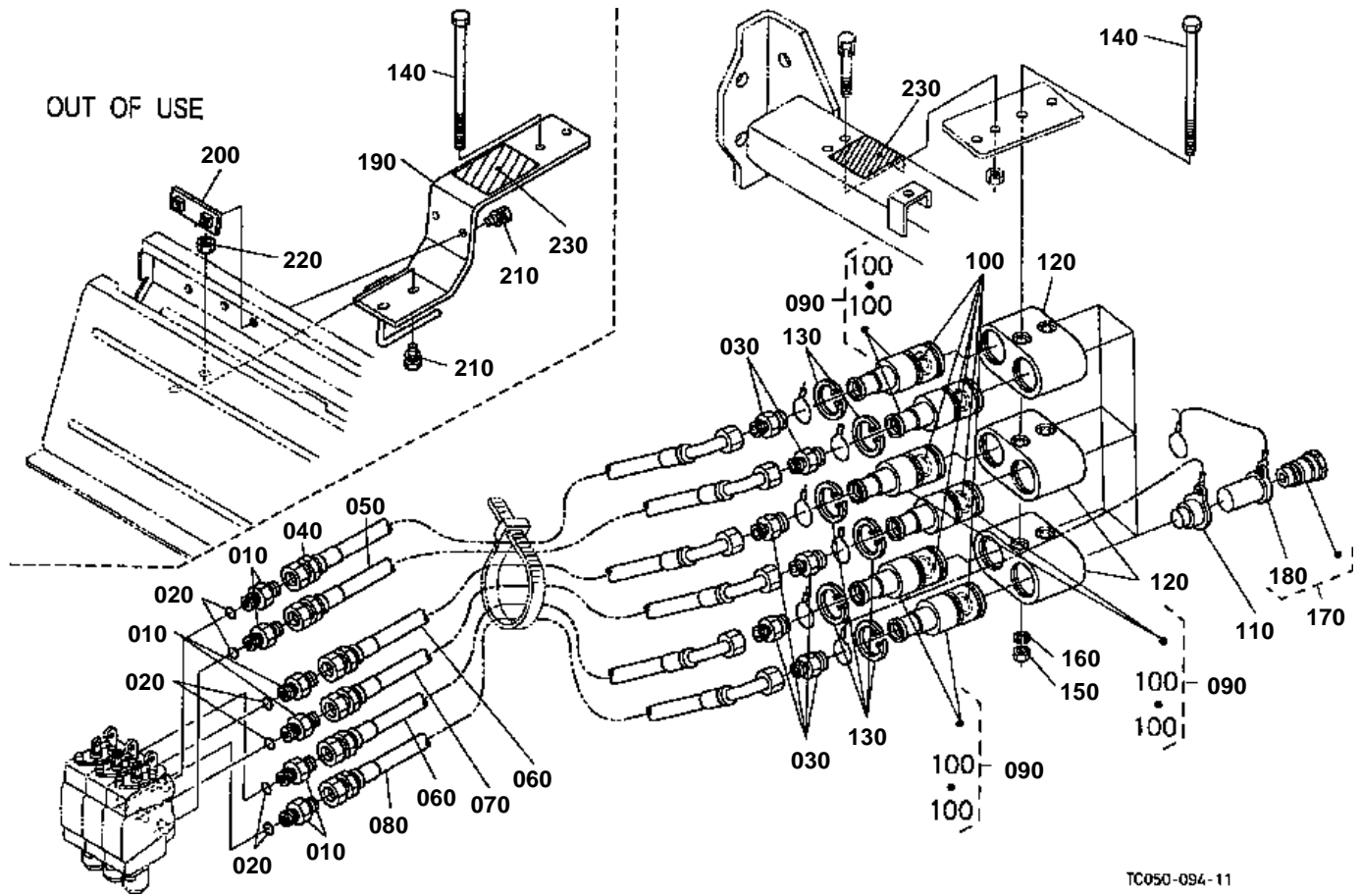


AUXILIARY CONTROL VALVE COUPLER 2 [OPTION]
[FLOWING TYPE]

↔ Interchangeable; ≠ not interchangeable; ← new for old; → old for new

REF.No	Part No.	Description	Q'ty	S.No.	I/C	REMARKS	Weight (kgf)	Weight (lb)
010	70726-61130	ADAPTER	4				0.055	0.121
020	04811-00140	O RING	4				0.001	0.0022
020	04817-00140	O RING	4		←		0	0
030	TA040-96410	HOSE AUX.CONT.VALVE	1				0.308	0.6776
040	TA040-96420	HOSE AUX.CONT.VALVE	1				0.314	0.6908
050	TA040-96430	HOSE AUX.CONT.VALVE	1				0.295	0.649
060	TA040-96440	HOSE AUX.CONT.VALVE	1				0.302	0.6644
070	99063-93410	ADAPTER	4				0.07	0.154
080	35861-82032	ASSY COUPLER FEMALE	4				0.32	0.704
090	35861-94510	O RING	4				0.002	0.0044
100	35861-94520	PLUG COUPLER	4				0.005	0.011
110	35893-82610	SUPPORT COUPLER	2				0.715	1.573
120	04611-00380	CIR CLIP INTERNAL	4				0.004	0.0088
130	01153-50802	BOLT	2				0.045	0.099
140	02156-50080	NUT	2				0.004	0.0088
150	04512-60080	WASHER SPRING	2				0.002	0.0044
160	35861-82190	ASSY COUPLER MALE	4				0.086	0.1892
170	35861-94530	CAP	4				0.007	0.0154
180	TA040-49620	MARK COUPLER	1				0.001	0.0022

AUXILIARY CONTROL VALVE COUPLER 3 [OPTION]





AUXILIARY CONTROL VALVE COUPLER 3 [OPTION]

↔ Interchangeable; ≠ not interchangeable; ← new for old; → old for new

REF.No	Part No.	Description	Q'ty	S.No.	I/C	REMARKS	Weight (kgf)	Weight (lb)
010	70726-61130	ADAPTER	6				0.055	0.121
020	04811-00140	O RING	6				0.001	0.0022
020	04817-00140	O RING	6		←		0	0
030	99063-93410	ADAPTER	6				0.07	0.154
040	TA040-96410	HOSE AUX.CONT.VALVE	1				0.308	0.6776
050	TA040-96420	HOSE AUX.CONT.VALVE	1				0.314	0.6908
060	TA040-96430	HOSE AUX.CONT.VALVE	2				0.295	0.649
070	TA040-96440	HOSE AUX.CONT.VALVE	1				0.302	0.6644
080	TA040-96450	HOSE AUX.CONT.VALVE	1				0.3	0.66
090	35861-82032	ASSY COUPLER FEMALE	6				0.32	0.704
100	35861-94510	O RING	6				0.002	0.0044
110	35861-94520	PLUG COUPLER	6				0.005	0.011
120	35893-82610	SUPPORT COUPLER	3				0.715	1.573
130	04611-00380	CIR CLIP INTERNAL	6				0.004	0.0088
140	35340-99540	BOLT	2				0.06	0.132
150	02156-50080	NUT	2				0.004	0.0088
160	04512-60080	WASHER SPRING	2				0.002	0.0044
170	35861-82190	ASSY COUPLER MALE	6				0.086	0.1892
180	35861-94530	CAP	6				0.007	0.0154
190	TA040-96480	STAY COUPLER	1			OUT OF USE	1.12	2.464
200	TA040-96490	STAY COUPLER	1			OUT OF USE	0.073	0.1606
210	01123-50820	BOLT	4			OUT OF USE	0.011	0.0242
220	02114-50080	NUT	2			OUT OF USE	0.005	0.011
230	TA040-49640	MARK COUPLER	1				0.002	0.0044