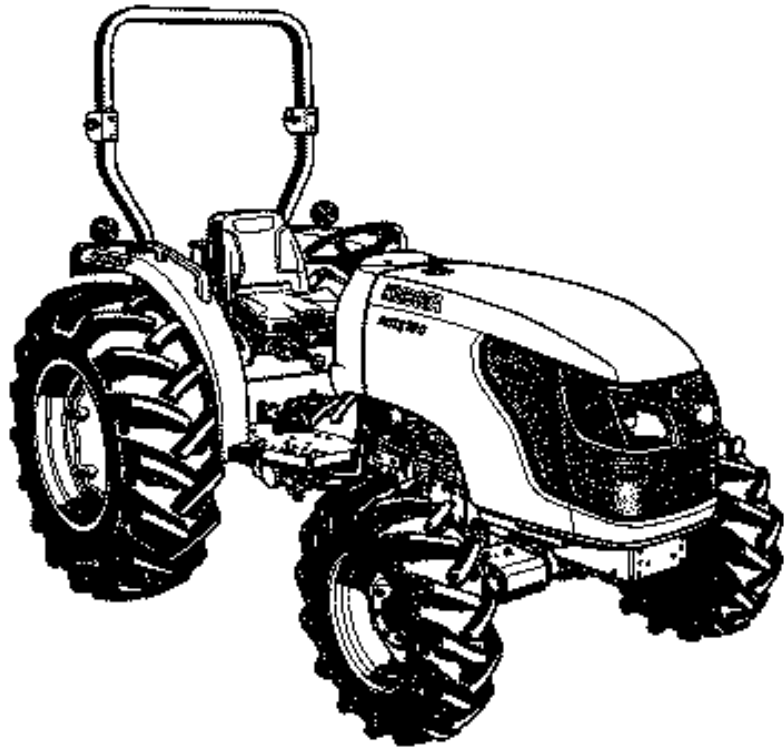


MX5100H

Figure Num MX5100H



# Instructions for Parts Books

The heading at the top of the page will be the same for the picture of the parts as it is for the page with the part numbers.

Definition of column headings on part number pages:

**REF.No** → The number referring to the part on the picture page of the parts book.

**Part No.** → The number assigned to this part at the time of printing the parts book.

**Part Name** → Description of part.

**Q'ty** → Quantity of part used on that page.

**S.No.** → Serial number range of the equipment that this part will fit.

**>=** Your serial number should be greater than or equal to the number shown.

**<=** Your serial number should be lesser than or equal to the serial number shown.

**I/C** → Interchangeability of part shown.

**=** The part shown will work for the older and later serial number.

**NI** The part shown is not interchangeable with the other serial number.

**Remarks** → Notes about this particular part. Sometimes this may say except [FR] or [CA]

## Note about Country Codes:

The parts books we use in the United States of America may also contain information about a part that would be

different in another country. It is important that you are aware of the country codes in some instances.

Symbol Country

A United States of America

CA Canada

FR France

GR Greece

PO Portugal

AU Australia

If the remarks column says for example EXCEPT [FR] this part works in all countries except France.

That means it will work here in the USA.

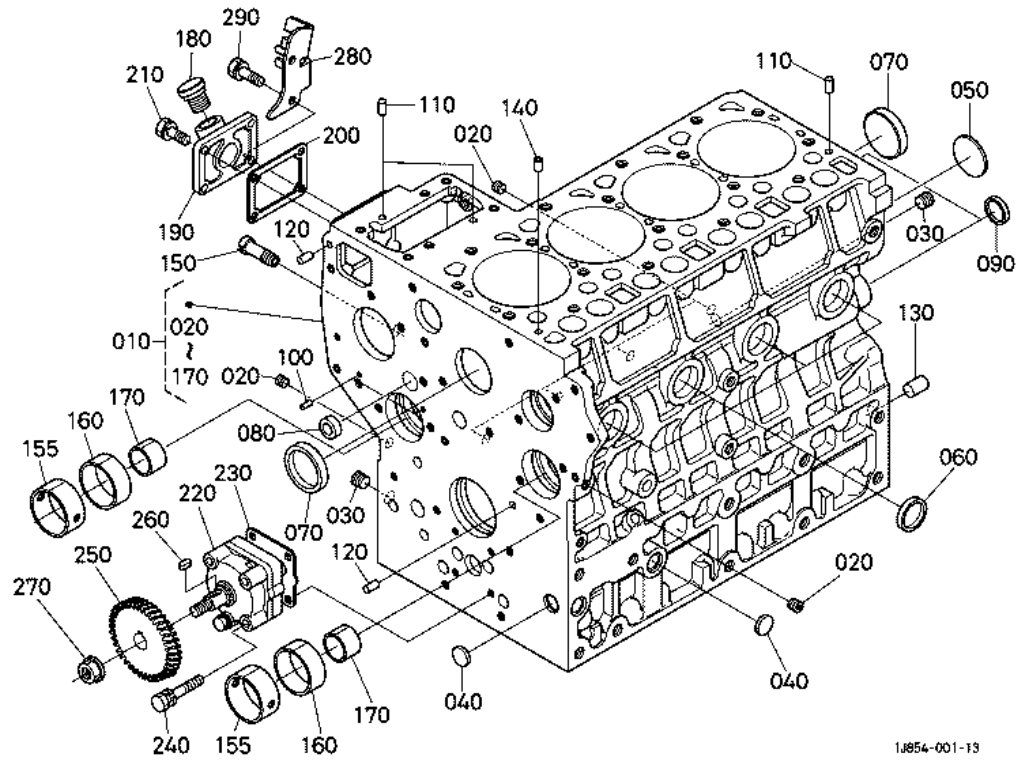
engine

Figure Num ENGINE



# CRANK CASE

**Figure Num 01000102**



1.854-001-13

# CRANK CASE

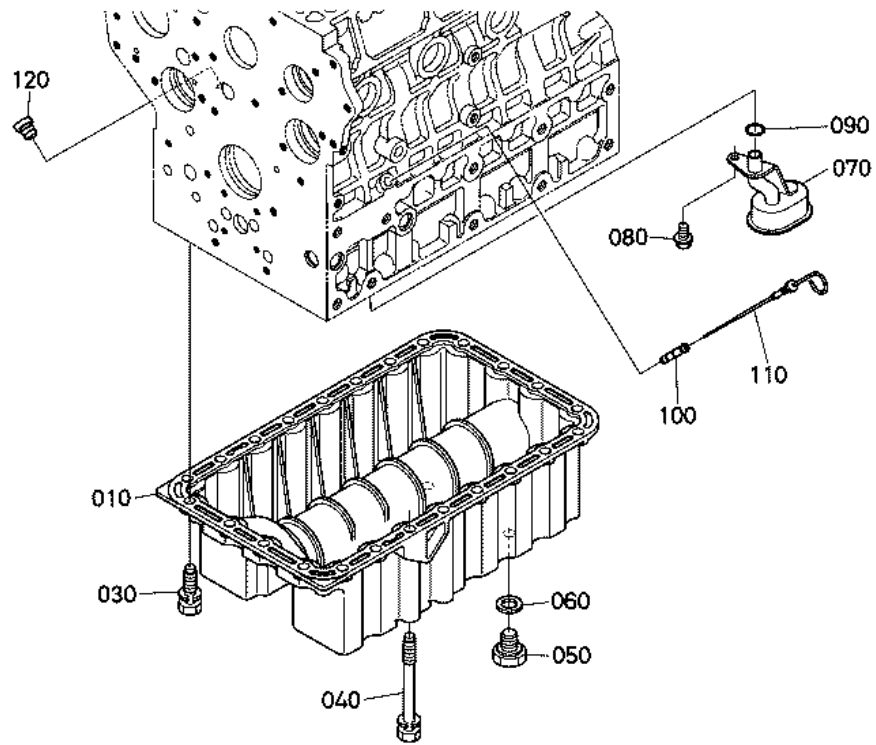
Ref	Part Number	Part Name	Qty	IC	S/N	Lbs	Remarks
010	1G928-01015	COMP.CRANKCASE	1			119.9	
020	15521-96020	PLUG	6			0.006	
030	15521-96030	PLUG	2			0.015	
040	17391-96160	PLUG,EXPANSION	3			0.006	
050	16271-96160	PLUG,EXPANSION	1			0.055	
060	15221-03380	CAP,SEALING	6			0.037	
070	15221-03390	CAP,SEALING	2			0.066	

CRANK CASE

Ref	Part Number	Part Name	Qty	IC	S/N	Lbs	Remarks
080	15261-03370	CAP,SEALING	1			0.011	
090	1A091-03380	PLUG,WEIGHT SHAFT	2			0.011	
100	05012-00408	PIN,STRAIGHT	2			0.002	
110	05012-00609	PIN,STRAIGHT	3			0.006	
120	05012-00612	PIN,STRAIGHT	2			0.006	
130	05012-01018	PIN,STRAIGHT	1			0.026	
140	15221-33650	PIN,PIPE	1			0.008	
150	15321-73340	PIPE,WATER RETURN	1			0.035	
155	1A091-26990	METAL,WEIGHT SHAFT	2			0.057	
160	1A091-26980	METAL,WEIGHT SHAFT	2			0.048	
170	1A091-26970	METAL,WEIGHT SHAFT	2			0.026	
180	1J860-33140	PLUG,OIL FILLER	1			0.066	
190	1A021-33110	FLANGE,OIL FILLER	1			0.154	
200	1A021-51660	GASKET,PUMP COVER	1			0.006	
210	01023-50618	BOLT	2			0.013	
220	15471-35013	ASSY PUMP,OIL	1			1.21	
230	1A021-35150	GASKET,OIL PUMP	1			0.002	
240	01023-60650	BOLT	4			0.033	
250	17301-35663	GEAR,OIL PUMP DRIVE	1			0.473	
260	05712-00410	KEY,FEATHER	1			0.002	
270	15221-35682	NUT,FLANGE	1			0.030	
280	1A053-57482	BRACKET,ACCEL.CABLE	1			0.169	
290	01023-50622	BOLT	2			0.011	

# OIL PAN

Figure Num 01000202



1J854-002-12

# OIL PAN

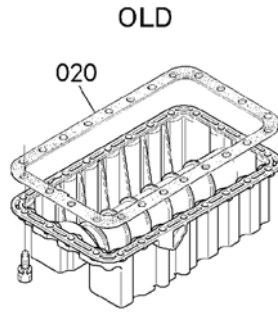
Ref	Part Number	Part Name	Qty	IC	S/N	Lbs	Remarks
010	17341-01612	OIL PAN	1			9.02	
030	1A091-91010	BOLT	22			0.055	
040	1A091-91020	BOLT	2			0.165	
050	16427-33750	PLUG,DRAIN	2			0.066	
060	6C090-58960	GASKET	2			0.004	
070	15411-32110	FILTER,OIL	1			0.528	
080	01754-50812	BOLT,FLANGE	1			0.022	

OIL PAN

<b>Ref</b>	<b>Part Number</b>	<b>Part Name</b>	<b>Qty</b>	<b>IC</b>	<b>S/N</b>	<b>Lbs</b>	<b>Remarks</b>
090	04817-00160	O RING	1			0.002	
100	17456-36420	GUIDE,OIL GAUGE	1			0.066	
110	1J854-36412	GAUGE,OIL	1			0	
120	1G513-36550	PLUG,OIL GAUGE	1			0.008	

# OIL PAN

**Figure Num 01000202**



1G424-805-10

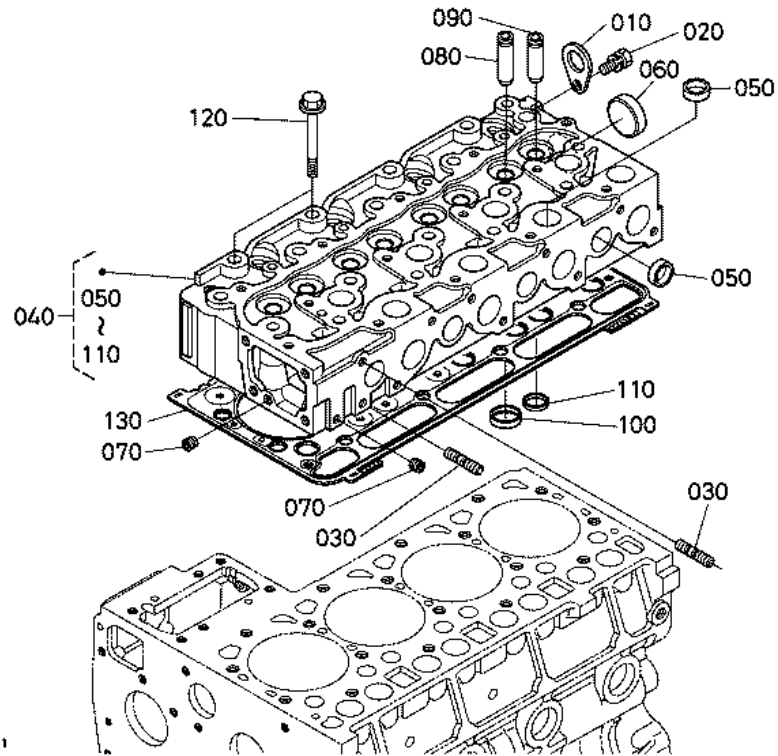
# OIL PAN

Ref	Part Number	Part Name	Qty	IC	S/N	Lbs	Remarks
020	1A091-01620	GASKET,OIL PAN	1		<=AG3426	0.039	



# CYLINDER HEAD

**Figure Num 01000300**



1J854-003-11

# CYLINDER HEAD

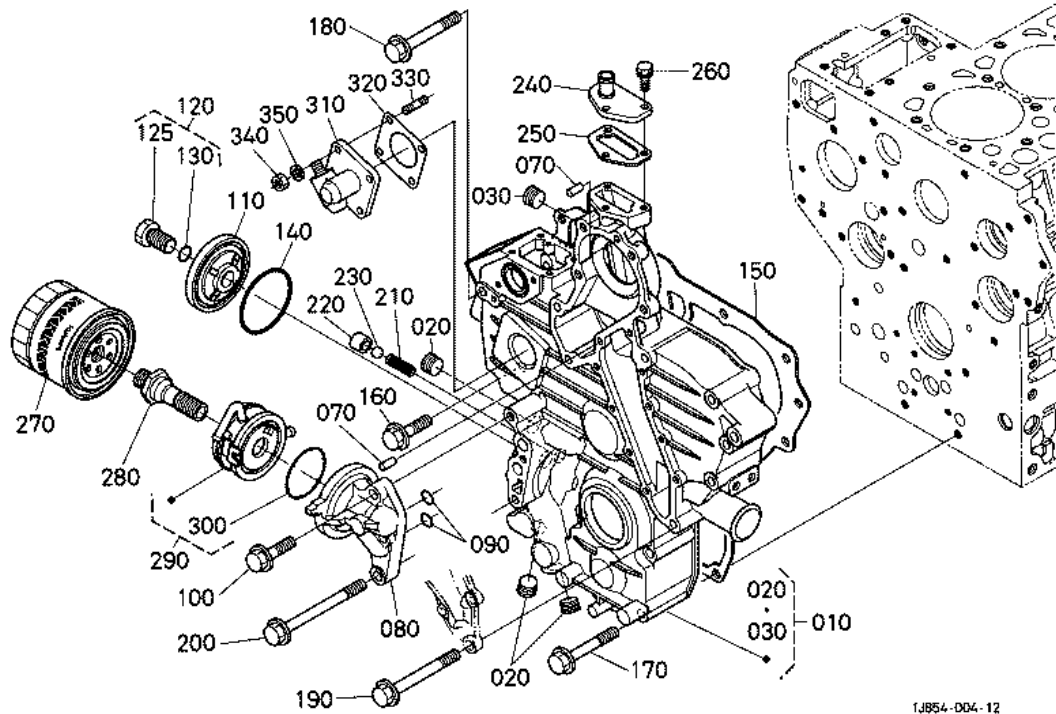
Ref	Part Number	Part Name	Qty	IC	S/N	Lbs	Remarks
010	15221-01750	HOOK,ENGINE	1			0.088	
020	01123-60816	BOLT	1			0.022	
030	15471-91530	STUD	2			0.022	
040	1J854-03040	COMP.CYLINDER HEAD	1			44	
050	15221-03370	CAP,SEALING	12			0.022	
060	15221-03490	CAP,SEALING	1			0.044	
070	15261-96010	PLUG	2			0.004	

CYLINDER HEAD

Ref	Part Number	Part Name	Qty	IC	S/N	Lbs	Remarks
080	1G896-13580	GUIDE,INLET VALVE	4			0	
090	1C010-13560	GUIDE,EXHAUST VALVE	4			0.055	
100	16415-13620	SEAT,INLET VALVE	4			0.022	
110	16415-13612	SEAT,EXHAUST VALVE	4			0.022	
120	19013-03450	BOLT,CYLINDER HEAD	18			0.169	
130	1G790-03632	GASKET,CYLINDER HEA.	1			0.726	1.35mm
130	1G790-03312	GASKET,CYLINDER HEA.	1			0.638	1.20mm
130	1G790-03602	GASKET,CYLINDER HEA.	1			0.605	1.15mm
130	1G790-03612	GASKET,CYLINDER HEA.	1			0.66	1.25mm
130	1G790-03622	GASKET,CYLINDER HEA.	1			0.693	1.30mm

# GEAR CASE

Figure Num 01000400



1J854-004-12

# GEAR CASE

Ref	Part Number	Part Name	Qty	IC	S/N	Lbs	Remarks
010	1A107-04022	COMP.CASE,GEAR	1			9.46	
020	16241-96020	PLUG	3			0.033	
030	1A021-96020	PLUG	1			0.044	
070	05012-00612	PIN,STRAIGHT	2			0.006	
080	1G742-32614	BASE,OIL FILTER	1			0.539	
090	04817-00150	O RING	2			0.002	
100	01754-50830	BOLT,FLANGE	2			0.11	

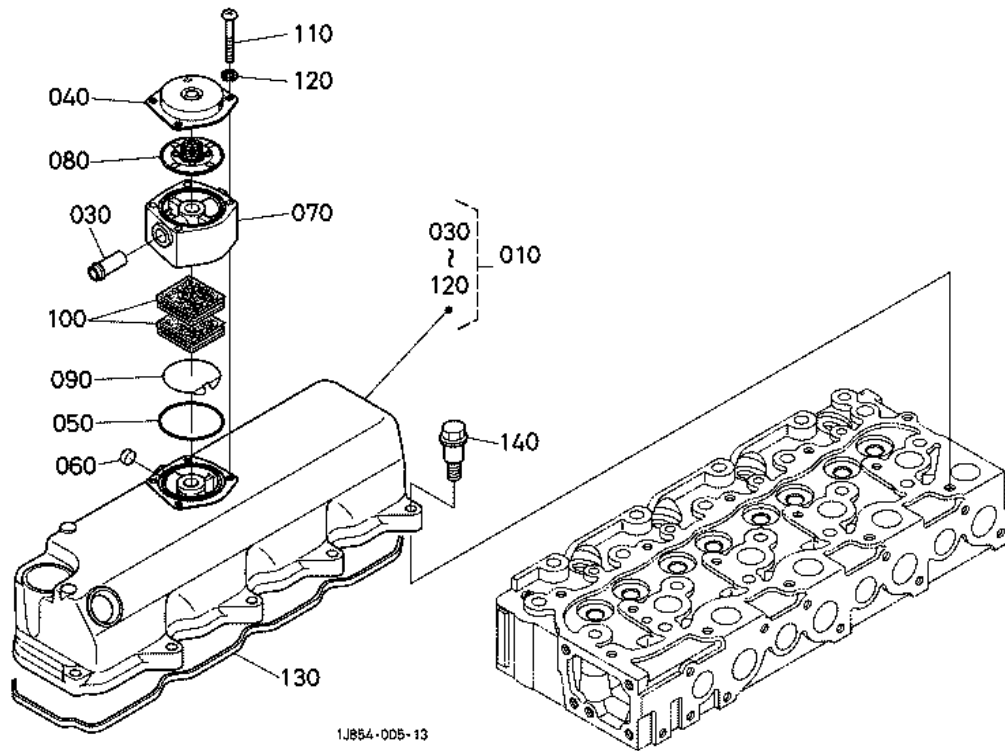
GEAR CASE

Ref	Part Number	Part Name	Qty	IC	S/N	Lbs	Remarks
110	17331-32880	COVER	1			0.165	
120	17331-32910	COMP BOLT	1			0.154	
125	17331-32900	BOLT	1			0.132	
130	04817-00150	O RING	1			0.002	
140	19202-96830	O RING	1			0.022	
150	1G896-04130	GASKET,GEAR CASE	1			0.132	
160	01754-50830	BOLT,FLANGE	1			0.11	
170	1A021-91030	BOLT,FLANGE	7			0.066	
180	01754-50875	BOLT,FLANGE	2			0.066	
190	01754-50885	BOLT,FLANGE	3			0.070	
200	1A021-91040	BOLT,FLANGE	1			0.099	
210	15241-36950	SPRING	1			0.008	
220	15521-36930	SEAT,VALVE	1			0.033	
230	07715-03213	BALL	1			0.008	
240	15521-73320	FLANGE,WATER RETURN	1			0.088	
250	1A021-73332	GASKET,RETURN FLANG.	1			0.002	
260	01023-50620	BOLT	3			0.013	
270	HH164-32430	ENGINE OIL FILTER	1			1.1	
280	1G622-37083	CONNECTOR	1			0.319	
290	1A024-37010	ASSY COOLER,OIL	1			1.452	
300	K7561-33120	O RING	1			0.055	
310	38240-34660	ASSY GEAR CASE,H/M	1			0.737	
320	1G751-88130	GASKET,HOUR METER	1			0.002	
330	15221-88210	STUD	4			0.011	
340	02056-50060	HEX. NUT	4			0.004	
350	04512-60060	WASHER, SPRING	4			0.002	



# HEAD COVER

Figure Num 01000502



1J854-005-13

# HEAD COVER

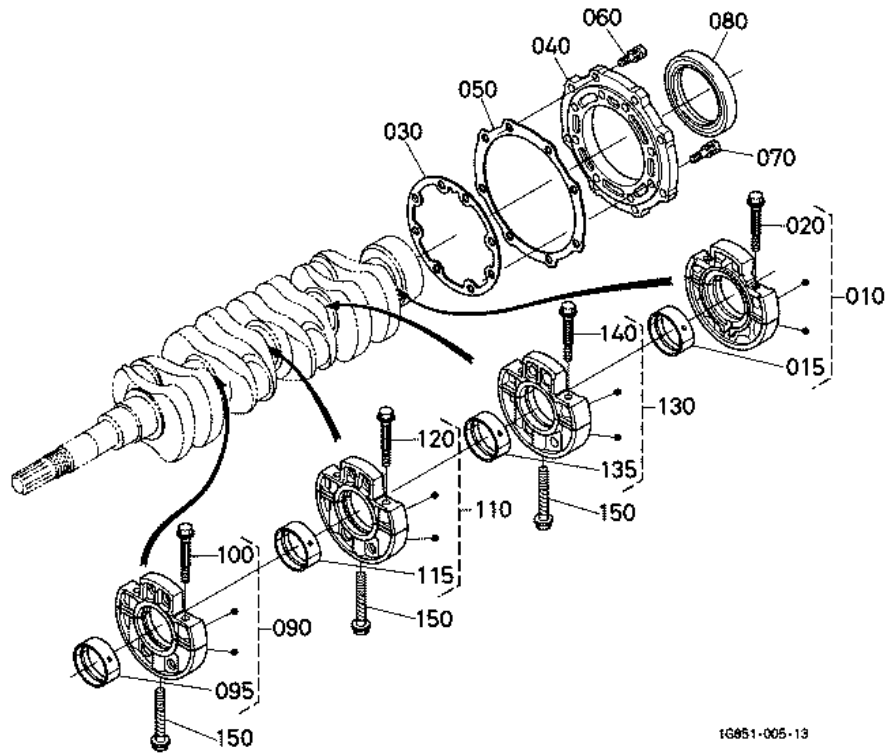
Ref	Part Number	Part Name	Qty	IC	S/N	Lbs	Remarks
010	1J854-14502	ASSY COVER,CYL.HEAD	1			0	
030	17331-73342	PIPE,WATER RETURN	1			0.022	
040	1G801-05120	COVER,BREATHER	1			0.077	
050	1G924-05430	O RING,BREATHER	1			0.002	
060	15451-96300	CAP,SEALING	1			0.004	
070	1J860-14670	SPACER,BREATHER	1			0.468	
080	1G911-05203	COMP.VALVE,BREATHER	1			0.022	

## HEAD COVER

<b>Ref</b>	<b>Part Number</b>	<b>Part Name</b>	<b>Qty</b>	<b>IC</b>	<b>S/N</b>	<b>Lbs</b>	<b>Remarks</b>
090	1J860-05370	SHIELD,OIL BREATHER	1			0.011	
100	16241-05670	ELEMENT,BREATHER	2			0.022	
110	03054-50545	SCREW,PAN-HEAD	4			0.013	
120	04512-60050	WASHER,SPRING	4			0.004	
130	1G911-14523	GASKET,HEAD COVER	1			0.055	
140	1G911-91022	BOLT	10			0.033	

# MAIN BEARING CASE

**Figure Num 01010002**



# MAIN BEARING CASE

Ref	Part Number	Part Name	Qty	IC	S/N	Lbs	Remarks
010	1G928-07093	ASSY BRG.CASE,WHEEL	1			3.465	
015	1A091-23482	METAL,CRANKSHAFT	1			0.11	STD/SET
020	1A091-04540	BOLT,BEARING CASE	2			0.077	
030	1A091-04362	GASKET,BEARING CASE	1			0.011	
040	1G851-04813	COVER,BEARING CASE	1			1.089	
050	1A091-04820	GASKET,CASE COVER	1			0.013	
060	01123-50825	BOLT	8			0.028	

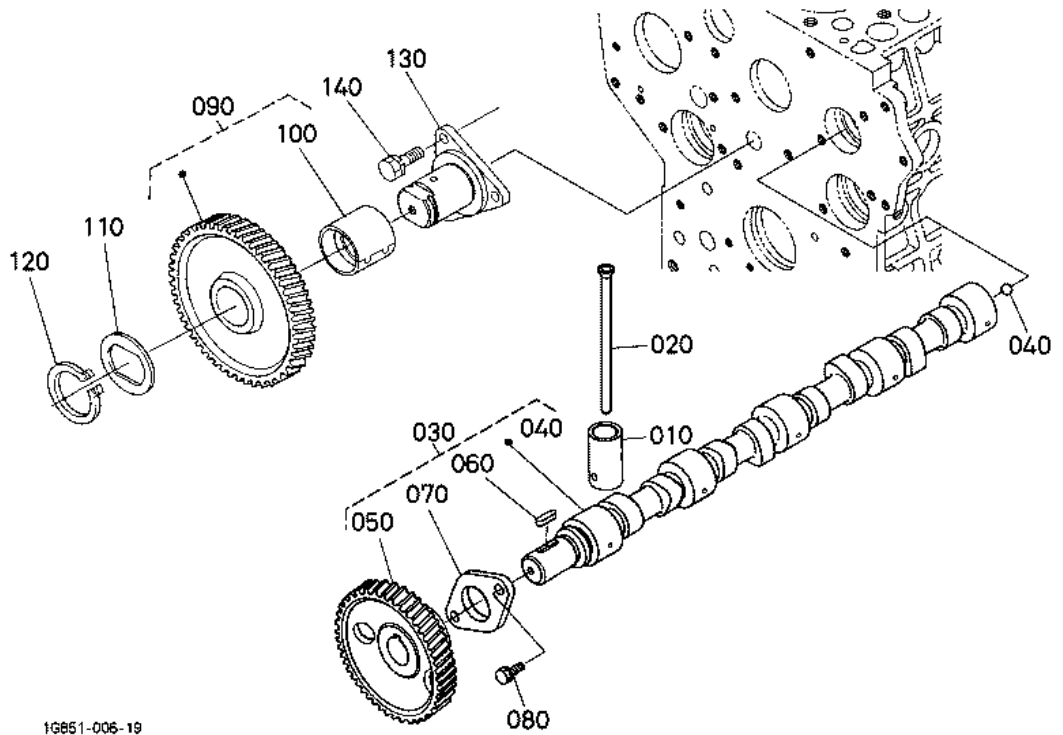


MAIN BEARING CASE

Ref	Part Number	Part Name	Qty	IC	S/N	Lbs	Remarks
070	01123-50828	BOLT	8			0.030	
080	19202-04460	SEAL,OIL	1			0.121	
090	1G928-07043	ASSY BRG.CASE,MAIN	1			3.179	
095	1A091-23482	METAL,CRANKSHAFT	1			0.11	STD/SET
100	1A091-04540	BOLT,BEARING CASE	2			0.077	
110	1G928-07053	ASSY BRG.CASE,MAIN	1			3.179	
115	1A091-23482	METAL,CRANKSHAFT	1			0.11	STD/SET
120	1A091-04540	BOLT,BEARING CASE	2			0.077	
130	1G928-07063	ASSY BRG.CASE,MAIN	1			3.234	
135	1A091-23482	METAL,CRANKSHAFT	1			0.11	STD/SET
140	1A091-04540	BOLT,BEARING CASE	2			0.077	
150	15601-04560	BOLT,BEARING CASE	3			0.132	

# CAMSHAFT AND IDLE GEAR SHAFT

**Figure Num 01010100**



1G851-006-19

## CAMSHAFT AND IDLE GEAR SHAFT

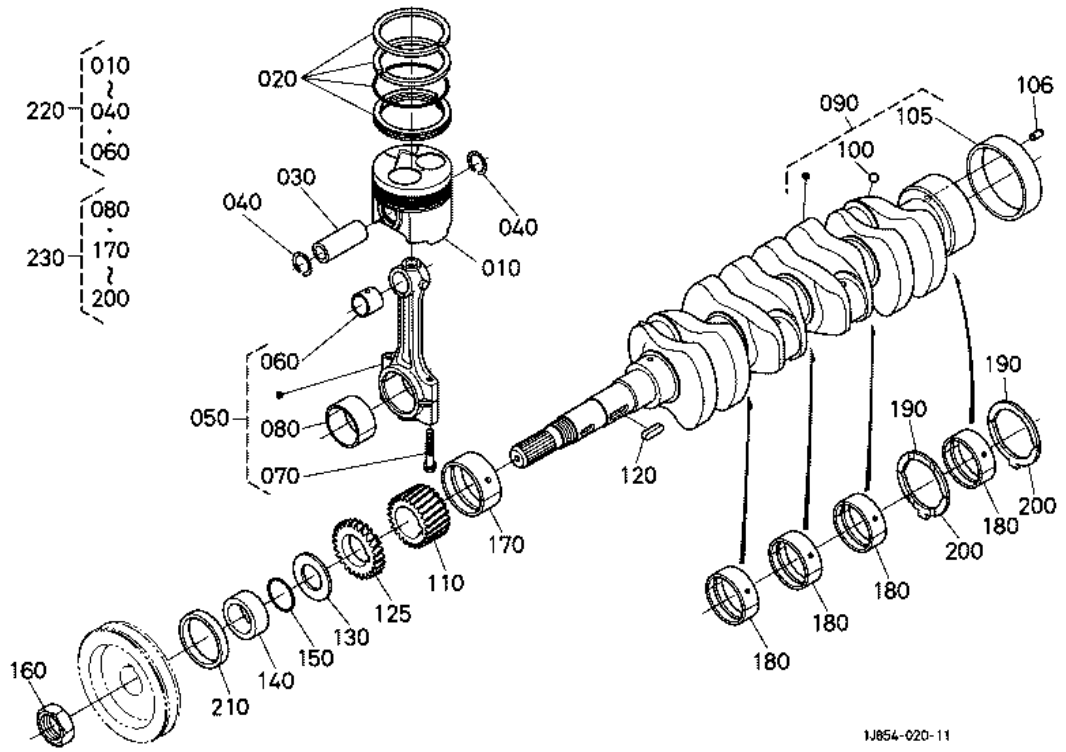
Ref	Part Number	Part Name	Qty	IC	S/N	Lbs	Remarks
010	15601-15553	TAPPET	8			0.176	
020	1A091-15110	PUSH ROD	8			0.092	
030	1J854-16010	ASSY CAMSHAFT	1			7.04	
040	07715-00401	BALL	1			0.002	
050	1A091-16513	GEAR,CAM	1			1.76	
060	05712-00720	KEY,FEATHER	1			0.017	
070	15221-16270	STOPPER,CAMSHAFT	1			0.160	

**CAMSHAFT AND IDLE GEAR SHAFT**

<b>Ref</b>	<b>Part Number</b>	<b>Part Name</b>	<b>Qty</b>	<b>IC</b>	<b>S/N</b>	<b>Lbs</b>	<b>Remarks</b>
080	01123-50818	BOLT	2			0.026	
090	1A091-24010	COMP.GEAR,IDLE	1			2.662	
100	1A021-24980	BUSH,IDLE GEAR	1			0.158	
110	1A021-24370	COLLAR	1			0.048	
120	15451-95400	CIR CLIP,EXTERNAL	1			0.022	
130	1A021-24252	SHAFT,IDLE GEAR	1			1.507	
140	01123-50818	BOLT	3			0.026	

# PISTON AND CRANKSHAFT

**Figure Num 01010202**



## PISTON AND CRANKSHAFT

Ref	Part Number	Part Name	Qty	IC	S/N	Lbs	Remarks
010	1J860-21900	PISTON	4			1.32	+0.25mm
010	1J860-21110	PISTON	4			1.32	STD
020	1G924-21052	ASSY PISTON RING	4			0.11	STD
020	1G924-21090	ASSY PISTON RING	4			0.114	+0.25mm
030	1A021-21310	PIN,PISTON	4			0.363	
040	1G279-21330	CIR CLIP,INTERNAL	8			0.008	
050	1G924-22012	ASSY ROD,CONNECTING	4		<=ABZ999	1.76	

PISTON AND CRANKSHAFT

Ref	Part Number	Part Name	Qty	IC	S/N	Lbs	Remarks
050	1G924-22013	ASSY ROD,CONNECTING	4	NI	>=AC0001	1.76	
060	1G924-21980	BUSH,PISTON PIN	4			0.050	
070	15521-22142	BOLT,CONNECTING ROD	8		<=ABZ999	0.057	
070	1J700-22140	BOLT,CONNECTING ROD	8	NI	>=AC0001	0.055	
080	17311-22970	METAL,CRANKPIN	4			0.11	-0.20mm/SET
080	17311-22980	METAL,CRANKPIN	4			0.099	-0.40mm/SET
080	17311-22312	METAL,CRANKPIN	4			0.099	STD/SET
090	1G851-23017	COMP.CRANKSHAFT	1			36.3	
100	07715-00401	BALL	4			0.002	
105	19202-23280	BUSH,CRANKSHAFT	1			0.198	
106	1A021-23192	PIN,STRAIGHT	1			0.011	
110	15401-24110	GEAR,CRANK	1			0.77	
120	05712-00730	KEY,FEATHER	1			0.024	
125	15401-35630	GEAR,OIL PUMP DRIVE	1			0.407	
130	15471-23312	SLINGER,OIL	1			0.017	
140	19202-23250	COLLAR,CRANKSHAFT	1			0.143	
150	04811-10300	O RING	1			0.002	
160	15221-23360	NUT,CRANKSHAFT	1			0.242	
170	1A091-23472	METAL,CRANKSHAFT	1			0.136	STD
170	1A091-23910	METAL,CRANKSHAFT	1			0.143	-0.20mm
170	1A091-23920	METAL,CRANKSHAFT	1			0.143	-0.40mm
180	1A091-23482	METAL,CRANKSHAFT	4			0.11	STD/SET
180	1A091-23930	METAL,CRANKSHAFT	4			0.132	-0.20mm/SET
180	1A091-23940	METAL,CRANKSHAFT	4			0.143	-0.40mm/SET
190	1A091-23532	METAL,SIDE	2			0.019	STD
190	1A091-23950	METAL,SIDE	2			0.011	+0.20mm

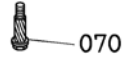
PISTON AND CRANKSHAFT

Ref	Part Number	Part Name	Qty	IC	S/N	Lbs	Remarks
190	1A091-23960	METAL,SIDE	2			0.011	+0.40mm
200	1A091-23542	METAL,SIDE	2			0.019	STD
200	1A091-23970	METAL,SIDE	2			0.011	+0.20mm
200	1A091-23980	METAL,SIDE	2			0.011	+0.40mm
210	19202-04140	SEAL,OIL	1			0.033	
220	1J860-21770	KIT PISTON	4			1.87	STD
220	1J860-21780	KIT PISTON	4			1.87	+0.25mm
230	1G856-23770	KIT METAL,ENGINE	1			1.76	-0.40mm/+0.40mm
230	1G856-23752	KIT METAL,ENGINE	1			1.562	STD
230	1G856-23760	KIT METAL,ENGINE	1			1.826	-0.20mm/+0.20mm

# PISTON AND CRANKSHAFT

**Figure Num 01010202**

OLD



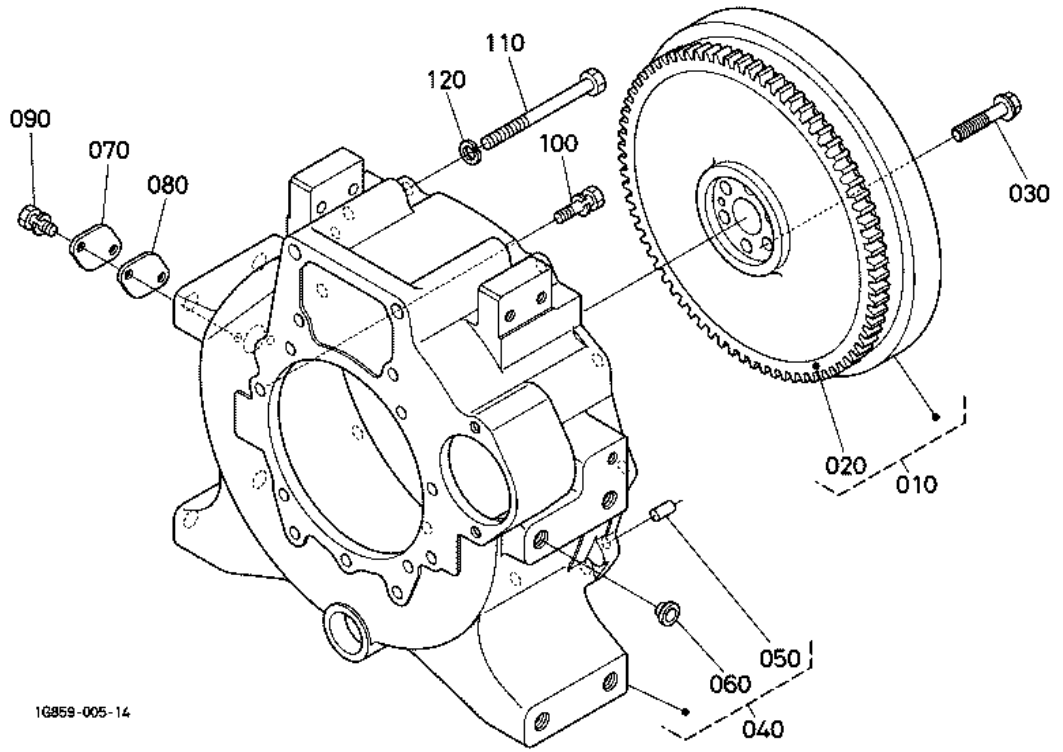
1G623-801-10

# PISTON AND CRANKSHAFT

Ref	Part Number	Part Name	Qty	IC	S/N	Lbs	Remarks
070	1J700-22140	BOLT,CONNECTING ROD	8	NI	>=AC0001	0.055	
070	15521-22142	BOLT,CONNECTING ROD	8		<=ABZ999	0.057	

# FLYWHEEL

Figure Num 01010300



1G859-005-14

# FLYWHEEL

Ref	Part Number	Part Name	Qty	IC	S/N	Lbs	Remarks
010	1G813-25010	COMP.FLYWHEEL	1			0	
020	1A021-63820	GEAR,RING	1			3.3	
030	1J846-25160	BOLT,FLYWHEEL	6			0.121	
040	TD060-20103	COMP.HOUSING,F-W.	1			77	
050	05012-01018	PIN,STRAIGHT	2			0.026	
060	33300-90910	PLUG	8			0.004	
070	15521-04680	COVER	1			0.077	

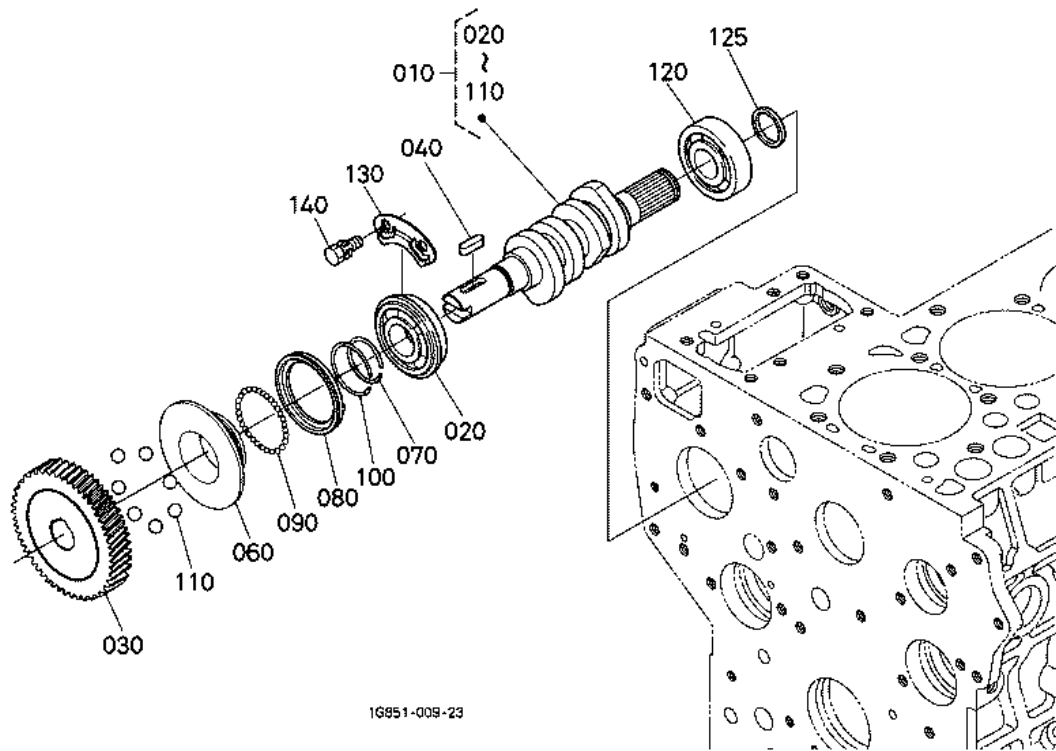


FLYWHEEL

Ref	Part Number	Part Name	Qty	IC	S/N	Lbs	Remarks
080	15521-04790	PACKING,COVER	1			0.011	
090	01123-60816	BOLT	2			0.022	
100	16427-91010	BOLT	11			0.008	
110	01073-51207	BOLT	2			0.270	
120	04512-60120	WASHER, SPRING	2			0.011	

# FUEL CAMSHAFT

**Figure Num 01010500**



# FUEL CAMSHAFT

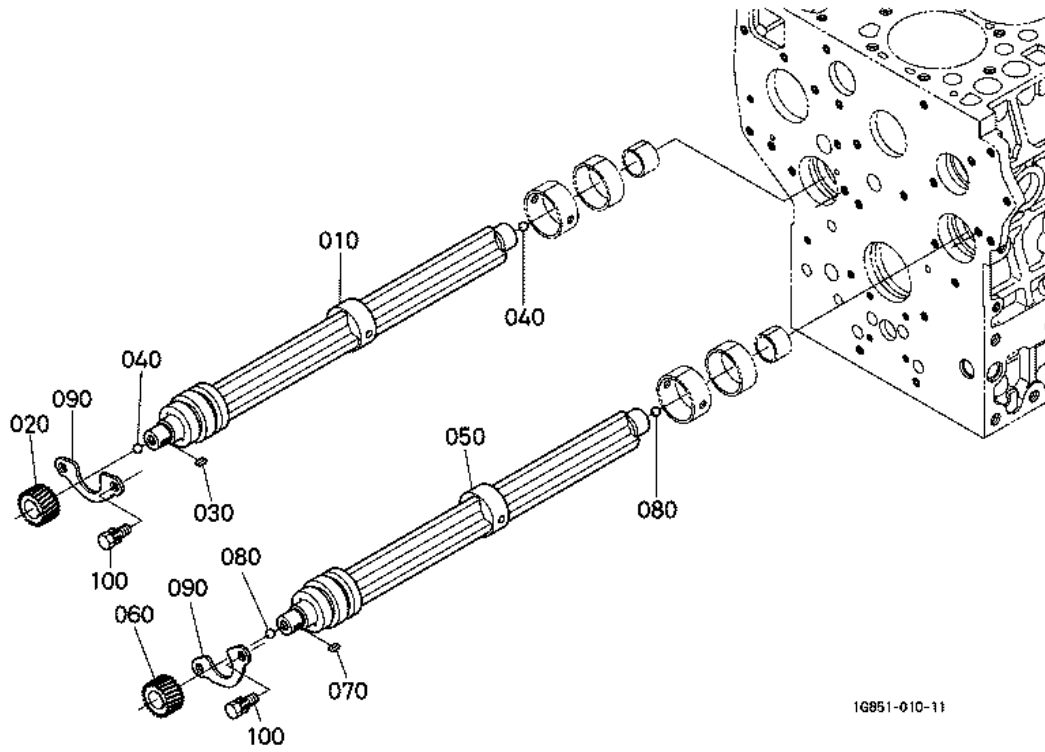
Ref	Part Number	Part Name	Qty	IC	S/N	Lbs	Remarks
010	1A091-16028	ASSY CAMSHAFT,FUEL	1	NI	>=AE0001	6.886	
010	1A091-16026	ASSY CAMSHAFT,FUEL	1		<=ADZ999	6.886	
020	1G924-51750	BEARING,BALL	1			0.517	
030	16415-51150	GEAR,INJECTION PUMP	1			2.365	
040	05712-00525	KEY,FEATHER	1			0.011	
060	1G896-55450	SLEEVE,GOVERNOR	1	NI	>=AE0001	0	
060	15611-55450	SLEEVE,GOVERNOR	1		<=ADZ999	0.257	

## FUEL CAMSHAFT

Ref	Part Number	Part Name	Qty	IC	S/N	Lbs	Remarks
070	15221-55470	CIR-CLIP,GOV. SLEEV.	1			0.006	
080	1G896-55690	CASE,GOVERNOR BALL	1			0	
090	07715-03205	BALL	39			0.002	
100	15221-55740	CIR-CLIP	1			0.004	
110	07715-00403	BALL	7			0.066	
120	1G861-97300	BEARING,BALL	1			0.506	
125	1G921-16190	COLLAR	1			0.017	
130	1A091-16320	STOPPER,FUEL C/SHAF.	1			0.030	
140	01123-60814	BOLT	2			0.022	

# BALANCER

Figure Num 01010600



16851-010-11

# BALANCER

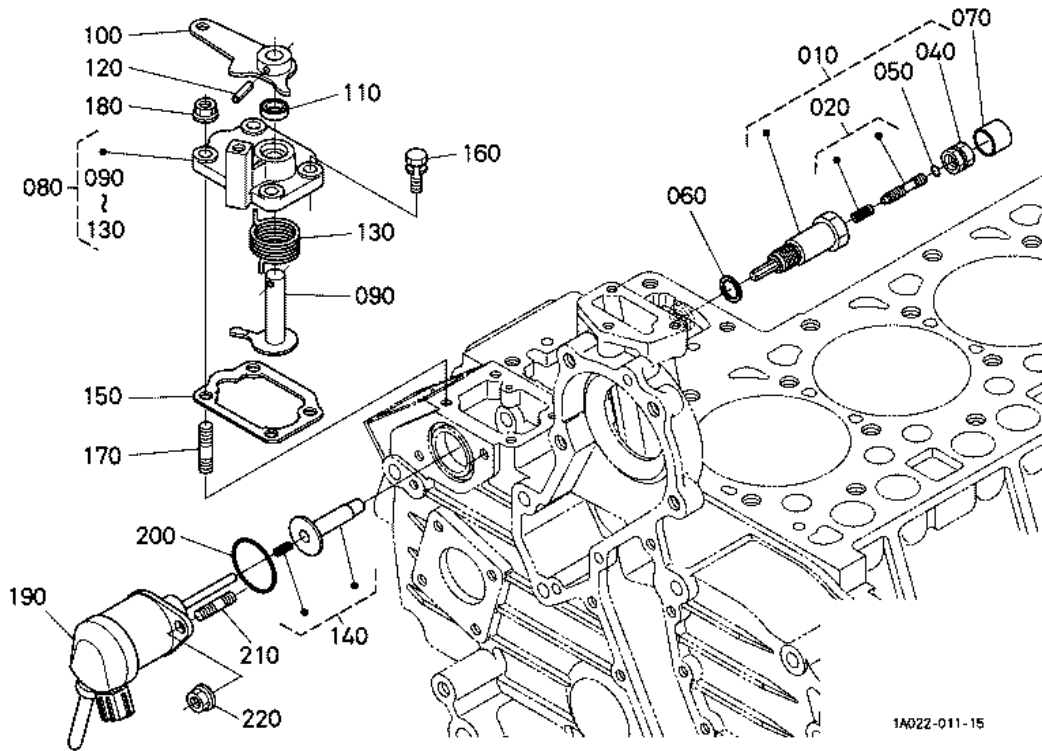
Ref	Part Number	Part Name	Qty	IC	S/N	Lbs	Remarks
010	1A091-26334	SHAFT,SUCTION	1			5.478	
020	1A091-26452	GEAR BALANCER	1			0.121	
030	05712-00410	KEY,FEATHER	1			0.002	
040	07715-00401	BALL	2			0.002	
050	1A091-26315	SHAFT,EXHAUST	1	>>	>=AN0001	0	
050	1A091-26314	SHAFT,EXHAUST	1		<=AL3838	5.676	
060	1A091-26440	GEAR BALANCER	1			0.121	

BALANCER

Ref	Part Number	Part Name	Qty	IC	S/N	Lbs	Remarks
070	05712-00410	KEY,FEATHER	1			0.002	
080	07715-00401	BALL	2			0.002	
090	1A091-26592	STOPPER,WEIGHT SHAF.	2			0.088	
100	01123-50818	BOLT	4			0.026	

# ENGINE STOP LEVER

**Figure Num 01020000**



# ENGINE STOP LEVER

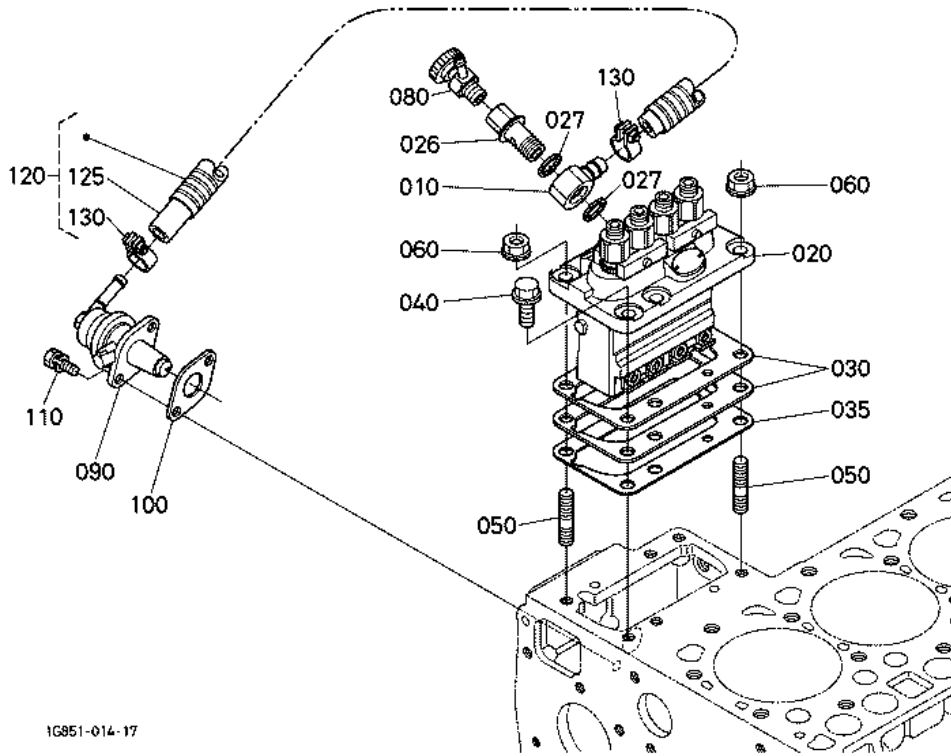
Ref	Part Number	Part Name	Qty	IC	S/N	Lbs	Remarks
010	1G911-54160	APPARATUS,IDLING	1			0.286	
020	1G911-54100	ASSY BOLT,ADJUSTMEN.	1			0.017	
040	1G911-92010	NUT,SPRING	1			0.033	
050	04814-00060	O RING	1			0.002	
060	04724-00140	GASKET	1			0.004	
070	1G911-54270	CAP	1			0.004	
080	1G701-57700	ASSY LEVER,ENG.STOP	1			0.418	

## ENGINE STOP LEVER

Ref	Part Number	Part Name	Qty	IC	S/N	Lbs	Remarks
090	1A021-57710	COMP.LEVER,STOP	1			0.083	
100	1A021-57720	LEVER,ENGINE STOP	1			0.121	
110	16691-57980	SEAL,OIL	1			0.002	
120	05411-00420	PIN,SPRING	1			0.002	
130	1A021-57920	SPRING,RETURN	1			0.022	
140	1A021-56602	COMP.GUIDE,SOLENOID	1			0.015	
150	1A021-57212	GASKET,PLATE	1			0.002	
160	01023-50620	BOLT	2			0.013	
170	15221-88210	STUD	2			0.011	
180	02751-50060	NUT, FLANGE	2			0.011	
190	1A021-60015	ASSY SOLENOID	1			0.638	
200	04814-06310	O RING	1			0.004	
210	15221-88210	STUD	2			0.011	
220	02751-50060	NUT, FLANGE	2			0.011	

# INJECTION PUMP

**Figure Num 01020200**



1G851-014-17

# INJECTION PUMP

Ref	Part Number	Part Name	Qty	IC	S/N	Lbs	Remarks
010	14111-42410	JOINT,EYE	1			0.055	
020	1J860-51012	ASSY PUMP,INJECTION	1			6.38	
026	1G896-51320	BOLT,EYE JOINT	1			0.055	
027	1G896-96650	GASKET	2			0.002	
030	19077-52092	SHIM,INJECTION PUMP	1			0.013	0.200mm
030	19077-52113	SHIM,INJECTION PUMP	1			0.004	0.250mm
030	19077-52123	SHIM,INJECTION PUMP	1			0.022	0.300mm

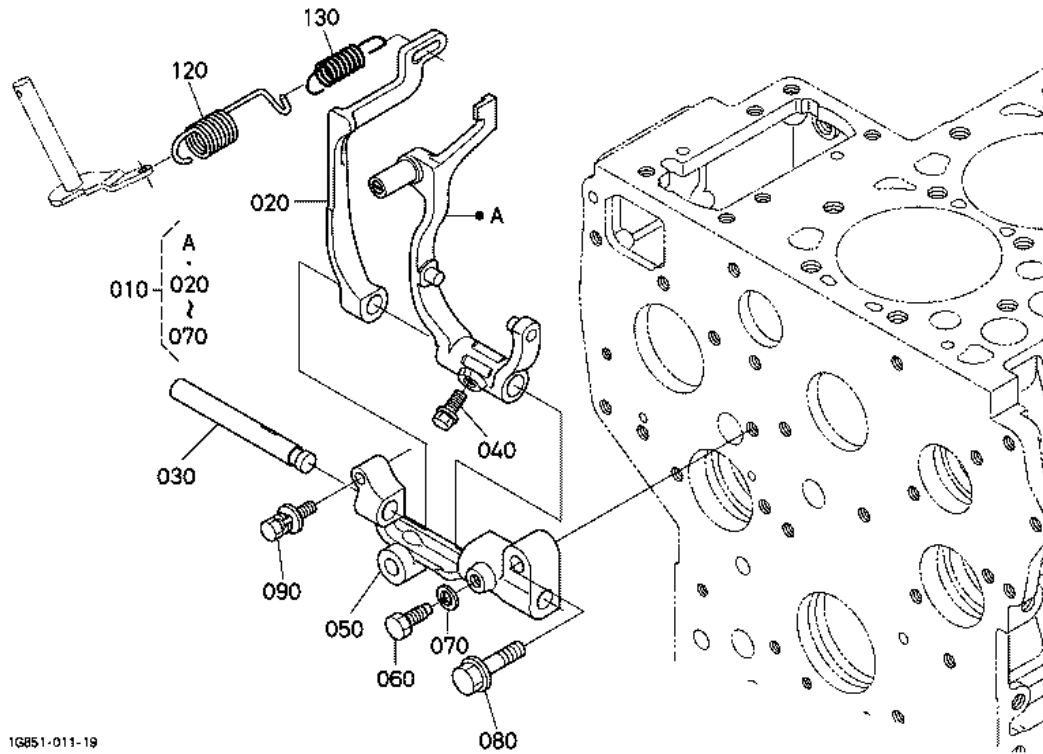


## INJECTION PUMP

Ref	Part Number	Part Name	Qty	IC	S/N	Lbs	Remarks
035	1G896-52200	SHIM,INJECTION PUMP	1			0.011	0.175mm
040	01754-50820	BOLT,FLANGE	4			0.033	
050	15221-91530	STUD	2			0.024	
060	02751-50080	NUT,FLANGE	2			0.013	
080	14311-60504	ASSY COCK,JET START	1			0.074	
090	17121-52030	ASSY PUMP,FUEL	1		<=AC3703	0.286	
090	1G896-52030	ASSY PUMP,FUEL	1	NI	>=AE0001	0	
100	1G751-52140	GASKET,FUEL PUMP	1			0.002	
110	01023-50616	BOLT	2			0.011	
120	T1060-42602	ASSY TUBE,FUEL	1			0.094	
125	09661-70220	TUBE,FUEL	1			0.066	
130	14301-42750	CLIP,PIPE	2			0.011	

# GOVERNOR

**Figure Num 01020400**



1G851-011-19

# GOVERNOR

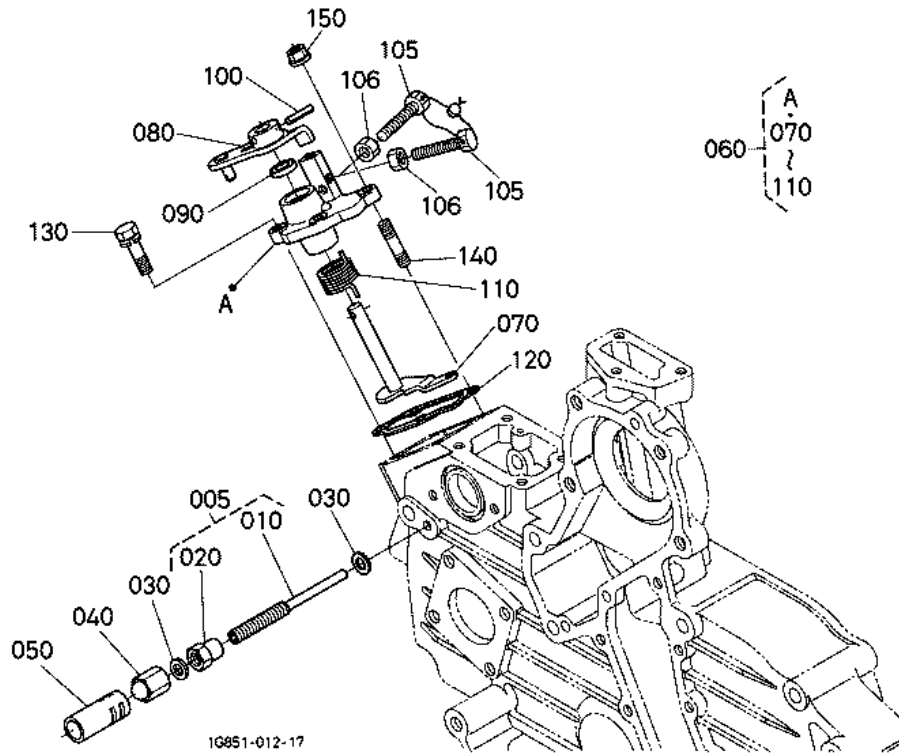
Ref	Part Number	Part Name	Qty	IC	S/N	Lbs	Remarks
010	1J854-56050	ASSY LEVER,FORK	1			0.781	
020	1A021-56133	LEVER,FORK	1			0.077	
030	1G911-56150	SHAFT,FORK LEVER	1			0.11	
040	01754-50618	BOLT,FLANGE	1			0.022	
050	1A091-56230	HOLDER,FORK LEVER	1			0.187	
060	15221-66410	BOLT	1			0.011	
070	04512-60060	WASHER, SPRING	1			0.002	

GOVERNOR

Ref	Part Number	Part Name	Qty	IC	S/N	Lbs	Remarks
080	01754-50830	BOLT,FLANGE	2			0.11	
090	01025-50630	BOLT	1			0.019	
120	1A023-56416	SPRING,GOVERNOR	1			0.011	
130	1A021-56422	SPRING,GOVERNOR	1			0.004	

# SPEED CONTROL PLATE

Figure Num 01020500



## SPEED CONTROL PLATE

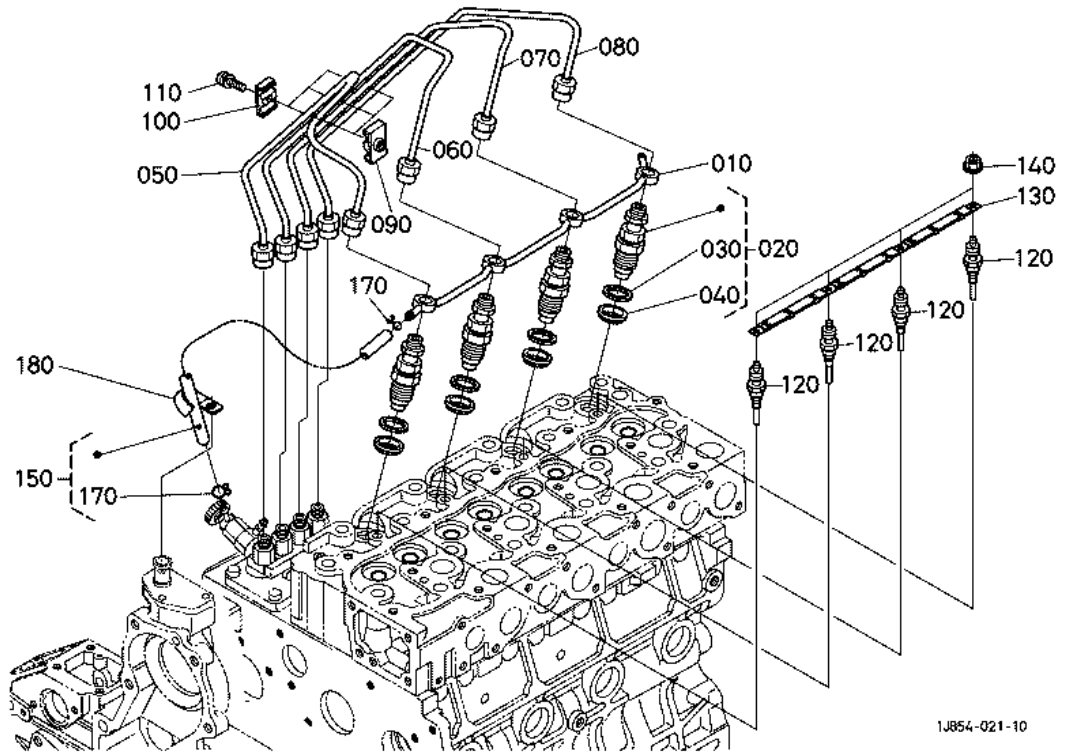
Ref	Part Number	Part Name	Qty	IC	S/N	Lbs	Remarks
005	1A021-54350	ASSY BOLT,ADJUSTMEN.	1			0.033	
010	1A021-54120	BOLT,ADJUSTING	1			0.019	
020	15601-92012	NUT	1			0.013	
030	15601-96650	GASKET	2			0.002	
040	15841-14620	NUT	1			0.013	
050	99999-99999	PIPE,LOCK	1			0	
060	1A053-57005	ASSY PLATE,CONTROL	1			0.462	

SPEED CONTROL PLATE

Ref	Part Number	Part Name	Qty	IC	S/N	Lbs	Remarks
070	1A021-56020	COMP.LEVER,GOVERNOR	1			0.101	
080	1A053-57150	LEVER,SPEED CONTROL	1			0.112	
090	16691-57980	SEAL,OIL	1			0.002	
100	05411-00420	PIN,SPRING	1			0.002	
105	1A021-57390	BOLT,IDLING ADJUST	2			0.022	
106	02056-50060	HEX. NUT	2			0.004	
110	1A021-57920	SPRING,RETURN	1			0.022	
120	1A021-57212	GASKET,PLATE	1			0.002	
130	01023-50620	BOLT	2			0.013	
140	15221-88210	STUD	2			0.011	
150	02751-50060	NUT, FLANGE	2			0.011	

# NOZZLE HOLDER AND GLOW PLUG

**Figure Num 01020602**



## NOZZLE HOLDER AND GLOW PLUG

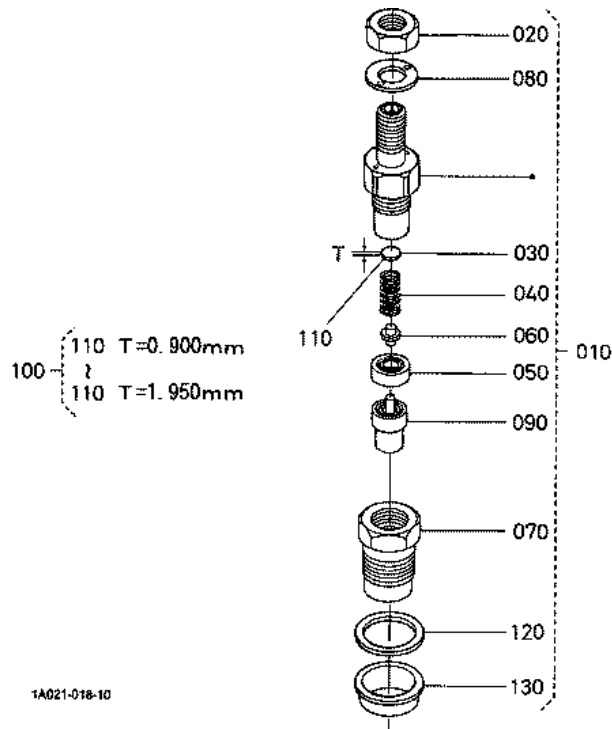
Ref	Part Number	Part Name	Qty	IC	S/N	Lbs	Remarks
010	16454-42502	ASSY PIPE,OVER FLOW	1			0.132	
020	16419-53900	KIT HOLDER,NOZZLE	4			0.352	
030	15841-53622	GASKET	4			0.004	
040	19077-53650	SEAL, HEAT	4			0.011	
050	1E013-53710	PIPE,INJECTION	1			0.297	
060	1E013-53720	PIPE,INJECTION	1			0.297	
070	1E013-53730	PIPE,INJECTION	1			0.297	

**NOZZLE HOLDER AND GLOW PLUG**

<b>Ref</b>	<b>Part Number</b>	<b>Part Name</b>	<b>Qty</b>	<b>IC</b>	<b>S/N</b>	<b>Lbs</b>	<b>Remarks</b>
080	1E013-53740	PIPE,INJECTION	1			0.297	
090	15841-53850	CLAMP,PIPE	3			0.017	
100	15841-53860	CLAMP,PIPE	3			0.017	
110	03024-50520	SCREW,WITH WASHER	3			0.008	
120	19077-65512	GLOW PLUG	4			0.066	
130	1G778-65560	CORD,GLOW PLUG	1			0.044	
140	02761-50040	NUT, FLANGE	4			0.004	
150	1G896-42500	ASSY TUBE,FUEL	1			0.033	
170	15271-42710	CLIP,PIPE	2			0.002	
180	15241-67580	CLAMP, CORD	1			0.008	

# NOZZLE HOLDER [COMPONENT PARTS]

**Figure Num 01020700**



# NOZZLE HOLDER [COMPONENT PARTS]

Ref	Part Number	Part Name	Qty	IC	S/N	Lbs	Remarks
010	16419-53900	KIT HOLDER,NOZZLE	4			0.352	
020	15841-92030	NUT	4			0.011	
030	15841-53230	WASHER, ADJUSTING	4			0.002	
040	16475-53170	SPRING,NOZZLE	4			0.011	
050	15841-53350	PIECE, DISTANCE	4			0.008	
060	15841-53160	PUSH ROD	4			0.002	
070	16475-53280	NUT,NOZZLE	4			0.066	



NOZZLE HOLDER [COMPONENT PARTS]

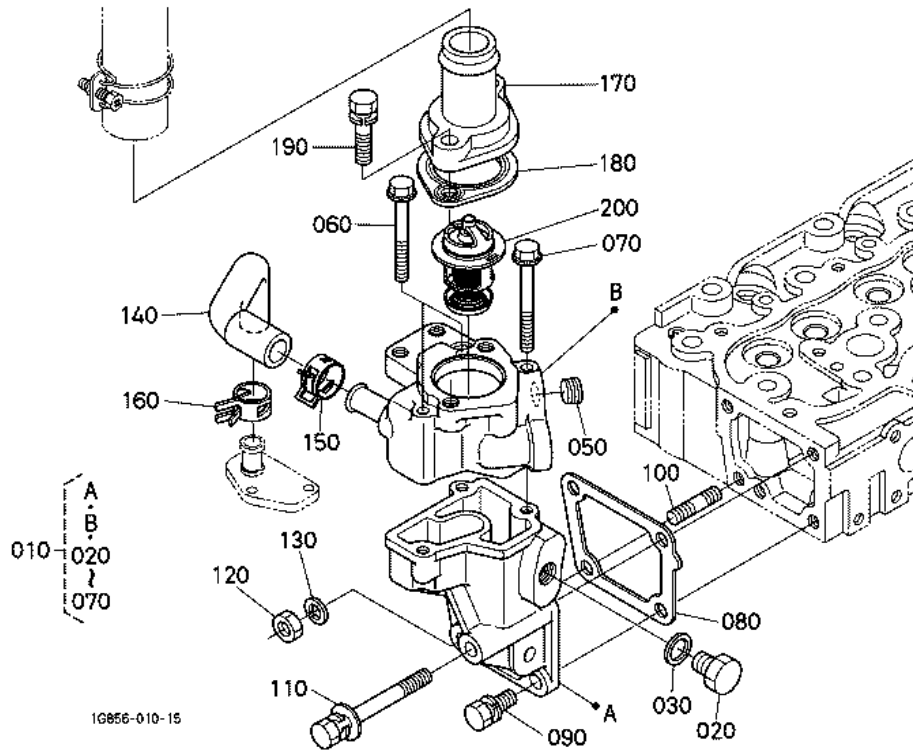
Ref	Part Number	Part Name	Qty	IC	S/N	Lbs	Remarks
080	15841-94040	WASHER	4			0.002	
090	16082-53610	PIECE,NOZZLE	4			0.050	
100	15841-98100	ASSY WASHER, ADJUST.	4			0.094	OPTION
110	15841-98590	WASHER, ADJUSTING	4			0.002	1.125mm
110	15841-98640	WASHER, ADJUSTING	4			0.002	1.250mm
110	15841-98630	WASHER, ADJUSTING	4			0.002	1.225mm
110	15841-98620	WASHER, ADJUSTING	4			0.002	1.200mm
110	15841-98520	WASHER, ADJUSTING	4			0.002	0.950mm
110	15841-98610	WASHER, ADJUSTING	4			0.002	1.175mm
110	15841-98600	WASHER, ADJUSTING	4			0.002	1.150mm
110	15841-98650	WASHER, ADJUSTING	4			0.002	1.275mm
110	15841-98580	WASHER, ADJUSTING	4			0.002	1.100mm
110	15841-98570	WASHER, ADJUSTING	4			0.002	1.075mm
110	15841-98560	WASHER, ADJUSTING	4			0.002	1.050mm
110	15841-98550	WASHER, ADJUSTING	4			0.002	1.025mm
110	15841-98530	WASHER, ADJUSTING	4			0.002	0.975mm
110	15841-98680	WASHER, ADJUSTING	4			0.002	1.350mm
110	15841-98510	WASHER, ADJUSTING	4			0.002	0.925mm
110	15841-53230	WASHER, ADJUSTING	4			0.002	0.900mm
110	15841-98540	WASHER, ADJUSTING	4			0.002	1.000mm
110	15841-98800	WASHER, ADJUSTING	4			0.002	1.650mm
110	15841-98920	WASHER, ADJUSTING	4			0.002	1.950mm
110	15841-98910	WASHER, ADJUSTING	4			0.002	1.925mm
110	15841-98900	WASHER, ADJUSTING	4			0.002	1.900mm
110	15841-98890	WASHER, ADJUSTING	4			0.002	1.875mm
110	15841-98880	WASHER, ADJUSTING	4			0.002	1.850mm

## NOZZLE HOLDER [COMPONENT PARTS]

Ref	Part Number	Part Name	Qty	IC	S/N	Lbs	Remarks
110	15841-98870	WASHER, ADJUSTING	4			0.002	1.825mm
110	15841-98860	WASHER, ADJUSTING	4			0.002	1.800mm
110	15841-98850	WASHER, ADJUSTING	4			0.002	1.775mm
110	15841-98840	WASHER, ADJUSTING	4			0.002	1.750mm
110	15841-98830	WASHER, ADJUSTING	4			0.002	1.725mm
110	15841-98660	WASHER, ADJUSTING	4			0.002	1.300mm
110	15841-98810	WASHER, ADJUSTING	4			0.008	1.675mm
110	15841-98670	WASHER, ADJUSTING	4			0.002	1.325mm
110	15841-98790	WASHER, ADJUSTING	4			0.002	1.625mm
110	15841-98780	WASHER, ADJUSTING	4			0.004	1.600mm
110	15841-98770	WASHER, ADJUSTING	4			0.002	1.575mm
110	15841-98760	WASHER, ADJUSTING	4			0.002	1.550mm
110	15841-98750	WASHER, ADJUSTING	4			0.002	1.525mm
110	15841-98740	WASHER, ADJUSTING	4			0.002	1.500mm
110	15841-98730	WASHER, ADJUSTING	4			0.002	1.475mm
110	15841-98720	WASHER, ADJUSTING	4			0.002	1.450mm
110	15841-98710	WASHER, ADJUSTING	4			0.002	1.425mm
110	15841-98700	WASHER, ADJUSTING	4			0.002	1.400mm
110	15841-98690	WASHER, ADJUSTING	4			0.002	1.375mm
110	15841-98820	WASHER, ADJUSTING	4			0.002	1.700mm
120	15841-53622	GASKET	4			0.004	
130	19077-53650	SEAL, HEAT	4			0.011	

# WATER FLANGE AND THERMOSTAT

Figure Num 01050000



## WATER FLANGE AND THERMOSTAT

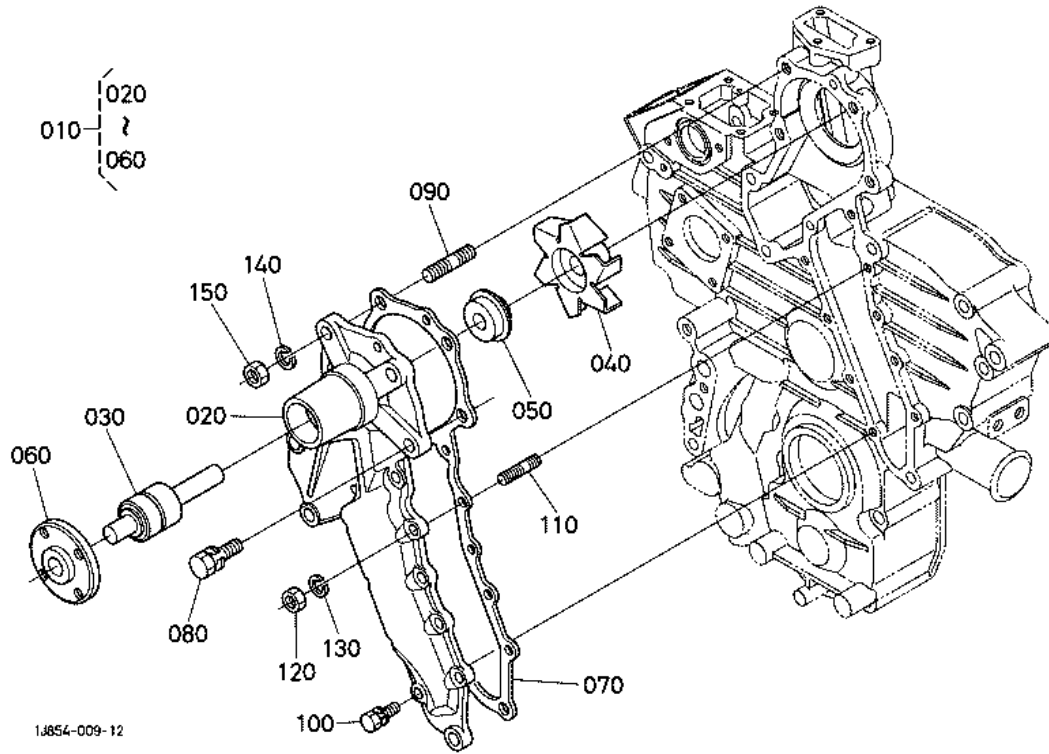
Ref	Part Number	Part Name	Qty	IC	S/N	Lbs	Remarks
010	1A033-72704	COMP.FLANGE,WATER	1			1.661	
020	15109-33630	PLUG,DRAIN	1			0.055	
030	15109-33660	GASKET	1			0.002	
050	1A021-96020	PLUG	1			0.044	
060	01754-50660	BOLT,FLANGE	2			0.044	
070	01754-50665	BOLT,FLANGE	1			0.022	
080	1A021-72920	GASKET,WATER FLANGE	1			0.004	

WATER FLANGE AND THERMOSTAT

Ref	Part Number	Part Name	Qty	IC	S/N	Lbs	Remarks
090	01123-50820	BOLT	2			0.024	
100	15221-91530	STUD	1			0.024	
110	1A021-91020	BOLT	1			0.070	
120	02156-50080	NUT	1			0.008	
130	04512-60080	WASHER SPRING	1			0.004	
140	1A021-73340	PIPE,WATER RETURN	1			0.070	
150	1A021-11720	CLAMP,HOSE	1			0.022	
160	09318-88180	CLAMP,HOSE	1			0.022	
170	15321-73260	COVER,THERMOSTAT	1			0.235	
180	16221-73270	GASKET,THERMOSTAT	1			0.002	
190	01123-50835	BOLT	2			0.044	
200	1A021-73012	ASSY THERMOSTAT	1			0.173	

# WATER PUMP

Figure Num 01050100



1,6854-009-12

## WATER PUMP

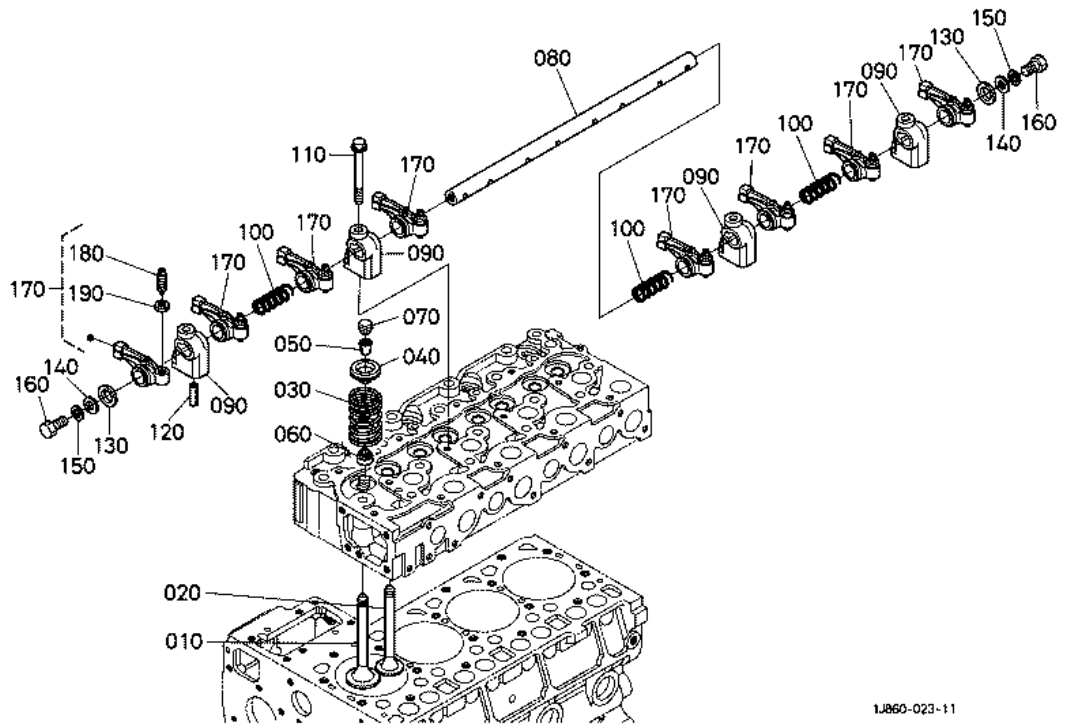
Ref	Part Number	Part Name	Qty	IC	S/N	Lbs	Remarks
010	1A021-73033	ASSY PUMP,WATER	1			2.2	
020	17331-73414	BODY,WATER PUMP	1			1.122	
030	15521-73550	BEARING	1		<=AC3703	0.517	
030	16661-73550	BEARING	1	>>	>=AE0001	0.539	
040	1A021-73510	IMPELLER,WATER PUMP	1			0.143	
050	16661-73050	ASSY SEAL,MECHANICA.	1			0.055	
060	1A021-73520	FLANGE,W/PUMP SHAFT	1			0.407	

## WATER PUMP

Ref	Part Number	Part Name	Qty	IC	S/N	Lbs	Remarks
070	1A021-73430	GASKET,WATER PUMP	1			0.015	
080	01123-50828	BOLT	3			0.030	
090	01518-50822	STUD	1			0.026	
100	01023-50618	BOLT	7			0.013	
110	15221-88210	STUD	2			0.011	
120	02056-50060	HEX. NUT	2			0.004	
130	04512-60060	WASHER, SPRING	2			0.002	
140	04512-60080	WASHER SPRING	1			0.004	
150	02156-50080	NUT	1			0.008	

# VALVE AND ROCKER ARM

**Figure Num 01060000**



1J860-023-11

# VALVE AND ROCKER ARM

Ref	Part Number	Part Name	Qty	IC	S/N	Lbs	Remarks
010	1G897-13110	VALVE,INLET	4	>>	>=AC0001	0.154	
010	1G896-13110	VALVE,INLET	4		<=ABZ999	0.143	
020	16419-13125	VALVE,EXHAUST	4		<=ABZ999	0.132	
020	1J860-13120	VALVE,EXHAUST	4	>>	>=AC0001	0.132	
030	15221-13240	SPRING,VALVE	8			0.083	
040	15221-13330	RETAINER,VALVE SP.	8			0.061	
050	15221-13980	COLLET,VALVE SPRING	8			0.011	SET

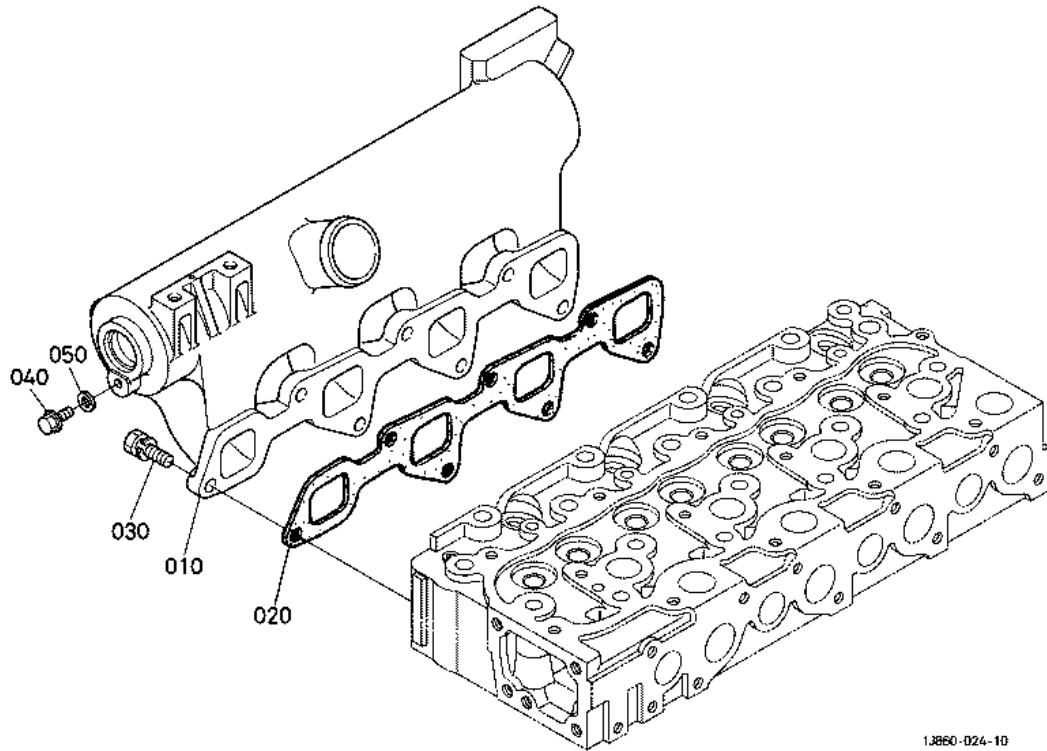
VALVE AND ROCKER ARM

Ref	Part Number	Part Name	Qty	IC	S/N	Lbs	Remarks
060	15221-13153	SEAL,VALVE STEM	8			0.008	
070	15221-13280	CAP,VALVE	8			0.011	
080	1A091-14260	SHAFT,ROCKER ARM	1			0.688	
090	15221-14353	BRACKET,ROCKER ARM	4			0.096	
100	15221-14310	SPRING,ROCKER ARM	3			0.011	
110	01754-50855	BOLT, FLANGE	4			0.044	
120	05411-00528	PIN,SPRING	1			0.006	
130	15221-14430	WASHER,R-ARM.SHAFT	2			0.004	
140	04013-60080	WASHER, PLAIN	2			0.004	
150	04512-60080	WASHER SPRING	2			0.004	
160	01153-50812	BOLT	2			0.017	
170	15621-14030	ASSY ROCKER ARM	8			0.22	
180	15521-14230	SCREW,ADJUSTING	8			0.019	
190	15021-14240	NUT	8			0.006	



# INLET MANIFOLD

**Figure Num 01060102**



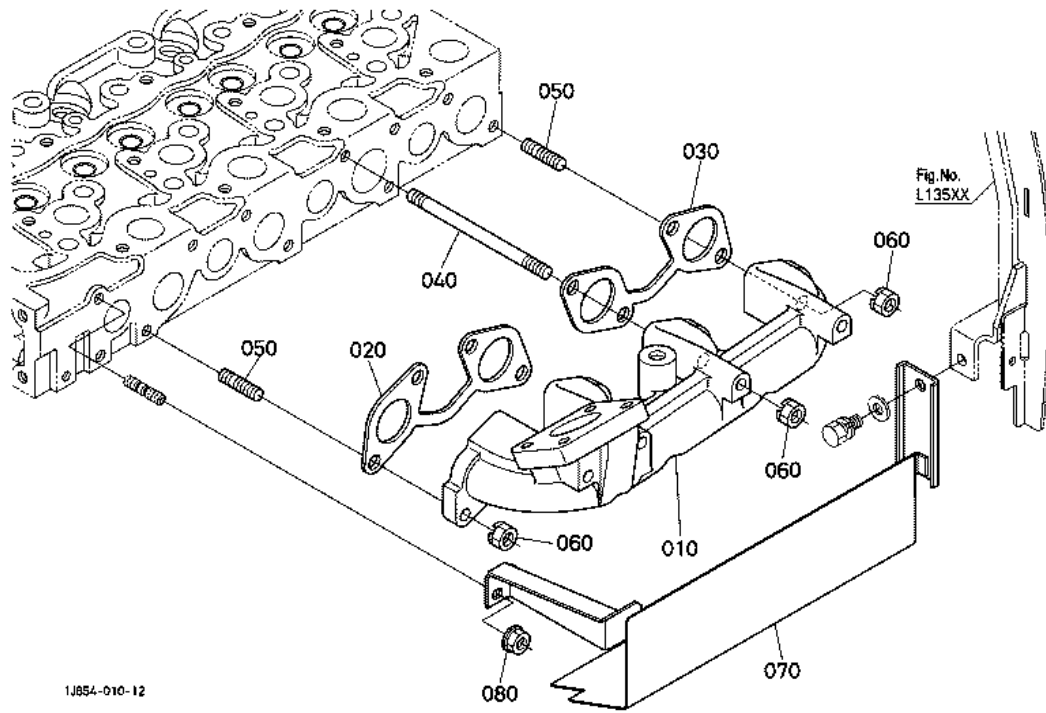
1.8860-024-10

# INLET MANIFOLD

Ref	Part Number	Part Name	Qty	IC	S/N	Lbs	Remarks
010	1G928-11763	MANIFOLD,INLET	1			3.476	
020	1A091-11822	GASKET,IN-MANIFOLD	1			0.044	
030	01123-50822	BOLT	7			0.026	
040	01754-50612	BOLT, FLANGE	1			0.011	
050	15601-96650	GASKET	1			0.002	

# EXHAUST MANIFOLD

Figure Num 01060202



## EXHAUST MANIFOLD

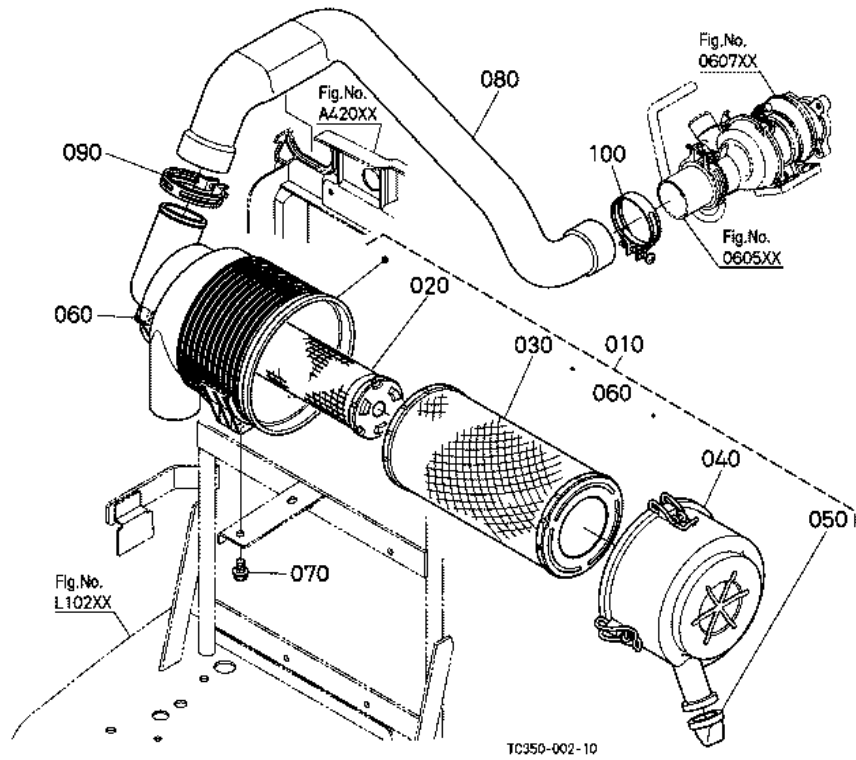
Ref	Part Number	Part Name	Qty	IC	S/N	Lbs	Remarks
010	1G928-12310	MANIFOLD,EXHAUST	1			7.04	
020	1A091-12350	GASKET,EX-MANIFOLD	1			0.044	
030	1A091-12360	GASKET,EX-MANIFOLD	1			0.044	
040	15662-91534	STUD	4			0.099	
050	15221-91530	STUD	4			0.024	
060	16429-92010	NUT	8			0.015	
070	TC250-16204	COVER,MANIFOLD	1			3.3	

EXHAUST MANIFOLD

Ref	Part Number	Part Name	Qty	IC	S/N	Lbs	Remarks
080	02751-50080	NUT,FLANGE	1			0.013	

# AIR CLEANER

**Figure Num 01060402**



## AIR CLEANER

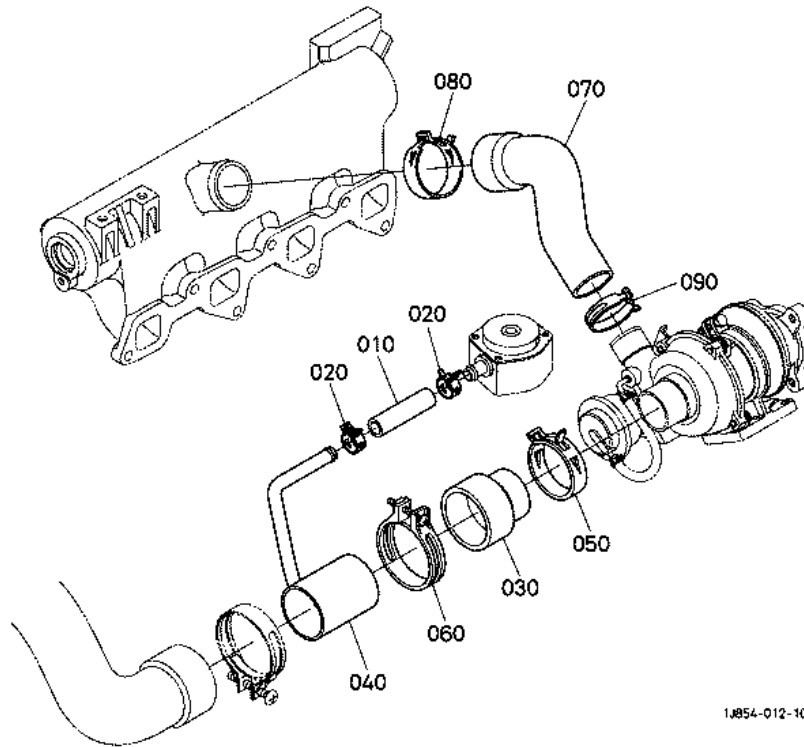
Ref	Part Number	Part Name	Qty	IC	S/N	Lbs	Remarks
010	TC250-16300	ASSY CLEANER,AIR	1			5.5	
020	R2401-42280	ELEMENT,INNER	1			0.66	
030	R1401-42270	ELEMENT,OUTER	1			1.1	
040	R1401-42260	CUP,DUST	1			0.66	
050	TA040-93250	VALVE,EVACUATOR	1			0.024	
060	58819-25430	CAP,NIPPLE	1			0.006	
070	01754-50816	BOLT, FLANGE	2			0.024	

AIR CLEANER

<b>Ref</b>	<b>Part Number</b>	<b>Part Name</b>	<b>Qty</b>	<b>IC</b>	<b>S/N</b>	<b>Lbs</b>	<b>Remarks</b>
080	TC250-16330	HOSE	1			2.442	
090	T1170-35560	CLAMP,HOSE	1			0.088	
100	31351-18110	BAND,PIPE	1			0.088	

# INLET PIPE

**Figure Num 01060500**



1J854-012-10

# INLET PIPE

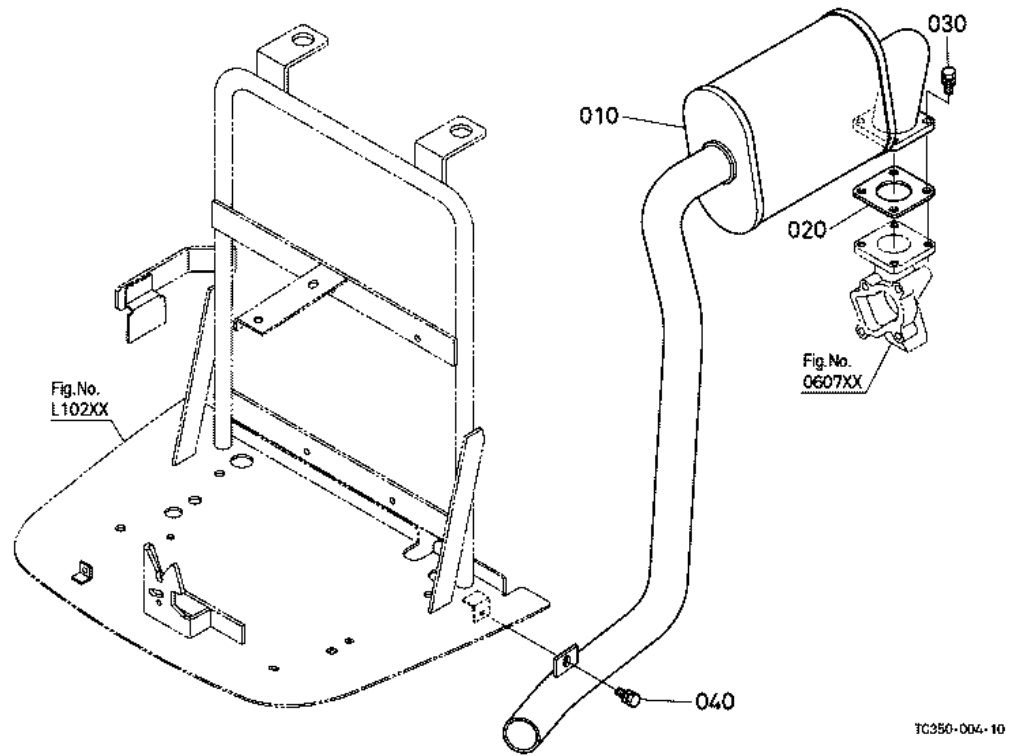
Ref	Part Number	Part Name	Qty	IC	S/N	Lbs	Remarks
010	1J860-05510	TUBE,BREATHER TURBO	1			0.028	
020	09318-88155	CLAMP,HOSE	2			0.011	
030	1J860-11620	TUBE,INLET TURBO	1			0.165	
040	1J860-11632	PIPE,INLET BREATHER	1			0.429	
050	16241-11720	BAND,PIPE	1			0.066	
060	15401-11720	BAND,PIPE	1			0.11	
070	1J860-11640	HOSE,INLET	1			0.539	

INLET PIPE

<b>Ref</b>	<b>Part Number</b>	<b>Part Name</b>	<b>Qty</b>	<b>IC</b>	<b>S/N</b>	<b>Lbs</b>	<b>Remarks</b>
080	16241-11720	BAND,PIPE	1			0.066	
090	1G924-11720	CLAMP,HOSE	1			0.044	

# MUFFLER

**Figure Num 01060602**



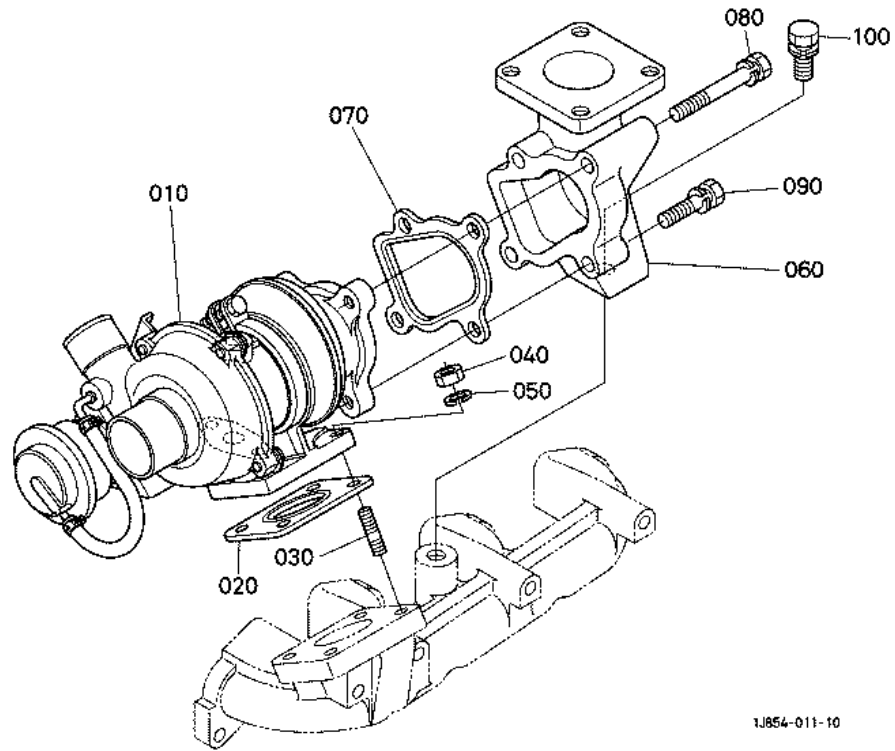
# MUFFLER

Ref	Part Number	Part Name	Qty	IC	S/N	Lbs	Remarks
010	TC250-16410	MUFFLER	1			12.76	
020	T0070-16420	GASKET,MUFFLER	1			0.035	
030	01128-50825	BOLT	4			0.033	
040	01125-60820	BOLT	1			0.033	



# TURBO CHARGER

**Figure Num 01060700**



1J854-011-10

# TURBO CHARGER

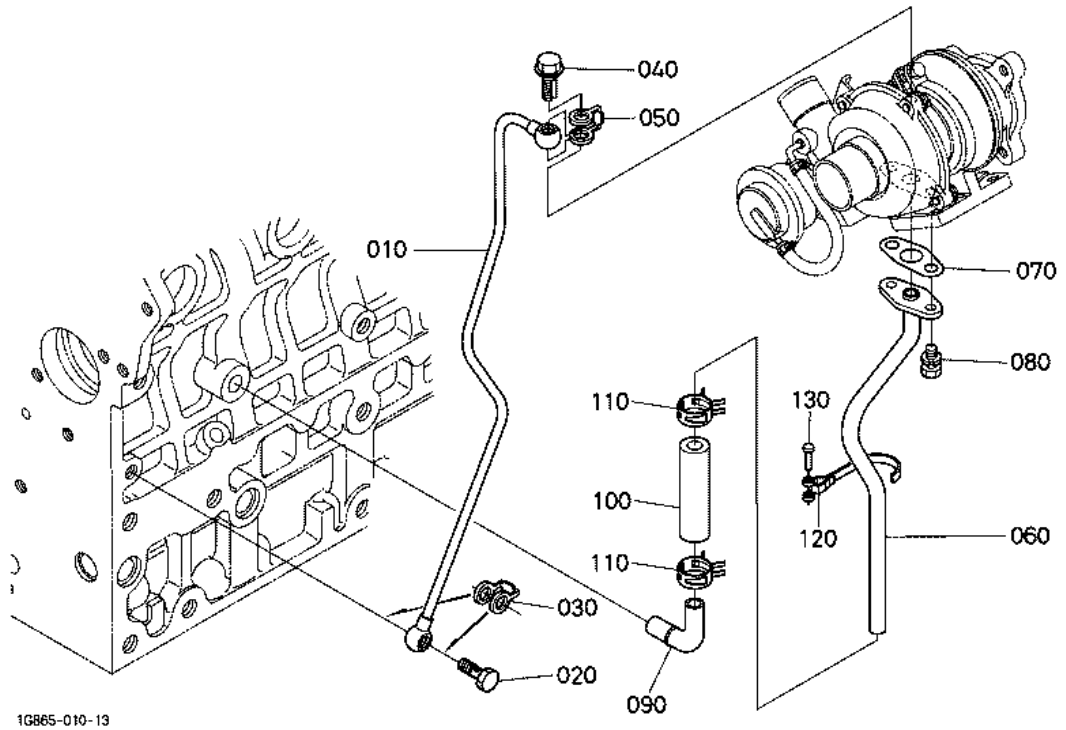
Ref	Part Number	Part Name	Qty	IC	S/N	Lbs	Remarks
010	1J854-17012	ASSY TURBO CHARGER	1	>>	>=AJ0001	7.744	
010	1J854-17010	ASSY TURBO CHARGER	1		<=AG3426	7.744	
020	16483-17100	GASKET	1			0.037	
030	01513-50820	STUD	4			0.044	
040	02156-50080	NUT	4			0.008	
050	04512-60080	WASHER SPRING	4			0.004	
060	16483-12320	FLANGE,MUFFLER	1			3.564	

# TURBO CHARGER

<b>Ref</b>	<b>Part Number</b>	<b>Part Name</b>	<b>Qty</b>	<b>IC</b>	<b>S/N</b>	<b>Lbs</b>	<b>Remarks</b>
070	16483-17110	GASKET	1			0.044	
080	01123-50865	BOLT	2			0.057	
090	01123-50835	BOLT	2			0.044	
100	1G923-91010	BOLT	1			0.050	

# OIL PIPE (TURBO CHARGER)

**Figure Num 01060800**



## OIL PIPE (TURBO CHARGER)

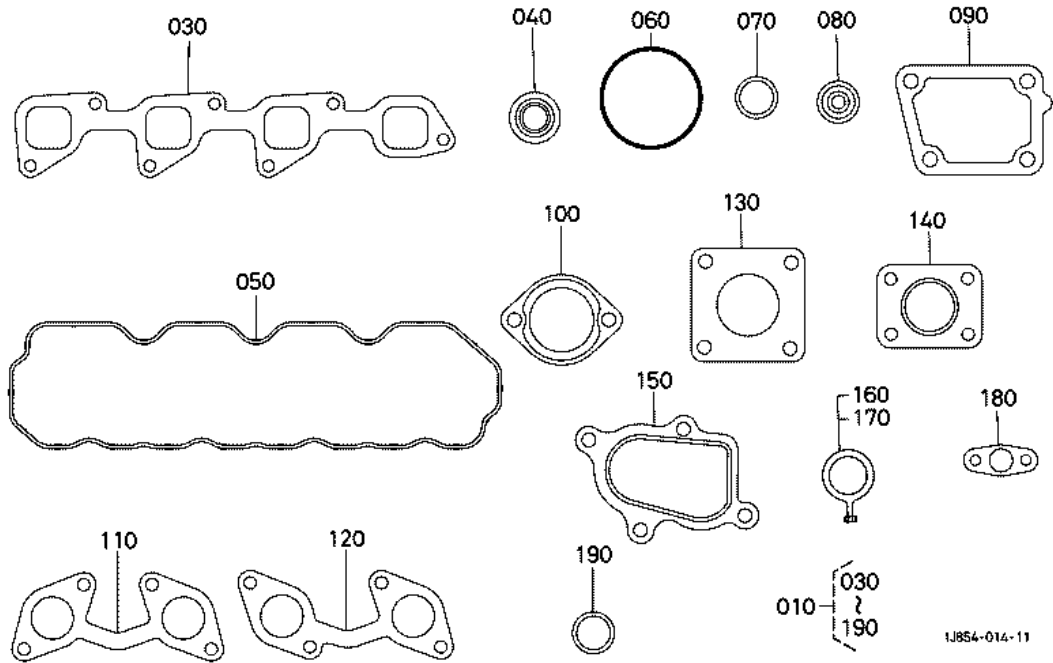
Ref	Part Number	Part Name	Qty	IC	S/N	Lbs	Remarks
010	1G928-33040	COMP.PIPE,OIL	1			0.198	
020	15471-95790	BOLT,EYE JOINT	1			0.044	
030	1G557-96650	GASKET	1			0.002	
040	1G924-95802	BOLT,EYE JOINT	1			0.046	
050	1G777-96650	GASKET	1			0.004	
060	1G928-33052	COMP.PIPE,OIL	1			0.286	
070	1C040-33670	GASKET	1			0.002	

OIL PIPE (TURBO CHARGER)

Ref	Part Number	Part Name	Qty	IC	S/N	Lbs	Remarks
080	01023-50614	BOLT	2			0.011	
090	1A024-33230	PIPE,OIL	1			0.088	
100	1G928-33240	TUBE,OIL	1			0.050	
110	09318-88200	CLAMP,HOSE	2			0.008	
120	1A024-33520	CLAMP,PIPE	1			0.015	
130	33430-82760	PIN,BAND	1			0.008	

# UPPER GASKET KIT

**Figure Num 01090102**



# UPPER GASKET KIT

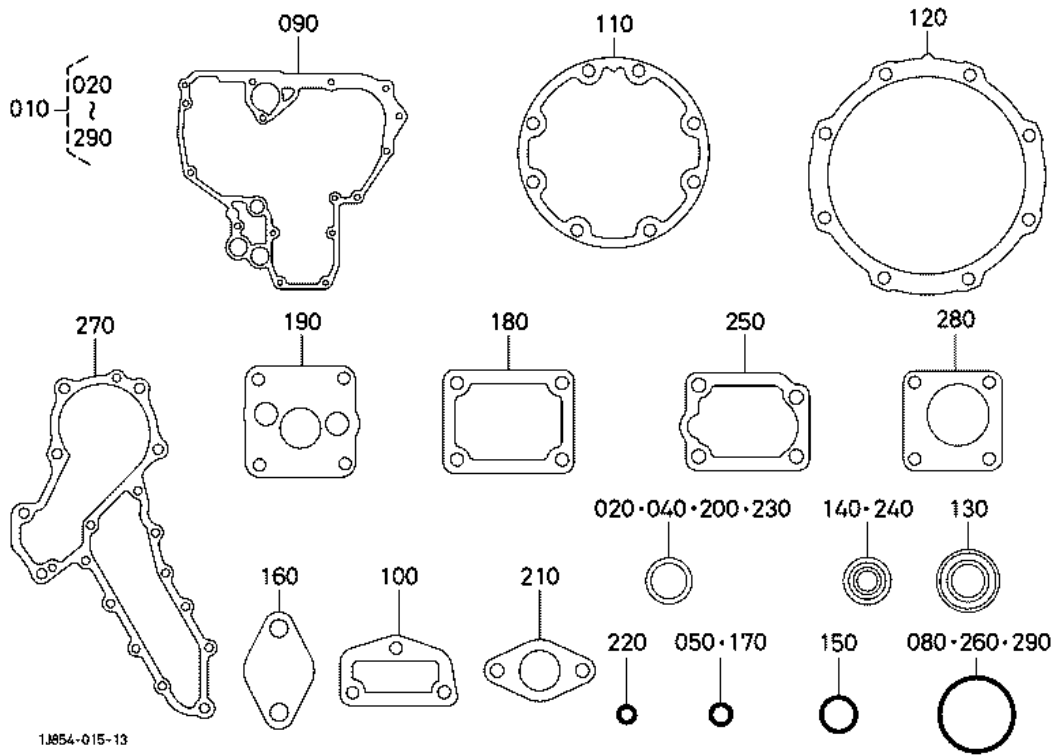
Ref	Part Number	Part Name	Qty	IC	S/N	Lbs	Remarks
010	1A107-99350	KIT GASKET UPPER	1			0.407	
030	1A091-11822	GASKET,IN-MANIFOLD	1			0.044	
040	15221-13153	SEAL,VALVE STEM	8			0.008	
050	1G911-14523	GASKET,HEAD COVER	1			0.055	
060	1G924-05430	O RING,BREATHER	1			0.002	
070	15841-53622	GASKET	4			0.004	
080	19077-53650	SEAL, HEAT	4			0.011	

UPPER GASKET KIT

Ref	Part Number	Part Name	Qty	IC	S/N	Lbs	Remarks
090	1A021-72920	GASKET,WATER FLANGE	1			0.004	
100	16221-73270	GASKET,THERMOSTAT	1			0.002	
110	1A091-12350	GASKET,EX-MANIFOLD	1			0.044	
120	1A091-12360	GASKET,EX-MANIFOLD	1			0.044	
130	T0070-16420	GASKET,MUFFLER	1			0.035	
140	16483-17100	GASKET	1			0.037	
150	16483-17110	GASKET	1			0.044	
160	1G557-96650	GASKET	1			0.002	
170	1G777-96650	GASKET	1			0.004	
180	1C040-33670	GASKET	1			0.002	
190	15109-33660	GASKET	1			0.002	

# LOWER GASKET KIT

**Figure Num 01090202**



# LOWER GASKET KIT

Ref	Part Number	Part Name	Qty	IC	S/N	Lbs	Remarks
010	1G928-99363	KIT GASKET LOWER	1	>>	>=AE0001	0	
010	1G928-99362	KIT GASKET LOWER	1		<=AC3703	0.77	
020	15601-96650	GASKET	2			0.002	
040	6C090-58960	GASKET	2			0.004	
050	04817-00150	O RING	3			0.002	
080	19202-96830	O RING	1			0.022	
090	1G896-04130	GASKET,GEAR CASE	1			0.132	

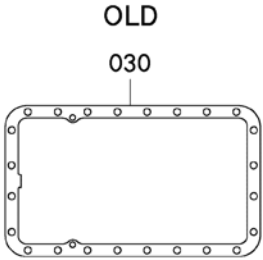
LOWER GASKET KIT

Ref	Part Number	Part Name	Qty	IC	S/N	Lbs	Remarks
100	1A021-73332	GASKET,RETURN FLANG.	1			0.002	
110	1A091-04362	GASKET,BEARING CASE	1			0.011	
120	1A091-04820	GASKET,CASE COVER	1			0.013	
130	19202-04460	SEAL,OIL	1			0.121	
140	19202-04140	SEAL,OIL	1			0.033	
150	04811-10300	O RING	1			0.002	
160	15521-04790	PACKING,COVER	1			0.011	
170	04817-00160	O RING	1			0.002	
180	1A021-51660	GASKET,PUMP COVER	1			0.006	
190	1A021-35150	GASKET,OIL PUMP	1			0.002	
200	1G896-96650	GASKET	2			0.002	
210	1G751-52140	GASKET,FUEL PUMP	1			0.002	
220	04814-00060	O RING	1			0.002	
230	04724-00140	GASKET	1			0.004	
240	16691-57980	SEAL,OIL	2			0.002	
250	1A021-57212	GASKET,PLATE	2			0.002	
260	04814-06310	O RING	1			0.004	
270	1A021-73430	GASKET,WATER PUMP	1			0.015	
280	1G751-88130	GASKET,HOUR METER	1			0.002	
290	K7561-33120	O RING	1			0.055	



LOWER GASKET KIT

**Figure Num 01090202**



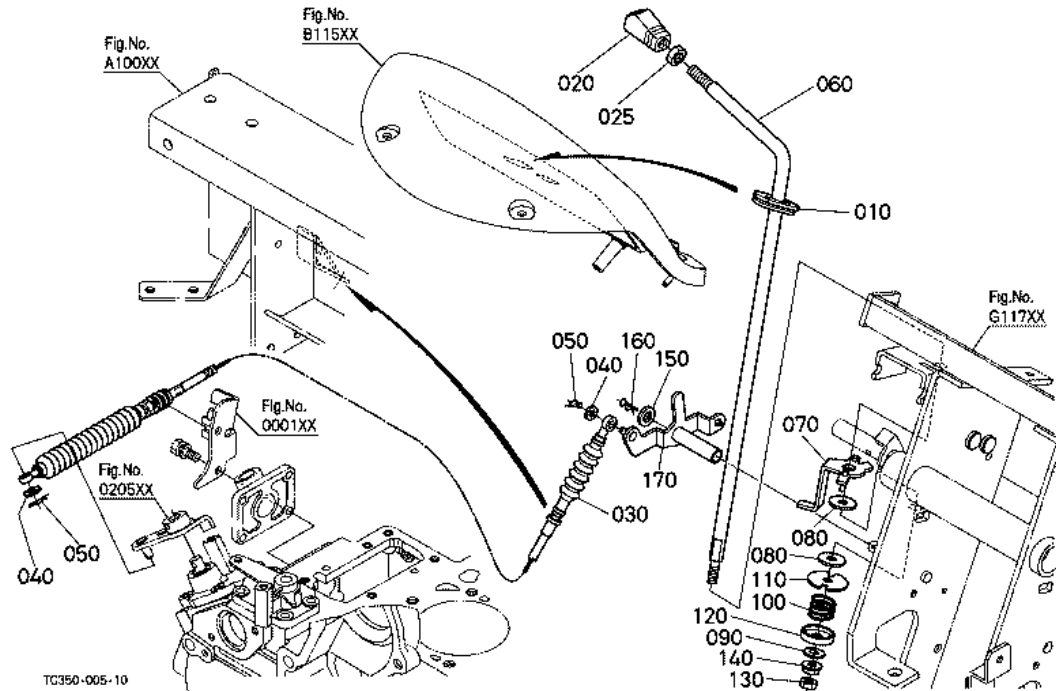
1J854-815-10

LOWER GASKET KIT

Ref	Part Number	Part Name	Qty	IC	S/N	Lbs	Remarks
030	1A091-01620	GASKET,OIL PAN	1		<=AC3703	0.039	

# ACCELERATOR LEVER

**Figure Num 01A01000**



## ACCELERATOR LEVER

Ref	Part Number	Part Name	Qty	IC	S/N	Lbs	Remarks
010	TC020-43155	GROMMET,HAND ACCEL.	1			0.015	
020	3F740-10680	GRIP,LEVER	1			0.057	
025	30400-15210	NUT	1			0.011	
030	TC230-42900	ASSY CABLE,ACCEL	1			0.264	
040	04013-60060	WASHER, PLAIN	2			0.002	
050	05525-60600	PIN,SNAP	2			0.002	
060	TC402-17122	LEVER,HAND ACCEL.	1			0.902	ORDER BY REF.No.06

## ACCELERATOR LEVER

Ref	Part Number	Part Name	Qty	IC	S/N	Lbs	Remarks
060	TC402-17124	LEVER,HAND ACCEL.	1	>>		0.902	
070	TC050-44722	LEVER,ACCEL.ARM	1			0.154	
080	TD060-42870	PLATE,ACCEL	2			0.022	
090	04015-60080	WASHER PLAIN	1			0.022	
100	33251-10320	SPRING,ACCEL.LEVER	1			0.026	
110	T1060-42840	WASHER	1			0.044	
120	TC402-10270	CAP	1			0.024	
130	02114-50080	NUT	1			0.011	
140	02751-50080	NUT,FLANGE	1			0.013	
150	04013-60100	WASHER, PLAIN	1			0.006	
160	05515-61000	PIN, SNAP	1			0.004	
170	TC230-17322	LINK,ACCEL.	1			0.198	

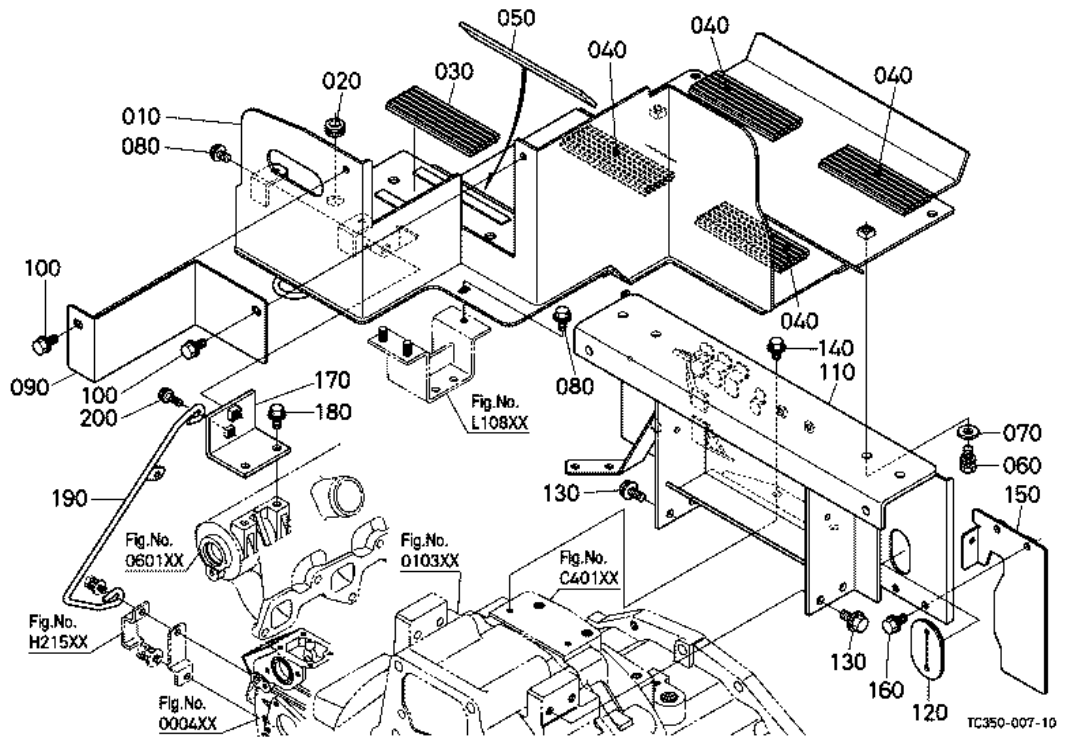
fuel system

Figure Num FUEL SYST



# FUEL TANK SUPPORT

Figure Num 01A10002



## FUEL TANK SUPPORT

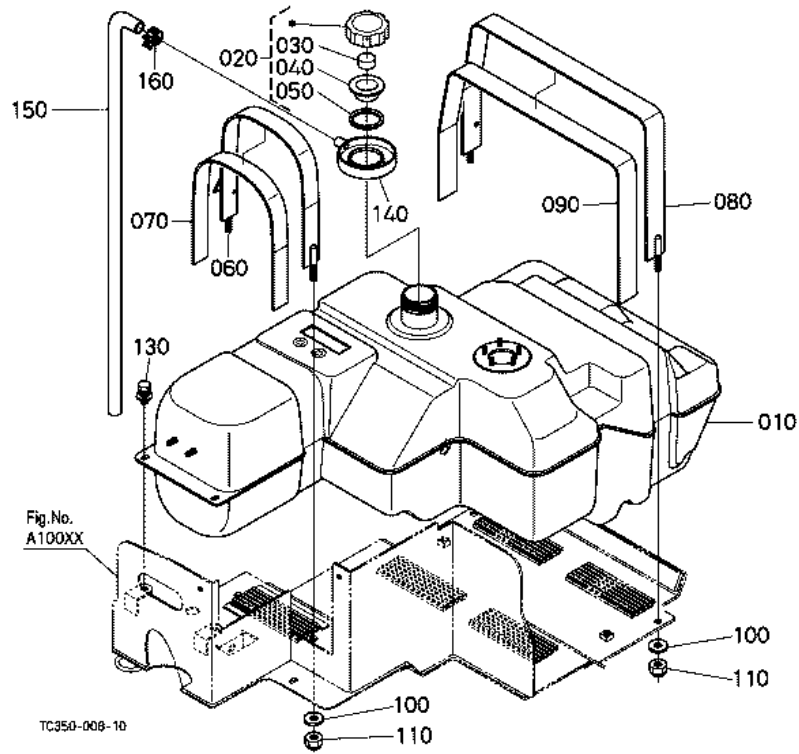
Ref	Part Number	Part Name	Qty	IC	S/N	Lbs	Remarks
010	TC350-52110	SUPPORT,FUEL TANK	1			0	
020	37410-51760	GROMMET	1			0.006	
030	TC250-42050	CUSHION,RUBBER	1			0.11	
040	TC250-42050	CUSHION,RUBBER	4			0.11	
050	TD060-42050	CUSHION	1			0.121	
060	01133-51025	BOLT	2			0.050	
070	04013-60100	WASHER, PLAIN	2			0.006	

FUEL TANK SUPPORT

Ref	Part Number	Part Name	Qty	IC	S/N	Lbs	Remarks
080	01754-50816	BOLT, FLANGE	2			0.024	
090	TC250-42252	PLATE	1			0.572	
100	01754-50816	BOLT, FLANGE	2			0.024	
110	TC350-52160	BASE,FUEL TANK	1			0	
120	TC250-42220	GROMMET,SHUTTER	1			0.022	
130	01774-61020	BOLT,FLANGE	4			0.048	
140	01754-50812	BOLT,FLANGE	2			0.022	
150	TC350-52150	PLATE	1			0	
160	01754-50816	BOLT, FLANGE	2			0.024	
170	TC250-42100	STAY,FUEL TANK RH	1			0.638	
180	01754-50816	BOLT, FLANGE	2			0.024	
190	TC250-16193	STAY	1			0.231	
200	01025-50620	BOLT	1			0.044	

# FUEL TANK

**Figure Num 01A10100**



# FUEL TANK

Ref	Part Number	Part Name	Qty	IC	S/N	Lbs	Remarks
010	TC250-42010	TANK,FUEL	1			13.2	
020	T1060-42020	ASSY CAP,FUEL TANK	1			0.092	
030	34150-35240	SPONGE	1			0.002	
040	34150-35230	GASKET	1			0.022	
050	T1060-42090	GASKET	1			0.004	
060	TC250-42022	CLAMP,F-TANK FRONT	1			0.638	
070	TC250-42042	CUSHION,FRONT	1			0.132	

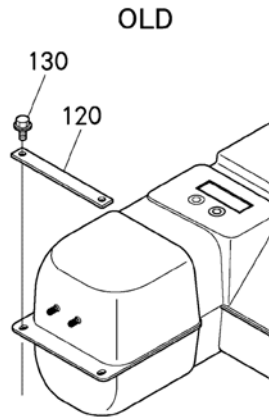
FUEL TANK

Ref	Part Number	Part Name	Qty	IC	S/N	Lbs	Remarks
080	TC250-42032	CLAMP,FUEL TANK REA.	1			1.21	
090	TC250-42072	CUSHION,REAR	1			0.264	
100	04013-50080	WASHER, PLAIN	4			0.006	
110	02552-50080	NUT,LOCK	4			0.011	
130	01754-50820	BOLT,FLANGE	2		<=54761	0.033	
130	01127-50820	BOLT	2	NI	>=54762	0.044	
140	T0430-42020	TRAY,FUEL	1			0.055	
150	TC250-42270	PIPE	1			0.33	
160	6C040-54780	CLAMP	1			0.011	



# FUEL TANK

**Figure Num 01A10100**



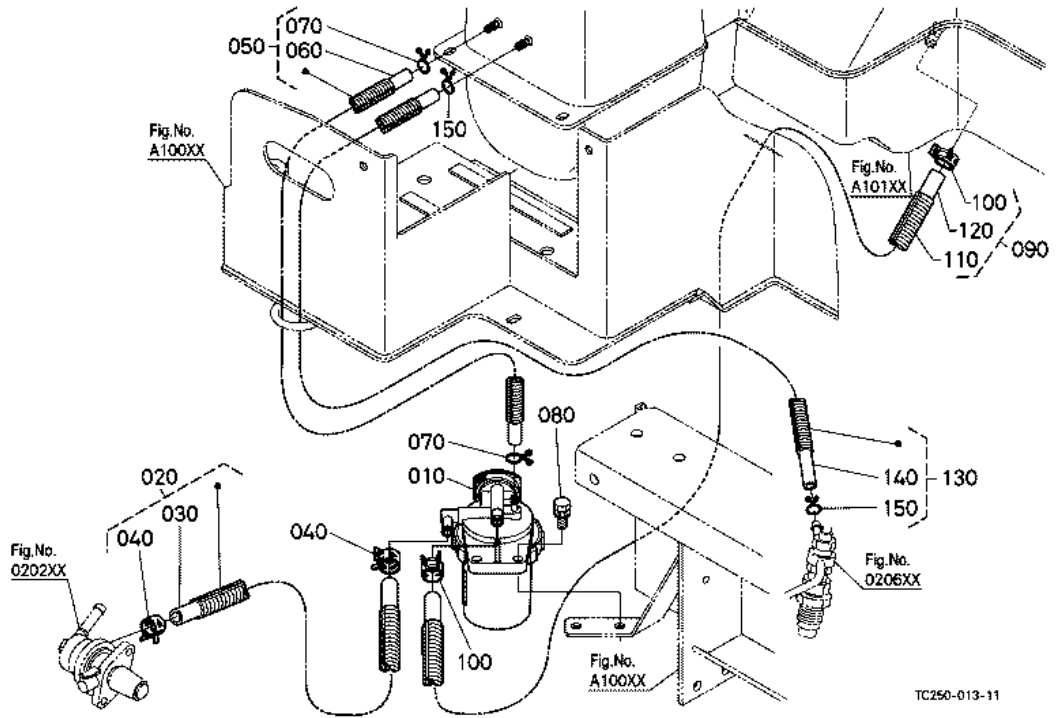
TC350-800-10

# FUEL TANK

Ref	Part Number	Part Name	Qty	IC	S/N	Lbs	Remarks
120	TC050-42140	PLATE, FUEL TANK	1		<=54761	0.209	
130	01127-50820	BOLT	2	NI	>=54762	0.044	
130	01754-50820	BOLT, FLANGE	2		<=54761	0.033	

# FUEL PIPE AND FUEL FILTER

**Figure Num 01A11000**



# FUEL PIPE AND FUEL FILTER

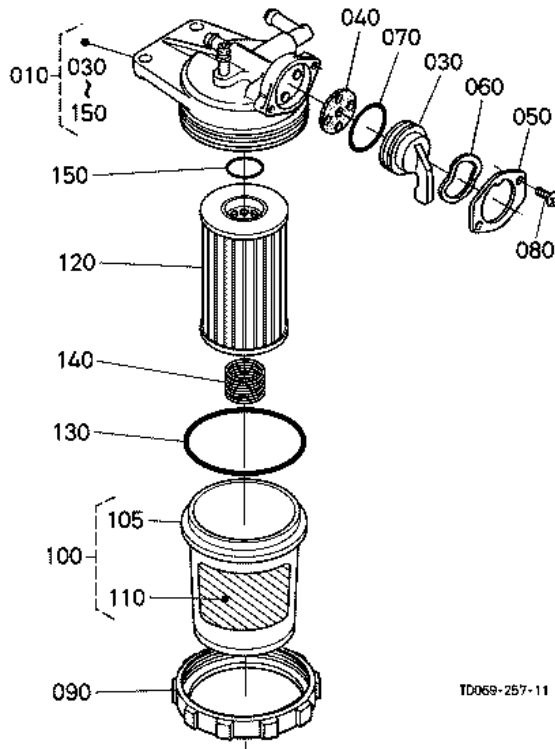
Ref	Part Number	Part Name	Qty	IC	S/N	Lbs	Remarks
010	1A001-43010	ASSY FILTER,FUEL	1			1.144	
020	34070-42650	ASSY TUBE,FUEL	1			0.204	
030	09661-80600	TUBE,FUEL	1			0.176	
040	14911-42750	CLIP, PIPE	2			0.004	
050	TC250-42642	ASSY TUBE,FUEL	1			0.154	
060	09661-40875	TUBE,FUEL	1			0.11	
070	14971-42750	CLIP, PIPE	2			0.002	

FUEL PIPE AND FUEL FILTER

Ref	Part Number	Part Name	Qty	IC	S/N	Lbs	Remarks
080	01123-50825	BOLT	2			0.028	
090	34530-42620	ASSY TUBE,FUEL	1			0.121	
100	09318-88125	CLAMP,HOSE	2			0.002	
110	34530-42670	TUBE,PIPE	1			0.022	
120	09661-80300	TUBE,FUEL	1			0.088	
130	TC250-42642	ASSY TUBE,FUEL	1			0.154	
140	09661-40875	TUBE,FUEL	1			0.11	
150	14971-42750	CLIP, PIPE	2			0.002	

# FUEL FILTER [COMPONENT PARTS]

**Figure Num 01A13000**



TD069-257-11

# FUEL FILTER [COMPONENT PARTS]

Ref	Part Number	Part Name	Qty	IC	S/N	Lbs	Remarks
010	1A001-43010	ASSY FILTER,FUEL	1			1.144	
030	1A001-43520	HANDLE,FILTER	1			0.088	
040	15521-43672	GASKET	1			0.004	
050	1A001-43550	RETAINER,HANDLE	1			0.022	
060	1A001-43540	PLATE,THRUST	1			0.002	
070	04811-10290	O RING	1			0.002	
080	03054-50308	SCREW,PAN-HEAD	2			0.011	

FUEL FILTER [COMPONENT PARTS]

Ref	Part Number	Part Name	Qty	IC	S/N	Lbs	Remarks
090	1A001-43150	RING,RETAINER	1			0.286	
100	15521-43100	ASSY CUP,FILTER	1			0.077	
105	1A001-43130	CUP,FILTER	1			0.132	
110	16873-88430	LABEL,FUEL	1			0.002	
120	15521-43160	ELEMENT,FILTER	1			0.154	
130	04811-50650	O RING	1			0.004	
140	1A001-43930	SPRING	1			0.006	
150	04816-00160	O RING	1			0.006	

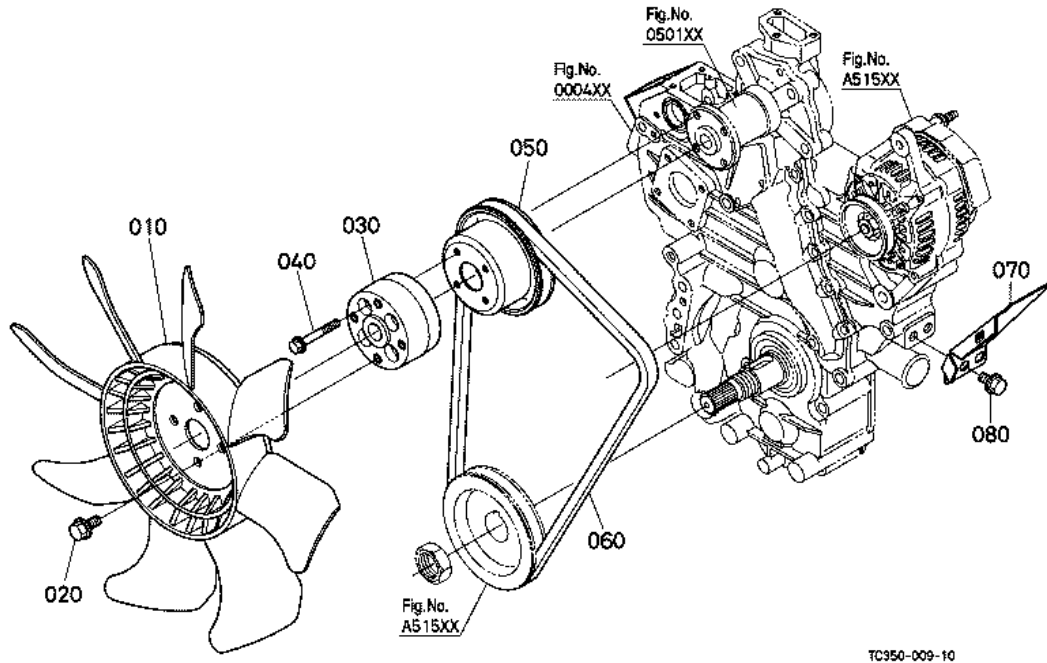
cooling water system

Figure Num COOLING



# FAN

**Figure Num 01A40100**



TC350-009-10

# FAN

Ref	Part Number	Part Name	Qty	IC	S/N	Lbs	Remarks
010	34550-16210	FAN	1			2.618	
020	01754-50816	BOLT, FLANGE	4			0.024	
030	TC250-16220	COLLAR,FAN	1			0.913	
040	01754-50650	BOLT, FLANGE	4			0.022	
050	15471-74250	PULLEY,FAN	1			0.66	
060	15606-97020	V-BELT,AL	1			0.275	
070	TC220-16180	COVER,BELT	1			0.44	

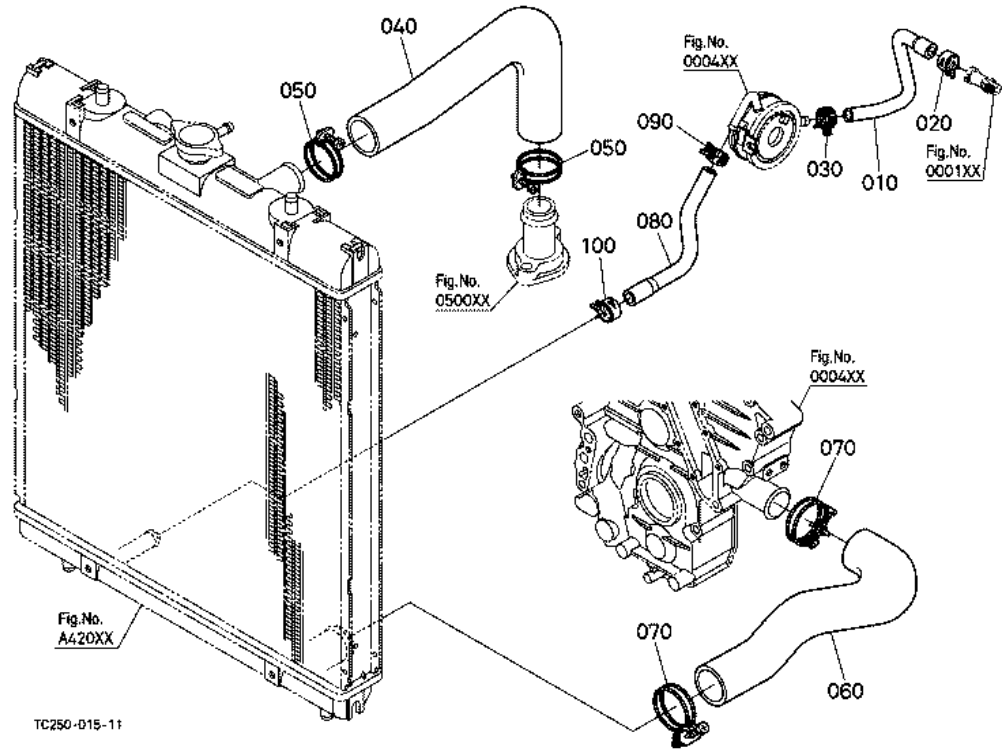
FAN

<b>Ref</b>	<b>Part Number</b>	<b>Part Name</b>	<b>Qty</b>	<b>IC</b>	<b>S/N</b>	<b>Lbs</b>	<b>Remarks</b>
080	01754-50812	BOLT,FLANGE	2			0.022	



# WATER PIPE

Figure Num 01A41000



# WATER PIPE

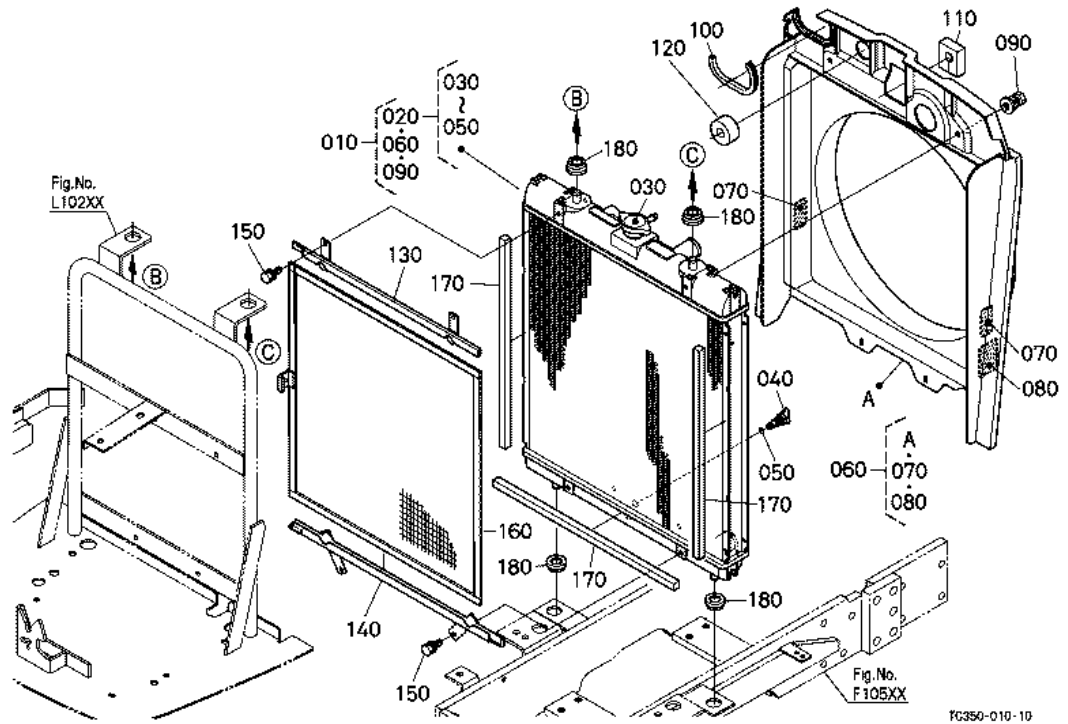
Ref	Part Number	Part Name	Qty	IC	S/N	Lbs	Remarks
010	1A024-37152	HOSE,OIL COOLER	1			0.077	
020	09318-88180	CLAMP,HOSE	1			0.022	
030	16241-73360	BAND,PIPE	1			0.006	
040	TC050-16120	HOSE,RADIATOR UPPER	1			0.528	
050	15108-72870	BAND	2			0.059	
060	TC050-16140	HOSE,RADIATOR LOWER	1			0.495	
070	15108-72870	BAND	2			0.059	

WATER PIPE

<b>Ref</b>	<b>Part Number</b>	<b>Part Name</b>	<b>Qty</b>	<b>IC</b>	<b>S/N</b>	<b>Lbs</b>	<b>Remarks</b>
080	TC050-16160	HOSE,DRAIN	1			0.055	
090	16241-73360	BAND,PIPE	1			0.006	
100	09318-88185	CLAMP,HOSE	1			0.008	

# RADIATOR

**Figure Num 01A42000**



# RADIATOR

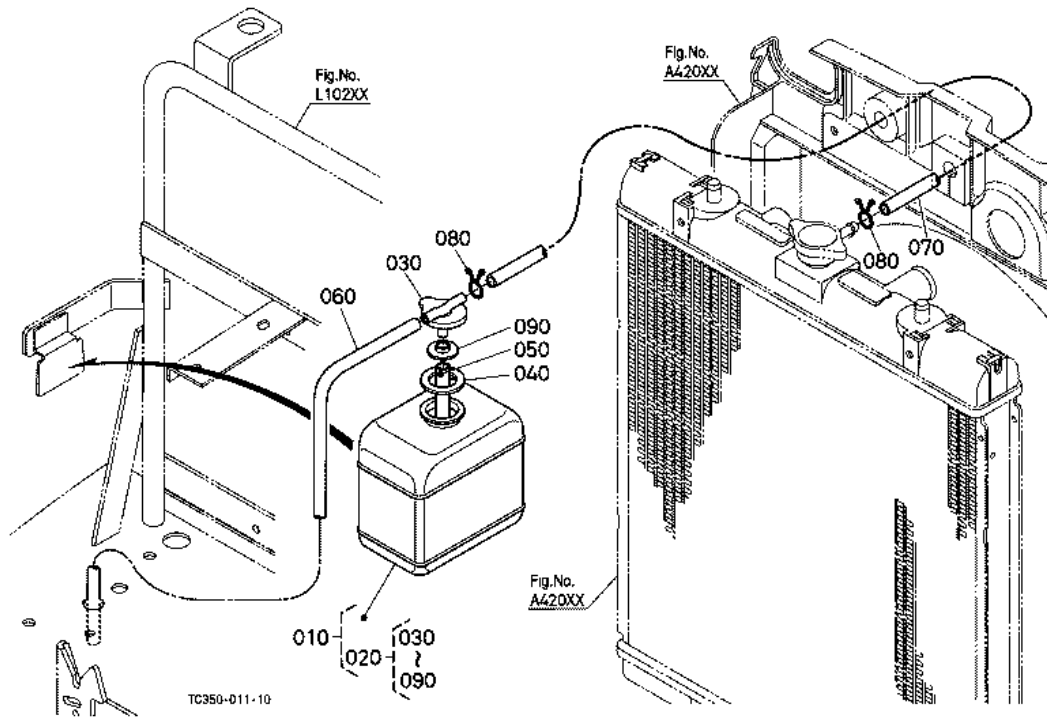
Ref	Part Number	Part Name	Qty	IC	S/N	Lbs	Remarks
010	TC250-99602	ASSY RADIATOR	1			11	
020	TC250-16000	ASSY RADIATOR	1			9.02	
030	17580-16060	CAP.RADIATOR	1			0.088	
040	34070-16070	PLUG.DRAIN	1			0.011	
050	34070-16090	O RING	1			0.002	
060	TC250-99622	KIT SHUROUD,FAN	1			3.08	
070	6C090-49580	LABEL,FAN WARNING	2			0.002	

## RADIATOR

Ref	Part Number	Part Name	Qty	IC	S/N	Lbs	Remarks
080	TC030-49580	LABEL,MUFFLER	1			0.002	
090	01027-50616	BOLT	4			0.022	
100	TC250-16030	TRIM	1			0.015	
110	T1170-16190	SPONGE	1			0.022	
120	TC250-16062	SPONGE	1			0.088	
130	TD060-16042	GUIDE,NET	1			0.308	
140	TC250-16052	GUIDE,NET	1			0.308	
150	01023-50612	BOLT	4			0.011	
160	TC250-16260	NET,RADIATOR	1			0.946	
170	TD060-40660	SPONGE	3			0.011	
180	34070-16030	RUBBER	4			0.033	

# RESERVE TANK

**Figure Num 01A43000**



# RESERVE TANK

Ref	Part Number	Part Name	Qty	IC	S/N	Lbs	Remarks
010	TC250-42360	ASSY TANK,RESERVE	1			0.825	
020	TC250-42370	ASSY CAP	1			0.022	
030	TC232-16730	CAP	1			0.013	
040	15531-72432	GASKET	1			0.004	
050	RC411-42900	HOSE	1			0.026	
060	3G700-17330	HOSE	1			0.088	
070	3A111-17330	TUBE,WATER	1			0.176	

RESERVE TANK

<b>Ref</b>	<b>Part Number</b>	<b>Part Name</b>	<b>Qty</b>	<b>IC</b>	<b>S/N</b>	<b>Lbs</b>	<b>Remarks</b>
080	15501-72470	CLIP,PIPE	2			0.011	
090	3G704-17390	PLATE	1			0.002	

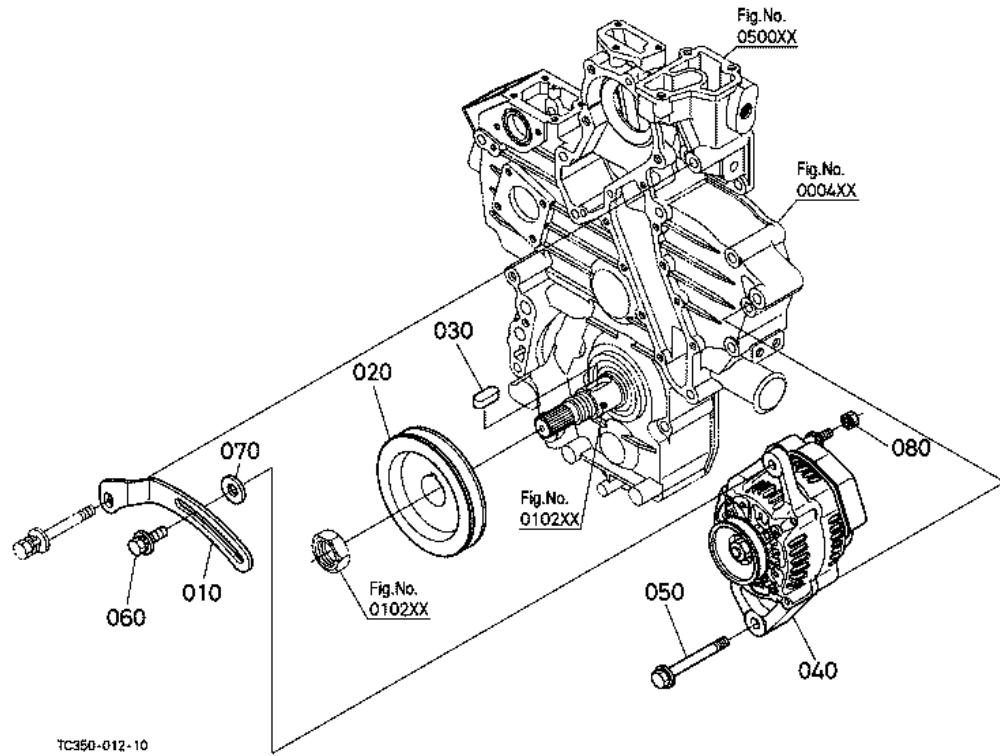
electrical system

Figure Num ELECTRICA



# ALTERNATOR

**Figure Num 01A51500**



# ALTERNATOR

Ref	Part Number	Part Name	Qty	IC	S/N	Lbs	Remarks
010	1A033-64420	STAY,DYNAMO	1			0.297	
020	1A085-74280	PULLEY,FAN DRIVE	1			2.585	
030	05712-00720	KEY,FEATHER	1			0.017	
040	T1065-15682	ASSY ALTERNATOR	1			7.04	45A
050	01754-51070	BOLT,FLANGE	1			0.022	
060	01127-50830	BOLT	1			0.050	
070	52600-31530	STOPPER,SPRING	1			0.028	

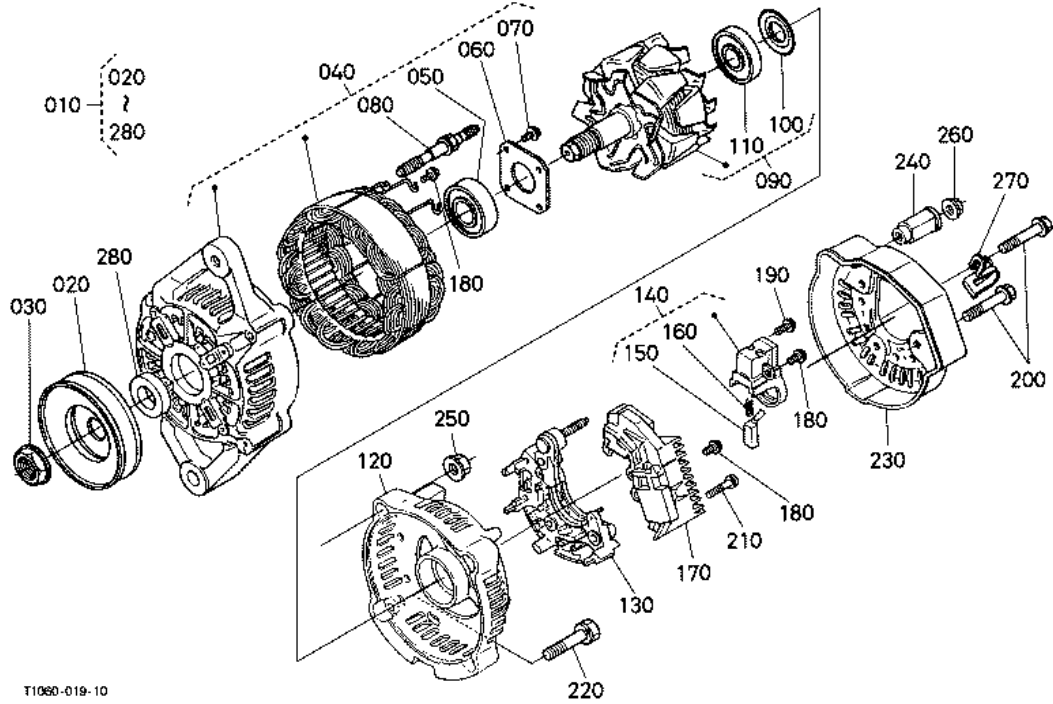


ALTERNATOR

Ref	Part Number	Part Name	Qty	IC	S/N	Lbs	Remarks
080	12264-92020	NUT,SPRING WASHER	1			0.11	

# ALTERNATOR [COMPONENT PARTS]

Figure Num 01A52000



T1060-019-10

# ALTERNATOR [COMPONENT PARTS]

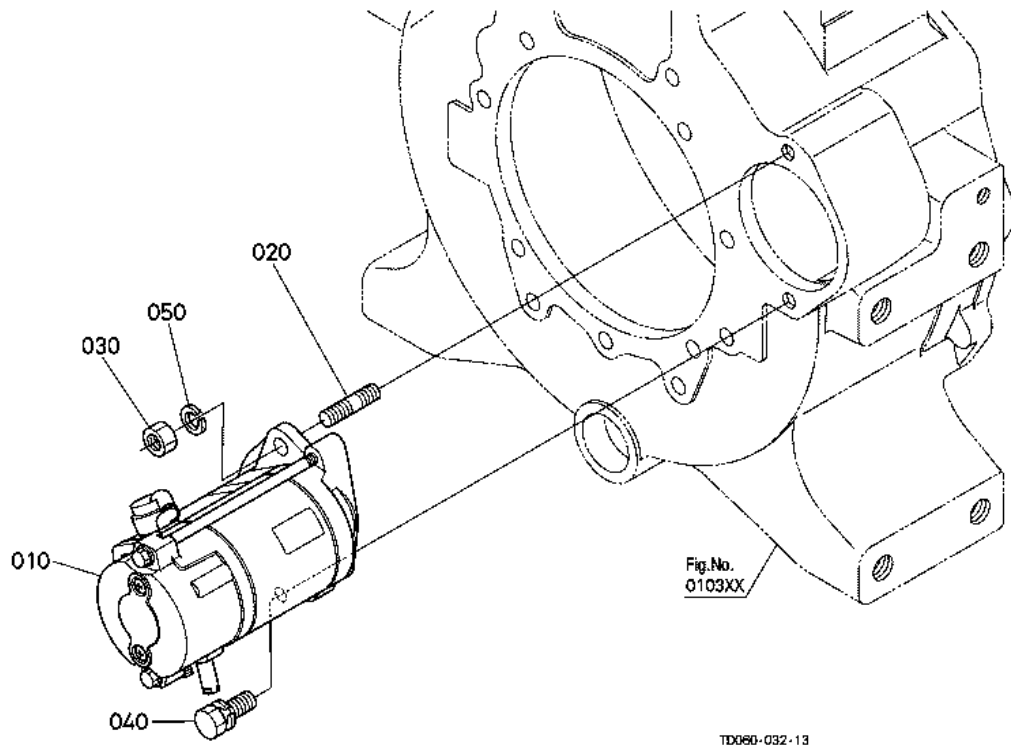
Ref	Part Number	Part Name	Qty	IC	S/N	Lbs	Remarks
010	T1065-15682	ASSY ALTERNATOR	1			7.04	45A
020	16427-64110	PULLEY,ALTERNATOR	1			0.44	
030	15881-92010	NUT	1			0.044	
040	T1065-15620	ASSY FRAME,DRIVE EN.	1			2.706	
050	16652-64780	BEARING,BALL	1			0.11	
060	15881-64710	PLATE,RETAINER	1			0.022	
070	15881-93010	SCREW,ROUND HEAD	4			0.006	

ALTERNATOR [COMPONENT PARTS]

Ref	Part Number	Part Name	Qty	IC	S/N	Lbs	Remarks
080	15881-64260	BOLT,THROUGH	2			0.022	
090	17369-64040	ROTOR	1			3.069	
100	15881-64800	COVER,BEARING	1			0.002	
110	17369-64770	BEARING,BALL	1			0.11	
120	T1065-15610	FRAME,END REAR	1			0.385	
130	T1065-15630	ASSY HOLDER,RECTI.	1			0.308	
140	16652-64310	HOLDER,BRUSH	1			0.055	
150	15881-64090	BRUSH	2			0.004	
160	15881-64330	SPRING,BRUSH	2			0.004	
170	1K531-64602	ASSY REGULATOR	1			0.176	
180	15881-93030	SCREW,ROUND HEAD	6			0.006	
190	15881-93040	SCREW,ROUND HEAD	1			0.006	
200	15881-91040	BOLT	3			0.011	
210	15881-93020	SCREW,ROUND HEAD	2			0.011	
220	15881-91050	BOLT	2			0.022	
230	T1065-15660	COVER,END REAR	1			0.066	
240	16241-64900	BUSH,INSULATION	1			0.015	
250	15881-92020	NUT	2			0.044	
260	14182-92030	NUT	1			0.006	
270	17369-67570	CLAMP,CORD	1			0.002	
280	15881-64150	COLLAR	1			0.008	

# STARTER

**Figure Num 01A52500**



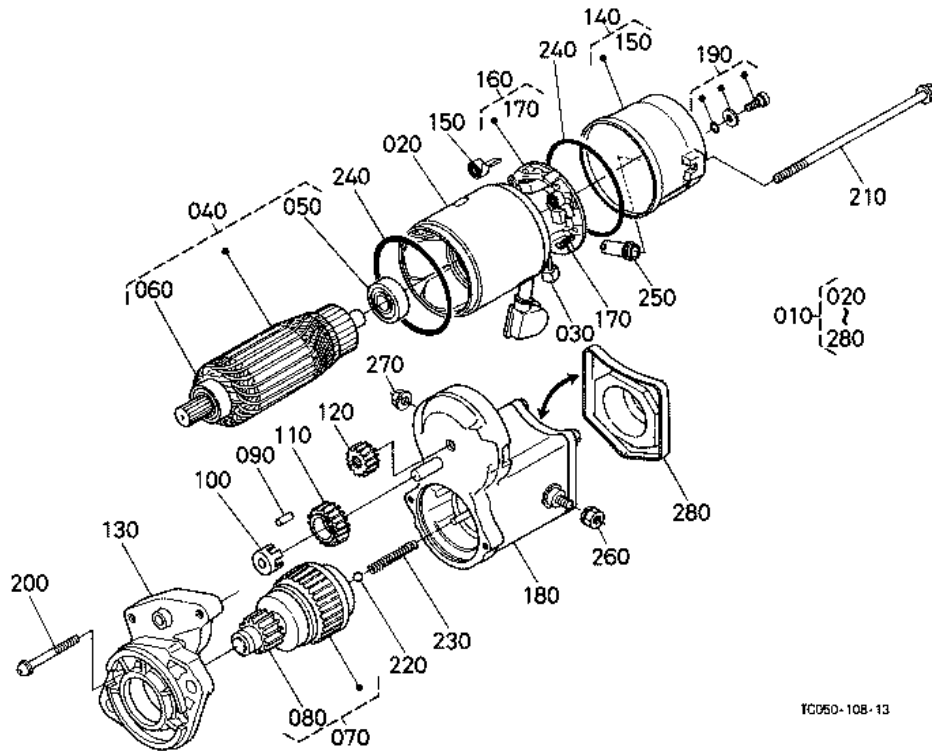
TD080-032-13

# STARTER

Ref	Part Number	Part Name	Qty	IC	S/N	Lbs	Remarks
010	17123-63016	ASSY STARTER	1			11.22	
020	01517-61030	STUD	1			0.046	
030	02176-50100	NUT	1			0.011	
040	01133-51030	BOLT	1			0.055	
050	04512-60100	WASHER, SPRING	1			0.004	

# STARTER [COMPONENT PARTS]

Figure Num 01A53000



TC050-108-13

# STARTER [COMPONENT PARTS]

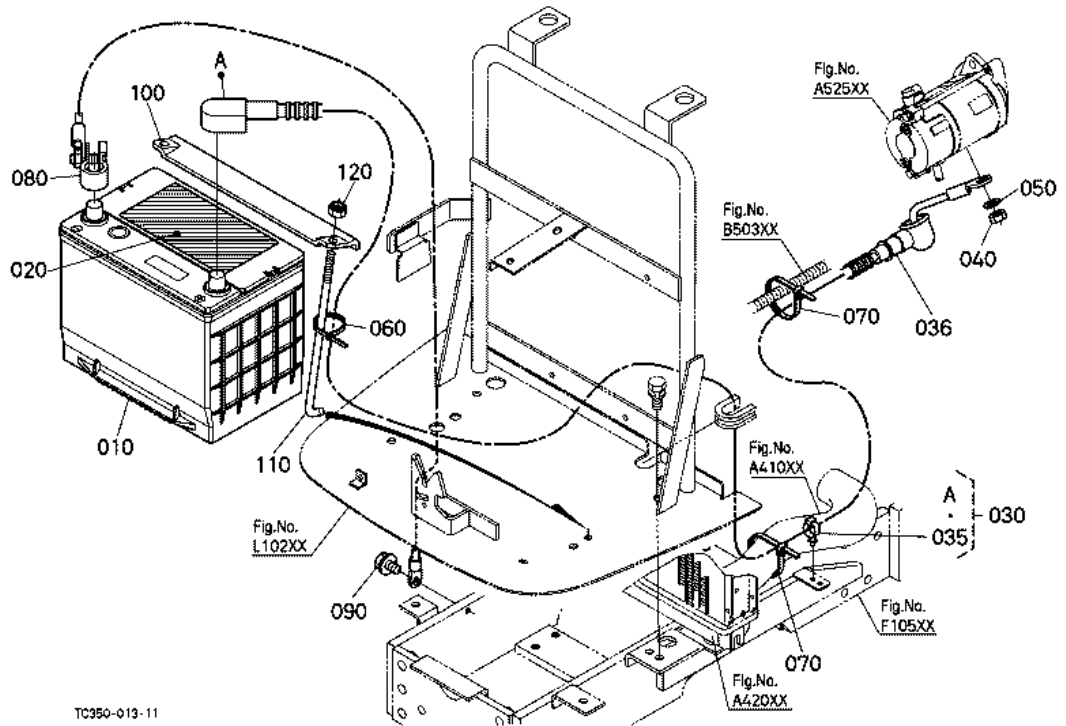
Ref	Part Number	Part Name	Qty	IC	S/N	Lbs	Remarks
010	17123-63016	ASSY STARTER	1			11.22	
020	17123-63080	YOKE	1			3.212	
030	15425-63400	KIT BRUSH	2			0.044	
040	17123-63070	ARMATURE	1			2.552	
050	17123-63500	BEARING	1			0.066	
060	11460-63500	BEARING	1			0.066	
070	17123-63040	CLUTCH,OVER RUNNING	1			1.232	

STARTER [COMPONENT PARTS]

Ref	Part Number	Part Name	Qty	IC	S/N	Lbs	Remarks
080	17311-63280	GEAR,PINION	1			0.176	
090	19212-63100	ROLLER	5			0.004	
100	11460-63110	RETAINER	1			0.022	
110	11460-63270	GEAR	1			0.088	
120	17123-63260	GEAR	1			0.044	
130	17123-63030	FRAME,DRIVE END	1			0.946	
140	17123-63200	FRAME,END	1			0.319	
150	15425-63390	SPRING,BRUSH	4			0.088	
160	17123-63380	HOLDER,BRUSH	1			0.264	
170	17123-63140	SPRING	4			0.011	
180	17123-63024	ASSY SWITCH,MAGNETI.	1			2.112	
190	17123-93310	SCREW	2			0.006	
200	17123-93320	SCREW	2			0.022	
210	17123-63320	BOLT,THROUGH	2			0.066	
220	19212-97130	BALL	1			0.006	
230	11460-63120	SPRING	1			0.022	
240	15511-96660	O RING	2			0.011	
250	16285-63570	PIPE,DRAIN	1			0.011	
260	13963-92010	NUT,HEXAGON	1			0.011	
270	16285-92010	NUT,HEXAGON	1			0.011	
280	16285-98050	ASSY COVER	1			0.105	OPTION

# BATTERY

**Figure Num 01A53500**



TC350-013-11

# BATTERY

Ref	Part Number	Part Name	Qty	IC	S/N	Lbs	Remarks
010	99999-99999	BATTERY	1			0	80D26L
020	TC030-30120	LABEL,BATTERY	1			0.006	ENGLISH
030	TC250-30120	CORD,BATTERY	1			1.144	
035	TD060-30570	CLIP	1			0.006	
036	TC420-30140	COVER,RUBBER	1			0	
040	02114-50080	NUT	1			0.011	
050	04512-60080	WASHER SPRING	1			0.004	

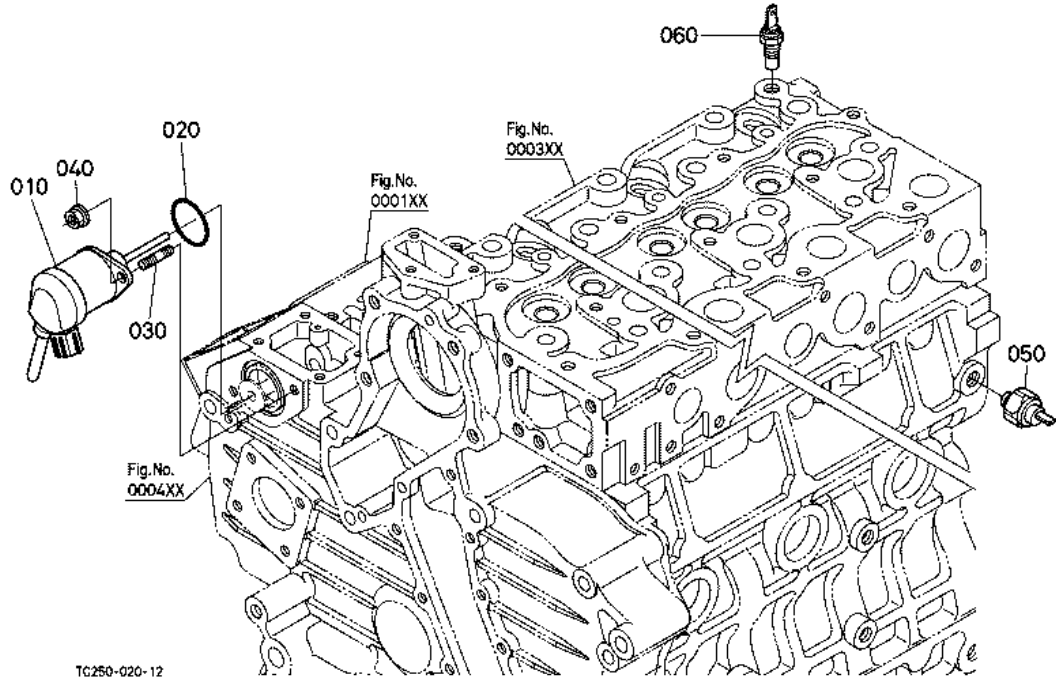
## BATTERY

Ref	Part Number	Part Name	Qty	IC	S/N	Lbs	Remarks
060	44366-68380	BAND,CORD	1			0.022	
070	55311-41260	BAND,CORD	2			0.015	
080	T1170-30130	CORD,EARTH	1			0.297	
090	01754-50816	BOLT,FLANGE	1			0.024	
100	T1060-40110	RETAINER,BATTERY	1			0.44	
110	T0430-40120	BOLT,HOOK	2			0.092	
120	02552-50060	NUT,LOCK	2			0.004	



# SWITCH/SENSOR(ENGINE)

**Figure Num 01B00100**

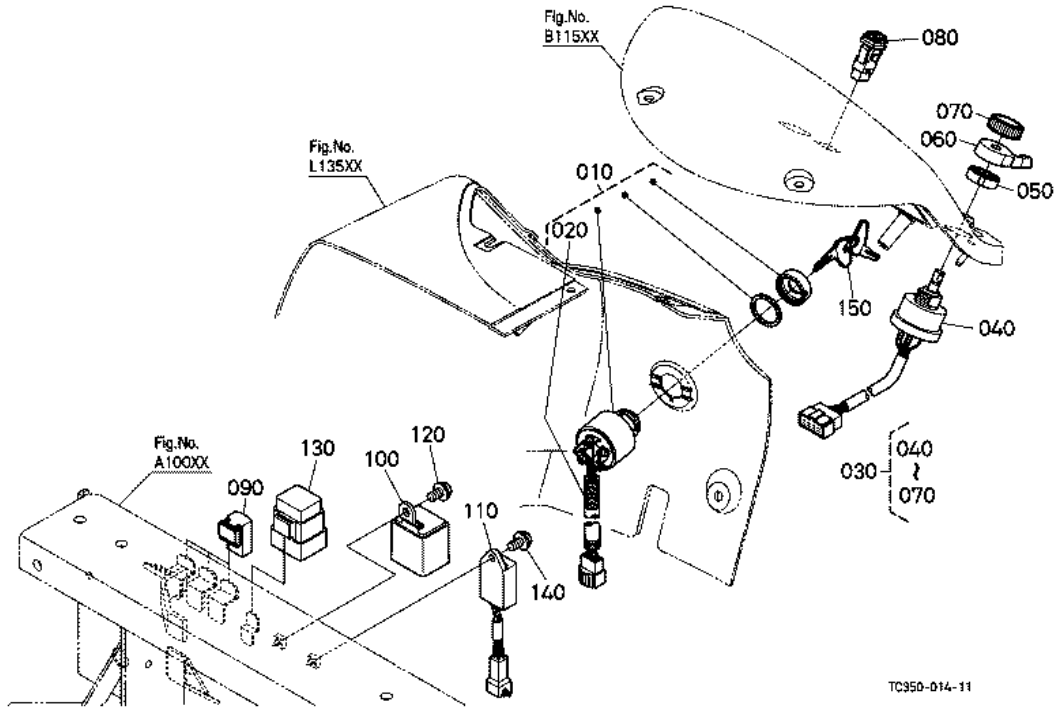


# SWITCH/SENSOR(ENGINE)

Ref	Part Number	Part Name	Qty	IC	S/N	Lbs	Remarks
010	1A021-60015	ASSY SOLENOID	1			0.638	
020	04814-06310	O RING	1			0.004	
030	15221-88210	STUD	2			0.011	
040	02751-50060	NUT, FLANGE	2			0.011	
050	1A024-39010	SWITCH,OIL	1			0.077	
060	32330-32830	SENSOR,WATER TEMP.	1			0.022	

# SWITCH/RERAY

**Figure Num 01B10200**



TC350-014-11

# SWITCH/RERAY

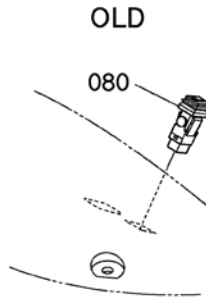
Ref	Part Number	Part Name	Qty	IC	S/N	Lbs	Remarks
010	TC020-31820	SWITCH,MAIN	1			0.532	
020	35080-31830	HARNESS,MAIN SWITCH	1			0.044	
030	67156-55210	SWITCH,COMBINATION	1			0.209	
040	67156-55260	ASSY BODY,SWITCH	1			0.154	
050	67156-55230	NUT,RING	1			0.006	
060	67156-55240	LEVER,FLASHER	1			0.008	
070	67156-55250	KNOB,LIGHT	1			0.008	

SWITCH/RERAY

Ref	Part Number	Part Name	Qty	IC	S/N	Lbs	Remarks
080	3C001-75040	SWITCH,HAZARD	1	>>	>=56705	0.033	
080	TA140-30910	SWITCH,HAZARD	1		<=56704	0.253	
090	T1060-33720	RELAY,STARTER	3			0.044	
100	3F240-75430	UNIT,FLASHER	1			0.132	
110	TD060-30500	TIMER,OPC	1			0.088	
120	01754-50612	BOLT, FLANGE	1			0.011	
130	T1060-33710	RELAY,GLOW	1			0.143	
140	01754-50612	BOLT, FLANGE	1			0.011	
150	35260-31852	ASSY KEY,MAIN SWITC.	1			0.044	

# SWITCH/RERAY

**Figure Num 01B10200**



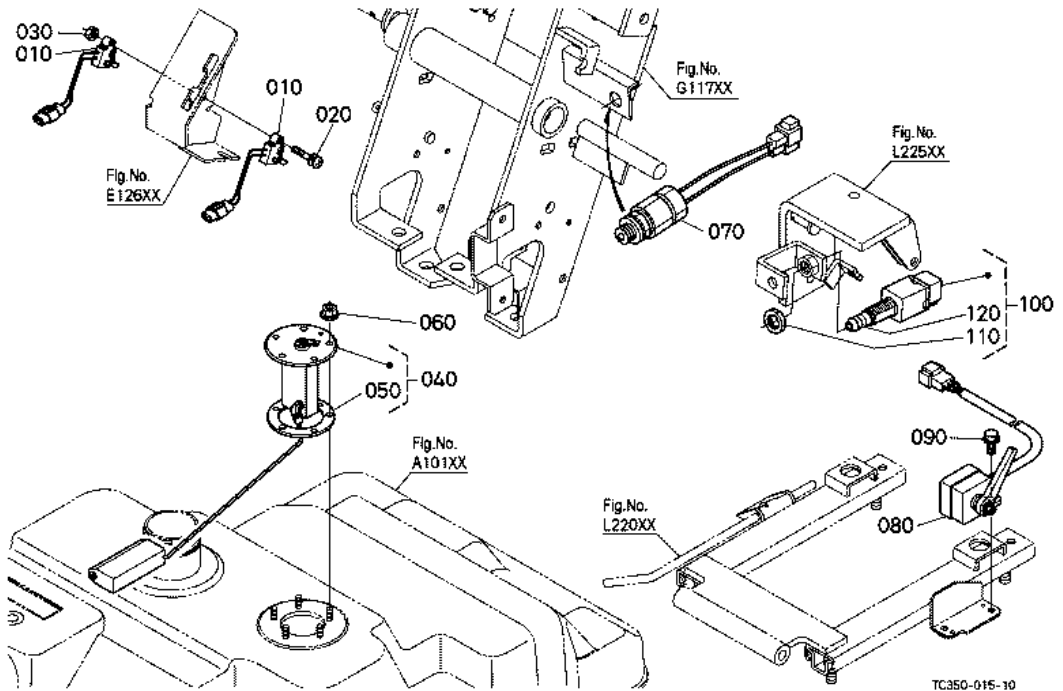
TC250-827-10

# SWITCH/RERAY

Ref	Part Number	Part Name	Qty	IC	S/N	Lbs	Remarks
080	3C001-75040	SWITCH,HAZARD	1	>>	>=56705	0.033	
080	TA140-30910	SWITCH,HAZARD	1		<=56704	0.253	

# SWITCH/SENSOR

**Figure Num 01B10300**



# SWITCH/SENSOR

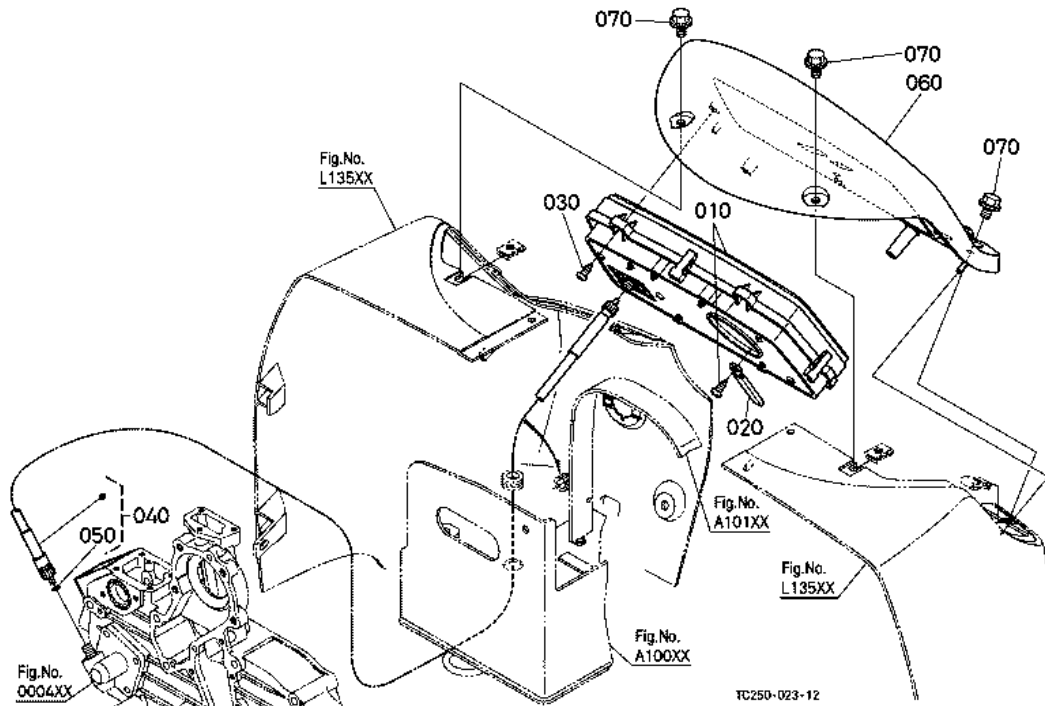
Ref	Part Number	Part Name	Qty	IC	S/N	Lbs	Remarks
010	T1060-43900	SWITCH,LEVER	2			0.022	
020	03024-50425	SCREW,WITH WASHER	1			0.006	
030	02054-50040	NUT	1			0.006	
040	TC050-31202	UNIT FUEL	1			0.275	
050	6A320-85812	GASKET,GAUGE	1			0.011	
060	02761-50050	NUT,FLANGE	5			0.004	
070	TD060-57500	SWITCH,SAFETY	1			0.308	

SWITCH/SENSOR

<b>Ref</b>	<b>Part Number</b>	<b>Part Name</b>	<b>Qty</b>	<b>IC</b>	<b>S/N</b>	<b>Lbs</b>	<b>Remarks</b>
080	TD060-47902	SWITCH,SEAT	1			0.066	
090	01754-50612	BOLT, FLANGE	1			0.011	
100	TD060-53900	SWITCH,NEUTRAL	1			0.198	
110	67111-55830	NUT,SAFETY SWITCH	1			0.077	
120	TD060-53910	COVER,SWITCH	1			0.002	

# PANEL BOARD

**Figure Num 01B11500**



# PANEL BOARD

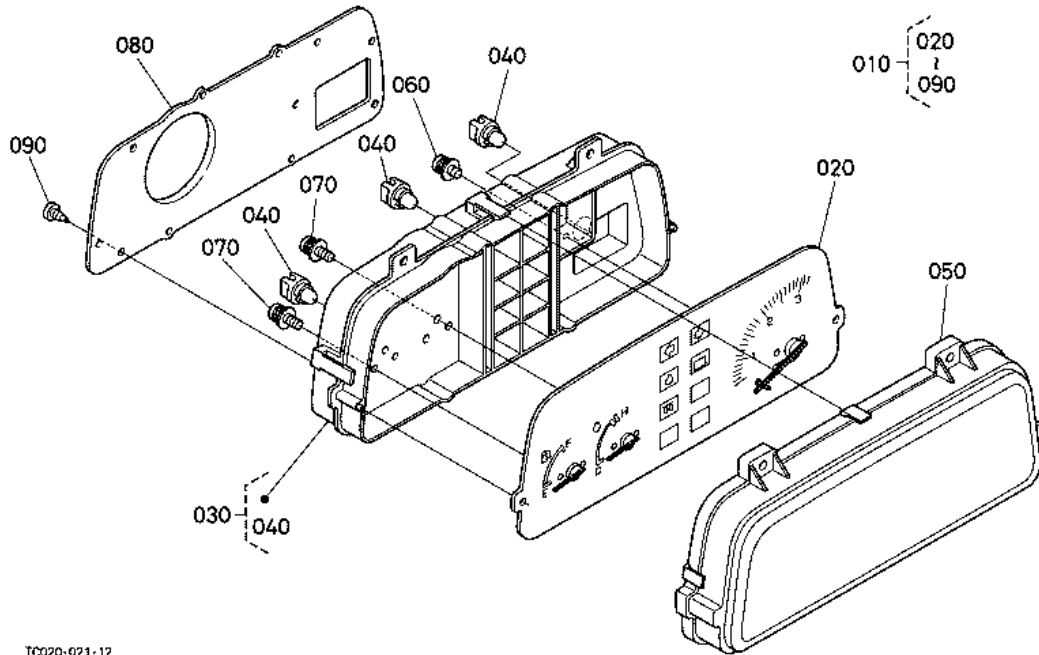
Ref	Part Number	Part Name	Qty	IC	S/N	Lbs	Remarks
010	TC050-30215	ASSY PANEL	1			1.716	
020	15241-67580	CLAMP, CORD	1			0.008	
030	03614-50620	SCREW, TAPPING	4			0.006	
040	TA040-30610	ASSY CABLE, FLEXIBLE	1			0.55	
050	04811-10080	O RING	1			0.002	
060	TC250-43022	COVER, METER PANEL	1			0.924	
070	31351-18790	BOLT, FLANGE	4			0.011	





# PANEL BOARD [COMPONENT PARTS]

**Figure Num 01B12000**



TC020-021-12

# PANEL BOARD [COMPONENT PARTS]

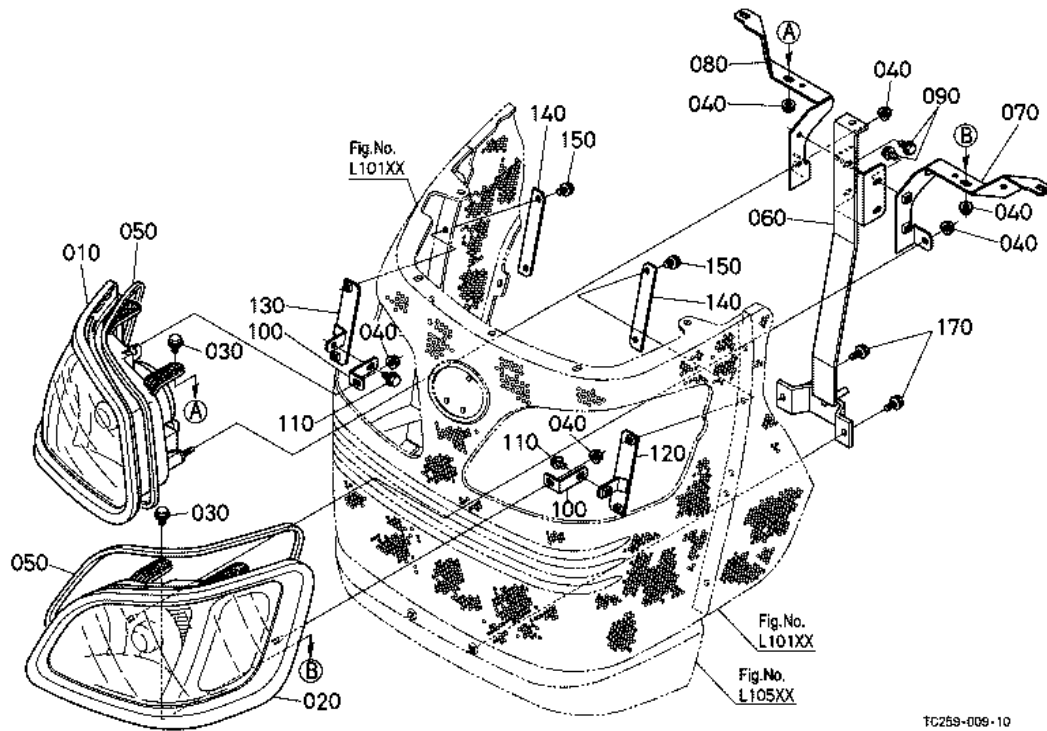
Ref	Part Number	Part Name	Qty	IC	S/N	Lbs	Remarks
010	TC050-30215	ASSY PANEL	1			1.716	
020	TC050-30223	COMP.METER	1			0.55	
030	TC020-30252	ASSY CASE	1			1.43	
040	6C040-55140	ASSY BULB	7			0.006	1.7W
050	TC020-30260	GLASS	1			0.385	
060	6C040-55150	SCREW	2			0.004	
070	6C040-55160	SCREW	6			0.004	

PANEL BOARD [COMPONENT PARTS]

<b>Ref</b>	<b>Part Number</b>	<b>Part Name</b>	<b>Qty</b>	<b>IC</b>	<b>S/N</b>	<b>Lbs</b>	<b>Remarks</b>
080	TC020-30272	COVER	1			0.165	
090	6C040-55180	SCREW	5			0.006	

# HEAD LIGHT

**Figure Num 01B30100**



TC259-006-10

# HEAD LIGHT

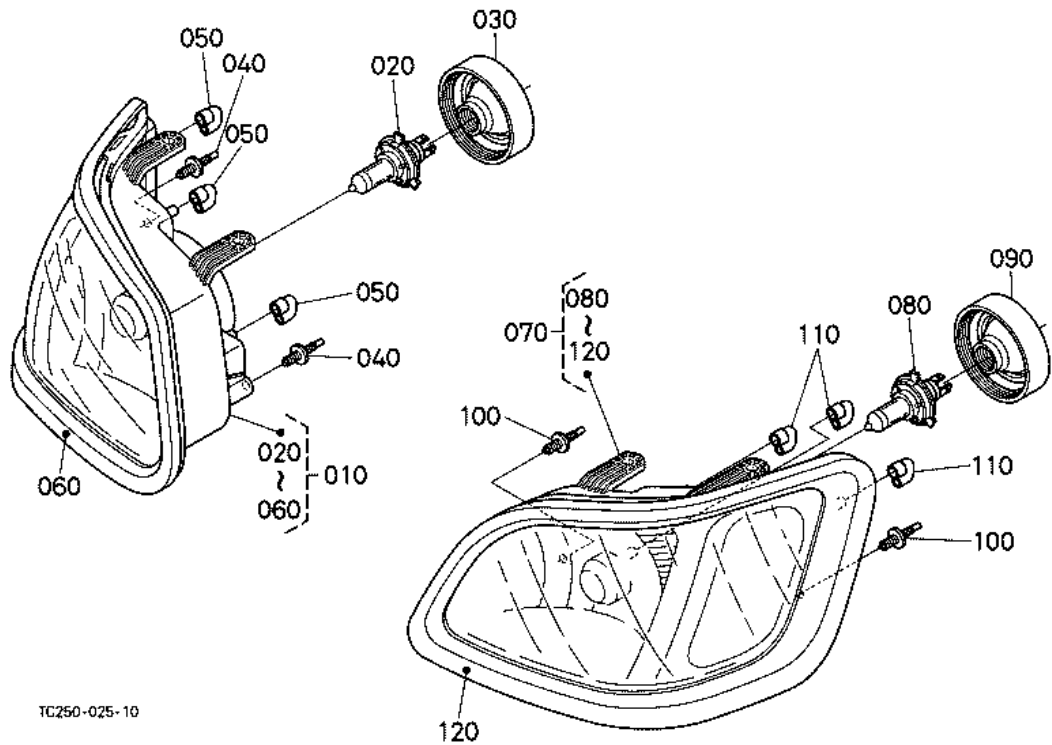
Ref	Part Number	Part Name	Qty	IC	S/N	Lbs	Remarks
010	TC250-75710	ASSY LAMP,HEAD RH	1			2.838	
020	TC250-75720	ASSY LAMP,HEAD LH	1			2.838	
030	01754-50616	BOLT,FLANGE	4			0.013	
040	02761-50060	NUT,FLANGE	8			0.006	
050	3C081-75830	SEAL,RUBBER	2			0.033	
060	TC250-41852	SUPPORT,BONNET	1			1.716	
070	TC250-41920	STAY,HEAD LIGHT LH	1			0.275	

## HEAD LIGHT

Ref	Part Number	Part Name	Qty	IC	S/N	Lbs	Remarks
080	TC250-41930	STAY,HEAD LIGHT RH	1			0.275	
090	30400-19060	BOLT,FLANGE	4			0.013	
100	TC250-41870	STAY,HEAD LIGHT	2			0.022	
110	30400-19060	BOLT,FLANGE	2			0.013	
120	TC250-41900	STAY,HEAD LIGHT LH	1			0.11	
130	TC250-41910	STAY,HEAD LIGHT RH	1			0.11	
140	TC250-41860	PLATE	2			0.085	
150	01754-50616	BOLT,FLANGE	4			0.013	
170	01754-50616	BOLT,FLANGE	2			0.013	

# HEAD LIGHT [COMPONENT PARTS]

**Figure Num 01B30300**



TC250-025-10

# HEAD LIGHT [COMPONENT PARTS]

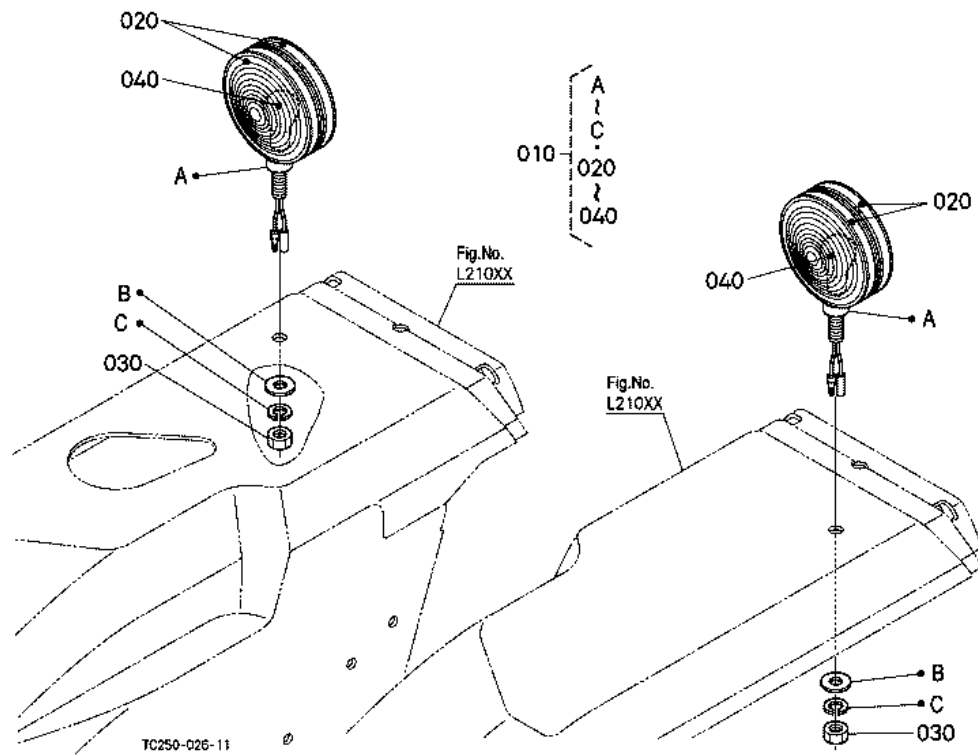
Ref	Part Number	Part Name	Qty	IC	S/N	Lbs	Remarks
010	TC250-75710	ASSY LAMP,HEAD RH	1			2.838	
020	3C081-75810	BULB	1			0.055	60/55W
030	3C081-75790	COVER,REAR	1			0.11	
040	3C081-75780	STUD	2			0.017	
050	3C081-75770	TUBE,BREATHER	3			0.004	
060	3C081-75752	COVER,RH FRONT	1			0.11	
070	TC250-75720	ASSY LAMP,HEAD LH	1			2.838	

HEAD LIGHT [COMPONENT PARTS]

<b>Ref</b>	<b>Part Number</b>	<b>Part Name</b>	<b>Qty</b>	<b>IC</b>	<b>S/N</b>	<b>Lbs</b>	<b>Remarks</b>
080	3C081-75810	BULB	1			0.055	60/55W
090	3C081-75790	COVER,REAR	1			0.11	
100	3C081-75780	STUD	2			0.017	
110	3C081-75770	TUBE,BREATHER	3			0.004	
120	3C081-75762	COVER,LH FRONT	1			0.11	

# HAZARD LIGHT

**Figure Num 01B31100**

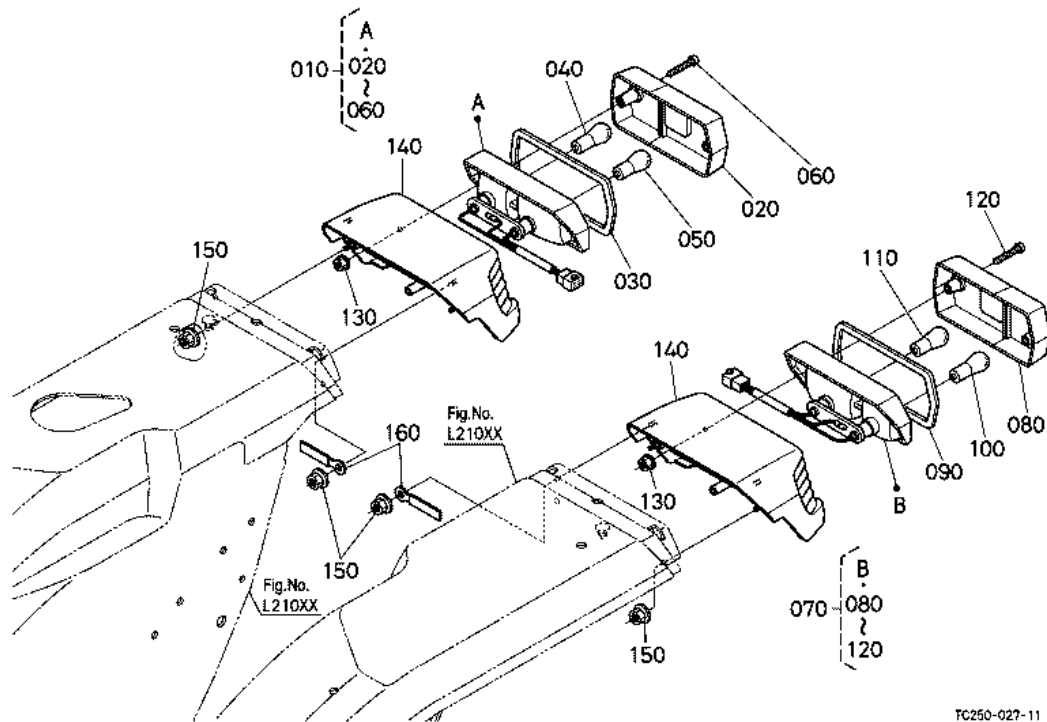


# HAZARD LIGHT

Ref	Part Number	Part Name	Qty	IC	S/N	Lbs	Remarks
010	3C081-75870	ASSY LAMP,HAZARD	2			0.407	
020	3N340-91510	LENS	4			0.088	
030	3N340-91520	NUT	2			0.044	
040	3N340-91530	BULB	2			0.026	23W

# REAR LAMP

**Figure Num 01B31200**



FC250-027-11

# REAR LAMP

Ref	Part Number	Part Name	Qty	IC	S/N	Lbs	Remarks
010	T1150-34302	ASSY LIGHT,COMBI.RH	1			0.682	
020	31301-34340	LENS	1			0.231	
030	31391-34350	GASKET	1			0.004	
040	31391-34360	BULB	1			0.039	23W
050	31301-34370	BULB	1			0.044	23/8W
060	T1150-34380	SCREW	2			0.013	
070	T1150-34312	ASSY LIGHT,COMBI.LH	1			0.682	

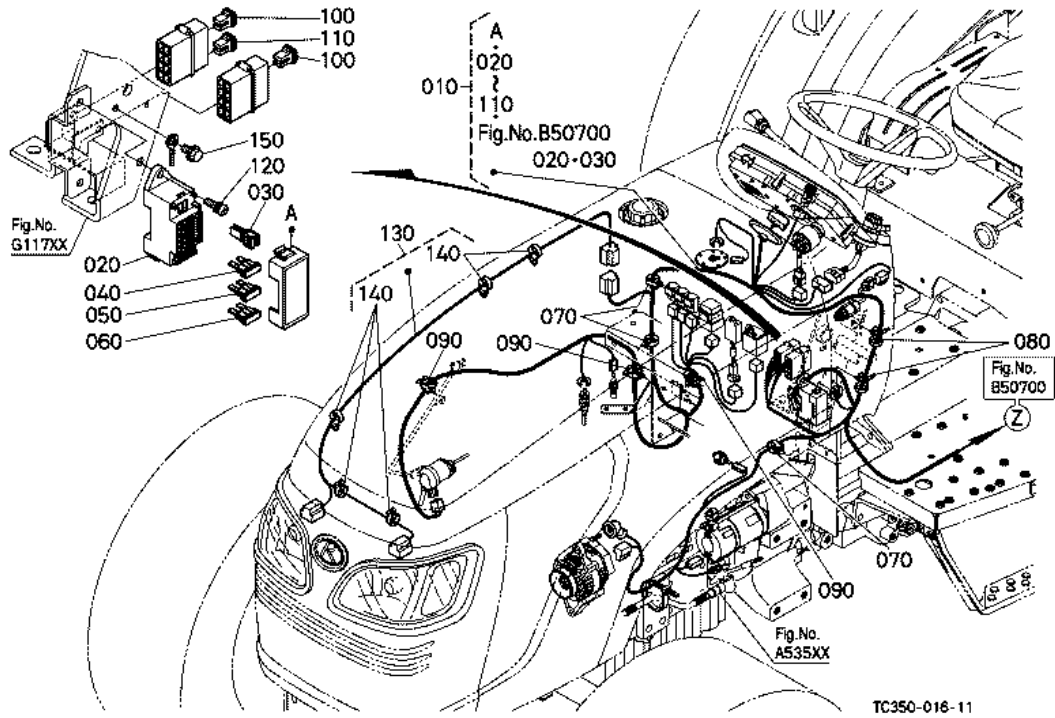


REAR LAMP

Ref	Part Number	Part Name	Qty	IC	S/N	Lbs	Remarks
080	31301-34340	LENS	1			0.231	
090	31391-34350	GASKET	1			0.004	
100	31391-34360	BULB	1			0.039	23W
110	31301-34370	BULB	1			0.044	23/8W
120	T1150-34380	SCREW	2			0.013	
130	02761-50050	NUT,FLANGE	4			0.004	
140	T1150-34340	HOLDER	2			1.452	
150	02021-50060	NUT	8			0.011	
160	15272-67590	CLAMP,CORD	2			0.008	

# ELECTRICAL WIRING (FRONT)

**Figure Num 01B50300**



## ELECTRICAL WIRING (FRONT)

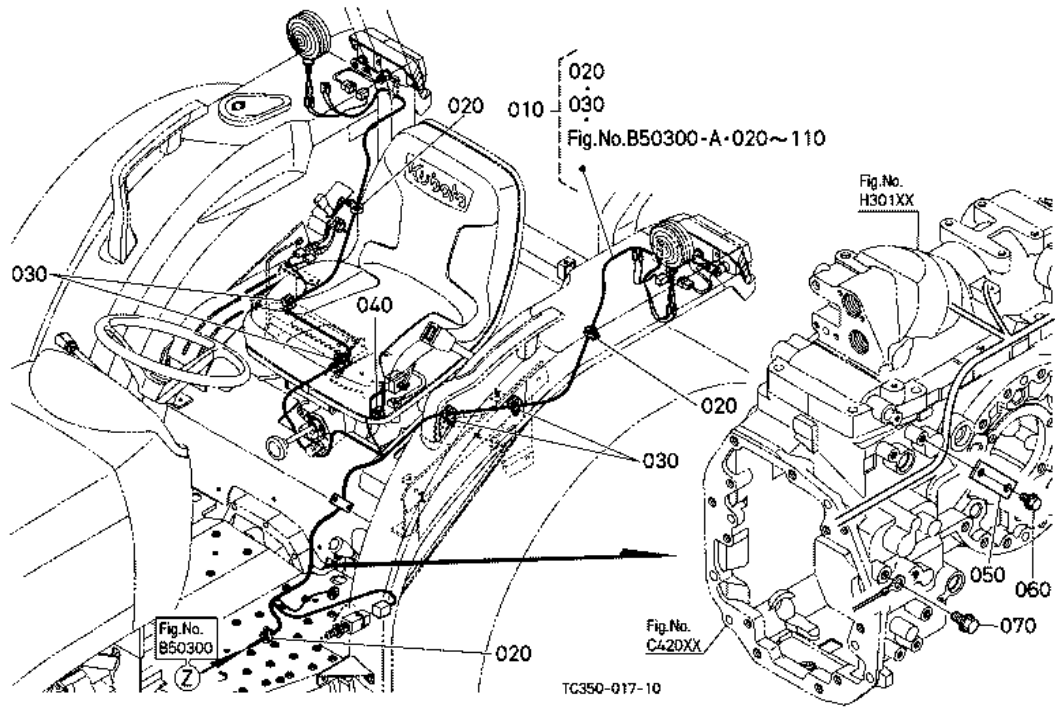
Ref	Part Number	Part Name	Qty	IC	S/N	Lbs	Remarks
010	TC350-53953	WIRE HARNESS,HST	1	>>	>=55483	0	
010	TC350-53952	WIRE HARNESS,HST	1		<=55482	0	ORDER BY REF.No.01
020	T1060-30420	CASE,FUSE BOX	1			0.099	
030	T1060-30490	PULLER,FUSE	1			0.011	
040	T1060-30430	FUSE	5			0.011	5A
050	T1060-30440	FUSE	3			0.011	10A
060	T1060-30450	FUSE	4			0.011	15A

ELECTRICAL WIRING (FRONT)

Ref	Part Number	Part Name	Qty	IC	S/N	Lbs	Remarks
070	T1060-30540	CLIP	3			0.022	
080	RP421-54110	CLAMP	2			0.004	
090	TD060-30570	CLIP	3			0.006	
100	TD060-30530	FUSE	2			0.008	50A
110	TD060-30510	FUSE	1			0.008	30A
120	31391-31140	SCREW,WITH WASHER	2			0.022	
130	TC250-30352	WIRE HARNESS,H.LIGH.	1			0.275	
140	T1060-30540	CLIP	5			0.022	
150	01754-50812	BOLT,FLANGE	1			0.022	

# ELECTRICAL WIRING (REAR)

**Figure Num 01B50700**



# ELECTRICAL WIRING (REAR)

Ref	Part Number	Part Name	Qty	IC	S/N	Lbs	Remarks
010	TC350-53953	WIRE HARNESS,HST	1	>>	>=55483	0	
010	TC350-53952	WIRE HARNESS,HST	1		<=55482	0	ORDER BY REF.No.01
020	T1060-30540	CLIP	3			0.022	
030	TD060-30570	CLIP	4			0.006	
040	44366-68380	BAND,CORD	1			0.022	
050	TC230-42120	PLATE, FUEL TANK	1			0.088	
060	01754-50812	BOLT,FLANGE	1			0.022	

ELECTRICAL WIRING (REAR)

<b>Ref</b>	<b>Part Number</b>	<b>Part Name</b>	<b>Qty</b>	<b>IC</b>	<b>S/N</b>	<b>Lbs</b>	<b>Remarks</b>
070	01774-51014	BOLT,FLANGE	1			0.22	

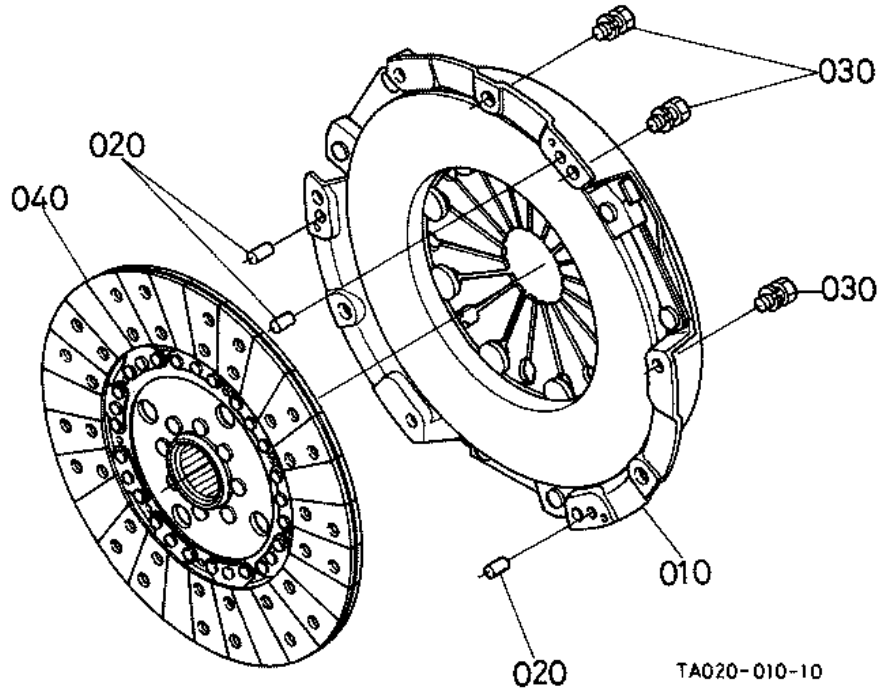
clutch/transmission

Figure Num CLUTCH/TR



# CLUTCH

Figure Num 01C10100

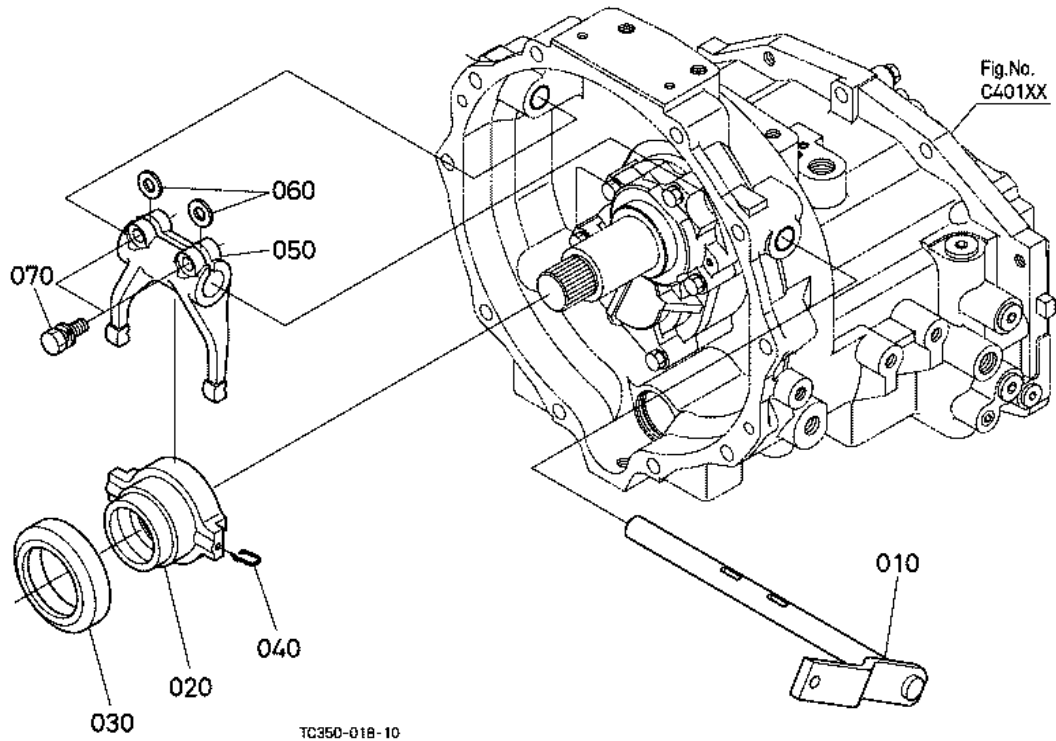


# CLUTCH

Ref	Part Number	Part Name	Qty	IC	S/N	Lbs	Remarks
010	TA020-20600	ASSY PLATE,PRESSURE	1			14.3	
020	05012-00612	PIN,STRAIGHT	3			0.006	
030	01123-60816	BOLT	9			0.022	
040	TD020-20500	COMP.DISK,CLUTCH	1			2.266	

# CLUTCH LEVER

**Figure Num 01C20100**



# CLUTCH LEVER

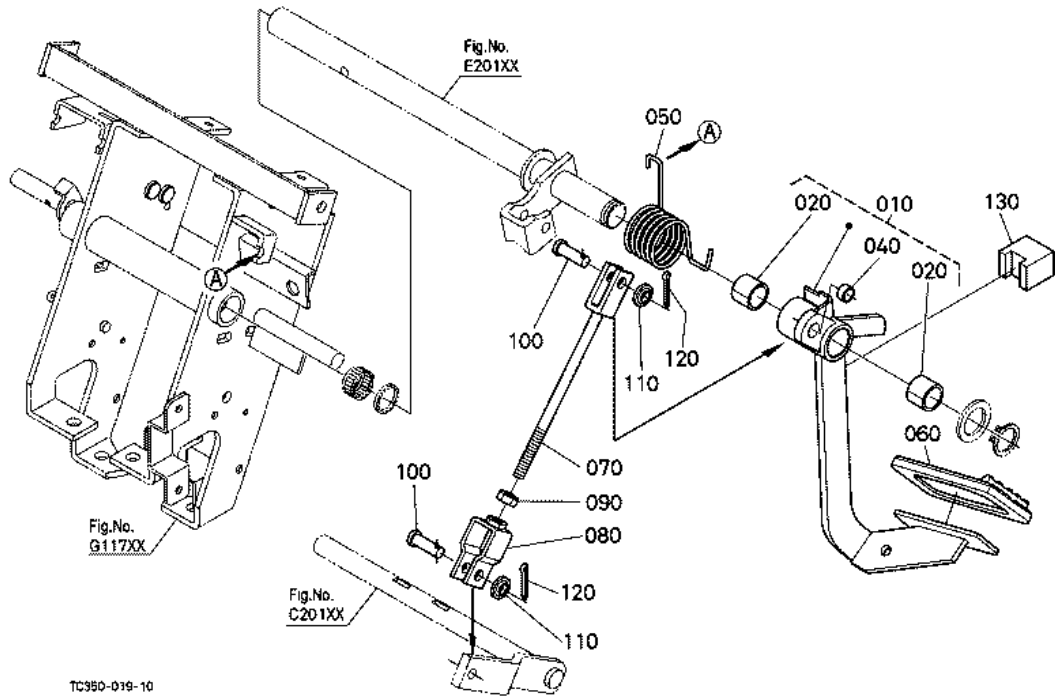
Ref	Part Number	Part Name	Qty	IC	S/N	Lbs	Remarks
010	TC030-21172	LEVER,CLUTCH	1			2.332	
020	T1150-21153	HOLDER,CLUTCH	1			1.221	
030	3C001-26350	BEARING,RELEASE	1			0.638	
040	TA040-21210	PIN,SNAP	2			0.004	
050	TA040-21200	FORK,CLUTCH RELEASE	1			1.188	
060	31150-14780	KEY,FORK	2			0.006	
070	01123-50825	BOLT	2			0.028	





# CLUTCH PEDAL

**Figure Num 01C30100**



# CLUTCH PEDAL

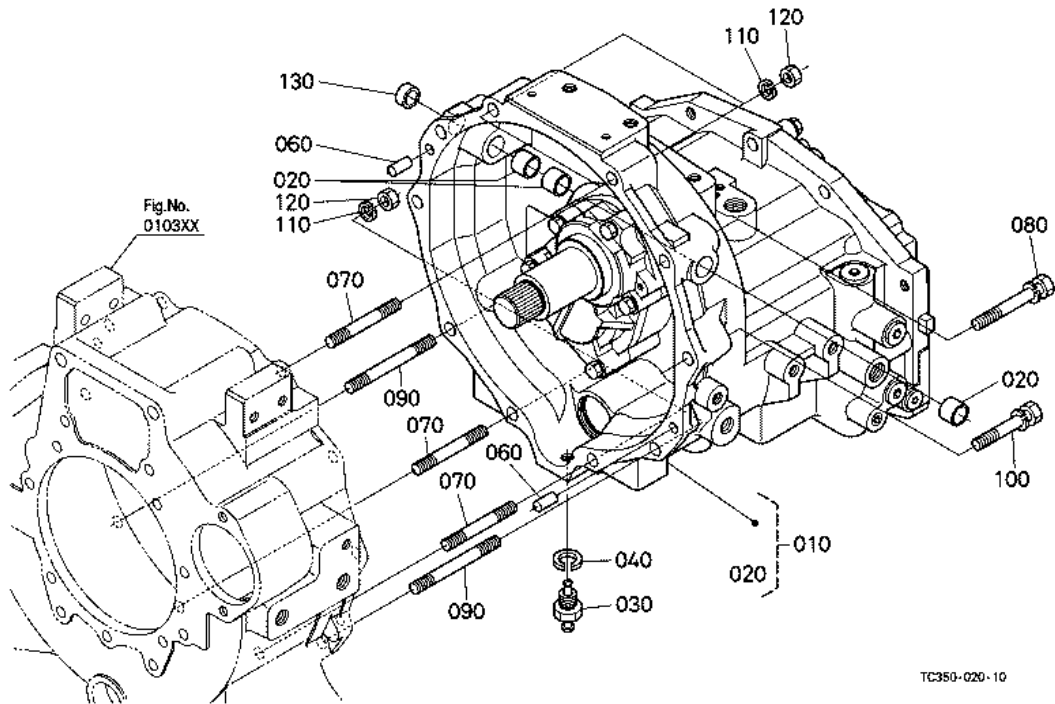
Ref	Part Number	Part Name	Qty	IC	S/N	Lbs	Remarks
010	TC350-54052	COMP.PEDAL,CLUTCH	1			0	
020	08511-02520	BUSH	2			0.044	
040	TC030-44030	BUSH	1			0.002	
050	TC030-44160	SPRING	1			0.22	
060	T2050-44120	COVER,PEDAL	1			0.154	
070	TC030-76200	ROD,BRAKE UPPER	1			0.363	
080	34070-44470	U JOINT	1			0.176	

CLUTCH PEDAL

Ref	Part Number	Part Name	Qty	IC	S/N	Lbs	Remarks
090	02176-50100	NUT	1			0.011	
100	05122-61028	PIN,JOINT	2			0.044	
110	04717-01000	WASHER,WITH RUBBER	2			0.002	
120	05511-50318	PIN,SPLIT	2			0.002	
130	TC030-15950	SPACER,CLUTCH	1			0.033	

# CLUTCH HOUSING

**Figure Num 01C40100**



# CLUTCH HOUSING

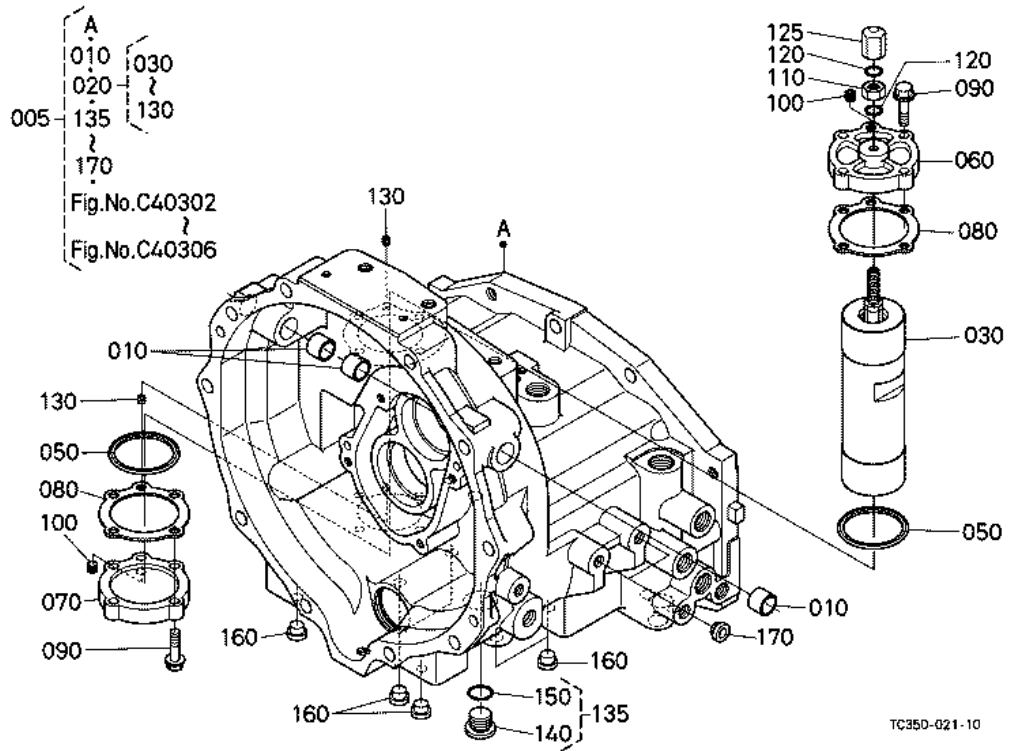
Ref	Part Number	Part Name	Qty	IC	S/N	Lbs	Remarks
010	TC350-59990	ASSY HST	1			0	
020	08511-01915	BUSH	3			0.022	
030	32430-14270	KIT PLUG	1			0.088	
040	04512-60140	WASHER, SPRING	1			0.017	
060	05012-01018	PIN,STRAIGHT	2			0.026	
070	01574-51265	STUD	4			0.147	
080	01133-51280	BOLT	2			0.154	

## CLUTCH HOUSING

<b>Ref</b>	<b>Part Number</b>	<b>Part Name</b>	<b>Qty</b>	<b>IC</b>	<b>S/N</b>	<b>Lbs</b>	<b>Remarks</b>
090	01574-51285	STUD	2			0.187	
100	01133-51265	BOLT	2			0.143	
110	04512-60120	WASHER, SPRING	6			0.011	
120	02176-50120	NUT	6			0.022	
130	31351-38720	PLUG	1			0.011	

# HST (SERVO PISTON) [COMPONENT PARTS]

**Figure Num 01C40301**



# HST (SERVO PISTON) [COMPONENT PARTS]

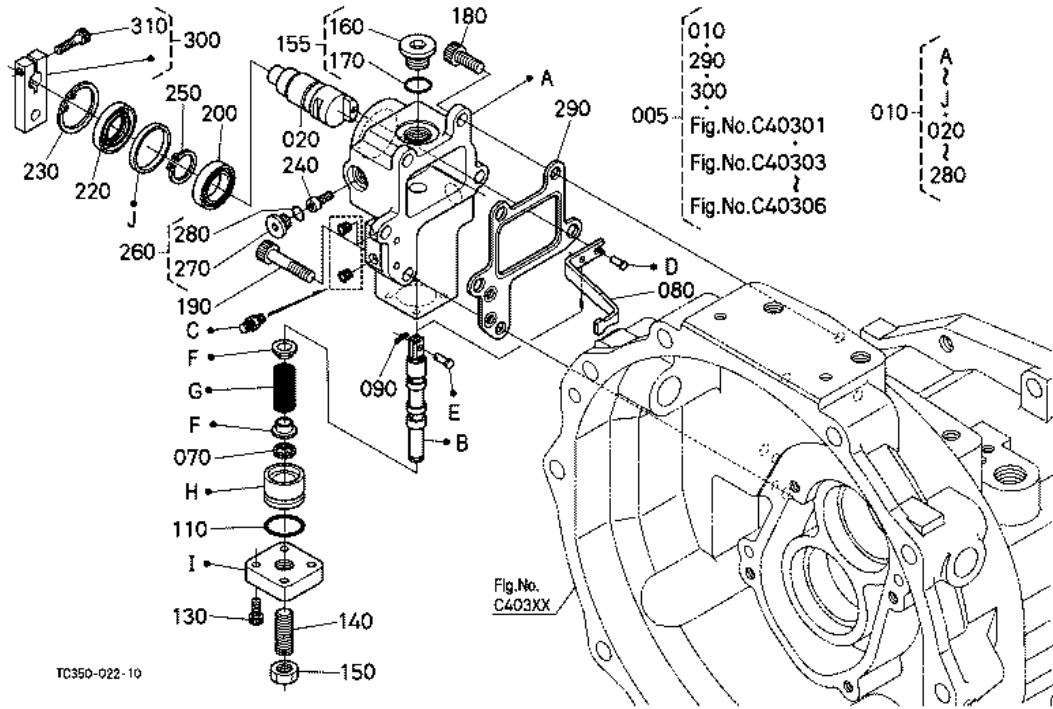
Ref	Part Number	Part Name	Qty	IC	S/N	Lbs	Remarks
005	TC350-59990	ASSY HST	1			0	
010	08511-01915	BUSH	3			0.022	
020	TC230-59100	ASSY PISTON	1			8.36	
030	TD170-59150	COMP.PISTON	1			7.26	
050	5H661-12120	GASKET	2			0.015	
060	5H661-12090	COVER,PISTON SUPPOR.	1			0.308	
070	5H661-12100	COVER,PISTON SUPPOR.	1			0.308	

HST (SERVO PISTON) [COMPONENT PARTS]

Ref	Part Number	Part Name	Qty	IC	S/N	Lbs	Remarks
080	5H661-12110	GASKET	2			0.011	
090	01754-50830	BOLT,FLANGE	8			0.11	
100	15521-96020	PLUG	2			0.006	
110	TD170-59220	NUT	1			0.024	
120	04817-00120	O RING	2			0.002	
125	TD170-59230	NUT	1			0.099	
130	5H661-12700	PLUG,ORIFICE	2			0.002	
135	TC230-58960	ASSY PLUG	1			0.088	
140	5H600-11820	PLUG	1			0.088	
150	04817-00180	O RING	1			0.002	
160	32210-27580	PLUG	6			0.002	
170	32210-27580	PLUG	4			0.002	OUT OF USE

# HST (SERVO REGULATOR) [COMPONENT PARTS]

**Figure Num 01C40302**



# HST (SERVO REGULATOR) [COMPONENT PARTS]

Ref	Part Number	Part Name	Qty	IC	S/N	Lbs	Remarks
005	TC350-59990	ASSY HST	1			0	
010	TC230-59300	ASSY REGULATOR	1			5.06	
020	TC230-59310	SHAFT,REGULATOR	1			0.312	
070	04613-50070	CIR CLIP,EXTERNAL	1			0.002	
080	TC230-59412	LEVER,FEED BACK	1			0.055	
090	PA401-91160	PIN,SNAP	1			0.002	
110	04817-00210	O RING	1			0.002	

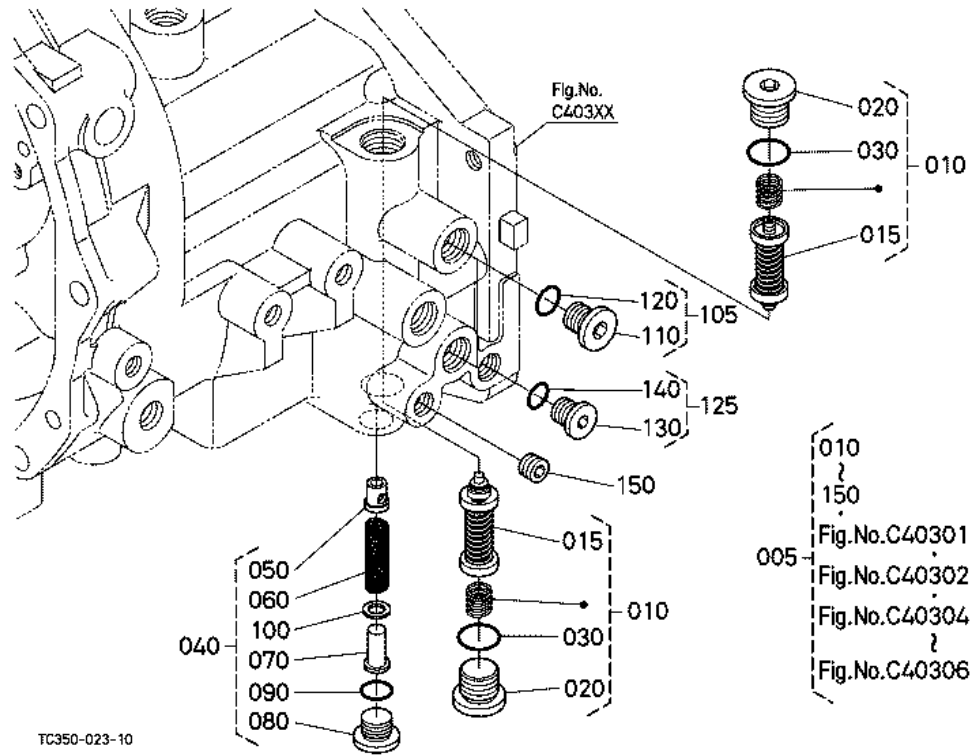


HST (SERVO REGULATOR) [COMPONENT PARTS]

Ref	Part Number	Part Name	Qty	IC	S/N	Lbs	Remarks
130	01350-10512	BOLT,HEX-SOC-HD	4			0.006	
140	TC230-59330	SCREW	1			0.033	
150	02116-50100	NUT	1			0.008	
155	TC230-58210	ASSY PLUG	1			0.050	
160	5H600-12620	PLUG	1			0.048	
170	04817-00140	O RING	1			0.002	
180	01311-10820	BOLT,HEX-SOC-HD	4			0.026	
190	01311-10835	BOLT,HEX-SOC-HD	1			0.037	
200	K2581-12850	BEARING	1			0.044	
220	66363-39560	SEAL,OIL	1			0.022	
230	04611-00350	CIR CLIP,INTERNAL	1			0.006	
240	01350-10412	BOLT,HEX-SOC-HD	1			0.004	
250	04612-00190	CIR CLIP,EXTERNAL	1			0.002	
260	TC230-58300	ASSY PLUG	1			0.013	
270	5H550-19830	PLUG	1			0.013	
280	04817-00080	O RING	1			0.002	
290	TC230-58200	GASKET,REGULATOR	1			0.015	
300	TC230-59550	ASSY LEVER,REGULATO.	1			0.11	
310	01350-10520	BOLT,HEX-SOC-HD	1			0.008	

# HST (RELIEF VALVE) [COMPONENT PARTS]

**Figure Num 01C40303**



## HST (RELIEF VALVE) [COMPONENT PARTS]

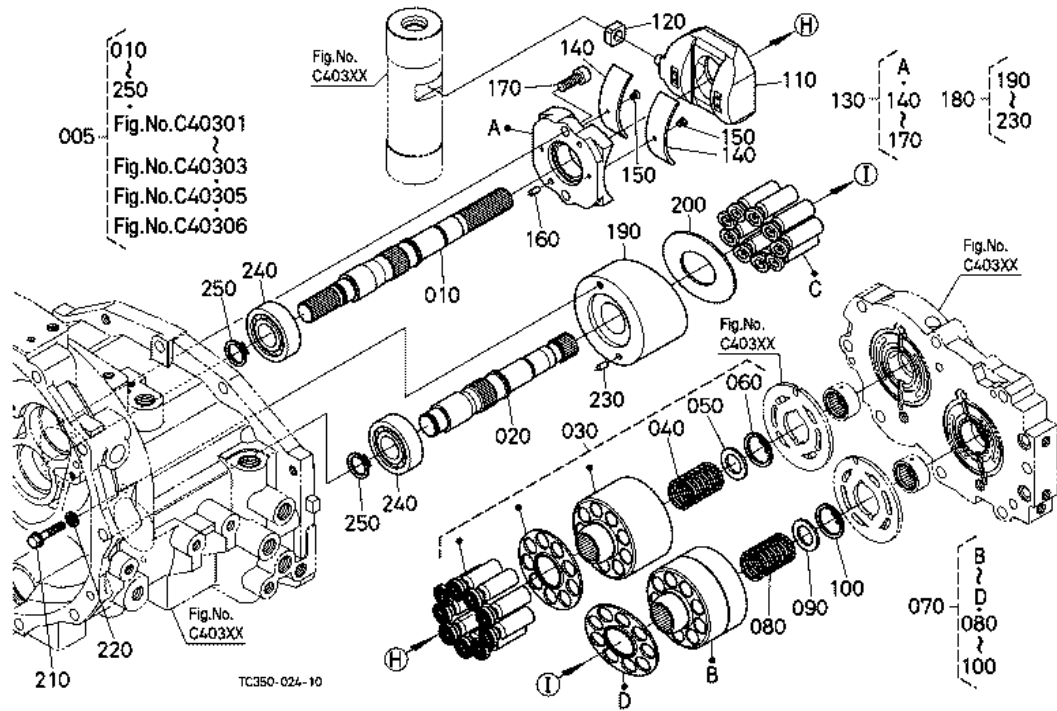
Ref	Part Number	Part Name	Qty	IC	S/N	Lbs	Remarks
005	TC350-59990	ASSY HST	1			0	
010	TD170-59010	ASSY VALVE,RELIEF	2			0.187	
015	TD170-59050	COMP.VALVE,RELIEF	2			0.090	
020	5H600-11820	PLUG	2			0.088	
030	04817-00180	O RING	2			0.002	
040	TD170-59600	ASSY,VALVE	1			0.11	
050	TD170-58960	POPPET	1			0.013	

HST (RELIEF VALVE) [COMPONENT PARTS]

Ref	Part Number	Part Name	Qty	IC	S/N	Lbs	Remarks
060	TD170-59610	SPRING	1			0.015	
070	TD170-59620	HOLDER	1			0.024	
080	5H600-12620	PLUG	1			0.048	
090	04817-00140	O RING	1			0.002	
100	TD170-59630	SHIM	1			0.002	0.5mm
100	TD170-59640	SHIM	1			0.002	0.2mm
105	TC230-58210	ASSY PLUG	2			0.050	
110	5H600-12620	PLUG	2			0.048	
120	04817-00140	O RING	2			0.002	
125	TC230-58310	ASSY PLUG	1			0.028	
130	K7021-39870	PLUG	1			0.026	
140	04817-00110	O RING	1			0.002	
150	K7001-39620	PLUG	1			0.013	

# HST (CYLINDER BLOCK) [COMPONENT PARTS]

**Figure Num 01C40304**



## HST (CYLINDER BLOCK) [COMPONENT PARTS]

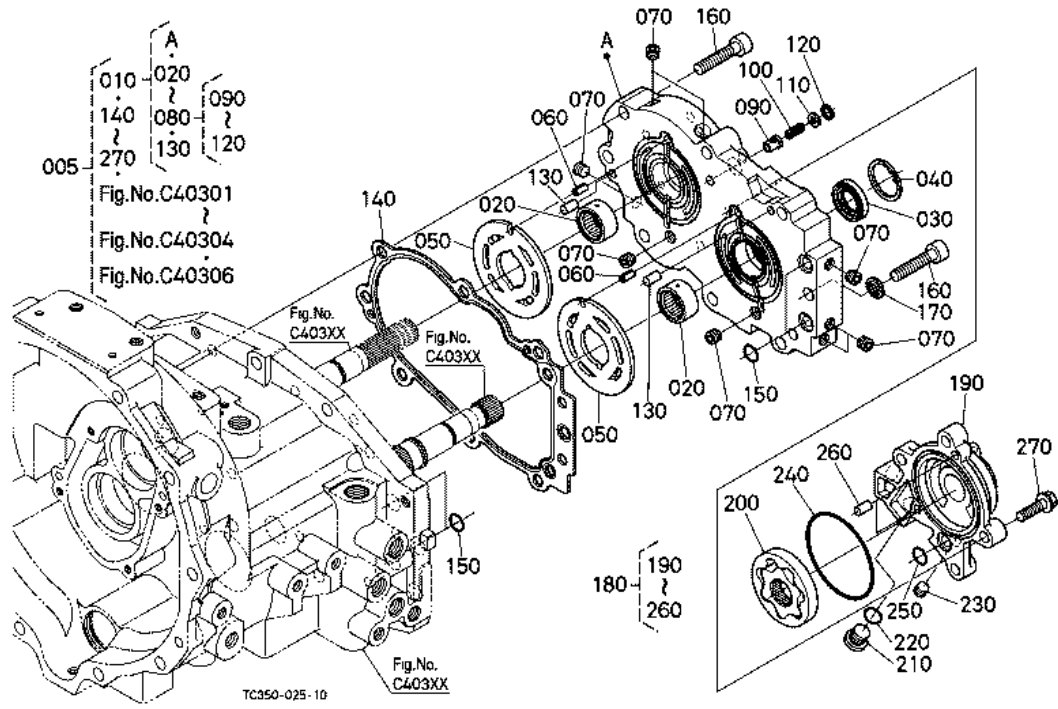
Ref	Part Number	Part Name	Qty	IC	S/N	Lbs	Remarks
005	TC350-59990	ASSY HST	1			0	
010	TC230-58120	SHAFT	1			2.86	
020	TC230-58130	SHAFT	1			2.167	
030	TC230-58502	ASSY ROTARY,PUMP	1			5.72	
040	58700-11140	SPRING	1			0.169	
050	58700-11130	HOLDER,SPRING	1			0.024	
060	04611-00370	CIR CLIP,INTERNAL	1			0.008	

HST (CYLINDER BLOCK) [COMPONENT PARTS]

Ref	Part Number	Part Name	Qty	IC	S/N	Lbs	Remarks
070	TC230-58602	ASSY ROTARY,MOTOR	1			5.5	
080	58700-11140	SPRING	1			0.169	
090	58700-11130	HOLDER,SPRING	1			0.024	
100	04611-00370	CIR CLIP,INTERNAL	1			0.008	
110	TD170-58400	ASSY SWASH PLATE	1			2.86	
120	5H661-11120	GUIDE	1			0.050	
130	TD170-58800	ASSY BRACKET	1			2.09	
140	TD170-58820	BEARING,CRADLE	2			0.066	
150	K2581-14240	SCREW,CSK-HD	2			0.002	
160	K7561-14090	PIN,STRAIGHT	2			0.006	
170	01315-11025	BOLT,HEX-SOC-HD	2			0.052	
180	TC230-58850	ASSY SWASH PLATE	1			5.83	
190	TC230-58860	SWASH PLATE,MOTER	1			5.83	
200	5H661-11420	PLATE,THRUST	1			0.096	
210	01754-50835	BOLT, FLANGE	1			0.037	
220	31351-16250	WASHER,SEAL	1			0.002	
230	K7561-14090	PIN,STRAIGHT	1			0.006	
240	64441-22170	BEARING,BALL	2			0.528	
250	04612-00250	CIR CLIP,EXTERNAL	2			0.004	

# HST (CHARGE PUMP) [COMPONENT PARTS]

**Figure Num 01C40305**



# HST (CHARGE PUMP) [COMPONENT PARTS]

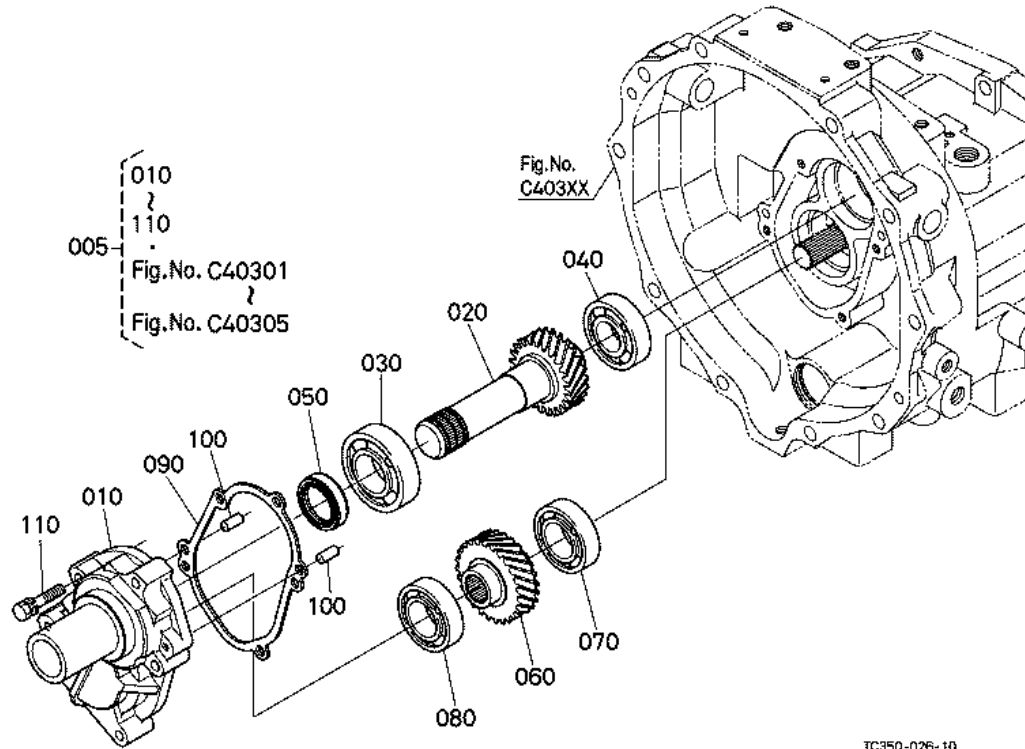
Ref	Part Number	Part Name	Qty	IC	S/N	Lbs	Remarks
005	TC350-59990	ASSY HST	1			0	
010	TC230-58900	ASSY,COVER,PORTBLOC.	1			18.7	
020	TD270-58930	BEARING,NEEDLE	2			0.11	
030	TD170-58920	SEAL,OIL	1			0.022	
040	04611-00400	CIR CLIP,INTERNAL	1			0.008	
050	5H800-11520	PLATE,VALVE	2			0.484	
060	05411-00612	PIN,SPRING	2			0.004	

HST (CHARGE PUMP) [COMPONENT PARTS]

Ref	Part Number	Part Name	Qty	IC	S/N	Lbs	Remarks
070	K7001-39620	PLUG	8			0.013	
080	TD170-58950	ASSY VALVE	1			0.022	
090	TD170-58960	POPPET	1			0.013	
100	66363-39720	SPRING,L	1			0.006	
110	66363-39740	WASHER	1			0.002	
120	04611-00180	CIR CLIP,INTERNAL	1			0.002	
130	K7561-11180	PIN,STRAIGHT	2			0.004	
140	TD170-58190	GASKET,HST	1			0.048	
150	04817-00140	O RING	4			0.002	
160	01370-11250	BOLT,HEX-SOC-HD	8			0.123	
170	04717-01200	WASHER,WITH RUBBER	1			0.004	
180	TD170-59500	ASSY PUMP	1			1.892	
190	TD170-59510	CASE,CHARGE PUMP	1			1.166	
200	TD170-59520	ROTOR	1			0.473	
210	5H600-12620	PLUG	1			0.048	
220	04817-00140	O RING	1			0.002	
230	K7001-39620	PLUG	1			0.013	
240	04811-50850	O RING	1			0.006	
250	04817-00140	O RING	1			0.002	
260	K7561-11180	PIN,STRAIGHT	2			0.004	
270	01774-51030	BOLT,FLANGE	4			0.057	

# HST (INPUT SHAFT) [COMPONENT PARTS]

**Figure Num 01C40306**



## HST (INPUT SHAFT) [COMPONENT PARTS]

Ref	Part Number	Part Name	Qty	IC	S/N	Lbs	Remarks
005	TC350-59990	ASSY HST	1			0	
010	TD060-51102	CASE,PROPELLER SHAF.	1			1.815	
020	TC350-51400	GEAR-SHAFT,INPUT	1			0	24T
030	T2050-23460	BEARING,BALL	1			0.616	
040	T2050-23450	BEARING,BALL	1			0.44	
050	TD170-51390	SEAL,OIL	1			0.044	
060	TC350-52200	GEAR,HST	1			0	26T

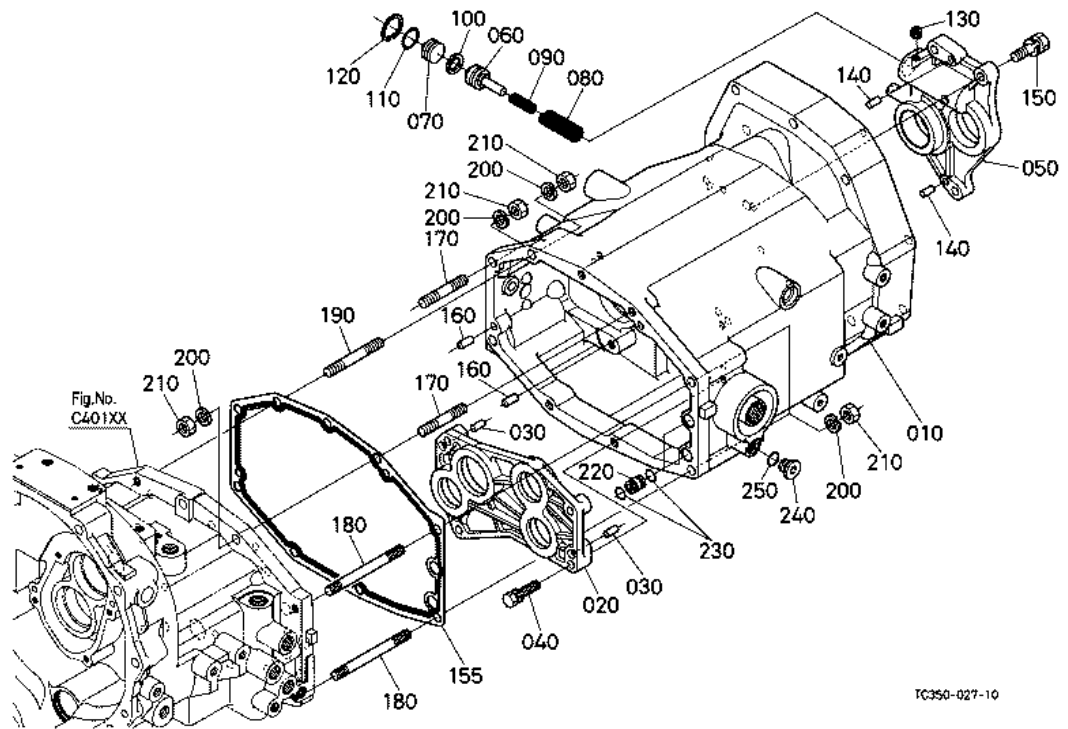


HST (INPUT SHAFT) [COMPONENT PARTS]

Ref	Part Number	Part Name	Qty	IC	S/N	Lbs	Remarks
070	36920-40090	BEARING,BALL	1			0.297	
080	6A700-16510	BEARING,BALL	1			0.33	
090	TD060-51113	GASKET	1			0.011	
100	05012-00818	PIN,STRAIGHT	2			0.028	
110	01123-50845	BOLT	5			0.044	

# MID CASE

**Figure Num 01C41000**



# MID CASE

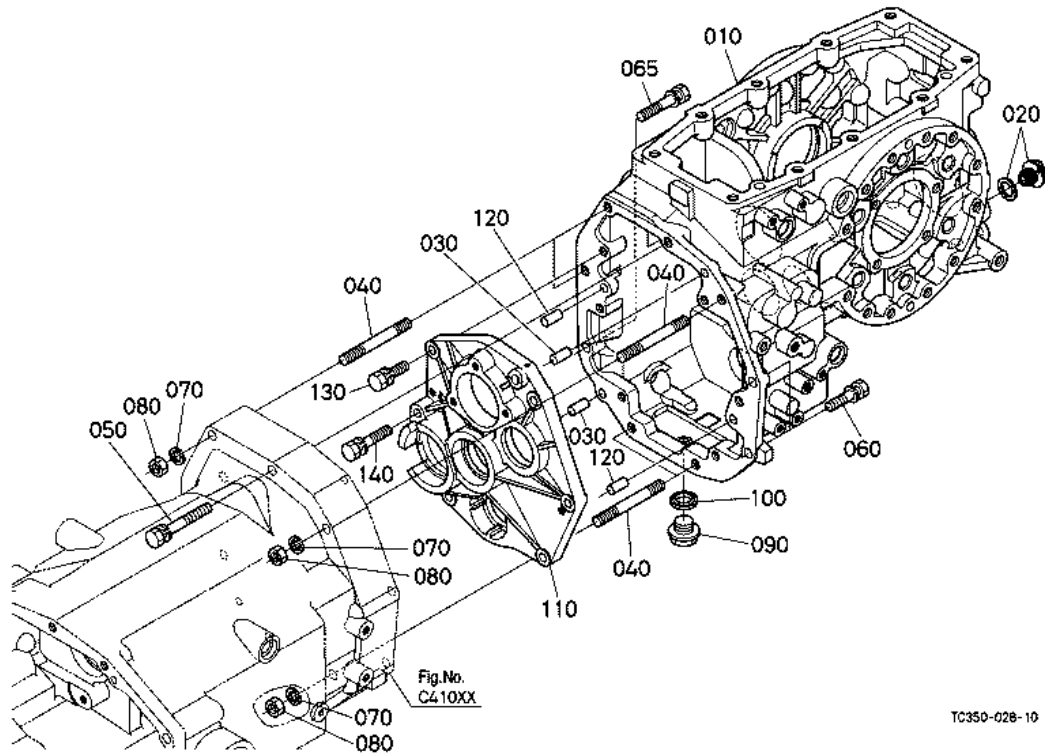
Ref	Part Number	Part Name	Qty	IC	S/N	Lbs	Remarks
010	TC350-50320	CASE,MID HST	1			0	
020	TC230-50330	HOLDER,BEARING	1			1.672	
030	05012-00818	PIN,STRAIGHT	2			0.028	
040	01133-51040	BOLT	4			0.066	
050	TC230-51352	HOLDER,BEARING	1			5.5	
060	TA040-69210	PISTON	1			0.198	
070	TA040-69220	COVER	1			0.132	

MID CASE

Ref	Part Number	Part Name	Qty	IC	S/N	Lbs	Remarks
080	TA040-69230	SPRING	1			0.085	
090	TA040-69240	SPRING	1			0.052	
100	34076-65170	SEAL,PISTON	1			0.011	
110	04816-06230	O RING	1			0.004	
120	04611-00280	CIR CLIP,INTERNAL	1			0.004	
130	32420-67380	PLUG	1			0.011	
140	05012-00818	PIN,STRAIGHT	2			0.028	
150	01133-51040	BOLT	3			0.066	
155	TD170-50290	GASKET,MID CASE	1			0.050	
160	05012-01018	PIN,STRAIGHT	2			0.026	
170	35340-14182	STUD	6			0.11	
180	TD170-50220	STUD	2			0.231	
190	35340-27380	STUD	1			0.176	
200	04512-60120	WASHER, SPRING	9			0.011	
210	35340-27360	NUT	9			0.033	
220	TD170-50280	PIPE,HST CHARGE	2			0.037	
230	04817-00120	O RING	4			0.002	
240	5H600-12620	PLUG	1			0.048	
250	04817-00140	O RING	1			0.002	

# TRANSMISSION CASE

Figure Num 01C42000



TC350-028-10

# TRANSMISSION CASE

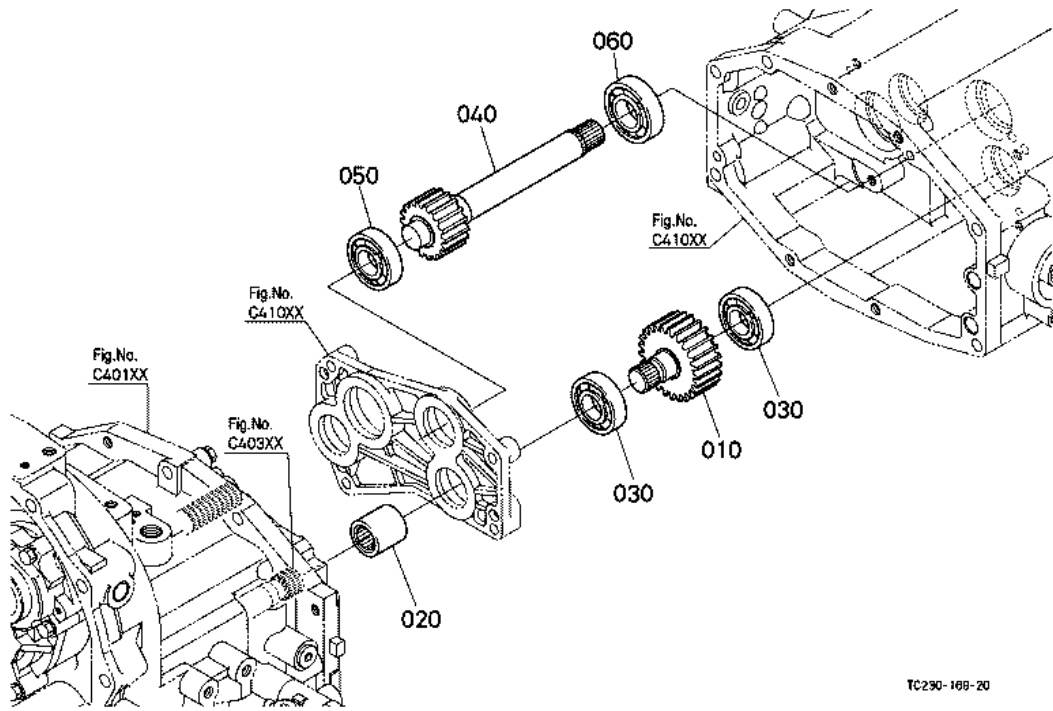
Ref	Part Number	Part Name	Qty	IC	S/N	Lbs	Remarks
010	TC230-50422	CASE,TRANSMISSION	1			90.2	
020	TC230-14612	GAUGE,OIL	1			0.011	
030	05012-01018	PIN,STRAIGHT	2			0.026	
040	35340-27380	STUD	5			0.176	
050	01138-51280	BOLT	1			0.286	
060	01138-51240	BOLT	2			0.101	
065	01138-51260	BOLT	1			0.704	

TRANSMISSION CASE

Ref	Part Number	Part Name	Qty	IC	S/N	Lbs	Remarks
070	04512-60120	WASHER, SPRING	5			0.011	
080	35340-27360	NUT	5			0.033	
090	15512-96010	PLUG,DRAIN	1			0.222	
100	04717-02150	WASHER,WITH RUBBER	1			0.008	
110	TC230-50450	HOLDER,BEARING	1			11.22	
120	05012-01018	PIN,STRAIGHT	2			0.026	
130	01133-51040	BOLT	5			0.066	
140	01133-51060	BOLT	1			0.092	

# COUNTERSHAFT

**Figure Num 01D10500**

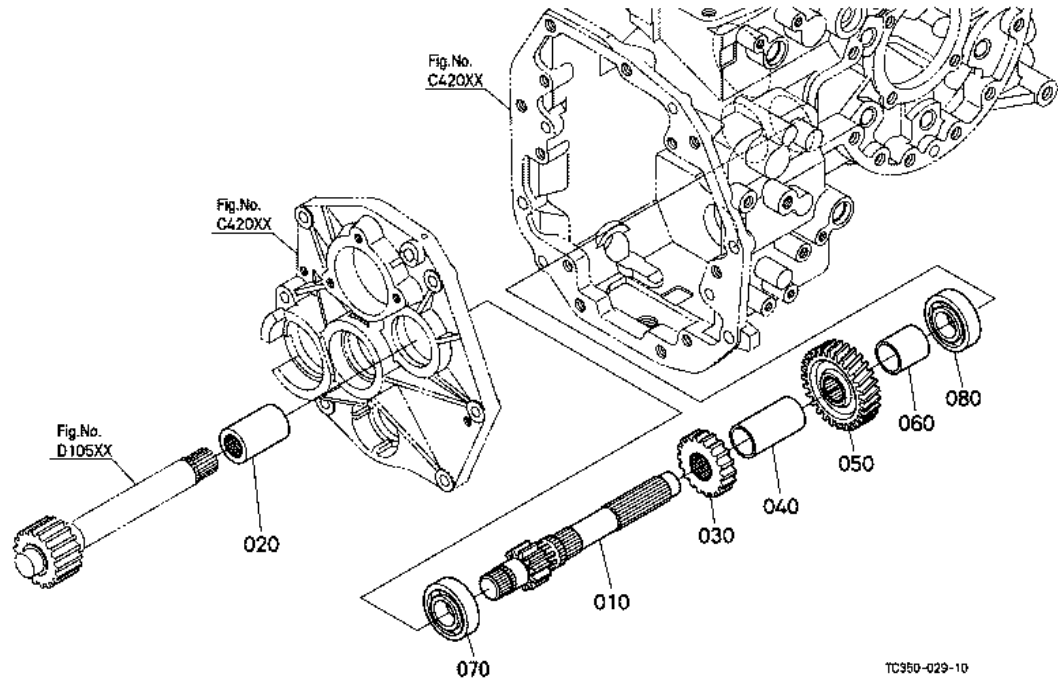


# COUNTERSHAFT

Ref	Part Number	Part Name	Qty	IC	S/N	Lbs	Remarks
010	TC350-52400	GEAR-SHAFT	1			0	24T
020	37150-21682	COUPLING	1			0.528	
030	37410-57190	BEARING,BALL	2			0.308	
040	TC230-52500	GEAR-SHAFT	1			3.454	18T
050	37410-57190	BEARING,BALL	1			0.308	
060	T2050-23450	BEARING,BALL	1			0.44	

# RANGE GEAR SHAFT

**Figure Num 01D11700**



# RANGE GEAR SHAFT

Ref	Part Number	Part Name	Qty	IC	S/N	Lbs	Remarks
010	TC230-52600	GEAR-SHAFT	1			2.409	11T
020	TC350-22670	COUPLING	1			0	
030	TC350-52520	GEAR	1			0	18T
040	TC230-52540	COLLAR	1			0.319	
050	TC230-52530	GEAR	1			1.342	28T
060	TC230-52550	COLLAR	1			0.180	
070	T2050-23480	BEARING,BALL	1			0.517	

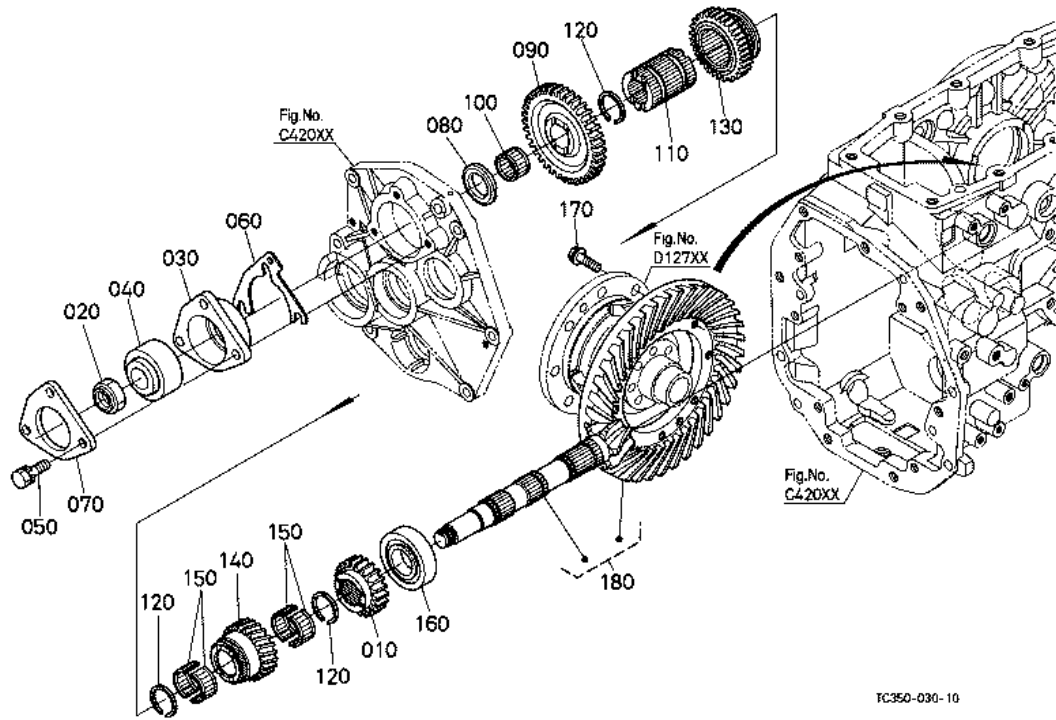
RANGE GEAR SHAFT

Ref	Part Number	Part Name	Qty	IC	S/N	Lbs	Remarks
080	67121-56770	BEARING,BALL	1			0.279	



# SPIRAL BEVEL PINION

Figure Num 01D12500



TC350-030-10

## SPIRAL BEVEL PINION

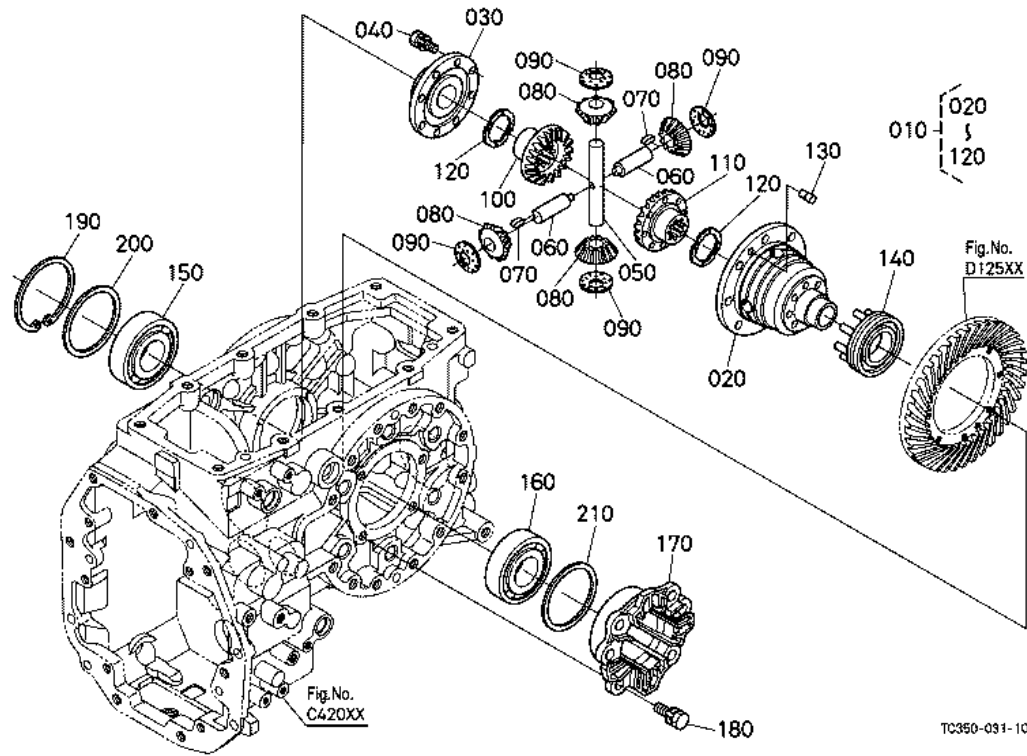
Ref	Part Number	Part Name	Qty	IC	S/N	Lbs	Remarks
010	TC350-55110	GEAR,4WD	1			0	21T
020	TC223-23250	NUT	1			0.066	
030	34070-22772	CASE	1			1.045	
040	TD170-22720	BEARING,TAPER-ROLLE.	1			1.32	
050	01133-51040	BOLT	3			0.066	
060	34070-22860	SHIM	2			0.033	0.5mm
060	34070-22870	SHIM	4			0.008	0.2mm

SPIRAL BEVEL PINION

Ref	Part Number	Part Name	Qty	IC	S/N	Lbs	Remarks
060	34070-22880	SHIM	2			0.011	0.1mm
070	34070-22780	COVER,BEARING	1			0.462	
080	32420-67662	COLLAR,THRUST	1			0.011	
090	TC230-52610	GEAR	1			1.991	37T
100	TD060-52640	BEARING,NEEDLE	1			0.055	
110	TD060-52710	BOSS,SPLINE	1			1.243	
120	T1060-22882	CIR CLIP,EXTERNAL	3			0.011	
130	TC220-52620	GEAR,SLIDE	1			1.672	31T
140	TC230-52630	GEAR	1			1.65	22T
150	T1060-22870	BEARING,NEEDLE	2			0.044	SET
160	34070-22740	BEARING,ROLLER	1			1.122	
170	37800-43870	BOLT	8			0.057	
180	TC230-99840	ASSY GEAR,BEVEL	1			13.2	6-37T

# DIFFERENTIAL REAR [OLD]

**Figure Num 01D12701**



# DIFFERENTIAL REAR [OLD]

Ref	Part Number	Part Name	Qty	IC	S/N	Lbs	Remarks
010	3A011-32204	ASSY DIFFERENTIAL	1			13.64	
020	3A011-32710	CASE,DIFFERENTIAL	1			7.37	
030	3A011-32044	COVER,DIFF.CASE	1			1.749	
040	01133-51025	BOLT	8			0.050	
050	35430-26340	SHAFT,DIFF.PINION	1			0.682	
060	35430-26330	SHAFT,DIFF.PINION	2			0.299	
070	31220-26280	KEY,FEATHER	2			0.004	

## DIFFERENTIAL REAR [OLD]

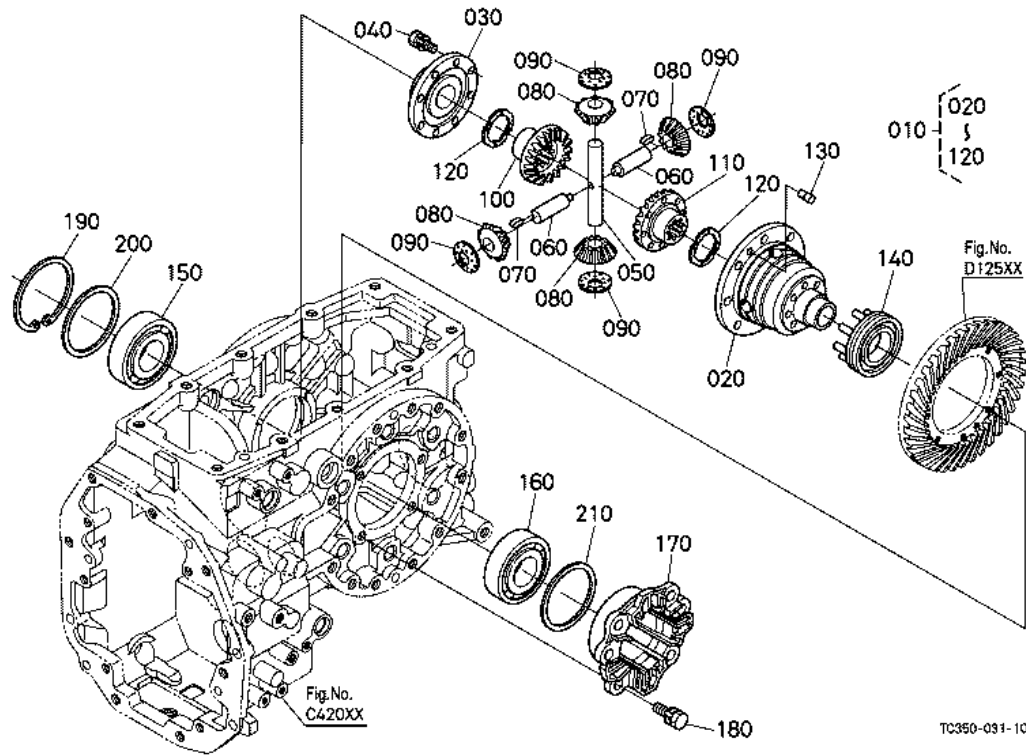
Ref	Part Number	Part Name	Qty	IC	S/N	Lbs	Remarks
080	35430-26350	PINION,DIFF.	4			0.352	12T
090	31351-26390	WASHER,DIFF.PINION	4			0.026	
100	37300-26430	GEAR,DIFF.SIDE RH	1			1.045	20T
110	37300-26440	GEAR,DIFF.SIDE LH	1			1.353	20T
120	31351-26470	WASHER,SIDE GEAR	2			0.022	1.5mm
120	31351-26480	WASHER,SIDE GEAR	2			0.033	1.6mm
120	31351-26490	WASHER,SIDE GEAR	2			0.035	1.7mm
120	3A011-32760	COLLAR,THRUST	2			0.022	1.8mm
120	3A011-32780	COLLAR,THRUST	2			0.022	2.0mm
130	T1270-28170	PIN,STRAIGHT	2			0.055	
140	31351-26610	SHIFTER,DIFF.LOCK	1			0.946	
150	TD170-26610	BEARING,TAPER-ROLLE.	1			1.188	
160	TD170-26630	BEARING	1			1.034	
170	34070-28360	SUPPORT,DIFF.	1			0.891	
180	01133-51025	BOLT	4			0.050	
190	04611-00900	CIR CLIP,INTERNAL	1			0.068	
200	37410-16850	SHIM,DIFFERENTIAL	1			0.017	0.8mm
200	37410-16890	SHIM,DIFFERENTIAL	1			0.033	1.4mm
200	37410-16880	SHIM,DIFFERENTIAL	1			0.024	1.2mm
200	37410-16860	SHIM,DIFFERENTIAL	1			0.019	0.9mm
200	37410-16840	SHIM,DIFFERENTIAL	1			0.022	0.7mm
200	37410-16830	SHIM,DIFFERENTIAL	1			0.022	0.6mm
200	37410-16820	SHIM,DIFFERENTIAL	1			0.022	0.5mm
200	37410-16810	SHIM,DIFFERENTIAL	1			0.022	0.4mm
200	37410-16870	SHIM,DIFFERENTIAL	1			0.022	1.0mm
210	34070-28310	SHIM	1			0.055	1.4mm

DIFFERENTIAL REAR [OLD]

<b>Ref</b>	<b>Part Number</b>	<b>Part Name</b>	<b>Qty</b>	<b>IC</b>	<b>S/N</b>	<b>Lbs</b>	<b>Remarks</b>
210	34070-28210	SHIM	1			0.022	0.4mm
210	34070-28230	SHIM	1			0.033	0.6mm
210	34070-28250	SHIM	1			0.033	0.8mm
210	34070-28270	SHIM	1			0.033	1.0mm
210	34070-28290	SHIM	1			0.044	1.2mm

# DIFFERENTIAL REAR [NEW]

**Figure Num 01D12702**



# DIFFERENTIAL REAR [OLD]

Ref	Part Number	Part Name	Qty	IC	S/N	Lbs	Remarks
010	3A011-32204	ASSY DIFFERENTIAL	1			13.64	
020	3A011-32710	CASE,DIFFERENTIAL	1			7.37	
030	3A011-32044	COVER,DIFF.CASE	1			1.749	
040	01133-51025	BOLT	8			0.050	
050	35430-26340	SHAFT,DIFF.PINION	1			0.682	
060	35430-26330	SHAFT,DIFF.PINION	2			0.299	
070	31220-26280	KEY,FEATHER	2			0.004	

## DIFFERENTIAL REAR [OLD]

Ref	Part Number	Part Name	Qty	IC	S/N	Lbs	Remarks
080	35430-26350	PINION,DIFF.	4			0.352	12T
090	31351-26390	WASHER,DIFF.PINION	4			0.026	
100	37300-26430	GEAR,DIFF.SIDE RH	1			1.045	20T
110	37300-26440	GEAR,DIFF.SIDE LH	1			1.353	20T
120	31351-26470	WASHER,SIDE GEAR	2			0.022	1.5mm
120	31351-26480	WASHER,SIDE GEAR	2			0.033	1.6mm
120	31351-26490	WASHER,SIDE GEAR	2			0.035	1.7mm
120	3A011-32760	COLLAR,THRUST	2			0.022	1.8mm
120	3A011-32780	COLLAR,THRUST	2			0.022	2.0mm
130	T1270-28170	PIN,STRAIGHT	2			0.055	
140	31351-26610	SHIFTER,DIFF.LOCK	1			0.946	
150	TD170-26610	BEARING,TAPER-ROLLE.	1			1.188	
160	TD170-26630	BEARING	1			1.034	
170	34070-28360	SUPPORT,DIFF.	1			0.891	
180	01133-51025	BOLT	4			0.050	
190	04611-00900	CIR CLIP,INTERNAL	1			0.068	
200	37410-16850	SHIM,DIFFERENTIAL	1			0.017	0.8mm
200	37410-16890	SHIM,DIFFERENTIAL	1			0.033	1.4mm
200	37410-16880	SHIM,DIFFERENTIAL	1			0.024	1.2mm
200	37410-16860	SHIM,DIFFERENTIAL	1			0.019	0.9mm
200	37410-16840	SHIM,DIFFERENTIAL	1			0.022	0.7mm
200	37410-16830	SHIM,DIFFERENTIAL	1			0.022	0.6mm
200	37410-16820	SHIM,DIFFERENTIAL	1			0.022	0.5mm
200	37410-16810	SHIM,DIFFERENTIAL	1			0.022	0.4mm
200	37410-16870	SHIM,DIFFERENTIAL	1			0.022	1.0mm
210	34070-28310	SHIM	1			0.055	1.4mm

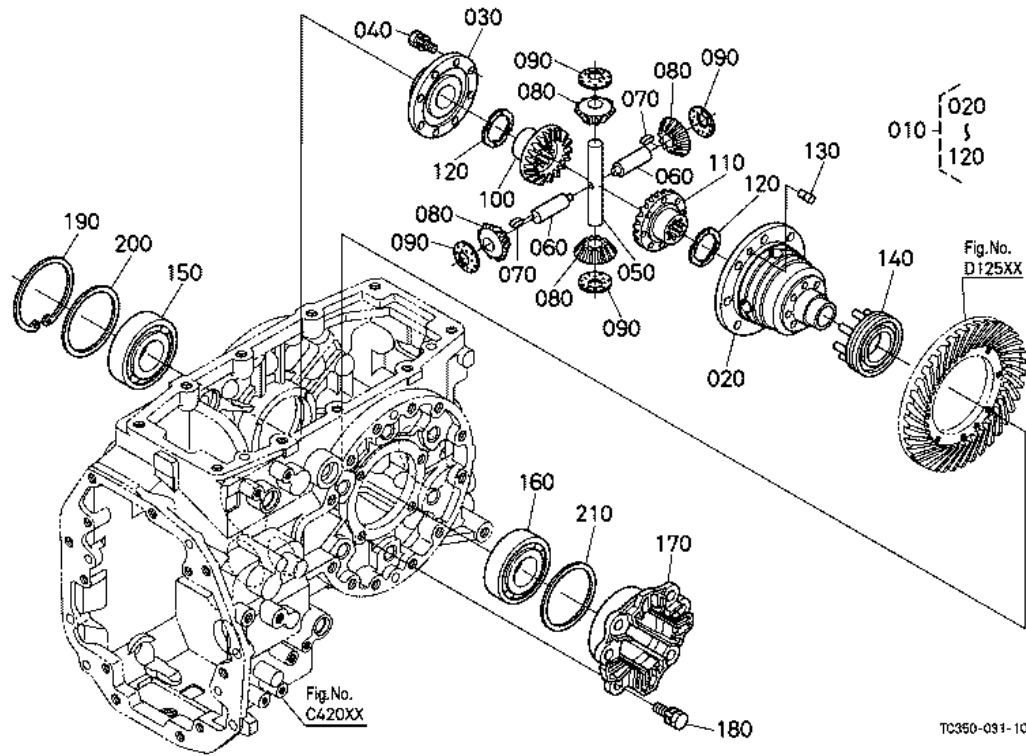
DIFFERENTIAL REAR [OLD]

<b>Ref</b>	<b>Part Number</b>	<b>Part Name</b>	<b>Qty</b>	<b>IC</b>	<b>S/N</b>	<b>Lbs</b>	<b>Remarks</b>
210	34070-28210	SHIM	1			0.022	0.4mm
210	34070-28230	SHIM	1			0.033	0.6mm
210	34070-28250	SHIM	1			0.033	0.8mm
210	34070-28270	SHIM	1			0.033	1.0mm
210	34070-28290	SHIM	1			0.044	1.2mm



# DIFFERENTIAL REAR [NEW]

**Figure Num 01D12702**



TC350-031-10

## DIFFERENTIAL REAR [NEW]

Ref	Part Number	Part Name	Qty	IC	S/N	Lbs	Remarks
010	TD270-32200	ASSY DIFFERENTIAL	1			0	
020	TD270-32710	CASE,DIFFERENTIAL	1			0	
030	TD270-32040	COVER,DIFF.CASE	1			0	
040	TD270-26310	BOLT	8			0	
050	TD270-26340	SHAFT,DIFF.PINION	1			0	
060	TD270-26330	SHAFT,DIFF.PINION	2			0	
070	TD270-26280	KEY,FEATHER	2			0	

DIFFERENTIAL REAR [NEW]

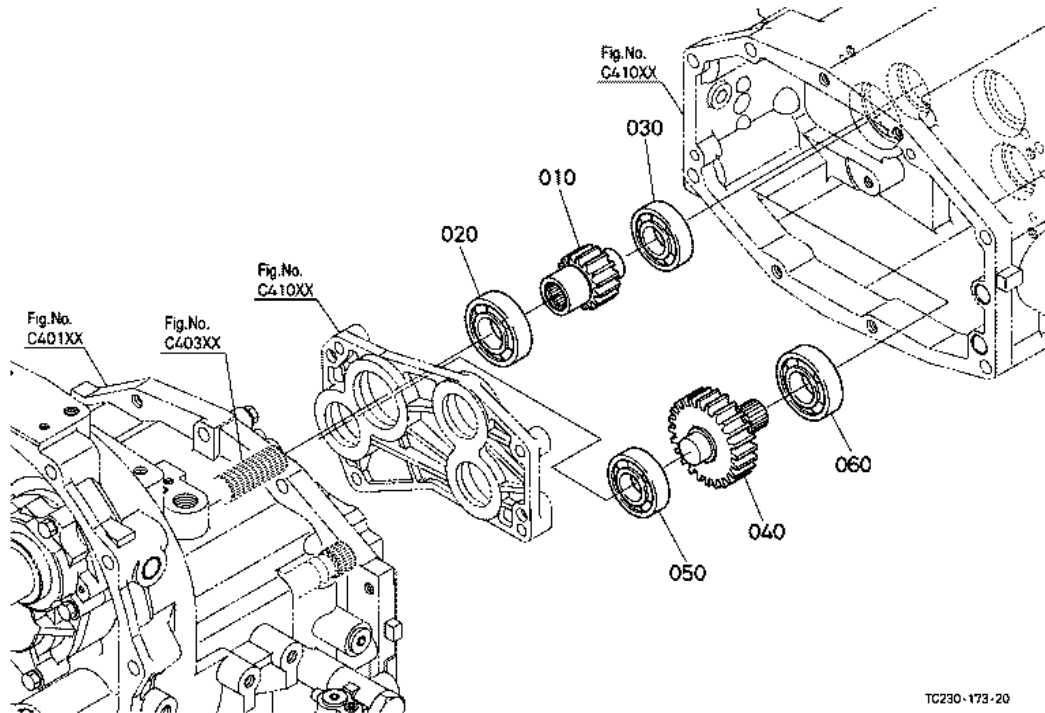
Ref	Part Number	Part Name	Qty	IC	S/N	Lbs	Remarks
080	TD270-26350	PINION,DIFF.	4			0	12T
090	TD270-26390	WASHER,DIFF.PINION	4			0	
100	TD270-26430	GEAR,DIFF.SIDE RH	1			0	20T
110	TD270-26440	GEAR,DIFF.SIDE LH	1			0	20T
120	TD270-26472	WASHER,SIDE GEAR	2	>>	>=56076	0	1.5mm
120	TD270-26480	WASHER,SIDE GEAR	2		<=56075	0	1.6mm
120	TD270-26482	WASHER,SIDE GEAR	2	>>	>=56076	0	1.6mm
120	TD270-26490	WASHER,SIDE GEAR	2		<=56075	0	1.7mm
120	TD270-26492	WASHER,SIDE GEAR	2	>>	>=56076	0	1.7mm
120	TD270-32760	COLLAR,THRUST	2			0	1.8mm
120	TD270-32780	COLLAR,THRUST	2			0	2.0mm
120	TD270-26470	WASHER,SIDE GEAR	2		<=56075	0	1.5mm
130	T1270-28170	PIN,STRAIGHT	2			0.055	
140	31351-26610	SHIFTER,DIFF.LOCK	1			0.946	
150	TD170-26610	BEARING,TAPER-ROLLE.	1			1.188	
160	TD170-26630	BEARING	1			1.034	
170	34070-28360	SUPPORT,DIFF.	1			0.891	
180	01133-51025	BOLT	4			0.050	
190	04611-00900	CIR CLIP,INTERNAL	1			0.068	
200	37410-16840	SHIM,DIFFERENTIAL	1			0.022	0.7mm
200	37410-16890	SHIM,DIFFERENTIAL	1			0.033	1.4mm
200	37410-16880	SHIM,DIFFERENTIAL	1			0.024	1.2mm
200	37410-16870	SHIM,DIFFERENTIAL	1			0.022	1.0mm
200	37410-16850	SHIM,DIFFERENTIAL	1			0.017	0.8mm
200	37410-16830	SHIM,DIFFERENTIAL	1			0.022	0.6mm
200	37410-16820	SHIM,DIFFERENTIAL	1			0.022	0.5mm

DIFFERENTIAL REAR [NEW]

Ref	Part Number	Part Name	Qty	IC	S/N	Lbs	Remarks
200	37410-16810	SHIM,DIFFERENTIAL	1			0.022	0.4mm
200	37410-16860	SHIM,DIFFERENTIAL	1			0.019	0.9mm
210	34070-28310	SHIM	1			0.055	1.4mm
210	34070-28210	SHIM	1			0.022	0.4mm
210	34070-28230	SHIM	1			0.033	0.6mm
210	34070-28250	SHIM	1			0.033	0.8mm
210	34070-28270	SHIM	1			0.033	1.0mm
210	34070-28290	SHIM	1			0.044	1.2mm

# PTO COUNTERSHAFT

**Figure Num 01D13000**



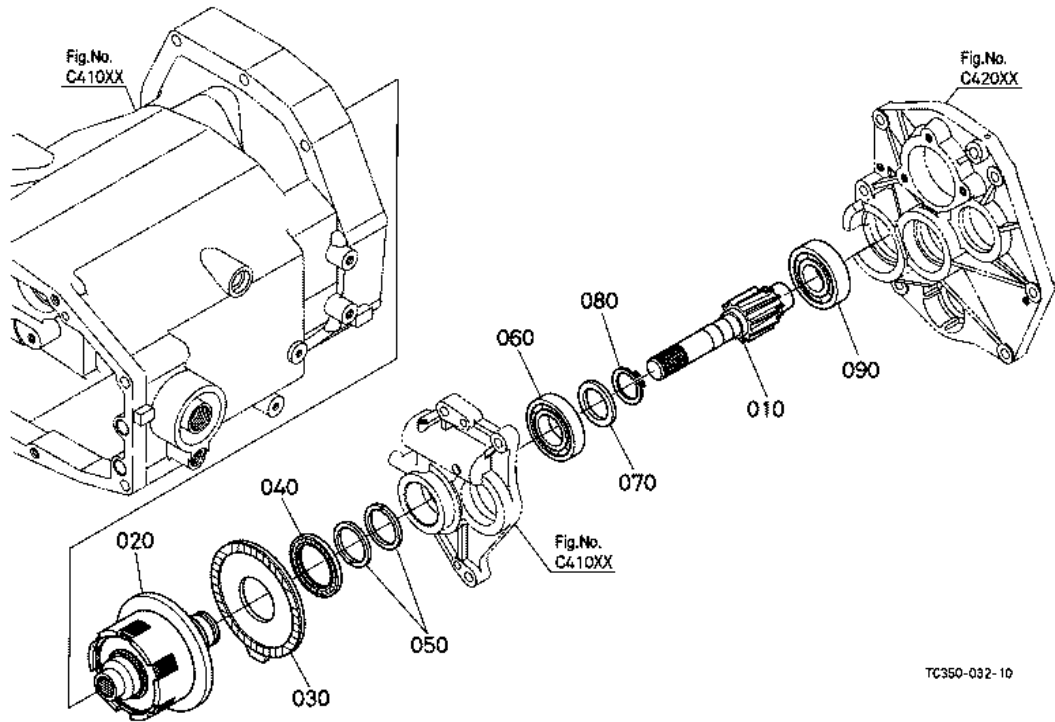
TC230-173-20

## PTO COUNTERSHAFT

Ref	Part Number	Part Name	Qty	IC	S/N	Lbs	Remarks
010	TC230-53240	GEAR-SHAFT,PTO	1			1.056	15T
020	36920-40090	BEARING,BALL	1			0.297	
030	37410-57190	BEARING,BALL	1			0.308	
040	TC230-53250	GEAR-SHAFT	1			2.266	25T
050	37410-57190	BEARING,BALL	1			0.308	
060	T2050-23450	BEARING,BALL	1			0.44	

# PTO CLUTCH

**Figure Num 01D13200**



# PTO CLUTCH

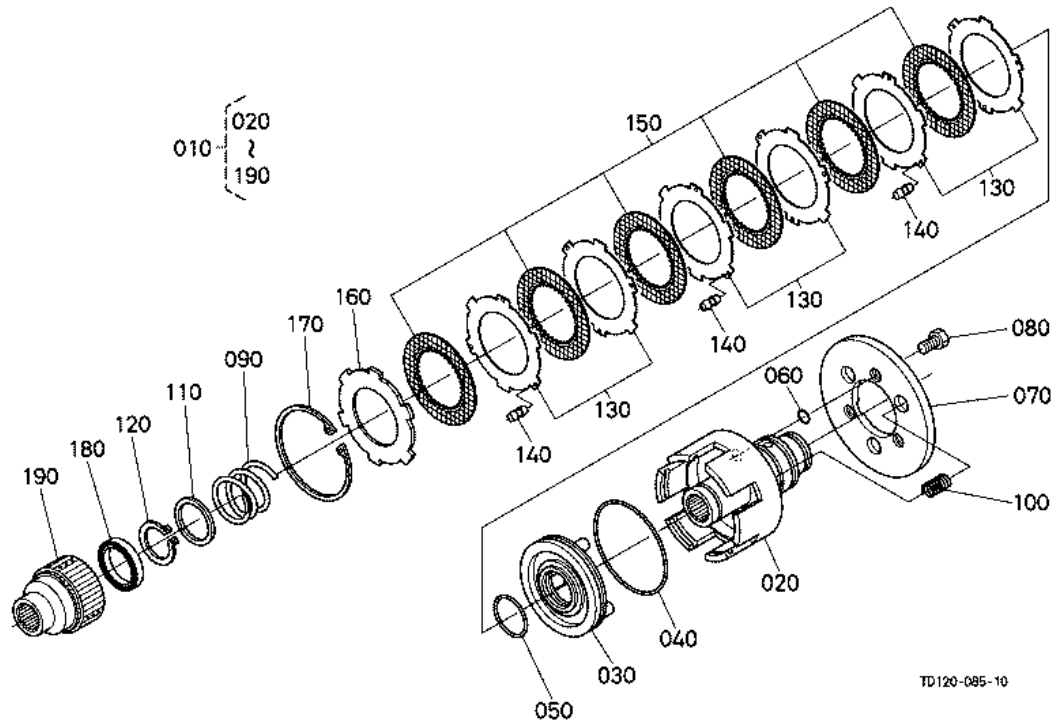
Ref	Part Number	Part Name	Qty	IC	S/N	Lbs	Remarks
010	TC350-53500	GEAR-SHAFT,I-PTO	1			0	11T
020	TD160-69000	ASSY CLUTCH,I-PTO	1			8.25	
030	TA040-69150	DISK,BRAKE	1			0.902	
040	TA040-69160	BEARING,NEEDLE	1			0.063	
050	T1853-61510	SEAL,RING	2			0.002	
060	T2050-23460	BEARING,BALL	1			0.616	
070	69331-24330	COLLAR,DISTANCE	1			0.026	

PTO CLUTCH

<b>Ref</b>	<b>Part Number</b>	<b>Part Name</b>	<b>Qty</b>	<b>IC</b>	<b>S/N</b>	<b>Lbs</b>	<b>Remarks</b>
080	36740-41150	CIR CLIP,EXTERNAL	1			0.022	
090	36540-41130	BEARING,BALL	1			0.748	

# PTO CLUTCH [COMPONENT PARTS]

**Figure Num 01D13300**



# PTO CLUTCH [COMPONENT PARTS]

Ref	Part Number	Part Name	Qty	IC	S/N	Lbs	Remarks
010	TD160-69000	ASSY CLUTCH,I-PTO	1			8.25	
020	TA040-69012	CASE,PTO CLUTCH	1			3.421	
030	TA040-69020	PISTON	1			0.869	
040	31501-72330	D RING,OUTER	1			0.011	
050	31501-72470	D RING,INNER	1			0.002	
060	04816-00100	O RING	3			0.002	
070	3A211-27220	PLATE,BRAKE	1			1.408	

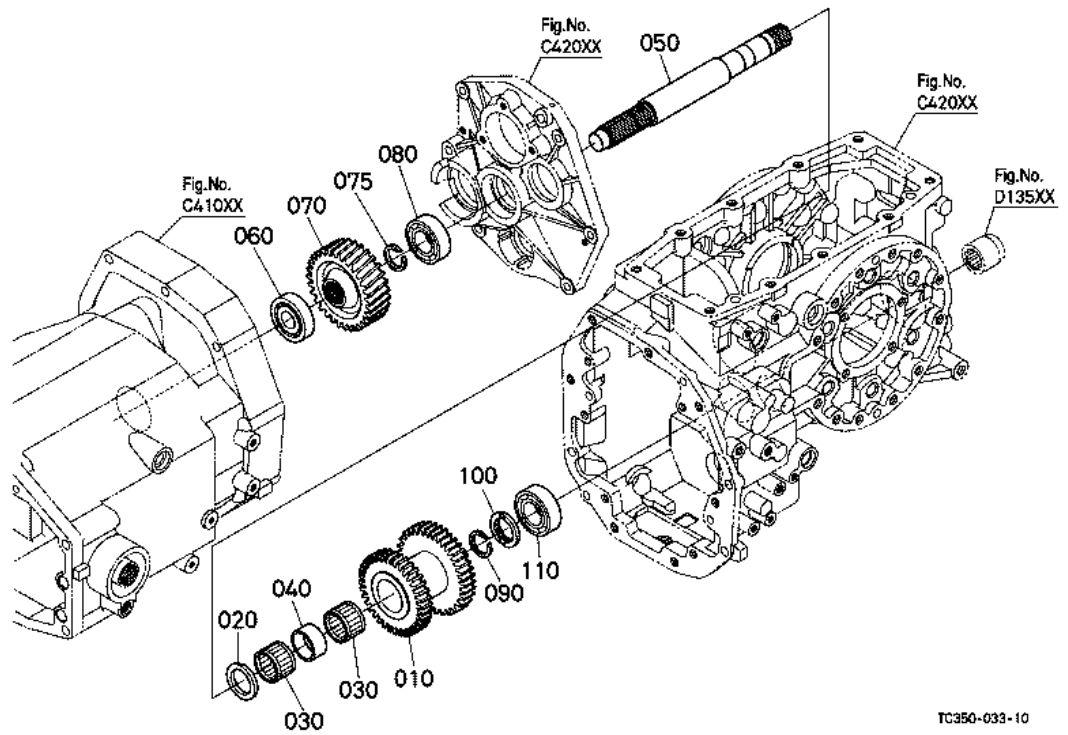
PTO CLUTCH [COMPONENT PARTS]

Ref	Part Number	Part Name	Qty	IC	S/N	Lbs	Remarks
080	TA040-69040	BOLT	3			0.008	
090	TA040-69050	SPRING,RETURN	1			0.165	
100	TA040-69060	SPRING,RETURN	3			0.017	
110	PF801-31260	WASHER	1			0.033	
120	04612-00350	CIR CLIP,EXTERNAL	1			0.022	
130	6A700-13762	PLATE,CLUTCH	6			0.081	
140	TA040-69090	RUBBER	9			0.002	
150	6A700-13750	DISK,CLUTCH	6			0.077	
160	TD170-69100	PLATE,BACK	1			0.264	
170	04611-00920	CIR CLIP,INTERNAL	1			0.088	
180	08101-06807	BEARING,BALL	1			0.066	
190	TA040-69115	HUB,CLUTCH	1			0.803	



# PTO DRIVE SHAFT

Figure Num 01D13400



TC350-033-10

## PTO DRIVE SHAFT

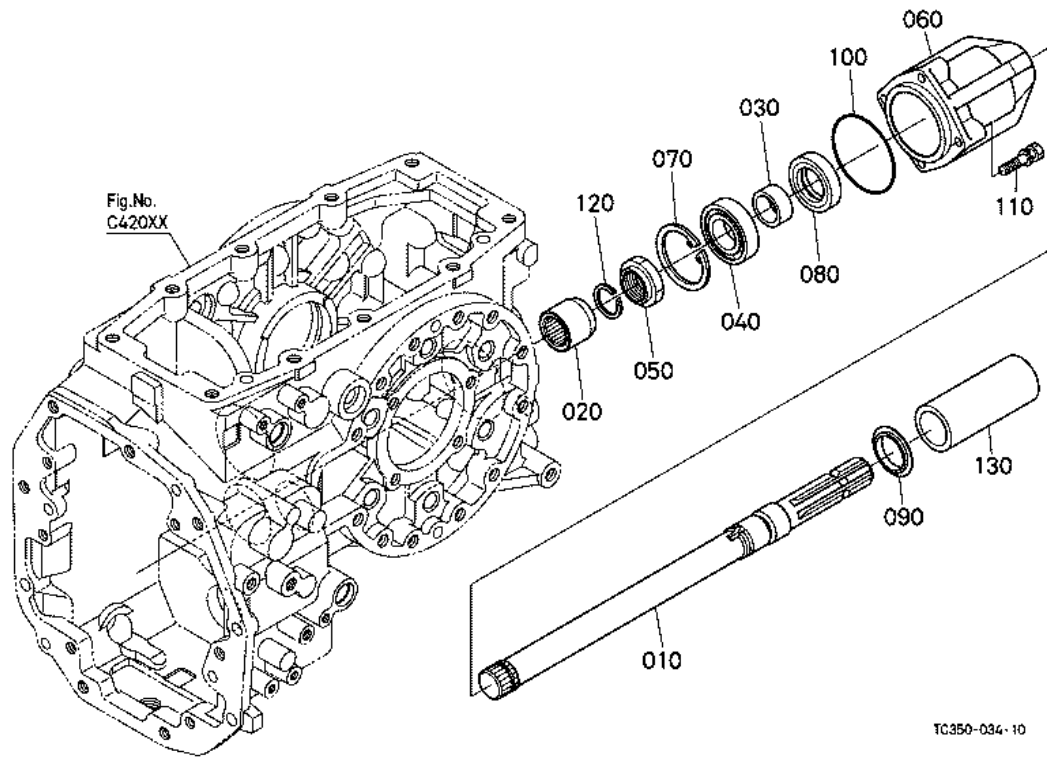
Ref	Part Number	Part Name	Qty	IC	S/N	Lbs	Remarks
010	TC050-15122	GEAR	1			4.18	34-35T
020	38430-25233	COLLAR,THRUST	1			0.044	
030	TC050-15252	BEARING,NEEDLE	2			0.066	
040	TC050-15134	COLLAR	1			0.057	
050	TC350-53680	SHAFT,PTO DRIVE	1			0	
060	35890-41290	BEARING,BALL	1			0.512	
070	TC350-53612	GEAR,PTO	1			0	30T

PTO DRIVE SHAFT

Ref	Part Number	Part Name	Qty	IC	S/N	Lbs	Remarks
075	38430-25540	CIR CLIP,EXTERNAL	1			0.008	
080	76550-34140	BEARING,BALL	1			0.462	
090	37410-15280	CIR-CLIP	1			0.011	
100	34550-23360	COLLAR,THRUST	1			0.048	
110	37410-57330	BEARING,BALL	1			0.44	

# PTO SHAFT

**Figure Num 01D13500**



TC350-034-10

# PTO SHAFT

Ref	Part Number	Part Name	Qty	IC	S/N	Lbs	Remarks
010	TD170-23700	SHAFT,PTO	1			5.28	
020	TD060-23660	COUPLING,PTO	1			0.363	
030	35340-25350	COLLAR,OIL SEAL	1			0.066	
040	TD060-23730	BEARING,BALL	1			0.495	
050	35340-25320	NUT	1			0.11	
060	TD160-23720	CASE,BEARING	1			5.06	
070	04611-00650	CIR CLIP,INTERNAL	1			0.024	

PTO SHAFT

Ref	Part Number	Part Name	Qty	IC	S/N	Lbs	Remarks
080	35340-25360	SEAL,OIL	1			0.052	
090	38240-25370	SLINGER	1			0.011	
100	04811-50800	O RING	1			0.006	
110	01123-50840	BOLT	4			0.039	
120	38430-25540	CIR CLIP,EXTERNAL	1			0.008	
130	31220-25820	CAP	1			0.121	

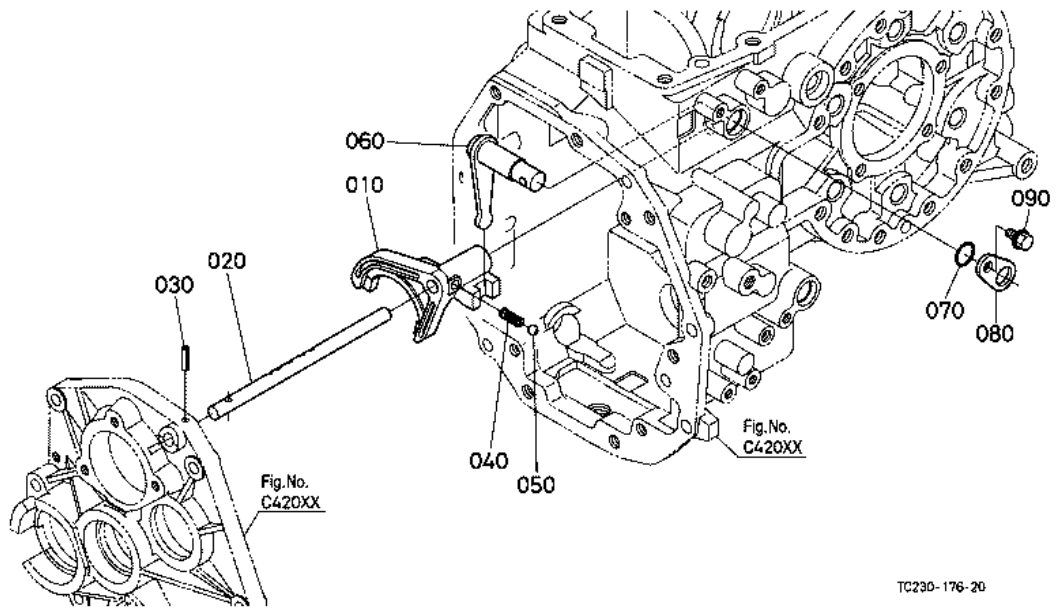
speed change shift fork /shift lever

Figure Num SPEED CHA



# RANGE GEAR SHIFT FORK

**Figure Num 01D21700**



## RANGE GEAR SHIFT FORK

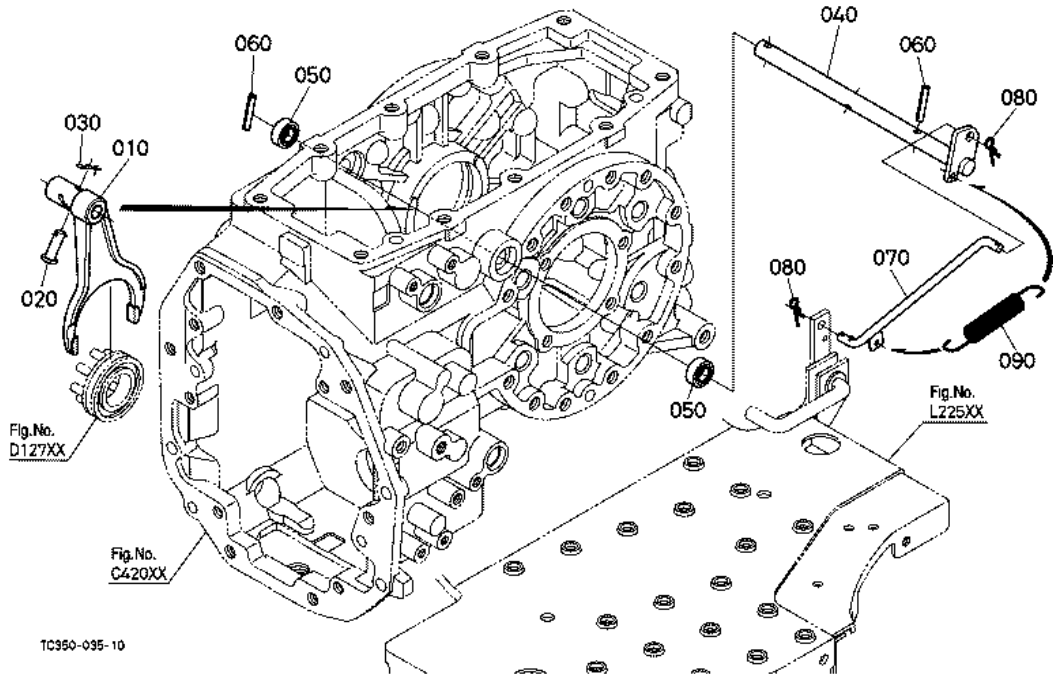
Ref	Part Number	Part Name	Qty	IC	S/N	Lbs	Remarks
010	TD060-54500	FORK,RANGE SHIFT	1			0.462	
020	TC230-54413	ROD,RANGE SHIFT	1			0.407	
030	05411-00522	PIN,SPRING	1			0.004	
040	62231-18530	SPRING	1			0.044	
050	07715-01605	BALL	1			0.006	
060	TD060-54420	ARM,SHIFT	1			0.55	
070	04816-00200	O RING	1			0.006	

RANGE GEAR SHIFT FORK

Ref	Part Number	Part Name	Qty	IC	S/N	Lbs	Remarks
080	34070-24350	STOPPER	1			0.044	
090	01754-50812	BOLT,FLANGE	1			0.022	

# REAR DIFFERENTIAL LOCK SHIFT FORK

**Figure Num 01D22500**



# REAR DIFFERENTIAL LOCK SHIFT FORK

Ref	Part Number	Part Name	Qty	IC	S/N	Lbs	Remarks
010	31351-26632	FORK,DIFF.LOCK SHIF.	1			1.023	
020	31351-26620	PIN,JOINT	1			0.017	
030	50080-34110	PIN, SNAP	1			0.002	
040	TC230-52800	SHAFT,FORK	1			1.21	
050	09500-16287	SEAL,OIL	2			0.022	
060	05411-00635	PIN,SPRING	2			0.011	
070	TC350-52812	ROD,DIFF.LOCK	1			0	

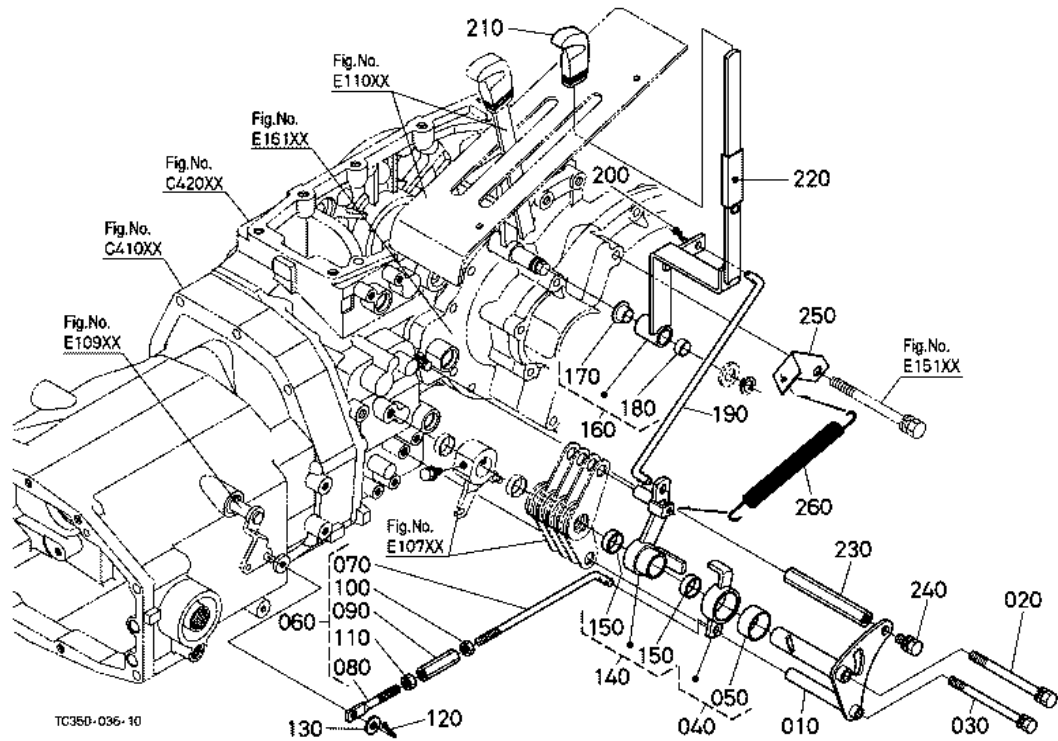


REAR DIFFERENTIAL LOCK SHIFT FORK

Ref	Part Number	Part Name	Qty	IC	S/N	Lbs	Remarks
080	05515-60800	PIN,SNAP	2			0.004	
090	37150-15840	SPRING	1			0.132	

# CRUISE CONTROL LEVER

Figure Num 01E10600



## CRUISE CONTROL LEVER

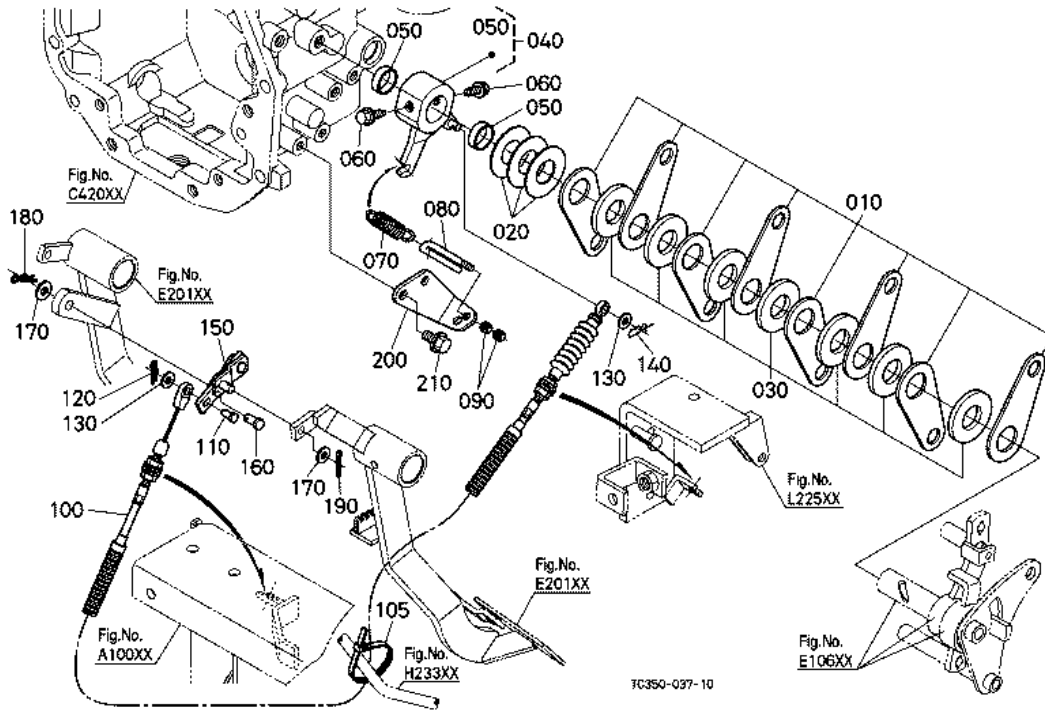
Ref	Part Number	Part Name	Qty	IC	S/N	Lbs	Remarks
010	TC230-55272	HOLDER	1			1.232	
020	T1170-27380	BOLT, REAR AXLE CAS.	1			0.264	
030	TD060-55720	BOLT	1			0.187	
040	TC350-55950	ASSY LEVER, CONTROL	1			0	
050	08511-03520	BUSH	1			0.074	
060	TC350-55880	ASSY ROD	1			0	
070	TC220-55300	ROD, CRUISE	1			0.264	

CRUISE CONTROL LEVER

Ref	Part Number	Part Name	Qty	IC	S/N	Lbs	Remarks
080	T1150-24380	ROD,SHIFT	1			0.090	
090	37410-42180	TURNBUCKLE	1			0.11	
100	32350-28990	NUT	1			0.011	
110	02118-50100	NUT	1			0.011	
120	05511-50318	PIN,SPLIT	1			0.002	
130	04011-50100	WASHER,PLAIN	1			0.004	
140	TC220-55910	ASSY LEVER,SPEED SE.	1			0.858	
150	08511-02510	BUSH	2			0.026	
160	TC350-55920	ASSY LEVER,CRUISE	1			0	
170	T1060-24570	BUSH	1			0.011	
180	T1060-24460	BUSH	1			0.011	
190	TC230-55850	ROD,SPEED SET	1			0.44	
200	05515-61000	PIN, SNAP	1			0.004	
210	TD060-24490	GRIP, LEVER	1			0.099	
220	6A100-18560	CUSHION	1			0.011	
230	TC230-55320	BOSS,CRUISE CONTROL	1			0.473	
240	01133-51220	BOLT	1			0.088	
250	TC350-55770	HOLDER,SPRING	1			0	
260	TD060-55260	SPRING, CRUISE	1			0.083	

# CRUISE CONTROL CABLE

**Figure Num 01E10700**



## CRUISE CONTROL CABLE

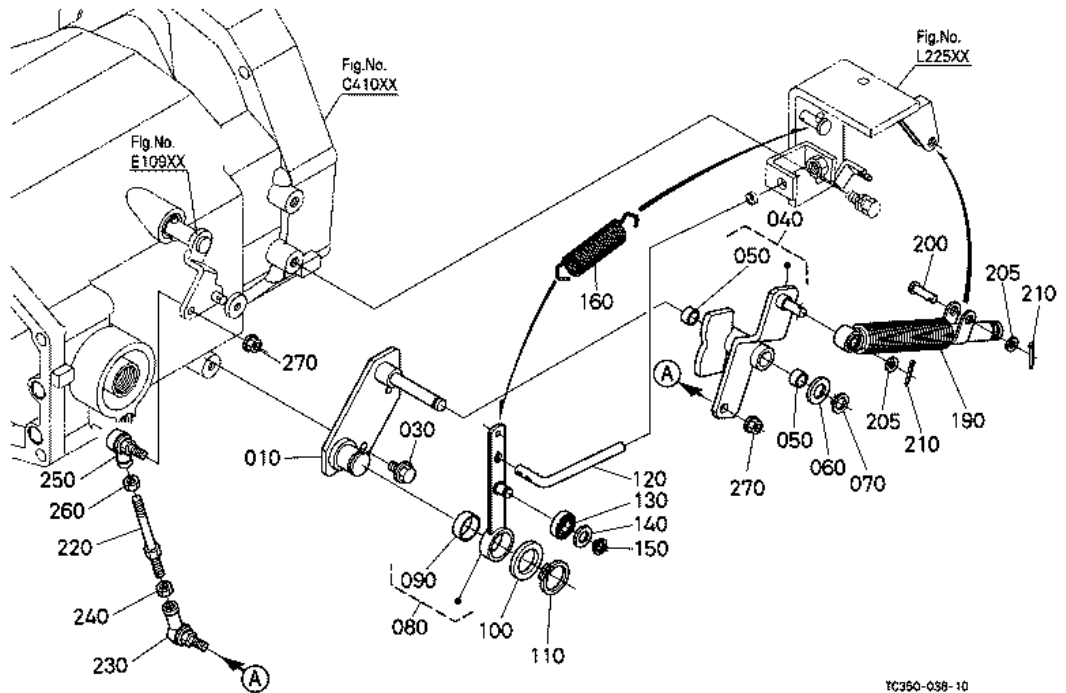
Ref	Part Number	Part Name	Qty	IC	S/N	Lbs	Remarks
010	TD060-55800	PLATE, FRICTION	8			0.055	
020	TD060-55810	SHIM	3			0.11	0.4mm
030	TD060-55840	DISK, FRICTION	7			0.015	
040	TC230-55960	ASSY LEVER, CRUISE	1			0.913	
050	08511-02510	BUSH	2			0.026	
060	37500-42250	BOLT	2			0.026	
070	TD060-55820	SPRING	1			0.066	

CRUISE CONTROL CABLE

Ref	Part Number	Part Name	Qty	IC	S/N	Lbs	Remarks
080	TD060-55790	ROD, ADJUSTING	1			0.055	
090	02056-50060	HEX. NUT	2			0.004	
100	TC230-55704	CABLE,CRUISE	1			0.55	
105	55311-41260	BAND,CORD	1			0.015	
110	05122-50614	PIN,JOINT	1			0.008	
120	05525-60600	PIN,SNAP	1			0.002	
130	04012-50060	WASHER, PLAIN	2			0.002	
140	52300-34110	PIN,SNAP	1			0.004	
150	TC230-57322	COMP.LINK	1			0.176	
160	05122-50814	PIN, JOINT	1			0.011	
170	04012-50080	WASHER, PLAIN	2			0.002	
180	05525-50800	PIN,SNAP	1			0.002	
190	05511-50218	PIN,SPLIT	1			0.002	
200	TC230-55180	BRACKET,SPEED SET	1			0.253	
210	01754-50816	BOLT, FLANGE	2			0.024	

# NEUTRAL HOLDER LINK

**Figure Num 01E10800**



TC350-038-10

# NEUTRAL HOLDER LINK

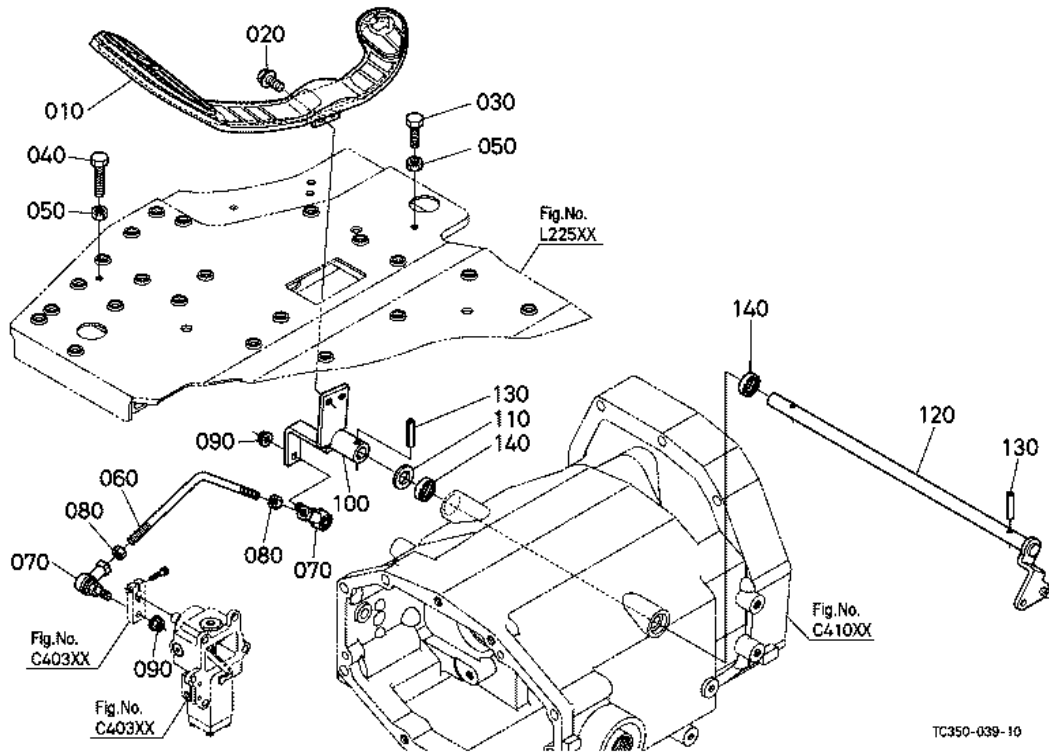
Ref	Part Number	Part Name	Qty	IC	S/N	Lbs	Remarks
010	TC230-55170	BRACKET,HST	1			0.99	
030	01754-50816	BOLT, FLANGE	2			0.024	
040	TC230-55500	ASSY CAM	1			0.968	
050	08511-01215	BUSH	2			0.011	
060	04013-60120	WASHER, PLAIN	1			0.022	
070	04612-00120	CIR CLIP,EXTERNAL	1			0.002	
080	TD060-55650	ASSY ARM,NEUT.HOLDE.	1			0.297	

NEUTRAL HOLDER LINK

Ref	Part Number	Part Name	Qty	IC	S/N	Lbs	Remarks
090	08511-02512	BUSH	1			0.024	
100	04011-50250	WASHER,PLAIN	1			0.059	
110	04612-00250	CIR CLIP,EXTERNAL	1			0.004	
120	TD060-55560	ROD,NEUTRAL SWITCH	1			0.114	
130	08121-06000	BEARING,BALL	1			0.044	
140	04011-50100	WASHER,PLAIN	1			0.004	
150	04612-00100	CIR CLIP,EXTERNAL	1			0.002	
160	66204-43323	SPRING	1			0.121	
190	TC350-43350	DAMPER,HST	1			0.528	
200	05122-50828	PIN,JOINT	1			0.026	
205	04012-50080	WASHER, PLAIN	2			0.002	
210	05511-50215	PIN, SPLIT	2			0.002	
220	TD060-55230	ROD,HST NEUTRAL	1			0.077	
230	54721-31850	BALL,LINK	1			0.143	
240	37300-41330	NUT	1			0.011	
250	45404-95770	END,ROD	1			0.11	
260	02114-50080	NUT	1			0.011	
270	02751-50080	NUT,FLANGE	2			0.013	

# SPEED CONTROL PEDAL

Figure Num 01E10900



TC350-039-10

## SPEED CONTROL PEDAL

Ref	Part Number	Part Name	Qty	IC	S/N	Lbs	Remarks
010	TD060-55543	PEDAL,HST CONTROL	1			2.64	
020	01754-50816	BOLT, FLANGE	2			0.024	
030	01153-50838	BOLT	1		<=54761	0.037	
030	01155-50830	BOLT	1	>>	>=54762	0.022	
040	01153-50838	BOLT	1		<=54761	0.037	
040	01155-50845	BOLT	1	>>	>=54762	0.044	
050	02112-50080	NUT	2			0.006	

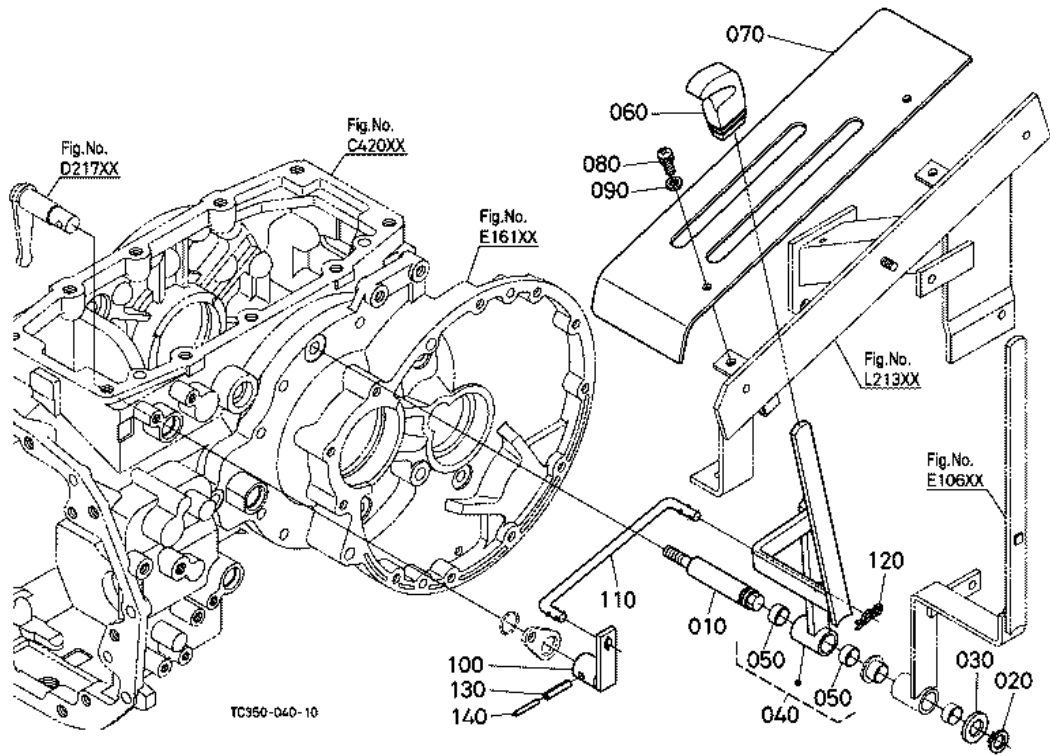


SPEED CONTROL PEDAL

Ref	Part Number	Part Name	Qty	IC	S/N	Lbs	Remarks
060	TC230-55150	ROD,HST PEDAL	1			0.132	
070	45404-95770	END,ROD	2			0.11	
080	02114-50080	NUT	2			0.011	
090	02751-50080	NUT,FLANGE	2			0.013	
100	TC350-55520	LEVER,HST PEDAL	1			0	
110	04011-60160	WASHER,PLAIN	1			0.022	
120	TC230-55530	SHAFT,HST PEDAL	1			1.76	
130	05411-00635	PIN,SPRING	2			0.011	
140	09500-16267	SEAL,OIL	2			0.011	

# RANGE GEAR SHIFT LEVER

**Figure Num 01E11000**



## RANGE GEAR SHIFT LEVER

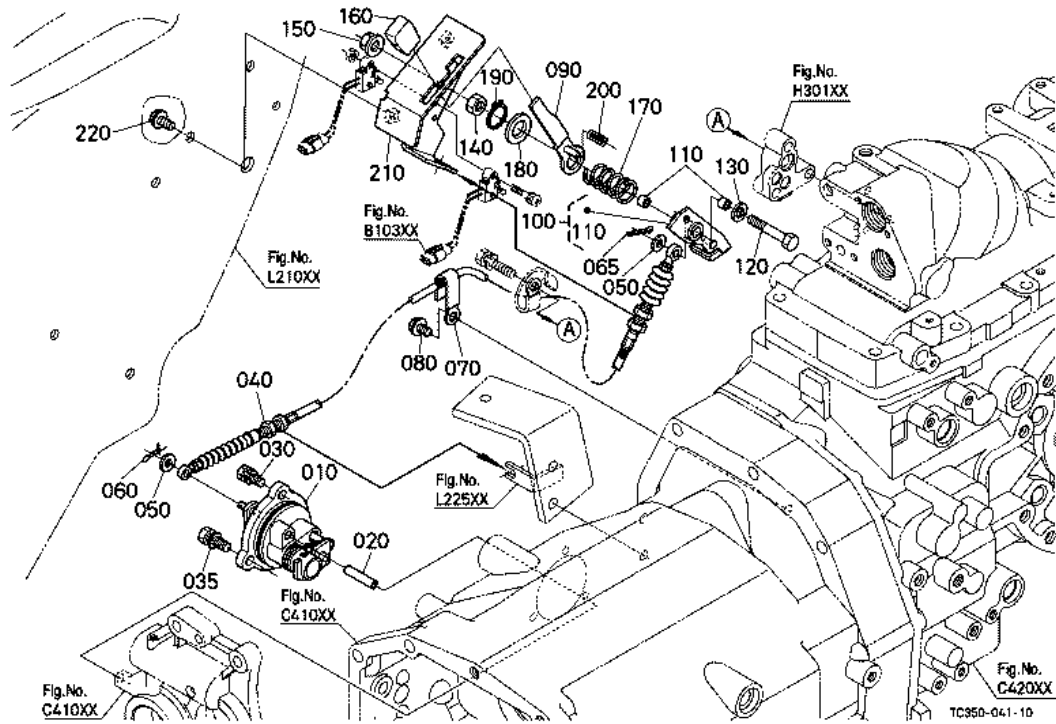
Ref	Part Number	Part Name	Qty	IC	S/N	Lbs	Remarks
010	T1080-24430	BOLT	1			0.451	
020	04612-00180	CIR-CLIP, EXTERNAL	1			0.002	
030	04011-50180	WASHER, PLAIN	1			0.026	
040	TC350-54680	ASSY LEVER, R/SHIFT	1			0	
050	T1060-24460	BUSH	2			0.011	
060	TD060-24490	GRIP, LEVER	1			0.099	
070	TC350-57560	GUIDE, HST CAHNGE	1			0	

RANGE GEAR SHIFT LEVER

Ref	Part Number	Part Name	Qty	IC	S/N	Lbs	Remarks
080	03004-60825	SCREW,WITH WASHER	2			0.308	
090	04013-60080	WASHER, PLAIN	2			0.004	
100	TC230-54560	LEVER,RANGE SHIFT	1			0.286	
110	TC230-54572	ROD,RANGE SHIFT	1			0.308	
120	05515-61000	PIN, SNAP	1			0.004	
130	05411-00635	PIN,SPRING	1			0.011	
140	70451-57350	PIN,SPRING	1			0.011	

# PTO CLUTCH CONTROL LEVER

Figure Num 01E12600



## PTO CLUTCH CONTROL LEVER

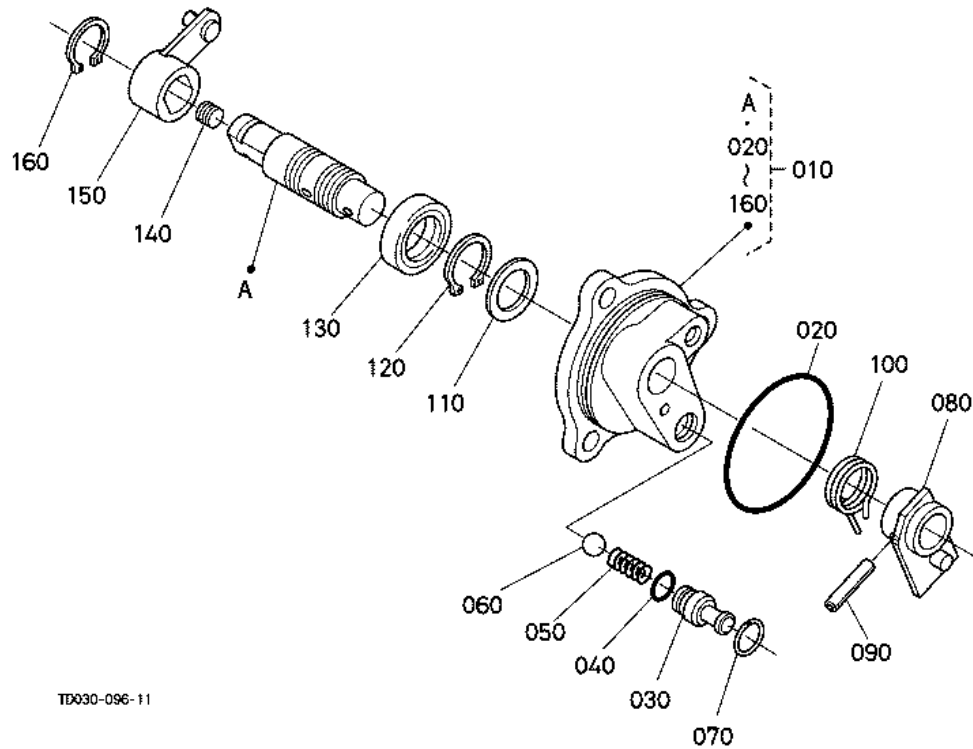
Ref	Part Number	Part Name	Qty	IC	S/N	Lbs	Remarks
010	TD060-69300	ASSY VALVE,I-PTO	1			2.002	
020	36530-27273	PIPE,HYDRAULIC	1			0.011	
030	01123-50820	BOLT	2			0.024	
035	01123-50825	BOLT	1			0.028	
040	TC230-24654	CABLE,PTO	1			0.352	
050	04012-50060	WASHER, PLAIN	2			0.002	
060	50080-34110	PIN, SNAP	1			0.002	

PTO CLUTCH CONTROL LEVER

Ref	Part Number	Part Name	Qty	IC	S/N	Lbs	Remarks
065	05511-51612	PIN, SPLIT	1			0.002	
070	13824-67580	CLAMP, CORD	1			0.013	
080	01754-50812	BOLT, FLANGE	1			0.022	
090	3A012-27810	LEVER, PTO CLUTCH	1			0.107	
100	TC250-69720	ASSY CAM, PTO LEVER	1			0.22	
110	08511-00810	BUSH	2			0.006	
120	TC220-59740	PIN, PTO LEVER	1			0.046	
130	04013-60080	WASHER, PLAIN	1			0.004	
140	02114-50080	NUT	1			0.011	
150	02763-50080	NUT, FLANGE	1			0.013	
160	36919-27820	GRIP, PTO LEVER	1			0.033	
170	3A012-27850	SPRING	1			0.011	
180	04011-50180	WASHER, PLAIN	1			0.026	
190	04612-00180	CIR-CLIP, EXTERNAL	1			0.002	
200	3A111-27830	SPRING, PTO LEVER	1			0.002	
210	TC050-47612	GUIDE, PTO LEVER	1			0.66	
220	01754-50816	BOLT, FLANGE	2			0.024	

# PTO CLUTCH VALVE [COMPONENT PARTS]

**Figure Num 01E12700**



## PTO CLUTCH VALVE [COMPONENT PARTS]

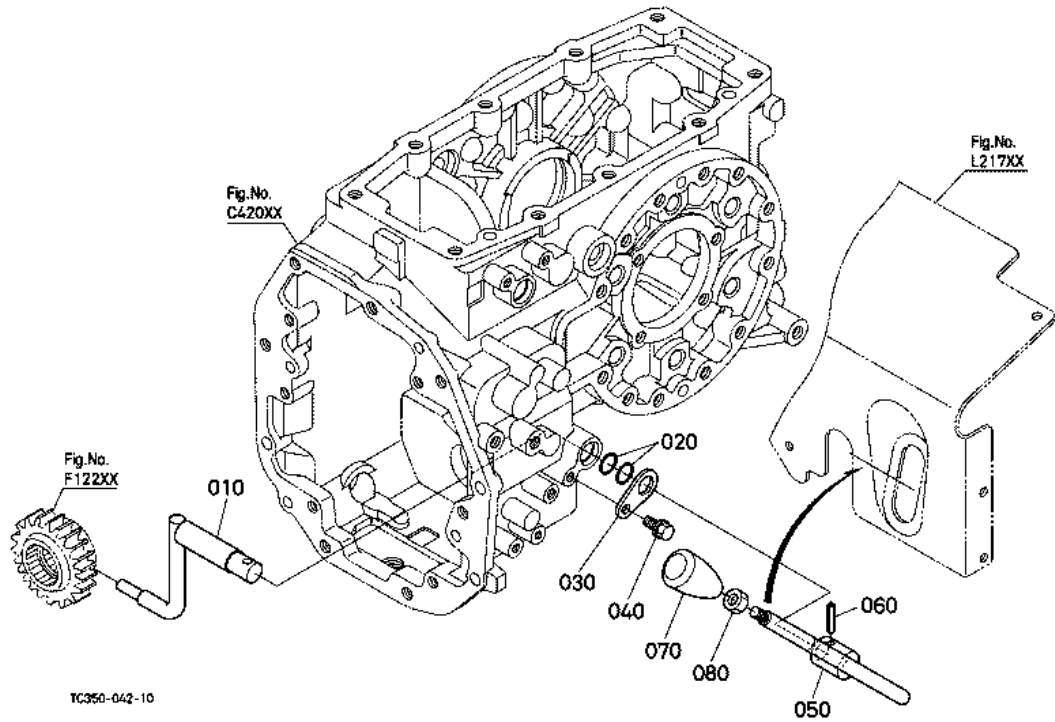
Ref	Part Number	Part Name	Qty	IC	S/N	Lbs	Remarks
010	TD060-69300	ASSY VALVE,I-PTO	1			2.002	
020	04811-06630	O RING	1			0.002	
030	TA040-69320	PLUG	1			0.013	
040	04817-00090	O RING	1			0.002	
050	TA040-69330	SPRING	1			0.002	
060	07715-03209	BALL	1			0.004	
070	67401-03690	RING	1			0.002	

PTO CLUTCH VALVE [COMPONENT PARTS]

Ref	Part Number	Part Name	Qty	IC	S/N	Lbs	Remarks
080	TA040-69340	LEVER,VALVE ROTOR	1			0.125	
090	05411-00522	PIN,SPRING	1			0.004	
100	TA040-69360	SPRING	1			0.030	
110	50770-12180	COLLAR,THRUST	1			0.006	
120	04612-00200	CIR CLIP,EXTERNAL	1			0.002	
130	09500-20358	SEAL,OIL	1			0.022	
140	67511-36640	PLUG	1			0.006	
150	TD060-69370	LEVER,VALVE	1			0.11	
160	04612-00180	CIR-CLIP, EXTERNAL	1			0.002	

# FRONT WHEEL DRIVE LEVER

**Figure Num 01E14000**



# FRONT WHEEL DRIVE LEVER

Ref	Part Number	Part Name	Qty	IC	S/N	Lbs	Remarks
010	TC230-54300	LEVER,SHIFT	1			0.792	
020	04816-00200	O RING	2			0.006	
030	34070-24350	STOPPER	1			0.044	
040	01754-50812	BOLT,FLANGE	1			0.022	
050	TC350-54350	LEVER,FRONT DRIVE	1			0	
060	05411-00630	PIN,SPRING	1			0.008	
070	TA040-15480	GRIP,LEVER	1			0.116	



FRONT WHEEL DRIVE LEVER

Ref	Part Number	Part Name	Qty	IC	S/N	Lbs	Remarks
080	02116-50100	NUT	1			0.008	

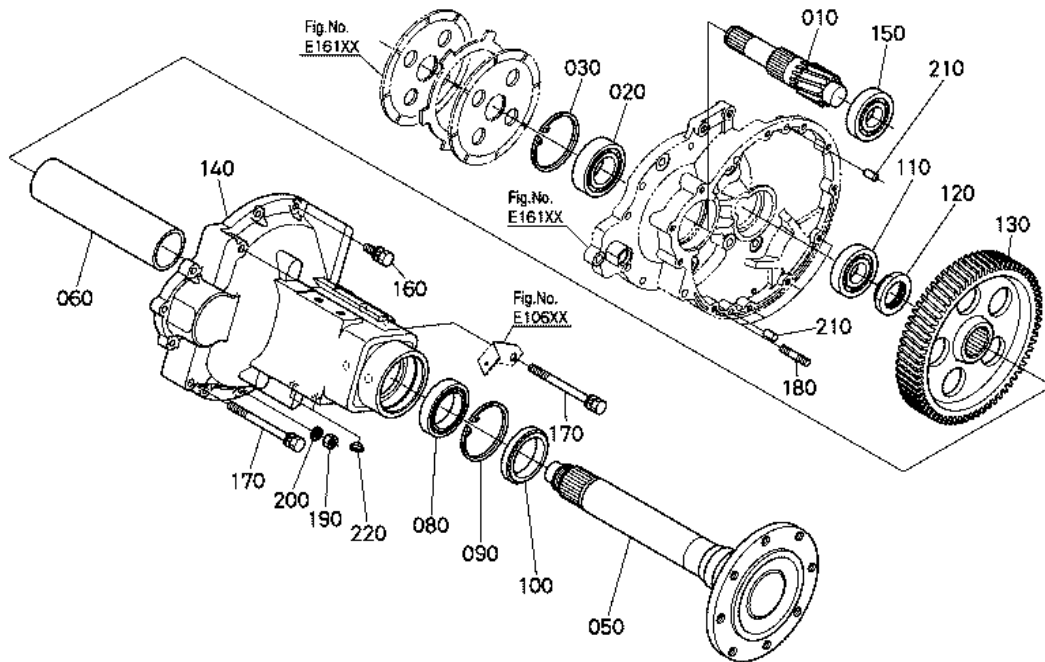
rear axle/brake

**Figure Num REAR AXLE**



# REAR AXLE LH

**Figure Num 01E15100**



TC050-043-10

# REAR AXLE LH

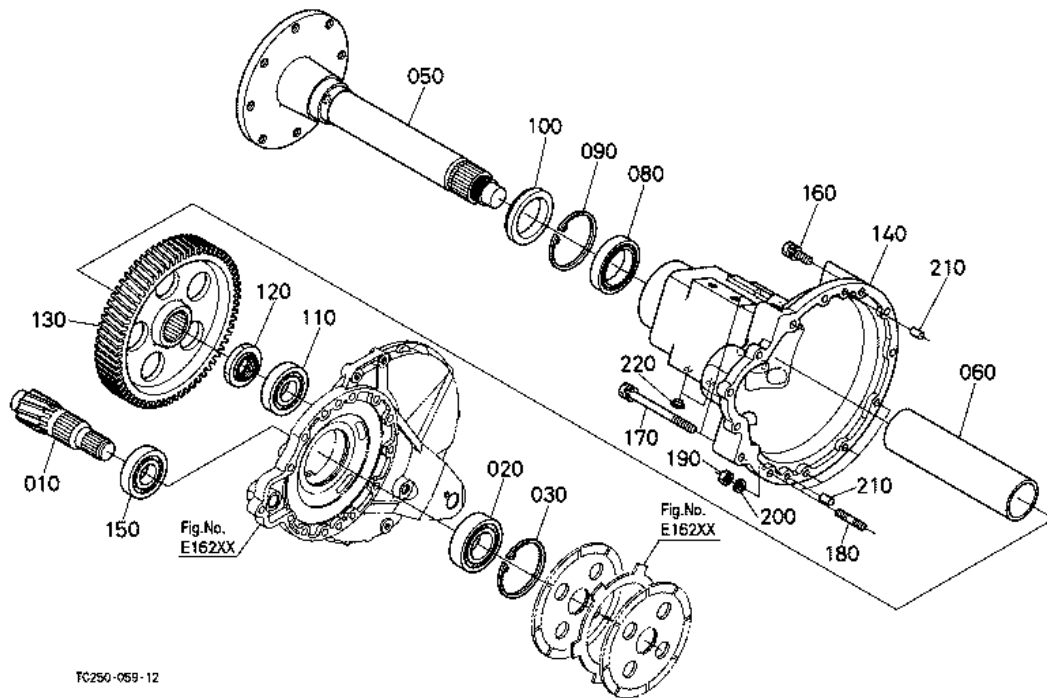
Ref	Part Number	Part Name	Qty	IC	S/N	Lbs	Remarks
010	TC050-26722	SHAFT,DIFF.GEAR LH	1			4.84	11T
020	08101-06309	BEARING,BALL	1			1.804	
030	04611-01000	CIR CLIP,INTERNAL	1			0.092	
050	TC050-27110	AXLE,REAR	1			35.2	
060	TC050-27140	SPACER	1			5.06	
080	08101-06012	BEARING,BALL	1			0.902	
090	04611-00950	CIR CLIP,INTERNAL	1			0.11	

REAR AXLE LH

Ref	Part Number	Part Name	Qty	IC	S/N	Lbs	Remarks
100	36540-48250	SEAL,WITH SHAFT	1			0.286	
110	T1150-27150	BEARING,BALL	1			1.012	
120	70631-15730	NUT	1			0.33	
130	T1170-26830	GEAR	1			17.64	67T
140	TC250-27330	CASE,REAR AXLE LH	1			49.06	
150	35860-79150	BEARING,BALL	1			0.968	
160	01133-51035	BOLT	7			0.066	
170	T1170-27380	BOLT, REAR AXLE CAS.	2			0.264	
180	34070-20313	STUD	4			0.099	
190	37300-14190	NUT	4			0.019	
200	04512-60100	WASHER, SPRING	4			0.004	
210	05012-01018	PIN,STRAIGHT	2			0.026	
220	31220-14290	PLUG	2			0.004	

# REAR AXLE RH

**Figure Num 01E15200**



TC250-059-12

# REAR AXLE RH

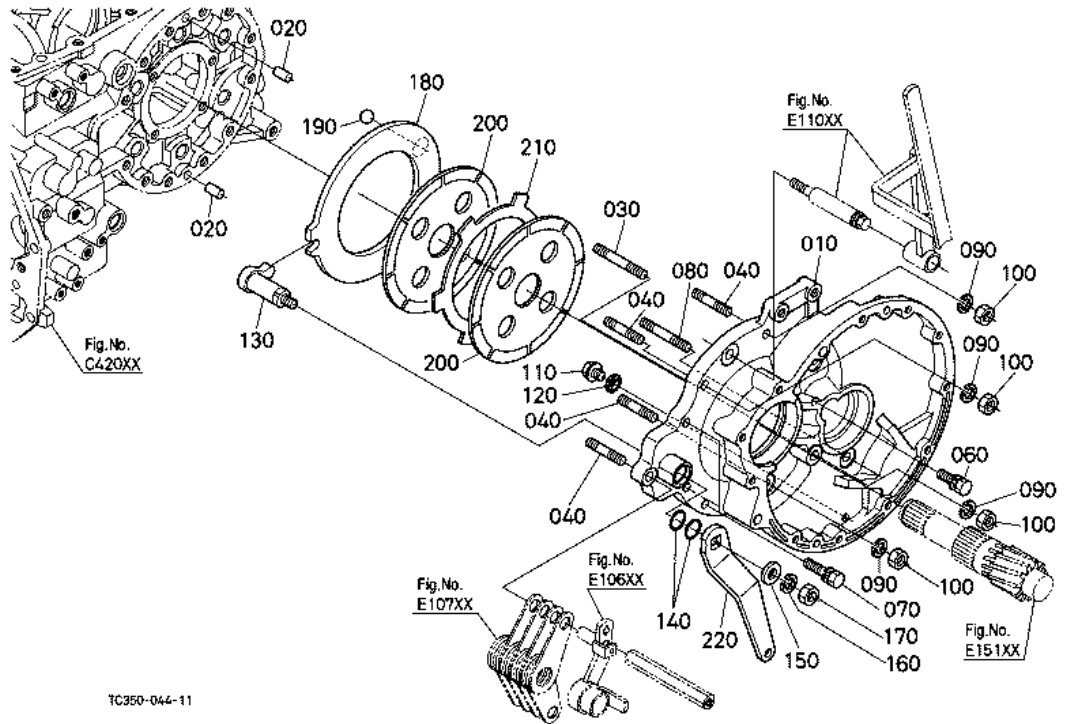
Ref	Part Number	Part Name	Qty	IC	S/N	Lbs	Remarks
010	TC050-26712	SHAFT,DIFF.GEAR RH	1			4.312	11T
020	08101-06309	BEARING,BALL	1			1.804	
030	04611-01000	CIR CLIP,INTERNAL	1			0.092	
050	TC050-27110	AXLE,REAR	1			35.2	
060	TC050-27140	SPACER	1			5.06	
080	08101-06012	BEARING,BALL	1			0.902	
090	04611-00950	CIR CLIP,INTERNAL	1			0.11	

REAR AXLE RH

Ref	Part Number	Part Name	Qty	IC	S/N	Lbs	Remarks
100	36540-48250	SEAL,WITH SHAFT	1			0.286	
110	T1150-27150	BEARING,BALL	1			1.012	
120	70631-15730	NUT	1			0.33	
130	T1170-26830	GEAR	1			17.64	67T
140	TC250-27340	CASE,REAR AXLE RH	1			49.06	
150	35860-79150	BEARING,BALL	1			0.968	
160	01133-51035	BOLT	7			0.066	
170	T1170-27380	BOLT, REAR AXLE CAS.	2			0.264	
180	34070-20313	STUD	4			0.099	
190	37300-14190	NUT	4			0.019	
200	04512-60100	WASHER, SPRING	4			0.004	
210	05012-01018	PIN,STRAIGHT	2			0.026	
220	31220-14290	PLUG	2			0.004	

# BRAKE LH

**Figure Num 01E16100**



# BRAKE LH

Ref	Part Number	Part Name	Qty	IC	S/N	Lbs	Remarks
010	TC350-58630	CASE,BRAKE LH	1			36.08	
020	05012-01018	PIN,STRAIGHT	2			0.026	
030	01574-51265	STUD	1			0.147	
040	01574-61240	STUD	5			0.099	
060	01133-51235	BOLT	1			0.094	
070	01133-51240	BOLT	3			0.099	
080	01574-61260	STUD	1			0.132	

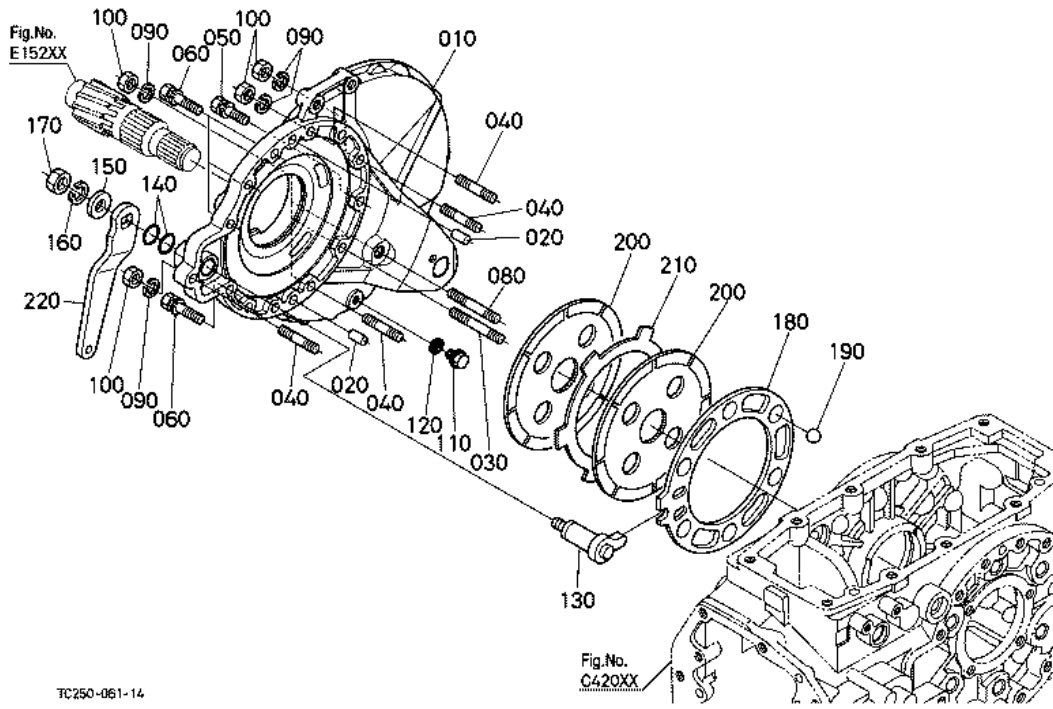
## BRAKE LH

Ref	Part Number	Part Name	Qty	IC	S/N	Lbs	Remarks
090	04512-60120	WASHER, SPRING	6			0.011	
100	02176-50120	NUT	6			0.022	
110	06331-45010	PLUG	1			0.044	
120	04717-01000	WASHER, WITH RUBBER	1			0.002	
130	34070-28716	CAM, BRAKE LH	1			0.627	
140	04816-00220	O RING	2			0.006	
150	04015-60120	WASHER, PLAIN	1			0.048	
160	04512-60120	WASHER, SPRING	1			0.011	
170	02174-50120	NUT	1			0.022	
180	34070-28770	PLATE, BRAKE CAM LH	1			2.442	
190	07715-00805	BALL	6			0.035	
200	TD170-28200	DISK, BRAKE MAIN	2			1.65	
210	37720-28170	PLATE	1			0.928	
220	34070-44615	LEVER, BRAKE CAM LH	1			0.902	



# BRAKE RH

**Figure Num 01E16200**



TC250-061-14

# BRAKE RH

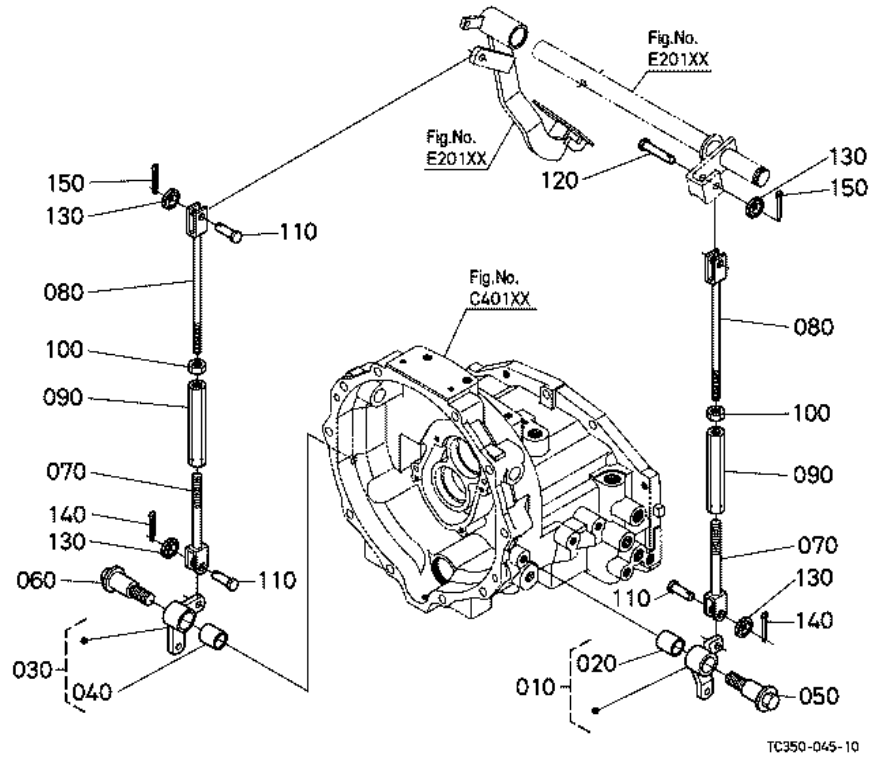
Ref	Part Number	Part Name	Qty	IC	S/N	Lbs	Remarks
010	TC050-28624	CASE,BRAKE RH	1			36.08	
020	05012-01018	PIN,STRAIGHT	2			0.026	
030	01574-51265	STUD	1			0.147	
040	01574-61240	STUD	4			0.099	
050	01133-51235	BOLT	1			0.094	
060	01133-51240	BOLT	5			0.099	
080	01574-61260	STUD	1			0.132	

## BRAKE RH

Ref	Part Number	Part Name	Qty	IC	S/N	Lbs	Remarks
090	04512-60120	WASHER, SPRING	6			0.011	
100	02176-50120	NUT	6			0.022	
110	06331-45010	PLUG	1			0.044	
120	04717-01000	WASHER, WITH RUBBER	1			0.002	
130	34070-28726	CAM, BRAKE RH	1			0.627	
140	04816-00220	O RING	2			0.006	
150	04015-60120	WASHER, PLAIN	1			0.048	
160	04512-60120	WASHER, SPRING	1			0.011	
170	02174-50120	NUT	1			0.022	
180	34070-28780	PLATE, BRAKE CAM RH	1			2.508	
190	07715-00805	BALL	6			0.035	
200	TD170-28200	DISK, BRAKE MAIN	2			1.65	
210	37720-28170	PLATE	1			0.928	
220	34070-44623	LEVER, BRAKE CAM RH	1			0.902	

# BRAKE ROD (BRAKE PEDAL)

**Figure Num 01E16500**



# BRAKE ROD (BRAKE PEDAL)

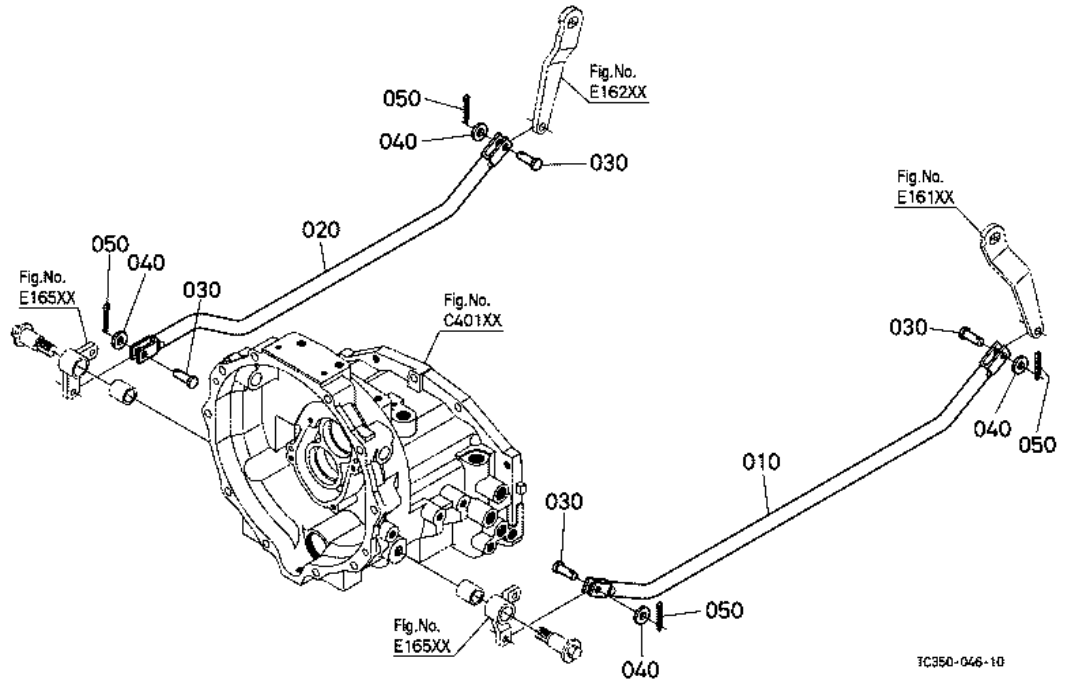
Ref	Part Number	Part Name	Qty	IC	S/N	Lbs	Remarks
010	TC250-44810	ASSY LEVER,BRAKE LH	1			0.55	
020	T0070-44890	BUSH	1			0.061	
030	T1270-44910	ASSY LEVER,BRAKE RH	1			0.528	
040	T0070-44890	BUSH	1			0.061	
050	T1270-44870	SHAFT,BRAKE	1			0.308	
060	T1270-44880	SHAFT,BRAKE	1			0.308	
070	34070-44840	ROD,BRAKE LOWER	2			0.286	

BRAKE ROD (BRAKE PEDAL)

Ref	Part Number	Part Name	Qty	IC	S/N	Lbs	Remarks
080	TC030-76200	ROD,BRAKE UPPER	2			0.363	
090	32350-28980	TURNBUCKLE	2			0.272	
100	02116-50100	NUT	2			0.008	
110	05122-61028	PIN,JOINT	3			0.044	
120	05122-61045	PIN,JOINT	1			0.011	
130	04717-01000	WASHER,WITH RUBBER	4			0.002	
140	05511-50318	PIN,SPLIT	2			0.002	
150	05511-50318	PIN,SPLIT	2			0.002	

# BRAKE ROD (BRAKE CAM)

**Figure Num 01E17000**

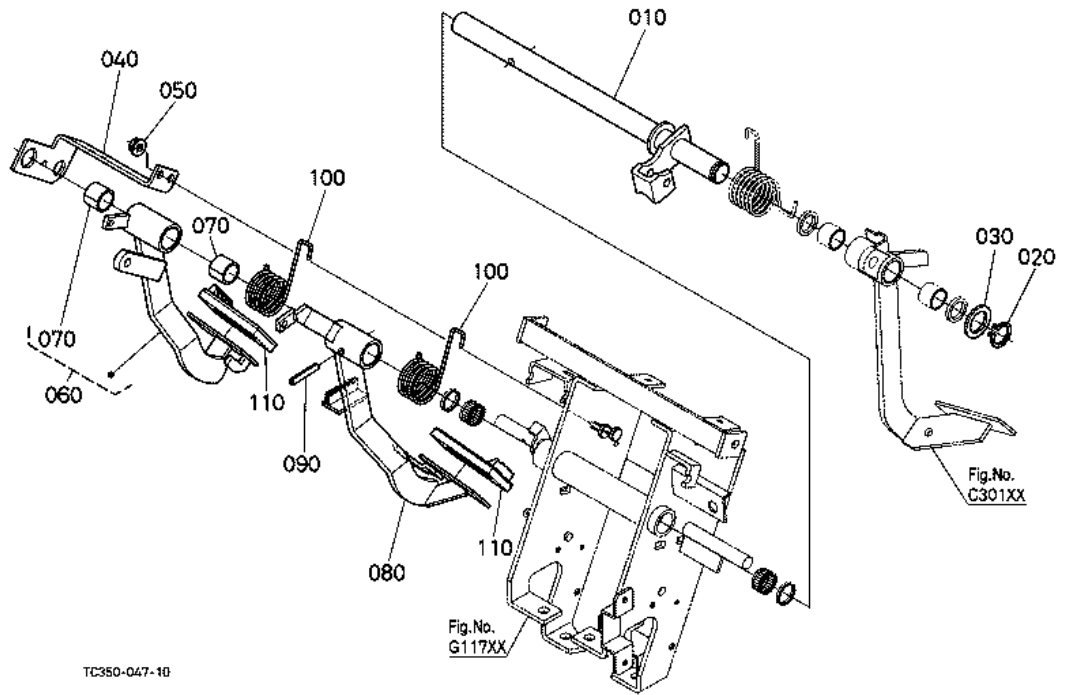


# BRAKE ROD (BRAKE CAM)

Ref	Part Number	Part Name	Qty	IC	S/N	Lbs	Remarks
010	32781-44640	ROD	1			2.486	
020	TC350-54320	ROD,BRAKE	1			0	
030	05122-61028	PIN,JOINT	4			0.044	
040	04013-60100	WASHER, PLAIN	4			0.006	
050	05511-50318	PIN,SPLIT	4			0.002	

# BRAKE PEDAL

**Figure Num 01E20100**



# BRAKE PEDAL

Ref	Part Number	Part Name	Qty	IC	S/N	Lbs	Remarks
010	TC030-44014	SHAFT,PEDAL	1			4.4	
020	04612-00250	CIR CLIP,EXTERNAL	1			0.004	
030	04011-50250	WASHER,PLAIN	1			0.059	
040	TC030-44074	SUPPORT,SHAFT PEDAL	1			0.836	
050	02751-50080	NUT,FLANGE	2			0.013	
060	TC350-54100	ASSY PEDAL,BRAKE RH	1			0	
070	TD060-44080	BUSH	2			0.039	

BRAKE PEDAL

Ref	Part Number	Part Name	Qty	IC	S/N	Lbs	Remarks
080	TC350-54110	PEDAL,BRAKE LH	1			0	
090	05411-00840	PIN,SPRING	1			0.017	
100	TC030-44170	SPRING	2			0.154	
110	T2050-44120	COVER,PEDAL	2			0.154	

front axle/chassis

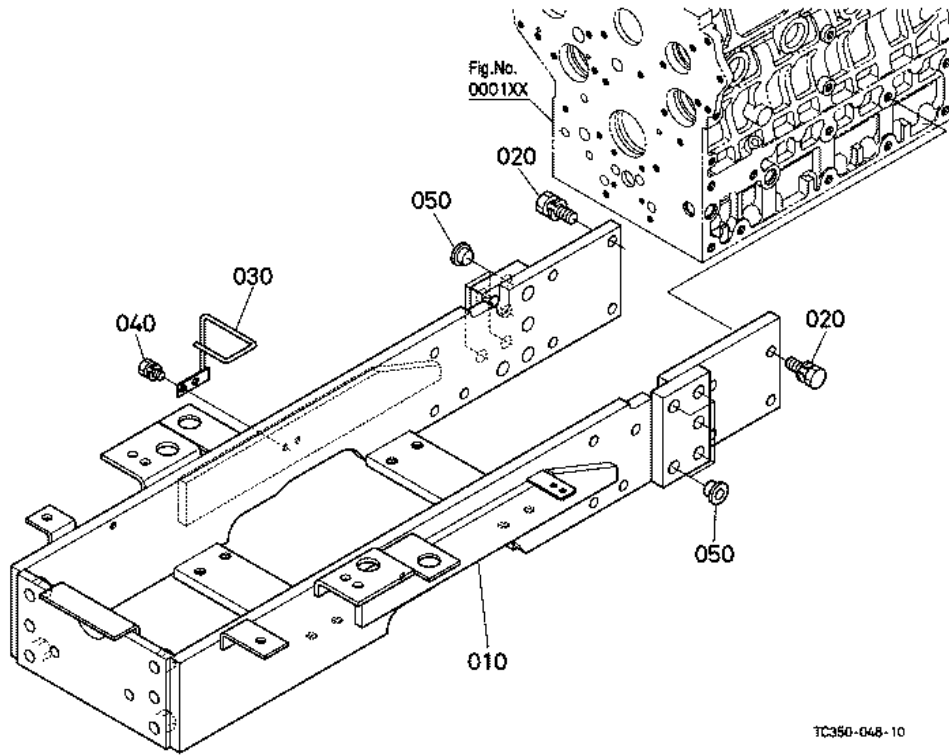
Figure Num FRONT AXL





# FRONT AXLE FRAME

**Figure Num 01F10500**



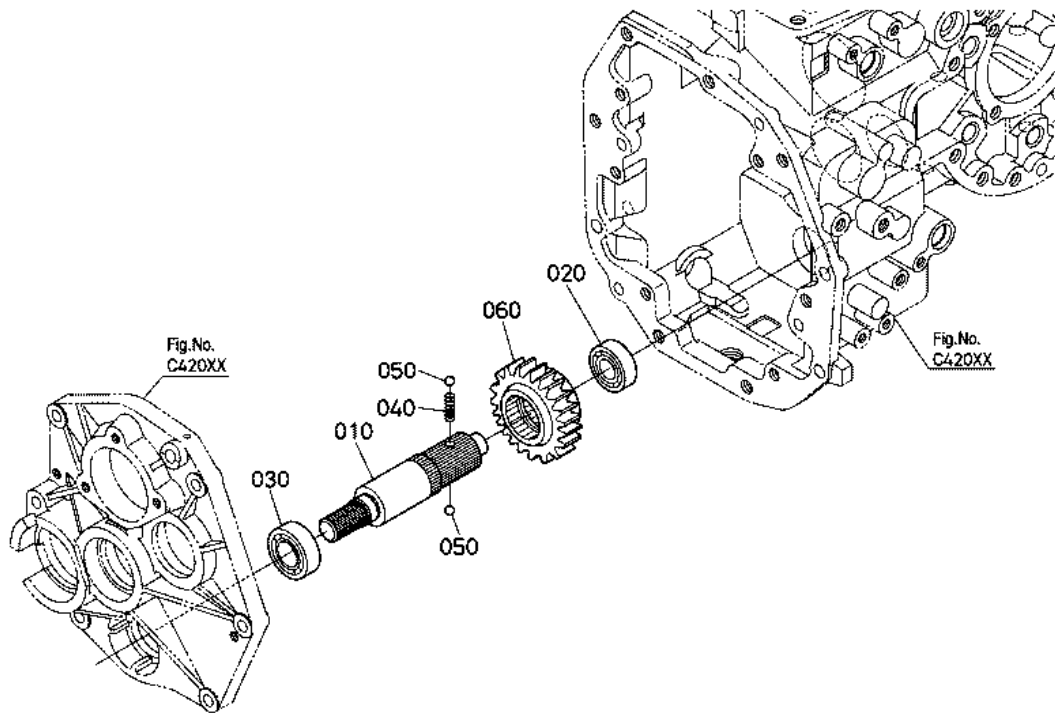
TC350-048-10

## FRONT AXLE FRAME

Ref	Part Number	Part Name	Qty	IC	S/N	Lbs	Remarks
010	TC250-14004	COMP.FRAME,F-AXLE	1			106.2	
020	01138-51235	BOLT	15			0.154	
030	TC250-14250	GUIDE,P.S. HOSE	1			0.121	
040	01123-50812	BOLT	2			0.22	
050	33300-90910	PLUG	10			0.004	

# FRONT WHEEL DRIVE SHAFT

**Figure Num 01F12200**



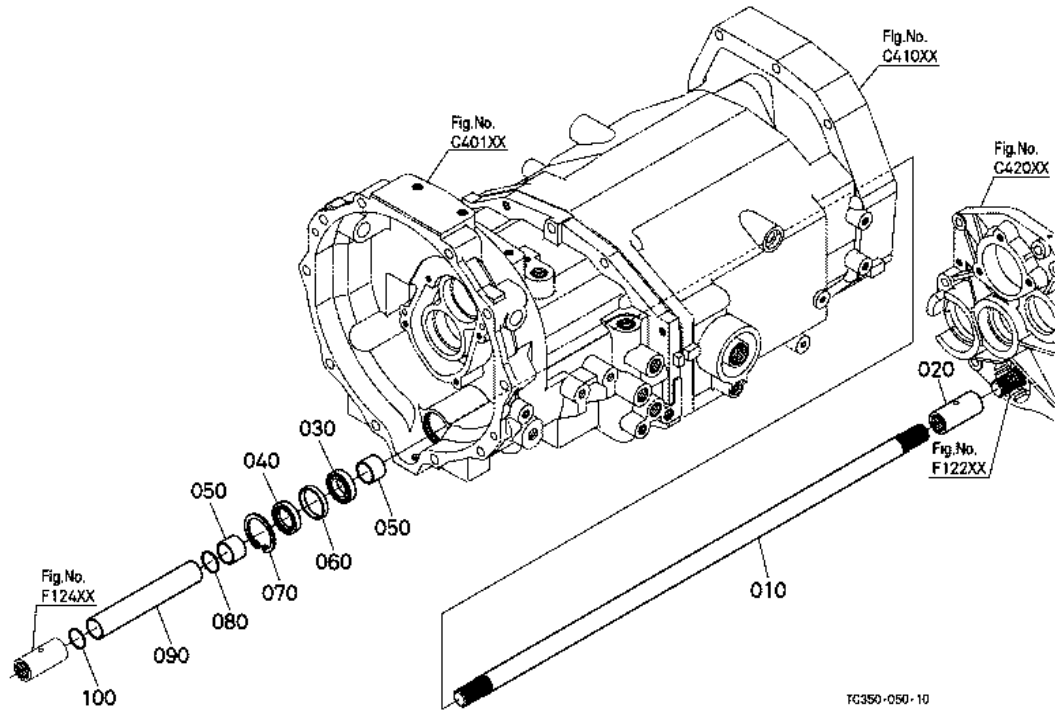
TC350-049-10

## FRONT WHEEL DRIVE SHAFT

Ref	Part Number	Part Name	Qty	IC	S/N	Lbs	Remarks
010	TC250-15220	SHAFT,DRIVE	1			2.508	
020	34070-22560	BEARING,BALL	1			0.22	
030	37410-57190	BEARING,BALL	1			0.308	
040	35260-24110	SPRING	1			0.044	
050	07715-01605	BALL	2			0.006	
060	TC050-15170	GEAR,4WD SHIFT	1			1.408	28T

# PROPELLER SHAFT (REAR)

**Figure Num 01F12300**



## PROPELLER SHAFT (REAR)

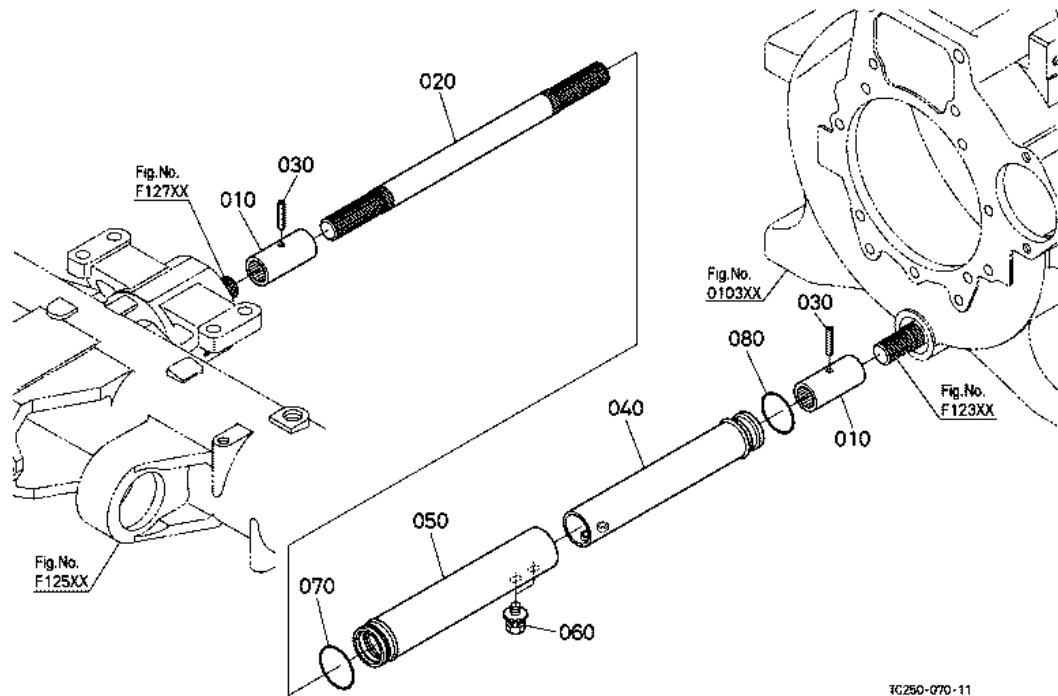
Ref	Part Number	Part Name	Qty	IC	S/N	Lbs	Remarks
010	TC250-14640	SHAFT,PROPELLER	1			6.6	
020	3A021-44520	COUPLING	1			0.385	
030	08101-06905	BEARING,BALL	1			0.088	
040	TC350-14670	SEAL,OIL	1			0.022	
050	TC250-14680	SLEEVE	2			0.050	
060	TD060-14654	SPACER	1			0.022	
070	04611-00420	RING, SNAP	1			0.013	

PROPELLER SHAFT (REAR)

Ref	Part Number	Part Name	Qty	IC	S/N	Lbs	Remarks
080	04817-00250	O RING	1			0.006	
090	TC250-14720	SPACER	1			0.297	
100	04817-07230	O RING	1			0.011	

# PROPELLER SHAFT (FRONT)

**Figure Num 01F12400**



TC250-070-11

# PROPELLER SHAFT (FRONT)

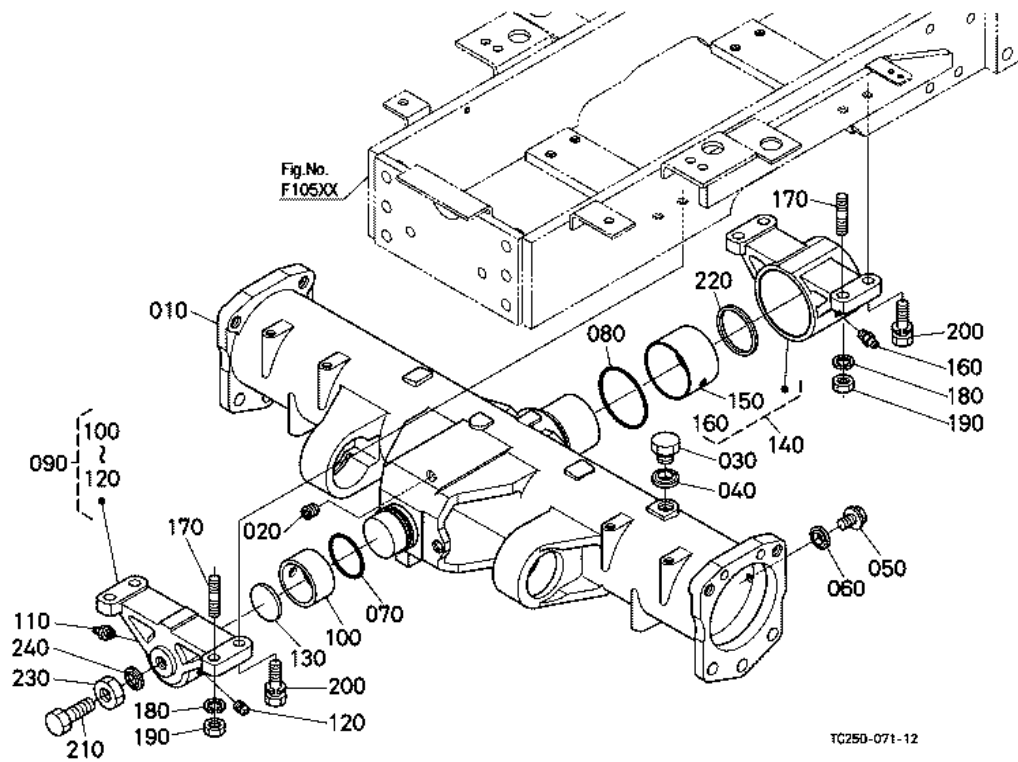
Ref	Part Number	Part Name	Qty	IC	S/N	Lbs	Remarks
010	3A021-44520	COUPLING	2			0.385	
020	TC250-14630	SHAFT,PROPELLER	1			2.596	
030	05411-00630	PIN,SPRING	2			0.008	
040	TA150-14580	COVER,SHAFT REAR	1			0.572	
050	TC050-14573	COVER,SHAFT FRONT	1			0.594	
060	TC050-14590	BOLT,WITH WASHER	2			0.006	
070	04811-10360	O RING	1			0.002	

PROPELLER SHAFT (FRONT)

Ref	Part Number	Part Name	Qty	IC	S/N	Lbs	Remarks
080	04816-06330	O RING	1			0.004	

# FRONT DIFFERENTIAL CASE

**Figure Num 01F12500**



## FRONT DIFFERENTIAL CASE

Ref	Part Number	Part Name	Qty	IC	S/N	Lbs	Remarks
010	TD060-12003	CASE,FRONT AXLE	1			77.77	
020	16851-96010	PLUG	1			0.033	
030	06331-35020	PLUG	1			0.149	
040	04717-02000	WASHER,WITH RUBBER	1			0.008	
050	06331-45010	PLUG	1		<=56343	0.044	
050	06331-35010	PLUG	1	>>	>=56344	0.026	
060	04717-01000	WASHER,WITH RUBBER	1		<=56343	0.002	

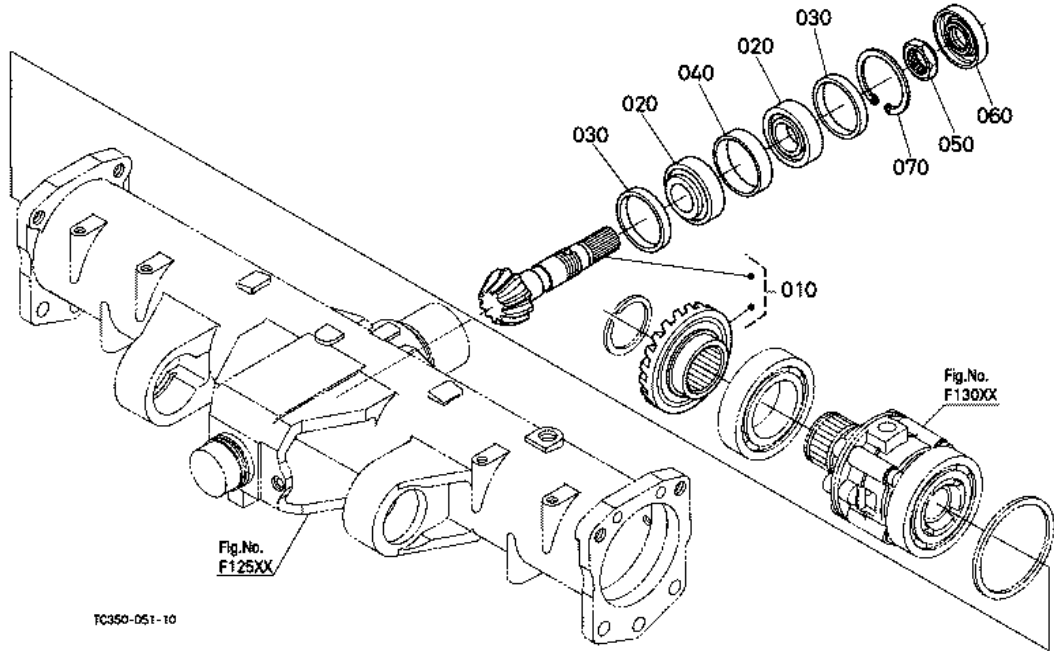
FRONT DIFFERENTIAL CASE

Ref	Part Number	Part Name	Qty	IC	S/N	Lbs	Remarks
060	15471-96650	GASKET	1	>>	>=50344	0.004	
070	04816-00490	O RING	1			0.011	
080	04811-50800	O RING	1			0.006	
090	TA150-13500	ASSY HOLDER,FRONT	1			4.84	
100	3A021-41680	BUSH,DU	1			0.136	
110	06611-15010	NIPPLE,GREASE	1			0.022	
120	06312-10010	PLUG	1			0.015	
130	37410-56180	COLLAR,THRUST	1			0.132	
140	TA150-13600	ASSY HOLDER,REAR	1			6.82	
150	3A021-41690	BUSH,DU	1			0.528	
160	06611-15010	NIPPLE,GREASE	1			0.022	
170	TD170-14280	STUD	4			0.088	
180	04512-60120	WASHER, SPRING	4			0.011	
190	02176-50120	NUT	4			0.022	
200	01138-51245	BOLT	4			0.112	
210	01175-51645	BOLT	1			0.198	
220	34070-13620	COLLAR,THRUST	1			0.066	
230	02176-50160	NUT	1			0.046	
240	04717-01610	WASHER,WITH RUBBER	1			0.013	



# BEVEL GEAR (FRONT)

**Figure Num 01F12700**



# BEVEL GEAR (FRONT)

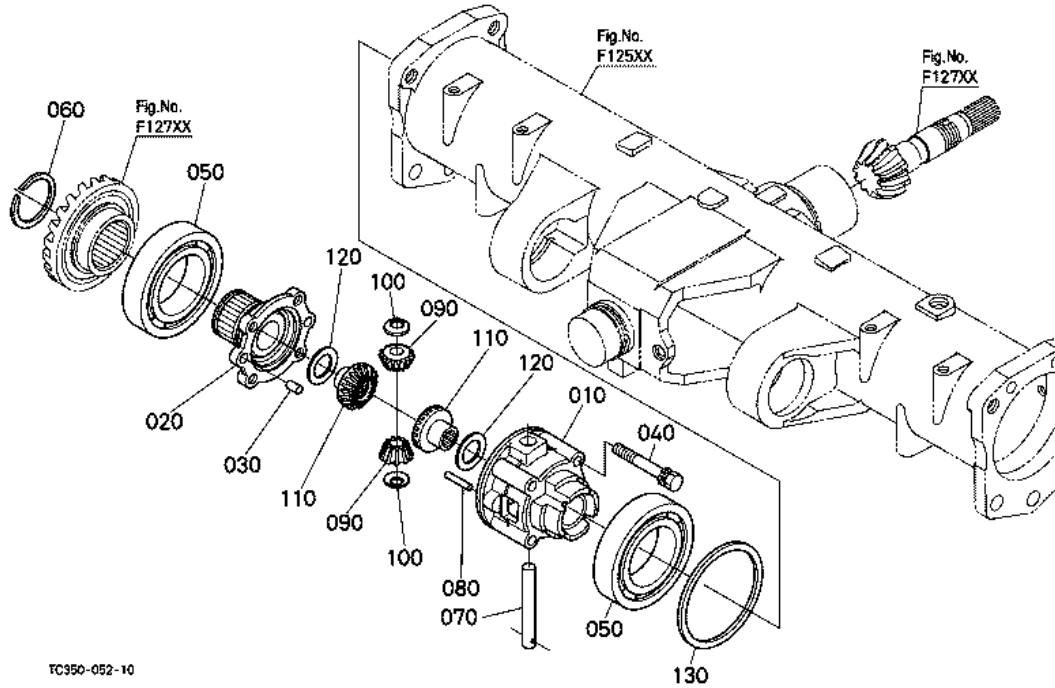
Ref	Part Number	Part Name	Qty	IC	S/N	Lbs	Remarks
010	3C315-42300	ASSY GEAR,BEVEL	1			4.18	8-21T
020	3G700-42250	BEARING,TAPER-ROLLE.	2			0.66	
030	3A221-43070	COLLAR	2			0.030	6.4mm
030	3A221-43050	COLLAR	2			0.022	6.2mm
030	3A221-43040	COLLAR	2			0.022	6.1mm
030	3A221-43030	COLLAR	2			0.033	6.0mm
030	3A221-43020	COLLAR	2			0.022	5.9mm

BEVEL GEAR (FRONT)

Ref	Part Number	Part Name	Qty	IC	S/N	Lbs	Remarks
030	3A221-43010	COLLAR	2			0.022	5.8mm
040	3A221-43100	COLLAR	1			0.055	10.0mm
050	3A021-41300	NUT	1			0.096	
060	3A021-44120	SEAL,OIL	1			0.070	
070	04611-00580	CIR CLIP,INTERNAL	1			0.011	

# DIFFERENTIAL(FRONT)

Figure Num 01F13000



## DIFFERENTIAL(FRONT)

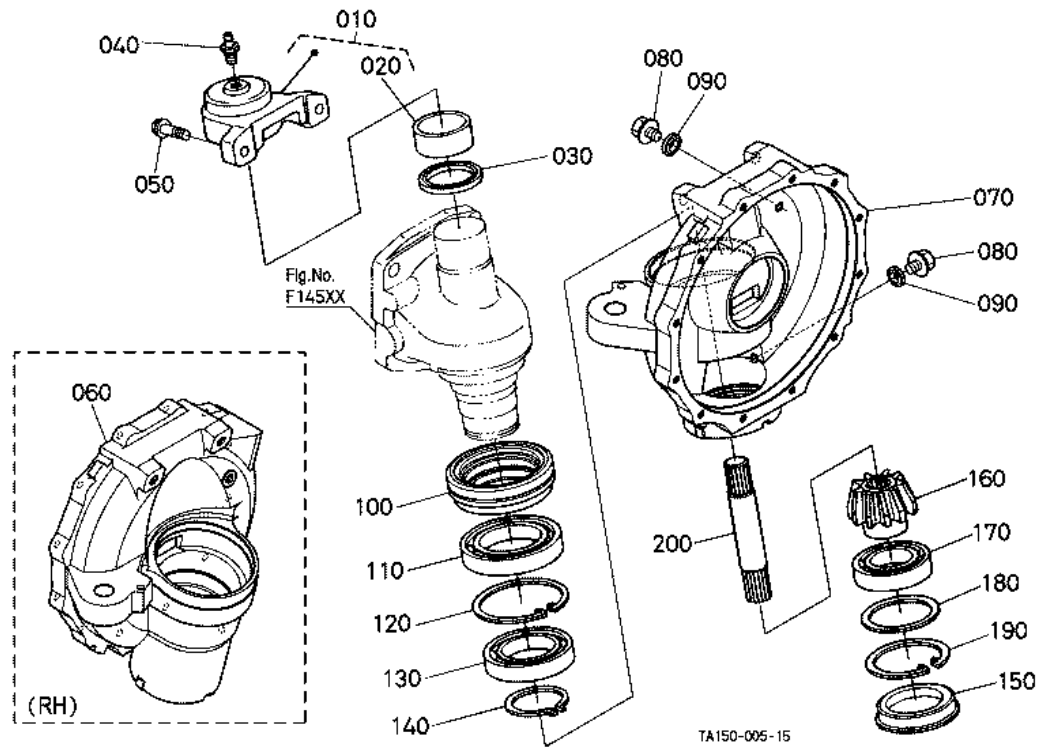
Ref	Part Number	Part Name	Qty	IC	S/N	Lbs	Remarks
010	3A021-43120	CASE,DIFF.	1			4.18	
020	3A021-42410	CASE,DIFF.	1			2.178	
030	31353-43413	PIN,STRAIGHT	2			0.026	
040	01138-51075	BOLT	4			0.11	
050	3A021-43330	BEARING,BALL	2			1.694	
060	34070-12280	CIR CLIP,EXTERNAL	1			0.011	
070	31353-43333	SHAFT,PINION	1			0.286	

DIFFERENTIAL(FRONT)

Ref	Part Number	Part Name	Qty	IC	S/N	Lbs	Remarks
080	05012-00628	PIN,STRAIGHT	1			0.013	
090	31353-43343	PINION,DIFF.	2			0.22	12T
100	67121-56670	COLLAR,PINION THRUS.	2			0.013	
110	3A021-43140	GEAR,DIFF.SIDE	2			0.484	16T
120	67211-15170	SHIM	2			0.017	0.8mm
120	67211-15180	SHIM	2			0.022	1.2mm
120	31353-43360	SHIM	2			0.011	0.6mm
120	31353-43370	SHIM	2			0.022	0.4mm
120	67211-15160	SHIM	2			0.022	1.0mm
130	34070-12340	SHIM	1			0.077	2.4mm
130	34070-12300	SHIM	1			0.044	1.6mm
130	34070-12310	SHIM	1			0.066	1.8mm
130	34070-12320	SHIM	1			0.066	2.0mm
130	34070-12330	SHIM	1			0.066	2.2mm

# FRONT AXLE CASE

**Figure Num 01F14000**



# FRONT AXLE CASE

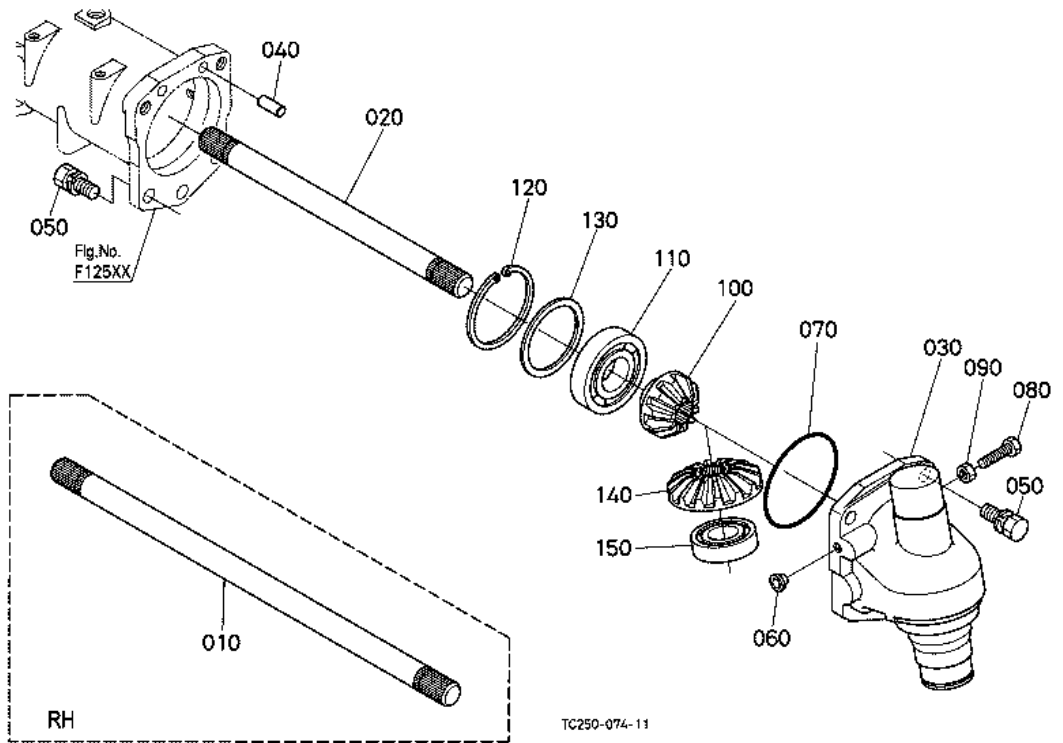
Ref	Part Number	Part Name	Qty	IC	S/N	Lbs	Remarks
010	TD270-43300	ASSY SUPPORT,CASE	2	>>	>=54762	3.96	
010	3A021-43300	ASSY SUPPORT,CASE	2		<=54761	2.442	
020	3A021-43370	BUSH	2		<=54761	0.22	
020	08511-05530	BUSH	2	>>	>=54762	0.222	
030	3A021-43350	SEAL,OIL	2			0.037	
040	06611-15010	NIPPLE,GREASE	2			0.022	
050	32701-52930	BOLT,UBS	4			0.11	

FRONT AXLE CASE

Ref	Part Number	Part Name	Qty	IC	S/N	Lbs	Remarks
060	3C311-43640	CASE,FRONT GEAR RH	1			27.06	
070	3C311-43630	CASE,FRONT GEAR LH	1			27.06	
080	06331-45010	PLUG	4		<=56343	0.044	
080	06331-35010	PLUG	4	>>	>=56344	0.026	
090	15471-96650	GASKET	4	>>	>=56344	0.004	
090	04717-01000	WASHER,WITH RUBBER	4		<=56343	0.002	
100	TC230-13040	SEAL,OIL	2			0.319	
110	TD060-12810	BEARING,BALL	2			0.002	
120	04611-00950	CIR CLIP,INTERNAL	2			0.11	
130	TD060-12820	BEARING,BALL	2			0.891	
140	04612-00600	CIR CLIP,EXTERNAL	2			0.026	
150	34550-13100	PLUG	2			0.242	
160	3A022-43520	GEAR,BEVEL	2			1.331	9T
170	32580-43550	BEARING,BALL	2			0.88	
180	34070-28270	SHIM	2			0.033	1.0mm
180	34070-28290	SHIM	2			0.044	1.2mm
180	34550-12620	SHIM	2			0.055	1.6mm
180	34550-12630	SHIM	2			0.055	1.8mm
180	34550-12640	SHIM	2			0.066	2.0mm
190	04611-00850	CIR CLIP,INTERNAL	2			0.063	
200	3A021-43410	SHAFT,BEVEL GEAR	2			1.617	

# DIFFERENTIAL GEAR SHAFT

Figure Num 01F14500



## DIFFERENTIAL GEAR SHAFT

Ref	Part Number	Part Name	Qty	IC	S/N	Lbs	Remarks
010	TA150-12452	SHAFT, YOKE RH	1			4.906	
020	TA150-12462	SHAFT, YOKE LH	1			3.212	
030	3A021-43610	CASE, BEVEL GEAR	2			12.87	
040	31353-43880	PIN, STRAIGHT	4			0.044	
050	01138-51440	BOLT	10			0.154	
060	34150-27580	PLUG	2			0.002	
070	04811-11050	O RING	2			0.004	

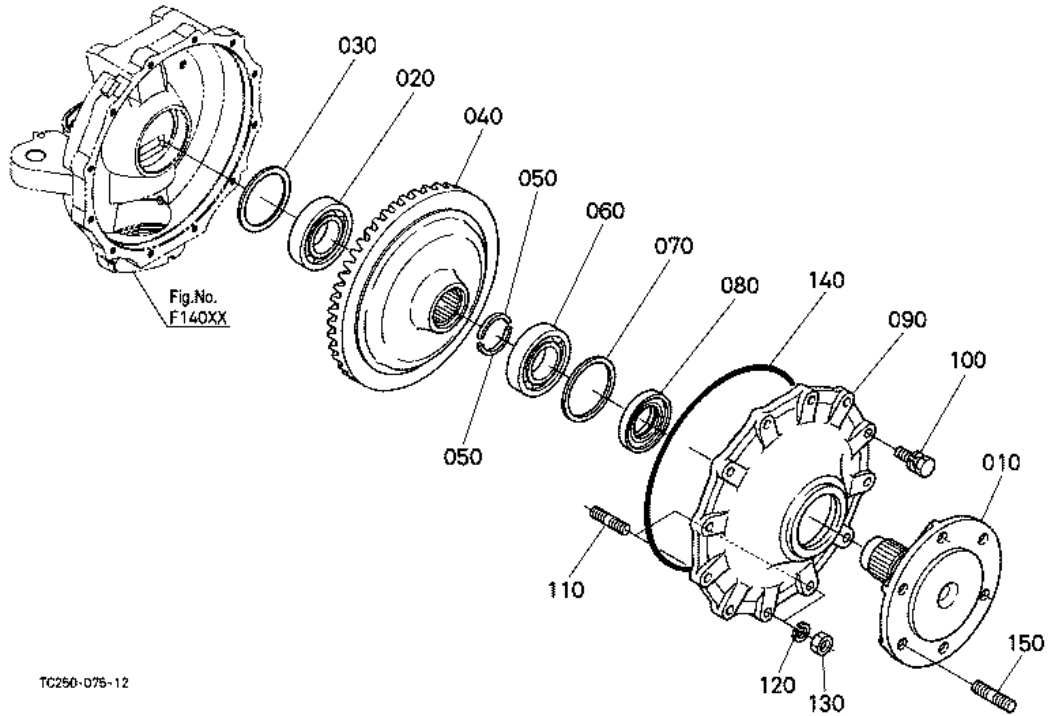
DIFFERENTIAL GEAR SHAFT

Ref	Part Number	Part Name	Qty	IC	S/N	Lbs	Remarks
080	01173-51035	BOLT	2			0.055	
090	02176-50100	NUT	2			0.011	
100	TA150-12522	GEAR,BEVEL	2			1.342	10T
110	08101-06308	BEARING,BALL	2			1.399	
120	04611-00900	CIR CLIP,INTERNAL	2			0.068	
130	3A021-44020	SHIM	2			0.013	0.4mm
130	3A021-44030	SHIM	2			0.019	0.6mm
130	3A021-44040	SHIM	2			0.024	0.8mm
130	3A021-44050	SHIM	2			0.030	1.0mm
130	3A021-44060	SHIM	2			0.035	1.2mm
140	TA150-12530	GEAR,BEVEL	2			1.771	14T
150	35523-34430	BEARING,BALL	2			0.605	



# FRONT AXLE

**Figure Num 01F15000**



# FRONT AXLE

Ref	Part Number	Part Name	Qty	IC	S/N	Lbs	Remarks
010	34550-13330	AXLE,FRONT	2			8.25	
020	08101-06208	BEARING,BALL	2			0.781	
030	35533-43010	SHIM	2			0.004	0.1mm
030	35533-43020	SHIM	2			0.006	0.2mm
030	35533-43030	SHIM	2			0.008	0.4mm
030	35533-43040	SHIM	2			0.019	0.8mm
040	TD170-43720	GEAR,BEVEL	2			18.92	43T

FRONT AXLE

Ref	Part Number	Part Name	Qty	IC	S/N	Lbs	Remarks
050	34550-13350	COLLAR	4			0.022	
060	3A021-43360	BEARING,BALL	2			0.902	
070	66101-14980	SHIM,DIFFERENTIAL	2			0.004	0.2mm
070	66101-14990	SHIM,DIFFERENTIAL	2			0.004	0.1mm
070	66101-14970	SHIM,DIFFERENTIAL	2			0.006	0.5mm
080	31393-43530	SEAL,OIL	2			0.231	
090	3A021-43623	COVER,FRONT AXLE	2			14.52	
100	01128-50830	BOLT	20			0.088	
110	36530-24920	STUD	4			0.026	
120	04512-60080	WASHER SPRING	4			0.004	
130	02156-50080	NUT	4			0.008	
140	34550-13152	O RING	2			0.033	
150	32580-44960	STUD	6			0.11	

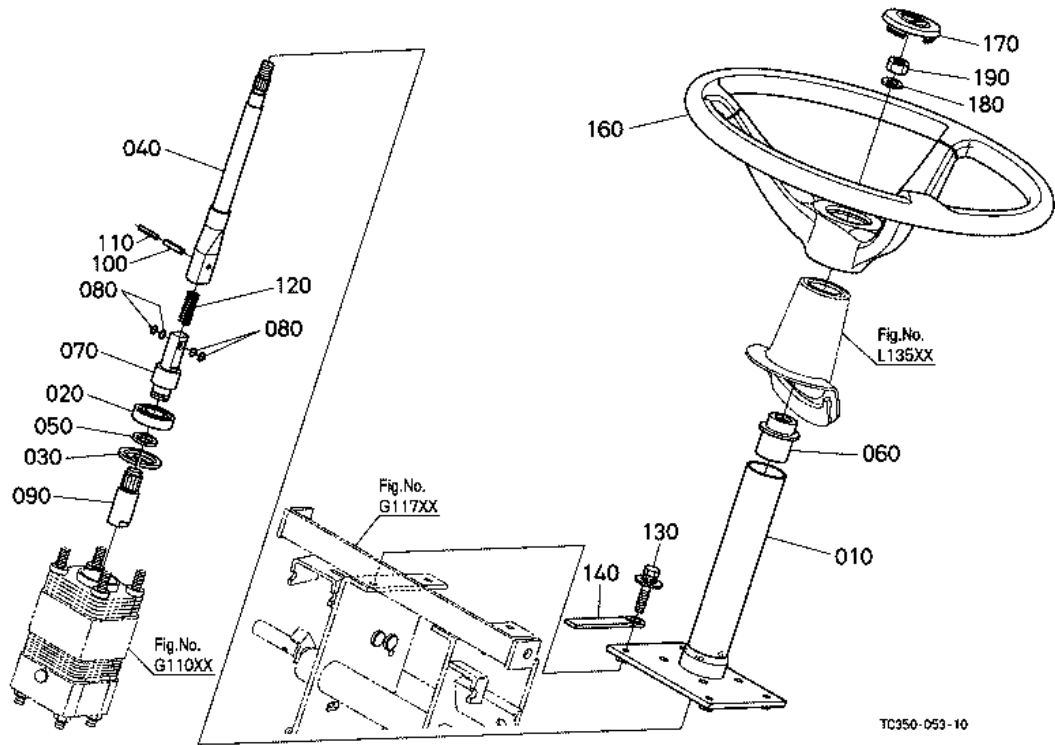
steering

Figure Num STEERING



# STEERING HANDLE

**Figure Num 01G10100**



# STEERING HANDLE

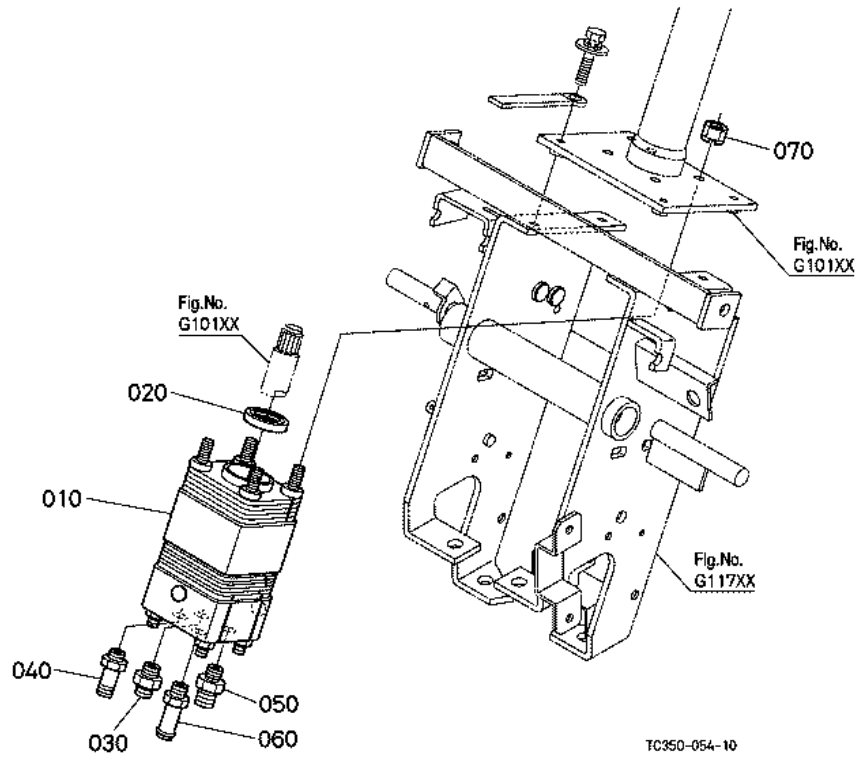
Ref	Part Number	Part Name	Qty	IC	S/N	Lbs	Remarks
010	TC250-43610	POST,STEERING	1			2.992	
020	08121-06004	BEARING,BALL	1			0.165	
030	04611-00420	RING, SNAP	1			0.013	
040	TC230-43680	SHAFT,STEERING	1			0.858	
050	36919-30040	CIR-CLIP	1			0.002	
060	TC050-41510	BUSH	1			0.088	
070	TC030-43690	SHAFT,STEERING	1			0.33	

## STEERING HANDLE

Ref	Part Number	Part Name	Qty	IC	S/N	Lbs	Remarks
080	04817-00060	O RING	4			0.004	
090	35080-40170	SHAFT,JOINT	1			0.242	
100	05411-00522	PIN,SPRING	1			0.004	
110	05411-00322	PIN,SPRING	1			0.002	
120	31391-16940	SPRING	1			0.011	
130	01027-50635	BOLT	4			0.028	
140	13824-67580	CLAMP,CORD	1			0.013	
160	3C001-62570	WHEEL,STEERING	1			5.06	
170	3C001-62582	PAD,STEERING	1			0.033	
180	04512-60120	WASHER, SPRING	1			0.011	
190	02176-50120	NUT	1			0.022	

# STEERING CONTROLLER

**Figure Num 01G11000**



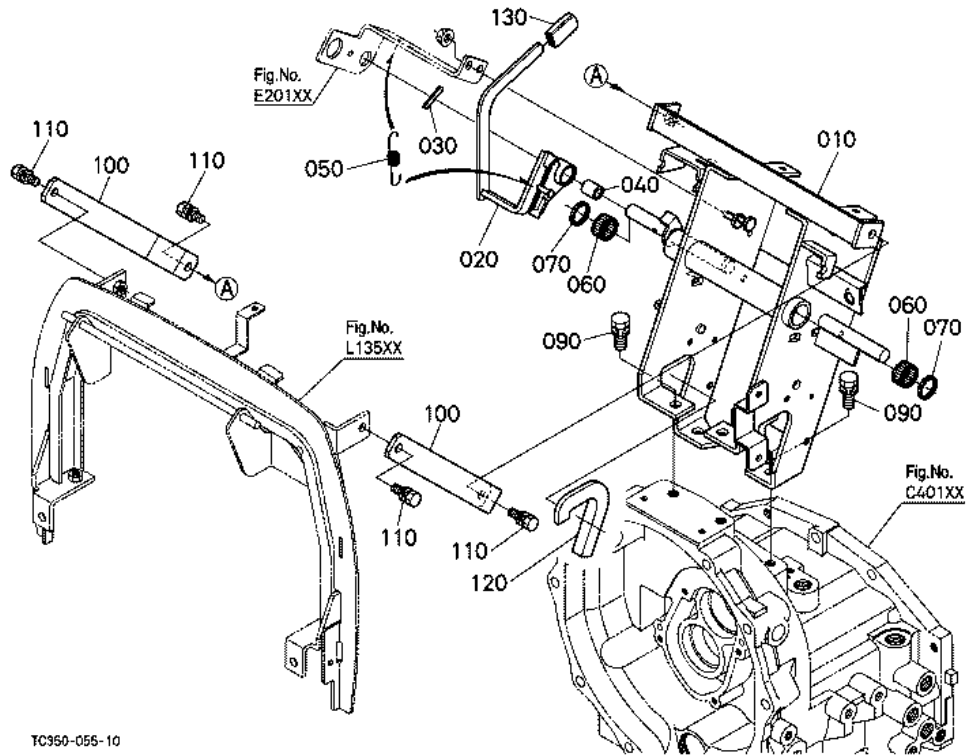
# STEERING CONTROLLER

Ref	Part Number	Part Name	Qty	IC	S/N	Lbs	Remarks
010	TC250-37000	CONTROLLER	1			10.12	
020	09500-19387	SEAL,OIL	1			0.026	
030	TD060-37320	JOINT,PS CYLINDER	1			0.077	
040	TD060-37340	JOINT,PS CYLINDER	1			0.121	
050	TC230-37300	JOINT,PIPE	1			0.092	
060	TD060-37330	JOINT,RETURN	1			0.077	
070	16429-92010	NUT	4			0.015	



# STEERING SUPPORT

**Figure Num 01G11700**



TC350-055-10

# STEERING SUPPORT

Ref	Part Number	Part Name	Qty	IC	S/N	Lbs	Remarks
010	TC350-55680	SUPPORT,STEERING	1			0	
020	TC350-54412	LOCK,PARKING LEVER	1			0	
030	05411-00532	PIN,SPRING	1			0.006	
040	08511-01820	BUSH	1			0.019	
050	TC030-44420	SPRING	1			0.006	
060	T1850-44360	BEARING,NEEDLE	2			0.022	
070	34070-44140	SEAL,OIL	2			0.011	

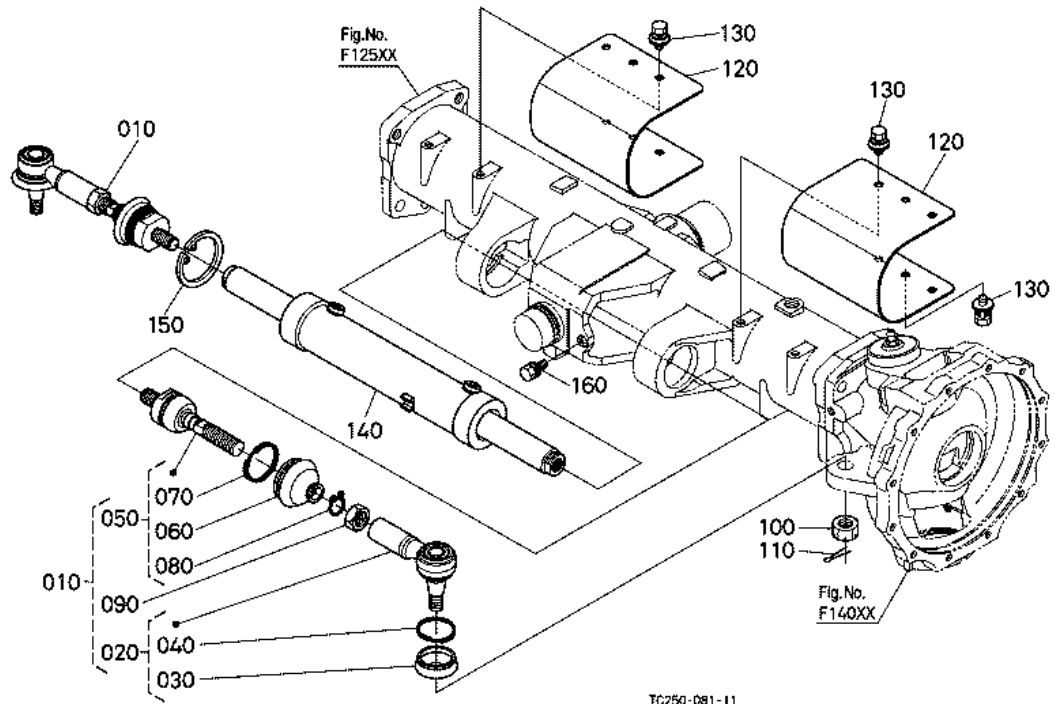


STEERING SUPPORT

Ref	Part Number	Part Name	Qty	IC	S/N	Lbs	Remarks
090	01133-51225	BOLT	4			0.077	
100	TC250-45692	PLATE,STEER.SUPPORT	2			0.924	
110	01133-51025	BOLT	4			0.050	
120	TC030-43330	GROMMET	1			0.074	
130	TA140-43560	GRIP	1			0.048	

# TIE ROD/STEERING CYLINDER

**Figure Num 01G18000**



## TIE ROD/STEERING CYLINDER

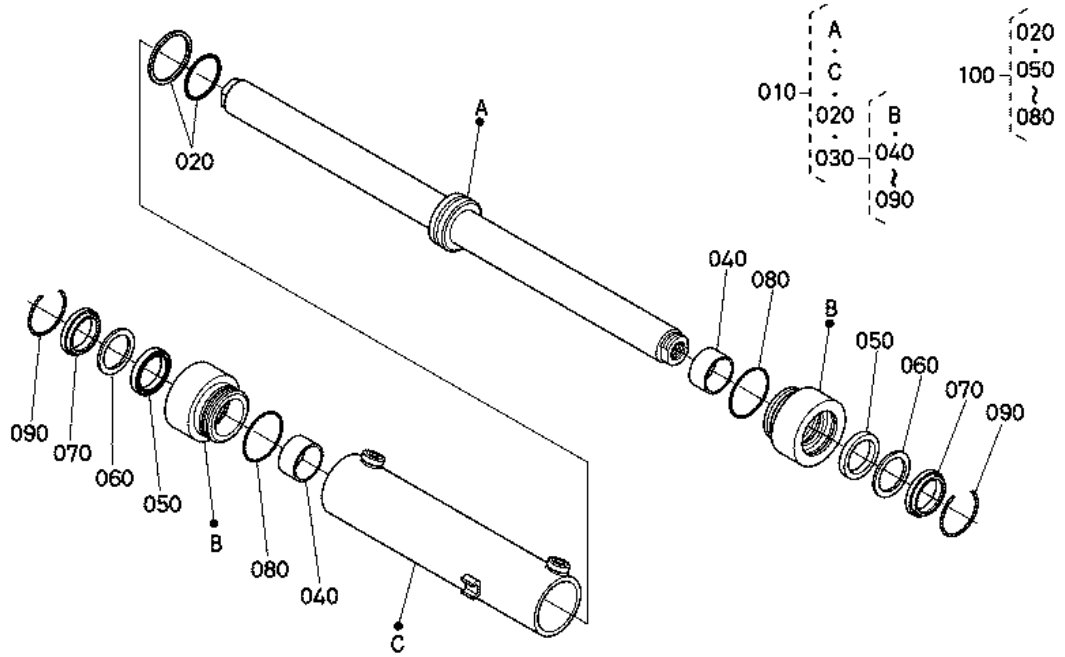
Ref	Part Number	Part Name	Qty	IC	S/N	Lbs	Remarks
010	TA150-13700	ASSY ROD,TIE	2			3.08	
020	TA150-13710	END,TIE ROD	2			1.606	
030	35860-62852	COVER,DUST	2			0.030	
040	36280-62860	CLIP	2			0.004	
050	35080-44662	JOINT,TIE ROD	4			1.43	
060	35080-44680	COVER,DUST	4			0.063	
070	35533-62860	RING,SET	4			0.011	

TIE ROD/STEERING CYLINDER

Ref	Part Number	Part Name	Qty	IC	S/N	Lbs	Remarks
080	35080-44690	CLIP	4			0.004	
090	02172-50200	NUT	2			0.066	
100	35860-62750	NUT	2			0.088	
110	05511-50335	PIN,SPLIT	2			0.004	
120	TD060-14312	COVER	2			2.64	
130	01135-61020	BOLT	6			0.033	
140	TD060-37800	CYLINDER,HYDRAULIC	1			18.04	
150	04611-00680	CIR CLIP,INTERNAL	1			0.035	
160	01123-60816	BOLT	1			0.022	

# STEERING CYLINDER [COMPONENT PARTS]

**Figure Num 01G18500**



TD060-104-10

# STEERING CYLINDER [COMPONENT PARTS]

Ref	Part Number	Part Name	Qty	IC	S/N	Lbs	Remarks
010	TD060-37800	CYLINDER, HYDRAULIC	1			18.04	
020	TD060-37570	SEAL, PISTON	1			0.022	
030	TD060-37840	ASSY END, ROD	2			1.54	
040	TD060-37920	BUSH	2			0.070	
050	TD060-37560	SEAL, ROD	2			0.011	
060	TD060-37930	RING, BACK UP	2			0.011	
070	TD060-37580	SEAL, DUST	2			0.035	

STEERING CYLINDER [COMPONENT PARTS]

Ref	Part Number	Part Name	Qty	IC	S/N	Lbs	Remarks
080	TD060-37940	O RING	2			0.004	
090	TD060-37960	RING,SNAP	2			0.006	
100	TD060-37950	KIT SEAL	1			0.140	OPTION

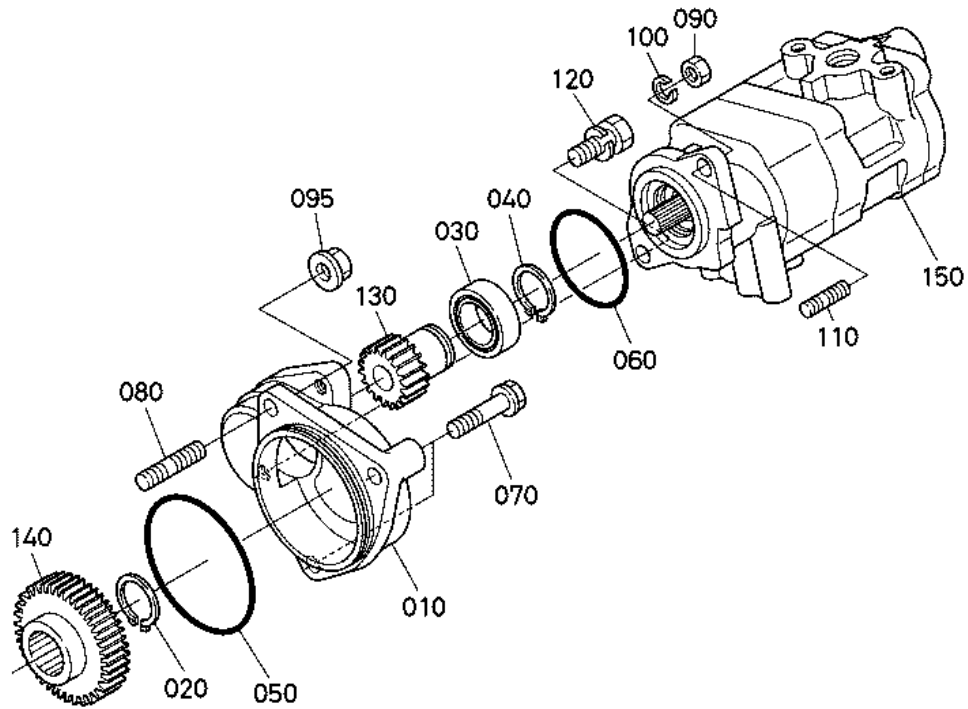
hydraulic system

Figure Num HYDRAULIC



# HYDRAULIC PUMP

**Figure Num 01H12000**



TC050-054-13

# HYDRAULIC PUMP

Ref	Part Number	Part Name	Qty	IC	S/N	Lbs	Remarks
010	T1150-36610	HOLDER,PUMP	1			0.77	
020	15471-95360	CIR CLIP,EXTERNAL	1		<=55266	0.008	
020	04612-00250	CIR CLIP,EXTERNAL	1	NI	>=55267	0.004	
030	08241-05205	BEARING,BALL	1			0.389	
040	04612-00250	CIR CLIP,EXTERNAL	1			0.004	
050	19013-96840	O RING	1			0.022	
060	T1060-36620	O RING	1			0.002	

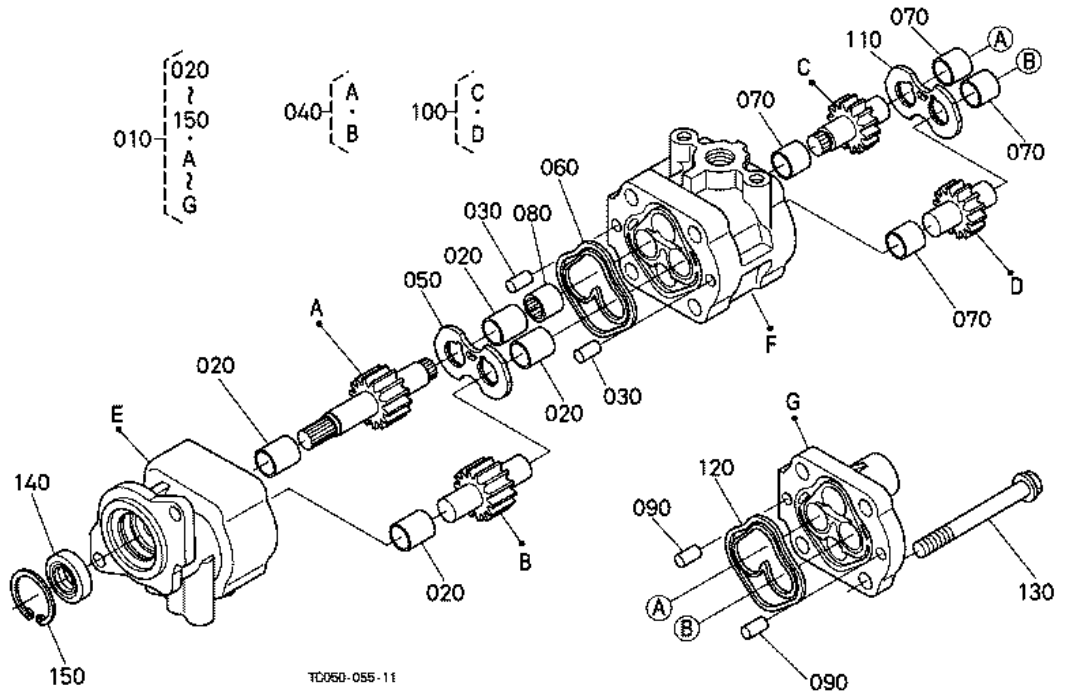
## HYDRAULIC PUMP

Ref	Part Number	Part Name	Qty	IC	S/N	Lbs	Remarks
070	01754-50840	BOLT, FLANGE	2			0.044	
080	38240-36330	STUD	1			0.017	
090	02156-50080	NUT	1			0.008	
095	02751-50080	NUT,FLANGE	1			0.013	
100	04512-60080	WASHER SPRING	1			0.004	
110	01513-50820	STUD	1			0.044	
120	01123-50835	BOLT	1			0.044	
130	T1062-36820	GEAR,PUMP DRIVE	1			0.33	17T
140	T1062-36810	GEAR,PUMP DRIVE	1			1.122	41T
150	TC050-36407	ASSY PUMP,HYDRAULIC	1			5.5	



# HYDRAULIC PUMP [COMPONENT PARTS]

**Figure Num 01H12500**



# HYDRAULIC PUMP [COMPONENT PARTS]

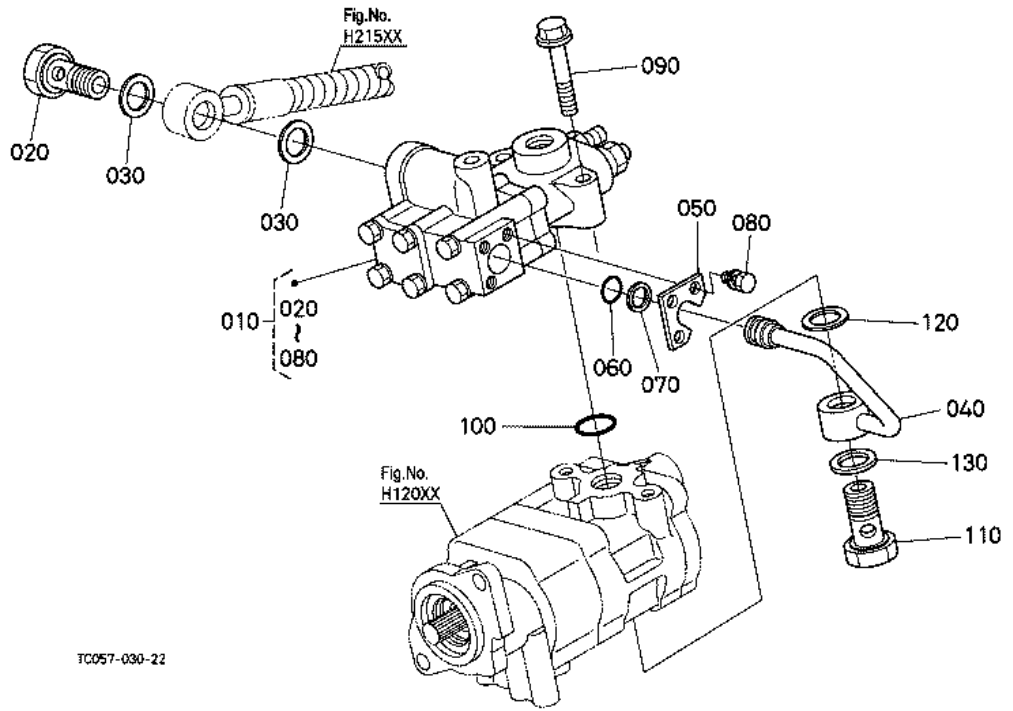
Ref	Part Number	Part Name	Qty	IC	S/N	Lbs	Remarks
010	TC050-36407	ASSY PUMP,HYDRAULIC	1			5.5	
020	T1150-36480	BUSH	4			0.015	
030	05014-00816	PIN,STRAIGHT	2			0.011	
040	TC050-36450	COMP.GEAR,HYD.PUMP	1			0.77	
050	6C140-36350	PLATE,SIDE	1			0.11	
060	6C040-36344	RING,DOUBLE	1			0.006	
070	K2063-36940	BUSH	4			0.011	

HYDRAULIC PUMP [COMPONENT PARTS]

Ref	Part Number	Part Name	Qty	IC	S/N	Lbs	Remarks
080	6A100-37430	COUPLING	1			0.022	
090	05014-00816	PIN,STRAIGHT	2			0.011	
100	T1060-36550	COMP.GEAR,HYD.PUMP	1			0.44	
110	6C140-36350	PLATE,SIDE	1			0.11	
120	6C040-36344	RING,DOUBLE	1			0.006	
130	01754-51090	BOLT,FLANGE	4			0.11	
140	31381-76390	SEAL,OIL	1		<=55266	0.022	
140	T1150-36430	SEAL,OIL	1	>>	>=55267	0	
150	04611-00300	CIR CLIP,INTERNAL	1			0.008	

# REGULATER VALVE

**Figure Num 01H14500**



# REGULATER VALVE

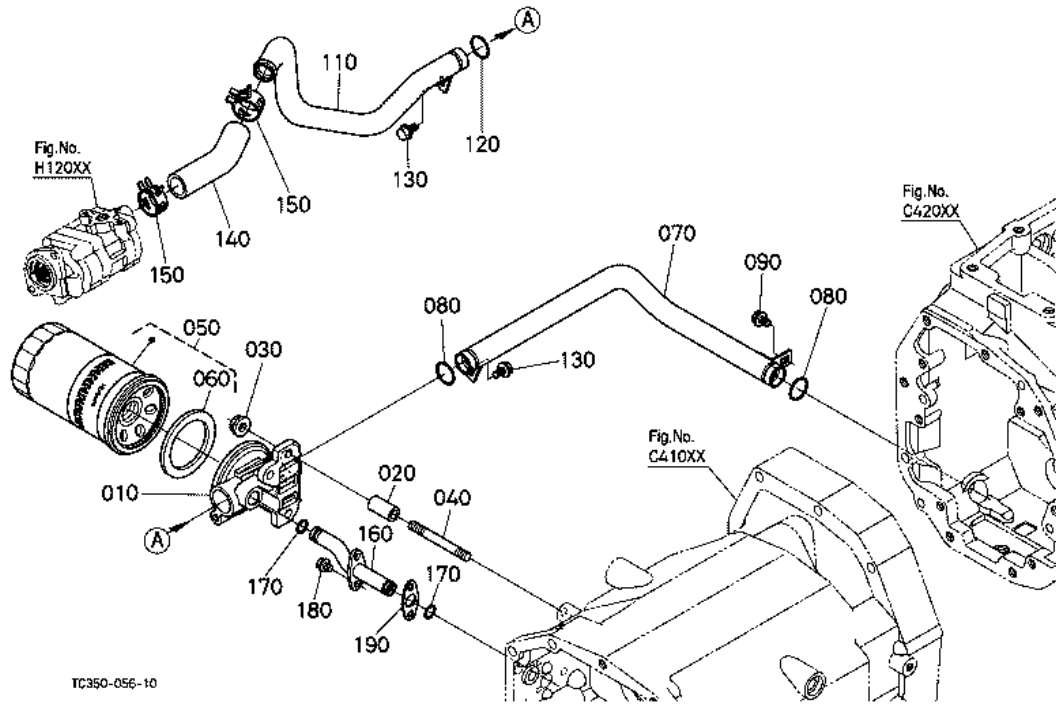
Ref	Part Number	Part Name	Qty	IC	S/N	Lbs	Remarks
010	YW380-00100	ASSY VALVE,REGULATO.	1			3.63	
020	66591-36250	JOINT	1			0.176	
030	67111-37180	GASKET	2			0.006	
040	T1060-19210	PIPE,DELIVERY	1			0.253	
050	34076-66230	PLATE	1			0.033	
060	04816-00140	O RING	1			0.004	
070	34076-66250	RING,BACK UP	1			0.002	

REGULATER VALVE

<b>Ref</b>	<b>Part Number</b>	<b>Part Name</b>	<b>Qty</b>	<b>IC</b>	<b>S/N</b>	<b>Lbs</b>	<b>Remarks</b>
080	01023-50610	BOLT	3			0.011	
090	01754-50840	BOLT, FLANGE	2			0.044	
100	04817-00200	O RING	1			0.024	
110	66591-36250	JOINT	1			0.176	
120	67111-37180	GASKET	1			0.006	
130	TA040-37180	GASKET	1			0.008	

# HYDRAULIC OIL LINE (INLET)

**Figure Num 01H20500**



TC350-056-10

# HYDRAULIC OIL LINE (INLET)

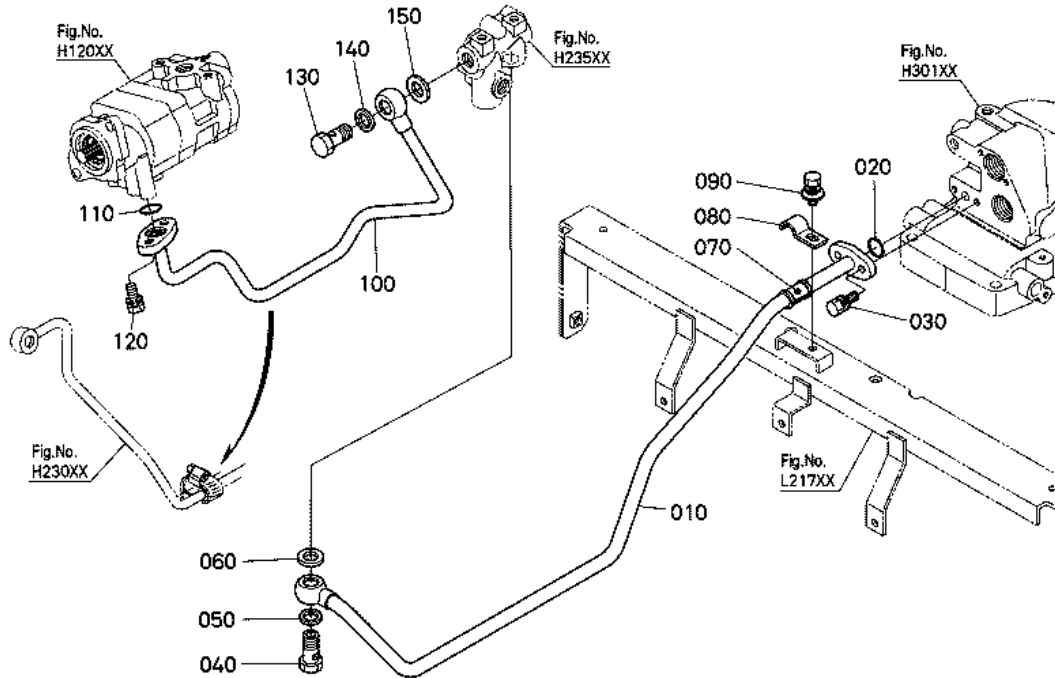
Ref	Part Number	Part Name	Qty	IC	S/N	Lbs	Remarks
010	TC230-33210	BRACKET,FILTER	1			1.342	
020	TC230-56340	COLLAR	2			0.290	
030	02771-50100	NUT, FLANGE	2			0.011	
040	01517-51060	STUD	2			0.092	
050	HHTA0-37710	CARTRIDGE,OIL FILTE.	1			1.606	
060	T0070-37720	MAGNET,OIL FILTER	1			0.088	
070	TC350-56312	PIPE,INLET	1			0	

HYDRAULIC OIL LINE (INLET)

Ref	Part Number	Part Name	Qty	IC	S/N	Lbs	Remarks
080	04816-07230	O RING	2			0.002	
090	01754-50812	BOLT,FLANGE	1			0.022	
110	TC230-56320	PIPE,INLET	1			1.034	
120	04816-07230	O RING	1			0.002	
130	01754-50816	BOLT, FLANGE	2			0.024	
140	TA040-33340	HOSE,INLET	1			0.226	
150	16241-72970	BAND,PIPE	2			0.033	
160	TC230-56333	PIPE,SUCTION HST	1			0.242	
170	04816-00140	O RING	2			0.004	
180	01754-50812	BOLT,FLANGE	2			0.022	
190	TD170-56342	GASKET,PIPE	1			0.002	

# HYDRAULIC OIL LINE (DELIVERY)

**Figure Num 01H21000**



TC350-057-10

# HYDRAULIC OIL LINE (DELIVERY)

Ref	Part Number	Part Name	Qty	IC	S/N	Lbs	Remarks
010	TC350-53410	COMP.PIPE,DELIVERY	1			0	
020	04817-00180	O RING	1			0.002	
030	01123-50820	BOLT	2			0.024	
040	66591-36250	JOINT	1			0.176	
050	67111-37180	GASKET	1			0.006	
060	67401-36720	GASKET	1			0.011	
070	34550-33290	TUBE	1			0.022	

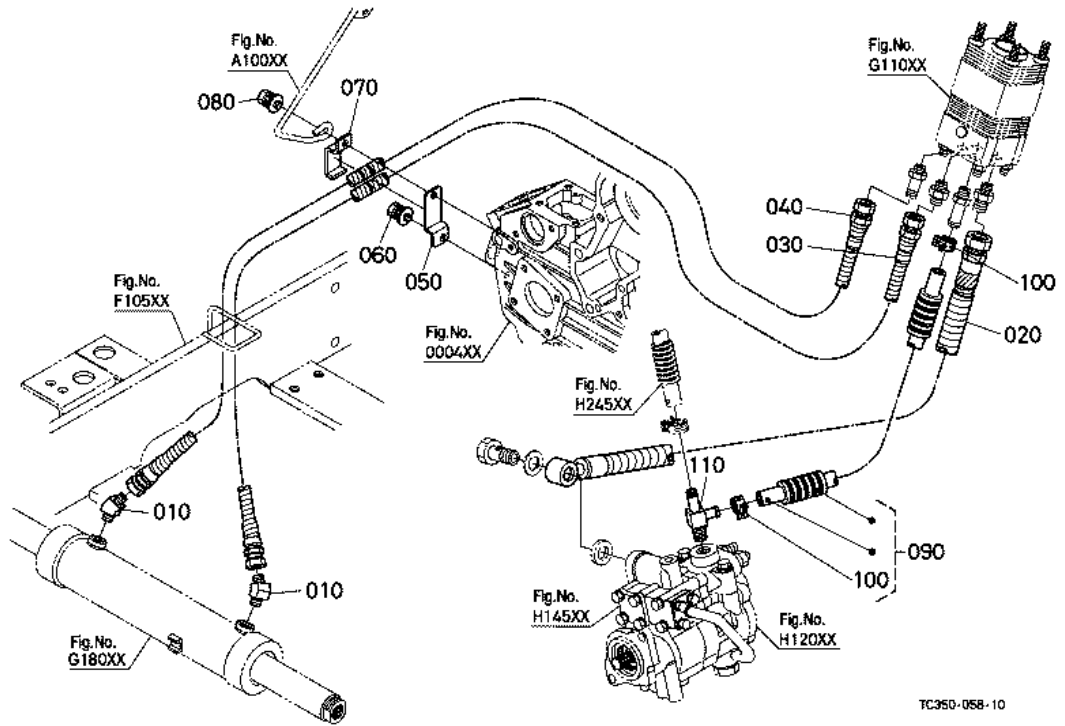
HYDRAULIC OIL LINE (DELIVERY)

Ref	Part Number	Part Name	Qty	IC	S/N	Lbs	Remarks
080	34070-33260	HOLDER	1			0.066	
090	01125-60820	BOLT	1			0.033	
100	TC230-53420	COMP.PIPE,DELIVERY	1			1.254	
110	04817-00180	O RING	1			0.002	
120	01123-50820	BOLT	2			0.024	
130	66591-36250	JOINT	1			0.176	
140	67111-37180	GASKET	1			0.006	
150	67401-36720	GASKET	1			0.011	



# HYDRAULIC OIL LINE (PS)

**Figure Num 01H21500**



# HYDRAULIC OIL LINE (PS)

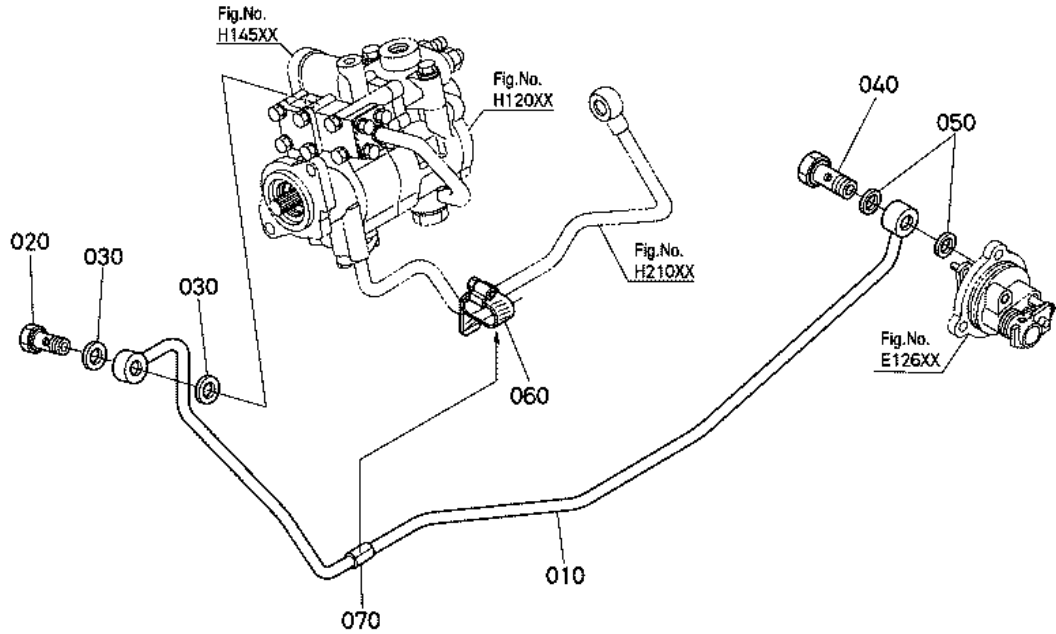
Ref	Part Number	Part Name	Qty	IC	S/N	Lbs	Remarks
010	TD270-33580	JOINT	2	>>	>=56344	0	
010	56811-27380	ADAPTER	2		<=56343	0.088	
020	TC230-33510	HOSE,DELIVERY	1			0.968	
030	TC230-33520	HOSE,DELIVERY	1			0.484	LH, L=1.455
040	TC230-33550	HOSE,DELIVERY	1			0.418	RH, L=1.350
050	TC230-16560	STAY,HOLDER	1			0.079	
060	01025-50612	BOLT	1			0.011	

## HYDRAULIC OIL LINE (PS)

<b>Ref</b>	<b>Part Number</b>	<b>Part Name</b>	<b>Qty</b>	<b>IC</b>	<b>S/N</b>	<b>Lbs</b>	<b>Remarks</b>
070	TA040-33300	HOLDER,HOSE	1			0.059	
080	01025-50620	BOLT	1			0.044	
090	TC230-33530	ASSY HOSE,RETURN	1			0.374	
100	T1060-33630	BAND,PIPE	2			0.013	
110	TC350-56120	JOINT	1			0	

# PTO HYDRAULIC OIL LINE

Figure Num 01H23000



TC350-059-10

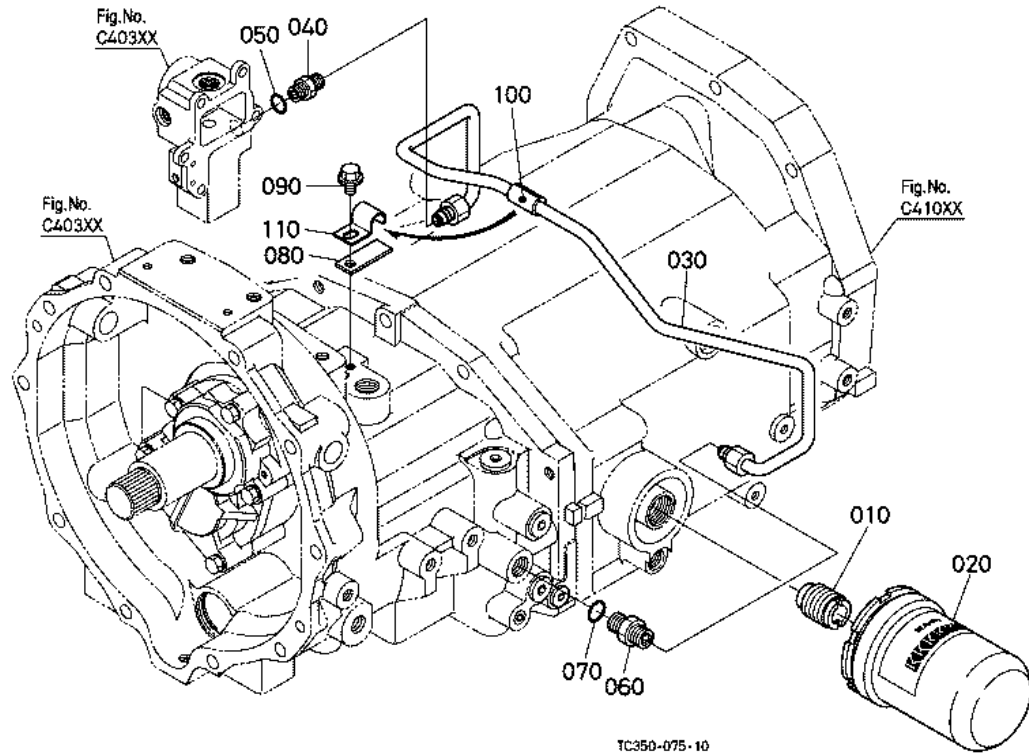
## PTO HYDRAULIC OIL LINE

Ref	Part Number	Part Name	Qty	IC	S/N	Lbs	Remarks
010	TC350-56110	COMP.PIPE,I-PTO	1			0	
020	34076-66590	BOLT,JOINT	1			0.11	
030	04714-00200	GASKET	2			0.002	
040	TA040-69402	ASSY BOLT	1			0.099	
050	04714-00200	GASKET	2			0.002	
060	67955-36230	CLAMP	1			0.050	
070	31351-45270	PIPE,RUBBER	1			0.006	



# HYDRAULIC OIL LINE (SERVO)

**Figure Num 01H23300**



# HYDRAULIC OIL LINE (SERVO)

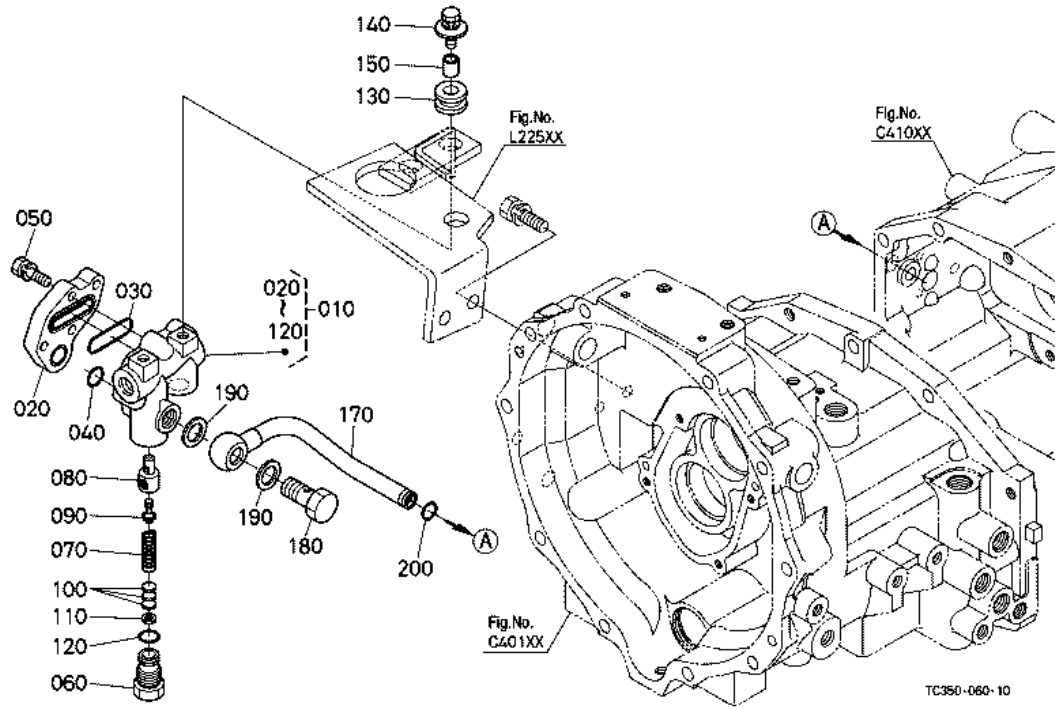
Ref	Part Number	Part Name	Qty	IC	S/N	Lbs	Remarks
010	58700-11532	ADAPTER	1			0.154	
020	HHTA0-59900	FILTER,OIL	1			2.068	
030	TC350-58270	COMP.PIPE	1			0	
040	06012-51023	JOINT,PIPE	1			0.088	
050	04817-00110	O RING	1			0.002	
060	06012-51033	JOINT,PIPE	1			0.105	
070	04817-00140	O RING	1			0.002	

### HYDRAULIC OIL LINE (SERVO)

<b>Ref</b>	<b>Part Number</b>	<b>Part Name</b>	<b>Qty</b>	<b>IC</b>	<b>S/N</b>	<b>Lbs</b>	<b>Remarks</b>
080	TC230-33570	PLATE,CLAMP	1			0.044	
090	01754-50812	BOLT,FLANGE	1			0.022	
100	T0430-33730	RUBBER,PIPE	1			0.013	
110	TD060-33570	CLAMP,PIPE	1			0.044	

# HYDRAULIC OUTLET BLOCK

**Figure Num 01H23500**



# HYDRAULIC OUTLET BLOCK

Ref	Part Number	Part Name	Qty	IC	S/N	Lbs	Remarks
010	TD060-37500	ASSY BLOCK,FRONT HY.	1			2.739	
020	TD060-37610	CAP,HYD.BLOCK	1			0.308	
030	04817-06400	O RING	1			0.006	
040	04817-05170	O RING	1			0.004	
050	01123-50828	BOLT	4			0.030	
060	31351-37910	PLUG	1			0.121	
070	31351-37920	SPRING,RELIEF	1			0.044	

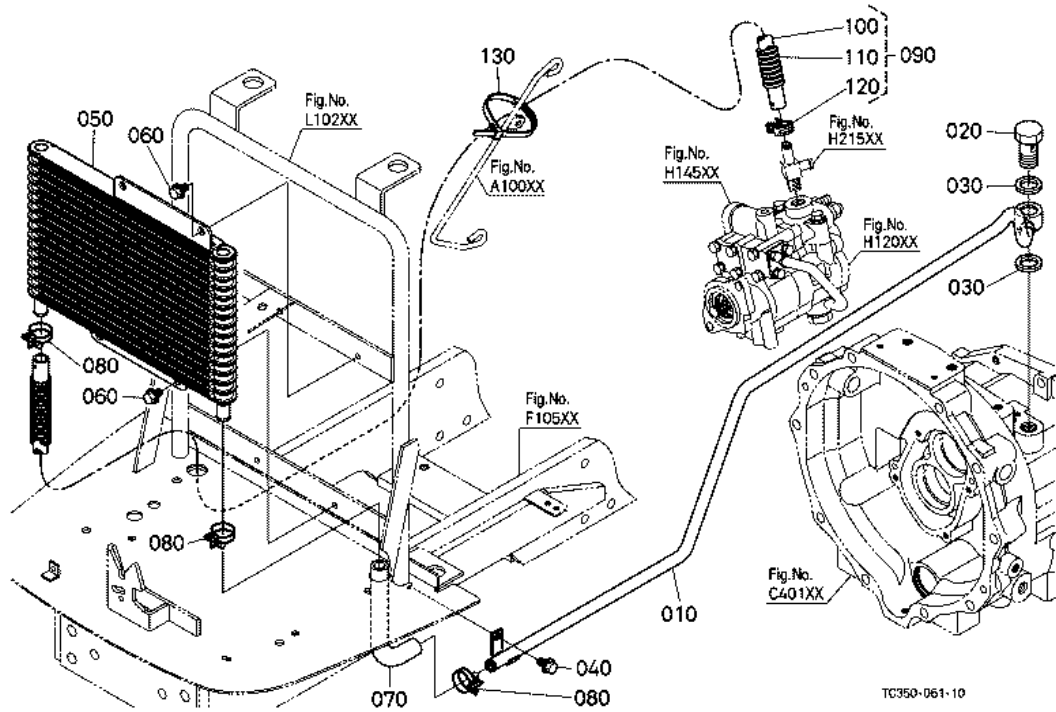
## HYDRAULIC OUTLET BLOCK

Ref	Part Number	Part Name	Qty	IC	S/N	Lbs	Remarks
080	31351-37930	SEAT,RELIEF VALVE	1			0.035	
090	YT450-00220	POPPET,RELIEF	1			0.011	
100	31351-37970	SHIM	2			0.002	0.1mm
100	31351-37960	SHIM	2			0.002	0.2mm
100	31351-37950	SHIM	5			0.002	0.4mm
110	04013-60050	WASHER,PLAIN	2			0.002	
120	04811-10160	O RING	1			0.002	
130	TA040-37590	CUSHION	2			0.013	
140	01127-50830	BOLT	2			0.050	
150	35999-02550	COLLAR	2			0.019	
170	TC230-56460	COMP.PIPE RETURN	1			0.33	
180	66591-36250	JOINT	1			0.176	
190	67111-37180	GASKET	2			0.006	
200	04816-00110	O RING	1			0.002	



# OIL COOLER

**Figure Num 01H24500**



# OIL COOLER

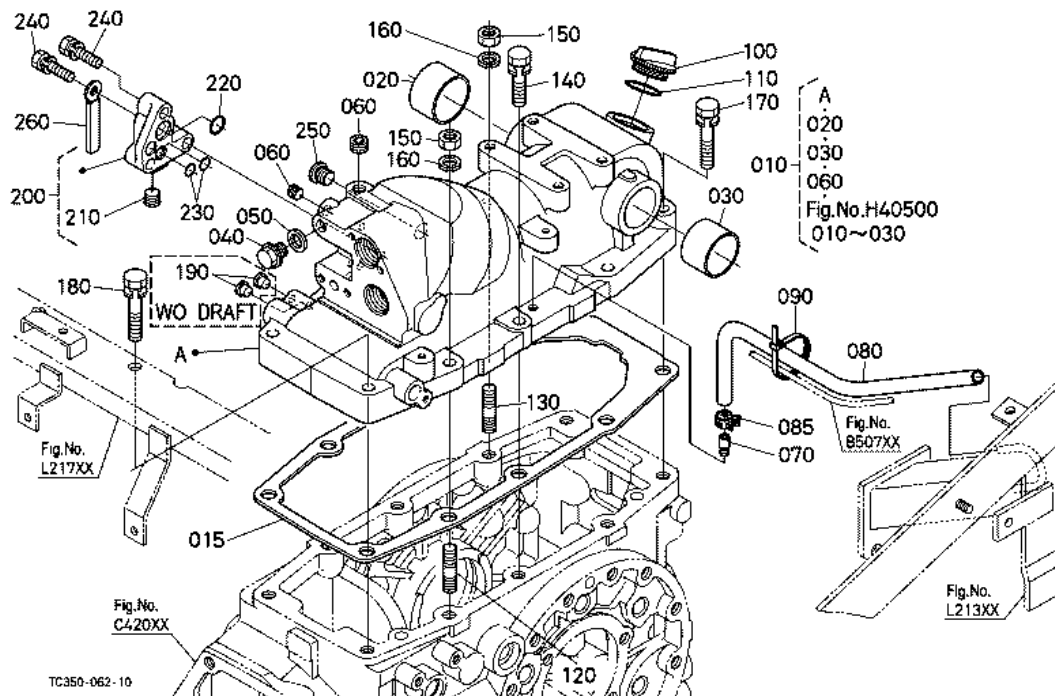
Ref	Part Number	Part Name	Qty	IC	S/N	Lbs	Remarks
010	TC350-56130	PIPE,HST RETURN	1			0	
020	TD060-56210	BOLT,JOINT	1			0.198	
030	04714-00400	GASKET	2			0.006	
040	01754-50812	BOLT,FLANGE	1			0.022	
050	TC350-55370	COOLER,OIL	1			0	
060	01754-50810	BOLT,FLANGE	4			0.022	
070	TC350-56250	HOSE,O/C INLET	1			0	

OIL COOLER

Ref	Part Number	Part Name	Qty	IC	S/N	Lbs	Remarks
080	09318-89024	CLAMP,HOSE	3			0.044	
090	TC350-56140	ASSY HOSE,OIL COOLE.	1			0	
100	TC350-56280	HOSE,OIL COOLER	1			0	
110	TC350-56292	TUBE,PIPE	1			0	
120	T1060-33630	BAND,PIPE	1			0.013	
130	53581-64150	BAND,CORD	1			0.004	

# HYDRAULIC CYLINDER

**Figure Num 01H30100**



# HYDRAULIC CYLINDER

Ref	Part Number	Part Name	Qty	IC	S/N	Lbs	Remarks
010	TC050-99363	ASSY CASE,CYLINDER	1			50.6	
015	TA150-37120	GASKET	1		>=54951	0.22	
020	30400-37450	BUSH	1			0.198	
030	30400-37460	BUSH	1			0.143	
040	37150-36730	PLUG	1			0.066	
050	37150-36720	GASKET	1			0.004	
060	31351-37150	PLUG	2			0.013	

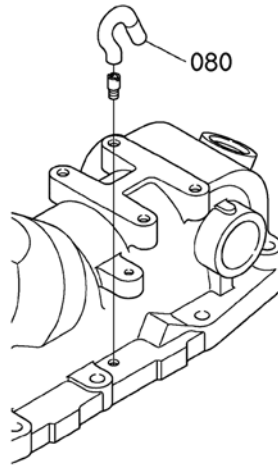
HYDRAULIC CYLINDER

Ref	Part Number	Part Name	Qty	IC	S/N	Lbs	Remarks
070	36200-21610	BREATHER	1			0.017	
080	31351-37140	BREATHER	1		<=54761	0.022	
080	09661-80360	PIPE,FUEL	1	NI	>=54762	0.099	
085	09318-88130	CLAMP,HOSE	1		>=54762	0.004	
090	55311-41260	BAND,CORD	1		>=54762	0.015	
100	38240-21410	PLUG	1			0.033	
110	04817-50300	O RING	1			0.002	
120	01574-51245	STUD	1			0.112	
130	01574-51245	STUD	1			0.112	
140	01133-51245	BOLT	4			0.121	
150	02176-50120	NUT	2			0.022	
160	04512-60120	WASHER, SPRING	2			0.011	
170	01133-51260	BOLT	2			0.132	
180	01133-51265	BOLT	2			0.143	
190	66591-51130	PLUG	2			0.002	W/O DRAFT
200	TC230-36620	ASSY COVER,CYLINDER	1			0.231	W/O REMOTE CONTR
210	31351-37150	PLUG	1			0.013	W/O REMOTE CONTR
220	04817-00140	O RING	1			0.002	W/O REMOTE CONTR
230	04817-00100	O RING	2			0.002	W/O REMOTE CONTR
240	01123-50835	BOLT	3			0.044	W/O REMOTE CONTR
250	TA040-36650	PLUG	1			0.011	W/O REMOTE CONTR
260	13824-67580	CLAMP,CORD	1			0.013	

# HYDRAULIC CYLINDER

**Figure Num 01H30100**

OLD



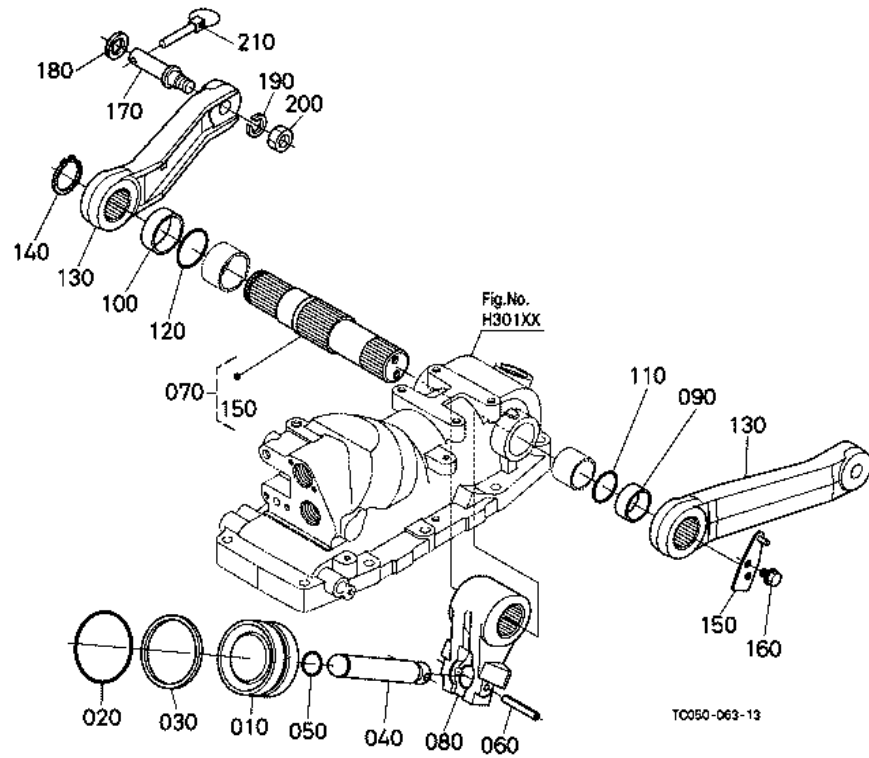
TC350-802-10

# HYDRAULIC CYLINDER

Ref	Part Number	Part Name	Qty	IC	S/N	Lbs	Remarks
080	09661-80360	PIPE,FUEL	1	NI	>=54762	0.099	
080	31351-37140	BREATHER	1		<=54761	0.022	

# LIFT ARM

Figure Num 01H32000



# LIFT ARM

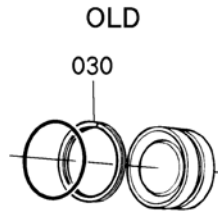
Ref	Part Number	Part Name	Qty	IC	S/N	Lbs	Remarks
010	34070-34214	PISTON,HYD.	1			3.487	
020	04810-00800	O RING	1			0.019	
030	31391-37330	RING,BACK UP	1		<=56704	0.011	
030	68241-62330	RING,BACK UP	1	>>	>=56705	0.022	
040	31351-37320	ROD,HYD.	1			1.331	
050	04817-00240	O RING	1			0.006	
060	05411-00656	PIN,SPRING	1			0.013	

## LIFT ARM

Ref	Part Number	Part Name	Qty	IC	S/N	Lbs	Remarks
070	TA150-37420	ASSY SHAFT,HYD.ARM	1			5.06	
080	TA040-34234	ARM,HYDRAULIC	1			4.84	
090	34150-37490	COLLAR	1			0.004	
100	34150-37480	COLLAR	1			0.011	
110	04817-06400	O RING	1			0.006	
120	04817-50450	O RING	1			0.006	
130	TC050-34613	ARM,LIFT	2			6.6	
140	04612-00400	CIR CLIP,EXTERNAL	1			0.011	
150	TA150-37720	LINK,CONTROL	1			0.077	
160	01754-50812	BOLT,FLANGE	2			0.022	
170	30442-37690	PIN,LIFT ROD	2			0.44	
180	04011-50180	WASHER, PLAIN	2			0.026	
190	04512-60160	WASHER, SPRING	2			0.022	
200	02174-50160	NUT	2			0.048	
210	34150-37640	PIN,SET	2			0.132	

# LIFT ARM

**Figure Num 01H32000**



TC250-833-10

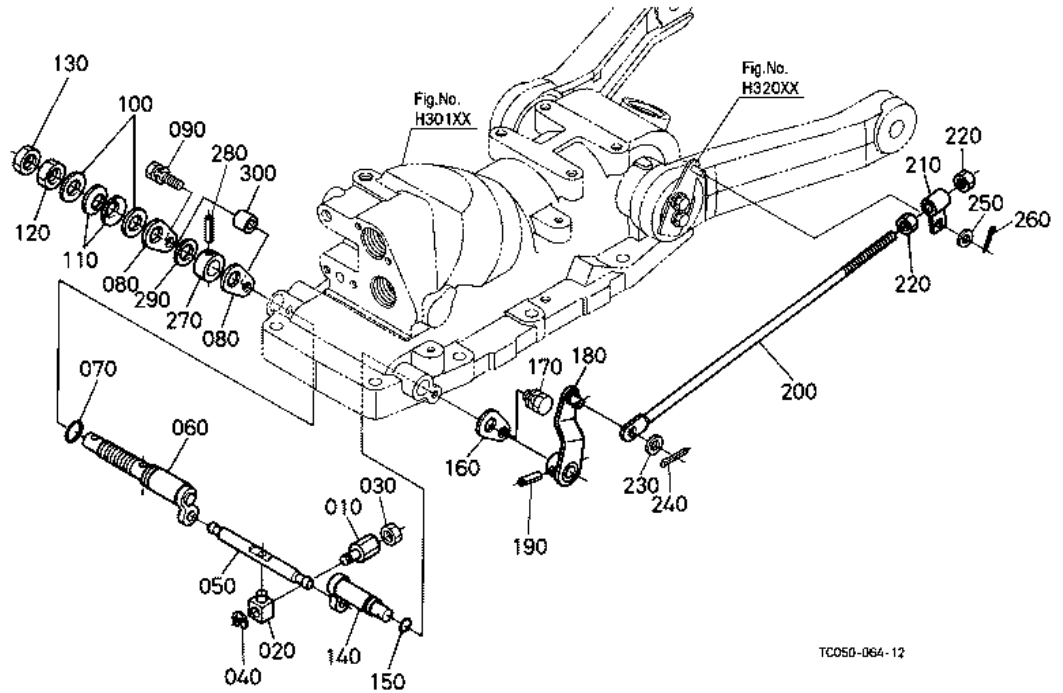
# LIFT ARM

Ref	Part Number	Part Name	Qty	IC	S/N	Lbs	Remarks
030	68241-62330	RING,BACK UP	1	>>	>=56705	0.022	
030	31391-37330	RING,BACK UP	1		<=56704	0.011	



# FEED BACK LEVER

**Figure Num 01H33000**



TC050-064-12

## FEED BACK LEVER

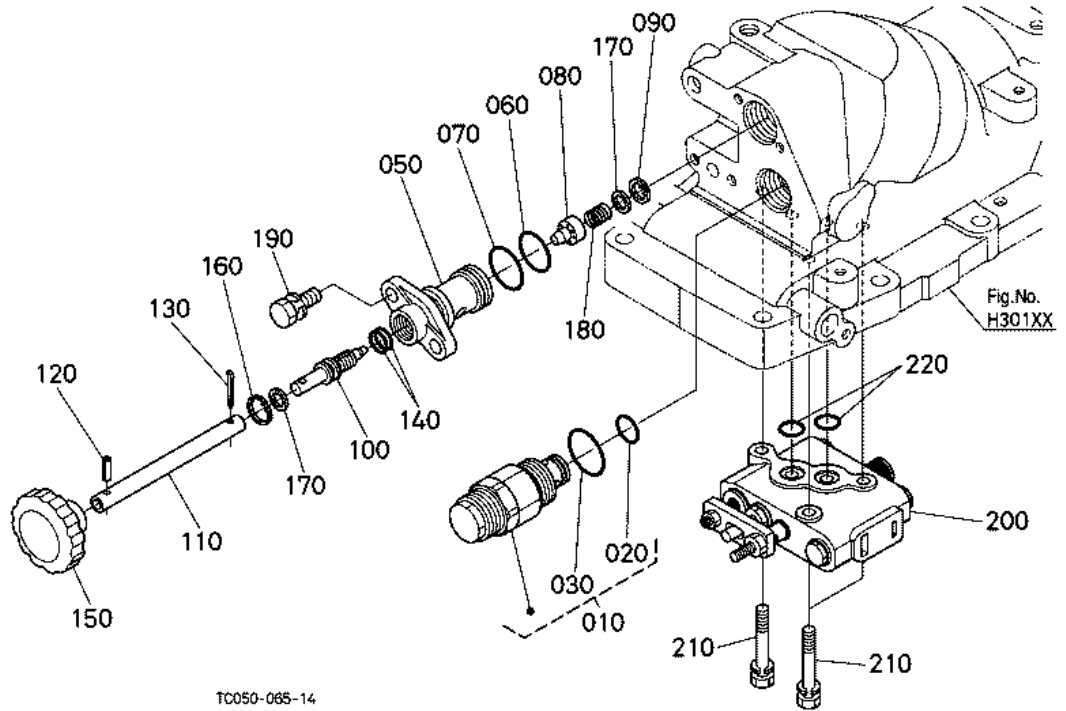
Ref	Part Number	Part Name	Qty	IC	S/N	Lbs	Remarks
010	67531-38280	JOINT,SPOOL	1			0.035	
020	TA040-36420	JOINT,SPOOL	1			0.048	
030	02112-50080	NUT	1			0.006	
040	04613-50060	CIR CLIP,EXTERNAL	1			0.002	
050	31351-37640	LEVER,SPOOL DRIVE	1			0.11	
060	TA140-37650	ARM,CONTROL	1			0.356	
070	04817-00140	O RING	1			0.002	

## FEED BACK LEVER

Ref	Part Number	Part Name	Qty	IC	S/N	Lbs	Remarks
080	31351-37660	SET PLATE	2			0.022	
090	01123-50830	BOLT	1			0.033	
100	04013-60140	WASHER, PLAIN	2			0.022	
110	34260-36880	SPRING,PLATE	2			0.013	
120	02174-50140	NUT	1			0.030	
130	02172-50140	NUT	1			0.022	
140	31351-37750	SHAFT,BACK LEVER	1			0.22	
150	04816-00120	O RING	1			0.002	
160	38240-36890	SET PLATE	1			0.022	
170	01123-60816	BOLT	1			0.022	
180	31351-37760	LEVER,FEED BACK	1			0.176	
190	05411-00525	PIN,SPRING	1			0.004	
200	31321-37770	ROD,FEED BACK	1			0.264	
210	31351-37780	ROD,CONTROL	1			0.066	
220	02114-50080	NUT	2			0.011	
230	04013-60080	WASHER, PLAIN	1			0.004	
240	05511-50218	PIN,SPLIT	1			0.002	
250	04013-60080	WASHER, PLAIN	1			0.004	
260	05511-50218	PIN,SPLIT	1			0.002	
270	TA140-36900	SPACER	1			0.066	
280	05411-00528	PIN,SPRING	1			0.006	
290	TA140-36920	PLATE,FRICITION	1			0.004	
300	TA140-36930	SPACER	1			0.030	

# CONTROL VALVE

**Figure Num 01H40500**



# CONTROL VALVE

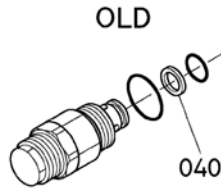
Ref	Part Number	Part Name	Qty	IC	S/N	Lbs	Remarks
010	YW125-00102	ASSY VALVE,SAFETY	1			0.88	
020	04817-00160	O RING	1		<=55482	0.002	
020	YW125-55170	O RING	1	NI	>=55483	0	
030	04816-06280	O RING	1			0.004	
050	31351-37210	COVER,CYL.FRONT	1			0.506	
060	04817-00220	O RING	1			0.002	
070	04817-06250	O RING	1			0.002	

CONTROL VALVE

Ref	Part Number	Part Name	Qty	IC	S/N	Lbs	Remarks
080	38240-37250	COLLAR,ADJUSTING	1			0.015	
090	04611-00160	CIR CLIP,INTERNAL	1			0.002	
100	T0070-34510	SHAFT	1			0.057	
110	TC030-34570	PIPE	1			0.059	
120	05411-00414	PIN,SPRING	1			0.002	
130	05511-50425	PIN,SPLIT	1			0.006	
140	04817-00100	O RING	2			0.002	
150	T0070-34560	GRIP	1			0.048	
160	34150-37260	CIR CLIP,INTERNAL	1			0.002	
170	04012-50080	WASHER, PLAIN	2			0.002	
180	30812-37360	SPRING	1			0.002	
190	01123-50825	BOLT	2			0.028	
200	YR908-00104	VALVE,ASSY.CONTROL	1		<=56343	4.29	
200	YR908-00105	ASSY VALVE,CONTROL	1	>>	>=56344	0	
210	01123-50845	BOLT	3			0.044	
220	04817-00120	O RING	2			0.002	

# CONTROL VALVE

**Figure Num 01H40500**



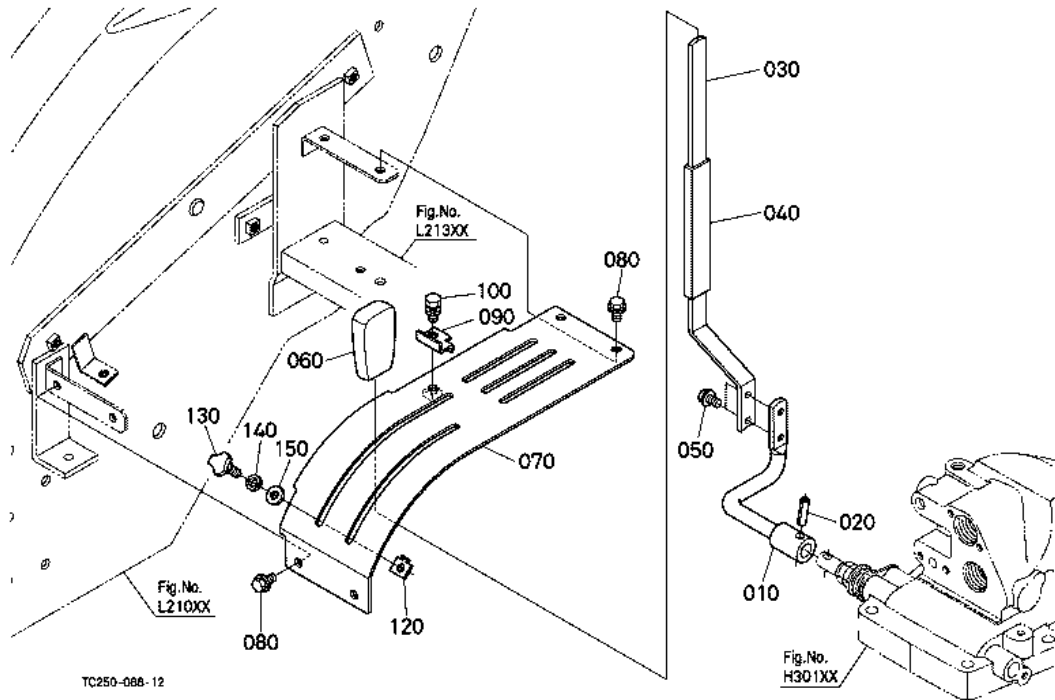
TC350-801-10

# CONTROL VALVE

Ref	Part Number	Part Name	Qty	IC	S/N	Lbs	Remarks
040	YT133-00160	RING,BACK UP	1		<=55482	0.002	

# POSITION CONTROL LEVER

Figure Num 01H44000



## POSITION CONTROL LEVER

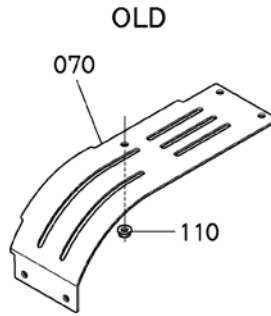
Ref	Part Number	Part Name	Qty	IC	S/N	Lbs	Remarks
010	TA140-36110	LEVER,POSITION	1			0.583	W/O DRAFT
020	05411-00525	PIN,SPRING	1			0.004	W/O DRAFT
030	TC250-36120	LEVER,POSITION	1			0.638	W/O DRAFT
040	TA040-36132	TUBE,LEVER	1			0.022	W/O DRAFT
050	01754-50616	BOLT,FLANGE	2			0.013	W/O DRAFT
060	52300-32640	GRIP,LEVER	1			0.088	
070	TC250-47602	GUIDE,HYD.LEVER	1	>>	>=55855	2.64	

POSITION CONTROL LEVER

Ref	Part Number	Part Name	Qty	IC	S/N	Lbs	Remarks
070	TC250-47600	GUIDE,HYD.LEVER	1		<=55854	2.64	
080	01754-50816	BOLT,FLANGE	4			0.024	
090	34070-36130	STOPPER	1			0.033	
100	01123-60816	BOLT	1			0.022	
120	TC402-36140	STOPPER	1			0.013	
130	37410-52610	SCREW,KNOB	1			0.033	
140	04512-60060	WASHER, SPRING	1			0.002	
150	31351-18860	WASHER	1			0.004	

# POSITION CONTROL LEVER

**Figure Num 01H44000**



TC250-834-10

# POSITION CONTROL LEVER

Ref	Part Number	Part Name	Qty	IC	S/N	Lbs	Remarks
070	TC250-47602	GUIDE,HYD.LEVER	1	>>	>=55855	2.64	
070	TC250-47600	GUIDE,HYD.LEVER	1		<=55854	2.64	
110	02751-50080	NUT,FLANGE	1		<=55854	0.013	



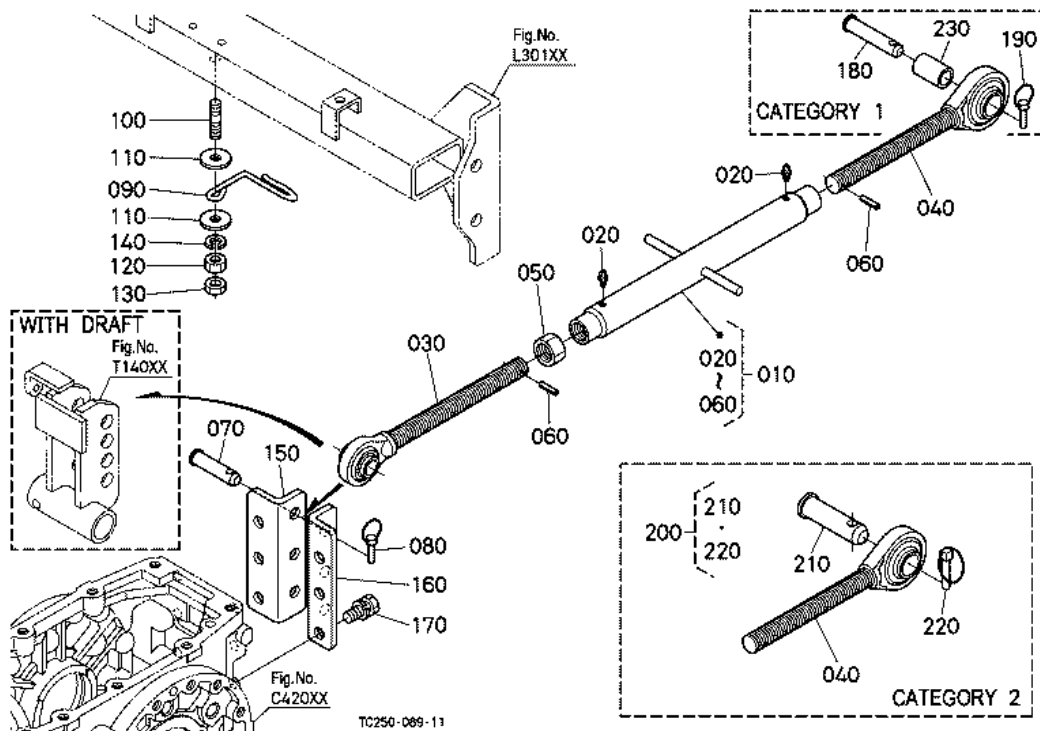
three-point linkage/drawbar/hitch

Figure Num THREE-POI



# TOP LINK

**Figure Num 01J10500**



# TOP LINK

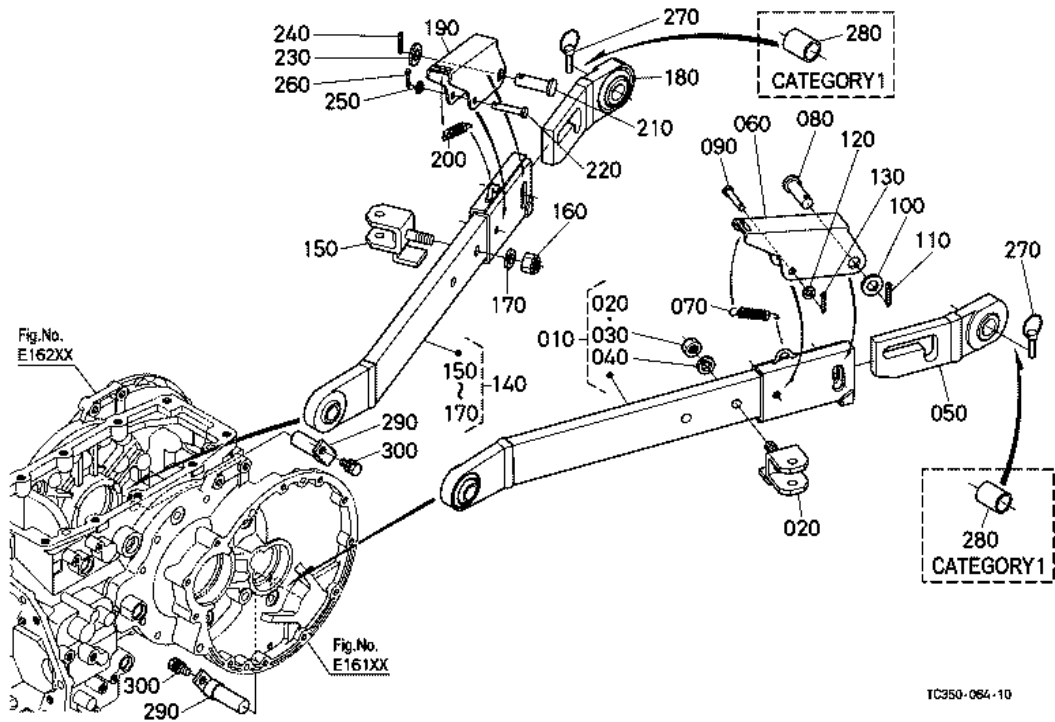
Ref	Part Number	Part Name	Qty	IC	S/N	Lbs	Remarks
010	TC050-71100	ASSY LINK, TOP	1			9.68	
020	TC050-71240	NIPPLE, GREASE	2			0.006	
030	TC050-71210	JOINT, TOP LINK RH	1			2.31	
040	TC050-71220	JOINT, TOP LINK LH	1			3.333	
050	32244-71180	NUT, TOP LINK	1			0.125	
060	05411-00425	PIN, SPRING	2			0.002	
070	31150-71360	PIN, JOINT	1			0.365	

TOP LINK

Ref	Part Number	Part Name	Qty	IC	S/N	Lbs	Remarks
080	34150-37640	PIN,SET	1			0.132	
090	TC230-29420	HOLDER	1			0.088	
100	01513-60825	STUD	1			0.026	
110	04015-60080	WASHER PLAIN	2			0.022	
120	02114-50080	NUT	1			0.011	
130	02112-50080	NUT	1			0.006	
140	04512-60080	WASHER SPRING	1			0.004	
150	99571-22140	HOLDER, TOP LINK RH	1			2.112	
160	99571-22150	HOLDER, TOP LINK LH	1			2.178	
170	01133-51230	BOLT	6			0.088	
180	36330-91752	PIN, TOP LINK REAR	1			0.55	CATEGORY 1
190	34150-37640	PIN,SET	1			0.132	CATEGORY 1
200	36330-91773	ASSY PIN, TOP LINK	1			1.21	CATEGORY 2
210	36330-91762	PIN, TOP LINK REAR	1			1.078	CATEGORY 2
220	36200-91840	ASSY PIN, SET	1			0.132	CATEGORY 2
230	TC050-71230	COLLAR	1			0.154	CATEGORY 1

### 3-POINT LINKAGE 1 (LOWER LINK)

Figure Num 01J11002



TC350-064-10

### 3-POINT LINKAGE 1 (LOWER LINK)

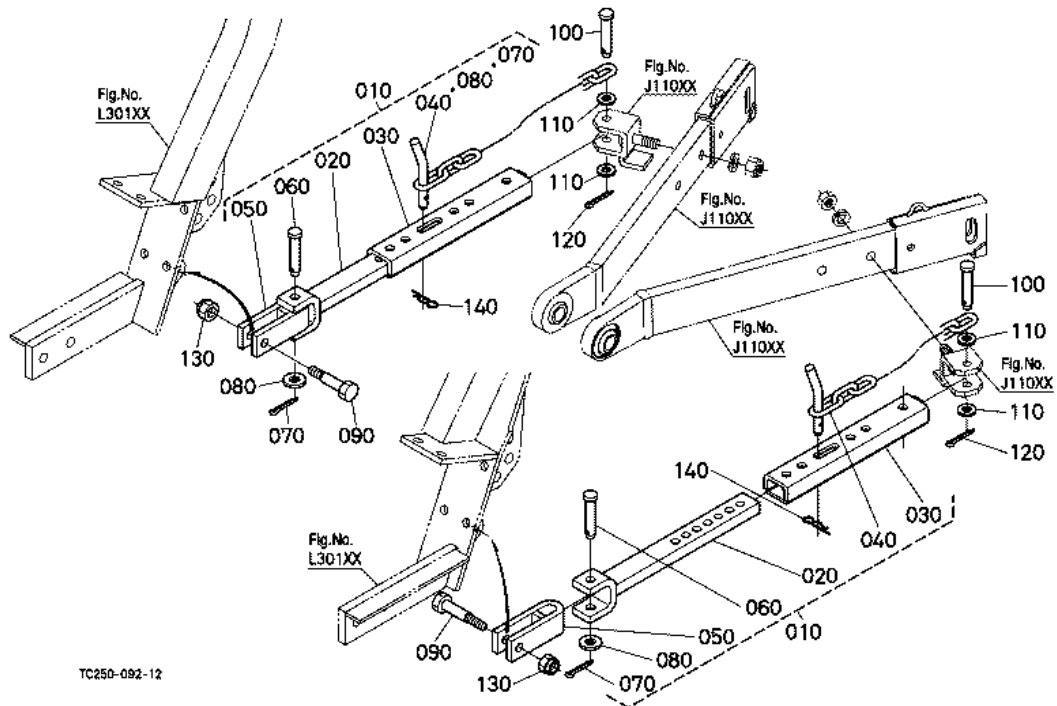
Ref	Part Number	Part Name	Qty	IC	S/N	Lbs	Remarks
010	TC050-71363	COMP.LINK,LOWER LH	1			22	
020	TC050-71352	BRACKET,STABILIZER	1			1.452	
030	TC050-71430	NUT	1			0.077	
040	04512-60160	WASHER, SPRING	1			0.022	
050	TC050-71380	LINK,LOWER REAR LH	1			5.72	
060	TC050-71410	LEVER	1			1.276	
070	TC050-71420	SPRING	1			0.044	

3-POINT LINKAGE 1 (LOWER LINK)

Ref	Part Number	Part Name	Qty	IC	S/N	Lbs	Remarks
080	33660-92160	PIN	1			0.088	
090	05122-51255	PIN,JOINT	1			0.112	
100	04011-50200	WASHER,PLAIN	1			0.033	
110	05511-50435	PIN,SPLIT	1			0.008	
120	04011-50120	WASHER,PLAIN	1			0.011	
130	05511-50425	PIN,SPLIT	1			0.006	
140	TC050-71373	COMP.LINK,LOWER RH	1			22	
150	TC050-71352	BRACKET,STABILIZER	1			1.452	
160	TC050-71430	NUT	1			0.077	
170	04512-60160	WASHER, SPRING	1			0.022	
180	TC050-71390	LINK,LOWER REAR RH	1			5.72	
190	TC050-71410	LEVER	1			1.276	
200	TC050-71420	SPRING	1			0.044	
210	33660-92160	PIN	1			0.088	
220	05122-51255	PIN,JOINT	1			0.112	
230	04011-50200	WASHER,PLAIN	1			0.033	
240	05511-50435	PIN,SPLIT	1			0.008	
250	04011-50120	WASHER,PLAIN	1			0.011	
260	05511-50425	PIN,SPLIT	1			0.006	
270	34150-37640	PIN,SET	2			0.132	
280	32590-71150	COLLAR	2			0.132	CATEGORY 1
290	TA040-39412	PIN,LOWER LINK	2			0.55	
300	01133-51020	BOLT	2			0.044	

# STABILIZER

Figure Num 01J11300



# STABILIZER

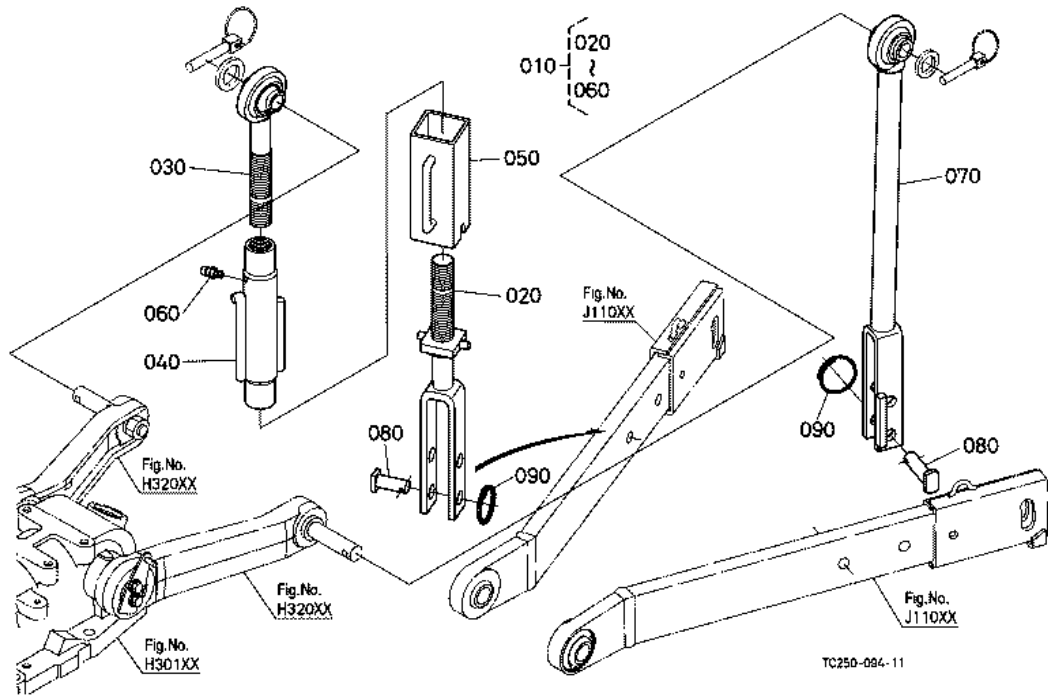
Ref	Part Number	Part Name	Qty	IC	S/N	Lbs	Remarks
010	TA140-39606	ASSY STABILIZER	2			6.27	
020	TA140-39613	COMP.STAB.FRONT	2			2.574	
030	TD170-39620	COMP.STAB.REAR	2			2.002	
040	TA140-39632	COMP.JOINT	2			0.506	
050	TA140-39643	COMP.JOINT	2			1.056	
060	TA140-39820	PIN,STABILIZER REAR	2			0.140	
070	05511-50428	PIN,SPLIT	2			0.008	

## STABILIZER

Ref	Part Number	Part Name	Qty	IC	S/N	Lbs	Remarks
080	04011-50120	WASHER,PLAIN	2			0.011	
090	TA140-39850	BOLT,STABILIZER	2			0.132	
100	TA140-39820	PIN,STABILIZER REAR	2			0.140	
110	04011-50120	WASHER,PLAIN	4			0.011	
120	05511-50425	PIN,SPLIT	2			0.006	
130	02572-50120	NUT,LOCK	2			0.030	
140	TC050-51200	PIN,SNAP	2			0.011	

## 3-POINT LINKAGE 2 (LIFT ROD)

Figure Num 01J11502



## 3-POINT LINKAGE 2 (LIFT ROD)

Ref	Part Number	Part Name	Qty	IC	S/N	Lbs	Remarks
010	TC250-39500	ASSY ROD,LIFT RH	1			7.48	
020	TC250-39520	ROD,LIFT LOWER	1			2.772	
030	TC250-39530	ROD,LIFT UPPER	1			1.683	
040	TD170-39540	ROD,LIFT MIDDLE	1			1.496	
050	TD170-39550	ROD,HANDLE	1			1.496	
060	67211-42940	NIPPLE,GREASE	1			0.002	
070	TC050-71540	ROD,LIFT LH	1			6.16	

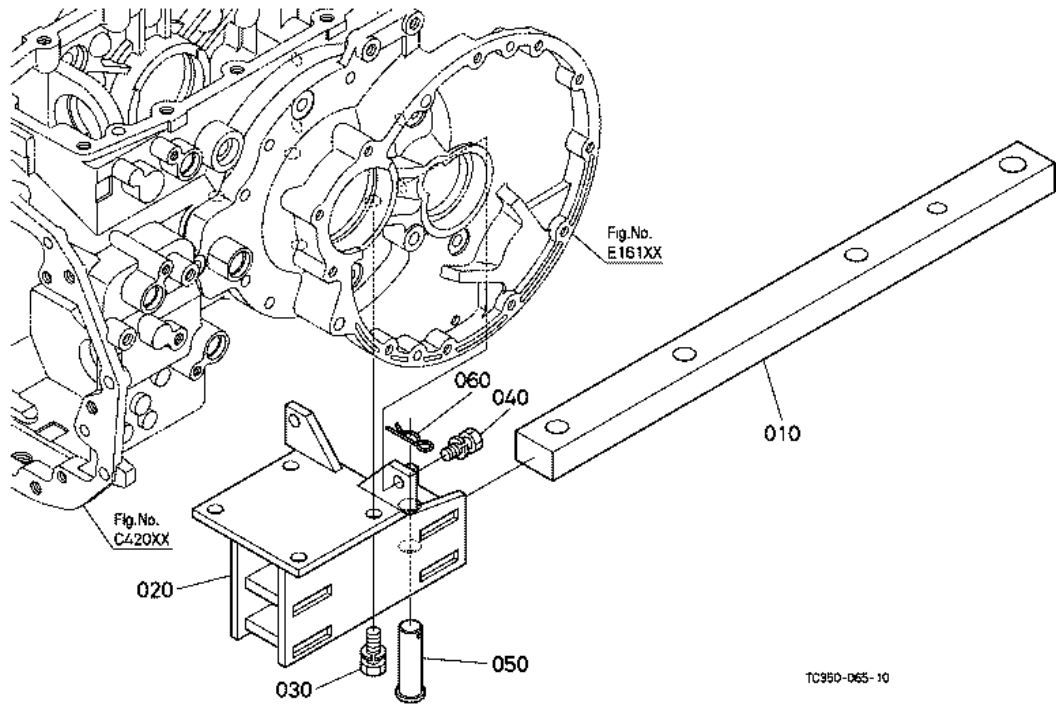


3-POINT LINKAGE 2 (LIFT ROD)

Ref	Part Number	Part Name	Qty	IC	S/N	Lbs	Remarks
080	38747-71582	PIN,LIFT ROD	2			0.22	
090	67156-34340	RING,SNAP	2			0.022	

# DRAWBAR

**Figure Num 01K10500**

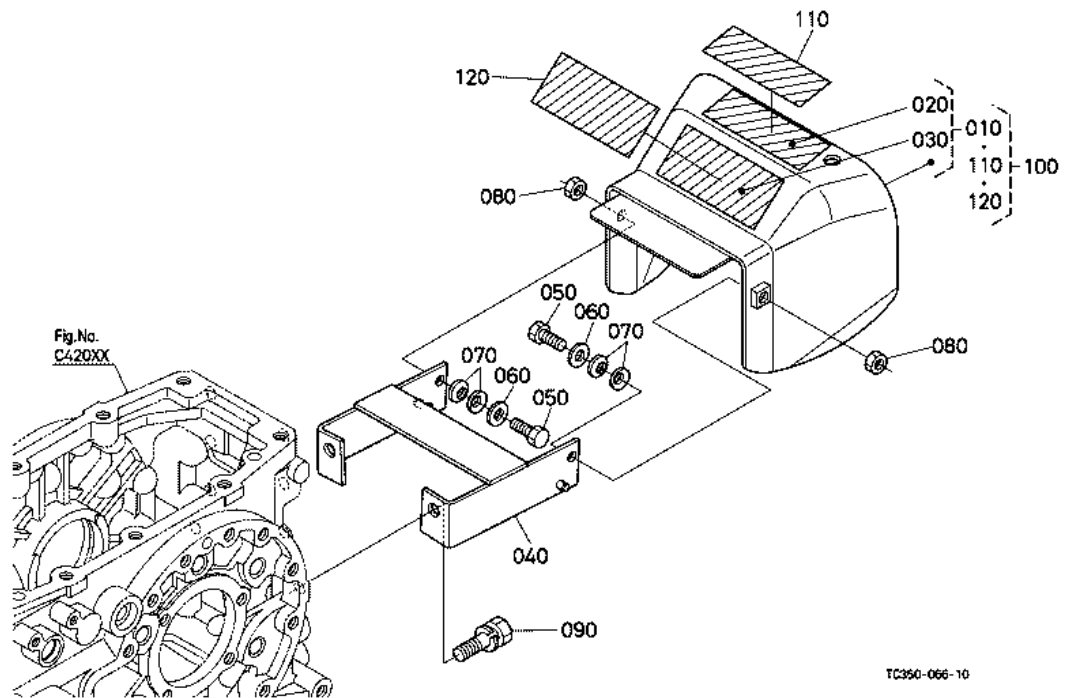


# DRAWBAR

Ref	Part Number	Part Name	Qty	IC	S/N	Lbs	Remarks
010	TC050-29710	DRAWBAR	1			17.16	
020	TC250-29730	FRAME,DRAWBAR	1			0	
030	01138-51430	BOLT	4			0.154	
040	01133-51230	BOLT	2			0.088	
050	05122-52070	PIN,JOINT	1			0.404	
060	05515-51600	PIN,SNAP	1			0.015	

# PTO PROTECTOR

**Figure Num 01K12500**



## PTO PROTECTOR

Ref	Part Number	Part Name	Qty	IC	S/N	Lbs	Remarks
010	TC250-99630	KIT COVER,PTO(A)	1			5.28	ENGLISH
020	TA040-49593	LABEL,PTO WARNING	1			0.002	ENGLISH
030	TD170-49350	LABEL,DRAWBAR/LI-RO.	1			0.004	ENGLISH
040	TC250-23750	STAY	1			2.2	
050	01173-51025	BOLT	2			0.046	
060	04013-60100	WASHER, PLAIN	2			0.006	
070	62151-42412	SPRING,PLATE	4			0.004	

PTO PROTECTOR

Ref	Part Number	Part Name	Qty	IC	S/N	Lbs	Remarks
080	02116-50100	NUT	2			0.008	
090	01133-51225	BOLT	2			0.077	
100	TC250-99642	KIT COVER,PTO(B)	1			5.28	FRENCH
110	TA041-49590	LABEL,PTO WARNING	1			0.011	FRENCH
120	TD173-49350	LABEL,DRAWBAR	1			0.004	FRENCH

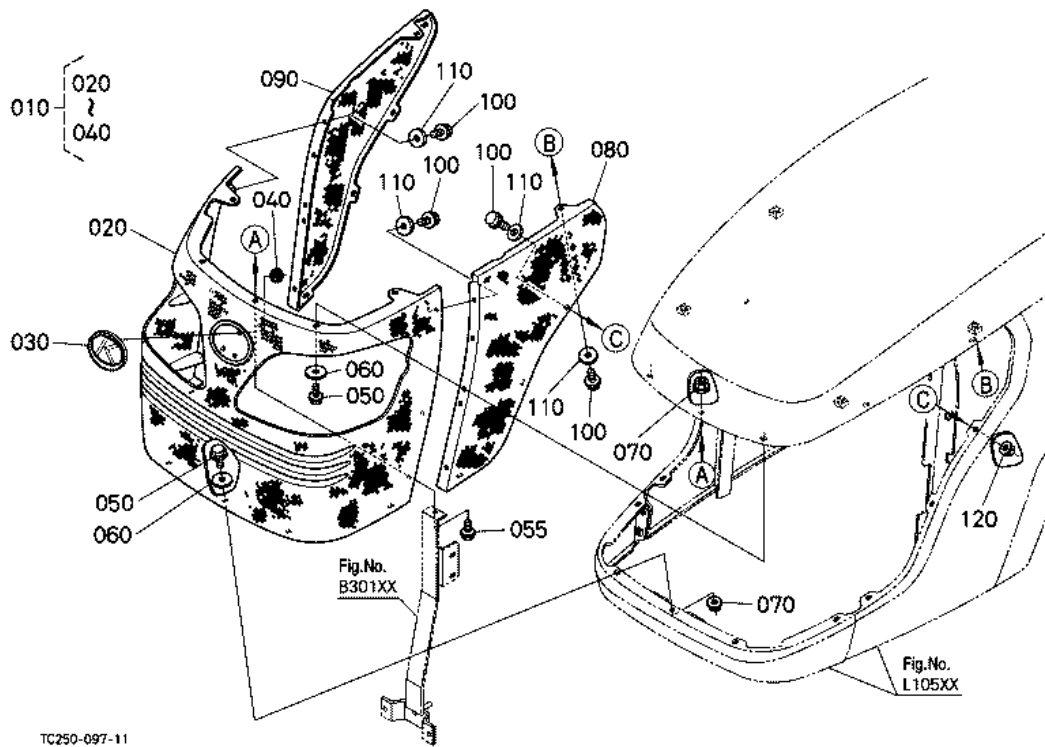
hood/bonnet

Figure Num HOOD/BON



# FRONT GRILLE

Figure Num 01L10100



# FRONT GRILLE

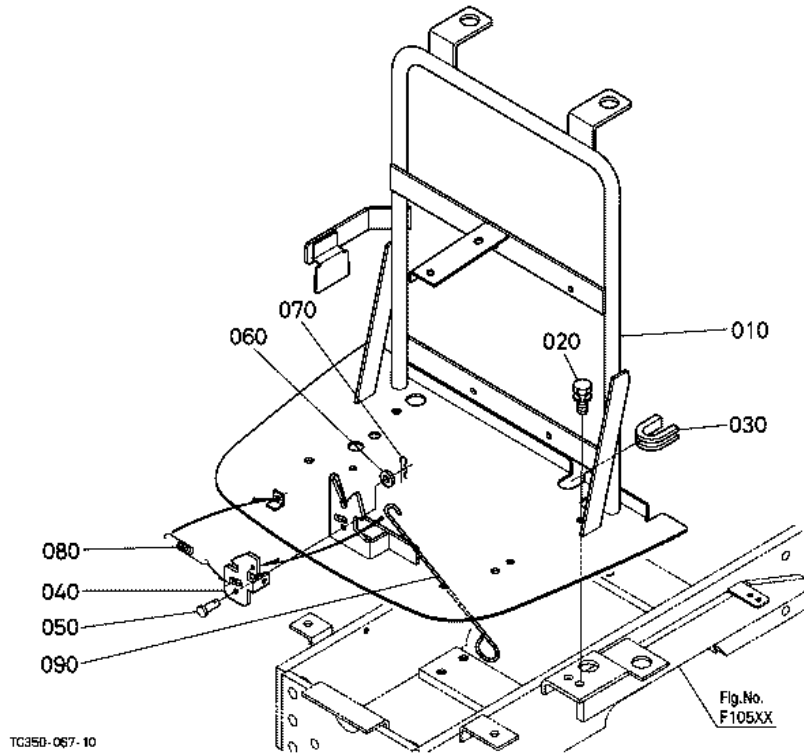
Ref	Part Number	Part Name	Qty	IC	S/N	Lbs	Remarks
010	TC250-41820	ASSY GRILLE,FRONT	1			1.76	
020	TC250-41830	GRILLE,FRONT	1			1.716	
030	K3511-49500	MARK,SYMBOL	1			0.030	
040	RA111-43690	NUT	3			0.002	
050	01754-50616	BOLT,FLANGE	9			0.013	
055	31351-18790	BOLT,FLANGE	1			0.011	
060	04015-60060	WASHER, PLAIN	9			0.011	

FRONT GRILLE

Ref	Part Number	Part Name	Qty	IC	S/N	Lbs	Remarks
070	02761-60060	NUT,FLANGE	8			0.006	
080	TC250-41880	GRILLE,LH	1			0.66	
090	TC250-41890	GRILLE,RH	1			0.66	
100	01754-50616	BOLT,FLANGE	14			0.013	
110	04015-60060	WASHER, PLAIN	14			0.011	
120	02761-60060	NUT,FLANGE	6			0.006	

# HOOD (BONNET) FRONT SUPPORT

**Figure Num 01L10200**



## HOOD (BONNET) FRONT SUPPORT

Ref	Part Number	Part Name	Qty	IC	S/N	Lbs	Remarks
010	TC350-55710	SUPPORT,FRONT	1			0	
020	01133-51020	BOLT	4			0.044	
030	30430-82770	CUSHION	1			0.011	
040	3C081-21792	BRACKET,LOCK	1			0.242	
050	05122-50614	PIN,JOINT	1			0.008	
060	04015-60060	WASHER, PLAIN	1	>>	>=56076	0.011	
060	04014-50060	WASHER,PLAIN	1	>>	>=55483	0.002	

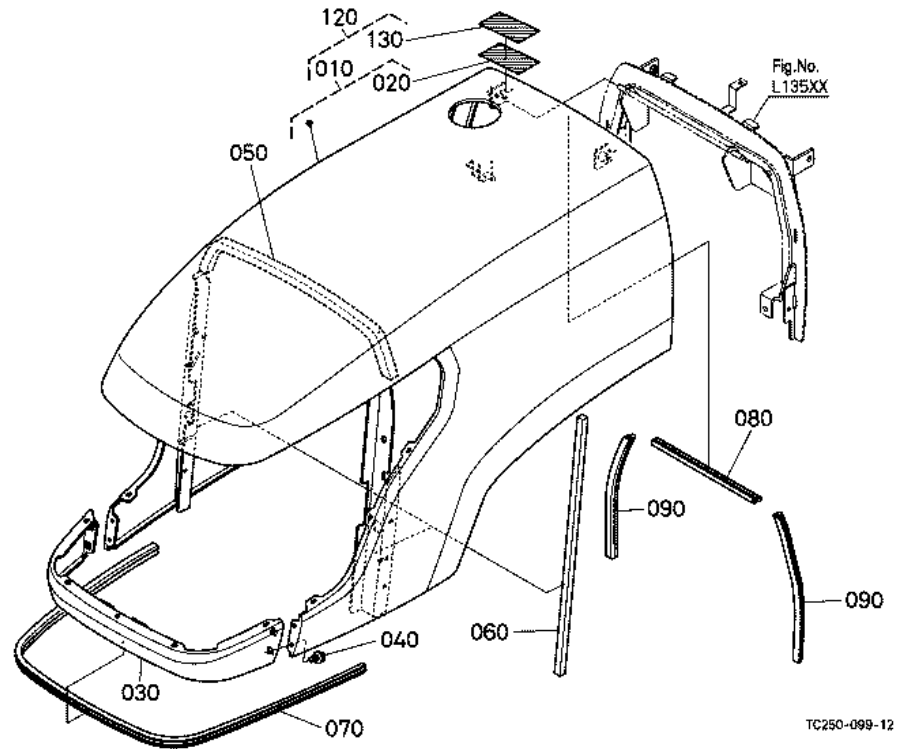


HOOD (BONNET) FRONT SUPPORT

Ref	Part Number	Part Name	Qty	IC	S/N	Lbs	Remarks
060	04015-60060	WASHER, PLAIN	1		<=55482	0.011	
070	05525-60600	PIN,SNAP	1			0.002	
080	TC402-21720	SPRING	1			0	
090	TC250-83470	LEVER,BONNET	1			0.050	

# HOOD(BONNET)

**Figure Num 01L10500**



TC250-099-12

# HOOD(BONNET)

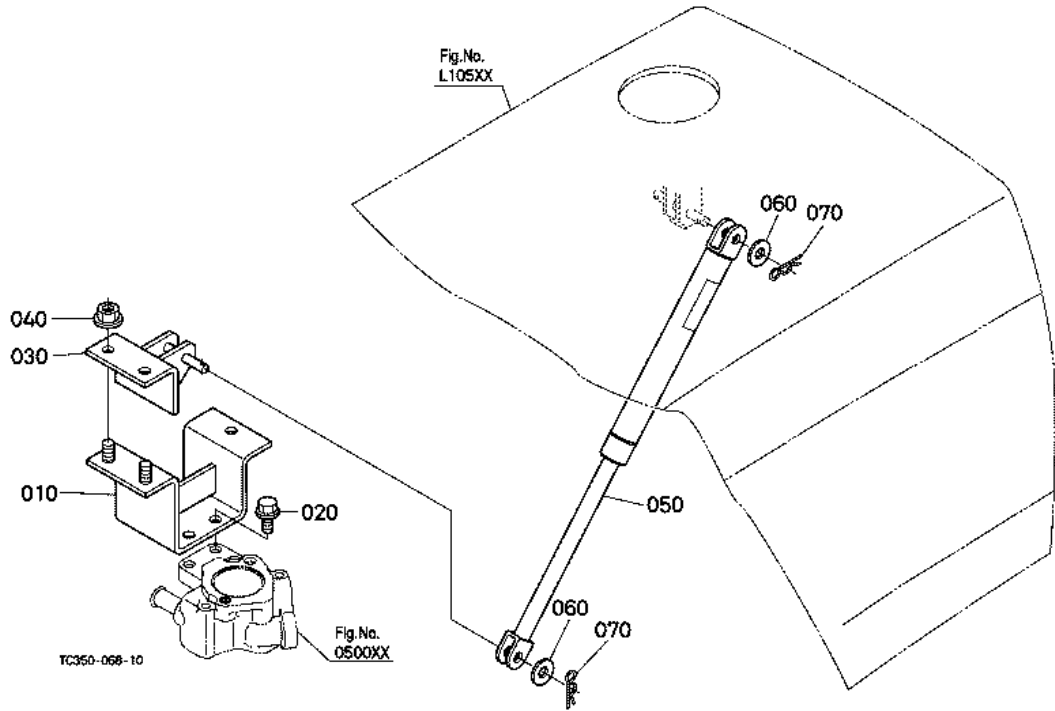
Ref	Part Number	Part Name	Qty	IC	S/N	Lbs	Remarks
010	TC250-18700	KIT BONNET	1			41.8	ENGLISH
020	TC230-49560	LABEL,FILLER	1			0.002	ENGLISH
030	3C081-83292	BONNET,LOWER	1			1.793	
040	01754-50612	BOLT, FLANGE	4			0.011	
050	3C081-17172	SPONGE,UPPER	1			0.099	
060	TC250-41380	SPONGE	2			0.022	
070	3C081-83300	SEAL,RUBBER	1			0.517	

HOOD(BONNET)

Ref	Part Number	Part Name	Qty	IC	S/N	Lbs	Remarks
080	3C081-83683	TRIM,BONNET	1			0.088	
090	TC250-41390	TRIM,BONNET	2			0.22	
120	TC250-18710	KIT BONNET(B)	1			41.8	FRENCH
130	TC231-49560	LABEL,FILLER	1			0.002	FRENCH

# HOOD(BONNET) DAMPER

**Figure Num 01L10800**



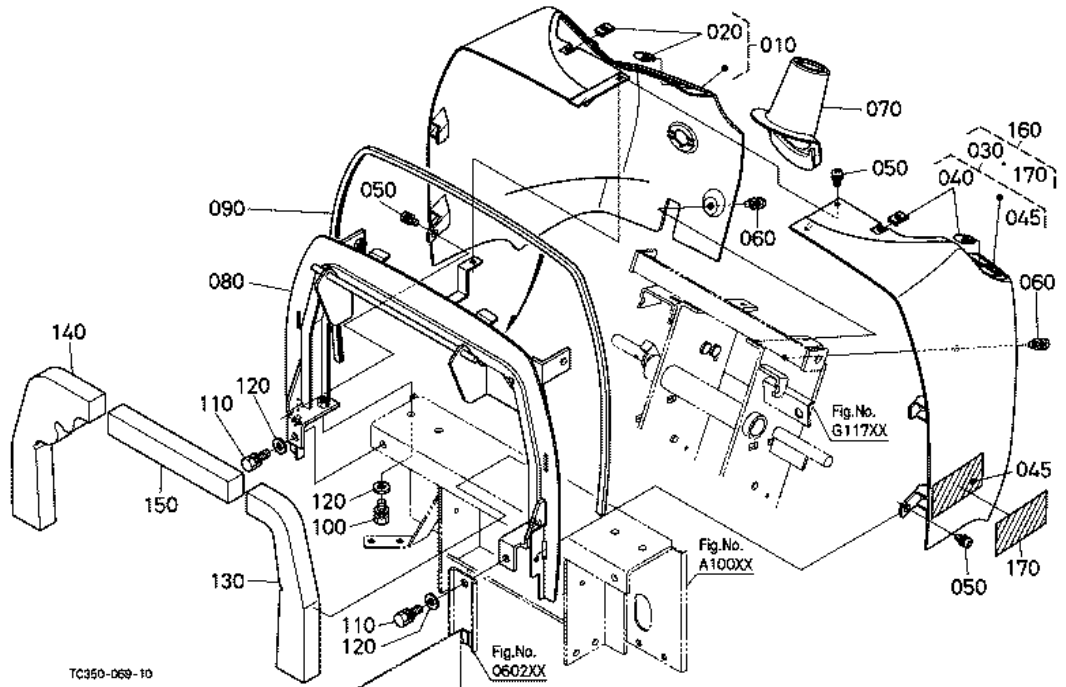
# HOOD(BONNET) DAMPER

Ref	Part Number	Part Name	Qty	IC	S/N	Lbs	Remarks
010	TC250-42230	STAY	1			1.43	
020	01754-50820	BOLT, FLANGE	2			0.033	
030	TC250-42243	BRACKET,DAMPER	1			6.38	
040	02751-50080	NUT,FLANGE	2			0.013	
050	TC350-83310	DAMPER,BONNET	1			1.023	
060	04013-60080	WASHER, PLAIN	2			0.004	
070	05516-50800	PIN,SNAP	2			0.004	



# HOOD(BONNET) REAR

**Figure Num 01L13500**



# HOOD(BONNET) REAR

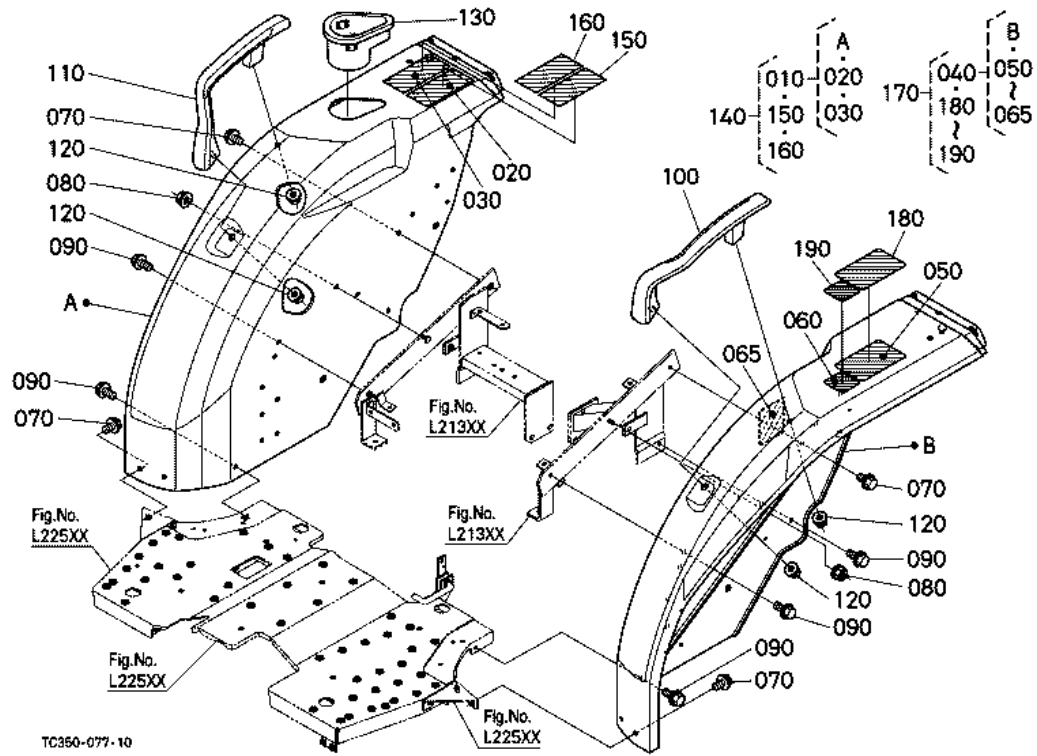
Ref	Part Number	Part Name	Qty	IC	S/N	Lbs	Remarks
010	TC250-18790	ASSY BONNET,REAR RH	1			1.76	
020	T0270-99160	NUT,SPRING	2			0.013	
030	TC250-18920	KIT BONNET,REAR LH .	1			1.76	ENGLISH
040	T0270-99160	NUT,SPRING	2			0.013	
045	TA040-49650	LABEL,START CAUTION	1			0.008	ENGLISH
050	03034-50616	SCREW,WITH WASHER	3			0.013	
060	03034-50816	SCREW,WITH WASHER	2			0.022	

HOOD(BONNET) REAR

Ref	Part Number	Part Name	Qty	IC	S/N	Lbs	Remarks
070	TC250-16860	COVER	1			0.275	
080	TC250-42137	SUPPORT,BONNET REAR	1			11.22	
090	3C301-83530	TRIM,STEERING SUP.	1			0.132	
100	01133-51025	BOLT	2			0.050	
110	01133-51030	BOLT	2			0.055	
120	04013-60100	WASHER, PLAIN	4			0.006	
130	TC250-42210	SPONGE,SHUTTER LH	1			0.182	
140	TC250-42190	SPONGE,SHUTTER RH	1			0.253	
150	TC250-42200	SPONGE,UPPER	1			0.121	
160	TC250-18930	KIT BONNET,REAR LH .	1			1.76	FRENCH
170	TA041-49650	LABEL,START CAUTION	1			0.008	FRENCH

# FENDER

**Figure Num 01L21002**



# FENDER

Ref	Part Number	Part Name	Qty	IC	S/N	Lbs	Remarks
010	TC250-47102	KIT FENDER RH(A)	1			25.74	ENGLISH
020	TA240-98480	LABEL,ROPS WARNING	1		<=56343	0.011	ENGLISH
020	TA240-98482	LABEL,ROPS WARNING	1	>>	>=56344	0	ENGLISH
030	TD170-49330	LABEL,PARKING WARNI.	1			0.011	ENGLISH
030	TA140-49330	LABEL,SHUTTLE CAUTI.	1			0.011	ENGLISH, OUT OF US
040	TC250-99532	KIT FENDER LH (A)	1			35.2	ENGLISH
050	35260-34914	LABEL,SAFETY	1			0.011	ENGLISH

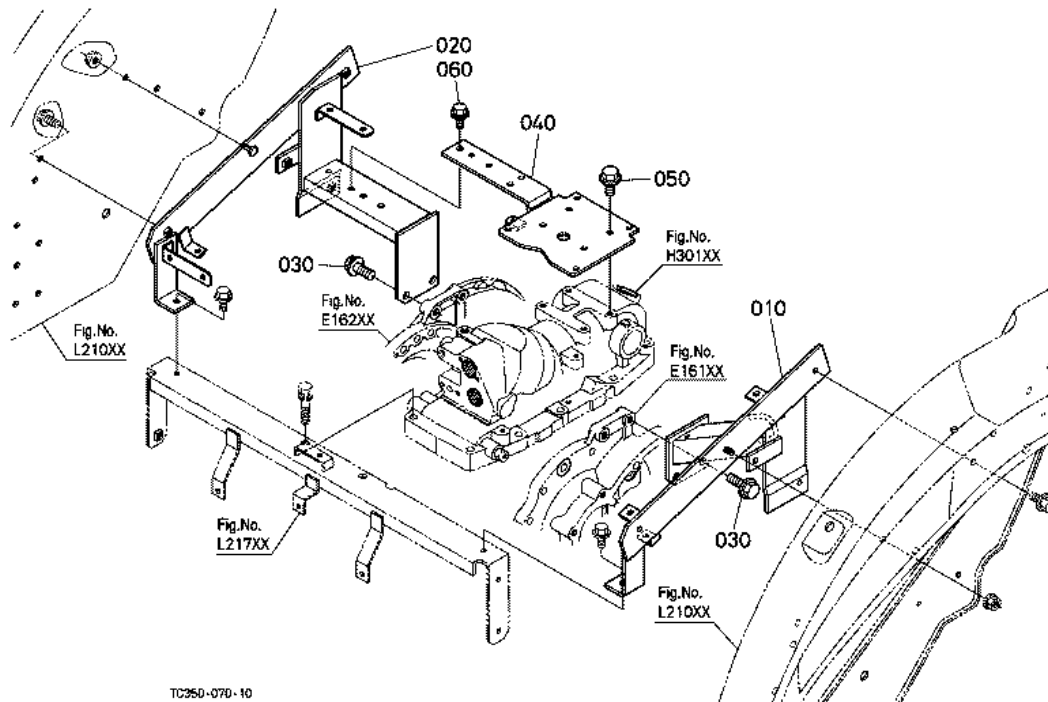


FENDER

Ref	Part Number	Part Name	Qty	IC	S/N	Lbs	Remarks
060	6C300-47440	LABEL,SPARK ARRESTE.	1			0.004	ENGLISH
065	TD060-57852	LABEL,S-CHANGE	1			0.006	ENGLISH
070	01754-50812	BOLT,FLANGE	4			0.022	
080	02751-50080	NUT,FLANGE	2			0.013	
090	01754-50816	BOLT,FLANGE	8			0.024	
100	T1060-29440	GRIP,LH	1			1.034	
110	T1060-29450	GRIP,RH	1			1.034	
120	02771-50100	NUT,FLANGE	4			0.011	
130	TC220-47292	HOLDER,CUP	1			0.264	
140	TC250-47112	KIT FENDER RH(B)	1			25.74	FRENCH
150	3A112-98480	LABEL,ROPS WARNING	1			0.008	FRENCH
160	TA241-49330	LABEL,PARKING WARNI.	1			0.011	FRENCH
160	TA141-49330	LABEL,SHUTTLE CAUTI.	1			0.011	FRENCH, OUT OF US
170	TC250-99542	KIT FENDER LH (B)	1			25.74	FRENCH
180	TA041-65702	LABEL,SAFETY	1			0.022	FRENCH
190	6C301-47440	LABEL,SPARK ARRESTE.	1			0.002	FRENCH

# FENDER SUPPORT

**Figure Num 01L21300**

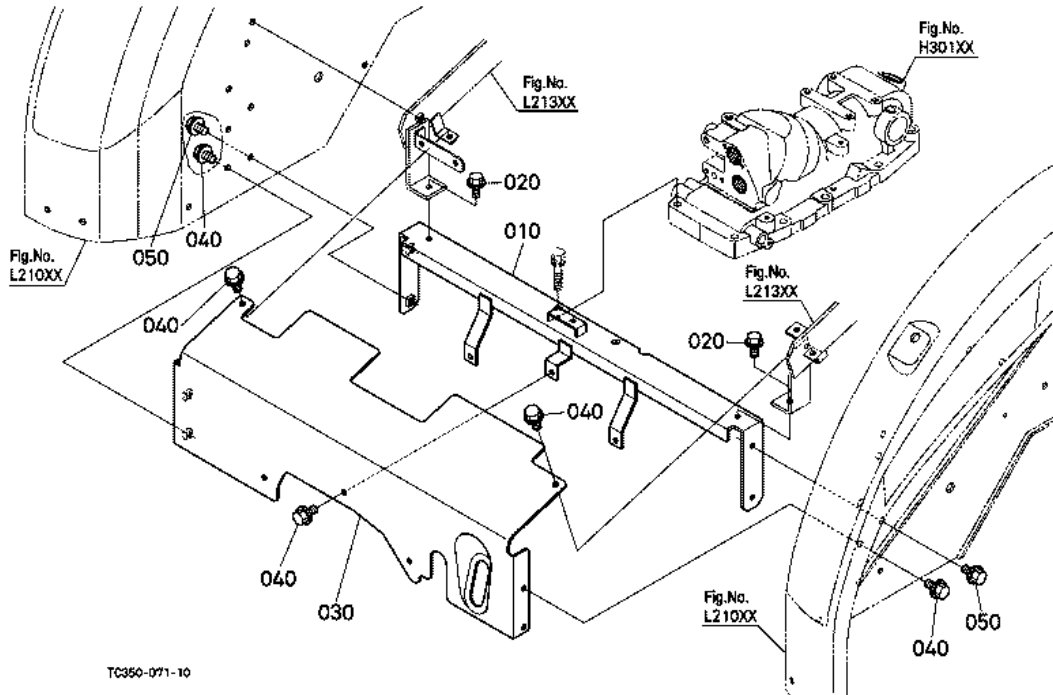


# FENDER SUPPORT

Ref	Part Number	Part Name	Qty	IC	S/N	Lbs	Remarks
010	TC250-29212	SUPPORT,FENDER LH	1			9.9	
020	TC250-29220	SUPPORT,FENDER RH	1			9.9	
030	01774-51230	BOLT,FLANGE	4			0.094	
040	TC250-29230	SUPPORT,SEAT	1			3.982	
050	01774-61020	BOLT,FLANGE	4			0.048	
060	01754-50825	BOLT,FLANGE	1			0.022	

# FLOOR SHEET COVER

**Figure Num 01L21700**

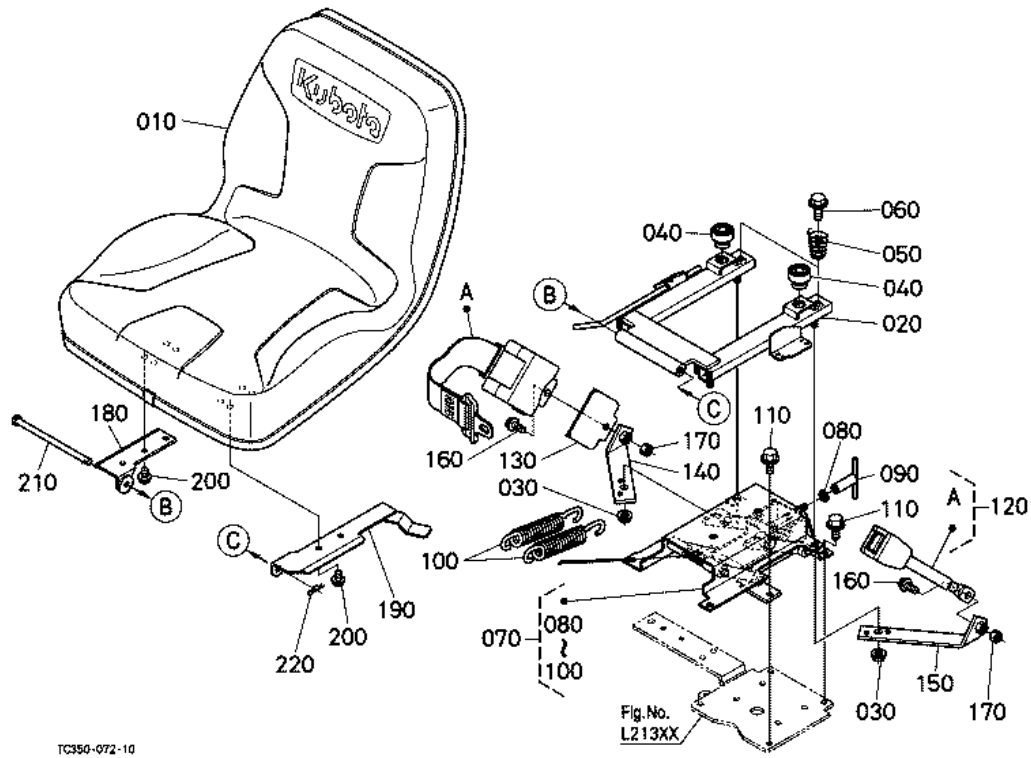


# FLOOR SHEET COVER

Ref	Part Number	Part Name	Qty	IC	S/N	Lbs	Remarks
010	TC250-29242	STAY,FENDER	1			6.16	
020	01754-50825	BOLT,FLANGE	2			0.022	
030	TC350-57540	COVER,FLOOR SHEET	1			0	
040	01754-50816	BOLT, FLANGE	9			0.024	
050	01754-50816	BOLT, FLANGE	4			0.024	

# SEAT

**Figure Num 01L22000**



TC350-072-10

# SEAT

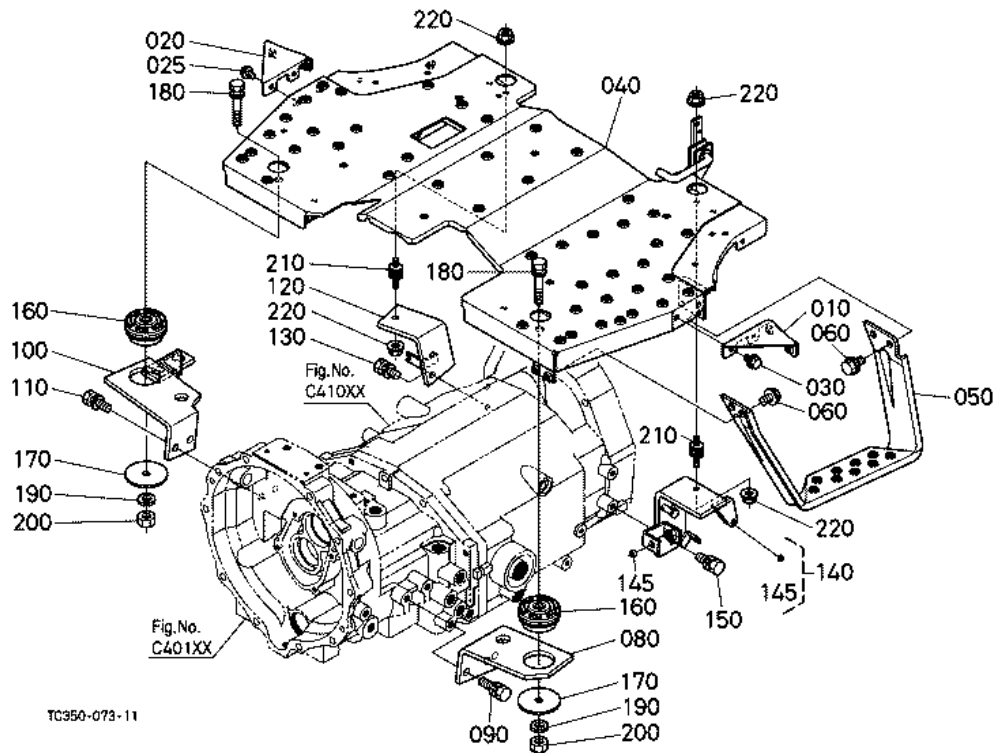
Ref	Part Number	Part Name	Qty	IC	S/N	Lbs	Remarks
010	TC220-88720	SEAT	1			16.28	
020	3A272-18430	ASSY ADJUSTER,SEAT	1			5.5	
030	02783-50100	NUT,FLANGE	4			0.022	
040	32160-18440	CUSHION	2			0.028	
050	3A272-75270	SPRING,SEAT	2			0.066	
060	01754-50816	BOLT, FLANGE	2			0.024	
070	TC350-11800	ASSY SUSPENSION,SEA.	1			0	

## SEAT

Ref	Part Number	Part Name	Qty	IC	S/N	Lbs	Remarks
080	04011-50100	WASHER,PLAIN	1			0.004	
090	TC350-11860	NUT,ADJUSTING	1			0	
100	TC350-11870	SPRING,SEAT	2			0	
110	01754-50820	BOLT, FLANGE	4			0.033	
120	TD060-47780	ASSY BELT,SEAT	1			1.771	
130	TC050-18472	COVER,BELT SEAT	1			0.198	
140	TA040-18482	BRACKET,SEAT BELT R.	1			0.594	
150	TC030-18492	BRACKET,SEAT BELT L.	1			0.66	
160	01774-51025	BOLT,FLANGE	2			0.044	
170	02116-50100	NUT	2			0.008	
180	TC050-18450	BRACKET,SEAT RH	1			0.44	
190	TC220-18462	BRACKET,SEAT LH	1			0.99	
200	01754-50816	BOLT, FLANGE	4			0.024	
210	TC050-11850	PIN	1			0.22	
220	05516-61000	PIN,SNAP	1			0.006	

# STEP

**Figure Num 01L22500**



# STEP

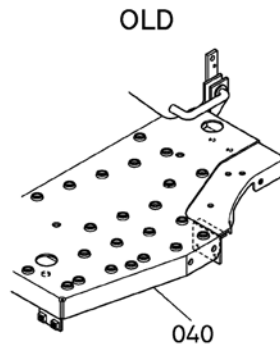
Ref	Part Number	Part Name	Qty	IC	S/N	Lbs	Remarks
010	TC250-47492	STAY,STEP LH	1			0.286	
020	TC250-47482	STAY,STEP RH	1			0.308	
025	01754-50816	BOLT,FLANGE	2			0.024	
030	01754-50816	BOLT,FLANGE	2			0.024	
040	TC350-57470	COMP.STEP,HST	1		<=56704	0	
040	TC350-57472	COMP.STEP,HST	1	>>	>=56705	0	
050	TD170-47470	STEP,AID LH	1			2.2	

## STEP

Ref	Part Number	Part Name	Qty	IC	S/N	Lbs	Remarks
060	01754-50812	BOLT,FLANGE	4			0.022	
080	TC250-29142	BRACKET,STEP FRON.L.	1			2.86	
090	01133-51230	BOLT	2			0.088	
100	TC350-57420	BRACKET,STEP FRON.R.	1			0	
110	01133-51230	BOLT	2			0.088	
120	TC350-57412	BRACKET,STEP REAR R.	1	>>	>=55855	0	
120	TC350-57410	BRACKET,STEP REAR R.	1		<=55854	0	
130	01133-51025	BOLT	2			0.050	
140	TC350-55640	ASSY BRACKET,STEP	1			0	
145	08511-01006	BUSH	1			0.017	
150	01133-51025	BOLT	2			0.050	
160	T1060-47310	CUSHION	2			0.341	
170	T1060-47320	WASHER	2			0.228	
180	01173-51475	BOLT	2			0.235	
190	04512-60140	WASHER, SPRING	2			0.017	
200	02176-50140	NUT	2			0.030	
210	TC030-47350	CUSHION RUBBER	2			0.083	
220	02751-50080	NUT,FLANGE	4			0.013	

STEP

Figure Num 01L22500



TC350-803-10

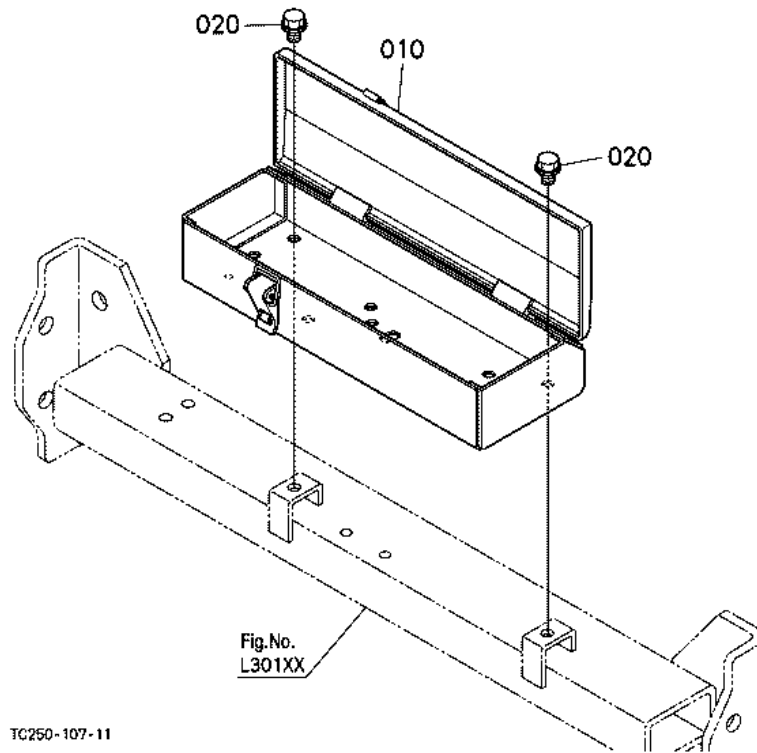
STEP

Ref	Part Number	Part Name	Qty	IC	S/N	Lbs	Remarks
040	TC350-57472	COMP.STEP,HST	1	>>	>=56705	0	
040	TC350-57470	COMP.STEP,HST	1		<=56704	0	



# TOOL BOX

**Figure Num 01L24000**

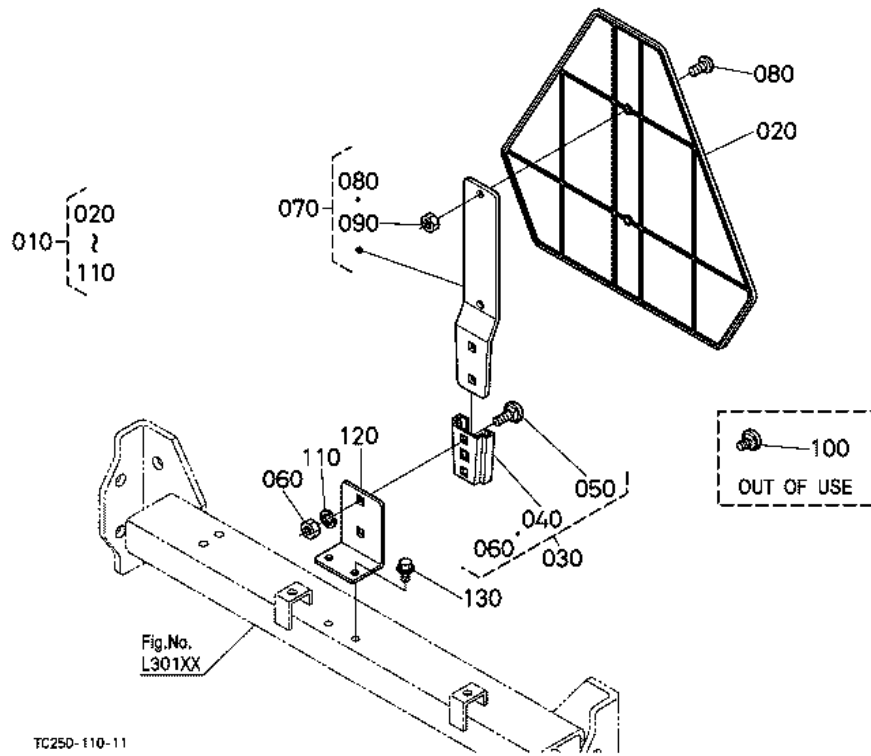


# TOOL BOX

Ref	Part Number	Part Name	Qty	IC	S/N	Lbs	Remarks
010	32310-18513	CASE,TOOLS	1			2.068	
020	01754-50812	BOLT,FLANGE	2			0.022	

# SMV EMBLEM

**Figure Num 01L50100**



# SMV EMBLEM

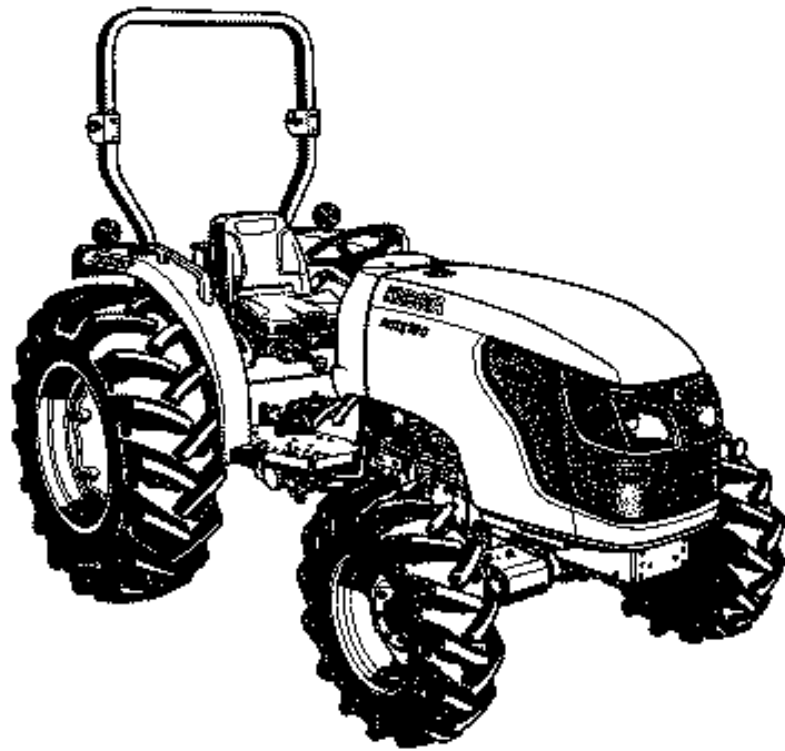
Ref	Part Number	Part Name	Qty	IC	S/N	Lbs	Remarks
010	7L500-89903	SMV SIGN KIT	1			0.55	
020	7L500-89912	SIGN,SMV	1			0.704	
030	7L500-89920	SOCKET,SMV SIGN	1			0.22	
040	7L500-89930	SOCKET-MTG,SMV	1			0.11	
050	7L500-89940	BOLT,SQUARE NECK	2			0.022	
060	7L500-89950	NUT	2			0.008	
070	7L500-89960	SPADE,SMV SIGN	1			0.528	

SMV EMBLEM

Ref	Part Number	Part Name	Qty	IC	S/N	Lbs	Remarks
080	7L500-89980	SCREW,PAN HEAD	2			0.044	
090	7L500-89990	NUT	2			0.002	
100	7L500-89810	BOLT,SQUARE NECK	2			0.024	OUT OF USE
110	04512-60080	WASHER SPRING	2			0.004	
120	TC050-29430	BRACKET,SMV	1			0.616	
130	01754-50812	BOLT,FLANGE	2			0.022	

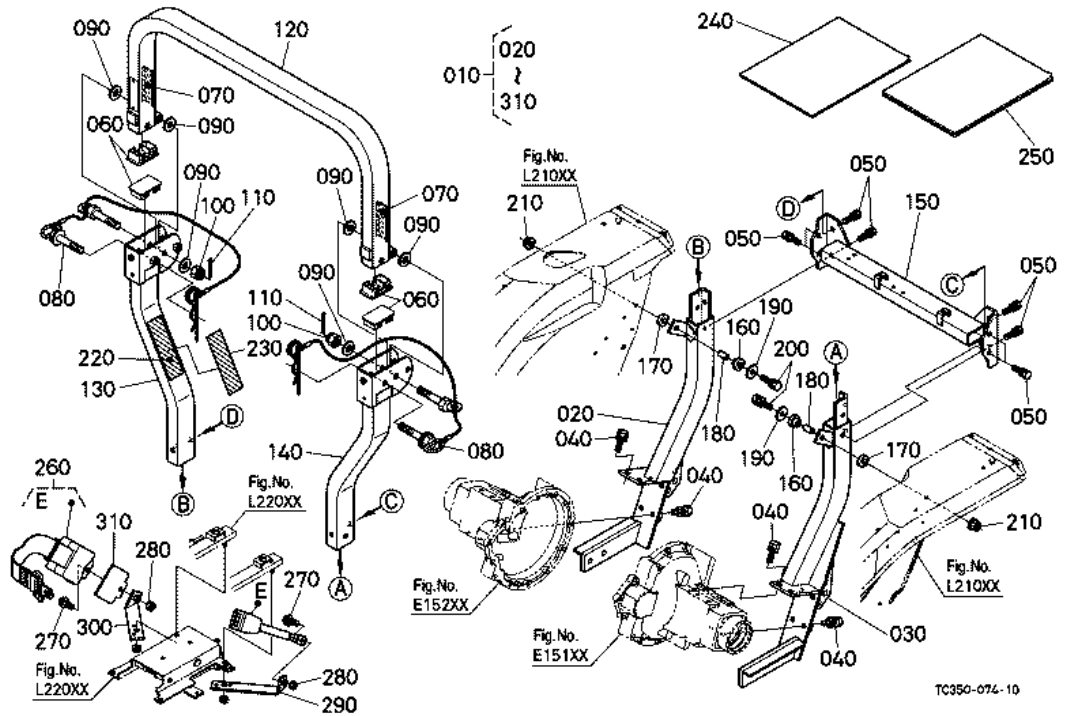
rops

Figure Num ROPS



# ROPS

**Figure Num 01L30100**



# ROPS

Ref	Part Number	Part Name	Qty	IC	S/N	Lbs	Remarks
010	TC250-48530	ASSY ROPS	1			0	NOT SALE
020	99999-99999	COMP.FRAME UNDER,RH	1			0	
030	99999-99999	COMP.FRAME UNDER,LH	1			0	
040	01138-51430	BOLT	12			0.154	
050	01138-51440	BOLT	8			0.154	
060	TC050-48773	COVER,ROPS	4			0.066	
070	6C140-54990	REFLECTOR,LABEL	2			0.006	

ROPS

Ref	Part Number	Part Name	Qty	IC	S/N	Lbs	Remarks
080	TA240-48752	SET,BOLT	2			0.957	
090	04013-60160	WASHER, PLAIN	6			0.022	
100	02254-50160	NUT	2			0.088	
110	05511-50430	PIN,SPLIT	2			0.008	
120	99999-99999	COMP.FRAME UPPER	1			0	
130	99999-99999	COMP.FRAME MIDDLE R.	1			0	
140	99999-99999	COMP.FRAME MIDDLE L.	1			0	
150	99999-99999	COMP.FRAME ACROSS	1			0	
160	TC050-29950	CUSHION	2			0.006	
170	TC030-46132	CUSHION	2			0.008	
180	TC050-48310	COLLAR	2			0.008	
190	04015-60080	WASHER PLAIN	2			0.022	
200	01123-50835	BOLT	2			0.044	
210	02751-50080	NUT,FLANGE	2			0.013	
220	3A111-95540	LABEL,ROPS CAUTION	1			0.006	ENGLISH
230	3A112-95540	LABEL,ROPS CAUTION	1			0.006	FRENCH
240	99999-99999	MANUAL,INSTRUCTION	1			0	
250	TA240-48680	OPERATOR'S MANUAL	1			0.055	
260	TD060-47780	ASSY BELT,SEAT	1			1.771	
270	01774-51025	BOLT,FLANGE	2			0.044	
280	02116-50100	NUT	2			0.008	
290	TC030-18492	BRACKET,SEAT BELT L.	1			0.66	
300	TA040-18482	BRACKET,SEAT BELT R.	1			0.594	
310	TC050-18472	COVER,BELT SEAT	1			0.198	

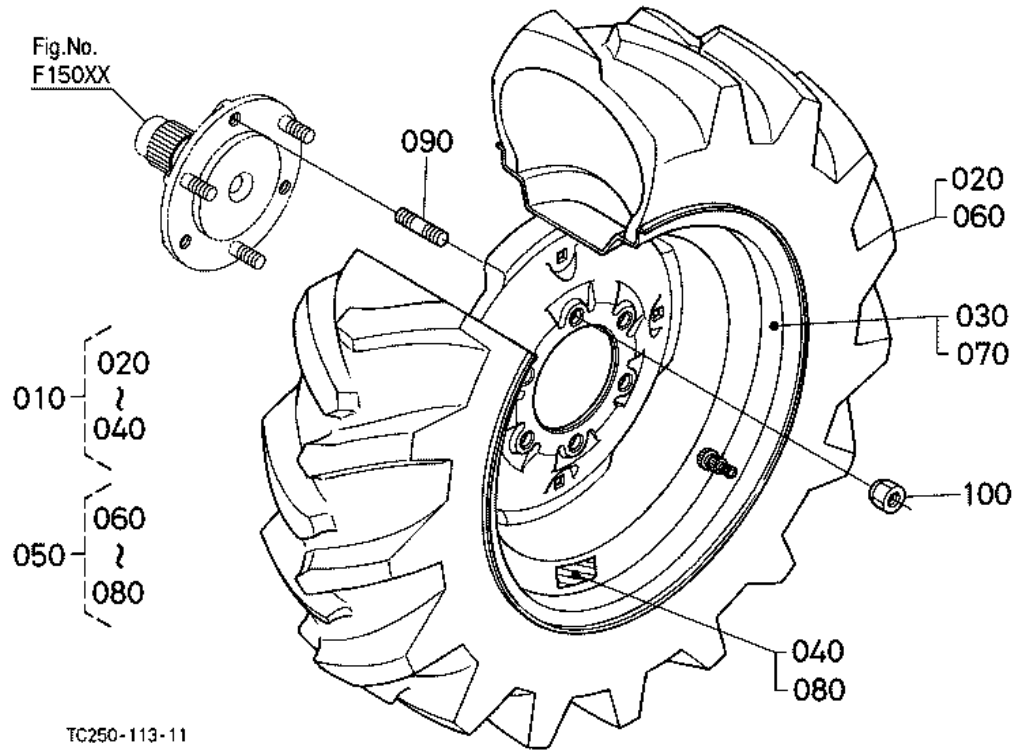
front/rear tire

Figure Num FRONT/REA



# FRONT WHEEL (9.5-16)

**Figure Num 01P10101**



# FRONT WHEEL (9.5-16)

Ref	Part Number	Part Name	Qty	IC	S/N	Lbs	Remarks
010	TC050-50010	ASSY TIRE,RH	1			0	AMXR8860R
020	TD060-44930	TIRE	1			33	AMXR8860R
030	TC050-50040	WHEEL	1			25.96	AMXR8860R
040	99999-99999	LABEL,TIRE RH	1			0	AMXR8860R
050	TC050-50020	ASSY TIRE,LH	1			0	AMXR8860L
060	TD060-44930	TIRE	1			33	AMXR8860L
070	TC050-50040	WHEEL	1			25.96	AMXR8860L

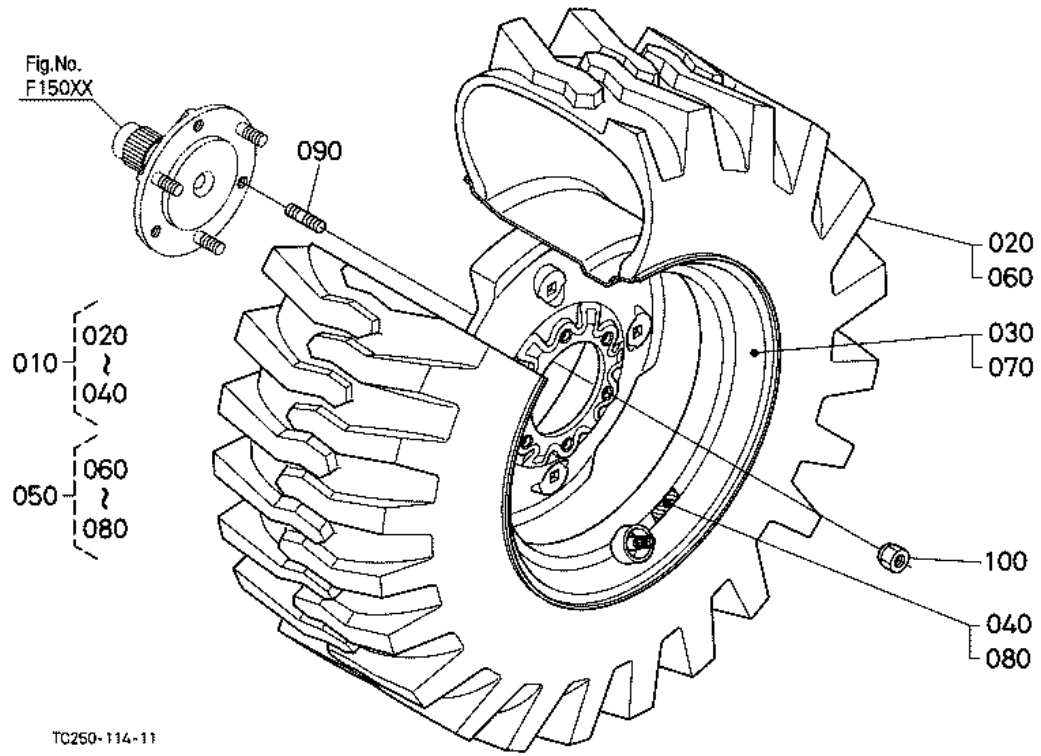


FRONT WHEEL (9.5-16)

Ref	Part Number	Part Name	Qty	IC	S/N	Lbs	Remarks
080	99999-99999	LABEL,TIRE LH	1			0	AMXR8860L
090	32580-44960	STUD	6			0.11	
100	35340-11390	NUT	12			0.066	

# FRONT WHEEL (12-16.5)

Figure Num 01P10102



## FRONT WHEEL (12-16.5)

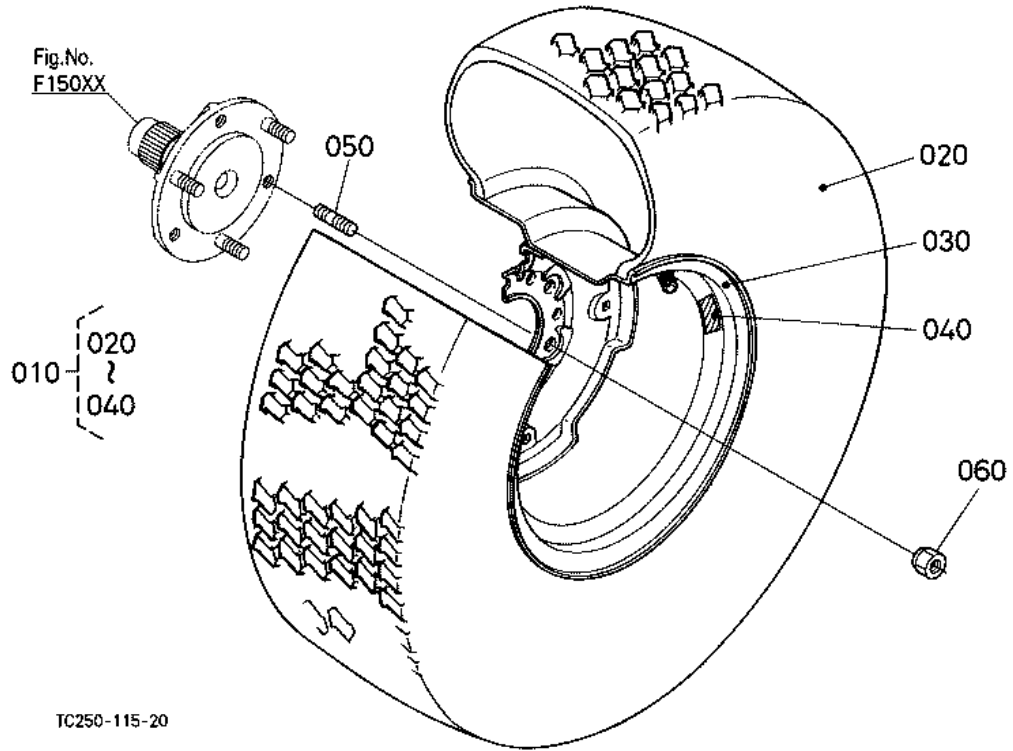
Ref	Part Number	Part Name	Qty	IC	S/N	Lbs	Remarks
010	TC050-00760	ASSY TIRE,RH	1			0	AMXR8828R
020	TC050-00780	TIRE	1			0	AMXR8828R
030	TC050-00790	WHEEL	1			0	AMXR8828R
040	99999-99999	LABEL,TIRE	1			0	AMXR8828R
050	TC050-00770	ASSY TIRE,RH	1			0	AMXR8828L
060	TC050-00780	TIRE	1			0	AMXR8828L
070	TC050-00790	WHEEL	1			0	AMXR8828L

FRONT WHEEL (12-16.5)

Ref	Part Number	Part Name	Qty	IC	S/N	Lbs	Remarks
080	99999-99999	LABEL,TIRE	1			0	AMXR8828L
090	32580-44960	STUD	6			0.11	
100	35340-11390	NUT	12			0.066	

# FRONT WHEEL (29\*12.5-15)

**Figure Num 01P10103**

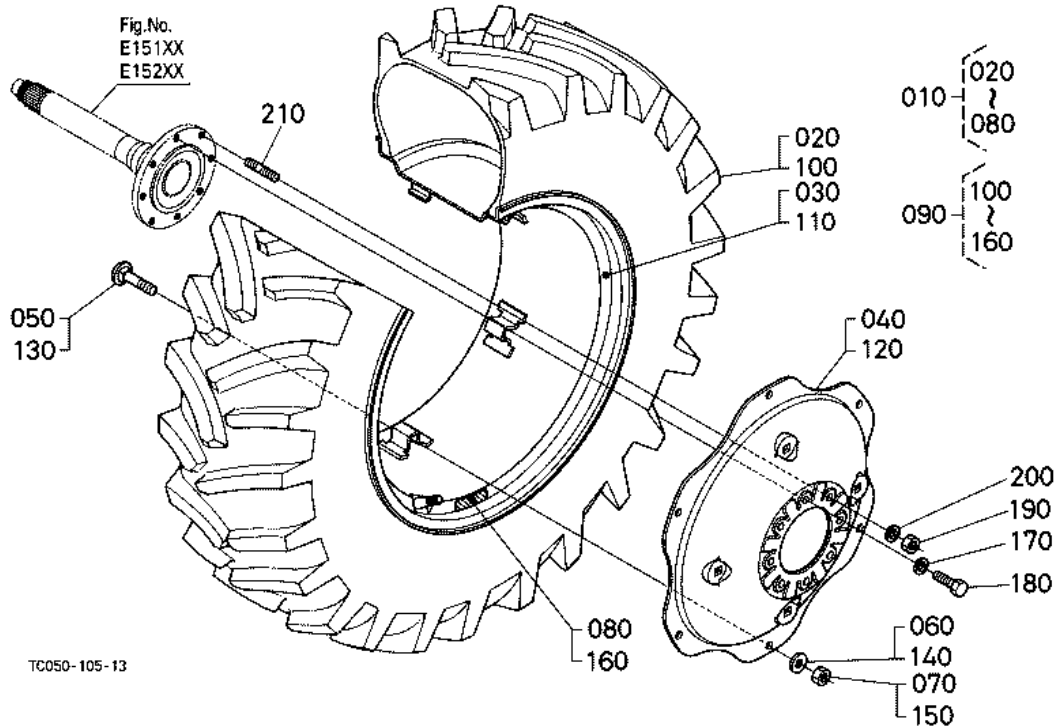


# FRONT WHEEL (29\*12.5-15)

Ref	Part Number	Part Name	Qty	IC	S/N	Lbs	Remarks
010	TC050-00560	ASSY TIRE	2			0	ALR8895A
020	TC050-00670	TIRE	2			48.62	ALR8895A
030	35080-11540	WHEEL	2			0	ALR8895A
040	99999-99999	LABEL,TIRE	2			0	ALR8895A
050	32580-44960	STUD	6			0.11	
060	35340-11390	NUT	12			0.066	

# REAR WHEEL (13.6-28)

**Figure Num 01P11001**



# REAR WHEEL (13.6-28)

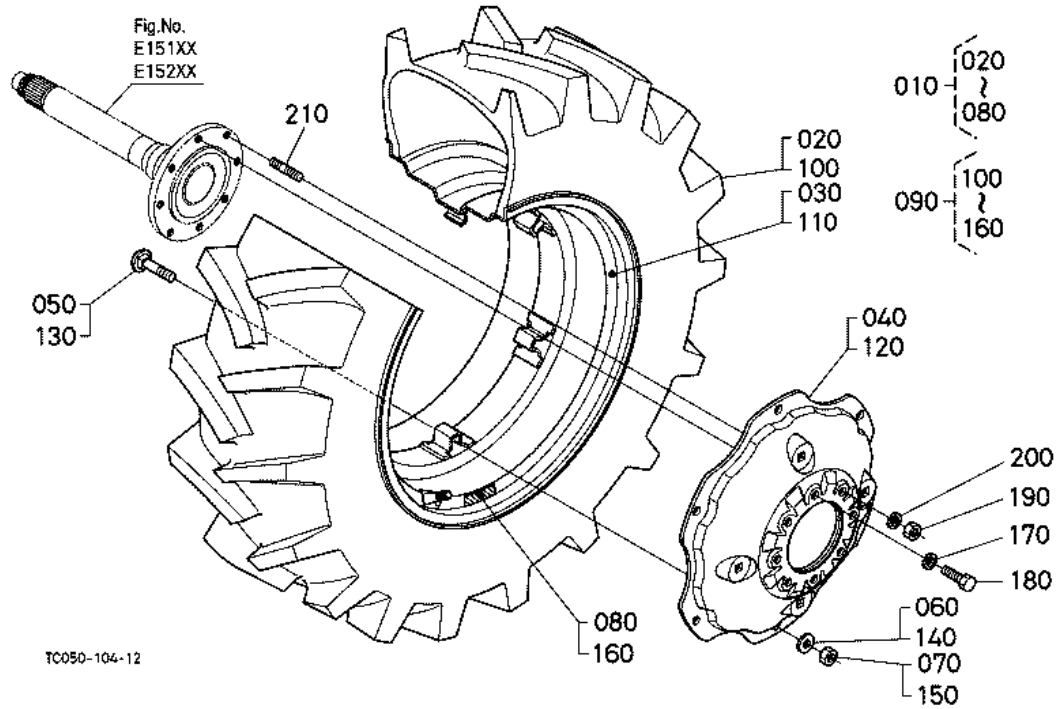
Ref	Part Number	Part Name	Qty	IC	S/N	Lbs	Remarks
010	TC050-40360	ASSY TIRE,RH	1			0	AMXR8813R
020	TC050-40380	TIRE	1			0	AMXR8813R
030	TC050-40390	WHEEL	1			134.2	AMXR8813R
040	TC050-40420	DISK	1			101.2	AMXR8813R
050	TC050-00970	BOLT	6			0.352	AMXR8813R
060	TC050-00980	WASHER,PLAIN	6			0.044	AMXR8813R
070	TC050-00990	NUT	6			0	AMXR8813R

REAR WHEEL (13.6-28)

Ref	Part Number	Part Name	Qty	IC	S/N	Lbs	Remarks
080	99999-99999	LABEL,TIRE	1			0	AMXR8813R
090	TC050-40370	ASSY TIRE,LH	1			0	AMXR8813L
100	TC050-40380	TIRE	1			0	AMXR8813L
110	TC050-40390	WHEEL	1			134.2	AMXR8813L
120	TC050-40420	DISK	1			101.2	AMXR8813L
130	TC050-00970	BOLT	6			0.352	AMXR8813L
140	TC050-00980	WASHER,PLAIN	6			0.044	AMXR8813L
150	TC050-00990	NUT	6			0	AMXR8813L
160	99999-99999	LABEL,TIRE	1			0	AMXR8813L
170	04512-60160	WASHER, SPRING	12			0.022	
180	01073-51640	BOLT	12			0.202	
190	02076-50160	NUT	4			0.066	
200	04512-60160	WASHER, SPRING	4			0.022	
210	32530-27410	STUD	4			0.176	

# REAR WHEEL (14.9-26)

**Figure Num 01P11002**



# REAR WHEEL (14.9-26)

Ref	Part Number	Part Name	Qty	IC	S/N	Lbs	Remarks
010	TC050-00810	ASSY TIRE,RH	1			0	AMXR8857R
020	TC050-00830	TIRE	1			0	AMXR8857R
030	TC050-00840	RIM	1			70.4	AMXR8857R
040	TC050-00960	DISK	1			31.9	AMXR8857R
050	TC050-00970	BOLT	6			0.352	AMXR8857R
060	TC050-00980	WASHER,PLAIN	6			0.044	AMXR8857R
070	TC050-00990	NUT	6			0	AMXR8857R

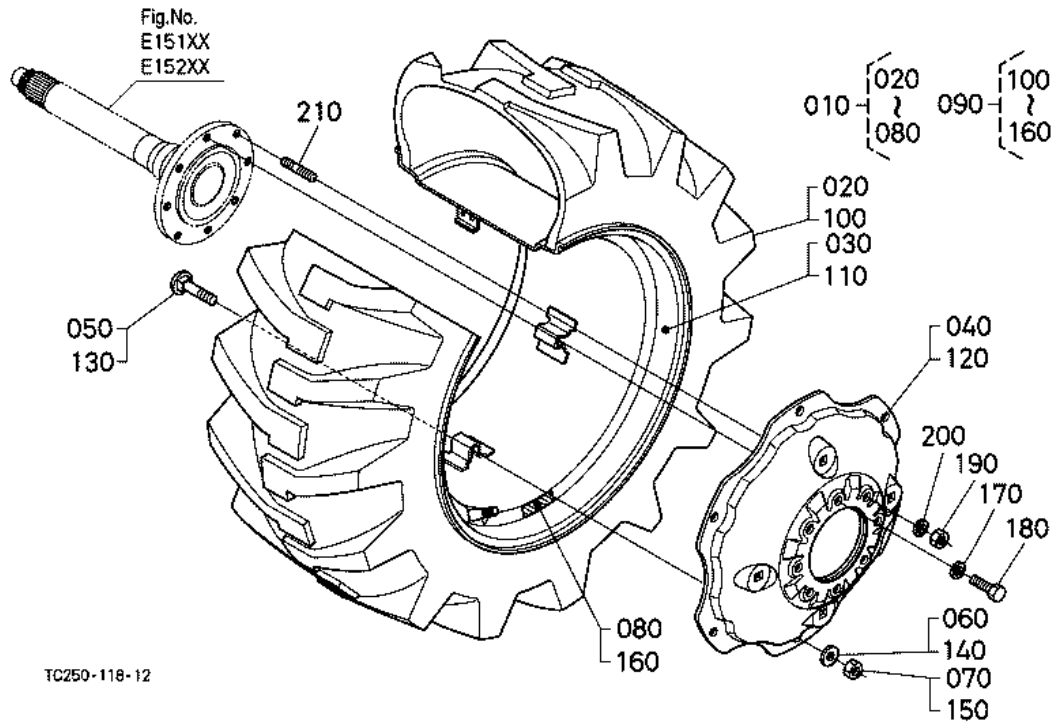
REAR WHEEL (14.9-26)

Ref	Part Number	Part Name	Qty	IC	S/N	Lbs	Remarks
080	99999-99999	LABEL,TIRE	1			0	AMXR8857R
090	TC050-00820	ASSY TIRE,LH	1			0	AMXR8857L
100	TC050-00830	TIRE	1			0	AMXR8857L
110	TC050-00840	RIM	1			70.4	AMXR8857L
120	TC050-00960	DISK	1			31.9	AMXR8857L
130	TC050-00970	BOLT	6			0.352	AMXR8857L
140	TC050-00980	WASHER,PLAIN	6			0.044	AMXR8857L
150	TC050-00990	NUT	6			0	AMXR8857L
160	99999-99999	LABEL,TIRE	1			0	AMXR8857L
170	04512-60160	WASHER, SPRING	12			0.022	
180	01073-51640	BOLT	12			0.202	
190	02076-50160	NUT	4			0.066	
200	04512-60160	WASHER, SPRING	4			0.022	
210	32530-27410	STUD	4			0.176	



# REAR WHEEL (17.5L-24)

**Figure Num 01P11003**



# REAR WHEEL (17.5L-24)

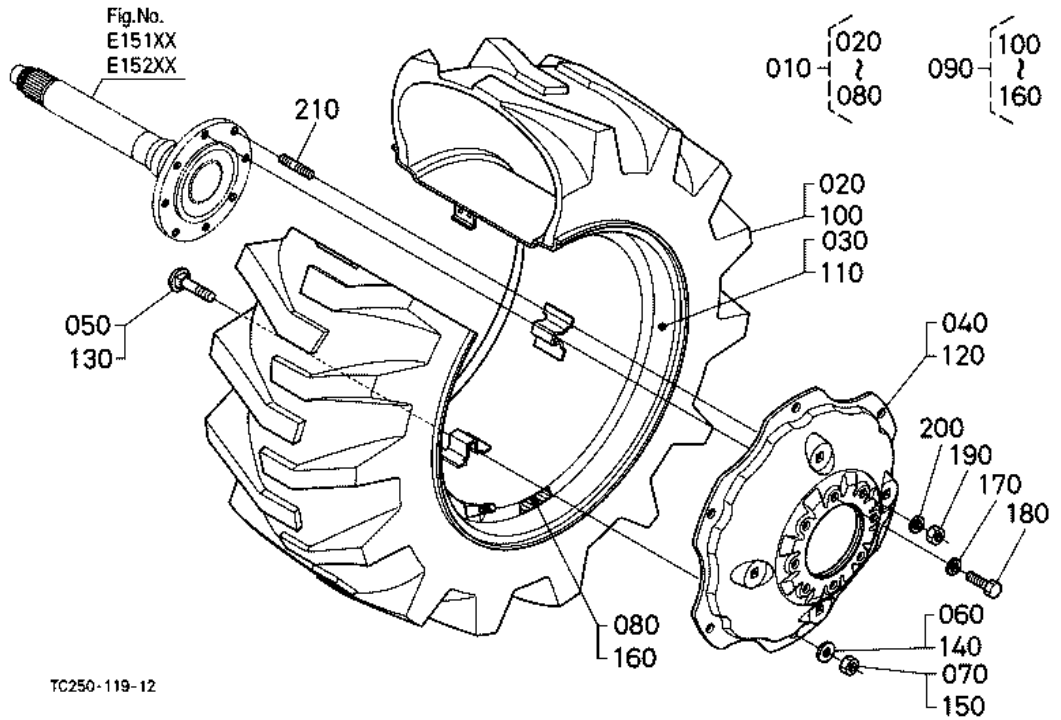
Ref	Part Number	Part Name	Qty	IC	S/N	Lbs	Remarks
010	TC050-00860	ASSY TIRE,RH	1			0	AMXR8858R
020	TA040-27730	TIRE	1			0	AMXR8858R
030	TC050-00880	RIM	1			0	AMXR8858R
040	TC050-00890	DISK	1			31.9	AMXR8858R
050	TC050-00970	BOLT	6			0.352	AMXR8858R
060	TC050-00980	WASHER,PLAIN	6			0.044	AMXR8858R
070	TC050-00990	NUT	6			0	AMXR8858R

REAR WHEEL (17.5L-24)

Ref	Part Number	Part Name	Qty	IC	S/N	Lbs	Remarks
080	99999-99999	LABEL,TIRE	1			0	AMXR8858R
090	TC050-00870	ASSY TIRE,LH	1			0	AMXR8858L
100	TA040-27730	TIRE	1			0	AMXR8858L
110	TC050-00880	RIM	1			0	AMXR8858L
120	TC050-00890	DISK	1			31.9	AMXR8858L
130	TC050-00970	BOLT	6			0.352	AMXR8858L
140	TC050-00980	WASHER,PLAIN	6			0.044	AMXR8858L
150	TC050-00990	NUT	6			0	AMXR8858L
160	99999-99999	LABEL,TIRE	1			0	AMXR8858L
170	04512-60160	WASHER, SPRING	12			0.022	
180	01073-51640	BOLT	12			0.202	
190	02076-50160	NUT	4			0.066	
200	04512-60160	WASHER, SPRING	4			0.022	
210	32530-27410	STUD	4			0.176	

# REAR WHEEL (17.5L-24)

**Figure Num 01P11004**



TC250-119-12

# REAR WHEEL (17.5L-24)

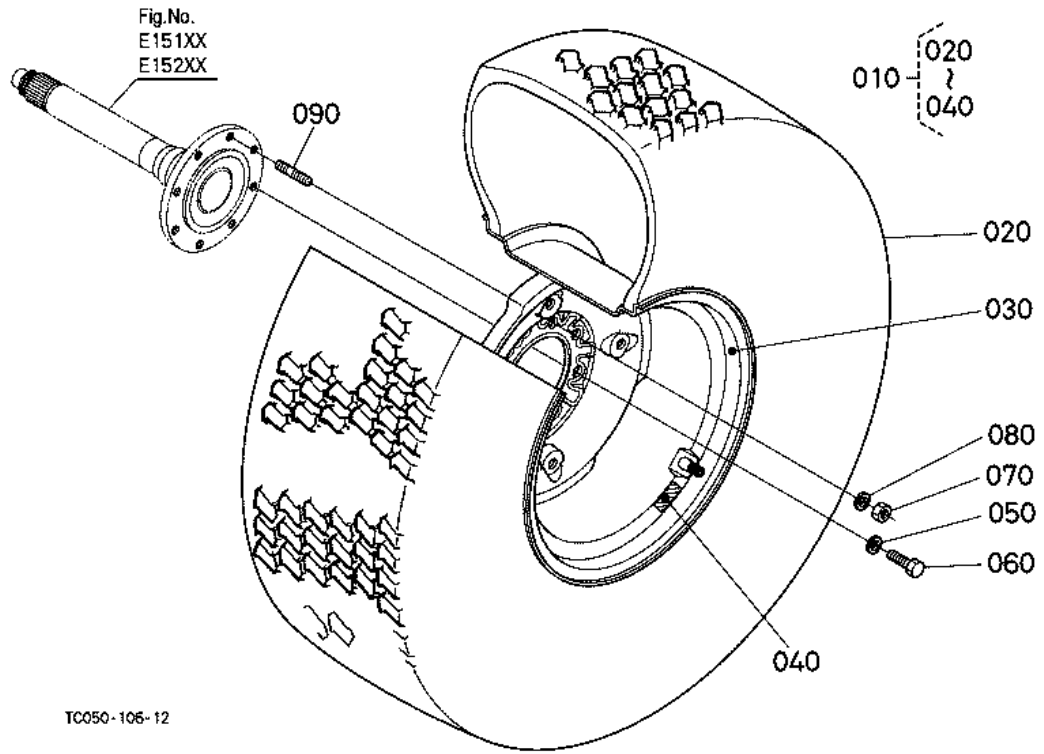
Ref	Part Number	Part Name	Qty	IC	S/N	Lbs	Remarks
010	TD060-00860	ASSY TIRE,RH	1			0	AMXR8858AR
020	TD060-27730	TIRE	1			0	AMXR8858AR
030	TC050-00880	RIM	1			0	AMXR8858AR
040	TC050-00890	DISK	1			31.9	AMXR8858AR
050	TC050-00970	BOLT	6			0.352	AMXR8858AR
060	TC050-00980	WASHER,PLAIN	6			0.044	AMXR8858AR
070	TC050-00990	NUT	6			0	AMXR8858AR

REAR WHEEL (17.5L-24)

Ref	Part Number	Part Name	Qty	IC	S/N	Lbs	Remarks
080	99999-99999	LABEL,TIRE	1			0	AMXR8858AR
090	TD060-00870	ASSY TIRE,LH	1			0	AMXR8858AL
100	TD060-27730	TIRE	1			0	AMXR8858AL
110	TC050-00880	RIM	1			0	AMXR8858AL
120	TC050-00890	DISK	1			31.9	AMXR8858AL
130	TC050-00970	BOLT	6			0.352	AMXR8858AL
140	TC050-00980	WASHER,PLAIN	6			0.044	AMXR8858AL
150	TC050-00990	NUT	6			0	AMXR8858AL
160	99999-99999	LABEL,TIRE	1			0	AMXR8858AL
170	04512-60160	WASHER, SPRING	12			0.022	
180	01073-51640	BOLT	12			0.202	
190	02076-50160	NUT	4			0.066	
200	04512-60160	WASHER, SPRING	4			0.022	
210	32530-27410	STUD	4			0.176	

# REAR WHEEL (44\*18-20)

**Figure Num 01P11005**



# REAR WHEEL (44\*18-20)

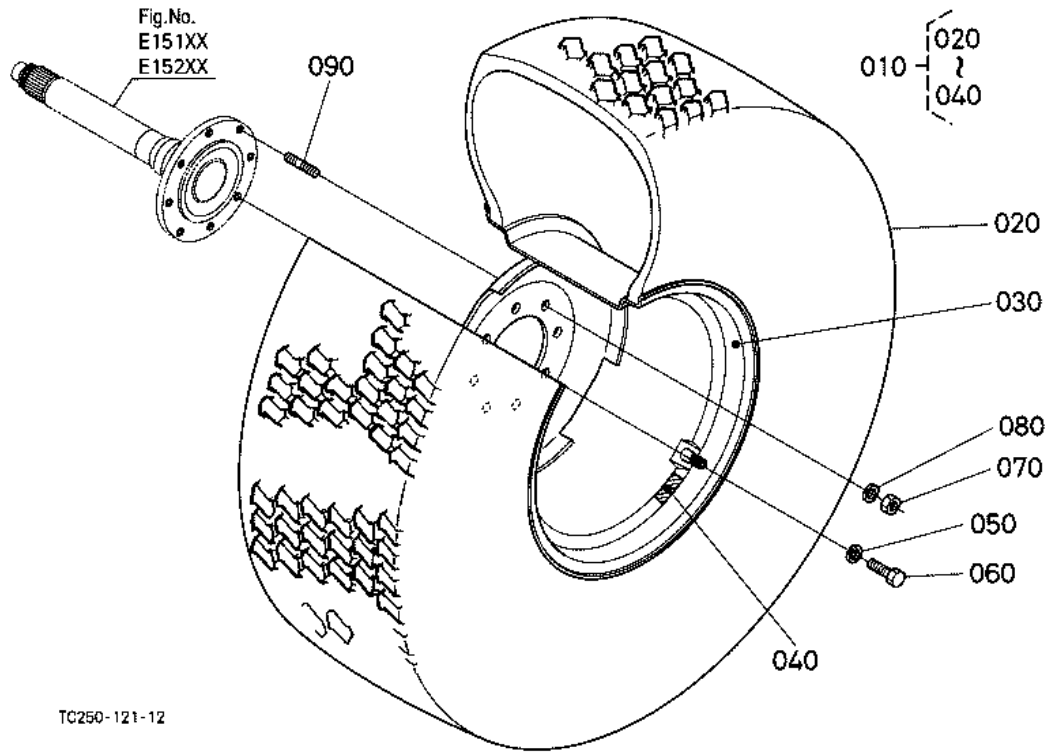
Ref	Part Number	Part Name	Qty	IC	S/N	Lbs	Remarks
010	TC050-51310	ASSY TIRE	2			0	AMXR8847
020	TC050-51330	TIRE	2			0	AMXR8847
030	TC050-51340	WHEEL	2			0	AMXR8847
040	99999-99999	LABEL,TIRE	2			0	AMXR8847
050	04512-60160	WASHER, SPRING	12			0.022	
060	01073-51640	BOLT	12			0.202	
070	02076-50160	NUT	4			0.066	

REAR WHEEL (44\*18-20)

Ref	Part Number	Part Name	Qty	IC	S/N	Lbs	Remarks
080	04512-60160	WASHER, SPRING	4			0.022	
090	32530-27410	STUD	4			0.176	

# REAR WHEEL (44\*18-20)

**Figure Num 01P11006**



# REAR WHEEL (44\*18-20)

Ref	Part Number	Part Name	Qty	IC	S/N	Lbs	Remarks
010	TD060-51310	ASSY TIRE	2			0	ALR6802
020	TC050-51330	TIRE	2			0	ALR6802
030	TD060-51340	WHEEL	2			0	ALR6802
040	99999-99999	LABEL,TIRE	2			0	ALR6802
050	04512-60160	WASHER, SPRING	12			0.022	
060	01073-51640	BOLT	12			0.202	
070	02076-50160	NUT	4			0.066	

REAR WHEEL (44\*18-20)

Ref	Part Number	Part Name	Qty	IC	S/N	Lbs	Remarks
080	04512-60160	WASHER, SPRING	4			0.022	
090	32530-27410	STUD	4			0.176	



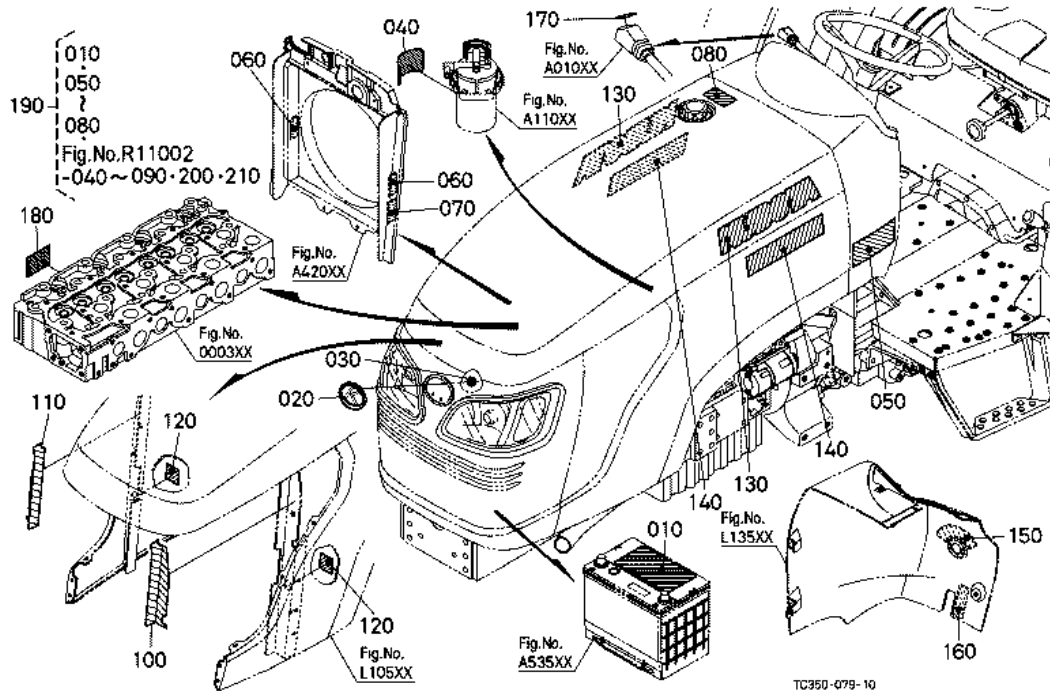
labels

Figure Num LABELS



# LABEL 1 (FRONT)

**Figure Num 01R10502**



# LABEL 1 (FRONT)

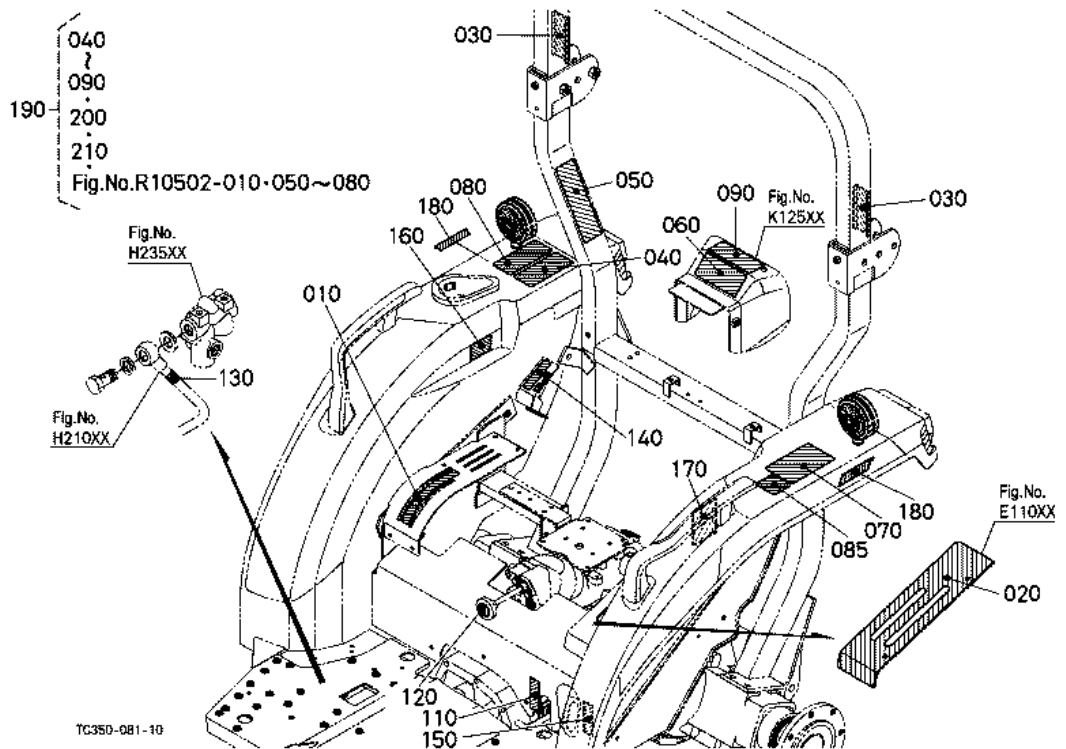
Ref	Part Number	Part Name	Qty	IC	S/N	Lbs	Remarks
010	TC031-30150	LABEL,BATTERY	1			0.008	FRENCH
010	TC030-30120	LABEL,BATTERY	1			0.006	ENGLISH
020	K3511-49500	MARK,SYMBOL	1			0.030	
030	RA111-43690	NUT	3			0.002	
040	1A001-88430	LABEL,FUEL	1			0.002	
050	TA040-49650	LABEL,START CAUTION	1			0.008	ENGLISH
050	TA041-49650	LABEL,START CAUTION	1			0.008	FRENCH

LABEL 1 (FRONT)

Ref	Part Number	Part Name	Qty	IC	S/N	Lbs	Remarks
060	6C090-49580	LABEL,FAN WARNING	2			0.002	
070	TC030-49580	LABEL,MUFFLER	1			0.002	
080	TC231-49560	LABEL,FILLER	1			0.002	FRENCH
080	TC230-49560	LABEL,FILLER	1			0.002	ENGLISH
100	TC250-49812	LABEL,BONNET LH	1			0.011	
110	TC250-49822	LABEL,BONNET RH	1			0.011	
120	TD060-43270	LABEL,PANEL FRAME	2			0.002	
130	TD060-80930	LABEL,KUBOTA	2			0.015	
140	TC250-49420	MARK,MODEL	2			0.022	
150	TC250-65510	LABEL,MAIN SWITCH	1			0.002	
160	TD170-49460	LABEL,PARKING	1			0.002	
170	TA040-49370	MARK,ACCEL.GRIP	1			0.002	
180	1G790-87210	LABEL,PUMP	1			0.002	ENGLISH
180	1G851-87210	LABEL,PUMP	1			0.002	FRENCH
190	TC350-99510	KIT LABEL,SAFETY (B.	1			0	FRENCH
190	TC350-99500	KIT LABEL,SAFETY (A.	1			0	ENGLISH

## LABEL 2 (REAR)

Figure Num 01R11002



## LABEL 2 (REAR)

Ref	Part Number	Part Name	Qty	IC	S/N	Lbs	Remarks
010	TA040-49500	MARK,POSITION	1			0.004	
020	TC350-57580	LABEL,CHANGE GUIDE	1			0.055	
030	6C140-54990	REFLECTOR,LABEL	2			0.006	
040	TA240-98480	LABEL,ROPS WARNING	1		<=56343	0.011	ENGLISH
040	TA240-98482	LABEL,ROPS WARNING	1	>>	>=56344	0	ENGLISH
040	3A112-98480	LABEL,ROPS WARNING	1			0.008	FRENCH
050	3A112-95540	LABEL,ROPS CAUTION	1			0.006	FRENCH

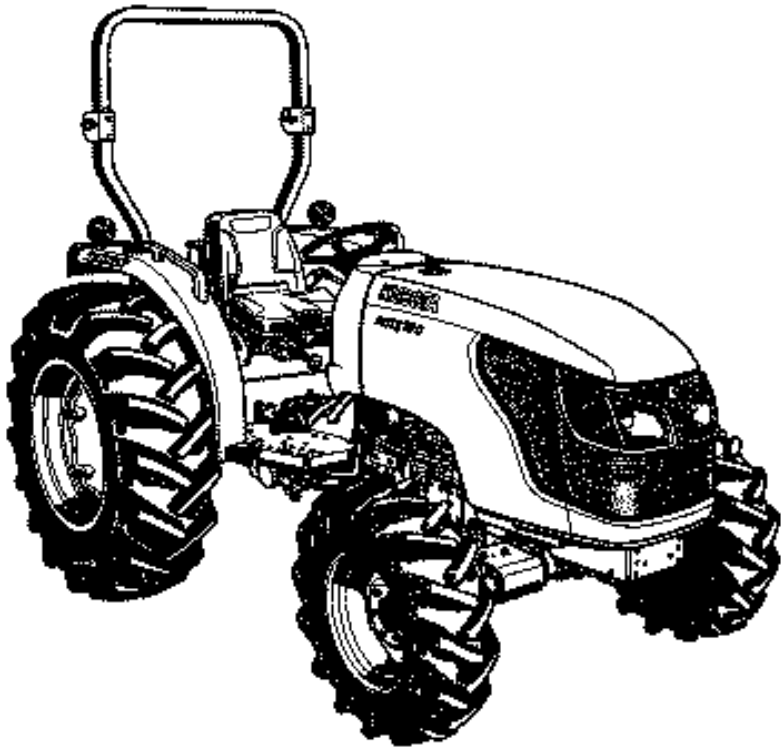
LABEL 2 (REAR)

Ref	Part Number	Part Name	Qty	IC	S/N	Lbs	Remarks
050	3A111-95540	LABEL,ROPS CAUTION	1			0.006	ENGLISH
060	TD170-49350	LABEL,DRAWBAR/LI-RO.	1			0.004	ENGLISH
060	TD173-49350	LABEL,DRAWBAR	1			0.004	FRENCH
070	35260-34914	LABEL,SAFETY	1			0.011	ENGLISH
070	TA041-65702	LABEL,SAFETY	1			0.022	FRENCH
080	TD170-49330	LABEL,PARKING WARNI.	1			0.011	ENGLISH
080	TA241-49330	LABEL,PARKING WARNI.	1			0.011	FRENCH
085	6C301-47440	LABEL,SPARK ARRESTE.	1			0.002	FRENCH
085	6C300-47440	LABEL,SPARK ARRESTE.	1			0.004	ENGLISH
090	TA040-49593	LABEL,PTO WARNING	1			0.002	ENGLISH
090	TA041-49590	LABEL,PTO WARNING	1			0.011	FRENCH
110	3C081-98410	MARK,DIFF.LOCK	1			0.002	
120	TA470-49330	MARK,HYD.ADJUST.	1			0.002	
130	32430-65790	LABEL,HYD.BLOCK	1			0.022	
140	TA040-49160	MARK,REAR PTO	1			0.002	
150	TA040-49550	MARK,4WD	1			0.002	
160	TA040-49302	LABEL,I-PTO CAUTION	1			0.002	ENGLISH
160	TA041-49300	LABEL,I-PTO CAUTION	1			0.006	FRENCH
170	TD060-57852	LABEL,S-CHANGE	1			0.006	
180	TD060-57610	MARK,HST FENDER	2			0.004	
190	TC350-99500	KIT LABEL,SAFETY (A.	1			0	ENGLISH
190	TC350-99510	KIT LABEL,SAFETY (B.	1			0	FRENCH
200	6C140-47460	LABEL,ROPS WARNING	1			0.002	ENGLISH, OUT OF US
200	6C141-47460	LABEL,ROPS WARNING	1			0.002	FRENCH, OUT OF US
210	TA040-49150	LABEL,ROPS WARNING	1			0.006	FRENCH, OUT OF US
210	TA040-49320	LABEL,ROPS WARNING	1			0.002	ENGLISH, OUT OF US



accessories and service parts

Figure Num ACCESSOR



ACCESSORIES AND SERVICE PARTS

Figure Num 01S10500

**ACCESSORIES AND SERVICE PARTS**  
**ACCESSOIRES ET PIECES DE SERVICE**  
**SONTIGES ZUBEHOER UND SERVICE-TEILE**  
**ACCESORIOS Y SERVICIO PIEZAS**  
**ACCESSORI E SERVIZIO PARTI**

TITLE-001-11

ACCESSORIES AND SERVICE PARTS

Ref	Part Number	Part Name	Qty	IC	S/N	Lbs	Remarks
010	TC251-19714	OPERATOR'S MANUAL	1			0.473	FRENCH
010	TC250-19715	OPERATOR'S MANUAL	1			0.44	ENGLISH
015	3N400-99740	OPERATOR'S,MANUAL	1		>=56076	0	FOR BIODIESEL FUEL
015	3N401-99740	OPERATOR'S,MANUAL	1		>=56076	0	FOR BIODIESEL FUEL
020	1G511-89818	STATEMENT,WARRANTY	1			0.022	
030	35260-31852	ASSY KEY,MAIN SWITC.	1			0.044	
040	35340-11390	NUT	12			0.066	FOR FRONT WHEEL

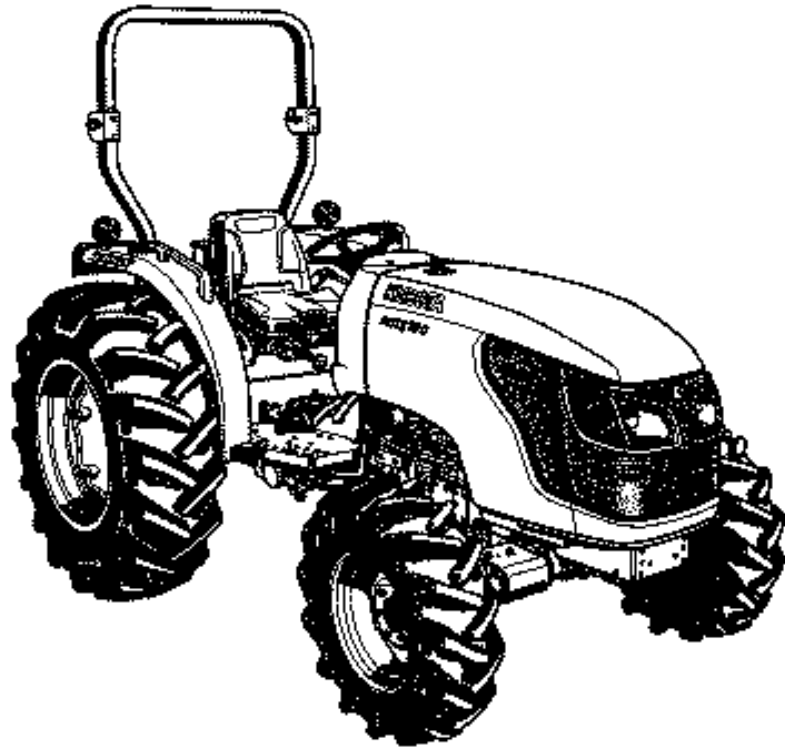


ACCESSORIES AND SERVICE PARTS

Ref	Part Number	Part Name	Qty	IC	S/N	Lbs	Remarks
050	04512-60140	WASHER, SPRING	12			0.017	FOR FRONT WHEEL
060	32580-44960	STUD	6			0.11	FOR FRONT WHEEL
070	01073-51640	BOLT	12			0.202	FOR REAR WHEEL
080	04512-60160	WASHER, SPRING	12			0.022	FOR REAR WHEEL
090	02076-50160	NUT	4			0.066	FOR REAR WHEEL
100	04512-60160	WASHER, SPRING	4			0.022	FOR REAR WHEEL
110	32530-27410	STUD	4			0.176	FOR REAR WHEEL
120	36330-91752	PIN, TOP LINK REAR	1			0.55	CATEGORY 1
130	34150-37640	PIN, SET	1			0.132	CATEGORY 1
140	TC050-71230	COLLAR	1			0.154	CATEGORY 1
150	32590-71150	COLLAR	2			0.132	CATEGORY 1
160	36330-91773	ASSY PIN, TOP LINK	1			1.21	CATEGORY 2, REF.No
170	36330-91762	PIN, TOP LINK REAR	1			1.078	CATEGORY 2
180	36200-91840	ASSY PIN, SET	1			0.132	CATEGORY 2
190	34150-37640	PIN, SET	2			0.132	
200	TA140-39850	BOLT, STABILIZER	2			0.132	
210	02572-50120	NUT, LOCK	2			0.030	

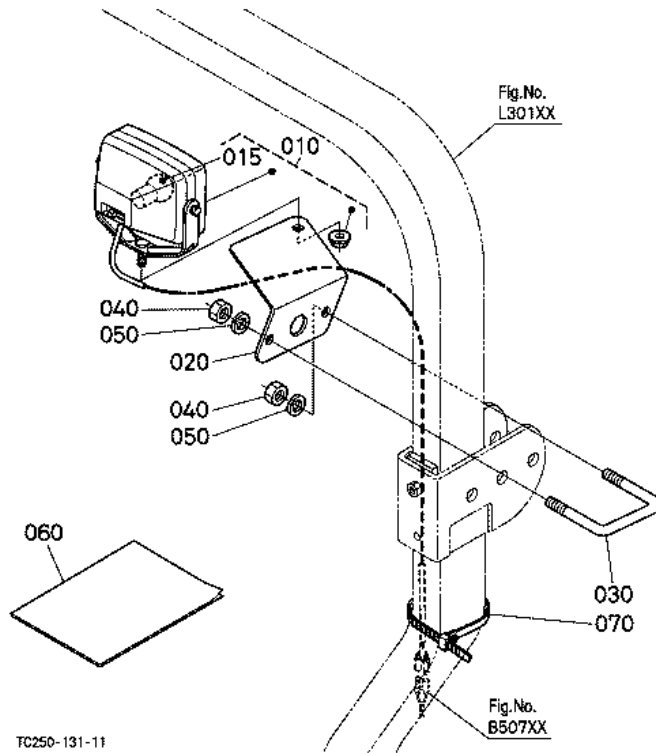
option

Figure Num OPTION



# WORKING LIGHT KIT (W/G No.M9551) [OPTION]

**Figure Num 01T10500**



## WORKING LIGHT KIT (W/G No.M9551) [OPTION]

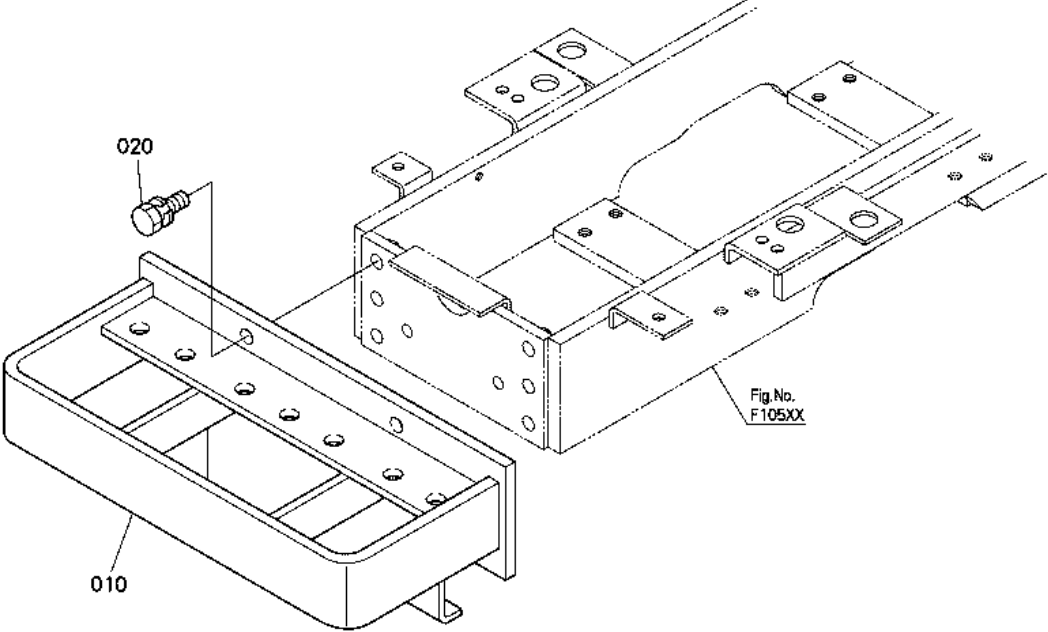
Ref	Part Number	Part Name	Qty	IC	S/N	Lbs	Remarks
010	3A011-75904	ASSY LIGHT,WORKING	1			1.408	
015	3A011-75930	BULB	1			0.017	35W
020	3A012-75910	STAY,WORKING LIGHT	1			1.408	
030	3A011-75922	U-BOLT	1			0.253	
040	02176-50100	NUT	2			0.011	
050	04512-60100	WASHER, SPRING	2			0.004	
060	99999-99999	MANUAL,INSTRUCTION	1			0	

WORKING LIGHT KIT (W/G No.M9551) [OPTION]

Ref	Part Number	Part Name	Qty	IC	S/N	Lbs	Remarks
070	32751-96300	BAND,WORK LIGHT	1			0.011	

FRONT BUMPER (W/G No.MX8068) [OPTION]

**Figure Num 01T12100**

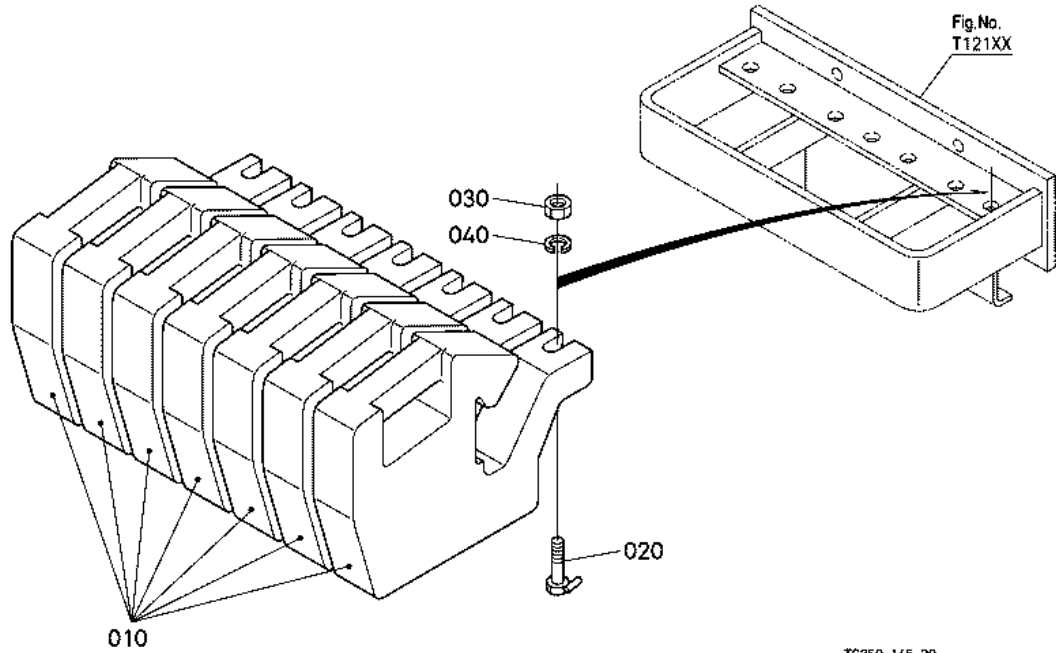


FRONT BUMPER (W/G No.MX8068) [OPTION]

Ref	Part Number	Part Name	Qty	IC	S/N	Lbs	Remarks
010	32430-44880	BUMPER	1			26.51	
020	01133-51435	BOLT	4			0.002	

# FRONT WEIGHT [OPTION]

**Figure Num 01T12200**

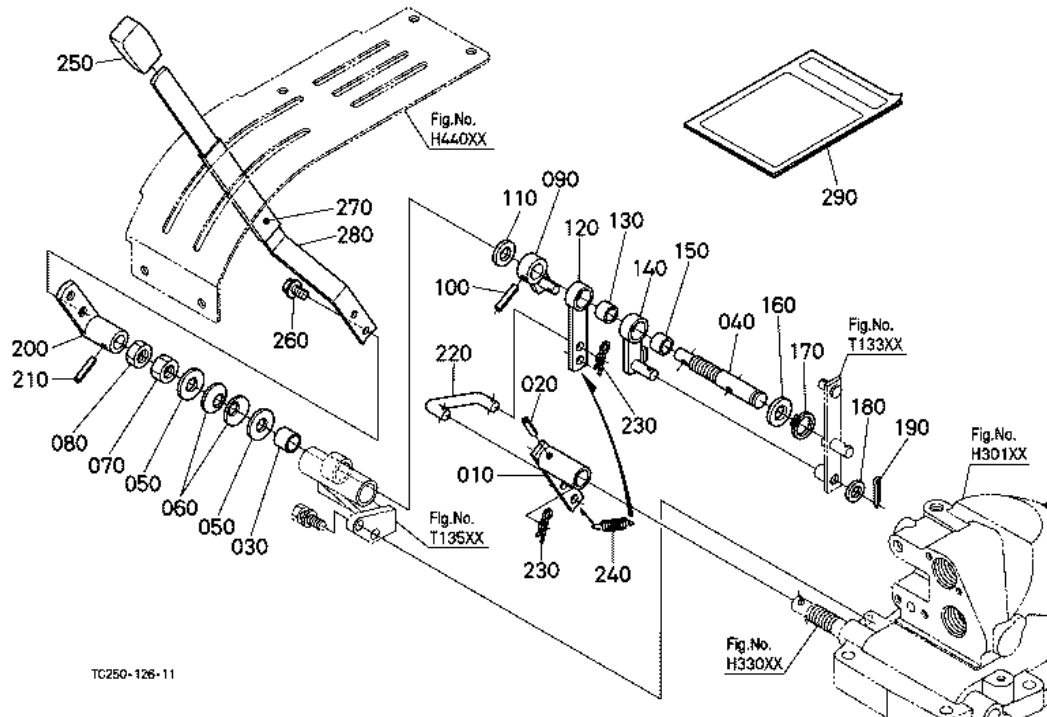


## FRONT WEIGHT [OPTION]

Ref	Part Number	Part Name	Qty	IC	S/N	Lbs	Remarks
010	96315-11620	WEIGHT,FRONT	7			55	25kg
010	96315-11614	WEIGHT,FRONT	7			44	20kg
020	96315-11630	BOLT,FRONT WEIGHT	7			0.198	
030	02174-50140	NUT	7			0.030	
040	04512-60140	WASHER, SPRING	7			0.017	

POSITION CONTROL LEVER (WITH DRAFT) (W/G No.L8311B) [OPTION]

Figure Num 01T13000



TC250-126-11

POSITION CONTROL LEVER (WITH DRAFT) (W/G No.L8311B) [OPTION]

Ref	Part Number	Part Name	Qty	IC	S/N	Lbs	Remarks
010	TA140-38310	LINK,CONTROL	1			0.286	
020	05411-00525	PIN,SPRING	1			0.004	
030	08511-01615	BUSH	1			0.022	
040	TA040-38122	SHAFT,DRAFT	1			0.308	
050	04013-60140	WASHER, PLAIN	2			0.022	
060	34260-36880	SPRING,PLATE	2			0.013	
070	02174-50140	NUT	1			0.030	

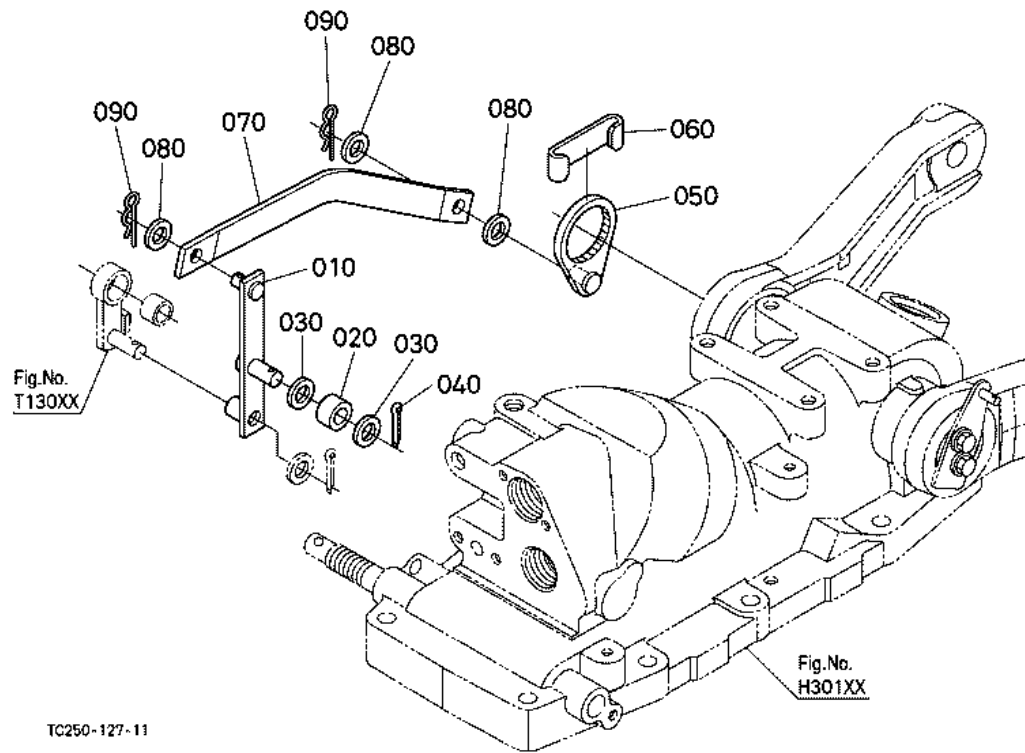
POSITION CONTROL LEVER (WITH DRAFT) (W/G No.L8311B) [OPTION]

Ref	Part Number	Part Name	Qty	IC	S/N	Lbs	Remarks
080	02172-50140	NUT	1			0.022	
090	TA040-38142	LINK,DRAFT	1			0.11	
100	05411-00525	PIN,SPRING	1			0.004	
110	04714-00300	GASKET	1			0.004	
120	TA040-38150	LINK,DRAFT	1			0.143	
130	08511-01612	BUSH	1			0.011	
140	TA040-38160	LINK,DRAFT	1			0.154	
150	08511-01612	BUSH	1			0.011	
160	04011-60160	WASHER,PLAIN	1			0.022	
170	04612-00160	CIR CLIP,EXTERNAL	1			0.002	
180	04012-50080	WASHER, PLAIN	1			0.002	
190	05511-50215	PIN, SPLIT	1			0.002	
200	TA040-38212	LEVER,POSITION	1			0.286	
210	05411-00525	PIN,SPRING	1			0.004	
220	TA040-38322	ROD,CONTROL	1			0.099	
230	05525-50800	PIN,SNAP	2			0.002	
240	TD060-38370	SPRING,DRAFT	1			0.017	
250	52300-32640	GRIP,LEVER	1			0.088	
260	01754-50612	BOLT, FLANGE	2			0.011	
270	TA040-36132	TUBE,LEVER	1			0.022	
280	TC250-38230	LEVER,POSITION	1			0.594	
290	99999-99999	MANUAL,ASSEMBLY	1			0	



POSITION CONTROL LINK (WITH DRAFT) (W/G No.L8311B) [OPTION]

Figure Num 01T13300



TC250-127-11

POSITION CONTROL LINK (WITH DRAFT) (W/G No.L8311B) [OPTION]

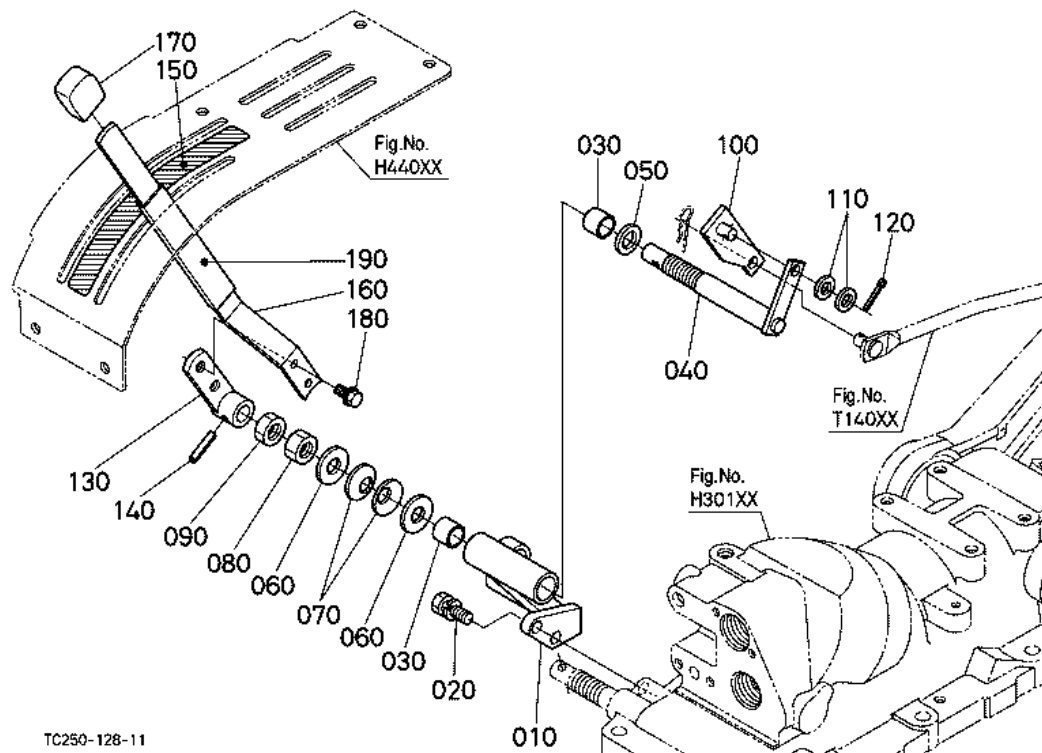
Ref	Part Number	Part Name	Qty	IC	S/N	Lbs	Remarks
010	TA040-38170	LINK,DRAFT	1			0.209	
020	TA040-38190	COLLAR	1			0.039	
030	04011-50100	WASHER,PLAIN	2			0.004	
040	05511-50320	PIN,SPLIT	1			0.004	
050	TA040-38262	HOLDER	1			0.132	
060	TA040-38270	STOPPER	1			0.072	
070	TA040-38282	ROD,DRAFT	1			0.319	

POSITION CONTROL LINK (WITH DRAFT) (W/G No.L8311B) [OPTION]

Ref	Part Number	Part Name	Qty	IC	S/N	Lbs	Remarks
080	04012-50080	WASHER, PLAIN	3			0.002	
090	05525-50800	PIN,SNAP	2			0.002	

# DRAFT CONTROL LEVER (WITH DRAFT) (W/G No.L8311B) [OPTION]

**Figure Num 01T13500**



TC250-128-11

## DRAFT CONTROL LEVER (WITH DRAFT) (W/G No.L8311B) [OPTION]

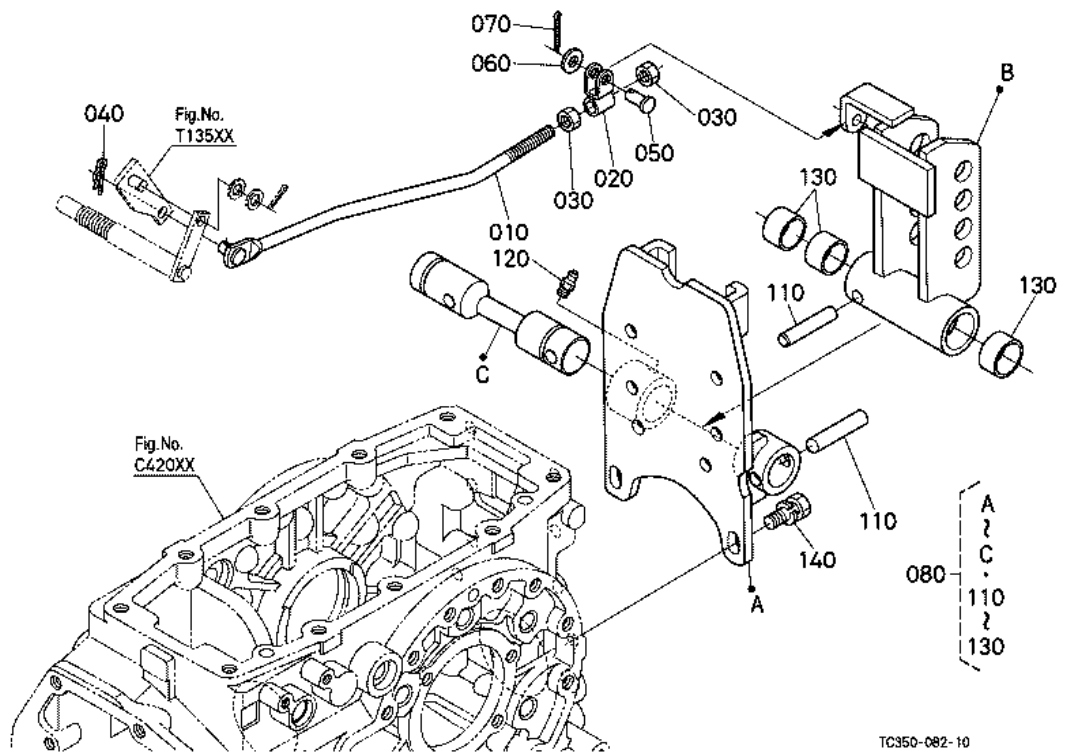
Ref	Part Number	Part Name	Qty	IC	S/N	Lbs	Remarks
010	TA040-38114	STAY	1			0.561	
020	01123-50822	BOLT	2			0.026	
030	08511-01615	BUSH	2			0.022	
040	TA040-38132	SHAFT,DRAFT	1			0.484	
050	04714-00300	GASKET	1			0.004	
060	04013-60140	WASHER, PLAIN	2			0.022	
070	34260-36880	SPRING,PLATE	2			0.013	

DRAFT CONTROL LEVER (WITH DRAFT) (W/G No.L8311B) [OPTION]

Ref	Part Number	Part Name	Qty	IC	S/N	Lbs	Remarks
080	02174-50140	NUT	1			0.030	
090	02172-50140	NUT	1			0.022	
100	TA040-38182	LEVER,CAM	1			0.187	
110	04012-50080	WASHER, PLAIN	2			0.002	
120	05511-50215	PIN, SPLIT	1			0.002	
130	TA040-38222	LEVER,DRAFT	1			0.209	
140	05411-00525	PIN,SPRING	1			0.004	
150	TA040-49520	MARK,DRAFT	1			0.006	
160	TC250-38240	LEVER,DRAFT	1			0.484	
170	37410-43560	GRIP,LEVER	1			0.055	
180	01754-50612	BOLT, FLANGE	2			0.011	
190	TA040-36132	TUBE,LEVER	1			0.022	

# TOP LINK HOLDER (WITH DRAFT) (W/G No.L8311B) [OPTION]

**Figure Num 01T14000**



TC350-082-10

## TOP LINK HOLDER (WITH DRAFT) (W/G No.L8311B) [OPTION]

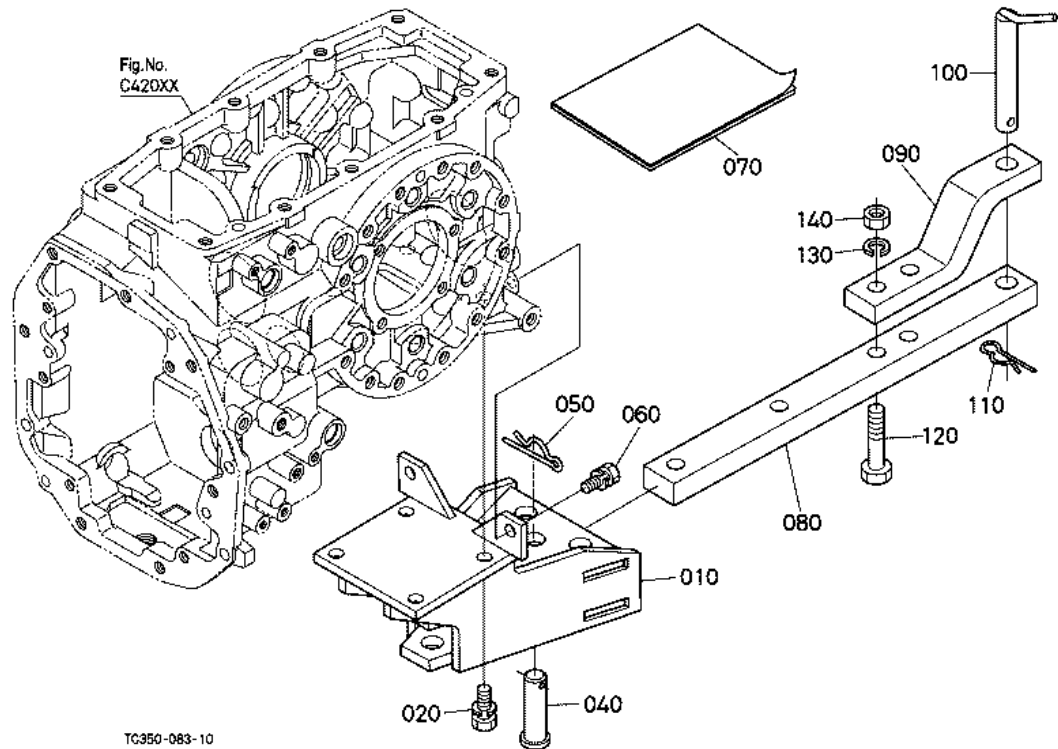
Ref	Part Number	Part Name	Qty	IC	S/N	Lbs	Remarks
010	TA040-38360	ROD,DRAFT	1			0.44	
020	TA040-38350	HOLDER	1			0.072	
030	02116-50100	NUT	2			0.008	
040	05525-50800	PIN,SNAP	1			0.002	
050	05122-50818	PIN,JOINT	1			0.017	
060	04012-50080	WASHER, PLAIN	1			0.002	
070	05511-50218	PIN,SPLIT	1			0.002	

TOP LINK HOLDER (WITH DRAFT) (W/G No.L8311B) [OPTION]

Ref	Part Number	Part Name	Qty	IC	S/N	Lbs	Remarks
080	35080-41400	COMP HOLDER, TOP LIN.	1			15.07	
110	37300-41440	PIN, STRAIGHT	2			0.121	
120	06611-15010	NIPPLE, GREASE	2			0.022	
130	37300-41450	BUSH	3			0.057	
140	01133-51230	BOLT	6			0.088	

# SWINGING DRAWBAR/CLEVIS DRAWBAR [OPTION]

**Figure Num 01T14500**



## SWINGING DRAWBAR/CLEVIS DRAWBAR [OPTION]

Ref	Part Number	Part Name	Qty	IC	S/N	Lbs	Remarks
010	TA040-29832	FRAME,SWING DRAWBAR	1			18.7	W/G No.L8416
020	01138-51430	BOLT	4			0.154	W/G No.L8416
040	05122-52070	PIN,JOINT	3			0.404	W/G No.L8416
050	05515-51600	PIN,SNAP	3			0.015	W/G No.L8416
060	01133-51230	BOLT	2			0.088	W/G No.L8416
070	TA040-98520	MANUAL,ASSEMBLY	1			0.011	W/G No.L8416
080	35080-29710	DRAWBAR	1			15.4	W/G No.L9496G

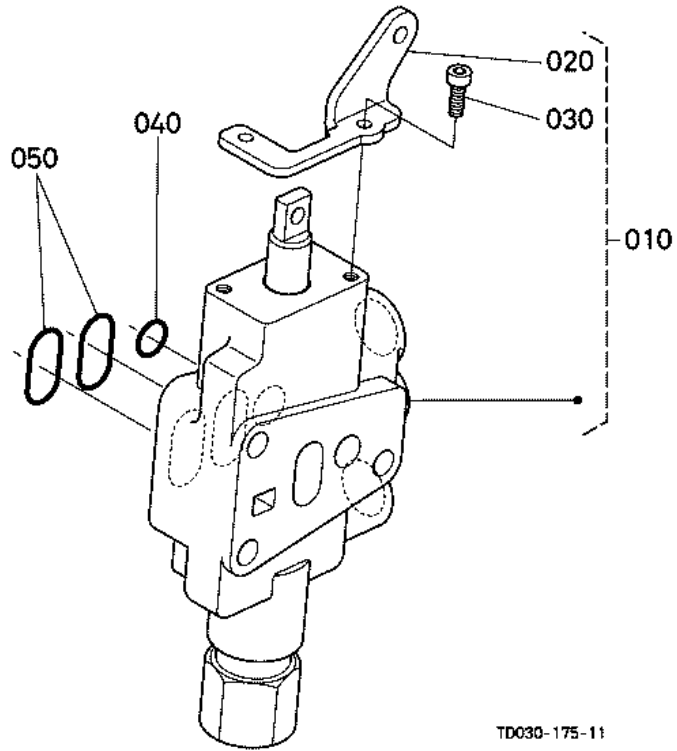
SWINGING DRAWBAR/CLEVIS DRAWBAR [OPTION]

<b>Ref</b>	<b>Part Number</b>	<b>Part Name</b>	<b>Qty</b>	<b>IC</b>	<b>S/N</b>	<b>Lbs</b>	<b>Remarks</b>
090	35080-29720	HITCH,DRAWBAR	1			6.05	W/G No.L9496G
100	99533-78250	PIN	1			1.32	W/G No.L9496G
110	70515-16330	PIN,SPRING	1			0.066	W/G No.L9496G
120	01173-51680	BOLT	2			0.308	W/G No.L9496G
130	04512-60160	WASHER, SPRING	2			0.022	W/G No.L9496G
140	02174-50160	NUT	2			0.048	W/G No.L9496G



# AUXILIARY CONTROL VALVE (W/G No.L8303) [OPTION]

**Figure Num 01T14901**

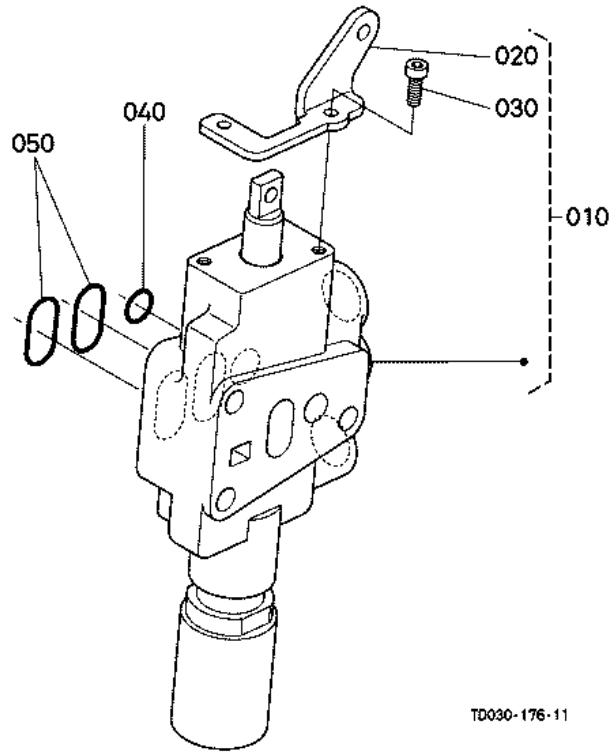


## AUXILIARY CONTROL VALVE (W/G No.L8303) [OPTION]

Ref	Part Number	Part Name	Qty	IC	S/N	Lbs	Remarks
010	YW089-00100	ASSY VALVE	1			3.696	
020	YW077-00220	BRACKET	1			0.11	
030	01350-10512	BOLT,HEX-SOC-HD	2			0.006	
040	04817-00100	O RING	1			0.002	
050	04817-05200	O RING	2			0.002	

AUXILIARY CONTROL VALVE (FLOATING) (W/G No.L8304) [OPTION]

Figure Num 01T14902



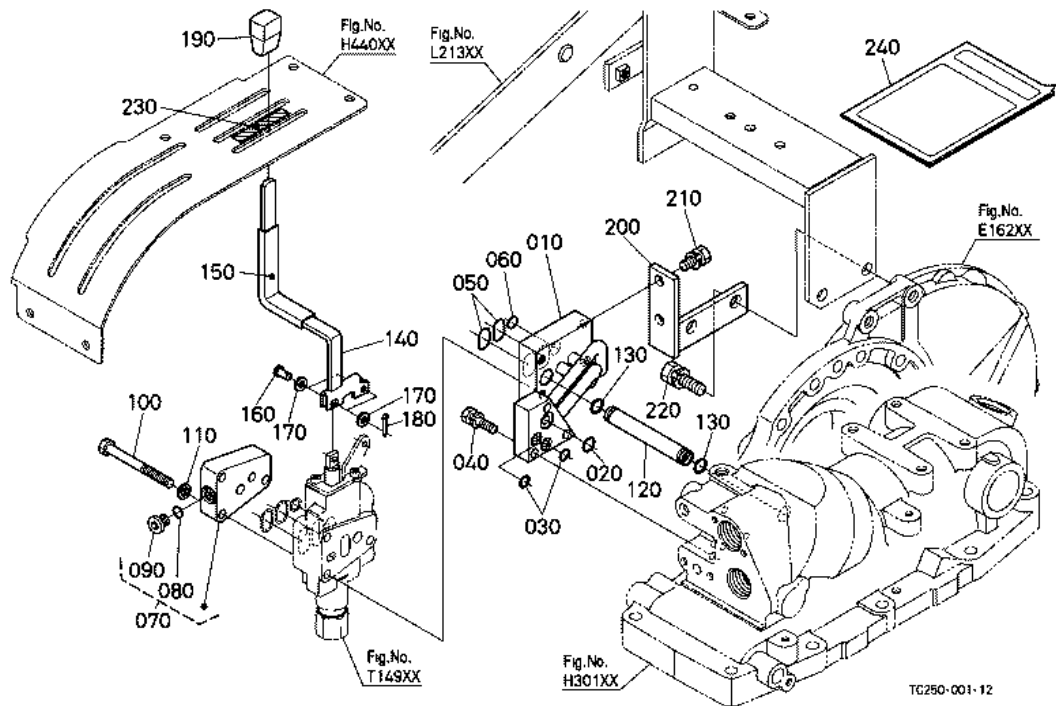
TD030-176-11

AUXILIARY CONTROL VALVE (FLOATING) (W/G No.L8304) [OPTION]

Ref	Part Number	Part Name	Qty	IC	S/N	Lbs	Remarks
010	YW077-00100	ASSY VALVE	1			4.202	
020	YW077-00220	BRACKET	1			0.11	
030	01350-10512	BOLT,HEX-SOC-HD	2			0.006	
040	04817-00100	O RING	1			0.002	
050	04817-05200	O RING	2			0.002	

# AUXILIARY CONTROL VALVE LEVER (1ST) (W/G No.MX8451) [OPTION]

**Figure Num 01T15001**



## AUXILIARY CONTROL VALVE LEVER (1ST) (W/G No.MX8451) [OPTION]

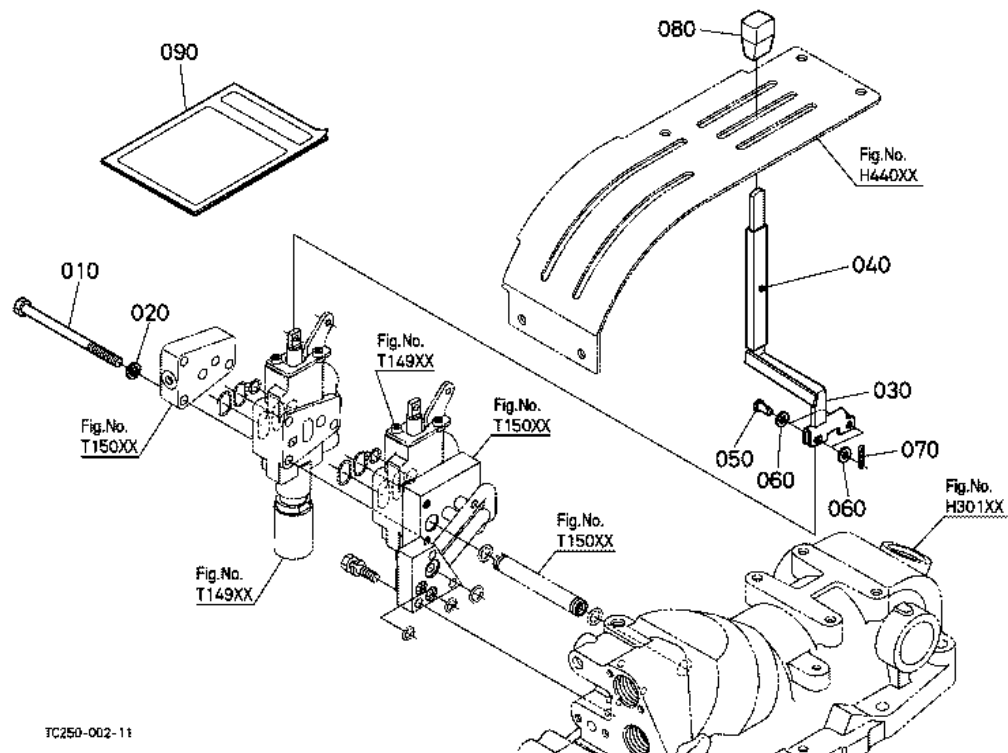
Ref	Part Number	Part Name	Qty	IC	S/N	Lbs	Remarks
010	TC250-96140	ASSY PIPE,CONT.VALV.	1			3.014	
020	04817-00140	O RING	1			0.002	
030	04817-00100	O RING	2			0.002	
040	01123-50835	BOLT	3			0.044	
050	04817-05200	O RING	2			0.002	
060	04817-00100	O RING	1			0.002	
070	YW165-00100	ASSY COVER,VALVE	1			1.012	

AUXILIARY CONTROL VALVE LEVER (1ST) (W/G No.MX8451) [OPTION]

Ref	Part Number	Part Name	Qty	IC	S/N	Lbs	Remarks
080	04817-00080	O RING	1			0.002	
090	5H550-19830	PLUG	1			0.013	
100	01153-50875	BOLT	3			0.061	
110	04512-60080	WASHER SPRING	3			0.004	
120	TA040-96150	PIPE,RETURN	1			0.099	
130	04817-00110	O RING	2			0.002	
140	TC250-96220	LEVER,AUX.CON.VALVE	1			0.334	
150	TD060-96250	TUBE,LEVER	1			0.011	
160	68021-32790	PIN	2			0.008	
170	04012-50050	WASHER,PLAIN	4			0.002	
180	05511-51210	PIN,SPLIT	2			0.002	
190	TD060-96260	GRIP,AUX.CONTR.LEVE.	1			0.028	
200	TA040-96160	STAY,AUX.CONT.VALVE	1			0.55	
210	01123-50820	BOLT	2			0.024	
220	01133-51235	BOLT	2			0.094	
230	TD170-96710	MARK,AUX.CONT.VALVE	1			0.002	
240	99999-99999	MANUAL,INSTRUCTION	1			0	

# AUXILIARY CONTROL VALVE LEVER (2ND) (W/G No.MX8452) [OPTION]

**Figure Num 01T15002**



## AUXILIARY CONTROL VALVE LEVER (2ND) (W/G No.MX8452) [OPTION]

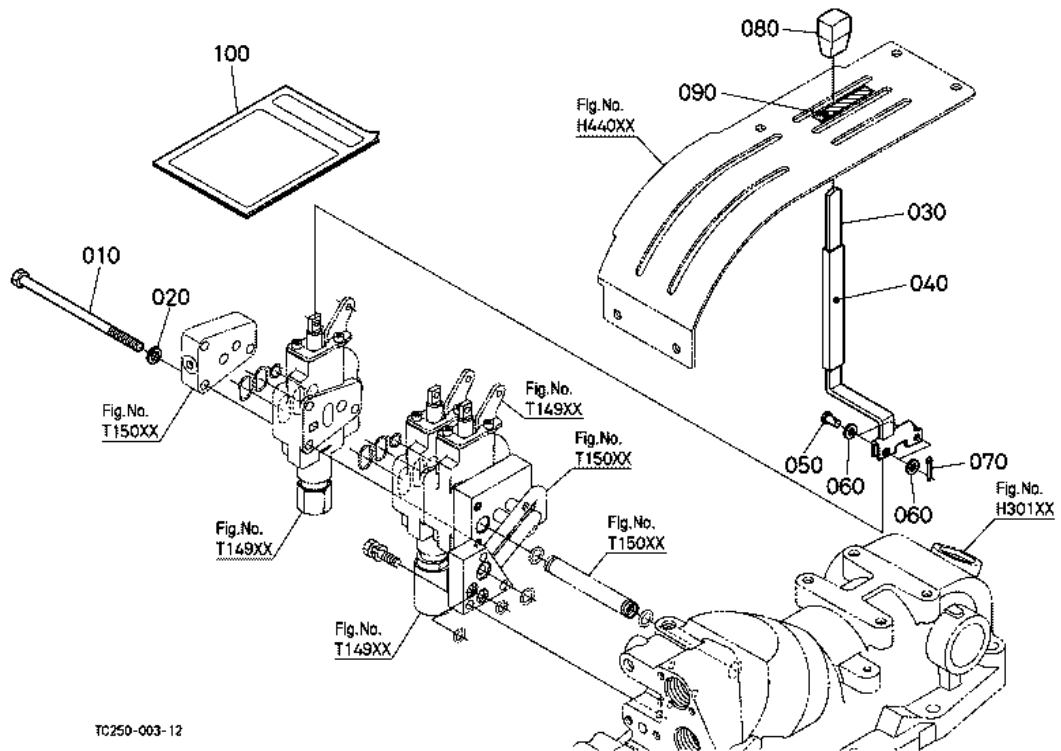
Ref	Part Number	Part Name	Qty	IC	S/N	Lbs	Remarks
010	01153-50802	BOLT	3			0.088	
020	04512-60080	WASHER SPRING	3			0.004	
030	TC250-96230	LEVER,AUX.CON.VALVE	1			0.396	
040	TD060-96250	TUBE,LEVER	1			0.011	
050	68021-32790	PIN	2			0.008	
060	04012-50050	WASHER,PLAIN	4			0.002	
070	05511-51210	PIN,SPLIT	2			0.002	

AUXILIARY CONTROL VALVE LEVER (2ND) (W/G No.MX8452) [OPTION]

<b>Ref</b>	<b>Part Number</b>	<b>Part Name</b>	<b>Qty</b>	<b>IC</b>	<b>S/N</b>	<b>Lbs</b>	<b>Remarks</b>
080	TD060-96260	GRIP,AUX.CONTR.LEVE.	1			0.028	
090	99999-99999	MANUAL,INSTRUCTION	1			0	

# AUXILIARY CONTROL VALVE LEVER (3RD) (W/G No.MX8453) [OPTION]

**Figure Num 01T15003**



## AUXILIARY CONTROL VALVE LEVER (3RD) (W/G No.MX8453) [OPTION]

Ref	Part Number	Part Name	Qty	IC	S/N	Lbs	Remarks
010	55411-15140	BOLT	3			0.11	
020	04512-60080	WASHER SPRING	3			0.004	
030	TC250-96240	LEVER,AUX.CON.VALVE	1			0.345	
040	TD060-96250	TUBE,LEVER	1			0.011	
050	68021-32790	PIN	2			0.008	
060	04012-50050	WASHER,PLAIN	4			0.002	
070	05511-51210	PIN,SPLIT	2			0.002	

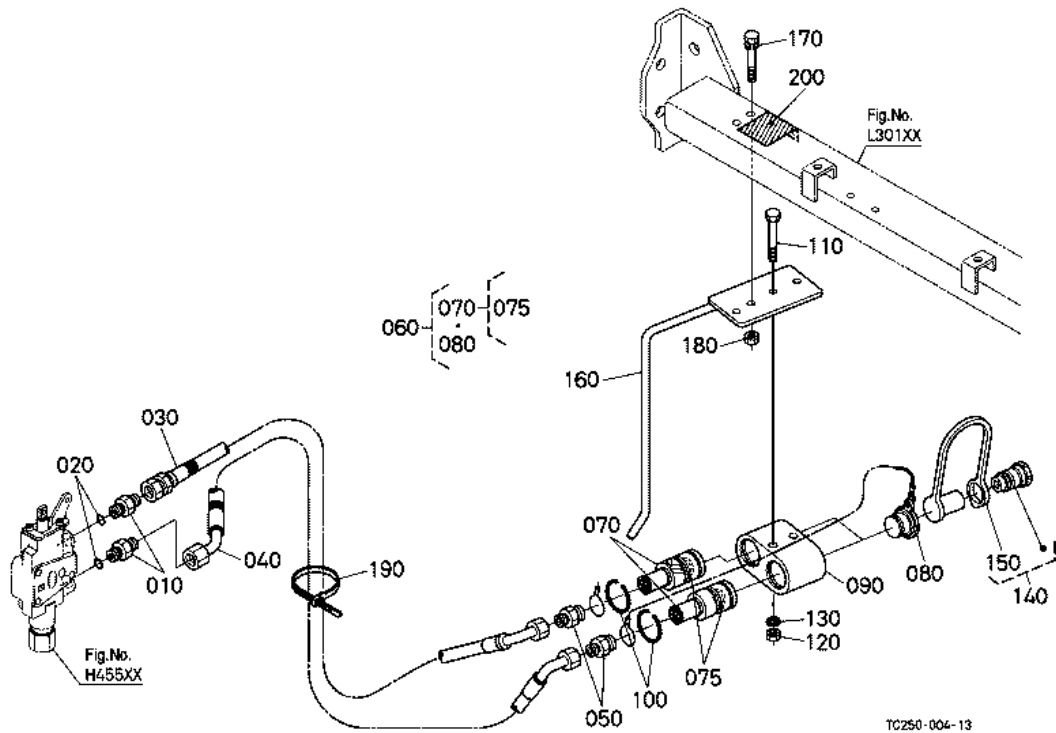
AUXILIARY CONTROL VALVE LEVER (3RD) (W/G No.MX8453) [OPTION]

<b>Ref</b>	<b>Part Number</b>	<b>Part Name</b>	<b>Qty</b>	<b>IC</b>	<b>S/N</b>	<b>Lbs</b>	<b>Remarks</b>
080	TD060-96260	GRIP,AUX.CONTR.LEVE.	1			0.028	
090	TD170-96720	MARK,AUX.CONT.VALVE	1			0.002	
100	99999-99999	MANUAL,INSTRUCTION	1			0	



# AUXILIARY CONTROL VALVE COUPLER (1ST) (W/G No.MX8451) [OPTION]

**Figure Num 01T15501**



## AUXILIARY CONTROL VALVE COUPLER (1ST) (W/G No.MX8451) [OPTION]

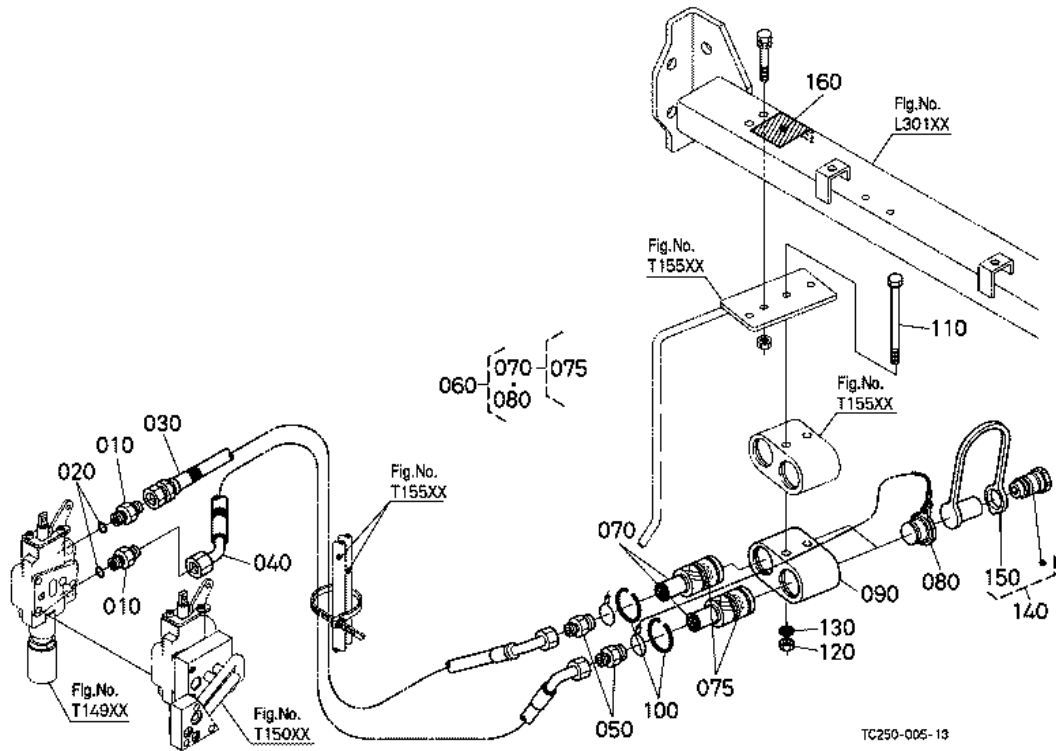
Ref	Part Number	Part Name	Qty	IC	S/N	Lbs	Remarks
010	TD170-61130	JOINT,AUX.CONT.	2			0.105	
020	04817-00140	O RING	2			0.002	
030	TA040-96440	HOSE,AUX.CONT.VALVE	1			0.664	GREEN
040	TC250-96420	HOSE,AUX.CONT.VALVE	1			0.792	BLUE
050	99063-93410	ADAPTER	2			0.154	
060	35861-82034	ASSY COUPLER,FEMALE	2			0.704	
070	35861-82000	COUPLER	2			0.704	

AUXILIARY CONTROL VALVE COUPLER (1ST) (W/G No.MX8451) [OPTION]

Ref	Part Number	Part Name	Qty	IC	S/N	Lbs	Remarks
075	35861-94510	O RING	2			0.004	
080	35861-94523	PLUG,COUPLER	2			0.011	
090	35893-82610	SUPPORT,COUPLER	1			1.606	
100	TD270-96600	CIR CLIP	2	>>	>=55855	0	
100	TD270-96590	CIR CLIP	2		<=55854	0.006	
110	01153-50865	BOLT	2			0.055	
120	02156-50080	NUT	2			0.008	
130	04512-60080	WASHER SPRING	2			0.004	
140	35861-82192	ASSY COUPLER,MALE	2			0.189	
150	35861-94532	CAP	2			0.015	
160	TC050-96485	STAY,COUPLER	1			1.496	
170	01123-50870	BOLT	2			0.063	
180	02114-50080	NUT	2			0.011	
190	55311-41260	BAND,CORD	1			0.015	
200	TA040-49670	MARK,COUPLER	1			0.002	

# AUXILIARY CONTROL VALVE COUPLER (2ND) (W/G No.MX8452) [OPTION]

**Figure Num 01T15502**



# AUXILIARY CONTROL VALVE COUPLER (2ND) (W/G No.MX8452) [OPTION]

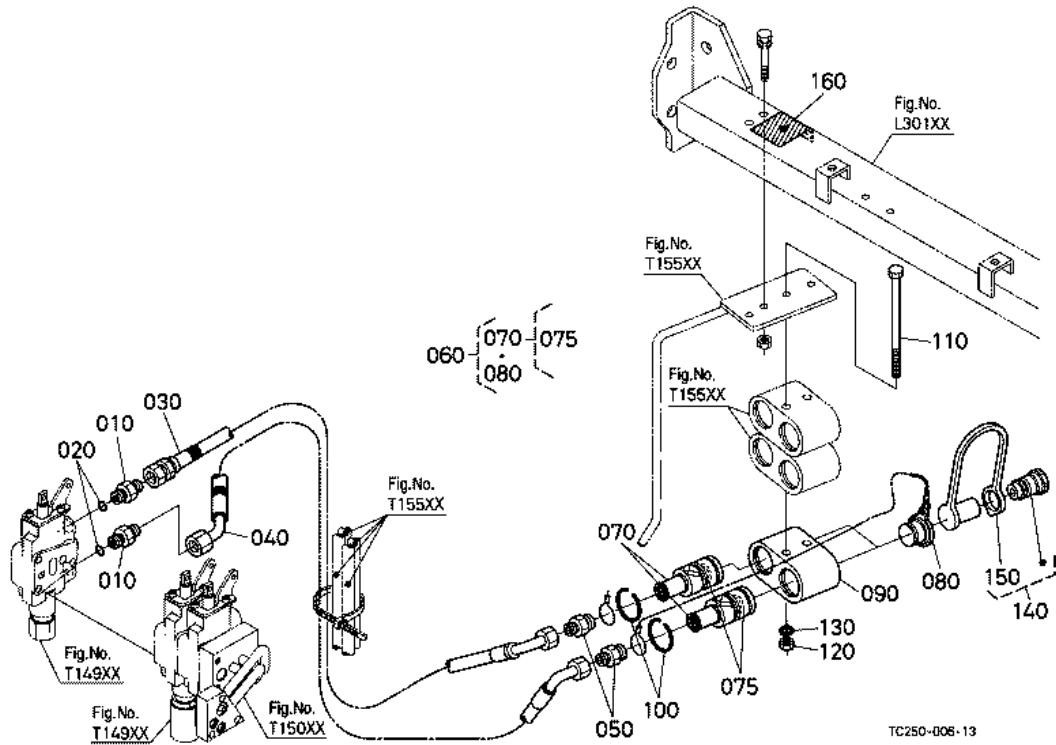
Ref	Part Number	Part Name	Qty	IC	S/N	Lbs	Remarks
010	TD170-61130	JOINT,AUX.CONT.	2			0.105	
020	04817-00140	O RING	2			0.002	
030	TA040-96430	HOSE,AUX.CONT.VALVE	1			0.649	YELLOW
040	TC250-96440	HOSE,AUX.CONT.VALVE	1			0.77	RED
050	99063-93410	ADAPTER	2			0.154	
060	35861-82034	ASSY COUPLER,FEMALE	2			0.704	
070	35861-82000	COUPLER	2			0.704	

AUXILIARY CONTROL VALVE COUPLER (2ND) (W/G No.MX8452) [OPTION]

Ref	Part Number	Part Name	Qty	IC	S/N	Lbs	Remarks
075	35861-94510	O RING	2			0.004	
080	35861-94523	PLUG,COUPLER	2			0.011	
090	35893-82610	SUPPORT,COUPLER	1			1.606	
100	TD270-96590	CIR CLIP	2		<=55854	0.006	
100	TD270-96600	CIR CLIP	2	>>	>=55855	0	
110	01153-50802	BOLT	2			0.088	
120	02156-50080	NUT	2			0.008	
130	04512-60080	WASHER SPRING	2			0.004	
140	35861-82192	ASSY COUPLER,MALE	2			0.189	
150	35861-94532	CAP	2			0.015	
160	TA040-49620	MARK,COUPLER	1			0.002	

# AUXILIARY CONTROL VALVE COUPLER (3RD) (W/G No.MX8453) [OPTION]

**Figure Num 01T15503**



## AUXILIARY CONTROL VALVE COUPLER (3RD) (W/G No.MX8453) [OPTION]

Ref	Part Number	Part Name	Qty	IC	S/N	Lbs	Remarks
010	TD170-61130	JOINT,AUX.CONT.	2			0.105	
020	04817-00140	O RING	2			0.002	
030	TA040-96430	HOSE,AUX.CONT.VALVE	1			0.649	YELLOW
040	TC250-96460	HOSE,AUX.CONT.VALVE	1			0.792	WHITE
050	99063-93410	ADAPTER	2			0.154	
060	35861-82034	ASSY COUPLER,FEMALE	2			0.704	
070	35861-82000	COUPLER	2			0.704	

AUXILIARY CONTROL VALVE COUPLER (3RD) (W/G No.MX8453) [OPTION]

Ref	Part Number	Part Name	Qty	IC	S/N	Lbs	Remarks
075	35861-94510	O RING	2			0.004	
080	35861-94523	PLUG,COUPLER	2			0.011	
090	35893-82610	SUPPORT,COUPLER	1			1.606	
100	TD270-96590	CIR CLIP	2		<=55854	0.006	
100	TD270-96600	CIR CLIP	2	>>	>=55855	0	
110	35340-99540	BOLT	2			0.132	
120	02156-50080	NUT	2			0.008	
130	04512-60080	WASHER SPRING	2			0.004	
140	35861-82192	ASSY COUPLER,MALE	2			0.189	
150	35861-94532	CAP	2			0.015	
160	TA040-49640	MARK,COUPLER	1			0.002	