

Instructions for Parts Books

The heading at the top of the page will be the same for the picture of the parts at it is for the page with the part numbers.

Definition of column headings on part number pages:

REF.No → The number referring to the part on the picture page of the parts book.

Part No. → The number assigned to this part at the time of printing the parts book.

Description → Description of part.

Q'ty → Quantity of part used on that page.

S.No. → Serial number range of the equipment that this part will fit.

>= Your serial number should be greater than or equal to the number shown.

<= Your serial number should be lesser than or equal to the serial number shown.

I/C → Interchangeability of part shown.

↔ The part shown will work for the older and later serial number.

The part shown is not interchangeable with the other serial number.

← new for old

→ old for new

Remarks → Notes about this particular part. Sometimes this may say except [FR] or [CA]

Note about Country Codes:

The parts books we use in the United States of America may also contain information about a part that would be different in another country. It is important that you are aware of the country codes in some instances.

Symbol Country

A United States of America

CA Canada

FR France

GR Greece

PO Portugal

AU Australia

If the remark column says for example EXCEPT [FR] this part works in all countries except France.

That means it will work here in the USA.

Excavators & Wheel Loaders

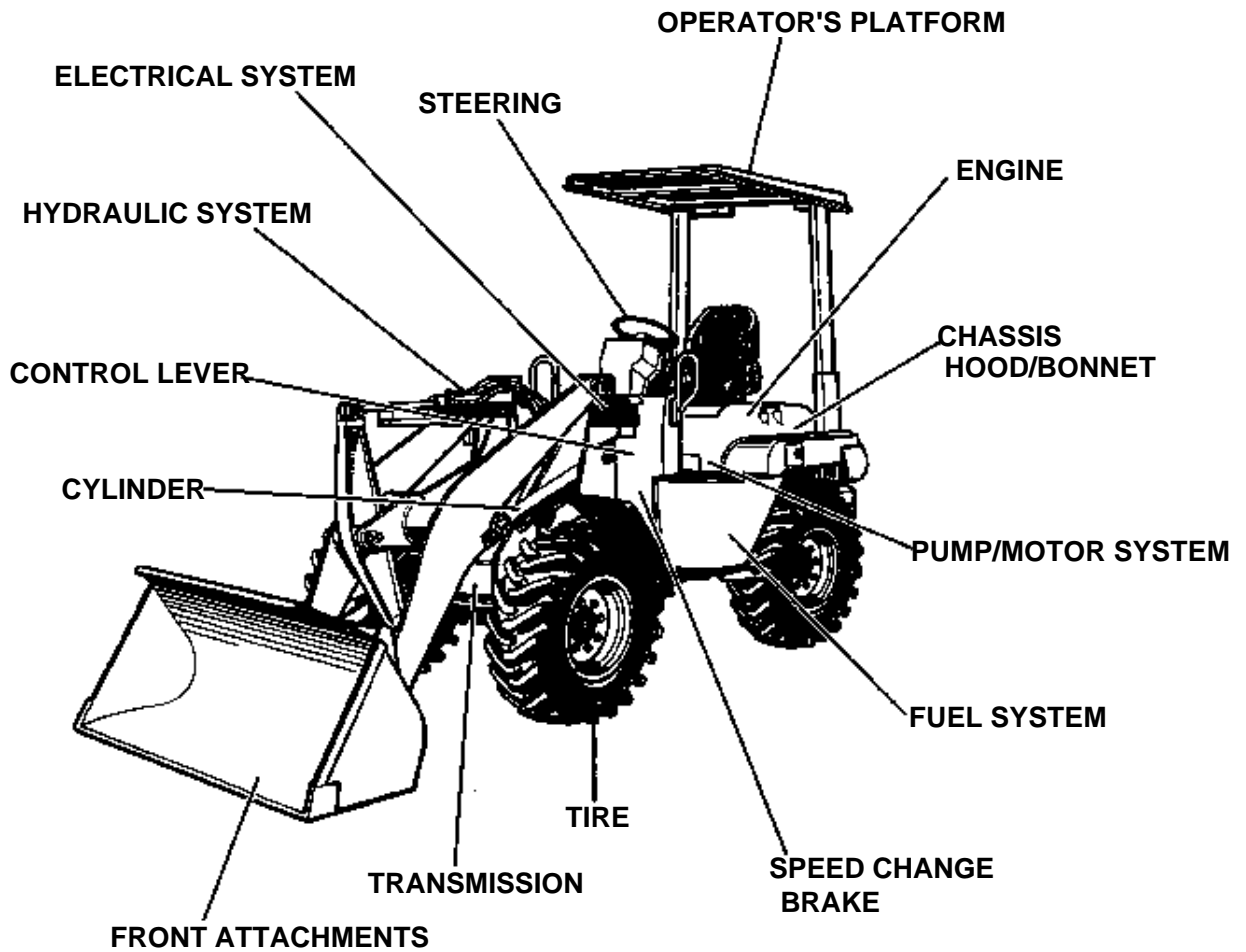
Country symbols sometimes used:

KCL - Kubota Canada Ltd

KTA - Kubota Tractor Australia

KTC - Kubota Tractor Corp. (USA)

ALL PRODUCT INDEX
R420S



BACK HOE

LABELS

ACCESSORIES

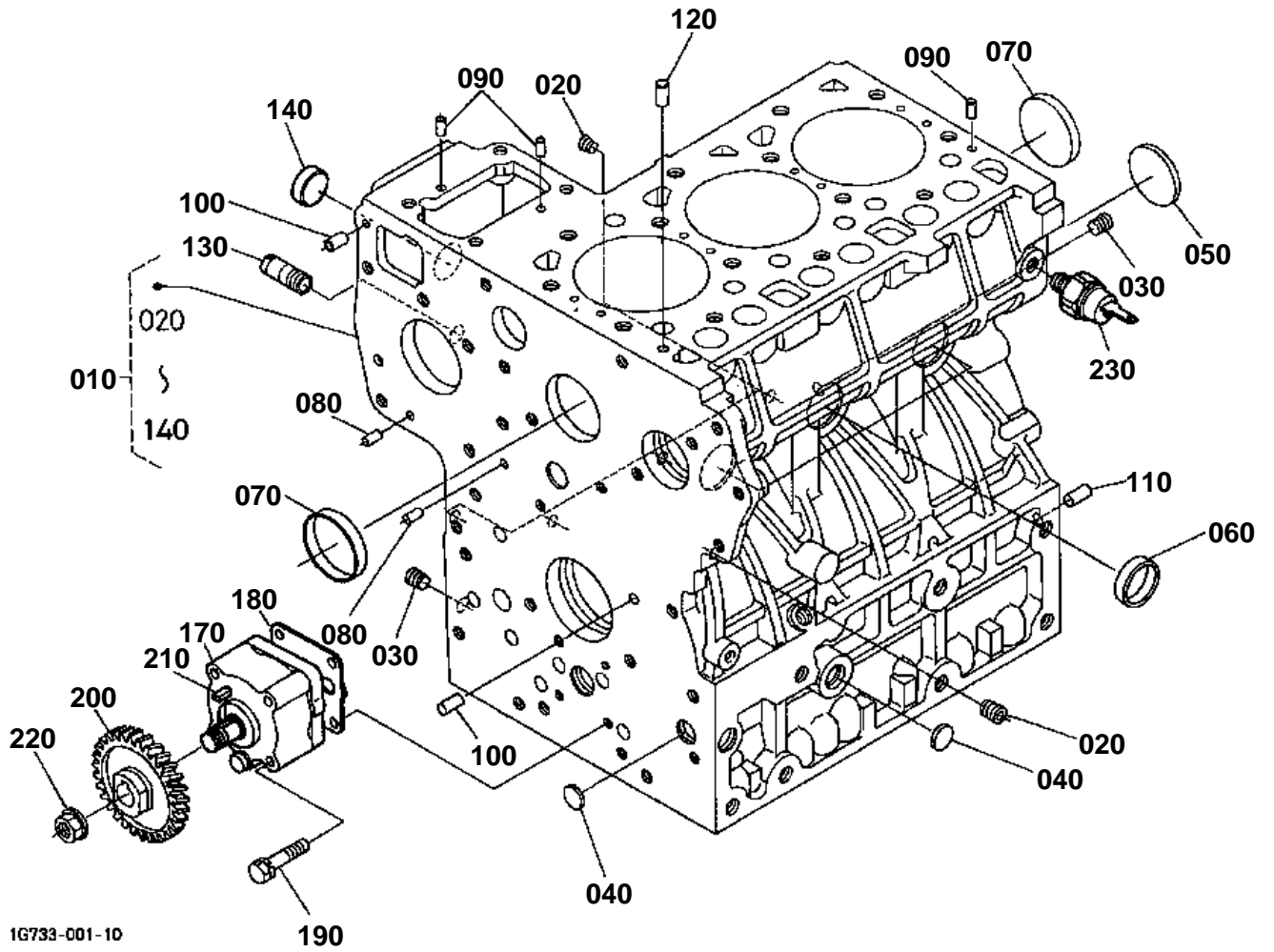
Item	Part No.	Description	Book	
ENGINE	01000101	CRANK CASE	100A0240	
	01000201	OIL PAN	100A0240	
	01000301	CYLINDER HEAD	100A0240	
	010004	GEAR CASE	100A0240	
	01000501	HEAD COVER	100A0240	
	01010001	MAIN BEARING CASE	100A0240	
	01010002	MAIN BEARING CASE	100A0240	
	01010101	CAMSHAFT AND IDLE GEAR SHAFT	100A0240	
	01010201	PISTON AND CRANKSHAFT	100A0240	
	01010202	PISTON AND CRANKSHAFT	100A0240	
	01010301	FLYWHEEL	100A0240	
	01010501	FUEL CAMSHAFT AND GOVERNOR SHAFT	100A0240	
	010201	STOP SOLENOID	100A0240	
	01020201	INJECTION PUMP	100A0240	
	01020401	GOVERNOR	100A0240	
	01020501	SPEED CONTROL PLATE	100A0240	
	01020601	NOZZLE HOLDER AND GLOW PLUG	100A0240	
	010214	BOOST COMPENSATOR	100A0240	
	01041301	ALTERNATOR	100A0240	
	010414	ALTERNATOR (COMPONENT PARTS)	100A0240	
	01041601	STARTER	100A0240	
	01041701	STARTER (COMPONENT PARTS)	100A0240	
	01050001	WATER FLANGE AND THERMOSTAT	100A0240	
	01050101	WATER PUMP	100A0240	
	01060001	VALVE AND ROCKER ARM	100A0240	
	010606	TURBO CHARGER	100A0240	
	010608	OIL PIPE (TURBO CHARGER)	100A0240	
	01061001	INLET MANIFOLD	100A0240	
	01061201	EXHAUST MANIFOLD	100A0240	
	010702	OIL COOLER	100A0240	
	01090001	GASKET KIT	100A0240	
	01090003	GASKET KIT	100A0240	
	BACK HOE	02S210	OUTLIGGER CONTROL LEVER / SLIDE LOCK	100A0240
		02S220	OPERATING CONTROL LEVER	100A0240
		02S230	CONTROL ARM	100A0240
		02S240	LOCK ROD	100A0240
		02S25001	CONTROL CABLE	100A0240
		02S25002	CONTROL CABLE	100A0240
		02S260	STAND	100A0240
		02S270	COVER	100A0240
		02S300	SLIDE FRAME	100A0240
02S310		SWING BRACKET	100A0240	
02S400		BOOM	100A0240	
02S420		ARM	100A0240	
02S440		BUCKET LINK	100A0240	
02S46001		BUCKET	100A0240	
02S46002		BUCKET	100A0240	
02S500		OUT LIGGER CYLINDER	100A0240	
02S510		SWING CYLINDER	100A0240	
02S530		BOOM CYLINDER	100A0240	
02S540		ARM CYLINDER	100A0240	
02S550		BUCKET CYLINDER	100A0240	
02S560		SLIDE LOCK CYLINDER	100A0240	
02S600		OIL PIPING QUICK COUPLER	100A0240	
02S610		OIL PIPING OUT LIGGER	100A0240	
02S620		OIL PIPING SLIDE LOCK 1	100A0240	
02S621		OIL PIPING SLIDE LOCK 2	100A0240	
02S630		OIL PIPING BOOM	100A0240	
02S640		OIL PIPING ARM	100A0240	

Item	Part No.	Description	Book
BACK HOE	02S650	OIL PIPING BUCKET	100A0240
	02S660	OIL PIPING SWING	100A0240
	02S700	CONTROL VALVE	100A0240
	02S701	CONTROL VALVE (COMPONENT PARTS)	100A0240
	02S702	CONTROL VALVE SPOOL SECTION	100A0240
ENGINE	02S800	LABEL	100A0240
	020030	ENGINE BRACKET	100A0240
	020503	WATER PIPE	100A0240
	020511	RADIATOR	100A0240
	02061401	AIR CLEANER	100A0240
FUEL SYSTEM	02061601	MUFFLER	100A0240
	02A00101	DRAIN PIPING	100A0240
	02A300	FUEL PIPING	100A0240
	02A301	FUEL FILTER (COMPONENT PARTS)	100A0240
	02A303	FUEL TANK	100A0240
ELECTRICAL SYSTEM	02B40001	BATTERY	100A0240
	02B402	RELAY	100A0240
	02B404	SWITCH AND METER	100A0240
	02B40601	LAMP	100A0240
	02B40602	LAMP	100A0240
TRANSMISSION	02B407	LAMP	100A0240
	02B408	ELECTRICAL WIRING	100A0240
	02C000	MISSION CASE	100A0240
	02C100	FRONT AXLE CASE	100A0240
	02C102	FRONT AXLE	100A0240
	02C200	FRONT DIFFERENTIAL CASE	100A0240
	02C202	PLANETARY GEAR (FRONT)	100A0240
	02C204	FRONT DIFFERENTIAL	100A0240
	02C300	REAR AXLE CASE	100A0240
	02C302	REAR AXLE	100A0240
	02C400	REAR DIFFERENTIAL CASE	100A0240
	02C402	PLANETARY GEAR (REAR)	100A0240
	02C404	REAR DIFFERENTIAL	100A0240
	02C500	PROPELLER SHAFT	100A0240
	TIRE	02D00001	WHEEL/TIRE
STEERING	02E000	STEERING HANDLE	100A0240
	02E002	HYDRAULIC OIL LINE (STEERING)	100A0240
	02E004	STREERING CONTROLLER	100A0240
SPEED CHANGE	02E200	ACCELERATOR PEDAL	100A0240
	02E202	ACCELERATOR CABLE	100A0240
BRAKE	02F000	BRAKE PEDAL	100A0240
	02F100	BRAKE OPERATION	100A0240
	02F102	BRAKE PIPING	100A0240
	02F104	BRAKE	100A0240
PUMP/MOTOR SYSTEM	02G000	PUMP HOUSING	100A0240
	02G20001	LST PUMP (ADAPTER)	100A0240
	02G201	LST PUMP (RELIEF VALVE)	100A0240
	02G300	LST MOTOR	100A0240
	02G40001	CONTROL VALVE	100A0240
	02G40002	CONTROL VALVE	100A0240
	02G40101	CONTROL VALVE (COMPONENT PARTS)	100A0240
	02G40102	CONTROL VALVE (COMPONENT PARTS)	100A0240
	02G40401	SPOOL SECTION (LIFT)	100A0240
	02G40402	SPOOL SECTION (TILT)	100A0240
	02G40403	SPOOL SECTION (TILT)	100A0240
	02G40404	SPOOL SECTION (S/P)	100A0240
	02G500	SOLENOID VALVE	100A0240
	02G600	OIL TANK	100A0240
	02G700	OIL COOLER	100A0240

Item	Part No.	Description	Book
PUMP/MOTOR SYSTEM CONTROL LEVER	02G710	OIL FILTER	100A0240
	02H000	CONTROL LEVER (SHOVEL)	100A0240
	02H001	CONTROL LEVER (SHOVEL) (COMPONENT PARTS)	100A0240
FRONT ATTACHMENTS	02H010	CONTROL LEVER (S/P) (COMPONENT PARTS)	100A0240
	02H100	SHOVEL ARM	100A0240
	02H102	TILT ARM	100A0240
	02H20001	BUCKET	100A0240
HYDRAULIC SYSTEM	02H20002	BUCKET	100A0240
	02J000	HYDRAULIC OIL LINE (SUCTION)	100A0240
CYLINDER	02J100	HYDRAULIC OIL LINE (RETURN)	100A0240
	02J120	HYDRAULIC OIL LINE (OIL COOLER)	100A0240
	02J30001	RETURN FILTER	100A0240
	02J30002	RETURN FILTER	100A0240
	02J400	HIGH PRESSURE OIL LINE	100A0240
	02J500	HYDRAULIC OIL LINE (LIFT)	100A0240
	02J600	HYDRAULIC OIL LINE (TILT)	100A0240
	02J700	HYDRAULIC OIL LINE (S/P)	100A0240
	02K000	LIFT CYLINDER	100A0240
	02K00101	LIFT CYLINDER LEFT (COMPONENT PARTS)	100A0240
02K00201	LIFT CYLINDER RIGHT (COMPONENT PARTS)	100A0240	
CHASSIS	02K100	TILT CYLINDER	100A0240
	02K10101	TILT CYLINDER (COMPONENT PARTS)	100A0240
	02K200	STEERING CYLINDER	100A0240
	02K20101	STEERING CYLINDER (COMPONENT PARTS)	100A0240
	02K203	AUTO LEVELER	100A0240
	02L000	FRONT FRAME	100A0240
	02L100	FRAME CONNECTION	100A0240
	02L20001	REAR FRAME	100A0240
	02L20002	REAR FRAME	100A0240
	HOOD/BONNET	02L300	REAR FENDER
02L302		MUD GUAD	100A0240
02L304		FENDER	100A0240
02L400		HOOD	100A0240
02L402		HOOD LOCK	100A0240
02L50001		OPERATION STAND	100A0240
02L50002		OPERATION STAND	100A0240
02M00001		SEAT	100A0240
02M00002		SEAT	100A0240
02M00003		SEAT	100A0240
OPERATOR'S PLATFORM	02M100	SOUND ABSORBER	100A0240
	02M101	SOUND ABSORBER	100A0240
	02M20001	WEIGHT	100A0240
	02N000	CANOPY	100A0240
	02N010	CABIN (BODY)	100A0240
	02N012	CABIN (DOOR LH)	100A0240
	02N014	CABIN (DOOR LOCK LH)	100A0240
	02N016	CABIN (DOOR RH)	100A0240
	02N018	CABIN (DOOR LOCK RH)	100A0240
	02N019	CABIN (WIPER MOTOR)	100A0240
	02N020	CABIN (REAR DOOR)	100A0240
	02N022	CABIN (WINDOW)	100A0240
	02N024	CABIN (INNER ROOF)	100A0240
	02N028	CABIN (ELECTRICAL WIRING)	100A0240
	02N030	CABIN (HEATER)	100A0240
02N032	CABIN (HEATER HOSE)	100A0240	
02N034	CABIN (CUSHION)	100A0240	
LABELS	02P00001	LABEL	100A0240
	02P00002	LABEL	100A0240
	02P00003	LABEL	100A0240

Item	Part No.	Description	Book
ACCESSORIES	02R000	ACCESSORIES	100A0240

CRANK CASE



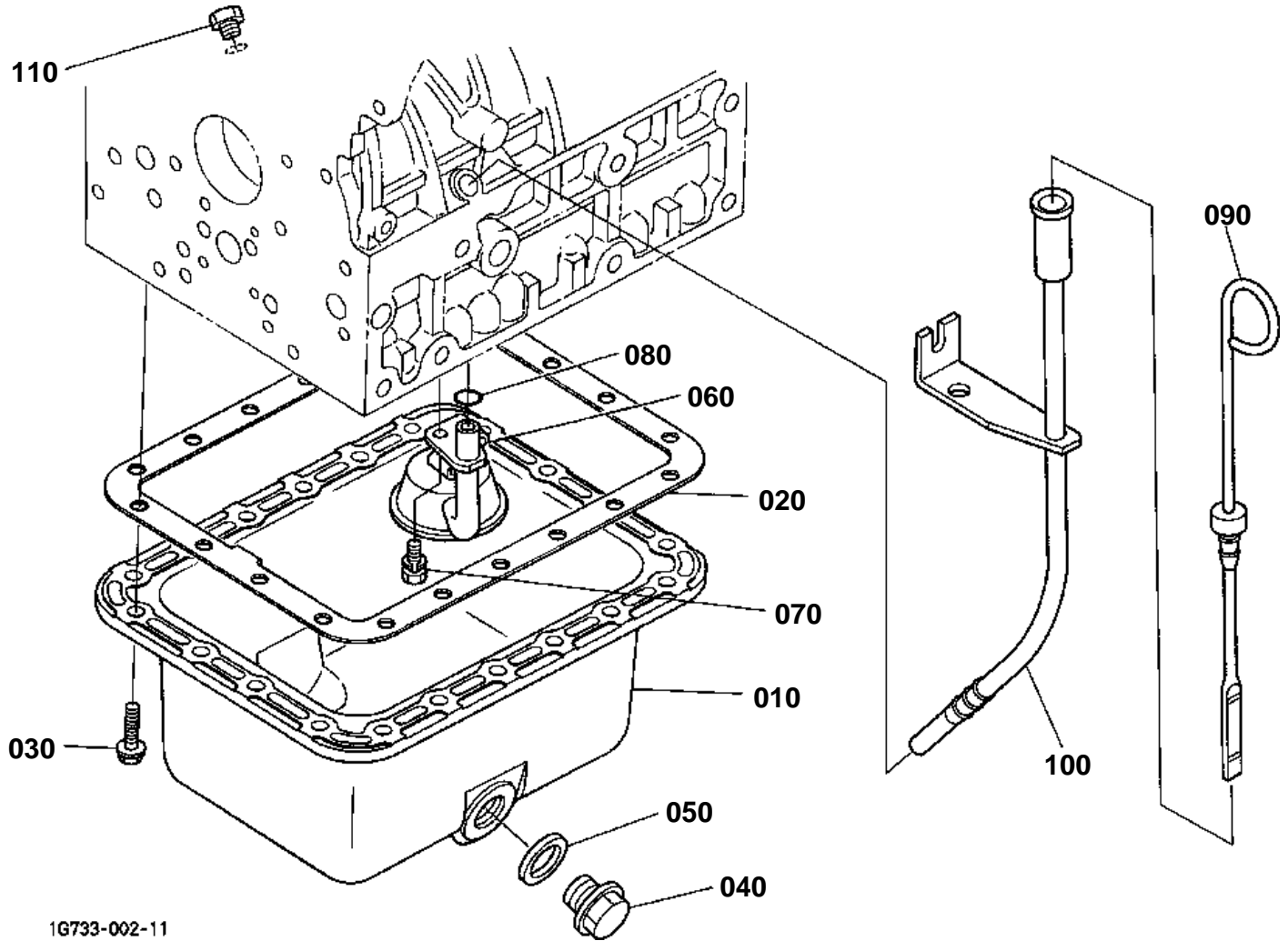


CRANK CASE

↔ Interchangeable; ≠ not interchangeable; ← new for old; → old for new

REF.No	Part No.	Description	Q'ty	S.No.	I/C	REMARKS	Weight (kgf)	Weight (lb)
010	1G733-01012	COMP.CRANKCASE	1				0	0
020	15521-96020	PLUG	5				0.003	0.0066
030	15521-96030	PLUG	2				0.007	0.0154
040	17391-96160	PLUG EXPANSION	3				0.003	0.0066
050	16271-96160	PLUG EXPANSION	1				0.025	0.055
060	15221-03380	CAP SEALING	5				0.017	0.0374
070	15221-03390	CAP SEALING	2				0.03	0.066
080	05012-00408	PIN STRAIGHT	2				0.001	0.0022
090	05012-00609	PIN STRAIGHT	3				0.003	0.0066
100	05012-00612	PIN STRAIGHT	2				0.003	0.0066
110	05012-01018	PIN STRAIGHT	2				0.012	0.0264
120	15221-33650	PIN PIPE	1				0.004	0.0088
130	15321-73340	PIPE WATER RETURN	1				0.016	0.0352
140	06311-85020	CAP SEALING	1				0.002	0.0044
150	99999-99999	BLANK	0				0	0
160	99999-99999	BLANK	0				0	0
170	15471-35012	ASSY PUMP OIL	1				0.55	1.21
180	1A021-35150	GASKET OIL PUMP	1				0.001	0.0022
190	01023-60650	BOLT	4				0.015	0.033
200	19202-35660	GEAR OIL PUMP DRIVE	1				0.23	0.506
210	05712-00410	KEY FEATHER	1				0.001	0.0022
220	15221-35682	NUT FLANGE	1				0.014	0.0308
230	1A024-39010	SWITCH OIL	1				0.035	0.077

OIL PAN



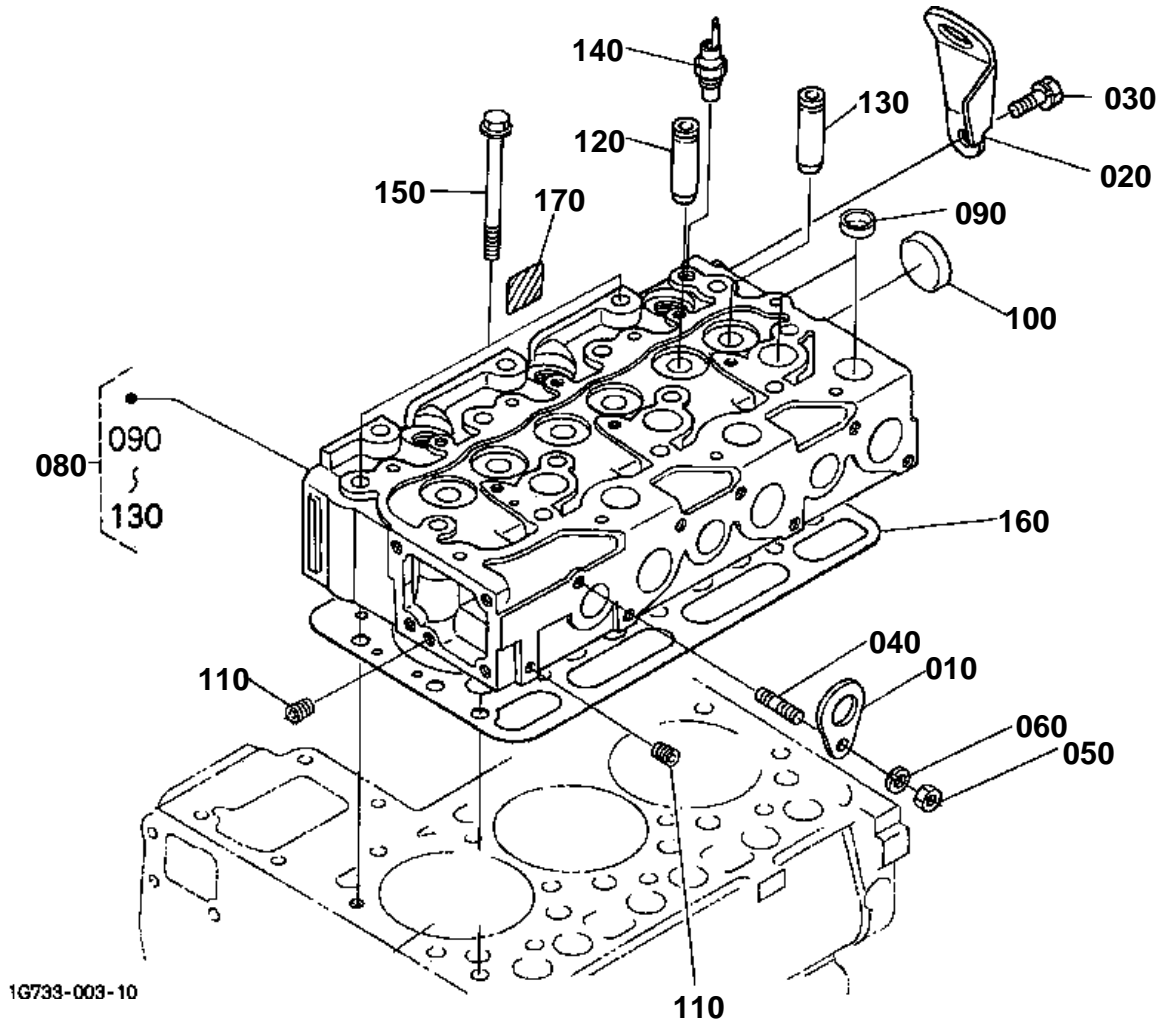


OIL PAN

↔ Interchangeable; ≠ not interchangeable; ← new for old; → old for new

REF.No	Part No.	Description	Q'ty	S.No.	I/C	REMARKS	Weight (kgf)	Weight (lb)
010	1G728-01500	COMP.OIL PAN	1				2	4.4
020	1G841-01620	GASKET OIL PAN	1				0.045	0.099
030	17333-91013	BOLT FLANGE	20				0.03	0.066
040	15707-33750	PLUG DRAIN	1				0.05	0.11
050	15451-96670	GASKET	1				0.003	0.0066
060	1G850-32110	FILTER OIL	1				0.255	0.561
070	01123-60814	BOLT	1				0.01	0.022
080	04814-00160	O RING	1				0.001	0.0022
090	16495-36410	GAUGE OIL	1				0.05	0.11
100	17082-36423	GUIDE OIL GAUGE	1				0.21	0.462
110	16414-33640	PLUG OIL GAUGE	1				0.003	0.0066

CYLINDER HEAD



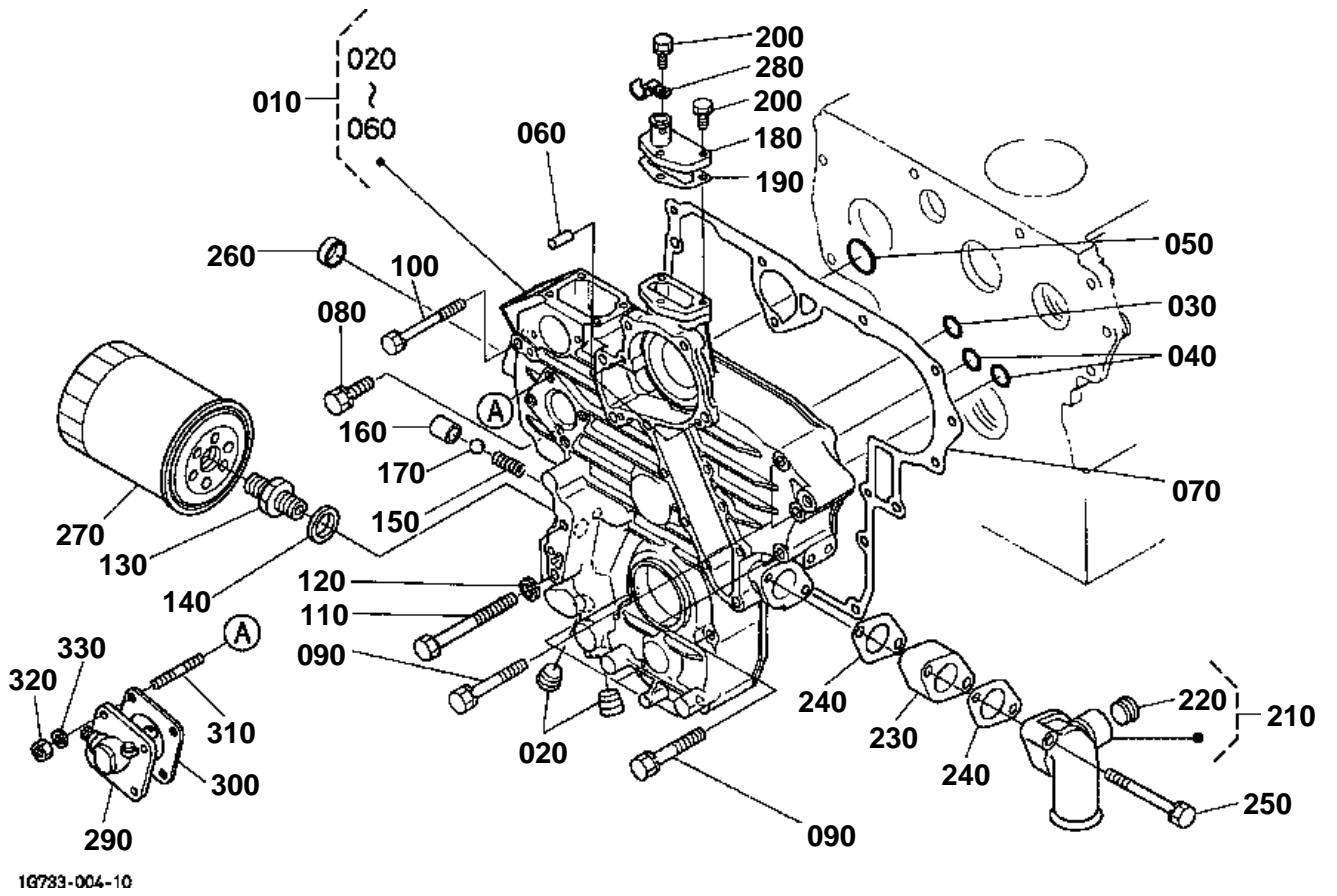


CYLINDER HEAD

↔ Interchangeable; ≠ not interchangeable; ← new for old; → old for new

REF.No	Part No.	Description	Q'ty	S.No.	I/C	REMARKS	Weight (kgf)	Weight (lb)
010	17331-01750	HOOK ENGINE	1				0.09	0.198
020	16415-01752	HOOK ENGINE	1				0.115	0.253
030	01123-60816	BOLT	1				0.01	0.022
040	15471-91530	STUD	1				0.01	0.022
050	02156-50080	NUT	1				0.004	0.0088
060	04512-60080	WASHER SPRING	1				0.002	0.0044
070	99999-99999	BLANK	0				0	0
080	1A013-03043	COMP.CYLINDER HEAD	1				15	33
090	15221-03370	CAP SEALING	9				0.01	0.022
100	15221-03490	CAP SEALING	1				0.02	0.044
110	15261-96010	PLUG	2				0.002	0.0044
120	17321-13580	GUIDE INLET VALVE	3				0.015	0.033
130	17321-13560	GUIDE EXHAUST VALVE	3				0.02	0.044
140	31351-32830	SENSOR THERMO	1				0.02	0.044
150	19013-03450	BOLT CYLINDER HEAD	14				0.077	0.1694
160	1G720-03310	GASKET CYL.HEAD	1				0.22	0.484
170	1G790-87210	LABEL PUMP	1				0.001	0.0022

GEAR CASE



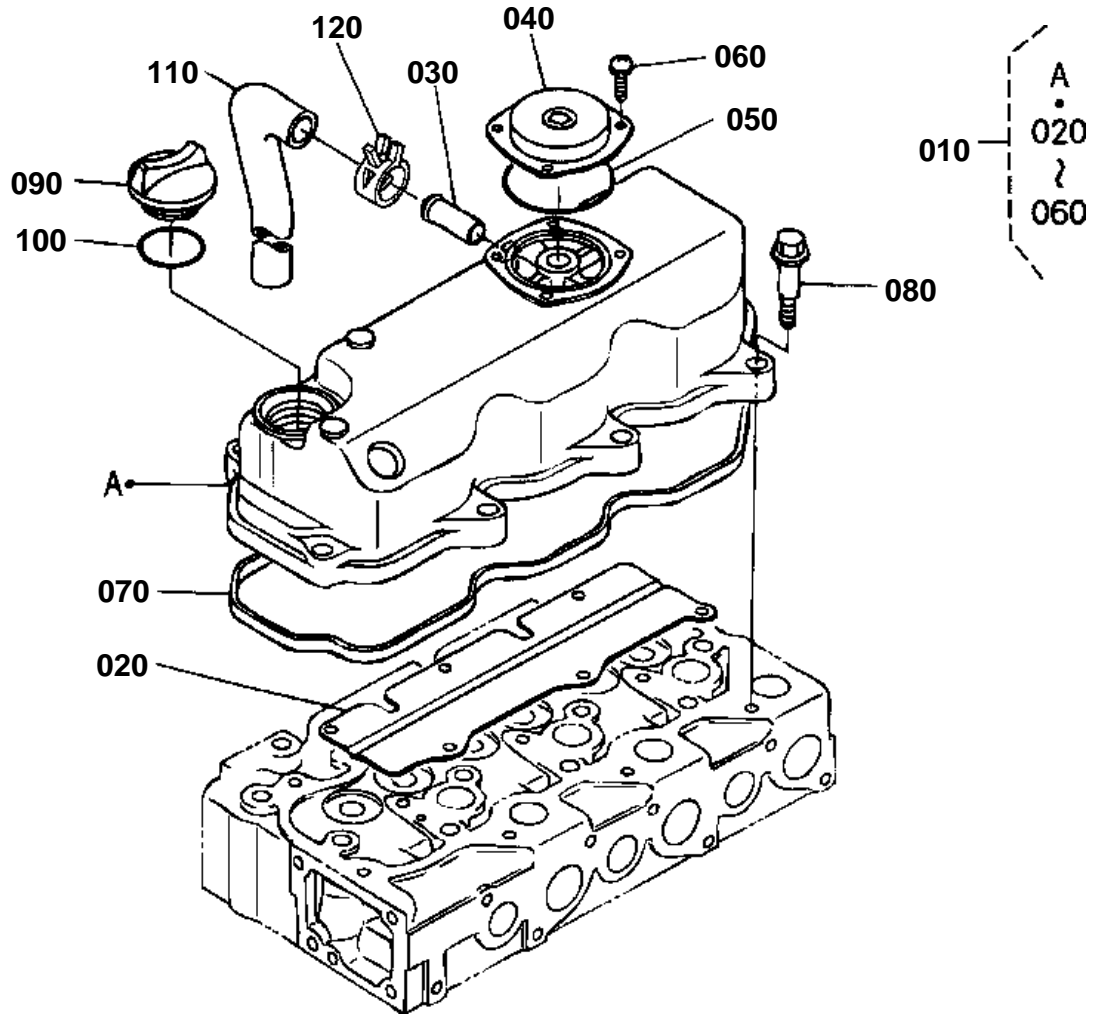


GEAR CASE

↔ Interchangeable; ≠ not interchangeable; ← new for old; → old for new

REF.No	Part No.	Description	Q'ty	S.No.	I/C	REMARKS	Weight (kgf)	Weight (lb)
010	1G788-04010	ASSY CASE GEAR	1				3.6	7.92
020	16241-96020	PLUG	2				0.015	0.033
030	04814-00150	O RING	1				0.001	0.0022
040	04814-00220	O RING	2				0.001	0.0022
050	04814-00360	O RING	1				0.001	0.0022
060	05012-00612	PIN STRAIGHT	2				0.003	0.0066
070	1A021-04130	GASKET GEAR CASE	1				0.019	0.0418
080	01123-50835	BOLT	1				0.02	0.044
090	01123-50870	BOLT	7				0.029	0.0638
100	17367-91010	BOLT	1				0.005	0.011
110	01153-50802	BOLT	2				0.04	0.088
120	04512-60080	WASHER SPRING	2				0.002	0.0044
130	15521-32293	JOINT PIPE	1				0.05	0.11
140	1G790-32302	COLLAR VALVE SEAT	1				0.007	0.0154
150	15241-36950	SPRING	1				0.004	0.0088
160	15521-36930	SEAT VALVE	1				0.015	0.033
170	07715-03213	BALL	1				0.004	0.0088
180	15521-73320	FLANGE WATER RETURN	1				0.04	0.088
190	1A021-73330	GASKET RETURN FLANGE	1				0.001	0.0022
200	01023-50620	BOLT	3				0.006	0.0132
210	1A085-72800	COMP FLANGE WATER	1				0.155	0.341
220	1A021-96020	PLUG	1				0.015	0.033
230	1G728-72830	SPACER	1				0.31	0.682
240	1A053-72840	GASKET WATER FLANGE	2				0.001	0.0022
250	01123-50870	BOLT	2				0.029	0.0638
260	06311-85018	CAP SEALING	1				0.004	0.0088
270	16414-32430	CARTRIDGE OIL FILTER	1				0.54	1.188
280	15241-67580	CLAMP CORD	1				0.004	0.0088
290	38240-34660	ASSY GEAR CASE H/M	1				0.335	0.737
300	15296-88130	GASKET H/METER UNIT	1				0.002	0.0044
310	15221-88210	STUD	4				0.005	0.011
320	02056-50060	NUT	4				0.002	0.0044
330	04512-60060	WASHER SPRING	4				0.001	0.0022

HEAD COVER



1G733-005-10

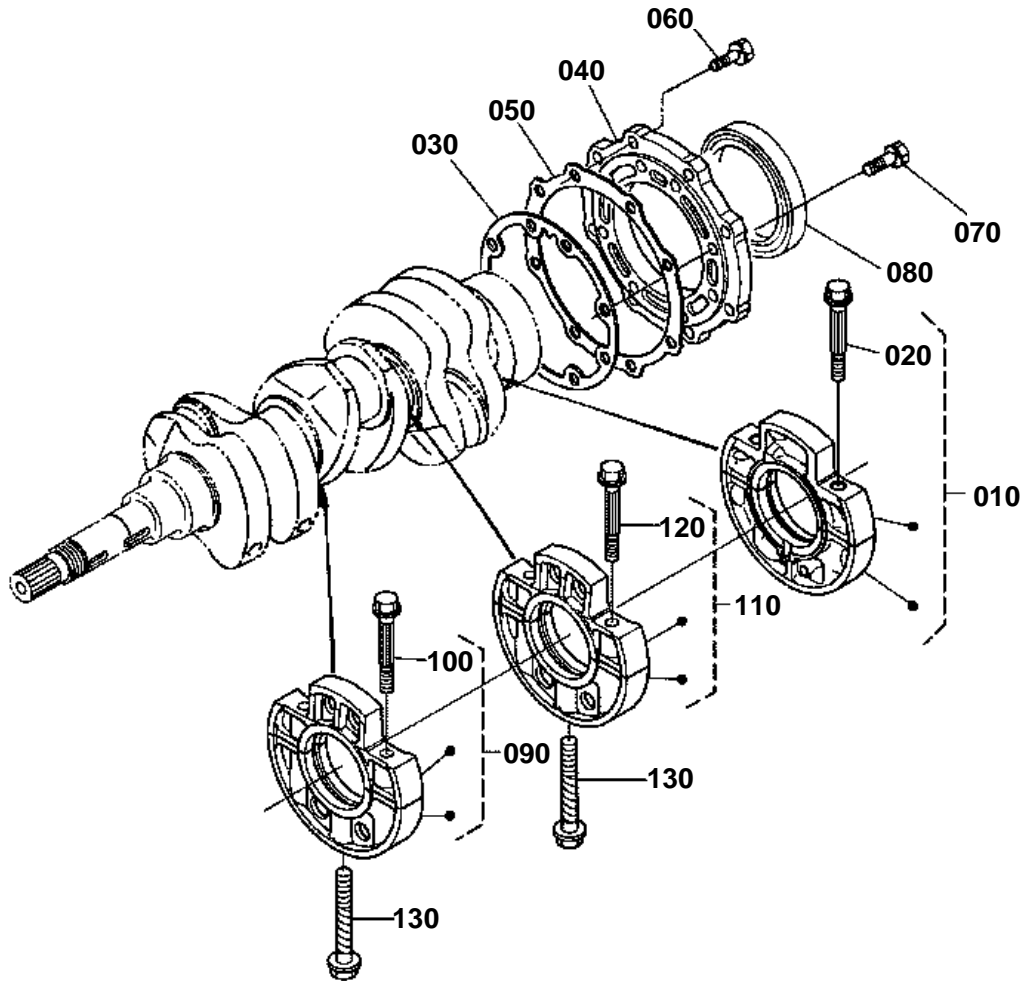


HEAD COVER

↔ Interchangeable; ≠ not interchangeable; ← new for old; → old for new

REF.No	Part No.	Description	Q'ty	S.No.	I/C	REMARKS	Weight (kgf)	Weight (lb)
010	1G730-14500	ASSY COVER CYL.HEAD	1				1.3	2.86
020	1A021-05370	SHIELD BREATHER	1				0.1	0.22
030	17331-73342	PIPE WATER RETURN	1				0.01	0.022
040	1A021-05120	COVER BREATHER	1				0.039	0.0858
050	1A021-05430	O RING BREATHER	1				0.001	0.0022
060	03024-50510	SCREW WITH WASHER	4				0.002	0.0044
070	1A021-14520	GASKET HEAD COVER	1				0.02	0.044
080	1G911-91022	BOLT	8				0.015	0.033
090	15852-33140	PLUG OIL FILLER	1				0.038	0.0836
100	04817-50300	O RING	1				0.001	0.0022
110	1A053-05510	TUBE BREATHER	1				0.005	0.011
120	09318-88150	CLAMP HOSE	1				0.004	0.0088

MAIN BEARING CASE



1A021-006-13

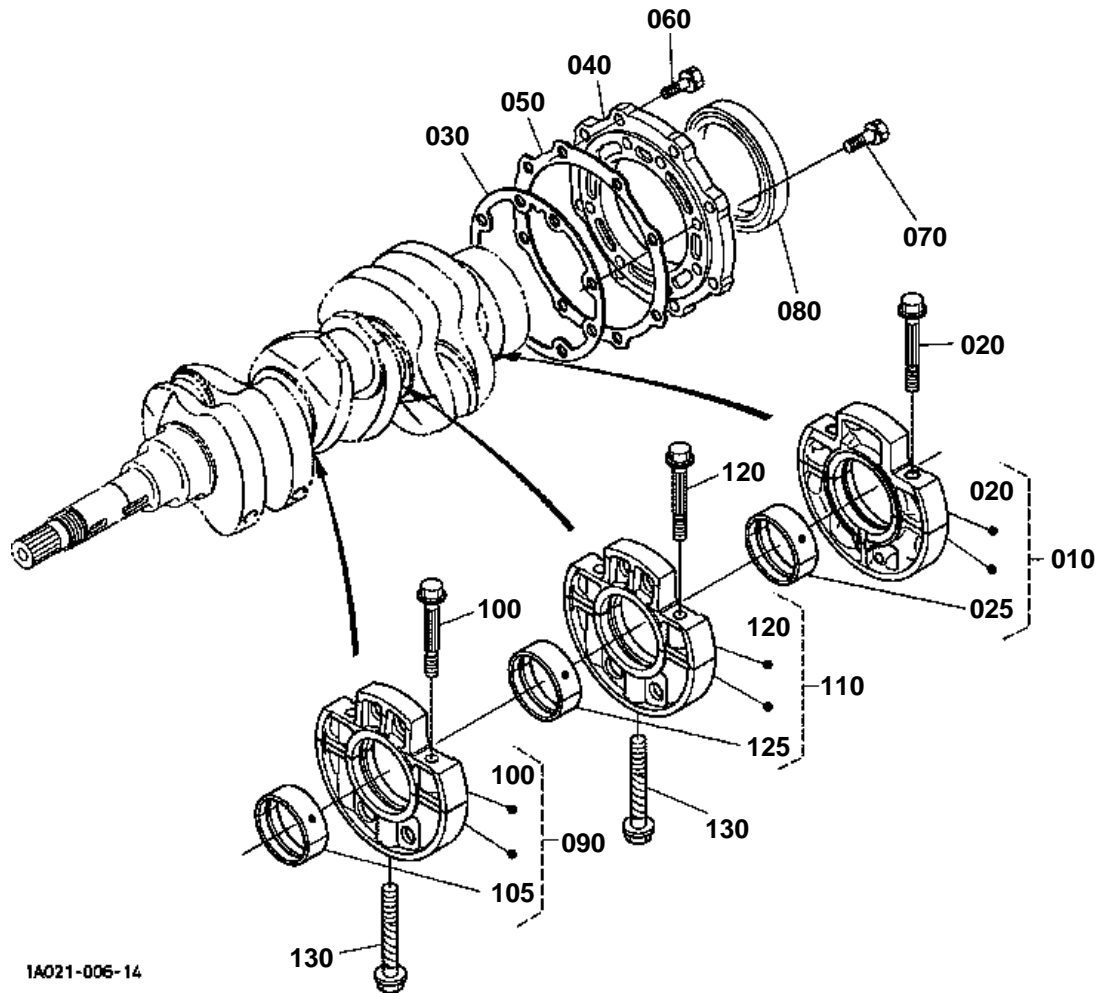


MAIN BEARING CASE
S.No.;<=3S1926

↔ Interchangeable; ≠ not interchangeable; ← new for old; → old for new

REF.No	Part No.	Description	Q'ty	S.No.	I/C	REMARKS	Weight (kgf)	Weight (lb)
010	1A091-07092	ASSY BRG.CASE WHEEL	1				0	0
020	1A091-04540	BOLT BEARING CASE	2				0.035	0.077
030	1A091-04362	GASKET BEARING CASE	1				0.005	0.011
040	1G851-04810	COVER BEARING CASE	1				0.495	1.089
050	1A091-04820	GASKET CASE COVER	1				0.006	0.0132
060	01123-50825	BOLT	8				0.013	0.0286
070	01123-50828	BOLT	8				0.014	0.0308
080	19202-04460	SEAL OIL	1				0.055	0.121
090	1A071-07040	ASSY BRG.CASE MAIN	1				1.4	3.08
100	1A091-04540	BOLT BEARING CASE	2				0.035	0.077
110	1A071-07050	ASSY BRG.CASE MAIN	1				1.4	3.08
120	1A091-04540	BOLT BEARING CASE	2				0.035	0.077
130	15601-04560	BOLT BEARING CASE	2				0.06	0.132

MAIN BEARING CASE



1A021-006-14

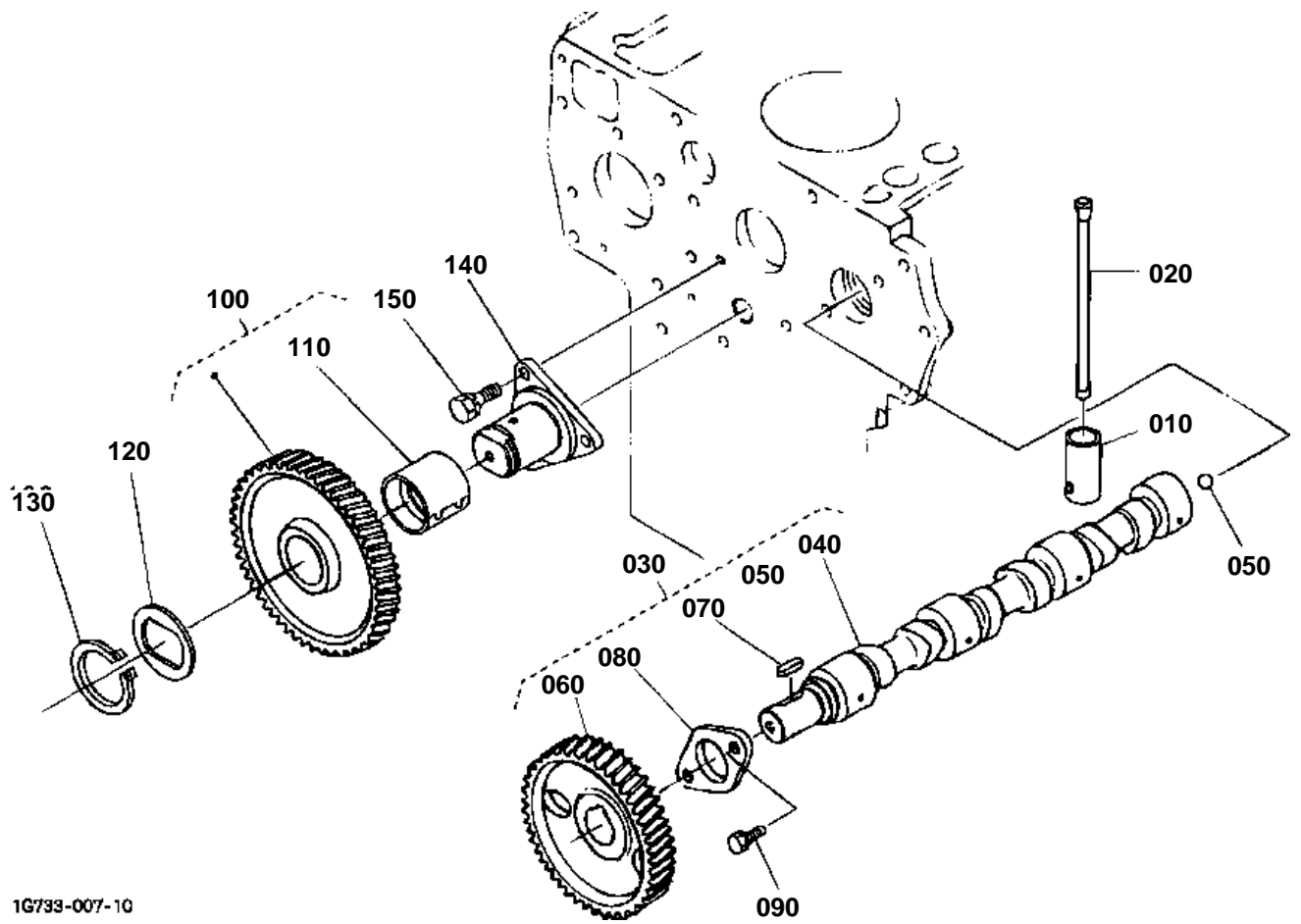


MAIN BEARING CASE
S.No.;>=3U0001

↔ Interchangeable; ≠ not interchangeable; ← new for old; → old for new

REF.No	Part No.	Description	Q'ty	S.No.	I/C	REMARKS	Weight (kgf)	Weight (lb)
010	1A091-07093	ASSY BRG.CASE WHEEL	1				1.435	3.157
020	1A091-04540	BOLT BEARING CASE	2				0.035	0.077
025	1A091-23480	METAL CRANKSHAFT	1			STD SET	0.05	0.11
025	1A091-23930	METAL CRANKSHAFT	1			-0.20mm SET	0.06	0.132
025	1A091-23940	METAL CRANKSHAFT	1			-0.40mm SET	0.065	0.143
030	1A091-04362	GASKET BEARING CASE	1				0.005	0.011
040	1G851-04810	COVER BEARING CASE	1				0.495	1.089
050	1A091-04820	GASKET CASE COVER	1				0.006	0.0132
060	01123-50825	BOLT	8				0.013	0.0286
070	01123-50828	BOLT	8				0.014	0.0308
080	19202-04460	SEAL OIL	1				0.055	0.121
090	1A071-07042	ASSY BRG.CASE MAIN	1				1.4	3.08
100	1A091-04540	BOLT BEARING CASE	2				0.035	0.077
105	1A091-23480	METAL CRANKSHAFT	1			STD SET	0.05	0.11
105	1A091-23930	METAL CRANKSHAFT	1			-0.20mm SET	0.06	0.132
105	1A091-23940	METAL CRANKSHAFT	1			-0.40mm SET	0.065	0.143
110	1A071-07052	ASSY BRG.CASE MAIN	1				1.4	3.08
120	1A091-04540	BOLT BEARING CASE	2				0.035	0.077
125	1A091-23480	METAL CRANKSHAFT	1			STD SET	0.05	0.11
125	1A091-23930	METAL CRANKSHAFT	1			-0.20mm SET	0.06	0.132
125	1A091-23940	METAL CRANKSHAFT	1			-0.40mm SET	0.065	0.143
130	15601-04560	BOLT BEARING CASE	2				0.06	0.132

CAMSHAFT AND IDLE GEAR SHAFT



1G733-007-10

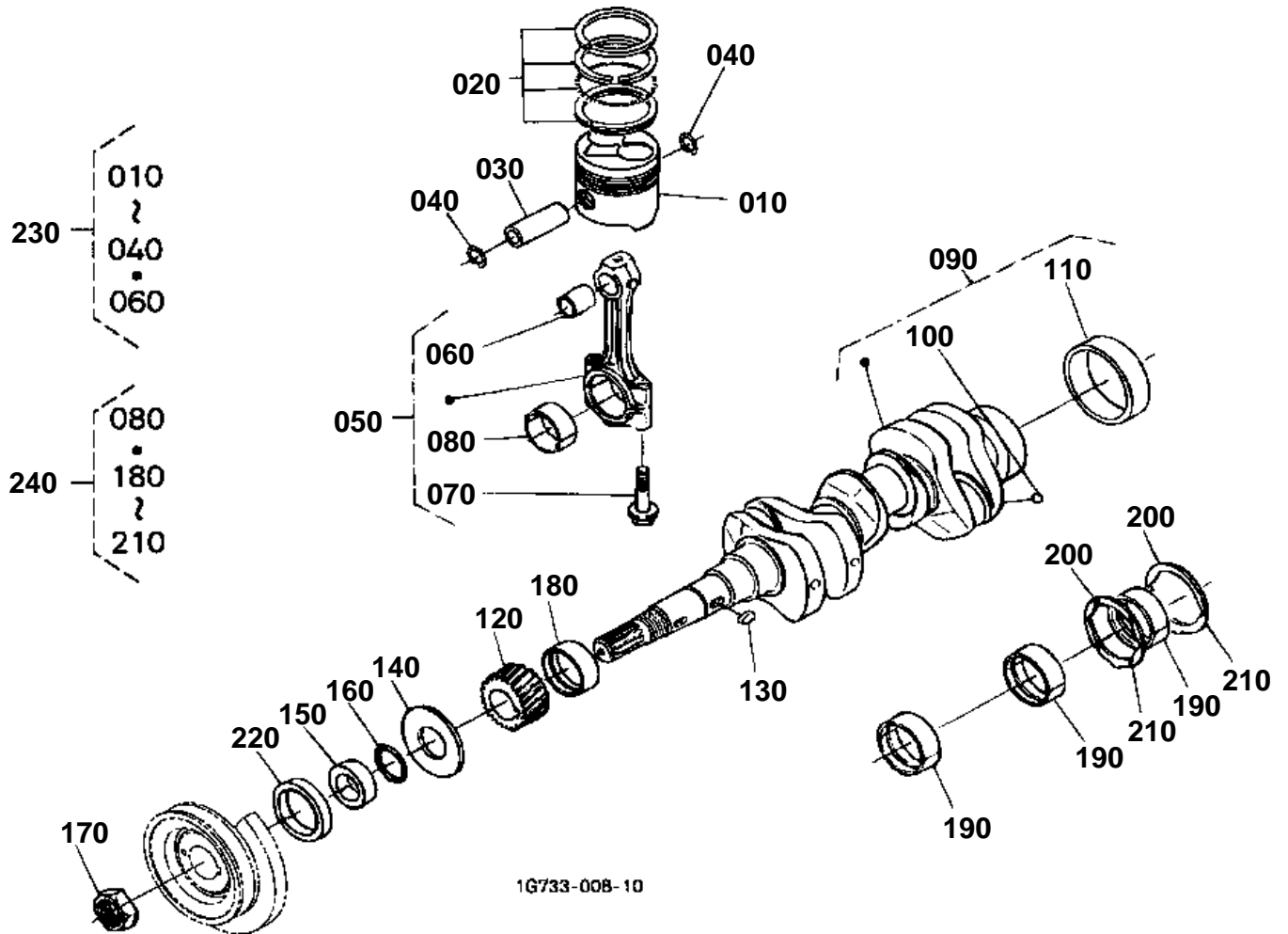


CAMSHAFT AND IDLE GEAR SHAFT

↔ Interchangeable; ≠ not interchangeable; ← new for old; → old for new

REF.No	Part No.	Description	Q'ty	S.No.	I/C	REMARKS	Weight (kgf)	Weight (lb)
010	15601-15550	TAPPET	6				0.08	0.176
020	19013-15110	PUSH ROD	6				0.05	0.11
030	16419-16010	ASSY CAMSHAFT	1				2.58	5.676
040	16419-16153	CAMSHAFT	1				1.8	3.96
050	07715-00401	BALL	1				0.001	0.0022
060	15521-16515	GEAR CAM	1				0.85	1.87
070	05712-00720	KEY FEATHER	1				0.008	0.0176
080	15221-16270	STOPPER CAMSHAFT	1				0.073	0.1606
090	01123-50818	BOLT	2				0.012	0.0264
100	1G791-24010	COMP.GEAR IDLE	1				1.195	2.629
110	1A021-24980	BUSH IDLE GEAR	1				0.072	0.1584
120	1A021-24370	COLLAR	1				0.022	0.0484
130	15451-95400	CIR CLIP EXTERNAL	1				0.01	0.022
140	1A021-24250	SHAFT IDLE GEAR	1				0.685	1.507
150	01123-50818	BOLT	3				0.012	0.0264

PISTON AND CRANKSHAFT

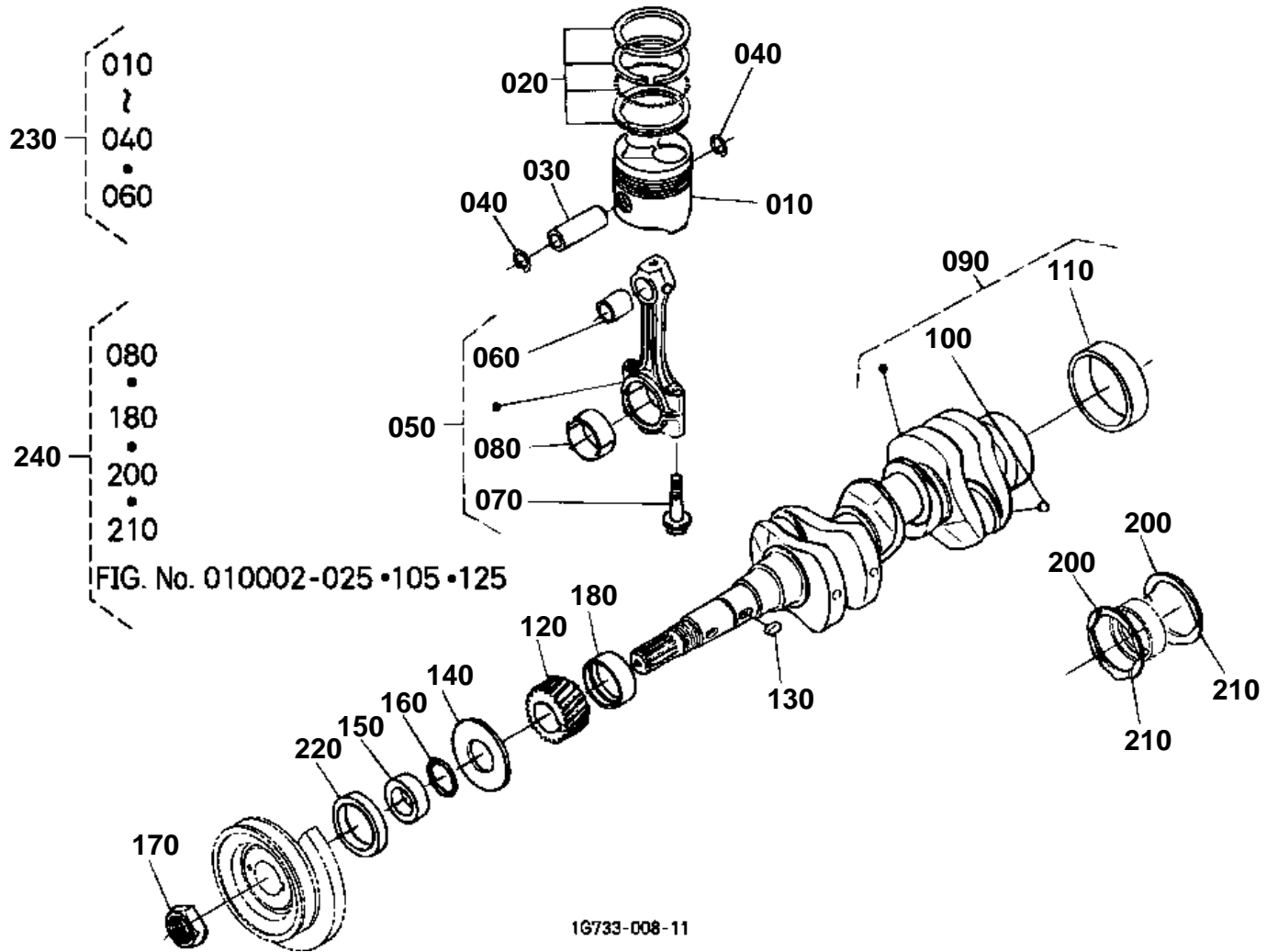




PISTON AND CRANKSHAFT
S.No.;<=3S1926

↔ Interchangeable; ≠ not interchangeable; ← new for old; → old for new

REF.No	Part No.	Description	Q'ty	S.No.	I/C	REMARKS	Weight (kgf)	Weight (lb)
010	1A024-21110	PISTON	3			STD	0.525	1.155
010	1A024-21900	PISTON	3			+0.25mm	0.545	1.199
020	1A024-21050	ASSY PISTON RING	3			STD	0.053	0.1166
020	1A024-21090	ASSY PISTON RING	3			+0.25mm	0.052	0.1144
030	14901-21310	PIN PISTON	3				0.17	0.374
040	14109-21330	CIR CLIP INTERNAL	6				0.001	0.0022
050	17311-22010	ASSY CONNECTING ROD	3				0.885	1.947
060	17331-21980	BUSH PISTON PIN	3				0.025	0.055
070	15521-22142	BOLT CONNECTING ROD	6				0.026	0.0572
080	17311-22310	METAL CRANKPIN	3			STD SET	0.045	0.099
080	17331-22970	METAL CRANKPIN	3			-0.20mm SET	0.05	0.11
080	17331-22980	METAL CRANKPIN	3			-0.40mm SET	0.045	0.099
090	1A051-23012	COMP.CRANKSHAFT	1				14.1	31.02
100	07715-00401	BALL	3				0.001	0.0022
110	19202-23280	BUSH CRANKSHAFT	1				0.09	0.198
120	1A081-24110	GEAR CRANKSHAFT	1				0.415	0.913
130	05712-00728	KEY FEATHER	1				0.01	0.022
140	15471-23312	SLINGER OIL	1				0.008	0.0176
150	19202-23250	COLLAR CRANKSHAFT	1				0.065	0.143
160	19202-96760	O RING	1				0.001	0.0022
170	15221-23360	NUT CRANKSHAFT	1				0.11	0.242
180	1A091-23470	METAL CRANKSHAFT	1			STD	0.062	0.1364
180	1A091-23910	METAL CRANKSHAFT	1			-0.20mm	0.065	0.143
180	1A091-23920	METAL CRANKSHAFT	1			-0.40mm	0.065	0.143
190	1A091-23480	METAL CRANKSHAFT	3			STD SET	0.05	0.11
190	1A091-23930	METAL CRANKSHAFT	3			-0.20mm SET	0.06	0.132
190	1A091-23940	METAL CRANKSHAFT	3			-0.40mm SET	0.065	0.143
200	1A091-23530	METAL SIDE	2			STD	0.009	0.0198
200	1A091-23950	METAL SIDE	2			+0.20mm	0.005	0.011
200	1A091-23960	METAL SIDE	2			+0.40mm	0.005	0.011
210	1A091-23540	METAL SIDE	2			STD	0.009	0.0198
210	1A091-23970	METAL SIDE	2			+0.20mm	0.005	0.011
210	1A091-23980	METAL SIDE	2			+0.40mm	0.005	0.011
220	19202-04140	SEAL OIL	1				0.015	0.033
230	1G733-21770	KIT PISTON	3			STD	0.785	1.727
230	1G733-21780	KIT PISTON	3			+0.25mm	0.785	1.727
240	1G842-23750	KIT METAL ENGINE	1			STD	0.62	1.364
240	1G842-23760	KIT METAL ENGINE	1			0.20mm	0.65	1.43
240	1G842-23770	KIT METAL ENGINE	1			0.40mm	0.65	1.43



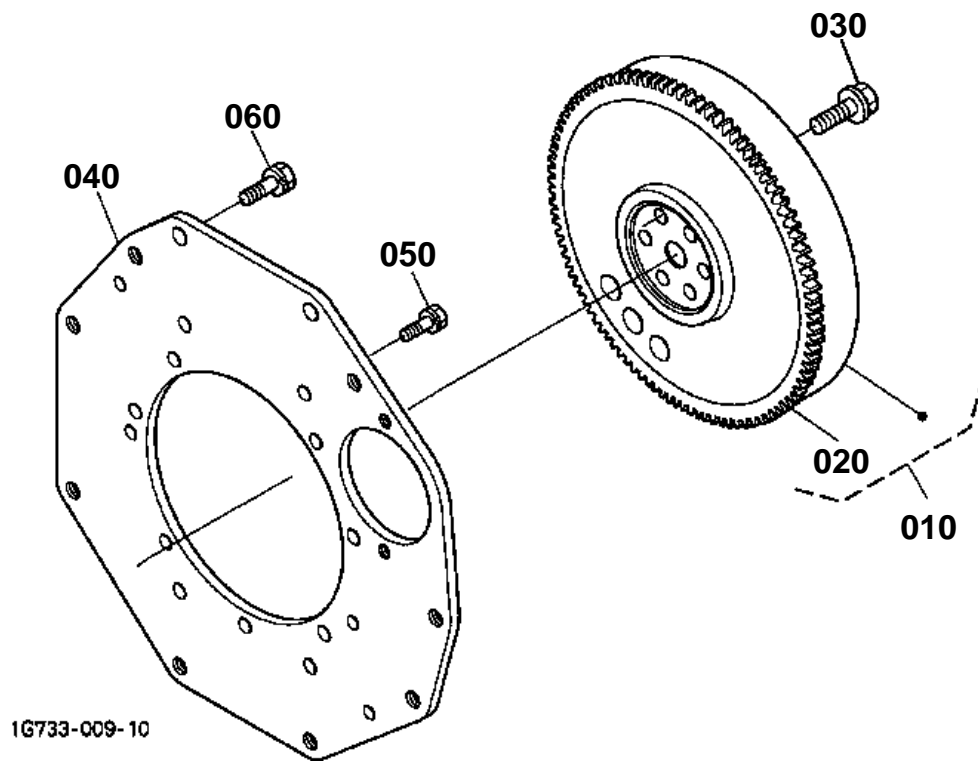


PISTON AND CRANKSHAFT
S.No.;>=3U0001

↔ Interchangeable; ≠ not interchangeable; ← new for old; → old for new

REF.No	Part No.	Description	Q'ty	S.No.	I/C	REMARKS	Weight (kgf)	Weight (lb)
010	1A024-21110	PISTON	3			STD	0.525	1.155
010	1A024-21900	PISTON	3			+0.25mm	0.545	1.199
020	1A024-21050	ASSY PISTON RING	3			STD	0.053	0.1166
020	1A024-21090	ASSY PISTON RING	3			+0.25mm	0.052	0.1144
030	14901-21310	PIN PISTON	3				0.17	0.374
040	14109-21330	CIR CLIP INTERNAL	6				0.001	0.0022
050	17311-22010	ASSY CONNECTING ROD	3				0.885	1.947
060	17331-21980	BUSH PISTON PIN	3				0.025	0.055
070	15521-22142	BOLT CONNECTING ROD	6				0.026	0.0572
080	17311-22310	METAL CRANKPIN	3			STD SET	0.045	0.099
080	17331-22970	METAL CRANKPIN	3			-0.20mm SET	0.05	0.11
080	17331-22980	METAL CRANKPIN	3			-0.40mm SET	0.045	0.099
090	1A051-23012	COMP.CRANKSHAFT	1				14.1	31.02
100	07715-00401	BALL	3				0.001	0.0022
110	19202-23280	BUSH CRANKSHAFT	1				0.09	0.198
120	1A081-24110	GEAR CRANKSHAFT	1				0.415	0.913
130	05712-00728	KEY FEATHER	1				0.01	0.022
140	15471-23312	SLINGER OIL	1				0.008	0.0176
150	19202-23250	COLLAR CRANKSHAFT	1				0.065	0.143
160	19202-96760	O RING	1				0.001	0.0022
170	15221-23360	NUT CRANKSHAFT	1				0.11	0.242
180	1A091-23470	METAL CRANKSHAFT	1			STD	0.062	0.1364
180	1A091-23910	METAL CRANKSHAFT	1			-0.20mm	0.065	0.143
180	1A091-23920	METAL CRANKSHAFT	1			-0.40mm	0.065	0.143
190	99999-99999	BLANK	0				0	0
200	1A091-23530	METAL SIDE	2			STD	0.009	0.0198
200	1A091-23950	METAL SIDE	2			+0.20mm	0.005	0.011
200	1A091-23960	METAL SIDE	2			+0.40mm	0.005	0.011
210	1A091-23540	METAL SIDE	2			STD	0.009	0.0198
210	1A091-23970	METAL SIDE	2			+0.20mm	0.005	0.011
210	1A091-23980	METAL SIDE	2			+0.40mm	0.005	0.011
220	19202-04140	SEAL OIL	1				0.015	0.033
230	1G733-21770	KIT PISTON	3			STD	0.785	1.727
230	1G733-21780	KIT PISTON	3			+0.25mm	0.785	1.727
240	1G842-23750	KIT METAL ENGINE	1			STD	0.62	1.364
240	1G842-23760	KIT METAL ENGINE	1			0.20mm	0.65	1.43
240	1G842-23770	KIT METAL ENGINE	1			0.40mm	0.65	1.43

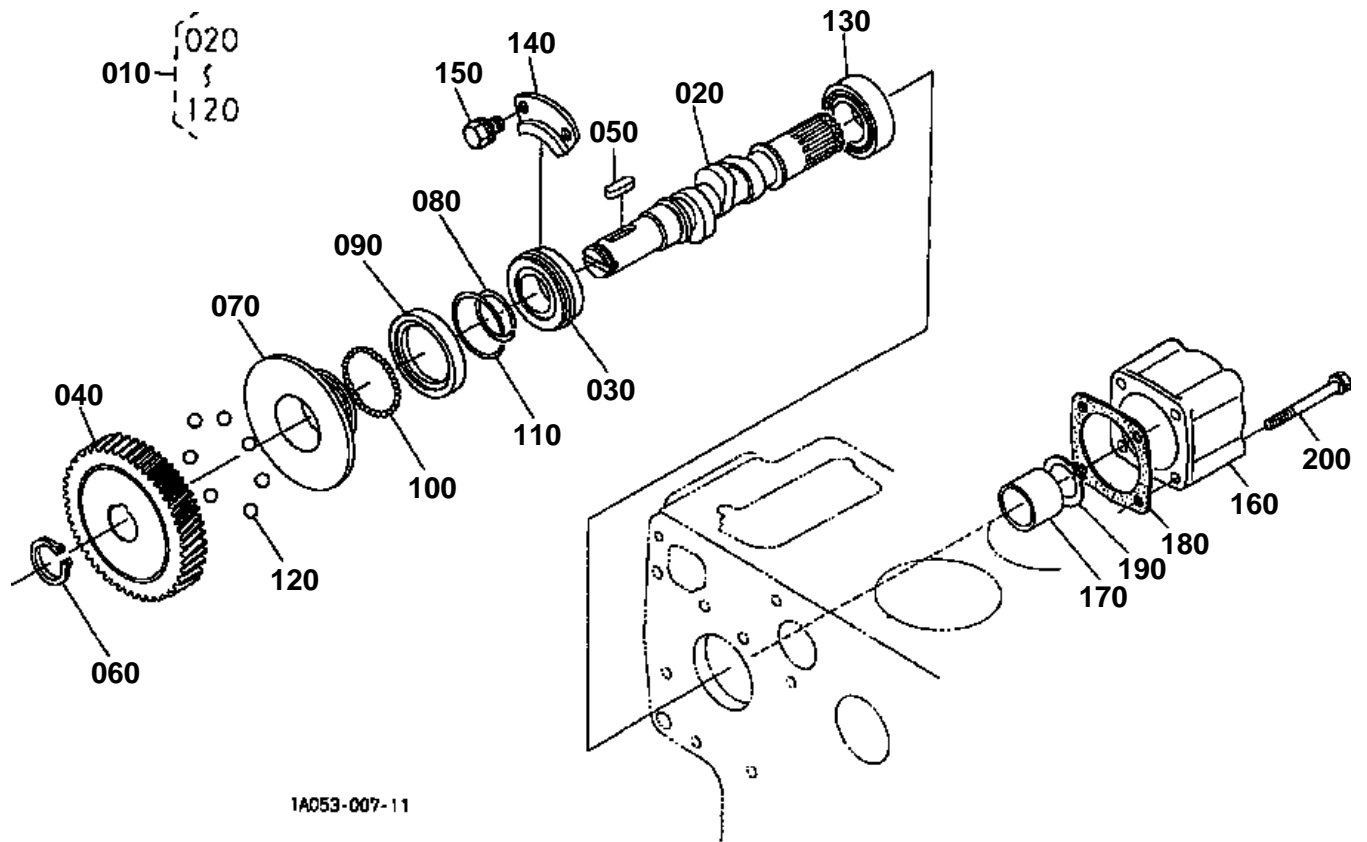
FLYWHEEL



**FLYWHEEL**

↔ Interchangeable; ≠ not interchangeable; ← new for old; → old for new

REF.No	Part No.	Description	Q'ty	S.No.	I/C	REMARKS	Weight (kgf)	Weight (lb)
010	1G728-25010	COMP.FLYWHEEL	1	≤3S1926		NOT SALE	20.5	45.1
010	1G733-25010	COMP.FLYWHEEL	1	≥3U0001	≠		23.5	51.7
020	15221-63820	GEAR RING	1				1.2	2.64
030	15521-25162	BOLT FLYWHEEL	6				0.05	0.11
040	1G728-04620	PLATE REAR END	1				4.6	10.12
050	01133-51025	BOLT	11				0.023	0.0506
060	01133-51225	BOLT	2				0.035	0.077



1A053-007-11

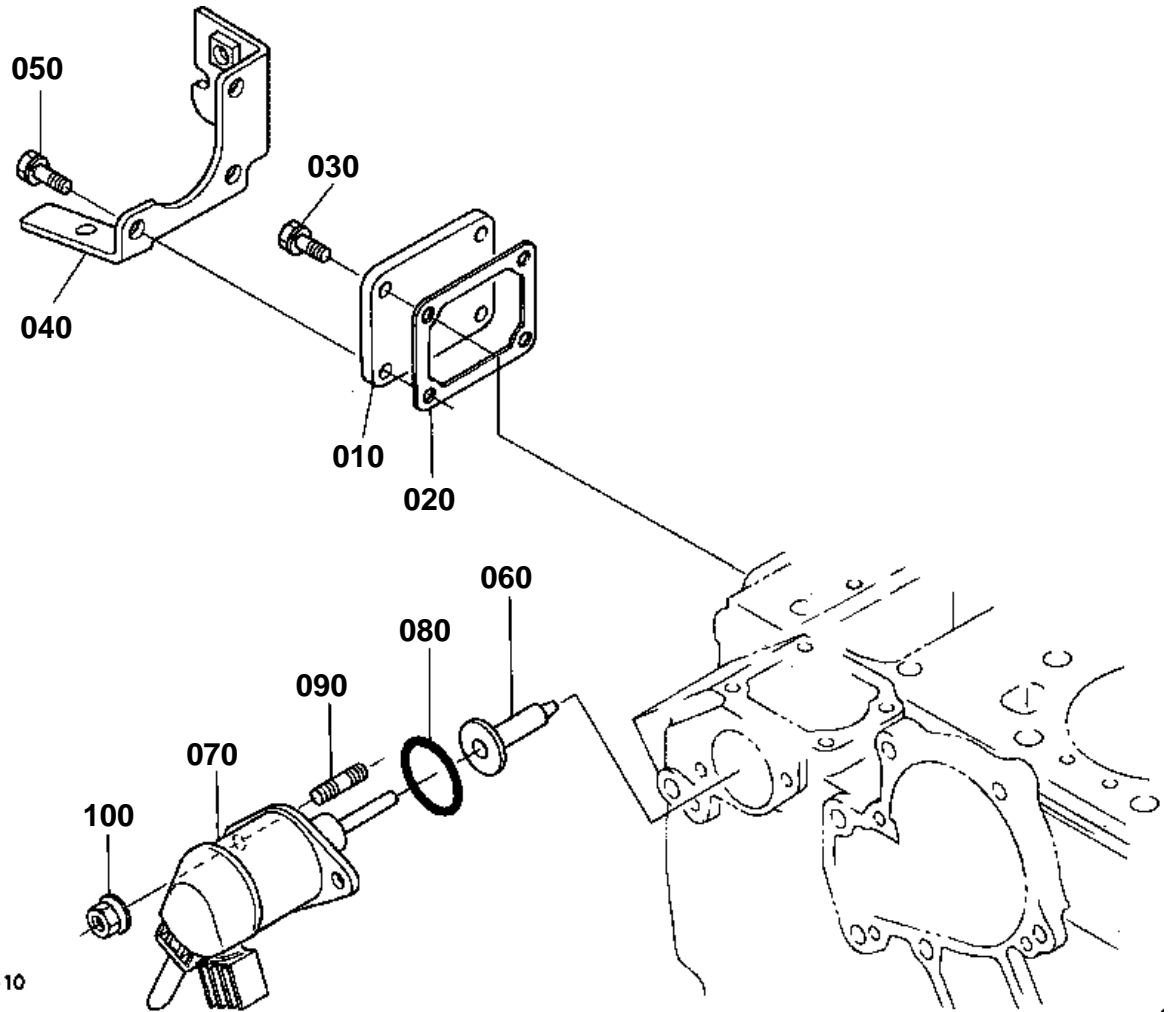


FUEL CAMSHAFT AND GOVERNOR SHAFT

↔ Interchangeable; ≠ not interchangeable; ← new for old; → old for new

REF.No	Part No.	Description	Q'ty	S.No.	I/C	REMARKS	Weight (kgf)	Weight (lb)
010	16427-16020	ASSY CAMSHAFT FUEL	1				2.5	5.5
020	16427-16173	CAMSHAFT FUEL	1				0.99	2.178
030	08153-06205	BEARING BALL	1				0.13	0.286
040	16415-51150	GEAR INJECTION PUMP	1				1.075	2.365
050	05712-00525	KEY FEATHER	1				0.005	0.011
060	04612-00240	CIR CLIP EXTERNAL	1				0.002	0.0044
070	15611-55450	SLEEVE GOVERNOR	1				0.117	0.2574
080	15221-55470	CIR-CLIP GOV. SLEEVE	1				0.003	0.0066
090	15611-55690	CASE GOVERNOR BALL	1				0.03	0.066
100	07715-03205	BALL	39				0.001	0.0022
110	15221-55740	CIR-CLIP	1				0.002	0.0044
120	07715-00403	BALL	7				0.03	0.066
130	1A021-97300	BEARING BALL	1				0.125	0.275
140	15221-16320	STOPPER FUEL C/SHAFT	1				0.02	0.044
150	01123-60814	BOLT	2				0.01	0.022
160	17183-16210	COVER FUEL CAMSHAFT	1				0.31	0.682
170	15225-16190	COLLAR	1				0.102	0.2244
180	1A051-16220	GASKET	1				0.003	0.0066
190	04612-00250	CIR CLIP EXTERNAL	1				0.002	0.0044
200	01123-50865	BOLT	4				0.028	0.0616

STOP SOLENOID



1G733-030-10

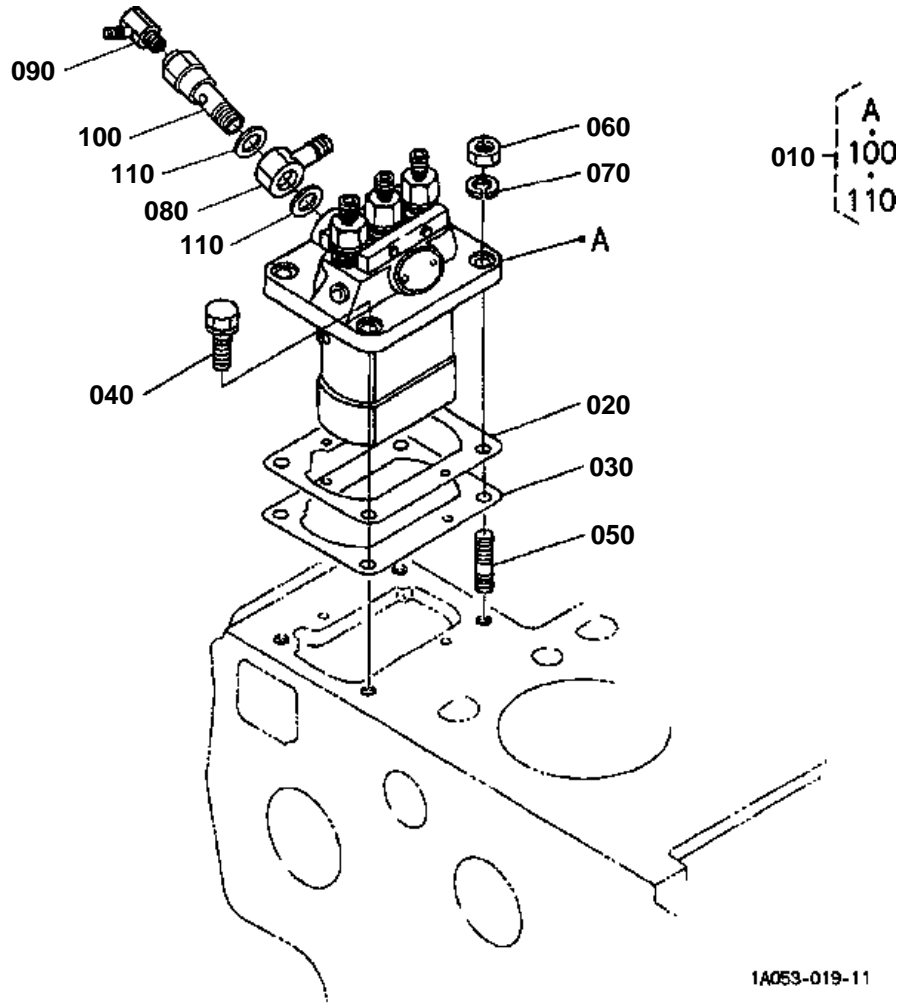


STOP SOLENOID

↔ Interchangeable; ≠ not interchangeable; ← new for old; → old for new

REF.No	Part No.	Description	Q'ty	S.No.	I/C	REMARKS	Weight (kgf)	Weight (lb)
010	1A053-51650	COVER INJ.PUMP	1				0.173	0.3806
020	1A021-51660	GASKET PUMP COVER	1				0.003	0.0066
030	01023-50616	BOLT	1				0.005	0.011
040	1A021-57483	BRACKET ACCEL.CABLE	1				0.125	0.275
050	01023-50620	BOLT	3				0.006	0.0132
060	1A021-56602	COMP.GUIDE SOLENOID	1				0.007	0.0154
070	1A021-60013	ASSY SOLENOID	1				0.29	0.638
080	04814-06310	O RING	1				0.002	0.0044
090	15221-88210	STUD	2				0.005	0.011
100	02761-50060	NUT FLANGE	2				0.003	0.0066

INJECTION PUMP



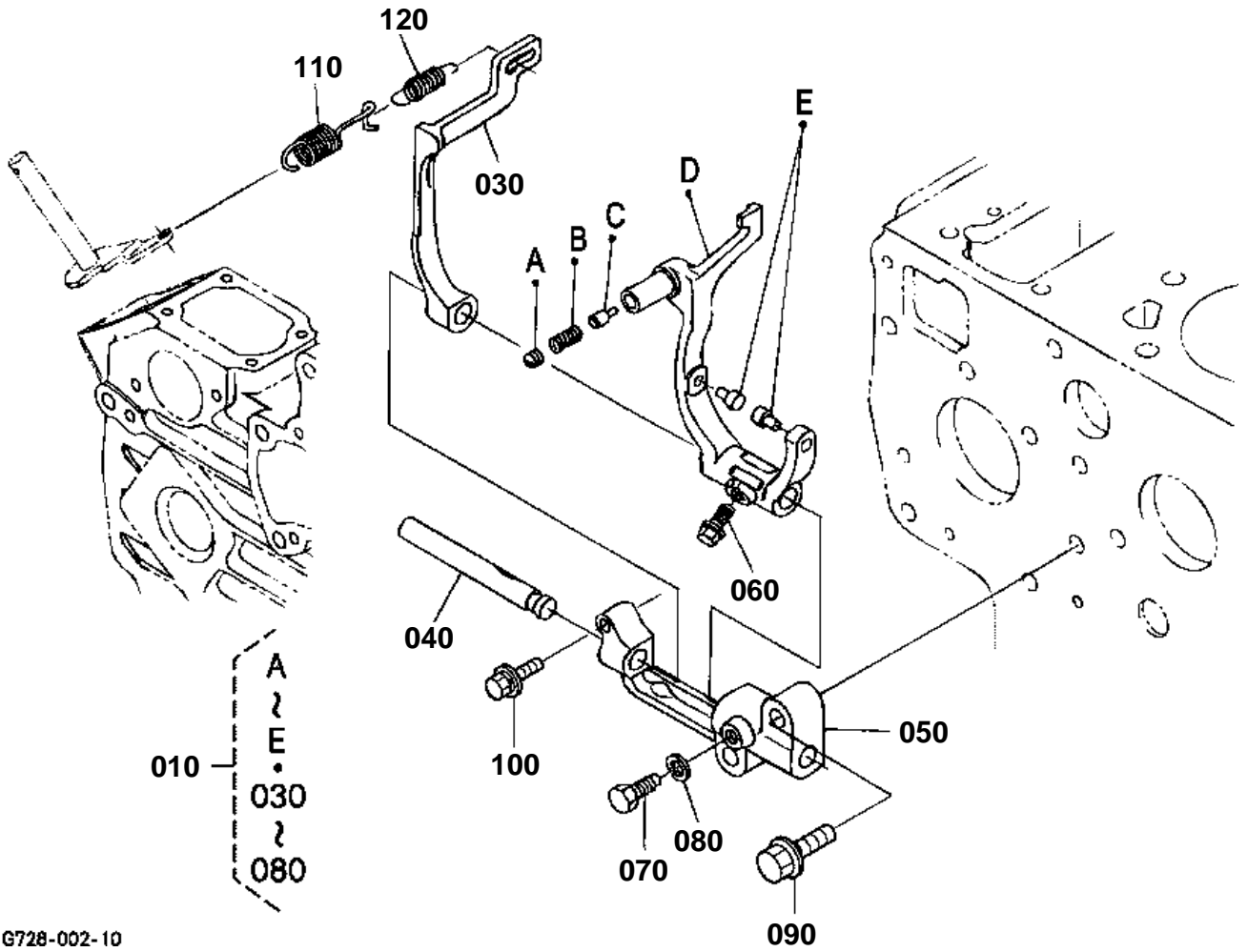
1A053-019-11



INJECTION PUMP

↔ Interchangeable; ≠ not interchangeable; ← new for old; → old for new

REF.No	Part No.	Description	Q'ty	S.No.	I/C	REMARKS	Weight (kgf)	Weight (lb)
010	1G733-51010	ASSY PUMP INJECTION	1				2.1	4.62
020	16414-52090	SHIM INJECTION PUMP	1			0.20mm	0.001	0.0022
020	16414-52110	SHIM INJECTION PUMP	1			0.25mm	0.001	0.0022
030	16414-52120	SHIM INJECTION PUMP	1			0.30mm	0.005	0.011
040	01123-50822	BOLT	2				0.012	0.0264
050	15221-91530	STUD	2				0.011	0.0242
060	02156-50080	NUT	2				0.004	0.0088
070	04512-60080	WASHER SPRING	2				0.002	0.0044
080	14111-42410	JOINT EYE	1				0.025	0.055
090	15748-60570	ASSY ORIFICE	1				0.02	0.044
100	15521-51320	SCREW FOLLOW	1				0.035	0.077
110	15221-96650	GASKET	2				0.001	0.0022



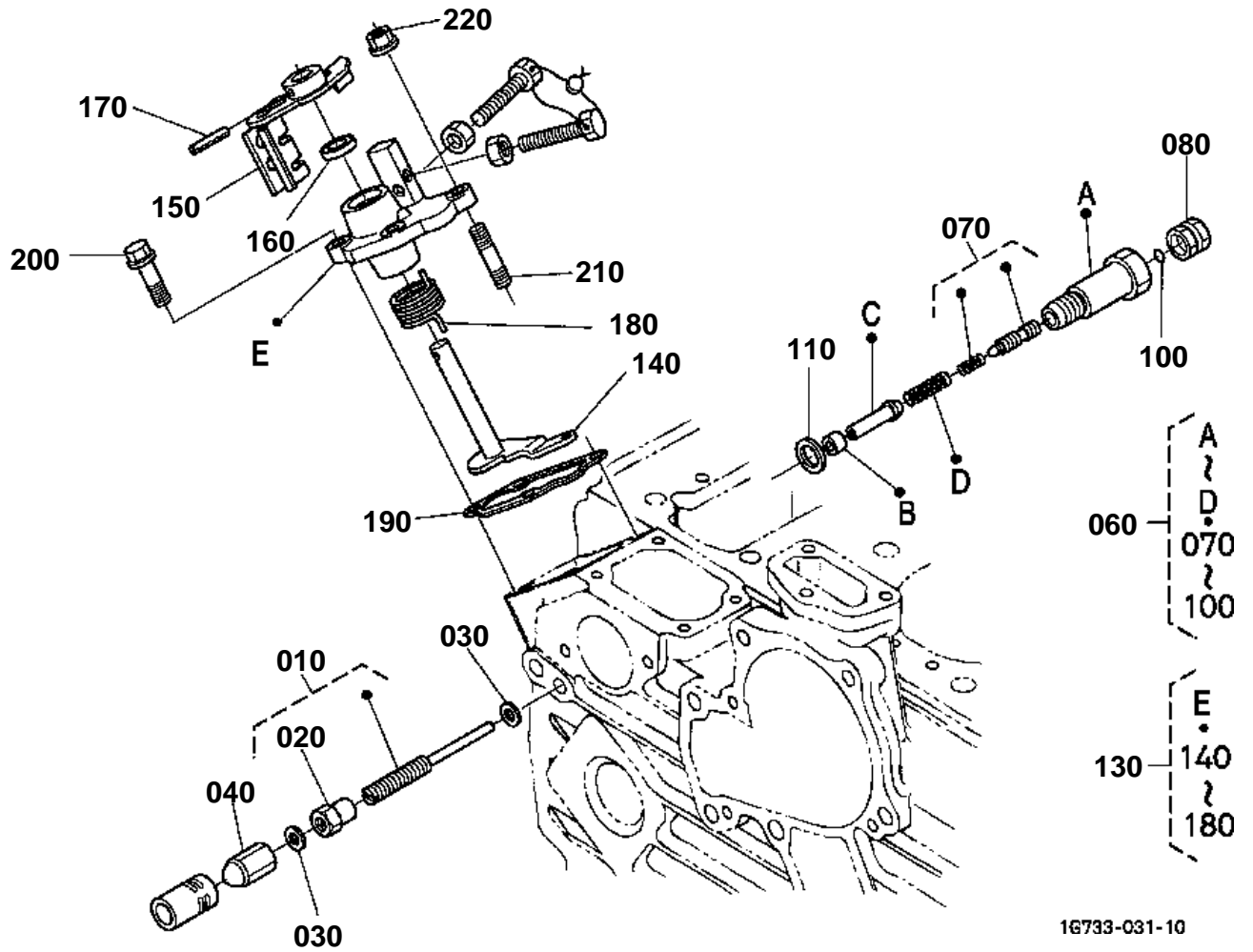
1G728-002-10

**GOVERNOR**

↔ Interchangeable; ≠ not interchangeable; ← new for old; → old for new

REF.No	Part No.	Description	Q'ty	S.No.	I/C	REMARKS	Weight (kgf)	Weight (lb)
010	1G734-56050	ASSY LEVER FORK	1				0.36	0.792
020	99999-99999	BLANK	0				0	0
030	1A021-56133	LEVER FORK	1				0.035	0.077
040	1G911-56150	SHAFT FORK LEVER	1				0.05	0.11
050	15221-56230	HOLDER FORK LEVER	1				0.1	0.22
060	01754-50618	BOLT FLANGE	1				0.01	0.022
070	15221-66410	BOLT	1				0.005	0.011
080	04512-60060	WASHER SPRING	1				0.001	0.0022
090	01754-50830	BOLT FLANGE	2				0.05	0.11
100	01025-50630	BOLT	1				0.009	0.0198
110	1A001-56410	SPRING GOVERNOR	1				0.006	0.0132
120	1A021-56420	SPRING GOVERNOR	1				0.002	0.0044

SPEED CONTROL PLATE



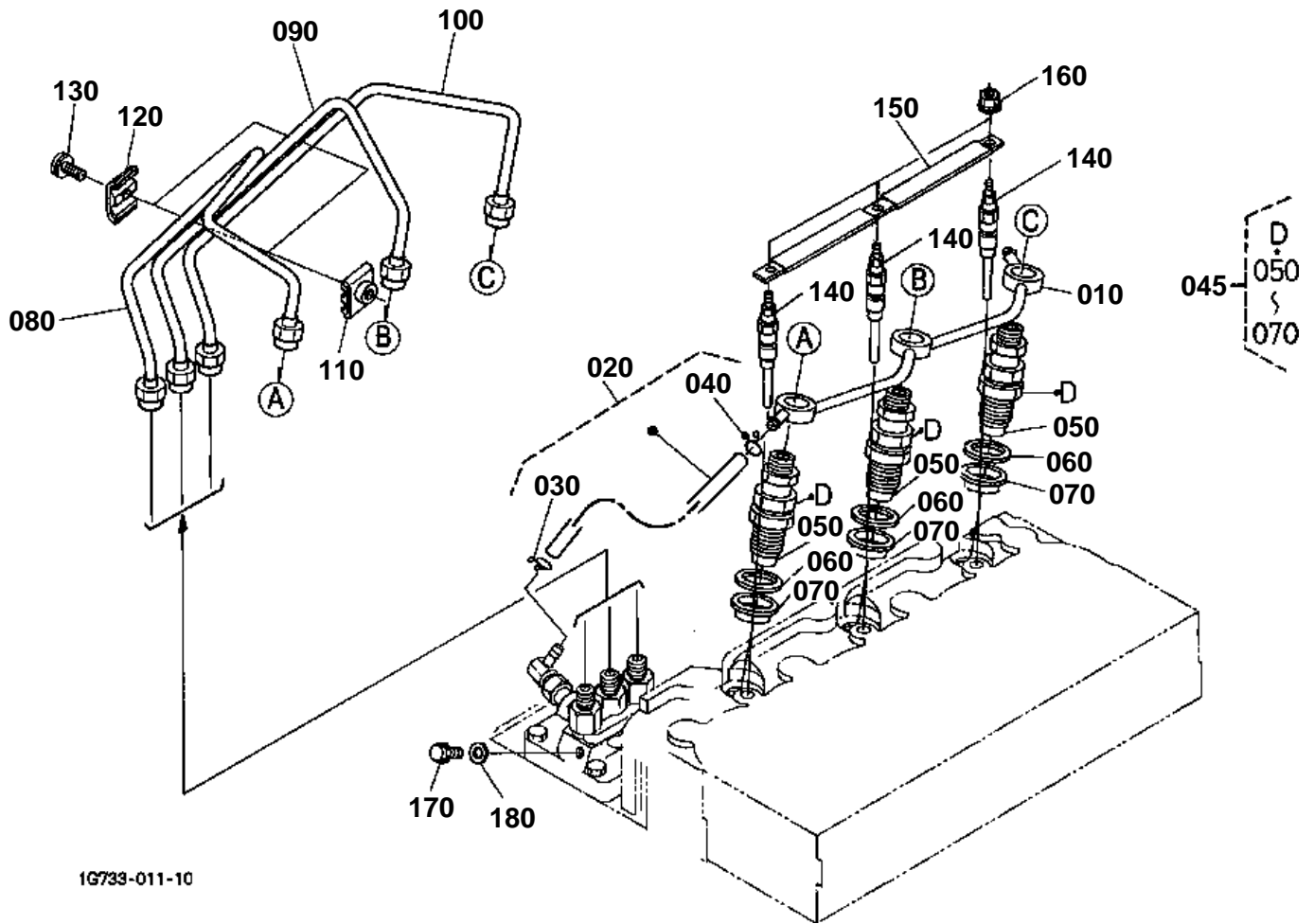


SPEED CONTROL PLATE

↔ Interchangeable; ≠ not interchangeable; ← new for old; → old for new

REF.No	Part No.	Description	Q'ty	S.No.	I/C	REMARKS	Weight (kgf)	Weight (lb)
010	1A021-54350	ASSY BOLT ADJUSTMENT	1				0.015	0.033
020	15601-92012	NUT	1				0.006	0.0132
030	15601-96650	GASKET	2				0.001	0.0022
040	15841-14620	NUT	1				0.01	0.022
050	99999-99999	BLANK	0				0	0
060	1G911-54160	APPARATUS IDLING	1				0.13	0.286
070	1G911-54100	ASSY BOLT ADJUSTMENT	1				0.008	0.0176
080	1G911-92010	NUT SPRING	1				0.015	0.033
090	99999-99999	BLANK	0				0	0
100	04814-00060	O RING	1				0.001	0.0022
110	04724-00140	GASKET	1				0.002	0.0044
120	99999-99999	BLANK	0				0	0
130	1G728-57000	ASSY PLATE CONTROL	1				0.23	0.506
140	1K411-56020	COMP.LEVER GOVERNOR	1				0.046	0.1012
150	1A021-57150	LEVER SPEED CONTROL	1				0.066	0.1452
160	15471-57980	SEAL OIL	1				0.001	0.0022
170	05411-00420	PIN SPRING	1				0.001	0.0022
180	1A021-57920	SPRING RETURN	1				0.01	0.022
190	1A021-57210	GASKET PLATE	1				0.001	0.0022
200	01023-50620	BOLT	2				0.006	0.0132
210	15221-88210	STUD	2				0.005	0.011
220	02751-50060	NUT FLANGE	2				0.005	0.011

NOZZLE HOLDER AND GLOW PLUG



1G733-011-10

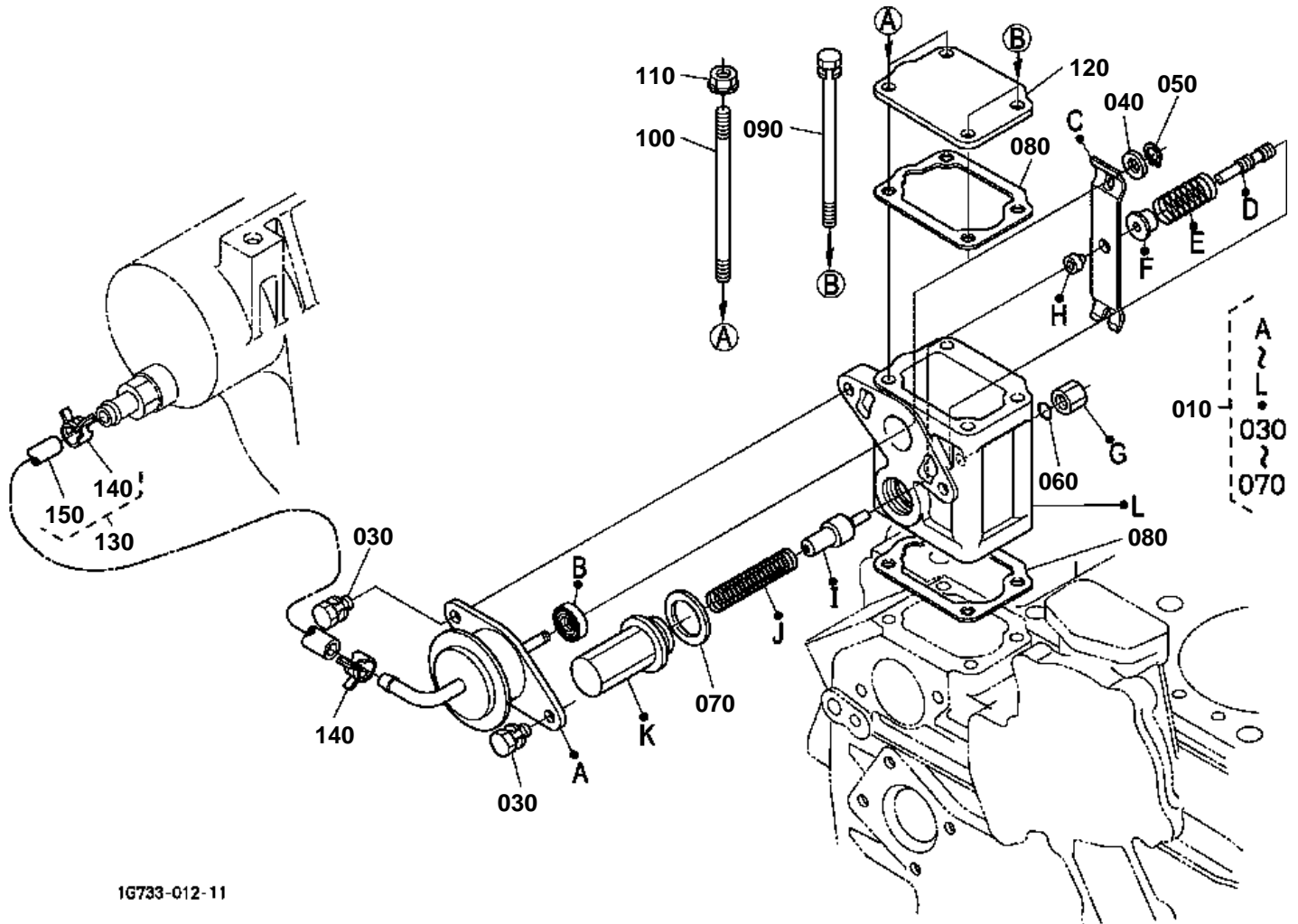


NOZZLE HOLDER AND GLOW PLUG

↔ Interchangeable; ≠ not interchangeable; ← new for old; → old for new

REF.No	Part No.	Description	Q'ty	S.No.	I/C	REMARKS	Weight (kgf)	Weight (lb)
010	16467-42502	ASSY PIPE OVER FLOW	1				0.045	0.099
020	17331-42500	ASSY PIPE OVER FLOW	1				0.02	0.044
030	14971-42750	CLIP PIPE	1				0.001	0.0022
040	10244-42320	CLIP PIPE	1				0.001	0.0022
045	16419-53900	KIT HOLDER NOZZLE	3				0.16	0.352
050	16082-53610	PIECE NOZZLE	3				0.023	0.0506
060	15841-53622	GASKET	3				0.002	0.0044
070	19077-53650	SEAL HEAT	3				0.005	0.011
080	16419-53710	PIPE INJECTION	1				0.135	0.297
090	16419-53720	PIPE INJECTION	1				0.13	0.286
100	16419-53730	PIPE INJECTION	1				0.132	0.2904
110	15841-53850	CLAMP PIPE	2				0.01	0.022
120	15841-53860	CLAMP PIPE	2				0.009	0.0198
130	03024-50520	SCREW WITH WASHER	2				0.004	0.0088
140	19077-65510	GLOW PLUG	3				0.03	0.066
150	16415-65560	CORD GLOW PLUG	1				0.015	0.033
160	02761-50040	NUT FLANGE	3				0.002	0.0044
170	01754-50610	BOLT FLANGE	1				0.006	0.0132
180	15601-96650	GASKET	1				0.001	0.0022

BOOST COMPENSATOR



1G733-012-11

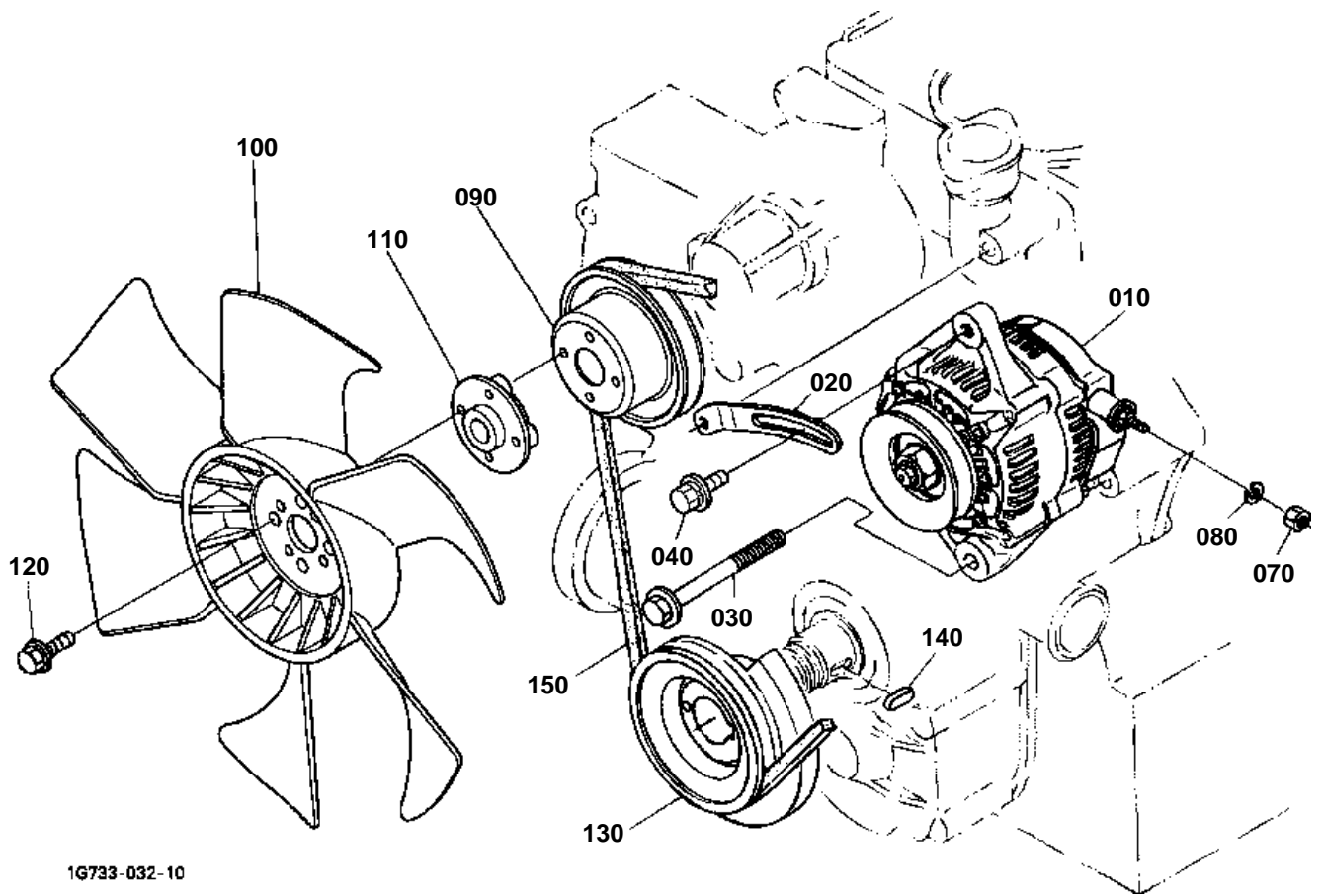


BOOST COMPENSATOR

↔ Interchangeable; ≠ not interchangeable; ← new for old; → old for new

REF.No	Part No.	Description	Q'ty	S.No.	I/C	REMARKS	Weight (kgf)	Weight (lb)
010	1G730-54053	ASSY B.COMPENSATOR	1				0	0
020	99999-99999	BLANK	0				0	0
030	01023-50612	BOLT	2				0.005	0.011
040	04013-60060	WASHER PLAIN	1				0.001	0.0022
050	04613-50040	CIR CLIP EXTERNAL	1				0.001	0.0022
060	04811-10050	O RING	1				0.001	0.0022
070	04724-00180	GASKET	1				0.005	0.011
080	1A021-57210	GASKET PLATE	2				0.001	0.0022
090	01023-50680	BOLT	2				0.017	0.0374
100	1G730-91510	STUD	2				0.02	0.044
110	02751-50060	NUT FLANGE	2				0.005	0.011
120	1G730-54540	COVER BOOST COM.HOUS	1				0.08	0.176
130	1K421-54062	ASSY PIPE BOOST	1				0.01	0.022
140	16241-42320	BAND PIPE	2				0.005	0.011
150	09661-40150	TUBE FUEL	1				0.008	0.0176

ALTERNATOR



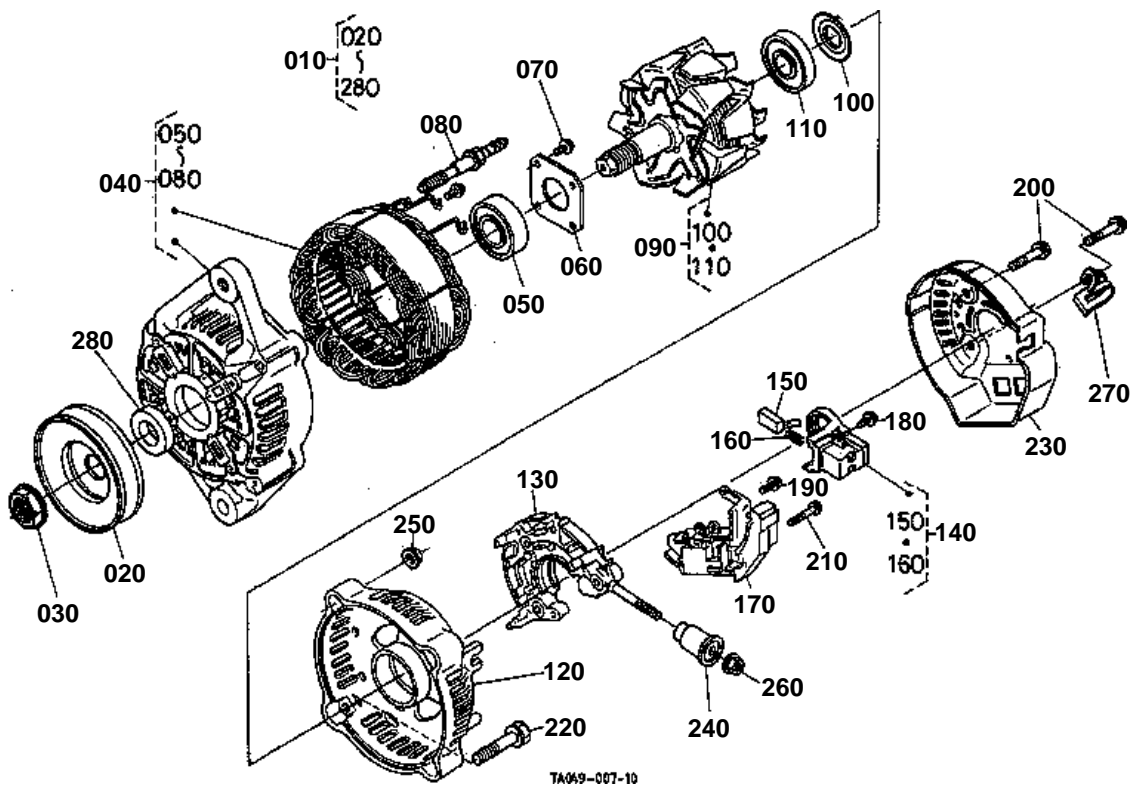
1G733-032-10

**ALTERNATOR**

↔ Interchangeable; ≠ not interchangeable; ← new for old; → old for new

REF.No	Part No.	Description	Q'ty	S.No.	I/C	REMARKS	Weight (kgf)	Weight (lb)
010	TA043-74012	ASSY ALTERNATOR	1				3.2	7.04
020	15321-64420	STAY DYNAMO	1				0.1	0.22
030	01754-51070	BOLT FLANGE	1				0.01	0.022
040	01127-50830	BOLT	1				0.023	0.0506
050	99999-99999	BLANK	0				0	0
060	99999-99999	BLANK	0				0	0
070	02056-50060	NUT	1				0.002	0.0044
080	04512-60060	WASHER SPRING	1				0.001	0.0022
090	15471-74250	PULLEY FAN	1				0.3	0.66
100	15807-74110	FAN FP	1				1	2.2
110	15521-74150	COLLAR FAN	1				0.1	0.22
120	01754-50635	BOLT FLANGE	4				0.01	0.022
130	1A051-74280	PULLEY FAN DRIVE	1				1.39	3.058
140	05712-00720	KEY FEATHER	1				0.008	0.0176
150	1G790-97010	V BELT	1				0.12	0.264

ALTERNATOR (COMPONENT PARTS)



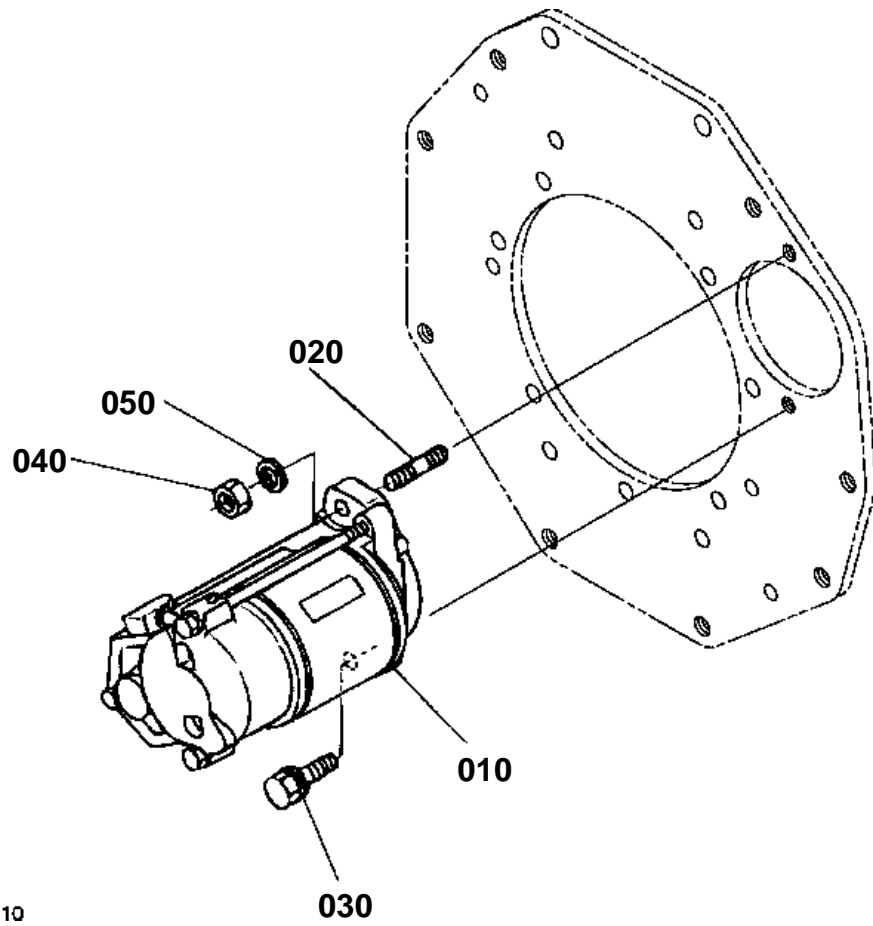


ALTERNATOR (COMPONENT PARTS)

↔ Interchangeable; ≠ not interchangeable; ← new for old; → old for new

REF.No	Part No.	Description	Q'ty	S.No.	I/C	REMARKS	Weight (kgf)	Weight (lb)
010	TA043-74012	ASSY ALTERNATOR	1				3.2	7.04
020	16427-64110	PULLEY ALTERNATOR	1				0.2	0.44
030	15881-92010	NUT	1				0.02	0.044
040	TA043-74030	FRAME DRIVE END	1				1.275	2.805
050	16652-64780	BEARING BALL	1				0.05	0.11
060	15881-64710	PLATE RETAINER	1				0.01	0.022
070	15881-93010	SCREW ROUND HEAD	4				0.003	0.0066
080	15881-64260	BOLT THROUGH	2				0.01	0.022
090	TA043-64040	ROTOR	1				1.465	3.223
100	15881-64800	COVER BEARING	1				0.001	0.0022
110	16652-64770	BEARING BALL	1				0.045	0.099
120	TA043-64060	FRAME END	1				0.2	0.44
130	TA043-64850	HOLDER	1				0.155	0.341
140	16652-64310	HOLDER BRUSH	1				0.025	0.055
150	15881-64090	BRUSH	2				0.002	0.0044
160	15881-64330	SPRING BRUSH	2				0.002	0.0044
170	16483-64600	ASSY REGULATOR	1				0.08	0.176
180	15881-93030	SCREW ROUND HEAD	6				0.003	0.0066
190	15881-93040	SCREW ROUND HEAD	1				0.003	0.0066
200	15881-91040	BOLT	3				0.005	0.011
210	15881-93020	SCREW ROUND HEAD	2				0.005	0.011
220	15881-91050	BOLT	2				0.01	0.022
230	17369-64230	COVER END	1				0.04	0.088
240	15881-64900	BUSH INSULATION	1				0.006	0.0132
250	15881-92020	NUT	2				0.02	0.044
260	14182-92030	NUT	1				0.003	0.0066
270	17369-67570	CLAMP CORD	1				0.001	0.0022
280	15881-64150	COLLAR	1				0.004	0.0088

STARTER



1G733-014-10

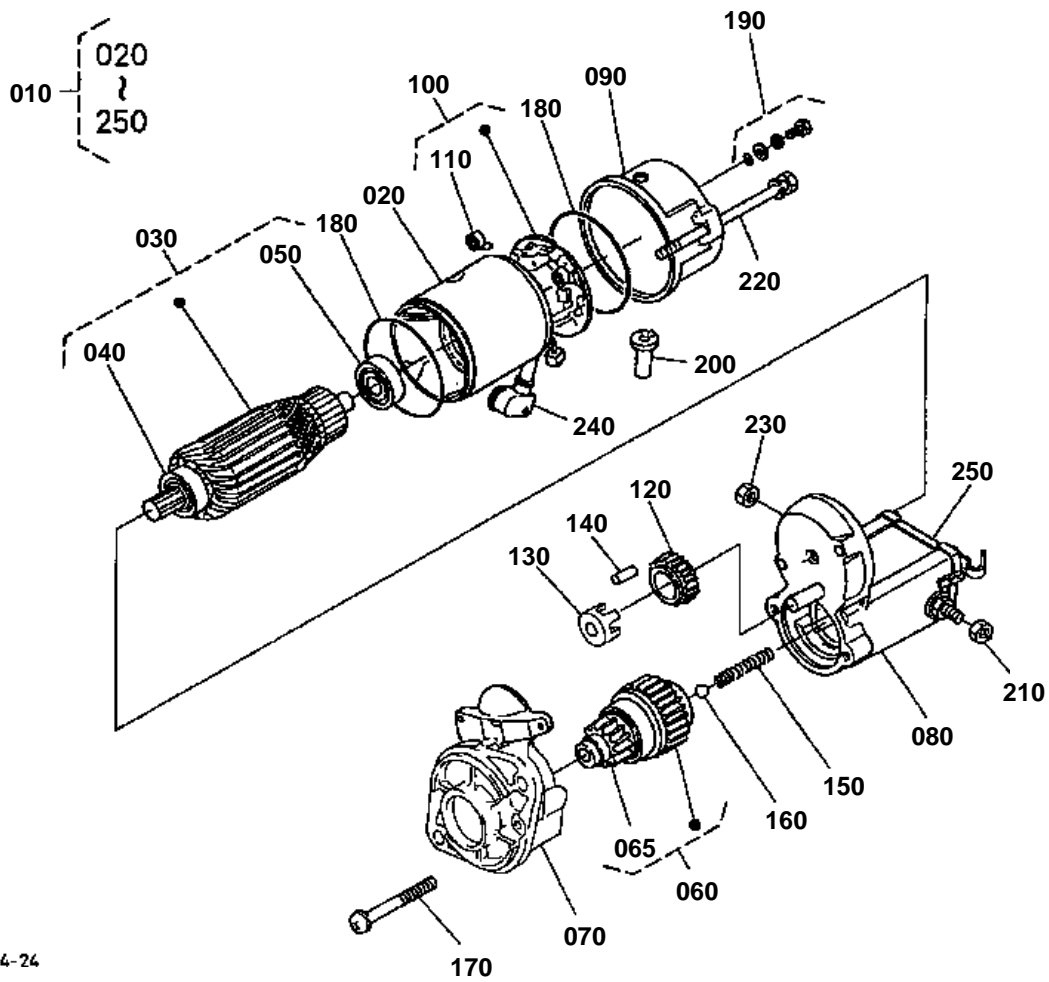


STARTER

↔ Interchangeable; ≠ not interchangeable; ← new for old; → old for new

REF.No	Part No.	Description	Q'ty	S.No.	I/C	REMARKS	Weight (kgf)	Weight (lb)
010	15461-63010	ASSY STARTER	1				3.8	8.36
020	01517-51028	STUD	1				0.022	0.0484
030	01133-51025	BOLT	1				0.023	0.0506
040	02176-50100	NUT	1				0.005	0.011
050	04512-60100	WASHER SPRING	1				0.002	0.0044

STARTER (COMPONENT PARTS)



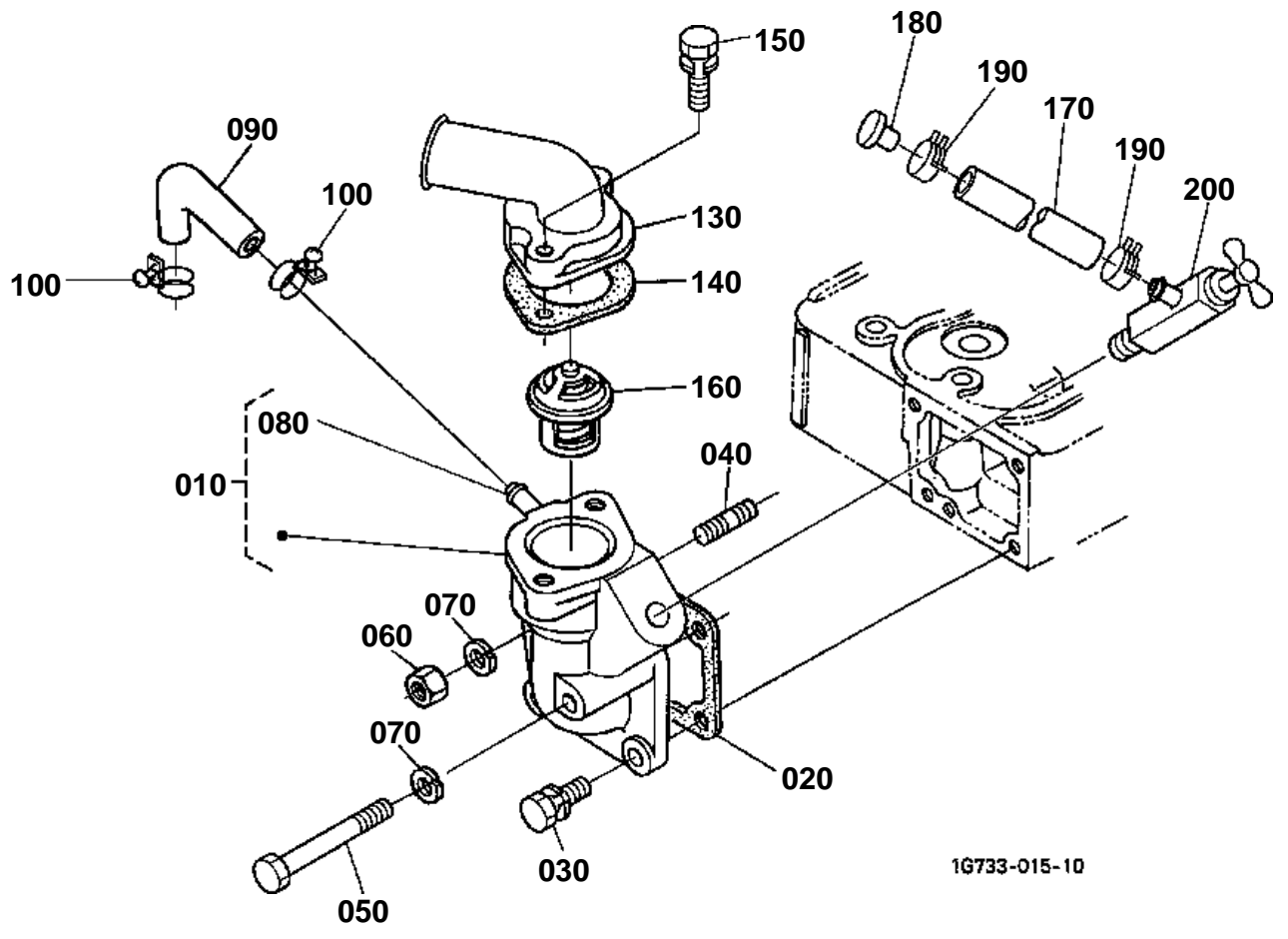
15849-024-24

**STARTER (COMPONENT PARTS)**

↔ Interchangeable; ≠ not interchangeable; ← new for old; → old for new

REF.No	Part No.	Description	Q'ty	S.No.	I/C	REMARKS	Weight (kgf)	Weight (lb)
010	15461-63010	ASSY STARTER	1				3.8	8.36
020	11197-63080	ASSY YOKE	1				0.92	2.024
030	11197-63070	ASSY ARMATURE	1				0.8	1.76
040	11460-63500	BEARING	1				0.03	0.066
050	11460-63530	BEARING	1				0.02	0.044
060	17341-63040	CLUTCH OVER RUNNING	1				0.2	0.44
065	17381-63280	PINION BEVEL	1				0.07	0.154
070	17341-63030	FRAME DRIVE END	1				0.44	0.968
080	15621-63020	ASSY SWITCH MAGNETIC	1				1.17	2.574
090	17341-63200	FRAME END	1				0.13	0.286
100	11197-63380	ASSY HOLDER BRUSH	1				0.05	0.11
110	15401-63390	SPRING BRUSH	4				0.003	0.0066
120	11460-63270	GEAR	1				0.04	0.088
130	11460-63110	RETAINER	1				0.01	0.022
140	19212-63100	ROLLER	5				0.002	0.0044
150	11460-63120	SPRING	1				0.01	0.022
160	19212-97130	BALL	1				0.003	0.0066
170	11460-93310	BOLT	2				0.01	0.022
180	15511-96660	O RING	2				0.005	0.011
190	15511-63760	ASSY BOLT	2				0.005	0.011
200	16285-63570	PIPE DRAIN	1				0.005	0.011
210	13963-92010	NUT HEXAGON	1				0.005	0.011
220	11197-63320	BOLT	2				0.02	0.044
230	16285-92010	NUT HEXAGON	1				0.005	0.011
240	11173-63130	COVER TERMINAL	1				0.007	0.0154
250	16285-98050	ASSY COVER	1				0.048	0.1056

WATER FLANGE AND THERMOSTAT



1G733-015-10

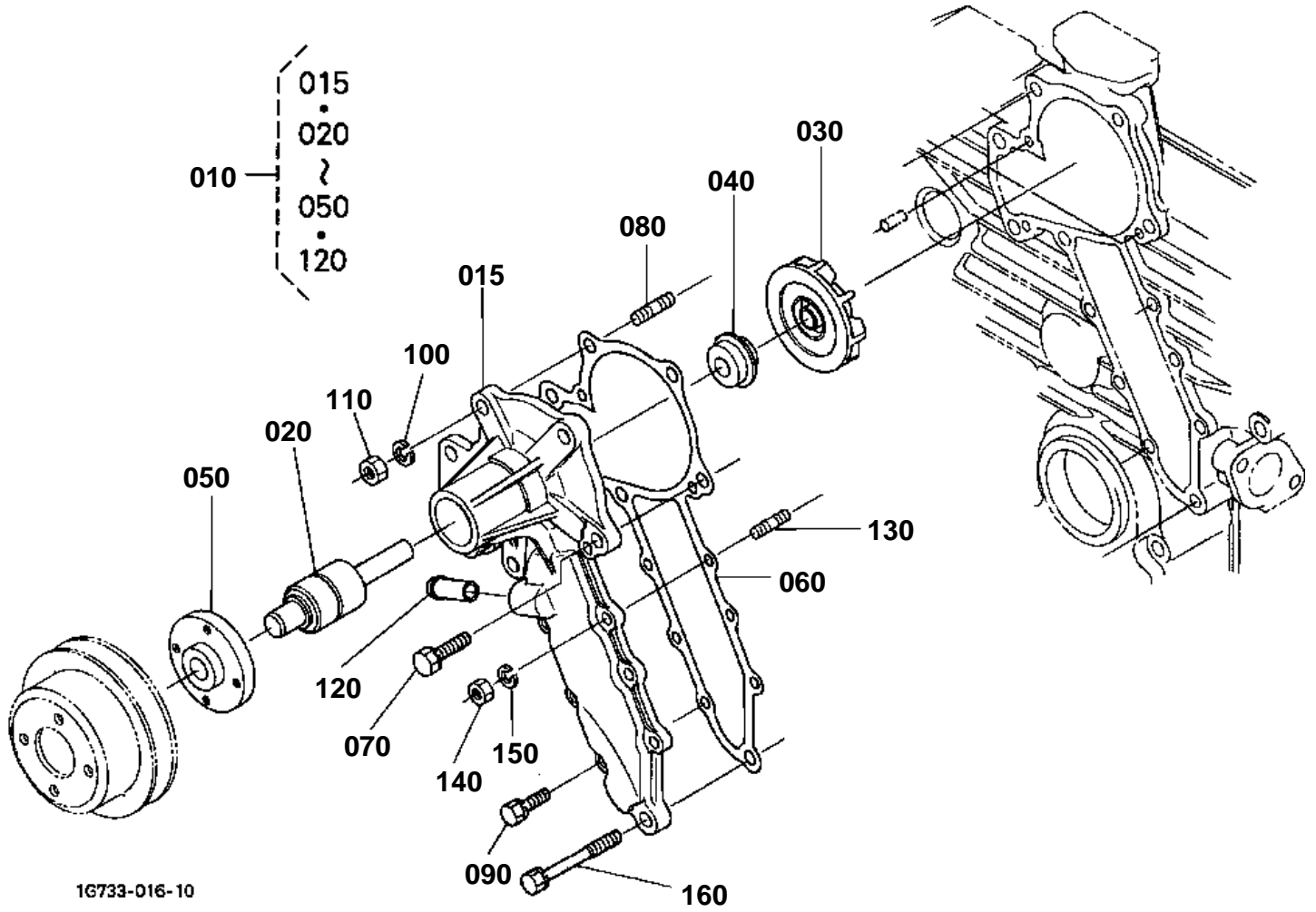


WATER FLANGE AND THERMOSTAT

↔ Interchangeable; ≠ not interchangeable; ← new for old; → old for new

REF.No	Part No.	Description	Q'ty	S.No.	I/C	REMARKS	Weight (kgf)	Weight (lb)
010	17279-72702	COMP.FLANGE WATER	1				0.44	0.968
020	1A021-72920	GASKET WATER FLANGE	1				0.002	0.0044
030	01123-50820	BOLT	2				0.011	0.0242
040	15221-91530	STUD	1				0.011	0.0242
050	01153-50870	BOLT	1				0.026	0.0572
060	02156-50080	NUT	1				0.004	0.0088
070	04512-60080	WASHER SPRING	2				0.002	0.0044
080	17331-73342	PIPE WATER RETURN	1				0.01	0.022
090	1A053-73340	HOSE WATER RETURN	1				0.028	0.0616
100	15109-73360	BAND PIPE	2				0.01	0.022
110	99999-99999	BLANK	0				0	0
120	99999-99999	BLANK	0				0	0
130	16691-73260	COVER THERMOSTAT	1				0.155	0.341
140	16221-73270	GASKET THERMOSTAT	1				0.01	0.022
150	01123-50835	BOLT	2				0.02	0.044
160	19434-73014	ASSY THERMOSTAT	1				0.07	0.154
170	68728-46820	HOSE	1				0.03	0.066
180	68728-46830	PLUG	1				0.03	0.066
190	09318-88185	CLAMP HOSE	2				0.004	0.0088
200	90038-11120	VALVE	1				0.2	0.44

WATER PUMP



1G733-016-10

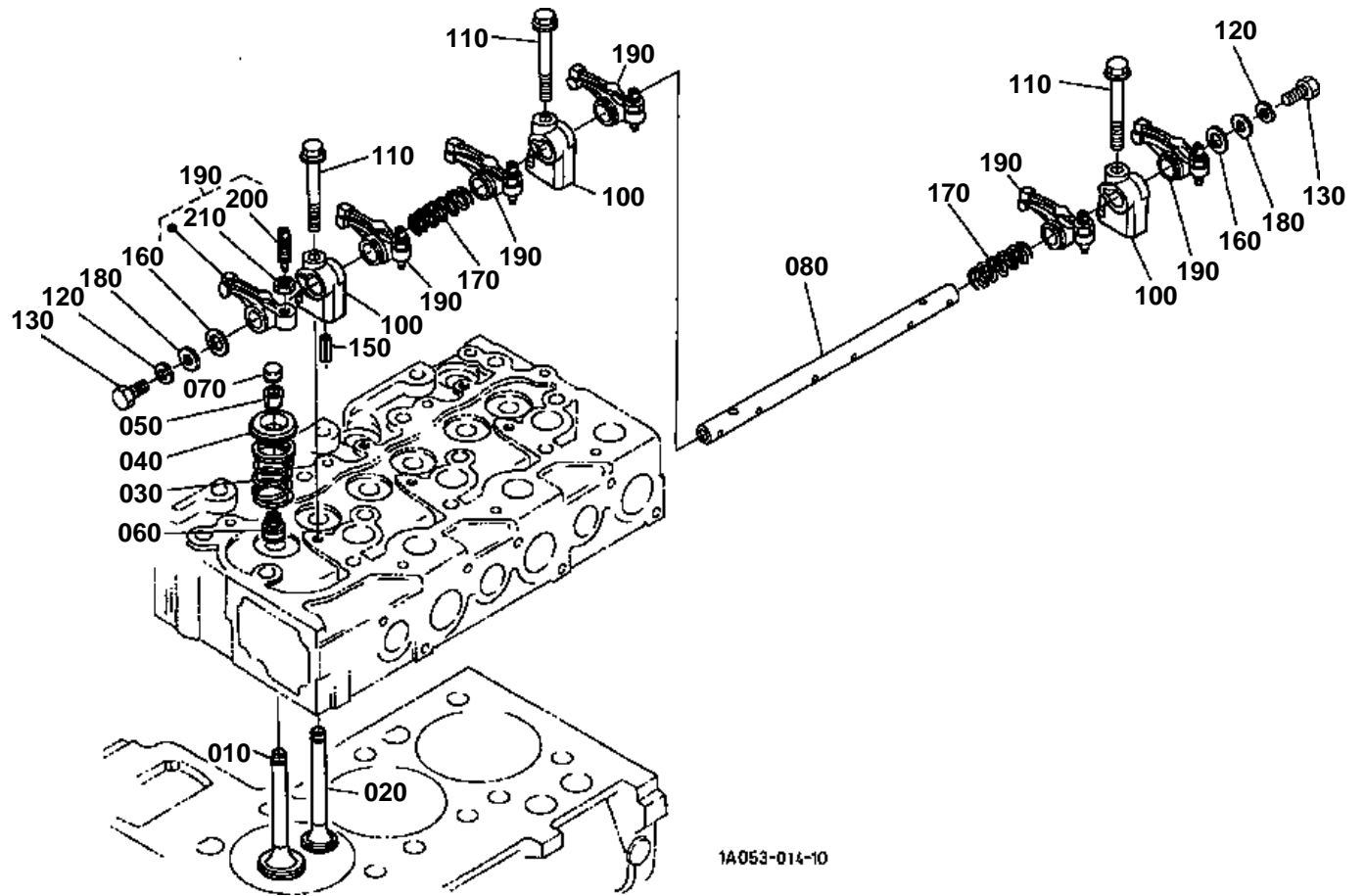


WATER PUMP

↔ Interchangeable; ≠ not interchangeable; ← new for old; → old for new

REF.No	Part No.	Description	Q'ty	S.No.	I/C	REMARKS	Weight (kgf)	Weight (lb)
010	1G730-73032	ASSY PUMP WATER	1				1.08	2.376
015	1G730-73410	BODY WATER PUMP	1				0.4	0.88
020	15521-73550	BEARING	1				0.235	0.517
030	1A021-73510	IMPELLER WATER PUMP	1				0.065	0.143
040	16661-73050	ASSY SEAL MECHANICAL	1				0.025	0.055
050	1A021-73520	FLANGE W/PUMP SHAFT	1				0.185	0.407
060	1A021-73430	GASKET WATER PUMP	1				0.007	0.0154
070	01123-50828	BOLT	2				0.014	0.0308
080	15521-91510	STUD	1				0.012	0.0264
090	01023-50618	BOLT	5				0.006	0.0132
100	04512-60080	WASHER SPRING	1				0.002	0.0044
110	02156-50080	NUT	1				0.004	0.0088
120	16241-73370	PIPE WATER RETURN	1				0.007	0.0154
130	15221-88210	STUD	1				0.005	0.011
140	02056-50060	NUT	1				0.002	0.0044
150	04512-60060	WASHER SPRING	1				0.001	0.0022
160	17367-91020	BOLT	4				0.035	0.077

VALVE AND ROCKER ARM



1A053-014-10

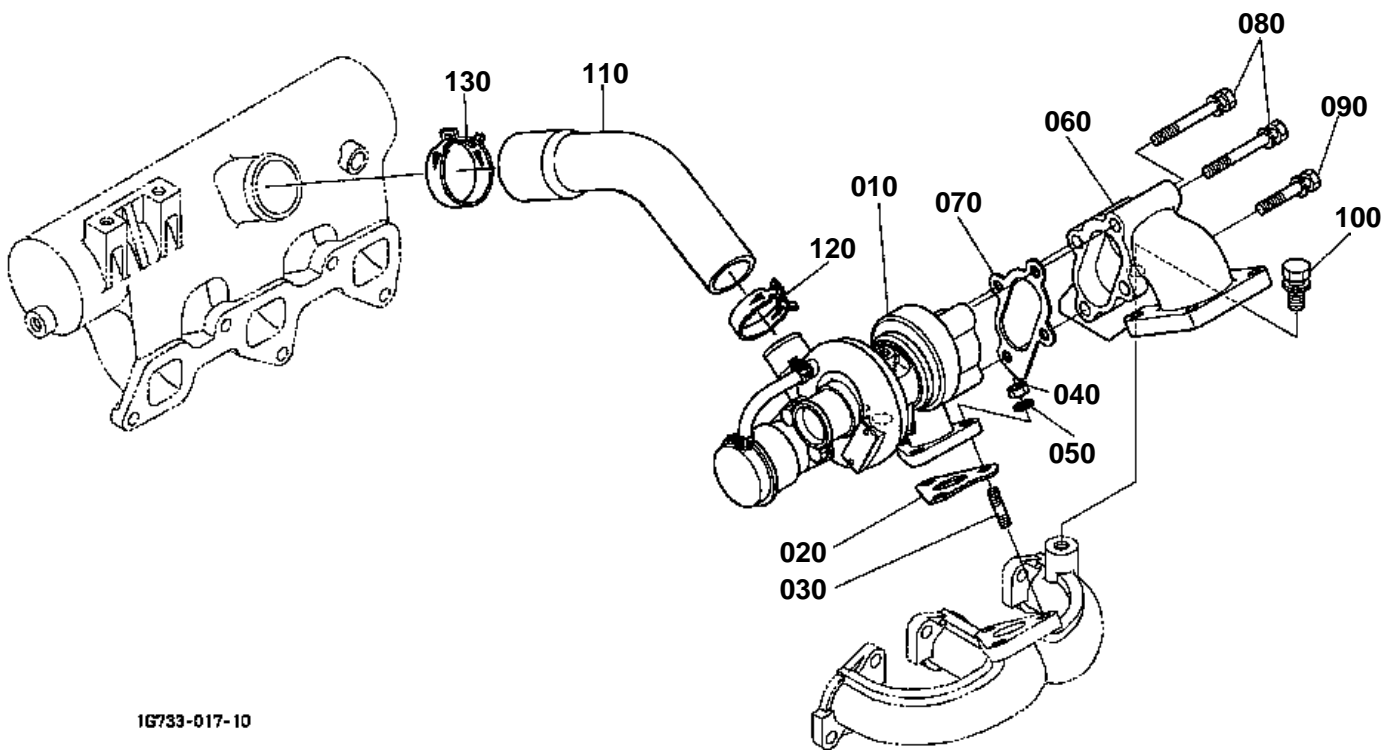


VALVE AND ROCKER ARM

↔ Interchangeable; ≠ not interchangeable; ← new for old; → old for new

REF.No	Part No.	Description	Q'ty	S.No.	I/C	REMARKS	Weight (kgf)	Weight (lb)
010	16484-13110	VALVE INLET	3				0.06	0.132
020	16419-13120	VALVE EXHAUST	3				0.06	0.132
030	15221-13240	SPRING VALVE	6				0.036	0.0792
040	15221-13330	RETAINER VALVE SP.	6				0.03	0.066
050	15221-13980	COLLET VALVE SPRING	6			SET	0.002	0.0044
060	15221-13153	SEAL VALVE STEM	6				0.001	0.0022
070	15221-13280	CAP VALVE	6				0.006	0.0132
080	1A021-14260	SHAFT ROCKER ARM	1				0.225	0.495
090	99999-99999	BLANK	0				0	0
100	15221-14350	BRACKET ROCKER ARM	3				0.044	0.0968
110	01754-50855	BOLT FLANGE	3				0.02	0.044
120	04512-60080	WASHER SPRING	2				0.002	0.0044
130	01153-50812	BOLT	2				0.008	0.0176
140	99999-99999	BLANK	0				0	0
150	05411-00528	PIN SPRING	1				0.003	0.0066
160	15221-14430	WASHER R-ARM.SHAFT	2				0.002	0.0044
170	15221-14310	SPRING ROCKER ARM	2				0.005	0.011
180	04013-60080	WASHER PLAIN	2				0.002	0.0044
190	15621-14030	ASSY ROCKER ARM	6				0.1	0.22
200	15521-14230	SCREW ADJUSTING	6				0.009	0.0198
210	15021-14240	NUT	6				0.003	0.0066

TURBO CHARGER



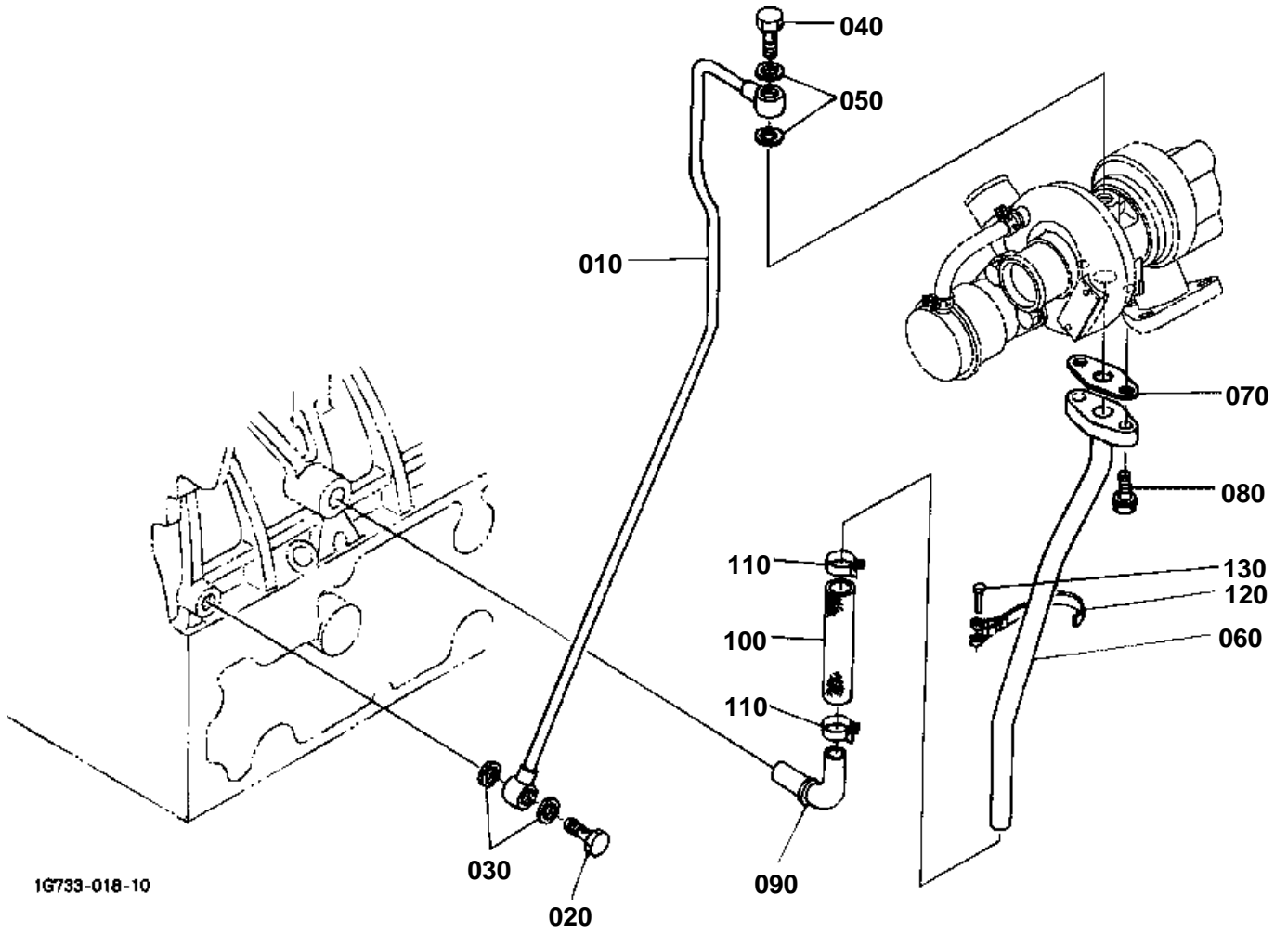
1G733-017-10

**TURBO CHARGER**

↔ Interchangeable; ≠ not interchangeable; ← new for old; → old for new

REF.No	Part No.	Description	Q'ty	S.No.	I/C	REMARKS	Weight (kgf)	Weight (lb)
010	1A024-17010	ASSY TURBO CHARGER	1				2.3	5.06
020	16292-17100	GASKET	1				0.021	0.0462
030	01513-60820	STUD	3				0.015	0.033
040	02156-50080	NUT	3				0.004	0.0088
050	04512-60080	WASHER SPRING	3				0.002	0.0044
060	16496-12320	FLANGE MUFFLER	1				1.555	3.421
070	16292-17110	GASKET	1				0.021	0.0462
080	01123-50865	BOLT	3				0.028	0.0616
090	01123-50845	BOLT	1				0.02	0.044
100	01133-51025	BOLT	1				0.023	0.0506
110	16419-11640	HOSE INLET	1				0.165	0.363
120	16241-72970	BAND PIPE	1				0.015	0.033
130	16241-11720	BAND PIPE	1				0.03	0.066

OIL PIPE (TURBO CHARGER)



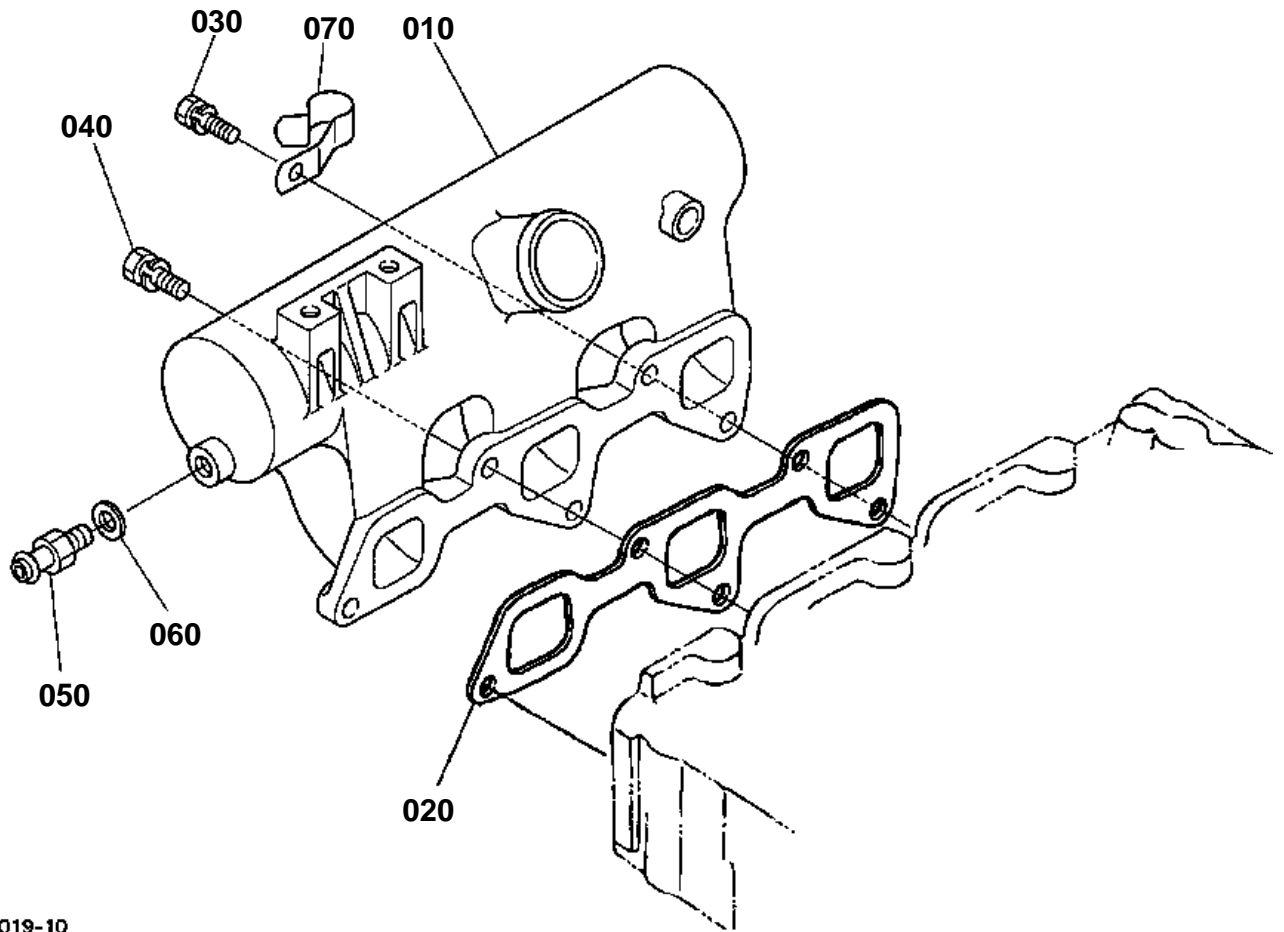


OIL PIPE (TURBO CHARGER)

↔ Interchangeable; ≠ not interchangeable; ← new for old; → old for new

REF.No	Part No.	Description	Q'ty	S.No.	I/C	REMARKS	Weight (kgf)	Weight (lb)
010	16419-33040	COMP.PIPE OIL	1				0.09	0.198
020	15471-95790	BOLT EYE JOINT	1				0.02	0.044
030	15021-33660	GASKET	2				0.001	0.0022
040	16241-95800	BOLT EYE JOINT	1				0.015	0.033
050	15471-96650	GASKET	2				0.002	0.0044
060	16419-33050	COMP.PIPE OIL	1				0.135	0.297
070	16299-33670	GASKET	1				0.003	0.0066
080	01023-50618	BOLT	2				0.006	0.0132
090	1A024-33230	PIPE OIL	1				0.04	0.088
100	16241-33240	PIPE OIL	1	<=3S1926			0.022	0.0484
100	1G924-33240	TUBE OIL	1	>=3U0001	←		0.02	0.044
110	09318-88200	CLAMP HOSE	2				0.004	0.0088
120	1A024-33520	CLAMP PIPE	1				0.007	0.0154
130	33430-82760	PIN BAND	1				0.004	0.0088

INLET MANIFOLD



1G733-019-10

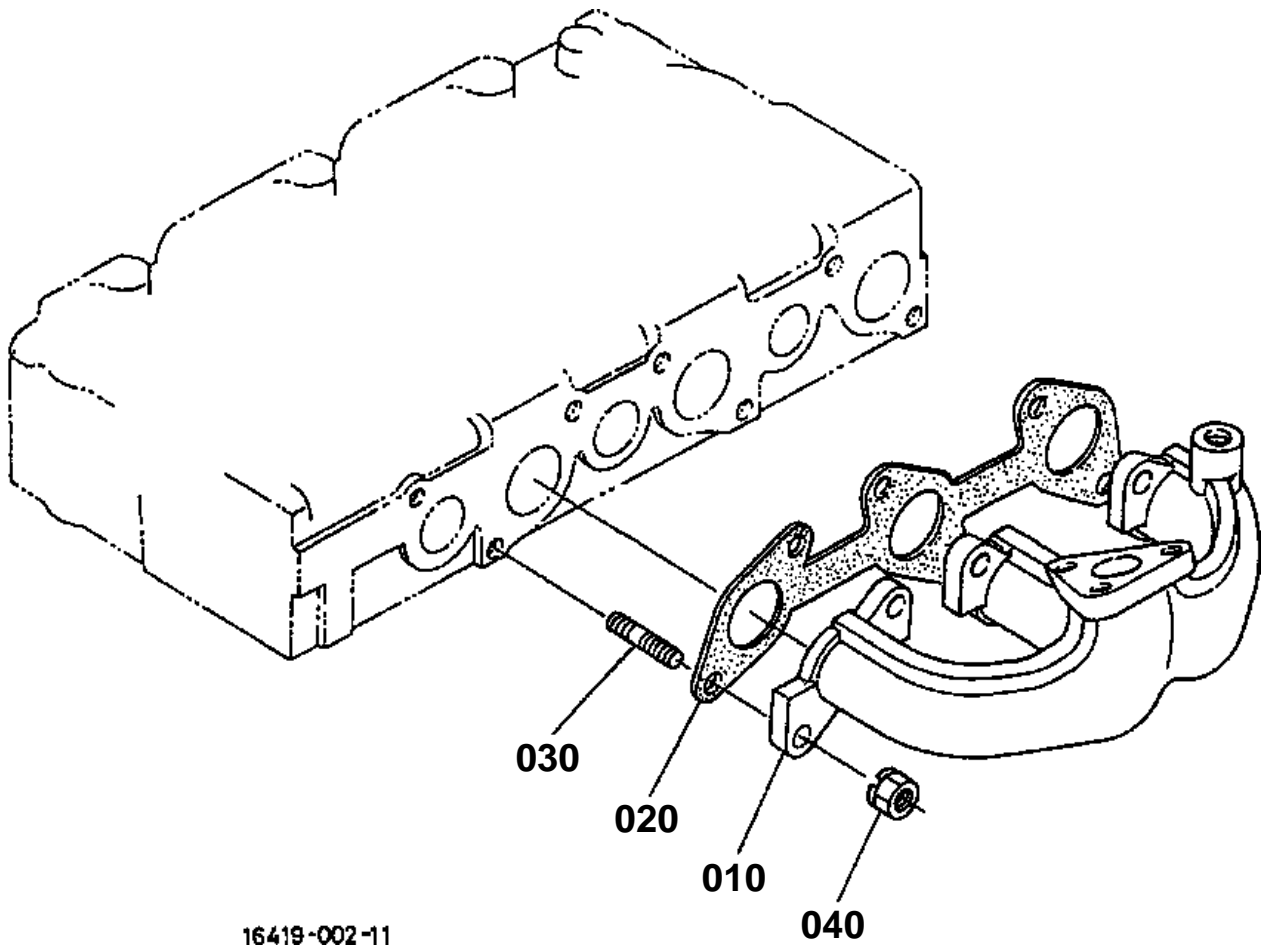


INLET MANIFOLD

↔ Interchangeable; ≠ not interchangeable; ← new for old; → old for new

REF.No	Part No.	Description	Q'ty	S.No.	I/C	REMARKS	Weight (kgf)	Weight (lb)
010	1A024-11762	MANIFOLD INLET	1				1.235	2.717
020	1A021-11822	GASKET IN-MANIFOLD	1				0.006	0.0132
030	01123-50822	BOLT	1				0.012	0.0264
040	01123-50822	BOLT	4				0.012	0.0264
050	1K021-51360	SCREW AIR BREEDER	1				0.009	0.0198
060	15601-96650	GASKET	1				0.001	0.0022
070	1A091-05580	CLAMP BREATHER TUBE	1				0.006	0.0132

EXHAUST MANIFOLD



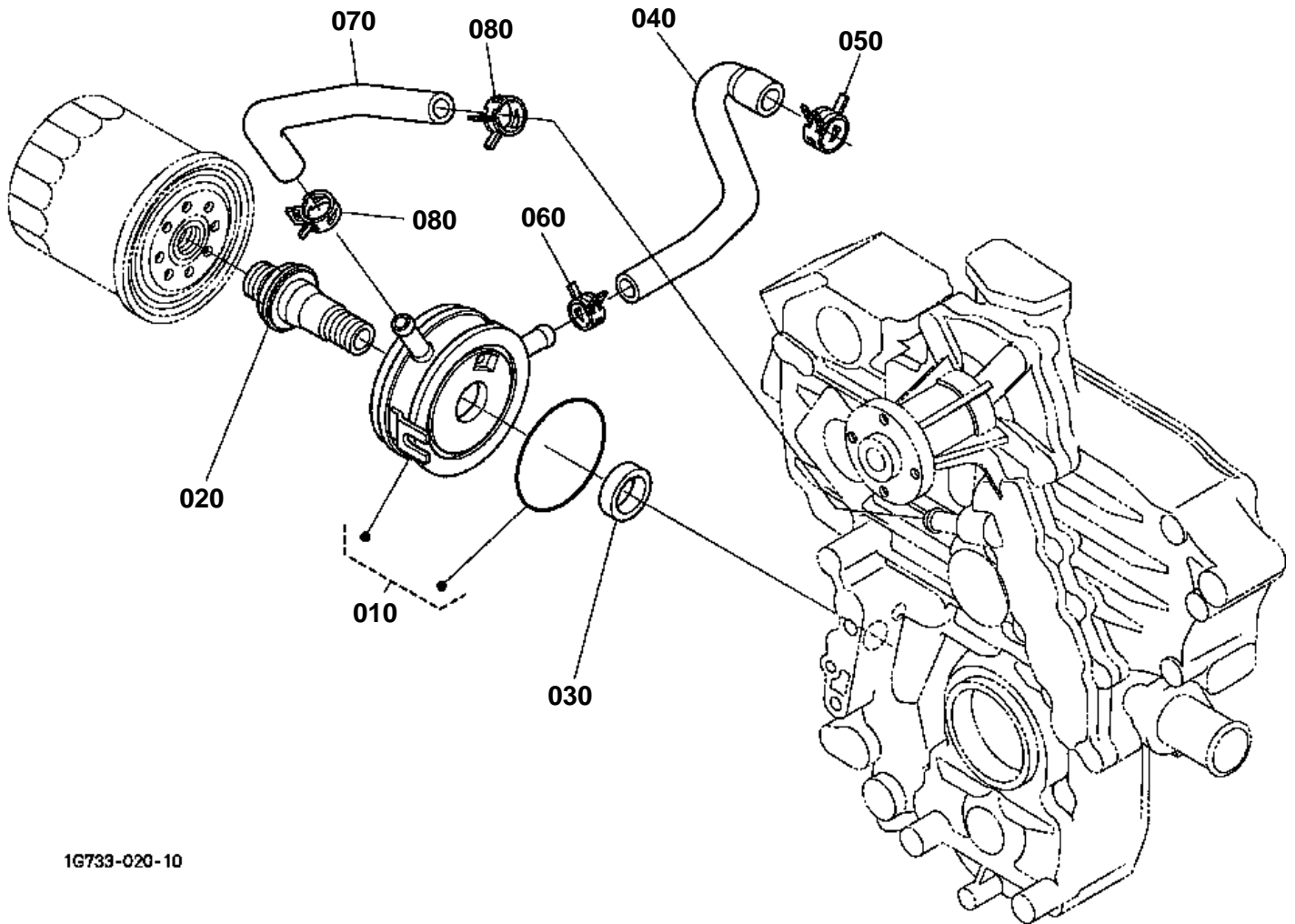


EXHAUST MANIFOLD

↔ Interchangeable; ≠ not interchangeable; ← new for old; → old for new

REF.No	Part No.	Description	Q'ty	S.No.	I/C	REMARKS	Weight (kgf)	Weight (lb)
010	16419-12312	MANIFOLD EXHAUST	1				2.2	4.84
020	1A021-12350	GASKET EX-MANIFOLD	1				0.028	0.0616
030	15221-91530	STUD	6				0.011	0.0242
040	16429-92010	NUT	6				0.007	0.0154

OIL COOLER



1G733-020-10

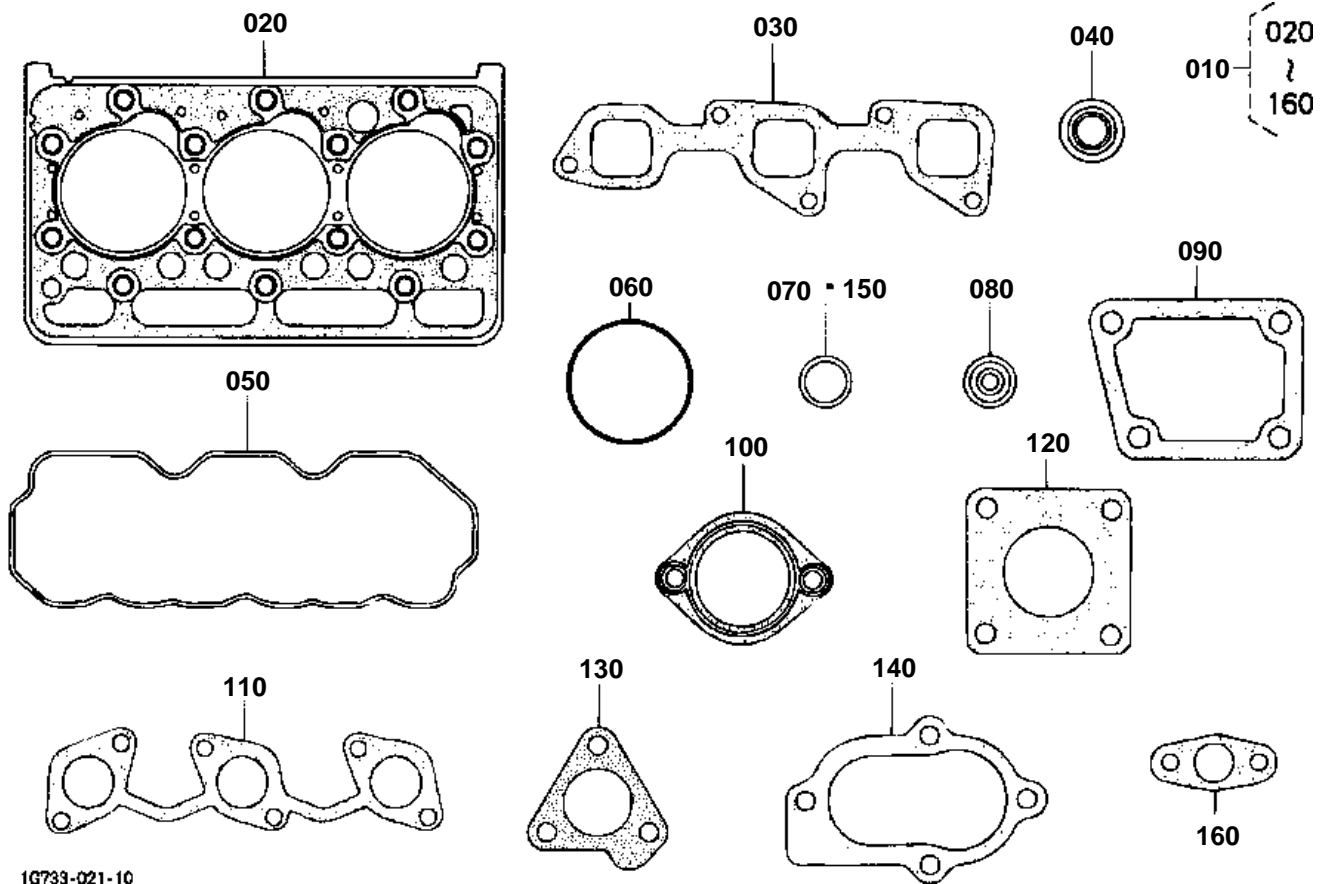


OIL COOLER

↔ Interchangeable; ≠ not interchangeable; ← new for old; → old for new

REF.No	Part No.	Description	Q'ty	S.No.	I/C	REMARKS	Weight (kgf)	Weight (lb)
010	1G730-37010	ASSY COOLER OIL	1				0.655	1.441
020	1G622-37080	CONNECTOR	1				0.145	0.319
030	1G730-37090	COLLAR	1				0.02	0.044
040	1A024-37152	HOSE OIL COOLER	1				0.035	0.077
050	09318-88180	CLAMP HOSE	1				0.01	0.022
060	16241-73360	BAND PIPE	1				0.003	0.0066
070	1G730-37160	HOSE OIL COOLER	1				0.03	0.066
080	16241-73360	BAND PIPE	2				0.003	0.0066

GASKET KIT



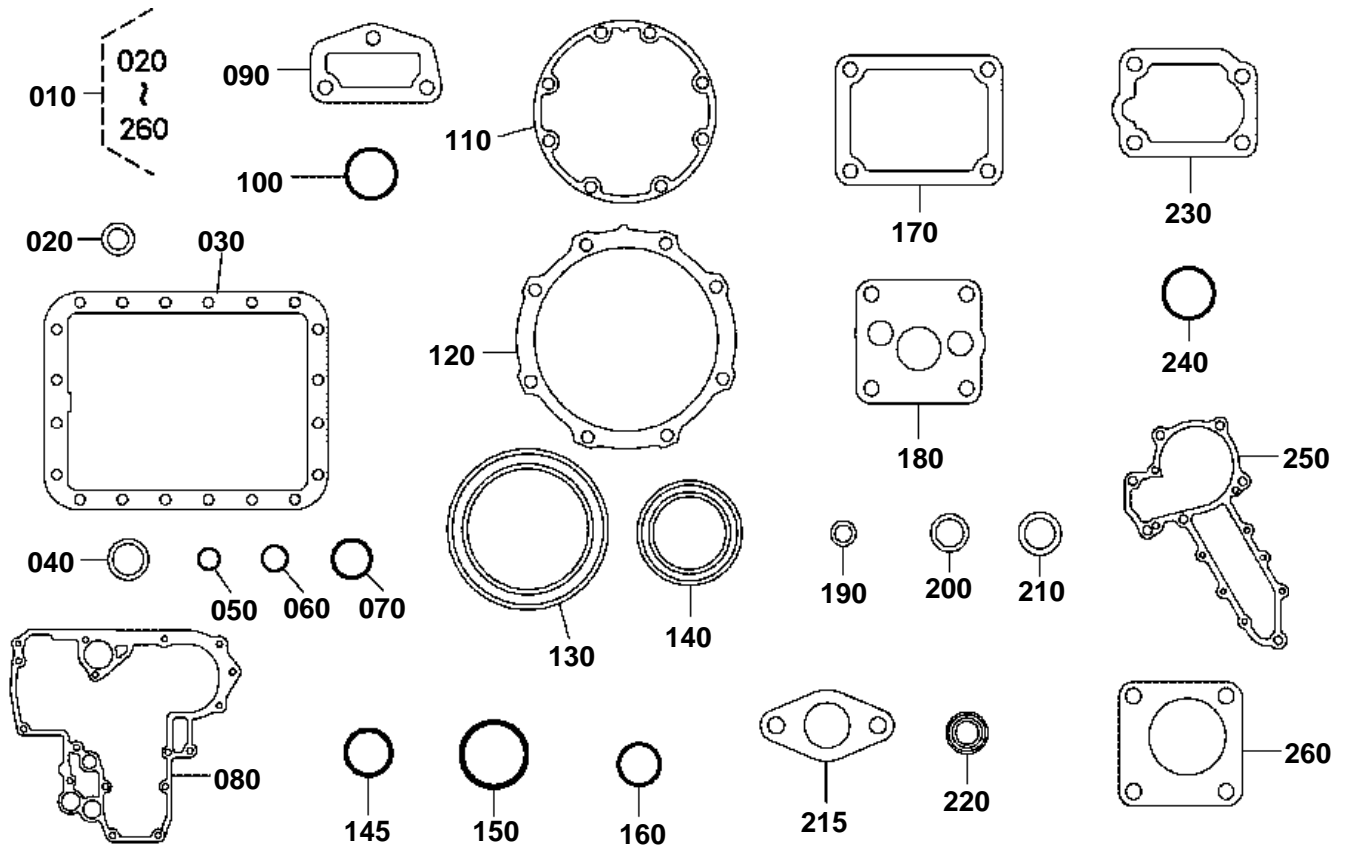


GASKET KIT

↔ Interchangeable; ≠ not interchangeable; ← new for old; → old for new

REF.No	Part No.	Description	Q'ty	S.No.	I/C	REMARKS	Weight (kgf)	Weight (lb)
010	1G734-99352	KIT GASKET UPPER	1				0.35	0.77
020	1G720-03310	GASKET CYL.HEAD	1				0.22	0.484
030	1A021-11822	GASKET IN-MANIFOLD	1				0.006	0.0132
040	15221-13153	SEAL VALVE STEM	6				0.001	0.0022
050	1A021-14520	GASKET HEAD COVER	1				0.02	0.044
060	1A021-05430	O RING BREATHER	1				0.001	0.0022
070	15841-53622	GASKET	3				0.002	0.0044
080	19077-53650	SEAL HEAT	3				0.005	0.011
090	1A021-72920	GASKET WATER FLANGE	1				0.002	0.0044
100	16221-73270	GASKET THERMOSTAT	1				0.01	0.022
110	1A021-12350	GASKET EX-MANIFOLD	1				0.028	0.0616
120	T0070-16420	GASKET MUFFLER	1				0.016	0.0352
130	16292-17100	GASKET	1				0.021	0.0462
140	16292-17110	GASKET	1				0.021	0.0462
150	15021-33660	GASKET	2				0.001	0.0022
160	16299-33670	GASKET	1				0.003	0.0066

GASKET KIT



16738-023-10

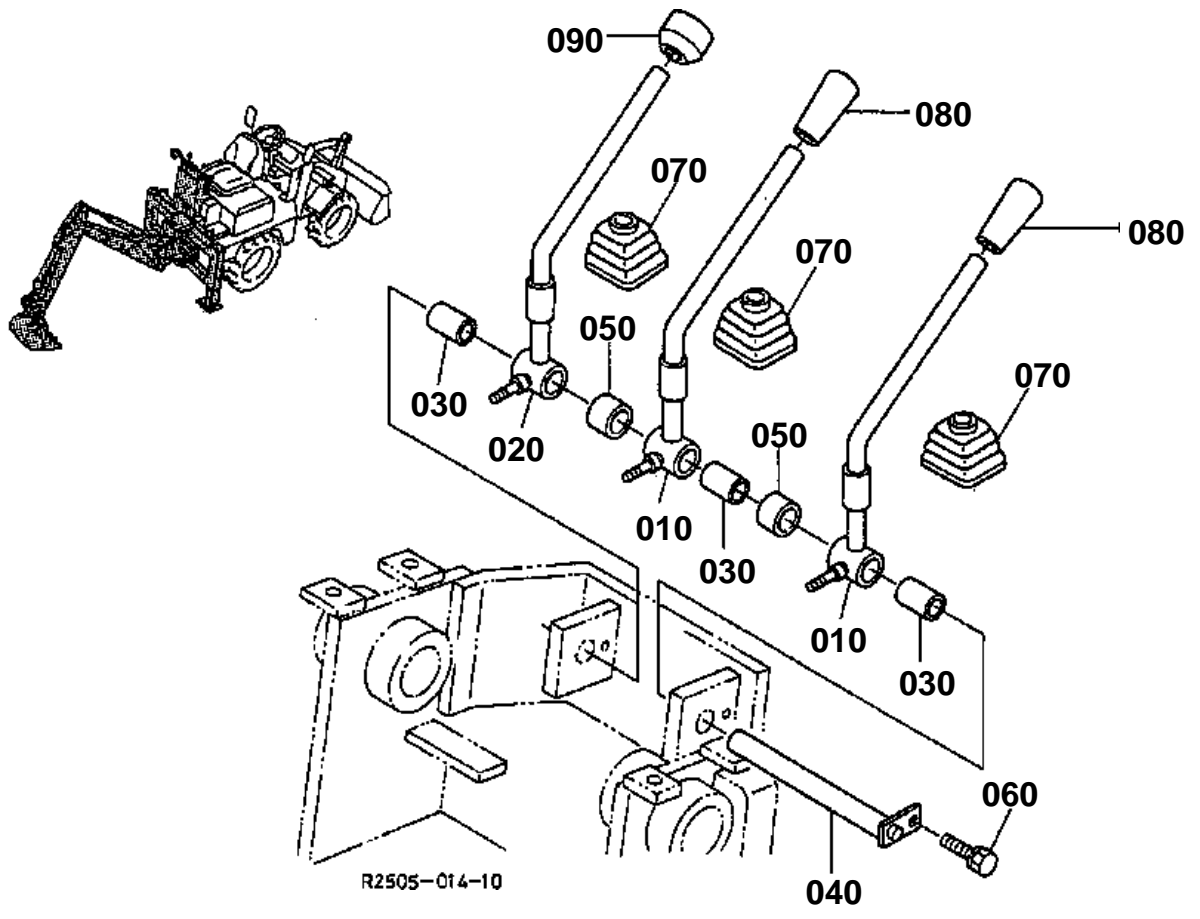


GASKET KIT

↔ Interchangeable; ≠ not interchangeable; ← new for old; → old for new

REF.No	Part No.	Description	Q'ty	S.No.	I/C	REMARKS	Weight (kgf)	Weight (lb)
010	1G734-99360	KIT GASKET LOWER	1				0.2	0.44
020	15021-33660	GASKET	1				0.001	0.0022
030	1G841-01620	GASKET OIL PAN	1				0.045	0.099
040	15451-96670	GASKET	1				0.003	0.0066
050	04814-00150	O RING	4				0.001	0.0022
060	04814-00220	O RING	2				0.001	0.0022
070	04814-00360	O RING	1				0.001	0.0022
080	1A021-04130	GASKET GEAR CASE	1				0.019	0.0418
090	1A021-73330	GASKET RETURN FLANGE	1				0.001	0.0022
100	19202-96830	O RING	1				0.01	0.022
110	1A091-04362	GASKET BEARING CASE	1				0.005	0.011
120	1A091-04820	GASKET CASE COVER	1				0.006	0.0132
130	19202-04460	SEAL OIL	1				0.055	0.121
140	19202-04140	SEAL OIL	1				0.015	0.033
145	04817-50300	O RING	1				0.001	0.0022
150	19202-96760	O RING	1				0.001	0.0022
160	04817-00160	O RING	1				0.001	0.0022
170	1A021-51660	GASKET PUMP COVER	1				0.003	0.0066
180	1A021-35150	GASKET OIL PUMP	1				0.001	0.0022
190	04814-00060	O RING	1				0.001	0.0022
200	04724-00140	GASKET	1				0.002	0.0044
210	15221-96650	GASKET	2				0.001	0.0022
215	1A021-52140	GASKET FUEL PUMP	1				0.001	0.0022
220	15471-57980	SEAL OIL	1				0.001	0.0022
230	1A021-57210	GASKET PLATE	2				0.001	0.0022
240	04814-06310	O RING	1				0.002	0.0044
250	1A051-73430	GASKET WATER PUMP	1				0.006	0.0132
260	15296-88130	GASKET H/METER UNIT	1				0.002	0.0044

OUTLIGGER CONTROL LEVER / SLIDE LOCK



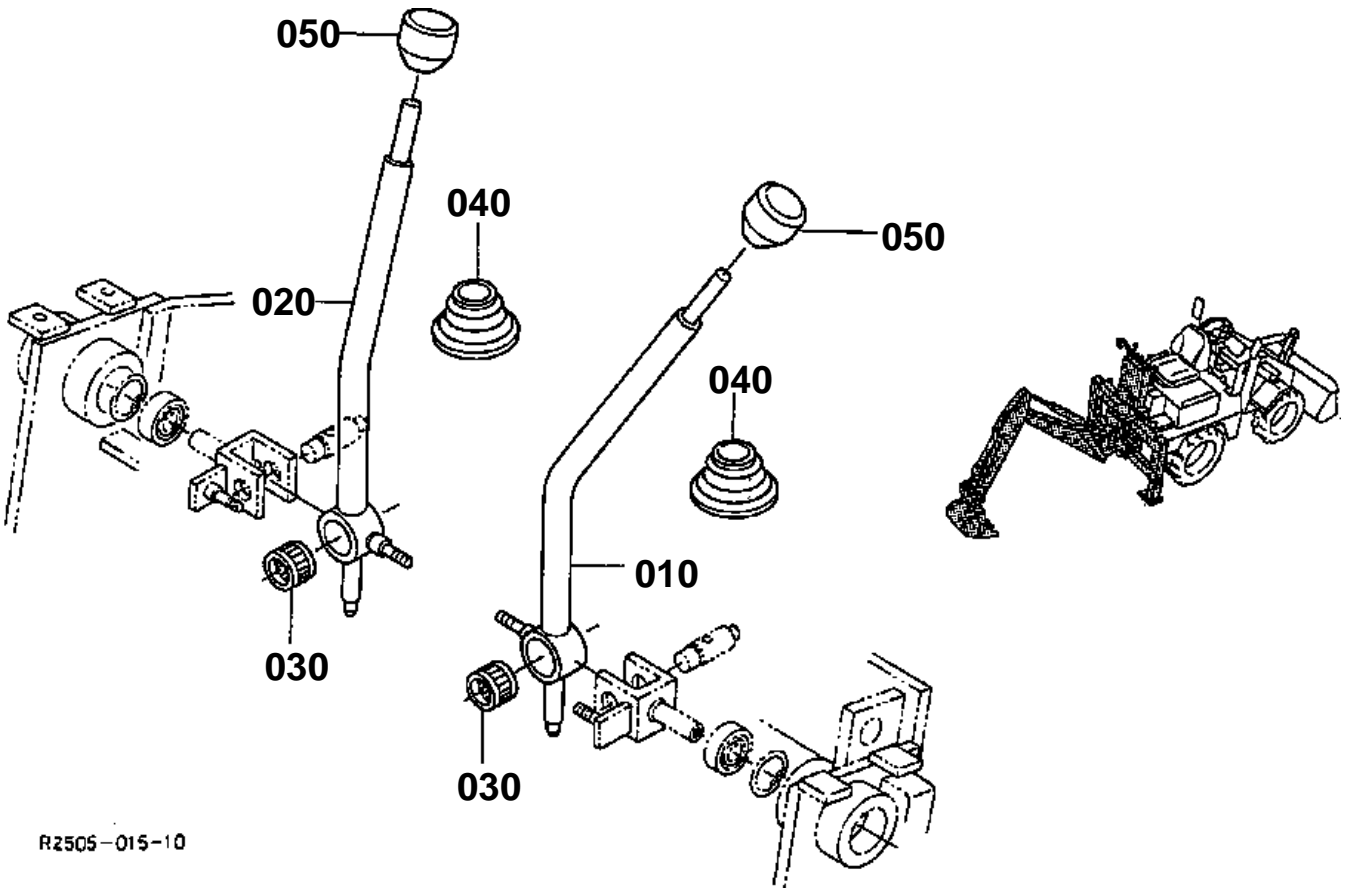


OUTLIGGER CONTROL LEVER / SLIDE LOCK
[KCL KTA]

↔ Interchangeable; ≠ not interchangeable; ← new for old; → old for new

REF.No	Part No.	Description	Q'ty	S.No.	I/C	REMARKS	Weight (kgf)	Weight (lb)
010	R2411-69210	LEVER	2				0.29	0.638
020	R2411-69280	LEVER LOCK	1				0.22	0.484
030	08511-01625	BUSH	3				0.01	0.022
040	R2401-69220	PIN	1				0.229	0.5038
050	R2401-69230	SPACER	2				0.027	0.0594
060	01023-60612	BOLT	1				0.008	0.0176
070	69244-65590	RUBBER BELLOWS	3				0.1	0.22
080	55311-31520	GRIP	2				0.02	0.044
090	55411-31460	GRIP LEVER	1				0.025	0.055

OPERATING CONTROL LEVER



R2505-015-10

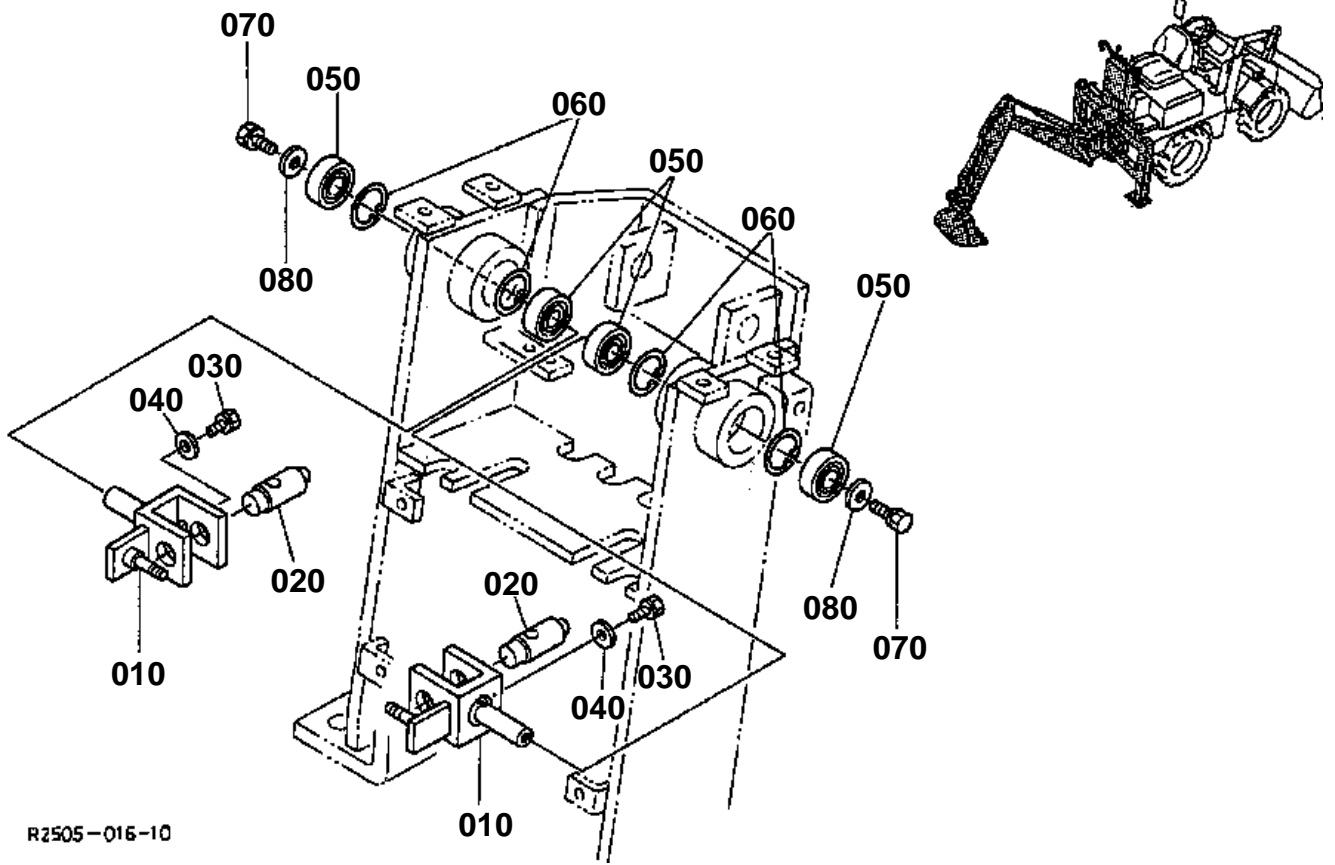


OPERATING CONTROL LEVER
[KCL KTA]

↔ Interchangeable; ≠ not interchangeable; ← new for old; → old for new

REF.No	Part No.	Description	Q'ty	S.No.	I/C	REMARKS	Weight (kgf)	Weight (lb)
010	R2411-69240	LEVER	1				0.4	0.88
020	R2411-69250	LEVER	1				0.4	0.88
030	68841-65250	BEARING NEEDLE	2				0.02	0.044
040	68701-65180	RUBBER BELLOWS	2				0.07	0.154
050	66711-42310	GRIP LEVER	2				0.033	0.0726

CONTROL ARM



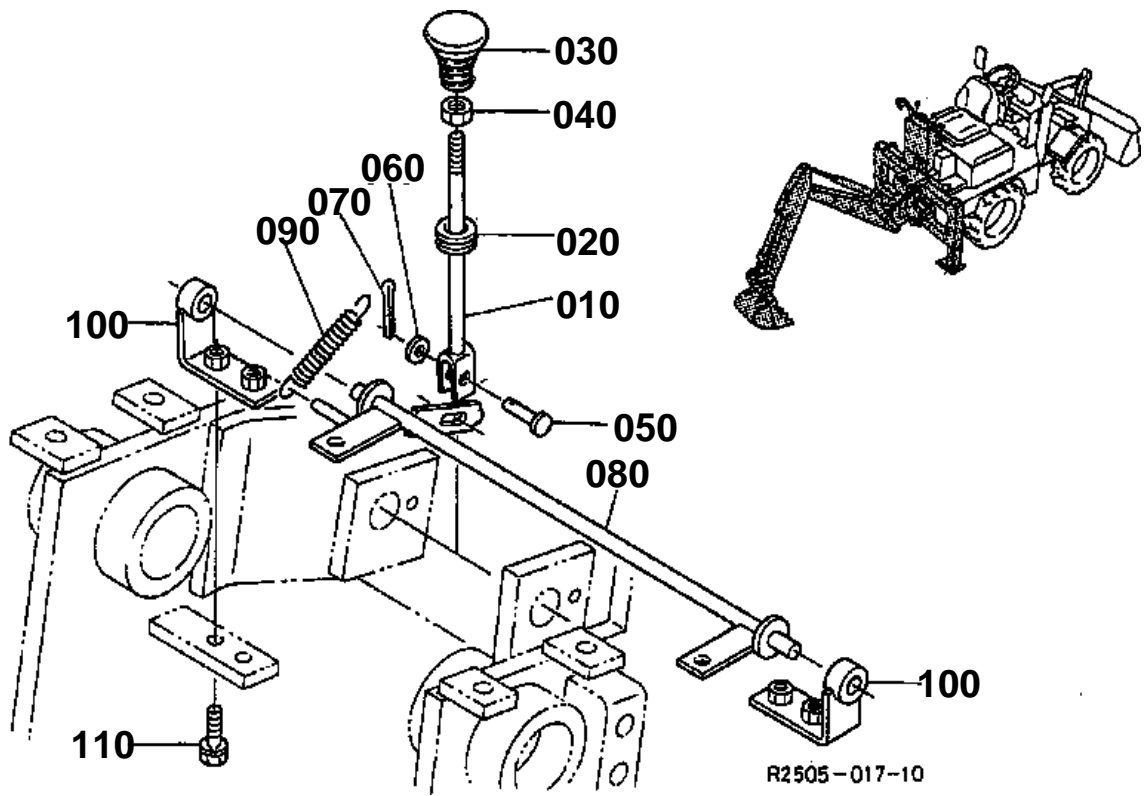


CONTROL ARM
[KCL KTA]

↔ Interchangeable; ≠ not interchangeable; ← new for old; → old for new

REF.No	Part No.	Description	Q'ty	S.No.	I/C	REMARKS	Weight (kgf)	Weight (lb)
010	R2401-69260	ARM CONTROL	2				0.177	0.3894
020	R1401-65320	PIN	2				0.05	0.11
030	01023-60610	BOLT	2				0.01	0.022
040	04013-60060	WASHER PLAIN	4				0.001	0.0022
050	08141-06002	BEARING BALL	4				0.029	0.0638
060	04611-00320	CIR CLIP INTERNAL	4				0.002	0.0044
070	01123-60816	BOLT	2				0.01	0.022
080	04015-60080	WASHER PLAIN	2				0.01	0.022

LOCK ROD



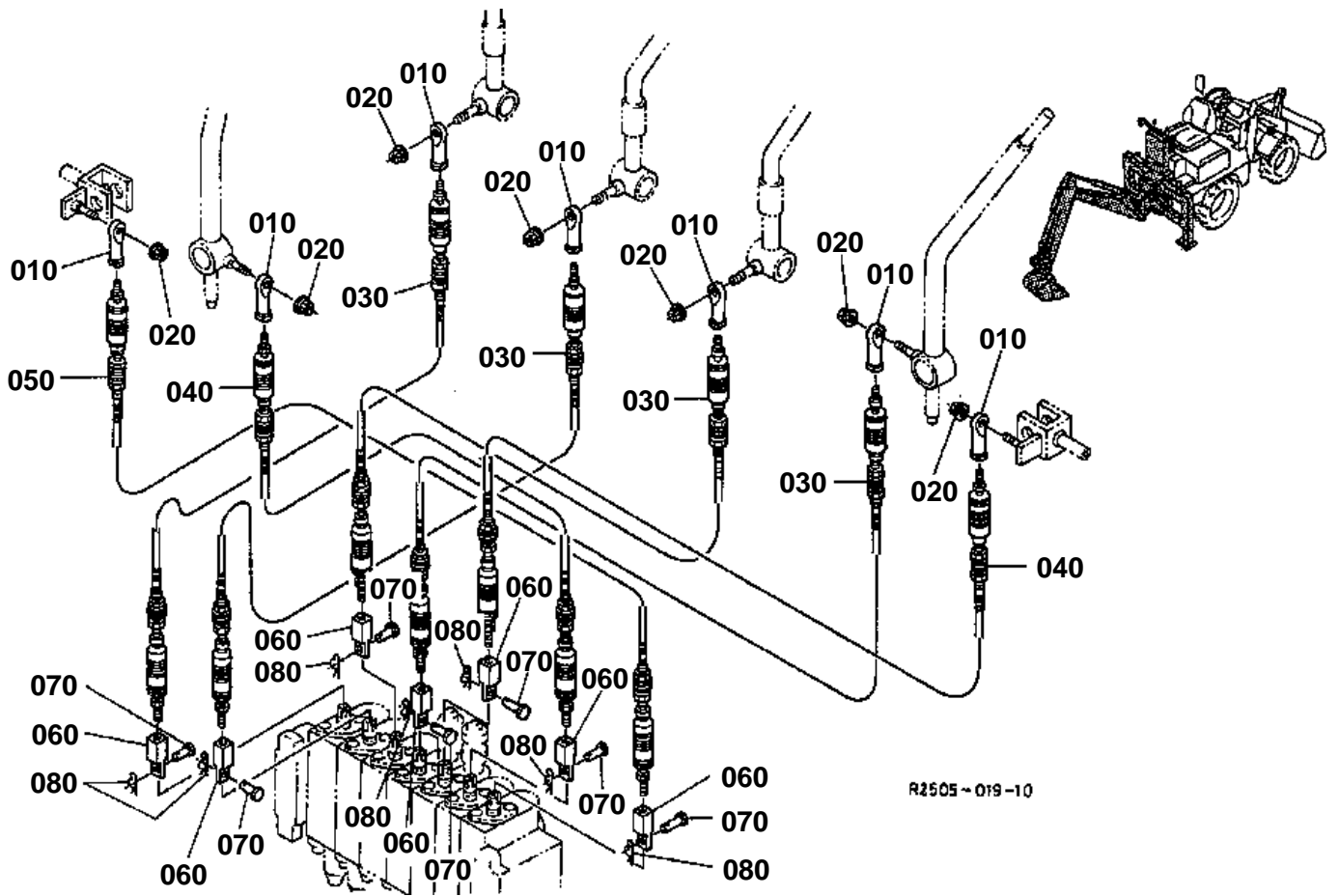


LOCK ROD
[KCL KTA]

↔ Interchangeable; ≠ not interchangeable; ← new for old; → old for new

REF.No	Part No.	Description	Q'ty	S.No.	I/C	REMARKS	Weight (kgf)	Weight (lb)
010	R1401-65520	ROD LOCK	1				0.025	0.055
020	36330-87450	RING RUBBER	1				0.001	0.0022
030	R1401-65630	GRIP	1				0.011	0.0242
040	02014-60060	NUT	1				0.002	0.0044
050	05122-50614	PIN JOINT	1				0.004	0.0088
060	04013-60060	WASHER PLAIN	1				0.001	0.0022
070	05511-51612	PIN SPLIT	1				0.001	0.0022
080	R2401-69380	ARM LOCK	1				0.142	0.3124
090	R1401-65540	SPRING	1				0.003	0.0066
100	R2401-69390	SUPPORT	2				0.033	0.0726
110	01023-60616	BOLT	4				0.005	0.011

CONTROL CABLE



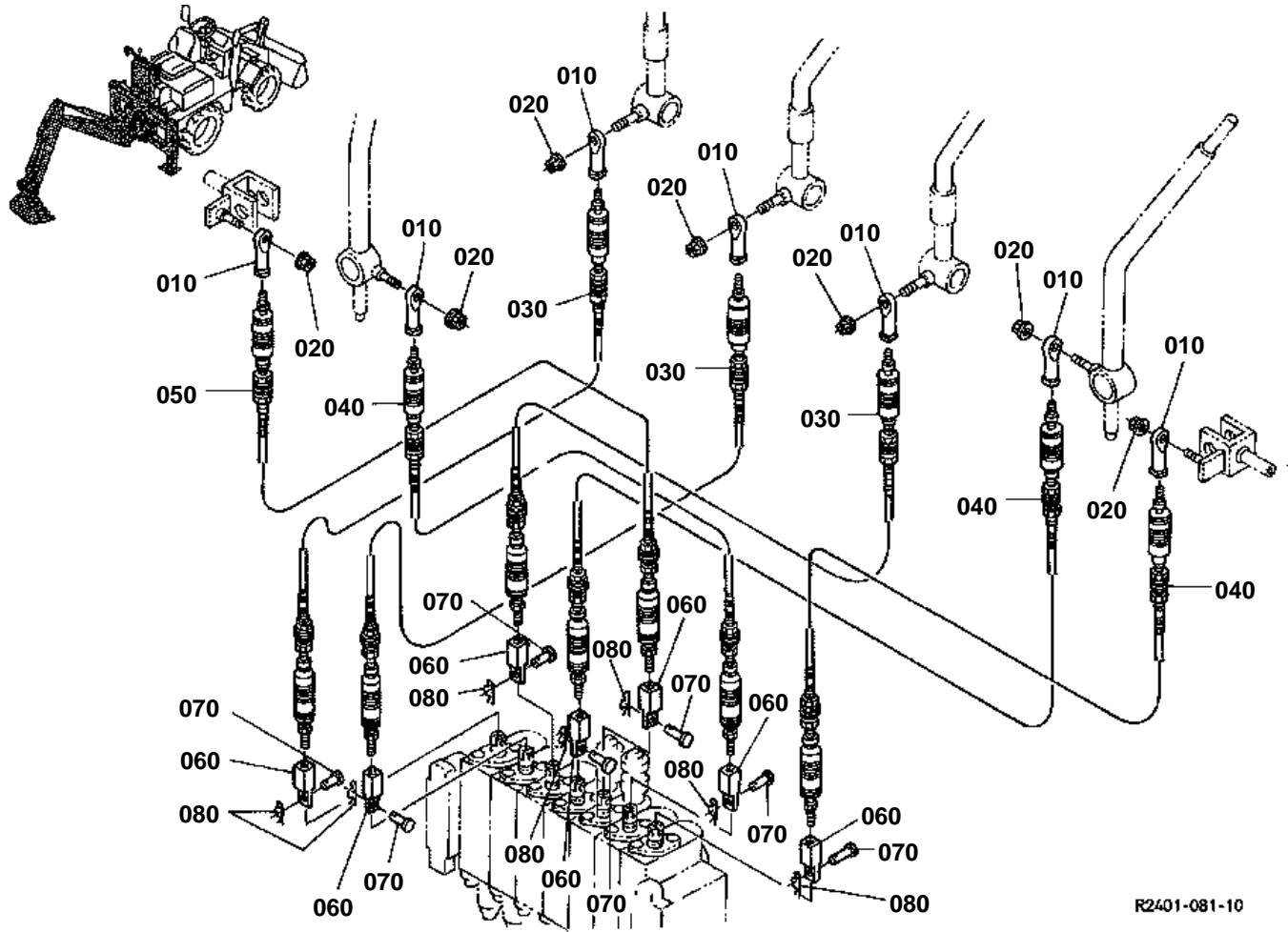


CONTROL CABLE
[KCL]

↔ Interchangeable; ≠ not interchangeable; ← new for old; → old for new

REF.No	Part No.	Description	Q'ty	S.No.	I/C	REMARKS	Weight (kgf)	Weight (lb)
010	31351-24220	SCREW ROD-END RH	7				0.04	0.088
020	02751-50080	NUT FLANGE	7				0.006	0.0132
030	R2401-69310	CABLE CONTROL	4				0.512	1.1264
040	R2401-69320	CABLE CONTROL	2				0.526	1.1572
050	R2401-69330	CABLE CONTROL	1				0.54	1.188
060	R1401-65350	LINK	7				0.032	0.0704
070	68021-32790	PIN	7				0.004	0.0088
080	05525-60500	PIN SNAP	7				0.001	0.0022

CONTROL CABLE

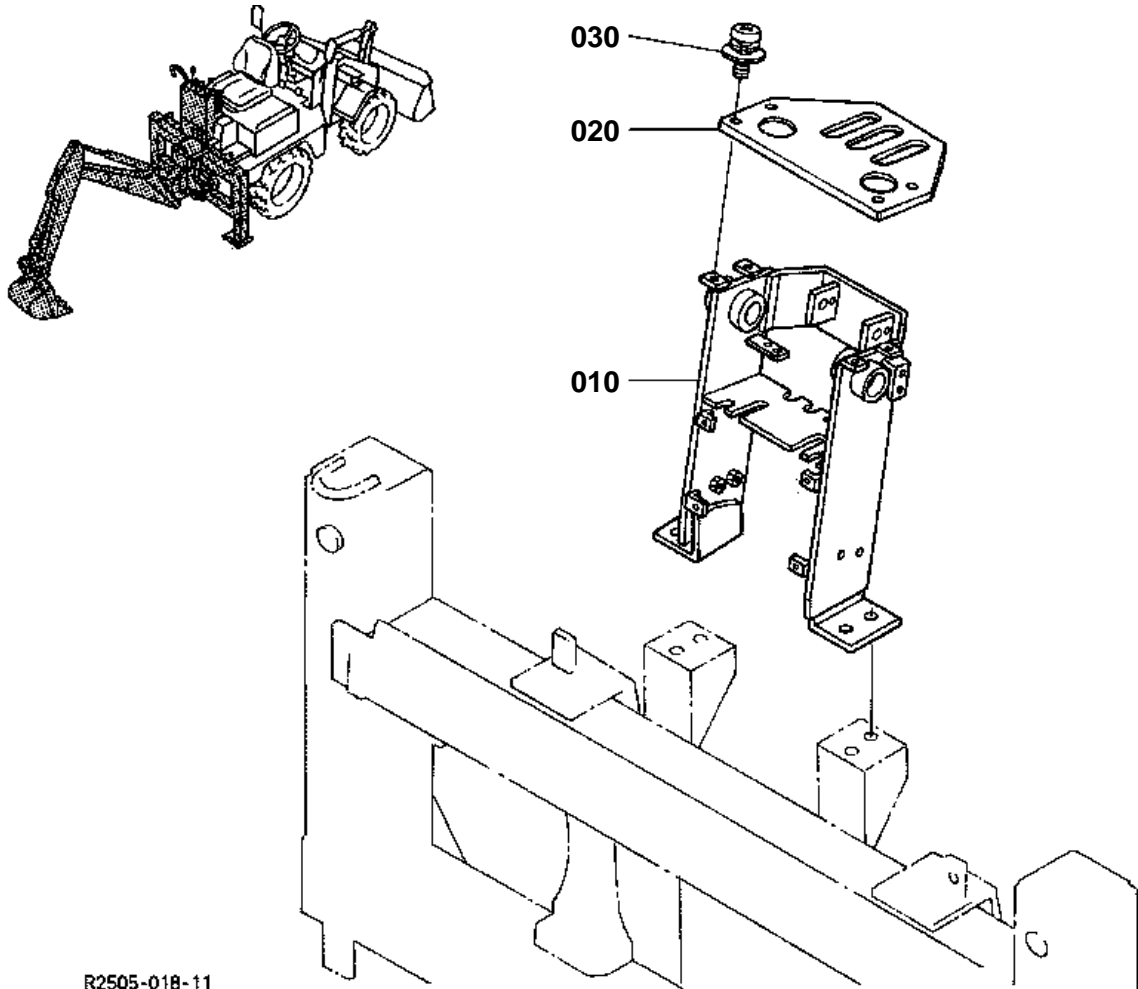




CONTROL CABLE
[KTA]

↔ Interchangeable; ≠ not interchangeable; ← new for old; → old for new

REF.No	Part No.	Description	Q'ty	S.No.	I/C	REMARKS	Weight (kgf)	Weight (lb)
010	31351-24220	SCREW ROD-END RH	7				0.04	0.088
020	02751-50080	NUT FLANGE	7				0.006	0.0132
030	R2401-69310	CABLE CONTROL	3				0.512	1.1264
040	R2401-69320	CABLE CONTROL	3				0.526	1.1572
050	R2401-69340	CABLE CONTROL	1				0.53	1.166
060	R1401-65350	LINK	7				0.032	0.0704
070	68021-32790	PIN	7				0.004	0.0088
080	05525-60500	PIN SNAP	7				0.001	0.0022

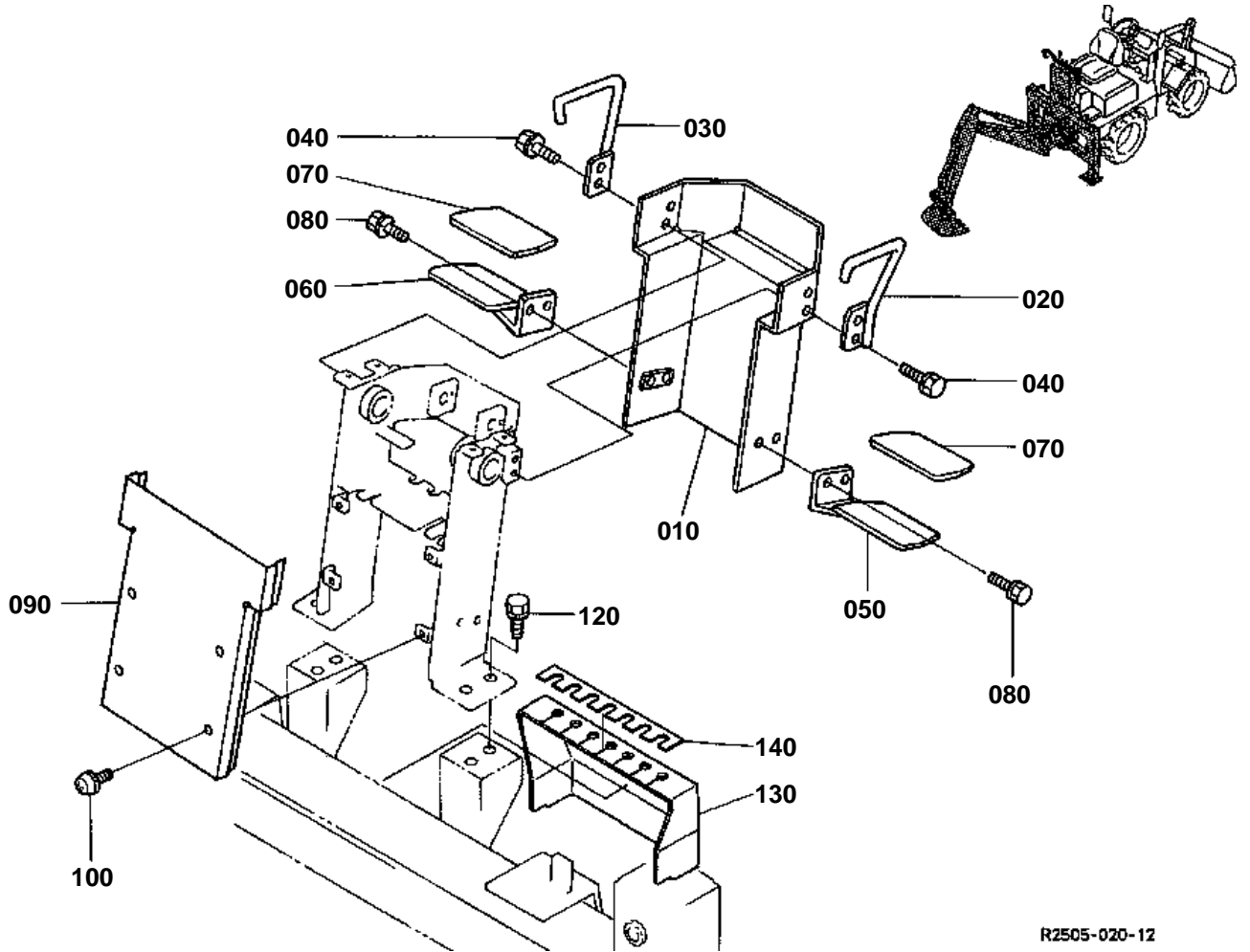




↔ Interchangeable; ≠ not interchangeable; ← new for old; → old for new

REF.No	Part No.	Description	Q'ty	S.No.	I/C	REMARKS	Weight (kgf)	Weight (lb)
010	R2411-69130	BASE CONTROL BH	1				8	17.6
020	R2411-69140	COVER	1				0.71	1.562
030	03034-60612	SCREW WITH WASHER	4				0.05	0.11

COVER



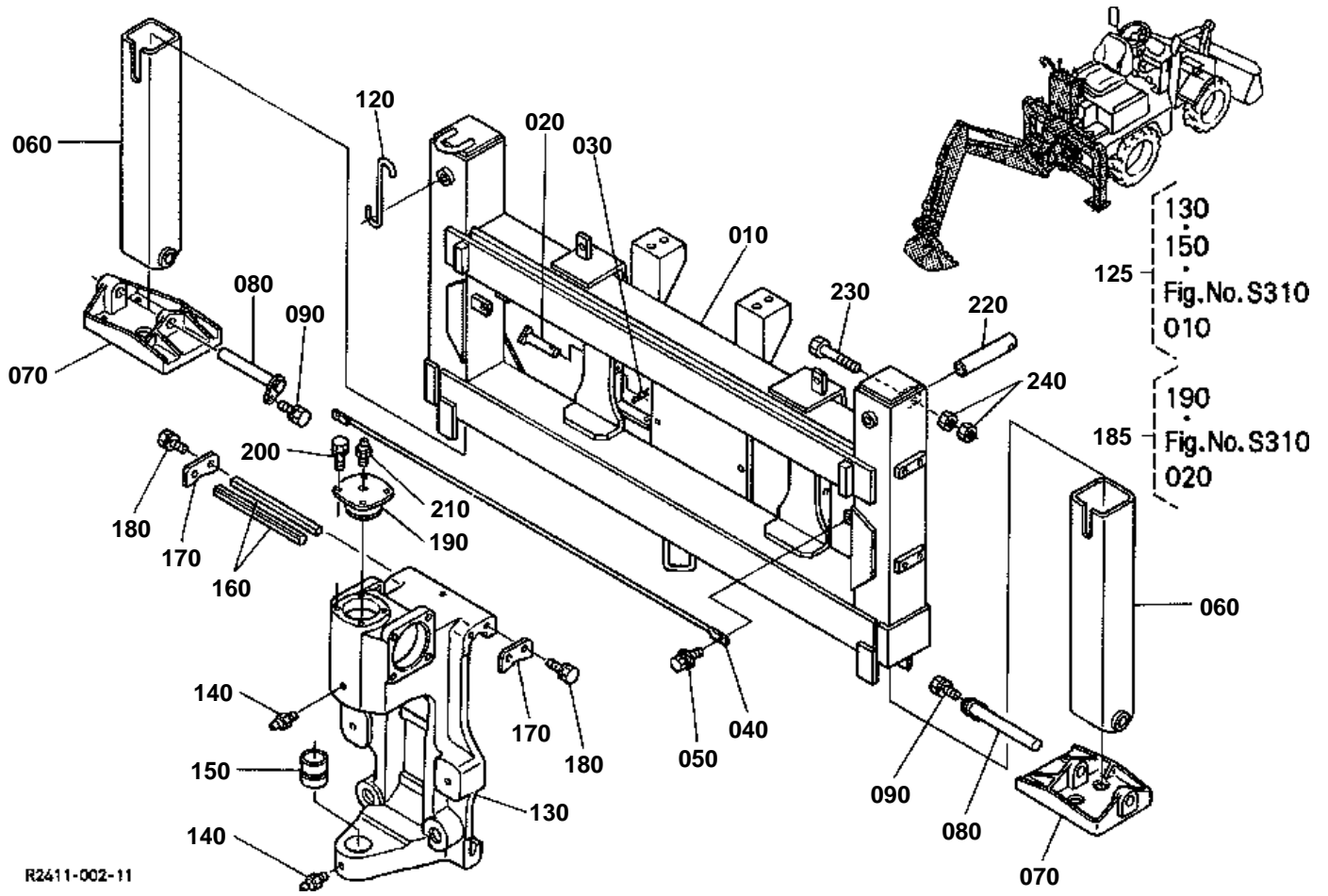


COVER
[KCL KTA]

↔ Interchangeable; ≠ not interchangeable; ← new for old; → old for new

REF.No	Part No.	Description	Q'ty	S.No.	I/C	REMARKS	Weight (kgf)	Weight (lb)
010	R2411-69150	COVER	1				3.04	6.688
020	R2411-69410	HANDRAIL L	1				0.402	0.8844
030	R2411-69420	HANDRAIL R	1				0.396	0.8712
040	01133-61025	BOLT	4				0.02	0.044
050	R2411-69170	STEP L	1				0.92	2.024
060	R2411-69180	STEP R	1				0.93	2.046
070	R1401-41380	PAD STEP	2				0.13	0.286
080	01133-61025	BOLT	4				0.02	0.044
090	R2411-69160	COVER	1				2.11	4.642
100	03034-60612	SCREW WITH WASHER	4				0.05	0.11
110	99999-99999	BLANK	0				0	0
120	01133-61030	BOLT	4				0.023	0.0506
130	R2401-69450	COVER VALVE	1				0.34	0.748
140	R2401-69460	SPACER	1				0.185	0.407

SLIDE FRAME



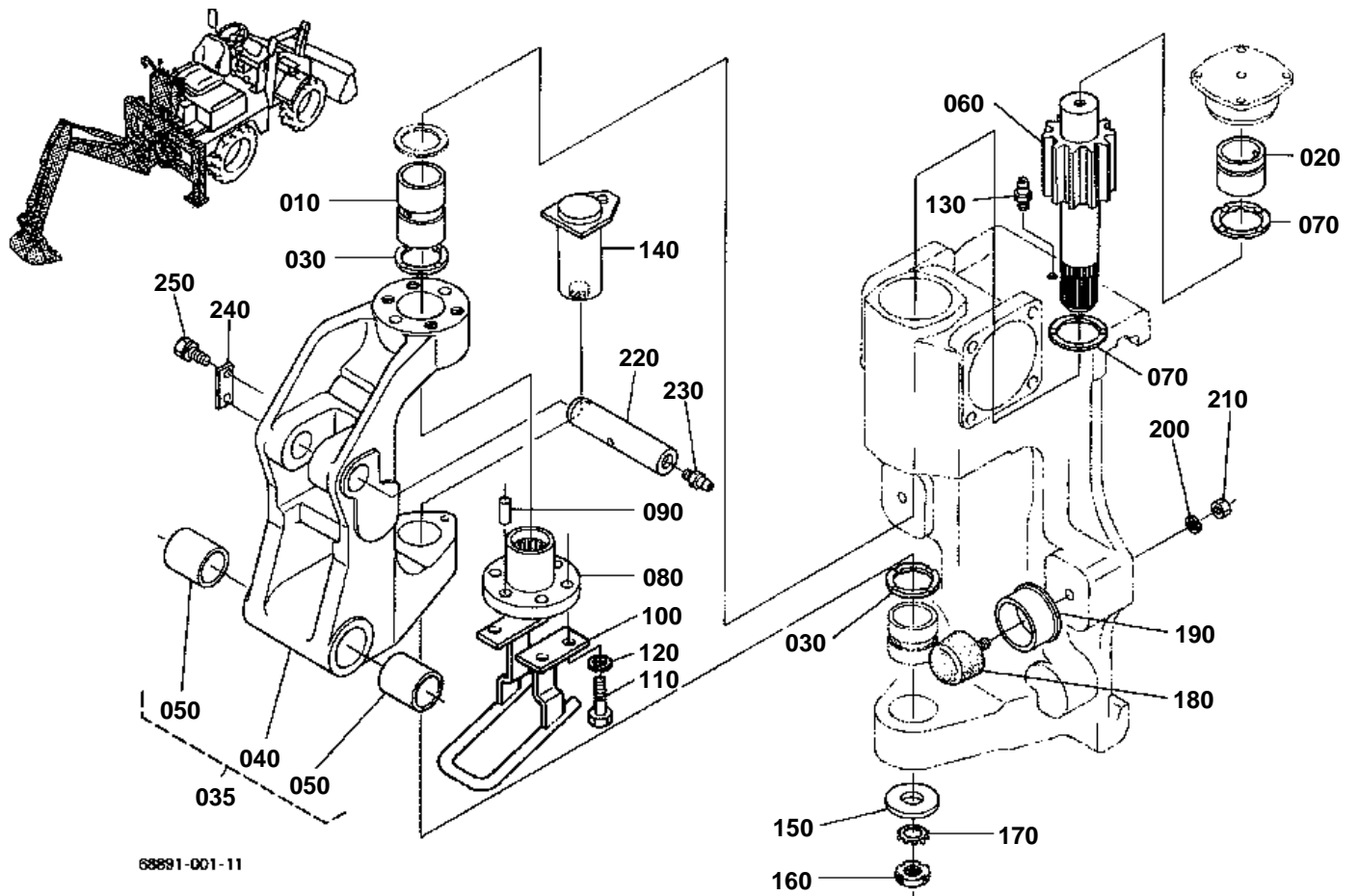


SLIDE FRAME
[KCL KTA]

↔ Interchangeable; ≠ not interchangeable; ← new for old; → old for new

REF.No	Part No.	Description	Q'ty	S.No.	I/C	REMARKS	Weight (kgf)	Weight (lb)
010	R2411-66110	FRAME SLIDE	1				0	0
020	68811-66132	PIN	2				0.38	0.836
030	68811-41520	PIN SNAP	2				0.01	0.022
040	R2411-66180	GUIDE HOSE	2				0.53	1.166
050	01125-60816	BOLT	4				0.01	0.022
060	R2411-66210	RIGGER OUT	2				10.91	24.002
070	R2411-66230	PLATE	2				0	0
080	69201-67253	PIN	2				1.08	2.376
090	01123-61016	BOLT	2				0.018	0.0396
100	99999-99999	BLANK	0				0	0
110	99999-99999	BLANK	0				0	0
120	68869-66280	HOOK	1				1.12	2.464
125	R2401-66300	ASSY BRACKET SLIDE	1				99	217.8
130	68817-66310	BRACKET SLIDE	1				77	169.4
140	06611-15010	NIPPLE GREASE	2				0.01	0.022
150	68811-66463	BUSH	1				0.4	0.88
160	68817-66330	PIN	2				1.5	3.3
170	68817-66340	STOPPER	2				0.3	0.66
180	01133-61020	BOLT	4				0.02	0.044
185	R2401-66350	ASSY COVER SLIDE	1				2.22	4.884
190	68817-66360	COVER	1				1.79	3.938
200	01123-60820	BOLT	4				0.015	0.033
210	06611-15010	NIPPLE GREASE	1				0.01	0.022
220	68811-67220	PIN	2				0.86	1.892
230	01173-61065	BOLT	2				0.04	0.088
240	02118-60100	NUT	4				0.006	0.0132

SWING BRACKET



68891-001-11

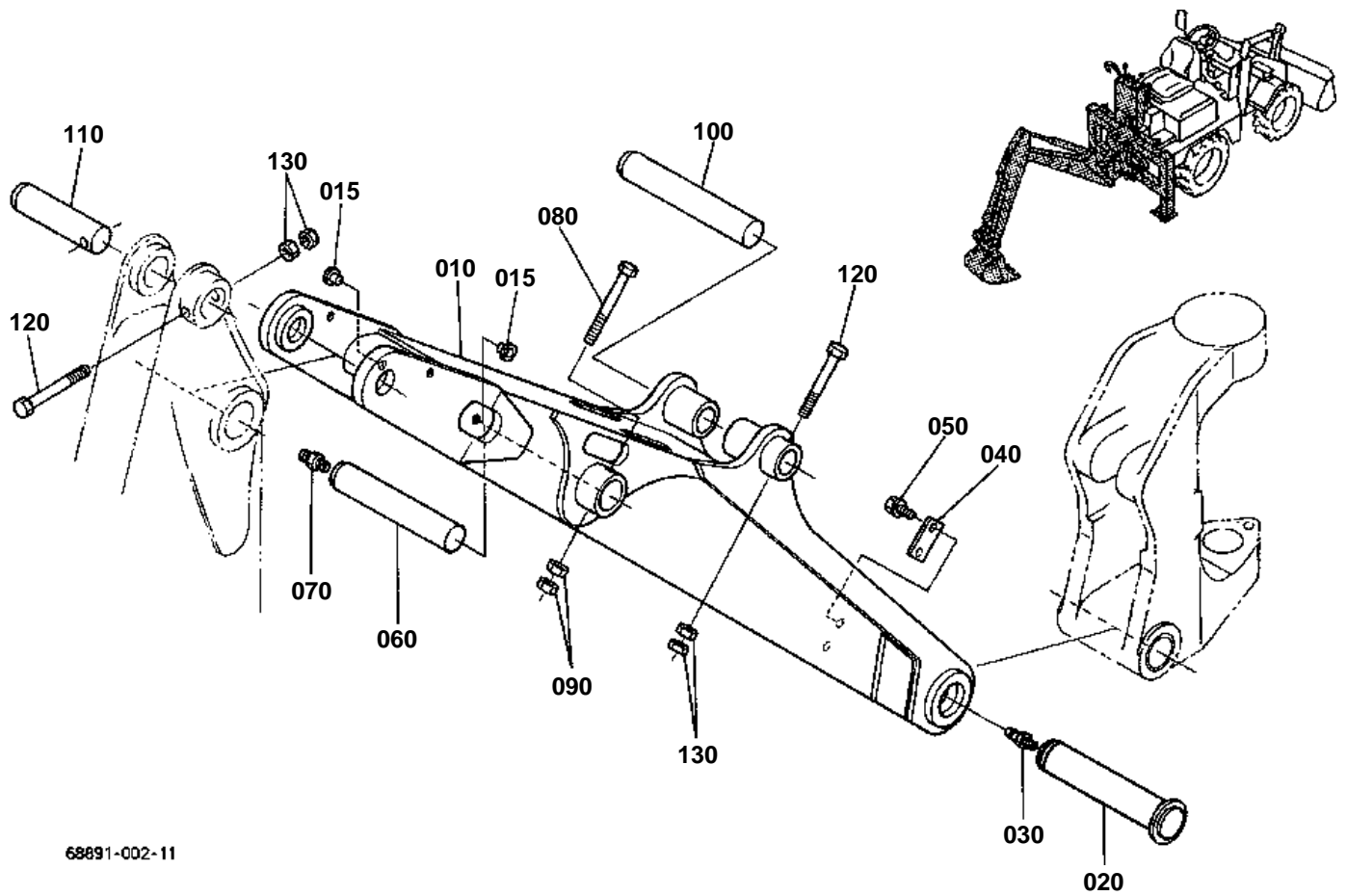


SWING BRACKET
[KCL KTA]

↔ Interchangeable; ≠ not interchangeable; ← new for old; → old for new

REF.No	Part No.	Description	Q'ty	S.No.	I/C	REMARKS	Weight (kgf)	Weight (lb)
010	68817-67440	BUSH	1				0.65	1.43
020	68817-67450	BUSH	1				0.27	0.594
030	68811-67460	COLLAR THRUST	2				0.055	0.121
035	R2401-66400	ASSY BRACKET SWING	1				32.5	71.5
040	68817-66410	BRACKET SWING	1				27	59.4
050	68741-66524	BUSH	2				0.36	0.792
060	68817-67430	PINION SWING G	1				7.8	17.16
070	68811-67460	COLLAR THRUST	2				0.055	0.121
080	68817-66420	BOSS SPLINE	1				2.05	4.51
090	68221-66430	PIN KNOCK	2				0.05	0.11
100	68817-66430	GUIDE HOSE	1				0.6	1.32
110	01173-61650	BOLT	4				0.098	0.2156
120	04512-60160	WASHER SPRING	4				0.01	0.022
130	06611-15010	NIPPLE GREASE	1				0.01	0.022
140	68817-66450	SHAFT FULCRUM	1				2.6	5.72
150	68817-66460	WASHER	1				0.11	0.242
160	02410-00050	NUT BEARING	1				0.031	0.0682
170	04312-00050	WASHER BEARING	1				0.005	0.011
180	68817-66370	CUSHION	2				0.25	0.55
190	68817-66380	CASE CUSHION	2				0.37	0.814
200	04512-60120	WASHER SPRING	2				0.005	0.011
210	02114-60120	NUT	2				0.011	0.0242
220	68817-67520	PIN	1				1.56	3.432
230	06611-15010	NIPPLE GREASE	1				0.01	0.022
240	69201-71240	PLATE KEY	1				0.05	0.11
250	01133-61020	BOLT	2				0.02	0.044

BOOM



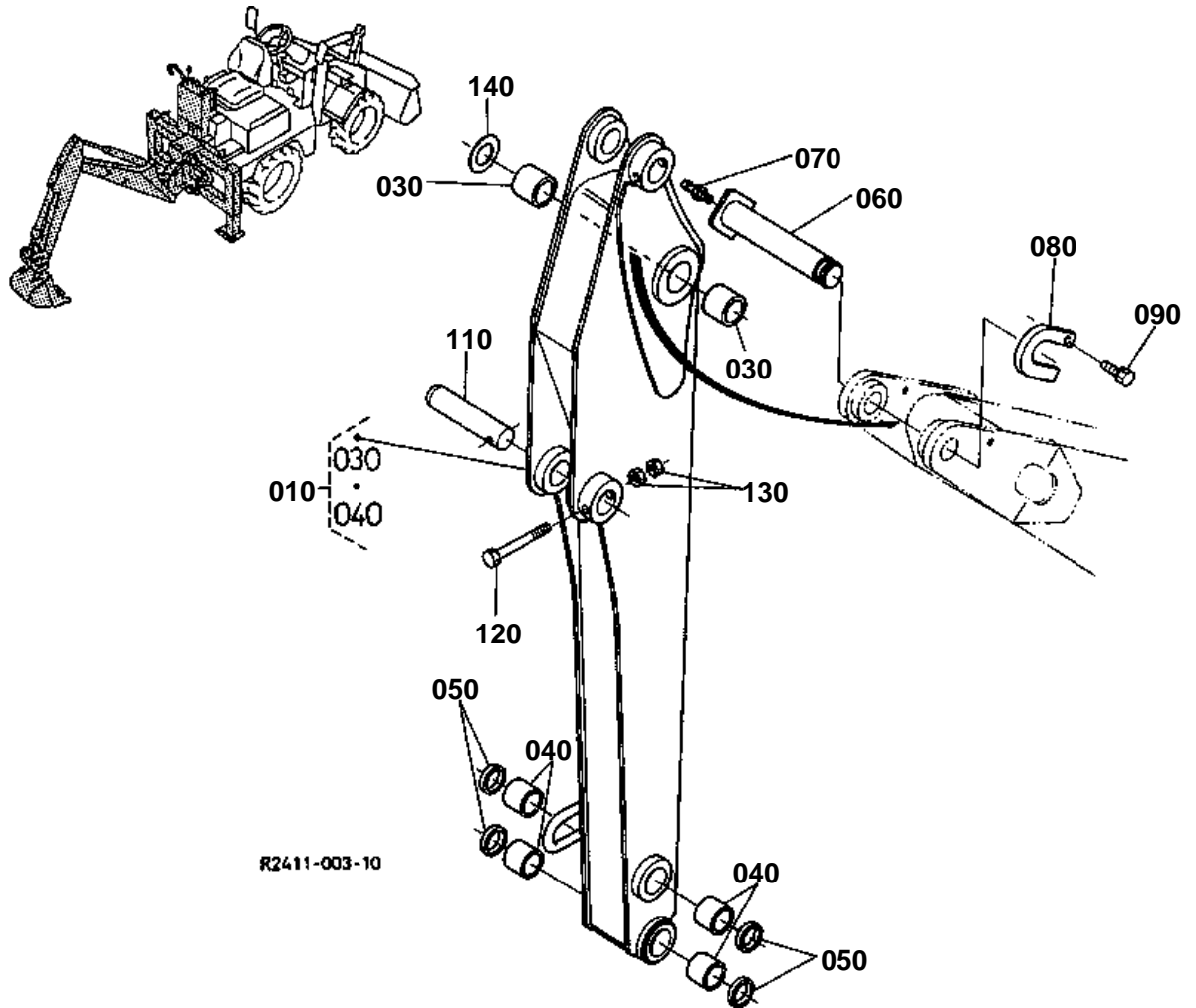
68891-002-11



BOOM
[KCL KTA]

↔ Interchangeable; ≠ not interchangeable; ← new for old; → old for new

REF.No	Part No.	Description	Q'ty	S.No.	I/C	REMARKS	Weight (kgf)	Weight (lb)
010	68817-66513	BOOM	1				115	253
015	90585-11990	PLUG	2				0.003	0.0066
020	68817-66540	PIN	1				2.98	6.556
030	06611-15010	NIPPLE GREASE	1				0.01	0.022
040	69201-71240	PLATE KEY	1				0.05	0.11
050	01133-61020	BOLT	2				0.02	0.044
060	68811-67530	PIN	1				2.2	4.84
070	06611-15010	NIPPLE GREASE	1				0.01	0.022
080	01173-61295	BOLT	1				0.085	0.187
090	02174-60120	NUT	2				0.01	0.022
100	68817-67620	PIN	1				2.63	5.786
110	68741-67560	PIN	1				1.45	3.19
120	01173-61295	BOLT	2				0.085	0.187
130	02174-60120	NUT	4				0.01	0.022



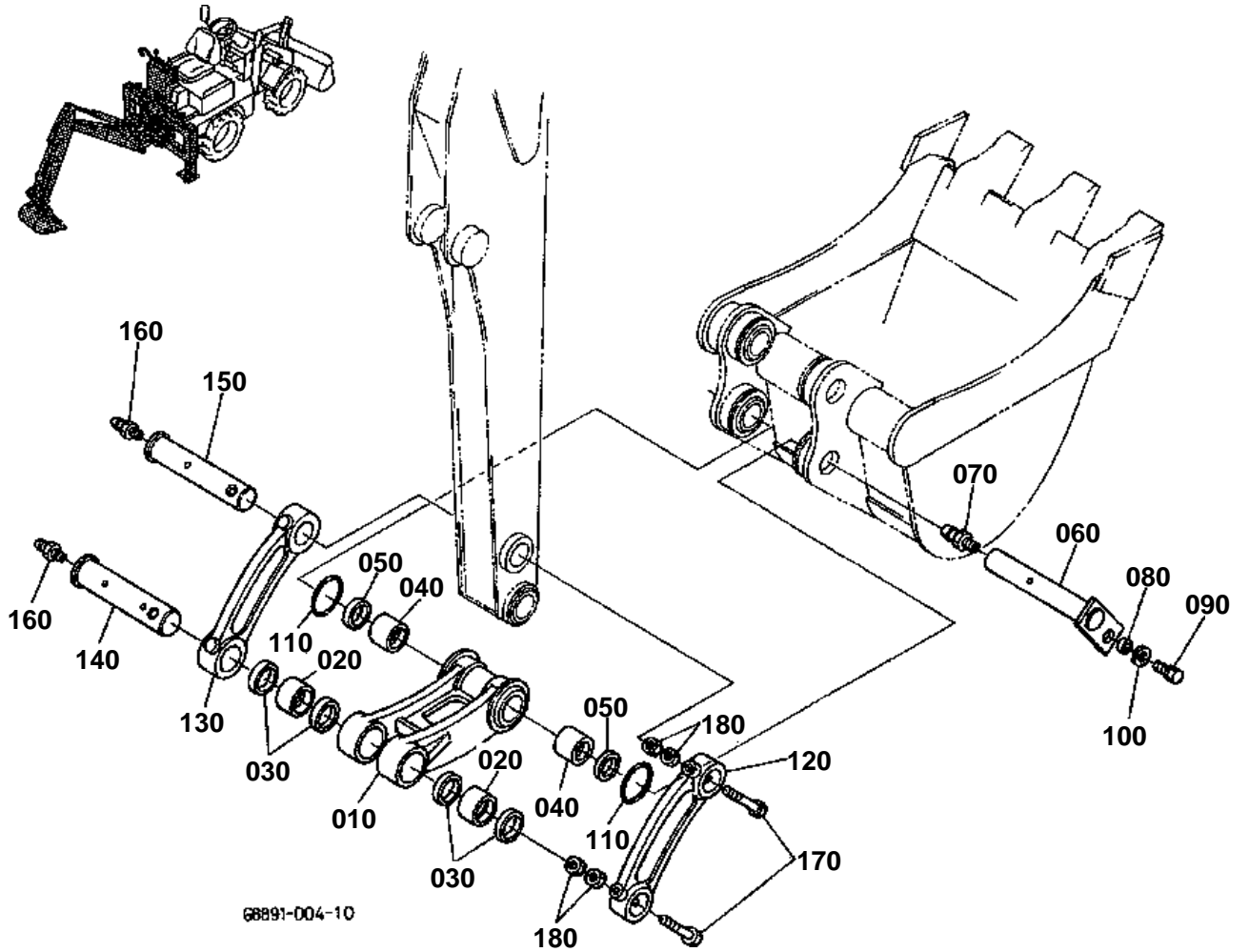


ARM
[KCL KTA]

↔ Interchangeable; ≠ not interchangeable; ← new for old; → old for new

REF.No	Part No.	Description	Q'ty	S.No.	I/C	REMARKS	Weight (kgf)	Weight (lb)
010	68817-66602	ASSY ARM	1				74	162.8
020	99999-99999	BLANK	0				0	0
030	68741-66625	BUSH	2				0.23	0.506
040	68741-66630	BUSH	4				0.15	0.33
050	68741-66650	SEAL DUST	4				0.005	0.011
060	68817-66620	PIN	1				2.42	5.324
070	06611-15010	NIPPLE GREASE	1				0.01	0.022
080	68131-67760	STOPPER	1				0.26	0.572
090	01133-61016	BOLT	1				0.018	0.0396
100	99999-99999	BLANK	0				0	0
110	68741-67560	PIN	1				1.45	3.19
120	01173-61295	BOLT	1				0.085	0.187
130	02174-60120	NUT	2				0.01	0.022
140	68131-67720	SHIM	1			1.0mm	0.024	0.0528
140	68131-67730	SHIM	1			1.6mm	0.036	0.0792

BUCKET LINK



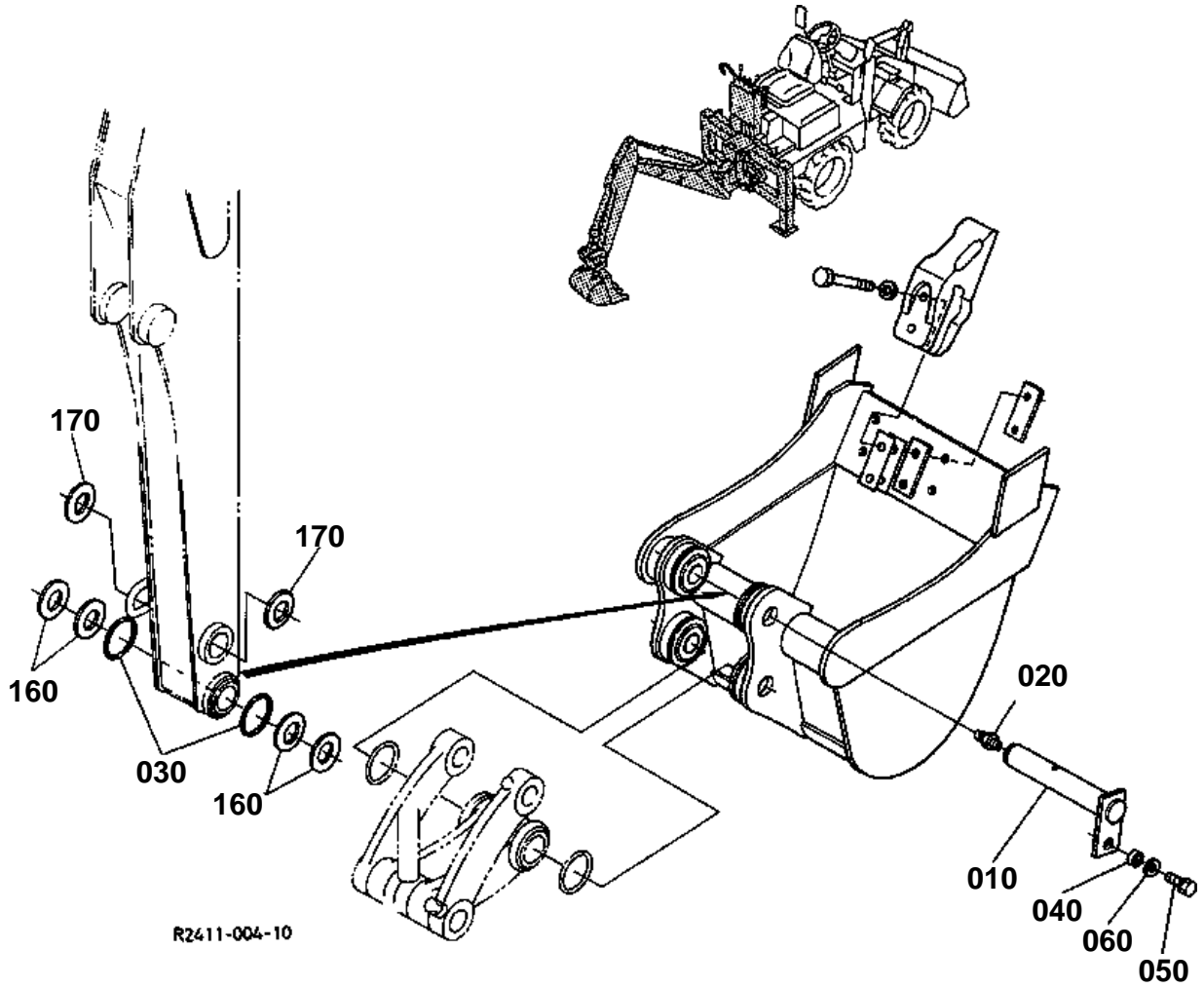


BUCKET LINK
[KCL KTA]

↔ Interchangeable; ≠ not interchangeable; ← new for old; → old for new

REF.No	Part No.	Description	Q'ty	S.No.	I/C	REMARKS	Weight (kgf)	Weight (lb)
010	68741-66710	LINK BUCKET	1				6.4	14.08
020	68741-66770	BUSH	2				0.17	0.374
030	68741-66780	SEAL DUST	4				0.01	0.022
040	68741-66630	BUSH	2				0.15	0.33
050	68741-66650	SEAL DUST	2				0.005	0.011
060	68741-66910	PIN	1				1.91	4.202
070	06611-15010	NIPPLE GREASE	1				0.01	0.022
080	68741-66920	SPACER	1				0.01	0.022
090	01133-61225	BOLT	1				0.037	0.0814
100	04015-60120	WASHER PLAIN	1				0.022	0.0484
110	68741-66850	O RING	2				0.02	0.044
120	68741-66720	LINK BUCKET	1				2.97	6.534
130	68741-66730	LINK BUCKET	1				3.08	6.776
140	RP401-66740	PIN	1				1.91	4.202
150	68741-66750	PIN	1				1.5	3.3
160	06611-15010	NIPPLE GREASE	2				0.01	0.022
170	01173-61200	BOLT	2				0.09	0.198
180	02174-60120	NUT	4				0.01	0.022

BUCKET



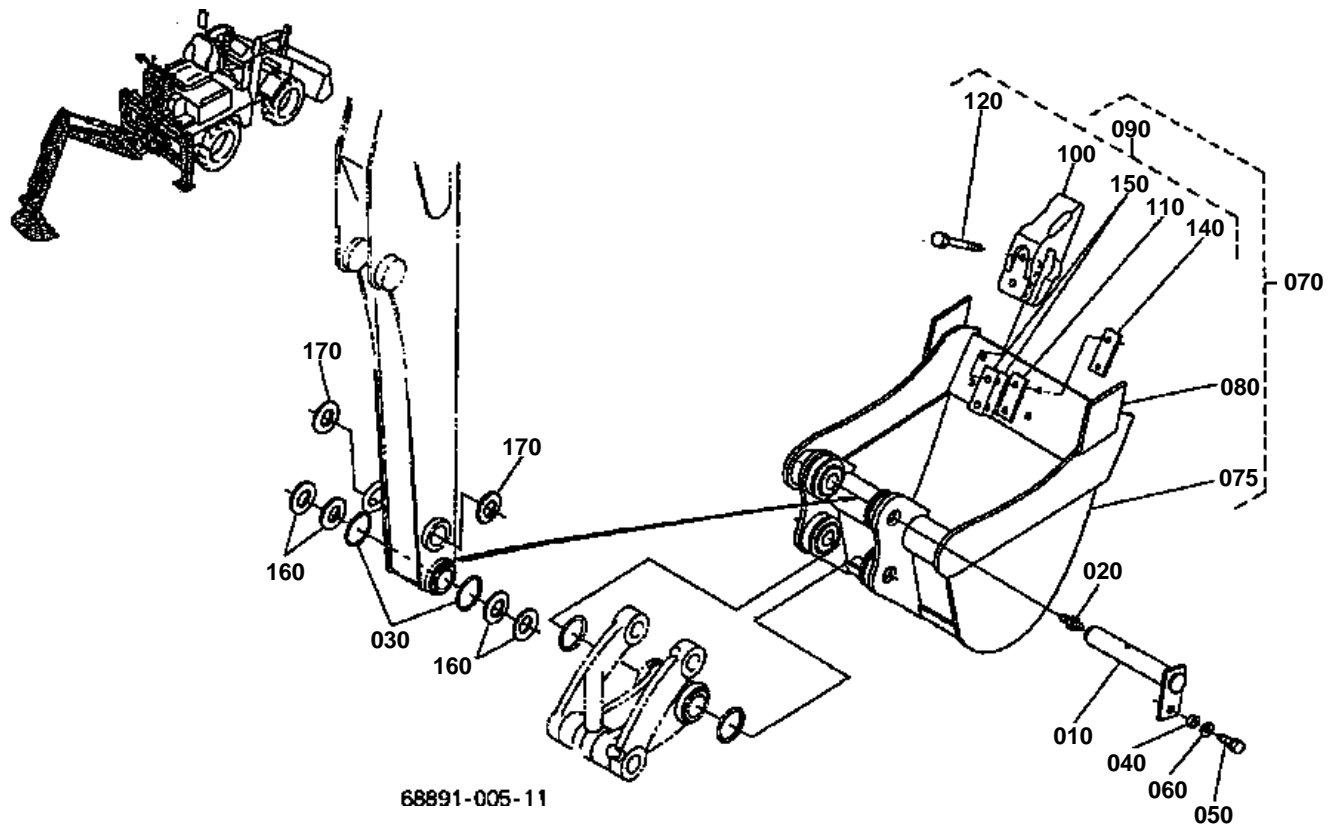


BUCKET
[KCL]

↔ Interchangeable; ≠ not interchangeable; ← new for old; → old for new

REF.No	Part No.	Description	Q'ty	S.No.	I/C	REMARKS	Weight (kgf)	Weight (lb)
010	68741-66910	PIN	1				1.91	4.202
020	06611-15010	NIPPLE GREASE	1				0.01	0.022
030	68741-66850	O RING	2				0.02	0.044
040	68741-66920	SPACER	1				0.01	0.022
050	01133-61225	BOLT	1				0.037	0.0814
060	04015-60120	WASHER PLAIN	1				0.022	0.0484
070	99999-99999	BLANK	0				0	0
080	99999-99999	BLANK	0				0	0
090	99999-99999	BLANK	0				0	0
100	99999-99999	BLANK	0				0	0
110	99999-99999	BLANK	0				0	0
120	99999-99999	BLANK	0				0	0
130	99999-99999	BLANK	0				0	0
140	99999-99999	BLANK	0				0	0
150	99999-99999	BLANK	0				0	0
160	68741-66860	SHIM	2			1.0mm	0.02	0.044
160	68741-66870	SHIM	2			1.6mm	0.02	0.044
170	68741-66880	SHIM	1			1.0mm	0.03	0.066
170	68741-66890	SHIM	1			1.6mm	0.04	0.088

BUCKET



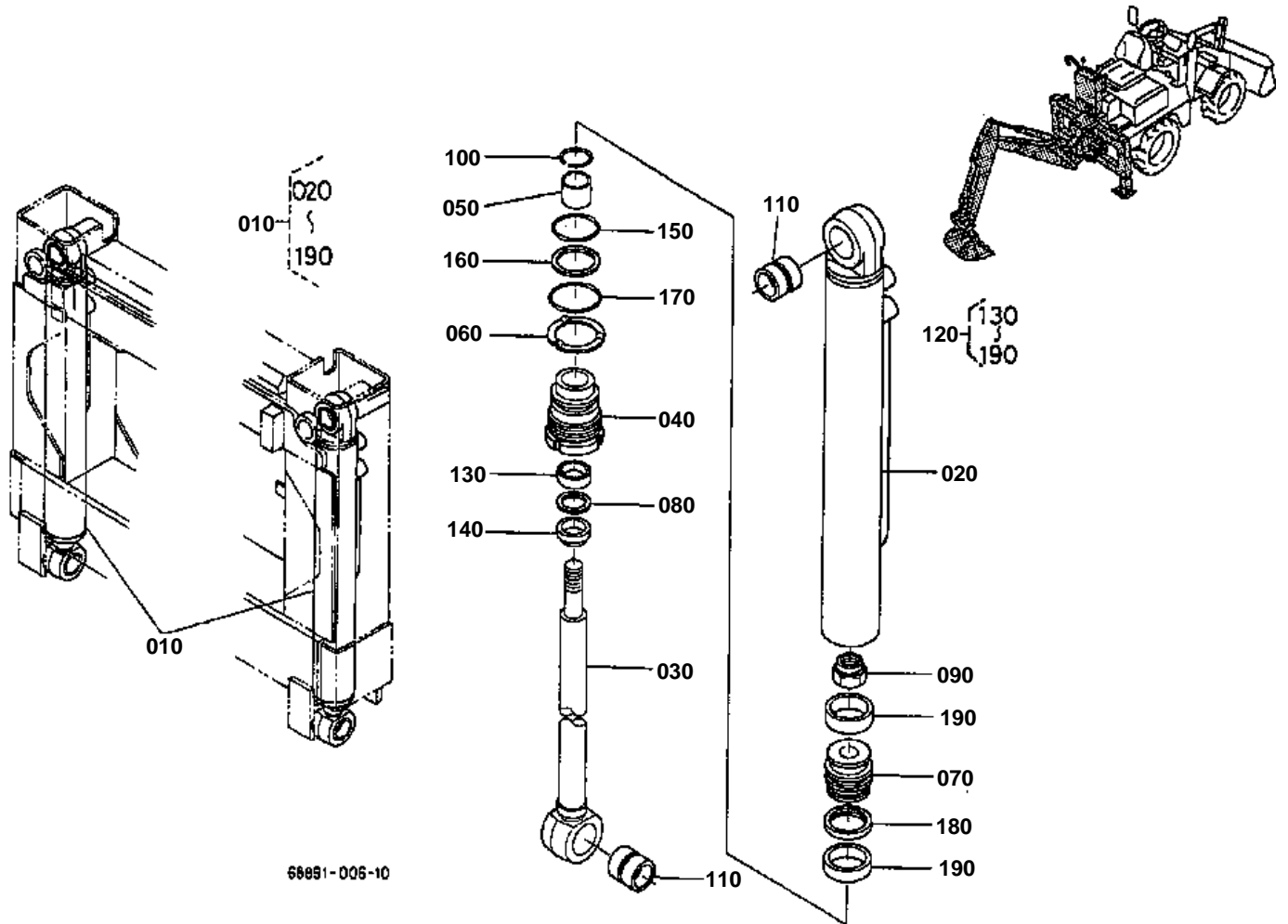


BUCKET
[KTA]

↔ Interchangeable; ≠ not interchangeable; ← new for old; → old for new

REF.No	Part No.	Description	Q'ty	S.No.	I/C	REMARKS	Weight (kgf)	Weight (lb)
010	68741-66910	PIN	1				1.91	4.202
020	06611-15010	NIPPLE GREASE	1				0.01	0.022
030	68741-66850	O RING	2				0.02	0.044
040	68741-66920	SPACER	1				0.01	0.022
050	01133-61225	BOLT	1				0.037	0.0814
060	04015-60120	WASHER PLAIN	1				0.022	0.0484
070	68741-66802	ASSY BUCKET	1				55	121
075	R2401-66310	BUCKET	1				51	112.2
080	68741-66980	CUTTER SIDE	2				1.08	2.376
090	RC101-66100	ASSY TEETH	3				2.4	5.28
100	RC101-66950	TEETH	3				1.9	4.18
110	68131-66930	SHIM	3			1.0mm	0.03	0.066
120	01138-51448	BOLT	6				0.078	0.1716
130	99999-99999	BLANK	0				0	0
140	68131-66920	NUT	3				0.14	0.308
150	69201-71390	SHIM	3			0.5mm	0.012	0.0264
150	68721-66880	SHIM	3			1.6mm	0.05	0.11
150	68721-66890	SHIM	3			3.2mm	0.09	0.198
160	68741-66860	SHIM	2			1.0mm	0.02	0.044
160	68741-66870	SHIM	2			1.6mm	0.02	0.044
170	68741-66880	SHIM	1			1.0mm	0.03	0.066
170	68741-66890	SHIM	1			1.6mm	0.04	0.088

OUT LIGGER CYLINDER



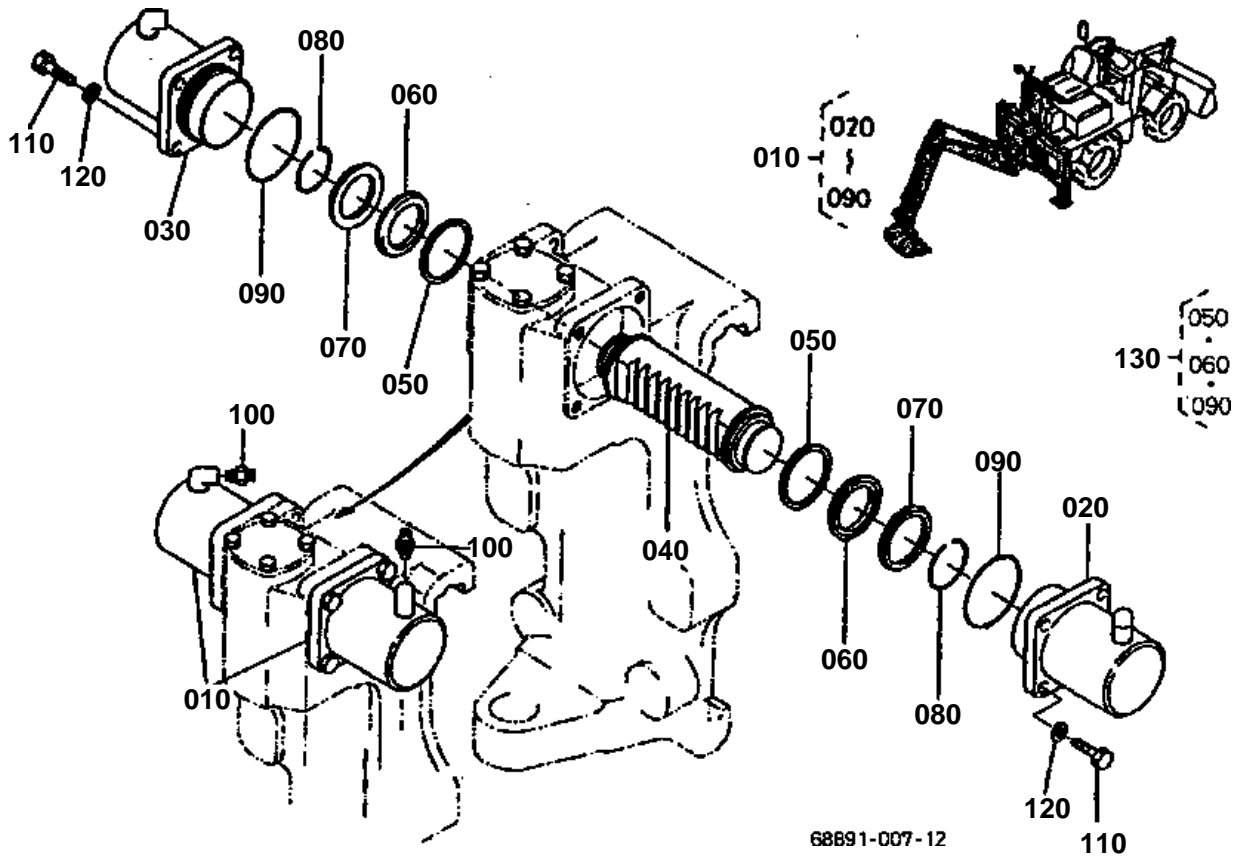


OUT LIGGER CYLINDER
[KCL KTA]

↔ Interchangeable; ≠ not interchangeable; ← new for old; → old for new

REF.No	Part No.	Description	Q'ty	S.No.	I/C	REMARKS	Weight (kgf)	Weight (lb)
010	R2411-67210	CYLINDER OUT RIGGER	2				0	0
020	R2411-93510	ASSY TUBE CYLINDER	2				0	0
030	R2411-93520	ASSY PISTON ROD	2				0	0
040	68841-93230	CYLINDER HEAD	2				0.53	1.166
050	68841-93240	BUSH	2				0.03	0.066
060	68811-93320	WASHER LOCK	2				0.002	0.0044
070	68811-93450	PISTON	2				0.4	0.88
080	68817-93320	SHIM SET	2				0.007	0.0154
090	68817-93310	NUT	2				0.04	0.088
100	68817-93330	SPLIT PIN 2X20	2				0.005	0.011
110	68811-93310	BUSH PIN	4				0.132	0.2904
120	68869-93500	KIT SEAL OUT RIGGER	2				0.06	0.132
130	68501-71540	U-RING	2				0.002	0.0044
140	68511-71440	RING WIPER	2				0.01	0.022
150	68811-93350	O RING	2				0.002	0.0044
160	68501-71560	RING BACK UP	2				0.002	0.0044
170	68841-93170	O RING	2				0.002	0.0044
180	68811-93380	ASSY RING SEAL	2				0.01	0.022
190	68811-93390	RING SLIDE	4				0.015	0.033

SWING CYLINDER



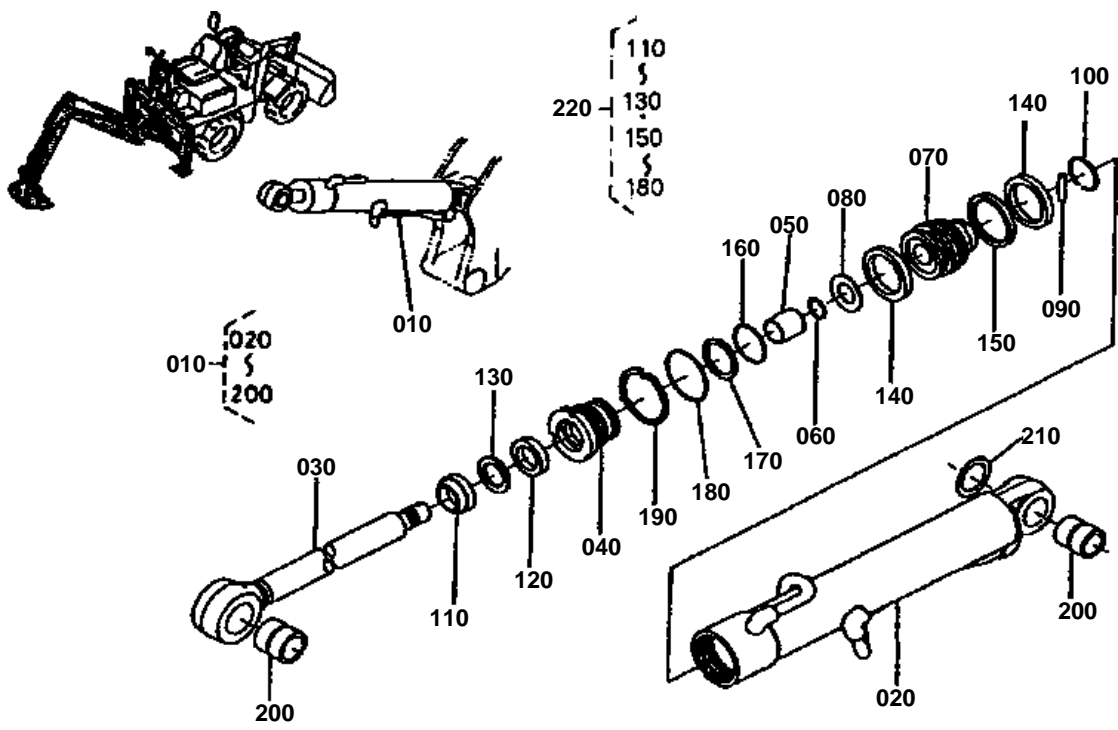


SWING CYLINDER
[KCL KTA]

↔ Interchangeable; ≠ not interchangeable; ← new for old; → old for new

REF.No	Part No.	Description	Q'ty	S.No.	I/C	REMARKS	Weight (kgf)	Weight (lb)
010	68811-67410	CYLINDER SWING G	1				31	68.2
020	68811-93210	ASSY TUBE CYLINDER	1				7.73	17.006
030	68811-93220	ASSY TUBE CYLINDER	1				7.75	17.05
040	68811-93230	ROD PISTON	1				14.4	31.68
050	68221-92260	PISTON RING	2				0.1	0.22
060	69201-91170	ASSY U-RING	2				0.04	0.088
070	68221-92290	HOLDER U-RING	2				0.135	0.297
080	68331-67260	STOPPER	2				0.007	0.0154
090	04810-51150	O RING	2				0.003	0.0066
100	06011-50823	JOINT PIPE	2				0.03	0.066
110	01173-61845	BOLT	8				0.123	0.2706
120	04512-60180	WASHER SPRING	8				0.02	0.044
130	68811-93040	KIT SEAL	1				0.28	0.616

BOOM CYLINDER



68891-008-12

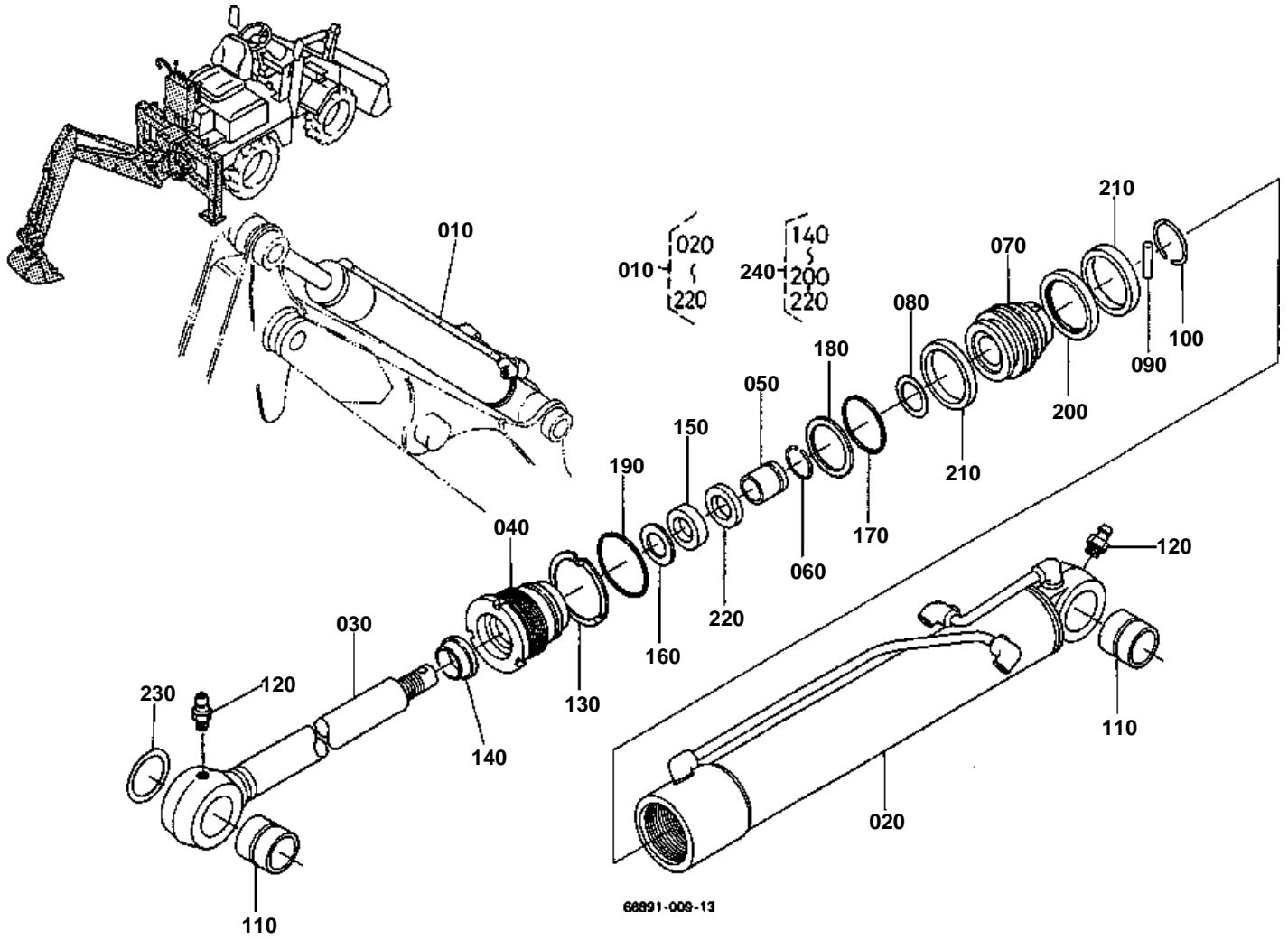


BOOM CYLINDER
[KCL KTA]

↔ Interchangeable; ≠ not interchangeable; ← new for old; → old for new

REF.No	Part No.	Description	Q'ty	S.No.	I/C	REMARKS	Weight (kgf)	Weight (lb)
010	68879-67510	CYLINDER BOOM	1				22.98	50.556
020	68817-93140	ASSY TUBE CYLINDER	1				10.7	23.54
030	68811-93150	ASSY PISTON ROD	1				8.7	19.14
040	68773-71130	CYLINDER HEAD	1				2.3	5.06
050	68021-71180	BUSH	1				0.065	0.143
060	68741-71470	RING SNAP	1				0.003	0.0066
070	68741-72510	PISTON	1				1.64	3.608
080	68741-71160	SHIM SET	1				0.01	0.022
090	05012-00450	PIN	1				0.005	0.011
100	68741-71360	RING SNAP	1				0.004	0.0088
110	68811-93130	RING WIPER	1				0.02	0.044
120	68741-71220	U-RING	1				0.01	0.022
130	68741-71230	RING BACK UP	1				0.03	0.066
140	68741-71450	RING SLIDE	2				0.03	0.066
150	68741-71440	ASSY RING SEAL	1				0.03	0.066
160	68021-71160	O RING	1				0.009	0.0198
170	68741-71430	RING BACK UP	1				0.003	0.0066
180	68741-71410	O RING	1				0.004	0.0088
190	68741-71380	WASHER LOCK	1				0.026	0.0572
200	68351-67660	BUSH PIN	2				0.262	0.5764
210	68131-67720	SHIM	1			1.0mm	0.024	0.0528
210	68131-67730	SHIM	1			1.6mm	0.036	0.0792
220	68811-93020	KIT SEAL	1				0.062	0.1364

ARM CYLINDER



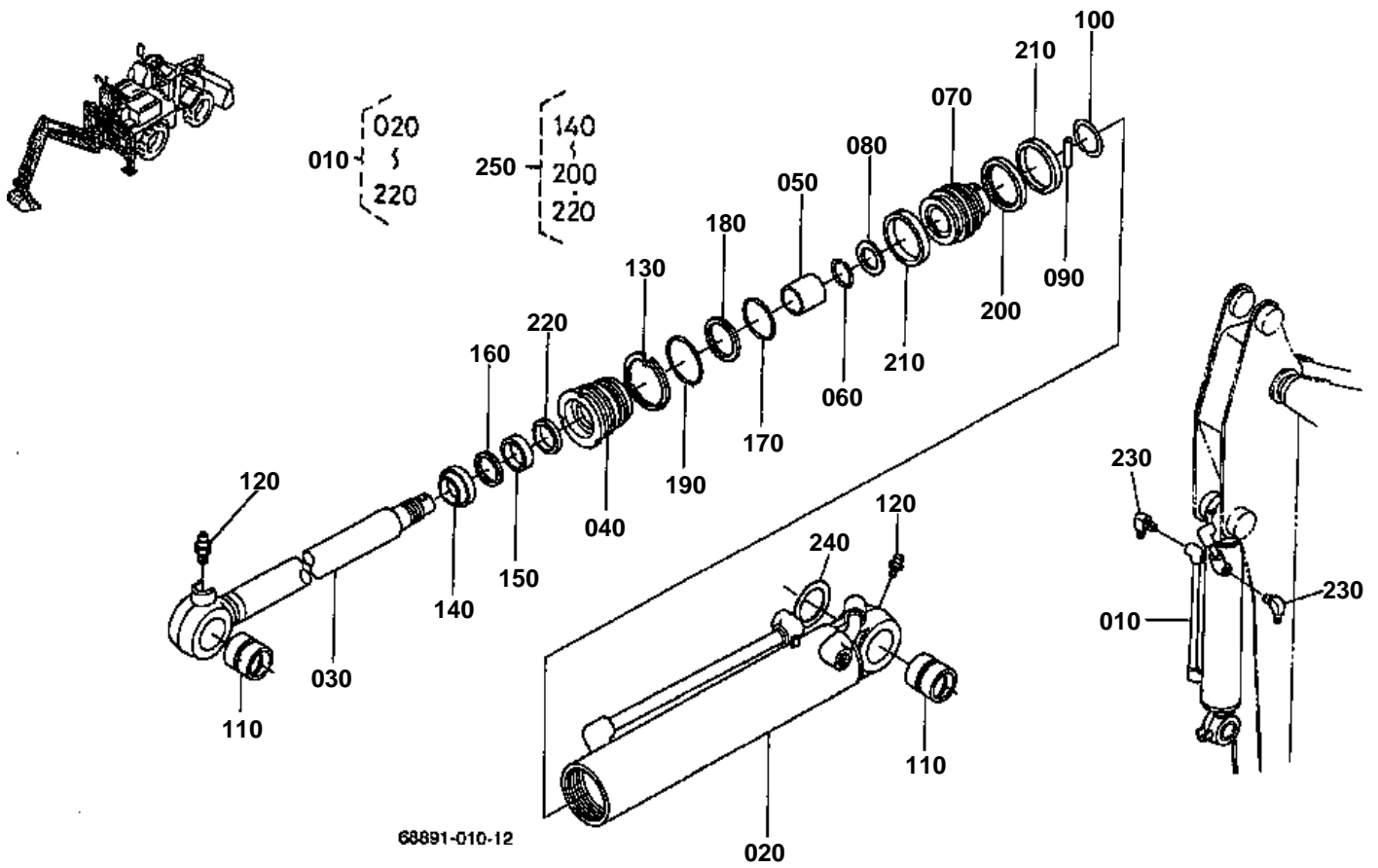


ARM CYLINDER
[KCL KTA]

↔ Interchangeable; ≠ not interchangeable; ← new for old; → old for new

REF.No	Part No.	Description	Q'ty	S.No.	I/C	REMARKS	Weight (kgf)	Weight (lb)
010	68879-67610	CYLINDER ARM	1				21.07	46.354
020	68811-93110	ASSY TUBE CYLINDER	1				10.7	23.54
030	68811-93120	ASSY PISTON ROD	1				7.6	16.72
040	68751-71530	CYLINDER HEAD	1				1.64	3.608
050	68021-71180	BUSH	1				0.065	0.143
060	68741-71470	RING SNAP	1				0.003	0.0066
070	68773-71750	PISTON	1				1.3	2.86
080	68741-71160	SHIM SET	1				0.01	0.022
090	68741-71770	PIN	1				0.005	0.011
100	68741-71780	RING SNAP	1				0.004	0.0088
110	68351-67660	BUSH PIN	2				0.262	0.5764
120	06611-15010	NIPPLE GREASE	2				0.01	0.022
130	68021-71150	WASHER LOCK	1				0.02	0.044
140	68811-93130	RING WIPER	1				0.02	0.044
150	68741-71220	U-RING	1				0.01	0.022
160	68741-71230	RING BACK UP	1				0.03	0.066
170	04810-00650	O RING	1				0.008	0.0176
180	68741-71830	RING BACK UP	1				0.002	0.0044
190	04810-50750	O RING	1				0.003	0.0066
200	68741-71840	ASSY RING SEAL	1				0.01	0.022
210	68741-71850	RING SLIDE	2				0.02	0.044
220	68741-71240	RING BAFA	1				0.01	0.022
230	68131-67720	SHIM	1			1.0mm	0.024	0.0528
230	68131-67730	SHIM	1			1.6mm	0.036	0.0792
240	68811-93010	KIT SEAL ARM	1				0.07	0.154

BUCKET CYLINDER

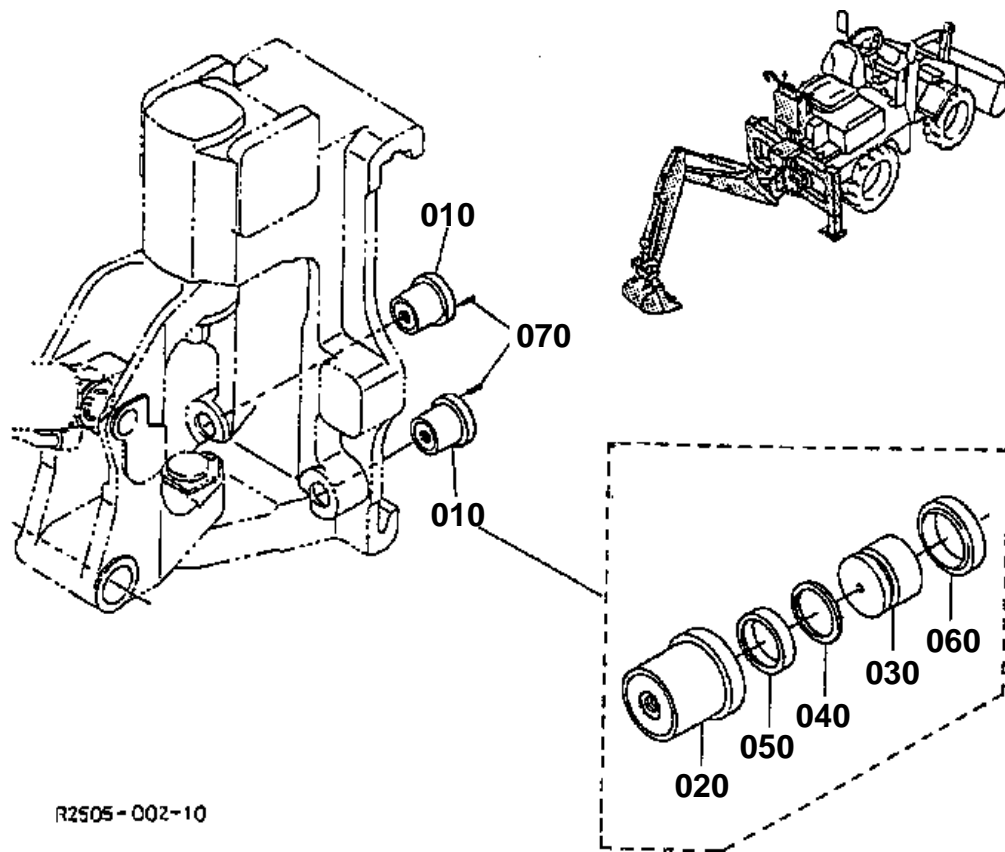




BUCKET CYLINDER
[KCL KTA]

↔ Interchangeable; ≠ not interchangeable; ← new for old; → old for new

REF.No	Part No.	Description	Q'ty	S.No.	I/C	REMARKS	Weight (kgf)	Weight (lb)
010	68879-67810	CYLINDER BUCKET	1				20.2	44.44
020	68817-93170	ASSY TUBE CYLINDER	1				10.9	23.98
030	68811-93180	ASSY PISTON ROD	1				6.4	14.08
040	68741-71130	CYLINDER HEAD	1				1.33	2.926
050	68021-71180	BUSH	1				0.065	0.143
060	68741-71470	RING SNAP	1				0.003	0.0066
070	68731-72610	PISTON	1				1.24	2.728
080	68741-71540	SHIM SET	1				0.007	0.0154
090	68741-71170	PIN	1				0.003	0.0066
100	68741-71180	RING SNAP	1				0.003	0.0066
110	68351-67660	BUSH PIN	2				0.262	0.5764
120	06611-15010	NIPPLE GREASE	2				0.01	0.022
130	68741-71190	WASHER LOCK	1				0.014	0.0308
140	68811-93130	RING WIPER	1				0.02	0.044
150	68741-71220	U-RING	1				0.01	0.022
160	68741-71230	RING BACK UP	1				0.03	0.066
170	68021-71460	O RING	1				0.008	0.0176
180	68741-71250	RING BACK UP	1				0.003	0.0066
190	04810-50700	O RING	1				0.002	0.0044
200	68741-71270	ASSY RING SEAL	1				0.01	0.022
210	68741-71280	RING SLIDE	2				0.03	0.066
220	68741-71240	RING BAFA	1				0.01	0.022
230	06114-53031	JOINT	2				0.085	0.187
240	68131-67720	SHIM	1			1.0mm	0.024	0.0528
240	68131-67730	SHIM	1			1.6mm	0.036	0.0792
250	68811-93030	KIT SEAL BUCKET CYL.	1				0.068	0.1496



R2505-002-10

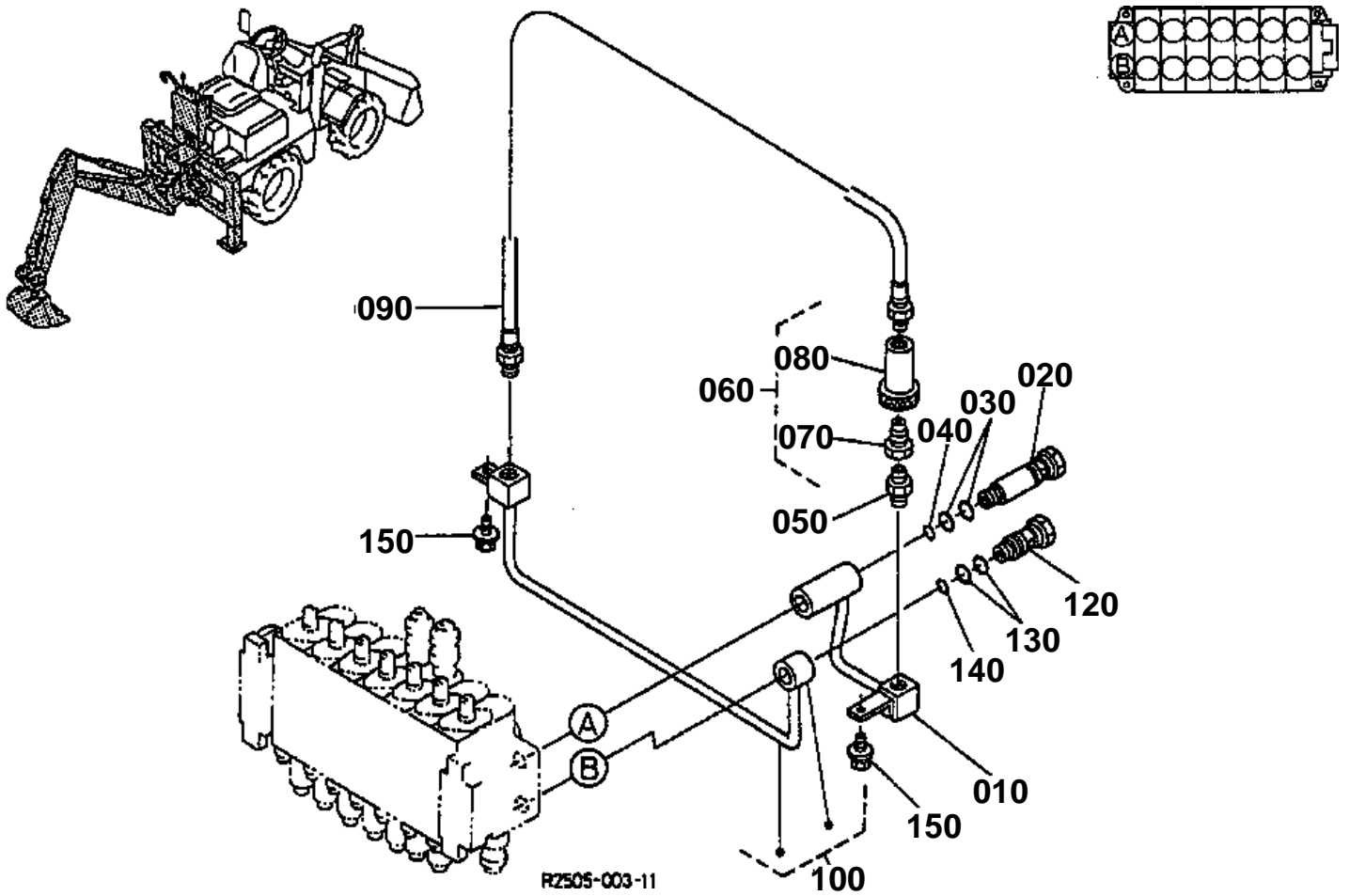


SLIDE LOCK CYLINDER
[KCL KTA]

↔ Interchangeable; ≠ not interchangeable; ← new for old; → old for new

REF.No	Part No.	Description	Q'ty	S.No.	I/C	REMARKS	Weight (kgf)	Weight (lb)
010	68817-67313	CYLINDER LOCK	2				1.4	3.08
020	68817-94740	COMP.TUBE CYLINDER	2				0.7	1.54
030	68811-94750	ROD PISTON	2				0.67	1.474
040	68811-94760	RING BACK UP	2				0.005	0.011
050	68811-94770	GASKET	2				0.01	0.022
060	68817-94780	SCRAPER	2				0.02	0.044
070	05411-00420	PIN SPRING	2				0.001	0.0022

OIL PIPING QUICK COUPLER



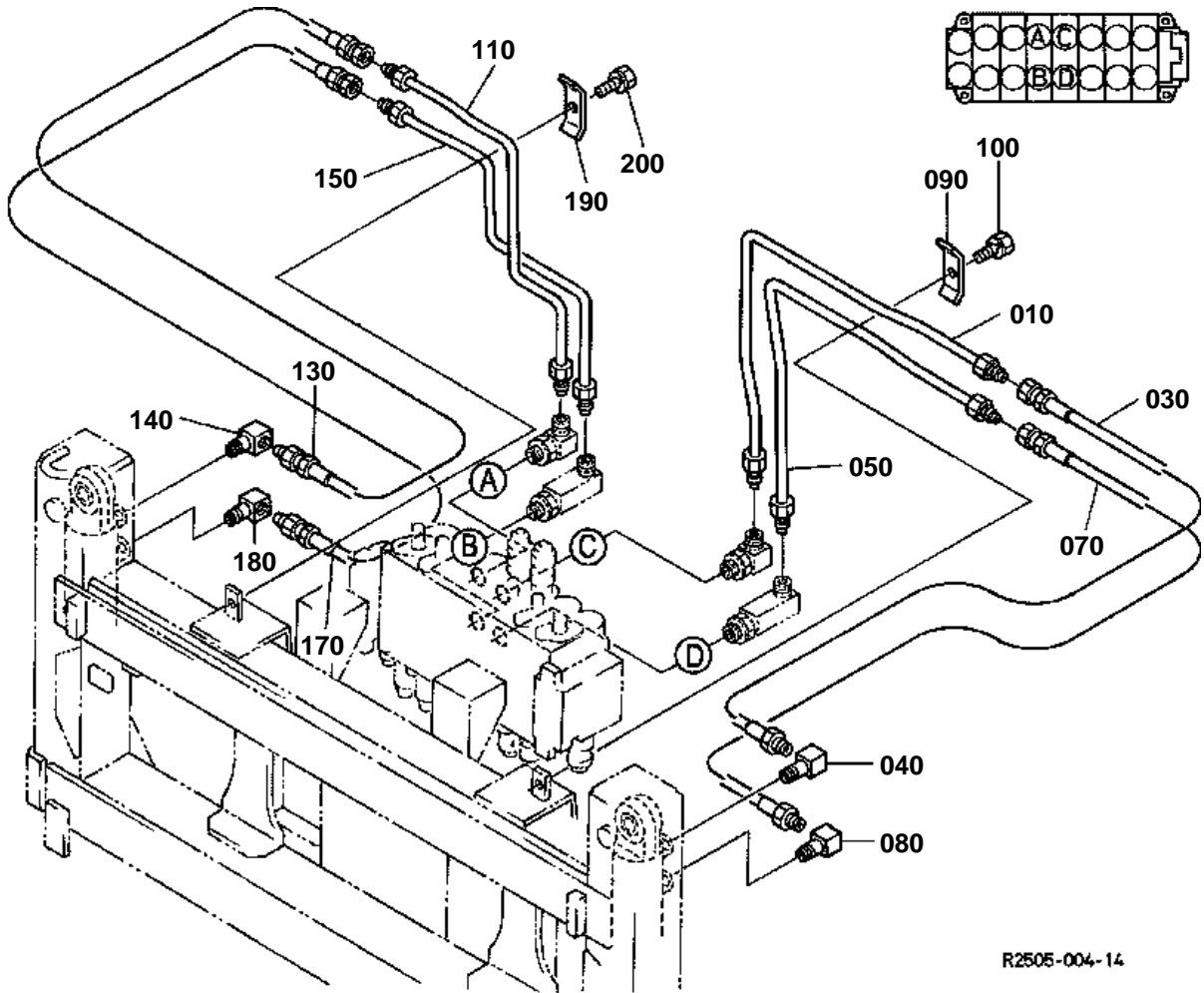


OIL PIPING QUICK COUPLER
[KCL KTA]

↔ Interchangeable; ≠ not interchangeable; ← new for old; → old for new

REF.No	Part No.	Description	Q'ty	S.No.	I/C	REMARKS	Weight (kgf)	Weight (lb)
010	R2401-68110	PIPE	1				0.878	1.9316
020	68811-68130	BOLT JOINT	1				0.3	0.66
030	04817-00220	O RING	2				0.001	0.0022
040	04817-00180	O RING	1				0.003	0.0066
050	R1401-68460	JOINT PIPE	1				0.085	0.187
060	68817-68100	ASSY COUPLER	1				0.46	1.012
070	70765-62870	COUPLER MALE	1				0.08	0.176
080	68817-68120	COUPLER FEMALE	1				0.39	0.858
090	R2401-68122	HOSE	1				0.76	1.672
100	R2401-68210	PIPE T	1				0.826	1.8172
110	99999-99999	BLANK	0				0	0
120	68051-63660	BOLT	1				0.145	0.319
130	04817-00220	O RING	2				0.001	0.0022
140	04817-00180	O RING	1				0.003	0.0066
150	01135-61025	BOLT	2				0.04	0.088

OIL PIPING OUT LIGGER



R2505-004-14

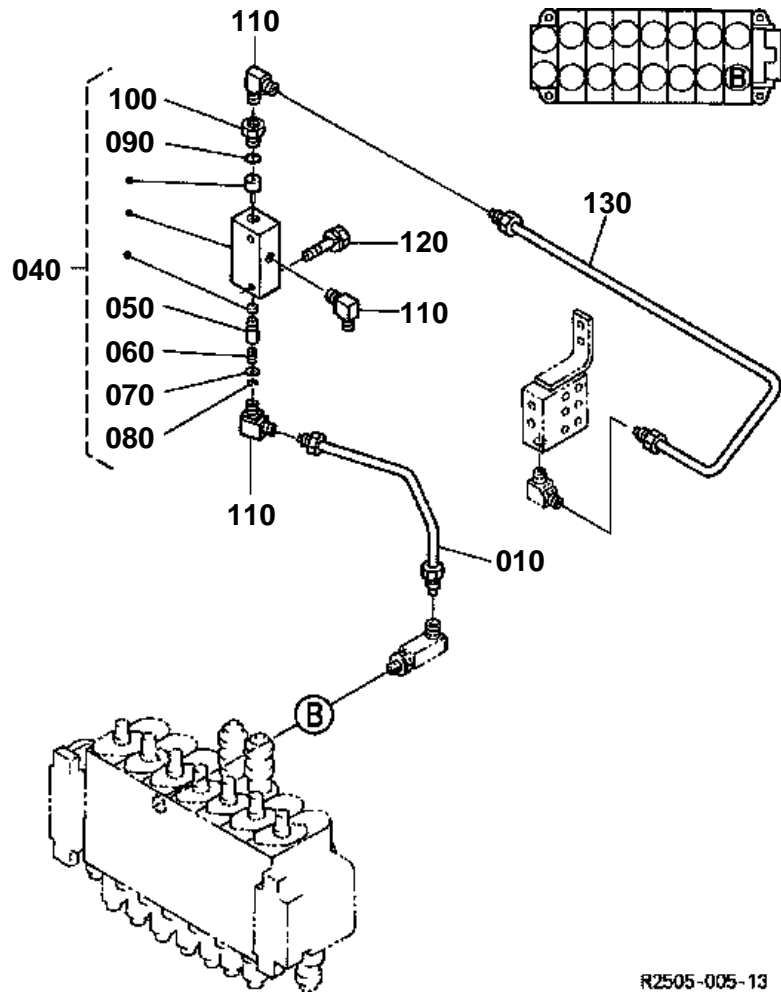


OIL PIPING OUT LIGGER
[KCL KTA]

↔ Interchangeable; ≠ not interchangeable; ← new for old; → old for new

REF.No	Part No.	Description	Q'ty	S.No.	I/C	REMARKS	Weight (kgf)	Weight (lb)
010	R2401-68313	PIPE RLH	1				0.41	0.902
020	99999-99999	BLANK	0				0	0
030	68849-68362	HOSE	1				0.165	0.363
040	68849-68390	ELBOW	1				0.11	0.242
050	R2401-68323	PIPE RLL	1				0.5	1.1
060	99999-99999	BLANK	0				0	0
070	68849-68362	HOSE	1				0.165	0.363
080	68849-68390	ELBOW	1				0.11	0.242
090	R2411-68350	CLAMP	1				0.05	0.11
100	01123-60825	BOLT	1				0.012	0.0264
110	R2401-68333	PIPE RRH	1				0.39	0.858
120	99999-99999	BLANK	0				0	0
130	68849-68362	HOSE	1				0.165	0.363
140	68849-68390	ELBOW	1				0.11	0.242
150	R2401-68343	PIPE RRL	1				0.36	0.792
160	99999-99999	BLANK	0				0	0
170	68849-68362	HOSE	1				0.165	0.363
180	68849-68390	ELBOW	1				0.11	0.242
190	R2411-68350	CLAMP	1				0.05	0.11
200	01123-60825	BOLT	1				0.012	0.0264

OIL PIPING SLIDE LOCK 1



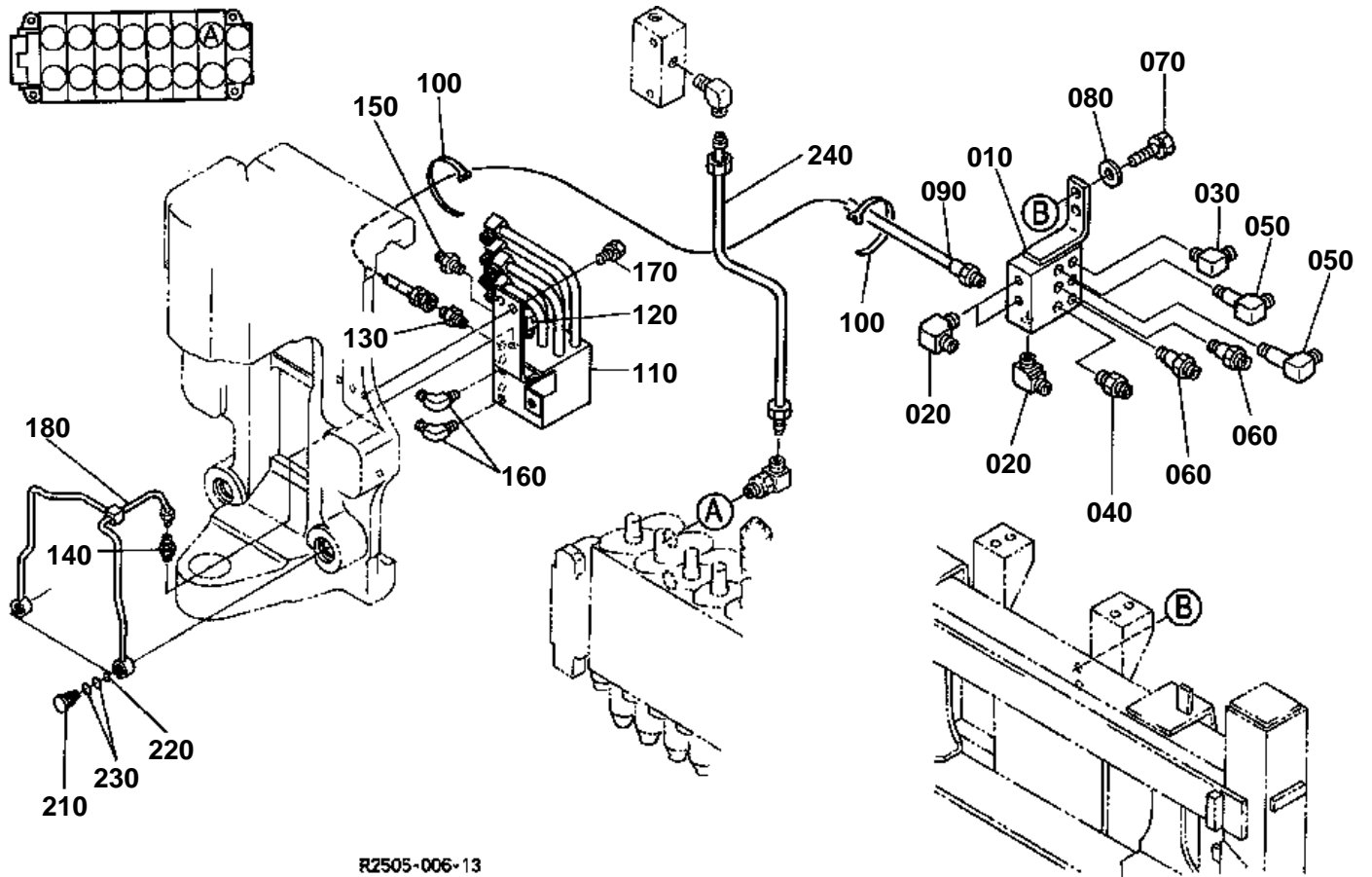
R2505-005-13



OIL PIPING SLIDE LOCK 1
[KCL KTA]

↔ Interchangeable; ≠ not interchangeable; ← new for old; → old for new

REF.No	Part No.	Description	Q'ty	S.No.	I/C	REMARKS	Weight (kgf)	Weight (lb)
010	R2401-68423	PIPE L-L	1				0.2	0.44
020	99999-99999	BLANK	0				0	0
030	99999-99999	BLANK	0				0	0
040	68811-68410	VALVE OPERATE CHECK	1				1.26	2.772
050	68811-94190	VALVE	1				0.002	0.0044
060	68811-94210	SPRING	1				0.001	0.0022
070	68811-94220	SEAT SPRING	1				0.001	0.0022
080	68811-94230	STOP RING	1				0.001	0.0022
090	68811-94240	O RING	1				0.002	0.0044
100	68811-94250	CAP	1				0.07	0.154
110	06014-51233	JOINT	3				0.07	0.154
120	01123-60850	BOLT	2				0.03	0.066
130	R2401-68433	PIPE L-M	1				0.4	0.88



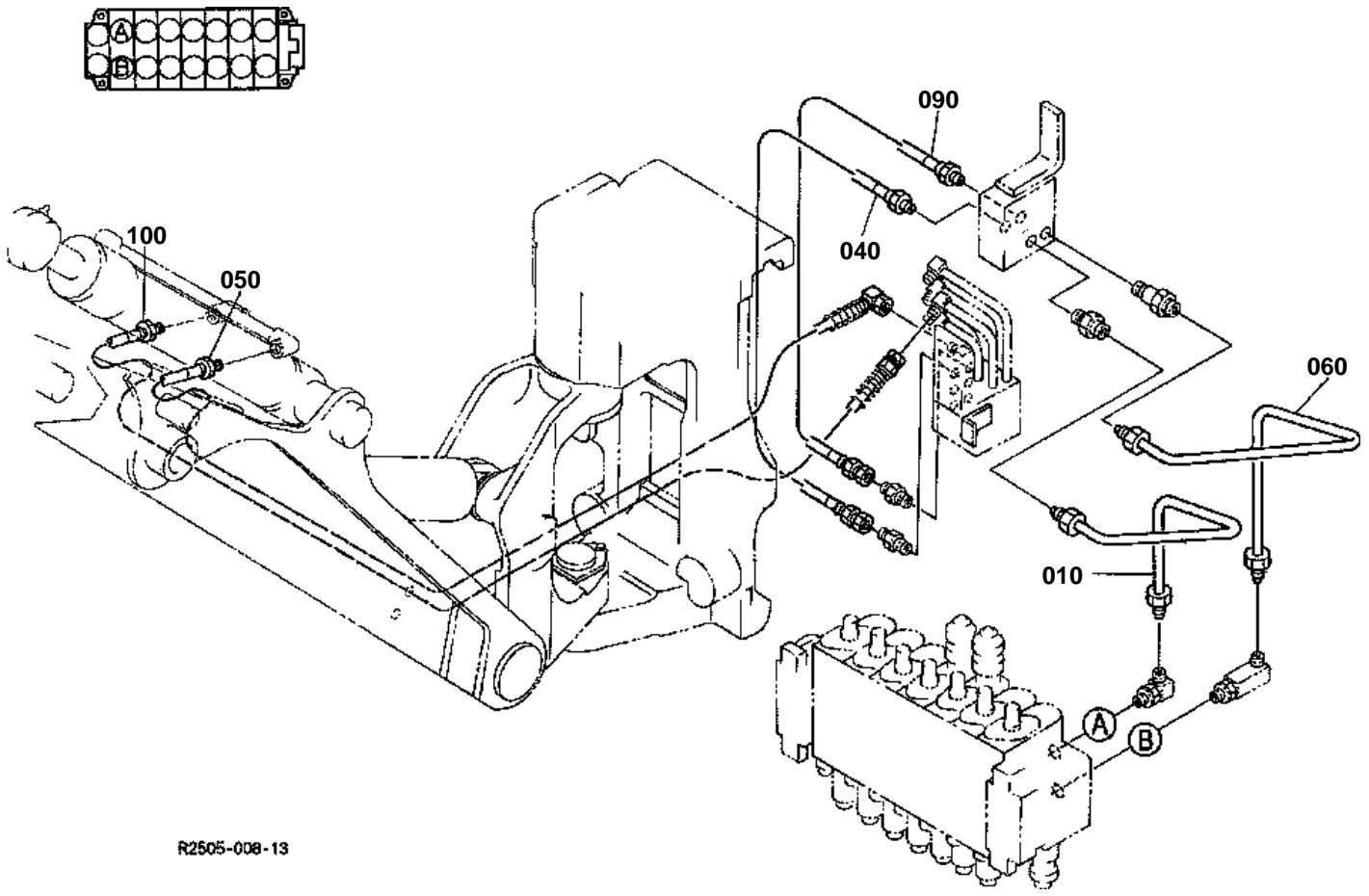
RZ505-006-13



OIL PIPING SLIDE LOCK 2
[KCL KTA]

↔ Interchangeable; ≠ not interchangeable; ← new for old; → old for new

REF.No	Part No.	Description	Q'ty	S.No.	I/C	REMARKS	Weight (kgf)	Weight (lb)
010	R2411-68440	JOINT PIPE	1				2.61	5.742
020	06014-51223	JOINT	3				0.06	0.132
030	06014-51233	JOINT	1				0.07	0.154
040	06011-51233	JOINT PIPE	1				0.03	0.066
050	R1401-68472	JOINT	2				0.12	0.264
060	R2401-68490	JOINT PIPE	2				0.058	0.1276
070	01133-61025	BOLT	2				0.02	0.044
080	04015-60100	WASHER PLAIN	2				0.015	0.033
090	68817-68450	HOSE	1				0.23	0.506
100	68811-68570	CLAMP HOSE	2				0.09	0.198
110	R2411-68470	JOINT PIPE	1				0	0
120	06114-53031	JOINT	1				0.085	0.187
130	06111-52021	JOINT PIPE	3				0.035	0.077
140	06011-50823	JOINT PIPE	1				0.03	0.066
150	06111-53031	JOINT PIPE	6				0.05	0.11
160	06014-50823	JOINT	2				0.05	0.11
170	01133-61020	BOLT	3				0.02	0.044
180	68817-68915	PIPE HYDRAULIC	1				0.3	0.66
190	99999-99999	BLANK	0				0	0
200	99999-99999	BLANK	0				0	0
210	68817-68930	BOLT JOINT	2				0.04	0.088
220	04817-00110	O RING	2				0.001	0.0022
230	04811-10160	O RING	4				0.001	0.0022
240	R2401-68463	PIPE L-H	1				0.15	0.33



R2505-008-13

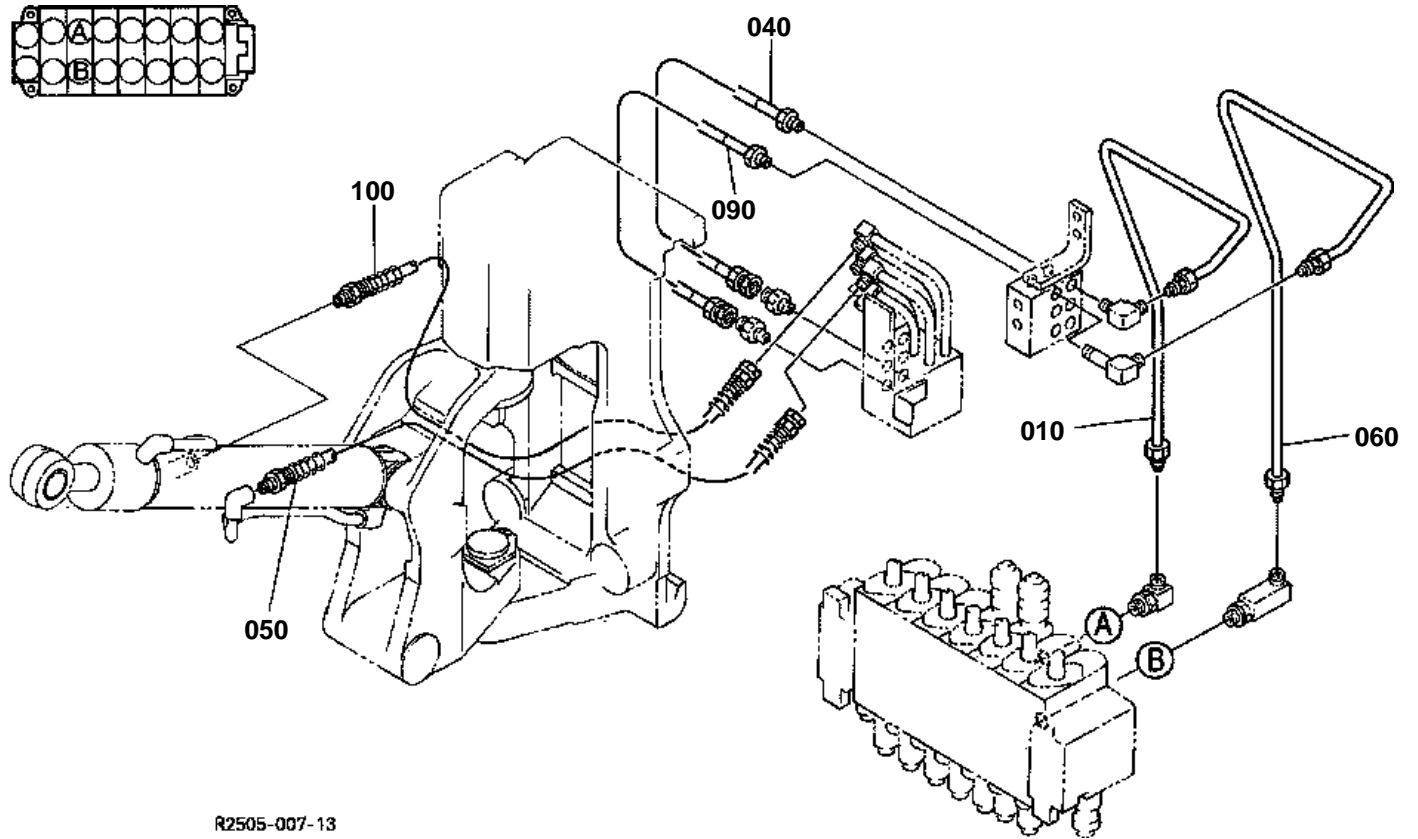


OIL PIPING BOOM
[KCL KTA]

↔ Interchangeable; ≠ not interchangeable; ← new for old; → old for new

REF.No	Part No.	Description	Q'ty	S.No.	I/C	REMARKS	Weight (kgf)	Weight (lb)
010	R2401-68963	PIPE A-H	1				0.2	0.44
020	99999-99999	BLANK	0				0	0
030	99999-99999	BLANK	0				0	0
040	68817-68630	HOSE	1				0.35	0.77
050	68817-68640	HOSE	1				1.62	3.564
060	R2401-68973	PIPE A-L	1				0.2	0.44
070	99999-99999	BLANK	0				0	0
080	99999-99999	BLANK	0				0	0
090	68817-68630	HOSE	1				0.35	0.77
100	68817-68650	HOSE	1				1.57	3.454

OIL PIPING ARM



R2505-007-13

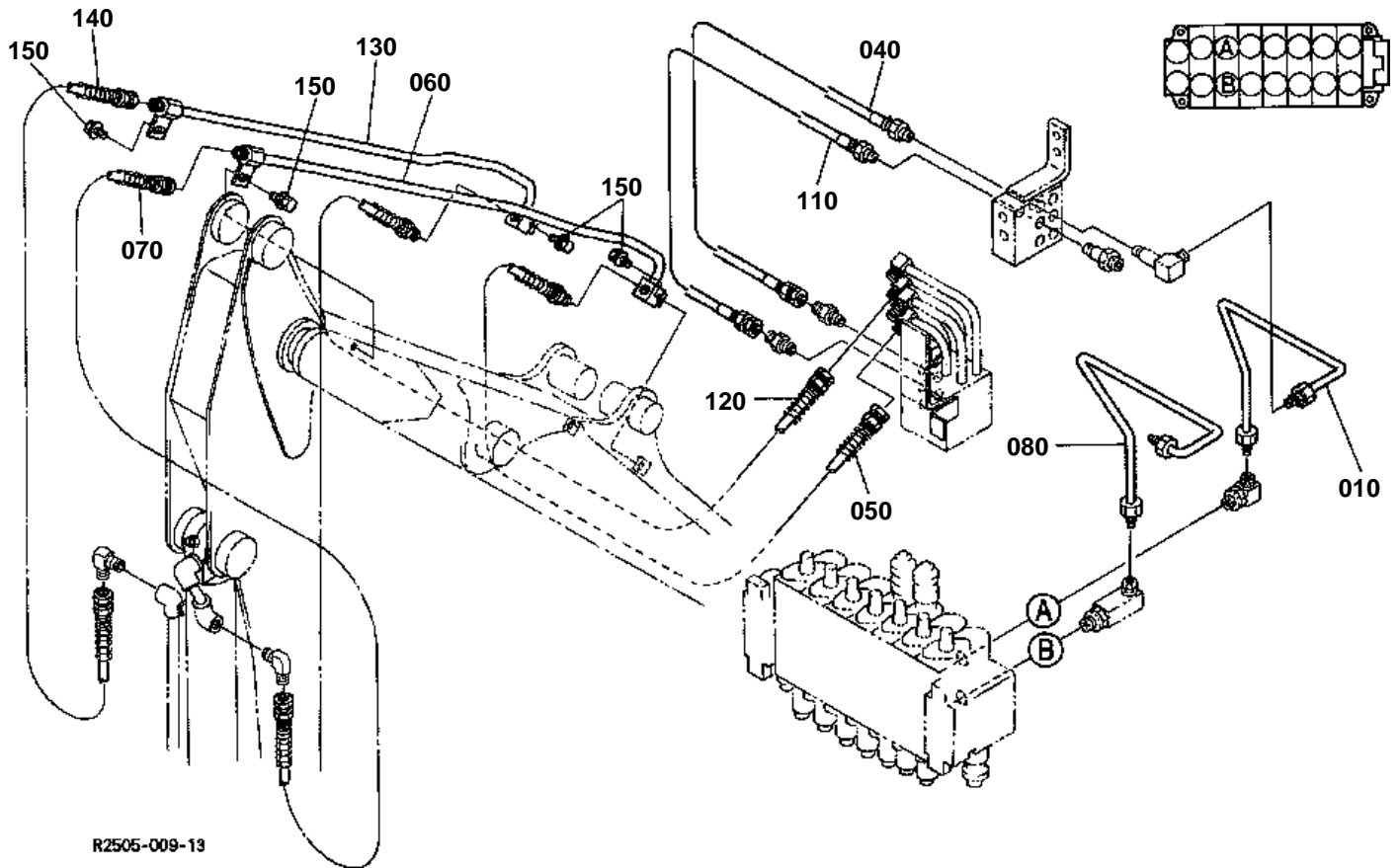


OIL PIPING ARM
[KCL KTA]

↔ Interchangeable; ≠ not interchangeable; ← new for old; → old for new

REF.No	Part No.	Description	Q'ty	S.No.	I/C	REMARKS	Weight (kgf)	Weight (lb)
010	R2401-68943	PIPE B-H	1				0.2	0.44
020	99999-99999	BLANK	0				0	0
030	99999-99999	BLANK	0				0	0
040	68817-68540	HOSE	1				0.37	0.814
050	68817-68550	HOSE	1				1.05	2.31
060	R2401-68953	PIPE B-L	1				0.2	0.44
070	99999-99999	BLANK	0				0	0
080	99999-99999	BLANK	0				0	0
090	68817-68540	HOSE	1				0.37	0.814
100	68817-68560	HOSE	1				1	2.2

OIL PIPING BUCKET



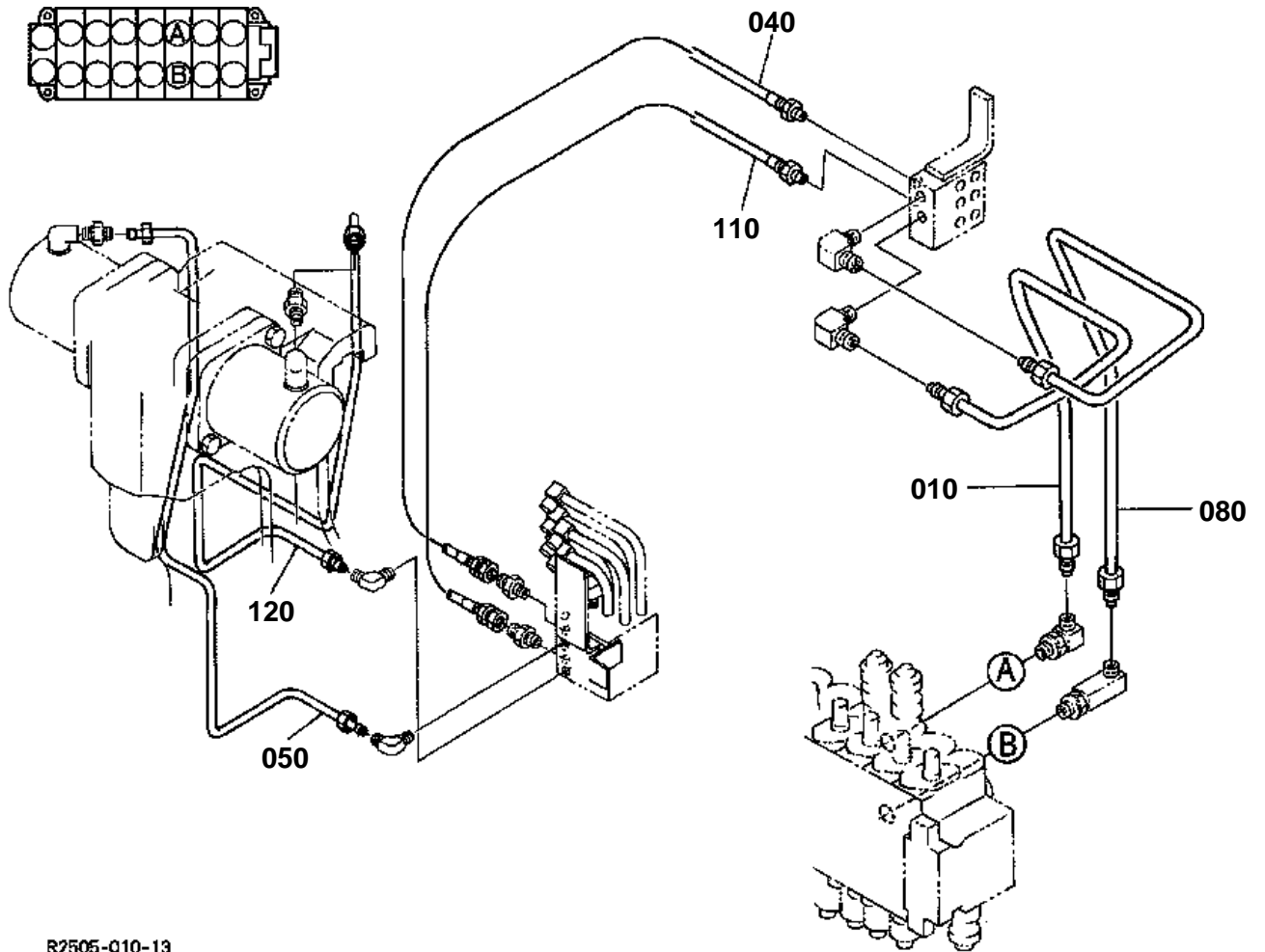
R2505-009-13



OIL PIPING BUCKET
[KCL KTA]

↔ Interchangeable; ≠ not interchangeable; ← new for old; → old for new

REF.No	Part No.	Description	Q'ty	S.No.	I/C	REMARKS	Weight (kgf)	Weight (lb)
010	R2401-68813	PIPE BKH	1				0.2	0.44
020	99999-99999	BLANK	0				0	0
030	99999-99999	BLANK	0				0	0
040	68817-68830	HOSE	1				0.35	0.77
050	68817-68840	HOSE	1				1.42	3.124
060	68817-68850	PIPE HYDRAULIC	1				0.61	1.342
070	68817-68860	HOSE	1				0.65	1.43
080	R2401-68823	PIPE BKL	1				0.2	0.44
090	99999-99999	BLANK	0				0	0
100	99999-99999	BLANK	0				0	0
110	68817-68830	HOSE	1				0.35	0.77
120	68817-68880	HOSE	1				1.47	3.234
130	68817-68870	PIPE HYDRAULIC	1				0.61	1.342
140	68817-68860	HOSE	1				0.65	1.43
150	01125-60816	BOLT	4				0.01	0.022



R2505-010-13

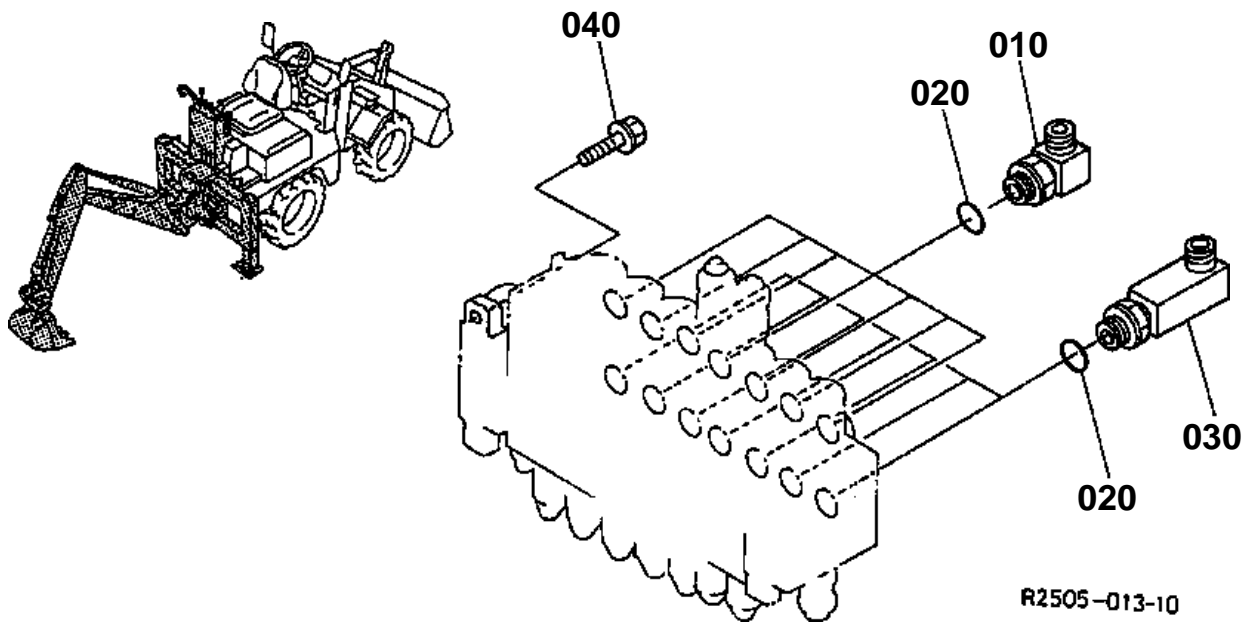


OIL PIPING SWING
[KCL KTA]

↔ Interchangeable; ≠ not interchangeable; ← new for old; → old for new

REF.No	Part No.	Description	Q'ty	S.No.	I/C	REMARKS	Weight (kgf)	Weight (lb)
010	R2401-68983	PIPE S-H	1				0.4	0.88
020	99999-99999	BLANK	0				0	0
030	99999-99999	BLANK	0				0	0
040	68817-68720	HOSE	1				0.23	0.506
050	68817-68764	PIPE HYDRAULIC	1				0.2	0.44
060	99999-99999	BLANK	0				0	0
070	99999-99999	BLANK	0				0	0
080	R2401-68993	PIPE S-L	1				0.4	0.88
090	99999-99999	BLANK	0				0	0
100	99999-99999	BLANK	0				0	0
110	68817-68750	HOSE	1				0.25	0.55
120	68817-68734	PIPE HYDRAULIC	1				0.208	0.4576

CONTROL VALVE



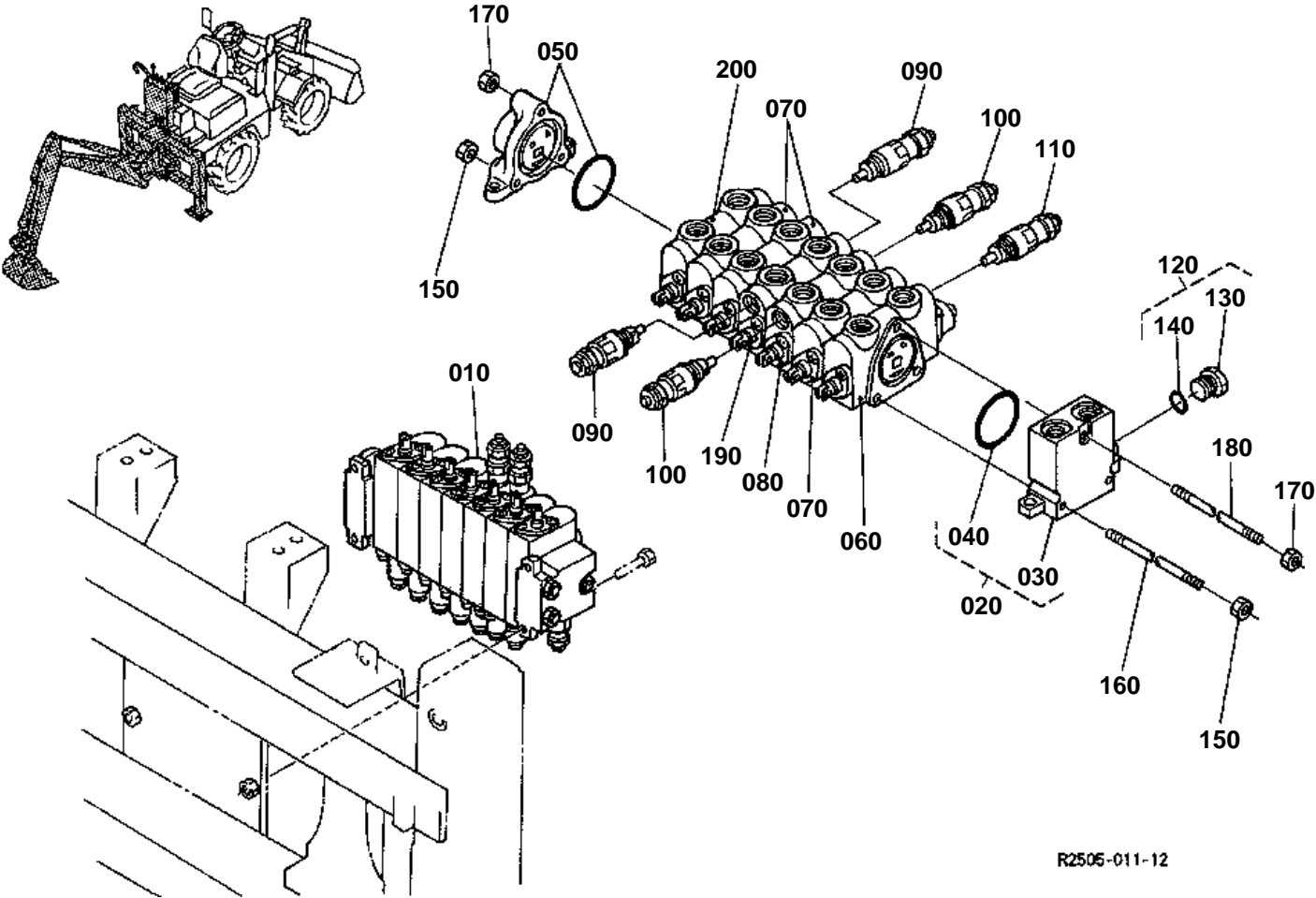


CONTROL VALVE
[KCL KTA]

↔ Interchangeable; ≠ not interchangeable; ← new for old; → old for new

REF.No	Part No.	Description	Q'ty	S.No.	I/C	REMARKS	Weight (kgf)	Weight (lb)
010	R2401-68510	JOINT ELBOW R	7				0.145	0.319
020	04810-00180	O RING	14				0	0
030	R2401-68520	JOINT ELBOW L	7				0.233	0.5126
040	01133-61025	BOLT	4				0.02	0.044

CONTROL VALVE (COMPONENT PARTS)



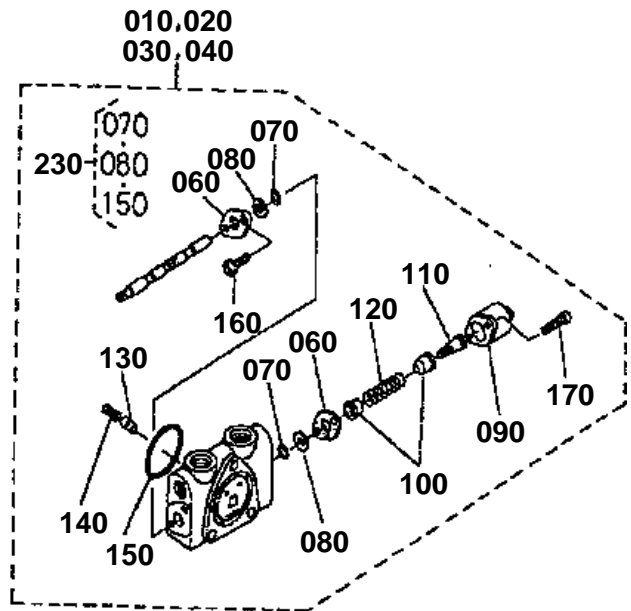
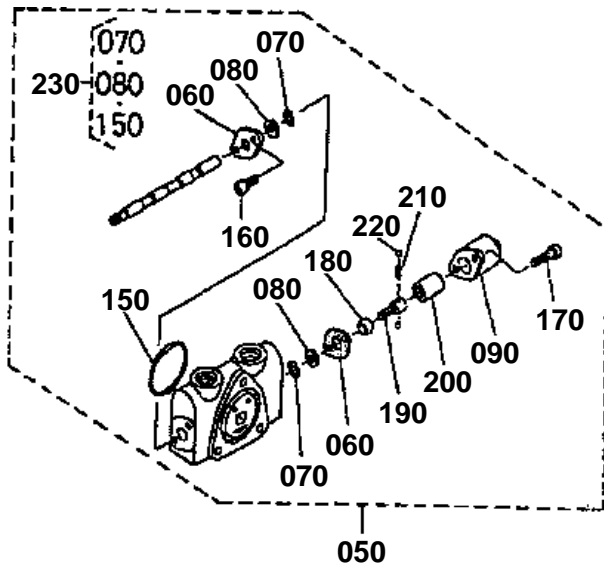


CONTROL VALVE (COMPONENT PARTS)
[KCL KTA]

↔ Interchangeable; ≠ not interchangeable; ← new for old; → old for new

REF.No	Part No.	Description	Q'ty	S.No.	I/C	REMARKS	Weight (kgf)	Weight (lb)
010	R2401-69110	ASSY VALVE CONTROL	1				20	44
020	68811-93930	ASSY SECTION INLET	1				1.6	3.52
030	68811-94260	HOUSING INLET	1				0.16	0.352
040	68021-81330	O RING	1				0.003	0.0066
050	68131-65020	OUTLET SECTION ASSY	1				1.15	2.53
060	R2401-94310	ASSY VALVE SECTION	1				2.28	5.016
070	68811-93873	ASSY VALVE SECTION	3				2.5	5.5
080	68811-93843	ASSY VALVE SECTION	1				2.222	4.8884
090	68811-93960	ASSY VALVE RELIEFPOR	2				0.21	0.462
100	68811-93970	ASSY VALVE RELIEFPOR	2				0.21	0.462
110	68811-93980	ASSY VALVE RELIEFPOR	1				0.22	0.484
120	68811-93952	ASSY PLUG	1				0.041	0.0902
130	68811-95340	PLUG	1				0.04	0.088
140	68741-70560	O RING	1				0.001	0.0022
150	68021-81370	NUT	4				0.005	0.011
160	68241-61360	ROD TIE	2				0.14	0.308
170	68021-81380	NUT	2				0.01	0.022
180	68241-61350	ROD TIE	1				0.2	0.44
190	68811-93853	ASSY VALVE SECTION	1				2.3	5.06
200	68811-93893	ASSY VALVE SECTION	1				2.4	5.28

CONTROL VALVE SPOOL SECTION



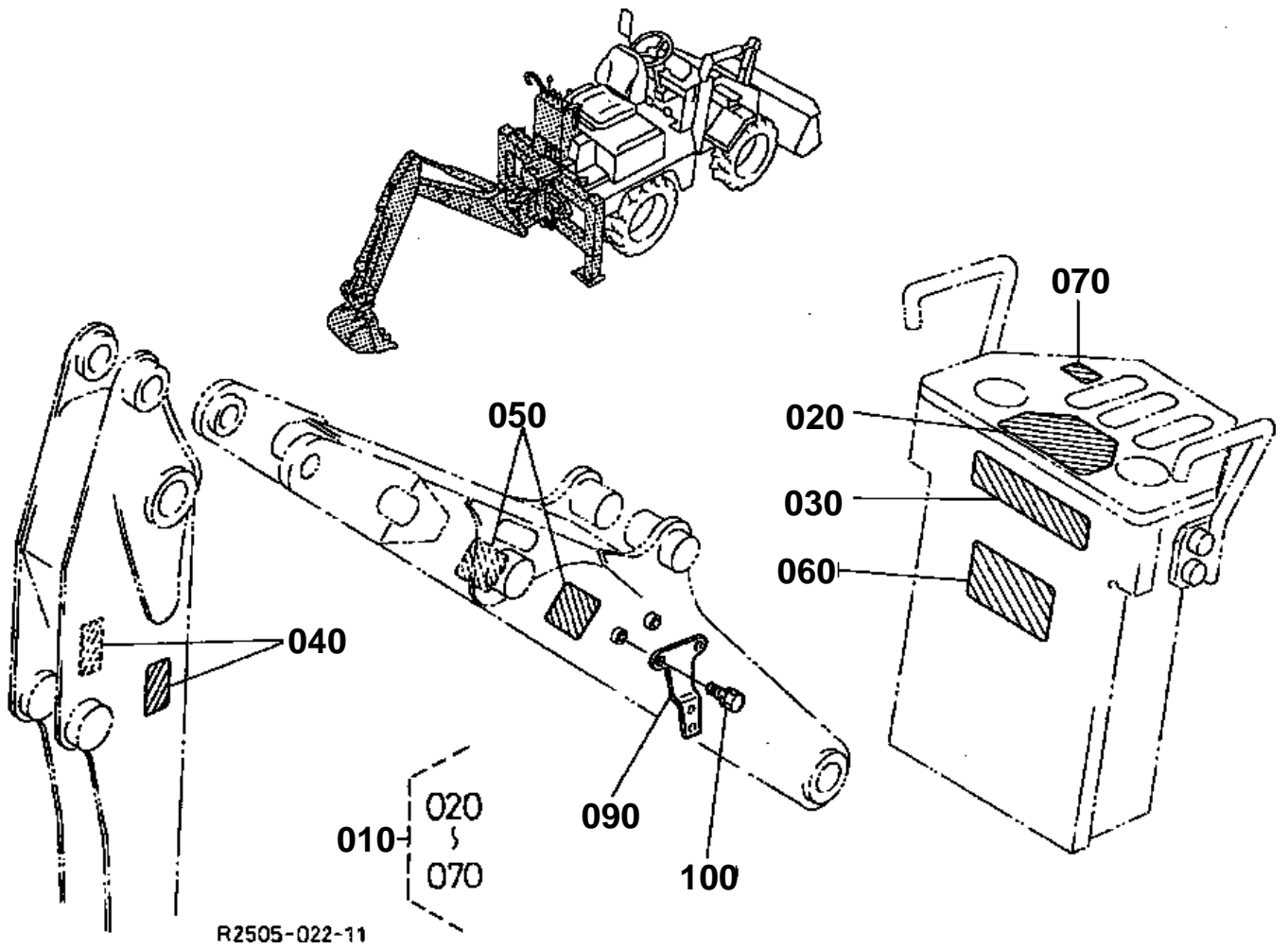
R2505-012-12



CONTROL VALVE SPOOL SECTION
[KCL KTA]

↔ Interchangeable; ≠ not interchangeable; ← new for old; → old for new

REF.No	Part No.	Description	Q'ty	S.No.	I/C	REMARKS	Weight (kgf)	Weight (lb)
010	68811-93843	ASSY VALVE SECTION	1				2.222	4.8884
020	68811-93873	ASSY VALVE SECTION	3				2.5	5.5
030	68811-93853	ASSY VALVE SECTION	1				2.3	5.06
040	R2401-94310	ASSY VALVE SECTION	1				2.28	5.016
050	68811-93893	ASSY VALVE SECTION	1				2.4	5.28
060	68021-81510	PLATE SEAL	2				0.012	0.0264
070	68131-65180	O RING	2				0.001	0.0022
080	68021-81460	WIPER	2				0.001	0.0022
090	68021-81520	CAP	1				0.03	0.066
100	68021-81470	SEAT SPRING	2				0.005	0.011
110	68021-81480	SCREW CAP	1				0.01	0.022
120	68741-70520	SPRING	1				0.01	0.022
130	68021-81430	POPPET	1				0.005	0.011
140	68021-81440	SPRING	1				0.002	0.0044
150	68021-81330	O RING	1				0.003	0.0066
160	03004-50610	SCREW WITH WASHER	2				0.004	0.0088
170	68741-70530	BOLT SOCKET HEAD	2				0.005	0.011
180	68811-94420	SPACER	1				0.001	0.0022
190	68811-94430	PIN	1				0.02	0.044
200	68811-94440	SLEEVE	1				0.03	0.066
210	68811-94450	SPRING	1				0.001	0.0022
220	68811-94460	BALL STAINLESS	2				0.001	0.0022
230	68811-93600	KIT SEAL	1				0.004	0.0088



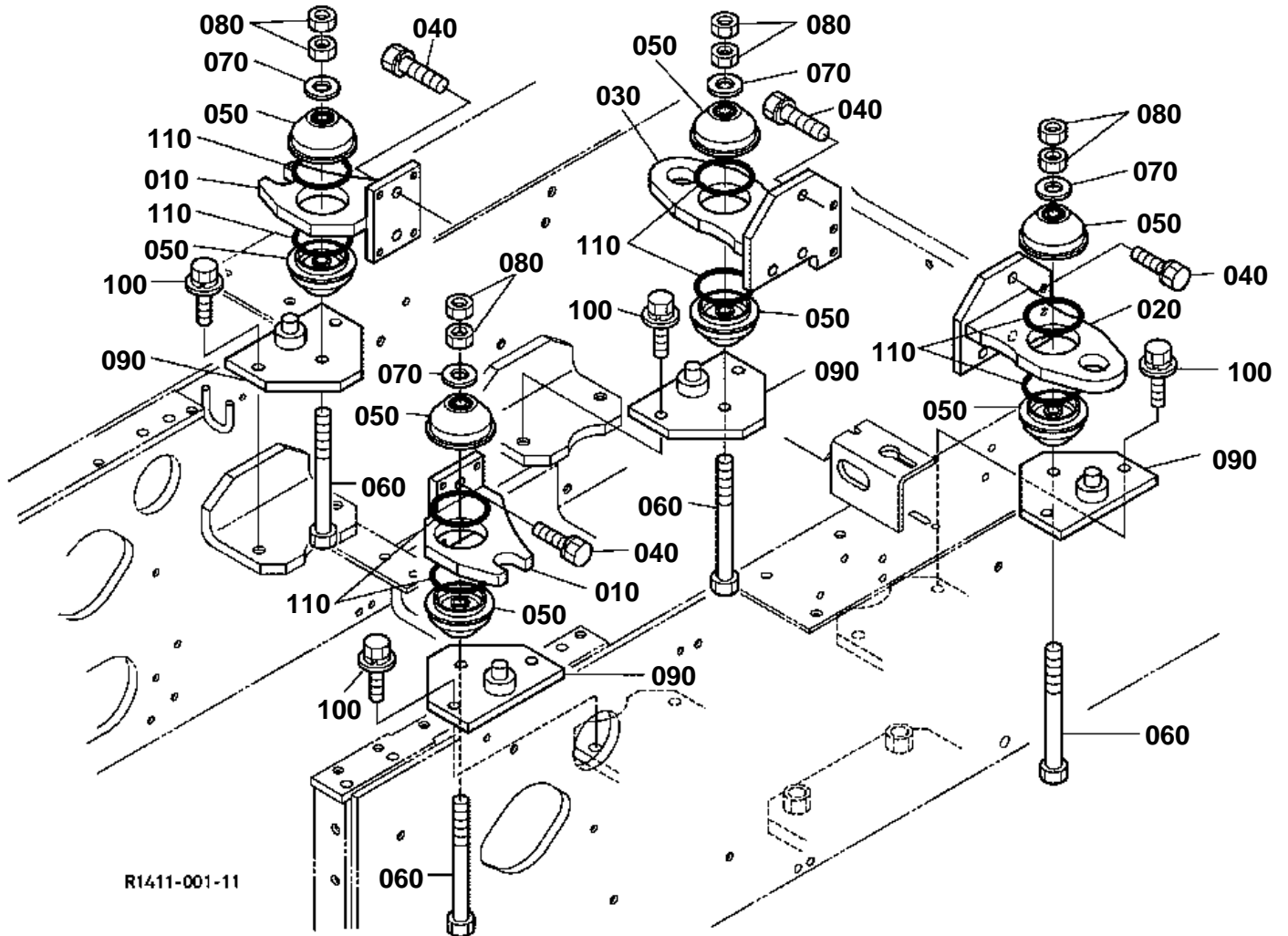


LABEL
[KCL KTA]

↔ Interchangeable; ≠ not interchangeable; ← new for old; → old for new

REF.No	Part No.	Description	Q'ty	S.No.	I/C	REMARKS	Weight (kgf)	Weight (lb)
010	R2401-69060	ASSY LABEL BHTD	1			KCL	0.032	0.0704
010	R2401-69070	ASSY LABEL BHTD	1			KTA	0.04	0.088
020	R2401-57680	LABEL BH CONTROL JD	1			KCL	0.002	0.0044
020	R2401-57690	LABEL	1			KTA	0.001	0.0022
030	68709-57250	MARK KUBOTA	1				0.005	0.011
040	R2401-57650	LABEL BH	2				0.001	0.0022
050	R2401-57660	LABEL BH	2				0.003	0.0066
060	R2401-57670	LABEL BH	1				0.003	0.0066
070	R1401-57230	LABEL LOCK	1				0.001	0.0022
080	99999-99999	BLANK	0				0	0
090	32530-71752	CLAMP MARK	1				0.2	0.44
100	01123-60816	BOLT	2				0.01	0.022

ENGINE BRACKET



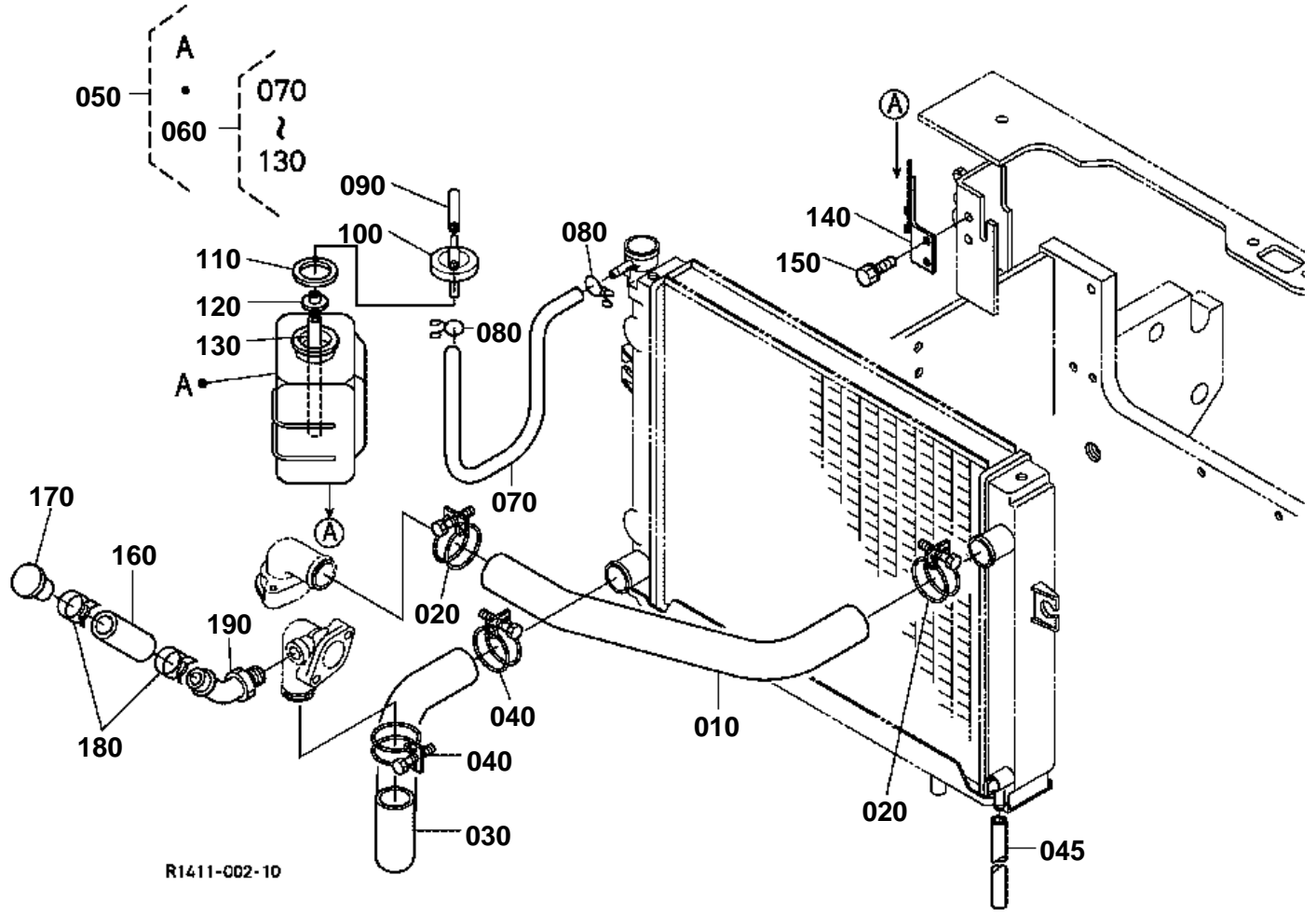
R1411-001-11



ENGINE BRACKET

↔ Interchangeable; ≠ not interchangeable; ← new for old; → old for new

REF.No	Part No.	Description	Q'ty	S.No.	I/C	REMARKS	Weight (kgf)	Weight (lb)
010	R1411-42115	BRACKET FRONT ENGINE	2				1.72	3.784
020	R1411-42130	BRACKET REAR ENGINE	1				2.92	6.424
030	R1411-42140	BRACKET REAR ENGINE	1				2.94	6.468
040	01133-61230	BOLT	10				0.04	0.088
050	R2511-42150	CUSHION RUBBER	8				0.2	0.44
060	01173-61201	BOLT	4	≤10005			0.091	0.2002
060	01173-61202	BOLT	4	≥10006	≠		0.096	0.2112
070	04015-60120	WASHER PLAIN	4				0.022	0.0484
080	02176-60120	NUT	8				0.01	0.022
090	R1411-42160	SUPPORT ENGINE	4				1.49	3.278
100	01135-61230	BOLT	8				0.05	0.11
110	04811-10560	O RING	8				0.002	0.0044



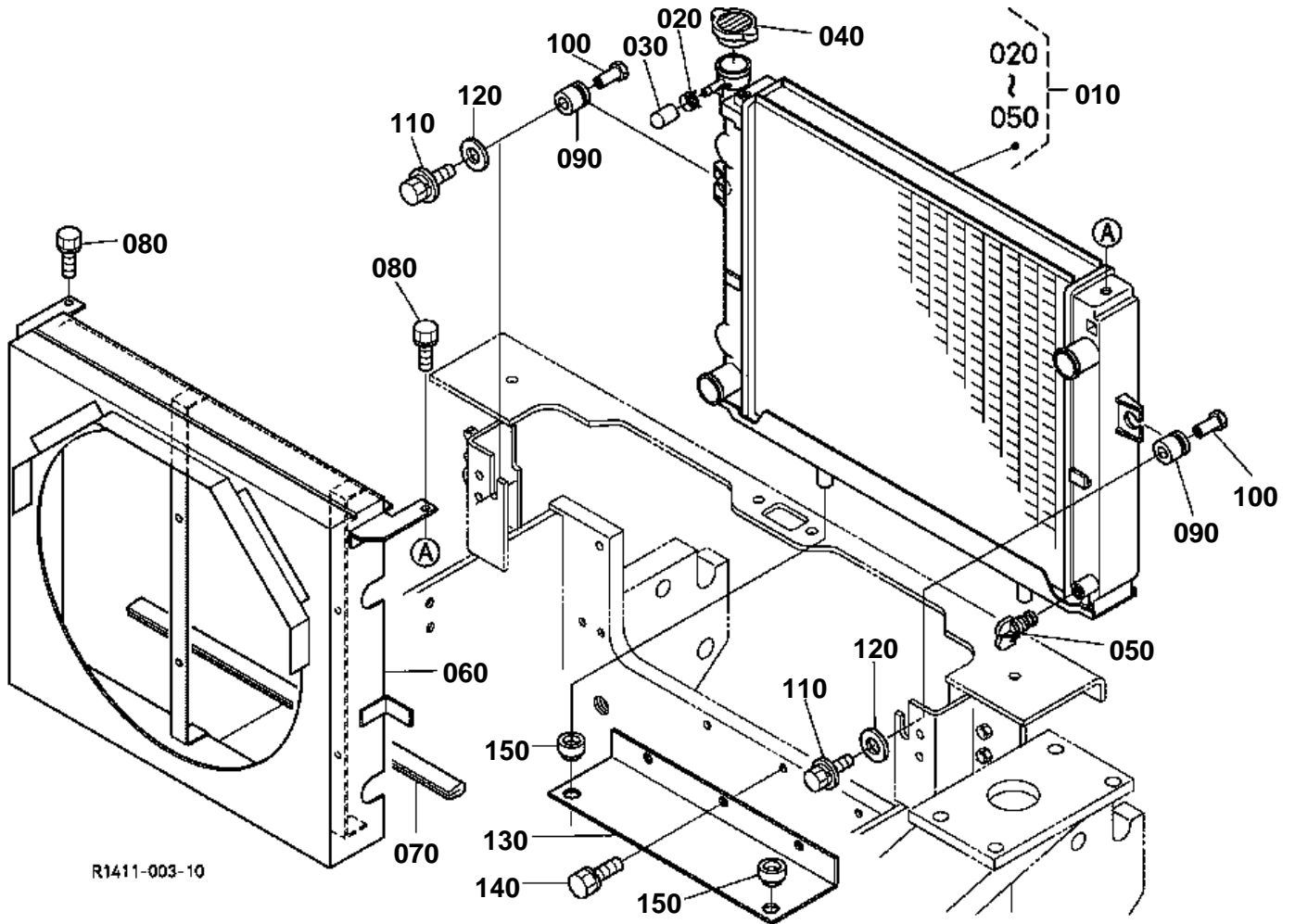
R1411-002-10

**WATER PIPE**

↔ Interchangeable; ≠ not interchangeable; ← new for old; → old for new

REF.No	Part No.	Description	Q'ty	S.No.	I/C	REMARKS	Weight (kgf)	Weight (lb)
010	R1411-42350	HOSE WATER UPPER	1				0.35	0.77
020	15108-72870	BAND	2				0.027	0.0594
030	R1411-42360	HOSE WATER LOWER	1				0.265	0.583
040	15108-72870	BAND	2				0.027	0.0594
045	R1411-42382	TUBE DRAIN	1				0.018	0.0396
050	R1411-42680	ASSY TANK RESERVE	1				0.32	0.704
060	R1411-42690	ASSY CAP	1				0.09	0.198
070	RC411-42870	HOSE	1				0.1	0.22
080	15501-72470	CLIP PIPE	2				0.005	0.011
090	R1411-42880	PIPE	1				0.04	0.088
100	15531-72422	CAP	1				0.001	0.0022
110	15531-72432	GASKET	1				0.002	0.0044
120	3G704-17390	PLATE	1				0.001	0.0022
130	RC411-42900	HOSE	1				0.012	0.0264
140	R1411-42720	BRACKET RESERVE TANK	1				0.125	0.275
150	01123-60820	BOLT	2				0.015	0.033
160	68728-46820	HOSE	1				0.03	0.066
170	68728-46830	PLUG	1				0.03	0.066
180	09318-88185	CLAMP HOSE	2				0.004	0.0088
190	T1065-72820	JOINT PIPE	1				0.03	0.066

RADIATOR



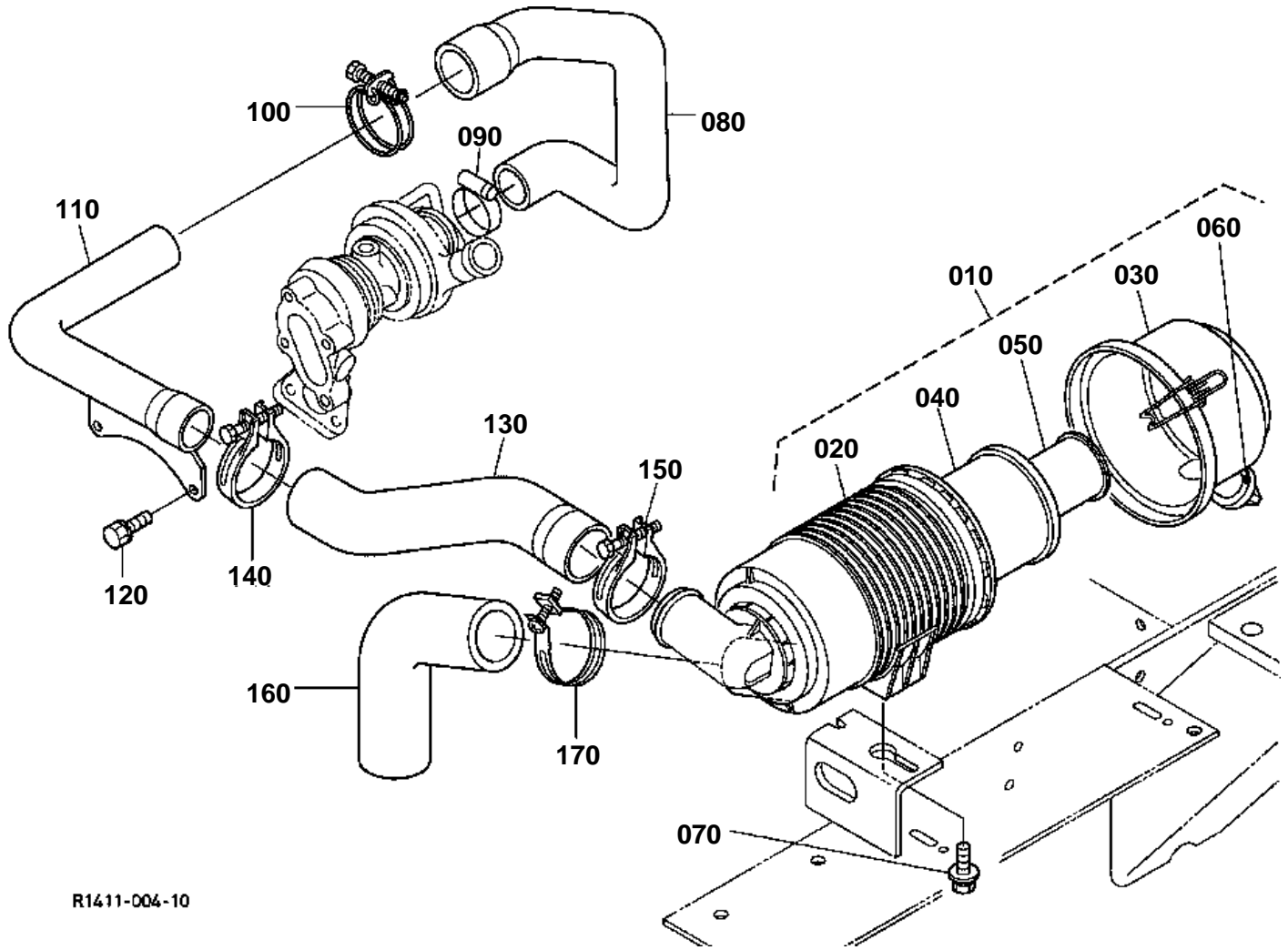


RADIATOR

↔ Interchangeable; ≠ not interchangeable; ← new for old; → old for new

REF.No	Part No.	Description	Q'ty	S.No.	I/C	REMARKS	Weight (kgf)	Weight (lb)
010	R1411-42300	ASSY RADIATOR	1				7	15.4
020	RC411-42510	CLAMP	1				0.005	0.011
030	RC411-42390	CAP	1				0.005	0.011
040	RC411-42540	CAP	1				0.023	0.0506
050	R1411-42520	ASSY COCK	1				0.007	0.0154
060	R1411-42310	SHROUD FAN	1				5	11
070	R1411-42370	TRIM SASH	1				0.036	0.0792
080	01123-60820	BOLT	2				0.015	0.033
090	R1411-42340	BUSH RADIATOR	2				0.02	0.044
100	R1411-42430	SPACER RADIATOR	2				0.05	0.11
110	01125-60820	BOLT	2				0.015	0.033
120	04013-60140	WASHER PLAIN	2				0.01	0.022
130	R1411-42320	BRACKET RADIATOR	1				1.27	2.794
140	01133-61020	BOLT	3				0.02	0.044
150	R1411-42330	CUSHION RADIATOR	2				0.013	0.0286

AIR CLEANER



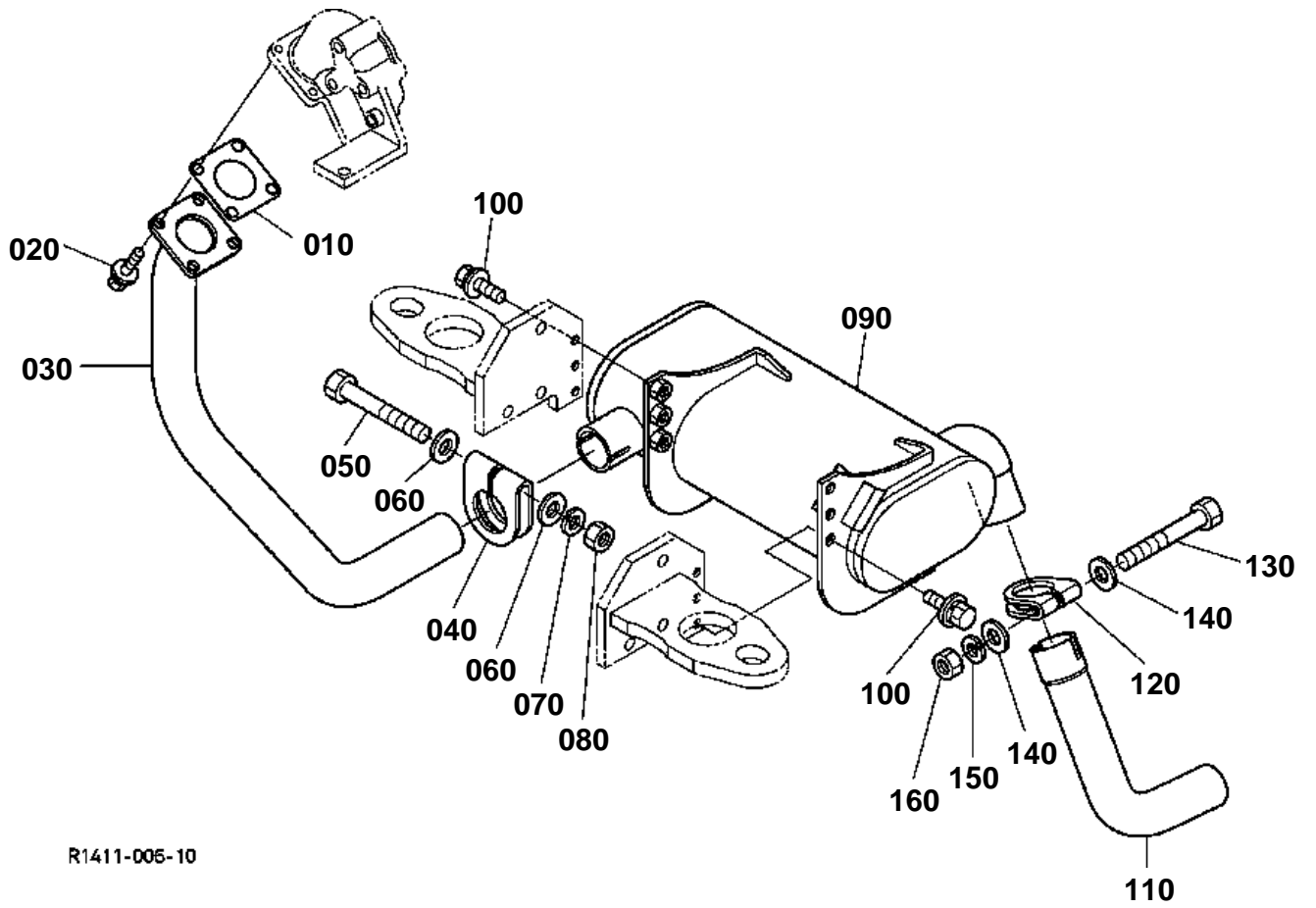
R1411-004-10

**AIR CLEANER**

↔ Interchangeable; ≠ not interchangeable; ← new for old; → old for new

REF.No	Part No.	Description	Q'ty	S.No.	I/C	REMARKS	Weight (kgf)	Weight (lb)
010	R1411-42200	ASSY CLEANER AIR	1				1.18	2.596
020	R1411-42250	BODY AIR CLEANER	1				0.48	1.056
030	R1411-42260	CUP DUST	1				0.19	0.418
040	R1411-42270	ELEMENT OUTER	1				0.55	1.21
050	R1411-42280	ELEMENT INNER	1				0.24	0.528
060	R1411-42290	VALVE EVACUATOR	1				0.01	0.022
070	01125-60820	BOLT	2				0.015	0.033
080	R1501-42210	TUBE INLET	1				0.406	0.8932
090	68311-72830	CLAMP HOSE	1				0.03	0.066
100	15221-11720	BAND PIPE	1				0.03	0.066
110	R1501-42220	PIPE INLET	1				0.94	2.068
120	01123-60816	BOLT	2				0.01	0.022
130	R1511-42230	TUBE INLET	1				0.35	0.77
140	15401-11720	BAND PIPE	1				0.03	0.066
150	15401-11720	BAND PIPE	1				0.03	0.066
160	R1411-42240	TUBE INLET	1				0.26	0.572
170	15401-11720	BAND PIPE	1				0.03	0.066

MUFFLER

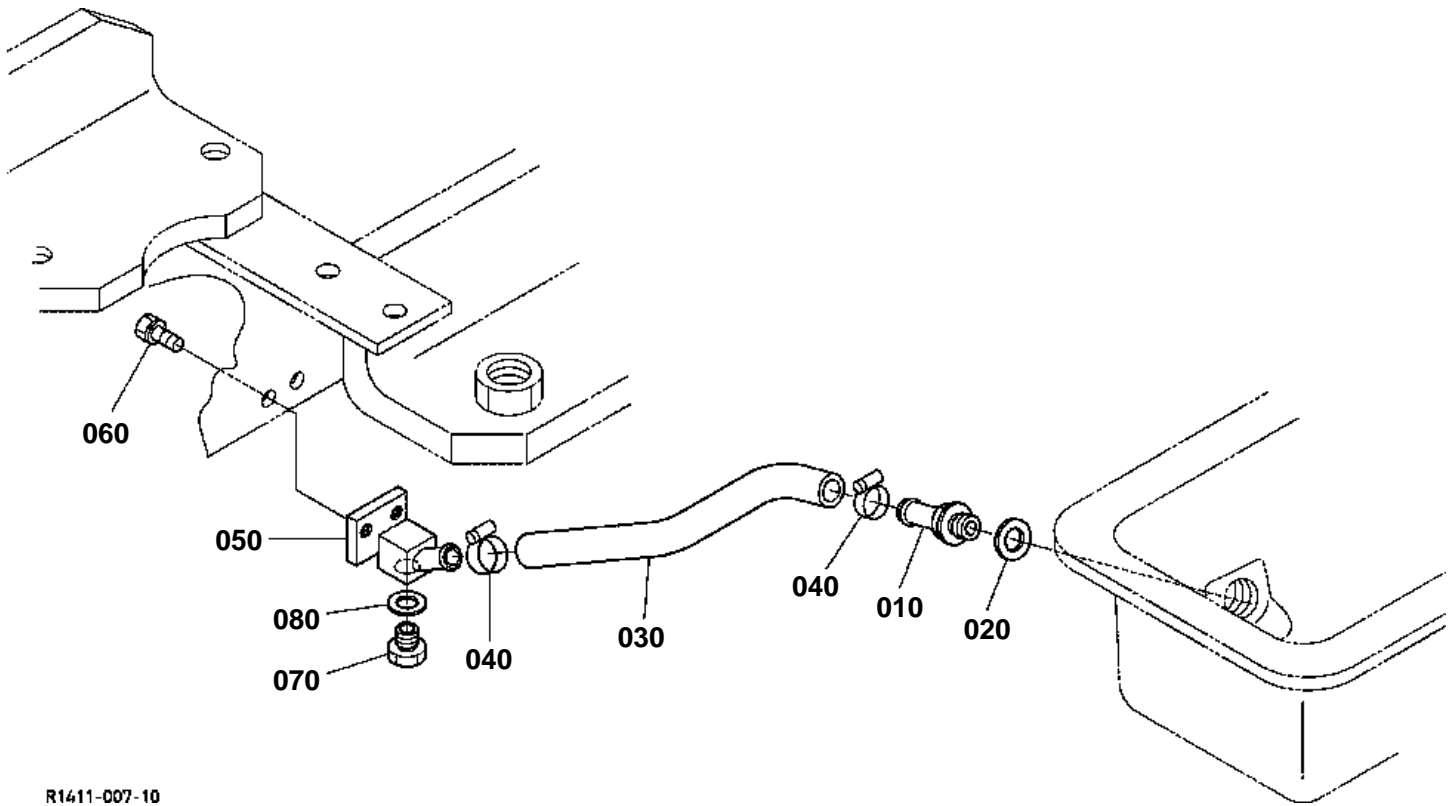


**MUFFLER**

↔ Interchangeable; ≠ not interchangeable; ← new for old; → old for new

REF.No	Part No.	Description	Q'ty	S.No.	I/C	REMARKS	Weight (kgf)	Weight (lb)
010	T0070-16420	GASKET MUFFLER	1				0.016	0.0352
020	01123-60825	BOLT	4				0.012	0.0264
030	R1511-42490	PIPE MUFFLER	1				1.3	2.86
040	68493-42490	BAND PIPE	1				0.07	0.154
050	01153-60880	BOLT	1				0.03	0.066
060	04013-60080	WASHER PLAIN	2				0.002	0.0044
070	04512-60080	WASHER SPRING	1				0.002	0.0044
080	02114-60080	NUT	1				0.002	0.0044
090	R2511-42413	MUFFLER	1				0	0
100	01135-61030	BOLT	6				0.028	0.0616
110	R2411-42482	PIPE MUFFLER	1				0.001	0.0022
120	RD411-42450	BAND MUFFLER PIPE	1				0.08	0.176
130	01153-50875	BOLT	1				0.028	0.0616
140	04013-60080	WASHER PLAIN	2				0.002	0.0044
150	04512-60080	WASHER SPRING	1				0.002	0.0044
160	02114-60080	NUT	1				0.002	0.0044

DRAIN PIPING



R1411-007-10

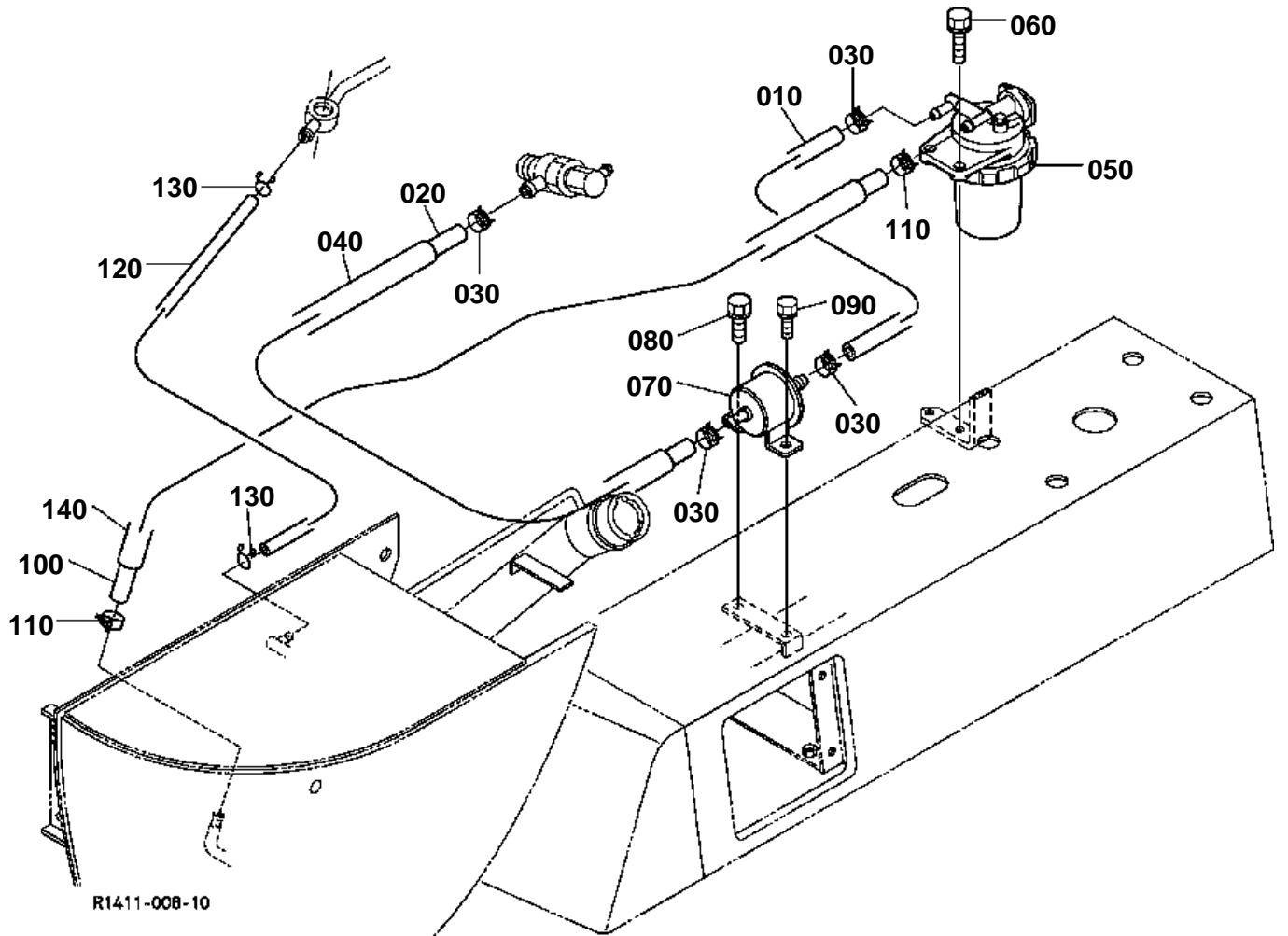


DRAIN PIPING

↔ Interchangeable; ≠ not interchangeable; ← new for old; → old for new

REF.No	Part No.	Description	Q'ty	S.No.	I/C	REMARKS	Weight (kgf)	Weight (lb)
010	R2501-42810	JOINT PIPE	1				0.073	0.1606
020	15451-96670	GASKET	1				0.003	0.0066
030	R1411-42820	TUBE DRAIN	1				0.14	0.308
040	RC101-64580	CLAMP HOSE	2				0.018	0.0396
050	R1411-42830	JOINT PIPE	1				0.28	0.616
060	01133-61025	BOLT	2				0.02	0.044
070	R1401-42840	PLUG DRAIN	1				0.053	0.1166
080	04724-00160	GASKET	1				0.003	0.0066

FUEL PIPING

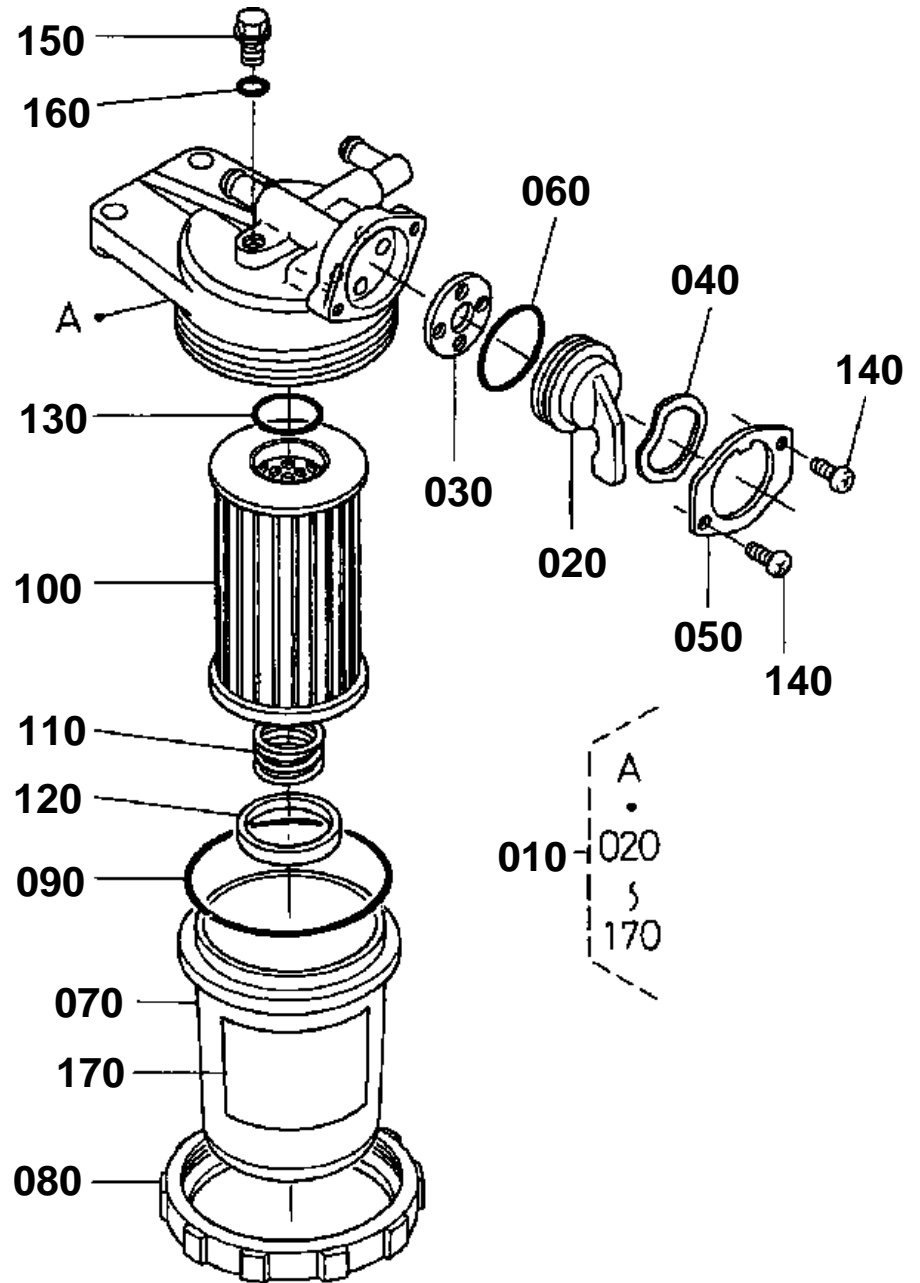


**FUEL PIPING**

↔ Interchangeable; ≠ not interchangeable; ← new for old; → old for new

REF.No	Part No.	Description	Q'ty	S.No.	I/C	REMARKS	Weight (kgf)	Weight (lb)
010	09664-80300	TUBE FUEL	1				0.03	0.066
020	09664-80600	TUBE FUEL	1				0.07	0.154
030	14911-42750	CLIP PIPE	4				0.002	0.0044
040	R1411-51340	TUBE GUARD	1				0.06	0.132
050	RC411-51150	ASSY FILTER FUEL	1				0.48	1.056
060	01123-60825	BOLT	2				0.012	0.0264
070	R1401-51350	ASSY PUMP FUEL	1				0.3	0.66
080	01125-60816	BOLT	1				0.01	0.022
090	01025-60616	BOLT	1				0.01	0.022
100	09664-81150	TUBE FUEL	1				0.12	0.264
110	14911-42750	CLIP PIPE	2				0.002	0.0044
120	09664-40615	TUBE FUEL	1				0.029	0.0638
130	14971-42750	CLIP PIPE	2				0.001	0.0022
140	R1411-51352	TUBE GUARD	1				0.13	0.286

FUEL FILTER (COMPONENT PARTS)



RC418-006-10

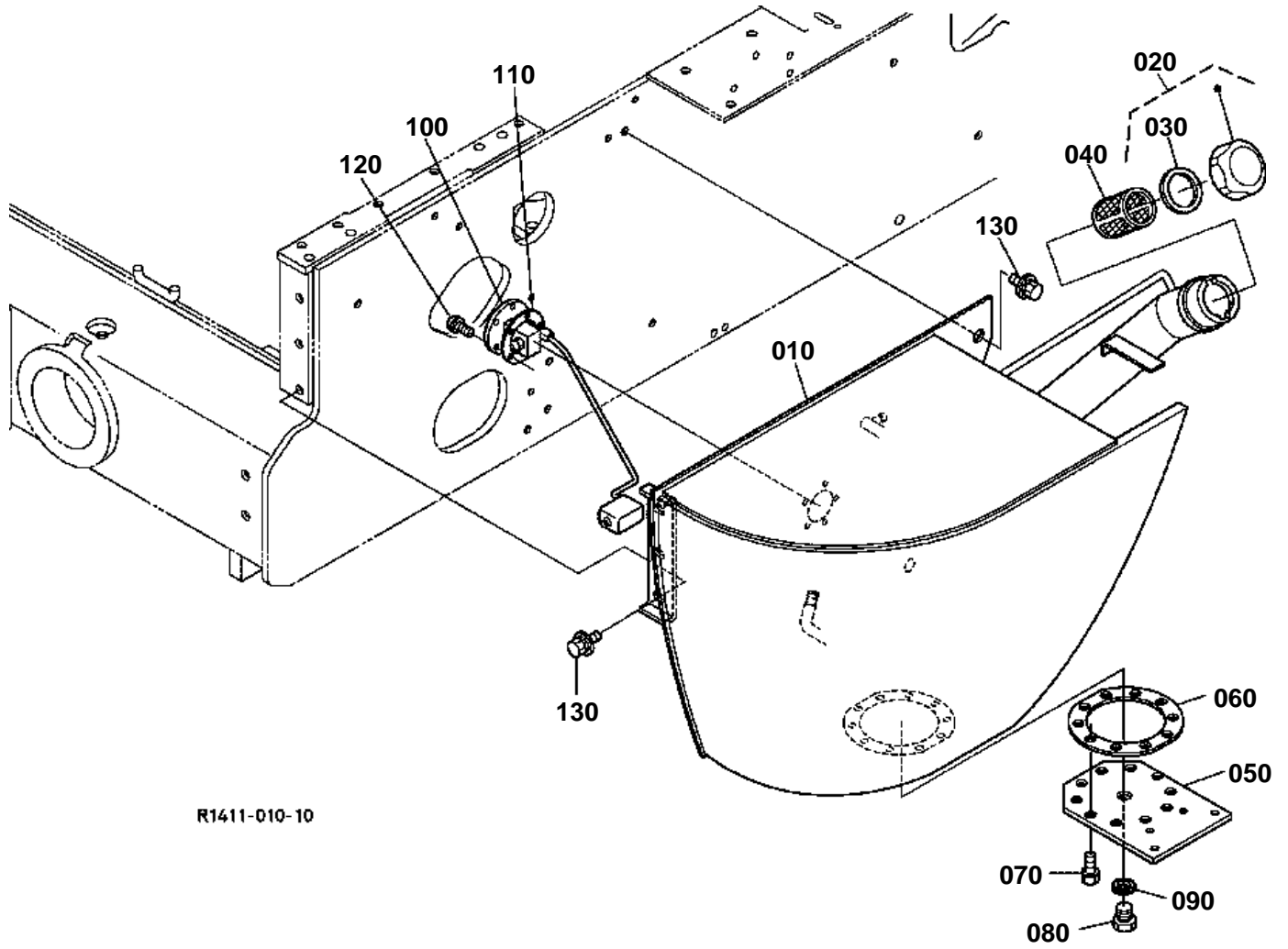


FUEL FILTER (COMPONENT PARTS)

↔ Interchangeable; ≠ not interchangeable; ← new for old; → old for new

REF.No	Part No.	Description	Q'ty	S.No.	I/C	REMARKS	Weight (kgf)	Weight (lb)
010	RC411-51150	ASSY FILTER FUEL	1				0.48	1.056
020	15521-43522	HANDLE FILTER	1				0.04	0.088
030	15521-43672	GASKET	1				0.001	0.0022
040	15521-43542	PLATE THRUST	1				0.001	0.0022
050	15521-43552	RETAINER HANDLE	1				0.01	0.022
060	04811-10290	O RING	1				0.001	0.0022
070	15521-43130	CUP FILTER	1				0.1	0.22
080	15521-43150	RING RETAINER	1				0.14	0.308
090	04811-50650	O RING	1				0.002	0.0044
100	RA211-51280	ELEMENT	1				0.06	0.132
110	RA211-51290	SPRING	1				0.005	0.011
120	15831-43250	FLOAT	1				0.001	0.0022
130	04811-00160	O RING	1				0	0
140	03054-50308	SCREW PAN-HEAD	2				0.005	0.011
150	15231-43283	SCREW AIR BREATHER	1				0.003	0.0066
160	04810-00060	O RING	1				0	0
170	16873-88430	LABEL FUEL FILTER	1				0.001	0.0022

FUEL TANK



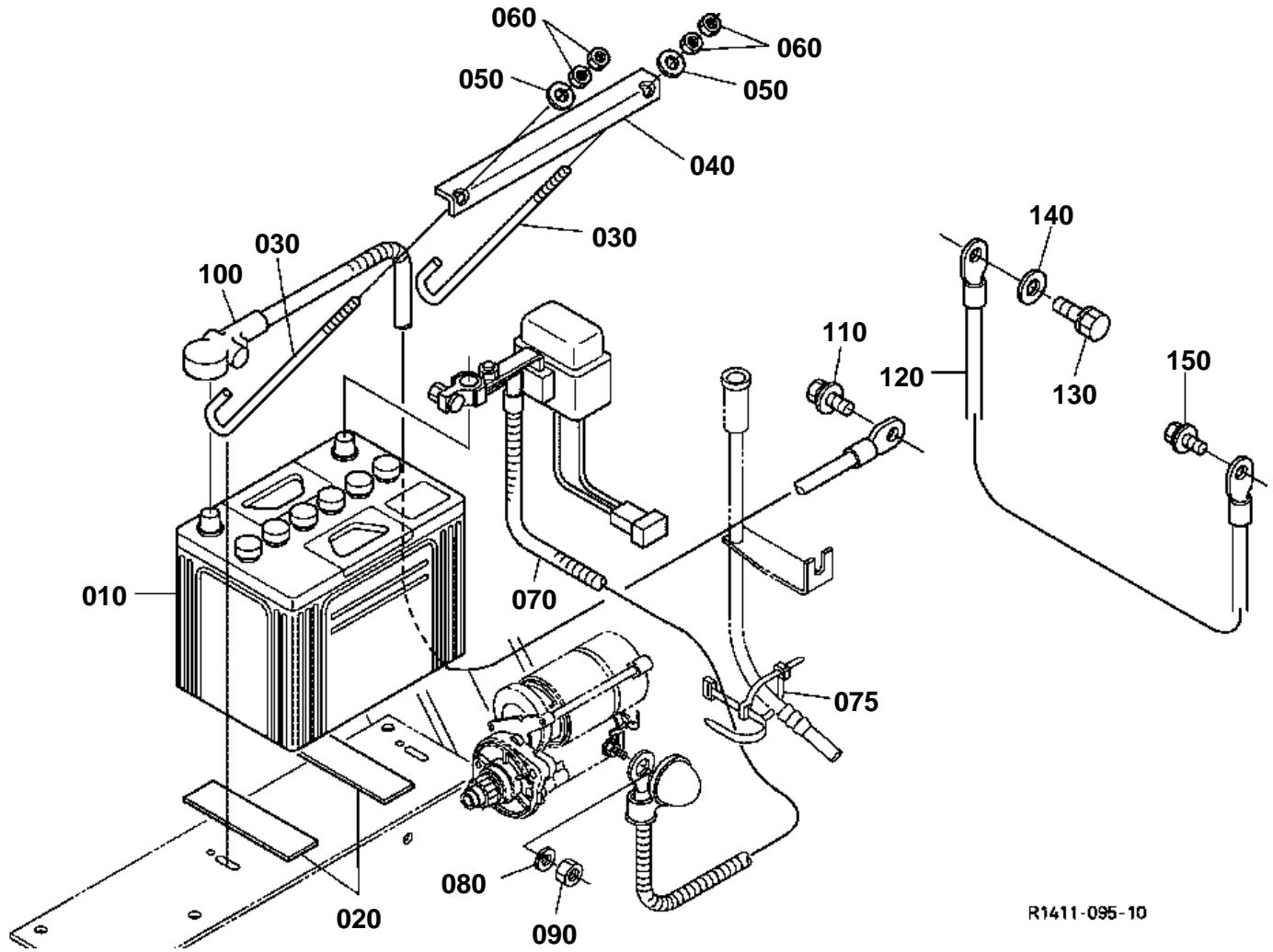
R1411-010-10

**FUEL TANK**

↔ Interchangeable; ≠ not interchangeable; ← new for old; → old for new

REF.No	Part No.	Description	Q'ty	S.No.	I/C	REMARKS	Weight (kgf)	Weight (lb)
010	R1411-51110	TANK FUEL	1				26.5	58.3
020	61191-54720	ASSY CAP FUEL TANK	1				0.09	0.198
030	61191-54740	GASKET TANK CAP	1				0.01	0.022
040	34070-42030	FILTER FUEL	1				0.035	0.077
050	R1411-51120	COVER TANK	1				1.54	3.388
060	R1411-51130	GASKET	1				0.011	0.0242
070	01123-60820	BOLT	10				0.015	0.033
080	06331-35016	PLUG	1				0.04	0.088
090	04717-01600	WASHER WITH RUBBER	1				0.003	0.0066
100	R1401-53610	SENSOR FUEL GAUGE	1				0.15	0.33
110	68841-53620	GASKET	1				0.008	0.0176
120	03024-60512	SCREW WITH WASHER	5				0.002	0.0044
130	01135-61020	BOLT	5				0.015	0.033

BATTERY



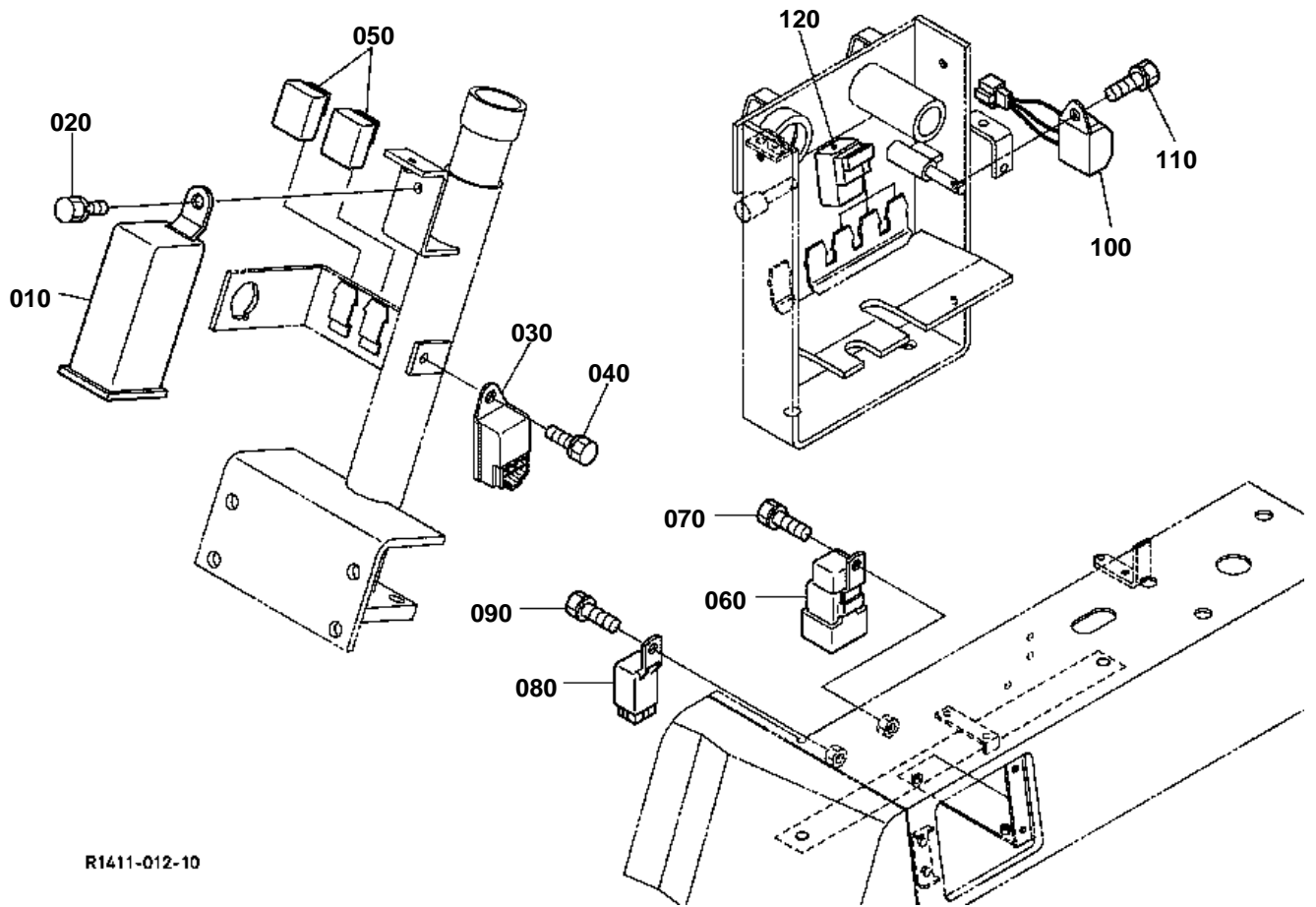
R1411-095-10

**BATTERY**

↔ Interchangeable; ≠ not interchangeable; ← new for old; → old for new

REF.No	Part No.	Description	Q'ty	S.No.	I/C	REMARKS	Weight (kgf)	Weight (lb)
010	RC411-53252	BATTERY	1				0	0
020	34150-33220	CUSHION	2				0.015	0.033
030	R1411-53250	BOLT BATTERY	2				0.05	0.11
040	RC101-53260	RETAINER BATTERY	1				0.151	0.3322
050	04013-60060	WASHER PLAIN	2				0.001	0.0022
060	02014-60060	NUT	4				0.002	0.0044
070	R1411-53710	CORD BATTERY(+)	1				0.62	1.364
075	RP421-54150	CLAMP	1				0.007	0.0154
080	04512-60080	WASHER SPRING	1				0.002	0.0044
090	02114-60080	NUT	1				0.002	0.0044
100	R1411-53720	CORD BATTERY(-)	1				0.29	0.638
110	01125-60816	BOLT	1				0.01	0.022
120	R1401-53730	CORD BODY EARTH	1				0.07	0.154
130	01133-61220	BOLT	1				0.033	0.0726
140	04013-60120	WASHER PLAIN	1				0.01	0.022
150	01135-61020	BOLT	1				0.015	0.033

RELAY



R1411-012-10

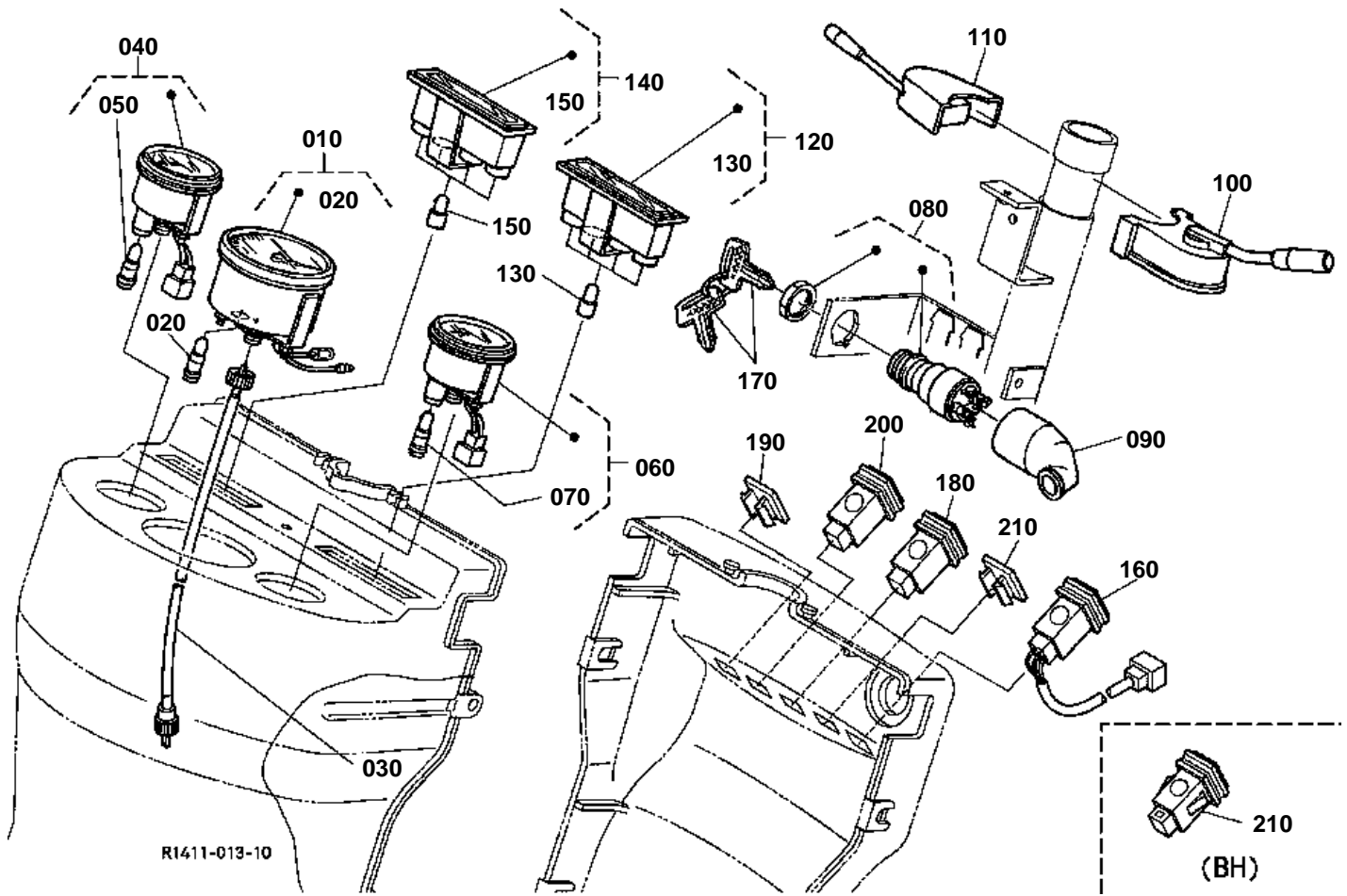


RELAY

↔ Interchangeable; ≠ not interchangeable; ← new for old; → old for new

REF.No	Part No.	Description	Q'ty	S.No.	I/C	REMARKS	Weight (kgf)	Weight (lb)
010	3F240-75430	UNIT FLASHER	1				0.06	0.132
020	01202-60612	BOLT	1				0.006	0.0132
030	15694-65990	TIMER GLOW LAMP	1				0.03	0.066
040	01202-60612	BOLT	1				0.006	0.0132
050	T1060-33720	RELAY STARTER	2				0.02	0.044
060	RP421-53730	ASSY RELAY	1				0.08	0.176
070	01202-60612	BOLT	1				0.006	0.0132
080	66446-55260	BOX RELAY	1				0.03	0.066
090	01202-60612	BOLT	1				0.006	0.0132
100	11521-64680	UNIT	1				0.04	0.088
110	01025-60620	BOLT	2				0.071	0.1562
120	T1060-33720	RELAY STARTER	3				0.02	0.044

SWITCH AND METER

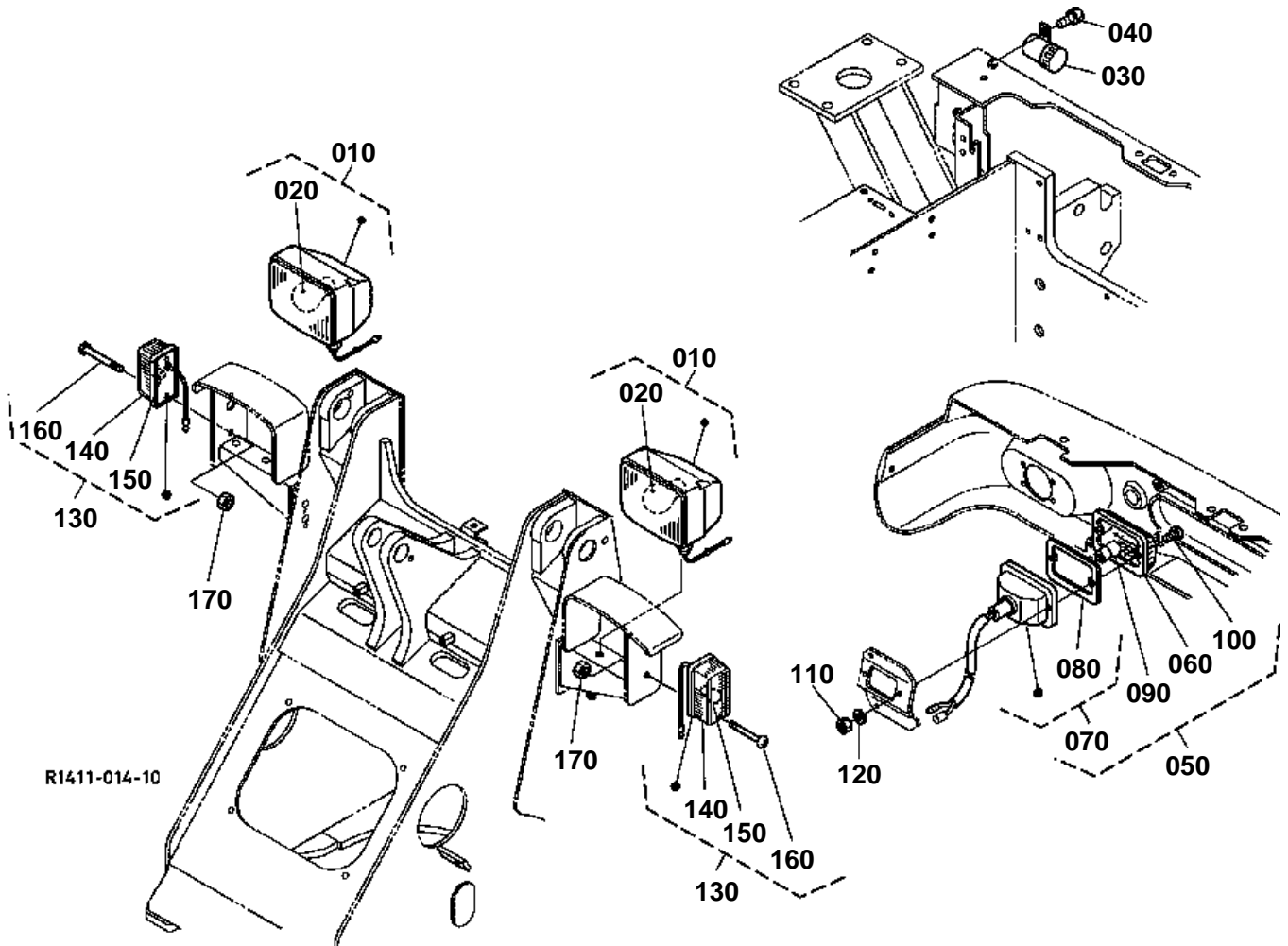


**SWITCH AND METER**

↔ Interchangeable; ≠ not interchangeable; ← new for old; → old for new

REF.No	Part No.	Description	Q'ty	S.No.	I/C	REMARKS	Weight (kgf)	Weight (lb)
010	R1401-53120	METER HOUR	1				0.37	0.814
020	66101-55770	LIGHT	1				0.001	0.0022
030	68841-53510	CABLE HOUR METER	1				0.41	0.902
040	R1401-53170	METER	1				0.19	0.418
050	66101-55770	LIGHT	1				0.001	0.0022
060	R1401-53180	METER	1				0.19	0.418
070	66101-55770	LIGHT	1				0.001	0.0022
080	RA111-53690	SWITCH STARTER	1				0.27	0.594
090	RA111-53340	COVER DUSTPROOF	1				0.03	0.066
100	R1401-53310	SWITCH DIRECTION	1				1.2	2.64
110	68841-53210	WINKER SWITCH	1				0.322	0.7084
120	R2401-53150	INDICATOR	1				0	0
130	R1401-53190	BULB	4				0.011	0.0242
140	R2401-53160	INDICATOR	1				0.11	0.242
150	R1401-53190	BULB	4				0.011	0.0242
160	R1401-53230	SWITCH PARKING	1				0.05	0.11
170	RC101-53630	ASSY KEY STARTER	1				0.032	0.0704
180	R1401-53262	SWITCH HAZARD	1				0.02	0.044
190	R1401-53250	GROMMET SWITCH	1				0.002	0.0044
200	R2401-53212	SWITCH LIGHT	1				0.02	0.044
210	R1401-53250	GROMMET SWITCH	1			EXCEPT BH	0.002	0.0044
210	R2401-53242	SWITCH WORK LIGHT	1			BH	0.02	0.044

LAMP



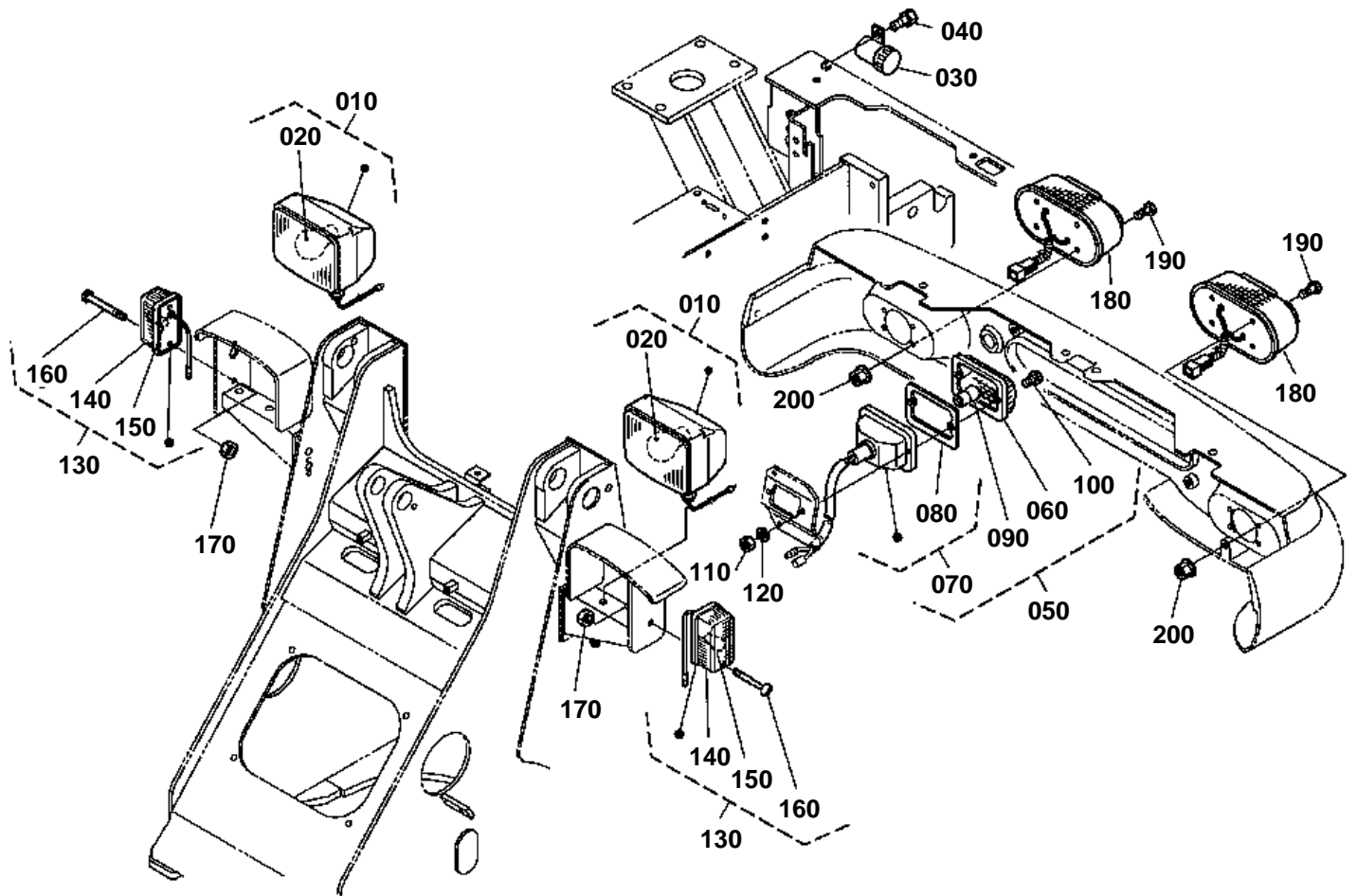


LAMP
[KTC KCL]

↔ Interchangeable; ≠ not interchangeable; ← new for old; → old for new

REF.No	Part No.	Description	Q'ty	S.No.	I/C	REMARKS	Weight (kgf)	Weight (lb)
010	R1401-53350	ASSY LAMP ELECTRIC	2				0.565	1.243
020	R1401-53360	BULB	2				0.018	0.0396
030	55611-42100	ASSY BUZZER BACK	1				0.19	0.418
040	01125-60816	BOLT	1				0.01	0.022
050	36919-75870	LAMP REVERSE	1				0.1	0.22
060	36530-75970	LENS	1				0.02	0.044
070	36919-75990	ASSY BODY	1				0.07	0.154
080	36919-76420	GASKET	1				0.01	0.022
090	36530-75980	BULB	1				0.014	0.0308
100	03054-50416	SCREW PAN-HEAD	2				0.002	0.0044
110	02054-60040	NUT	2				0.001	0.0022
120	04512-60040	WASHER SPRING	2				0.002	0.0044
130	38450-34200	ASSY LIGHT WINKER	2				0.1	0.22
140	38450-34220	LENS	2				0.05	0.11
150	38450-34210	BULB	2				0.02	0.044
160	38450-34240	SCREW	4				0.005	0.011
170	02761-50040	NUT FLANGE	4				0.002	0.0044

LAMP



R1411-096-10

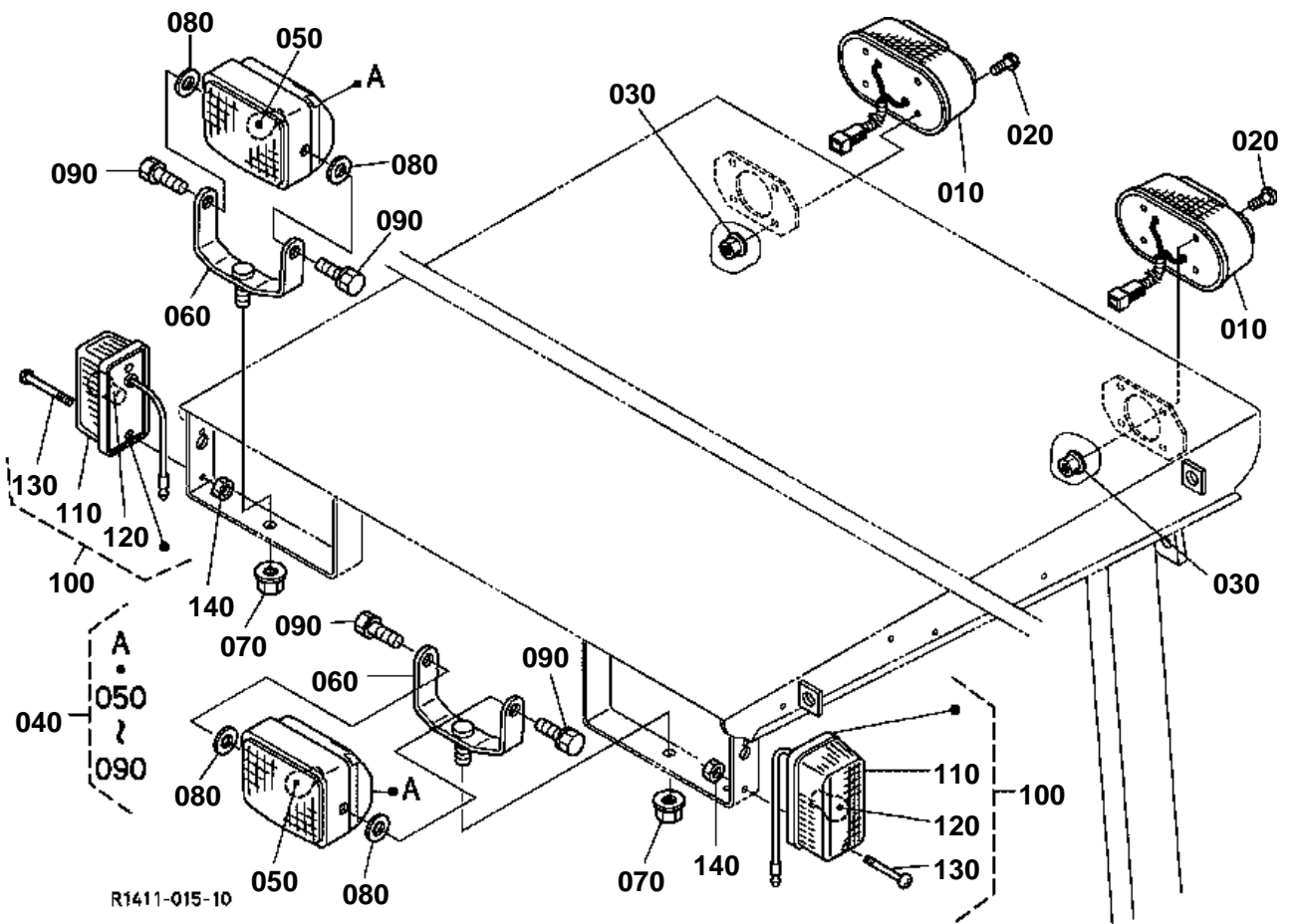


LAMP
[KTA]

↔ Interchangeable; ≠ not interchangeable; ← new for old; → old for new

REF.No	Part No.	Description	Q'ty	S.No.	I/C	REMARKS	Weight (kgf)	Weight (lb)
010	R1401-53350	ASSY LAMP ELECTRIC	2				0.565	1.243
020	R1401-53360	BULB	2				0.018	0.0396
030	55611-42100	ASSY BUZZER BACK	1				0.19	0.418
040	01125-60816	BOLT	1				0.01	0.022
050	36919-75870	LAMP REVERSE	1				0.1	0.22
060	36530-75970	LENS	1				0.02	0.044
070	36919-75990	ASSY BODY	1				0.07	0.154
080	36919-76420	GASKET	1				0.01	0.022
090	36530-75980	BULB	1				0.014	0.0308
100	03054-50416	SCREW PAN-HEAD	2				0.002	0.0044
110	02054-60040	NUT	2				0.001	0.0022
120	04512-60040	WASHER SPRING	2				0.002	0.0044
130	38450-34200	ASSY LIGHT WINKER	2				0.1	0.22
140	38450-34220	LENS	2				0.05	0.11
150	38450-34210	BULB	2				0.02	0.044
160	38450-34240	SCREW	4				0.005	0.011
170	02761-50040	NUT FLANGE	4				0.002	0.0044
180	R1411-53122	LIGHT REAR COMBI.	2				0.28	0.616
190	03054-50420	SCREW PAN-HEAD	8				0.002	0.0044
200	02761-50040	NUT FLANGE	8				0.002	0.0044

LAMP

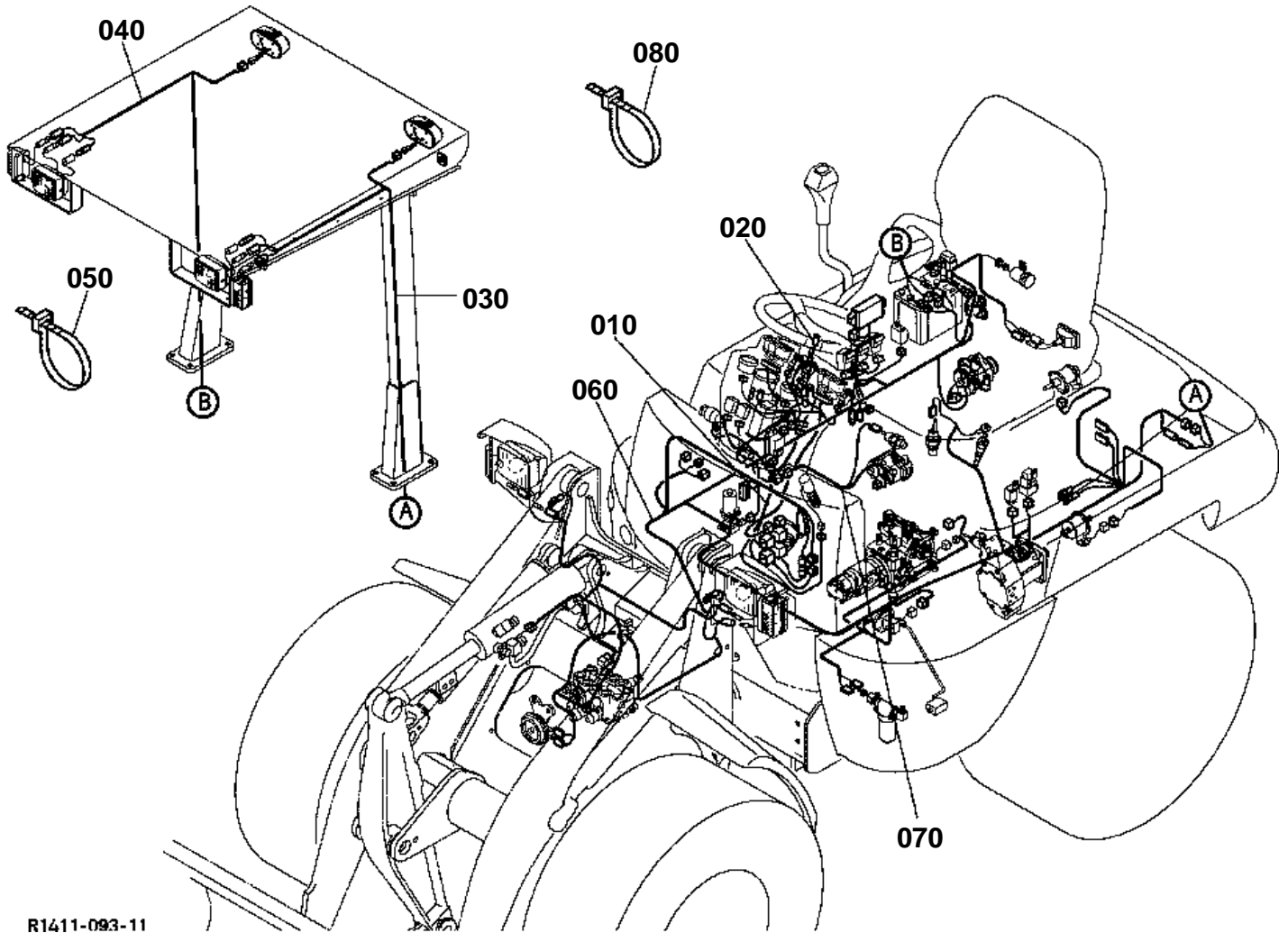




LAMP
[CANOPY]

↔ Interchangeable; ≠ not interchangeable; ← new for old; → old for new

REF.No	Part No.	Description	Q'ty	S.No.	I/C	REMARKS	Weight (kgf)	Weight (lb)
010	R1411-53122	LIGHT REAR COMBI.	2				0.28	0.616
020	03054-50420	SCREW PAN-HEAD	8				0.002	0.0044
030	02761-50040	NUT FLANGE	6				0.002	0.0044
040	R2401-53380	LIGHT WORK	2				0.605	1.331
050	99061-91060	BULB	2				0.01	0.022
060	99061-91090	COMP STAY	2				0.14	0.308
070	99061-91110	NUT FLANGE	2				0.02	0.044
080	99061-91100	WASHER	4				0.002	0.0044
090	01202-50616	BOLT	4				0.006	0.0132
100	38450-34200	ASSY LIGHT WINKER	2				0.1	0.22
110	38450-34220	LENS	2				0.05	0.11
120	38450-34210	BULB	2				0.02	0.044
130	38450-34240	SCREW	4				0.005	0.011
140	02054-60040	NUT	4				0.001	0.0022



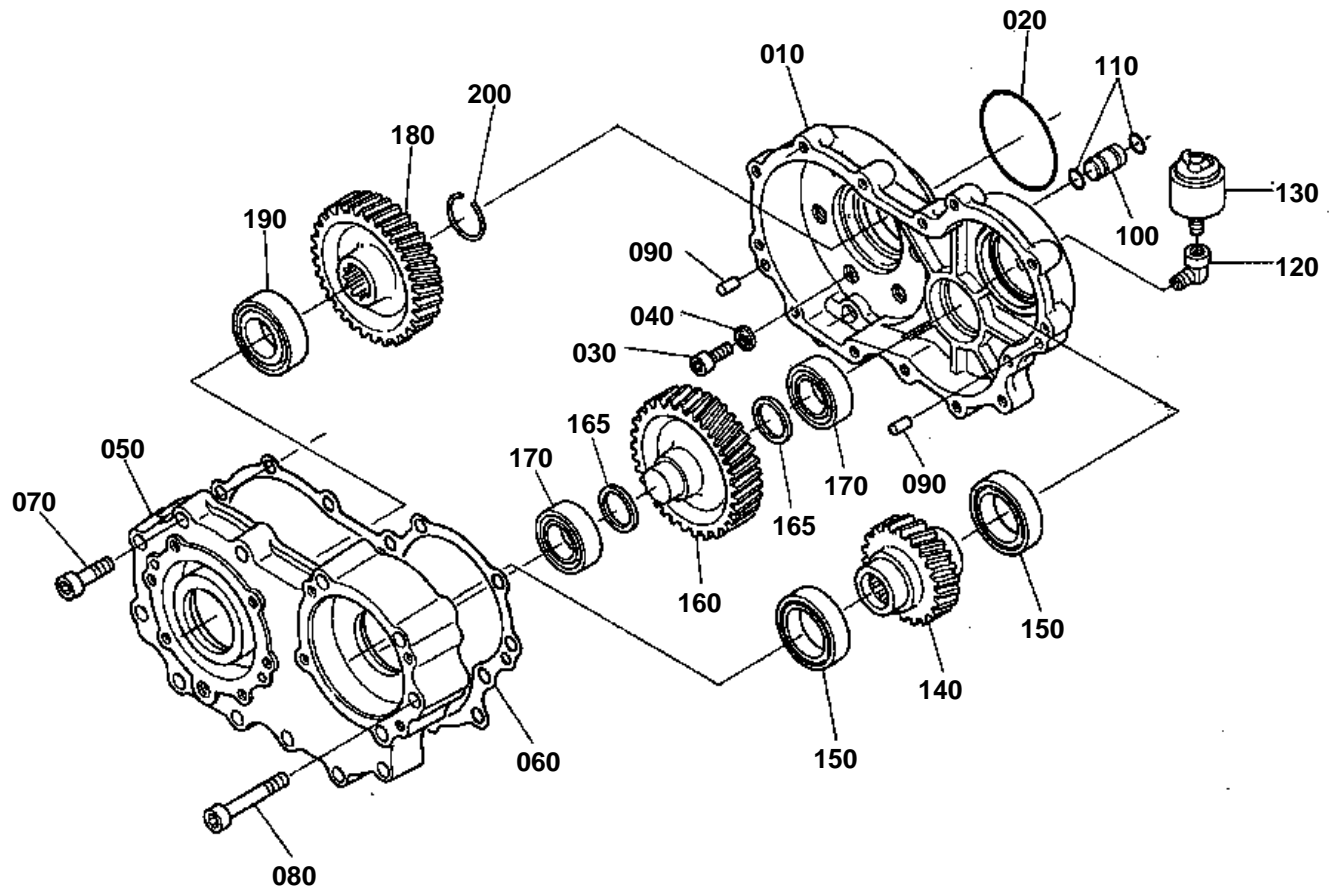
R1411-093-11



ELECTRICAL WIRING

↔ Interchangeable; ≠ not interchangeable; ← new for old; → old for new

REF.No	Part No.	Description	Q'ty	S.No.	I/C	REMARKS	Weight (kgf)	Weight (lb)
010	R2411-53423	WIRE HARNESS	1				0.68	1.496
020	R2401-53440	WIRE HARNESS	1				0.008	0.0176
030	R2411-53462	WIRE HARNESS	1			CANOPY	0.24	0.528
040	R2411-53472	WIRE HARNESS	1			CANOPY	0.25	0.55
050	55311-41260	BAND CORD	2			CANOPY	0.007	0.0154
060	R2411-53413	WIRE HARNESS	1				2.57	5.654
070	R1411-53452	WIRE HARNESS	1				0.05	0.11
080	55311-41260	BAND CORD	16				0.007	0.0154



R1411-016-10

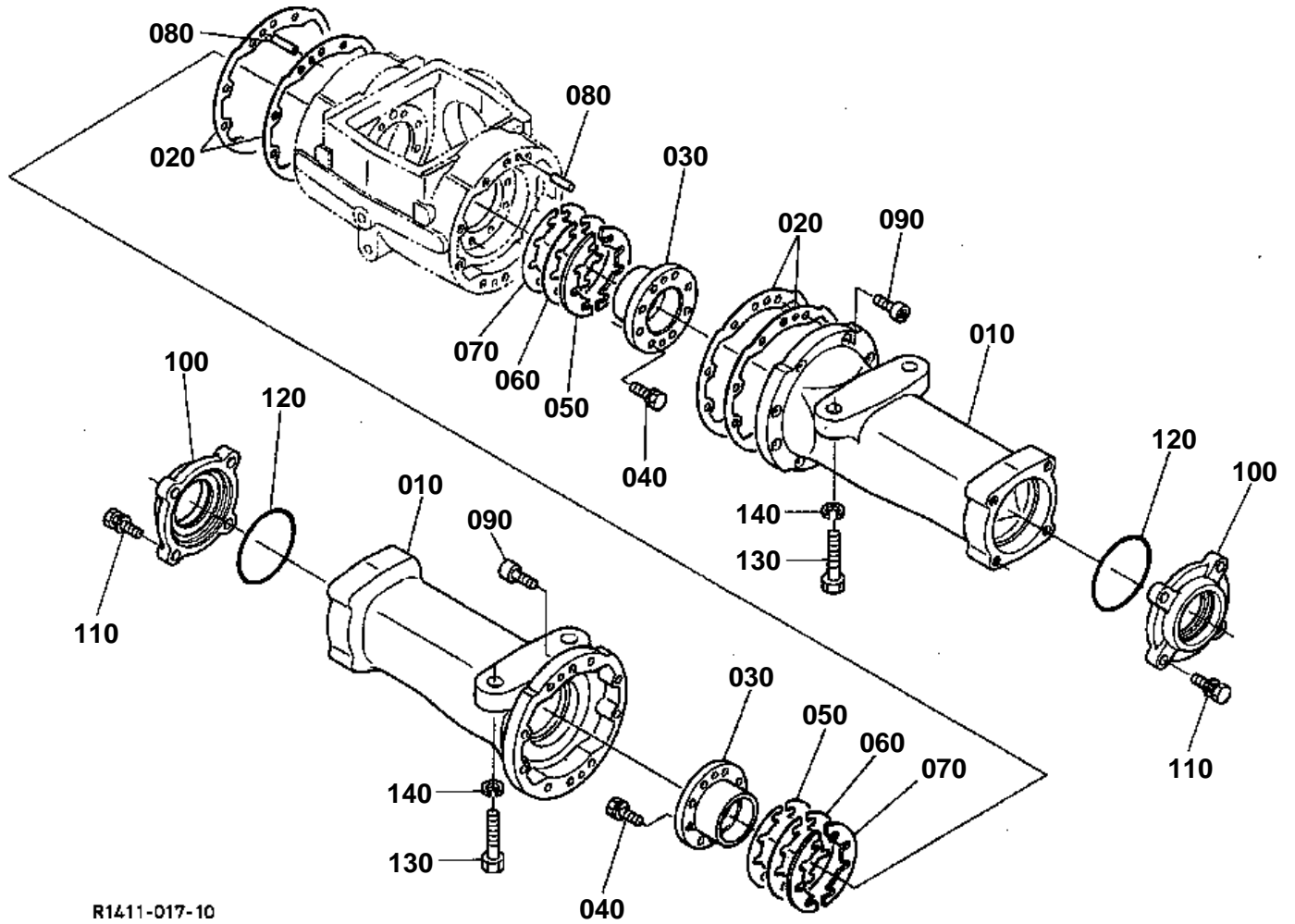


MISSION CASE

↔ Interchangeable; ≠ not interchangeable; ← new for old; → old for new

REF.No	Part No.	Description	Q'ty	S.No.	I/C	REMARKS	Weight (kgf)	Weight (lb)
010	R1401-11114	CASE REDUCTION	1				11.2	24.64
020	04811-51050	O RING	1				0.003	0.0066
030	01370-11230	BOLT HEX-SOC-HD	6				0.04	0.088
040	04717-01200	WASHER WITH RUBBER	6				0.002	0.0044
050	R1401-11213	CASE REDUCTION	1				11.6	25.52
060	R1401-11230	GASKET	1				0.015	0.033
070	01315-11035	BOLT HEX-SOC-HD	10				0.03	0.066
080	01315-11065	BOLT HEX-SOC-HD	4				0.04	0.088
090	05012-01025	PIN STRAIGHT	2				0.016	0.0352
100	R1401-11140	SLEEVE KNOC	1				0.045	0.099
110	04811-10200	O RING	2				0.001	0.0022
120	R1401-76470	JOINT	1				0.115	0.253
130	69331-16270	BREATHER	1				0.09	0.198
140	R1411-13210	GEAR	1			25T	1.74	3.828
150	R1401-11260	BEARING BALL	2				0.27	0.594
160	R1411-13310	GEAR	1			38T	3.96	8.712
165	R1411-13320	COLLAR	2				0.012	0.0264
170	35822-31360	BEARING BALL	2				0.28	0.616
180	R1411-13410	GEAR	1			42T	3.5	7.7
190	08101-06307	BEARING BALL	1				0.455	1.001
200	R1411-13420	STOPPER	1				0.004	0.0088

FRONT AXLE CASE



R1411-017-10

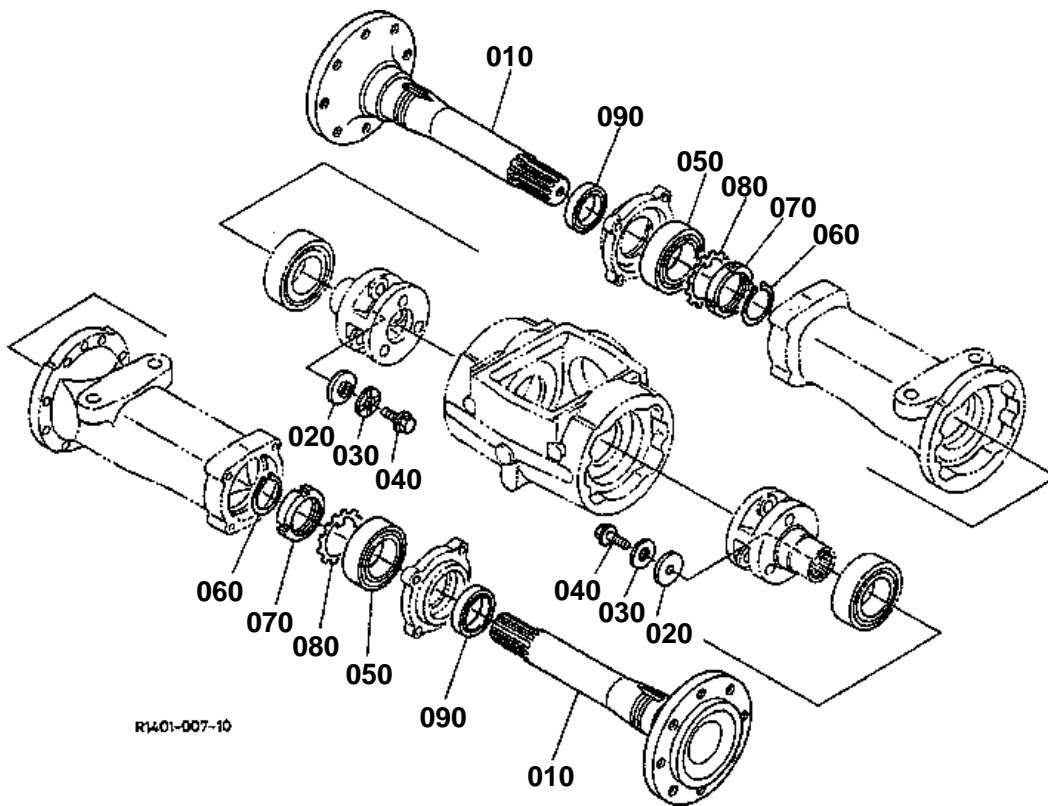


FRONT AXLE CASE

↔ Interchangeable; ≠ not interchangeable; ← new for old; → old for new

REF.No	Part No.	Description	Q'ty	S.No.	I/C	REMARKS	Weight (kgf)	Weight (lb)
010	R1411-23310	CASE AXLE	2				15.42	33.924
020	R1401-23330	GASKET	4				0.02	0.044
030	R1401-23210	HOLDER BEARING	2				1.2	2.64
040	01123-60825	BOLT	16				0.012	0.0264
050	R1401-23230	SHIM	6			0.1mm	0.002	0.0044
060	R1401-23240	SHIM	4			0.2mm	0.003	0.0066
070	R1401-23250	SHIM	2			0.5mm	0.008	0.0176
080	68881-23380	PIN	4				0.06	0.132
090	01370-11270	BOLT HEX-SOC-HD	20				0.07	0.154
100	R1411-23360	COVER AXLE	2				0.86	1.892
110	01133-61030	BOLT	8				0.023	0.0506
120	04811-51300	O RING	2				0.004	0.0088
130	01173-52060	BOLT	4				0.195	0.429
140	04512-60200	WASHER SPRING	4				0.02	0.044

FRONT AXLE



R1401-007-10

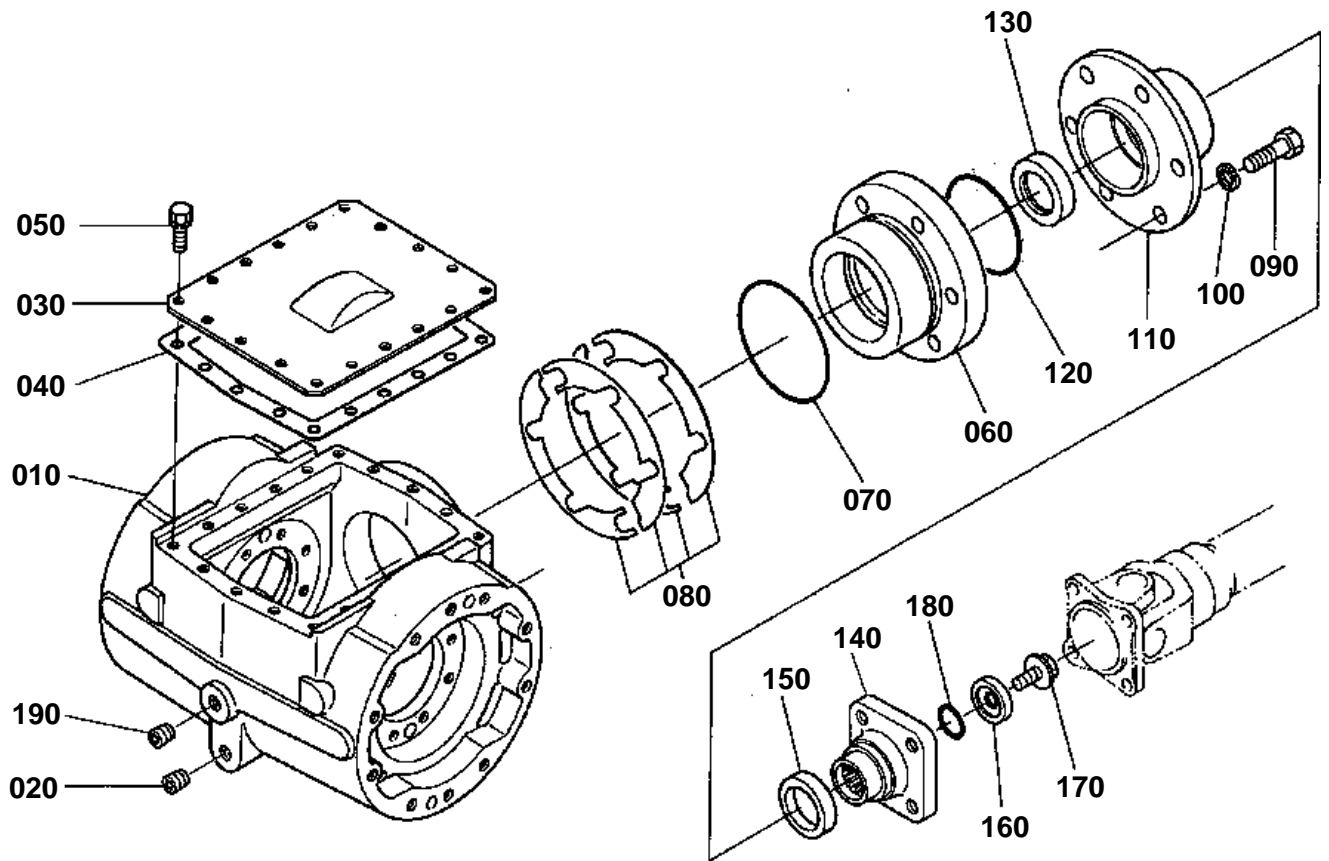


FRONT AXLE

↔ Interchangeable; ≠ not interchangeable; ← new for old; → old for new

REF.No	Part No.	Description	Q'ty	S.No.	I/C	REMARKS	Weight (kgf)	Weight (lb)
010	R1401-24310	AXLE	2				16	35.2
020	R1401-24320	SPACER	2				0.113	0.2486
030	R1401-24330	COLLAR THRUST	2				0.034	0.0748
040	37800-43870	BOLT	2				0.026	0.0572
050	08101-06312	BEARING BALL	2				1.68	3.696
060	04612-00500	CIR CLIP EXTERNAL	2				0.009	0.0198
070	02410-00120	NUT BEARING	2				0.178	0.3916
080	04312-00120	WASHER BEARING	2				0.03	0.066
090	36830-48250	SEAL WITH SHAFT	2				0.14	0.308

FRONT DIFFERENTIAL CASE



R1411-018-10

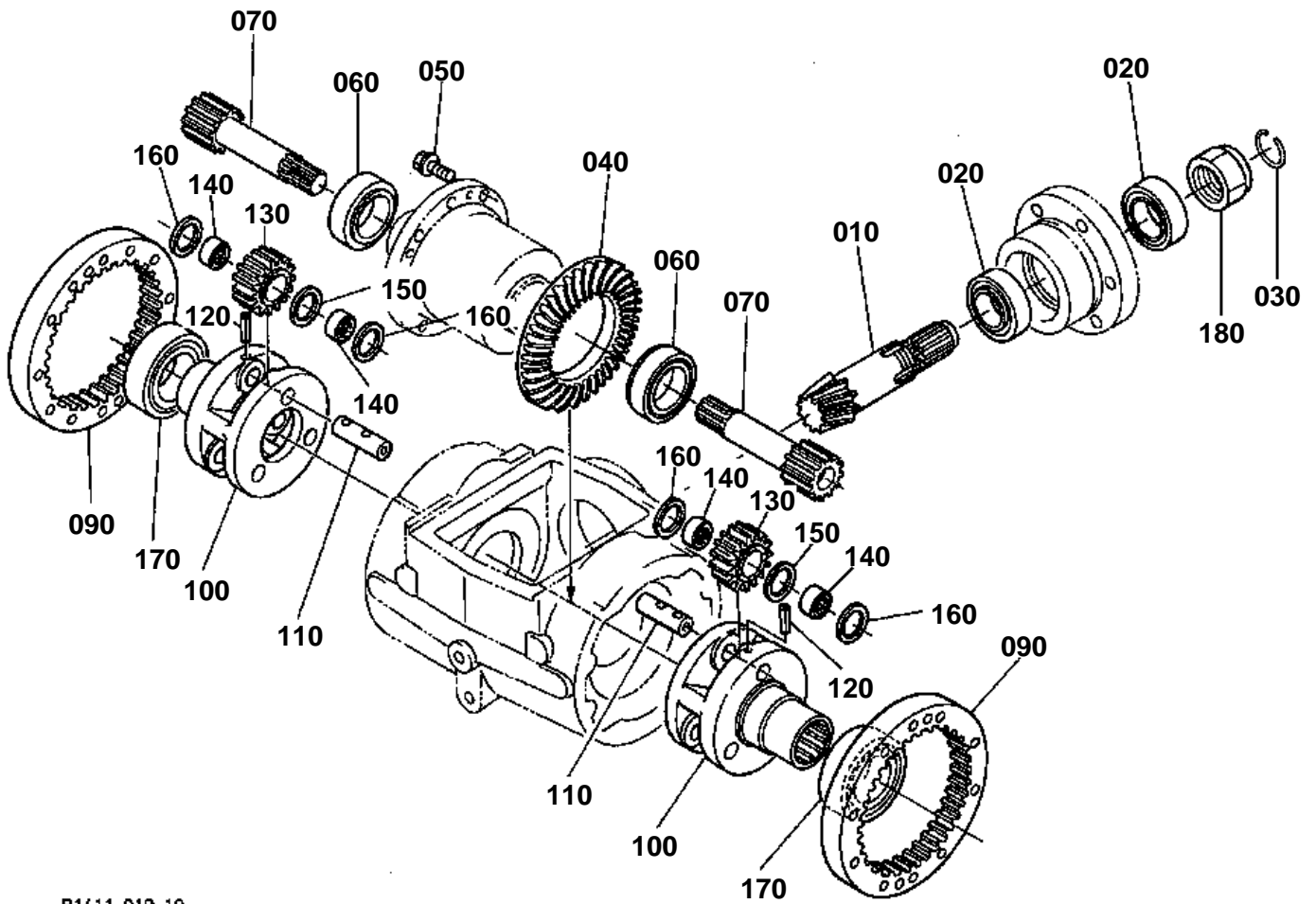


FRONT DIFFERENTIAL CASE

↔ Interchangeable; ≠ not interchangeable; ← new for old; → old for new

REF.No	Part No.	Description	Q'ty	S.No.	I/C	REMARKS	Weight (kgf)	Weight (lb)
010	R1401-23112	CASE FRONT DIFF.	1				30.5	67.1
020	68551-11150	PLUG	1				0.025	0.055
030	R1401-23130	COVER	1				1.07	2.354
040	R1401-23140	GASKET	1				0.01	0.022
050	01023-60616	BOLT	18				0.005	0.011
060	R1401-23150	HOLDER BEARING	1				3.2	7.04
070	04811-51050	O RING	1				0.003	0.0066
080	R1401-23160	SHIM	2			0.1mm	0.003	0.0066
080	R1401-23170	SHIM	2			0.2mm	0.006	0.0132
090	01173-61250	BOLT	6				0.052	0.1144
100	04512-60120	WASHER SPRING	6				0.005	0.011
110	R1411-23190	COVER	1				1.76	3.872
120	04811-50800	O RING	1				0.003	0.0066
130	09505-07212	SEAL OIL	1				0.04	0.088
140	R1411-27120	FLANGE	1				1.26	2.772
150	R1401-13920	SEAL	1				0.01	0.022
160	R1411-24180	CAP	1				0.07	0.154
170	01774-61220	BOLT FLANGE	1				0.035	0.077
180	04810-00280	O RING	1				0	0
190	68551-11150	PLUG	1				0.025	0.055

PLANETARY GEAR (FRONT)



R1411-019-10

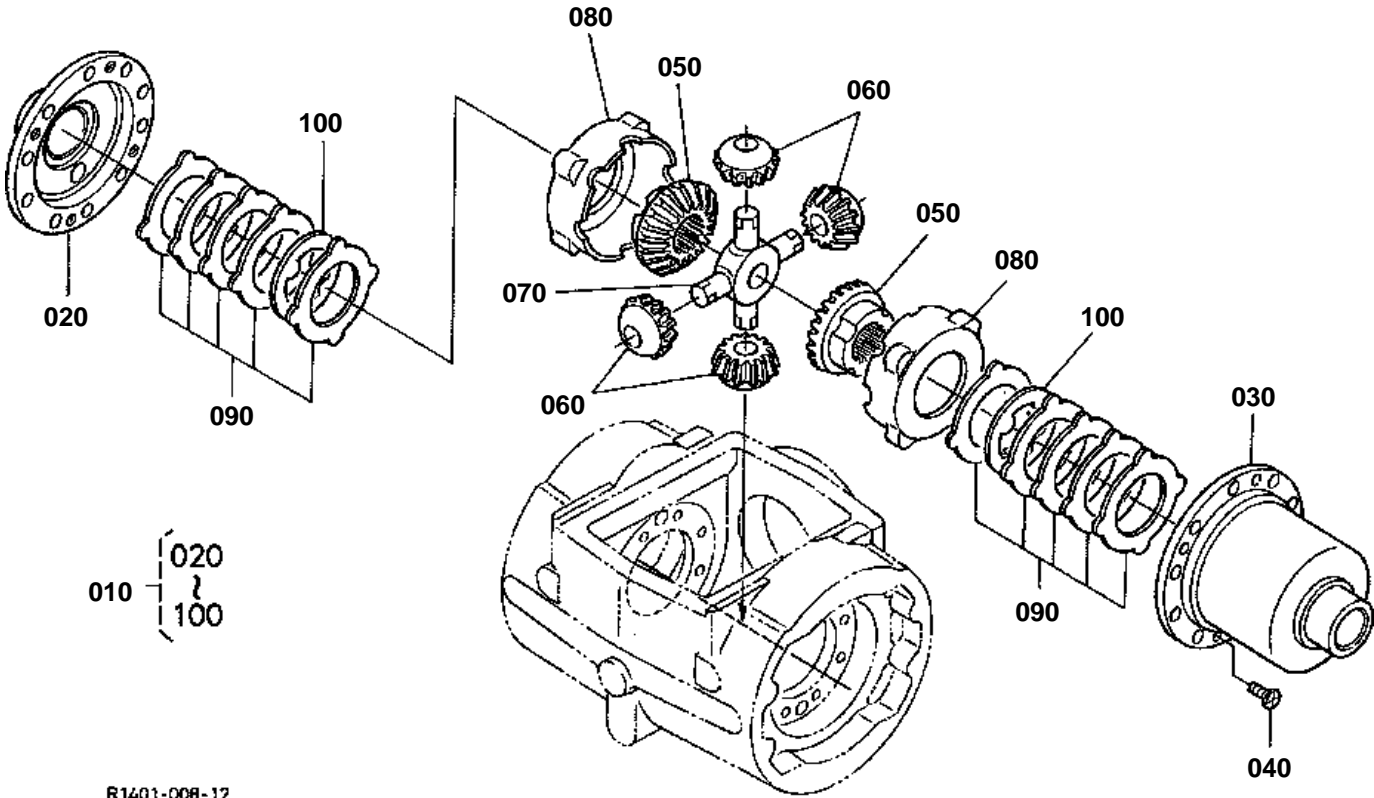


PLANETARY GEAR (FRONT)

↔ Interchangeable; ≠ not interchangeable; ← new for old; → old for new

REF.No	Part No.	Description	Q'ty	S.No.	I/C	REMARKS	Weight (kgf)	Weight (lb)
010	R1401-24150	GEAR BEVEL F	1			8T	1.346	2.9612
020	08731-32208	BEARING TAPER-ROLLER	2				0.54	1.188
030	R1401-28170	STOPPER	1				0.003	0.0066
040	R1401-24210	GEAR BEVEL	1			37T	2.814	6.1908
050	37800-43870	BOLT	10				0.026	0.0572
060	08711-32009	BEARING TAPER-ROLLER	2				0.345	0.759
070	R1411-24230	GEAR-SHAFT	2			12T	0.96	2.112
080	99999-99999	BLANK	0				0	0
090	R1411-24250	GEAR INTERNAL	2			51T	3.61	7.942
100	R1401-24280	ARM PLANETARY	2				3.158	6.9476
110	R1401-24260	PIN PLANETARY GEAR	6				0.165	0.363
120	05411-00620	PIN SPRING	6				0.002	0.0044
130	R1401-24240	GEAR	6			19T	0.429	0.9438
140	36606-28230	BEARING NEEDLE	12				0.03	0.066
150	R1401-24270	SPACER	6				0.008	0.0176
160	R1401-24290	COLLAR THRUST	12				0.009	0.0198
170	08101-06013	BEARING BALL	2				0.42	0.924
180	R1401-24160	NUT BEARING	1				0.091	0.2002

FRONT DIFFERENTIAL



R1401-008-12

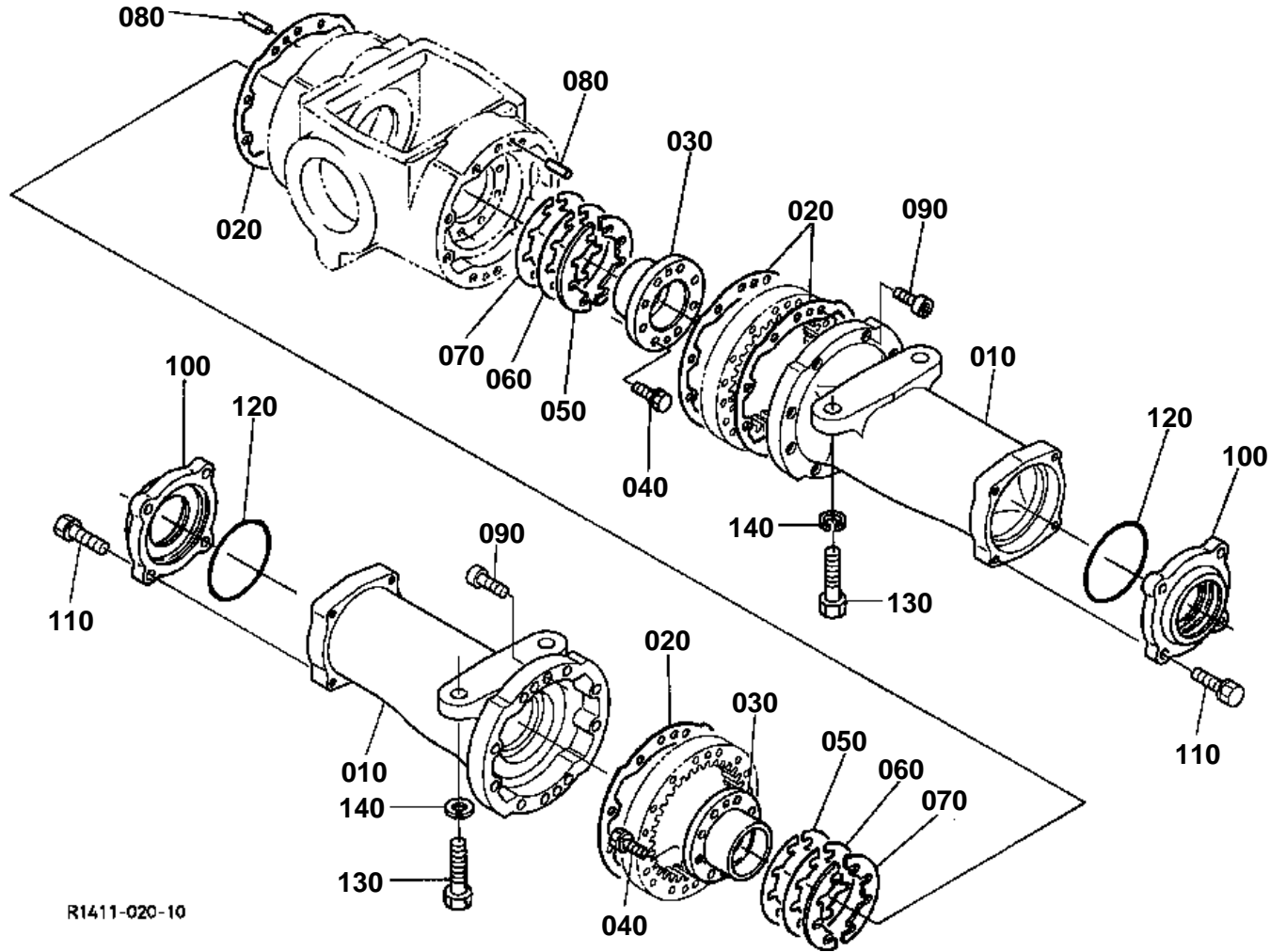


FRONT DIFFERENTIAL

↔ Interchangeable; ≠ not interchangeable; ← new for old; → old for new

REF.No	Part No.	Description	Q'ty	S.No.	I/C	REMARKS	Weight (kgf)	Weight (lb)
010	R1401-24300	ASSY DIFF. LSD	1				6.264	13.7808
020	R1401-24370	CASE LSD	1				1.2	2.64
030	R1401-24380	CASE LSD	1				1.25	2.75
040	R1401-24390	SCREW CSK-HD	4				0.002	0.0044
050	R1401-24410	GEAR DIFF.SIDE	2				0.366	0.8052
060	R1401-24420	GEAR PINION	4				0.106	0.2332
070	R1401-24430	SHAFT PINION	1				0.252	0.5544
080	R1401-24440	RING	2				0.454	0.9988
090	R1401-24450	PLATE	10			1.7mm	0.043	0.0946
090	R1401-24460	PLATE	10			STD 1.8mm	0.044	0.0968
100	R1401-24470	DISK	2			1.7mm	0.041	0.0902
100	R1401-24480	DISK	2			STD 1.8mm	0.041	0.0902

REAR AXLE CASE



R1411-020-10

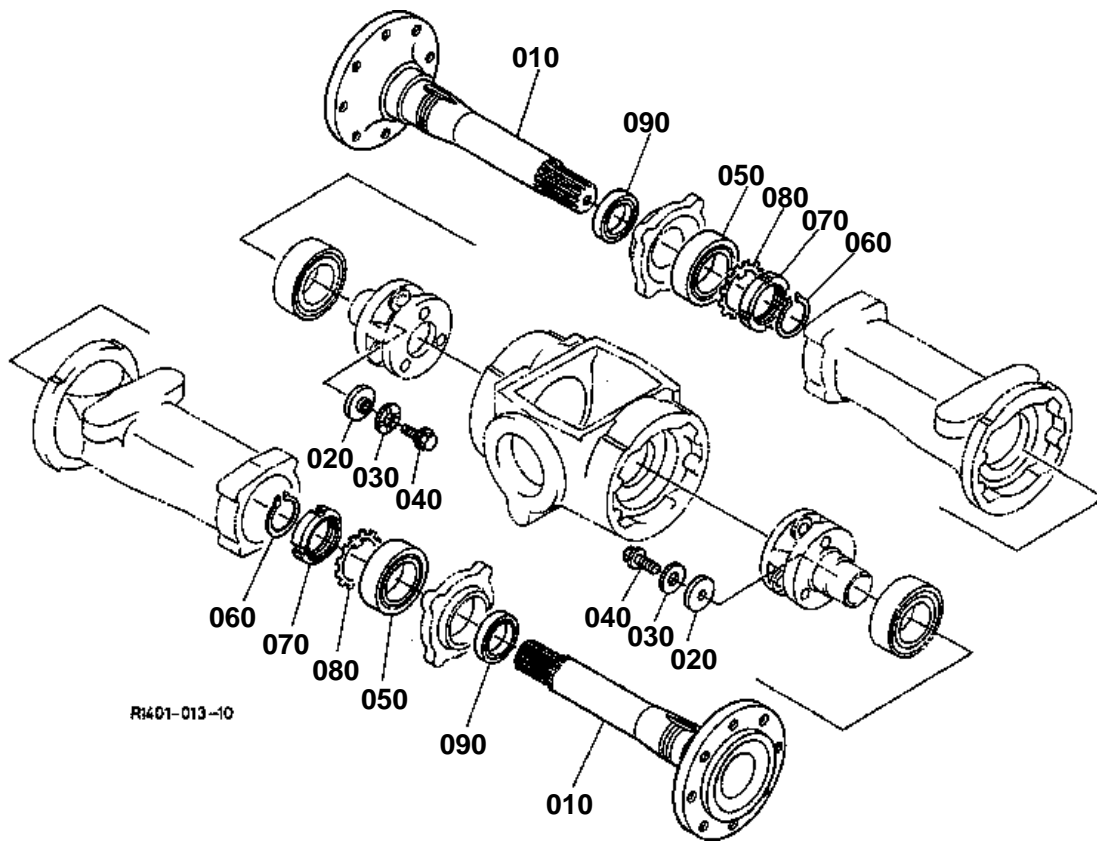


REAR AXLE CASE

↔ Interchangeable; ≠ not interchangeable; ← new for old; → old for new

REF.No	Part No.	Description	Q'ty	S.No.	I/C	REMARKS	Weight (kgf)	Weight (lb)
010	R1411-23310	CASE AXLE	2				15.42	33.924
020	R1401-23330	GASKET	4				0.02	0.044
030	R1401-23210	HOLDER BEARING	2				1.2	2.64
040	01123-60825	BOLT	16				0.012	0.0264
050	R1401-23230	SHIM	6			0.1mm	0.002	0.0044
060	R1401-23240	SHIM	4			0.2mm	0.003	0.0066
070	R1401-23250	SHIM	2			0.5mm	0.008	0.0176
080	68881-23380	PIN	4				0.06	0.132
090	01370-11270	BOLT HEX-SOC-HD	20				0.07	0.154
100	R1411-23360	COVER AXLE	2				0.86	1.892
110	01133-61030	BOLT	8				0.023	0.0506
120	04811-51300	O RING	2				0.004	0.0088
130	01173-52060	BOLT	4				0.195	0.429
140	04512-60200	WASHER SPRING	4				0.02	0.044

REAR AXLE

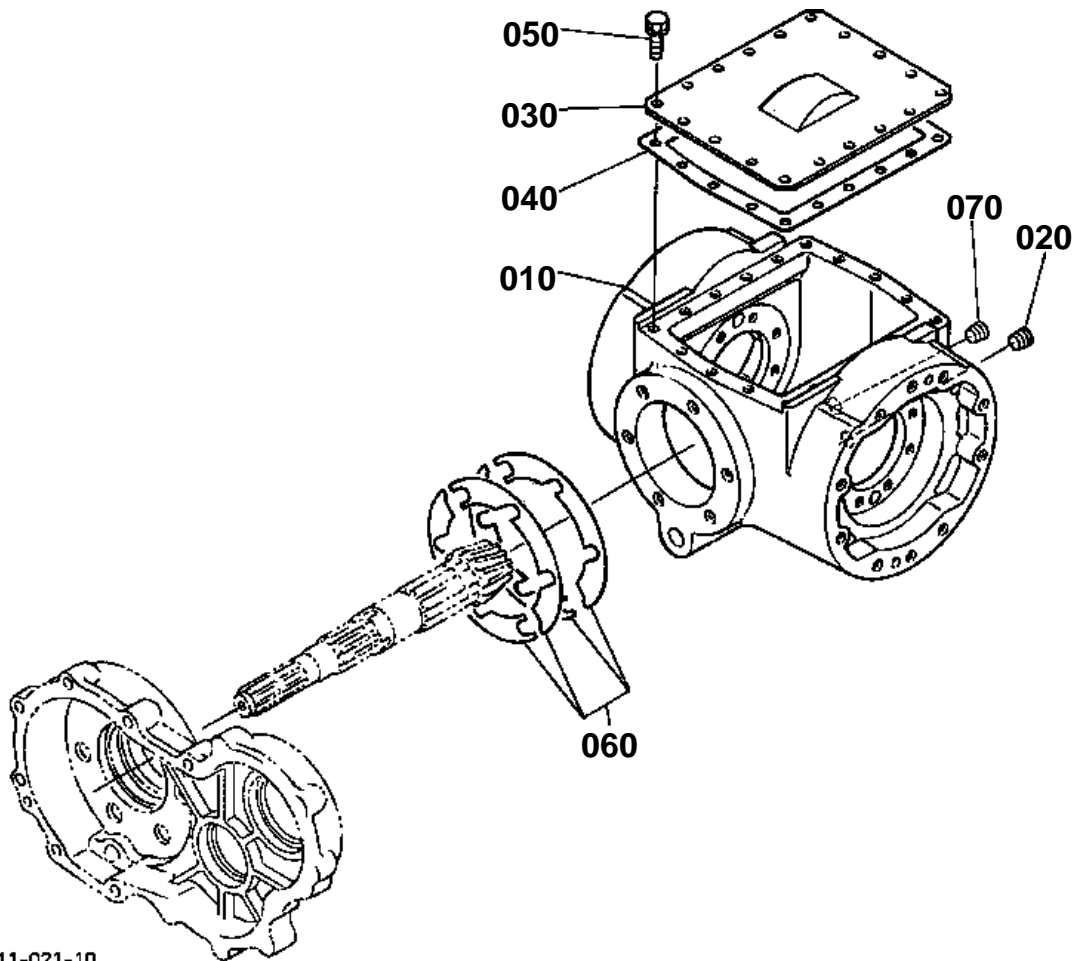


**REAR AXLE**

↔ Interchangeable; ≠ not interchangeable; ← new for old; → old for new

REF.No	Part No.	Description	Q'ty	S.No.	I/C	REMARKS	Weight (kgf)	Weight (lb)
010	R1401-24310	AXLE	2				16	35.2
020	R1401-24320	SPACER	2				0.113	0.2486
030	R1401-24330	COLLAR THRUST	2				0.034	0.0748
040	37800-43870	BOLT	2				0.026	0.0572
050	08101-06312	BEARING BALL	2				1.68	3.696
060	04612-00500	CIR CLIP EXTERNAL	2				0.009	0.0198
070	02410-00120	NUT BEARING	2				0.178	0.3916
080	04312-00120	WASHER BEARING	2				0.03	0.066
090	36830-48250	SEAL WITH SHAFT	2				0.14	0.308

REAR DIFFERENTIAL CASE



R1411-021-10

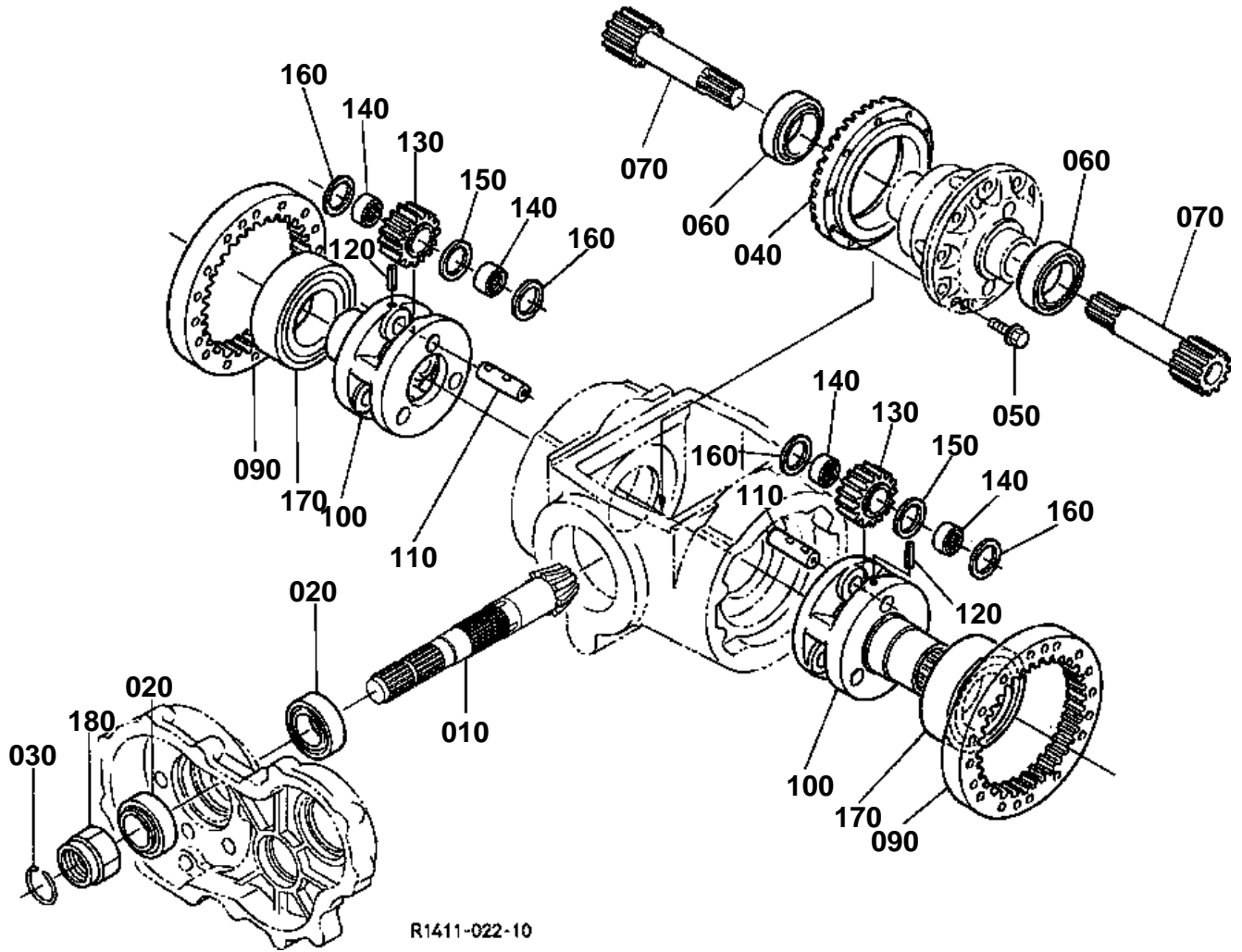


REAR DIFFERENTIAL CASE

↔ Interchangeable; ≠ not interchangeable; ← new for old; → old for new

REF.No	Part No.	Description	Q'ty	S.No.	I/C	REMARKS	Weight (kgf)	Weight (lb)
010	R1401-27113	CASE REAR DIFF.	1				30.5	67.1
020	68551-11150	PLUG	1				0.025	0.055
030	R1401-23130	COVER	1				1.07	2.354
040	R1401-23140	GASKET	1				0.01	0.022
050	01023-60616	BOLT	18				0.005	0.011
060	R1401-23160	SHIM	2			0.1mm	0.003	0.0066
060	R1401-23170	SHIM	2			0.2mm	0.006	0.0132
070	68551-11150	PLUG	1				0.025	0.055

PLANETARY GEAR (REAR)



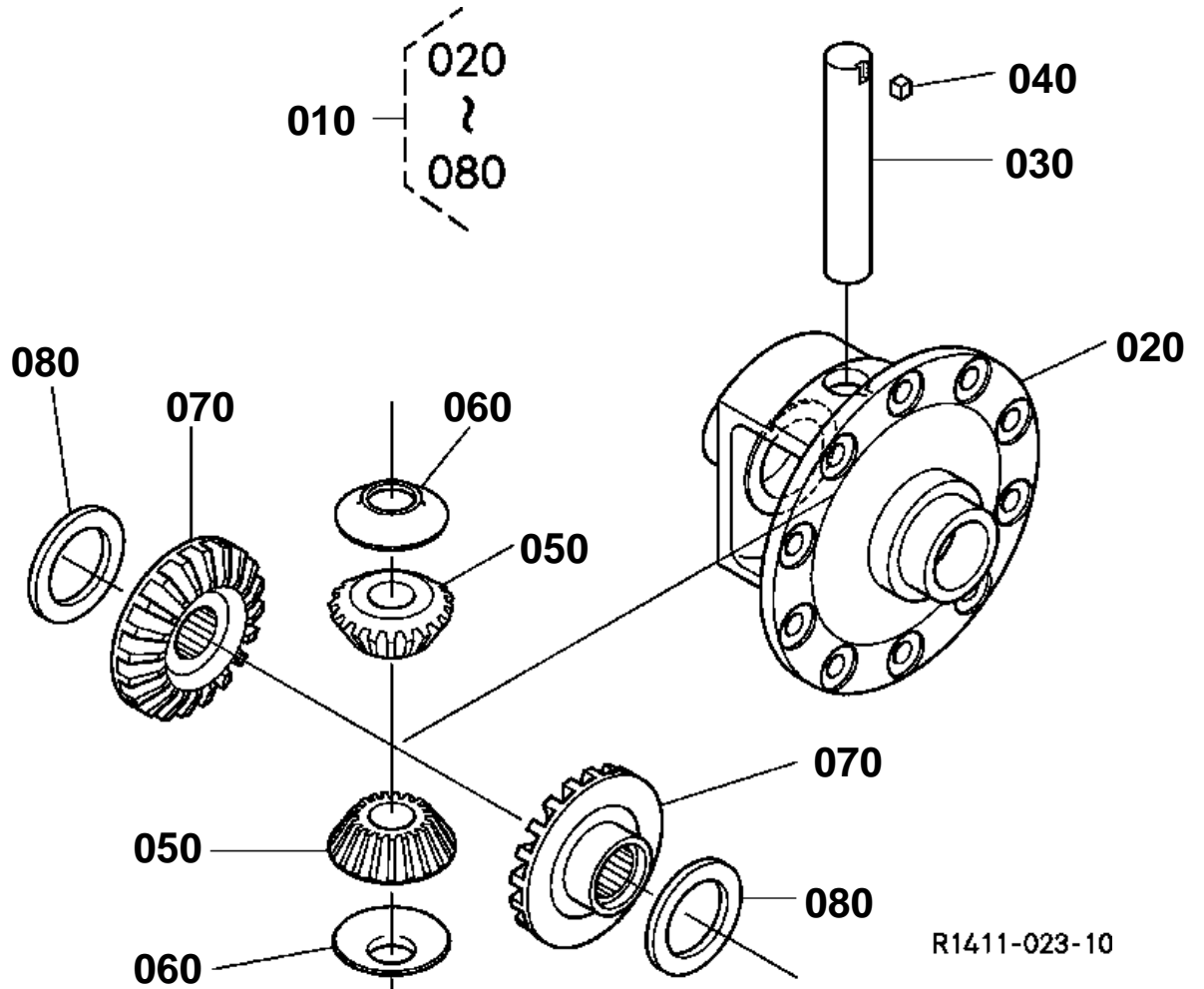


PLANETARY GEAR (REAR)

↔ Interchangeable; ≠ not interchangeable; ← new for old; → old for new

REF.No	Part No.	Description	Q'ty	S.No.	I/C	REMARKS	Weight (kgf)	Weight (lb)
010	R1411-28150	GEAR BEVEL R	1			8T	2.2	4.84
020	08731-32208	BEARING TAPER-ROLLER	2				0.54	1.188
030	R1401-28170	STOPPER	1				0.003	0.0066
040	R1401-24210	GEAR BEVEL	1			37T	2.814	6.1908
050	01774-61020	BOLT FLANGE	10				0.022	0.0484
060	08711-32009	BEARING TAPER-ROLLER	2				0.345	0.759
070	R1411-24230	GEAR-SHAFT	2			12T	0.96	2.112
080	99999-99999	BLANK	0				0	0
090	R1411-24250	GEAR INTERNAL	2			51T	3.61	7.942
100	R1401-24280	ARM PLANETARY	2				3.158	6.9476
110	R1401-24260	PIN PLANETARY GEAR	6				0.165	0.363
120	05411-00620	PIN SPRING	6				0.002	0.0044
130	R1401-24240	GEAR	6			19T	0.429	0.9438
140	36606-28230	BEARING NEEDLE	12				0.03	0.066
150	R1401-24270	SPACER	6				0.008	0.0176
160	R1401-24290	COLLAR THRUST	12				0.009	0.0198
170	08101-06013	BEARING BALL	2				0.42	0.924
180	R1401-24160	NUT BEARING	1				0.091	0.2002

REAR DIFFERENTIAL



R1411-023-10

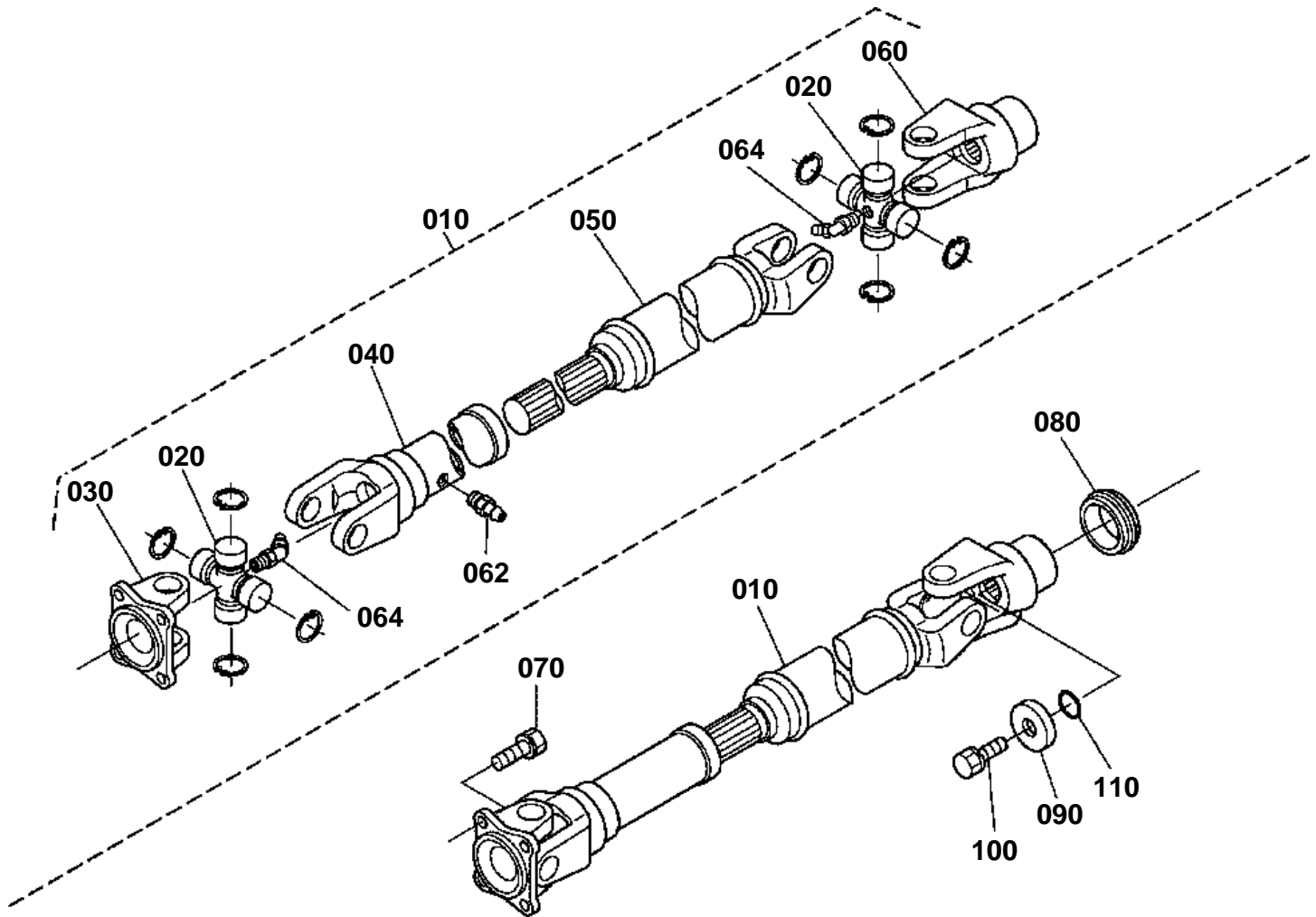


REAR DIFFERENTIAL

↔ Interchangeable; ≠ not interchangeable; ← new for old; → old for new

REF.No	Part No.	Description	Q'ty	S.No.	I/C	REMARKS	Weight (kgf)	Weight (lb)
010	R1411-23400	ASSY DIFFERENTIAL	1				3.77	8.294
020	R1411-23410	CASE DIFFERENTIAL	1				2.19	4.818
030	R1411-23440	SHAFT DIFF.PINION	1				0.28	0.616
040	R1411-23450	KEY FEATHER	1				0.001	0.0022
050	35430-26350	PINION DIFF.	2				0.16	0.352
060	31351-26390	WASHER DIFF.PINION	2				0.012	0.0264
070	R1411-23480	GEAR DIFF.SIDE	2				0.44	0.968
080	31331-26470	WASHER SIDE GEAR	2				0.005	0.011
080	31331-26480	WASHER SIDE GEAR	2				0.017	0.0374
080	31331-26490	WASHER SIDE GEAR	2				0.02	0.044

PROPELLER SHAFT



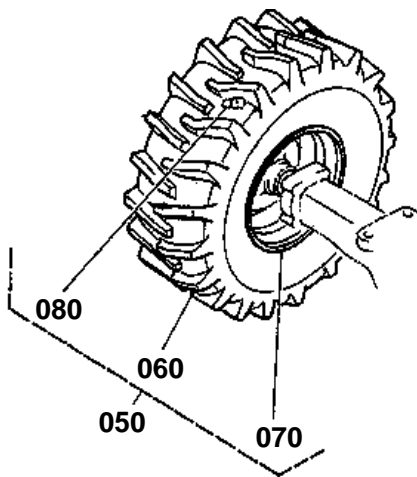
R1411-024-10



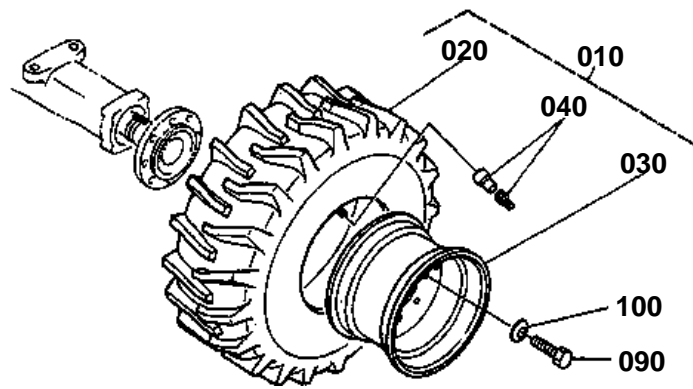
PROPELLER SHAFT

↔ Interchangeable; ≠ not interchangeable; ← new for old; → old for new

REF.No	Part No.	Description	Q'ty	S.No.	I/C	REMARKS	Weight (kgf)	Weight (lb)
010	R1411-13910	SHAFT PROPELLER	1				12	26.4
020	R1411-13920	KIT JOINT	2				0.47	1.034
030	R1411-13930	YOKE FLANGE	1				0.67	1.474
040	R1411-13940	YOKE SLEEVE	1				2.1	4.62
050	R1411-13950	YOKE PIPE	1				7	15.4
060	R1411-13960	YOKE CLAMP	1				1.11	2.442
062	06611-15010	NIPPLE GREASE	1				0.01	0.022
064	06616-25010	NIPPLE GREASE	2				0.008	0.0176
070	01133-61225	BOLT	4				0.037	0.0814
080	R1401-13920	SEAL	1				0.01	0.022
090	R1411-24180	CAP	1				0.07	0.154
100	01774-61220	BOLT FLANGE	1				0.035	0.077
110	04810-00280	O RING	1				0	0



R1401-009-10

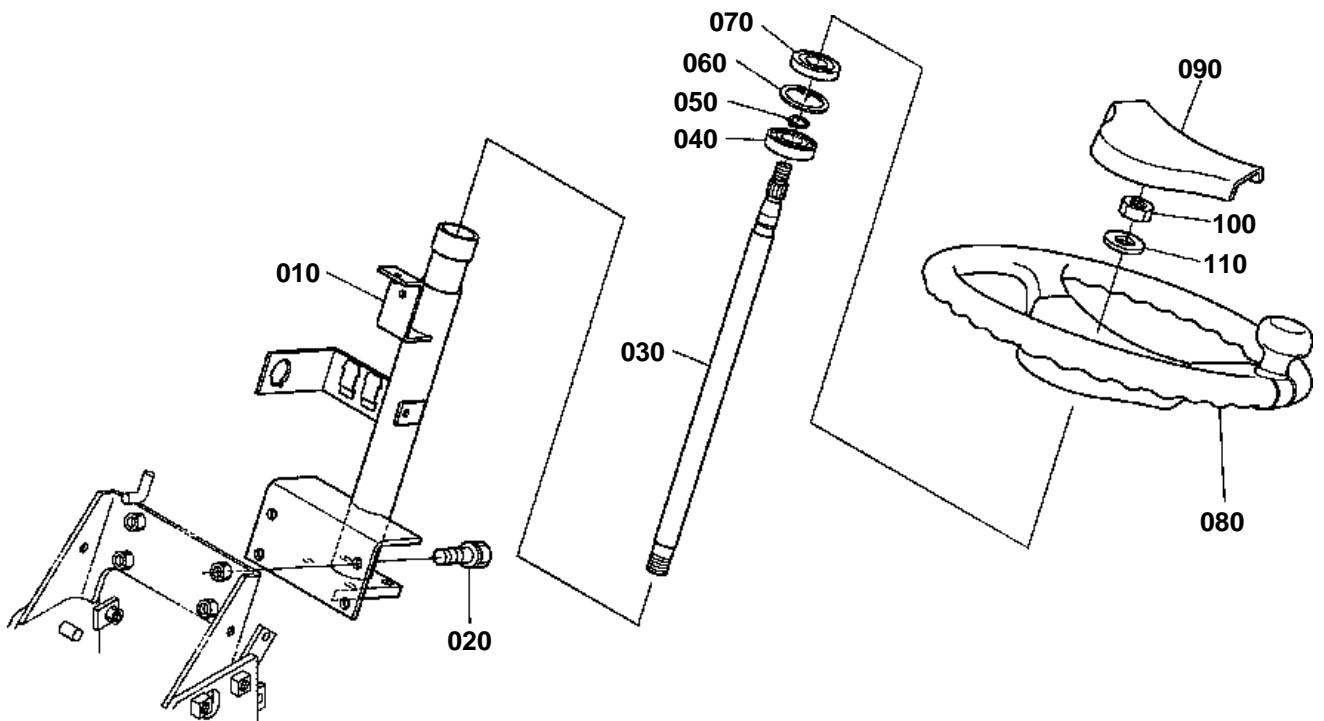


**WHEEL/TIRE**

↔ Interchangeable; ≠ not interchangeable; ← new for old; → old for new

REF.No	Part No.	Description	Q'ty	S.No.	I/C	REMARKS	Weight (kgf)	Weight (lb)
010	R2401-24600	ASSY TIRE LH	2				46	101.2
020	R2401-24810	TIRE P	2				28.1	61.82
030	R1401-24850	WHEEL	2				16.7	36.74
040	68841-24870	VALVE	2				0.02	0.044
050	R2401-24700	ASSY TIRE RH	2				46	101.2
060	R2401-24810	TIRE P	2				28.1	61.82
070	R1401-24850	WHEEL	2				16.7	36.74
080	68841-24870	VALVE	2				0.02	0.044
090	01173-61840	BOLT	32				0.11	0.242
100	36200-49130	SPRING PLATE	32				0.026	0.0572

STEERING HANDLE



R1411-025-10

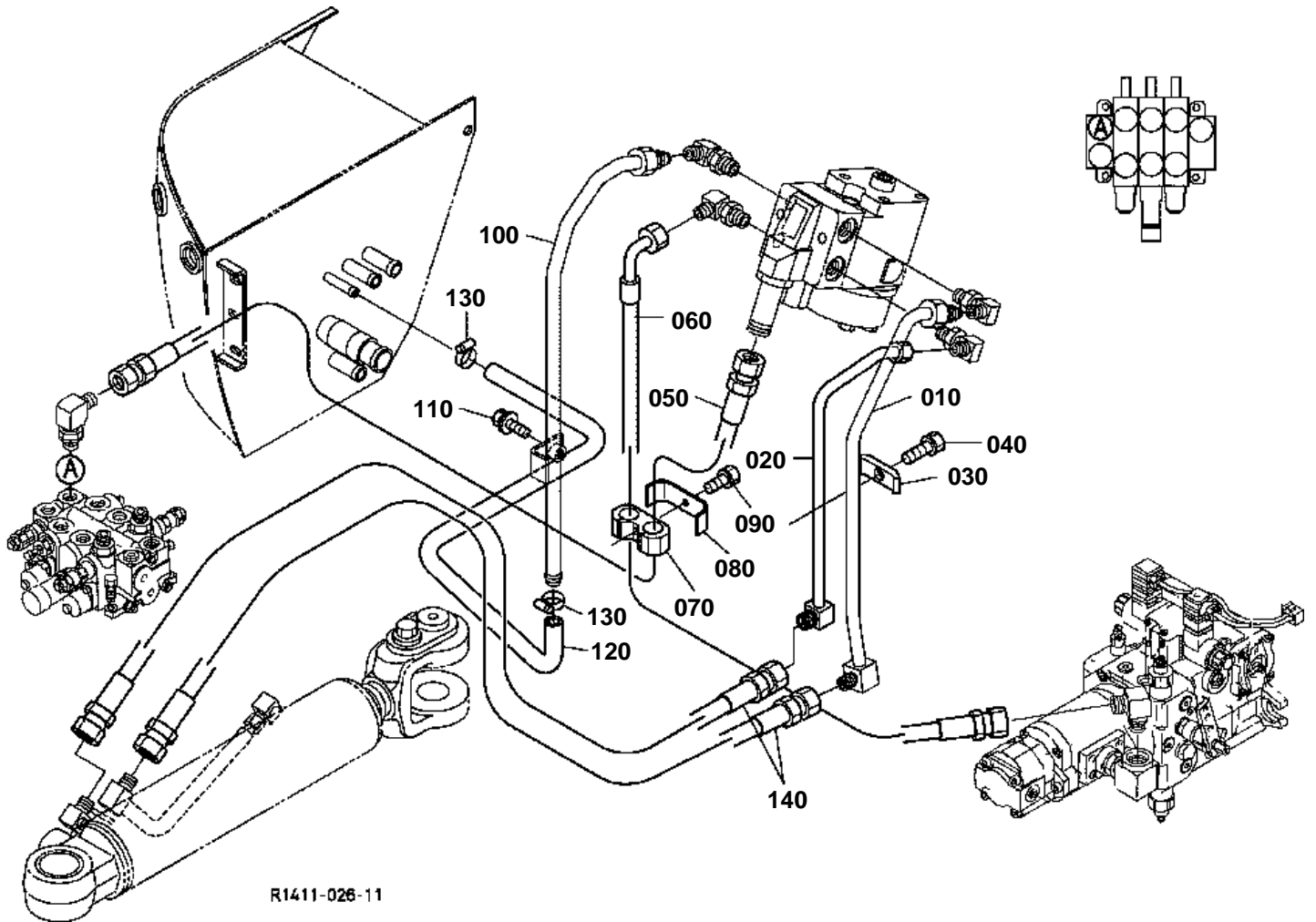


STEERING HANDLE

↔ Interchangeable; ≠ not interchangeable; ← new for old; → old for new

REF.No	Part No.	Description	Q'ty	S.No.	I/C	REMARKS	Weight (kgf)	Weight (lb)
010	R1411-34114	POST STEERING	1				3.22	7.084
020	01133-61025	BOLT	4				0.02	0.044
030	R1411-34130	SHAFT HANDLE	1				1.2	2.64
040	08101-06904	BEARING BALL	1				0.02	0.044
050	04612-00200	CIR CLIP EXTERNAL	1				0.001	0.0022
060	04611-00370	CIR CLIP INTERNAL	1				0.004	0.0088
070	R1401-34150	SEAL DUST	1				0.017	0.0374
080	R1411-34600	ASSY HANDLE STEERING	1				2.6	5.72
090	R1411-34700	CAP	1				0.09	0.198
100	02176-60140	NUT	1				0.014	0.0308
110	04013-60140	WASHER PLAIN	1				0.01	0.022

HYDRAULIC OIL LINE (STEERING)

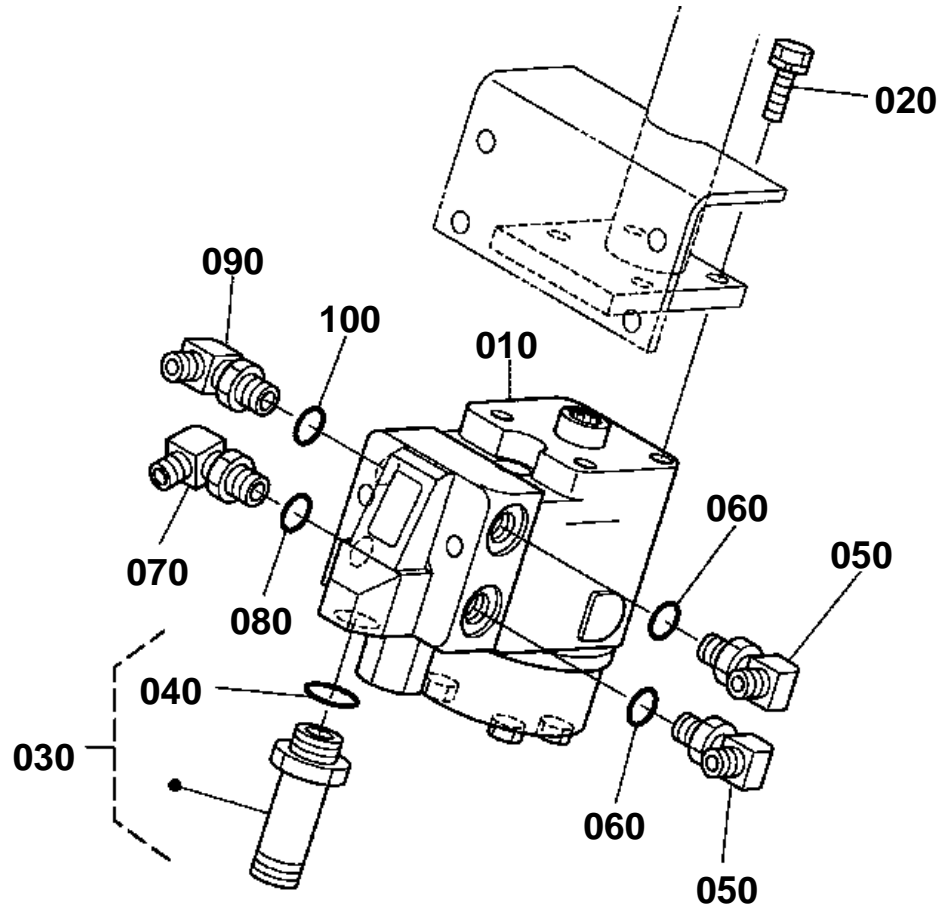




HYDRAULIC OIL LINE (STEERING)

↔ Interchangeable; ≠ not interchangeable; ← new for old; → old for new

REF.No	Part No.	Description	Q'ty	S.No.	I/C	REMARKS	Weight (kgf)	Weight (lb)
010	R1411-34912	PIPE STEERING	1	<=10021			0.29	0.638
010	R1411-34913	PIPE STEERING	1	>=10022	←		0.29	0.638
020	R1411-34922	PIPE STEERING	1				0.27	0.594
030	R2411-63740	CLAMP	1				0.042	0.0924
040	01133-61030	BOLT	1				0.023	0.0506
050	R1411-63830	HOSE HYDRAULIC	1				0.69	1.518
060	R1411-63350	HOSE HYDRAULIC	1				0.67	1.474
070	RC411-64210	CUSHION	1				0.04	0.088
080	RC411-64220	CLAMP	1				0.08	0.176
090	01133-61020	BOLT	1				0.02	0.044
100	R1411-63650	PIPE	1	<=10021			0	0
100	R1411-63652	PIPE	1	>=10022	←		0.25	0.55
110	01125-60820	BOLT	1				0.015	0.033
120	R1411-63670	HOSE	1				0.12	0.264
130	RC101-64580	CLAMP HOSE	2				0.018	0.0396
140	R1411-34930	HOSE HYDRAULIC	2				0.53	1.166



R1411-027-10

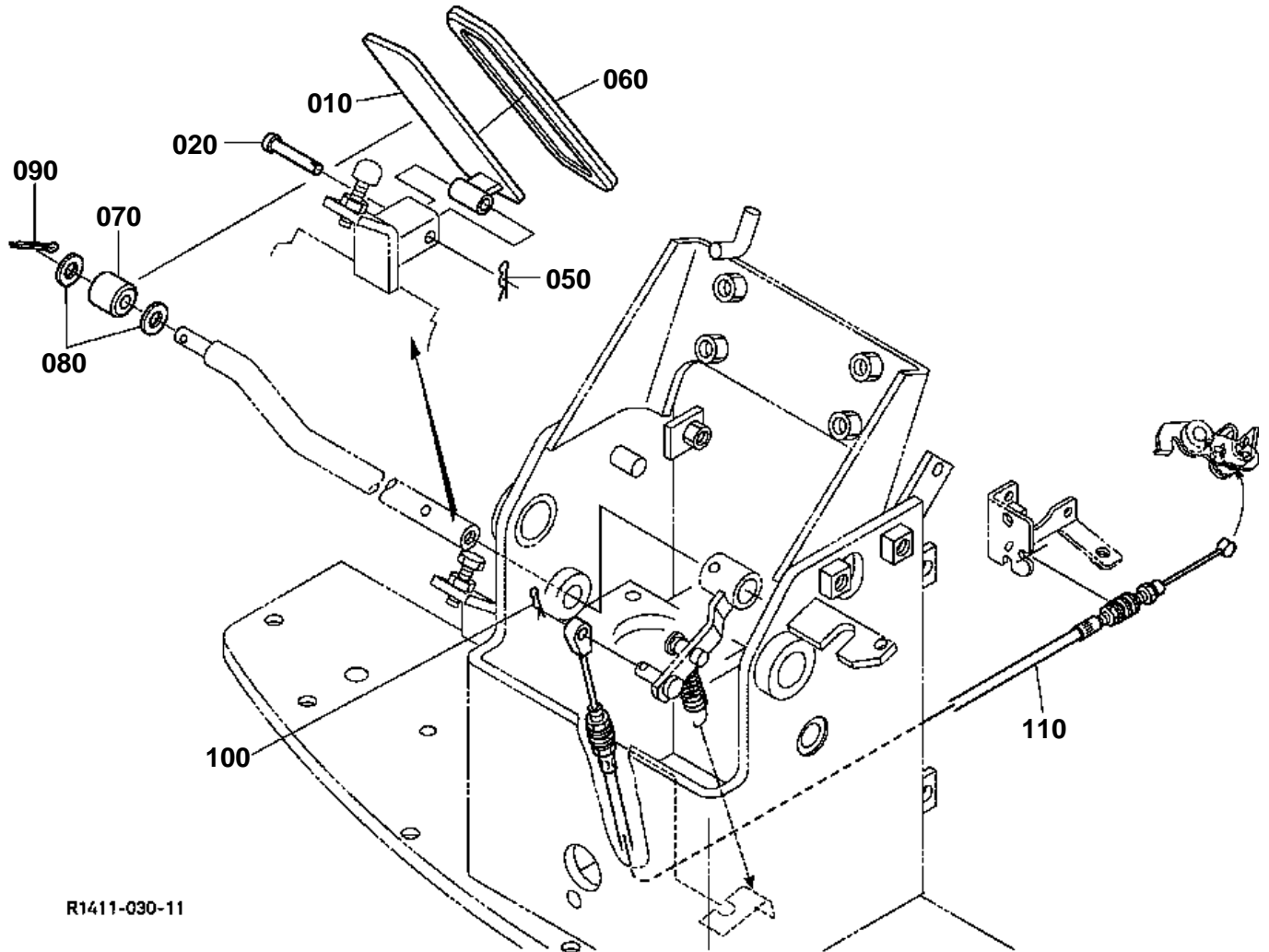


STREERING CONTROLLER

↔ Interchangeable; ≠ not interchangeable; ← new for old; → old for new

REF.No	Part No.	Description	Q'ty	S.No.	I/C	REMARKS	Weight (kgf)	Weight (lb)
010	R1411-34550	STEERING POWER	1				8.2	18.04
020	01754-61025	BOLT FLANGE	4				0.02	0.044
030	R1411-63430	JOINT PIPE	1				0	0
040	04810-00180	O RING	1				0	0
050	06015-51233	JOINT	2				0.09	0.198
060	04810-00140	O RING	2				0	0
070	R1401-63480	JOINT	1				0.15	0.33
080	04810-00180	O RING	1				0	0
090	06015-51233	JOINT	1				0.09	0.198
100	04810-00140	O RING	1				0	0

ACCELERATOR PEDAL



R1411-030-11

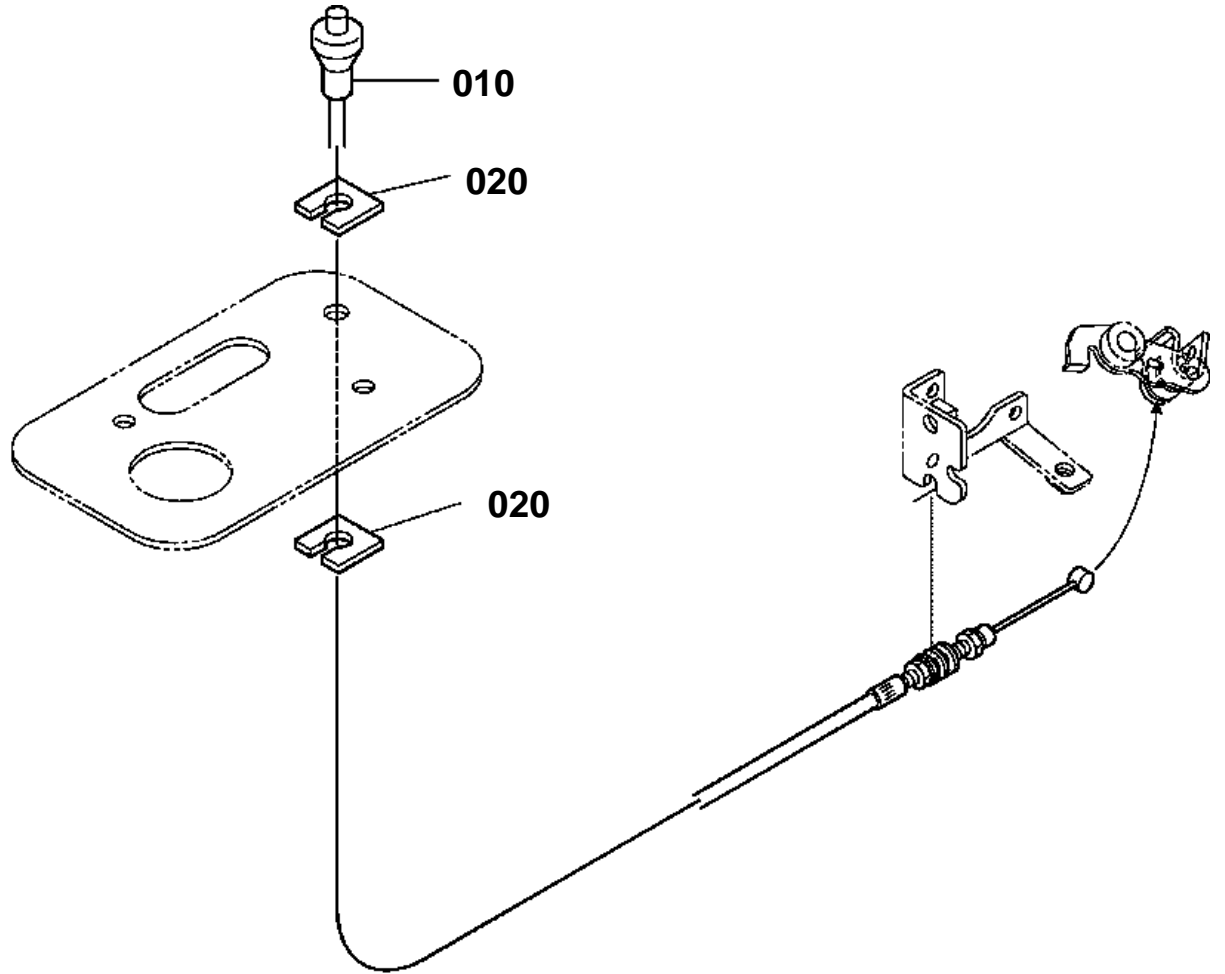


ACCELERATOR PEDAL

↔ Interchangeable; ≠ not interchangeable; ← new for old; → old for new

REF.No	Part No.	Description	Q'ty	S.No.	I/C	REMARKS	Weight (kgf)	Weight (lb)
010	R1411-35262	PEDAL ACCEL.	1				0.19	0.418
020	05122-50635	PIN JOINT	1				0.01	0.022
030	99999-99999	BLANK	0				0	0
040	99999-99999	BLANK	0				0	0
050	05525-60600	PIN SNAP	1				0.001	0.0022
060	68841-35290	RUBBER PEDAL	1				0.085	0.187
070	R1411-35280	ROLLER ACCEL.	1				0.008	0.0176
080	04011-60100	WASHER PLAIN	2				0.024	0.0528
090	05511-50318	PIN SPLIT	1				0.001	0.0022
100	05525-60600	PIN SNAP	1				0.001	0.0022
110	R1411-35250	CABLE ACCEL	1				0.16	0.352

ACCELERATOR CABLE



R2411-001-11

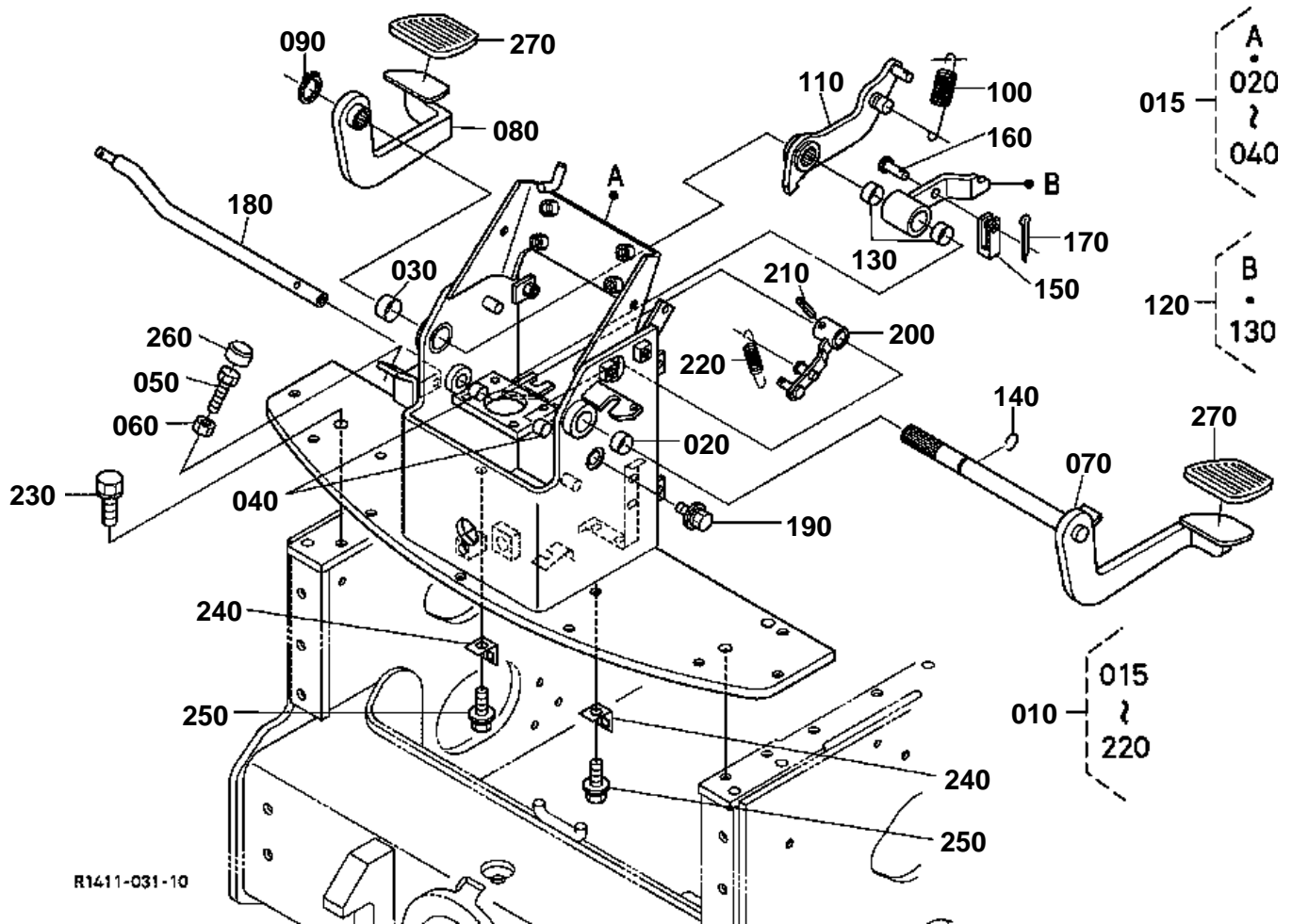


ACCELERATOR CABLE
[KCL KTA]

↔ Interchangeable; ≠ not interchangeable; ← new for old; → old for new

REF.No	Part No.	Description	Q'ty	S.No.	I/C	REMARKS	Weight (kgf)	Weight (lb)
010	R2411-35550	CABLE ACCEL	1	≤10005			0	0
010	R2411-35552	CABLE ACCEL	1	≥10006	←		0.45	0.99
020	R2401-35560	WASHER	2				0.027	0.0594

BRAKE PEDAL

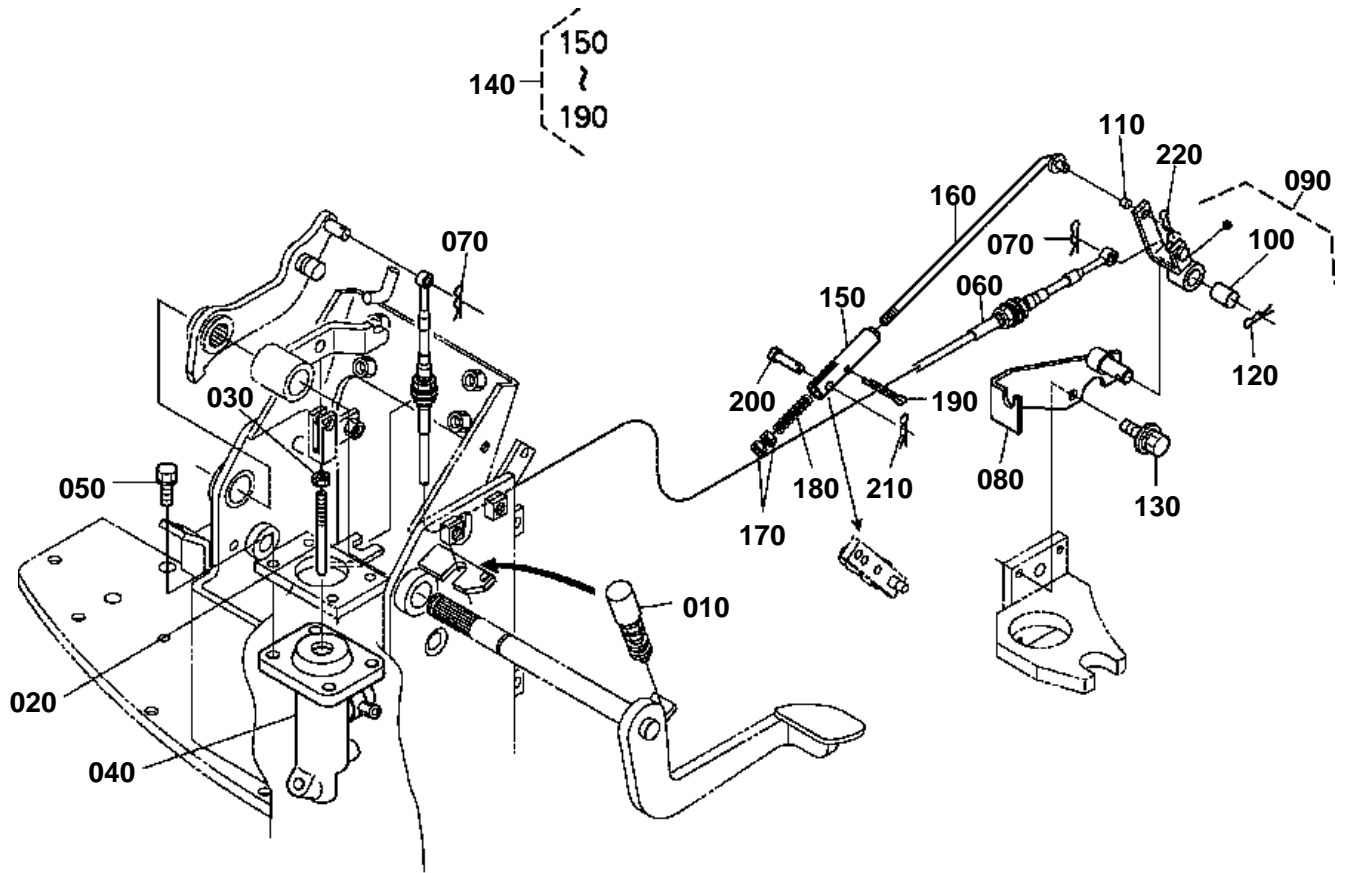


**BRAKE PEDAL**

↔ Interchangeable; ≠ not interchangeable; ← new for old; → old for new

REF.No	Part No.	Description	Q'ty	S.No.	I/C	REMARKS	Weight (kgf)	Weight (lb)
010	R1411-32606	ASSY PEDAL CONTROL	1				0	0
015	R1411-32200	ASSY BRACKET	1				0	0
020	08511-02010	BUSH	1				0.01	0.022
030	08511-02510	BUSH	1				0.012	0.0264
040	08511-01410	BUSH	2				0.005	0.011
050	01155-60835	BOLT	1				0.015	0.033
060	02114-60080	NUT	1				0.002	0.0044
070	R1411-32120	PEDAL BRAKE LH	1				1.57	3.454
080	R1411-32130	PEDAL BRAKE RH	1				0.88	1.936
090	04612-00190	CIR CLIP EXTERNAL	1				0.001	0.0022
100	R1411-32253	SPRING	1				0.03	0.066
110	R1411-32170	LINK BRAKE	1				0	0
120	R1411-32300	ASSY ARM BRAKE	1				0	0
130	08511-02010	BUSH	2				0.01	0.022
140	R1411-32180	STOPPER	1				0.001	0.0022
150	R1411-32220	YOKE	1				0.04	0.088
160	05122-50820	PIN JOINT	1				0.009	0.0198
170	05511-50215	PIN SPLIT	1				0.001	0.0022
180	R1411-35213	SHAFT ACCEL.	1				0	0
190	01125-60816	BOLT	1				0.01	0.022
200	R1411-35230	LINK ACCEL.	1				0.09	0.198
210	05411-00325	PIN SPRING	1				0.001	0.0022
220	R1411-35243	SPRING	1				0.01	0.022
230	01133-61225	BOLT	4				0.037	0.0814
240	RP821-67382	STAY HARNESS CLAMP	2				0.008	0.0176
250	01125-60816	BOLT	2				0.01	0.022
260	35593-83980	CAP RUBBER	1				0.001	0.0022
270	66204-43410	COVER PEDAL REAR	2				0.06	0.132

BRAKE OPERATION



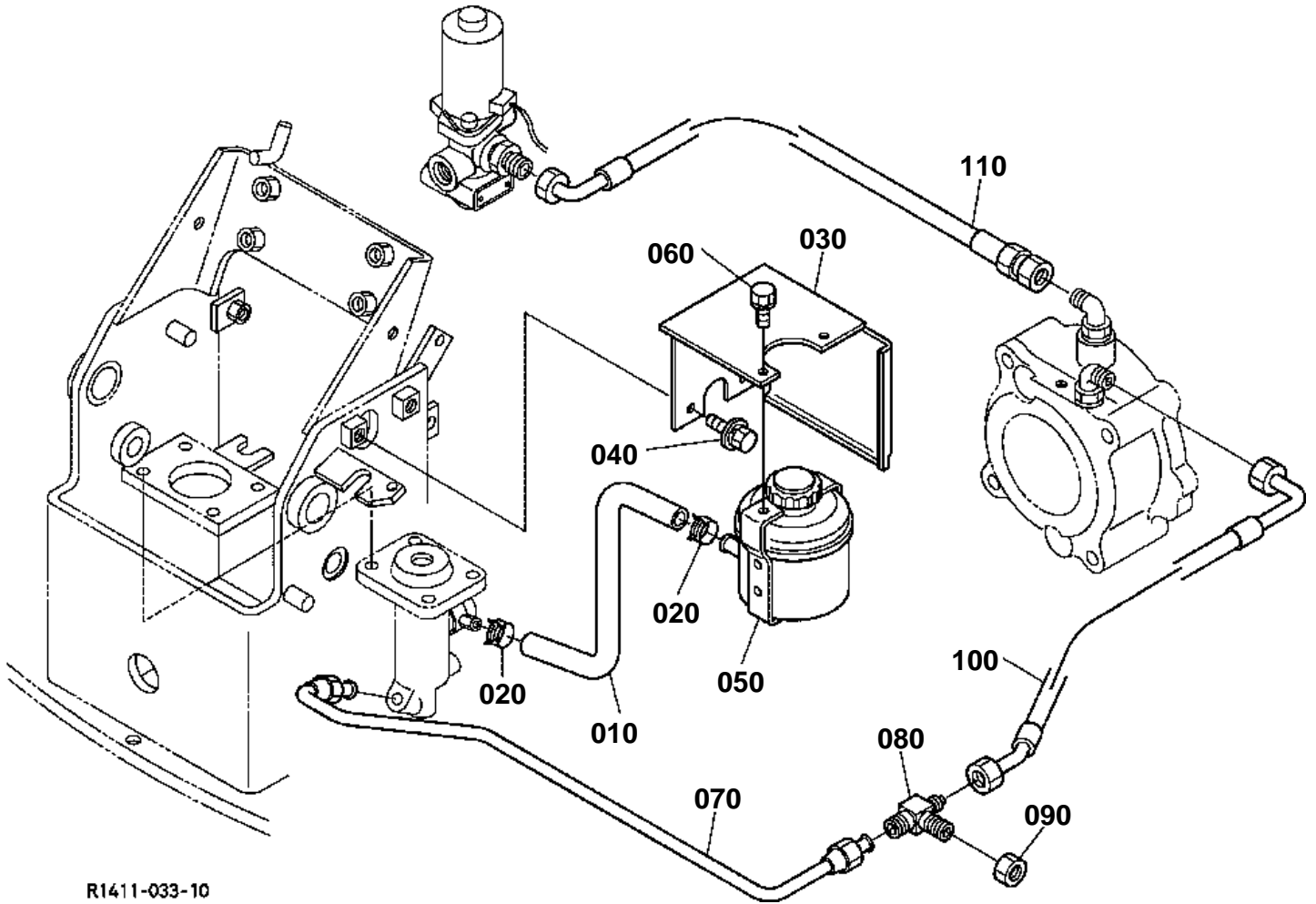
R1411-032-10

**BRAKE OPERATION**

↔ Interchangeable; ≠ not interchangeable; ← new for old; → old for new

REF.No	Part No.	Description	Q'ty	S.No.	I/C	REMARKS	Weight (kgf)	Weight (lb)
010	T2050-33780	SWITCH PTO	1				0.095	0.209
020	R1411-32150	PUSH ROD	1				0.03	0.066
030	02112-60080	NUT	1				0.005	0.011
040	R1401-32500	ASSY CYLINDER MASTER	1				1.5	3.3
050	01123-60820	BOLT	4				0.015	0.033
060	R1411-32390	CABLE	1				0.27	0.594
070	05525-60600	PIN SNAP	2				0.001	0.0022
080	R1411-32310	BRACKET	1				0.35	0.77
090	R1411-32320	ASSY LINK	1				0.12	0.264
100	08511-01420	BUSH	1				0.007	0.0154
110	08511-00605	BUSH	1				0.001	0.0022
120	05525-51400	PIN SNAP	1				0.005	0.011
130	01135-61025	BOLT	2				0.04	0.088
140	R1411-32400	ASSY ROD	1	≤10005			0	0
140	R1411-32403	ASSY ROD	1	≥10006	←		0.09	0.198
150	R1411-32340	HOLDER SPRING	1				0.05	0.11
160	R1411-32350	ROD	1	≤10005			0	0
160	R1411-32352	ROD	1	≥10006	←		0.041	0.0902
170	02012-60060	NUT	2				0.005	0.011
180	R1411-32360	SPRING	1				0.002	0.0044
190	05511-50320	PIN SPLIT	1				0.002	0.0044
200	05122-50820	PIN JOINT	1				0.009	0.0198
210	05525-50800	PIN SNAP	1				0.001	0.0022
220	05525-60600	PIN SNAP	1				0.001	0.0022

BRAKE PIPING

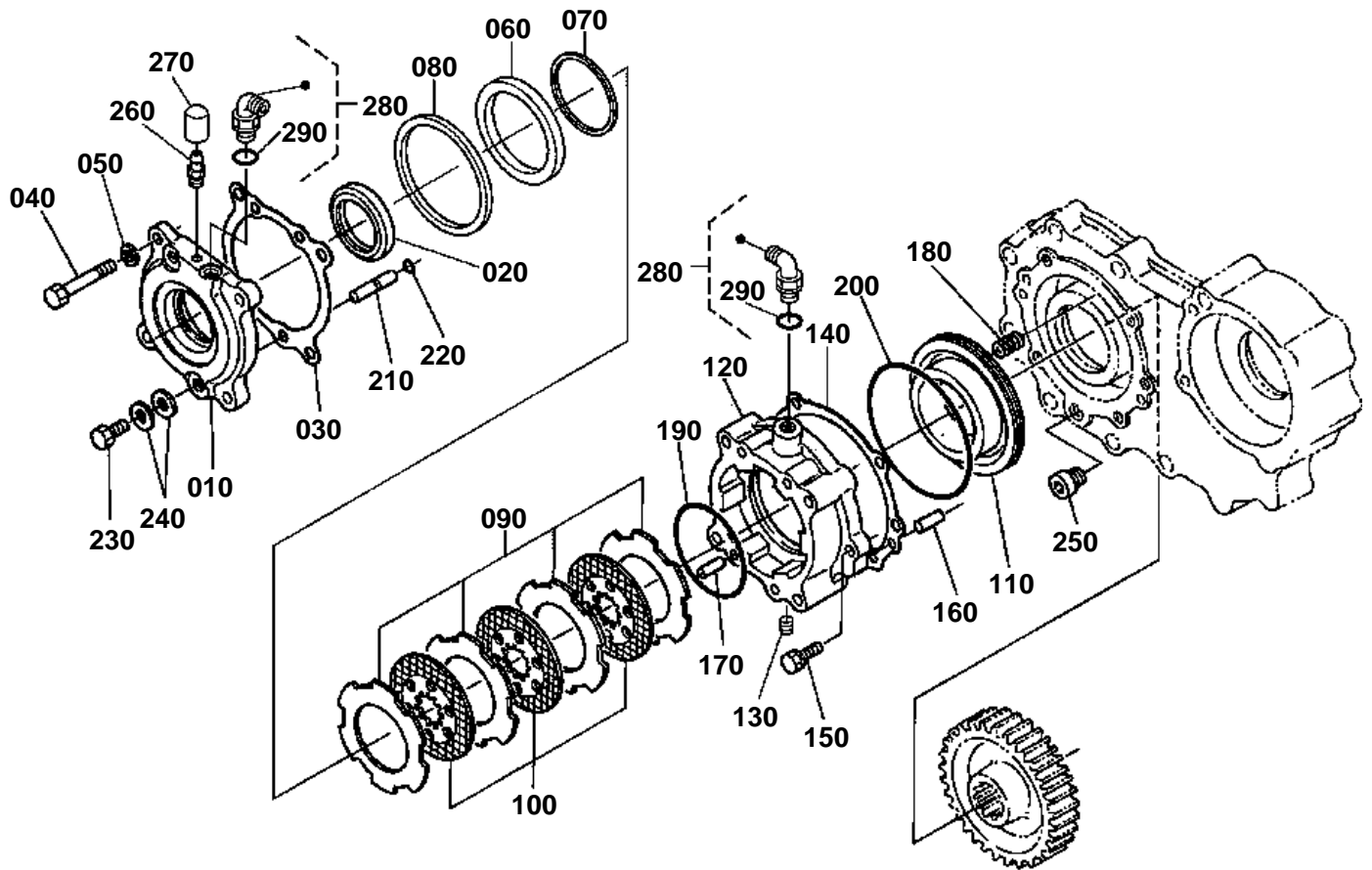


R1411-033-10

**BRAKE PIPING**

↔ Interchangeable; ≠ not interchangeable; ← new for old; → old for new

REF.No	Part No.	Description	Q'ty	S.No.	I/C	REMARKS	Weight (kgf)	Weight (lb)
010	R1411-32810	HOSE BRAKE	1				0.07	0.154
020	68811-32880	CLAMP HOSE	2				0.005	0.011
030	R1401-32820	COVER TANK	1				0.436	0.9592
040	01125-60816	BOLT	2				0.01	0.022
050	68841-32820	ASSY TANK OIL	1				0.23	0.506
060	01053-60610	BOLT	2				0.005	0.011
070	R1411-32720	PIPE BRAKE	1				0.06	0.132
080	R1411-32280	JOINT T-PIPE	1				0.05	0.11
090	02174-60120	NUT	1				0.01	0.022
100	R1411-32730	HOSE HYDRAULIC	1				0.22	0.484
110	R1411-32710	HOSE HYDRAULIC	1				0.18	0.396



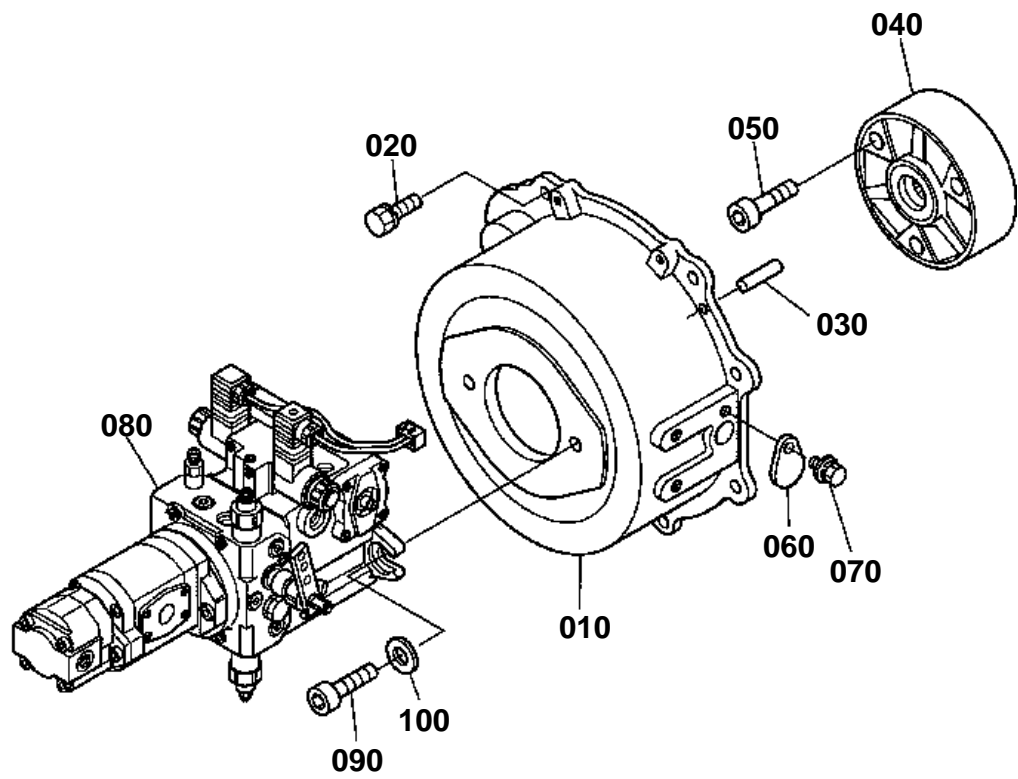
R1411-034-10

**BRAKE**

↔ Interchangeable; ≠ not interchangeable; ← new for old; → old for new

REF.No	Part No.	Description	Q'ty	S.No.	I/C	REMARKS	Weight (kgf)	Weight (lb)
010	R1411-15210	COVER BRAKE	1				1.94	4.268
020	09505-07212	SEAL OIL	1				0.04	0.088
030	68881-15222	GASKET BRAKE	1				0.005	0.011
040	01173-61285	BOLT	4				0.08	0.176
050	04512-60120	WASHER SPRING	4				0.005	0.011
060	68881-15250	PISTON	1				0.36	0.792
070	68881-15260	SEAL BRAKE	1				0.005	0.011
080	68881-15270	SEAL BRAKE	1				0.005	0.011
090	68881-15230	PLATE	4				0.15	0.33
100	R1401-15240	PLATE FRICTION	3				0.135	0.297
110	68881-15610	PISTON PACKING	1				0.92	2.024
120	R1411-15620	CASE BRAKE PISTON	1				3	6.6
130	68311-13380	PLUG	1				0.003	0.0066
140	68881-15653	GASKET NA	1				0.005	0.011
150	01133-61240	BOLT	2				0.05	0.11
160	05012-01025	PIN STRAIGHT	2				0.016	0.0352
170	05012-00820	PIN STRAIGHT	2				0.008	0.0176
180	R1411-15630	SPRING BRAKE	22				0.015	0.033
190	68881-15640	SEAL PISTON	1				0.006	0.0132
200	68881-15630	SEAL PISTON	1				0.007	0.0154
210	68881-15660	PIN	2				0.02	0.044
220	04811-10050	O RING	2				0.001	0.0022
230	01173-61220	BOLT	2				0.029	0.0638
240	04013-60120	WASHER PLAIN	4				0.01	0.022
250	68171-11170	PLUG	1				0.02	0.044
260	68551-24450	PLUG	1				0.015	0.033
270	R1411-22470	CAP BREEDER	1				0.001	0.0022
280	RB411-63760	JOINT PIPE	2				0.05	0.11
290	04810-00110	O RING	2				0	0

PUMP HOUSING



R1411-035-10

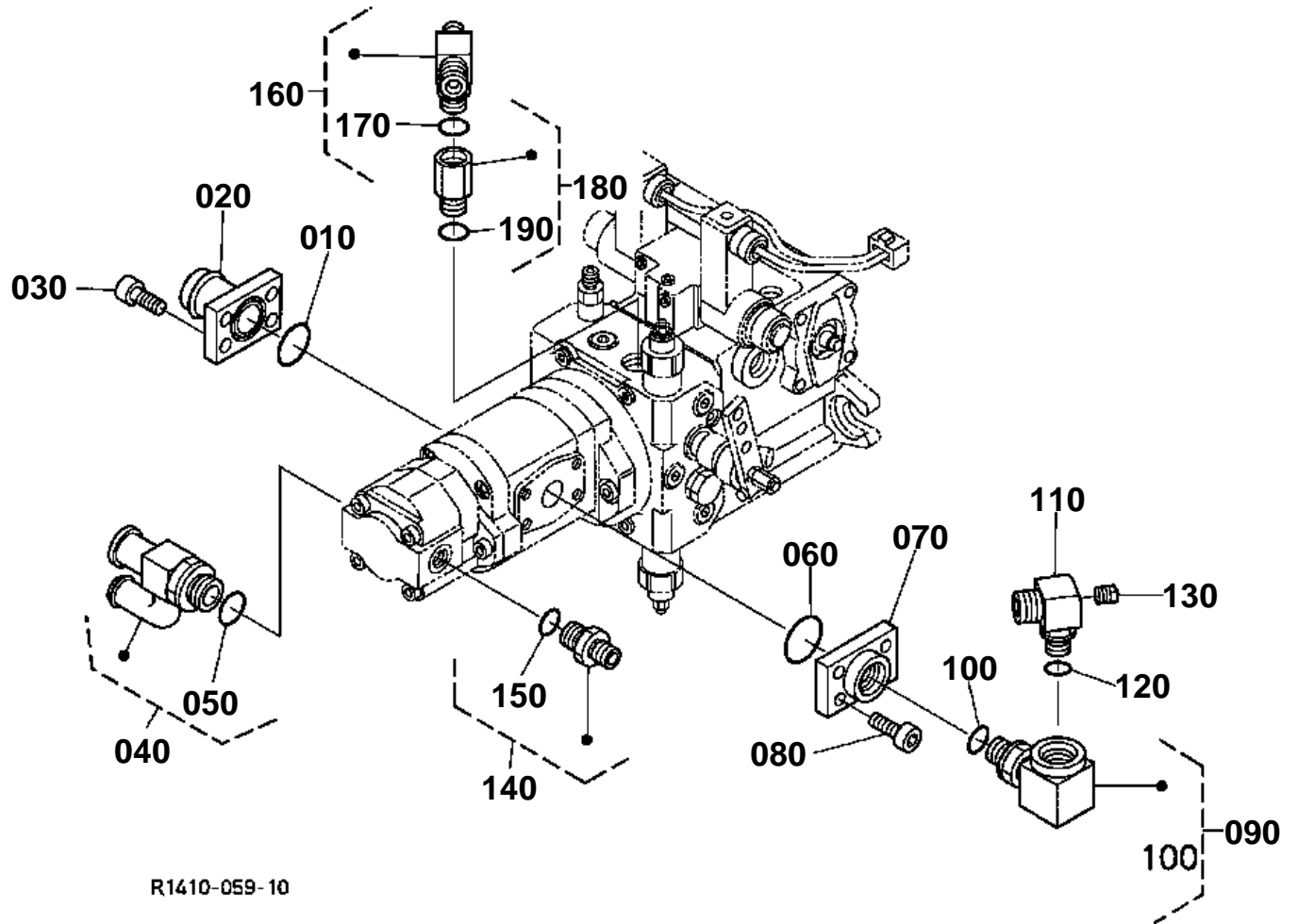


PUMP HOUSING

↔ Interchangeable; ≠ not interchangeable; ← new for old; → old for new

REF.No	Part No.	Description	Q'ty	S.No.	I/C	REMARKS	Weight (kgf)	Weight (lb)
010	R1411-42612	HOUSING PUMP	1	<=10021			13	28.6
010	R1411-42614	HOUSING PUMP	1	>=10022	←		13	28.6
020	01133-61225	BOLT	7				0.037	0.0814
030	05012-01020	PIN STRAIGHT	2				0.013	0.0286
040	RD401-42620	COUPLING	1				2.08	4.576
050	RC601-42630	BOLT HEX-SOC-HD	3				0.044	0.0968
060	R1401-42630	COVER	1				0.013	0.0286
070	01125-60816	BOLT	1				0.01	0.022
080	R1411-61110	PUMP LST	1				52	114.4
090	R1401-61120	BOLT HEX-SOC-HD	2				0.069	0.1518
100	R1401-61130	WASHER	2				0.013	0.0286

LST PUMP (ADAPTER)



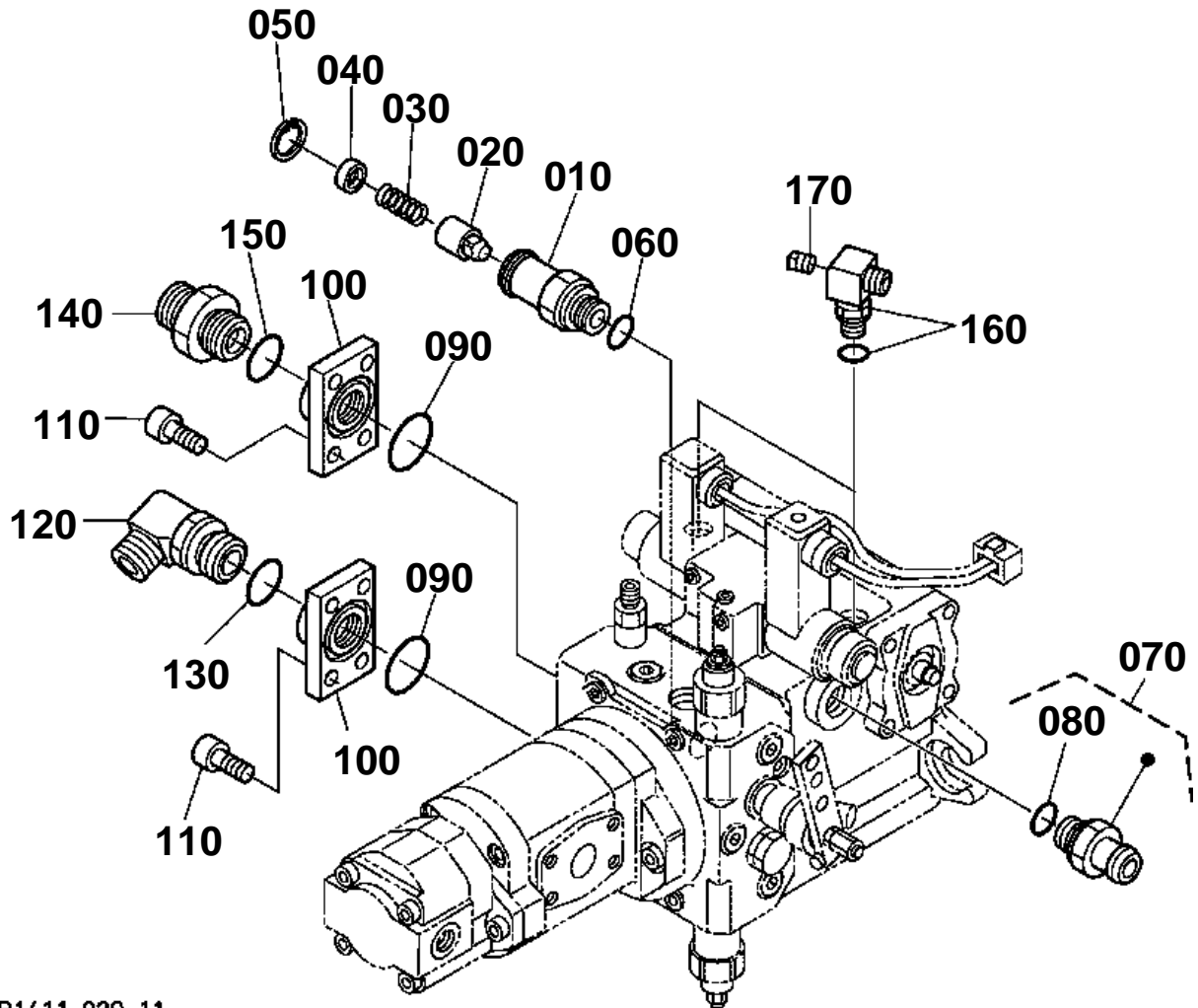


LST PUMP (ADAPTER)

↔ Interchangeable; ≠ not interchangeable; ← new for old; → old for new

REF.No	Part No.	Description	Q'ty	S.No.	I/C	REMARKS	Weight (kgf)	Weight (lb)
010	04810-00280	O RING	1				0	0
020	R1411-63120	FLANGE JOINT IN	1				0.23	0.506
030	01311-11025	BOLT HEX-SOC-HD	4				0.025	0.055
040	R1411-63462	JOINT T-PIPE	1				0	0
050	04810-00180	O RING	1				0	0
060	04810-00280	O RING	1				0	0
070	R1411-63310	FLANGE JOINT OUT	1				0.23	0.506
080	01311-11025	BOLT HEX-SOC-HD	4				0.025	0.055
090	RD411-61930	JOINT ELBOW	1				0.26	0.572
100	04810-00180	O RING	1				0	0
110	RD401-63870	JOINT PIPE	1				0.15	0.33
120	04810-00180	O RING	1				0	0
130	06312-10010	PLUG	1				0.007	0.0154
140	68311-64320	JOINT PIPE	1				0.05	0.11
150	04810-00140	O RING	1				0	0
160	R1411-63680	JOINT T-PIPE	1				0.12	0.264
170	04817-00140	O RING	1				0.001	0.0022
180	RD118-61940	JOINT PIPE	1				0.05	0.11
190	04810-00140	O RING	1				0	0

LST PUMP (RELIEF VALVE)

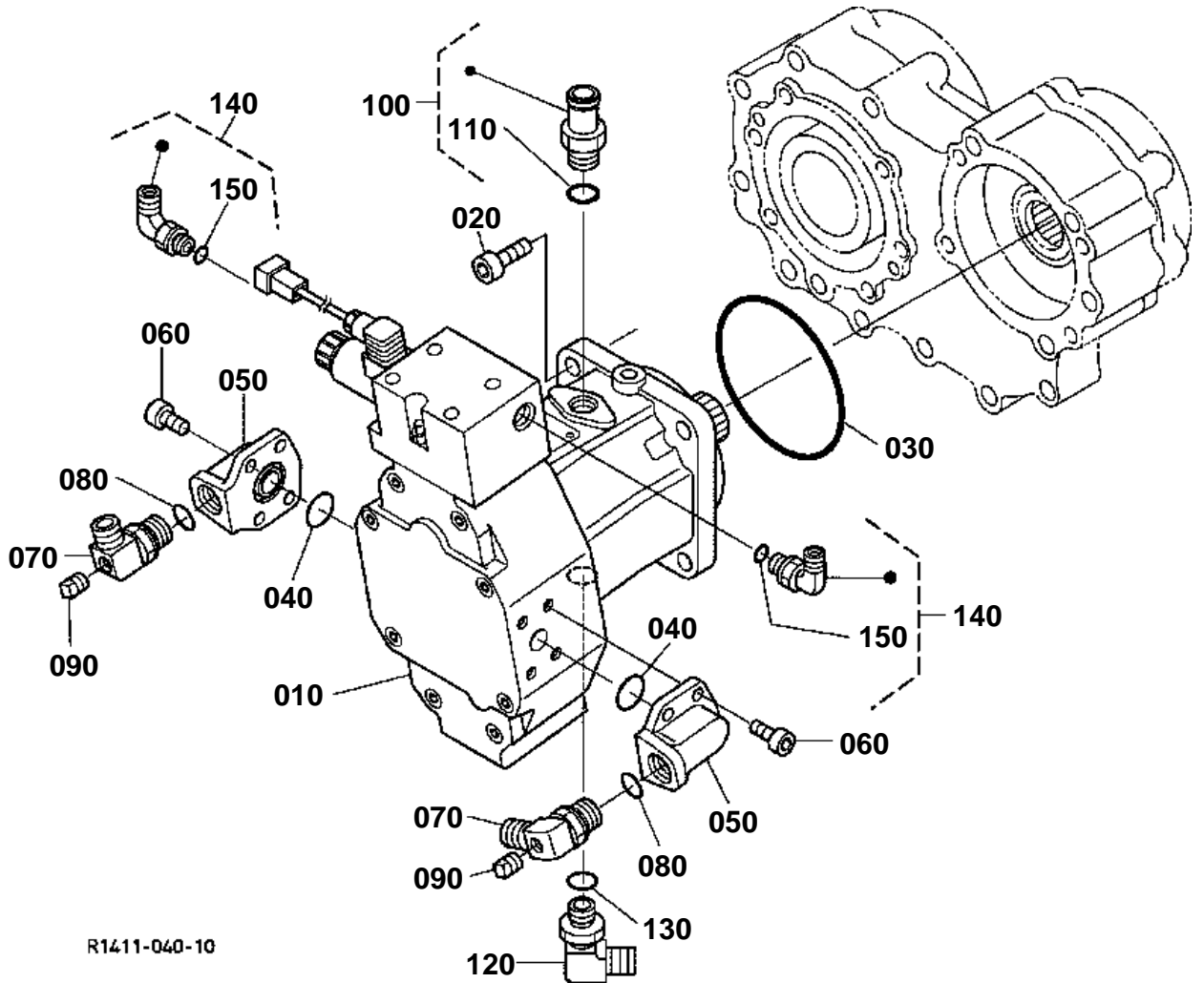


R1411-039-11

**LST PUMP (RELIEF VALVE)**

↔ Interchangeable; ≠ not interchangeable; ← new for old; → old for new

REF.No	Part No.	Description	Q'ty	S.No.	I/C	REMARKS	Weight (kgf)	Weight (lb)
010	R1411-62310	ADAPTER POPPET	1				0.09	0.198
020	68841-62240	POPPET	1				0.02	0.044
030	68881-63920	SPRING	1				0.008	0.0176
040	R1411-62320	COLLAR	1				0.004	0.0088
050	04611-00190	CIR CLIP INTERNAL	1				0.001	0.0022
060	04810-00180	O RING	1				0	0
070	R1411-63530	JOINT PIPE	1				0	0
080	04810-00180	O RING	1				0	0
090	04810-00340	O RING	2				0	0
100	R1411-64130	FLANGE JOINT	2				0.22	0.484
110	01311-11025	BOLT HEX-SOC-HD	8				0.025	0.055
120	68881-64472	JOINT	1				0.27	0.594
130	04810-00240	O RING	1				0	0
140	06112-56067	JOINT PIPE	1				0	0
150	04810-00140	O RING	1				0	0
160	RB401-63980	JOINT	2				0.056	0.1232
170	06312-10010	PLUG	2				0.007	0.0154

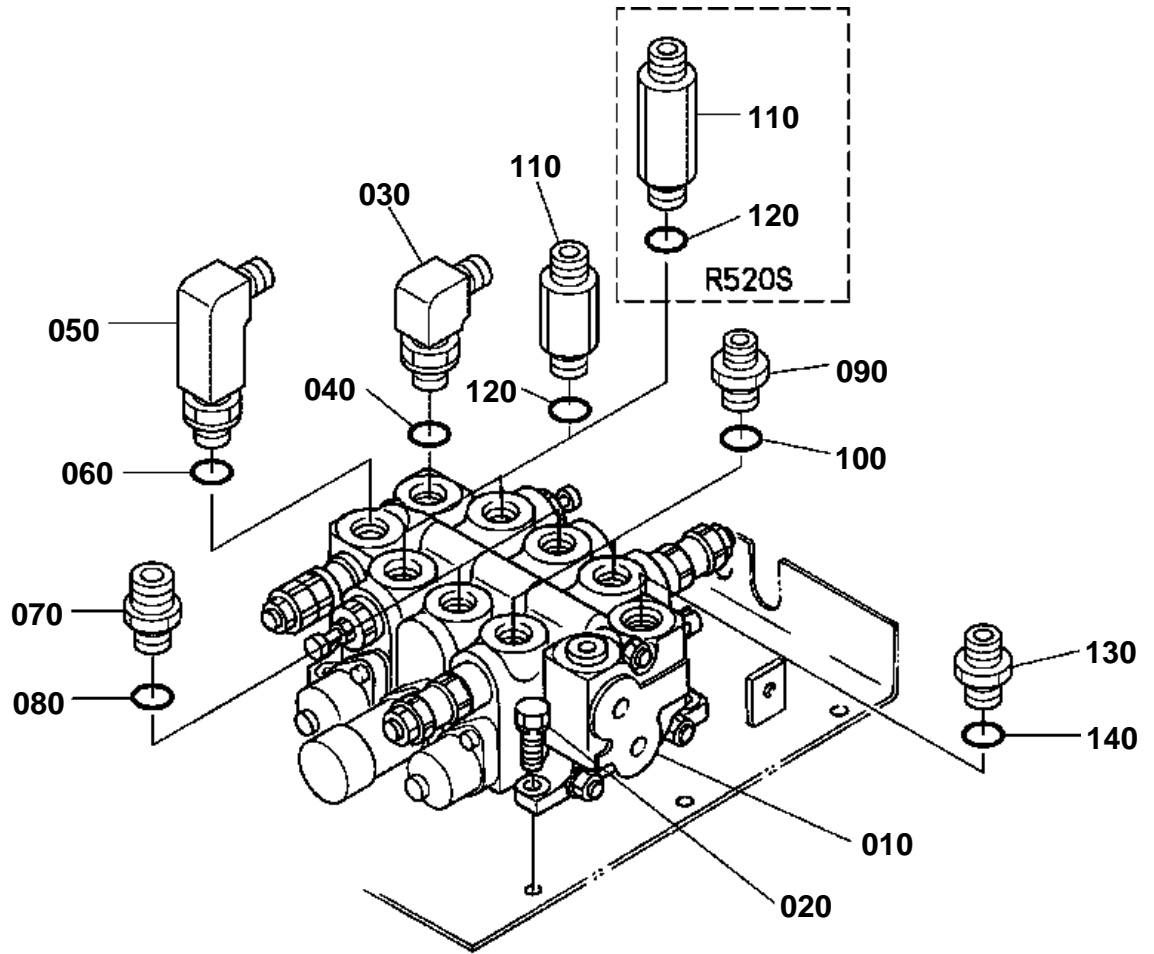


**LST MOTOR**

↔ Interchangeable; ≠ not interchangeable; ← new for old; → old for new

REF.No	Part No.	Description	Q'ty	S.No.	I/C	REMARKS	Weight (kgf)	Weight (lb)
010	R2411-61150	MOTOR LST	1				31	68.2
020	01370-11235	BOLT HEX-SOC-HD	4				0.043	0.0946
030	04810-51250	O RING	1				0.003	0.0066
040	04810-00280	O RING	2				0	0
050	R1401-64113	FLANGE JOINT	2				0.44	0.968
060	01311-11020	BOLT HEX-SOC-HD	8				0.02	0.044
070	R1401-64162	JOINT	2				0.27	0.594
080	04810-00240	O RING	2				0	0
090	06312-10010	PLUG	2				0.007	0.0154
100	R1411-63530	JOINT PIPE	1				0	0
110	04810-00180	O RING	1				0	0
120	R1401-63530	JOINT	1				0.305	0.671
130	04810-00180	O RING	1				0	0
140	RB411-63760	JOINT PIPE	2				0.05	0.11
150	04810-00110	O RING	2				0	0

CONTROL VALVE



R1411-042-10

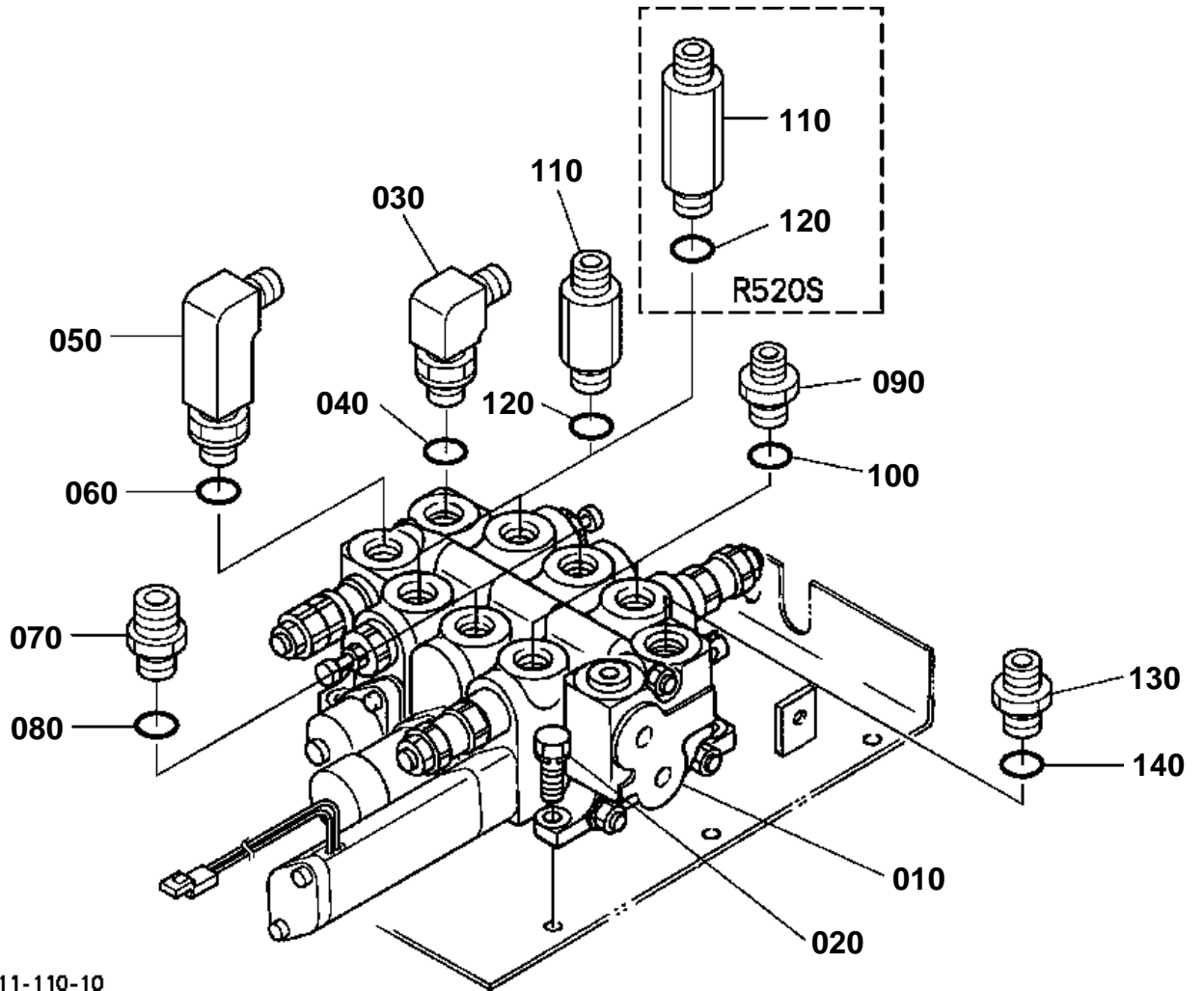


CONTROL VALVE
[WITHOUT AUTO LEVELER]

↔ Interchangeable; ≠ not interchangeable; ← new for old; → old for new

REF.No	Part No.	Description	Q'ty	S.No.	I/C	REMARKS	Weight (kgf)	Weight (lb)
010	R2401-61510	ASSY VALVE CONTROL S	1				11.3	24.86
020	01133-61030	BOLT	3				0.023	0.0506
030	R1401-63480	JOINT	1				0.15	0.33
040	04810-00180	O RING	1				0	0
050	68311-61860	JOINT PIPE(LF-F/)	1				0.27	0.594
060	04810-00180	O RING	1				0	0
070	R1401-68412	JOINT PIPE	2				0.09	0.198
080	04810-00180	O RING	2				0	0
090	R1401-64650	JOINT PIPE	2				0.083	0.1826
100	04810-00180	O RING	2				0	0
110	RP811-63840	JOINT PIPE	2				0.21	0.462
120	04810-00180	O RING	2				0	0
130	68271-63420	ADAPTER	1				0.075	0.165
140	04810-00180	O RING	1				0	0

CONTROL VALVE



R1411-110-10

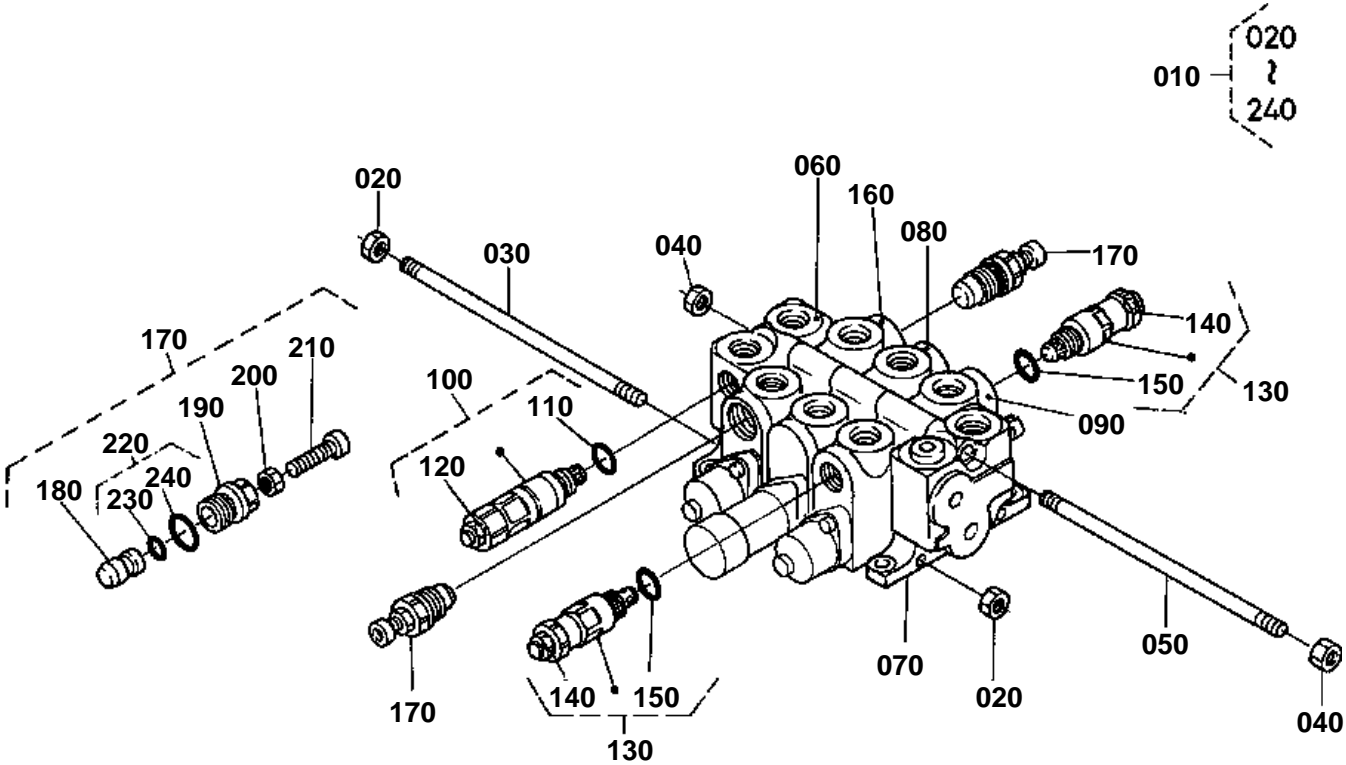


CONTROL VALVE
[WITH AUTO LEVELER]

↔ Interchangeable; ≠ not interchangeable; ← new for old; → old for new

REF.No	Part No.	Description	Q'ty	S.No.	I/C	REMARKS	Weight (kgf)	Weight (lb)
010	R2411-61610	ASSY VALVE CONTROL S	1				0	0
020	01133-61030	BOLT	3				0.023	0.0506
030	R1401-63480	JOINT	1				0.15	0.33
040	04810-00180	O RING	1				0	0
050	68311-61860	JOINT PIPE(LF-F/)	1				0.27	0.594
060	04810-00180	O RING	1				0	0
070	R1401-68412	JOINT PIPE	2				0.09	0.198
080	04810-00180	O RING	2				0	0
090	R1401-64650	JOINT PIPE	2				0.083	0.1826
100	04810-00180	O RING	2				0	0
110	RP811-63840	JOINT PIPE	2				0.21	0.462
120	04810-00180	O RING	2				0	0
130	68271-63420	ADAPTER	1				0.075	0.165
140	04810-00180	O RING	1				0	0

CONTROL VALVE (COMPONENT PARTS)



R1411-043-10

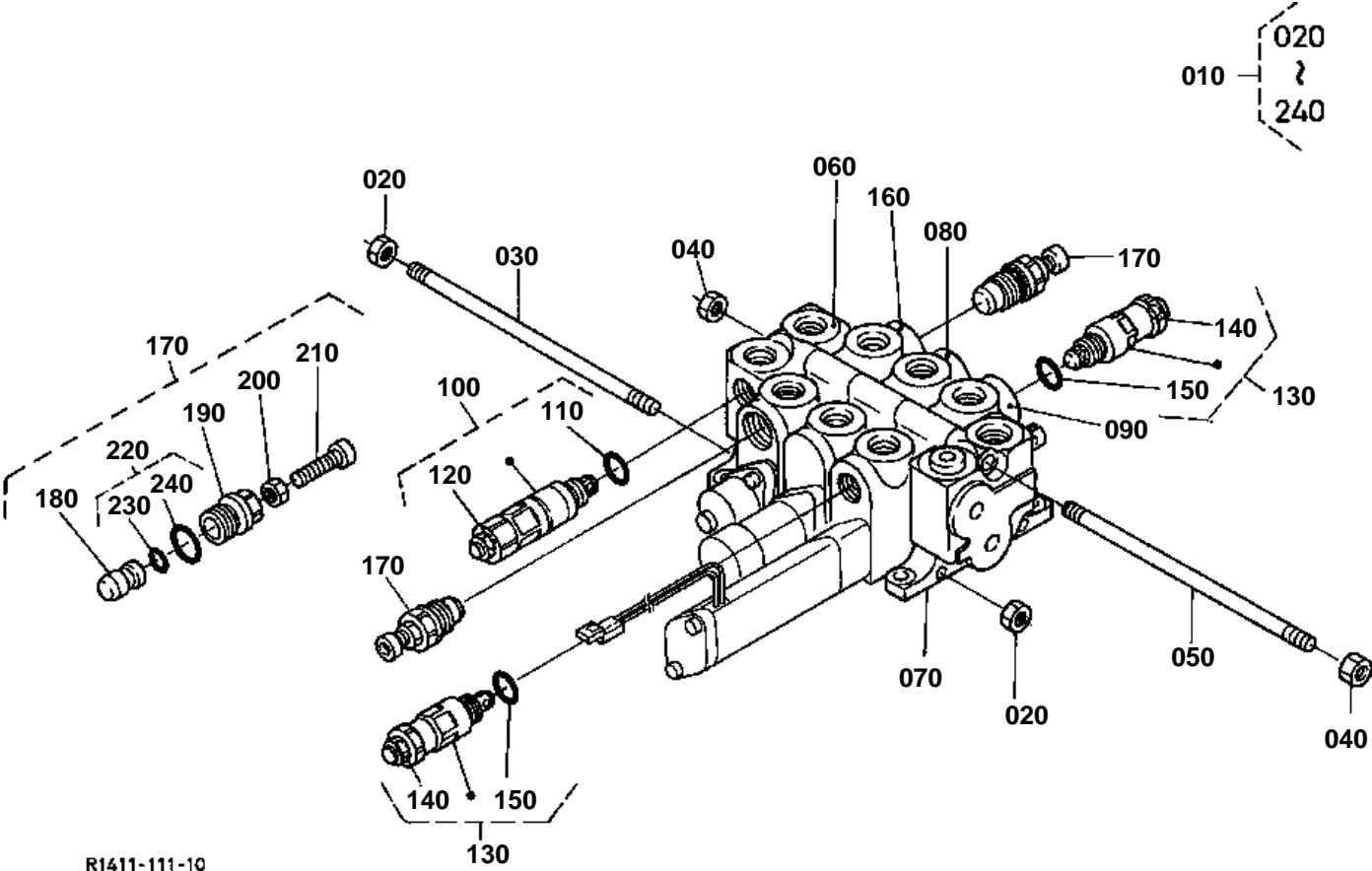


CONTROL VALVE (COMPONENT PARTS)
[WITHOUT AUTO LEVELER]

↔ Interchangeable; ≠ not interchangeable; ← new for old; → old for new

REF.No	Part No.	Description	Q'ty	S.No.	I/C	REMARKS	Weight (kgf)	Weight (lb)
010	R2401-61510	ASSY VALVE CONTROL S	1				11.3	24.86
020	68021-81370	NUT	4				0.005	0.011
030	68131-65230	ROD TIE	2				0.075	0.165
040	68021-81380	NUT	2				0.01	0.022
050	68131-65220	ROD TIE	1				0.117	0.2574
060	R1401-70190	ASSY SECTION INLET	1				1.5	3.3
070	68651-70310	ASSY VALVE OUTLET	1				1.48	3.256
080	R1401-70110	ASSY VALVE SECTION	1				2.7	5.94
090	R2401-70150	ASSY VALVE SECTION	1				2.25	4.95
100	R1401-70210	ASSY VALVE RELIEF	1				0	0
110	68741-70560	O RING	1				0.001	0.0022
120	68841-70730	O RING	1				0.001	0.0022
130	68861-70010	ASSY VALVE RELIEF	2				0.21	0.462
140	68841-70730	O RING	2				0.001	0.0022
150	68741-70560	O RING	2				0.001	0.0022
160	R1401-70130	ASSY VALVE SECTION	1				2.4	5.28
170	68861-70120	ASSY VALVE SHUT OFF	2				0.1	0.22
180	68861-70330	POPPET	2				0.018	0.0396
190	68861-70340	PLUG	2				0.04	0.088
200	68861-70350	NUT LOCK	2				0.004	0.0088
210	68861-70360	SCREW SET	2				0.008	0.0176
220	68811-94200	KIT SEAL SHAFT VALVE	2				0.003	0.0066
230	68811-94290	O RING	2				0.001	0.0022
240	68741-70560	O RING	2				0.001	0.0022

CONTROL VALVE (COMPONENT PARTS)



R1411-111-10

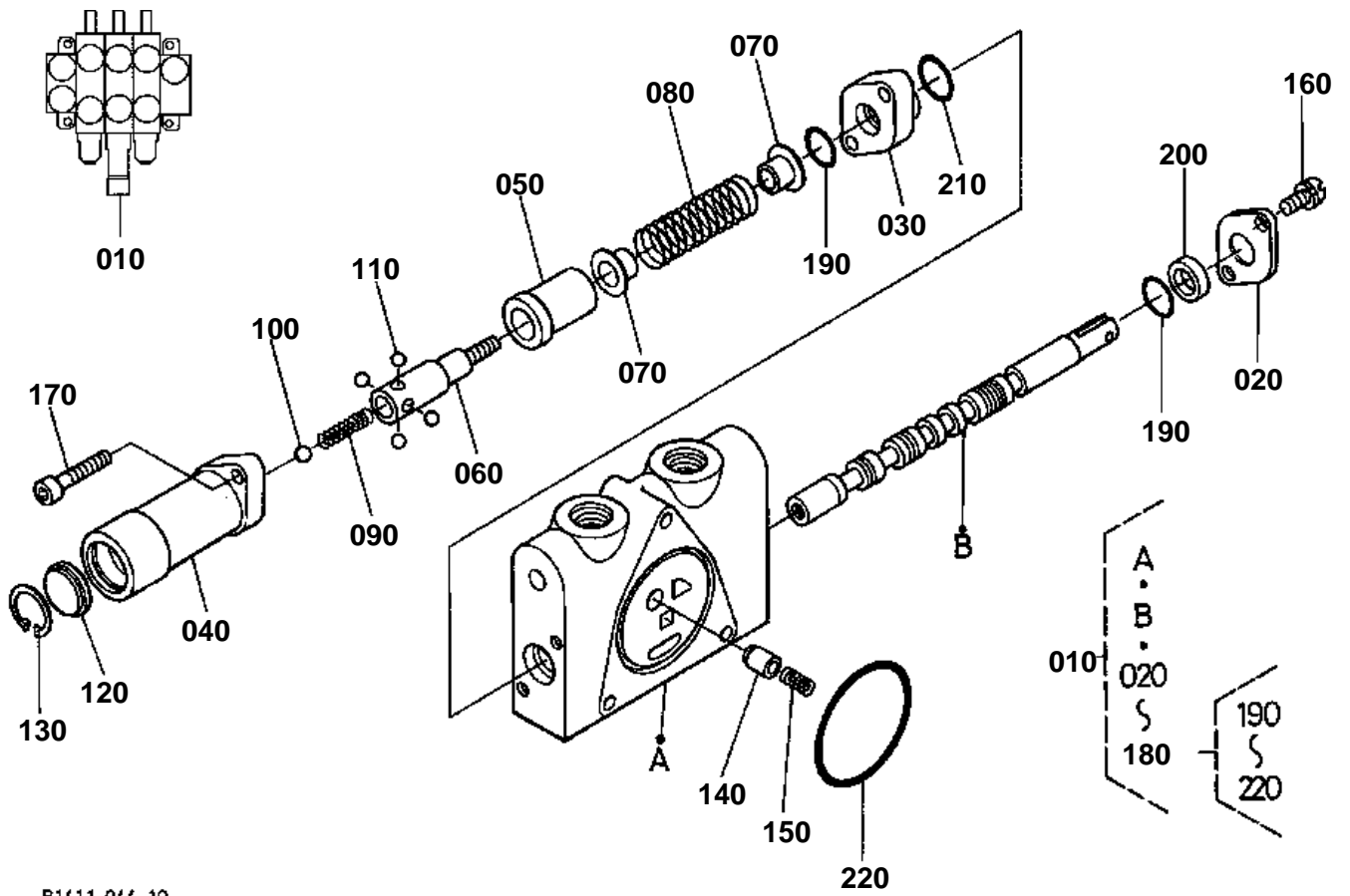


CONTROL VALVE (COMPONENT PARTS)
[WITH AUTO LEVELER]

↔ Interchangeable; ≠ not interchangeable; ← new for old; → old for new

REF.No	Part No.	Description	Q'ty	S.No.	I/C	REMARKS	Weight (kgf)	Weight (lb)
010	R2411-61610	ASSY VALVE CONTROL S	1				0	0
020	68021-81370	NUT	4				0.005	0.011
030	68131-65230	ROD TIE	2				0.075	0.165
040	68021-81380	NUT	2				0.01	0.022
050	68131-65220	ROD TIE	1				0.117	0.2574
060	R1511-70190	ASSY VALVE INLET	1				0	0
070	68651-70310	ASSY VALVE OUTLET	1				1.48	3.256
080	R1401-70110	ASSY VALVE SECTION	1				2.7	5.94
090	R1401-70150	ASSY VALVE SECTION	1				3	6.6
100	R1411-70310	ASSY VALVE RELIEF	1				0.22	0.484
110	68741-70560	O RING	1				0.001	0.0022
120	68841-70730	O RING	1				0.001	0.0022
130	68861-70010	ASSY VALVE RELIEF	2				0.21	0.462
140	68841-70730	O RING	2				0.001	0.0022
150	68741-70560	O RING	2				0.001	0.0022
160	R1401-70130	ASSY VALVE SECTION	1				2.4	5.28
170	68861-70120	ASSY VALVE SHUT OFF	2				0.1	0.22
180	68861-70330	POPPET	2				0.018	0.0396
190	68861-70340	PLUG	2				0.04	0.088
200	68861-70350	NUT LOCK	2				0.004	0.0088
210	68861-70360	SCREW SET	2				0.008	0.0176
220	68811-94200	KIT SEAL SHAFT VALVE	2				0.003	0.0066
230	68811-94290	O RING	2				0.001	0.0022
240	68741-70560	O RING	2				0.001	0.0022

SPOOL SECTION (LIFT)



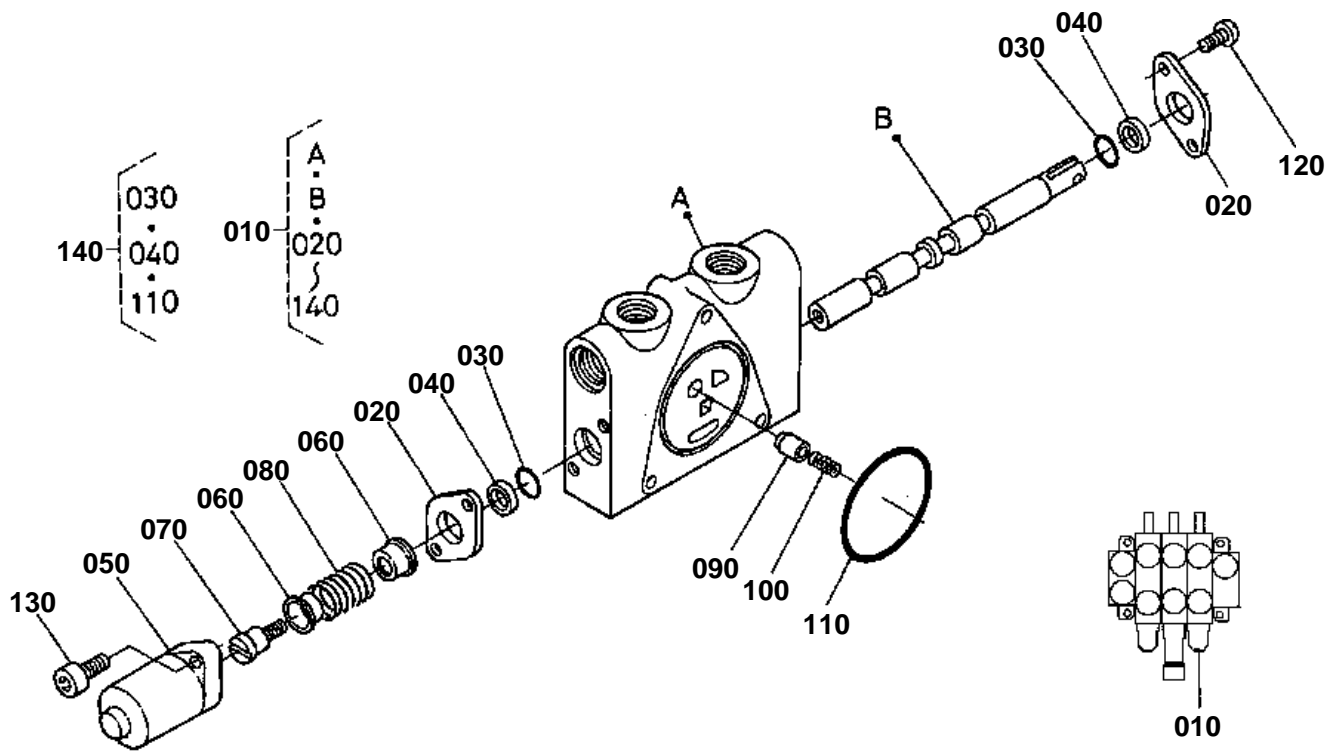
R1411-044-10

**SPOOL SECTION (LIFT)**

↔ Interchangeable; ≠ not interchangeable; ← new for old; → old for new

REF.No	Part No.	Description	Q'ty	S.No.	I/C	REMARKS	Weight (kgf)	Weight (lb)
010	R1401-70110	ASSY VALVE SECTION	1				2.7	5.94
020	68021-81510	PLATE SEAL	1				0.012	0.0264
030	68811-94310	SPACER	1				0.082	0.1804
040	68811-94320	CAP	1				0.07	0.154
050	68811-94330	SLEEVE	1				0.044	0.0968
060	68811-94340	PIN	1				0.036	0.0792
070	68021-81470	SEAT SPRING	2				0.005	0.011
080	68811-94350	SPRING SPOOL	1				0.014	0.0308
090	68811-94360	SPRING	1				0.002	0.0044
100	68811-94370	BALL STAINLESS	1				0.004	0.0088
110	68811-94380	BALL STAINLESS	4				0.002	0.0044
120	68811-94390	SPACER	1				0.007	0.0154
130	70726-67200	RING SNAP	1				0.004	0.0088
140	68021-81430	POPPET	1				0.005	0.011
150	68021-81440	SPRING	1				0.002	0.0044
160	03004-50610	SCREW WITH WASHER	2				0.004	0.0088
170	68811-94410	BOLT SOCKET HEAD	2				0.01	0.022
180	R1401-94250	KIT SEAL	1				0.005	0.011
190	68131-65180	O RING	2				0.001	0.0022
200	R1401-94220	WIPER	1				0.001	0.0022
210	68761-70280	O RING	1				0.002	0.0044
220	68021-81330	O RING	1				0.003	0.0066

SPOOL SECTION (TILT)



R1411-045-10

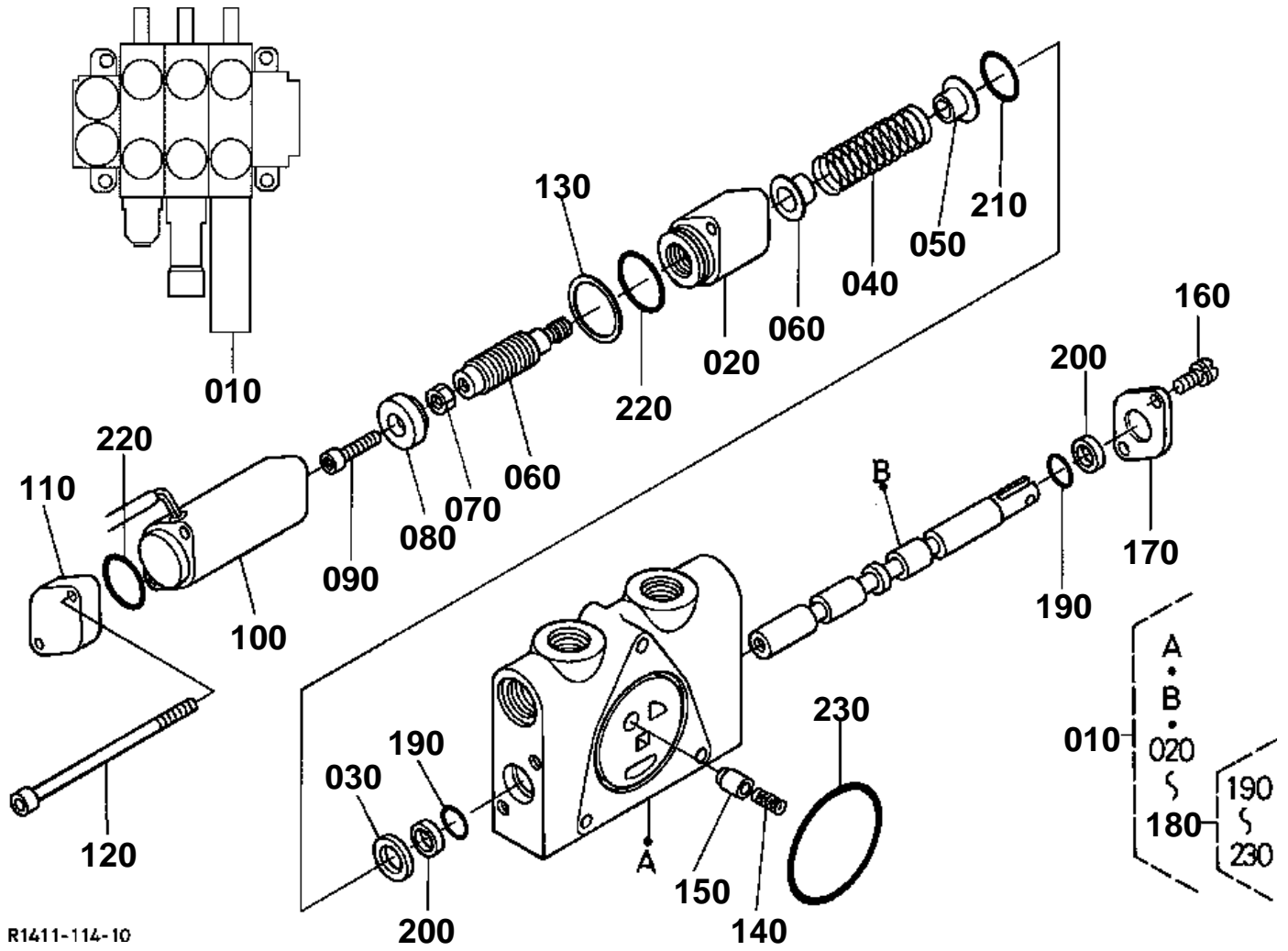


SPOOL SECTION (TILT)
[WITHOUT AUTO LEVELER]

↔ Interchangeable; ≠ not interchangeable; ← new for old; → old for new

REF.No	Part No.	Description	Q'ty	S.No.	I/C	REMARKS	Weight (kgf)	Weight (lb)
010	R2401-70150	ASSY VALVE SECTION	1				2.25	4.95
020	68021-81510	PLATE SEAL	2				0.012	0.0264
030	68131-65180	O RING	2				0.001	0.0022
040	68021-81460	WIPER	2				0.001	0.0022
050	68021-81520	CAP	1				0.03	0.066
060	68021-81470	SEAT SPRING	2				0.005	0.011
070	68021-81480	SCREW CAP	1				0.01	0.022
080	68861-70520	SPRING	1				0.01	0.022
090	68021-81430	POPPET	1				0.005	0.011
100	68021-81440	SPRING	2				0.002	0.0044
110	68021-81330	O RING	1				0.003	0.0066
120	03004-50610	SCREW WITH WASHER	2				0.004	0.0088
130	68741-70530	BOLT SOCKET HEAD	2				0.005	0.011
140	68811-93600	KIT SEAL	1				0.004	0.0088

SPOOL SECTION (TILT)



R1411-114-10

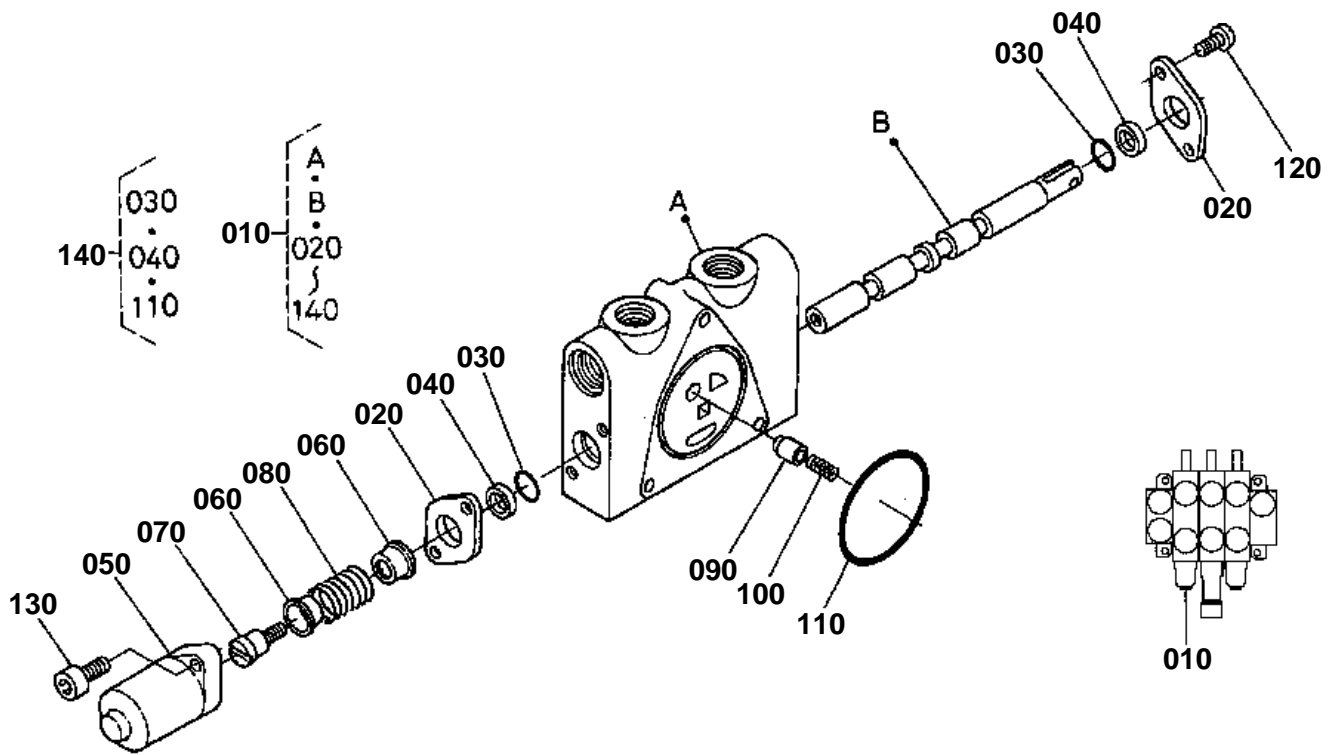


SPOOL SECTION (TILT)
[WITH AUTO LEVELER]

↔ Interchangeable; ≠ not interchangeable; ← new for old; → old for new

REF.No	Part No.	Description	Q'ty	S.No.	I/C	REMARKS	Weight (kgf)	Weight (lb)
010	R1401-70150	ASSY VALVE SECTION	1				3	6.6
020	R1401-94210	SLEEVE	1				0.27	0.594
030	R1401-94160	PLATE	1				0.01	0.022
040	68493-70410	SPRING	1				0.02	0.044
050	68021-81470	SEAT SPRING	2				0.005	0.011
060	R1401-94050	SCREW CAP	1				0.035	0.077
070	R1401-94090	NUT	1				0.001	0.0022
080	R1401-94060	PLATE	1				0.05	0.11
090	R1401-94130	BOLT SOCKET HEAD	1				0.003	0.0066
100	R1401-94080	ASSY TUBE COIL	1				0.268	0.5896
110	R1401-94040	CAP	1				0.035	0.077
120	R1401-94030	BOLT SOCKET HEAD	2				0.027	0.0594
130	R1401-94070	SHIM	1				0.001	0.0022
140	68021-81440	SPRING	1				0.002	0.0044
150	68021-81430	POPPET	1				0.005	0.011
160	03004-50610	SCREW WITH WASHER	2				0.004	0.0088
170	68021-81510	PLATE SEAL	1				0.012	0.0264
180	R1401-94260	KIT SEAL	1				0.007	0.0154
190	68131-65180	O RING	2				0.001	0.0022
200	68021-81460	WIPER	2				0.001	0.0022
210	R1401-94120	O RING	1				0.001	0.0022
220	R1401-94020	O RING	2				0.002	0.0044
230	68021-81330	O RING	1				0.003	0.0066

SPOOL SECTION (S/P)



R1411-046-10

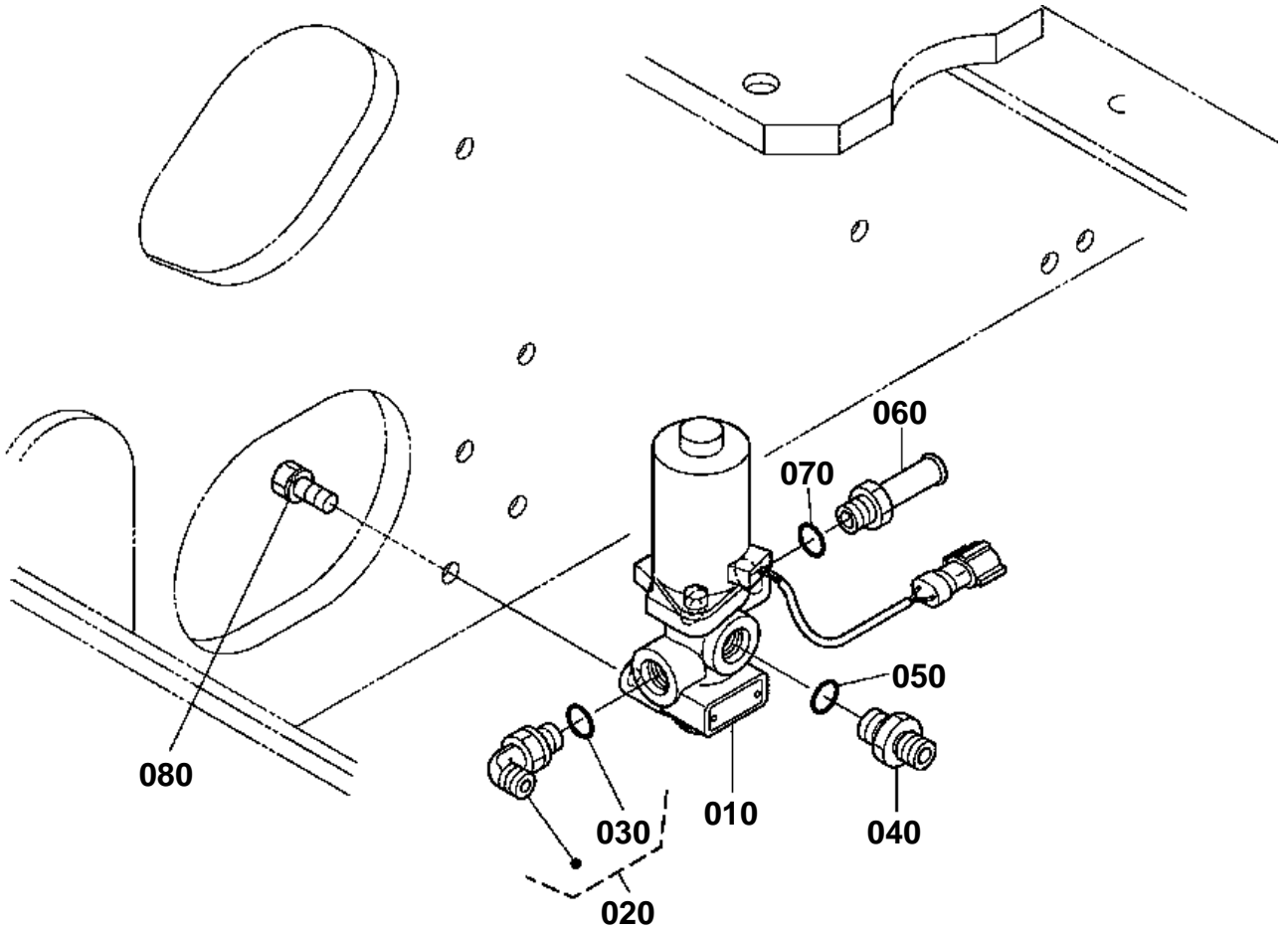


SPOOL SECTION (S/P)

↔ Interchangeable; ≠ not interchangeable; ← new for old; → old for new

REF.No	Part No.	Description	Q'ty	S.No.	I/C	REMARKS	Weight (kgf)	Weight (lb)
010	R1401-70130	ASSY VALVE SECTION	1				2.4	5.28
020	68021-81510	PLATE SEAL	2				0.012	0.0264
030	68131-65180	O RING	2				0.001	0.0022
040	68021-81460	WIPER	2				0.001	0.0022
050	68021-81520	CAP	1				0.03	0.066
060	68021-81470	SEAT SPRING	2				0.005	0.011
070	68021-81480	SCREW CAP	1				0.01	0.022
080	68861-70520	SPRING	1				0.01	0.022
090	68021-81430	POPPET	1				0.005	0.011
100	68021-81440	SPRING	1				0.002	0.0044
110	68021-81330	O RING	1				0.003	0.0066
120	03004-50610	SCREW WITH WASHER	2				0.004	0.0088
130	68741-70530	BOLT SOCKET HEAD	2				0.005	0.011
140	68811-93600	KIT SEAL	1				0.004	0.0088

SOLENOID VALVE



R1411-047-10

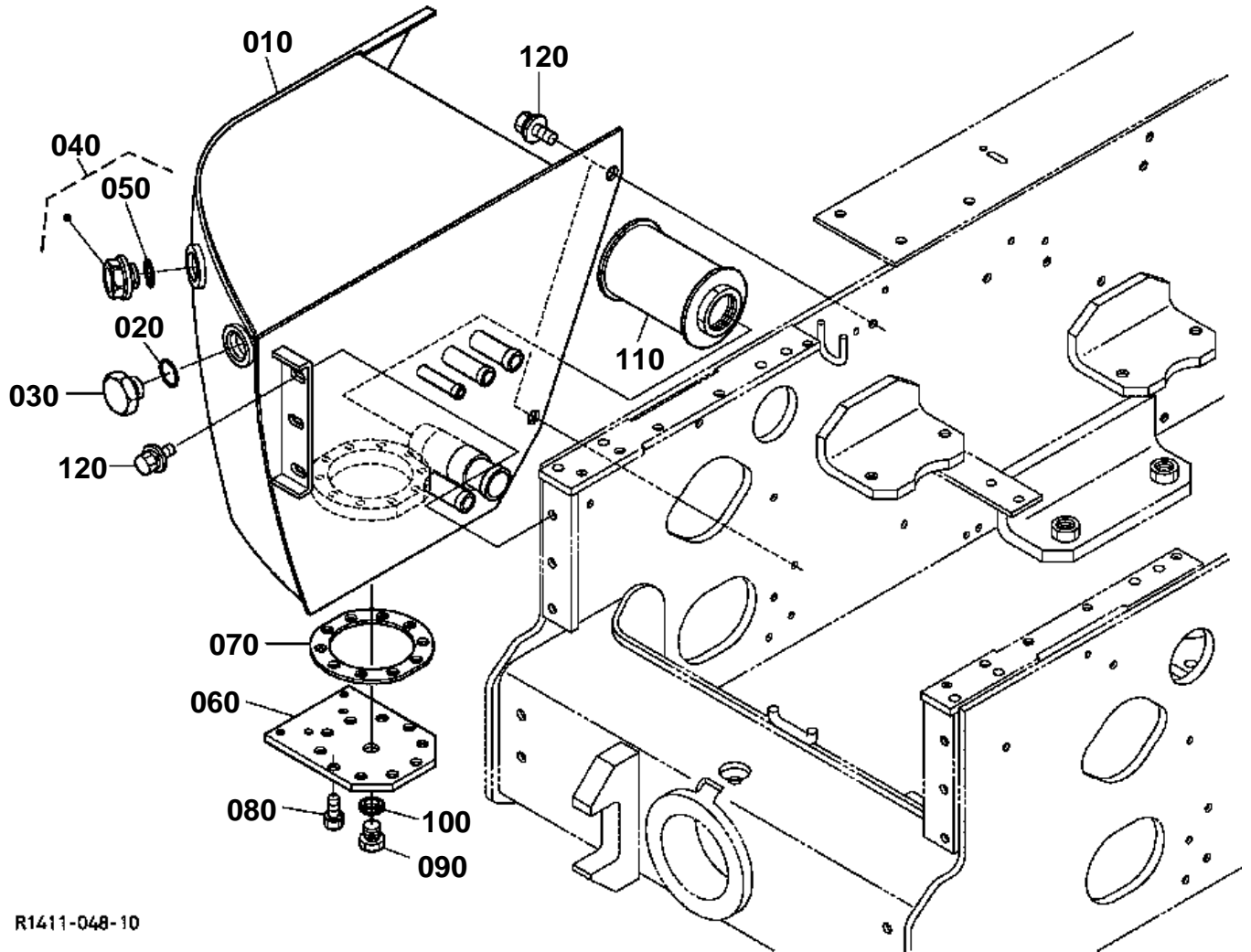


SOLENOID VALVE

↔ Interchangeable; ≠ not interchangeable; ← new for old; → old for new

REF.No	Part No.	Description	Q'ty	S.No.	I/C	REMARKS	Weight (kgf)	Weight (lb)
010	R1411-61210	VALVE	1				0.52	1.144
020	RB411-63760	JOINT PIPE	1				0.05	0.11
030	04810-00110	O RING	1				0	0
040	68728-76150	ADAPTER	1				0.02	0.044
050	04810-00110	O RING	1				0	0
060	RC101-63970	JOINT PIPE(F-)	1				0.04	0.088
070	04810-00110	O RING	1				0	0
080	01023-60620	BOLT	2				0.006	0.0132

OIL TANK



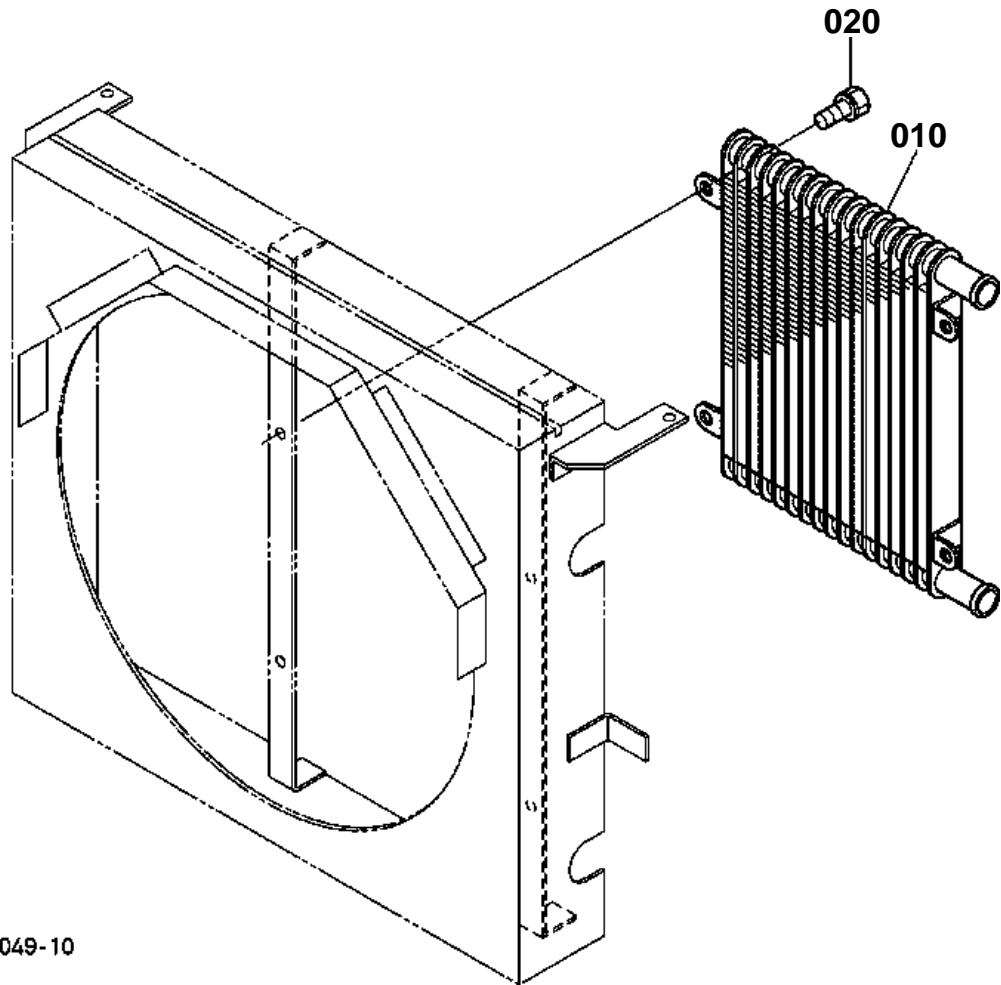
R1411-048-10

**OIL TANK**

↔ Interchangeable; ≠ not interchangeable; ← new for old; → old for new

REF.No	Part No.	Description	Q'ty	S.No.	I/C	REMARKS	Weight (kgf)	Weight (lb)
010	R1411-62110	TANK OIL	1	<=10005			23.8	52.36
010	R1411-62112	TANK OIL	1	>=10006	←		0	0
020	04810-00290	O RING	1				0	0
030	R1411-62150	PLUG	1				0.225	0.495
040	68841-62170	GAUGE OIL LEVEL	1				0.02	0.044
050	04817-00250	O RING	1				0.003	0.0066
060	R1411-51120	COVER TANK	1				1.54	3.388
070	R1411-51130	GASKET	1				0.011	0.0242
080	01123-60820	BOLT	10				0.015	0.033
090	06331-35016	PLUG	1				0.04	0.088
100	04717-01600	WASHER WITH RUBBER	1				0.003	0.0066
110	68773-62210	STRAINER SUCTION	1				0.42	0.924
120	01135-61020	BOLT	5				0.015	0.033

OIL COOLER



R1411-049-10

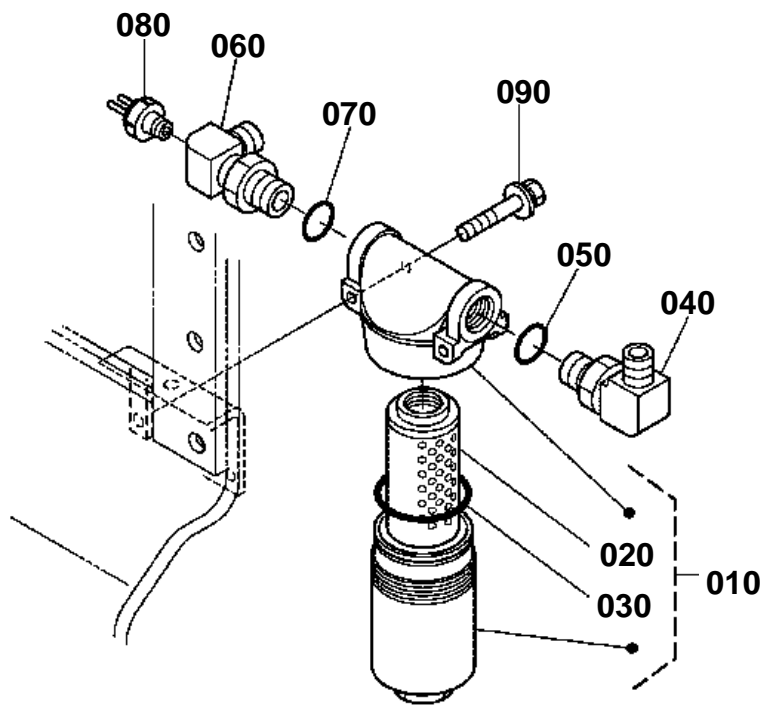


OIL COOLER

↔ Interchangeable; ≠ not interchangeable; ← new for old; → old for new

REF.No	Part No.	Description	Q'ty	S.No.	I/C	REMARKS	Weight (kgf)	Weight (lb)
010	R1411-62410	COOLER OIL	1				14	30.8
020	01123-60816	BOLT	4				0.01	0.022

OIL FILTER



R1411-050-10

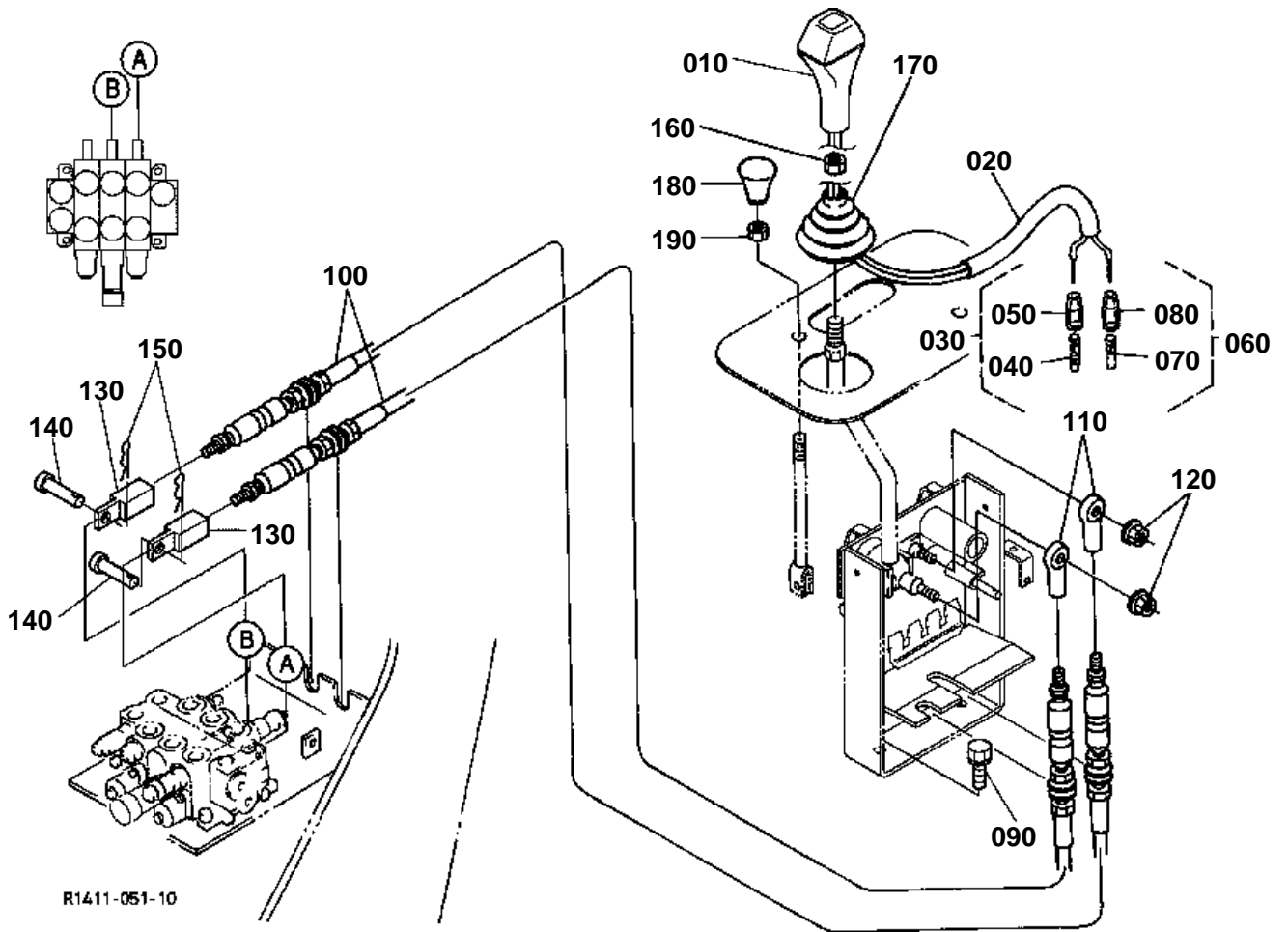


OIL FILTER

↔ Interchangeable; ≠ not interchangeable; ← new for old; → old for new

REF.No	Part No.	Description	Q'ty	S.No.	I/C	REMARKS	Weight (kgf)	Weight (lb)
010	R1411-64920	ASSY FILTER HYDRAUL.	1				0.7	1.54
020	R1411-64930	ELEMENT FILTER	1				0.08	0.176
030	R1411-64940	KIT SEAL	1				0.001	0.0022
040	69251-61850	JOINT PIPE(LF/-F)	1				0.15	0.33
050	04810-00180	O RING	1				0	0
060	RC108-61850	JOINT PIPE	1				0.2	0.44
070	04810-00180	O RING	1				0	0
080	33860-39022	SWITCH OIL	1				0.05	0.11
090	01025-60655	BOLT	2				0.13	0.286

CONTROL LEVER (SHOVEL)



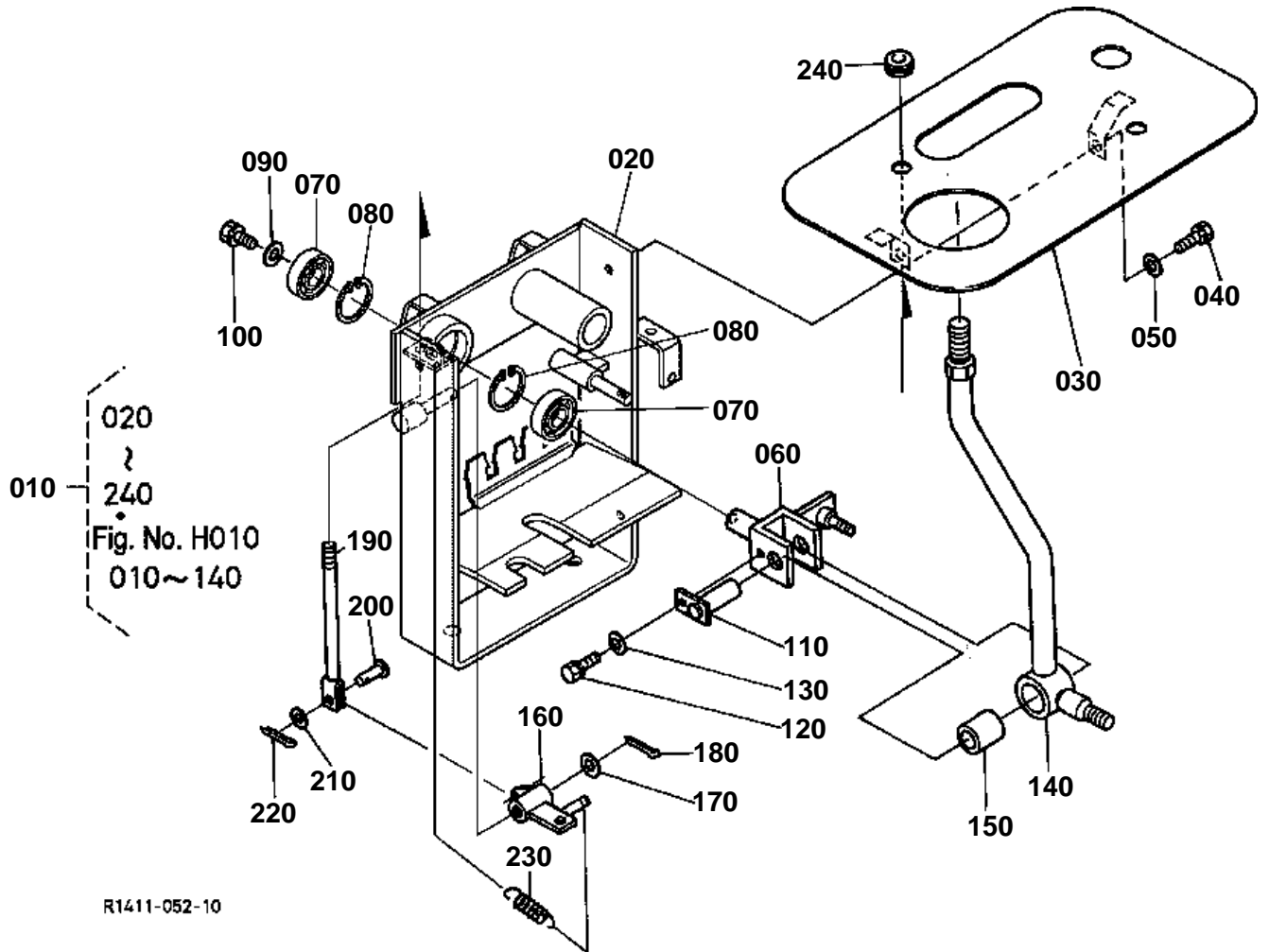


CONTROL LEVER (SHOVEL)

↔ Interchangeable; ≠ not interchangeable; ← new for old; → old for new

REF.No	Part No.	Description	Q'ty	S.No.	I/C	REMARKS	Weight (kgf)	Weight (lb)
010	R1411-65270	GRIP LEVER	1				0.16	0.352
020	R2401-65280	TUBE	1				0.001	0.0022
030	68271-65900	ASSY TERMINAL	1				0.001	0.0022
040	68271-65910	TERMINAL	1				0.003	0.0066
050	68271-65920	SLEEVE	1				0.001	0.0022
060	68741-53400	ASSY TERMINAL	1				0.002	0.0044
070	68741-53410	TERMINAL	1			NOT SALE	0	0
080	68741-53420	SLEEVE	1			NOT SALE	0.001	0.0022
090	01133-61025	BOLT	2				0.02	0.044
100	R1411-65250	CABLE CONTROL	2				1	2.2
110	31351-24220	SCREW ROD-END RH	2				0.04	0.088
120	02751-50080	NUT FLANGE	2				0.006	0.0132
130	R1401-65350	LINK	2				0.032	0.0704
140	68021-32790	PIN	2				0.004	0.0088
150	05525-60500	PIN SNAP	2				0.001	0.0022
160	02172-60140	NUT	1				0.01	0.022
170	68701-65180	RUBBER BELLOWS	1				0.07	0.154
180	R1401-65630	GRIP	1				0.011	0.0242
190	02014-60060	NUT	1				0.002	0.0044

CONTROL LEVER (SHOVEL) (COMPONENT PARTS)



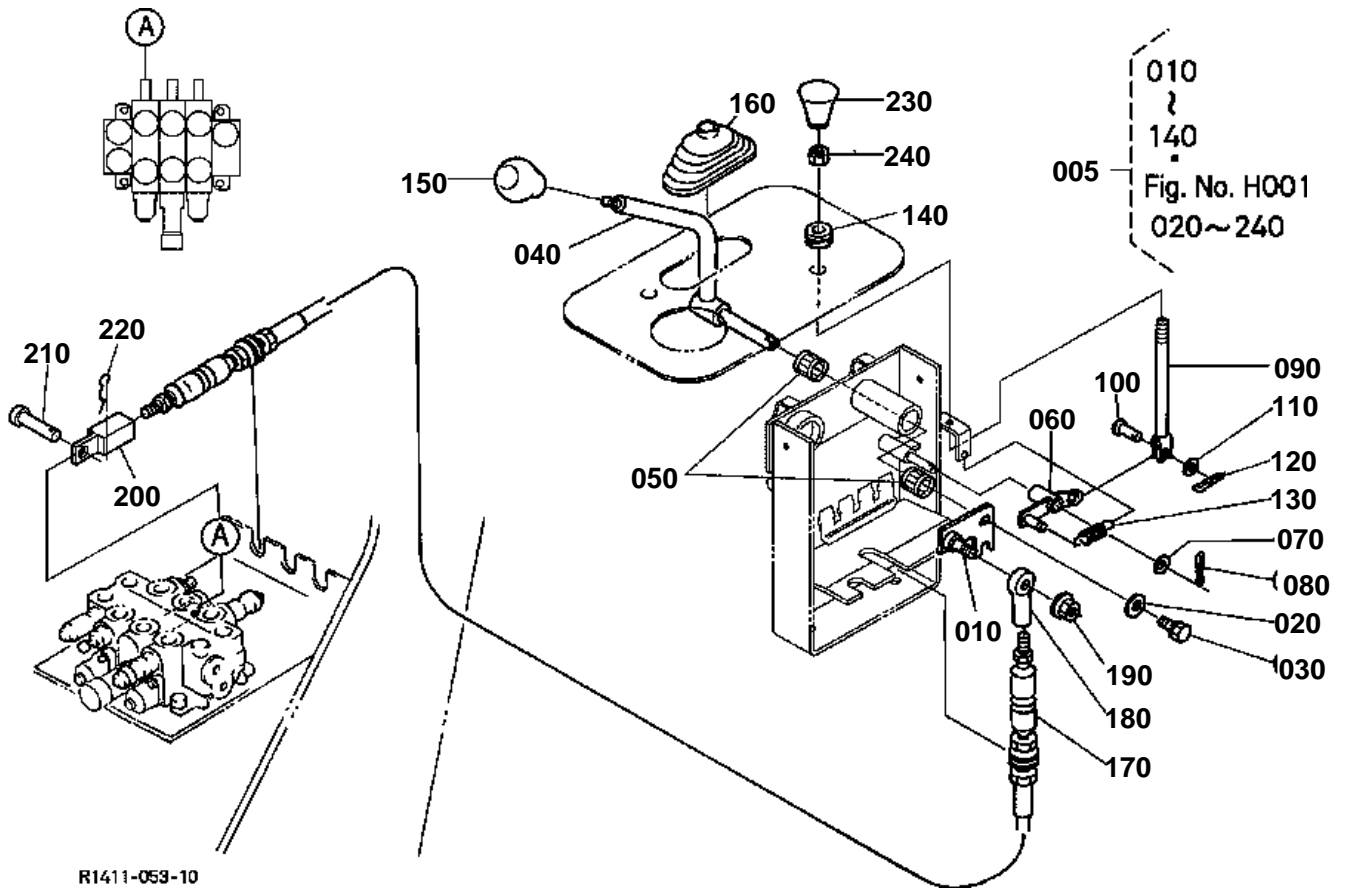


CONTROL LEVER (SHOVEL) (COMPONENT PARTS)

↔ Interchangeable; ≠ not interchangeable; ← new for old; → old for new

REF.No	Part No.	Description	Q'ty	S.No.	I/C	REMARKS	Weight (kgf)	Weight (lb)
010	R2411-65300	ASSY LEVER CONTROL	1				0	0
020	R1411-65210	BASE CONTROL SHAFT	1				2.55	5.61
030	R2401-65220	COVER CONTROL SHAFT	1				0.66	1.452
040	01023-60610	BOLT	2				0.01	0.022
050	04013-60060	WASHER PLAIN	2				0.001	0.0022
060	R1401-65310	ARM CONTROL	1				0.18	0.396
070	08141-06002	BEARING BALL	2				0.029	0.0638
080	04611-00320	CIR CLIP INTERNAL	2				0.002	0.0044
090	04015-60080	WASHER PLAIN	1				0.01	0.022
100	01123-60816	BOLT	1				0.01	0.022
110	R1401-65320	PIN	1				0.05	0.11
120	01023-60610	BOLT	1				0.01	0.022
130	04013-60060	WASHER PLAIN	2				0.001	0.0022
140	R1401-65330	LEVER CONTROL	1				0.39	0.858
150	68841-65250	BEARING NEEDLE	1				0.02	0.044
160	R1401-65510	ARM LOCK	1				0.05	0.11
170	04013-60080	WASHER PLAIN	1				0.002	0.0044
180	05511-50215	PIN SPLIT	1				0.001	0.0022
190	R1401-65520	ROD LOCK	1				0.025	0.055
200	05122-50614	PIN JOINT	1				0.004	0.0088
210	04013-60060	WASHER PLAIN	1				0.001	0.0022
220	05511-51612	PIN SPLIT	1				0.001	0.0022
230	R1401-65540	SPRING	1				0.003	0.0066
240	36330-87450	RING RUBBER	1				0.001	0.0022

CONTROL LEVER (S/P) (COMPONENT PARTS)



R1411-053-10

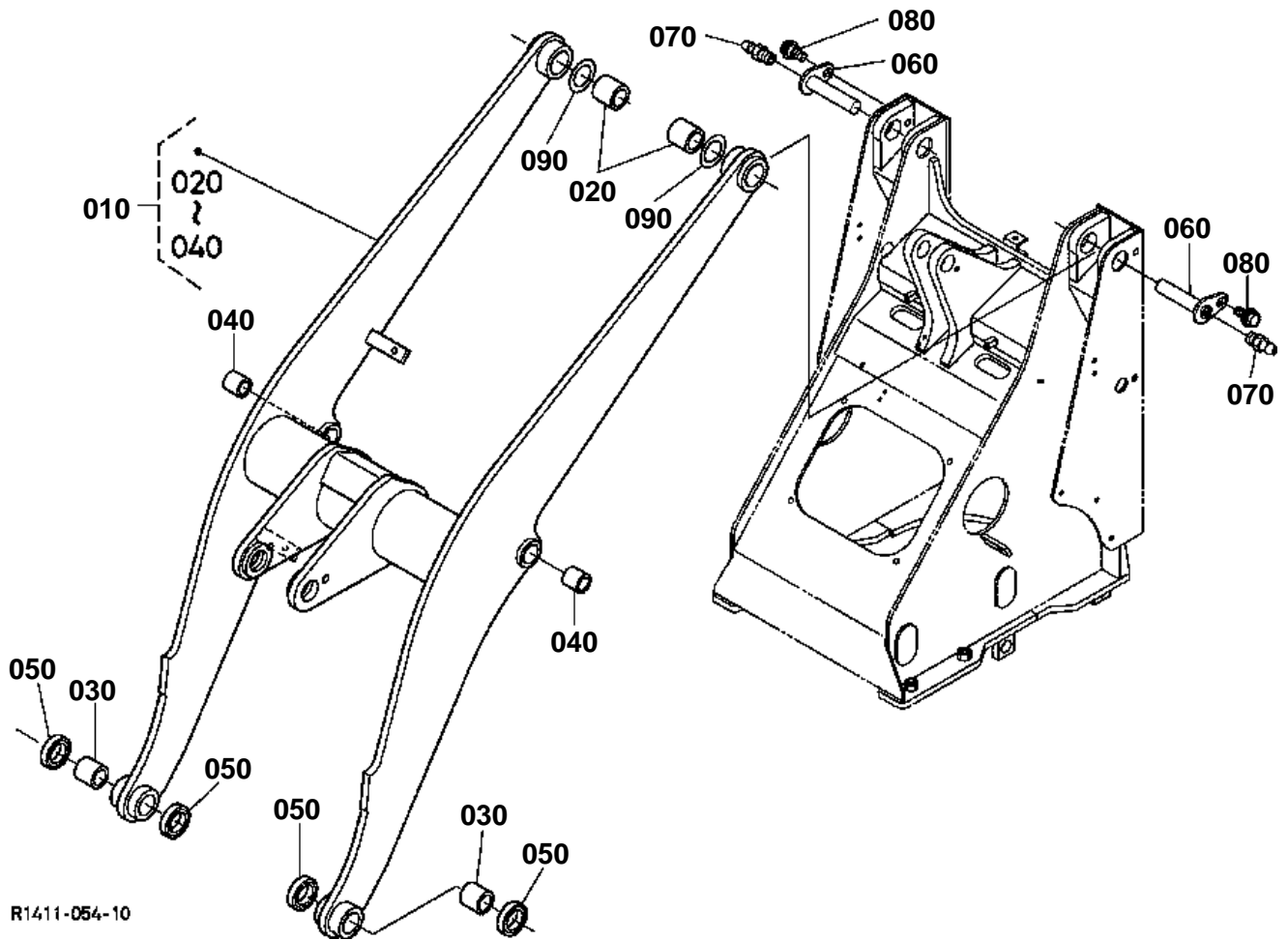


CONTROL LEVER (S/P) (COMPONENT PARTS)

↔ Interchangeable; ≠ not interchangeable; ← new for old; → old for new

REF.No	Part No.	Description	Q'ty	S.No.	I/C	REMARKS	Weight (kgf)	Weight (lb)
005	R2411-65300	ASSY LEVER CONTROL	1				0	0
010	R2401-65420	ARM CONTROL SP	1				0.145	0.319
020	04015-60080	WASHER PLAIN	1				0.01	0.022
030	01123-60816	BOLT	1				0.01	0.022
040	R2401-65412	LEVER CONTROL SP	1				0.456	1.0032
050	68841-65250	BEARING NEEDLE	2				0.02	0.044
060	R2401-65610	ARM LOCK SP	1				0.048	0.1056
070	04013-60080	WASHER PLAIN	1				0.002	0.0044
080	05511-50215	PIN SPLIT	1				0.001	0.0022
090	R2401-65620	ROD LOCK SP	1				0.029	0.0638
100	05122-50614	PIN JOINT	1				0.004	0.0088
110	04013-60060	WASHER PLAIN	1				0.001	0.0022
120	05511-51612	PIN SPLIT	1				0.001	0.0022
130	R1401-65540	SPRING	1				0.003	0.0066
140	36330-87450	RING RUBBER	1				0.001	0.0022
150	68721-65270	GRIP	1				0.04	0.088
160	69244-65590	RUBBER BELLOWS	1				0.1	0.22
170	R1411-65250	CABLE CONTROL	1				1	2.2
180	31351-24220	SCREW ROD-END RH	1				0.04	0.088
190	02751-50080	NUT FLANGE	1				0.006	0.0132
200	R1401-65350	LINK	1				0.032	0.0704
210	68021-32790	PIN	1				0.004	0.0088
220	05525-60500	PIN SNAP	1				0.001	0.0022
230	R1401-65630	GRIP	1				0.011	0.0242
240	02014-60060	NUT	1				0.002	0.0044

SHOVEL ARM



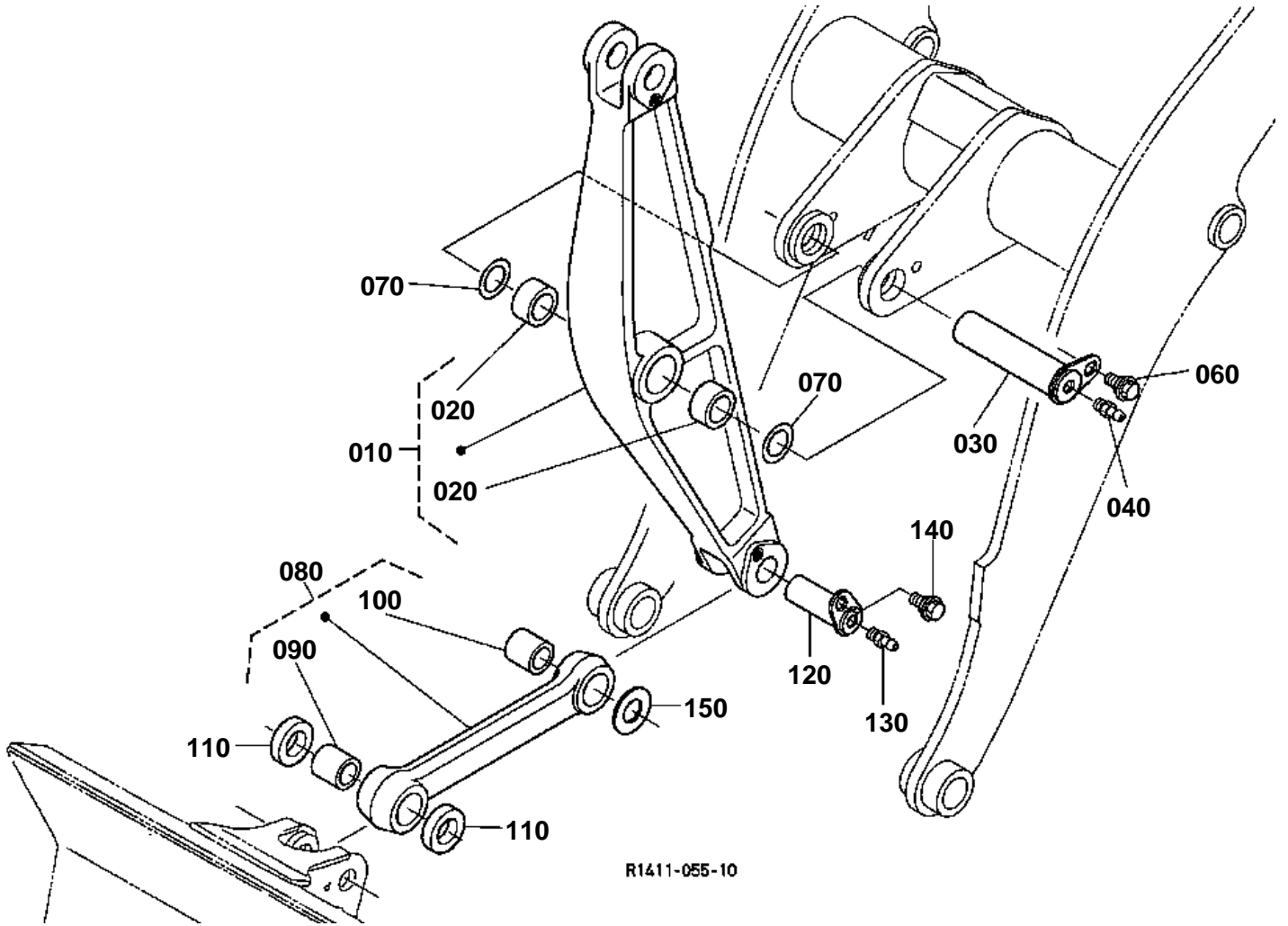


SHOVEL ARM
[WITH FRONT ATTACHMENTS]

↔ Interchangeable; ≠ not interchangeable; ← new for old; → old for new

REF.No	Part No.	Description	Q'ty	S.No.	I/C	REMARKS	Weight (kgf)	Weight (lb)
010	R1411-71100	ASSY ARM SHOVEL	1				219	481.8
020	68881-71290	BUSH	2				0.38	0.836
030	68811-71130	BUSH	2				0.34	0.748
040	R1401-71140	BUSH	2				0.2	0.44
050	RC411-66780	SEAL DUST	4				0.008	0.0176
060	R1411-71150	PIN	2				1.82	4.004
070	06611-15010	NIPPLE GREASE	2				0.01	0.022
080	R1411-71160	BOLT	2				0.05	0.11
090	68241-66920	SHIM	2			1.0mm	0.02	0.044

TILT ARM



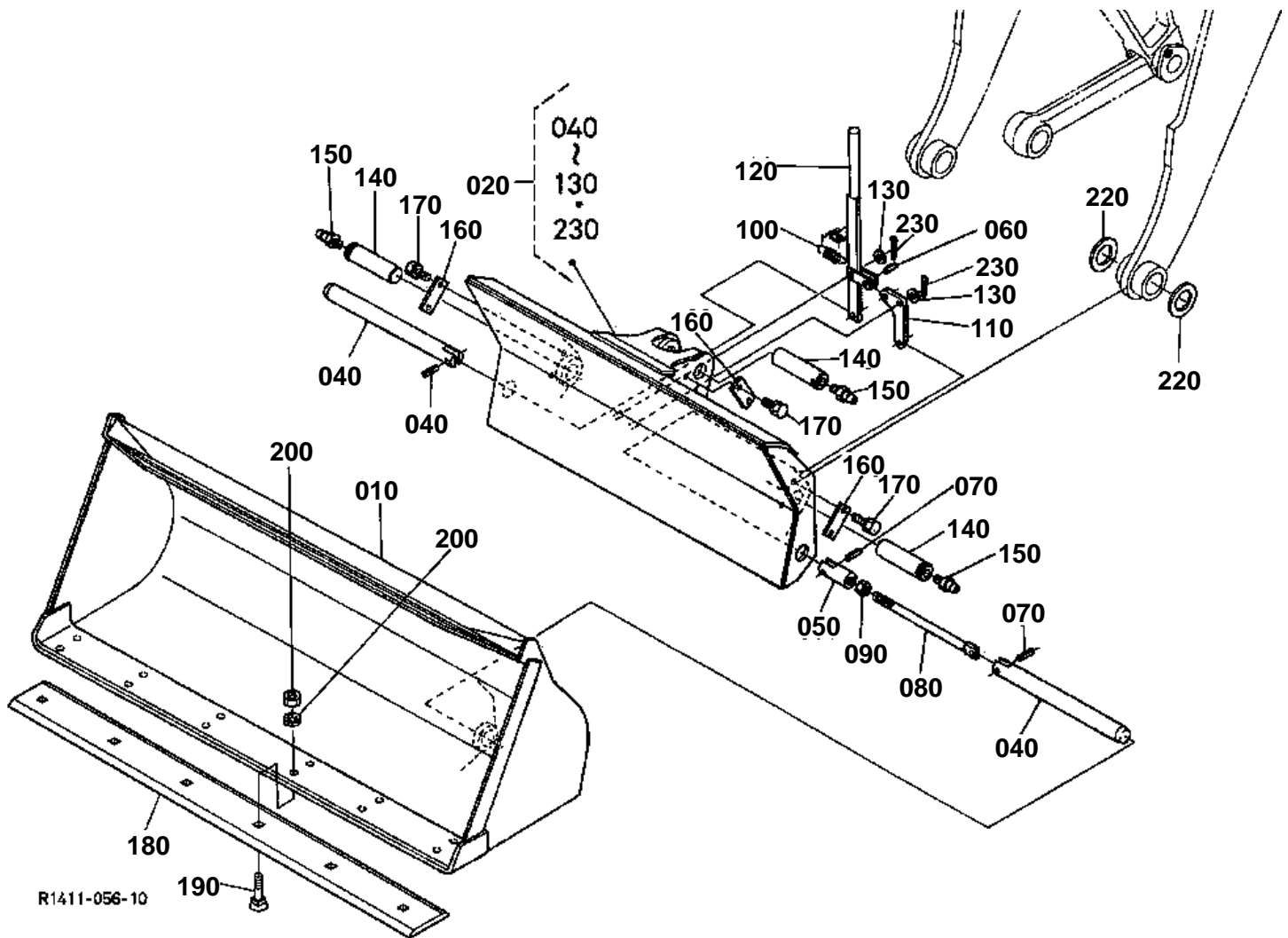


TILT ARM
[WITH FRONT ATTACHMENTS]

↔ Interchangeable; ≠ not interchangeable; ← new for old; → old for new

REF.No	Part No.	Description	Q'ty	S.No.	I/C	REMARKS	Weight (kgf)	Weight (lb)
010	R1411-71200	ASSY ARM TILT	1				57	125.4
020	68811-71270	BUSH	2				0.19	0.418
030	R1411-71230	PIN	1				3.28	7.216
040	06611-15010	NIPPLE GREASE	1				0.01	0.022
050	99999-99999	BLANK	0				0	0
060	R1411-71160	BOLT	1				0.05	0.11
070	68241-66910	SHIM	1				0.025	0.055
080	R2401-71240	ASSY LINK TILT	1				9.6	21.12
090	68811-71130	BUSH	1				0.34	0.748
100	R1401-71260	BUSH	1				0.26	0.572
110	RC411-66780	SEAL DUST	2				0.008	0.0176
120	R1411-71270	PIN	1				1.18	2.596
130	06611-15010	NIPPLE GREASE	1				0.01	0.022
140	R1411-71160	BOLT	1				0.05	0.11
150	68131-67720	SHIM	1			1.0mm	0.024	0.0528

BUCKET



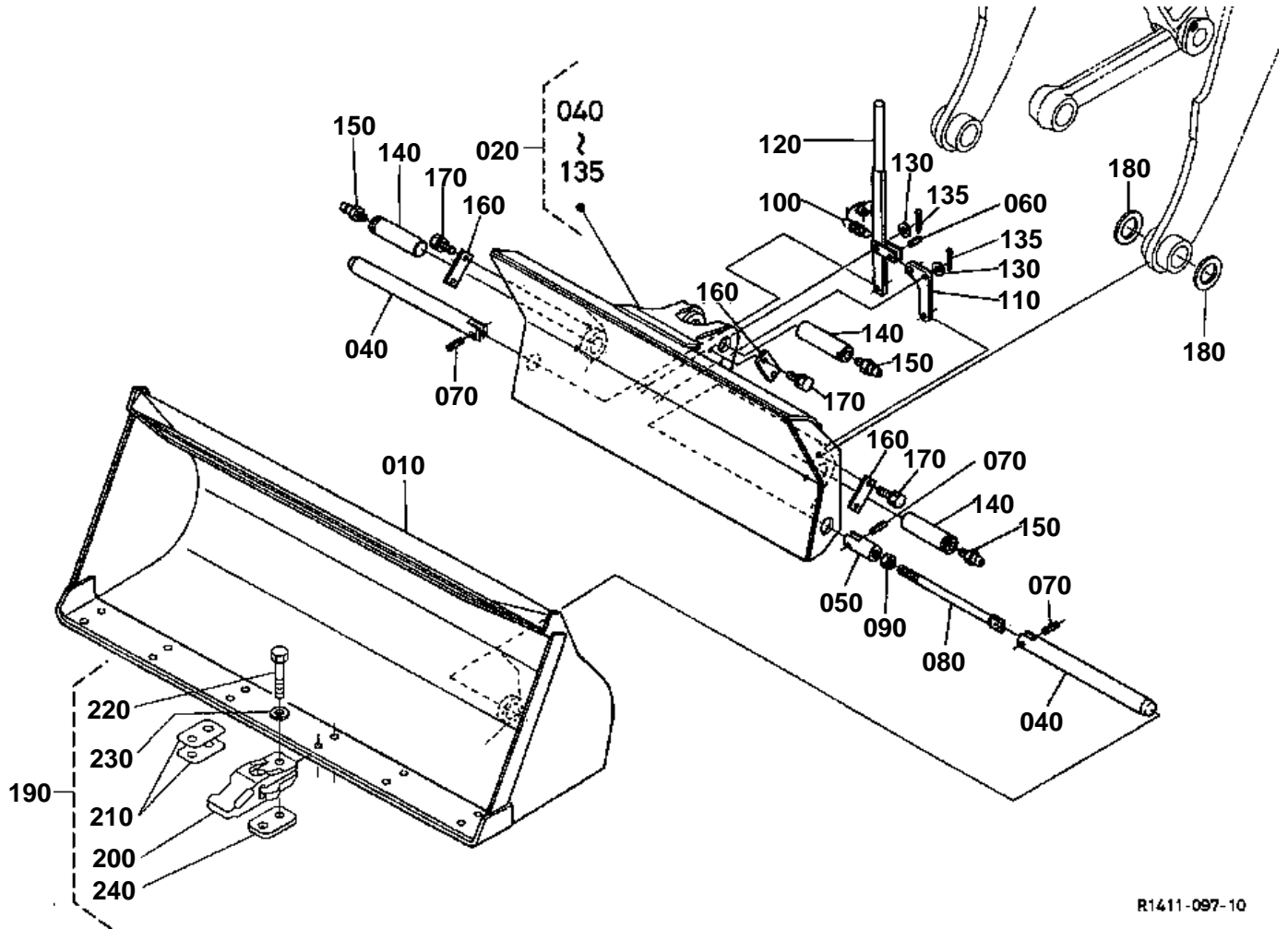


BUCKET
[WITH FRONT ATTACHMENTS KTC KCL]

↔ Interchangeable; ≠ not interchangeable; ← new for old; → old for new

REF.No	Part No.	Description	Q'ty	S.No.	I/C	REMARKS	Weight (kgf)	Weight (lb)
010	R1411-77510	BUCKET COUPLER	1			QBK	0	0
020	R1411-71010	ASSY COUPLER	1			QBK	107	235.4
030	99999-99999	BLANK	0				0	0
040	90214-71132	PIN	2			QBK	2.11	4.642
050	90214-71142	FORKED	1			QBK	0.21	0.462
060	05411-01022	PIN SPRING	1			QBK	0.02	0.044
070	05411-01032	PIN SPRING	3			QBK	0.01	0.022
080	90214-71163	ROD	1			QBK	0.42	0.924
090	02174-50160	NUT	1			QBK	0.022	0.0484
100	90214-71182	SPRING	1			QBK	0.045	0.099
110	R1411-71030	LINK	1			QBK	0.23	0.506
120	R1411-71040	LEVER	1			QBK	1.05	2.31
130	04011-50100	WASHER PLAIN	2			QBK	0.002	0.0044
140	68811-71260	PIN	3				1.35	2.97
150	06611-15010	NIPPLE GREASE	3				0.01	0.022
160	68811-71240	PLATE KEY	3				0.1	0.22
170	01133-61020	BOLT	6				0.02	0.044
180	R1411-71410	BLADE CUTTING	1			QBK	21	46.2
190	68841-71423	BOLT	6			QBK	0.08	0.176
200	02176-60140	NUT	6			QBK	0.014	0.0308
210	04512-60140	WASHER SPRING	6			QBK	0.008	0.0176
220	68131-67720	SHIM	6			1.0mm	0.024	0.0528
230	05511-50320	PIN SPLIT	2			QBK	0.002	0.0044

BUCKET



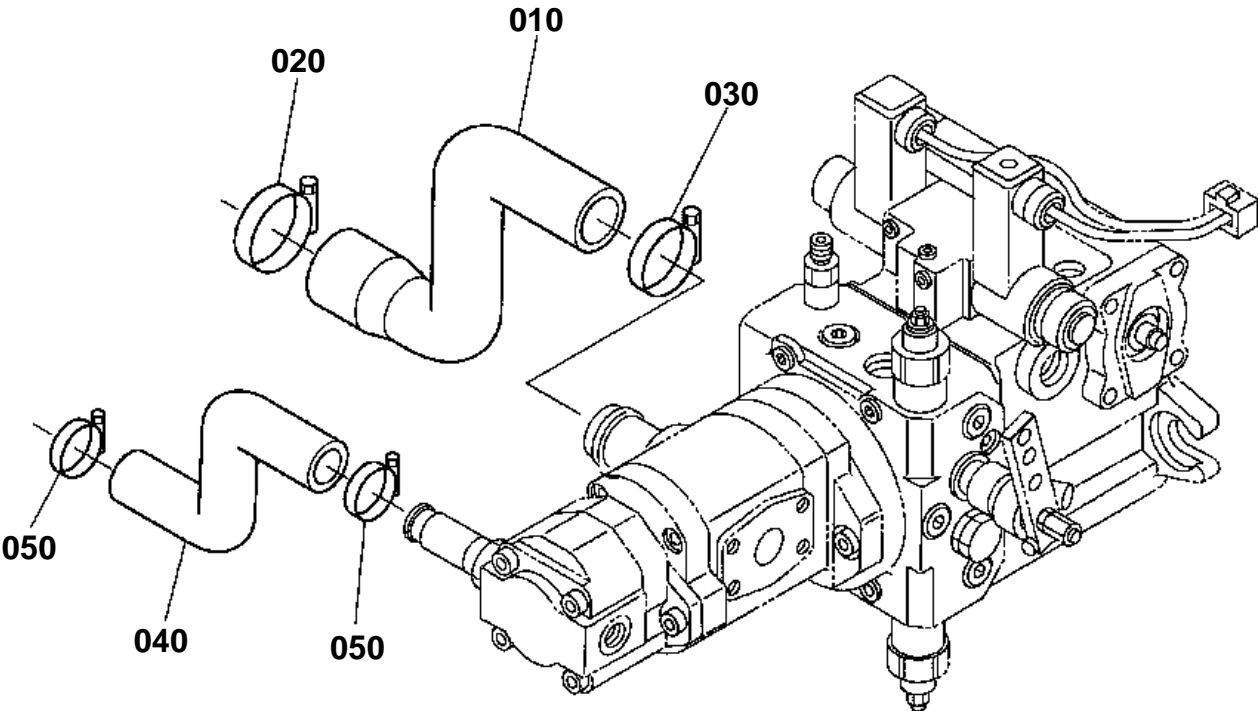
R1411-097-10



BUCKET
[WITH FRONT ATTACHMENTS KTA]

↔ Interchangeable; ≠ not interchangeable; ← new for old; → old for new

REF.No	Part No.	Description	Q'ty	S.No.	I/C	REMARKS	Weight (kgf)	Weight (lb)
010	R1411-77510	BUCKET COUPLER	1				0	0
020	R1411-71010	ASSY COUPLER	1				107	235.4
030	99999-99999	BLANK	0				0	0
040	90214-71132	PIN	2				2.11	4.642
050	90214-71142	FORKED	1				0.21	0.462
060	05411-01022	PIN SPRING	1				0.02	0.044
070	05411-01032	PIN SPRING	3				0.01	0.022
080	90214-71163	ROD	1				0.42	0.924
090	02174-50160	NUT	1				0.022	0.0484
100	90214-71182	SPRING	1				0.045	0.099
110	R1411-71030	LINK	1				0.23	0.506
120	R1411-71040	LEVER	1				1.05	2.31
130	04011-50100	WASHER PLAIN	2				0.002	0.0044
135	05511-50320	PIN SPLIT	2				0.002	0.0044
140	68811-71260	PIN	3				1.35	2.97
150	06611-15010	NIPPLE GREASE	3				0.01	0.022
160	68811-71240	PLATE KEY	3				0.1	0.22
170	01133-61020	BOLT	6				0.02	0.044
180	68131-67720	SHIM	6			1.0mm	0.024	0.0528
190	R2411-66900	ASSY TEETH	6				23	50.6
200	R2411-66910	TEETH	6				1.88	4.136
210	68131-66930	SHIM	6			1.0mm	0.03	0.066
210	69201-71390	SHIM	12			0.5mm	0.012	0.0264
220	01176-61448	BOLT	12				0.07	0.154
230	04512-60140	WASHER SPRING	12				0.008	0.0176
240	68131-66920	NUT	6				0.14	0.308



R1411-058-10

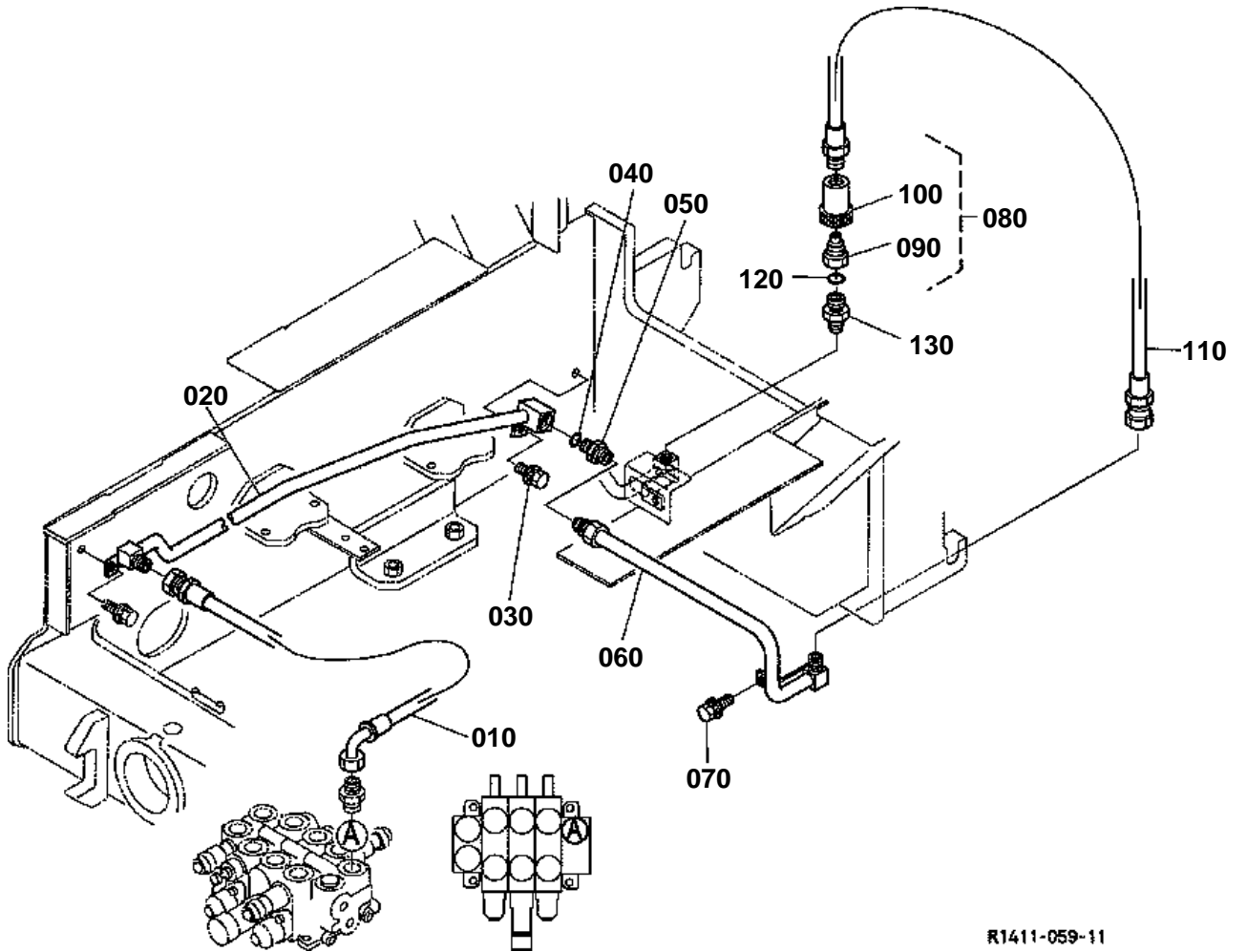


HYDRAULIC OIL LINE (SUCTION)

↔ Interchangeable; ≠ not interchangeable; ← new for old; → old for new

REF.No	Part No.	Description	Q'ty	S.No.	I/C	REMARKS	Weight (kgf)	Weight (lb)
010	R1411-63110	HOSE SUCTION	1				0.37	0.814
020	68311-72830	CLAMP HOSE	1				0.03	0.066
030	RD411-63820	CLAMP HOSE	1				0.031	0.0682
040	R1411-63130	HOSE SUCTION	1				0.25	0.55
050	68311-72820	CLAMP HOSE	2				0.03	0.066

HYDRAULIC OIL LINE (RETURN)



R1411-059-11

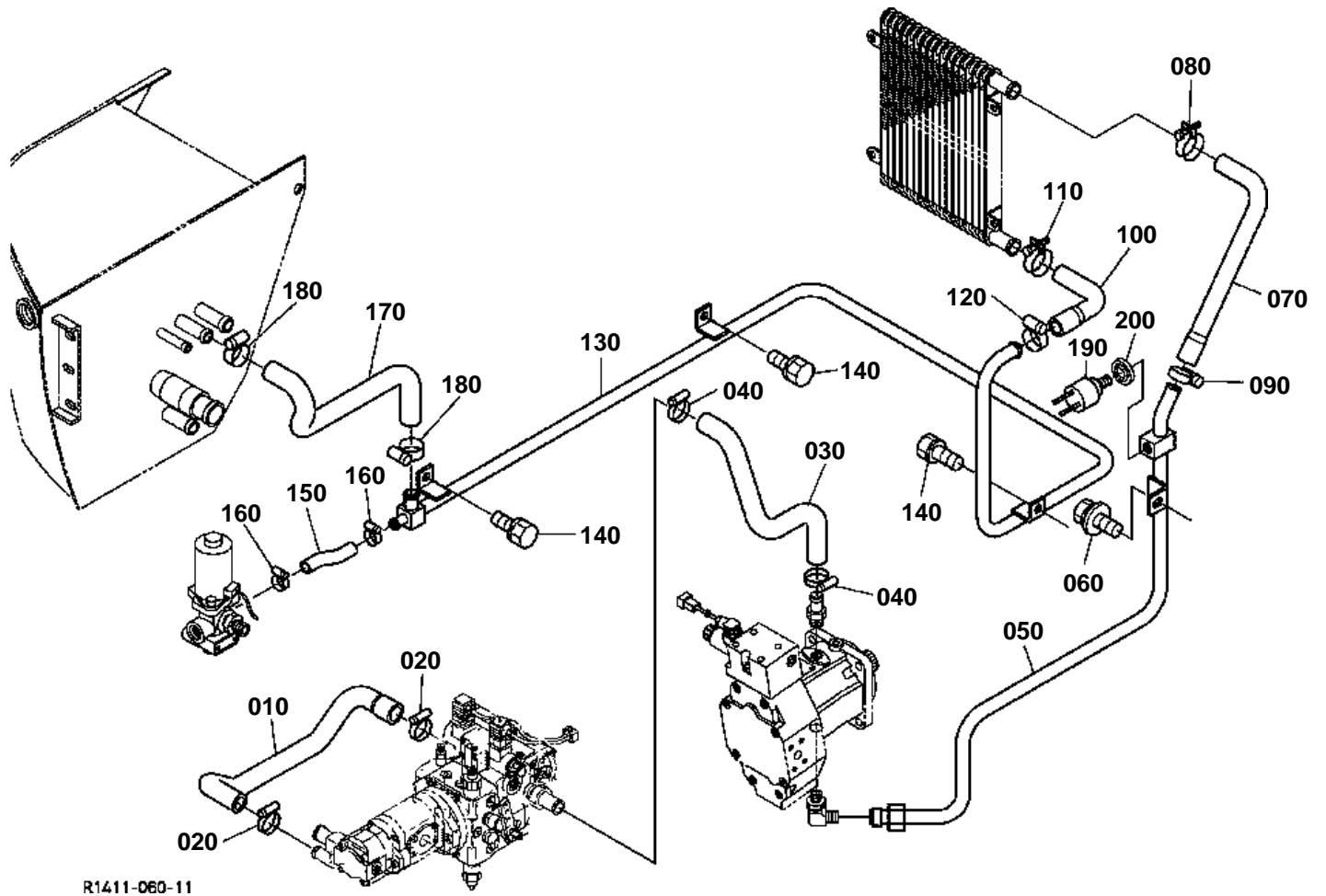


HYDRAULIC OIL LINE (RETURN)
[KTC KCL KTA(WITH BACK HOE)]

↔ Interchangeable; ≠ not interchangeable; ← new for old; → old for new

REF.No	Part No.	Description	Q'ty	S.No.	I/C	REMARKS	Weight (kgf)	Weight (lb)
010	R2411-63930	HOSE HYDRAULIC	1				0.75	1.65
020	R2411-64810	PIPE PB	1				1.98	4.356
030	01135-61030	BOLT	1				0.028	0.0616
040	04810-00240	O RING	1				0	0
050	R2401-64920	JOINT PIPE	1				0.134	0.2948
060	R2411-64930	PIPE PTO P	1				1.08	2.376
070	01135-61020	BOLT	1				0.015	0.033
080	68817-68100	ASSY COUPLER	1				0.46	1.012
090	70765-62870	COUPLER MALE	1				0.08	0.176
100	68817-68120	COUPLER FEMALE	1				0.39	0.858
110	R2411-63950	HOSE HYDRAULIC	1				0.69	1.518
120	04810-00180	O RING	1				0	0
130	68761-64230	ADAPTER	1				0.09	0.198

HYDRAULIC OIL LINE (OIL COOLER)



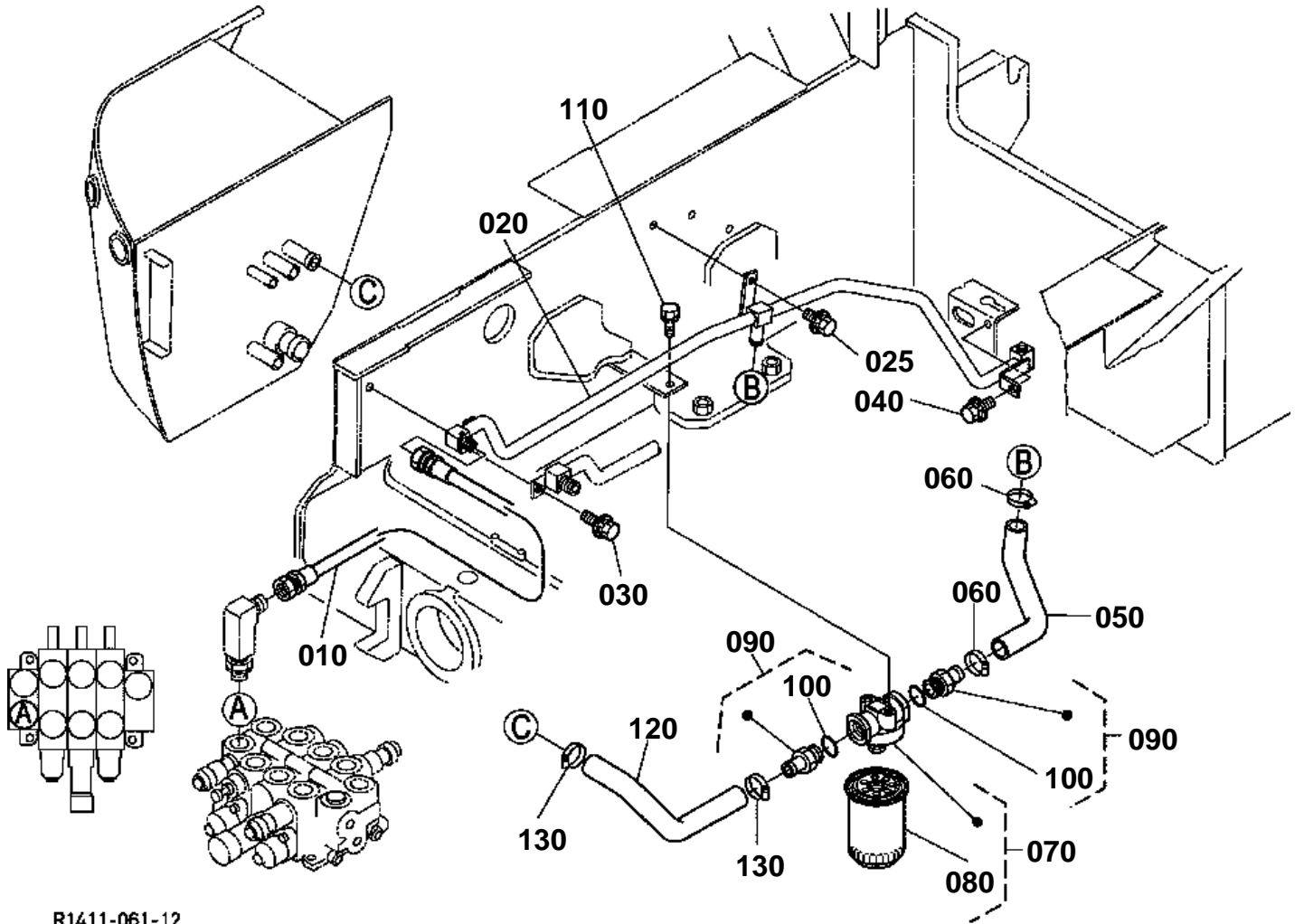


HYDRAULIC OIL LINE (OIL COOLER)

↔ Interchangeable; ≠ not interchangeable; ← new for old; → old for new

REF.No	Part No.	Description	Q'ty	S.No.	I/C	REMARKS	Weight (kgf)	Weight (lb)
010	R1411-63910	HOSE BY-PASS RELIEF	1				0.3	0.66
020	68311-72820	CLAMP HOSE	2				0.03	0.066
030	R1411-63523	HOSE RETURN	1				0.2	0.44
040	R1401-63150	CLAMP HOSE	2				0.02	0.044
050	R1411-63560	PIPE RETURN	1				1.03	2.266
060	01135-61020	BOLT	1				0.015	0.033
070	R1411-63570	HOSE RETURN	1				0.17	0.374
080	09318-89024	CLAMP HOSE	1				0.02	0.044
090	R1401-63150	CLAMP HOSE	1				0.02	0.044
100	R1411-63580	HOSE RETURN	1				0.09	0.198
110	09318-89024	CLAMP HOSE	1				0.02	0.044
120	R1401-63150	CLAMP HOSE	1				0.02	0.044
130	R1411-63620	PIPE RETURN	1				1.38	3.036
140	01133-61020	BOLT	2				0.02	0.044
150	R1411-63630	HOSE RETURN	1				0.026	0.0572
160	RC101-64580	CLAMP HOSE	2				0.018	0.0396
170	R1411-63640	HOSE RETURN	1				0.26	0.572
180	R1401-63150	CLAMP HOSE	2				0.02	0.044
190	68841-53640	SWITCH THERMOMETER	1				0.06	0.132
200	04717-01610	WASHER WITH RUBBER	1	>=10006			0.022	0.0484

RETURN FILTER



R1411-061-12

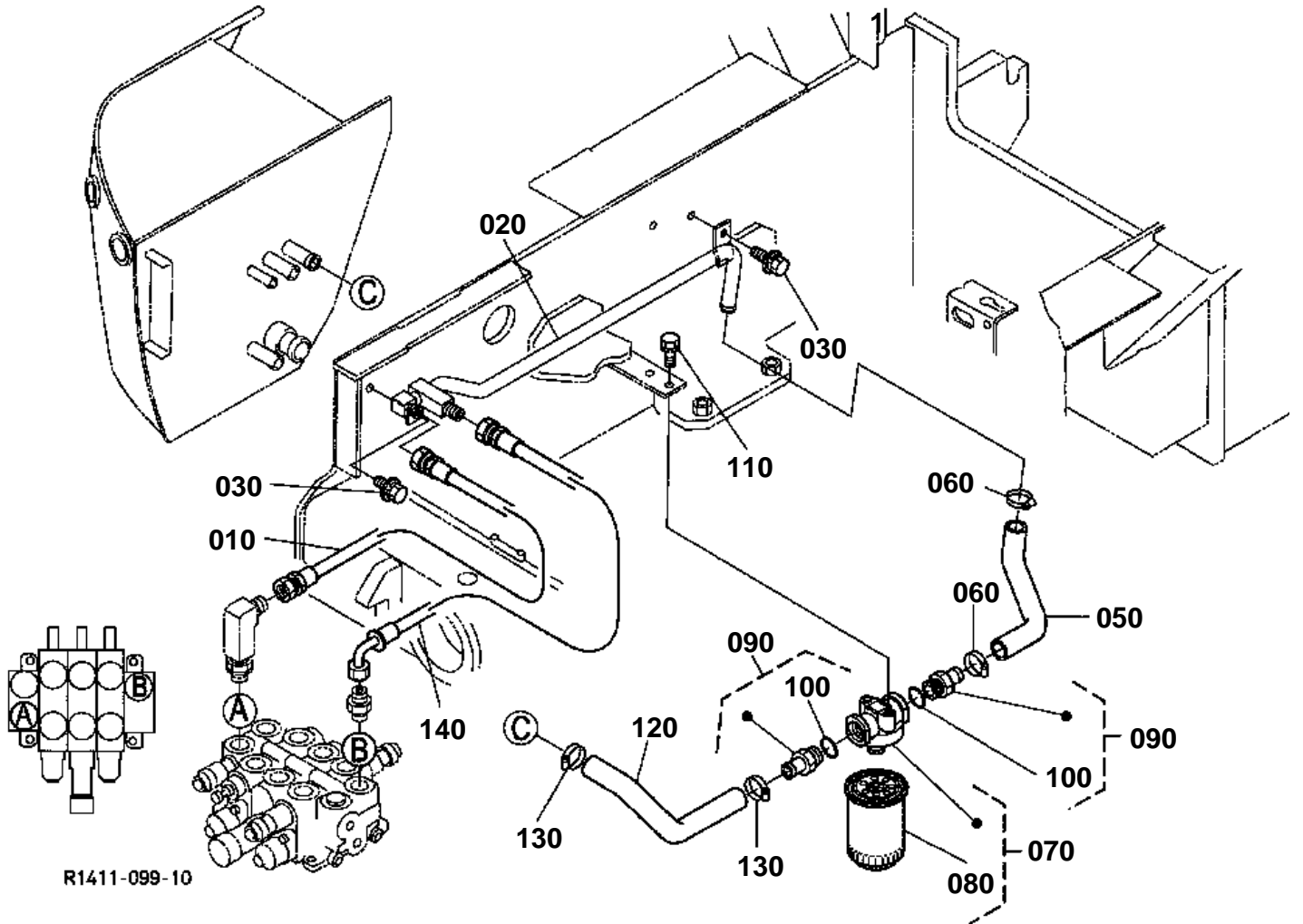


RETURN FILTER
[KTC KCL KTA(WITH BACK HOE)]

↔ Interchangeable; ≠ not interchangeable; ← new for old; → old for new

REF.No	Part No.	Description	Q'ty	S.No.	I/C	REMARKS	Weight (kgf)	Weight (lb)
010	R1411-63810	HOSE HYDRAULIC	1				0.57	1.254
020	R2411-64830	PIPE PTO T	1	≤10005			0	0
020	R2411-64832	PIPE PTO T	1	≥10006	←		1.85	4.07
025	01135-61025	BOLT	1				0.04	0.088
030	01135-61030	BOLT	1				0.028	0.0616
040	01135-61020	BOLT	1				0.015	0.033
050	R1411-64850	HOSE FILTER	1				0.18	0.396
060	68311-72820	CLAMP HOSE	2				0.03	0.066
070	R1411-63850	FILTER RETURN	1				0.88	1.936
080	R1411-63860	ELEMENT FILTER	1				0.58	1.276
090	R1411-63760	JOINT PIPE	2				0	0
100	04810-00290	O RING	2				0	0
110	01123-61020	BOLT	2				0.02	0.044
120	R1411-64860	HOSE FILTER	1				0.28	0.616
130	68311-72820	CLAMP HOSE	2				0.03	0.066

RETURN FILTER



R1411-099-10

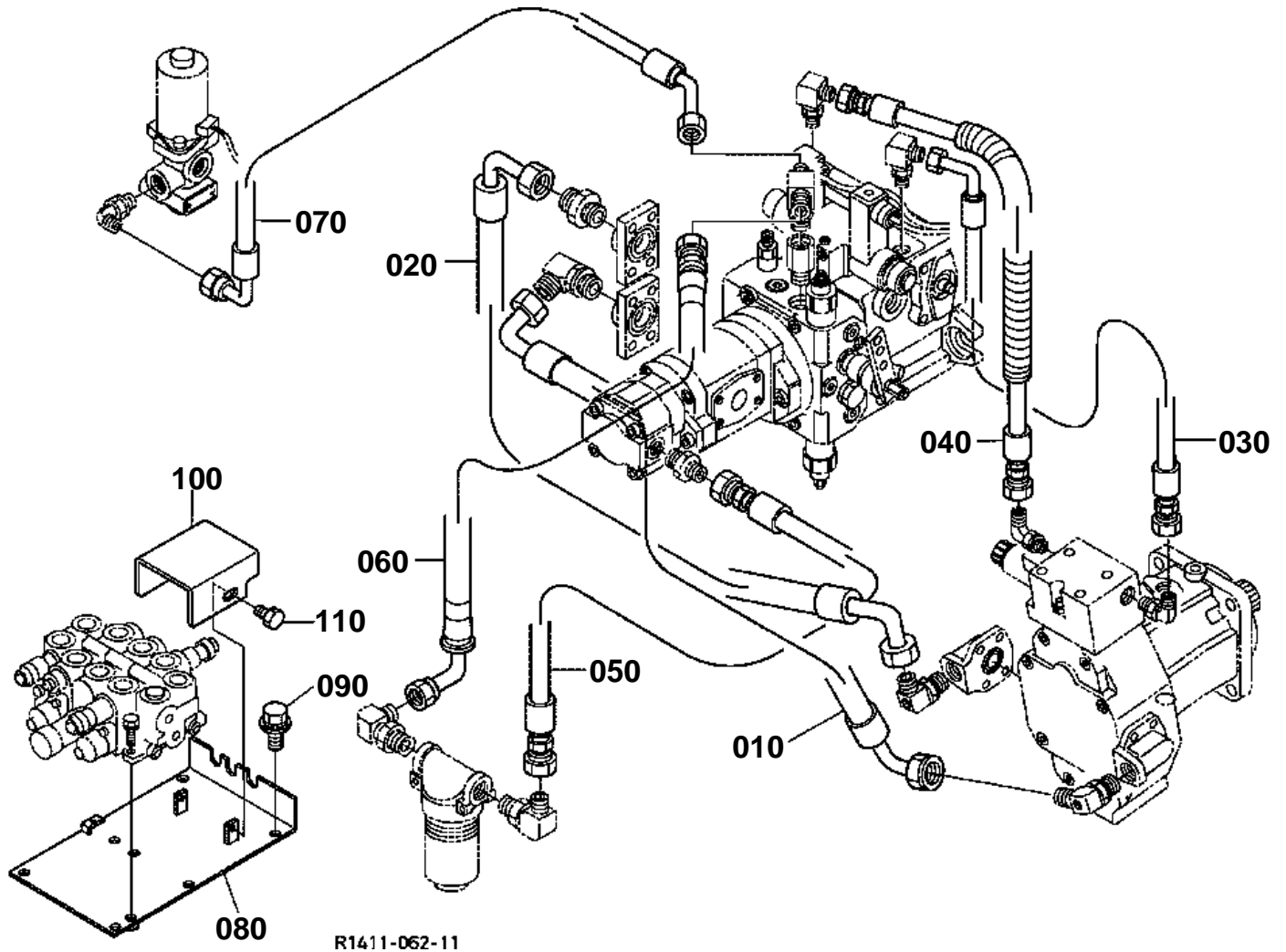


RETURN FILTER
[KTA(WITHOUT BACK HOE)]

↔ Interchangeable; ≠ not interchangeable; ← new for old; → old for new

REF.No	Part No.	Description	Q'ty	S.No.	I/C	REMARKS	Weight (kgf)	Weight (lb)
010	R1411-63810	HOSE HYDRAULIC	1				0.57	1.254
020	R2411-64840	PIPE	1				1.4	3.08
030	01135-61025	BOLT	2				0.04	0.088
040	99999-99999	BLANK	0				0	0
050	R1411-64850	HOSE FILTER	1				0.18	0.396
060	68311-72820	CLAMP HOSE	2				0.03	0.066
070	R1411-63850	FILTER RETURN	1				0.88	1.936
080	R1411-63860	ELEMENT FILTER	1				0.58	1.276
090	R1411-63760	JOINT PIPE	2				0	0
100	04810-00290	O RING	2				0	0
110	01123-61020	BOLT	2				0.02	0.044
120	R1411-64860	HOSE FILTER	1				0.28	0.616
130	68311-72820	CLAMP HOSE	2				0.03	0.066
140	R2411-63930	HOSE HYDRAULIC	1				0.75	1.65

HIGH PRESSURE OIL LINE



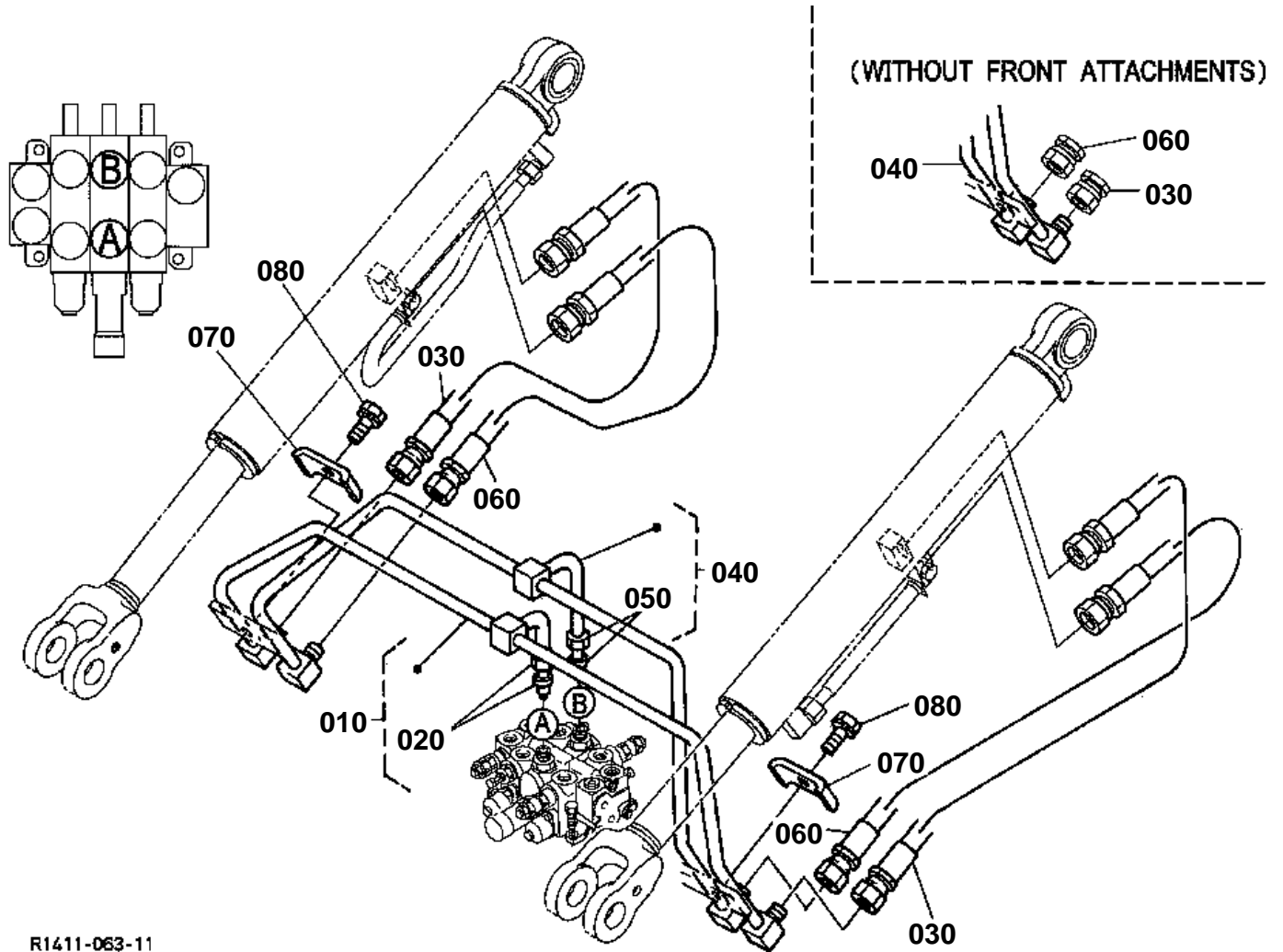


HIGH PRESSURE OIL LINE

↔ Interchangeable; ≠ not interchangeable; ← new for old; → old for new

REF.No	Part No.	Description	Q'ty	S.No.	I/C	REMARKS	Weight (kgf)	Weight (lb)
010	R1411-64120	HOSE HYDRAULIC	1				1.36	2.992
020	R1411-64150	HOSE HYDRAULIC	1				1.42	3.124
030	R1411-64310	HOSE HYDRAULIC	1				0.2	0.44
040	R1411-64322	HOSE HYDRAULIC	1				0.18	0.396
050	R1411-64410	HOSE HYDRAULIC	1				0.22	0.484
060	R1411-64420	HOSE HYDRAULIC	1	<=10005			0.25	0.55
060	R1411-64422	HOSE HYDRAULIC	1	>=10006	←		0.25	0.55
070	R1411-64430	HOSE HYDRAULIC	1				0.22	0.484
080	R1411-65110	BASE VALVE	1				1.75	3.85
090	01135-61020	BOLT	4				0.015	0.033
100	R2401-65122	COVER VALVE	1				0.28	0.616
110	01053-60610	BOLT	2				0.005	0.011

HYDRAULIC OIL LINE (LIFT)



R1411-063-11

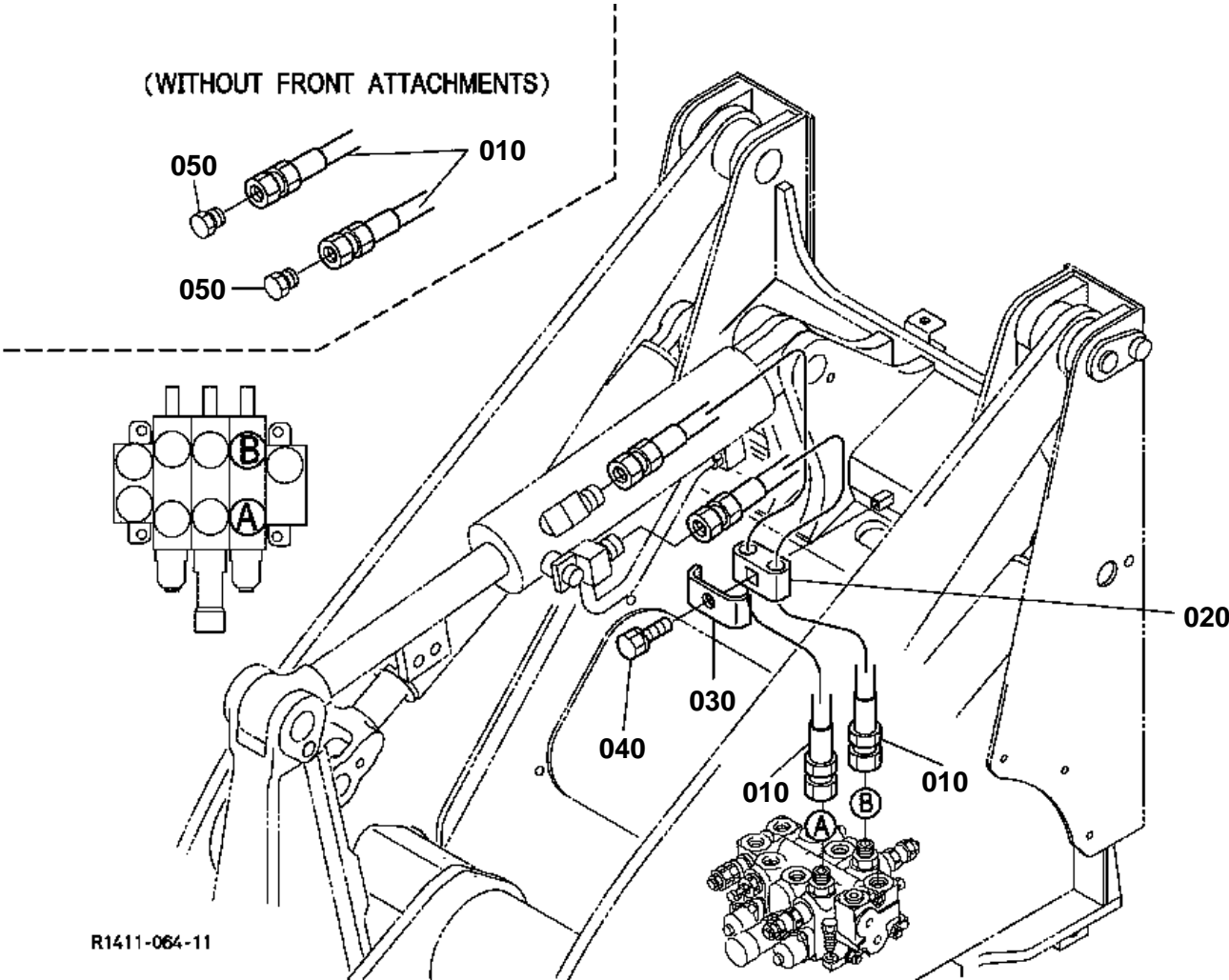


HYDRAULIC OIL LINE (LIFT)

↔ Interchangeable; ≠ not interchangeable; ← new for old; → old for new

REF.No	Part No.	Description	Q'ty	S.No.	I/C	REMARKS	Weight (kgf)	Weight (lb)
010	R1501-73115	PIPE LIFT ROD	1				0.9	1.98
020	R1401-68162	JOINT PIPE	1				0.06	0.132
030	R1411-73120	HOSE HYDRAULIC	2			WITH FRONT ATTACHMENTS	0.47	1.034
030	68272-76210	PLUG	2			WITHOUT FRONT ATTACHMENTS	0.05	0.11
040	R1501-73144	PIPE LIFT BOTTOM	1				0.768	1.6896
050	R1401-68162	JOINT PIPE	1				0.06	0.132
060	R1411-73120	HOSE HYDRAULIC	2			WITH FRONT ATTACHMENTS	0.47	1.034
060	68272-76210	PLUG	2			WITHOUT FRONT ATTACHMENTS	0.05	0.11
070	R1401-63740	CLAMP	2				0.095	0.209
080	01133-61030	BOLT	2				0.023	0.0506

HYDRAULIC OIL LINE (TILT)

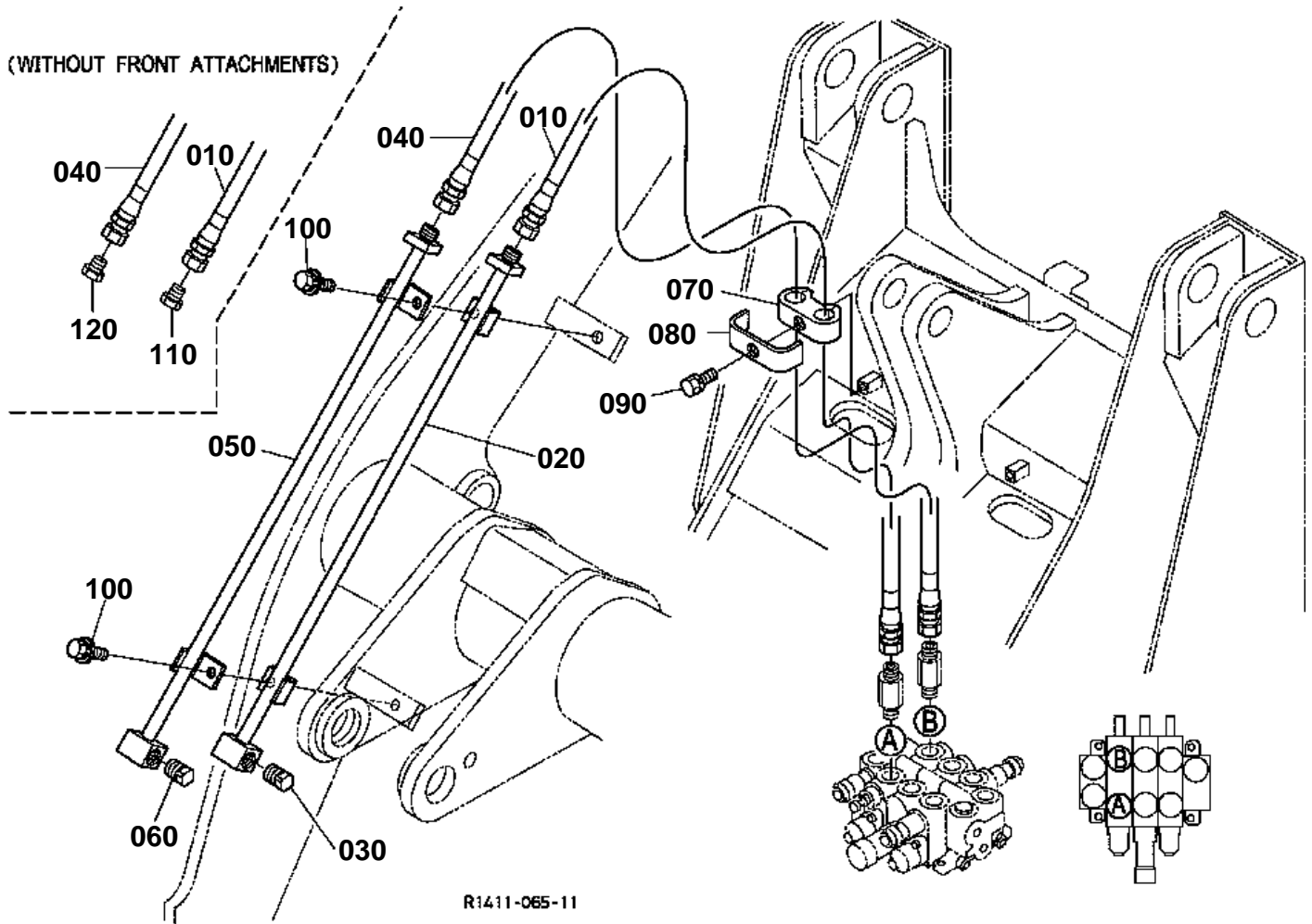




HYDRAULIC OIL LINE (TILT)

↔ Interchangeable; ≠ not interchangeable; ← new for old; → old for new

REF.No	Part No.	Description	Q'ty	S.No.	I/C	REMARKS	Weight (kgf)	Weight (lb)
010	R1411-73323	HOSE HYDRAULIC	2				0.59	1.298
020	R1411-64210	CUSHION HOSE	1				0.05	0.11
030	RC411-64220	CLAMP	1				0.08	0.176
040	01133-61020	BOLT	1				0.02	0.044
050	68198-99530	PLUG	2			WITHOUT FRONT ATTACHMENTS	0.015	0.033



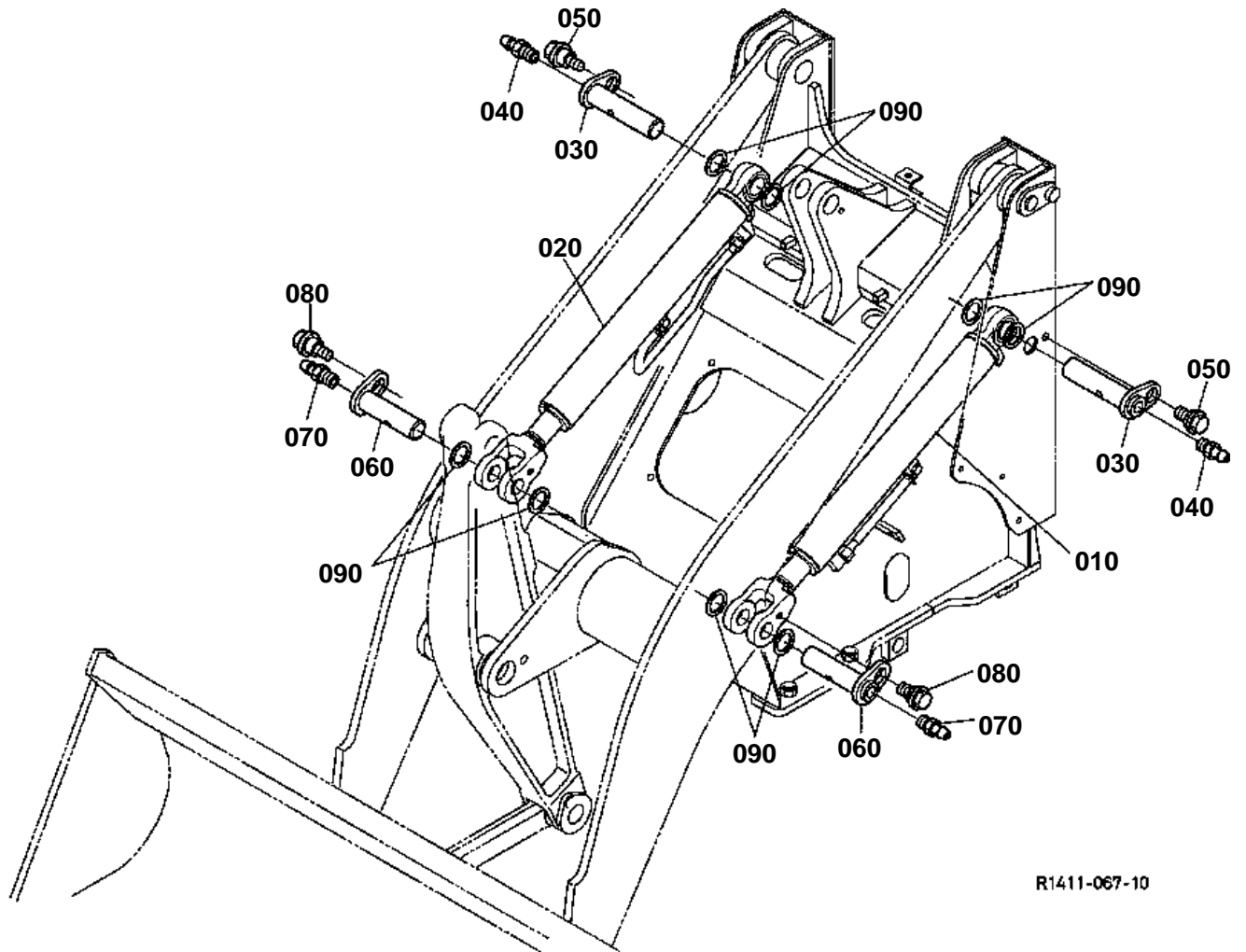


HYDRAULIC OIL LINE (S/P)

↔ Interchangeable; ≠ not interchangeable; ← new for old; → old for new

REF.No	Part No.	Description	Q'ty	S.No.	I/C	REMARKS	Weight (kgf)	Weight (lb)
010	R1411-73352	HOSE HYDRAULIC	1				0.65	1.43
020	R1411-73510	PIPE SP A	1			WITH FRONT ATTACHMENTS	0.72	1.584
030	06312-10040	PLUG	1			WITH FRONT ATTACHMENTS	0.04	0.088
040	R1411-73352	HOSE HYDRAULIC	1				0.65	1.43
050	R1411-73550	PIPE SP B	1			WITH FRONT ATTACHMENTS	0.75	1.65
060	06312-10040	PLUG	1			WITH FRONT ATTACHMENTS	0.04	0.088
070	R1411-64210	CUSHION HOSE	1				0.05	0.11
080	RC411-64220	CLAMP	1				0.08	0.176
090	01133-61020	BOLT	1				0.02	0.044
100	01135-61025	BOLT	2			WITH FRONT ATTACHMENTS	0.04	0.088
110	68198-99530	PLUG	1			WITHOUT FRONT ATTACHMENTS	0.015	0.033
120	68198-99530	PLUG	1			WITHOUT FRONT ATTACHMENTS	0.015	0.033

LIFT CYLINDER



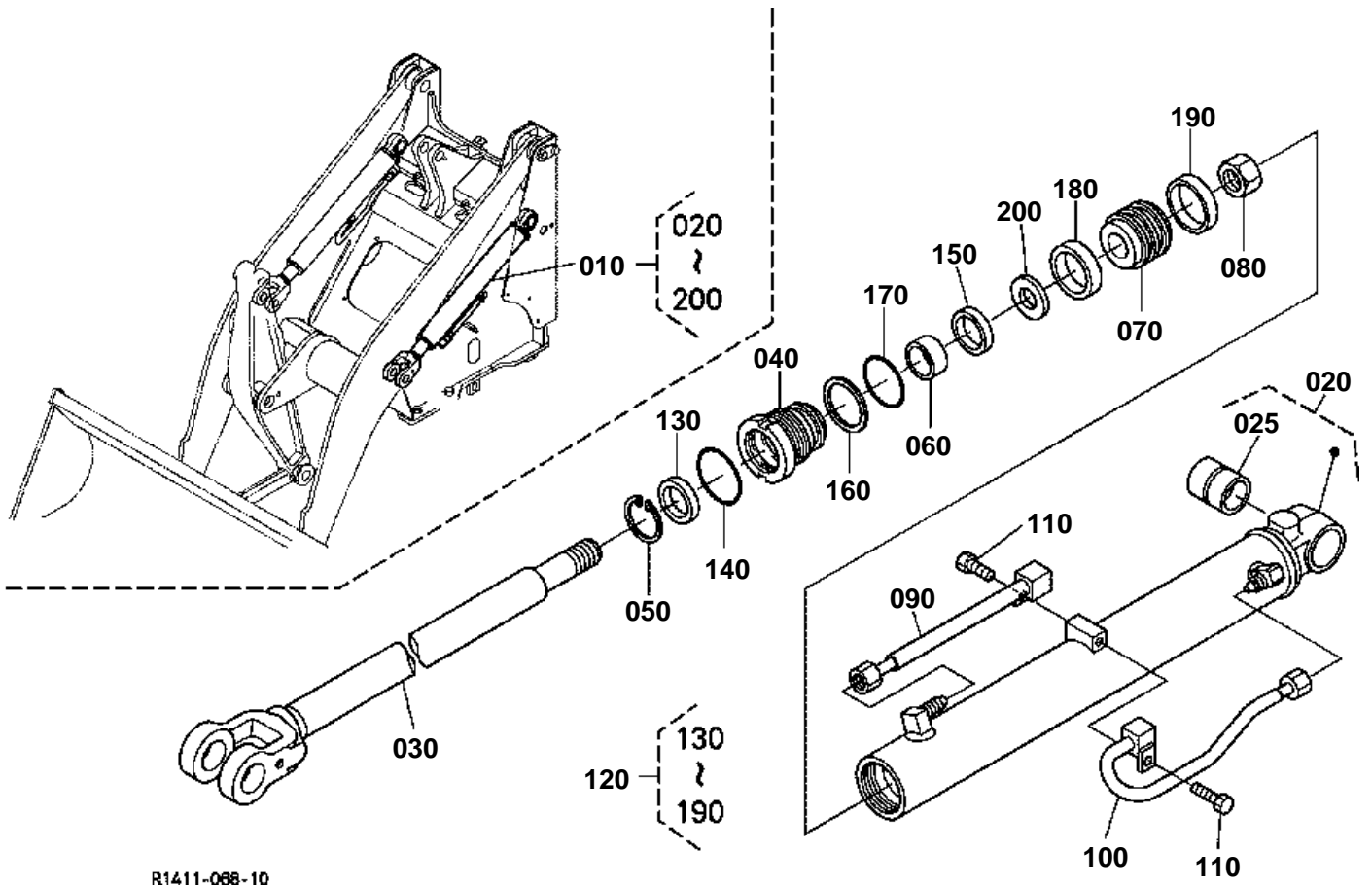


LIFT CYLINDER
[WITH FRONT ATTACHMENTS]

↔ Interchangeable; ≠ not interchangeable; ← new for old; → old for new

REF.No	Part No.	Description	Q'ty	S.No.	I/C	REMARKS	Weight (kgf)	Weight (lb)
010	R1411-72110	CYLINDER LIFT LH	1				16	35.2
020	R1411-72150	CYLINDER LIFT RH	1				16	35.2
030	R1411-72120	PIN	2				1.11	2.442
040	06611-15010	NIPPLE GREASE	2				0.01	0.022
050	R1411-71160	BOLT	2				0.05	0.11
060	R1411-72130	PIN	2				0.77	1.694
070	06611-15010	NIPPLE GREASE	2				0.01	0.022
080	R1411-71160	BOLT	2				0.05	0.11
090	68741-66860	SHIM	8			1.0mm	0.02	0.044

LIFT CYLINDER LEFT (COMPONENT PARTS)



R1411-088-10

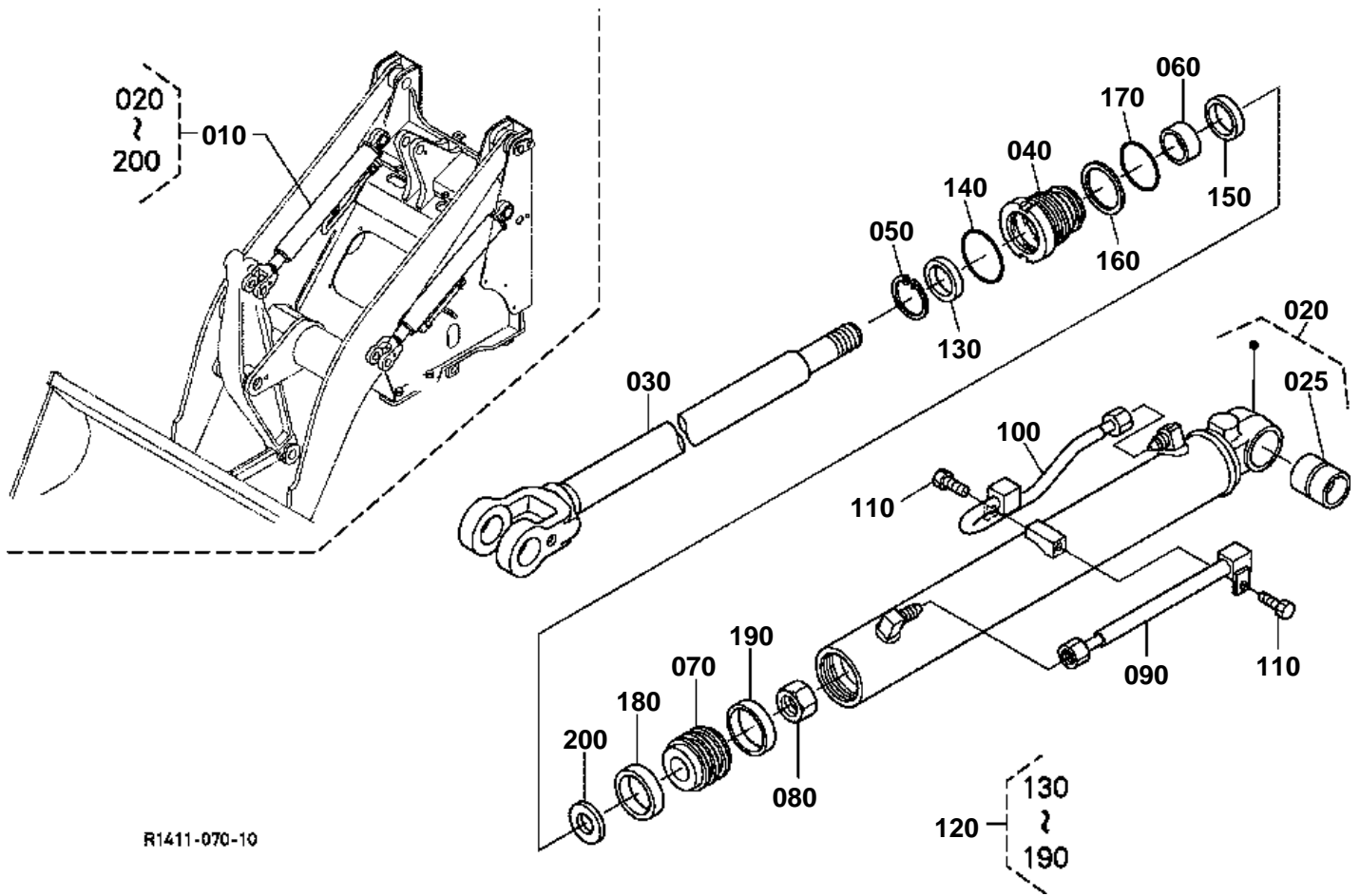


LIFT CYLINDER LEFT (COMPONENT PARTS)
[WITH FRONT ATTACHMENTS]

↔ Interchangeable; ≠ not interchangeable; ← new for old; → old for new

REF.No	Part No.	Description	Q'ty	S.No.	I/C	REMARKS	Weight (kgf)	Weight (lb)
010	R1411-72110	CYLINDER LIFT LH	1				16	35.2
020	R1411-93310	ASSY TUBE CYLINDER	1				6.86	15.092
025	R1401-93430	BUSH	1				0.185	0.407
030	R1411-93320	ROD CYLINDER	1				6.7	14.74
040	R1401-93340	CYLINDER HEAD	1				1.08	2.376
050	68881-93140	CIR CLIP INTERNAL	1				0.001	0.0022
060	68881-93170	BUSH	1				0.04	0.088
070	R1401-93380	PISTON	1				0.61	1.342
080	R1411-93420	NUT	1				0.15	0.33
090	R1411-93440	PIPE	1				0.28	0.616
100	R1411-93450	PIPE	1				0.41	0.902
110	R1411-93490	BOLT	2				0.01	0.022
120	R1411-93300	KIT SEAL	1				0.06	0.132
130	68881-93150	SEAL DUST	1				0.02	0.044
140	R1411-93350	O RING	1				0.002	0.0044
150	68881-93180	GASKET	1				0.001	0.0022
160	R1401-93360	RETAINER O RING	1				0.001	0.0022
170	R1401-93370	O RING	1				0.002	0.0044
180	R1401-93390	PISTON RING	1				0.022	0.0484
190	R1401-93410	RING	1				0.003	0.0066
200	R1401-93490	RETAINER	1				0.09	0.198

LIFT CYLINDER RIGHT (COMPONENT PARTS)



R1411-070-10

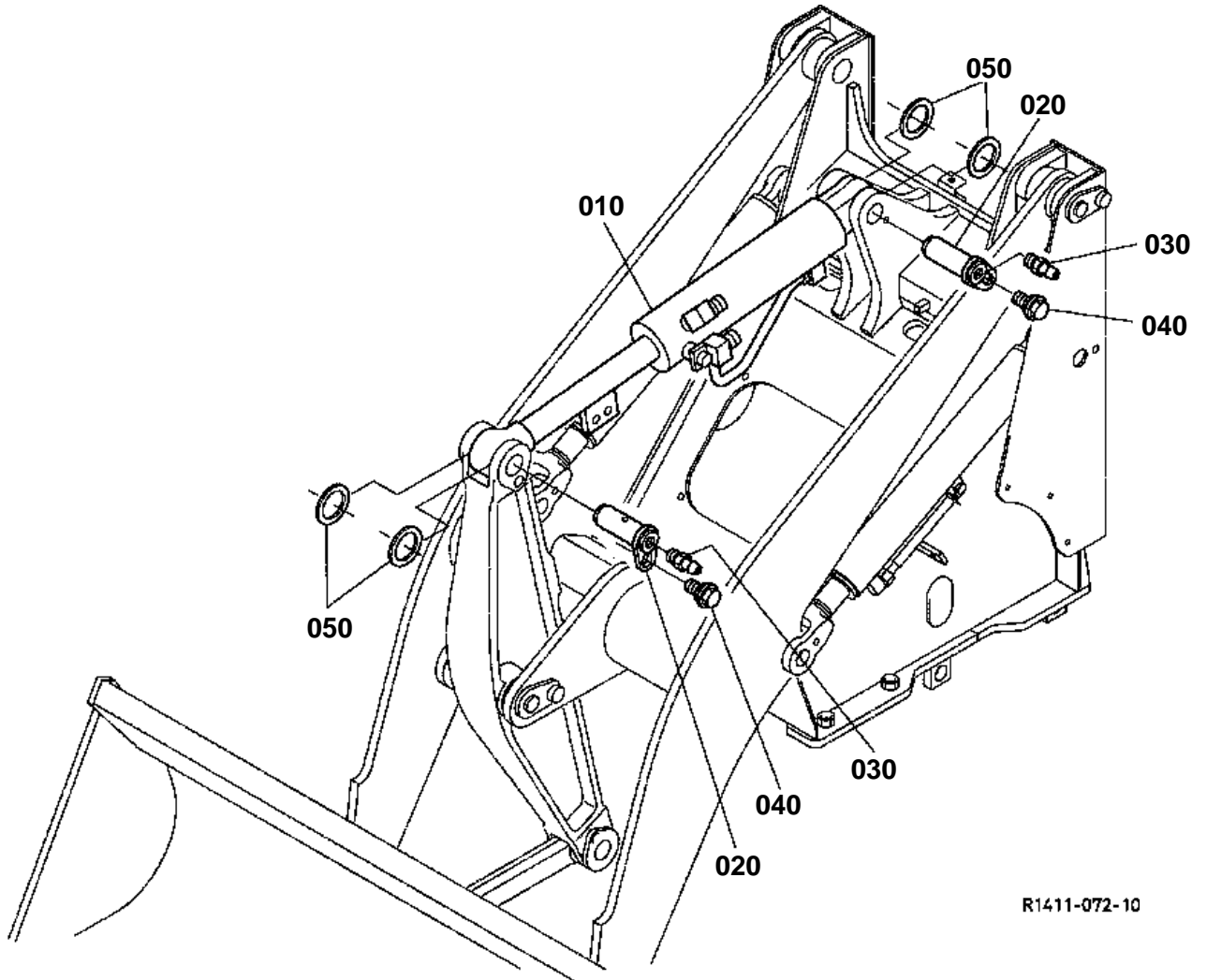


LIFT CYLINDER RIGHT (COMPONENT PARTS)
[WITH FRONT ATTACHMENTS]

↔ Interchangeable; ≠ not interchangeable; ← new for old; → old for new

REF.No	Part No.	Description	Q'ty	S.No.	I/C	REMARKS	Weight (kgf)	Weight (lb)
010	R1411-72150	CYLINDER LIFT RH	1				16	35.2
020	R1411-93330	ASSY TUBE CYLINDER	1				6.86	15.092
025	R1401-93430	BUSH	1				0.185	0.407
030	R1411-93320	ROD CYLINDER	1				6.7	14.74
040	R1401-93340	CYLINDER HEAD	1				1.08	2.376
050	68881-93140	CIR CLIP INTERNAL	1				0.001	0.0022
060	68881-93170	BUSH	1				0.04	0.088
070	R1401-93380	PISTON	1				0.61	1.342
080	R1411-93420	NUT	1				0.15	0.33
090	R1411-93460	PIPE	1				0.28	0.616
100	R1411-93470	PIPE	1				0.42	0.924
110	R1411-93490	BOLT	2				0.01	0.022
120	R1411-93300	KIT SEAL	1				0.06	0.132
130	68881-93150	SEAL DUST	1				0.02	0.044
140	R1411-93350	O RING	1				0.002	0.0044
150	68881-93180	GASKET	1				0.001	0.0022
160	R1401-93360	RETAINER O RING	1				0.001	0.0022
170	R1401-93370	O RING	1				0.002	0.0044
180	R1401-93390	PISTON RING	1				0.022	0.0484
190	R1401-93410	RING	1				0.003	0.0066
200	R1401-93490	RETAINER	1				0.09	0.198

TILT CYLINDER



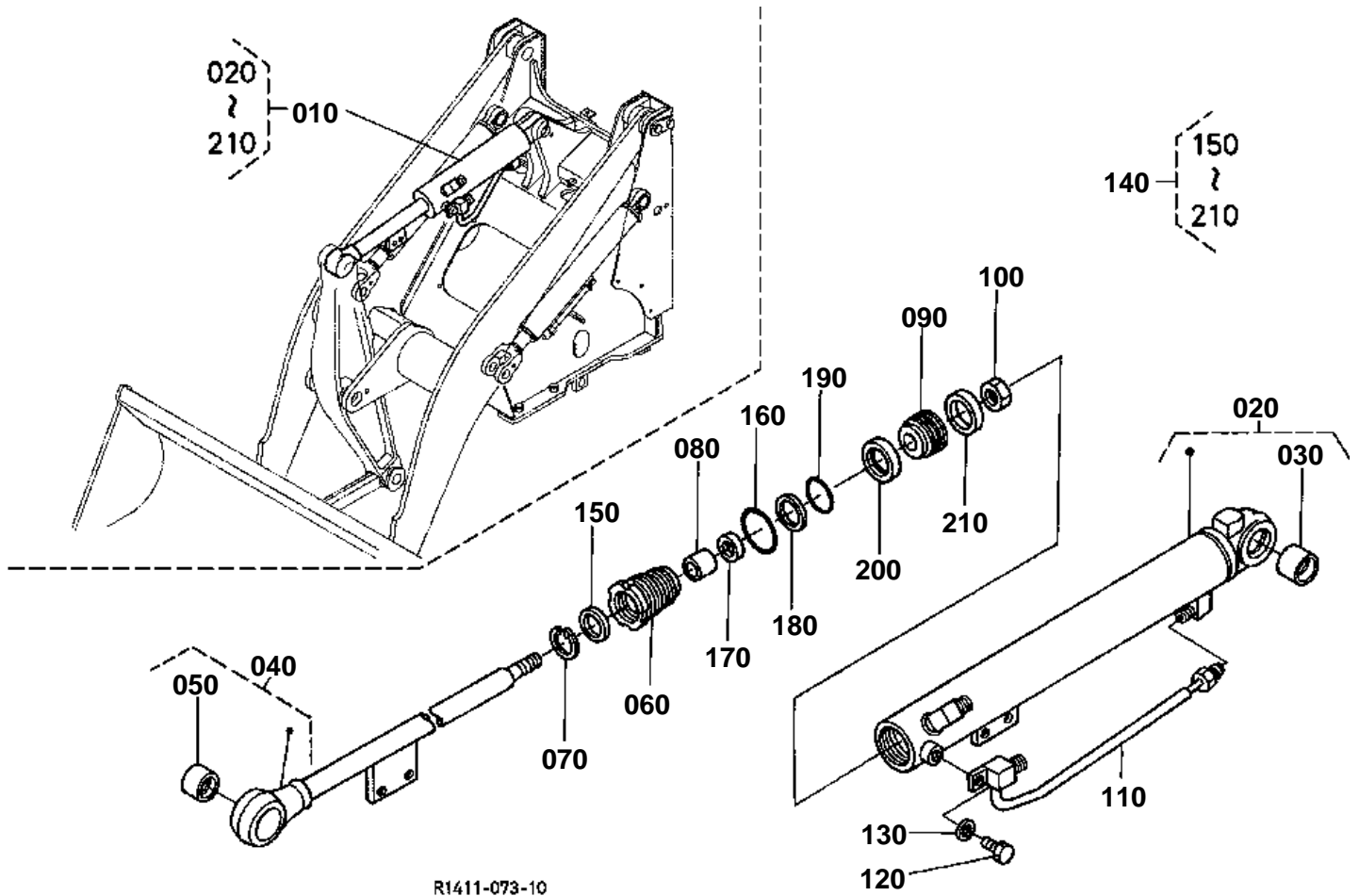


TILT CYLINDER
[WITH FRONT ATTACHMENTS]

↔ Interchangeable; ≠ not interchangeable; ← new for old; → old for new

REF.No	Part No.	Description	Q'ty	S.No.	I/C	REMARKS	Weight (kgf)	Weight (lb)
010	R1411-72210	CYLINDER TILT	1				17.84	39.248
020	R1411-71270	PIN	2				1.18	2.596
030	06611-15010	NIPPLE GREASE	2				0.01	0.022
040	R1411-71160	BOLT	2				0.05	0.11
050	68131-67720	SHIM	2				0.024	0.0528

TILT CYLINDER (COMPONENT PARTS)



R1411-073-10

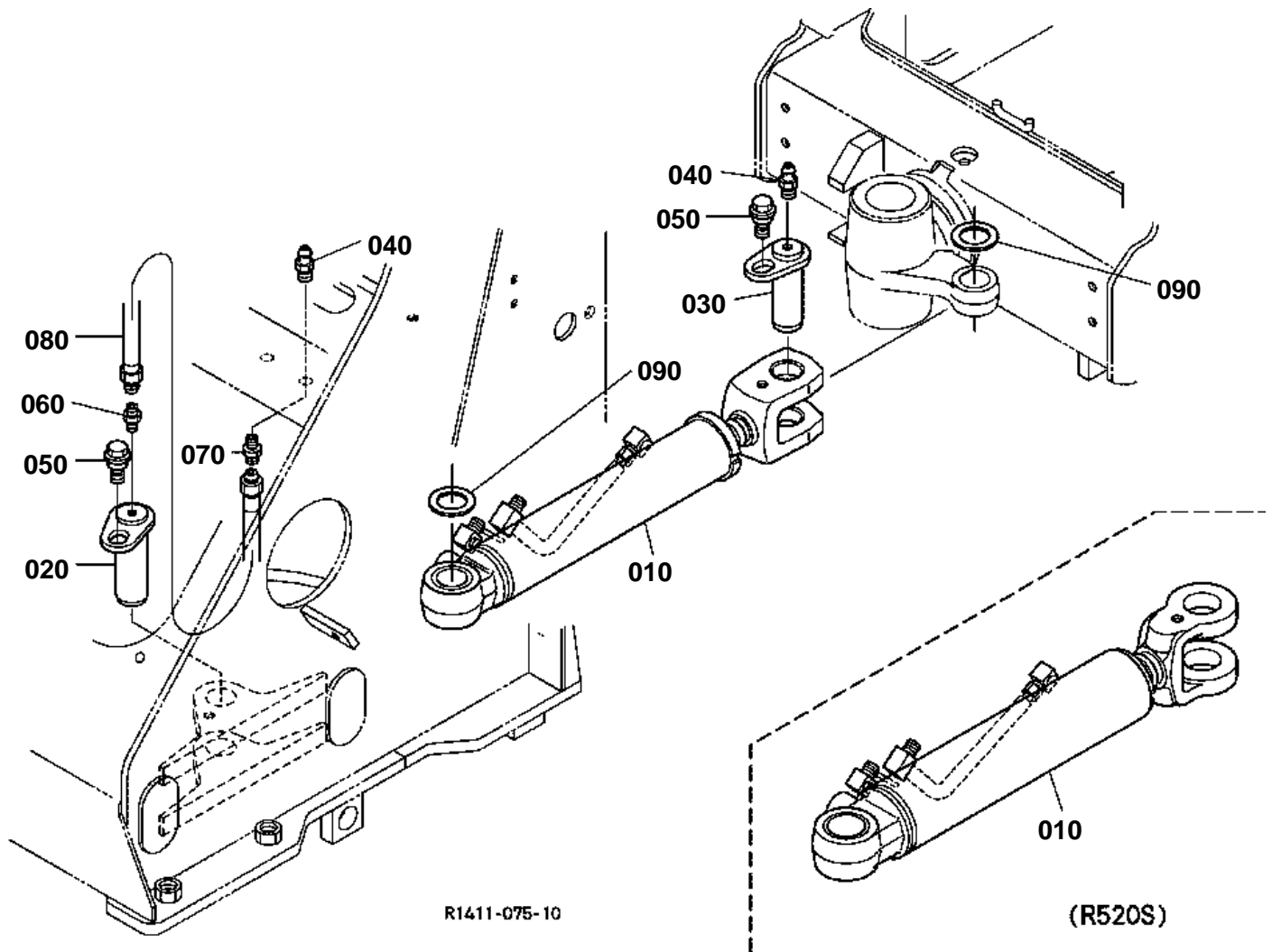


TILT CYLINDER (COMPONENT PARTS)
[WITH FRONT ATTACHMENTS]

↔ Interchangeable; ≠ not interchangeable; ← new for old; → old for new

REF.No	Part No.	Description	Q'ty	S.No.	I/C	REMARKS	Weight (kgf)	Weight (lb)
010	R1411-72210	CYLINDER TILT	1				17.84	39.248
020	R1411-93510	ASSY TUBE CYLINDER	1				7.05	15.51
030	68881-93460	BUSH	1				0.25	0.55
040	R1401-93520	ASSY ROD CYLINDER	1				8	17.6
050	68881-93460	BUSH	1				0.25	0.55
060	68881-93330	CYLINDER HEAD	1				1.18	2.596
070	68881-93340	CIR CLIP INTERNAL	1				0.001	0.0022
080	68881-93370	BUSH	1				0.05	0.11
090	R1401-93550	PISTON	1				0.705	1.551
100	R1411-93560	NUT	1				0.21	0.462
110	R1401-93570	PIPE	1				0.5	1.1
120	R1411-93280	BOLT	1				0.022	0.0484
130	68881-93290	WASHER	1				0.008	0.0176
140	R1411-93920	KIT SEAL	1				0.05	0.11
150	68881-93350	SEAL DUST	1				0.017	0.0374
160	R1411-93170	O RING	1				0.002	0.0044
170	68881-93380	GASKET	1				0.005	0.011
180	68881-93190	RETAINER O RING	1				0.001	0.0022
190	68881-93210	O RING	1				0.001	0.0022
200	68881-93430	PISTON RING	1				0.008	0.0176
210	68881-93240	RING	1				0.005	0.011

STEERING CYLINDER



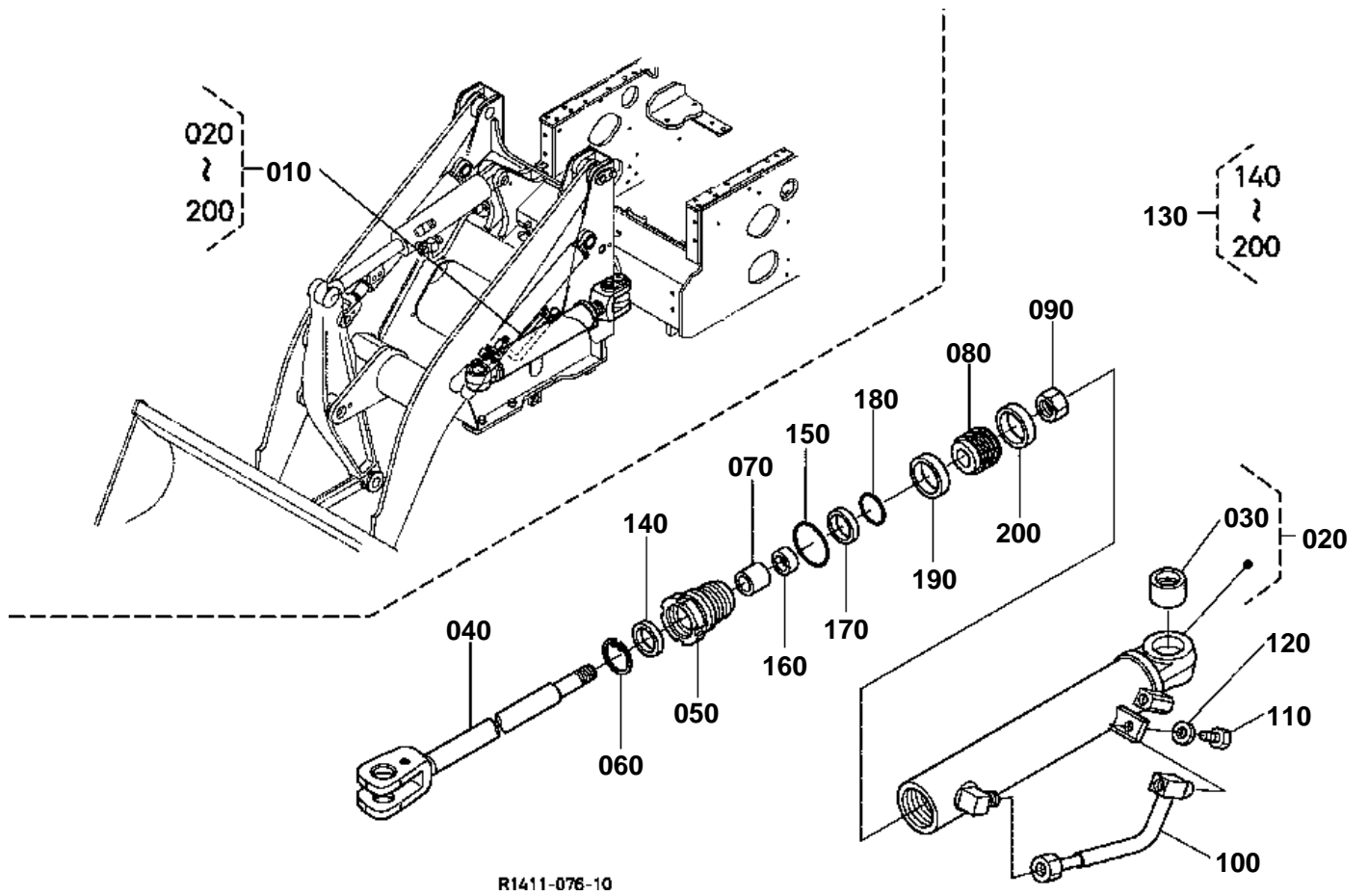


STEERING CYLINDER

↔ Interchangeable; ≠ not interchangeable; ← new for old; → old for new

REF.No	Part No.	Description	Q'ty	S.No.	I/C	REMARKS	Weight (kgf)	Weight (lb)
010	R1411-34810	CYLINDER STEERING	1				10.5	23.1
020	R1411-34820	PIN	1				0.89	1.958
030	R1411-34830	PIN	1				0.79	1.738
040	06611-15010	NIPPLE GREASE	2				0.01	0.022
050	R1411-71160	BOLT	2				0.05	0.11
060	68721-67480	CONNECTOR	1				0.02	0.044
070	68721-67480	CONNECTOR	1				0.02	0.044
080	68191-67470	TUBE GREASE	1				0.02	0.044
090	68741-66860	SHIM	2			1.0mm	0.02	0.044
090	RB401-67620	SHIM	2			0.5mm	0.011	0.0242

STEERING CYLINDER (COMPONENT PARTS)



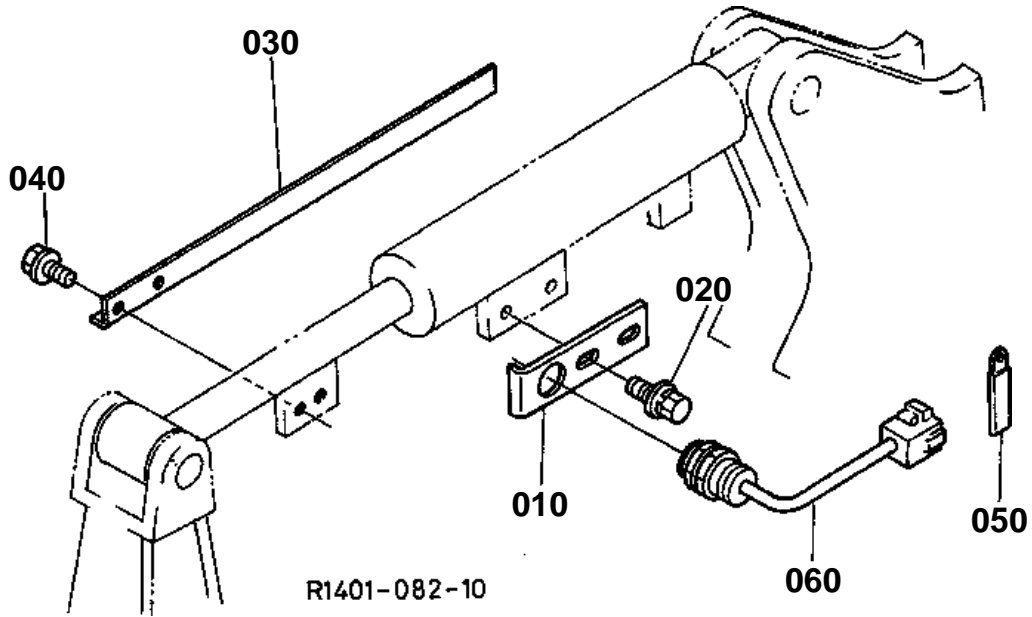
R1411-076-10



STEERING CYLINDER (COMPONENT PARTS)

↔ Interchangeable; ≠ not interchangeable; ← new for old; → old for new

REF.No	Part No.	Description	Q'ty	S.No.	I/C	REMARKS	Weight (kgf)	Weight (lb)
010	R1411-34810	CYLINDER STEERING	1				10.5	23.1
020	R1411-93110	ASSY TUBE CYLINDER	1				4.27	9.394
030	68881-93260	BUSH	1				0.21	0.462
040	R1411-93120	ROD STRG.CYLINDER	1				3.98	8.756
050	R1401-93130	CYLINDER HEAD	1				1	2.2
060	R1401-93140	CIR CLIP INTERNAL	1				0.004	0.0088
070	R1401-93170	BUSH	1				0.04	0.088
080	R1401-93220	PISTON	1				0.46	1.012
090	R1411-93250	NUT	1				0.06	0.132
100	R1411-93260	PIPE	1				0.31	0.682
110	R1411-93280	BOLT	1				0.022	0.0484
120	68881-93290	WASHER	1				0.008	0.0176
130	R1411-93100	KIT SEAL	1				0.04	0.088
140	R1401-93150	SEAL DUST	1				0.013	0.0286
150	R1411-93160	O RING	1				0.002	0.0044
160	R1401-93180	GASKET	1				0.004	0.0088
170	R1401-93190	RETAINER O RING	1				0.001	0.0022
180	R1401-93210	O RING	1				0.001	0.0022
190	R1401-93230	PISTON RING	1				0.011	0.0242
200	R1401-93240	RING	1				0.006	0.0132



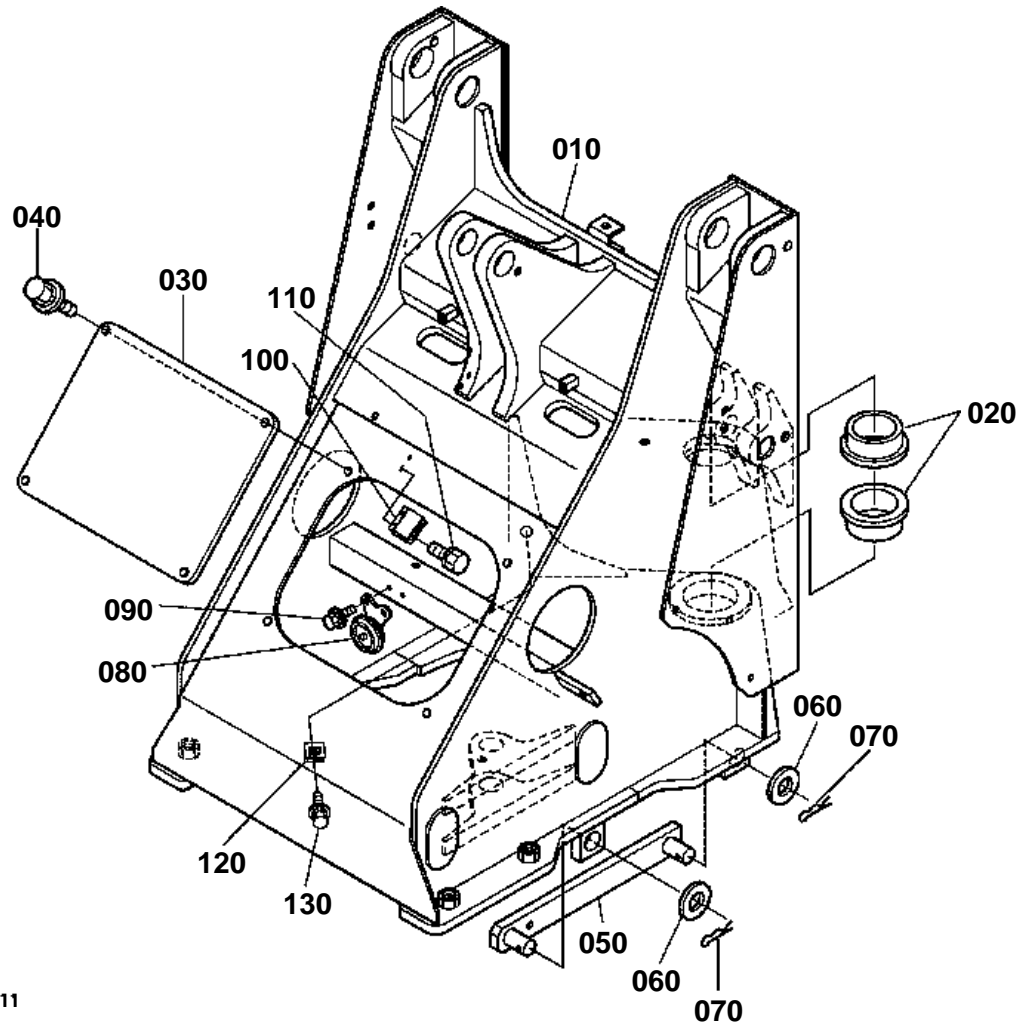


AUTO LEVELER
[KTA(WITH FRONT ATTACHMENTS)]

↔ Interchangeable; ≠ not interchangeable; ← new for old; → old for new

REF.No	Part No.	Description	Q'ty	S.No.	I/C	REMARKS	Weight (kgf)	Weight (lb)
010	R2401-72240	BRACKET AUTO LEVELER	1				0.2	0.44
020	01135-61020	BOLT	2				0.015	0.033
030	R2401-72270	BAR SENSOR	1				0.4	0.88
040	01135-61020	BOLT	2				0.015	0.033
050	34150-29370	CLAMP CORD	1				0.005	0.011
060	R1401-53530	SENSOR AUTO LEVELER	1				0.168	0.3696

FRONT FRAME



R1411-07B-11

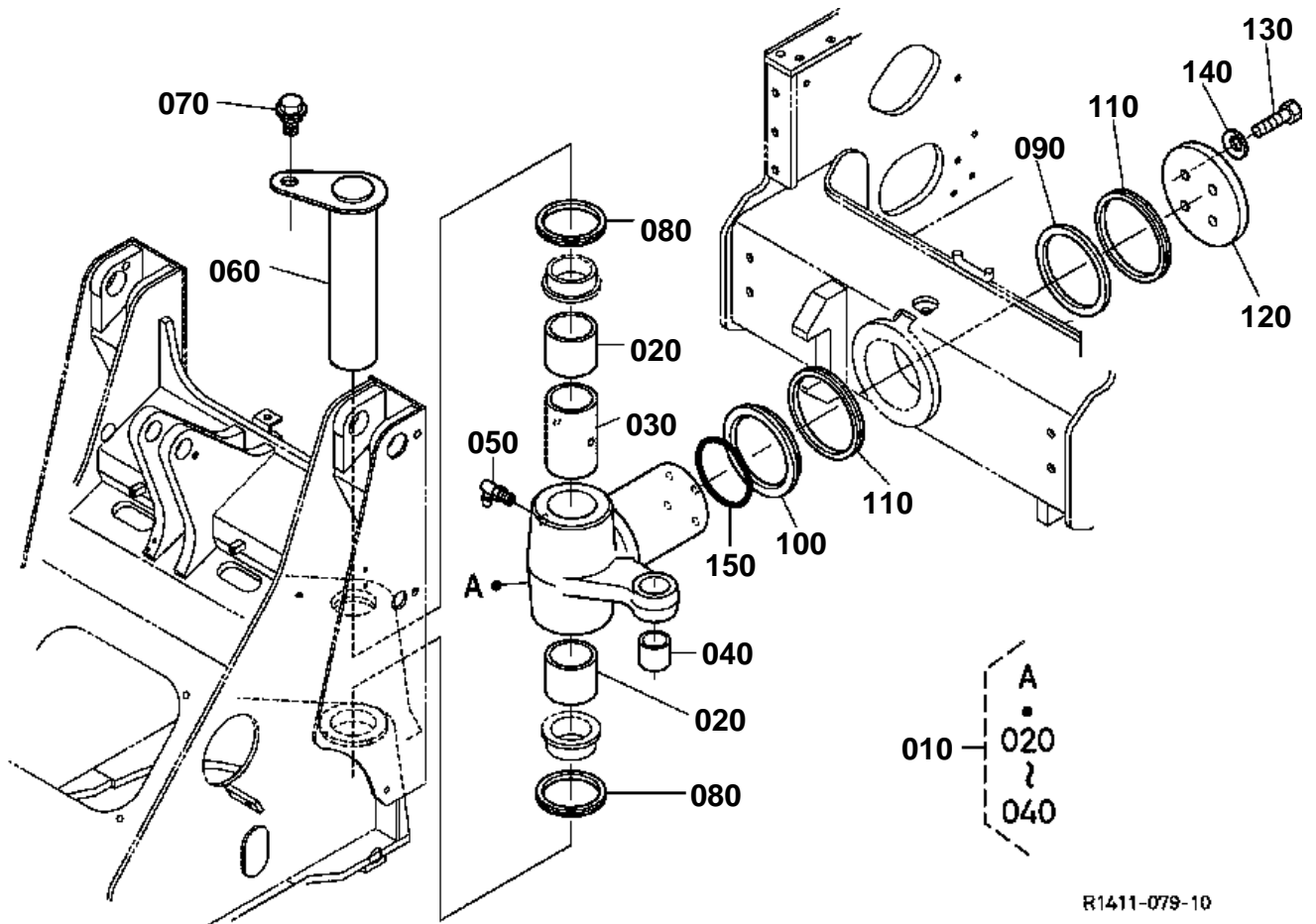


FRONT FRAME

↔ Interchangeable; ≠ not interchangeable; ← new for old; → old for new

REF.No	Part No.	Description	Q'ty	S.No.	I/C	REMARKS	Weight (kgf)	Weight (lb)
010	R1411-41115	FRAME FRONT	1				0	0
020	R1401-41280	BUSH	2				0.332	0.7304
030	R1411-41130	COVER FRONT	1				1.25	2.75
040	01135-61020	BOLT	4				0.015	0.033
050	R2401-41510	LINK	1				2.396	5.2712
060	04011-50250	WASHER PLAIN	2				0.027	0.0594
070	05525-51600	PIN SNAP	2				0.003	0.0066
080	69284-53610	HORN	1				0.25	0.55
090	01025-60616	BOLT	2				0.01	0.022
100	69251-41270	CLAMP	2				0.05	0.11
110	01123-60812	BOLT	4				0.01	0.022
120	RP821-67382	STAY HARNESS CLAMP	1				0.008	0.0176
130	01125-60816	BOLT	1				0.01	0.022

FRAME CONNECTION



R1411-079-10

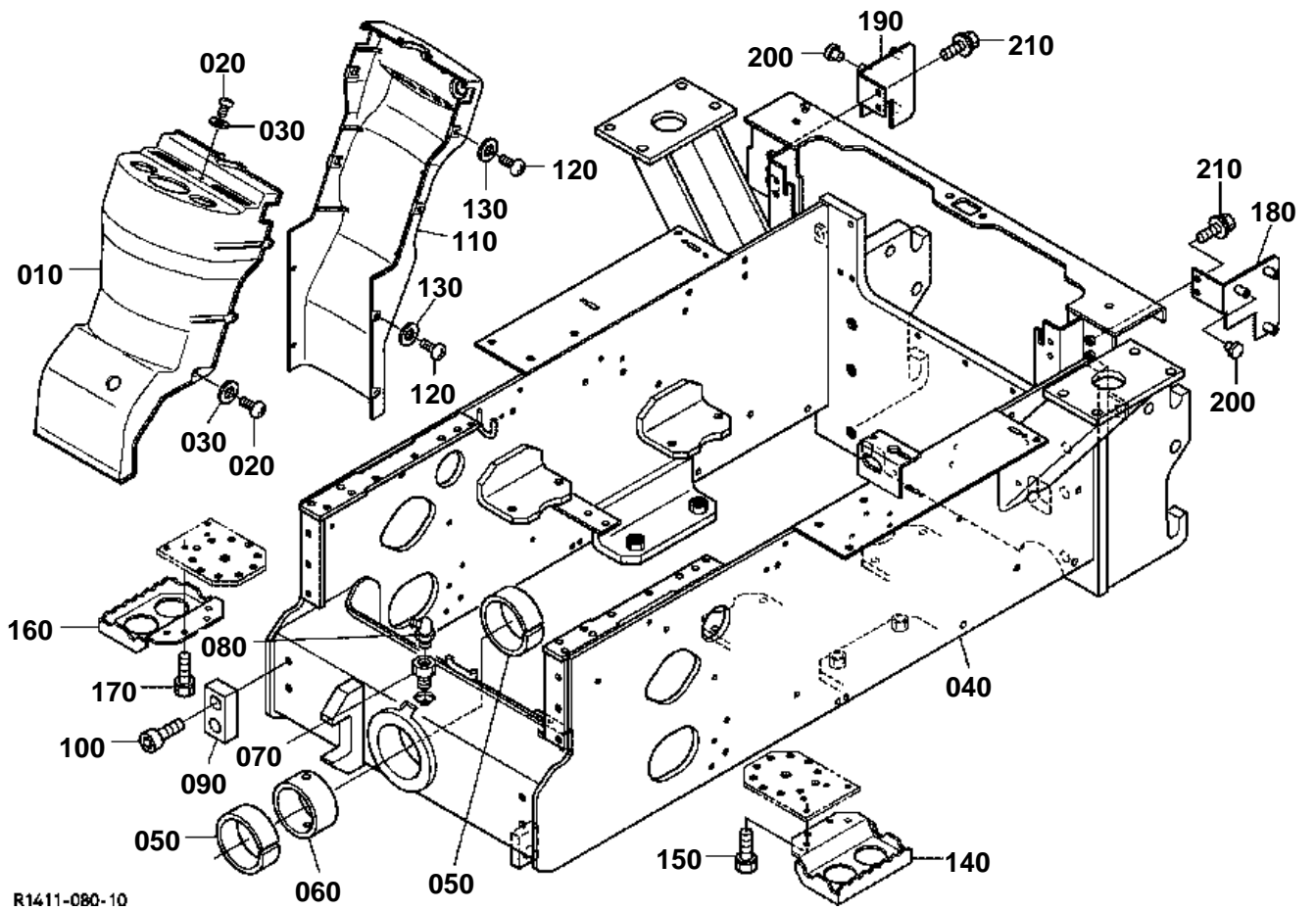


FRAME CONNECTION

↔ Interchangeable; ≠ not interchangeable; ← new for old; → old for new

REF.No	Part No.	Description	Q'ty	S.No.	I/C	REMARKS	Weight (kgf)	Weight (lb)
010	R1411-41040	ASSY SHAFT	1				51	112.2
020	08511-07050	BUSH	2				0.21	0.462
030	R1401-41160	COLLAR	1				0.29	0.638
040	R1401-71140	BUSH	1				0.2	0.44
050	06616-35010	NIPPLE GREASE	1				0.009	0.0198
060	R1411-41170	PIN CENTER	1				9.9	21.78
070	R1411-71160	BOLT	1				0.05	0.11
080	R1401-41210	SEAL DUST	2				0.023	0.0506
090	68861-41240	COLLAR THRUST	1				0.19	0.418
100	68861-41250	COLLAR THRUST	1				0.49	1.078
110	68811-41260	SEAL DUST	2				0.037	0.0814
120	R1411-41270	PLATE END	1				2.25	4.95
130	01173-61640	BOLT	4				0.085	0.187
140	36500-49410	SPRING PLATE	4				0.022	0.0484
150	04811-51100	O RING	1				0.004	0.0088

REAR FRAME



R1411-080-10

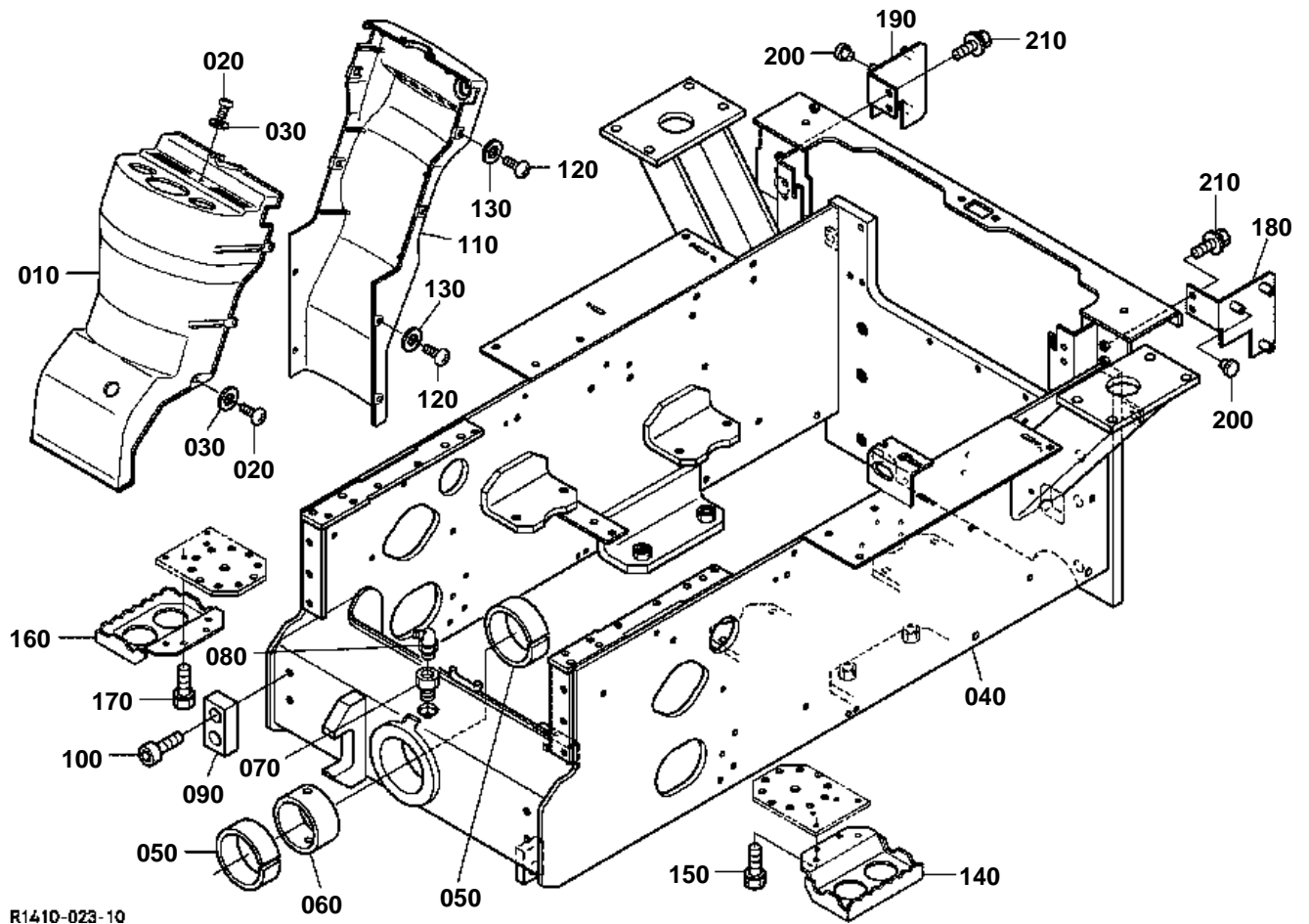


REAR FRAME
[KTC KCL KTA(WITH BACK HOE)]

↔ Interchangeable; ≠ not interchangeable; ← new for old; → old for new

REF.No	Part No.	Description	Q'ty	S.No.	I/C	REMARKS	Weight (kgf)	Weight (lb)
010	R1411-41430	COVER	1				1.79	3.938
020	55571-41250	SCREW CR-REC-BD-HD	3				0.004	0.0088
030	33740-54090	WASHER PLAIN	3				0.003	0.0066
040	R2411-41314	FRAME REAR	1				0	0
050	08511-11050	BUSH	2				0.33	0.726
060	R1401-41230	COLLAR	1				0.37	0.814
070	R1411-41190	JOINT PIPE	1				0.019	0.0418
080	06616-25010	NIPPLE GREASE	1				0.008	0.0176
090	R1411-41330	CUSHION FRAME	2				0.15	0.33
100	R1411-41340	BOLT HEX-SOC-HD	4				0.036	0.0792
110	R1411-41410	COVER	1				0.57	1.254
120	55571-41250	SCREW CR-REC-BD-HD	8				0.004	0.0088
130	33740-54090	WASHER PLAIN	8				0.003	0.0066
140	R1411-41360	STEP	1				1.04	2.288
150	01123-60820	BOLT	4				0.015	0.033
160	R1411-41360	STEP	1				1.04	2.288
170	01123-60820	BOLT	4				0.015	0.033
180	R1411-43710	PLATE LH	1				0.47	1.034
190	R1411-43720	PLATE RH	1				0.46	1.012
200	68543-46160	CAP	6				0.005	0.011
210	01125-60820	BOLT	4				0.015	0.033

REAR FRAME



R1410-023-10

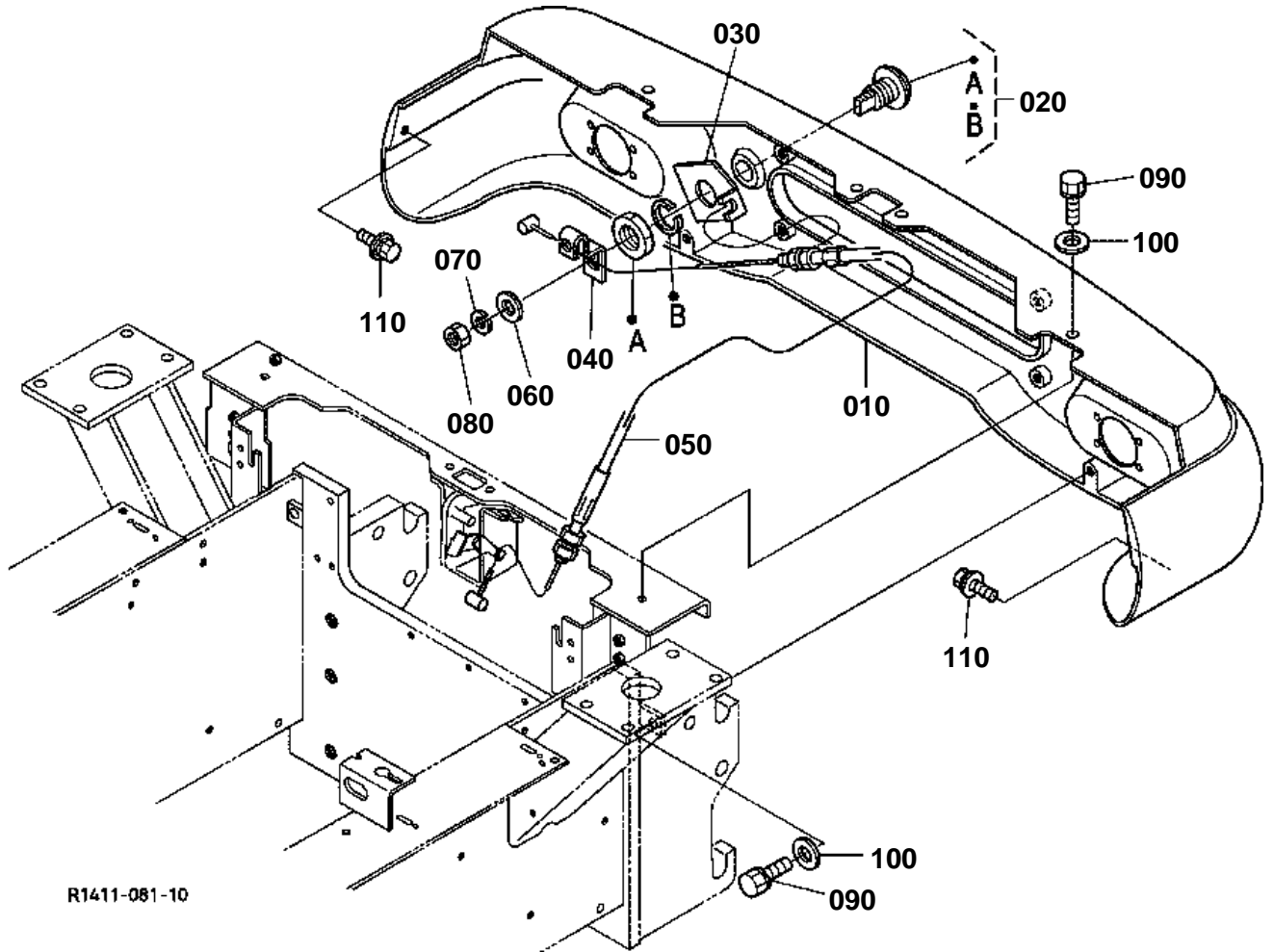


REAR FRAME
[KTA(WITHOUT BACK HOE)]

↔ Interchangeable; ≠ not interchangeable; ← new for old; → old for new

REF.No	Part No.	Description	Q'ty	S.No.	I/C	REMARKS	Weight (kgf)	Weight (lb)
010	R1411-41430	COVER	1				1.79	3.938
020	55571-41250	SCREW CR-REC-BD-HD	3				0.004	0.0088
030	33740-54090	WASHER PLAIN	3				0.003	0.0066
040	R1411-41317	FRAME REAR	1				0	0
050	08511-11050	BUSH	2				0.33	0.726
060	R1401-41230	COLLAR	1				0.37	0.814
070	R1411-41190	JOINT PIPE	1				0.019	0.0418
080	06616-25010	NIPPLE GREASE	1				0.008	0.0176
090	R1411-41330	CUSHION FRAME	2				0.15	0.33
100	R1411-41340	BOLT HEX-SOC-HD	4				0.036	0.0792
110	R1411-41410	COVER	1				0.57	1.254
120	55571-41250	SCREW CR-REC-BD-HD	8				0.004	0.0088
130	33740-54090	WASHER PLAIN	8				0.003	0.0066
140	R1411-41360	STEP	1				1.04	2.288
150	01123-60820	BOLT	4				0.015	0.033
160	R1411-41360	STEP	1				1.04	2.288
170	01123-60820	BOLT	4				0.015	0.033
180	R1411-43710	PLATE LH	1				0.47	1.034
190	R1411-43720	PLATE RH	1				0.46	1.012
200	68543-46160	CAP	6				0.005	0.011
210	01125-60820	BOLT	4				0.015	0.033

REAR FENDER



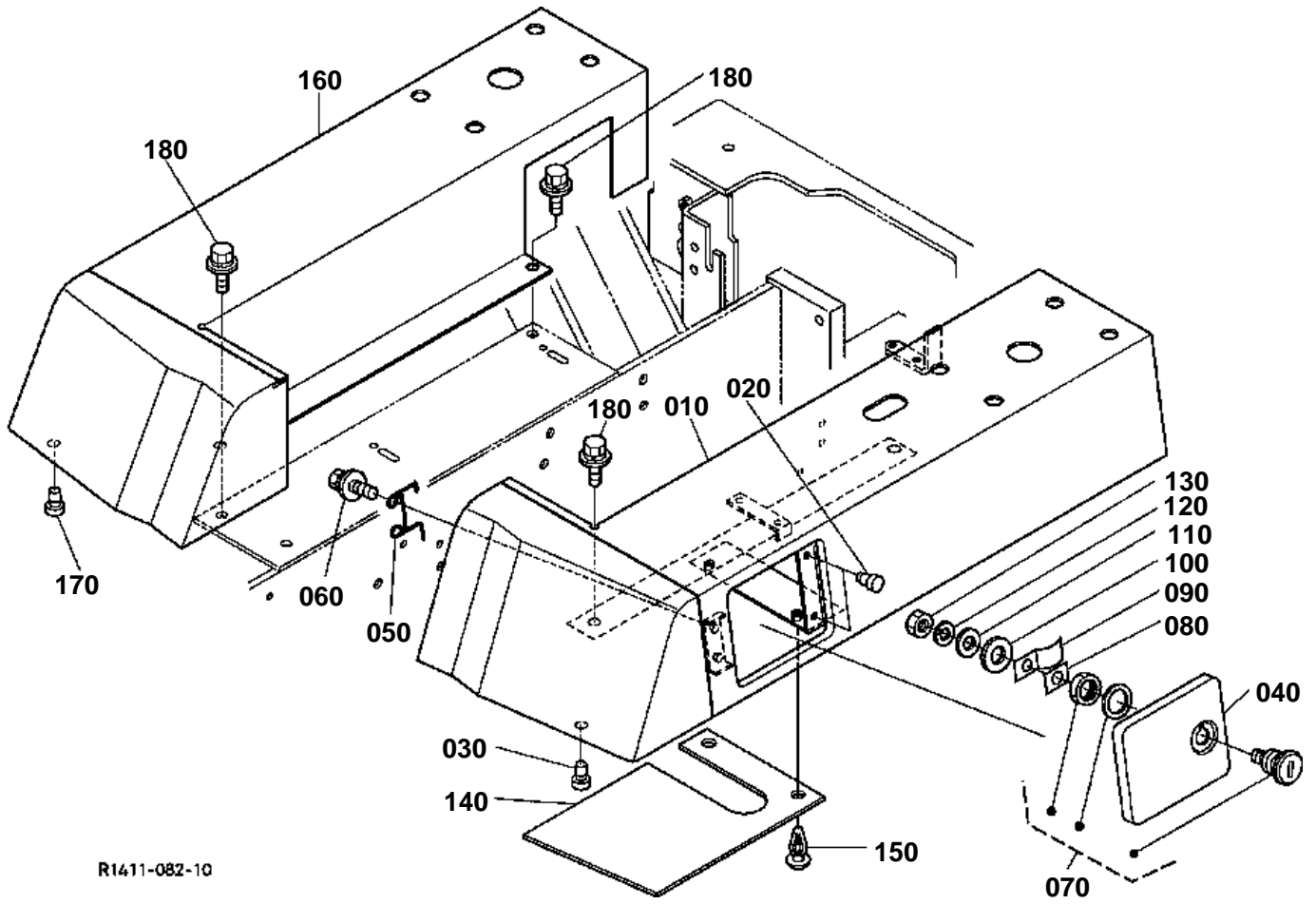
R1411-081-10

**REAR FENDER**

↔ Interchangeable; ≠ not interchangeable; ← new for old; → old for new

REF.No	Part No.	Description	Q'ty	S.No.	I/C	REMARKS	Weight (kgf)	Weight (lb)
010	R1411-41610	FENDER REAR	1				7.5	16.5
020	RC101-43540	ASSY LOCK CYLINDER	1				0.12	0.264
030	R1401-43280	BRACKET CABLE	1				0.055	0.121
040	R1401-43260	PLATE KEY	1				0.013	0.0286
050	R1401-43250	CABLE	1				0.06	0.132
060	04013-60100	WASHER PLAIN	1				0.003	0.0066
070	04512-60100	WASHER SPRING	1				0.002	0.0044
080	02114-60100	NUT	1				0.008	0.0176
090	01133-61025	BOLT	4				0.02	0.044
100	04015-60100	WASHER PLAIN	4				0.015	0.033
110	01125-60816	BOLT	2				0.01	0.022

MUD GUAD

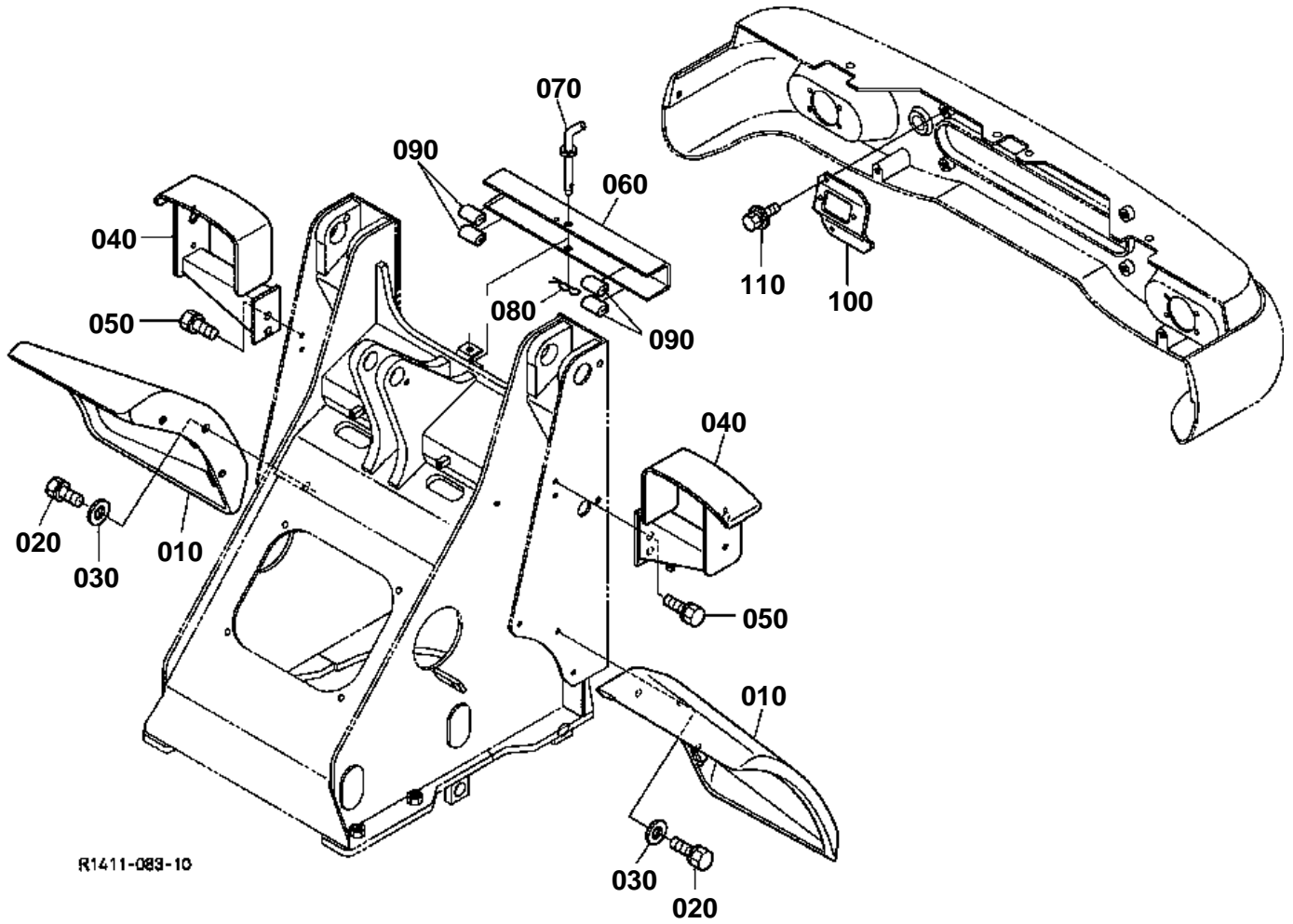


R1411-082-10

**MUD GUAD**

↔ Interchangeable; ≠ not interchangeable; ← new for old; → old for new

REF.No	Part No.	Description	Q'ty	S.No.	I/C	REMARKS	Weight (kgf)	Weight (lb)
010	R1411-41624	FENDER LH	1				9	19.8
020	31355-83130	CUSHION	2				0.003	0.0066
030	38240-29870	CUSHION	1				0.004	0.0088
040	R2401-41640	COVER	1				0.21	0.462
050	R1411-41670	HINGE	1				0.01	0.022
060	01135-61020	BOLT	2				0.015	0.033
070	RC101-43540	ASSY LOCK CYLINDER	1				0.12	0.264
080	36330-29300	SHIM ADJUSTING	1				0.001	0.0022
090	R1401-41680	LEVER	1				0.009	0.0198
100	04013-60160	WASHER PLAIN	1				0.01	0.022
110	04013-60100	WASHER PLAIN	1				0.003	0.0066
120	04512-60100	WASHER SPRING	1				0.002	0.0044
130	02114-60100	NUT	1				0.008	0.0176
140	R1401-41662	MUD GUADE	1				0.33	0.726
150	RC411-66840	PLUG	2				0.001	0.0022
160	R1411-41630	FENDER RH	1				8.5	18.7
170	38240-29870	CUSHION	1				0.004	0.0088
180	01135-61025	BOLT	4				0.04	0.088



R1411-083-10

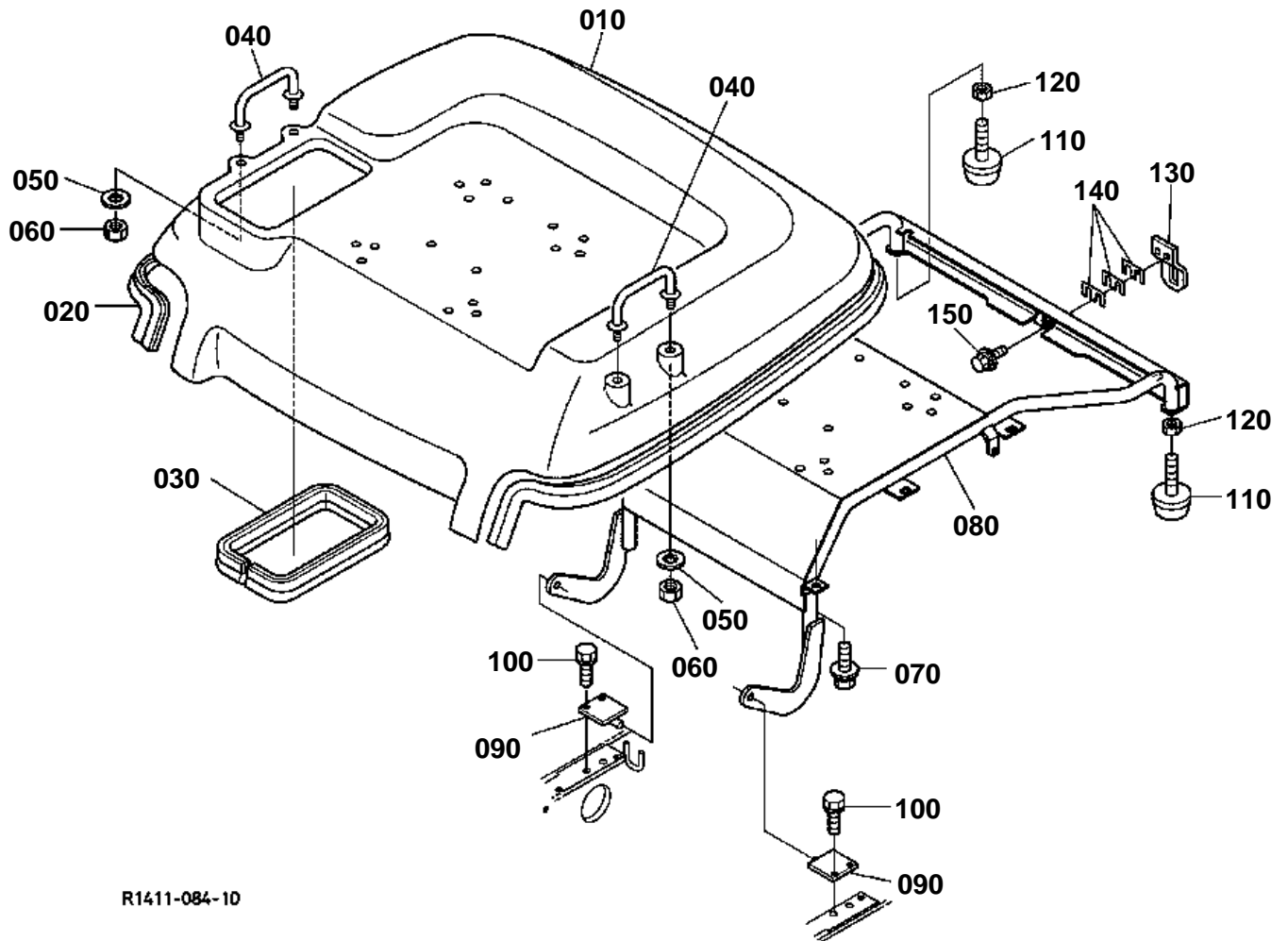


FENDER

↔ Interchangeable; ≠ not interchangeable; ← new for old; → old for new

REF.No	Part No.	Description	Q'ty	S.No.	I/C	REMARKS	Weight (kgf)	Weight (lb)
010	R1411-44540	FENDER FRONT	2				2	4.4
020	01133-61020	BOLT	6				0.02	0.044
030	04015-60100	WASHER PLAIN	6				0.015	0.033
040	R1411-44630	BRACKET LIGHT	2				1.69	3.718
050	01133-61020	BOLT	4				0.02	0.044
060	R1411-44310	STOPPER CYLINDER	1				2.06	4.532
070	69110-21190	PIN	1				0.08	0.176
080	05525-51200	PIN SNAP	1				0.003	0.0066
090	R1401-44330	TRIM SASH	4				0.007	0.0154
100	R1401-44650	BRACKET BACK LAMP	1				0.168	0.3696
110	01125-60816	BOLT	2				0.01	0.022

HOOD



R1411-084-10

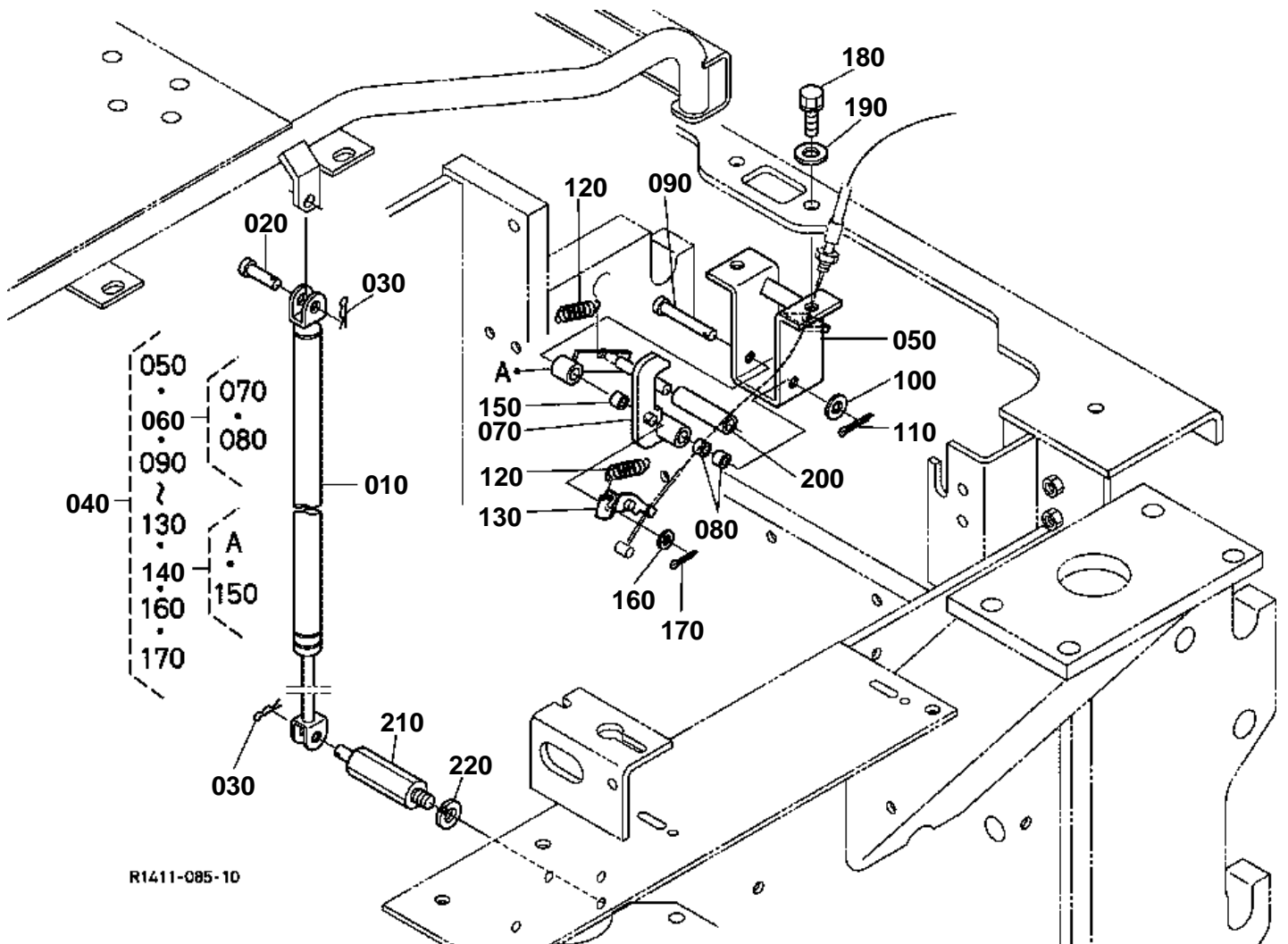


HOOD

↔ Interchangeable; ≠ not interchangeable; ← new for old; → old for new

REF.No	Part No.	Description	Q'ty	S.No.	I/C	REMARKS	Weight (kgf)	Weight (lb)
010	R1411-43110	BONNET	1				15	33
020	R1411-43150	TRIM	1				0.58	1.276
030	R1401-43170	TRIM	1				0.16	0.352
040	34670-29440	HANDRAIL	2				0.1	0.22
050	04013-60140	WASHER PLAIN	4				0.01	0.022
060	02176-60140	NUT	4				0.014	0.0308
070	01135-61020	BOLT	8				0.015	0.033
080	R1411-43120	FRAME	1				16.58	36.476
090	R1411-43140	BRACKET BONNET	2				0.35	0.77
100	01133-61030	BOLT	4				0.023	0.0506
110	48100-51540	CUSHION	2				0.04	0.088
120	02112-60080	NUT	2				0.005	0.011
130	R1401-43270	BRACKET CACH	1				0.118	0.2596
140	R1401-43290	SHIM	3				0.005	0.011
150	01125-60825	BOLT	2				0.016	0.0352

HOOD LOCK



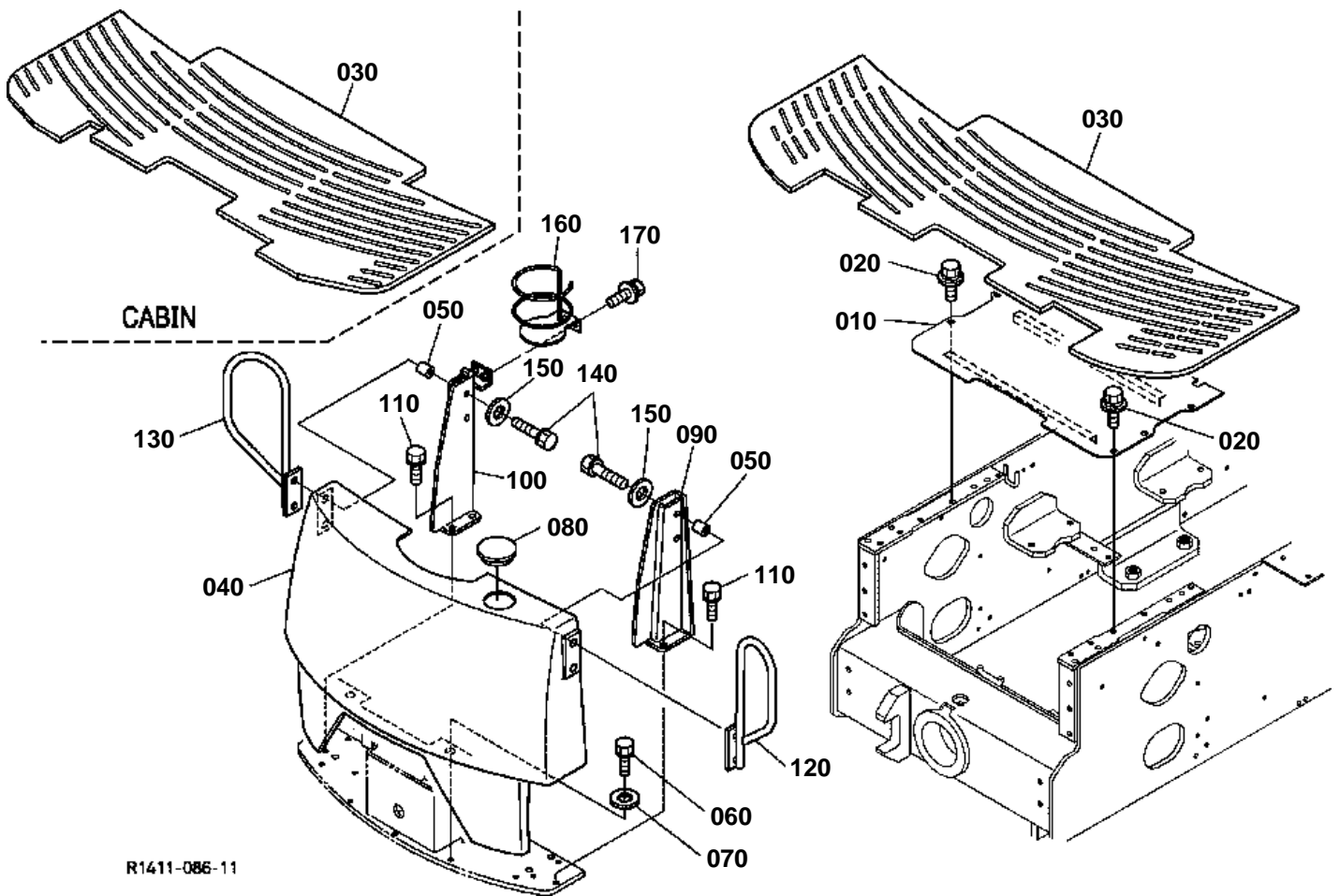
R1411-085-10

**HOOD LOCK**

↔ Interchangeable; ≠ not interchangeable; ← new for old; → old for new

REF.No	Part No.	Description	Q'ty	S.No.	I/C	REMARKS	Weight (kgf)	Weight (lb)
010	R2401-43310	DAMPER GAS	1				0.474	1.0428
020	05122-51030	PIN JOINT	1				0.02	0.044
030	05525-61000	PIN SNAP	2				0.002	0.0044
040	R1401-43200	ASSY HOOK	1				0.75	1.65
050	R1401-43210	BRACKET	1				0.404	0.8888
060	R1401-43300	ASSY PLATE	1				0.154	0.3388
070	R1401-43222	PLATE	1				0.15	0.33
080	08511-01012	BUSH	2				0.003	0.0066
090	05122-51065	PIN JOINT	1				0.04	0.088
100	04013-60100	WASHER PLAIN	1				0.003	0.0066
110	05511-50318	PIN SPLIT	1				0.001	0.0022
120	87200-22310	SPRING LEVER RETURN	2				0.003	0.0066
130	R1401-43230	LINK	1				0.044	0.0968
140	R1401-43350	ASSY LEVER	1				0.09	0.198
150	08511-01012	BUSH	1				0.003	0.0066
160	04013-60060	WASHER PLAIN	1				0.001	0.0022
170	05511-51612	PIN SPLIT	1				0.001	0.0022
180	01133-61025	BOLT	2	≤10021			0.02	0.044
180	01133-61030	BOLT	2	≥10022	≠		0.023	0.0506
190	04015-60100	WASHER PLAIN	2				0.015	0.033
200	09664-80030	TUBE FUEL	1				0.003	0.0066
210	R1411-43362	STAY	1				0.25	0.55
220	04512-60120	WASHER SPRING	1				0.005	0.011

OPERATION STAND



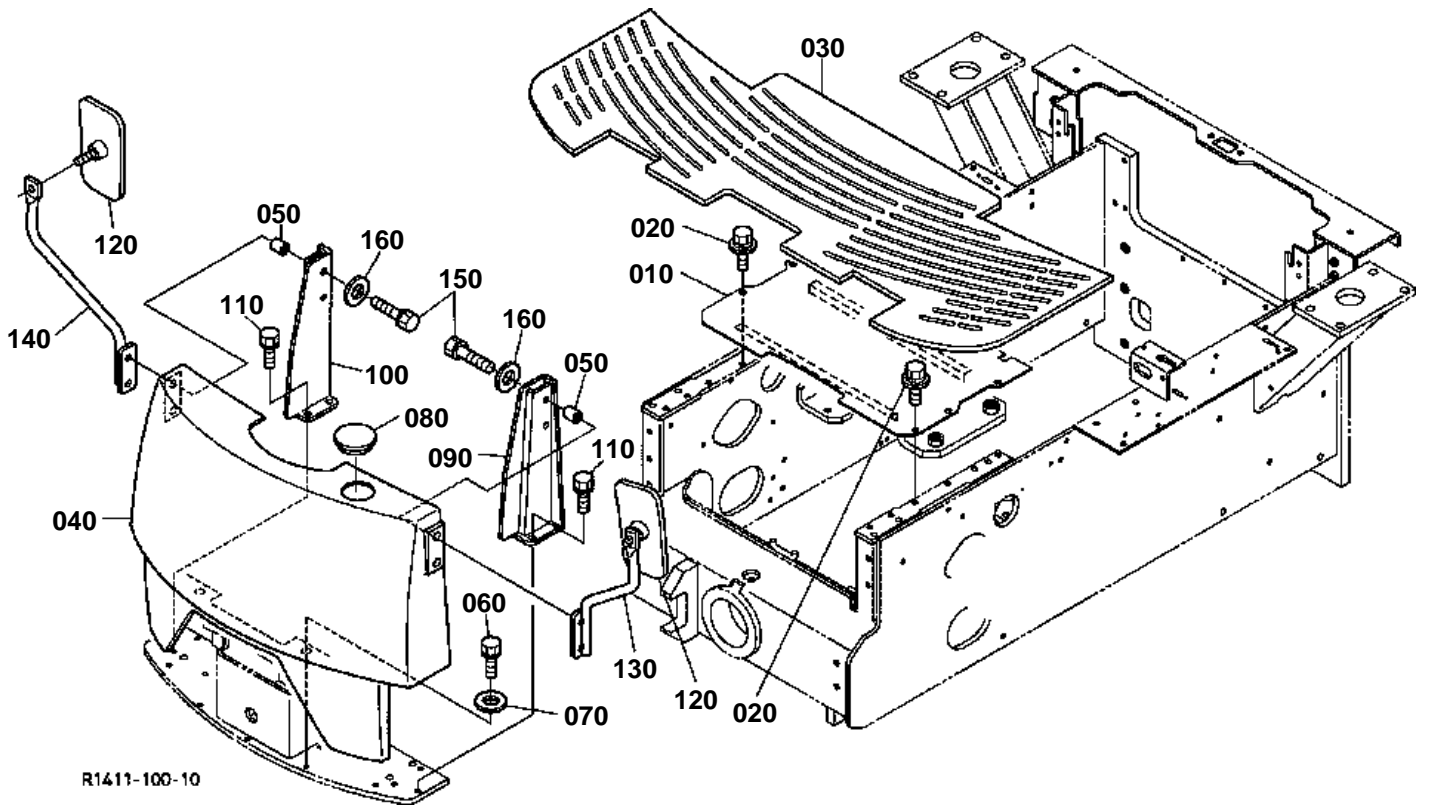


OPERATION STAND
[KTC KCL]

↔ Interchangeable; ≠ not interchangeable; ← new for old; → old for new

REF.No	Part No.	Description	Q'ty	S.No.	I/C	REMARKS	Weight (kgf)	Weight (lb)
010	R1411-44110	STEP	1	<=10005			4.1	9.02
010	R1411-44112	STEP	1	>=10006	←		4.5	9.9
020	01135-61020	BOLT	4	<=10005			0.015	0.033
020	01135-61020	BOLT	5	>=10006			0.015	0.033
030	R1411-44123	MAT	1			CANOPY	0.001	0.0022
030	R1411-44132	MAT	1			CABIN	6.3	13.86
040	R1411-44150	COVER	1			CANOPY	6	13.2
050	R1401-44140	COLLAR	4			CANOPY	0.016	0.0352
060	01133-61025	BOLT	2			CANOPY	0.02	0.044
070	04015-60100	WASHER PLAIN	2			CANOPY	0.015	0.033
080	R1401-44360	CAP BRAKE TANK	1			CANOPY	0.045	0.099
090	R1411-44160	BRACKET MIRROR L	1			CANOPY	3.1	6.82
100	R2411-44170	BRACKET MIRROR R	1			CANOPY	2.75	6.05
110	01133-61020	BOLT	6			CANOPY	0.02	0.044
120	R2411-44280	HANDRAIL L	1			CANOPY	1.21	2.662
130	R2411-44290	HANDRAIL R	1			CANOPY	1.33	2.926
140	01133-61045	BOLT	4			CANOPY	0.035	0.077
150	04013-60100	WASHER PLAIN	4			CANOPY	0.003	0.0066
160	RD118-45410	HOLDER CUP	1			CANOPY	0.31	0.682
170	01125-60816	BOLT	2			CANOPY	0.01	0.022

OPERATION STAND

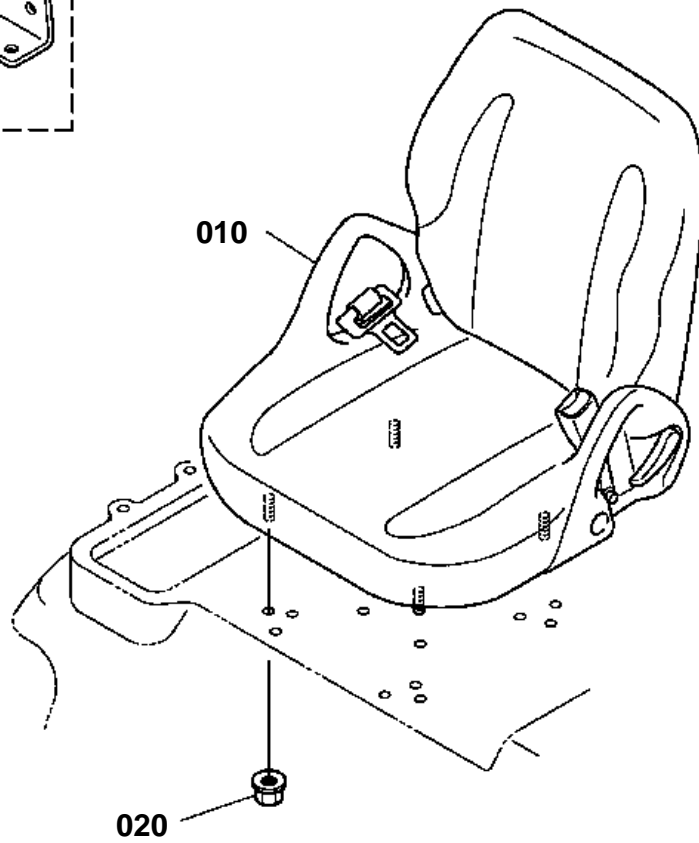
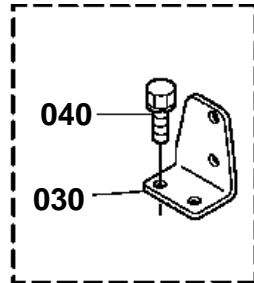




OPERATION STAND
[KTA]

↔ Interchangeable; ≠ not interchangeable; ← new for old; → old for new

REF.No	Part No.	Description	Q'ty	S.No.	I/C	REMARKS	Weight (kgf)	Weight (lb)
010	R1411-44112	STEP	1				4.5	9.9
020	01135-61020	BOLT	5				0.015	0.033
030	R1411-44123	MAT	1				0.001	0.0022
040	R1411-44150	COVER	1				6	13.2
050	R1401-44140	COLLAR	4				0.016	0.0352
060	01133-61025	BOLT	2				0.02	0.044
070	04015-60100	WASHER PLAIN	2				0.015	0.033
080	R1401-44360	CAP BRAKE TANK	1				0.045	0.099
090	R1411-44160	BRACKET MIRROR L	1				3.1	6.82
100	R1411-44170	BRACKET MIRROR R	1				2.65	5.83
110	01133-61020	BOLT	6				0.02	0.044
120	R1401-44240	MIRROR BACK	2				0.26	0.572
130	R1411-44210	STAY MIRROR L	1				0.97	2.134
140	R1411-44220	STAY MIRROR R	1				0.96	2.112
150	01133-61045	BOLT	4				0.035	0.077
160	04013-60100	WASHER PLAIN	4				0.003	0.0066



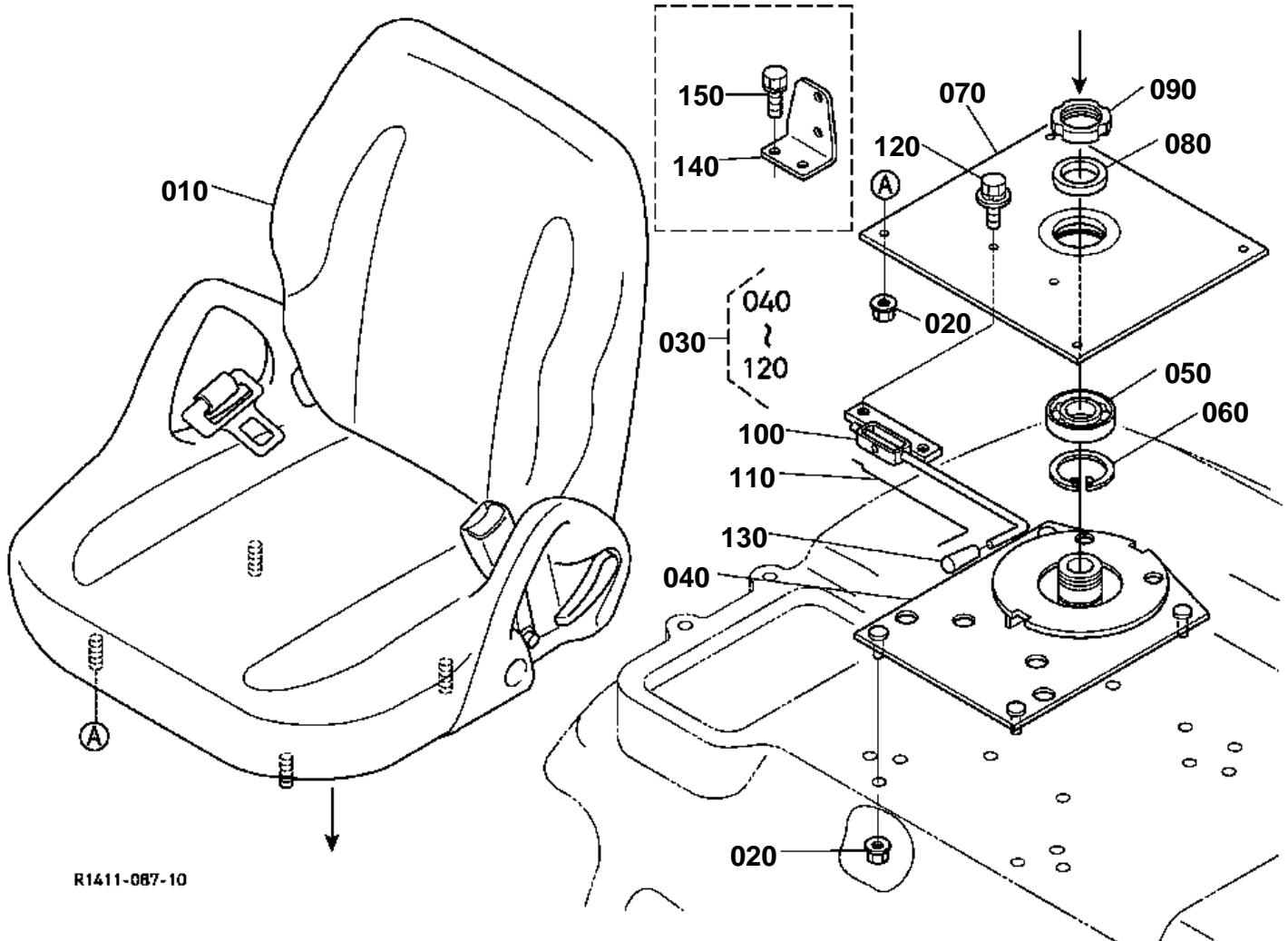
R1411-112-10



SEAT
[KTC]

↔ Interchangeable; ≠ not interchangeable; ← new for old; → old for new

REF.No	Part No.	Description	Q'ty	S.No.	I/C	REMARKS	Weight (kgf)	Weight (lb)
010	R2411-38010	ASSY SEAT	1				22	48.4
020	02751-60080	NUT FLANGE	8				0.006	0.0132
030	68817-43480	BRACKET SMV MARK	1				0.17	0.374
040	01123-60820	BOLT	2				0.015	0.033



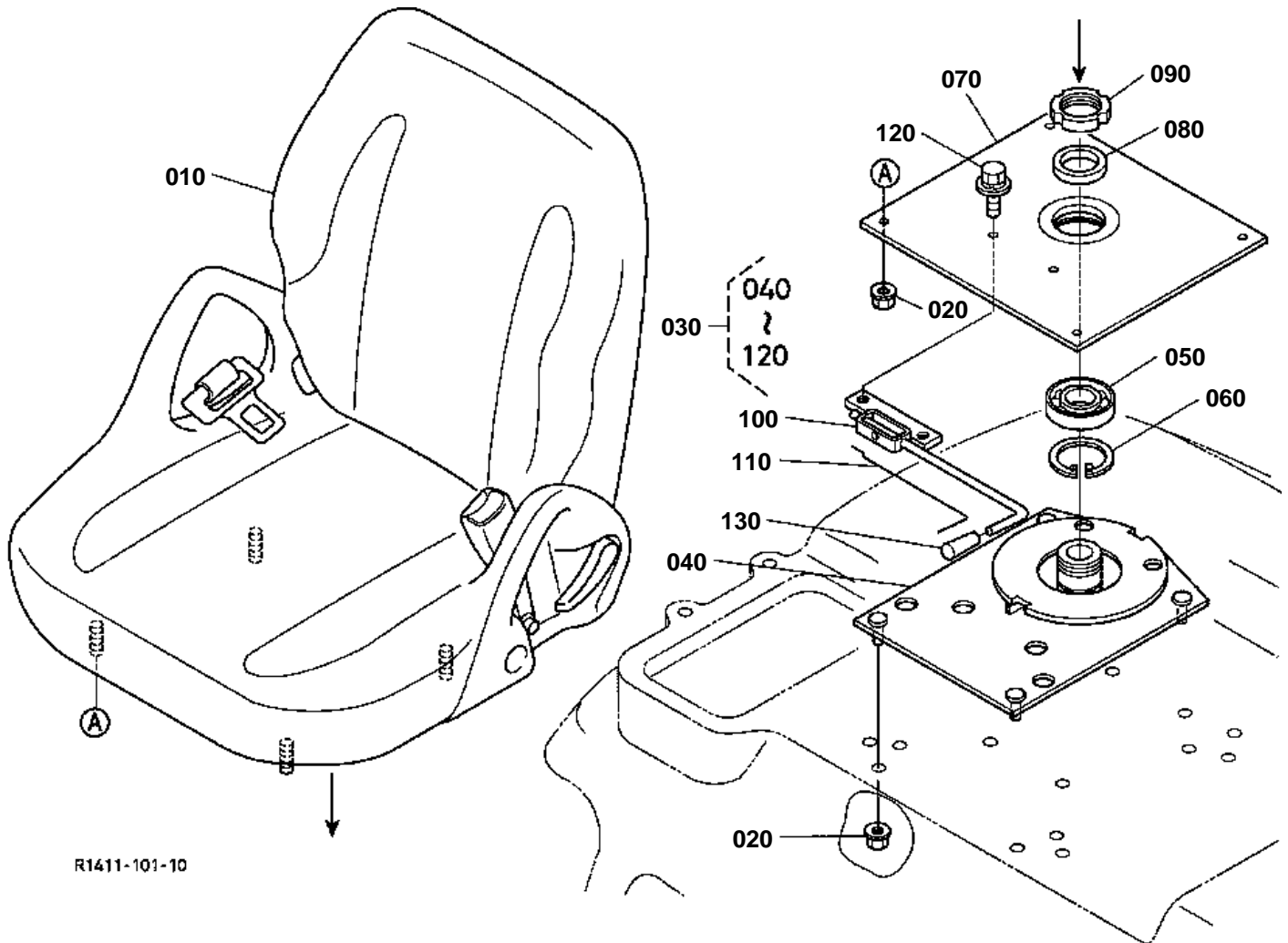
R1411-087-10



SEAT
[KCL]

↔ Interchangeable; ≠ not interchangeable; ← new for old; → old for new

REF.No	Part No.	Description	Q'ty	S.No.	I/C	REMARKS	Weight (kgf)	Weight (lb)
010	R2411-38010	ASSY SEAT	1				22	48.4
020	02751-60080	NUT FLANGE	8				0.006	0.0132
030	R2411-38300	ASSY BASE SEAT	1				10.4	22.88
040	R2401-46310	BASE SEAT	1				0.356	0.7832
050	08121-06910	BEARING BALL	1				0.14	0.308
060	04611-00720	CIR CLIP INTERNAL	1				0.018	0.0396
070	R2411-46320	BASE SEAT	1				2.45	5.39
080	R2401-46330	COLLAR	1				0.073	0.1606
090	02410-00100	NUT BEARING	1				0.145	0.319
100	68849-46350	ASSY LEVER	1				0.3	0.66
110	68849-46370	BAR TORSION	1				0.01	0.022
120	01125-60816	BOLT	2				0.01	0.022
130	55411-31620	GRIP LEVER	1				0.03	0.066
140	68817-43480	BRACKET SMV MARK	1				0.17	0.374
150	01123-60820	BOLT	2				0.015	0.033



R1411-101-10

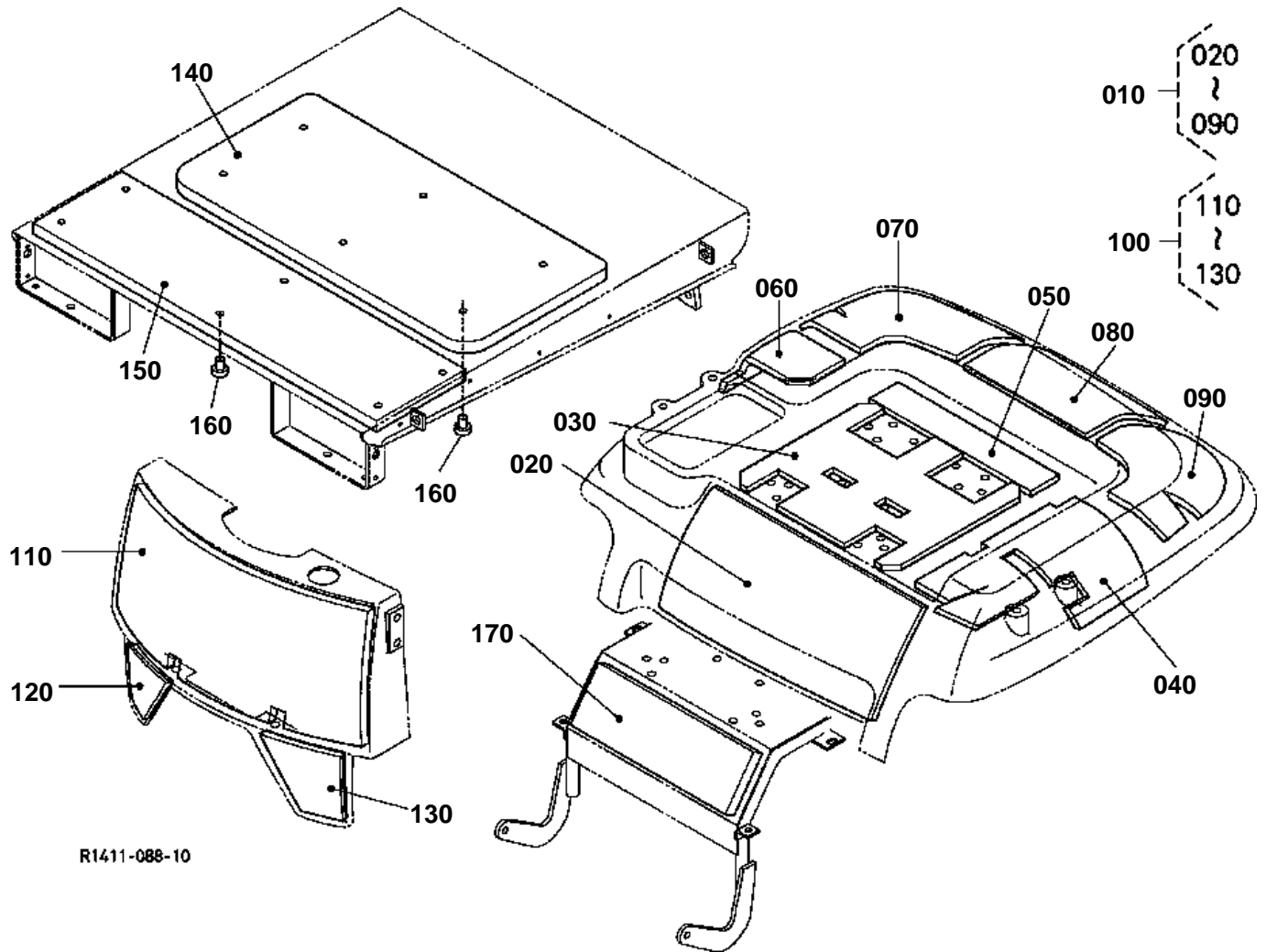


SEAT
[KTA]

↔ Interchangeable; ≠ not interchangeable; ← new for old; → old for new

REF.No	Part No.	Description	Q'ty	S.No.	I/C	REMARKS	Weight (kgf)	Weight (lb)
010	R2411-38010	ASSY SEAT	1				22	48.4
020	02751-60080	NUT FLANGE	8				0.006	0.0132
030	R2411-38300	ASSY BASE SEAT	1				10.4	22.88
040	R2401-46310	BASE SEAT	1				0.356	0.7832
050	08121-06910	BEARING BALL	1				0.14	0.308
060	04611-00720	CIR CLIP INTERNAL	1				0.018	0.0396
070	R2411-46320	BASE SEAT	1				2.45	5.39
080	R2401-46330	COLLAR	1				0.073	0.1606
090	02410-00100	NUT BEARING	1				0.145	0.319
100	68849-46350	ASSY LEVER	1				0.3	0.66
110	68849-46370	BAR TORSION	1				0.01	0.022
120	01125-60816	BOLT	2				0.01	0.022
130	55411-31620	GRIP LEVER	1				0.03	0.066

SOUND ABSORBER



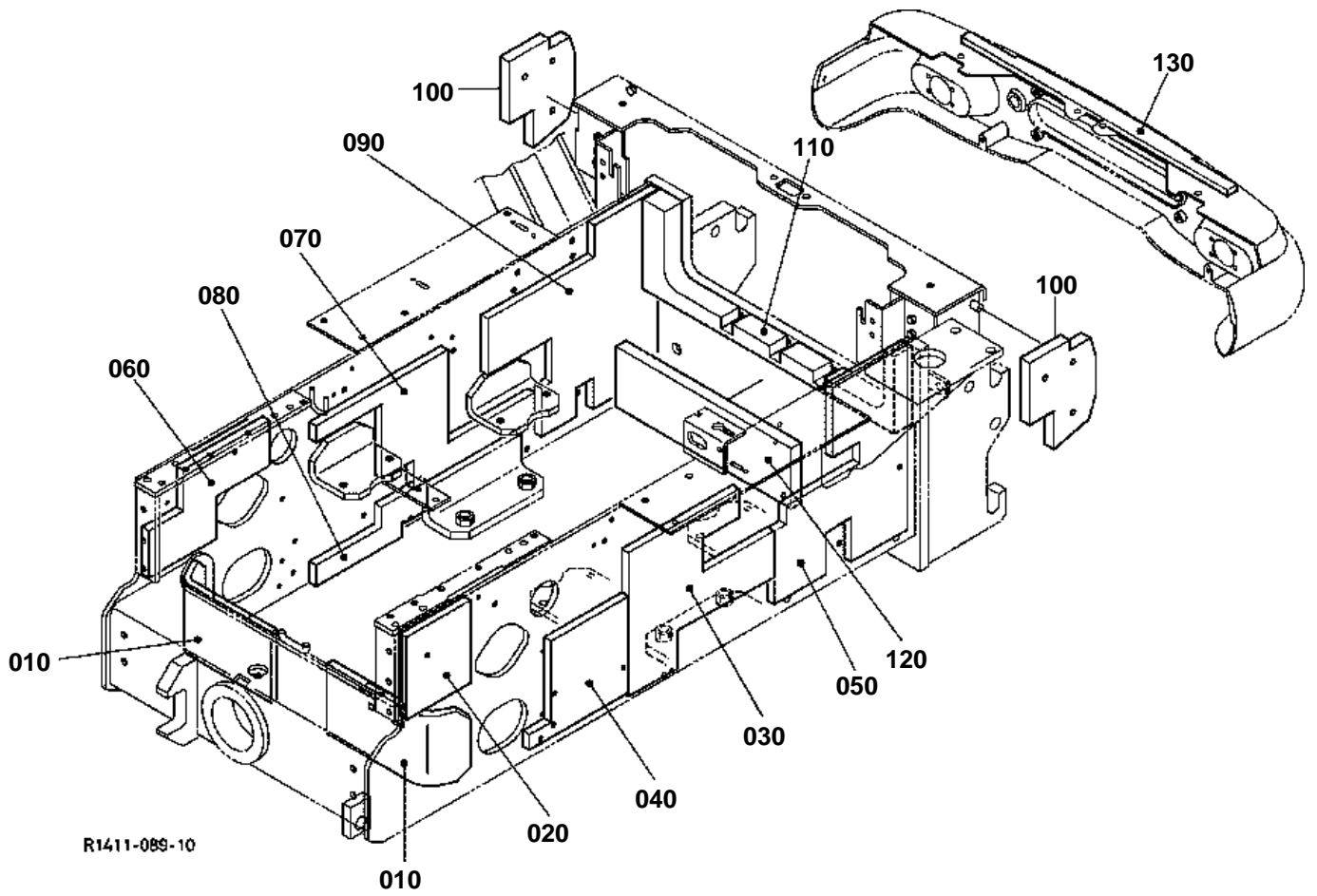


SOUND ABSORBER

↔ Interchangeable; ≠ not interchangeable; ← new for old; → old for new

REF.No	Part No.	Description	Q'ty	S.No.	I/C	REMARKS	Weight (kgf)	Weight (lb)
010	R1411-43700	ASSY SPONGE	1				0.914	2.0108
020	R1401-43412	SPONGE	1				0.134	0.2948
030	R1401-43424	SPONGE	1				0.116	0.2552
040	R1411-43440	SPONGE	1				0.11	0.242
050	R1401-43430	SPONGE	1				0.03	0.066
060	R1401-43460	SPONGE	1				0.12	0.264
070	R1401-43480	SPONGE	1				0.2	0.44
080	R1401-43470	SPONGE	1				0.11	0.242
090	R1401-43490	SPONGE	1				0.2	0.44
100	R1401-43800	ASSY SPONGE	1			CANOPY	0.31	0.682
110	R1401-43510	SPONGE	1			CANOPY	0.3	0.66
120	R1401-43520	SPONGE	1			CANOPY	0.05	0.11
130	R1401-43530	SPONGE	1			CANOPY	0.05	0.11
140	R2411-45310	SPONGE	1			CANOPY	0.62	1.364
150	R2411-45320	SPONGE	1			CANOPY	0.45	0.99
160	68543-46160	CAP	12			CANOPY	0.005	0.011
170	R1411-43830	NOISE ABSORBER	1				0.07	0.154

SOUND ABSORBER

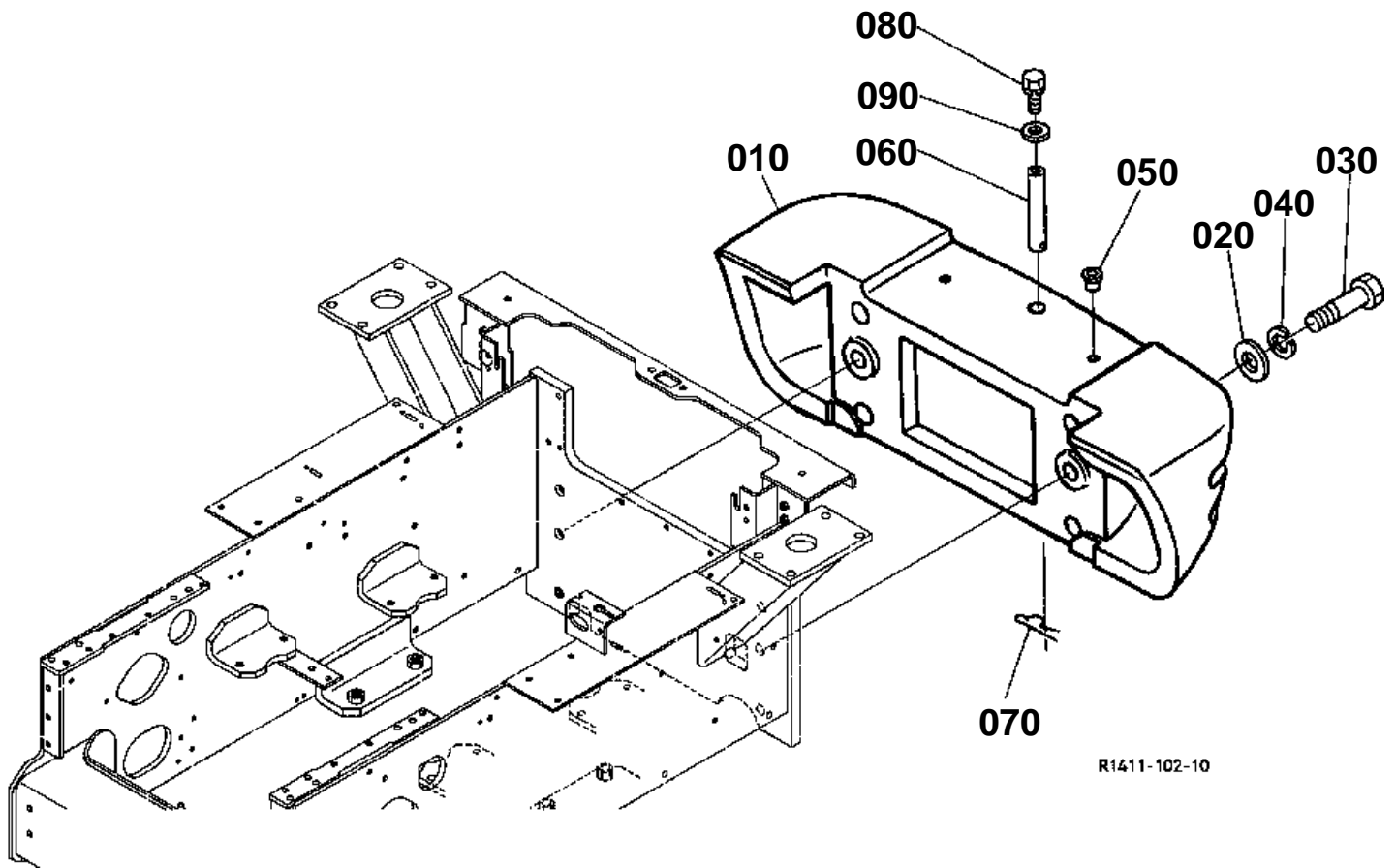




SOUND ABSORBER

↔ Interchangeable; ≠ not interchangeable; ← new for old; → old for new

REF.No	Part No.	Description	Q'ty	S.No.	I/C	REMARKS	Weight (kgf)	Weight (lb)
010	R1411-43512	NOISE ABSORBER	2				0.04	0.088
020	R1411-43520	NOISE ABSORBER	1				0.03	0.066
030	R1411-43530	NOISE ABSORBER	1				0.07	0.154
040	R1411-43540	NOISE ABSORBER	1				0.05	0.11
050	R1411-43552	NOISE ABSORBER	1				0.09	0.198
060	R1411-43620	NOISE ABSORBER	1				0.04	0.088
070	R1411-43630	NOISE ABSORBER	1				0.06	0.132
080	R1411-43640	NOISE ABSORBER	1				0.013	0.0286
090	R1411-43652	NOISE ABSORBER	1				0.11	0.242
100	R1411-43732	NOISE ABSORBER	2				0.035	0.077
110	R1411-43780	SPONGE	1				0.07	0.154
120	R1411-43790	SPONGE	1				0.08	0.176
130	R1411-43770	NOISE ABSORBER	1				0.05	0.11



R1411-102-10

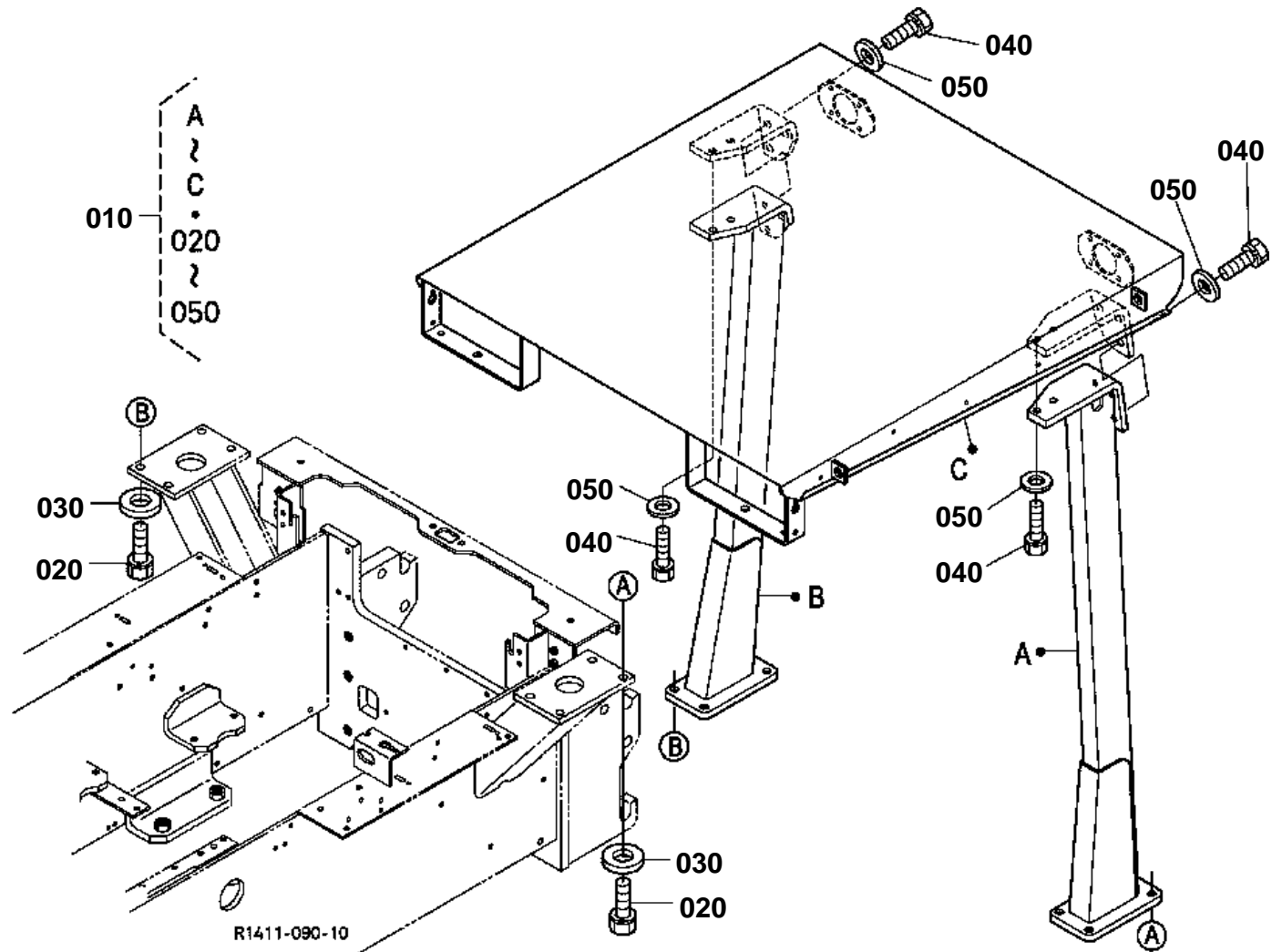


WEIGHT
[KTA(WITHOUT BACK HOE)]

↔ Interchangeable; ≠ not interchangeable; ← new for old; → old for new

REF.No	Part No.	Description	Q'ty	S.No.	I/C	REMARKS	Weight (kgf)	Weight (lb)
010	R1411-48210	WEIGHT	1			500kg	509	1119.8
020	68811-48122	WASHER	2				0.071	0.1562
030	01173-62004	BOLT	2				0.32	0.704
040	04512-60200	WASHER SPRING	2				0.02	0.044
050	RD118-48180	PLUG	2				0.005	0.011
060	R1401-48130	PIN	1				0.97	2.134
070	R1401-48140	PIN SNAP	1				0.007	0.0154
080	01133-61225	BOLT	1				0.037	0.0814
090	04015-60120	WASHER PLAIN	1				0.022	0.0484

CANOPY



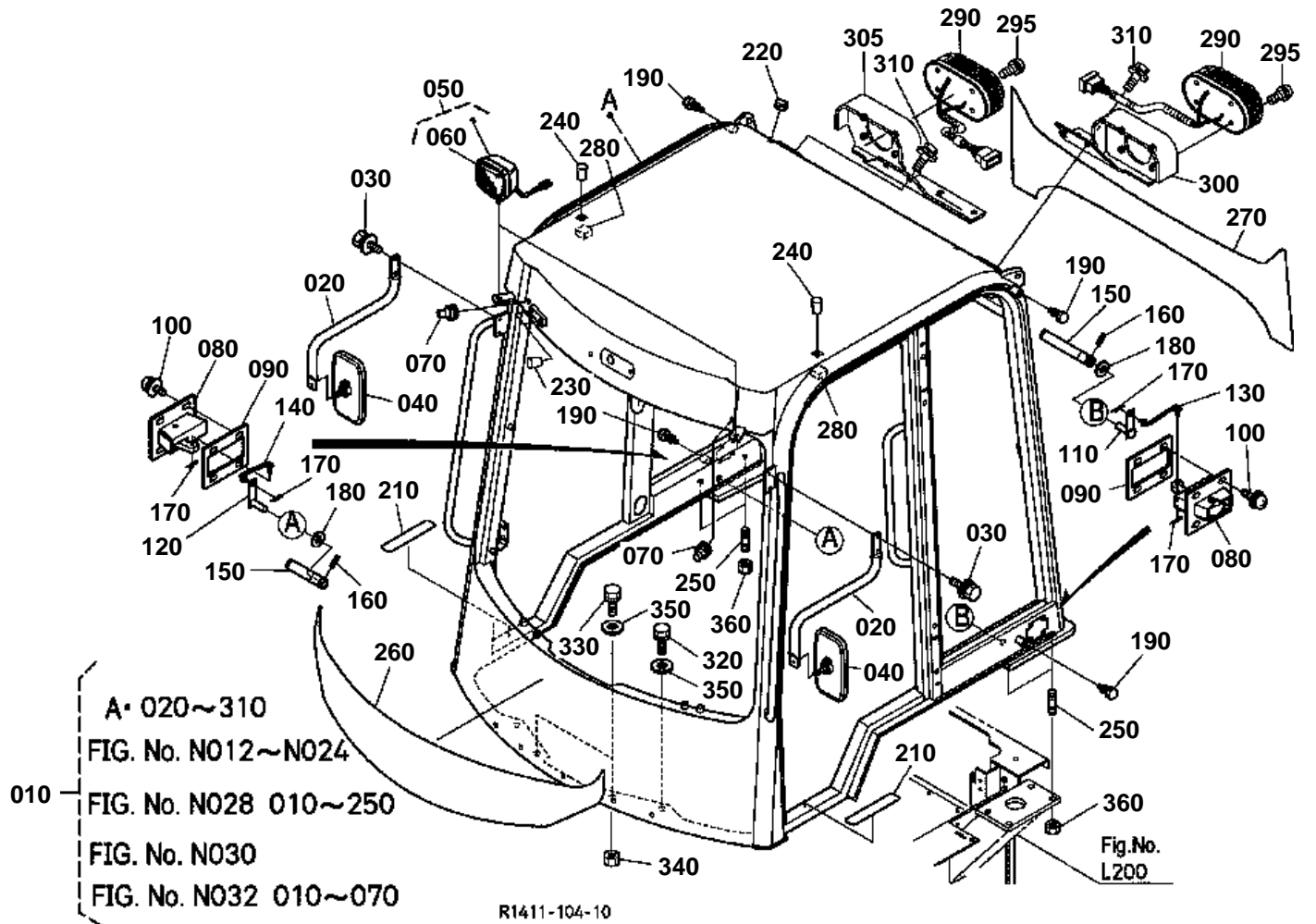


CANOPY

↔ Interchangeable; ≠ not interchangeable; ← new for old; → old for new

REF.No	Part No.	Description	Q'ty	S.No.	I/C	REMARKS	Weight (kgf)	Weight (lb)
010	R2411-45100	KIT CANOPY	1				0	0
020	01138-51635	BOLT	8				0.09	0.198
030	04011-60160	WASHER PLAIN	8				0.01	0.022
040	01138-61230	BOLT	10				0.018	0.0396
050	04013-60120	WASHER PLAIN	10				0.01	0.022

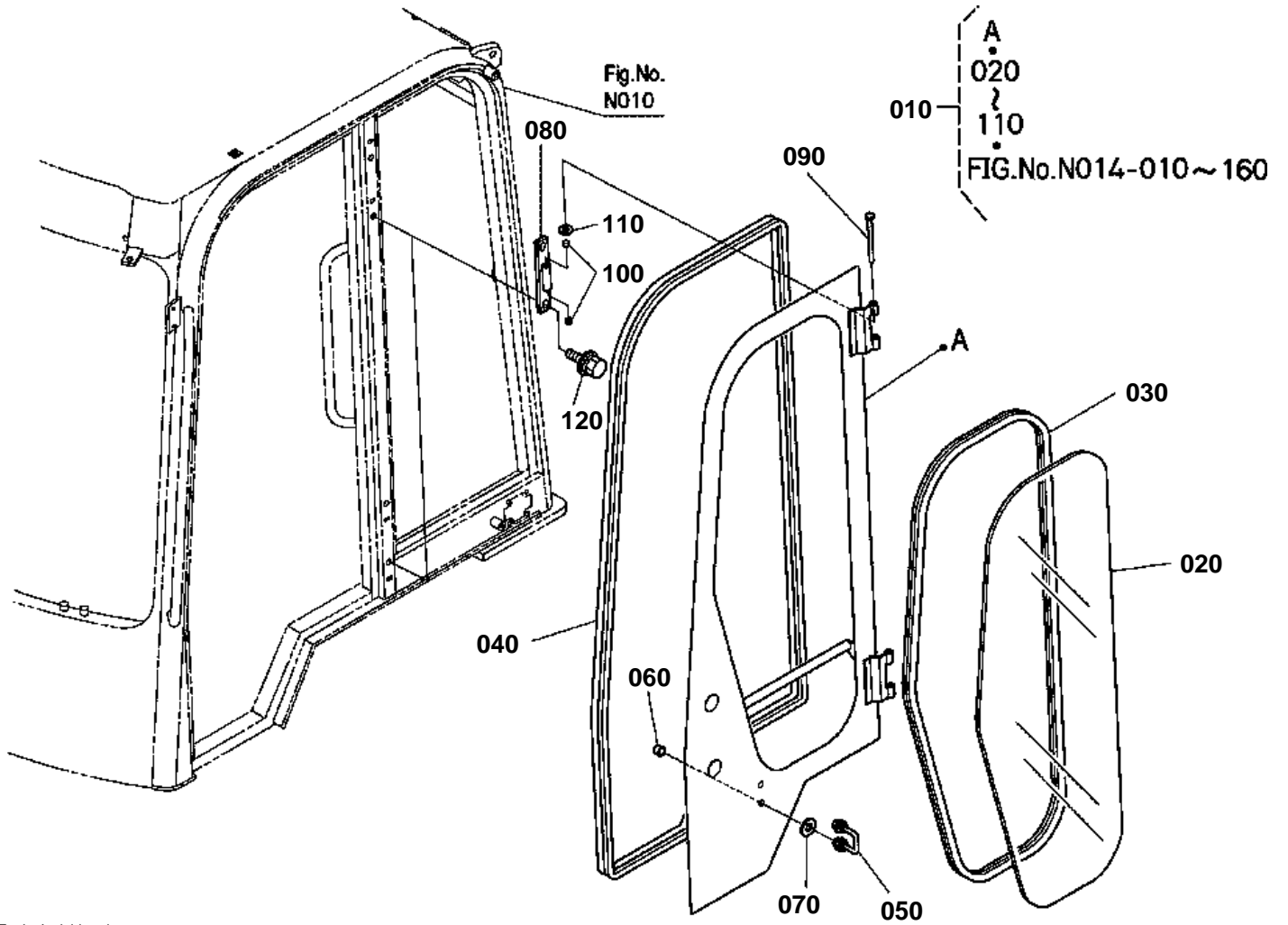
CABIN (BODY)



**CABIN (BODY)**

↔ Interchangeable; ≠ not interchangeable; ← new for old; → old for new

REF.No	Part No.	Description	Q'ty	S.No.	I/C	REMARKS	Weight (kgf)	Weight (lb)
010	R2411-46000	ASSY CABIN	1				0	0
020	R1411-46560	STAY	2				0.75	1.65
030	01125-60820	BOLT	4				0.015	0.033
040	R1411-46570	MIRROR REARVIEW	2				0.27	0.594
050	R1411-46580	LIGHT WORK	2				0.42	0.924
060	R1411-46590	BULB LIGHT	2				0.006	0.0132
070	R1411-46830	GROMMET	2				0.002	0.0044
080	R1411-47410	LOCK	2				0.64	1.408
090	R1411-47420	PLATE	2				0.14	0.308
100	03034-50825	SCREW WITH WASHER	8				0.17	0.374
110	R1411-47430	LEVER(LH)	1				0.034	0.0748
120	R1411-47440	LEVER(RH)	1				0.033	0.0726
130	R1411-47450	ROD(LH)	1				0.01	0.022
140	R1411-47460	ROD(RH)	1				0.01	0.022
150	R1411-47470	LEVER	2				0.07	0.154
160	05411-00416	PIN SPRING	2				0.001	0.0022
170	05511-51210	PIN SPLIT	4				0.001	0.0022
180	04012-50040	WASHER PLAIN	2				0.001	0.0022
190	R1411-47480	STTOPER(RUBBER DOOR)	4				0.05	0.11
200	99999-99999	BLANK	0				0	0
210	R1411-47490	STOPPER	2				0.005	0.011
220	R1411-46140	GROMMET	1				0.001	0.0022
230	R1411-46150	PLUG	2				0.001	0.0022
240	R1411-46160	PLUG	2				0.001	0.0022
250	R1411-46170	STUD	4				0.09	0.198
260	R1411-46180	MARK	1				0.13	0.286
270	R1411-46190	MARK R	1				0.13	0.286
280	R1411-46380	SEAT	2				0.004	0.0088
290	R2411-46530	LIGHT REAR COMBI.	2				0.39	0.858
295	03034-50412	SCREW WITH WASHER	8				0.02	0.044
300	R2411-46510	BRACKET LH	1				1.1	2.42
305	R2411-46520	BRACKET RH	1				1.25	2.75
310	01125-60816	BOLT	4				0.01	0.022
320	01133-61045	BOLT	2				0.035	0.077
330	01133-61045	BOLT	2				0.035	0.077
340	02118-60100	NUT	2				0.006	0.0132
350	04015-60100	WASHER PLAIN	4				0.015	0.033
360	02574-50160	NUT LOCK	4				0.03	0.066



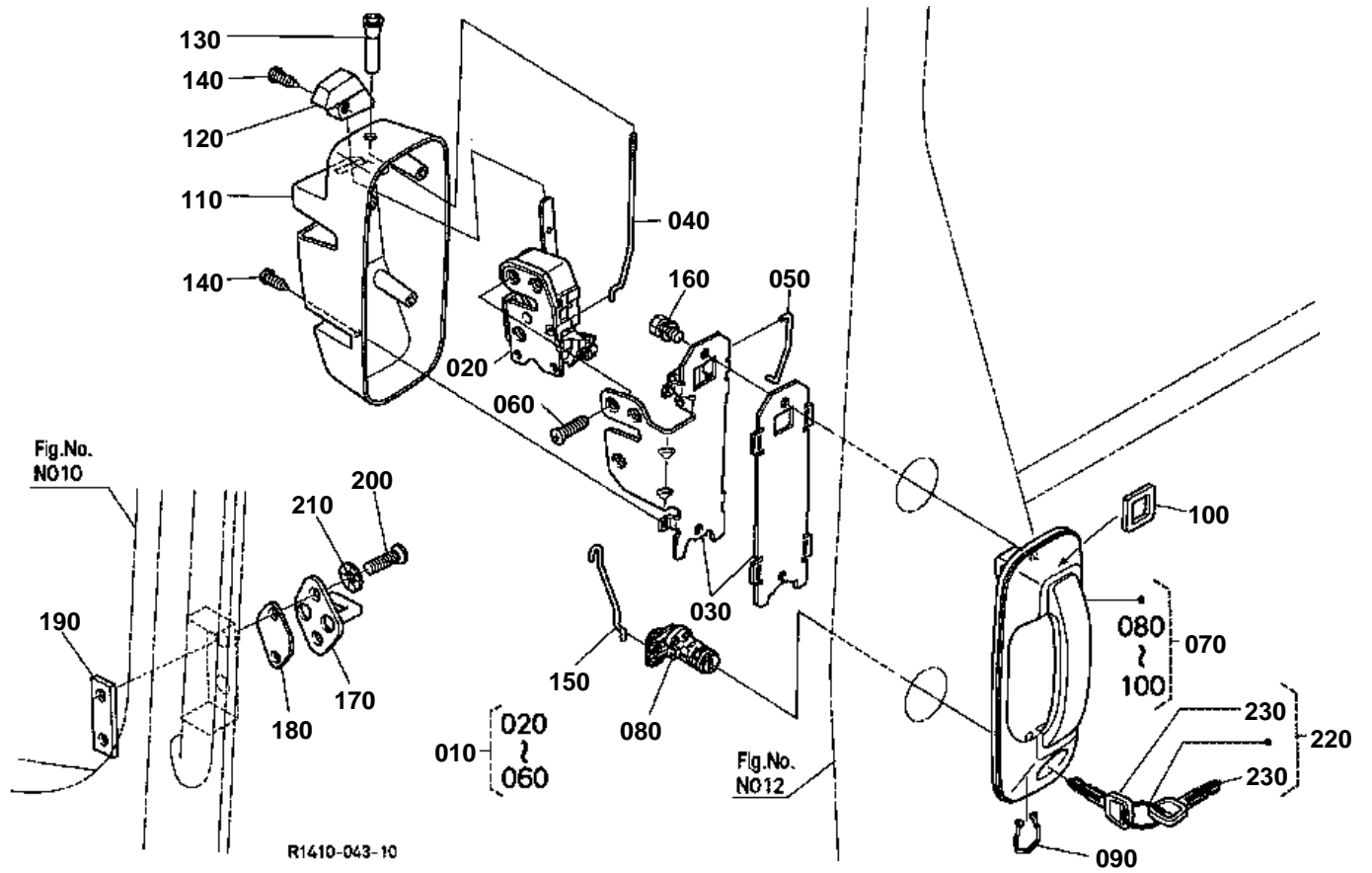
R1410-042-10

**CABIN (DOOR LH)**

↔ Interchangeable; ≠ not interchangeable; ← new for old; → old for new

REF.No	Part No.	Description	Q'ty	S.No.	I/C	REMARKS	Weight (kgf)	Weight (lb)
010	R1411-46210	ASSY DOOR(LH)	1				30	66
020	R1411-46230	GLASS DOOR LH	1				6.5	14.3
030	R1411-46240	TRIM DOOR	1				0.94	2.068
040	T0270-70680	SHIELD WEATHER STRIP	1				1.05	2.31
050	R1411-46260	HOOK DOOR	1				0.1	0.22
060	R1411-46270	CAP	2				0.001	0.0022
070	R1411-46280	GASKET	2				0	0
080	R1411-46290	HINGE DOOR	2				0.52	1.144
090	R1411-46350	PIN HINGE	2				0.08	0.176
100	08511-01010	BUSH	4				0.003	0.0066
110	3F760-53460	BUSH	2				0.001	0.0022
120	01135-61230	BOLT	4				0.05	0.11

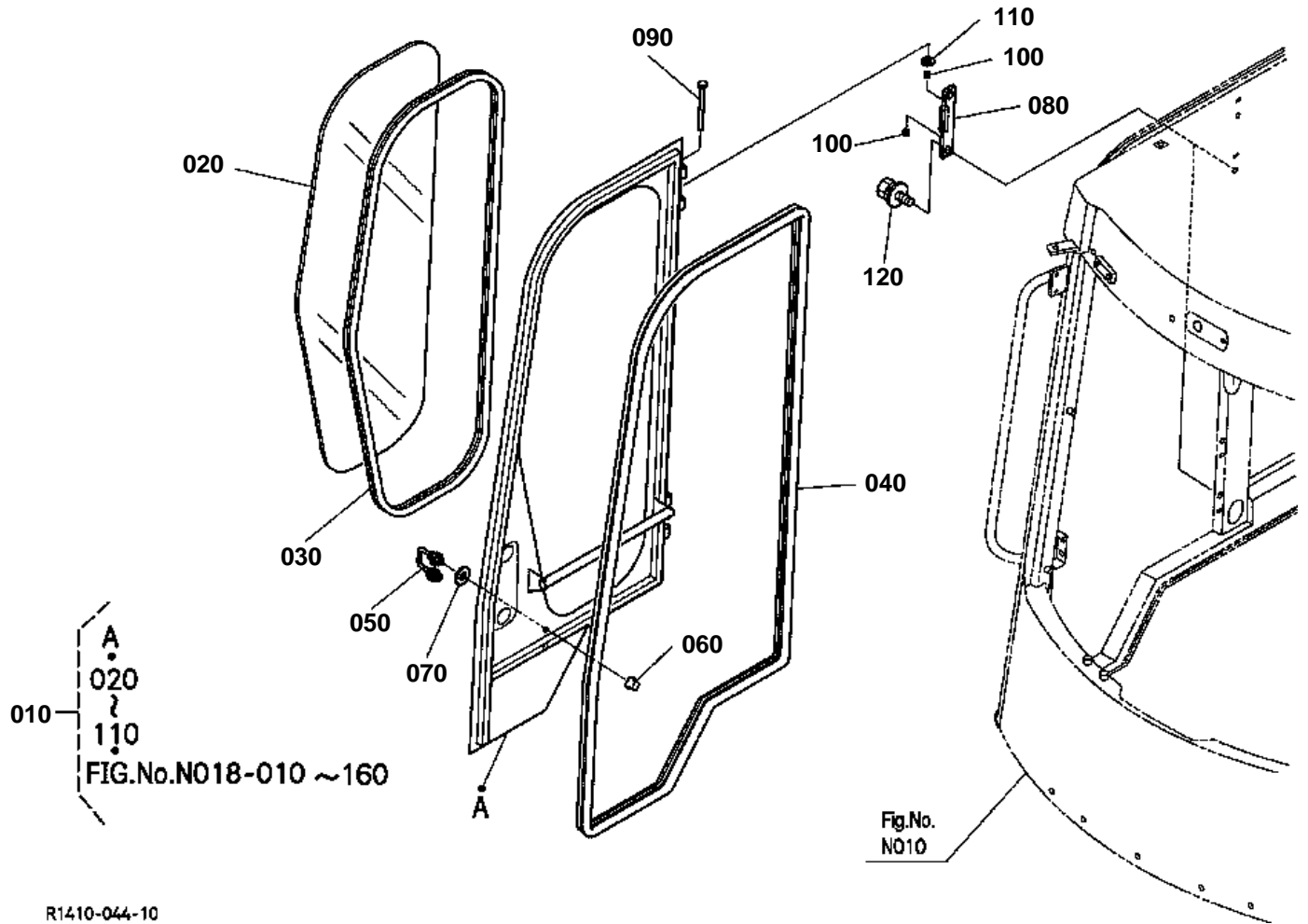
CABIN (DOOR LOCK LH)



**CABIN (DOOR LOCK LH)**

↔ Interchangeable; ≠ not interchangeable; ← new for old; → old for new

REF.No	Part No.	Description	Q'ty	S.No.	I/C	REMARKS	Weight (kgf)	Weight (lb)
010	T0270-85010	COMP.LOCK DOOR LH	1				0.64	1.408
020	T0270-85020	ASSY LOCK DOOR LH	1				0.3	0.66
030	T0270-85030	COMP.BRACKET	1				0.305	0.671
040	T0270-85050	ROD INNER LOCK LH	1				0.017	0.0374
050	T0270-85060	ROD OUTER HANDLE LH	1				0.008	0.0176
060	T0270-85080	SCREW CSK-HD	3				0.009	0.0198
070	T0270-85100	ASSY HANDLE OUTER	1				0.265	0.583
080	T0270-85110	CYLINDER KEY DOOR	1				0.045	0.099
090	T0270-85120	RING KEY CYLINDER	1				0.004	0.0088
100	T0270-85180	SEAL OUTER HANDLE	1				0.006	0.0132
110	T0270-85150	COVER DOOR LOCK LH	1				0.07	0.154
120	T0270-85140	KNOB DOOR LOCK	1				0.016	0.0352
130	T0270-85160	KNOB INNER LOCK	1				0.003	0.0066
140	T0270-85130	SCREW	5				0.002	0.0044
150	T0270-85070	ROD CYLINDER	1				0.008	0.0176
160	01023-50612	BOLT	2				0.005	0.011
170	T0270-85170	STRIKER DOOR LOCK	1				0.095	0.209
180	36530-53420	SHIM DOOR LOCK	1				0.02	0.044
190	T0270-70890	NUT DOOR STRIKER	1				0.058	0.1276
200	3F760-53430	SCREW CSK-HD	2				0.008	0.0176
210	04414-50080	WASHER TOOTHED	2				0.001	0.0022
220	T0270-81840	ASSY KEY MAIN SWITCH	1				0.023	0.0506
230	T0270-81820	KEY MAIN SWITCH	2				0.012	0.0264

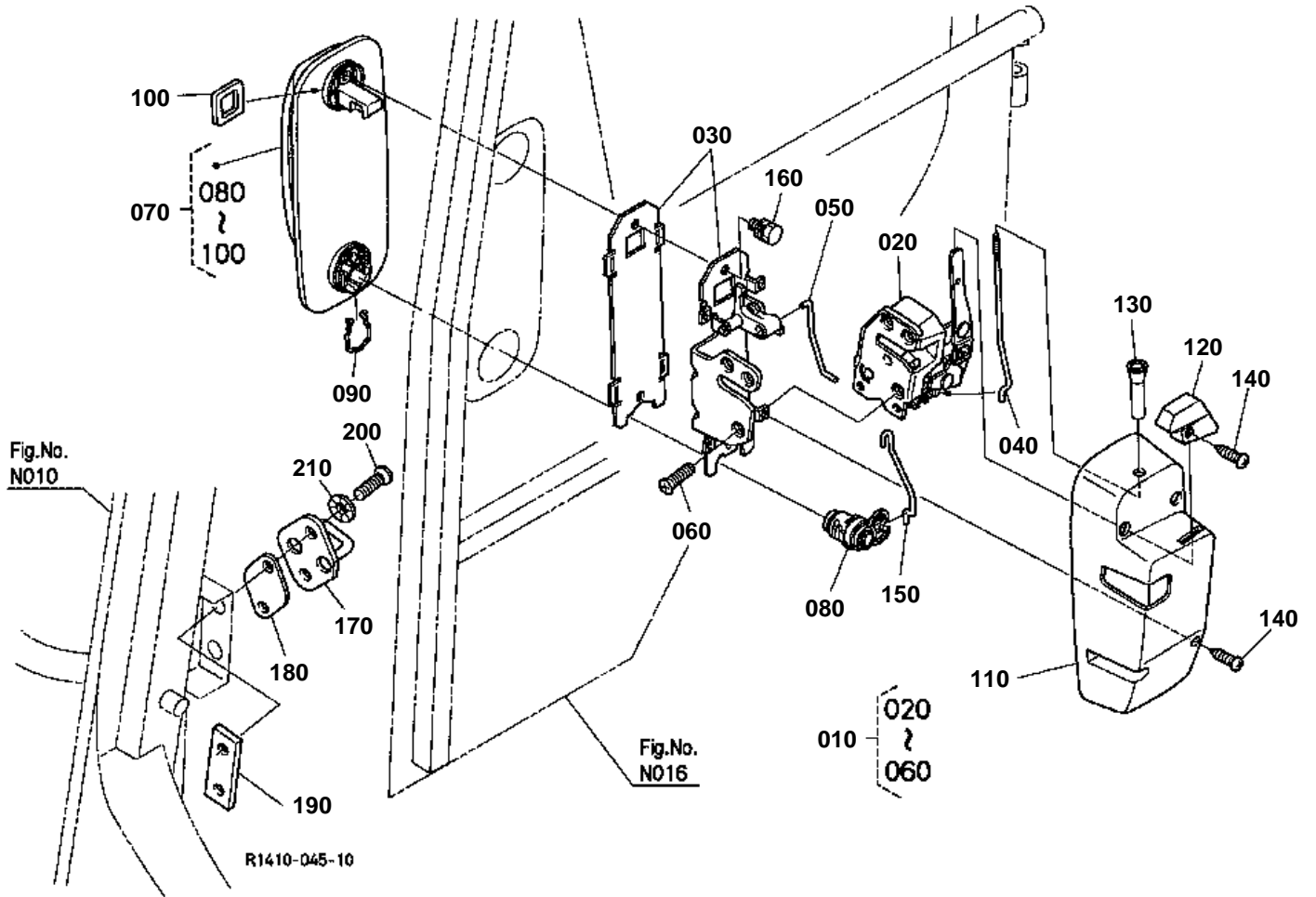


**CABIN (DOOR RH)**

↔ Interchangeable; ≠ not interchangeable; ← new for old; → old for new

REF.No	Part No.	Description	Q'ty	S.No.	I/C	REMARKS	Weight (kgf)	Weight (lb)
010	R1411-46310	ASSY DOOR RH	1				30	66
020	R1411-46330	GLASS DOOR LH	1				6.5	14.3
030	R1411-46240	TRIM DOOR	1				0.94	2.068
040	T0270-70680	SHIELD WEATHER STRIP	1				1.05	2.31
050	R1411-46260	HOOK DOOR	1				0.1	0.22
060	R1411-46270	CAP	2				0.001	0.0022
070	R1411-46280	GASKET	2				0	0
080	R1411-46290	HINGE DOOR	2				0.52	1.144
090	R1411-46350	PIN HINGE	2				0.08	0.176
100	08511-01010	BUSH	4				0.003	0.0066
110	3F760-53460	BUSH	2				0.001	0.0022
120	01135-61230	BOLT	4				0.05	0.11

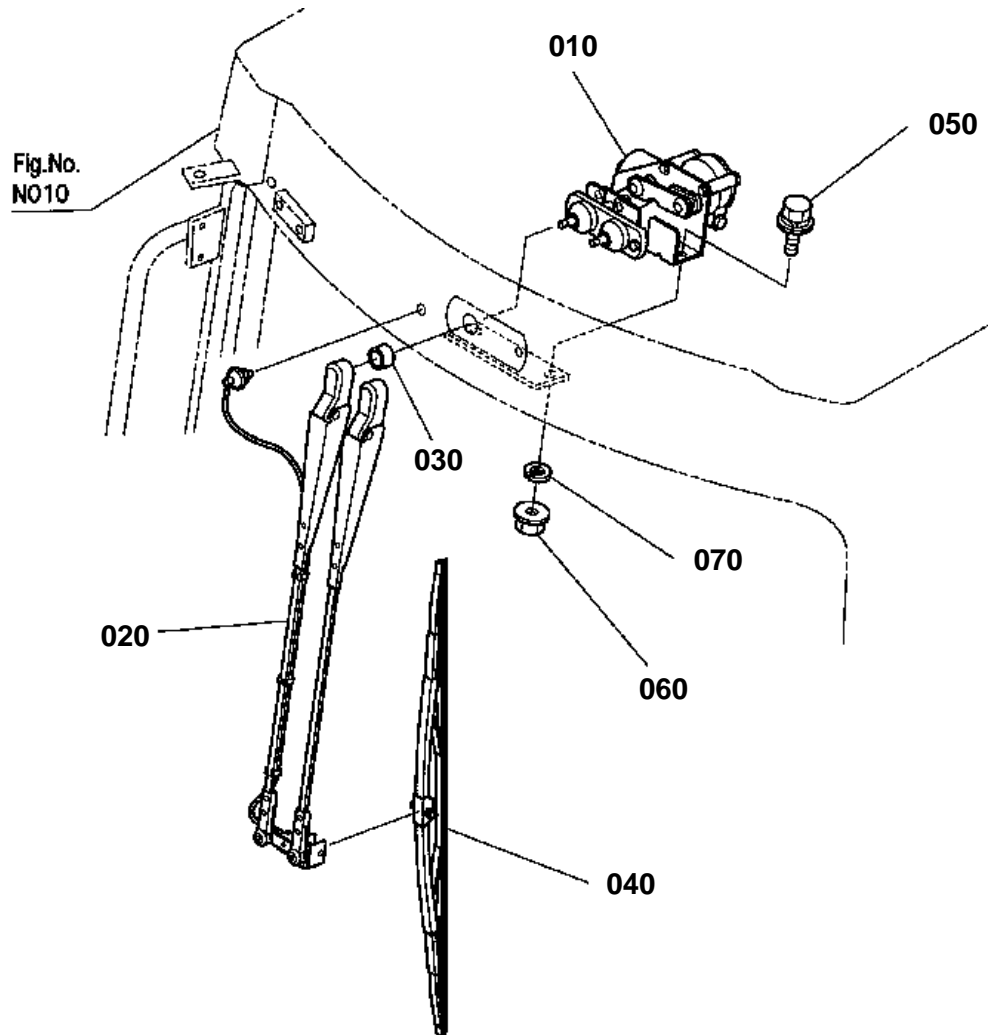
CABIN (DOOR LOCK RH)



**CABIN (DOOR LOCK RH)**

↔ Interchangeable; ≠ not interchangeable; ← new for old; → old for new

REF.No	Part No.	Description	Q'ty	S.No.	I/C	REMARKS	Weight (kgf)	Weight (lb)
010	T0270-86010	COMP.LOCK DOOR RH	1				0.64	1.408
020	T0270-86020	ASSY LOCK DOOR RH	1				0.3	0.66
030	T0270-86030	COMP.BRACKET	1				0.305	0.671
040	T0270-86050	ROD INNER LOCK RH	1				0.017	0.0374
050	T0270-86060	ROD OUTER HANDLE RH	1				0.008	0.0176
060	T0270-85080	SCREW CSK-HD	3				0.009	0.0198
070	T0270-85100	ASSY HANDLE OUTER	1				0.265	0.583
080	T0270-85110	CYLINDER KEY DOOR	1				0.045	0.099
090	T0270-85120	RING KEY CYLINDER	1				0.004	0.0088
100	T0270-85180	SEAL OUTER HANDLE	1				0.006	0.0132
110	T0270-86150	COVER DOOR LOCK RH	1				0.075	0.165
120	T0270-85140	KNOB DOOR LOCK	1				0.016	0.0352
130	T0270-85160	KNOB INNER LOCK	1				0.003	0.0066
140	T0270-85130	SCREW	5				0.002	0.0044
150	T0270-85070	ROD CYLINDER	1				0.008	0.0176
160	01023-50612	BOLT	2				0.005	0.011
170	T0270-85170	STRIKER DOOR LOCK	1				0.095	0.209
180	36530-53420	SHIM DOOR LOCK	1				0.02	0.044
190	T0270-70890	NUT DOOR STRIKER	1				0.058	0.1276
200	3F760-53430	SCREW CSK-HD	2				0.008	0.0176
210	04414-50080	WASHER TOOTHED	2				0.001	0.0022



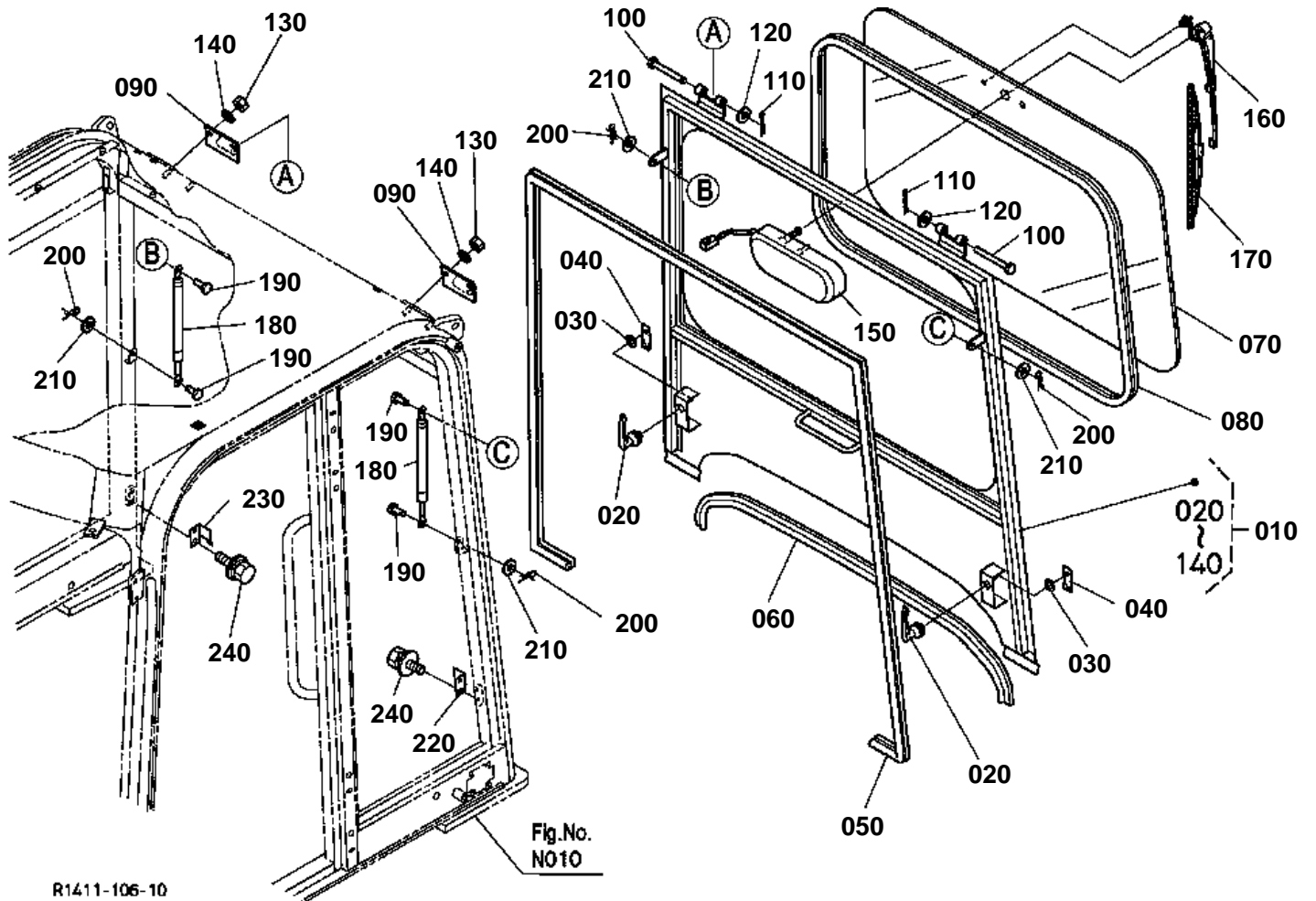
R1411-105-10



CABIN (WIPER MOTOR)

↔ Interchangeable; ≠ not interchangeable; ← new for old; → old for new

REF.No	Part No.	Description	Q'ty	S.No.	I/C	REMARKS	Weight (kgf)	Weight (lb)
010	R1411-47510	ASSY MOTOR WIPER	1				2.31	5.082
020	R1411-47520	ARM WIPER	1				1.34	2.948
030	R1411-47530	SPACER WIPER	1				0.03	0.066
040	R1411-47540	BLADE WIPER	1				0.26	0.572
050	01125-60820	BOLT	2				0.015	0.033
060	02751-50080	NUT FLANGE	2				0.006	0.0132
070	04512-60080	WASHER SPRING	2				0.002	0.0044



**CABIN (REAR DOOR)**

↔ Interchangeable; ≠ not interchangeable; ← new for old; → old for new

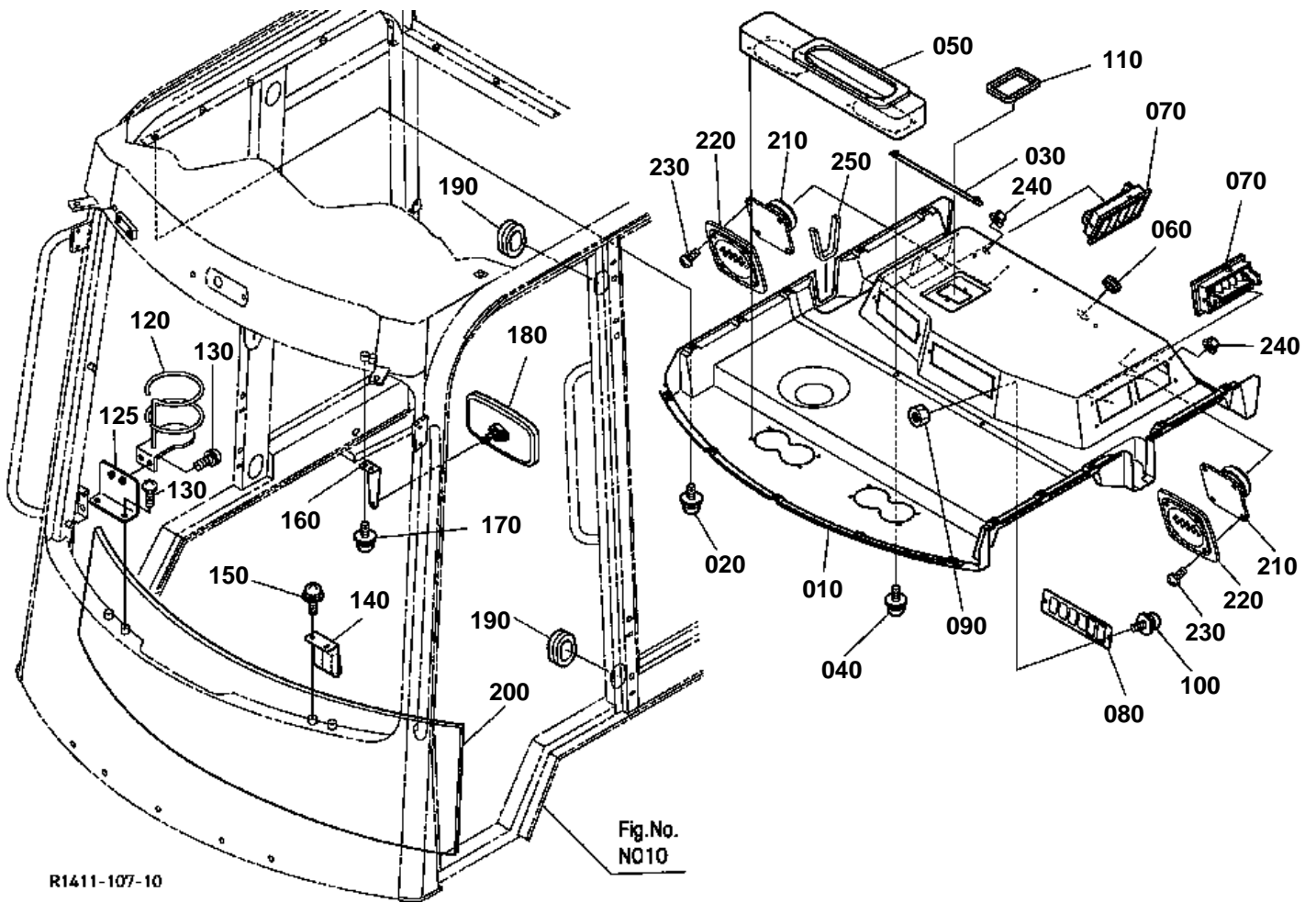
REF.No	Part No.	Description	Q'ty	S.No.	I/C	REMARKS	Weight (kgf)	Weight (lb)
010	R1411-47110	ASSY DOOR REAR	1				34.5	75.9
020	R1411-47130	HANDLE	2				0.12	0.264
030	R1411-47690	SPRING PLATE	2				0.005	0.011
040	R1411-47140	LOCK	2				0.03	0.066
050	T0270-70680	SHIELD WEATHER STRIP	1				1.05	2.31
060	R1411-47180	SEAL	1				0.23	0.506
070	R1411-47190	GLASS	1				9	19.8
080	R1411-47660	TRIM SASH	1				1.22	2.684
090	R1411-47670	BRACKET	2				0.51	1.122
100	3F760-53410	PIN DOOR HINGE	2				0.054	0.1188
110	05511-50320	PIN SPLIT	2				0.002	0.0044
120	04013-60100	WASHER PLAIN	2				0.003	0.0066
130	02176-60100	NUT	4				0.006	0.0132
140	04512-60100	WASHER SPRING	4				0.002	0.0044
150	R1411-47560	ASSY MOTOR WIPER	1				1.54	3.388
160	R1411-47570	ARM WIPER	1				0.21	0.462
170	R1411-47580	BLADE WIPER	1				0.08	0.176
180	R1411-47680	SPRING GAS	2				0.26	0.572
190	05122-50822	PIN JOINT	4				0.01	0.022
200	05525-50800	PIN SNAP	4				0.001	0.0022
210	04012-50080	WASHER PLAIN	4				0.001	0.0022
220	R1411-47150	LOCK LH	1				0.08	0.176
230	R1411-47160	LOCK RH	1				0.08	0.176
240	01125-60816	BOLT	4				0.01	0.022

**CABIN (WINDOW)**

↔ Interchangeable; ≠ not interchangeable; ← new for old; → old for new

REF.No	Part No.	Description	Q'ty	S.No.	I/C	REMARKS	Weight (kgf)	Weight (lb)
010	R1411-46400	ASSY WINDOW	1				2	4.4
020	R1411-46410	GLASS WINDOW	1				1.5	3.3
030	R1411-46420	SEAL	1				0.05	0.11
040	R1411-46430	HINGE	1				0.14	0.308
050	R1411-46440	HINGE	1				0.06	0.132
060	R1411-46450	GASKET	3				0.003	0.0066
070	R1411-46460	NUT	3				0.017	0.0374
080	03034-50510	SCREW WITH WASHER	7				0.003	0.0066
090	R1411-46520	GLASS	1				19.5	42.9
100	R1411-46530	TRIM	1				1.85	4.07
110	R1411-46540	GLASS LH	1				7.75	17.05
120	R1411-46550	GLASS RH	1				6.5	14.3

CABIN (INNER ROOF)

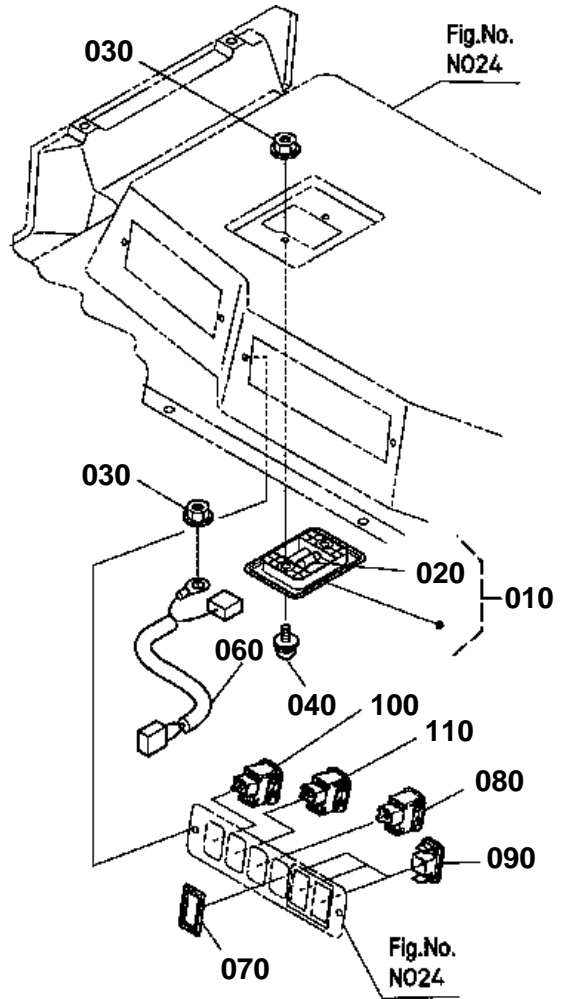
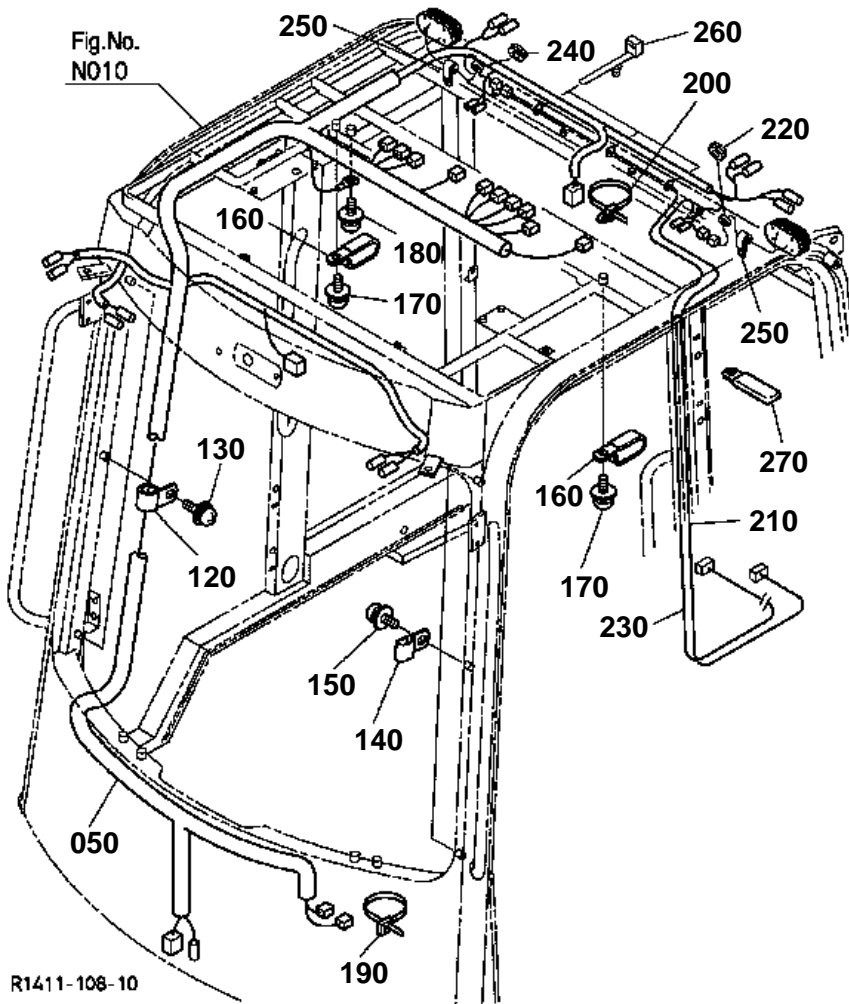


**CABIN (INNER ROOF)**

↔ Interchangeable; ≠ not interchangeable; ← new for old; → old for new

REF.No	Part No.	Description	Q'ty	S.No.	I/C	REMARKS	Weight (kgf)	Weight (lb)
010	R2411-46620	ASSY ROOF INNER	1				5	11
020	03034-50620	SCREW WITH WASHER	20				0.07	0.154
030	R1411-46630	PLATE	1				0.08	0.176
040	03034-50620	SCREW WITH WASHER	2				0.07	0.154
050	R1411-46640	DUCT	1				0.28	0.616
060	R1411-46650	GROMMET	1				0.01	0.022
070	3F760-56050	ASSY GRILLE AIR-CON.	4				0.045	0.099
080	R1411-46660	BRACKET	1				0.22	0.484
090	02056-50060	NUT	2				0.002	0.0044
100	03034-50616	SCREW WITH WASHER	2				0.006	0.0132
110	R1411-46690	GASKET	1				0.001	0.0022
120	RD118-45410	HOLDER CUP	1				0.31	0.682
125	R2411-46610	BRACKET	1				0.35	0.77
130	03034-50820	SCREW WITH WASHER	4				0.015	0.033
140	R1411-47620	BRACKET	1				0.37	0.814
150	03034-50816	SCREW WITH WASHER	2				0.01	0.022
160	R1411-47630	PLATE	1				0.13	0.286
170	03034-50816	SCREW WITH WASHER	2				0.01	0.022
180	R1411-46570	MIRROR REARVIEW	1				0.27	0.594
190	R1411-47640	GROMMET	2				0.03	0.066
200	R1411-47650	LINING	1				2	4.4
210	R1411-47810	SPEAKER	2				0.32	0.704
220	R1411-47820	COVER SPEAKER	2				0.03	0.066
230	03024-50416	SCREW WITH WASHER	8				0.002	0.0044
240	02761-50040	NUT FLANGE	8				0.002	0.0044
250	R1411-46390	SEAT	1				0.009	0.0198

CABIN (ELECTRICAL WIRING)

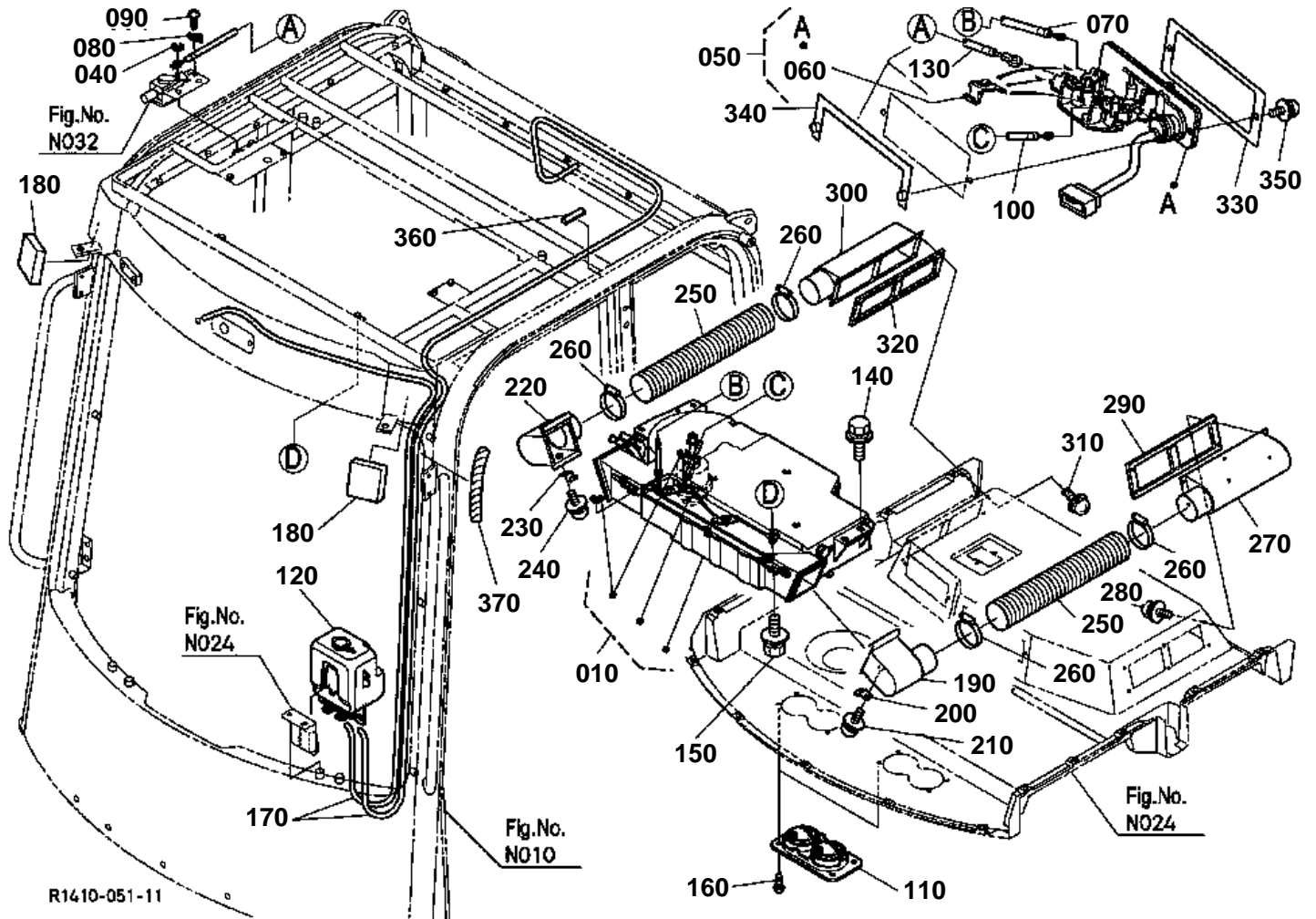


**CABIN (ELECTRICAL WIRING)**

↔ Interchangeable; ≠ not interchangeable; ← new for old; → old for new

REF.No	Part No.	Description	Q'ty	S.No.	I/C	REMARKS	Weight (kgf)	Weight (lb)
010	R1411-46680	LIGHT ROOM	1				0.06	0.132
020	R1411-46670	BULB LIGHT	1				0.002	0.0044
030	02761-50050	NUT FLANGE	3				0.002	0.0044
040	03024-50520	SCREW WITH WASHER	2				0.004	0.0088
050	R1411-46810	WIRE HARNESS	1				0	0
060	R1411-46820	WIRE HARNESS	1				0.02	0.044
070	R1411-47730	SPACER	1				0.002	0.0044
080	T1065-75360	SWITCH WORK LIGHT F.	1				0.02	0.044
090	R1411-46840	COVER A	3				0.005	0.011
100	T1065-75380	SWITCH WIPER	1				0.021	0.0462
110	T1065-75393	SWITCH WIPER	1				0.022	0.0484
120	R1411-46850	CLIP	3				0.018	0.0396
130	03034-50816	SCREW WITH WASHER	3				0.01	0.022
140	R1411-46860	CLIP	3				0.013	0.0286
150	03034-50816	SCREW WITH WASHER	3				0.01	0.022
160	R1411-46870	CLIP	2				0.03	0.066
170	03034-50816	SCREW WITH WASHER	2				0.01	0.022
180	03034-50816	SCREW WITH WASHER	1				0.01	0.022
190	R1411-46880	BAND	1				0.001	0.0022
200	R1411-46890	BAND	1				0.002	0.0044
210	R2411-46810	WIRE HARNESS	1				0.12	0.264
220	R1411-46830	GROMMET	1				0.002	0.0044
230	R2411-46820	WIRE HARNESS	1				0.25	0.55
240	R1411-46830	GROMMET	1				0.002	0.0044
250	R2411-46830	CLIP	2				0.002	0.0044
260	RP421-54120	CLAMP	3				0.003	0.0066
270	68011-51160	CLAMP CORD	1				0.008	0.0176

CABIN (HEATER)

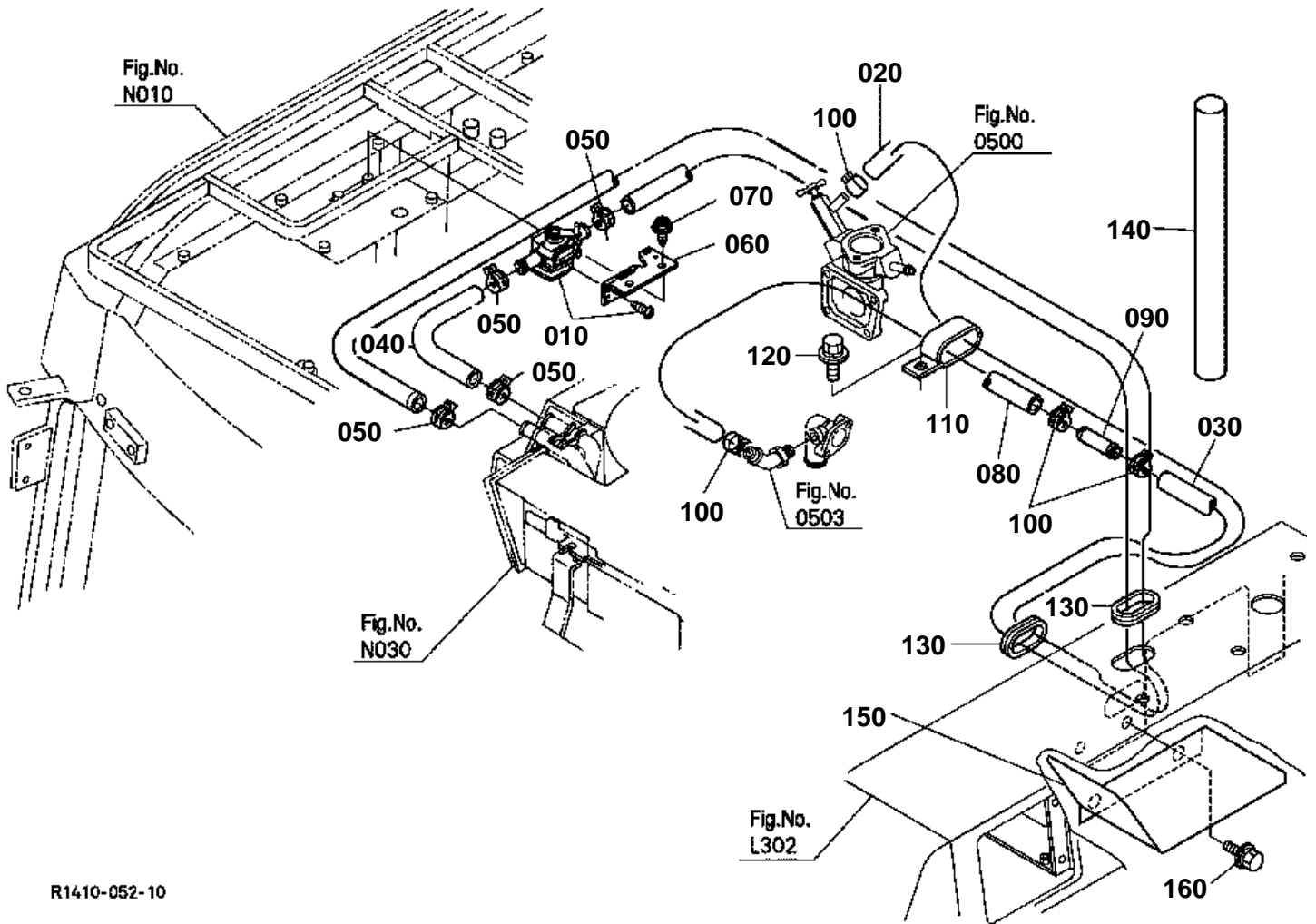


**CABIN (HEATER)**

↔ Interchangeable; ≠ not interchangeable; ← new for old; → old for new

REF.No	Part No.	Description	Q'ty	S.No.	I/C	REMARKS	Weight (kgf)	Weight (lb)
010	R1411-46950	ASSY HEATER	1				6	13.2
020	99999-99999	BLANK	0				0	0
030	99999-99999	BLANK	0				0	0
040	04613-50030	CIR CLIP EXTERNAL	2				0.001	0.0022
050	T0270-72420	SWITCH PANEL	1				0.57	1.254
060	T0270-89990	CLAMP CABLE	3				0.002	0.0044
070	3G710-50770	CABLE	1				0.03	0.066
080	T0270-87050	CLAMP WIRE	1				0.004	0.0088
090	03614-50408	SCREW TAPPING	3				0.002	0.0044
100	T0290-87070	CABLE VALVE	1				0.028	0.0616
110	3G710-50290	GRILLE FRONT	2				0.24	0.528
120	3F760-55760	TANK DOUBLE WASHER	1				1	2.2
130	R1411-46912	CABLE	1				0.012	0.0264
140	01125-50825	BOLT	4				0.018	0.0396
150	01125-50830	BOLT	2				0.01	0.022
160	36919-55890	SCREW	8				0.005	0.011
170	T1155-71170	HOSE WASHER	2				0.14	0.308
180	R1411-46130	FILTER	2				0.024	0.0528
190	R1411-46710	DUCT	1				0.65	1.43
200	R1411-46720	HOOK	1				0.012	0.0264
210	03034-50616	SCREW WITH WASHER	1				0.006	0.0132
220	R1411-46730	DUCT	1				0.65	1.43
230	R1411-46720	HOOK	1				0.012	0.0264
240	03034-50616	SCREW WITH WASHER	1				0.006	0.0132
250	R1411-46740	HOSE	2				0.11	0.242
260	R1411-46750	CLAMP	4				0.04	0.088
270	R1411-46760	DUCT	1				0.96	2.112
280	03034-50616	SCREW WITH WASHER	6				0.006	0.0132
290	R1411-46770	CUSHION	1				0.002	0.0044
300	R1411-46780	DUCT	1				0.95	2.09
310	03034-50616	SCREW WITH WASHER	6				0.006	0.0132
320	R1411-46770	CUSHION	1				0.002	0.0044
330	R1411-46790	PLATE	1				0.07	0.154
340	R1411-46970	PLATE	1				0.04	0.088
350	36919-50670	SCREW WITH WASHER	2				0.002	0.0044
360	R1411-46980	TRIM SASH	1				0.006	0.0132
370	R1411-46990	TUBE SPIRAL	1				0.004	0.0088

CABIN (HEATER HOSE)

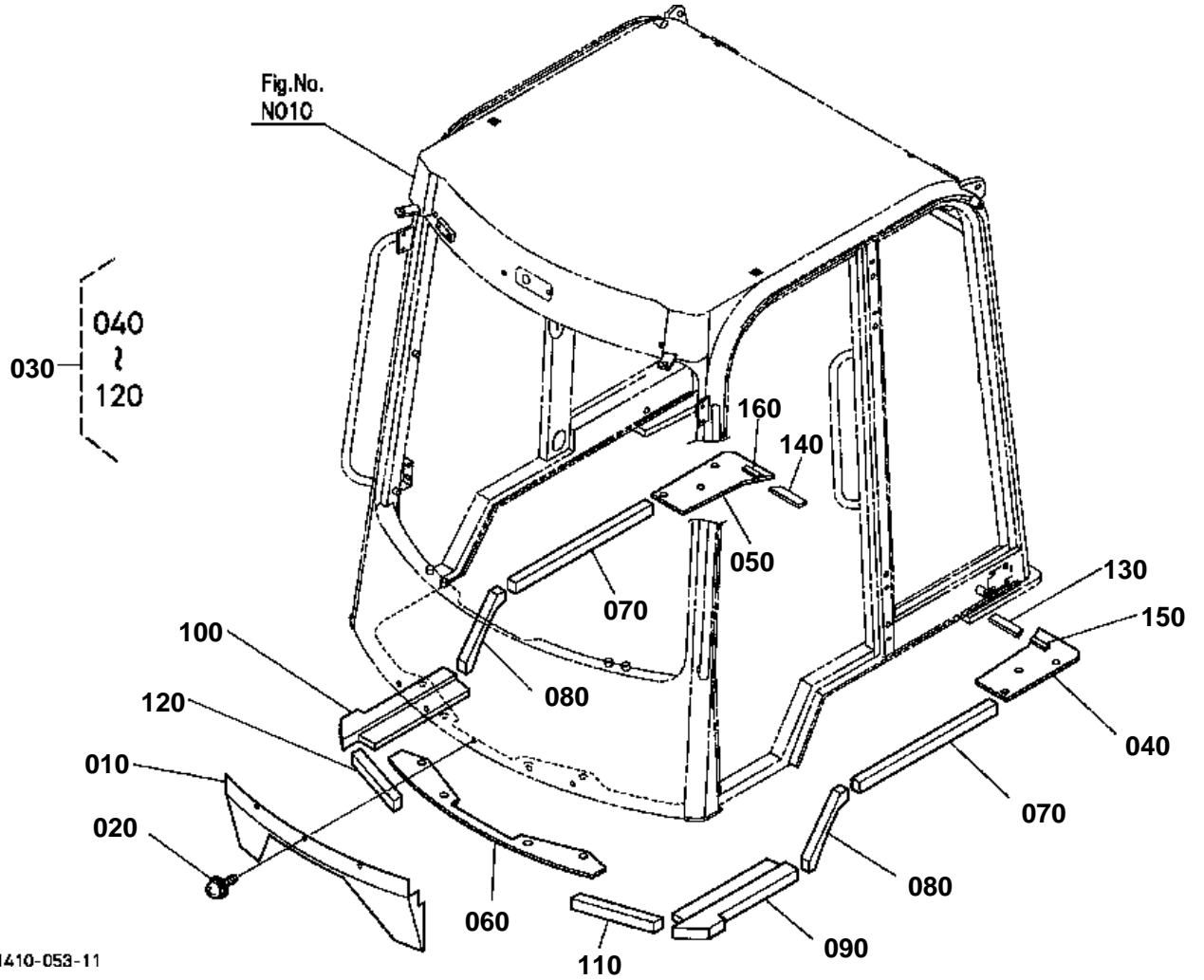


R1410-052-10

**CABIN (HEATER HOSE)**

↔ Interchangeable; ≠ not interchangeable; ← new for old; → old for new

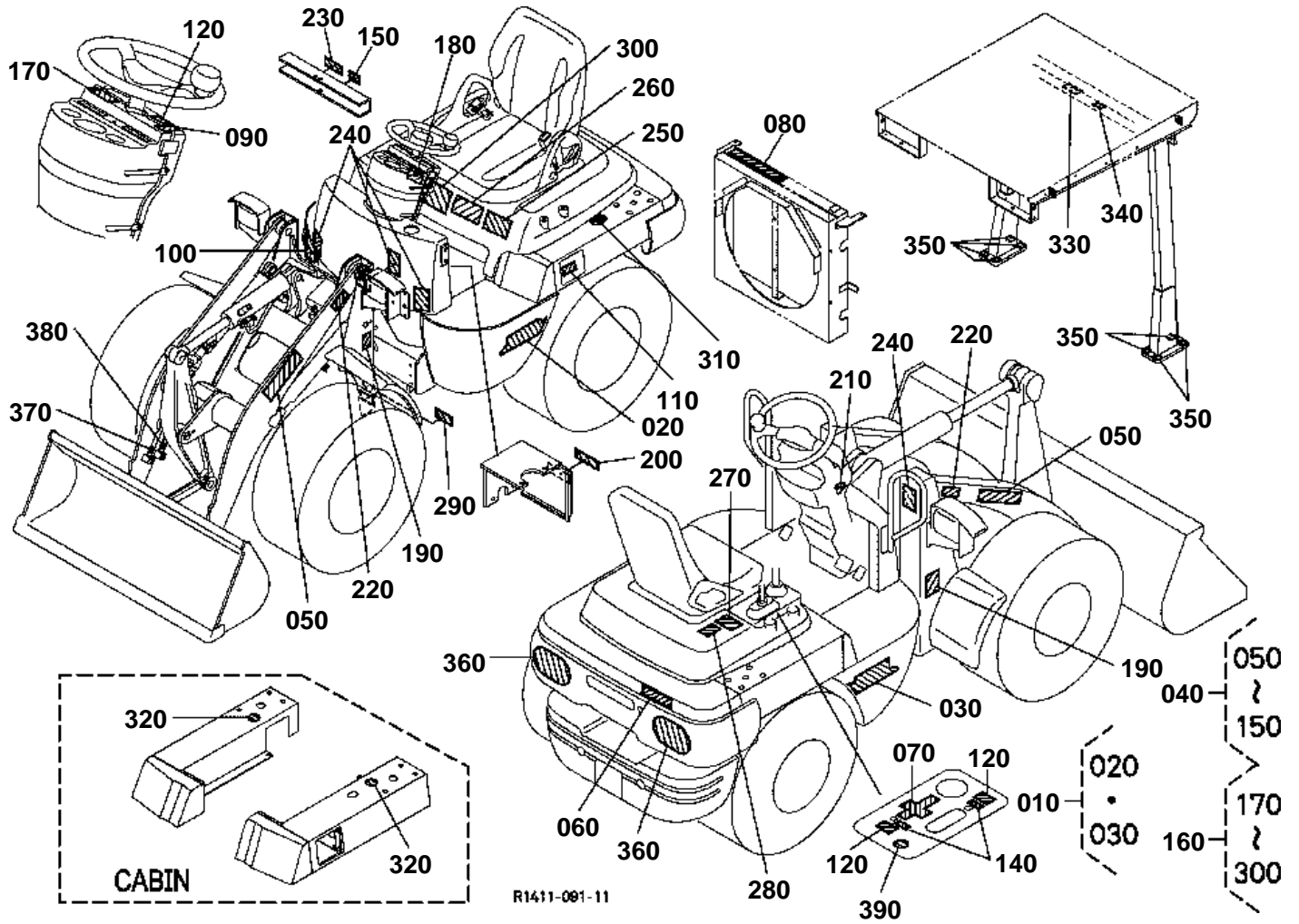
REF.No	Part No.	Description	Q'ty	S.No.	I/C	REMARKS	Weight (kgf)	Weight (lb)
010	3G710-72500	VALVE WATER	1				0.05	0.11
020	3G710-72560	UNIT HOSE	1				1.08	2.376
030	3G710-72570	UNIT HOSE	1				0.89	1.958
040	3G710-72580	UNIT HOSE	1				0.05	0.11
050	54800-38260	CLAMP HOSE	4				0.006	0.0132
060	3G710-72510	BRACKET	1				0.03	0.066
070	03034-50616	SCREW WITH WASHER	2				0.006	0.0132
080	R1411-45812	HOSE HEATER	1				0.39	0.858
090	RP401-61860	JOINT PIPE	1				0.036	0.0792
100	09318-88185	CLAMP HOSE	4				0.004	0.0088
110	RC411-47550	CLAMP HOSE	1				0.028	0.0616
120	01125-60820	BOLT	1				0.015	0.033
130	R1401-46870	GROMMET	2				0.012	0.0264
140	R1411-45830	TUBE GUARD	1				0.04	0.088
150	R1411-45820	COVER HEATER HOSE	1				0.6	1.32
160	01135-61020	BOLT	2				0.015	0.033



**CABIN (CUSHION)**

↔ Interchangeable; ≠ not interchangeable; ← new for old; → old for new

REF.No	Part No.	Description	Q'ty	S.No.	I/C	REMARKS	Weight (kgf)	Weight (lb)
010	R1411-47210	COVER FRONT	1				2.23	4.906
020	03034-50816	SCREW WITH WASHER	5				0.01	0.022
030	R1411-47220	ASSY SEAT	1				2.45	5.39
040	R1411-47232	SEAT LH	1				0.48	1.056
050	R1411-47242	SEAT RH	1				0.51	1.122
060	R1411-47250	SEAT	1				0.66	1.452
070	R1411-47260	CUSHION	2				0.09	0.198
080	R1411-47270	CUSHION	2				0.03	0.066
090	R1411-47280	CUSHION	1				0.18	0.396
100	R1411-47290	CUSHION	1				0.19	0.418
110	R1411-47312	CUSHION	1				0.04	0.088
120	R1411-47322	CUSHION	1				0.045	0.099
130	R1411-48612	SEAL RUBBER	1				0.009	0.0198
140	R1411-48622	SEAL RUBBER	1				0.009	0.0198
150	R1411-48630	SEAL RUBBER LS	1				0.001	0.0022
160	R1411-48640	SEAL RUBBER RS	1				0.001	0.0022



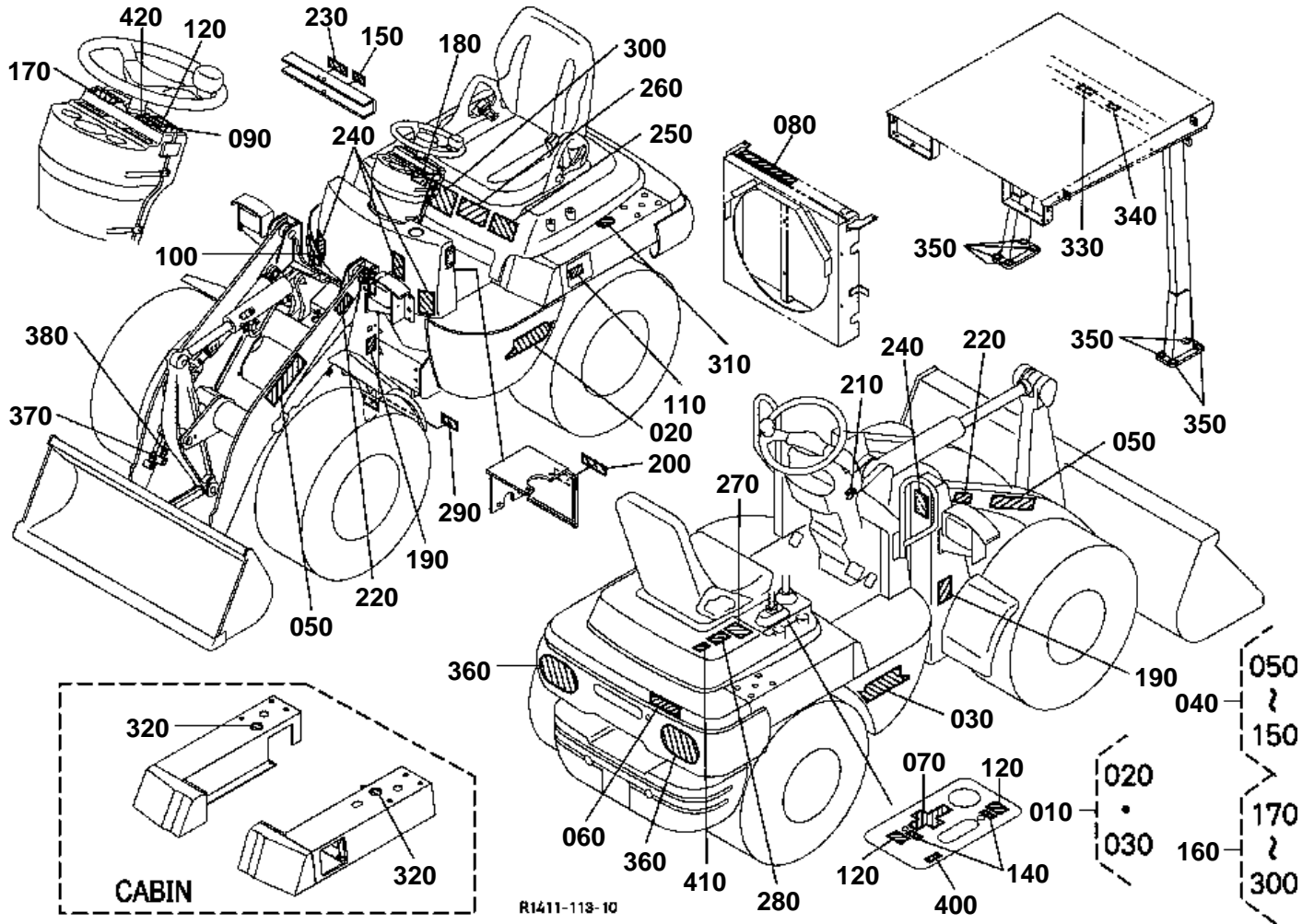
R1411-091-11



LABEL
[KTC]

↔ Interchangeable; ≠ not interchangeable; ← new for old; → old for new

REF.No	Part No.	Description	Q'ty	S.No.	I/C	REMARKS	Weight (kgf)	Weight (lb)
010	R2411-57100	ASSY LABEL	1				0.05	0.11
020	R2411-57130	LABEL	1				0.01	0.022
030	R2411-57140	LABEL	1				0.01	0.022
040	R2411-57200	ASSY LABEL	1				0.08	0.176
050	68328-57270	MARK KUBOTA	2				0.02	0.044
060	R2401-57180	LABEL KUBOTA	1				0.002	0.0044
070	R2401-57220	LABEL	1				0.001	0.0022
080	R2411-57850	LABEL	1				0.001	0.0022
090	R1401-57213	LABEL SP-CHANGE	1				0.001	0.0022
100	R2401-57350	LABEL	1				0.001	0.0022
110	R2401-57360	LABEL FUEL	1				0.001	0.0022
120	R1401-57230	LABEL LOCK	2				0.001	0.0022
130	99999-99999	BLANK	0				0	0
140	R2401-57620	LABEL	2				0.001	0.0022
150	R2401-57630	LABEL	1				0.001	0.0022
160	R2411-57300	ASSY LABEL	1				0.07	0.154
170	R2401-57340	LABEL ENGINE START	1				0.002	0.0044
180	R2401-57570	LABEL ENGINE START	1				0.002	0.0044
190	R2401-57530	LABEL	2				0.002	0.0044
200	R2401-57550	LABEL BRAKE	1				0.001	0.0022
210	R2401-57320	LABEL MAIN SWITCH	1				0.001	0.0022
220	R2401-57540	LABEL SUPPORT	2				0.002	0.0044
230	68817-57810	LABEL LIFT ARM SUPP.	1				0.002	0.0044
240	R2401-57560	LABEL	4				0.005	0.011
250	R2401-57582	LABEL	1				0.004	0.0088
260	R2401-57590	LABEL	1				0.004	0.0088
270	R2401-57250	LABEL	1				0.003	0.0066
280	R2401-57260	LABEL LEVER LOCK	1				0.003	0.0066
290	R2401-57720	LABEL	1				0.001	0.0022
300	R2401-57640	LABEL	1				0.006	0.0132
310	R1411-57460	LABEL	1			CANOPY	0.002	0.0044
320	R2401-45250	LABEL CANOPY	2			CABIN	0.001	0.0022
330	R2401-57510	LABEL ROPS	1			CANOPY	0.001	0.0022
340	R2401-57520	LABEL ROPS	1			CANOPY	0.001	0.0022
350	R2411-45410	LABEL CANOPY	8			CANOPY	0.001	0.0022
360	R2411-41710	LABEL	2				0.024	0.0528
370	68841-57930	MARK	1			WITH FRONT ATTACHMENTS	0.002	0.0044
380	68841-57940	MARK	1			WITH FRONT ATTACHMENTS	0.002	0.0044
390	R2401-57780	LABEL COVER	1				0.002	0.0044

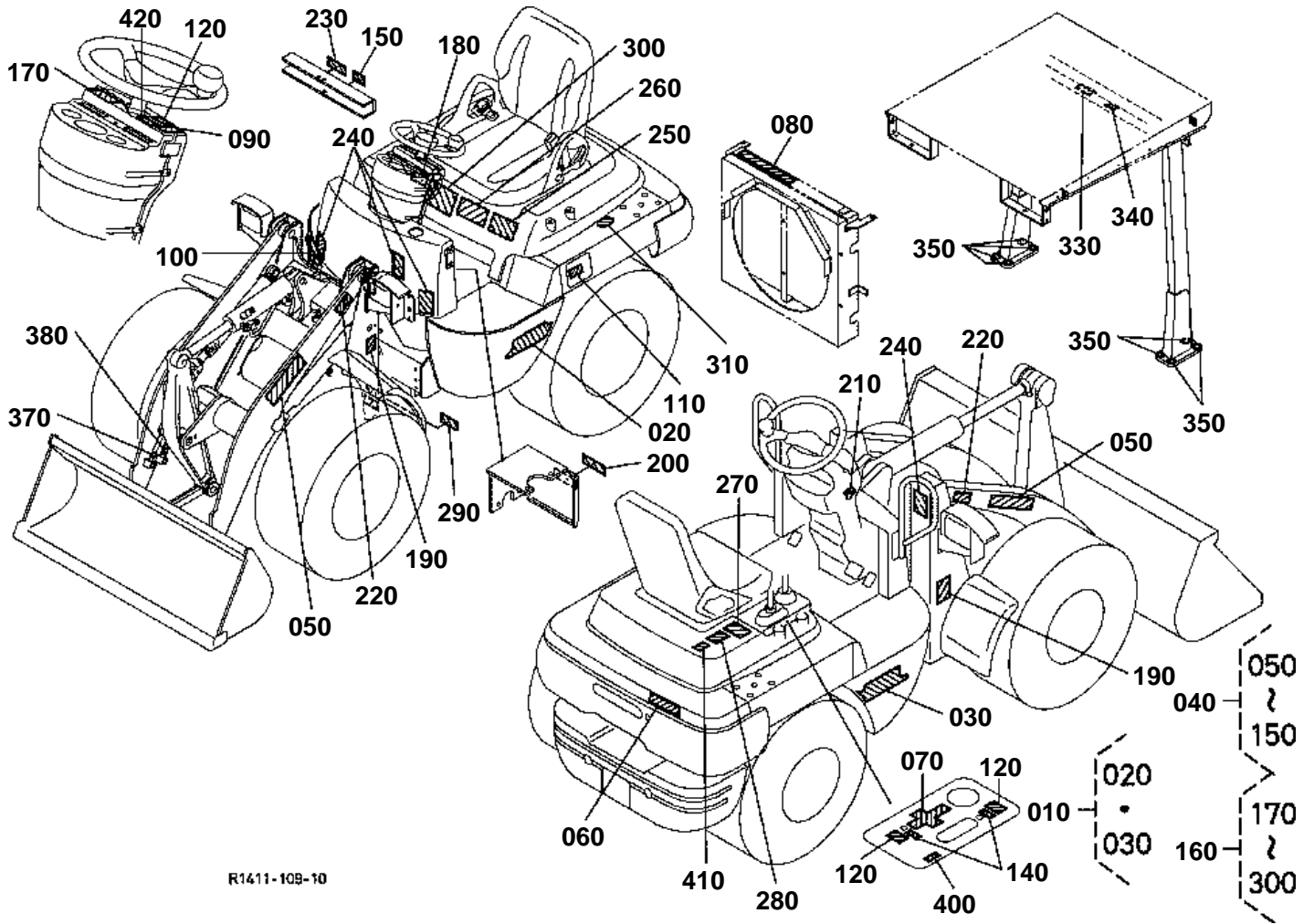




LABEL
[KCL]

↔ Interchangeable; ≠ not interchangeable; ← new for old; → old for new

REF.No	Part No.	Description	Q'ty	S.No.	I/C	REMARKS	Weight (kgf)	Weight (lb)
010	R2411-57100	ASSY LABEL	1				0.05	0.11
020	R2411-57130	LABEL	1				0.01	0.022
030	R2411-57140	LABEL	1				0.01	0.022
040	R2411-57200	ASSY LABEL	1				0.08	0.176
050	68328-57270	MARK KUBOTA	2				0.02	0.044
060	R2401-57180	LABEL KUBOTA	1				0.002	0.0044
070	R2401-57220	LABEL	1				0.001	0.0022
080	R2411-57850	LABEL	1				0.001	0.0022
090	R1401-57213	LABEL SP-CHANGE	1				0.001	0.0022
100	R2401-57350	LABEL	1				0.001	0.0022
110	R2401-57360	LABEL FUEL	1				0.001	0.0022
120	R1401-57230	LABEL LOCK	2				0.001	0.0022
130	99999-99999	BLANK	0				0	0
140	R2401-57620	LABEL	2				0.001	0.0022
150	R2401-57630	LABEL	1				0.001	0.0022
160	R2411-57300	ASSY LABEL	1				0.07	0.154
170	R2401-57340	LABEL ENGINE START	1				0.002	0.0044
180	R2401-57570	LABEL ENGINE START	1				0.002	0.0044
190	R2401-57530	LABEL	2				0.002	0.0044
200	R2401-57550	LABEL BRAKE	1				0.001	0.0022
210	R2401-57320	LABEL MAIN SWITCH	1				0.001	0.0022
220	R2401-57540	LABEL SUPPORT	2				0.002	0.0044
230	68817-57810	LABEL LIFT ARM SUPP.	1				0.002	0.0044
240	R2401-57560	LABEL	4				0.005	0.011
250	R2401-57582	LABEL	1				0.004	0.0088
260	R2401-57590	LABEL	1				0.004	0.0088
270	R2401-57250	LABEL	1				0.003	0.0066
280	R2401-57260	LABEL LEVER LOCK	1				0.003	0.0066
290	R2401-57720	LABEL	1				0.001	0.0022
300	R2401-57640	LABEL	1				0.006	0.0132
310	R1411-57460	LABEL	1			CANOPY	0.002	0.0044
320	R2401-45250	LABEL CANOPY	2			CABIN	0.001	0.0022
330	R2401-57510	LABEL ROPS	1			CANOPY	0.001	0.0022
340	R2401-57520	LABEL ROPS	1			CANOPY	0.001	0.0022
350	R2411-45410	LABEL CANOPY	8			CANOPY	0.001	0.0022
360	R2411-41710	LABEL	2				0.024	0.0528
370	68841-57930	MARK	1			WITH FRONT ATTACHMENTS	0.002	0.0044
380	68841-57940	MARK	1			WITH FRONT ATTACHMENTS	0.002	0.0044
390	99999-99999	BLANK	0				0	0
400	R2401-57750	LABEL	1				0.001	0.0022
410	R2401-57760	LABEL	1				0.001	0.0022
420	R2401-57770	LABEL	1				0.001	0.0022



R1411-10B-10



LABEL
[KTA]

↔ Interchangeable; ≠ not interchangeable; ← new for old; → old for new

REF.No	Part No.	Description	Q'ty	S.No.	I/C	REMARKS	Weight (kgf)	Weight (lb)
010	R2411-57100	ASSY LABEL	1				0.05	0.11
020	R2411-57130	LABEL	1				0.01	0.022
030	R2411-57140	LABEL	1				0.01	0.022
040	R2411-57200	ASSY LABEL	1				0.08	0.176
050	68328-57270	MARK KUBOTA	2				0.02	0.044
060	R2401-57180	LABEL KUBOTA	1				0.002	0.0044
070	R2401-57220	LABEL	1				0.001	0.0022
080	R2411-57850	LABEL	1				0.001	0.0022
090	R1401-57213	LABEL SP-CHANGE	1				0.001	0.0022
100	R2401-57350	LABEL	1				0.001	0.0022
110	R2401-57360	LABEL FUEL	1				0.001	0.0022
120	R1401-57230	LABEL LOCK	2				0.001	0.0022
130	99999-99999	BLANK	0				0	0
140	R2401-57620	LABEL	2				0.001	0.0022
150	R2401-57630	LABEL	1				0.001	0.0022
160	R2411-57300	ASSY LABEL	1				0.07	0.154
170	R2401-57340	LABEL ENGINE START	1				0.002	0.0044
180	R2401-57570	LABEL ENGINE START	1				0.002	0.0044
190	R2401-57530	LABEL	2				0.002	0.0044
200	R2401-57550	LABEL BRAKE	1				0.001	0.0022
210	R2401-57320	LABEL MAIN SWITCH	1				0.001	0.0022
220	R2401-57540	LABEL SUPPORT	2				0.002	0.0044
230	68817-57810	LABEL LIFT ARM SUPP.	1				0.002	0.0044
240	R2401-57560	LABEL	4				0.005	0.011
250	R2401-57582	LABEL	1				0.004	0.0088
260	R2401-57590	LABEL	1				0.004	0.0088
270	R2401-57250	LABEL	1				0.003	0.0066
280	R2401-57260	LABEL LEVER LOCK	1				0.003	0.0066
290	R2401-57720	LABEL	1				0.001	0.0022
300	R2401-57640	LABEL	1				0.006	0.0132
310	R1411-57460	LABEL	1				0.002	0.0044
320	99999-99999	BLANK	0				0	0
330	R2401-57510	LABEL ROPS	1				0.001	0.0022
340	R2401-57520	LABEL ROPS	1				0.001	0.0022
350	R2411-45410	LABEL CANOPY	8				0.001	0.0022
360	99999-99999	BLANK	0				0	0
370	68841-57930	MARK	1			WITH FRONT ATTACHMENTS	0.002	0.0044
380	68841-57940	MARK	1			WITH FRONT ATTACHMENTS	0.002	0.0044
390	99999-99999	BLANK	0				0	0
400	R2401-57750	LABEL	1				0.001	0.0022
410	R2401-57760	LABEL	1				0.001	0.0022
420	R2401-57770	LABEL	1				0.001	0.0022

**ACCESSORIES**

↔ Interchangeable; ≠ not interchangeable; ← new for old; → old for new

REF.No	Part No.	Description	Q'ty	S.No.	I/C	REMARKS	Weight (kgf)	Weight (lb)
010	R2401-81100	ASSY TOOLS	1				1.892	4.1624
020	68331-81220	WRENCH MONKEY	1				0.24	0.528
030	07115-56143	SCREWDRIVER CROSS	1				0.04	0.088
040	07211-10150	PLIERS	1				0.16	0.352
050	07012-11012	SPANNER	1				0.041	0.0902
060	07012-11417	SPANNER	1				0.084	0.1848
070	07012-11719	SPANNER	1				0.124	0.2728
080	68861-81110	ASSY WRENCH WHEEL	1				1	2.2
090	68861-81120	WRENCH WHEEL	1				0.7	1.54
100	68841-81130	PIPE	1				0.32	0.704
110	07013-01012	WRENCH(SOCKET)	1				0.144	0.3168
120	RB208-81110	SQUEEZER GREASE	1				1.3	2.86
130	15241-86612	WRENCH FILTER	1				0.115	0.253
140	15527-86610	WRENCH FILTER	1				0.15	0.33
150	R2411-81210	OPERATOR'S MANUAL	1				0.26	0.572
160	RC411-53980	FUSE	1				0.007	0.0154
170	68311-81130	BAG TOOLS	1				0.03	0.066
180	R2401-81310	BAG INSTRUCTION MAN.	1				0.11	0.242