

Instructions for Parts Books

The heading at the top of the page will be the same for the picture of the parts as it is for the page with the part numbers.

Definition of column headings on part number pages:

REF.No → The number referring to the part on the picture page of the parts book.

Part No. → The number assigned to this part at the time of printing the parts book.

Description → Description of part.

Q'ty → Quantity of part used on that page.

S.No. → Serial number range of the equipment that this part will fit.

>= Your serial number should be greater than or equal to the number shown.

<= Your serial number should be lesser than or equal to the serial number shown.

I/C → Interchangeability of part shown.

↔ The part shown will work for the older and later serial number.

The part shown is not interchangeable with the other serial number.

← new for old

→ old for new

Remarks → Notes about this particular part. Sometimes this may say except [FR] or [CA]

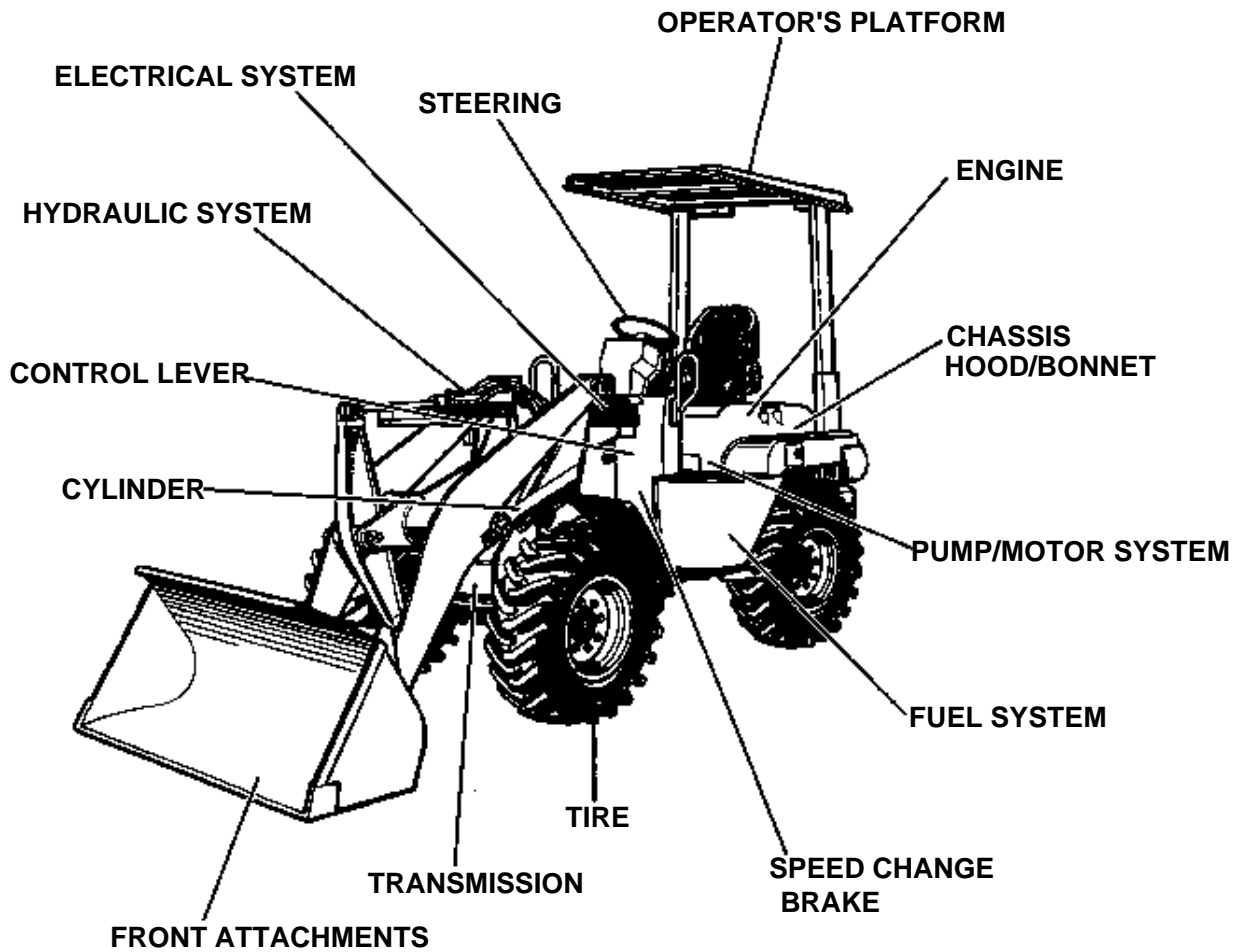
Note about Country Codes:

The parts books we use in the United States of America may also contain information about a part that would be different in another country. It is important that you are aware of the country codes in some instances.

Symbol	Country
A	United States of America
CA	Canada
FR	France
GR	Greece
PO	Portugal
AU	Australia

If the remarks column says for example EXCEPT [FR] this part works in all countries except France. That means it will work here in the USA.

ALL PRODUCT INDEX
R520S



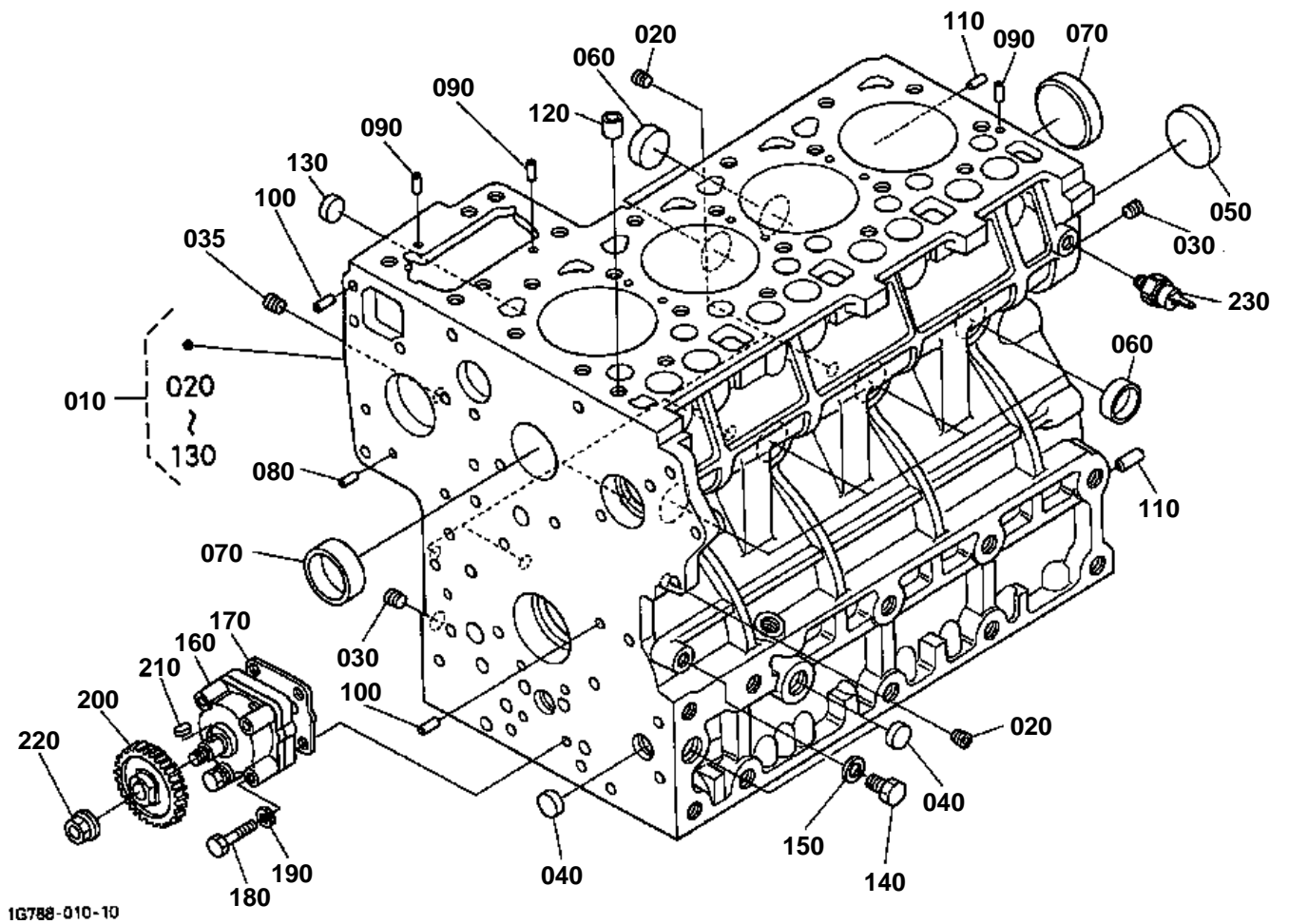
LABELS

ACCESSORIES

Item	Part No.	Description	Book	
ENGINE	01000102	CRANK CASE	100A0231	
	01000202	OIL PAN	100A0231	
	01000302	CYLINDER HEAD	100A0231	
	010004	GEAR CASE	100A0231	
	01000502	HEAD COVER	100A0231	
	01010002	MAIN BEARING CASE	100A0231	
	01010102	CAMSHAFT AND IDLE GEAR SHAFT	100A0231	
	01010202	PISTON AND CRANKSHAFT	100A0231	
	01010302	FLYWHEEL	100A0231	
	01010502	FUEL CAMSHAFT AND GOVERNOR SHAFT	100A0231	
	010200	ENGINE STOP LEVER	100A0231	
	01020202	INJECTION PUMP	100A0231	
	01020402	GOVERNOR	100A0231	
	010205	SPEED CONTROL PLATE	100A0231	
	01020602	NOZZLE HOLDER AND GLOW PLUG	100A0231	
	010413	ALTERNATOR	100A0231	
	010414	ALTERNATOR (COMPONENT PARTS)	100A0231	
	01041602	STARTER	100A0231	
	01041702	STARTER (COMPONENT PARTS)	100A0231	
	01050002	WATER FLANGE AND THERMOSTAT	100A0231	
	01050102	WATER PUMP	100A0231	
	01060002	VALVE AND ROCKER ARM	100A0231	
	01061002	INLET MANIFOLD	100A0231	
	01061202	EXHAUST MANIFOLD	100A0231	
	01090002	GASKET KIT	100A0231	
	01090004	GASKET KIT	100A0231	
	020030	ENGINE BRACKET	100A0231	
	020503	WATER PIPE	100A0231	
	020511	RADIATOR	100A0231	
	02061402	AIR CLEANER	100A0231	
	02061602	MUFFLER	100A0231	
	02A00102	DRAIN PIPING	100A0231	
	FUEL SYSTEM	02A300	FUEL PIPING	100A0231
		02A301	FUEL FILTER (COMPONENT PARTS)	100A0231
02A303		FUEL TANK	100A0231	
ELECTRICAL SYSTEM	02B400	BATTERY	100A0231	
	02B402	RELAY	100A0231	
	02B404	SWITCH AND METER	100A0231	
	02B406	LAMP	100A0231	
	02B407	LAMP [ROPS]	100A0231	
	02B408	ELECTRICAL WIRING	100A0231	
	TRANSMISSION	02C000	MISSION CASE	100A0231
02C100		FRONT AXLE CASE	100A0231	
02C102		FRONT AXLE	100A0231	
02C200		FRONT DIFFERENTIAL CASE	100A0231	
02C202		PLANETARY GEAR (FRONT)	100A0231	
02C204		FRONT DIFFERENTIAL	100A0231	
02C300		REAR AXLE CASE	100A0231	
02C302		REAR AXLE	100A0231	
02C400		REAR DIFFERENTIAL CASE	100A0231	
02C402		PLANETARY GEAR (REAR)	100A0231	
02C404		REAR DIFFERENTIAL	100A0231	
02C500		PROPELLER SHAFT	100A0231	
TIRE		02D00002	WHEEL/TIRE	100A0231
STEERING		02E000	STEERING HANDLE	100A0231
	02E002	HYDRAULIC OIL LINE (STEERING)	100A0231	
	02E004	STREERING CONTROLLER	100A0231	
SPEED CHANGE	02E200	ACCELERATOR PEDAL	100A0231	
BRAKE	02F000	BRAKE PEDAL	100A0231	

Item	Part No.	Description	Book
BRAKE	02F100	BRAKE OPERATION	100A0231
	02F102	BRAKE PIPING	100A0231
	02F104	BRAKE	100A0231
PUMP/MOTOR SYSTEM	02G000	PUMP HOUSING	100A0231
	02G200	LST PUMP (ADAPTER)	100A0231
	02G201	LST PUMP (RELIEF VALVE)	100A0231
	02G300	LST MOTOR	100A0231
	02G400	CONTROL VALVE	100A0231
	02G401	CONTROL VALVE (COMPONENT PARTS)	100A0231
	02G40401	SPOOL SECTION(LIFT)	100A0231
	02G40402	SPOOL SECTION(TILT)	100A0231
	02G40403	SPOOL SECTION(S/P)	100A0231
	02G500	SOLENOID VALVE	100A0231
	02G600	OIL TANK	100A0231
	02G700	OIL COOLER	100A0231
	02G710	OIL FILTER	100A0231
	CONTROL LEVER	02H000	CONTROL LEVER (SHOVEL)
02H001		CONTROL LEVER (SHOVEL) (COMPONENT PARTS)	100A0231
02H010		CONTROL LEVER (S/P) (COMPONENT PARTS)	100A0231
FRONT ATTACHMENTS	02H100	SHOVEL ARM	100A0231
	02H102	TILT ARM	100A0231
	02H20002	BUCKET	100A0231
HYDRAULIC SYSTEM	02J000	HYDRAULIC OIL LINE (SUCTION)	100A0231
	02J100	HYDRAULIC OIL LINE (RETURN)	100A0231
	02J120	HYDRAULIC OIL LINE (OIL COOLER)	100A0231
	02J300	RETURN FILTER	100A0231
	02J400	HIGH PRESSURE OIL LINE	100A0231
	02J500	HYDRAULIC OIL LINE (LIFT)	100A0231
	02J600	HYDRAULIC OIL LINE (TILT)	100A0231
	02J700	HYDRAULIC OIL LINE (S/P)	100A0231
CYLINDER	02K000	LIFT CYLINDER	100A0231
	02K00102	LIFT CYLINDER LEFT (COMPONENT PARTS)	100A0231
	02K00202	LIFT CYLINDER RIGHT (COMPONENT PARTS)	100A0231
	02K100	TILT CYLINDER	100A0231
	02K10102	TILT CYLINDER (COMPONENT PARTS)	100A0231
	02K200	STEERING CYLINDER	100A0231
	02K20102	STEERING CYLINDER (COMPONENT PARTS)	100A0231
CHASSIS	02L000	FRONT FRAME	100A0231
	02L100	FRAME CONNECTION	100A0231
	02L200	REAR FRAME	100A0231
HOOD/BONNET	02L300	REAR FENDER	100A0231
	02L302	MUD GUAD	100A0231
	02L304	FENDER	100A0231
	02L400	HOOD	100A0231
	02L402	HOOD LOCK	100A0231
	02L500	OPERATION STAND	100A0231
	02M000	SEAT	100A0231
	02M100	SOUND ABSORBER	100A0231
OPERATOR'S PLATFORM LABELS	02M101	SOUND ABSORBER	100A0231
	02N000	ROPS	100A0231
ACCESSORIES	02P000	LABEL	100A0231
	02R000	ACCESSORIES	100A0231

CRANK CASE



1G788-010-10

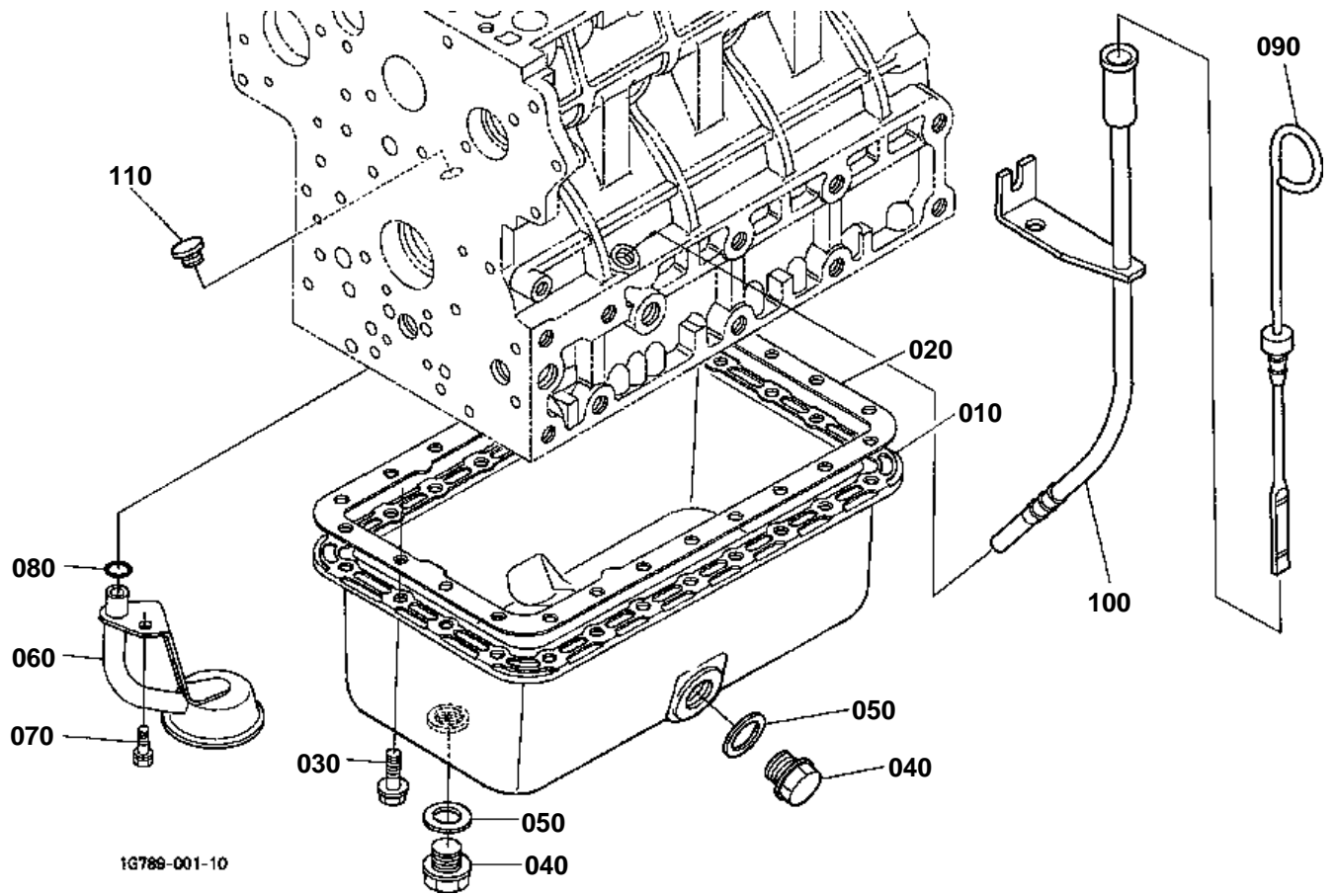


CRANK CASE

↔ Interchangeable; ≠ not interchangeable; ← new for old; → old for new

REF.No	Part No.	Description	Q'ty	S.No.	I/C	REMARKS	Weight (kgf)	Weight (lb)
010	1A085-01014	COMP.CRANKCASE	1				54.5	119.9
020	15521-96020	PLUG	6				0.003	0.0066
030	15521-96030	PLUG	2				0.007	0.0154
035	06312-10020	PLUG	1				0.016	0.0352
040	17391-96160	PLUG EXPANSION	3				0.003	0.0066
050	16271-96160	PLUG EXPANSION	1				0.025	0.055
060	15221-03380	CAP SEALING	6				0.017	0.0374
070	15221-03390	CAP SEALING	2				0.03	0.066
080	05012-00408	PIN STRAIGHT	2				0.001	0.0022
090	05012-00609	PIN STRAIGHT	3				0.003	0.0066
100	05012-00612	PIN STRAIGHT	2				0.003	0.0066
110	05012-01018	PIN STRAIGHT	2				0.012	0.0264
120	15221-33650	PIN PIPE	1				0.004	0.0088
130	06311-85020	CAP SEALING	1				0.002	0.0044
140	15221-33610	PLUG	1				0.009	0.0198
150	15021-33660	GASKET	1				0.001	0.0022
160	15471-35012	ASSY PUMP OIL	1				0.55	1.21
170	1A021-35150	GASKET OIL PUMP	1				0.001	0.0022
180	01053-50650	BOLT	4				0.011	0.0242
190	04512-60060	WASHER SPRING	4				0.001	0.0022
200	19202-35660	GEAR OIL PUMP DRIVE	1				0.23	0.506
210	05712-00410	KEY FEATHER	1				0.001	0.0022
220	15221-35682	NUT FLANGE	1				0.014	0.0308
230	1A024-39010	SWITCH OIL	1				0.035	0.077

OIL PAN



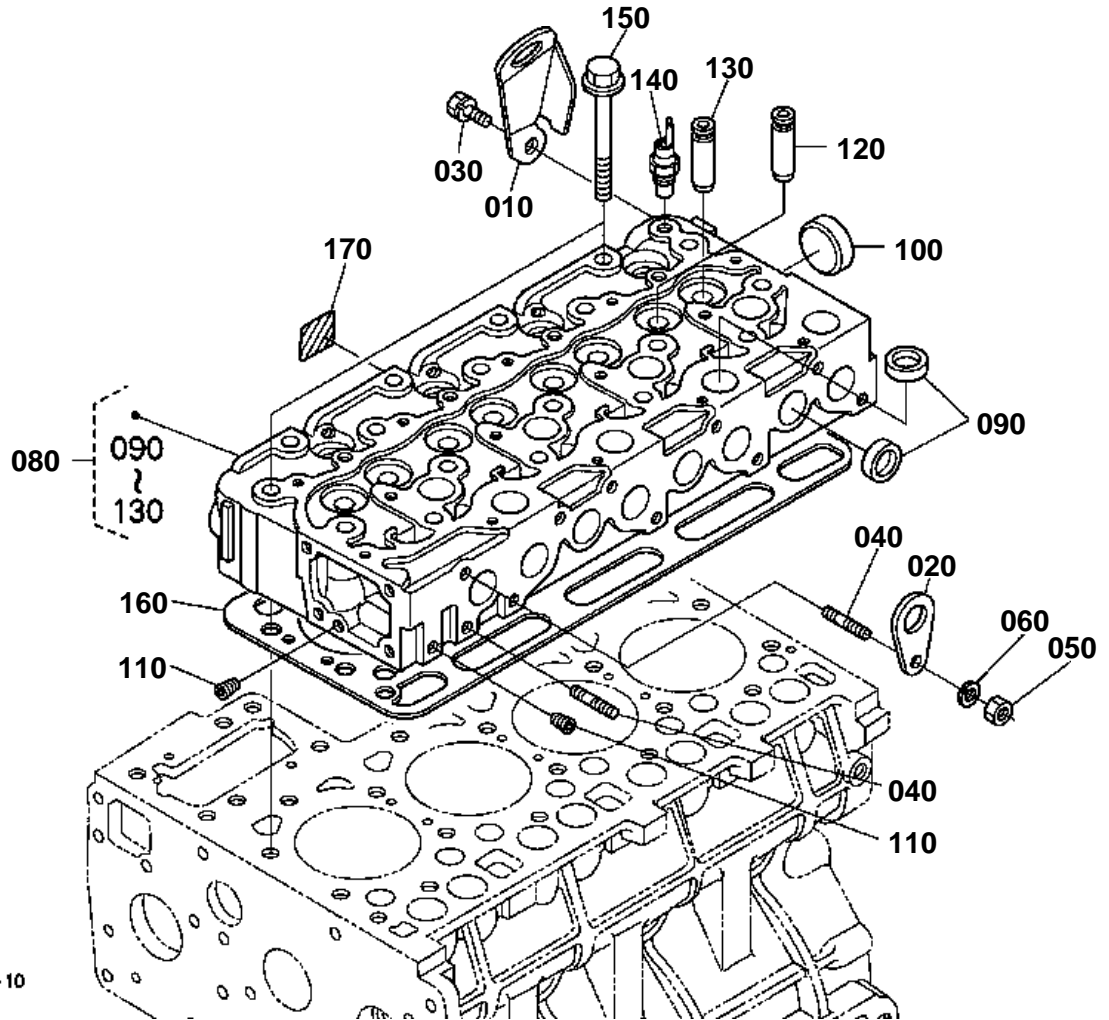


OIL PAN

↔ Interchangeable; ≠ not interchangeable; ← new for old; → old for new

REF.No	Part No.	Description	Q'ty	S.No.	I/C	REMARKS	Weight (kgf)	Weight (lb)
010	1G789-01500	COMP.OIL PAN	1				0	0
020	1G780-01620	GASKET OIL PAN	1				0.05	0.11
030	17333-91013	BOLT FLANGE	24				0.03	0.066
040	15707-33750	PLUG DRAIN	2				0.1	0.22
050	15451-96670	GASKET	2				0.003	0.0066
060	1G850-32110	FILTER OIL	1				0.255	0.561
070	01123-60814	BOLT	1				0.01	0.022
080	04814-00160	O RING	1				0.001	0.0022
090	16495-36410	GAUGE OIL	1				0.05	0.11
100	17082-36423	GUIDE OIL GAUGE	1				0.21	0.462
110	16414-33640	PLUG OIL GAUGE	1				0.003	0.0066

CYLINDER HEAD



1G789-002-10

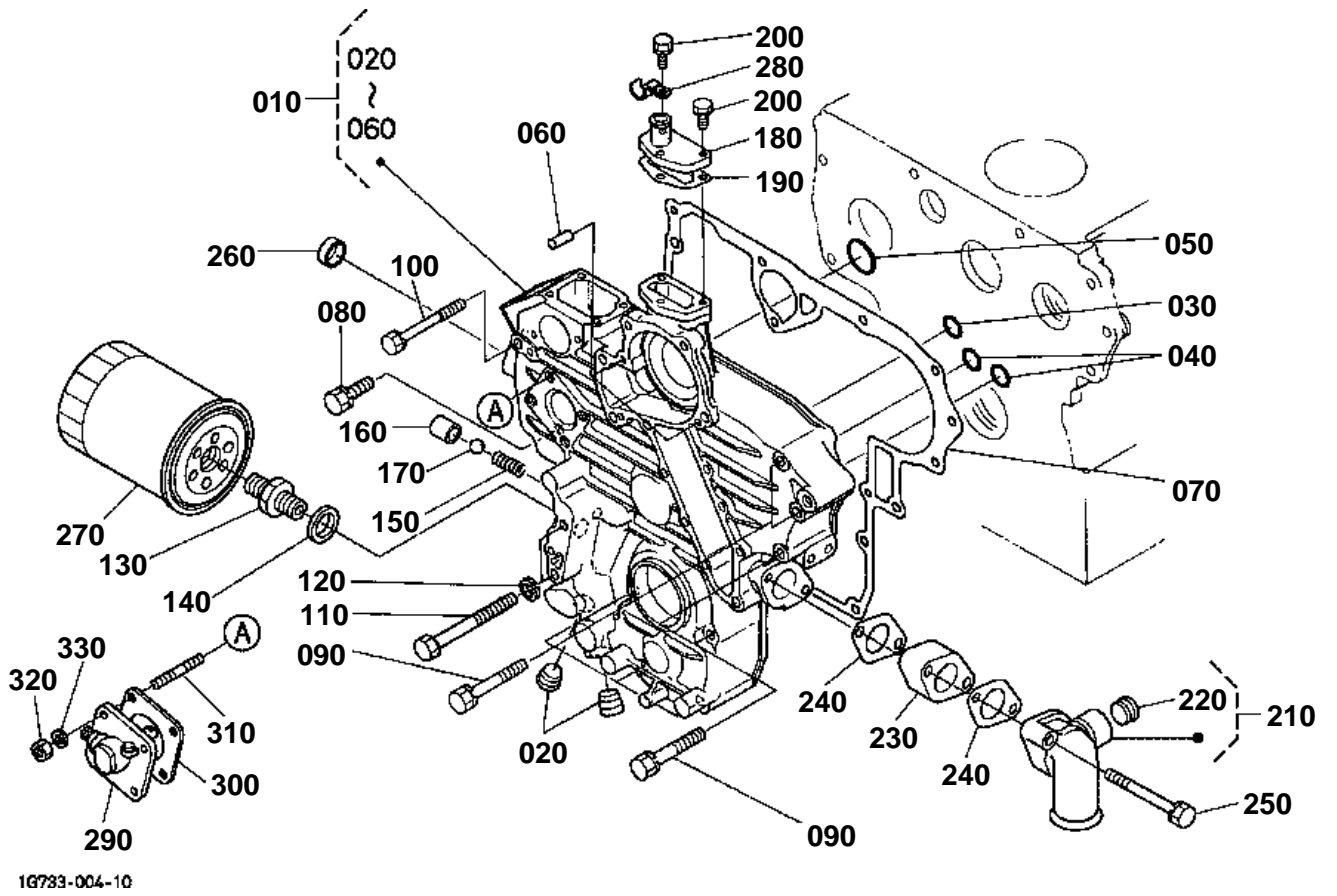


CYLINDER HEAD

↔ Interchangeable; ≠ not interchangeable; ← new for old; → old for new

REF.No	Part No.	Description	Q'ty	S.No.	I/C	REMARKS	Weight (kgf)	Weight (lb)
010	16415-01752	HOOK ENGINE	1				0.115	0.253
020	15221-01750	HOOK ENGINE	1				0.04	0.088
030	01123-60816	BOLT	1				0.01	0.022
040	15471-91530	STUD	1				0.01	0.022
050	02156-50080	NUT	1				0.004	0.0088
060	04512-60080	WASHER SPRING	1				0.002	0.0044
070	99999-99999	BLANK	0				0	0
080	1G780-03042	COMP.CYLINDER HEAD	1				20	44
090	15221-03370	CAP SEALING	12				0.01	0.022
100	15221-03490	CAP SEALING	1				0.02	0.044
110	15261-96010	PLUG	2				0.002	0.0044
120	17321-13580	GUIDE INLET VALVE	4				0.015	0.033
130	17321-13560	GUIDE EXHAUST VALVE	4				0.02	0.044
140	31351-32830	SENSOR THERMO	1				0.02	0.044
150	19013-03450	BOLT CYLINDER HEAD	18				0.077	0.1694
160	1G790-03312	GASKET CYL.HEAD	1				0.29	0.638
170	1G790-87210	LABEL PUMP	1				0.001	0.0022

GEAR CASE



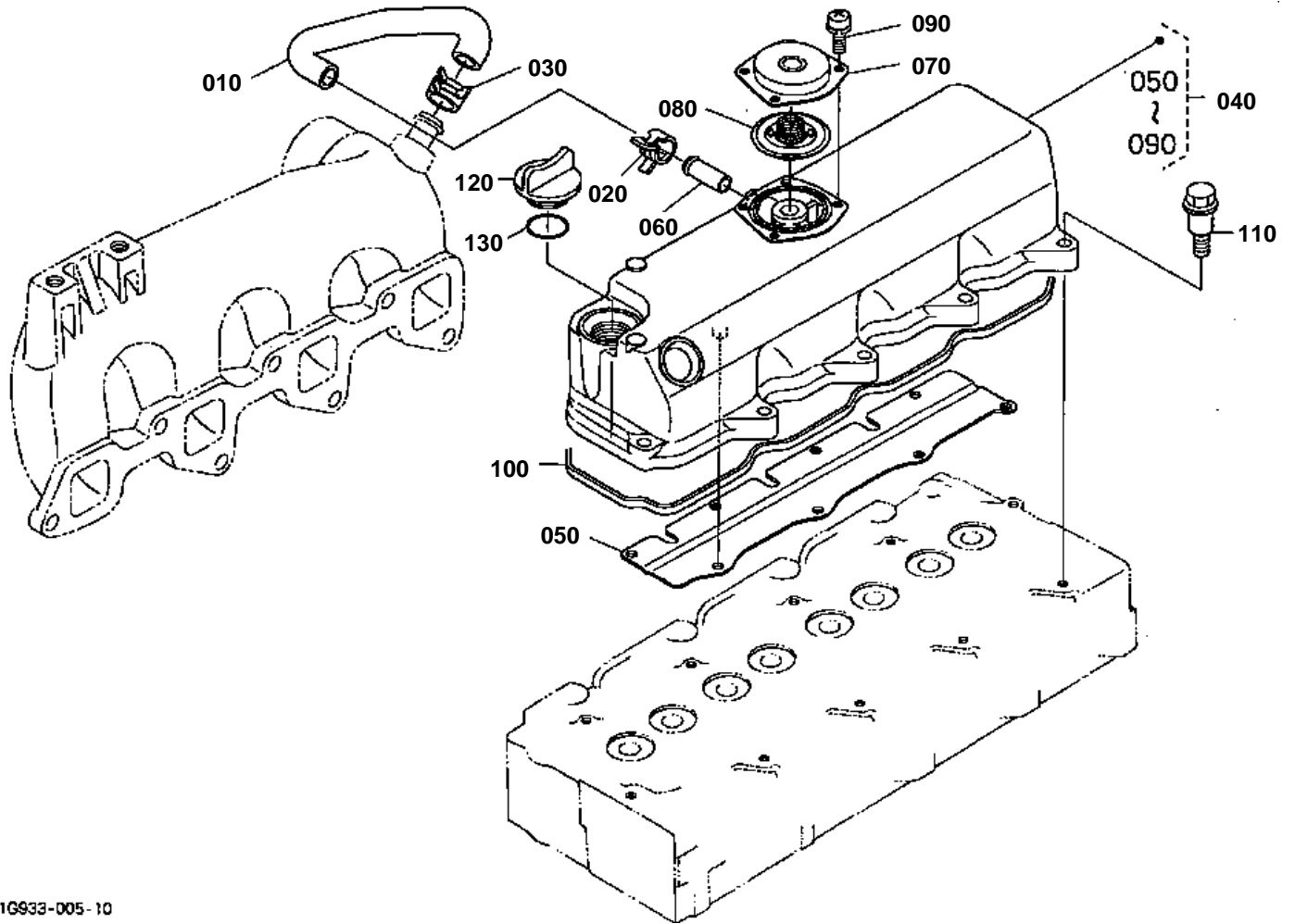


GEAR CASE

↔ Interchangeable; ≠ not interchangeable; ← new for old; → old for new

REF.No	Part No.	Description	Q'ty	S.No.	I/C	REMARKS	Weight (kgf)	Weight (lb)
010	1G788-04010	ASSY CASE GEAR	1				3.6	7.92
020	16241-96020	PLUG	2				0.015	0.033
030	04814-00150	O RING	1				0.001	0.0022
040	04814-00220	O RING	2				0.001	0.0022
050	04814-00360	O RING	1				0.001	0.0022
060	05012-00612	PIN STRAIGHT	2				0.003	0.0066
070	1A021-04130	GASKET GEAR CASE	1				0.019	0.0418
080	01123-50835	BOLT	1				0.02	0.044
090	01123-50870	BOLT	7				0.029	0.0638
100	17367-91010	BOLT	1				0.005	0.011
110	01153-50802	BOLT	2				0.04	0.088
120	04512-60080	WASHER SPRING	2				0.002	0.0044
130	15521-32293	JOINT PIPE	1				0.05	0.11
140	1G790-32302	COLLAR VALVE SEAT	1				0.007	0.0154
150	15241-36950	SPRING	1				0.004	0.0088
160	15521-36930	SEAT VALVE	1				0.015	0.033
170	07715-03213	BALL	1				0.004	0.0088
180	15521-73320	FLANGE WATER RETURN	1				0.04	0.088
190	1A021-73330	GASKET RETURN FLANGE	1				0.001	0.0022
200	01023-50620	BOLT	3				0.006	0.0132
210	1A085-72800	COMP FLANGE WATER	1				0.155	0.341
220	1A021-96020	PLUG	1				0.015	0.033
230	1G728-72830	SPACER	1				0	0
240	1A053-72840	GASKET WATER FLANGE	2				0.001	0.0022
250	01123-50870	BOLT	2				0.029	0.0638
260	06311-85018	CAP SEALING	1				0.004	0.0088
270	15831-32430	CARTRIDGE OIL FILTER	1				0.57	1.254
280	15241-67580	CLAMP CORD	1				0.004	0.0088
290	38240-34660	ASSY GEAR CASE H/M	1				0.335	0.737
300	15296-88130	GASKET H/METER UNIT	1				0.002	0.0044
310	15221-88210	STUD	4				0.005	0.011
320	02056-50060	NUT	4				0.002	0.0044
330	04512-60060	WASHER SPRING	4				0.001	0.0022

HEAD COVER



1G933-005-10

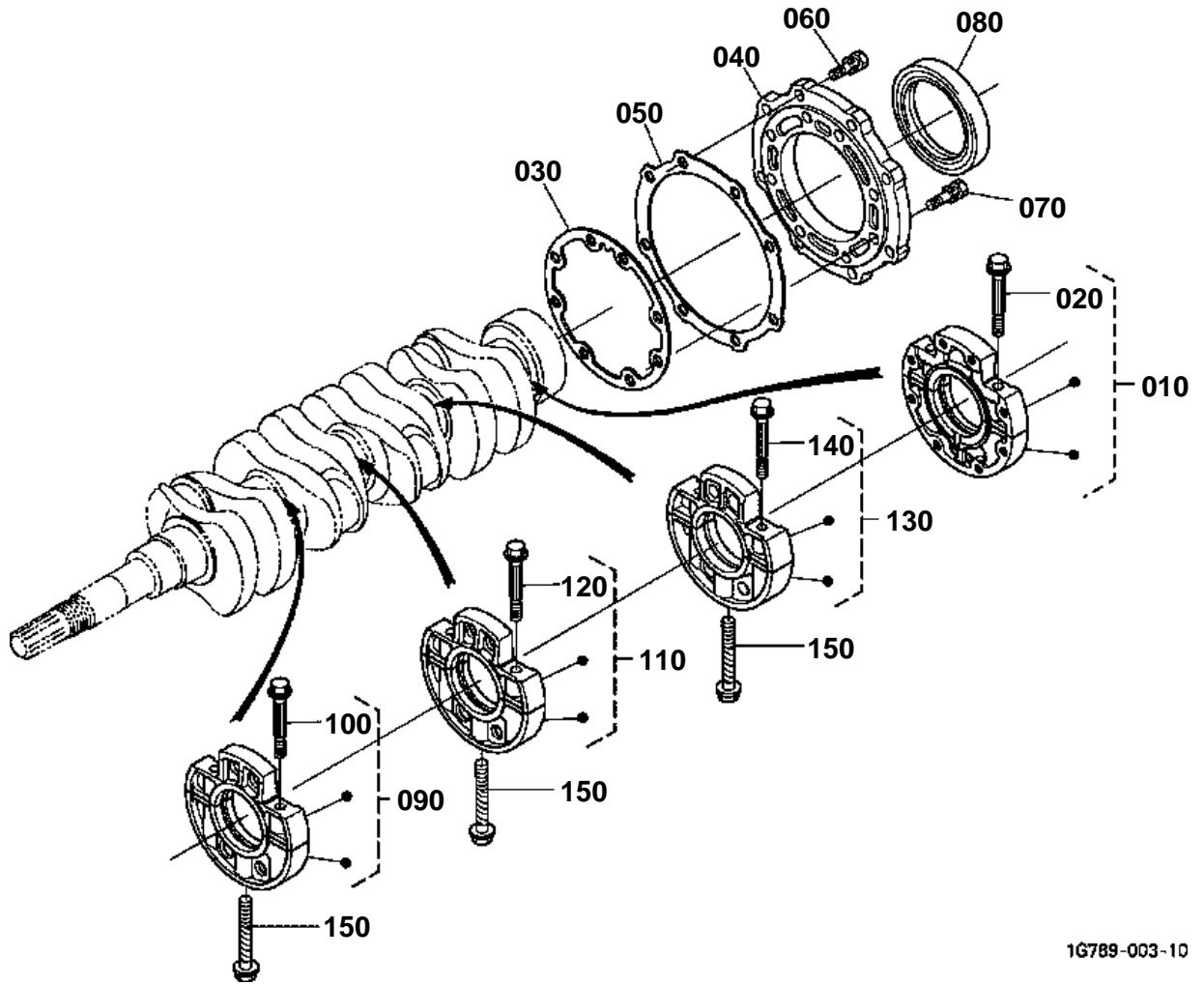


HEAD COVER

↔ Interchangeable; ≠ not interchangeable; ← new for old; → old for new

REF.No	Part No.	Description	Q'ty	S.No.	I/C	REMARKS	Weight (kgf)	Weight (lb)
010	1G932-05510	TUBE BREATHER	1				0.066	0.1452
020	09318-88155	CLAMP HOSE	1				0.005	0.011
030	09318-88200	CLAMP HOSE	1				0.004	0.0088
040	1G790-14503	ASSY COVER CYL.HEAD	1				1.6	3.52
050	1G911-05370	SHIELD BREATHER	1				0.14	0.308
060	17331-73342	PIPE WATER RETURN	1				0.01	0.022
070	1G911-05120	COVER BREATHER	1				0.045	0.099
080	1G911-05200	COMP.VALVE BREATHER	1				0.01	0.022
090	03024-50510	SCREW WITH WASHER	4				0.002	0.0044
100	1G911-14520	GASKET HEAD COVER	1				0.025	0.055
110	1G911-91022	BOLT	10				0.015	0.033
120	15852-33140	PLUG OIL FILLER	1				0.038	0.0836
130	04817-50300	O RING	1				0.001	0.0022

MAIN BEARING CASE



1G789-003-10

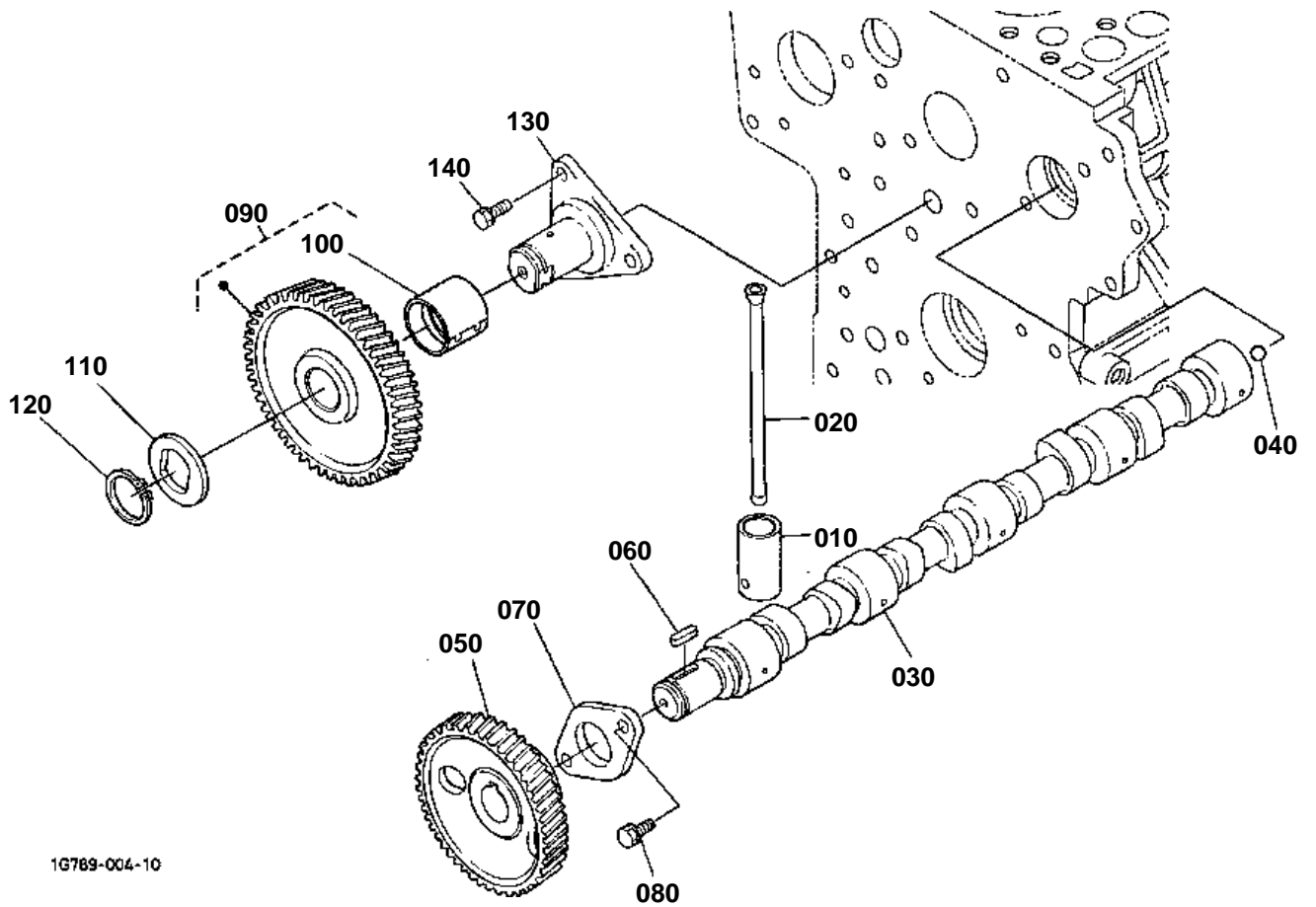


MAIN BEARING CASE

↔ Interchangeable; ≠ not interchangeable; ← new for old; → old for new

REF.No	Part No.	Description	Q'ty	S.No.	I/C	REMARKS	Weight (kgf)	Weight (lb)
010	1A041-07092	ASSY BRG.CASE WHEEL	1				1.34	2.948
020	1A091-04540	BOLT BEARING CASE	2				0.035	0.077
030	1A091-04362	GASKET BEARING CASE	1				0.005	0.011
040	1G851-04810	COVER BEARING CASE	1				0.495	1.089
050	1A091-04820	GASKET CASE COVER	1				0.006	0.0132
060	01123-50825	BOLT	8				0.013	0.0286
070	01123-50828	BOLT	8				0.014	0.0308
080	19202-04460	SEAL OIL	1				0.055	0.121
090	1A091-07042	ASSY BRG.CASE MAIN	1				1.34	2.948
100	1A091-04540	BOLT BEARING CASE	2				0.035	0.077
110	1A091-07052	ASSY BRG.CASE MAIN	1				1.34	2.948
120	1A091-04540	BOLT BEARING CASE	2				0.035	0.077
130	1A091-07062	ASSY BRG.CASE MAIN	1				1.445	3.179
140	1A091-04540	BOLT BEARING CASE	2				0.035	0.077
150	15601-04560	BOLT BEARING CASE	3				0.06	0.132

CAMSHAFT AND IDLE GEAR SHAFT



1G789-004-10

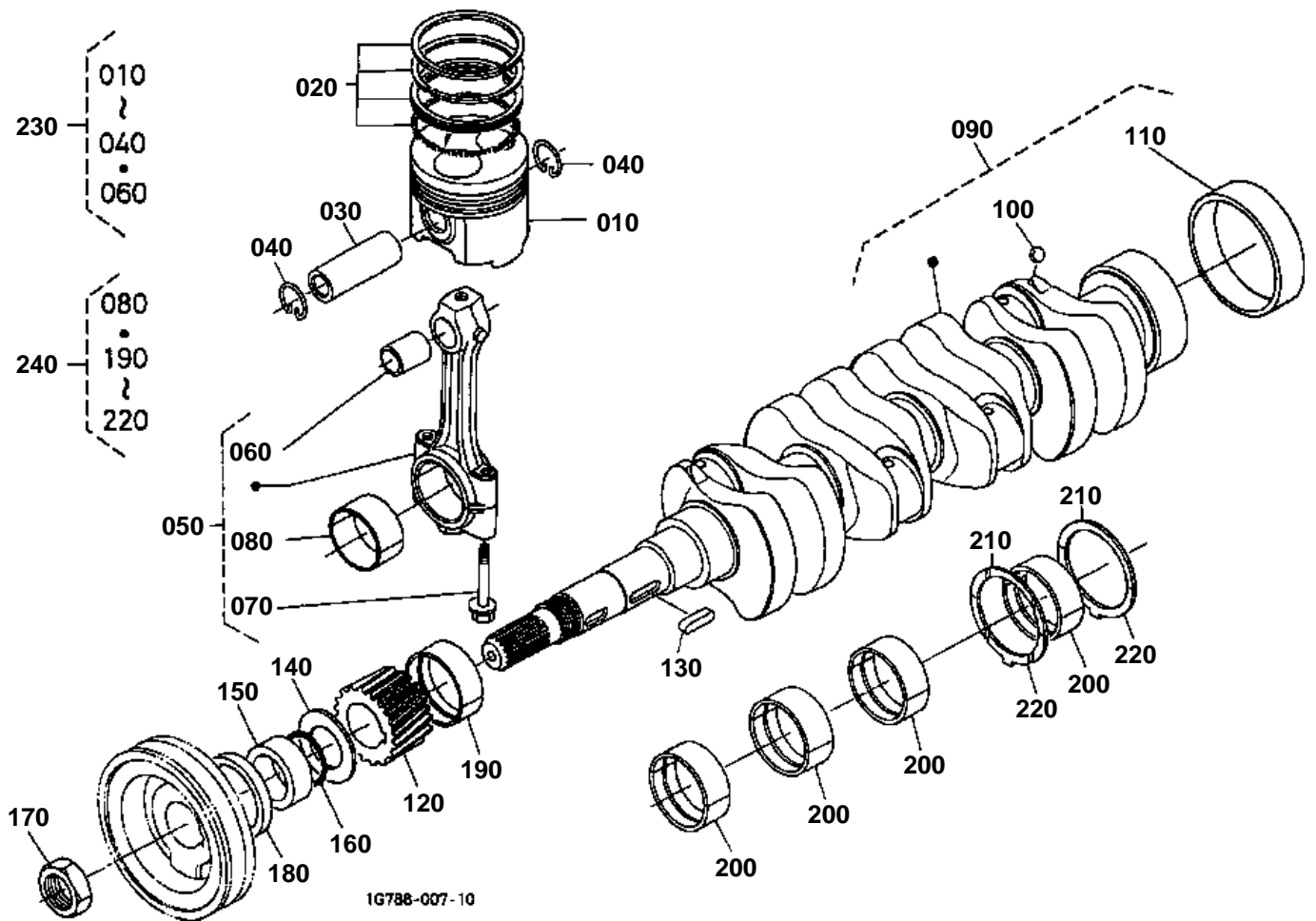


CAMSHAFT AND IDLE GEAR SHAFT

↔ Interchangeable; ≠ not interchangeable; ← new for old; → old for new

REF.No	Part No.	Description	Q'ty	S.No.	I/C	REMARKS	Weight (kgf)	Weight (lb)
010	15601-15550	TAPPET	8				0.08	0.176
020	19013-15110	PUSH ROD	8				0.05	0.11
030	1A091-16152	CAMSHAFT	1				2.3	5.06
040	07715-00401	BALL	1				0.001	0.0022
050	1A091-16513	GEAR CAM	1				0.8	1.76
060	05712-00720	KEY FEATHER	1				0.008	0.0176
070	15221-16270	STOPPER CAMSHAFT	1				0.073	0.1606
080	01123-50818	BOLT	2				0.012	0.0264
090	1G791-24010	COMP.GEAR IDLE	1				1.195	2.629
100	1A021-24980	BUSH IDLE GEAR	1				0.072	0.1584
110	1A021-24370	COLLAR	1				0.022	0.0484
120	15451-95400	CIR CLIP EXTERNAL	1				0.01	0.022
130	1A021-24250	SHAFT IDLE GEAR	1				0.685	1.507
140	01123-50818	BOLT	3				0.012	0.0264

PISTON AND CRANKSHAFT



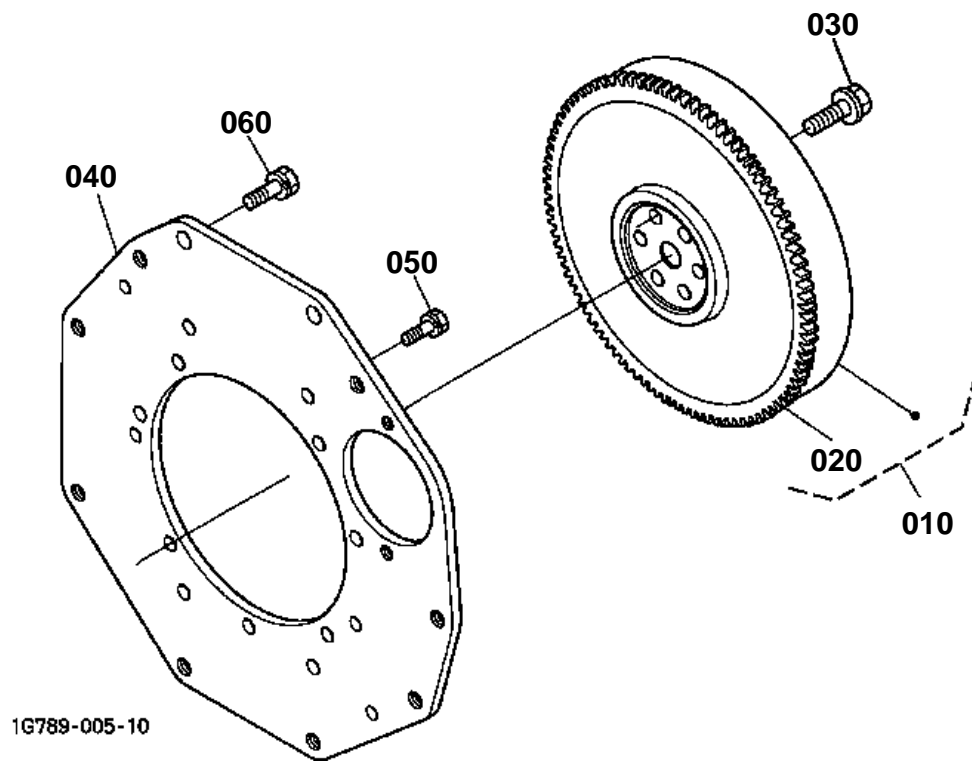


PISTON AND CRANKSHAFT

↔ Interchangeable; ≠ not interchangeable; ← new for old; → old for new

REF.No	Part No.	Description	Q'ty	S.No.	I/C	REMARKS	Weight (kgf)	Weight (lb)
010	1A091-21112	PISTON	4			STD	0.545	1.199
010	1A091-21902	PISTON	4			+0.25mm	0.545	1.199
020	1A091-21050	ASSY PISTON RING	4			STD	0.055	0.121
020	1A091-21090	ASSY PISTON RING	4			+0.25mm	0.045	0.099
030	14901-21310	PIN PISTON	4				0.17	0.374
040	14109-21330	CIR CLIP INTERNAL	8				0.001	0.0022
050	17311-22010	ASSY CONNECTING ROD	4				0.885	1.947
060	17331-21980	BUSH PISTON PIN	4				0.025	0.055
070	15521-22142	BOLT CONNECTING ROD	8				0.026	0.0572
080	17311-22310	METAL CRANKPIN	4			STD SET	0.045	0.099
080	17331-22970	METAL CRANKPIN	4			-0.20mm SET	0.05	0.11
080	17331-22980	METAL CRANKPIN	4			-0.40mm SET	0.045	0.099
090	1G790-23012	COMP.CRANKSHAFT	1				16.5	36.3
100	07715-00401	BALL	4				0.001	0.0022
110	19202-23280	BUSH CRANKSHAFT	1				0.09	0.198
120	1A081-24110	GEAR CRANKSHAFT	1				0	0
130	05712-00728	KEY FEATHER	1				0.01	0.022
140	15471-23312	SLINGER OIL	1				0.008	0.0176
150	19202-23250	COLLAR CRANKSHAFT	1				0.065	0.143
160	19202-96760	O RING	1				0.001	0.0022
170	15221-23360	NUT CRANKSHAFT	1				0.11	0.242
180	19202-04140	SEAL OIL	1				0.015	0.033
190	1A091-23470	METAL CRANKSHAFT	1			STD	0.062	0.1364
190	1A091-23910	METAL CRANKSHAFT	1			-0.20mm	0.065	0.143
190	1A091-23920	METAL CRANKSHAFT	1			-0.40mm	0.065	0.143
200	1A091-23480	METAL CRANKSHAFT	4			STD SET	0.05	0.11
200	1A091-23930	METAL CRANKSHAFT	4			-0.20mm SET	0.06	0.132
200	1A091-23940	METAL CRANKSHAFT	4			-0.40mm SET	0.065	0.143
210	1A091-23530	METAL SIDE	2			STD	0.009	0.0198
210	1A091-23950	METAL SIDE	2			+0.20mm	0.005	0.011
210	1A091-23960	METAL SIDE	2			+0.40mm	0.005	0.011
220	1A091-23540	METAL SIDE	2			STD	0.009	0.0198
220	1A091-23970	METAL SIDE	2			+0.20mm	0.005	0.011
220	1A091-23980	METAL SIDE	2			+0.40mm	0.005	0.011
230	1G856-21770	KIT PISTON	4			STD	0.89	1.958
230	1G856-21780	KIT PISTON	4			+0.25mm	1.09	2.398
240	1G856-23750	KIT METAL ENGINE	1			STD	0.71	1.562
240	1G856-23760	KIT METAL ENGINE	1			0.20mm	0.83	1.826
240	1G856-23770	KIT METAL ENGINE	1			0.40mm	0.8	1.76

FLYWHEEL

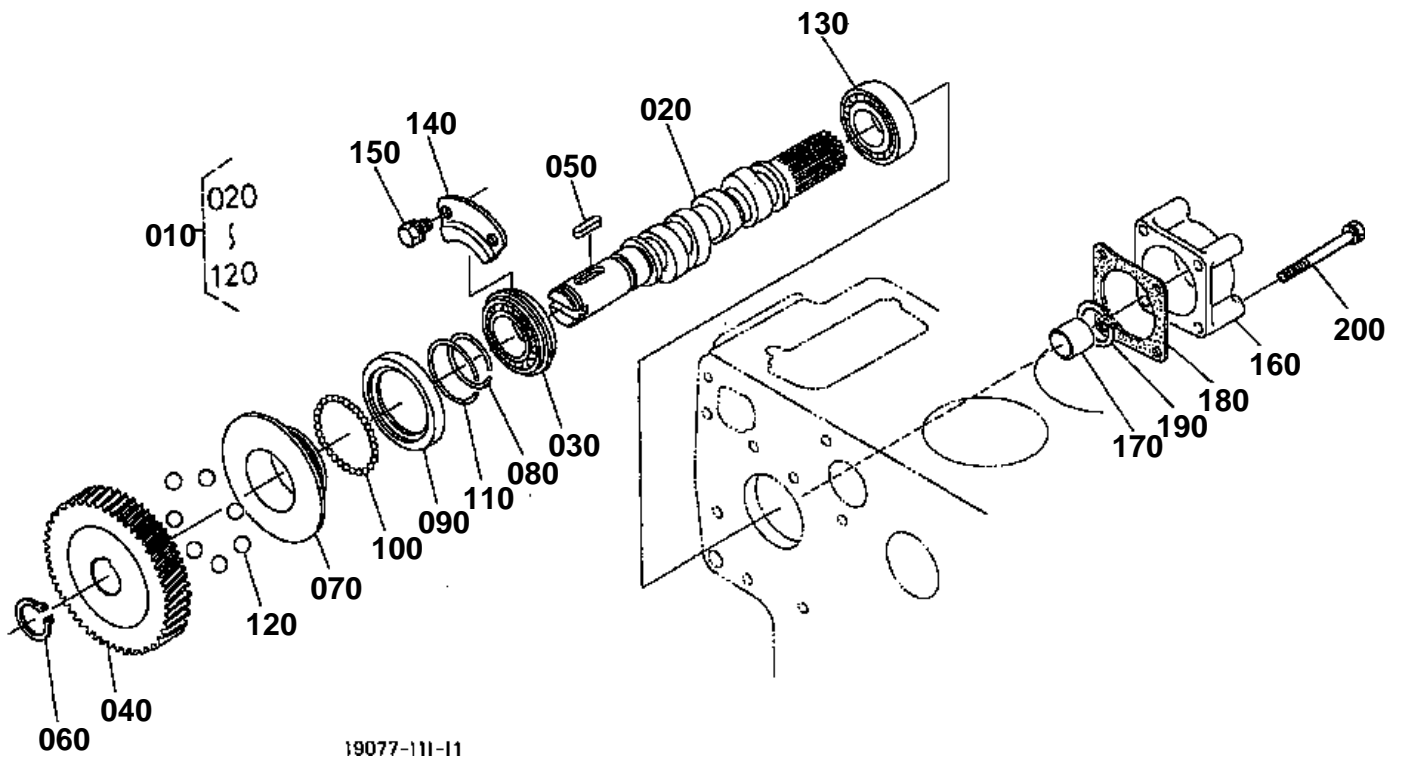


**FLYWHEEL**

↔ Interchangeable; ≠ not interchangeable; ← new for old; → old for new

REF.No	Part No.	Description	Q'ty	S.No.	I/C	REMARKS	Weight (kgf)	Weight (lb)
010	1G789-25010	COMP.FLYWHEEL	1				0	0
020	15221-63820	GEAR RING	1				1.2	2.64
030	15521-25162	BOLT FLYWHEEL	6				0.05	0.11
040	1G728-04620	PLATE REAR END	1				0	0
050	01133-51025	BOLT	11				0.023	0.0506
060	01133-51225	BOLT	2				0.035	0.077

FUEL CAMSHAFT AND GOVERNOR SHAFT



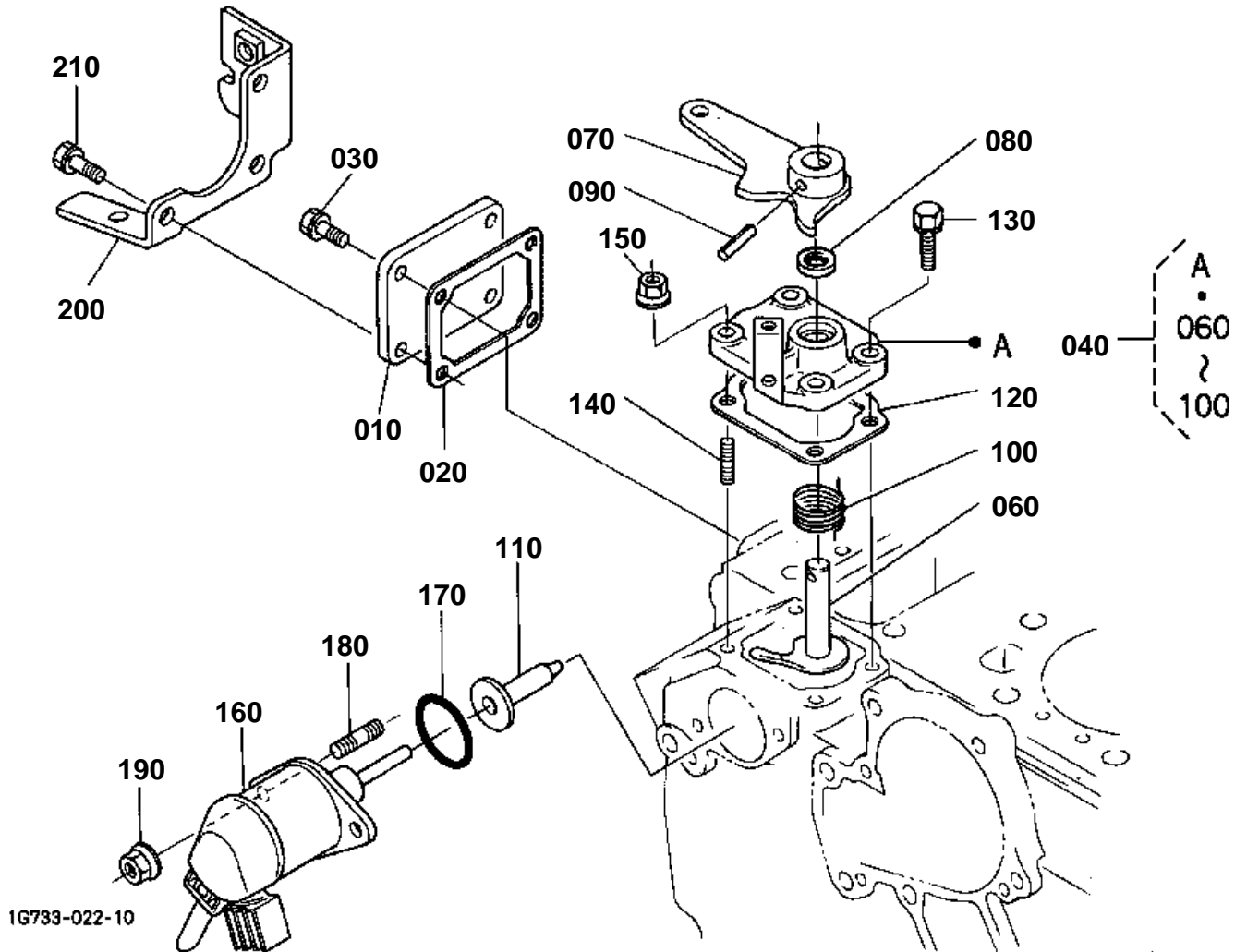


FUEL CAMSHAFT AND GOVERNOR SHAFT

↔ Interchangeable; ≠ not interchangeable; ← new for old; → old for new

REF.No	Part No.	Description	Q'ty	S.No.	I/C	REMARKS	Weight (kgf)	Weight (lb)
010	19077-16020	ASSY CAMSHAFT FUEL	1				3	6.6
020	19077-16170	CAMSHAFT FUEL	1				1.12	2.464
030	08153-06205	BEARING BALL	1				0.13	0.286
040	16415-51150	GEAR INJECTION PUMP	1				1.075	2.365
050	05712-00525	KEY FEATHER	1				0.005	0.011
060	04612-00240	CIR CLIP EXTERNAL	1				0.002	0.0044
070	15611-55450	SLEEVE GOVERNOR	1				0.117	0.2574
080	15221-55470	CIR-CLIP GOV. SLEEVE	1				0.003	0.0066
090	15611-55690	CASE GOVERNOR BALL	1				0.03	0.066
100	07715-03205	BALL	39				0.001	0.0022
110	15221-55740	CIR-CLIP	1				0.002	0.0044
120	07715-00403	BALL	7				0.03	0.066
130	19077-97300	BEARING BALL	1				0.175	0.385
140	15221-16320	STOPPER FUEL C/SHAFT	1				0.02	0.044
150	01123-60814	BOLT	2				0.01	0.022
160	17183-16210	COVER FUEL CAMSHAFT	1				0.31	0.682
170	19222-16190	COLLAR	1				0.062	0.1364
180	1A051-16220	GASKET	1				0.003	0.0066
190	15471-95360	CIR CLIP EXTERNAL	1				0.004	0.0088
200	01123-50865	BOLT	4				0.028	0.0616

ENGINE STOP LEVER



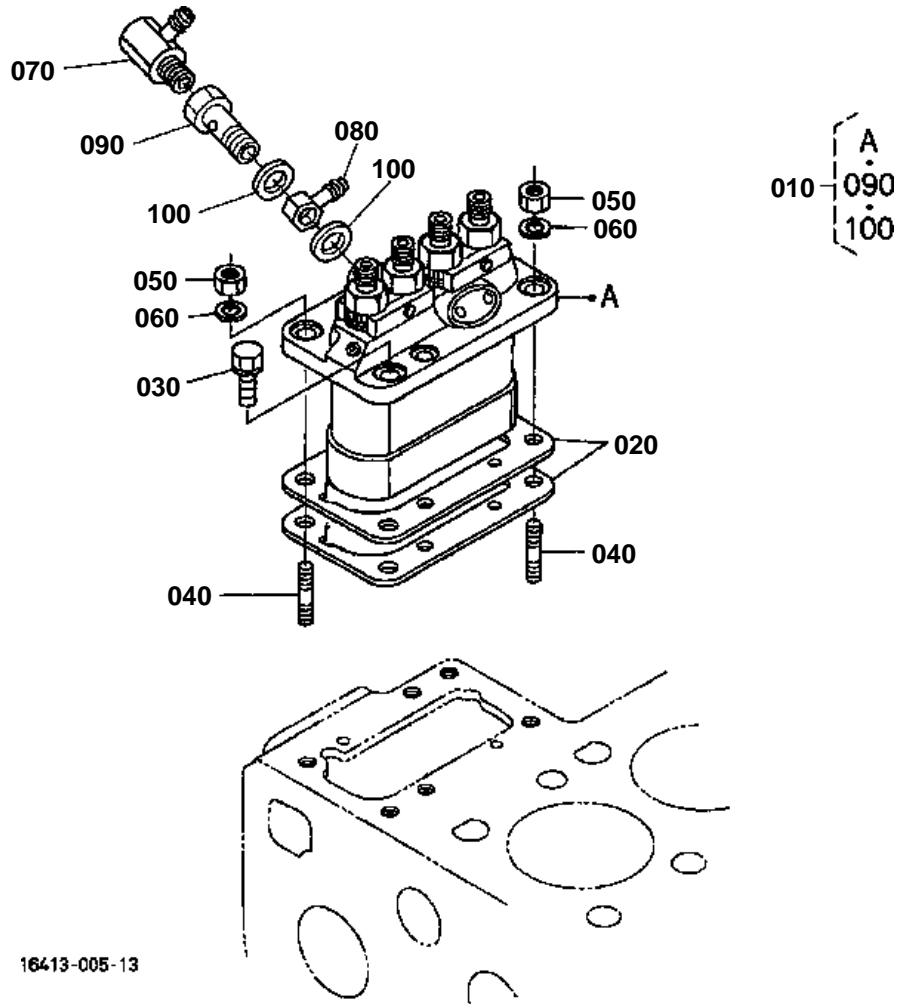


ENGINE STOP LEVER

↔ Interchangeable; ≠ not interchangeable; ← new for old; → old for new

REF.No	Part No.	Description	Q'ty	S.No.	I/C	REMARKS	Weight (kgf)	Weight (lb)
010	1A053-51650	COVER INJ.PUMP	1				0.173	0.3806
020	1A021-51660	GASKET PUMP COVER	1				0.003	0.0066
030	01023-50616	BOLT	1				0.005	0.011
040	1A021-57700	ASSY LEVER ENG.STOP	1				0.184	0.4048
050	99999-99999	BLANK	0				0	0
060	1A021-57710	COMP.LEVER STOP	1				0.038	0.0836
070	1A021-57720	LEVER ENGINE STOP	1				0.055	0.121
080	15471-57980	SEAL OIL	1				0.001	0.0022
090	05411-00420	PIN SPRING	1				0.001	0.0022
100	1A021-57920	SPRING RETURN	1				0.01	0.022
110	1A021-56602	COMP.GUIDE SOLENOID	1				0.007	0.0154
120	1A021-57210	GASKET PLATE	1				0.001	0.0022
130	01023-50620	BOLT	2				0.006	0.0132
140	15221-88210	STUD	2				0.005	0.011
150	02751-50060	NUT FLANGE	2				0.005	0.011
160	1A021-60013	ASSY SOLENOID	1				0.29	0.638
170	04814-06310	O RING	1				0.002	0.0044
180	15221-88210	STUD	2				0.005	0.011
190	02761-50060	NUT FLANGE	2				0.003	0.0066
200	1A021-57483	BRACKET ACCEL.CABLE	1				0.125	0.275
210	01023-50620	BOLT	3				0.006	0.0132

INJECTION PUMP

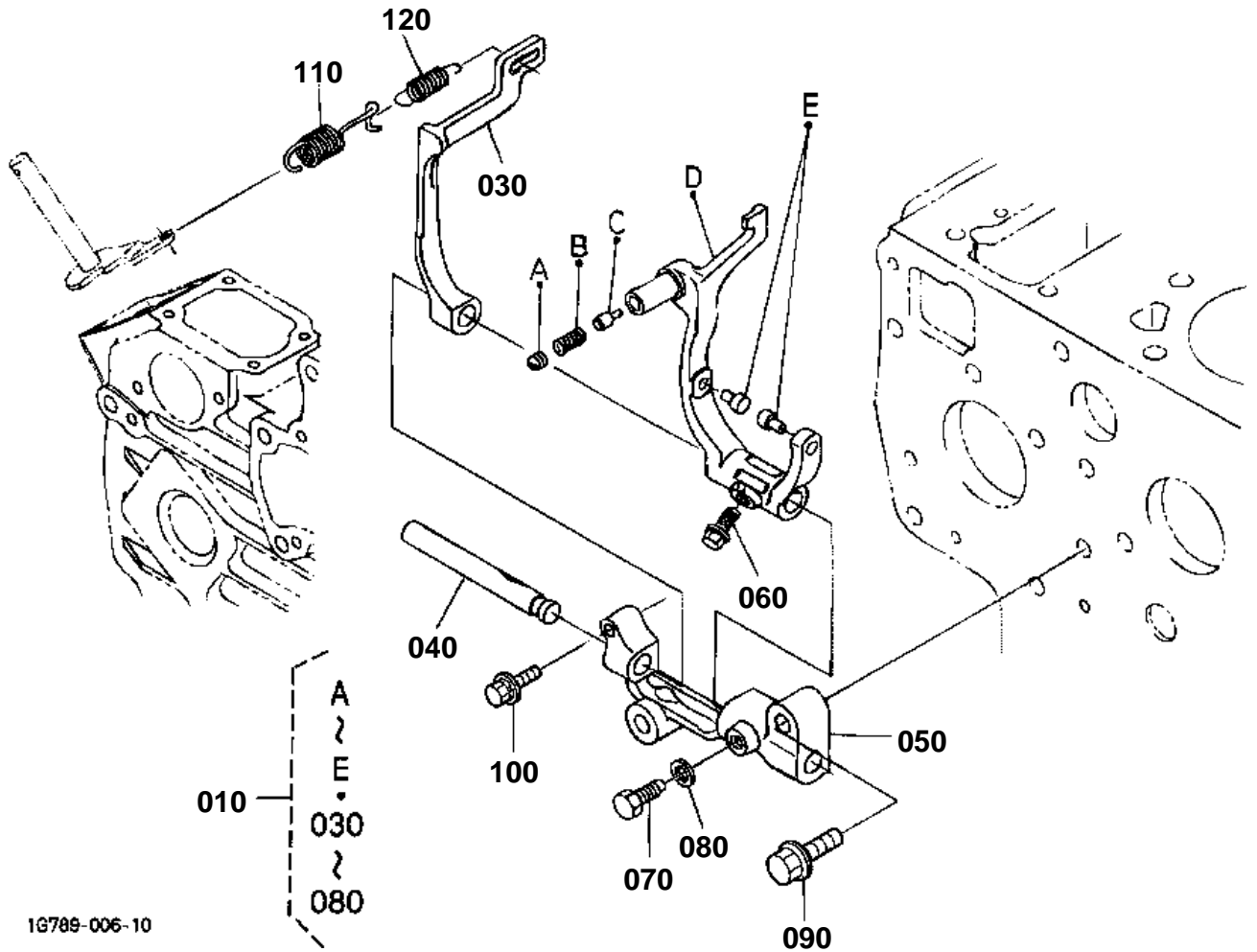




INJECTION PUMP

↔ Interchangeable; ≠ not interchangeable; ← new for old; → old for new

REF.No	Part No.	Description	Q'ty	S.No.	I/C	REMARKS	Weight (kgf)	Weight (lb)
010	1G787-51010	ASSY PUMP INJECTION	1				2.8	6.16
020	19077-52092	SHIM INJECTION PUMP	1			0.20mm	0.006	0.0132
020	19077-52113	SHIM INJECTION PUMP	1			0.25mm	0.002	0.0044
020	19077-52123	SHIM INJECTION PUMP	1			0.30mm	0.01	0.022
030	01123-50822	BOLT	4				0.012	0.0264
040	15221-91530	STUD	2				0.011	0.0242
050	02156-50080	NUT	2				0.004	0.0088
060	04512-60080	WASHER SPRING	2				0.002	0.0044
070	15748-60570	ASSY ORIFICE	1				0.02	0.044
080	15401-95690	JOINT EYE	1				0.04	0.088
090	15471-51320	SCREW FOLLOW	1				0.032	0.0704
100	15401-96650	GASKET	2				0.001	0.0022



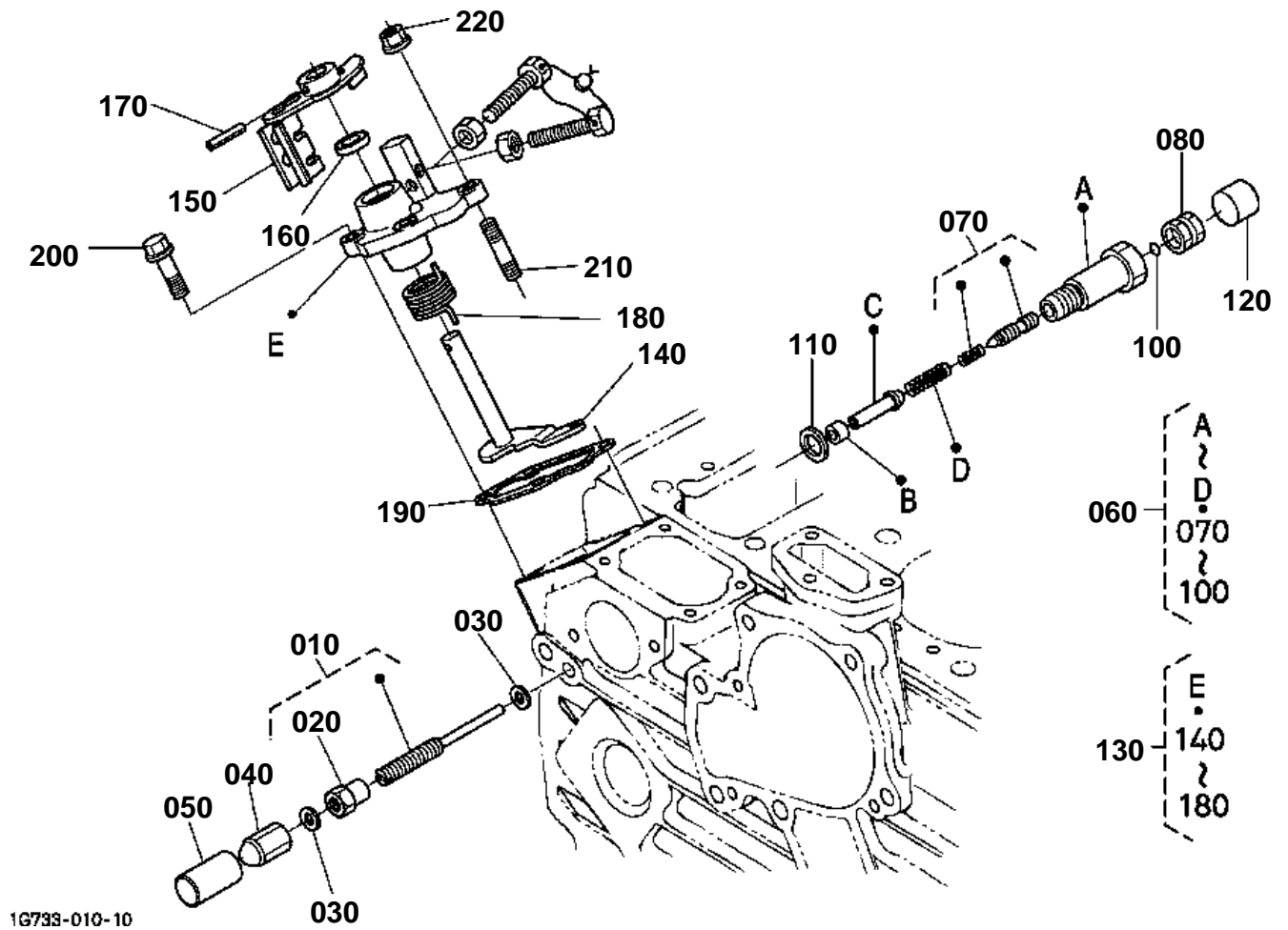
1G789-006-10

**GOVERNOR**

↔ Interchangeable; ≠ not interchangeable; ← new for old; → old for new

REF.No	Part No.	Description	Q'ty	S.No.	I/C	REMARKS	Weight (kgf)	Weight (lb)
010	1G789-56050	ASSY LEVER FORK	1				0	0
020	99999-99999	BLANK	0				0	0
030	1A021-56133	LEVER FORK	1				0.035	0.077
040	1G911-56150	SHAFT FORK LEVER	1				0.05	0.11
050	1A091-56230	HOLDER FORK LEVER	1				0.085	0.187
060	01754-50618	BOLT FLANGE	1				0.01	0.022
070	15221-66410	BOLT	1				0.005	0.011
080	04512-60060	WASHER SPRING	1				0.001	0.0022
090	01754-50830	BOLT FLANGE	2				0.05	0.11
100	01025-50630	BOLT	1				0.009	0.0198
110	1A001-56410	SPRING GOVERNOR	1				0.006	0.0132
120	1A021-56420	SPRING GOVERNOR	1				0.002	0.0044

SPEED CONTROL PLATE



1G733-010-10

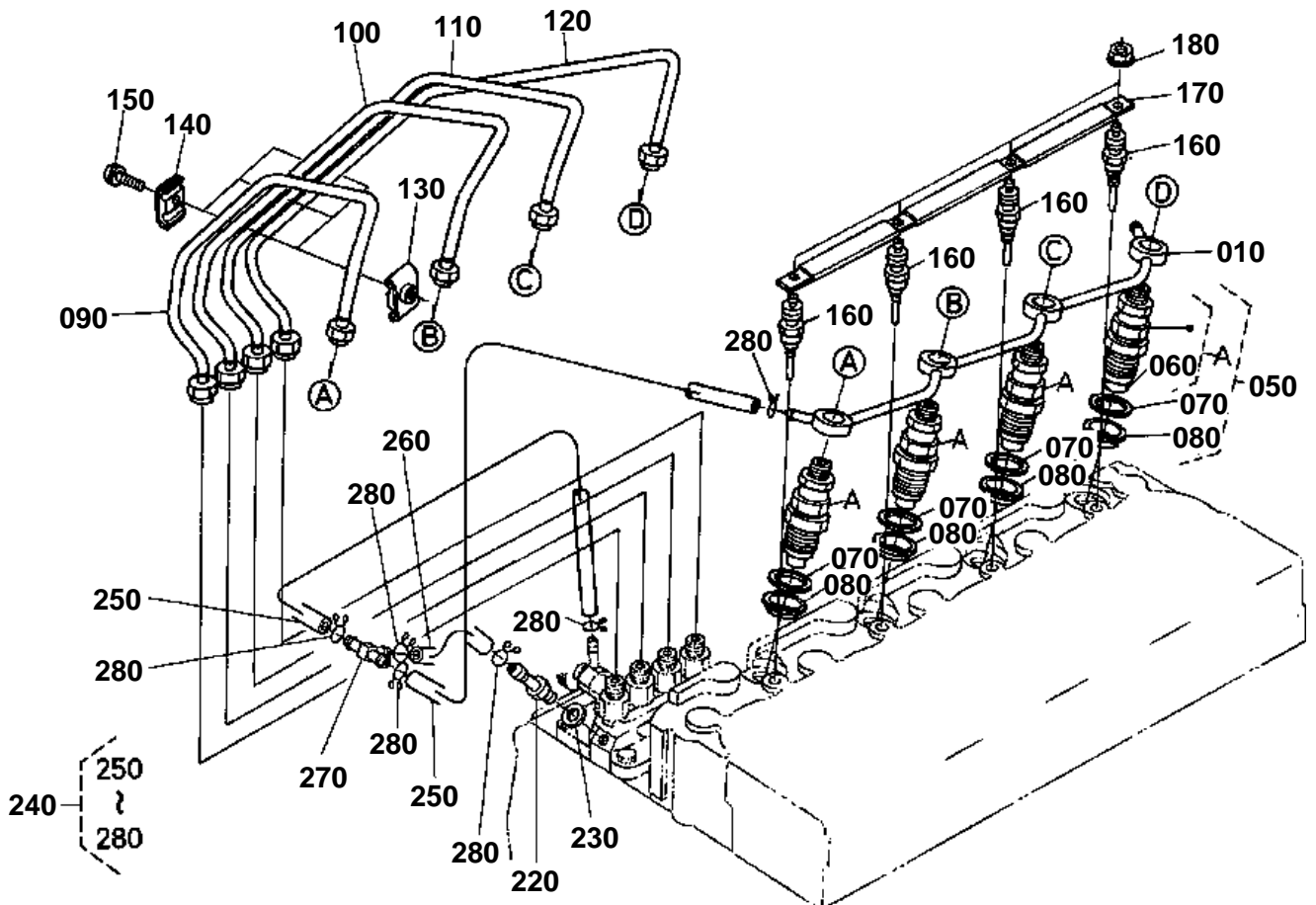


SPEED CONTROL PLATE

↔ Interchangeable; ≠ not interchangeable; ← new for old; → old for new

REF.No	Part No.	Description	Q'ty	S.No.	I/C	REMARKS	Weight (kgf)	Weight (lb)
010	1A021-54350	ASSY BOLT ADJUSTMENT	1				0.015	0.033
020	15601-92012	NUT	1				0.006	0.0132
030	15601-96650	GASKET	2				0.001	0.0022
040	15841-14620	NUT	1				0.01	0.022
060	1G911-54160	APPARATUS IDLING	1				0.13	0.286
070	1G911-54100	ASSY BOLT ADJUSTMENT	1				0.008	0.0176
080	1G911-92010	NUT SPRING	1				0.015	0.033
090	99999-99999	BLANK	0				0	0
100	04814-00060	O RING	1				0.001	0.0022
110	04724-00140	GASKET	1				0.002	0.0044
120	1G911-54270	CAP	1				0.002	0.0044
130	1G728-57000	ASSY PLATE CONTROL	1				0	0
140	1K411-56020	COMP.LEVER GOVERNOR	1				0.046	0.1012
150	1A021-57150	LEVER SPEED CONTROL	1				0.066	0.1452
160	15471-57980	SEAL OIL	1				0.001	0.0022
170	05411-00420	PIN SPRING	1				0.001	0.0022
180	1A021-57920	SPRING RETURN	1				0.01	0.022
190	1A021-57210	GASKET PLATE	1				0.001	0.0022
200	01023-50620	BOLT	2				0.006	0.0132
210	15221-88210	STUD	2				0.005	0.011
220	02751-50060	NUT FLANGE	2				0.005	0.011

NOZZLE HOLDER AND GLOW PLUG



1G788-005-11

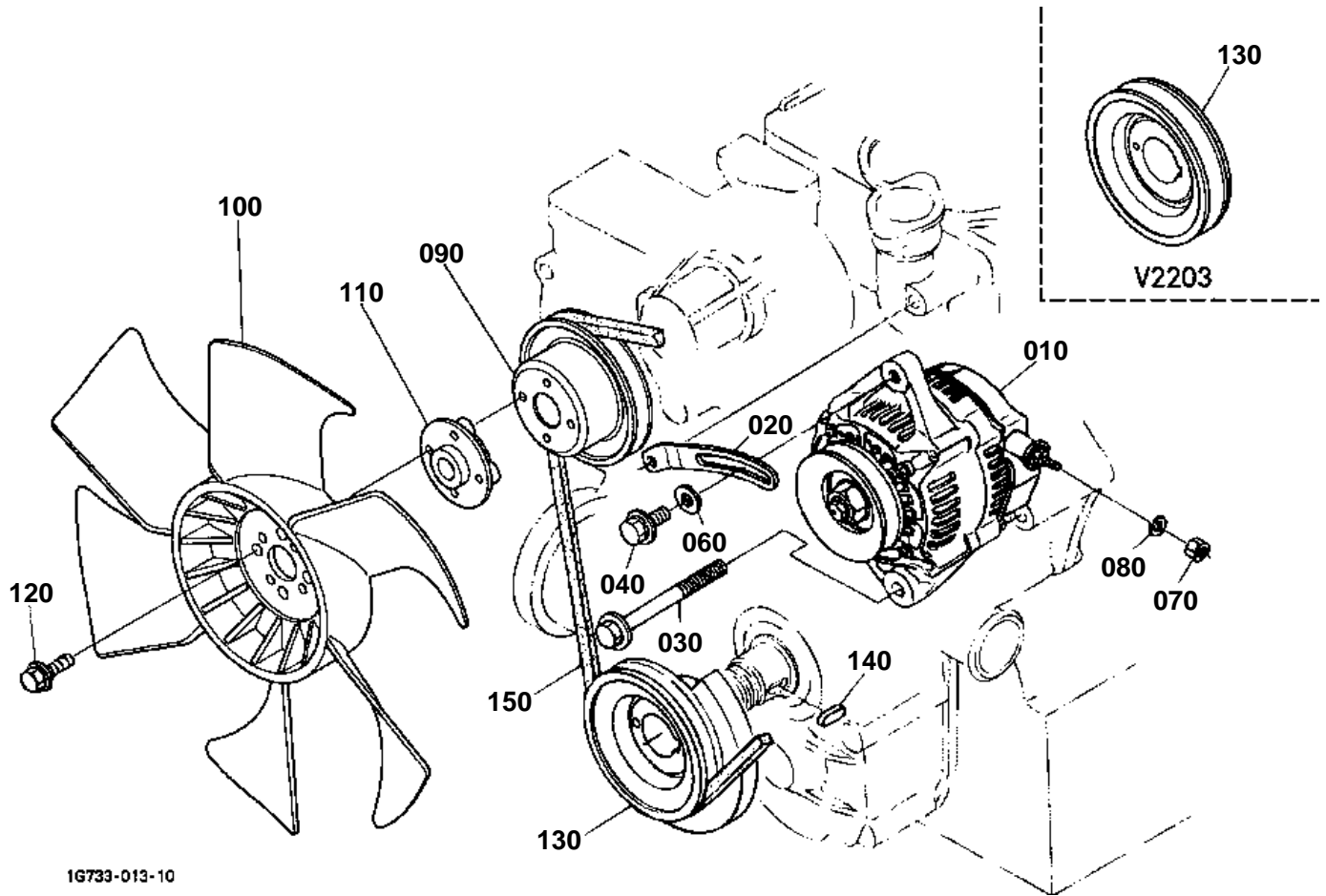


NOZZLE HOLDER AND GLOW PLUG

↔ Interchangeable; ≠ not interchangeable; ← new for old; → old for new

REF.No	Part No.	Description	Q'ty	S.No.	I/C	REMARKS	Weight (kgf)	Weight (lb)
010	16454-42502	ASSY PIPE OVER FLOW	1				0.06	0.132
020	99999-99999	BLANK	0				0	0
030	99999-99999	BLANK	0				0	0
040	99999-99999	BLANK	0				0	0
050	16454-53900	KIT HOLDER NOZZLE	4				0.013	0.0286
060	16454-53610	PIECE NOZZLE	4				0.024	0.0528
070	15841-53622	GASKET	4				0.002	0.0044
080	19077-53650	SEAL HEAT	4				0.005	0.011
090	19077-53714	PIPE INJECTION	1				0.14	0.308
100	19077-53723	PIPE INJECTION	1				0.14	0.308
110	19077-53733	PIPE INJECTION	1				0.12	0.264
120	19077-53743	PIPE INJECTION	1				0.13	0.286
130	15841-53850	CLAMP PIPE	3				0.01	0.022
140	15841-53860	CLAMP PIPE	3				0.009	0.0198
150	03024-50520	SCREW WITH WASHER	3				0.004	0.0088
160	19077-65510	GLOW PLUG	4				0.03	0.066
170	16475-65560	CORD GLOW PLUG	1				0.02	0.044
180	02761-50040	NUT FLANGE	4				0.002	0.0044
190	99999-99999	BLANK	0				0	0
200	99999-99999	BLANK	0				0	0
210	99999-99999	BLANK	0				0	0
220	15841-51360	SCREW AIR BREEDER	1				0.008	0.0176
230	15601-96650	GASKET	1				0.001	0.0022
240	1A053-42000	ASSY TUBE FUEL	1				0.03	0.066
250	09661-40170	TUBE FUEL	2				0.009	0.0198
260	09661-40070	TUBE FUEL	1				0.003	0.0066
270	1C020-42360	JOINT T-PIPE	1				0.002	0.0044
280	14971-42750	CLIP PIPE	6				0.001	0.0022

ALTERNATOR



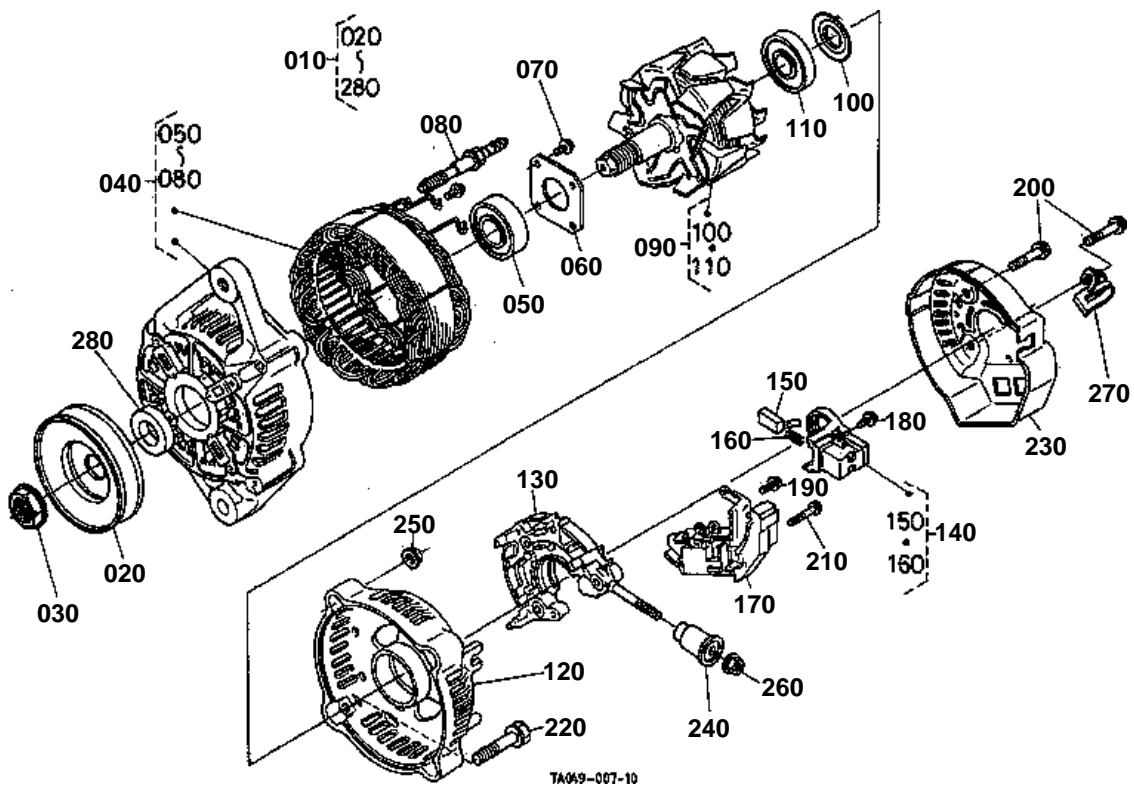
16733-013-10

**ALTERNATOR**

↔ Interchangeable; ≠ not interchangeable; ← new for old; → old for new

REF.No	Part No.	Description	Q'ty	S.No.	I/C	REMARKS	Weight (kgf)	Weight (lb)
010	TA043-74012	ASSY ALTERNATOR	1				3.2	7.04
020	17077-64420	STAY DYNAMO	1				0.1	0.22
030	01754-51070	BOLT FLANGE	1				0.01	0.022
040	01127-50830	BOLT	1				0.023	0.0506
050	99999-99999	BLANK	0				0	0
060	04012-50080	WASHER PLAIN	1				0.001	0.0022
070	02056-50060	NUT	1				0.002	0.0044
080	04512-60060	WASHER SPRING	1				0.001	0.0022
090	15471-74250	PULLEY FAN	1				0.3	0.66
100	15807-74110	FAN FP	1				1.115	2.453
110	15521-74150	COLLAR FAN	1				0.1	0.22
120	01754-50635	BOLT FLANGE	4				0.01	0.022
130	1G790-74280	PULLEY FAN DRIVE	1				0.95	2.09
140	05712-00720	KEY FEATHER	1				0.008	0.0176
150	1G790-97010	V BELT	1				0.12	0.264

ALTERNATOR (COMPONENT PARTS)



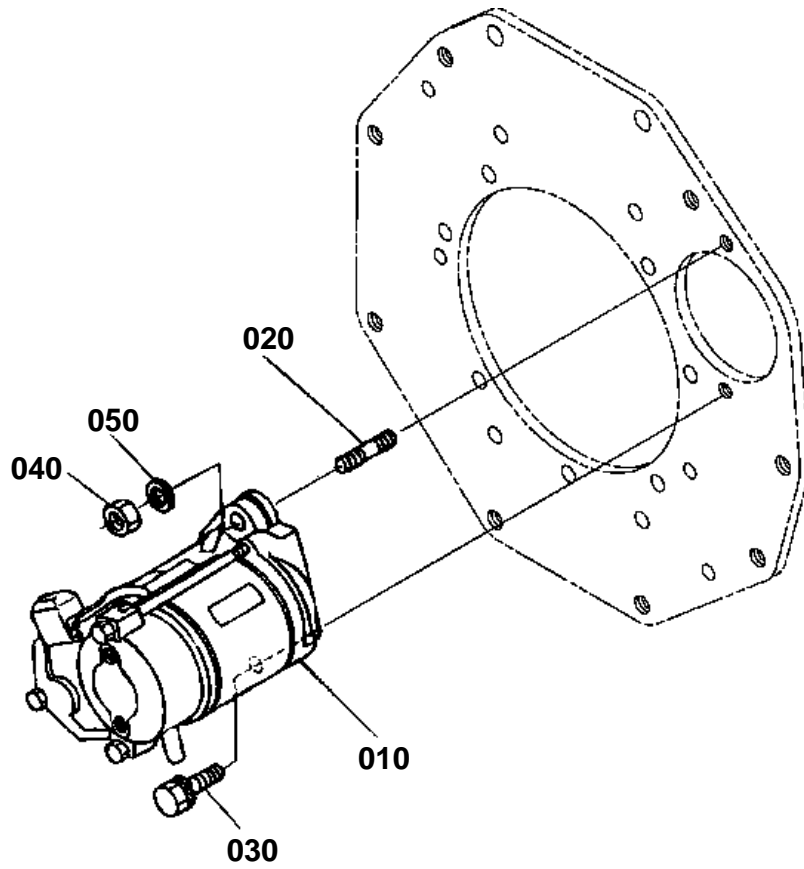


ALTERNATOR (COMPONENT PARTS)

↔ Interchangeable; ≠ not interchangeable; ← new for old; → old for new

REF.No	Part No.	Description	Q'ty	S.No.	I/C	REMARKS	Weight (kgf)	Weight (lb)
010	TA043-74012	ASSY ALTERNATOR	1				3.2	7.04
020	16427-64110	PULLEY ALTERNATOR	1				0.2	0.44
030	15881-92010	NUT	1				0.02	0.044
040	TA043-74030	FRAME DRIVE END	1				1.275	2.805
050	16652-64780	BEARING BALL	1				0.05	0.11
060	15881-64710	PLATE RETAINER	1				0.01	0.022
070	15881-93010	SCREW ROUND HEAD	4				0.003	0.0066
080	15881-64260	BOLT THROUGH	2				0.01	0.022
090	TA043-64040	ROTOR	1				1.465	3.223
100	15881-64800	COVER BEARING	1				0.001	0.0022
110	16652-64770	BEARING BALL	1				0.045	0.099
120	TA043-64060	FRAME END	1				0.2	0.44
130	TA043-64850	HOLDER	1				0.155	0.341
140	16652-64310	HOLDER BRUSH	1				0.025	0.055
150	15881-64090	BRUSH	2				0.002	0.0044
160	15881-64330	SPRING BRUSH	2				0.002	0.0044
170	16483-64600	ASSY REGULATOR	1				0.08	0.176
180	15881-93030	SCREW ROUND HEAD	6				0.003	0.0066
190	15881-93040	SCREW ROUND HEAD	1				0.003	0.0066
200	15881-91040	BOLT	3				0.005	0.011
210	15881-93020	SCREW ROUND HEAD	2				0.005	0.011
220	15881-91050	BOLT	2				0.01	0.022
230	17369-64230	COVER END	1				0.04	0.088
240	15881-64900	BUSH INSULATION	1				0.006	0.0132
250	15881-92020	NUT	2				0.02	0.044
260	14182-92030	NUT	1				0.003	0.0066
270	17369-67570	CLAMP CORD	1				0.001	0.0022
280	15881-64150	COLLAR	1				0.004	0.0088

STARTER



1G789-007-10

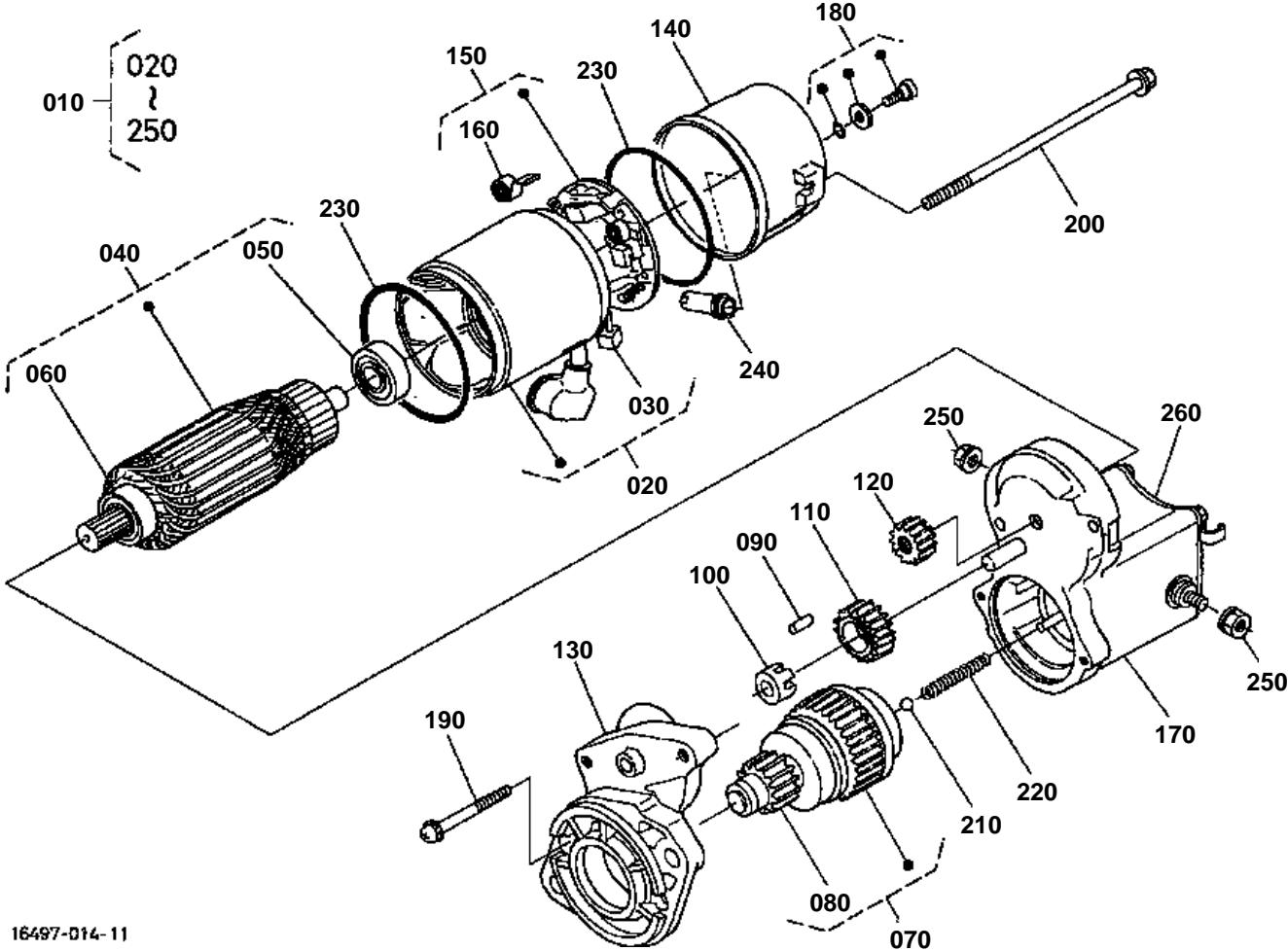


STARTER

↔ Interchangeable; ≠ not interchangeable; ← new for old; → old for new

REF.No	Part No.	Description	Q'ty	S.No.	I/C	REMARKS	Weight (kgf)	Weight (lb)
010	15425-63010	ASSY STARTER	1				3.98	8.756
020	01517-51028	STUD	1				0.022	0.0484
030	01133-51025	BOLT	1				0.023	0.0506
040	02176-50100	NUT	1				0.005	0.011
050	04512-60100	WASHER SPRING	1				0.002	0.0044

STARTER (COMPONENT PARTS)



16497-014-11

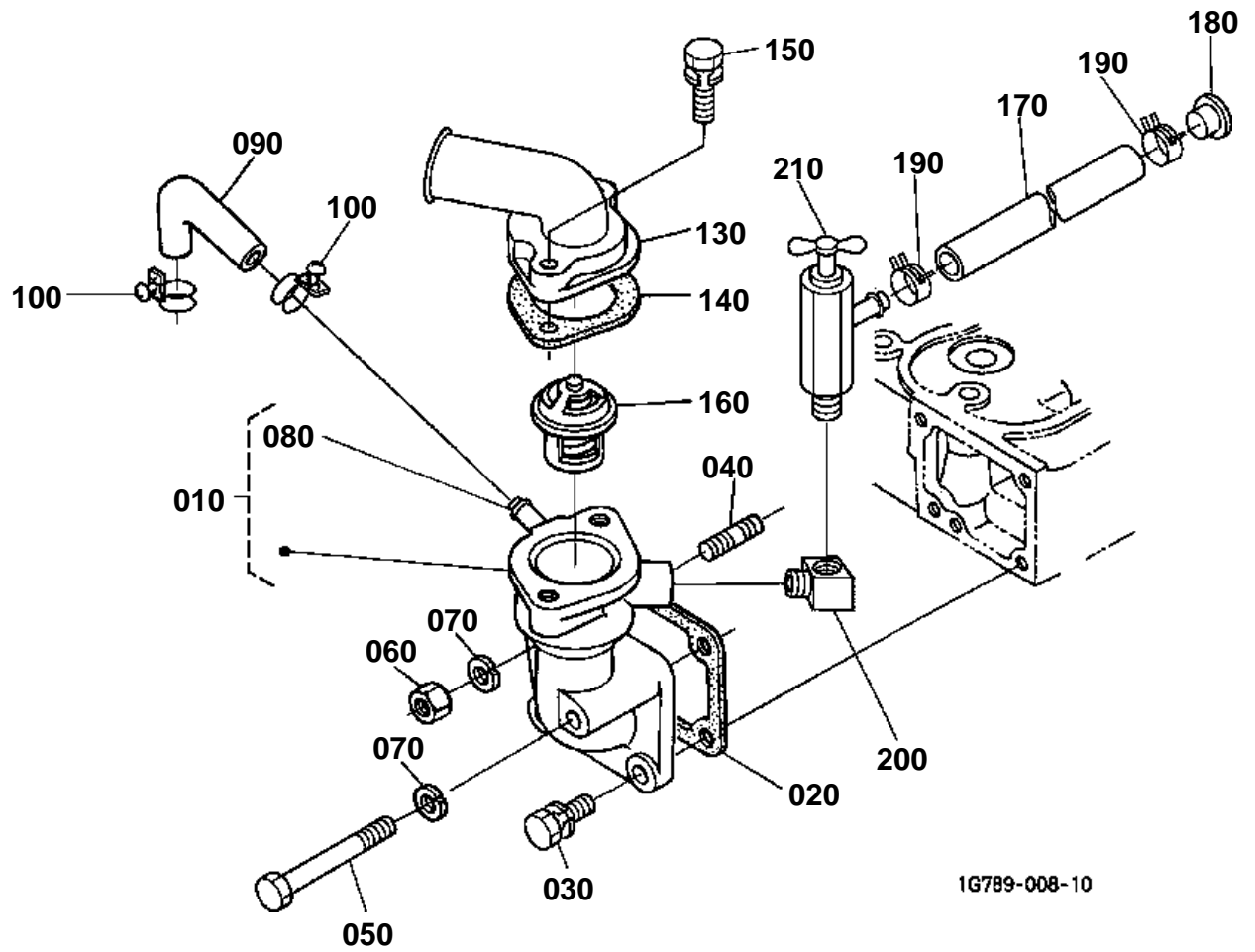


STARTER (COMPONENT PARTS)

↔ Interchangeable; ≠ not interchangeable; ← new for old; → old for new

REF.No	Part No.	Description	Q'ty	S.No.	I/C	REMARKS	Weight (kgf)	Weight (lb)
010	15425-63010	ASSY STARTER	1				3.98	8.756
020	17123-63080	YOKE	1				1.46	3.212
030	15425-63400	KIT BRUSH	2				0.02	0.044
040	17123-63070	ARMATURE	1				1.16	2.552
050	17123-63500	BEARING	1				0.03	0.066
060	11460-63500	BEARING	1				0.03	0.066
070	17123-63040	CLUTCH OVER RUNNING	1				0.56	1.232
080	17311-63280	GEAR PINION	1				0.08	0.176
090	19212-63100	ROLLER	5				0.002	0.0044
100	11460-63110	RETAINER	1				0.01	0.022
110	11460-63270	GEAR	1				0.04	0.088
120	17123-63260	GEAR	1				0.02	0.044
130	17123-63030	FRAME DRIVE END	1				0.45	0.99
140	17123-63200	FRAME END	1				0.15	0.33
150	17123-63380	HOLDER BRUSH	1				0.12	0.264
160	17123-63140	SPRING	4				0.005	0.011
170	16830-63020	ASSY SWITCH MAGNETIC	1				0.975	2.145
180	17123-93310	SCREW	2				0.003	0.0066
190	17123-93320	SCREW	2				0.01	0.022
200	17123-63320	BOLT THROUGH	2				0.03	0.066
210	19212-97130	BALL	1				0.003	0.0066
220	11460-63120	SPRING	1				0.01	0.022
230	15511-96660	O RING	2				0.005	0.011
240	15833-63570	PIPE DRAIN	1				0.002	0.0044
250	13963-92010	NUT HEXAGON	2				0.005	0.011
260	16652-98050	ASSY COVER	1				0.052	0.1144

WATER FLANGE AND THERMOSTAT



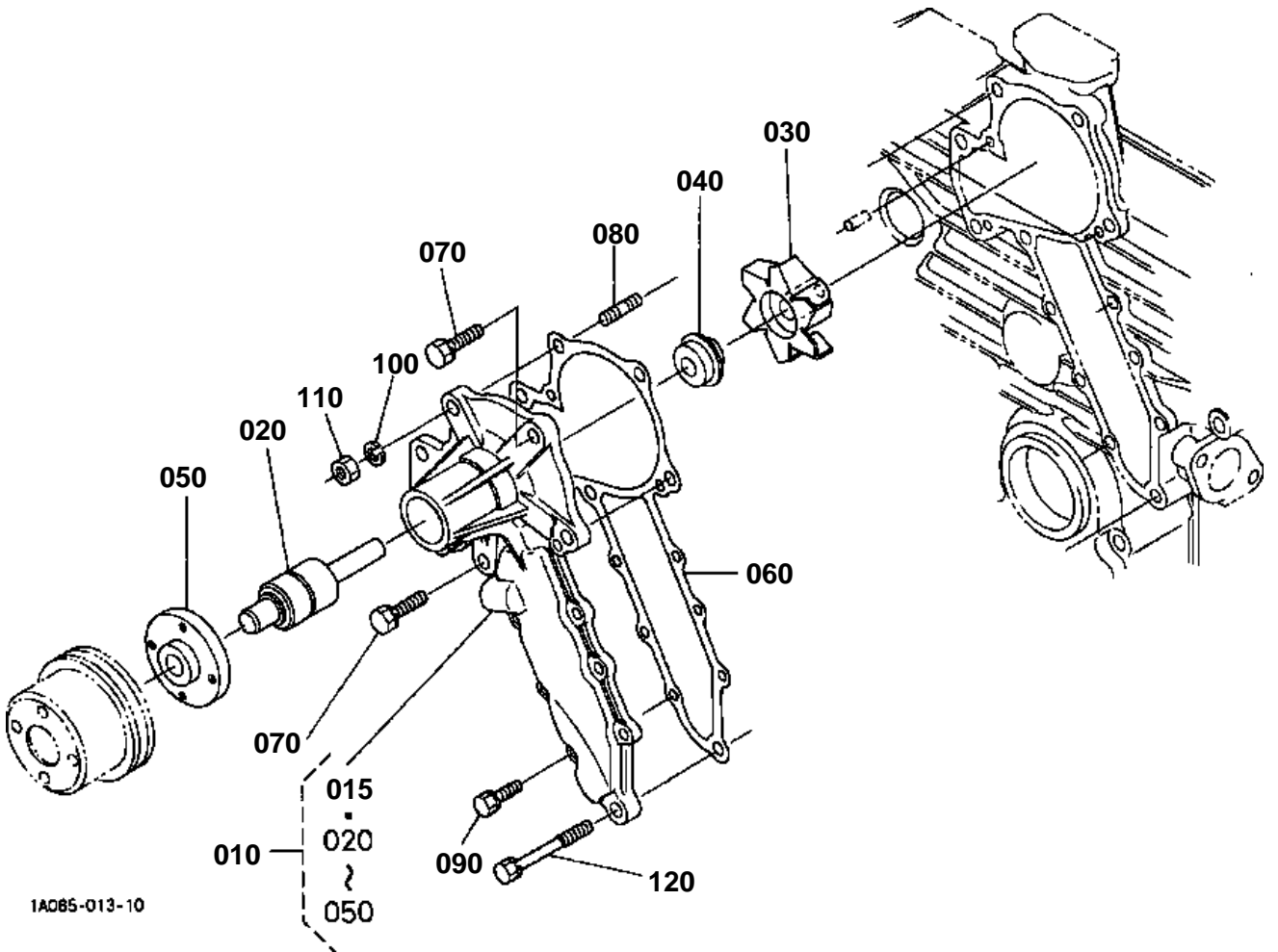


WATER FLANGE AND THERMOSTAT

↔ Interchangeable; ≠ not interchangeable; ← new for old; → old for new

REF.No	Part No.	Description	Q'ty	S.No.	I/C	REMARKS	Weight (kgf)	Weight (lb)
010	15512-72702	COMP.FLANGE WATER	1				0.37	0.814
020	1A021-72920	GASKET WATER FLANGE	1				0.002	0.0044
030	01123-50820	BOLT	2				0.011	0.0242
040	15221-91530	STUD	1				0.011	0.0242
050	01153-50870	BOLT	1				0.026	0.0572
060	02156-50080	NUT	1				0.004	0.0088
070	04512-60080	WASHER SPRING	2				0.002	0.0044
080	17331-73342	PIPE WATER RETURN	1				0.01	0.022
090	1A053-73340	HOSE WATER RETURN	1				0.028	0.0616
100	15109-73360	BAND PIPE	2				0.01	0.022
110	99999-99999	BLANK	0				0	0
120	99999-99999	BLANK	0				0	0
130	16691-73260	COVER THERMOSTAT	1				0.155	0.341
140	16221-73270	GASKET THERMOSTAT	1				0.013	0.0286
150	01123-50835	BOLT	2				0.02	0.044
160	19434-73014	ASSY THERMOSTAT	1				0.07	0.154
170	68728-46820	HOSE	1				0.03	0.066
180	68728-46830	PLUG	1				0.03	0.066
190	09318-88185	CLAMP HOSE	2				0.004	0.0088
200	90217-71170	ADAPTER	1				0.2	0.44
210	90038-11120	VALVE	1				0.2	0.44

WATER PUMP



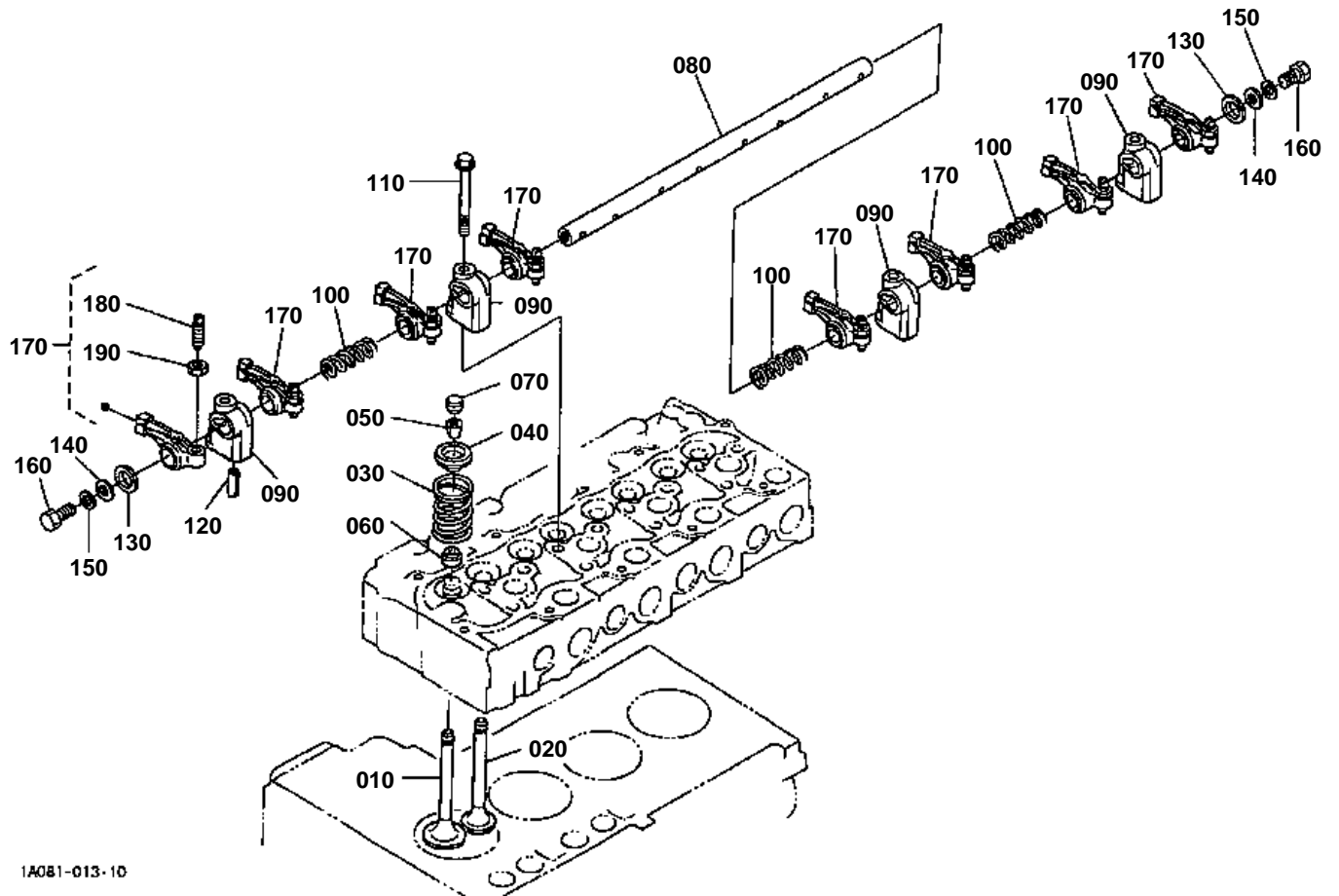


WATER PUMP

↔ Interchangeable; ≠ not interchangeable; ← new for old; → old for new

REF.No	Part No.	Description	Q'ty	S.No.	I/C	REMARKS	Weight (kgf)	Weight (lb)
010	1A051-73032	ASSY PUMP WATER	1				0.56	1.232
015	1A051-73410	BODY WATER PUMP	1				0.4	0.88
020	15521-73550	BEARING	1				0.235	0.517
030	1A021-73510	IMPELLER WATER PUMP	1				0.065	0.143
040	16661-73050	ASSY SEAL MECHANICAL	1				0.025	0.055
050	1A021-73520	FLANGE W/PUMP SHAFT	1				0.185	0.407
060	1A051-73430	GASKET WATER PUMP	1				0.006	0.0132
070	01123-50828	BOLT	2				0.014	0.0308
080	15521-91510	STUD	1				0.012	0.0264
090	01023-50618	BOLT	6				0.006	0.0132
100	04512-60080	WASHER SPRING	1				0.002	0.0044
110	02156-50080	NUT	1				0.004	0.0088
120	17367-91020	BOLT	4				0.035	0.077

VALVE AND ROCKER ARM



1A081-013-10

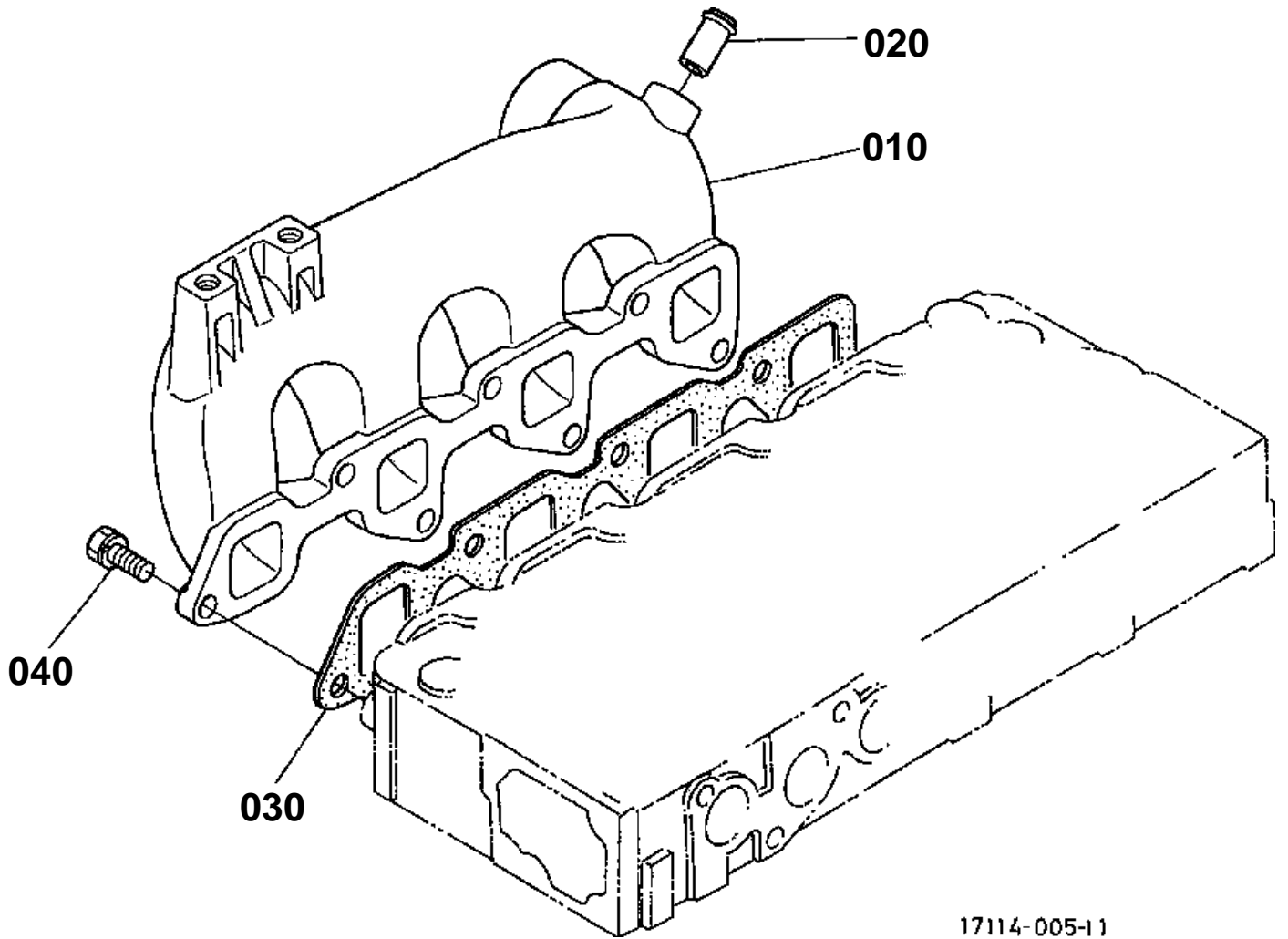


VALVE AND ROCKER ARM

↔ Interchangeable; ≠ not interchangeable; ← new for old; → old for new

REF.No	Part No.	Description	Q'ty	S.No.	I/C	REMARKS	Weight (kgf)	Weight (lb)
010	16484-13110	VALVE INLET	4				0.06	0.132
020	16484-13120	VALVE EXHAUST	4				0.13	0.286
030	15221-13240	SPRING VALVE	8				0.036	0.0792
040	15221-13330	RETAINER VALVE SP.	8				0.03	0.066
050	15221-13980	COLLET VALVE SPRING	8			SET	0.002	0.0044
060	15221-13153	SEAL VALVE STEM	8				0.001	0.0022
070	15221-13280	CAP VALVE	8				0.006	0.0132
080	1A091-14260	SHAFT ROCKER ARM	1				0.313	0.6886
090	15221-14350	BRACKET ROCKER ARM	4				0.044	0.0968
100	15221-14310	SPRING ROCKER ARM	3				0.005	0.011
110	01754-50855	BOLT FLANGE	4				0.02	0.044
120	05411-00528	PIN SPRING	1				0.003	0.0066
130	15221-14430	WASHER R-ARM.SHAFT	2				0.002	0.0044
140	04013-60080	WASHER PLAIN	2				0.002	0.0044
150	04512-60080	WASHER SPRING	2				0.002	0.0044
160	01153-50812	BOLT	2				0.008	0.0176
170	15621-14030	ASSY ROCKER ARM	8				0.1	0.22
180	15521-14230	SCREW ADJUSTING	8				0.009	0.0198
190	15021-14240	NUT	8				0.003	0.0066

INLET MANIFOLD



17114-005-11

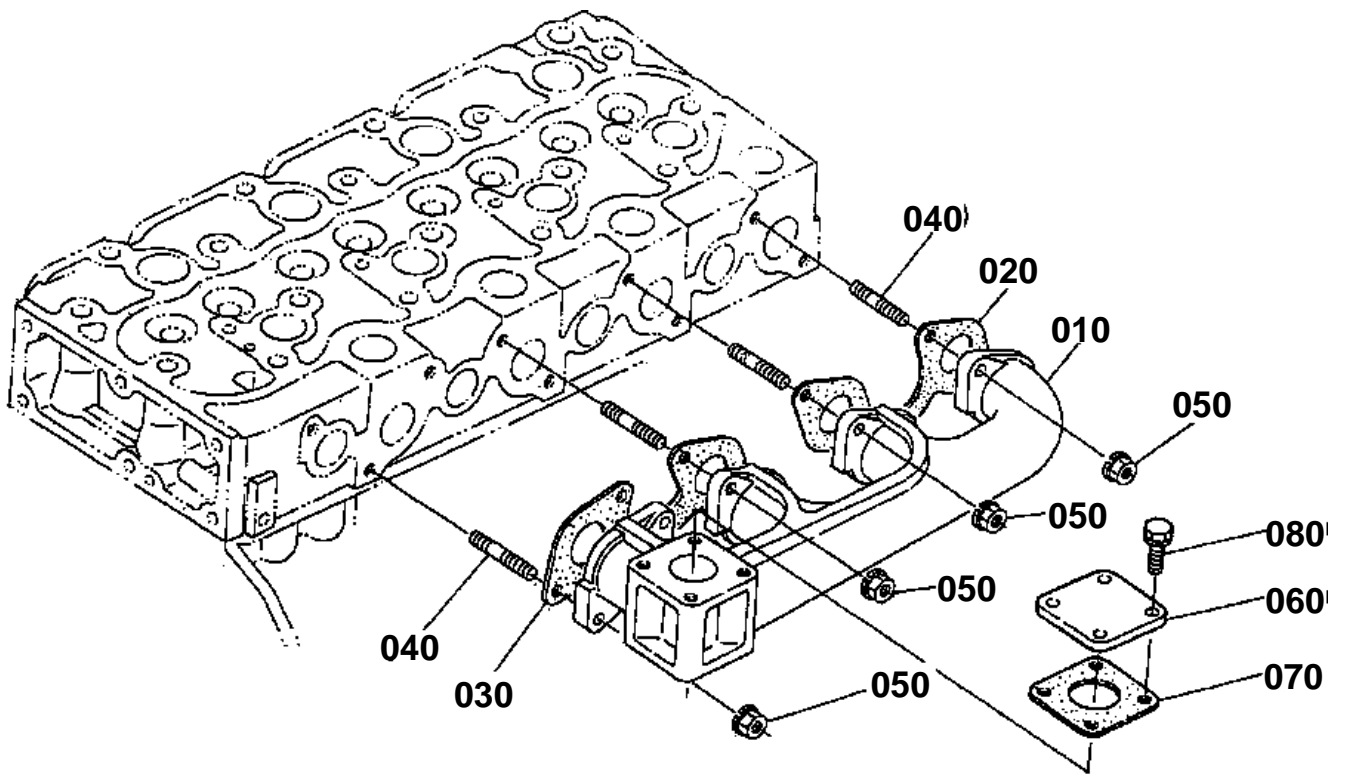


INLET MANIFOLD

↔ Interchangeable; ≠ not interchangeable; ← new for old; → old for new

REF.No	Part No.	Description	Q'ty	S.No.	I/C	REMARKS	Weight (kgf)	Weight (lb)
010	17114-11760	MANIFOLD INLET	1				1.21	2.662
020	17182-05550	JOINT BREATHER	1				0.015	0.033
030	1A091-11822	GASKET IN-MANIFOLD	1				0.007	0.0154
040	01123-50822	BOLT	7				0.012	0.0264

EXHAUST MANIFOLD



1E056-002-20

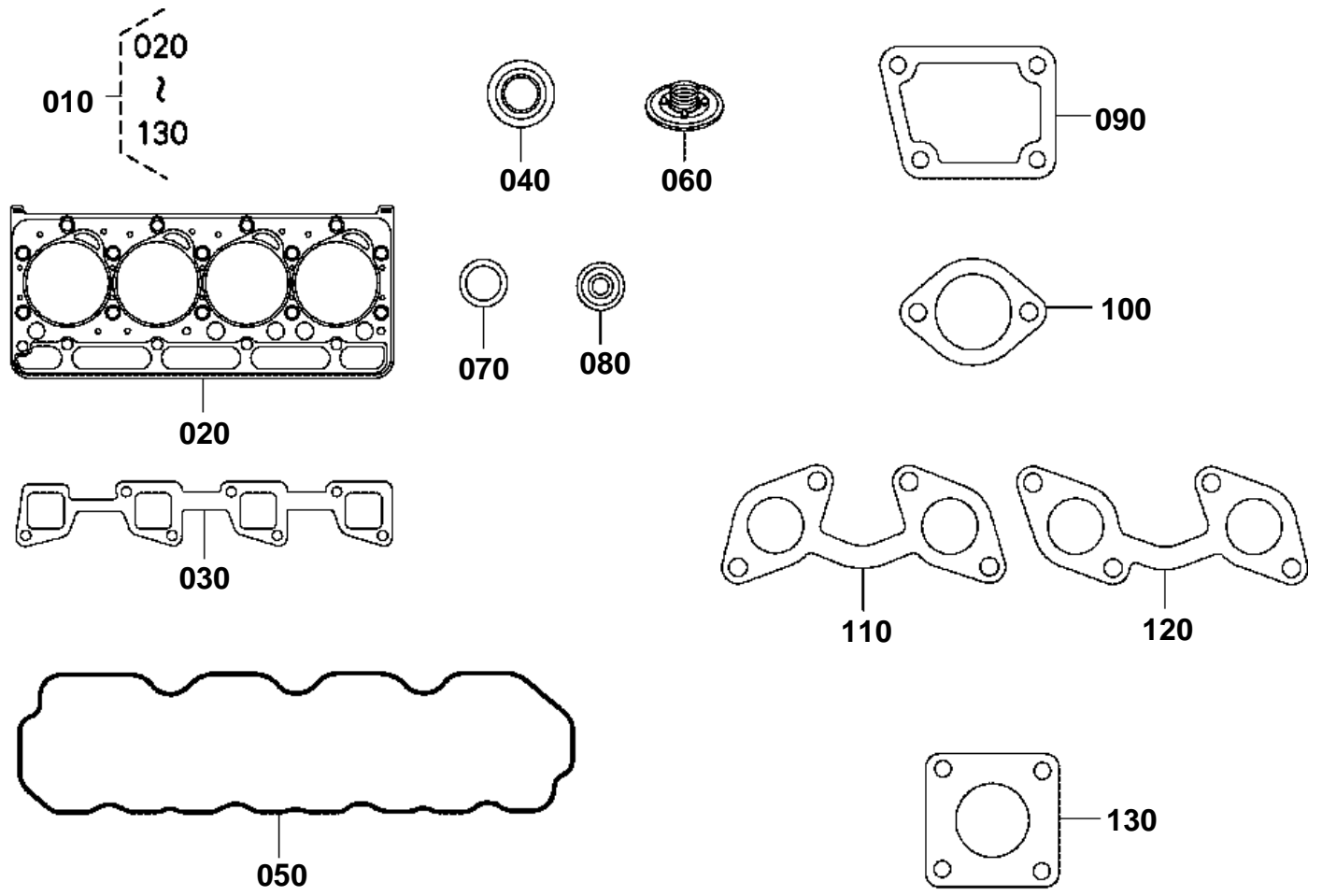


EXHAUST MANIFOLD

↔ Interchangeable; ≠ not interchangeable; ← new for old; → old for new

REF.No	Part No.	Description	Q'ty	S.No.	I/C	REMARKS	Weight (kgf)	Weight (lb)
010	17355-12312	MANIFOLD EXHAUST	1				3.65	8.03
020	1A091-12360	GASKET EX-MANIFOLD	1				0.02	0.044
030	1A091-12350	GASKET EX-MANIFOLD	1				0.02	0.044
040	15221-91530	STUD	8				0.011	0.0242
050	16429-92010	NUT	8				0.007	0.0154
060	17355-92852	COVER MANIFOLD	1				0.25	0.55
070	T0070-16420	GASKET MUFFLER	1				0.016	0.0352
080	01123-50820	BOLT	4				0.011	0.0242

GASKET KIT



1G789-009-10

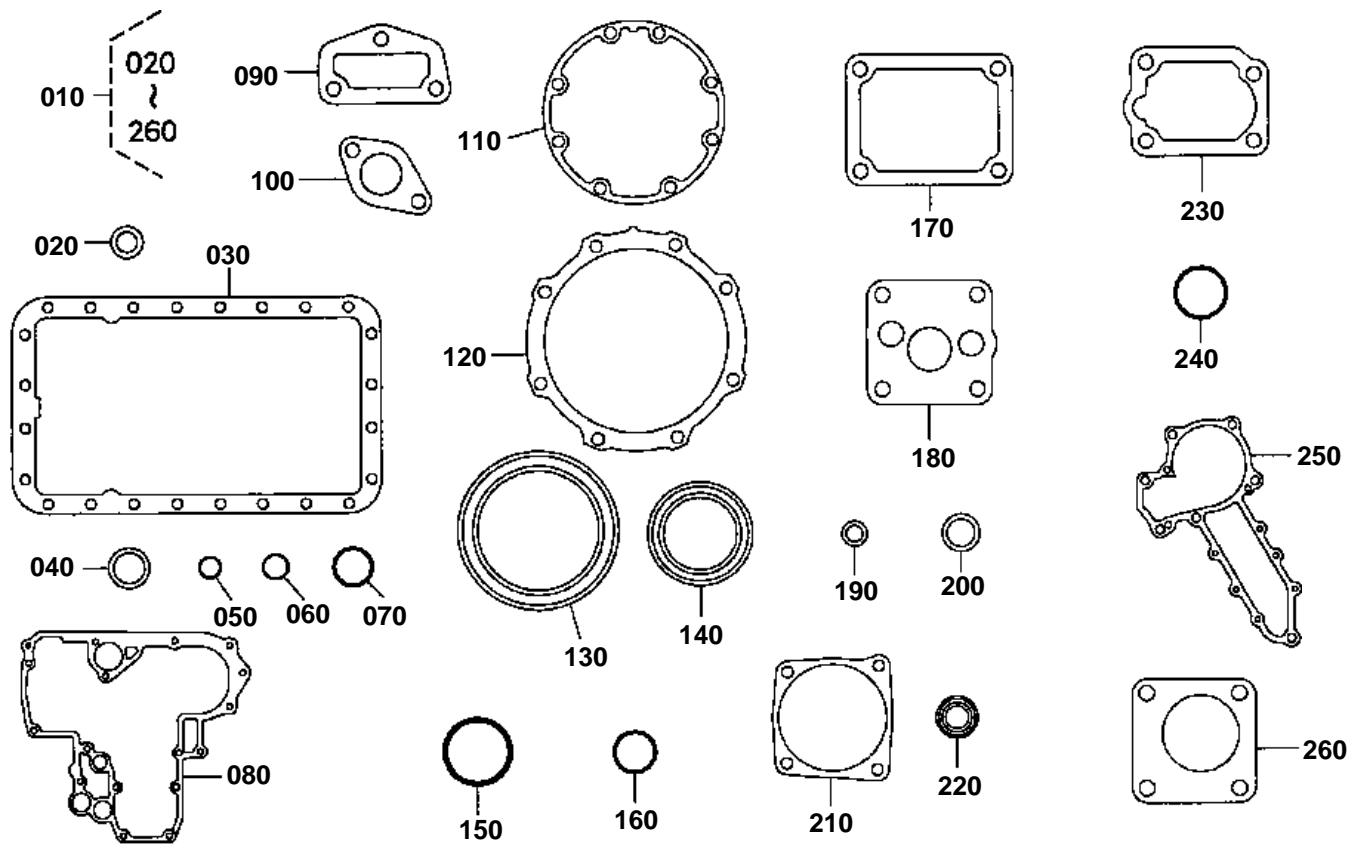


GASKET KIT

↔ Interchangeable; ≠ not interchangeable; ← new for old; → old for new

REF.No	Part No.	Description	Q'ty	S.No.	I/C	REMARKS	Weight (kgf)	Weight (lb)
010	1G789-99352	KIT GASKET UPPER	1				0	0
020	1G790-03312	GASKET CYL.HEAD	1				0.29	0.638
030	1A091-11822	GASKET IN-MANIFOLD	1				0.007	0.0154
040	15221-13150	SEAL VALVE STEM	8				0.001	0.0022
050	1G911-14520	GASKET HEAD COVER	1				0.025	0.055
060	1G911-05200	COMP.VALVE BREATHER	1				0.01	0.022
070	15841-53622	GASKET	4				0.002	0.0044
080	19077-53650	SEAL HEAT	4				0.005	0.011
090	1A021-72920	GASKET WATER FLANGE	1				0.002	0.0044
100	16221-73270	GASKET THERMOSTAT	1				0.013	0.0286
110	1A091-12350	GASKET EX-MANIFOLD	1				0.02	0.044
120	1A091-12360	GASKET EX-MANIFOLD	1				0.02	0.044
130	T0070-16420	GASKET MUFFLER	1				0.016	0.0352

GASKET KIT



1G7B8-009-10

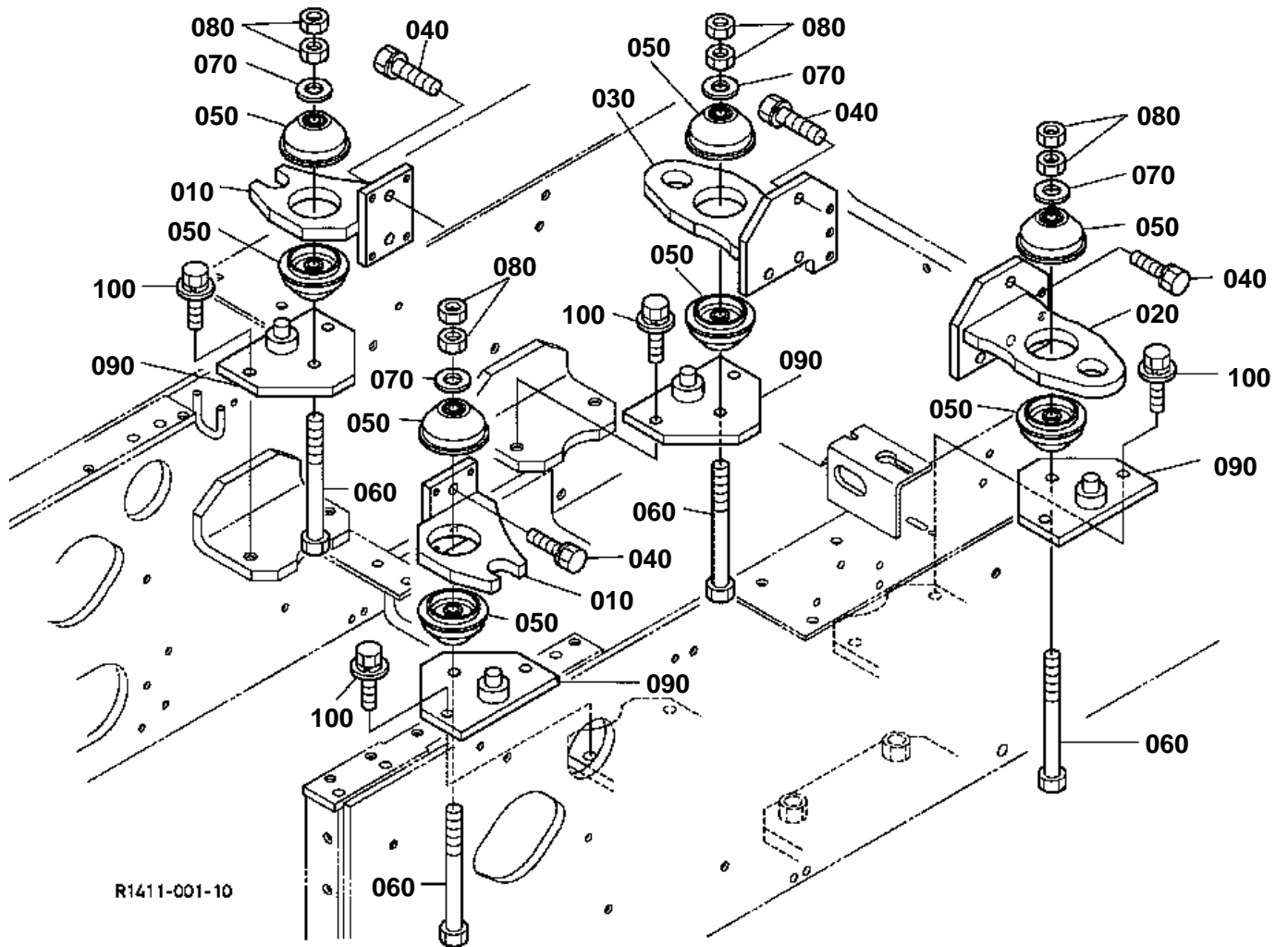


GASKET KIT

↔ Interchangeable; ≠ not interchangeable; ← new for old; → old for new

REF.No	Part No.	Description	Q'ty	S.No.	I/C	REMARKS	Weight (kgf)	Weight (lb)
010	1G788-99363	KIT GASKET LOWER	1				0.285	0.627
020	15021-33660	GASKET	1				0.001	0.0022
030	1G780-01620	GASKET OIL PAN	1				0.05	0.11
040	15451-96670	GASKET	2				0.003	0.0066
050	04814-00150	O RING	1				0.001	0.0022
060	04814-00220	O RING	2				0.001	0.0022
070	04814-00360	O RING	1				0.001	0.0022
080	1A021-04130	GASKET GEAR CASE	1				0.019	0.0418
090	1A021-73330	GASKET RETURN FLANGE	1				0.001	0.0022
100	1A053-72840	GASKET WATER FLANGE	1				0.001	0.0022
110	1A091-04362	GASKET BEARING CASE	1				0.005	0.011
120	1A091-04820	GASKET CASE COVER	1				0.006	0.0132
130	19202-04460	SEAL OIL	1				0.055	0.121
140	19202-04140	SEAL OIL	1				0.015	0.033
150	19202-96760	O RING	1				0.001	0.0022
160	04814-00160	O RING	1				0.001	0.0022
170	1A021-51660	GASKET PUMP COVER	1				0.003	0.0066
180	1A021-35150	GASKET OIL PUMP	1				0.001	0.0022
190	15601-96650	GASKET	1				0.001	0.0022
200	15401-96650	GASKET	2				0.001	0.0022
210	1A051-16220	GASKET	1				0.003	0.0066
220	15471-57980	SEAL OIL	2				0.001	0.0022
230	1A021-57210	GASKET PLATE	2				0.001	0.0022
240	04814-06310	O RING	1				0.002	0.0044
250	1A051-73430	GASKET WATER PUMP	1				0.006	0.0132
260	15296-88130	GASKET H/METER UNIT	1				0.002	0.0044

ENGINE BRACKET

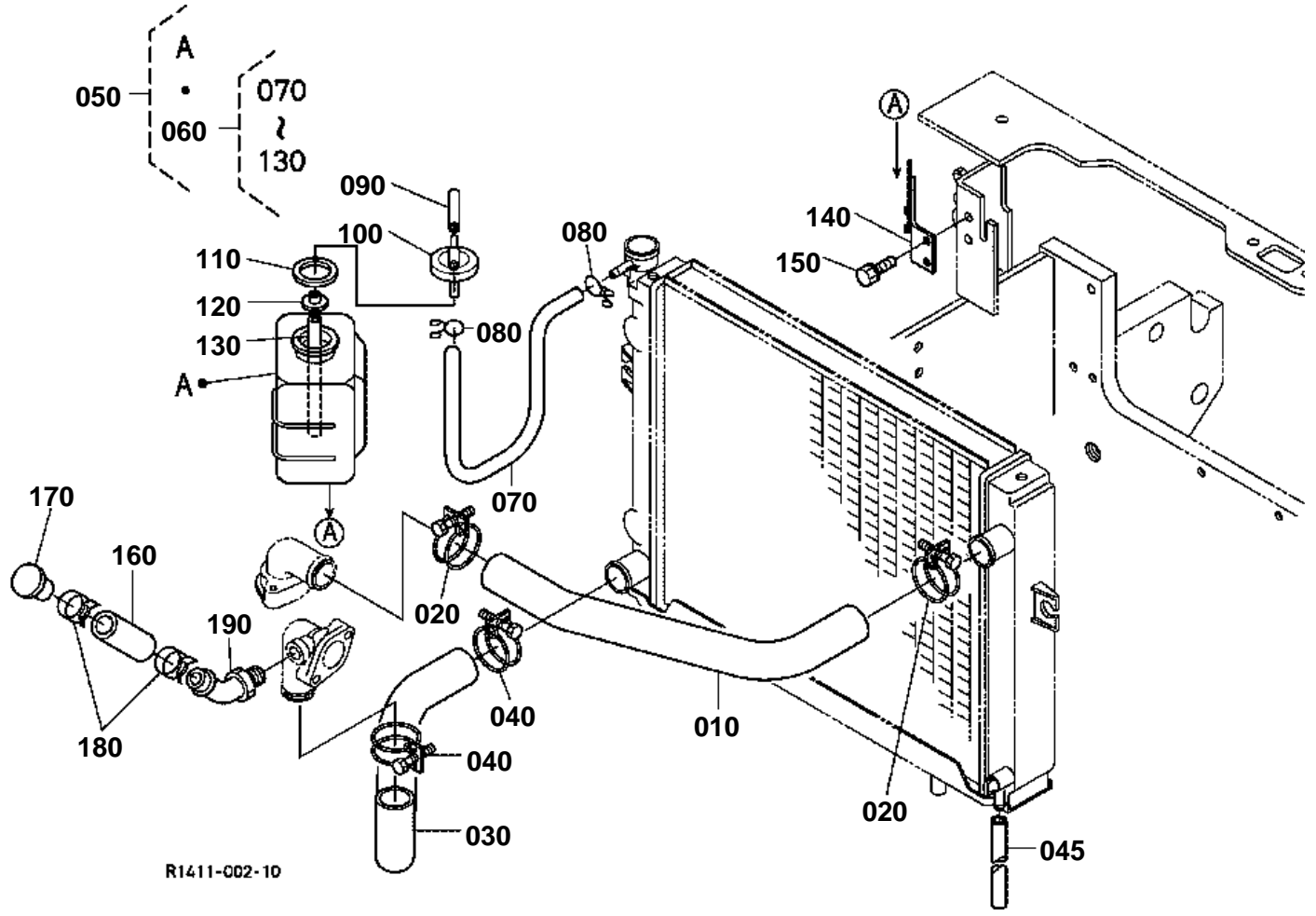




ENGINE BRACKET

↔ Interchangeable; ≠ not interchangeable; ← new for old; → old for new

REF.No	Part No.	Description	Q'ty	S.No.	I/C	REMARKS	Weight (kgf)	Weight (lb)
010	R1411-42115	BRACKET FRONT ENGINE	2				0	0
020	R1411-42130	BRACKET REAR ENGINE	1				0	0
030	R1411-42140	BRACKET REAR ENGINE	1				0	0
040	01133-61230	BOLT	10				0.04	0.088
050	R2511-42150	CUSHION RUBBER	8				0	0
060	01173-61201	BOLT	4				0.091	0.2002
070	04015-60120	WASHER PLAIN	4				0.022	0.0484
080	02176-60120	NUT	8				0.01	0.022
090	R1411-42160	SUPPORT ENGINE	4				0	0
100	01135-61230	BOLT	8				0.05	0.11



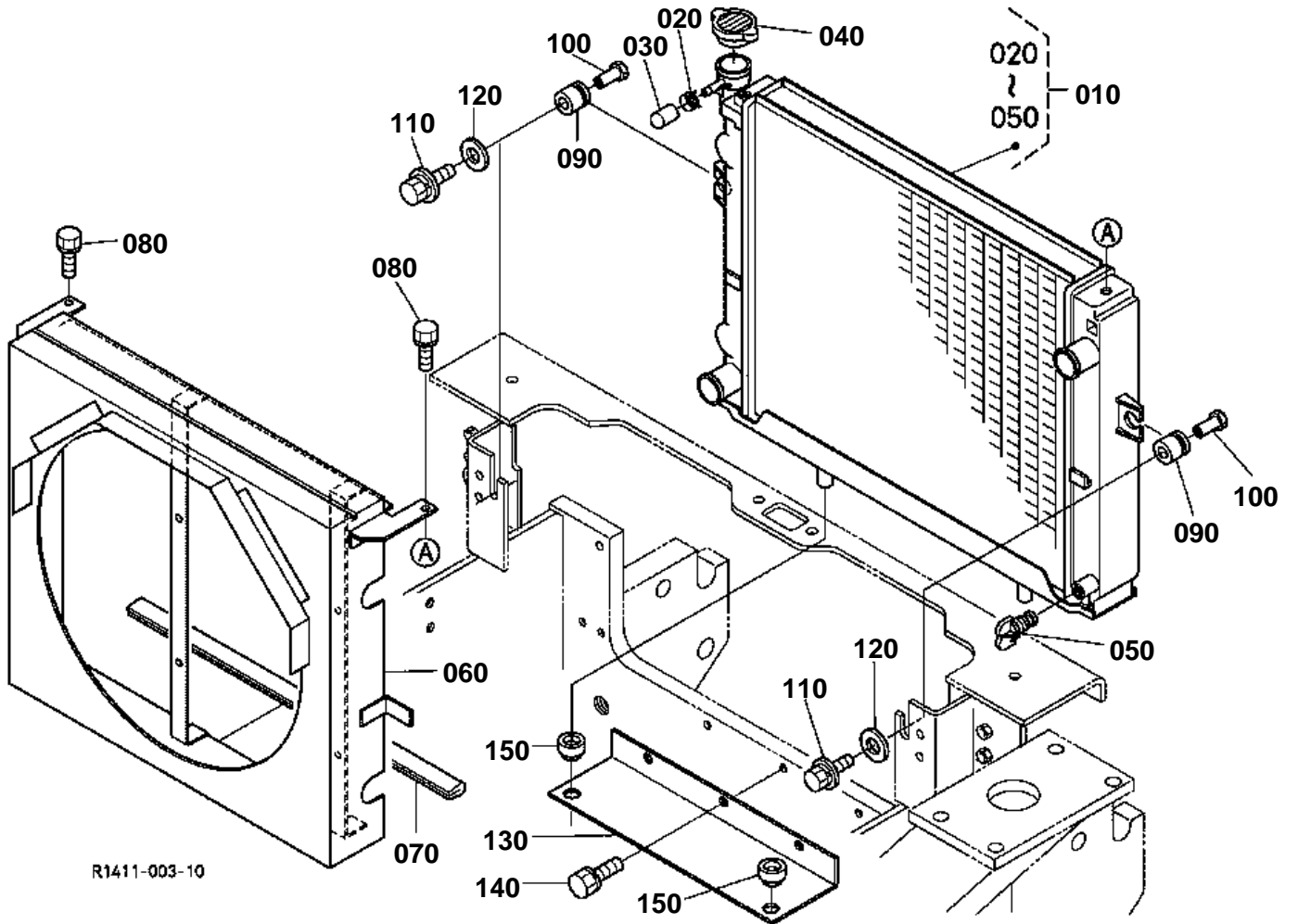
R1411-002-10

**WATER PIPE**

↔ Interchangeable; ≠ not interchangeable; ← new for old; → old for new

REF.No	Part No.	Description	Q'ty	S.No.	I/C	REMARKS	Weight (kgf)	Weight (lb)
010	R1411-42350	HOSE WATER UPPER	1				0	0
020	15108-72870	BAND	2				0.027	0.0594
030	R1411-42360	HOSE WATER LOWER	1				0	0
040	15108-72870	BAND	2				0.027	0.0594
045	R1411-42382	TUBE DRAIN	1				0	0
050	R1411-42680	ASSY TANK RESERVE	1				0	0
060	R1411-42690	ASSY CAP	1				0	0
070	RC411-42870	HOSE	1				0.1	0.22
080	15501-72470	CLIP PIPE	2				0.005	0.011
090	R1411-42880	PIPE	1				0	0
100	15531-72422	CAP	1				0.001	0.0022
110	15531-72432	GASKET	1				0.002	0.0044
120	3G704-17390	PLATE	1				0.001	0.0022
130	RC411-42900	HOSE	1				0.012	0.0264
140	R1411-42720	BRACKET RESERVE TANK	1				0	0
150	01123-60820	BOLT	2				0.015	0.033
160	68728-46820	HOSE	1				0.03	0.066
170	68728-46830	PLUG	1				0.03	0.066
180	09318-88185	CLAMP HOSE	2				0.004	0.0088
190	T1065-72820	JOINT PIPE	1				0.03	0.066

RADIATOR



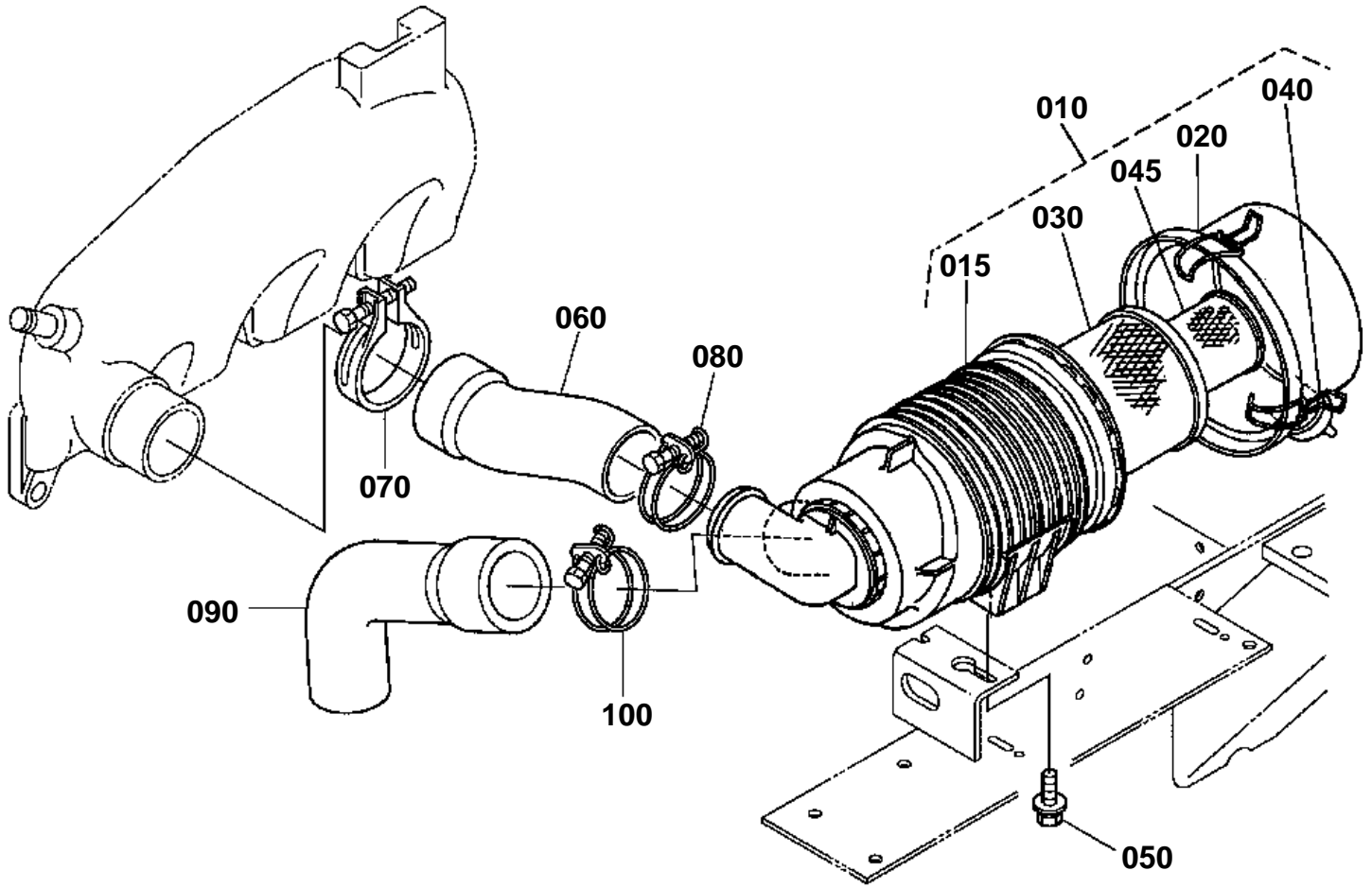


RADIATOR

↔ Interchangeable; ≠ not interchangeable; ← new for old; → old for new

REF.No	Part No.	Description	Q'ty	S.No.	I/C	REMARKS	Weight (kgf)	Weight (lb)
010	R1411-42300	ASSY RADIATOR	1				0	0
020	RC411-42510	CLAMP	1				0.005	0.011
030	RC411-42390	CAP	1				0.005	0.011
040	RC411-42540	CAP	1				0.023	0.0506
050	R1411-42520	ASSY COCK	1				0	0
060	R1411-42310	SHROUD FAN	1				0	0
070	R1411-42370	TRIM SASH	1				0	0
080	01123-60820	BOLT	2				0.015	0.033
090	R1411-42340	BUSH RADIATOR	2				0	0
100	R1411-42430	SPACER RADIATOR	2				0	0
110	01125-60820	BOLT	2				0.015	0.033
120	04013-60140	WASHER PLAIN	2				0.01	0.022
130	R1411-42320	BRACKET RADIATOR	1				0	0
140	01133-61020	BOLT	3				0.02	0.044
150	R1411-42330	CUSHION RADIATOR	2				0	0

AIR CLEANER



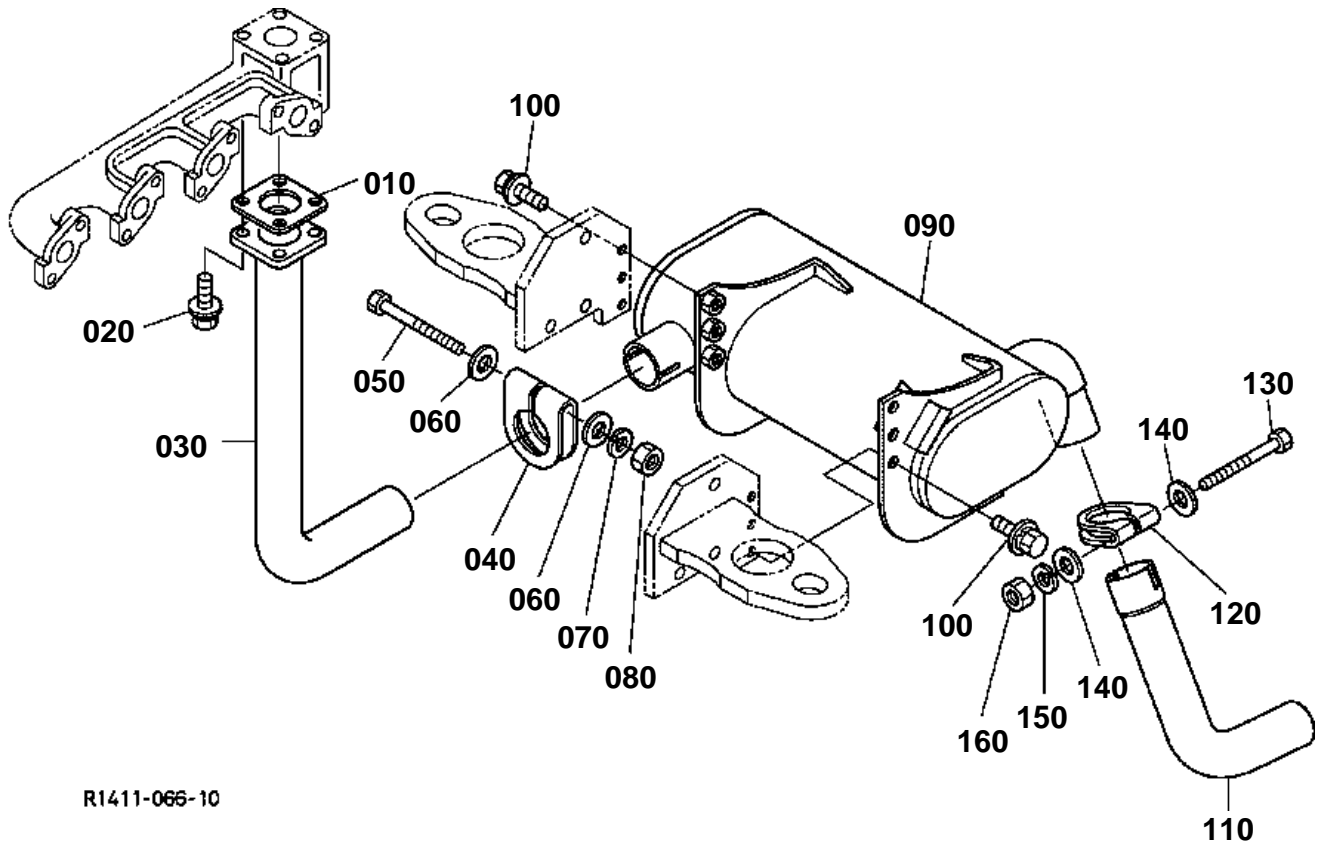
R1411-005-10

**AIR CLEANER**

↔ Interchangeable; ≠ not interchangeable; ← new for old; → old for new

REF.No	Part No.	Description	Q'ty	S.No.	I/C	REMARKS	Weight (kgf)	Weight (lb)
010	R2401-42200	ASSY CLEANER AIR	1				1.8	3.96
015	R1401-42250	BODY AIR CLEANER	1				0	0
020	R1401-42260	CUP DUST	1				0.3	0.66
030	R1401-42270	ELEMENT OUTER	1				0.5	1.1
040	R1401-42290	VALVE EVACUATOR	1				0.01	0.022
045	R2401-42280	ELEMENT INNER	1				0.3	0.66
050	01125-60820	BOLT	2				0.015	0.033
060	R2511-42210	TUBE INLET	1				0	0
070	31351-18110	BAND PIPE	1				0.04	0.088
080	09318-89076	CLAMP HOSE	1				0.038	0.0836
090	R2511-42250	TUBE INLET	1				0	0
100	09318-89076	CLAMP HOSE	1				0.038	0.0836

MUFFLER



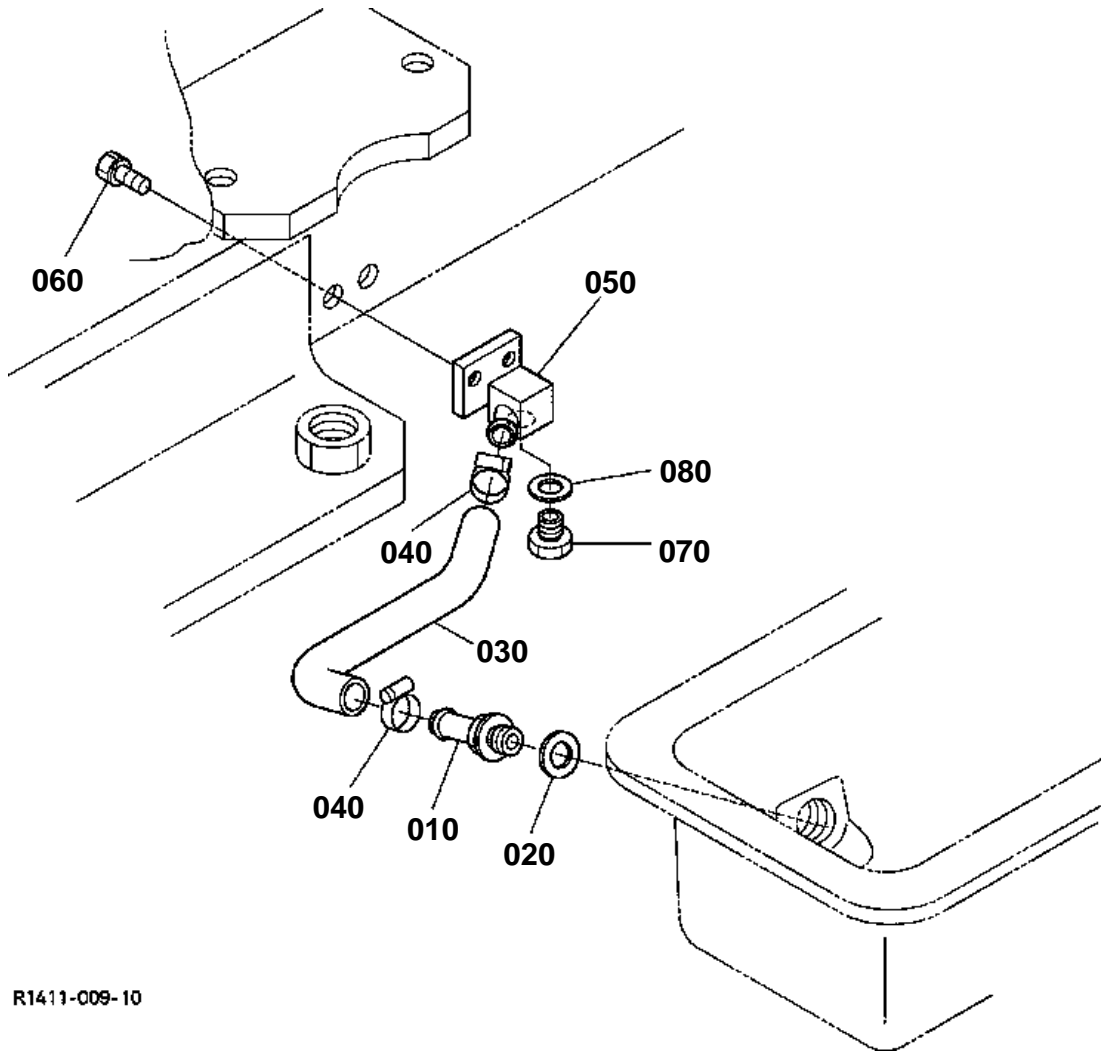
R1411-066-10

**MUFFLER**

↔ Interchangeable; ≠ not interchangeable; ← new for old; → old for new

REF.No	Part No.	Description	Q'ty	S.No.	I/C	REMARKS	Weight (kgf)	Weight (lb)
010	T0070-16420	GASKET MUFFLER	1				0.016	0.0352
020	01123-60825	BOLT	4				0.012	0.0264
030	R2511-42490	PIPE MUFFLER	1				0	0
040	68493-42490	BAND PIPE	1				0.07	0.154
050	01153-60880	BOLT	1				0.03	0.066
060	04013-60080	WASHER PLAIN	2				0.002	0.0044
070	04512-60080	WASHER SPRING	1				0.002	0.0044
080	02114-60080	NUT	1				0.002	0.0044
090	R2511-42410	MUFFLER	1				0	0
100	01135-61030	BOLT	6				0.028	0.0616
110	R2411-42480	PIPE MUFFLER	1				0	0
120	RD411-42450	BAND MUFFLER PIPE	1				0.08	0.176
130	01153-50875	BOLT	1				0.028	0.0616
140	04013-60080	WASHER PLAIN	2				0.002	0.0044
150	04512-60080	WASHER SPRING	1				0.002	0.0044
160	02114-60080	NUT	1				0.002	0.0044

DRAIN PIPING



R1411-009-10

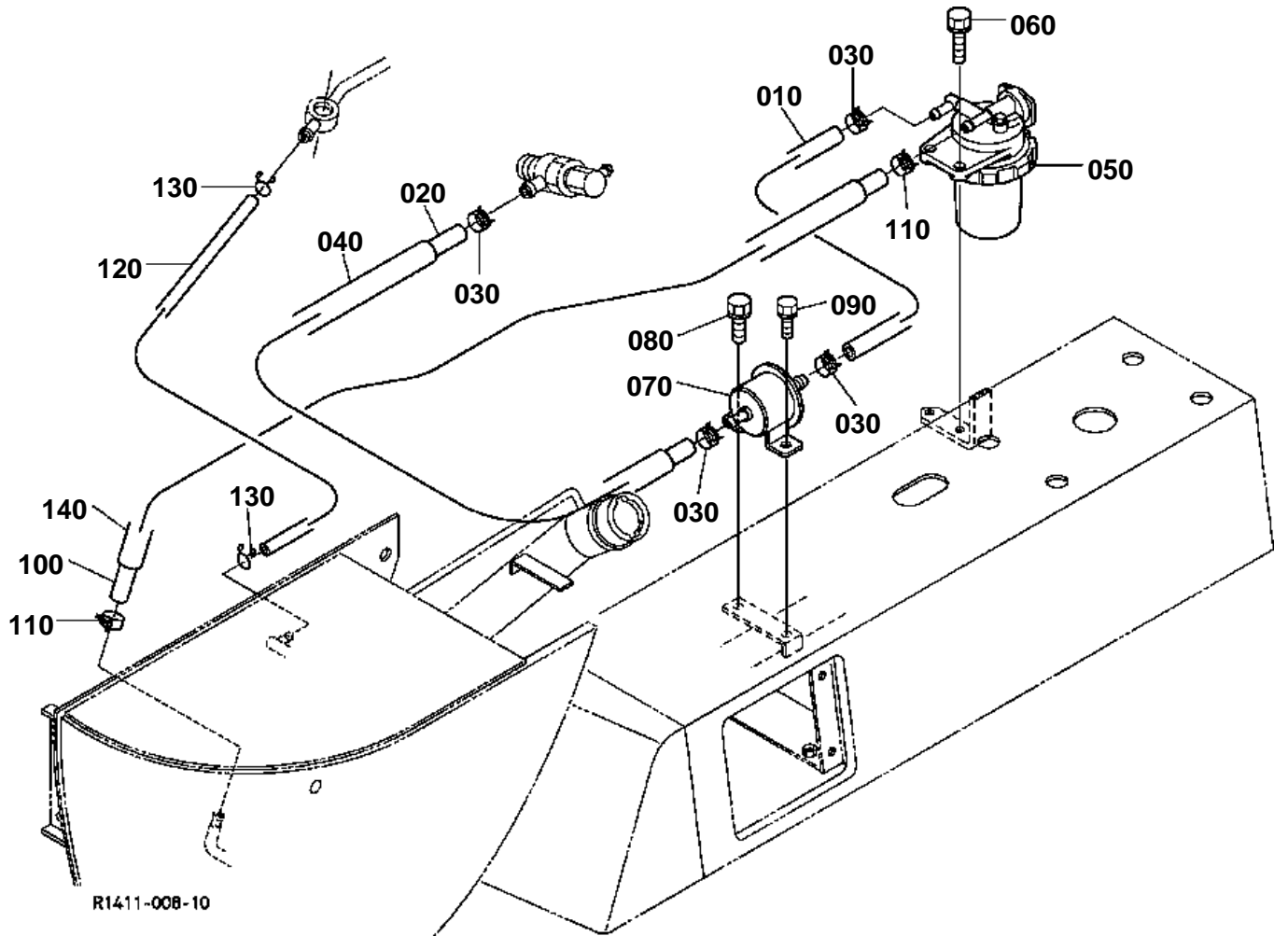


DRAIN PIPING

↔ Interchangeable; ≠ not interchangeable; ← new for old; → old for new

REF.No	Part No.	Description	Q'ty	S.No.	I/C	REMARKS	Weight (kgf)	Weight (lb)
010	R2501-42810	JOINT PIPE	1				0.073	0.1606
020	15451-96670	GASKET	1				0.003	0.0066
030	R2501-42820	TUBE DRAIN	1				0.178	0.3916
040	RC101-64580	CLAMP HOSE	2				0.018	0.0396
050	R2501-42830	JOINT PIPE	1				0.284	0.6248
060	01133-61025	BOLT	2				0.02	0.044
070	R1401-42840	PLUG DRAIN	1				0.053	0.1166
080	04724-00160	GASKET	1				0.003	0.0066

FUEL PIPING

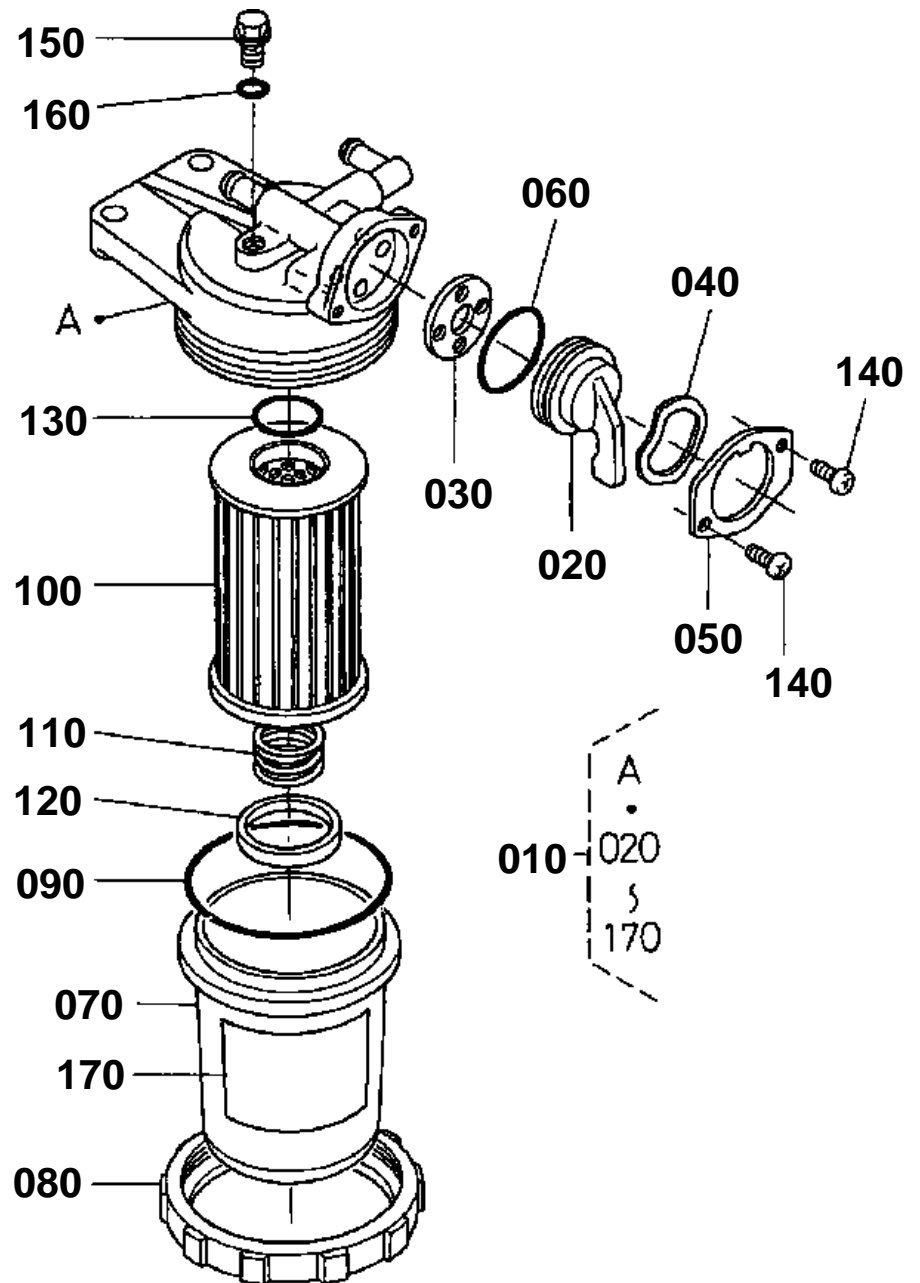


**FUEL PIPING**

↔ Interchangeable; ≠ not interchangeable; ← new for old; → old for new

REF.No	Part No.	Description	Q'ty	S.No.	I/C	REMARKS	Weight (kgf)	Weight (lb)
010	09664-80300	TUBE FUEL	1				0.03	0.066
020	09664-80600	TUBE FUEL	1				0.07	0.154
030	14911-42750	CLIP PIPE	4				0.002	0.0044
040	R1411-51340	TUBE GUARD	1				0	0
050	RC411-51150	ASSY FILTER FUEL	1				0.48	1.056
060	01123-60825	BOLT	2				0.012	0.0264
070	R1401-51350	ASSY PUMP FUEL	1				0.3	0.66
080	01125-60816	BOLT	1				0.01	0.022
090	01025-60616	BOLT	1				0.01	0.022
100	09664-81150	TUBE FUEL	1				0	0
110	14911-42750	CLIP PIPE	2				0.002	0.0044
120	09664-40615	TUBE FUEL	1				0	0
130	14971-42750	CLIP PIPE	2				0.001	0.0022
140	R1411-51352	TUBE GUARD	1				0	0

FUEL FILTER (COMPONENT PARTS)



RC418-006-10

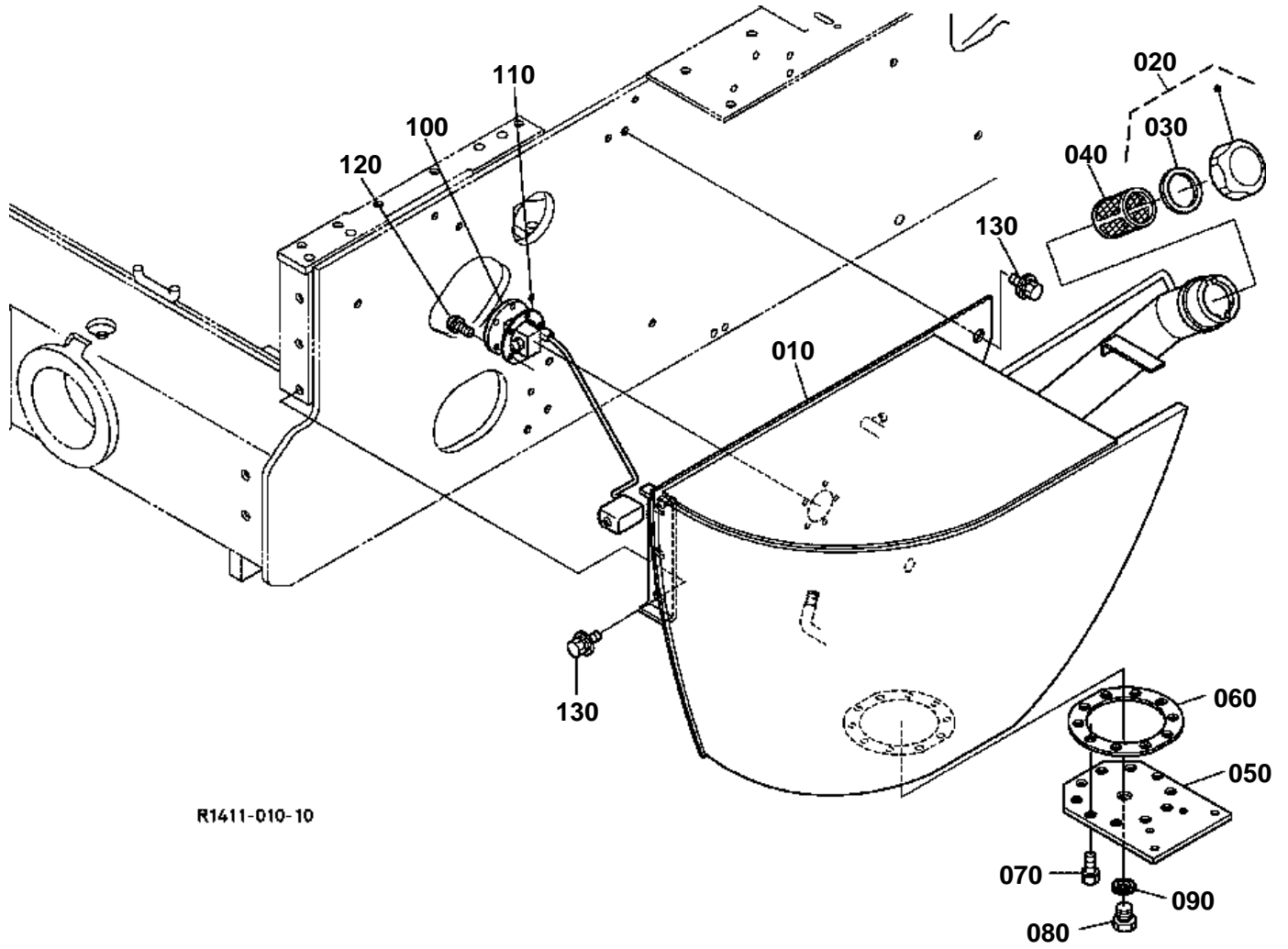


FUEL FILTER (COMPONENT PARTS)

↔ Interchangeable; ≠ not interchangeable; ← new for old; → old for new

REF.No	Part No.	Description	Q'ty	S.No.	I/C	REMARKS	Weight (kgf)	Weight (lb)
010	RC411-51150	ASSY FILTER FUEL	1				0.48	1.056
020	15521-43522	HANDLE FILTER	1				0.04	0.088
030	15521-43672	GASKET	1				0.001	0.0022
040	15521-43542	PLATE THRUST	1				0.001	0.0022
050	15521-43552	RETAINER HANDLE	1				0.01	0.022
060	04811-10290	O RING	1				0.001	0.0022
070	15521-43130	CUP FILTER	1				0.1	0.22
080	15521-43150	RING RETAINER	1				0.14	0.308
090	04811-50650	O RING	1				0.002	0.0044
100	RA211-51280	ELEMENT	1				0.06	0.132
110	RA211-51290	SPRING	1				0.005	0.011
120	15831-43250	FLOAT	1				0.001	0.0022
130	04811-00160	O RING	1				0	0
140	03054-50308	SCREW PAN-HEAD	2				0.005	0.011
150	15231-43283	SCREW AIR BREATHER	1				0.003	0.0066
160	04810-00060	O RING	1				0	0
170	16873-88430	LABEL FUEL FILTER	1				0.001	0.0022

FUEL TANK



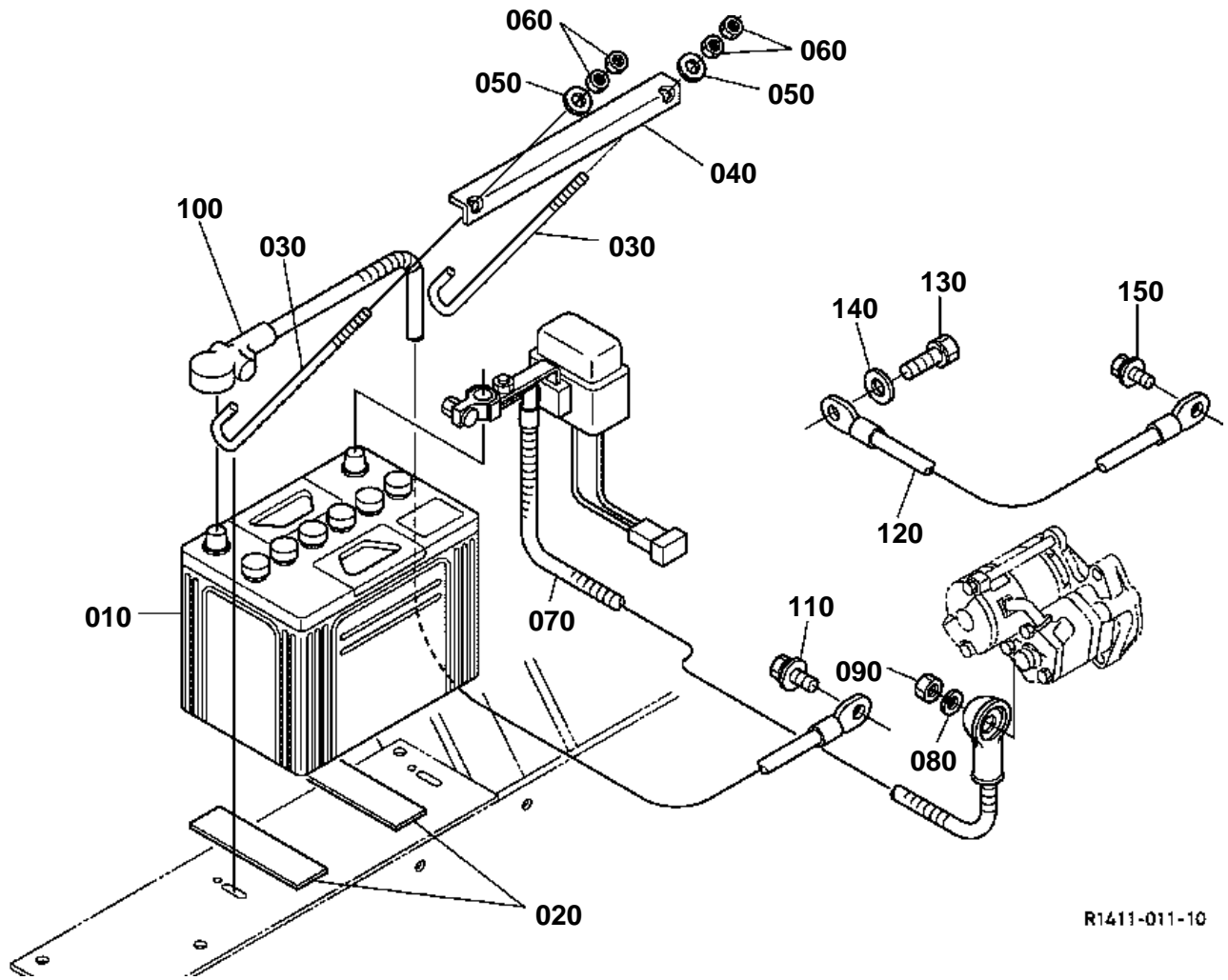
R1411-010-10

**FUEL TANK**

↔ Interchangeable; ≠ not interchangeable; ← new for old; → old for new

REF.No	Part No.	Description	Q'ty	S.No.	I/C	REMARKS	Weight (kgf)	Weight (lb)
010	R1411-51110	TANK FUEL	1				0	0
020	61191-54720	ASSY CAP FUEL TANK	1				0.09	0.198
030	61191-54740	GASKET TANK CAP	1				0.01	0.022
040	34070-42030	FILTER FUEL	1				0.035	0.077
050	R1411-51120	COVER TANK	1				0	0
060	R1411-51130	GASKET	1				0	0
070	01123-60820	BOLT	10				0.015	0.033
080	06331-35016	PLUG	1				0.04	0.088
090	04717-01600	WASHER WITH RUBBER	1				0.003	0.0066
100	R1401-53610	SENSOR FUEL GAUGE	1				0.15	0.33
110	68841-53620	GASKET	1				0.008	0.0176
120	03024-60512	SCREW WITH WASHER	5				0.002	0.0044
130	01135-61020	BOLT	5				0.015	0.033

BATTERY



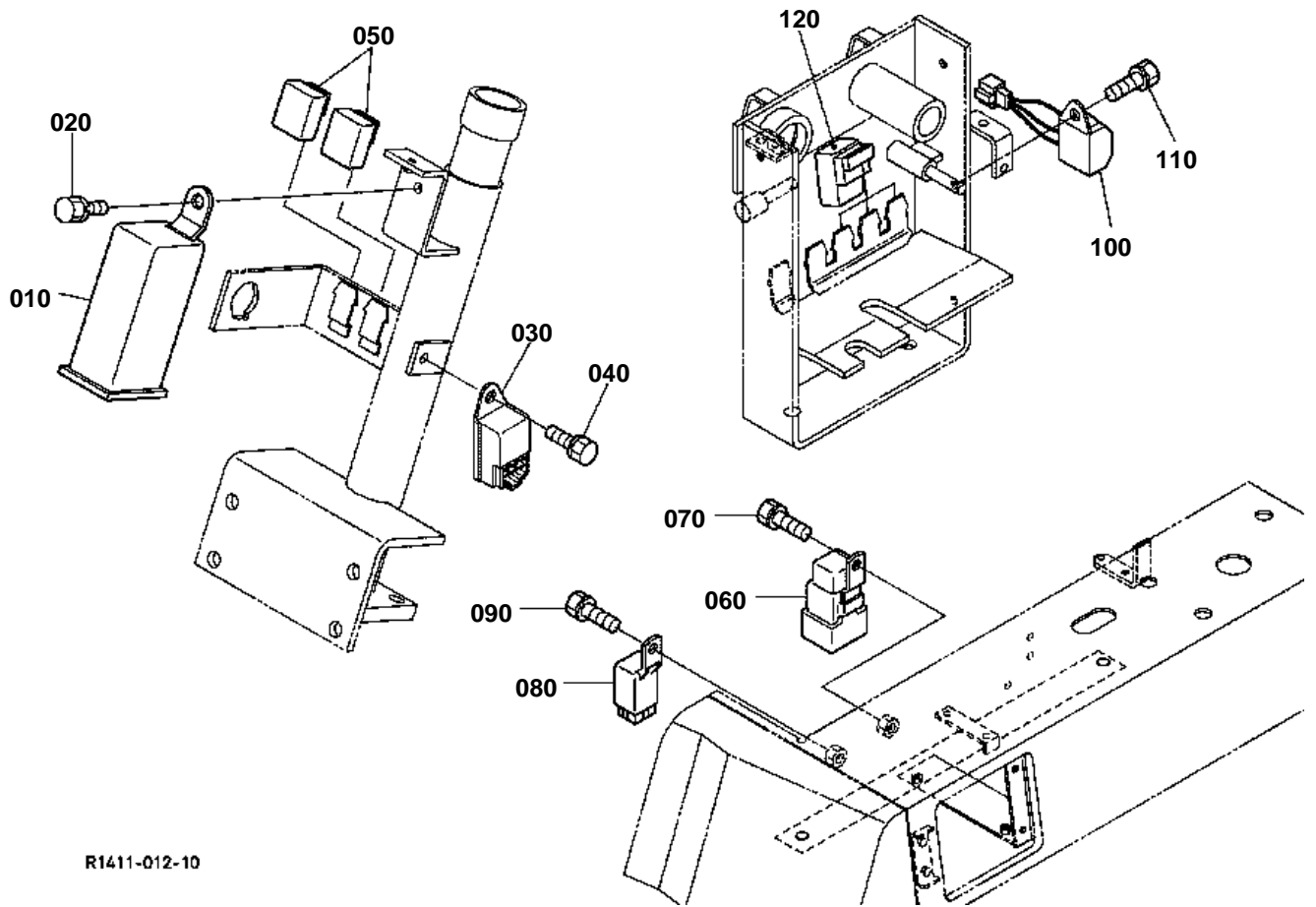
R1411-011-10

**BATTERY**

↔ Interchangeable; ≠ not interchangeable; ← new for old; → old for new

REF.No	Part No.	Description	Q'ty	S.No.	I/C	REMARKS	Weight (kgf)	Weight (lb)
010	RC411-53252	BATTERY	1				0	0
020	34150-33220	CUSHION	2				0.015	0.033
030	R1411-53250	BOLT BATTERY	2				0	0
040	RC101-53260	RETAINER BATTERY	1				0.151	0.3322
050	04013-60060	WASHER PLAIN	2				0.001	0.0022
060	02014-60060	NUT	4				0.002	0.0044
070	R2511-53710	CORD BATTERY(+)	1				0	0
080	04512-60080	WASHER SPRING	1				0.002	0.0044
090	02114-60080	NUT	1				0.002	0.0044
100	R1411-53720	CORD BATTERY(-)	1				0	0
110	01125-60816	BOLT	1				0.01	0.022
120	R1401-53730	CORD BODY EARTH	1				0.07	0.154
130	01133-61220	BOLT	1				0.033	0.0726
140	04013-60120	WASHER PLAIN	1				0.01	0.022
150	01135-61020	BOLT	1				0.015	0.033

RELAY



R1411-012-10

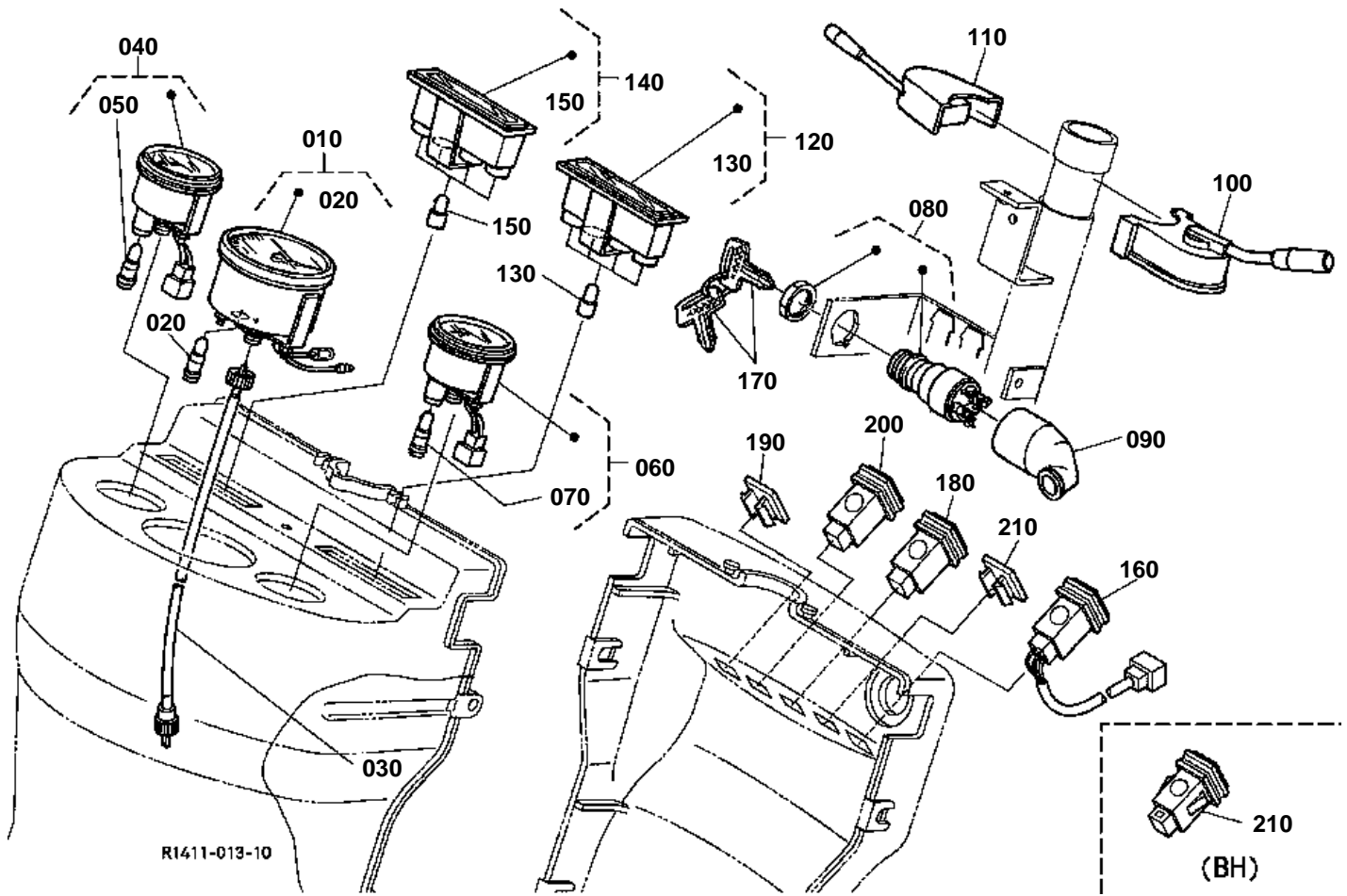


RELAY

↔ Interchangeable; ≠ not interchangeable; ← new for old; → old for new

REF.No	Part No.	Description	Q'ty	S.No.	I/C	REMARKS	Weight (kgf)	Weight (lb)
010	3F240-75430	UNIT FLASHER	1				0.06	0.132
020	01202-60612	BOLT	1				0.006	0.0132
030	15694-65990	TIMER GLOW LAMP	1				0.03	0.066
040	01202-60612	BOLT	1				0.006	0.0132
050	T1060-33720	RELAY STARTER	2				0.02	0.044
060	RP421-53730	ASSY RELAY	1				0.08	0.176
070	01202-60612	BOLT	1				0.006	0.0132
080	66446-55260	BOX RELAY	1				0.03	0.066
090	01202-60612	BOLT	1				0.006	0.0132
100	11521-64680	UNIT	1				0.04	0.088
110	01025-60620	BOLT	2				0.071	0.1562
120	T1060-33720	RELAY STARTER	3				0.02	0.044

SWITCH AND METER



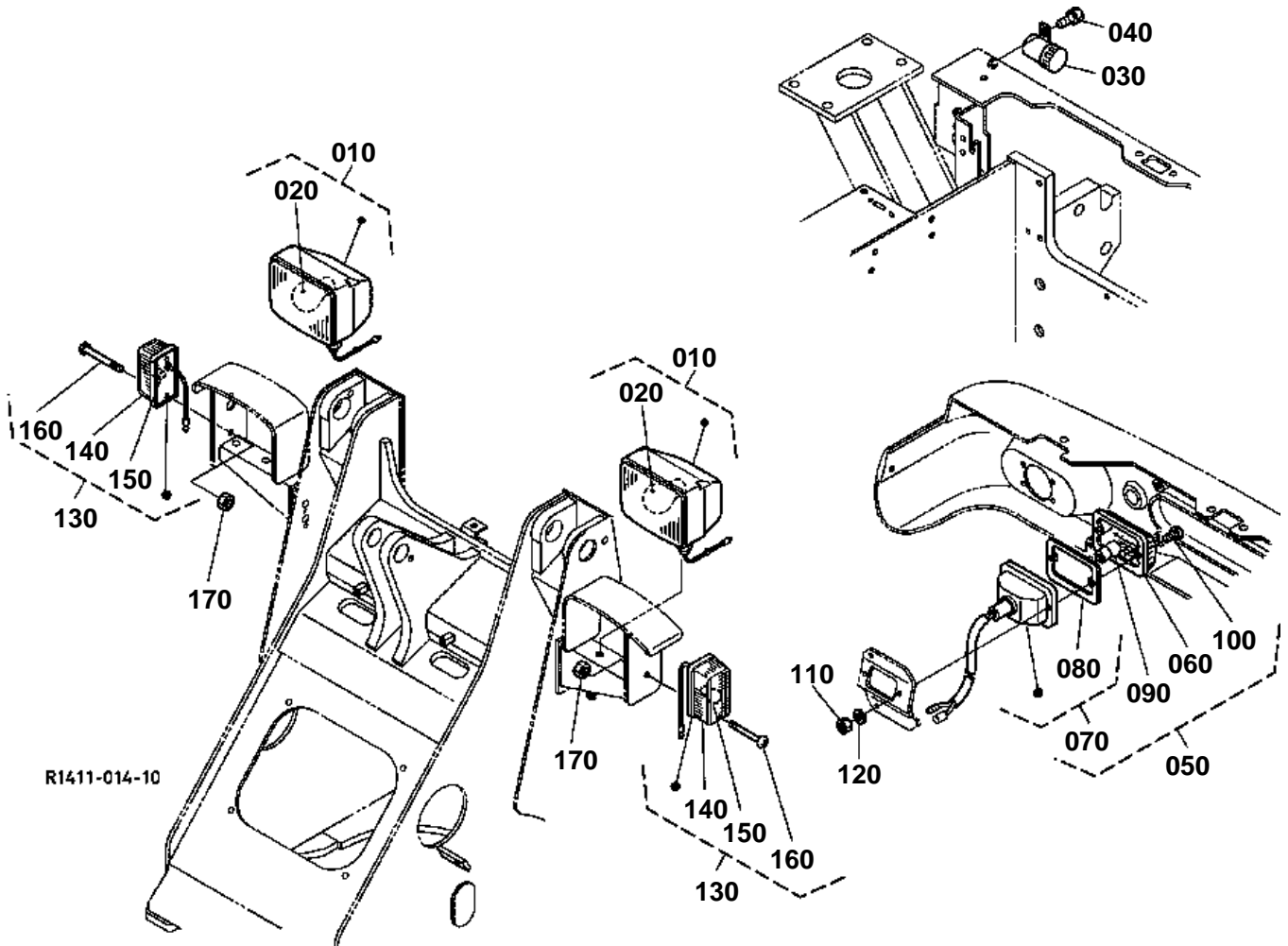
R1411-013-10

**SWITCH AND METER**

↔ Interchangeable; ≠ not interchangeable; ← new for old; → old for new

REF.No	Part No.	Description	Q'ty	S.No.	I/C	REMARKS	Weight (kgf)	Weight (lb)
010	R1401-53120	METER HOUR	1				0.37	0.814
020	66101-55770	LIGHT	1				0.001	0.0022
030	68841-53510	CABLE HOUR METER	1				0.41	0.902
040	R1401-53170	METER	1				0.19	0.418
050	66101-55770	LIGHT	1				0.001	0.0022
060	R1401-53180	METER	1				0.19	0.418
070	66101-55770	LIGHT	1				0.001	0.0022
080	RA111-53690	SWITCH STARTER	1				0.27	0.594
090	RA111-53340	COVER DUSTPROOF	1				0.03	0.066
100	R1401-53310	SWITCH DIRECTION	1				1.2	2.64
110	68841-53210	WINKER SWITCH	1				0.322	0.7084
120	R2401-53150	INDICATOR	1				0	0
130	R1401-53190	BULB	4				0.011	0.0242
140	R2401-53160	INDICATOR	1				0.11	0.242
150	R1401-53190	BULB	4				0.011	0.0242
160	R1401-53230	SWITCH PARKING	1				0.05	0.11
170	RC101-53630	ASSY KEY STARTER	1				0.032	0.0704
180	R1401-53262	SWITCH HAZARD	1				0.02	0.044
190	R1401-53250	GROMMET SWITCH	1				0.002	0.0044
200	R2401-53212	SWITCH LIGHT	1				0.02	0.044
210	R1401-53250	GROMMET SWITCH	1			EXCEPT BH	0.002	0.0044
210	R2401-53242	SWITCH WORK LIGHT	1			BH	0.02	0.044

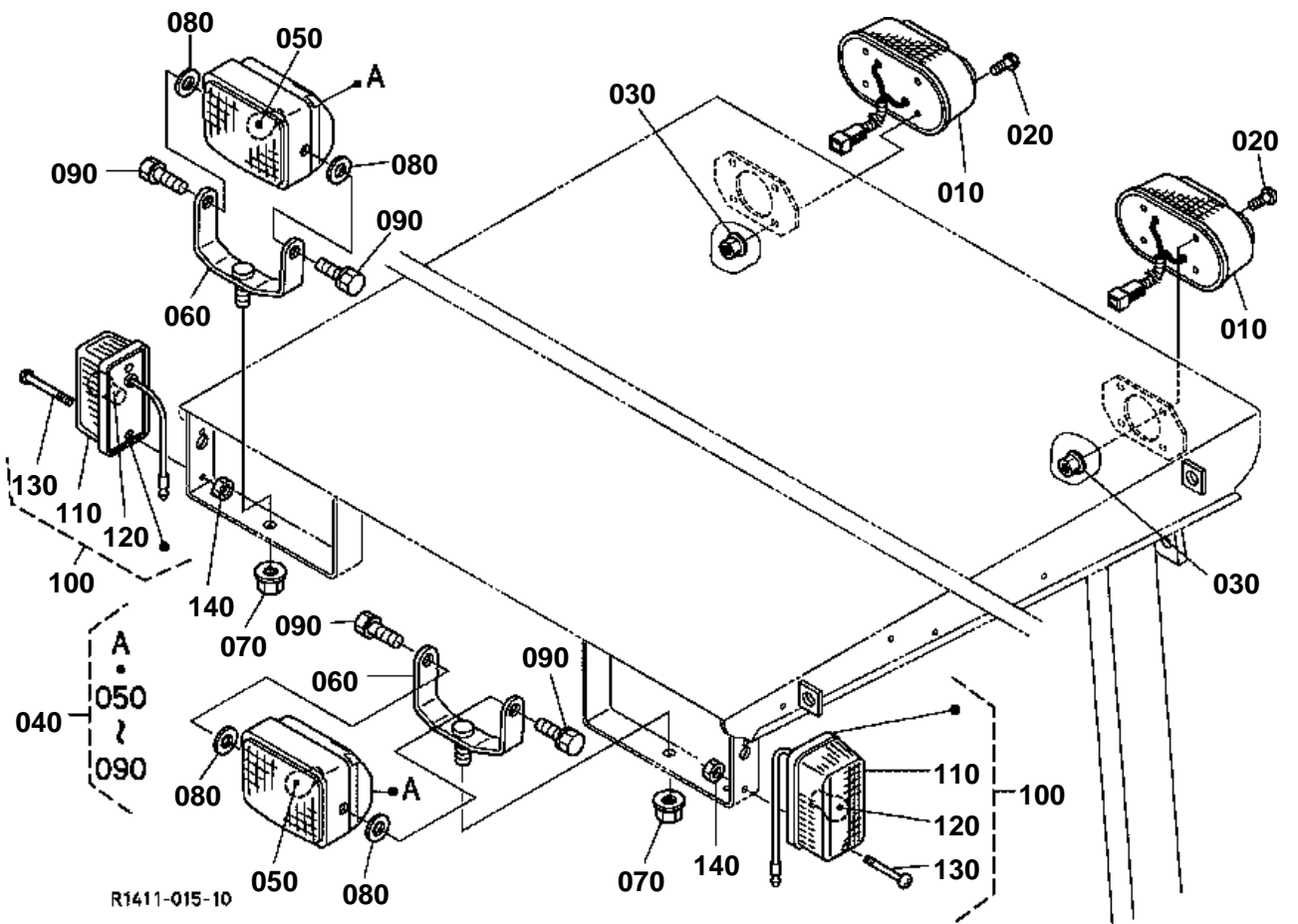
LAMP



**LAMP**

↔ Interchangeable; ≠ not interchangeable; ← new for old; → old for new

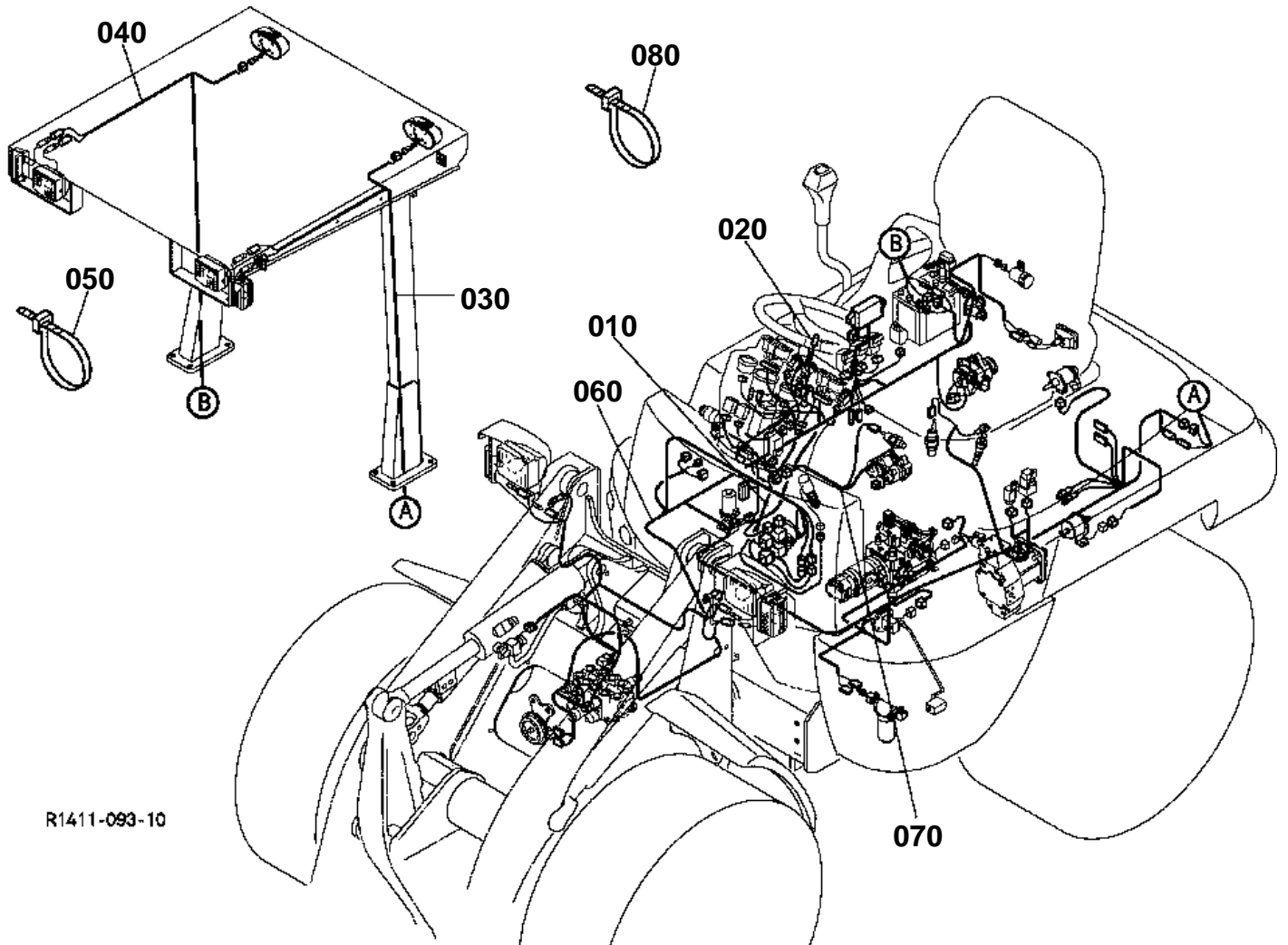
REF.No	Part No.	Description	Q'ty	S.No.	I/C	REMARKS	Weight (kgf)	Weight (lb)
010	R1401-53350	ASSY LAMP ELECTRIC	2				0.565	1.243
020	R1401-53360	BULB	2				0.018	0.0396
030	55611-42100	ASSY BUZZER BACK	1				0.19	0.418
040	01125-60816	BOLT	1				0.01	0.022
050	36919-75870	LAMP REVERSE	1				0.1	0.22
060	36530-75970	LENS	1				0.02	0.044
070	36919-75990	ASSY BODY	1				0.07	0.154
080	36919-76420	GASKET	1				0.01	0.022
090	36530-75980	BULB	1				0.014	0.0308
100	03054-50416	SCREW PAN-HEAD	2				0.002	0.0044
110	02054-60040	NUT	2				0.001	0.0022
120	04512-60040	WASHER SPRING	2				0.002	0.0044
130	38450-34200	ASSY LIGHT WINKER	2				0.1	0.22
140	38450-34220	LENS	2				0.05	0.11
150	38450-34210	BULB	2				0.02	0.044
160	38450-34240	SCREW	4				0.005	0.011
170	02054-60040	NUT	4				0.001	0.0022



**LAMP [ROPS]**

↔ Interchangeable; ≠ not interchangeable; ← new for old; → old for new

REF.No	Part No.	Description	Q'ty	S.No.	I/C	REMARKS	Weight (kgf)	Weight (lb)
010	R1411-53122	LIGHT REAR COMBI.	2				0.28	0.616
020	03054-50420	SCREW PAN-HEAD	8				0.002	0.0044
030	02761-50040	NUT FLANGE	8				0.002	0.0044
040	R2401-53380	LIGHT WORK	2				0.605	1.331
050	99061-91060	BULB	2				0.01	0.022
060	99061-91090	COMP STAY	2				0.14	0.308
070	99061-91110	NUT FLANGE	2				0.02	0.044
080	99061-91100	WASHER	4				0.002	0.0044
090	01202-50616	BOLT	4				0.006	0.0132
100	38450-34200	ASSY LIGHT WINKER	2				0.1	0.22
110	38450-34220	LENS	2				0.05	0.11
120	38450-34210	BULB	2				0.02	0.044
130	38450-34240	SCREW	4				0.005	0.011
140	02054-60040	NUT	4				0.001	0.0022



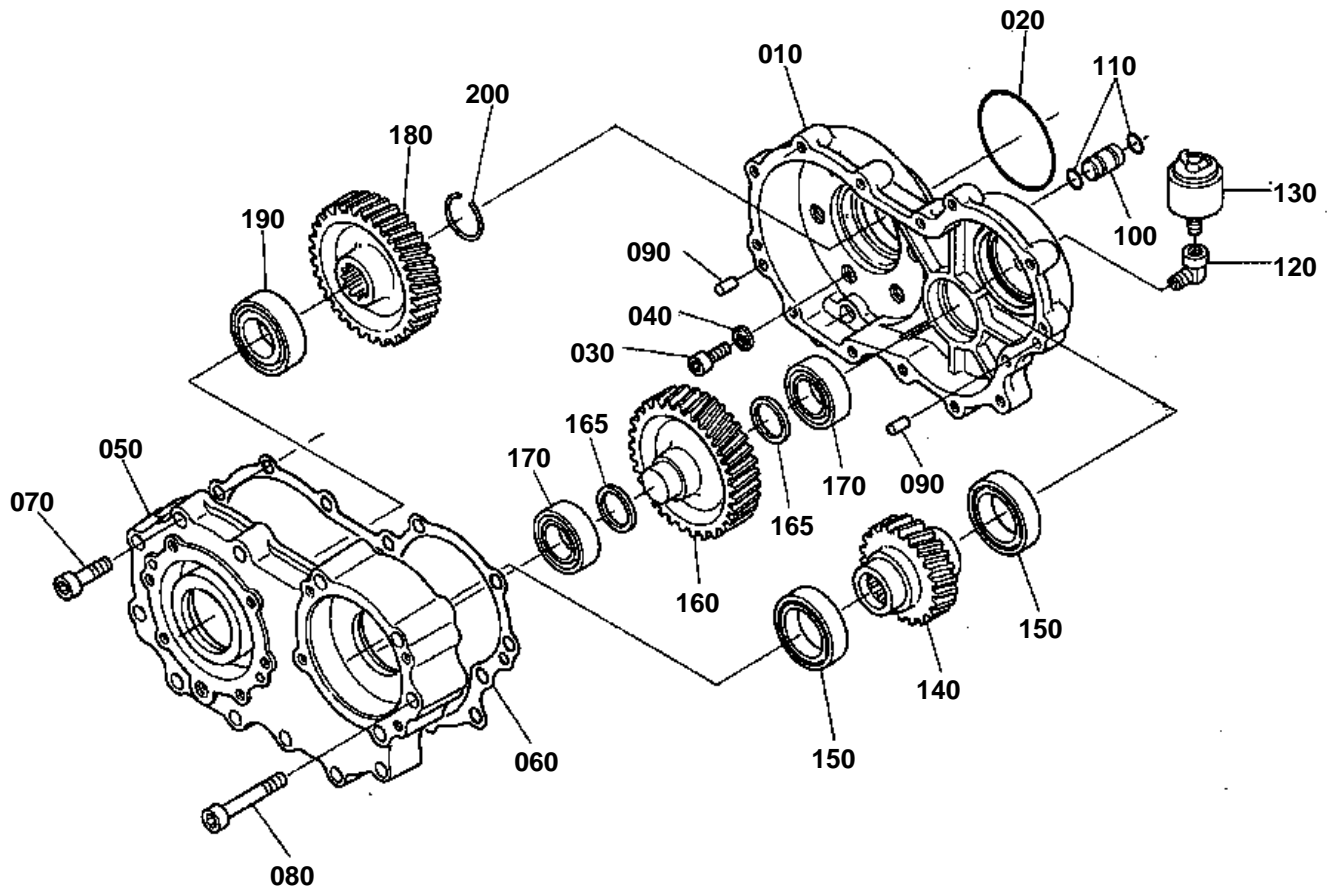
R1411-093-10



ELECTRICAL WIRING

↔ Interchangeable; ≠ not interchangeable; ← new for old; → old for new

REF.No	Part No.	Description	Q'ty	S.No.	I/C	REMARKS	Weight (kgf)	Weight (lb)
010	R2411-53420	WIRE HARNESS	1				0	0
020	R2401-53440	WIRE HARNESS	1				0.008	0.0176
030	R2411-53460	WIRE HARNESS	1			CANOPY	0	0
040	R2411-53470	WIRE HARNESS	1			CANOPY	0	0
050	55311-41260	BAND CORD	2			CANOPY	0.007	0.0154
060	R2511-53410	WIRE HARNESS	1				0	0
070	R2511-53450	WIRE HARNESS	1				0	0
080	55311-41260	BAND CORD	16				0.007	0.0154



R1411-016-10

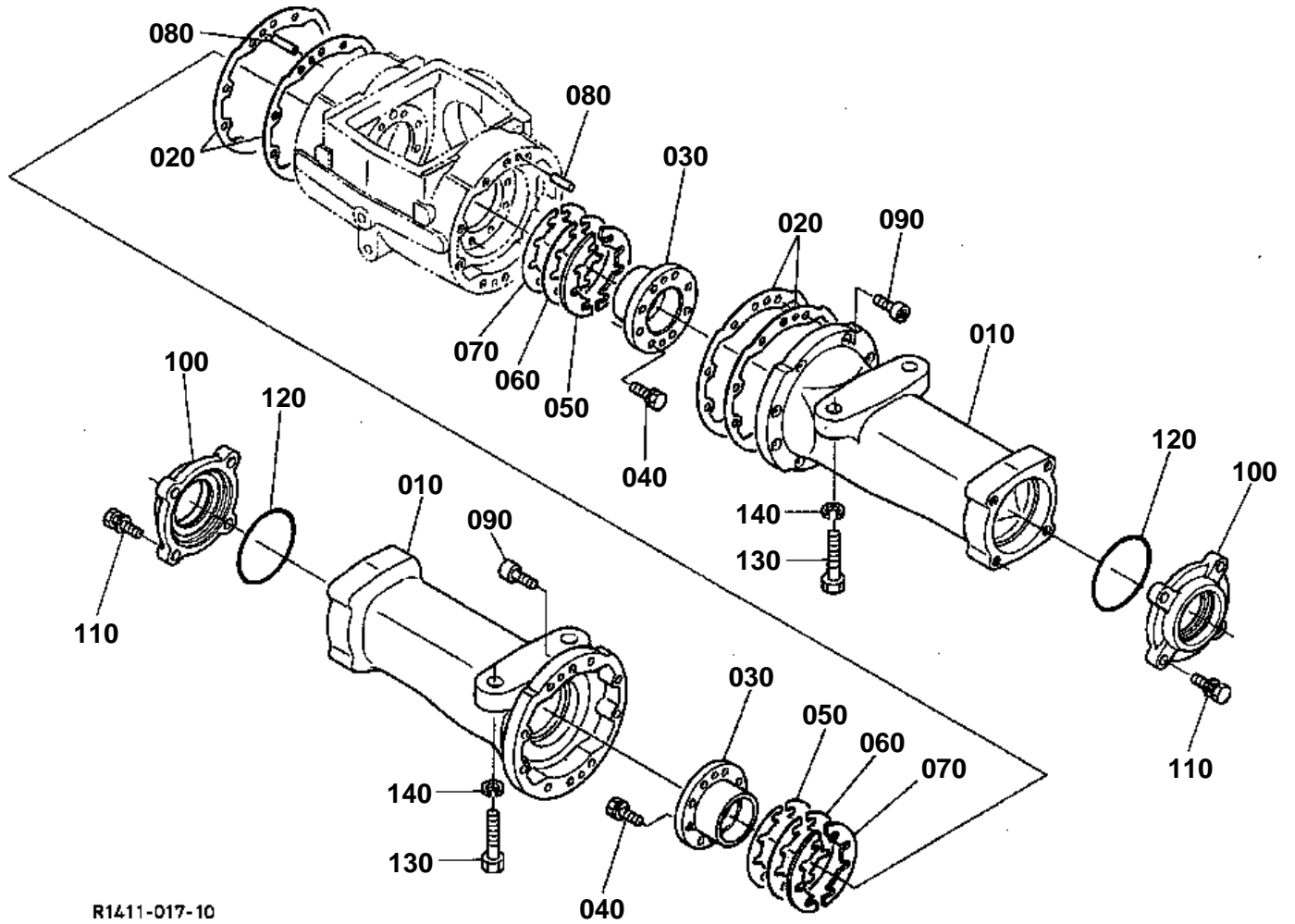


MISSION CASE

↔ Interchangeable; ≠ not interchangeable; ← new for old; → old for new

REF.No	Part No.	Description	Q'ty	S.No.	I/C	REMARKS	Weight (kgf)	Weight (lb)
010	R1401-11114	CASE REDUCTION	1				11.2	24.64
020	04811-51050	O RING	1				0.003	0.0066
030	01370-11230	BOLT HEX-SOC-HD	6				0.04	0.088
040	04717-01200	WASHER WITH RUBBER	6				0.002	0.0044
050	R1401-11213	CASE REDUCTION	1				11.6	25.52
060	R1401-11230	GASKET	1				0.015	0.033
070	01315-11035	BOLT HEX-SOC-HD	10				0.03	0.066
080	01315-11065	BOLT HEX-SOC-HD	4				0.04	0.088
090	05012-01025	PIN STRAIGHT	2				0.016	0.0352
100	R1401-11140	SLEEVE KNOC	1				0.045	0.099
110	04811-10200	O RING	2				0.001	0.0022
120	R1401-76470	JOINT	1				0.115	0.253
130	69331-16270	BREATHER	1				0.09	0.198
140	R1511-13210	GEAR	1			22T	0	0
150	R1401-11260	BEARING BALL	2				0.27	0.594
160	R1511-13310	GEAR	1			39T	0	0
165	R1411-13320	COLLAR	2				0	0
170	35822-31360	BEARING BALL	2				0.28	0.616
180	R1511-13410	GEAR	1			41T	0	0
190	08101-06307	BEARING BALL	1				0.455	1.001
200	R1411-13420	STOPPER	1				0	0

FRONT AXLE CASE



R1411-017-10

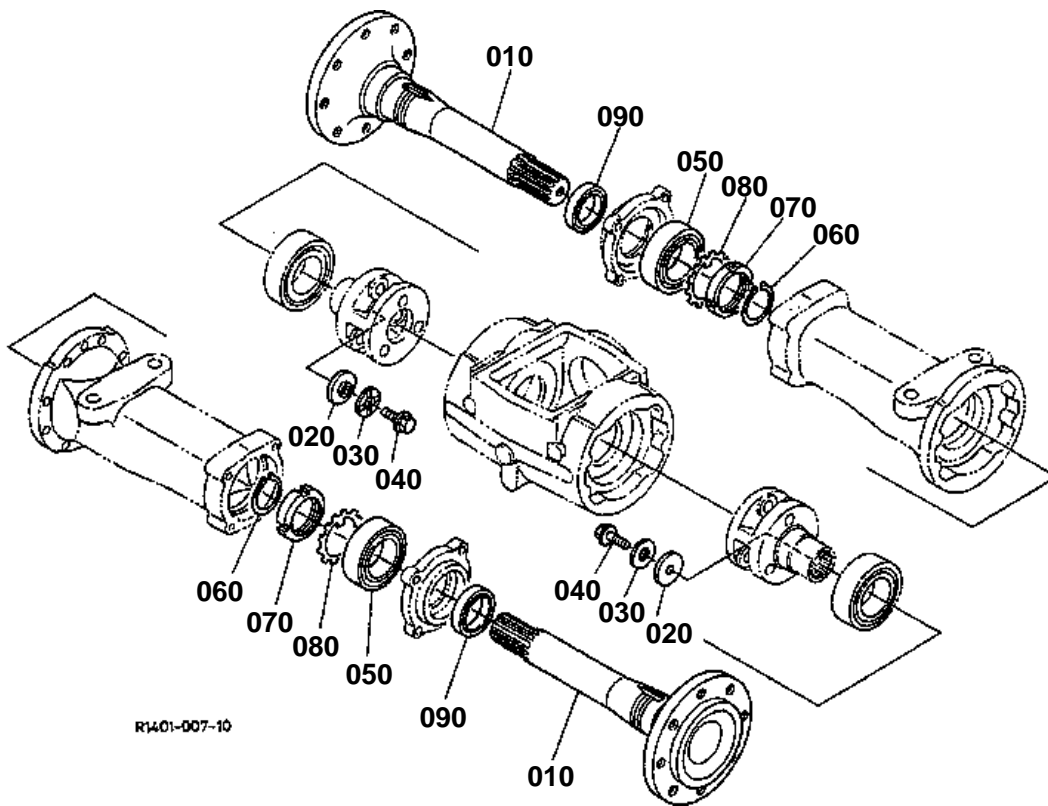


FRONT AXLE CASE

↔ Interchangeable; ≠ not interchangeable; ← new for old; → old for new

REF.No	Part No.	Description	Q'ty	S.No.	I/C	REMARKS	Weight (kgf)	Weight (lb)
010	R1411-23310	CASE AXLE	2				0	0
020	R1401-23330	GASKET	4				0.02	0.044
030	R1401-23210	HOLDER BEARING	2				1.2	2.64
040	01123-60825	BOLT	16				0.012	0.0264
050	R1401-23230	SHIM	6			0.1mm	0.002	0.0044
060	R1401-23240	SHIM	4			0.2mm	0.003	0.0066
070	R1401-23250	SHIM	2			0.5mm	0.008	0.0176
080	68881-23380	PIN	4				0.06	0.132
090	01370-11270	BOLT HEX-SOC-HD	20				0.07	0.154
100	R1411-23360	COVER AXLE	2				0	0
110	01133-61030	BOLT	8				0.023	0.0506
120	04811-51300	O RING	2				0.004	0.0088
130	01173-52060	BOLT	4				0.195	0.429
140	04512-60200	WASHER SPRING	4				0.02	0.044

FRONT AXLE



R1401-007-10

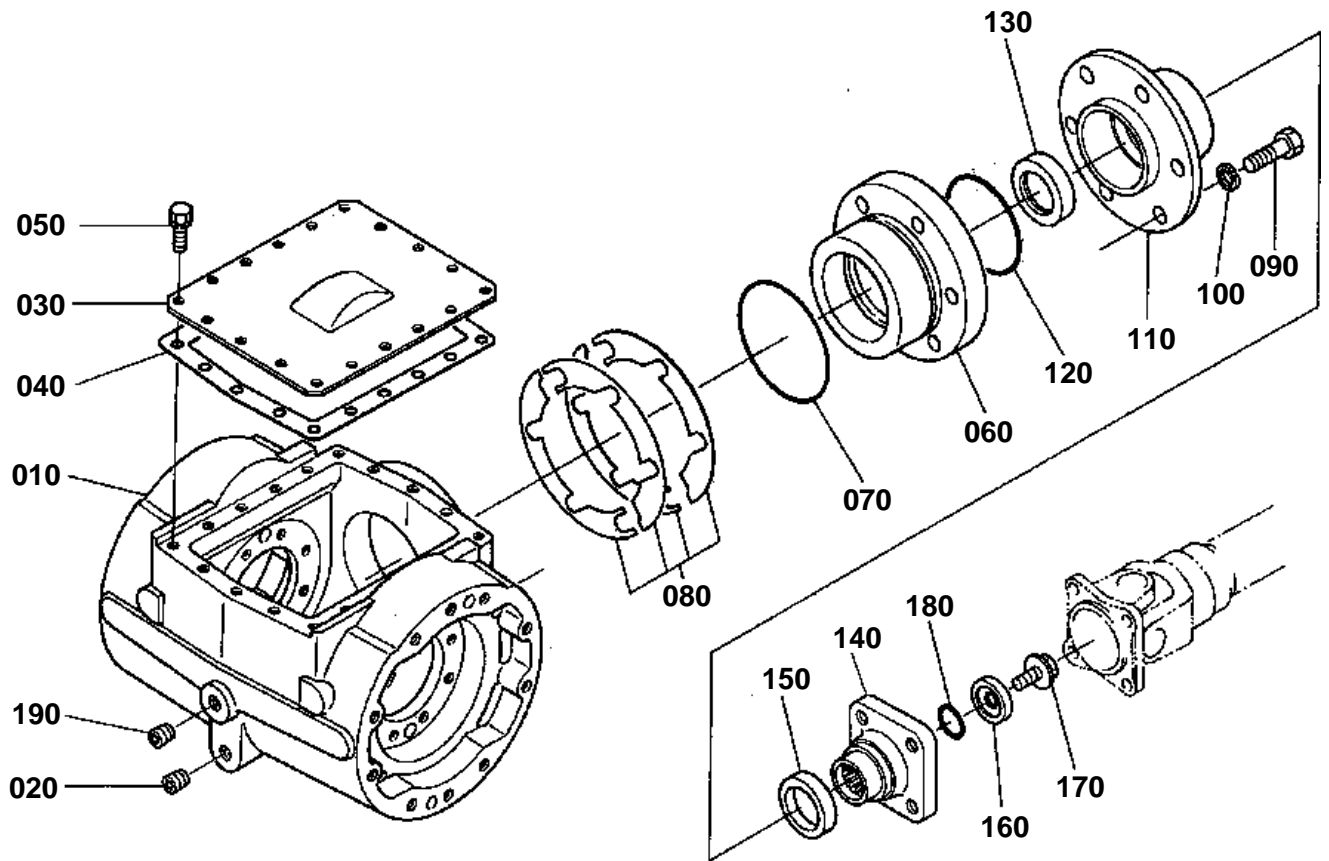


FRONT AXLE

↔ Interchangeable; ≠ not interchangeable; ← new for old; → old for new

REF.No	Part No.	Description	Q'ty	S.No.	I/C	REMARKS	Weight (kgf)	Weight (lb)
010	R1401-24310	AXLE	2				16	35.2
020	R1401-24320	SPACER	2				0.113	0.2486
030	R1401-24330	COLLAR THRUST	2				0.034	0.0748
040	37800-43870	BOLT	2				0.026	0.0572
050	08101-06312	BEARING BALL	2				1.68	3.696
060	04612-00500	CIR CLIP EXTERNAL	2				0.009	0.0198
070	02410-00120	NUT BEARING	2				0.178	0.3916
080	04312-00120	WASHER BEARING	2				0.03	0.066
090	36830-48250	SEAL WITH SHAFT	2				0.14	0.308

FRONT DIFFERENTIAL CASE



R1411-018-10

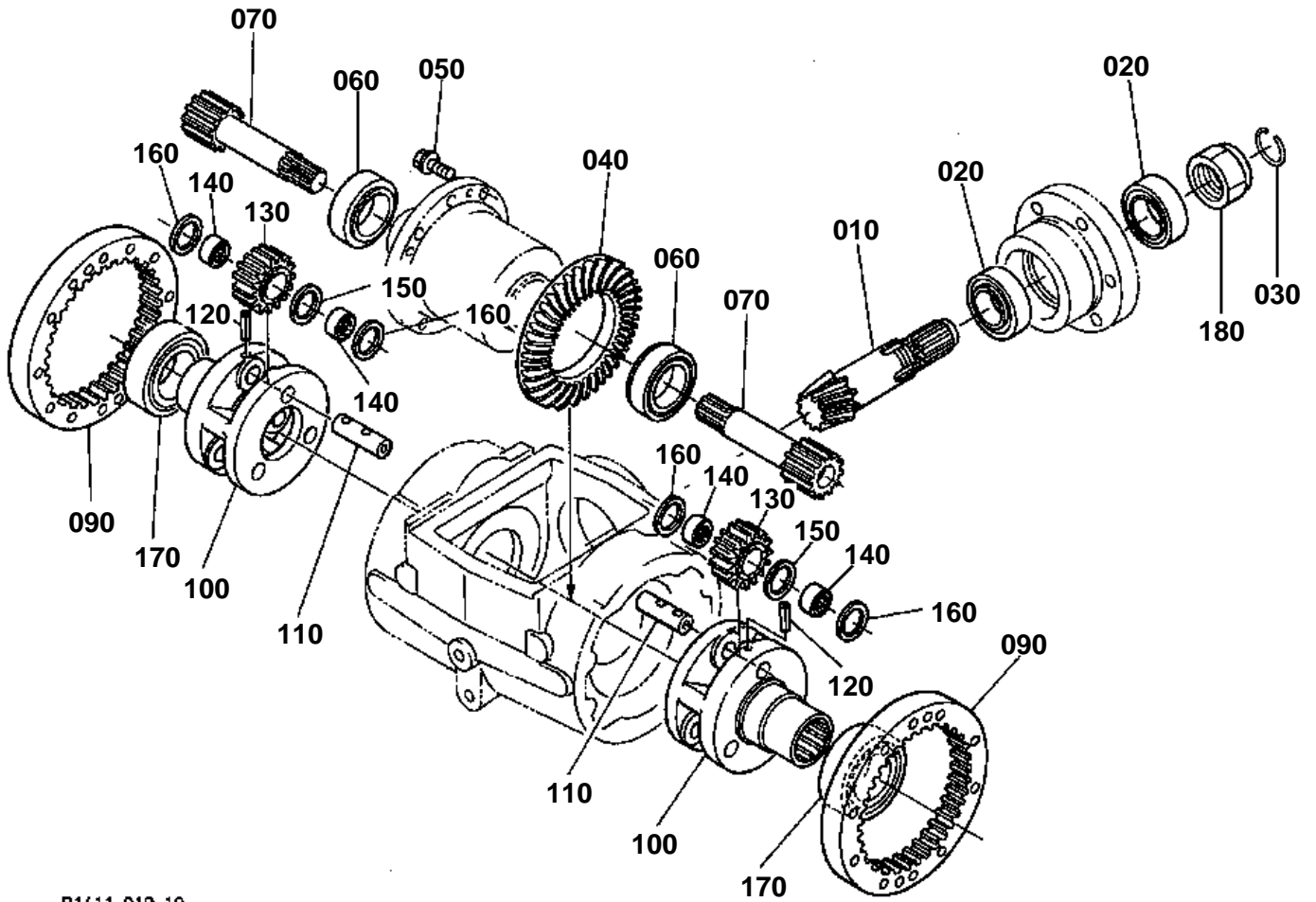


FRONT DIFFERENTIAL CASE

↔ Interchangeable; ≠ not interchangeable; ← new for old; → old for new

REF.No	Part No.	Description	Q'ty	S.No.	I/C	REMARKS	Weight (kgf)	Weight (lb)
010	R1401-23112	CASE FRONT DIFF.	1				30.5	67.1
020	68551-11150	PLUG	1				0.025	0.055
030	R1401-23130	COVER	1				1.07	2.354
040	R1401-23140	GASKET	1				0.01	0.022
050	01023-60616	BOLT	18				0.005	0.011
060	R1401-23150	HOLDER BEARING	1				3.2	7.04
070	04811-51050	O RING	1				0.003	0.0066
080	R1401-23160	SHIM	2			0.1mm	0.003	0.0066
080	R1401-23170	SHIM	2			0.2mm	0.006	0.0132
090	01173-61250	BOLT	6				0.052	0.1144
100	04512-60120	WASHER SPRING	6				0.005	0.011
110	R1411-23190	COVER	1				0	0
120	04811-50800	O RING	1				0.003	0.0066
130	09505-07212	SEAL OIL	1				0.04	0.088
140	R1411-27120	FLANGE	1				0	0
150	R1401-13920	SEAL	1				0.01	0.022
160	R1411-24180	CAP	1				0	0
170	01774-61220	BOLT FLANGE	1				0.035	0.077
180	04810-00280	O RING	1				0	0
190	68551-11150	PLUG	1				0.025	0.055

PLANETARY GEAR (FRONT)



R1411-019-10

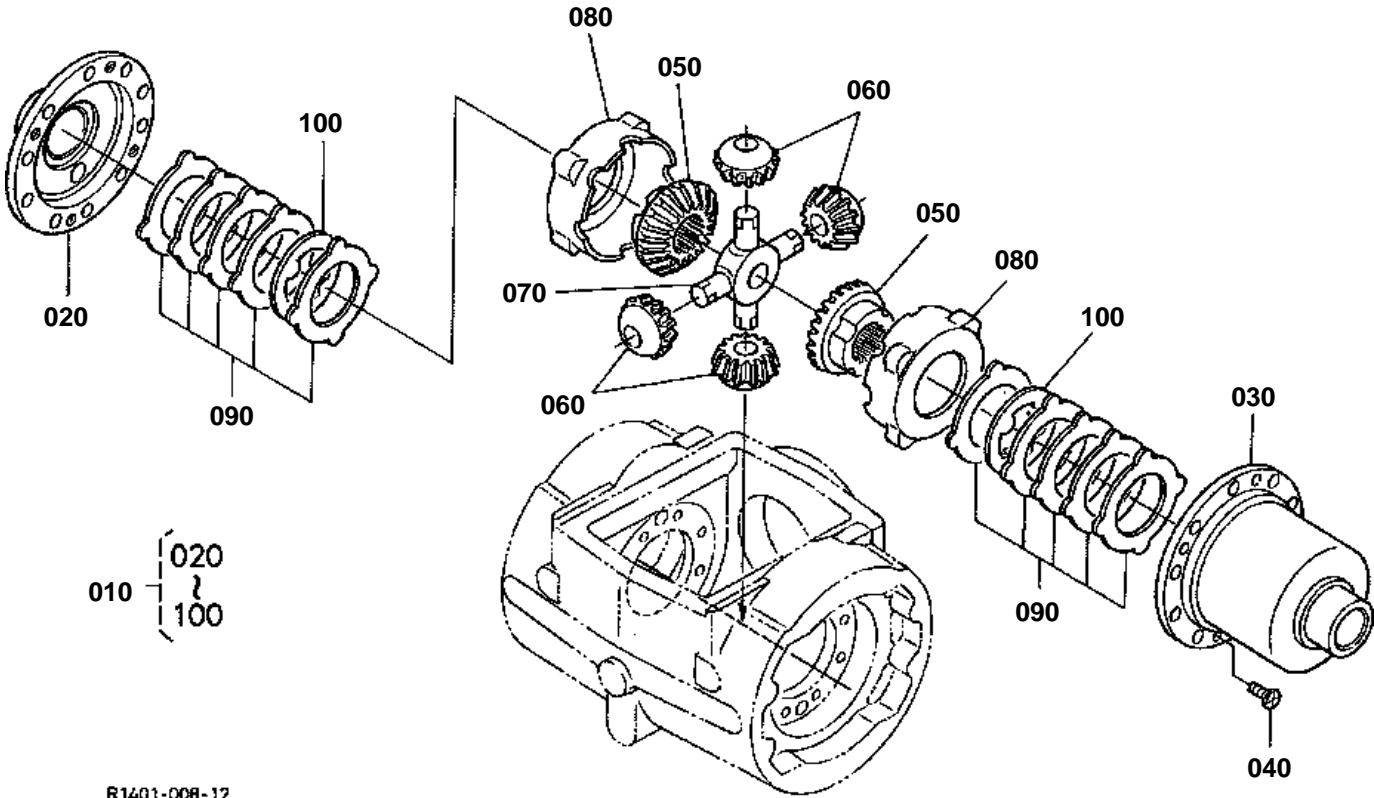


PLANETARY GEAR (FRONT)

↔ Interchangeable; ≠ not interchangeable; ← new for old; → old for new

REF.No	Part No.	Description	Q'ty	S.No.	I/C	REMARKS	Weight (kgf)	Weight (lb)
010	R1401-24150	GEAR BEVEL F	1			8T	1.346	2.9612
020	08731-32208	BEARING TAPER-ROLLER	2				0.54	1.188
030	R1401-28170	STOPPER	1				0.003	0.0066
040	R1401-24210	GEAR BEVEL	1			37T	2.814	6.1908
050	37800-43870	BOLT	10				0.026	0.0572
060	08711-32009	BEARING TAPER-ROLLER	2				0.345	0.759
070	R1411-24230	GEAR-SHAFT	2			12T	0	0
080	99999-99999	BLANK	0				0	0
090	R1411-24250	GEAR INTERNAL	2			51T	0	0
100	R1401-24280	ARM PLANETARY	2				3.158	6.9476
110	R1401-24260	PIN PLANETARY GEAR	6				0.165	0.363
120	05411-00620	PIN SPRING	6				0.002	0.0044
130	R1401-24240	GEAR	6			19T	0.429	0.9438
140	36606-28230	BEARING NEEDLE	12				0.03	0.066
150	R1401-24270	SPACER	6				0.008	0.0176
160	R1401-24290	COLLAR THRUST	12				0.009	0.0198
170	08101-06013	BEARING BALL	2				0.42	0.924
180	R1401-24160	NUT BEARING	1				0.091	0.2002

FRONT DIFFERENTIAL



R1401-008-12

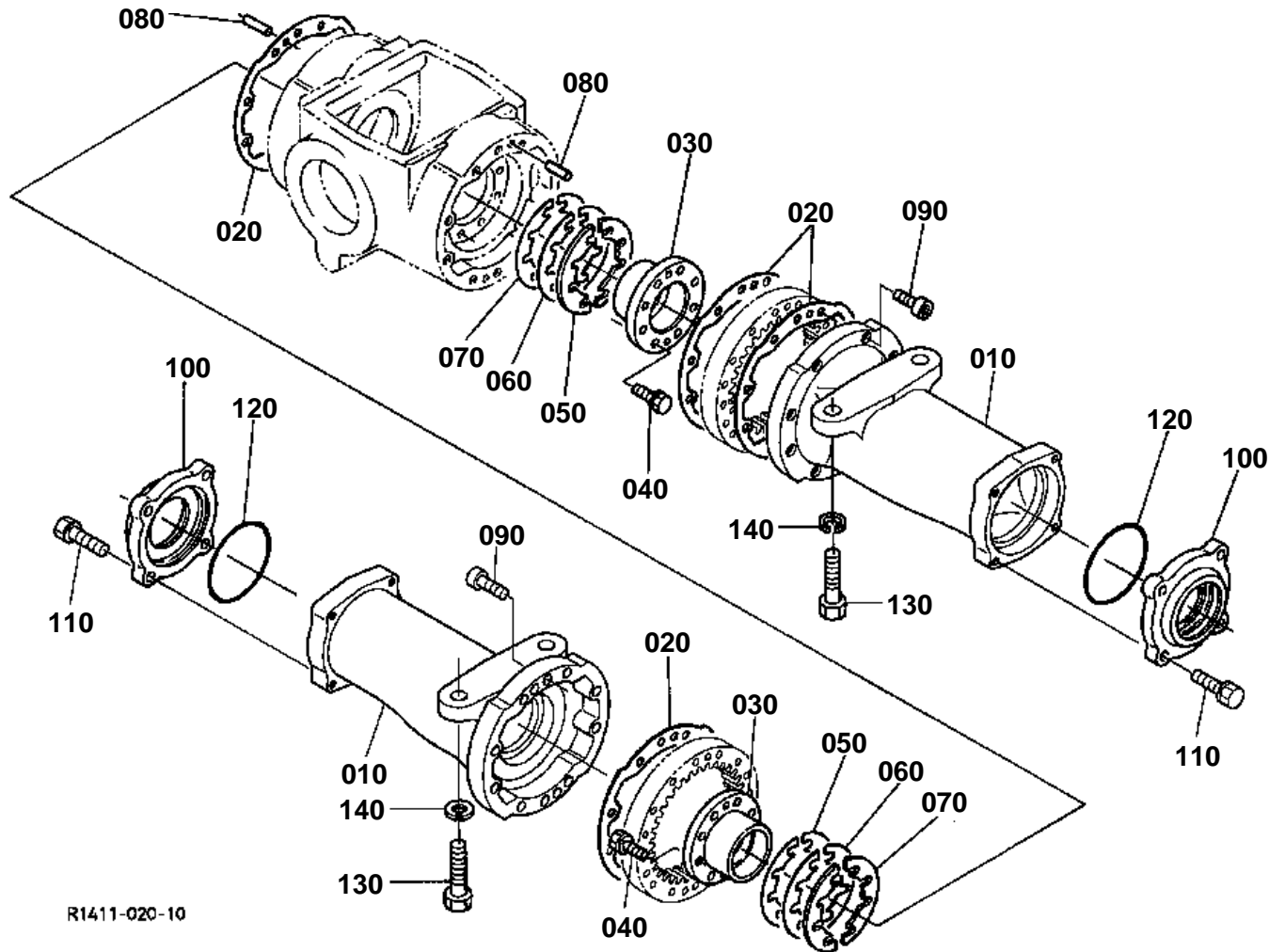


FRONT DIFFERENTIAL

↔ Interchangeable; ≠ not interchangeable; ← new for old; → old for new

REF.No	Part No.	Description	Q'ty	S.No.	I/C	REMARKS	Weight (kgf)	Weight (lb)
010	R1401-24300	ASSY DIFF. LSD	1				6.264	13.7808
020	R1401-24370	CASE LSD	1				1.2	2.64
030	R1401-24380	CASE LSD	1				1.25	2.75
040	R1401-24390	SCREW CSK-HD	4				0.002	0.0044
050	R1401-24410	GEAR DIFF.SIDE	2				0.366	0.8052
060	R1401-24420	GEAR PINION	4				0.106	0.2332
070	R1401-24430	SHAFT PINION	1				0.252	0.5544
080	R1401-24440	RING	2				0.454	0.9988
090	R1401-24450	PLATE	10			1.7mm	0.043	0.0946
090	R1401-24460	PLATE	10			STD 1.8mm	0.044	0.0968
100	R1401-24470	DISK	2			1.7mm	0.041	0.0902
100	R1401-24480	DISK	2			STD 1.8mm	0.041	0.0902

REAR AXLE CASE



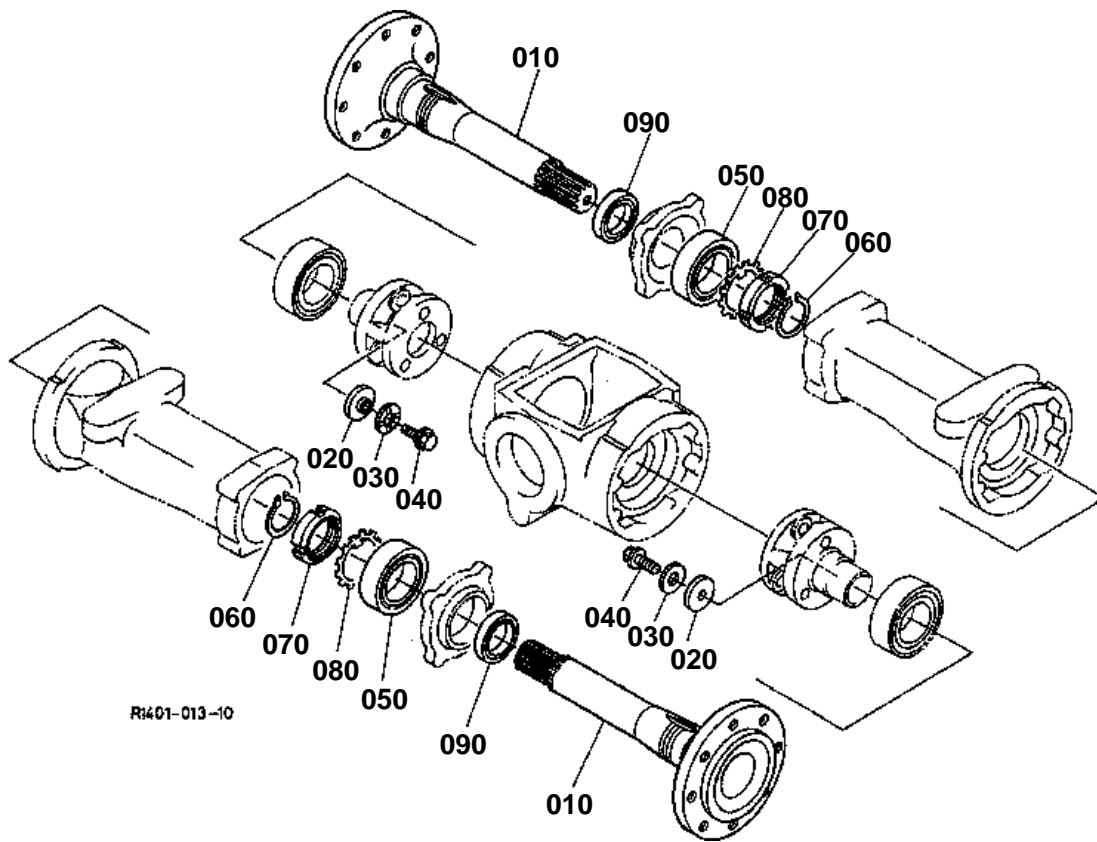


REAR AXLE CASE

↔ Interchangeable; ≠ not interchangeable; ← new for old; → old for new

REF.No	Part No.	Description	Q'ty	S.No.	I/C	REMARKS	Weight (kgf)	Weight (lb)
010	R1411-23310	CASE AXLE	2				0	0
020	R1401-23330	GASKET	4				0.02	0.044
030	R1401-23210	HOLDER BEARING	2				1.2	2.64
040	01123-60825	BOLT	16				0.012	0.0264
050	R1401-23230	SHIM	6			0.1mm	0.002	0.0044
060	R1401-23240	SHIM	4			0.2mm	0.003	0.0066
070	R1401-23250	SHIM	2			0.5mm	0.008	0.0176
080	68881-23380	PIN	4				0.06	0.132
090	01370-11270	BOLT HEX-SOC-HD	20				0.07	0.154
100	R1411-23360	COVER AXLE	2				0	0
110	01133-61030	BOLT	8				0.023	0.0506
120	04811-51300	O RING	2				0.004	0.0088
130	01173-52060	BOLT	4				0.195	0.429
140	04512-60200	WASHER SPRING	4				0.02	0.044

REAR AXLE



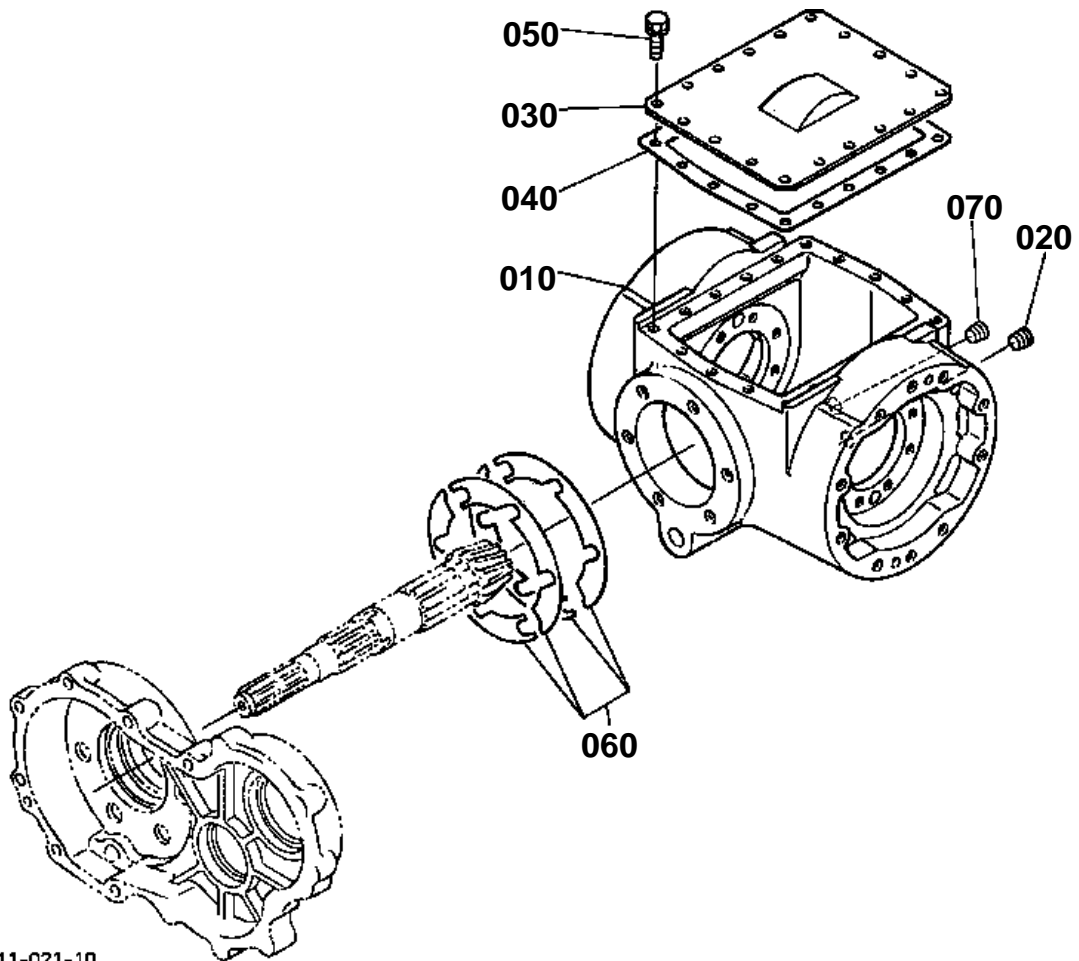
R1401-013-10

**REAR AXLE**

↔ Interchangeable; ≠ not interchangeable; ← new for old; → old for new

REF.No	Part No.	Description	Q'ty	S.No.	I/C	REMARKS	Weight (kgf)	Weight (lb)
010	R1401-24310	AXLE	2				16	35.2
020	R1401-24320	SPACER	2				0.113	0.2486
030	R1401-24330	COLLAR THRUST	2				0.034	0.0748
040	37800-43870	BOLT	2				0.026	0.0572
050	08101-06312	BEARING BALL	2				1.68	3.696
060	04612-00500	CIR CLIP EXTERNAL	2				0.009	0.0198
070	02410-00120	NUT BEARING	2				0.178	0.3916
080	04312-00120	WASHER BEARING	2				0.03	0.066
090	36830-48250	SEAL WITH SHAFT	2				0.14	0.308

REAR DIFFERENTIAL CASE



R1411-021-10

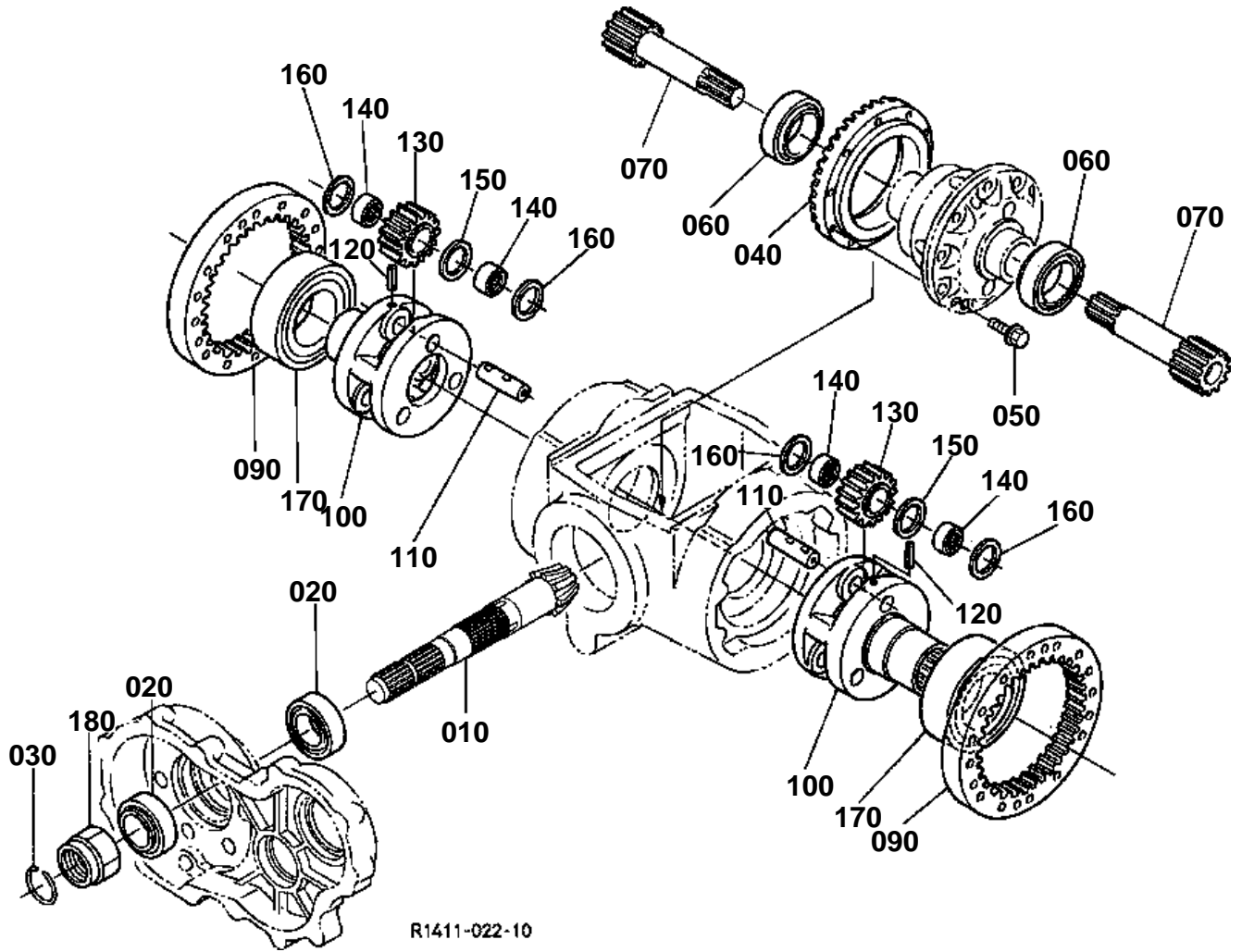


REAR DIFFERENTIAL CASE

↔ Interchangeable; ≠ not interchangeable; ← new for old; → old for new

REF.No	Part No.	Description	Q'ty	S.No.	I/C	REMARKS	Weight (kgf)	Weight (lb)
010	R1401-27113	CASE REAR DIFF.	1				30.5	67.1
020	68551-11150	PLUG	1				0.025	0.055
030	R1401-23130	COVER	1				1.07	2.354
040	R1401-23140	GASKET	1				0.01	0.022
050	01023-60616	BOLT	18				0.005	0.011
060	R1401-23160	SHIM	2			0.1mm	0.003	0.0066
060	R1401-23170	SHIM	2			0.2mm	0.006	0.0132
070	68551-11150	PLUG	1				0.025	0.055

PLANETARY GEAR (REAR)



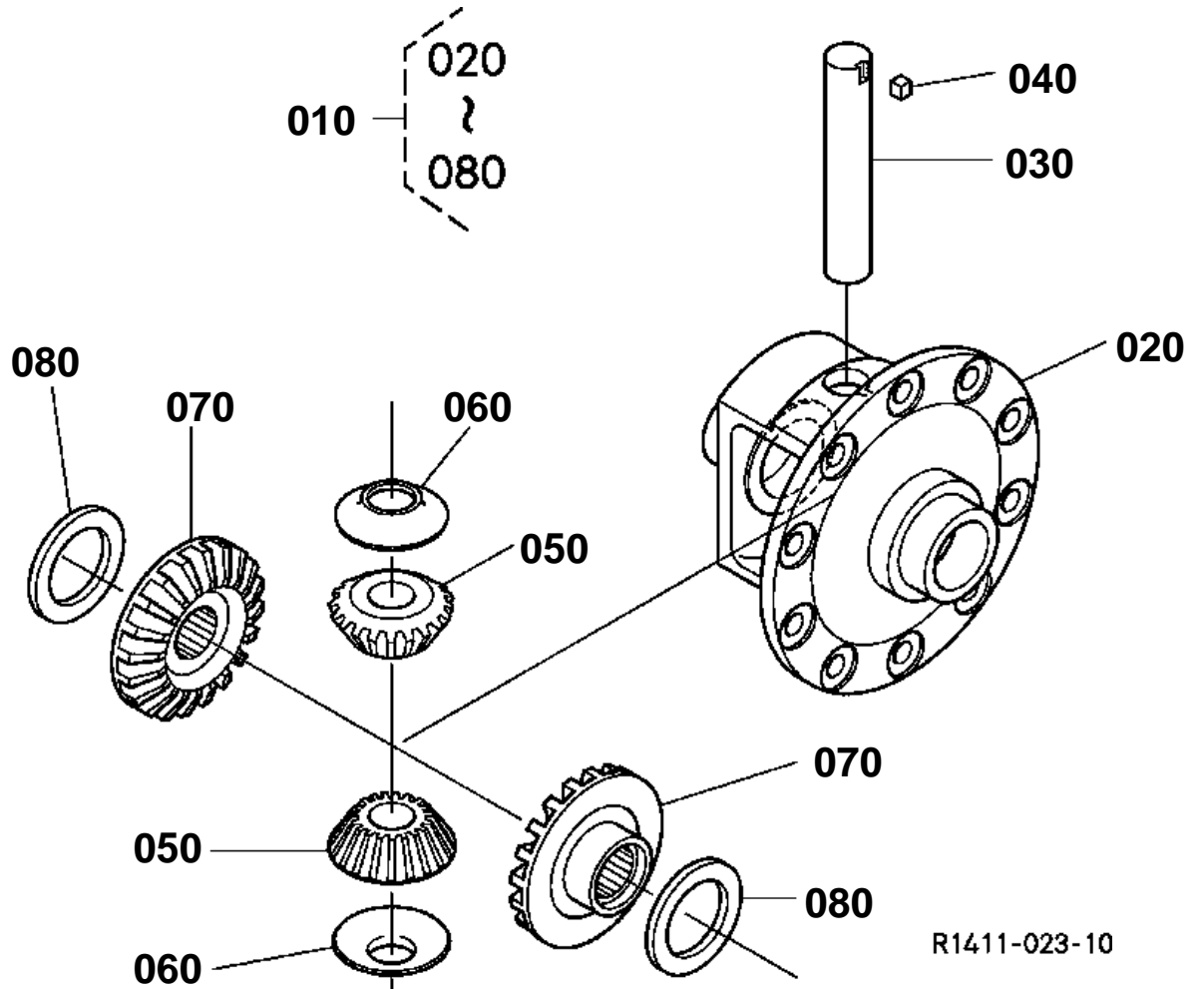


PLANETARY GEAR (REAR)

↔ Interchangeable; ≠ not interchangeable; ← new for old; → old for new

REF.No	Part No.	Description	Q'ty	S.No.	I/C	REMARKS	Weight (kgf)	Weight (lb)
010	R1411-28150	GEAR BEVEL R	1			8T	0	0
020	08731-32208	BEARING TAPER-ROLLER	2				0.54	1.188
030	R1401-28170	STOPPER	1				0.003	0.0066
040	R1401-24210	GEAR BEVEL	1			37T	2.814	6.1908
050	01774-61020	BOLT FLANGE	10				0.022	0.0484
060	08711-32009	BEARING TAPER-ROLLER	2				0.345	0.759
070	R1411-24230	GEAR-SHAFT	2			12T	0	0
080	99999-99999	BLANK	0				0	0
090	R1411-24250	GEAR INTERNAL	2			51T	0	0
100	R1401-24280	ARM PLANETARY	2				3.158	6.9476
110	R1401-24260	PIN PLANETARY GEAR	6				0.165	0.363
120	05411-00620	PIN SPRING	6				0.002	0.0044
130	R1401-24240	GEAR	6			19T	0.429	0.9438
140	36606-28230	BEARING NEEDLE	12				0.03	0.066
150	R1401-24270	SPACER	6				0.008	0.0176
160	R1401-24290	COLLAR THRUST	12				0.009	0.0198
170	08101-06013	BEARING BALL	2				0.42	0.924
180	R1401-24160	NUT BEARING	1				0.091	0.2002

REAR DIFFERENTIAL



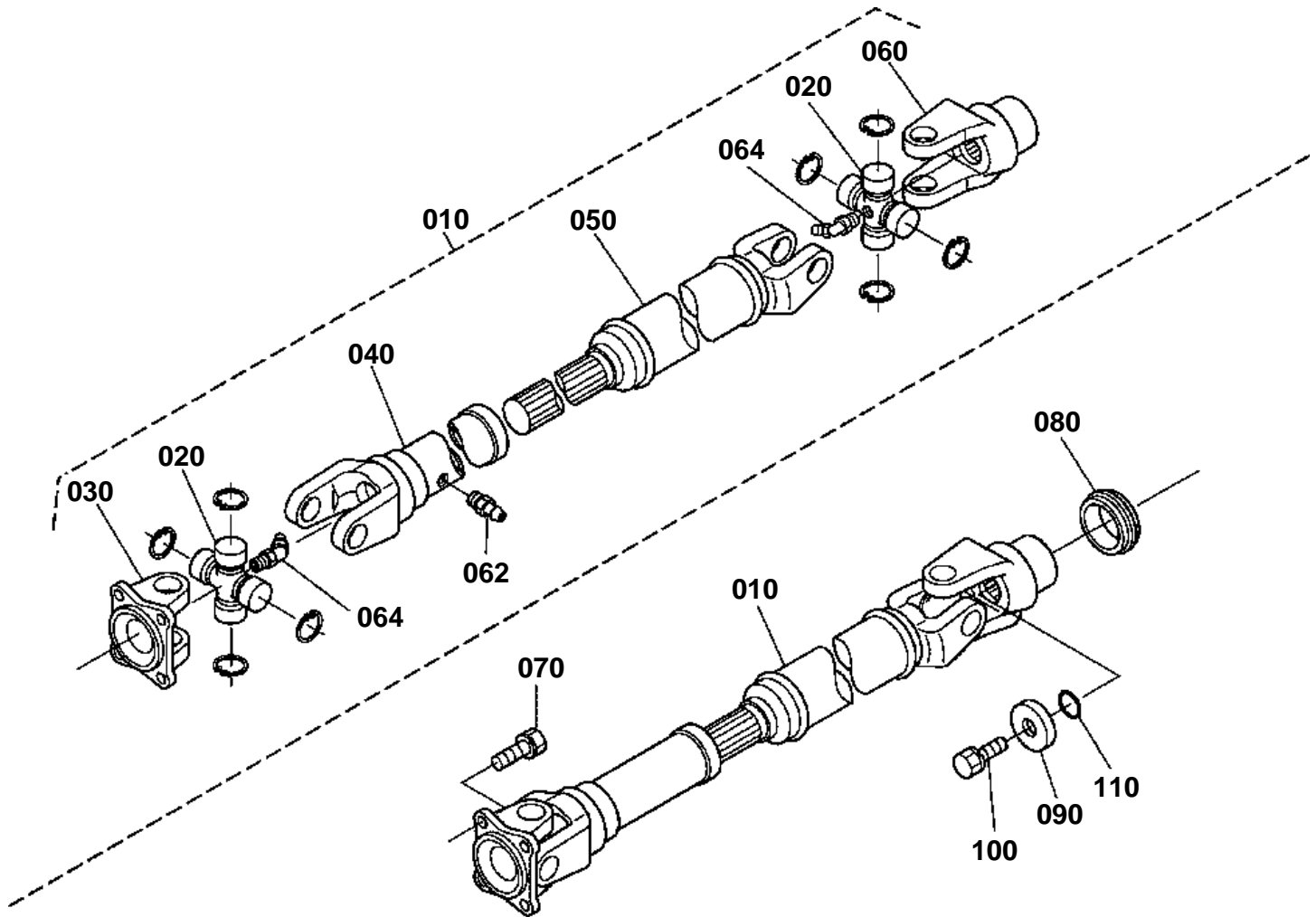


REAR DIFFERENTIAL

↔ Interchangeable; ≠ not interchangeable; ← new for old; → old for new

REF.No	Part No.	Description	Q'ty	S.No.	I/C	REMARKS	Weight (kgf)	Weight (lb)
010	R1411-23400	ASSY DIFFERENTIAL	1				0	0
020	R1411-23410	CASE DIFFERENTIAL	1				0	0
030	R1411-23440	SHAFT DIFF.PINION	1				0	0
040	R1411-23450	KEY FEATHER	1				0	0
050	35430-26350	PINION DIFF.	2				0.16	0.352
060	31351-26390	WASHER DIFF.PINION	2				0.012	0.0264
070	R1411-23480	GEAR DIFF.SIDE	2				0	0
080	31331-26470	WASHER SIDE GEAR	2				0.005	0.011
080	31331-26480	WASHER SIDE GEAR	2				0.017	0.0374
080	31331-26490	WASHER SIDE GEAR	2				0.02	0.044

PROPELLER SHAFT



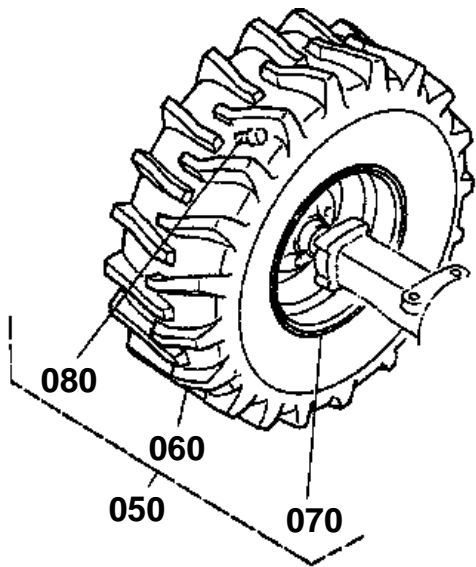
R1411-024-10



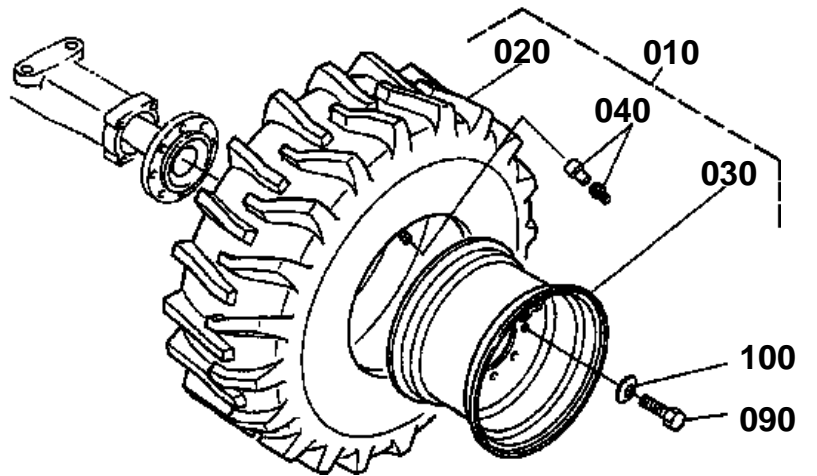
PROPELLER SHAFT

↔ Interchangeable; ≠ not interchangeable; ← new for old; → old for new

REF.No	Part No.	Description	Q'ty	S.No.	I/C	REMARKS	Weight (kgf)	Weight (lb)
010	R1511-13910	SHAFT PROPELLER	1				0	0
020	R1411-13920	KIT JOINT	2				0	0
030	R1411-13930	YOKE FLANGE	1				0	0
040	R1411-13940	YOKE SLEEVE	1				0	0
050	R1511-13950	YOKE PIPE	1				0	0
060	R1411-13960	YOKE CLAMP	1				0	0
062	06611-15010	NIPPLE GREASE	1				0.01	0.022
064	06616-25010	NIPPLE GREASE	2				0.008	0.0176
070	01133-61225	BOLT	4				0.037	0.0814
080	R1401-13920	SEAL	1				0.01	0.022
090	R1411-24180	CAP	1				0	0
100	01774-61220	BOLT FLANGE	1				0.035	0.077
110	04810-00280	O RING	1				0	0



R1501-011-10

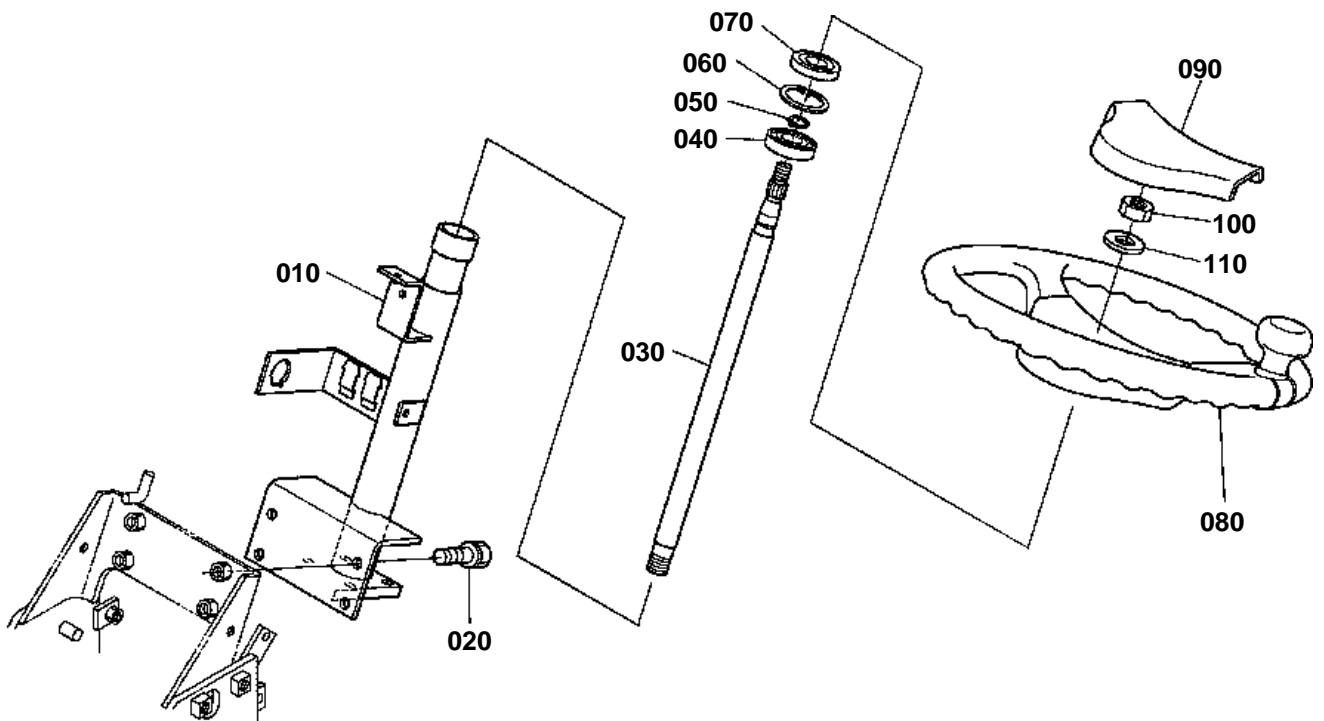


**WHEEL/TIRE**

↔ Interchangeable; ≠ not interchangeable; ← new for old; → old for new

REF.No	Part No.	Description	Q'ty	S.No.	I/C	REMARKS	Weight (kgf)	Weight (lb)
010	R2501-24600	ASSY TIRE LH	2				68	149.6
020	R1501-24810	TIRE	2				37.4	82.28
030	R2501-24850	WHEEL	2				29.1	64.02
040	68841-24870	VALVE	2				0.02	0.044
050	R2501-24700	ASSY TIRE RH	2				68	149.6
060	R1501-24810	TIRE	2				37.4	82.28
070	R2501-24850	WHEEL	2				29.1	64.02
080	68841-24870	VALVE	2				0.02	0.044
090	01173-61840	BOLT	32				0.11	0.242
100	36200-49130	SPRING PLATE	32				0.026	0.0572

STEERING HANDLE



R1411-025-10

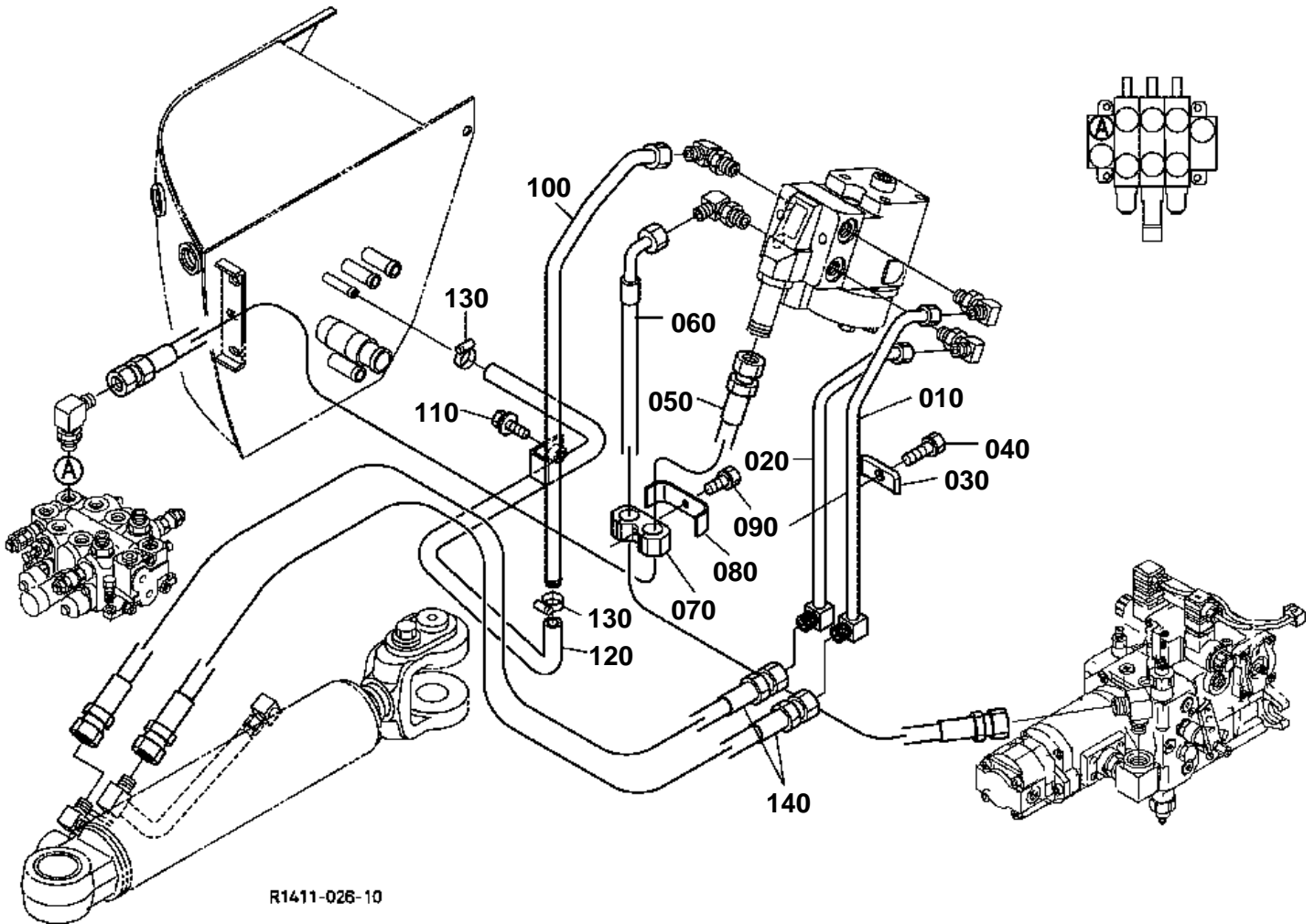


STEERING HANDLE

↔ Interchangeable; ≠ not interchangeable; ← new for old; → old for new

REF.No	Part No.	Description	Q'ty	S.No.	I/C	REMARKS	Weight (kgf)	Weight (lb)
010	R1411-34110	POST STEERING	1				0	0
020	01133-61025	BOLT	4				0.02	0.044
030	R1411-34130	SHAFT HANDLE	1				0	0
040	08101-06904	BEARING BALL	1				0.02	0.044
050	04612-00200	CIR CLIP EXTERNAL	1				0.001	0.0022
060	04611-00370	CIR CLIP INTERNAL	1				0.004	0.0088
070	R1401-34150	SEAL DUST	1				0.017	0.0374
080	R1411-34600	ASSY HANDLE STEERING	1				0	0
090	R1411-34700	CAP	1				0	0
100	02176-60140	NUT	1				0.014	0.0308
110	04013-60140	WASHER PLAIN	1				0.01	0.022

HYDRAULIC OIL LINE (STEERING)

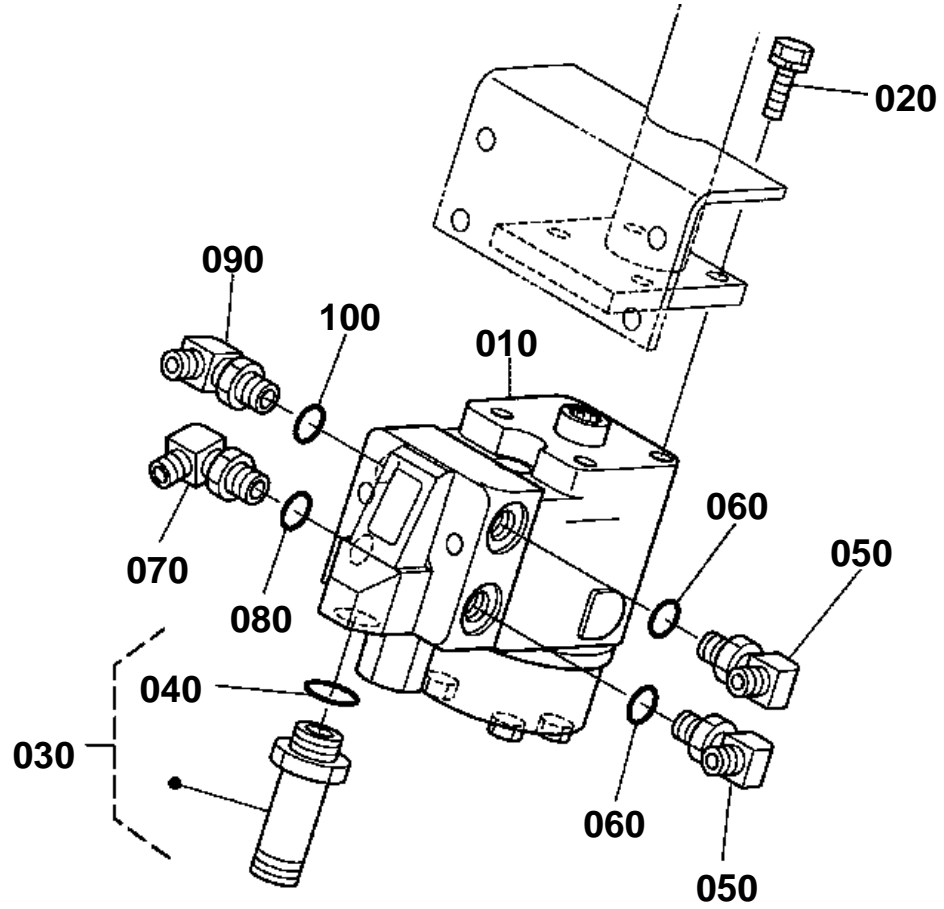




HYDRAULIC OIL LINE (STEERING)

↔ Interchangeable; ≠ not interchangeable; ← new for old; → old for new

REF.No	Part No.	Description	Q'ty	S.No.	I/C	REMARKS	Weight (kgf)	Weight (lb)
010	R1411-34912	PIPE STEERING	1				0	0
020	R1411-34922	PIPE STEERING	1				0	0
030	R2411-63740	CLAMP	1				0	0
040	01133-61030	BOLT	1				0.023	0.0506
050	R1411-63830	HOSE HYDRAULIC	1				0	0
060	R1411-63350	HOSE HYDRAULIC	1				0	0
070	RC411-64210	CUSHION	1				0.04	0.088
080	RC411-64220	CLAMP	1				0.08	0.176
090	01133-61020	BOLT	1				0.02	0.044
100	R1411-63650	PIPE	1				0	0
110	01125-60820	BOLT	1				0.015	0.033
120	R1411-63670	HOSE	1				0	0
130	RC101-64580	CLAMP HOSE	2				0.018	0.0396
140	R1411-34930	HOSE HYDRAULIC	2				0	0



R1411-027-10

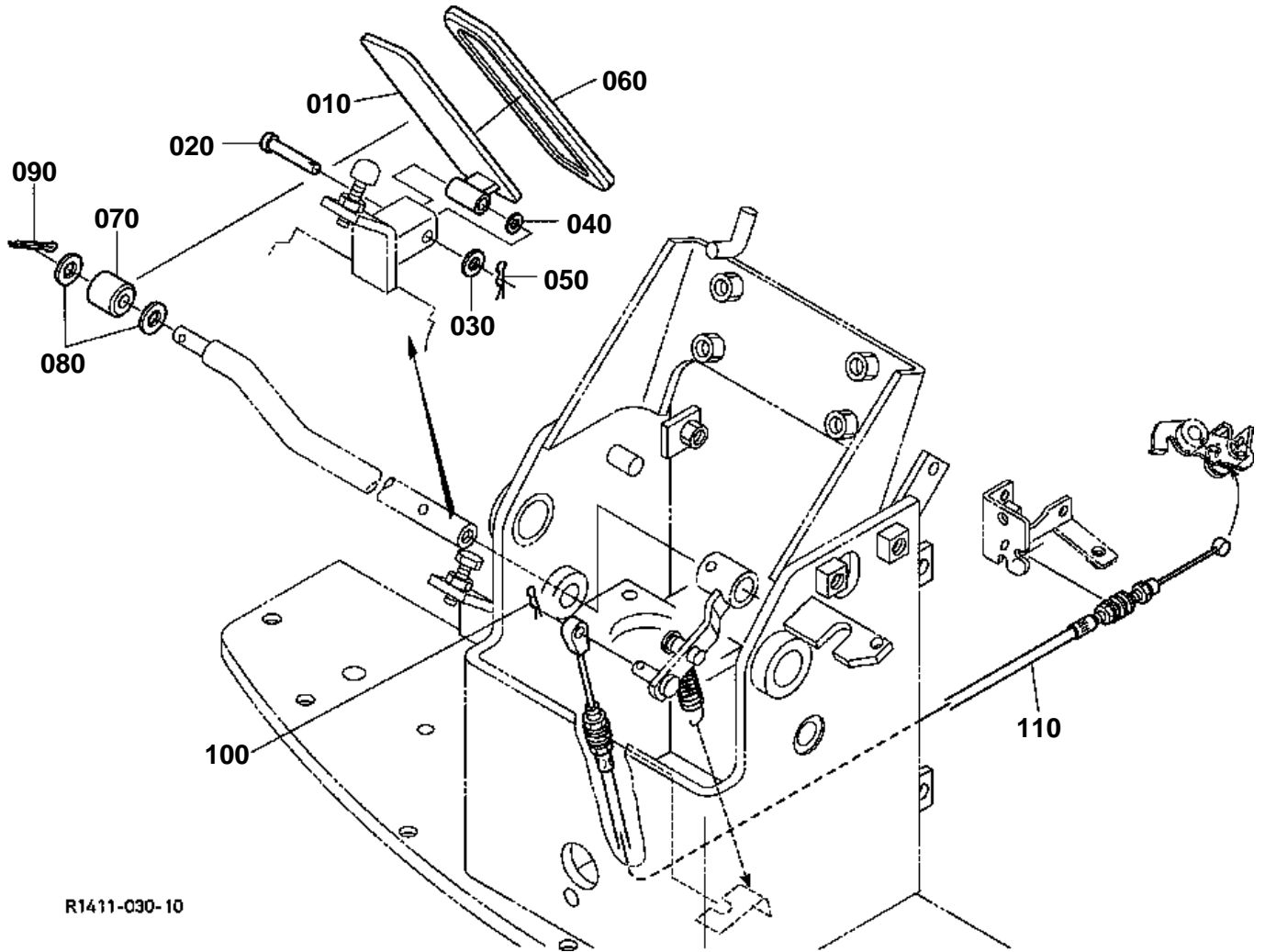


STREERING CONTROLLER

↔ Interchangeable; ≠ not interchangeable; ← new for old; → old for new

REF.No	Part No.	Description	Q'ty	S.No.	I/C	REMARKS	Weight (kgf)	Weight (lb)
010	R1511-34550	STEERING POWER	1				0	0
020	01754-61025	BOLT FLANGE	4				0.02	0.044
030	R1411-63430	JOINT PIPE	1				0	0
040	04810-00180	O RING	1				0	0
050	06015-51233	JOINT	2				0.09	0.198
060	04810-00140	O RING	2				0	0
070	R1401-63480	JOINT	1				0.15	0.33
080	04810-00180	O RING	1				0	0
090	06015-51233	JOINT	1				0.09	0.198
100	04810-00140	O RING	1				0	0

ACCELERATOR PEDAL



R1411-030-10

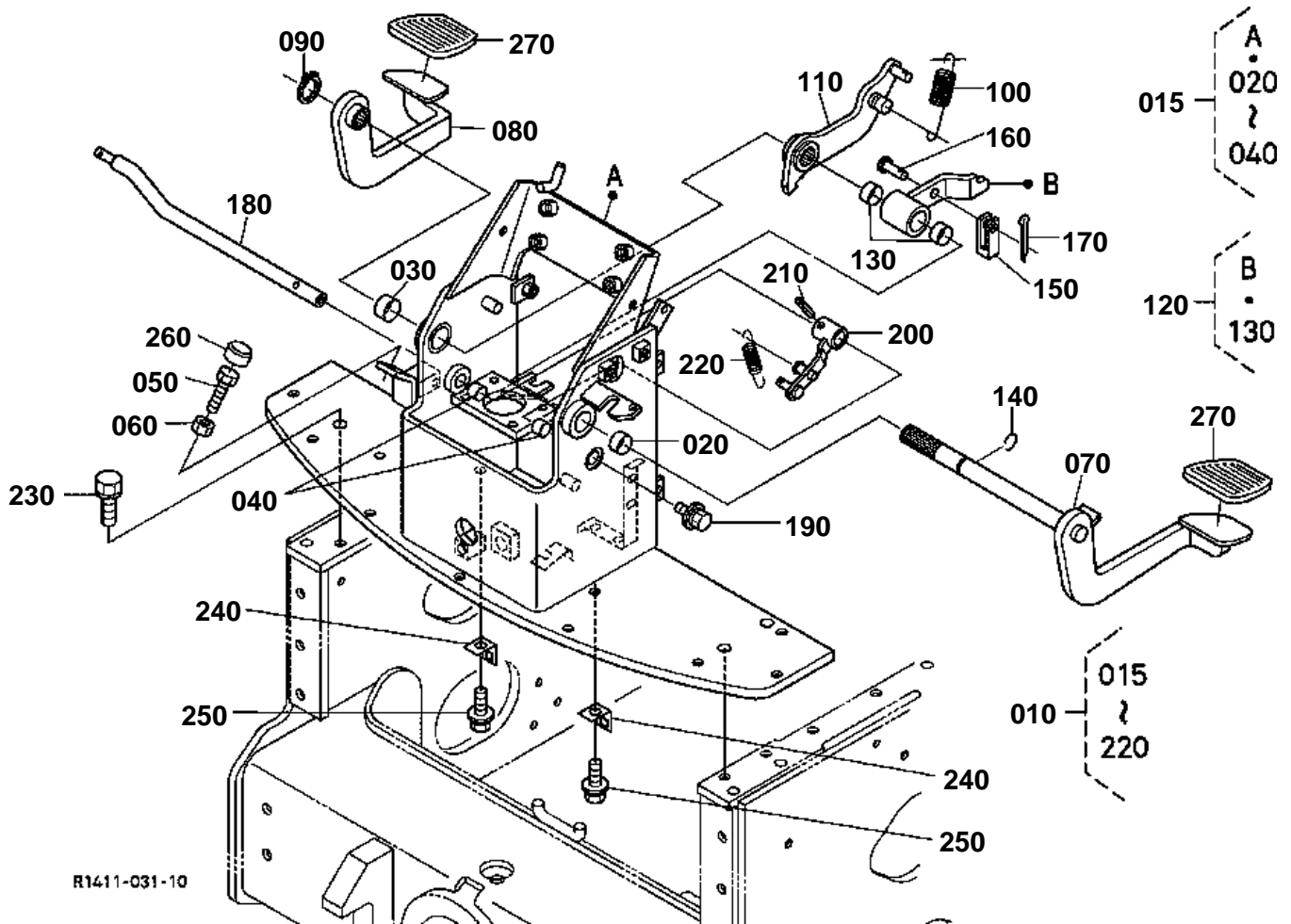


ACCELERATOR PEDAL

↔ Interchangeable; ≠ not interchangeable; ← new for old; → old for new

REF.No	Part No.	Description	Q'ty	S.No.	I/C	REMARKS	Weight (kgf)	Weight (lb)
010	R1411-35262	PEDAL ACCEL.	1				0	0
020	05122-50635	PIN JOINT	1				0.01	0.022
030	04012-50060	WASHER PLAIN	1				0.001	0.0022
040	68841-35310	SHIM	1				0.005	0.011
050	05525-60600	PIN SNAP	1				0.001	0.0022
060	68841-35290	RUBBER PEDAL	1				0.085	0.187
070	R1411-35280	ROLLER ACCEL.	1				0	0
080	04011-60100	WASHER PLAIN	2				0.024	0.0528
090	05511-50318	PIN SPLIT	1				0.001	0.0022
100	05525-60600	PIN SNAP	1				0.001	0.0022
110	R1411-35250	CABLE ACCEL	1				0	0

BRAKE PEDAL

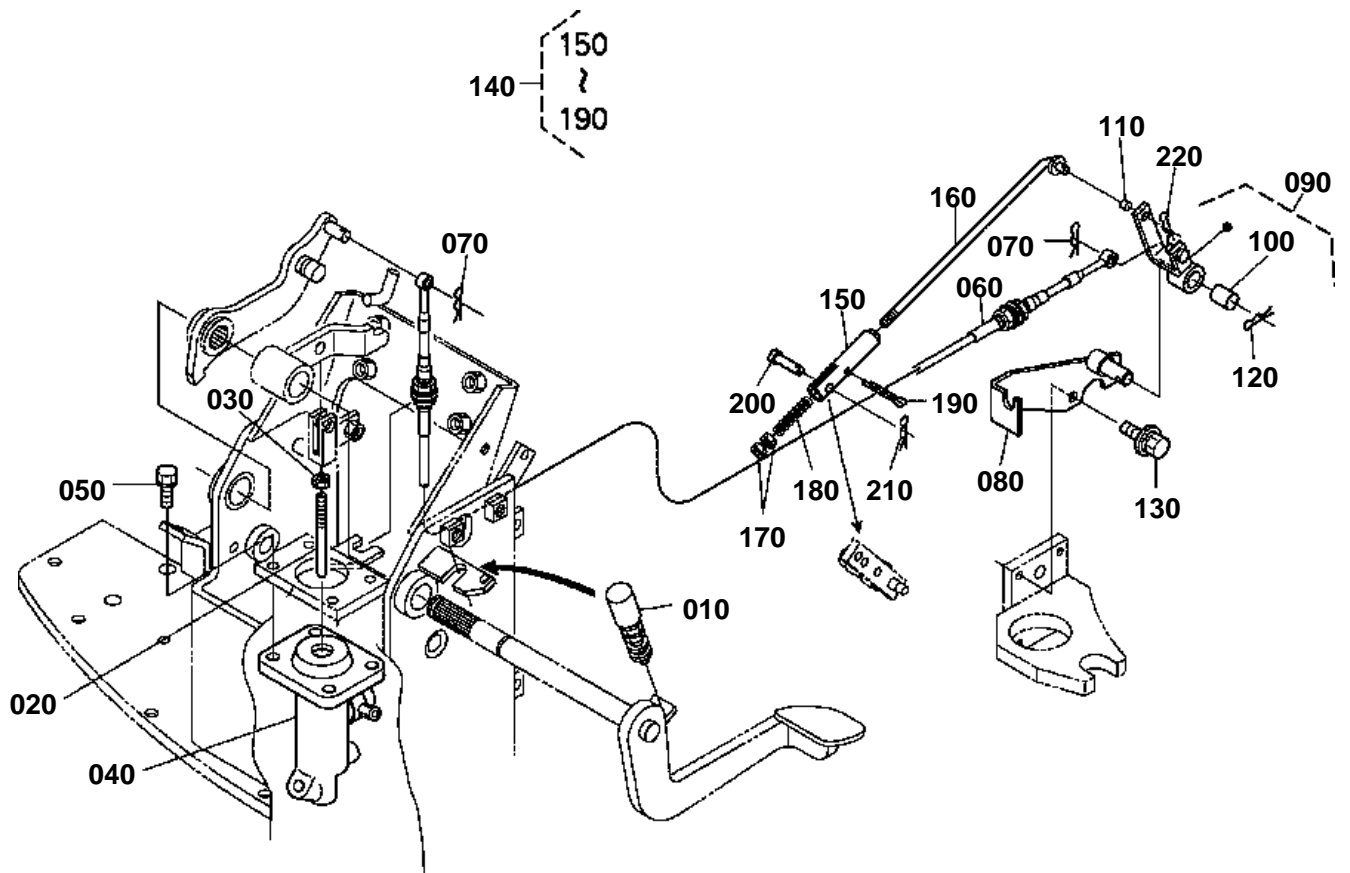


**BRAKE PEDAL**

↔ Interchangeable; ≠ not interchangeable; ← new for old; → old for new

REF.No	Part No.	Description	Q'ty	S.No.	I/C	REMARKS	Weight (kgf)	Weight (lb)
010	R1411-32606	ASSY PEDAL CONTROL	1				0	0
015	R1411-32200	ASSY BRACKET	1				0	0
020	08511-02010	BUSH	1				0.01	0.022
030	08511-02510	BUSH	1				0.012	0.0264
040	08511-01410	BUSH	2				0.005	0.011
050	01155-60835	BOLT	1				0.015	0.033
060	02114-60080	NUT	1				0.002	0.0044
070	R1411-32120	PEDAL BRAKE LH	1				0	0
080	R1411-32130	PEDAL BRAKE RH	1				0	0
090	04612-00190	CIR CLIP EXTERNAL	1				0.001	0.0022
100	R1411-32253	SPRING	1				0	0
110	R1411-32170	LINK BRAKE	1				0	0
120	R1411-32300	ASSY ARM BRAKE	1				0	0
130	08511-02010	BUSH	2				0.01	0.022
140	R1411-32180	STOPPER	1				0	0
150	R1411-32220	YOKE	1				0	0
160	05122-50820	PIN JOINT	1				0.009	0.0198
170	05511-50215	PIN SPLIT	1				0.001	0.0022
180	R1411-35213	SHAFT ACCEL.	1				0	0
190	01125-60816	BOLT	1				0.01	0.022
200	R1411-35230	LINK ACCEL.	1				0	0
210	05411-00325	PIN SPRING	1				0.001	0.0022
220	R1411-35243	SPRING	1				0	0
230	01133-61225	BOLT	4				0.037	0.0814
240	RP821-67382	STAY HARNESS CLAMP	2				0.008	0.0176
250	01125-60816	BOLT	2				0.01	0.022
260	35593-83980	CAP RUBBER	1				0.001	0.0022
270	66204-43410	COVER PEDAL REAR	2				0.06	0.132

BRAKE OPERATION

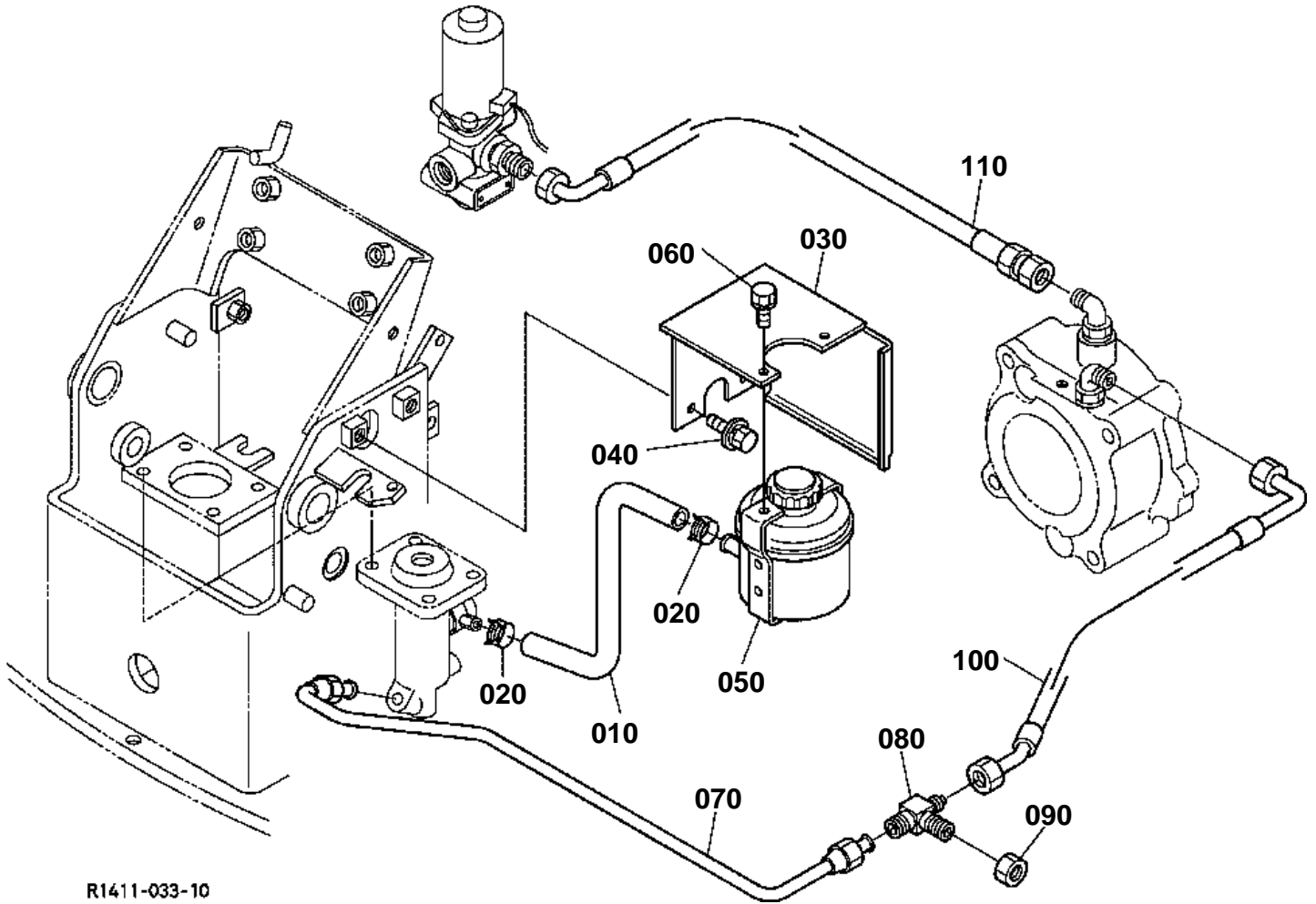


R1411-032-10

**BRAKE OPERATION**

↔ Interchangeable; ≠ not interchangeable; ← new for old; → old for new

REF.No	Part No.	Description	Q'ty	S.No.	I/C	REMARKS	Weight (kgf)	Weight (lb)
010	T2050-33780	SWITCH PTO	1				0.095	0.209
020	R1411-32150	PUSH ROD	1				0	0
030	02112-60080	NUT	1				0.005	0.011
040	R1401-32500	ASSY CYLINDER MASTER	1				1.5	3.3
050	01123-60820	BOLT	4				0.015	0.033
060	R1411-32390	CABLE	1				0	0
070	05525-60600	PIN SNAP	2				0.001	0.0022
080	R1411-32310	BRACKET	1				0	0
090	R1411-32320	ASSY LINK	1				0	0
100	08511-01420	BUSH	1				0.007	0.0154
110	08511-00605	BUSH	1				0.001	0.0022
120	05525-51400	PIN SNAP	1				0.005	0.011
130	01135-61025	BOLT	2				0.04	0.088
140	R1411-32400	ASSY ROD	1				0	0
150	R1411-32340	HOLDER SPRING	1				0	0
160	R1411-32350	ROD	1				0	0
170	02012-60060	NUT	2				0.005	0.011
180	R1411-32360	SPRING	1				0	0
190	05511-50320	PIN SPLIT	1				0.002	0.0044
200	05122-50820	PIN JOINT	1				0.009	0.0198
210	05525-50800	PIN SNAP	1				0.001	0.0022
220	05525-60600	PIN SNAP	1				0.001	0.0022

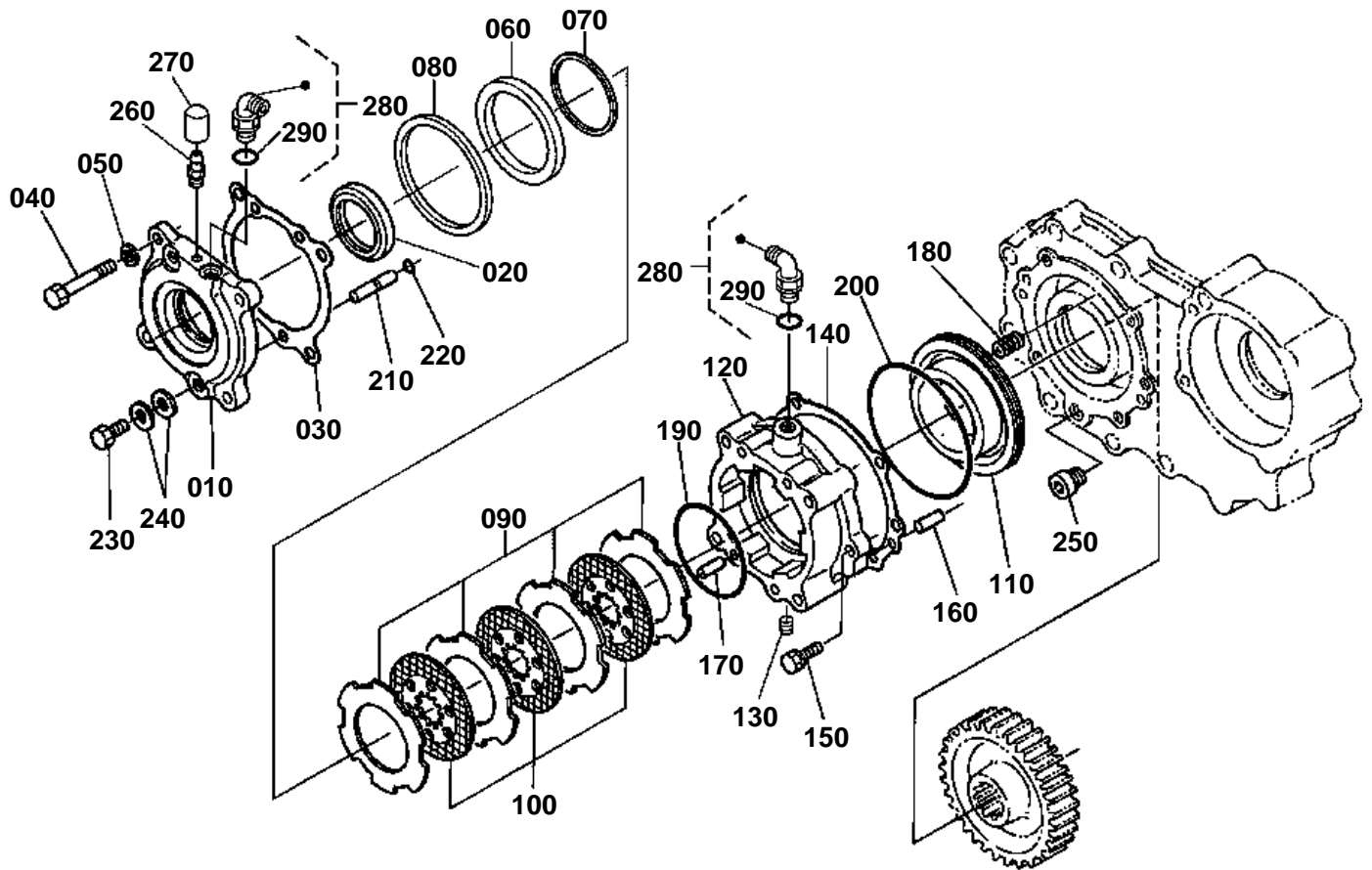


R1411-033-10

**BRAKE PIPING**

↔ Interchangeable; ≠ not interchangeable; ← new for old; → old for new

REF.No	Part No.	Description	Q'ty	S.No.	I/C	REMARKS	Weight (kgf)	Weight (lb)
010	R1411-32810	HOSE BRAKE	1				0	0
020	68811-32880	CLAMP HOSE	2				0.005	0.011
030	R1401-32820	COVER TANK	1				0.436	0.9592
040	01125-60816	BOLT	2				0.01	0.022
050	68841-32820	ASSY TANK OIL	1				0.23	0.506
060	01053-60610	BOLT	2				0.005	0.011
070	R1411-32720	PIPE BRAKE	1				0	0
080	R1411-32280	JOINT T-PIPE	1				0	0
090	02174-60120	NUT	1				0.01	0.022
100	R1411-32730	HOSE HYDRAULIC	1				0	0
110	R1411-32710	HOSE HYDRAULIC	1				0	0



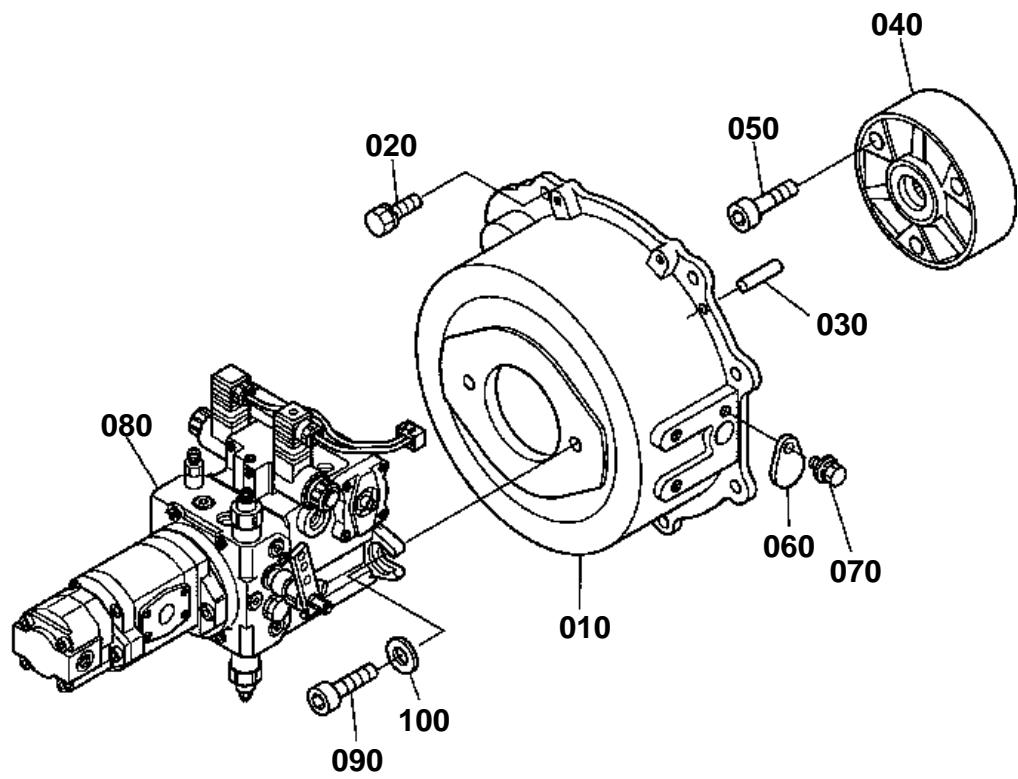
R1411-034-10

**BRAKE**

↔ Interchangeable; ≠ not interchangeable; ← new for old; → old for new

REF.No	Part No.	Description	Q'ty	S.No.	I/C	REMARKS	Weight (kgf)	Weight (lb)
010	R1411-15210	COVER BRAKE	1				0	0
020	09505-07212	SEAL OIL	1				0.04	0.088
030	68881-15222	GASKET BRAKE	1				0.005	0.011
040	01173-61285	BOLT	4				0.08	0.176
050	04512-60120	WASHER SPRING	4				0.005	0.011
060	68881-15250	PISTON	1				0.36	0.792
070	68881-15260	SEAL BRAKE	1				0.005	0.011
080	68881-15270	SEAL BRAKE	1				0.005	0.011
090	68881-15230	PLATE	4				0.15	0.33
100	R1401-15240	PLATE FRICTION	3				0.135	0.297
110	68881-15610	PISTON PACKING	1				0.92	2.024
120	R1411-15620	CASE BRAKE PISTON	1				0	0
130	68311-13380	PLUG	1				0.003	0.0066
140	68881-15653	GASKET NA	1				0.005	0.011
150	01133-61240	BOLT	2				0.05	0.11
160	05012-01025	PIN STRAIGHT	2				0.016	0.0352
170	05012-00820	PIN STRAIGHT	2				0.008	0.0176
180	R1411-15630	SPRING BRAKE	22				0	0
190	68881-15640	SEAL PISTON	1				0.006	0.0132
200	68881-15630	SEAL PISTON	1				0.007	0.0154
210	68881-15660	PIN	2				0.02	0.044
220	04811-10050	O RING	2				0.001	0.0022
230	01173-61220	BOLT	2				0.029	0.0638
240	04013-60120	WASHER PLAIN	4				0.01	0.022
250	68171-11170	PLUG	1				0.02	0.044
260	68551-24450	AIR BREEDER	1				0.015	0.033
270	R1411-22470	CAP BREEDER	1				0	0
280	RB411-63760	JOINT	2				0.05	0.11
290	04810-00110	O RING	1				0	0

PUMP HOUSING



R1411-035-10

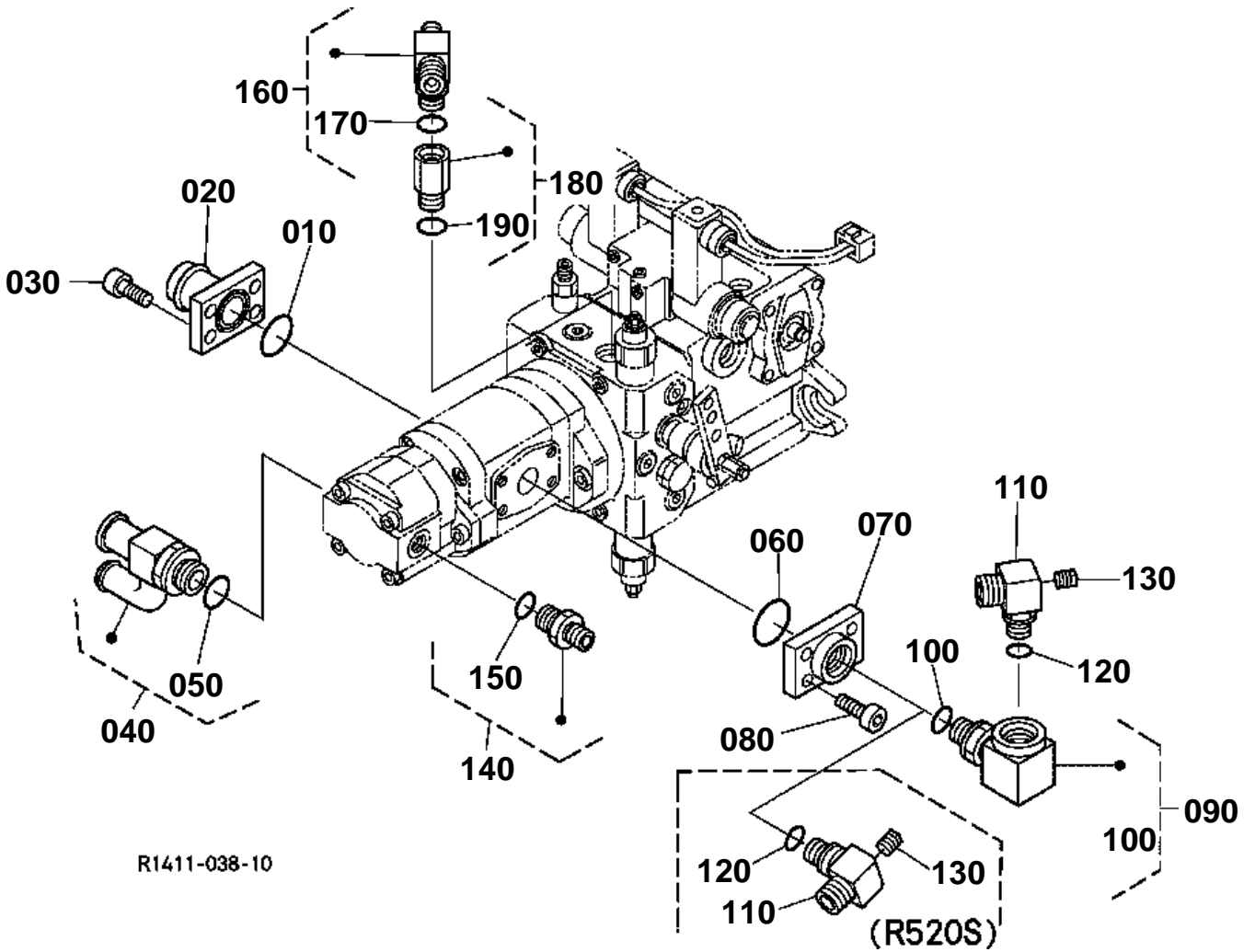


PUMP HOUSING

↔ Interchangeable; ≠ not interchangeable; ← new for old; → old for new

REF.No	Part No.	Description	Q'ty	S.No.	I/C	REMARKS	Weight (kgf)	Weight (lb)
010	R1411-42612	HOUSING PUMP	1				0	0
020	01133-61225	BOLT	7				0.037	0.0814
030	05012-01020	PIN STRAIGHT	2				0.013	0.0286
040	RD401-42620	COUPLING	1				2.08	4.576
050	RC601-42630	BOLT HEX-SOC-HD	3				0.044	0.0968
060	R1401-42630	COVER	1				0.013	0.0286
070	01125-60816	BOLT	1				0.01	0.022
080	R1511-61110	PUMP LST	1				0	0
090	R1401-61120	BOLT HEX-SOC-HD	2				0.069	0.1518
100	R1401-61130	WASHER	2				0.013	0.0286

LST PUMP (ADAPTER)



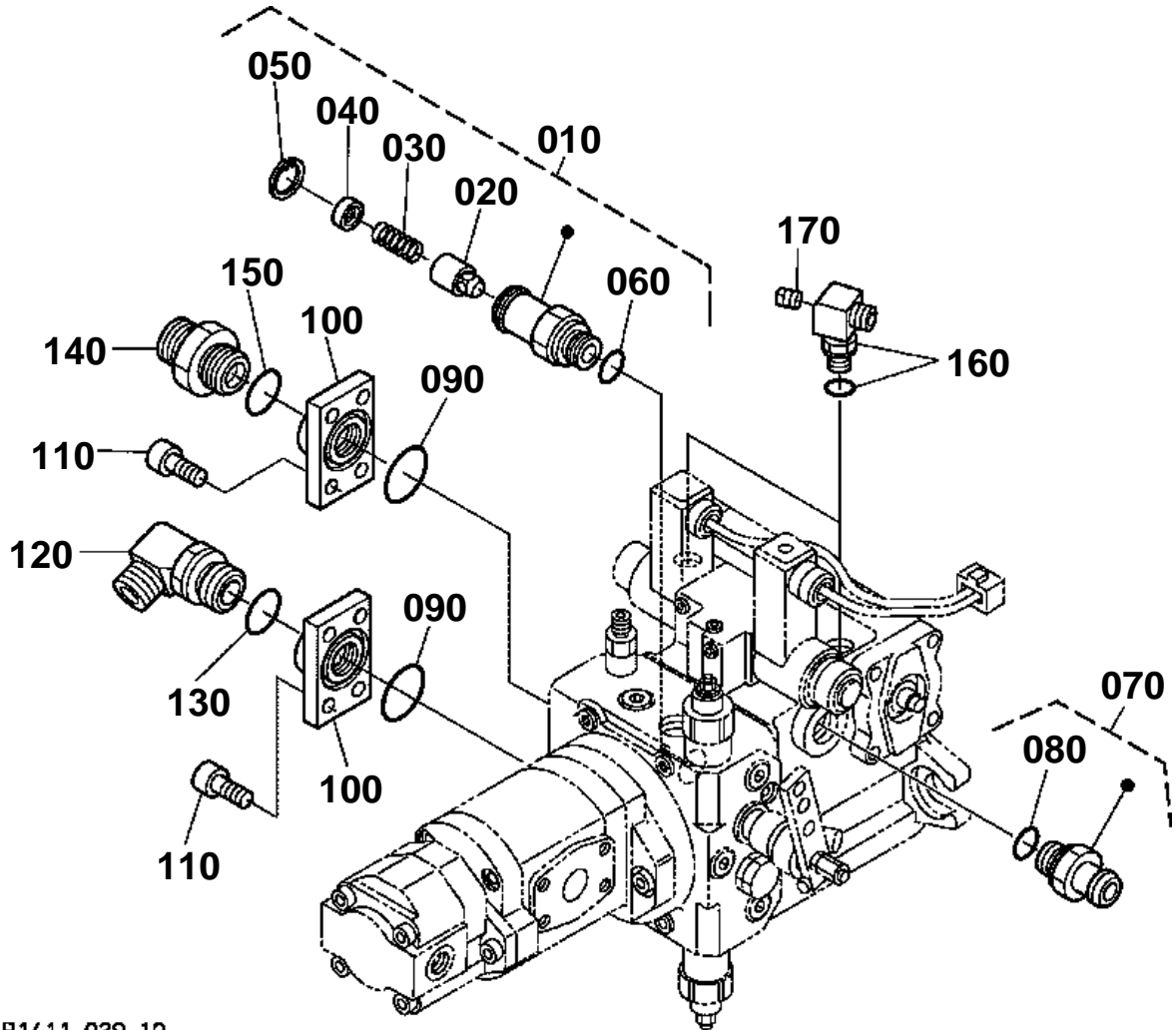


LST PUMP (ADAPTER)

↔ Interchangeable; ≠ not interchangeable; ← new for old; → old for new

REF.No	Part No.	Description	Q'ty	S.No.	I/C	REMARKS	Weight (kgf)	Weight (lb)
010	04810-00280	O RING	1				0	0
020	R1411-63120	FLANGE JOINT IN	1				0	0
030	01311-11025	BOLT HEX-SOC-HD	4				0.025	0.055
040	R1411-63462	JOINT T-PIPE	1				0	0
050	04810-00180	O RING	1				0	0
060	04810-00280	O RING	1				0	0
070	R1411-63310	FLANGE JOINT OUT	1				0	0
080	01311-11025	BOLT HEX-SOC-HD	4				0.025	0.055
110	RD401-63870	JOINT PIPE	1				0.15	0.33
120	04810-00180	O RING	1				0	0
130	06312-10010	PLUG	1				0.007	0.0154
140	68311-64320	JOINT PIPE	1				0.05	0.11
150	04810-00140	O RING	1				0	0
160	R1411-63680	JOINT T-PIPE	1				0	0
170	04817-00140	O RING	1				0.001	0.0022
180	RD118-61940	JOINT PIPE	1				0.05	0.11
190	04810-00140	O RING	1				0	0

LST PUMP (RELIEF VALVE)



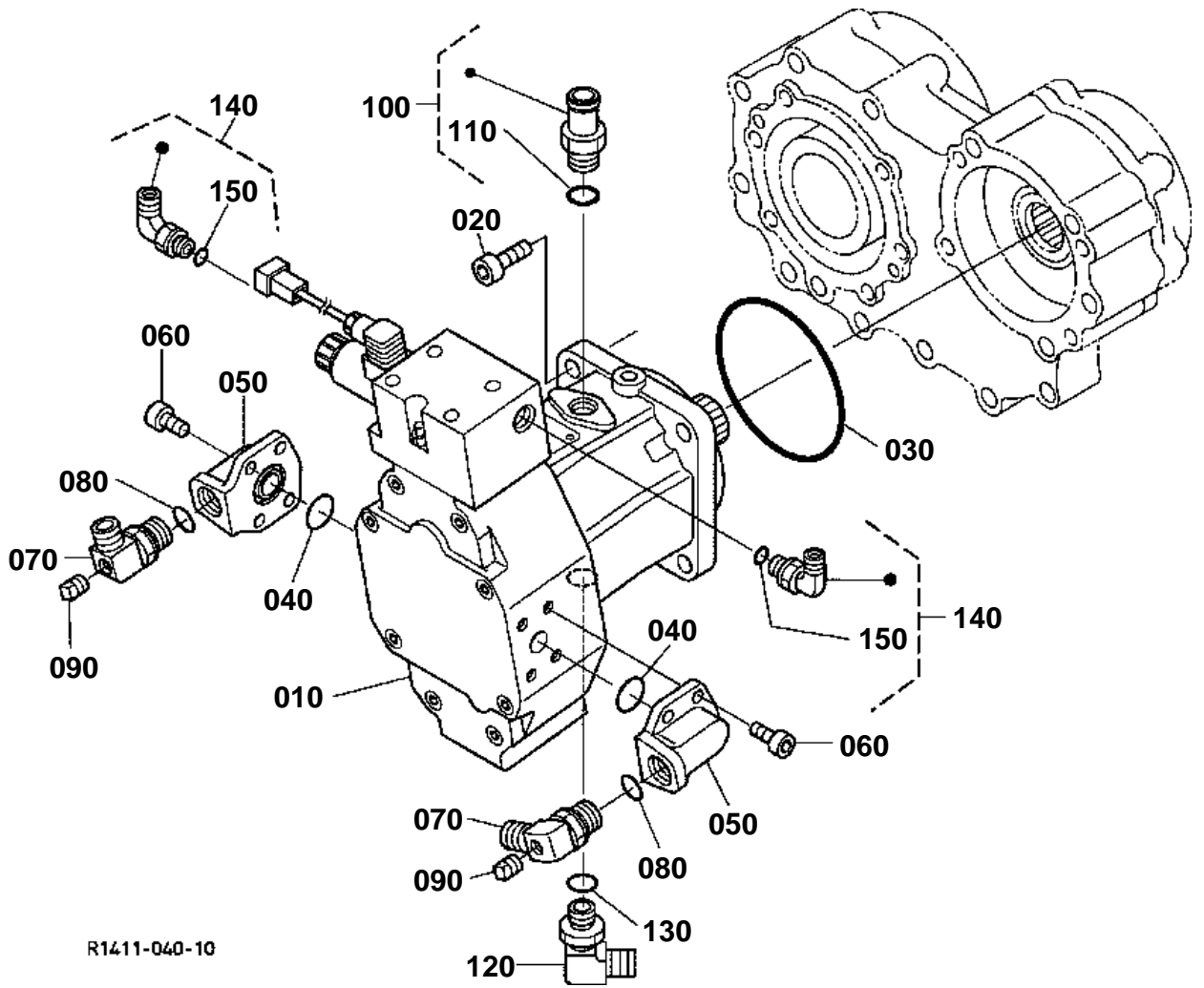
R1411-039-10



LST PUMP (RELIEF VALVE)

↔ Interchangeable; ≠ not interchangeable; ← new for old; → old for new

REF.No	Part No.	Description	Q'ty	S.No.	I/C	REMARKS	Weight (kgf)	Weight (lb)
010	R1411-62302	ASSY VALVE RELIEF	1				0	0
020	68841-62240	POPPET	1				0.02	0.044
030	68881-63920	SPRING	1				0.008	0.0176
040	R1411-62320	COLLAR	1				0	0
050	04611-00190	CIR CLIP INTERNAL	1				0.001	0.0022
060	04810-00180	O RING	1				0	0
070	R1411-63530	JOINT PIPE	1				0	0
080	04810-00180	O RING	1				0	0
090	04810-00340	O RING	2				0	0
100	R1411-64130	FLANGE JOINT	2				0	0
110	01311-11025	BOLT HEX-SOC-HD	8				0.025	0.055
120	68881-64472	JOINT	2				0.27	0.594
130	04810-00240	O RING	2				0	0
140	06112-56067	JOINT PIPE	1				0	0
150	04810-00140	O RING	1				0	0
160	RB401-63980	JOINT	2				0.056	0.1232
170	06312-10010	PLUG	2				0.007	0.0154



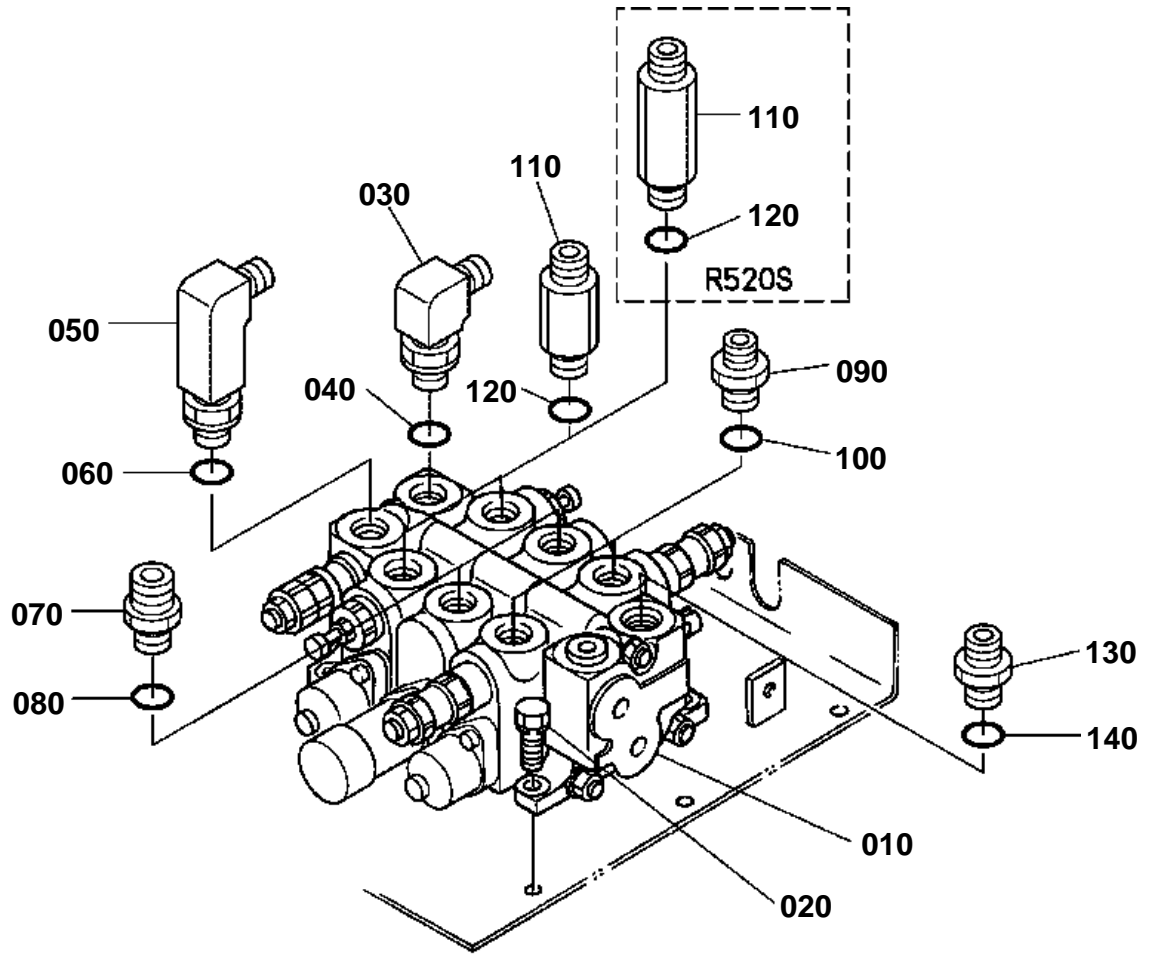
R1411-040-10

**LST MOTOR**

↔ Interchangeable; ≠ not interchangeable; ← new for old; → old for new

REF.No	Part No.	Description	Q'ty	S.No.	I/C	REMARKS	Weight (kgf)	Weight (lb)
010	R2411-61150	MOTOR LST	1				0	0
020	01370-11235	BOLT HEX-SOC-HD	4				0.043	0.0946
030	04810-51250	O RING	1				0.003	0.0066
040	04810-00280	O RING	2				0	0
050	R1401-64113	FLANGE JOINT	2				0.44	0.968
060	01311-11020	BOLT HEX-SOC-HD	8				0.02	0.044
070	R1401-64162	JOINT	2				0.27	0.594
080	04810-00240	O RING	2				0	0
090	06312-10010	PLUG	2				0.007	0.0154
100	R1411-63530	JOINT PIPE	1				0	0
110	04810-00180	O RING	1				0	0
120	R1401-63530	JOINT	1				0.305	0.671
130	04810-00180	O RING	1				0	0
140	RB411-63760	JOINT	2				0.05	0.11
150	04810-00110	O RING	2				0	0

CONTROL VALVE



R1411-042-10

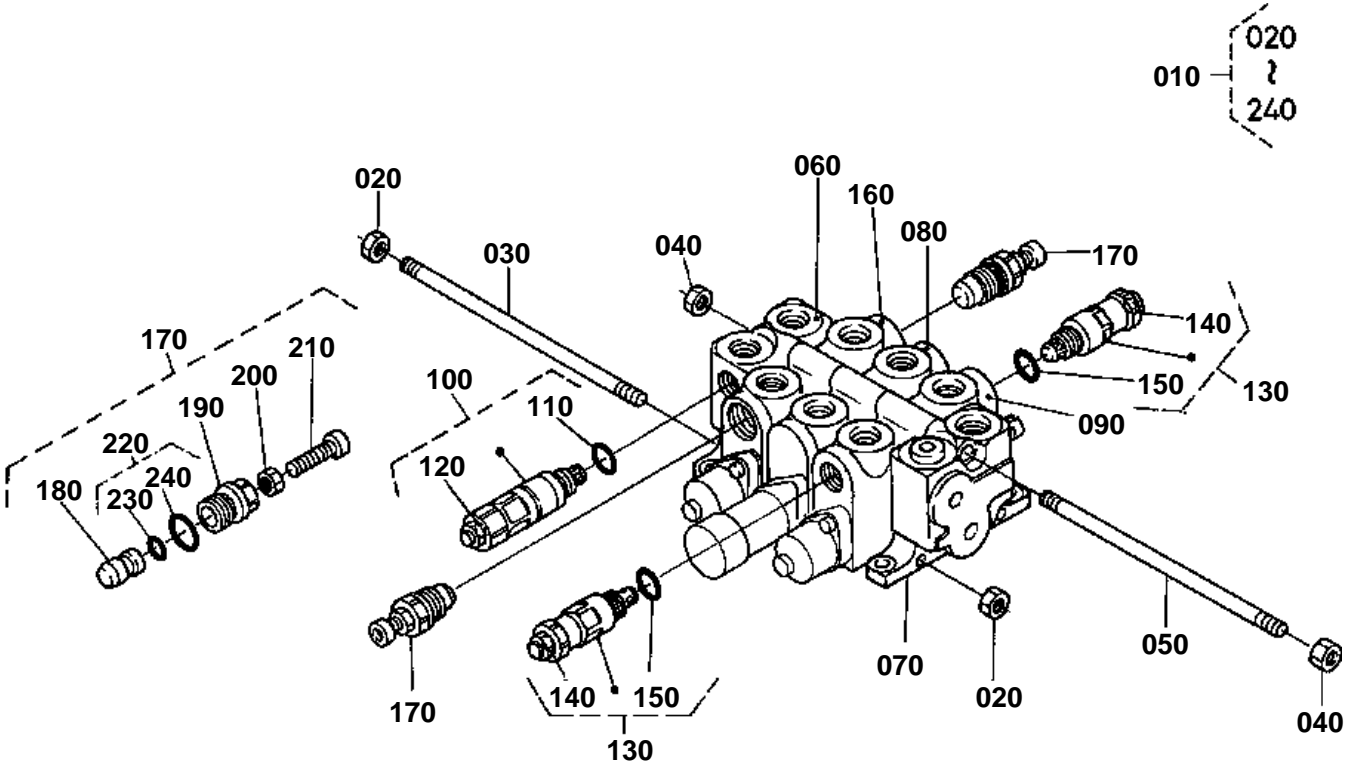


CONTROL VALVE

↔ Interchangeable; ≠ not interchangeable; ← new for old; → old for new

REF.No	Part No.	Description	Q'ty	S.No.	I/C	REMARKS	Weight (kgf)	Weight (lb)
010	R2401-61510	ASSY VALVE CONTROL S	1				11.3	24.86
020	01133-61030	BOLT	3				0.023	0.0506
030	R1401-63480	JOINT	1				0.15	0.33
040	04810-00180	O RING	1				0	0
050	68311-61860	JOINT PIPE(LF-F)	1				0.27	0.594
060	04810-00180	O RING	1				0	0
070	R1401-68412	JOINT PIPE	2				0.09	0.198
080	04810-00180	O RING	2				0	0
090	68271-63420	ADAPTER	2				0.075	0.165
100	04810-00180	O RING	2				0	0
110	RC101-63840	JOINT PIPE(F-F)	2				0.24	0.528
120	04810-00180	O RING	2				0	0
130	68271-63420	ADAPTER	1				0.075	0.165
140	04810-00180	O RING	1				0	0

CONTROL VALVE (COMPONENT PARTS)



R1411-043-10

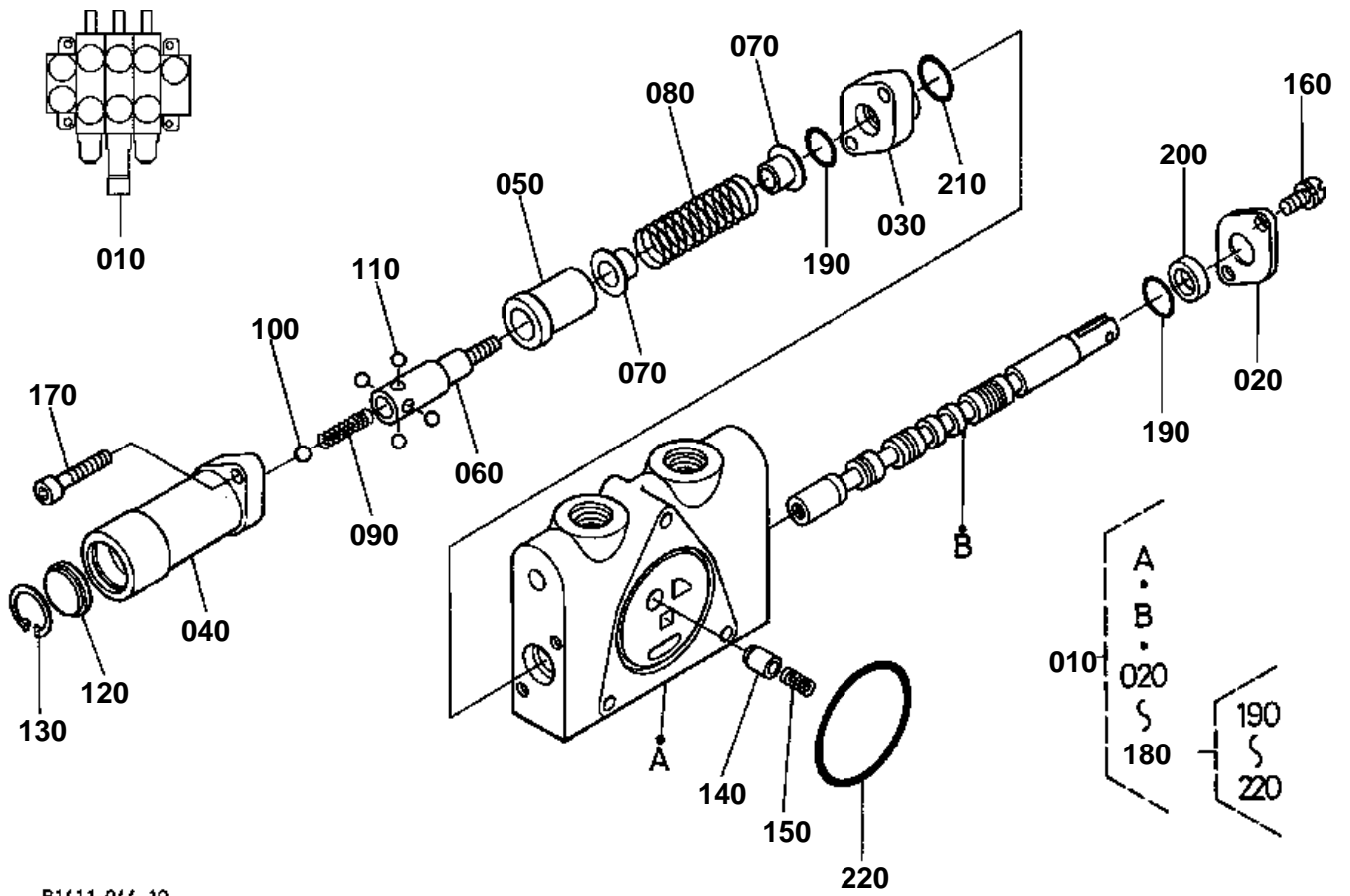


CONTROL VALVE (COMPONENT PARTS)

↔ Interchangeable; ≠ not interchangeable; ← new for old; → old for new

REF.No	Part No.	Description	Q'ty	S.No.	I/C	REMARKS	Weight (kgf)	Weight (lb)
010	R2401-61510	ASSY VALVE CONTROL S	1				11.3	24.86
020	68021-81370	NUT	4				0.005	0.011
030	68131-65230	ROD TIE	2				0.075	0.165
040	68021-81380	NUT	2				0.01	0.022
050	68131-65220	ROD TIE	1				0.117	0.2574
060	R1401-70190	ASSY SECTION INLET	1				1.5	3.3
070	68651-70310	ASSY VALVE OUTLET	1				1.48	3.256
080	R1401-70110	ASSY VALVE SECTION	1				2.7	5.94
090	R2401-70150	ASSY VALVE SECTION	1				2.25	4.95
100	68861-70020	ASSY VALVE RELIEF	1				0.22	0.484
110	68741-70560	O RING	1				0.001	0.0022
120	68841-70730	O RING	1				0.001	0.0022
130	68861-70010	ASSY VALVE RELIEF	2				0.21	0.462
140	68741-70560	O RING	2				0.001	0.0022
150	68841-70730	O RING	2				0.001	0.0022
160	R1401-70130	ASSY VALVE SECTION	1				2.4	5.28
170	68861-70120	ASSY VALVE SHUT OFF	2				0.1	0.22
180	68861-70330	POPPET	2				0.018	0.0396
190	68861-70340	PLUG	2				0.04	0.088
200	68861-70350	NUT LOCK	2				0.004	0.0088
210	68861-70360	SCREW SET	2				0.008	0.0176
220	68811-94200	KIT SEAL SHAFT VALVE	2				0.003	0.0066
230	68811-94290	O RING	2				0.001	0.0022
240	68741-70560	O RING	2				0.001	0.0022

SPOOL SECTION(LIFT)



R1411-044-10

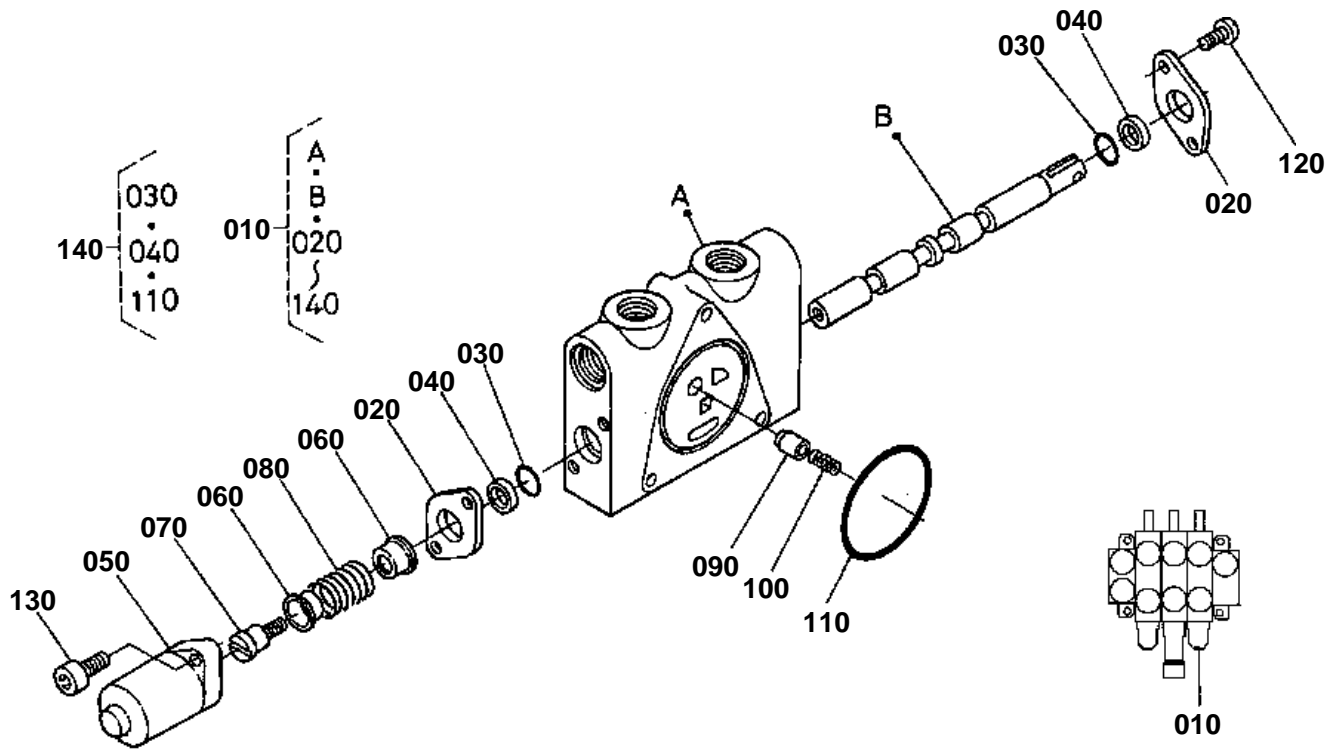


SPOOL SECTION(LIFT)

↔ Interchangeable; ≠ not interchangeable; ← new for old; → old for new

REF.No	Part No.	Description	Q'ty	S.No.	I/C	REMARKS	Weight (kgf)	Weight (lb)
010	R1401-70110	ASSY VALVE SECTION	1				2.7	5.94
020	68021-81510	PLATE SEAL	1				0.012	0.0264
030	68811-94310	SPACER	1				0.082	0.1804
040	68811-94320	CAP	1				0.07	0.154
050	68811-94330	SLEEVE	1				0.044	0.0968
060	68811-94340	PIN	1				0.036	0.0792
070	68021-81470	SEAT SPRING	2				0.005	0.011
080	68811-94350	SPRING SPOOL	1				0.014	0.0308
090	68811-94360	SPRING	1				0.002	0.0044
100	68811-94370	BALL STAINLESS	1				0.004	0.0088
110	68811-94380	BALL STAINLESS	4				0.002	0.0044
120	68811-94390	SPACER	1				0.007	0.0154
130	70726-67200	RING SNAP	1				0.004	0.0088
140	68021-81430	POPPET	1				0.005	0.011
150	68021-81440	SPRING	1				0.002	0.0044
160	03004-50610	SCREW WITH WASHER	2				0.004	0.0088
170	68811-94410	BOLT SOCKET HEAD	2				0.01	0.022
180	R1401-94250	KIT SEAL	1				0.005	0.011
190	68131-65180	O RING	2				0.001	0.0022
200	R1401-94220	WIPER	1				0.001	0.0022
210	68761-70280	O RING	1				0.002	0.0044
220	68021-81330	O RING	1				0.003	0.0066

SPOOL SECTION(TILT)



R1411-045-10

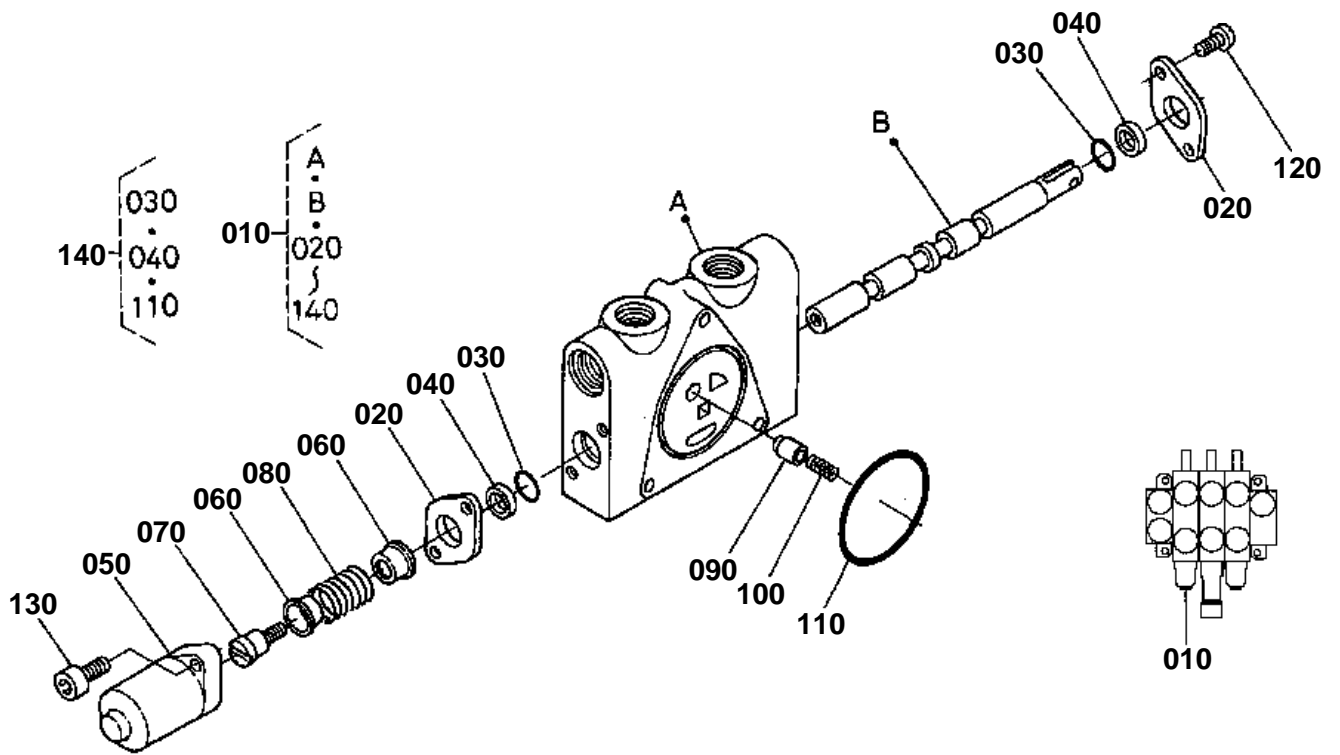


SPOOL SECTION(TILT)

↔ Interchangeable; ≠ not interchangeable; ← new for old; → old for new

REF.No	Part No.	Description	Q'ty	S.No.	I/C	REMARKS	Weight (kgf)	Weight (lb)
010	R2401-70150	ASSY VALVE SECTION	1				2.25	4.95
020	68021-81510	PLATE SEAL	2				0.012	0.0264
030	68131-65180	O RING	2				0.001	0.0022
040	68021-81460	WIPER	2				0.001	0.0022
050	68021-81520	CAP	1				0.03	0.066
060	68021-81470	SEAT SPRING	2				0.005	0.011
070	68021-81480	SCREW CAP	1				0.01	0.022
080	68861-70520	SPRING	1				0.01	0.022
090	68021-81430	POPPET	1				0.005	0.011
100	68021-81440	SPRING	1				0.002	0.0044
110	68021-81330	O RING	1				0.003	0.0066
120	03004-50610	SCREW WITH WASHER	2				0.004	0.0088
130	68741-70530	BOLT SOCKET HEAD	2				0.005	0.011
140	68811-93600	KIT SEAL	1				0.004	0.0088

SPOOL SECTION(S/P)



R1411-046-10

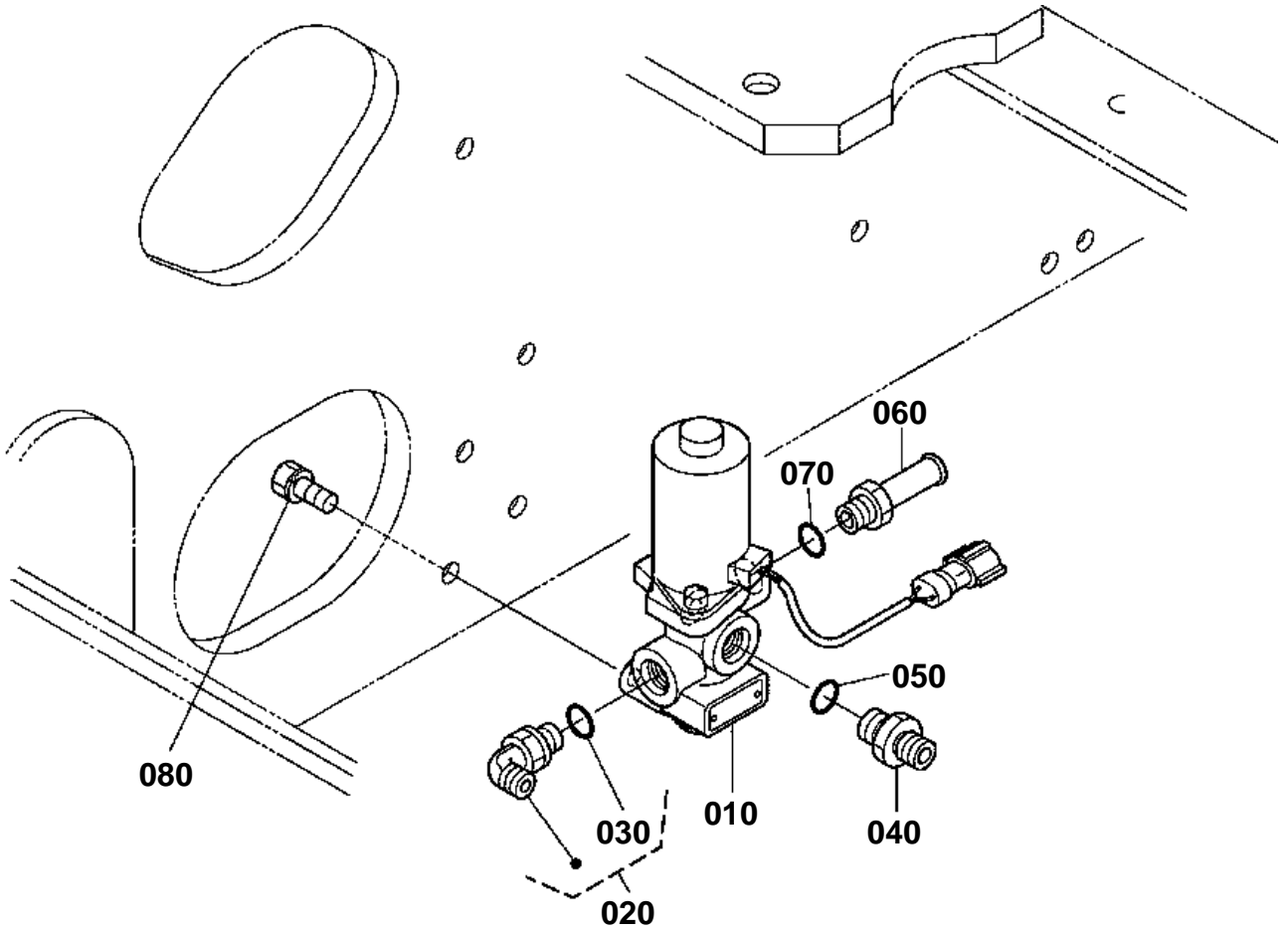


SPOOL SECTION(S/P)

↔ Interchangeable; ≠ not interchangeable; ← new for old; → old for new

REF.No	Part No.	Description	Q'ty	S.No.	I/C	REMARKS	Weight (kgf)	Weight (lb)
010	R1401-70130	ASSY VALVE SECTION	1				2.4	5.28
020	68021-81510	PLATE SEAL	2				0.012	0.0264
030	68131-65180	O RING	2				0.001	0.0022
040	68021-81460	WIPER	2				0.001	0.0022
050	68021-81520	CAP	1				0.03	0.066
060	68021-81470	SEAT SPRING	2				0.005	0.011
070	68021-81480	SCREW CAP	1				0.01	0.022
080	68861-70520	SPRING	1				0.01	0.022
090	68021-81430	POPPET	1				0.005	0.011
100	68021-81440	SPRING	1				0.002	0.0044
110	68021-81330	O RING	1				0.003	0.0066
120	03004-50610	SCREW WITH WASHER	2				0.004	0.0088
130	68741-70530	BOLT SOCKET HEAD	2				0.005	0.011
140	68811-93600	KIT SEAL	1				0.004	0.0088

SOLENOID VALVE



R1411-047-10

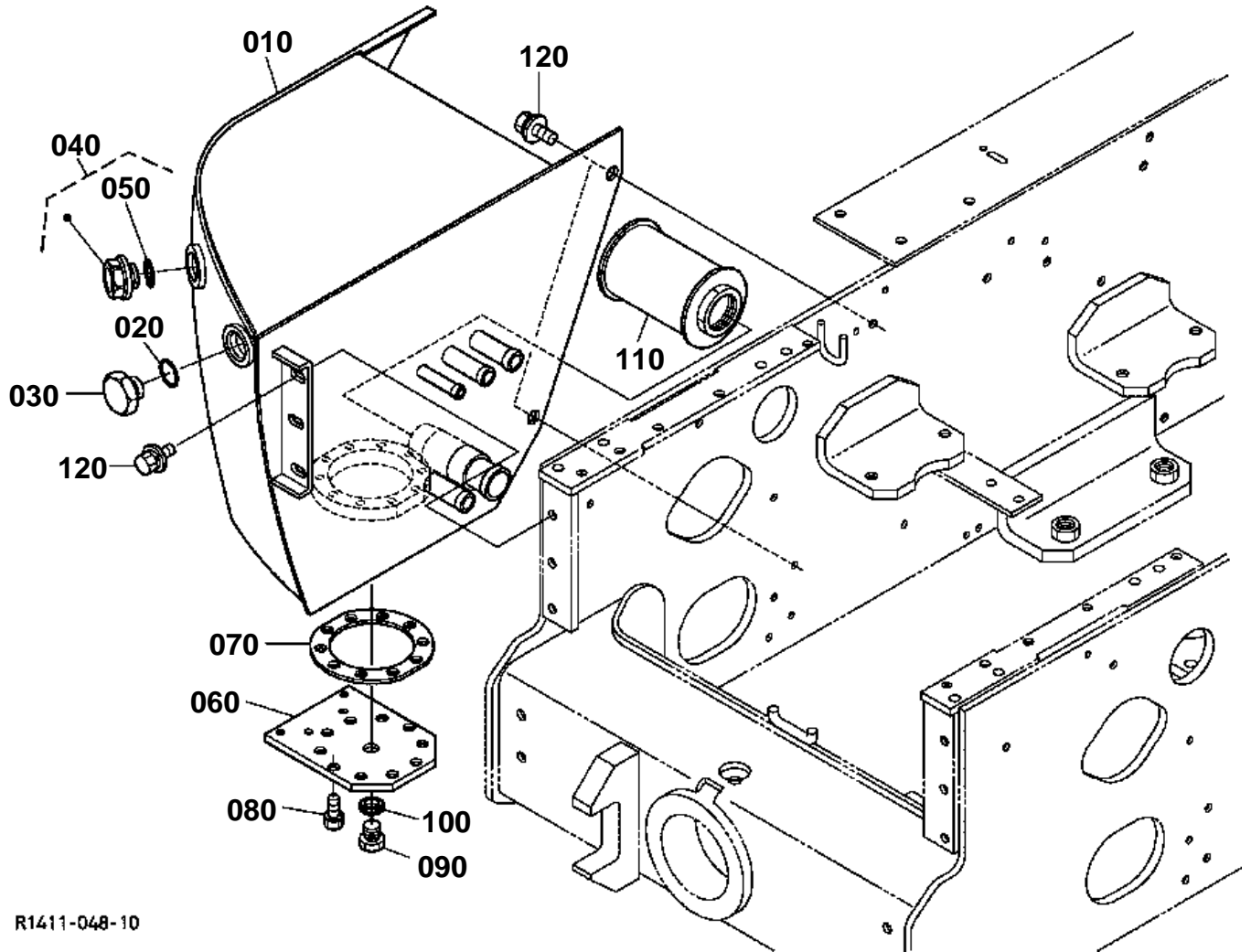


SOLENOID VALVE

↔ Interchangeable; ≠ not interchangeable; ← new for old; → old for new

REF.No	Part No.	Description	Q'ty	S.No.	I/C	REMARKS	Weight (kgf)	Weight (lb)
010	R1411-61210	VALVE	1				0	0
020	RB411-63760	JOINT	1				0.05	0.11
030	04810-00110	O RING	1				0	0
040	68728-76150	ADAPTER	1				0.02	0.044
050	04810-00110	O RING	1				0	0
060	RC101-63970	JOINT PIPE(F-)	1				0.04	0.088
070	04810-00110	O RING	1				0	0
080	01023-60620	BOLT	2				0.006	0.0132

OIL TANK



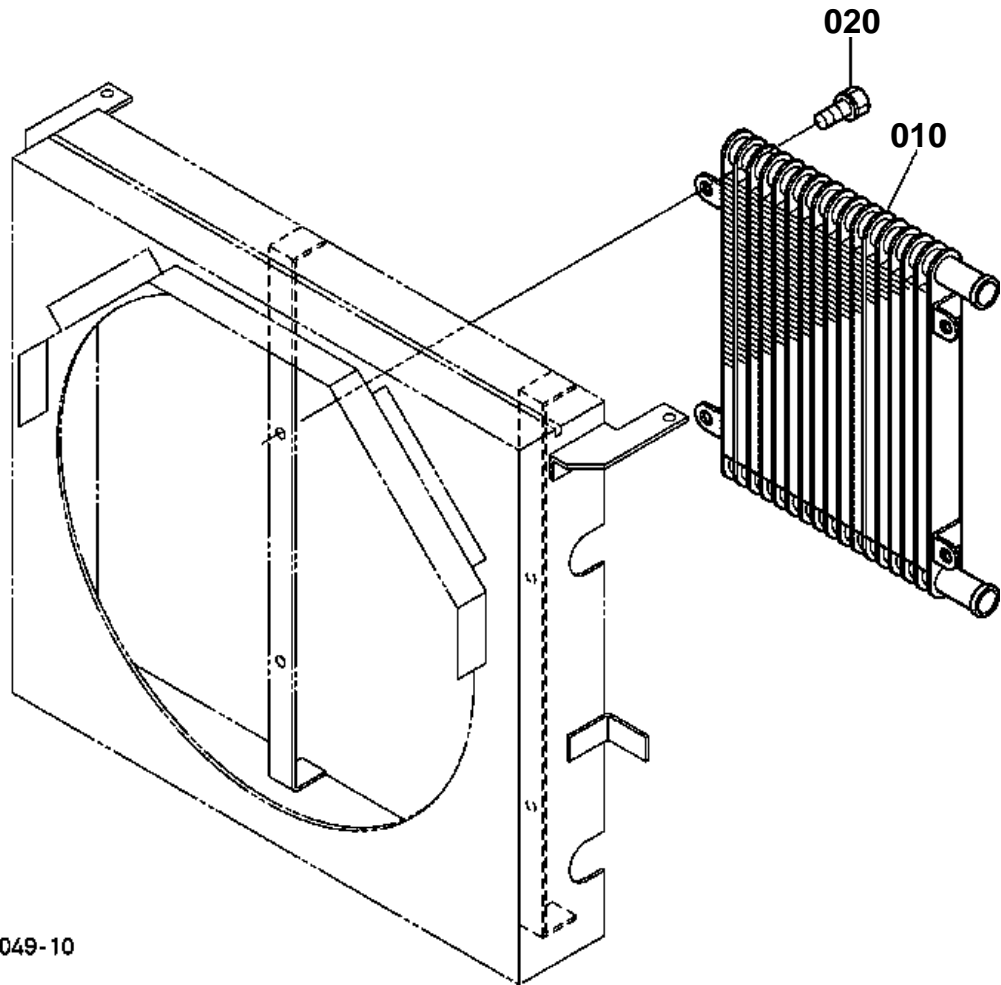
R1411-048-10

**OIL TANK**

↔ Interchangeable; ≠ not interchangeable; ← new for old; → old for new

REF.No	Part No.	Description	Q'ty	S.No.	I/C	REMARKS	Weight (kgf)	Weight (lb)
010	R1411-62110	TANK OIL	1				0	0
020	04810-00290	O RING	1				0	0
030	R1411-62150	PLUG	1				0	0
040	68841-62170	GAUGE OIL LEVEL	1				0.02	0.044
050	04817-00250	O RING	1				0.003	0.0066
060	R1411-51120	COVER TANK	1				0	0
070	R1411-51130	GASKET	1				0	0
080	01123-60820	BOLT	10				0.015	0.033
090	06331-35016	PLUG	1				0.04	0.088
100	04717-01600	WASHER WITH RUBBER	1				0.003	0.0066
110	68773-62210	STRAINER SUCTION	1				0.42	0.924
120	01135-61020	BOLT	5				0.015	0.033

OIL COOLER



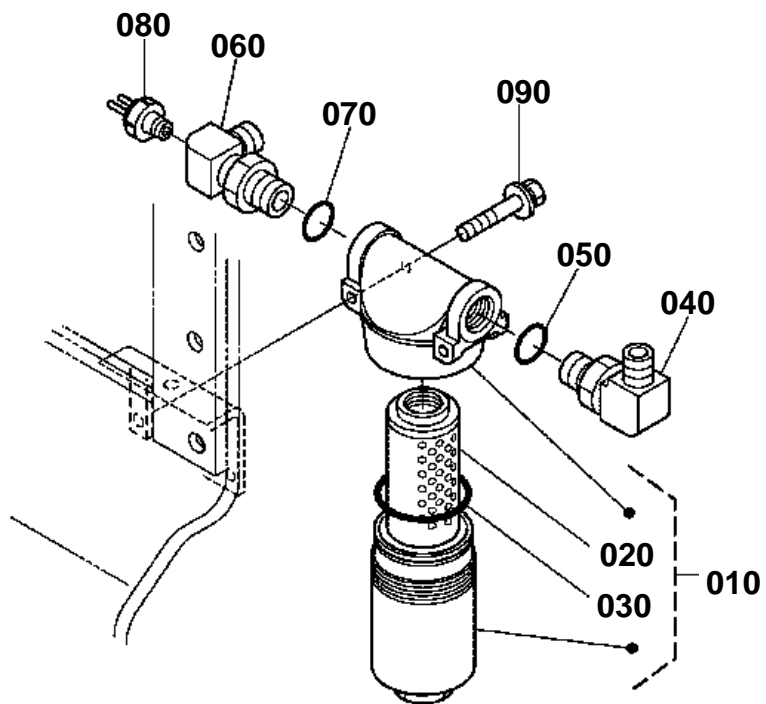
R1411-049-10



OIL COOLER

↔ Interchangeable; ≠ not interchangeable; ← new for old; → old for new

REF.No	Part No.	Description	Q'ty	S.No.	I/C	REMARKS	Weight (kgf)	Weight (lb)
010	R1411-62410	COOLER OIL	1				0	0
020	01123-60816	BOLT	4				0.01	0.022



R1411-050-10

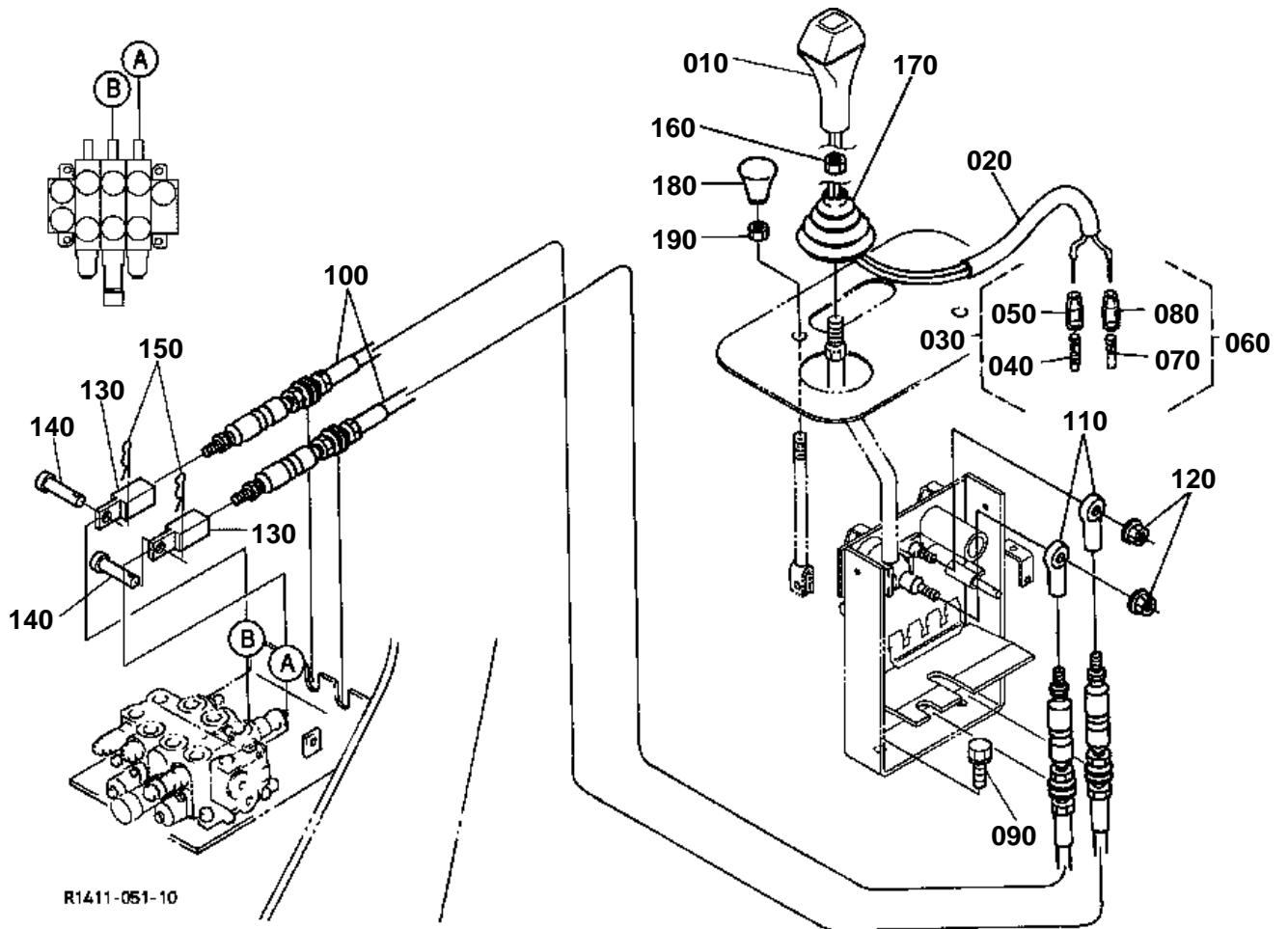


OIL FILTER

↔ Interchangeable; ≠ not interchangeable; ← new for old; → old for new

REF.No	Part No.	Description	Q'ty	S.No.	I/C	REMARKS	Weight (kgf)	Weight (lb)
010	R1411-64920	ASSY FILTER HYDRAUL.	1				0	0
020	R1411-64930	ELEMENT FILTER	1				0	0
030	R1411-64940	KIT SEAL	1				0	0
040	69251-61850	JOINT PIPE(LF/-F)	1				0.15	0.33
050	04810-00180	O RING	1				0	0
060	RC108-61850	JOINT	1				0.2	0.44
070	04810-00180	O RING	1				0	0
080	33860-39022	SWITCH OIL	1				0.05	0.11
090	01025-60655	BOLT	2				0.13	0.286

CONTROL LEVER (SHOVEL)



R1411-051-10

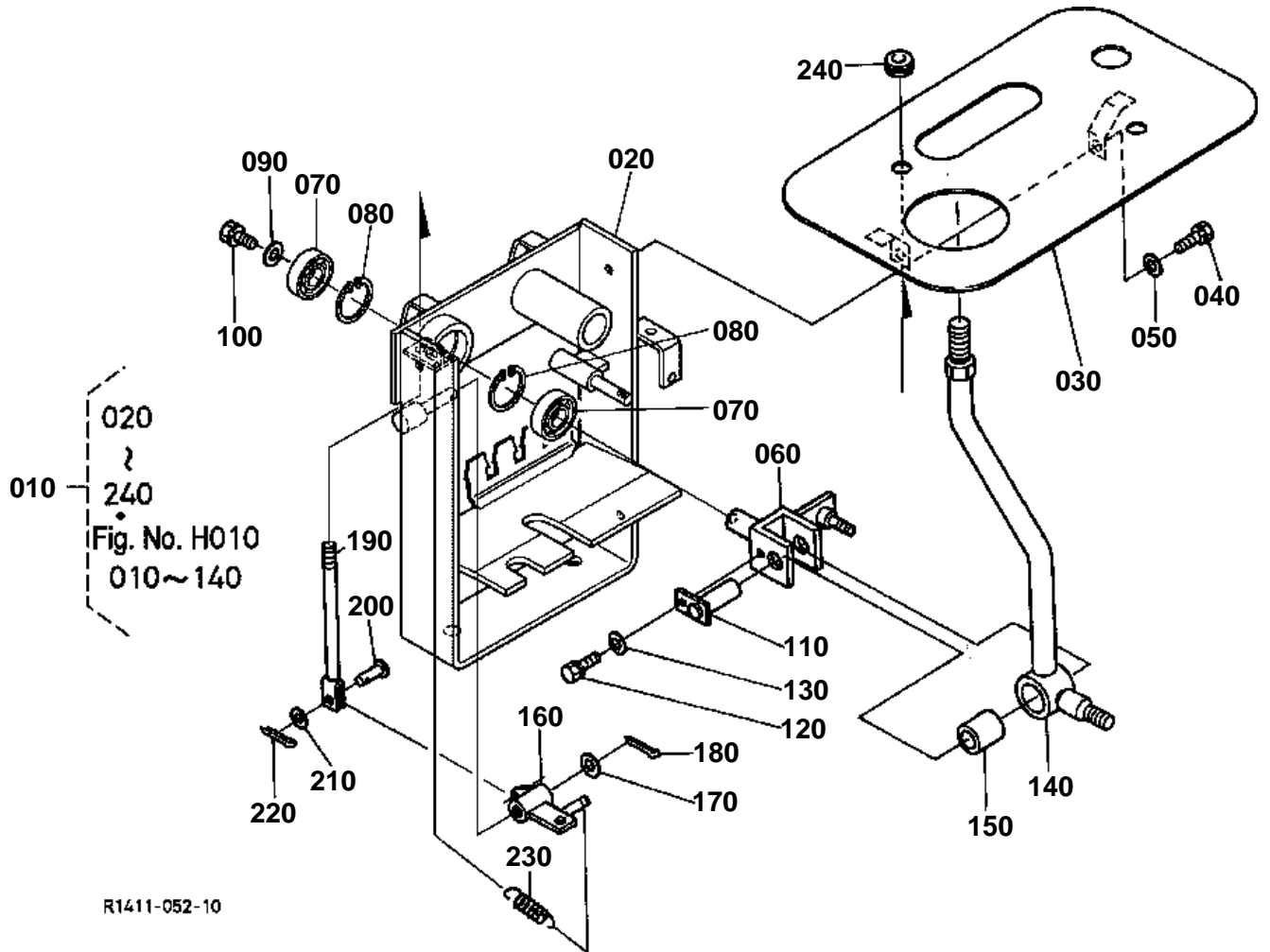


CONTROL LEVER (SHOVEL)

↔ Interchangeable; ≠ not interchangeable; ← new for old; → old for new

REF.No	Part No.	Description	Q'ty	S.No.	I/C	REMARKS	Weight (kgf)	Weight (lb)
010	R1411-65270	GRIP LEVER	1				0	0
020	R2401-65280	TUBE	1				0.001	0.0022
030	68271-65900	ASSY TERMINAL	1				0.001	0.0022
040	68271-65910	TERMINAL	1				0.003	0.0066
050	68271-65920	SLEEVE	1				0.001	0.0022
060	68741-53400	ASSY TERMINAL	1				0.002	0.0044
070	68741-53410	TERMINAL	1			NOT SALE	0	0
080	68741-53420	SLEEVE	1			NOT SALE	0.001	0.0022
090	01133-61025	BOLT	2				0.02	0.044
100	R1411-65250	CABLE CONTROL	2				0	0
110	31351-24220	SCREW ROD-END RH	2				0.04	0.088
120	02751-50080	NUT FLANGE	2				0.006	0.0132
130	R1401-65350	LINK	2				0.032	0.0704
140	68021-32790	PIN	2				0.004	0.0088
150	05525-60500	PIN SNAP	2				0.001	0.0022
160	02172-60140	NUT	1				0.01	0.022
170	68701-65180	RUBBER BELLOWS	1				0.07	0.154
180	R1401-65630	GRIP	1				0.011	0.0242
190	02014-60060	NUT	1				0.002	0.0044

CONTROL LEVER (SHOVEL) (COMPONENT PARTS)



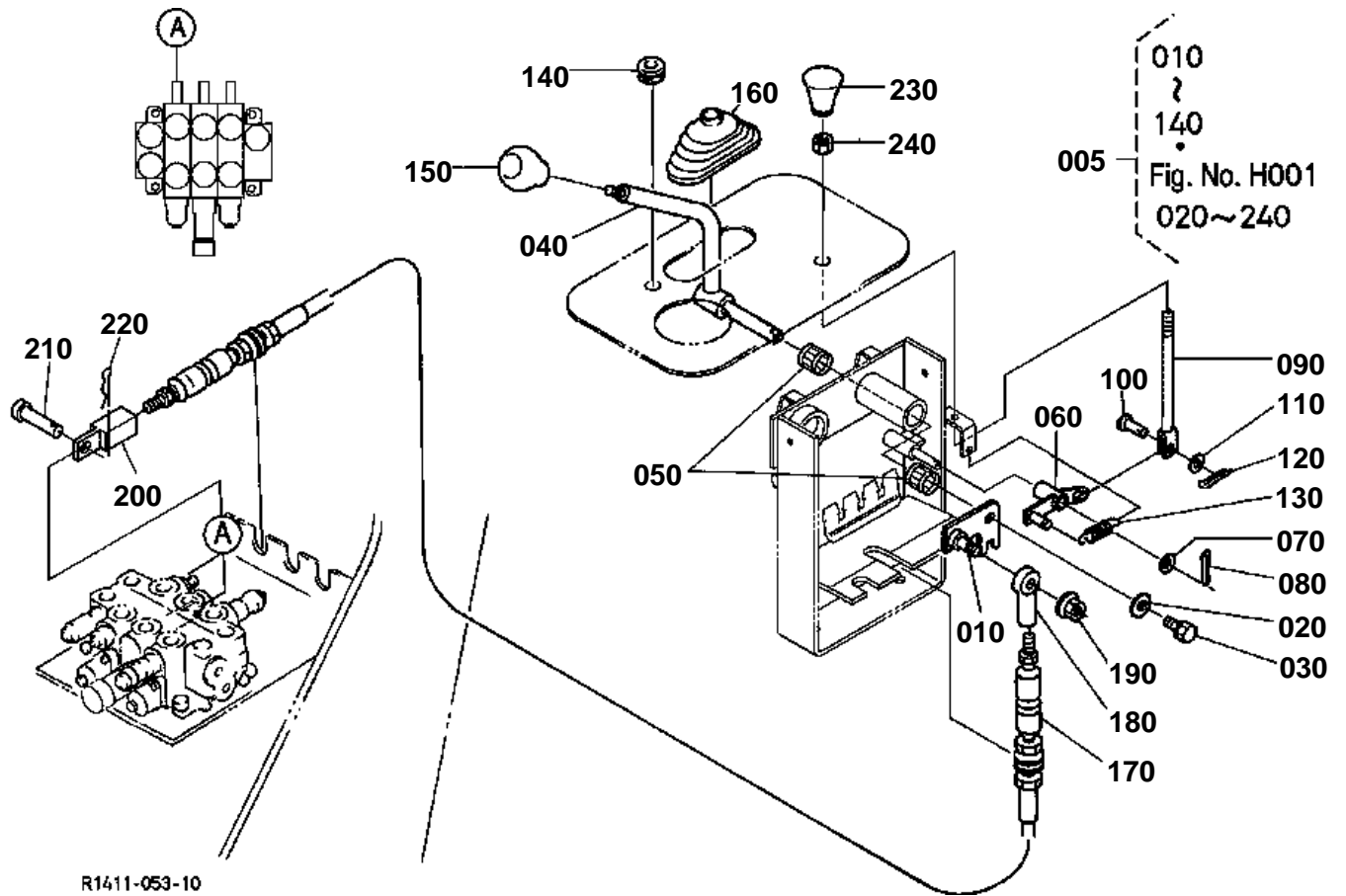


CONTROL LEVER (SHOVEL) (COMPONENT PARTS)

↔ Interchangeable; ≠ not interchangeable; ← new for old; → old for new

REF.No	Part No.	Description	Q'ty	S.No.	I/C	REMARKS	Weight (kgf)	Weight (lb)
010	R2411-65300	ASSY LEVER CONTROL	1				0	0
020	R1411-65210	BASE CONTROL SHAFT	1				0	0
030	R2401-65220	COVER CONTROL SHAFT	1				0.66	1.452
040	01023-60610	BOLT	2				0.01	0.022
050	04013-60060	WASHER PLAIN	2				0.001	0.0022
060	R1401-65310	ARM CONTROL	1				0.18	0.396
070	08141-06002	BEARING BALL	2				0.029	0.0638
080	04611-00320	CIR CLIP INTERNAL	2				0.002	0.0044
090	04015-60080	WASHER PLAIN	1				0.01	0.022
100	01123-60816	BOLT	1				0.01	0.022
110	R1401-65320	PIN	1				0.055	0.121
120	01023-60610	BOLT	1				0.01	0.022
130	04013-60060	WASHER PLAIN	2				0.001	0.0022
140	R1401-65330	LEVER CONTROL	1				0.39	0.858
150	68841-65250	BEARING NEEDLE	1				0.02	0.044
160	R1401-65510	ARM LOCK	1				0.05	0.11
170	04013-60080	WASHER PLAIN	1				0.002	0.0044
180	05511-50215	PIN SPLIT	1				0.001	0.0022
190	R1401-65520	ROD LOCK	1				0.025	0.055
200	05122-50614	PIN JOINT	1				0.004	0.0088
210	04013-60060	WASHER PLAIN	1				0.001	0.0022
220	05511-51612	PIN SPLIT	1				0.001	0.0022
230	R1401-65540	SPRING	1				0.003	0.0066
240	36330-87450	RING RUBBER	1				0.001	0.0022

CONTROL LEVER (S/P) (COMPONENT PARTS)



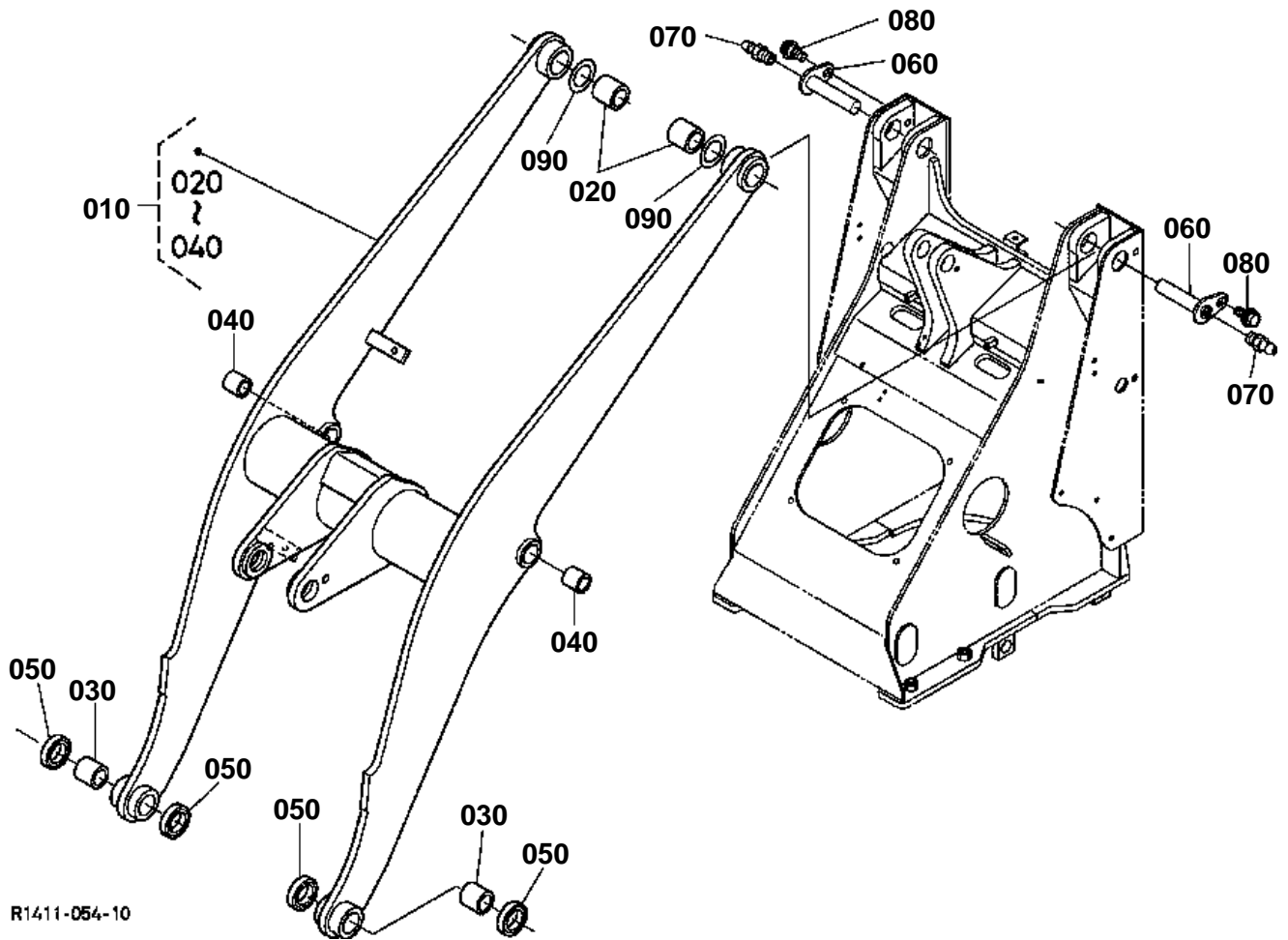
R1411-053-10

**CONTROL LEVER (S/P) (COMPONENT PARTS)**

↔ Interchangeable; ≠ not interchangeable; ← new for old; → old for new

REF.No	Part No.	Description	Q'ty	S.No.	I/C	REMARKS	Weight (kgf)	Weight (lb)
005	R2411-65300	ASSY LEVER CONTROL	1				0	0
010	R2401-65420	ARM CONTROL SP	1				0.145	0.319
020	04015-60080	WASHER PLAIN	1				0.01	0.022
030	01123-60816	BOLT	1				0.01	0.022
040	R2401-65412	LEVER CONTROL SP	1				0.456	1.0032
050	68841-65250	BEARING NEEDLE	2				0.02	0.044
060	R2401-65610	ARM LOCK SP	1				0.048	0.1056
070	04013-60080	WASHER PLAIN	1				0.002	0.0044
080	05511-50215	PIN SPLIT	1				0.001	0.0022
090	R2401-65620	ROD LOCK SP	1				0.029	0.0638
100	05122-50614	PIN JOINT	1				0.004	0.0088
110	04013-60060	WASHER PLAIN	1				0.001	0.0022
120	05511-51612	PIN SPLIT	1				0.001	0.0022
130	R1401-65540	SPRING	1				0.003	0.0066
140	36330-87450	RING RUBBER	1				0.001	0.0022
150	68721-65270	GRIP	1				0.04	0.088
160	69244-65590	RUBBER BELLOWS	1				0.1	0.22
170	R1411-65250	CABLE CONTROL	1				0	0
180	31351-24220	SCREW ROD-END RH	1				0.04	0.088
190	02751-50080	NUT FLANGE	1				0.006	0.0132
200	R1401-65350	LINK	1				0.032	0.0704
210	68021-32790	PIN	1				0.004	0.0088
220	05525-60500	PIN SNAP	1				0.001	0.0022
230	R1401-65630	GRIP	1				0.011	0.0242
240	02014-60060	NUT	1				0.002	0.0044

SHOVEL ARM



R1411-054-10

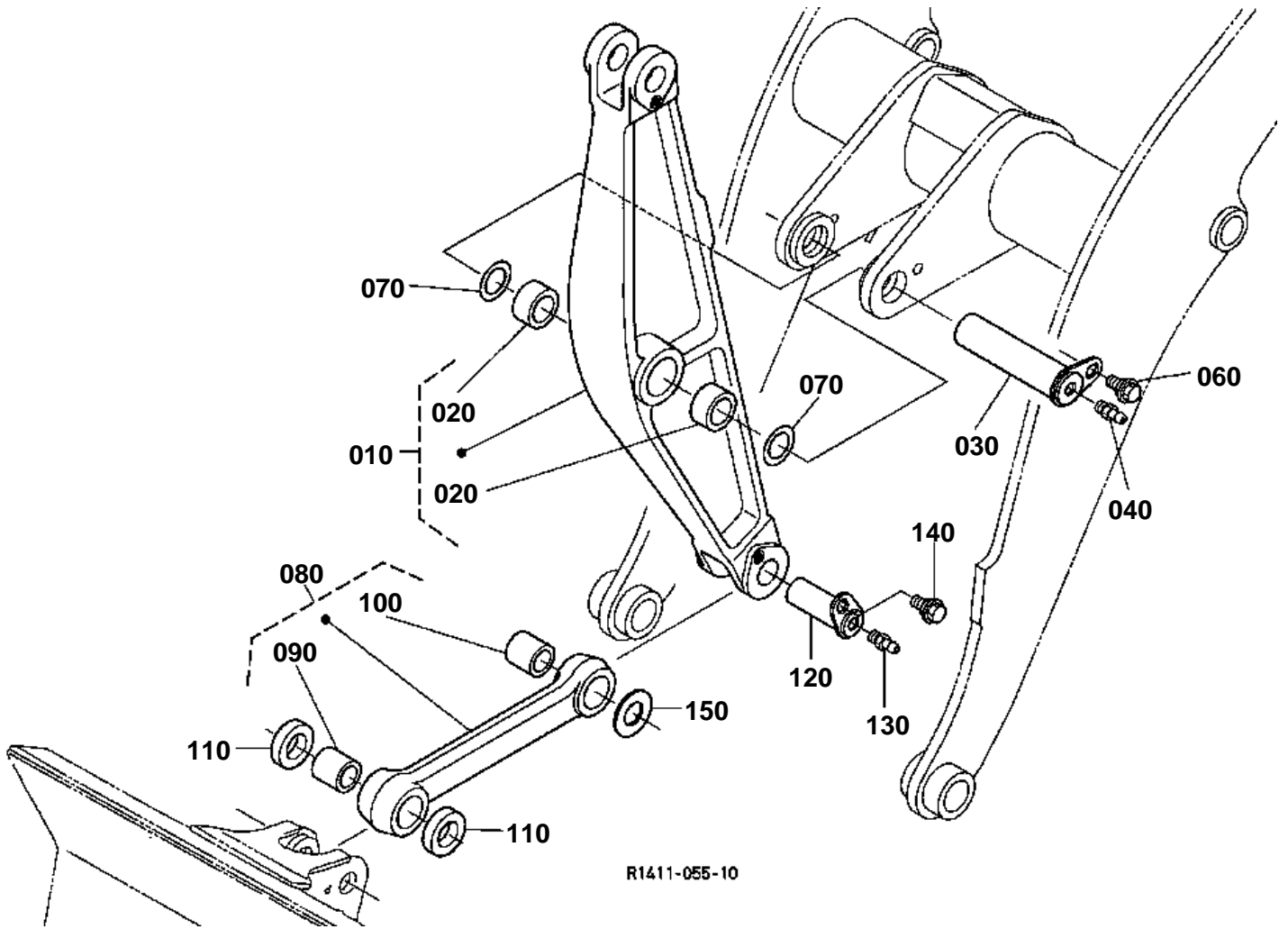


SHOVEL ARM

↔ Interchangeable; ≠ not interchangeable; ← new for old; → old for new

REF.No	Part No.	Description	Q'ty	S.No.	I/C	REMARKS	Weight (kgf)	Weight (lb)
010	R1511-71100	ASSY ARM SHOVEL	1				0	0
020	68881-71290	BUSH	2				0.38	0.836
030	68811-71130	BUSH	2				0.34	0.748
040	R1401-71260	BUSH	2				0.26	0.572
050	RC411-66780	SEAL DUST	4				0.008	0.0176
060	R1411-71150	PIN	2				0	0
070	06611-15010	NIPPLE GREASE	2				0.01	0.022
080	R1411-71160	BOLT	2				0	0
090	68241-66920	SHIM	2			1.0mm	0.02	0.044

TILT ARM

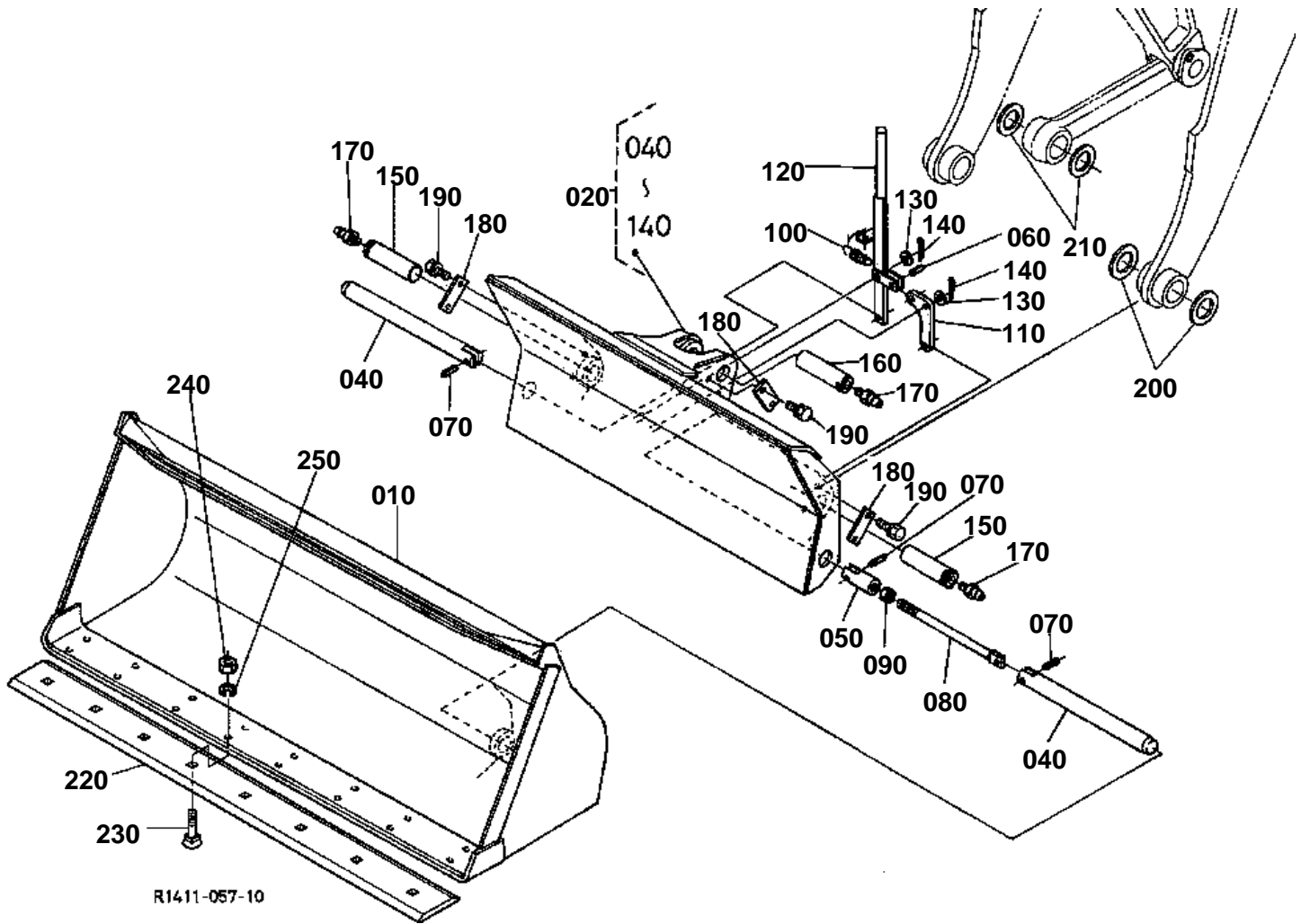


**TILT ARM**

↔ Interchangeable; ≠ not interchangeable; ← new for old; → old for new

REF.No	Part No.	Description	Q'ty	S.No.	I/C	REMARKS	Weight (kgf)	Weight (lb)
010	R1511-71200	ASSY ARM TILT	1				0	0
020	68811-71270	BUSH	2				0.19	0.418
030	R1411-71230	PIN	1				0	0
040	06611-15010	NIPPLE GREASE	1				0.01	0.022
050	99999-99999	BLANK	0				0	0
060	R1411-71160	BOLT	1				0	0
070	68241-66910	SHIM	1				0.025	0.055
080	R2501-71240	ASSY LINK TILT	1				10.92	24.024
090	68881-71290	BUSH	1				0.38	0.836
100	R1401-71260	BUSH	1				0.26	0.572
110	RC411-66530	SEAL DUST	2				0.001	0.0022
120	R1411-71270	PIN	1				0	0
130	06611-15010	NIPPLE GREASE	1				0.01	0.022
140	R1411-71160	BOLT	1				0	0
150	68131-67720	SHIM	1			1.0mm	0.024	0.0528

BUCKET

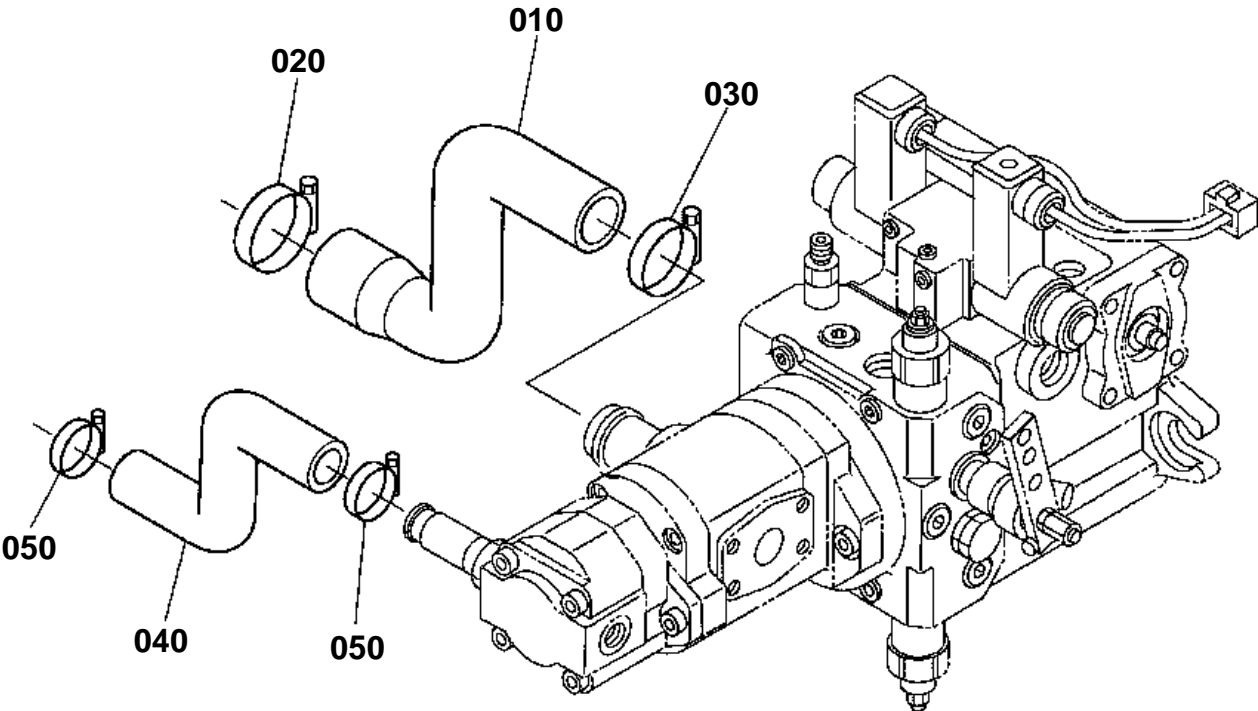


**BUCKET**

↔ Interchangeable; ≠ not interchangeable; ← new for old; → old for new

REF.No	Part No.	Description	Q'ty	S.No.	I/C	REMARKS	Weight (kgf)	Weight (lb)
010	R2511-77310	BUCKET COUPLER	1			QBK	0	0
020	R1511-77100	ASSY COUPLER	1			QBK	0	0
030	99999-99999	BLANK	0				0	0
040	90214-71132	PIN	2			QBK	2.11	4.642
050	90214-71142	FORKED	1			QBK	0.21	0.462
060	05411-01022	PIN SPRING	1			QBK	0.02	0.044
070	05411-01032	PIN SPRING	3			QBK	0.01	0.022
080	90214-71163	ROD	1			QBK	0.42	0.924
090	02174-50160	NUT	1			QBK	0.022	0.0484
100	90214-71182	SPRING	1			QBK	0.045	0.099
110	R1411-71030	LINK	1			QBK	0	0
120	R1411-71040	LEVER	1			QBK	0	0
130	04011-50100	WASHER PLAIN	2			QBK	0.002	0.0044
140	05511-50320	PIN SPLIT	2			QBK	0.002	0.0044
150	68811-71260	PIN	2				1.35	2.97
160	68881-71280	PIN	1				1.7	3.74
170	06611-15010	NIPPLE GREASE	3				0.01	0.022
180	68811-71240	PLATE KEY	3				0.1	0.22
190	01133-61020	BOLT	6				0.02	0.044
200	68131-67720	SHIM	4			1.0mm	0.024	0.0528
210	68241-66920	SHIM	2			1.0mm	0.02	0.044
220	R2511-71410	BLADE CUTTING	1			QBK	0	0
230	68841-71423	BOLT	8			QBK	0.08	0.176
240	02176-60140	NUT	8			QBK	0.014	0.0308
250	04512-60140	WASHER SPRING	8			QBK	0.008	0.0176

HYDRAULIC OIL LINE (SUCTION)



R1411-058-10

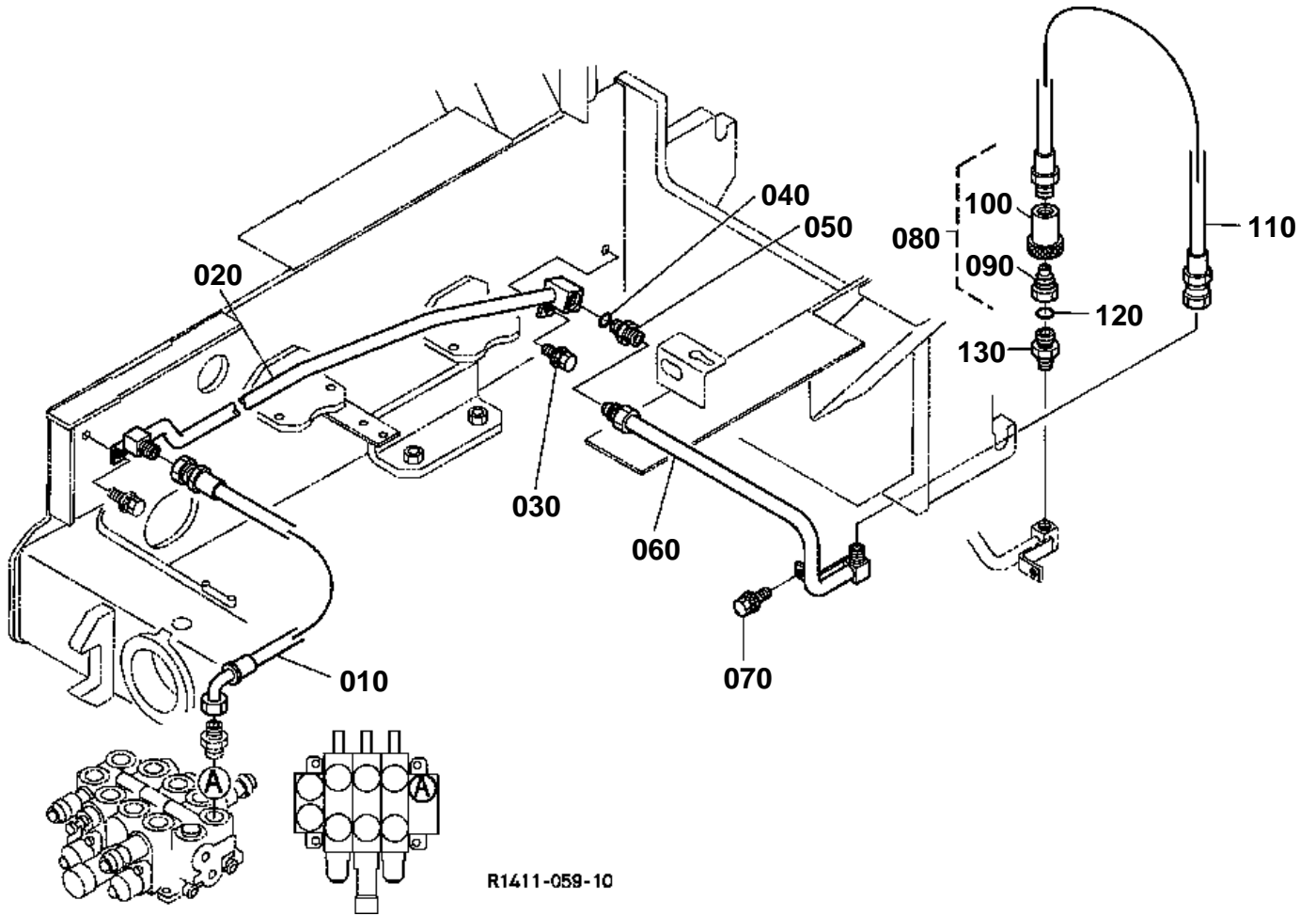


HYDRAULIC OIL LINE (SUCTION)

↔ Interchangeable; ≠ not interchangeable; ← new for old; → old for new

REF.No	Part No.	Description	Q'ty	S.No.	I/C	REMARKS	Weight (kgf)	Weight (lb)
010	R2511-63110	HOSE SUCTION	1				0	0
020	68311-72830	CLAMP HOSE	1				0.03	0.066
030	RD411-63820	CLAMP HOSE	1				0.031	0.0682
040	R2511-63130	HOSE SUCTION	1				0	0
050	68311-72820	CLAMP HOSE	2				0.03	0.066

HYDRAULIC OIL LINE (RETURN)



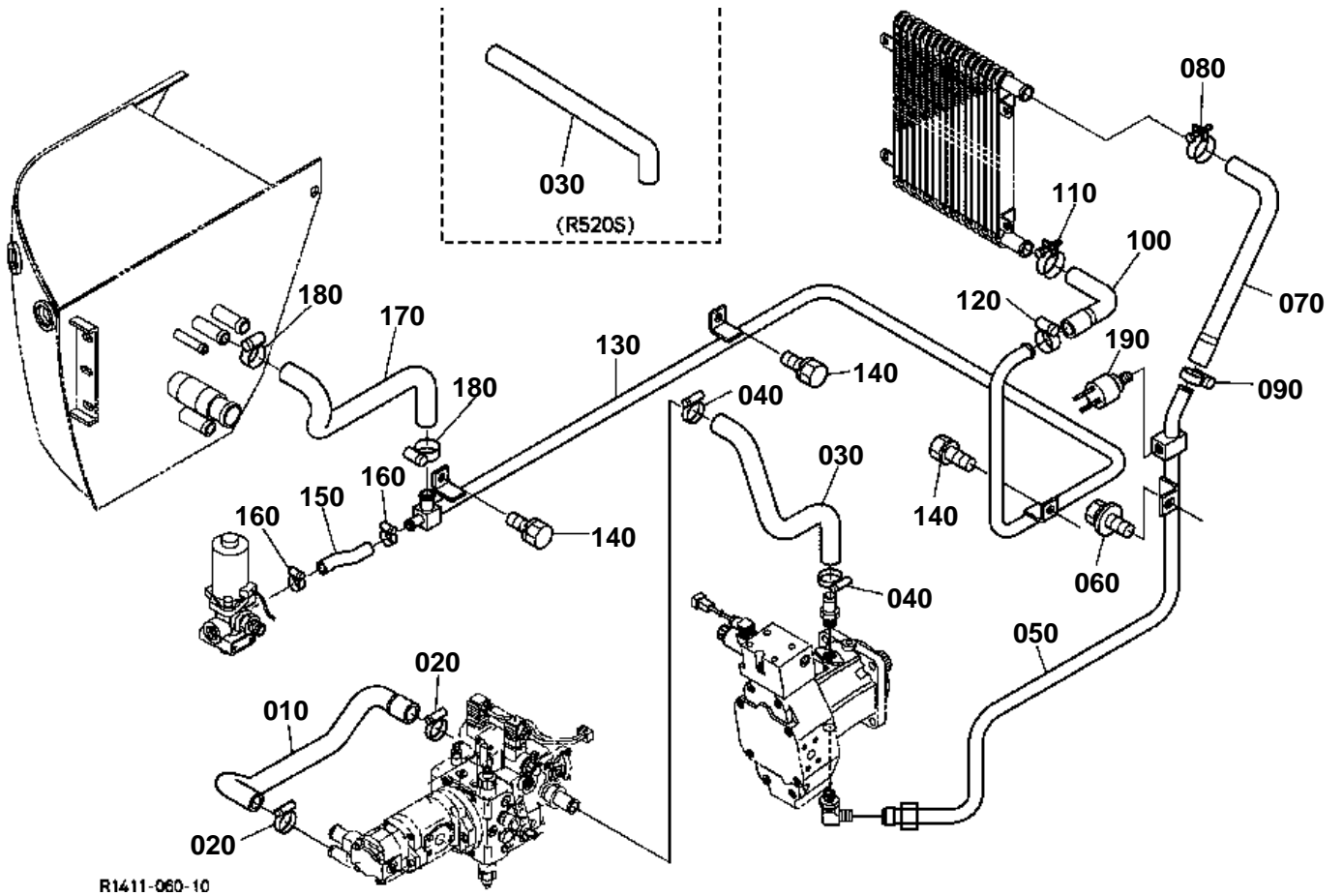


HYDRAULIC OIL LINE (RETURN)

↔ Interchangeable; ≠ not interchangeable; ← new for old; → old for new

REF.No	Part No.	Description	Q'ty	S.No.	I/C	REMARKS	Weight (kgf)	Weight (lb)
010	R2411-63930	HOSE HYDRAULIC	1				0	0
020	R2411-64810	PIPE PB	1				0	0
030	01135-61030	BOLT	1				0.028	0.0616
040	04810-00240	O RING	1				0	0
050	R2401-64920	JOINT PIPE	1				0.134	0.2948
060	R2411-64930	PIPE PTO P	1				0	0
070	01135-61020	BOLT	1				0.015	0.033
080	68817-68100	ASSY COPLER	1				0.46	1.012
090	70765-62870	COUPLER MALE	1				0.08	0.176
100	68817-68120	COUPLER FEMALE	1				0.39	0.858
110	R2411-63950	HOSE HYDRAULIC	1				0	0
120	04810-00180	O RING	1				0	0
130	68761-64230	ADAPTER	1				0.09	0.198

HYDRAULIC OIL LINE (OIL COOLER)



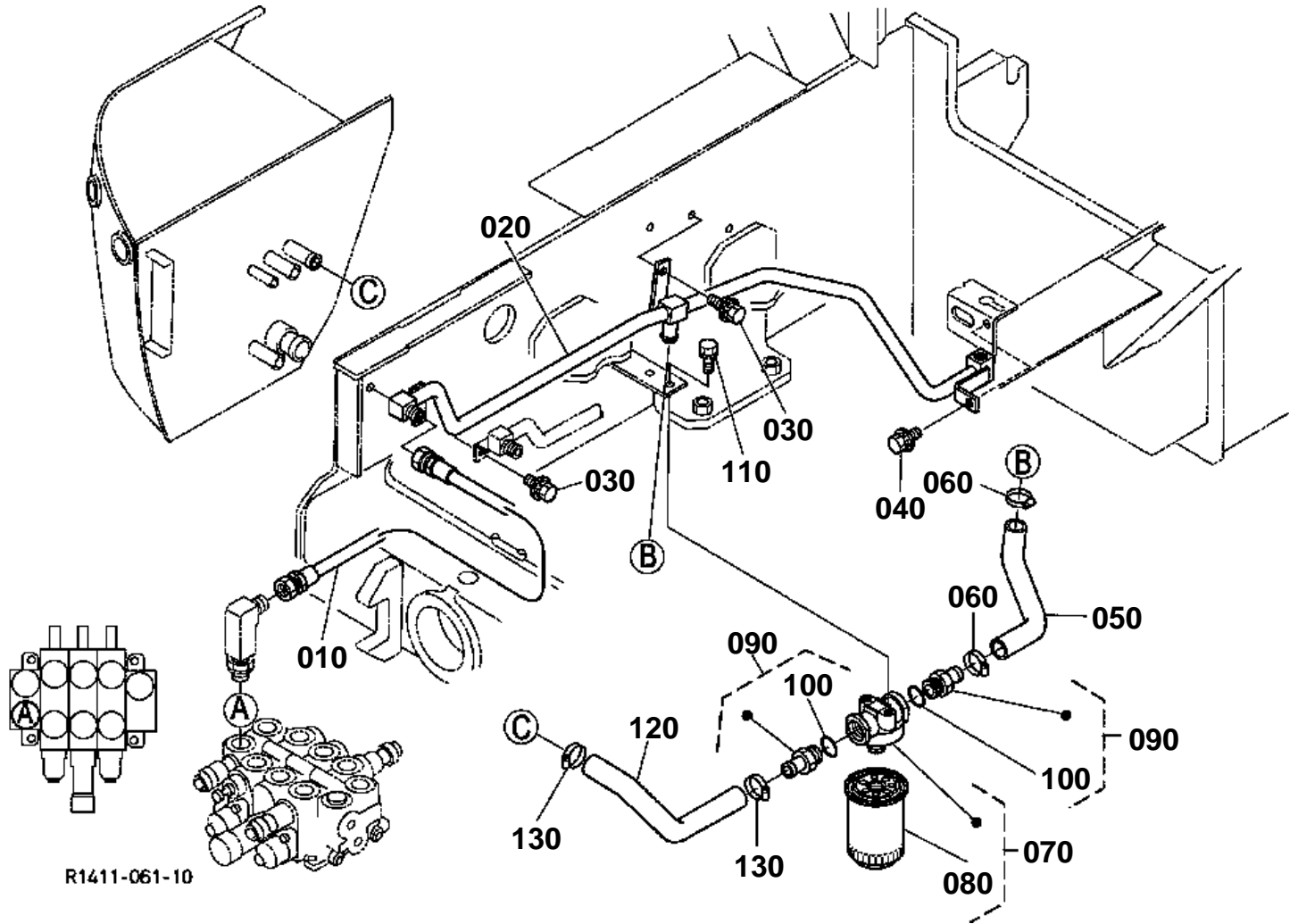


HYDRAULIC OIL LINE (OIL COOLER)

↔ Interchangeable; ≠ not interchangeable; ← new for old; → old for new

REF.No	Part No.	Description	Q'ty	S.No.	I/C	REMARKS	Weight (kgf)	Weight (lb)
010	R2511-63910	HOSE BY-PASS RELIEF	1				0	0
020	68311-72820	CLAMP HOSE	2				0.03	0.066
030	R2511-63522	HOSE RETURN	1				0	0
040	R1401-63150	CLAMP HOSE	2				0.02	0.044
050	R1511-63560	PIPE RETURN	1				0	0
060	01135-61020	BOLT	1				0.015	0.033
070	R1411-63570	HOSE RETURN	1				0	0
080	09318-89024	CLAMP HOSE	1				0.02	0.044
090	R1401-63150	CLAMP HOSE	1				0.02	0.044
100	R1411-63580	HOSE RETURN	1				0	0
110	09318-89024	CLAMP HOSE	1				0.02	0.044
120	R1401-63150	CLAMP HOSE	1				0.02	0.044
130	R1411-63620	PIPE RETURN	1				0	0
140	01133-61020	BOLT	2				0.02	0.044
150	R1411-63630	HOSE RETURN	1				0	0
160	RC101-64580	CLAMP HOSE	2				0.018	0.0396
170	R1411-63640	HOSE RETURN	1				0	0
180	R1401-63150	CLAMP HOSE	2				0.02	0.044
190	68841-53640	SWITCH THERMOMETER	1				0.06	0.132

RETURN FILTER



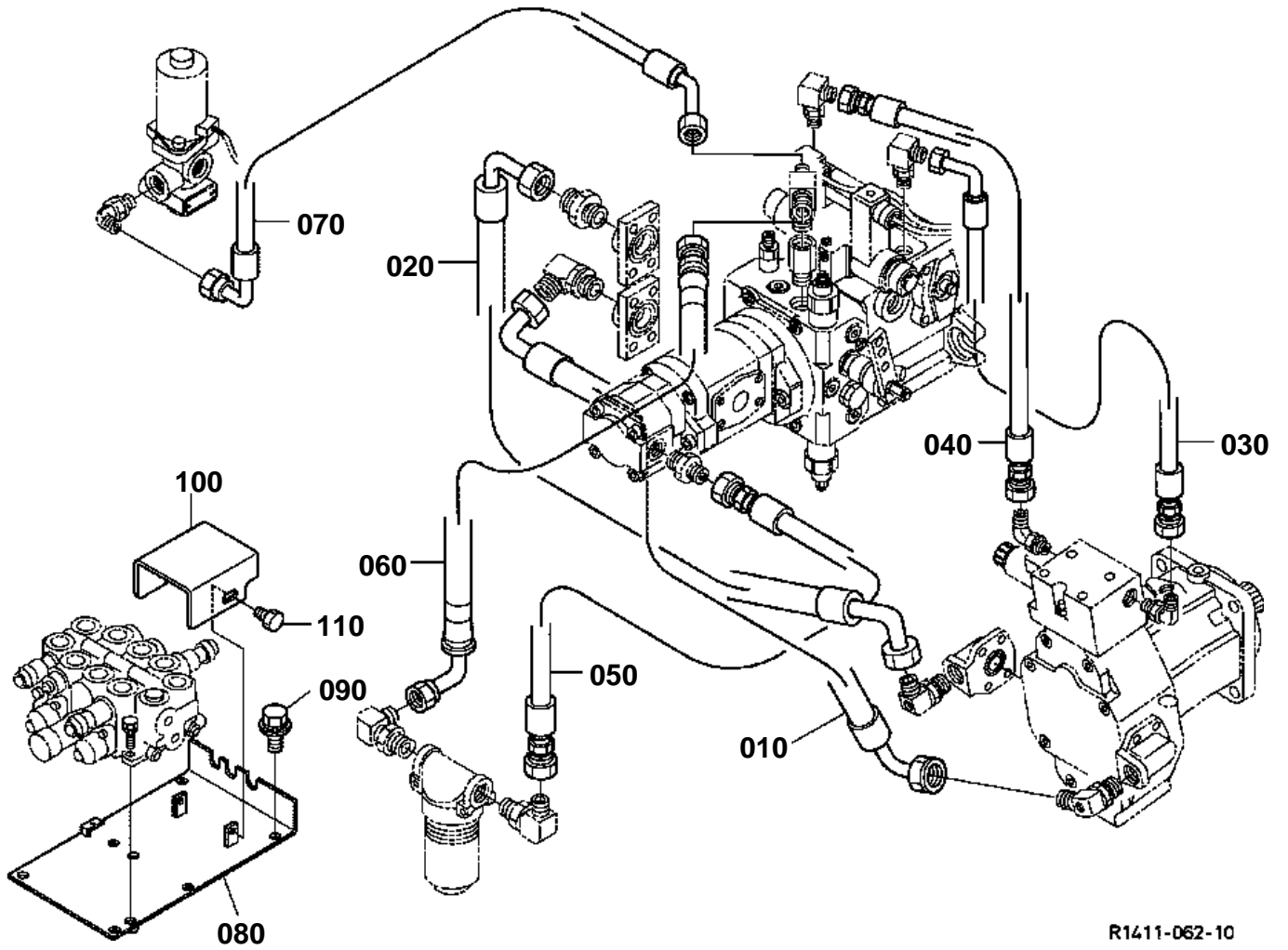


RETURN FILTER

↔ Interchangeable; ≠ not interchangeable; ← new for old; → old for new

REF.No	Part No.	Description	Q'ty	S.No.	I/C	REMARKS	Weight (kgf)	Weight (lb)
010	R1411-63810	HOSE HYDRAULIC	1				0	0
020	R2411-64830	PIPE PTO T	1				0	0
030	01135-61030	BOLT	2				0.028	0.0616
040	01135-61020	BOLT	1				0.015	0.033
050	R1411-64850	HOSE FILTER	1				0	0
060	68311-72820	CLAMP HOSE	2				0.03	0.066
070	R1411-63850	FILTER RETURN	1				0	0
080	R1411-63860	ELEMENT FILTER	1				0	0
090	R1411-63760	JOINT PIPE	2				0	0
100	04810-00290	O RING	2				0	0
110	01123-61020	BOLT	2				0.02	0.044
120	R1411-64860	HOSE FILTER	1				0	0
130	68311-72820	CLAMP HOSE	2				0.03	0.066

HIGH PRESSURE OIL LINE



R1411-062-10

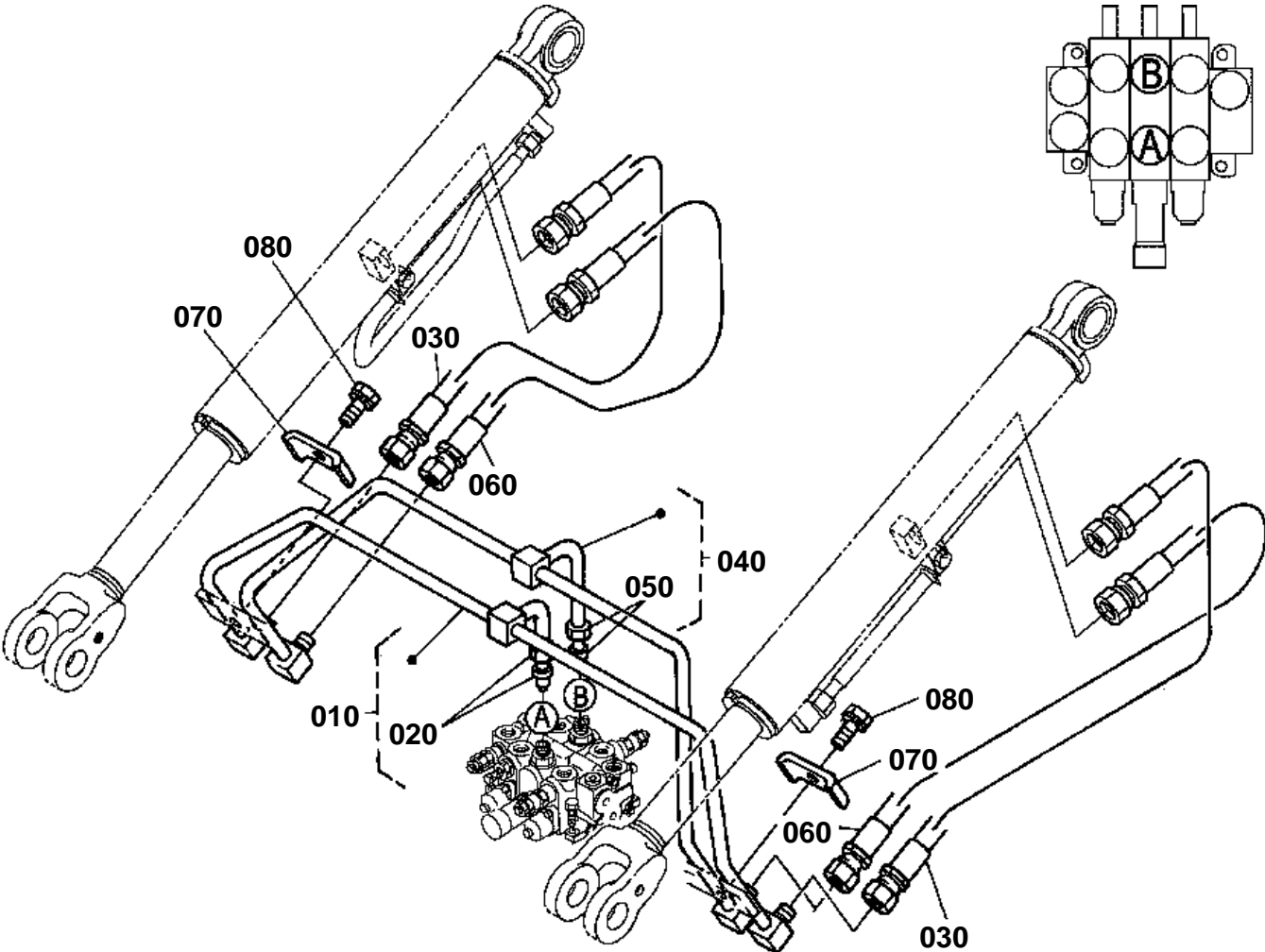


HIGH PRESSURE OIL LINE

↔ Interchangeable; ≠ not interchangeable; ← new for old; → old for new

REF.No	Part No.	Description	Q'ty	S.No.	I/C	REMARKS	Weight (kgf)	Weight (lb)
010	R2511-64120	HOSE HYDRAULIC	1				0	0
020	R1511-64150	HOSE HYDRAULIC	1				0	0
030	R1411-64310	HOSE HYDRAULIC	1				0	0
040	R1411-64320	HOSE HYDRAULIC	1				0	0
050	R1411-64410	HOSE HYDRAULIC	1				0	0
060	R1411-64420	HOSE HYDRAULIC	1				0	0
070	R1411-64430	HOSE HYDRAULIC	1				0	0
080	R1411-65110	BASE VALVE	1				0	0
090	01135-61020	BOLT	4				0.015	0.033
100	R2401-65122	COVER VALVE	1				0.28	0.616
110	01053-60610	BOLT	2				0.005	0.011

HYDRAULIC OIL LINE (LIFT)



R1411-063-10

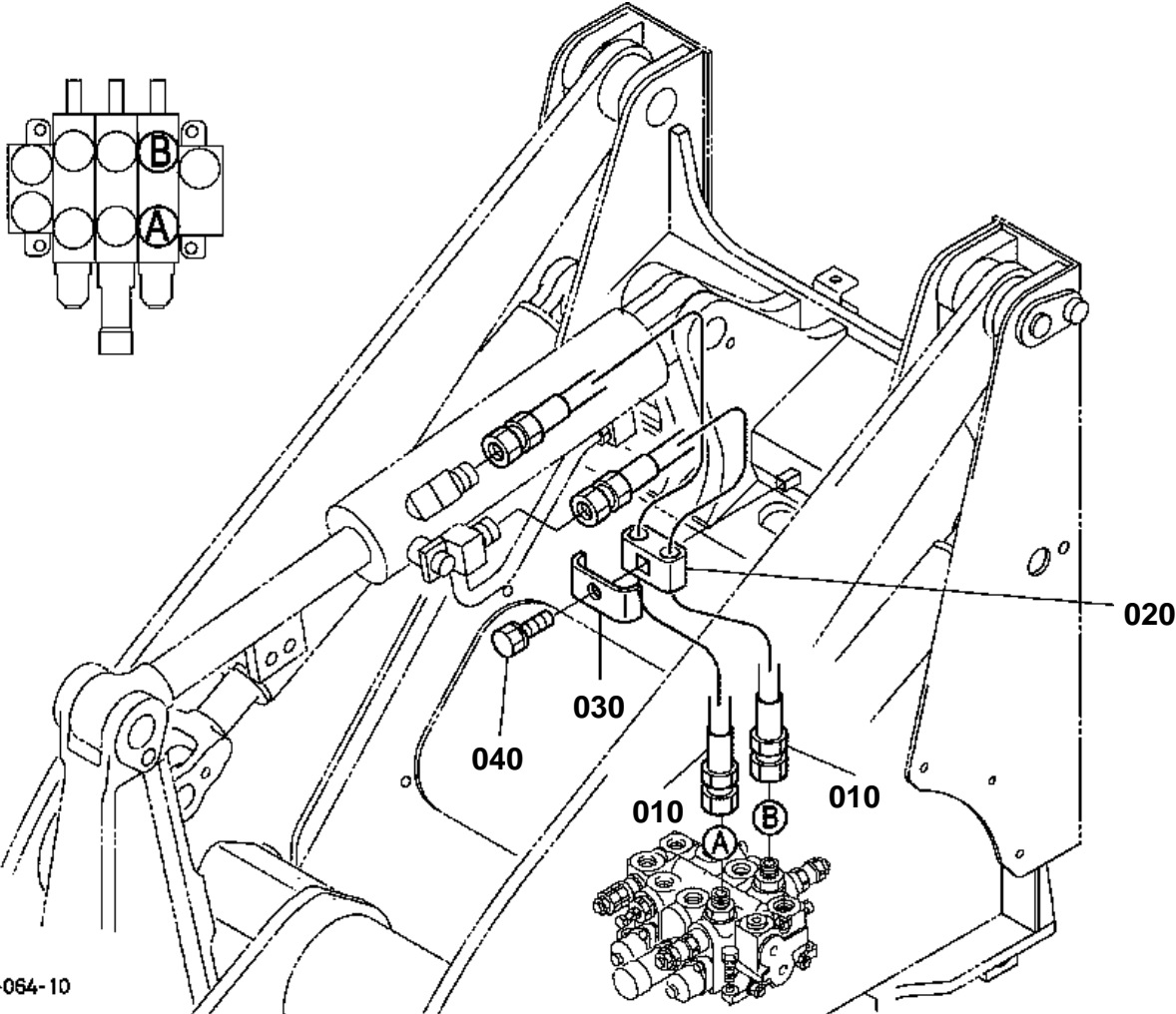


HYDRAULIC OIL LINE (LIFT)

↔ Interchangeable; ≠ not interchangeable; ← new for old; → old for new

REF.No	Part No.	Description	Q'ty	S.No.	I/C	REMARKS	Weight (kgf)	Weight (lb)
010	R1501-73115	PIPE LIFT ROD	1				0.9	1.98
020	R1401-68162	JOINT PIPE	1				0.06	0.132
030	R1411-73120	HOSE HYDRAULIC	2				0	0
040	R1501-73144	PIPE LIFT BOTTOM	1				0.768	1.6896
050	R1401-68162	JOINT PIPE	1				0.06	0.132
060	R1411-73120	HOSE HYDRAULIC	2				0	0
070	R1401-63740	CLAMP	2				0.095	0.209
080	01133-61030	BOLT	2				0.023	0.0506

HYDRAULIC OIL LINE (TILT)



R1411-064-10

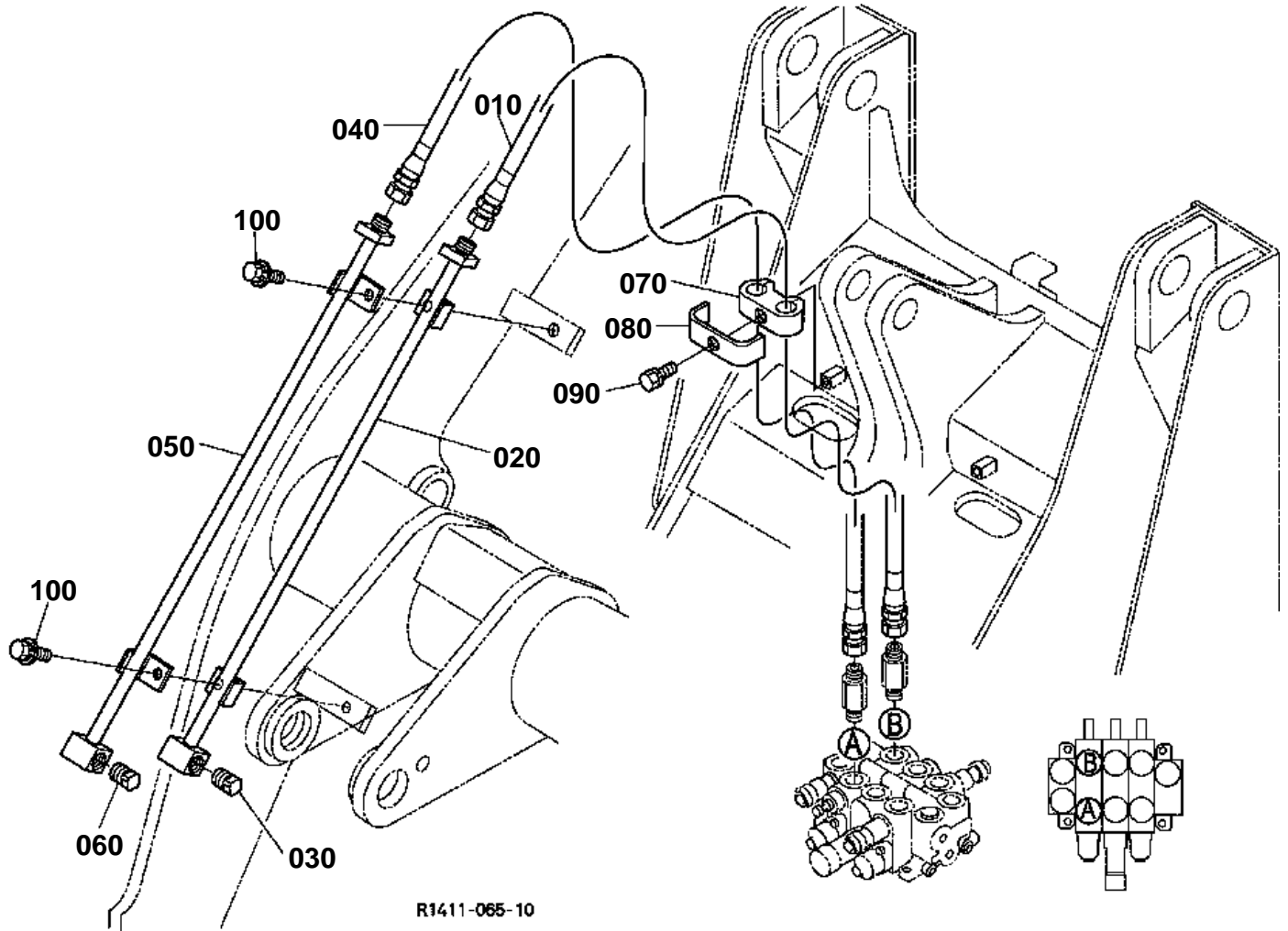


HYDRAULIC OIL LINE (TILT)

↔ Interchangeable; ≠ not interchangeable; ← new for old; → old for new

REF.No	Part No.	Description	Q'ty	S.No.	I/C	REMARKS	Weight (kgf)	Weight (lb)
010	R1511-73322	HOSE HYDRAULIC	2				0.85	1.87
020	RC411-64210	CUSHION	1				0.04	0.088
030	RC411-64220	CLAMP	1				0.08	0.176
040	01133-61020	BOLT	1				0.02	0.044

HYDRAULIC OIL LINE (S/P)



R1411-065-10

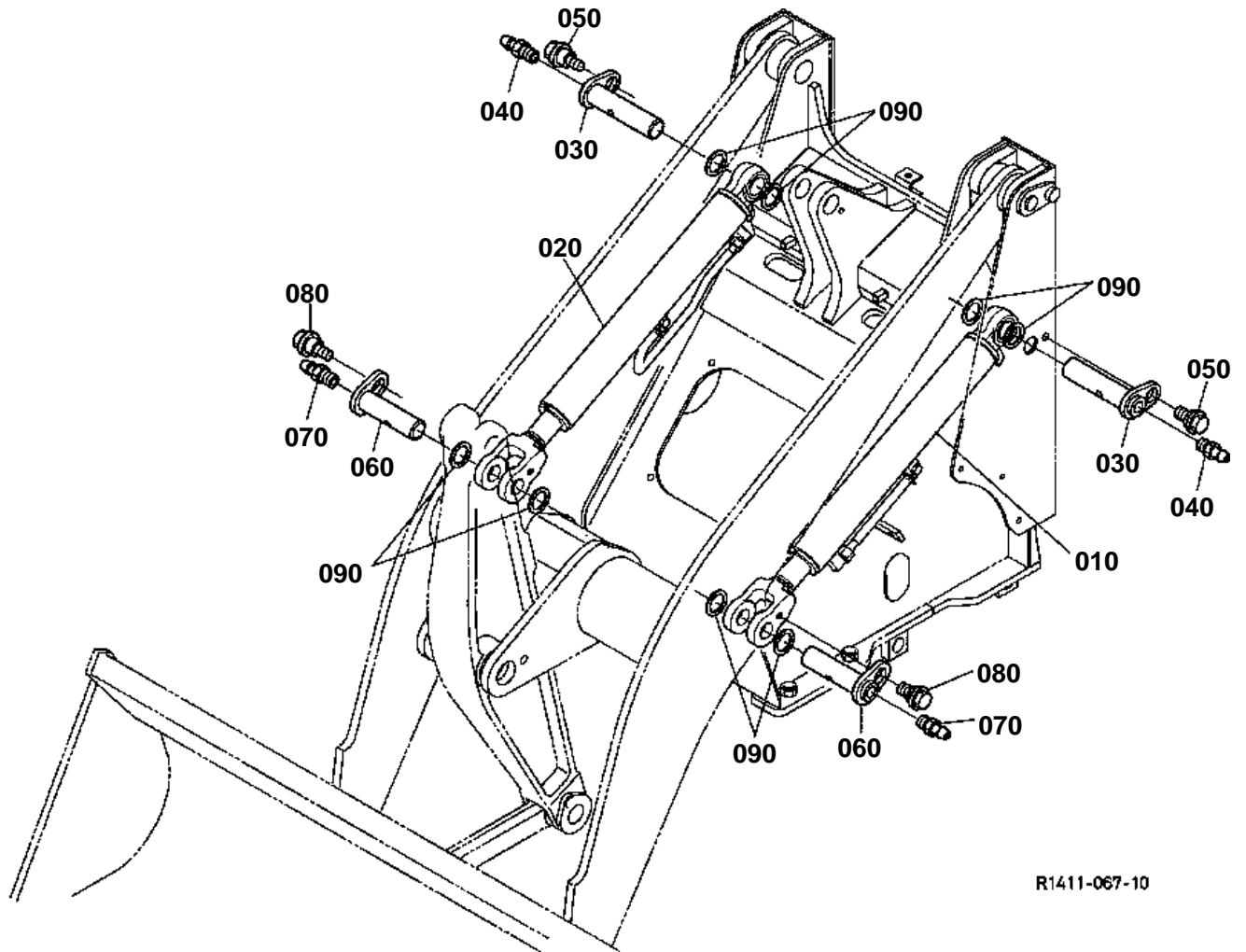


HYDRAULIC OIL LINE (S/P)

↔ Interchangeable; ≠ not interchangeable; ← new for old; → old for new

REF.No	Part No.	Description	Q'ty	S.No.	I/C	REMARKS	Weight (kgf)	Weight (lb)
010	R1511-73350	HOSE HYDRAULIC	1				0.75	1.65
020	R1511-73510	PIPE SP A	1				0	0
030	06312-10040	PLUG	1				0.04	0.088
040	R1511-73350	HOSE HYDRAULIC	1				0.75	1.65
050	R1511-73550	PIPE SP B	1				0	0
060	06312-10040	PLUG	1				0.04	0.088
070	RC411-64210	CUSHION	1				0.04	0.088
080	RC411-64220	CLAMP	1				0.08	0.176
090	01133-61020	BOLT	1				0.02	0.044
100	01135-61025	BOLT	2				0.04	0.088

LIFT CYLINDER



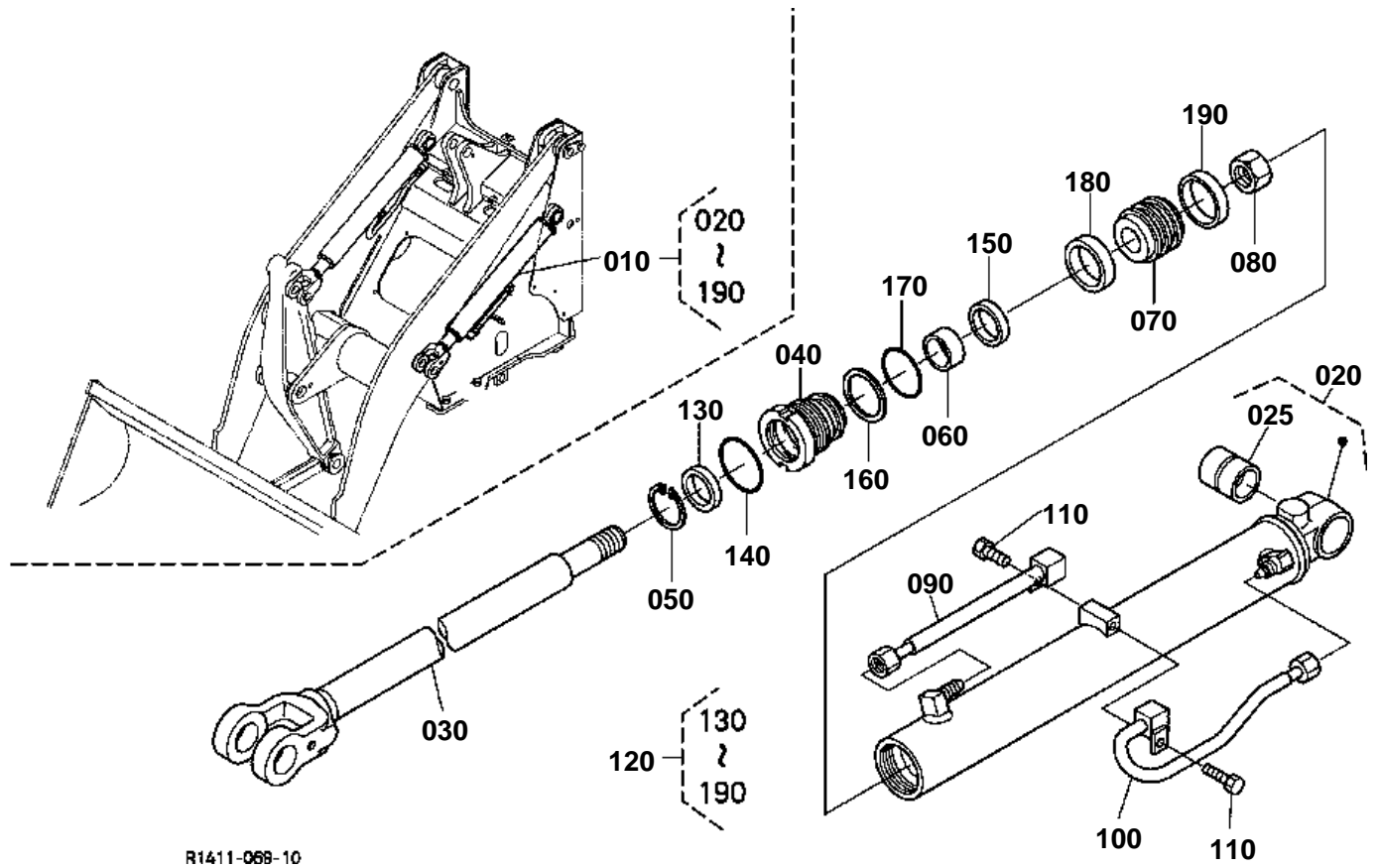


LIFT CYLINDER

↔ Interchangeable; ≠ not interchangeable; ← new for old; → old for new

REF.No	Part No.	Description	Q'ty	S.No.	I/C	REMARKS	Weight (kgf)	Weight (lb)
010	R1511-72110	CYLINDER LIFT LH	1				0	0
020	R1511-72150	CYLINDER LIFT RH	1				0	0
030	R1511-72120	PIN	2				0	0
040	06611-15010	NIPPLE GREASE	2				0.01	0.022
050	R1411-71160	BOLT	2				0	0
060	R1511-72130	PIN	2				0	0
070	06611-15010	NIPPLE GREASE	2				0.01	0.022
080	R1411-71160	BOLT	2				0	0
090	68131-67720	SHIM	8			1.0mm	0.024	0.0528

LIFT CYLINDER LEFT (COMPONENT PARTS)



R1411-068-10

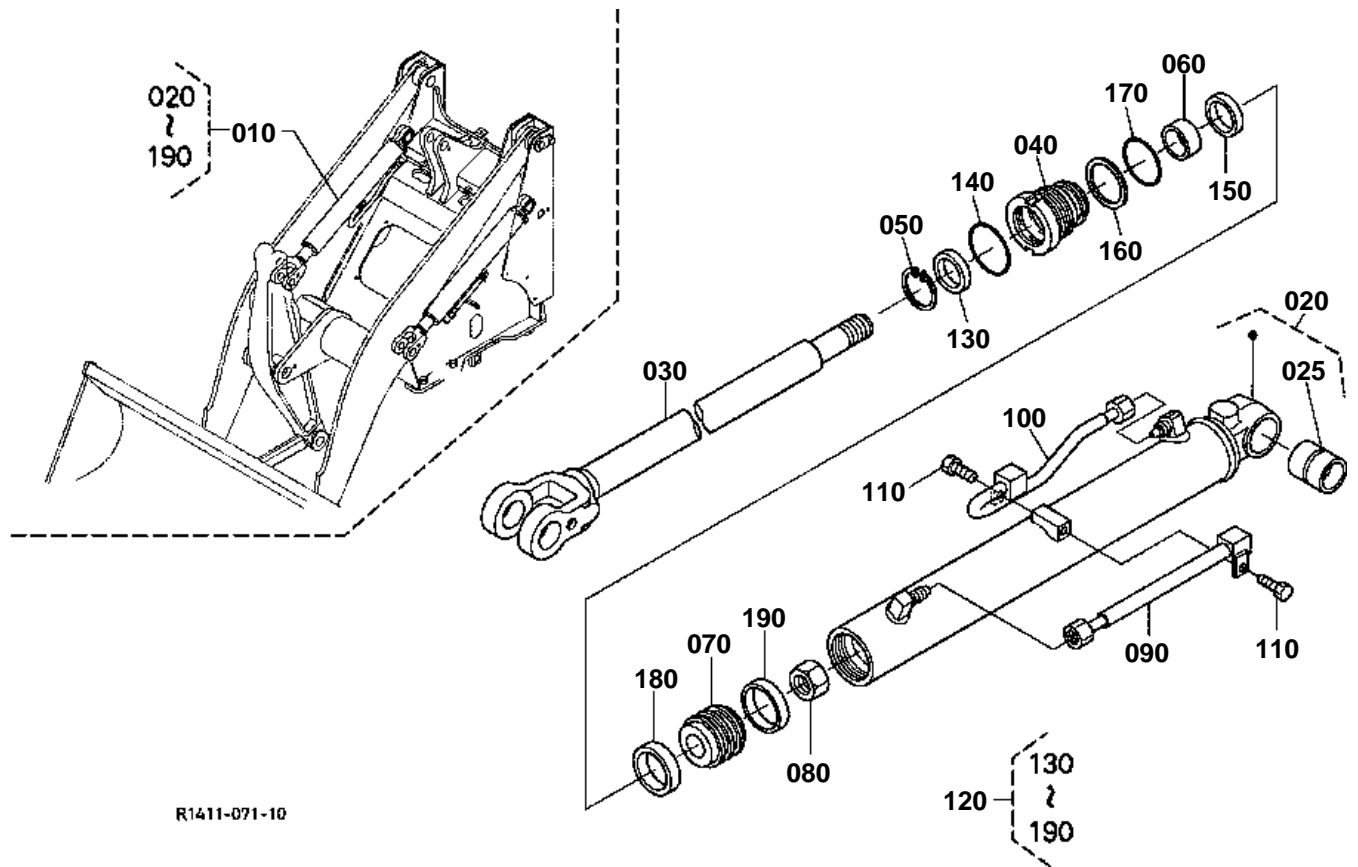


LIFT CYLINDER LEFT (COMPONENT PARTS)

↔ Interchangeable; ≠ not interchangeable; ← new for old; → old for new

REF.No	Part No.	Description	Q'ty	S.No.	I/C	REMARKS	Weight (kgf)	Weight (lb)
010	R1511-72110	CYLINDER LIFT LH	1				0	0
020	R1511-93310	TUBE CYLINDER	1				0	0
025	68881-93460	BUSH	1				0.25	0.55
030	R1511-93320	ROD CYLINDER	1				0	0
040	68881-93330	CYLINDER HEAD	1				1.18	2.596
050	68881-93340	CIR CLIP INTERNAL	1				0.001	0.0022
060	68881-93370	BUSH	1				0.05	0.11
070	68881-93420	PISTON	1				0.75	1.65
080	R1411-93420	NUT	1				0	0
090	R1511-93440	PIPE	1				0	0
100	R1511-93450	PIPE	1				0	0
110	R1411-93490	BOLT	2				0	0
120	R1411-93920	KIT SEAL	1				0	0
130	68881-93350	SEAL DUST	1				0.017	0.0374
140	R1411-93170	O RING	1				0	0
150	68881-93380	GASKET	1				0.005	0.011
160	68881-93190	RETAINER O RING	1				0.001	0.0022
170	68881-93210	O RING	1				0.001	0.0022
180	68881-93430	PISTON RING	1				0.008	0.0176
190	68881-93240	RING	1				0.005	0.011

LIFT CYLINDER RIGHT (COMPONENT PARTS)



R1411-071-10

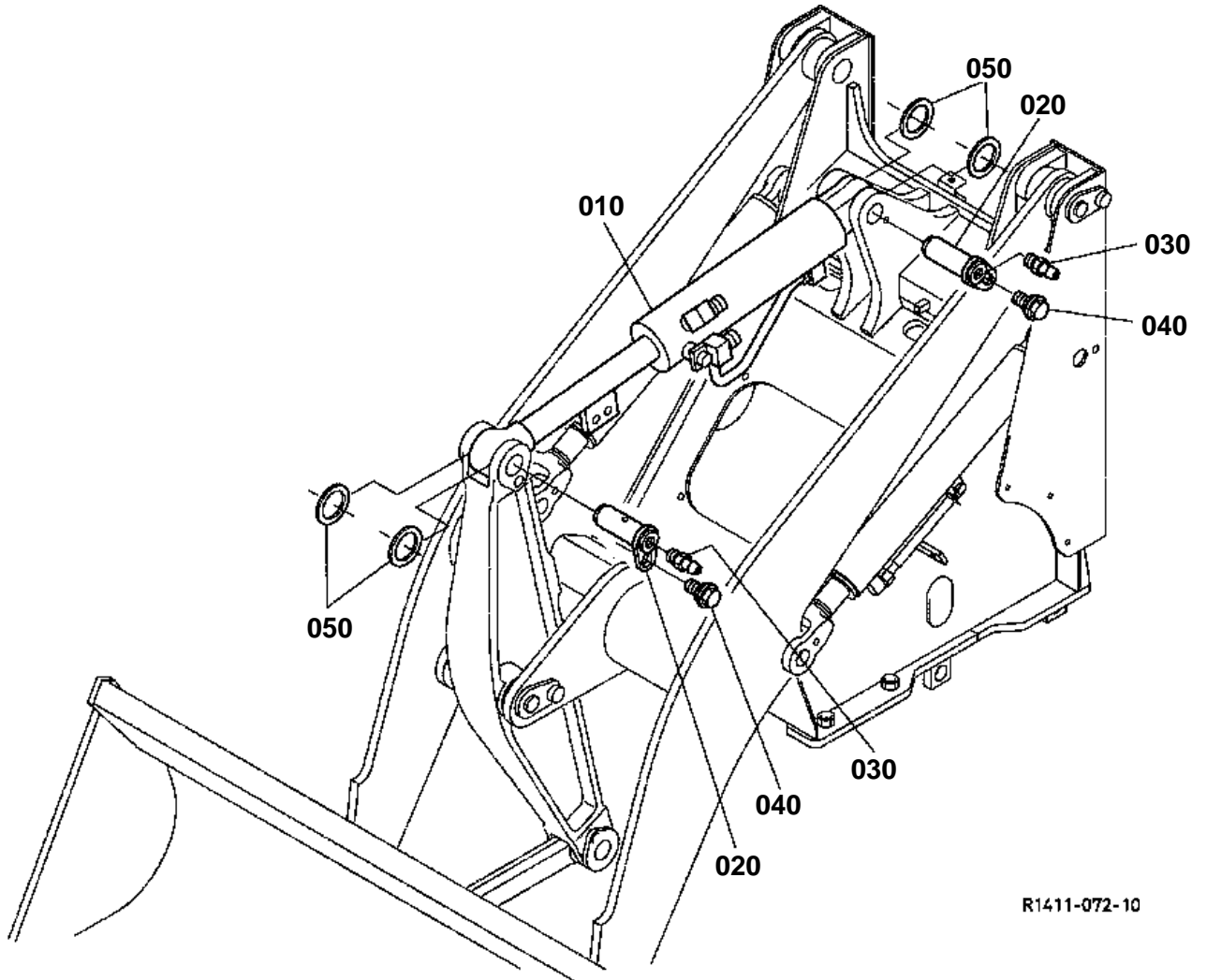


LIFT CYLINDER RIGHT (COMPONENT PARTS)

↔ Interchangeable; ≠ not interchangeable; ← new for old; → old for new

REF.No	Part No.	Description	Q'ty	S.No.	I/C	REMARKS	Weight (kgf)	Weight (lb)
010	R1511-72150	CYLINDER LIFT RH	1				0	0
020	R1511-93330	ASSY TUBE CYLINDER	1				0	0
025	68881-93460	BUSH	1				0.25	0.55
030	R1511-93320	ROD CYLINDER	1				0	0
040	68881-93330	CYLINDER HEAD	1				1.18	2.596
050	68881-93340	CIR CLIP INTERNAL	1				0.001	0.0022
060	68881-93370	BUSH	1				0.05	0.11
070	68881-93420	PISTON	1				0.75	1.65
080	R1411-93420	NUT	1				0	0
090	R1511-93460	PIPE	1				0	0
100	R1511-93470	PIPE	1				0	0
110	R1411-93490	BOLT	2				0	0
120	R1411-93920	KIT SEAL	1				0	0
130	68881-93350	SEAL DUST	1				0.017	0.0374
140	R1411-93170	O RING	1				0	0
150	68881-93380	GASKET	1				0.005	0.011
160	68881-93190	RETAINER O RING	1				0.001	0.0022
170	68881-93210	O RING	1				0.001	0.0022
180	68881-93430	PISTON RING	1				0.008	0.0176
190	68881-93240	RING	1				0.005	0.011

TILT CYLINDER



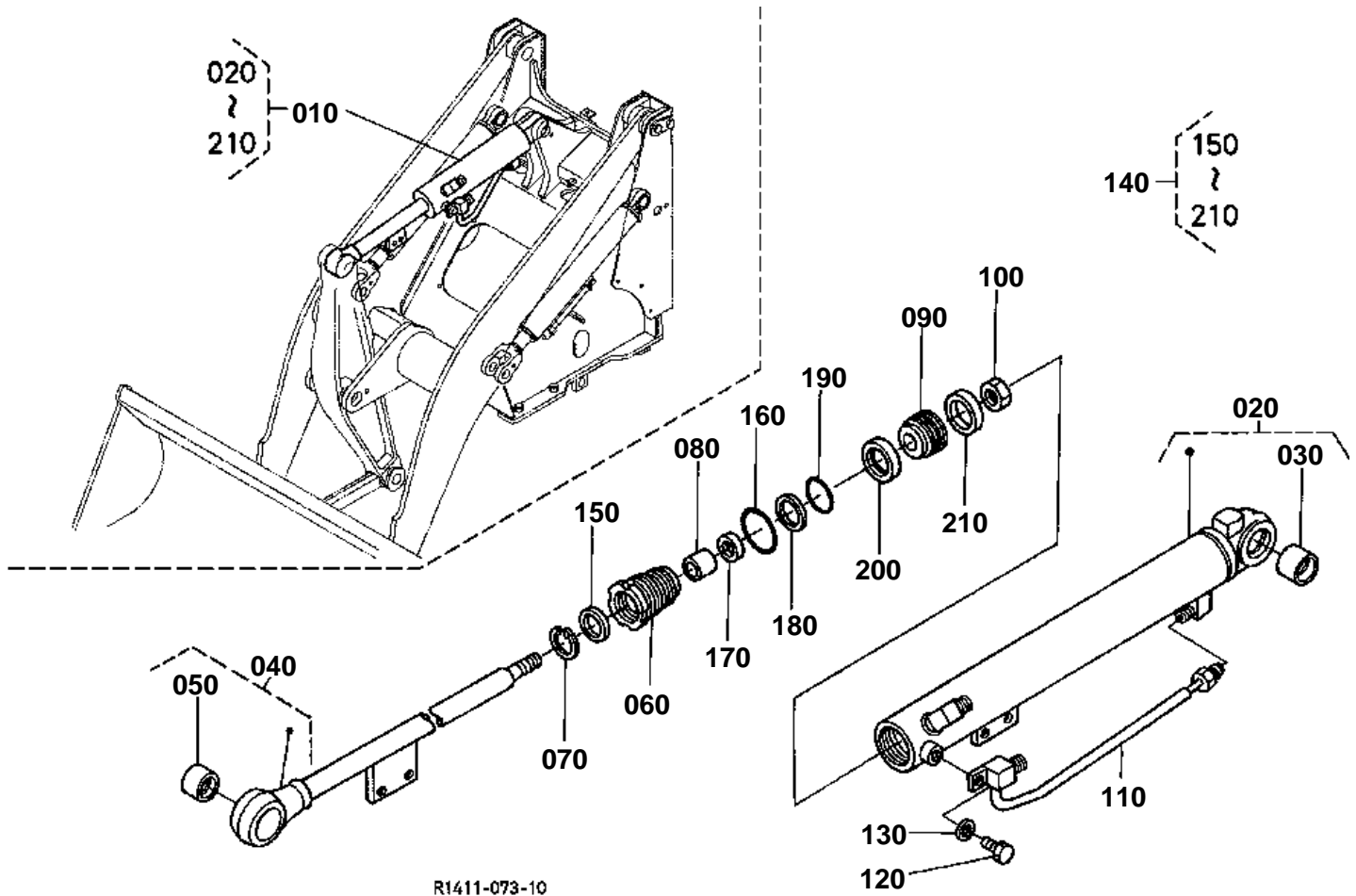


TILT CYLINDER

↔ Interchangeable; ≠ not interchangeable; ← new for old; → old for new

REF.No	Part No.	Description	Q'ty	S.No.	I/C	REMARKS	Weight (kgf)	Weight (lb)
010	R1511-72210	CYLINDER TILT	1				0	0
020	R1411-71270	PIN	2				0	0
030	06611-15010	NIPPLE GREASE	2				0.01	0.022
040	R1411-71160	BOLT	2				0	0
050	68131-67720	SHIM	2				0.024	0.0528

TILT CYLINDER (COMPONENT PARTS)



R1411-073-10

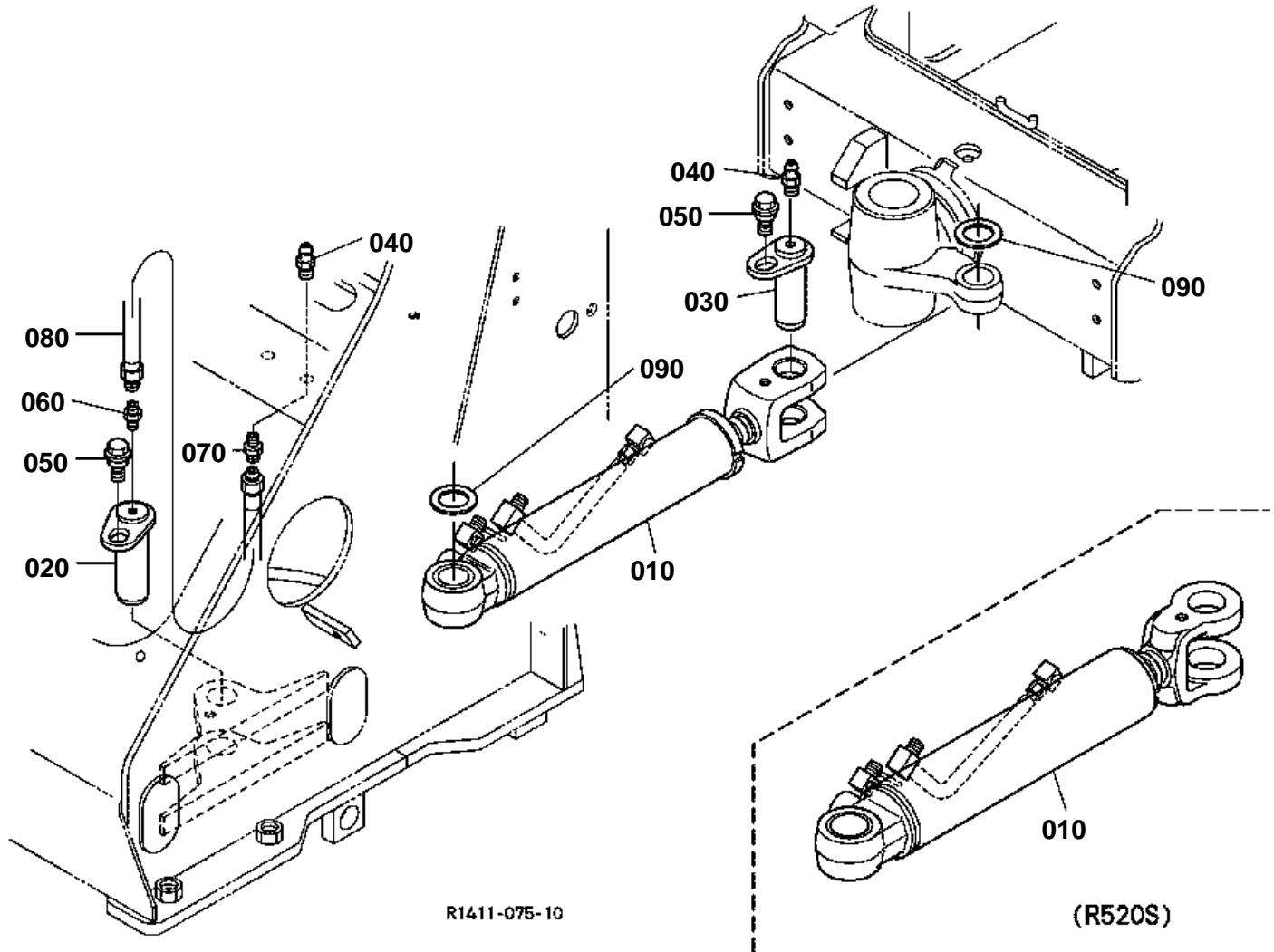


TILT CYLINDER (COMPONENT PARTS)

↔ Interchangeable; ≠ not interchangeable; ← new for old; → old for new

REF.No	Part No.	Description	Q'ty	S.No.	I/C	REMARKS	Weight (kgf)	Weight (lb)
010	R1511-72210	CYLINDER TILT	1				0	0
020	R1511-93510	ASSY TUBE CYLINDER	1				0	0
030	68881-93460	BUSH	1				0.25	0.55
040	R1511-93520	ASSY ROD CYLINDER	1				0	0
050	68881-93660	BUSH	1				0.42	0.924
060	68881-93530	CYLINDER HEAD	1				1.71	3.762
070	68881-93540	CIR CLIP INTERNAL	1				0.008	0.0176
080	68881-93570	BUSH	1				0.09	0.198
090	68881-93620	PISTON	1				1.02	2.244
100	R1411-93560	NUT	1				0	0
110	R1511-93570	PIPE	1				0	0
120	R1411-93280	BOLT	1				0	0
130	68881-93290	WASHER	1				0.008	0.0176
140	R1511-93930	KIT SEAL	1				0	0
150	68881-93550	SEAL DUST	1				0.02	0.044
160	R1511-71860	O RING	1				0	0
170	68881-93580	GASKET	1				0.005	0.011
180	69284-71890	RING BACK UP	1				0.002	0.0044
190	69284-71910	O RING	1				0.004	0.0088
200	69284-71930	PISTON RING	1				0.028	0.0616
210	69284-71940	RING	1				0.01	0.022

STEERING CYLINDER



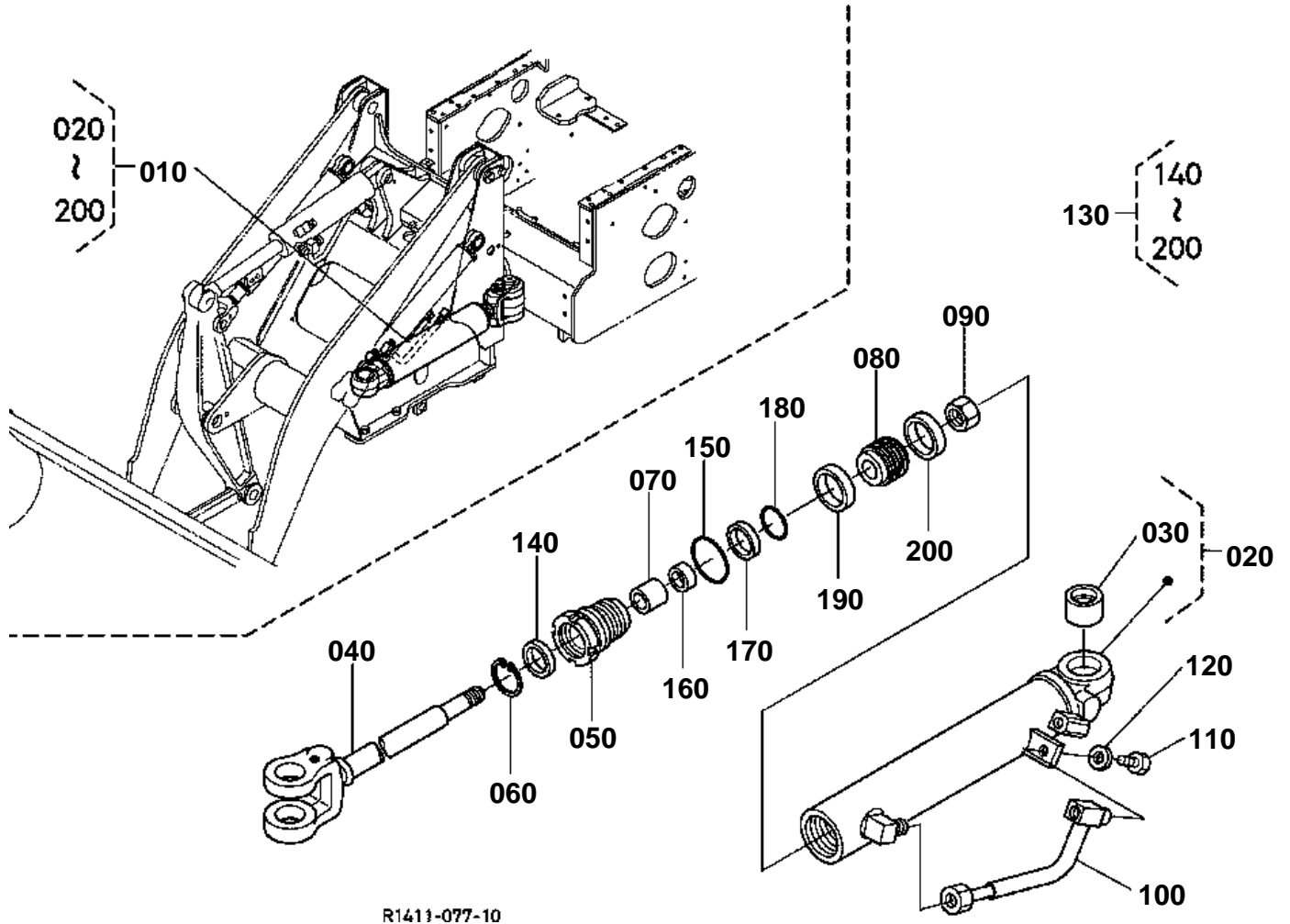


STEERING CYLINDER

↔ Interchangeable; ≠ not interchangeable; ← new for old; → old for new

REF.No	Part No.	Description	Q'ty	S.No.	I/C	REMARKS	Weight (kgf)	Weight (lb)
010	R1511-34810	CYLINDER STEERING	1				0	0
020	R1511-34830	PIN	1				0	0
030	R1511-34830	PIN	1				0	0
040	06611-15010	NIPPLE GREASE	2				0.01	0.022
050	R1411-71160	BOLT	2				0	0
060	68721-67480	CONNECTOR	1				0.02	0.044
070	68721-67480	CONNECTOR	1				0.02	0.044
080	68191-67470	TUBE GREASE	1				0.02	0.044
090	68741-66860	SHIM	2			1.0mm	0.02	0.044
090	RB401-67620	SHIM	2			0.5mm	0.011	0.0242

STEERING CYLINDER (COMPONENT PARTS)



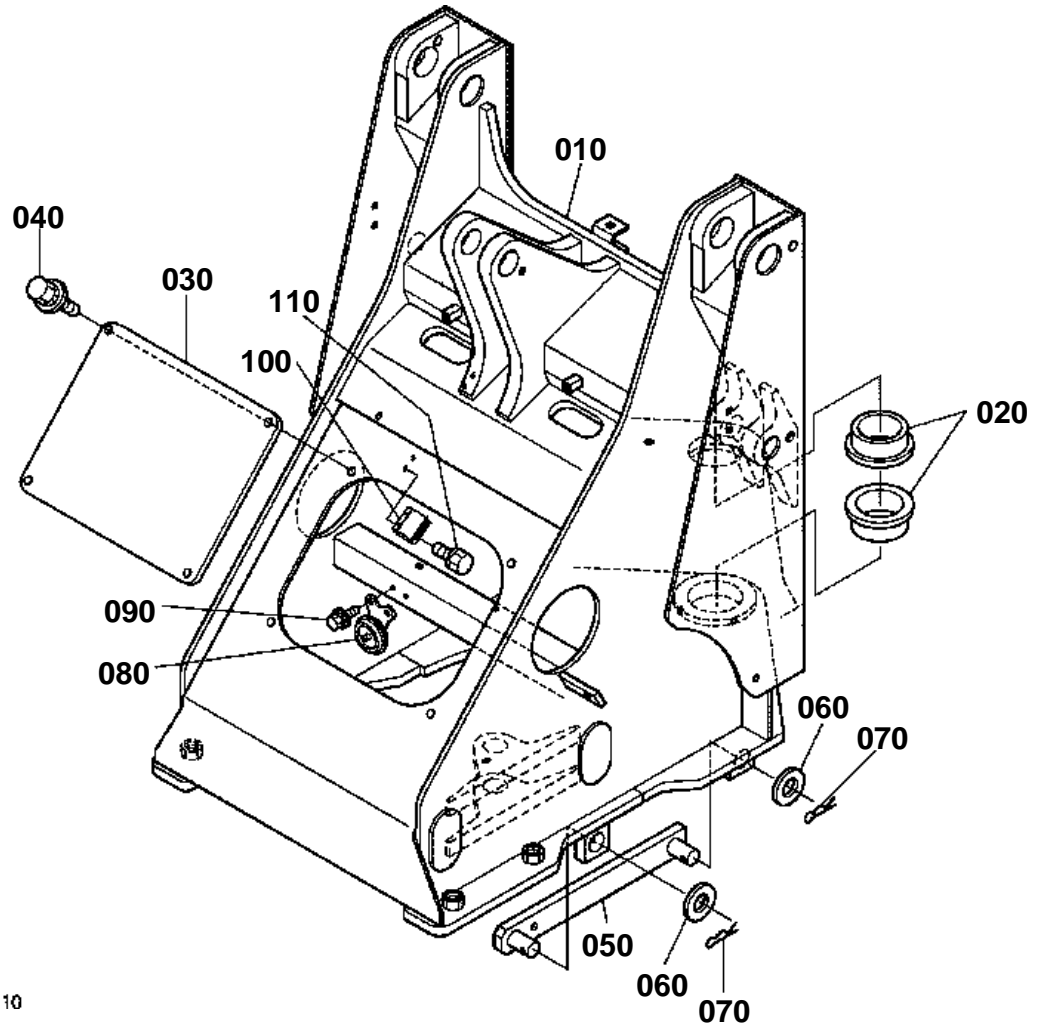


STEERING CYLINDER (COMPONENT PARTS)

↔ Interchangeable; ≠ not interchangeable; ← new for old; → old for new

REF.No	Part No.	Description	Q'ty	S.No.	I/C	REMARKS	Weight (kgf)	Weight (lb)
010	R1511-34810	CYLINDER STEERING	1				0	0
020	R1511-93110	TUBE CYLINDER	1				0	0
030	68881-93460	BUSH	1				0.25	0.55
040	R1511-93120	ROD STRG.CYLINDER	1				0	0
050	68881-93130	CYLINDER HEAD	1				1.35	2.97
060	68881-93140	CIR CLIP INTERNAL	1				0.001	0.0022
070	68881-93170	BUSH	1				0.04	0.088
080	68881-93220	PISTON	1				0.64	1.408
090	R1511-93250	NUT	1				0	0
100	R1511-93260	PIPE	1				0	0
110	R1411-93280	BOLT	1				0	0
120	68881-93290	WASHER	1				0.008	0.0176
130	R1511-93910	KIT SEAL	1				0	0
140	68881-93150	SEAL DUST	1				0.02	0.044
150	R1511-93160	O RING	1				0	0
160	68881-93180	GASKET	1				0.001	0.0022
170	68881-93190	RETAINER O RING	1				0.001	0.0022
180	68881-93210	O RING	1				0.001	0.0022
190	68881-93230	PISTON RING	1				0.01	0.022
200	68881-93240	RING	1				0.005	0.011

FRONT FRAME



R1411-078-10

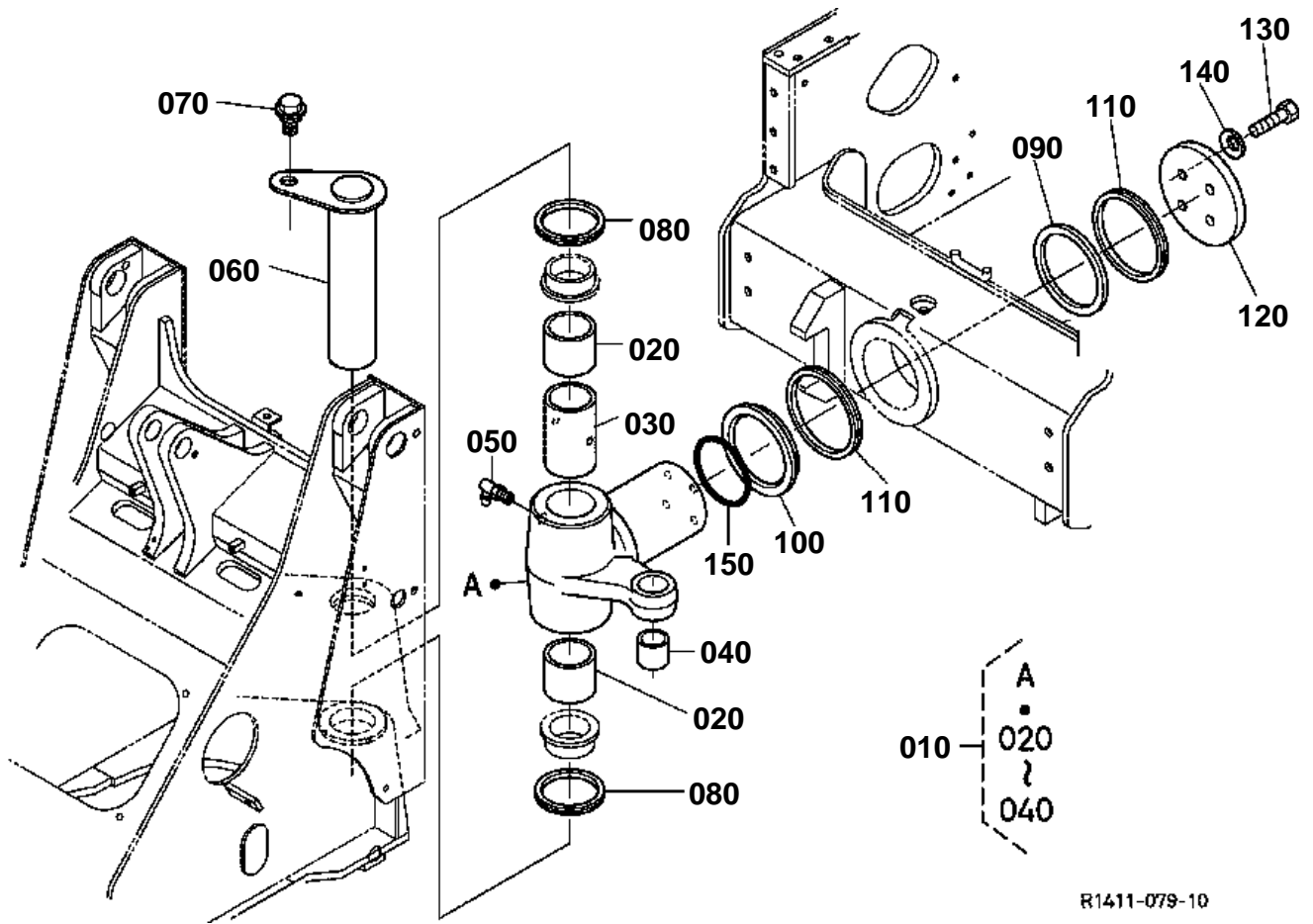


FRONT FRAME

↔ Interchangeable; ≠ not interchangeable; ← new for old; → old for new

REF.No	Part No.	Description	Q'ty	S.No.	I/C	REMARKS	Weight (kgf)	Weight (lb)
010	R1511-41114	FRAME FRONT	1				0	0
020	R1511-41280	BUSH	2				0	0
030	R1411-41130	COVER FRONT	1				0	0
040	01135-61020	BOLT	4				0.015	0.033
050	R2401-41510	LINK	1				2.396	5.2712
060	04011-50250	WASHER PLAIN	2				0.027	0.0594
070	05525-51600	PIN SNAP	2				0.003	0.0066
080	69284-53610	HORN	1				0.25	0.55
090	01025-60616	BOLT	2				0.01	0.022
100	69251-41270	CLAMP	2				0.05	0.11
110	01123-60812	BOLT	4				0.01	0.022

FRAME CONNECTION



R1411-079-10

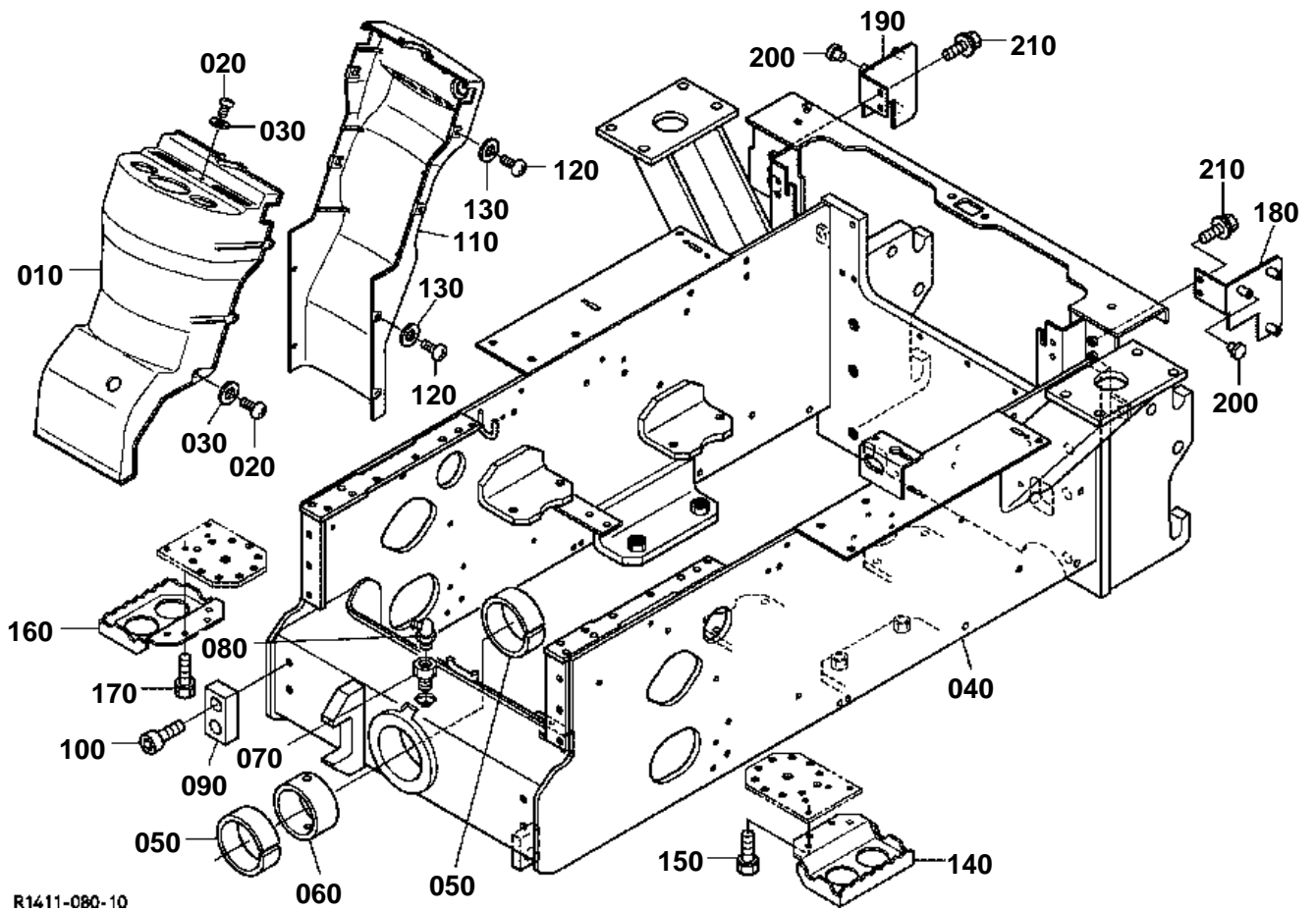


FRAME CONNECTION

↔ Interchangeable; ≠ not interchangeable; ← new for old; → old for new

REF.No	Part No.	Description	Q'ty	S.No.	I/C	REMARKS	Weight (kgf)	Weight (lb)
010	R1511-41040	ASSY SHAFT	1				0	0
020	08511-08050	BUSH	2				0.24	0.528
030	R1501-41160	COLLAR	1				0.5	1.1
040	R1401-71260	BUSH	1				0.26	0.572
050	06616-35010	NIPPLE GREASE	1				0.009	0.0198
060	R1511-41170	PIN CENTER	1				0	0
070	R1411-71160	BOLT	1				0	0
080	R1501-41210	SEAL DUST	2				0.028	0.0616
090	68881-41240	COLLAR THRUST	1				0.03	0.066
100	68881-41250	COLLAR THRUST	1				0.6	1.32
110	68881-41260	SEAL DUST	2				0.04	0.088
120	R1511-41270	PLATE END	1				0	0
130	01173-61640	BOLT	4				0.085	0.187
140	36500-49410	SPRING PLATE	4				0.022	0.0484
150	04811-51300	O RING	1				0.004	0.0088

REAR FRAME



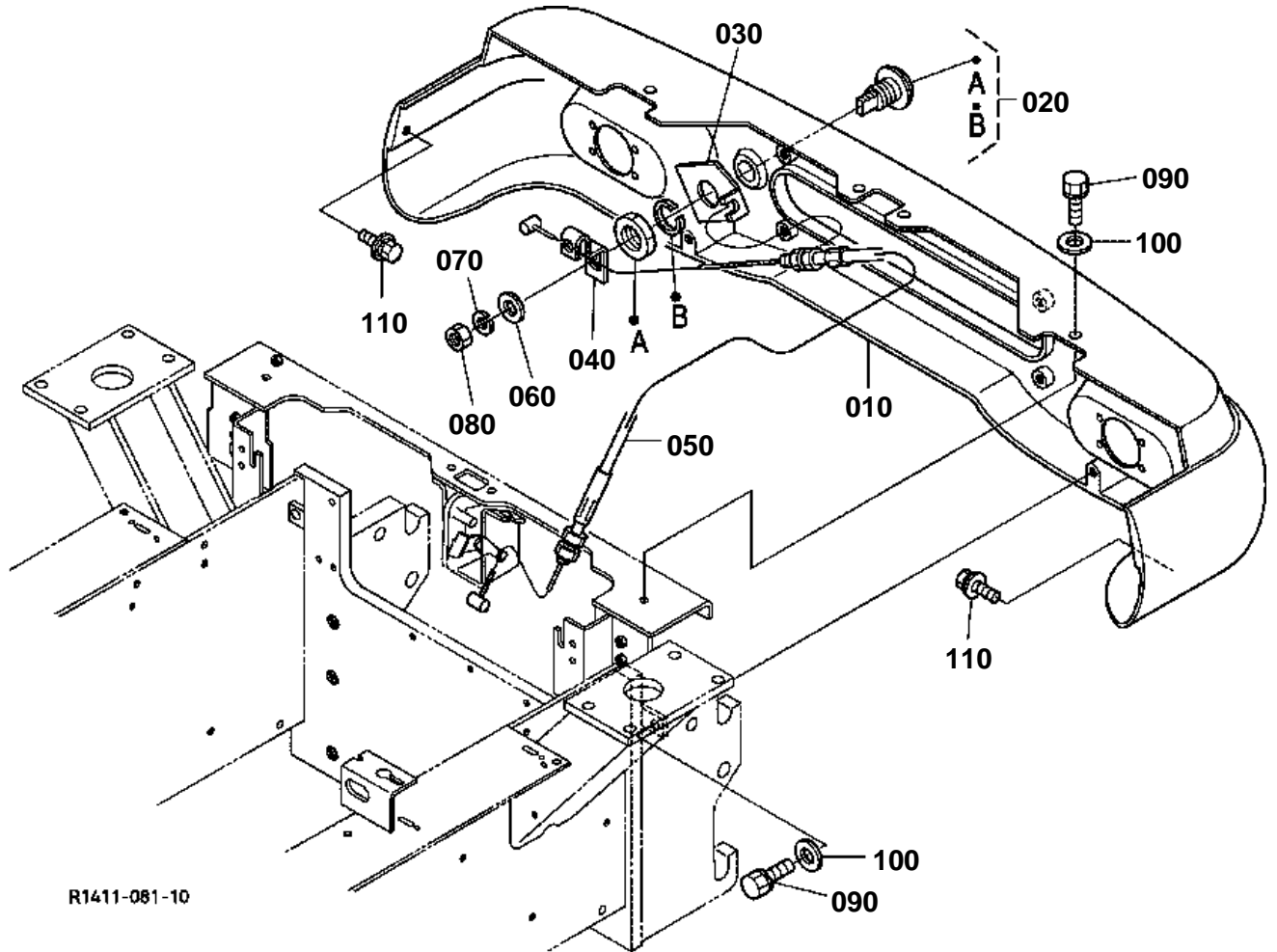
R1411-080-10

**REAR FRAME**

↔ Interchangeable; ≠ not interchangeable; ← new for old; → old for new

REF.No	Part No.	Description	Q'ty	S.No.	I/C	REMARKS	Weight (kgf)	Weight (lb)
010	R1411-41430	COVER	1				0	0
020	34070-45580	SCREW CR-REC-BD-HD	3				0.004	0.0088
030	R1401-41450	WASHER PLAIN	3				0.001	0.0022
040	R2511-41313	FRAME REAR	1				0	0
050	08511-13050	BUSH	2				0.08	0.176
060	68881-41230	COLLAR	1				0.41	0.902
070	68817-41290	BUSHING	1				0.023	0.0506
080	06616-25010	NIPPLE GREASE	1				0.008	0.0176
090	R1401-41330	CUSHION FRAME	2				0.11	0.242
100	R1411-41340	BOLT HEX-SOC-HD	4				0	0
110	R1411-41410	COVER	1				0	0
120	55571-41250	SCREW CR-REC-BD-HD	8				0.004	0.0088
130	33740-54090	WASHER PLAIN	8				0.003	0.0066
140	R1411-41360	STEP	1				0	0
150	01123-60820	BOLT	4				0.015	0.033
160	R1411-41360	STEP	1				0	0
170	01123-60820	BOLT	4				0.015	0.033
180	R1411-43710	PLATE LH	1				0	0
190	R1411-43720	PLATE RH	1				0	0
200	68543-46160	CAP	6				0.005	0.011
210	01125-60820	BOLT	4				0.015	0.033

REAR FENDER



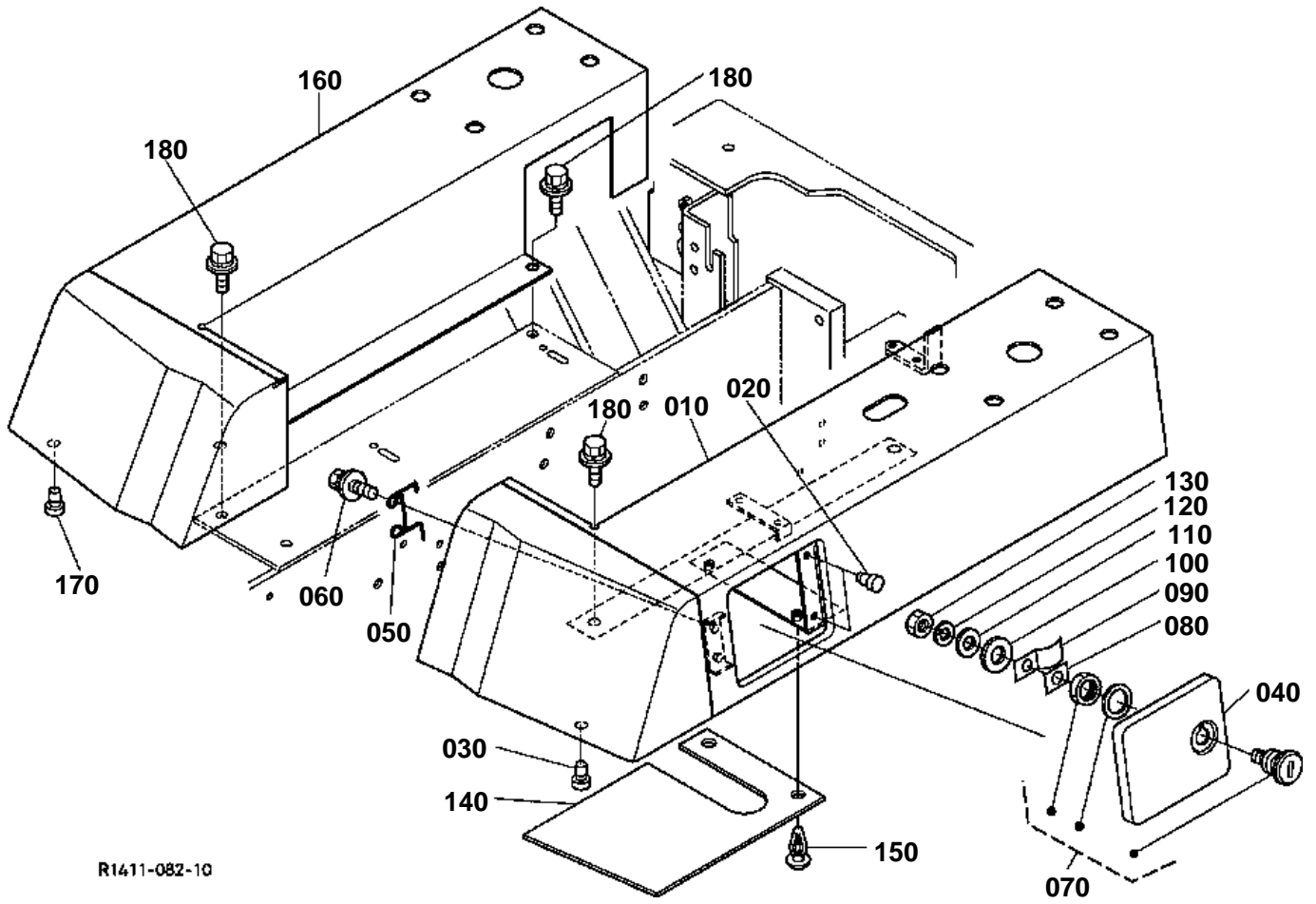
R1411-081-10

**REAR FENDER**

↔ Interchangeable; ≠ not interchangeable; ← new for old; → old for new

REF.No	Part No.	Description	Q'ty	S.No.	I/C	REMARKS	Weight (kgf)	Weight (lb)
010	R1411-41610	FENDER REAR	1				0	0
020	RC101-43540	ASSY LOCK CYLINDER	1				0.12	0.264
030	R1401-43280	BRACKET CABLE	1				0.055	0.121
040	R1401-43260	PLATE KEY	1				0.013	0.0286
050	R1401-43250	CABLE	1				0.06	0.132
060	04013-60100	WASHER PLAIN	1				0.003	0.0066
070	04512-60100	WASHER SPRING	1				0.002	0.0044
080	02114-60100	NUT	1				0.008	0.0176
090	01133-61025	BOLT	4				0.02	0.044
100	04015-60100	WASHER PLAIN	4				0.015	0.033
110	01125-60816	BOLT	2				0.01	0.022

MUD GUAD

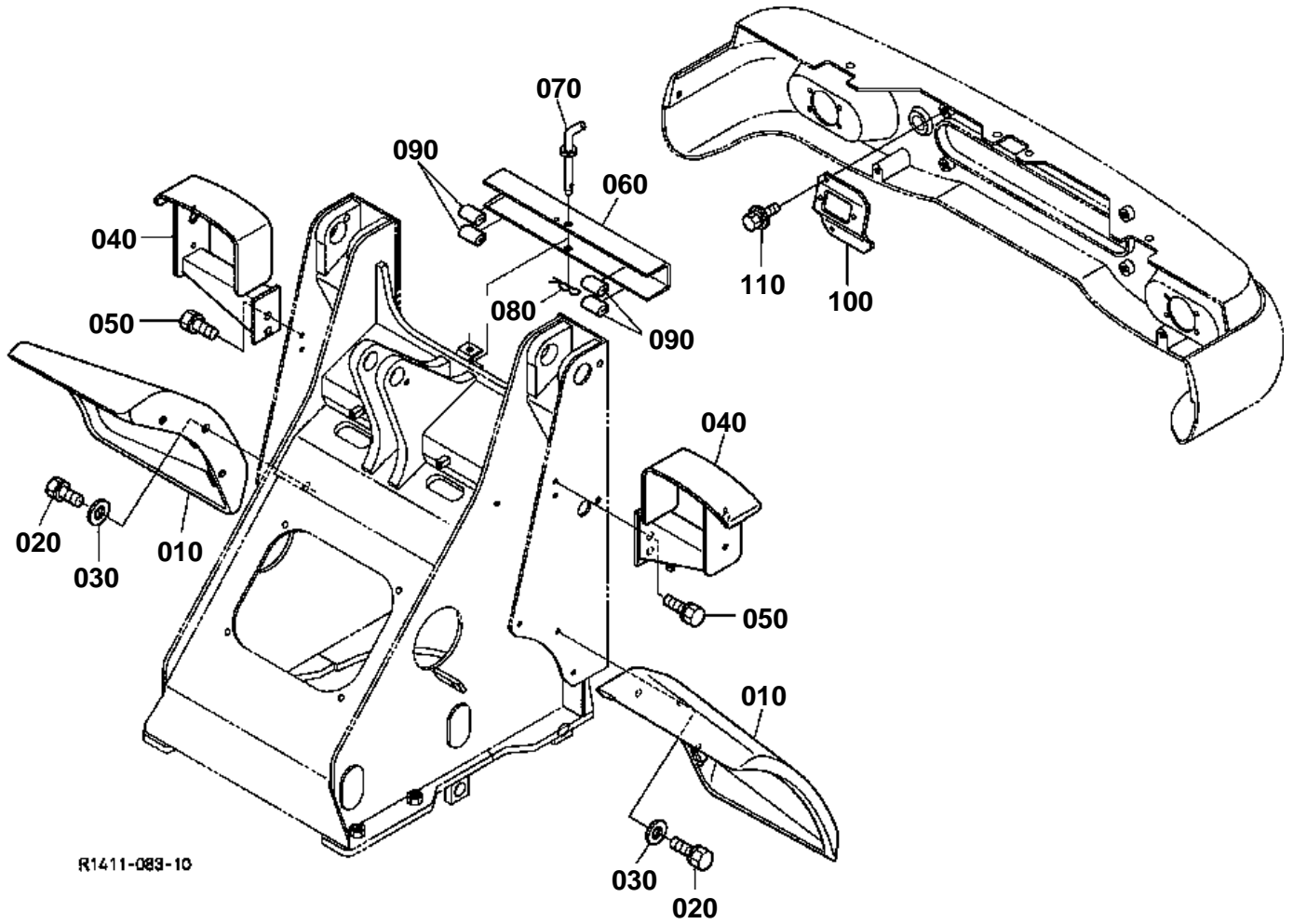


R1411-082-10

**MUD GUAD**

↔ Interchangeable; ≠ not interchangeable; ← new for old; → old for new

REF.No	Part No.	Description	Q'ty	S.No.	I/C	REMARKS	Weight (kgf)	Weight (lb)
010	R1411-41624	FENDER LH	1				0	0
020	31355-83130	CUSHION	2				0.003	0.0066
030	38240-29870	CUSHION	1				0.004	0.0088
040	R2401-41640	COVER	1				0.21	0.462
050	R1411-41670	HINGE	1				0	0
060	01135-61020	BOLT	2				0.015	0.033
070	RC101-43540	ASSY LOCK CYLINDER	1				0.12	0.264
080	36330-29300	SHIM ADJUSTING	1				0.001	0.0022
090	R1401-41680	LEVER	1				0.009	0.0198
100	04013-60160	WASHER PLAIN	1				0.01	0.022
110	04013-60100	WASHER PLAIN	1				0.003	0.0066
120	04512-60100	WASHER SPRING	1				0.002	0.0044
130	02114-60100	NUT	1				0.008	0.0176
140	R1401-41662	MUD GUADE	1				0.33	0.726
150	RC411-66840	PLUG	2				0.001	0.0022
160	R1411-41630	FENDER RH	1				0	0
170	38240-29870	CUSHION	1				0.004	0.0088
180	01135-61025	BOLT	4				0.04	0.088



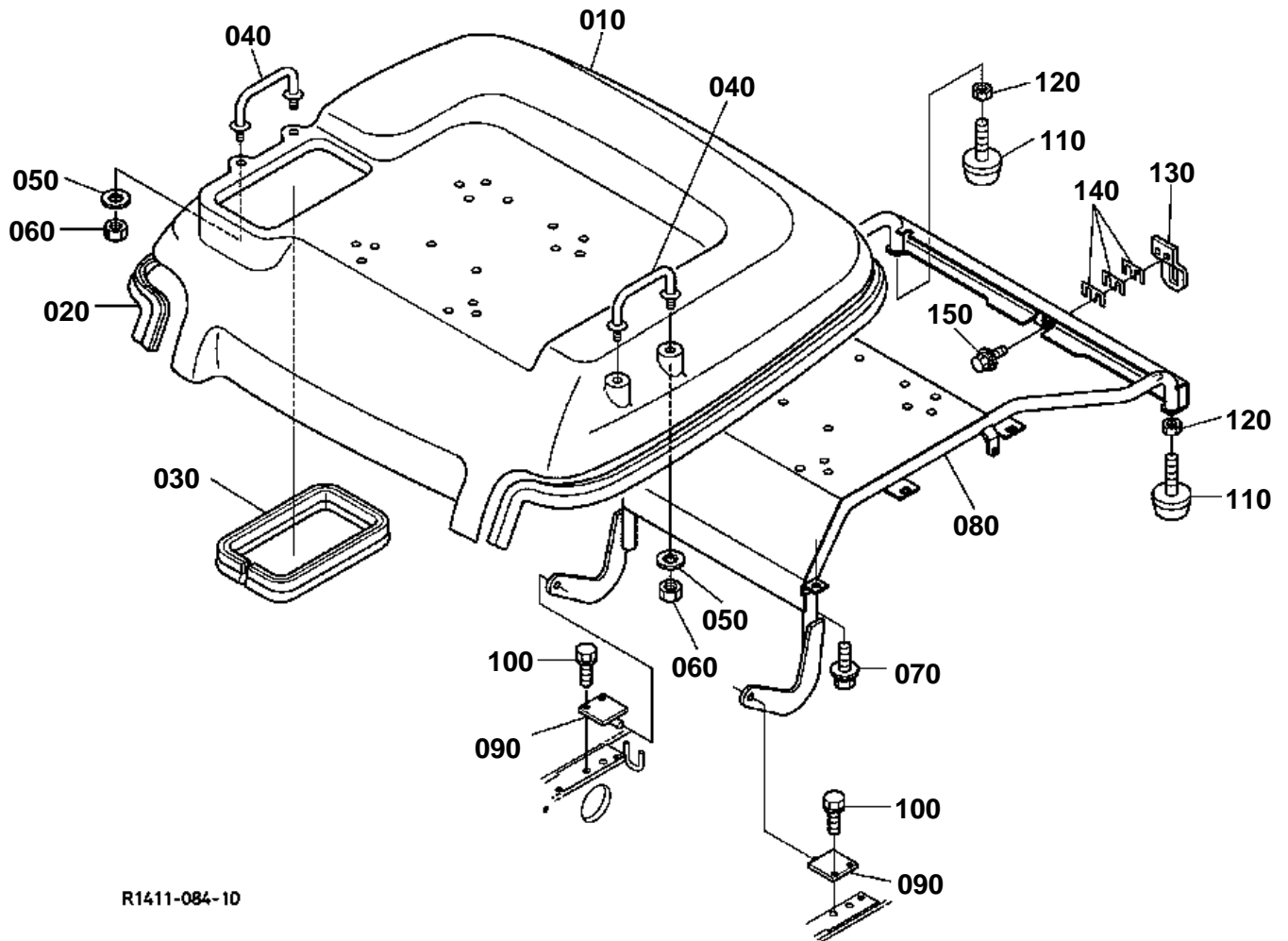
R1411-083-10

**FENDER**

↔ Interchangeable; ≠ not interchangeable; ← new for old; → old for new

REF.No	Part No.	Description	Q'ty	S.No.	I/C	REMARKS	Weight (kgf)	Weight (lb)
010	R1411-44540	FENDER FRONT	2				0	0
020	01133-61020	BOLT	6				0.02	0.044
030	04015-60100	WASHER PLAIN	6				0.015	0.033
040	R1411-44630	BRACKET LIGHT	2				0	0
050	01133-61020	BOLT	4				0.02	0.044
060	R1411-44310	STOPPER CYLINDER	1				0	0
070	69110-21190	PIN	1				0.08	0.176
080	05525-51200	PIN SNAP	1				0.003	0.0066
090	R1401-44330	TRIM SASH	4				0.007	0.0154
100	R1401-44650	BRACKET BACK LAMP	1				0.168	0.3696
110	01125-60816	BOLT	2				0.01	0.022

HOOD



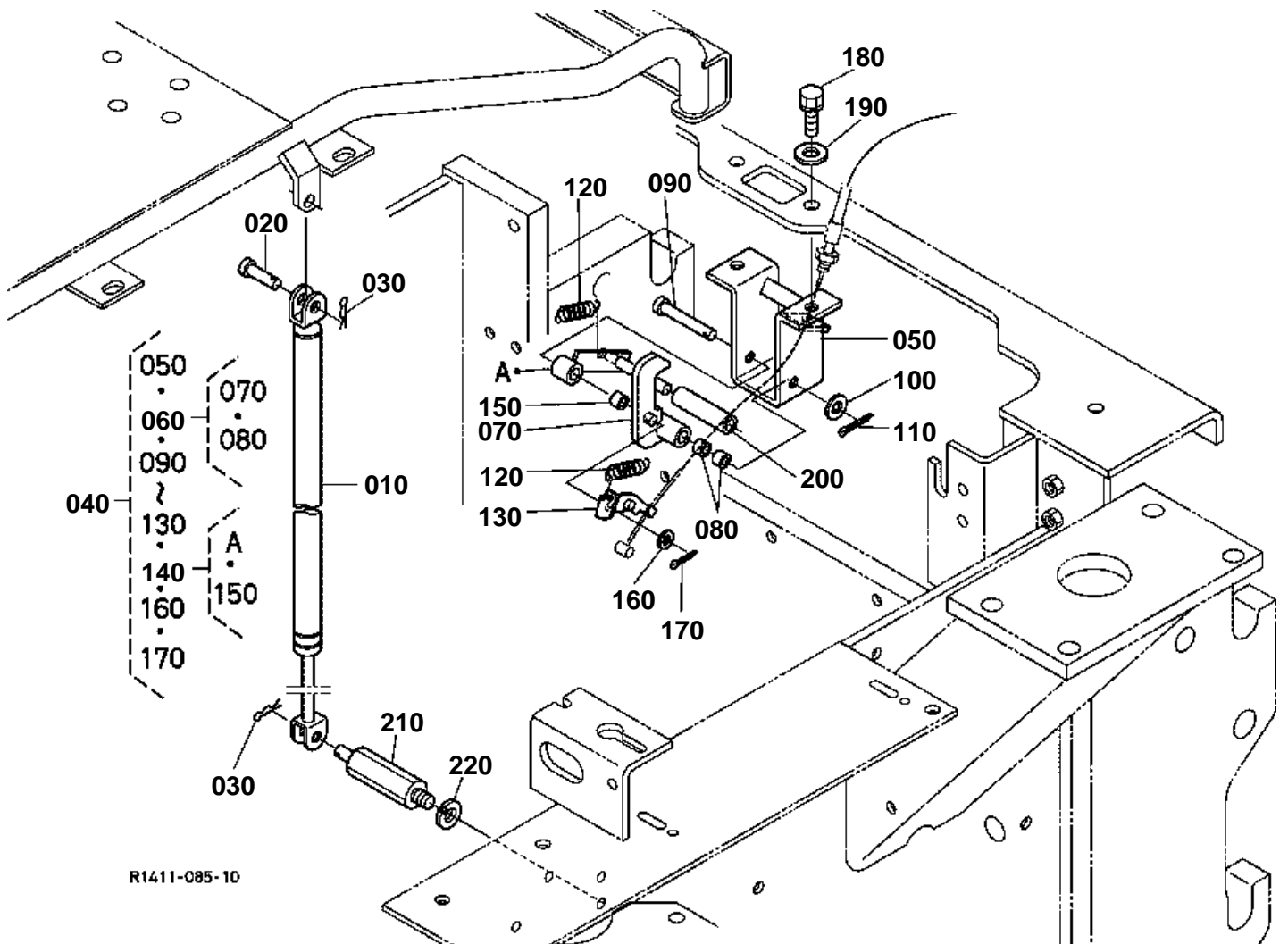
R1411-084-10

**HOOD**

↔ Interchangeable; ≠ not interchangeable; ← new for old; → old for new

REF.No	Part No.	Description	Q'ty	S.No.	I/C	REMARKS	Weight (kgf)	Weight (lb)
010	R1411-43110	BONNET	1				0	0
020	R1411-43150	TRIM	1				0	0
030	R1401-43170	TRIM	1				0.16	0.352
040	34670-29440	HANDRAIL	2				0.1	0.22
050	04013-60140	WASHER PLAIN	4				0.01	0.022
060	02176-60140	NUT	4				0.014	0.0308
070	01135-61020	BOLT	8				0.015	0.033
080	R1411-43120	FRAME	1				0	0
090	R1411-43140	BRACKET BONNET	2				0	0
100	01133-61030	BOLT	4				0.023	0.0506
110	48100-51540	CUSHION	2				0.04	0.088
120	02112-60080	NUT	2				0.005	0.011
130	R1401-43270	BRACKET CACH	1				0.118	0.2596
140	R1401-43290	SHIM	3				0.005	0.011
150	01125-60825	BOLT	2				0.016	0.0352

HOOD LOCK

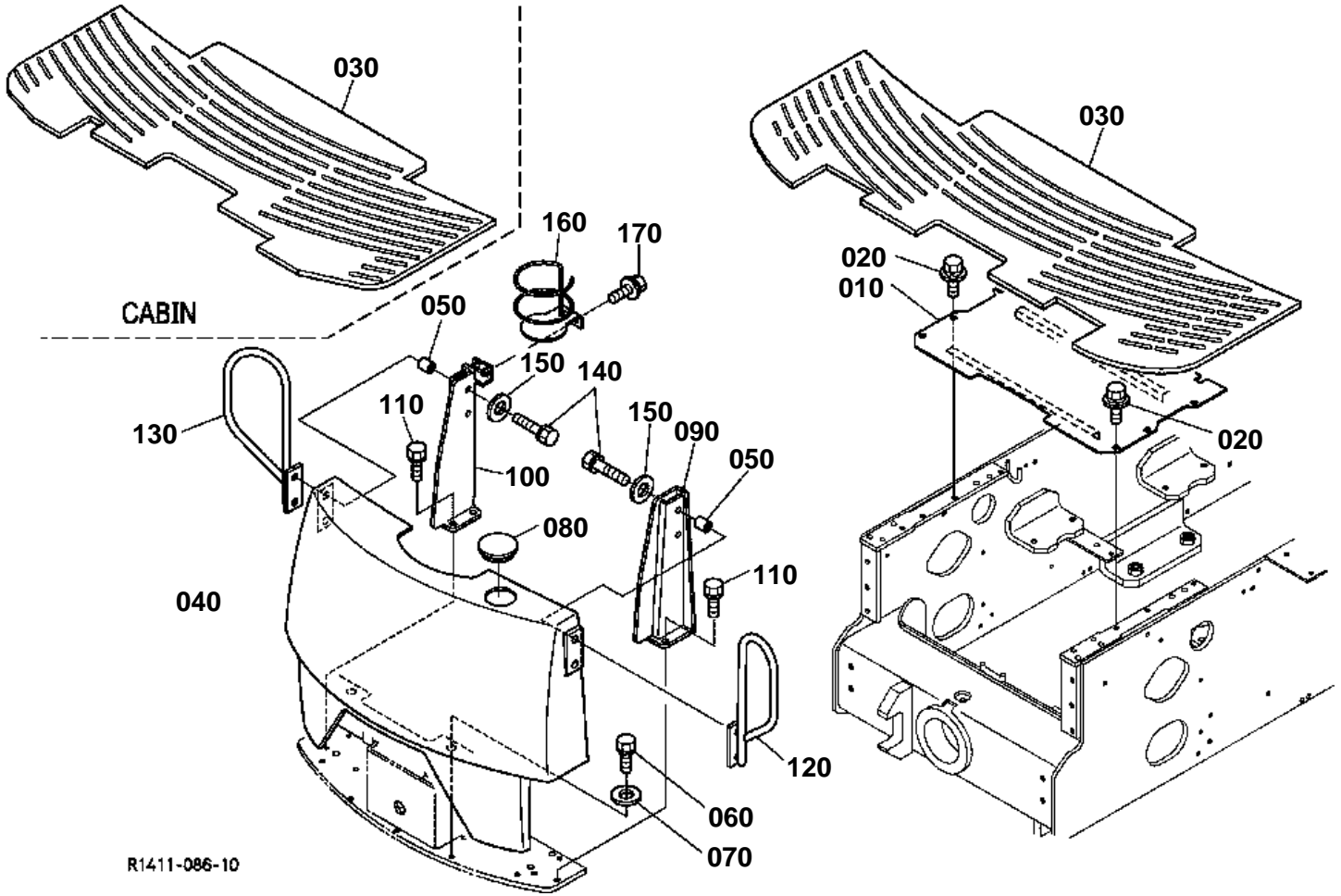


R1411-085-10

**HOOD LOCK**

↔ Interchangeable; ≠ not interchangeable; ← new for old; → old for new

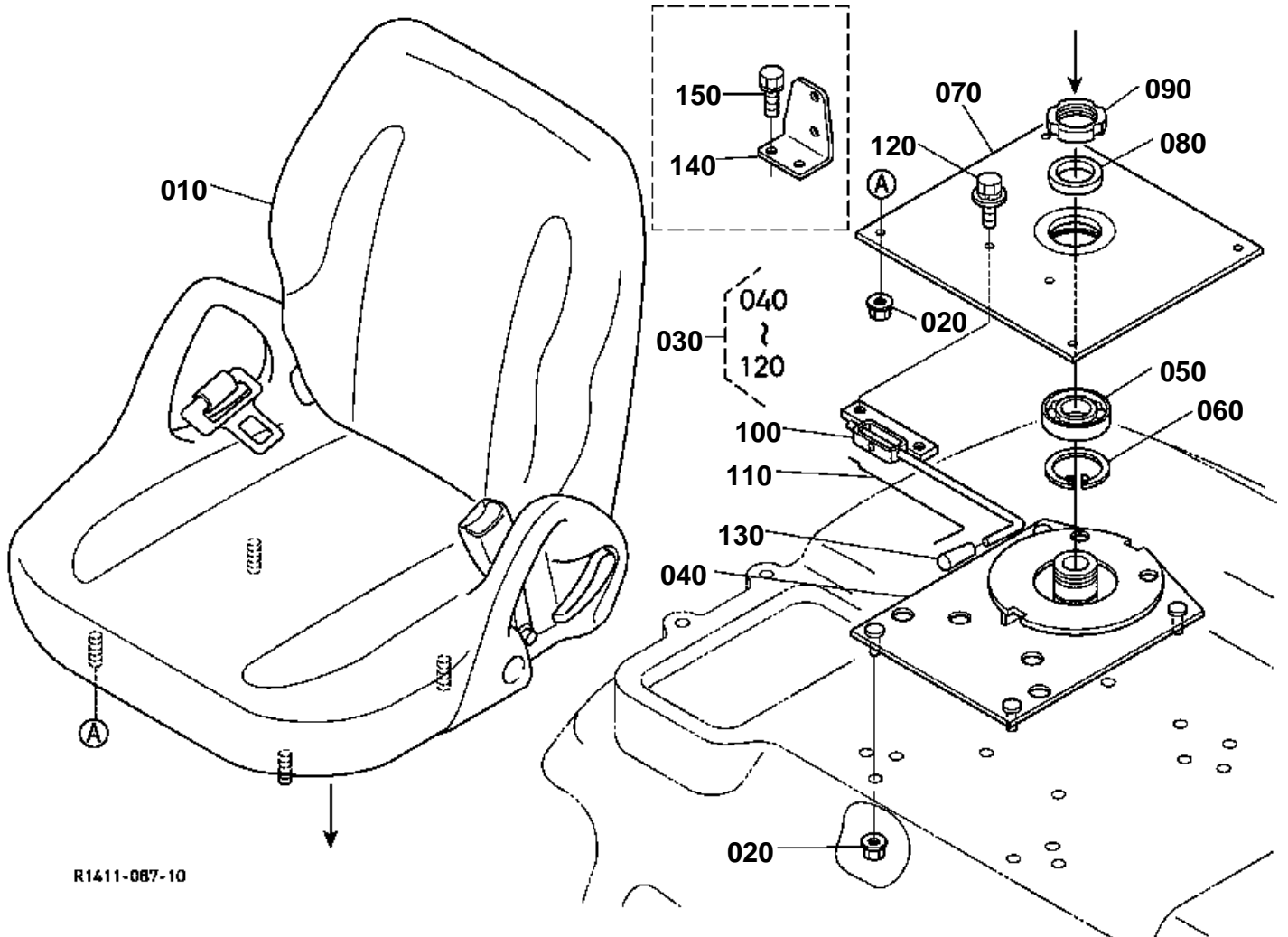
REF.No	Part No.	Description	Q'ty	S.No.	I/C	REMARKS	Weight (kgf)	Weight (lb)
010	R2401-43310	DAMPER GAS	1				0.474	1.0428
020	05122-51030	PIN JOINT	1				0.02	0.044
030	05525-61000	PIN SNAP	2				0.002	0.0044
040	R1401-43200	ASSY HOOK	1				0.75	1.65
050	R1401-43210	BRACKET	1				0.404	0.8888
060	R1401-43300	ASSY PLATE	1				0.154	0.3388
070	R1401-43222	PLATE	1				0.15	0.33
080	08511-01012	BUSH	2				0.003	0.0066
090	05122-51065	PIN JOINT	1				0.04	0.088
100	04013-60100	WASHER PLAIN	1				0.003	0.0066
110	05511-50318	PIN SPLIT	1				0.001	0.0022
120	87200-22310	SPRING LEVER RETURN	2				0.003	0.0066
130	R1401-43230	LINK	1				0.044	0.0968
140	R1401-43350	ASSY LEVER	1				0.09	0.198
150	08511-01012	BUSH	1				0.003	0.0066
160	04013-60060	WASHER PLAIN	1				0.001	0.0022
170	05511-51612	PIN SPLIT	1				0.001	0.0022
180	01133-61025	BOLT	2				0.02	0.044
190	04015-60100	WASHER PLAIN	2				0.015	0.033
200	09664-80030	TUBE FUEL	1				0	0
210	R1411-43362	STAY	1				0	0
220	04512-60120	WASHER SPRING	1				0.005	0.011



**OPERATION STAND**

↔ Interchangeable; ≠ not interchangeable; ← new for old; → old for new

REF.No	Part No.	Description	Q'ty	S.No.	I/C	REMARKS	Weight (kgf)	Weight (lb)
010	R1411-44110	STEP	1				0	0
020	01135-61020	BOLT	4				0.015	0.033
030	R1411-44123	MAT	1			CANOPY	0	0
030	R1411-44132	MAT	1			CABIN	0	0
040	R1411-44150	COVER	1			CANOPY	0	0
050	R1401-44140	COLLAR	4			CANOPY	0.016	0.0352
060	01133-61025	BOLT	2			CANOPY	0.02	0.044
070	04015-60100	WASHER PLAIN	2			CANOPY	0.015	0.033
080	R1401-44360	CAP BRAKE TANK	1			CANOPY	0.045	0.099
090	R1411-44160	BRACKET MIRROR L	1			CANOPY	0	0
100	R2411-44170	BRACKET MIRROR R	1			CANOPY	0	0
110	01133-61020	BOLT	6			CANOPY	0.02	0.044
120	R2411-44280	HANDRAIL L	1			CANOPY	0	0
130	R2411-44290	HANDRAIL R	1			CANOPY	0	0
140	01133-61045	BOLT	4			CANOPY	0.035	0.077
150	04013-60100	WASHER PLAIN	4			CANOPY	0.003	0.0066
160	RD118-45410	HOLDER CUP	1			CANOPY	0.31	0.682
170	01125-60816	BOLT	2			CANOPY	0.01	0.022



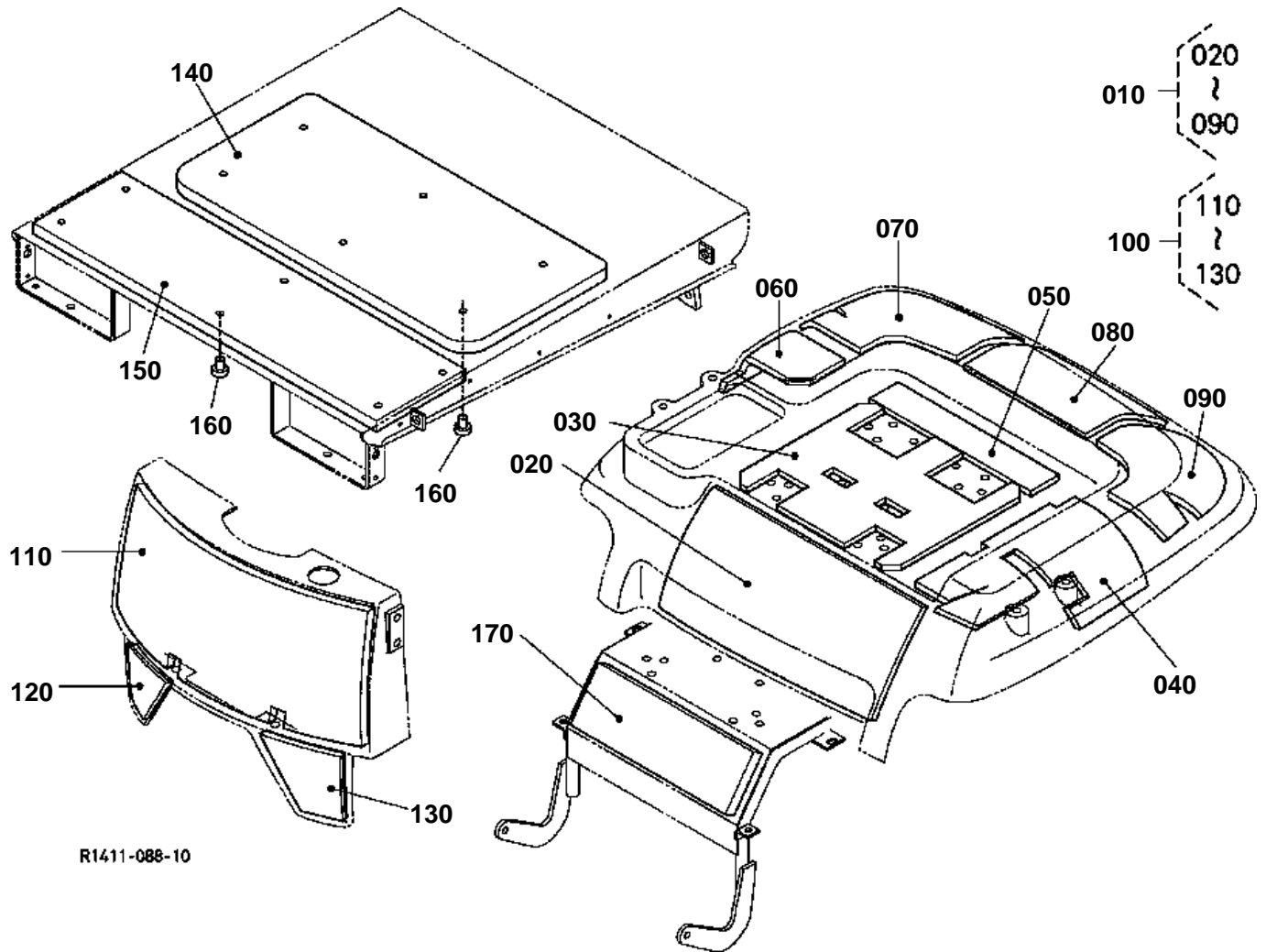
R1411-087-10

**SEAT**

↔ Interchangeable; ≠ not interchangeable; ← new for old; → old for new

REF.No	Part No.	Description	Q'ty	S.No.	I/C	REMARKS	Weight (kgf)	Weight (lb)
010	R2411-38010	ASSY SEAT	1				0	0
020	02751-60080	NUT FLANGE	8				0.006	0.0132
030	R2411-38300	ASSY BASE SEAT	1			KCL	0	0
040	R2401-46310	BASE SEAT	1			KCL	0.356	0.7832
050	08121-06910	BEARING BALL	1			KCL	0.14	0.308
060	04611-00720	CIR CLIP INTERNAL	1			KCL	0.018	0.0396
070	R2411-46320	BASE SEAT	1			KCL	0	0
080	R2401-46330	COLLAR	1			KCL	0.073	0.1606
090	02410-00100	NUT BEARING	1			KCL	0.145	0.319
100	68849-46350	ASSY LEVER	1			KCL	0.3	0.66
110	68849-46370	BAR TORSION	1			KCL	0.01	0.022
120	01125-60816	BOLT	2			KCL	0.01	0.022
130	55411-31620	GRIP LEVER	1			KCL	0.03	0.066
140	68817-43480	BRACKET SMV MARK	1				0.17	0.374
150	01123-60820	BOLT	2				0.015	0.033

SOUND ABSORBER



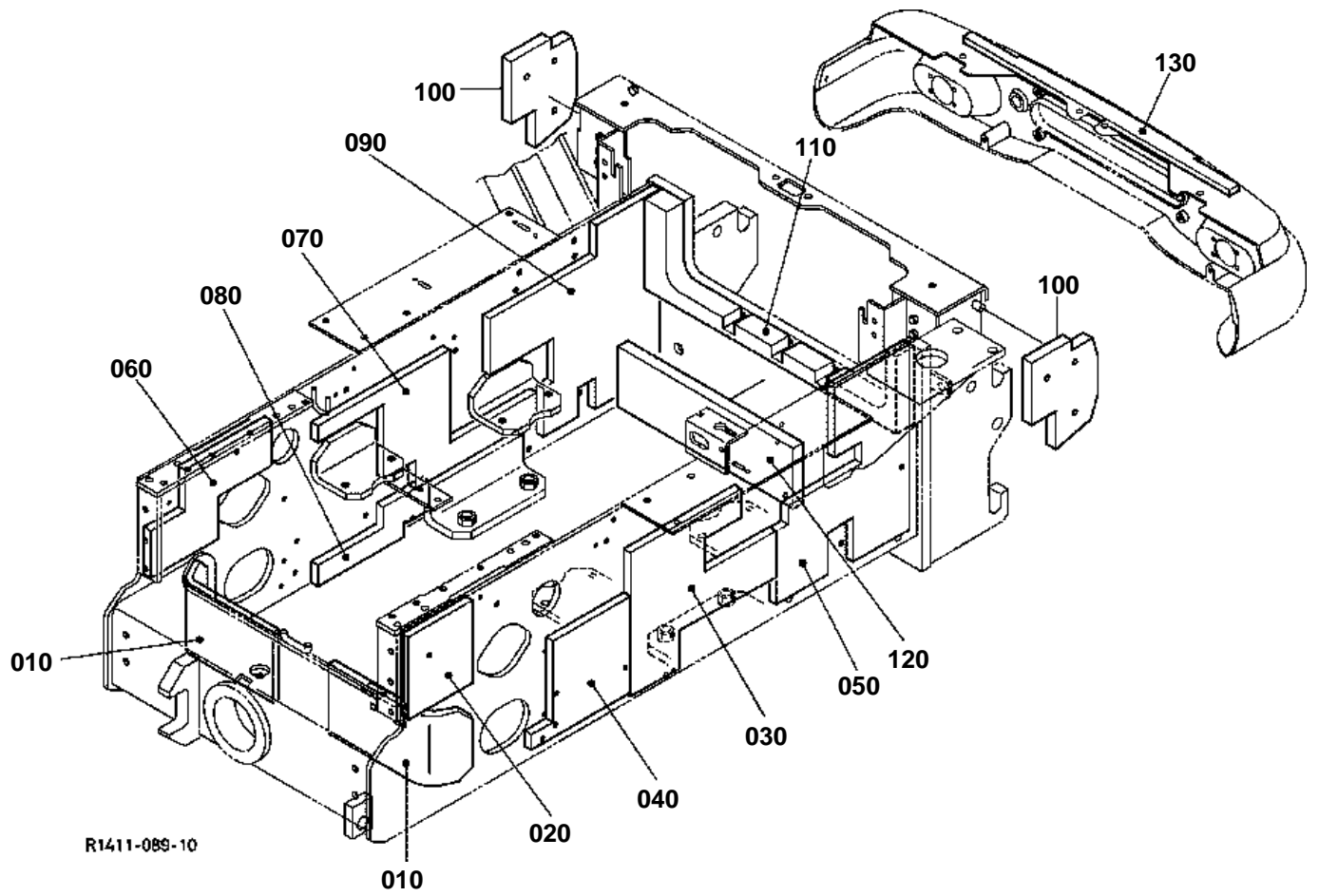


SOUND ABSORBER

↔ Interchangeable; ≠ not interchangeable; ← new for old; → old for new

REF.No	Part No.	Description	Q'ty	S.No.	I/C	REMARKS	Weight (kgf)	Weight (lb)
010	R1411-43700	ASSY SPONGE	1				0	0
020	R1401-43412	SPONGE	1				0.134	0.2948
030	R1401-43424	SPONGE	1				0.116	0.2552
040	R1411-43440	SPONGE	1				0	0
050	R1401-43430	SPONGE	1				0.03	0.066
060	R1401-43460	SPONGE	1				0.12	0.264
070	R1401-43480	SPONGE	1				0.2	0.44
080	R1401-43470	SPONGE	1				0.11	0.242
090	R1401-43490	SPONGE	1				0.2	0.44
100	R1401-43800	ASSY SPONGE	1			CANOPY	0.31	0.682
110	R1401-43510	SPONGE	1			CANOPY	0.3	0.66
120	R1401-43520	SPONGE	1			CANOPY	0.05	0.11
130	R1401-43530	SPONGE	1			CANOPY	0.05	0.11
140	R2411-45310	SPONGE	1			CANOPY	0	0
150	R2411-45320	SPONGE	1			CANOPY	0	0
160	68543-46160	CAP	12			CANOPY	0.005	0.011
170	R1411-43830	NOISE ABSORBER	1				0	0

SOUND ABSORBER

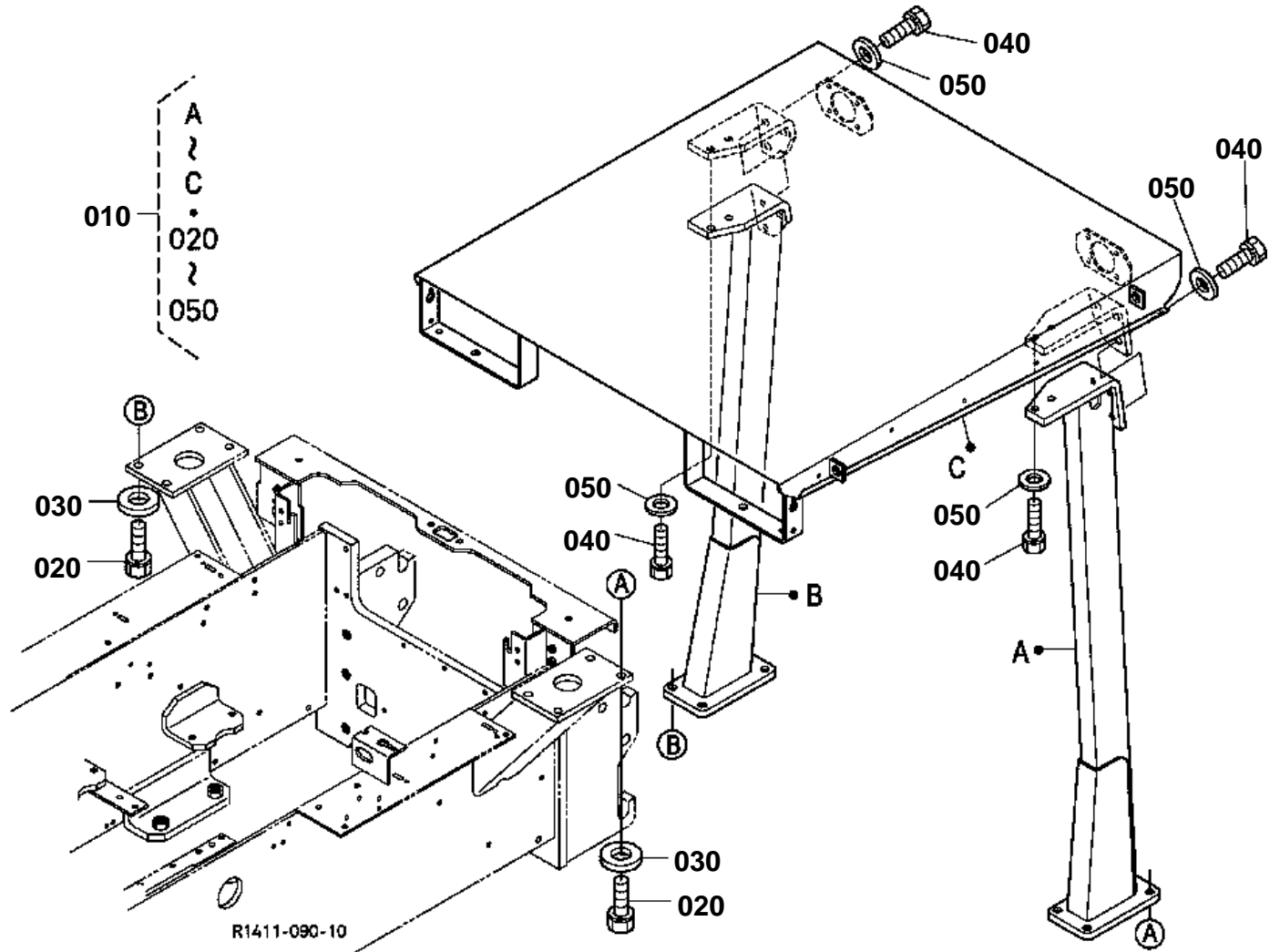




SOUND ABSORBER

↔ Interchangeable; ≠ not interchangeable; ← new for old; → old for new

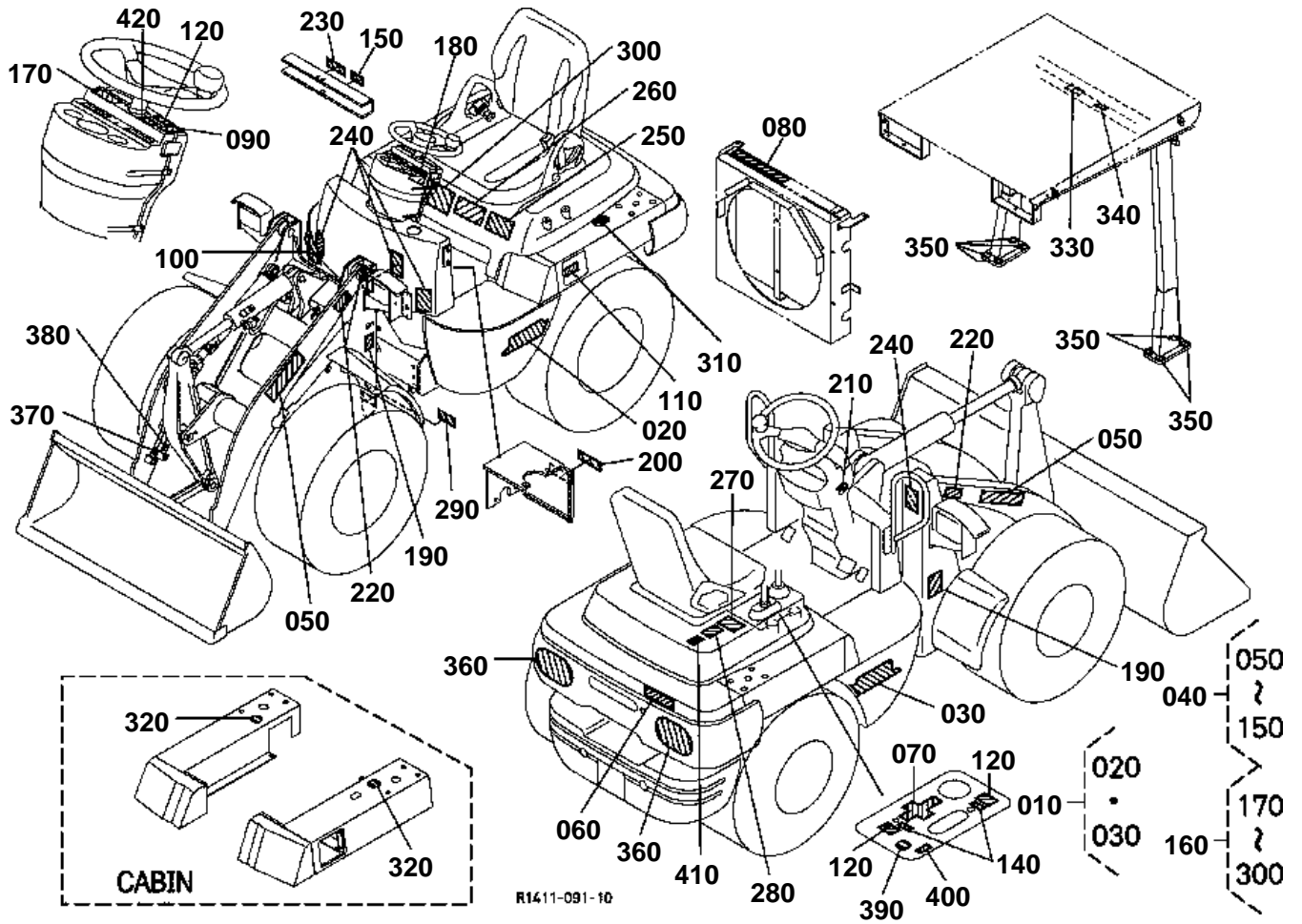
REF.No	Part No.	Description	Q'ty	S.No.	I/C	REMARKS	Weight (kgf)	Weight (lb)
010	R1411-43512	NOISE ABSORBER	2				0	0
020	R1411-43520	NOISE ABSORBER	1				0	0
030	R1411-43530	NOISE ABSORBER	1				0	0
040	R1411-43540	NOISE ABSORBER	1				0	0
050	R1411-43552	NOISE ABSORBER	1				0	0
060	R1411-43620	NOISE ABSORBER	1				0	0
070	R1411-43630	NOISE ABSORBER	1				0	0
080	R1411-43640	NOISE ABSORBER	1				0	0
090	R1411-43652	NOISE ABSORBER	1				0	0
100	R1411-43732	NOISE ABSORBER	2				0	0
110	R1411-43780	SPONGE	1				0	0
120	R1411-43790	SPONGE	1				0	0
130	R1411-43770	NOISE ABSORBER	1				0	0





↔ Interchangeable; ≠ not interchangeable; ← new for old; → old for new

REF.No	Part No.	Description	Q'ty	S.No.	I/C	REMARKS	Weight (kgf)	Weight (lb)
010	R2411-45100	KIT CANOPY	1				0	0
020	01138-51635	BOLT	8				0.45	0.99
030	04011-60160	WASHER PLAIN	8				0.01	0.022
040	01138-61230	BOLT	10				0.018	0.0396
050	04013-60120	WASHER PLAIN	10				0.01	0.022

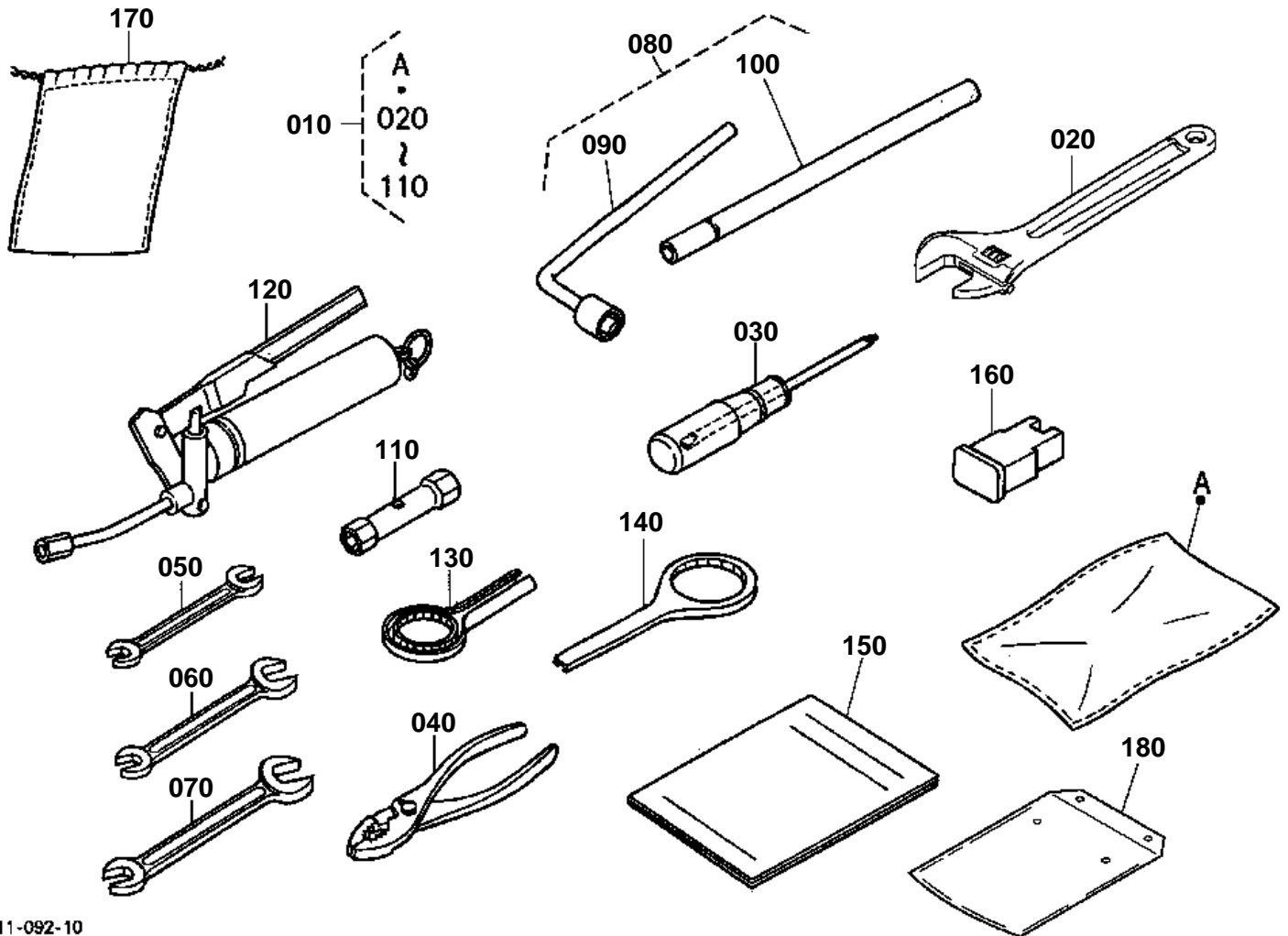




LABEL

↔ Interchangeable; ≠ not interchangeable; ← new for old; → old for new

REF.No	Part No.	Description	Q'ty	S.No.	I/C	REMARKS	Weight (kgf)	Weight (lb)
010	R2511-57100	ASSY LABEL	1				0	0
020	R2511-57130	LABEL	1				0	0
030	R2511-57140	LABEL	1				0	0
040	R2411-57200	ASSY LABEL	1				0	0
050	68328-57270	MARK KUBOTA	2				0.02	0.044
060	R2401-57180	LABEL KUBOTA	1				0.002	0.0044
070	R2401-57220	LABEL	1				0.001	0.0022
080	R2411-57850	LABEL	1				0	0
090	R1401-57213	LABEL SP-CHANGE	1				0.001	0.0022
100	R2401-57350	LABEL	1				0.001	0.0022
110	R2401-57360	LABEL FUEL	1				0.001	0.0022
120	R1401-57230	LABEL LOCK	2				0.001	0.0022
130	99999-99999	BLANK	0				0	0
140	R2401-57620	LABEL	2				0.001	0.0022
150	R2401-57630	LABEL	1				0.001	0.0022
160	R2511-57300	ASSY LABEL	1				0	0
170	R2401-57340	LABEL ENGINE START	1				0.002	0.0044
180	R2401-57570	LABEL ENGINE START	1				0.002	0.0044
190	R2401-57530	LABEL	2				0.002	0.0044
200	R2401-57550	LABEL BRAKE	1				0.001	0.0022
210	R2401-57320	LABEL MAIN SWITCH	1				0.001	0.0022
220	R2401-57540	LABEL SUPPORT	2				0.002	0.0044
230	68817-57810	LABEL LIFT ARM SUPP.	1				0.002	0.0044
240	R2401-57560	LABEL	4				0.005	0.011
250	R2401-57582	LABEL	1				0.004	0.0088
260	R2401-57590	LABEL	1				0.004	0.0088
270	R2401-57250	LABEL	1				0.003	0.0066
280	R2401-57260	LABEL LEVER LOCK	1				0.003	0.0066
290	R2501-57310	LABEL	1				0.001	0.0022
300	R2401-57640	LABEL	1				0.006	0.0132
310	R1411-57460	LABEL	1			CANOPY	0	0
320	R2401-45250	LABEL CANOPY	2			CABIN	0.001	0.0022
330	R2401-57510	LABEL ROPS	1			CANOPY	0.001	0.0022
340	R2401-57520	LABEL ROPS	1			CANOPY	0.001	0.0022
350	R2401-45410	LABEL CANOPY	8			CANOPY	0.001	0.0022
360	R2401-41710	LABEL	2				0.023	0.0506
370	68841-57930	MARK	1			S/P	0.002	0.0044
380	68841-57940	MARK	1			S/P	0.002	0.0044
390	R2401-57780	LABEL COVER	1			KTC	0.002	0.0044
400	R2401-57750	LABEL	1			KCL	0.001	0.0022
410	R2401-57760	LABEL	1			KCL	0.001	0.0022
420	R2401-57770	LABEL	1			KCL	0.001	0.0022



R1411-092-10

**ACCESSORIES**

↔ Interchangeable; ≠ not interchangeable; ← new for old; → old for new

REF.No	Part No.	Description	Q'ty	S.No.	I/C	REMARKS	Weight (kgf)	Weight (lb)
010	R2401-81100	ASSY TOOLS	1				1.892	4.1624
020	68331-81220	WRENCH MONKEY	1				0.24	0.528
030	07115-56143	SCREWDRIVER CROSS	1				0.04	0.088
040	07211-10150	PLIERS	1				0.16	0.352
050	07012-11012	SPANNER	1				0.041	0.0902
060	07012-11417	SPANNER	1				0.084	0.1848
070	07012-11719	SPANNER	1				0.124	0.2728
080	68861-81110	ASSY WRENCH WHEEL	1				1	2.2
090	68861-81120	WRENCH WHEEL	1				0.7	1.54
100	68841-81130	PIPE	1				0.32	0.704
110	07013-01012	WRENCH(SOCKET)	1				0.144	0.3168
120	RB208-81110	SQUEEZER GREASE	1				1.3	2.86
130	15241-86612	WRENCH FILTER	1				0.115	0.253
140	15527-86610	WRENCH FILTER	1				0.15	0.33
150	R2411-81210	MANUAL INSTRUCTION	1				0	0
160	RC411-53980	FUSE	1				0.007	0.0154
170	68311-81130	BAG TOOLS	1				0.03	0.066
180	R2401-81310	BAG INSTRUCTION MAN.	1				0.11	0.242