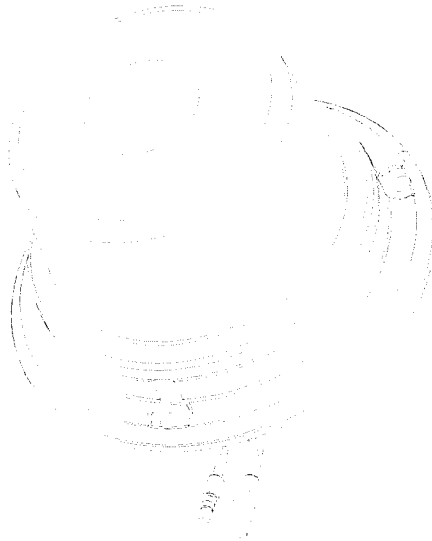


**STROBE LIGHT WITH MOUNT KIT FOR RTV X1100**

P/N: 77700-VC5058



---

**BEFORE YOU START**

---

**HELPFUL REMINDERS:**

Read and understand all instructions before beginning.  
Approximate installation time: 30 MINUTES

---

**TOOLS REQUIRED:**

7mm open end wrenches and/or sockets  
Phillips Screwdriver

---

**CARE AND MAINTENANCE**

---

- Clean plastic lens and outer housing with mild soap and water.
- Avoid use of harsh chemicals on plastic, as they may damage the plastic.

**The contents of this manual are the property of the owner.  
Be sure to leave with the owner when installation is complete.**

## STROBE LIGHT INSTALLATION

### STEP 1: Install Strobe Light

1. Install rubber grommet onto the strobe light wires. Install the grommet and wires into the hole in the bracket.
2. Install (3) M5 x 25mm screws through holes in strobe light & bracket. Fasten using nylon lock nuts and M5 fender washers on underside of bracket. (See Figure 1.2)
3. Install bracket onto vehicle using hardware from vehicle. Connect bullet connectors from vehicle into those coming from the strobe light. (See Figure 1.2)

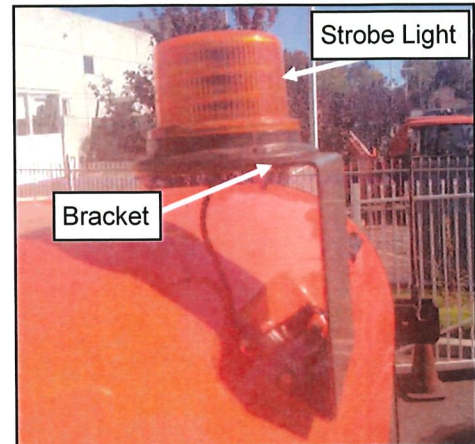


FIGURE 1.2

### STEP 2: Installing Switch / Wiring

1. Remove one of the rectangular switch plugs from the vehicle overhead console. (See Figure 2.1)
2. Locate the wires behind the switch panel that correspond to the wires at the strobe light (green with a yellow stripe and black). Connect these wires to terminals 2 and 3 on strobe light switch provided. (See Figure 2.2) Leave terminals 7 and 8 empty.
3. Snap strobe light switch into switch panel, ensuring it is fully secured in place on the panel.

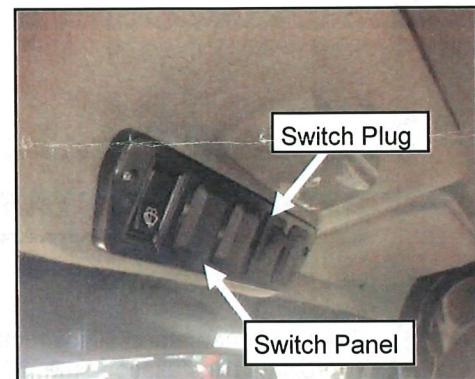


FIGURE 2.1

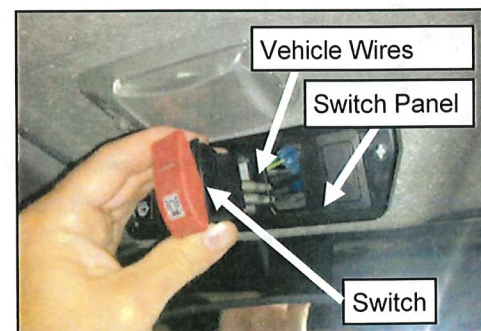
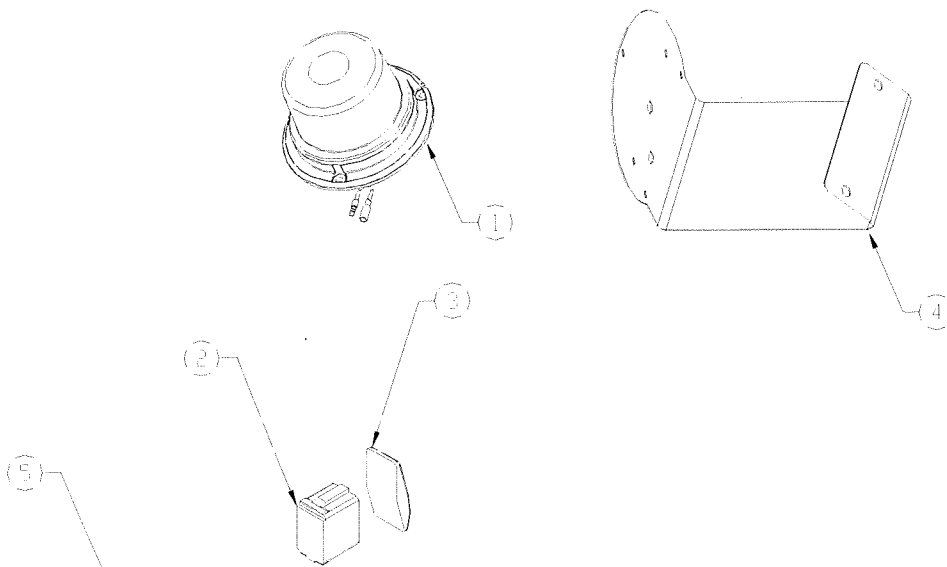


FIGURE 2.2

## KUBOTA RTV X1100 STROBE LIGHT SERVICE PARTS

REF. NO.	KUBOTA P/N	CODE NO.	QTY/KIT	DESCRIPTION
1	77700-05173	6465A	1	LED Strobe Light, Assembly
2	70000-01156	OHC-5	1	Switch, Carling, (Off-On)
3	77700-05176	9PCD1-G	1	Switch cover, rotary beacon
4	77700-05263	KX1100-15	1	Strobe Light Bracket
5	77700-05291	6465A-HWKWC	1	Hardware Kit RTVX1100 (LED Strobe)



### HARDWARE KIT



3x - SCREW, PHILLIPS HEAD SCREW, M5 x 25mm



3x - HEX, NYLON, LOCK NUT, M5



3x - FENDER WASHER M5